



A Textron Company

# **TXT Valor**

## **Service Parts Manual**

10010759 - B  
ISSUED MAY 2020

REVISED NOVEMBER 2020



# SERVICE PARTS MANUAL

## 48V ELECTRIC POWERED VEHICLE

**TXT VALOR**

### STARTING MODEL YEAR 2020

Never modify the vehicle in any way that will alter the weight distribution of the vehicle, decrease its stability or increase the speed beyond the factory specifications. Such modifications can cause serious personal injury or death. Textron Specialized Vehicles prohibits and dis-claims responsibility for any such modifications or any other alteration which would adversely affect the safety of the vehicle.

TSV reserves the right to incorporate engineering and design changes to products in this manual, without obligation to include these changes on units sold previously.

The information contained in this manual may be revised periodically by TSV, and therefore is subject to change without notice.

TSV DISCLAIMS LIABILITY FOR ERRORS IN THIS MANUAL, and SPECIFICALLY DISCLAIMS LIABILITY FOR INCIDENTAL AND CONSEQUENTIAL DAMAGES resulting from the use of the information and materials in this manual.

These are the original instructions as defined by 2006/42/EC.

#### TO CONTACT US:

Textron Specialized Vehicles, Inc.  
1451 Marvin Griffin Road  
Augusta, Georgia, USA 30906-3852

#### NORTH AMERICA:

Technical Assistance & Warranty PHONE: 1-800-774-3946, FAX: 1-800-448-8124

Service Parts PHONE: 1-888-438-3946, FAX: 1-800-752-6175

International: PHONE: 001-706-798-4311, FAX: 001-706-771-4609

## GENERAL INFORMATION

To obtain a copy of the limited warranty applicable to the vehicle, call or write a local Distributor, authorized Branch or the Warranty Department with vehicle serial number and manufacturer code.

The use of non Original Equipment Manufacturer (OEM) approved parts may void the warranty.

Tampering with or adjusting the governor to permit vehicle to operate at above factory specifications will void the vehicle warranty.

When servicing engines, all adjustments and replacement components must be per original vehicle specifications in order to maintain the United States of America Federal and State emission certification applicable at the time of manufacture.

### BATTERY PROLONGED STORAGE

All batteries will self discharge over time. The rate of self discharge varies depending on the ambient temperature and the age and condition of the batteries.

A fully charged battery will not freeze in winter temperatures unless the temperature falls below -75° F (-60° C).

### BATTERY DISPOSAL

Lead-acid batteries are recyclable. Return whole scrap batteries to distributor, manufacturer or lead smelter for recycling. For neutralized spills, place residue in acid-resistant containers with absorbent material, sand or earth and dispose of in accordance with local, state and federal regulations for acid and lead compounds. Contact local and/or state environmental officials regarding disposal information.

# TABLE OF CONTENTS

<b>SECTION</b>	<b>Page No.</b>
<b>HOW TO USE THE SERVICE PARTS MANUAL</b> .....	<b>V</b>
<b>ACCELERATOR</b> .....	<b>A - 1</b>
<b>BATTERY CHARGER</b> .....	<b>B - 1</b>
<b>BODY</b> .....	<b>C - 1</b>
<b>BRAKES</b> .....	<b>D - 1</b>
<b>ELECTRICAL</b> .....	<b>E - 1</b>
<b>ELECTRONIC SPEED CONTROL</b> .....	<b>F - 1</b>
<b>FRONT SUSPENSION AND STEERING</b> .....	<b>G - 1</b>
<b>MOTOR</b> .....	<b>H - 1</b>
<b>REAR AXLE</b> .....	<b>J - 1</b>
<b>REAR SUSPENSION</b> .....	<b>K - 1</b>
<b>SEATING</b> .....	<b>L - 1</b>
<b>WHEELS AND TIRES</b> .....	<b>M - 1</b>
<b>DECALS AND LABELS</b> .....	<b>N - 1</b>



# HOW TO USE THE SERVICE PARTS MANUAL

This manual is divided into several sections:

- GENERAL INFORMATION
- ILLUSTRATED PARTS BREAKDOWN

The first section, GENERAL INFORMATION, contains the following information:

- WARRANTY INFORMATION
- TABLE OF CONTENTS
- HOW TO USE THE SERVICE PARTS MANUAL

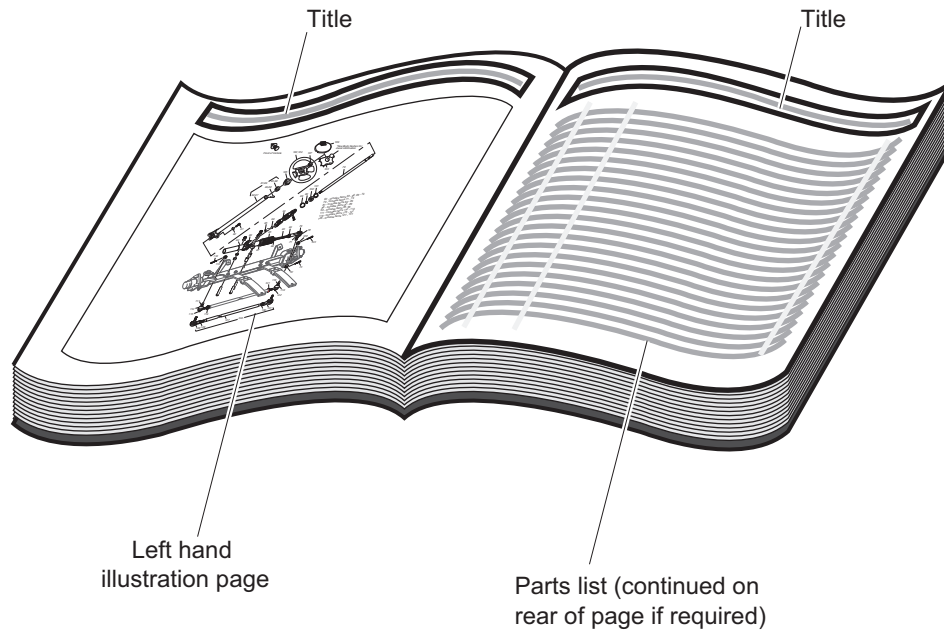
The second section, ILLUSTRATED PARTS BREAKDOWN, contains illustrations and parts lists for all systems of your vehicle.

## USE OF THE MANUAL

To use this manual, consult the TABLE OF CONTENTS to locate the information or illustration required.

Introduction of some revisions varies due to supply of components; therefore, it is possible that various combinations of components may be found that are not directly reflected by each illustration. Consult the illustration that best suits your situation and then contact the Service Parts Department. It is important that the serial number or VIN of your vehicle and the model name be supplied to Service Parts when ordering any replacement components.

# HOW TO USE THE SERVICE PARTS MANUAL



## 1. WHEN THE PART NUMBER IS NOT KNOWN

- Determine the function and application of the part required. Turn to the Table of Content and select the most appropriate title.
- Turn to the page number indicated and locate the desired part on the illustration.
- From the illustration, obtain the item number assigned to the desired part. Refer to the accompanying description for specific information regarding the part.

## 2. IF YOU KNOW THE PART NUMBER

- Locate the part number or description in the appropriate column on the parts list page.

NOTE: It is suggested that you confirm that the part selected is correct by verifying it with the pictorial representation on the illustrated page.

Should an asterisk (\*) appear in the part number column on the parts list page, read upwards until a part number is found. The part number is the lowest assembly sold by Service Parts and the asterisk (\*) indicates that the part depicted is not available for purchase.

NOTE: Descriptions are indented under the assembly that they are used on. That assembly is, in turn listed under the assembly that it is used on. This process is repeated until the highest final assembly is reached.

**To facilitate the maintenance and repair of the vehicle, a Repair and Service Manual is available from the Service Parts Department.**

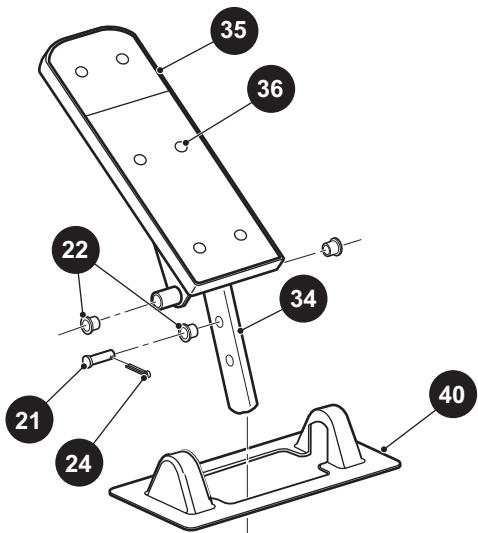


## 3. COLOR CODE FOR BODY COMPONENTS

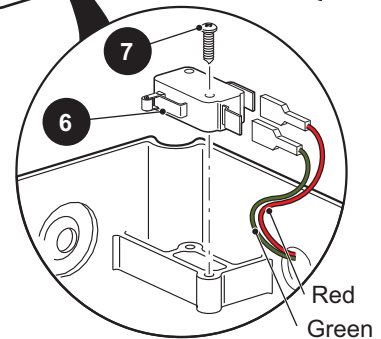
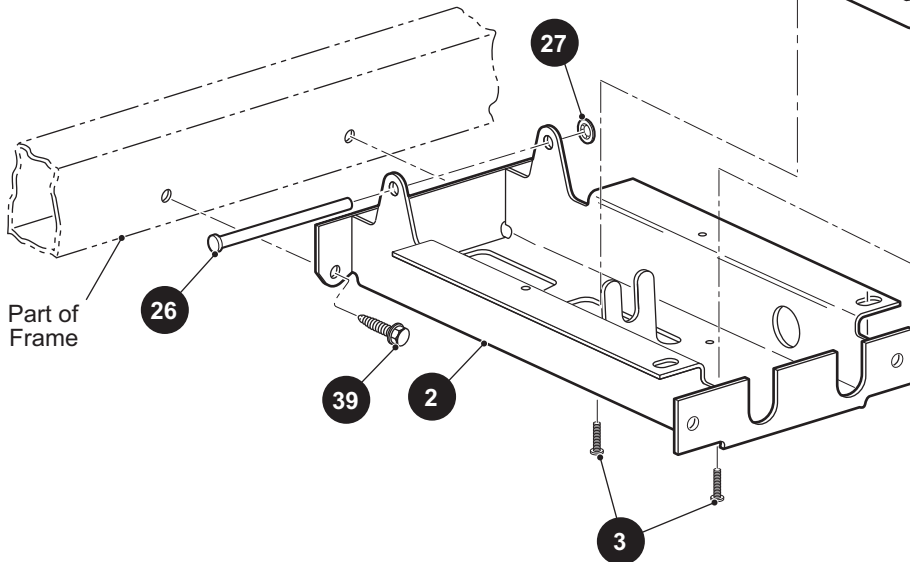
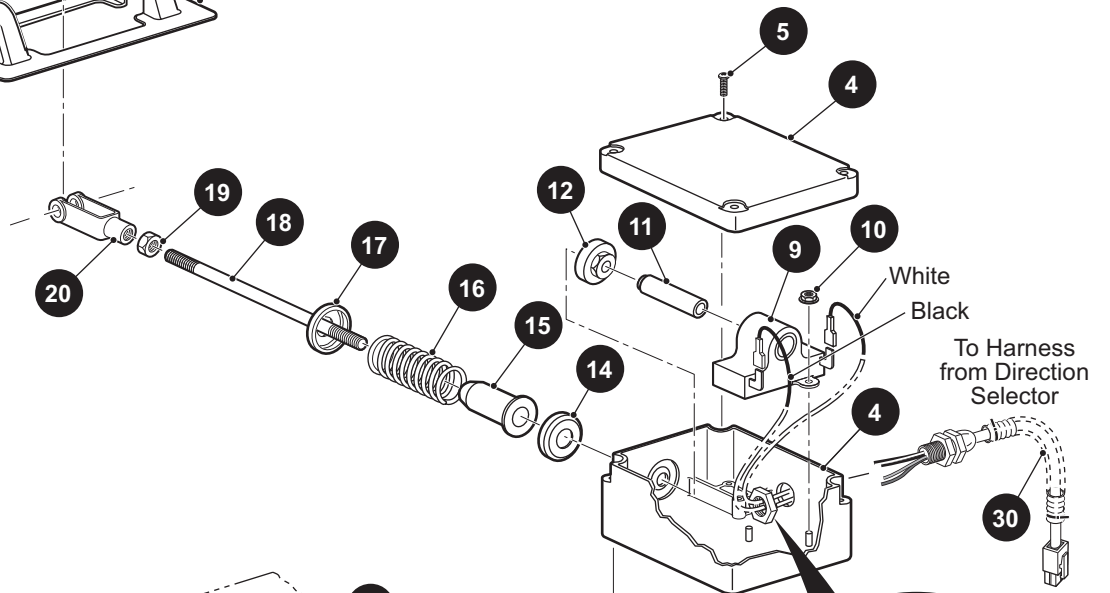
The last two digits of the part number for the body part will denote the color code, locate the part number for the cowl, rear body, seat pod, side panel or seat wrap then locate your color in the list below, replace the last \*\* or XX with the two digit color code.

<b><u>CODE #</u></b>	<b><u>DESCRIPTION</u></b>
11	BLACK
19	PATRIOT BLUE PEARL
20	INFERNO RED METALLIC
26	STEEL BLUE PEARL
31	METALLIC CHARCOAL
35	SAFETY YELLOW
36	IVORY
37	FOREST GREEN
38	BRIGHT WHITE
39	FLAME RED
41	ELECTRIC BLUE
42	PLATINUM
43	BURGUNDY
44	ALMOND
51	SUNBURST ORANGE
52	BRITISH RACING GREEN
74	BARLEY GOLD
75	OASIS GREEN
76	JAVA BROWN
79	JACOBSEN ORANGE 172
A5	OCEAN GRAY

# ACCELERATOR



- 1 Pedal Box Assembly includes items 2 - 33
- 29 Pedal Harness 48V Assembly includes items 30, 31
- 33 Accelerator Pedal Assembly includes items 34 - 36



THE USE OF NON U.L. PARTS WILL VOID ANY U.L. LISTING.

When ordering parts, please specify the model and serial number of the product.

\* Indicates a component that is not available as an individual part.

\*\*\* Indicates consult Customer Service Department for additional information.

ITEM	PART NO.	1 2 3 4 5	DESCRIPTION	QTY.
1	<u>613163</u>		Pedal Box Assembly (Includes Items 2 - 33).....	1
2	<u>652241G03</u>		Accelerator Pedal Bracket .....	1
3	<u>01051G01</u>		Pan Head Phillips Screw, #8 - 10 x 1/2" Lg .....	4
4	<u>25853G01</u>		Pedal Box and Cover.....	1
5	<u>00684G6</u>		Truss Head Phillips Screw (SS), #8 - 32 x 3/4" Lg .....	2
6	<u>25861G01</u>		Micro Switch .....	1
7	<u>01050G01</u>		Pan Head Torx Screw, #4 - 20 x 5/8" Lg.....	2
8				
9	<u>25854G01</u>		Inductive Throttle Sensor.....	1
10	<u>00983G01</u>		Self Threading Nut, .187" Dia .....	2
11	<u>602484</u>		Plunger and Sleeve Assembly.....	1
12	<u>28444G01</u>		Accelerator Rod Cam .....	1
13				
14	<u>17677G1</u>		Spring Retainer.....	1
15	<u>17979G1</u>		Bushing, .75" Dia .....	1
16	<u>73046G01</u>		Compression Spring .....	1
17	<u>17677G2</u>		Spring Retainer, 3/8" I.D. ....	1
18	<u>73332G01</u>		Accelerator Rod .....	1
19	<u>00532G4</u>		Hex Nut, 1/4" - 20 .....	1
20	10385G4		Clevis Yoke (Adjustable).....	1
21	<u>10386G3</u>		Clevis Pin, 5/16" x 13/16" Lg .....	1
22	<u>17838G1</u>		Nylon Bushing,.37" O.D. x .31" I.D. ....	3
23				
24	<u>10387G3</u>		Cotter Pin, 3/32" x 3/4" Lg .....	1
25				
26	<u>74432G01</u>		Pedal Pivot Pin .....	1
27	<u>12064G6</u>		Push Nut, 5/16" .....	1
28				
29	<u>620418</u>		Pedal Harness 48V (Includes Items 30, 31).....	1
30	<u>17313G1</u>		Flex Loom, 3/8" x 6" Lg .....	1
31	<u>17618G1</u>		Nylon Clamp, 7" Lg (Not Illustrated).....	2

# ACCELERATOR

THE USE OF NON U.L. PARTS WILL VOID ANY U.L. LISTING.

When ordering parts, please specify the model and serial number of the product.

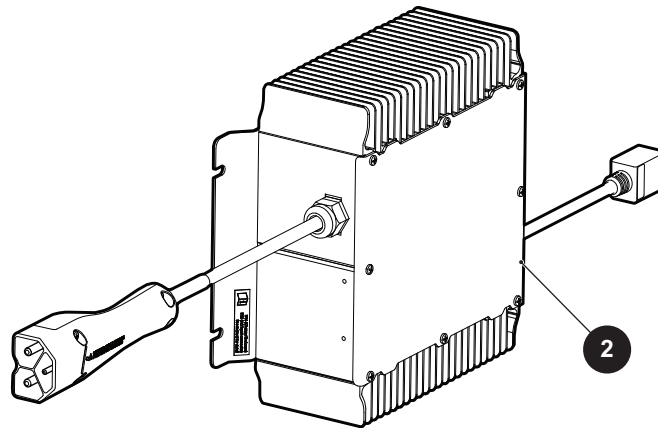
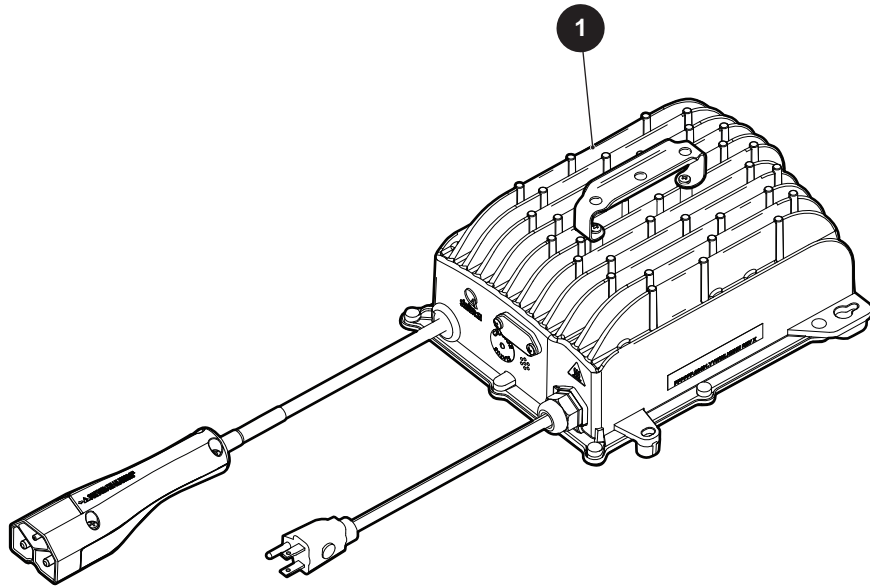
\* Indicates a component that is not available as an individual part.

\*\*\* Indicates consult Customer Service Department for additional information.

ITEM	PART NO.	1	2	3	4	5	DESCRIPTION	QTY.
32								
33	<u>25799G03</u>						Accelerator Pedal Assembly (Includes Items 34 - 36).....	1
34	652824						Accelerator Pedal .....	1
35	<u>27512G01</u>						Accelerator Pedal Pad .....	1
36	<u>16409G1</u>						Oval Rivet, 3/16" x 7/16" Lg.....	6
37								
38								
39	<u>00715G2</u>						Hex Washer Head Bolt, 5/16" - 18 x 3/4" Lg.....	4
40	<u>70135G01</u>						Pedal Pivot Cover .....	1



# BATTERY CHARGER



# BATTERY CHARGER

THE USE OF NON U.L. PARTS WILL VOID ANY U.L. LISTING.

When ordering parts, please specify the model and serial number of the product.

\* Indicates a component that is not available as an individual part.

\*\*\* Indicates consult Customer Service Department for additional information.

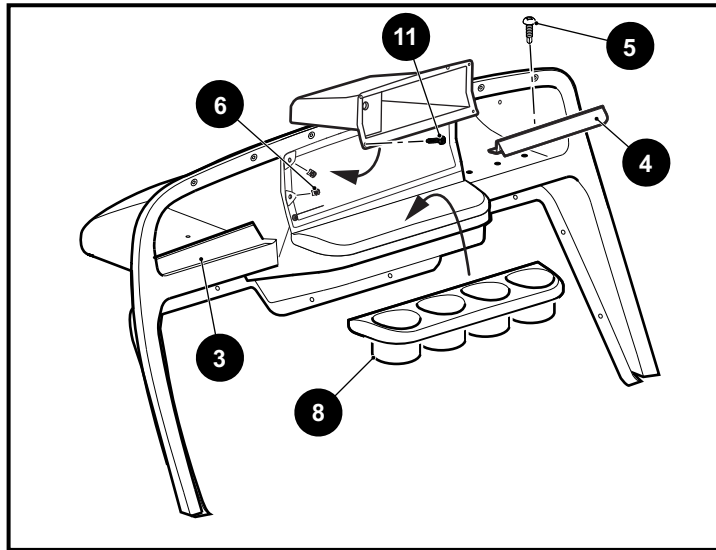
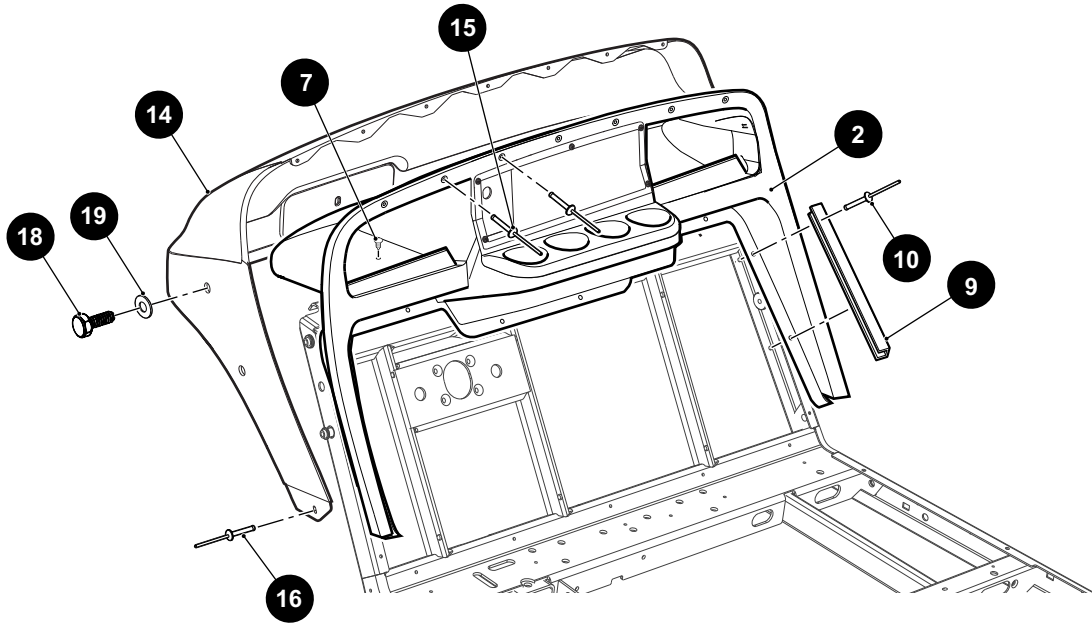
ITEM	PART NO.	1 2 3 4 5	DESCRIPTION	QTY.
1	<u>635671</u>		Battery Charger, 48V, 3 Meter Cord .....	1
2	<u>622666</u>		World Charger, 48V, 3 Meter Cord .....	1







1 Instrument Panel Assembly includes items 2 - 6



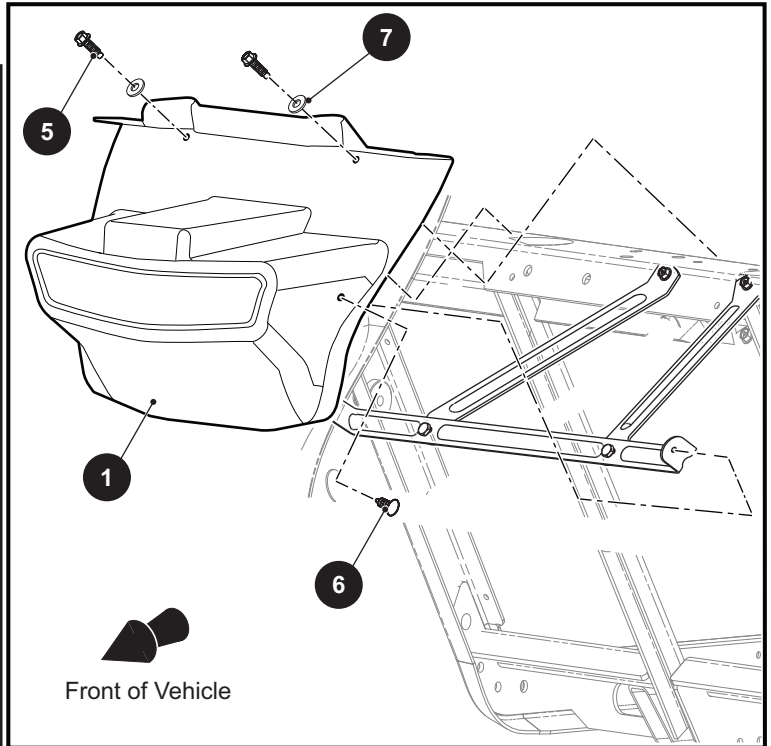
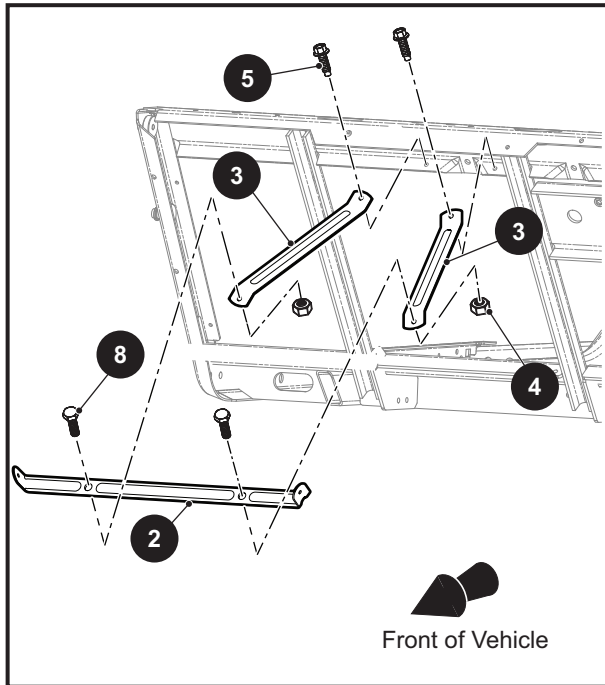
THE USE OF NON U.L. PARTS WILL VOID ANY U.L. LISTING.

When ordering parts, please specify the model and serial number of the product.

\* Indicates a component that is not available as an individual part.

\*\*\* Indicates consult Customer Service Department for additional information.

ITEM	PART NO.	1 2 3 4 5	DESCRIPTION	QTY.
1	<u>628017</u>		Instrument Panel Assembly (Includes Items 2 - 6).....	1
2	<u>628010</u>		Instrument Panel Assembly with Compartment.....	1
3	<u>641632G01</u>		Ball Holder (Driver Side).....	1
4	<u>641632G02</u>		Ball Holder (Passenger Side) .....	1
5	00614G3		Pan Head Phillips Tapping Screw, #8 - 15 x 3/8" Lg .....	4
6	<u>71364G02</u>		'J' Type Speed Nut, #8 - 15 x .198" Lg .....	5
7	<u>16816G2</u>		Ratchet Rivet, .25" x .887" .....	2
8	<u>628023</u>		Cup Holder .....	1
9	<u>71115G01</u>		Trim .....	2
10	<u>71055G01</u>		Rivet, 3/16" x .985" Dia .....	11
11	<u>608290</u>		Pan Head Phillips Tapping Screw, #10 - 16 x 3/4" Lg .....	5
12				
13				
14	619730G1XX		Cowl with Openings for Lights (See COLOR CODES in HOW TO USE Section).....	1
15	<u>71055G01</u>		Rivet, 3/16" x .985" Dia .....	7
16	<u>10570G11</u>		Rivet (SS), 3/16" x .70" .....	2
17				
18	<u>71056G01</u>		Truss Head Machine Screw, 5/16" - 18 x .62" Lg.....	4
19	<u>00570G2</u>		Flat Washer, 5/16" .....	4



THE USE OF NON U.L. PARTS WILL VOID ANY U.L. LISTING.

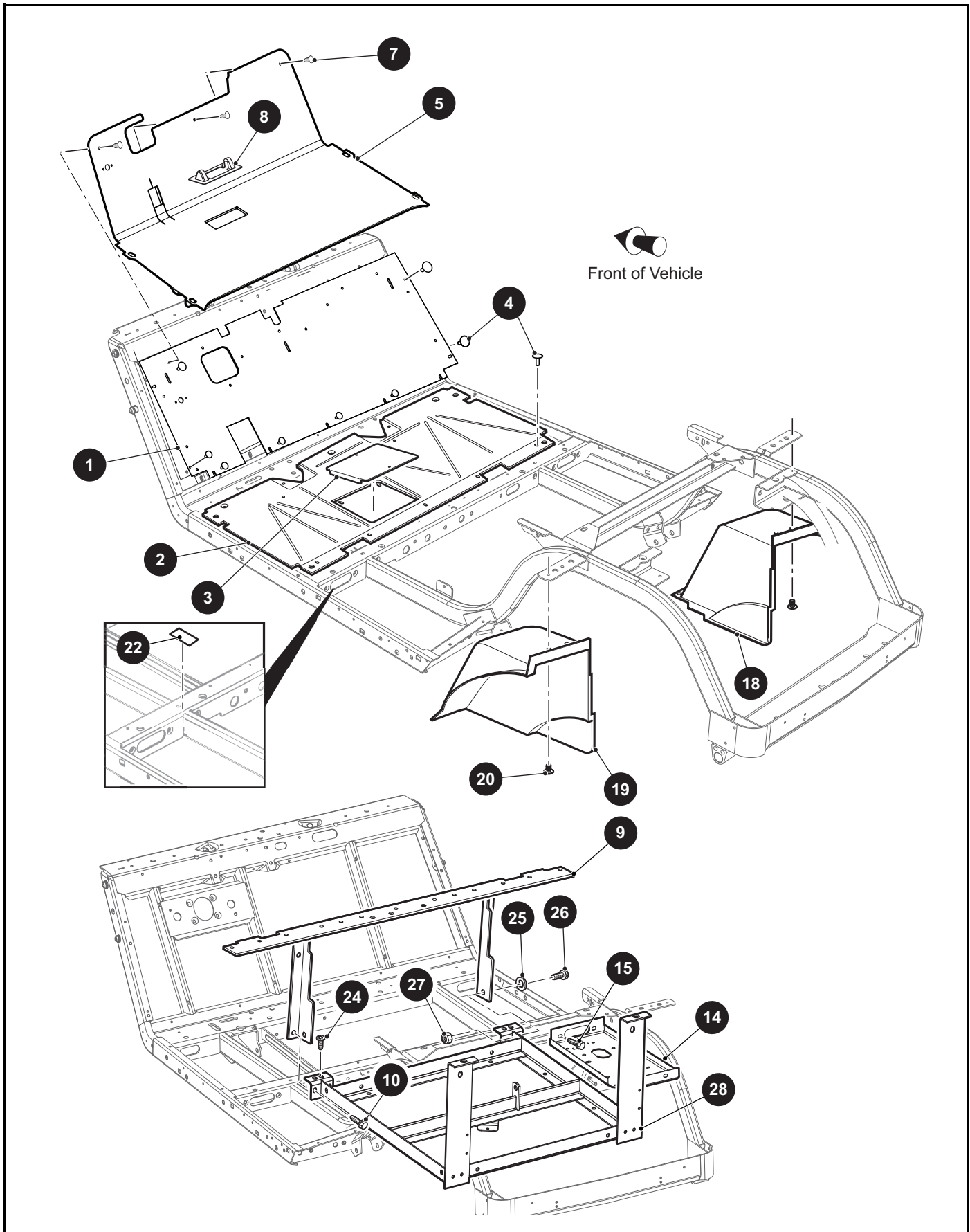
When ordering parts, please specify the model and serial number of the product.

\* Indicates a component that is not available as an individual part.

\*\*\* Indicates consult Customer Service Department for additional information.

ITEM	PART NO.	1 2 3 4 5	DESCRIPTION	QTY.
1	<u>624607</u>		Front Fascia .....	1
2	<u>627769</u>		Shield Bracket.....	1
3	<u>70725G02</u>		Front Shield Brace .....	2
4	<u>14390G4</u>		Lock Nut, 1/4" - 20 .....	2
5	<u>01038G01</u>		Hex Washer Head Swagefrom Screw, 1/4" - 20 x 11/16" Lg.....	4
6	<u>15058G1</u>		Rivet, 3/16" x .45" Lg .....	2
7	<u>16469G1</u>		Flat Washer, 1/4" .....	2
8	<u>00414G6</u>		Hex Head Bolt, 1/4" - 20 x 3/4" Lg, Grade 5 .....	2

# BODY



THE USE OF NON U.L. PARTS WILL VOID ANY U.L. LISTING.

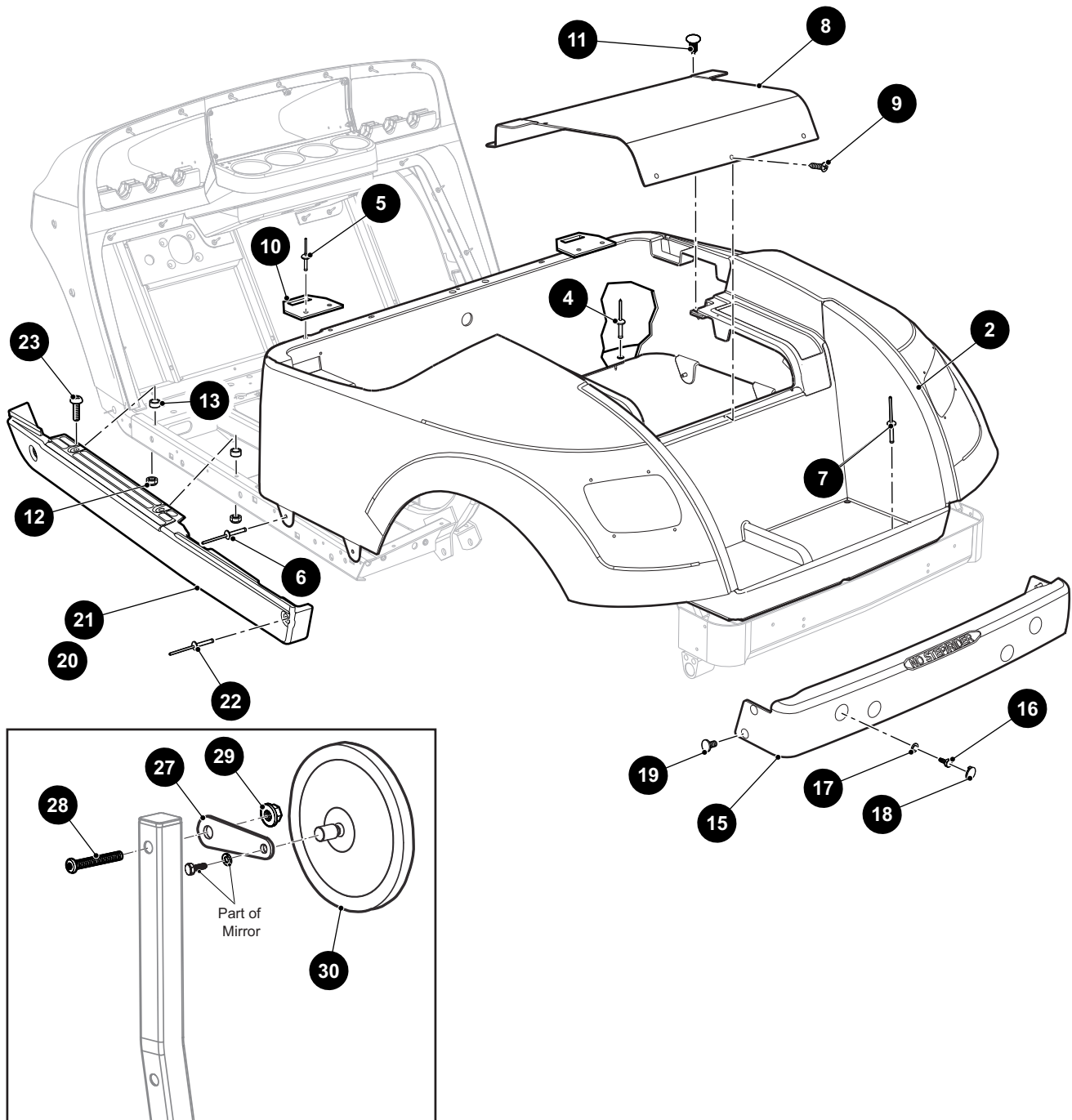
When ordering parts, please specify the model and serial number of the product.

\* Indicates a component that is not available as an individual part.

\*\*\* Indicates consult Customer Service Department for additional information.

ITEM	PART NO.	1 2 3 4 5	DESCRIPTION	QTY.
1	<u>641260</u>		Upper Floorpan .....	1
2	<u>70451G01</u>		Lower Floorpan .....	1
3	<u>70452G01</u>		Access Cover .....	1
4	<u>14601G11</u>		Rivet (Aluminum), 3/16" x 9/16" Lg .....	16
5	<u>637535G02</u>		Floormat with Horn Hole .....	1
6				
7	<u>16816G1</u>		Ratchet Rivet, .25" x .680" .....	3
8	<u>70135G01</u>		Pedal Pivot Cover .....	1
9	<u>70441G01</u>		Seat Frame .....	1
10	<u>00715G2</u>		Flanged Hex Head Screw, 5/16" - 18 x 4/5" Lg .....	2
11				
12				
13				
14	<u>70244G05</u>		Splash Panel .....	1
15	<u>00715G2</u>		Flanged Hex Head Screw, 5/16" - 18 x 4/5" Lg .....	4
16				
17				
18	<u>635054G02</u>		Fender Liner (Passenger Side) .....	1
19	<u>635054G01</u>		Fender Liner (Driver Side) .....	1
20	<u>16816G2</u>		Ratchet Fastener, 1/4" x 3/4" Lg .....	8
21				
22	<u>72910G01</u>		Corrosion Patch .....	2
23				
24	<u>70200G01</u>		Truss Head Torx Screw, 3/8" - 16 x .75" Lg .....	2
25	00559G8		Flat Washer, 5/8" .....	2
26	00438G6		Hex Head Bolt, 5/16" - 18 x 3/4" Lg, Grade 5 .....	2
27	11098G6		Lock Nut, 5/16" - 18 .....	2
28	<u>652254G03</u>		Battery Rack .....	1

1 Rear Body (With Taillights) includes item 2





THE USE OF NON U.L. PARTS WILL VOID ANY U.L. LISTING.

When ordering parts, please specify the model and serial number of the product.

\* Indicates a component that is not available as an individual part.

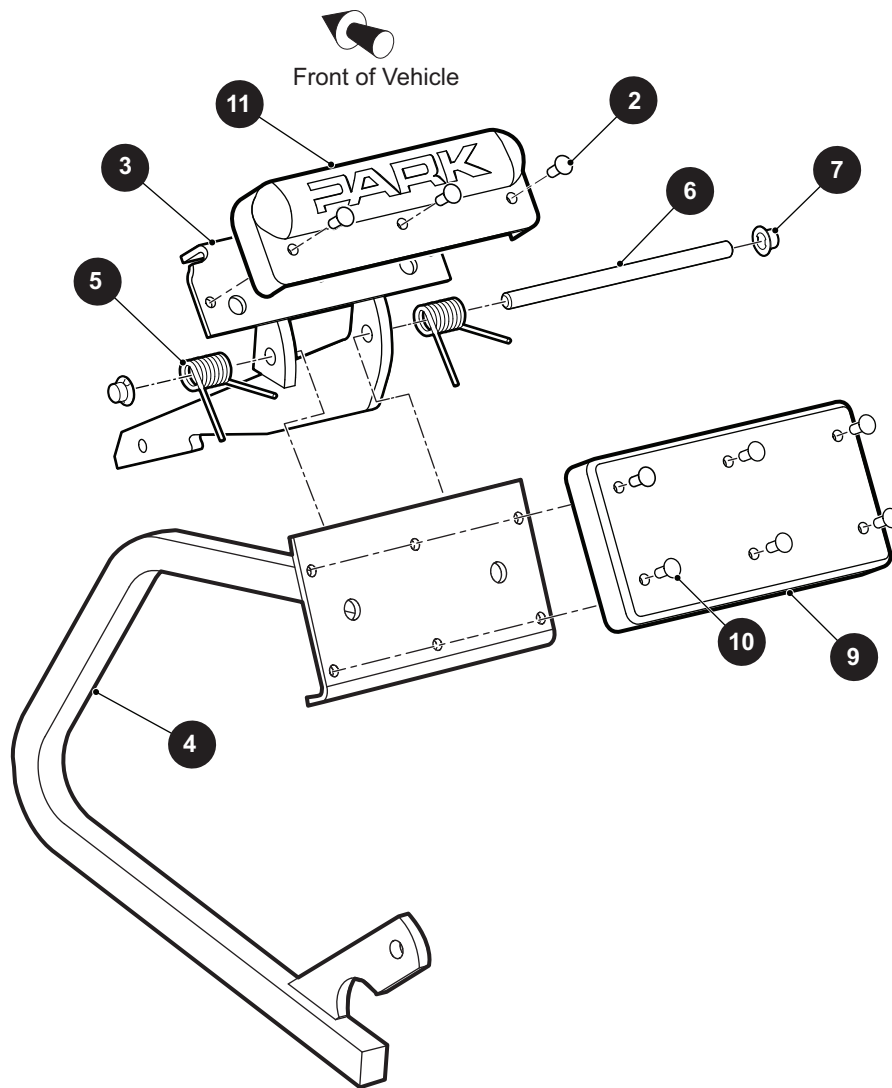
\*\*\* Indicates consult Customer Service Department for additional information.

ITEM	PART NO.	1 2 3 4 5	DESCRIPTION	QTY.
1	625272G1XX		Rear Body (With Taillights) (Includes Item 2) (See COLOR CODES in HOW TO USE Section).....	1
2	<u>624374</u>		Bagwell Liner .....	1
3				
4	<u>10570G10</u>		Rivet (SS), 5/32" x 9/16" Lg .....	5
5	<u>10570G11</u>		Rivet (SS), 3/16" x .70" Lg .....	4
6	10570G12		Rivet (SS), 1/4" x 9/16" Lg .....	2
7	<u>633917</u>		Plastic Rivet, 1/4" x 1" Lg .....	2
8	<u>71320G01</u>		Access Cover .....	1
9	<u>01107G01</u>		Pan Head Torx Screw, #8 x .63" Lg .....	5
10	<u>71609G01</u>		Seat Hinge Plate .....	2
11	<u>16816G2</u>		Ratchet Fastener, 1/4" x 3/4" Lg .....	2
12	<u>601476</u>		Lock Nut, M6 - 1.....	4
13	<u>23726G4</u>		Spacer, 5/16".....	4
14				
15	695282		Rear Bumper.....	1
16	<u>71102G01</u>		Hex Head Bolt, 1/4" - 20 x 3/4" Lg, Grade 5 .....	4
17	<u>00571G2</u>		Flat Washer, 5/16" .....	4
18	<u>71514G01</u>		Bumper Plug .....	4
19	14601G17		Rivet (Aluminum), 3/16" x 9/16" Lg .....	4
20	<u>615239</u>		Rocker Panel with Sill Plate (Driver Side).....	1
21	<u>617333</u>		Rocker Panel with Sill Plate (Passenger Side) .....	1
22	<u>15058G6</u>		Black Rivet (Aluminum), 3/16" .....	4
23	<u>634161</u>		Flanged Button Head Torx Bolt, M6 - 1 x 30mm Lg .....	4
24				
25				
26				
27	<u>648528</u>		Mirror Bracket.....	1
28	<u>600527</u>		Button Head Torx Bolt, M10 - 1.5 x 60mm Lg .....	1
29	<u>600525</u>		Lock Nut, M10 - 1.5.....	1
30	<u>74202G01</u>		Round Mirror .....	1





- 1 Brake Pedal Assembly (without Brake Lights) includes items 2 - 11



THE USE OF NON U.L. PARTS WILL VOID ANY U.L. LISTING.

When ordering parts, please specify the model and serial number of the product.

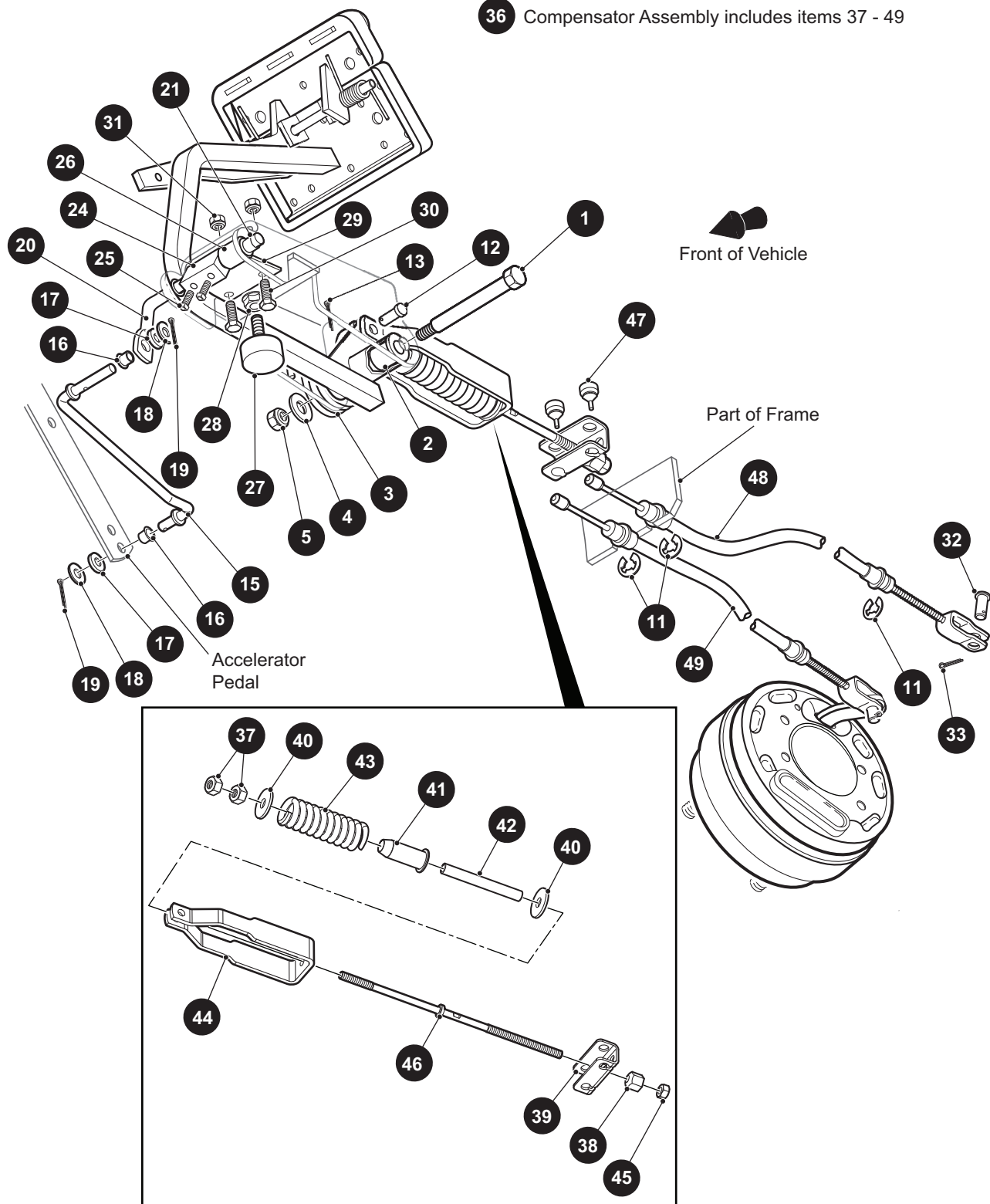
\* Indicates a component that is not available as an individual part.

\*\*\* Indicates consult Customer Service Department for additional information.

ITEM	PART NO.	1 2 3 4 5	DESCRIPTION	QTY.
1	<u>70612G02</u>		Brake Pedal Assembly (without Lights) (Includes Items 2 - 11) .....	1
2	<u>16409G1</u>		Oval Rivet, .375" x .468" Lg.....	3
3	<u>652253G03</u>		Park Brake Pedal.....	1
4	<u>652251G03</u>		Brake Pedal (without Lights).....	1
5	<u>70681G01</u>		Torsion Spring.....	2
6	<u>70682G01</u>		Pivot Pin .....	1
7	<u>658825</u>		Push Nut, 5/16" - 24 .....	2
8				
9	<u>70257G01</u>		Service Brake Pad.....	1
10	<u>16409G1</u>		Oval Rivet, .375" x .468" Lg.....	6
11	<u>70256G01</u>		Park Brake Pedal Pad .....	1

## 2 WHEEL DRUM BRAKES

36 Compensator Assembly includes items 37 - 49



THE USE OF NON U.L. PARTS WILL VOID ANY U.L. LISTING.

When ordering parts, please specify the model and serial number of the product.

\* Indicates a component that is not available as an individual part.

\*\*\* Indicates consult Customer Service Department for additional information.

ITEM	PART NO.	1 2 3 4 5	DESCRIPTION	QTY.
1	<u>70582G01</u>		Shoulder Bolt, .495 Dia. x 3/8" - 16 Thread x 3.406" Lg .....	1
2	<u>70581G01</u>		Bushing (Acetal), .51" I.D. x .795" O.D. x .75" Lg. ....	2
3	<u>70676G01</u>		Torsion Spring 1.34" Dia. ....	1
4	<u>00643G1</u>		Flat Washer, 3/8" .....	1
5	<u>11098G5</u>		Lock Nut, 3/8" - 16 .....	1
6	<u>01038G01</u>		Swageform Screw, 1/4" - 20 x .7" Lg (Not Illustrated) .....	1
7	<u>12416G2</u>		Wedge Clamp (Nylon), 11.8" Lg (Not Illustrated) .....	3
8				
9				
10				
11	<u>01111G01</u>		Retaining Ring, .8" O.D. x .39" I.D. x .42" .....	4
12	<u>10386G3</u>		Clevis Pin, .313" x .84" Lg.....	1
13	<u>10387G3</u>		Cotter Pin, .094" x .75" .....	1
14				
15	<u>70601G01</u>		Kick-off Linkage Rod .....	1
16	<u>17838G1</u>		Flanged Nyliner Bushing, .374" O.D. x .313" I.D. x .312" Lg .....	2
17	<u>20835G1</u>		Washer, .62" O.D. x .39" I.D. x .135" .....	2
18	<u>00559G8</u>		Flat Washer, 1/4" - 20.....	2
19	<u>10387G3</u>		Cotter Pin, .094" x .75" .....	2
20	<u>70098G01</u>		Kick-off Cam Pivot.....	1
21	<u>10097G6</u>		Flanged Bearing .502" O.D. x .378" I.D. x .380" .....	2
22				
23				
24	<u>70587G01</u>		Park Brake Cam.....	1
25	<u>71215G01</u>		Square Head Set Screw with Patch Lock, 1/4" - 20 x .5" Lg.....	2
26	<u>14134G4</u>		Spacer, .76" O.D. x .405" I.D. x 1.25" Lg .....	1
27	<u>70113G01</u>		Adjustable Rubber Bumper .....	1
28	<u>11027G1</u>		Flanged Lock Nut, 5/16" - 18 .....	1
29	<u>70080G02</u>		Hill Brake Catch Bracket .....	1
30	<u>00414G6</u>		Hex Head Bolt, 1/4" - 20 x .75" Lg, Grade 5 .....	2
31	<u>14390G4</u>		Lock Nut, 1/4" - 20 .....	2

# BRAKES

THE USE OF NON U.L. PARTS WILL VOID ANY U.L. LISTING.

When ordering parts, please specify the model and serial number of the product.

\* Indicates a component that is not available as an individual part.

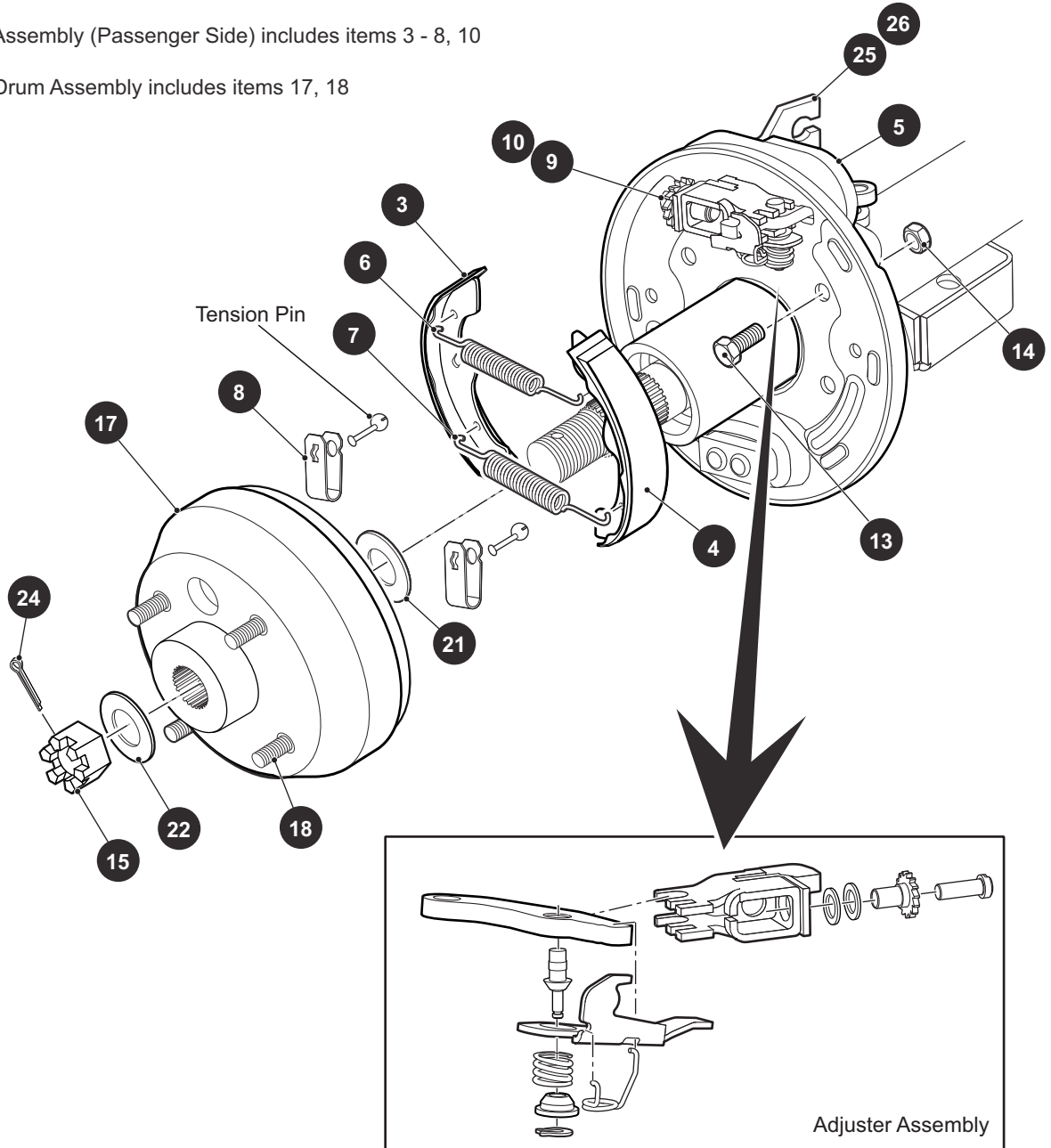
\*\*\* Indicates consult Customer Service Department for additional information.

ITEM	PART NO.	1	2	3	4	5	DESCRIPTION	QTY.
32	<u>10386G3</u>						Clevis Pin, .313" x .84" Lg .....	1
33	<u>10387G3</u>						Cotter Pin, .094" x .75" .....	1
34	<u>17618G1</u>						Nylon Camp, 7" Lg (Not Illustrated) .....	1
35								
36	654663						Compensator Assembly (Includes Items 37 - 49) .....	1
37	<u>00532G4</u>						Hex Nut, 5/16" - 24 .....	2
38	<u>629486</u>						Spherical Hex Nut, 5/16"- 24 .....	1
39	<u>28082G01</u>						Equalizer Bracket .....	1
40	<u>15121G1</u>						Flat Washer, 3/8" .....	2
41	<u>17979G1</u>						Accelerator Rod Bushing, .464" I.D. x 1" O.D. x 2" Lg .....	1
42	<u>23061G2</u>						Tube .....	1
43	<u>23463G1</u>						Compression Spring .....	1
44	<u>652256</u>						Brake Yoke .....	1
45	<u>11098G9</u>						Lock Nut, 5/16" - 24 .....	1
46	<u>612557</u>						Compensator Link Rod .....	1
47	<u>28083G01</u>						Brake Compensator Bumper .....	2
48	<u>624690</u>						Brake Cable (Driver Side) .....	1
49	<u>624691</u>						Brake Cable (Passenger Side) .....	1





- 1 Brake Assembly (Driver Side) includes items 3 - 9
- 2 Brake Assembly (Passenger Side) includes items 3 - 8, 10
- 16 Brake Drum Assembly includes items 17, 18



# BRAKES

THE USE OF NON U.L. PARTS WILL VOID ANY U.L. LISTING.

When ordering parts, please specify the model and serial number of the product.

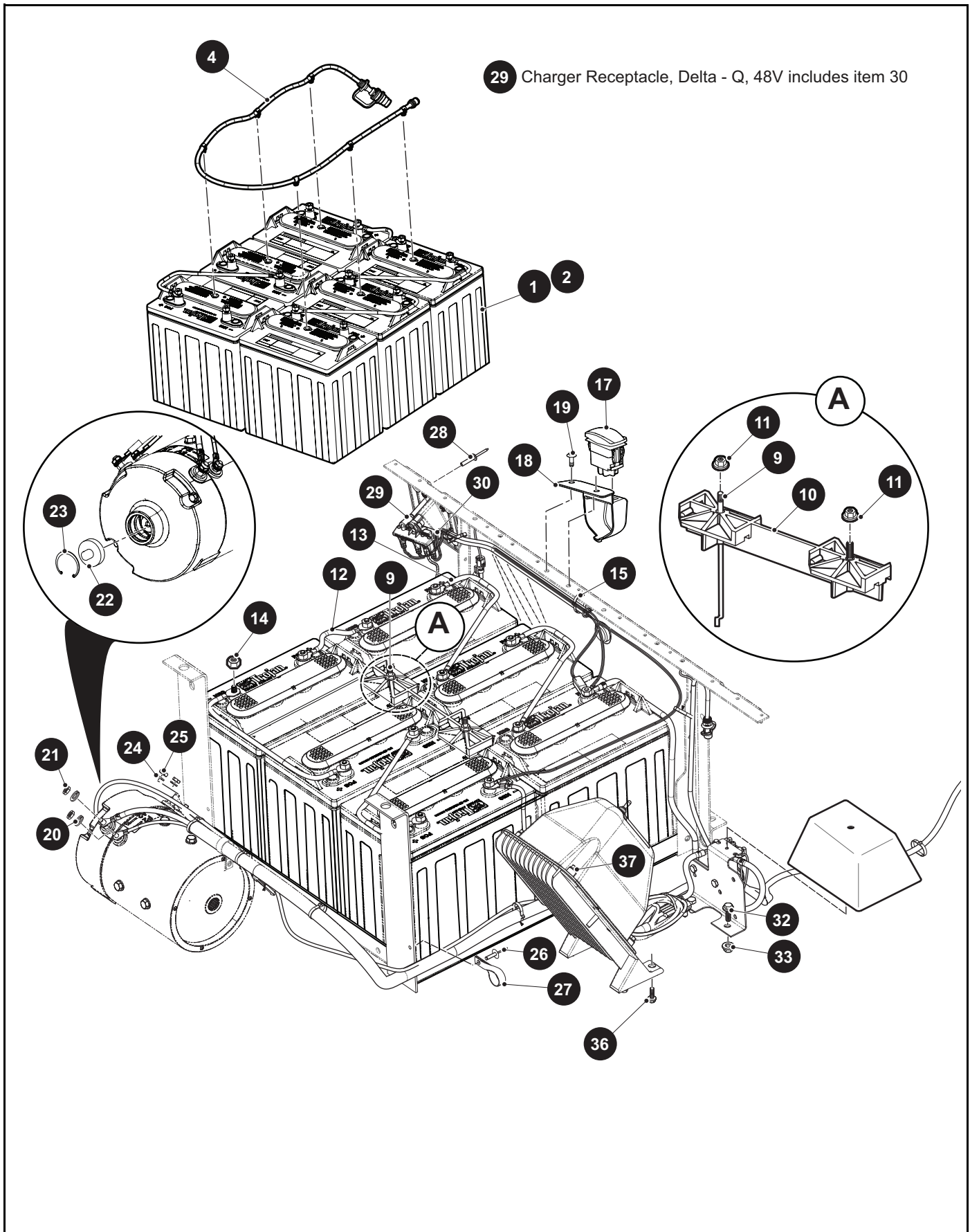
\* Indicates a component that is not available as an individual part.

\*\*\* Indicates consult Customer Service Department for additional information.

ITEM	PART NO.	1 2 3 4 5	DESCRIPTION	QTY.
1	<u>612211</u>		Brake Assembly (Driver Side) (Includes Items 3 - 9) .....	1
2	<u>612189</u>		Brake Assembly (Passenger Side) (Includes Items 3 - 8, 10).....	1
3	<u>612411</u>		Brake Shoe, Leading .....	1
4	<u>612412</u>		Brake Shoe, Trailing .....	1
5	<u>612413</u>		Dust Cover.....	1
6	<u>612415</u>		Brake Spring, Top .....	1
7	<u>612414</u>		Brake Spring, Bottom .....	1
8	<u>612416</u>		Shoe Clamp .....	2
9	<u>612418</u>		Gear Adjuster (Driver Side) .....	1
10	<u>612417</u>		Gear Adjuster (Passenger Side).....	1
11				
12				
13	<u>17083G2</u>		Hex Head Bolt, 5/16" - 24 x 1" Lg, Grade 8 .....	8
14	<u>15126G1</u>		Lock Nut, 5/16" - 24 .....	8
15	<u>612928</u>		Castle Nut, 5/8" - 18.....	2
16	<u>19186G1</u>		Brake Drum Assembly (Includes Items 17, 18).....	2
17	<u>18500G2</u>		Brake Drum .....	1
18	<u>19862G2</u>		Lug Bolt, 1/2" - 20 x 1.218" Lg.....	4
19				
20				
21	<u>15485G1</u>		Flat Washer, 1/4".....	2
22	<u>15487G1</u>		Flat Washer - Brake Drum, 0.641" O.D. x 1.375" I.D. x 0.196 .....	2
23				
24	<u>10387G1</u>		Cotter Pin, .125" x 1.50" Lg .....	2
25	<u>652248</u>		Brake Cable Bracket (Passenger Side) .....	1
26	<u>652249</u>		Brake Cable Bracket (Driver Side).....	1







THE USE OF NON U.L. PARTS WILL VOID ANY U.L. LISTING.

When ordering parts, please specify the model and serial number of the product.

\* Indicates a component that is not available as an individual part.

\*\*\* Indicates consult Customer Service Department for additional information.

ITEM	PART NO.	1 2 3 4 5	DESCRIPTION	QTY.
1	618594		Battery, 8V .....	6
2	618595		Battery, 8V (Hydrolink) .....	6
3				
4	<u>614457</u>		Snake Hydrolink.....	1
5				
6				
7				
8				
9	<u>01101G01</u>		Tie Down Bolt.....	2
10	<u>612867</u>		Battery Retainer .....	1
11	<u>11027G1</u>		Lock Nut, 5/16" - 18 .....	2
12	<u>613236</u>		6 AWG Wire, Blue, 380mm (15").....	4
13	<u>613237</u>		6 AWG Wire, Blue, 150mm (5.90").....	1
14	<u>00702G2</u>		Hex Nut, 5/16" - 18.....	12
15	<u>17618G1</u>		Nylon Clamp, 7" Lg .....	9
16				
17	<u>624514G03</u>		Direction Selector Switch .....	1
18	<u>628027</u>		Direction Selector Switch Holder.....	1
19	<u>18436G1</u>		Rivet (Plastic).....	2
20	<u>00993G01</u>		Lock Washer, Silicon Bronze, 5/16" .....	2
21	<u>28418G01</u>		Hex Nut (Brass), 5/16" - 18 .....	2
22	<u>620422</u>		Speed Sensor, 48V .....	1
23	<u>73277G01</u>		Retaining Ring.....	1
24	<u>00993G02</u>		Lock Washer (Silicon Bronze), 1/4".....	2
25	<u>28418G02</u>		Flanged Lock Nut, 1/4" - 20 .....	2
26	<u>10570G11</u>		Rivet (SS), 3/16" x .70" .....	1
27	<u>27327G02</u>		Twisted Cable Clamp .....	1
28	<u>71055G01</u>		Rivet (Aluminum), 3/16" .....	4
29	<u>613304</u>		Charger Receptacle, Delta - Q, 48V (Includes Item 30).....	1
30	*		Charger Harness .....	1
31				

# ELECTRICAL

THE USE OF NON U.L. PARTS WILL VOID ANY U.L. LISTING.

When ordering parts, please specify the model and serial number of the product.

\* Indicates a component that is not available as an individual part.

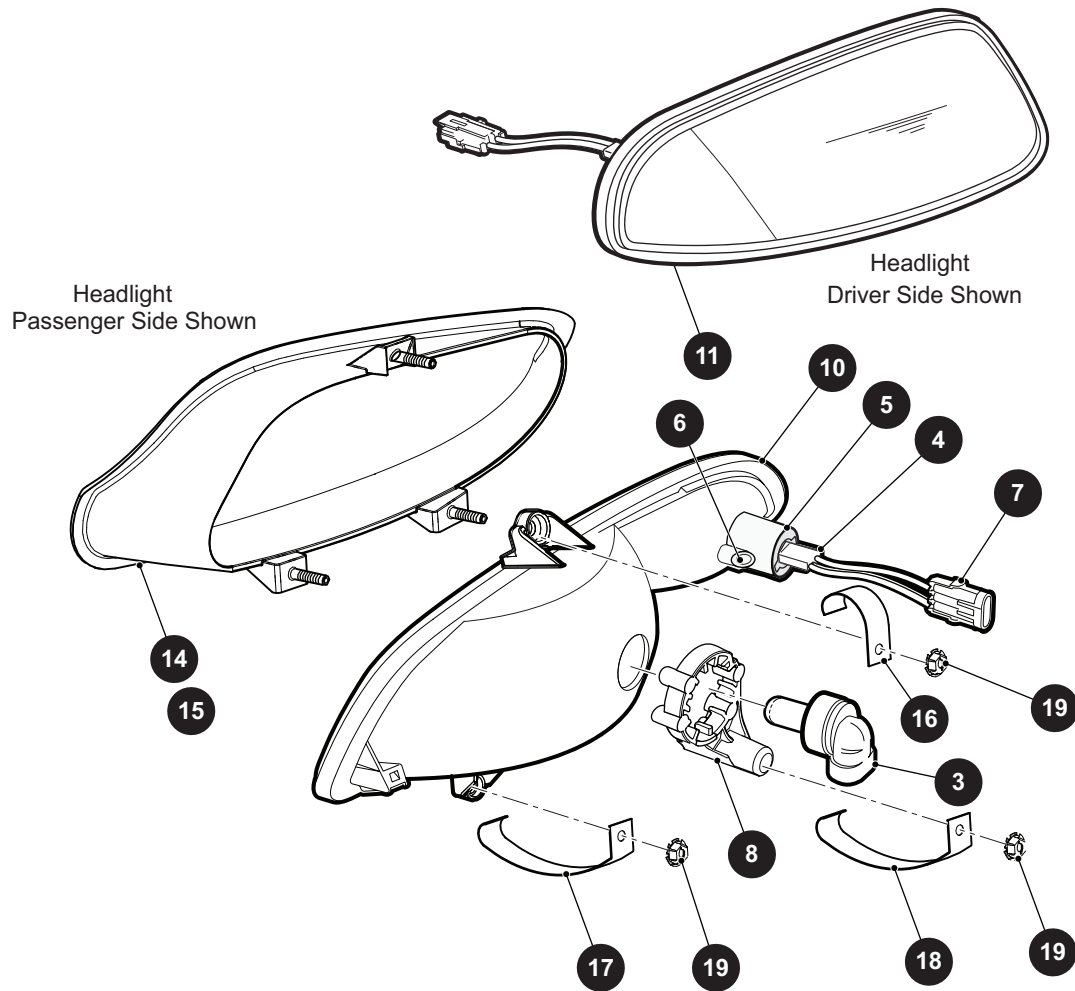
\*\*\* Indicates consult Customer Service Department for additional information.

ITEM	PART NO.	1	2	3	4	5	DESCRIPTION	QTY.
32	00438G6						Hex Head Bolt, 5/16" - 18 x 3/4" Lg, Grade 5.....	2
33	<u>11027G1</u>						Flanged Hex Nut, 5/16" - 18 .....	2
34								
35								
36	<u>71102G01</u>						Hex Head Bolt, 1/4" - 20 x 3/4" Lg, Grade 5.....	4
37	<u>71102G03</u>						Hex Head Bolt, 1/4" - 20 x .90" Lg, Grade 5.....	4





- 1 Headlight Assembly (Driver Side) includes items 3 - 10
- 2 Headlight Assembly (Passenger Side) includes items 3 - 9, 11



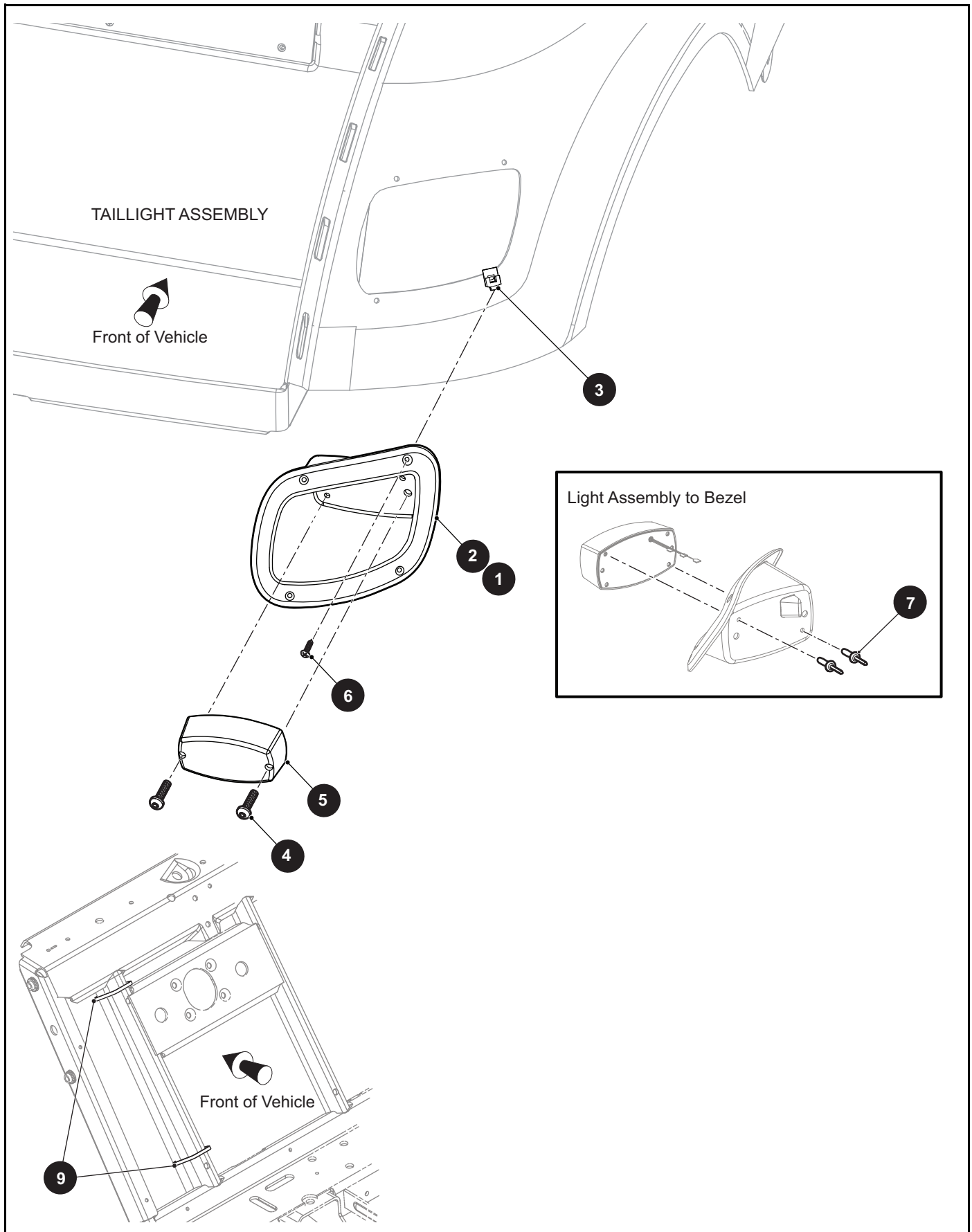
THE USE OF NON U.L. PARTS WILL VOID ANY U.L. LISTING.

When ordering parts, please specify the model and serial number of the product.

\* Indicates a component that is not available as an individual part.

\*\*\* Indicates consult Customer Service Department for additional information.

ITEM	PART NO.	1 2 3 4 5	DESCRIPTION	QTY.
1	<u>602928</u>		Headlight Assembly (Driver Side) (Includes Items 3 - 10).....	1
2	<u>603328</u>		Headlight Assembly (Passenger Side) (Includes Items 3 - 9, 11) .....	1
3	<u>74004G02</u>		Headlight Bulb .....	1
4	<u>676687</u>		Turn Signal Bulb .....	1
5	<u>608322</u>		Headlight Retainer .....	1
6	<u>608328</u>		Button Head Torx Screw, M3 - 1.3 x 14mm Lg .....	1
7	<u>607487</u>		Turn Signal Wire Harness.....	1
8	<u>615459</u>		Collar .....	1
9				
10	<u>604607</u>		Headlight without Bulbs (Driver Side).....	1
11	<u>604609</u>		Headlight without Bulbs (Passenger Side) .....	1
12				
13				
14	<u>625280</u>		Headlight Bezel (Driver Side).....	1
15	<u>625281</u>		Headlight Bezel (Passenger Side) .....	1
16	<u>626275</u>		Headlight Clip.....	2
17	<u>626276</u>		Headlight Clip.....	2
18	<u>626277</u>		Headlight Clip.....	2
19	<u>71597G01</u>		Self Threading Nut, 5 x 10 x 15mm.....	6
20				
21	<u>645207</u>		Accessory Harness (Not Illustrated).....	1



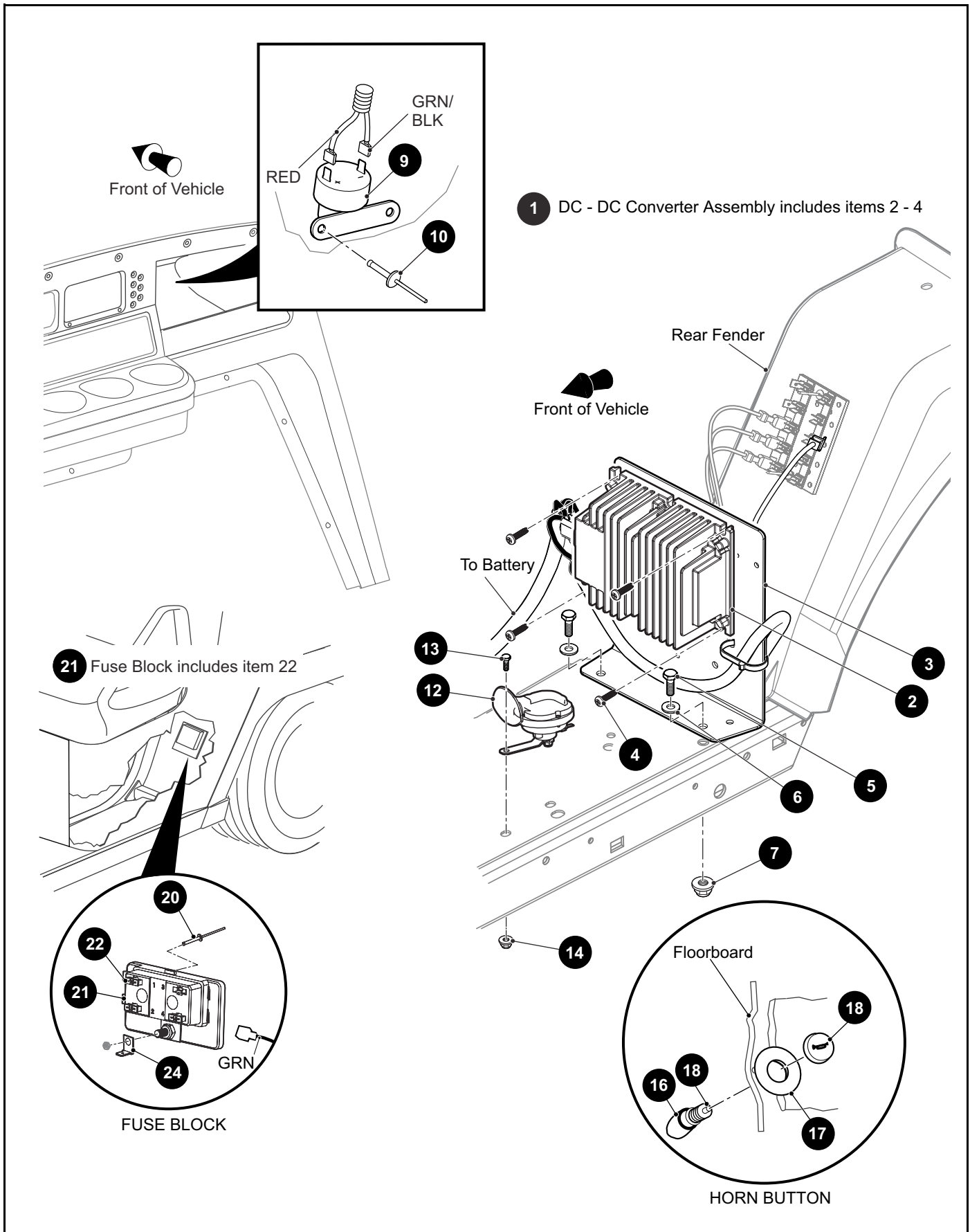
THE USE OF NON U.L. PARTS WILL VOID ANY U.L. LISTING.

When ordering parts, please specify the model and serial number of the product.

\* Indicates a component that is not available as an individual part.

\*\*\* Indicates consult Customer Service Department for additional information.

ITEM	PART NO.	1 2 3 4 5	DESCRIPTION	QTY.
1	655150		Taillight Bezel (Driver Side).....	1
2	655152		Taillight Bezel (Passenger Side) .....	1
3	<u>71364G02</u>		J-Type Nut, #8.....	4
4	<u>00513G4</u>		Pan Head Phillips Screw, #8 - 18 x 3/4" Lg.....	2
5	<u>22288G1</u>		Taillight Assembly.....	1
6	<u>71425G01</u>		Flat Head Phillips Tapping Screw, #8 - 18 x 3/4" Lg.....	4
7	<u>14601G11</u>		Rivet (Aluminum), 3/16" x 9/16" .....	2
8				
9	<u>31539G1</u>		Nylon Clamp, 15.5" Lg .....	5



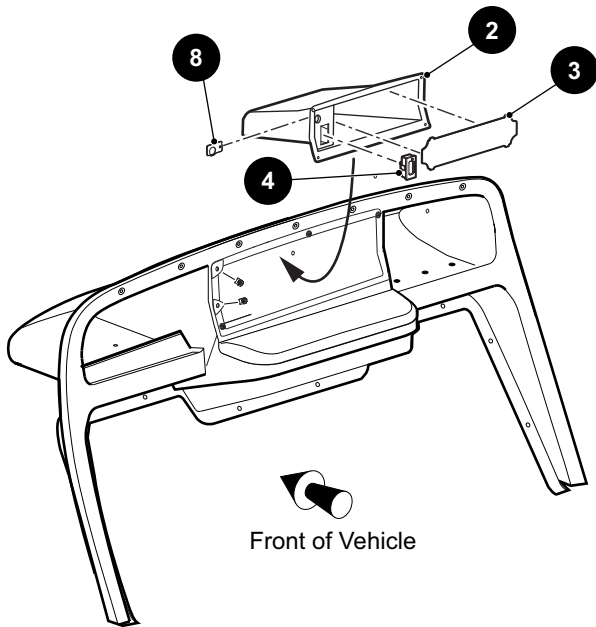
THE USE OF NON U.L. PARTS WILL VOID ANY U.L. LISTING.

When ordering parts, please specify the model and serial number of the product.

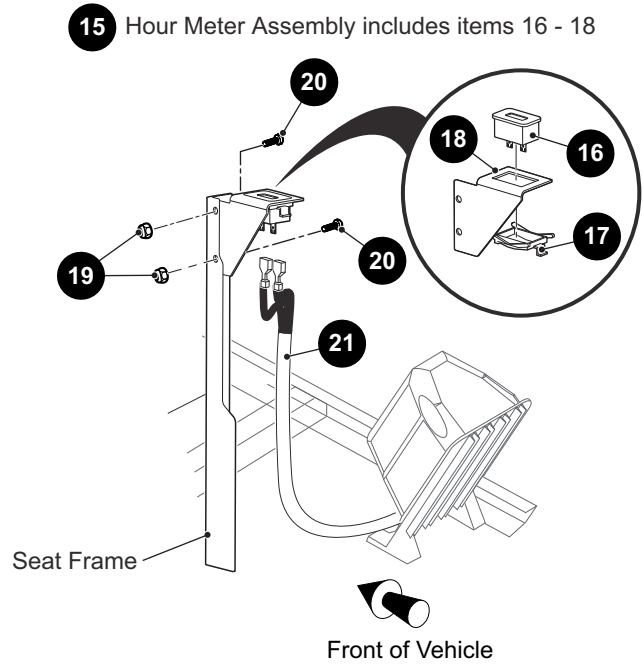
\* Indicates a component that is not available as an individual part.

\*\*\* Indicates consult Customer Service Department for additional information.

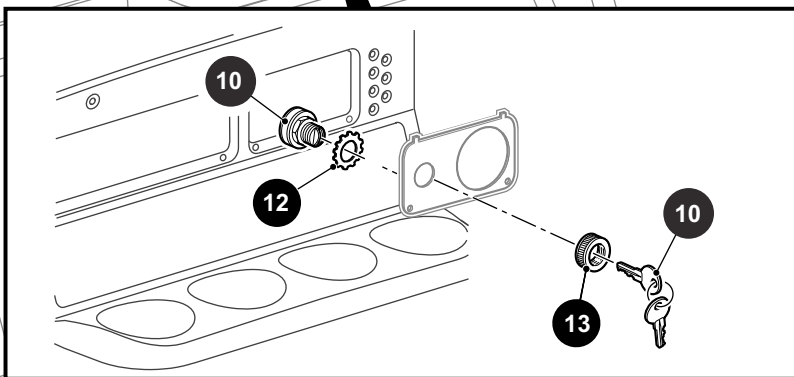
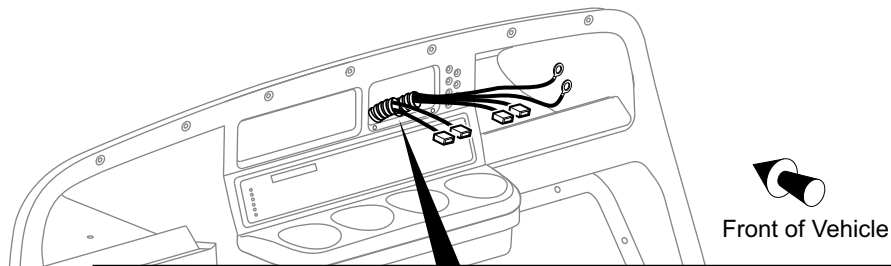
ITEM	PART NO.	1 2 3 4 5	DESCRIPTION	QTY.
1	656108		DC-DC Converter Assembly (Includes Items 2 - 4).....	1
2	<u>632185</u>		DC-DC Converter .....	1
3	<u>633303</u>		DC-DC Converter Bracket .....	1
4	<u>632372</u>		Self Tapping Screw, #10 - 32 x 3/4" Lg.....	4
5	<u>00414G6</u>		Hex Head Bolt, 1/4" - 20 x 3/4" Lg, Grade 5 .....	2
6	<u>00559G7</u>		Flat Washer, 1/4".....	2
7	<u>11027G2</u>		Flanged Lock Nut, 1/4" - 20 .....	2
8				
9	<u>613271</u>		Reverse Warning Buzzer (Continuous Tone).....	1
10	<u>01041G01</u>		Rivet (Aluminum), 5/32" .....	2
11				
12	32860G01		Horn .....	1
13	<u>00414G5</u>		Hex Head Bolt, 1/4" - 20 x 5/8" Lg, Grade 5 .....	1
14	<u>11027G2</u>		Flanged Nut, 1/4" - 20 .....	1
15				
16	<u>27068G01</u>		Horn Switch Boot .....	1
17	<u>608397</u>		Horn Plate .....	1
18	<u>17318G1</u>		Horn Switch.....	1
19				
20	<u>15058G6</u>		Rivet, (Aluminum Black).....	2
21	<u>676066G01</u>		Fuse Block (Includes Item 22).....	1
22	636455G23		Fuse, 15A .....	3
23				
24	<u>73446G01</u>		Faston Tab .....	1
25	<u>657599</u>		Accessory Harness (Not Illustrated).....	1



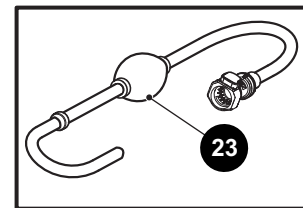
**1** Instrument Panel Insert with SOC and Light Assembly includes items 2 - 5



**15** Hour Meter Assembly includes items 16 - 18



KEY SWITCH, INDICATOR LIGHT(S), AND FUEL GAUGE





THE USE OF NON U.L. PARTS WILL VOID ANY U.L. LISTING.

When ordering parts, please specify the model and serial number of the product.

\* Indicates a component that is not available as an individual part.

\*\*\* Indicates consult Customer Service Department for additional information.

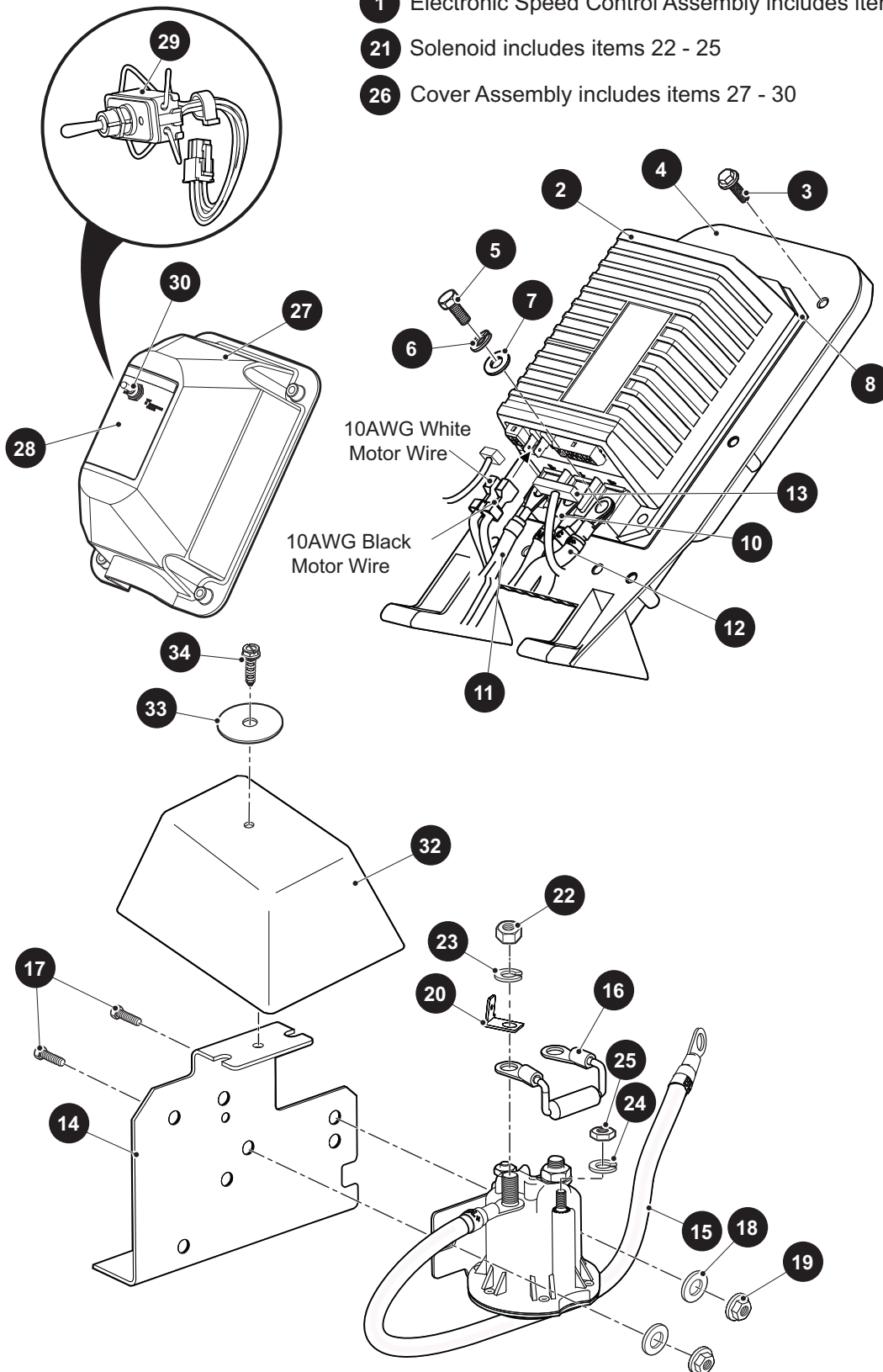
ITEM	PART NO.	1 2 3 4 5	DESCRIPTION	QTY.
1	655867G03		Instrument Panel Insert with SOC and Light Assembly (Includes Items 2 - 5) .....	1
2	<u>631104</u>		Center Compartment with SOC .....	1
3	<u>625224</u>		Divider .....	1
4	<u>33636G05</u>		State of Charge Meter (SOC) (Vertical) .....	1
5	<u>25978G74</u>		18 GA Wire (Red 6") (Not Illustrated) .....	1
6				
7	<u>634271</u>		Jumper Harness (Not Illustrated) .....	1
8	<u>637081G01</u>		Key Switch Plate .....	1
9				
10	<u>33639G01</u>		Ignition Switch and Keys (with Light) .....	1
11				
12	<u>00568G6</u>		Lock Washer (External Tooth Type), 3/4" .....	1
13	17137G1		Face Nut, 3/4" - 20 .....	1
14				
15	<u>74720G01</u>		Hour Meter Assembly (Includes Items 16 - 18) .....	1
16	<u>620133</u>		Hour Meter .....	1
17	<u>74696G01</u>		Retainer Clip .....	1
18	<u>74716G01</u>		Bracket .....	1
19	<u>14390G10</u>		Lock Nut, #10 - 24 .....	2
20	<u>00379G4</u>		Pan Head Phillips Screw, #10 - 24 x 1/2" Lg .....	2
21	664689		Hour Meter Harness .....	1
22				
23	<u>676122</u>		Trojan Hand Pump Kit .....	1





# ELECTRONIC SPEED CONTROL

- 1 Electronic Speed Control Assembly includes items 2 - 21
- 21 Solenoid includes items 22 - 25
- 26 Cover Assembly includes items 27 - 30



## ELECTRONIC SPEED CONTROL

THE USE OF NON U.L. PARTS WILL VOID ANY U.L. LISTING.

When ordering parts, please specify the model and serial number of the product.

\* Indicates a component that is not available as an individual part.

\*\*\* Indicates consult Customer Service Department for additional information.

ITEM	PART NO.	1 2 3 4 5	DESCRIPTION	QTY.
1	10010031		Electronic Speed Control Assembly, 48V (Includes Items 2 - 21) .....	1
2	10010032		Controller .....	1
3	<u>71102G01</u>		Hex Washer Head Bolt, 1/4" - 20 x 3/4" Lg, Grade 5.....	3
4	<u>73471G01</u>		Heat Sink .....	1
5	<u>73296G01</u>		Hex Head Bolt, M8 - 1.25 x 16mm Lg .....	3
6	<u>00565G8</u>		Lock Washer, 5/16" .....	3
7	00559G8		Flat Washer, 5/16" .....	3
8	<u>73190G01</u>		Thermal Mounting Pad .....	1
9	<u>31539G1</u>		Nylon Clamp, 15.5" Lg (Not Illustrated) .....	1
10	<u>617612</u>		Power Wire Harness, DC .....	1
11	<u>620437</u>		6 AWG Wire (Blue), 26.5" .....	1
12	<u>620432</u>		6 AWG Wire (Green), 16" .....	1
13	<u>625805</u>		Main Harness, 48V .....	1
14	<u>73057G02</u>		Bracket .....	1
15	<u>607592</u>		4AWG Green Wire Assembly, 28" Lg .....	1
16	<u>620430</u>		Resistor Assembly, 500 Ohm .....	1
17	<u>00414G5</u>		Hex Head Bolt, 1/4" - 20 x 5/8" Lg, Grade 5.....	2
18	<u>01110G01</u>		Flat Washer, 1/4" .....	2
19	<u>11027G2</u>		Flanged Nut, 1/4" - 20.....	2
20	<u>73446G01</u>		Faston Tab.....	2
21	<u>612711</u>		Solenoid, 48V (Includes Items 22 - 25) .....	1
22	<u>00544G4</u>		Lock Nut, 5/16" - 24 .....	2
23	<u>00565G8</u>		Lock Washer, 5/16" .....	2
24	<u>00565G5</u>		Lock Washer, #10 .....	2
25	<u>00526G4</u>		Lock Nut, #10 - 32.....	2
26	<u>612753</u>		Cover Assembly (Includes Items 27 - 30) .....	1
27	<u>73482G01</u>		Cover (With Gasket).....	1
28	<u>613048</u>		Label (Tow Switch) .....	1
29	<u>633114</u>		Toggle Switch .....	1
30	<u>73139G01</u>		Sealed Nut, 15/32" - 32 .....	1
31				

# ELECTRONIC SPEED CONTROL

THE USE OF NON U.L. PARTS WILL VOID ANY U.L. LISTING.

When ordering parts, please specify the model and serial number of the product.

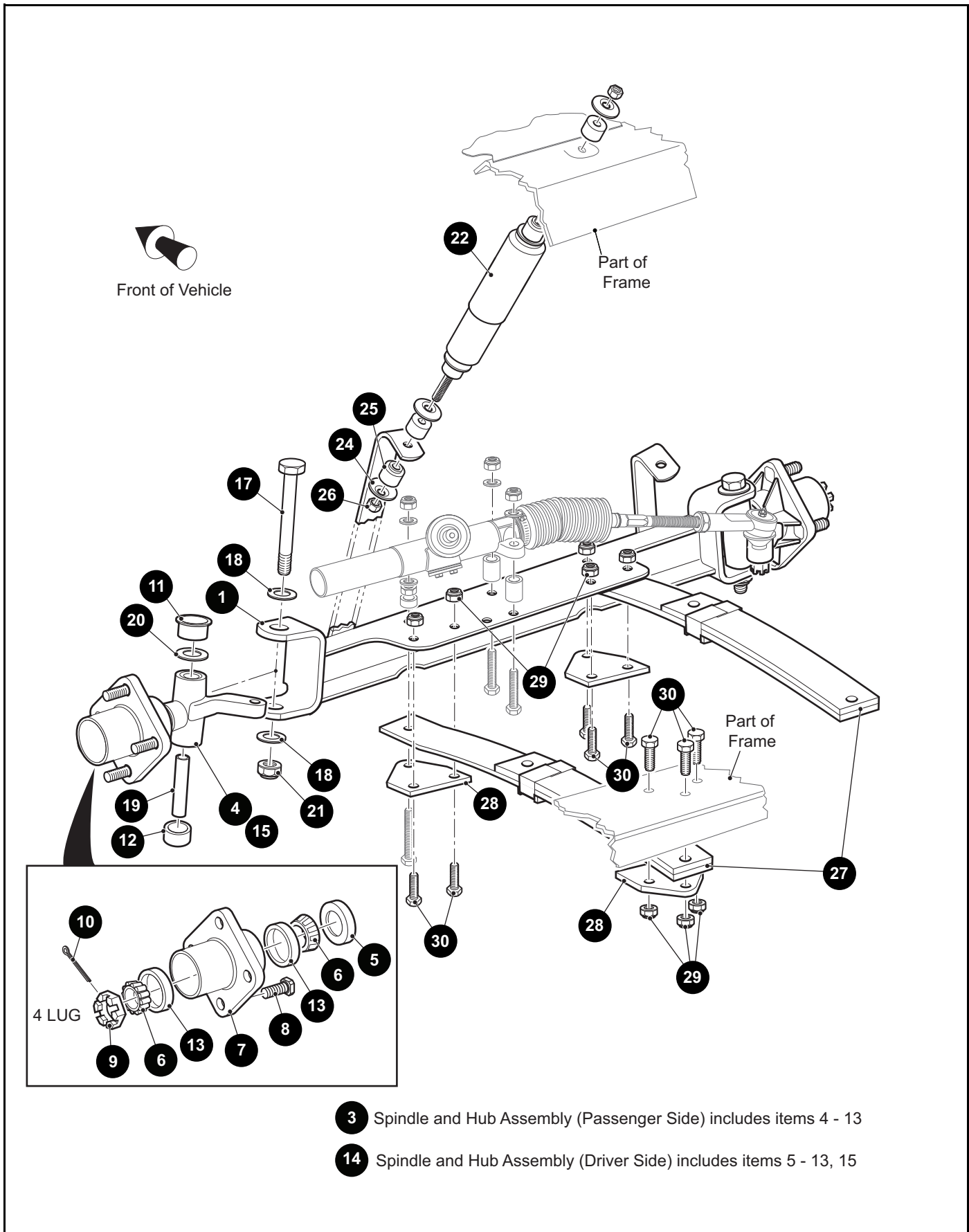
\* Indicates a component that is not available as an individual part.

\*\*\* Indicates consult Customer Service Department for additional information.

ITEM	PART NO.	1 2 3 4 5	DESCRIPTION	QTY.
32	<u>73049G01</u>		Direction Selector Cover.....	1
33	<u>16469G1</u>		Flat Fender Washer, 1/4".....	1
34	<u>00114G6</u>		Hex Washer Head Bolt, 1/4" - 14 x 3/4" Lg.....	1



# FRONT SUSPENSION AND STEERING





## FRONT SUSPENSION AND STEERING

THE USE OF NON U.L. PARTS WILL VOID ANY U.L. LISTING.

When ordering parts, please specify the model and serial number of the product.

\* Indicates a component that is not available as an individual part.

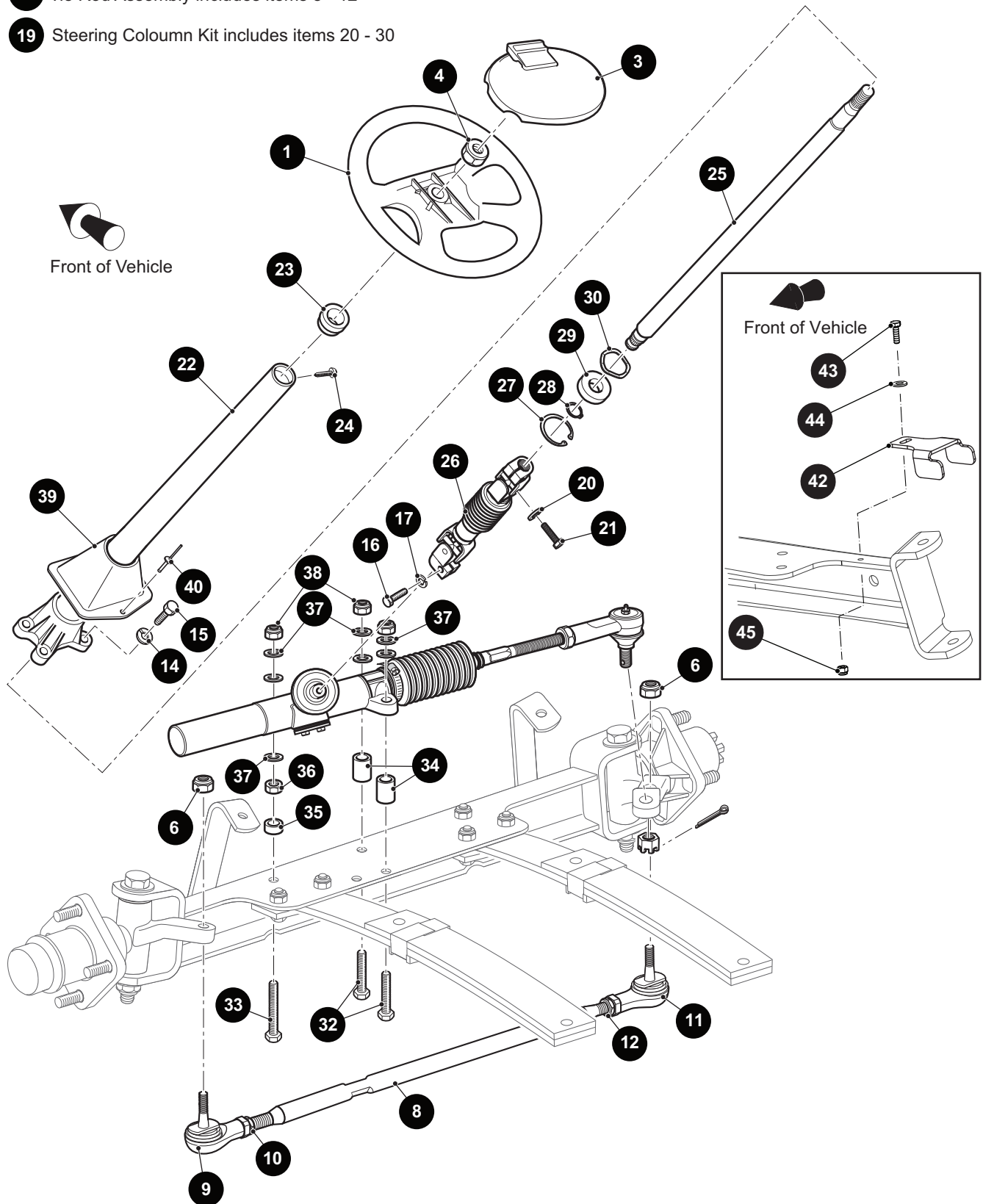
\*\*\* Indicates consult Customer Service Department for additional information.

ITEM	PART NO.	1 2 3 4 5	DESCRIPTION	QTY.
1	652822		Front Axle .....	1
2				
3	<u>70942G03</u>		Spindle and Hub Assembly, 4 Lug (Passenger Side) (Includes Items 4 - 13) .....	1
4	70940G02		Spindle Assembly (Passenger Side) .....	1
5	<u>25146G1</u>		Grease Seal.....	1
6	<u>11750G2</u>		Roller Bearing.....	2
7	<u>70589G01</u>		Wheel Hub.....	1
8	<u>19862G1</u>		Lug Bolt, 1/2" - 20 x 1 3/16" Lg.....	4
9	12093G1		Castellated Nut, 1" - 14.....	1
10	<u>00798G8</u>		Cotter Pin, 5/32" x 1 3/4" Lg .....	1
11	<u>632925</u>		Flanged Bushing.....	1
12	<u>632926</u>		Bushing.....	1
13	<u>51141G1</u>		Race Bearing.....	2
14	<u>70673G03</u>		Spindle and Hub Assembly, 4 Lug (Driver Side) (Includes Items 5 - 13, 15) .....	1
15	<u>70742G02</u>		Spindle Assembly (Driver Side) .....	1
16				
17	<u>00407G6</u>		Hex Head Bolt, 1/2" - 13 x 6" Lg, Grade 5 .....	1
18	<u>00560G3</u>		Flat Washer, 1/2".....	2
19	<u>70745G01</u>		King Pin Tube.....	1
20	<u>70754G01</u>		Thrust Washer (SS), 1" .....	1
21	<u>14390G6</u>		Lock Nut, 1/2" - 13 .....	1
22	<u>76419G01</u>		Shock Absorber.....	2
23				
24	<u>10435G1</u>		Shock Absorber Washer .....	4
25	<u>10194G1</u>		Rubber Bushing .....	4
26	<u>00532G6</u>		Hex Nut, 3/8" - 24.....	2
27	<u>70989G03</u>		Leaf Spring.....	2
28	<u>652258</u>		Spring Plate.....	4
29	<u>00734G1</u>		Lock Nut, 7/16" - 14 .....	11
30	<u>00463G11</u>		Hex Head Bolt, 7/16" - 14 x 1 3/4" Lg, Grade 5 .....	11

# FRONT SUSPENSION AND STEERING

7 Tie Rod Assembly includes items 8 - 12

19 Steering Column Kit includes items 20 - 30



## FRONT SUSPENSION AND STEERING

THE USE OF NON U.L. PARTS WILL VOID ANY U.L. LISTING.

When ordering parts, please specify the model and serial number of the product.

\* Indicates a component that is not available as an individual part.

\*\*\* Indicates consult Customer Service Department for additional information.

ITEM	PART NO.	1 2 3 4 5	DESCRIPTION	QTY.
1	<u>602979</u>		Steering Wheel.....	1
2				
3	<u>607925</u>		Scorecard Holder .....	1
4	<u>14390G2</u>		Lock Nut, 5/8" - 18 .....	1
5				
6	<u>00734G1</u>		Lock Nut, 7/16" - 14 .....	2
7	<u>70876G02</u>		Tie Rod Assembly (Includes Items 8 - 12) .....	1
8	<u>70897G02</u>		Threaded Rod, 24" Lg .....	1
9	<u>70902G01</u>		Tie Rod End (Left Hand Threads).....	1
10	<u>01069G01</u>		Jam Nut, M12 x 1.25 (Left Hand Threads) .....	1
11	<u>70902G02</u>		Tie Rod End (Right Hand Threads) .....	1
12	<u>01069G02</u>		Jam Nut, M12 x 1.25 (Right Hand Threads).....	1
13				
14	<u>00879G1</u>		Lock Washer, 3/8" .....	4
15	<u>01006G01</u>		Hex Head Bolt, 3/8" - 16 x 1 1/4" Lg .....	4
16	<u>01055G01</u>		Hex Head Bolt, M8 - 1.25 x 1.18" Lg, Grade 5.....	1
17	<u>00565G8</u>		Lock Washer, 5/16" .....	1
18				
19	<u>70758G05</u>		Steering Column Kit (Includes Items 20 - 30) .....	1
20	<u>00565G8</u>		Lock Washer, 5/16".....	1
21	<u>01055G01</u>		Hex Head Bolt, M8 - 1.25 x 1.18" Lg, Grade 5 .....	1
22	<u>70610G03</u>		Steering Column .....	1
23	<u>28569G01</u>		Steering Column Bushing.....	1
24	<u>01022G01</u>		Hex Washer Head Screw, #6 - 20 x 5/16" Lg .....	1
25	<u>70607G01</u>		Steering Shaft.....	1
26	<u>70580G01</u>		Intermediate Shaft .....	1
27	<u>70751G01</u>		Retaining Ring (Internal).....	1
28	<u>70888G01</u>		Retaining Ring (External) .....	1
29	<u>15112G1</u>		Ball Bearing .....	1
30	<u>70887G01</u>		Wave Washer .....	1
31				

## FRONT SUSPENSION AND STEERING

THE USE OF NON U.L. PARTS WILL VOID ANY U.L. LISTING.

When ordering parts, please specify the model and serial number of the product.

\* Indicates a component that is not available as an individual part.

\*\*\* Indicates consult Customer Service Department for additional information.

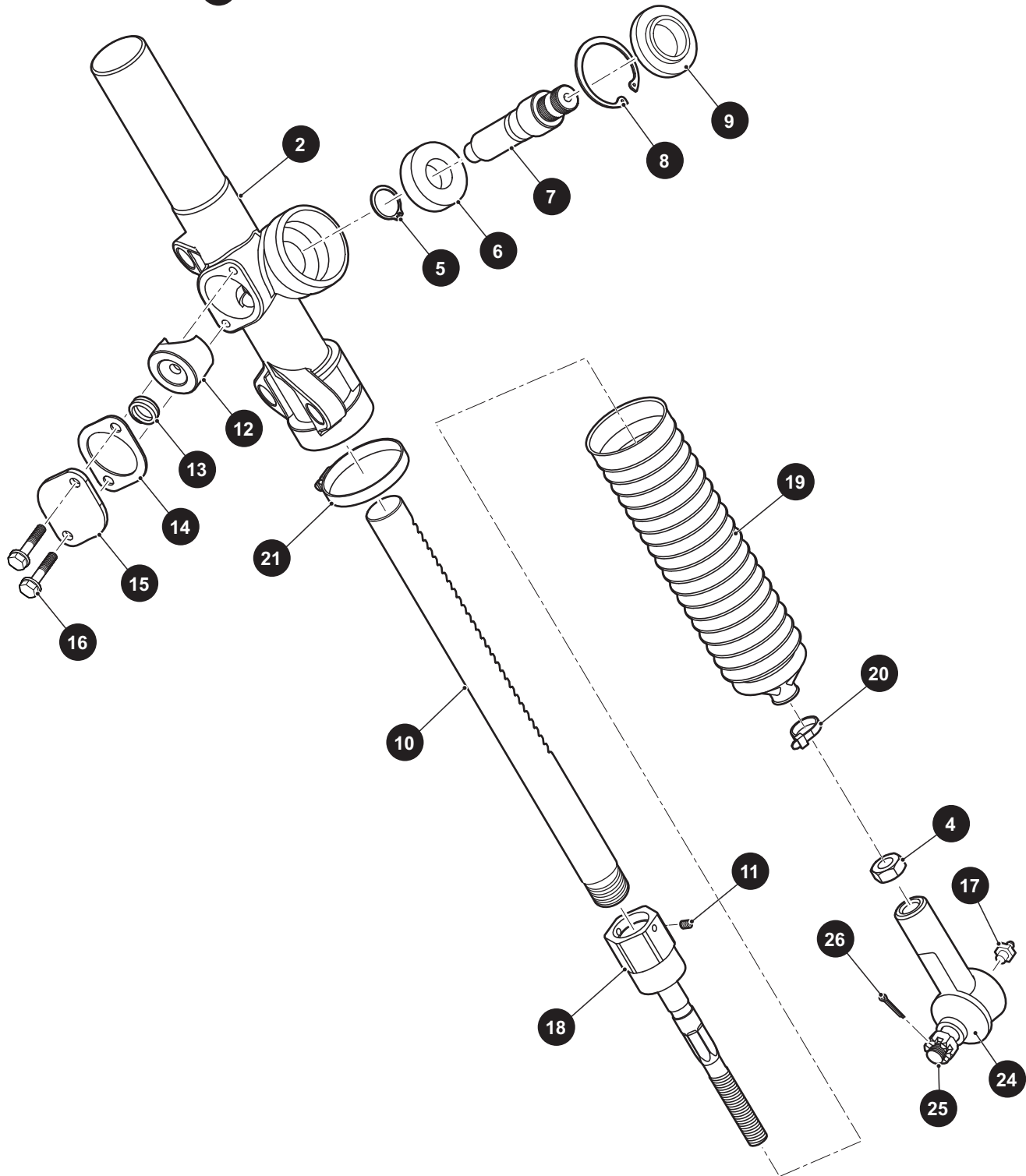
ITEM	PART NO.	1 2 3 4 5	DESCRIPTION	QTY.
32	<u>00464G6</u>		Hex Head Bolt, 7/16" - 14 x 2 3/4" Lg, Grade 5.....	2
33	<u>01068G01</u>		Hex Head Bolt, 7/16" - 14 x 3 1/2" Lg, Grade 5.....	1
34	<u>70667G02</u>		Spacer, 1.21" .....	2
35	<u>70667G04</u>		Spacer (Short), .69" .....	1
36	<u>00532G7</u>		Hex Nut, 7/16" - 14 .....	1
37	<u>00560G2</u>		Flat Washer, 7/16" .....	7
38	<u>00734G1</u>		Lock Nut, 7/16" - 14 .....	3
39	<u>70997G01</u>		Steering Column Base Cover .....	1
40	<u>71055G01</u>		Rivet (Aluminum), 3/16" x 1" Lg.....	1
41				
42	<u>613372</u>		Steering Stop Bracket.....	1
43	<u>00414G6</u>		Hex Head Bolt, 1/4" - 20 x 1/2" Lg, Grade 5.....	1
44	<u>00559G8</u>		Flat Washer, 5/16" .....	1
45	<u>14390G4</u>		Lock Nut, 1/4" - 20 .....	1



# FRONT SUSPENSION AND STEERING

**1** Rack and Pinion Unit includes items 2 - 23

**23** Tie Rod End (Outer) includes items 24 - 25



## FRONT SUSPENSION AND STEERING

THE USE OF NON U.L. PARTS WILL VOID ANY U.L. LISTING.

When ordering parts, please specify the model and serial number of the product.

\* Indicates a component that is not available as an individual part.

\*\*\* Indicates consult Customer Service Department for additional information.

ITEM	PART NO.	1 2 3 4 5	DESCRIPTION	QTY.
1	<u>70964G01</u>		Rack and Pinion Unit (Includes Items 2 - 23).....	1
2	<u>70965G01</u>		Steering Rack Cover and Bearing .....	1
3				
4	*		Jam Nut, 1/2" - 20.....	1
5	<u>70750G01</u>		Retaining Ring (External) .....	1
6	<u>15112G1</u>		Ball Bearing .....	1
7	<u>70603G01</u>		Pinion.....	1
8	<u>70751G01</u>		Retaining Ring (Internal).....	1
9	<u>70638G01</u>		Seal (Pinion) .....	1
10	<u>70604G01</u>		Steering Rack .....	1
11	*		Set Screw, #10 - 32 x .25" Lg .....	1
12	<u>70590G01</u>		Rack Loader .....	1
13	<u>70666G01</u>		Compression Spring .....	1
14	<u>70645G01</u>		Gasket (Rack Loader Cover).....	1
15	<u>652259</u>		Cover (Rack Loader) .....	1
16	<u>71102G01</u>		Hex Washer Head Bolt, 1/4" - 20 x 11/16" Lg, Grade 5.....	2
17	<u>10389G3</u>		Grease Fitting (Straight) .....	1
18	<u>70694G01</u>		Rod End (Inner) .....	1
19	<u>70961G01</u>		Rack Boot .....	1
20	<u>12416G2</u>		Nylon Clamp, 11.8" Lg .....	1
21	<u>11391G8</u>		Hose Clamp, 1.81".....	1
22				
23	<u>70695G01</u>		Tie Rod End (Outer) (Includes Items 24 - 25).....	1
24	<u>50641G1</u>		Grommet .....	1
25	*		Hex Slotted Nut, 7/16" - 20 .....	1
26	<u>10387G2</u>		Cotter Pin, 3/32" x 1".....	1









THE USE OF NON U.L. PARTS WILL VOID ANY U.L. LISTING.

When ordering parts, please specify the model and serial number of the product.

\* Indicates a component that is not available as an individual part.

\*\*\* Indicates consult Customer Service Department for additional information.

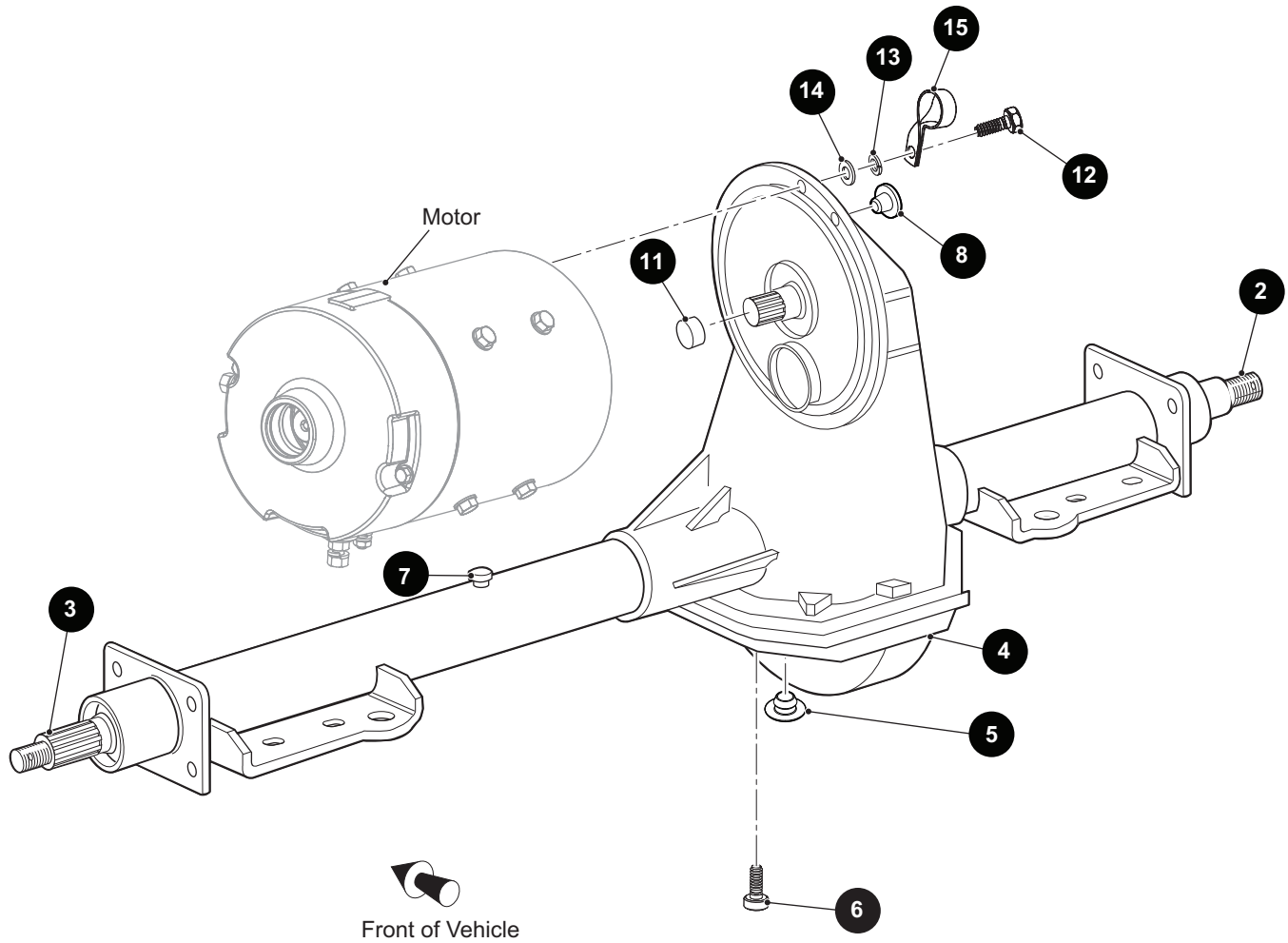
ITEM	PART NO.	1 2 3 4 5	DESCRIPTION	QTY.
1	<u>624105</u>		Motor 48V (Includes Items 2 - 10).....	1
2	<u>625886</u>		Commutator End Head.....	1
3	<u>626171</u>		Armature.....	1
4	<u>626172</u>		Frame and Field Assembly.....	1
5	<u>625884</u>		Brush Box Assembly.....	1
6	<u>73120G03</u>		Brush Spring.....	4
7	<u>73120G25</u>		Brush and Terminal Service Kit.....	2
8	<u>73120G06</u>		Retaining Ring.....	1
9	<u>73120G07</u>		Bearing.....	1
10	<u>625885</u>		Cover.....	1
11	<u>73277G01</u>		Retaining Ring, 1.66".....	1
12	<u>73328G01</u>		Speed Sensor Magnet.....	1
13	<u>01037G02</u>		Pan Head Torx Screw, #10 - 32 x 1/2" Lg.....	1
14	<u>620422</u>		Speed Sensor Harness.....	1
15	<u>24261G1</u>		Bumper Spline.....	1
16	<u>624109</u>		O-Ring, 1 1/2" O.D x 1 3/8" I.D.....	1





# REAR AXLE

1 Rear Axle Assembly includes items 2 - 7



## REAR AXLE

THE USE OF NON U.L. PARTS WILL VOID ANY U.L. LISTING.

When ordering parts, please specify the model and serial number of the product.

\* Indicates a component that is not available as an individual part.

\*\*\* Indicates consult Customer Service Department for additional information.

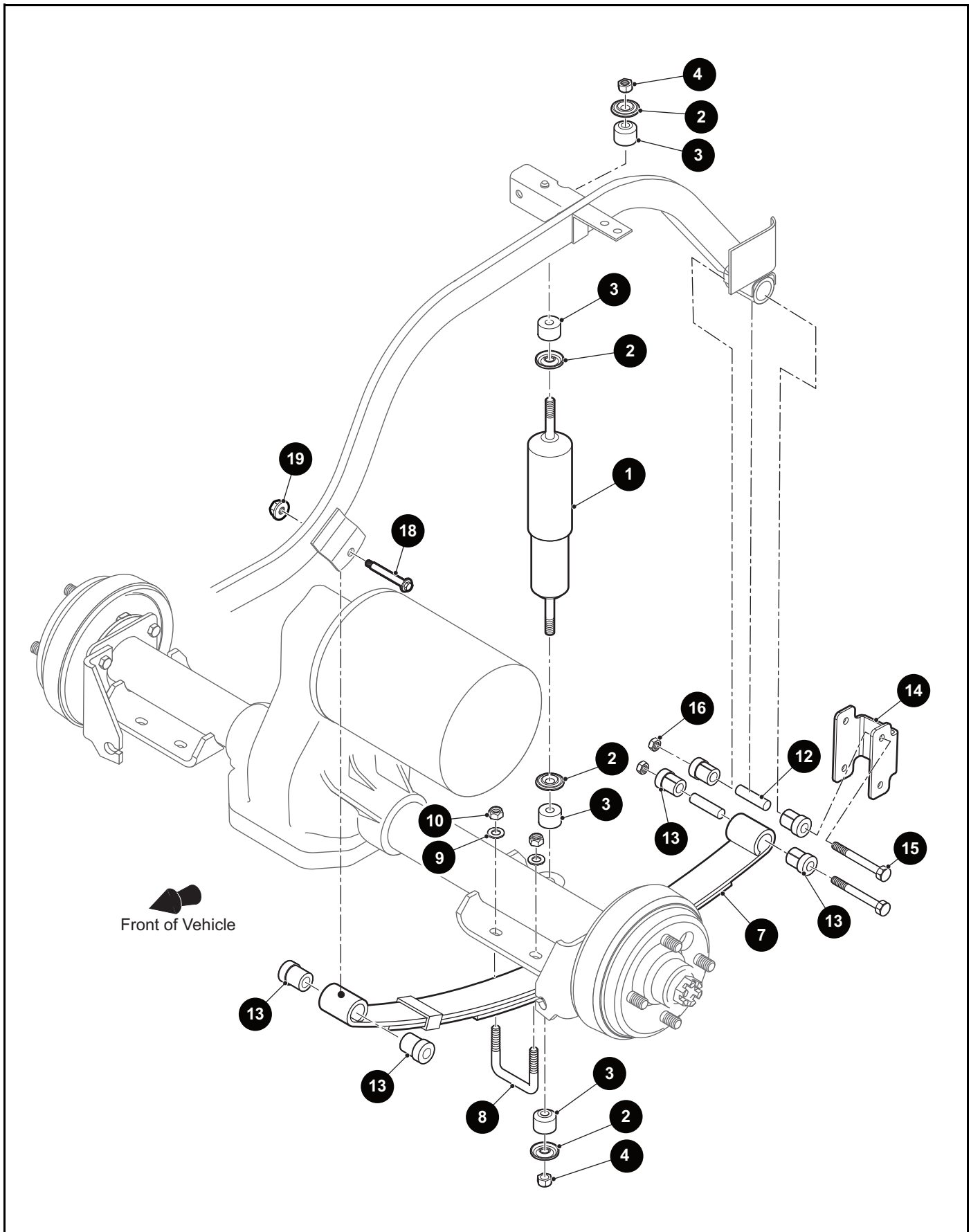
ITEM	PART NO.	1 2 3 4 5	DESCRIPTION	QTY.
1	<u>73500G01</u>		Rear Axle Assembly (Includes Items 2 - 7) .....	1
2	<u>614209</u>		Axle Shaft (Passenger Side) .....	1
3	<u>614208</u>		Axle Shaft (Driver Side) .....	1
4	<u>620348</u>		Differential Cover .....	1
5	<u>620347</u>		Rubber Plug .....	1
6	<u>15558G1</u>		Flanged Hex Head Bolt, 5/16" - 18 x 3/4" Lg .....	10
7	<u>73050G01</u>		Vent .....	1
8	<u>624110</u>		Plug .....	3
9				
10				
11	<u>24261G1</u>		Spline Bumper .....	1
12	<u>00797G2</u>		Hex Head Bolt, 1/4" - 20 x 1 1/4" Lg, Grade 8 .....	3
13	<u>00664G7</u>		Lock Washer, 1/4" .....	3
14	<u>01110G01</u>		Flat Washer 1/4" .....	3
15	<u>27327G02</u>		Twisted Cable Clamp .....	1







# REAR SUSPENSION



## REAR SUSPENSION

THE USE OF NON U.L. PARTS WILL VOID ANY U.L. LISTING.

When ordering parts, please specify the model and serial number of the product.

\* Indicates a component that is not available as an individual part.

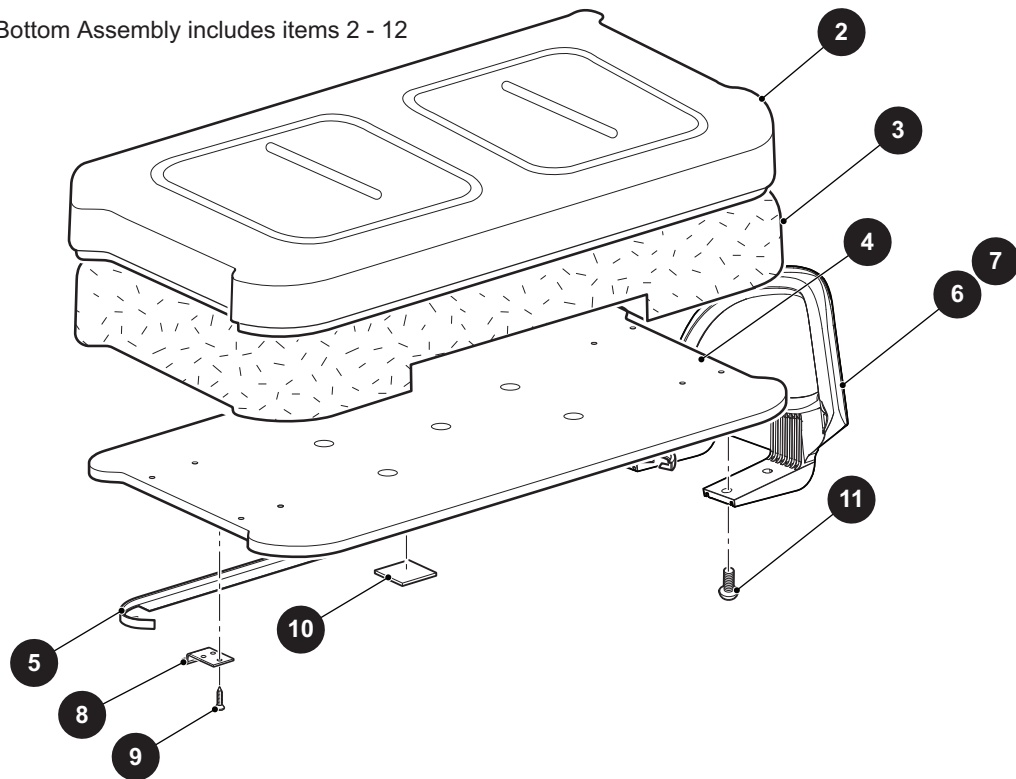
\*\*\* Indicates consult Customer Service Department for additional information.

ITEM	PART NO.	1 2 3 4 5	DESCRIPTION	QTY.
1	<u>76418G01</u>		Shock Absorber.....	2
2	<u>10435G1</u>		Shock Absorber Washer .....	8
3	<u>10194G1</u>		Rubber Bushing, 1" .....	8
4	<u>00532G6</u>		Hex Jam Nut, 3/8" - 24 .....	4
5				
6				
7	<u>74207G03</u>		Heavy Duty Leaf Spring .....	2
8	<u>72618G01</u>		'U' Bolt, 3/8" - 16 x 2" x 2 1/2" Lg .....	4
9	<u>00560G1</u>		Flat Washer, 3/8" .....	8
10	<u>11098G5</u>		Lock Nut, 3/8" - 16 .....	8
11				
12	<u>70289G02</u>		Split Steel Spacer.....	4
13	<u>624030</u>		Flanged Bushing, 21.5mm .....	12
14	696060		Shackle Plate .....	4
15	<u>00665G9</u>		Hex Head Bolt (SS), 3/8" - 16 x 3 1/2" Lg .....	4
16	<u>11098G5</u>		Lock Nut, 3/8" - 16 .....	4
17				
18	<u>14158G1</u>		Shoulder Bolt, 1/2" x 3/8" - 16 x 3 1/4" Lg.....	2
19	<u>12262G1</u>		Lock Nut, 3/8" - 16 .....	2

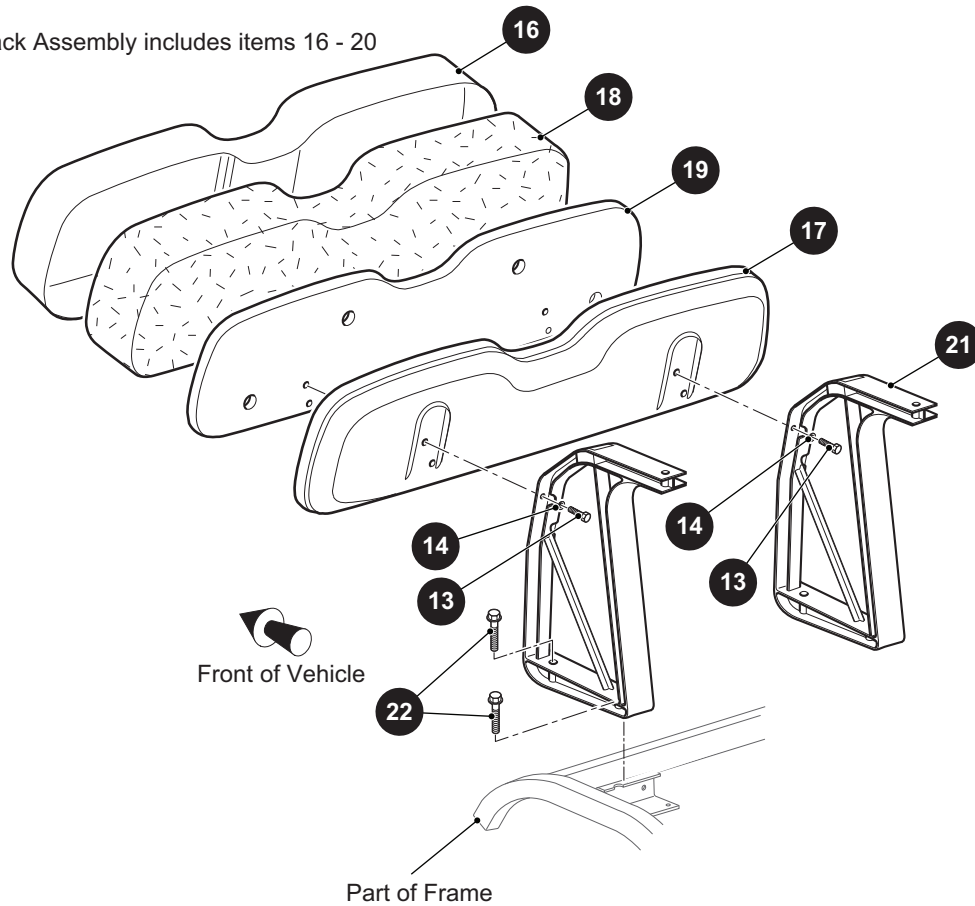




1 Seat Bottom Assembly includes items 2 - 12



15 Seat Back Assembly includes items 16 - 20



THE USE OF NON U.L. PARTS WILL VOID ANY U.L. LISTING.

When ordering parts, please specify the model and serial number of the product.

\* Indicates a component that is not available as an individual part.

\*\*\* Indicates consult Customer Service Department for additional information.

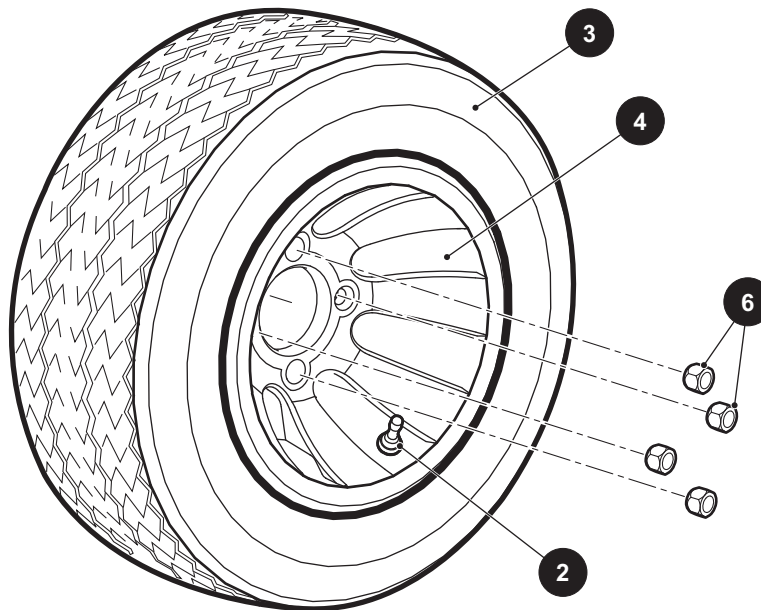
ITEM	PART NO.	1 2 3 4 5	DESCRIPTION	QTY.
1	***		Seat Bottom Assembly (Includes Items 2 - 12) ..... 629269G0103 Tan 629269G0106 Black	1
2	***		Seat Bottom Cover ..... 71602G04 Tan 71602G06 Black	1
3	<u>71603G02</u>		Foam Padding (Seat Bottom) .....	1
4	<u>645492</u>		Seat Bottom.....	1
5	<u>71012G01</u>		Vinyl Trim (Seat Bottom).....	1
6	<u>617644</u>		Hip Restraint (Passenger Side).....	1
7	<u>617645</u>		Hip Restraint (Driver Side).....	1
8	<u>71610G01</u>		Seat Hinge.....	2
9	<u>00720G08</u>		Phillips Head Tapping Screw, #12 -14 x 1" Lg.....	6
10	<u>17074G1</u>		Soiling Slab.....	2
11	<u>615417</u>		Button Head Torx Bolt, M10 - 1.5 x 25 mm Lg.....	8
12	<u>17618G1</u>		Nylon Clamp, 7" Lg (Not Illustrated) .....	1
13	<u>605056</u>		Hex Head Bolt (SS), 1/4" - 20 x 1" Lg .....	4
14	<u>00664G7</u>		Lock Washer (SS), 1/4" .....	4
15	***		Seat Back Assembly (Includes Items 16 - 20)..... 625229G0103 Tan 625229G0106 Black	1
16	***		Vinyl Seat Back Cover ..... 625234G03 Tan 625234G06 Black	1
17	<u>625239</u>		Plastic Seat Back Cover .....	1
18	<u>625233</u>		Foam Padding (Seat Back) .....	1
19	<u>644266</u>		Seat Back Base .....	1
20	<u>17618G1</u>		Nylon Clamp, 7" Lg (Not Illustrated) .....	1
21	<u>71811G03</u>		Seat Support Bracket.....	2
22	<u>01075G01</u>		Hex Washer Head Taptite Bolt, 3/8" - 16 x 2 1/2" Lg.....	4







1 Wheel and Tire Assembly (Kenda) includes items 2 - 4



Tire design may vary by Part Number

# WHEELS AND TIRES

THE USE OF NON U.L. PARTS WILL VOID ANY U.L. LISTING.

When ordering parts, please specify the model and serial number of the product.

\* Indicates a component that is not available as an individual part.

\*\*\* Indicates consult Customer Service Department for additional information.

ITEM	PART NO.	1 2 3 4 5	DESCRIPTION	QTY.
1	<u>652263</u>		Wheel and Tire Assembly (Kenda) (Includes Items 2 - 4).....	1
2	<u>643948</u>		Valve Stem .....	1
3	652986		Tire, 20" x 8" - 10" (Kenda).....	1
4	<u>643934</u>		Wheel, 10" x 6" - 4" .....	1
5				
6	<u>14723G1</u>		Lug Nut, 1/2" - 20 .....	4







## DECALS AND LABELS

THE USE OF NON U.L. PARTS WILL VOID ANY U.L. LISTING.

When ordering parts, please specify the model and serial number of the product.

\* Indicates a component that is not available as an individual part.

\*\*\* Indicates consult Customer Service Department for additional information.

ITEM	PART NO.	1 2 3 4 5	DESCRIPTION	QTY.
1	<u>628019</u>		Safety Label .....	1
2	685698		MADE IN USA Decal.....	1
3	<u>606405</u>		E-Z-GO Name Plate.....	1
4	10008571		Valor Decal.....	1
5	664789		Steering Wheel Warning Label .....	1
6				
7	<u>627562</u>		Front Reflector (Passenger Side).....	1
8	<u>627561</u>		Front Reflector (Driver Side) .....	1
9				
10	<u>627564</u>		Side Reflector (Passenger Side).....	1
11	<u>627563</u>		Side Reflector (Driver Side) .....	1
12	<u>625246</u>		Rear Reflector (Passenger Side) .....	1
13	<u>625244</u>		Rear Reflector (Driver Side).....	1





## DECALS AND LABELS

THE USE OF NON U.L. PARTS WILL VOID ANY U.L. LISTING.

When ordering parts, please specify the model and serial number of the product.

\* Indicates a component that is not available as an individual part.

\*\*\* Indicates consult Customer Service Department for additional information.

ITEM	PART NO.	1 2 3 4 5	DESCRIPTION	QTY.
1	<u>634229</u>		Safety Label (Instrument Panel).....	1
2	<u>614068</u>		Authorized Representative Decal (EC) .....	1
3	<u>601783</u>		CE Symbol Decal .....	1
4	<u>28203G01</u>		Battery Warning Decal .....	1







A Textron Company

**Textron Specialized Vehicles, Inc.,**  
1451 Marvin Griffin Road  
Augusta, Georgia 30906 - 3852 USA

**CONTACT INFORMATION**

North America:

**Technical Assistance & Warranty** Phone: 1-800-774-3946, FAX: 1-800-448-8124  
**Service Parts** Phone: 1-888-438-3946, FAX: 1-800-752-6175

International: Phone: 001-706-798-4311, FAX: 001-706-771-4609

Owner's Guides and Repair Manuals  
are available from a local Distributor, an authorized Branch,  
Parts & Accessories Department or at [www.shop.txtsv.com/shop-ezgo](http://www.shop.txtsv.com/shop-ezgo)

Copyrighted Material  
This manual may not be reproduced in whole or  
in part without the express permission of  
Textron Specialized Vehicles  
Technical Publications Department