

614270



A Textron Company



SERVICE PARTS MANUAL



ELECTRIC POWERED FLEET GOLF CARS AND PERSONAL VEHICLE

ISSUED DECEMBER 2009

SERVICE PARTS MANUAL

ELECTRIC POWERED FLEET GOLF CARS & PERSONAL VEHICLES

TXT VALOR PDS

STARTING MODEL YEAR: 2009

E-Z-GO Division of TEXTRON Inc. reserves the right to incorporate engineering and design changes to products in this Manual, without obligation to include these changes on units leased/sold previously.

The information contained in this Manual may be revised periodically by the E-Z-GO Division, and therefore is subject to change without notice.

The E-Z-GO Division **DISCLAIMS LIABILITY FOR ERRORS IN THIS MANUAL**, and the E-Z-GO Division **SPECIFICALLY DISCLAIMS LIABILITY FOR INCIDENTAL AND CONSEQUENTIAL DAMAGES** resulting from the use of the information and materials in this Manual.

TO CONTACT US

NORTH AMERICA:

TECHNICAL ASSISTANCE & WARRANTY PHONE: 1-800-774-3946, FAX: 1-800-448-8124

SERVICE PARTS PHONE: 1-888-GET-EZGO (1-888-438-3946), FAX: 1-800-752-6175

INTERNATIONAL:

SALES PHONE: 001-706-798-4311, FAX: 001-706-771-4609

E-Z-GO DIVISION OF TEXTRON INC., 1451 MARVIN GRIFFIN ROAD, AUGUSTA, GEORGIA USA 30906-3852

NOTES

To obtain a copy of the limited warranty applicable to the vehicle, call or write a local Distributor, authorized Branch or the Warranty Department with vehicle serial number and manufacturer code.

The use of non Original Equipment Manufacturer (OEM) parts may void the warranty.

Overfilling of batteries may void the warranty.

BATTERY PROLONGED STORAGE

All batteries will self discharge over time. The rate of self discharge varies depending on the ambient temperature and the age and condition of the batteries.

A fully charged battery will not freeze in winter temperatures unless the temperature falls below -75° F (-60° C).

As with all electric vehicles, the batteries must be checked and recharged as required or at a minimum of 30 day intervals.

TABLE OF CONTENTS

SECTION	Page No.
HOW TO USE THE SERVICE PARTS MANUAL	vi
ACCELERATOR	A - 1
• Accelerator Pedal Pad	
• Accelerator Pedal Assembly	
• Switches	
BATTERY CHARGER	B - 1
• Charger	
• Charger Cords	
• Cover	
• Handle	
BODY - FRONT	C - 1
• Front Splash Shield	
• Cowl	
• Nameplate	
• Instrument Panel	
• Instrument Panel Trim	
BODY - MID SECTION	C - 5
• Floorboard	
• Floormat	
• Fender	
BODY - REAR	C - 7
• Rear Body	
• Rear Splash Shields	
• Rocker Panel	
• Sill Plate	
• Access Panel	
• Scuff Guards	
• Rear Bumper	
BODY - ACCESSORIES	C - 11
• Sand Bottle	
• Side Baskets	
• Center Baskets	
• Message Holder	
• Cooler	
• Rake Holder	
• Four Bag Attachment	
• Ash Tray Kit	
• Two bag Attachment	
• Single Sand Mug	
• Double Sand Mug	
BRAKES - PEDAL	D - 1
• Compensator Assembly	
• Brake Pedal Pad	
• Brake Pedal Assembly	
• Torsion Spring	
• Brake Shoe	
• Brake Drum Assembly	
• Brake Cable Bracket	

TABLE OF CONTENTS

SECTION	Page No.
ELECTRICAL SYSTEM - MAIN COMPONENTS	E - 1
• Key Switch	
• Charger Receptacle	
• Solenoid Wires	
• Fuse Block	
• Hour Meter	
• Batteries	
• Battery Hold Down	
• Battery Retainer	
• Wires	
• Horn Assembly	
• Horn Button	
• Headlights	
• Tail Lights	
• Turn Signal Switch	
• Headlight Switch	
ELECTRICAL SYSTEM - DIRECTION SELECTOR	E - 8
• Key Switch	
• Direction Selector	
• State of Charge Meter	
• Reverse Warning Buzzer	
ELECTRONIC SPEED CONTROL	F - 1
• Controller Assembly	
• Resistor Assembly	
• Mounting Bracket	
• Solenoid	
FRONT SUSPENSION	G - 1
• Front Axle	
• Spindle and Hub Assembly	
• Shock Absorber	
• Steering Rack Assembly	
• Steering Column	
• Steering Wheel	
• Tie Rod Assembly	
MOTOR	H - 1
• AC Motor	
• Speed Sensors	
REAR AXLE	J - 1
• Axle Assembly	
• Axle Shaft	
• Spline Bumper	
REAR SUSPENSION	K - 1
• Shocks	
• Leaf Spring	
• Shackles	
• Bushings	

TABLE OF CONTENTS

SECTION	Page No.
SEATING & BAG HOLDER	L - 1
• Front Seat Bottom	
• Front Seat Back	
• Hip Restraints	
• Seat Back Support	
• Bag Holder	
• Bag Strap Clamp	
TOW BAR - PERMANENT	M - 1
• Tow Bar	
• Latch	
• Mounting Plate	
• Tie Rod	
• Spacer	
• Rod Ends	
WEATHER PROTECTION - GOLF CAR SUN TOP	N - 1
• Sun Top	
• Struts	
• Rear View Mirror	
• Fold Down Shield	
• Windshield	
• Weather Enclosure	
WHEELS AND TIRES	P - 1
• Tires	
• Wheels	
• Lug Nuts	
• Wheel Cap	
SPECIALITY PRODUCTS	APPENDIX A - 1
OPTIONS/ACCESSORIES	APPENDIX B - 1

HOW TO USE THE SERVICE PARTS MANUAL

This manual is divided into several sections:

- GENERAL INFORMATION
- ILLUSTRATED PARTS BREAKDOWN
- APPENDIX

The first section, GENERAL INFORMATION, contains the following information:

- WARRANTY INFORMATION
- GENERAL INDEX
- HOW TO USE THE SERVICE PARTS MANUAL

The second section, ILLUSTRATED PARTS BREAKDOWN, contains:

- ILLUSTRATIONS AND PARTS LISTS FOR ALL SYSTEMS OF YOUR VEHICLE

The third section, APPENDIX, contains:

- A LISTING OF SPECIALTY PRODUCTS
- A LISTING OF OPTIONS/ACCESSORIES

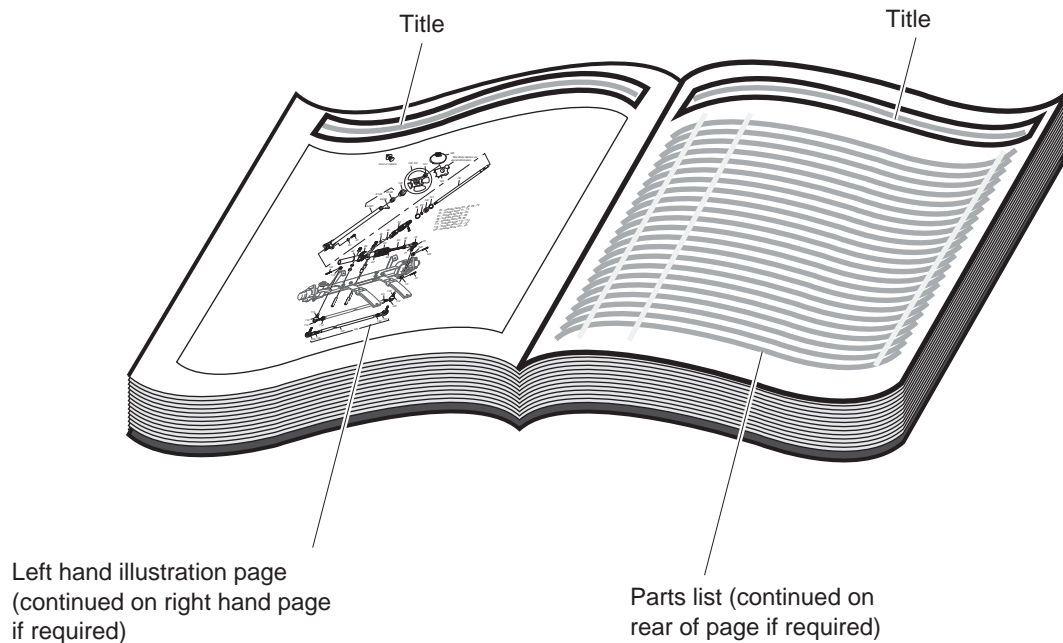
USE OF THE MANUAL

To use this manual, consult the GENERAL INDEX to locate the information or illustration required.

Introduction of some revisions varies due to supply of components; therefore, it is possible that various combinations of components may be found that are not directly reflected by each illustration. Consult the illustration that best suits your situation and then contact the Service Parts Department. It is important that the serial number of your vehicle and its model number be supplied to Service Parts when ordering any replacement components.

Locate the serial number plate (see BODY located in the Illustrated Parts Breakdown section of this manual for its location) and note the complete number shown on the plate.

HOW TO USE THE SERVICE PARTS MANUAL



1. WHEN THE PART NUMBER IS NOT KNOWN

- Determine the function and application of the part required. Turn to the General Index and select the most appropriate title.
- Turn to the page number indicated and locate the desired part on the illustration.
- From the illustration, obtain the item number assigned to the desired part. Refer to the accompanying description for specific information regarding the part.

2. IF YOU KNOW THE PART NUMBER

- Locate the part number or description in the appropriate column on the parts list page.

NOTE: It is suggested that you confirm that the part selected is correct by verifying it with the pictorial representation on the illustrated page.

Should an asterisk (*) appear in the part number column on the parts list page, read upwards until a part number is found. The part number is the lowest assembly sold by Service Parts and the asterisk (*) indicates that the part depicted is not available for purchase.

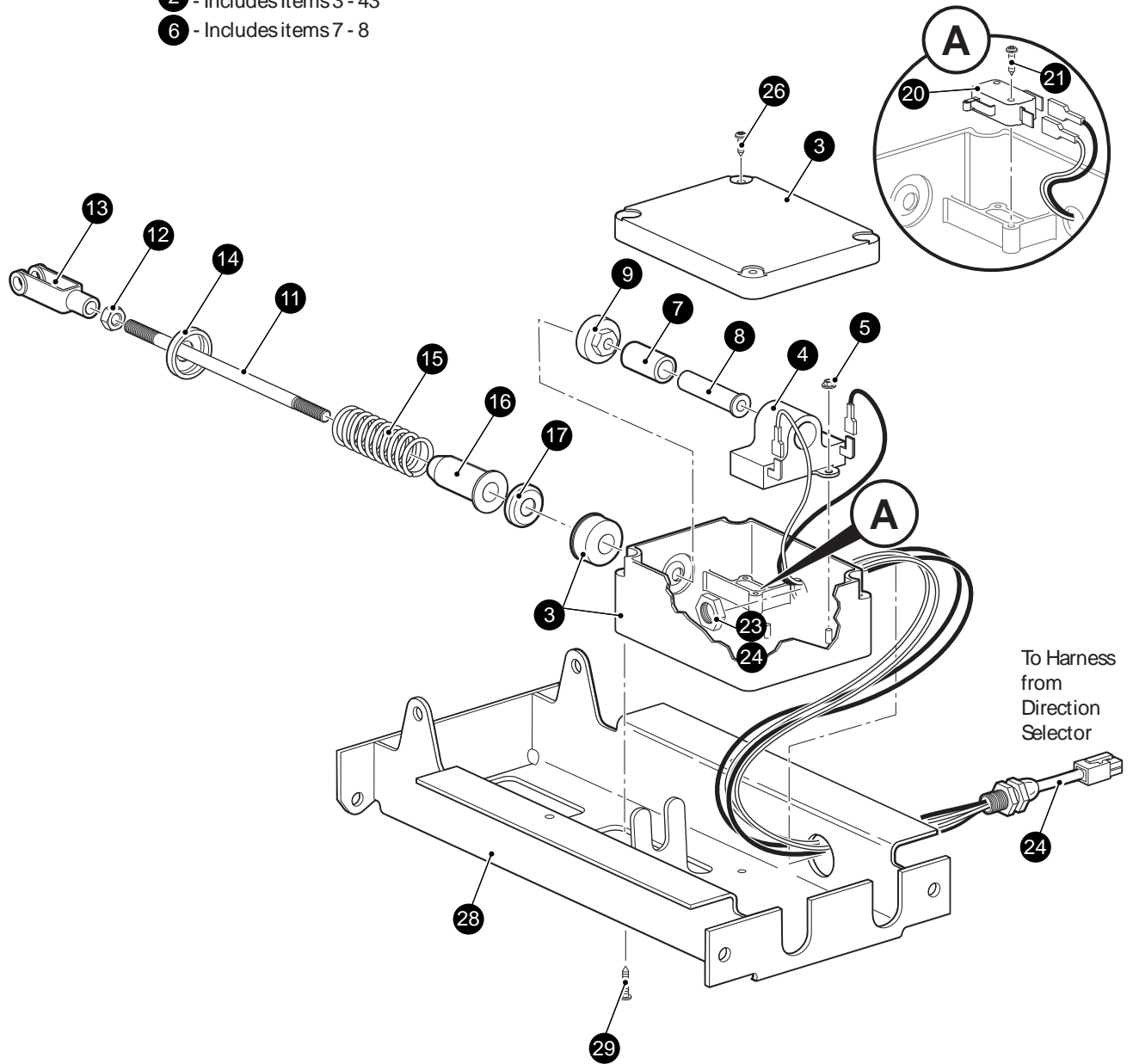
NOTE: Descriptions are indented under the assembly that they are used on. That assembly is, in turn listed under the assembly that it is used on. This process is repeated until the highest final assembly is reached.

To facilitate the maintenance and repair of the vehicle, a Technician's Repair and Service Manual is available from the Service Parts Department.

ILLUSTRATED PARTS BREAKDOWN

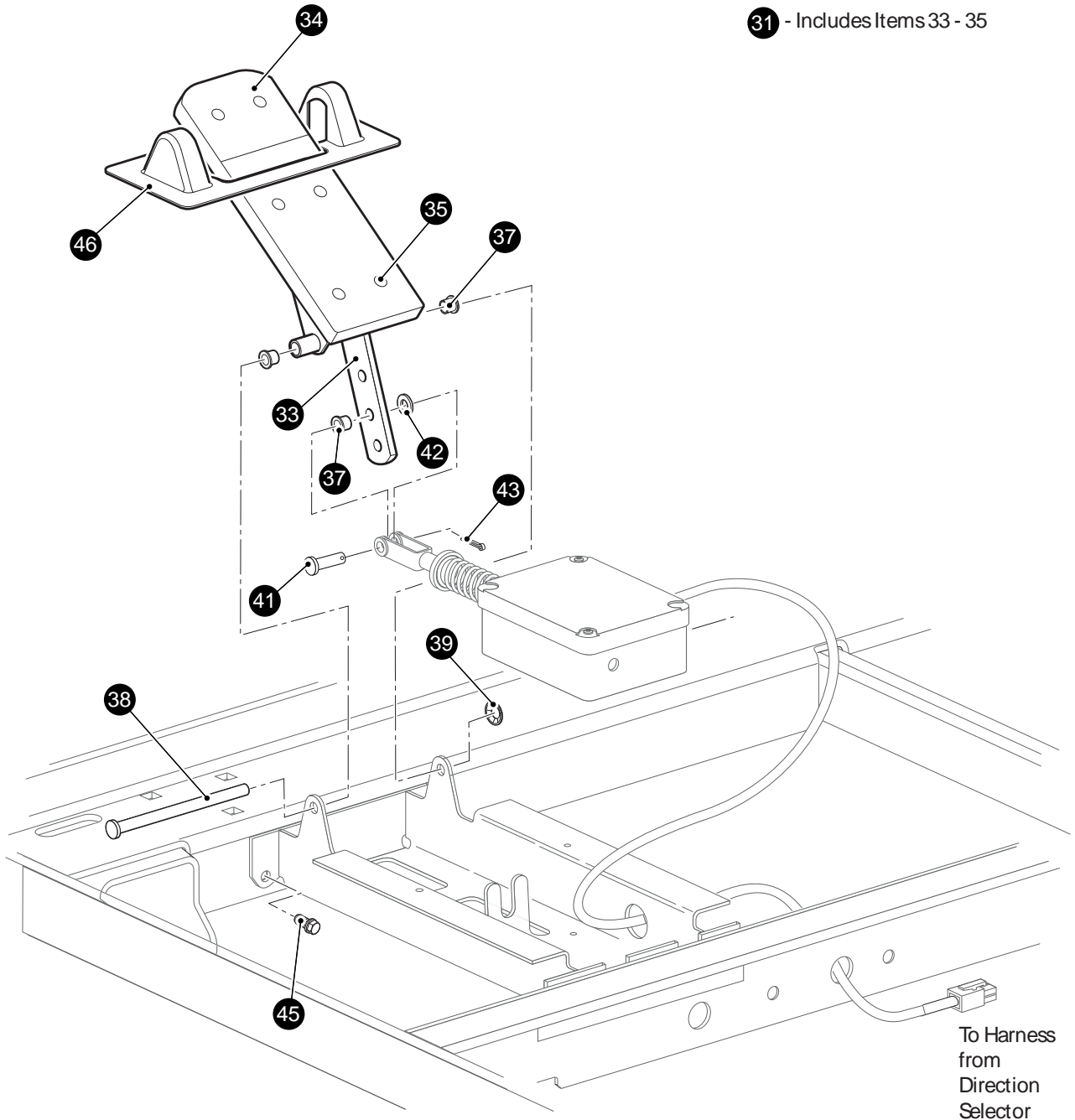
ILLUSTRATED PARTS BREAKDOWN

- 2 - Includes Items 3 - 43
- 6 - Includes items 7 - 8



ACCELERATOR

31 - Includes Items 33 - 35



ACCELERATOR

When ordering parts, please specify the model and serial number of the product.

* Indicates a component that is not available as an individual part.

*** Indicates consult Customer Service Department for additional information.

ITEM	PART NO.	1 2 3 4 5	DESCRIPTION	QTY.
1				
2	<u>73333G10</u>		PEDAL BOX ASSEMBLY, PDS MODEL ONLY (INCLUDES ITEMS 3 - 43)	1
3	<u>25853G01</u>		PEDAL BOX AND COVER (SEAL AND BEARING)	1
4	<u>25854G01</u>		INDUCTIVE THROTTLE SENSOR	1
5	<u>00983G01</u>		SELF THREADING NUT, 3/16"	2
6	<u>602484</u>		PLUNGER AND SLEEVE ASSEMBLY (INCLUDES ITEMS 7 - 8).....	1
7	<u>25857G01</u>		PLUNGER SLEEVE	1
8	<u>28443G01</u>		PLUNGER	1
9	<u>28444G01</u>		PLUNGER CAM	1
10				
11	<u>73332G01</u>		ACCELERATOR ROD	1
12	<u>00532G4</u>		NUT, 5/16 - 24	1
13	<u>10385G4</u>		CLEVIS YOKE (ADJUSTABLE).....	1
14	<u>17677G2</u>		SPRING RETAINER, 3/8"	1
15	<u>73046G01</u>		COMPRESSION SPRING	1
16	<u>17979G1</u>		ACCELERATOR ROD BUSHING.....	1
17	<u>17677G1</u>		SPRING RETAINER, 1/2"	1
18				
19				
20	<u>25861G02</u>		MICRO SWITCH	1
21	<u>01050G01</u>		SCREW-PLASTITE, #4 - 20 X 5/8" LG	2
22				
23				
24	<u>25879G05</u>		WIRING HARNESS (PEDAL BOX ASSEMBLY)	1
25				
26	<u>00684G6</u>		SCREW, #8 - 32 X 3/4" LG (STAINLESS STEEL)	2
27				
28	<u>70116G02</u>		ACCELERATOR PEDAL BRACKET	1
29	<u>01051G01</u>		SCREW, #8 - 16 X 1/2" LG	4
30				

ACCELERATOR

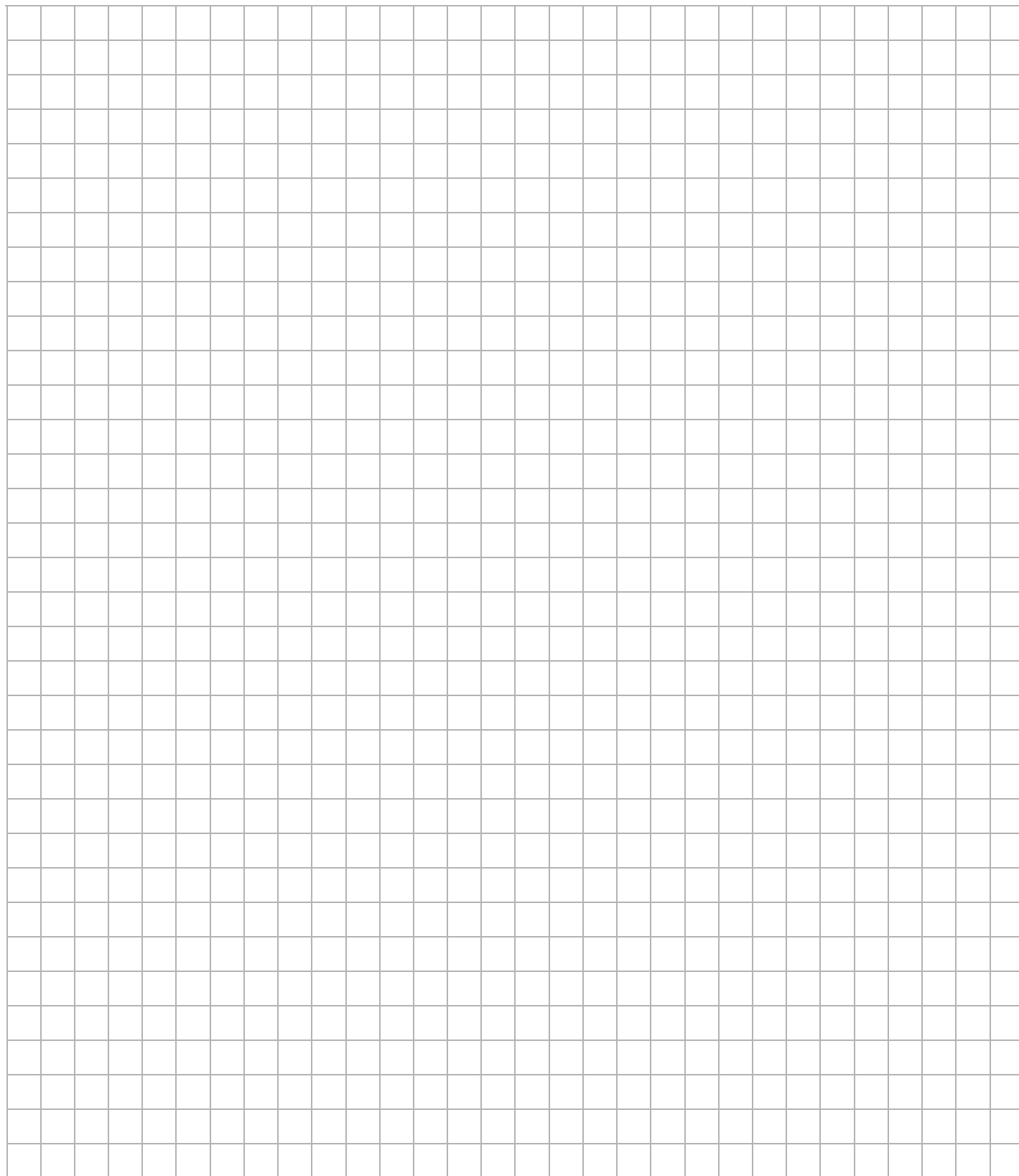
When ordering parts, please specify the model and serial number of the product.

* Indicates a component that is not available as an individual part.

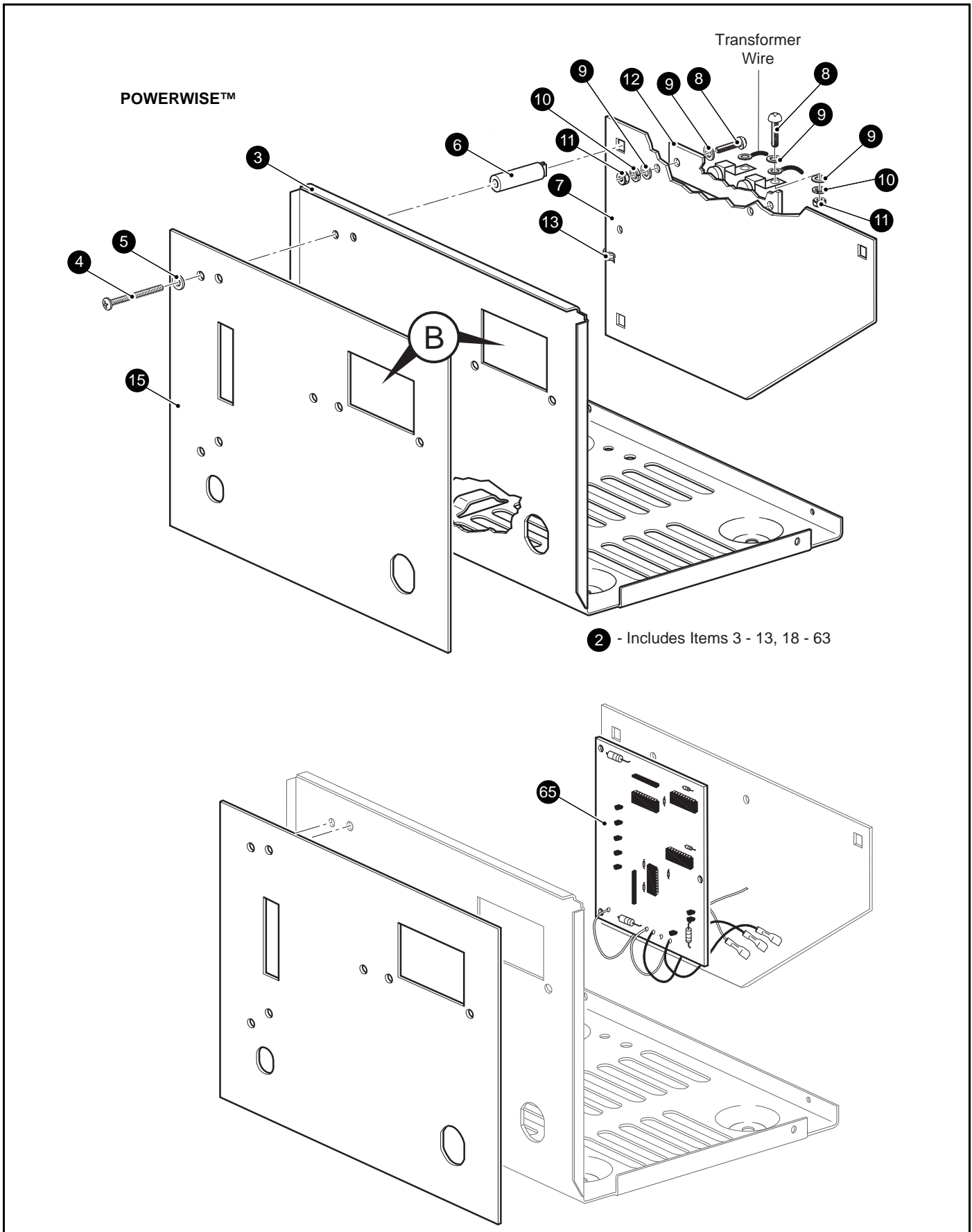
*** Indicates consult Customer Service Department for additional information.

ITEM	PART NO.	1	2	3	4	5	DESCRIPTION	QTY.
31	<u>25799G03</u>						ACCELERATOR PEDAL ASSEMBLY (INCLUDES ITEMS 33 - 35).....	1
32								
33	<u>70125G04</u>						ACCELERATOR PEDAL	1
34	<u>27512G01</u>						ACCELERATOR PEDAL PAD	1
35	<u>16409G1</u>						OVAL RIVET 3/16" X 7/16" LG	6
36								
37	<u>17838G1</u>						NYLON BUSHING	3
38	<u>74432G01</u>						PEDAL PIVOT PIN.....	1
39	<u>12064G6</u>						PUSHNUT, 9/32" I.D.	1
40								
41	<u>10386G3</u>						CLEVIS PIN, 5/16" X 13/16" LG.....	1
42	<u>17255G1</u>						TEFLON WASHER, 5/16"	1
43	<u>10387G3</u>						COTTER PIN, 3/32" X 3/4" LG.....	1
44								
45	<u>00715G2</u>						BOLT, 5/16 - 18 X 4/5" LG	4
46	<u>70135G01</u>						PEDAL PIVOT COVER	1

Notes:

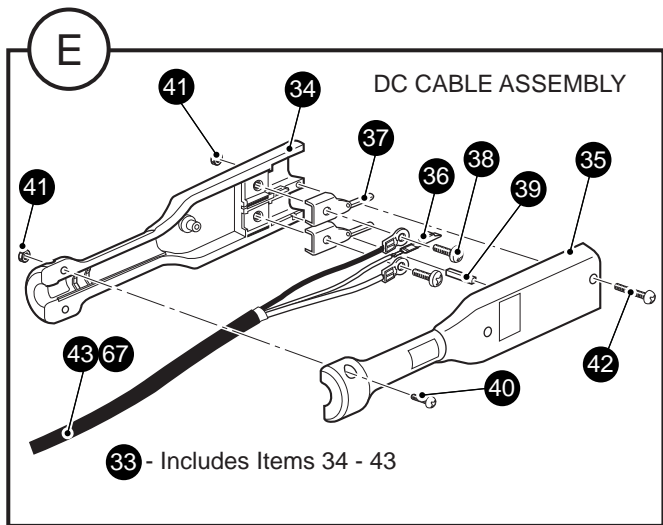
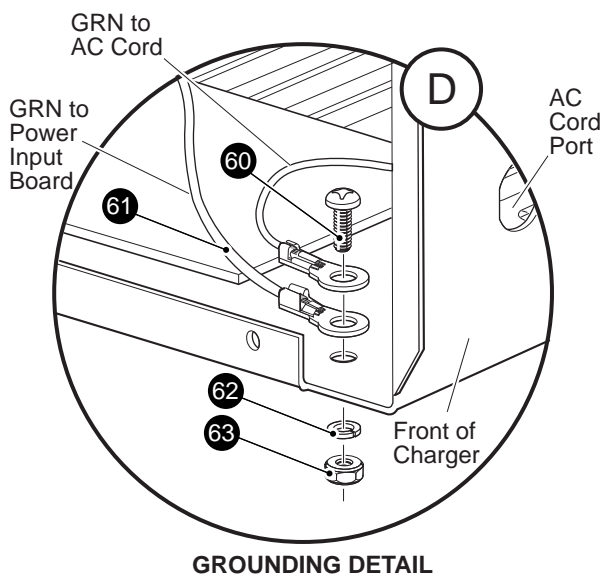
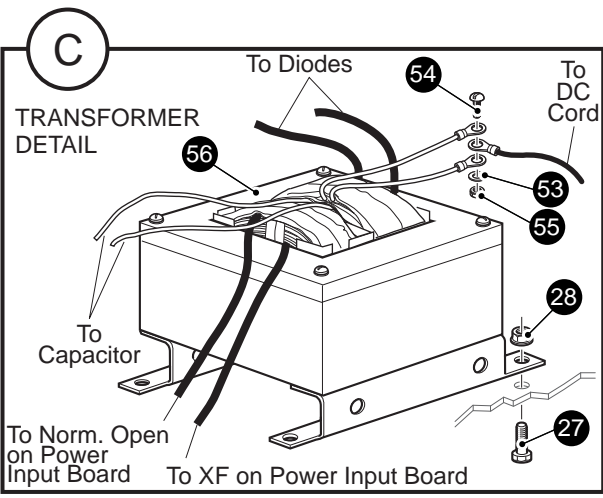
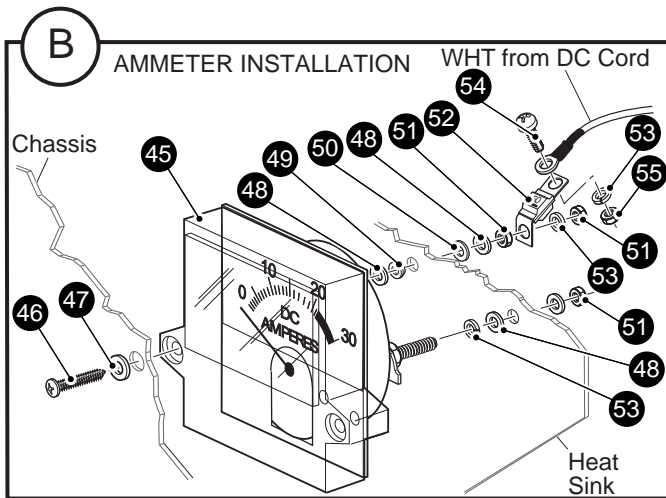
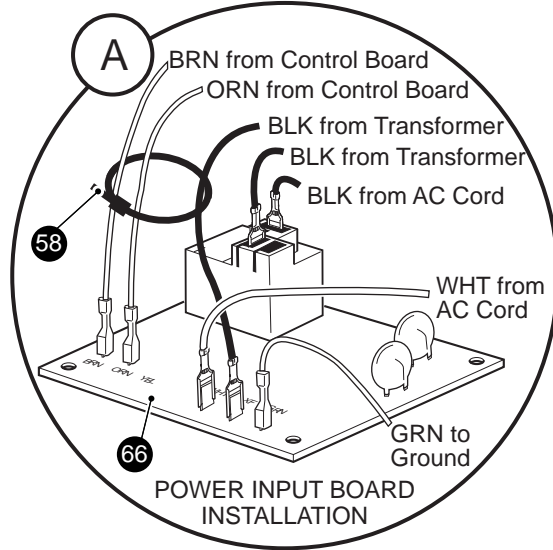


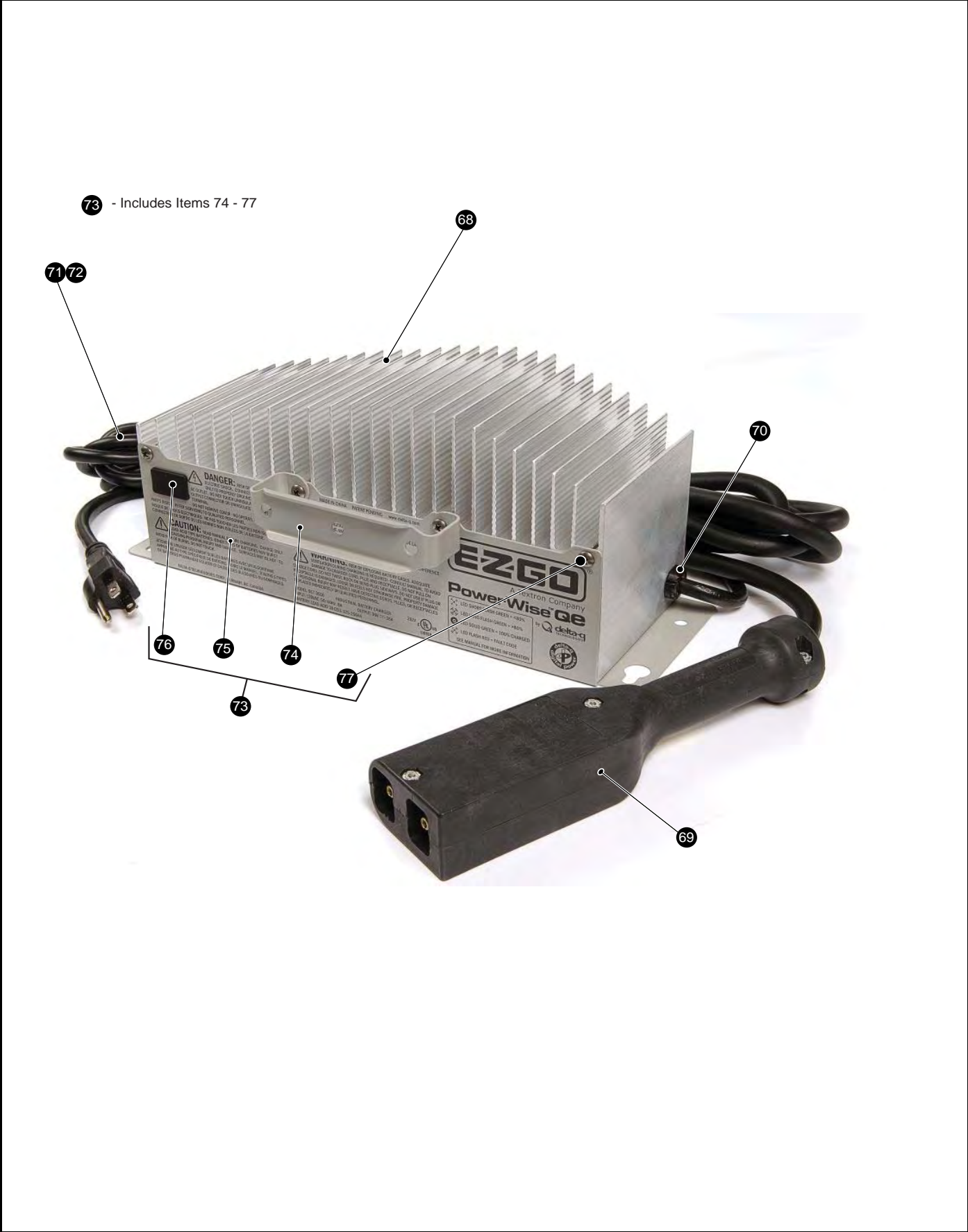
BATTERY CHARGER



BATTERY CHARGER

POWERWISE™





73 - Includes Items 74 - 77

BATTERY CHARGER

When ordering parts, please specify the model and serial number of the product.

* Indicates a component that is not available as an individual part.

*** Indicates consult Customer Service Department for additional information.

ITEM	PART NO.	1	2	3	4	5	DESCRIPTION	QTY.
1								
2	<u>28115G02</u>						POWERWISE™ + CHARGER (PORTABLE, 10' CORD) (INCLUDES ITEMS 3 - 13, 18 - 63)	1
3	*						CHASSIS	1
4	<u>00513G6</u>						SCREW, #8 - 18 X 1 3/4" LG	2
5	<u>00559G4</u>						WASHER, #8	2
6	<u>11572G3</u>						EXPANSION NUT	2
7	<u>28104G01</u>						HEAT SINK	1
8	<u>00372G4</u>						SCREW, #8 - 32 X 1/2" LG	4
9	<u>00559G4</u>						WASHER, #8	4
10	<u>00565G4</u>						LOCK WASHER, #8.....	4
11	<u>00526G1</u>						NUT, #8 - 32	4
12	<u>28548G01</u>						DIODE.....	1
13	<u>28110G01</u>						ELECTRICAL CLIP	1
14								
15	*						LABEL (POWERWISE™)	1
16								
17								
18	*						COVER	1
19	<u>28102G01</u>						HANDLE.....	1
20	<u>00614G4</u>						SCREW, #8 - 18 X 1/2" LG	6
21	<u>28136G01</u>						LABEL (VENTILATION)	1
22	<u>28136G02</u>						LABEL (CORD CONDITION).....	1
23								
24	<u>26979G01</u>						CAPACITOR BRACKET	1
25	<u>28109G01</u>						CAPACITOR	1
26	<u>00969G01</u>						SCREW, #8 - 32 X 3/8" LG	3
27	<u>00414G5</u>						BOLT, 1/4 - 20 X 5/8" LG.....	3
28	<u>11027G2</u>						LOCK NUT, 1/4 - 20	3
29	<u>19388G4</u>						AC CORD.....	1
30	<u>13557G2</u>						STRAIN RELIEF (AC).....	1
31								

BATTERY CHARGER

When ordering parts, please specify the model and serial number of the product.

* Indicates a component that is not available as an individual part.

*** Indicates consult Customer Service Department for additional information.

ITEM	PART NO.	1 2 3 4 5	DESCRIPTION	QTY.
32				
33	620146		DC CORD AND HANDLE ASSEMBLY (INCLUDES ITEMS 34 - 43).....	1
34	<u>73051G11</u>		PLUG (TOP HALF)	1
35	<u>73051G12</u>		PLUG (BOTTOM HALF)	1
36	<u>73051G27</u>		AUXILIARY CONTACT	1
37	<u>73051G14</u>		MALE PIN	2
38	<u>73051G08</u>		SCREW, #10 - 32 X 1/2" LG (BRASS).....	2
39	<u>73051G15</u>		MAGNET.....	1
40	<u>73051G16</u>		SCREW, #6 - 32 X 1/2" LG (STAINLESS STEEL).....	2
41	<u>73051G10</u>		LOCK NUT, #6 - 32	4
42	<u>73051G17</u>		SCREW, #6 - 32 X 1" LG (STAINLESS STEEL).....	2
43	<u>620137</u>		DC CORD, 10' LG.....	1
44				
45	<u>28105G01</u>		AMMETER.....	1
46	<u>01051G01</u>		SCREW, #8 - 16 X 1/2" LG.....	2
47	<u>00559G4</u>		WASHER, #8.....	2
48	<u>01003G01</u>		WASHER, #10 (BRASS)	4
49	<u>22589G2</u>		SHOULDER WASHER, #10	1
50	<u>00771G6</u>		NYLON WASHER, 3/8"	1
51	00528G4		NUT, #10 - 32 (BRASS).....	3
52	<u>28106G01</u>		50 AMP FUSE	1
53	<u>00565G5</u>		LOCK WASHER, #10	4
54	<u>00378G4</u>		SCREW, #10 - 24 X 1/2" LG.....	2
55	<u>00526G3</u>		NUT, #10 - 24	2
56	<u>28103G01</u>		TRANSFORMER.....	1
57	<u>27877G01</u>		SPACER SUPPORT.....	4
58	<u>17618G1</u>		WIRE TIE.....	2
59				
60	<u>00372G3</u>		SCREW, #8 - 32 X 3/8" LG.....	1
61	<u>25977G32</u>		16 GA WIRE (GREEN 4").....	1
62	<u>00565G4</u>		LOCK WASHER, #8	1

BATTERY CHARGER

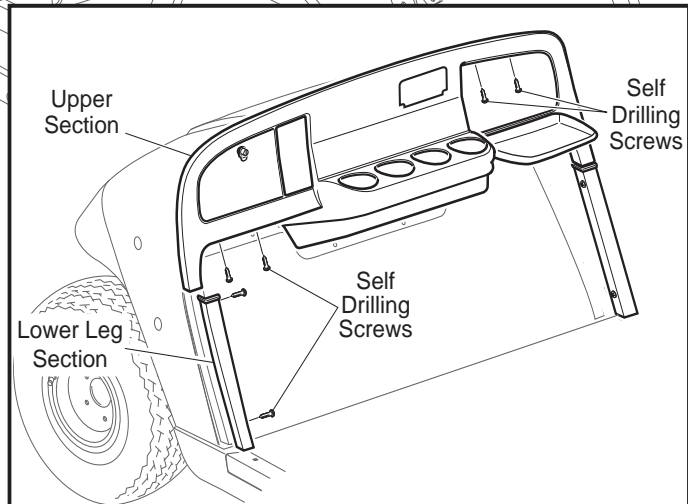
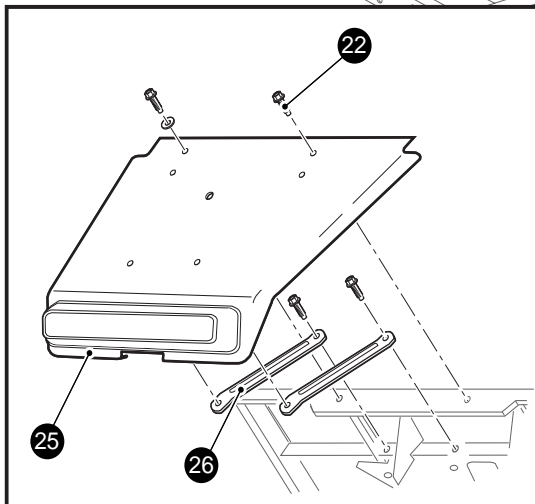
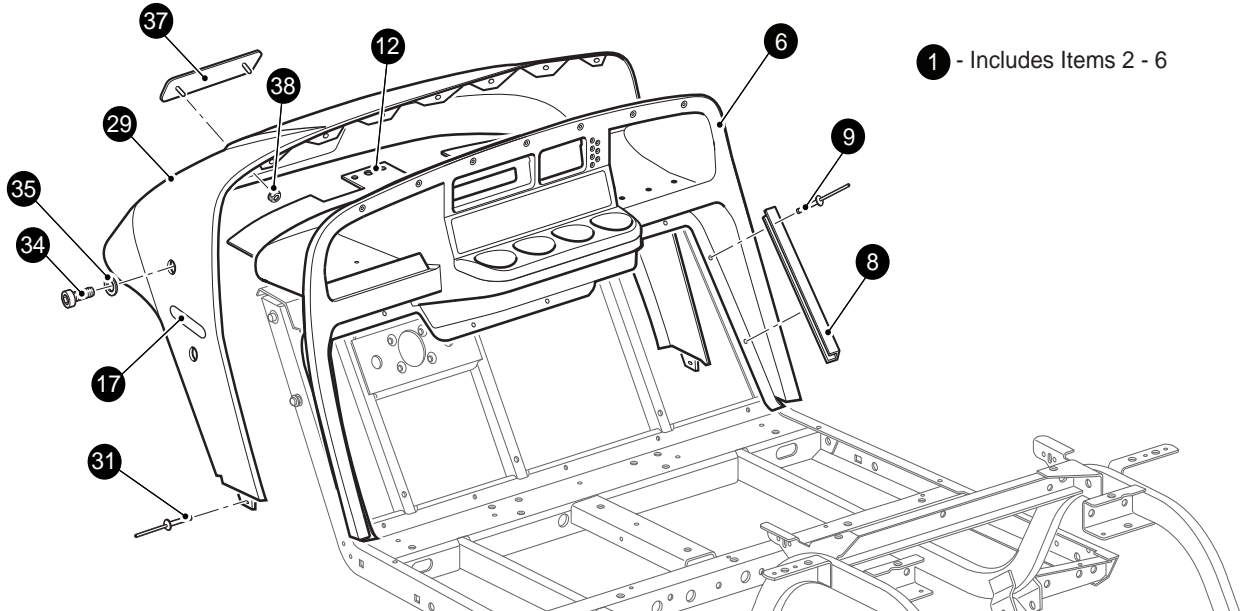
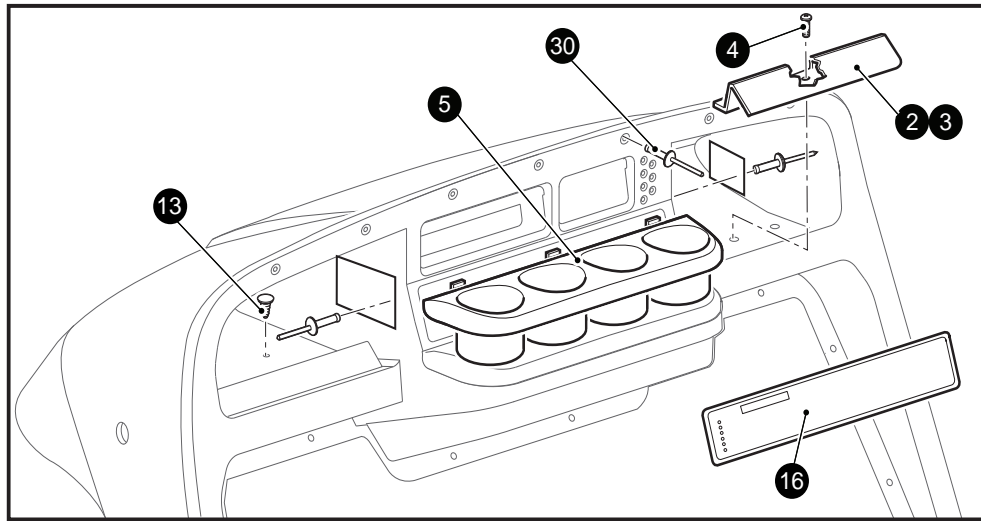
When ordering parts, please specify the model and serial number of the product.

* Indicates a component that is not available as an individual part.

*** Indicates consult Customer Service Department for additional information.

ITEM	PART NO.	1	2	3	4	5	DESCRIPTION	QTY.
63	<u>00526G1</u>						NUT, #8 - 32	1
64								
65	<u>28667G02</u>						CONTROL / POWER INPUT BOARD	1
66	<u>28667G03</u>						POWER INPUT BOARD	1
67								
68	<u>611119</u>						POWERWISE QE BATTERY CHARGER, 36 VOLT, W/3 METER CORD	1
69	<u>611213</u>						3 METER CORD, 36 VOLT (INCLUDES STRAIN RELIEF)	1
70	611937						DC STRAIN RELIEF SERVICE KIT (INCLUDES 5 STRAIN RELIEFS).....	1
71	<u>611212</u>						AC CORD (INCLUDES STRAIN RELIEF).....	1
72	611936						AC STRAIN RELIEF SERVICE KIT (INCLUDES 5 STRAIN RELIEFS).....	1
73	611215						HANDLE AND COVER SERVICE KIT (INCLUDES ITEMS 74 - 77).....	1
74	<u>611216</u>						HANDLE.....	1
75	*						COVER	1
76	*						RUBBER PLUG	1
77	*						SCREWS	1

BODY



When ordering parts, please specify the model and serial number of the product.

* Indicates a component that is not available as an individual part.

*** Indicates consult Customer Service Department for additional information.

ITEM	PART NO.	1 2 3 4 5	DESCRIPTION	QTY.
1	<u>71151G01</u>		INSTRUMENT PANEL ASSEMBLY (INCLUDES ITEMS 2 - 6)	1
2	<u>71153G01</u>		DEFLECTOR (PASSENGER SIDE)	1
3	<u>71154G01</u>		DEFLECTOR (DRIVER SIDE).....	1
4	<u>00614G5</u>		SCREW, #8 - 18 X 5/8" LG.....	4
5	<u>71158G01</u>		INSTRUMENT PANEL INSERT (4 CUP HOLDER)	1
6	<u>71152G01</u>		INSTRUMENT PANEL.....	1
7				
8	<u>71115G01</u>		VINYL TRIM	2
9	<u>71055G01</u>		RIVET, 3/16" X 1" LG (ALUMINUM).....	10
10				
11				
12	<u>71413G01</u>		SPLASH PANEL	1
13	<u>16816G2</u>		RATCHET FASTENER, 1/4" X 3/4" LG.....	5
14				
15				
16	<u>608465</u>		LABEL (SAFETY).....	1
17	<u>607545</u>		FRONT AMBER REFLECTOR	2
18				
19				
20				
21				
22	<u>01038G01</u>		BOLT, 1/4 - 20 X 11/16" LG	4
23				
24				
25	<u>27166G04</u>		FRONT SHIELD.....	1
26	<u>70725G01</u>		FRONT SHIELD BRACE	2
27				
28				
29	<u>71051G**</u>		COWL	1
30	<u>71055G01</u>		RIVET, 3/16" X 1" LG (ALUMINUM).....	9
31	<u>10570G11</u>		RIVET, 3/16" X 3/4" LG (STAINLESS STEEL).....	2

BODY

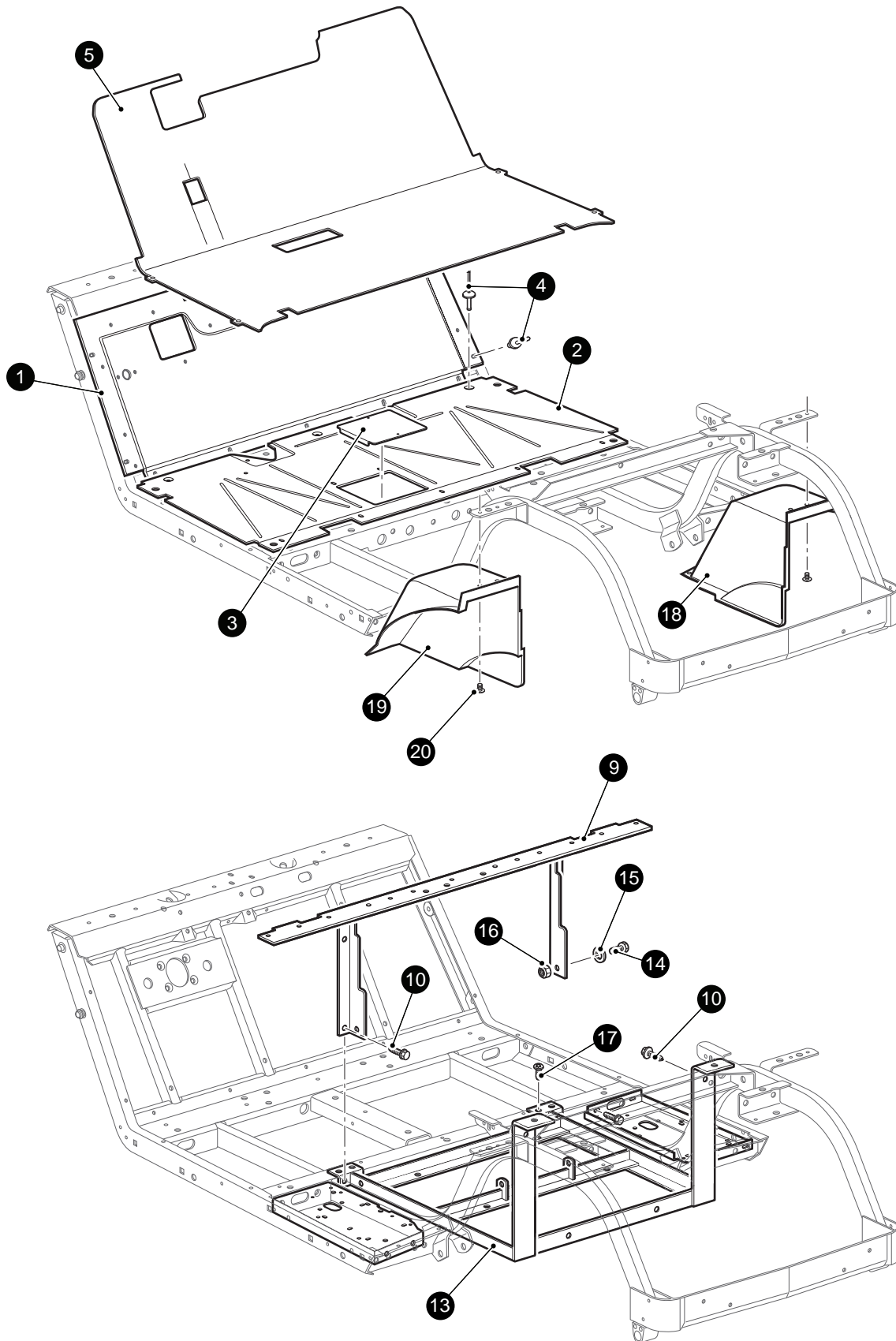
When ordering parts, please specify the model and serial number of the product.

* Indicates a component that is not available as an individual part.

*** Indicates consult Customer Service Department for additional information.

ITEM	PART NO.	1	2	3	4	5	DESCRIPTION	QTY.
32								
33								
34	00438G6						BOLT, 5/16 - 18 X 3/4" LG (WITH TOP)	2
35	<u>00571G2</u>						WASHER, 5/16".....	2
36								
37	<u>71037G03</u>						E-Z-GO NAMEPLATE (GOLD).....	1
38	<u>71597G01</u>						NUT, SELF-THREADING, 5MM STUD x 10MM HEX.....	2
39								

BODY



When ordering parts, please specify the model and serial number of the product.

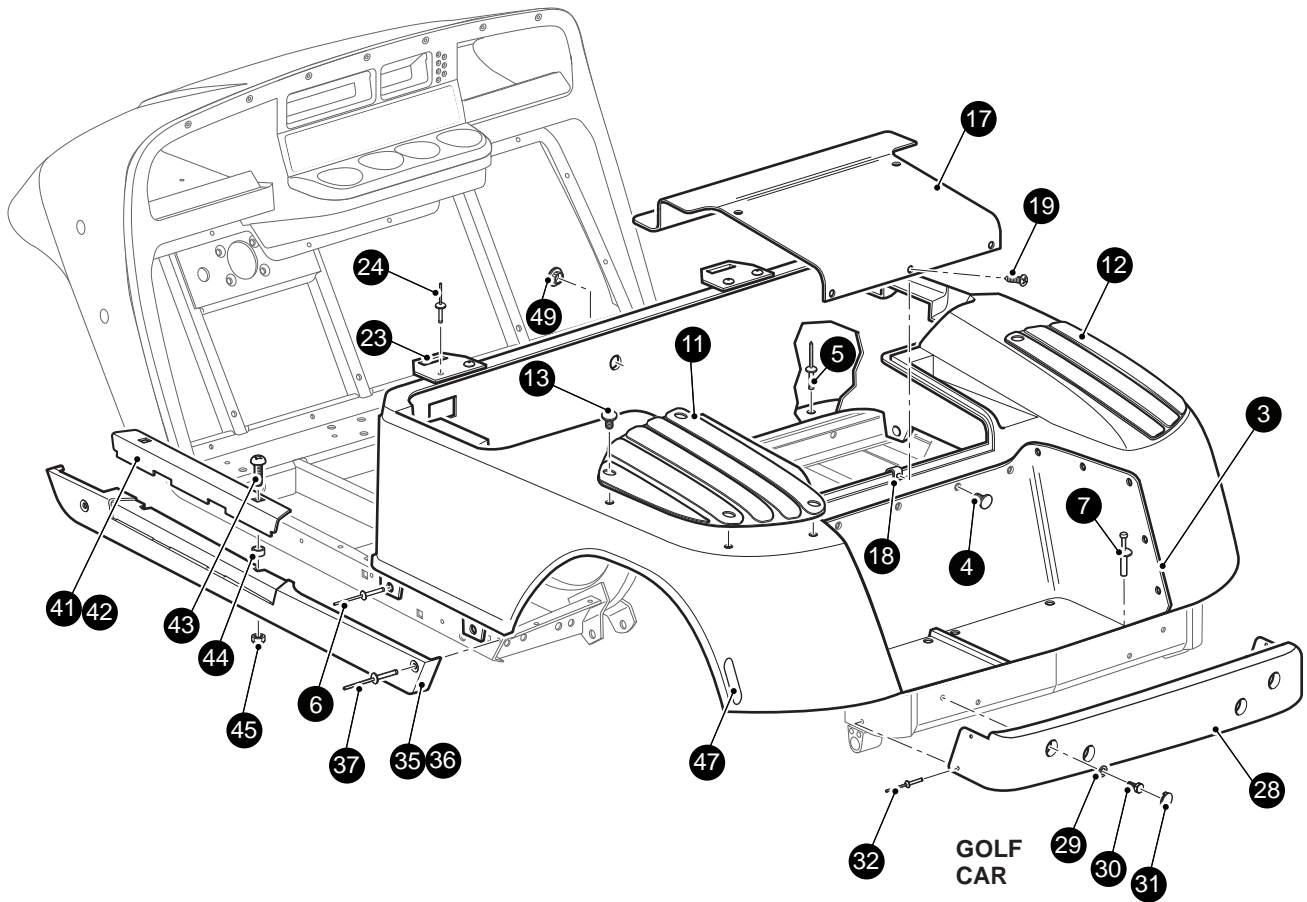
* Indicates a component that is not available as an individual part.

*** Indicates consult Customer Service Department for additional information.

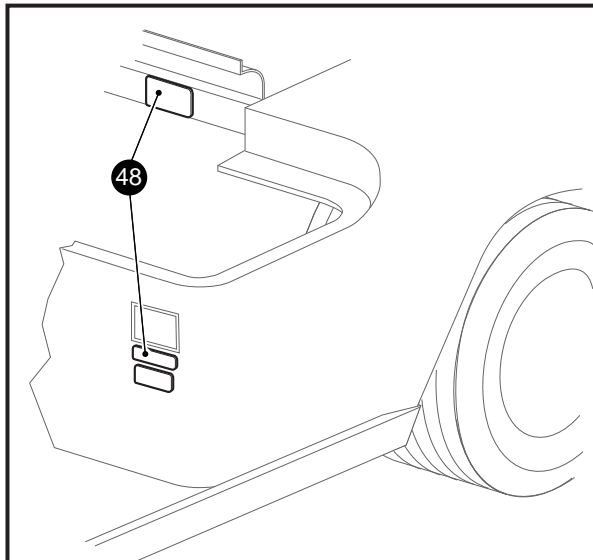
ITEM	PART NO.	1 2 3 4 5	DESCRIPTION	QTY.
1	70662G01		UPPER FLOORPAN	1
2	<u>70451G01</u>		LOWER FLOORPAN	1
3	<u>70452G01</u>		ACCESS COVER.....	1
4	<u>14601G11</u>		RIVET, 3/16" X 9/16" LG (ALUMINUM).....	16
5	<u>70995G02</u>		FLOORMAT WITH HORN HOLES	1
6				
7				
8				
9	<u>70441G01</u>		SEAT FRAME	1
10	<u>00715G2</u>		BOLT, 5/16 - 18 X 4/5" LG.....	4
11				
12				
13	<u>70046G02</u>		BATTERY RACK.....	1
14	00438G6		HEX SCREW 5/16 - 18 X 3/4.....	2
15	00559G8		FLAT WASHER.....	2
16	11098G6		PLASTIC NUT.....	2
17	<u>70200G01</u>		HEX SCREW 3/8 - 16.....	2
18	<u>71812G01</u>		FENDER LINER (PASSENGER SIDE).....	1
19	<u>71812G02</u>		FENDER LINER (DRIVER SIDE)	1
20	<u>16816G2</u>		RATCHET FASTENER, 1/4" X 3/4" LG.....	8

BODY

2 - Includes Items 3, 4



LABELS



When ordering parts, please specify the model and serial number of the product.

* Indicates a component that is not available as an individual part.

*** Indicates consult Customer Service Department for additional information.

ITEM	PART NO.	1 2 3 4 5	DESCRIPTION	QTY.
1				
2	71331G0**		REAR BODY (WITH TAILLIGHTS) (INCLUDES ITEMS 3, 4)	1
3	71318G01		BAGWELL LINER.....	1
4	<u>16816G1</u>		RATCHET FASTENER, 1/4" X 9/16" LG	26
5	<u>10570G10</u>		RIVET, 5/32" X 9/16" LG (STAINLESS STEEL).....	6
6	10570G12		RIVET, 1/4" X 9/16" LG (ALUMINUM).....	4
7	<u>18436G1</u>		RIVET, 1/4" X 3/4" LG	2
8				
9				
10				
11	<u>75126G01</u>		FENDER SCUFFGUARD (DRIVER SIDE).....	1
12	<u>75126G02</u>		FENDER SCUFFGUARD (PASSENGER SIDE)	1
13	<u>16816G2</u>		RATCHET FASTENER, 1/4" X 3/4" LG.....	8
14				
15				
16				
17	<u>71320G01</u>		ACCESS PANEL.....	1
18	<u>71364G02</u>		'J' CLIP	1
19	<u>01107G01</u>		SCREW, #8 X 5/8" LG (STAINLESS STEEL)	5
20				
21				
22				
23	<u>71609G01</u>		SEAT HINGE PLATE	2
24	<u>10570G11</u>		RIVET, 3/16" X 3/4" LG (STAINLESS STEEL).....	4
25				
26				
27				
28	<u>71578G01</u>		REAR BUMPER.....	1
29	<u>00571G2</u>		WASHER, 5/16"	4
30	<u>71102G03</u>		BOLT, 1/4 - 20 X 3/4" LG.....	4
31	<u>71514G01</u>		BUMPER PLUG	4

BODY

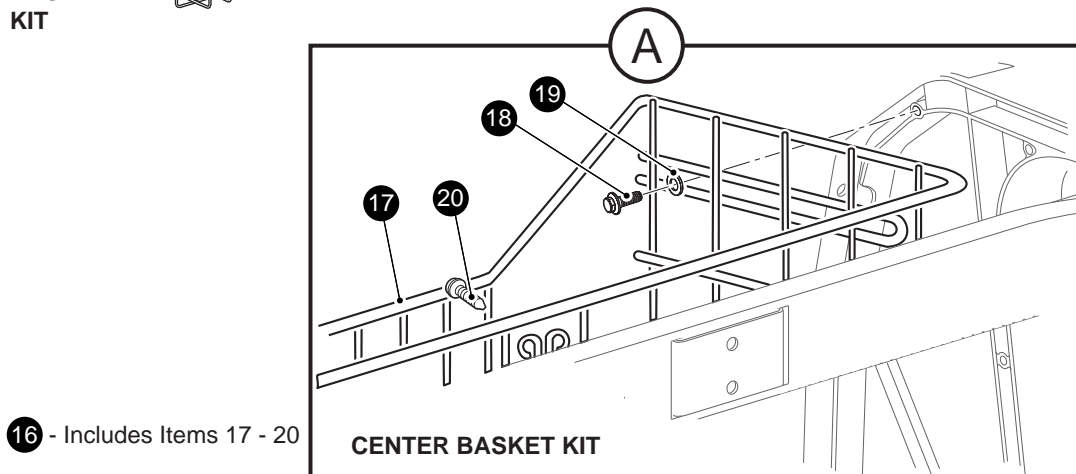
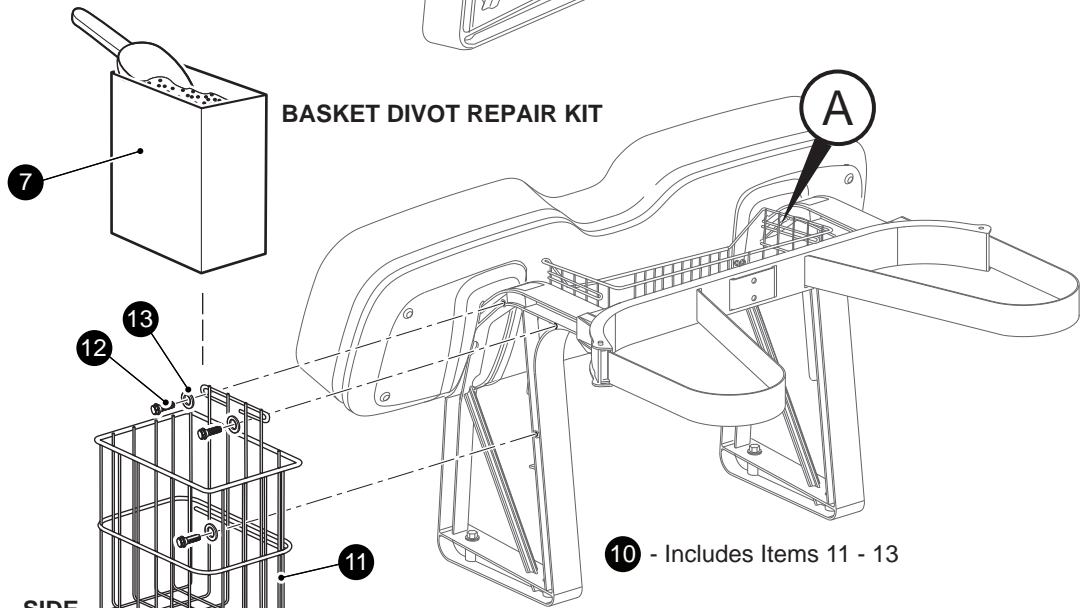
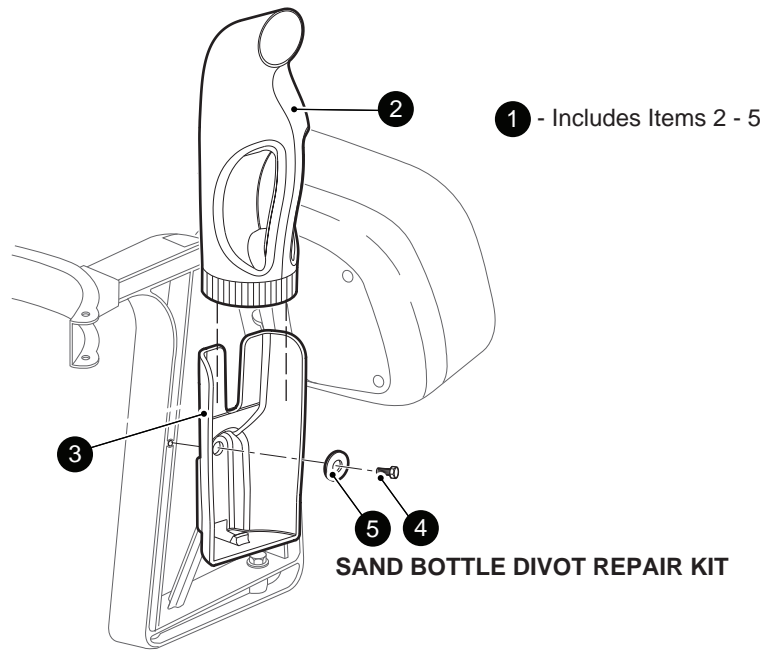
When ordering parts, please specify the model and serial number of the product.

* Indicates a component that is not available as an individual part.

*** Indicates consult Customer Service Department for additional information.

ITEM	PART NO.	1	2	3	4	5	DESCRIPTION	QTY.
32	14601G17						RIVET, 3/16" X 9/16" LG (ALUMINUM)	4
33								
34								
35	<u>71501G01</u>						ROCKER PANEL (PASSENGER SIDE)	1
36	<u>71502G01</u>						ROCKER PANEL (DRIVER SIDE)	1
37	<u>15058G6</u>						RIVET, 3/16" X 15/16" LG (ALUMINUM)	4
38								
39								
40								
41	71507G01						SILL PLATE (PASSENGER SIDE)	1
42	<u>71507G02</u>						SILL PLATE (DRIVER SIDE)	1
43	<u>16705G1</u>						SCREW, 1/4 - 20 X 1" LG (STAINLESS STEEL)	4
44	<u>23726G4</u>						SPACER, 5/16"	4
45	<u>14390G4</u>						LOCK NUT, 1/4 - 20	4
46								
47	<u>607547</u>						REAR RED REFLECTOR	2
48	*						LABEL (SERIAL NUMBER)	1
49	<u>74024G01</u>						SEAT WRAP MOUNTED NOISE SUPPRESSOR	1

BODY



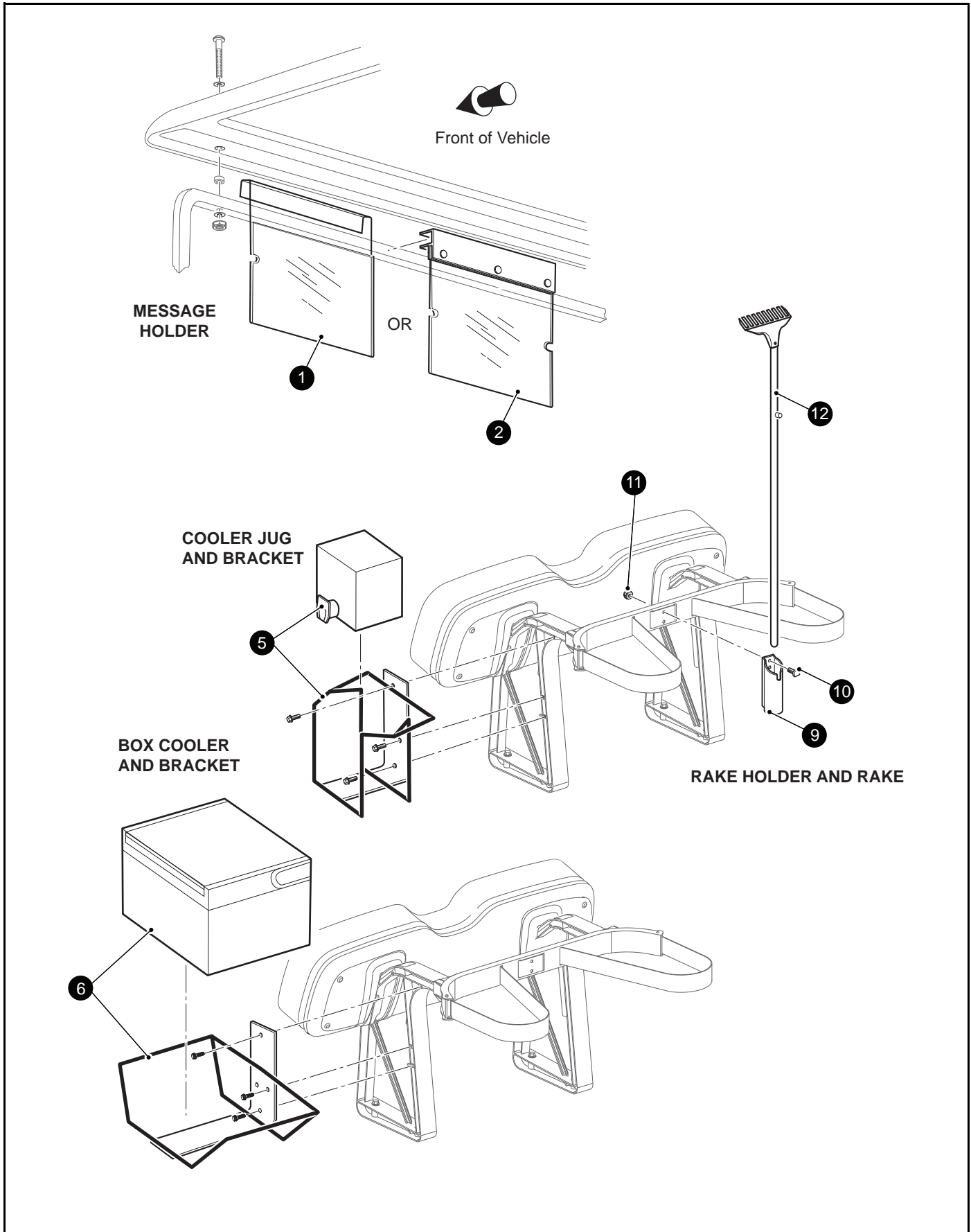
When ordering parts, please specify the model and serial number of the product.

* Indicates a component that is not available as an individual part.

*** Indicates consult Customer Service Department for additional information.

ITEM	PART NO.	1 2 3 4 5	DESCRIPTION	QTY.
1	<u>607104</u>		SAND BOTTLE KIT (INCLUDES ITEMS 2 - 5).....	1
2	<u>607102</u>		SAND BOTTLE.....	1
3	<u>606085</u>		BRACKET, SAND BOTTLE	1
4	<u>71102G01</u>		CAPSCREW, HEX HEAD 1/4 - 20	1
5	<u>00571G2</u>		FLAT WASHER	1
6				
7	23300G01		BASKET DIVOT REPAIR KIT (INCLUDES SCOOP).....	1
8				
9				
10	75007G02		SIDE BASKET KIT (INCLUDES ITEMS 11 - 13)	1
11	<u>75460G01</u>		SIDE BASKET	1
12	<u>71102G01</u>		BOLT, 1/4 - 20 X 3/4" LG	3
13	<u>00793G2</u>		FLAT WASHER, 1/4" (STAINLESS STEEL).....	3
14				
15				
16	<u>75003G02</u>		CENTER BASKET KIT (INCLUDES ITEMS 17 - 20).....	1
17	75461G01		CENTER BASKET.....	1
18	<u>71102G01</u>		BOLT, 1/4 - 20 X 3/4" LG	2
19	<u>00793G2</u>		FLAT WASHER, 1/4" (STAINLESS STEEL).....	2
20	<u>01105G01</u>		SCREW, #10 X 5/8" LG (STAINLESS STEEL).....	2

BODY



When ordering parts, please specify the model and serial number of the product.

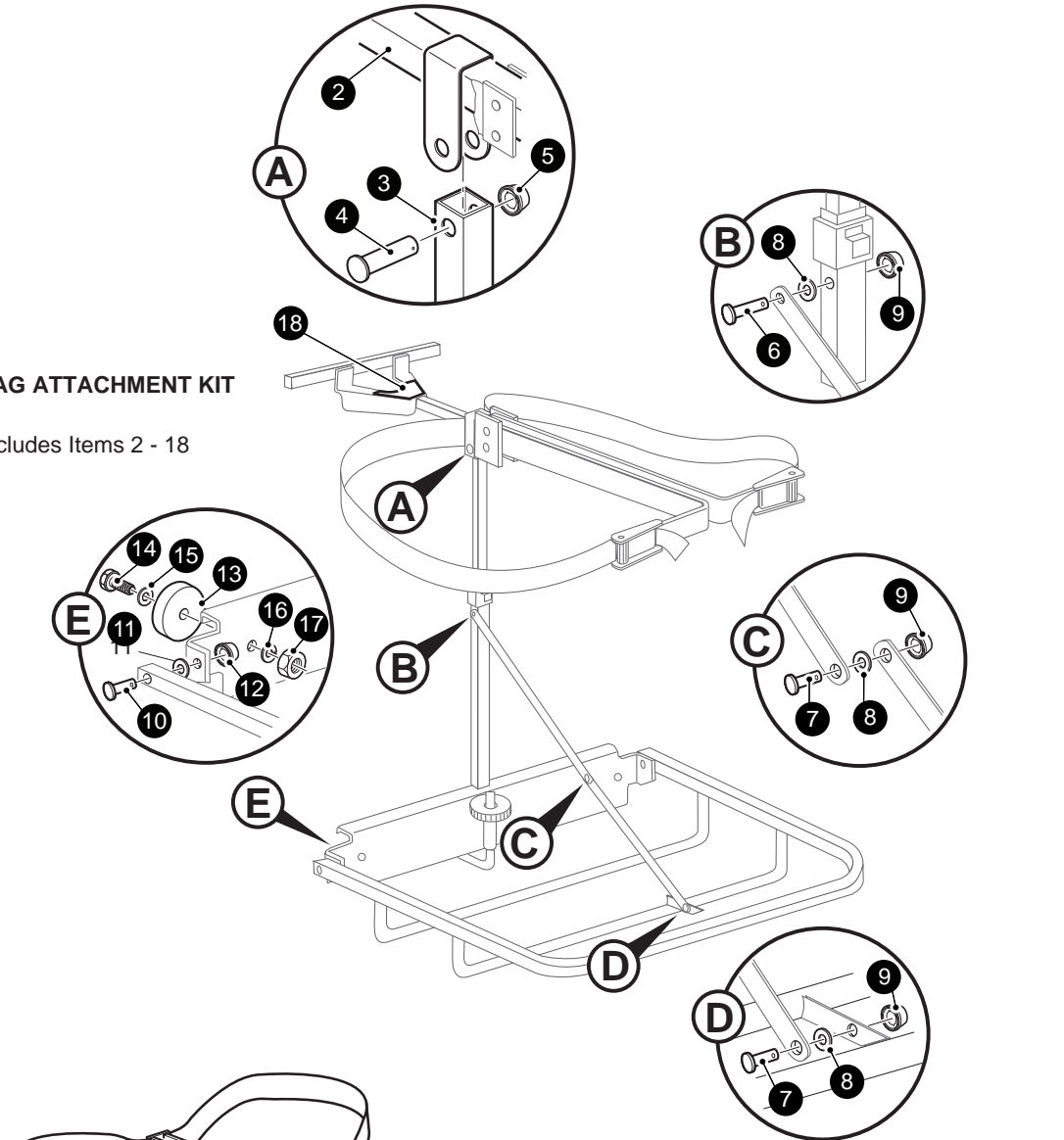
* Indicates a component that is not available as an individual part.

*** Indicates consult Customer Service Department for additional information.

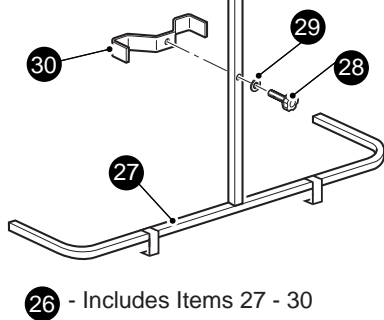
ITEM	PART NO.	1 2 3 4 5	DESCRIPTION	QTY.
1	75509G01		MESSAGE HOLDER (ONE PIECE)	1
2	75496G01		MESSAGE HOLDER	1
3				
4				
5	<u>75495G01</u>		COOLER JUG AND BRACKET KIT.....	1
6	<u>75344G01</u>		BOX COOLER AND BRACKET KIT	1
7				
8				
9	<u>25885G01</u>		RAKE HOLDER	1
10	<u>00989G06</u>		SQUARE HEAD BOLT, 1/4 - 20 X 3/4" LG.....	2
11	<u>11027G2</u>		LOCK NUT, 1/4 - 20	2
12	<u>14735G1</u>		RAKE	1

FOUR BAG ATTACHMENT KIT

1 - Includes Items 2 - 18

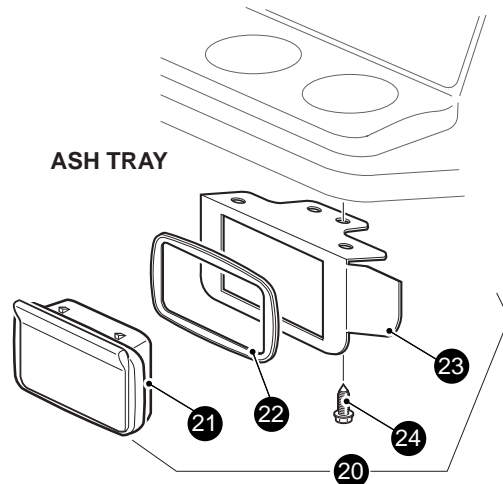


TWO BAG ATTACHMENT



26 - Includes Items 27 - 30

ASH TRAY



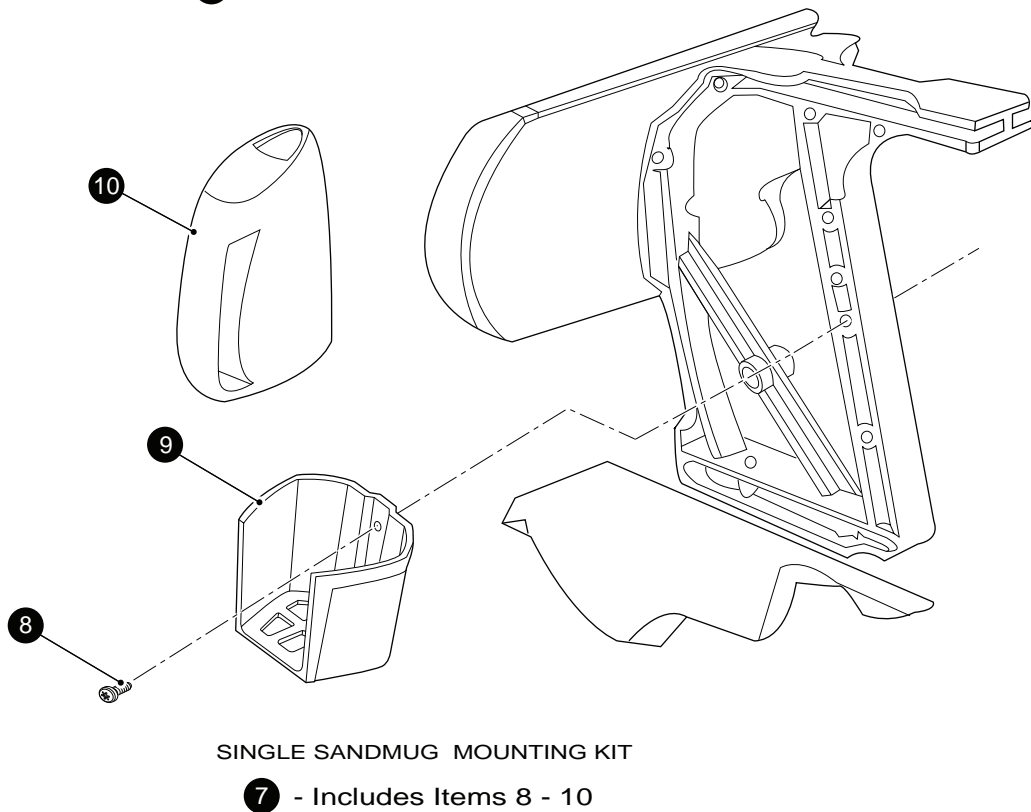
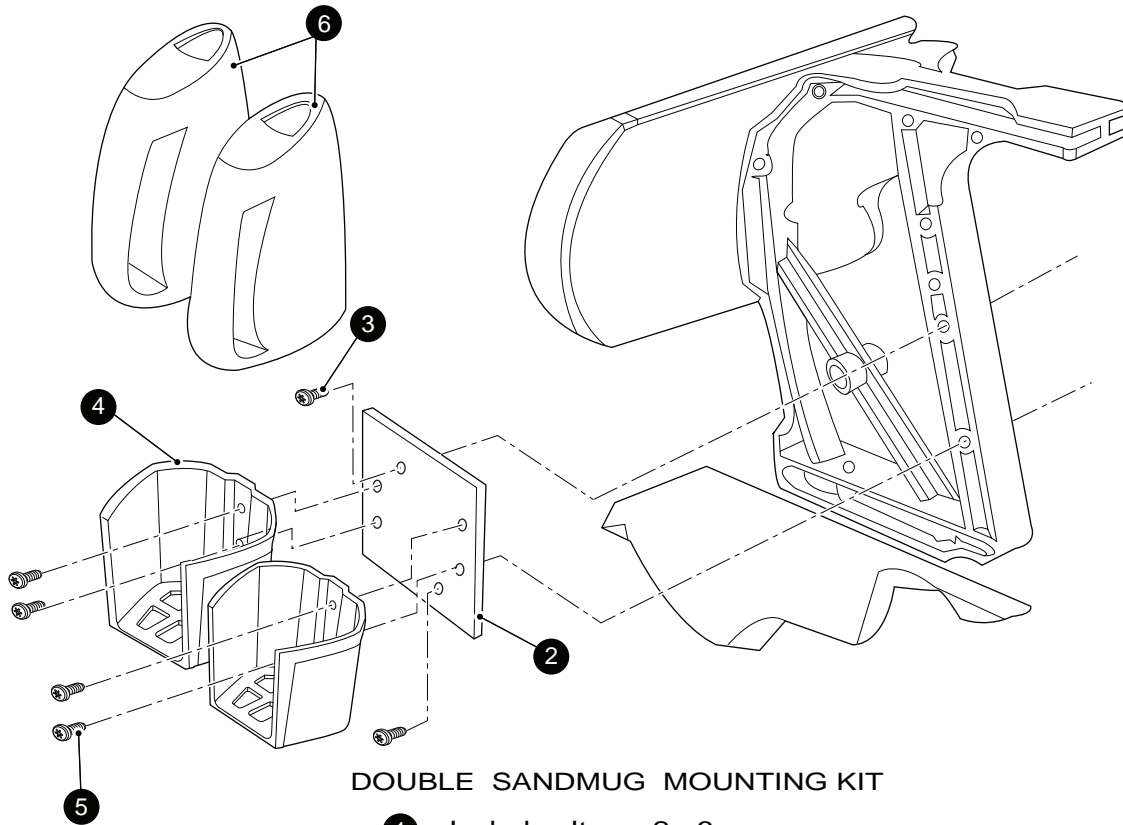
20 - Includes Items 21 - 24

When ordering parts, please specify the model and serial number of the product.

* Indicates a component that is not available as an individual part.

*** Indicates consult Customer Service Department for additional information.

ITEM	PART NO.	1 2 3 4 5	DESCRIPTION	QTY.
1	<u>75335G01</u>		FOUR BAG ATTACHMENT KIT (INCLUDES ITEMS 2 - 18)	1
2	*		TOP ASSEMBLY	1
3	*		BOTTOM ASSEMBLY	1
4	<u>17651G2</u>		CLEVIS PIN, 5/16 X 1 1/8" LG	1
5	<u>28129G01</u>		PUSH NUT, 5/16"	1
6	<u>17651G2</u>		CLEVIS PIN, 5/16 X 1 1/8" LG	1
7	<u>17651G3</u>		CLEVIS PIN, 5/16 X 1/2" LG	2
8	00559G8		WASHER, 5/16"	3
9	<u>28129G01</u>		PUSH NUT, 5/16"	3
10	*		CLEVIS PIN 3/8 X 1 1/4" LG	2
11	<u>00560G1</u>		WASHER, 3/8"	2
12	*		PUSH NUT, 3/8"	2
13	<u>13728G1</u>		RUBBER BUMPER	2
14	00150G6		SCREW, #10 - 24 X 3/4" LG	2
15	<u>00559G5</u>		WASHER, #10	2
16	<u>00565G5</u>		LOCK WASHER, #10	2
17	<u>00526G3</u>		NUT, #10 - 24	2
18	*		LABEL (WARNING).....	1
19				
20	75109G02		ASH TRAY KIT (INCLUDES ITEMS 24 - 27)	1
21	27731G01		ASH TRAY	1
22	27736G01		GASKET	1
23	<u>75108G02</u>		BRACKET	1
24	<u>00100G4</u>		SCREW, #10 - 16 X 1/2" LG	4
25				
26	<u>75183G01</u>		TWO BAG ATTACHMENT KIT (INCLUDES ITEMS 27 - 30).....	1
27	<u>75188G01</u>		TWO BAG ATTACHMENT.....	1
28	<u>22238G2</u>		KNOB, 3/8 - 16 X 1 1/2" LG	1
29	<u>17255G1</u>		TEFLON WASHER, 5/16"	1
30	<u>75187G01</u>		SUPPORT BRACKET	1



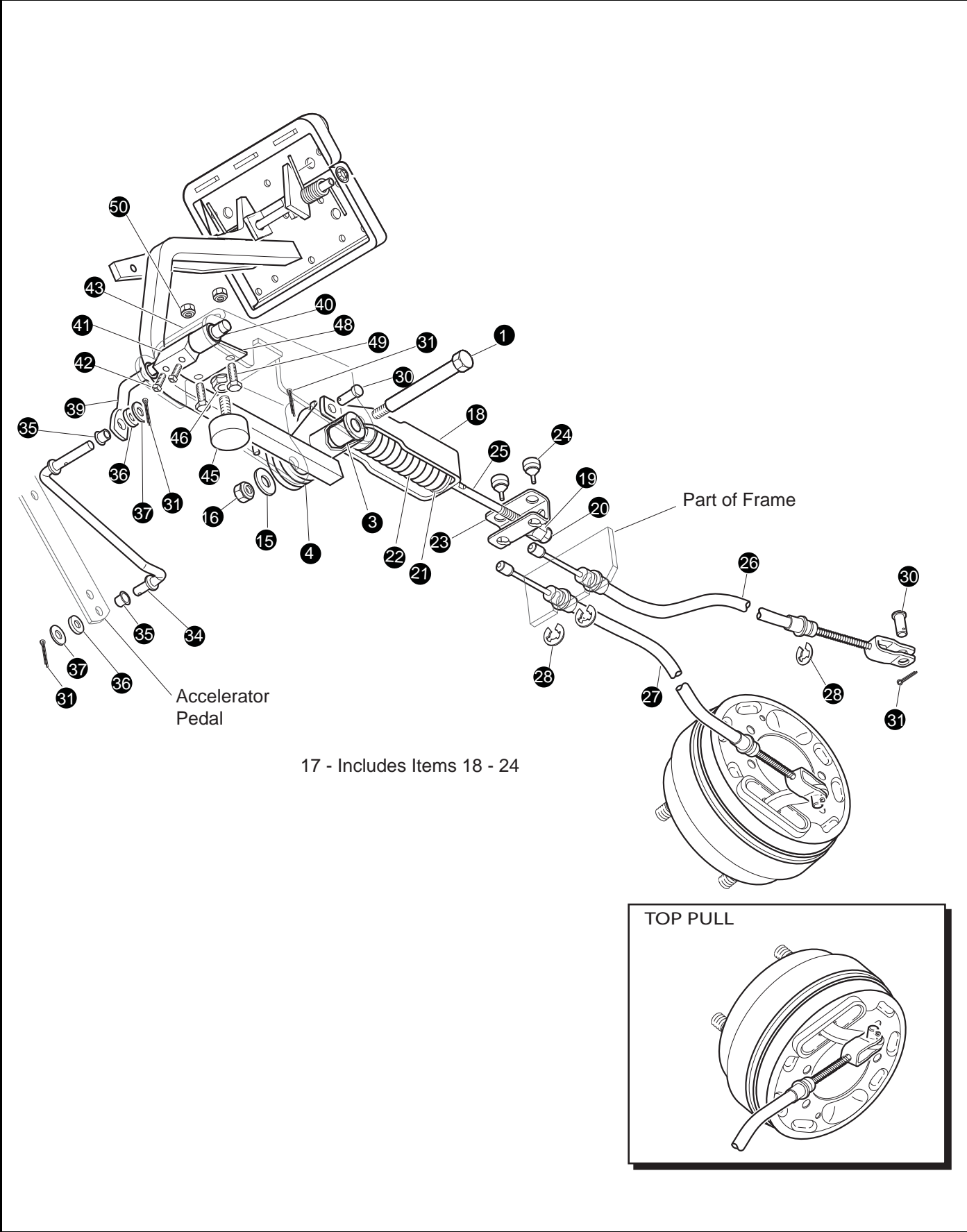
When ordering parts, please specify the model and serial number of the product.

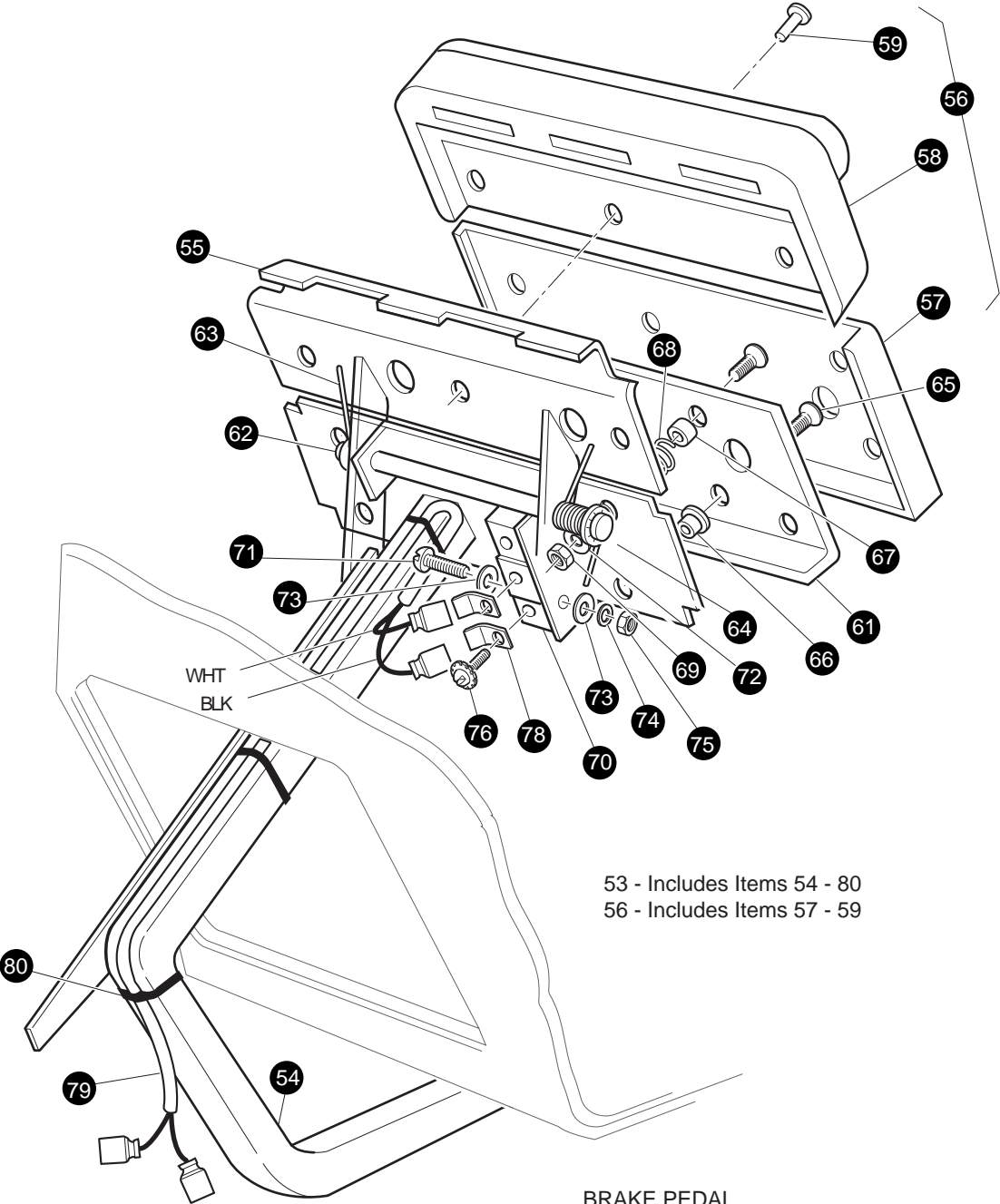
* Indicates a component that is not available as an individual part.

*** Indicates consult Customer Service Department for additional information.

ITEM	PART NO.	1 2 3 4 5	DESCRIPTION	QTY.
1	<u>606986</u>		DOUBLE SANDMUG MOUNTING KIT (INCLUDES 2-6).....	1
2	<u>606988</u>		MOUNTING PLATE, SAND MUG - HOLDER	1
3	<u>71102G01</u>		BOLT 1/4 - 20 X 3/4	2
4	<u>606950</u>		SAND MUG HOLDER	2
5	*		BOLT 1/4 - 20 X 1/2	4
6	<u>606949</u>		SAND MUG	2
7	<u>606951</u>		SINGLE SANDMUG MOUNTING KIT (INCLUDES 8-10).....	1
8	<u>71102G01</u>		BOLT 1/4 - 20 X 3/4	1
9	<u>606950</u>		SAND MUG HOLDER	1
10	<u>606949</u>		SAND MUG	1

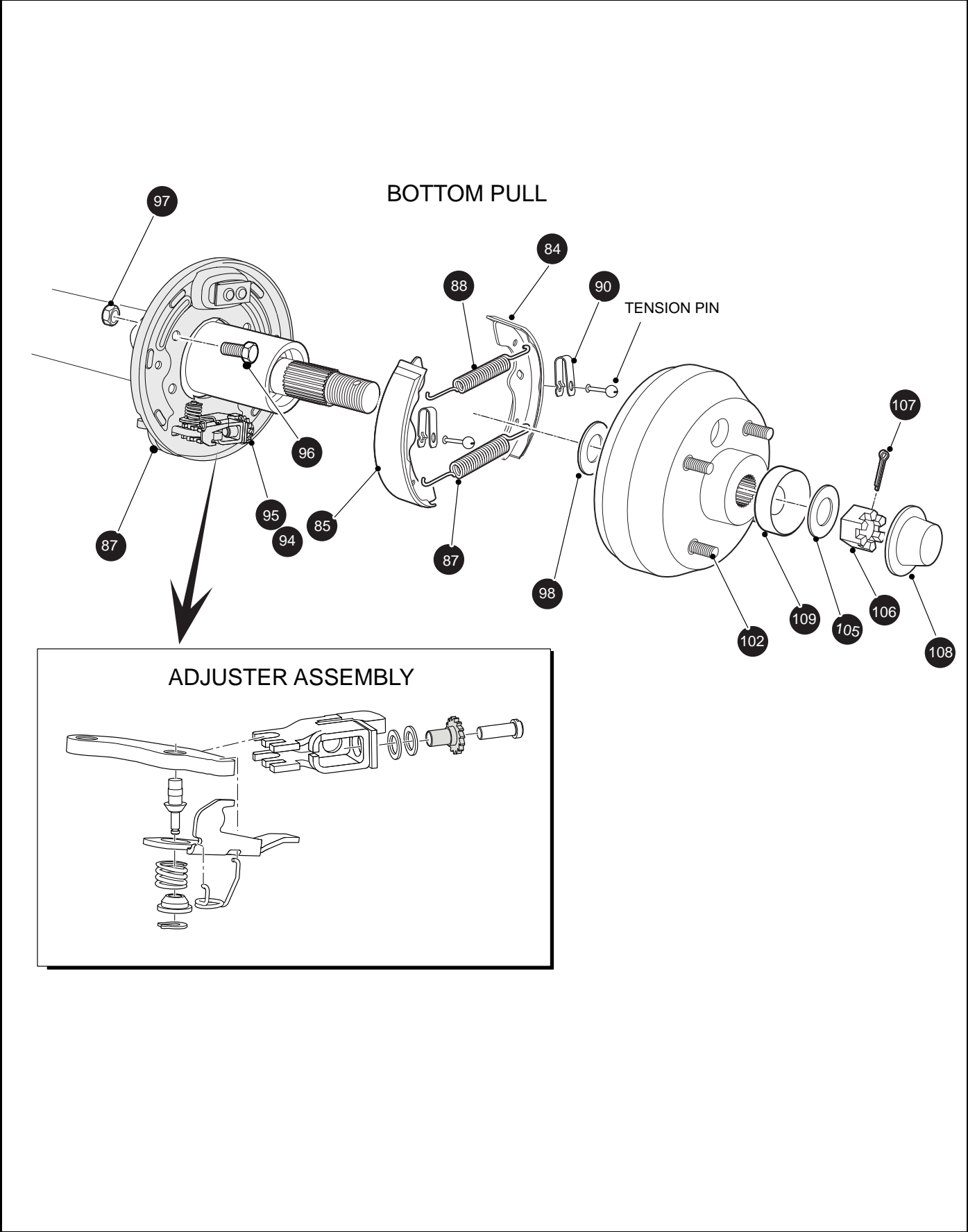
BRAKES - MECHANICAL



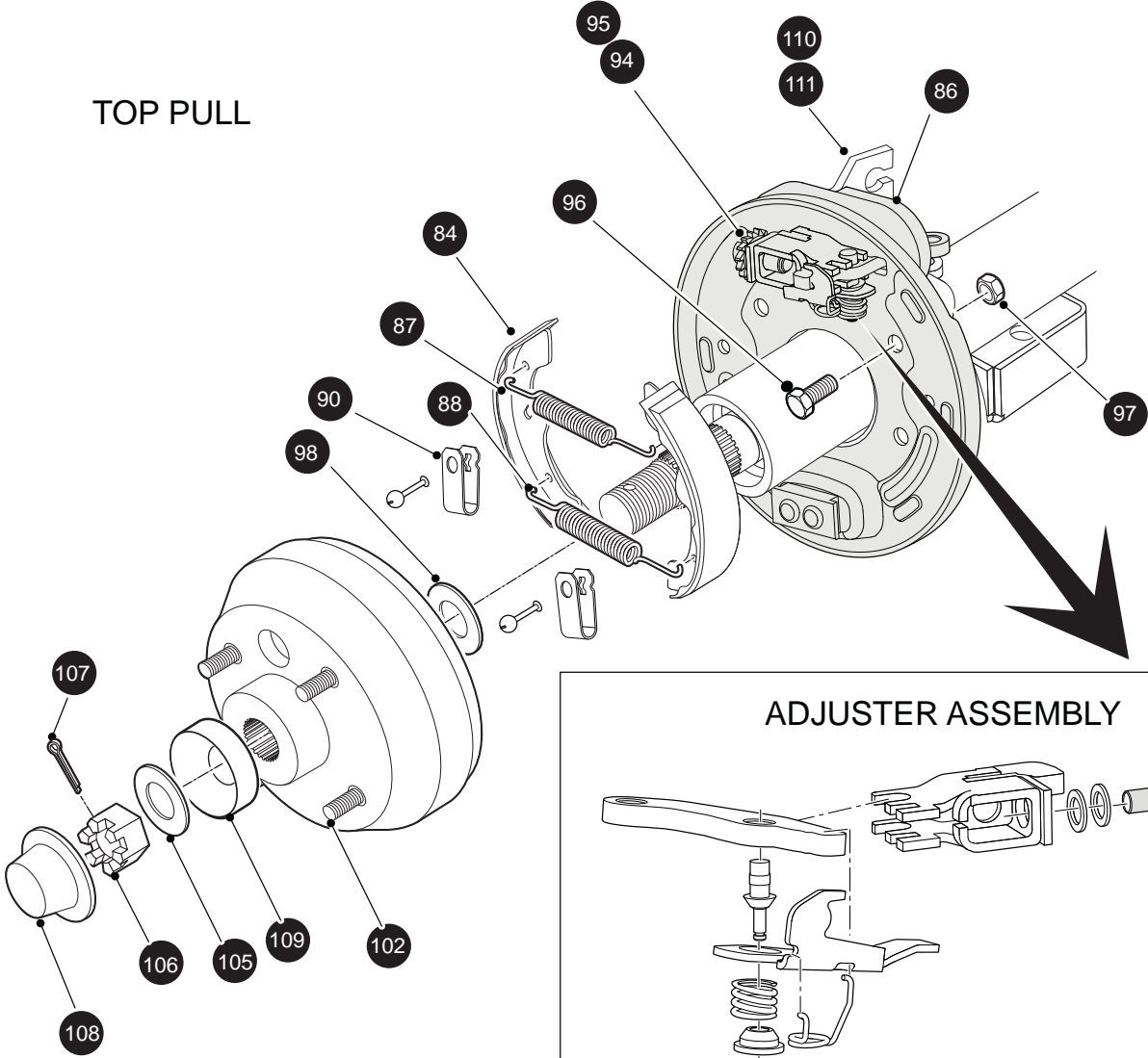


53 - Includes Items 54 - 80
56 - Includes Items 57 - 59

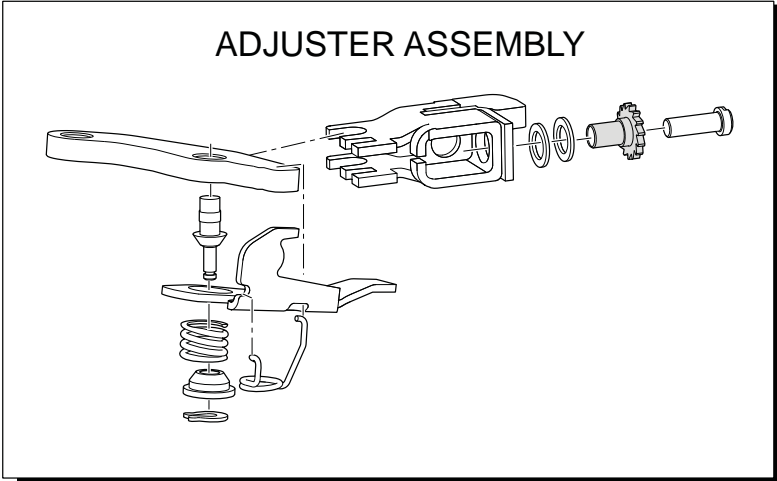
**BRAKE PEDAL
(VEHICLE WITH BRAKE LIGHTS)**



TOP PULL



ADJUSTER ASSEMBLY



BRAKES - MECHANICAL

When ordering parts, please specify the model and serial number of the product.

* Indicates a component that is not available as an individual part.

*** Indicates consult Customer Service Department for additional information.

ITEM	PART NO.	1 2 3 4 5	DESCRIPTION	QTY.
1	<u>70582G01</u>		SHOULDER BOLT, 3/8 - 16 X 4" LG (STAINLESS STEEL)	1
2				
3	<u>70581G01</u>		FLANGED BUSHING	2
4	<u>70676G01</u>		TORSION SPRING	1
5				
6				
7				
8				
9				
10				
11				
12				
13				
14				
15	<u>00643G1</u>		WASHER, 3/8"	1
16	<u>11098G5</u>		LOCK NUT, 3/8 - 16.....	1
17	<u>612558</u>		COMPENSATOR ASSEMBLY (INCLUDES ITEMS 18 - 24)	1
18	<u>27330G01</u>		BRAKE YOKE	1
19	<u>00963G01</u>		SPHERICAL NUT, 5/16 - 24.....	1
20	<u>11098G9</u>		LOCK NUT, 5/16 - 24	1
21	<u>15121G1</u>		WASHER 5/16	2
22	<u>23463G1</u>		COMPRESSION SPRING	1
23	<u>28082G01</u>		EQUALIZER BRACKET	1
24	<u>612557</u>		BRAKE COMPENSATOR LINK ROD	1
25	<u>28083G01</u>		BRAKE COMPENSATOR BUMPER	2
26	<u>70968G03</u>		BRAKE CABLE DRIVER SIDE.....	1
27	<u>607167</u>		BRAKE CABLE PASSENGER SIDE	1
28	<u>01111G01</u>		RETAINING RING, 13/32" (STAINLESS STEEL)	4
29				
30	<u>10386G3</u>		CLEVIS PIN, 5/16" X 13/16" LG	3
31	<u>10387G3</u>		COTTER PIN, 3/32" X 3/4" LG	5

BRAKES - MECHANICAL

When ordering parts, please specify the model and serial number of the product.

* Indicates a component that is not available as an individual part.

*** Indicates consult Customer Service Department for additional information.

ITEM	PART NO.	1 2 3 4 5	DESCRIPTION	QTY.
32				
33				
34	<u>70601G01</u>		KICK-OFF LINK	1
35	<u>17838G1</u>		NYLON BUSHING	2
36	<u>20835G1</u>		TEFLON WASHER, 3/8"	2
37	00559G8		WASHER, 5/16"	2
38				
39	<u>70098G01</u>		KICK-OFF CAM PIVOT.....	1
40	<u>10097G6</u>		FLANGED BEARING	2
41	<u>70587G01</u>		KICK-OFF CAM	1
42	<u>71215G01</u>		SETSCREW, 1/4 - 20 X 1/2" LG	2
43	<u>14134G4</u>		SPACER.....	1
44				
45	<u>70113G01</u>		ADJUSTABLE BUMPER.....	1
46	<u>11027G1</u>		LOCK NUT, 5/16 - 18	1
47				
48	<u>70080G02</u>		CATCH BRACKET	1
49	<u>00414G6</u>		BOLT, 1/4 - 20 X 3/4" LG.....	2
50	<u>14390G4</u>		LOCK NUT, 1/4 - 20 (STAINLESS STEEL).....	2
51				
52				
53	70690G02		BRAKE PEDAL ASSEMBLY (WITH BRAKE LIGHTS) (INCLUDES ITEMS 54 - 80)	1
54	*		BRAKE PEDAL.....	1
55	<u>70611G02</u>		PARK BRAKE PEDAL	1
56	70274G01		BRAKE/PARK BRAKE PEDAL PAD KIT (INCLUDES ITEMS 57 - 59)	1
57	*		SERVICE BRAKE PAD	1
58	*		PARK BRAKE PAD	1
59	<u>16409G1</u>		OVAL RIVET, 3/16" x 7/16" LG	9
60				
61	<u>70258G03</u>		BRAKE PEDAL PLATE	1

BRAKES - MECHANICAL

When ordering parts, please specify the model and serial number of the product.

* Indicates a component that is not available as an individual part.

*** Indicates consult Customer Service Department for additional information.

ITEM	PART NO.	1	2	3	4	5	DESCRIPTION	QTY.
62	<u>70682G01</u>						PIVOT PIN	1
63	<u>70681G01</u>						TORSION SPRING	2
64	<u>01071G01</u>						PUSHNUT, 5/16"	1
65	<u>00737G8</u>						SCREW, #10 - 24 X 7/8" LG	4
66	<u>00739G1</u>						RUBBER NUT, #10 - 24	2
67	<u>74535G01</u>						BRAKE PEDAL STANDOFF	2
68	<u>27137G01</u>						CONICAL SPRING	2
69	<u>14390G10</u>						LOCK NUT, #10 - 24	2
70	10606G8						MICRO SWITCH	1
71	<u>00957G1</u>						BOLT, #6 - 32 X 1 1/4" LG	2
72	<u>00559G5</u>						WASHER, #10	2
73	<u>00559G3</u>						WASHER, #6	4
74	<u>00565G3</u>						LOCK WASHER, #6	2
75	<u>00525G5</u>						NUT, #6 - 32	2
76	<u>13514G1</u>						SCREW AND LOCK WASHER, #6	2
77								
78	<u>14628G1</u>						FASTON TAB	2
79	<u>24605G1</u>						WIRE HARNESS (BRAKE LIGHT)	1
80	<u>17618G1</u>						WIRE TIE	4
81								
82	<u>612189</u>						BRAKE ASSEMBLY (DRIVER SIDE) (INCLUDES ITEMS 84 - 88, 90, 95)	1
83	<u>612211</u>						BRAKE ASSEMBLY (PASSENGER SIDE) (INCLUDES ITEMS 84 - 88 & 90,94)	1
84	<u>612412</u>						BRAKE SHOE	2
85	612411						BRAKE SHOE	2
86	<u>612413</u>						DUST COVER	1
87	612415						SPRING	1
88	612414						SPRING	1
89								
90	612416						SHOE CLAMP	2
91								
92								

BRAKES - MECHANICAL

When ordering parts, please specify the model and serial number of the product.

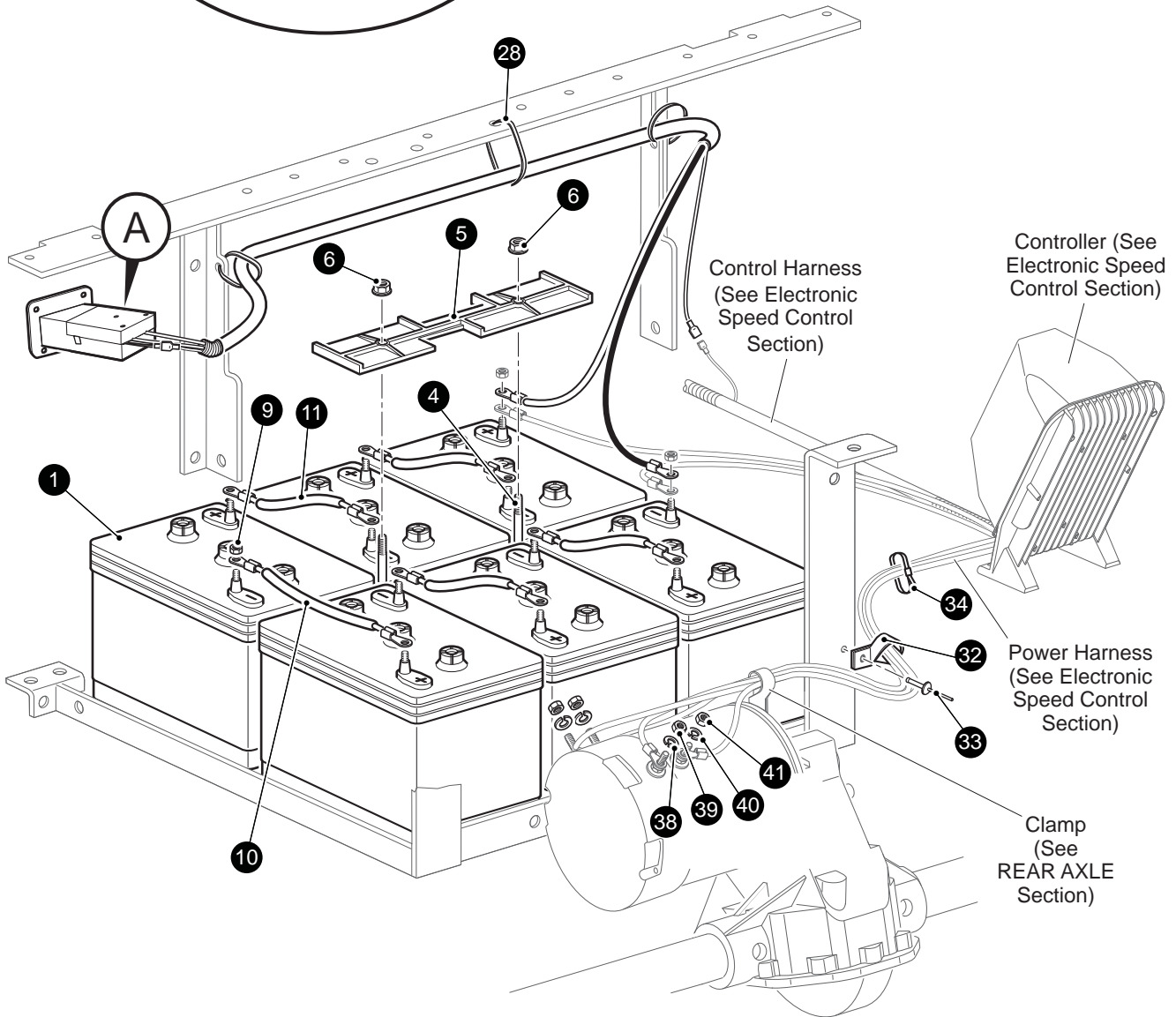
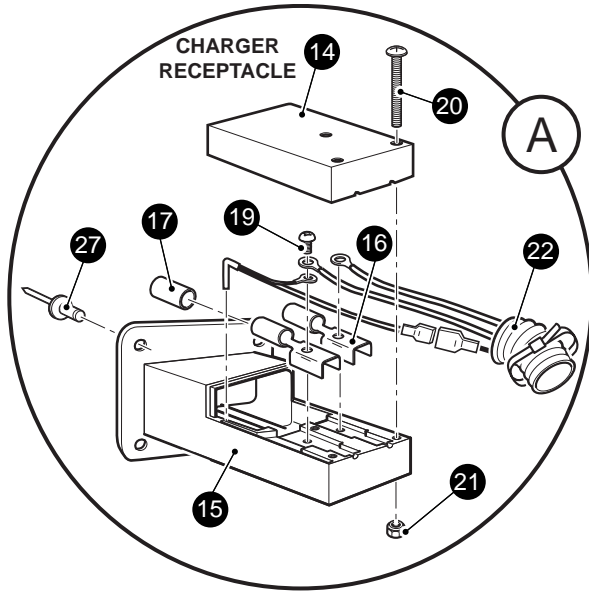
* Indicates a component that is not available as an individual part.

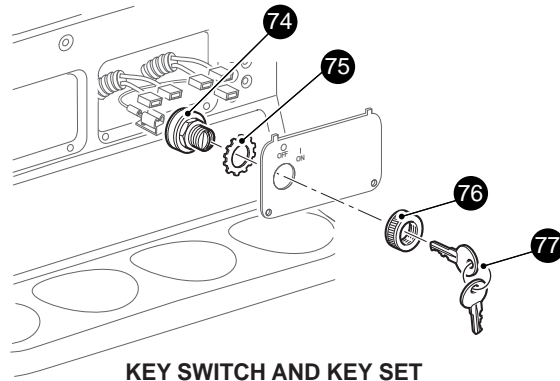
*** Indicates consult Customer Service Department for additional information.

ITEM	PART NO.	1 2 3 4 5	DESCRIPTION	QTY.
93				
94	<u>612418</u>		ADJUSTER.....	1
95	<u>612417</u>		ADJUSTER.....	1
96	<u>17083G2</u>		BOLT, 5/16 - 24 X 1" LG.....	8
97	<u>15126G1</u>		LOCK NUT, 5/16 - 24	8
98	<u>21809G1</u>		INNER BRAKE DRUM WASHER, 1 5/16" OD X 1" ID X 1/32".....	2
99				
100	<u>21807G2</u>		BRAKE DRUM ASSEMBLY (INCLUDES ITEMS 101 - 102)	2
101	*		BRAKE DRUM.....	1
102	<u>19862G2</u>		LUG BOLT, 1/2 - 20 X 1 3/16" LG.....	4
103				
104				
105	<u>606945</u>		OUTER BRAKE DRUM WASHER.....	2
106	<u>606403</u>		SLOTTED NUT, M22 X 1.5	2
107	<u>10387G1</u>		COTTER PIN, 1/8" X 1 1/2" LG.....	2
108	<u>74175G01</u>		SPINDLE CAP	2
109	<u>607033</u>		SPINDLE CAP ADAPTER	2
110	<u>608200</u>		BRAKE CABLE BRACKET (PASSENGER SIDE)	1
111	<u>608201</u>		BRAKE CABLE BRACKET (DRIVER SIDE).....	1

ELECTRICAL

13 - Includes Items 14 - 22

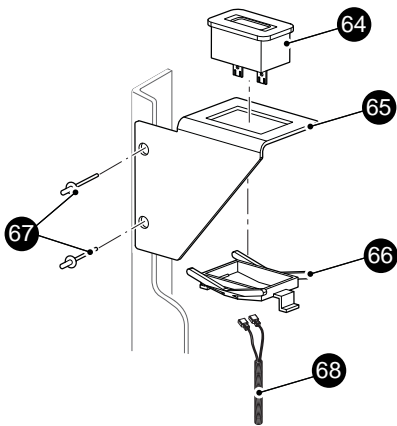




KEY SWITCH AND KEY SET

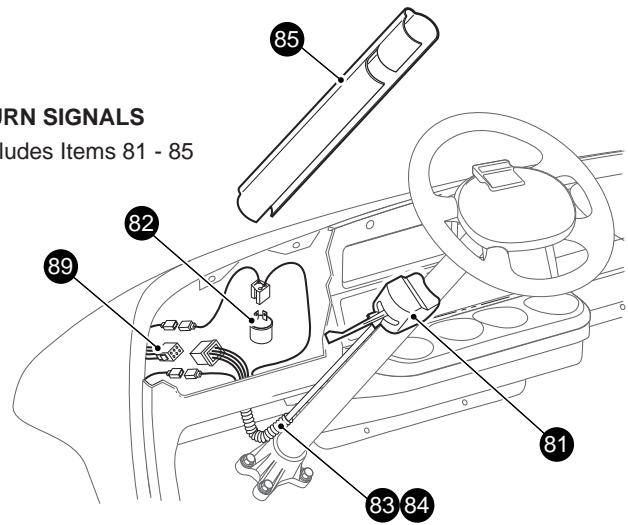
HOUR METER DETAIL

63 - Includes Items 64 - 68

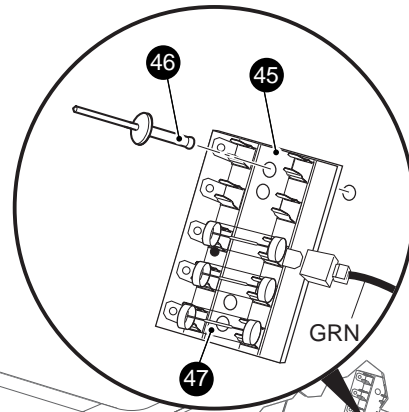
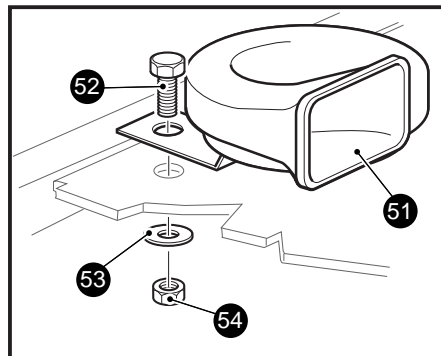
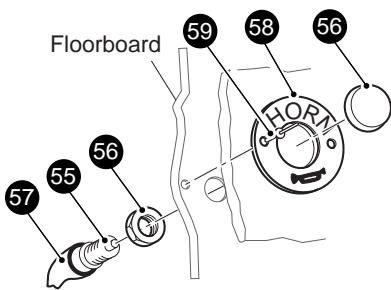


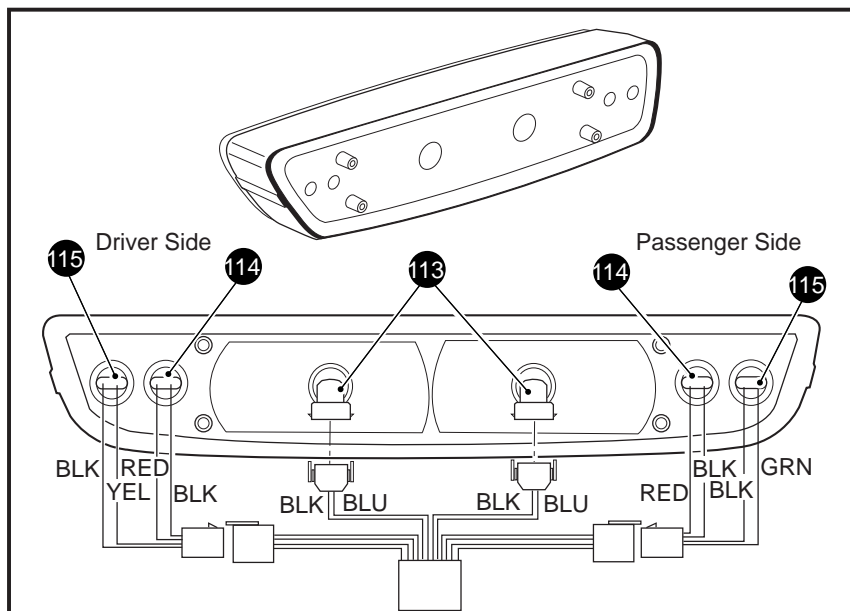
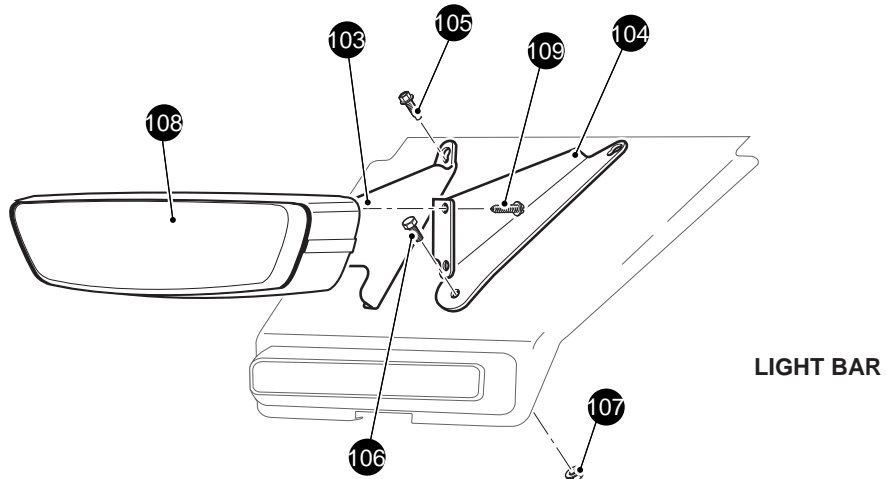
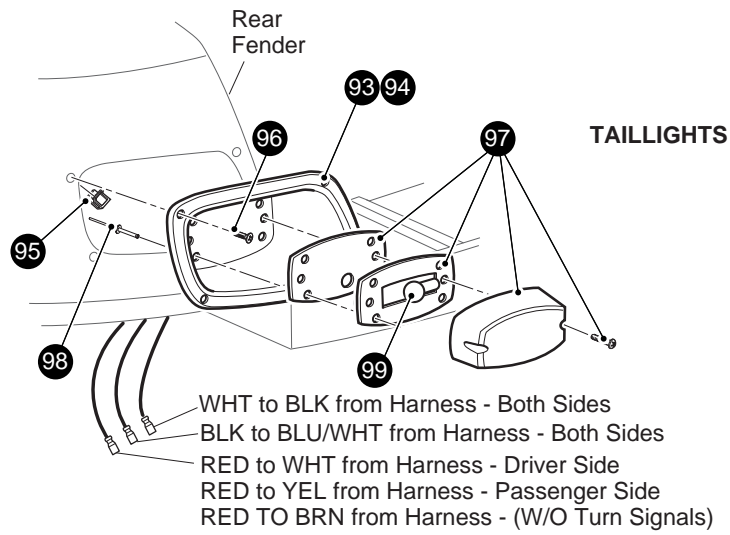
TURN SIGNALS

80 - Includes Items 81 - 85



HORN BUTTON





When ordering parts, please specify the model and serial number of the product.

* Indicates a component that is not available as an individual part.

*** Indicates consult Customer Service Department for additional information.

ITEM	PART NO.	1 2 3 4 5	DESCRIPTION	QTY.
1	XXXXXGXX		6 VOLT BATTERY	6
2				
3				
4	<u>01101G01</u>		HOLD DOWN BOLT (STAINLESS STEEL)	2
5	<u>612867</u>		BATTERY RETAINER	1
6	<u>11027G1</u>		LOCK NUT, 5/16 - 18	2
7				
8				
9	<u>00702G2</u>		NUT, 5/16 - 18	12
10	<u>607591</u>		4 GA WIRE, GREEN 11.5"	1
11	<u>607590</u>		4 GA WIRE, GREEN 7"	4
12				
13	<u>73063G01</u>		CHARGER RECEPTACLE ASSEMBLY (INCLUDES ITEMS 14 - 22).....	1
14	*		RECEPTACLE COVER	1
15	*		RECEPTACLE BOTTOM.....	1
16	<u>73051G05</u>		FEMALE CONNECTOR	2
17	<u>73051G06</u>		INSULATOR SLEEVE	1
18				
19	<u>73051G08</u>		SCREW, #10 - 32 X 1/2" LG (BRASS)	2
20	<u>73051G09</u>		SCREW, #6 - 32 X 1 3/4" LG (STAINLESS STEEL)	3
21	<u>73051G10</u>		LOCK NUT, #6 - 32.....	3
22	*		WIRE HARNESS (CHARGER)	1
23				
24				
25				
26				
27	<u>71055G01</u>		RIVET, 3/16" X 1" LG (ALUMINUM).....	4
28	<u>17618G1</u>		WIRE TIE	3
29				
30				
31				

ELECTRICAL

When ordering parts, please specify the model and serial number of the product.

* Indicates a component that is not available as an individual part.

*** Indicates consult Customer Service Department for additional information.

ITEM	PART NO.	1 2 3 4 5	DESCRIPTION	QTY.
32	<u>27327G01</u>		CABLE CLAMP	1
33	<u>10570G11</u>		RIVET, 3/16" X 3/4" LG (STAINLESS STEEL)	1
34	<u>17618G1</u>		WIRE TIE.....	10
35				
36				
37				
38	<u>00993G01</u>		LOCK WASHER, 5/16" (SILICON BRONZE)	2
39	<u>28418G01</u>		NUT, 5/16 - 18 (BRASS).....	2
40	<u>00993G02</u>		LOCK WASHER, 1/4" (SILICON BRONZE)	2
41	<u>28418G02</u>		NUT, 1/4 - 20 (BRASS).....	2
42				
43				
44				
45	<u>22674G1</u>		FUSE BLOCK.....	1
46	<u>01041G01</u>		RIVET, 1/8" X 13/16" LG.....	2
47	<u>18392G1</u>		15 AMP FUSE	3
48				
49				
50				
51	<u>32860G1</u>		HORN	1
52	<u>00414G5</u>		BOLT, 1/4 - 20 X 5/8" LG	1
53	<u>00559G7</u>		WASHER, 1/4" FL	1
54	<u>14390G4</u>		LOCK NUT, 1/4 - 20.....	1
55	<u>17318G1</u>		HORN SWITCH.....	1
56	<u>17318G2</u>		HORN SWITCH CAP AND NUT	1
57	<u>27068G01</u>		HORN SWITCH BOOT.....	1
58	<u>19233G1</u>		HORN SWITCH LABEL.....	1
59	<u>71055G01</u>		RIVET, 3/16" X 1" LG (ALUMINUM)	2
60				
61				
62				

When ordering parts, please specify the model and serial number of the product.

* Indicates a component that is not available as an individual part.

*** Indicates consult Customer Service Department for additional information.

ITEM	PART NO.	1 2 3 4 5	DESCRIPTION	QTY.
63	75113G02		HOUR METER KIT (INCLUDES ITEMS 64 - 68).....	1
64	<u>74665G02</u>		HOUR METER	1
65	74716G02		HOUR METER BRACKET	1
66	<u>74696G01</u>		RETAINER CLIP	1
67	<u>10570G11</u>		RIVET	2
68	<u>75117G01</u>		WIRE HARNESS (HOUR METER)	1
69				
70				
71				
72				
73				
74	33639G**		KEY SWITCH (WITH LIGHTS)	1
75	<u>00568G6</u>		LOCK WASHER, 3/4"	1
76	17137G1		FACE NUT, 3/4 - 20.....	1
77	<u>17618G1</u>		WIRE TIE	1
78				
79				
80	<u>75107G02</u>		TURN SIGNAL KIT (INCLUDES ITEMS 81 - 85).....	1
81	<u>17867G1</u>		TURN SIGNAL (WITH MOUNTING HARDWARE)	1
82	<u>21640G1</u>		TURN SIGNAL FLASHER	1
83	<u>32307G3</u>		FLEX LOOM, 3/8" X 8" LG	1
84	<u>17618G1</u>		WIRE TIE.....	2
85	<u>20965G3</u>		STEERING COLUMN COVER	1
86				
87				
88				
89	73043G01		WIRE HARNESS (ACCESSORY)	1
90				
91				
92				
93	<u>74371G01</u>		BEZEL (DRIVER SIDE)	1

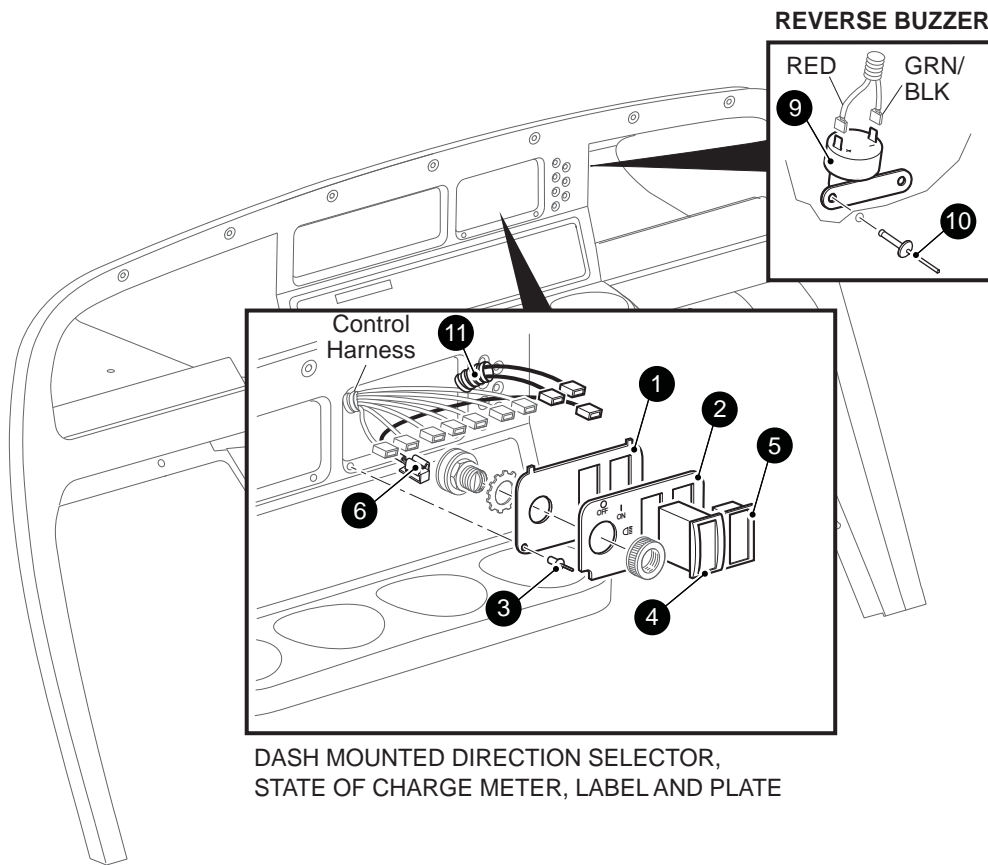
ELECTRICAL

When ordering parts, please specify the model and serial number of the product.

* Indicates a component that is not available as an individual part.

*** Indicates consult Customer Service Department for additional information.

ITEM	PART NO.	1 2 3 4 5	DESCRIPTION	QTY.
94	<u>74371G02</u>		BEZEL (PASSENGER SIDE)	1
95	<u>71364G02</u>		'J' CLIP	8
96	<u>71425G01</u>		COUNTERSUNK SCREW, #8.....	8
97	<u>22288G2</u>		BRAKE / TAILLIGHT LAMP.....	1
98	<u>14601G11</u>		RIVET, 3/16" X 9/16" LG (ALUMINUM)	4
99	<u>21759G1</u>		TAILLIGHT BULB	AR
100				
101				
102				
103	<u>74236G03</u>		HEADLIGHT MOUNT BRACKET (PASSENGER SIDE)	1
104	<u>74236G04</u>		HEADLIGHT MOUNT BRACKET (DRIVER SIDE)	1
105	<u>01038G01</u>		BOLT, 1/4 - 20 X 11/16" LG	2
106	<u>00414G6</u>		BOLT, 1/4 - 20 X 3/4" LG	2
107	<u>11027G2</u>		LOCK NUT, 1/4 - 20.....	2
108	<u>74001G01</u>		HEADLIGHT AND TURN SIGNAL LIGHT.....	1
109	<u>00114G6</u>		SCREW, 1/4 - 14 X 3/4" LG.....	4
110				
111				
112				
113	<u>74004G01</u>		HEAD LIGHT BULB.....	AR
114	<u>74005G01</u>		MARKER LIGHT BULB	AR
115	<u>74006G01</u>		TURN SIGNAL BULB	AR



DASH MOUNTED DIRECTION SELECTOR,
STATE OF CHARGE METER, LABEL AND PLATE

ELECTRICAL

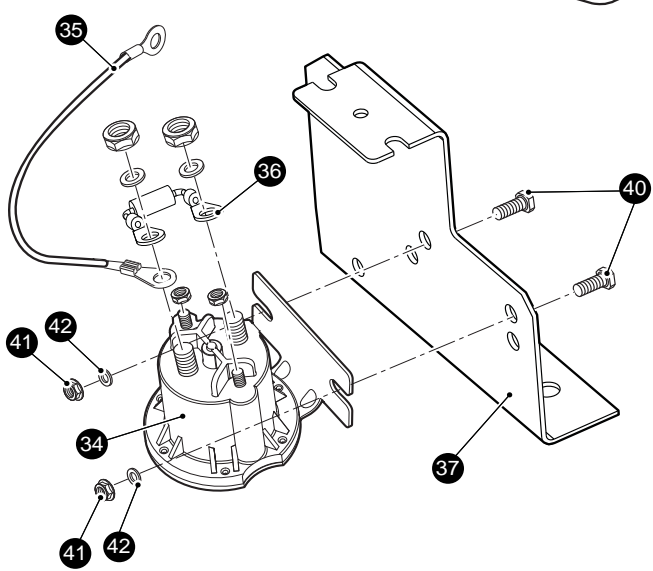
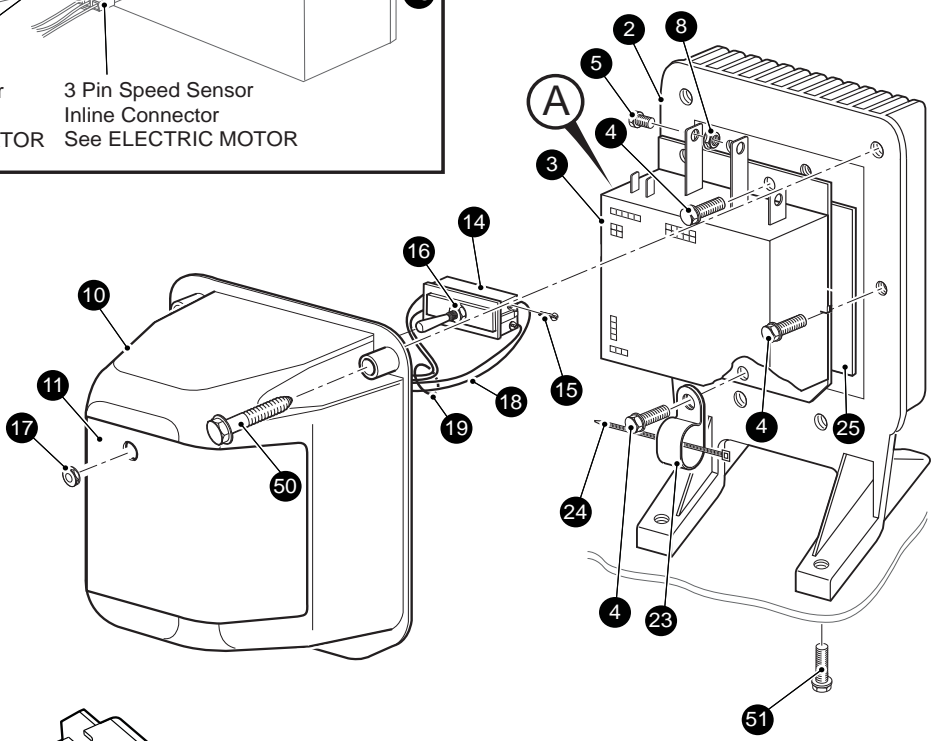
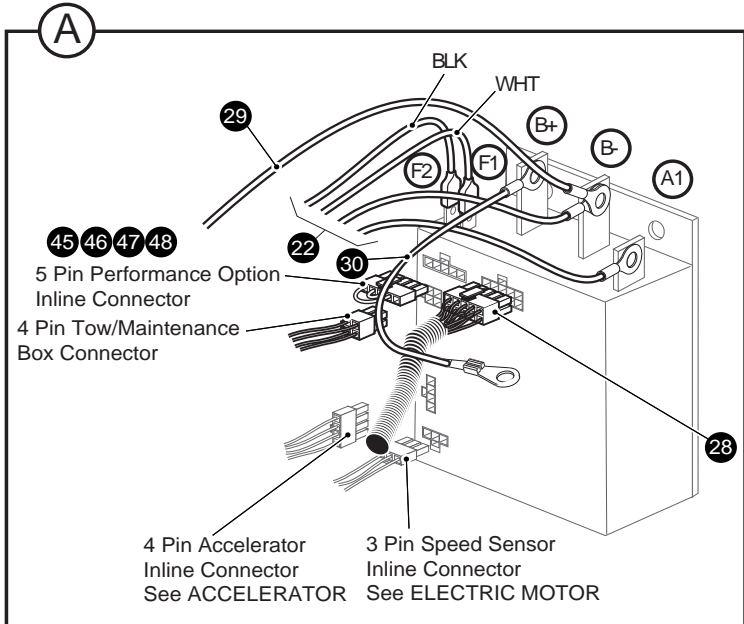
When ordering parts, please specify the model and serial number of the product.

* Indicates a component that is not available as an individual part.

*** Indicates consult Customer Service Department for additional information.

ITEM	PART NO.	1 2 3 4 5	DESCRIPTION	QTY.
1	<u>73030G06</u>		PLATE (KEY SWITCH, DIRECTION SELECTOR, CHARGE METER)	1
2	<u>74322G01</u>		LABEL (KEY SWITCH WITH LIGHTS, DIRECTION SELECTOR, CHARGE METER)	1
3	33623G02		DRIVE RIVET, 3/16" X 3/8" LG.....	2
4	<u>74323G01</u>		DIRECTION SELECTOR SWITCH (DASH MOUNTED)	1
5	<u>33636G04</u>		STATE OF CHARGE METER (VERTICAL).....	1
6	<u>25978G74</u>		18 GA WIRE (RED 6").....	1
7				
8				
9	<u>73290G02</u>		REVERSE WARNING BUZZER (CONTINUOUS TONE)	1
10	<u>01041G01</u>		RIVET, 1/8" X 13/16" LG.....	2
11	<u>74018G01</u>		WIRE HARNESS (STATE OF CHARGE METER)	1

ELECTRONIC SPEED CONTROL



ELECTRONIC SPEED CONTROL

When ordering parts, please specify the model and serial number of the product.

* Indicates a component that is not available as an individual part.

*** Indicates consult Customer Service Department for additional information.

ITEM	PART NO.	1 2 3 4 5	DESCRIPTION	QTY.
1	73276G03		ELECTRONIC SPEED CONTROL ASSEMBLY (INCLUDES ITEMS 2 - 30) .	1
2	<u>73471G01</u>		HEATSINK.....	1
3	<u>609083</u>		ELECTRONIC SPEED CONTROLLER.....	1
4	<u>71102G01</u>		BOLT, 1/4 - 20 X 3/4" LG	3
5	<u>00270G5</u>		BOLT, 5/16 - 18 X 5/8" LG	3
6				
7				
8	<u>11027G1</u>		LOCK NUT, 5/16 - 18"	3
9	<u>73089G01</u>		COVER ASSEMBLY (INCLUDES ITEMS 10 - 19).....	1
10	<u>73028G02</u>		COVER (WITH GASKET)	1
11	73093G01		LABEL (TOW SWITCH)	1
12				
13				
14	73125G01		TOGGLE SWITCH WITH SEAL (INCLUDES 15 - 16).....	1
15	*		SCREW, #5 - 40"	4
16	*		NUT, 15/32 - 32"	1
17	<u>73139G01</u>		SEALED NUT, 15/32 - 32"	1
18	73138G02		WIRE HARNESS	1
19	<u>17618G1</u>		WIRE TIE	1
20				
21				
22	<u>73106G01</u>		WIRE HARNESS (POWER).....	1
23	<u>73053G01</u>		DOUBLE TUBE CLAMP	1
24	<u>31539G1</u>		WIRE TIE.....	1
25	<u>73190G01</u>		THERMAL MOUNTING PAD.....	1
26				
27				
28	620534		WIRE HANESS(CONTROL)	1
29	620537		4 GA WIRE, GREEN 34"	1
30	620539		4 GA WIRE, GREEN 12"	1
31				

ELECTRONIC SPEED CONTROL

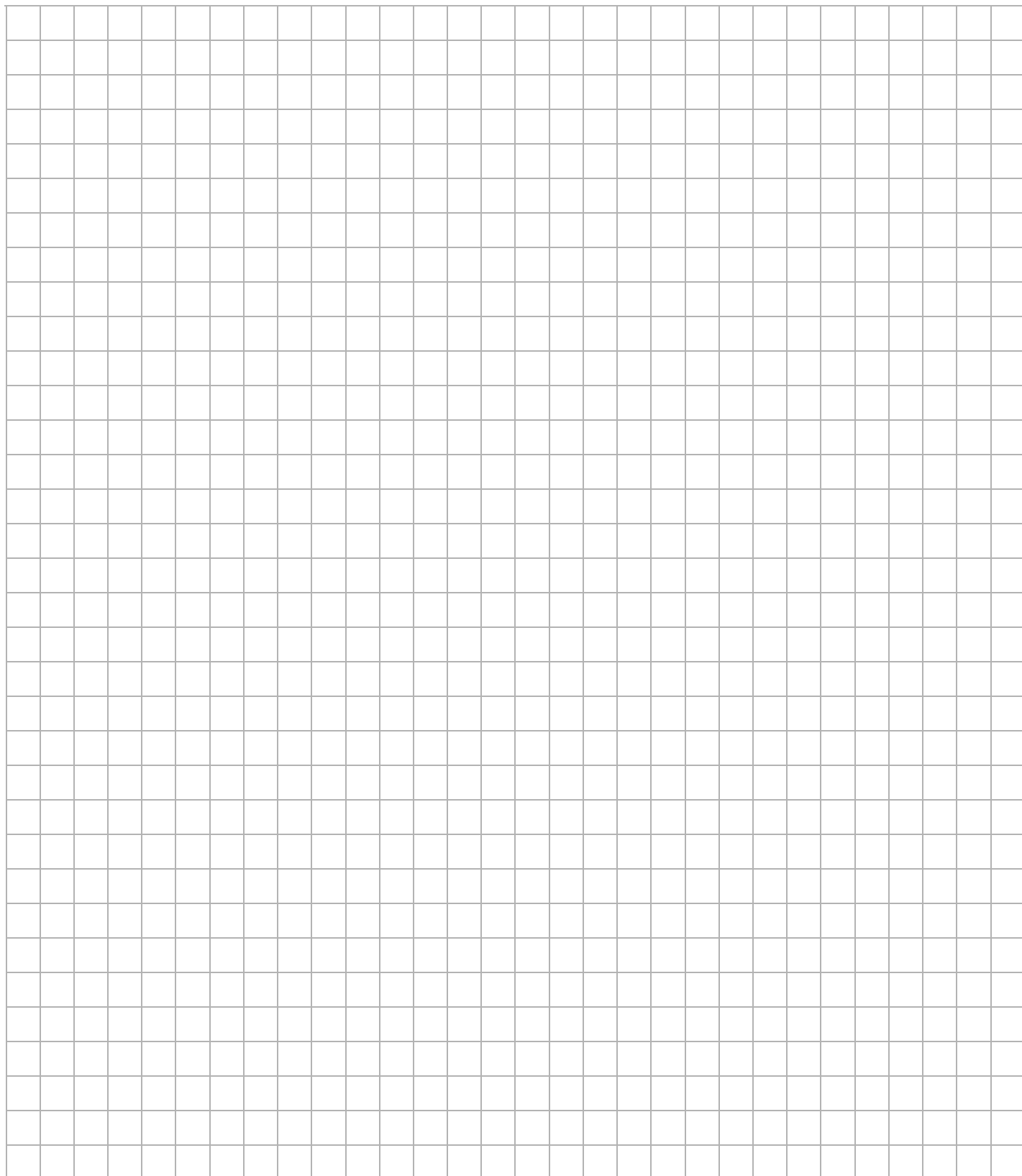
When ordering parts, please specify the model and serial number of the product.

* Indicates a component that is not available as an individual part.

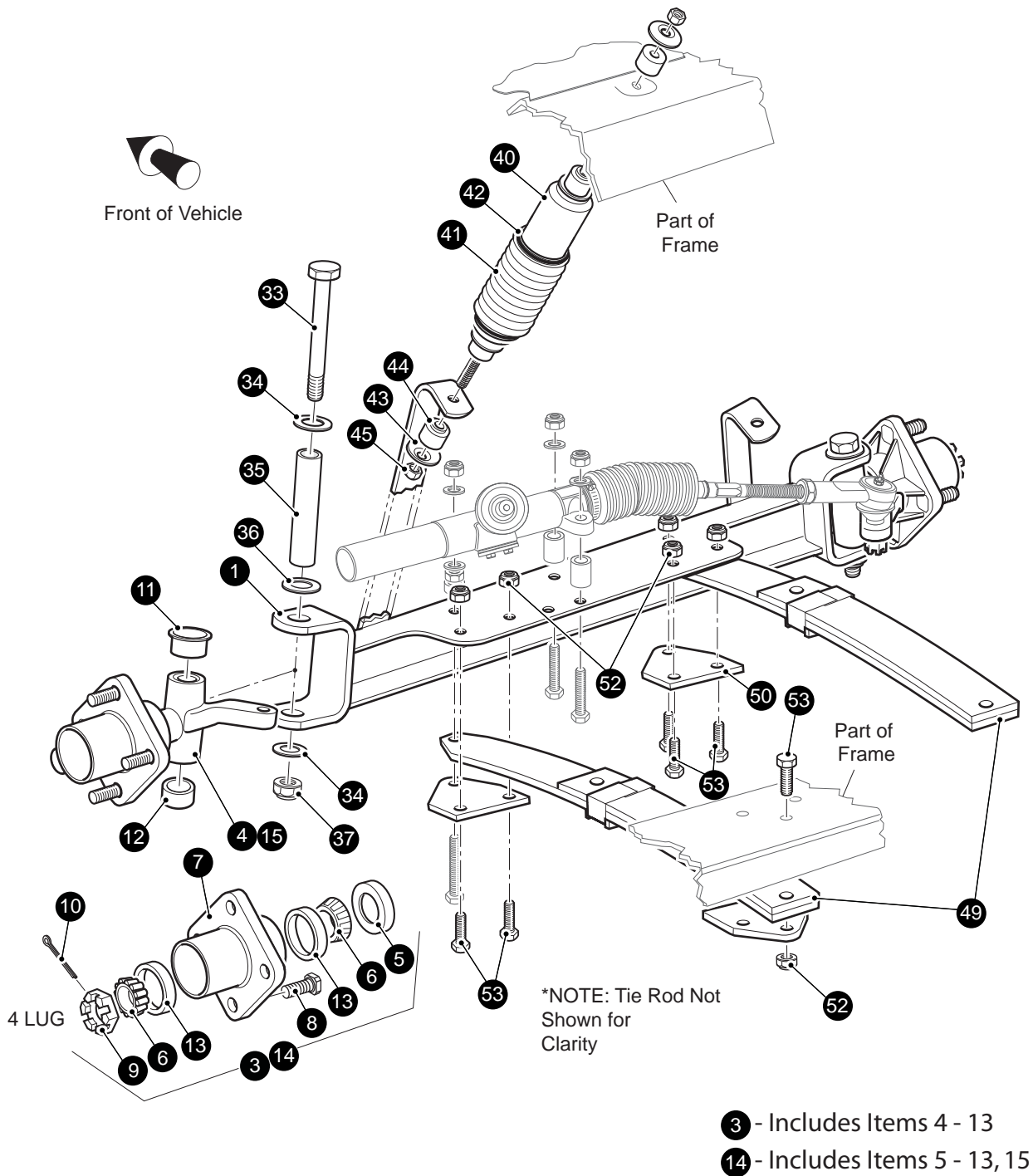
*** Indicates consult Customer Service Department for additional information.

ITEM	PART NO.	1	2	3	4	5	DESCRIPTION	QTY.
32								
33	613164						SOLENOID, 36 VOLT (INCLUDES 34 - 42)	1
34	612791						SOLENOID, 36 VOLT	1
35	620548						4 GA WIRE, GREEN	1
36	<u>21764G1</u>						RESISTOR ASSEMBLY	1
37	<u>73057G01</u>						ELECTRICAL BRACKET	1
38								
39								
40	<u>00414G5</u>						CAP SCREW, HEX HEAD 1/4 - 20"	2
41	<u>11027G2</u>						LOCK NUT, FLANGED 1/4 - 20"	2
42	<u>01110G01</u>						FLAT WASHER	2
43								
44								
45	<u>73272G01</u>						PERFORMANCE OPTION (FREEDOM)	1
46	<u>73272G02</u>						PERFORMANCE OPTION (STEEP HILL)	1
47	<u>73272G03</u>						PERFORMANCE OPTION (MILD HILL)	1
48	73272G04						PERFORMANCE OPTION (ALL TERRAIN)	1
49								
50	<u>71102G03</u>						SCREW, 1/4 - 20 X 1 1/4"	4
51	<u>71102G01</u>						SCREW, 1/4 - 20 X 3/4"	4

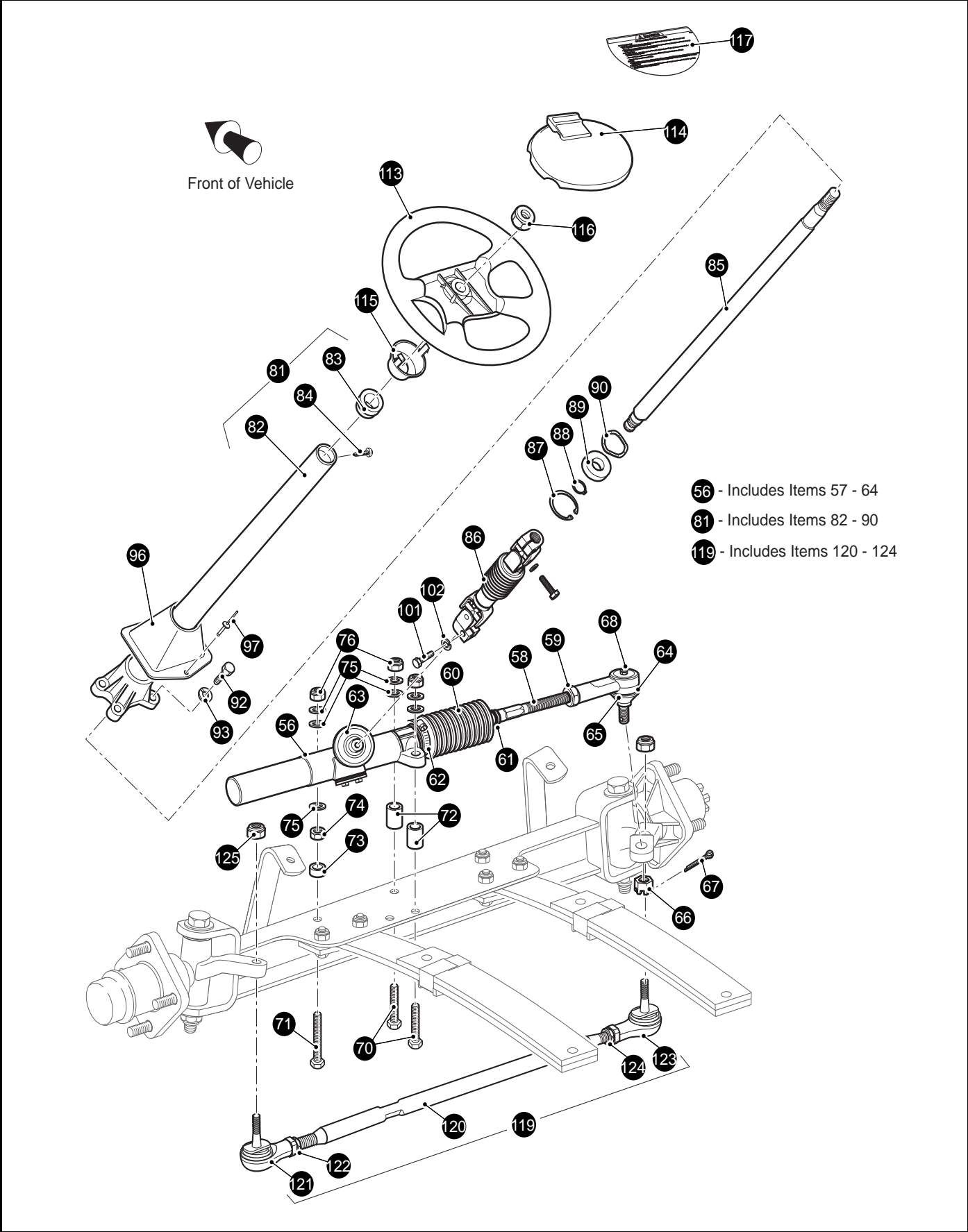
Notes:

A large grid of 30 columns and 30 rows, designed for taking notes. The grid is empty and occupies the central portion of the page.

FRONT SUSPENSION



FRONT SUSPENSION



FRONT SUSPENSION

When ordering parts, please specify the model and serial number of the product.

* Indicates a component that is not available as an individual part.

*** Indicates consult Customer Service Department for additional information.

ITEM	PART NO.	1 2 3 4 5	DESCRIPTION	QTY.
1	<u>602513</u>		FRONT AXLE	1
2				
3	<u>70942G03</u>		SPINDLE AND HUB ASSEMBLY, 4 LUG (PASSENGER SIDE) (INCLUDES ITEMS 4 - 13).....	1
4	<u>70940G02</u>		SPINDLE ASSEMBLY (PASSENGER SIDE).....	1
5	<u>25146G1</u>		GREASE SEAL	1
6	<u>11750G2</u>		ROLLER BEARING.....	2
7	<u>70589G01</u>		WHEEL HUB.....	1
8	<u>19862G1</u>		LUG BOLT, 1/2 20 X 1 3/16" LG	4
9	<u>12093G1</u>		HEXAGONAL SLOTTED NUT.....	1
10	<u>00798G8</u>		COTTER PIN, 5/32" X 1 3/4" LG.....	1
11	<u>70648G01</u>		FLANGED BEARING	2
12	<u>70749G01</u>		BEARING	2
13	<u>51141G1</u>		RACE BEARING	2
14	<u>70673G03</u>		SPINDLE AND HUB ASSEMBLY, 4 LUG (DRIVER SIDE) (INCLUDES ITEMS 5 - 13, 15).....	1
15	<u>70742G02</u>		SPINDLE ASSEMBLY (DRIVER SIDE)	1
16				
17				
18				
19				
20				
21				
22				
23				
24				
25				
26				
27				
28				
29				
30				

FRONT SUSPENSION

When ordering parts, please specify the model and serial number of the product.

* Indicates a component that is not available as an individual part.

*** Indicates consult Customer Service Department for additional information.

ITEM	PART NO.	1 2 3 4 5	DESCRIPTION	QTY.
31				
32				
33	<u>00407G6</u>		BOLT, 1/2 - 13 X 6" LG.....	2
34	<u>00560G3</u>		WASHER, 1/2"	4
35	<u>70745G01</u>		KING PIN TUBE.....	2
36	<u>70754G01</u>		THRUST WASHER, 1" (STAINLESS STEEL)	2
37	<u>14390G6</u>		LOCK NUT, 1/2 - 13	2
38				
39				
40	<u>76419G01</u>		SHOCK ABSORBER	2
41	<u>70509G01</u>		SHOCK ABSORBER BOOT	2
42	<u>31539G1</u>		WIRE TIE	4
43	<u>10435G1</u>		SHOCK ABSORBER WASHER.....	8
44	<u>10194G1</u>		RUBBER BUSHING.....	8
45	<u>00532G6</u>		NUT, 3/8 - 24	4
46				
47				
48				
49	<u>70989G03</u>		LEAF SPRING (HEAVY DUTY) (SEE PART NUMBER ON SPRING).....	2
50	<u>70163G03</u>		SPRING PLATE	4
51				
52	<u>00734G1</u>		LOCK NUT, 7/16 - 14	11
53	<u>00463G11</u>		BOLT, 7/16 - 14 X 1 3/4" LG.....	11
54				
55				
56	<u>70964G01</u>		RACK AND PINION UNIT (COMPLETE) (INCLUDES ITEMS 57 - 64).....	1
57				
58	74694G01		RACK EXTENSION.....	1
59	01054G01		JAM NUT, 1/2 - 20	1
60	<u>70961G01</u>		RACK BOOT	1
61	<u>12416G2</u>		WIRE TIE.....	1

FRONT SUSPENSION

When ordering parts, please specify the model and serial number of the product.

* Indicates a component that is not available as an individual part.

*** Indicates consult Customer Service Department for additional information.

ITEM	PART NO.	1	2	3	4	5	DESCRIPTION	QTY.
62	<u>11391G8</u>						CLAMP, 1 13/16 - 2 3/8"	1
63	<u>70638G01</u>						PINION SEAL.....	1
64	<u>70695G01</u>						RACK BALL JOINT	1
65	<u>50641G1</u>						RUBBER BOOT	1
66	<u>50209G2</u>						CASTELLATED NUT, 7/16 - 20	1
67	<u>10387G2</u>						COTTER PIN, 3/32" X 1" LG	1
68	<u>10389G3</u>						GREASE FITTING, STRAIGHT	1
69								
70	<u>00464G6</u>						BOLT, 7/16 - 14 X 2 3/4" LG	2
71	<u>01068G01</u>						BOLT, 7/16 - 14 X 3 1/2" LG	1
72	<u>70667G02</u>						SPACER	2
73	<u>70667G03</u>						SPACER (SHORT)	1
74	<u>00532G7</u>						NUT, 7/16 - 14	1
75	<u>00560G2</u>						FLAT WASHER, 7/16"	4
76	<u>00734G1</u>						LOCK NUT, 7/16 - 14.....	3
77								
78								
79								
80								
81	<u>70758G05</u>						STEERING COLUMN KIT (INCLUDES ITEMS 82 - 90)	1
82	<u>70610G03</u>						STEERING COLUMN	1
83	<u>28569G01</u>						STEERING COLUMN BUSHING.....	1
84	<u>01022G01</u>						SCREW, #6 - 20 X 5/16" LG	1
85	<u>70607G01</u>						STEERING SHAFT	1
86	<u>70580G01</u>						INTERMEDIATE SHAFT	1
87	<u>70751G01</u>						RETAINING RING (INTERNAL).....	1
88	<u>70888G01</u>						RETAINING RING (EXTERNAL)	1
89	<u>15112G1</u>						BALL BEARING	1
90	<u>70887G01</u>						WAVE WASHER	1
91								
92	<u>01006G01</u>						BOLT, 3/8 - 16 X 1 1/4" LG	4

FRONT SUSPENSION

When ordering parts, please specify the model and serial number of the product.

* Indicates a component that is not available as an individual part.

*** Indicates consult Customer Service Department for additional information.

ITEM	PART NO.	1 2 3 4 5	DESCRIPTION	QTY.
93	<u>00879G1</u>		LOCK WASHER, 3/8"	4
94				
95				
96	<u>70997G01</u>		COVER	1
97	<u>71055G01</u>		RIVET, 3/16" X 1" LG (ALUMINUM).....	1
98				
99				
100				
101	<u>01055G01</u>		BOLT, M8 X 1.25 - 05 LG	1
102	<u>00565G8</u>		LOCK WASHER, 5/16"	1
103				
104				
105				
106				
107				
108				
109				
110				
111				
112				
113	<u>602979</u>		STEERING WHEEL	1
114	<u>607925</u>		CLIPBOARD	1
115	<u>71949G01</u>		HUB COVER.....	1
116	<u>14390G2</u>		LOCK NUT, 5/8 - 18	1
117	<u>608529</u>		WARNING LABEL.....	1
118				
119	<u>70876G02</u>		TIE ROD ASSEMBLY (INCLUDES ITEMS 120 - 124).....	1
120	<u>70897G02</u>		THREADED ROD (24" LG)	1
121	<u>70902G01</u>		TIE ROD END (LEFT HAND THREADS).....	1
122	<u>01069G01</u>		JAM NUT, M12 X 1.25 - 05 (LEFT HAND THREADS)	1
123	<u>70902G02</u>		TIE ROD END (RIGHT HAND THREADS)	1

FRONT SUSPENSION

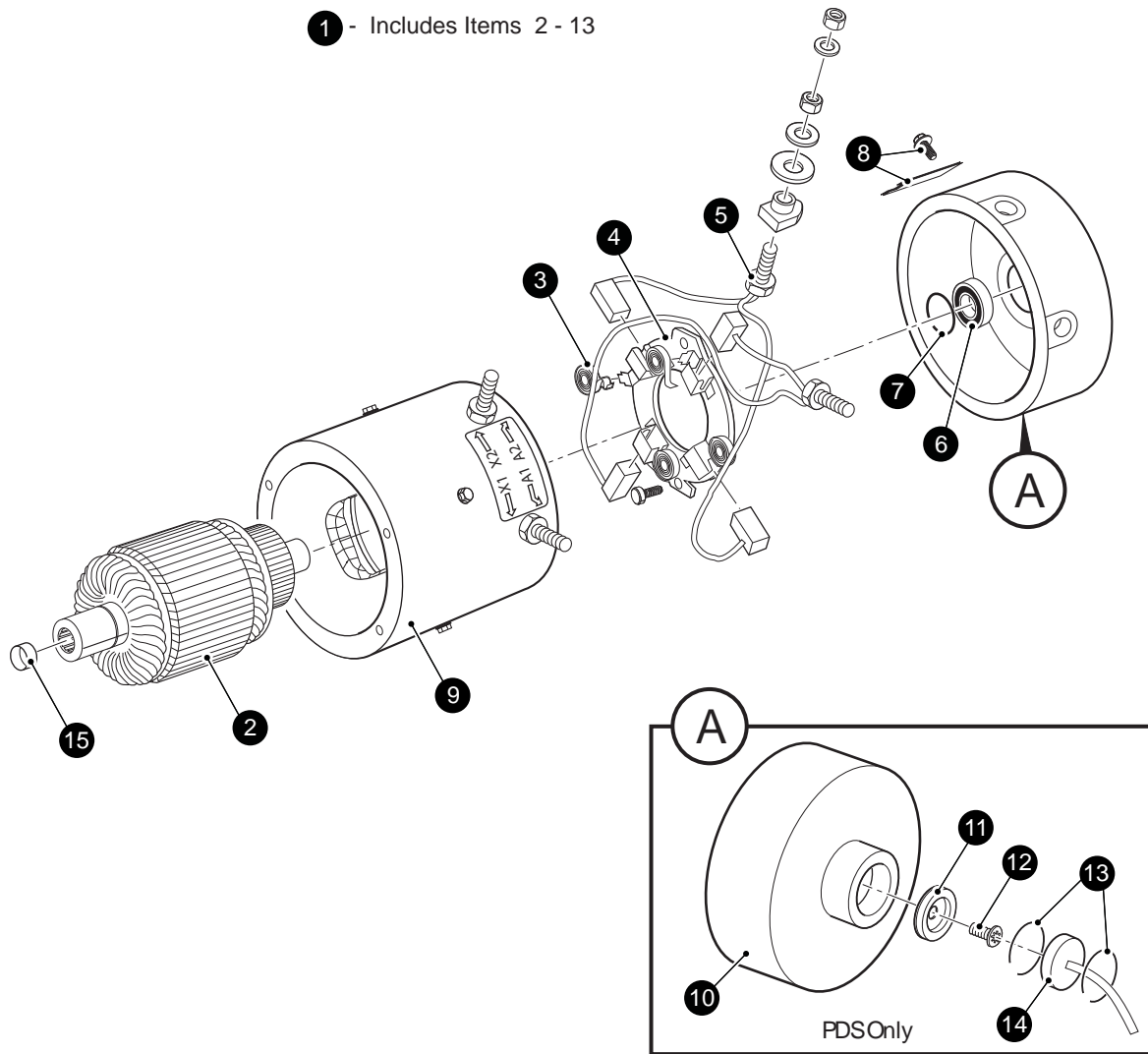
When ordering parts, please specify the model and serial number of the product.

* Indicates a component that is not available as an individual part.

*** Indicates consult Customer Service Department for additional information.

ITEM	PART NO.	1	2	3	4	5	DESCRIPTION	QTY.
124	<u>01069G02</u>						JAM NUT, M12 X 1.25 - 05 (RIGHT HAND THREADS)	1
125	<u>00734G1</u>						LOCK NUT, 7/16 - 14.....	2

MOTOR



When ordering parts, please specify the model and serial number of the product.

* Indicates a component that is not available as an individual part.

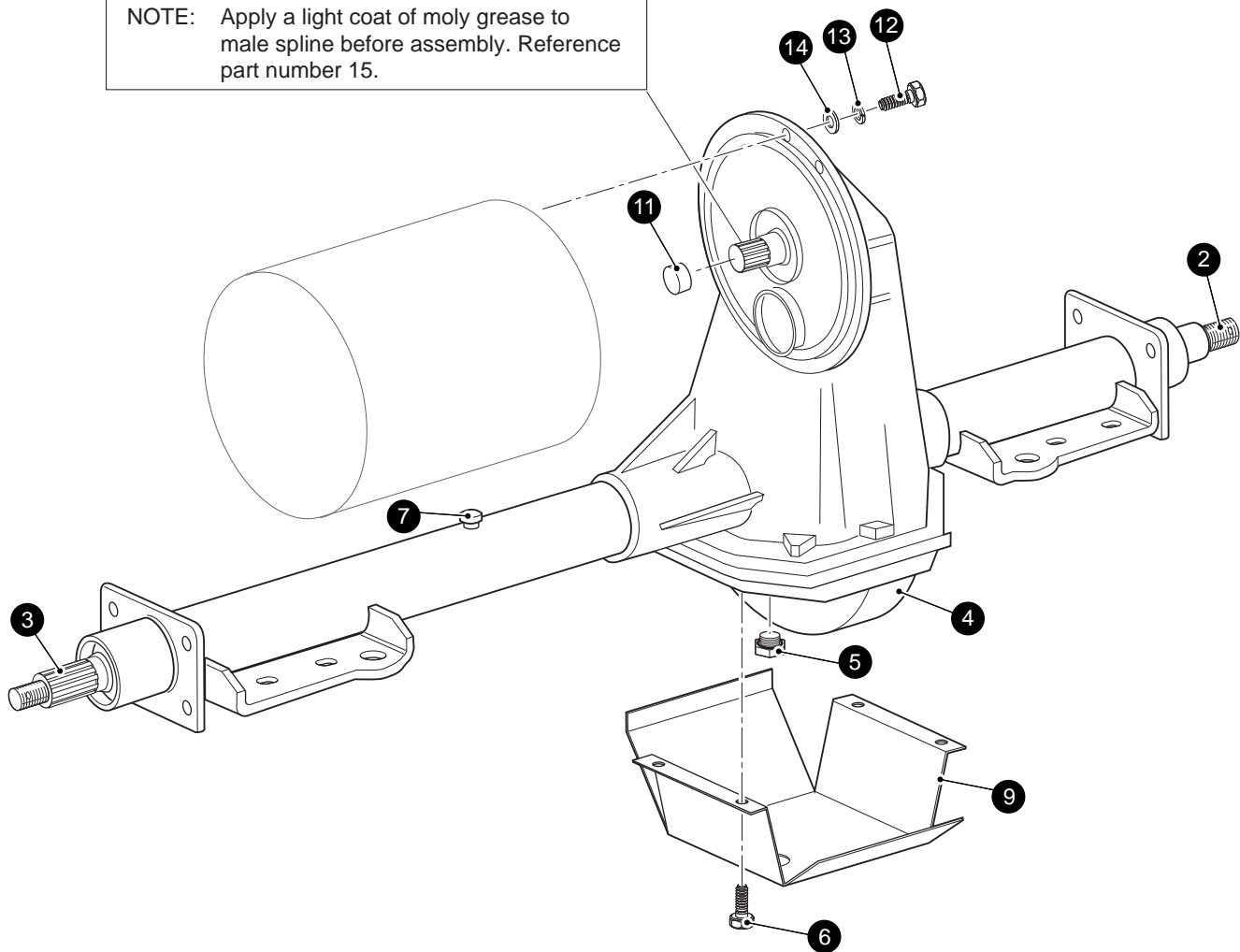
*** Indicates consult Customer Service Department for additional information.

ITEM	PART NO.	1 2 3 4 5	DESCRIPTION	QTY.
1	73445G02		MOTOR (SEPARATELY EXCITED) (PDS) (INCLUDES ITEMS 2 - 13)	1
2	73120G18		ARMATURE.....	1
3	73120G03		BRUSH SPRING	4
4	73120G15		BRUSH PLATE AND BOX.....	1
5	73120G25		BRUSH REPLACEMENT KIT (INCLUDES HARDWARE)	1
6	73120G07		BEARING	1
7	73120G06		SNAP RING.....	1
8	73120G09		COVER PLATE AND SCREW.....	1
9	73120G31		FRAME AND FIELD COIL (INCLUDES HARDWARE)	1
10	73120G19		COMMUTATOR END HOUSING.....	1
11	73328G01		MAGNET	1
12	01037G02		SCREW, #10 - 32 X 1/2" LG.....	1
13	73277G01		RETAINING RING	2
14	73327G01		SPEED SENSOR.....	1
15	24261G1		SPLINE BUMPER.....	1

REAR AXLE

1 - Includes Items 2 - 7

NOTE: Apply a light coat of moly grease to male spline before assembly. Reference part number 15.



REAR AXLE

When ordering parts, please specify the model and serial number of the product.

* Indicates a component that is not available as an individual part.

*** Indicates consult Customer Service Department for additional information.

ITEM	PART NO.	1 2 3 4 5	DESCRIPTION	QTY.
1	<u>73500G01</u>		REAR AXLE ASSEMBLY (INCLUDES ITEMS 2 - 7)	1
2	<u>20377G12</u>		AXLE SHAFT (PASSENGER SIDE).....	1
3	<u>20377G11</u>		AXLE SHAFT (DRIVER SIDE)	1
4	*		DIFFERENTIAL COVER	1
5	<u>28610G01</u>		FILL PLUG WITH 'O' RING	1
6	<u>15558G1</u>		BOLT, 5/16 - 18 X 3/4" LG	10
7	<u>73050G01</u>		VENT	1
8				
9	<u>72763G01</u>		SCUFF GUARD	1
10				
11	XXXXX-XXX		SPLINE BUMPER (SEE ELECTRIC MOTOR)	1
12	<u>00797G2</u>		BOLT, 1/4 - 20 X 1 1/4" LG.....	3
13	<u>00664G7</u>		LOCK WASHER, 1/4"	3
14	<u>01110G01</u>		WASHER FLAT, 1/4"	3
15	<u>28095G01</u>		MOLY LUBE, 2 OZ.....	AR

REAR SUSPENSION

When ordering parts, please specify the model and serial number of the product.

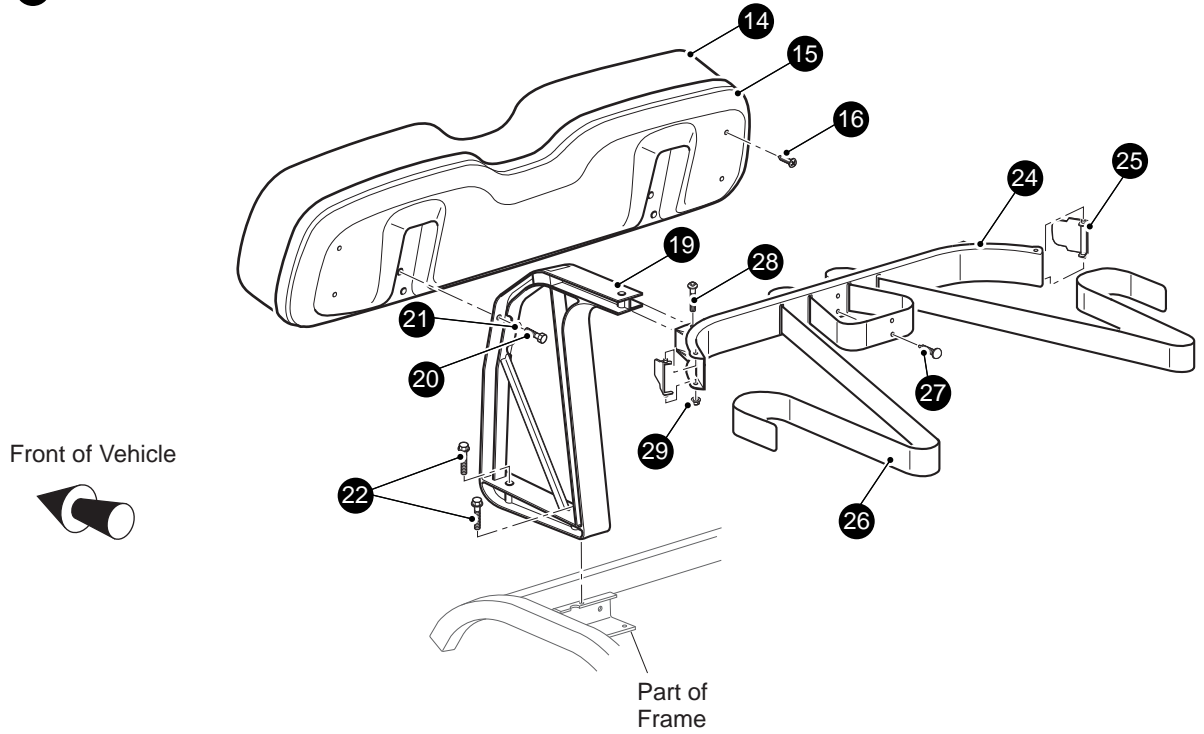
* Indicates a component that is not available as an individual part.

*** Indicates consult Customer Service Department for additional information.

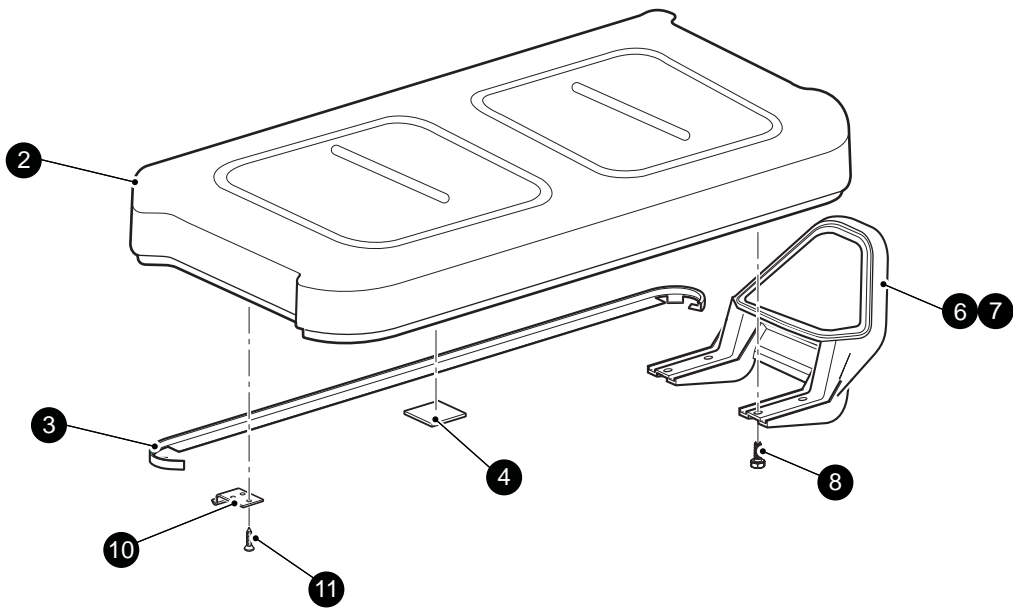
ITEM	PART NO.	1 2 3 4 5	DESCRIPTION	QTY.
1	<u>76418G01</u>		SHOCK ABSORBER	2
2	<u>10435G1</u>		SHOCK ABSORBER WASHER.....	8
3	<u>10194G1</u>		RUBBER BUSHING.....	8
4	<u>00532G6</u>		NUT, 3/8 - 24	4
5				
6	<u>74207G03</u>		REAR LEAF SPRINGS (REPLACE LEFT & RIGHT SPRINGS SIMULTANEOUSLY).....	2
7				
8	<u>72618G01</u>		'U' BOLT, 3/8 - 16 X 2" X 2 1/2" LG	4
9	<u>00560G1</u>		WASHER, 3/8"	8
10	<u>11098G5</u>		LOCK NUT, 3/8 - 16	8
11				
12	<u>70289G02</u>		SPACER.....	4
13	<u>70291G01</u>		FLANGED BUSHING (LEAF SPRING).....	12
14	<u>604961</u>		SHACKLE PLATE	4
15	<u>00665G9</u>		BOLT, 3/8 - 16 X 3 1/2" LG (STAINLESS STEEL)	4
16	<u>11098G5</u>		LOCK NUT, 3/8 - 16	4
17				
18	<u>14158G1</u>		SHOULDER BOLT, 3/8 - 16 X 3 1/4" LG.....	2
19	<u>12262G1</u>		LOCK NUT, 3/8 - 16	2

SEATING & BAG HOLDER

13 - Includes Items 14 - 16



1 - Includes Items 2 - 11



SEATING & BAG HOLDER

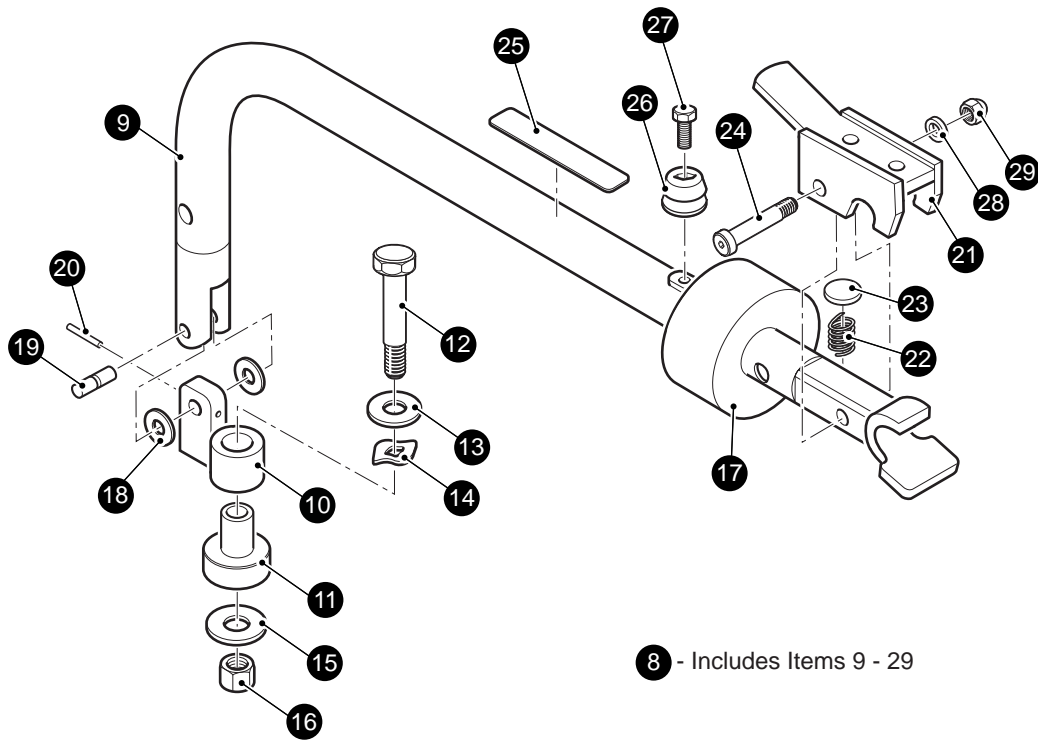
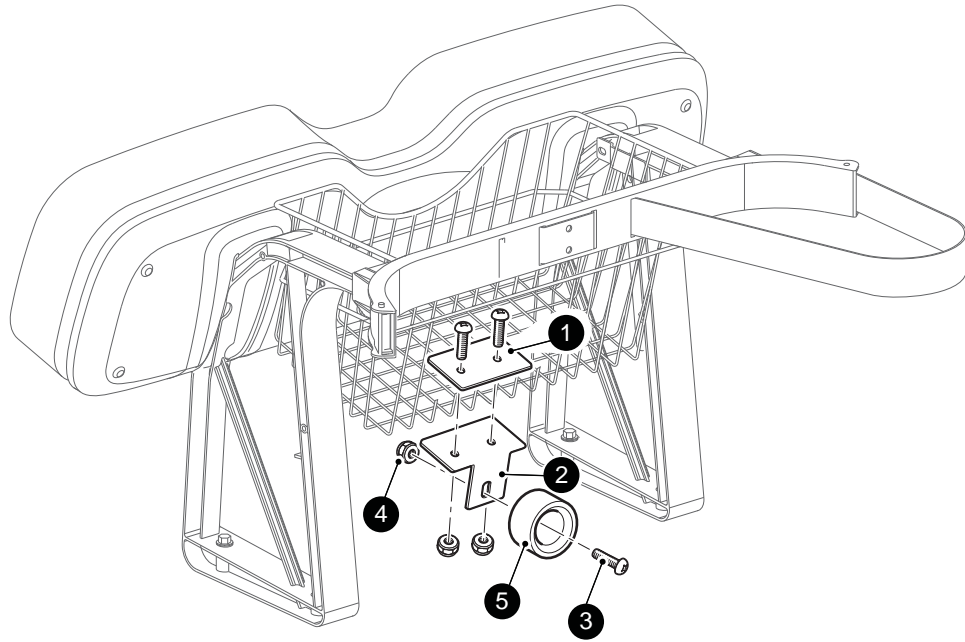
When ordering parts, please specify the model and serial number of the product.

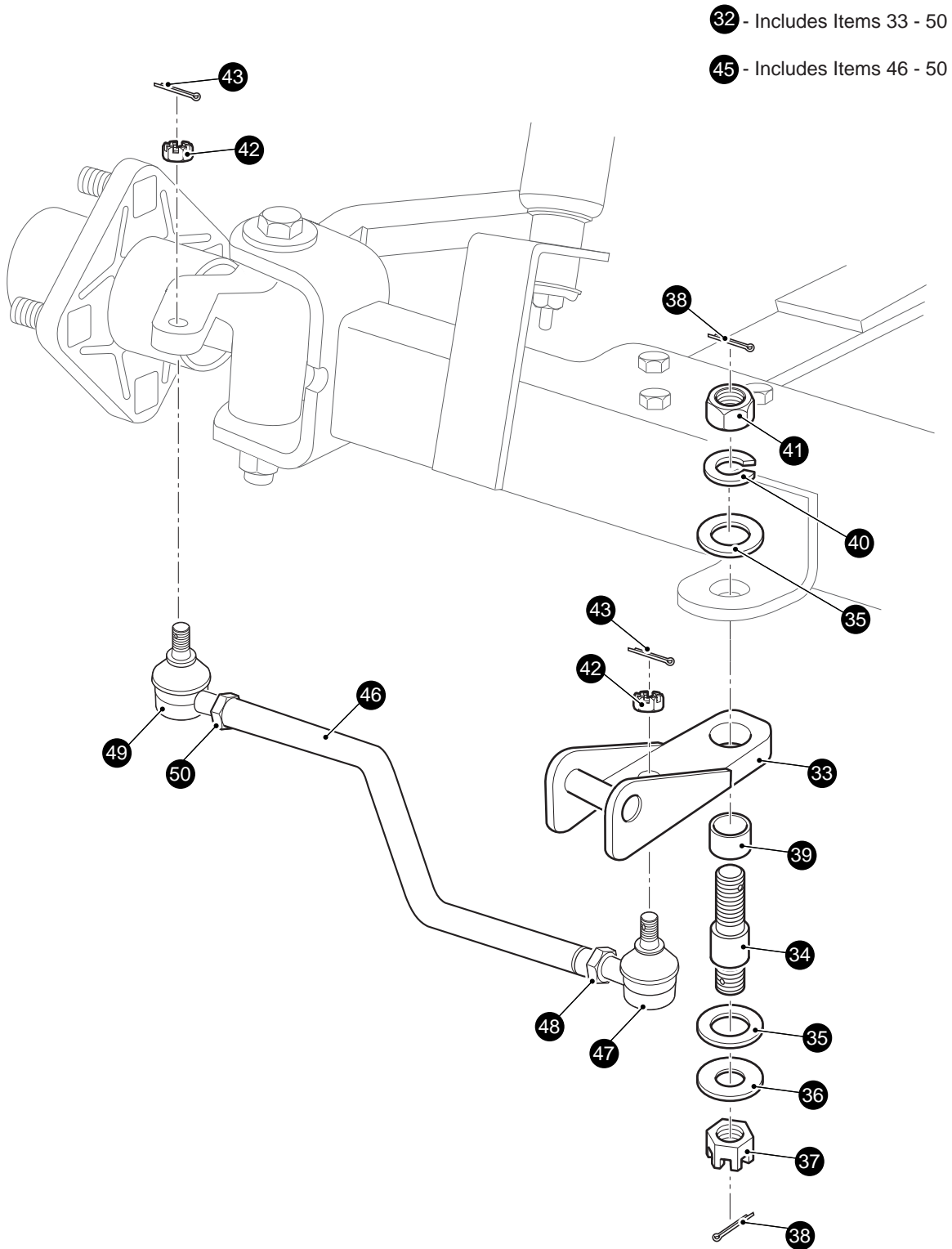
* Indicates a component that is not available as an individual part.

*** Indicates consult Customer Service Department for additional information.

ITEM	PART NO.	1 2 3 4 5	DESCRIPTION	QTY.
1	71611G**		SEAT BOTTOM ASSEMBLY (INCLUDES ITEMS 2 - 11)	1
2	71602G**		VINYL SEAT BOTTOM COVER	1
3	<u>71012G01</u>		VINYL TRIM (SEAT BOTTOM).....	1
4	<u>17074G1</u>		RUBBER PAD	2
5				
6	<u>71701G01</u>		HIP RESTRAINT (PASSENGER SIDE)	1
7	<u>71702G01</u>		HIP RESTRAINT (DRIVER SIDE).....	1
8	71204G01		BOLT, 1/4 - 20 X 7/8" LG	8
9				
10	<u>71610G01</u>		SEAT HINGE	2
11	<u>00720G08</u>		SCREW, #12 - 14 X 1" LG (STAINLESS STEEL)	6
12				
13	71751G**		SEAT BACK ASSEMBLY (INCLUDES ITEMS 14 - 16)	1
14	71753G**		VINYL SEAT BACK COVER	1
15	71752G01		PLASTIC SEAT BACK COVER	1
16	<u>01107G01</u>		SCREW, #8 X 5/8" LG (STAINLESS STEEL).....	4
17				
18				
19	<u>71811G03</u>		SEAT SUPPORT BRACKET.....	2
20	<u>605056</u>		BOLT, 1/4 - 20 X 1" LG (STAINLESS STEEL)	4
21	<u>00664G7</u>		LOCK WASHER, 1/4" (STAINLESS STEEL)	4
22	<u>01075G01</u>		SCREW, 3/8 - 16 X 2 1/2" LG	4
23				
24	<u>610642</u>		BAG HOLDER BRACKET.....	1
25	<u>608051</u>		BAG RETAINER CLAMP	2
26	<u>71853G01</u>		BAG RETAINER STRAP.....	1
27	<u>16816G1</u>		RATCHET FASTENER, 1/4" X 9/16" LG.....	2
28	<u>01102G01</u>		CARRIAGE BOLT, 1/4 - 20 X 1 1/2" LG (STAINLESS STEEL).....	2
29	<u>11027G2</u>		LOCK NUT, 1/4 - 20	2

TOW BAR





TOW BAR

When ordering parts, please specify the model and serial number of the product.

* Indicates a component that is not available as an individual part.

*** Indicates consult Customer Service Department for additional information.

ITEM	PART NO.	1 2 3 4 5	DESCRIPTION	QTY.
1	<u>75318G01</u>		MOUNTING PLATE	1
2	<u>75319G01</u>		STOP MOUNT PLATE.....	1
3	<u>16705G1</u>		SCREW, 1/4 - 20 X 1" LG (STAINLESS STEEL)	3
4	00891G2		LOCK NUT, 1/4 - 20 (STAINLESS STEEL)	3
5	<u>75338G02</u>		FEMALE STOP	1
6				
7				
8	<u>75304G01</u>		TOW BAR ASSEMBLY (TOWING VEHICLE) (INCLUDES ITEMS 9 - 29)	1
9	<u>75299G01</u>		TOW BAR	1
10	<u>75302G01</u>		UPPER PIVOT	1
11	<u>75291G01</u>		LOWER PIVOT	1
12	<u>00410G8</u>		BOLT, 1/2 - 20 X 3" LG.	1
13	<u>00675G3</u>		WASHER, 1/2" (STAINLESS STEEL).....	1
14	<u>75339G01</u>		SPRING WASHER.....	1
15	<u>00571G5</u>		WASHER, 1/2"	1
16	<u>11098G8</u>		LOCK NUT, 1/2 - 20	1
17	<u>75362G01</u>		LATCH STOP	1
18	<u>75340G01</u>		WASHER, 3/8"	2
19	<u>75360G01</u>		PIVOT PIN	1
20	<u>13571G7</u>		SPRING PIN	1
21	75303G01		LATCH.....	1
22	<u>20852G2</u>		COMPRESSION SPRING	1
23	<u>25661G02</u>		CUP WASHER.....	1
24	<u>13005G4</u>		SHOULDER BOLT, 5/16 - 18 X 2" LG.....	1
25	<u>75370G01</u>		LABEL (WARNING)	1
26	<u>75338G03</u>		MALE STOP.....	1
27	<u>12547G4</u>		BOLT, 6MM X 1 X 30 MM LG	1
28	<u>00565G8</u>		LOCK WASHER, 5/16"	1
29	<u>00520G3</u>		ACORN NUT, 5/16 - 18 (STAINLESS STEEL).....	1
30				
31				

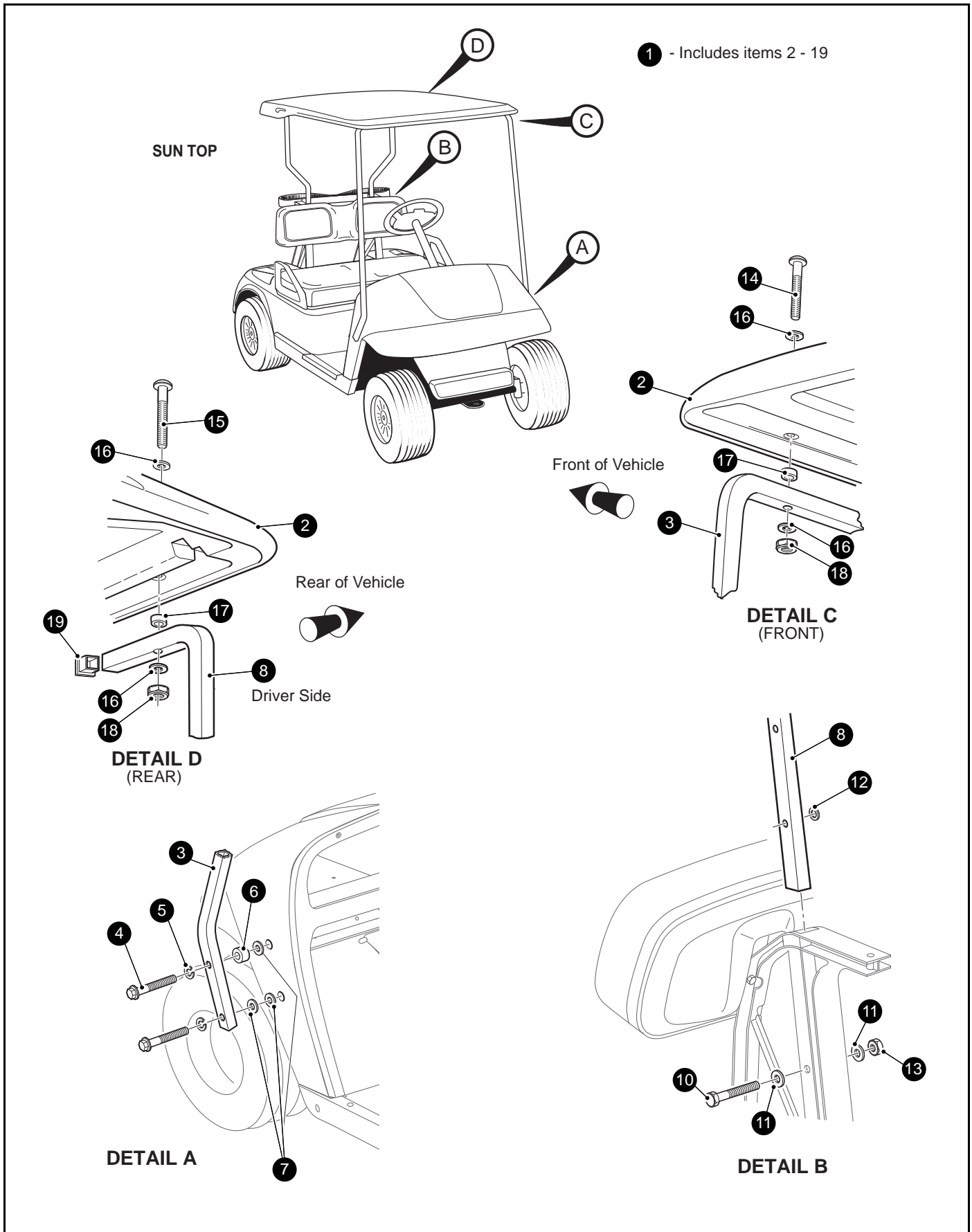
When ordering parts, please specify the model and serial number of the product.

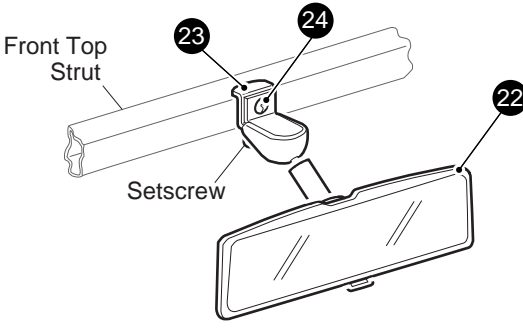
* Indicates a component that is not available as an individual part.

*** Indicates consult Customer Service Department for additional information.

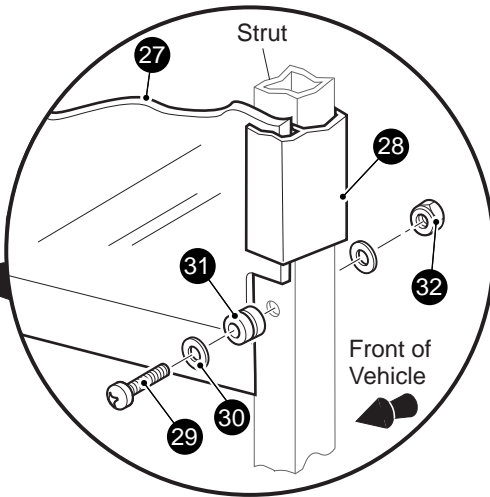
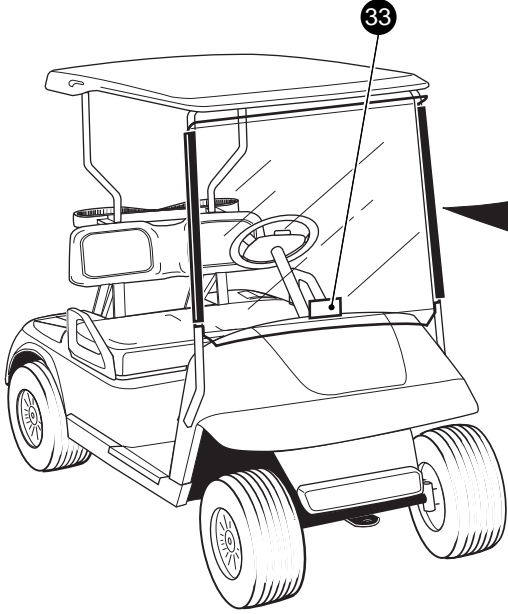
ITEM	PART NO.	1 2 3 4 5	DESCRIPTION	QTY.
32	75308G01		TOW BAR HITCH ASSEMBLY (TOWED VEHICLE) (INCLUDES ITEMS 33 - 50)	1
33	75305G01		HITCH.....	1
34	75292G01		PIVOT BOLT	1
35	75309G01		THRUST WASHER	2
36	75342G01		WASHER, 3/4"	1
37	613172		CASTELLATED NUT, 3/4 - 16	1
38	10387G1		COTTER PIN, 1/8" X 1 1/2" LG	2
39	75307G01		BEARING	1
40	00566G6		SPLIT LOCK WASHER, 3/4"	1
41	00533G8		NUT, 3/4 - 16	1
42	50209G2		CASTELLATED NUT, 7/16 - 20	2
43	10387G2		COTTER PIN, 3/32" X 1" LG	2
44				
45	602981		TIE ROD ASSEMBLY (INCLUDES ITEMS 46 - 50)	1
46	603089		THREADED ROD	1
47	27205G01		TIE ROD END (LEFT HAND THREADS)	1
48	18434G3		JAM NUT, M12 X 1.25-05 (LEFT HAND THREADS).....	1
49	27205G02		TIE ROD END (RIGHT HAND THREADS).....	1
50	18434G4		JAM NUT, M12 X 1.25-05 (RIGHT HAND THREADS)	1

WEATHER PROTECTION

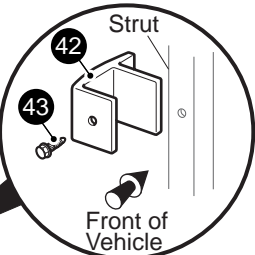
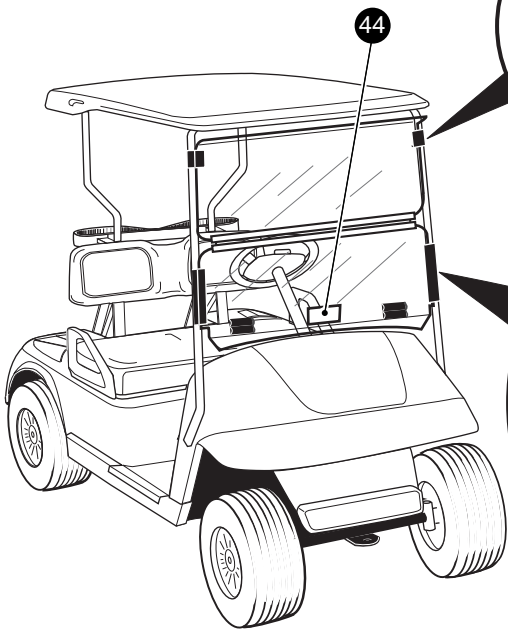




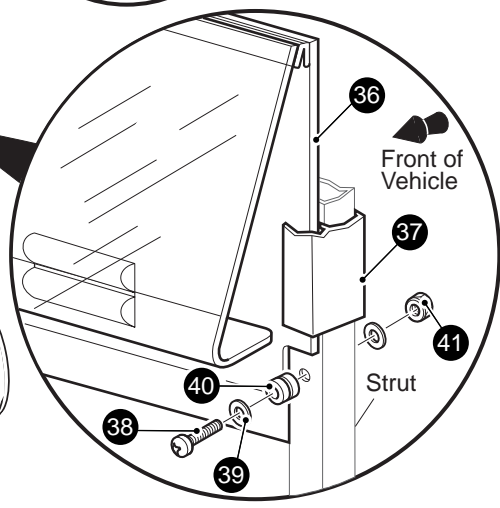
REAR VIEW MIRROR
21 - Includes Items 22 - 24



FULL WINDSHIELD
26 - Includes Items 27 - 33

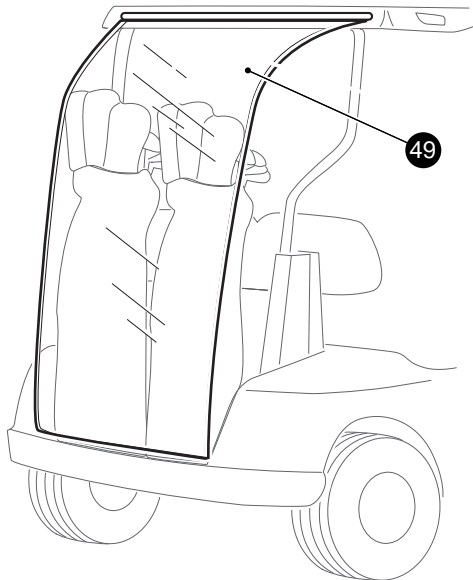
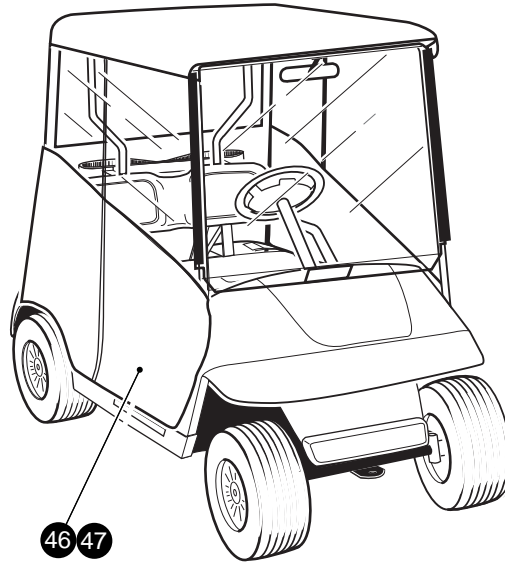


FOLD DOWN WINDSHIELD
35 - Includes Items 36 - 44



WEATHER PROTECTION

WEATHER ENCLOSURE



BAG AND RAIN CURTAIN

WEATHER PROTECTION

When ordering parts, please specify the model and serial number of the product.

* Indicates a component that is not available as an individual part.

*** Indicates consult Customer Service Department for additional information.

ITEM	PART NO.	1 2 3 4 5	DESCRIPTION	QTY.
1	75040G**		SUN TOP KIT (INCLUDES ITEMS 2 - 19)	1
2	27069G**		SUN TOP	1
3	<u>75045G05</u>		FRONT STRUT	1
4	000440G2		SCREW - CAP - 5/16 - 18 X 2 1/4"	4
5	00559G8		WASHER - 5/16" FL - B - CP	4
6	<u>75048G01</u>		SPACER, 1/2"	2
7	<u>00570G2</u>		WASHER, 5/16"	6
8	75046G02		REAR STRUT	2
9				
10	<u>00685G7</u>		BOLT, 5/16 - 18 X 1 3/4" LG (STAINLESS STEEL)	4
11	<u>01110G03</u>		WASHER, 5/16" (STAINLESS STEEL)	8
12	<u>17255G1</u>		TEFLON WASHER, 5/16"	4
13	<u>01109G01</u>		LOCK NUT, 5/16 - 18 (STAINLESS STEEL)	4
14	<u>00753G5</u>		SCREW, 1/4 - 20 X 2" LG (STAINLESS STEEL)	2
15	00753G6		SCREW, 1/4 - 20 X 2 1/4" LG (STAINLESS STEEL)	2
16	<u>01110G01</u>		WASHER, 1/4" (STAINLESS STEEL)	8
17	<u>75051G01</u>		SPACER	4
18	<u>00654G2</u>		LOCK NUT, 1/4 - 20 (STAINLESS STEEL)	4
19	<u>19853G1</u>		END CAP, 1"	2
20				
21	<u>19528G2</u>		REAR VIEW MIRROR KIT (INCLUDES ITEMS 22 - 24)	1
22	<u>19496G1</u>		REAR VIEW MIRROR	1
23	19502G2		SUPPORT BRACKET	1
24	<u>19527G1</u>		SCREW, #8 - 32 X 5/8" LG (STAINLESS STEEL)	1
25				
26	<u>75524G01</u>		WINDSHIELD KIT (INCLUDES ITEMS 27 - 33)	1
27	*		WINDSHIELD	1
28	EGWHC12		SASH, 26" LG	2
29	EGWHS12		SCREW, 1/4 - 20 X 1 3/4" LG (STAINLESS STEEL)	2
30	EGWHW12		WASHER, 1/4" (STAINLESS STEEL)	4
31	EGWHG13		RUBBER GROMMET	2

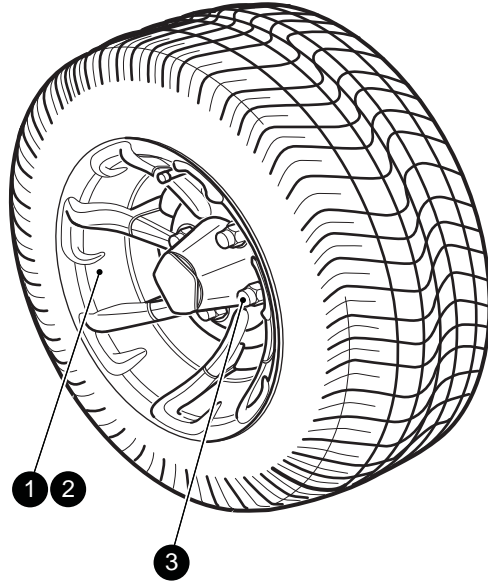
WEATHER PROTECTION

When ordering parts, please specify the model and serial number of the product.

* Indicates a component that is not available as an individual part.

*** Indicates consult Customer Service Department for additional information.

ITEM	PART NO.	1	2	3	4	5	DESCRIPTION	QTY.
32	EGWHN12						LOCK NUT, 1/4 - 20 (STAINLESS STEEL).....	2
33	EGWHL14						LABEL (SAFETY).....	1
34								
35	<u>74910G01</u>						FOLD DOWN WINDSHIELD KIT (INCLUDES ITEMS 36 - 44).....	1
36	*						WINDSHIELD.....	1
37	EGWHC10						SASH, 12" LG	2
38	EGWHS12						SCREW, 1/4 - 20 X 1 3/4" LG (STAINLESS STEEL).....	2
39	EGWHW12						WASHER, 1/4" (STAINLESS STEEL).....	4
40	EGWHG13						RUBBER GROMMET	2
41	EGWHN12						LOCK NUT, 1/4 - 20 (STAINLESS STEEL).....	2
42	137-010						TOP GRIP, 3/4" X 2"	2
43	136-008						TOP GRIP FASTENER.....	2
44	EGWHL14						LABEL (SAFETY).....	1
45								
46	<u>75078G01</u>						WEATHER ENCLOSURE (3 SIDED) RECOMMENDED FOR VEHICLES WITH WINDSHIELDS	1
47	<u>75079G01</u>						WEATHER ENCLOSURE (4 SIDED) RECOMMENDED FOR VEHICLES WITHOUT WINDSHIELDS	1
48								
49	<u>75191G01</u>						BAG COVER AND RAIN CURTAIN KIT	1
							For service or replacement windshield parts, contact: Eagle Parts, Inc. 1411 Marvin Griffin Rd. Augusta, GA 30906 Telephone (706) 790-6687 or FAX (706) 790-6066	



CHROME HUBCAP

4

WHEELS AND TIRES

When ordering parts, please specify the model and serial number of the product.

* Indicates a component that is not available as an individual part.

*** Indicates consult Customer Service Department for additional information.

ITEM	PART NO.	1 2 3 4 5	DESCRIPTION	QTY.
1	<u>606179</u>		TIRE & WHEEL ASSEMBLY 18 X 10 - 10 SPEED RACER	2
2	<u>606240</u>		TIRE & WHEEL ASSEMBLY 18 X 10 - 10 SPEED RACER	2
3	<u>606925</u>		LUG NUTS	16
4	<u>608910</u>		WHEEL CAP CHROME FINISH	4

SPECIALTY PRODUCTS

SPECIALITY PRODUCTS

SPECIAL TOOLS	PART NO.
BATTERY MAINTENANCE KIT	25587G01
SEAL INSTALLATION TOOL (REAR AXLE SHAFT SEAL)	18739G1
BATTERY SET DISCHARGER, 36 VOLT, 75 AMP	28251G01
CURRENT INDICATOR	16489G2
DIGITAL MULTI-METER	27481G01
CRIMPING TOOL	27765G01
TUBELESS TIRE REPAIR KIT	606009
TIRE PLUGGER REFILL PACK	606831

TOUCH UP PAINT	PART NO.
PEN 3 OUNCE (89 ML) - HUNTER GREEN	28432G02
PEN 3 OUNCE (89 ML) - CHAMPAGNE BEIGE	28432G01
PEN 3 OUNCE (89 ML) - WHITE	28432G05
PEN 3 OUNCE (89 ML) - INDUSTRIAL YELLOW.....	28432G03
PEN 3 OUNCE (89 ML) - ORANGE	28432G04
PEN 3 OUNCE (89 ML) - STEEL BLUE PEARL	28432G**
PEN 3 OUNCE (89 ML) - CAMOUFLAGE PAINT (THREE PENS)	75831G01
AEROSOL 12 OUNCE (360 ML) - HUNTER GREEN	28140G09
AEROSOL 12 OUNCE (360 ML) - CHAMPAGNE BEIGE	28140G15
AEROSOL 12 OUNCE (360 ML) - INDUSTRIAL YELLOW.....	28140G14

MAINTENANCE PRODUCTS	PART NO.
PLEXUS® CLEANER, 13 OUNCE (380 ML) (FOR WINDSHIELDS)	28433G02
BATTERY PROTECTOR, 14 OUNCE (410 ML) SPRAY	27619G02
E-Z-GO ALL SURFACE CLEANER	606311
E-Z-GO FIBREGLASS/PLASTIC RESTORER	606313
WINDSHIELD AND PLASTIC PROTECTOR	606314
64 OZ HANDCLEANER.....	607636
4 OZ HAND CLEANER.....	607637

OPTIONS/ACCESSORIES

OPTIONS/ACCESSORIES

2 BAG ATTACHMENT	75183G01	Body -Footrest
4 BAG ATTACHMENT	75335G01	Body - Accessories Continued
ASHTRAY KIT	75109G03	Body - Accessories Continued
CENTER BASKET	75003G01	Body - Accessories
COOLER JUG AND BRACKET KIT	75495G01	Body - Accessories Continued
COOLER BOX AND BRACKET KIT	75344G01	Body - Accessories Continued
DIVOT REPAIR KIT	23300G1	Body - Accessories
MESSAGE HOLDER KIT (REQUIRES SUN TOP)	75509G01	Body - Accessories Continued
MESSAGE HOLDER KIT (REQUIRES SUN TOP)	75496G01	Body - Accessories Continued
REAR VIEW MIRROR (REQUIRES SUN TOP)	19528G2	Weather Protection - Golf Car
SAND BOTTLE	28661G**	Body - Accessories
SAND RAKE	14735G1	Body - Accessories Continued
SAND RAKE HOLDER	75006G01	Body - Accessories Continued
SIDE BASKET	75007G**	Body - Accessories
SUN TOP KIT, GOLF CAR	75040G**	Weather Protection - Golf Car
TOW BAR KIT (PERMANENT)	75361G01	Tow Bar - Permanent
WINDSHIELD KIT, GOLF CAR	75524G01	Weather Protection, Golf Car
WINDSHIELD KIT, FOLD DOWN, GOLF CAR	74910G01	Weather Protection, Golf Car
BFS - INSTALLATION	607108	Electrical System
NOZZLE GUN - BFS-08	608813	Electrical System



A Textron Company

E-Z-GO Division of Textron Inc.,
1451 Marvin Griffin Road, Augusta, Georgia 30906 - 3852 USA

TO CONTACT US...

North America:

**Technical Assistance & Warranty
Service Parts**

Phone: 1-800-774-3946, FAX: 1-800-448-8124

Phone: 1-888-GET-E-Z-GO (1-888-438-3946), FAX: 1-800-752-6175

International:

Phone: 001-706-798-4311, FAX: 001-706-771-4609

ISO 9001
ISO 14001

BUREAU VERITAS
Certification



Copyrighted Material
This manual may not be reproduced in whole or
in part without the express permission of
E-Z-GO Division of Textron Inc.
Technical Communications Department