



A Textron Company

Electric Service Parts Manual



625474-AY

ISSUED SEP 2011

REVISED FEBRUARY 2018

SERVICE PARTS MANUAL

ELECTRIC POWERED UTILITY VEHICLE

TERRAIN 250

STARTING MODEL YEAR 2012

DISCLAIMER: The E-Z-GO Division of Textron Inc. (E-Z-GO) reserves the right to incorporate engineering and design changes to products in this Manual, without obligation to include these changes on units leased/sold previously.

The information contained in this Manual may be revised periodically E-Z-GO, and therefore is subject to change without notice.

E-Z-GO DISCLAIMS LIABILITY FOR ERRORS IN THIS MANUAL, and E-Z-GO SPECIFICALLY DISCLAIMS LIABILITY FOR INCIDENTAL AND CONSEQUENTIAL DAMAGES RESULTING FROM THE USE OF THE INFORMATION AND MATERIALS IN THIS MANUAL.

TO CONTACT US

NORTH AMERICA:

TECHNICAL ASSISTANCE & WARRANTY PHONE: 1-800-774-3946, FAX: 1-800-448-8124

SERVICE PARTS PHONE: 1-888-GET-EZGO (1-888-438-3946), FAX: 1-800-752-6175

INTERNATIONAL: PHONE: 001-706-798-4311, FAX: 001-706-771-4609

E-Z-GO DIVISION OF TEXTRON INC., 1451 MARVIN GRIFFIN RD., AUGUSTA, GEORGIA USA 30906-3852

GENERAL INFORMATION

To obtain a copy of the limited warranty applicable to the vehicle, call or write a local Distributor, authorized Branch or the Warranty Department with vehicle serial number and manufacturer code.

The use of non Original Equipment Manufacturer (OEM) parts may void the warranty.

Overfilling of batteries may void the warranty.

BATTERY PROLONGED STORAGE

All batteries will self discharge over time. The rate of self discharge varies depending on the ambient temperature and the age and condition of the batteries.

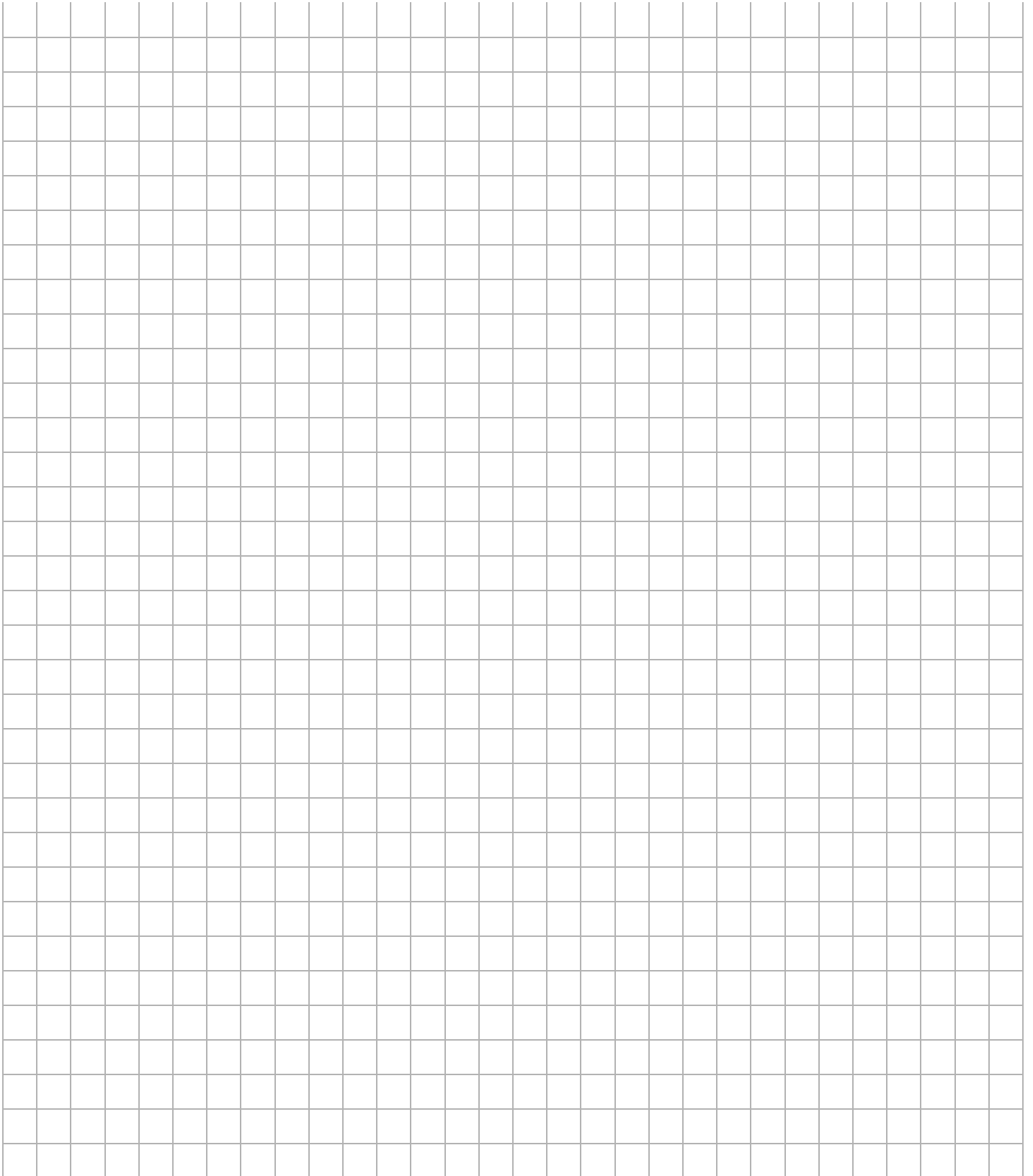
A fully charged battery will not freeze in winter temperatures unless the temperature falls below -75° F (-60° C).

As with all electric vehicles, the batteries must be checked and recharged as required or at a minimum of 30 day intervals.

TABLE OF CONTENTS

| SECTION | Page No. |
|---|-----------------|
| HOW TO USE THE SERVICE PARTS MANUAL | V |
| ACCELERATOR PEDAL ASSEMBLY | A - 1 |
| BATTERY CHARGER | B - 1 |
| BODY | C - 1 |
| BRAKES - PEDAL | D - 1 |
| ELECTRICAL SYSTEM | E - 1 |
| ELECTRONIC SPEED CONTROL | F - 1 |
| FRONT SUSPENSION - STEERING | G - 5 |
| MOTOR | H - 1 |
| REAR AXLE | J - 1 |
| REAR SUSPENSION | K - 1 |
| ROPS | L - 1 |
| SEATING | M - 1 |
| TRUCK BED | N - 1 |
| WEATHER PROTECTION | P - 1 |
| WHEELS AND TIRES | Q - 1 |

NOTES



HOW TO USE THE SERVICE PARTS MANUAL

This manual is divided into several sections:

- GENERAL INFORMATION
- ILLUSTRATED PARTS BREAKDOWN
- APPENDIX

The first section, GENERAL INFORMATION, contains the following information:

- WARRANTY INFORMATION
- GENERAL INDEX
- HOW TO USE THE SERVICE PARTS MANUAL

The second section, ILLUSTRATED PARTS BREAKDOWN, contains illustrations and parts lists for all systems of your vehicle.

The third section, APPENDIX, contains a listing of specialty products and accessories.

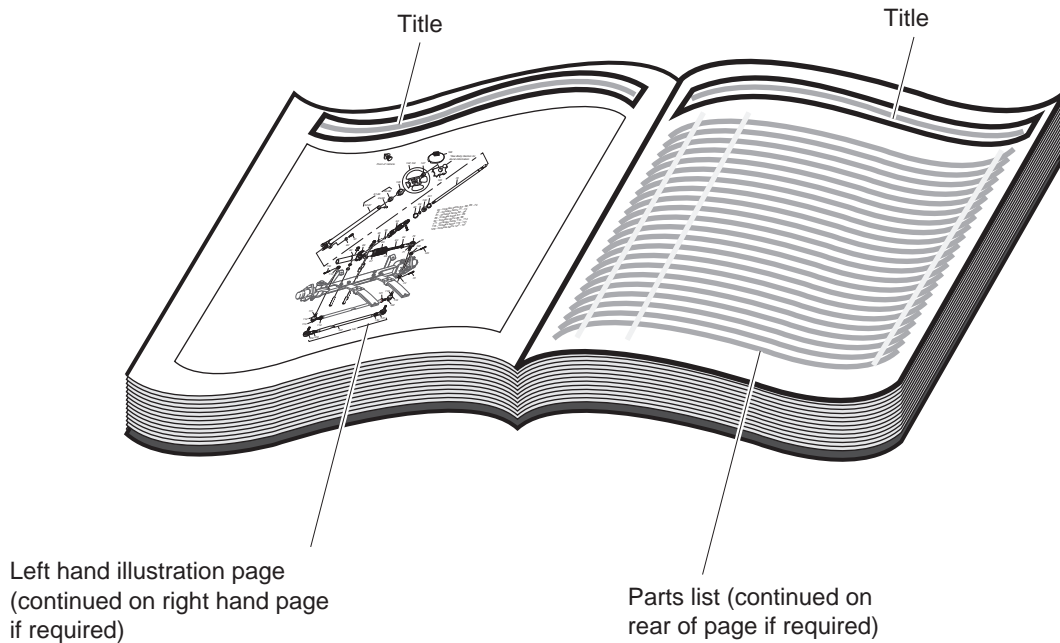
USE OF THE MANUAL

To use this manual, consult the GENERAL INDEX to locate the information or illustration required.

Introduction of some revisions varies due to supply of components; therefore, it is possible that various combinations of components may be found that are not directly reflected by each illustration. Consult the illustration that best suits your situation and then contact the Service Parts Department. It is important that the serial number of your vehicle and its model number be supplied to Service Parts when ordering any replacement components.

Locate the serial number plate (see BODY located in the Illustrated Parts Breakdown section of this manual for its location) and note the complete number shown on the plate.

HOW TO USE THE SERVICE PARTS MANUAL



1. WHEN THE PART NUMBER IS NOT KNOWN

- Determine the function and application of the part required. Turn to the General Index and select the most appropriate title.
- Turn to the page number indicated and locate the desired part on the illustration.
- From the illustration, obtain the item number assigned to the desired part. Refer to the accompanying description for specific information regarding the part.

2. IF YOU KNOW THE PART NUMBER

- Locate the part number or description in the appropriate column on the parts list page.

NOTE: It is suggested that you confirm that the part selected is correct by verifying it with the pictorial representation on the illustrated page.

Should an asterisk (*) appear in the part number column on the parts list page, read upwards until a part number is found. The part number is the lowest assembly sold by Service Parts and the asterisk (*) indicates that the part depicted is not available for purchase.

NOTE: Descriptions are indented under the assembly that they are used on. That assembly is, in turn listed under the assembly that it is used on. This process is repeated until the highest final assembly is reached.

To facilitate the maintenance and repair of the vehicle, a Technician's Repair and Service Manual is available from the Service Parts Department.

HOW TO USE THE SERVICE PARTS MANUAL

3. COLOR CODE FOR BODY COMPONENTS

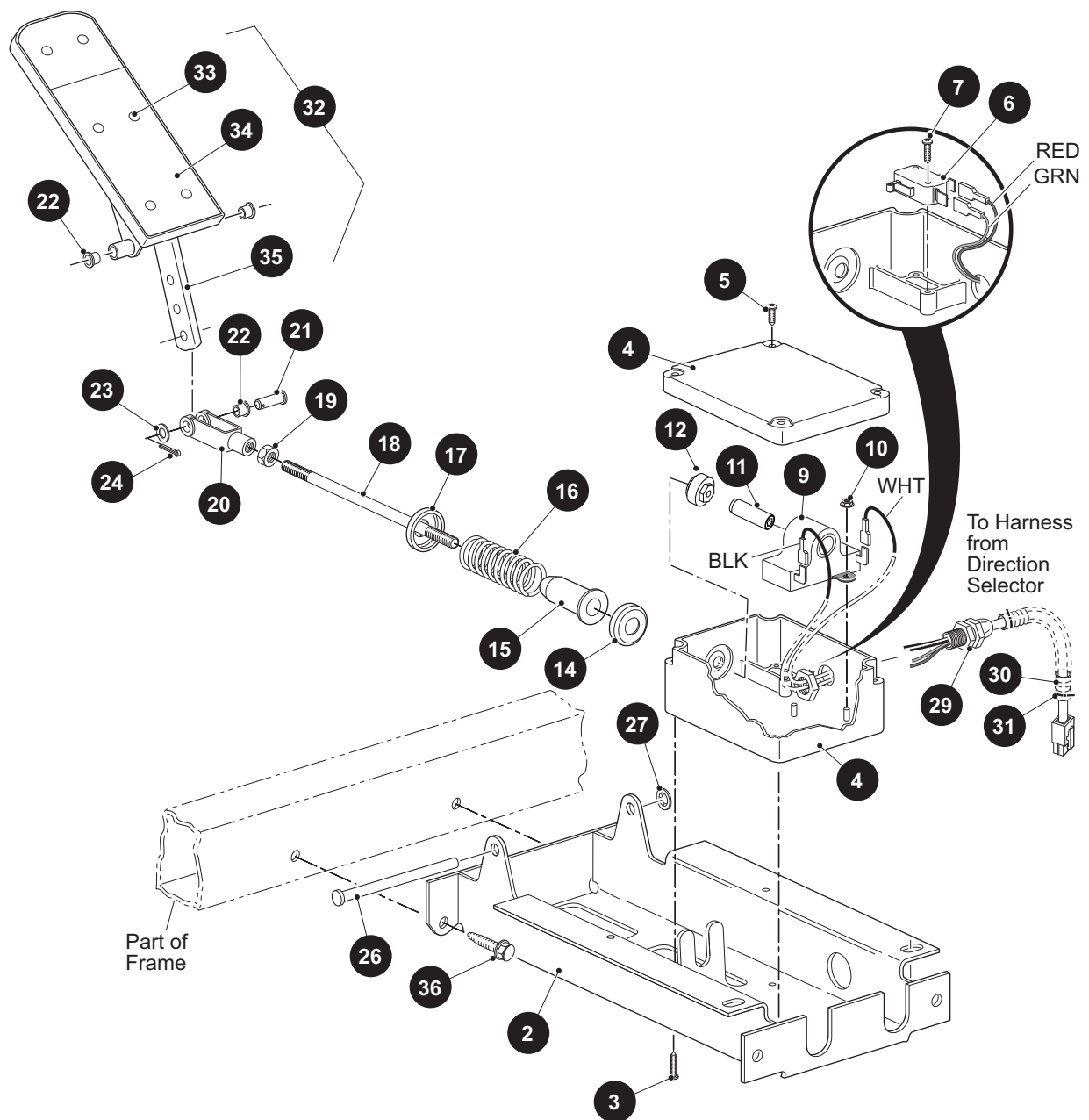
The last two digits of the part number for the body part will denote the color code, locate the part number for the cowl, rear body, seat pod, side panel or seat wrap then locate your color in the list below, replace the last ** or XX with the two digit color code.

| <u>CODE #</u> | <u>DESCRIPTION</u> | <u>CODE #</u> | <u>DESCRIPTION</u> |
|---------------|------------------------|---------------|-----------------------------------|
| 01 | NO PAINT | 53 | MOSSY OAK NEW BREAK UP - DIPPED |
| 02 | SPECIAL COLOR | 54 | MOSSY OAK OBSESSION - DIPPED |
| 05 | JACOBSEN ORANGE | 55 | REALTREE ADVANTAGE MAX 4 - DIPPED |
| 06 | LIGHT GOLD PEARL | 56 | REALTREE HARDWOOD BROWN - DIPPED |
| 07 | SILVER PEARL METALIC | 57 | REALTREE AP HOT PINK - DIPPED |
| 11 | BLACK | 58 | BLACK / SILVER MARBLE - DIPPED |
| 12 | EMERALD GREEN PEARL | 59 | RED / SILVER MARBLE - DIPPED |
| 13 | CLOUD GRAY | 60 | HOT PINK / SILVER MARBLE - DIPPED |
| 14 | VIPER BLUE METALLIC | 61 | REALTREE AP |
| 19 | PATRIOT BLUE PEARL | 62 | REALTREE MAX 4 |
| 20 | INFERNO RED METALLIC | 63 | MOSSY OAK BREAKUP |
| 23 | ADVANTAGE CLASSIC CAMO | 64 | MOSSY OAK TREESTAND |
| 24 | NATURAL | 65 | REALTREE APG |
| 25 | VIVID NEW HOLLAND BLUE | 66 | REALTREE MAX 1 |
| 26 | STEEL BLUE PEARL | 67 | REALTREE AP PINK |
| 27 | BRIGHT SILVER METALLIC | 68 | REALTREE AP - DIPPED |
| 29 | PRIMER ONLY | | |
| 30 | HD ADVANTAGE CAMO | | |
| 31 | METALLIC CHARCOAL | | |
| 32 | LIGHT ALMOND PEARL | | |
| 33 | TIMBERLINE GREEN | | |
| 34 | DEEP MOLTEN RED | | |
| 35 | SAFETY YELLOW | | |
| 36 | IVORY | | |
| 37 | FOREST GREEN | | |
| 38 | BRIGHT WHITE | | |
| 39 | FLAME RED | | |
| 40 | BLACK | | |
| 41 | ELECTRIC BLUE | | |
| 42 | PLATINUM | | |
| 43 | BURGUNDY | | |
| 44 | ALMOND | | |
| 45 | BLACK | | |
| 46 | FLAME RED | | |
| 47 | BURLINGTON GREEN | | |
| 48 | BLACK | | |
| 49 | FLAME RED | | |
| 50 | RECON GREEN | | |
| 51 | SUNBURST ORANGE | | |
| 52 | BRITISH RACING GREEN | | |

ACCELERATOR

1 PEDAL BOX ASSEMBLY includes items 2 - 29, 32 - 35

32 ACCELERATOR PEDAL ASSEMBLY includes items 33 - 35



ACCELERATOR

When ordering parts, please specify the model and serial number of the product.

* Indicates a component that is not available as an individual part.

*** Indicates consult Customer Service Department for additional information.

| ITEM | PART NO. | 1 2 3 4 5 | DESCRIPTION | QTY. |
|------|-----------|-----------|--|------|
| 1 | 613163 | | PEDAL BOX ASSEMBLY(INCLUDES ITEMS 2 - 29, 32 - 35) | 1 |
| 2 | 652241G03 | | ACCELERATOR PEDAL BRACKET | 1 |
| 3 | 01051G01 | | SCREW, #8 - 10 X 1/2" LG..... | 4 |
| 4 | 25853G01 | | PEDAL BOX AND COVER | 1 |
| 5 | 00684G6 | | SCREW, #8 - 32 X 3/4" LG (STAINLESS STEEL) | 2 |
| 6 | 25861G02 | | MICRO SWITCH | 1 |
| 7 | 01050G01 | | SCREW, #4 - 20 X 5/8" LG..... | 2 |
| 8 | | | | |
| 9 | 25854G01 | | INDUCTIVE THROTTLE SENSOR | 1 |
| 10 | 00983G01 | | SELF THREADING NUT | 2 |
| 11 | 602484 | | PLUNGER | 1 |
| 12 | 28444G01 | | CAM ACCEL ROD | 1 |
| 13 | | | | |
| 14 | 17677G1 | | SPRING RETAINER..... | 1 |
| 15 | 17979G1 | | BUSHING | 1 |
| 16 | 73046G01 | | COMPRESSION SPRING | 1 |
| 17 | 17677G2 | | SPRING RETAINER, 3/8"..... | 1 |
| 18 | 73332G01 | | ACCELERATOR ROD | 1 |
| 19 | 00532G4 | | NUT, 5/16 - 24 | 1 |
| 20 | 10385G4 | | CLEVIS YOKE (ADJUSTABLE)..... | 1 |
| 21 | 10386G3 | | CLEVIS PIN, 5/16" X 13/16" LG | 1 |
| 22 | 17838G1 | | NYLON BUSHING | 3 |
| 23 | 17255G1 | | TEFLON WASHER, 5/16" | 1 |
| 24 | 10387G3 | | COTTER PIN, 3/32" X 3/4" LG | 1 |
| 25 | | | | |
| 26 | 74432G01 | | PEDAL PIVOT PIN | 1 |
| 27 | 12064G6 | | PUSH NUT, 5/16" | 1 |
| 28 | | | | |
| 29 | 620418 | | PEDAL HARNESS 48V | 1 |
| 30 | 17313G1 | | LOOM FLEX, 3/8" X 6" LG (BULK)..... | 1 |
| 31 | 17618G1 | | WIRE TIE | 2 |

ACCELERATOR

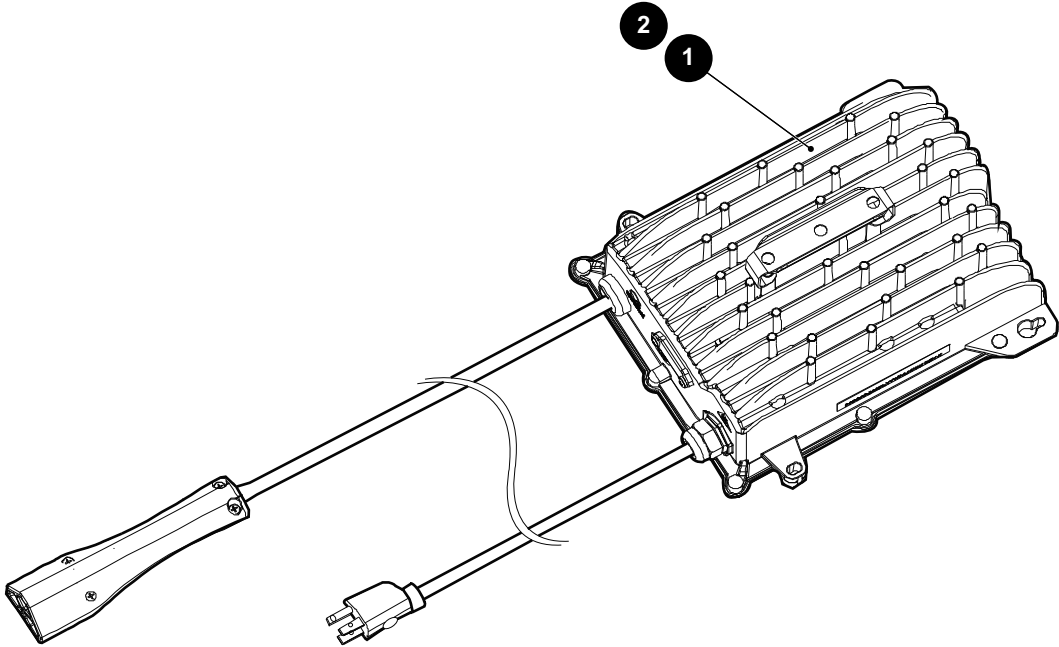
When ordering parts, please specify the model and serial number of the product.

* Indicates a component that is not available as an individual part.

*** Indicates consult Customer Service Department for additional information.

| ITEM | PART NO. | 1 | 2 | 3 | 4 | 5 | DESCRIPTION | QTY. |
|------|----------|---|---|---|---|---|---|------|
| 32 | 25799G03 | | | | | | ACCELERATOR PEDAL ASSEMBLY (INCLUDES ITEMS 33 - 35) | 1 |
| 33 | 16409G1 | | | | | | OVAL RIVET, 3/16" X 7/16" LG | 6 |
| 34 | 27512G01 | | | | | | ACCELERATOR PAD | 1 |
| 35 | 652824 | | | | | | ACCELERATOR PEDAL | 1 |
| 36 | 00715G2 | | | | | | BOLT, 5/16 - 18 X 4/5" LG | 4 |

BATTERY CHARGER



BATTERY CHARGER

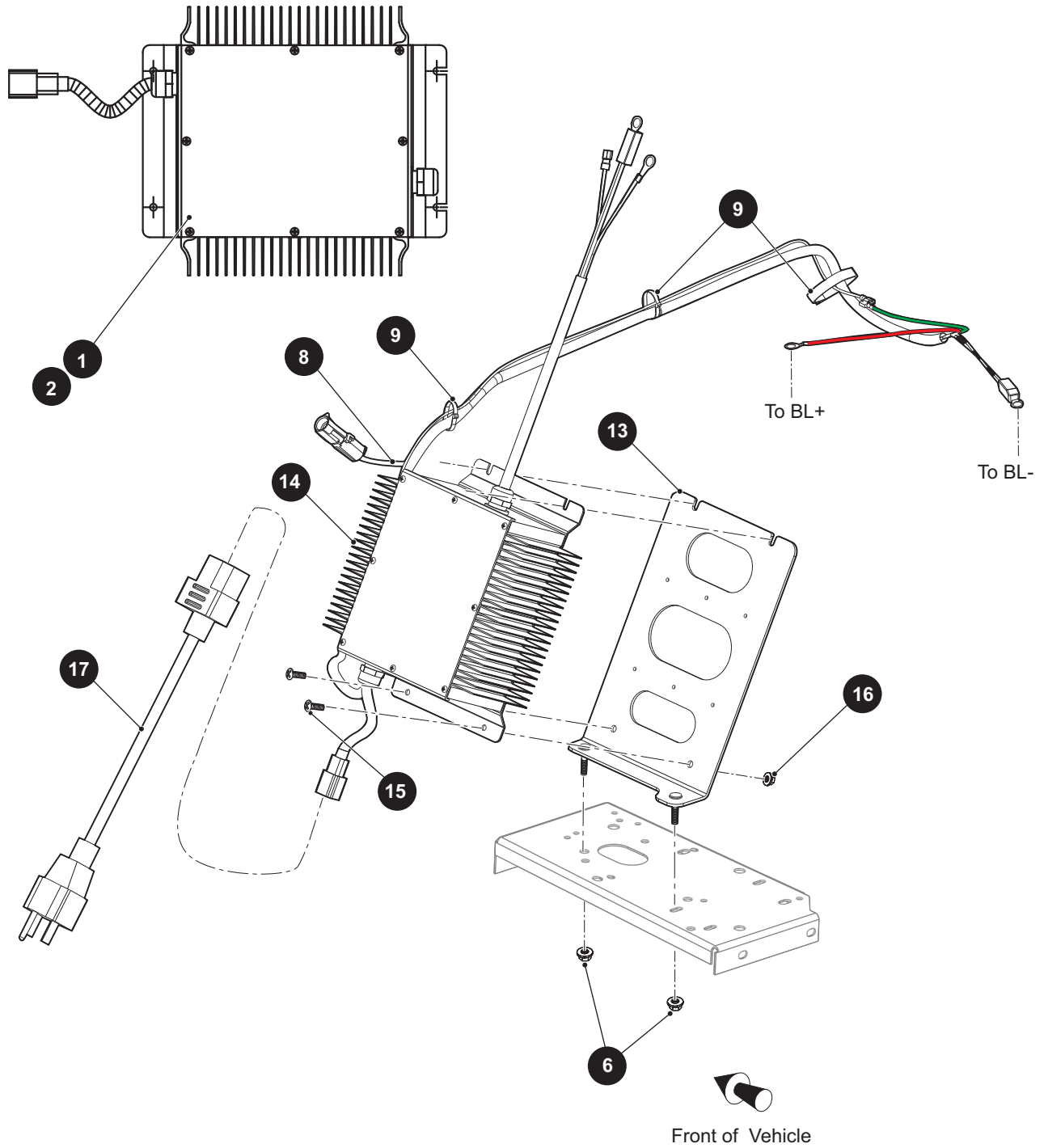
When ordering parts, please specify the model and serial number of the product.

* Indicates a component that is not available as an individual part.

*** Indicates consult Customer Service Department for additional information.

| ITEM | PART NO. | 1 2 3 4 5 DESCRIPTION | QTY. |
|------|----------|---|------|
| 1 | 635669 | 48V BATTERY CHARGER , 3 METER CORD | 1 |
| 2 | 635670 | 48V BATTERY CHARGER, 5.5 METER CORD | 1 |

BATTERY CHARGER



12 ON-BOARD CHARGER ASSEMBLY includes items 13 - 17

BATTERY CHARGER

When ordering parts, please specify the model and serial number of the product.

* Indicates a component that is not available as an individual part.

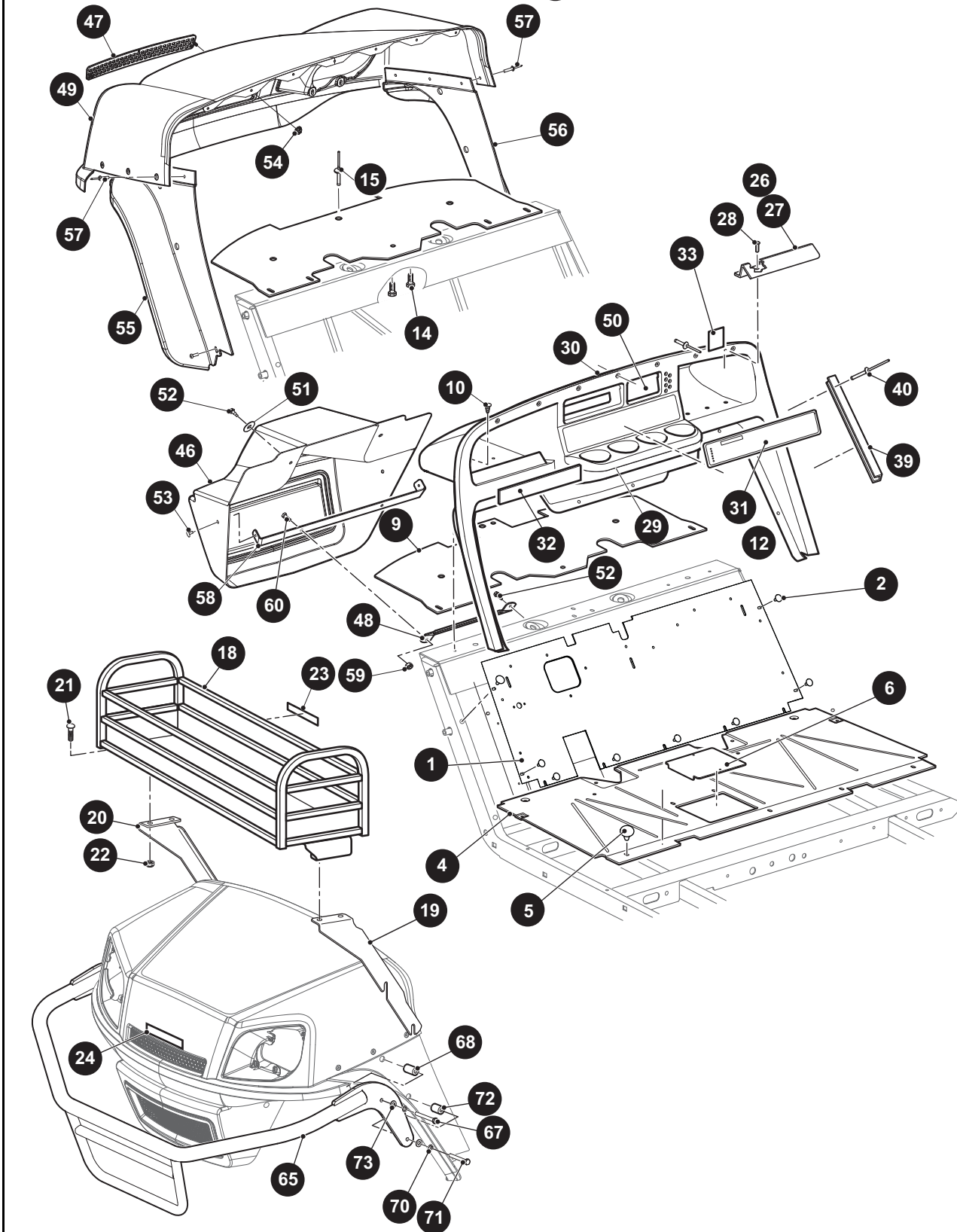
*** Indicates consult Customer Service Department for additional information.

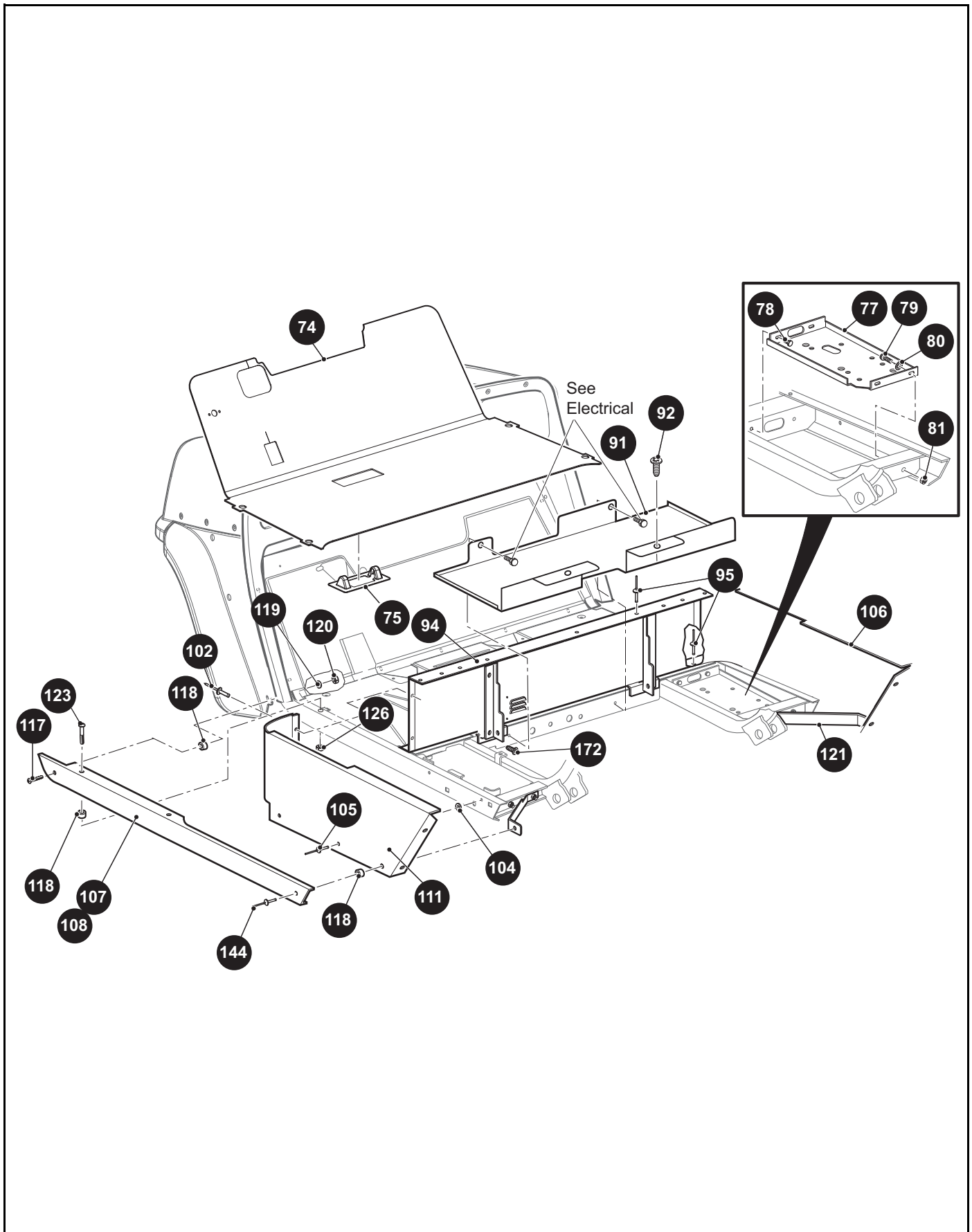
| ITEM | PART NO. | 1 2 3 4 5 | DESCRIPTION | QTY. |
|------|-----------|-----------|--|------|
| 1 | 622419 | | WORLD CHARGER, 48V, 3M CORD | 1 |
| 2 | 622667 | | WORLD CHARGER, 48V, 5.5M CORD | 1 |
| 3 | 605834 | | NYLON CLAMP 36" (NOT SHOWN IN ILLUSTRATION)..... | 2 |
| 4 | | | | |
| 5 | | | | |
| 6 | 800706 | | FLANGED LOCK NUT, 1/4" - 20 | 2 |
| 7 | | | | |
| 8 | 631543 | | CHARGER INTERLOCK JUMPER | 1 |
| 9 | 17618G1 | | NYLON CLAMP..... | 3 |
| 10 | | | | |
| 11 | | | | |
| 12 | 638578 | | ON-BOARD CHARGER ASSEMBLY (INCLUDES ITEMS 13 - 17) | 1 |
| 13 | 637104 | | CHARGER BRACKET | 1 |
| 14 | 632744 | | ON-BOARD CHARGER, 48V | 1 |
| 15 | 16705G3 | | TRUSS HEAD MACHINE SCREW (SS), 1/4" - 20 X 3/4" LG..... | 4 |
| 16 | 11027G2 | | FLANGED LOCK NUT, 1/4" - 20..... | 4 |
| 17 | 600462G01 | | AC CORD, 6' 7" LG..... | 1 |

BODY

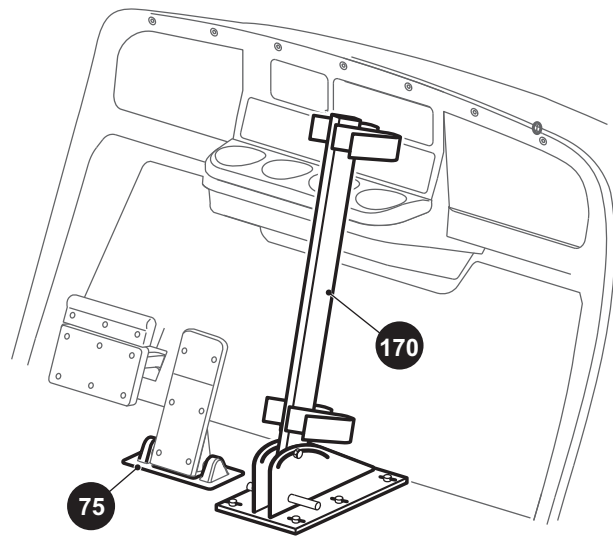
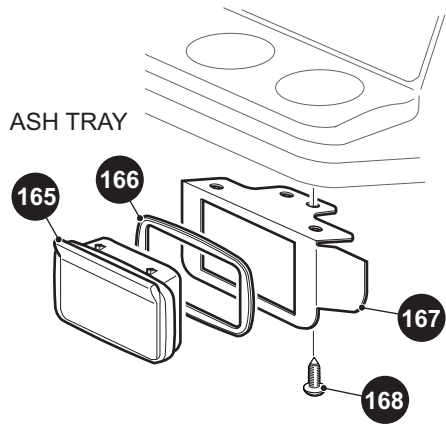
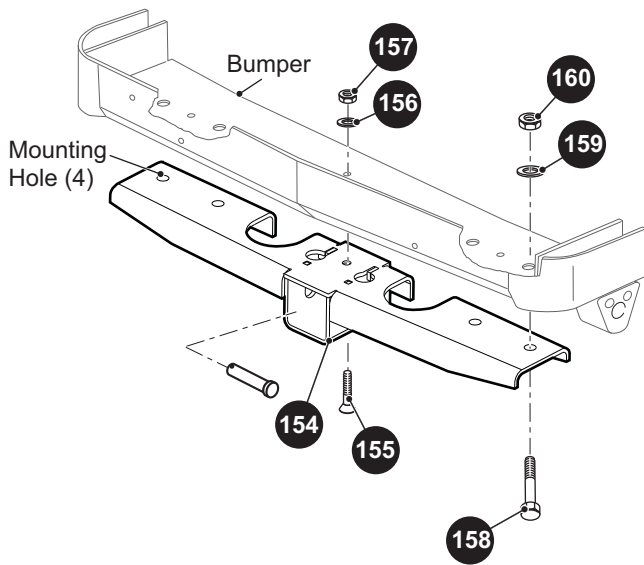
17 FRONT BASKET ASSEMBLY includes items 18 - 23

25 INSTRUMENT PANEL ASSEMBLY includes items 26 - 30

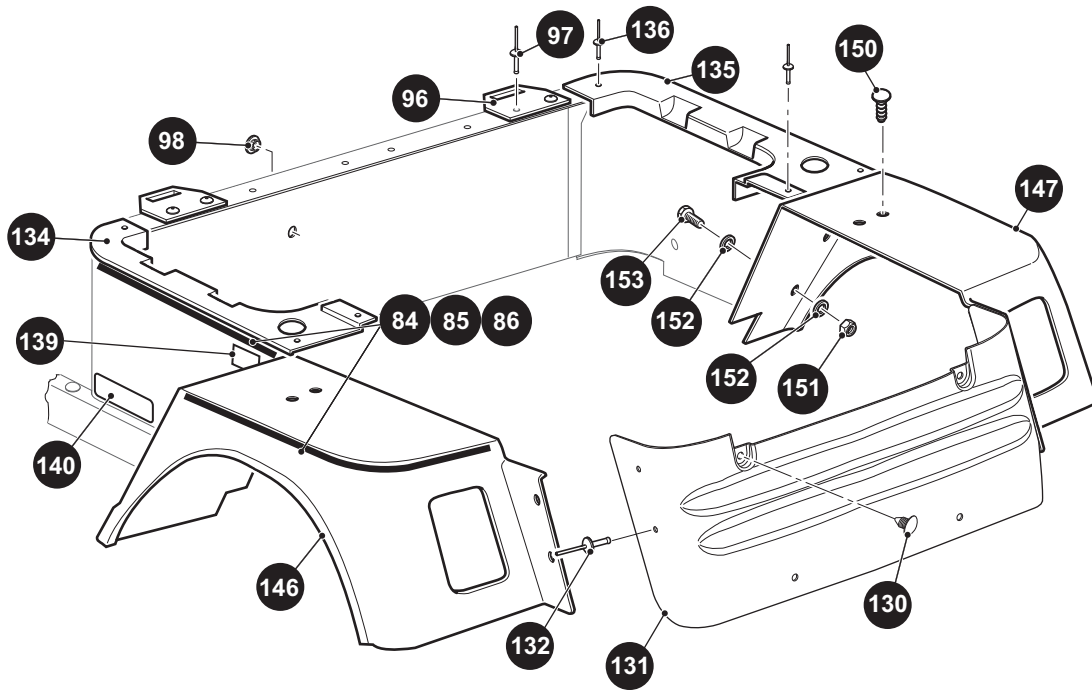
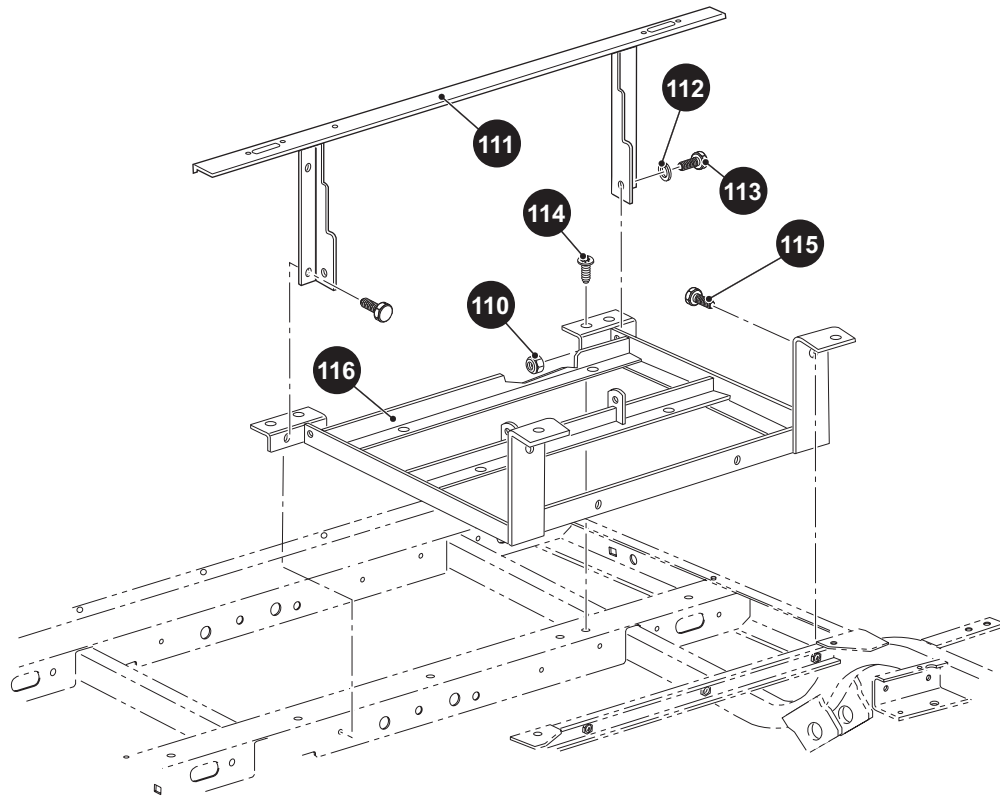




BODY



FLOOR MOUNT
GUN HOLDER



BODY

When ordering parts, please specify the model and serial number of the product.

* Indicates a component that is not available as an individual part.

*** Indicates consult Customer Service Department for additional information.

| ITEM | PART NO. | 1 2 3 4 5 | DESCRIPTION | QTY. |
|------|----------|-----------|---|------|
| 1 | 637534 | | UPPER FLOORPAN..... | 1 |
| 2 | 14601G11 | | RIVET, 3/16" X 9/16" LG (ALUMINUM) | 9 |
| 3 | | | | |
| 4 | 70451G01 | | LOWER FLOORPAN..... | 1 |
| 5 | 14601G11 | | RIVET, 3/16" X 9/16" LG (ALUMINUM) | 7 |
| 6 | 70452G01 | | ACCESS COVER | 1 |
| 7 | | | | |
| 8 | | | | |
| 9 | | | | |
| 10 | 16816G2 | | RATCHET FASTENER, 1/4" X 3/4" LG | 4 |
| 11 | | | | |
| 12 | 625743 | | SAFETY AND OPERATION LABEL, CE | 1 |
| 13 | | | | |
| 14 | 71102G02 | | SELF TAPPING SCREW, 1/4" - 20 X 1/2" LG | 3 |
| 15 | 71055G01 | | RIVET, 3/16" X 1 1/8" LG (ALUMINUM) | 1 |
| 16 | | | | |
| 17 | 74521G02 | | FRONT BASKET ASSEMBLY (INCLUDES ITEMS 18 - 23) | 1 |
| 18 | 74523G01 | | FRONT BASKET..... | 1 |
| 19 | 74522G01 | | BASKET MOUNTING BRACKET (DRIVER SIDE) | 1 |
| 20 | 74522G02 | | BASKET MOUNTING BRACKET (PASSENGER SIDE)..... | 1 |
| 21 | 00769G2 | | CARRIAGE BOLT, 3/8" - 16 X 1.25" LG (STAINLESS STEEL) | 4 |
| 22 | 11098G5 | | LOCK NUT, 3/8" - 16..... | 4 |
| 23 | 71931G01 | | LABEL, FRONT BASKET (WARNING)..... | 1 |
| 24 | 619206 | | DECAL, E-Z-GO COWL | 1 |
| 25 | 71151G01 | | INSTRUMENT PANEL ASSEMBLY (INCLUDES ITEMS 26 - 30) | 1 |
| 26 | 71153G01 | | DEFLECTOR (PASSENGER SIDE) | 1 |
| 27 | 71154G01 | | DEFLECTOR (DRIVER SIDE) | 1 |
| 28 | 00614G5 | | PHILLIPS PAN HEAD SCREW, #8 - 18 X 5/8" LG | 4 |
| 29 | 71158G01 | | INSTRUMENT PANEL INSERT (FOUR CUP)..... | 1 |
| 30 | 71152G01 | | INSTRUMENT PANEL | 1 |
| 31 | 601781 | | LABEL (SAFETY) | 1 |

When ordering parts, please specify the model and serial number of the product.

* Indicates a component that is not available as an individual part.

*** Indicates consult Customer Service Department for additional information.

| ITEM | PART NO. | 1 2 3 4 5 | DESCRIPTION | QTY. |
|------|------------|-----------|--|------|
| 32 | 74443G01 | | LABEL (ANTI-ROLLBACK) | 1 |
| 33 | 35968G01 | | LABEL (T-HOLDER COVER)..... | 1 |
| 34 | | | | |
| 35 | | | | |
| 36 | | | | |
| 37 | | | | |
| 38 | | | | |
| 39 | 71115G01 | | VINYL TRIM | 2 |
| 40 | 71055G01 | | RIVET, 3/16" X 1" LG (ALUMINUM)..... | 10 |
| 41 | | | | |
| 42 | | | | |
| 43 | | | | |
| 44 | | | | |
| 45 | | | | |
| 46 | 613273 | | FRONT FASCIA | 1 |
| 47 | 617643 | | COWL GRILL COVER | 1 |
| 48 | 70725G02 | | FRONT SHIELD BRACE | 2 |
| 49 | 613036G*** | | COWL (See COLOR CODE in HOW TO USE Section of Manual)..... | 1 |
| 50 | 71055G01 | | RIVET, 3/16" X 1" LG (ALUMINUM)..... | 7 |
| 51 | 16469G1 | | FENDER WASHER , 1/4" | 2 |
| 52 | 01038G01 | | SWAGEFORM SCREW, 1/4" - 20 X 0.7" LG | 4 |
| 53 | 15058G1 | | ALUMINUM RIVET, 0.87" | 2 |
| 54 | 71597G01 | | SELF THREADING NUT, 5 X 10 X 15MM | 2 |
| 55 | 614378 | | FENDER FLARE (DRIVER SIDE) | 1 |
| 56 | 613274 | | FENDER FLARE (PASSENGER SIDE)..... | 1 |
| 57 | 71055G01 | | RIVET, 3/16" X 1" LG (ALUMINUM)..... | 6 |
| 58 | 618653 | | FASCIA BRACKET..... | 1 |
| 59 | 14390G4 | | HEX NUT, 1/4" - 20 | 2 |
| 60 | 00414G6 | | HEX HEAD BOLT, 1/4" - 20 X 3/4" LG | 2 |
| 61 | | | | |
| 62 | | | | |

BODY

When ordering parts, please specify the model and serial number of the product.

* Indicates a component that is not available as an individual part.

*** Indicates consult Customer Service Department for additional information.

| ITEM | PART NO. | 1 | 2 | 3 | 4 | 5 | DESCRIPTION | QTY. |
|------|----------|---|---|---|---|---|---|------|
| 63 | | | | | | | | |
| 64 | | | | | | | | |
| 65 | 617620 | | | | | | BRUSHGUARD | 1 |
| 66 | | | | | | | | |
| 67 | 00440G6 | | | | | | HEX HEAD BOLT, 5/16" - 18 X 2.75" LG..... | 2 |
| 68 | 75048G02 | | | | | | SPACER, | 2 |
| 69 | | | | | | | | |
| 70 | 00565G8 | | | | | | LOCK WASHER, 5/16" | 4 |
| 71 | 00440G2 | | | | | | HEX HEAD BOLT, 5/16" - 18 X 2.25" LG..... | 4 |
| 72 | 75048G04 | | | | | | SPACER, 1.31" | 2 |
| 73 | 00559G8 | | | | | | FLAT WASHER, 5/16" | 4 |
| 74 | 70663G07 | | | | | | FLOORMAT WITH HORN HOLES, DIAMOND PLATE | 1 |
| 75 | 70135G01 | | | | | | PEDAL PIVOT COVER | 1 |
| 76 | | | | | | | | |
| 77 | 70244G05 | | | | | | SPLASH PANEL | 1 |
| 78 | 00715G2 | | | | | | HEX HEAD BOLT, 5/16" - 18 X 4/5" LG..... | 4 |
| 79 | 00438G8 | | | | | | HEX HEAD BOLT, 5/16" - 18 X 1" LG..... | 2 |
| 80 | 00559G8 | | | | | | FLAT WASHER, 5/16" | 2 |
| 81 | 11098G6 | | | | | | LOCK NUT, 5/16" - 18 (STAINLESS STEEL) | 2 |
| 82 | | | | | | | | |
| 83 | | | | | | | | |
| 84 | | | | | | | | |
| 85 | | | | | | | | |
| 86 | | | | | | | | |
| 87 | | | | | | | | |
| 88 | | | | | | | | |
| 89 | | | | | | | | |
| 90 | | | | | | | | |
| 91 | | | | | | | | |
| 92 | | | | | | | | |
| 93 | | | | | | | | |

When ordering parts, please specify the model and serial number of the product.

* Indicates a component that is not available as an individual part.

*** Indicates consult Customer Service Department for additional information.

| ITEM | PART NO. | 1 2 3 4 5 | DESCRIPTION | QTY. |
|------|------------|-----------|--|------|
| 94 | 609143G** | | SEAT WRAP W/LOUVERS (See COLOR CODE in HOW TO USE Section) | 1 |
| 95 | 10570G10 | | RIVET, 5/32" X 9/16" LG (STAINLESS STEEL)..... | 8 |
| 96 | 71609G01 | | SEAT HINGE PLATE..... | 2 |
| 97 | 10570G11 | | RIVET, 3/16" X 3/4" LG (STAINLESS STEEL)..... | 4 |
| 98 | 20271G10 | | HOLE PLUG | 1 |
| 99 | | | | |
| 100 | | | | |
| 101 | | | | |
| 102 | 10570G10 | | RIVET, 5/32" X 9/16" LG (STAINLESS STEEL)..... | 4 |
| 103 | 10570G12 | | RIVET, 1/4" X 9/16" LG (ALUMINUM)..... | 4 |
| 104 | 16469G1 | | FENDER WASHER, 1/4" | 4 |
| 105 | 609047G1XX | | SIDE PANEL (DRIVER) (See COLOR CODE in HOW TO USE Section) | 1 |
| 106 | 609047G2XX | | SIDE PANEL (PASSENGER) (See COLOR CODE in HOW TO USE Section) | 1 |
| 107 | 618358 | | ROCKER PANEL (DRIVER SIDE) | 1 |
| 108 | 618359 | | ROCKER PANEL (PASSENGER SIDE) | 1 |
| 109 | | | | |
| 110 | 11098G6 | | LOCK NUT, 5" - 18..... | 2 |
| 111 | 70441G01 | | SEAT FRAME | 1 |
| 112 | 00559G8 | | FLAT WASHER, 5/16"..... | 2 |
| 113 | 00438G6 | | HEX HEAD BOLT, 5/16" - 18 X 3/4" LG | 2 |
| 114 | 70200G01 | | TORX HEAD SCREW, 3/8" - 16 X 1/4" LG | 2 |
| 115 | 00715G2 | | HEX HEAD BOLT, 5/16" -18 X 13/16" LG | 4 |
| 116 | 652254G03 | | BATTERY RACK..... | 1 |
| 117 | 00789G2 | | PHILLIPS HEAD SCREW, #10 - 24 X 1 1/4" LG | 2 |
| 118 | 23726G4 | | SPACER, 1/4" | 8 |
| 119 | 00660G5 | | FLAT WASHER, #10 (STAINLESS STEEL)..... | 2 |
| 120 | 14390G10 | | LOCK NUT, #10 - 24 | 2 |
| 121 | | | | |
| 122 | | | | |
| 123 | 16705G1 | | PHILLIPS HEAD SCREW, 1/4" - 20 X 1" LG (STAINLESS STEEL)..... | 4 |
| 124 | | | | |

BODY

When ordering parts, please specify the model and serial number of the product.

* Indicates a component that is not available as an individual part.

*** Indicates consult Customer Service Department for additional information.

| ITEM | PART NO. | 1 | 2 | 3 | 4 | 5 | DESCRIPTION | QTY. |
|------|----------|---|---|---|---|---|---|------|
| 125 | | | | | | | | |
| 126 | 14390G4 | | | | | | LOCK NUT, 1/4" - 20 | 4 |
| 127 | | | | | | | | |
| 128 | | | | | | | | |
| 129 | | | | | | | | |
| 130 | 16816G2 | | | | | | RATCHET FASTENER, 1/4" X 3/4" LG | 8 |
| 131 | 74890G01 | | | | | | REAR PANEL | 1 |
| 132 | 71055G01 | | | | | | RIVET, 3/16" X 1" LG (ALUMINUM) | 4 |
| 133 | | | | | | | | |
| 134 | 74891G01 | | | | | | SEAT FILLER PANEL (DRIVER SIDE) | 1 |
| 135 | 74891G02 | | | | | | SEAT FILLER PANEL (PASSENGER SIDE) | 1 |
| 136 | 10570G10 | | | | | | RIVET, 5/32" X 9/16" LG (STAINLESS STEEL) | 6 |
| 137 | | | | | | | | |
| 138 | | | | | | | | |
| 139 | 74099G01 | | | | | | LABEL (TILT WARNING) | 2 |
| 140 | 619178 | | | | | | DECAL, E-Z-GO TERRAIN 250 | 2 |
| 141 | | | | | | | | |
| 142 | | | | | | | | |
| 143 | | | | | | | | |
| 144 | 15058G6 | | | | | | RIVET, 3/16" X 15/16" LG (ALUMINUM) | 4 |
| 145 | | | | | | | | |
| 146 | 74892G01 | | | | | | FENDER WASHER (DRIVER SIDE) | 1 |
| 147 | 74892G02 | | | | | | FENDER (PASSENGER SIDE) | 1 |
| 148 | | | | | | | | |
| 149 | | | | | | | | |
| 150 | 16816G2 | | | | | | RATCHET FASTENER, 1/4" X 3/4" LG | 10 |
| 151 | 14390G4 | | | | | | LOCK NUT, 1/4" - 20 | 4 |
| 152 | 00642G7 | | | | | | FLAT WASHER, 1/4" | 8 |
| 153 | 00414G6 | | | | | | HEX HEAD BOLT, 1/4" - 20 X 3/4" LG | 4 |
| 154 | 647080 | | | | | | HITCH RECEIVER | 1 |
| 155 | 00198G8 | | | | | | FLAT HEAD BOLT, 5/16" - 18 X 1" LG | 1 |

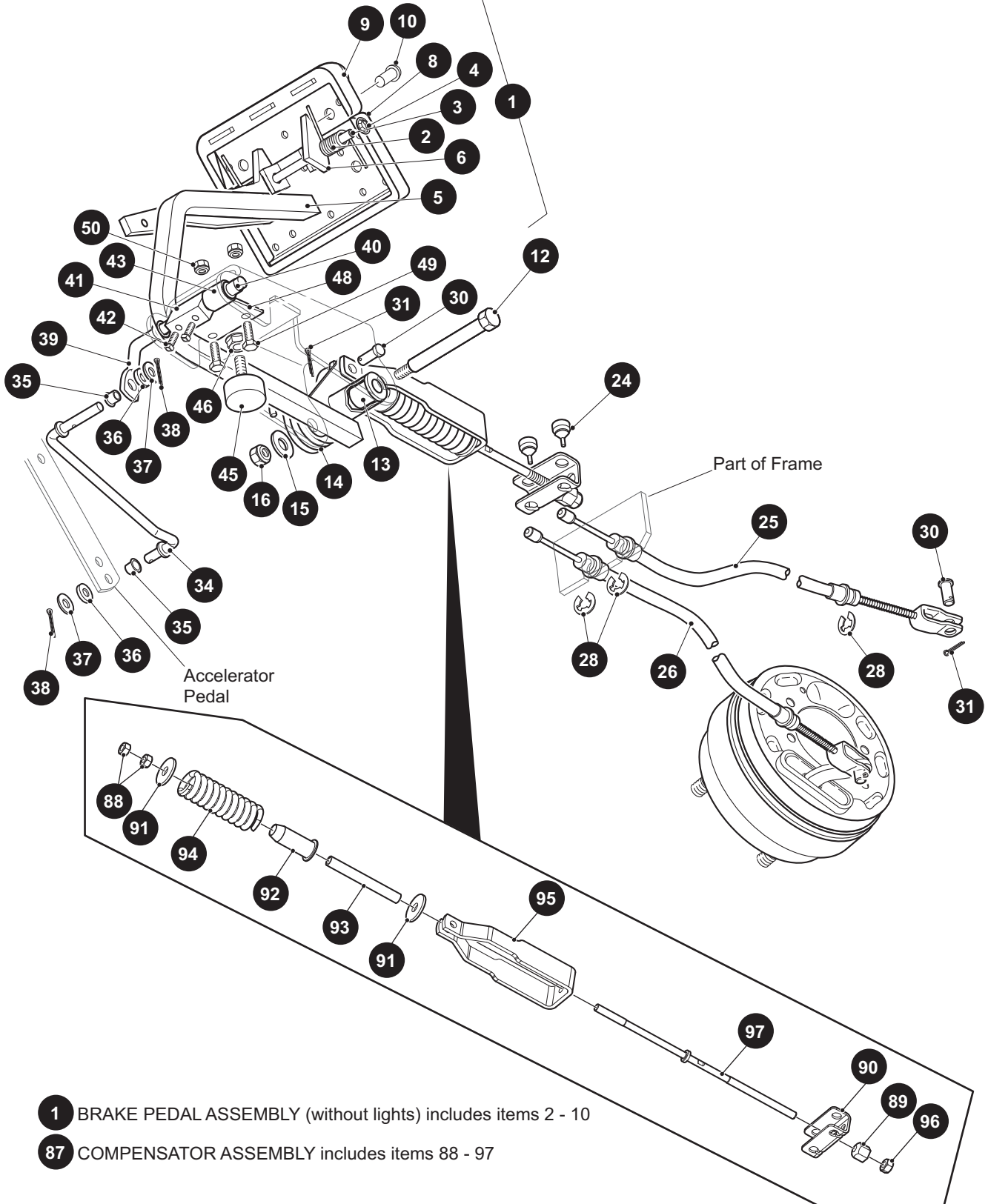
When ordering parts, please specify the model and serial number of the product.

* Indicates a component that is not available as an individual part.

*** Indicates consult Customer Service Department for additional information.

| ITEM | PART NO. | 1 2 3 4 5 | DESCRIPTION | QTY. |
|------|----------|-----------|--|------|
| 156 | 00571G2 | | FLAT WASHER, 5/16"..... | 1 |
| 157 | 11098G6 | | LOCK NUT, 5/16" - 18 (STAINLESS STEEL)..... | 1 |
| 158 | 00463G4 | | HEX HEAD BOLT, 7/16" - 14 X 1 1/2" LG..... | 4 |
| 159 | 00922G3 | | FLAT WASHER, 7/16"..... | 4 |
| 160 | 00734G1 | | LOCK NUT, 7/16" - 14..... | 4 |
| 161 | | | | |
| 162 | | | | |
| 163 | | | | |
| 164 | 75109G04 | | ASH TRAY KIT (INCLUDES ITEMS 165-168)..... | 1 |
| 165 | 27731G01 | | ASH TRAY..... | 1 |
| 166 | 27736G01 | | GASKET..... | 1 |
| 167 | 75108G02 | | BRACKET..... | 1 |
| 168 | 00106G6 | | PAN HEAD PHILLIPS SCREW, #12 - 14 X .75" LG..... | 4 |
| 169 | | | | |
| 170 | 74365G01 | | GUN HOLDER REMOVABLE FLOOR MOUNT..... | 1 |
| 171 | | | | |
| 172 | 00715G2 | | HEX HEAD BOLT, 5/16" - 18 X 4/5" LG..... | 2 |

BRAKES

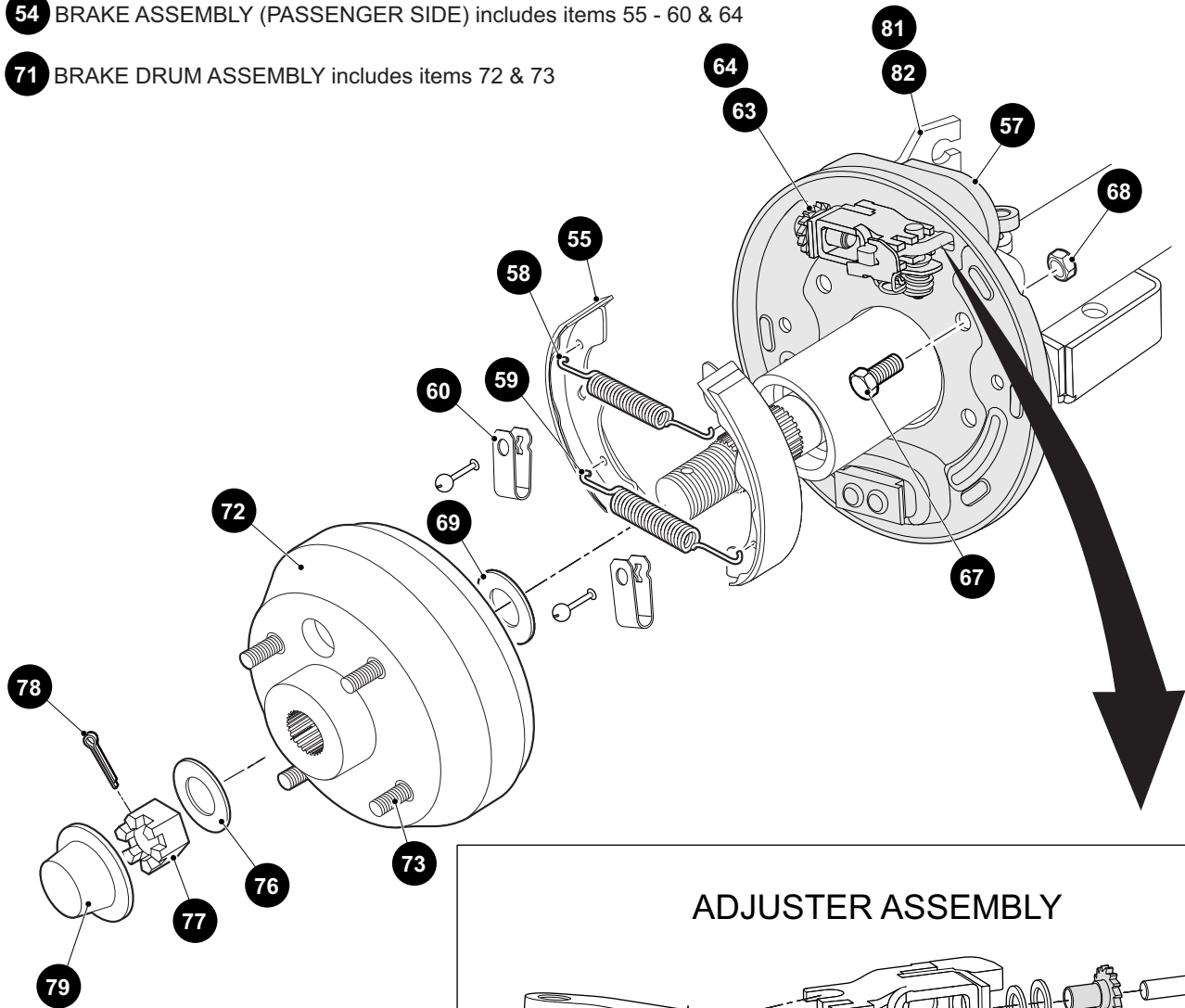


TOP PULL

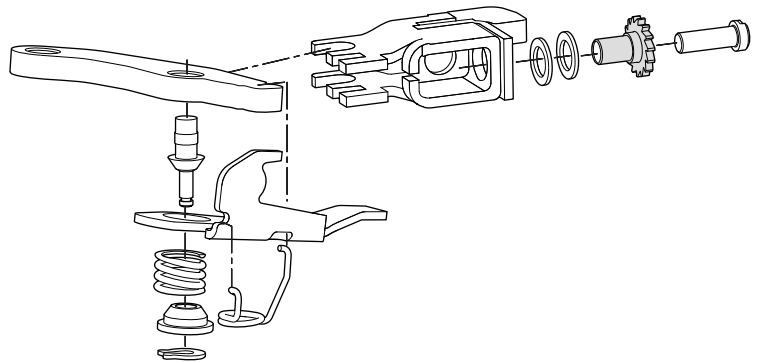
53 BRAKE ASSEMBLY (DRIVER SIDE) includes items 55 - 60 & 63

54 BRAKE ASSEMBLY (PASSENGER SIDE) includes items 55 - 60 & 64

71 BRAKE DRUM ASSEMBLY includes items 72 & 73



ADJUSTER ASSEMBLY

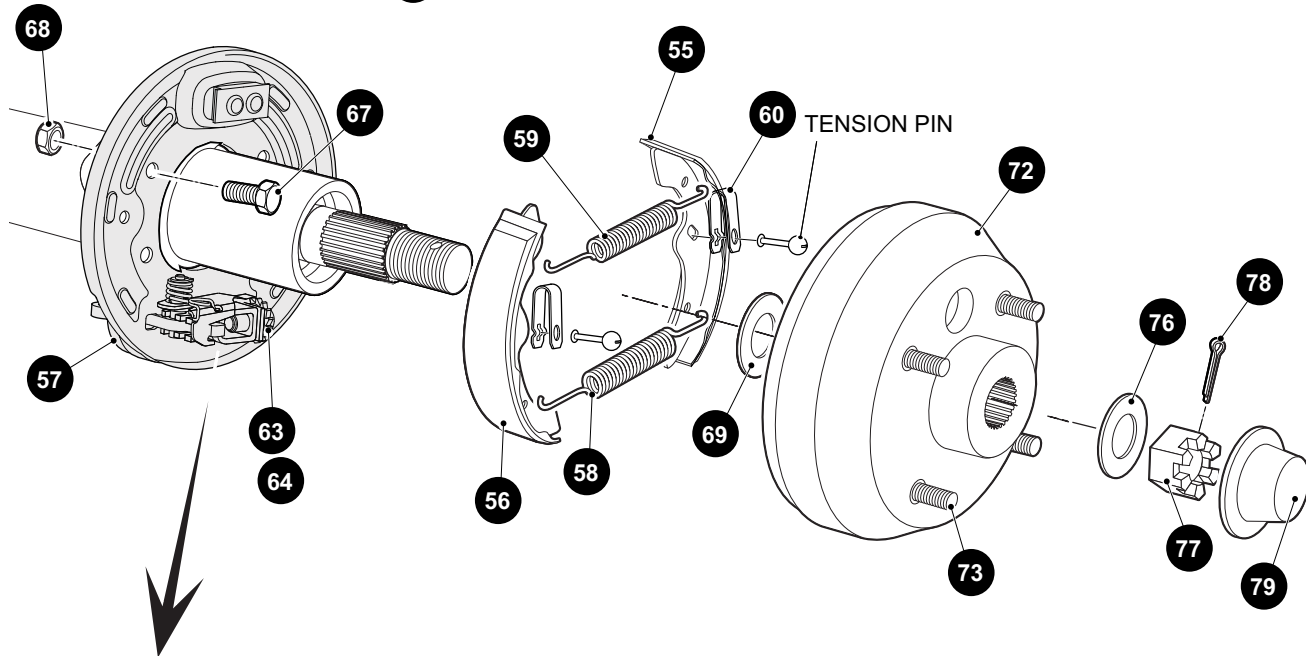


BOTTOM PULL

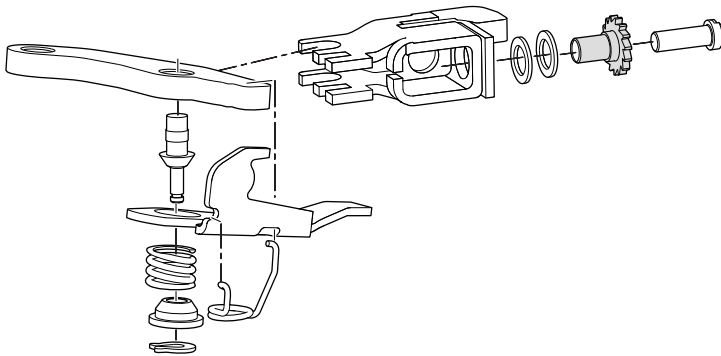
53 BRAKE ASSEMBLY (DRIVER SIDE) includes items 55 - 60 & 63

54 BRAKE ASSEMBLY (PASSENGER SIDE) includes items 55 - 60 & 64

71 BRAKE DRUM ASSEMBLY includes items 72 & 73



ADJUSTER ASSEMBLY



BRAKES

When ordering parts, please specify the model and serial number of the product.

* Indicates a component that is not available as an individual part.

*** Indicates consult Customer Service Department for additional information.

| ITEM | PART NO. | 1 2 3 4 5 | DESCRIPTION | QTY. |
|------|-----------|-----------|--|------|
| 1 | 70612G02 | | BRAKE PEDAL ASSEMBLY (WITHOUT BRAKE LIGHTS) (INCLUDES ITEMS 2 - 10) | 1 |
| 2 | 70681G01 | | TORSION SPRING..... | 2 |
| 3 | 70682G01 | | PIVOT PIN..... | 1 |
| 4 | 658825 | | PUSHNUT, 5/16" | 2 |
| 5 | 652251G03 | | BRAKE PEDAL..... | 1 |
| 6 | 652253G03 | | PARK BRAKE PEDAL | 1 |
| 7 | | | | |
| 8 | 70257G01 | | SERVICE BRAKE PAD..... | 1 |
| 9 | 70256G01 | | PARK BRAKE PEDAL PAD | 1 |
| 10 | 16409G1 | | OVAL RIVET, 3/16" X 7/16" LG | 9 |
| 11 | | | | |
| 12 | 70582G01 | | SHOULDER BOLT, 3/8 - 16 X 4" LG (STAINLESS STEEL) | 1 |
| 13 | 70581G01 | | FLANGED BUSHING..... | 2 |
| 14 | 70676G01 | | TORSION SPRING | 1 |
| 15 | 00643G1 | | FLAT WASHER, 3/8" | 1 |
| 16 | 11098G5 | | LOCK NUT, 3/8 - 16 | 1 |
| 17 | | | | |
| 18 | 12416G2 | | NYLON WEDGE LOCK CLAMP (NOT ILLUSTRATED)..... | 1 |
| 19 | | | | |
| 20 | | | | |
| 21 | 17618G1 | | NYLON CLAMP (NOT ILLUSTRATED) | 1 |
| 22 | | | | |
| 23 | | | | |
| 24 | 28083G01 | | BRAKE COMPENSATOR BUMPER..... | 2 |
| 25 | 624690 | | BRAKE CABLE (DRIVER SIDE)..... | 1 |
| 26 | 624691 | | BRAKE CABLE (PASSENGER SIDE) | 1 |
| 27 | | | | |
| 28 | 01111G01 | | RETAINING RING, 13/32" (STAINLESS STEEL) | 4 |
| 29 | | | | |
| 30 | 10386G3 | | CLEVIS PIN, 5/16" X 13/16" LG..... | 3 |

BRAKES

When ordering parts, please specify the model and serial number of the product.

* Indicates a component that is not available as an individual part.

*** Indicates consult Customer Service Department for additional information.

| ITEM | PART NO. | 1 | 2 | 3 | 4 | 5 | DESCRIPTION | QTY. |
|------|----------|---|---|---|---|---|---|------|
| 31 | 10387G3 | | | | | | COTTER PIN, 3/32" X 3/4" LG | 3 |
| 32 | | | | | | | | |
| 33 | | | | | | | | |
| 34 | 70601G01 | | | | | | KICK-OFF LINK..... | 1 |
| 35 | 17838G1 | | | | | | NYLON BUSHING | 2 |
| 36 | 20835G1 | | | | | | TEFLON WASHER, 3/8" | 2 |
| 37 | 00559G8 | | | | | | FLAT WASHER, 5/16" | 2 |
| 38 | 10387G3 | | | | | | COTTER PIN, 3/32" X 3/4" LG | 2 |
| 39 | 70098G01 | | | | | | KICK-OFF CAM PIVOT | 1 |
| 40 | 10097G6 | | | | | | FLANGED BEARING | 2 |
| 41 | 70587G01 | | | | | | KICK-OFF CAM..... | 1 |
| 42 | 71215G01 | | | | | | SETSCREW, 1/4 - 20 X 1/2" LG..... | 2 |
| 43 | 14134G4 | | | | | | SPACER | 1 |
| 44 | | | | | | | | |
| 45 | 70113G01 | | | | | | ADJUSTABLE BUMPER | 1 |
| 46 | 11027G1 | | | | | | LOCK NUT, 5/16 - 18..... | 1 |
| 47 | | | | | | | | |
| 48 | 70080G02 | | | | | | CATCH BRACKET..... | 1 |
| 49 | 00414G6 | | | | | | BOLT, 1/4 - 20 X 3/4" LG | 2 |
| 50 | 14390G4 | | | | | | LOCK NUT, 1/4 - 20 (STAINLESS STEEL) | 2 |
| 51 | | | | | | | | |
| 52 | | | | | | | | |
| 53 | 612211 | | | | | | BRAKE ASSEMBLY (DRIVER SIDE) (INCLUDES ITEMS 55 - 60, 63) | 1 |
| 54 | 612189 | | | | | | BRAKE ASSEMBLY (PASSENGER SIDE) (INCLUDES ITEMS 55 - 60, 64).. | 1 |
| 55 | 612411 | | | | | | BRAKE SHOE, L | 2 |
| 56 | 612412 | | | | | | BRAKE SHOE, T..... | 2 |
| 57 | 612413 | | | | | | DUST COVER..... | 1 |
| 58 | 612415 | | | | | | BRAKE SPRING | 1 |
| 59 | 612414 | | | | | | BRAKE SPRING | 1 |
| 60 | 612416 | | | | | | SHOE CLAMP..... | 2 |

BRAKES

When ordering parts, please specify the model and serial number of the product.

* Indicates a component that is not available as an individual part.

*** Indicates consult Customer Service Department for additional information.

| ITEM | PART NO. | 1 2 3 4 5 | DESCRIPTION | QTY. |
|------|----------|-----------|--|------|
| 61 | | | | |
| 62 | | | | |
| 63 | 612418 | | GEAR ADJUSTER..... | 1 |
| 64 | 612417 | | GEAR ADJUSTER..... | 1 |
| 65 | | | | |
| 66 | | | | |
| 67 | 17083G2 | | BOLT, 5/16 - 24 X 1" LG..... | 8 |
| 68 | 15126G1 | | LOCK NUT, 5/16 - 24 | 8 |
| 69 | 15485G1 | | RIM WASHER, 20MM..... | 2 |
| 70 | | | | |
| 71 | 19186G1 | | BRAKE DRUM ASSEMBLY (INCLUDES ITEMS 72 - 73) | 2 |
| 72 | 18500G2 | | BRAKE DRUM..... | 1 |
| 73 | 19862G1 | | LUG BOLT, 1/2 - 20 X 1 3/16" LG..... | 4 |
| 74 | | | | |
| 75 | | | | |
| 76 | 15487G1 | | FLAT WASHER, 5/8" | 2 |
| 77 | 612928 | | CASTELLATED NUT, 5/8 - 18..... | 2 |
| 78 | 10387G1 | | COTTER PIN, 1/8" X 1 1/2" LG..... | 2 |
| 79 | 74175G01 | | SPINDLE CAP | 2 |
| 80 | | | | |
| 81 | 652248 | | BRAKE CABLE BRACKET (PASSENGER SIDE) | 1 |
| 82 | 652249 | | BRAKE CABLE BRACKET (DRIVER SIDE)..... | 1 |
| 83 | | | | |
| 84 | | | | |
| 85 | | | | |
| 86 | | | | |
| 87 | 612558 | | COMPENSATOR ASSEMBLY (INCLUDES ITEMS 88 - 97)..... | 1 |
| 88 | 00532G4 | | HEX NUT..... | 2 |
| 89 | 629486 | | HEX NUT, 5/16 - 24 | 1 |
| 90 | 28082G01 | | EQUALIZER BRACKET | 1 |
| 91 | 15121G1 | | FLAT WASHER - 5/16 | 2 |

BRAKES

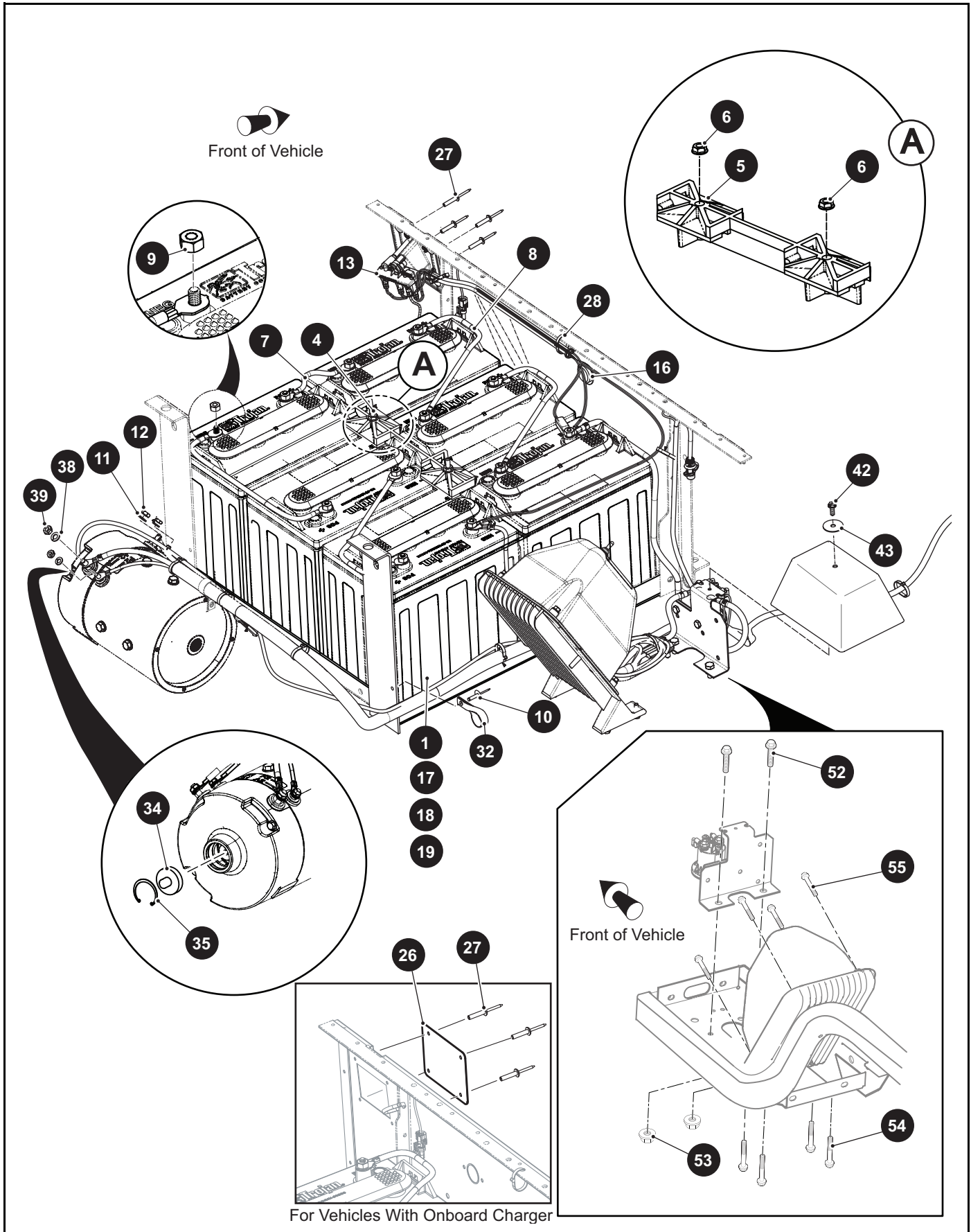
When ordering parts, please specify the model and serial number of the product.

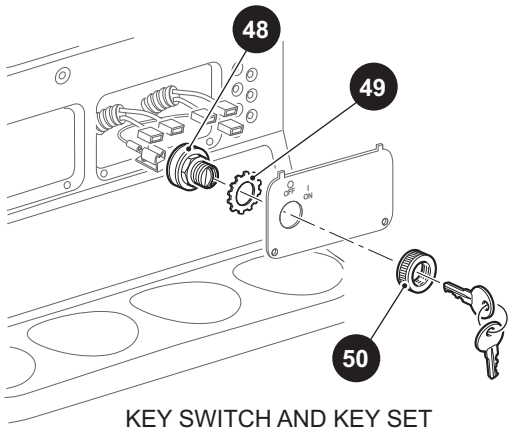
* Indicates a component that is not available as an individual part.

*** Indicates consult Customer Service Department for additional information.

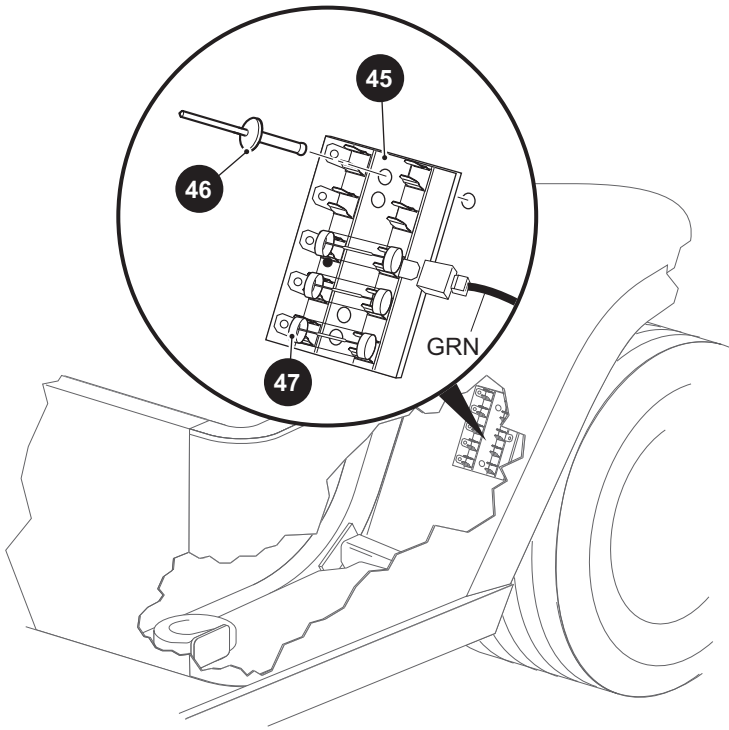
| ITEM | PART NO. | 1 | 2 | 3 | 4 | 5 | DESCRIPTION | QTY. |
|------|----------|---|---|---|---|---|-------------------------------|------|
| 92 | 17979G1 | | | | | | ACCELERATOR ROD BUSHING | 1 |
| 93 | 23061G2 | | | | | | TUBE..... | 1 |
| 94 | 23463G1 | | | | | | COMPRESSION SPRING | 1 |
| 95 | 652256 | | | | | | BRAKE YOKE | 1 |
| 96 | 11098G9 | | | | | | HEX LOCK NUT, 5/16 - 24..... | 1 |
| 97 | 612557 | | | | | | COMPENSATOR LINK ROD | 1 |

ELECTRICAL SYSTEM





KEY SWITCH AND KEY SET



ELECTRICAL SYSTEM

When ordering parts, please specify the model and serial number of the product.

* Indicates a component that is not available as an individual part.

*** Indicates consult Customer Service Department for additional information.

| ITEM | PART NO. | 1 2 3 4 5 | DESCRIPTION | QTY. |
|------|----------|-----------|--|------|
| 1 | 618594 | | 8 VOLT BATTERY | 6 |
| 2 | | | | |
| 3 | | | | |
| 4 | 01101G01 | | TIE DOWN BOLT..... | 2 |
| 5 | 612867 | | BATTERY RETAINER | 1 |
| 6 | 11027G1 | | LOCK NUT, 5/16" - 18 | 2 |
| 7 | 613236 | | 6 AWG WIRE, BLUE 380MM (15")..... | 4 |
| 8 | 613237 | | 6 AWG WIRE, BLUE 150MM (5.90")..... | 1 |
| 9 | 00702G2 | | HEX NUT, 5/16" - 18..... | 12 |
| 10 | 10570G11 | | RIVET, 3/16" X .70"..... | 1 |
| 11 | 00993G02 | | LOCK WASHER (SILICON BRONZE), 1/4" | 2 |
| 12 | 28418G02 | | LOCK NUT (BRASS), 1/4" - 20 | 2 |
| 13 | 633149 | | CHARGER RECEPTACLE, 48V | 1 |
| 14 | | | | |
| 15 | | | | |
| 16 | 71316G01 | | PLUG..... | 1 |
| 17 | 614381 | | 8 VOLT BATTERY | 6 |
| 18 | 618595 | | 8 VOLT BATTERY | 6 |
| 19 | 614015 | | 8 VOLT BATTERY | 6 |
| 20 | | | | |
| 21 | | | | |
| 22 | | | | |
| 23 | | | | |
| 24 | | | | |
| 25 | | | | |
| 26 | 73173G02 | | COVER PLATE..... | 1 |
| 27 | 14601G10 | | RIVET (ALUMINUM), 5/32" | 4 |
| 28 | 17618G1 | | NYLON CLAMP..... | 9 |
| 29 | | | | |
| 30 | | | | |
| 31 | | | | |

ELECTRICAL SYSTEM

When ordering parts, please specify the model and serial number of the product.

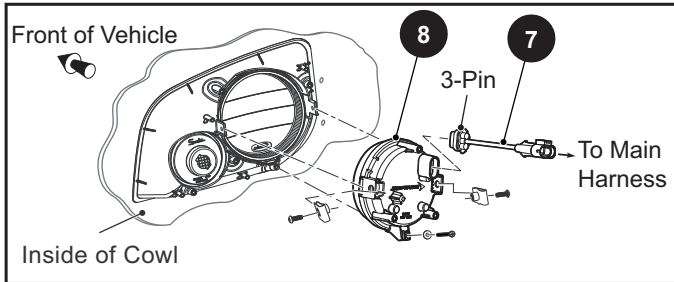
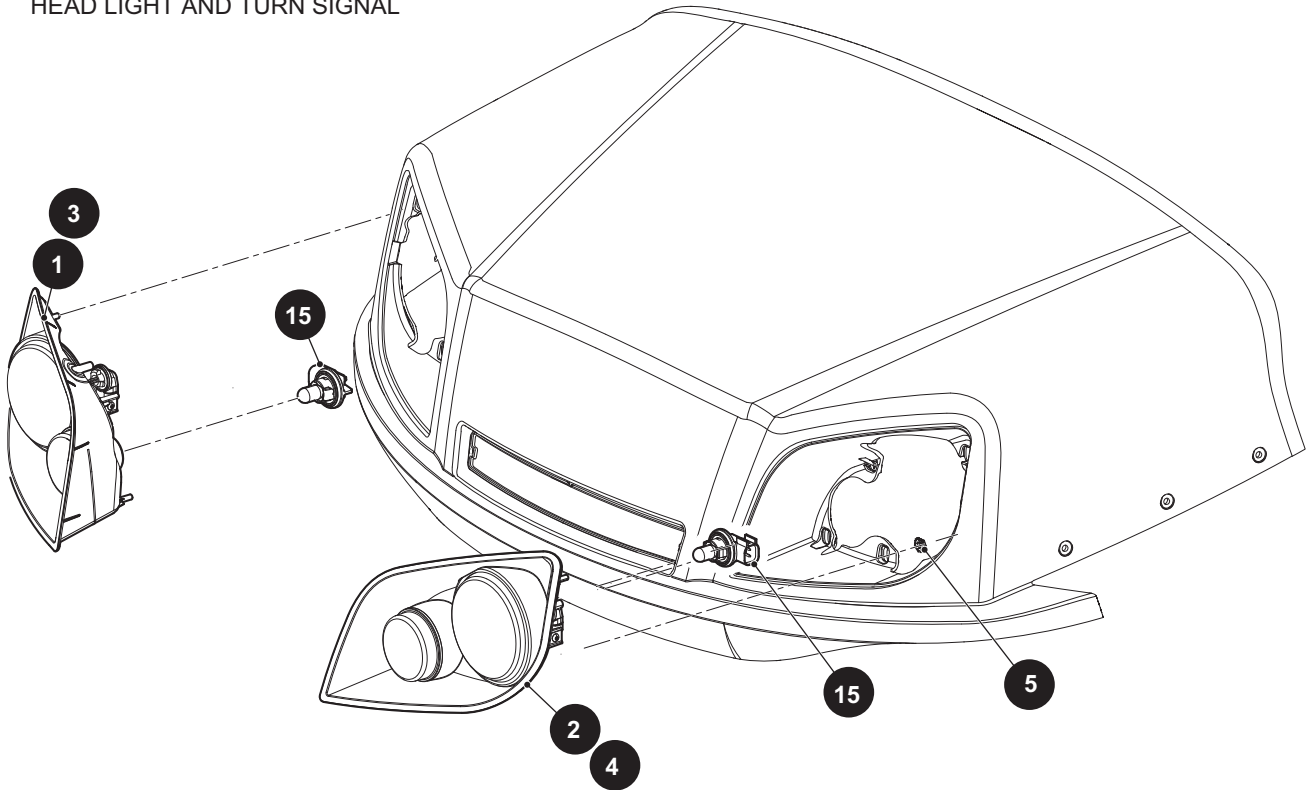
* Indicates a component that is not available as an individual part.

*** Indicates consult Customer Service Department for additional information.

| ITEM | PART NO. | 1 2 3 4 5 | DESCRIPTION | QTY. |
|------|----------|-----------|--|------|
| 32 | 27327G02 | | CABLE CLAMP | 1 |
| 33 | | | | |
| 34 | 620422 | | SPEED SENSOR..... | 1 |
| 35 | 73277G01 | | RETAINING RING..... | 1 |
| 36 | | | | |
| 37 | | | | |
| 38 | 00993G01 | | LOCK WASHER (SILICON BRONZE), 5/16" | 2 |
| 39 | 28418G01 | | LOCK NUT (BRASS), 5/16" - 18"..... | 2 |
| 40 | | | | |
| 41 | | | | |
| 42 | 00114G6 | | SCREW, 5/16" - 18..... | 1 |
| 43 | 16469G1 | | FENDER WASHER, 1/4" | 1 |
| 44 | | | | |
| 45 | 22674G1 | | FUSE BLOCK | 1 |
| 46 | 01041G01 | | RIVET, 1/8" X 13/16" LG | 2 |
| 47 | 18392G1 | | 15 AMP FUSE | AR |
| 48 | 33639G01 | | KEY SWITCH (WITH LIGHTS) | 1 |
| 49 | 00568G6 | | LOCK WASHER, 3/4" | 1 |
| 50 | 17137P1 | | FACE NUT, 3/4" - 20 | 1 |
| 51 | 31539G1 | | NYLON CLAMP (NOT ILLUSTRATED) | 1 |
| 52 | 00438G6 | | HEX HEAD BOLT, 5/16" - 18 X 5/8" LG | 2 |
| 53 | 11027G1 | | FLANGED LOCK NUT, 5/16" - 18..... | 2 |
| 54 | 71102G01 | | HEX HEAD CAP SCREW, 1/4" - 20 X.75" LG | 4 |
| 55 | 71102G03 | | HEX HEAD CAP SCREW, 1/4" - 20 X 1.15" LG | 4 |

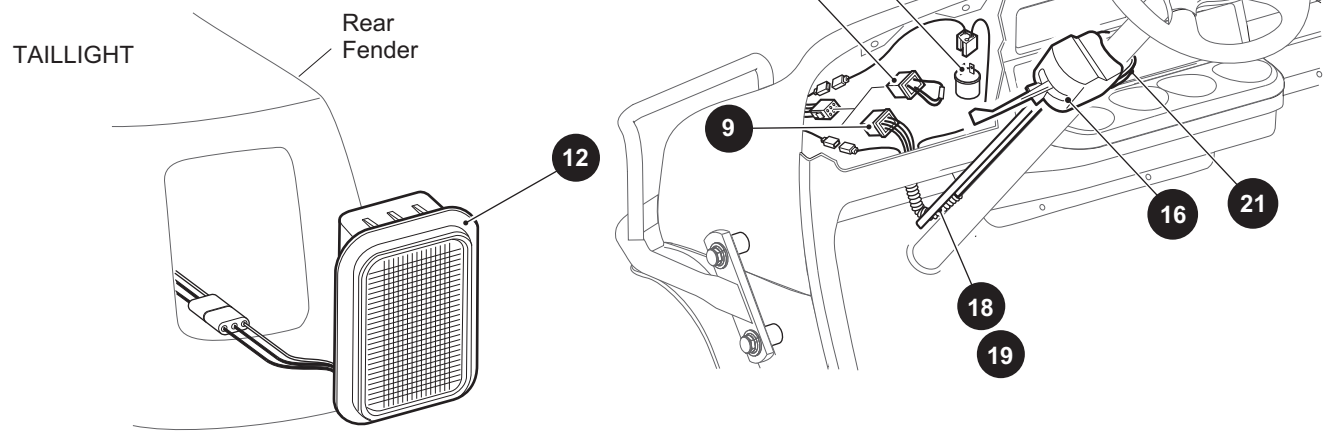
ELECTRICAL SYSTEM

HEAD LIGHT AND TURN SIGNAL



14 TURN SIGNAL KIT includes items 15 - 21

- 3 LED HEADLIGHT ASSEMBLY (PASSENGER SIDE) includes item 8
- 4 LED HEADLIGHT ASSEMBLY (DRIVER SIDE) includes item 8



ELECTRICAL SYSTEM

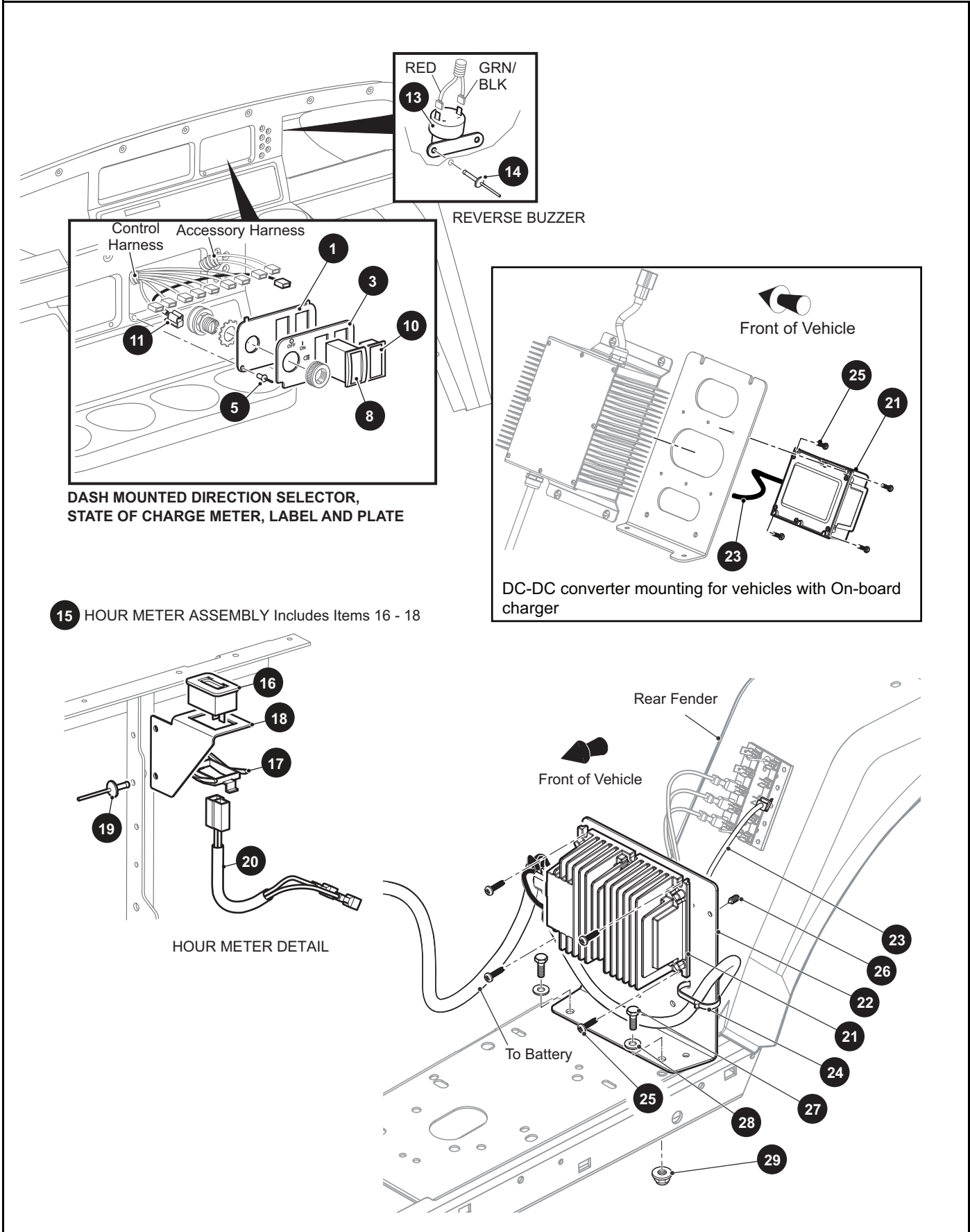
When ordering parts, please specify the model and serial number of the product.

* Indicates a component that is not available as an individual part.

*** Indicates consult Customer Service Department for additional information.

| ITEM | PART NO. | 1 2 3 4 5 | DESCRIPTION | QTY. |
|------|-----------|-----------|--|------|
| 1 | 614497 | | HEADLIGHT W/O TURN SIGNAL (PASSENGER SIDE) | 1 |
| 2 | 614501 | | HEADLIGHT W/O TURN SIGNAL (DRIVER SIDE) | 1 |
| 3 | 659008 | | LED HEADLIGHT ASSEMBLY (PASSENGER SIDE) (INCLUDES ITEM 8)... | 1 |
| 4 | 659009 | | LED HEADLIGHT ASSEMBLY (DRIVER SIDE) (INCLUDES ITEM 8) | 1 |
| 5 | 71597G01 | | SELF THREADING NUT..... | 8 |
| 6 | 71781G02 | | VINYL TAPE | 2 |
| 7 | 654465 | | JUMPER HARNESS, LED HEADLIGHT | 2 |
| 8 | 651411G03 | | LED HEADLIGHT | 1 |
| 9 | 619155 | | WIRE HARNESS (ACCESSORY), 48V DC,SWB..... | 1 |
| 10 | 75711G01 | | TAILLIGHT JUMPER PLUG | 1 |
| 11 | | | | |
| 12 | 32739G2 | | TAILLIGHT | 1 |
| 13 | | | | |
| 14 | 622712 | | TURN SIGNAL KIT (INCLUDES ITEMS 15 - 21)..... | 1 |
| 15 | 619102 | | TURN SIGNAL BULB | 1 |
| 16 | 611810 | | TURN SIGNAL SWITCH ASSEMBLY (INCLUDES ITEM 17) | 1 |
| 17 | 21640G1 | | FLASHER UNIT | 1 |
| 18 | 32307G3 | | FLEX LOOM, 3/8" X 8" LG | 1 |
| 19 | 17618G1 | | WIRE TIE..... | 2 |
| 20 | 20965G3 | | STEERING COLUMN COVER | 1 |
| 21 | 17618G1 | | CLAMP | 2 |

ELECTRICAL SYSTEM



ELECTRICAL SYSTEM

When ordering parts, please specify the model and serial number of the product.

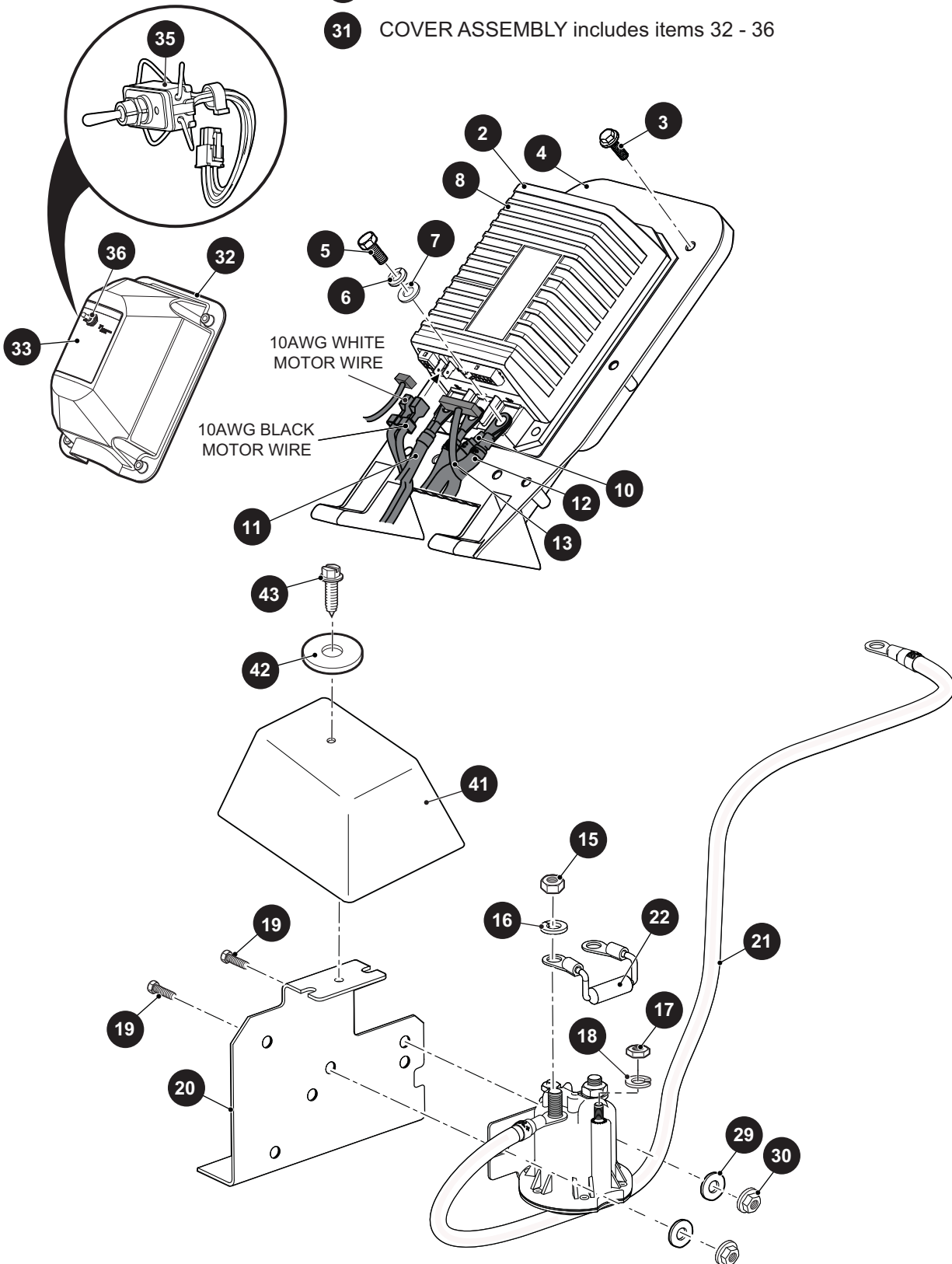
* Indicates a component that is not available as an individual part.

*** Indicates consult Customer Service Department for additional information.

| ITEM | PART NO. | 1 2 3 4 5 | DESCRIPTION | QTY. |
|------|-----------|-----------|---|------|
| 1 | 73030G12 | | CONSOLE INSERT PLATE (INCLUDES ITEMS KEY SWITCH, DIRECTION SELECTOR, CHARGER METER) | 1 |
| 2 | | | | |
| 3 | 74322G01 | | CONSOLE PLATE DECAL (KEY SWITCH WITH LIGHTS, DIRECTION SELECTOR, CHARGE METER) | 1 |
| 4 | | | | |
| 5 | 33623G02 | | DRIVE RIVET, 3/16" X 3/8" LG | 2 |
| 6 | | | | |
| 7 | | | | |
| 8 | 624514G02 | | DIRECTION SELECTOR SWITCH (DASH MOUNTED) | 1 |
| 9 | | | | |
| 10 | 33636G05 | | STATE OF CHARGE METER (VERTICAL) | 1 |
| 11 | 25978G74 | | 18 GA WIRE (RED 6") | 1 |
| 12 | | | | |
| 13 | 613271 | | BUZZER (CONTINUOUS TONE) | 1 |
| 14 | 01041G01 | | RIVET, 1/8" X 13/16" LG | 2 |
| 15 | 74720G01 | | HOUR METER ASSEMBLY (INCLUDES ITEMS 16 - 18) | 1 |
| 16 | 74665G02 | | HOUR METER | 1 |
| 17 | 74696G01 | | HOUR METER RETAINER CLIP..... | 1 |
| 18 | 74716G02 | | HOUR METER BRACKET..... | 1 |
| 19 | 10570G11 | | RIVET, 3/16" X .70 | 2 |
| 20 | 75117G01 | | HOUR METER HARNESS..... | 1 |
| 21 | 632185 | | DC TO DC CONVERTER | 1 |
| 22 | 633303 | | DC TO DC CONVERTER BRACKET | 1 |
| 23 | 605888 | | DC TO DC WIRING HARNESS | 1 |
| 24 | 17618G1 | | CLAMP (NYLON), 7" LG | 4 |
| 25 | 632372 | | SELF TAPPING SCREW, #10 - 32 X .75" LG | 4 |
| 26 | 16816G5 | | RATCHET RIVET, .187" X .550" LG | 1 |
| 27 | 00414G6 | | HEX HEAD BOLT, 1/4" - 20 X .75" LG | 2 |
| 28 | 00559G7 | | FLAT WASHER, 1/4" | 2 |
| 29 | 11027G2 | | FLANGED LOCK NUT, 1/4" - 20 ' | 2 |
| 30 | 19344G1 | | ELECTRICAL VINYL TAPE (NOT ILLUSTRATED)..... | 1 |

ELECTRONIC SPEED CONTROL

- 1 ELECTRONIC SPEED CONTROL ASSEMBLY includes items 2 - 30
- 14 SOLENOID includes items 15 - 18
- 31 COVER ASSEMBLY includes items 32 - 36



ELECTRONIC SPEED CONTROL

When ordering parts, please specify the model and serial number of the product.

* Indicates a component that is not available as an individual part.

*** Indicates consult Customer Service Department for additional information.

| ITEM | PART NO. | 1 2 3 4 5 | DESCRIPTION | QTY. |
|------|----------|-----------|---|------|
| 1 | 654740 | | ELECTRONIC SPEED CONTROL ASSEMBLY, 48V (INCLUDES ITEMS 2 - 30) | 1 |
| 2 | 612632 | | CONTROLLER, 48V..... | 1 |
| 3 | 71102G01 | | HEX HEAD CAP SCREW, 1/4" - 20 X .90" LG..... | 3 |
| 4 | 73471G01 | | HEATSINK..... | 1 |
| 5 | 73296G01 | | HEX HEAD BOLT, M8 - 1.25 X 16MM..... | 3 |
| 6 | 00565G8 | | LOCK WASHER, 5/16"..... | 3 |
| 7 | 00559G8 | | FLAT WASHER, 5/16"..... | 3 |
| 8 | 73190G01 | | THERMAL MOUNTING PAD..... | 1 |
| 9 | 31539G1 | | NYLON CLAMP, 15.5" LG (NOT ILLUSTRATED) | 1 |
| 10 | 617612 | | POWER HARNESS..... | 1 |
| 11 | 620437 | | WIRE ASSEMBLY (BLUE), 6AWG, 675MM..... | 1 |
| 12 | 620432 | | WIRE ASSEMBLY (GREEN), 4AWG, 400MM..... | 1 |
| 13 | 620964 | | MAIN WIRE HARNESS (VPS), 48V..... | 1 |
| 14 | 612711 | | SOLENOID, 48V (INCLUDES ITEMS 15 - 18)..... | 1 |
| 15 | 00544G4 | | HEX JAM NUT, 1/4" - 20..... | 2 |
| 16 | 00565G8 | | LOCK WASHER, 5/16"..... | 2 |
| 17 | 00526G4 | | LOCK NUT, #10 - 32..... | 2 |
| 18 | 00565G5 | | LOCK WASHER, #10..... | 2 |
| 19 | 00414G5 | | HEX HEAD BOLT, 1/4" - 20 X 5/8" LG..... | 2 |
| 20 | 73057G02 | | BRACKET..... | 1 |
| 21 | 607592 | | WIRE ASSEMBLY (GREEN), 4AWG, 28" LG..... | 1 |
| 22 | 620430 | | RESISTOR ASSEMBLY, 500 OHM | 1 |
| 23 | | | | |
| 24 | | | | |
| 25 | | | | |
| 26 | | | | |
| 27 | | | | |
| 28 | | | | |
| 29 | 01110G01 | | FLAT WASHER, 1/4" | 2 |
| 30 | 11027G2 | | FLANGED NUT, 5/16 - 18" | 2 |

ELECTRONIC SPEED CONTROL

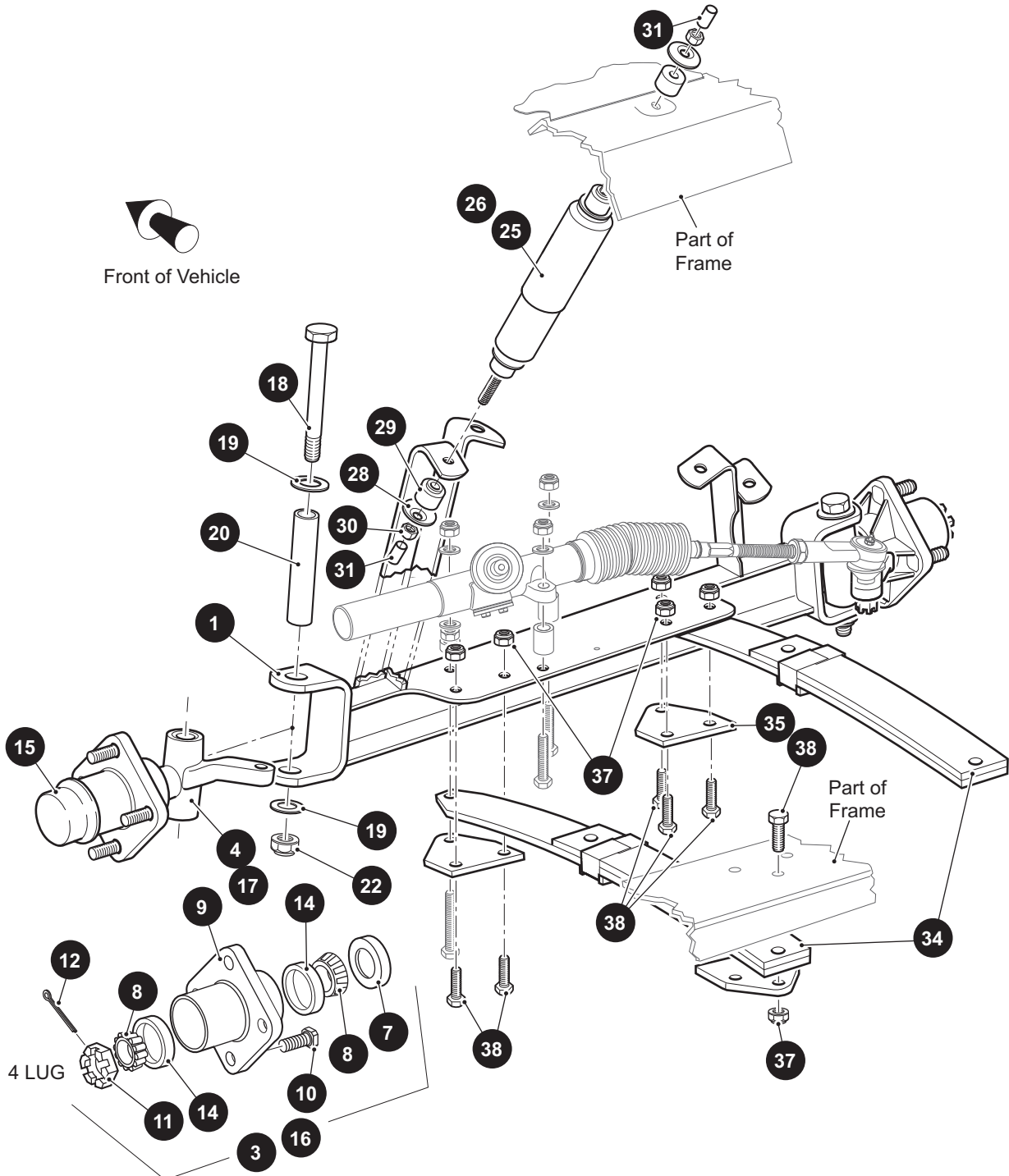
When ordering parts, please specify the model and serial number of the product.

* Indicates a component that is not available as an individual part.

*** Indicates consult Customer Service Department for additional information.

| ITEM | PART NO. | 1 | 2 | 3 | 4 | 5 | DESCRIPTION | QTY. |
|------|----------|---|---|---|---|---|---|------|
| 31 | 612753 | | | | | | COVER ASSEMBLY (INCLUDES ITEMS 32 - 36) | 1 |
| 32 | 73482G01 | | | | | | COVER | 1 |
| 33 | 613048 | | | | | | LABEL | 1 |
| 34 | | | | | | | | |
| 35 | 633114 | | | | | | TOGGLE SWITCH | 1 |
| 36 | 73139G01 | | | | | | SEALED NUT, 15/32" - 32 | 1 |
| 37 | | | | | | | | |
| 38 | | | | | | | | |
| 39 | | | | | | | | |
| 40 | | | | | | | | |
| 41 | 73049G01 | | | | | | COVER | 1 |
| 42 | 16469G1 | | | | | | FLAT WASHER, 1/4" | 1 |
| 43 | 00114G6 | | | | | | TAPPING SCREW, 1/4" - 10 X 3/4" LG | 1 |

FRONT SUSPENSION & STEERING

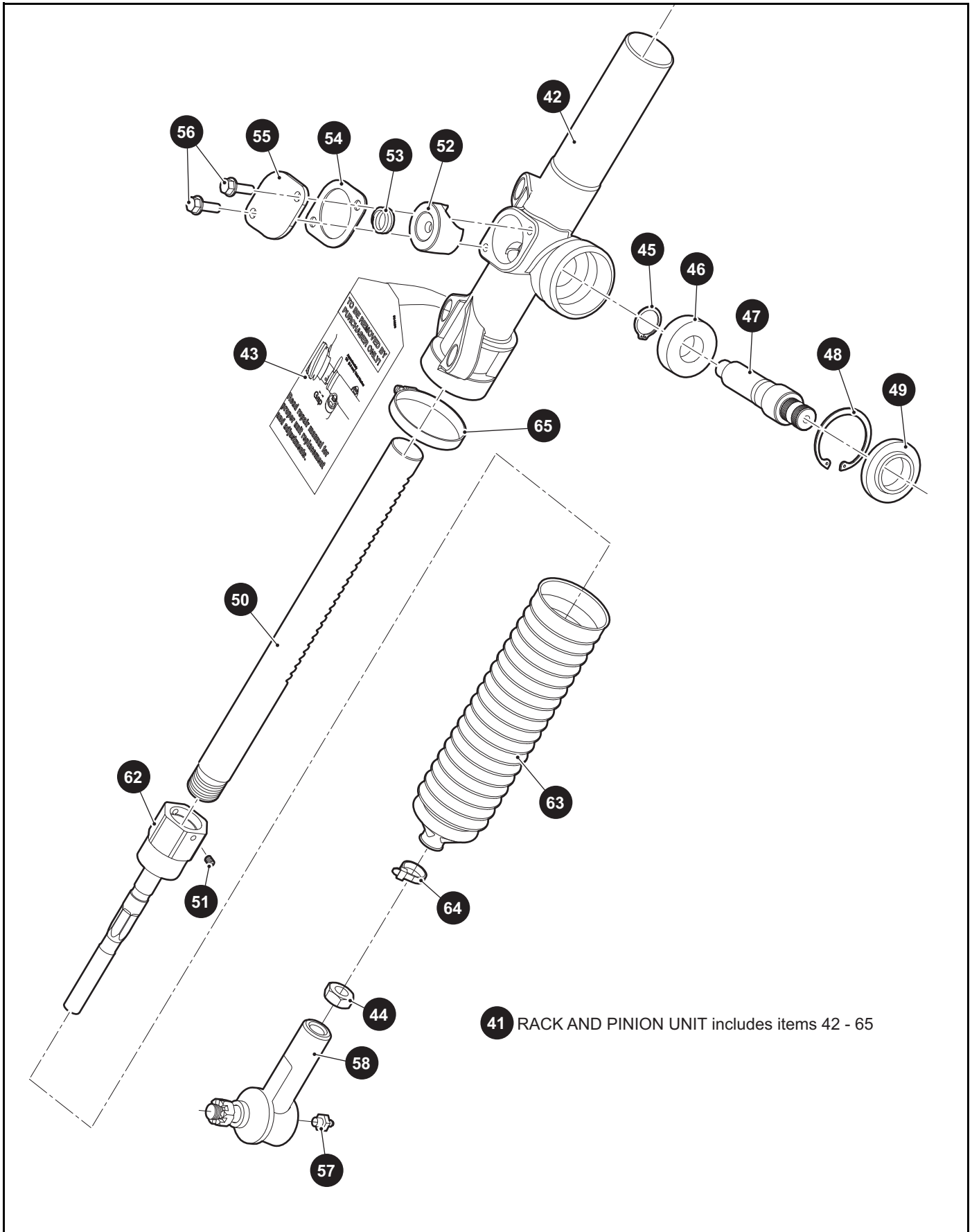


3 SPINDLE AND HUB ASSEMBLY PASSENGER SIDE includes items 4 - 14

16 SPINDLE AND HUB ASSEMBLY DRIVER SIDE includes items 5 - 14 & 17

*NOTE: Tie Rod Not Shown for Clarity

FRONT SUSPENSION & STEERING



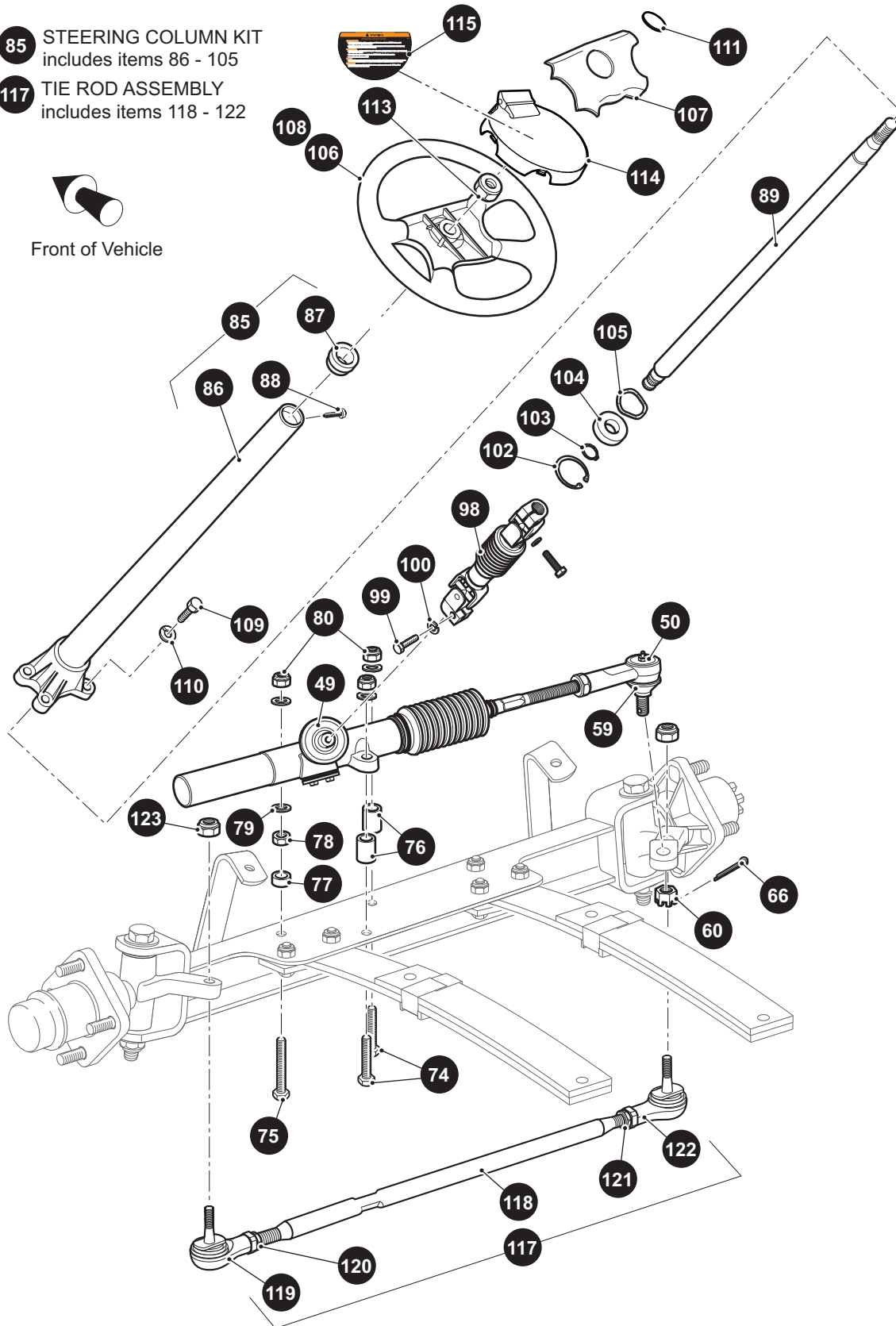
FRONT SUSPENSION & STEERING

85 STEERING COLUMN KIT
includes items 86 - 105

117 TIE ROD ASSEMBLY
includes items 118 - 122



Front of Vehicle



FRONT SUSPENSION & STEERING

When ordering parts, please specify the model and serial number of the product.

* Indicates a component that is not available as an individual part.

*** Indicates consult Customer Service Department for additional information.

| ITEM | PART NO. | 1 2 3 4 5 | DESCRIPTION | QTY. |
|------|----------|-----------|--|------|
| 1 | 602512 | | FRONT AXLE..... | 1 |
| 2 | | | | |
| 3 | 70942G03 | | SPINDLE ASSEMBLY, 4 LUG (PASSENGER SIDE) (INCLUDES ITEMS 4 - 14) | 1 |
| 4 | 70940G02 | | SPINDLE ASSEMBLY | 1 |
| 5 | 70648G01 | | FLANGED BEARING, DP4 | 1 |
| 6 | 70749G01 | | BEARING, DP4 | 1 |
| 7 | 25146G1 | | GREASE SEAL..... | 1 |
| 8 | 11750G2 | | ROLLER BEARING | 2 |
| 9 | 70589G01 | | WHEEL HUB | 1 |
| 10 | 19862G1 | | LUG BOLT, 1/2" - 20 X 1 7/32" LG..... | 4 |
| 11 | 12093G1 | | SLOTTED NUT, 1" - 14..... | 1 |
| 12 | 00798G8 | | COTTER PIN, 5/32" X 1 3/4" LG | 1 |
| 13 | | | | |
| 14 | 51141G1 | | BEARING RACE | 2 |
| 15 | 12091G2 | | SPINDLE CAP | 2 |
| 16 | 70673G03 | | SPINDLE AND HUB ASSEMBLY, 4 LUG (DRIVER SIDE) (INCLUDES ITEMS 5 - 14, 17) | 1 |
| 17 | 70742G02 | | SPINDLE ASSEMBLY (DRIVER SIDE) | 1 |
| 18 | 00407G6 | | HEX HEAD BOLT, 1/2" - 13 X 6" LG | 2 |
| 19 | 00560G3 | | FLAT WASHER, 1/2" | 4 |
| 20 | 70745G01 | | KING PIN TUBE..... | 2 |
| 21 | 70754G01 | | THRUST WASHER (SS)..... | 2 |
| 22 | 14390G6 | | LOCK NUT, 1/2" - 13..... | 2 |
| 23 | | | | |
| 24 | | | | |
| 25 | 76419G01 | | SHOCK ABSORBER..... | 2 |
| 26 | 70509G01 | | BOOT SHOCK ABSORBER | 2 |
| 27 | | | | |
| 28 | 10435G1 | | SHOCK ABSORBER WASHER..... | 8 |
| 29 | 10194G1 | | RUBBER SHOCK ABSORBER BUSHING | 8 |
| 30 | 00532G6 | | HEX NUT, 3/8" - 24 | 4 |

FRONT SUSPENSION & STEERING

When ordering parts, please specify the model and serial number of the product.

* Indicates a component that is not available as an individual part.

*** Indicates consult Customer Service Department for additional information.

| ITEM | PART NO. | 1 2 3 4 5 | DESCRIPTION | QTY. |
|------|----------|-----------|--|------|
| 31 | 10044G01 | | VINYL CAP | 4 |
| 32 | | | | |
| 33 | | | | |
| 34 | 70989G03 | | LEAF SPRING (HEAVY DUTY) | 2 |
| 35 | 652258 | | SPRING PLATE | 4 |
| 36 | | | | |
| 37 | 00734G1 | | LOCK NUT, 7/16" - 14 | 11 |
| 38 | 00463G11 | | HEX HEAD BOLT, 7/16" - 14 X 1 5/8" LG..... | 11 |
| 39 | | | | |
| 40 | | | | |
| 41 | 74605G01 | | STEERING BOX ASSEMBLY (INCLUDES ITEMS 42 - 65) | 1 |
| 42 | 70965G01 | | STEERING RACK COVER & BEARING | 1 |
| 43 | * | | STEERING BOX INSTALLATION TAG | 1 |
| 44 | 01504G01 | | JAM NUT, 1/2" - 20 | 1 |
| 45 | 70750G01 | | RETAINING RING (EXTERNAL) | 1 |
| 46 | 15112G1 | | BALL BEARING | 1 |
| 47 | 70603G01 | | PINION..... | 1 |
| 48 | 70751G01 | | RETAINING RING (INTERNAL)..... | 1 |
| 49 | 70638G01 | | SEAL PINION..... | 1 |
| 50 | 70604G01 | | RACK STEERING..... | 1 |
| 51 | * | | SOCKET HEAD SET SCREW, #10 - 32 | 1 |
| 52 | 70590G01 | | RACK LOADER | 1 |
| 53 | 70666G01 | | SPRING COMPRESSION | 1 |
| 54 | 70645G01 | | GASKET (RACK LOADER) | 1 |
| 55 | 652259 | | COVER (RACK LOADER) | 1 |
| 56 | 71102G01 | | SCREW,HEX HEAD WASHER, 1/4" - 20 X 3/4" LG | 2 |
| 57 | 10389G3 | | GREASE FITTING, STRAIGHT | 1 |
| 58 | 70695G01 | | TIE ROD END (OUTER)..... | 1 |
| 59 | * | | TIE ROD END GROMMET | 1 |
| 60 | * | | SLOTTED NUT, 7/16" - 20 | 1 |
| 61 | | | | |

FRONT SUSPENSION & STEERING

When ordering parts, please specify the model and serial number of the product.

* Indicates a component that is not available as an individual part.

*** Indicates consult Customer Service Department for additional information.

| ITEM | PART NO. | 1 2 3 4 5 | DESCRIPTION | QTY. |
|------|----------|-----------|--|------|
| 62 | 74602G01 | | ROD END (INNER) | 1 |
| 63 | 70961G01 | | RACK BOOT | 1 |
| 64 | 12416G2 | | WIRE TIE..... | 1 |
| 65 | 11391G8 | | WIRE TIE..... | 1 |
| 66 | 10387G2 | | COTTER PIN, 3/32" X 1" LG..... | 1 |
| 67 | | | | |
| 68 | | | | |
| 69 | | | | |
| 70 | | | | |
| 71 | | | | |
| 72 | | | | |
| 73 | | | | |
| 74 | 00464G8 | | HEX HEAD BOLT, 7/16" - 14 X 2 3/4" LG | 2 |
| 75 | 01068G01 | | HEX HEAD BOLT, 7/16" - 14 X 3 1/2" LG | 1 |
| 76 | 70667G02 | | SPACER, 1.21" LG | 2 |
| 77 | 70667G04 | | STEERING HOUSING SPACER, 0.69" LG | 1 |
| 78 | 00532G7 | | HEX NUT, 7/16" - 14 | 1 |
| 79 | 00560G2 | | FLAT WASHER, 7/16"..... | 7 |
| 80 | 00734G1 | | LOCK NUT, 7/16" - 14..... | 3 |
| 81 | | | | |
| 82 | | | | |
| 83 | | | | |
| 84 | | | | |
| 85 | 70758G05 | | STEERING COLUMN ASSEMBLY (INCLUDES ITEMS 86 - 105) | 1 |
| 86 | 70610G03 | | STEERING COLUMN..... | 1 |
| 87 | 28569G01 | | STEERING COLUMN BUSHING | 1 |
| 88 | 01022G01 | | HEX WASHER HEAD SCREW, #6 - 20 X 5/16" LG..... | 1 |
| 89 | 70607G01 | | STEERING SHAFT..... | 1 |
| 90 | | | | |
| 91 | | | | |
| 92 | | | | |

FRONT SUSPENSION & STEERING

When ordering parts, please specify the model and serial number of the product.

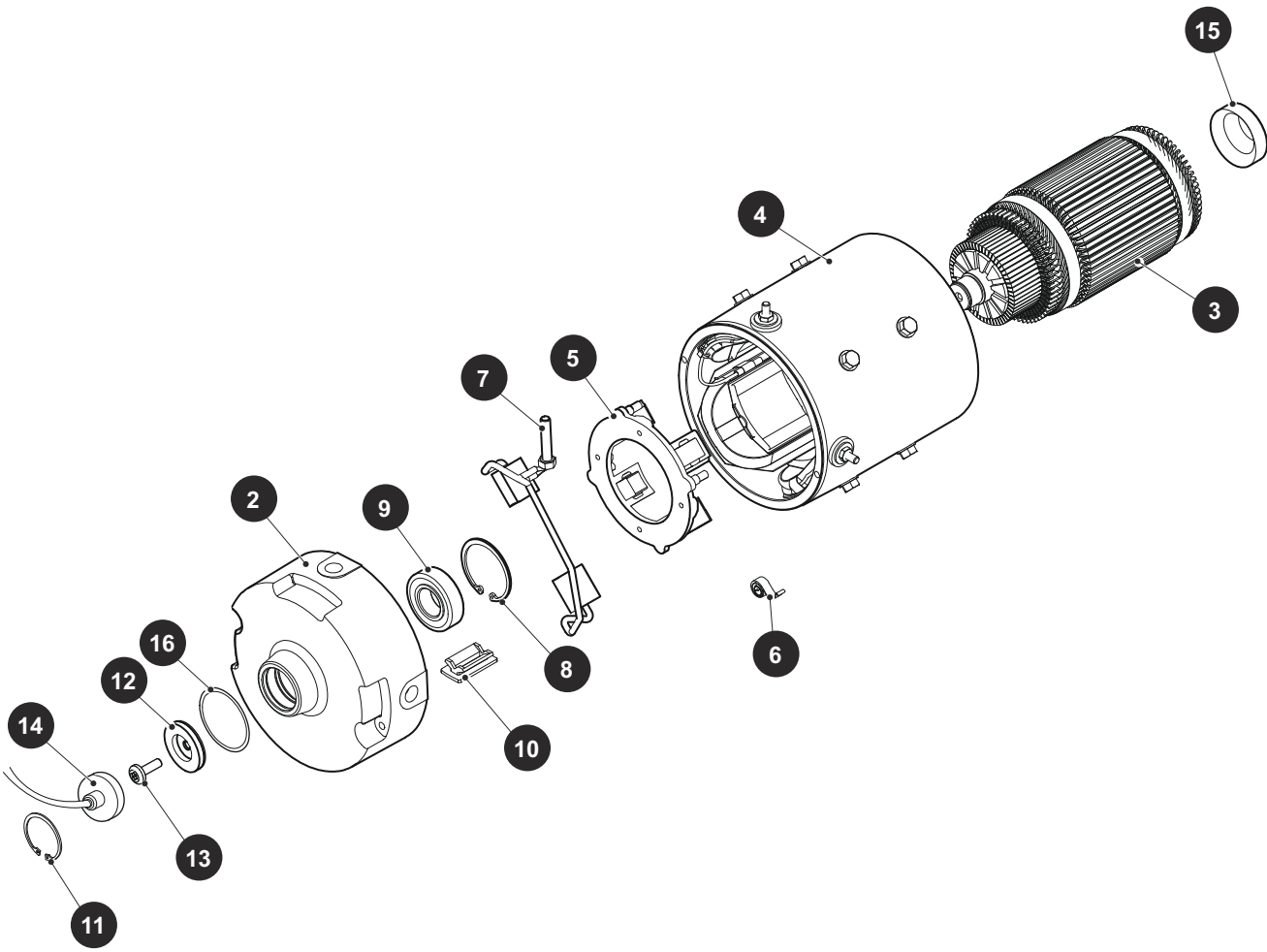
* Indicates a component that is not available as an individual part.

*** Indicates consult Customer Service Department for additional information.

| ITEM | PART NO. | 1 | 2 | 3 | 4 | 5 | DESCRIPTION | QTY. |
|------|----------|---|---|---|---|---|--|------|
| 93 | | | | | | | | |
| 94 | | | | | | | | |
| 95 | | | | | | | | |
| 96 | | | | | | | | |
| 97 | | | | | | | | |
| 98 | 70580G01 | | | | | | INTERMEDIATE SHAFT | 1 |
| 99 | 01055G01 | | | | | | HEX HEAD BOLT, M8 X 1.25 - 6G..... | 1 |
| 100 | 00565G8 | | | | | | LOCK WASHER, 5/16" | 1 |
| 101 | | | | | | | | |
| 102 | 70751G01 | | | | | | RETAINING RING (INTERNAL)..... | 1 |
| 103 | 70888G01 | | | | | | RETAINING RING (EXTERNAL) | 1 |
| 104 | 15112G1 | | | | | | BALL BEARING | 1 |
| 105 | 70887G01 | | | | | | WAVE WASHER | 1 |
| 106 | 602980 | | | | | | STEERING WHEEL PREMIUM (OPTIONAL)..... | 1 |
| 107 | 71147G01 | | | | | | STEERING WHEEL COVER..... | 1 |
| 108 | 602979 | | | | | | STEERING WHEEL..... | 1 |
| 109 | 01006G01 | | | | | | HEX WASHER HEAD BOLT, 3/8" - 16 X 1 1/4" LG WITH PATCHLOCK | 4 |
| 110 | 00879G1 | | | | | | LOCK WASHER, 3/8" | 4 |
| 111 | 605435 | | | | | | STEERING WHEEL DECAL E-Z-GO | 1 |
| 112 | | | | | | | | |
| 113 | 14390G2 | | | | | | LOCK NUT, 5/8" - 18 | 1 |
| 114 | 607925 | | | | | | CLIPBOARD..... | 1 |
| 115 | 608529 | | | | | | STEERING WHEEL LABEL | 1 |
| 116 | | | | | | | | |
| 117 | 74604G01 | | | | | | TIE ROD ASSEMBLY (INCLUDES ITEMS 118 - 122)..... | 1 |
| 118 | 74603G01 | | | | | | THREADED ROD (24" LG)..... | 1 |
| 119 | 70902G01 | | | | | | TIE ROD END (LEFT HAND THREADS) | 1 |
| 120 | 01069G01 | | | | | | JAM NUT, M12 X 1.25-05 (LEFT HAND THREADS)..... | 1 |
| 121 | 70902G02 | | | | | | TIE ROD END (RIGHT HAND THREADS) | 1 |
| 122 | 01069G02 | | | | | | JAM NUT, M12 X 1.25-05 (RIGHT HAND THREADS) | 1 |
| 123 | 00734G1 | | | | | | LOCK NUT, 7/16" - 14 | 2 |

MOTOR

1 Motor Includes Items 2 - 10



When ordering parts, please specify the model and serial number of the product.

* Indicates a component that is not available as an individual part.

*** Indicates consult Customer Service Department for additional information.

| ITEM | PART NO. | 1 2 3 4 5 | DESCRIPTION | QTY. |
|------|----------|-----------|---|------|
| 1 | 624105 | | MOTOR 48V (INCLUDES ITEMS 2 - 10) | 1 |
| 2 | 625886 | | COMMUNTATOR END HEAD..... | 1 |
| 3 | 626171 | | ARMATURE..... | 1 |
| 4 | 626172 | | FRAME AND FILED ASSEMBLY | 1 |
| 5 | 625884 | | BRUSH BOX ASSEMBLY | 1 |
| 6 | 73120G03 | | BRUSH SPRING | 4 |
| 7 | 73120G25 | | BRUSH AND TERMINAL SERVICE KIT..... | 1 |
| 8 | 73120G06 | | RETAINING RING | 1 |
| 9 | 73120G07 | | BEARING..... | 1 |
| 10 | 625885 | | COVER..... | 1 |
| 11 | 73277G01 | | RETAINING RING..... | 1 |
| 12 | 73328G01 | | SPEED SENSOR MAGNET | 1 |
| 13 | 01037G02 | | SCREW..... | 1 |
| 14 | 620422 | | SPEED SENSOR HARNESS | 1 |
| 15 | 24261G1 | | BUMPER SPLINE..... | 1 |
| 16 | 624109 | | O-RING | 1 |

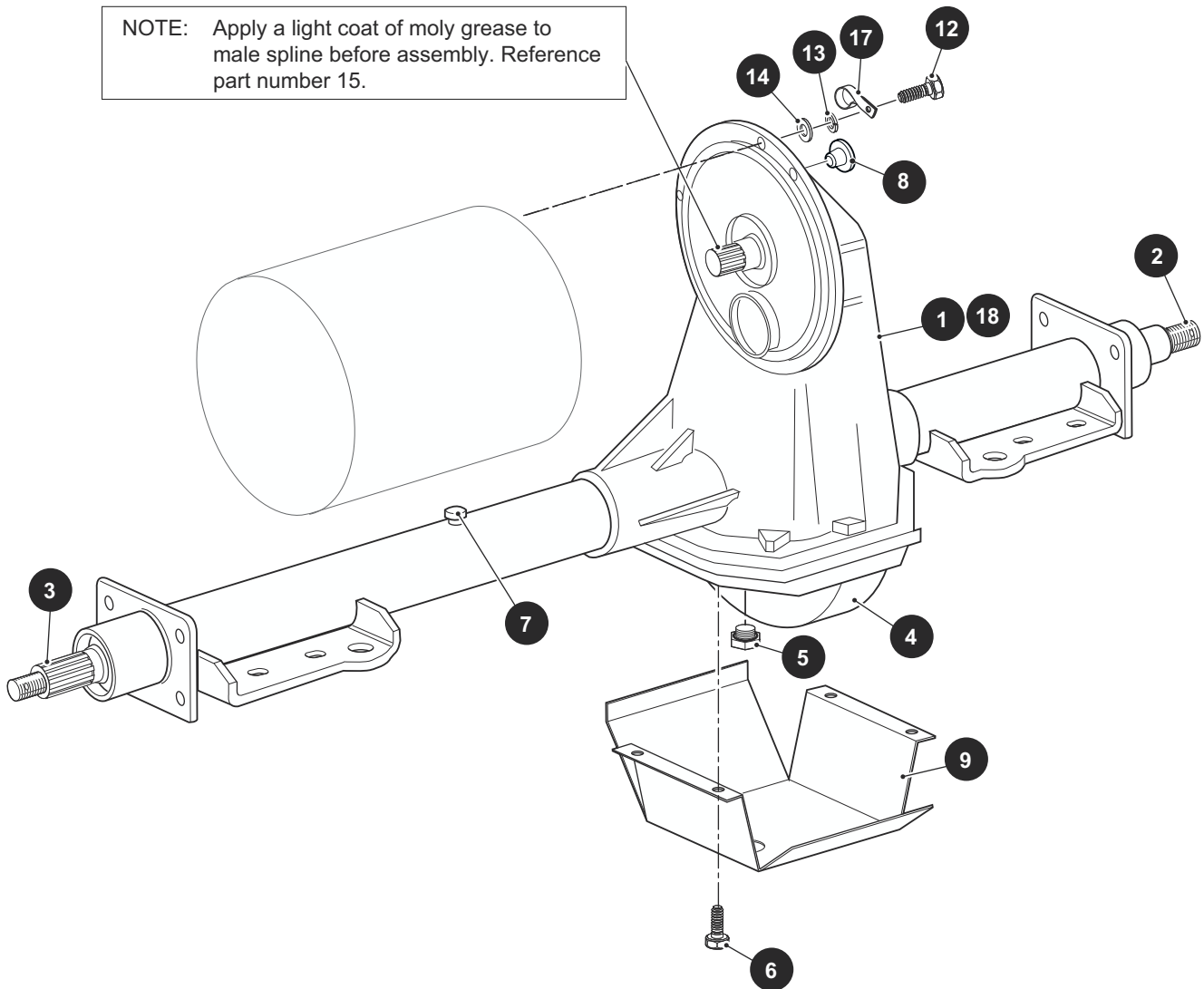
Notes:

A large grid of graph paper for taking notes, consisting of 30 columns and 30 rows of small squares.

REAR AXLE

1 REAR AXLE ASSEMBLY includes items 2 - 7

NOTE: Apply a light coat of moly grease to male spline before assembly. Reference part number 15.



REAR AXLE

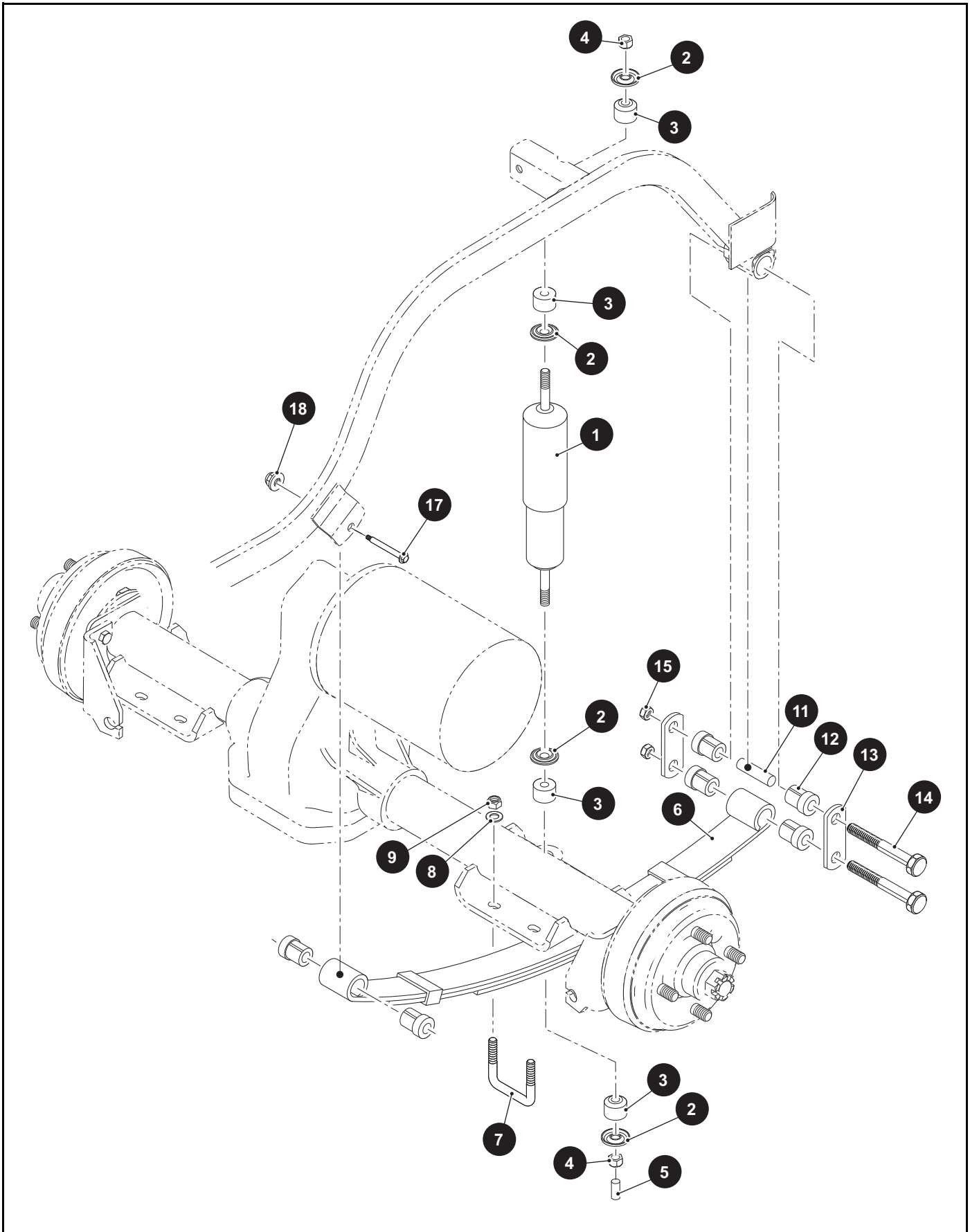
When ordering parts, please specify the model and serial number of the product.

* Indicates a component that is not available as an individual part.

*** Indicates consult Customer Service Department for additional information.

| ITEM | PART NO. | 1 2 3 4 5 | DESCRIPTION | QTY. |
|------|----------|-----------|--|------|
| 1 | 73500G01 | | REAR AXLE ASSEMBLY, 12.44:1 (INCLUDES ITEMS 2 - 7) | 1 |
| 2 | 20377G12 | | AXLE SHAFT (PASSENGER SIDE)..... | 1 |
| 3 | 20377G11 | | AXLE SHAFT (DRIVER SIDE) | 1 |
| 4 | 612823 | | DIFFERENTIAL COVER | 1 |
| 5 | 73356G01 | | FILL/CHECK PLUG | 1 |
| 6 | 15558G1 | | SCREW, 5/16 - 18 X 3/4" LG..... | 10 |
| 7 | 73050G01 | | VENT VALVE | 1 |
| 8 | 624110 | | PLUG | 3 |
| 9 | 72763G02 | | DIFFERENTIAL GUARD..... | 1 |
| 10 | | | | |
| 11 | | | | |
| 12 | 00797G2 | | BOLT, 1/4 - 20 X 1 1/4" LG. | 3 |
| 13 | 00664G7 | | LOCK WASHER, 1/4" (STAINLESS STEEL) | 3 |
| 14 | 01110G01 | | FLAT WASHER, 1/4" (STAINLESS STEEL) | 3 |
| 15 | 27023G01 | | MOLY LUBE, 2 OZ..... | AR |
| 16 | | | | |
| 17 | 27327G02 | | CLAMP TWISTED..... | 1 |
| 18 | 615154 | | REAR AXLE ASSEMBLY, 12.44:1 | 1 |

REAR SUSPENSION



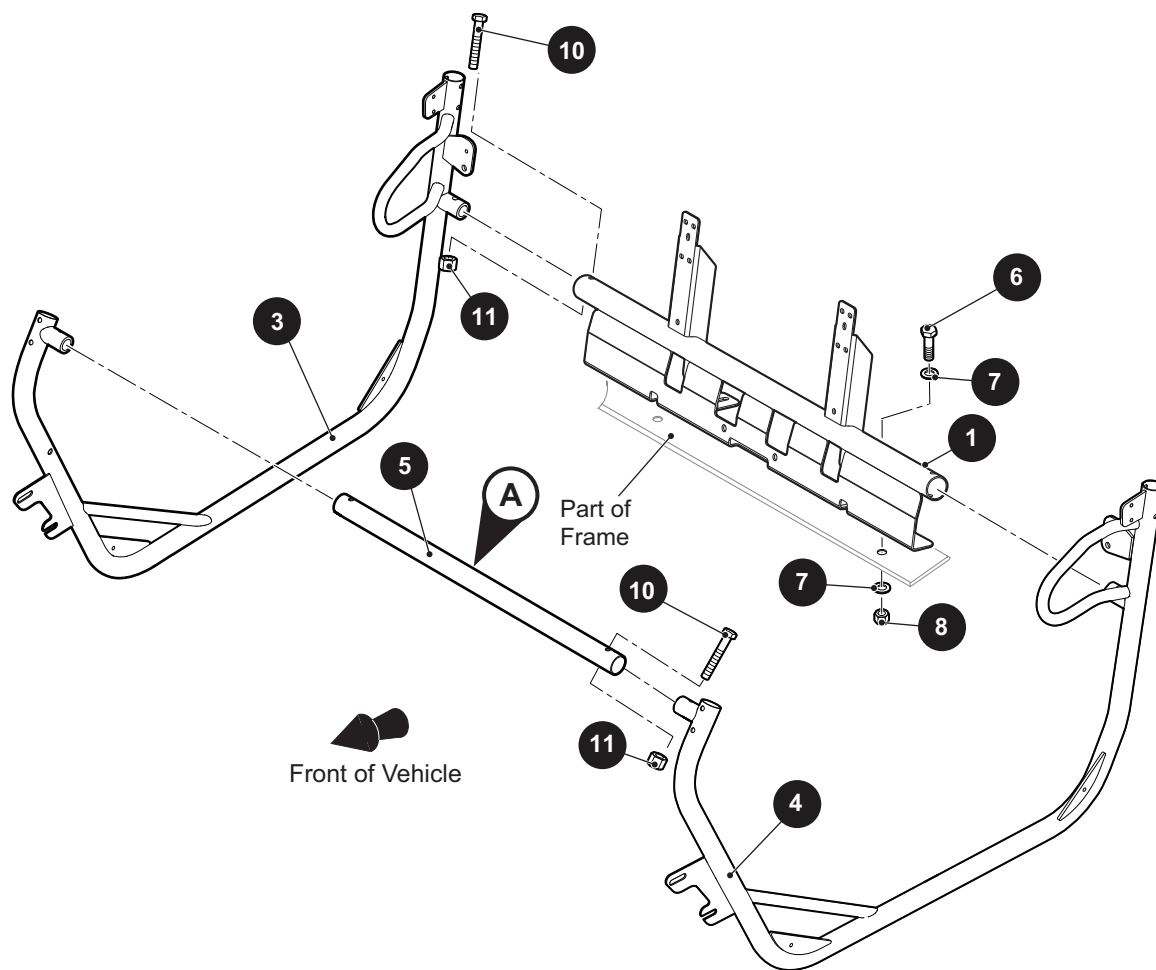
REAR SUSPENSION

When ordering parts, please specify the model and serial number of the product.

* Indicates a component that is not available as an individual part.

*** Indicates consult Customer Service Department for additional information.

| ITEM | PART NO. | 1 2 3 4 5 | DESCRIPTION | QTY. |
|------|----------|-----------|---|------|
| 1 | 642085 | | SHOCK ABSORBER | 2 |
| 2 | 10435G1 | | SHOCK ABSORBER WASHER..... | 8 |
| 3 | 10194G1 | | SHOCK ABSORBER RUBBER BUSHING..... | 8 |
| 4 | 00532G6 | | HEX NUT, 3/8" - 24 | 4 |
| 5 | 10044G01 | | VINYL CAP | 2 |
| 6 | 74207G03 | | LEAF SPRING (HEAVY DUTY) | 2 |
| 7 | 72618G01 | | "U" BOLT, 3/8" - 16 X 2" X 2 1/2" LG..... | 4 |
| 8 | 00560G1 | | FLAT WASHER, 3/8" | 8 |
| 9 | 11098G5 | | LOCK NUT, 3/8" - 16..... | 8 |
| 10 | | | | |
| 11 | 70289G02 | | SPLIT STEEL SPACER | 4 |
| 12 | 624030 | | FLANGED BUSHING..... | 12 |
| 13 | 604961 | | SHACKLE PLATE | 4 |
| 14 | 00665G9 | | HEX HEAD BOLT (SS), 3/8" - 16 X 3 1/2" LG | 4 |
| 15 | 11098G5 | | LOCK NUT, 3/8" - 16..... | 4 |
| 16 | | | | |
| 17 | 14158G1 | | SHOULDER BOLT, 3/8" - 16 X 3 1/4" LG..... | 2 |
| 18 | 12262G1 | | LOCK NUT, 3/8" - 16..... | 2 |



Front of Vehicle

Part of Frame

A

13

This ROPS was tested in accordance with the requirements of ISO 3471 per ANSI/ROHVA 1

CUSHMAN

EZGO

A Textron Company 642582

Textron Specialized Vehicles
1451 Marvin Griffin Rd
Augusta, GA 30906
USA

Test GVW: 700 kgs (1545 lbs)
Vehicle Models:
Hauler 900 and 1200 G, E, XG, XE
Hauler Pro, Pro X, 4X4
E-Z-GO Terrain 250 and 1000 G, E
E-Z-GO Terrain 1500 G

WARNING

The protection offered by this ROPS will be impaired if it has been subjected to any modification or structural damage. This ROPS must be replaced after a rollover.

When ordering parts, please specify the model and serial number of the product.

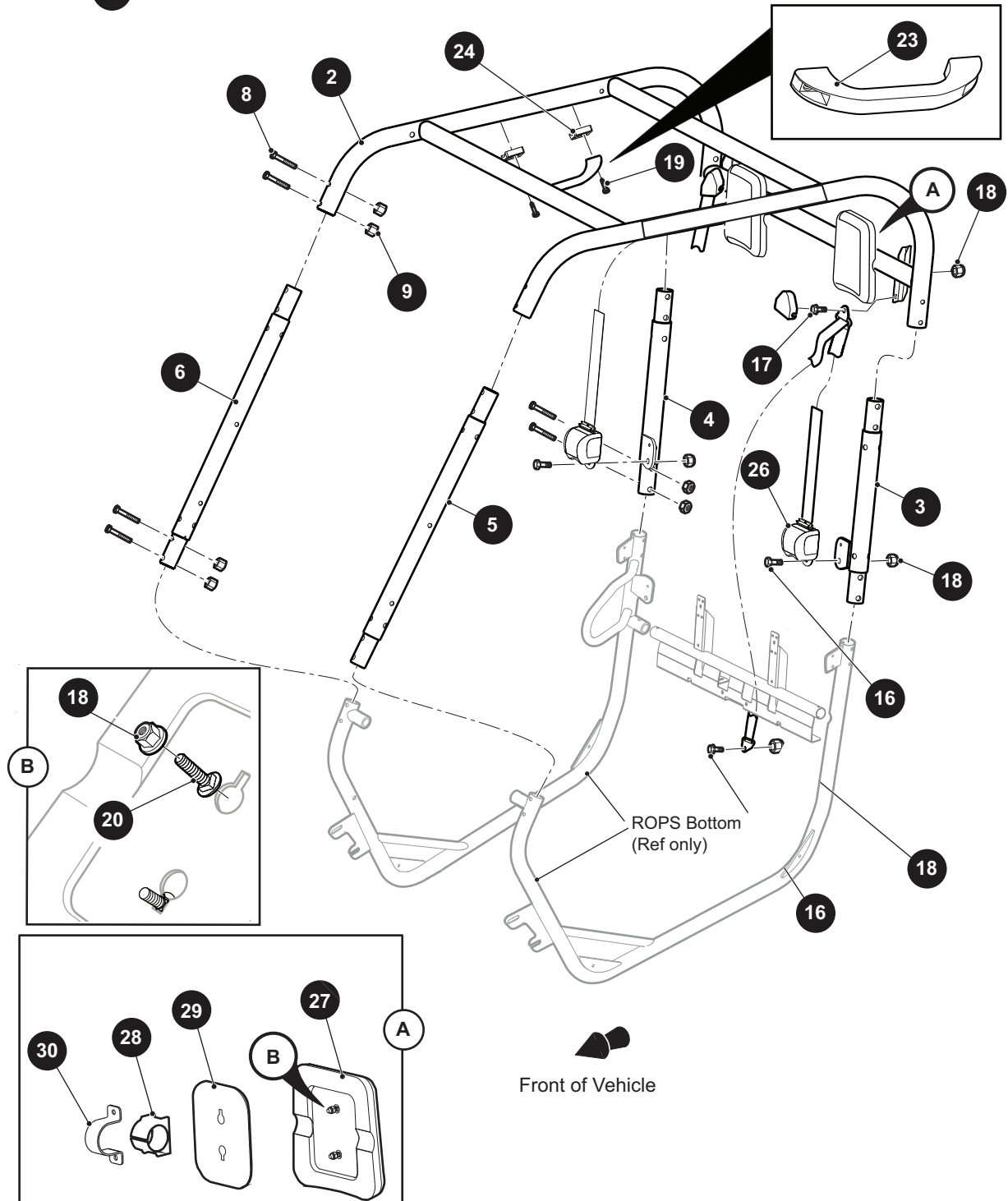
* Indicates a component that is not available as an individual part.

*** Indicates consult Customer Service Department for additional information.

| ITEM | PART NO. | 1 2 3 4 5 | DESCRIPTION | QTY. |
|------|----------|-----------|--|------|
| 1 | 640293 | | ROPS SEAT SUPPORT..... | 1 |
| 2 | | | | |
| 3 | 640183 | | ROPS BOTTOM (PASSENGER SIDE)..... | 1 |
| 4 | 640182 | | ROPS BOTTOM (DRIVER SIDE) | 1 |
| 5 | 629023 | | FRONT CROSSBAR TUBE | 1 |
| 6 | 00427G2 | | HEX HEAD BOLT, 3/8" - 16 X 1 1/4" LG | 4 |
| 7 | 00571G2 | | FLAT WASHER, 5/16" | 8 |
| 8 | 11098G5 | | LOCK NUT, 3/8" - 16 | 4 |
| 9 | | | | |
| 10 | 630642 | | HEX HEAD BOLT, 3/8" - 16 X 2 1/2" LG | 4 |
| 11 | 630643 | | LOCK NUT, 3/8" - 16 | 4 |
| 12 | | | | |
| 13 | 642582 | | ROPS CERTIFICATION DECAL..... | 1 |

ROPS

- 1 ROPS UPPER KIT includes items 2 - 7
- 7 ROPS UPPER HARDWARE KIT includes items 8 - 9
- 15 ROPS ACCESSORY HARDWARE KIT includes items 16 - 20
- 22 ROPS ACCESSORY KIT includes items 15, 23 - 30



When ordering parts, please specify the model and serial number of the product.

* Indicates a component that is not available as an individual part.

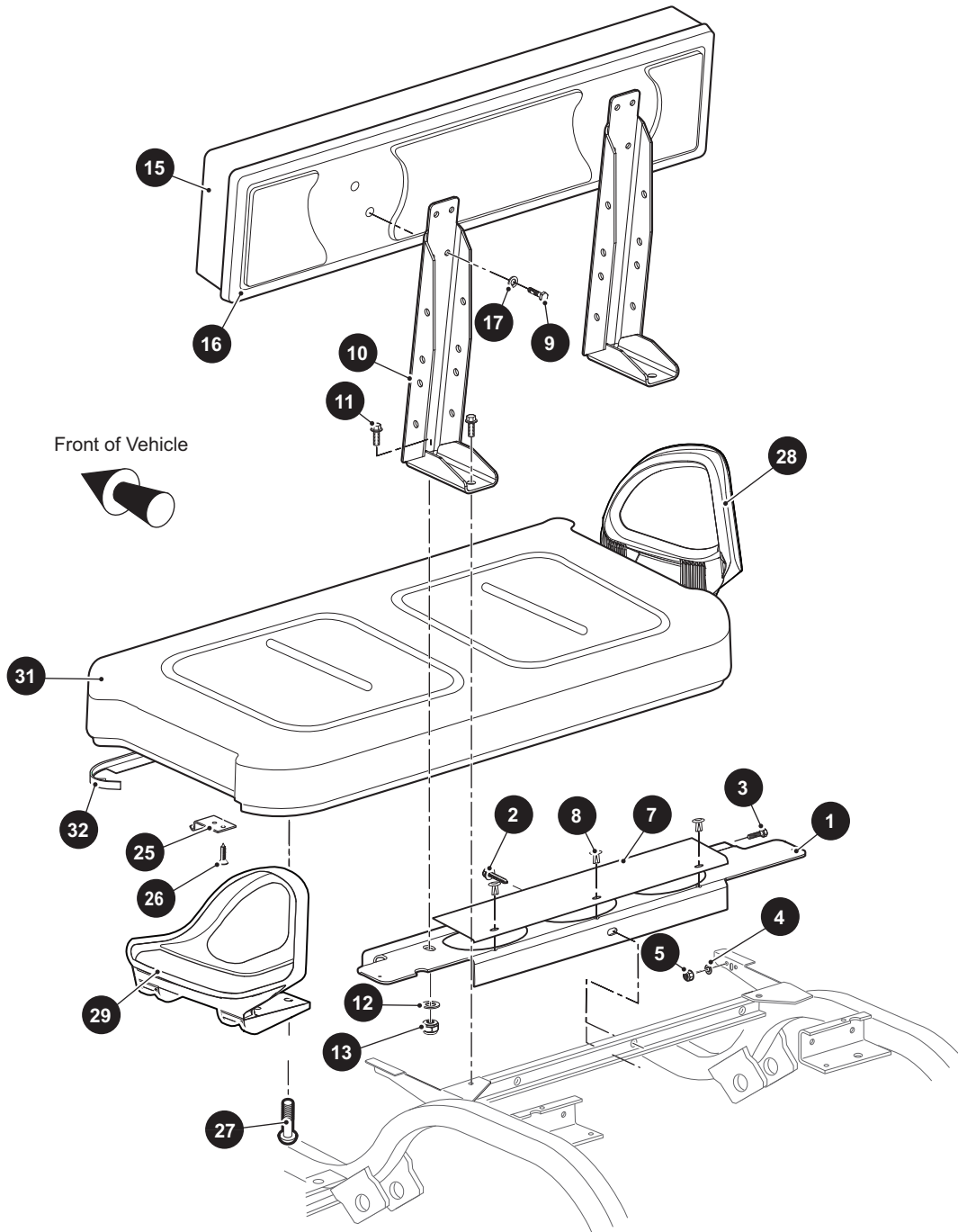
*** Indicates consult Customer Service Department for additional information.

| ITEM | PART NO. | 1 2 3 4 5 | DESCRIPTION | QTY. |
|------|----------|-----------|--|------|
| 1 | 631578 | | ROPS UPPER KIT (INCLUDES ITEMS 2 - 7) | 1 |
| 2 | 631576 | | ROPS TOP WELDMENT..... | 1 |
| 3 | 629080 | | CONNECTOR REAR (DRIVER SIDE) | 1 |
| 4 | 629079 | | CONNECTOR REAR (PASSENGER SIDE)..... | 1 |
| 5 | 629082 | | CONNECTOR FRONT (DRIVER SIDE)..... | 1 |
| 6 | 629081 | | CONNECTOR FRONT (PASSENGER SIDE) | 1 |
| 7 | 629328 | | ROPS UPPER HARDWARE KIT (INCLUDES ITEMS 8 - 9)..... | 1 |
| 8 | 630642 | | HEX HEAD BOLT, 3/8" - 16 X 2 1/2" LG | 16 |
| 9 | 630643 | | LOCK NUT, 3/8" - 16..... | 16 |
| 10 | | | | |
| 11 | | | | |
| 12 | | | | |
| 13 | | | | |
| 14 | | | | |
| 15 | 640434 | | ROPS ACCESSORY HARDWARE KIT (INCLUDES ITEMS 16 - 20) | 1 |
| 16 | 610753 | | HEX HEAD BOLT, 7/16" - 20 X 1" LG | 4 |
| 17 | 609569 | | HEX HEAD BOLT, 7/16" - 20 X 3/4" LG | 4 |
| 18 | 00734G3 | | LOCK NUT, 7/16" - 20..... | 8 |
| 19 | 612255 | | PAN HEAD TORX SCREW, 12 - 14 X 1" LG | 2 |
| 20 | 630763 | | CARRIAGE BOLT (SS), 1/4" - 20 X .75" LG | 4 |
| 21 | | | | |
| 22 | 640436 | | ROPS ACCESSORIES KIT (INCLUDES ITEMS 15, 23 - 30)..... | 1 |
| 23 | 611774 | | GRAB HANDLE | 1 |
| 24 | 612254 | | GRAB HANDLE MOUNT..... | 2 |
| 25 | 629454 | | SIDE DOOR NET (PAIR) (NOT ILLUSTRATED)..... | 1 |
| 26 | 649134 | | SEAT BELT RETRACTOR..... | 2 |
| 27 | 628577 | | HEADREST | 2 |
| 28 | 629642 | | CLAMP GUARD | 2 |
| 29 | 629666 | | HEADREST PLATE | 2 |
| 30 | 627786 | | CLAMP | 2 |

SEATING

14 SEAT BACK ASSEMBLY includes items 15 - 16

18 SEAT BOTTOM ASSEMBLY includes items 19 - 32



When ordering parts, please specify the model and serial number of the product.

* Indicates a component that is not available as an individual part.

*** Indicates consult Customer Service Department for additional information.

| ITEM | PART NO. | 1 2 3 4 5 | DESCRIPTION | QTY. |
|------|-----------|-----------|---|------|
| 1 | 71262G04 | | SEAT BACK SUPPORT | 1 |
| 2 | 00715G2 | | FLANGED HEX HEAD SCREW, 5/16 - 18 X 13/16" LG | 1 |
| 3 | 00438G8 | | HEX HEAD CAP SCREW, 5/16 - 18 X 3/4" LG | 2 |
| 4 | 00642G8 | | FLAT WASHER, 5/16" | 2 |
| 5 | 11098G6 | | LOCK NUT, 5/16 - 18 | 2 |
| 6 | | | | |
| 7 | 71263G01 | | ACCESS COVER..... | 1 |
| 8 | 18436G1 | | DRIVE RIVET..... | 3 |
| 9 | 605056 | | HEX HEAD BOLT W/PATCHLOC, 1/4 - 20 X 1" | 4 |
| 10 | 652243G03 | | SEAT BACK SUPPORT BRACKET | 2 |
| 11 | 00427G2 | | HEX HEAD SCREW, 3/8 - 16 X 1 1/4" LG..... | 4 |
| 12 | 00560G1 | | FLAT WASHER, 3/8" | 2 |
| 13 | 11098G5 | | LOCK NUT, 3/8 - 16 | 2 |
| 14 | 71274G** | | SEAT BACK ASSEMBLY | |
| | | | 71274G01 WHITE | |
| | | | 71274G02 BLACK | |
| | | | 71274G03 TAN | |
| | | | 71274G04 GRAY | |
| | | | 71274G05 OYSTER | |
| | | | 71274G07 BROWN | |
| 15 | 18144G* | | BACK REST COVER..... | 1 |
| | | | 18144G2 WHITE | |
| | | | 18144G3 BLACK | |
| | | | 18144G4 TAN | |
| | | | 18144G5 GRAY | |
| | | | 18144G6 OYSTER | |
| | | | 18144G8 BROWN | |
| 16 | 74889G01 | | SEAT BACK COVER | 1 |
| 17 | 00664G7 | | LOCK WASHER (SS), 1/4" | 4 |
| 18 | 629269G** | | SEAT BOTTOM ASSEMBLY..... | 1 |
| | | | 629269G0105 WHITE | |
| | | | 629269G0104 GRAY | |
| | | | 629269G0101 OYSTER | |
| | | | 629269G0103 TAN | |
| | | | 629269G0107 BROWN | |
| | | | 629269G0106 BLACK | |
| 19 | 71602G** | | VINYL SEAT BOTTOM | 1 |
| | | | 71602G01 WHITE | |
| | | | 71602G02 GRAY | |

SEATING

When ordering parts, please specify the model and serial number of the product.

* Indicates a component that is not available as an individual part.

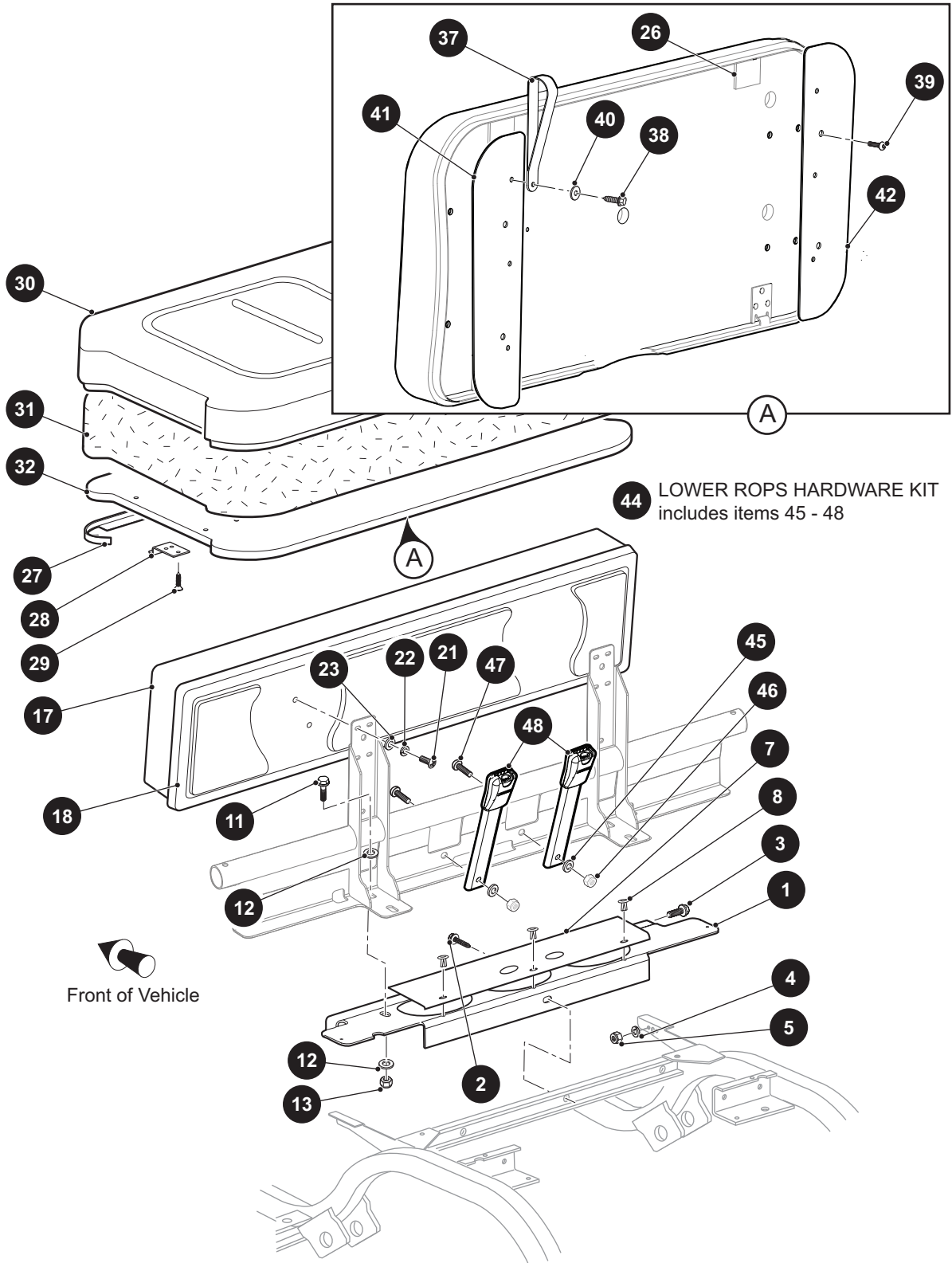
*** Indicates consult Customer Service Department for additional information.

| ITEM | PART NO. | 1 | 2 | 3 | 4 | 5 | DESCRIPTION | QTY. |
|------|----------|---|---|---|---|---|--|------|
| 20 | | | | | | | 71602G03 OYSTER | |
| 21 | | | | | | | 71602G04 TAN | |
| 22 | | | | | | | 71602G07 BROWN | |
| 23 | | | | | | | 71602G06 BLACK | |
| 24 | | | | | | | | |
| 25 | 71610G01 | | | | | | SEAT HINGE..... | 2 |
| 26 | 00720G08 | | | | | | PHILLIPS HEAD SCREW, #12 - 14 X 1" LG. | 6 |
| 27 | 615417 | | | | | | BUTTON HEAD TORX BOLT, M10 - 1.5 X 25MM LG | 1 |
| 28 | 617644 | | | | | | HIP RESTRAINT (PASSENGER SIDE)..... | 1 |
| 29 | 617645 | | | | | | HIP RESTRAINT (DRIVER SIDE) | 1 |
| 30 | | | | | | | | |
| 31 | | | | | | | | |
| 32 | 71012G01 | | | | | | VINYL TRIM (SEAT BOTTOM) | 1 |

SEATING

16 SEAT BACK ASSEMBLY (BLACK) includes items 17, 18

25 SEAT BOTTOM ASSEMBLY (BLACK) includes items 26 - 34



When ordering parts, please specify the model and serial number of the product.

* Indicates a component that is not available as an individual part.

*** Indicates consult Customer Service Department for additional information.

| ITEM | PART NO. | 1 2 3 4 5 | DESCRIPTION | QTY. |
|------|-------------|-----------|--|------|
| 1 | 71262G04 | | SEAT BACK SUPPORT | 1 |
| 2 | 00715G2 | | FLANGED HEX HEAD BOLT, 5/16" - 18 X .8" LG | 1 |
| 3 | 00438G8 | | HEX HEAD BOLT, 5/16" - 18 X 1" LG | 2 |
| 4 | 00642G8 | | LOCK WASHER, 5/16" | 2 |
| 5 | 11098G6 | | LOCK NUT, 5/16" - 18..... | 2 |
| 6 | | | | |
| 7 | 71263G01 | | ACCESS COVER..... | 1 |
| 8 | 18436G1 | | DRIVE RIVET..... | 3 |
| 9 | | | | |
| 10 | | | | |
| 11 | 00427G2 | | FLANGED HEX HEAD BOLT, 3/8" - 16 X 1 1/4" LG | 4 |
| 12 | 00571G2 | | LOCK WASHER, 5/16" | 8 |
| 13 | 11098G5 | | LOCK NUT, 3/8" - 16..... | 4 |
| 14 | | | | |
| 15 | | | | |
| 16 | 71274G02 | | SEAT BACK ASSEMBLY (BLACK) (INCLUDES ITEMS 17, 18)..... | 1 |
| 17 | 18144G3 | | VINYL COVER..... | 1 |
| 18 | 74889G01 | | SEAT BACK COVER (PLASTIC) | 1 |
| 19 | | | | |
| 20 | | | | |
| 21 | 16705G1 | | HEX HEAD BOLT (WITH PATCH LOCK), 1/4" - 20 X 1" LG..... | 4 |
| 22 | 01110G01 | | FLAT WASHER (SS), 1/4"..... | 4 |
| 23 | 00664G7 | | LOCK WASHER (SS), 1/4" | 4 |
| 24 | | | | |
| 25 | 629269G1306 | | SEAT BOTTOM ASSEMBLY (BLACK) (INCLUDES ITEMS 26 - 34)..... | 1 |
| 26 | 17074G1 | | SOILING SLAB (NOT ILLUSTRATED)..... | 2 |
| 27 | 71012G01 | | VINYL TRIM (SEAT BOTTOM)..... | 1 |
| 28 | 71610G01 | | SEAT HINGE | 1 |
| 29 | 00720G08 | | FLAT HEAD PHILLIPS SCREW, #12 - 14 X 1" LG..... | 3 |
| 30 | 615169 | | VINYL SEAT BOTTOM COVER (BLACK)..... | 1 |
| 31 | 605503 | | SEAT BOTTOM PADDING (FOAM) | 1 |

SEATING

When ordering parts, please specify the model and serial number of the product.

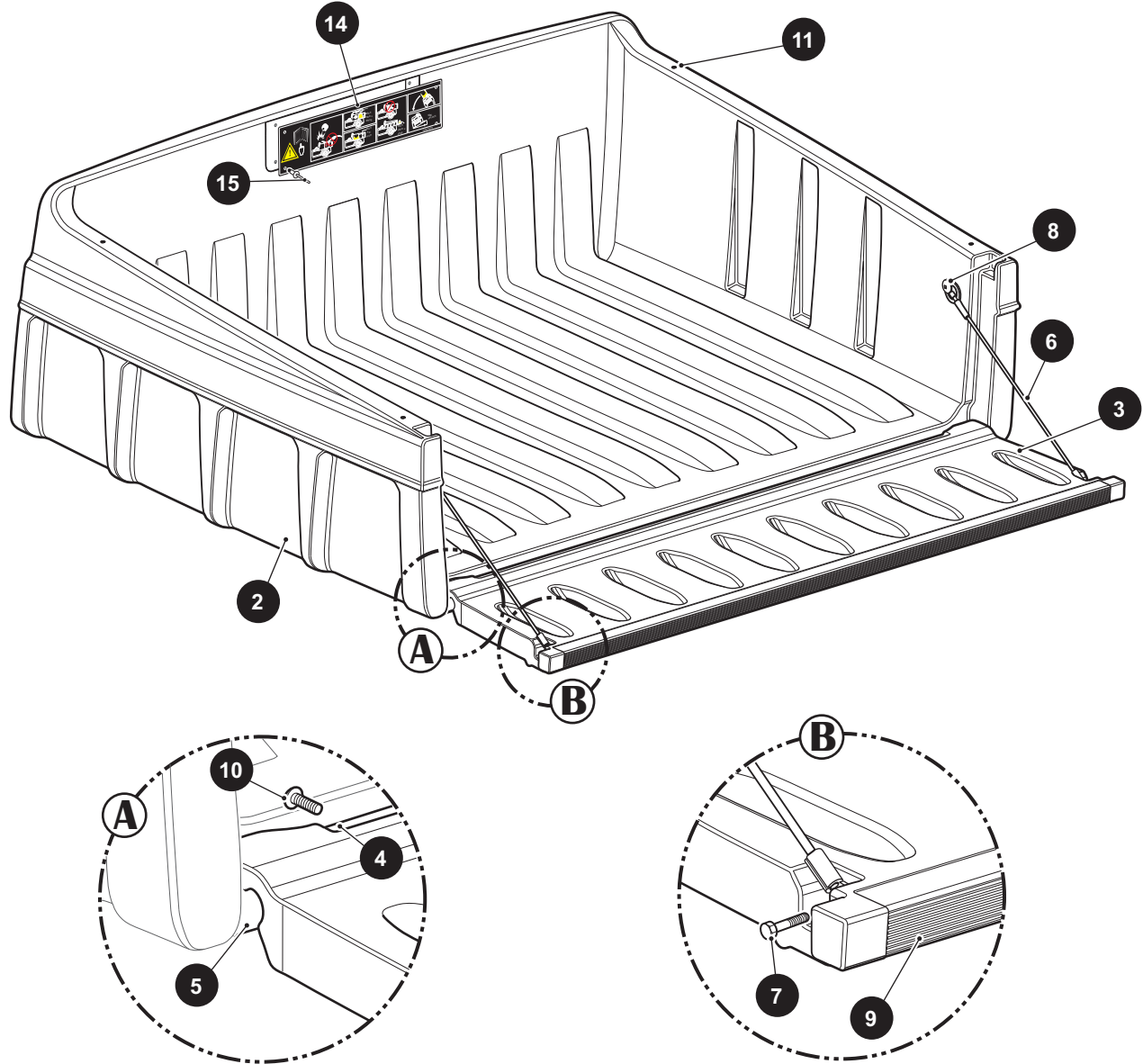
* Indicates a component that is not available as an individual part.

*** Indicates consult Customer Service Department for additional information.

| ITEM | PART NO. | 1 | 2 | 3 | 4 | 5 | DESCRIPTION | QTY. |
|------|-----------|---|---|---|---|---|--|------|
| 32 | 645492 | | | | | | SEAT BOTTOM..... | 1 |
| 33 | 23222G1 | | | | | | FLAT STAPLE, 3/8" (NOT ILLUSTRATED)..... | AR |
| 34 | 23223G1 | | | | | | FLAT STAPLE (NOT ILLUSTRATED) | AR |
| 35 | | | | | | | | |
| 36 | | | | | | | | |
| 37 | 617402 | | | | | | SEAT STRAP..... | 1 |
| 38 | 71398G01 | | | | | | FLANGED HEX HEAD SCREW, 1/4" - 20 X 1 1/4" LG | 1 |
| 39 | 615417 | | | | | | BUTTON HEAD TORX BOLT, M10 - 1.5 X 25MM LG | 4 |
| 40 | 16469G1 | | | | | | FENDER WASHER, 1/4" | 1 |
| 41 | 640674G01 | | | | | | SEAT SIDE COVER (DRIVER SIDE)..... | 1 |
| 42 | 640674G02 | | | | | | SEAT SIDE COVER (PASSENGER SIDE) | 1 |
| 43 | | | | | | | | |
| 44 | 642823 | | | | | | LOWER ROPS HARDWARE KIT (INCLUDES ITEMS 45 - 48) | 1 |
| 45 | 00560G3 | | | | | | FLAT WASHER, 1/2"..... | 2 |
| 46 | 00734G3 | | | | | | LOCK NUT, 7/16" - 20..... | 2 |
| 47 | 635630 | | | | | | BUTTON HEAD TORX BOLT, 7/16" - 20 X 1 1/4" LG..... | 2 |
| 48 | 631973 | | | | | | BUCKLE AND BRACKET ASSEMBLY..... | 2 |

TRUCK BED - MANUAL LIFT

1 PLASTIC BED ASSEMBLY includes items 2 - 11



TRUCK BED - MANUAL LIFT

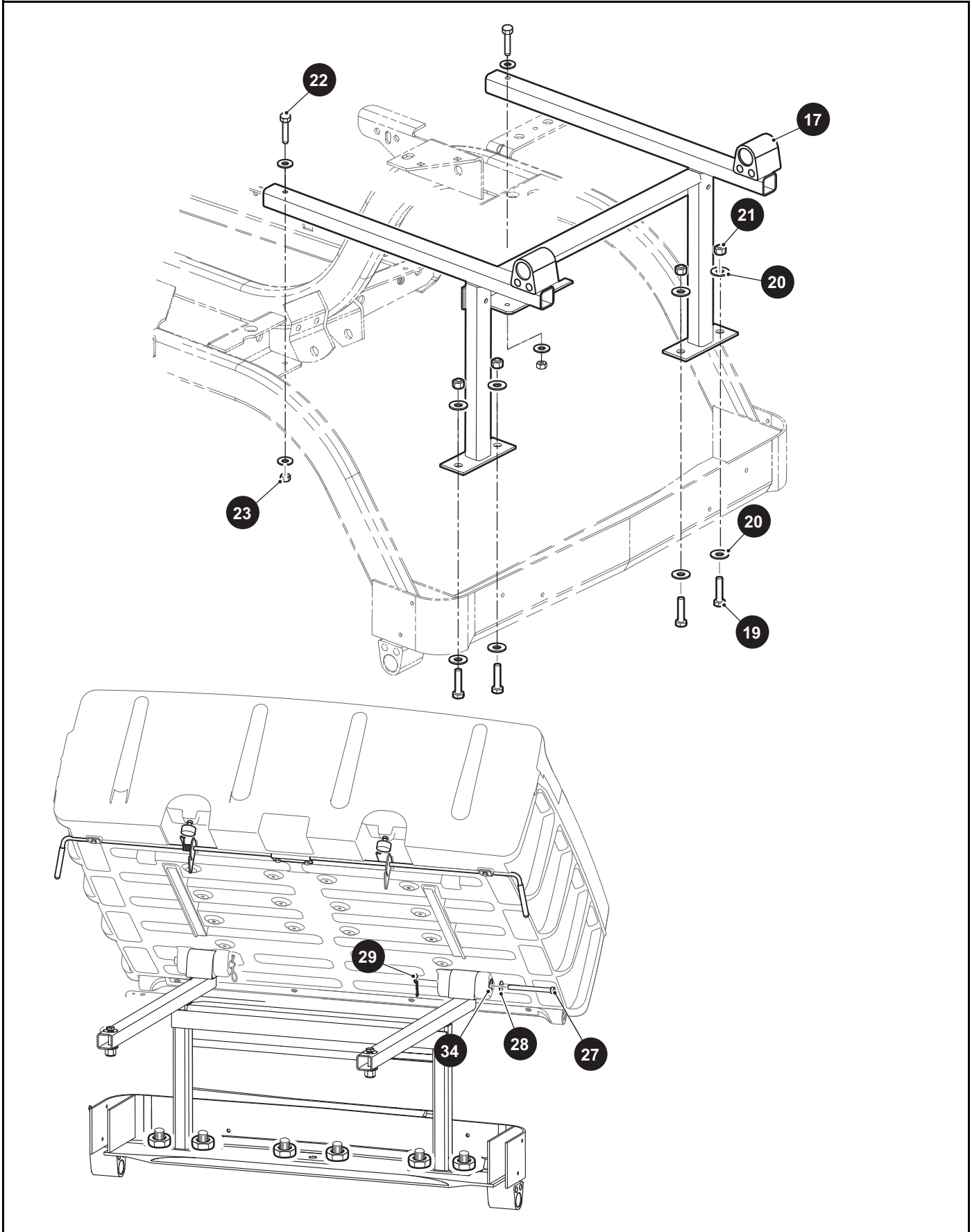
When ordering parts, please specify the model and serial number of the product.

* Indicates a component that is not available as an individual part.

*** Indicates consult Customer Service Department for additional information.

| ITEM | PART NO. | 1 2 3 4 5 | DESCRIPTION | QTY. |
|------|----------|-----------|--|------|
| 1 | 72647G01 | | PLASTIC BED ASSEMBLY (INCLUDES ITEMS 2 - 11) | 1 |
| 2 | 72648G01 | | PLASTIC BED, 36" | 1 |
| 3 | 72649G01 | | TAILGATE 36", PLASTIC | 1 |
| 4 | 73450G01 | | BOWED ANGLE | 1 |
| 5 | 73454G01 | | PIVOT SHAFT | 2 |
| 6 | 73455G02 | | TAILGATE CABLE ASSEMBLY | 2 |
| 7 | 00415G2 | | HEX HEAD BOLT, 1/4" - 20 X 1 1/4" LG..... | 2 |
| 8 | 73460G01 | | SHOULDER BOLT, 1/4" - 20 X .75" LG | 2 |
| 9 | 73449G01 | | TAILGATE CAP | 1 |
| 10 | 16705G2 | | PAN HEAD SCREW, 1/4" - 2 X 5/8" LG | 4 |
| 11 | 16816G5 | | RACHET FASTENER..... | 4 |
| 12 | | | | |
| 13 | | | | |
| 14 | 74821G06 | | BED CAPACITY LABEL (400 LB) | 1 |
| 15 | 71055G01 | | RIVET, 3/16"..... | 5 |
| 16 | | | | |

TRUCK BED - MANUAL LIFT



TRUCK BED - MANUAL LIFT

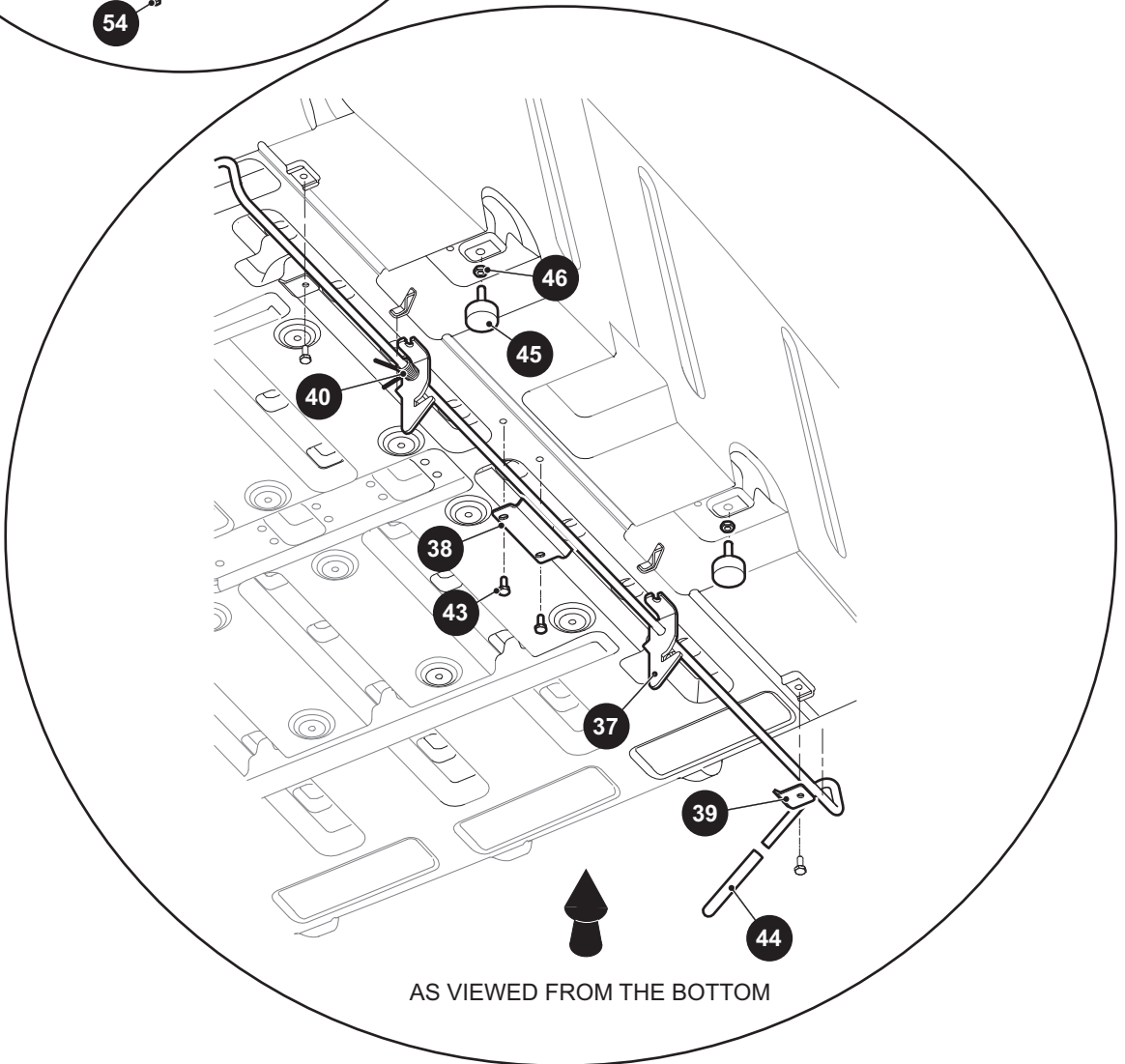
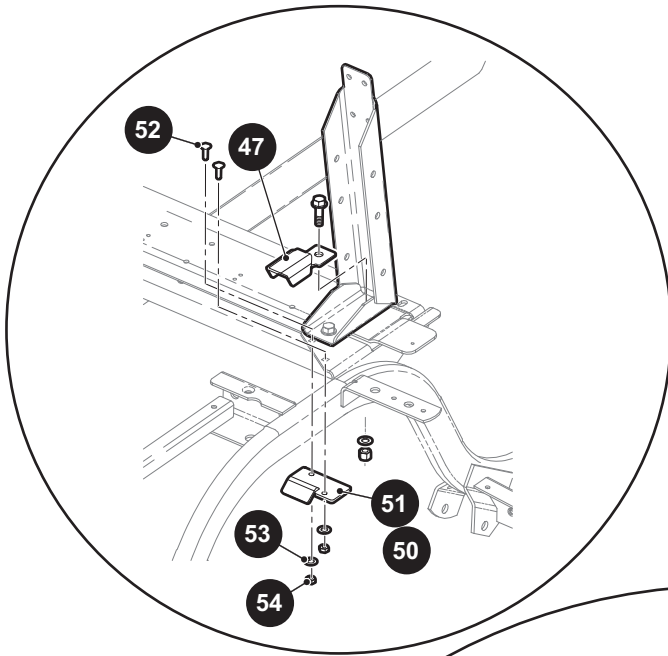
When ordering parts, please specify the model and serial number of the product.

* Indicates a component that is not available as an individual part.

*** Indicates consult Customer Service Department for additional information.

| ITEM | PART NO. | 1 2 3 4 5 | DESCRIPTION | QTY. |
|------|----------|-----------|---|------|
| 17 | 76423G01 | | BED FRAME | 1 |
| 18 | | | | |
| 19 | 00439G2 | | HEX HEAD BOLT, 5/16" - 18 X 1 1/4" LG | 4 |
| 20 | 00642G8 | | FLAT WASHER, 5/16" | 8 |
| 21 | 11098G6 | | LOCK NUT, 5/16" - 18 | 2 |
| 22 | 00415G6 | | HEX HEAD BOLT, 1/4" - 20 X 1 1/4" LG | 2 |
| 23 | 14390G4 | | LOCK NUT, 1/4" - 20 | 2 |
| 24 | | | | |
| 25 | | | | |
| 26 | | | | |
| 27 | 71571G01 | | CLEVIS PIN, .50 DIA X 5.28" LG | 2 |
| 28 | 00571G5 | | FLAT WASHER, 1/2" | 2 |
| 29 | 21683G1 | | COTTER PIN, 15/32" X 2 13/16" LG | 2 |
| 30 | | | | |
| 31 | | | | |
| 32 | | | | |
| 33 | | | | |
| 34 | 624030 | | FLANGED BUSHING | 4 |
| 35 | | | | |
| 36 | | | | |

TRUCK BED - MANUAL LIFT



TRUCK BED - MANUAL LIFT

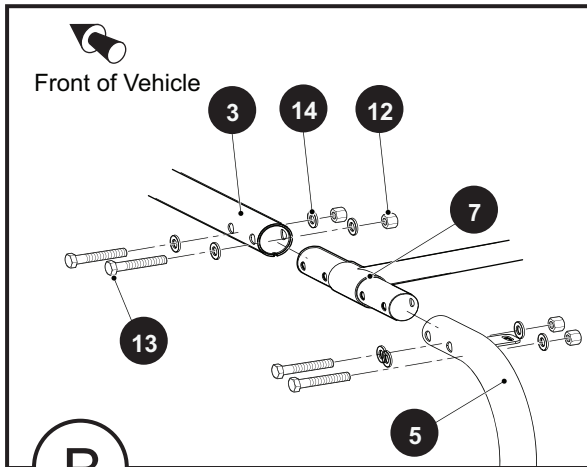
When ordering parts, please specify the model and serial number of the product.

* Indicates a component that is not available as an individual part.

*** Indicates consult Customer Service Department for additional information.

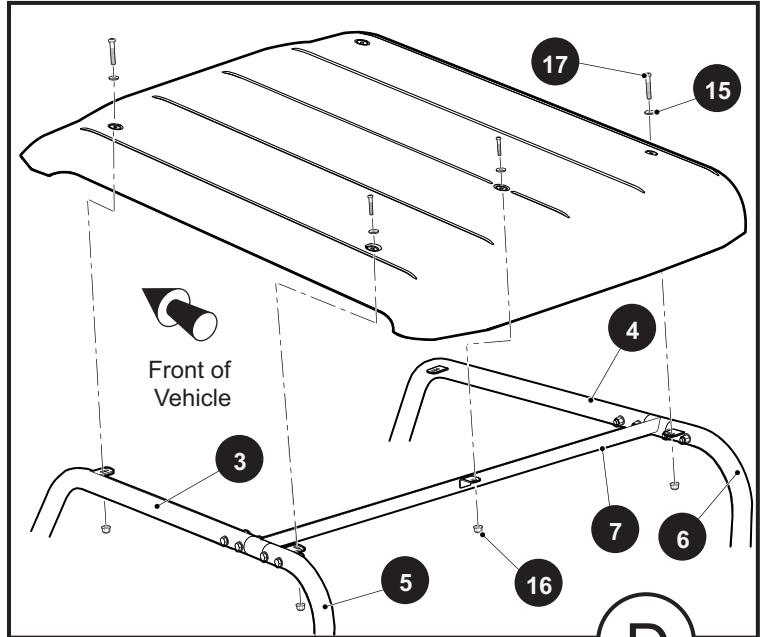
| ITEM | PART NO. | 1 2 3 4 5 | DESCRIPTION | QTY. |
|------|-----------|-----------|---|------|
| 37 | 74962G01 | | BED LATCH | 1 |
| 38 | 652440G03 | | BRACKET | 1 |
| 39 | 652442G03 | | LATCH PLATE | 2 |
| 40 | 71538G01 | | TORSION SPRING | 1 |
| 41 | | | | |
| 42 | | | | |
| 43 | 01118G01 | | HEX HEAD BOLT, 1/4" - 2 X 5/8" LG | 4 |
| 44 | 71704G01 | | HANDLE GRIP | 2 |
| 45 | 70113G01 | | BUMPER..... | 2 |
| 46 | 11027G1 | | LOCK NUT, 5/16" - 18..... | 2 |
| 47 | 652444G03 | | BUMPER BRACKET | 2 |
| 48 | | | | |
| 49 | | | | |
| 50 | 602977 | | LATCH PLATE (DRIVER SIDE) | 1 |
| 51 | 602978 | | LATCH PLATE (PASSENGER SIDE)..... | 1 |
| 52 | 01014G03 | | CARRIAGE BOLT, 1/4" - 20 X 3/4" LG..... | 4 |
| 53 | 00559G7 | | FLAT WASHER, 1/4" | 4 |
| 54 | 14390G4 | | LOCK NUT, 1/4" - 20..... | 4 |

WEATHER PROTECTION



B

2 CANOPY STRUTS KIT includes items 3 - 8

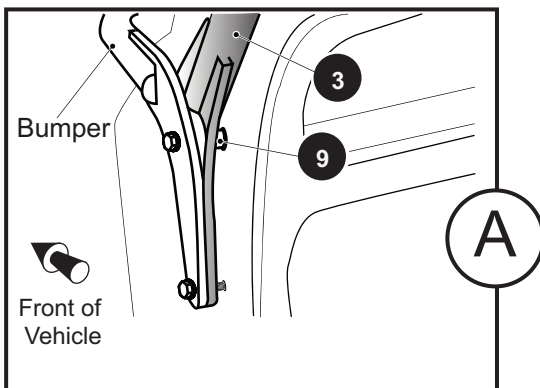
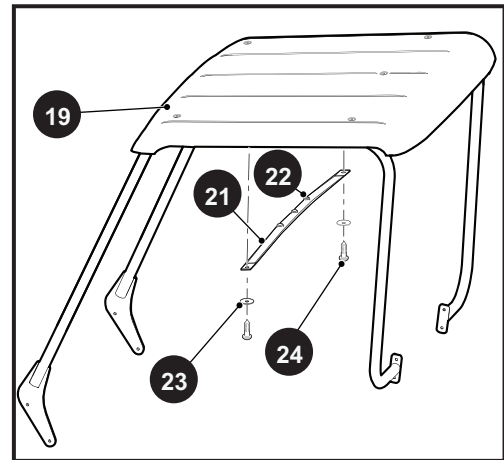
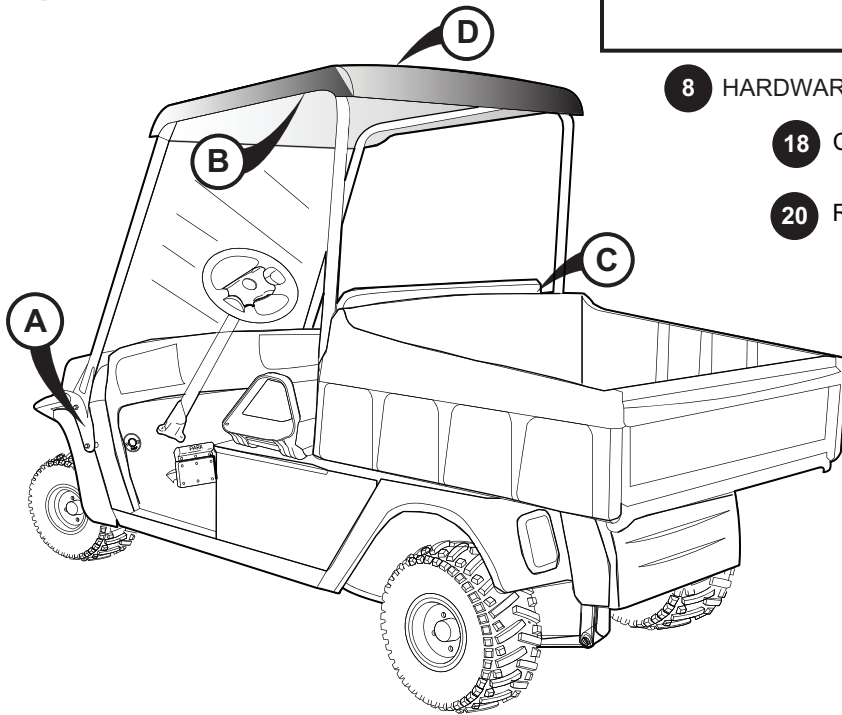


D

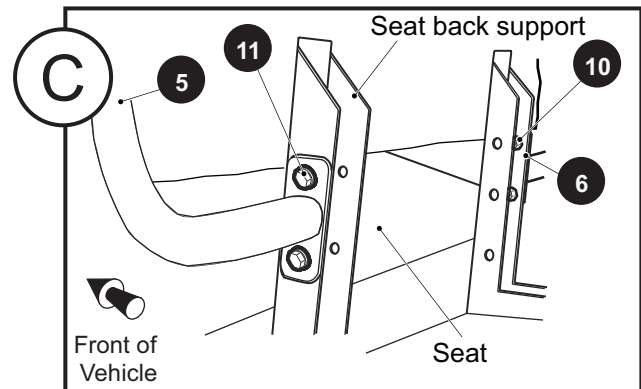
8 HARDWARE KIT includes items 9 - 17

18 CANOPY ASSEMBLY, REINFORCED (BLACK) includes items 19 - 24

20 REINFORCEMENT BAR ASSEMBLY includes items 21 - 22

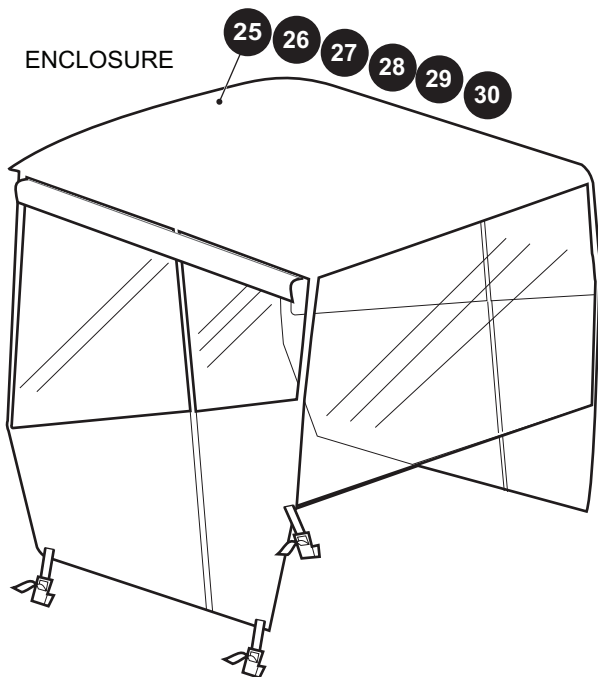


A



C

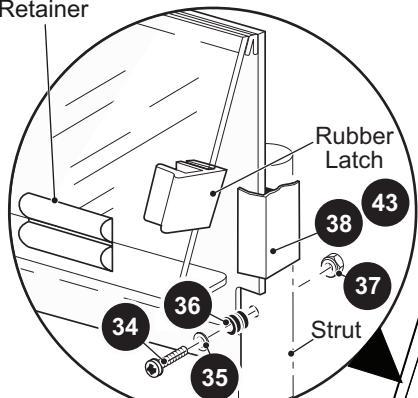
ENCLOSURE



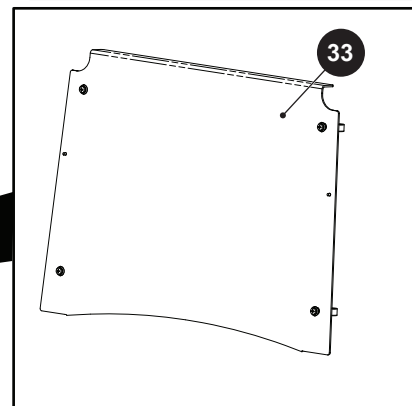
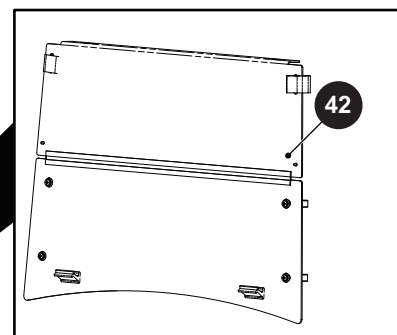
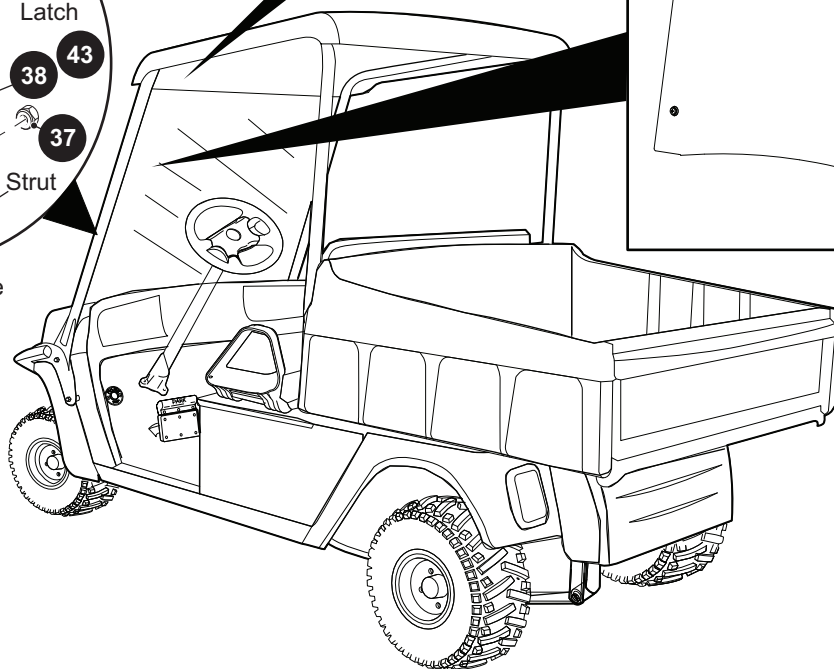
32 WINDSHIELD KIT, FULL includes items 33 - 38

41 WINDSHIELD KIT, SPLIT includes items 34 - 37, 42, 43

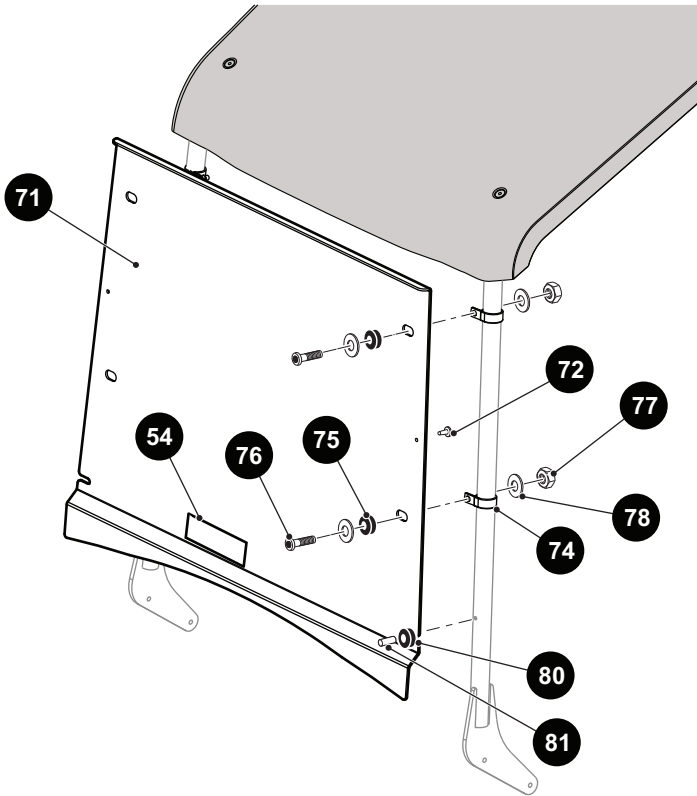
Windshield Retainer



Front of Vehicle

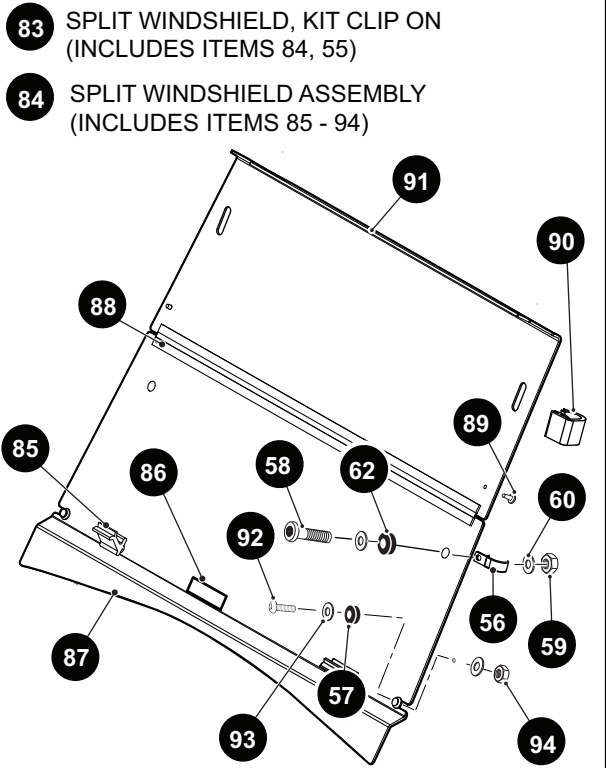


WEATHER PROTECTION

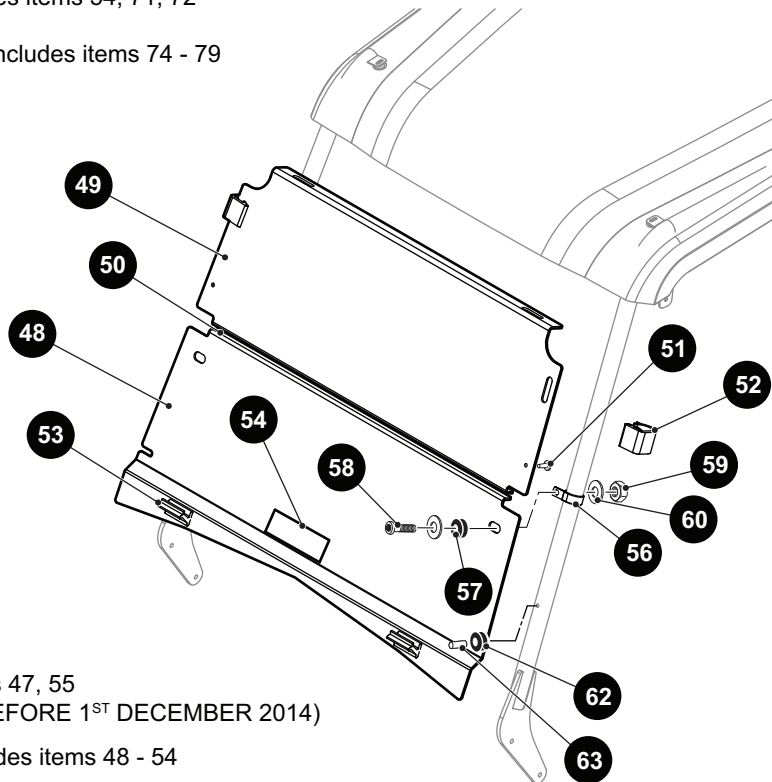


- 69 FULL WINDSHIELD KIT includes items 70, 73
- 70 FULL WINDSHIELD ASSEMBLY includes items 54, 71, 72
- 73 FULL WINDSHIELD HARDWARE KIT includes items 74 - 79

FOR VEHICLES MANUFACTURED FROM
1ST DECEMBER 2014



- 83 SPLIT WINDSHIELD, KIT CLIP ON
(INCLUDES ITEMS 84, 55)
- 84 SPLIT WINDSHIELD ASSEMBLY
(INCLUDES ITEMS 85 - 94)



- 46 SPLIT WINDSHIELD KIT includes items 47, 55
(FOR VEHICLES MANUFACTURED BEFORE 1ST DECEMBER 2014)
- 47 SPLIT WINDSHIELD ASSEMBLY includes items 48 - 54
- 55 SPLIT WINDSHIELD HARDWARE KIT includes items 56 - 61, 92 - 94

WEATHER PROTECTION

When ordering parts, please specify the model and serial number of the product.

* Indicates a component that is not available as an individual part.

*** Indicates consult Customer Service Department for additional information.

| ITEM | PART NO. | 1 2 3 4 5 | DESCRIPTION | QTY. |
|------|-----------|-----------|---|------|
| 1 | | | | |
| 2 | 638362 | | CANOPY STRUTS KIT (INCLUDES ITEMS 3 - 8) | 1 |
| 3 | 638092G01 | | CANOPY SUPPORT (DRIVER SIDE FRONT) | 1 |
| 4 | 638092G02 | | CANOPY SUPPORT (PASSENGER SIDE FRONT) | 1 |
| 5 | 626084 | | CANOPY SUPPORT (DRIVER SIDE REAR) | 1 |
| 6 | 626085 | | CANOPY SUPPORT (PASSENGER SIDE REAR) | 1 |
| 7 | 617641 | | CANOPY SUPPORT, CROSS TUBE | 1 |
| 8 | 624119 | | HARDWARE KIT (INCLUDES ITEMS 9 - 16) | 1 |
| 9 | 619586 | | SPACER, 3/4" | 2 |
| 10 | 11098G6 | | LOCK NUT, 5/16" -18 | 4 |
| 11 | 00438G7 | | HEX HEAD BOLT, 5/16" - 18 X 7/8" LG | 4 |
| 12 | 11098G5 | | LOCK NUT, 3/8" - 16 | 8 |
| 13 | 00428G2 | | HEX HEAD BOLT, 3/8" -16 X 2 1/4" LG | 8 |
| 14 | 00560G1 | | FLAT WASHER, 3/8" | 16 |
| 15 | 00915G1 | | BONDED SEAL WASHER, #14 | 5 |
| 16 | 601476 | | LOCK NUT, M6 - 1 | 5 |
| 17 | * | | TORX BOLT, M6 - 1 X 40MM LG | 5 |
| 18 | 651139 | | CANOPY ASSEMBLY, REINFORCED (BLACK) (INCLUDES ITEMS 19 - 24) | 1 |
| 19 | 639044 | | CANOPY (BLACK) | 1 |
| 20 | 651138 | | REINFORCEMENT BAR ASSEMBLY (INCLUDES ITEMS 21 - 22) | 1 |
| 21 | 639438 | | REINFORCEMENT BAR | 1 |
| 22 | 820951 | | BUMPER | 3 |
| 23 | 00559G4 | | FLAT WASHER, O.D .45" X I.D .19" | 2 |
| 24 | 608290 | | PHILLIPS HEAD SELF TAPPING SCREW, #10 - 16 X .72" LG | 2 |
| 25 | 624829 | | TOP ENCLOSURE (BLACK) | 1 |
| 26 | 624830 | | TOP ENCLOSURE (GRAY) | 1 |
| 27 | 624831 | | TOP ENCLOSURE (GREEN) | 1 |
| 28 | 624832 | | TOP ENCLOSURE (WHITE) | 1 |
| 29 | 624833 | | TOP ENCLOSURE (TAN) | 1 |
| 30 | * | | VELCRO | AR |

WEATHER PROTECTION

When ordering parts, please specify the model and serial number of the product.

* Indicates a component that is not available as an individual part.

*** Indicates consult Customer Service Department for additional information.

| ITEM | PART NO. | 1 2 3 4 5 | DESCRIPTION | QTY. |
|------|----------|-----------|---|------|
| 31 | | | | |
| 32 | 71966G03 | | FULL WINDSHIELD KIT (INCLUDES ITEMS 33 - 38) | 1 |
| 33 | 71960G01 | | FULL WINDSHIELD | 1 |
| 34 | * | | HEX HEAD BOLT, 1/4" - 20 X 1 3/4" LG | 2 |
| 35 | * | | FLAT WASHER (SS), 1/4" | 2 |
| 36 | * | | RUBBER GROMMET | 2 |
| 37 | * | | LOCK NUT (SS), 1/4" - 20 | 2 |
| 38 | 615662 | | SASH, 26" LG | 2 |
| 39 | | | | |
| 40 | | | | |
| 41 | 71966G04 | | SPLIT WINDSHIELD KIT (INCLUDES ITEMS 34 - 37, 42, 43)..... | 1 |
| 42 | 617544 | | SPORT WINDSHIELD | 1 |
| 43 | 615661 | | SASH, 12" LG. | 2 |
| 44 | | | | |
| 45 | | | | |
| 46 | 625932 | | SPLIT WINDSHIELD KIT, CLIP - ON (INCLUDES ITEMS 47, 55) (FOR VEHICLES MANUFACTURED BEFORE 1ST DECEMBER 2014) | 1 |
| 47 | * | | SPLIT WINDSHIELD ASSEMBLY (INCLUDES ITEMS 48 - 54)..... | 1 |
| 48 | * | | WINDSHIELD LOWER | 1 |
| 49 | * | | WINDSHIELD UPPER..... | 1 |
| 50 | * | | HINGE | 1 |
| 51 | * | | GROMMET | 2 |
| 52 | * | | UPPER LATCH..... | 2 |
| 53 | * | | LOWER LATCH..... | 2 |
| 54 | * | | WARNING DECAL..... | 1 |
| 55 | 625928 | | HARDWARE KIT, SPLIT WINDSHIELD (INCLUDES ITEMS 56 - 61, 92 - 94) | 1 |
| 56 | * | | TUBE CLAMP, 1.5" DIA..... | 2 |
| 57 | * | | FASTENER GROMMET | 2 |
| 58 | * | | PAN HEAD BOLT, 3/8" - 16 X 1 1/2" LG..... | 2 |
| 59 | * | | LOCK NUT, 3/8" - 16 | 2 |
| 60 | 306981 | | FLAT WASHER, 3/8" | 4 |

WEATHER PROTECTION

When ordering parts, please specify the model and serial number of the product.

* Indicates a component that is not available as an individual part.

*** Indicates consult Customer Service Department for additional information.

| ITEM | PART NO. | 1 | 2 | 3 | 4 | 5 | DESCRIPTION | QTY. |
|------|----------|---|---|---|---|---|---|------|
| 61 | * | | | | | | GROMMET ASSEMBLY, 1/4" (INCLUDES ITEMS 62, 63) | 2 |
| 62 | * | | | | | | GROMMET, 1/4" | 1 |
| 63 | * | | | | | | SLEEVE, 1/4" | 1 |
| 64 | | | | | | | | |
| 65 | | | | | | | | |
| 66 | | | | | | | | |
| 67 | | | | | | | | |
| 68 | | | | | | | | |
| 69 | 625931 | | | | | | FULL WINDSHIELD KIT, CLIP - ON (INCLUDES ITEMS 70, 73)..... | 1 |
| 70 | * | | | | | | FULL WINDSHIELD ASSEMBLY (INCLUDES ITEMS 54, 71, 72) | 1 |
| 71 | * | | | | | | FULL WINDSHIELD | 1 |
| 72 | * | | | | | | GROMMET | 2 |
| 73 | * | | | | | | HARDWARE KIT, FULL WINDSHIELD (INCLUDES ITEMS 74 - 79)..... | 1 |
| 74 | * | | | | | | TUBE CLAMP, 1.5" DIA..... | 4 |
| 75 | * | | | | | | FASTENER GROMMET | 4 |
| 76 | * | | | | | | PAN HEAD BOLT, 3/8" - 16 X 1 1/2" LG | 4 |
| 77 | * | | | | | | LOCK NUT, 3/8" - 16 | 4 |
| 78 | * | | | | | | FLAT WASHER, 3/8" | 8 |
| 79 | * | | | | | | GROMMET ASSEMBLY, 1/4" (INCLUDES ITEMS 80, 81) | 2 |
| 80 | * | | | | | | GROMMET, 1/4" | 1 |
| 81 | * | | | | | | SLEEVE, 1/4" | 1 |
| 82 | | | | | | | | |
| 83 | 638372 | | | | | | SPLIT WINDSHIELD KIT, CLIP ON (INCLUDES ITEMS 84, 85) (FOR VEHICLES MANUFACTURED FROM 1ST DECEMBER 2014) | 1 |
| 84 | 638120 | | | | | | SPLIT WINDSHIELD ASSEMBLY (INCLUDES ITEMS 85 - 94) | 1 |
| 85 | 603201 | | | | | | LOWER WINDSHIELD LATCH | 2 |
| 86 | 71963G01 | | | | | | DECAL | 1 |
| 87 | 638054 | | | | | | LOWER SPLIT WINDSHIELD | 1 |
| 88 | 638070 | | | | | | HINGE | 1 |
| 89 | 604115 | | | | | | GROMMET | 2 |
| 90 | 619621 | | | | | | UPPER WINDSHIELD LATCH..... | 2 |

WEATHER PROTECTION

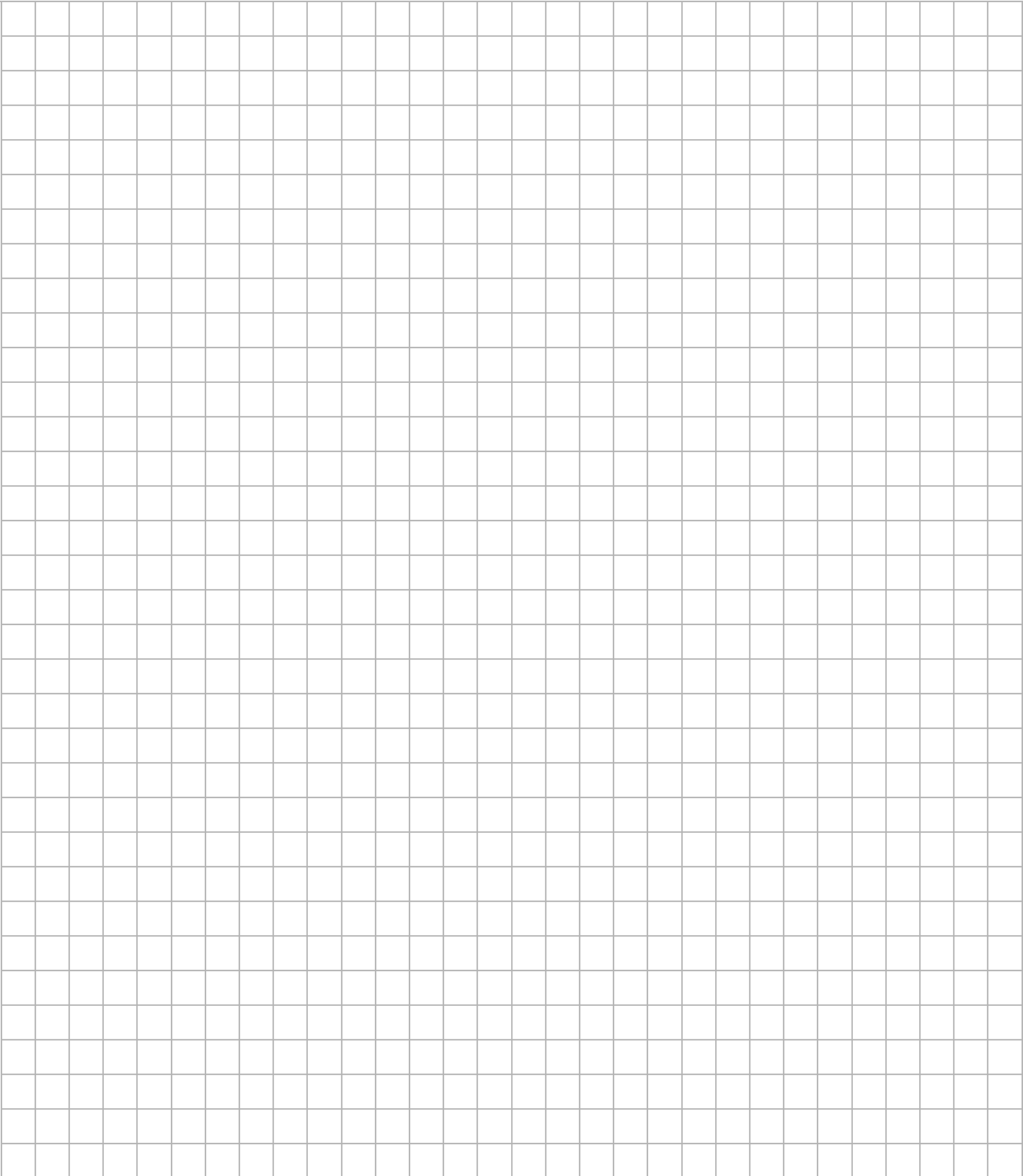
When ordering parts, please specify the model and serial number of the product.

* Indicates a component that is not available as an individual part.

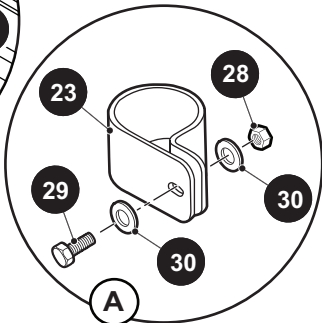
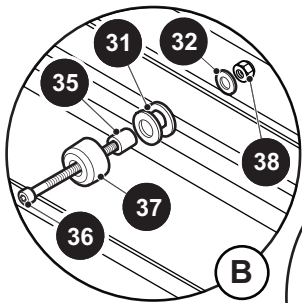
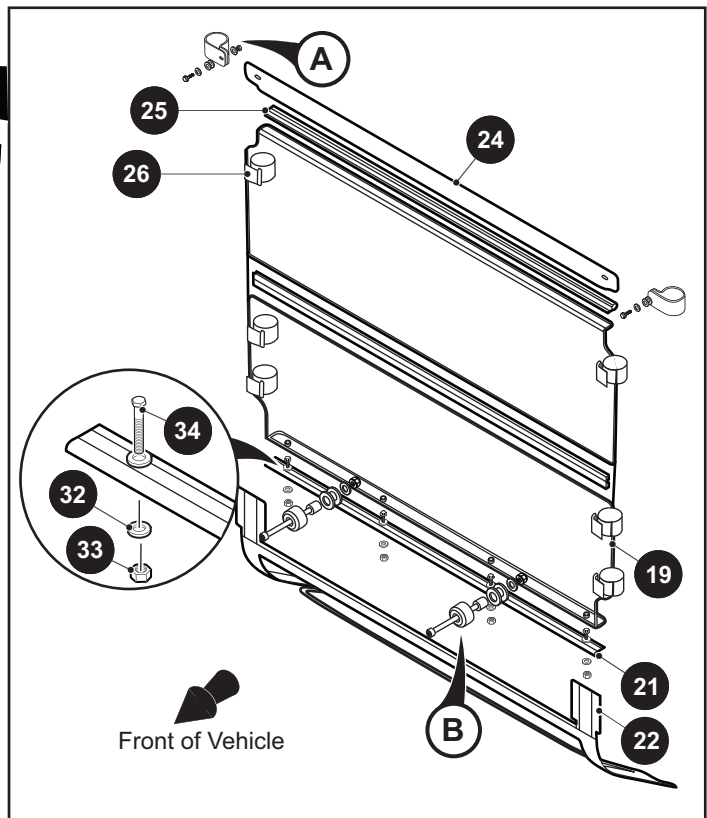
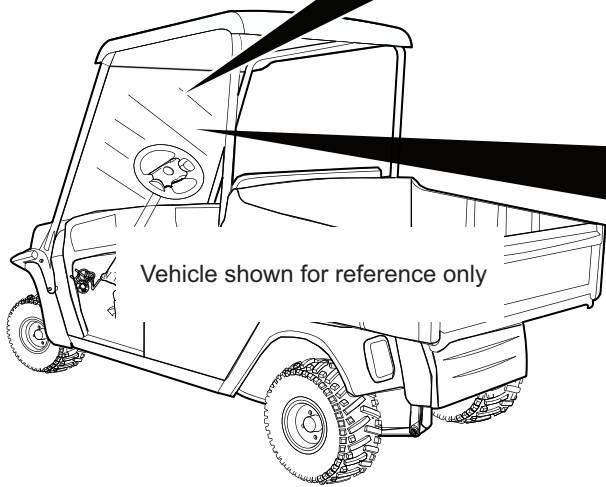
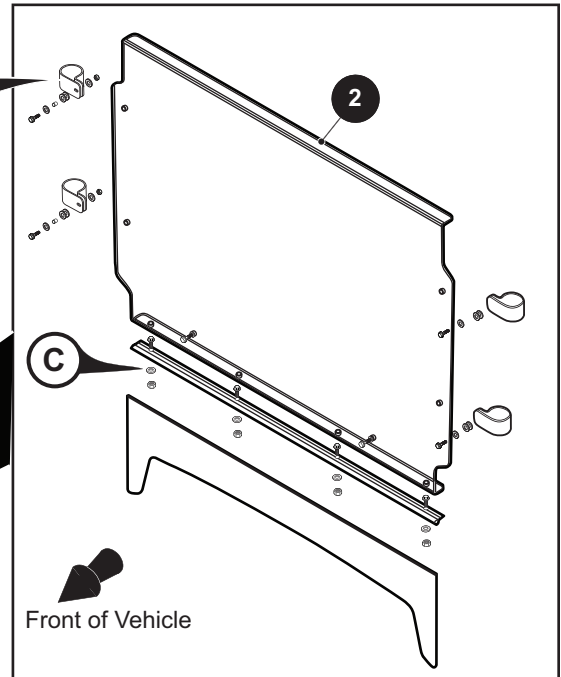
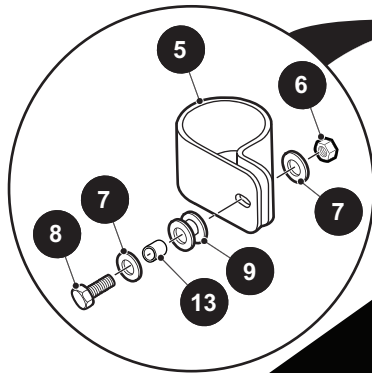
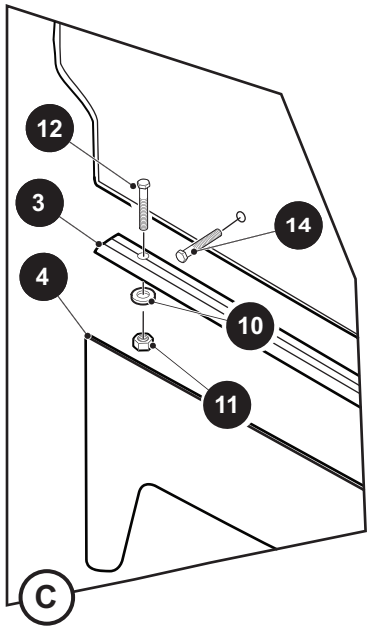
*** Indicates consult Customer Service Department for additional information.

| ITEM | PART NO. | 1 | 2 | 3 | 4 | 5 | DESCRIPTION | QTY. |
|------|----------|---|---|---|---|---|--|------|
| 91 | 638053 | | | | | | UPPER SPLIT WINDSHIELD..... | 1 |
| 92 | 00753G7 | | | | | | TRUSS HEAD PHILLIPS SCREW, 1/4" - 20 X 2.5" LG | 2 |
| 93 | 00650G7 | | | | | | FLAT WASHER, 1/4" | 4 |
| 94 | 00550G1 | | | | | | HEX NUT, 1/4" - 20..... | 2 |

Notes:

A large grid area for taking notes, consisting of 28 columns and 30 rows of small squares.

WEATHER PROTECTION



1 WINDSHIELD KIT (FULL) includes items 2 - 14

18 WINDSHIELD KIT (SPLIT) includes items 19 - 38

WEATHER PROTECTION

When ordering parts, please specify the model and serial number of the product.

* Indicates a component that is not available as an individual part.

*** Indicates consult Customer Service Department for additional information.

| ITEM | PART NO. | 1 2 3 4 5 | DESCRIPTION | QTY. |
|------|----------|-----------|--|------|
| 1 | 627079 | | WINDSHIELD KIT (FULL) (INCLUDES ITEMS 2 - 14) | 1 |
| 2 | * | | WINDSHIELD | 1 |
| 3 | * | | AWNING MOLDING (ALUMINUM)..... | 1 |
| 4 | * | | TEXTILE SKIRT PLACEHOLDER..... | 1 |
| 5 | * | | PLASTIC CLAMP | 4 |
| 6 | * | | HEX NUT..... | 6 |
| 7 | * | | FLAT WASHER | 12 |
| 8 | * | | HEX HEAD BOLT | 4 |
| 9 | * | | WINDSHIELD GROMMET | 6 |
| 10 | * | | FLAT WASHER | 8 |
| 11 | * | | HEX NUT..... | 4 |
| 12 | * | | HEX HEAD BOLT | 4 |
| 13 | * | | CRUSH SLEEVE | 6 |
| 14 | * | | HEX HEAD BOLT | 2 |
| 15 | | | | |
| 16 | | | | |
| 17 | | | | |
| 18 | 627080 | | WINDSHIELD KIT (SPLIT) (INCLUDES ITEMS 19 - 38)..... | 1 |
| 19 | * | | WINDSHIELD | 1 |
| 20 | | | | |
| 21 | * | | AWNING MOLDING (ALUMINUM)..... | 1 |
| 22 | * | | TEXTILE SKIN PLACEHOLDER..... | 1 |
| 23 | * | | PLASTIC CLAMP | 2 |
| 24 | * | | UPPER METAL SEAL..... | 1 |
| 25 | * | | UNIGRIP..... | 1 |
| 26 | * | | TEXTILE STRAP | 6 |
| 27 | | | | |
| 28 | * | | HEX NUT..... | 2 |
| 29 | * | | HEX HEAD BOLT | 2 |
| 30 | * | | FLAT WASHER | 4 |
| 31 | * | | GROMMET | 1 |

WEATHER PROTECTION

When ordering parts, please specify the model and serial number of the product.

* Indicates a component that is not available as an individual part.

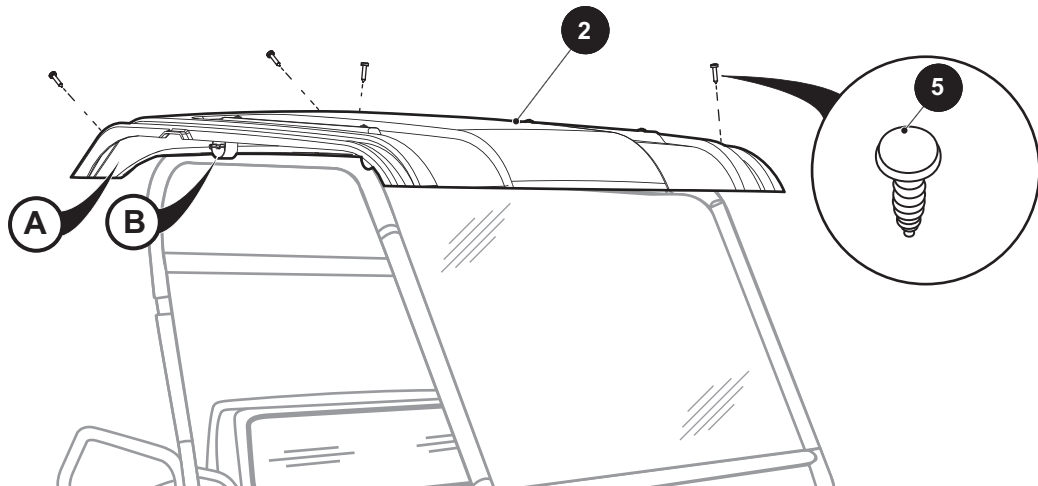
*** Indicates consult Customer Service Department for additional information.

| ITEM | PART NO. | 1 | 2 | 3 | 4 | 5 | DESCRIPTION | QTY. |
|------|----------|---|---|---|---|---|--------------------|------|
| 32 | * | | | | | | FLAT WASHER | 10 |
| 33 | * | | | | | | HEX NUT | 4 |
| 34 | * | | | | | | HEX HEAD BOLT..... | 4 |
| 35 | * | | | | | | CRUSH SLEEVE | 2 |
| 36 | * | | | | | | HEX HEAD BOLT..... | 2 |
| 37 | * | | | | | | BUMPER..... | 2 |
| 38 | * | | | | | | HEX NUT | 2 |

Notes:

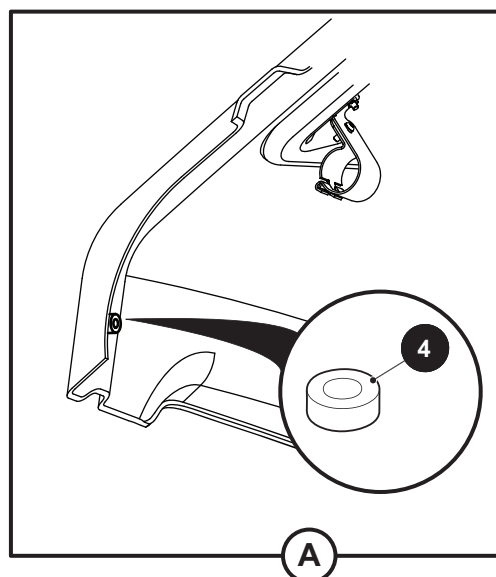
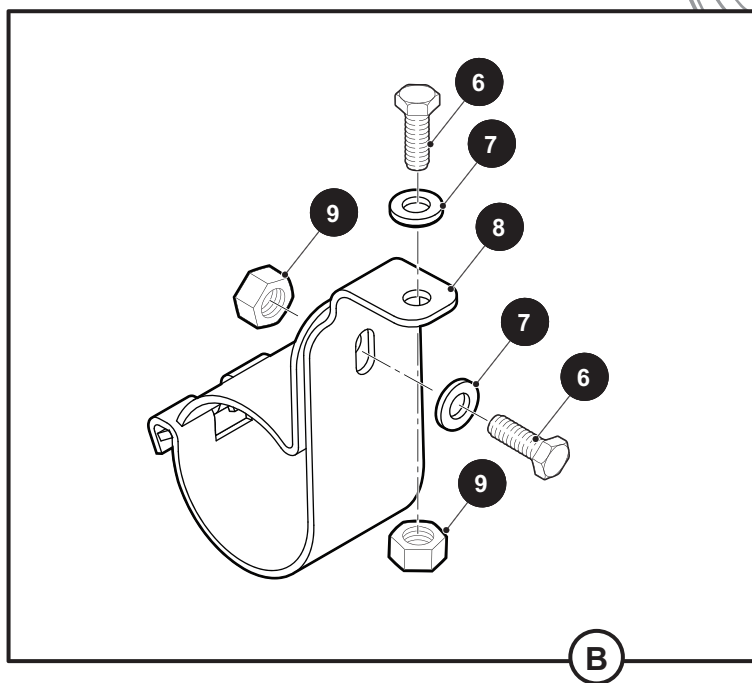
Grid area for notes

WEATHER PROTECTION



Vehicle shown for reference only

- 1 TOP CANOPY KIT includes items 2, 3
- 3 HARDWARE KIT includes items 4 - 9



WEATHER PROTECTION

When ordering parts, please specify the model and serial number of the product.

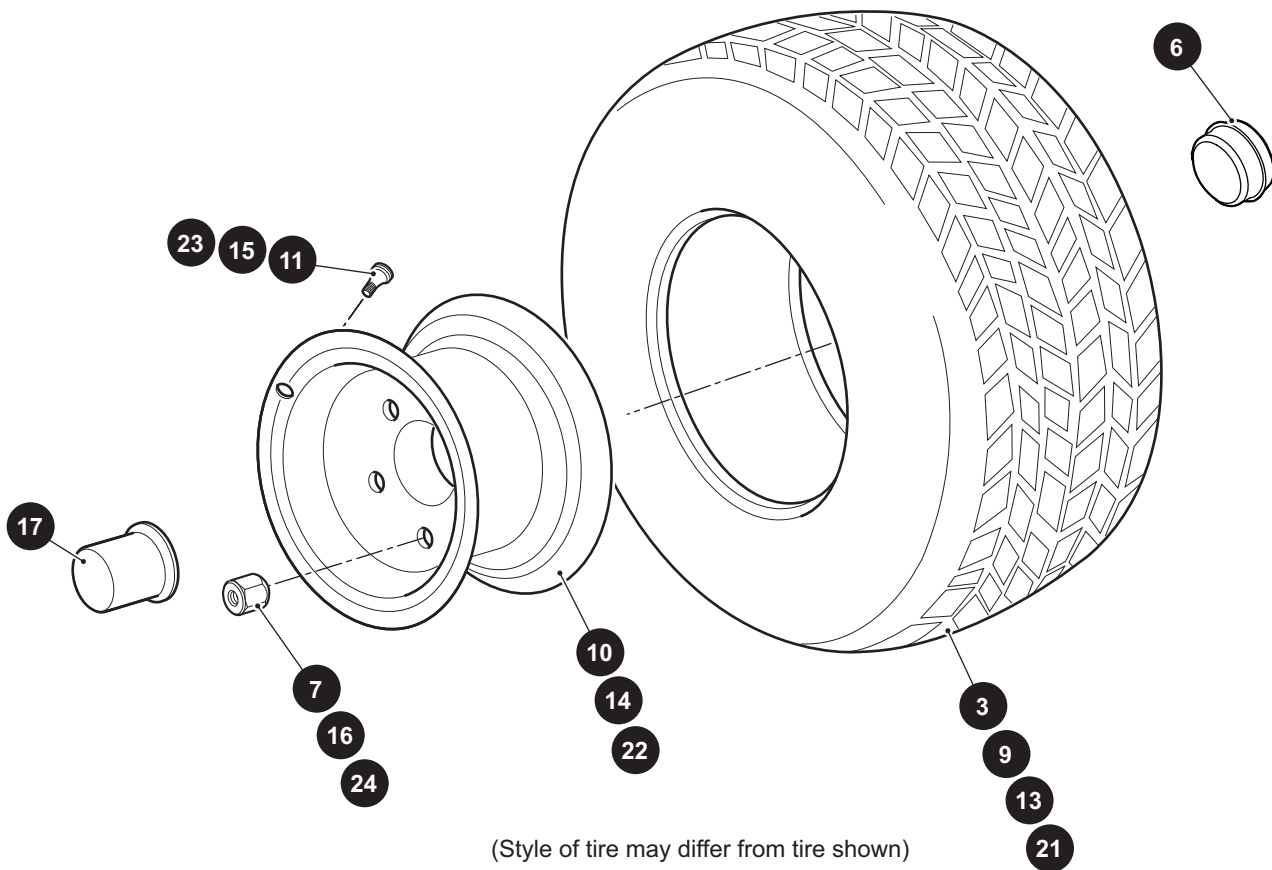
* Indicates a component that is not available as an individual part.

*** Indicates consult Customer Service Department for additional information.

| ITEM | PART NO. | 1 2 3 4 5 | DESCRIPTION | QTY. |
|------|----------|-----------|---|------|
| 1 | 628584 | | TOP CANOPY KIT (INCLUDES ITEMS 2, 3)..... | 1 |
| 2 | 627077 | | TOP CANOPY | 1 |
| 3 | 628585 | | HARDWARE KIT (INCLUDES ITEMS 4 - 9) | 1 |
| 4 | * | | RUBBER SPACER..... | 4 |
| 5 | * | | CHRISTMAS TREE PUSH RIVET | 4 |
| 6 | * | | HEX HEAD BOLT, M6 - 1 X 20MM LG | 8 |
| 7 | * | | FLAT WASHER, 1/4" | 8 |
| 8 | * | | CLAMP (2 PIECE)..... | 4 |
| 9 | * | | HEX NUT, M6 - 1..... | 8 |

WHEELS AND TIRES

- 1 WHEEL AND TRAIL WOLF TIRE ASSEMBLY Driver Side includes items 3 - 5
- 2 WHEEL AND TRAIL WOLF TIRE ASSEMBLY Passenger Side includes items 3 - 5
- 8 SPEEDRACER TIRE & WHEEL ASSEMBLY Driver Side includes items 9 - 11
- 12 SPEEDRACER TIRE & WHEEL ASSEMBLY Passenger Side includes items 13 - 15
- 20 WHEEL AND TIRE ASSEMBLY, 20 X 10 - 10 (TURF SAVER) includes items 21 - 23



WHEELS AND TIRES

When ordering parts, please specify the model and serial number of the product.

* Indicates a component that is not available as an individual part.

*** Indicates consult Customer Service Department for additional information.

| ITEM | PART NO. | 1 2 3 4 5 | DESCRIPTION | QTY. |
|------|----------|-----------|---|------|
| 1 | 74842G03 | | WHEEL AND TRAIL WOLF TIRE® ASSEMBLY DRIVER SIDE (INCLUDES ITEM 3 - 5) | 1 |
| 2 | 74842G04 | | WHEEL AND TRAIL WOLF TIRE® ASSEMBLY PASSENGER SIDE (INCLUDES ITEM 3 - 5)..... | 1 |
| 3 | 74842G05 | | TIRE, 20 X 11 - 10 TRAIL WOLF®..... | 1 |
| 4 | * | | VALVE STEM..... | 1 |
| 5 | * | | WHEEL..... | 1 |
| 6 | 12091G2 | | SPINDLE CAP | 1 |
| 7 | 14723G1 | | LUG NUT, 1/2" - 20 | 8 |
| 8 | 606240 | | SPEEDRACER TIRE AND WHEEL, 10X7, DRIVER SIDE (INCLUDES 9 - 11) (MUST USE ITEM 16 LUG NUTS, ORDER SEPARATELY)..... | 2 |
| 9 | 606139 | | SPEED RACER, 10X7 DRIVER SIDE | 1 |
| 10 | 606152 | | WHEEL, 10" DIAMOND FINISHED WHEEL..... | 1 |
| 11 | 604915 | | VALVE STEM, CHROME..... | 1 |
| 12 | 606179 | | SPEEDRACER TIRE AND WHEEL, 10X7, PASSENGER SIDE (INCLUDES 13 - 15) (MUST USE ITEM 16 LUG NUTS, ORDER SEPARATELY) | 2 |
| 13 | 606139 | | SPEED RACER, 10 X 7 DRIVER SIDE | 1 |
| 14 | 606152 | | WHEEL, 10" DIAMOND FINISHED WHEEL..... | 1 |
| 15 | 604915 | | VALVE STEM, CHROME..... | 1 |
| 16 | 605310 | | LUG NUTS, 1/2" - 20 | 8 |
| 17 | 608910 | | DIAMOND WHEEL CAP..... | 2 |
| 18 | | | | |
| 19 | | | | |
| 20 | 28442G03 | | WHEEL AND TIRE ASSEMBLY, 20 X 10 - 10 (TURF SAVER) (INCLUDES ITEMS 21 - 23) (FOR VEHICLES MANUFACTURED UNTIL 14OCT2016) | AR |
| 21 | 28442G02 | | TIRE (TURF SAVER)..... | 1 |
| 22 | 15172G02 | | WHEEL RIM (BLACK) | 1 |
| 23 | 11657G1 | | VALVE STEM..... | 1 |
| 24 | 14723G1 | | LUG NUT, 1/2" - 20 | AR |



A Textron Company

E-Z-GO Division of Textron Inc.,
1451 Marvin Griffin Road, Augusta, Georgia 30906 - 3852 USA

TO CONTACT US...

North America:

Technical Assistance & Warranty Phone: 1-800-774-3946, FAX: 1-800-448-8124

Service Parts Phone: 1-888-GET-E-Z-GO (1-888-438-3946), FAX: 1-800-752-6175

International: Phone: 001-706-798-4311, FAX: 001-706-771-4609

Service Parts Manuals, as well as Repair and Service Manuals
are available from a local Distributor, an authorized Branch,
Genuine E-Z-GO Parts & Accessories Department or at www.shopezgo.com.

Copyrighted Material
This manual may not be reproduced in whole or
in part without the express permission of
E-Z-GO Division of Textron Inc.
Technical Communications Department