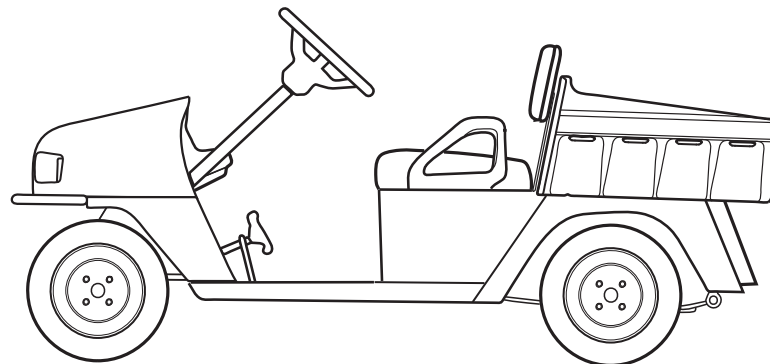


615567



SERVICE PARTS MANUAL



ELECTRIC POWERED UTILITY VEHICLE

ISSUED OCTOBER 2010

REVISED MAY 2012

SERVICE PARTS MANUAL

ELECTRIC UTILITY VEHICLES

E-Z-GO VEHICLES

ST SPORT II 48V

BAD BOY BUGGY VEHICLES

LD

STARTING MODEL YEAR 2011

DISCLAIMER: The E-Z-GO Division of Textron Inc. (E-Z-GO) reserves the right to incorporate engineering and design changes to products in this Manual, without obligation to include these changes on units leased/sold previously.

The information contained in this Manual may be revised periodically E-Z-GO, and therefore is subject to change without notice.

E-Z-GO DISCLAIMS LIABILITY FOR ERRORS IN THIS MANUAL, and E-Z-GO SPECIFICALLY DISCLAIMS LIABILITY FOR INCIDENTAL AND CONSEQUENTIAL DAMAGES RESULTING FROM THE USE OF THE INFORMATION AND MATERIALS IN THIS MANUAL.

CUSTOMER SERVICE DEPARTMENT IN USA PHONE: 1-800-241-5855, FAX: 1-800-448-8124

OUTSIDE USA PHONE: 001-706-798-4311, FAX: 001-706-771-4609

GENERAL INFORMATION

To obtain a copy of the limited warranty applicable to the vehicle, call or write a local Distributor, authorized Branch or the Warranty Department with vehicle serial number and manufacturer code.

The use of non Original Equipment Manufacturer (OEM) parts may void the warranty.

Overfilling of batteries may void the warranty.

BATTERY PROLONGED STORAGE

All batteries will self discharge over time. The rate of self discharge varies depending on the ambient temperature and the age and condition of the batteries.

A fully charged battery will not freeze in winter temperatures unless the temperature falls below -75° F (-60° C).

As with all electric vehicles, the batteries must be checked and recharged as required or at a minimum of 30 day intervals.

TABLE OF CONTENTS

SECTION	Page No.
HOW TO USE THE SERVICE PARTS MANUAL	v
ACCELERATOR	A-1
• Pedal Cover	
• Pedal Box Assembly	
• Accelerator Pedal Assembly	
BATTERY CHARGER	B-1
• Charger Cover Kit	
BODY	C-1
• Front Bumper	
• Front Splash Shield	
• Cowl	
• Nameplate	
• Instrument Panel	
• Rocker Panels	
• Rear Body	
• Seat Support	
BRAKES	D-1
• Brake Pedal Pad	
• Brake Pedal	
• Brake Cable	
• Brake Drum Assembly	
MOTOR	G-1
• Armature	
• Brush Replacement Kit	
• Speed Sensor	
ELECTRICAL SYSTEM	H-1
• Battery Hold Down	
• Charger Receptacle	
• Main Wire Harness	
• Fuse Block	
• Key Switch	
• Headlights	
• Tail Lights	
• Turn Signals	
• Direction Selector	
ELECTRONIC SPEED CONTROL	J-1
• Controller	
• Power Wire Harness	
• Solenoid Assembly	
• Cover Assembly	
FRONT SUSPENSION/STEERING	K-1
• Front Axle	
• Spindles	
• Front Hubs	
• Front Shock Absorbers	
• Front Leaf Springs	
• Rack and Pinion Steering Unit	
• Steering Column Kit	
• Steering Wheel	
• Tie Rod Assembly	
REAR AXLE	L-1
• Axle Shafts	
• Fill / Check Plug	
• Differential Guard	

TABLE OF CONTENTS

REAR SUSPENSION	M-1
• Shock Absorber	
• Rear Leaf Spring	
• Shackle Plate	
SEATING	N-1
• Seat Back Support	
• Seat Back Assembly	
• Seat Bottom Assembly	
TRUCK BED - PLASTIC	P-1
• Bed	
• Mounting Frame	
WEATHER PROTECTION	S-1
• Sun Top	
• Struts	
• Windshield	
WHEELS AND TIRES	T-1
• Wheel	
• Tires	
• Lug Nuts	
SPECIALTY PRODUCTS	APPENDIX A-1
OPTIONS/ACCESSORIES	APPENDIX B-1

NOTES

A large grid of 30 columns and 35 rows for taking notes. The grid is composed of thin grey lines forming small squares. It occupies the central portion of the page, below the 'NOTES' header and above the footer.

NOTES

A large grid of graph paper for taking notes, consisting of 20 columns and 30 rows of small squares.

HOW TO USE THE SERVICE PARTS MANUAL

This manual is divided into several sections:

- GENERAL INFORMATION
- ILLUSTRATED PARTS BREAKDOWN
- APPENDIX

The first section, GENERAL INFORMATION, contains the following information:

- WARRANTY INFORMATION
- GENERAL INDEX
- HOW TO USE THE SERVICE PARTS MANUAL

The second section, ILLUSTRATED PARTS BREAKDOWN, contains illustrations and parts lists for all systems of your vehicle.

The third section, APPENDIX, contains a listing of specialty products and accessories.

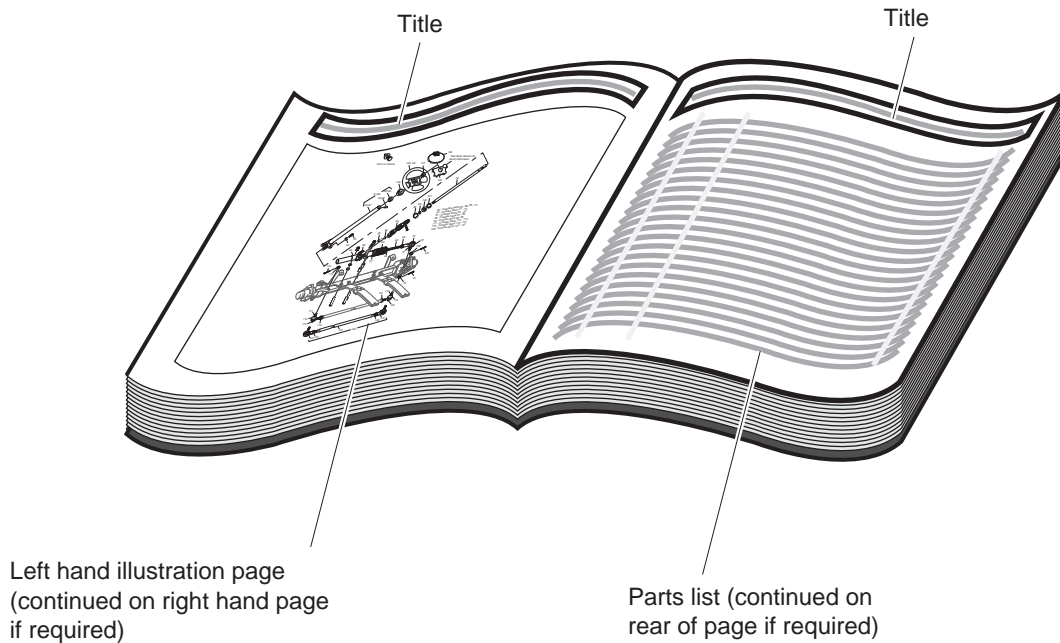
USE OF THE MANUAL

To use this manual, consult the GENERAL INDEX to locate the information or illustration required.

Introduction of some revisions varies due to supply of components; therefore, it is possible that various combinations of components may be found that are not directly reflected by each illustration. Consult the illustration that best suits your situation and then contact the Service Parts Department. It is important that the serial number of your vehicle and its model number be supplied to Service Parts when ordering any replacement components.

Locate the serial number plate (see BODY located in the Illustrated Parts Breakdown section of this manual for its location) and note the complete number shown on the plate.

HOW TO USE THE SERVICE PARTS MANUAL



1. WHEN THE PART NUMBER IS NOT KNOWN

- Determine the function and application of the part required. Turn to the General Index and select the most appropriate title.
- Turn to the page number indicated and locate the desired part on the illustration.
- From the illustration, obtain the item number assigned to the desired part. Refer to the accompanying description for specific information regarding the part.

2. IF YOU KNOW THE PART NUMBER

- Locate the part number or description in the appropriate column on the parts list page.

NOTE: It is suggested that you confirm that the part selected is correct by verifying it with the pictorial representation on the illustrated page.

Should an asterisk (*) appear in the part number column on the parts list page, read upwards until a part number is found. The part number is the lowest assembly sold by Service Parts and the asterisk (*) indicates that the part depicted is not available for purchase.

NOTE: Descriptions are indented under the assembly that they are used on. That assembly is, in turn listed under the assembly that it is used on. This process is repeated until the highest final assembly is reached.

To facilitate the maintenance and repair of the vehicle, a Technician's Repair and Service Manual is available from the Service Parts Department.

HOW TO USE THE SERVICE PARTS MANUAL

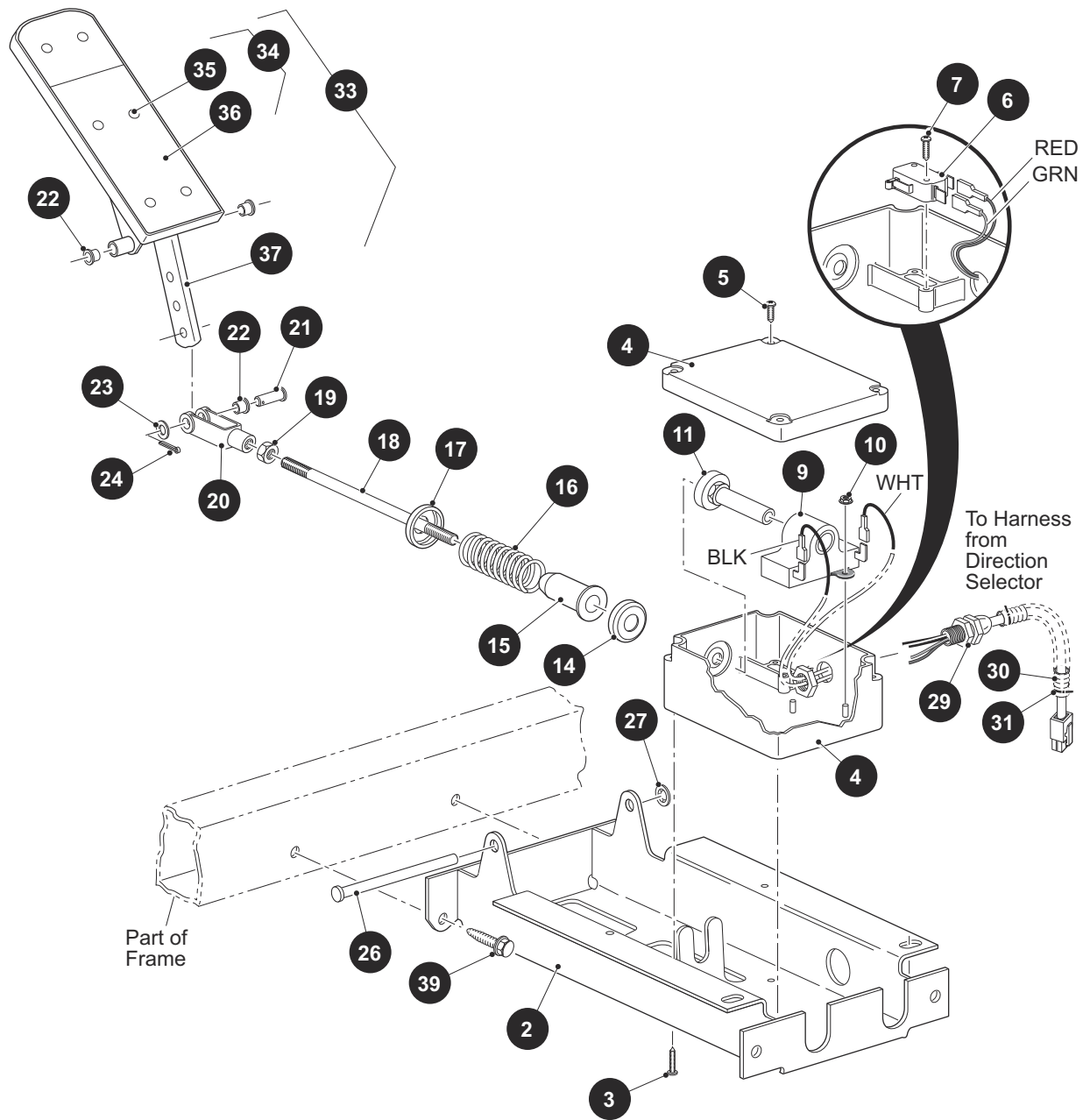
3. COLOR CODE FOR BODY COMPONENTS

The last two digits of the part number for the body part will denote the color code, locate the part number for the cowl, rear body, seat pod, side panel or seat wrap then locate your color in the list below, replace the last ** or XX with the two digit color code.

<u>CODE #</u>	<u>DESCRIPTION</u>	<u>CODE #</u>	<u>DESCRIPTION</u>
01	NO PAINT	53	MOSSY OAK NEW BREAK UP - DIPPED
02	SPECIAL COLOR	54	MOSSY OAK OBSESSION - DIPPED
05	JACOBSEN ORANGE	55	REALTREE ADVANTAGE MAX 4 - DIPPED
06	LIGHT GOLD PEARL	56	REALTREE HARDWOOD BROWN - DIPPED
07	SILVER PEARL METALIC	57	REALTREE AP HOT PINK - DIPPED
11	BLACK	58	BLACK / SILVER MARBLE - DIPPED
12	EMERALD GREEN PEARL	59	RED / SILVER MARBLE - DIPPED
13	CLOUD GREY	60	HOT PINK / SILVER MARBLE - DIPPED
14	VIPER BLUE METALLIC	61	REALTREE AP
19	PATRIOT BLUE PEARL	62	REALTREE MAX 4
20	INFERNO RED METALLIC	63	MOSSY OAK BREAKUP
23	ADVANTAGE CLASSIC CAMO	64	MOSSY OAK TREESTAND
24	NATURAL	65	REALTREE APG
25	VIVID NEW HOLLAND BLUE	66	REALTREE MAX 1
26	STEEL BLUE PEARL	67	REALTREE AP PINK
27	BRIGHT SILVER METALLIC	68	REALTREE AP - DIPPED
29	PRIMER ONLY		
30	HD ADVANTAGE CAMO		
31	METALLIC CHARCOAL		
32	LIGHT ALMOND PEARL		
33	TIMBERLINE GREEN		
34	DEEP MOLTEN RED		
35	SAFETY YELLOW		
36	CHAMPAGNE BEIGE		
37	HUNTER GREEN		
38	BRIGHT WHITE		
39	FLAME RED		
40	BLACK		
41	ELECTRIC BLUE		
42	PLATINUM		
43	BURGUNDY		
44	ALMOND		
45	BLACK		
46	FLAME RED		
47	BURLINGTON GREEN		
48	BLACK		
49	FLAME RED		
50	RECON GREEN		
51	SUNBURST ORANGE		
52	BRITISH RACING GREEN		

ACCELERATOR

- 1 Pedal Box Assembly Includes Items 2 - 37
- 33 Accelerator Pedal Assembly Includes Items 34 - 37
- 34 Accelerator Pedal Assembly Includes Items 35 - 36



When ordering parts, please specify the model and serial number of the product.

* Indicates a component that is not available as an individual part.

*** Indicates consult Customer Service Department for additional information.

ITEM	PART NO.	1 2 3 4 5	DESCRIPTION	QTY.
1	<u>613163</u>		PEDAL BOX ASSEMBLY	1
2	70116-G02		ACCELERATOR PEDAL BRACKET	1
3	<u>01051-G01</u>		SCREW, #8 - 10 X 1/2" LG.	4
4	<u>25853-G01</u>		PEDAL BOX AND COVER	1
5	<u>00684-G6</u>		SCREW, #8 - 32 X 3/4" LG (STAINLESS STEEL)	2
6	<u>25861-G02</u>		MICRO SWITCH	1
7	<u>01050-G01</u>		SCREW, #4 - 20 X 5/8" LG	2
8				
9	<u>25854-G01</u>		INDUCTIVE THROTTLE SENSOR	1
10	<u>00983-G01</u>		SELF THREADING NUT	2
11	<u>602484</u>		PLUNGER	1
12				
13				
14	<u>17677-G1</u>		SPRING RETAINER	1
15	<u>17979-G1</u>		BUSHING	1
16	<u>73046-G01</u>		COMPRESSION SPRING	1
17	<u>17677-G2</u>		SPRING RETAINER, 3/8"	1
18	<u>73332-G01</u>		ACCELERATOR ROD	1
19	<u>00532-G4</u>		NUT, 5/16 - 24	1
20	10385-G4		CLEVIS YOKE (ADJUSTABLE)	1
21	<u>10386-G3</u>		CLEVIS PIN, 5/16" X 13/16" LG	1
22	<u>17838-G1</u>		NYLON BUSHING	3
23	<u>17255-G1</u>		TEFLON WASHER, 5/16"	1
24	<u>10387-G3</u>		COTTER PIN, 3/32" X 3/4" LG	1
25				
26	<u>74432-G01</u>		PEDAL PIVOT PIN	1
27	<u>12064-G6</u>		PUSH NUT, 5/16"	1
28				
29	<u>620418</u>		PEDAL HARNESS 48V	1
30	<u>17313-G1</u>		LOOM FLEX, 3/8" X 6" LG (BULK)	1
31	<u>17618-G1</u>		WIRE TIE	2

ACCELERATOR

When ordering parts, please specify the model and serial number of the product.

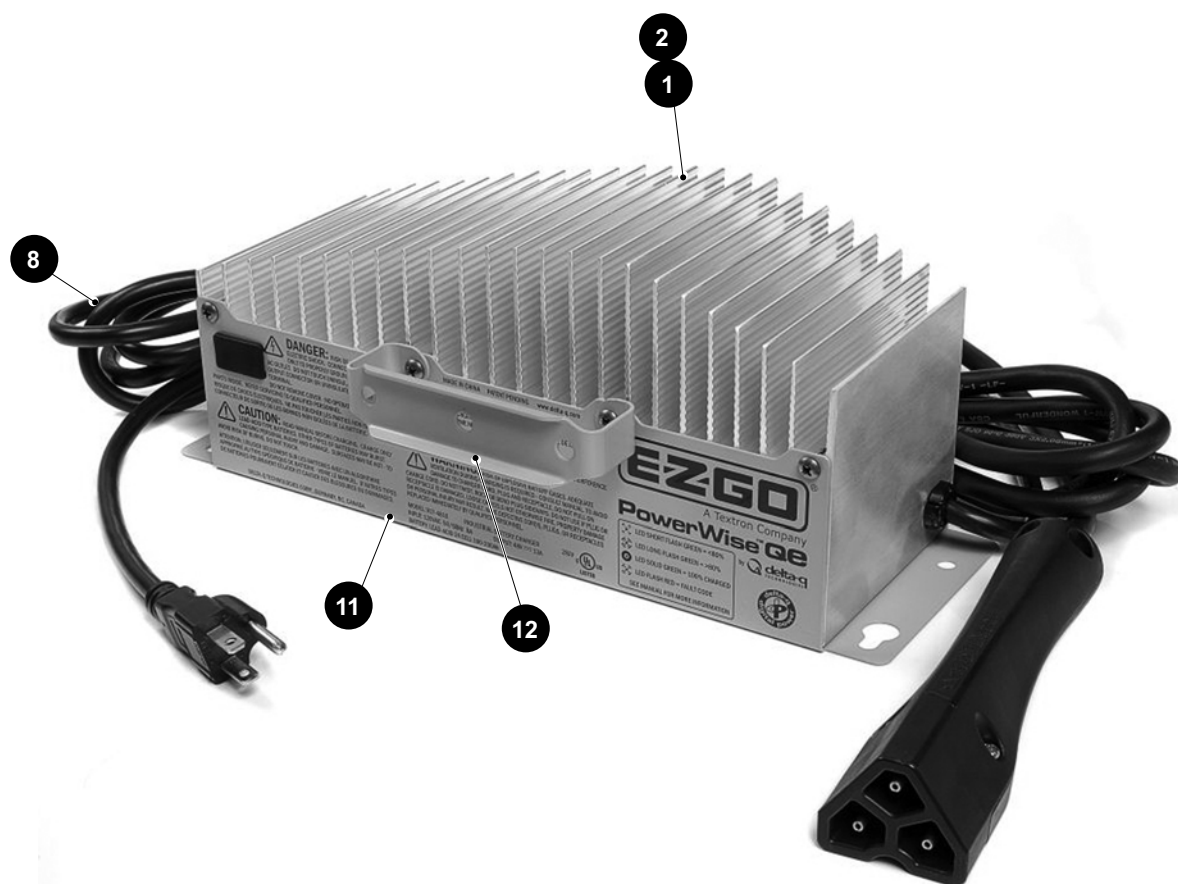
* Indicates a component that is not available as an individual part.

*** Indicates consult Customer Service Department for additional information.

ITEM	PART NO.	1	2	3	4	5	DESCRIPTION	QTY.
32								
33	<u>25799-G03</u>						ACCELERATOR PEDAL ASSEMBLY (INCLUDES ITEMS 34 - 37).....	1
34	<u>27844-G01</u>						ACCELERATOR PEDAL PAD KIT (INCLUDES ITEMS 35 - 36).....	1
35	<u>15766-G1</u>						OVAL RIVET, 3/16" X 7/16" LG	6
36	<u>27512-G01</u>						ACCELERATOR PEDAL PAD.....	1
37	*						ACCELERATOR PEDAL	1
38								
39	<u>00715-G2</u>						BOLT, 5/16 - 18 X 4/5" LG	4

BATTERY CHARGER

- 1 48V Battery Charger with 3 meter Cord includes items 8, 11 & 12
- 2 48V Battery Charger with 5.5 meter Cord includes items 8, 11 & 12



BATTERY CHARGER

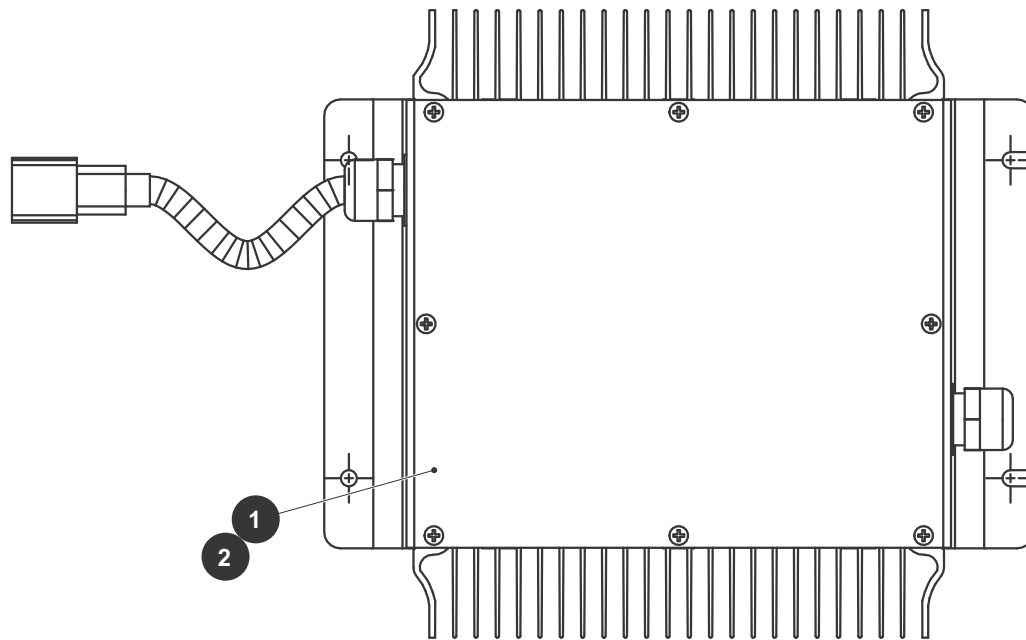
When ordering parts, please specify the model and serial number of the product.

* Indicates a component that is not available as an individual part.

*** Indicates consult Customer Service Department for additional information.

ITEM	PART NO.	1 2 3 4 5	DESCRIPTION	QTY.
1	<u>622416</u>		48V BATTERY CHARGER , 3 meter CORD (INCLUDES ITEMS 8 & 11)	1
2	<u>622417</u>		48V BATTERY CHARGER, 5.5 meter CORD (INCLUDES ITEMS 8 & 11)	1
3	<u>605834</u>		NYLON CLAMP 36" (NOT SHOWN IN ILLUSTRATION)	1
4				
5				
6				
7				
8	<u>611212</u>		AC CORD, DOMESTIC	1
9				
10				
11	611220		48V CHARGER COVER KIT (INCLUDES ITEM 12).....	1
12	<u>611216</u>		CHARGER HANDLE.....	1
13				

BATTERY CHARGER



BATTERY CHARGER

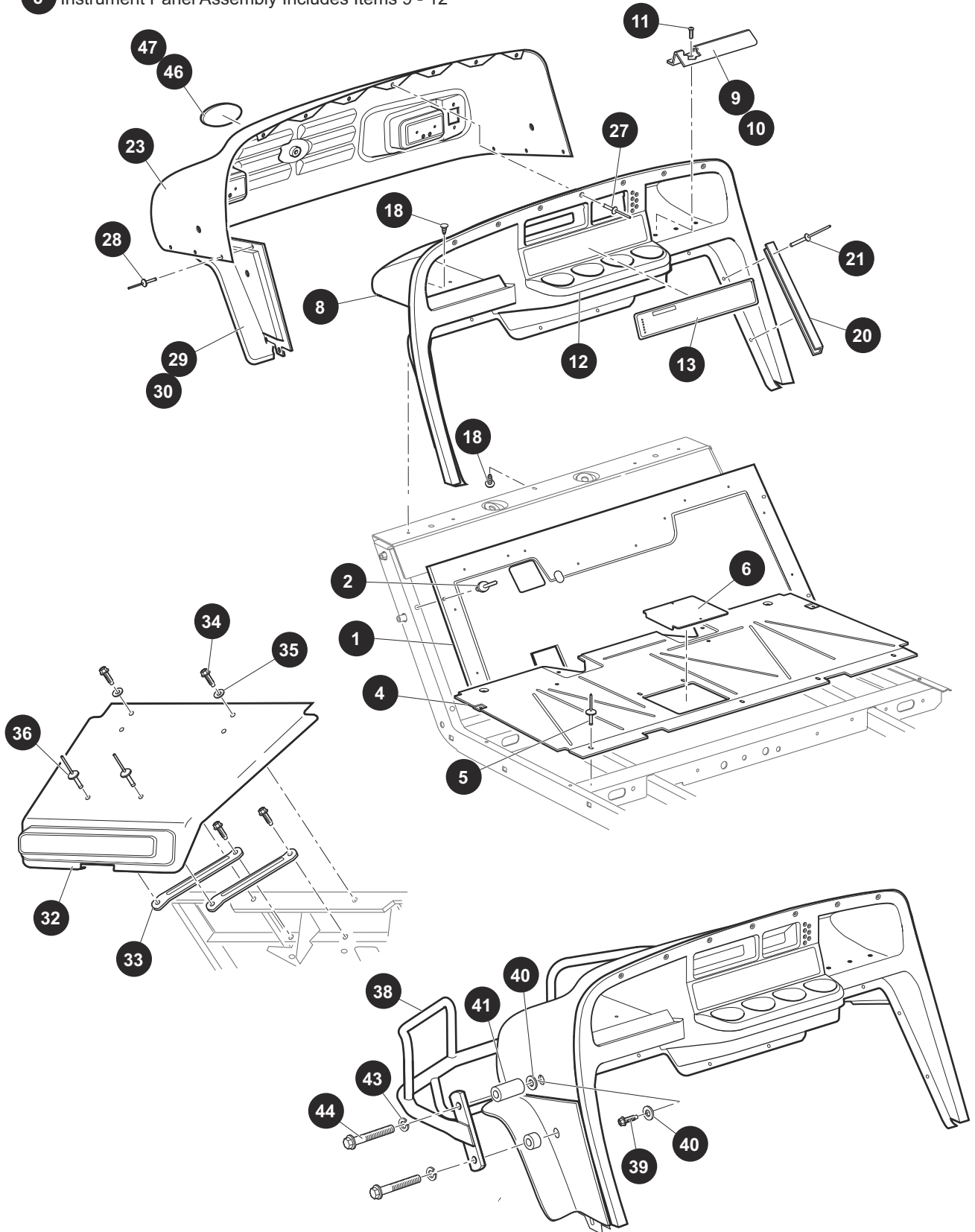
When ordering parts, please specify the model and serial number of the product.

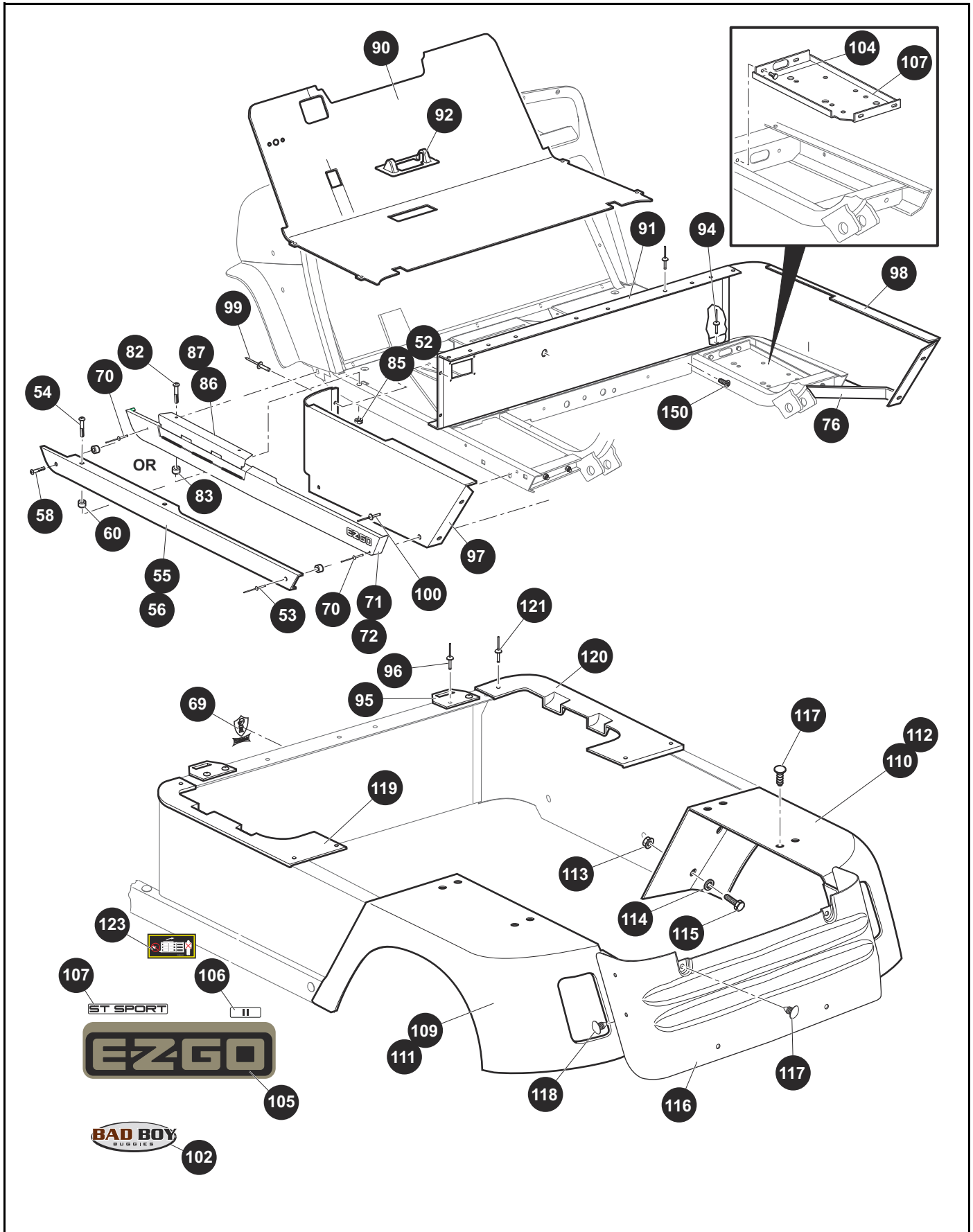
* Indicates a component that is not available as an individual part.

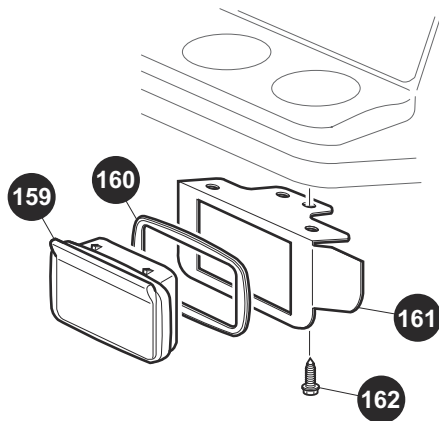
*** Indicates consult Customer Service Department for additional information.

ITEM	PART NO.	1 2 3 4 5	DESCRIPTION	QTY.
1	<u>622419</u>		WORLD CHARGER, 48V, 3M CORD	1
2	<u>622667</u>		WORLD CHARGER, 48V, 5.5M CORD	1
3	<u>605834</u>		NYLON CLAMP 36" (NOT SHOWN IN ILLUSTRATION)	2

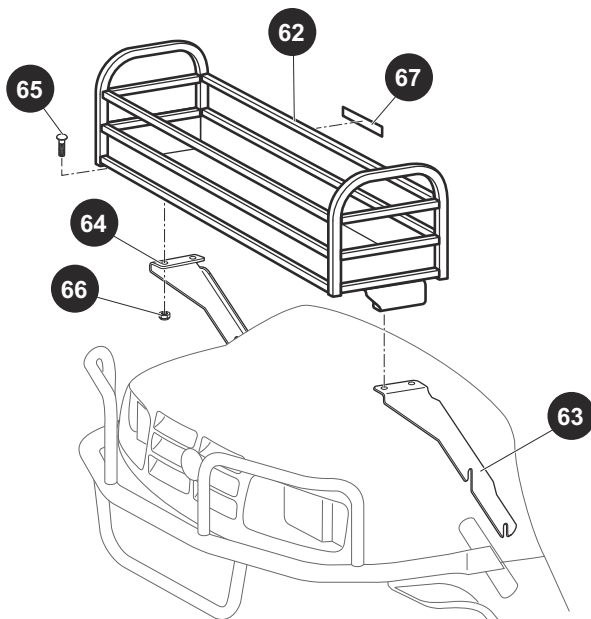
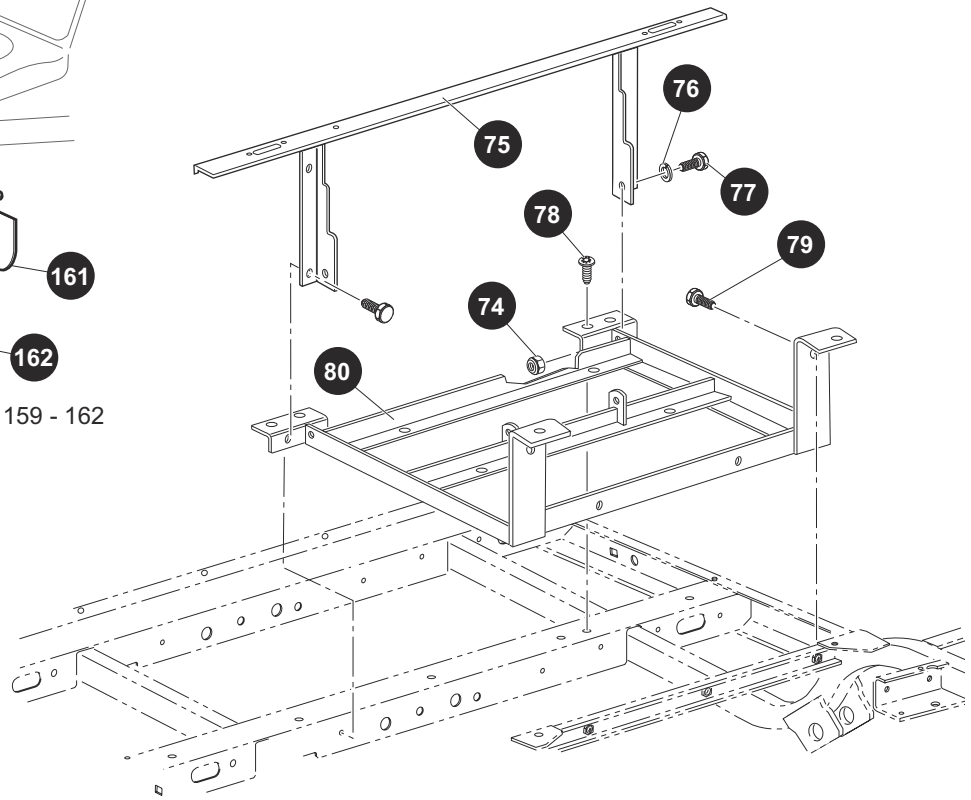
8 Instrument Panel Assembly Includes Items 9 - 12



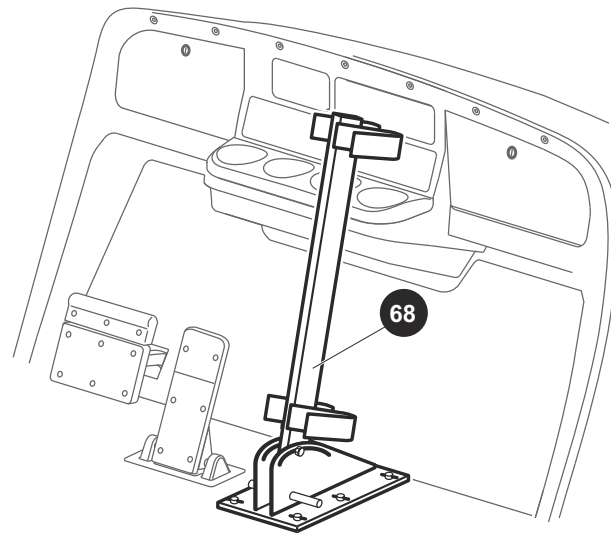




158 Ash Tray Kit Includes Items 159 - 162



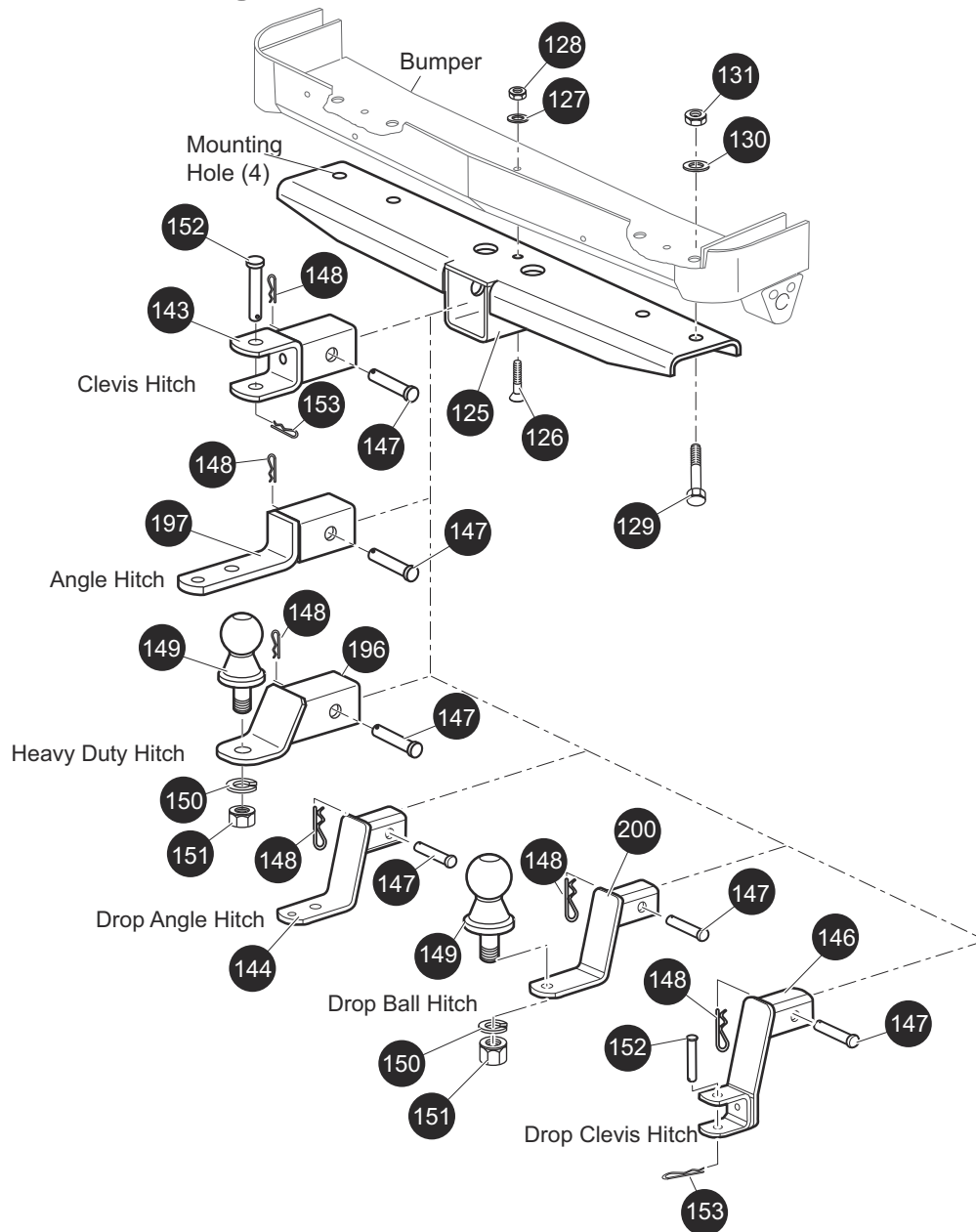
61 Front Basket Includes Items 62 - 67



FLOOR MOUNT
GUN HOLDER

HITCHES

- 135 HEAVY DUTY HITCH KIT INCLUDES ITEMS 141, 147 - 151
- 136 ANGLE HITCH KIT INCLUDES ITEMS 142, 147, 148, 152, 153
- 137 CLEVIS HITCH KIT INCLUDES ITEMS 143, 147, 148, 152, 153
- 138 DROP ANGLE HITCH KIT INCLUDES ITEMS 144, 147, 148
- 139 DROP BALL HITCH KIT INCLUDES ITEMS 145, 147 - 151
- 140 DROP CLEVIS HITCH KIT INCLUDES ITEMS 146, 147, 148, 152, 153



BODY

When ordering parts, please specify the model and serial number of the product.

* Indicates a component that is not available as an individual part.

*** Indicates consult Customer Service Department for additional information.

ITEM	PART NO.	1 2 3 4 5	DESCRIPTION	QTY.
1	70662-G01		UPPER FLOORPAN.....	1
2	<u>14601-G11</u>		RIVET, 3/16" X 9/16" LG (ALUMINUM).....	9
3				
4	<u>70451-G01</u>		LOWER FLOORPAN.....	1
5	<u>14601-G11</u>		RIVET, 3/16" X 9/16" LG (ALUMINUM).....	7
6	<u>70452-G01</u>		ACCESS COVER.....	1
7				
8	<u>71151-G01</u>		INSTRUMENT PANEL ASSEMBLY (INCLUDES ITEMS 9 - 12, 16).....	1
9	<u>71153-G01</u>		DEFLECTOR (PASSENGER SIDE).....	1
10	<u>71154-G01</u>		DEFLECTOR (DRIVER SIDE).....	1
11	<u>00614-G5</u>		SCREW, #8 - 18 X 5/8" LG.....	6
12	<u>71158-G01</u>		INSTRUMENT PANEL INSERT (FOUR CUP).....	1
13	<u>601781</u>		OPERATOR INSTRUCTIONS DECAL.....	1
14				
15				
16				
17				
18	<u>16816-G2</u>		RATCHET FASTENER, 1/4" X 3/4" LG.....	1
19				
20	<u>71115-G01</u>		VINYL TRIM.....	2
21	<u>71055-G01</u>		RIVET, 3/16" X 1" LG (ALUMINUM).....	10
22				
23	71468-G0**		COWL (see COLOR CODE in HOW TO USE section).....	1
24				
25				
26	<u>71055-G01</u>		RIVET, 3/16" X 1" LG.....	8
27	<u>71055-G01</u>		RIVET, 3/16" X 1" LG.....	6
28	<u>71338-G01</u>		FENDER FLARE (DRIVER SIDE).....	1
29	<u>71338-G02</u>		FENDER FLARE (PASSENGER SIDE).....	1
30				
31	<u>27166-G04</u>		FRONT SHIELD.....	1

When ordering parts, please specify the model and serial number of the product.

* Indicates a component that is not available as an individual part.

*** Indicates consult Customer Service Department for additional information.

ITEM	PART NO.	1 2 3 4 5	DESCRIPTION	QTY.
32	<u>70725-G02</u>		FRONT SHIELD BRACE	2
33	<u>01038-G01</u>		SCREW, 1/4 - 20 X 1/2" LG	4
34	<u>16469-G1</u>		WASHER, 1/4"	2
35	<u>01057-G01</u>		RIVET, KTR, 1/4" X 1" LG	2
36				
37	<u>606107</u>		BUMPER.....	1
38	<u>00438-G8</u>		BOLT, 5/16 - 18	4
39	<u>00570-G2</u>		WASHER, 5/16"	4
40	<u>75048-G04</u>		SPACER, 1"	2
41	<u>75048-G01</u>		SPACER, 1/2"	2
42	<u>00905-G8</u>		LOCK WASHER, 5/16"	4
43	<u>01035-G02</u>		BOLT, 5/16 - 18 X 2 1/2" LG.....	4
44				
45				
46	<u>605434</u>		E-Z-GO OVAL NAMEPLATE.....	1
47	<u>617803</u>		BAD BOY BUGGIES OVAL NAMEPLATE.....	1
48				
49				
50				
51				
52	<u>14390G4</u>		LOCK NUT, 1/4-20	4
53	<u>15058G6</u>		BLACK ALUMINUM RIVET.....	2
54	<u>16705G1</u>		SS PHILLIPS HEAD SCREW, 1/4-20X1.00 LG	4
55	<u>617872</u>		ROCKER PANEL, DRIVER SIDE	1
56	<u>617874</u>		ROCKER PANEL, PASSENGER SIDE.....	1
57	<u>00660G5</u>		FLAT WASHER, #10	2
58	<u>00789G2</u>		PHILLIPS TRUSS HEAD SCREW, #10-24X1.25 LG.....	2
59	<u>14390G10</u>		LOCK NUT, #10-24	2
60	<u>23726G2</u>		SPACER, .25.....	4
61	<u>74521-G02</u>		FRONT BASKET (INCLUDES 62 - 67).....	1
62	<u>74523-G01</u>		FRONT BASKET	1

BODY

When ordering parts, please specify the model and serial number of the product.

* Indicates a component that is not available as an individual part.

*** Indicates consult Customer Service Department for additional information.

ITEM	PART NO.	1 2 3 4 5	DESCRIPTION	QTY.
63	<u>74522-G01</u>		BASKET MOUNTING BRACKET (DRIVER SIDE)	1
64	<u>74522-G02</u>		BASKET MOUNTING BRACKET (PASSENGER SIDE)	1
65	00725-G1		CARRIAGE BOLT, 3/8 - 16 X 1" LG (STAINLESS STEEL)	4
66	<u>00891-G1</u>		LOCK NUT, 3/8 - 16	4
67	<u>71931-G01</u>		LABEL, FRONT BASKET (WARNING).....	1
68	<u>74365-G01</u>		GUN HOLDER, FLOOR MOUNT	1
69	74755G01		E-SHIELD DECAL	1
70	<u>15058-G6</u>		RIVET, BLACK (ALUMINUM)	4
71	<u>71502-G01</u>		ROCKER PANEL (DRIVER SIDE)	1
72	<u>71501-G01</u>		ROCKER PANEL (PASSENGER SIDE).....	1
73				
74	11098-G6		LOCK NUT, 5/16 - 18.....	2
75	<u>70441-G01</u>		SEAT FRAME	1
76	00559-G8		WASHER, 5/16"	2
77	00438-G6		BOLT, 5/16 - 18 X 3/4" LG	2
78	<u>70200-G01</u>		SCREW, 3/8 - 16 X 1/4" LG.....	2
79	<u>00715-G2</u>		BOLT, 5/16 - 18 X 13/16" LG	4
80	<u>70046-G02</u>		BATTERY RACK	1
81				
82	<u>16705-G1</u>		SCREW, 1/4 - 20 X 1" LG.....	4
83	<u>23726-G4</u>		SPACER	4
84				
85	<u>14390-G4</u>		LOCK NUT, 1/4 - 20.....	4
86	71507G01		SILL PLATE TREAD (PASSENGER SIDE).....	1
87	<u>71507G02</u>		SILL PLATE TREAD (DRIVER SIDE)	1
88				
89	<u>70995G02</u>		FLOORMAT WITH HORN HOLE	1
90	<u>70663-G04</u>		FLOORMAT	1
91	609143G1**		SEAT WRAP PANEL (see COLOR CODE in HOW TO USE section)	1
92	<u>70135-G01</u>		PEDAL PIVOT COVER	1
93				

When ordering parts, please specify the model and serial number of the product.

* Indicates a component that is not available as an individual part.

*** Indicates consult Customer Service Department for additional information.

ITEM	PART NO.	1 2 3 4 5	DESCRIPTION	QTY.
94	<u>10570-G10</u>		RIVET, 5/32" X 9/16" LG	8
95	<u>71609-G01</u>		SEAT HINGE PLATE	2
96	<u>10570-G11</u>		RIVET, 3/16" X 3/4" LG	4
97	609047G1**		SIDE PANEL (DRIVER SIDE) (see COLOR CODE in HOW TO USE section)	1
98	609047G2**		SIDE PANEL (PASS SIDE) (see COLOR CODE in HOW TO USE section) ..	1
99	<u>10570-G10</u>		RIVET, 5/32" X 9/16" LG	4
100	<u>10570-G12</u>		RIVET, 1/4" X 1/2" LG	4
101				
102	<u>617806</u>		BAD BOY BUGGY SIDE BODY DECAL.....	2
103	<u>70244-G03</u>		SPLASH PANEL	2
104	<u>00715-G2</u>		BOLT, 5/16 - 18 X 13/16" LG.....	8
105	<u>620312</u>		E-Z-GO SIDE BODY DECAL	2
106	<u>620314</u>		II SIDE BODY DECAL.....	2
107	<u>620325</u>		ST SPORT SIDE BODY DECAL.....	2
108				
109	<u>74892-G01</u>		FENDER (DRIVER SIDE).....	1
110	<u>74892-G02</u>		FENDER (PASSENGER SIDE)	1
111	<u>74892-G03</u>		FENDER WITH TAILLIGHT (DRIVER SIDE).....	1
112	<u>74892-G04</u>		FENDER WITH TAILLIGHT (PASSENGER SIDE)	1
113	<u>14390-G4</u>		LOCK NUT, 1/4 - 20	4
114	<u>00642-G7</u>		WASHER, 1/4"	8
115	<u>00414-G6</u>		BOLT, 1/4 - 20 X 3/4" LG.....	4
116	<u>74890-G01</u>		REAR PANEL.....	1
117	<u>16816-G2</u>		RATCHET FASTENER, 1/4" X 3/4" LG.....	6
118	<u>71055-G01</u>		RIVET.....	4
119	<u>74891-G01</u>		SEAT FILLER PANEL (DRIVER SIDE).....	1
120	<u>74891-G02</u>		SEAT FILLER PANEL (PASSENGER SIDE)	1
121	<u>10570-G10</u>		RIVET, 5/32" X 9/16" LG	6
122				
123	<u>74099-G01</u>		BED LATCH WARNING DECAL.....	1
124				

BODY

When ordering parts, please specify the model and serial number of the product.

* Indicates a component that is not available as an individual part.

*** Indicates consult Customer Service Department for additional information.

ITEM	PART NO.	1	2	3	4	5	DESCRIPTION	QTY.
125	<u>74348-G02</u>						HITCH RECEIVER	1
126	<u>00463-G4</u>						BOLT, 7/16 - 14 X 1 1/2" LG	4
127	<u>00922-G3</u>						WASHER, 7/16"	4
128	<u>00734-G1</u>						LOCK NUT, 7/16 - 14.....	4
129	<u>00198-G8</u>						SCREW, 5/16 - 18 X 1" LG.....	1
130	00559-G8						WASHER, 5/16"	1
131	11098-G6						LOCK NUT, 5/16 - 18.....	1
132								
133								
134								
135	<u>74492G02</u>						HEAVY DUTY BALL HITCH KIT (INCLUDES ITEMS 141, 147-151).....	1
136	<u>74492G04</u>						ANGLE HITCH KIT (INCLUDES ITEMS 142, 147, 148, 152, 153)	1
137	<u>74492G06</u>						CLEVIS HITCH KIT (INCLUDES ITEMS 143, 147, 148, 152, 153).....	1
138	<u>74492G08</u>						DROP ANGLE HITCH KIT (INCLUDES ITEMS 144, 147, 148).....	1
139	<u>74492G10</u>						DROP BALL HITCH KIT (INCLUDES ITEMS 145, 147-151).....	1
140	<u>74492G12</u>						DROP CLEVIS HITCH KIT (INCLUDES ITEMS 146, 147, 148, 152, 153)	1
141	<u>74351G02</u>						HEAVY DUTY HITCH	1
142	<u>74339G02</u>						ANGLE HITCH.....	1
143	<u>74338G02</u>						CLEVIS HITCH	1
144	<u>74489G02</u>						DROP ANGLE HITCH.....	1
145	<u>74491G02</u>						DROP BALL HITCH.....	1
146	<u>74495G02</u>						DROP CLEVIS HITCH	1
147	21317-G01						CLEVIS PIN, 5/8" X 3" LG.....	1
148	<u>21683-G1</u>						COTTER PIN, 15/32" X 2 11/16" LG.....	1
149	<u>31757-G1</u>						HITCH BALL, 1 7/8"	1
150	<u>00566-G6</u>						LOCK WASHER, 3/4"	1
151	00702-G11						NUT, 3/4 - 16.....	1
152	<u>14443-G7</u>						CLEVIS PIN, 1/2" X 2 1/2" LG.....	1
153	<u>19314-G1</u>						COTTER PIN, 2 1/2" LG	1
154								
155								

When ordering parts, please specify the model and serial number of the product.

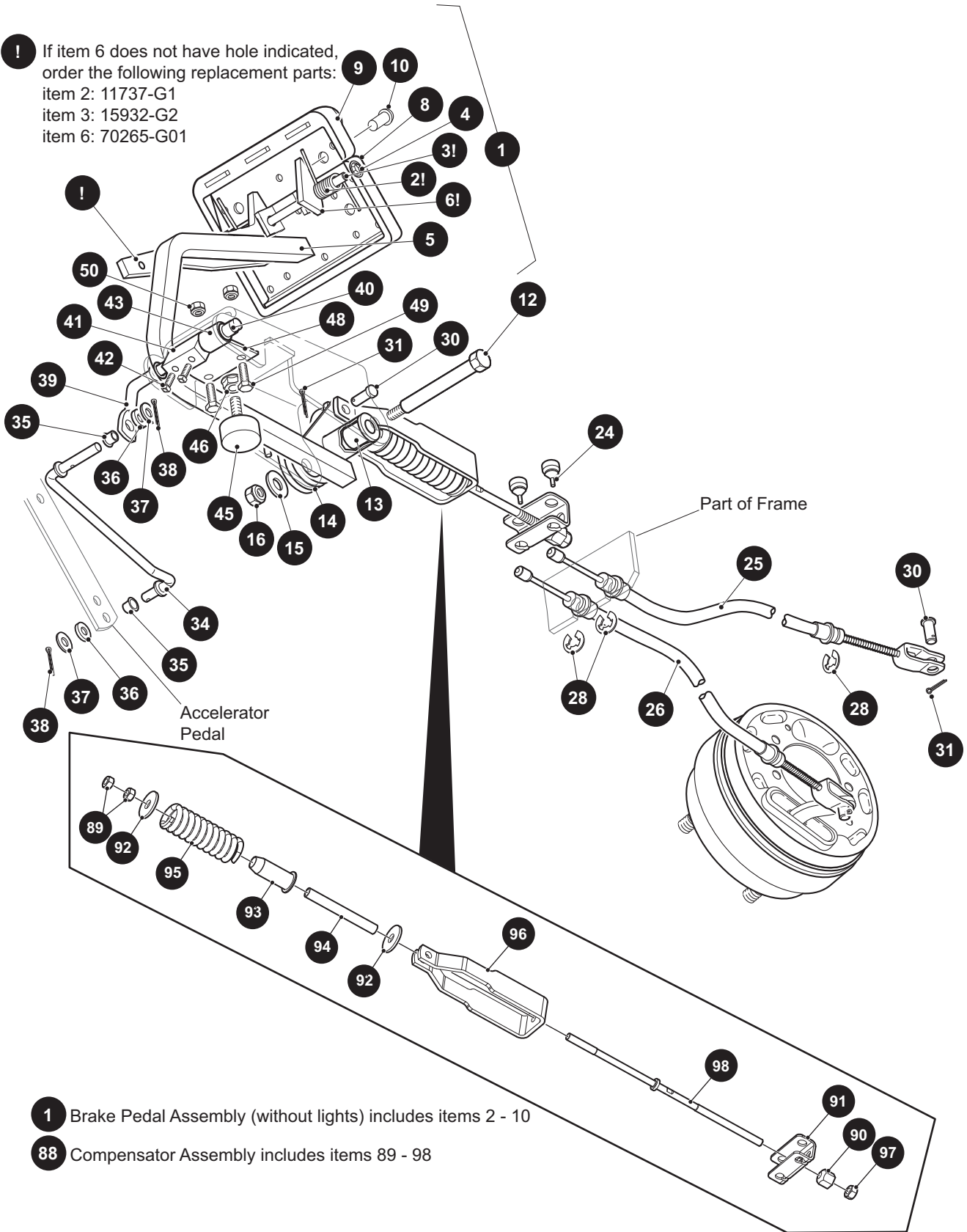
* Indicates a component that is not available as an individual part.

*** Indicates consult Customer Service Department for additional information.

ITEM	PART NO.	1 2 3 4 5	DESCRIPTION	QTY.
156				
157				
158	<u>75109-G04</u>		ASH TRAY KIT (INCLUDES ITEMS 167 - 170).....	1
159	27731-G01		ASH TRAY.....	1
160	27736-G01		GASKET.....	1
161	<u>75108-G02</u>		BRACKET.....	1
162	<u>00100-G4</u>		SCREW, #10 - 16 X 1/2" LG.....	4

BRAKES

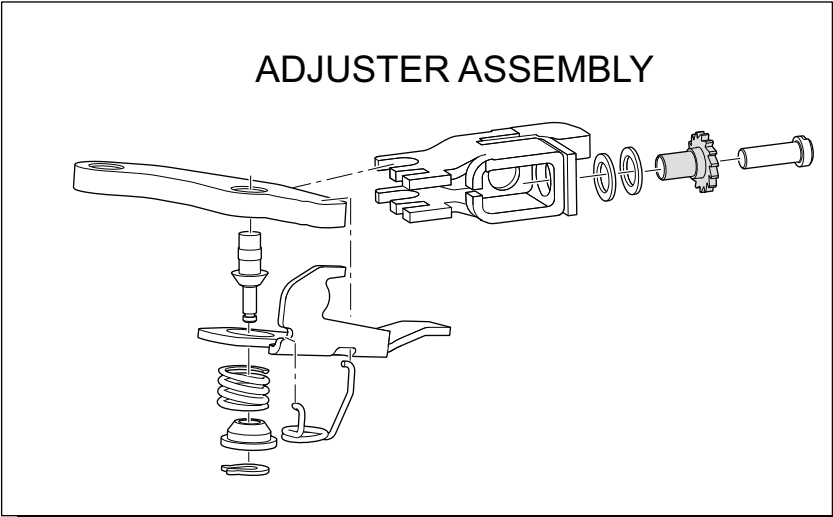
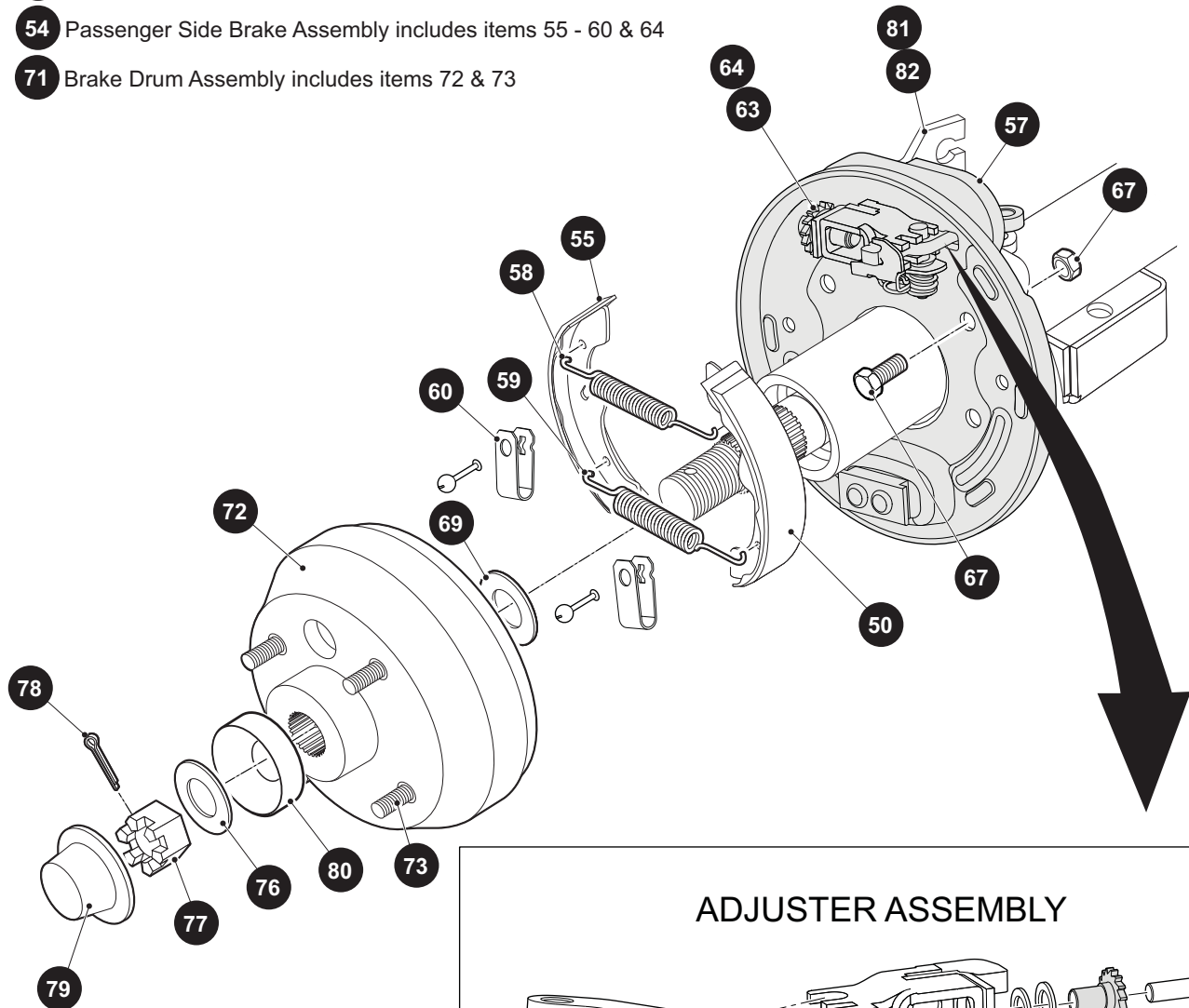
! If item 6 does not have hole indicated, order the following replacement parts:
 item 2: 11737-G1
 item 3: 15932-G2
 item 6: 70265-G01



- 1 Brake Pedal Assembly (without lights) includes items 2 - 10
- 88 Compensator Assembly includes items 89 - 98

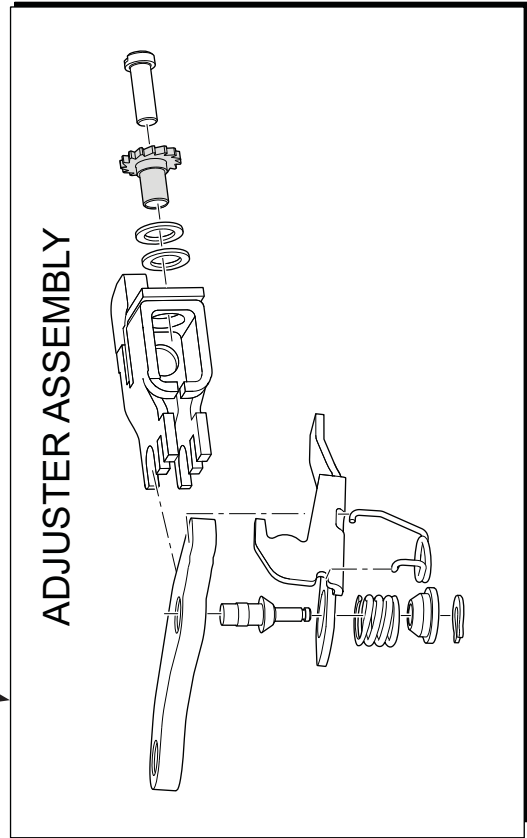
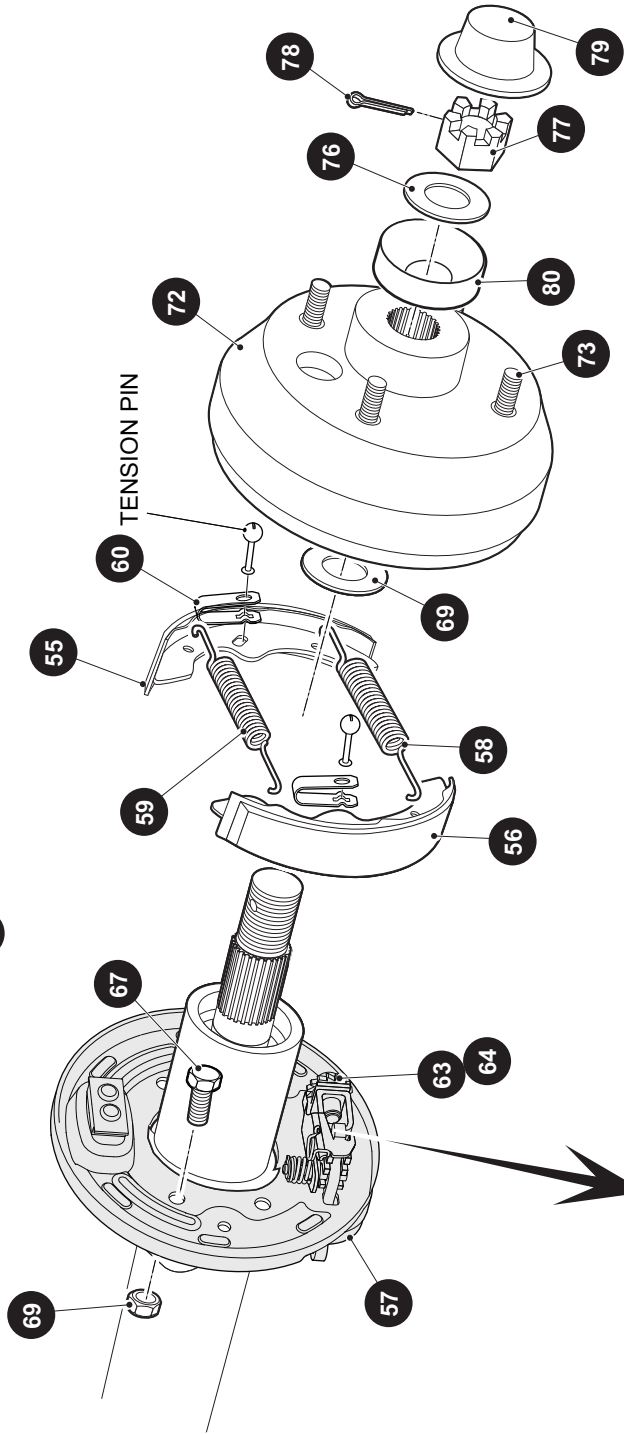
TOP PULL

- 53** Driver Side Brake Assembly includes items 55 - 60 & 63
- 54** Passenger Side Brake Assembly includes items 55 - 60 & 64
- 71** Brake Drum Assembly includes items 72 & 73



BOTTOM PULL

- 53 Driver Side Brake Assembly includes items 55 - 60 & 63
- 54 Passenger Side Brake Assembly includes items 55 - 60 & 64
- 71 Brake Drum Assembly includes items 72 & 73



When ordering parts, please specify the model and serial number of the product.

* Indicates a component that is not available as an individual part.

*** Indicates consult Customer Service Department for additional information.

ITEM	PART NO.	1 2 3 4 5	DESCRIPTION	QTY.
1	<u>70612-G02</u>		BRAKE PEDAL ASSEMBLY (WITHOUT BRAKE LIGHTS) (INCLUDES ITEMS 2 - 10)	1
2	<u>70681-G01</u>		TORSION SPRING.....	2
3	<u>70682-G01</u>		PIVOT PIN.....	1
4	<u>01071-G01</u>		PUSHNUT, 5/16"	2
5	<u>70259-G02</u>		BRAKE PEDAL.....	1
6	<u>70611-G01</u>		PARK BRAKE PEDAL	1
7				
8	<u>70257-G01</u>		SERVICE BRAKE PAD.....	1
9	<u>70256-G01</u>		PARK BRAKE PEDAL PAD	1
10	<u>16409-G1</u>		OVAL RIVET, 3/16" X 7/16" LG	9
11				
12	<u>70582-G01</u>		SHOULDER BOLT, 3/8 - 16 X 4" LG (STAINLESS STEEL)	1
13	<u>70581-G01</u>		FLANGED BUSHING.....	2
14	<u>70676-G01</u>		TORSION SPRING	1
15	<u>00643-G1</u>		WASHER, 3/8"	1
16	<u>11098-G5</u>		LOCK NUT, 3/8 - 16	1
17				
18	<u>12416G2</u>		NYLON WEDGE LOCK CLAMP (NOT ILLUSTRATED).....	6
19				
20	<u>01038G01</u>		SWAGEFORM SCREW - 1/4 - 20 (NOT ILLUSTRATED)	1
21				
22				
23				
24	<u>28083-G01</u>		BRAKE COMPENSATOR BUMPER.....	2
25	*		BRAKE CABLE (DRIVER SIDE).....	1
26	*		BRAKE CABLE (PASSENGER SIDE)	1
27				
28	<u>01111-G01</u>		RETAINING RING, 13/32" (STAINLESS STEEL).....	4
29				
30	<u>10386-G3</u>		CLEVIS PIN, 5/16" X 13/16" LG.....	3

BRAKES

When ordering parts, please specify the model and serial number of the product.

* Indicates a component that is not available as an individual part.

*** Indicates consult Customer Service Department for additional information.

ITEM	PART NO.	1 2 3 4 5	DESCRIPTION	QTY.
31	<u>10387-G3</u>		COTTER PIN, 3/32" X 3/4" LG	3
32				
33				
34	<u>70601-G01</u>		KICK-OFF LINK.....	1
35	<u>17838-G1</u>		NYLON BUSHING	2
36	<u>20835-G1</u>		TEFLON WASHER, 3/8"	2
37	00559-G8		WASHER, 5/16"	2
38	<u>10387-G3</u>		COTTER PIN, 3/32" X 3/4" LG	2
39	<u>70098-G01</u>		KICK-OFF CAM PIVOT	1
40	<u>10097-G6</u>		FLANGED BEARING	2
41	<u>70587-G01</u>		KICK-OFF CAM.....	1
42	<u>71215-G01</u>		SETSCREW, 1/4 - 20 X 1/2" LG.....	2
43	<u>14134-G4</u>		SPACER	1
44				
45	<u>70113-G01</u>		ADJUSTABLE BUMPER	1
46	<u>11027-G1</u>		LOCK NUT, 5/16 - 18.....	1
47				
48	<u>70080-G02</u>		CATCH BRACKET	1
49	<u>00414-G6</u>		BOLT, 1/4 - 20 X 3/4" LG	2
50	<u>14390-G4</u>		LOCK NUT, 1/4 - 20 (STAINLESS STEEL)	2
51				
52				
53	<u>612211</u>		BRAKE ASSEMBLY (DRIVER SIDE) (INCLUDES ITEMS 55 - 60, 63)	1
54	<u>612189</u>		BRAKE ASSEMBLY (PASSENGER SIDE) (INCLUDES ITEMS 55-60, 64)....	1
55	<u>612411</u>		BRAKE SHOE, L	2
56	<u>612412</u>		BRAKE SHOE, T.....	2
57	<u>612413</u>		DUST COVER.....	1
58	<u>612415</u>		BRAKE SPRING	1
59	<u>612414</u>		BRAKE SPRING	1
60	<u>612416</u>		SHOE CLAMP.....	2
61				

When ordering parts, please specify the model and serial number of the product.

* Indicates a component that is not available as an individual part.

*** Indicates consult Customer Service Department for additional information.

ITEM	PART NO.	1 2 3 4 5	DESCRIPTION	QTY.
62				
63	<u>612418</u>		GEAR ADJUSTER	1
64	<u>612417</u>		GEAR ADJUSTER	1
65				
66				
67	<u>17083-G2</u>		BOLT, 5/16 - 24 X 1" LG.....	8
68	<u>15126-G1</u>		LOCK NUT, 5/16 - 24	8
69	<u>15485-G1</u>		WASHER, 13/16"	2
70				
71	<u>19186-G1</u>		BRAKE DRUM ASSEMBLY (INCLUDES ITEMS 72 - 73)	2
72	<u>18500-G2</u>		BRAKE DRUM.....	1
73	<u>19862-G1</u>		LUG BOLT, 1/2 - 20 X 1 3/16" LG	4
74				
75				
76	<u>15487-G1</u>		WASHER, 1 3/8" O.D. X 21/32"	2
77	<u>612928</u>		CASTELLATED NUT, 5/8 - 18.....	2
78	<u>10387-G1</u>		COTTER PIN, 1/8" X 1 1/2" LG.....	2
79	<u>74175G01</u>		SPINDLE CAP	2
80	<u>607033</u>		SPINDLE CAP ADAPTER	2
81	<u>608200</u>		BRAKE CABLE BRACKET (PASSENGER SIDE)	1
82	<u>608201</u>		BRAKE CABLE BRACKET (DRIVER SIDE).....	1
83				
84				
85				
86				
87				
88	<u>612558</u>		COMPENSATOR ASSEMBLY (INCLUDES ITEMS 89 - 98)	1
89	<u>00532G4</u>		HEX NUT	2
90	<u>629486</u>		HEX NUT, 5/16 - 24	1
91	<u>28082G01</u>		EQUALIZER BRACKET	1
92	<u>15121G1</u>		FLAT WASHER - 5/16	2

BRAKES

When ordering parts, please specify the model and serial number of the product.

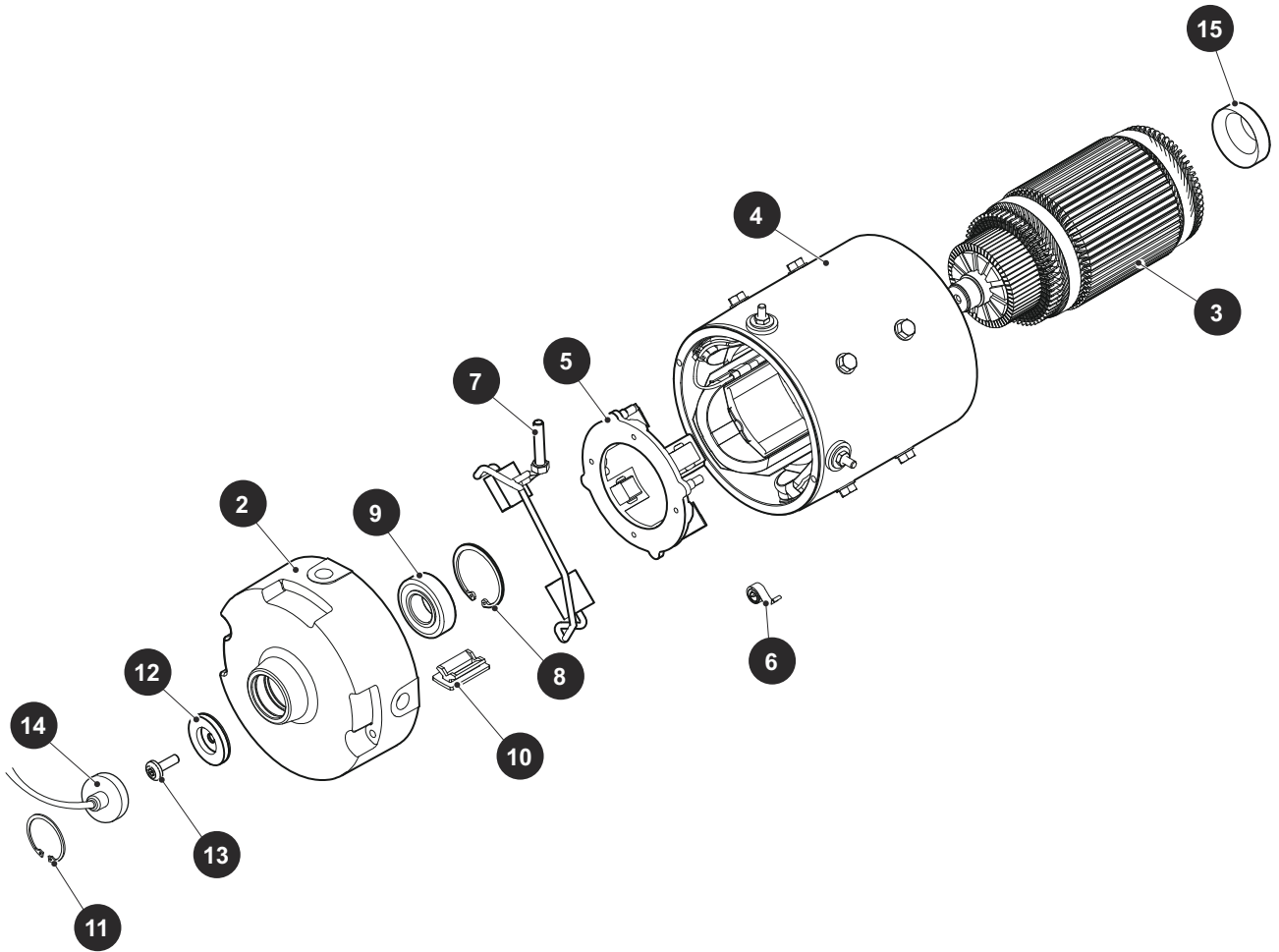
* Indicates a component that is not available as an individual part.

*** Indicates consult Customer Service Department for additional information.

ITEM	PART NO.	1	2	3	4	5	DESCRIPTION	QTY.
93	<u>17979G1</u>						ACCELERATOR ROD BUSHING	1
94	<u>23061G2</u>						TUBE.....	1
95	<u>23463G1</u>						COMPRESSION SPRING	1
96	<u>27330G01</u>						BRAKE YOKE	1
97	<u>11098G9</u>						HEX LOCK NUT, 5/16 - 24.....	1
98	<u>612557</u>						COMPENSATOR LINK ROD	1

MOTOR

1 Motor Includes Items 2 - 11



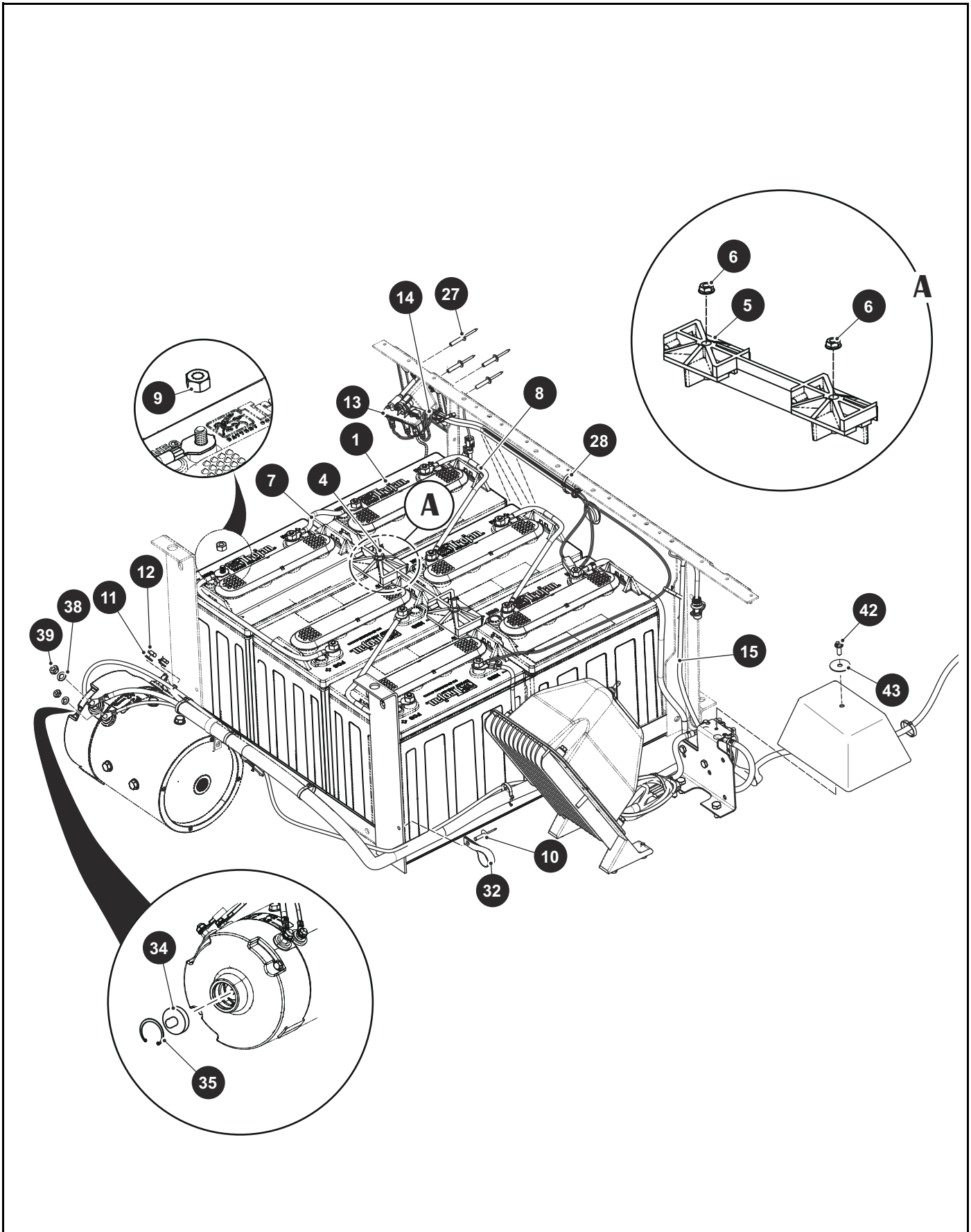
When ordering parts, please specify the model and serial number of the product.

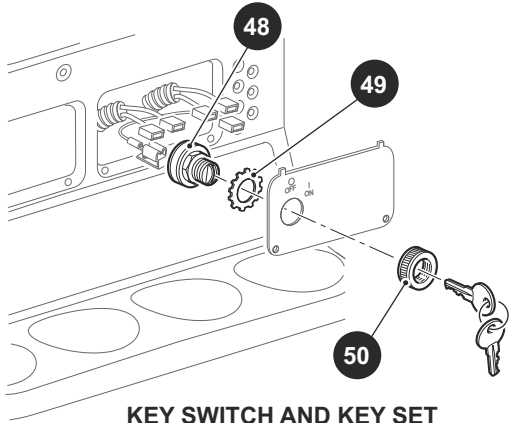
* Indicates a component that is not available as an individual part.

*** Indicates consult Customer Service Department for additional information.

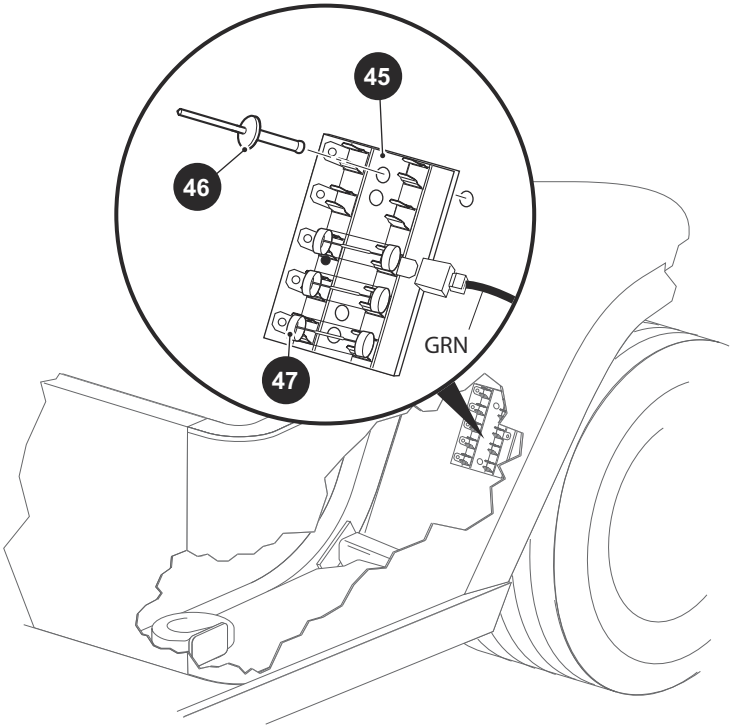
ITEM	PART NO.	1 2 3 4 5	DESCRIPTION	QTY.
1	<u>612624</u>		MOTOR 48V (INCLUDES ITEMS 2 - 15)	1
2	AY5-002AB		COMMUNTATOR END HEAD.....	1
3	K09-2266		ARMATURE	1
4	DL4-2101		FRAME AND FILED ASSEMBLY	4
5	A04-1064D		BRUSH BOX ASSEMBLY	1
6	B00-016A		BRUSH SPRING	1
7	AC6-2034AS		BRUSH AND TERMINAL SERVICE KIT.....	1
8	H-004		RETAINING RING	1
9	BR-205		BEARING.....	1
10	EJ8-024		COVER.....	1
11	H-156		RETAINING RING	1
12	<u>73328G01</u>		SPEED SENSOR MAGNET	1
13	<u>01037G02</u>		SCREW	1
14	<u>620422</u>		SPEED SENSOR HARNESS	1
15	<u>24261G1</u>		BUMPER SPLINE.....	1

ELECTRICAL SYSTEM





KEY SWITCH AND KEY SET



ELECTRICAL SYSTEM

When ordering parts, please specify the model and serial number of the product.

* Indicates a component that is not available as an individual part.

*** Indicates consult Customer Service Department for additional information.

ITEM	PART NO.	1 2 3 4 5	DESCRIPTION	QTY.
1	*****		8 VOLT BATTERY	6
2				
3				
4	<u>01101G01</u>		HOLD DOWN BOLT (STAINLESS STEEL).....	2
5	<u>612867</u>		BATTERY RETAINER	1
6	<u>11027G1</u>		LOCK NUT, 5/16" - 18	2
7	<u>613236</u>		6 AWG WIRE, BLUE 380mm (15").....	4
8	<u>613237</u>		6 AWG WIRE, BLUE 150mm (5.90").....	1
9	<u>00702G2</u>		NUT, 5/16" - 18	12
10	<u>10570G11</u>		RIVET, 3/16" X 0.70"	1
11	<u>00993G02</u>		LOCK WASHER, 1/4 " (SILICON BRONZE)	2
12	<u>28418G02</u>		NUT, 1/4 - 20 (BRASS).....	2
13	<u>613304</u>		CHARGER RECEPTACLE 48V	1
14	*		CHARGER HARNESS.....	1
15	<u>620964</u>		MAIN WIRE HARNESS, VPS 48V	1
16				
17				
18				
19				
20				
21				
22				
23				
24				
25				
26				
27	<u>71055G01</u>		RIVET, 3/16" X 1" LG (ALUMINUM).....	4
28	<u>17618G1</u>		WIRE TIE.....	9
29				
30				
31				

ELECTRICAL SYSTEM

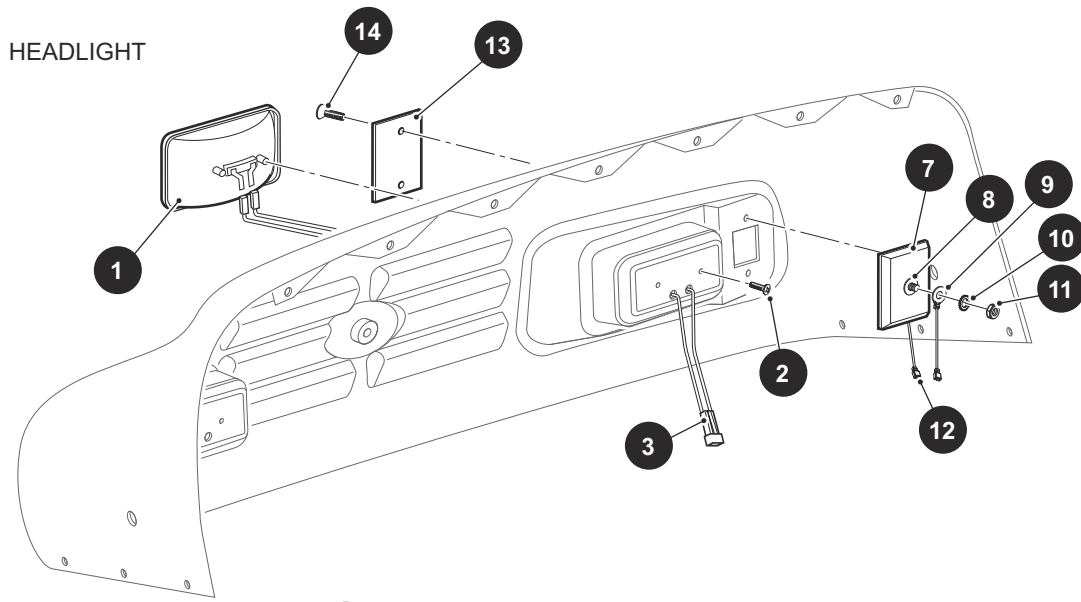
When ordering parts, please specify the model and serial number of the product.

* Indicates a component that is not available as an individual part.

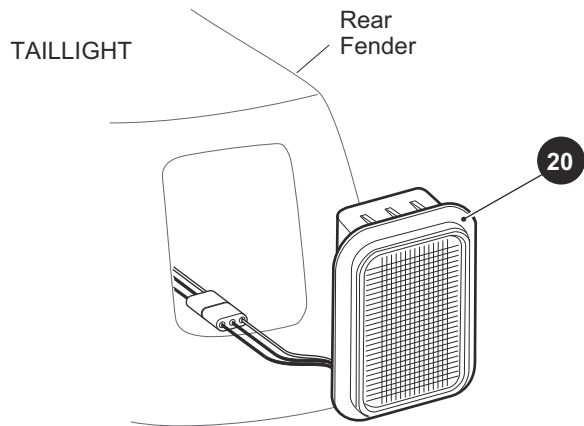
*** Indicates consult Customer Service Department for additional information.

ITEM	PART NO.	1 2 3 4 5	DESCRIPTION	QTY.
32	<u>27327G02</u>		CABLE CLAMP	1
33				
34	<u>620422</u>		SPEED SENSOR.....	1
35	<u>73277G01</u>		RETAINING RING.....	1
36				
37				
38	<u>00993G01</u>		LOCK WASHER, 5/16" (SILICON BRONZE).....	2
39	<u>28418G01</u>		NUT, 5/16" - 18" (BRASS).....	2
40				
41				
42	<u>00114G6</u>		SCREW, 5/16" - 18	1
43	<u>16469G1</u>		FENDER WASHER, 1/4"	1
44				
45	<u>22674G1</u>		FUSE BLOCK	1
46	<u>01041G01</u>		RIVET, 1/8" X 13/16" LG	2
47	<u>18392G1</u>		15 AMP FUSE.....	AR
48	33639G**		KEY SWITCH (WITH LIGHTS)	1
49	<u>00568G6</u>		LOCK WASHER, 3/4"	1
50	<u>17137P1</u>		FACE NUT, 3/4 - 20.....	1

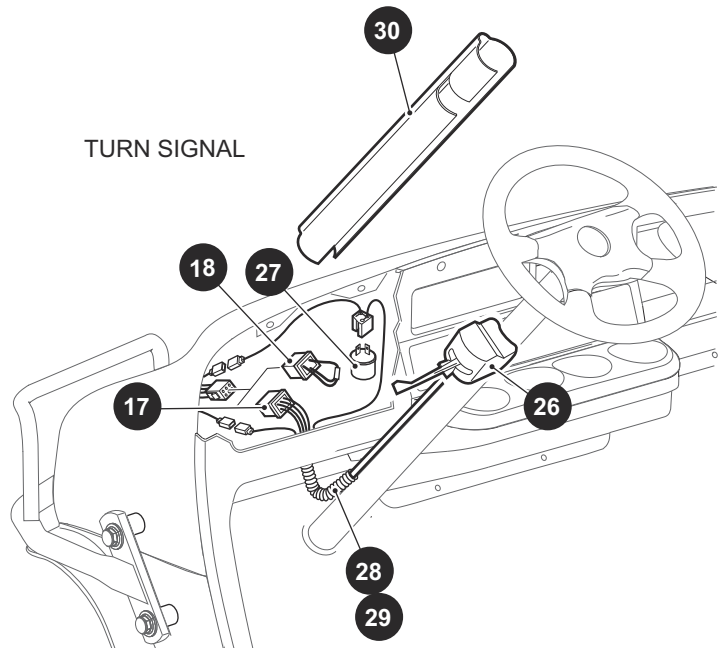
ELECTRICAL SYSTEM



6 Turn Signal Light Includes Items 7 - 12



TURN SIGNAL



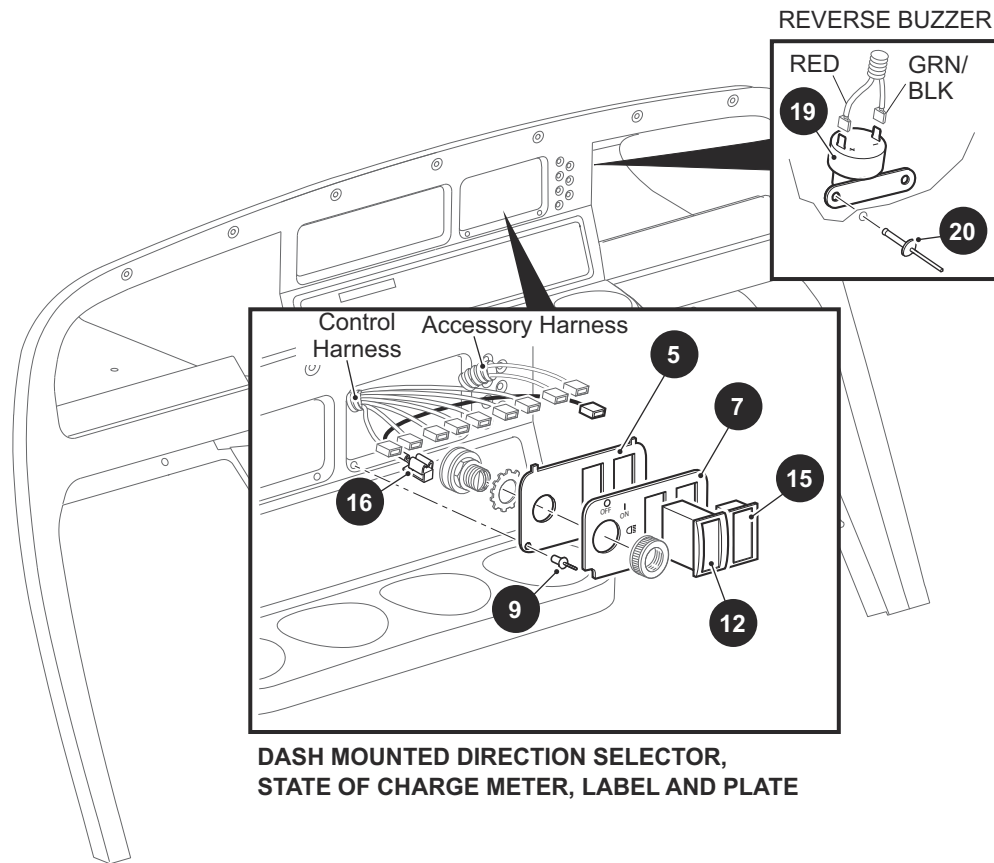
ELECTRICAL SYSTEM

When ordering parts, please specify the model and serial number of the product.

* Indicates a component that is not available as an individual part.

*** Indicates consult Customer Service Department for additional information.

ITEM	PART NO.	1 2 3 4 5	DESCRIPTION	QTY.
1	<u>22523G1</u>		HEADLIGHT (RECTANGULAR) (INCLUDES ITEM 2)	2
2	<u>00906G6</u>		SCREW, #10 - 16 X 1" LG	4
3	<u>74337G01</u>		JUMPER WIRE (HEADLIGHT)	2
4				
5				
6	<u>20570G3</u>		TURN SIGNAL LIGHT (INCLUDES ITEMS 7 - 12).....	2
7	<u>20574G3</u>		TURN SIGNAL LIGHT	1
8	<u>00660G7</u>		WASHER, 1/4" (STAINLESS STEEL)	1
9	<u>20606G1</u>		WIRE	1
10	<u>00567G7</u>		LOCK WASHER, 1/4"	1
11	<u>00532G1</u>		NUT, 1/4 - 20	1
12	<u>18995G1</u>		PUSH-ON MALE TERMINAL	1
13	<u>20574G4</u>		LENS, AMBER.....	1
14	<u>00118G5</u>		SCREW, #6 - 18 X 5/8" LG	2
15				
16				
17	<u>618257</u>		WIRE HARNESS (ACCESSORY), 48V DC,SWB.....	1
18	<u>618260</u>		JUMPER PLUG, TAIL LIGHT.....	1
19				
20	<u>32739G2</u>		TAIL LIGHT	1
21				
22				
23				
24				
25				
26	<u>17867G1</u>		TURN SIGNAL (WITH MOUNTING HARDWARE).....	1
27	<u>21640G1</u>		TURN SIGNAL FLASHER.....	1
28	<u>17313G1</u>		FLEX LOOM, 3/8" X 8" LG	1
29	<u>17618G1</u>		WIRE TIE	2
30	<u>20965G3</u>		STEERING COLUMN COVER	1



ELECTRICAL SYSTEM

When ordering parts, please specify the model and serial number of the product.

* Indicates a component that is not available as an individual part.

*** Indicates consult Customer Service Department for additional information.

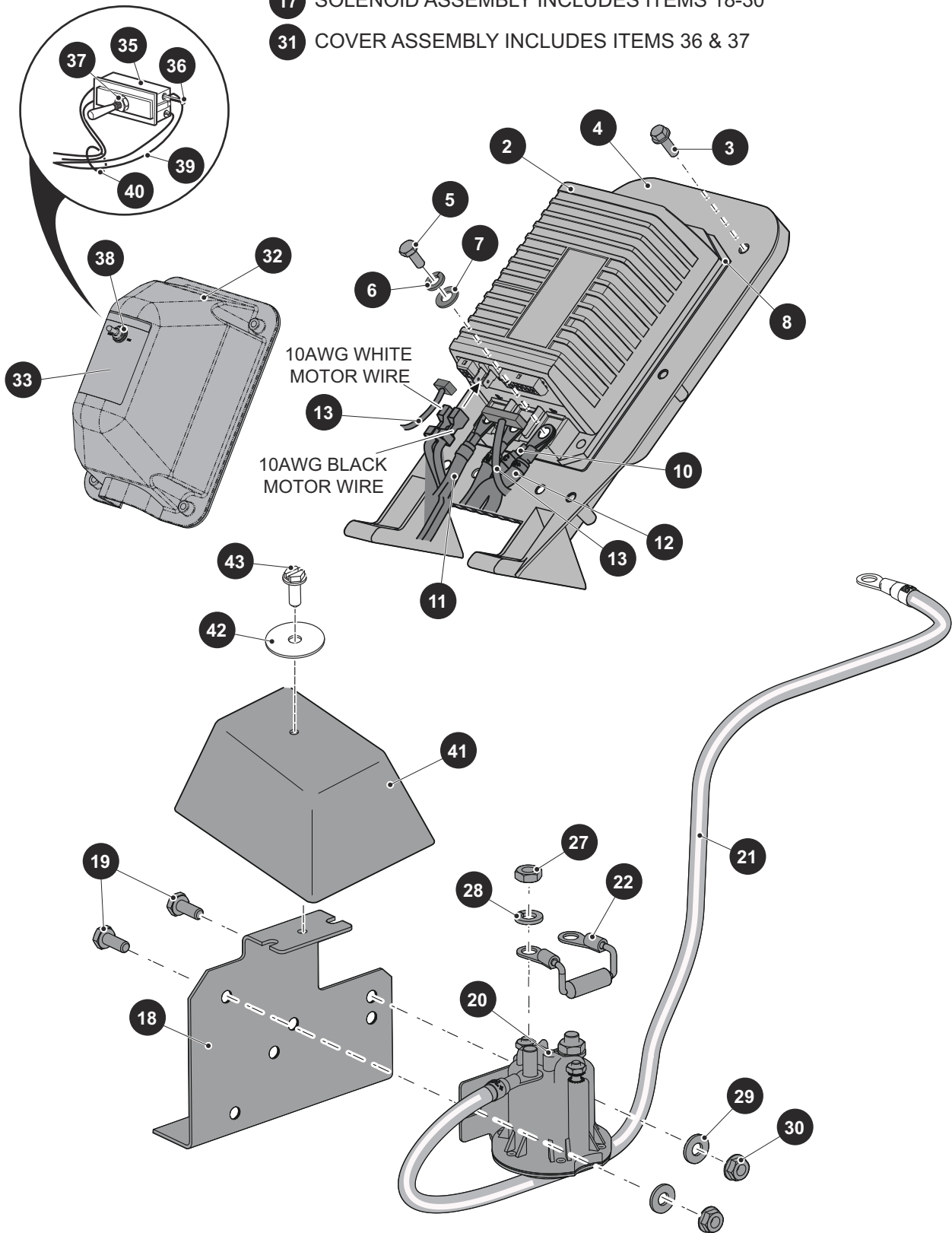
ITEM	PART NO.	1 2 3 4 5	DESCRIPTION	QTY.
1				
2				
3				
4				
5	<u>73030G06</u>		PLATE (KEY SWITCH, DIRECTION SELECTOR, CHARGE METER)	1
6				
7	<u>74322G01</u>		LABEL (KEY SWITCH WITH LIGHTS, DIRECTION SELECTOR, CHARGE METER)	1
8				
9	33623G02		DRIVE RIVET, 3/16" X 3/8" LG	2
10				
11				
12	<u>74323G01</u>		DIRECTION SELECTOR SWITCH (DASH MOUNTED)	1
13				
14				
15	<u>33636G05</u>		STATE OF CHARGE METER (VERTICAL)	1
16	<u>25978G74</u>		18 GA WIRE (RED 6")	1
17				
18				
19	<u>613271</u>		BUZZER (CONTINUOUS TONE)	1
20	<u>01041G01</u>		RIVET, 1/8" X 13/16" LG	2

ELECTRONIC SPEED CONTROL

1 ELECTRONIC SPEED CONTROL ASSEMBLY INCLUDES ITEMS 2-12, 31

17 SOLENOID ASSEMBLY INCLUDES ITEMS 18-30

31 COVER ASSEMBLY INCLUDES ITEMS 36 & 37



ELECTRONIC SPEED CONTROL

When ordering parts, please specify the model and serial number of the product.

* Indicates a component that is not available as an individual part.

*** Indicates consult Customer Service Department for additional information.

ITEM	PART NO.	1 2 3 4 5	DESCRIPTION	QTY.
1	<u>612756</u>		ELECTRONIC SPEED CONTROL ASSEMBLY 48 V (INCLUDES ITEMS 2 - 12, 31).....	1
2	<u>612632</u>		CONTROLLER, 48V.....	1
3	<u>71102G01</u>		BOLT, 1/4 - 20 X 3/4" LG	3
4	<u>73471G01</u>		HEATSINK.....	1
5	<u>73296G01</u>		BOLT, 8MM.....	3
6	<u>00565G8</u>		WASHER 5/16	3
7	00559G8		WASHER FLAT	3
8	<u>73190G01</u>		PAD, THERMAL MOUNTING.....	1
9				
10	<u>73106G01</u>		WIRE HARNESS (POWER).....	1
11	<u>620437</u>		6 AWG WIRE, BLUE 6.755MM	1
12	<u>620432</u>		6 AWG WIRE, GREEN 400MM	1
13	<u>620964</u>		MAIN WIRE HARNESS, 48V	1
14				
15				
16				
17	<u>613104</u>		SOLENOID ASSEMBLY (INCLUDES ITEMS 18 - 30).....	1
18	<u>73057G01</u>		BRACKET.....	1
19	<u>00414G5</u>		BOLT 1/4 - 20	2
20	<u>612711</u>		SOLENOID 48V.....	1
21	<u>607592</u>		WIRE ASSEMBLY, 4AWG, GREEN, 706MM.....	1
22	<u>620430</u>		RESISTER ASSEMBLY 500 OHM	1
23				
24				
25				
26				
27	<u>00544G4</u>		LOCK NUT, 5/16 - 18.....	1
28	<u>00565G8</u>		LOCK WASHER	1
29	<u>01110G01</u>		FLAT WASHER	2
30	11027G02		FLANGED NUT	2

ELECTRONIC SPEED CONTROL

When ordering parts, please specify the model and serial number of the product.

* Indicates a component that is not available as an individual part.

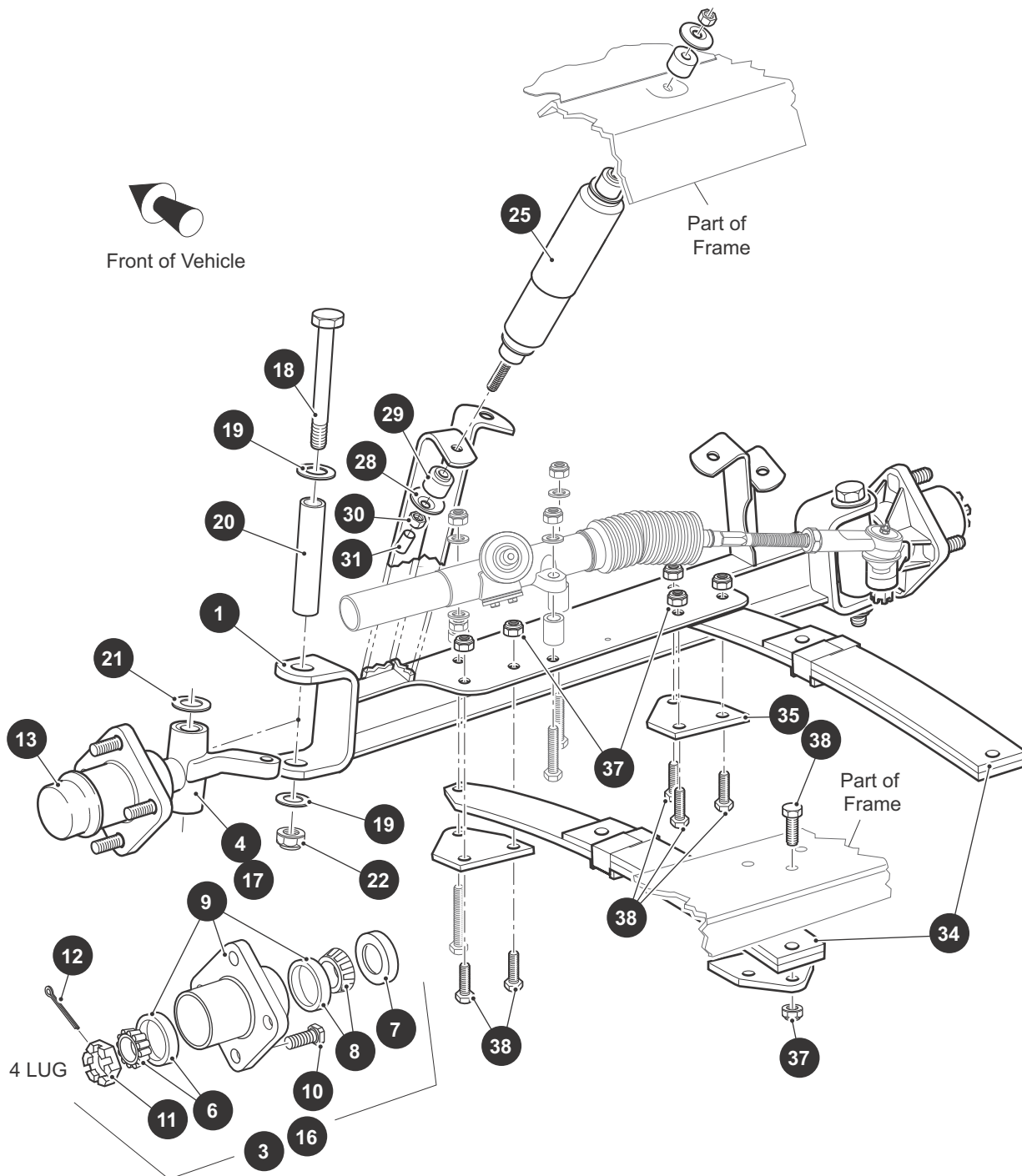
*** Indicates consult Customer Service Department for additional information.

ITEM	PART NO.	1	2	3	4	5	DESCRIPTION	QTY.
31	<u>612753</u>						COVER ASSEMBLY (INCLUDES ITEMS 32 - 40)	1
32	<u>73482G01</u>						COVER (WITH GASKET).....	1
33	<u>613048</u>						LABEL (TOW SWITCH).....	1
34								
35	73125G01						TOGGLE SWITCH WITH SEAL (INCLUDES ITEMS 36 - 37)	1
36	*						SCREW, #5 - 40.....	4
37	*						NUT, 15/32 - 32	1
38	<u>73139G01</u>						SEALED NUT, 15/32 - 32	1
39	73138G02						WIRE HARNESS (TOW SWITCH).....	1
40	<u>17618G1</u>						WIRE TIE.....	1
41	<u>73049G01</u>						COVER.....	1
42	<u>16469G1</u>						FLAT WASHER	1
43	<u>00114G6</u>						SCREW	1

Notes:

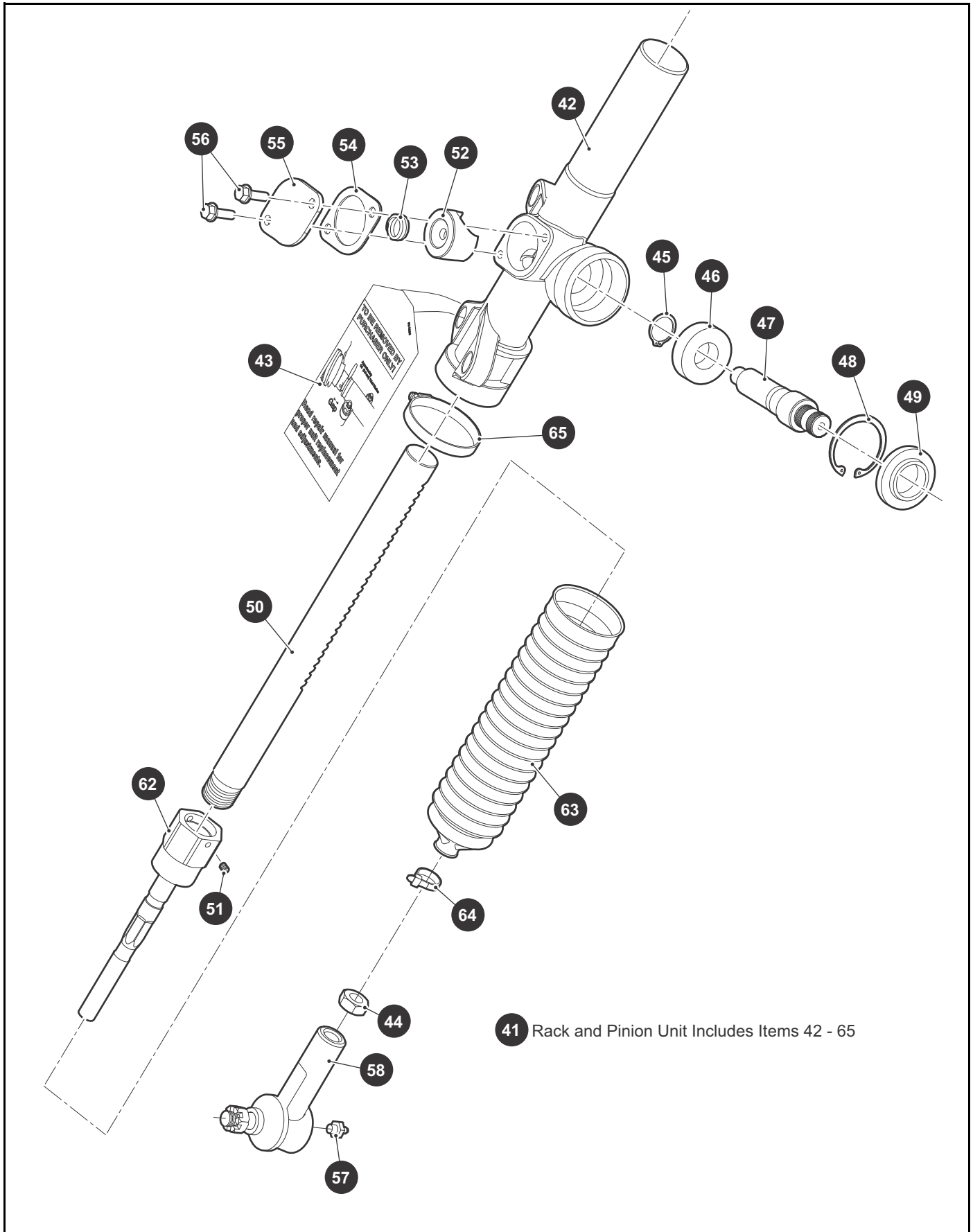
A large grid of graph paper, consisting of approximately 30 columns and 30 rows of small squares, intended for taking notes.

FRONT SUSPENSION & STEERING



- 3** Passenger Side Spindle and Hub Assembly Includes Items 4 - 13
- 9** Wheel Hub Assembly Includes Item 10
- 16** Driver Side Spindle and Hub Assembly Includes Items 7 - 13, 17

*NOTE: Tie Rod Not Shown for Clarity



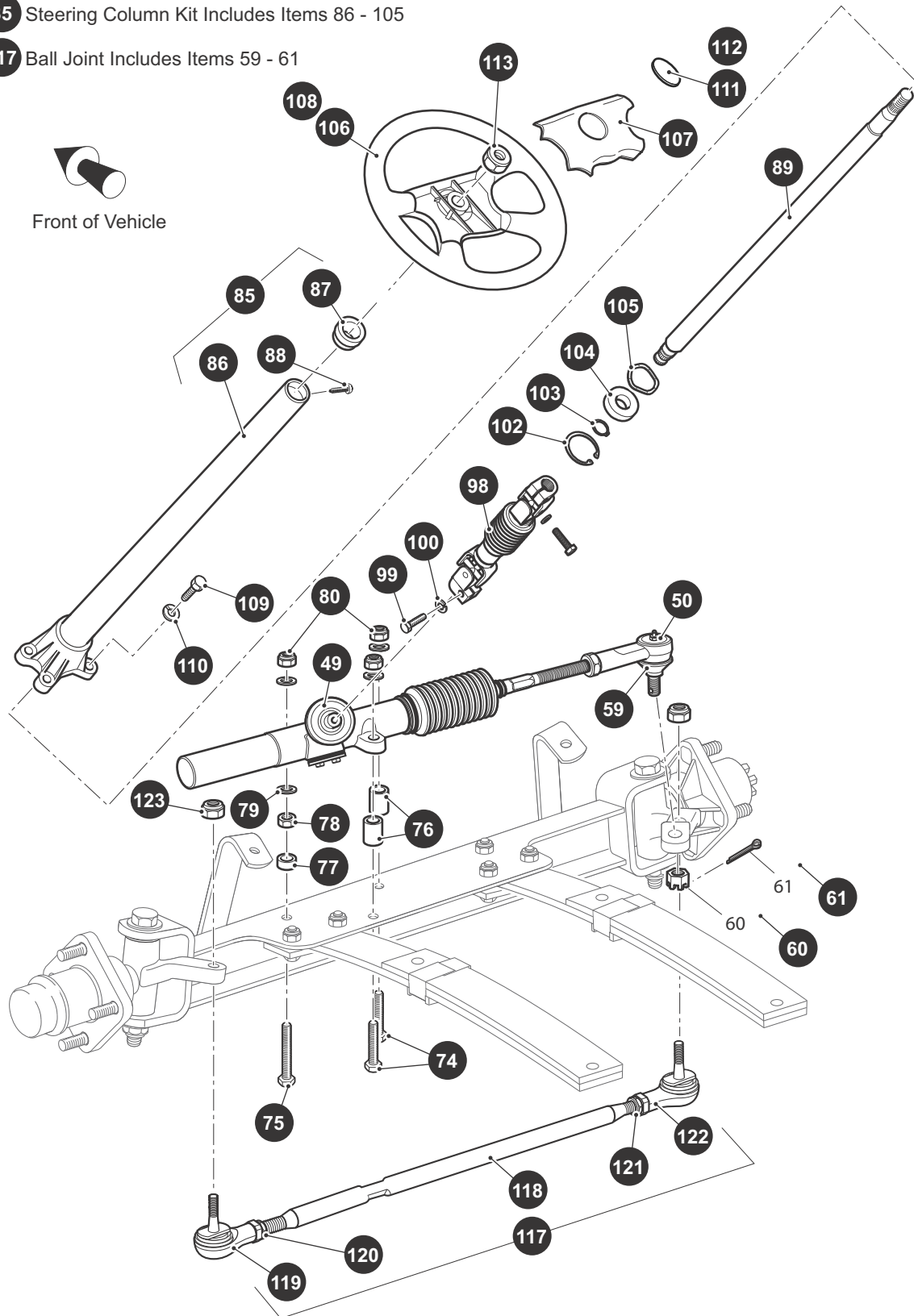
41 Rack and Pinion Unit Includes Items 42 - 65

FRONT SUSPENSION & STEERING

58 Ball Joint Includes Items 59 - 61

85 Steering Column Kit Includes Items 86 - 105

117 Ball Joint Includes Items 59 - 61



FRONT SUSPENSION & STEERING

When ordering parts, please specify the model and serial number of the product.

* Indicates a component that is not available as an individual part.

*** Indicates consult Customer Service Department for additional information.

ITEM	PART NO.	1 2 3 4 5	DESCRIPTION	QTY.
1	<u>602512</u>		FRONT AXLE.....	1
2				
3	<u>70942-G03</u>		SPINDLE AND HUB ASSEMBLY, 4 LUG (PASSENGER SIDE) (INCLUDES ITEMS 4 - 13)	1
4	<u>70940-G02</u>		SPINDLE ASSEMBLY (PASSENGER SIDE) (INCLUDES ITEMS 5 - 6) .	1
5	<u>70648-G01</u>		BEARING	1
6	<u>70749-G01</u>		BEARING, DP4	1
7	<u>25146-G1</u>		GREASE SEAL	1
8	<u>50892-G1</u>		ROLLER BEARING AND RACE ASSEMBLY	2
9	<u>70589-G1</u>		WHEEL HUB ASSEMBLY WITH RACES, 4 LUG (INCLUDES ITEM 10)	1
10	<u>19862-G1</u>		LUG BOLT, 1/2 - 20 X 1 7/32" LG	4
11	<u>12093-G1</u>		SLOTTED NUT, 1 - 14.....	1
12	<u>00798-G8</u>		COTTER PIN, 5/32" X 1 3/4" LG	1
13	<u>12091-G2</u>		SPINDLE CAP.....	2
14				
15				
16	<u>70673-G03</u>		SPINDLE AND HUB ASSEMBLY, 4 LUG (DRIVER SIDE) (INCLUDES ITEMS 7 - 13 & 17)	1
17	<u>70742-G02</u>		SPINDLE ASSEMBLY (DRIVER SIDE) (INCLUDES ITEMS 5 - 6)	1
18	<u>00407-G6</u>		BOLT, 1/2 - 13 X 6" LG.....	2
19	<u>00560-G3</u>		WASHER, 1/2"	4
20	<u>70745-G01</u>		KING PIN TUBE.....	2
21	<u>70754-G01</u>		THRUST WASHER (STAINLESS STEEL).....	2
22	<u>14390-G6</u>		LOCK NUT, 1/2 - 13	2
23				
24				
25	<u>76419-G01</u>		SHOCK ABSORBER	2
26				
27				
28	<u>10435-G1</u>		SHOCK ABSORBER WASHER.....	8
29	<u>10194-G1</u>		RUBBER SHOCK ABSORBER BUSHING	8
30	<u>00532-G6</u>		NUT, 3/8 - 24.....	4

FRONT SUSPENSION & STEERING

When ordering parts, please specify the model and serial number of the product.

* Indicates a component that is not available as an individual part.

*** Indicates consult Customer Service Department for additional information.

ITEM	PART NO.	1 2 3 4 5	DESCRIPTION	QTY.
31	<u>10044-G01</u>		VINYL CAP	2
32				
33				
34	<u>70664-G03</u>		LEAF SPRING (HEAVY DUTY) (SEE PART NUMBER ON SPRING)	2
35	<u>70163-G03</u>		SPRING PLATE	4
36				
37	<u>00734-G1</u>		LOCK NUT, 7/16 - 14.....	11
38	<u>00463-G11</u>		BOLT, 7/16 - 14 X 1 3/4" LG	11
39				
40				
41	<u>74605-G01</u>		RACK AND PINION UNIT (COMPLETE) (INCLUDES ITEMS 42 - 65)	1
42	<u>70965-G01</u>		STEERING RACK COVER & BEARING	1
43	*		STEERING BOX INSTALLATION TAG	1
44	*		JAM NUT, 1/2 - 20.....	1
45	<u>70750-G01</u>		RETAINING RING (EXTERNAL)	1
46	<u>15112-G1</u>		BALL BEARING	1
47	<u>70603-G01</u>		PINION.....	1
48	<u>70751-G01</u>		RETAINING RING (INTERNAL).....	1
49	<u>70638-G01</u>		SEAL PINION.....	1
50	<u>70604-G01</u>		RACK STEERING.....	1
51	<u>01053-G01</u>		SCREW, 10- 32.....	1
52	<u>70590-G01</u>		RACK LOADER	1
53	<u>70666-G01</u>		SPRING COMPRESSION	1
54	<u>70645-G01</u>		GASKET RACK LOADER.....	1
55	<u>70591-G01</u>		COVER RACK LOADER.....	1
56	<u>71102-G01</u>		SCREW, 1/4 - 20.....	2
57	<u>10389-G3</u>		GREASE FITTING, STRAIGHT	1
58	<u>70695-G01</u>		RACK BALL JOINT (INCLUDES ITEMS 59 - 61)	1
59	<u>50641-G1</u>		RUBBER BOOT	1
60	<u>50209-G2</u>		SLOTTED NUT, 7/16 - 20.....	1
61	<u>10387-G2</u>		COTTER PIN, 3/32" X 1" LG	1

FRONT SUSPENSION & STEERING

When ordering parts, please specify the model and serial number of the product.

* Indicates a component that is not available as an individual part.

*** Indicates consult Customer Service Department for additional information.

ITEM	PART NO.	1 2 3 4 5	DESCRIPTION	QTY.
62	<u>74602-G01</u>		ROD END (INNER)	1
63	<u>70961-G01</u>		RACK BOOT	1
64	<u>12416-G2</u>		WIRE TIE.....	1
65	<u>11391-G8</u>		WIRE TIE.....	1
66				
67				
68				
69				
70				
71				
72				
73				
74	<u>00464-G6</u>		BOLT, 7/16 - 14 X 2 3/4" LG.....	2
75	<u>01068-G01</u>		BOLT, 7/16 - 14 X 3 1/2" LG.....	1
76	<u>70667-G02</u>		SPACER.....	2
77	<u>70667-G03</u>		SPACER (SHORT).....	1
78	<u>00532-G7</u>		NUT, 7/16 - 14.....	1
79	<u>00560-G2</u>		FLAT WASHER, 7/16".....	7
80	<u>00734-G1</u>		LOCK NUT, 7/16 - 14.....	3
81				
82				
83				
84				
85	<u>70758-G05</u>		STEERING COLUMN KIT (INCLUDES ITEMS 86 - 105).....	1
86	<u>70610-G03</u>		STEERING COLUMN.....	1
87	<u>28569-G01</u>		STEERING COLUMN BUSHING	1
88	<u>01022-G01</u>		SCREW, #6 - 20 X 5/16" LG.....	1
89	<u>70607-G01</u>		STEERING SHAFT	1
90				
91				
92				

FRONT SUSPENSION & STEERING

When ordering parts, please specify the model and serial number of the product.

* Indicates a component that is not available as an individual part.

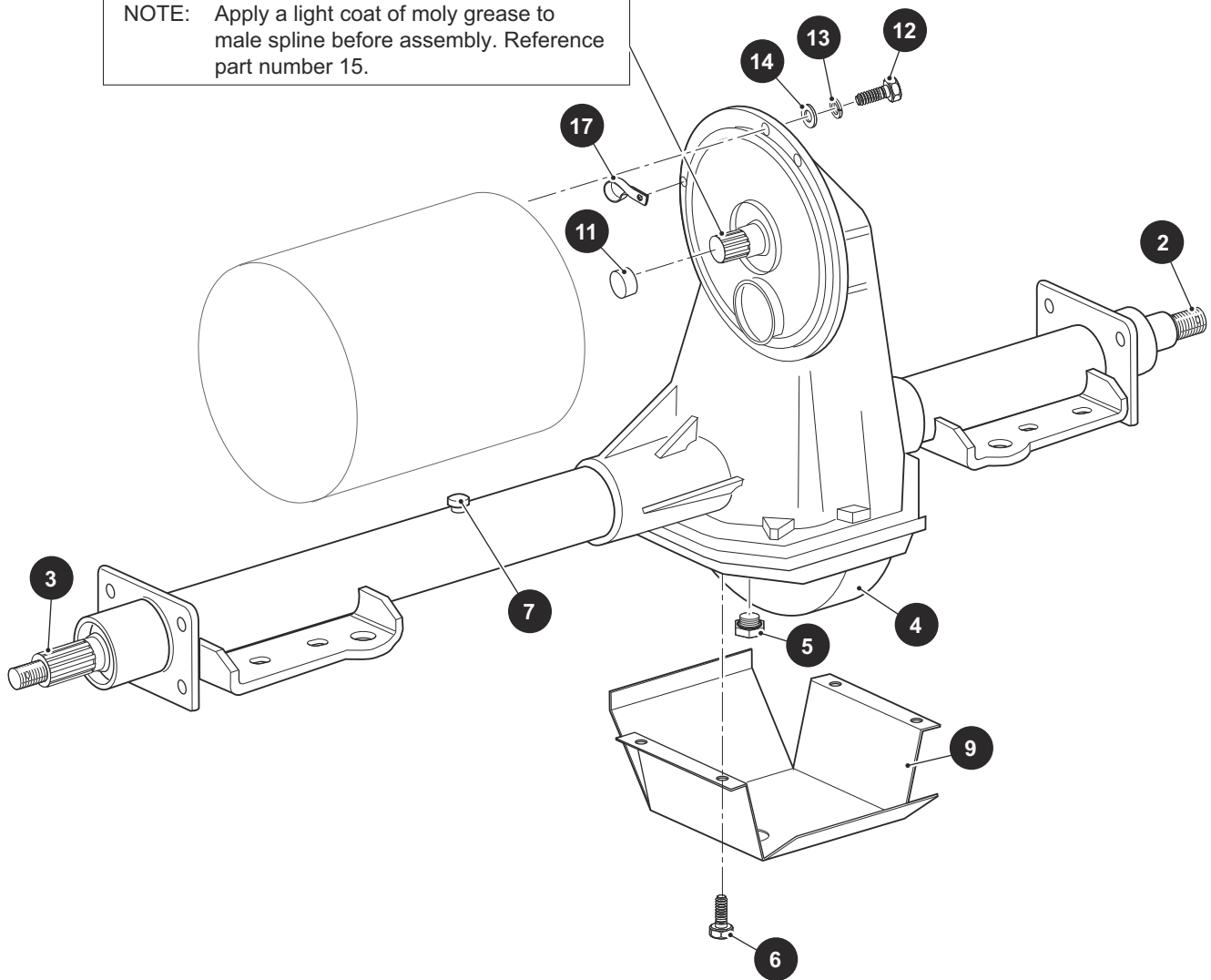
*** Indicates consult Customer Service Department for additional information.

ITEM	PART NO.	1	2	3	4	5	DESCRIPTION	QTY.
93								
94								
95								
96								
97								
98	<u>70580-G01</u>						INTERMEDIATE SHAFT	1
99	<u>01055-G01</u>						BOLT, M8 X 1 1/4" LG	2
100	<u>00565-G8</u>						LOCK WASHER, 5/16"	2
101								
102	<u>70751-G01</u>						RETAINING RING (INTERNAL).....	1
103	<u>70888-G01</u>						RETAINING RING (EXTERNAL)	1
104	<u>15112-G1</u>						BALL BEARING	1
105	<u>70887-G01</u>						WAVE WASHER	1
106	<u>602980</u>						STEERING WHEEL PREMIUM (OPTIONAL).....	1
107	<u>71147-G01</u>						STEERING WHEEL COVER.....	1
108	<u>602979</u>						STEERING WHEEL	1
109	<u>01006-G01</u>						BOLT, 3/8 - 16 X 1 1/4" LG WITH PATCHLOCK.....	4
110	<u>00879-G1</u>						LOCK WASHER, 3/8"	4
111	<u>605435</u>						STEERING WHEEL DECAL E-Z-GO.....	1
112	<u>617802</u>						STEERING WHEEL DECAL BBB	1
113	<u>14390-G2</u>						LOCK NUT, 5/8 - 18.....	1
114								
115								
116								
117	<u>70604-G01</u>						TIE ROD ASSEMBLY (INCLUDES ITEMS 118 - 122)	1
118	<u>74603-G01</u>						THREADED ROD (24" LG).....	1
119	<u>70902-G01</u>						TIE ROD END (LEFT HAND THREADS)	1
120	<u>01069-G01</u>						JAM NUT, M12 X 1.25-05 (LEFT HAND THREADS).....	1
121	<u>70902-G02</u>						TIE ROD END (RIGHT HAND THREADS).....	1
122	<u>01069-G02</u>						JAM NUT, M12 X 1.25-05 (RIGHT HAND THREADS)	1
123	<u>00734-G1</u>						LOCK NUT, 7/16 - 14.....	2

REAR AXLE

1 Rear Axle Assembly Includes Items 2 - 7

NOTE: Apply a light coat of moly grease to male spline before assembly. Reference part number 15.



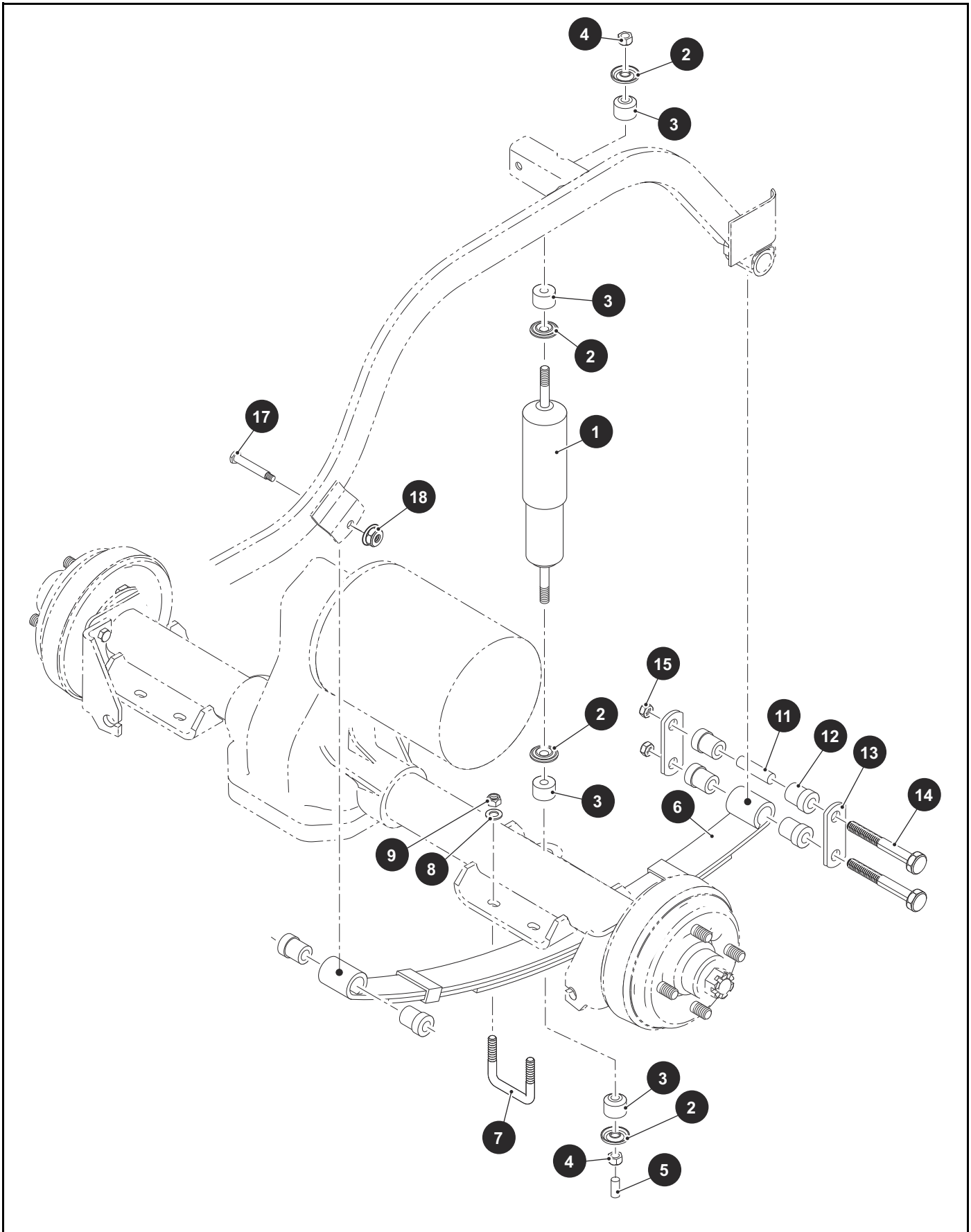
When ordering parts, please specify the model and serial number of the product.

* Indicates a component that is not available as an individual part.

*** Indicates consult Customer Service Department for additional information.

ITEM	PART NO.	1 2 3 4 5	DESCRIPTION	QTY.
1	<u>73500-G01</u>		REAR AXLE ASSEMBLY, 12.44:1 (INCLUDES ITEMS 2 - 7).....	1
2	<u>20377-G12</u>		AXLE SHAFT (PASSENGER SIDE).....	1
3	<u>20377-G11</u>		AXLE SHAFT (DRIVER SIDE).....	1
4	*		DIFFERENTIAL COVER.....	1
5	73356-G01		FILL/CHECK PLUG	1
6	<u>15558-G1</u>		SCREW, 5/16 - 18 X 3/4" LG	10
7	<u>73050-G01</u>		VENT	1
8				
9	72763-G02		DIFFERENTIAL GUARD	1
10				
11	<u>24261-G1</u>		BUMPER SPLINE	1
12	<u>00797-G2</u>		BOLT, 1/4 - 20 X 1 1/4" LG.	3
13	<u>00664-G7</u>		LOCK WASHER, 1/4" (STAINLESS STEEL)	3
14	<u>01110-G01</u>		WASHER, 1/4" (STAINLESS STEEL)	3
15	27023-G01		MOLY LUBE, 2 OZ.	AR
16				
17	<u>27327-G02</u>		CLAMP TWISTED	1

REAR SUSPENSION



REAR SUSPENSION

When ordering parts, please specify the model and serial number of the product.

* Indicates a component that is not available as an individual part.

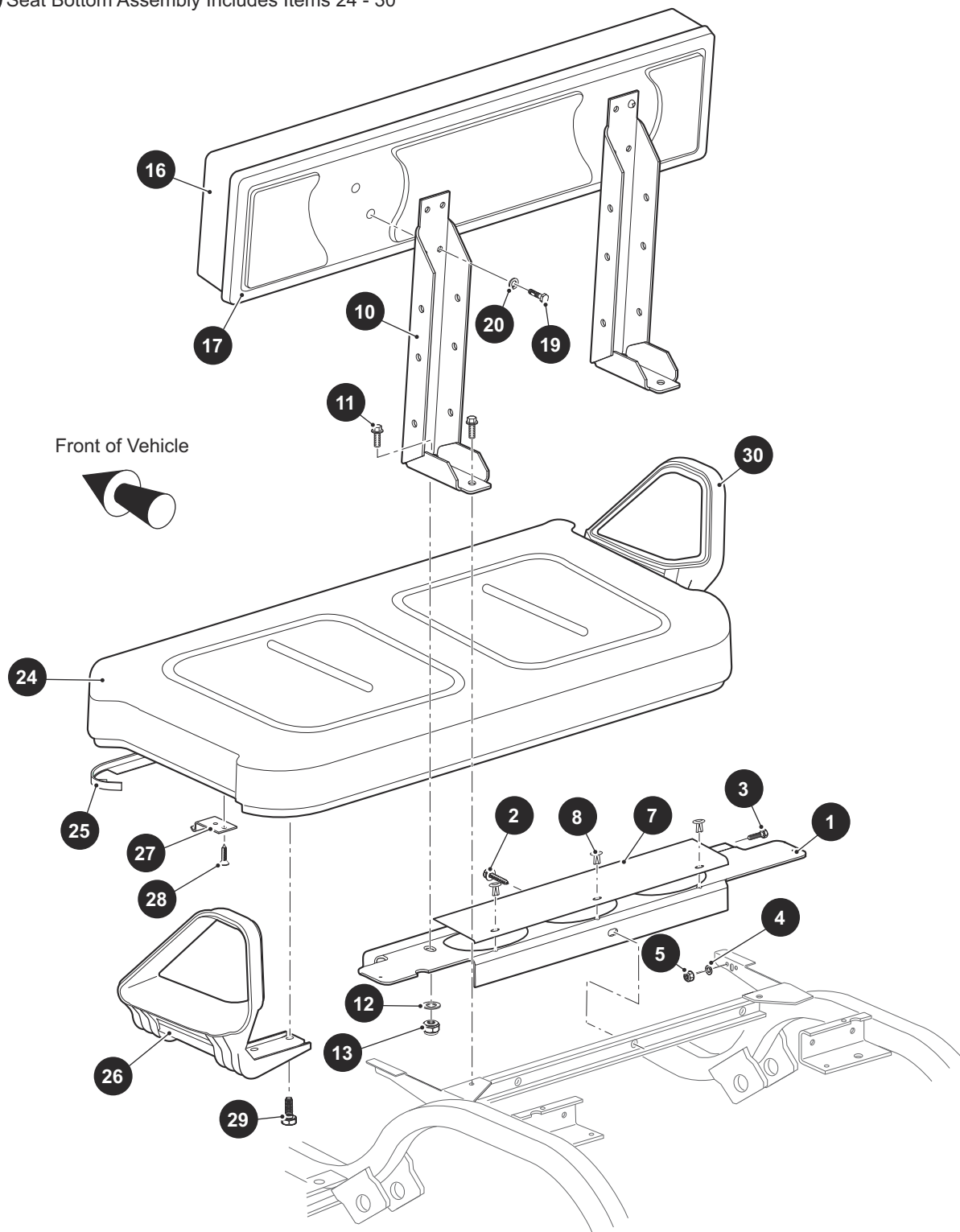
*** Indicates consult Customer Service Department for additional information.

ITEM	PART NO.	1 2 3 4 5	DESCRIPTION	QTY.
1	<u>70248-G01</u>		SHOCK ABSORBER	2
2	<u>10435-G1</u>		SHOCK ABSORBER WASHER	8
3	<u>10194-G1</u>		RUBBER SHOCK ABSORBER BUSHING	8
4	<u>00532-G6</u>		NUT, 3/8 - 24	4
5	<u>10044-G01</u>		CAP, VINYL	2
6	<u>74207-G03</u>		LEAF SPRING (HEAVY DUTY)	2
7	<u>72618-G01</u>		"U" BOLT, 3/8 - 16 X 2" X 2 1/2" LG	4
8	<u>00560-G1</u>		WASHER, 3/8"	8
9	<u>11098-G5</u>		LOCK NUT, 3/8 - 16	8
10				
11	<u>70289-G02</u>		SPACER	4
12	<u>70291-G01</u>		RUBBER BUSHING	12
13	<u>604961</u>		SHACKLE PLATE	4
14	<u>00665-G9</u>		BOLT, 3/8 - 16 X 3 1/2" LG (STAINLESS STEEL)	4
15	<u>11098-G5</u>		LOCK NUT, 3/8 - 16	4
16				
17	<u>14158-G1</u>		SHOULDER BOLT, 3/8 - 16 X 3 1/4" LG	2
18	<u>12262-G1</u>		LOCK NUT, 3/8 - 16	2
19				

SEATING

15 Seat Back Assembly Includes Items 16 & 17

23 Seat Bottom Assembly Includes Items 24 - 30



When ordering parts, please specify the model and serial number of the product.

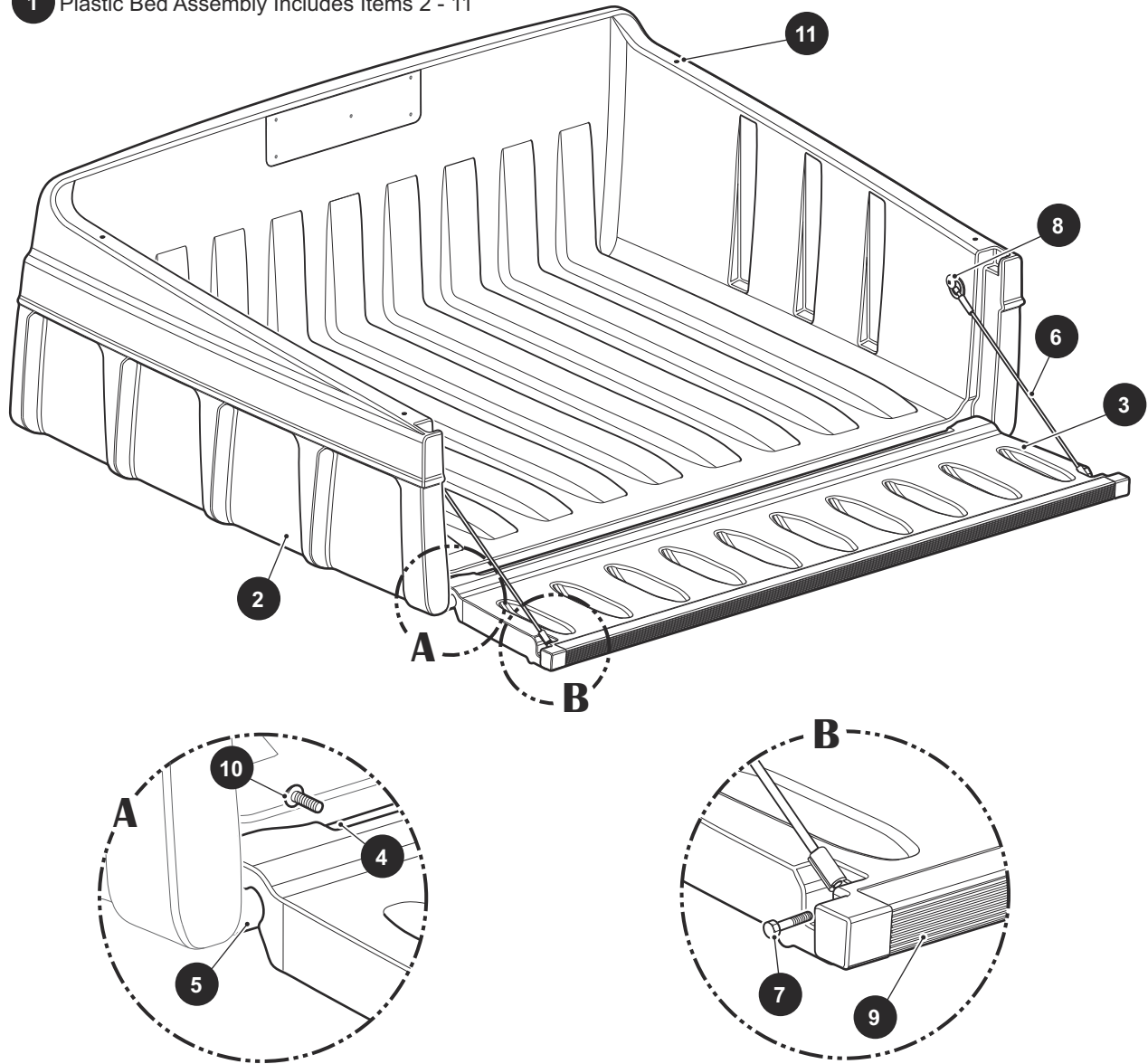
* Indicates a component that is not available as an individual part.

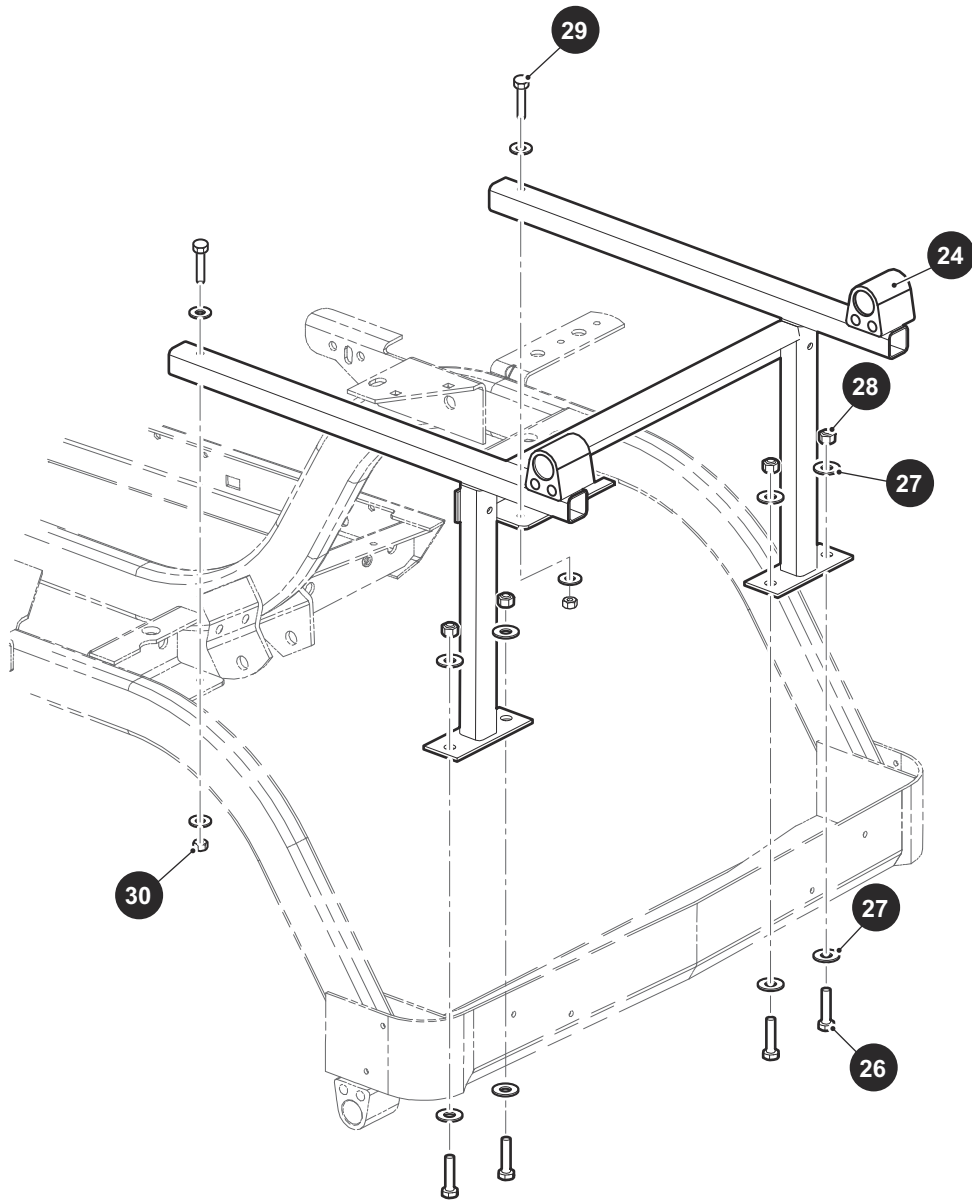
*** Indicates consult Customer Service Department for additional information.

ITEM	PART NO.	1 2 3 4 5	DESCRIPTION	QTY.
1	<u>71262-G04</u>		SEAT BACK SUPPORT	1
2	<u>00715-G2</u>		BOLT, 5/16 - 18 X 13/16" LG.....	1
3	<u>00438-G8</u>		BOLT, 5/16 - 18 X 3/4" LG.....	2
4	<u>00642-G8</u>		WASHER, 5/16"	2
5	11098-G6		LOCK NUT, 5/16 - 18	2
6				
7	<u>71263-G01</u>		ACCESS COVER.....	1
8	<u>18436-G1</u>		DRIVE RIVET.....	3
9				
10	<u>75900-G02</u>		SEAT BACK SUPPORT BRACKET	2
11	<u>00427-G2</u>		BOLT, 3/8 - 16 X 1 1/4" LG.....	4
12	<u>00560-G1</u>		WASHER, 3/8"	2
13	<u>11098-G5</u>		LOCK NUT, 3/8 - 16	2
14				
15	71274-G**		SEAT BACK ASSEMBLY (INCLUDES ITEMS 16, 17)	1
16	18144-G**		VINYL SEAT BACK COVER	1
17	<u>74889-G01</u>		PLASTIC SEAT BACK COVER (BLACK)	1
18				
19	<u>605056</u>		SCREW HEX HEAD, 1/4 - 20 X 1" W/PTCHLOC.....	4
20	<u>00664-G7</u>		LOCK WASHER, 1/4" (STAINLESS STEEL).....	4
21				
22				
23	71611-G**		SEAT BOTTOM ASSEMBLY (INCLUDES ITEMS 24 - 30).....	1
24	71602-G**		VINYL SEAT BOTTOM COVER	1
25	<u>71012-G01</u>		VINYL TRIM (SEAT BOTTOM).....	1
26	<u>71702-G01</u>		HIP RESTRAINT (DRIVER SIDE).....	1
27	<u>71610-G01</u>		SEAT HINGE	2
28	<u>00720-G08</u>		SCREW, #12 - 14 X 1" LG	6
29	71204-G01		BOLT, 1/4 - 20 X 7/8" LG.....	1
30	<u>71701-G01</u>		HIP RESTRAINT (PASSENGER SIDE)	1

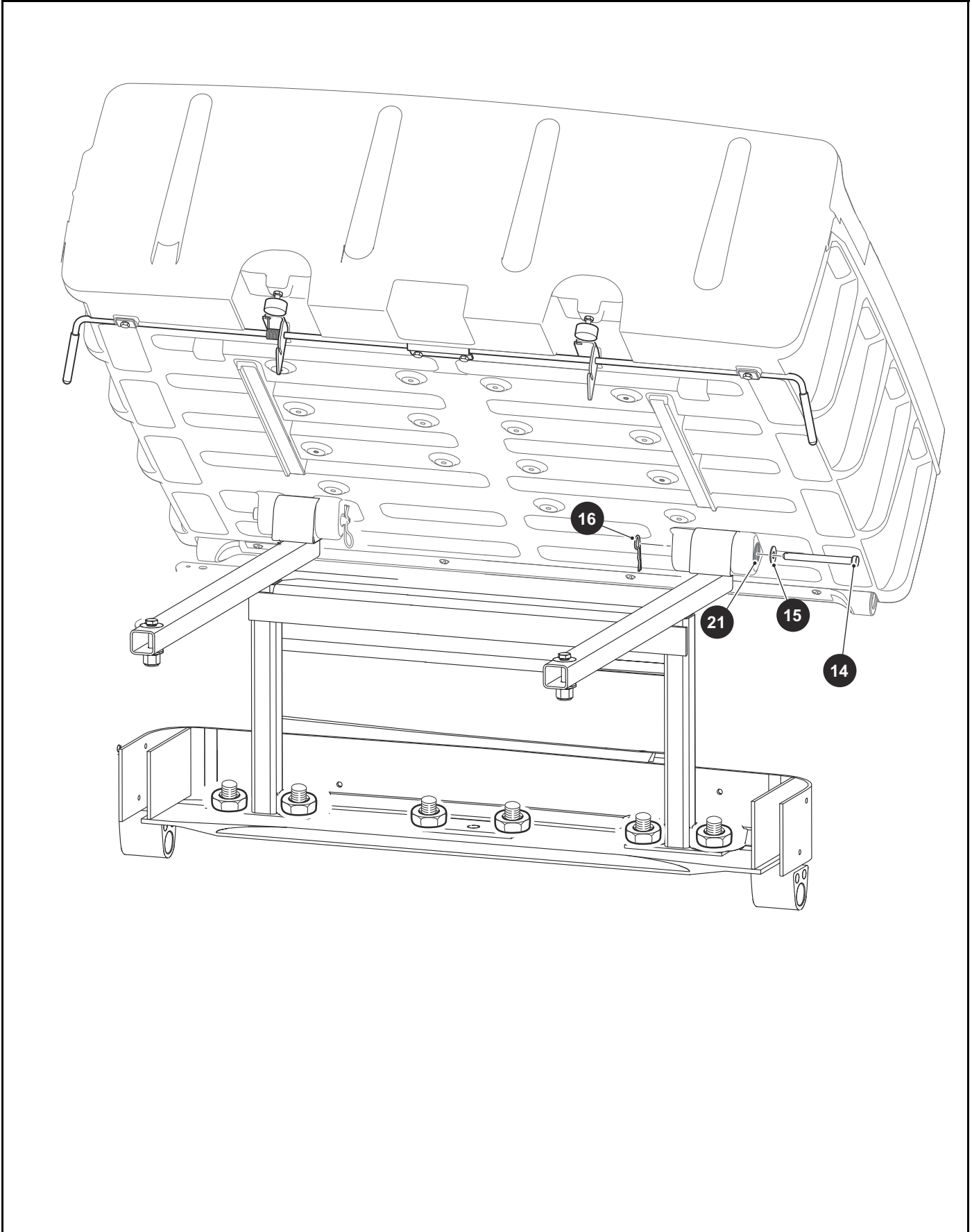
TRUCK BED - MANUAL LIFT

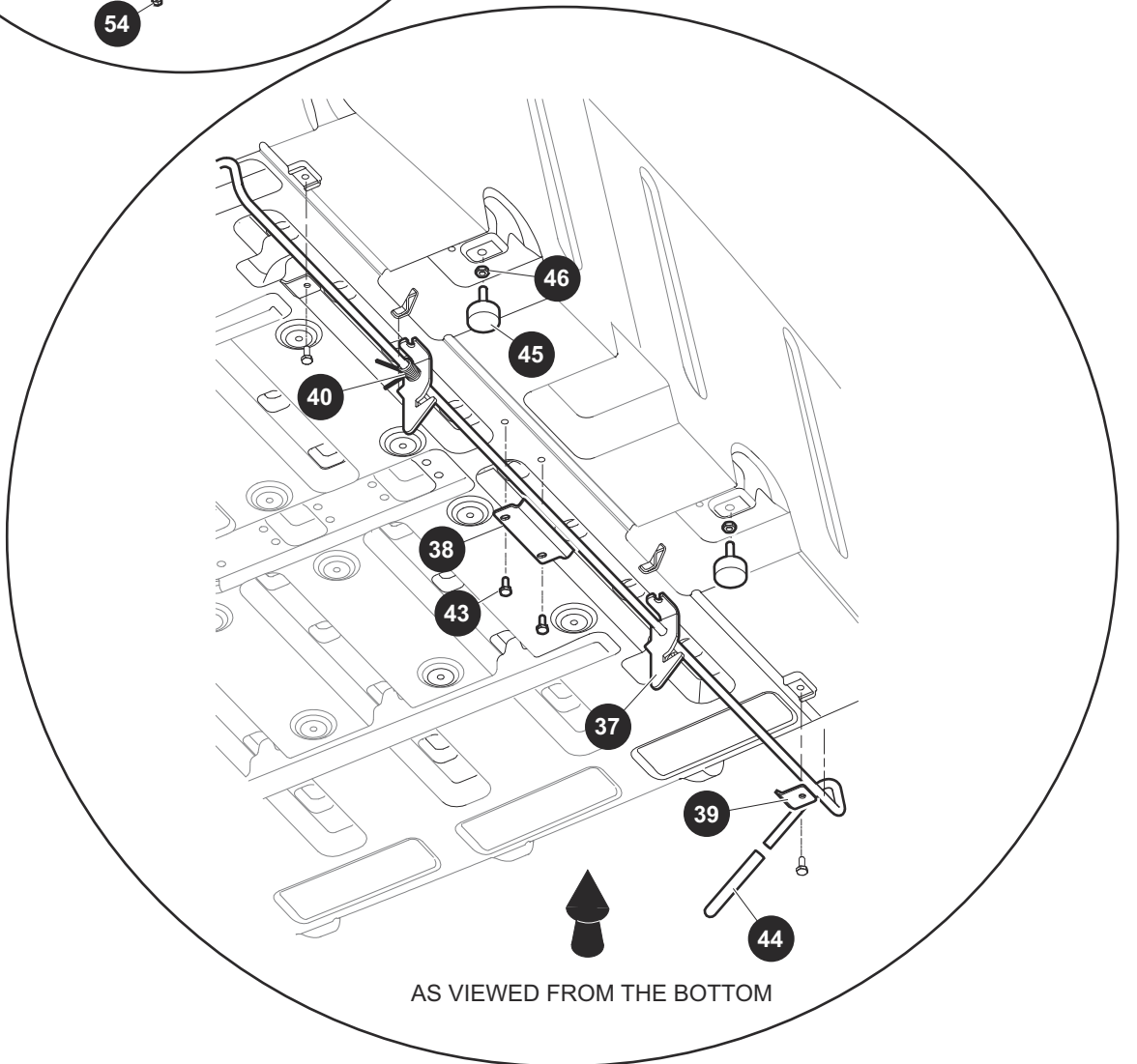
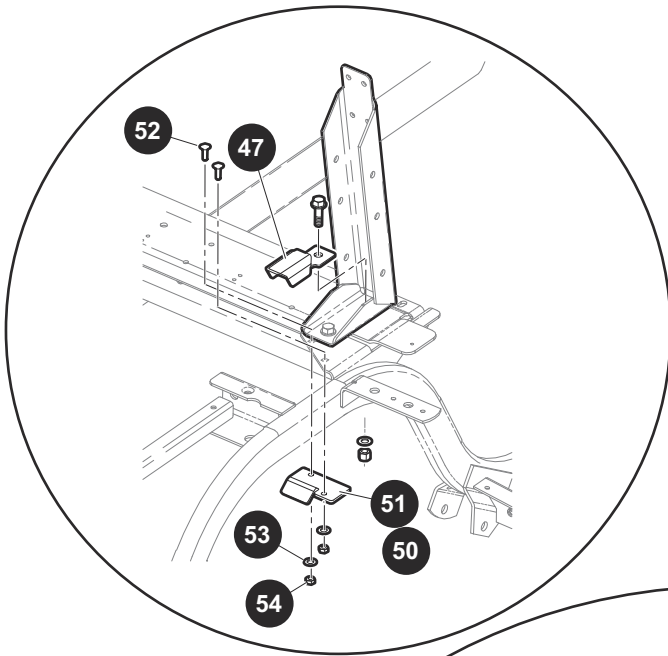
1 Plastic Bed Assembly Includes Items 2 - 11





TRUCK BED - MANUAL LIFT





TRUCK BED - MANUAL LIFT

When ordering parts, please specify the model and serial number of the product.

* Indicates a component that is not available as an individual part.

*** Indicates consult Customer Service Department for additional information.

ITEM	PART NO.	1 2 3 4 5	DESCRIPTION	QTY.
1	<u>72647G01</u>		ASSEMBLY PLASTIC BED (INCLUDES ITEMS 2 - 11).....	1
2	<u>72648G01</u>		PLASTIC BED 36"	1
3	<u>72649G01</u>		TAILGATE 36", PLASTIC	1
4	<u>73450G01</u>		ANGLE, BOWED	1
5	<u>73454G01</u>		SHAFT, PIVOT	2
6	<u>73455G02</u>		CABLE ASSEMBLY, TAILGATE.....	2
7	<u>00415G2</u>		SCREW, 1/4 - 20 X 1 1/4" LG	2
8	<u>73460G01</u>		BOLT, SHOULDER	2
9	<u>73449G01</u>		CHANNEL, EXTRUSION	1
10	<u>16705G2</u>		SCREW, 1/4 - 2 X 5/8" LG	4
11	<u>16816G5</u>		RACHET FASTNER.....	4
12				
13				
14	<u>71571G01</u>		CLEVIS PIN.....	2
15	<u>00571G5</u>		WASHER, 1/2".....	2
16	<u>21683G1</u>		COTTER PIN.....	2
17				
18				
19				
20				
21	<u>70291G01</u>		FLANGED BUSHING	4
22				
23				
24	<u>76423G01</u>		BED FRAME.....	1
25				
26	<u>00439G2</u>		SCREW, 5/16 - 18 X 1 1/4" LG.....	4
27	<u>00642G8</u>		WASHER, 5/16".....	8
28	<u>11098G6</u>		LOCK NUT, 5/16 - 18.....	2
29	<u>00415G6</u>		SCREW, 4/4 - 20 X 1 3/4" LG.....	2
30	<u>0089-G2</u>		LOCK NUT, 1/4 - 20.....	2
31				

TRUCK BED - MANUAL LIFT

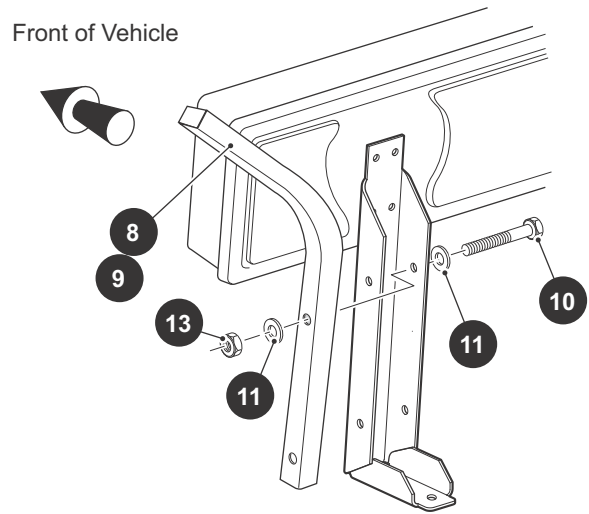
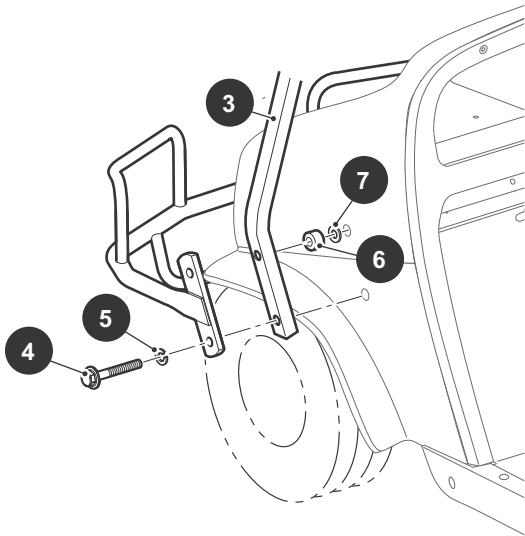
When ordering parts, please specify the model and serial number of the product.

* Indicates a component that is not available as an individual part.

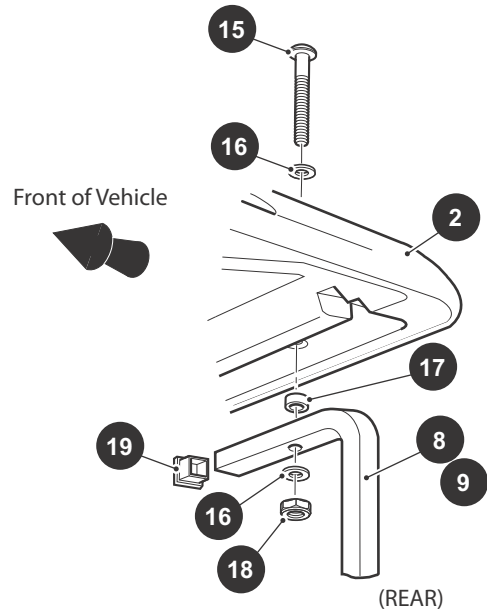
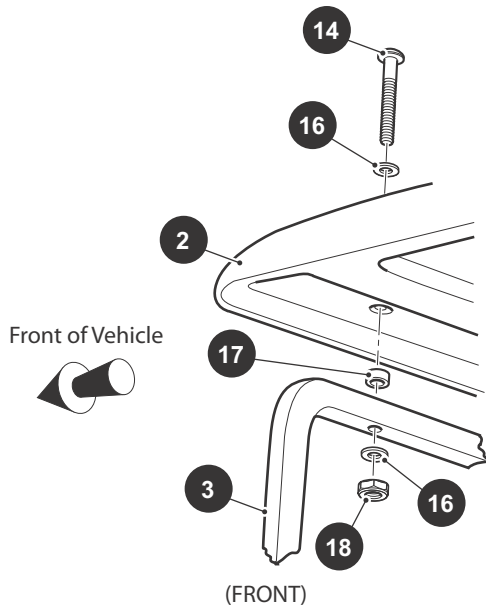
*** Indicates consult Customer Service Department for additional information.

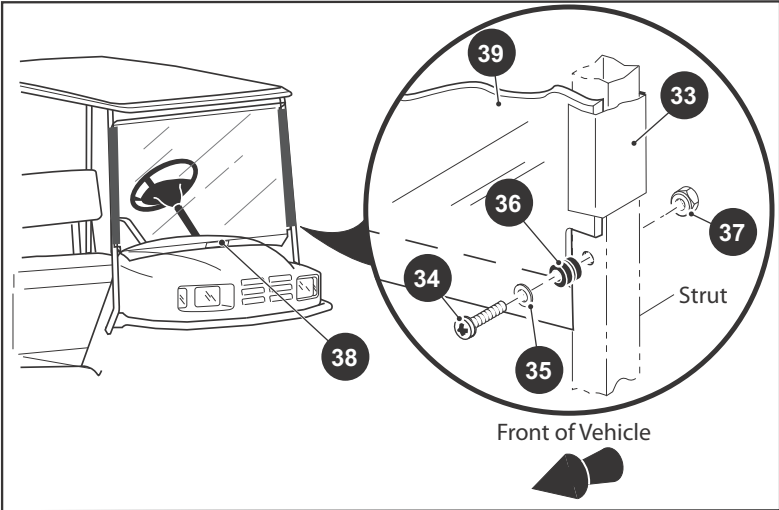
ITEM	PART NO.	1 2 3 4 5	DESCRIPTION	QTY.
32				
33				
34				
35				
36				
37	<u>74962G01</u>		WELDMENT LATCH BED.....	1
38	<u>71477G02</u>		BRACKET	1
39	<u>71099G02</u>		LATCH PLATE	2
40	<u>71538G01</u>		TORSION SPRING	1
41				
42				
43	<u>01118G01</u>		SCREW, 1/4 - 2 X 5/8" LG	4
44	<u>71704G01</u>		HANDLE GRIP.....	2
45	<u>70113G01</u>		BUMPER.....	2
46	<u>11027G1</u>		LOCK NUT, 5/16 - 18	2
47	<u>74947G01</u>		BRACKET BUMPER.....	2
48				
49				
50	<u>602977</u>		LATCH PLATE (LEFT SIDE).....	1
51	<u>602978</u>		LATCH PLATE (RIGHT SIDE)	1
52	<u>01014G03</u>		BOLT, 1/4 - 20	4
53	<u>00559G7</u>		WASHER, 1/4"	4
54	<u>14390G4</u>		LOCK NUT, 1/4 - 20	4
55				

WEATHER PROTECTION



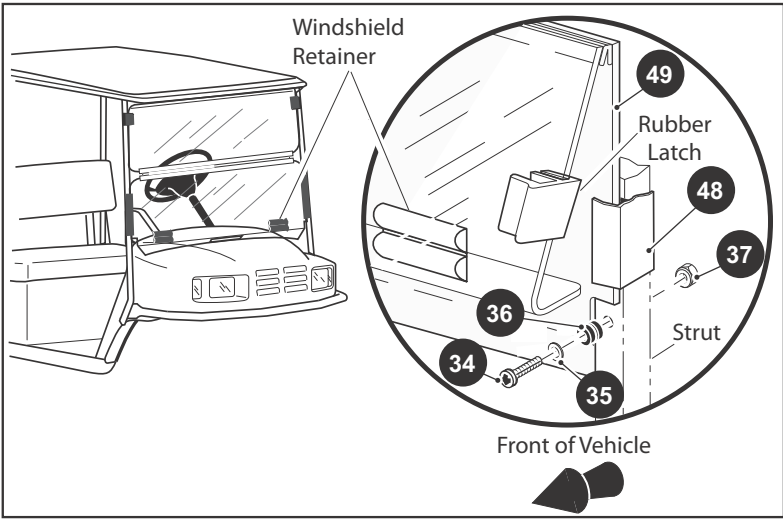
1 Sun Top Kit Includes Items 2 - 19





31 Windshield Kit Includes Items 33 - 39

47 Windshield Kit Includes Items 48, 49, 34 - 38



WEATHER PROTECTION

When ordering parts, please specify the model and serial number of the product.

* Indicates a component that is not available as an individual part.

*** Indicates consult Customer Service Department for additional information.

ITEM	PART NO.	1 2 3 4 5	DESCRIPTION	QTY.
1	75040G**		SUN TOP KIT (INCLUDES ITEMS 2 - 19)	1
2	27069G**		SUN TOP	1
3	<u>75045G05</u>		FRONT STRUT	1
4	<u>00440G2</u>		HEA HEAD BOLT, 5/16 - 18 X 2 1/4" LG	4
5	<u>00905G8</u>		LOCK WASHER, 5/16"	4
6	<u>75048G01</u>		SPACER, 1/2"	2
7	<u>00570G2</u>		FLAT WASHER, 5/16"	6
8	<u>75838G04</u>		REAR STRUT (PASSENGER SIDE)	1
9	<u>75838G03</u>		REAR STRUT (DRIVER SIDE)	1
10	<u>00685G7</u>		HEX HEAD BOLT, 5/16 - 18 X 1 3/4" LG	4
11	<u>01110G03</u>		FLAT WASHER, 5/16"	8
12				
13	11098G6		LOCK NUT, 5/16 - 18	4
14	<u>00753G5</u>		MACHINED TRUSS HEAD PHILLIP SCREW, 1/4 - 20 X 2" LG	2
15	00753G6		MACHINED TRUSS HEAD PHILLIP SCREW, 1/4 - 20 X 2 1/4" LG	2
16	<u>01110G01</u>		FLAT WASHER, 1/4" (STAINLESS STEEL)	8
17	<u>75051G01</u>		SPACER	4
18	00891G2		LOCK NUT, 1/4 - 20	4
19	<u>19853G1</u>		END CAP, 1"	2
20				
21				
22				
23				
24				
25				
26				
27				
28				
29				
30				
31	71956G03		WINDSHIELD KIT (FULL) (INCLUDES ITEMS 33 - 39)	1

WEATHER PROTECTION

When ordering parts, please specify the model and serial number of the product.

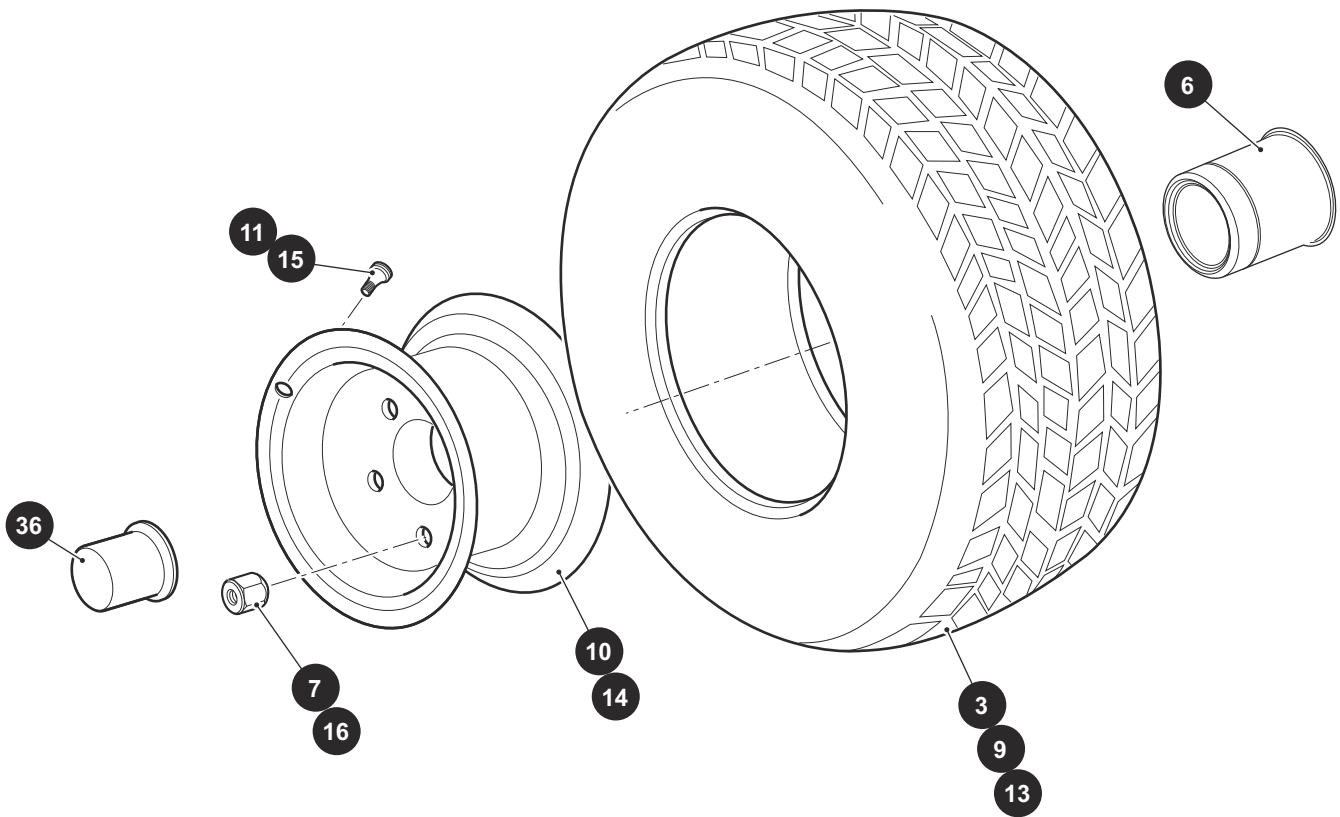
* Indicates a component that is not available as an individual part.

*** Indicates consult Customer Service Department for additional information.

ITEM	PART NO.	1 2 3 4 5	DESCRIPTION	QTY.
32				
33	<u>615662</u>		SASH, 26" LG.	2
34	71956G03		SCREW, 1/4 - 20 X 1 3/4" LG. (STAINLESS STEEL).....	2
35	71956G04		WASHER, 1/4" (STAINLESS STEEL)	4
36	71956G06		RUBBER GROMMET	2
37	<u>71956G05</u>		LOCK NUT, 1/4 - 20 (STAINLESS STEEL)	2
38	71963G01		SAFETY LABEL	1
39	<u>71960G01</u>		WINDSHIELD (FULL)	1
40				
41				
42				
43				
44				
45				
46				
47	71956G04		WINDSHIELD KIT (SPLIT) (INCLUDES ITEMS 48, 49 & 34 - 38)	1
48	<u>615661</u>		SASH, 12" LG.	2
49	<u>617544</u>		SPORT WINDSHIELD.....	1

WHEELS AND TIRES

- 1 Driver Side Wheel & Trail Wolf Tire Assembly Includes Items 3 - 5
- 2 Passenger Side Wheel & Trail Wolf Tire Assembly Includes Items 3 - 5
- 8 Driver Side Speedracer Tire & Wheel Assembly Includes Items 9 - 11
- 12 Passenger Speedracer Tire & Wheel Assembly Includes Items 13 - 15



(Style of tire may differ from tire shown)

WHEELS AND TIRES

When ordering parts, please specify the model and serial number of the product.

* Indicates a component that is not available as an individual part.

*** Indicates consult Customer Service Department for additional information.

ITEM	PART NO.	1 2 3 4 5	DESCRIPTION	QTY.
1	<u>74842G03</u>		WHEEL & TRAIL WOLF TIRE® ASSEMBLY DRIVER SIDE (INCLUDES ITEM 3, 4, 5)	1
2	<u>74842G04</u>		WHEEL & TRAIL WOLF TIRE® ASSEMBLY PASSENGER SIDE (INCLUDES ITEM 3, 4, 5).....	1
3	<u>74842G05</u>		TIRE, 20 X 11 - 10 TRAIL WOLF®.....	1
4	*		VALVE STEM.....	1
5	*		WHEEL	1
6	<u>12091G2</u>		SPINDLE CAP	1
7	<u>14723G1</u>		LUG NUT, 1/2 -20.....	1
8	<u>606240</u>		SPEEDRACER TIRE AND WHEEL, 10X7, DRIVER SIDE (INCLUDES 9-11) (MUST USE ITEM 16 LUG NUTS, ORDER SEPARATELY).....	2
9	<u>606139</u>		SPEED RACER, 10X7 DRIVER SIDE	1
10	<u>606152</u>		WHEEL, 10" DIAMOND FINISHED WHEEL	1
11	<u>604915</u>		VALVE STEM, CHROME.....	1
12	<u>606179</u>		SPEEDRACER TIRE AND WHEEL, 10X7, PASSENGER SIDE (INCLUDES 13-15) (MUST USE ITEM 16 LUG NUTS, ORDER SEPARATELY).....	2
13	<u>606139</u>		SPEED RACER, 10X7 DRIVER SIDE	1
14	<u>606152</u>		WHEEL, 10 " DIAMOND FINISHED WHEEL	1
15	<u>604915</u>		VALVE STEM, CHROME.....	1
16	<u>606925</u>		DIAMOND LUG NUTS	4
17	<u>608910</u>		DIAMOND WHEEL CAP.....	1

SPECIALTY PRODUCTS

SPECIALTY PRODUCTS

SPECIAL TOOLS

PART NO.

BATTERY MAINTENANCE KIT.....	25587G01
SEAL INSTALLATION TOOL (REAR AXLE SHAFT SEAL)	18739G1
BATTERY SET DISCHARGER, 36 VOLT, 75 AMP	28251G01
CURRENT INDICATOR.....	16489G2
DIGITAL MULTI-METER.....	27481G01
CRIMPING TOOL	27765G01
SLIDE HAMMER (AXLE/HUB REMOVAL).....	15947G1
SLIDE HAMMER (AXLE REMOVAL ONLY).....	18753G1

TOUCH UP PAINT

PART NO.

PEN 3 OUNCE (89 ML) - HUNTER GREEN	28432G02
PEN 3 OUNCE (89 ML) - CHAMPAGNE BEIGE	28432G01
PEN 3 OUNCE (89 ML) - WHITE	28432G05
PEN 3 OUNCE (89 ML) - INDUSTRIAL YELLOW	28432G03
PEN 3 OUNCE (89 ML) - ORANGE	28432G04
PEN 3 OUNCE (89 ML) - STEEL BLUE PEARL	28432G**
PEN 3 OUNCE (89 ML) - CAMOUFLAGE PAINT (THREE PENS).....	75831G01
AEROSOL 12 OUNCE (360 ML) - HUNTER GREEN	28140G09
AEROSOL 12 OUNCE (360 ML) - CHAMPAGNE BEIGE.....	28140G15
AEROSOL 12 OUNCE (360 ML) - WHITE	28140G03
AEROSOL 12 OUNCE (360 ML) - INDUSTRIAL YELLOW	28140G14
AEROSOL 12 OUNCE (360 ML) - ORANGE	28140G13
AEROSOL 12 OUNCE (360 ML) - STEEL BLUE PEARL	28140G**

MAINTENANCE PRODUCTS

PART NO.

FORMULA 40 VINYL-COAT® - WHITE	28166G01
PLEXUS® CLEANER, 7 OUNCE (210 ML) (FOR WINDSHIELDS).....	28433G01
PLEXUS® CLEANER, 13 OUNCE (380 ML) (FOR WINDSHIELDS).....	28433G02
BATTERY PROTECTOR, 14 OUNCE (410 ML) SPRAY.....	75500G01
WHITE LITHIUM GREASE, 14 OUNCE (410 ML) SPRAY	75502G01
PENETRANT/LUBRICANT, 15 OUNCE (440 ML) SPRAY.....	75503G01
MULTI-PURPOSE CLEANER & DEGREASER, 14 OUNCE (410 ML) SPRAY	75504G01
MULTI-PURPOSE HAND CLEANER, 32 OUNCE (950 ML) LIQUID.....	75505G01
BATTERY CLEANER, 32 OUNCE (950 ML) WITH TRIGGER SPRAYER.....	75506G01
BIO-DEGRADABLE CLEANER, 32 OUNCE (950 ML) WITH TRIGGER SPRAYER	75507G01
MULTI-PURPOSE VALUE PACK	75508G01
• BATTERY PROTECTOR, 4 OUNCE (120 ML) SPRAY	
• PENETRANT/LUBRICANT, 4 OUNCE (120 ML) SPRAY	
• WHITE LITHIUM GREASE, 4 OUNCE (120 ML) SPRAY	
• CARBURETOR & CHOKE CLEANER, 4 OUNCE (120 ML) SPRAY	

OPTIONS / ACCESSORIES

OPTIONS / ACCESSORIES

ACCESSORIES LISTING

KIT NO.

ASHTRAY KIT	75109G04	See BODY
BALL HITCH KIT	74492G02	See BODY
BUMPER KIT	74292G06	See BODY
CLEVIS HITCH KIT	74492G05	See BODY
DIFFERENTIAL GUARD	72764G02	See REAR AXLE
ELECTRIC DUMP KIT	74637G01	See TRUCKBED
GLOVE BOX DOOR	75456G0*	See BODY
INSTRUMENT/SWITCH PANEL	71154G01	See BODY
SUN TOP KIT	75040G0*	See WEATHER PROTECTION
TURN SIGNAL KIT	606887	See ELECTRICAL SYSTEM
DIAMOND WHEEL COVERS	611691	See WHEELS AND TIRES
WINDSHIELDS	71966-G0*	See WEATHER PROTECTION
DC/DC CONVERTER, TXT-FACTORY	605750	
DC/DC CONVERTER, TXT-FIELD	605967	



A Textron Company

E-Z-GO Division Of Textron, Inc.,
1451 Marvin Griffin Road, Augusta, Georgia USA 30906-3852

TO CONTACT US

North America:

Technical Assistance & Warranty Phone: 1-800-774-3946, FAX: 1-800-448-8124
Service Parts Phone: 1-888-GET-EZGO (1-888-438-3946), FAX: 1-800-752-6175

International:

Phone: 001-706-798-4311, FAX: 001-706-771-4609

Certified ISO 9001 / ISO 14001 by



Copyrighted Material
This manual may not be reproduced in whole or
in part without the express permission of
E-Z-GO Division of Textron, Inc.
Technical Communications Department