

608387



A Textron Company

**CUSHMAN**

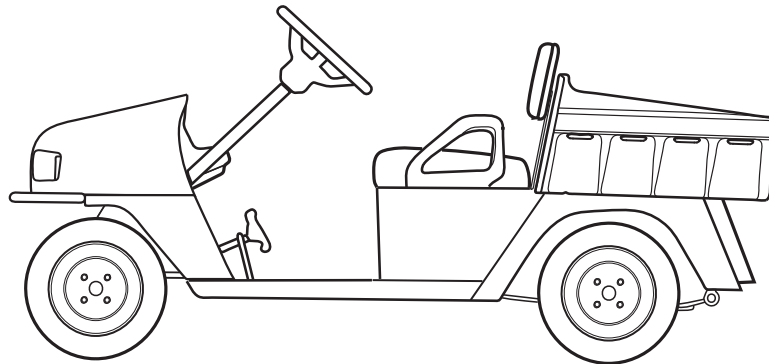
A Textron Company

**JACOBSEN**

A Textron Company



# SERVICE PARTS MANUAL



## ELECTRIC POWERED UTILITY VEHICLE

ISSUED: OCTOBER 2008

REVISED: SEPTEMBER 2009



# SERVICE PARTS MANUAL

## ELECTRIC UTILITY VEHICLES

### ST SPORT II

### STARTING MODEL YEAR 2008

DISCLAIMER: The E-Z-GO Division of Textron Inc. reserves the right to incorporate engineering and design changes to products in this Manual, without obligation to include these changes on units leased/sold previously.

The information contained in this Manual may be revised periodically by the E-Z-GO Division, and therefore is subject to change without notice. The E-Z-GO Division DISCLAIMS LIABILITY FOR ERRORS IN THIS MANUAL, and the E-Z-GO Division SPECIFICALLY DISCLAIMS LIABILITY FOR INCIDENTAL AND CONSEQUENTIAL DAMAGES resulting from the use of the information and materials in this Manual.

**CUSTOMER SERVICE DEPARTMENT IN USA PHONE: 1-800-241-5855 FAX: 1-800-448-8124**

**OUTSIDE USA PHONE: 001-706-798-4311, FAX: 001-706-771-4609**

**E-Z-GO DIVISION OF TEXTRON, INC., P.O.BOX 388, AUGUSTA, GEORGIA USA 30903-0388**

## NOTES

To obtain a copy of the limited warranty applicable to the vehicle, call or write a local Distributor, authorized Branch or the Warranty Department with vehicle serial number and manufacturer code.

The use of non Original Equipment Manufacturer (OEM) parts may void the warranty.

Tampering with or adjusting the governor to permit vehicle to operate at above factory specifications will void the vehicle warranty.

When servicing engines, all adjustments and replacement components must be per original vehicle specifications in order to maintain the United States of America Federal and State emission certification applicable at the time of manufacture.

### BATTERY PROLONGED STORAGE

All batteries will self discharge over time. The rate of self discharge varies depending on the ambient temperature and the age and condition of the batteries.

A fully charged battery will not freeze in winter temperatures unless the temperature falls below -75 F (-60 C).

As with all electric vehicles, the batteries must be checked and recharged as required or at a minimum of 30 day intervals.

# TABLE OF CONTENTS

<b>SECTION</b>	<b>Page No.</b>
HOW TO USE THE SERVICE PARTS MANUAL .....	v
ILLUSTRATED PARTS BREAKDOWN .....	vii
ACCELERATOR .....	A-1
BATTERY CHARGER, PORTABLE .....	B-1
BODY .....	C-1
BRAKES .....	D-1
ELECTRICAL SYSTEM .....	E-1
ELECTRONIC SPEED CONTROL .....	F-1
ELECTRIC MOTOR .....	G-1
FRONT SUSPENSION/STEERING .....	H-1
REAR AXLE .....	J-1
REAR SUSPENSION .....	K-1
SEATING .....	L-1
TRUCK BED, MANUAL LIFT .....	M-1
WEATHER PROTECTION .....	N-1
WHEELS AND TIRES .....	P-1
SPECIALTY PRODUCTS .....	APPENDIX A-1
OPTIONS/ACCESSORIES .....	APPENDIX B-1



# HOW TO USE THE SERVICE PARTS MANUAL

This manual is divided into several sections:

## **GENERAL INFORMATION**

- TABLE OF CONTENTS
- HOW TO USE THE SERVICE PARTS MANUAL

## **ILLUSTRATED PARTS BREAKDOWN**

- Contains illustrations and parts lists for all systems of the vehicle

## **APPENDIX**

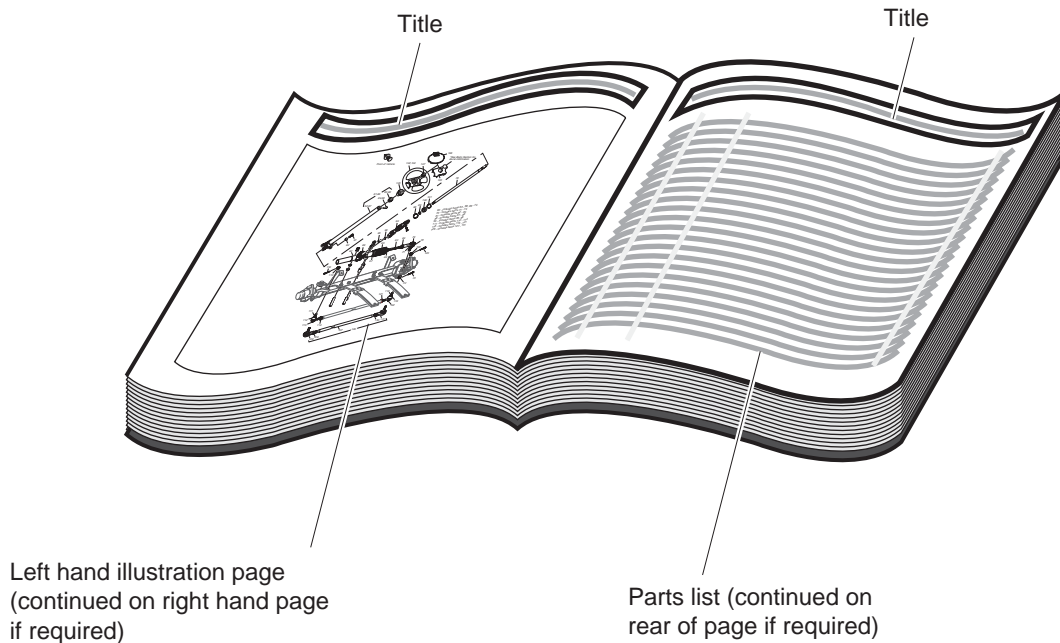
- Contains a listing of specialty products and options/accessories

## **USE OF THE MANUAL**

To use this manual, consult the TABLE OF CONTENTS (page iii) to locate the information or illustration required.

Introduction of some revisions varies due to supply of components; therefore, it is possible that various combinations of components may be found that are not directly reflected by each illustration. Consult the illustration that best suits your situation. Locate the serial number plate (see BODY located in the Illustrated Parts Breakdown section of this manual for its location) and note the complete number shown on the plate. It is important that the serial number of your vehicle and its model number be supplied to Service Parts when ordering any replacement components.

# HOW TO USE THE SERVICE PARTS MANUAL



## 1. WHEN THE PART NUMBER IS NOT KNOWN

- Determine the function and application of the part required. Turn to the INDEX OF MAJOR COMPONENTS and select the most appropriate component description.
- Turn to the page number indicated and locate the part description in the parts list. Read the full accompanying description for specific information regarding the part that was not shown in the index.
- From the parts list, obtain the item number assigned to it and confirm that the part selected is correct by verifying it with the pictorial representation on the illustrated page.

## 2. IF YOU KNOW THE PART NUMBER

- Use the INDEX OF MAJOR COMPONENTS to find the page(s) the part number appears on.
- Turn to the page number indicated and locate the part number in the parts list. Refer to the accompanying description for specific information regarding the part.
- From the parts list, obtain the item number assigned to it and confirm that the part selected is correct by verifying it with the pictorial representation on the illustrated page.

Should an asterisk (\*) appear in the part number column on the parts list page, read upwards until a part number is found. The part number is the lowest assembly sold by Service Parts. The asterisk (\*) indicates that the part depicted is not available for purchase.

NOTE: Descriptions are indented under the assembly that they are used on. That assembly is, in turn listed under the assembly that it is used on. This process is repeated until the highest final assembly is reached.

**To facilitate the maintenance and repair of the vehicle, a Technician's Repair and Service Manual is available from the Service Parts Department.**

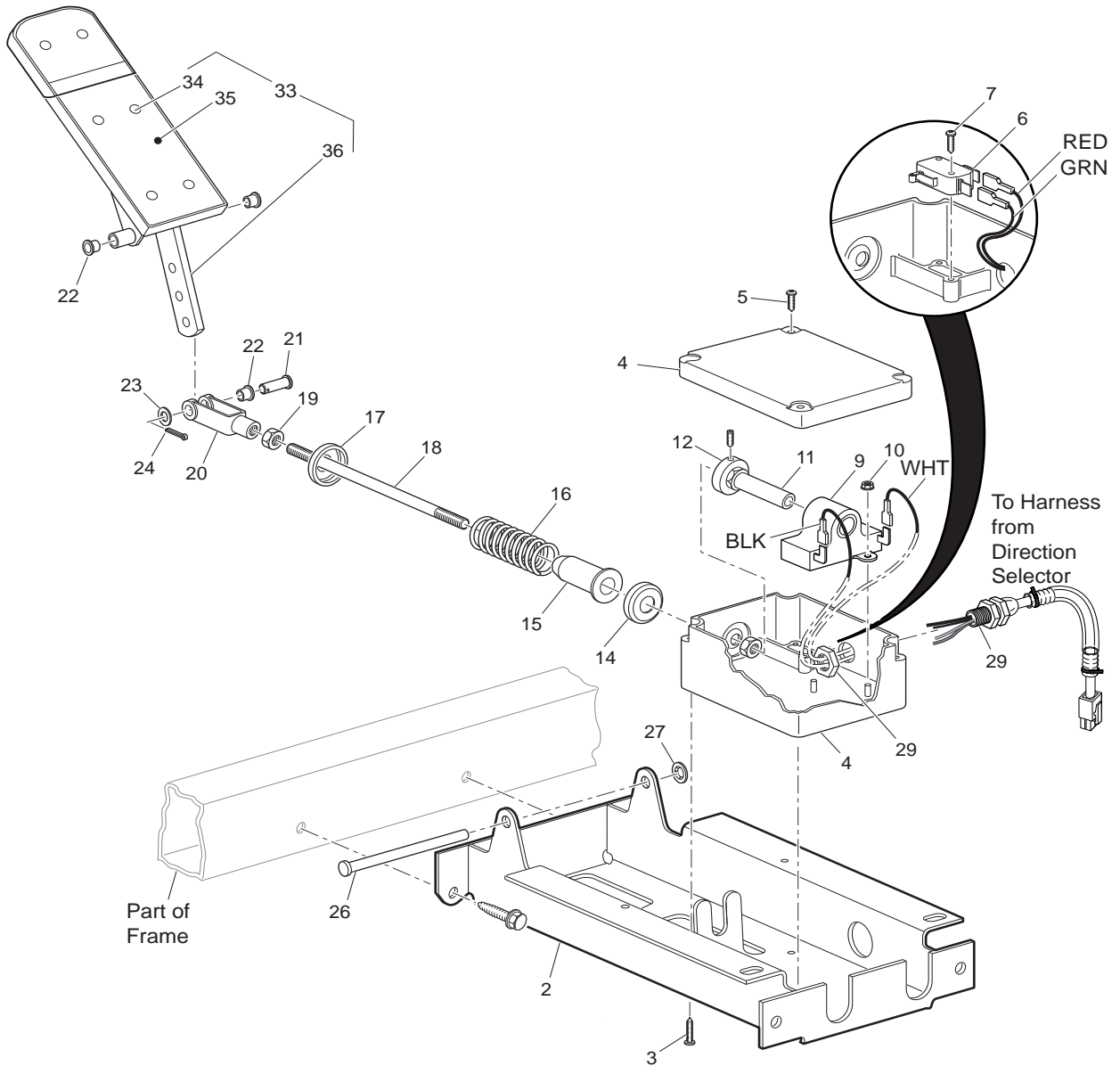


## ILLUSTRATED PARTS BREAKDOWN

# ILLUSTRATED PARTS BREAKDOWN

# ACCELERATOR

1 - Includes Items 2 - 36  
33 - Includes Items 34 - 36



# ACCELERATOR

When ordering parts, please specify the model and serial number of the product.

\* Indicates a component that is not available as an individual part.

G\*\* Indicates consult Customer Service Department for additional information.

ITEM	PART NO.	1 2 3 4 5	DESCRIPTION	QTY.
1	<u>73333G10</u>		PEDAL BOX ASSEMBLY (INCLUDES ITEMS 2 - 36) .....	1
2	<u>70116G02</u>		ACCELERATOR PEDAL BRACKET.....	1
3	<u>01051G01</u>		SCREW, #8 - 16 X 1/2" LG. ....	4
4	<u>25853G01</u>		PEDAL BOX AND COVER .....	1
5	<u>00684G6</u>		SCREW, #8 - 32 X 3/4" LG. ....	2
6	<u>25861G02</u>		MICRO SWITCH.....	1
7	<u>01050G01</u>		SCREW, #4 - 20 X 5/8" LG .....	2
8				
9	<u>25854G01</u>		INDUCTIVE THROTTLE SENSOR .....	1
10	<u>00983G01</u>		SELF THREADING NUT, 3/16" .....	2
11	<u>602484</u>		PLUNGER.....	1
12	<u>28444G01</u>		ACCELERATOR CAM ROD .....	1
13				
14	<u>17677G1</u>		SPRING RETAINER, 1/2" .....	1
15	<u>17979G1</u>		BUSHING.....	1
16	<u>73046G01</u>		COMPRESSION SPRING .....	1
17	<u>17677G2</u>		SPRING RETAINER, 3/8" .....	1
18	<u>73332G01</u>		ACCELERATOR ROD .....	1
19	<u>00532G4</u>		LOCK NUT, 5/16 - 24.....	1
20	<u>10385G4</u>		CLEVIS YOKE (ADJUSTABLE).....	1
21	<u>10386G3</u>		CLEVIS PIN, 5/16" X 1" LG .....	1
22	<u>17838G1</u>		NYLON BUSHING .....	3
23	<u>17255G1</u>		TEFLON WASHER, 5/16".....	1
24	<u>10387G3</u>		COTTER PIN, 3/32" X 3/4" LG .....	1
25				
26	<u>74432G01</u>		PEDAL PIVOT PIN .....	1
27	<u>12064G6</u>		PUSH NUT, 9/32".....	1
28				
29	<u>25879G05</u>		WIRING HARNESS (PEDAL BOX ASSEMBLY) .....	1
30				

# ACCELERATOR

When ordering parts, please specify the model and serial number of the product.  
 \* Indicates a component that is not available as an individual part.  
 G\*\* Indicates consult Customer Service Department for additional information.

ITEM	PART NO.	1	2	3	4	5	DESCRIPTION	QTY.
31								
32								
33	<u>25799G03</u>						ACCELERATOR PEDAL ASSEMBLY (INCLUDES ITEMS 34 - 36).....	1
34	<u>15766G1</u>						OVAL RIVET, 3/16" X 3/8" LG .....	6
35	<u>27512G01</u>						ACCELERATOR PEDAL PAD .....	1
36	<u>70125G04</u>						ACCELERATOR PEDAL .....	1





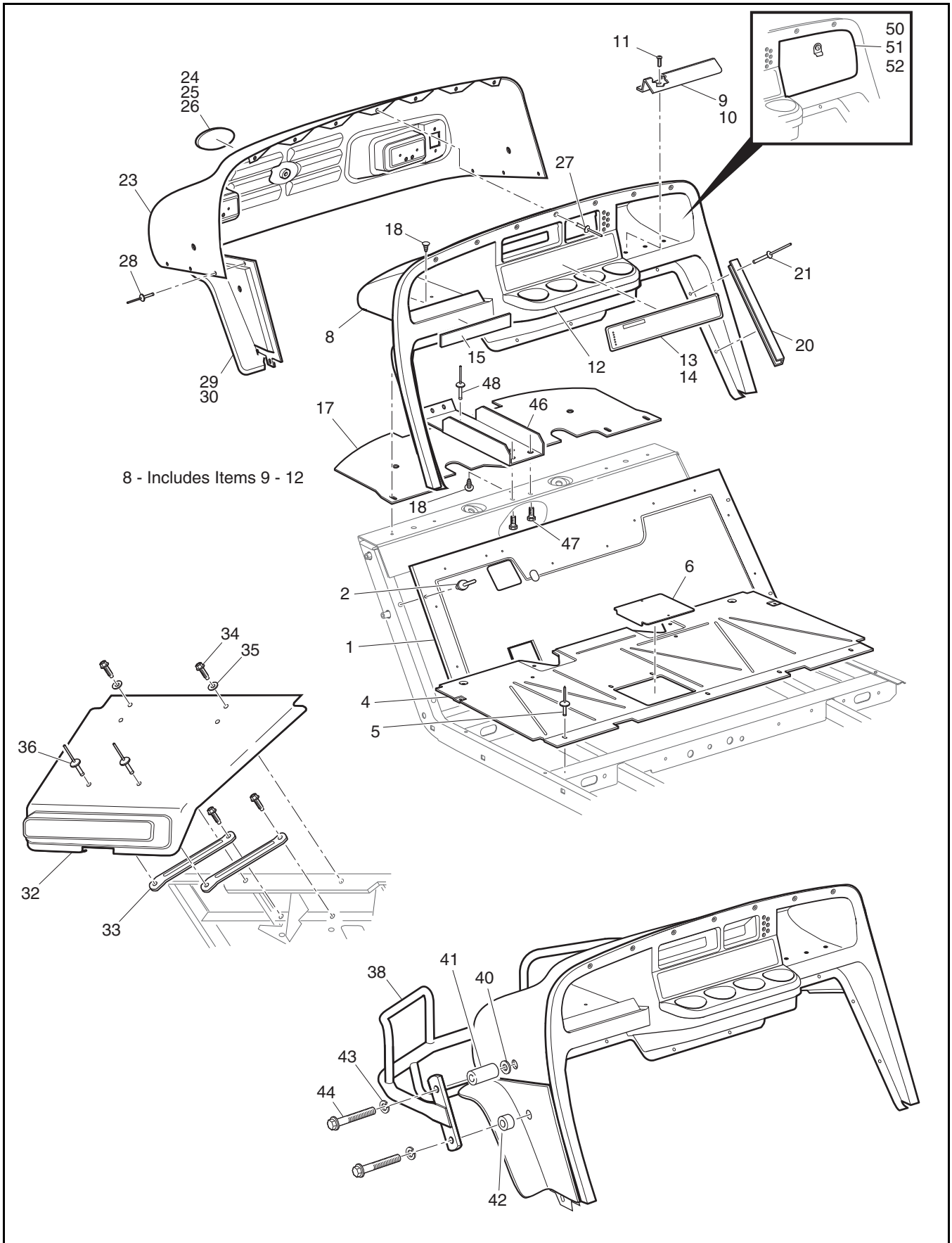
# BATTERY CHARGER-PORTABLE 36 VOLT

THE USE OF NON U.L. PARTS WILL VOID ANY U.L. LISTING.  
 When ordering parts, please specify the model and serial number of the product.  
 \* Indicates a component that is not available as an individual part.  
 G\*\* Indicates consult Customer Service Department for additional information.

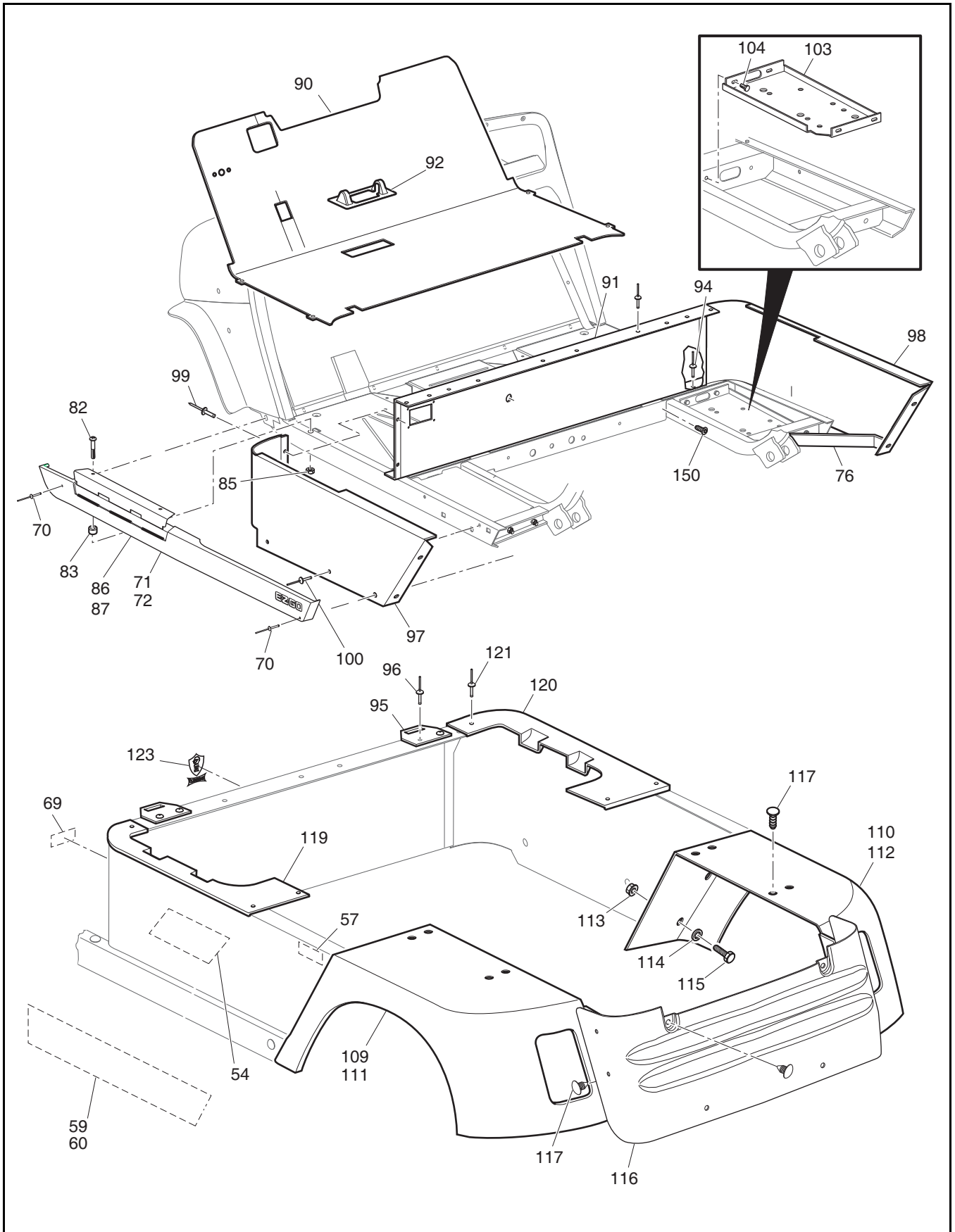
ITEM	PART NO.	1	2	3	4	5	DESCRIPTION	QTY.
1	605332						POWERWISE QE(DELTA), 36VOLT 10' CORD CHARGER.....	1
2	<u>604320</u>						KIT, AC CORD, 9', POWERWISE QE.....	1
3	<u>605493</u>						KIT, 10' DC CORD, 36V POWERWISE QE .....	1
4	605607						KIT, PCB/ EMI BRD, 36-48V PWISE QE .....	1
5	605608						KIT, CHARGER CVER/ HNDLE, 36V PW QE .....	1
6	<u>606296</u>						CHARGER HANDLE-POWERWISE QE .....	1

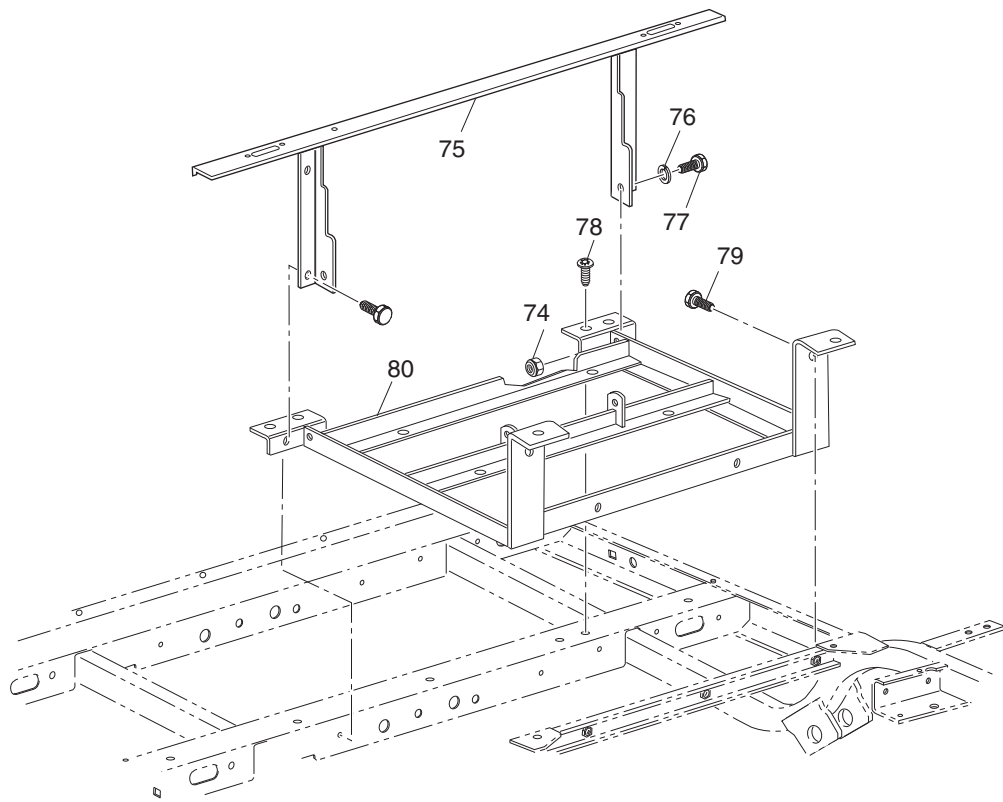






# BODY

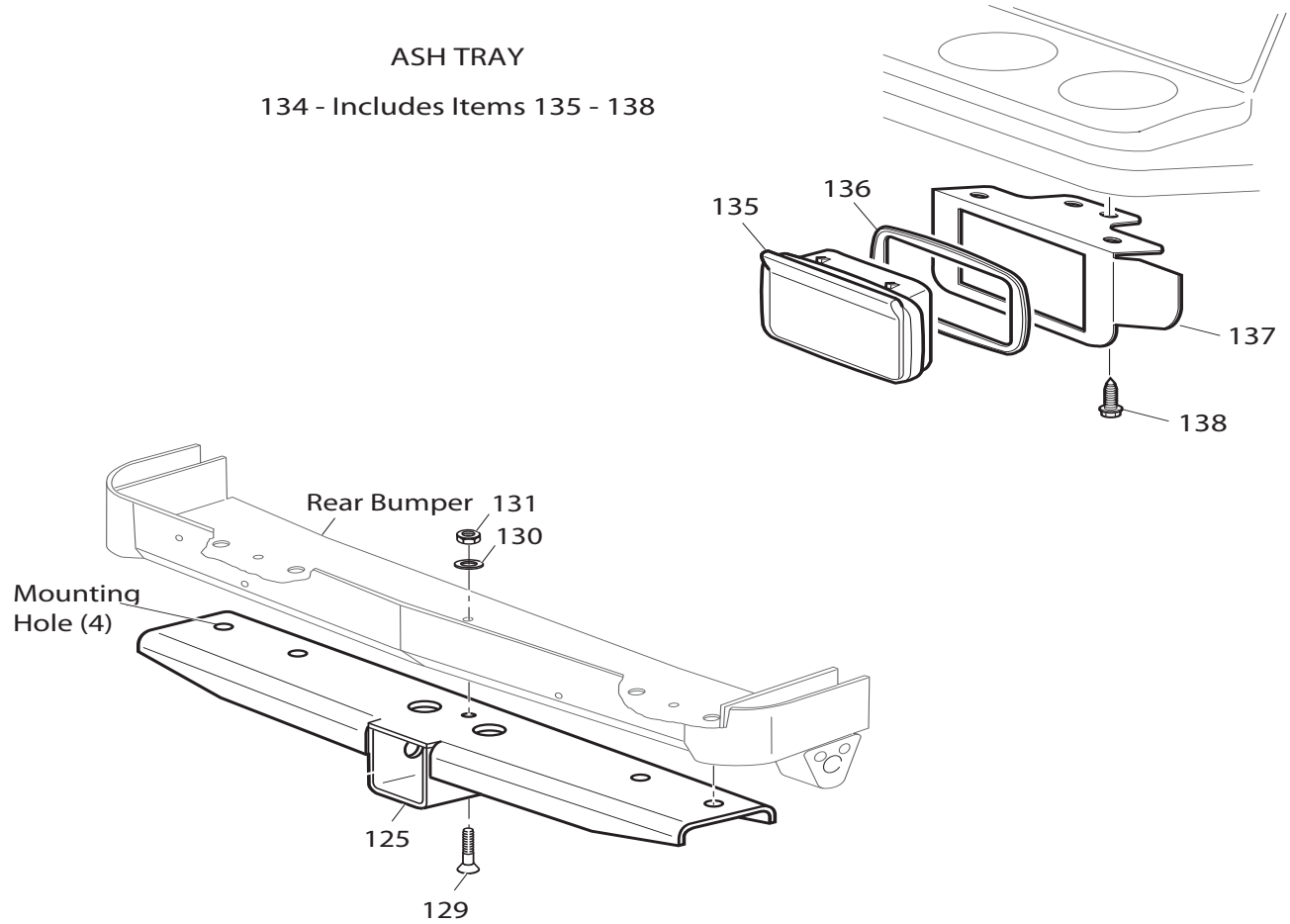




# BODY

## ASH TRAY

134 - Includes Items 135 - 138



Ref Bod 21-3

THE USE OF NON U.L. PARTS WILL VOID ANY U.L. LISTING.  
 When ordering parts, please specify the model and serial number of the product.  
 \* Indicates a component that is not available as an individual part.  
 G\*\* Indicates consult Customer Service Department for additional information.

ITEM	PART NO.	1 2 3 4 5	DESCRIPTION	QTY.
1	70662G01		UPPER FLOORPAN.....	1
2	<u>14601G11</u>		RIVET, 3/16" X 9/16" LG (ALUMINUM).....	9
3				
4	<u>70451G01</u>		LOWER FLOORPAN.....	1
5	<u>14601G11</u>		RIVET, 3/16" X 9/16" LG (ALUMINUM).....	7
6	<u>70452G01</u>		ACCESS COVER.....	1
7				
8	<u>71151G01</u>		INSTRUMENT PANEL ASSEMBLY (INCLUDES ITEMS 9 - 12) .....	1
9	<u>71153G01</u>		DEFLECTOR (PASSENGER SIDE) .....	1
10	<u>71154G01</u>		DEFLECTOR (DRIVER SIDE).....	1
11	<u>00614G5</u>		SCREW, #8 - 18 X 5/8" LG .....	6
12	<u>71158G01</u>		INSTRUMENT PANEL INSERT (FOUR CUP).....	1
13	<u>35964G01</u>		LABEL (SAFETY) (TEXT) .....	1
14	<u>35962G01</u>		LABEL (SAFETY) (PICTOGRAPH).....	1
15	<u>74443G01</u>		LABEL (ANTI-ROLLBACK) .....	1
16				
17	<u>71413G01</u>		SPLASH PANEL.....	1
18	<u>16816G2</u>		RATCHET FASTENER, 1/4" X 3/4" LG .....	1
19				
20	<u>71115G01</u>		VINYL TRIM .....	2
21	<u>71055G01</u>		RIVET, 3/16" X 1" LG (ALUMINUM).....	10
22				
23	606534G**		COWL..... 606534G002....ST COWL SPECIAL COLOR 606534G005....ST COWL FRONT JAC ORANGE 606534G006....ST COWL FRONT LIGHT GOLD PEARL 606534G007....ST COWL SILVER PEARL METAL 606534G011....ST COWL BLACK PAINT 606534G012....ST COWL EMERALD GREEN PEARL 606534G013....ST COWL CLOUD GREY 606534G014....ST COWL VIPER BLUE METAL 606534G019....ST COWL PATRIOT BLUE PEARL 606534G020....ST COWL INFERNO RED METAL 606534G023....ST COWL ADV CLASSICE CAMO	1

# BODY

THE USE OF NON U.L. PARTS WILL VOID ANY U.L. LISTING.

When ordering parts, please specify the model and serial number of the product.

\* Indicates a component that is not available as an individual part.

G\*\* Indicates consult Customer Service Department for additional information.

ITEM	PART NO.	1 2 3 4 5	DESCRIPTION	QTY.
			606534G024....ST COWL FRONT NATURAL 606534G025....ST COWL FRONT NEW HOLLAND BLUE 606534G026....ST COWL FRONT STEEL BLUE PEARL 606534G027....ST COWL BRIGHT SILVER METAL 606534G029....ST COWL PRIME 606534G030....ST COWL HD ADV CAMO 606534G031....ST COWL FRONT METALLIC CHARCOAL 606534G033....ST COWL TIMERLINE GREEN 606534G034....ST COWL DEEP MOLTEN RED 606534G035....ST COWL SAFETY YELLOW 606534G036....ST COWL CAMPAGNE BEIGE TEXT 606534G037....ST COWL HUNTER GREEN 606534G038....ST COWL BRIGHT WHITE 606534G039....ST COWL FLAME RED 606534G040....ST COWL BLACK 606534G041....ST COWL ELECTRIC BLUE 606534G042....ST COWL PLATINUM 606534G043....ST COWL BURGUNDY ON CH BG 606534G044....ST COWL ALMOND 606534G046....ST COWL BURGANDY ON BLACK 606534G047....ST COWL BURLINGTON GREEN 606534G048....ST COWL BLACK ON CHAM BEIGE 606534G049....ST COWL RED ON CHAM BEIGE	
24	<u>74813G01</u>		NAMEPLATE (E-Z-GO) (OVAL) .....	1
25				
26				
27	<u>71055G01</u>		RIVET, 3/16" X 1" LG .....	9
28	<u>71055G01</u>		RIVET, 3/16" X 1" LG .....	5
29	<u>71338G01</u>		FENDER FLARE (DRIVER SIDE).....	1
30	<u>71338G02</u>		FENDER FLARE (PASSENGER SIDE) .....	1
31				
32	<u>27166G04</u>		FRONT SHIELD .....	1
33	<u>70725G02</u>		FRONT SHIELD BRACE.....	2
34	<u>01038G01</u>		SCREW, 1/4 - 20 X 1/2" LG.....	4
35	<u>16469G1</u>		WASHER, 1/4" .....	2
36	<u>01057G01</u>		RIVET, KTR, 1/4" X 1" LG .....	2
37				
38	<u>606107</u>		BUMPER .....	1

THE USE OF NON U.L. PARTS WILL VOID ANY U.L. LISTING.  
 When ordering parts, please specify the model and serial number of the product.  
 \* Indicates a component that is not available as an individual part.  
 G\*\* Indicates consult Customer Service Department for additional information.

ITEM	PART NO.	1 2 3 4 5	DESCRIPTION	QTY.
39				
40	<u>00570G2</u>		WASHER, 5/16" .....	2
41	<u>75048G04</u>		SPACER, 1".....	2
42	<u>75048G01</u>		SPACER, 1/2".....	2
43	<u>00905G8</u>		LOCK WASHER, 5/16".....	4
44	<u>01035G02</u>		BOLT, 5/16 - 18 X 2 1/2" LG .....	4
45				
46	<u>71101G02</u>		COWL SUPPORT BRACKET .....	1
47	<u>71102G02</u>		SELF TAPPING SCREW, 1/4 - 20 X 1/2" LG .....	3
48	<u>71055G01</u>		RIVET, 3/16" X 1.0" LG .....	1
49				
50				
51				
52				
53				
54	<u>620325</u>		DECAL (ST-SPORT II E).....	2
55				
56				
57	<u>74099G01</u>		LABEL, TILT WARNING PICTOGRAPH .....	2
58				
59				
60				
61				
62				
63				
64				
65				
66				
67				
68				

# BODY

THE USE OF NON U.L. PARTS WILL VOID ANY U.L. LISTING.

When ordering parts, please specify the model and serial number of the product.

\* Indicates a component that is not available as an individual part.

G\*\* Indicates consult Customer Service Department for additional information.

ITEM	PART NO.	1 2 3 4 5	DESCRIPTION	QTY.
69	*		SERIAL NUMBER PLATE .....	1
70	<u>15058G6</u>		RIVET, BLACK (ALUMINUM) .....	4
71	<u>71502G01</u>		ROCKER PANEL (DRIVER SIDE) .....	1
72	<u>71501G01</u>		ROCKER PANEL (PASSENGER SIDE).....	1
73				
74	11098G6		LOCK NUT, 5/16 - 18 .....	2
75	<u>70441G01</u>		SEAT FRAME .....	1
76	00559G8		WASHER, 5/16" .....	2
77	00438G6		BOLT, 5/16 - 18 X 3/4" LG .....	2
78	<u>70200G01</u>		SCREW, 3/8 - 16 X 1/4" LG .....	2
79	<u>00715G2</u>		BOLT, 5/16 - 18 X 13/16" LG .....	4
80	<u>70046G02</u>		BATTERY RACK .....	1
81				
82	<u>16705G1</u>		SCREW, 1/4 - 20 X 1" LG.....	4
83	<u>23726G4</u>		SPACER .....	4
84				
85	<u>14390G4</u>		LOCK NUT, 1/4 - 20 .....	4
86	71507G01		SILL PLATE TREAD (PASSENGER SIDE).....	1
87	<u>71507G02</u>		SILL PLATE TREAD (DRIVER SIDE) .....	1
88				
89				
90	<u>70663G03</u>		FLOORMAT (AXLE MOUNTED STEERING).....	1
91	<u>71379G21</u>		SEAT WRAP PANEL .....	1
92	<u>70135G01</u>		PEDAL PIVOT COVER .....	1
93				
94	<u>10570G10</u>		RIVET, 5/32" X 9/16" LG .....	8
95	<u>71609G01</u>		SEAT HINGE PLATE .....	2
96	<u>10570G11</u>		RIVET, 3/16" X 3/4" LG .....	4
97	<u>71259G01</u>		SIDE PANEL (DRIVER SIDE) .....	1
98	<u>71259G02</u>		SIDE PANEL (PASSENGER SIDE).....	1



THE USE OF NON U.L. PARTS WILL VOID ANY U.L. LISTING.  
 When ordering parts, please specify the model and serial number of the product.  
 \* Indicates a component that is not available as an individual part.  
 G\*\* Indicates consult Customer Service Department for additional information.

ITEM	PART NO.	1 2 3 4 5	DESCRIPTION	QTY.
99	<u>10570G10</u>		RIVET, 5/32" X 9/16" LG .....	4
100	<u>10570G12</u>		RIVET, 1/4" X 1/2" LG .....	4
101				
102				
103	<u>70244G03</u>		SPLASH PANEL.....	2
104	<u>00715G2</u>		BOLT, 5/16 - 18 X 13/16" LG .....	8
105				
106				
107				
108				
109	<u>74892G01</u>		FENDER (DRIVER SIDE) .....	1
110	<u>74892G02</u>		FENDER (PASSENGER SIDE).....	1
111				
112				
113	<u>14390G4</u>		LOCK NUT, 1/4 - 20 .....	4
114	<u>00642G7</u>		WASHER, 1/4" .....	8
115	<u>00414G6</u>		BOLT, 1/4 - 20 X 3/4" LG .....	4
116	<u>74890G01</u>		REAR PANEL.....	1
117	<u>16816G2</u>		RATCHET FASTENER, 1/4" X 3/4" LG .....	8
118				
119	<u>74891G01</u>		SEAT FILLER PANEL (DRIVER SIDE) .....	1
120	<u>74891G02</u>		SEAT FILLER PANEL (PASSENGER SIDE).....	1
121	<u>10570G10</u>		RIVET, 5/32" X 9/16" LG .....	6
122				
123				
124				
125	<u>74348G02</u>		HITCH RECEIVER .....	1
126				
127				
128				

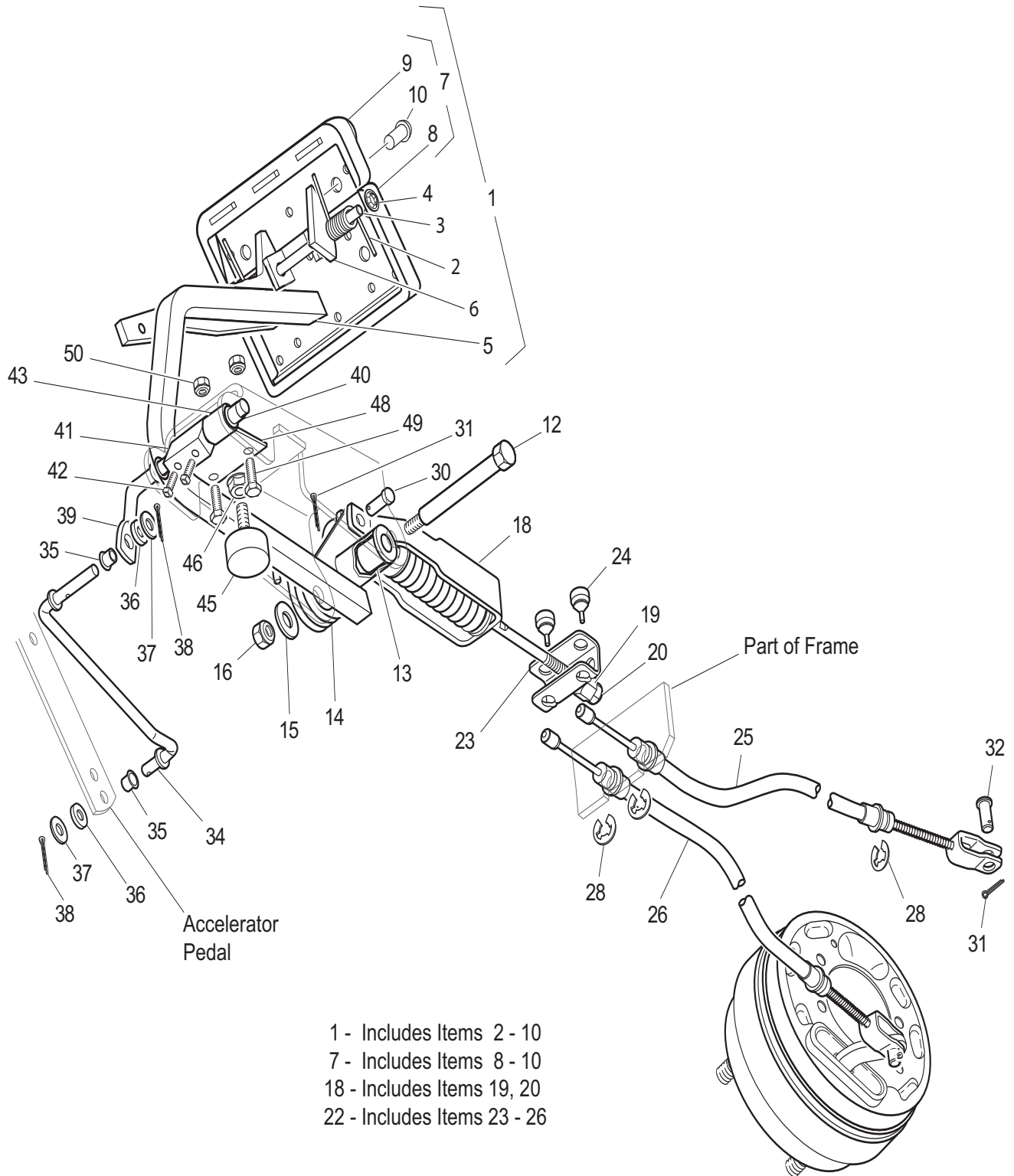
# BODY

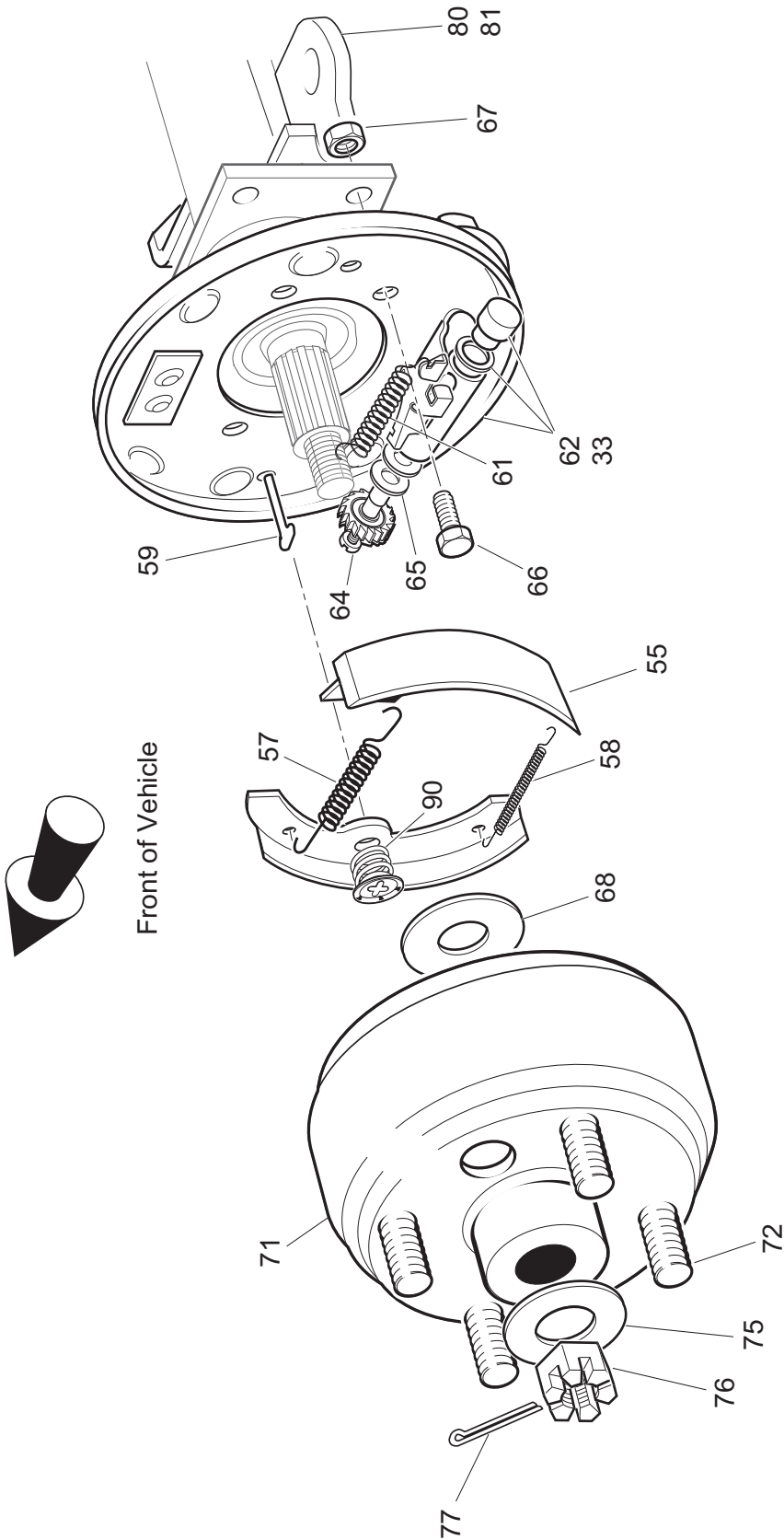
THE USE OF NON U.L. PARTS WILL VOID ANY U.L. LISTING.  
 When ordering parts, please specify the model and serial number of the product.  
 \* Indicates a component that is not available as an individual part.  
 G\*\* Indicates consult Customer Service Department for additional information.

ITEM	PART NO.	1 2 3 4 5	DESCRIPTION	QTY.
129	<u>00198G8</u>		SCREW, 5/16 - 18 X 1" LG.....	1
130	<u>00571G2</u>		WASHER, 5/16" .....	1
131	11098G6		LOCK NUT, 5/16 - 18 .....	1
132				
133				
134	<u>75109G04</u>		ASH TRAY KIT (INCLUDES ITEMS 135 - 138) .....	1
135	27731G01		ASH TRAY .....	1
136	27736G01		GASKET .....	1
137	<u>75108G02</u>		BRACKET .....	1
138	<u>00100G4</u>		SCREW, #10 - 16 X 1/2" LG .....	4



# BRAKES





- 52 - Includes Items 54, 55
- 53 - Includes Items 54, 55
- 54 - Includes Items 55
- 56 - Includes Items 57 - 61
- 62 - Includes Items 64, 65
- 63 - Includes Items 64, 65
- 70 - Includes Items 71, 72

# BRAKES

THE USE OF NON U.L. PARTS WILL VOID ANY U.L. LISTING.

When ordering parts, please specify the model and serial number of the product.

\* Indicates a component that is not available as an individual part.

G\*\* Indicates consult Customer Service Department for additional information.

ITEM	PART NO.	1 2 3 4 5	DESCRIPTION	QTY.
1	<u>70612G02</u>		BRAKE PEDAL ASSEMBLY (WITHOUT BRAKE LIGHTS) (INCLUDES ITEMS 2 - 10).....	1
2	<u>70681G01</u>		TORSION SPRING.....	2
3	<u>70682G01</u>		PIVOT PIN.....	1
4	<u>01071G01</u>		PUSHNUT, 5/16".....	1
5	<u>70259G02</u>		BRAKE PEDAL.....	1
6	<u>70611G01</u>		PARK BRAKE PEDAL.....	1
7	<u>70274G01</u>		BRAKE/PARK BRAKE PEDAL PAD KIT (INCLUDES ITEMS 8 - 10).....	1
8	<u>70257G01</u>		SERVICE BRAKE PAD.....	1
9	<u>70256G01</u>		PARK BRAKE PEDAL PAD.....	1
10	<u>16409G1</u>		OVAL RIVET, 3/16" X 7/16" LG.....	9
11				
12	<u>70582G01</u>		SHOULDER BOLT, 3/8 - 16 X 4" LG (STAINLESS STEEL).....	1
13	<u>70581G01</u>		FLANGED BUSHING.....	2
14	<u>70676G01</u>		TORSION SPRING.....	1
15	<u>00643G1</u>		WASHER, 3/8".....	1
16	<u>11098G5</u>		LOCK NUT, 3/8 - 16.....	1
17				
18	<u>70272G04</u>		COMPENSATOR ASSEMBLY (INCLUDES ITEMS 19, 20).....	1
19	<u>00963G01</u>		SPHERICAL NUT, 5/16 - 24.....	1
20	<u>11098G9</u>		LOCK NUT, 5/16 - 24.....	1
21				
22	<u>70969G03</u>		EQUALIZER AND BRAKE CABLE ASSEMBLY (INCLUDES ITEMS 23 - 26)....	1
23	<u>28082G01</u>		EQUALIZER BRACKET.....	1
24	<u>28083G01</u>		BRAKE COMPENSATOR BUMPER.....	2
25	<u>70968G04</u>		BRAKE CABLE (DRIVER SIDE).....	1
26	<u>70968G03</u>		BRAKE CABLE (PASSENGER SIDE).....	1
27				
28	<u>01111G01</u>		RETAINING RING, 13/32" (STAINLESS STEEL).....	4
29				

# BRAKES

THE USE OF NON U.L. PARTS WILL VOID ANY U.L. LISTING.

When ordering parts, please specify the model and serial number of the product.

\* Indicates a component that is not available as an individual part.

G\*\* Indicates consult Customer Service Department for additional information.

ITEM	PART NO.	1 2 3 4 5	DESCRIPTION	QTY.
30	<u>10386G3</u>		CLEVIS PIN, 5/16" X 13/16" LG .....	3
31	<u>10387G3</u>		COTTER PIN, 3/32" X 3/4" LG .....	3
32	<u>14443G2</u>		CLEVIS PIN, 5/16" X 5/8" LG .....	2
33				
34	<u>70601G01</u>		KICK-OFF LINK.....	1
35	<u>17838G1</u>		NYLON BUSHING.....	2
36	<u>20835G1</u>		TEFLON WASHER, 3/8" .....	2
37	00559G8		WASHER, 5/16" .....	2
38	<u>10387G3</u>		COTTER PIN, 3/32" X 3/4" LG .....	2
39	<u>70098G01</u>		KICK-OFF CAM PIVOT.....	1
40	<u>10097G6</u>		FLANGED BEARING .....	2
41	<u>70587G01</u>		KICK-OFF CAM.....	1
42	<u>71215G01</u>		SETSCREW, 1/4 - 20 X 1/2" LG.....	2
43	<u>14134G4</u>		SPACER.....	1
44				
45	<u>70113G01</u>		ADJUSTABLE BUMPER.....	1
46	<u>11027G1</u>		LOCK NUT, 5/16 - 18 .....	1
47				
48	<u>70080G02</u>		CATCH BRACKET .....	1
49	<u>00414G6</u>		BOLT, 1/4 - 20 X 3/4" LG .....	2
50	<u>14390G4</u>		LOCK NUT, 1/4 - 20 (STAINLESS STEEL).....	2
51				
52	<u>70998G01</u>		BRAKE ASSEMBLY (DRIVER SIDE) (INCLUDES ITEMS 54, 55).....	1
53	<u>70998G02</u>		BRAKE ASSEMBLY (PASSENGER SIDE) (INCLUDES ITEMS 54, 55).....	1
54	70794G01		BRAKE SHOE KIT (INCLUDES ITEM 55).....	2
55	70795G01		BRAKE SHOE .....	2
56	<u>27944G01</u>		BRAKE SPRING KIT (INCLUDES ITEMS 57 - 61).....	2
57	*		UPPER SPRING .....	1
58	*		LOWER SPRING .....	1
59	*		PIN .....	2

# BRAKES

THE USE OF NON U.L. PARTS WILL VOID ANY U.L. LISTING.  
 When ordering parts, please specify the model and serial number of the product.  
 \* Indicates a component that is not available as an individual part.  
 G\*\* Indicates consult Customer Service Department for additional information.

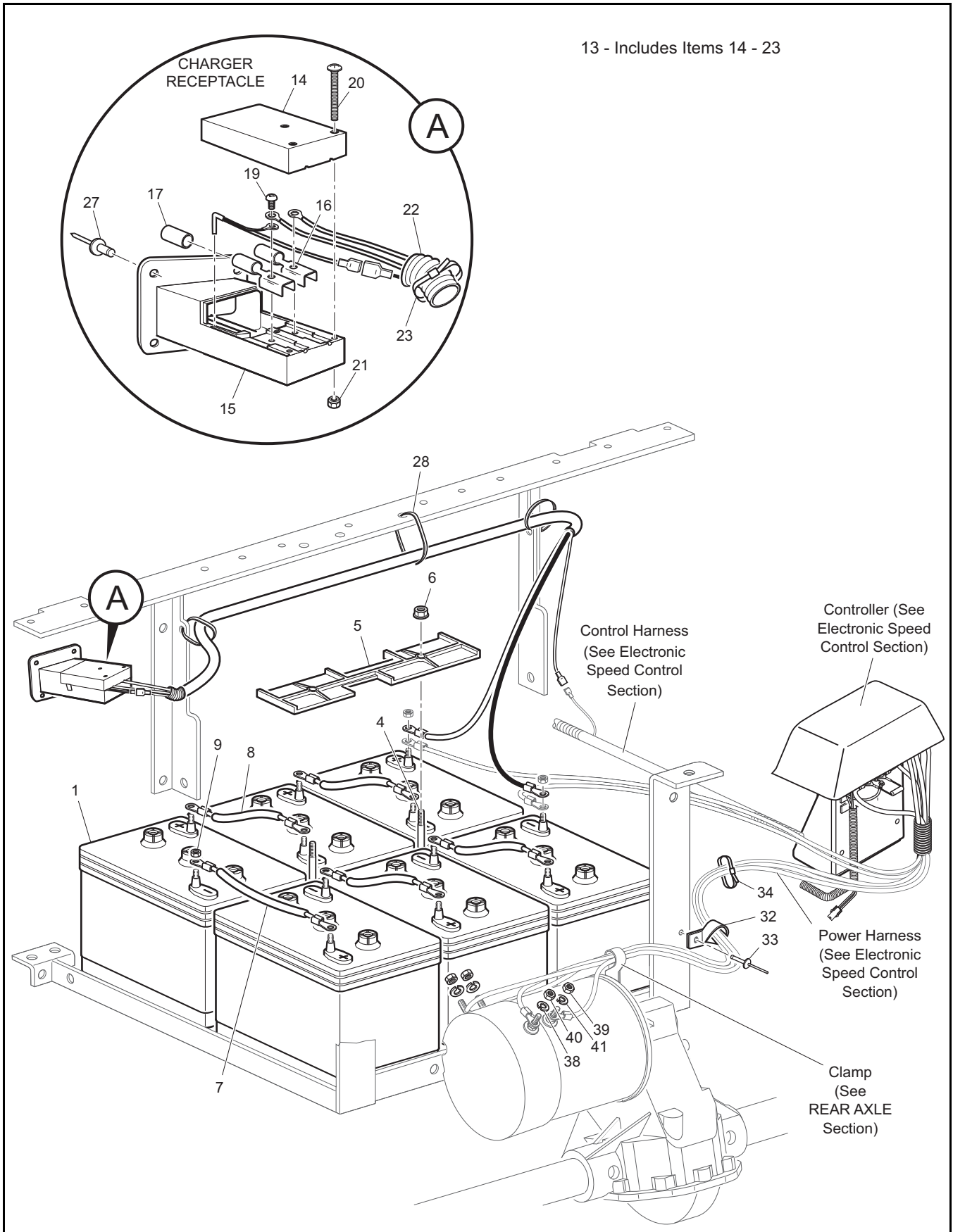
ITEM	PART NO.	1	2	3	4	5	DESCRIPTION	QTY.
60	*						CUP AND SPRING .....	2
61	*						ADJUSTER SPRING.....	1
62	<u>72582G01</u>						BRAKE ADJUSTER KIT (DRIVER SIDE) (INCLUDES ITEMS 64, 65) .....	1
63	<u>72582G02</u>						BRAKE ADJUSTER KIT (PASSENGER SIDE) (INCL. ITEMS 64, 65).....	1
64	*						ADJUSTER .....	1
65	*						TEFLON WASHER.....	2
66	<u>17083G2</u>						BOLT, 5/16 - 24 X 1" LG .....	8
67	<u>15126G1</u>						LOCK NUT, 5/16 - 24 .....	8
68	<u>15485G1</u>						WASHER, 13/16" .....	2
69								
70	<u>19186G2</u>						BRAKE DRUM ASSEMBLY (INCLUDES ITEMS 71, 72).....	2
71	*						BRAKE DRUM.....	1
72	<u>19862G1</u>						LUG BOLT, 1/2 - 20 X 1 3/16" LG .....	4
73								
74								
75	<u>15487G1</u>						WASHER, 1 3/8" O.D. X 21/32" .....	2
76	<u>612928</u>						CASTELLATED NUT, 5/8 - 18.....	2
77	<u>10387G1</u>						COTTER PIN, 1/8" X 1 1/2" LG.....	2
78								
79								
80	<u>72036G03</u>						BRAKE CABLE BRACKET (PASSENGER SIDE).....	1
81	<u>72036G04</u>						BRAKE CABLE BRACKET (DRIVER SIDE).....	1

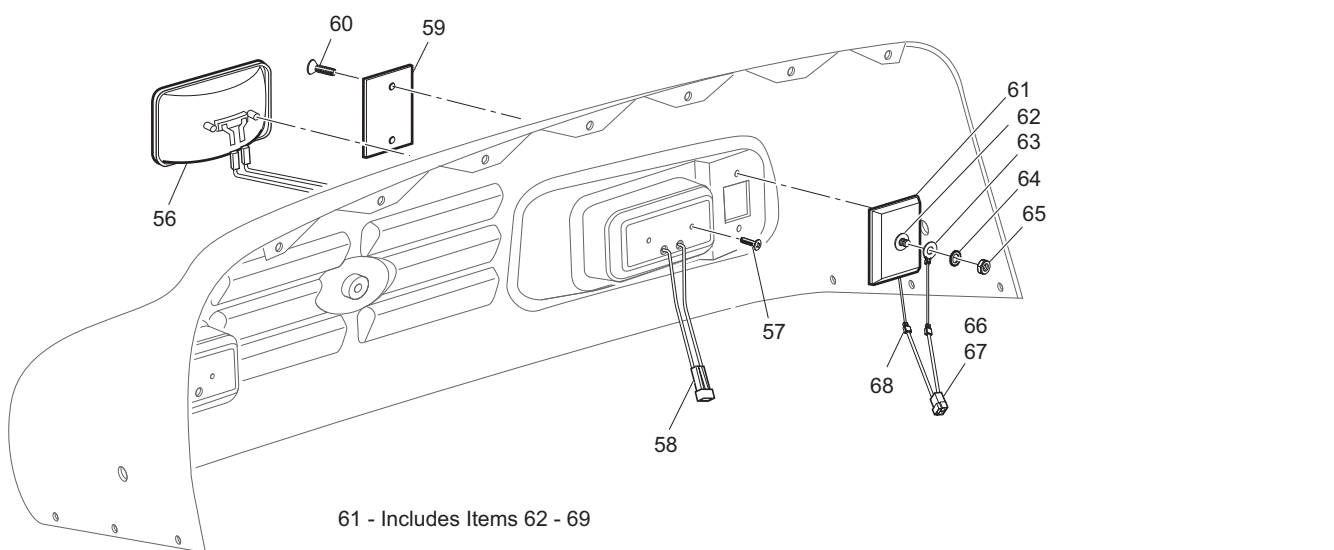
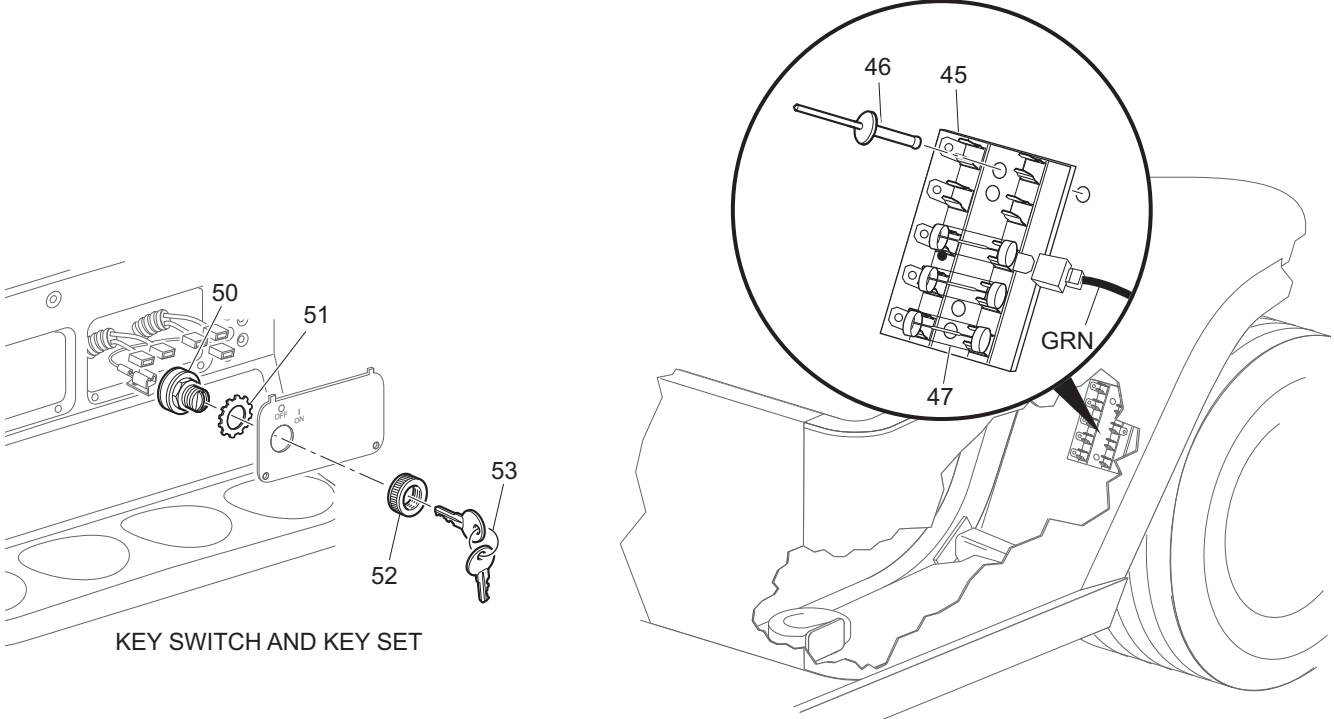




# ELECTRICAL SYSTEM

13 - Includes Items 14 - 23





# ELECTRICAL SYSTEM

Where applicable, THE USE OF NON UL PARTS WILL VOID ANY UL LISTING.

When ordering parts, please specify the model and serial number of the product.

\* Indicates a component that is not available as an individual part.

G\*\* Indicates consult Customer Service Department for additional information.

ITEM	PART NO.	1 2 3 4 5	DESCRIPTION	QTY.
1	72824G01		6 VOLT BATTERY .....	6
2				
3				
4	<u>01101G01</u>		HOLD DOWN BOLT (STAINLESS STEEL).....	2
5	<u>70045G01</u>		BATTERY RETAINER .....	1
6	<u>11027G1</u>		LOCK NUT, 5/16 - 18.....	2
7	<u>25971G13</u>		6 GA WIRE (BATTERY INTERCONNECT, BLACK, 10 1/2") .....	1
8	<u>25971G18</u>		6 GA WIRE (BATTERY INTERCONNECT, 6") .....	4
9	<u>00702G2</u>		NUT, 5/16 - 18 .....	12
10				
11				
12				
13	<u>73063G01</u>		CHARGER RECEPTACLE ASSEMBLY (INCLUDES ITEMS 14 - 23) .....	1
14	73051G03		RECEPTACLE COVER.....	1
15	<u>73051G29</u>		RECEPTACLE BOTTOM .....	1
16	<u>73051G05</u>		FEMALE CONNECTOR.....	2
17	<u>73051G06</u>		INSULATOR SLEEVE .....	1
18				
19	<u>73051G08</u>		SCREW, #10 - 32 X 1/2" LG (BRASS).....	2
20	<u>73051G09</u>		SCREW, #6 - 32 X 1 3/4" LG (STAINLESS STEEL) .....	3
21	<u>73051G10</u>		LOCK NUT, #6 - 32 .....	3
22	<u>602594</u>		WIRE HARNESS (CHARGER) .....	1
23	<u>17618G1</u>		WIRE TIE .....	2
24				
25				
26				
27	<u>71055G01</u>		RIVET, 3/16" X 1" LG (ALUMINUM) .....	4
28	<u>17618G1</u>		WIRE TIE.....	3
29				
30				

# ELECTRICAL SYSTEM

Where applicable, THE USE OF NON UL PARTS WILL VOID ANY UL LISTING.  
 When ordering parts, please specify the model and serial number of the product.  
 \* Indicates a component that is not available as an individual part.  
 G\*\* Indicates consult Customer Service Department for additional information.

ITEM	PART NO.	1	2	3	4	5	DESCRIPTION	QTY.
31								
32	<u>27327G01</u>						CABLE CLAMP.....	1
33	<u>10570G11</u>						RIVET, 3/16" X 3/4" LG (STAINLESS STEEL) .....	1
34	<u>17618G1</u>						WIRE TIE.....	8
35								
36								
37								
38	<u>00993G01</u>						LOCK WASHER, 5/16" (SILICON BRONZE) .....	2
39	<u>28418G01</u>						NUT, 5/16 - 18 (BRASS).....	2
40	<u>28418G02</u>						BRASS NUT, 1/4 - 20 .....	2
41	<u>00993G02</u>						LOCK WASHER (SILICON BRONZE).....	2
42								
43								
44								
45	<u>22674G1</u>						FUSE BLOCK.....	1
46	<u>01041G01</u>						RIVET, 1/8" X 13/16" LG.....	2
47	<u>18392G1</u>						15 AMP FUSE .....	
							AR	
48								
49								
50	33639G**						KEY SWITCH (WITH LIGHTS).....	1
51	<u>00568G6</u>						LOCK WASHER, 3/4" .....	1
52	17137G1						FACE NUT, 3/4 - 20 .....	1
53	<u>17063G1</u>						KEY (SET) .....	1
54								
55								
56	<u>22523G1</u>						HEADLIGHTx'.....	2
57	<u>00906G6</u>						SCREW, #10 - 16 X 1" LG .....	2
58	<u>74337G01</u>						JUMPER WIRE (HEADLIGHT).....	2
59	20574G5						LENS, AMBER.....	1

# ELECTRICAL SYSTEM

Where applicable, THE USE OF NON UL PARTS WILL VOID ANY UL LISTING.

When ordering parts, please specify the model and serial number of the product.

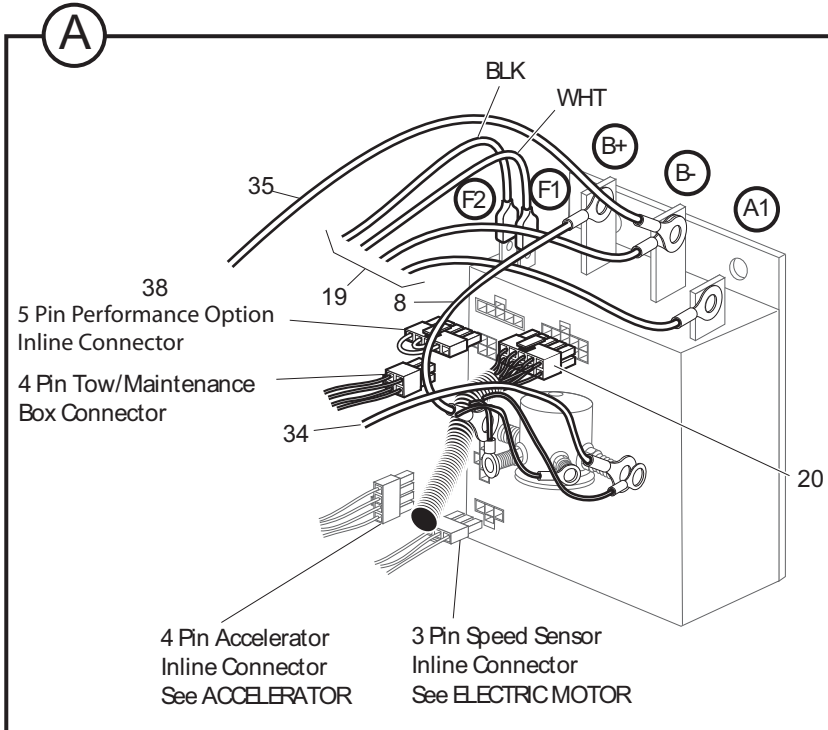
\* Indicates a component that is not available as an individual part.

G\*\* Indicates consult Customer Service Department for additional information.

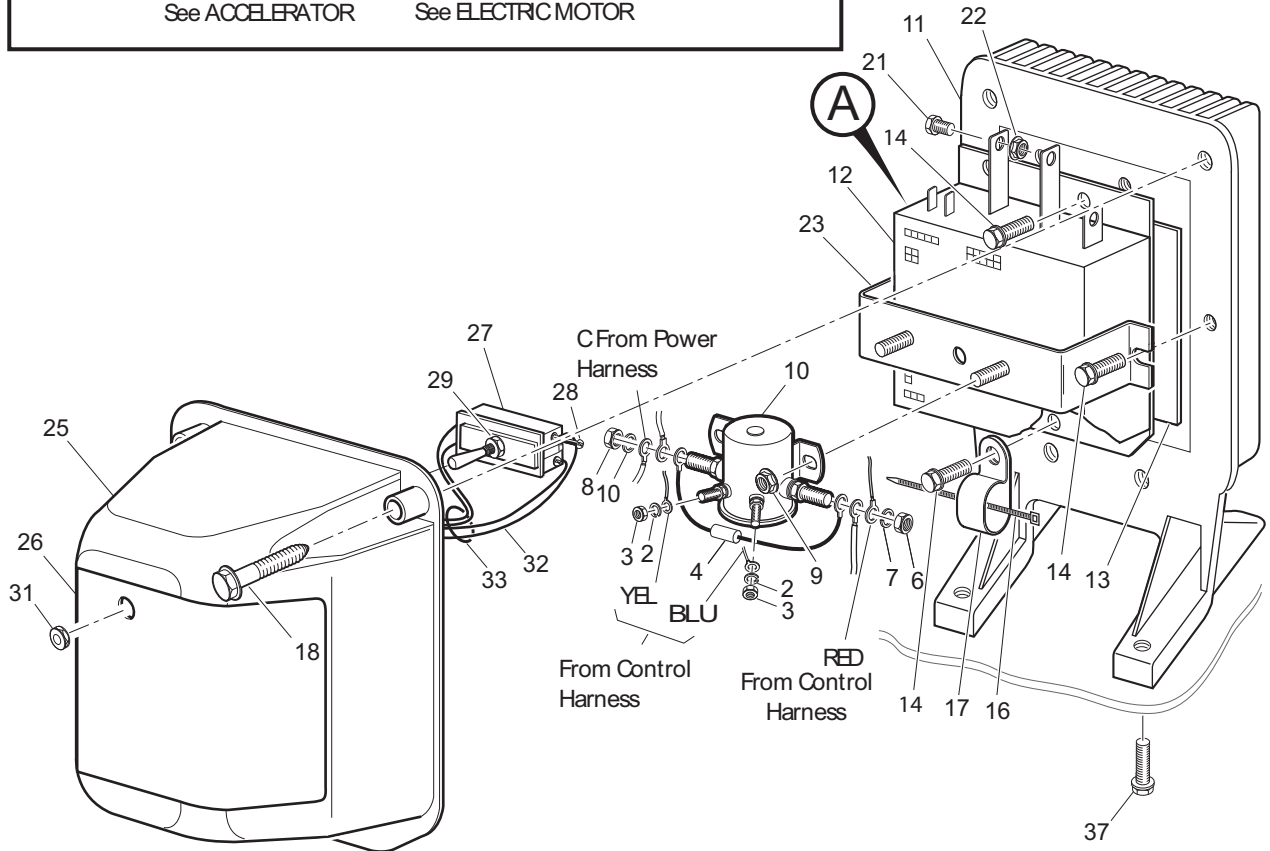
ITEM	PART NO.	1 2 3 4 5	DESCRIPTION	QTY.
61	<u>20570-G3</u>		TURN SIGNAL LIGHT ASSEMBLY (INCLUDES ITEMS 62 - 69) .....	2
62	<u>20574-G3</u>		TURN SIGNAL LIGHT .....	1
63	<u>00660-G7</u>		WASHER, 1/4" (STAINLESS STEEL) .....	1
64	<u>20606-G1</u>		WIRE ASSEMBLY .....	1
65	<u>00567-G7</u>		LOCK WASHER, 1/4" .....	1
66	11200532-G1		NUT, 1/4 - 20 .....	1
67	<u>74056-G01</u>		TURN SIGNAL JUMPER, RED/BLACK (PASSENGER SIDE) .....	1
68	<u>74056-G02</u>		TURN SIGNAL JUMPER, GREEN/BLACK (DRIVER SIDE) .....	1
69	<u>18995-G1</u>		PUSH-ON TERMINAL (MALE) .....	1



# ELECTRONIC SPEED CONTROL - PDS



1 - Includes Items 2 - 35  
 24 - Includes Items 25 - 33  
 27 - Includes Items 28 - 31



Ref Esp 1-1



## ELECTRONIC SPEED CONTROL - PDS

Where applicable, THE USE OF NON UL PARTS WILL VOID ANY UL LISTING.

When ordering parts, please specify the model and serial number of the product.

\* Indicates a component that is not available as an individual part.

G\*\* Indicates consult Customer Service Department for additional information.

ITEM	PART NO.	1	2	3	4	5	DESCRIPTION	QTY.
1	73276-G03						ELECTRONIC SPEED CONTROL ASSEMBLY (INCLUDES ITEMS 2 - 35) .....	1
2	<u>00565G5</u>						LOCK WASHER, #10 .....	2
3	<u>00526G4</u>						NUT, 10 - 32 .....	2
4	<u>21764-G1</u>						RESISTOR .....	1
5								
6	00544G4						NUT, 5/16 - 24 .....	2
7	<u>00565G8</u>						LOCK WASHER, 5/16" .....	2
8	<u>25971-G18</u>						4 GA WIRE ASSY BLACK 6" .....	1
9	<u>800706</u>						LOCK NUT, 1/4 - 20 .....	2
10	27855-G02						SOLENOID, 36 VOLT .....	1
11	<u>73471-G01</u>						HEATSINK.....	1
12	<u>609083</u>						ELECTRONIC SPEED CONTROLLER .....	1
13	<u>73190-G01</u>						THERMAL MOUNTING PAD .....	1
14	<u>71102-G01</u>						BOLT, 1/4 - 20 X 3/4" LG .....	3
15								
16	<u>31539-G1</u>						WIRE TIE .....	1
17	<u>73053-G01</u>						DOUBLE TUBE CLAMP.....	1
18	<u>71102-G01</u>						BOLT, 1/4 - 20 X 3/4" LG .....	4
19	<u>73106-G01</u>						WIRE HARNESS (POWER).....	1
20	<u>74324-G02</u>						WIRE HARNESS (CONTROL).....	1
21	<u>00270-G5</u>						BOLT, 5/16 - 18 X 5/8" LG .....	3
22	<u>11027-G1</u>						LOCK NUT, 5/16 - 18 .....	3
23	25866-G01						SOLENOID BRACKET .....	1
24	<u>73089-G01</u>						COVER ASSEMBLY (INCLUDES ITEMS 25 - 33).....	1
25	<u>73028-G02</u>						COVER (WITH GASKET) .....	1
26	73093-G01						LABEL (TOW SWITCH).....	1
27	73125-G01						TOGGLE SWITCH WITH SEAL (INCLUDES ITEMS 28 - 31).....	1
28	*						SCREW, #5 - 40 .....	4
29	*						NUT, 15/32 - 32 .....	1
30								

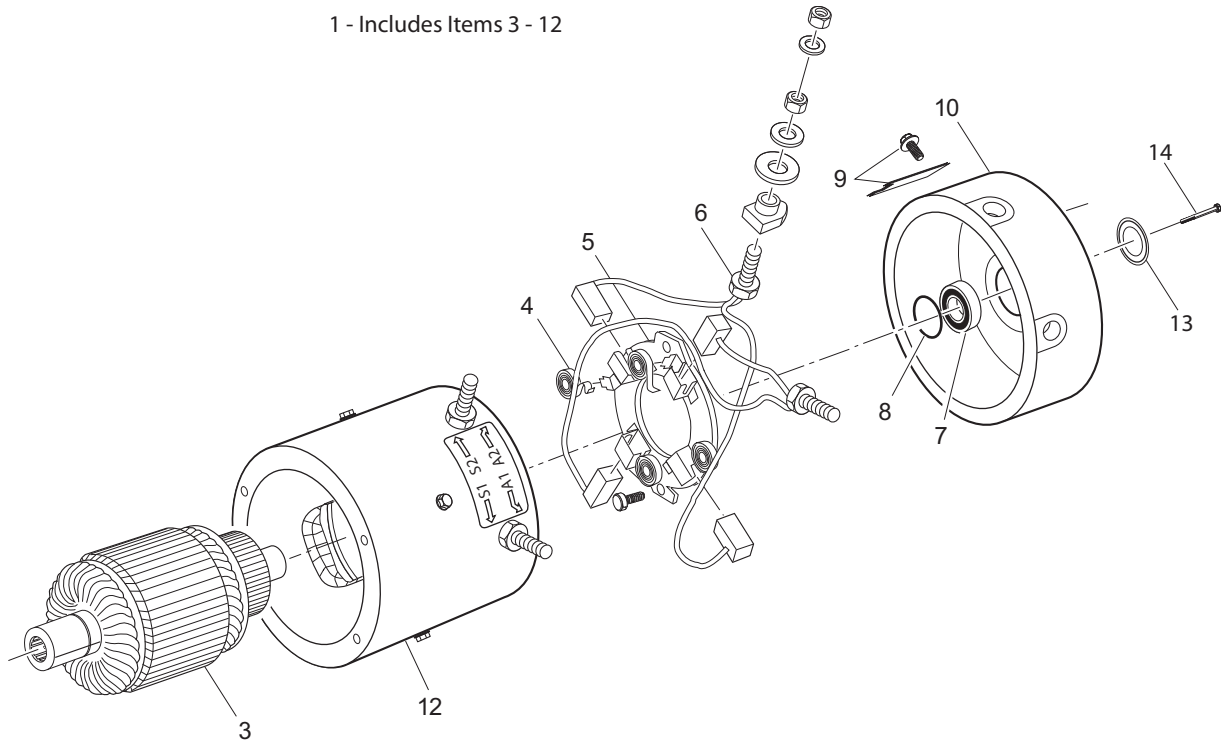
# ELECTRONIC SPEED CONTROL - PDS

Where applicable, THE USE OF NON UL PARTS WILL VOID ANY UL LISTING.  
 When ordering parts, please specify the model and serial number of the product.  
 \* Indicates a component that is not available as an individual part.  
 G\*\* Indicates consult Customer Service Department for additional information.

ITEM	PART NO.	1	2	3	4	5	DESCRIPTION	QTY.
31	<u>73139-G01</u>						SEALED NUT, 15/32 - 32 .....	1
32	73138-G02						WIRE HARNESS (TOW SWITCH).....	1
33	<u>17618-G1</u>						WIRE TIE .....	1
34	<u>602178</u>						4 GA WIRE (BLACK 27", BL+ TO SOL) .....	1
35	<u>602179</u>						4 GA WIRE (BLACK 36", BL- TO B-).....	1
36								
37	<u>71102-G01</u>						BOLT, 1/4 - 20 X 3/4" LG .....	2
38	<u>73272-G01</u>						PERFORMANCE OPTION.....	1



# ELECTRIC MOTOR



Ref Mtr 3-1

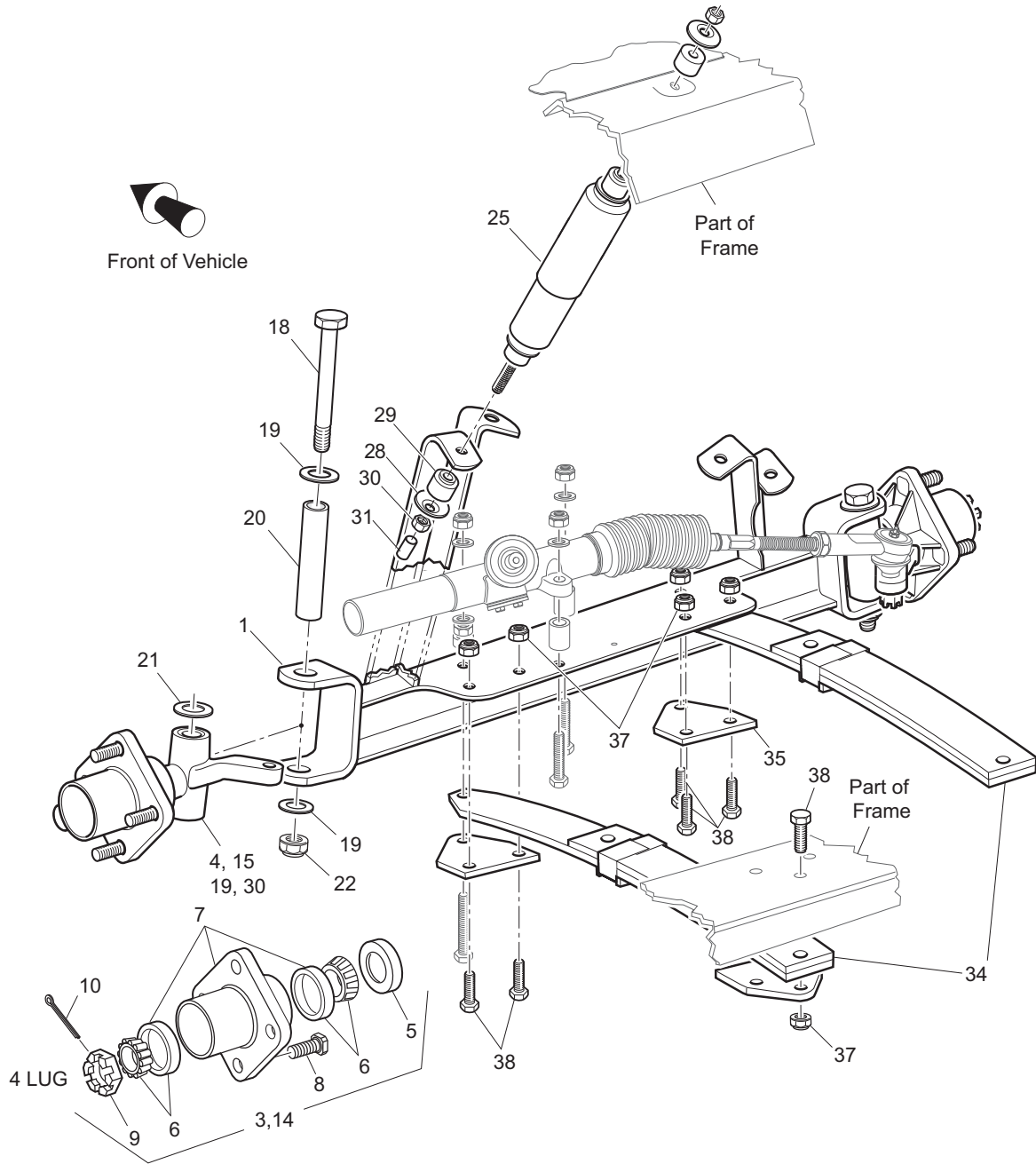
# ELECTRIC MOTOR

THE USE OF NON U.L. PARTS WILL VOID ANY U.L. LISTING.  
 When ordering parts, please specify the model and serial number of the product.  
 \* Indicates a component that is not available as an individual part.  
 G\*\* Indicates consult Customer Service Department for additional information.

ITEM	PART NO.	1	2	3	4	5	DESCRIPTION	QTY.
1	<u>73445G02</u>						MOTOR (SERIES, FLEET SPEED) (INCLUDES ITEMS 3 - 12) .....	1
2								
3	<u>73120G18</u>						ARMATURE.....	1
4	<u>73120G03</u>						BRUSH SPRING .....	4
5	<u>73120G15</u>						BRUSH PLATE AND BOX.....	1
6	<u>73120G25</u>						BRUSH REPLACEMENT KIT (INCLUDES HARDWARE) .....	1
7	<u>73120G07</u>						BEARING .....	1
8	<u>73120G06</u>						SNAP RING.....	1
9	<u>73120G09</u>						COVER PLATE AND SCREW.....	1
10	<u>73120G19</u>						COVER COMMUTATOR END.....	1
11								
12	<u>73120G29</u>						FRAME AND FIELD COIL (INCLUDES HARDWARE) .....	1
13	<u>73328G01</u>						SPEED SENSOR, MAGNET .....	1
14	<u>01037G02</u>						SCREW, TORX T-25.....	1



# FRONT SUSPENSION/STEERING



- 3 - Includes Items 4 - 10
- 7 - Includes Item 8
- 14 - Includes Items 5 - 10, 15

\*NOTE: Tie Rod not shown for clarity





## FRONT SUSPENSION/STEERING

THE USE OF NON U.L. PARTS WILL VOID ANY U.L. LISTING.

When ordering parts, please specify the model and serial number of the product.

\* Indicates a component that is not available as an individual part.

G\*\* Indicates consult Customer Service Department for additional information.

ITEM	PART NO.	1	2	3	4	5	DESCRIPTION	QTY.
1	<u>602512</u>						FRONT AXLE .....	1
2								
3	<u>70942G03</u>						SPINDLE AND HUB ASSEMBLY, 4 LUG (PASSENGER SIDE) (INCLUDES ITEMS 4 - 10).....	1
4	<u>70940G02</u>						SPINDLE ASSEMBLY (PASSENGER SIDE).....	1
5	<u>25146G1</u>						GREASE SEAL.....	2
6	<u>11750G2</u>						ROLLER BEARING AND RACE ASSEMBLY.....	4
7	<u>70589G01</u>						WHEEL HUB ASSEMBLY WITH RACES, 4 LUG (INCLUDES ITEM 8) .....	2
8	<u>19862G1</u>						LUG BOLT, 1/2 - 20 X 1 7/32" LG.....	8
9	<u>12093G1</u>						SLOTTED NUT, 1 - 14 .....	2
10	<u>00798G8</u>						COTTER PIN, 5/32" X 1 3/4" LG .....	2
11								
12								
13								
14	<u>70673G03</u>						SPINDLE AND HUB ASSEMBLY, 4 LUG (DRIVER SIDE) (INCLUDES ITEMS 5 - 10, 15).....	1
15	<u>70742G02</u>						SPINDLE ASSEMBLY (DRIVER SIDE) .....	1
16								
17								
18	<u>00407G6</u>						BOLT, 1/2 - 13 X 6" LG .....	2
19	<u>00560G3</u>						WASHER, 1/2" .....	4
20	<u>70745G01</u>						KING PIN TUBE .....	2
21	<u>70754G01</u>						THRUST WASHER (STAINLESS STEEL).....	2
22	<u>14390G6</u>						LOCK NUT, 1/2 - 13 .....	2
23								
24								
25	<u>76419G01</u>						SHOCK ABSORBER.....	2
26								
27								
28	<u>10435G1</u>						SHOCK ABSORBER WASHER.....	8
29	<u>10194G1</u>						RUBBER SHOCK ABSORBER BUSHING .....	8

# FRONT SUSPENSION/STEERING

THE USE OF NON U.L. PARTS WILL VOID ANY U.L. LISTING.

When ordering parts, please specify the model and serial number of the product.

\* Indicates a component that is not available as an individual part.

G\*\* Indicates consult Customer Service Department for additional information.

ITEM	PART NO.	1 2 3 4 5	DESCRIPTION	QTY.
30	<u>00532G6</u>		NUT, 3/8 - 24 .....	4
31	<u>10044G01</u>		VINYL CAP .....	2
32				
33				
34	<u>70989G03</u>		LEAF SPRING (HEAVY DUTY).....	2
35	<u>70163G03</u>		SPRING PLATE .....	4
36				
37	<u>00734G1</u>		LOCK NUT, 7/16 - 14 .....	6
38	<u>00463G11</u>		BOLT, 7/16 - 14 X 1 3/4" LG .....	11
39				
40				
41				
42	<u>70965G01</u>		STEERING RACK COVERING & BEARING (INCLUDES ITEMS 42 - 47, 48 - 53) .....	1
43	<u>70694G01</u>		RACK EXTENSION .....	1
44	*		JAM NUT, 1/2 - 20.....	1
45	<u>70961G01</u>		RACK BOOT .....	1
46	<u>12416G2</u>		NYLON CLAMP .....	1
47	<u>11391G8</u>		HOSE CLAMP .....	1
48	<u>70638G01</u>		PINION SEAL .....	1
49	<u>70695G01</u>		RACK BALL JOINT (INCLUDES ITEMS 50 - 53) .....	1
50	<u>50641G1</u>		RUBBER BOOT .....	1
51	<u>50209G2</u>		SLOTTED NUT, 7/16 - 20.....	1
52	<u>10387G2</u>		COTTER PIN, 3/32" X 1" LG .....	1
53	<u>10389G3</u>		GREASE FITTING, STRAIGHT .....	1
54				
55	<u>00464G6</u>		BOLT, 7/16 - 14 X 2 3/4" LG .....	2
56	<u>01068G01</u>		BOLT, 7/16 - 14 X 3 1/2" LG .....	1
57	<u>70667G02</u>		SPACER .....	2
58	<u>70667G03</u>		SPACER (SHORT) .....	1

## FRONT SUSPENSION/STEERING

THE USE OF NON U.L. PARTS WILL VOID ANY U.L. LISTING.

When ordering parts, please specify the model and serial number of the product.

\* Indicates a component that is not available as an individual part.

G\*\* Indicates consult Customer Service Department for additional information.

ITEM	PART NO.	1	2	3	4	5	DESCRIPTION	QTY.
59								
60								
61	<u>00734G1</u>						LOCK NUT, 7/16 - 14 .....	16
62								
63								
64	<u>70607G01</u>						STEERING SHAFT .....	1
65								
66	<u>70758G05</u>						STEERING COLUMN KIT (INCLUDES ITEMS 67 - 69) .....	1
67	<u>70610G03</u>						STEERING COLUMN .....	1
68	<u>28569G01</u>						STEERING COLUMN BUSHING .....	1
69	<u>01022G01</u>						SCREW, #6 - 20 X 5/16" LG .....	1
70								
71								
72								
73								
74								
75								
76	<u>01006G01</u>						BOLT, 3/8 - 16 X 1 1/4" LG WITH PATCHLOCK .....	4
77	<u>00879G1</u>						LOCK WASHER, 3/8" .....	4
78								
79	<u>70580G01</u>						INTERMEDIATE SHAFT (INCLUDES ITEMS 80, 81) .....	1
80	<u>01055G01</u>						BOLT, M8 X 1 1/4" LG .....	2
81	<u>00565G8</u>						LOCK WASHER, 5/16" .....	2
82								
83	<u>70751G01</u>						RETAINING RING (INTERNAL) .....	1
84	<u>70888G01</u>						RETAINING RING (EXTERNAL) .....	1
85	<u>15112G1</u>						BALL BEARING .....	1
86	<u>70887G01</u>						WAVE WASHER .....	1
87	<u>602980</u>						STEERING WHEEL .....	1
88	<u>71147G01</u>						STEERING WHEEL COVER .....	1

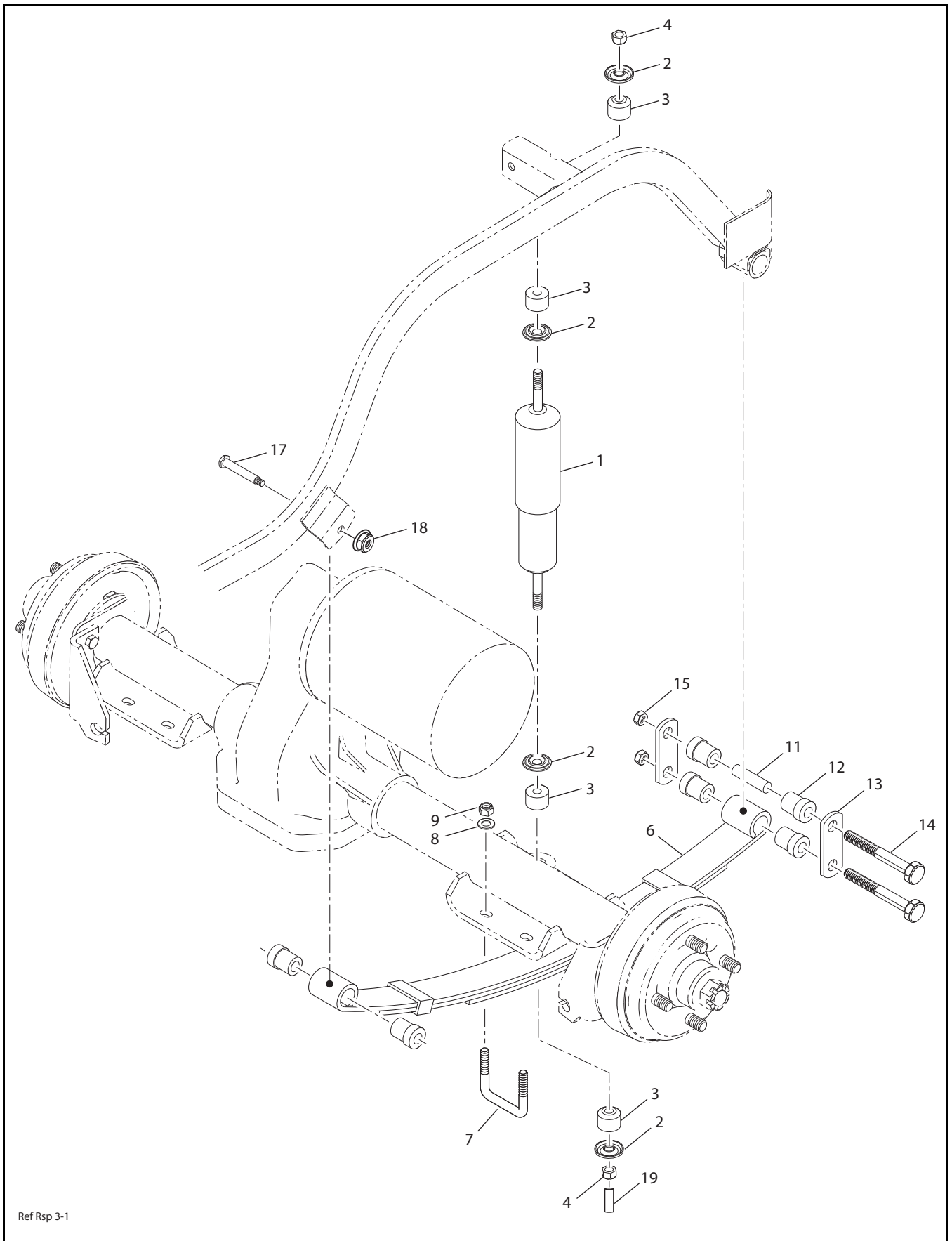
# FRONT SUSPENSION/STEERING

THE USE OF NON U.L. PARTS WILL VOID ANY U.L. LISTING.  
 When ordering parts, please specify the model and serial number of the product.  
 \* Indicates a component that is not available as an individual part.  
 G\*\* Indicates consult Customer Service Department for additional information.

ITEM	PART NO.	1	2	3	4	5	DESCRIPTION	QTY.
89								
90								
91								
92								
93								
94	<u>14390G2</u>						LOCK NUT, 5/8 - 18 .....	1
95								
96								
97								
98	<u>74604G01</u>						TIE ROD ASSEMBLY (INCLUDES ITEMS 99 - 103) .....	1
99	<u>74603G01</u>						THREADED ROD (24" LG) .....	1
100	<u>70902G01</u>						TIE ROD END (LEFT HAND THREADS) .....	1
101	<u>01069G01</u>						JAM NUT, M12 X 1.25-05 (LEFT HAND THREADS) .....	1
102	<u>70902G02</u>						TIE ROD END (RIGHT HAND THREADS) .....	1
103	<u>01069G02</u>						JAM NUT, M12 X 1.25-05 (RIGHT HAND THREADS) .....	1
104								
105	<u>00734G1</u>						LOCK NUT, 7/16 - 14 .....	2



# REAR SUSPENSION



Ref Rsp 3-1

# REAR SUSPENSION

THE USE OF NON U.L. PARTS WILL VOID ANY U.L. LISTING.

When ordering parts, please specify the model and serial number of the product.

\* Indicates a component that is not available as an individual part.

G\*\* Indicates consult Customer Service Department for additional information.

ITEM	PART NO.	1 2 3 4 5	DESCRIPTION	QTY.
1	<u>70248-G01</u>		SHOCK ABSORBER .....	2
2	<u>10435-G1</u>		SHOCK ABSORBER WASHER.....	8
3	<u>10194-G1</u>		RUBBER SHOCK ABSORBER BUSHING .....	8
4	<u>00532-G6</u>		NUT, 3/8 - 24 .....	4
5				
6	<u>74207-G03</u>		LEAF SPRING (HEAVY DUTY) .....	2
7	<u>72618-G01</u>		"U" BOLT, 3/8 - 16 X 2" X 2 1/2" LG .....	4
8	<u>00560-G1</u>		WASHER, 3/8" .....	8
9	<u>11098-G5</u>		LOCK NUT, 3/8 - 16 .....	8
10				
11	<u>70289-G02</u>		SPACER.....	4
12	<u>70291-G01</u>		RUBBER BUSHING .....	12
13	<u>604961</u>		SHACKLE PLATE .....	4
14	<u>00665-G9</u>		BOLT, 3/8 - 16 X 3 1/2" LG (STAINLESS STEEL) .....	4
15	<u>11098-G5</u>		LOCK NUT, 3/8 - 16 .....	4
16				
17	<u>14158-G1</u>		SHOULDER BOLT, 3/8 - 16 X 3 1/4" LG .....	2
18	<u>12262-G1</u>		LOCK NUT, 3/8 - 16 .....	2
19	<u>10044-G01</u>		VINYL CAP .....	2

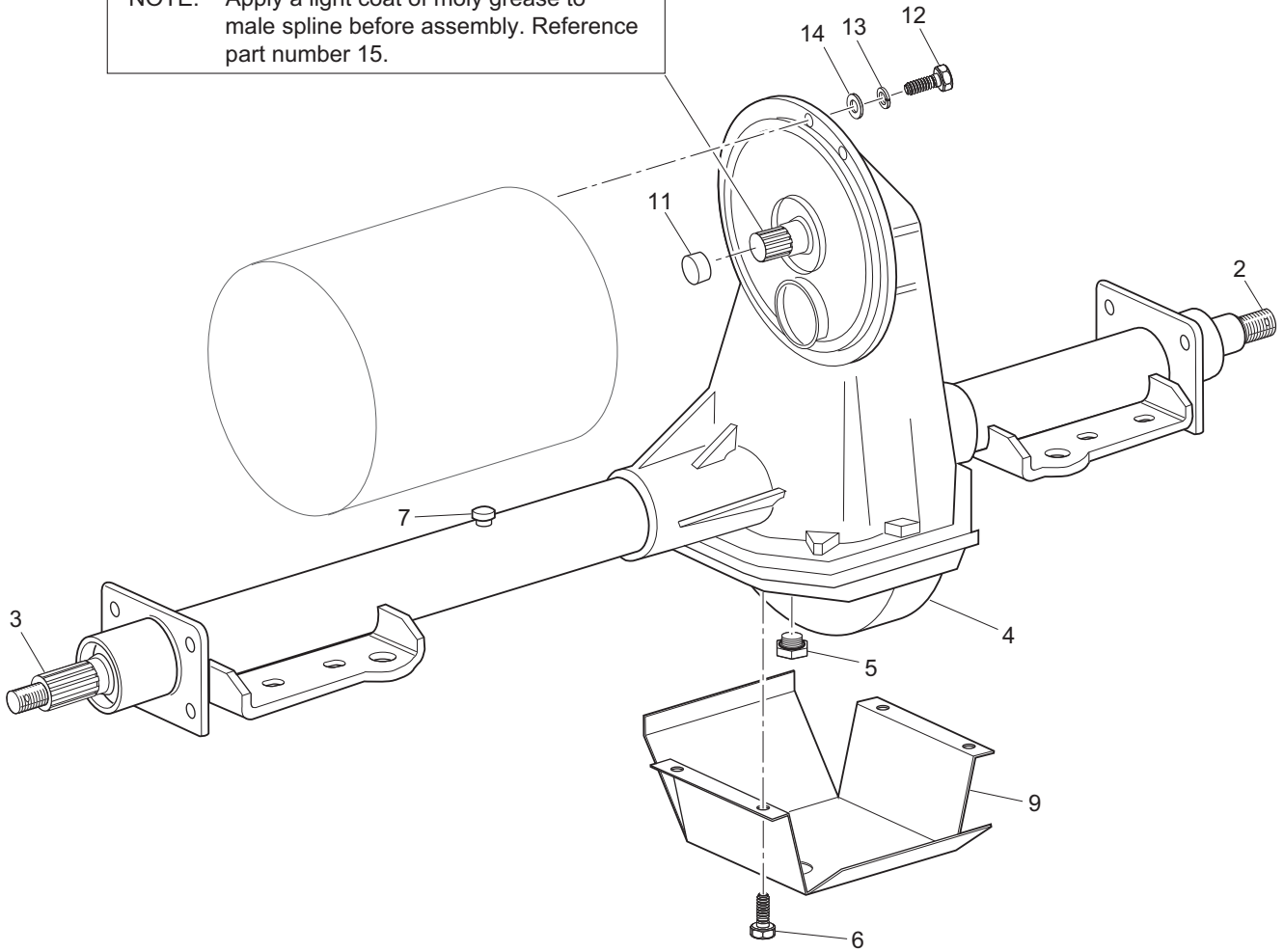




# REAR AXLE

1 - Includes Items 2 - 7

NOTE: Apply a light coat of moly grease to male spline before assembly. Reference part number 15.



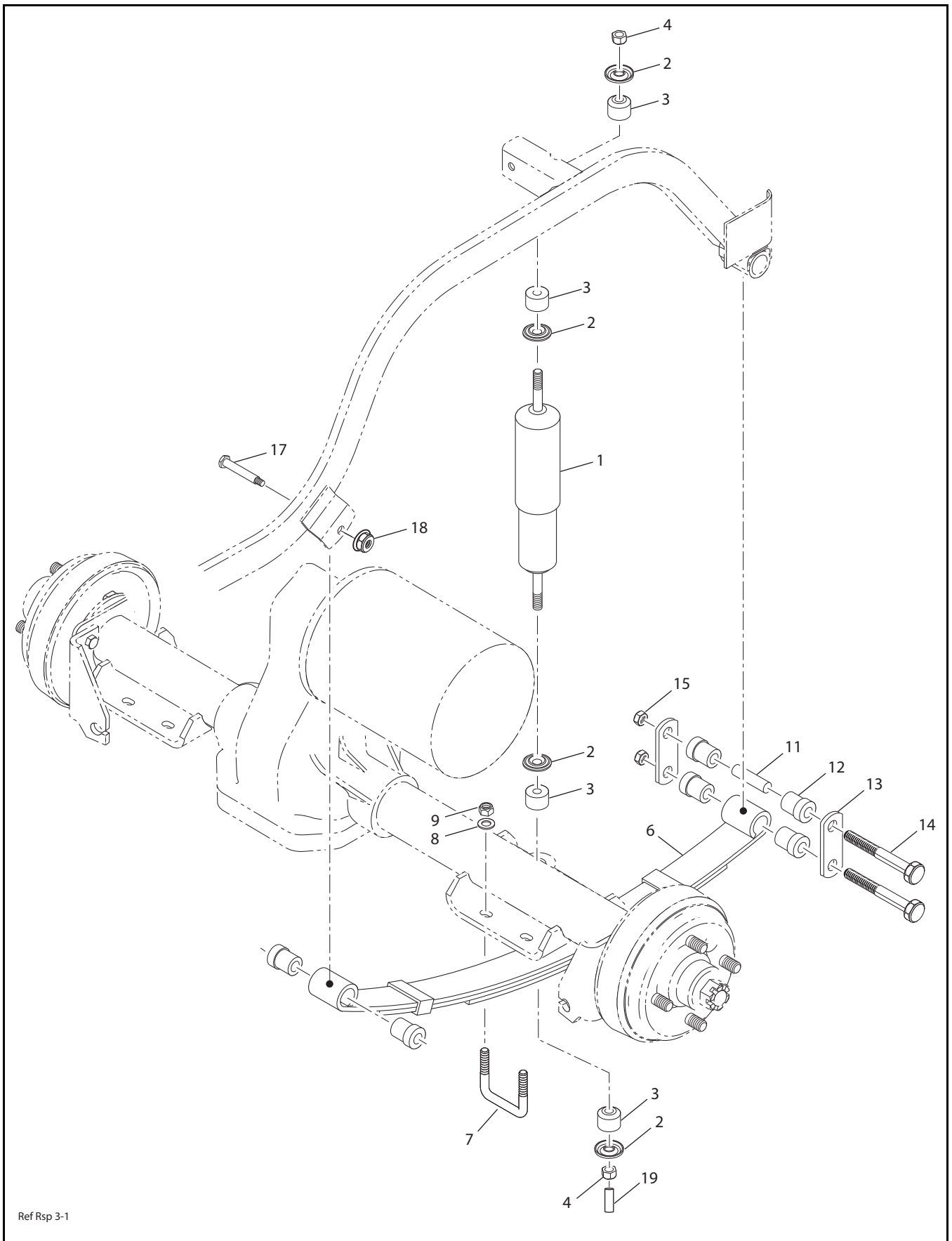
# REAR AXLE

THE USE OF NON U.L. PARTS WILL VOID ANY U.L. LISTING.  
 When ordering parts, please specify the model and serial number of the product.  
 \* Indicates a component that is not available as an individual part.  
 G\*\* Indicates consult Customer Service Department for additional information.

ITEM	PART NO.	1 2 3 4 5	DESCRIPTION	QTY.
1	<u>73500-G01</u>		REAR AXLE ASSEMBLY, 12.44:1 (INCLUDES ITEMS 3 - 7).....	1
2	<u>20377-G12</u>		AXLE SHAFT (PASSENGER SIDE).....	1
3	<u>20377-G11</u>		AXLE SHAFT (DRIVER SIDE) .....	1
4	<u>25228-G1</u>		DIFFERENTIAL COVER .....	1
5	<u>28610-G01</u>		FILL/CHECK PLUG .....	1
6	<u>15558-G1</u>		SCREW, 5/16 - 18 X 3/4" LG. ....	10
7	<u>73050-G01</u>		VENT .....	1
8				
9				
10				
11	<u>24261-G1</u>		BUMPER SPLINE .....	1
12	<u>00797-G2</u>		BOLT, 1/4 - 20 X 1 1/4" LG. ....	3
13	<u>00565-G7</u>		LOCK WASHER, 1/4" (STAINLESS STEEL) .....	3
14	<u>00559-G7</u>		WASHER, 1/4" (STAINLESS STEEL).....	3
15	<u>28095-G01</u>		MOLY LUBE, 2 OZ..... AR	



# REAR SUSPENSION



Ref Rsp 3-1

# REAR SUSPENSION

THE USE OF NON U.L. PARTS WILL VOID ANY U.L. LISTING.

When ordering parts, please specify the model and serial number of the product.

\* Indicates a component that is not available as an individual part.

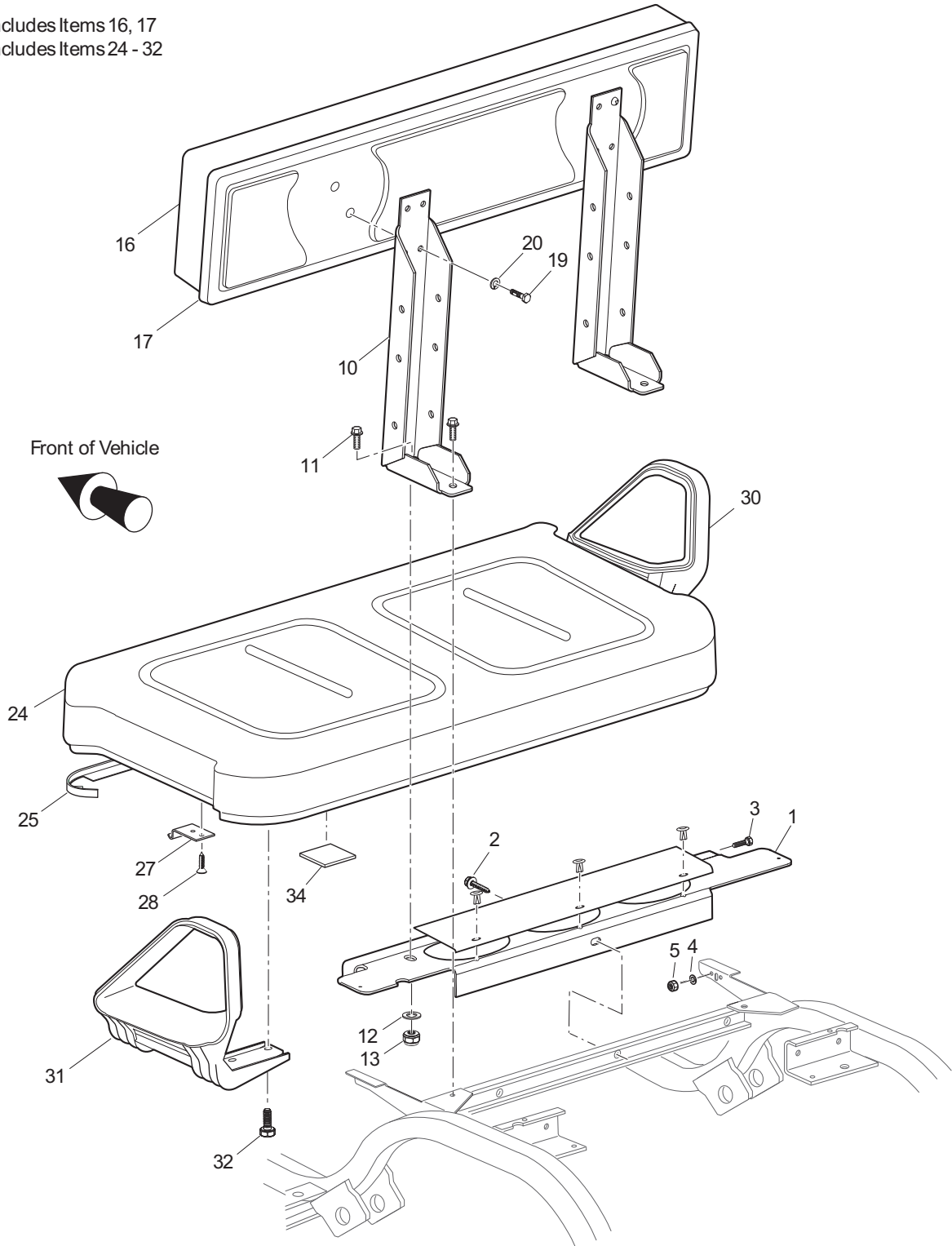
G\*\* Indicates consult Customer Service Department for additional information.

ITEM	PART NO.	1 2 3 4 5	DESCRIPTION	QTY.
1	<u>70248-G01</u>		SHOCK ABSORBER .....	2
2	<u>10435-G1</u>		SHOCK ABSORBER WASHER.....	8
3	<u>10194-G1</u>		RUBBER SHOCK ABSORBER BUSHING .....	8
4	<u>00532-G6</u>		NUT, 3/8 - 24 .....	4
5				
6	<u>74207-G03</u>		LEAF SPRING (HEAVY DUTY) .....	2
7	<u>72618-G01</u>		"U" BOLT, 3/8 - 16 X 2" X 2 1/2" LG .....	4
8	<u>00560-G1</u>		WASHER, 3/8" .....	8
9	<u>11098-G5</u>		LOCK NUT, 3/8 - 16 .....	8
10				
11	<u>70289-G02</u>		SPACER.....	4
12	<u>70291-G01</u>		RUBBER BUSHING .....	12
13	<u>604961</u>		SHACKLE PLATE .....	4
14	<u>00665-G9</u>		BOLT, 3/8 - 16 X 3 1/2" LG (STAINLESS STEEL) .....	4
15	<u>11098-G5</u>		LOCK NUT, 3/8 - 16 .....	4
16				
17	<u>14158-G1</u>		SHOULDER BOLT, 3/8 - 16 X 3 1/4" LG .....	2
18	<u>12262-G1</u>		LOCK NUT, 3/8 - 16 .....	2
19	<u>10044-G01</u>		VINYL CAP .....	2



# SEATING

15 - Includes Items 16, 17  
23 - Includes Items 24 - 32



Ref Sea 4-1 28812

# SEATING

THE USE OF NON U.L. PARTS WILL VOID ANY U.L. LISTING.

When ordering parts, please specify the model and serial number of the product.

\* Indicates a component that is not available as an individual part.

G\*\* Indicates consult Customer Service Department for additional information.

ITEM	PART NO.	1 2 3 4 5	DESCRIPTION	QTY.
1	<u>71262G03</u>		SEAT BACK SUPPORT .....	1
2	<u>00715G2</u>		BOLT, 5/16 - 18 X 13/16" LG .....	1
3	<u>00438G8</u>		BOLT, 5/16 - 18 X 3/4" LG .....	2
4	<u>00642G8</u>		WASHER, 5/16" .....	2
5	11098G6		LOCK NUT, 5/16 - 18 .....	2
6				
7				
8				
9				
10	<u>75900G02</u>		SEAT BACK SUPPORT BRACKET .....	2
11	<u>01006G01</u>		BOLT, 3/8 - 16 X 1 1/4" LG .....	4
12	<u>00560G1</u>		WASHER, 3/8" .....	2
13	<u>11098G5</u>		LOCK NUT, 3/8 - 16 .....	2
14				
15	<u>71274G03</u>		SEAT BACK ASSEMBLY (INCLUDES ITEMS 16, 17).....	1
16	<u>18144G4</u>		VINYL SEAT BACK COVER .....	1
17	<u>74889G01</u>		PLASTIC SEAT BACK COVER (BLACK) .....	1
18				
19	<u>605056</u>		SCREW, HEX HEAD 1/4 - 20 X 1" .....	4
20	<u>00664G7</u>		LOCK WASHER, 1/4" (STAINLESS STEEL) .....	4
21				
22				
23	<u>71611G07</u>		SEAT BOTTOM ASSEMBLY (INCLUDES ITEMS 24 - 32).....	1
24	<u>71602G04</u>		VINYL SEAT BOTTOM COVER .....	1
25	<u>71012G01</u>		VINYL TRIM (SEAT BOTTOM).....	1
26				
27	<u>71610G01</u>		SEAT HINGE .....	2
28	<u>00720G08</u>		SCREW, #12 - 14 X 1" LG .....	6
29				
30	<u>71701G01</u>		HIP RESTRAINT (PASSENGER SIDE).....	1



# SEATING

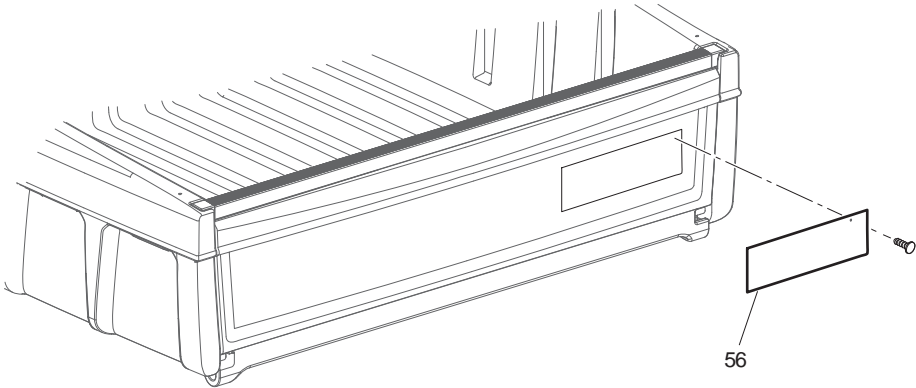
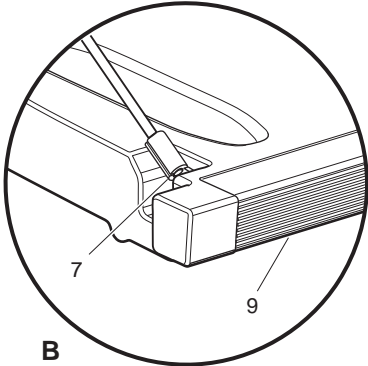
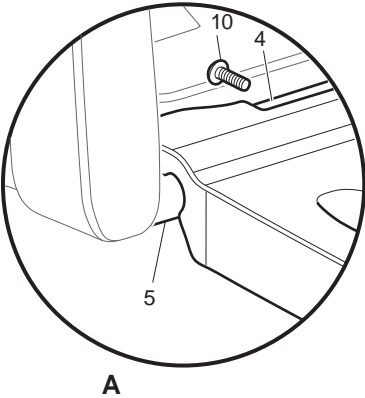
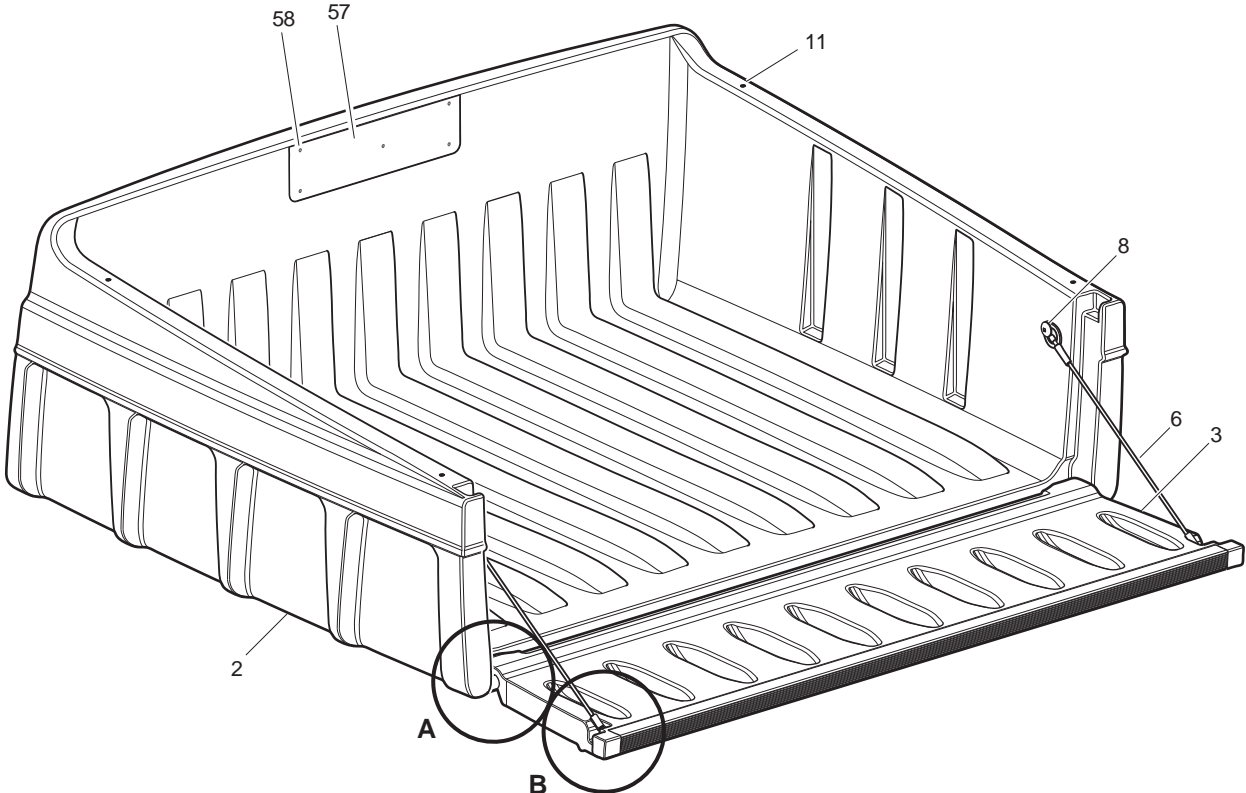
THE USE OF NON U.L. PARTS WILL VOID ANY U.L. LISTING.  
 When ordering parts, please specify the model and serial number of the product.  
 \* Indicates a component that is not available as an individual part.  
 G\*\* Indicates consult Customer Service Department for additional information.

ITEM	PART NO.	1	2	3	4	5	DESCRIPTION	QTY.
31	<u>71702G01</u>						HIP RESTRAINT (DRIVER SIDE) .....	1
32	71204G01						BOLT, 1/4 - 20 X 7/8" LG. ....	8
33								
34	<u>17074G1</u>						DROP SOLING SLAB .....	2

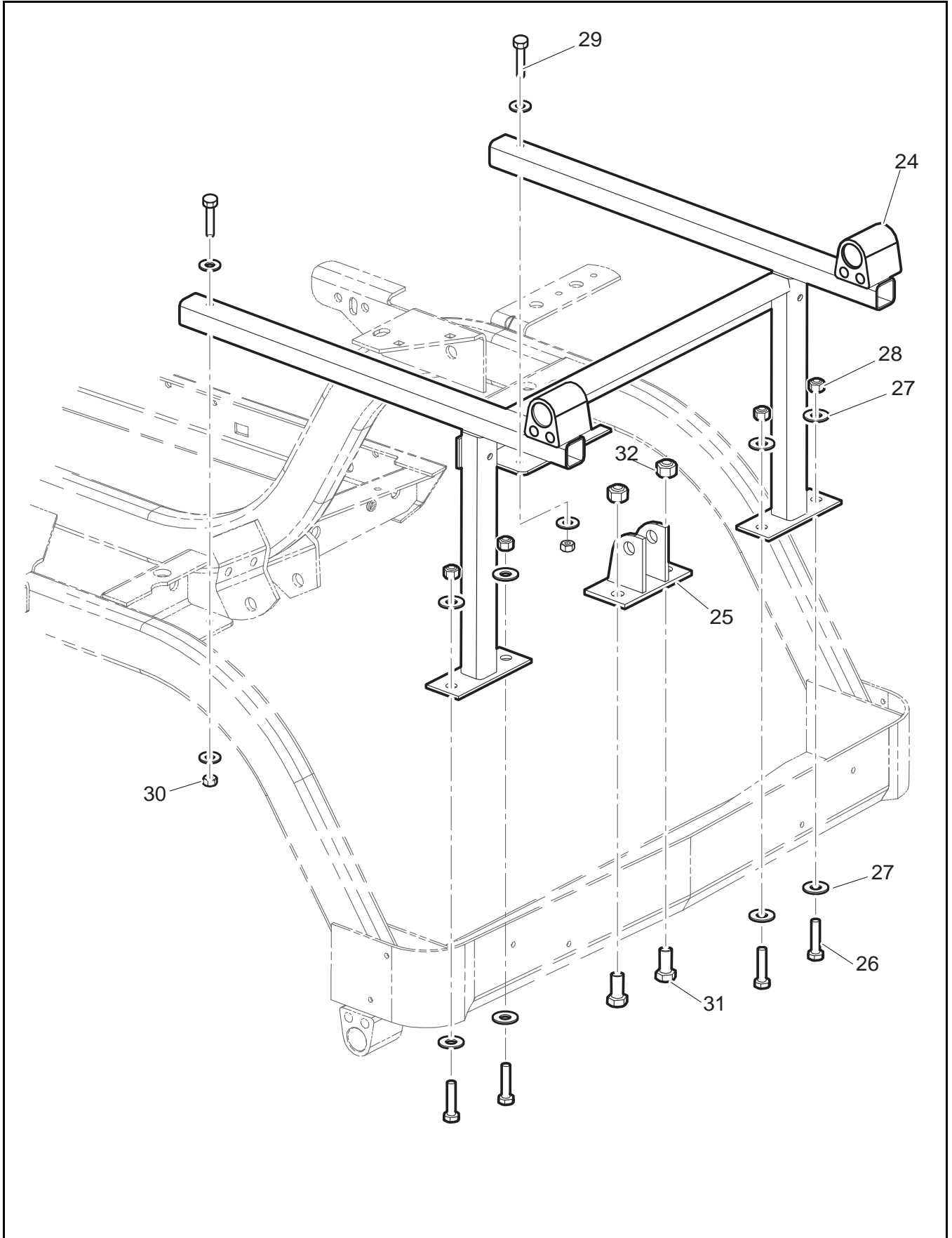


# TRUCK BED, MANUAL LIFT

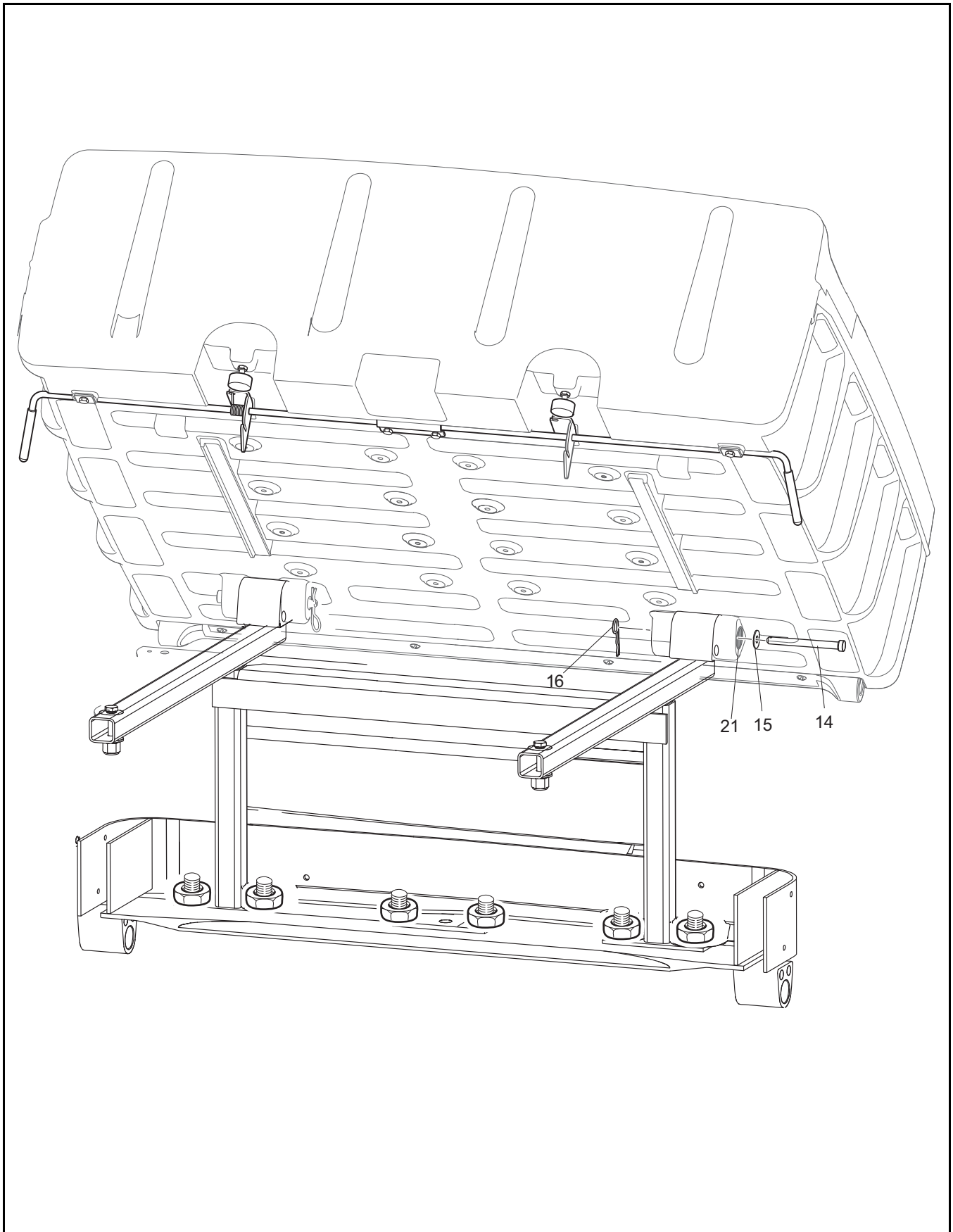
1 - Includes Items 2 - 11



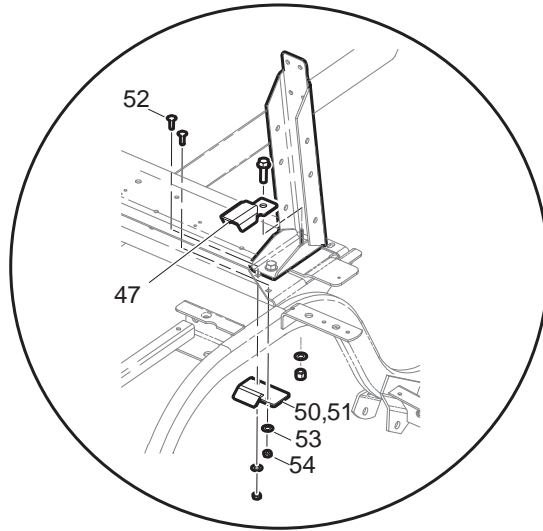
# TRUCK BED, MANUAL LIFT



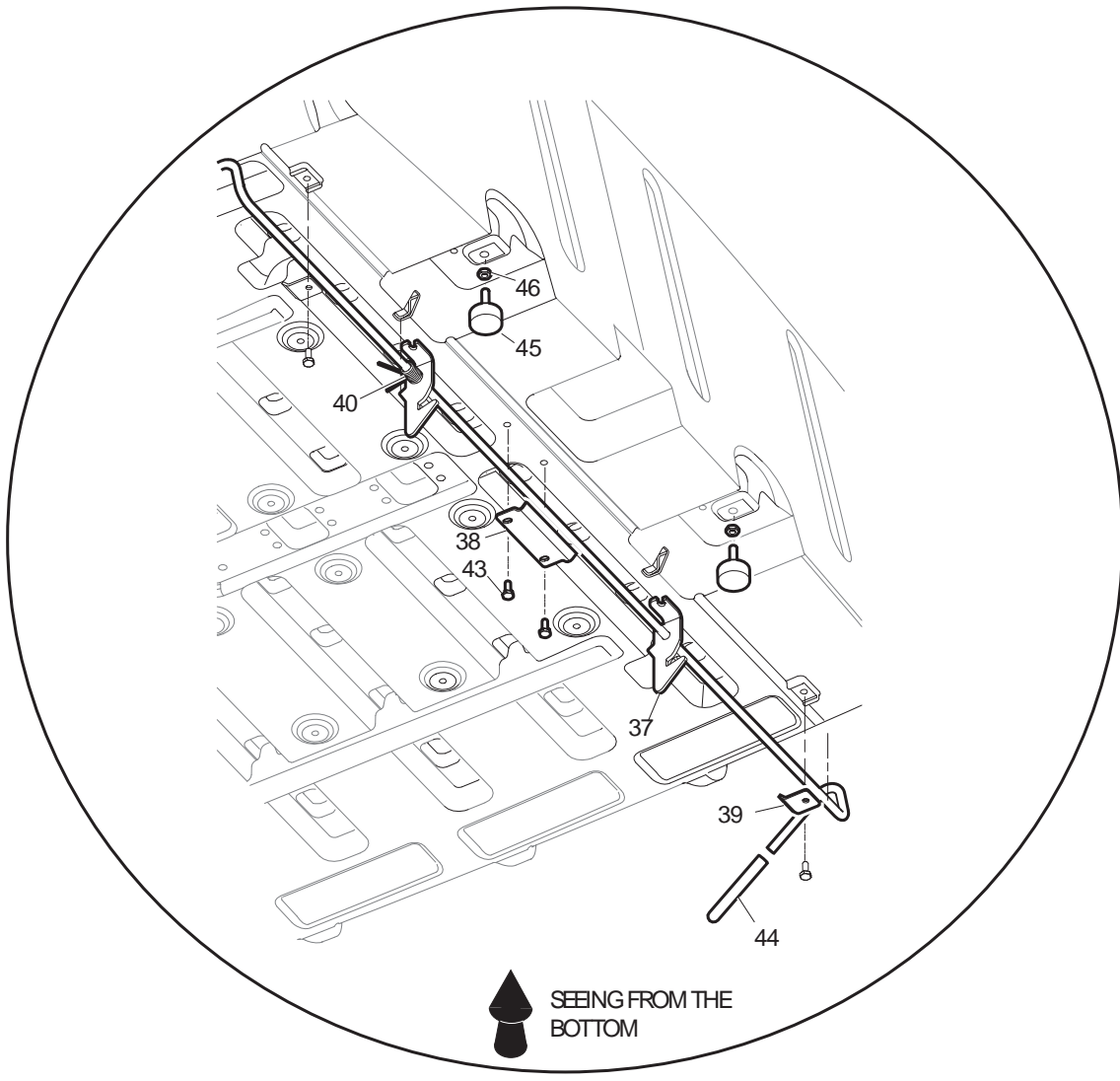
# TRUCK BED, MANUAL LIFT



# TRUCK BED, MANUAL LIFT



36 - Includes Items 37 - 54



# TRUCK BED, MANUAL LIFT

THE USE OF NON U.L. PARTS WILL VOID ANY U.L. LISTING.

When ordering parts, please specify the model and serial number of the product.

\* Indicates a component that is not available as an individual part.

G\*\* Indicates consult Customer Service Department for additional information.

ITEM	PART NO.	1 2 3 4 5	DESCRIPTION	QTY.
1	<u>72647-G01</u>		ASSEMBLY PLASTIC BED ( INCLUDES ITEMS 2 - 11 ) .....	1
2	<u>72648-G01</u>		PLASTIC BED 36" .....	1
3	<u>72649-G01</u>		TAILGATE 36", PLASTIC.....	1
4	<u>73450-G01</u>		ANGLE, BOWED .....	1
5	<u>73454-G01</u>		SHAFT, PIVOT.....	2
6	<u>73455-G02</u>		CABLE ASSEMBLY, TAILGATE .....	2
7	<u>00415-G2</u>		SCREW, 1/4 - 20 X 1 1/4" LG .....	2
8	<u>73460-G01</u>		BOLT, SHOULDER .....	2
9	<u>73449-G01</u>		CHANNEL, EXTRUSION.....	1
10	<u>16705-G2</u>		SCREW, 1/4 - 2 X 5/8" LG .....	4
11	<u>16816-G5</u>		RACHET FASTNER .....	4
12				
13				
14	<u>71571-G01</u>		CLEVIS PIN .....	2
15	<u>00571-G5</u>		WASHER, 1/2" .....	2
16	<u>21683-G1</u>		COTTER PIN .....	2
17				
18	<u>01118-G01</u>		SCREW, 1/4 - 20 X 5/8" LG .....	8
19	<u>00642-G7</u>		WASHER, 1/4" .....	8
20				
21	<u>70291-G01</u>		FLANGED BUSHING.....	4
22				
23				
24	<u>76423-G01</u>		BED FRAME .....	1
25				
26	<u>00439-G2</u>		SCREW, 5/16 - 18 X 1 1/4" LG .....	4
27	<u>00642-G8</u>		WASHER, 5/16" .....	8
28	<u>11098-G6</u>		LOCK NUT, 5/16 - 18 .....	4
29	<u>00415-G6</u>		SCREW, 4/4 - 20 X 1 3/4" LG .....	2
30	<u>00891-G2</u>		LOCK NUT, 1/4 - 20 .....	2

# TRUCK BED, MANUAL LIFT

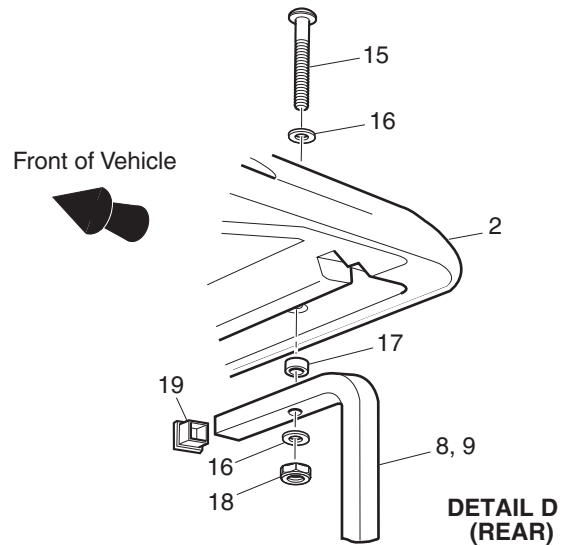
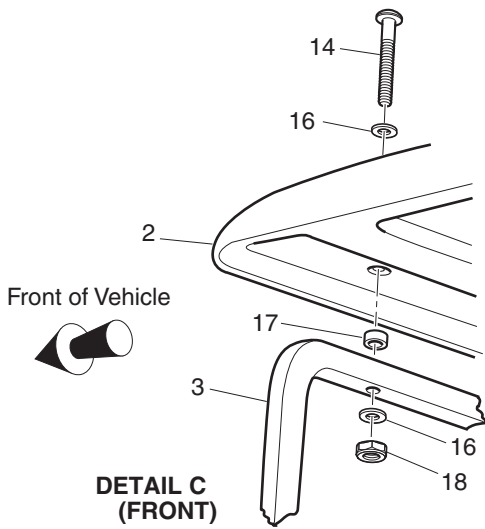
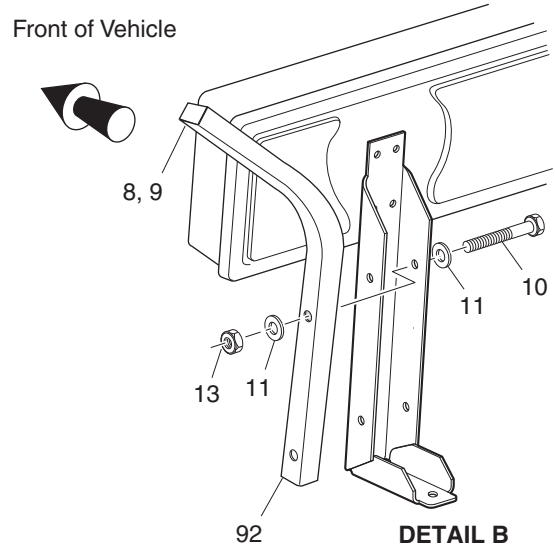
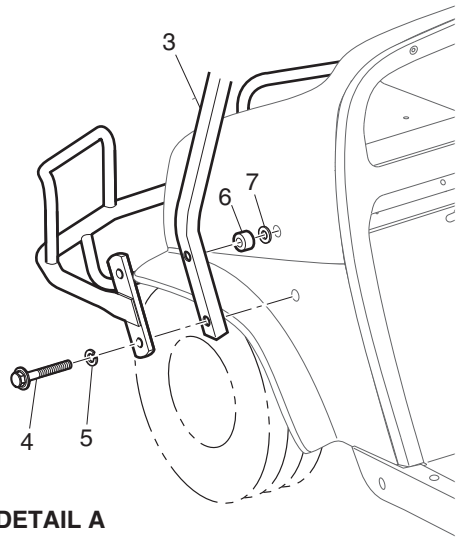
THE USE OF NON U.L. PARTS WILL VOID ANY U.L. LISTING.  
 When ordering parts, please specify the model and serial number of the product.  
 \* Indicates a component that is not available as an individual part.  
 G\*\* Indicates consult Customer Service Department for additional information.

31	00462-G7	SCREW, 7/16 - 14 X .875" LG .....	2
32	00734-G1	NUT, 7/16 - 14.....	2
33			
34			
35			
36	71095-G02	INSTALLATION LATCH ( INCLUDES ITEMS 37 - 54 ).....	1
37	74962-G01	WELDMENT LATCH BED.....	1
38	71477-G02	BRACKET .....	1
39	71099-G02	LATCH PLATE.....	2
40	71538-G01	TORSION SPRING .....	1
41			
42			
43	01118-G01	SCREW, 1/4 - 2 X 5/8" LG.....	4
44	71704-G01	HANDLE GRIP .....	2
45	70113-G01	BUMPER .....	2
46	11027-G1	LOCK NUT, 5/16 - 18 .....	2
47	74947-G01	BRACKET BUMPER.....	2
48			
49			
50	602977	LATCH PLATE (LEFT SIDE) .....	1
51	602978	LATCH PLATE (RIGHT SIDE).....	1
52	01014-G03	BOLT, 1/4 - 20 .....	4
53	00559-G7	WASHER, 1/4" .....	4
54	14390-G4	LOCK NUT, 1/4 - 20 .....	4
55			
56	600823	LABEL EZGO .....	2
57	74821-G06	BED CAPACITY LABEL (500 LB).....	1
58	71055-G01	RIVET, 3/16" .....	5



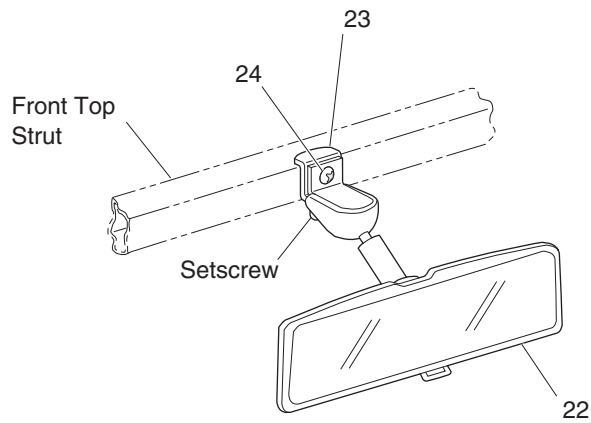


# WEATHER PROTECTION



Ref Wea 20-1

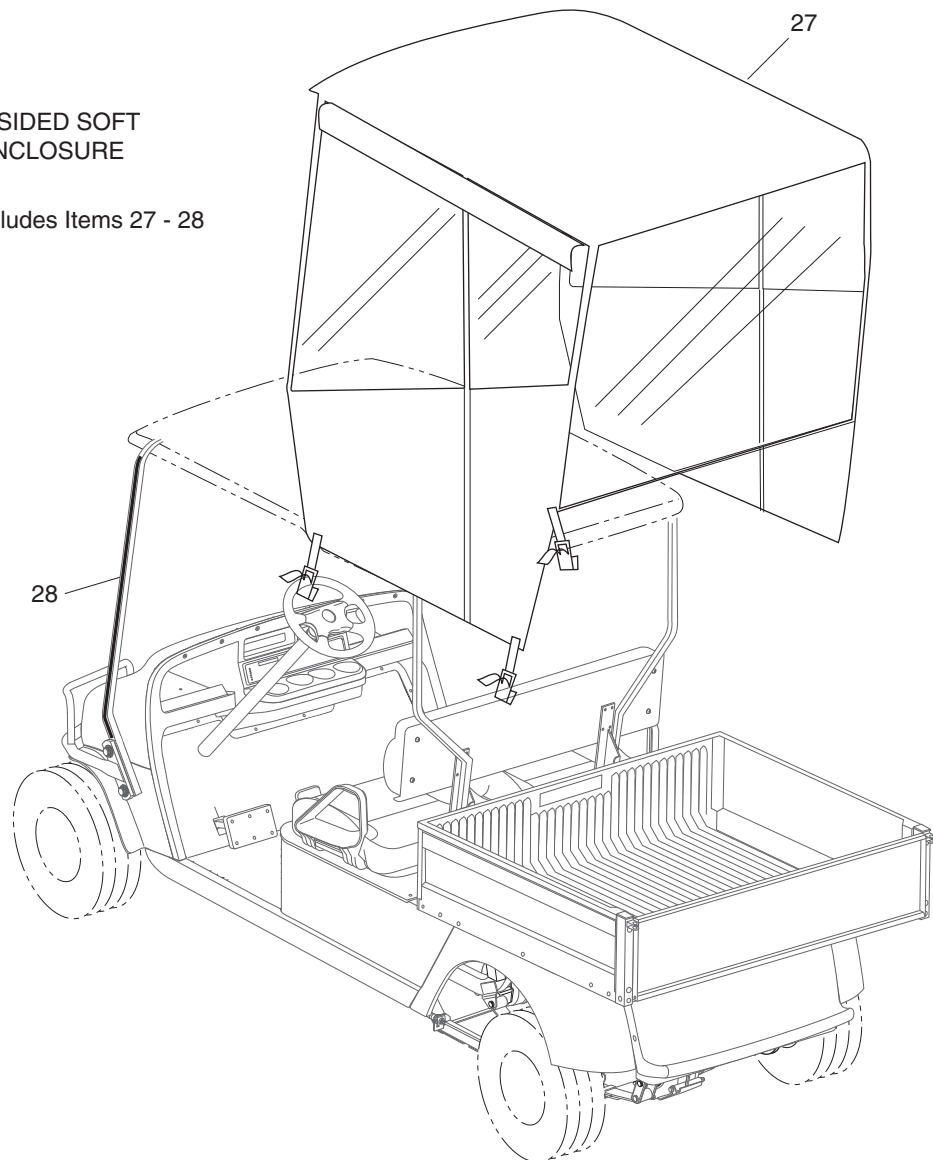
# WEATHER PROTECTION



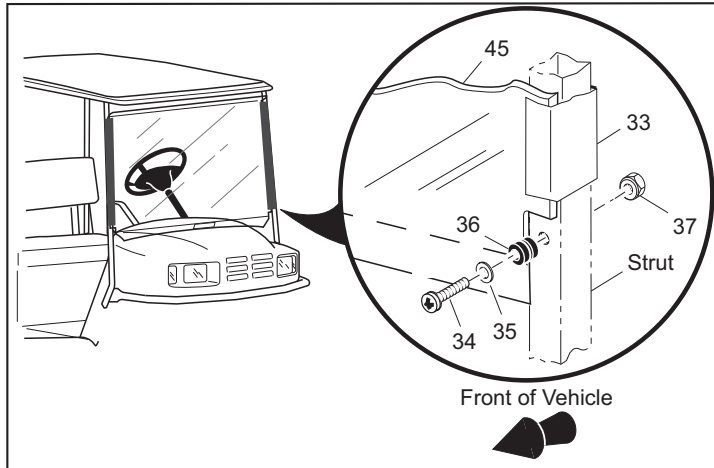
## REAR VIEW MIRROR

21 - Includes Items 22 - 24

3-SIDED SOFT ENCLOSURE  
26 - Includes Items 27 - 28

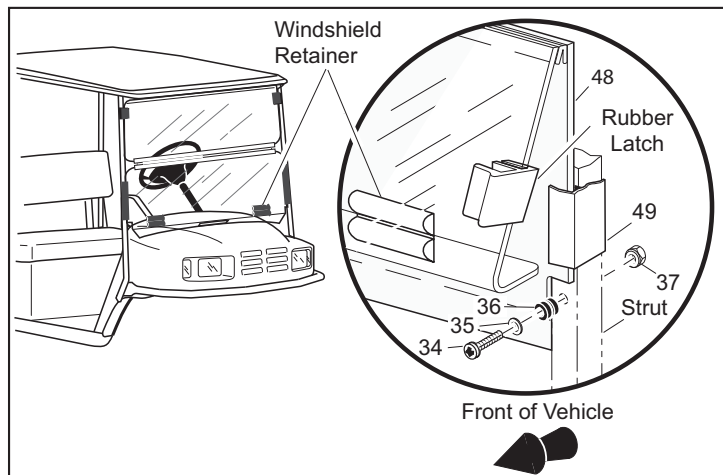


Ref Wea 20-2



44 - Includes Items 45, 46, 34 - 37

47 - Includes Items 48, 49, 34 - 37



# WEATHER PROTECTION

THE USE OF NON U.L. PARTS WILL VOID ANY U.L. LISTING.

When ordering parts, please specify the model and serial number of the product.

\* Indicates a component that is not available as an individual part.

G\*\* Indicates consult Customer Service Department for additional information.

ITEM	PART NO.	1 2 3 4 5	DESCRIPTION	QTY.
1	75040G**		SUN TOP KIT (INCLUDES ITEMS 2 - 19) .....	1
2	27069G**		SUN TOP .....	1
3	<u>75045G05</u>		FRONT STRUT.....	1
4	<u>00440G2</u>		BOLT, 5/16 - 18 X 2 1/4" LG.....	4
5	<u>00905G8</u>		LOCK WASHER, 5/16" .....	4
6	<u>75048G01</u>		SPACER, 1/2" .....	2
7	<u>00570G2</u>		WASHER, 5/16" .....	6
8	<u>75838G04</u>		REAR STRUT (PASSENGER SIDE).....	1
9	<u>75838G03</u>		REAR STRUT (DRIVER SIDE).....	1
10	<u>00685G7</u>		BOLT, 5/16 - 18 X 1 3/4" LG.....	4
11	0110G03		WASHER, 5/16" .....	8
12				
13	11098G6		LOCK NUT, 5/16 - 18 .....	4
14	<u>00753G5</u>		SCREW, 1/4 - 20 X 2" LG (STAINLESS STEEL).....	2
15	00753G6		SCREW, 1/4 - 20 X 2 1/4" LG (STAINLESS STEEL).....	2
16	<u>01110G01</u>		WASHER, 1/4" (STAINLESS STEEL).....	8
17	<u>75051G01</u>		SPACER .....	4
18	00891G2		LOCK NUT, 1/4 - 20 .....	4
19	<u>19853G1</u>		END CAP, 1" .....	2
20				
21	<u>19528G2</u>		REAR VIEW MIRROR KIT (REQUIRES SUN TOP) (INCLUDES ITEMS 22 - 24).....	1
22	<u>19496G1</u>		REAR VIEW MIRROR .....	1
23	19502G2		SUPPORT BRACKET.....	1
24	<u>19527G1</u>		SCREW, #8 - 32 X 5/8" LG (STAINLESS STEEL).....	1
25				
26	75367G**		3-SIDED SOFT ENCLOSURE (REQUIRES SUN TOP) (INCLUDES ITEMS 27 - 28) .....	1
27	*		ENCLOSURE.....	1
28	*		VELCRO .....	AR
29				

## WEATHER PROTECTION

Replacement parts for the windshield may be obtained from Eagle Parts, Inc. 1411 Marvin Griffin Rd. Augusta, GA 30906. Telephone (706) 790-6687.

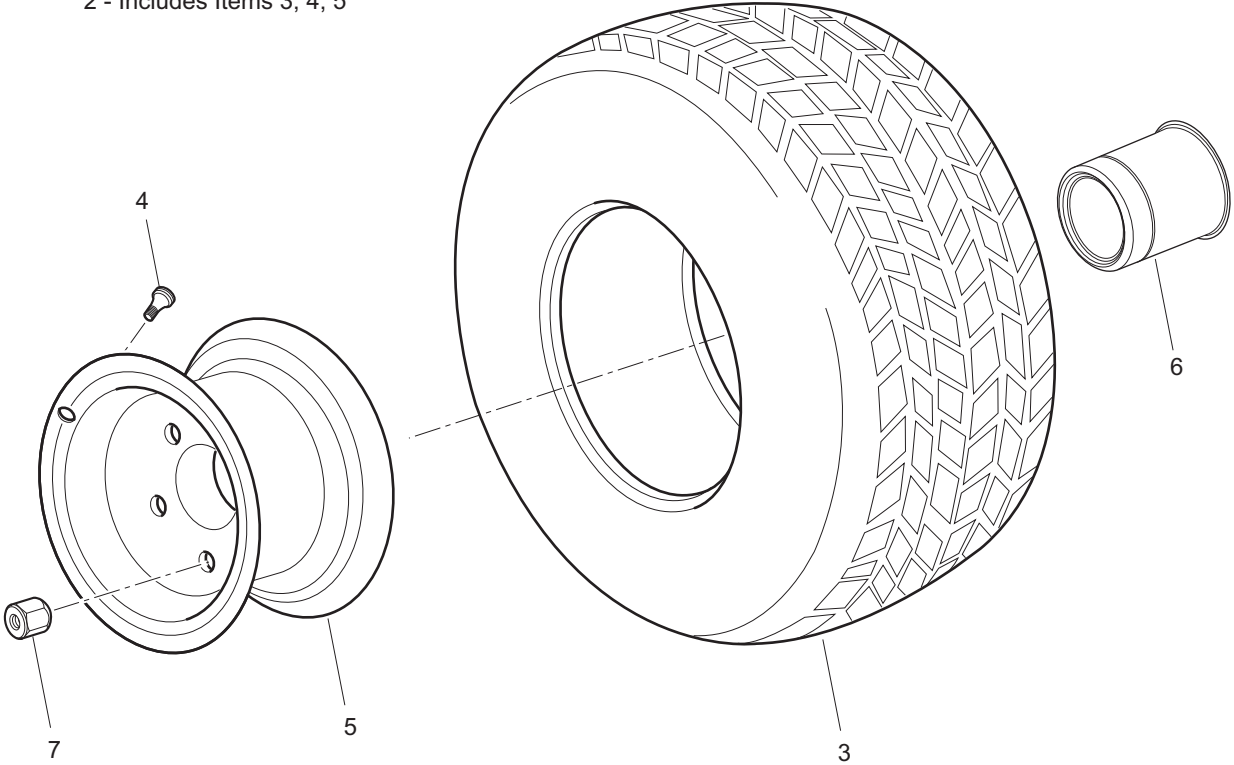
\* Indicates a component that is not available as an individual part.

G\*\* Indicates consult Customer Service Department for additional information.

ITEM	PART NO.	1	2	3	4	5	DESCRIPTION	QTY.
30								
31								
32								
33								
34	71956G03						BOLT, 1/4 - 20 X 1 3/4" LG. (STAINLESS STEEL) .....	2
35	71956G04						WASHER, 1/4" (STAINLESS STEEL) .....	4
36	71956G06						RUBBER GROMMET .....	2
37	<u>71956G05</u>						LOCK NUT, 1/4 - 20 (STAINLESS STEEL) .....	2
38	71963G01						SAFETY LABEL.....	1
39								
40								
41								
42								
43								
44	<u>71966G03</u>						WINDSHIELD KIT (FULL) (INCLUDES ITEMS 45, 46, 34 - 37) .....	1
45	<u>71960G01</u>						WINDSHIELD (FULL) .....	1
46	<u>75528G01</u>						SASH, 26" LG. ....	2
47	<u>71966G04</u>						WINDSHIELD KIT (SPLIT) (INCLUDES ITEMS 48, 49, 34 - 37) .....	1
48	<u>71961G01</u>						WINDSHIELD (SPLIT).....	1
49	<u>75528G02</u>						SASH, 12" LG. ....	2
50								



1 - Includes Items 3, 4, 5  
2 - Includes Items 3, 4, 5



(Style of tire may differ from tire shown)



# WHEELS AND TIRES

When ordering parts, please specify the model and serial number of the product.  
 \* Indicates a component that is not available as an individual part.  
 G\*\* Indicates consult Customer Service Department for additional information.

ITEM	PART NO.	1	2	3	4	5	DESCRIPTION	QTY.
1	<u>74842-G03</u>						WHEEL & TRAIL WOLF TIRE® ASSEMBLY DRIVER SIDE (INCLUDES ITEM 3, 4, 5) .....	AR
2	<u>74842-G04</u>						WHEEL & TRAIL WOLF TIRE® ASSEMBLY PASSENGER SIDE (INCLUDES ITEM 3, 4, 5) .....	AR
3	<u>74842-G05</u>						TIRE, 20 X 11 - 10 TRAIL WOLF® .....	1
4	012007						VALVE STEM .....	1
5	1015239014						WHEEL .....	1
6	<u>12091G2</u>						SPINDLE CAP .....	AR
7	<u>14723-G1</u>						LUG NUT, 1/2 -20 .....	AR



SPECIALTY PRODUCTS

# SPECIALTY PRODUCTS

## SPECIALTY PRODUCTS

<b>SPECIAL TOOLS</b>	<b>PART NO.</b>
BATTERY MAINTENANCE KIT .....	25587-G01
SEAL INSTALLATION TOOL (REAR AXLE SHAFT SEAL).....	18739-G1
BATTERY SET DISCHARGER, 36 VOLT, 75 AMP .....	28251-G01
CURRENT INDICATOR .....	16489-G2
DIGITAL MULTI-METER .....	27481-G01
CRIMPING TOOL .....	27765-G01
SLIDE HAMMER (AXLE/HUB REMOVAL) .....	15947-G1
SLIDE HAMMER (AXLE REMOVAL ONLY) .....	18753-G1

<b>TOUCH UP PAINT</b>	<b>PART NO.</b>
PEN 3 OUNCE (89 ML) - HUNTER GREEN .....	28432-G02
PEN 3 OUNCE (89 ML) - CHAMPAGNE BEIGE .....	28432-G01
PEN 3 OUNCE (89 ML) - WHITE.....	28432-G05
PEN 3 OUNCE (89 ML) - INDUSTRIAL YELLOW.....	28432-G03
PEN 3 OUNCE (89 ML) - ORANGE.....	28432-G04
PEN 3 OUNCE (89 ML) - STEEL BLUE PEARL.....	28432-G**
PEN 3 OUNCE (89 ML) - CAMOUFLAGE PAINT (THREE PENS) .....	75831-G01
AEROSOL 12 OUNCE (360 ML) - HUNTER GREEN .....	28140-G09
AEROSOL 12 OUNCE (360 ML) - CHAMPAGNE BEIGE .....	28140-G15
AEROSOL 12 OUNCE (360 ML) - WHITE.....	28140-G03
AEROSOL 12 OUNCE (360 ML) - INDUSTRIAL YELLOW.....	28140-G14
AEROSOL 12 OUNCE (360 ML) - ORANGE.....	28140-G13
AEROSOL 12 OUNCE (360 ML) - STEEL BLUE PEARL.....	28140-G**

<b>MAINTENANCE PRODUCTS</b>	<b>PART NO.</b>
FORMULA 40 VINYL-COAT® - WHITE .....	28166-G01
PLEXUS® CLEANER, 7 OUNCE (210 ML) (FOR WINDSHIELDS) .....	28433-G01
PLEXUS® CLEANER, 13 OUNCE (380 ML) (FOR WINDSHIELDS) .....	28433-G02
BATTERY PROTECTOR, 14 OUNCE (410 ML) SPRAY .....	75500-G01
WHITE LITHIUM GREASE, 14 OUNCE (410 ML) SPRAY .....	75502-G01
PENETRANT/LUBRICANT, 15 OUNCE (440 ML) SPRAY .....	75503-G01
MULTI-PURPOSE CLEANER & DEGREASER, 14 OUNCE (410 ML) SPRAY .....	75504-G01
MULTI-PURPOSE HAND CLEANER, 32 OUNCE (950 ML) LIQUID .....	75505-G01

## SPECIALTY PRODUCTS

BATTERY CLEANER, 32 OUNCE (950 ML) WITH TRIGGER SPRAYER.....	75506-G01
BIO-DEGRADABLE CLEANER, 32 OUNCE (950 ML) WITH TRIGGER SPRAYER.....	75507-G01
MULTI-PURPOSE VALUE PACK.....	75508-G01
• BATTERY PROTECTOR, 4 OUNCE (120 ML) SPRAY	
• PENETRANT/LUBRICANT, 4 OUNCE (120 ML) SPRAY	
• WHITE LITHIUM GREASE, 4 OUNCE (120 ML) SPRAY	
• CARBURETOR & CHOKE CLEANER, 4 OUNCE (120 ML) SPRAY	



# OPTIONS/ACCESSORIES

## OPTIONS/ACCESSORIES

<b>ITEM</b>	<b>KIT NO.</b>	<b>COMMENTS</b>
ASHTRAY KIT .....	75109-G04 .....	See BODY
BUMPER KIT .....	74292-G04 .....	See BODY
ELECTRIC DUMP KIT .....	74637-G01 .....	See TRUCKBED
REAR VIEW MIRROR KIT .....	19528-G2 .....	See WEATHER PROTECTION
SOFT ENCLOSURE .....	75367-G01 .....	See WEATHER PROTECTION
SUN TOP KIT .....	75040-G0* .....	See WEATHER PROTECTION
TURN SIGNAL KIT .....	75107-G02 .....	See ELECTRICAL SYSTEM
WINDSHIELDS .....	71966-G0* .....	See WEATHER PROTECTION









A Textron Company

E-Z-GO Division Of Textron, Inc.,  
1451 Marvin Griffin Road, Augusta, Georgia USA 30906-3852

**TO CONTACT US**

North America:

Technical Assistance & Warranty Phone: 1-800-774-3946, FAX: 1-800-448-8124  
Service Parts Phone: 1-888-GET-EZGO (1-888-438-3946), FAX: 1-800-752-6175

International:

Phone: 001-706-798-4311, FAX: 001-706-771-4609

Certified ISO 9001 / ISO 14001 by



Copyrighted Material  
This manual may not be reproduced in whole or  
in part without the express permission of  
E-Z-GO Division of Textron, Inc.  
Technical Communications Department