



**CUSHMAN®**

**LET'S WORK!**

# **Electric Service Parts Manual**



**624958-AW**

**ISSUED SEP 2011**

**REVISED AUGUST 2018**





# SERVICE PARTS MANUAL

## ELECTRIC UTILITY VEHICLE

### SHUTTLE 4X

## STARTING MODEL YEAR 2012

DISCLAIMER: The E-Z-GO Division of Textron Inc. (E-Z-GO) reserves the right to incorporate engineering and design changes to products in this Manual, without obligation to include these changes on units leased/sold previously.

The information contained in this Manual may be revised periodically E-Z-GO, and therefore is subject to change without notice.

E-Z-GO DISCLAIMS LIABILITY FOR ERRORS IN THIS MANUAL, and E-Z-GO SPECIFICALLY DISCLAIMS LIABILITY FOR INCIDENTAL AND CONSEQUENTIAL DAMAGES RESULTING FROM THE USE OF THE INFORMATION AND MATERIALS IN THIS MANUAL.

#### **TO CONTACT US**

#### **NORTH AMERICA:**

**TECHNICAL ASSISTANCE & WARRANTY PHONE: 1-800-774-3946, FAX: 1-800-448-8124**

**SERVICE PARTS PHONE: 1-888-GET-EZGO (1-888-438-3946), FAX: 1-800-752-6175**

**INTERNATIONAL: PHONE: 001-706-798-4311, FAX: 001-706-771-4609**

**E-Z-GO DIVISION OF TEXTRON INC., 1451 MARVIN GRIFFIN RD., AUGUSTA, GEORGIA USA 30906-3852**

# GENERAL INFORMATION

To obtain a copy of the limited warranty applicable to the vehicle, call or write a local Distributor, authorized Branch or the Warranty Department with vehicle serial number and manufacturer code.

The use of non Original Equipment Manufacturer (OEM) parts may void the warranty.

Overfilling of batteries may void the warranty.

## BATTERY PROLONGED STORAGE

All batteries will self discharge over time. The rate of self discharge varies depending on the ambient temperature and the age and condition of the batteries.

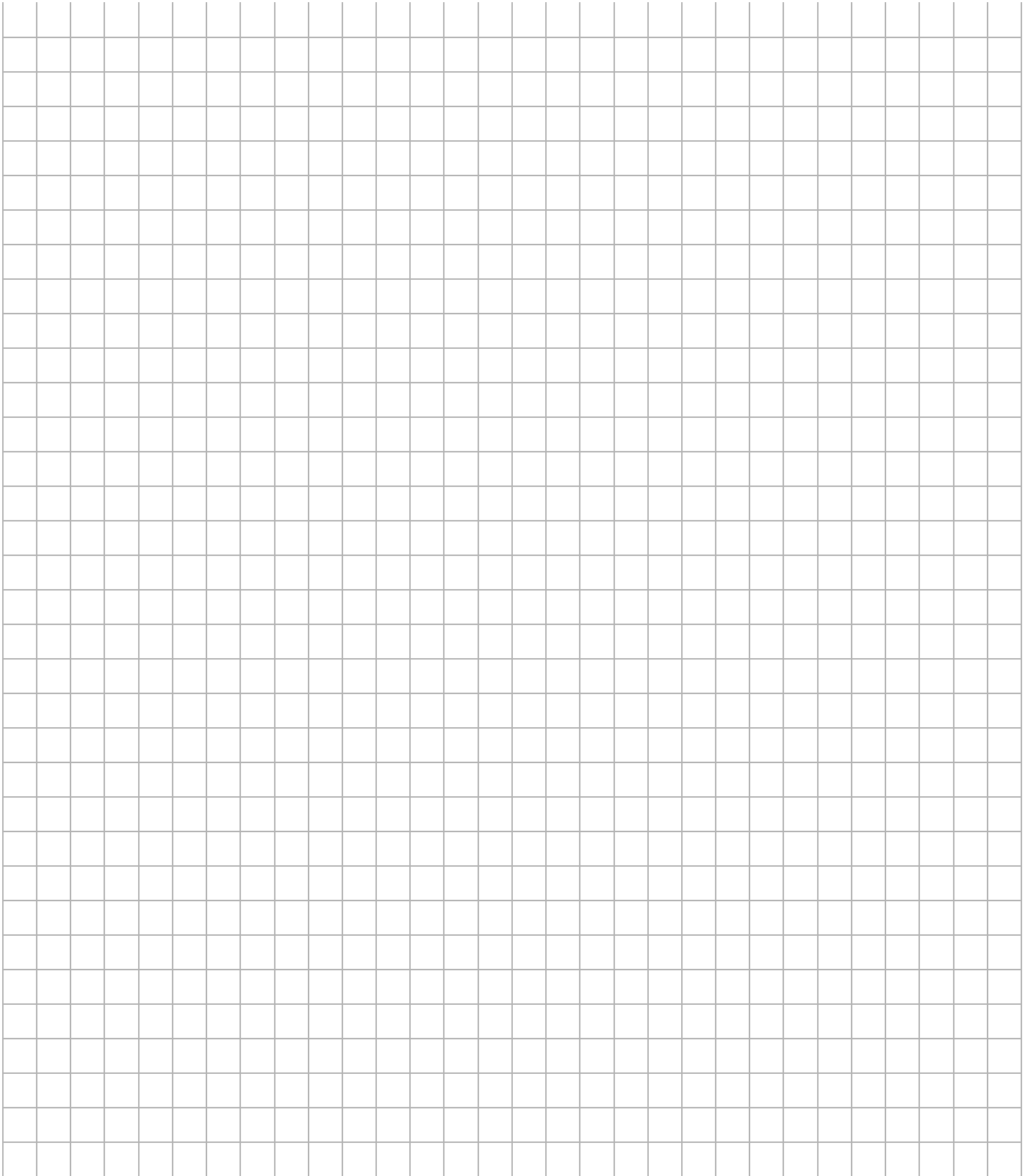
A fully charged battery will not freeze in winter temperatures unless the temperature falls below -75° F (-60° C).

As with all electric vehicles, the batteries must be checked and recharged as required or at a minimum of 30 day intervals.

# TABLE OF CONTENTS

<b>SECTION</b>	<b>Page No.</b>
HOW TO USE THE SERVICE PARTS MANUAL .....	V
ACCELERATOR PEDAL ASSEMBLY .....	A - 1
BATTERY CHARGER - .....	B - 1
BODY - .....	C - 1
BRAKES .....	D - 1
ELECTRICAL SYSTEM - .....	E - 1
ELECTRONIC SPEED CONTROL .....	F - 1
FRONT SUSPENSION - STEERING .....	G - 1
MOTOR .....	H - 1
REAR AXLE .....	J - 1
REAR SUSPENSION - .....	K - 1
SEATING - .....	L - 1
WEATHER PROTECTION .....	M - 1
WHEELS AND TIRES .....	N - 1

# NOTES



# HOW TO USE THE SERVICE PARTS MANUAL

This manual is divided into several sections:

- GENERAL INFORMATION
- ILLUSTRATED PARTS BREAKDOWN
- APPENDIX

The first section, GENERAL INFORMATION, contains the following information:

- WARRANTY INFORMATION
- GENERAL INDEX
- HOW TO USE THE SERVICE PARTS MANUAL

The second section, ILLUSTRATED PARTS BREAKDOWN, contains illustrations and parts lists for all systems of your vehicle.

The third section, APPENDIX, contains a listing of specialty products and accessories.

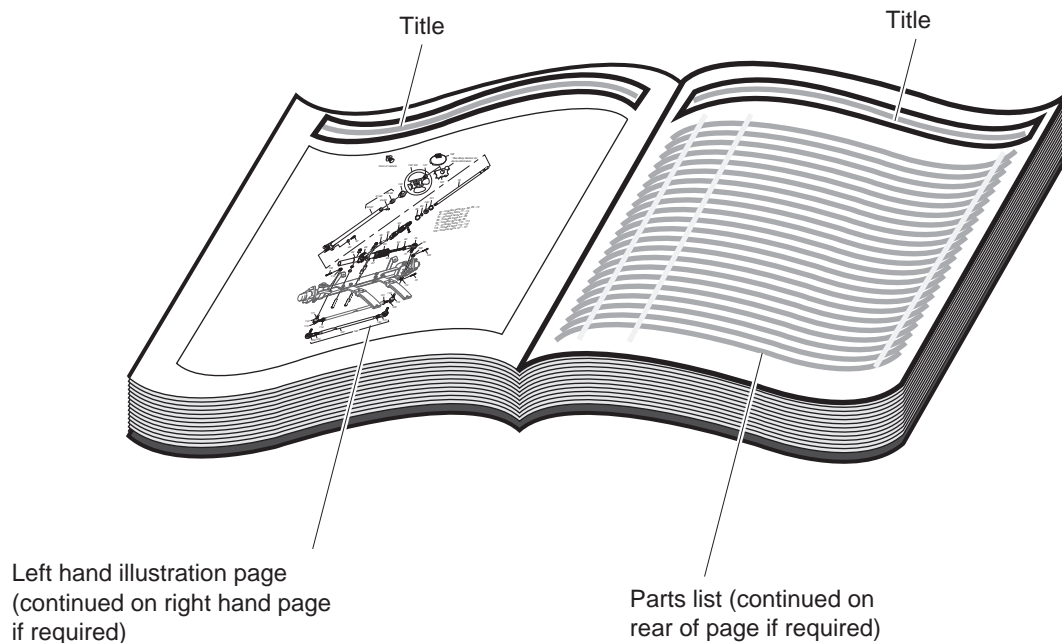
## USE OF THE MANUAL

To use this manual, consult the GENERAL INDEX to locate the information or illustration required.

Introduction of some revisions varies due to supply of components; therefore, it is possible that various combinations of components may be found that are not directly reflected by each illustration. Consult the illustration that best suits your situation and then contact the Service Parts Department. It is important that the serial number of your vehicle and its model number be supplied to Service Parts when ordering any replacement components.

Locate the serial number plate (see BODY located in the Illustrated Parts Breakdown section of this manual for its location) and note the complete number shown on the plate.

# HOW TO USE THE SERVICE PARTS MANUAL



## 1. WHEN THE PART NUMBER IS NOT KNOWN

- Determine the function and application of the part required. Turn to the General Index and select the most appropriate title.
- Turn to the page number indicated and locate the desired part on the illustration.
- From the illustration, obtain the item number as signed to the desired part. Refer to the accompanying description for specific information regarding the part.

## 2. IF YOU KNOW THE PART NUMBER

- Locate the part number or description in the appropriate column on the parts list page.

NOTE: It is suggested that you confirm that the part selected is correct by verifying it with the pictorial representation on the illustrated page.

Should an asterisk (\*) appear in the part number column on the parts list page, read upwards until a part number is found. The part number is the lowest assembly sold by Service Parts and the asterisk (\*) indicates that the part depicted is not available for purchase.

NOTE: Descriptions are indented under the assembly that they are used on. That assembly is, in turn listed under the assembly that it is used on. This process is repeated until the highest final assembly is reached.

**To facilitate the maintenance and repair of the vehicle, a Technician's Repair and Service Manual is available from the Service Parts Department.**

# HOW TO USE THE SERVICE PARTS MANUAL

## 3. COLOR CODE FOR BODY COMPONENTS

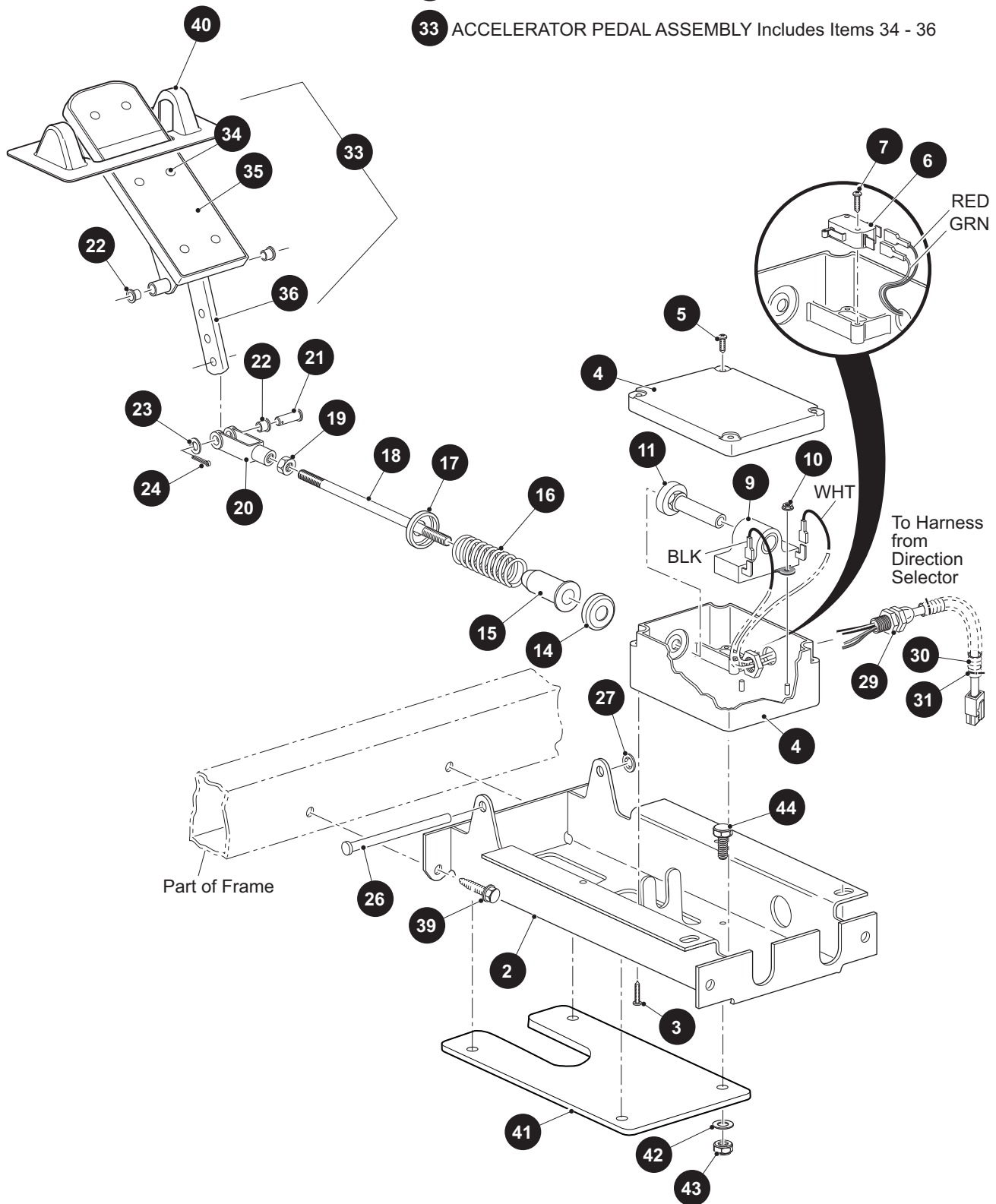
The last two digits of the part number for the body part will denote the color code, locate the part number for the cowl, rear body, seat pod, side panel or seat wrap then locate your color in the list below, replace the last \*\* or XX with the two digit color code.

<u>CODE #</u>	<u>DESCRIPTION</u>	<u>CODE #</u>	<u>DESCRIPTION</u>
01	NO PAINT	53	MOSSY OAK NEW BREAK UP - DIPPED
02	SPECIAL COLOR	54	MOSSY OAK OBSESSION - DIPPED
05	JACOBSEN ORANGE	55	REALTREE ADVANTAGE MAX 4 - DIPPED
06	LIGHT GOLD PEARL	56	REALTREE HARDWOOD BROWN - DIPPED
07	SILVER PEARL METALIC	57	REALTREE AP HOT PINK - DIPPED
11	BLACK	58	BLACK / SILVER MARBLE - DIPPED
12	EMERALD GREEN PEARL	59	RED / SILVER MARBLE - DIPPED
13	CLOUD GRAY	60	HOT PINK / SILVER MARBLE - DIPPED
14	VIPER BLUE METALLIC	61	REALTREE AP
19	PATRIOT BLUE PEARL	62	REALTREE MAX 4
20	INFERNO RED METALLIC	63	MOSSY OAK BREAKUP
23	ADVANTAGE CLASSIC CAMO	64	MOSSY OAK TREESTAND
24	NATURAL	65	REALTREE APG
25	VIVID NEW HOLLAND BLUE	66	REALTREE MAX 1
26	STEEL BLUE PEARL	67	REALTREE AP PINK
27	BRIGHT SILVER METALLIC	68	REALTREE AP - DIPPED
29	PRIMER ONLY	69	MONSTER GREEN
30	HD ADVANTAGE CAMO	74	BARLEY GOLD
31	METALLIC CHARCOAL	75	OASIS GREEN
32	LIGHT ALMOND PEARL	76	JAVA BROWN
33	TIMBERLINE GREEN		
34	DEEP MOLTEN RED		
35	SAFETY YELLOW		
36	IVORY		
37	FOREST GREEN		
38	BRIGHT WHITE		
39	FLAME RED		
40	BLACK		
41	ELECTRIC BLUE		
42	PLATINUM		
43	BURGUNDY		
44	ALMOND		
45	BLACK		
46	FLAME RED		
47	BURLINGTON GREEN		
48	BLACK		
49	FLAME RED		
50	RECON GREEN		
51	SUNBURST ORANGE		
52	BRITISH RACING GREEN		

# ACCELERATOR

1 PEDAL BOX ASSEMBLY Includes Items 2 - 36

33 ACCELERATOR PEDAL ASSEMBLY Includes Items 34 - 36





# ACCELERATOR

When ordering parts, please specify the model and serial number of the product.

\* Indicates a component that is not available as an individual part.

\*\*\* Indicates consult Customer Service Department for additional information.

ITEM	PART NO.	1 2 3 4 5	DESCRIPTION	QTY.
1	613163		PEDAL BOX ASSEMBLY (INCLUDES ITEMS 2 - 36) .....	1
2	652241G03		ACCELERATOR PEDAL BRACKET .....	1
3	01051G01		SCREW, #8 - 10 X 1/2" LG.....	4
4	25853G01		PEDAL BOX AND COVER .....	1
5	00684G6		SCREW, #8 - 32 X 3/4" LG (STAINLESS STEEL) .....	2
6	25861G02		MICRO SWITCH .....	1
7	01050G01		SCREW, #4 - 20 X 5/8" LG.....	2
8				
9	25854G01		INDUCTIVE THROTTLE SENSOR .....	1
10	00983G01		SELF THREADING NUT .....	2
11	602484		PLUNGER AND SLEEVE ASSEMBLY .....	1
12	28444G01		ACCELERATOR CAM ROD .....	1
13				
14	17677G1		SPRING RETAINER.....	1
15	17979G1		BUSHING .....	1
16	73046G01		COMPRESSION SPRING .....	1
17	17677G2		SPRING RETAINER, 3/8".....	1
18	73332G01		ACCELERATOR ROD .....	1
19	00532G4		LOCK NUT, 5/16 - 24.....	1
20	10385G4		CLEVIS YOKE (ADJUSTABLE).....	1
21	10386G3		CLEVIS PIN, 5/16" X 13/16" LG .....	1
22	17838G1		NYLON BUSHING .....	3
23	17255G1		TEFLON WASHER, 5/16" .....	1
24	10387G3		COTTER PIN, 3/32" X 3/4" LG .....	1
25				
26	74432G01		PEDAL PIVOT PIN .....	1
27	12064G6		PUSH NUT, 5/16" .....	1
28				
29	620418		PEDAL HARNESS 48V .....	1
30	17313G1		LOOM FLEX, 3/8" X 6" LG (BULK) .....	1
31	17618G1		WIRE TIE.....	2

# ACCELERATOR

When ordering parts, please specify the model and serial number of the product.

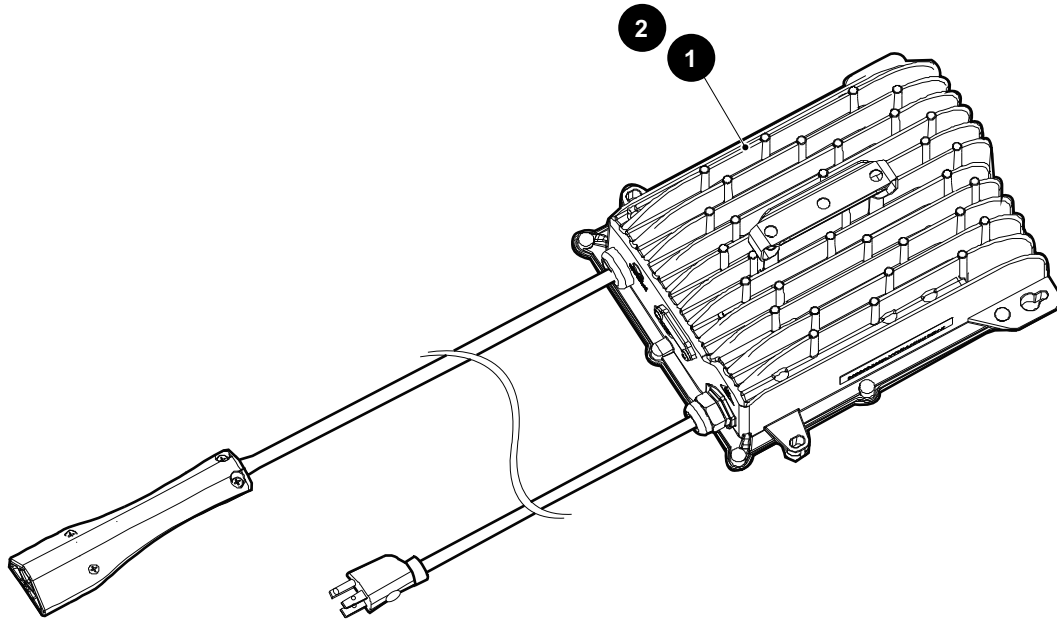
\* Indicates a component that is not available as an individual part.

\*\*\* Indicates consult Customer Service Department for additional information.

ITEM	PART NO.	1	2	3	4	5	DESCRIPTION	QTY.
32								
33	25799G03						ACCELERATOR PEDAL ASSEMBLY (INCLUDES ITEMS 34 - 36) .....	1
34	16409G1						OVAL RIVET, 3/16" X 7/16" LG .....	6
35	27512G01						ACCELERATOR PEDAL PAD .....	1
36	652824						ACCELERATOR PEDAL .....	1
37								
38								
39	00715G2						BOLT, 5/16 - 18 X 4/5" LG .....	4
40	70135G01						PEDAL PIVOT COVER .....	1
41	652780G03						BRACKET PLATE.....	1
42	01110G01						FLAT WASHER, 1/4" .....	4
43	00654G2						LOCK NUT, 3/8 - 16" .....	4
44	00414G06						HEX HEAD BOLT, 1/4-20 X .75 LG .....	4



# BATTERY CHARGER



# BATTERY CHARGER

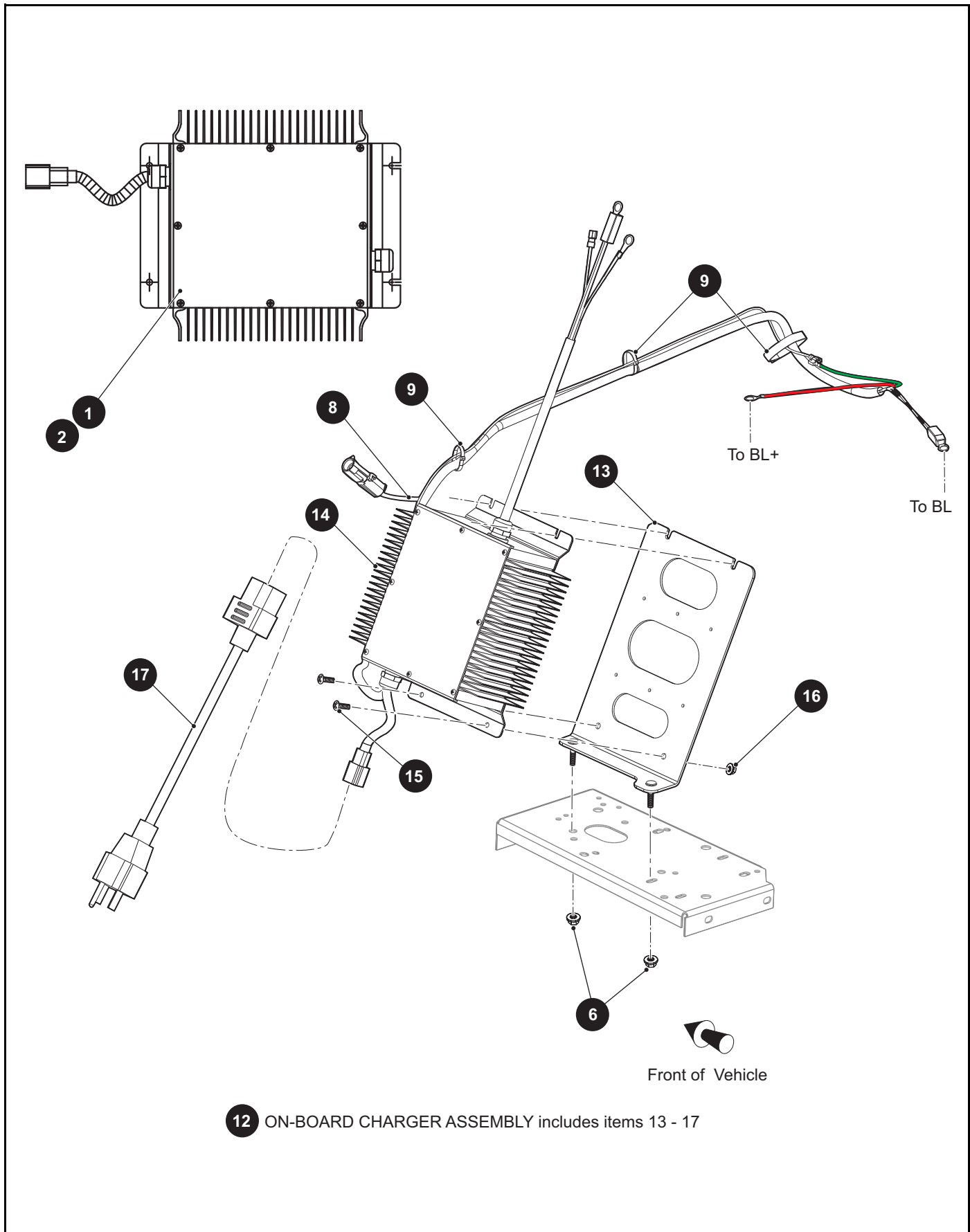
When ordering parts, please specify the model and serial number of the product.

\* Indicates a component that is not available as an individual part.

\*\*\* Indicates consult Customer Service Department for additional information.

ITEM	PART NO.	1 2 3 4 5	DESCRIPTION	QTY.
1	635669		48V BATTERY CHARGER , 3 METER CORD .....	1
2	635670		48V BATTERY CHARGER, 5.5 METER CORD .....	1
3	605834		NYLON CLAMP 36" (NOT ILLUSTRATED) .....	1

# BATTERY CHARGER



# BATTERY CHARGER

When ordering parts, please specify the model and serial number of the product.

\* Indicates a component that is not available as an individual part.

\*\*\* Indicates consult Customer Service Department for additional information.

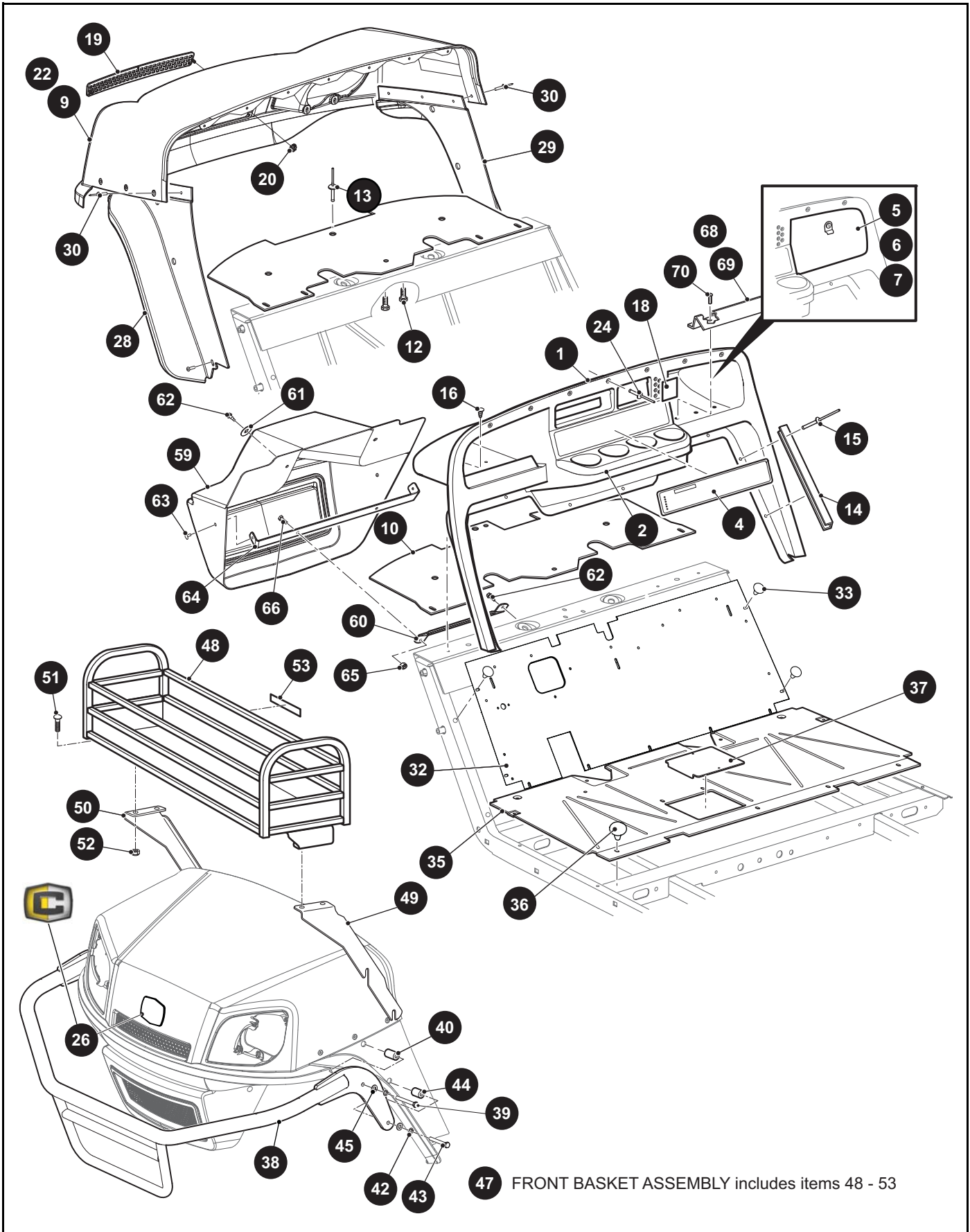
ITEM	PART NO.	1 2 3 4 5	DESCRIPTION	QTY.
1	622419		WORLD CHARGER, 48V, 3M CORD .....	1
2	622667		WORLD CHARGER, 48V, 5.5M CORD .....	1
3	605834		NYLON CLAMP 36" (NOT ILLUSTRATED) .....	2
4				
5				
6	800706		FLANGED LOCK NUT, 1/4" - 20 .....	2
7				
8	631543		CHARGER INTERLOCK JUMPER .....	1
9	17618G1		NYLON CLAMP .....	3
10				
11				
12	638578		ON-BOARD CHARGER ASSEMBLY (INCLUDES ITEMS 13 - 17) .....	1
13	637104		CHARGER BRACKET .....	1
14	632744		ON-BOARD CHARGER, 48V .....	1
15	16705G3		TRUSS HEAD MACHINE SCREW (SS), 1/4" - 20 X 3/4" LG .....	4
16	11027G2		FLANGED LOCK NUT, 1/4" - 20 .....	4
17	600462G01		AC CORD, 6' 7" LG .....	1







# BODY



When ordering parts, please specify the model and serial number of the product.

\* Indicates a component that is not available as an individual part.

\*\*\* Indicates consult Customer Service Department for additional information.

ITEM	PART NO.	1 2 3 4 5	DESCRIPTION	QTY.
1	71151G03		INSTRUMENT PANEL ASSEMBLY .....	1
2	27169G01		INSTRUMENT PANEL INSERT (FOUR CUP) .....	1
3				
4	601781		SAFETY LABEL .....	1
5	75459G01		GLOVE BOX DOORS (BOTH SIDES).....	1
6	75459G02		GLOVE BOX DOOR (DRIVER SIDE) .....	1
7	75459G03		GLOVE BOX DOOR (PASSENGER SIDE) .....	1
8				
9	71468GXX		COWL (See COLOR CODES in HOW TO USE Section) .....	1
10	71413G01		SPLASH PANEL.....	1
11	71101G02		COWL SUPPORT BRACKET (NOT ILLUSTRATED) .....	1
12	71102G02		SELF TAPPING SCREW, 1/4" - 20 X 1/2" LG .....	3
13	71055G01		RIVET (ALUMINUM), 3/16" X 1 1/8" LG .....	1
14	71115G01		VINYL TRIM .....	2
15	71055G01		RIVET (ALUMINUM), 3/16" X 1" LG .....	10
16	16816G2		RATCHET FASTENER, 1/4" X 3/4" LG .....	4
17				
18	35968G01		TEE HOLDER COVER LABEL .....	1
19	617643		COWL GRILL COVER .....	1
20	71597G01		SELF THREADING NUT, 3/16" X 19/32" .....	2
21				
22	613036G0XX		COWL (See COLOR CODES in HOW TO USE Section) (FOR VEHICLES MANUFACTURED FROM MARCH 2014).....	1
23				
24	71055G01		RIVET (ALUMINUM), 3/16" X 1" LG .....	7
25				
26	619135		CUSHMAN NAME PLATE .....	1
27				
28	614378		FENDER FLARE (DRIVER SIDE) .....	1
29	613274		FENDER FLARE (PASSENGER SIDE).....	1
30	71055G01		RIVET (ALUMINUM), 3/16" X 1" LG .....	14

# BODY

When ordering parts, please specify the model and serial number of the product.

\* Indicates a component that is not available as an individual part.

\*\*\* Indicates consult Customer Service Department for additional information.

ITEM	PART NO.	1 2 3 4 5	DESCRIPTION	QTY.
31				
32	637534		UPPER FLOORPAN (FRAME MOUNTED STEERING) .....	1
33	14601G11		RIVET (ALUMINUM), 3/16" X 9/16" LG.....	9
34				
35	70451G01		LOWER FLOORPAN.....	1
36	14601G11		RIVET (ALUMINUM), 3/16" X 9/16" LG.....	7
37	70452G01		ACCESS COVER.....	1
38	617620		BRUSH GUARD .....	1
39	00440G6		HEX HEAD CAP SCREW, 5/16" - 18 X 2 3/4" LG.....	2
40	75048G02		SPACER, 5/16".....	2
41				
42	00565G8		LOCK WASHER, 5/16".....	4
43	00440G2		HEX HEAD BOLT, 5/16" - 18 X 2 1/4" LG.....	4
44	75048G04		SPACER, 1".....	2
45	00559G8		FLAT WASHER, 5/16".....	4
46				
47	74521G02		FRONT BASKET ASSEMBLY (INCLUDES ITEMS 48 - 53) .....	1
48	74523G01		FRONT BASKET.....	1
49	74522G01		BASKET MOUNTING BRACKET (DRIVER SIDE).....	1
50	74522G02		BASKET MOUNTING BRACKET (PASSENGER SIDE).....	1
51	00769G2		CARRIAGE BOLT (SS), 3/8" - 16 X 1.25" LG.....	4
52	11098G5		LOCK NUT, 3/8" - 16.....	4
53	71931G01		FRONT BASKET WARNING LABEL .....	1
54				
55				
56				
57				
58				
59	613273		FRONT FASCIA.....	1
60	70725G02		FRONT SHIELD BRACE.....	2
61	16469G1		FENDER WASHER, 1/4".....	2

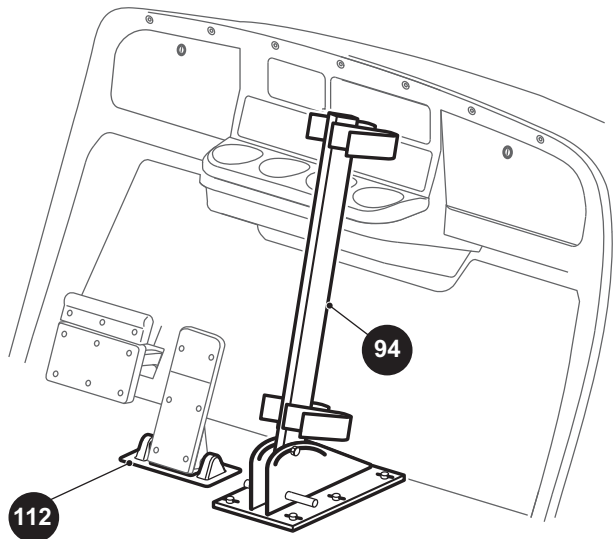
When ordering parts, please specify the model and serial number of the product.

\* Indicates a component that is not available as an individual part.

\*\*\* Indicates consult Customer Service Department for additional information.

ITEM	PART NO.	1 2 3 4 5	DESCRIPTION	QTY.
62	01038G01		HEX HEAD BOLT, 1/4" - 20 X .70" LG .....	4
63	15058G1		RIVET (ALUMINUM), 3/16" X 4/9" LG .....	2
64	618653		FASCIA BRACKET.....	1
65	14390G4		LOCK NUT, 1/4" - 20.....	2
66	00414G6		HEX HEAD BOLT, 1/4" - 20 X 3/4" LG .....	2
67				
68	71153G01		DEFLECTOR (PASSENGER SIDE) .....	1
69	71154G01		DEFLECTOR (DRIVER SIDE).....	1
70	00614G5		PAN HEAD PHILLIPS SCREW, #8 - 18 X 5/8" LG .....	4
71				
72				
73				
74				
75				
76				
77				
78				
79				
80				
81				
82				
83				
84				
85				
86				
87				
88				
89				
90				
91				
92				

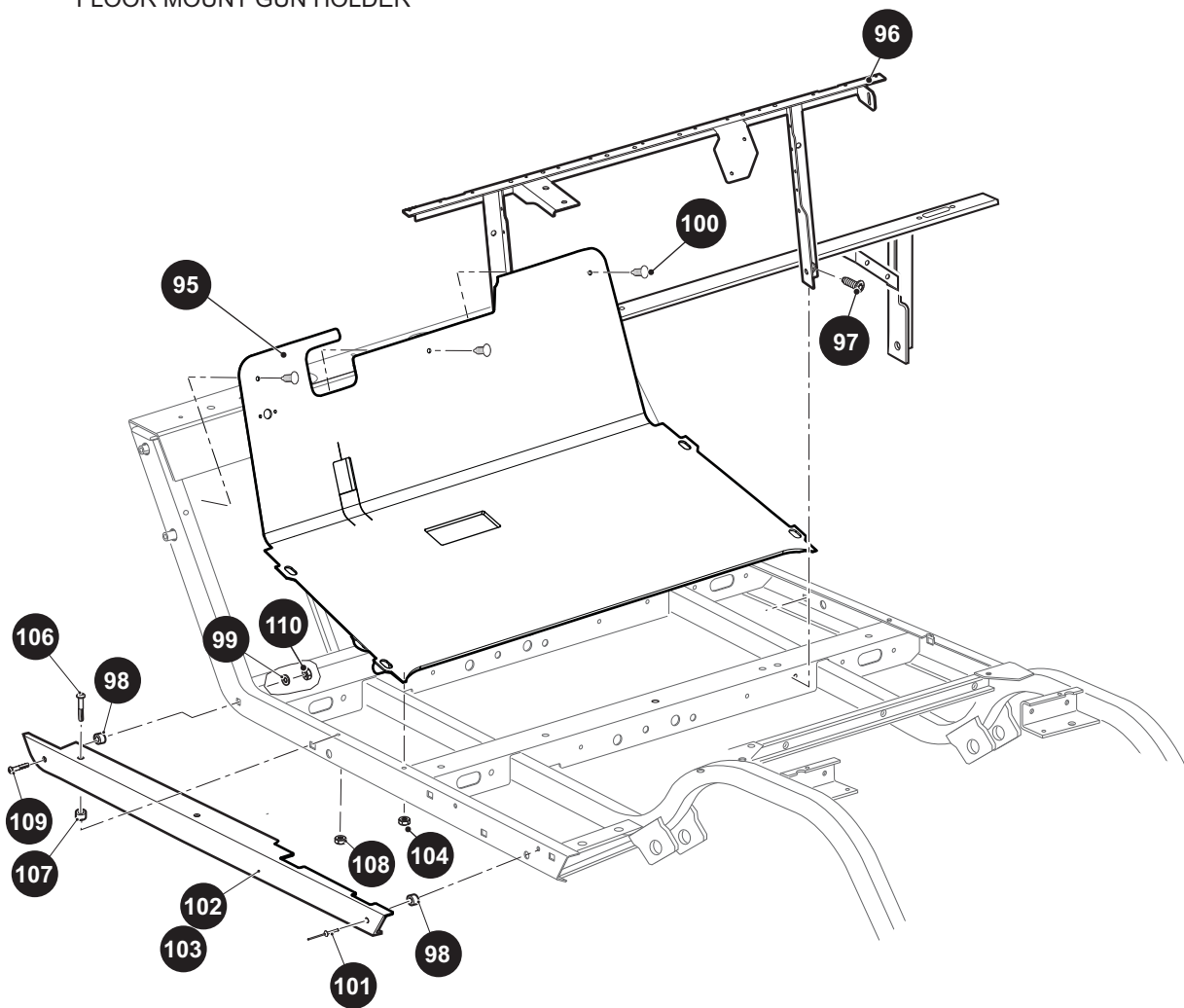
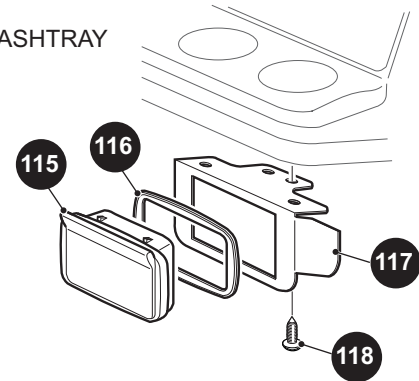
# BODY



FLOOR MOUNT GUN HOLDER

114 ASHTRAY KIT includes items 115 - 118

ASHTRAY



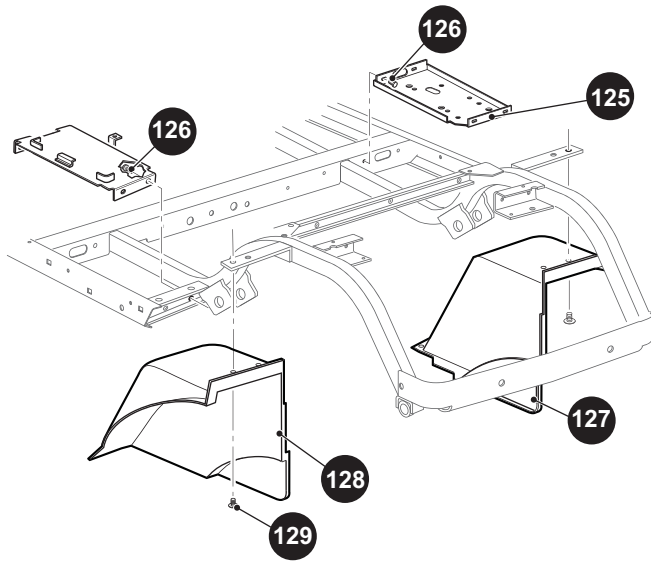
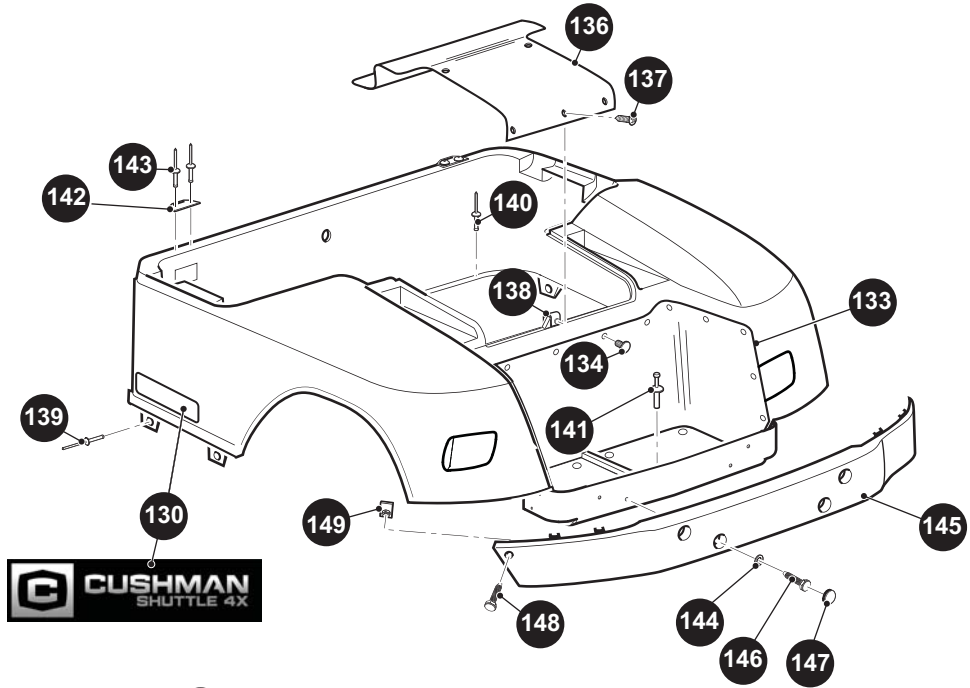
When ordering parts, please specify the model and serial number of the product.

\* Indicates a component that is not available as an individual part.

\*\*\* Indicates consult Customer Service Department for additional information.

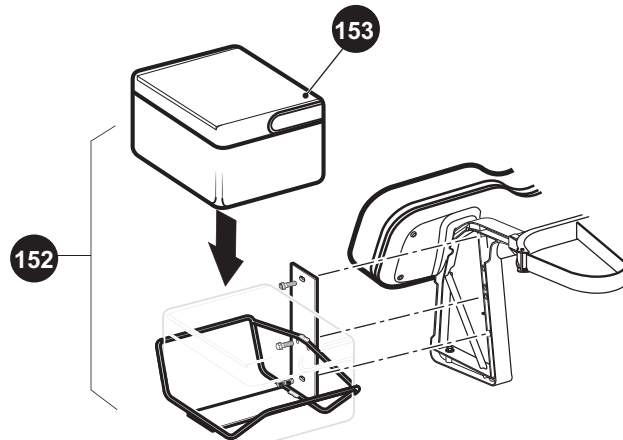
ITEM	PART NO.	1 2 3 4 5	DESCRIPTION	QTY.
94	74365G01		FLOOR MOUNT GUN HOLDER.....	1
95	637535G02		FLOORMAT WITH HORN HOLES .....	1
96	605694		SEAT FRAME .....	1
97	00715G2		HEX HEAD BOLT, 5/16" - 18 X .88 " LG .....	2
98	23726G4		SPACER, 5/16" .....	4
99	00660G5		FLAT WASHER, #10 .....	2
100	16816G1		RATCHET RIVET, .25" X .680" .....	3
101	15058G6		RIVET (ALUMINUM), 3/16" X 15/16" LG .....	4
102	618356		ROCKER PANEL (DRIVER SIDE).....	1
103	618357		ROCKER PANEL (PASSENGER SIDE) .....	1
104	14390G4		LOCK NUT, 1/4" - 20.....	4
105				
106	16705G1		TRUSS HEAD PHILLIPS SCREW (SS), 1/4" - 20 X 1" LG.....	4
107	23726G4		SPACER, 5/16" .....	4
108	14390G04		LOCK NUT, 1/4" - 20.....	4
109	00789G2		TRUSS HEAD PHILLIPS SCREW, #10 - 24 X 1.25" LG .....	2
110	14390G10		LOCK NUT, #10 - 24 .....	2
111	74533G01		GUN HOLDER (SWIVEL MOUNT) (NOT ILLUSTRATED).....	1
112	70135G01		PEDAL PIVOT COVER.....	1
113				
114	75109G04		ASH TRAY KIT (INCLUDES ITEMS 115 - 118).....	1
115	27731G01		ASH TRAY .....	1
116	27736G01		GASKET .....	1
117	75108G02		BRACKET.....	1
118	00106G6		PAN HEAD PHILLIPS SCREW, #12 - 14 X .75" LG.....	4
119				
120				
121				
122				
123				
124				

# BODY



132 REAR BODY includes items 133 - 134

152 BOX COOLER AND BRACKET includes item 153



BOX COOLER AND BRACKET



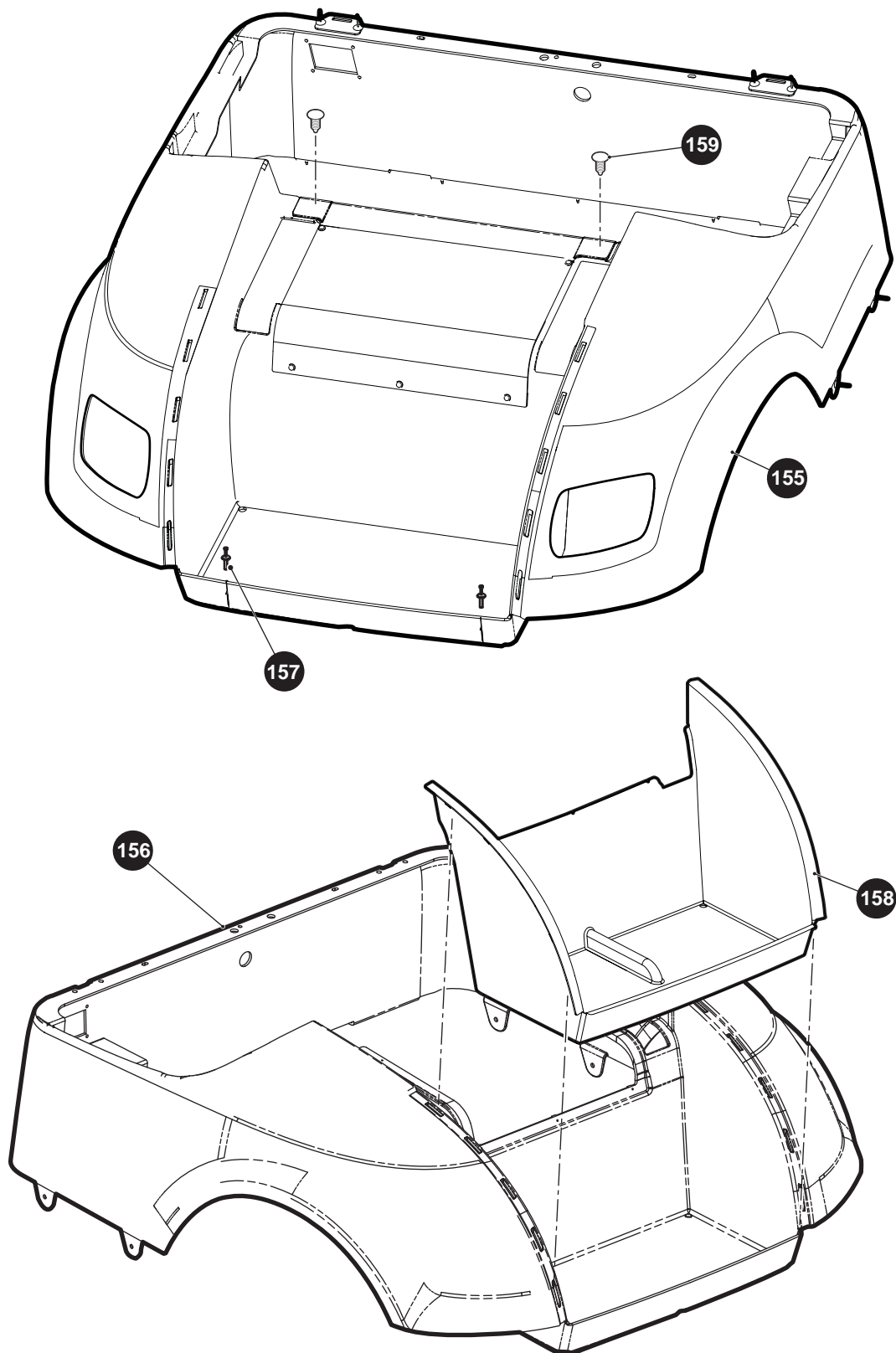
When ordering parts, please specify the model and serial number of the product.

\* Indicates a component that is not available as an individual part.

\*\*\* Indicates consult Customer Service Department for additional information.

ITEM	PART NO.	1 2 3 4 5	DESCRIPTION	QTY.
125	70244G05		SPLASH PANEL.....	2
126	00715G2		HEX HEAD BOLT, 5/16" - 18 X 0.88" LG .....	8
127	635054G02		FENDER LINER (PASSENGER SIDE).....	1
128	635054G01		FENDER LINER (DRIVER SIDE) .....	1
129	16816G2		RATCHET FASTENER, 1/4" X 3/4" LG.....	8
130	619387		CUSHMAN LOGO DECAL (SHUTTLE 4X) .....	1
131				
132	71912G4XX		REAR BODY (WITH TAILLIGHTS) (INCLUDES ITEMS 133 - 134) (See COLOR CODES in HOW TO USE Section).....	1
133	71318G01		BAGWELL LINER.....	1
134	16816G1		RATCHET FASTENER, 1/4" X 9/16" LG .....	26
135				
136	71320G01		ACCESS PANEL.....	1
137	01107G01		PAN HEAD TORX SCREW (SS), #8 X 3/8" LG .....	5
138	71364G02		"J" CLIP.....	1
139	10570G12		RIVET (ALUMINUM), 1/4" X 9/16" LG .....	4
140	10570G10		RIVET (SS), 5/32" X 9/16" LG.....	5
141	18436G1		PLASTIC DRIVE RIVET, 1/4" X 3/4" LG .....	2
142	71609G01		SEAT HINGE PLATE.....	2
143	10570G11		RIVET (SS), 3/16" X 3/4" LG.....	4
144	00571G2		FLAT WASHER, 5/16".....	2
145	71451G02		NOTCHED REAR BUMPER .....	1
146	71102G01		HEX HEAD BOLT, 1/4" - 20 X 3/4" LG .....	4
147	71455G01		BUMPER PLUG .....	4
148	71102G01		HEX HEAD BOLT, 1/4" - 20 X 3/4" LG .....	2
149	71554G01		J - TYPE NUT RETAINER, 1/4" - 20 .....	2
150				
151				
152	74581G01		BOX COOLER AND BRACKET (INCLUDES ITEM 153).....	1
153	71048G01		COOLER AND BRACKET KIT (INCLUDES HARDWARE) .....	1
154				

VEHICLES MANUFACTURED FROM MARCH 2014



When ordering parts, please specify the model and serial number of the product.

\* Indicates a component that is not available as an individual part.

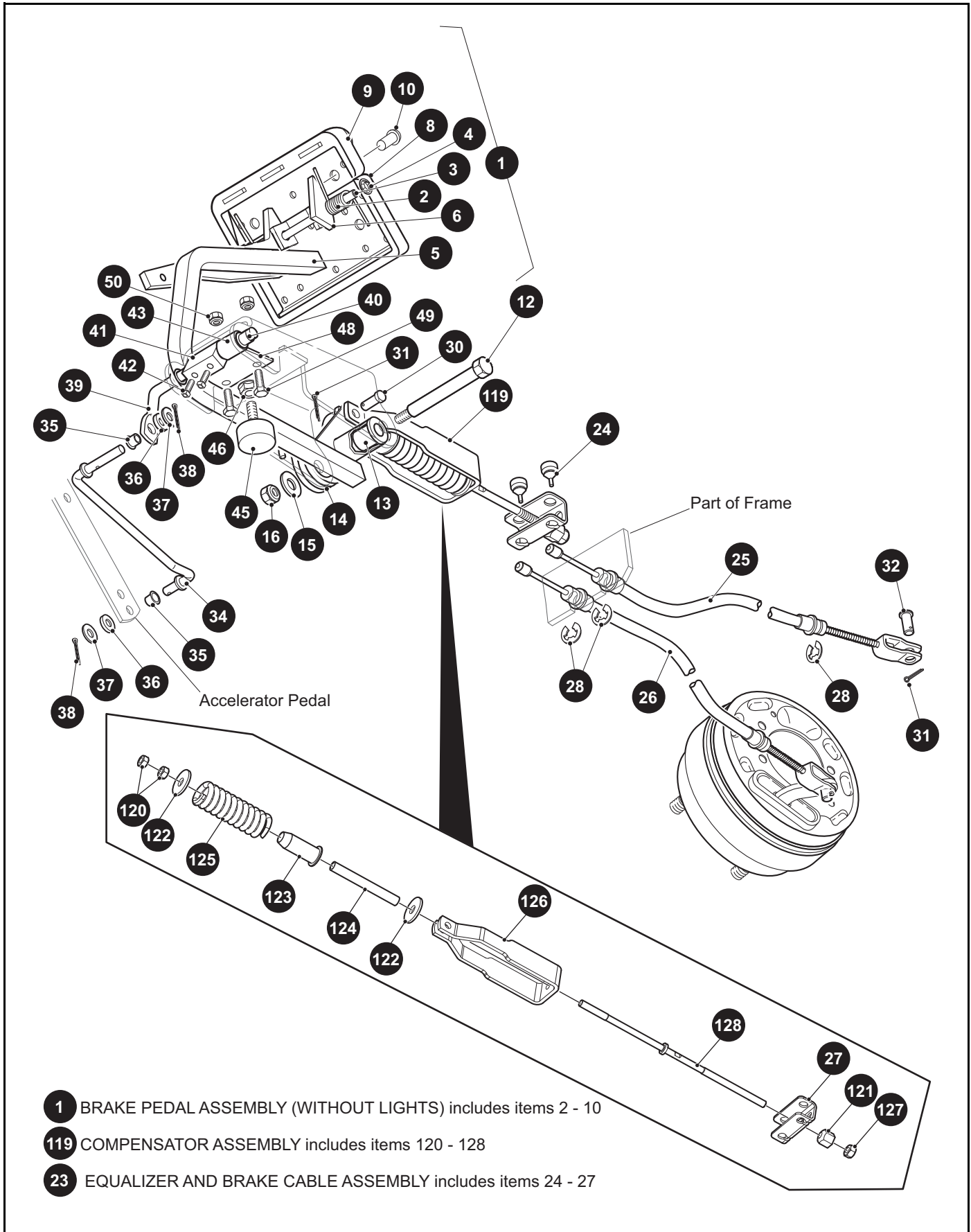
\*\*\* Indicates consult Customer Service Department for additional information.

ITEM	PART NO.	1 2 3 4 5	DESCRIPTION	QTY.
155	625272G0XX		REAR BODY (WITH LIGHTS) (FOR VEHICLES MANUFACTURED FROM MARCH 2014).....	1
156	619752G0XX		REAR BODY (FOR VEHICLES MANUFACTURED FROM MARCH 2014).....	1
157	633917		RIVET (FOR VEHICLES MANUFACTURED FROM MARCH 2014) .....	2
158	624374		BAGWELL LINER (FOR VEHICLES MANUFACTURED FROM MARCH 2014).....	1
159	16816G2		RATCHET RIVET, .25" X .887" (FOR VEHICLES MANUFACTURED FROM MARCH 2014).....	2

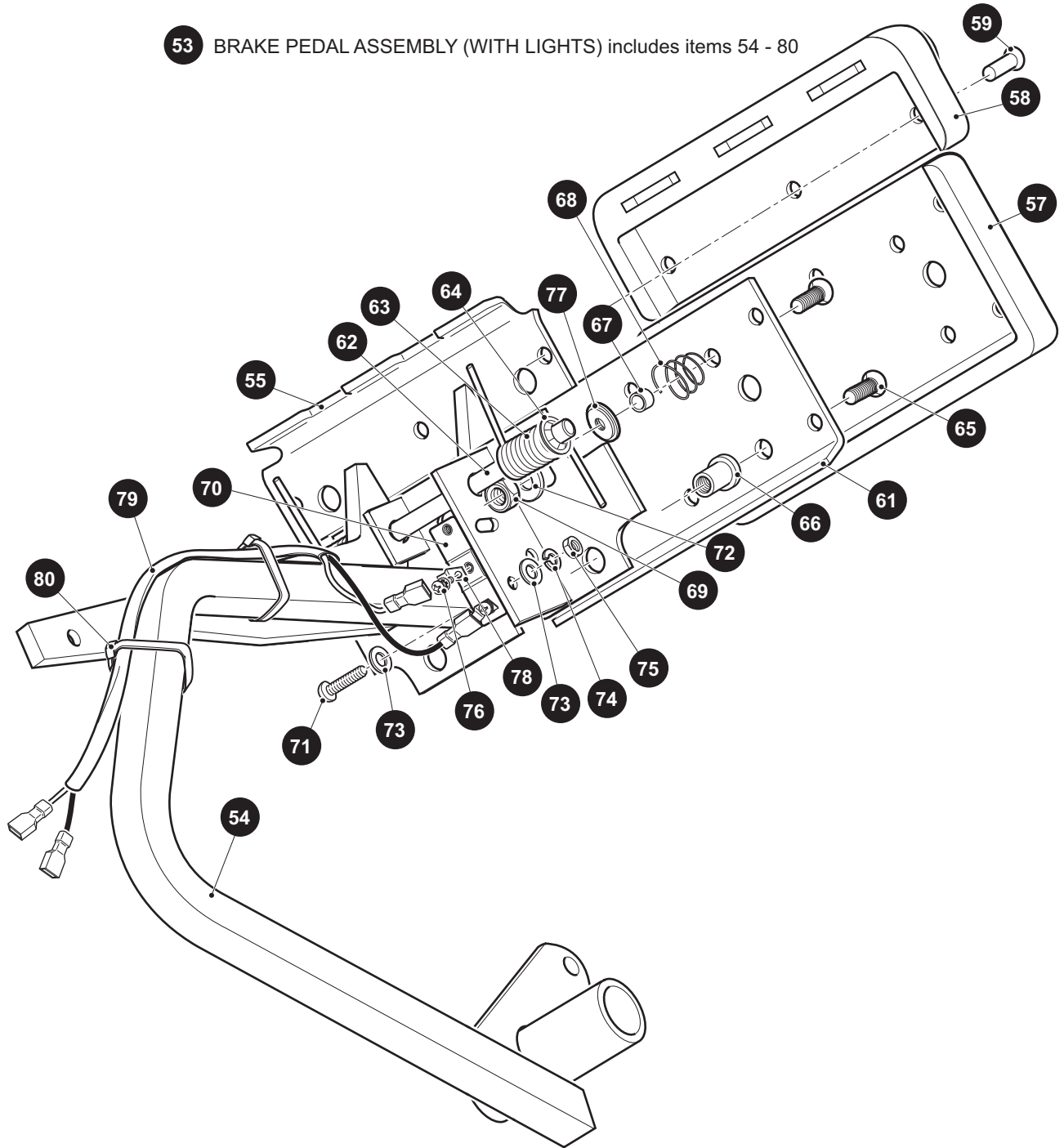




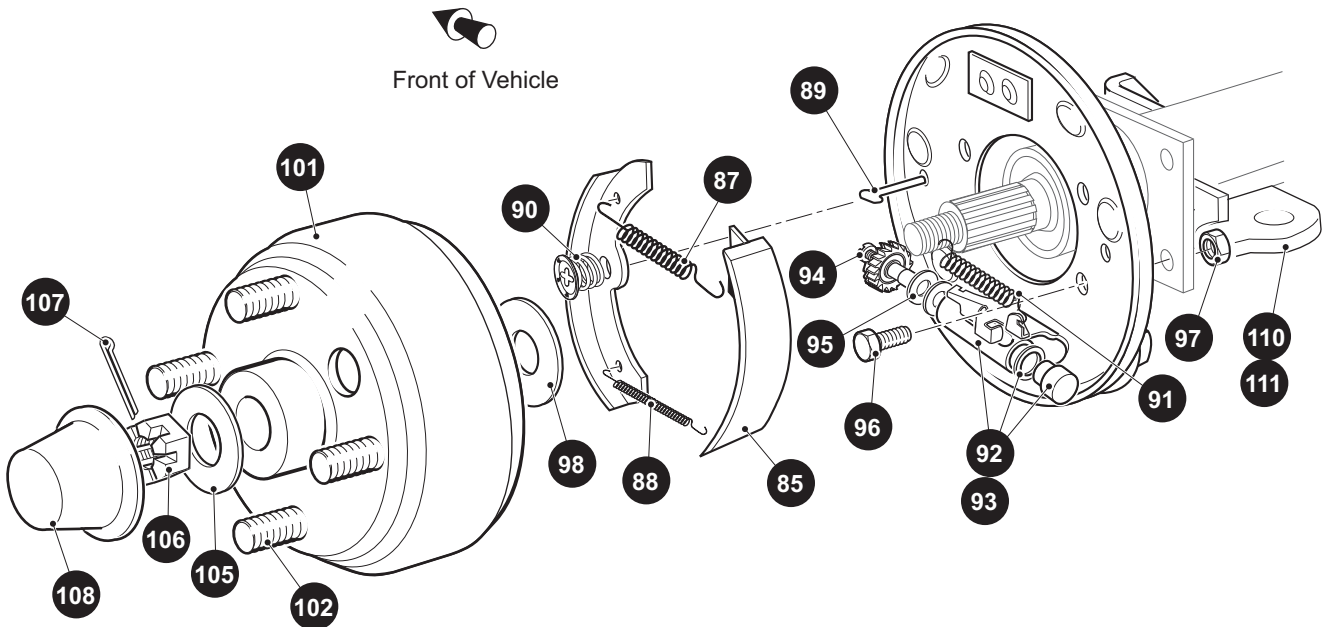
# BRAKES



**53** BRAKE PEDAL ASSEMBLY (WITH LIGHTS) includes items 54 - 80



# BRAKES



- 82** BRAKE ASSEMBLY (DRIVER SIDE) Includes Items 84 - 94
- 83** BRAKE ASSEMBLY (PASSENGER SIDE) Includes Items 84 - 91, 95 - 97
- 84** BRAKE SHOE KIT Includes Item 85
- 86** BRAKE SPRING KIT Includes Items 87 - 91
- 92** BRAKE ADJUSTER KIT (DRIVER SIDE) Includes Items 93 & 94
- 95** BRAKE ADJUSTER KIT (PASSENGER SIDE) Includes Items 96 & 97
- 102** BRAKE DRUM ASSEMBLY Includes Items 103 & 104



# BRAKES

When ordering parts, please specify the model and serial number of the product.

\* Indicates a component that is not available as an individual part.

\*\*\* Indicates consult Customer Service Department for additional information.

ITEM	PART NO.	1 2 3 4 5	DESCRIPTION	QTY.
1	70612G02		BRAKE PEDAL ASSEMBLY (WITHOUT BRAKE LIGHTS) (INCLUDES ITEMS 2 - 10) .....	1
2	70681G01		TORSION SPRING.....	2
3	70682G01		PIVOT PIN.....	1
4	658825		PUSHNUT, 5/16" .....	2
5	652251G03		BRAKE PEDAL.....	1
6	652253G03		PARK BRAKE PEDAL .....	1
7	70274G01		BRAKE/PARK BRAKE PEDAL PAD KIT (INCLUDES ITEMS 8 - 10).....	1
8	70257G01		SERVICE BRAKE PAD .....	1
9	70256G01		PARK BRAKE PEDAL PAD.....	1
10	15766G1		OVAL RIVET, 3/16" X 3/8" LG .....	9
11				
12	70582G01		SHOULDER BOLT, STAINLESS STEEL.....	1
13	70581G01		FLANGED BUSHING, 1" LG.....	2
14	70676G01		TORSION SPRING .....	1
15	00643G1		FLAT WASHER, 3/8" .....	1
16	11098G5		LOCK NUT, 3/8" - 16.....	1
17				
18	01038G01		SWAGEFORM SCREW, 1/4" - 20 (NOT ILLUSTRATED).....	1
19				
20	12416G2		NYLON WEDGE LOCK CLAMP (NOT ILLUSTRATED) .....	1
21				
22				
23	624711		EQUALIZER AND BRAKE CABLE ASSEMBLY (INCLUDES ITEMS 24 - 27)	1
24	28083G01		BRAKE COMPENSATOR BUMPER .....	2
25	624690		BRAKE CABLE (DRIVER SIDE) .....	1
26	624691		BRAKE CABLE (PASSENGER SIDE).....	1
27	28082G01		EQUALIZER BRACKET .....	1
28	01111G01		RETAINING RING (SS), 13/32" .....	4
29				
30	10386G3		CLEVIS PIN, 5/16" X .94" LG.....	1

# BRAKES

When ordering parts, please specify the model and serial number of the product.

\* Indicates a component that is not available as an individual part.

\*\*\* Indicates consult Customer Service Department for additional information.

ITEM	PART NO.	1 2 3 4 5	DESCRIPTION	QTY.
31	10387G3		COTTER PIN, 3/32" X 3/4" LG .....	3
32	14443G2		CLEVIS PIN, 5/16" X 3/4" LG .....	2
33				
34	70601G01		KICK-OFF LINK.....	1
35	17838G1		NYLON BUSHING, .3" LG.....	2
36	20835G1		TEFLON WASHER, 3/8" .....	2
37	00559G8		FLAT WASHER, 5/16" .....	2
38	10387G3		COTTER PIN, 3/32" X 3/4" LG .....	2
39	70098G01		KICK-OFF CAM PIVOT .....	1
40	10097G6		FLANGED BEARING .....	2
41	70587G01		KICK-OFF CAM.....	1
42	71215G01		SETSCREW, 1/4" - 20 X 1/2" LG .....	2
43	14134G4		SPACER .....	1
44				
45	70113G01		ADJUSTABLE BUMPER .....	1
46	11027G1		LOCK NUT, 5/16" - 18 .....	1
47				
48	70080G02		CATCH BRACKET.....	1
49	00414G6		HEX HEAD BOLT, 1/4" - 20 X 3/4" LG.....	2
50	14390G4		LOCK NUT, 1/4" - 20 .....	2
51				
52				
53	70690G02		BRAKE PEDAL ASSEMBLY (WITH BRAKE LIGHTS) (INCLUDES ITEMS 54 - 80).....	1
54	652791G03		BRAKE PEDAL .....	1
55	652253G03		PARK BRAKE PEDAL.....	1
56				
57	70257G01		SERVICE BRAKE PAD .....	1
58	70256G01		PARK BRAKE PAD .....	1
59	16409G1		OVAL RIVET, 3/16" x 3/8" LG.....	9
60				
61	652820		SERVICE BRAKE PEDAL PLATE .....	1

# BRAKES

When ordering parts, please specify the model and serial number of the product.

\* Indicates a component that is not available as an individual part.

\*\*\* Indicates consult Customer Service Department for additional information.

ITEM	PART NO.	1 2 3 4 5	DESCRIPTION	QTY.
62	70682G01		PIVOT PIN.....	1
63	70681G01		TORSION SPRING.....	2
64	658825		PUSHNUT, 5/16" .....	1
65	00737G8		PHILLIPS FLAT HEAD MACHINE SCREW, #10 - 24 X 1" LG.....	4
66	00739G1		RUBBER NUT, #10 - 24 .....	2
67	652355		BRAKE PEDAL SPACER .....	2
68	27137G01		CONICAL SPRING.....	2
69	14390G10		LOCK NUT, #10 - 24.....	2
70	10606G8		MICRO SWITCH .....	1
71	00645G2		PHILLIPS PAN HEAD MACHINE SCREW, #6 - 32 X 1 1/4" LG .....	2
72	00559G5		FLAT WASHER, #10 .....	2
73	00559G3		FLAT WASHER, #6 .....	4
74	00565G3		LOCK WASHER, #6 .....	2
75	00525G5		HEX NUT, #6 - 32 .....	2
76	13514G1		SCREW AND LOCK WASHER, #6 .....	2
77	00642G8		LOCK WASHER - 5/16" .....	2
78	14628G1		FASTON TAB.....	2
79	24605G1		WIRE HARNESS, BRAKE LIGHT .....	1
80	17618G1		WIRE TIE.....	2
81				
82	70998G01		BRAKE ASSEMBLY, DRIVER SIDE (INCLUDES ITEMS 84 - 94).....	1
83	70998G02		BRAKE ASSEMBLY, PASSENGER SIDE (INCLUDES ITEMS 84 - 91, 95 - 97)	1
84	70794G01		BRAKE SHOE KIT (INCLUDES ITEM 85).....	2
85	*		BRAKE SHOE.....	2
86	27944G01		BRAKE SPRING KIT (INCLUDES ITEMS 87 - 91) .....	2
87	*		UPPER SPRING .....	1
88	*		LOWER SPRING .....	1
89	*		PIN .....	2
90	*		CUP AND SPRING .....	2
91	*		ADJUSTER SPRING .....	1
92	72582G01		BRAKE ADJUSTER KIT (DRIVER SIDE) (INCLUDES ITEMS 93 & 94)..	1

# BRAKES

When ordering parts, please specify the model and serial number of the product.

\* Indicates a component that is not available as an individual part.

\*\*\* Indicates consult Customer Service Department for additional information.

ITEM	PART NO.	1	2	3	4	5	DESCRIPTION	QTY.
93	*						ADJUSTER, DRIVER SIDE.....	1
94	*						TEFLON WASHER, 5/16" .....	1
95	72582G02						BRAKE ADJUSTER KIT, PASSENGER SIDE (INCL. ITEMS 96 & 97) ....	1
96	*						ADJUSTER, PASSENGER SIDE .....	1
97	*						TEFLON WASHER, 5/16" .....	2
98	17083G2						HEX HEAD BOLT, 5/16" - 24 X 1" LG.....	8
99	15126G1						LOCK NUT, 5/16" - 24 .....	8
100	21809G1						INNER BRAKE DRUM WASHER.....	2
101								
102	21807G2						BRAKE DRUM ASSEMBLY (INCLUDES ITEMS 103 & 104).....	2
103	*						BRAKE DRUM .....	1
104	19862G2						LUG BOLT, 1/2" - 20 X 1.7" LG .....	4
105								
106								
107	21830G1						FLAT WASHER, 1 3/8" .....	2
108	00518G8						SLOTTED NUT, 5/8" - 18.....	2
109	10387G1						COTTER PIN, 1/8" X 1 1/2" LG .....	2
110	74175G01						SPINDLE CAP .....	2
111								
112	75870G04						BRAKE CABLE BRACKET (PASSENGER SIDE).....	1
113	75870G03						BRAKE CABLE BRACKET (DRIVER SIDE) .....	1
114								
115								
116								
117								
118								
119	612558						COMPENSATOR ASSEMBLY (INCLUDES ITEMS 120 - 128) .....	1
120	00532G4						HEX NUT, 1/2" - 20 .....	2
121	629486						HEX NUT, 5/16" - 24 .....	1
122	15121G1						FLAT WASHER, 5/16" .....	2
123	17979G1						ACCELERATOR ROD BUSHING, 2" LG .....	1

When ordering parts, please specify the model and serial number of the product.

\* Indicates a component that is not available as an individual part.

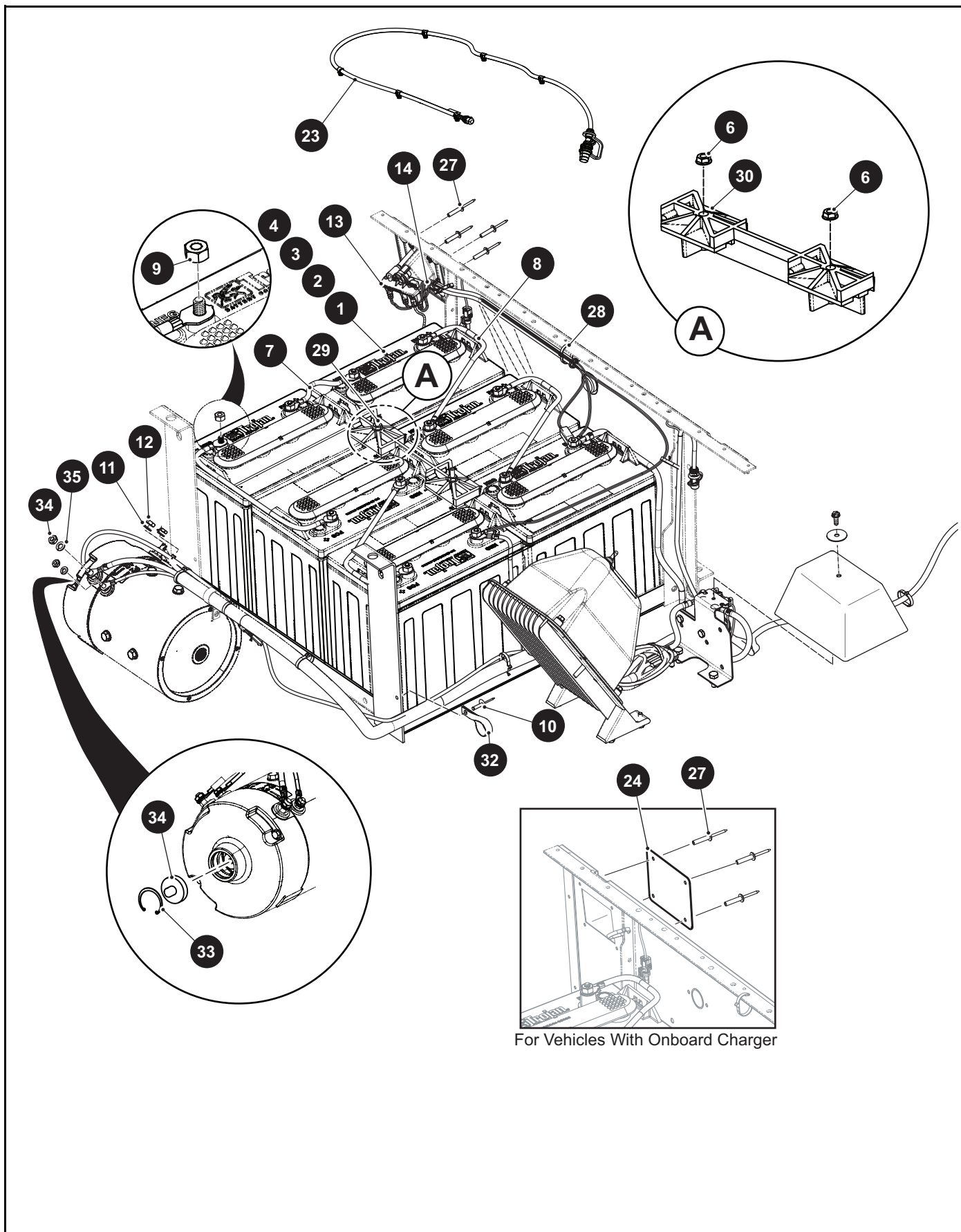
\*\*\* Indicates consult Customer Service Department for additional information.

ITEM	PART NO.	1 2 3 4 5	DESCRIPTION	QTY.
124	23061G2		TUBE .....	1
125	23463G1		COMPRESSION SPRING .....	1
126	652256		BRAKE YOKE .....	1
127	11098G9		HEX LOCK NUT, 5/16" - 24 .....	1
128	612557		COMPENSATOR LINK ROD .....	1

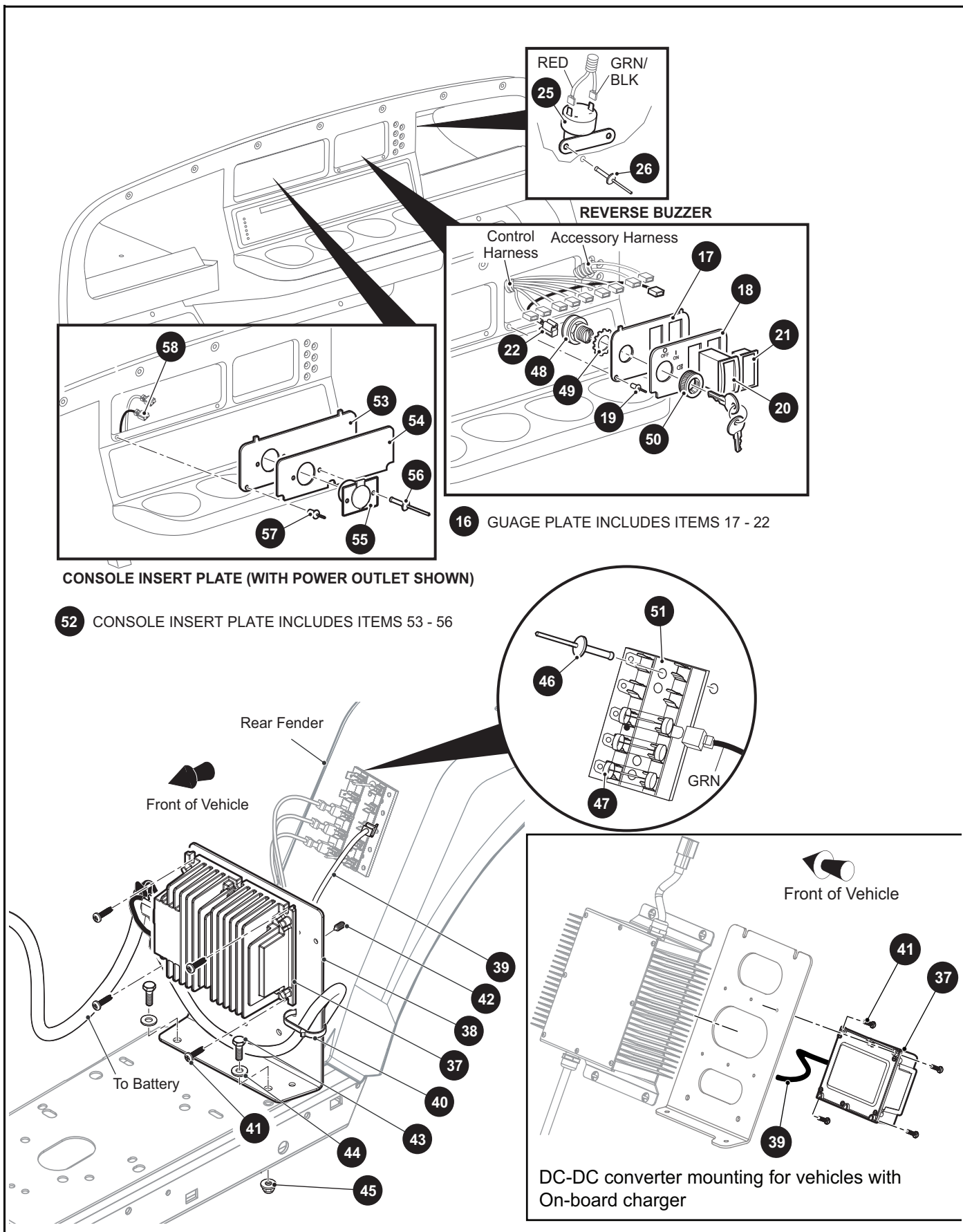




# ELECTRICAL SYSTEM







# ELECTRICAL SYSTEM

When ordering parts, please specify the model and serial number of the product.

\* Indicates a component that is not available as an individual part.

\*\*\* Indicates consult Customer Service Department for additional information.

ITEM	PART NO.	1 2 3 4 5	DESCRIPTION	QTY.
1	618594		8 VOLT BATTERY .....	6
2	614015		8 VOLT BATTERY .....	6
3	618595		8 VOLT BATTERY .....	6
4	614381		8 VOLT BATTERY .....	6
5	615352		CLAMP - POLYPROPYLENE (NOT ILLUSTRATED).....	1
6	11027G1		LOCK NUT, 5/16" - 18 .....	2
7	613236		6 AWG WIRE, BLUE 380MM (15").....	4
8	613237		6 AWG WIRE, BLUE 150MM (5.90").....	1
9	00702G2		NUT, 5/16" - 18 .....	12
10	10570G11		RIVET, 3/16" X 0.70" .....	1
11	00993G02		LOCK WASHER, 1/4 " (SILICON BRONZE) .....	2
12	28418G02		NUT, 1/4 - 20 (BRASS).....	2
13	613304		CHARGER RECEPTACLE 48V .....	1
14	*		CHARGER HARNESS.....	1
15				
16	618215		GUAGE PLATE, FNR, SOC, 48V W/LIGHTS .....	1
17	73030G12		CONSOLE PLATE .....	1
18	74322G01		CONSOLE PLATE DECAL.....	1
19	33623G02		DRIVE RIVET, 3/16" X 3/8" LG .....	2
20	624514G02		DIRECTION SELECTOR SWITCH (F-N-R).....	1
21	33636G05		STATE OF CHARGE METER (SOC).....	1
22	74018G01		WIRE HARNESS (SOC) .....	1
23	614457		SNAKE HYDROLINK, 6 - 6V OR 6 - 8V .....	1
24	73173G02		COVER PLATE.....	1
25	613271		CONTINUOUS TONE BUZZER .....	1
26	01041G01		RIVET, 1/8" X 13/16" LG.....	2
27	71055G01		RIVET, 3/16" X 1" LG (ALUMINUM) .....	4
28	17618G1		WIRE TIE.....	9
29	01101G01		TIE DOWN BOLT.....	2
30	612867		BATTERY RETAINER .....	1
31				

# ELECTRICAL SYSTEM

When ordering parts, please specify the model and serial number of the product.

\* Indicates a component that is not available as an individual part.

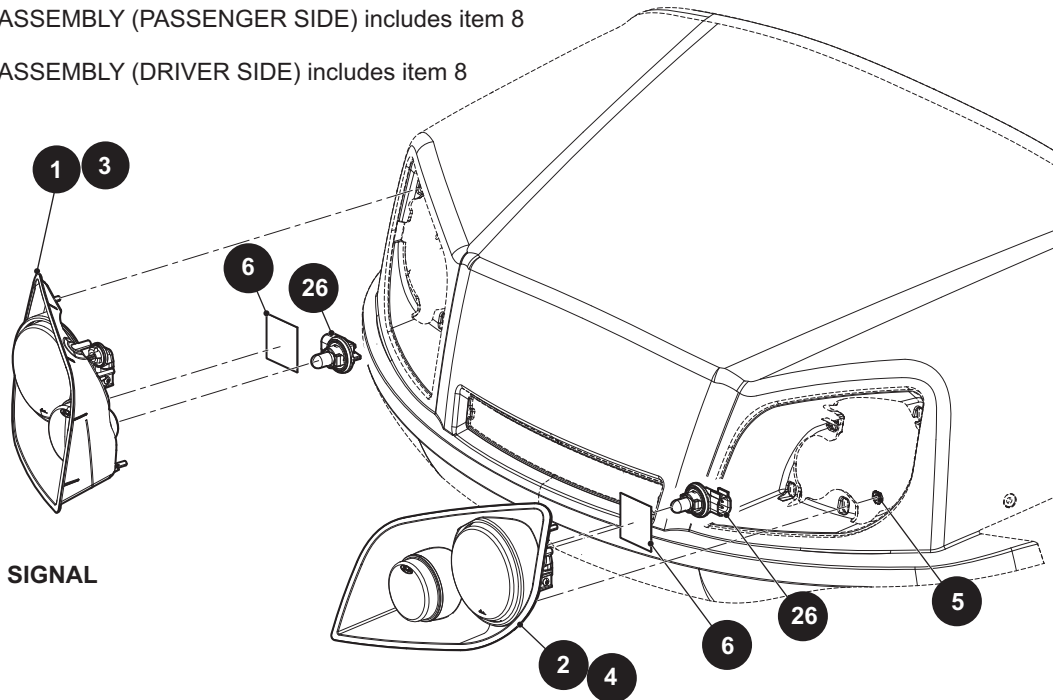
\*\*\* Indicates consult Customer Service Department for additional information.

ITEM	PART NO.	1 2 3 4 5	DESCRIPTION	QTY.
32	27327G02		CABLE CLAMP .....	1
33	73277G01		RETAINING RING .....	1
34	620422		SPEED SENSOR .....	1
35	00993G01		LOCK WASHER, 5/16" (SILICON BRONZE) .....	2a
36	28418G01		NUT, 5/16" - 18" (BRASS) .....	2
37	632185		DC TO DC CONVERTER .....	1
38	633303		DC TO DC CONVERTER BRACKET .....	1
39	605888		DC TO DC WIRING HARNESS .....	1
40	17618G1		CLAMP (NYLON), 7" LG .....	4
41	632372		SELF TAPPING SCREW, #10 - 32 X .75" LG .....	4
42	16816G5		RATCHET RIVET, .187" X .550" LG .....	1
43	00414G6		HEX HEAD BOLT, 1/4" - 20 X .75" LG .....	2
44	00559G7		FLAT WASHER, 1/4" .....	2
45	11027G2		FLANGED LOCK NUT, 1/4" - 20 ' .....	2
46	01041G01		RIVET, 1/8" X 13/16" LG .....	2
47	18392G1		15 AMP FUSE .....	AR
48	33639G**		KEY SWITCH (WITH LIGHTS) .....	1
49	00568G6		LOCK WASHER, 3/4" .....	1
50	17137P1		FACE NUT, 3/4 - 20 .....	1
51	22674G1		FUSE BLOCK .....	1
52	74693G01		CONSOLE INSERT ASSEMBLY (INCLUDES ITEMS 116 - 119) .....	1
53	73522G03		CONSOLE INSERT PLATE .....	1
54	35966G03		LABEL (CONSOLE INSERT PLATE) .....	1
55	71078G01		POWER OUTLET (12 VOLT) .....	1
56	14601G10		RIVET, 3/16" X 7/16" LG (ALUMINUM) .....	2
57	33623G02		DRIVE RIVET, 3/16" X 3/8" LG .....	3
58	71081G01		WIRE HARNESS (POWER OUTLET) .....	1
59	19344G1		ELECTRICAL VINYL TAPE (NOT ILLUSTRATED) .....	1

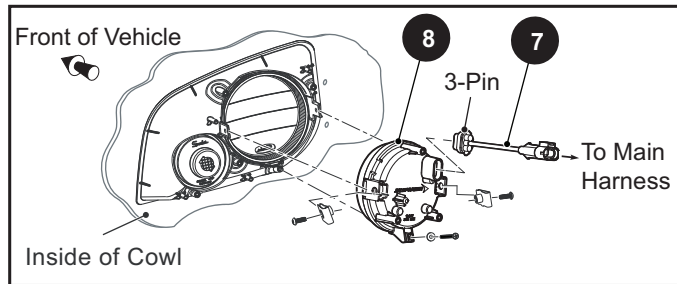
# ELECTRICAL SYSTEM

3 LED HEADLIGHT ASSEMBLY (PASSENGER SIDE) includes item 8

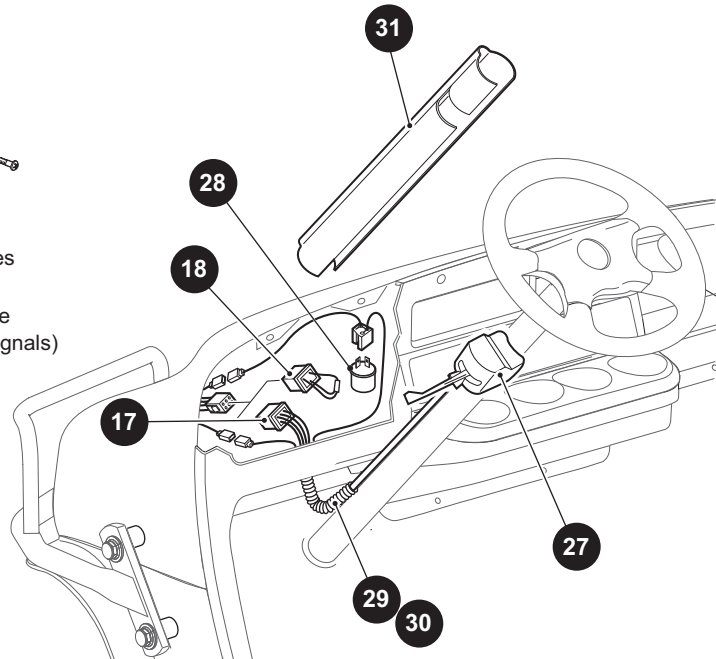
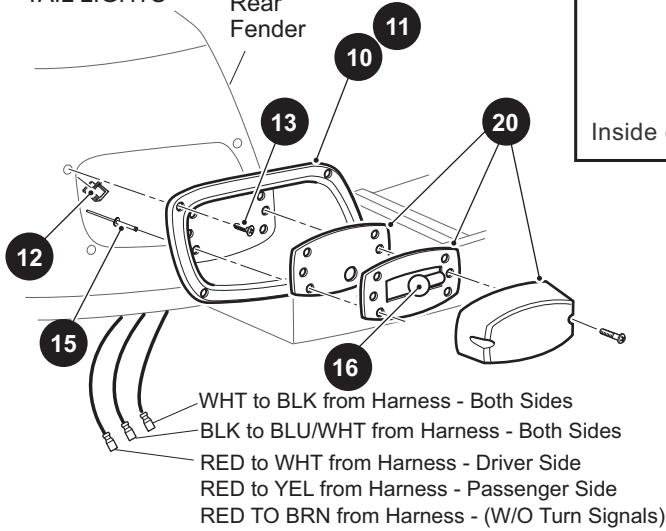
4 LED HEADLIGHT ASSEMBLY (DRIVER SIDE) includes item 8



HEAD LIGHT & TURN SIGNAL



TAIL LIGHTS



# ELECTRICAL SYSTEM

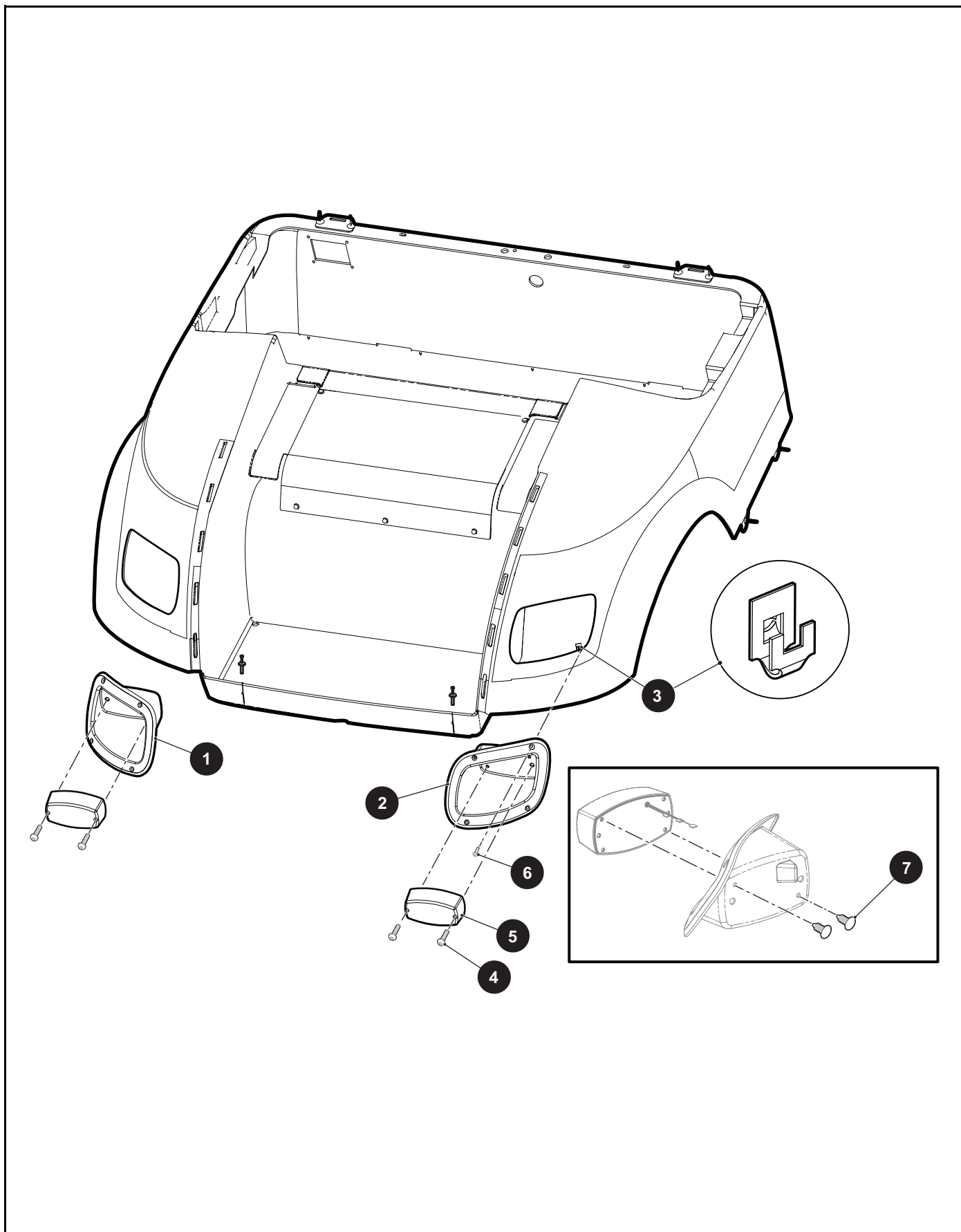
When ordering parts, please specify the model and serial number of the product.

\* Indicates a component that is not available as an individual part.

\*\*\* Indicates consult Customer Service Department for additional information.

ITEM	PART NO.	1 2 3 4 5	DESCRIPTION	QTY.
1	614497		HEADLIGHT W/O TURN SIGNAL (PASSENGER SIDE) .....	1
2	614501		HEADLIGHT W/O TURN SIGNAL (DRIVER SIDE) .....	1
3	659008		LED HEADLIGHT ASSEMBLY (PASSENGER SIDE) (INCLUDES ITEM 8)...	1
4	659009		LED HEADLIGHT ASSEMBLY (DRIVER SIDE) (INCLUDES ITEM 8) .....	1
5	71597G01		SELF THREADING NUT.....	8
6	71781G02		VINYL TAPE .....	2
7	654465		JUMPER HARNESS, LED HEADLIGHT .....	2
8	651411G03		LED HEADLIGHT .....	1
9				
10	74371G01		BEZEL (DRIVER SIDE) .....	1
11	74371G02		BEZEL (PASSENGER SIDE) .....	1
12	71364G02		'J' CLIP .....	8
13	71425G01		COUNTERSUNK SCREW, #8 .....	8
14				
15	14601G11		RIVET, 3/16 X 9/16" LG (ALUMINIUM).....	4
16	00513G4		SCREW ST 8 - 18 X 1 1/2" .....	4
17	666161		WIRE HARNESS (ACCESSORY), 48V DC,SWB.....	1
18	618260		JUMPER PLUG, TAIL LIGHT .....	1
19				
20	22288G1		TAILLIGHT ASSEMBLY (COMPLETE) .....	2
21				
22				
23				
24				
25	622712		TURN SIGNAL KIT INCLUDES ITEM 26 - 31.....	1
26	619102		TURN SIGNAL BULB .....	1
27	611810		TURN SIGNAL SWITCH ASSEMBLY INCLUDES ITEM 28.....	1
28	21640G01		TURN SIGNAL FLASHER UNIT .....	1
29	17618G1		FLEX LOOM, 3/8" X 8" LG .....	1
30	17618G1		WIRE TIE.....	2
31	20965G3		STEERING COLUMN COVER .....	1

# ELECTRICAL SYSTEM



# ELECTRICAL SYSTEM

When ordering parts, please specify the model and serial number of the product.

\* Indicates a component that is not available as an individual part.

\*\*\* Indicates consult Customer Service Department for additional information.

ITEM	PART NO.	1 2 3 4 5	DESCRIPTION	QTY.
1	625251		BEZEL, TAILLIGHT (DRIVER SIDE) (FOR VEHICLES MANUFACTURED FROM MARCH 2014).....	1
2	625252		BEZEL, TAILLIGHT (PASSENGER SIDE) (FOR VEHICLES MANUFACTURED FROM MARCH 2014).....	1
3	71364G02		"J" TYPE NUT, #8 (FOR VEHICLES MANUFACTURED FROM MARCH 2014).....	8
4	00513G4		PAN HEAD PHILLIPS SCREW, #8 - 18 X 1.5" LG (FOR VEHICLES MANUFACTURED FROM MARCH 2014).....	4
5	22288G1		TAILLIGHT ASSEMBLY (FOR VEHICLES MANUFACTURED FROM MARCH 2014).....	2
6	71425G01		TAPPING SCREW, #8 - 18 X .75" LG (FOR VEHICLES MANUFACTURED FROM MARCH 2014).....	8
7	14601G11		RIVET, 3/16" X 9/16" (FOR VEHICLES MANUFACTURED FROM MARCH 2014).....	2

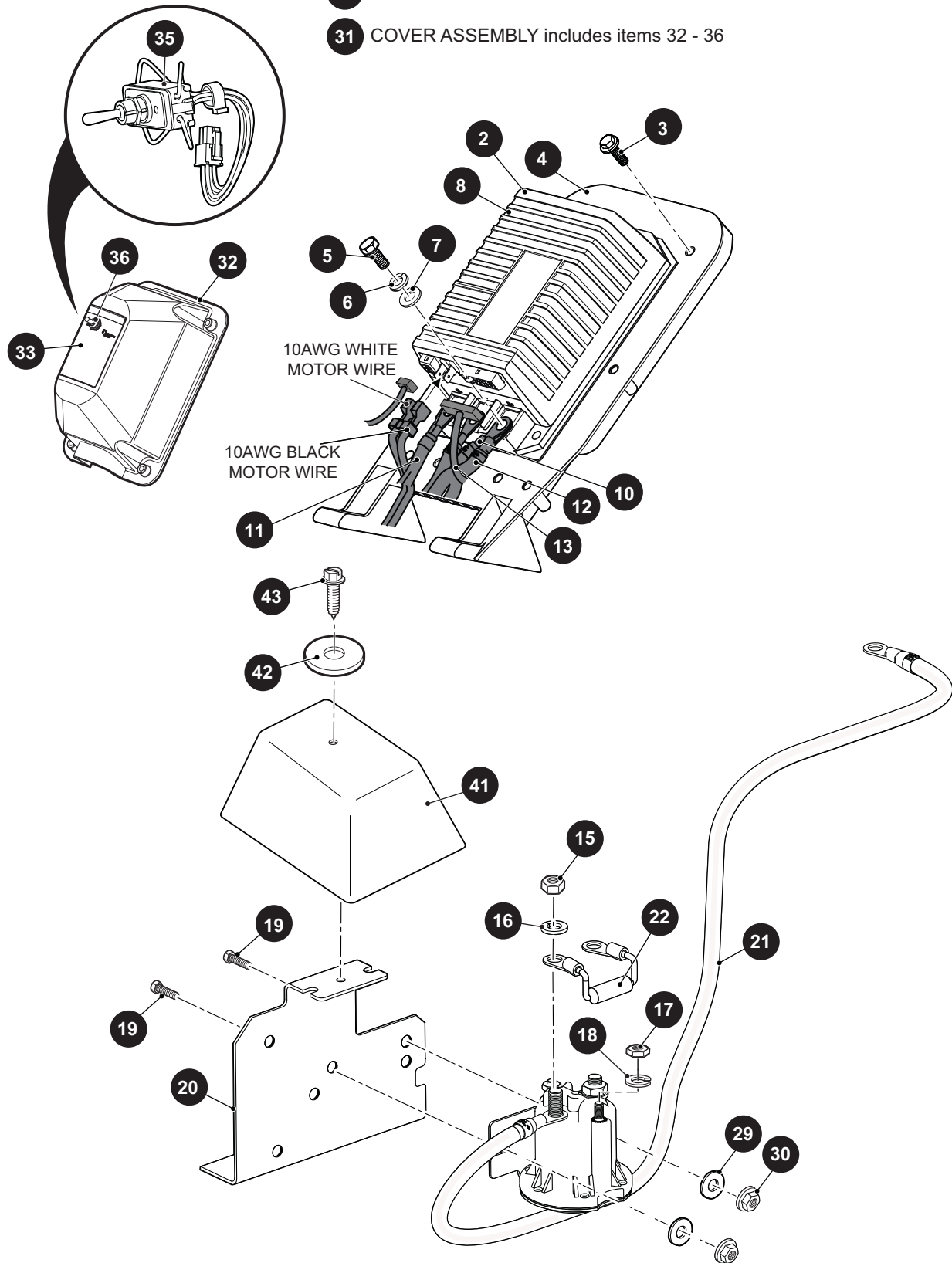






# ELECTRONIC SPEED CONTROL

- 1 ELECTRONIC SPEED CONTROL ASSEMBLY includes items 2 - 30
- 14 SOLENOID includes items 15 - 18
- 31 COVER ASSEMBLY includes items 32 - 36



# ELECTRONIC SPEED CONTROL

When ordering parts, please specify the model and serial number of the product.

\* Indicates a component that is not available as an individual part.

\*\*\* Indicates consult Customer Service Department for additional information.

ITEM	PART NO.	1 2 3 4 5	DESCRIPTION	QTY.
1	654740		ELECTRONIC SPEED CONTROL ASSEMBLY, 48V (INCLUDES ITEMS 2 - 30) .....	1
2	612632		CONTROLLER, 48V.....	1
3	71102G01		HEX HEAD CAP SCREW, 1/4" - 20 X .90" LG.....	3
4	73471G01		HEATSINK.....	1
5	73296G01		HEX HEAD BOLT, M8 - 1.25 X 16MM.....	3
6	00565G8		LOCK WASHER, 5/16".....	3
7	00559G8		FLAT WASHER, 5/16".....	3
8	73190G01		THERMAL MOUNTING PAD.....	1
9	31539G1		NYLON CLAMP, 15.5" LG (NOT ILLUSTRATED).....	1
10	617612		POWER HARNESS.....	1
11	620437		WIRE ASSEMBLY (BLUE), 6AWG, 675MM.....	1
12	620432		WIRE ASSEMBLY (GREEN), 4AWG, 400MM.....	1
13	620964		MAIN WIRE HARNESS (VPS), 48V.....	1
14	612711		SOLENOID, 48V (INCLUDES ITEMS 15 - 18).....	1
15	00544G4		LOCK NUT, 5/16" - 24.....	2
16	00565G8		LOCK WASHER, 5/16".....	2
17	00526G4		LOCK NUT, #10 - 32.....	2
18	00565G5		LOCK WASHER, #10.....	2
19	00414G5		HEX HEAD BOLT, 1/4" - 20 X 5/8" LG.....	2
20	73057G02		BRACKET.....	1
21	607592		WIRE ASSEMBLY (GREEN), 4AWG, 28" LG.....	1
22	620430		RESISTOR ASSEMBLY, 500 OHM.....	1
23				
24				
25				
26				
27				
28				
29	01110G01		FLAT WASHER, 1/4".....	2
30	11027G2		FLANGED NUT, 5/16 - 18".....	2

# ELECTRONIC SPEED CONTROL

When ordering parts, please specify the model and serial number of the product.

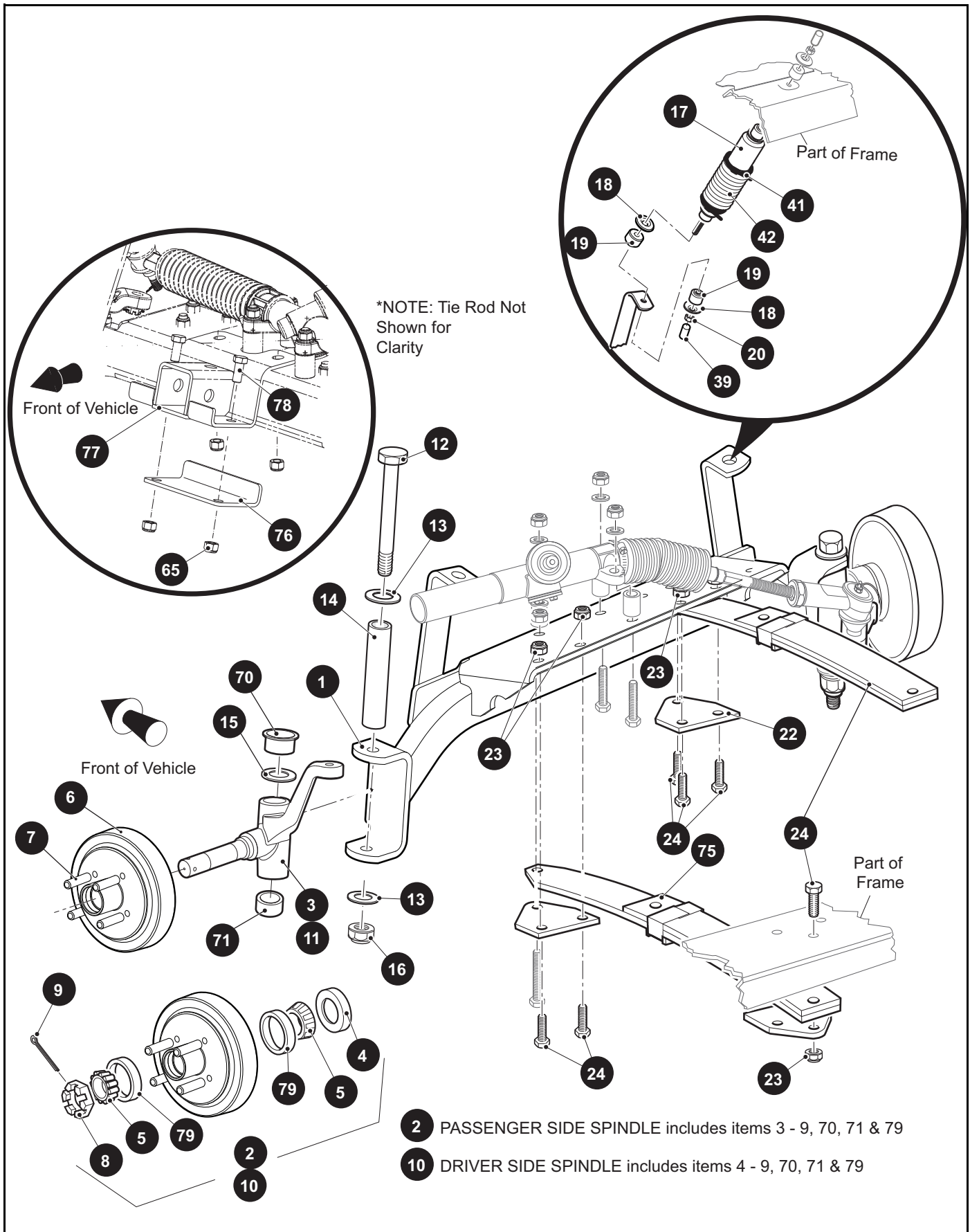
\* Indicates a component that is not available as an individual part.

\*\*\* Indicates consult Customer Service Department for additional information.

ITEM	PART NO.	1	2	3	4	5	DESCRIPTION	QTY.
31	612753						COVER ASSEMBLY (INCLUDES ITEMS 32 - 36) .....	1
32	73482G01						COVER .....	1
33	613048						LABEL .....	1
34								
35	633114						TOGGLE SWITCH .....	1
36	73139G01						SEALED NUT, 15/32" - 32 .....	1
37								
38								
39								
40								
41	73049G01						COVER .....	1
42	16469G1						FLAT WASHER, 1/4" .....	1
43	00114G6						TAPPING SCREW, 1/4" - 10 X 3/4" LG .....	1



# FRONT SUSPENSION & STEERING

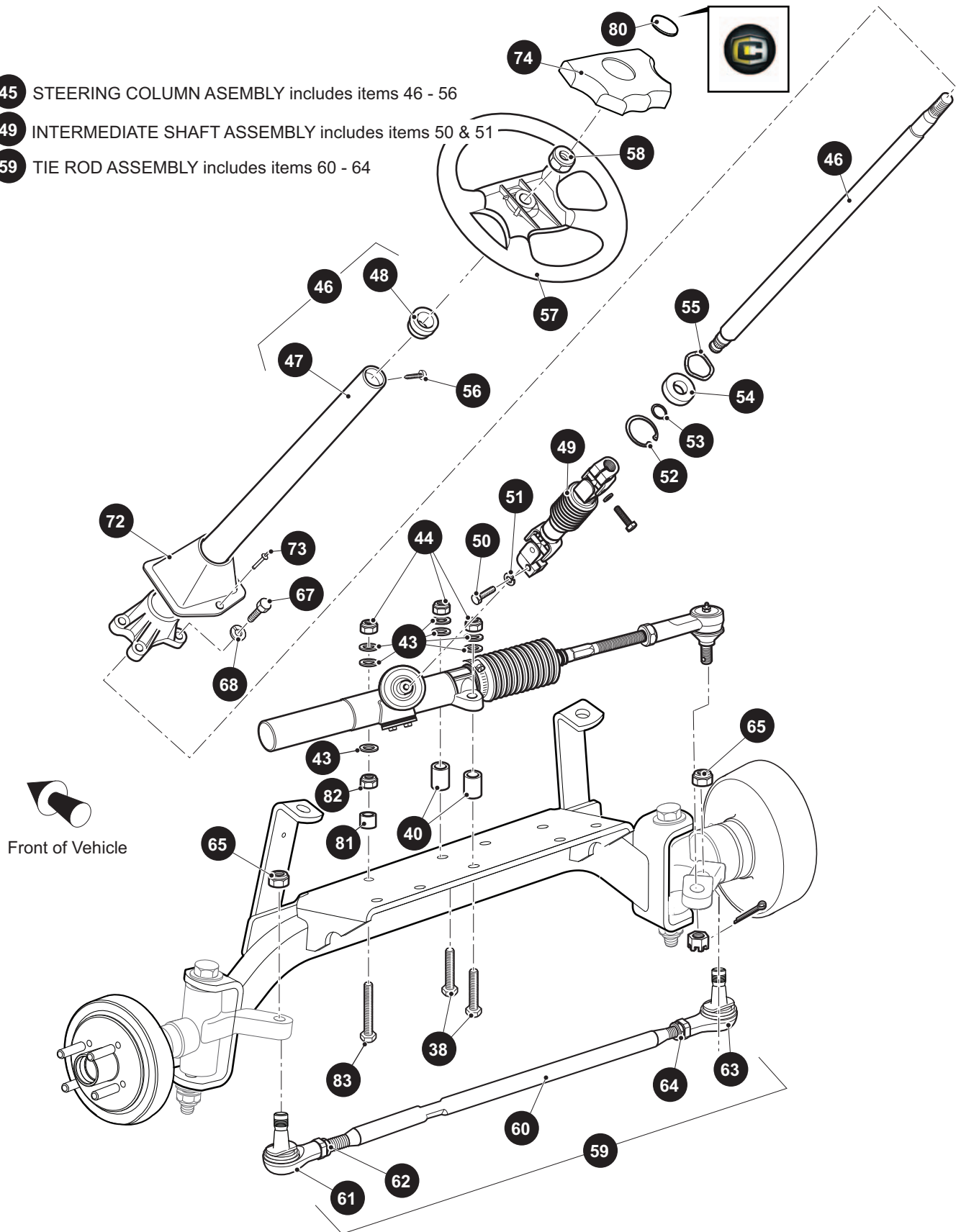


# FRONT SUSPENSION & STEERING

45 STEERING COLUMN ASSEMBLY includes items 46 - 56

49 INTERMEDIATE SHAFT ASSEMBLY includes items 50 & 51

59 TIE ROD ASSEMBLY includes items 60 - 64



Front of Vehicle

# FRONT SUSPENSION & STEERING

When ordering parts, please specify the model and serial number of the product.

\* Indicates a component that is not available as an individual part.

\*\*\* Indicates consult Customer Service Department for additional information.

ITEM	PART NO.	1 2 3 4 5	DESCRIPTION	QTY.
1	652823		FRONT AXLE .....	1
2	70930G02		SPINDLE AND HUB ASSEMBLY (PASSENGER SIDE) (INCLUDES ITEMS 3 - 9, 70, 71 & 79) .....	1
3	70802G01		SPINDLE ASSEMBLY (PASSENGER SIDE) .....	1
4	25146G1		GREASE SEAL .....	1
5	11750G2		ROLLER BEARING AND RACE ASSEMBLY .....	2
6	74332G01		HUB WHEEL.....	1
7	36038G01		STUD .....	4
8	12093G1		CASTELLATED NUT, 17/32".....	1
9	00798G8		COTTER PIN, 5/32" X 1 3/4" LG.....	1
10	70931G02		SPINDLE AND HUB ASSEMBLY (DRIVER SIDE) (INCLUDES ITEMS 4 - 9, 11, 70, 71 & 79).....	1
11	70803G01		SPINDLE ASSEMBLY (DRIVER SIDE) .....	1
12	00407G6		KING PIN BOLT, 1/2" - 13 X 6" LG .....	2
13	00560G3		FLAT WASHER, 1/2" .....	4
14	70745G01		KING PIN TUBE .....	2
15	70754G01		THRUST WASHER (SS), 1" .....	2
16	14390G6		LOCK NUT, 1/2" - 13 .....	2
17	76419G01		SHOCK ABSORBER .....	2
18	10435G1		SHOCK ABSORBER WASHER, 5/16" .....	8
19	10194G1		RUBBER BUSHING .....	8
20	00532G6		HEX NUT, 1/4" - 20.....	4
21				
22	652258		SPRING PLATE.....	4
23	00734G1		LOCK NUT, 7/16" - 14 .....	11
24	00463G11		HEX HEAD BOLT, 7/16" - 14 X 1 1/2" LG.....	11
25				
26				
27				
28				
29				
30				



# FRONT SUSPENSION & STEERING

When ordering parts, please specify the model and serial number of the product.

\* Indicates a component that is not available as an individual part.

\*\*\* Indicates consult Customer Service Department for additional information.

ITEM	PART NO.	1 2 3 4 5	DESCRIPTION	QTY.
31				
32				
33				
34				
35				
36				
37				
38	00464G8		HEX HEAD BOLT, 7/16" - 14 X 2 3/4" LG .....	2
39	10044G01		VINYL CAP.....	4
40	70667G02		SPACER, O.D 1" X I.D .46" X 1.2" LG .....	2
41				
42				
43	00560G2		FLAT WASHER, 7/16".....	7
44	00734G1		LOCK NUT, 7/16" - 14.....	3
45	70758G05		STEERING COLUMN KIT (INCLUDES ITEMS 46 - 56).....	1
46	70607G01		STEERING SHAFT.....	1
47	70610G03		STEERING COLUMN.....	1
48	28569G01		STEERING COLUMN BUSHING .....	1
49	70580G01		INTERMEDIATE SHAFT ASSY ( INCLUDES ITEMS 50 & 51) .....	1
50	01055G01		METRIC BOLT, M8 X 1.25 - 30MM LG .....	1
51	00565G8		LOCK WASHER, 5/16" .....	1
52	70751G01		RETAINING RING (INTERNAL) .....	1
53	70888G01		RETAINING RING (EXTERNAL) .....	1
54	15112G1		BALL BEARING .....	1
55	70887G01		WAVE WASHER.....	1
56	01022G01		HEX HEAD BOLT #6 - 20 X 5/16" LG .....	1
57	602980		STEERING WHEEL .....	1
58	14390G2		LOCK NUT, 5/8" - 18.....	1
59	70876G02		TIE ROD ASSEMBLY (INCLUDES ITEMS 60 - 64).....	1
60	70897G02		THREADED ROD (24" LG) .....	1
61	70902G01		TIE ROD END (LEFT HAND THREADS) .....	1

# FRONT SUSPENSION & STEERING

When ordering parts, please specify the model and serial number of the product.

\* Indicates a component that is not available as an individual part.

\*\*\* Indicates consult Customer Service Department for additional information.

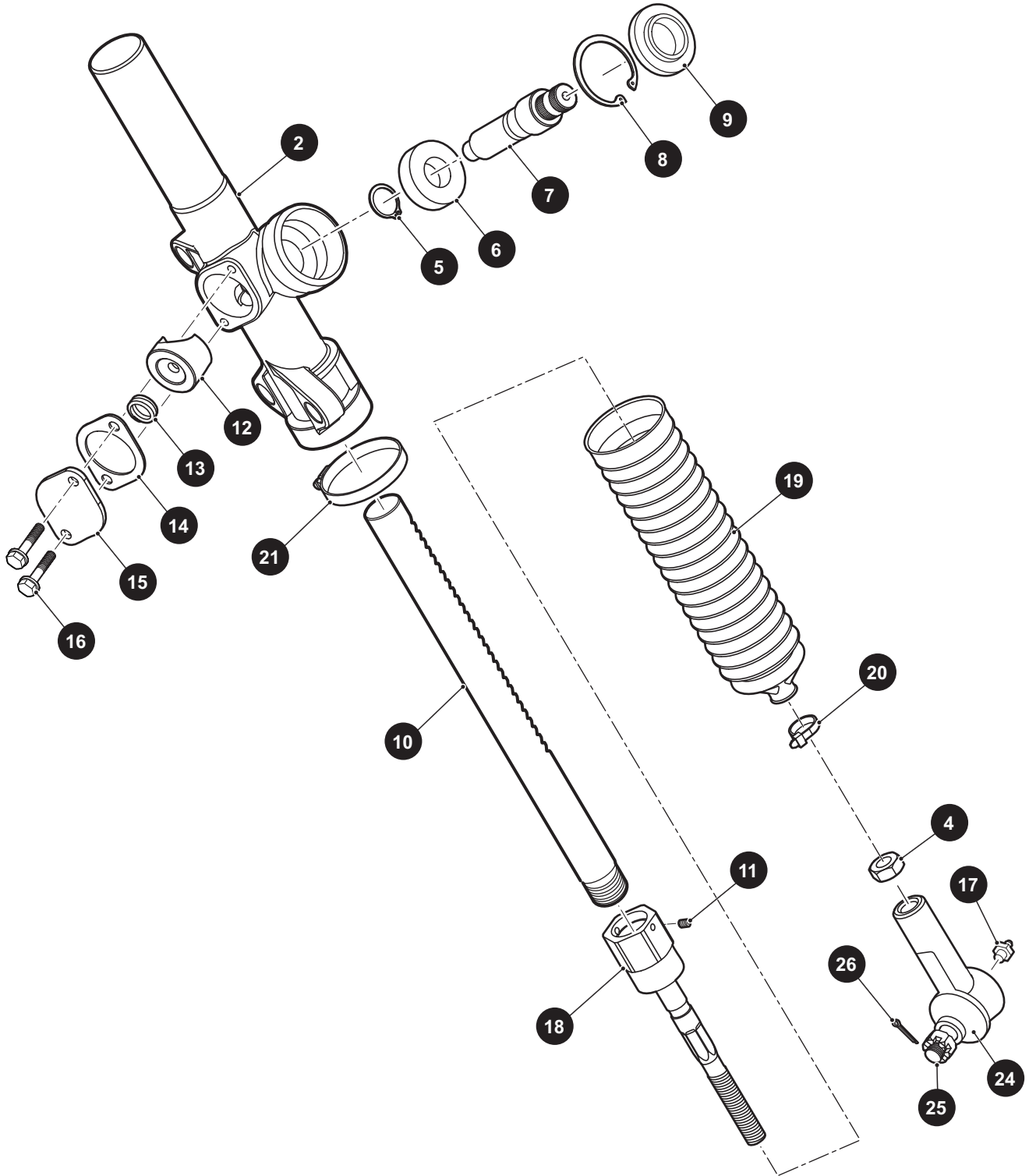
ITEM	PART NO.	1 2 3 4 5	DESCRIPTION	QTY.
62	01069G01		JAM NUT, M12 X 1.25 - 05 (LEFT HAND THREADS).....	1
63	70902G02		TIE ROD END (RIGHT HAND THREADS).....	1
64	01069G02		JAM NUT, M12 X 1.25 - 05 (RIGHT HAND THREADS) .....	1
65	00734G1		LOCK NUT, 7/16" - 14 .....	6
66				
67	01006G01		HEX WASHER HEAD BOLT, 3/8" - 16 X 1 1/4" LG .....	4
68	00879 G1		LOCK WASHER, 3/8" .....	4
69				
70	632925		BUSHING, FLANGED.....	1
71	632926		BUSHING, SLEEVE.....	1
72	70997G01		STEERING COLUMN BASE COVER .....	1
73	71055G01		RIVET, 3/16" DIA .....	1
74	71147G01		STEERING WHEEL COVER.....	1
75	70990G03		SPRING FRONT CANT LEAF .....	2
76	604572		WINCH RECEIVER RETAINER PLATE .....	1
77	635202		WINCH RECEIVER WELDMENT .....	1
78	00462G8		HEX HEAD BOLT, 7/16" - 14 X 1" LG .....	4
79	51141G1		BEARING RACE .....	2
80	618086		STEERING WHEEL DECAL ( CUSHMAN ) .....	1
81	70667G04		SPACER, O.D 1" X I.D .46" X .69" LG.....	1
82	00532G7		HEX NUT, 1/4" - 20.....	1
83	01068G01		HEX HEAD BOLT, 7/16" - 14 X 3.5" LG.....	1



# FRONT SUSPENSION & STEERING

**1** RACK AND PINION UNIT includes items 2 - 23

**23** RACK BALL JOINT includes items 24 - 25



# FRONT SUSPENSION & STEERING

When ordering parts, please specify the model and serial number of the product.

\* Indicates a component that is not available as an individual part.

\*\*\* Indicates consult Customer Service Department for additional information.

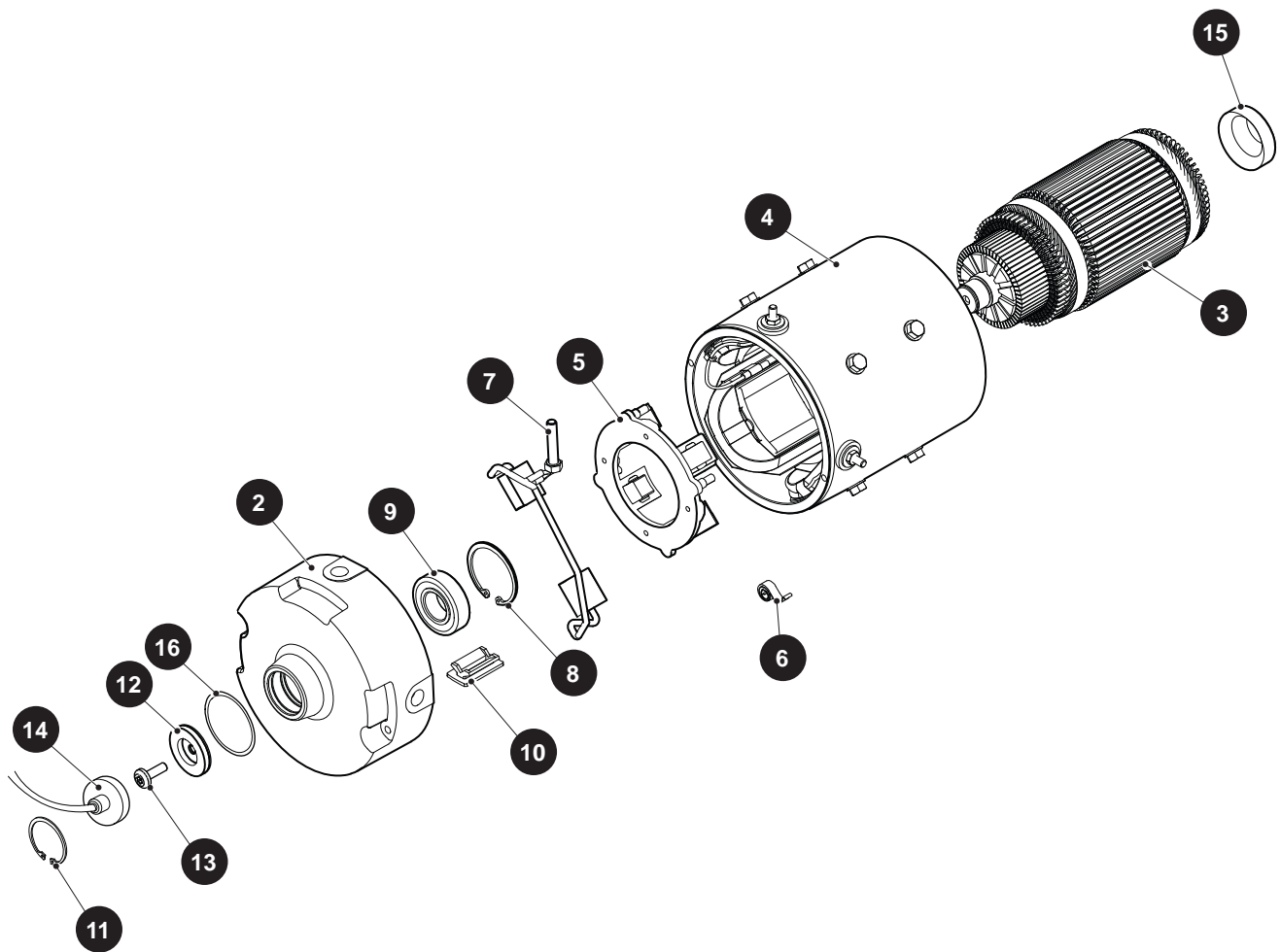
ITEM	PART NO.	1 2 3 4 5	DESCRIPTION	QTY.
1	70964G01		RACK AND PINION UNIT (INCLUDES ITEMS 2 - 23) .....	1
2	70965G01		STEERING RACK COVER & BEARING .....	1
3				
4	*		JAM NUT, 1/2" - 20 .....	1
5	70750G01		RETAINING RING (EXTERNAL) .....	1
6	15112G1		BALL BEARING .....	1
7	70603G01		PINION .....	1
8	70751G01		RETAINING RING (INTERNAL) .....	1
9	70638G01		SEAL (PINION) .....	1
10	70604G01		STEERING RACK .....	1
11	*		SET SCREW, #10 - 32 X .25" LG .....	1
12	70590G01		RACK LOADER .....	1
13	70666G01		COMPRESSION SPRING .....	1
14	70645G01		GASKET (RACK LOADER COVER) .....	1
15	652259		COVER (RACK LOADER) .....	1
16	71102G01		HEX WASHER HEAD BOLT, 1/4" - 20 X 11/16" LG .....	2
17	10389G3		GREASE FITTING (STRAIGHT) .....	1
18	74694G01		ROD END (INNER) .....	1
19	70961G01		RACK BOOT .....	1
20	12416G2		NYLON CLAMP, 10" .....	1
21	11391G8		HOSE CLAMP, 1.81" .....	1
22				
23	70695G01		TIE ROD END (OUTER) (INCLUDES ITEMS 24 - 25) .....	1
24	50641G1		GROMMET .....	1
25	50209G2		HEX SLOTTED NUT, 7/16" - 20 .....	1
26	10387G2		COTTER PIN, 3/32" X 1" .....	1





# MOTOR

1 Motor Includes Items 2 - 10





When ordering parts, please specify the model and serial number of the product.

\* Indicates a component that is not available as an individual part.

\*\*\* Indicates consult Customer Service Department for additional information.

ITEM	PART NO.	1 2 3 4 5	DESCRIPTION	QTY.
1	624105		MOTOR 48V (INCLUDES ITEMS 2 - 10).....	1
2	625886		COMMUNTATOR END HEAD .....	1
3	626171		ARMATURE.....	1
4	626172		FRAME AND FILED ASSEMBLY .....	1
5	625884		BRUSH BOX ASSEMBLY .....	1
6	73120G03		BRUSH SPRING .....	4
7	73120G25		BRUSH AND TERMINAL SERVICE KIT .....	1
8	73120G06		RETAINING RING .....	1
9	73120G07		BEARING.....	1
10	625885		COVER .....	1
11	73277G01		RETAINING RING .....	1
12	73328G01		SPEED SENSOR MAGNET .....	1
13	01037G02		SCREW.....	1
14	620422		SPEED SENSOR HARNESS .....	1
15	24261G1		BUMPER SPLINE .....	1
16	624109		O-RING .....	1



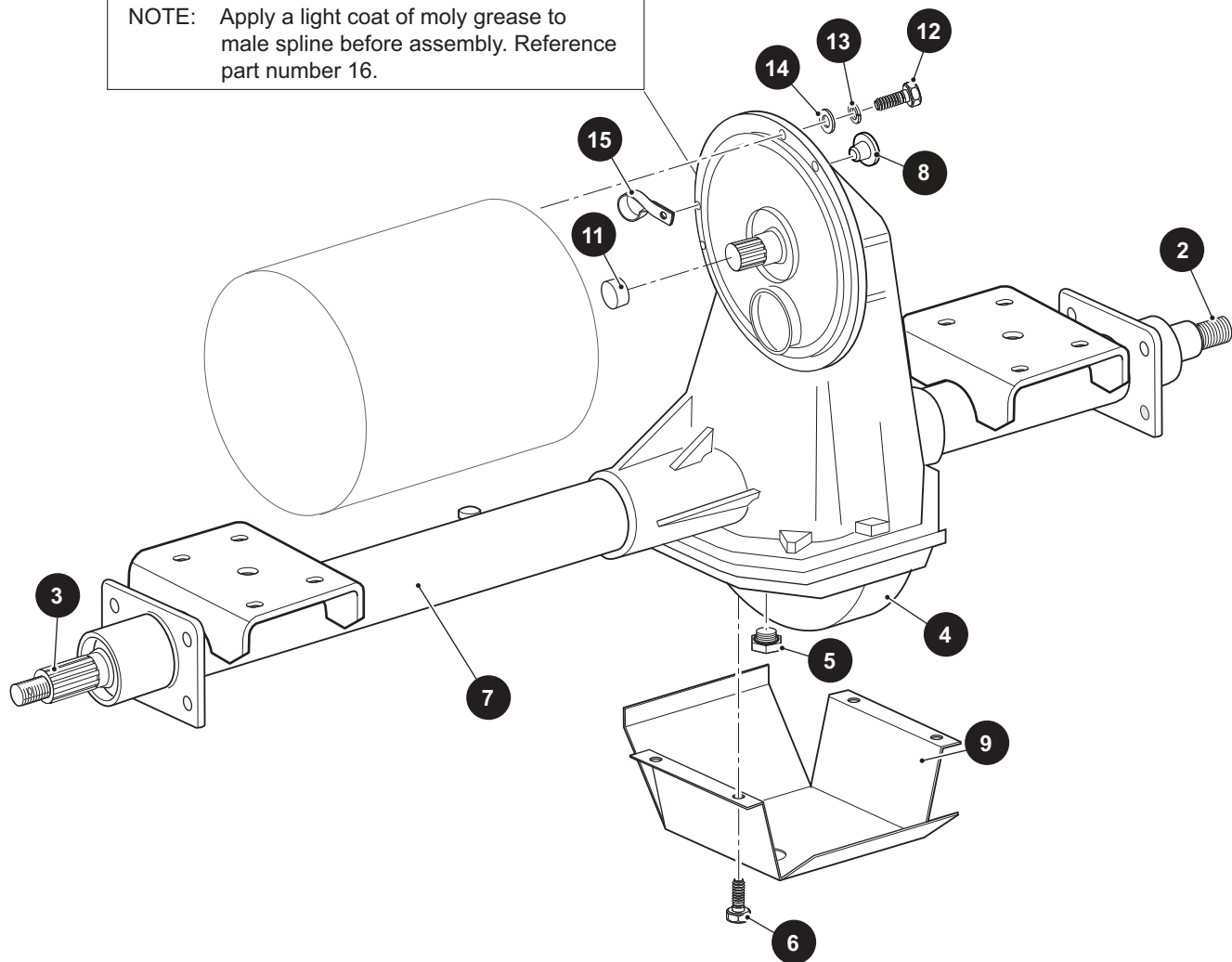


# REAR AXLE

**1** REAR AXLE ASSEMBLY Includes Items 2 - 7

**17** REAR AXLE ASSEMBLY Includes Items 2 - 7

NOTE: Apply a light coat of moly grease to male spline before assembly. Reference part number 16.



# REAR AXLE

When ordering parts, please specify the model and serial number of the product.

\* Indicates a component that is not available as an individual part.

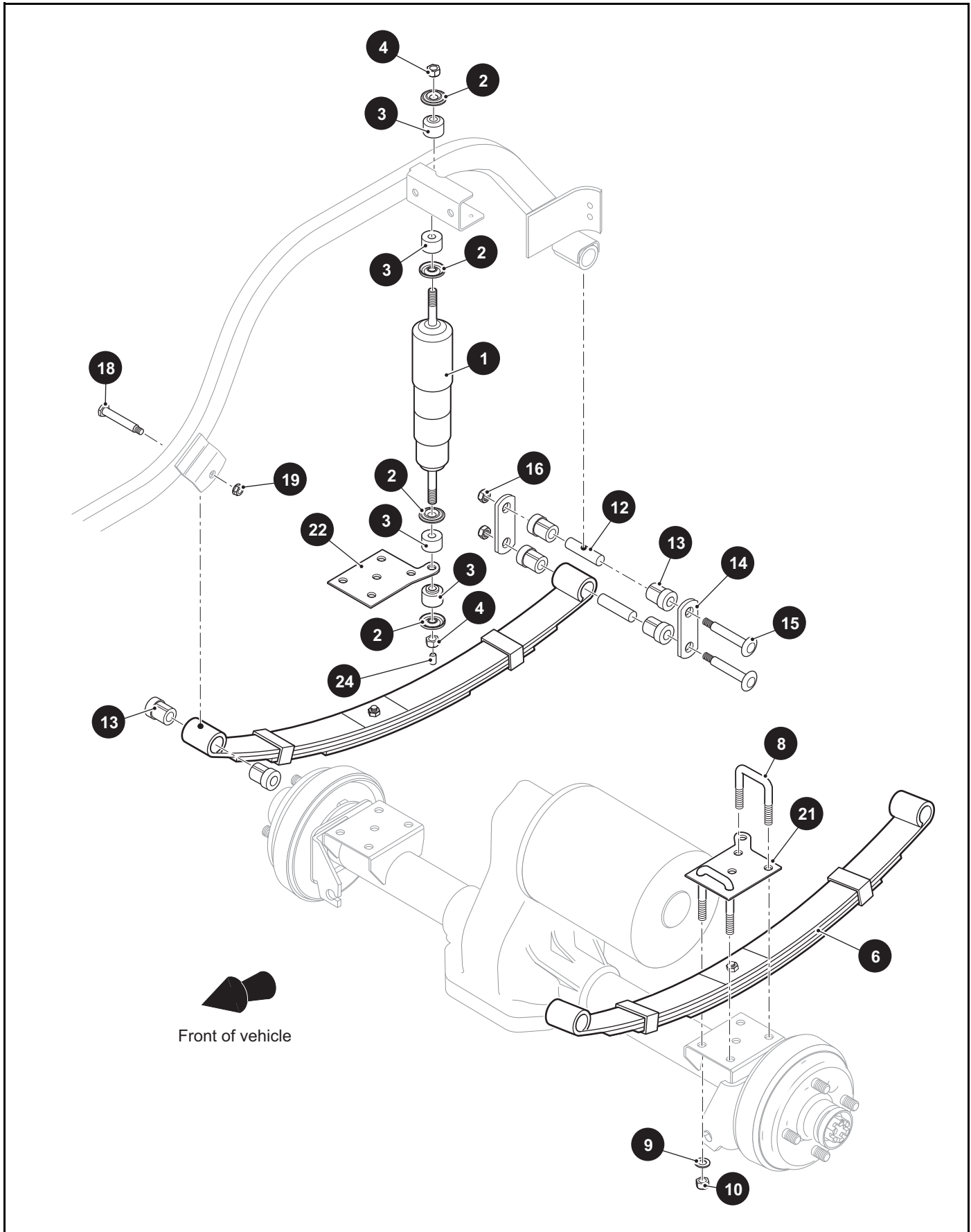
\*\*\* Indicates consult Customer Service Department for additional information.

ITEM	PART NO.	1 2 3 4 5	DESCRIPTION	QTY.
1	74776G01		REAR AXLE ASSEMBLY (INCLUDES ITEMS 2 - 7) .....	1
2	617609		AXLE SHAFT (PASSENGER SIDE).....	1
3	617608		AXLE SHAFT (DRIVER SIDE) .....	1
4	612823		DIFFERENTIAL COVER .....	1
5	28610G01		FILL PLUG WITH 'O' RING .....	1
6	15558G1		HEX BOLT, 5/16 - 18 X 3/4" .....	10
7	73050G01		VENT .....	1
8	624110		PLUG .....	3
9	72764G02		SCUFF GUARD .....	1
10				
11	24261G1		SPLINE BUMPER .....	1
12	00797G2		BOLT, 1/4 - 20 X 1 1/4" LG.....	3
13	00664G7		LOCK WASHER, 1/4" (SS) .....	3
14	01110G01		FLAT WASHER, 1/4" (SS).....	3
15	27327G01		CLAMP .....	1
16	27023G01		MOLY LUBE, 2 OZ.....	AR
17	617150		REAR AXLE ASSEMBLY (INCLUDES 2 -7) .....	1





# REAR SUSPENSION





# REAR SUSPENSION

When ordering parts, please specify the model and serial number of the product.

\* Indicates a component that is not available as an individual part.

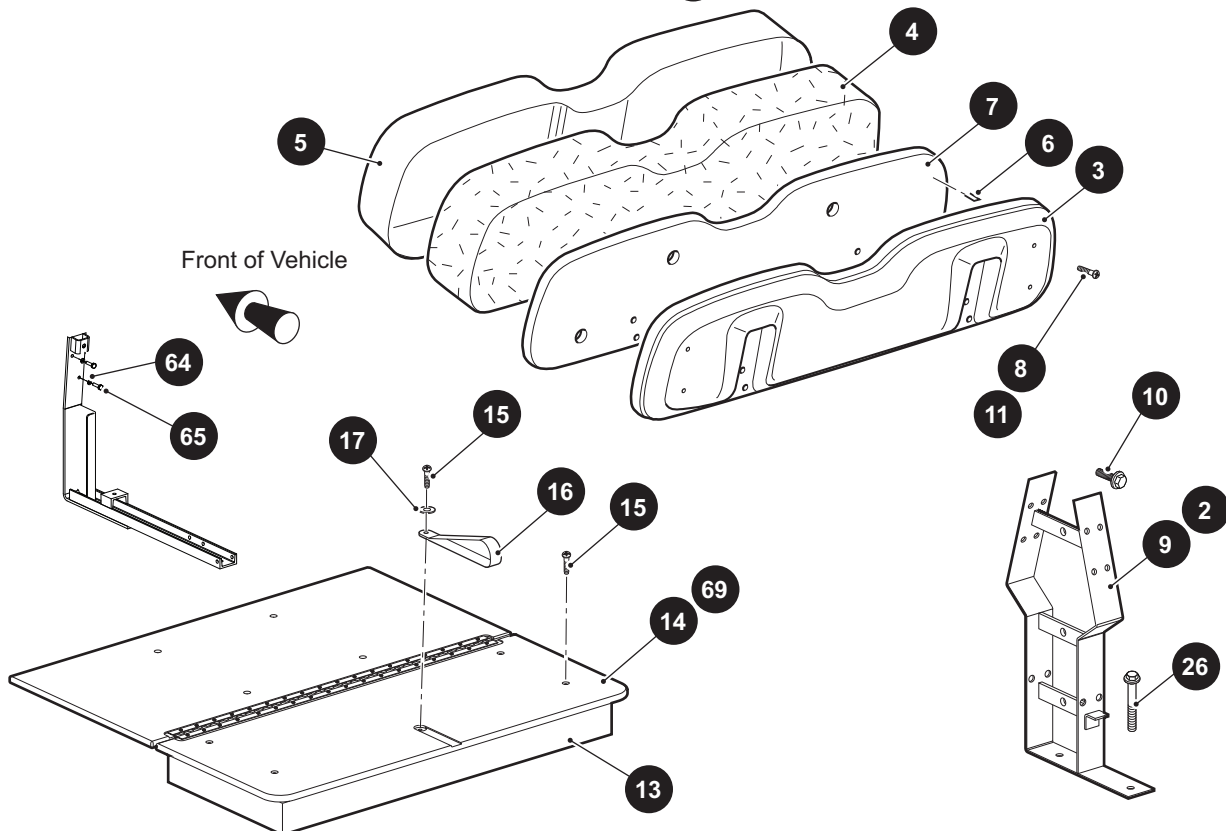
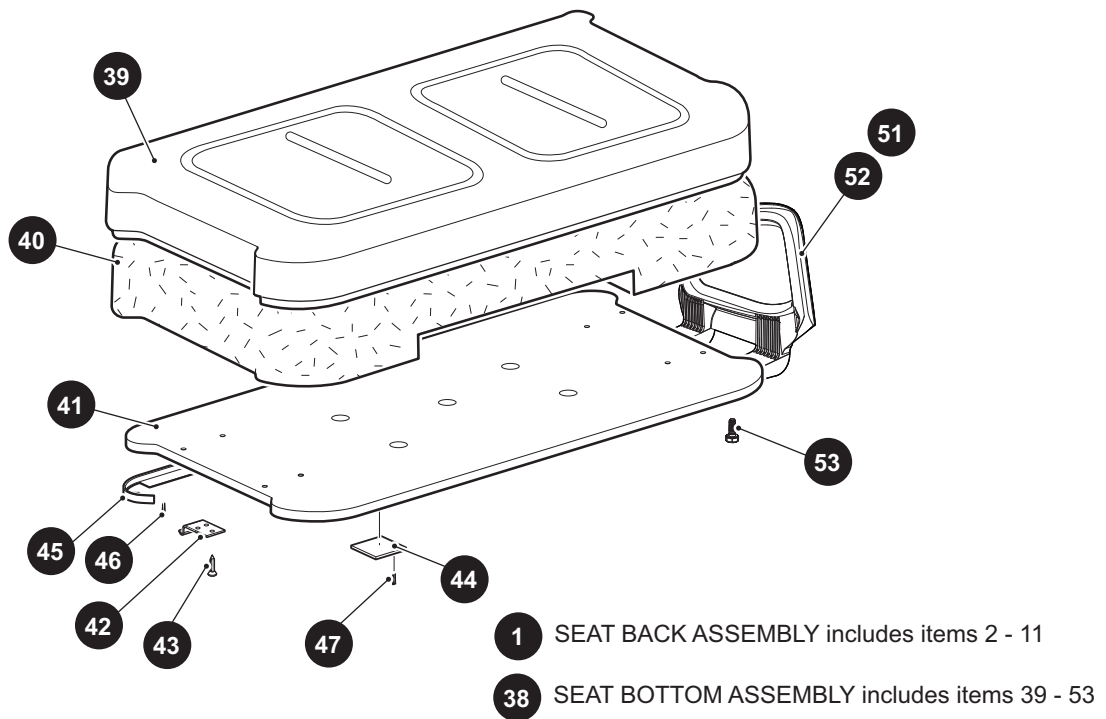
\*\*\* Indicates consult Customer Service Department for additional information.

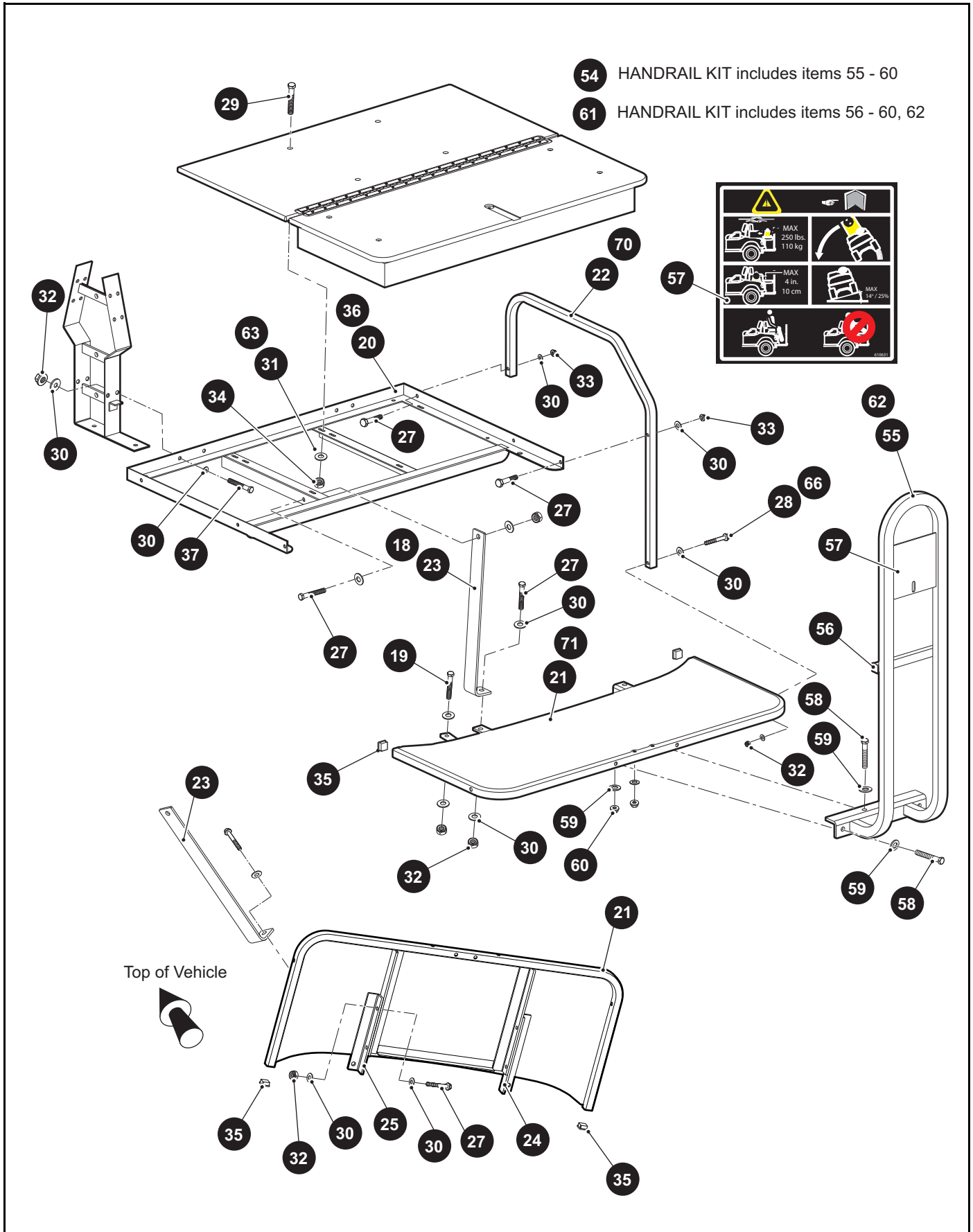
ITEM	PART NO.	1 2 3 4 5	DESCRIPTION	QTY.
1	76418G01		SHOCK ABSORBER.....	2
2	10435G1		SHOCK ABSORBER WASHER.....	8
3	10194G1		RUBBER BUSHING.....	8
4	00532G6		HEX NUT, 3/8" - 24.....	4
5				
6	75721G01		LEAF SPRING.....	2
7				
8	72618G01		'U' BOLT, 3/8" - 16 X 2" X 2 1/2" LG.....	4
9	00560G1		FLAT WASHER, 3/8".....	8
10	11098G5		LOCK NUT, 3/8" - 16.....	8
11				
12	70289G02		SPLIT STEEL SPACER.....	4
13	624030		FLANGED BUSHING.....	12
14	652245		SHACKLE PLATE.....	4
15	00665G9		HEX HEAD BOLT, 3/8" - 16 X 3 1/2" LG (STAINLESS STEEL).....	4
16	11098G5		LOCK NUT, 3/8" - 16.....	4
17				
18	14158G1		SHOULDER BOLT, 3/8" - 16 X 3 1/4" LG.....	2
19	12262G1		LOCK NUT, 3/8" - 16.....	2
20				
21	620736		SHOCK ABSORBER MOUNTING PLATE (DRIVER SIDE).....	1
22	620733		SHOCK ABSORBER MOUNTING PLATE (PASSENGER SIDE).....	1
23				
24	10044G01		VINYL CAP.....	2





# SEATING





# SEATING

When ordering parts, please specify the model and serial number of the product.

\* Indicates a component that is not available as an individual part.

\*\*\* Indicates consult Customer Service Department for additional information.

ITEM	PART NO.	1	2	3	4	5	DESCRIPTION	QTY.	
1	***	SEAT BACK ASSEMBLY (INCLUDES ITEMS 2 - 11) .....					1		1
							71751G03 OYSTER		
							71751G04 TAN		
							71751G07 BLACK		
							71751G06 BROWN		
							71751G01 GREY		
2	631478	SEAT BACK SUPPORT (FOR VEHICLES MANUFACTURED FROM MARCH 2014).....					1		1
3	71752G01	SEAT BACK REAR COVER .....					1		1
4	71754G01	FOAM PADDING.....					1		1
5	***	VINYL SEAT BACK COVER .....					1		1
							71753G03 OYSTER		
							71753G04 TAN		
							71753G07 BLACK		
							71753G06 BROWN		
							71753G02 GREY		
6	23222G01	FLAT STAPLE .....					95		95
7	645021	SEAT BACK BASE.....					1		1
8	01107G01	PAN HEAD TORX SCREW, # 8 - 20 X .63" LG .....					4		4
9	615730	SEAT BACK SUPPORT .....					2		2
10	71204G01	HEX HEAD BOLT, 1/4" - 20 X 7/8" LG .....					8		8
11	607535	PAN HEAD TORX SCREW, #8 - 20 X .99" LG (FOR VEHICLES MANUFACTURED FROM MARCH 2014).....					4		4
12	***	FLIP FLOP SEAT BOTTOM ASSEMBLY (INCLUDES ITEMS 13 - 17).....					1		1
							621027 TAN		
							621026 OYSTER		
							617897 BROWN		
							617895 GREY		
							621036 BLACK		
13	***	FLIP FLOP VINYL SEAT BOTTOM COVER.....					1		1
							615647 TAN		
							615646 OYSTER		
							617893 BROWN		
							617892 GREY		
							615648 BLACK		
14	617137	DECK BOARD ASSEMBLY .....					1		1
15	16705G1	HEX HEAD BOLT (SS), 5/16" - 18 X .88" LG .....					5		5
16	617402	SEAT STRAP .....					1		1
17	00559G7	FLAT WASHER, 1/4" .....					1		1

When ordering parts, please specify the model and serial number of the product.

\* Indicates a component that is not available as an individual part.

\*\*\* Indicates consult Customer Service Department for additional information.

ITEM	PART NO.	1	2	3	4	5	DESCRIPTION	QTY.
18	634174						SEAT FRAME SUPPORT (FOR VEHICLES MANUFACTURED FROM MARCH 2014).....	1
19	00427G6						HEX HEAD BOLT, 3/8" - 16 X 1 1/4" LG (FOR VEHICLES MANUFACTURED FROM MARCH 2014).....	2
20	615712						SEAT FRAME WELDMENT .....	1
21	615714						FOOTREST WELDMENT .....	1
22	615729						ARMREST, REAR SEAT.....	2
23	615713						SEAT FRAME SUPPORT .....	2
24	615728						FOOTREST BRACKET (PASSENGER SIDE).....	1
25	615727						FOOTREST BRACKET (DRIVER SIDE) .....	1
26	01006G01						HEX HEAD BOLT, 3/8" - 16 X 1.25" LG .....	4
27	00427G4						HEX HEAD BOLT, 3/8" - 16 X 1.5" LG .....	16
28	00429G2						HEX HEAD BOLT, 3/8" - 16 X 3.25" LG .....	2
29	16705G9						HEX HEAD BOLT, 1/4" - 20 X 1.25" LG .....	4
30	614221						FLAT WASHER, 3/8".....	24
31	01110G01						FLAT WASHER, 1/4".....	4
32	11098G5						PLASTIC LOCK NUT, 3/8" - 16.....	14
33	11027G5						FLANGED LOCK NUT, 3/8" - 16.....	4
34	14390G4						PLASTIC LOCK NUT, 1/4" - 20.....	4
35	19853G1						SQUARE CAP TUBE, 1".....	2
36	634180						SEAT FRAME WELDMENT (FOR VEHICLES MANUFACTURED FROM MARCH 2014).....	1
37	00427G2						HEX HEAD BOLT, 3/8" - 49 X 1.25" LG (FOR VEHICLES MANUFACTURED FROM MARCH 2014).....	4
38	***						SEAT BOTTOM ASSEMBLY (INCLUDES ITEMS 39 - 53) .....	1
							629269G0103 TAN	
							629269G0101 OYSTER	
							629269G0106 BLACK	
							629269G0104 GRAY	
							629269G0107 BROWN	
39	***						VINYL SEAT BOTTOM COVER .....	1
							71602G03 OYSTER	
							71602G04 TAN	
							71602G06 BLACK	
							71602G02 GRAY	
							71602G07 BROWN	

# SEATING

When ordering parts, please specify the model and serial number of the product.

\* Indicates a component that is not available as an individual part.

\*\*\* Indicates consult Customer Service Department for additional information.

ITEM	PART NO.	1	2	3	4	5	DESCRIPTION	QTY.
40	71603G02						FOAM PADDING (SEAT BOTTOM).....	1
41	645492						SEAT BOTTOM.....	1
42	71610G01						SEAT HINGE.....	2
43	00720G08						HEX HEAD BOLT (SS), #12 - 14 X 1" LG.....	6
44	17074G1						RUBBER PAD .....	2
45	71012G01						VINYL TRIM (SEAT BOTTOM) .....	1
46	23222G1						FLAT STAPLE .....	110
47	23223G1						FLAT STAPLE .....	36
48								
49								
50								
51	617644						HIP RESTRAINT (PASSENGER SIDE).....	1
52	617645						HIP RESTRAINT (DRIVER SIDE) .....	1
53	615417						BUTTON HEAD TORX BOLT, M10 - 1.5 X 25MM LG .....	1
54	617901						HANDRAIL KIT, FLIP-FLOP SEAT (INCLUDES ITEMS 55 - 60) .....	1
55	615721						FOOTREST HANDLE WELDMENT .....	1
56	19859G1						SQUARE CAP TUBE, 3/4" .....	2
57	610631						DECAL .....	1
58	00427G8						HEX HEAD BOLT, 3/8" - 16 X 2" LG .....	4
59	614221						FLAT WASHER, 3/8" .....	8
60	11098G5						PLASTIC LOCK NUT, 3/8" - 16.....	4
61	634184						HANDRAIL KIT, FLIP-FLOP SEAT (INCLUDES ITEMS 56 - 60, 62) (FOR VEHICLES MANUFACTURED FROM MARCH 2014).....	1
62	631485						FOOTREST HANDLE WELDMENT .....	1
63	00559G7						FLAT WASHER, 1/4" (FOR VEHICLES MANUFACTURED FROM MARCH 2014) .....	4
64	00664G7						LOCK WASHER, 1/4" .....	4
65	00661G8						HEX HEAD BOLT, 1/4" - 20 X 1" LG.....	4
66	00428G8						HEX HEAD BOLT, 3/8" - 16 X 2.25" LG (FOR VEHICLES MANUFACTURED FROM MARCH 2014) .....	8



When ordering parts, please specify the model and serial number of the product.

\* Indicates a component that is not available as an individual part.

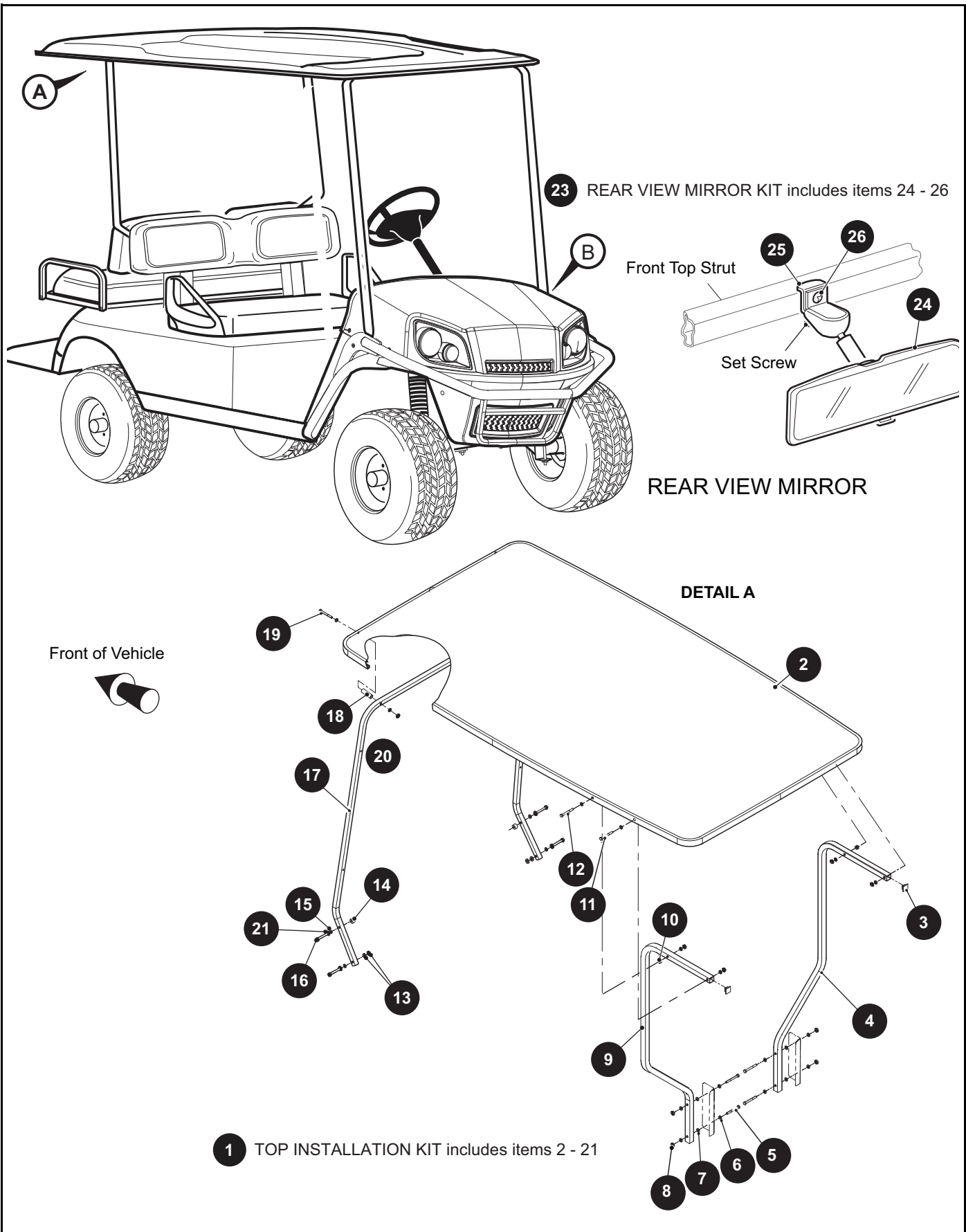
\*\*\* Indicates consult Customer Service Department for additional information.

ITEM	PART NO.	1	2	3	4	5	DESCRIPTION	QTY.
67	***						FLIP FLOP SEAT BOTTOM ASSEMBLY (INCLUDES ITEMS 13, 15 - 17, 69) (FOR VEHICLES MANUFACTURED FROM MARCH 2014).....	1
							628058G01 OYSTER	
							628058G03 TAN	
							628058G04 GRAY	
							628058G06 BLACK	
							628058G07 BROWN	
68								
69	634190						DECK BOARD ASSEMBLY (FOR VEHICLES MANUFACTURED FROM MARCH 2014).....	1
70	634175						REAR SEAT ARMREST (FOR VEHICLES MANUFACTURED FROM MARCH 2014).....	2
71	634179						FOOTREST WELDMENT (FOR VEHICLES MANUFACTURED FROM MARCH 2014).....	1

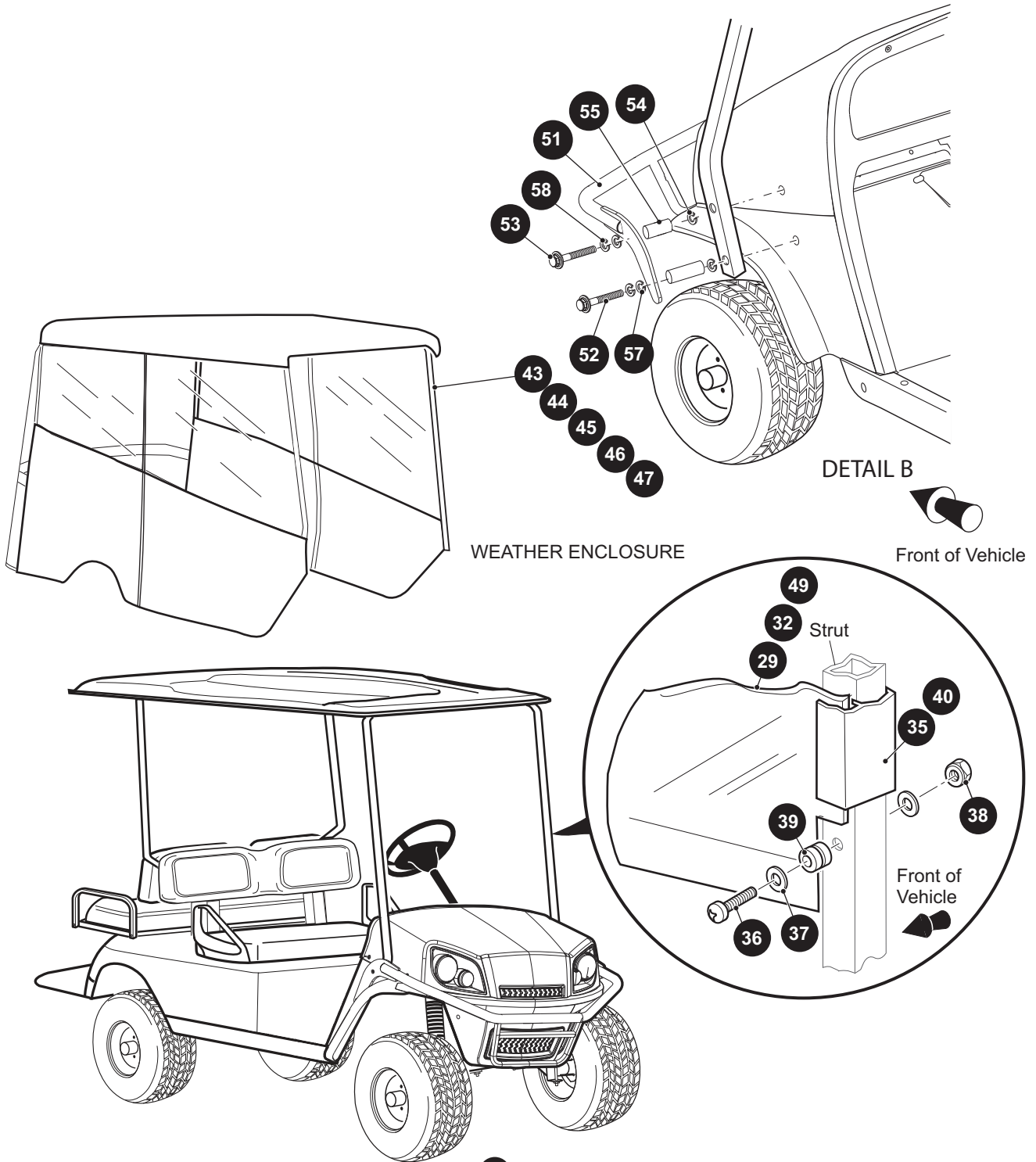




# WEATHER PROTECTION



# WEATHER PROTECTION



- 28 WINDSHIELD SPLIT KIT includes items 29 - 30
- 30 WINDSHIELD SPLIT HARDWARE KIT includes items 35 - 39
- 31 WINDSHIELD FULL KIT includes items 32 - 33
- 33 WINDSHIELD FULL HARDWARE KIT includes items 36 - 40
- 48 WINDSHIELD SPLIT KIT includes items 49 - 50
- 50 WINDSHIELD SPLIT HARDWARE KIT includes items 35 - 39

# WEATHER PROTECTION

When ordering parts, please specify the model and serial number of the product.

\* Indicates a component that is not available as an individual part.

\*\*\* Indicates consult Customer Service Department for additional information.

ITEM	PART NO.	1 2 3 4 5	DESCRIPTION	QTY.
1	603120		TOP INSTALLATION KIT (INCLUDES ITEMS 2 - 21) .....	1
2	602672		TAN SUN TOP, 80" HDPE.....	1
3	19853G1		TUBE CAP .....	2
4	602741		REAR STRUT, RH .....	1
5	00665G5		HEX HEAD BOLT, 3/8" - 16 X 1.75" LG .....	4
6	00679G1		LOCK WASHER, 3/8" .....	16
7	00771G5		FLAT WASHER, 3/8" .....	4
8	00891G5		LOCK NUT, 3/8" - 16.....	10
9	602743		REAR STRUT, LH.....	1
10	24647G1		SUNTOP SPACER, 1/4" THICK.....	2
11	00665G6		HEX HEAD BOLT, 3/8" - 16 X 2" LG .....	2
12	00665G3		HEX HEAD BOLT, 3/8" - 16 X 2.5" LG .....	2
13	00879G1		FLAT WASHER, 3/8" .....	4
14	75048G01		SPACER SUNTOP, 1/2 THICK .....	2
15	00565G8		LOCK WASHER, 5/16" .....	4
16	00440G2		HEX HEAD BOLT, 5/16" - 18 X 2 1/4" LG .....	4
17	75125G01		FRONT STRUT .....	1
18	18716G1		ALUMINIUM SPACER .....	2
19	00674G8		HEX HEAD BOLT, 3/8" - 16 X 5" LG .....	2
20	00653G1		FLAT WASHER, 3/8" .....	2
21	00559G8		FLAT WASHER, 5/16" .....	4
22				
23	19528G2		REAR VIEW MIRROR KIT (INCLUDES ITEMS 24 - 26) .....	1
24	19496G1		REAR VIEW MIRROR .....	1
25	19502G2		SUPPORT BRACKET .....	1
26	19527G1		HEX HEAD BOLT (SS), #8 - 32 X 5/8" LG .....	1
27				
28	71966G05		SPLIT WINDSHIELD KIT (INCLUDES ITEMS 29 - 30).....	1
29	630012		SPLIT WINDSHIELD.....	1
30	71956G05		SPLIT WINDSHIELD HARDWARE KIT (INCLUDES ITEMS 35 - 39) .....	1

# WEATHER PROTECTION

When ordering parts, please specify the model and serial number of the product.

\* Indicates a component that is not available as an individual part.

\*\*\* Indicates consult Customer Service Department for additional information.

ITEM	PART NO.	1 2 3 4 5	DESCRIPTION	QTY.
31	71966G03		FULL WINDSHIELD KIT (INCLUDES ITEMS 32 - 33)	
32	630013		FULL WINDSHIELD .....	1
33	71956G05		FULL WINDSHIELD HARDWARE KIT (INCLUDES ITEMS 36 - 40) .....	1
34				
35	615661		SASH, 12" .....	2
36	*		HEX HEAD BOLT, 1/4" - 20 X 1.75" LG .....	2
37	*		FLAT WASHER, 1/4" .....	2
38	*		LOCK NUT, 1/4" - 20 .....	2
39	*		RUBBER GROMMET .....	2
40	615662		SASH, 26" .....	2
41				
42				
43	624829		BLACK TOP ENCLOSURE .....	AR
44	624830		GRAY TOP ENCLOSURE .....	AR
45	624831		GREEN TOP ENCLOSURE .....	AR
46	624832		WHITE TOP ENCLOSURE .....	AR
47	624833		TAN TOP ENCLOSURE .....	AR
48	71966G06		SPLIT WINDSHIELD KIT (INCLUDES ITEMS 49 - 50) .....	1
49	630013		SPLIT WINDSHIELD .....	1
50	71956G05		SPLIT WINDSHIELD HARDWARE KIT (INCLUDES ITEMS 35 - 39) .....	1
51	617620		BRUSHGUARD .....	1
52	00440G2		HEX HEAD BOLT, 5/16" - 8" X 1.75" LG .....	2
53	00440G6		HEX HEAD BOLT, 5/16" - 8" X 2.25" LG .....	2
54	00570G2		FLAT WASHER, 1/4" .....	4
55	75048G04		SPACER .....	2
56	75048G02		SPACER .....	2
57	00559G8		FLAT WASHER, 1/4" .....	4
58	00565G8		LOCK WASHER, 5/16" .....	4

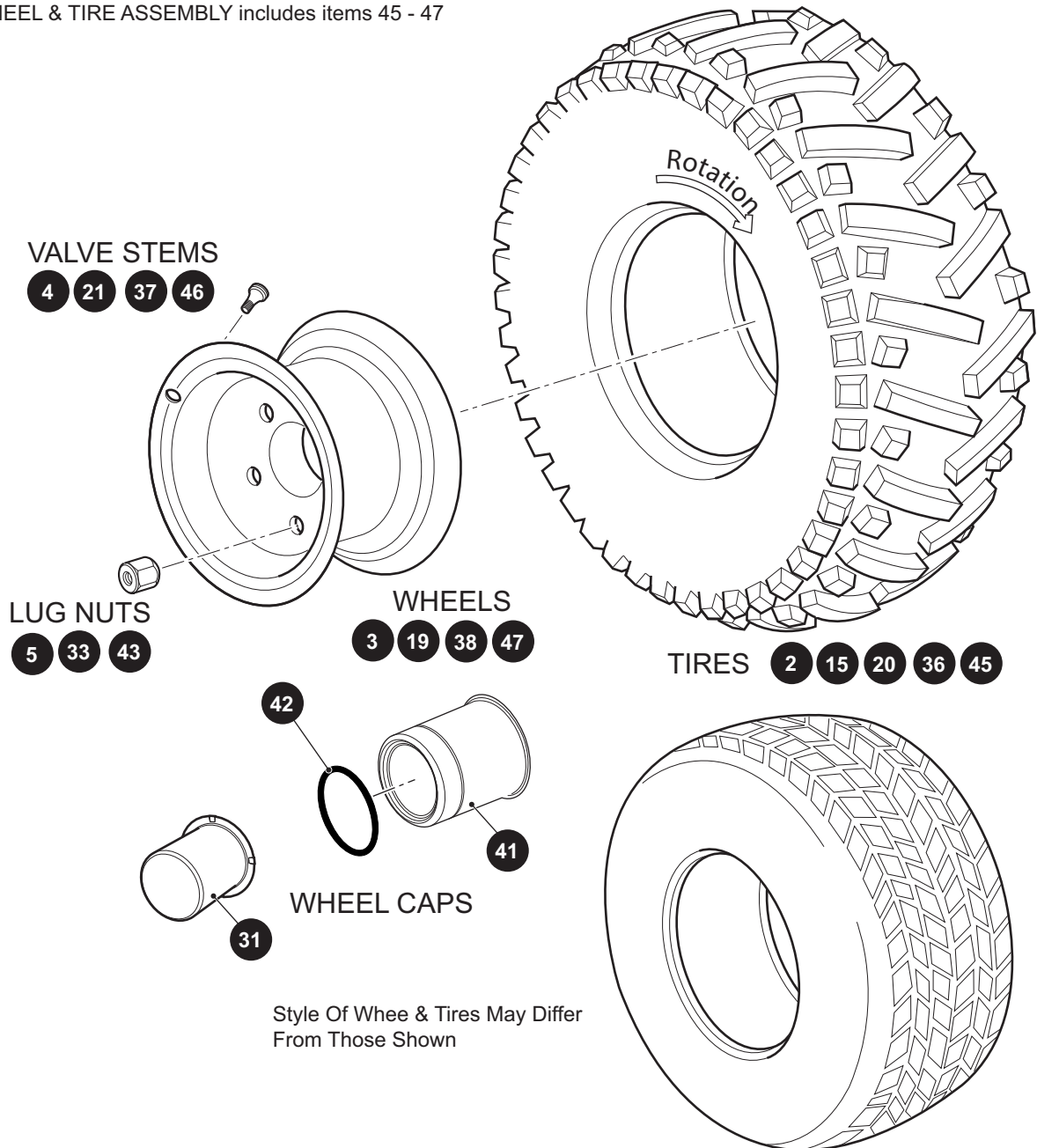






# WHEELS AND TIRES

- 1 WHEEL AND TIRE ASSEMBLY includes items 2 - 4
- 13 BLACK WHEEL & STRYKER 1 TIRE ASSEMBLY (DRIVER SIDE) includes items 15
- 14 BLACK WHEEL & STRYKER 1 TIRE ASSEMBLY (PASSENGER SIDE) includes items 15
- 17 POLISHED WHEEL & PATHFINDER TIRE ASSEMBLY (DRIVER SIDE) includes items 19 - 21
- 18 POLISHED WHEEL & PATHFINDER TIRE ASSEMBLY (PASSENGER SIDE) includes items 19 - 21
- 35 WHEEL & TIRE ASSEMBLY includes items 36 - 38
- 44 WHEEL & TIRE ASSEMBLY includes items 45 - 47



# WHEELS AND TIRES

When ordering parts, please specify the model and serial number of the product.

\* Indicates a component that is not available as an individual part.

\*\*\* Indicates consult Customer Service Department for additional information.

ITEM	PART NO.	1 2 3 4 5	DESCRIPTION	QTY.
1	28442G03		WHEEL AND TIRE ASSEMBLY, 20 X 10 - 10 (TURF SAVER) (INCLUDES ITEMS 2 - 4) (FOR VEHICLES MANUFACTURED UNTIL 14OCT2016) .....	AR
2	28442G02		TIRE (TURF SAVER).....	1
3	15172G02		WHEEL RIM (BLACK) .....	1
4	11657G1		VALVE STEM.....	1
5	14723G1		LUG NUT, 1/2" - 20 .....	AR
6				
7				
8				
9				
10				
11				
12				
13	28632G02		BLACK WHEEL & STRYKER® 1 TIRE ASSEMBLY (DRIVER SIDE) (INCLUDES ITEM 15) .....	AR
14	28631G02		BLACK WHEEL & STRYKER® 1 TIRE ASSEMBLY (PASSENGER SIDE) (INCLUDES ITEM 15) .....	AR
15	28630G01		TIRE, 22 X 9 - 10 STRYKER 1 .....	1
16				
17	604930		POLISHED WHEEL & PATHFINDER TIRE® ASSEMBLY (DRIVER SIDE) (INCLUDES ITEM 19 - 21) .....	AR
18	605228		POLISHED WHEEL & PATHFINDER TIRE® ASSEMBLY (PASSENGER SIDE) (INCLUDES ITEM 19 - 21) .....	AR
19	604927		POLISHED CAST ALUMINUM WHEEL .....	1
20	604928		TIRE, 22 X 11 PATHFINDER TIRE® .....	1
21	604915		VALVE STEM.....	1
22				
23				
24				
25				
26				

# WHEELS AND TIRES

When ordering parts, please specify the model and serial number of the product.

\* Indicates a component that is not available as an individual part.

\*\*\* Indicates consult Customer Service Department for additional information.

ITEM	PART NO.	1 2 3 4 5	DESCRIPTION	QTY.
27				
28	611693		DIAMOND WHEEL & SPEEDRACER TIRE ASSY (DRIVER SIDE).....	AR
29	611692		DIAMOND WHEEL & SPEEDRACER TIRE ASSY (PASSENGER SIDE) .....	AR
30				
31	608910		DIAMOND WHEEL CAP.....	AR
32				
33	605310		LUG NUT, 1/2" - 20.....	AR
34				
35	608914		POLISHED SPOKED WHEEL & TERRA TRAC TIRE ASSEMBLY (INCLUDES ITEMS 36 - 38) (FOR VEHICLES MANUFACTURED BEFORE MAY 19, 2018).....	AR
36	606141		TERRA TRAC TIRE, 22 X 11 - 10.....	1
37	604915		CHROME VALVE STEM.....	1
38	604927		POLISHED SPOKED WHEEL, 10 X 7.....	1
39				
40				
41	601353		WHEEL CAP.....	AR
42	650164		O-RING.....	AR
43	605310		CHROME LUG NUT, 1/2" - 20.....	AR
44	653627		WHEEL AND TIRE ASSEMBLY (INCLUDES ITEMS 45 - 47) (FOR VEHICLES MANUFACTURED AFTER MAY 19, 2018) .....	AR
45	658351		TIRE, K502, 22 X 10 - 10, 6PLY .....	1
46	604915		CHROME VALVE STEM.....	1
47	604927		POLISHED SPOKED WHEEL, 10 X 7.....	1









**CUSHMAN®**  
**LET'S WORK!**

**E-Z-GO Division of Textron Inc.,**  
1451 Marvin Griffin Road, Augusta, Georgia 30906 - 3852 USA

TO CONTACT US...

North America:

**Technical Assistance & Warranty**

Phone: 1-800-774-3946, FAX: 1-800-448-8124

**Service Parts**

Phone: 1-888-GET-E-Z-GO (1-888-438-3946), FAX: 1-800-752-6175

International:

Phone: 001-706-798-4311, FAX: 001-706-771-4609

Service Parts Manuals, as well as Repair and Service Manuals  
are available from a local Distributor, an authorized Branch,  
Genuine E-Z-GO Parts & Accessories Department or at [www.shopezgo.com](http://www.shopezgo.com).

Copyrighted Material  
This manual may not be reproduced in whole or  
in part without the express permission of  
E-Z-GO Division of Textron Inc.  
Technical Communications Department