



A Textron Company

RXV ELiTE FREEDOM

Service Parts Manual

SERVICE PARTS MANUAL

48V ELECTRIC RXV ELITE

FREEDOM™

STARTING MODEL YEAR 2017

CALIFORNIA Proposition 65 Warning

WARNING: Motor vehicles may contain fuels, oils and fluids, battery posts, terminals, and related accessories which contain lead and lead compounds and other chemicals identified by the State of California to potentially cause cancer, birth defects, and other reproductive harm. These chemicals are found in vehicles, vehicle parts and accessories, both new and replacements. During maintenance, these vehicles generate used oil, waste fluids, grease, fumes, and particulates, all identified by the State of California to potentially cause cancer, birth defects, and other reproductive harm.

Never modify the vehicle in any way that will alter the weight distribution of the vehicle, decrease its stability or increase the speed beyond the factory specifications. Such modifications can cause serious personal injury or death. Textron Specialized Vehicles prohibits and dis-claims responsibility for any such modifications or any other alteration which would adversely affect the safety of the vehicle. TSV reserves the right to incorporate engineering and design changes to products in this manual, without obligation to include these changes on units sold previously.

The information contained in this manual may be revised periodically by TSV, and therefore is subject to change without notice.

TSV DISCLAIMS LIABILITY FOR ERRORS IN THIS MANUAL, and SPECIFICALLY DISCLAIMS LIABILITY FOR INCIDENTAL AND CONSEQUENTIAL DAMAGES resulting from the use of the information and materials in this manual.

These are the original instructions as defined by 2006/42/EC.

TO CONTACT US:

Textron Specialized Vehicles, Inc.
1451 Marvin Griffin Road
Augusta, Georgia, USA 30906-3852

NORTH AMERICA:

Technical Assistance & Warranty **PHONE: 1-800-774-3946, FAX: 1-800-448-8124**

Service Parts **PHONE: 1-888-438-3946, FAX: 1-800-752-6175**

International: **PHONE: 001-706-798-4311, FAX: 001-706-771-4609**

GENERAL INFORMATION

This vehicle has been designed and manufactured in the United States of America (USA). The Standards and Specifications listed in the following text originate in the USA unless otherwise indicated.

The use of non-Original Equipment Manufacturer (OEM) approved parts may void the warranty.

Failure to properly maintain batteries may void the warranty. Refer to the battery manual for instructions on the proper maintenance and care of the batteries.

BATTERY PROLONGED STORAGE

Improper storage may damage, destroy or cause permanent loss of battery capacity. Do not exceed storage time or temperature limits. Batteries must be charged to the correct level before storage. Storing fully depleted batteries will make them permanently unusable.

STORAGE PREPARATION

The optimum storage temperature range is between 65°F and 82°F (18°C and 28°C).

In cold climates, fully charge the battery module. Make sure that the charging operation is complete and there are no faults displayed on the charger. The green light on the charger should be on indicating the charge cycle is complete.

In hot climates, store the vehicle with a 30% to 50% charge of battery pack capacity.

The storage time for properly charged Lithium-Ion batteries supplied with this vehicle varies based on the ambient temperature.

Temperature	Length of Storage Time
-22°F to -4°F (-30°C to -20°C)	One month at 100% battery charge, all accessories turned off.
-4°F to 113°F (-20°C to 45°C)	Six months at 100% battery charge, all accessories turned off.
113°F to 140°F (45°C to 60°C)	One month at 30% - 50% charge, all accessories turned off.

BATTERY DISPOSAL

Lithium-Ion batteries are recyclable. Return discarded batteries to the distributor or manufacturer for recycling. Contact local or state environmental department for the disposal information.

TABLE OF CONTENTS

SECTION	Page No.
HOW TO USE THE SERVICE PARTS MANUAL	V
ACCELERATOR	A-1
BATTERY CHARGER	B-1
BODY	C-1
BRAKES	D-1
ELECTRICAL	E-1
ELECTRONIC SPEED CONTROL	F-1
FRAME	G-1
FRONT SUSPENSION AND STEERING	H-1
MOTOR	J-1
REAR AXLE	K-1
REAR SUSPENSION	L-1
SEATING	M-1
TOW BAR	N-1
WEATHER PROTECTION	P-1
WHEELS AND TIRES	R-1
DECALS AND LABELS	S-1

NOTES

A large grid area for taking notes, consisting of 24 columns and 40 rows of small squares.

HOW TO USE THE SERVICE PARTS MANUAL

This manual is divided into several sections:

- GENERAL INFORMATION
- ILLUSTRATED PARTS BREAKDOWN

The first section, GENERAL INFORMATION, contains the following information:

- WARRANTY INFORMATION
- GENERAL INDEX
- HOW TO USE THE SERVICE PARTS MANUAL

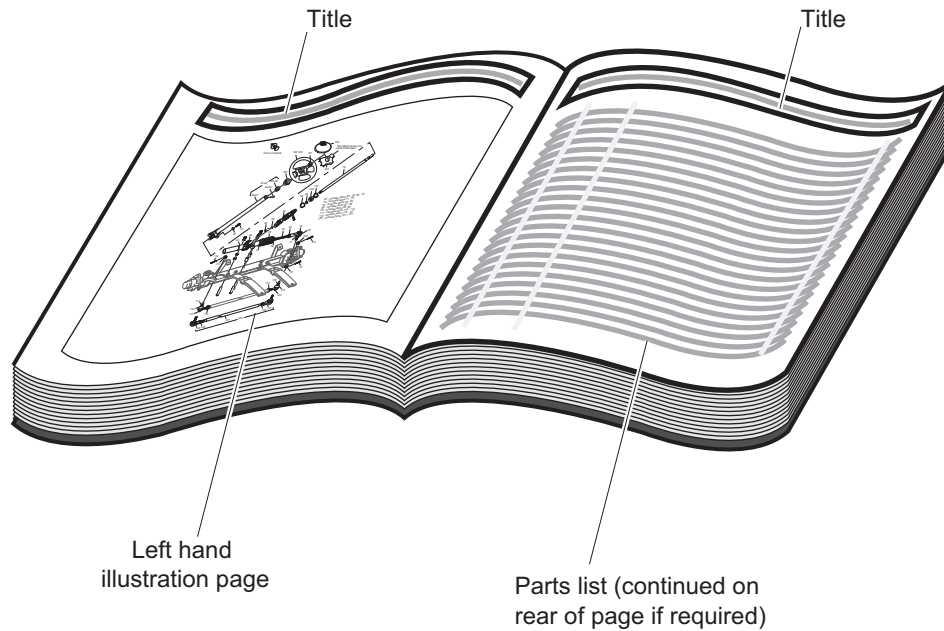
The second section, ILLUSTRATED PARTS BREAKDOWN, contains illustrations and parts lists for all systems of your vehicle.

USE OF THE MANUAL

To use this manual, consult the TABLE OF CONTENT to locate the information or illustration required.

Introduction of some revisions varies due to supply of components; therefore, it is possible that various combinations of components may be found that are not directly reflected by each illustration. Consult the illustration that best suits your situation and then contact the Service Parts Department. It is important that the serial number of your vehicle and its model number be supplied to Service Parts when ordering any replacement components.

HOW TO USE THE SERVICE PARTS MANUAL



1. WHEN THE PART NUMBER IS NOT KNOWN

- Determine the function and application of the part required. Turn to the TABLE OF CONTENT and select the most appropriate title.
- Turn to the page number indicated and locate the desired part on the illustration.
- From the illustration, obtain the item number assigned to the desired part. Refer to the accompanying description for specific information regarding the part.

2. IF YOU KNOW THE PART NUMBER

- Locate the part number or description in the appropriate column on the parts list page.

NOTE: Confirm the part selected is correct by verifying it with the illustration.

If an asterisk (*) appears in the part number column on the parts list page, read upward until a part number is found. The part number is the lowest assembly sold by Service Parts and the asterisk (*) indicates the part depicted is not available for purchase.

NOTE: Descriptions are indented under the assembly that they are used on. That assembly is, in turn listed under the assembly that it is used on. This process is repeated until the highest final assembly is reached.

To facilitate the maintenance and repair of the vehicle, a Technician's Repair and Service Manual is available from the Service Parts Department.

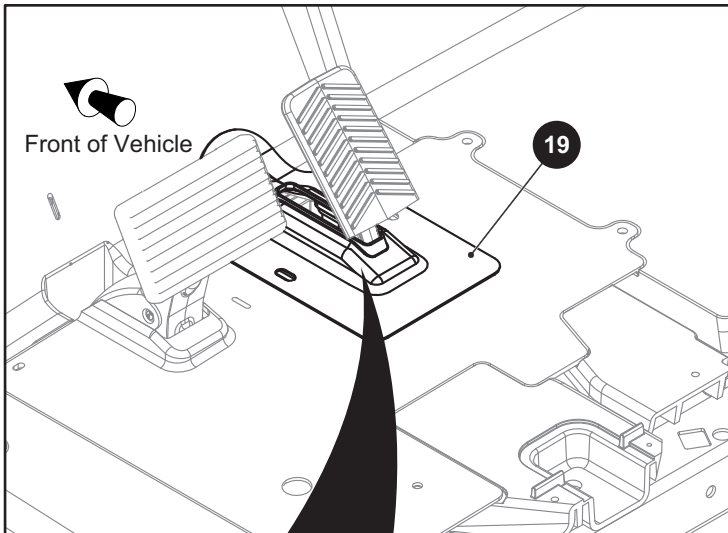
HOW TO USE THE SERVICE PARTS MANUAL

3. COLOR CODE FOR BODY COMPONENTS

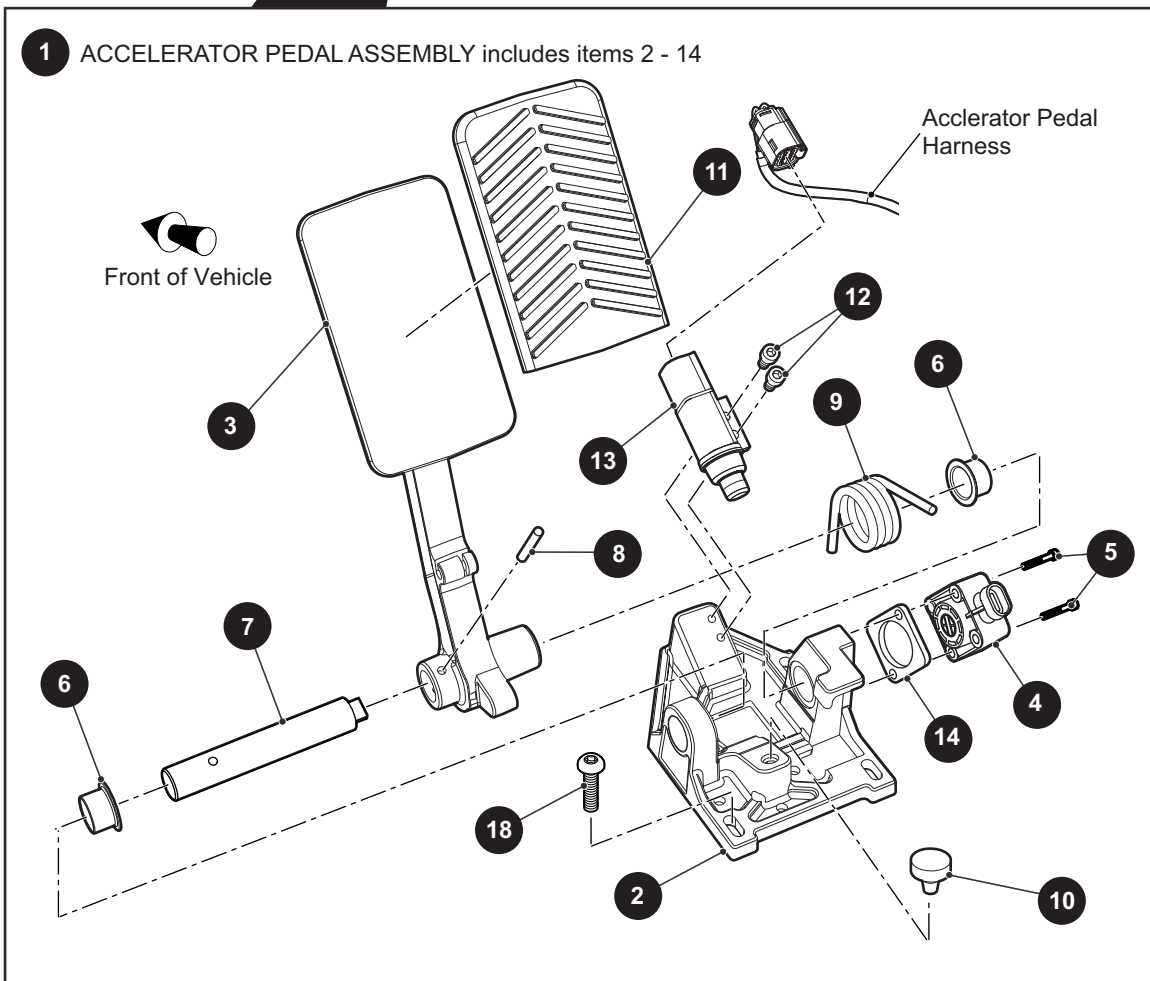
The last two digits of the part number for the body part will denote the color code, locate the part number for the cowl, rear body, seat pod, side panel or seat wrap then locate your color in the list below, replace the last ** or XX with the two digit color code.

<u>CODE #</u>	<u>DESCRIPTION</u>
11	BLACK
19	PATRIOT BLUE PEARL
20	INFERNO RED METALLIC
26	STEEL BLUE PEARL
31	METALLIC CHARCOAL
36	IVORY
37	FOREST GREEN
38	BRIGHT WHITE
39	FLAME RED
41	ELECTRIC BLUE
42	PLATINUM
43	BURGUNDY
44	ALMOND
51	SUNBURST ORANGE
52	BRITISH RACING GREEN
74	BARLEY GOLD
75	OASIS GREEN
76	JAVA BROWN
A5	OCEAN GRAY

ACCELERATOR



1 ACCELERATOR PEDAL ASSEMBLY includes items 2 - 14



ACCELERATOR

THE USE OF NON U.L. PARTS WILL VOID ANY U.L. LISTING.

When ordering parts, please specify the model and serial number of the product.

* Indicates a component that is not available as an individual part.

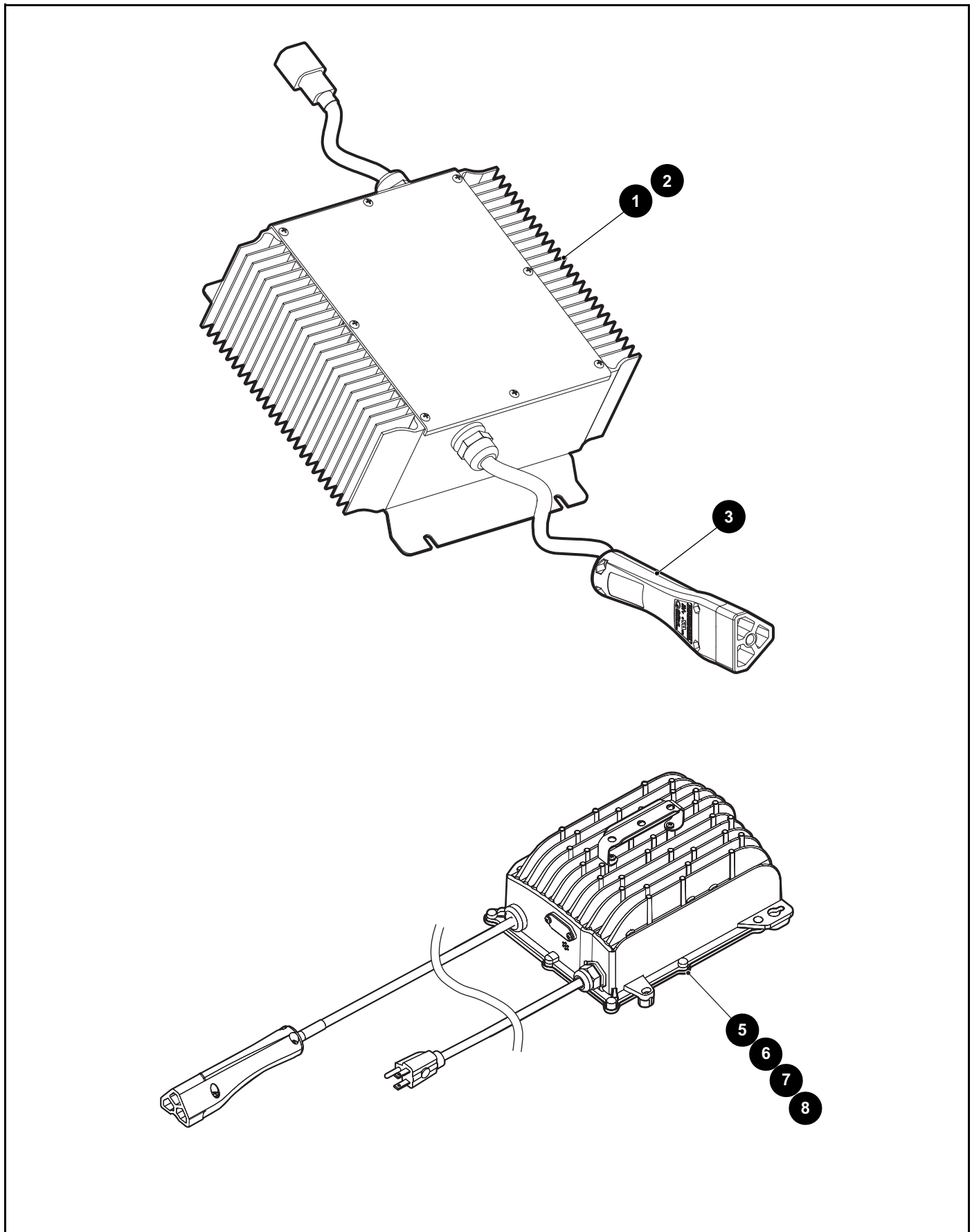
*** Indicates consult Customer Service Department for additional information.

ITEM	PART NO.	1 2 3 4 5	DESCRIPTION	QTY.
1	671889		ACCELERATOR PEDAL ASSEMBLY (INCLUDES ITEMS 2 - 14)	1
2	*		PEDAL BRACKET	1
3	*		PEDAL	1
4	671848		ROTARY POSITION SENSOR	1
5	686390		SOCKET HEAD BOLT, M5 - .8 X 35MM LG	2
6	*		FLANGED BUSHING, 16MM O.D. X 12MM I.D.	2
7	*		ACCELERATOR PIVOT SHAFT	1
8	<u>600683</u>		HEAVY DUTY SPIROL PIN, 4MM X 26MM	1
9	*		TORSION SPRING, 4.5MM DIA	1
10	<u>604097</u>		REBOUND BUMPER	1
11	<u>610529</u>		ACCELERATOR PEDAL COVER	1
12	<u>620030</u>		SOCKET HEAD BOLT, M5 - .8 X 15MM LG	2
13	<u>653242</u>		PEDAL SWITCH	1
14	672457		SENSOR SPACER	1
15				
16				
17				
18	<u>649803</u>		PAN HEAD TORX SCREW, M6 - 2.65 X 25MM LG	3
19	<u>614393</u>		PEDAL INSERT	1

Notes:

A large grid of graph paper, consisting of 20 columns and 30 rows of squares, intended for taking notes.

BATTERY CHARGER



BATTERY CHARGER

THE USE OF NON U.L. PARTS WILL VOID ANY U.L. LISTING.

When ordering parts, please specify the model and serial number of the product.

* Indicates a component that is not available as an individual part.

*** Indicates consult Customer Service Department for additional information.

ITEM	PART NO.	1 2 3 4 5	DESCRIPTION	QTY.
1	<u>653213</u>		BATTERY CHARGER, 51V, 3 METER DC CORD	1
2	<u>653216</u>		BATTERY CHARGER, 51V, 5.5 METER DC CORD	1
3	<u>657667</u>		BATTERY CHARGER PADDLE.....	1
4				
5	690009G05		BATTERY CHARGER, 51V, 350 WATT, 3 METER CORD (DOMESTIC).....	1
6	690009G06		BATTERY CHARGER, 51V, 350 WATT, 5.5 METER CORD (DOMESTIC)....	1
7	690009G07		BATTERY CHARGER, 51V, 350 WATT, 3 METER CORD (INTERNATIONAL)	1
8	690009G08		BATTERY CHARGER, 51V, 350 WATT, 5.5 METER CORD (INTERNATIONAL)	1

Notes:

A large grid area for taking notes, consisting of approximately 25 columns and 25 rows of small squares.

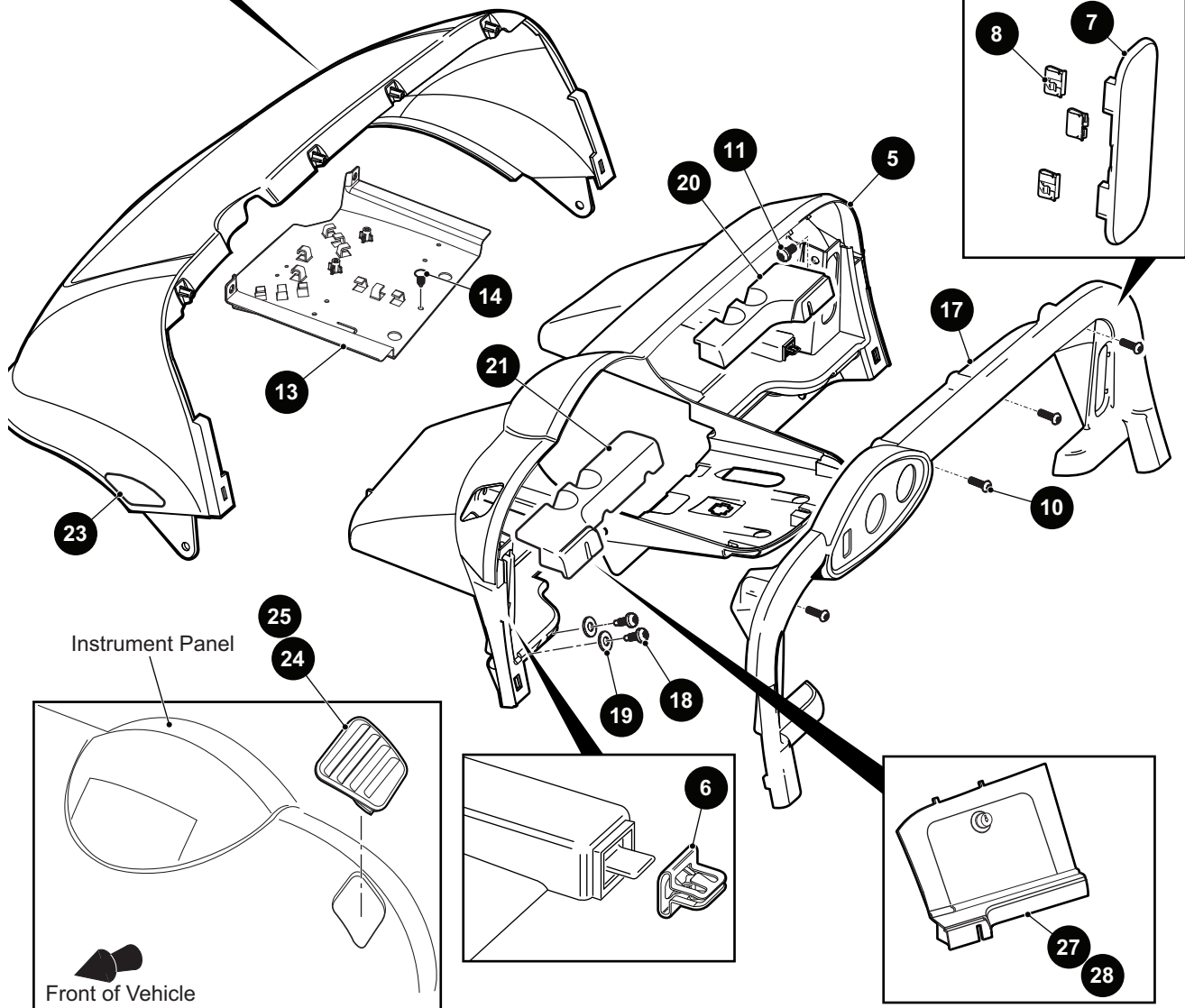
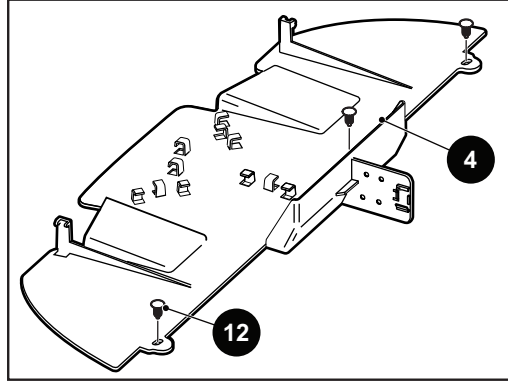
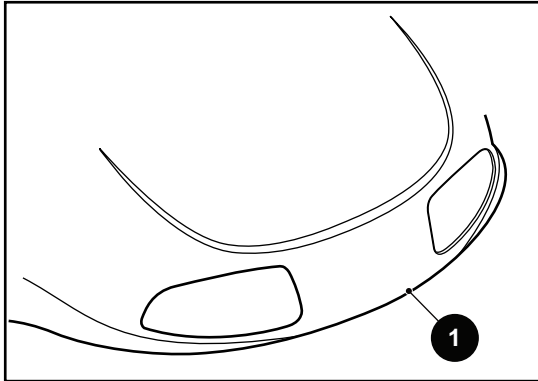
Notes:

A large grid of graph paper with 20 columns and 30 rows, intended for taking notes.

BODY

5 INSTRUMENT PANEL includes item 6

7 ACCESS COVER ASSEMBLY (IP)
includes item 8



Instrument Panel

Front of Vehicle

THE USE OF NON U.L. PARTS WILL VOID ANY U.L. LISTING.

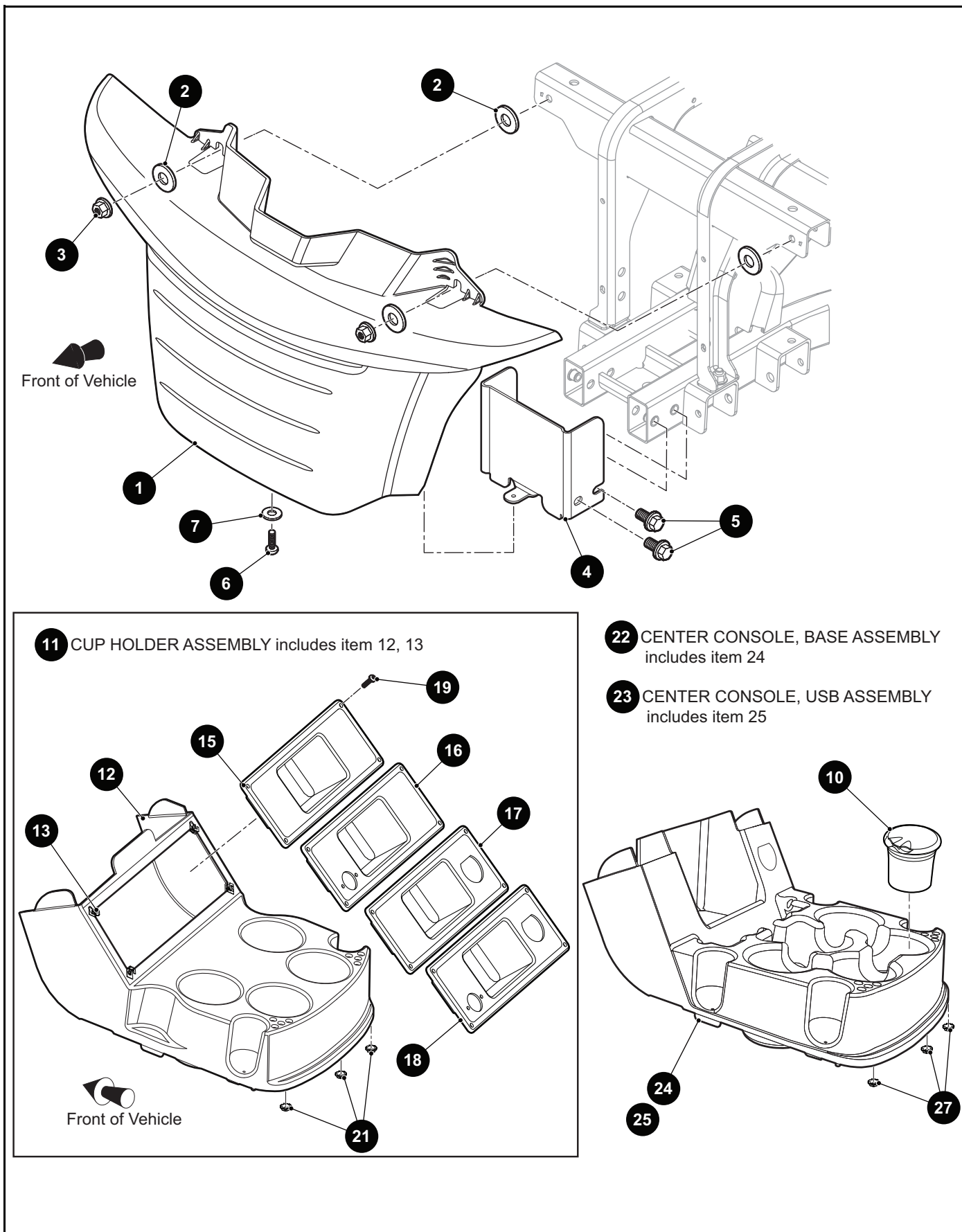
When ordering parts, please specify the model and serial number of the product.

* Indicates a component that is not available as an individual part.

*** Indicates consult Customer Service Department for additional information.

ITEM	PART NO.	1 2 3 4 5	DESCRIPTION	QTY.
1	645759G01XX		COWL WITH LIGHTS (See COLOR CODES in HOW TO USE Section)	1
2				
3				
4	<u>601634</u>		FRONT SPLASH GUARD (FOR VEHICLES MANUFACTURED BEFORE JULY 21, 2019)	1
5	<u>602387</u>		INSTRUMENT PANEL (INCLUDES ITEM 6)	1
6	<u>602184</u>		SPRING CLIP	4
7	<u>602388</u>		ACCESS COVER ASSEMBLY (IP) (INCLUDES ITEM 8)	1
8	<u>602100</u>		U-CLIP	3
9				
10	<u>649803</u>		PAN HEAD TORX SCREW, M6 - 2.65 X 25MM LG	4
11	<u>70200G01</u>		TRUSS HEAD TORX BOLT, 3/8" - 16 X 3/4" LG	2
12	<u>16816G2</u>		RATCHET RIVET, .25" X .887" (FOR VEHICLES MANUFACTURED BEFORE JULY 21, 2019)	3
13	683595		FRONT COMPONENT MOUNT PLATE (FOR VEHICLES MANUFACTURED AFTER JULY 21, 2019)	1
14	<u>16816G2</u>		RATCHET RIVET, .25" X .887" (FOR VEHICLES MANUFACTURED AFTER JULY 21, 2019)	1
15				
16				
17	<u>608864</u>		INSTRUMENT PANEL TRIM (OPENING FOR KEY SWITCH, SOC AND LIGHT SWITCH)	1
18	<u>602572</u>		PAN HEAD TAPTITE BOLT, M10 - 1.5 X 25MM LG	4
19	<u>604066</u>		FLAT WASHER, M10	4
20	<u>600241</u>		BALL HOLDER INSERT (PASSENGER SIDE)	1
21	<u>600243</u>		BALL HOLDER INSERT (DRIVER SIDE)	1
22				
23	<u>608991</u>		YELLOW REFLECTOR	1
24	<u>602993</u>		GROMMET (DRIVER SIDE) (FOR VEHICLES WITHOUT SUN TOP)	1
25	<u>602994</u>		GROMMET (PASSENGER SIDE) (FOR VEHICLES WITHOUT SUN TOP) ...	1
26				
27	<u>607131</u>		GLOVE BOX (PASSENGER SIDE)	1
28	<u>607533</u>		GLOVE BOX (DRIVER SIDE)	1

BODY



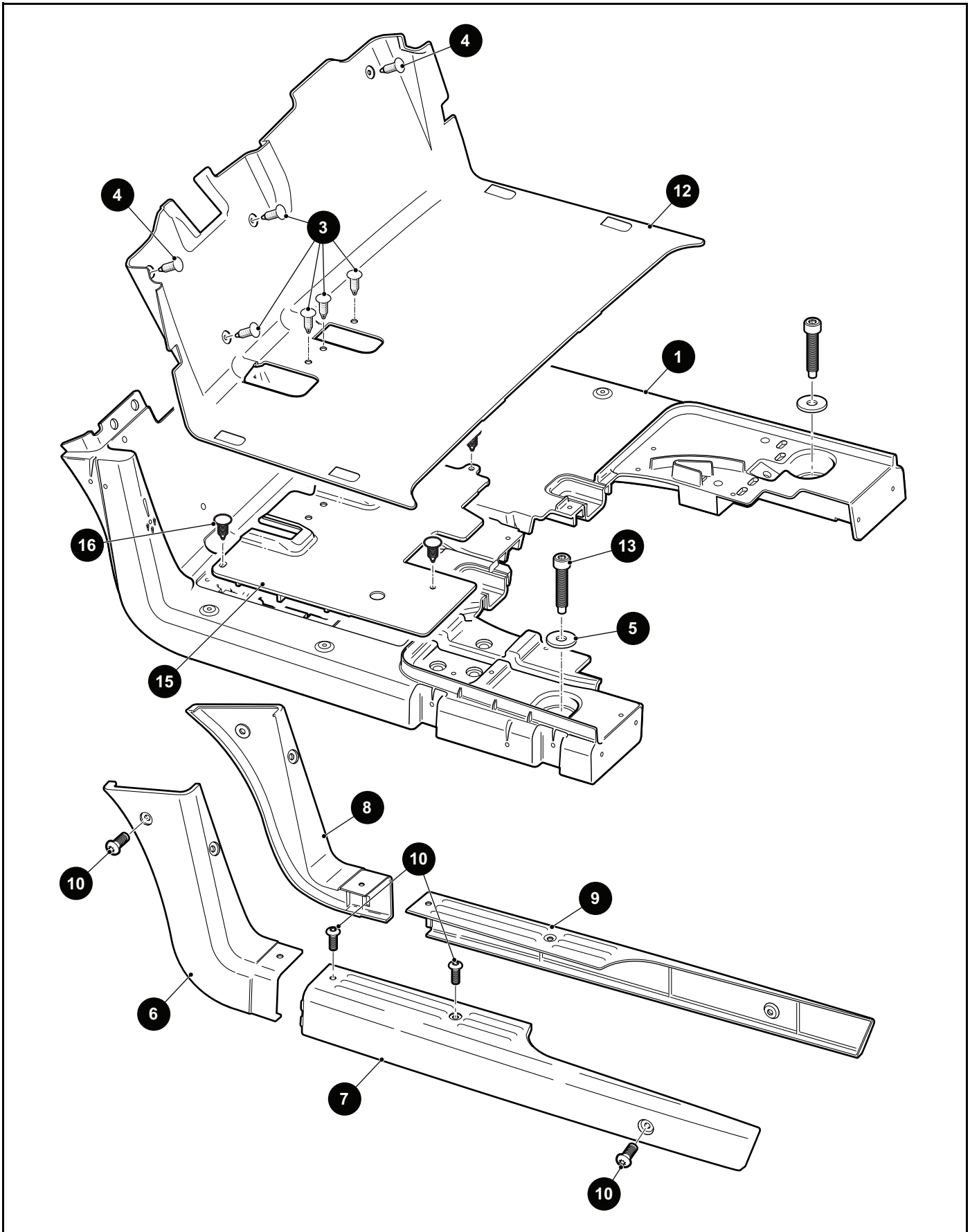
THE USE OF NON U.L. PARTS WILL VOID ANY U.L. LISTING.

When ordering parts, please specify the model and serial number of the product.

* Indicates a component that is not available as an individual part.

*** Indicates consult Customer Service Department for additional information.

ITEM	PART NO.	1 2 3 4 5	DESCRIPTION	QTY.
1	<u>656325</u>		FRONT FASCIA	1
2	<u>604066</u>		FLAT WASHER, M10	4
3	<u>600525</u>		LOCK NUT, M10 - 1.5	2
4	<u>641628</u>		BUMPER ATTACHMENT BRACKET	1
5	<u>603799</u>		FLANGED HEX HEAD BOLT, M10 - 1.5 X 25MM LG.....	4
6	<u>646348</u>		THREAD FORMING SCREW, 1/4" - 20 X 1" LG	1
7	<u>646345</u>		FLAT WASHER, 1/4"	1
8				
9				
10	<u>603725</u>		ASHTRAY	1
ITEMS 11 - 21: FOR VEHICLES MANUFACTURED BEFORE JULY 21, 2019				
11	<u>644117</u>		CUP HOLDER ASSEMBLY (INCLUDES ITEMS 12, 13)	1
12	640706		CENTER CONSOLE	1
13	<u>71364G02</u>		J-TYPE SPEED NUT, #8	4
14				
15	<u>638348G01</u>		CENTER COMPARTMENT.....	1
16	638348G02		CENTER COMPARTMENT (OPENING FOR 12V).....	1
17	<u>638348G03</u>		CENTER COMPARTMENT (OPENING FOR USB).....	1
18	638348G04		CENTER COMPARTMENT (OPENING FOR 12V AND USB).....	1
19	<u>608290</u>		PAN HEAD PHILLIPS SCREW, #10 - 16 X 3/4" LG	4
20				
21	<u>71597G01</u>		SELF THREADING NUT, .226".....	3
ITEMS 22 - 27: FOR VEHICLES MANUFACTURED AFTER JULY 21, 2019				
22	686696G01		CENTER CONSOLE, BASE ASSEMBLY (INCLUDES ITEM 24)	1
23	686696G02		CENTER CONSOLE, USB ASSEMBLY (INCLUDES ITEM 25)	1
24	694334G01		CENTER CONSOLE, BASE.....	1
25	694334G02		CENTER CONSOLE, USB.....	1
26				
27	<u>71597G01</u>		SELF THREADING NUT, .226".....	3



THE USE OF NON U.L. PARTS WILL VOID ANY U.L. LISTING.

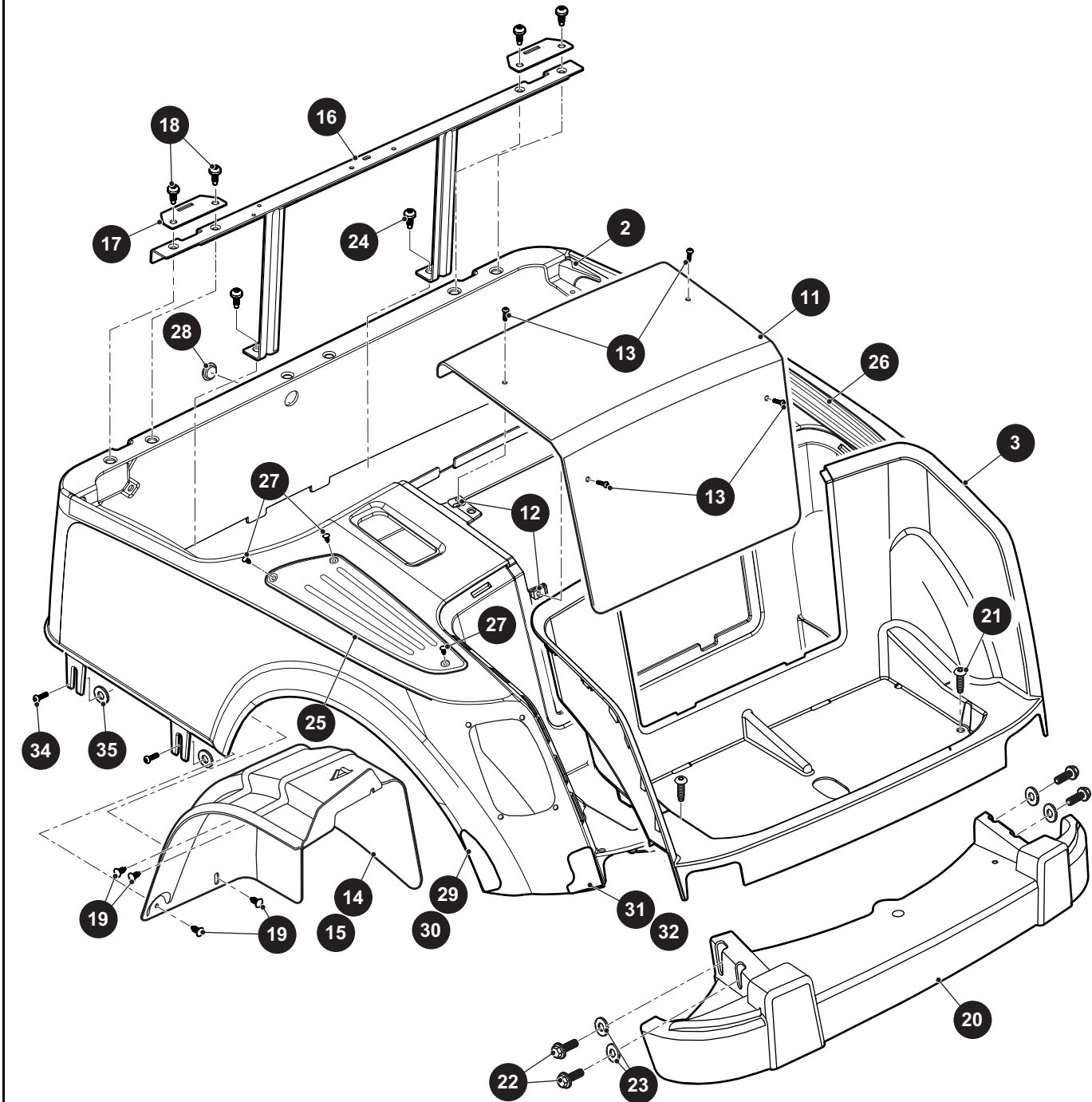
When ordering parts, please specify the model and serial number of the product.

* Indicates a component that is not available as an individual part.

*** Indicates consult Customer Service Department for additional information.

ITEM	PART NO.	1 2 3 4 5	DESCRIPTION	QTY.
1	<u>600225</u>		FLOORBOARD	1
2				
3	<u>16816G2</u>		RATCHET RIVET, .25" X .887"	5
4	<u>16816G1</u>		RATCHET RIVET, .25" X .680"	2
5	<u>604066</u>		FLAT WASHER, M10	2
6	<u>601257</u>		UPPER ROCKER PANEL (DRIVER SIDE).....	1
7	<u>600253</u>		LOWER ROCKER PANEL (DRIVER SIDE).....	1
8	<u>601258</u>		UPPER ROCKER PANEL (PASSENGER SIDE)	1
9	<u>600257</u>		LOWER ROCKER PANEL (PASSENGER SIDE)	1
10	<u>649804</u>		BUTTON HEAD TORX SCREW, M8 - 3.5 X 30MM LG	5
11				
12	<u>603707</u>		FLOORMAT (HORN ATTACHMENT).....	1
13	<u>602020</u>		SOCKET HEAD TORX BOLT, M10 - 1.5 X 50MM LG	2
14				
15	<u>605277</u>		PEDAL COVER PLATE.....	1
16	<u>16816G2</u>		RATCHET RIVET, .25" X .887"	4

1 REAR BODY ASSEMBLY WITH LIGHTS includes items 2, 3



THE USE OF NON U.L. PARTS WILL VOID ANY U.L. LISTING.

When ordering parts, please specify the model and serial number of the product.

* Indicates a component that is not available as an individual part.

*** Indicates consult Customer Service Department for additional information.

ITEM	PART NO.	1 2 3 4 5	DESCRIPTION	QTY.
1	650353G01XX		REAR BODY ASSEMBLY WITH LIGHTS (INCLUDES ITEMS 2, 3) (See COLOR CODES in HOW TO USE Section).....	1
2	650311G01XX		BODY	1
3	<u>650254</u>		BAGWELL LINER.....	1
4				
5				
6				
7				
8				
9				
10				
11	<u>650443</u>		ACCESS COVER.....	1
12	<u>602409</u>		BARREL CLIP, M6 - 1	4
13	<u>601326</u>		BUTTON HEAD TORX BOLT, M6 - 1 X 20MM LG	4
14	<u>601621</u>		REAR SPLASH GUARD (DRIVER SIDE).....	1
15	<u>601622</u>		REAR SPLASH GUARD (PASSENGER SIDE).....	1
16	<u>601921</u>		FRONT SEAT SUPPORT ASSEMBLY.....	1
17	<u>602558</u>		SEAT HINGE PLATE.....	1
18	<u>602572</u>		PAN HEAD TAPTITE BOLT, M10 - 1.5 X 25MM LG	2
19	<u>16816G2</u>		RATCHET RIVET, .25" X .887"	4
20	689702		REAR BUMPER.....	1
21	<u>649804</u>		BUTTON HEAD TORX SCREW, M8 - 3.50 X 30MM LG	2
22	<u>603799</u>		FLANGED HEX HEAD BOLT, M10 - 1.5 X 25MM LG.....	4
23	<u>00643G1</u>		FLAT WASHER, 3/8"	4
24	<u>602572</u>		PAN HEAD TAPTITE BOLT, M10 - 1.5 X 25MM LG	2
25	<u>639807G01</u>		SCUFF GUARD (DRIVER SIDE).....	1
26	<u>639807G02</u>		SCUFF GUARD (PASSENGER SIDE)	1
27	<u>16816G5</u>		RATCHET RIVET, .187" X .550"	3
28	<u>71316G01</u>		HOLE PLUG.....	1
29	<u>608993</u>		SIDE REFLECTOR (RED) (DRIVER SIDE).....	1
30	<u>608996</u>		SIDE REFLECTOR (RED) (PASSENGER SIDE).....	1

BODY

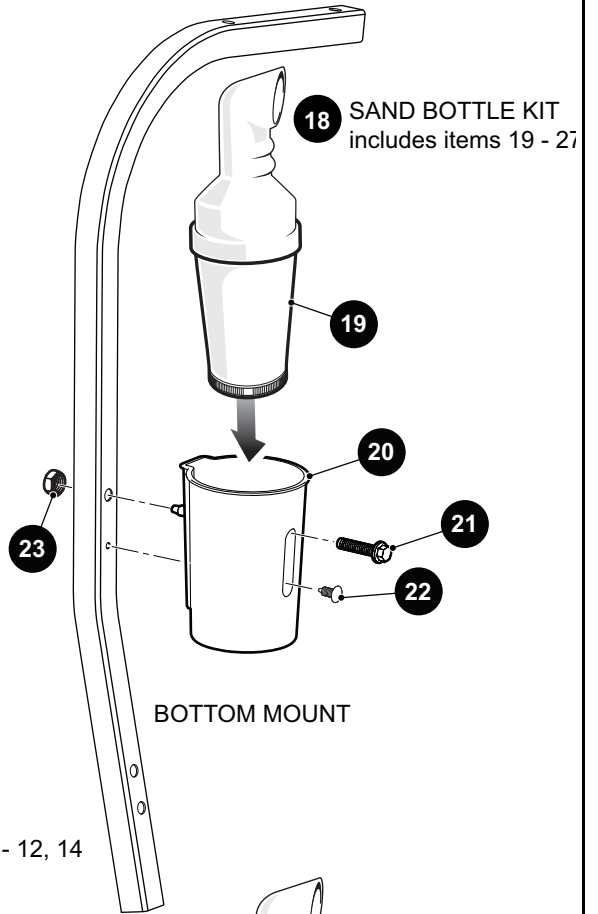
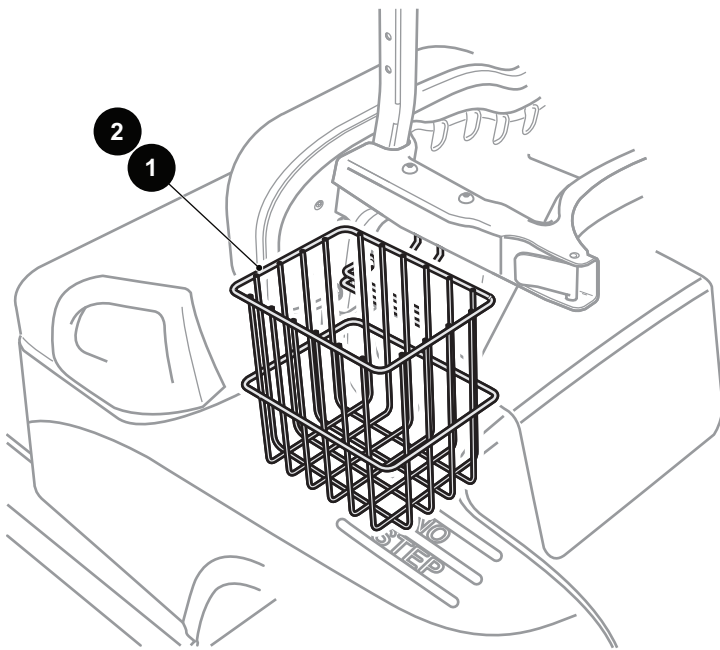
THE USE OF NON U.L. PARTS WILL VOID ANY U.L. LISTING.

When ordering parts, please specify the model and serial number of the product.

* Indicates a component that is not available as an individual part.

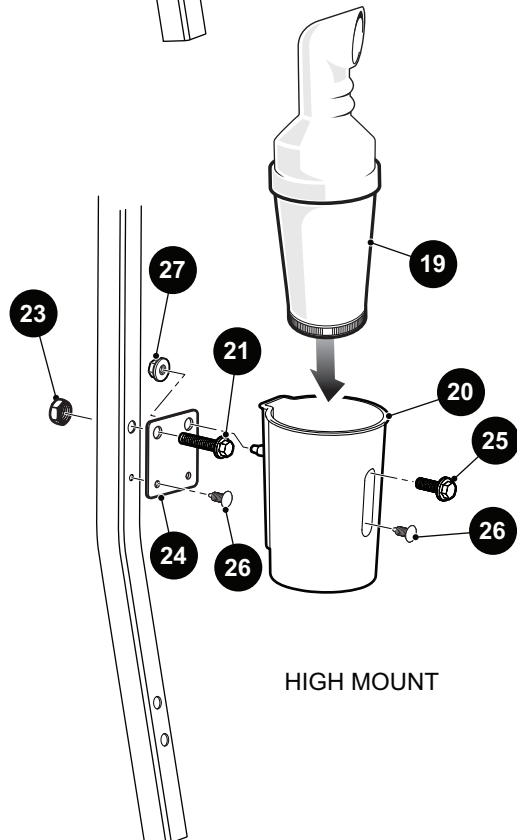
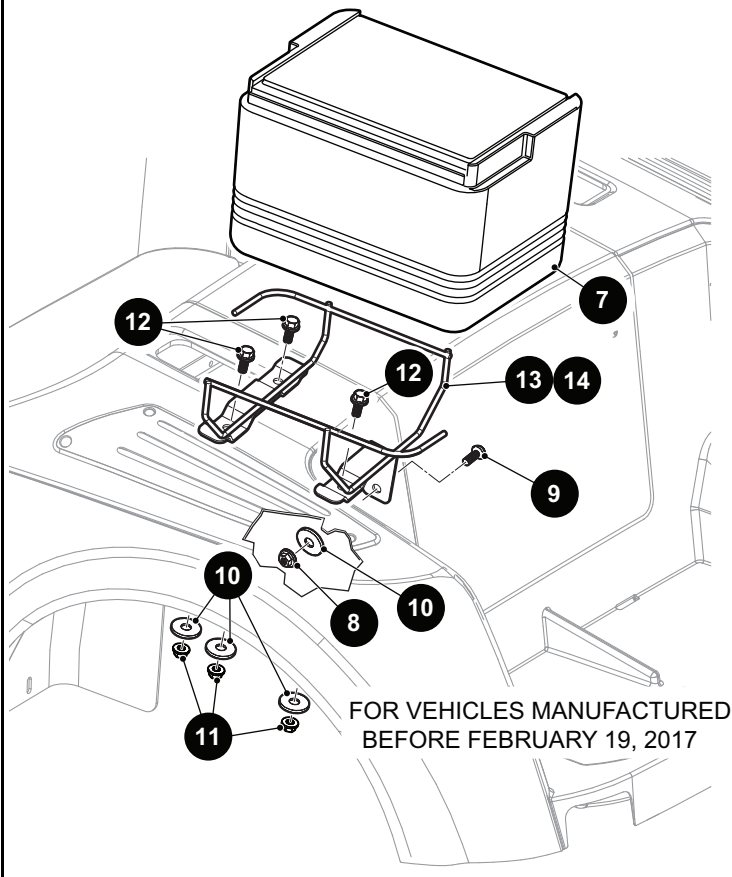
*** Indicates consult Customer Service Department for additional information.

ITEM	PART NO.	1 2 3 4 5	DESCRIPTION	QTY.
31	<u>625246</u>		REAR REFLEX REFLECTOR (RED) (DRIVER SIDE)	1
32	<u>625244</u>		REAR REFLEX REFLECTOR (RED) (PASSENGER SIDE)	1
33				
34	<u>649804</u>		BUTTON HEAD TORX SCREW, M8 - 3.5 X 30MM LG	4
35	<u>604066</u>		FLAT WASHER, M10	4



5 BEVERAGE COOLER KIT (DRIVER SIDE) includes items 7 - 13

6 BEVERAGE COOLER KIT (PASSENGER SIDE) includes items 7 - 12, 14



THE USE OF NON U.L. PARTS WILL VOID ANY U.L. LISTING.

When ordering parts, please specify the model and serial number of the product.

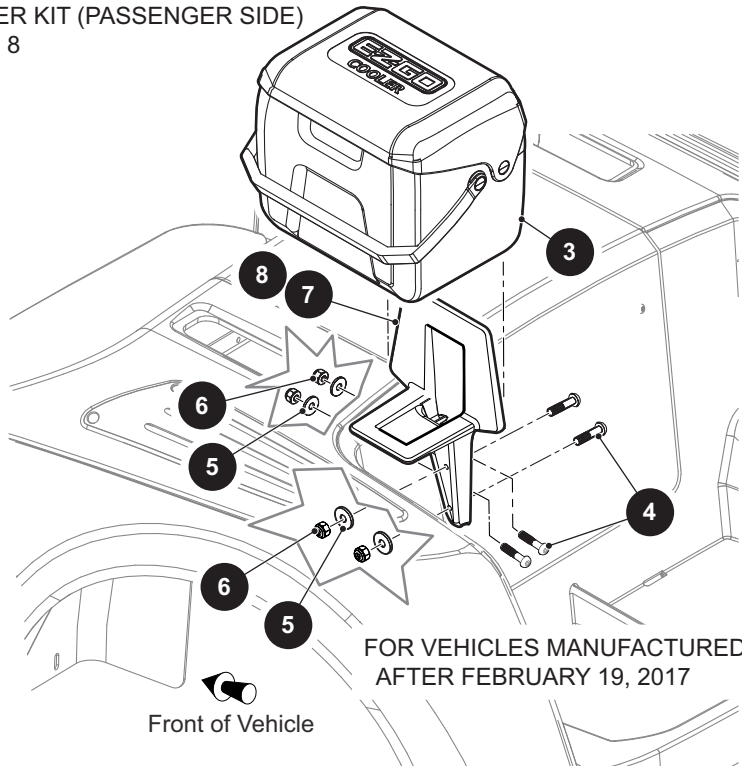
* Indicates a component that is not available as an individual part.

*** Indicates consult Customer Service Department for additional information.

ITEM	PART NO.	1 2 3 4 5	DESCRIPTION	QTY.
1	<u>603846</u>		SIDE BASKET (DRIVER SIDE)	1
2	<u>603702</u>		SIDE BASKET (PASSENGER SIDE).....	1
3				
4				
5	<u>643098</u>		BEVERAGE COOLER KIT (DRIVER SIDE) (INCLUDES ITEMS 7 - 13) (FOR VEHICLES MANUFACTURED BEFORE FEBRUARY 19, 2017)	1
6	<u>643096</u>		BEVERAGE COOLER KIT (PASSENGER SIDE) (INCLUDES ITEMS 7 - 12, 14) (FOR VEHICLES MANUFACTURED BEFORE FEBRUARY 19, 2017)	1
7	<u>601366</u>		BEVERAGE COOLER.....	1
8	<u>614974</u>		TORQUE NUT, M10 - 1.5	1
9	<u>600530</u>		BUTTON HEAD TORX BOLT, M10 - 1.5 X 25MM LG	1
10	<u>608520</u>		FLAT WASHER, M10.....	4
11	<u>606274</u>		FLANGED HEX NUT, M10 - 1.25	3
12	<u>606256</u>		FLANGED HEX HEAD BOLT, M10 - 1.25 X 25MM LG	3
13	<u>643097</u>		MOUNTING BRACKET (DRIVER SIDE).....	1
14	<u>643095</u>		MOUNTING BRACKET (PASSENGER SIDE)	1
15				
16				
17				
18	<u>614179</u>		SAND BOTTLE KIT (INCLUDES ITEMS 19 - 27).....	1
19	<u>600612</u>		SAND BOTTLE.....	1
20	<u>28660G01</u>		SAND BOTTLE HOLDER.....	1
21	<u>603800</u>		FLANGED HEX HEAD BOLT, M10 - 1.5 X 50MM LG	1
22	<u>16816G2</u>		RATCHET RIVET, .25" X .887"	1
23	<u>800706</u>		LOCK NUT, M10 - 1.5.....	1
24	<u>647797</u>		BRACKET.....	1
25	<u>603799</u>		FLANGED HEX HEAD BOLT, M10 - 1.5 X 25MM LG	1
26	<u>16816G2</u>		RATCHET RIVET, .25" X .887" LG	2
27	<u>600525</u>		LOCK NUT, M10 - 1.5.....	1

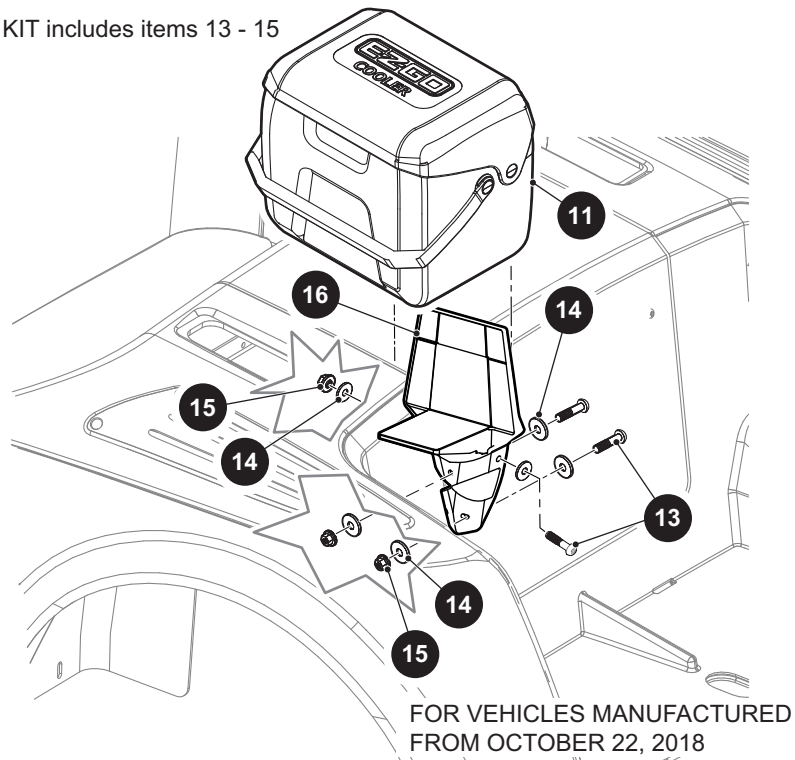
- 1** BEVERAGE COOLER KIT (DRIVER SIDE)
includes items 3 - 7

- 2** BEVERAGE COOLER KIT (PASSENGER SIDE)
includes items 3 - 6, 8



- 10** BEVERAGE COOLER KIT includes items 11 - 16

- 12** HARDWARE KIT includes items 13 - 15



THE USE OF NON U.L. PARTS WILL VOID ANY U.L. LISTING.

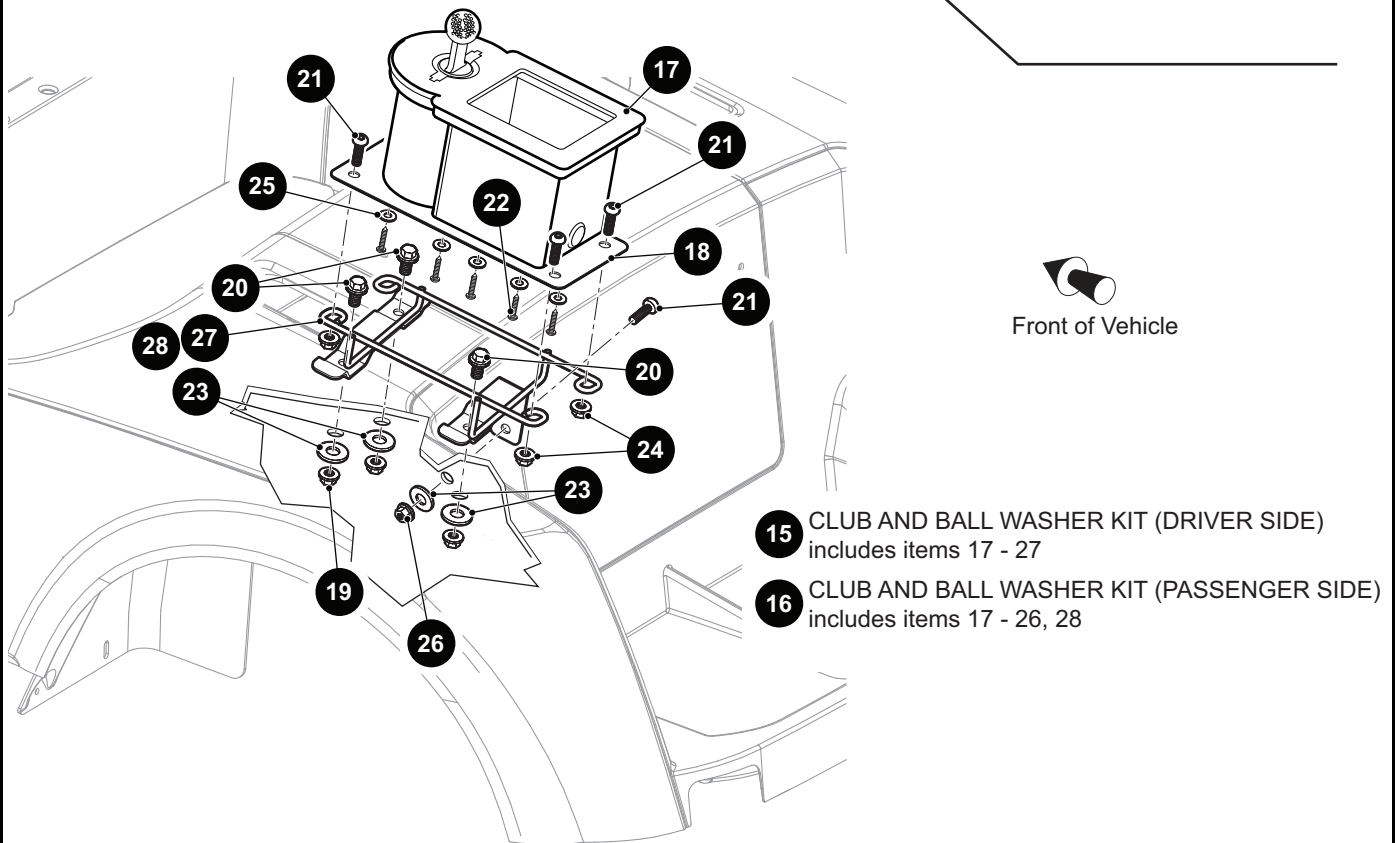
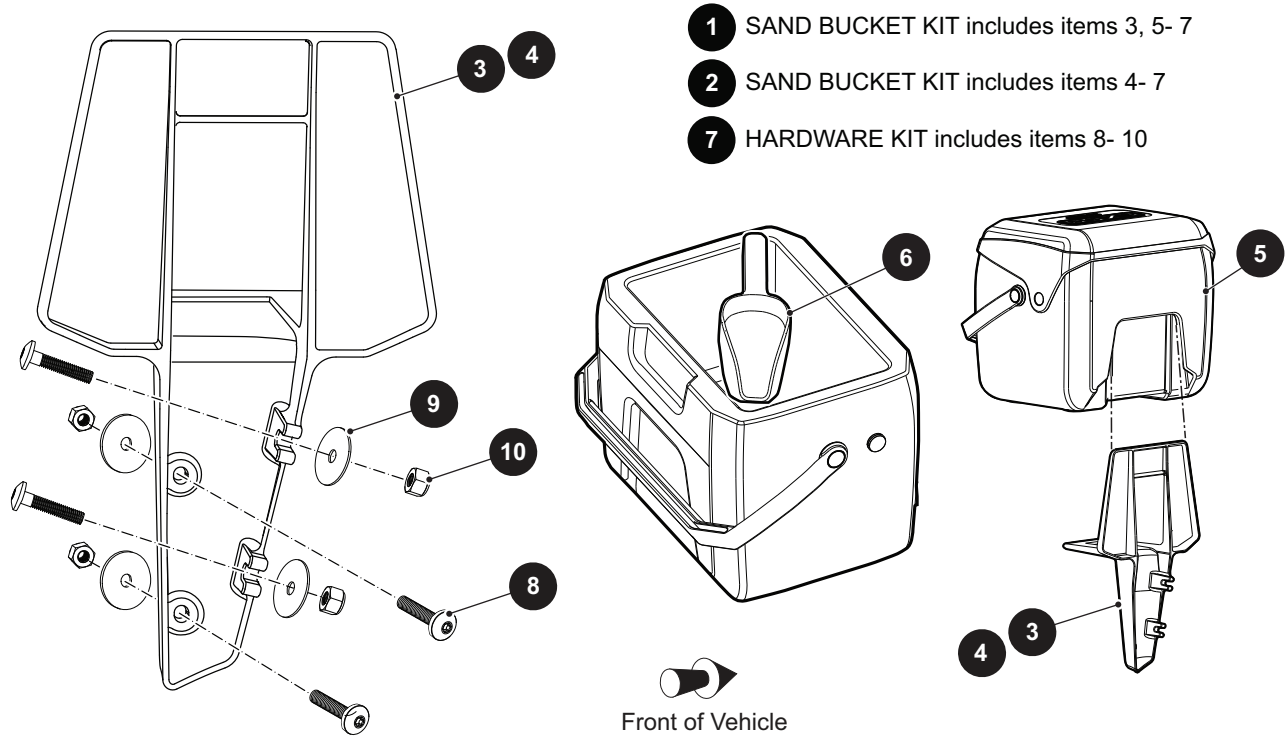
When ordering parts, please specify the model and serial number of the product.

* Indicates a component that is not available as an individual part.

*** Indicates consult Customer Service Department for additional information.

ITEM	PART NO.	1 2 3 4 5	DESCRIPTION	QTY.
1	<u>659159</u>		BEVERAGE COOLER KIT (DRIVER SIDE) (INCLUDES ITEMS 3 - 7) (FOR VEHICLES MANUFACTURED AFTER FEBRUARY 19, 2017)	1
2	<u>659157</u>		BEVERAGE COOLER KIT (PASSENGER SIDE) (INCLUDES ITEMS 3 - 6, 8) (FOR VEHICLES MANUFACTURED AFTER FEBRUARY 19, 2017)	1
3	<u>658503</u>		BEVERAGE COOLER.....	1
4	*		TRUSS HEAD PHILLIPS SCREW, 1/4" - 20 X 1.25" LG	4
5	*		FLAT WASHER, 1/4"	4
6	*		LOCK NUT, 1/4" - 20	4
7	<u>658504</u>		MOUNTING BRACKET (DRIVER SIDE).....	1
8	<u>658505</u>		MOUNTING BRACKET (PASSENGER SIDE)	1
9				
10	<u>689255</u>		BEVERAGE COOLER KIT (INCLUDES ITEMS 11 - 16)	1
			(FOR VEHICLES MANUFACTURED FROM OCTOBER 22, 2018)	
11	<u>658503</u>		BEVERAGE COOLER.....	1
12	<u>689269</u>		HARDWARE KIT (INCLUDES ITEMS 13 - 15)	
13	*		TRUSS HEAD BOLT, M6 x 1	3
14	*		FLAT WASHER, M6 x 18	6
15	*		LOCK NUT, M6 x 1.....	3
16	<u>689244</u>		BRACKET.....	1

BODY



THE USE OF NON U.L. PARTS WILL VOID ANY U.L. LISTING.

When ordering parts, please specify the model and serial number of the product.

* Indicates a component that is not available as an individual part.

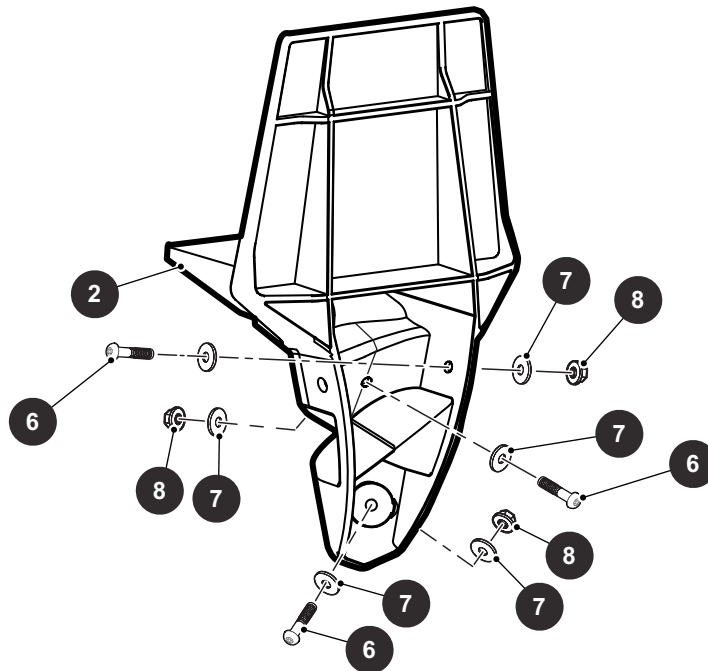
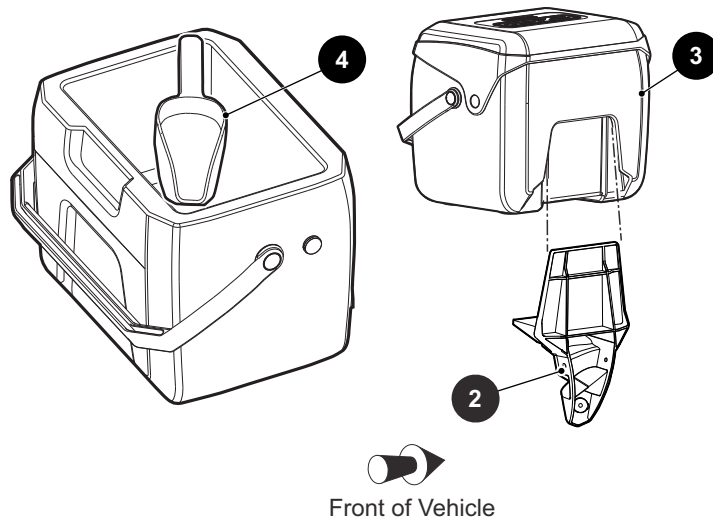
*** Indicates consult Customer Service Department for additional information.

ITEM	PART NO.	1 2 3 4 5	DESCRIPTION	QTY.
1	<u>664388</u>		SAND BUCKET KIT (DRIVER SIDE) (INCLUDES ITEMS 3, 5 - 7) (FOR VEHICLES MANUFACTURED BEFORE OCTOBER 22, 2018).....	1
2	<u>664400</u>		SAND BUCKET KIT (PASSENGER SIDE) (INCLUDES ITEMS 4 - 7) (FOR VEHICLES MANUFACTURED BEFORE OCTOBER 22, 2018).....	1
3	<u>658504</u>		BRACKET	1
4	<u>658505</u>		BRACKET	1
5	<u>662248</u>		SAND BUCKET	1
6	<u>74848G01</u>		SCOOP.....	1
7	<u>659156</u>		HARDWARE KIT (INCLUDES ITEMS 18 - 20)	1
8	*		TRUSS HEAD TORX BOLTS, M6 - 1 X 30MM LG	4
9	*		FLAT WASHERS, M6 - 30	4
10	*		HEX LOCK NUTS, M6 - 1	4
11				
12				
13				
14				
15	<u>643092</u>		CLUB AND BALL WASHER KIT (DRIVER SIDE) (INCLUDES ITEMS 17 - 27)	1
16	<u>643094</u>		CLUB AND BALL WASHER KIT (PASSENGER SIDE) (INCLUDES ITEMS 17 - 26, 28)	1
17	<u>603836</u>		CLUB AND BALL WASHER	1
18	<u>604384</u>		CLUB AND BALL WASHER PLATE	1
19	<u>606274</u>		FLANGED HEX NUT, M10 - 1.25	3
20	<u>606256</u>		FLANGED HEX HEAD BOLT, M10 - 1.25 X 25MM LG	3
21	<u>600530</u>		BUTTON HEAD TORX BOLT, M10 - 1.5 X 25MM LG	5
22	<u>608732</u>		PAN HEAD PHILLIPS SCREW, M8.....	5
23	<u>608520</u>		FLAT WASHER, M10.....	4
24	<u>600525</u>		LOCK NUT, M10 - 1.5.....	4
25	<u>608747</u>		FLAT WASHER, M6 X 1.5	5
26	<u>614974</u>		TORQUE NUT, M10 - 1.5	1
27	<u>643091</u>		MOUNTING BRACKET (DRIVER SIDE).....	1
28	<u>643093</u>		MOUNTING BRACKET (PASSENGER SIDE)	1

BODY

1 SAND BUCKET KIT includes items 2 - 5

5 HARDWARE KIT includes items 6 - 8



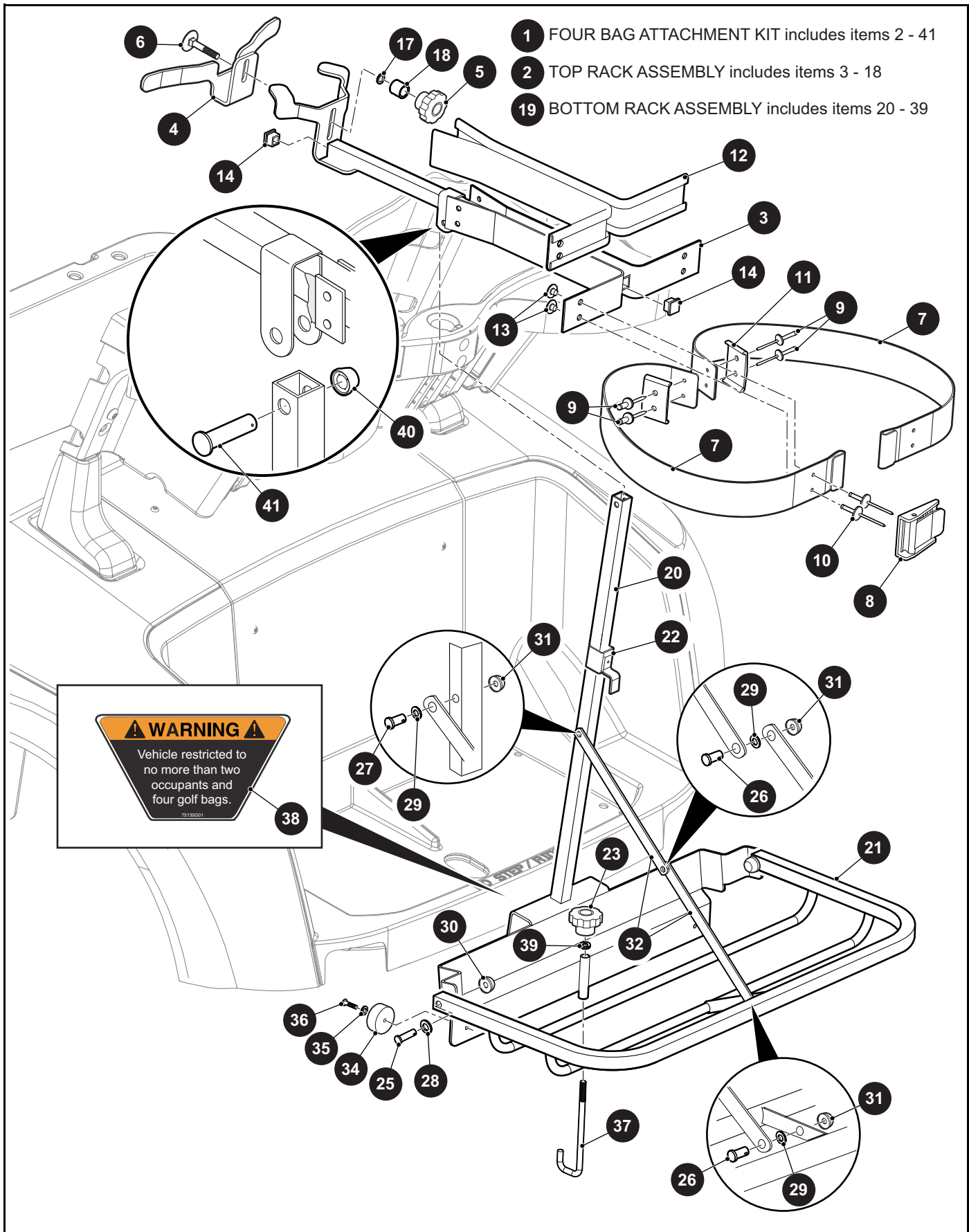
THE USE OF NON U.L. PARTS WILL VOID ANY U.L. LISTING.

When ordering parts, please specify the model and serial number of the product.

* Indicates a component that is not available as an individual part.

*** Indicates consult Customer Service Department for additional information.

ITEM	PART NO.	1 2 3 4 5	DESCRIPTION	QTY.
1	<u>689254</u>		SAND BUCKET KIT(INCLUDES ITEMS 2 - 5) (FOR VEHICLES MANUFACTURED AFTER OCTOBER 22, 2018).....	1
2	<u>689244</u>		BRACKET.....	1
3	<u>662248</u>		SAND BUCKET	1
4	<u>74848G01</u>		SCOOP.....	1
5	<u>689269</u>		HARDWARE KIT (INCLUDES ITEMS 6 - 8)	
6	*		TRUSS HEAD BOLT, M6 x 1	3
7	*		FLAT WASHER, M6 x 18	6
8	*		LOCK NUT, M6 x 1.....	3



THE USE OF NON U.L. PARTS WILL VOID ANY U.L. LISTING.

When ordering parts, please specify the model and serial number of the product.

* Indicates a component that is not available as an individual part.

*** Indicates consult Customer Service Department for additional information.

ITEM	PART NO.	1 2 3 4 5	DESCRIPTION	QTY.
1	<u>646547</u>		FOUR BAG ATTACHMENT KIT (INCLUDES ITEMS 2 - 41)	1
2	<u>646557</u>		TOP RACK ASSEMBLY (INCLUDES ITEMS 3 - 18).....	1
3	<u>646556</u>		TOP MOUNT RACK.....	1
4	608939		UNDER MOUNT BRACKET	1
5	<u>75337G01</u>		KNOB, 5/16" - 18	1
6	00724G5		ELEVATOR BOLT, 5/16" - 18 X 2" LG	1
7	<u>17641G1</u>		STRAP (FOUR BAG RACK)	2
8	<u>16920G1</u>		STRAP RETAINER ASSEMBLY	2
9	<u>17226G1</u>		RIVET, .255" X .246"	4
10	<u>15058G1</u>		RIVET (ALUMINUM), .191"X .183"	4
11	<u>16610G1</u>		ANCHOR PLATE	2
12	14643G3		VINYL EXTRUSION	2
13	<u>16935G1</u>		TEE NUT	4
14	<u>19859G1</u>		TUBE CAP, 3/4" SQ	2
15	<u>17618G1</u>		NYLON CLAMP, 8" LG (NOT ILLUSTRATED).....	2
16	<u>14382G7</u>		STRIP (NOISE SUPPRESSOR) (NOT ILLUSTRATED)	2
17	<u>00567G8</u>		LOCK WASHER (EXTERNAL TOOTH TYPE), 5/16"	1
18	<u>75048G04</u>		SPACER.....	1
19	<u>647152</u>		BOTTOM RACK ASSEMBLY (INCLUDES ITEMS 20 - 39).....	1
20	*		LOWER MOUNT	1
21	*		FOUR BAG BOTTOM ASSEMBLY	1
22	*		LATCH ASSEMBLY	1
23	*		KNOB, 5/16" - 18	1
24	*		VINYL SHRINK TUBING (NOT ILLUSTRATED).....	1
25	*		CLEVIS PIN, 3/8" X 1.25"	2
26	*		CLEVIS PIN, 5/16" X .625"	2
27	*		CLEVIS PIN, 5/16" X 1.25"	1
28	*		FLAT WASHER, 3/8"	2
29	*		FLAT WASHER, 5/16"	3
30	*		CAP NUT (BLACK), 3/8"	2
31	*		CAP NUT (PLASTIC), 5/16"	3

BODY

THE USE OF NON U.L. PARTS WILL VOID ANY U.L. LISTING.

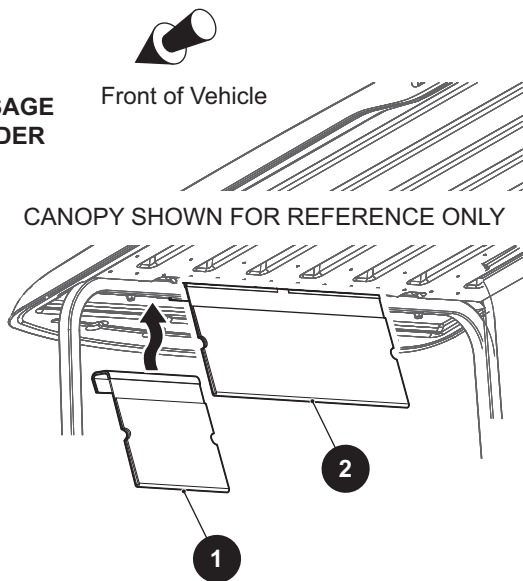
When ordering parts, please specify the model and serial number of the product.

* Indicates a component that is not available as an individual part.

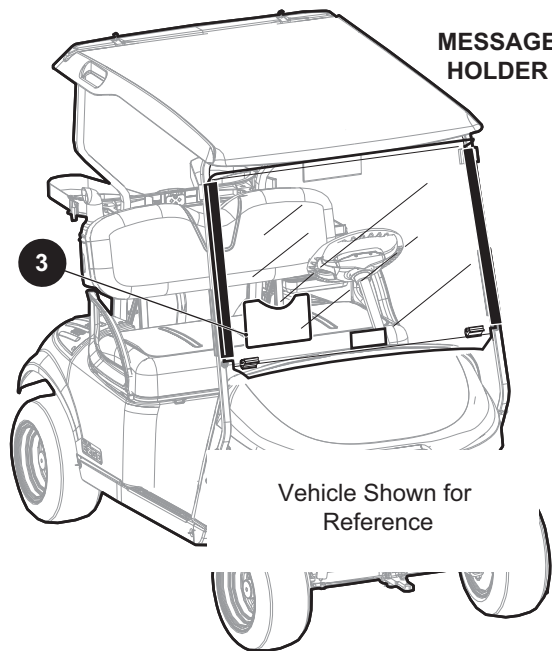
*** Indicates consult Customer Service Department for additional information.

ITEM	PART NO.	1	2	3	4	5	DESCRIPTION	QTY.
32	*						BRACE	2
33	*						NYLON CLAMP, 8" LG (NOT ILLUSTRATED)	1
34	*						RUBBER BUMPER	2
35	*						FLAT WASHER, #10	2
36	*						RIVET, 3/16 X 13/16"	2
37	*						RETAINER ROD	1
38	*						WARNING LABEL	1
39	*						LOCK WASHER, 5/16"	1
40	<u>28129G01</u>						CAP NUT (PLASTIC), 5/16"	1
41	<u>17651G2</u>						CLEVIS PIN, 5/16" X 1.25"	1

MESSAGE HOLDER

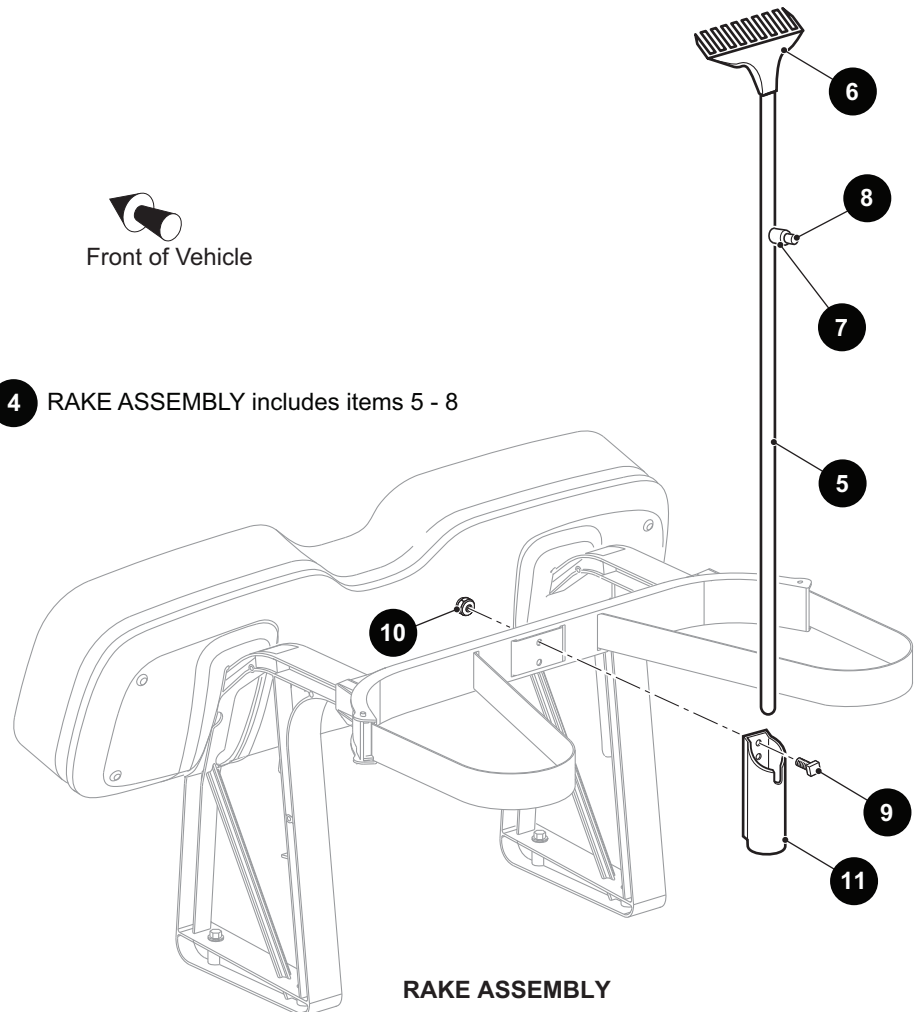


MESSAGE HOLDER



Front of Vehicle

4 RAKE ASSEMBLY includes items 5 - 8



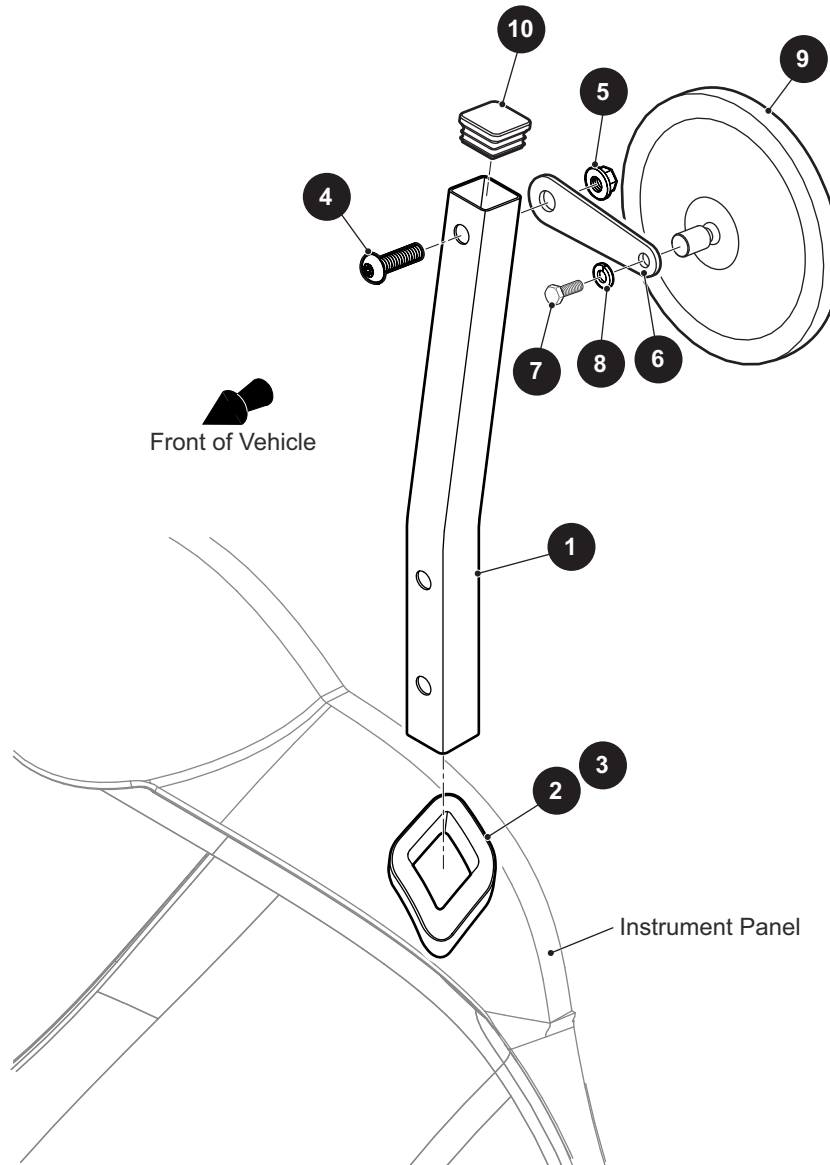
THE USE OF NON U.L. PARTS WILL VOID ANY U.L. LISTING.

When ordering parts, please specify the model and serial number of the product.

* Indicates a component that is not available as an individual part.

*** Indicates consult Customer Service Department for additional information.

ITEM	PART NO.	1 2 3 4 5	DESCRIPTION	QTY.
1	<u>609308</u>		MESSAGE HOLDER (SINGLE).....	1
2	<u>609092</u>		MESSAGE HOLDER (DOUBLE).....	1
3	695349		MESSAGE HOLDER (MOUNTED ON WINDSHIELD).....	1
4	<u>14735G1</u>		RAKE ASSEMBLY (INCLUDES ITEMS 5 - 8).....	1
5	<u>14736G2</u>		RAKE HANDLE	1
6	<u>14737G1</u>		RAKE.....	1
7	<u>14934G1</u>		SPACER	1
8	<u>00130G8</u>		ROUND HEAD PHILLIPS WOOD SCREW, #10 - 13 X 1" LG	1
9	<u>00989G06</u>		SQUARE HEAD BOLT, 1/4" - 20 X 3/4" LG.....	2
10	<u>11027G2</u>		LOCK NUT, 1/4" - 20	2
11	<u>25885G01</u>		RAKE HOLDER.....	1



THE USE OF NON U.L. PARTS WILL VOID ANY U.L. LISTING.

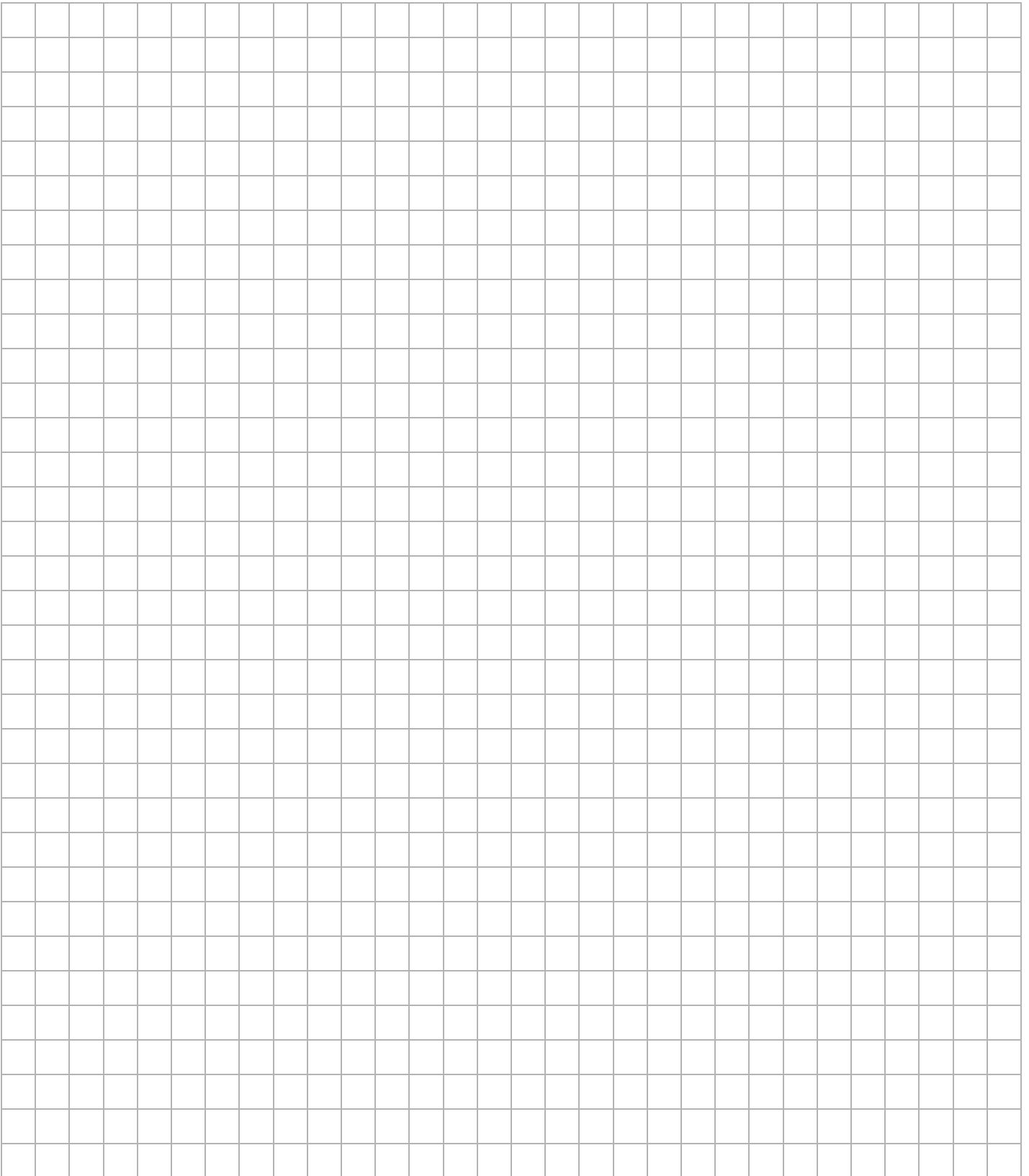
When ordering parts, please specify the model and serial number of the product.

* Indicates a component that is not available as an individual part.

*** Indicates consult Customer Service Department for additional information.

ITEM	PART NO.	1 2 3 4 5	DESCRIPTION	QTY.
1	<u>648473</u>		STRUT	1
2	<u>602770</u>		STRUT GROMMET (DRIVER SIDE)	1
3	<u>602992</u>		STRUT GROMMET (PASSENGER SIDE).....	1
4	<u>600527</u>		BUTTON HEAD TORX BOLT, M10 - 1.5 X 60MM LG	1
5	<u>600525</u>		LOCK NUT, M10 - 1.5	1
6	<u>648528</u>		MIRROR BRACKET.....	1
7	*		HEX HEAD BOLT, 1/4" - 20 X 5/8" LG	1
8	*		LOCK WASHER, 1/4"	1
9	<u>74202G01</u>		ROUND MIRROR	1
10	<u>620634</u>		END CAP	1

Notes:

A large grid area for taking notes, consisting of 20 columns and 30 rows of small squares.

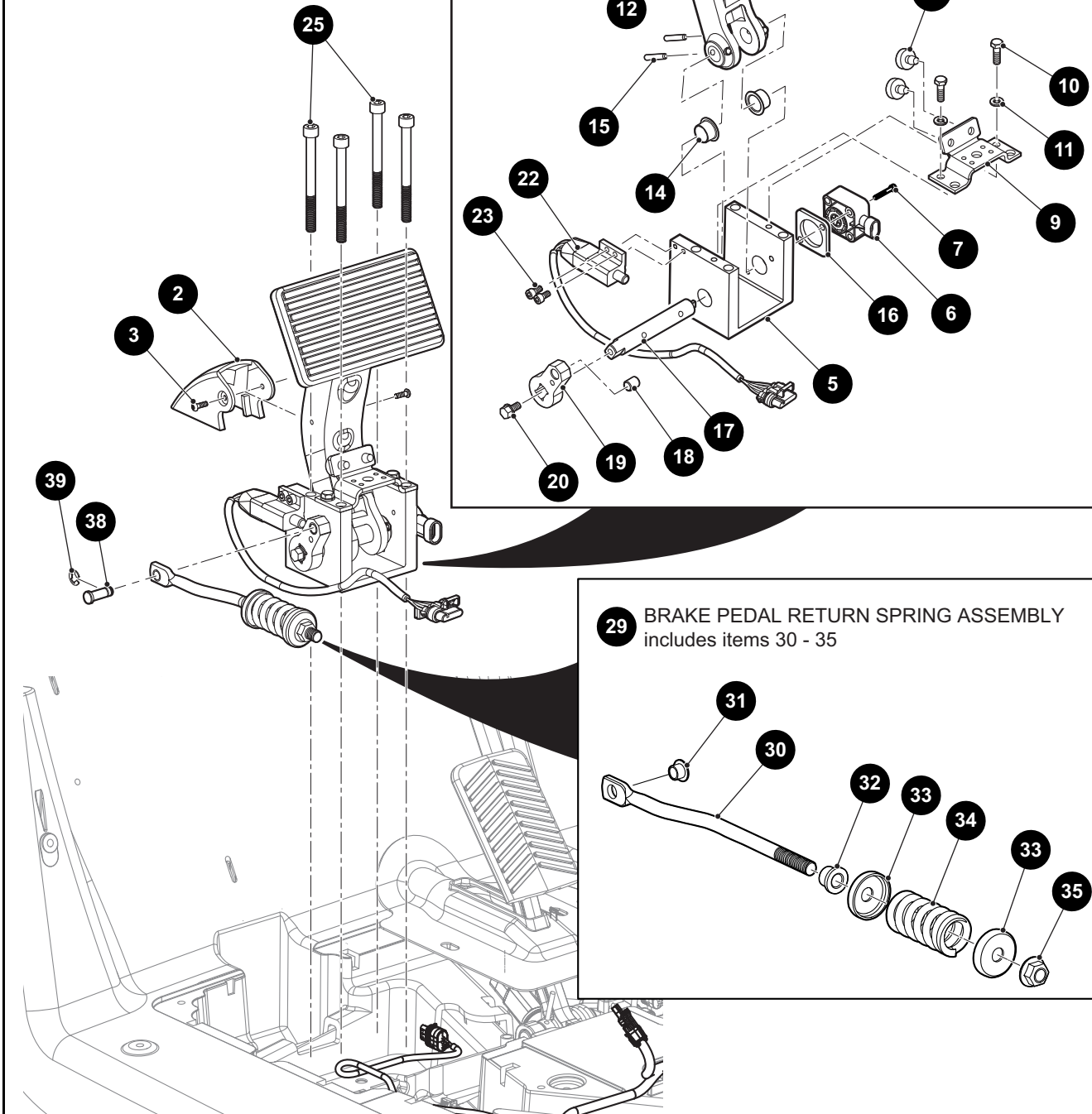
Notes:

A large grid of graph paper for taking notes, consisting of approximately 25 columns and 35 rows of small squares. The grid is empty and occupies the majority of the page below the 'Notes:' header.

1 BRAKE PEDAL AND COVER ASSEMBLY includes items 2 - 4

4 BRAKE PEDAL ASSEMBLY includes items 5 - 23

29 BRAKE PEDAL RETURN SPRING ASSEMBLY includes items 30 - 35



THE USE OF NON U.L. PARTS WILL VOID ANY U.L. LISTING.

When ordering parts, please specify the model and serial number of the product.

* Indicates a component that is not available as an individual part.

*** Indicates consult Customer Service Department for additional information.

ITEM	PART NO.	1 2 3 4 5	DESCRIPTION	QTY.
1	676006		BRAKE PEDAL AND COVER ASSEMBLY (INCLUDES ITEMS 2 - 4)	1
2	<u>605688</u>		BRAKE PEDAL COVER	1
3	<u>600543</u>		BUTTON HEAD TORX BOLT, M4 - .75 X 12MM LG	2
4	671888		BRAKE PEDAL ASSEMBLY (INCLUDES ITEMS 5 - 23)	1
5	*		BRAKE ARM MOUNT	1
6	671848		ROTARY POSITION SENSOR	1
7	686390		SOCKET HEAD BOLT, M5 - .8 X 35MM LG	2
8	<u>604097</u>		REBOUND BUMPER.....	2
9	<u>609226</u>		SWITCH BUTTON BRACKET	1
10	<u>613231</u>		HEX HEAD BOLT, M6 - 1 X 20MM LG	2
11	<u>601327</u>		LOCK WASHER (SS), M6	2
12	*		BRAKE PEDAL	1
13	<u>610471</u>		PEDAL COVER.....	1
14	*		FLANGED BUSHING, 16MM O.D. X 12MM I.D.	2
15	*		SPIROL PIN, 5MM X 30 MM.....	2
16	672457		SENSOR SPACER	1
17	*		PIVOT SHAFT.....	1
18	*		SPLIT SLEEVE, 10MM O.D. X 8MM I.D X 12MM LG.....	1
19	626146		BRAKE CABLE ARM (PULL).....	1
20	<u>606265</u>		FLANGED HEX HEAD BOLT, M6 - 1 X 12MM LG.....	1
21				
22	<u>607605</u>		BRAKE PEDAL SWITCH	1
23	<u>620030</u>		SOCKET HEAD BOLT, M5 - .8 X 15MM LG	2
24				
25	<u>605254</u>		SOCKET HEAD BOLT, M8 - 1.25 X 90MM LG	4
26				
27				
28				
29	<u>605266</u>		BRAKE PEDAL RETURN SPRING ASSEMBLY (INCLUDES ITEMS 30 - 35)	1
30	*		BRAKE ROD	1
31	*		FLANGED BUSHING, 8MM DIA	1

BRAKES

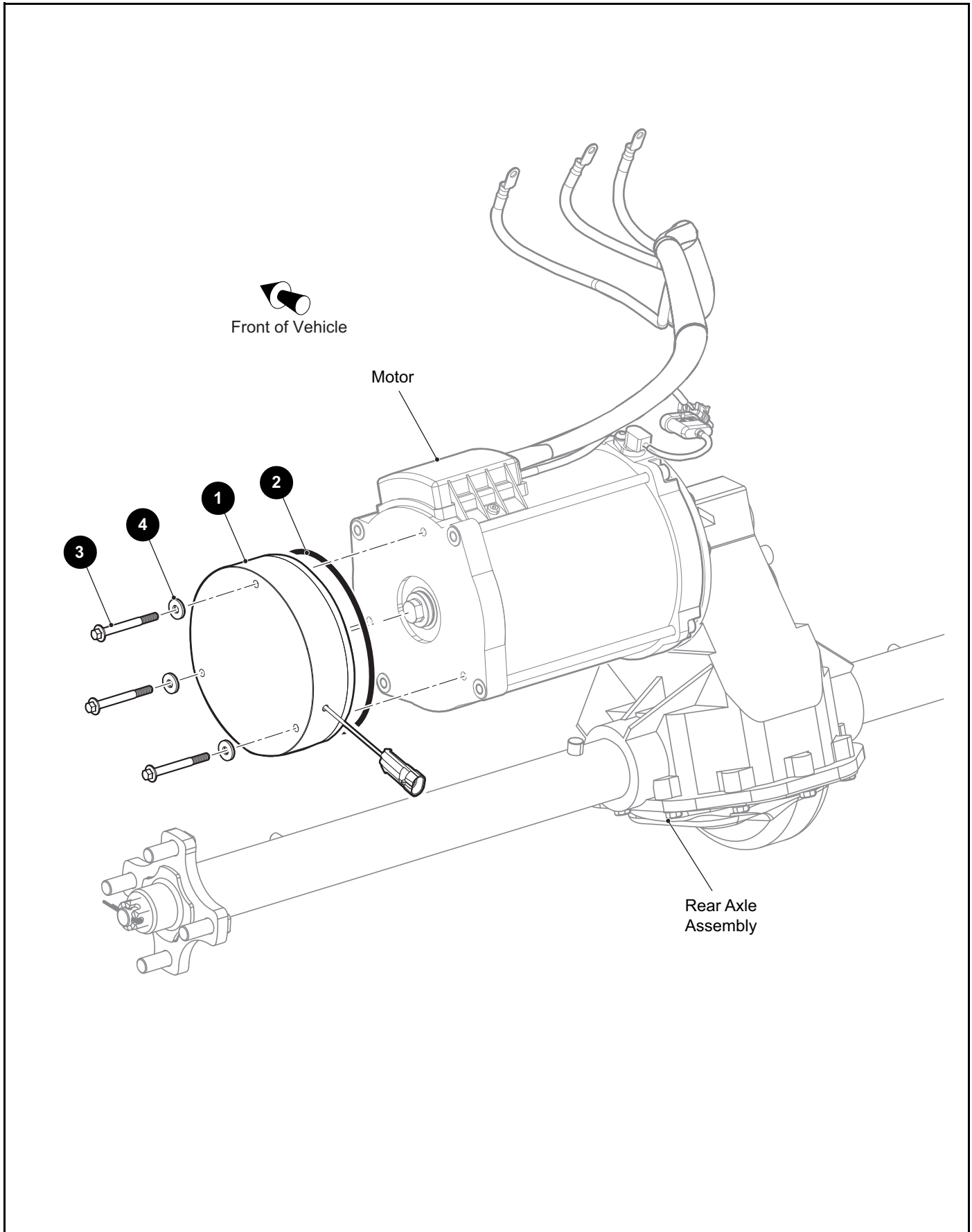
THE USE OF NON U.L. PARTS WILL VOID ANY U.L. LISTING.

When ordering parts, please specify the model and serial number of the product.

* Indicates a component that is not available as an individual part.

*** Indicates consult Customer Service Department for additional information.

ITEM	PART NO.	1	2	3	4	5	DESCRIPTION	QTY.
32	*						BUSHING, 10.2MM DIA.....	1
33	*						SHOCK ABSORBER WASHER, 31MM O.D. X 10.3MM I.D	2
34	*						SPRING	1
35	*						FLANGED HEX HEAD LOCK NUT, M10 - 1.5.....	1
36								
37								
38	<u>601894</u>						CLEVIS PIN, 8MM DIA X 21.5MM LG.....	1
39	<u>601835</u>						RETAINING RING, 8MM	1



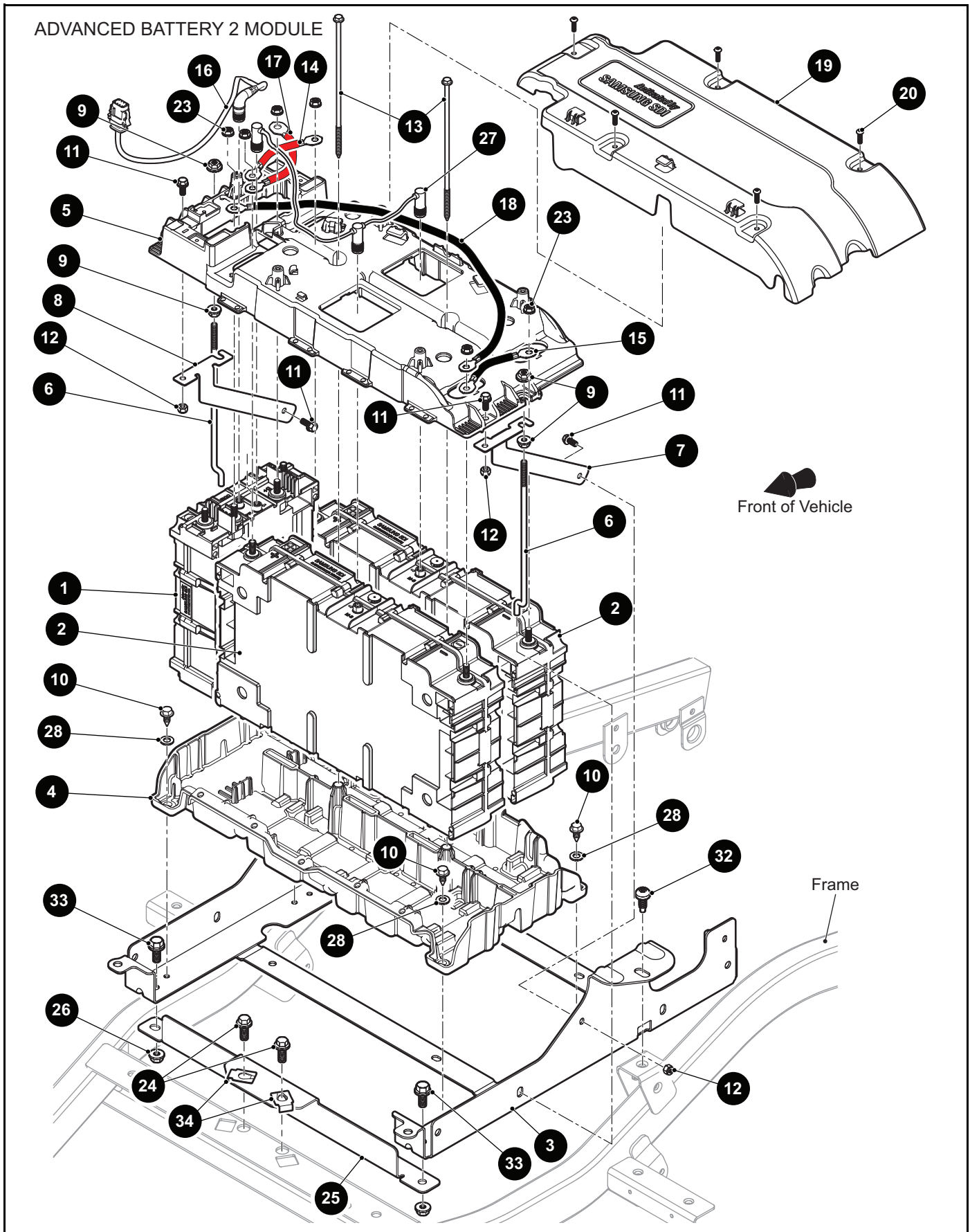
THE USE OF NON U.L. PARTS WILL VOID ANY U.L. LISTING.

When ordering parts, please specify the model and serial number of the product.

* Indicates a component that is not available as an individual part.

*** Indicates consult Customer Service Department for additional information.

ITEM	PART NO.	1 2 3 4 5	DESCRIPTION	QTY.
1	<u>617766</u>		E - BRAKE	1
2	<u>628550</u>		O-RING, DIA 152MM	1
3	<u>73715G01</u>		FLANGED HEX HEAD BOLT, M6 - 1 X 60MM LG.....	3
4	<u>00915G1</u>		BONDED SEAL WASHER, 1/4".....	3



THE USE OF NON U.L. PARTS WILL VOID ANY U.L. LISTING.

When ordering parts, please specify the model and serial number of the product.

* Indicates a component that is not available as an individual part.

*** Indicates consult Customer Service Department for additional information.

ITEM	PART NO.	1 2 3 4 5	DESCRIPTION	QTY.
1	691886		BATTERY MANAGEMENT SYSTEM	1
2	<u>665954</u>		CELL MODULE	2
3	<u>650778</u>		BATTERY TRAY	1
4	<u>651809</u>		BOTTOM TRAY	1
5	<u>651812</u>		TOP TRAY	1
6	<u>01101G01</u>		TIE DOWN BOLT	2
7	<u>654002G01</u>		HOLD DOWN BRACKET (DRIVER SIDE)	1
8	<u>654002G02</u>		HOLD DOWN BRACKET (PASSENGER SIDE)	1
9	<u>11027G1</u>		FLANGED LOCK NUT, 5/16" - 18	4
10	<u>00715G2</u>		HEX WASHER HEAD BOLT, 5/16" - 18 X .80" LG	4
11	<u>13437G9</u>		SERRATED HEAD LOCK SCREW, 1/4" - 20 X 3/4" LG	4
12	<u>14390G4</u>		LOCK NUT, 1/4" - 20	4
13	<u>654863</u>		FLANGED HEX HEAD BOLT, 1/4" - 10 X 8 3/4" LG	2
14	<u>652002</u>		BATTERY CABLE (RED), 6AWG, 122 MM LG	1
15	<u>653432</u>		BATTERY CABLE (BLACK), 6AWG, 122 MM LG	1
16	<u>652090</u>		HARNESS (BMS TO MAIN HARNESS)	1
17	<u>653449</u>		BATTERY CABLE (RED), 6AWG, 145 MM LG	1
18	<u>651811</u>		BATTERY CABLE (BLACK), 6AWG, 595 MM LG	1
19	<u>651878</u>		TOP COVER	1
20	<u>654616</u>		BUTTON HEAD TAPPING SCREW, #10 X .625" LG	5
21				
22				
23	<u>659134</u>		CONICAL HEX NUT, M8 - 1.25	6
24	<u>603799</u>		FLANGED HEX HEAD BOLT, M10 - 1.5 X 25MM LG	2
25	<u>654421</u>		FRONT MOUNTING BRACKET	1
26	<u>600525</u>		LOCK NUT, M10 - 1.5	2
27	<u>651960</u>		BATTERY COMMUNICATION CABLE, 60AH	1
28	00559G8		FLAT WASHER, 5/16"	4
29				
30				
31				

ELECTRICAL

THE USE OF NON U.L. PARTS WILL VOID ANY U.L. LISTING.

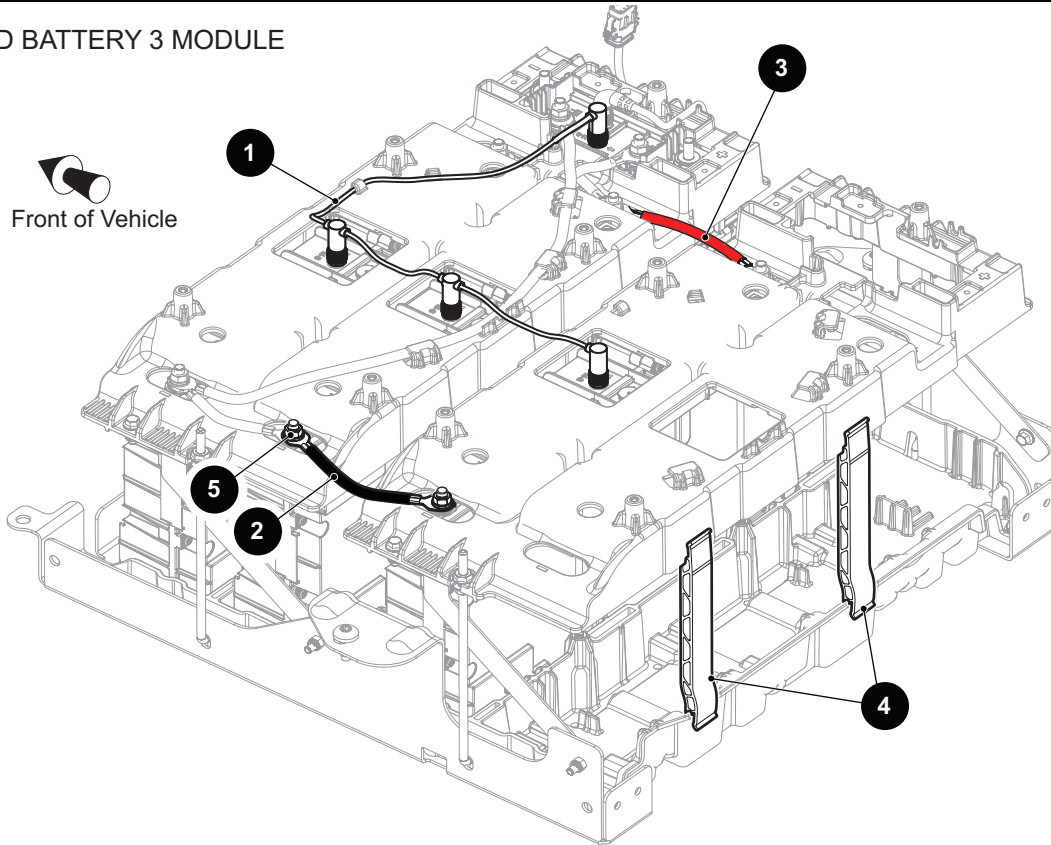
When ordering parts, please specify the model and serial number of the product.

* Indicates a component that is not available as an individual part.

*** Indicates consult Customer Service Department for additional information.

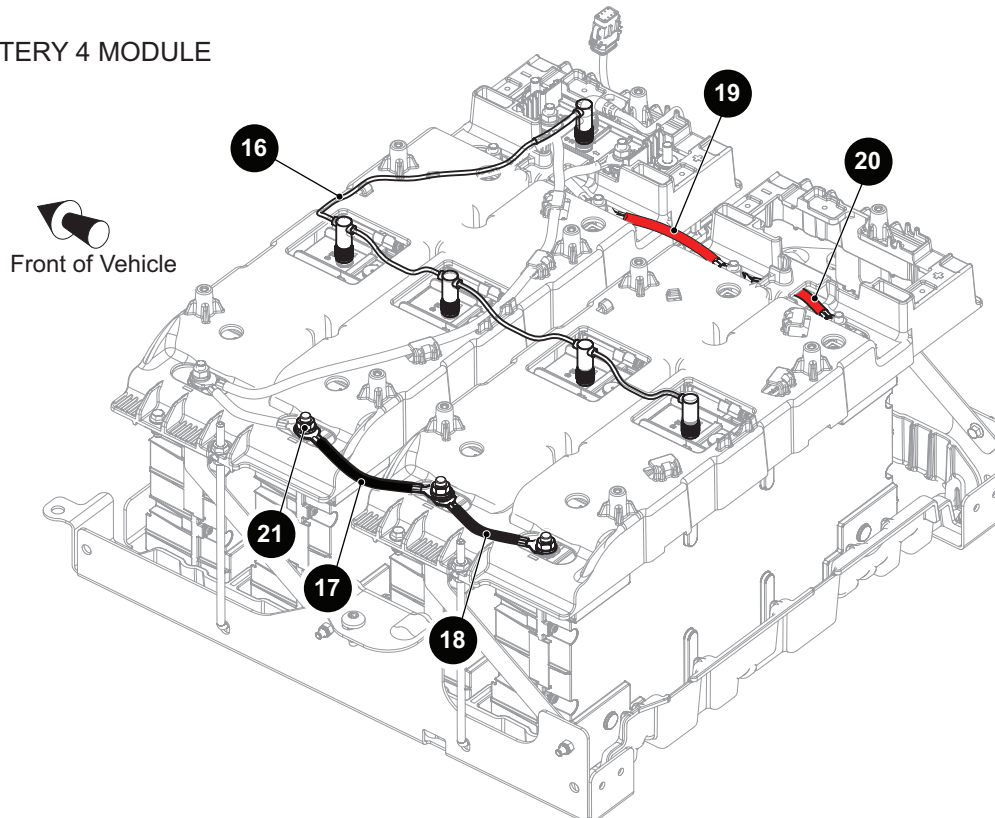
ITEM	PART NO.	1	2	3	4	5	DESCRIPTION	QTY.
32	<u>602572</u>						PAN HEAD TAPTITE BOLT, M10 - 1.5 X 25MM LG	2
33	<u>603799</u>						FLANGED HEX HEAD BOLT, M10 - 1.25 X 25MM LG	2
34	<u>603818</u>						BARREL CLIP, M10 - 1.5.....	2

ADVANCED BATTERY 3 MODULE



*NOTE: Refer to ADVANCED BATTERY 2 MODULE for exploded view of battery pack

ADVANCED BATTERY 4 MODULE



*NOTE: Refer to ADVANCED BATTERY 2 MODULE for exploded view of battery pack

THE USE OF NON U.L. PARTS WILL VOID ANY U.L. LISTING.

When ordering parts, please specify the model and serial number of the product.

* Indicates a component that is not available as an individual part.

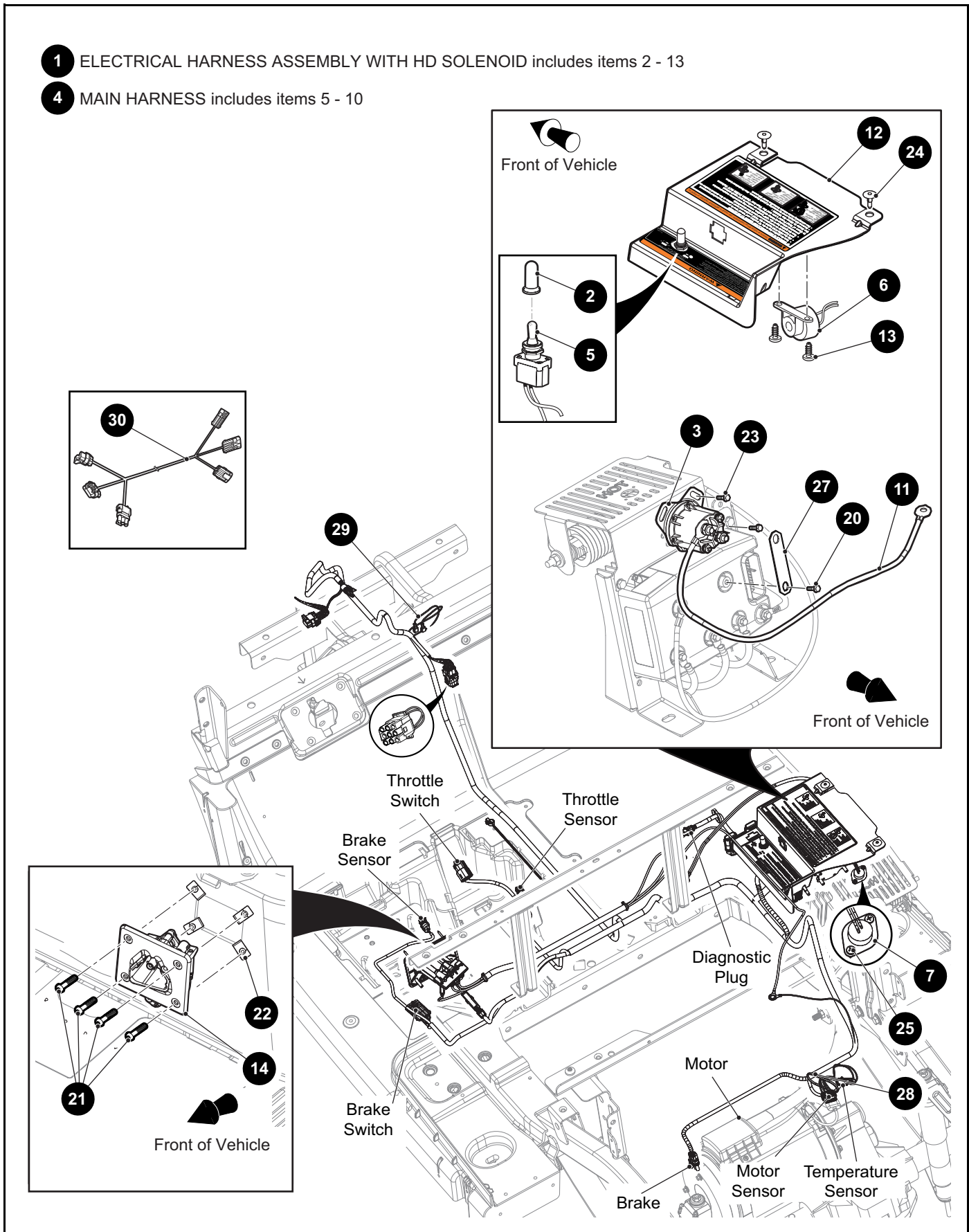
*** Indicates consult Customer Service Department for additional information.

ITEM	PART NO.	1 2 3 4 5	DESCRIPTION	QTY.
1	<u>651961</u>		BATTERY COMMUNICATION CABLE, 90AH	1
2	<u>653431</u>		BATTERY CABLE (BLACK), 6AWG, 160 MM LG.....	1
3	<u>653433</u>		BATTERY CABLE (RED), 6AWG, 160 MM LG.....	1
4	<u>654488</u>		BATTERY TRAY SPACER	2
5	<u>659134</u>		CONICAL HEX NUT, M8 - 1.25.....	2
6				
7				
8				
9				
10				
11				
12				
13				
14				
15				
16	<u>651962</u>		BATTERY COMMUNICATION CABLE, 120AH	1
17	<u>653431</u>		BATTERY CABLE (BLACK), 6AWG, 160 MM LG.....	1
18	<u>653432</u>		BATTERY CABLE (BLACK), 6AWG, 122 MM LG.....	1
19	<u>653433</u>		BATTERY CABLE (RED), 6AWG, 160 MM LG.....	1
20	<u>652002</u>		BATTERY CABLE (RED), 6AWG, 122 MM LG.....	1
21	<u>659134</u>		CONICAL HEX NUT, M8 - 1.25.....	3

ELECTRICAL

1 ELECTRICAL HARNESS ASSEMBLY WITH HD SOLENOID includes items 2 - 13

4 MAIN HARNESS includes items 5 - 10



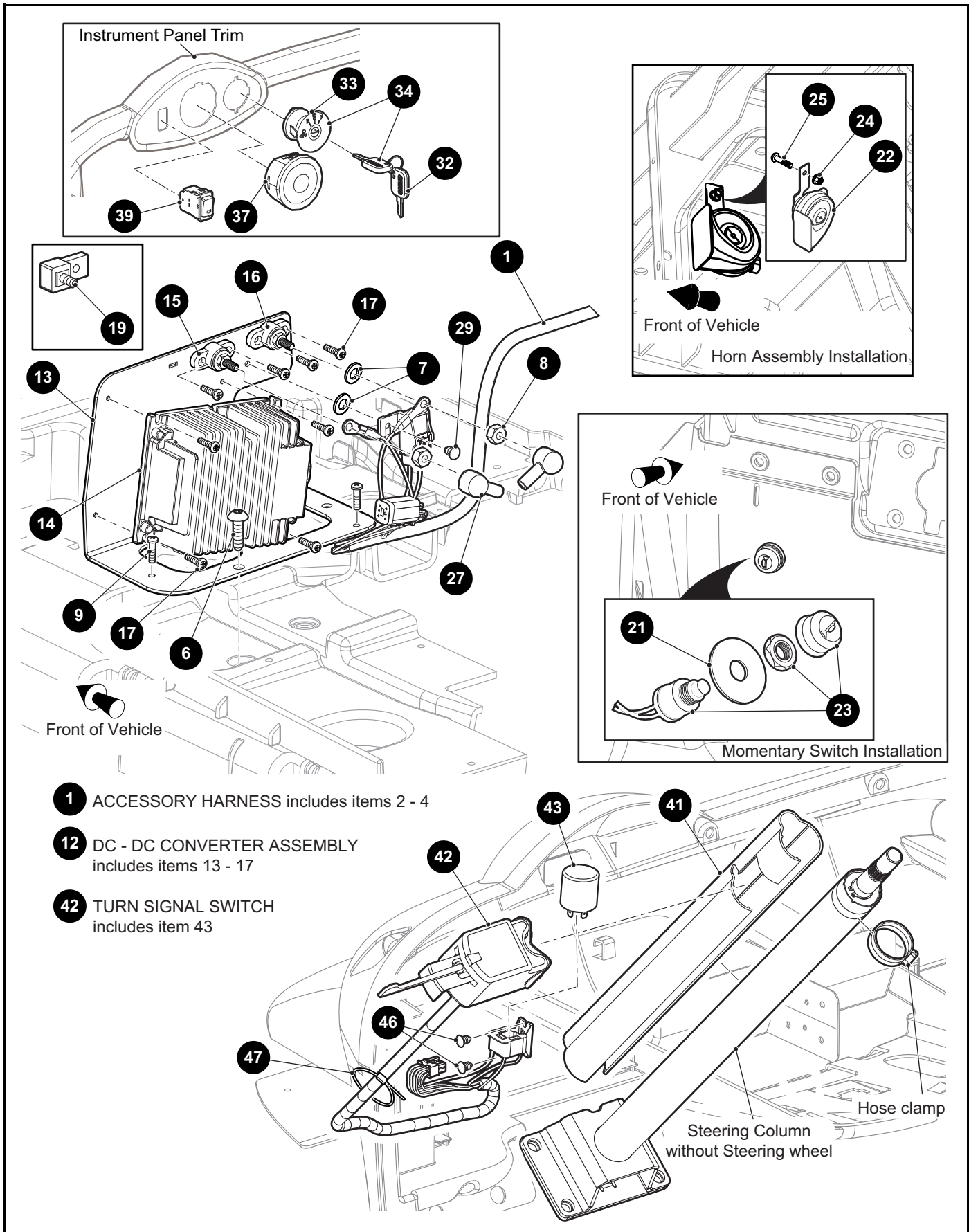
THE USE OF NON U.L. PARTS WILL VOID ANY U.L. LISTING.

When ordering parts, please specify the model and serial number of the product.

* Indicates a component that is not available as an individual part.

*** Indicates consult Customer Service Department for additional information.

ITEM	PART NO.	1 2 3 4 5	DESCRIPTION	QTY.
1	671770		ELECTRICAL HARNESS ASSEMBLY WITH HD SOLENOID (INCLUDES ITEMS 2 - 13)	1
2	<u>655019</u>		RUBBER BOOT (ROW/TOW SWITCH).....	1
3	<u>649240</u>		SOLENOID	1
4	671769		MAIN HARNESS (INCLUDES ITEMS 5 - 10)	1
5	620765G01		RUN/TOW SWITCH.....	1
6	620764G02		REVERSE WARNING BUZZER	1
7	609686G01		BI-METAL SWITCH.....	1
8	<u>636455G22</u>		FUSE (MINI), 58V, 10A (NOT ILLUSTRATED)	1
9	<u>651800G01</u>		RESISTOR (MALE), 120 OHM (NOT ILLUSTRATED)	1
10	<u>648072</u>		CLIP (TREE TYPE) (NOT ILLUSTRATED).....	1
11	<u>653485</u>		BATTERY CABLE, 525MM LG	1
12	<u>612423</u>		CONTROLLER SPLASH SHIELD.....	1
13	<u>01051G01</u>		PAN HEAD PHILLIPS SCREW, #8 - 16 X 1/2" LG	2
14	<u>651410</u>		CHARGER RECEPTACLE	1
15				
16				
17				
18				
19				
20	<u>73876G01</u>		FLANGED BOLT, M6 - 1 X 12MM LG	1
21	<u>601326</u>		BUTTON HEAD TORX BOLT, M6 - 1 X 20MM LG	4
22	<u>602409</u>		BARREL CLIP, M6 - 1	4
23	<u>71102G02</u>		HEX WASHER HEAD BOLT, 1/4" - 20 X 1/2" LG	2
24	<u>610487</u>		REMOVABLE RIVET, .256".....	3
25	<u>00614G4</u>		PAN HEAD SELF TAPPING SCREW, #8 - 18 X 1/2" LG.....	2
26				
27	<u>619047</u>		BUS BAR	1
28	<u>17618G1</u>		NYLON CLAMP, 7" LG.....	3
29	<u>638585</u>		USB HARNESS	1
30	677030		TOW HARNESS	1



THE USE OF NON U.L. PARTS WILL VOID ANY U.L. LISTING.

When ordering parts, please specify the model and serial number of the product.

* Indicates a component that is not available as an individual part.

*** Indicates consult Customer Service Department for additional information.

ITEM	PART NO.	1 2 3 4 5	DESCRIPTION	QTY.
1	<u>649816</u>		ACCESSORY HARNESS (INCLUDES ITEMS 2 - 4)	1
2	<u>658741</u>		RELAY, 20AMP, 24VDC (NOT ILLUSTRATED).....	1
3	<u>63645G22</u>		MINI FUSE, 10A, 58VDC (NOT ILLUSTRATED)	4
4	<u>628840</u>		FUSE (ATO), 58V, 10A (NOT ILLUSTRATED)	1
5				
6	<u>649804</u>		BUTTON HEAD TORX SCREW, M8 - 3.5 X 30MM LG	1
7	<u>00559G8</u>		FLAT WASHER, 5/16"	2
8	<u>00702G2</u>		HEX NUT, 5/16" - 18	2
9	<u>608290</u>		SELF TAPPING SCREW, #10 - 16 X 3/4" LG	2
10				
11				
12	<u>632184</u>		DC-DC CONVERTER ASSEMBLY (INCLUDES ITEMS 13 - 17)	1
13	<u>662828</u>		BRACKET.....	1
14	<u>632185</u>		DC-DC CONVERTER.....	1
15	<u>662824G02</u>		TERMINAL STUD (BLACK).....	1
16	<u>662824G01</u>		TERMINAL STUD (RED).....	1
17	<u>632372</u>		TAPPING SCREW, #10 - 32 X 3/4" LG	8
18				
19	<u>33343G01</u>		TERMINAL BLOCK.....	2
20				
21	<u>608397</u>		HORN PLATE	1
22	<u>604196</u>		HORN ASSEMBLY.....	1
23	<u>17318G1</u>		MOMENTARY SWITCH.....	1
24	<u>601476</u>		LOCK NUT, M6 - 1	1
25	<u>601326</u>		BUTTON HEAD TORX BOLT, M6 - 1 X 20MM LG	1
26	<u>01072G01</u>		CABLE CLIP (NOT ILLUSTRATED)	3
27	<u>25682G01</u>		TERMINAL BOOT	2
28				
29	<u>16816G5</u>		RATCHET RIVET, .187" X .550" LG.....	1
30				
31				

ELECTRICAL

THE USE OF NON U.L. PARTS WILL VOID ANY U.L. LISTING.

When ordering parts, please specify the model and serial number of the product.

* Indicates a component that is not available as an individual part.

*** Indicates consult Customer Service Department for additional information.

ITEM	PART NO.	1	2	3	4	5	DESCRIPTION	QTY.
32	<u>611282</u>						COMMON KEY SET	1
33	<u>653072</u>						KEY SWITCH, R-N-F (4 POSITION)	1
34	<u>655131</u>						KEY SWITCH AND KEY SET ASSEMBLY	1
35								
36								
37	<u>612314</u>						STATE OF CHARGE METER	1
38								
39	<u>604019</u>						HEADLIGHT SWITCH	1
40								
41	<u>20965G3</u>						STEERING COLUMN COVER	1
42	<u>604511</u>						TURN SIGNAL SWITCH (INCLUDES ITEM 43)	1
43	<u>604367</u>						FLASHER UNIT	1
44	<u>19344G1</u>						VINYL TAPE, 40MM LG (NOT ILLUSTRATED)	1
45								
46	<u>16816G5</u>						RATCHET RIVET, .187" X .550" LG	2
47	<u>31539G1</u>						NYLON CLAMP, 15.5" LG	1
							ITEMS 48 TO 75 NOT SHOWN	
48	<u>670675G01</u>						GPS DISPLAY UNIT, 7"	1
49	670675G02W						GPS DISPLAY UNIT, 10"	1
50	<u>664519G01</u>						GPS DISPLAY UNIT, 7"	1
51	<u>664519G02</u>						GPS DISPLAY UNIT, 10"	1
52	10008835G07124						GPS DISPLAY UNIT, 7", BASE, 24 MONTHS LEASE DURATION	1
53	10008835G07131						GPS DISPLAY UNIT, 7", BASE, 31 MONTHS LEASE DURATION	1
54	10008835G07136						GPS DISPLAY UNIT, 7", BASE, 36 MONTHS LEASE DURATION	1
55	10008835G07148						GPS DISPLAY UNIT, 7", BASE, 48 MONTHS LEASE DURATION	1
56	10008835G07154						GPS DISPLAY UNIT, 7", BASE, 54 MONTHS LEASE DURATION	1
57	10008835G07160						GPS DISPLAY UNIT, 7", BASE, 60 MONTHS LEASE DURATION	1
58	10008835G07166						GPS DISPLAY UNIT, 7", BASE, 66 MONTHS LEASE DURATION	1
59	10008835G07172						GPS DISPLAY UNIT, 7", BASE, 72 MONTHS LEASE DURATION	1
60	10008835G07224						GPS DISPLAY UNIT, 7", ENHANCED, 24 MONTHS LEASE DURATION	1
61	10008835G07231						GPS DISPLAY UNIT, 7", ENHANCED, 31 MONTHS LEASE DURATION	1

THE USE OF NON U.L. PARTS WILL VOID ANY U.L. LISTING.

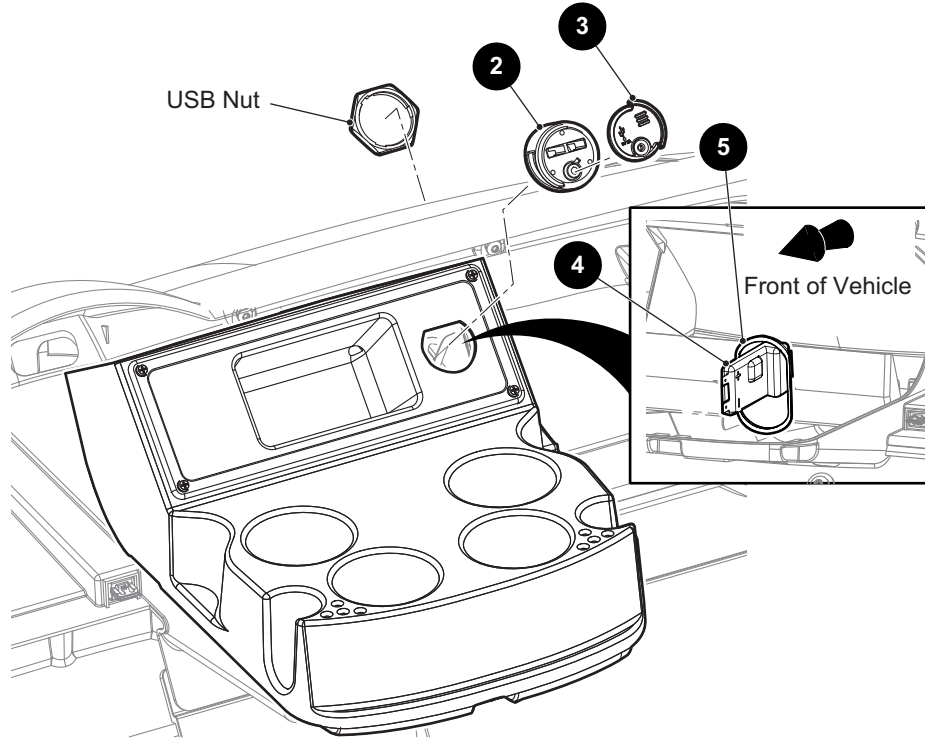
When ordering parts, please specify the model and serial number of the product.

* Indicates a component that is not available as an individual part.

*** Indicates consult Customer Service Department for additional information.

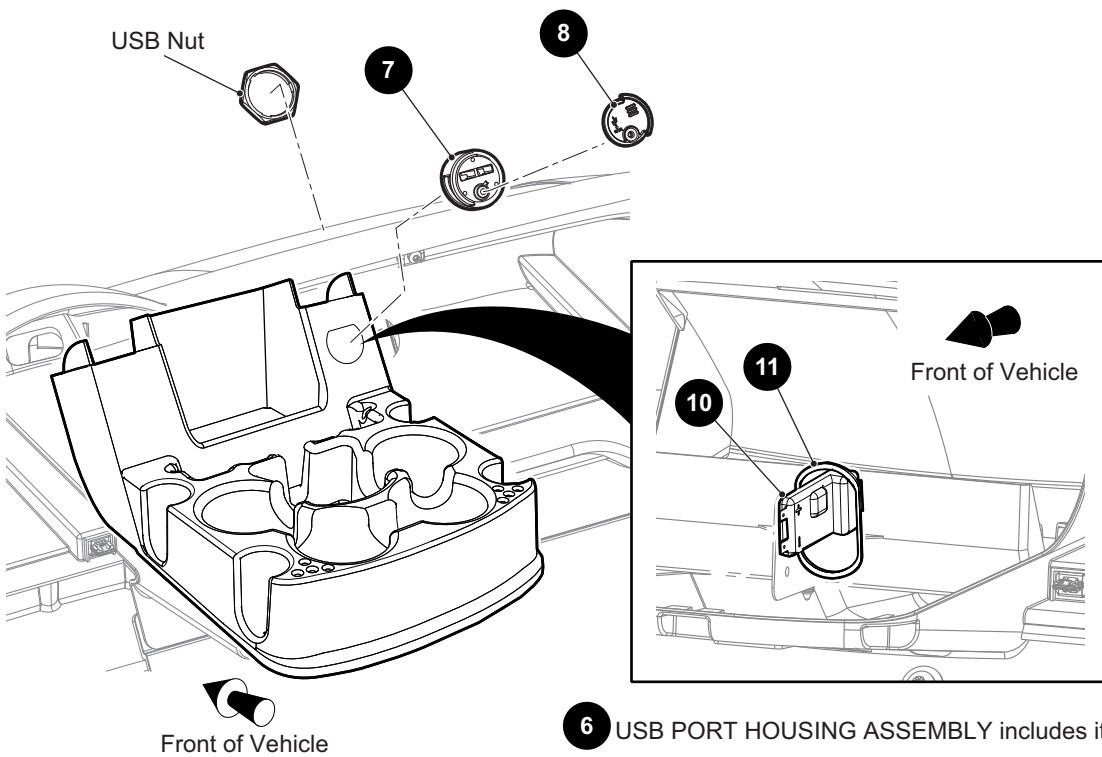
ITEM	PART NO.	1	2	3	4	5	DESCRIPTION	QTY.
62	10008835G07236						GPS DISPLAY UNIT, 7", ENHANCED, 36 MONTHS LEASE DURATION	1
63	10008835G07248						GPS DISPLAY UNIT, 7", ENHANCED, 48 MONTHS LEASE DURATION	1
64	10008835G07254						GPS DISPLAY UNIT, 7", ENHANCED, 54 MONTHS LEASE DURATION	1
65	10008835G07260						GPS DISPLAY UNIT, 7", ENHANCED, 60 MONTHS LEASE DURATION	1
66	10008835G07266						GPS DISPLAY UNIT, 7", ENHANCED, 66 MONTHS LEASE DURATION	1
67	10008835G07272						GPS DISPLAY UNIT, 7", ENHANCED, 72 MONTHS LEASE DURATION	1
68	10008835G10224						GPS DISPLAY UNIT, 10", ENHANCED, 24 MONTHS LEASE DURATION ..	1
69	10008835G10231						GPS DISPLAY UNIT, 10", ENHANCED, 31 MONTHS LEASE DURATION ..	1
70	10008835G10236						GPS DISPLAY UNIT, 10", ENHANCED, 36 MONTHS LEASE DURATION ..	1
71	10008835G10248						GPS DISPLAY UNIT, 10", ENHANCED, 48 MONTHS LEASE DURATION ..	1
72	10008835G10254						GPS DISPLAY UNIT, 10", ENHANCED, 54 MONTHS LEASE DURATION ..	1
73	10008835G10260						GPS DISPLAY UNIT, 10", ENHANCED, 60 MONTHS LEASE DURATION ..	1
74	10008835G10266						GPS DISPLAY UNIT, 10", ENHANCED, 66 MONTHS LEASE DURATION ..	1
75	10008835G10272						GPS DISPLAY UNIT, 10", ENHANCED, 72 MONTHS LEASE DURATION ...	1

FOR VEHICLES MANUFACTURED BEFORE JULY 21, 2019



1 USB PORT HOUSING ASSEMBLY includes items 2 - 3

FOR VEHICLES MANUFACTURED AFTER JULY 21, 2019



6 USB PORT HOUSING ASSEMBLY includes items 7 - 8

THE USE OF NON U.L. PARTS WILL VOID ANY U.L. LISTING.

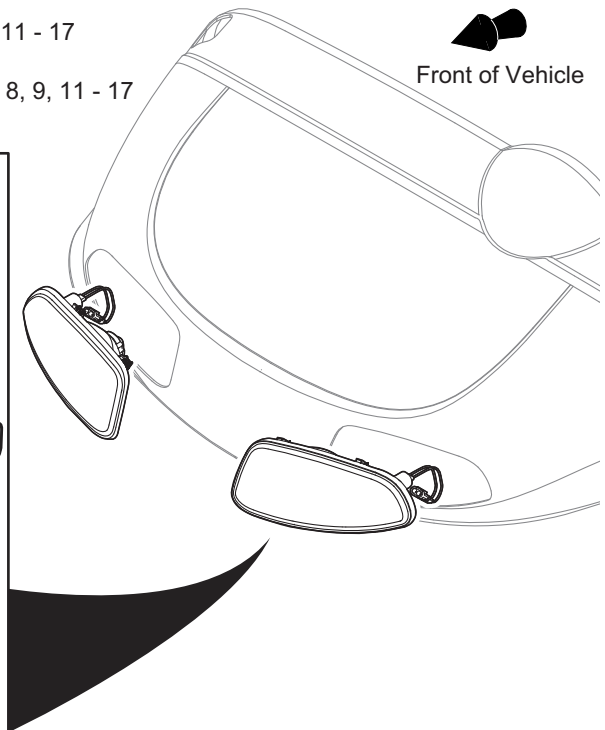
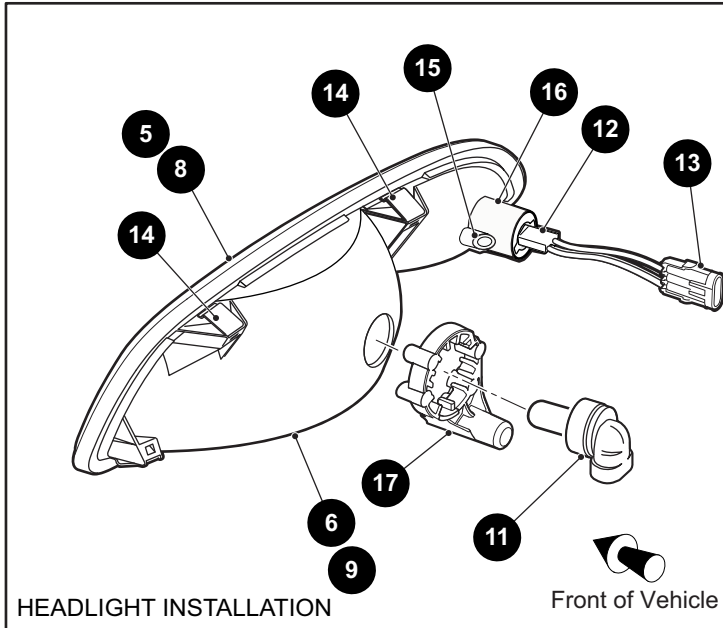
When ordering parts, please specify the model and serial number of the product.

* Indicates a component that is not available as an individual part.

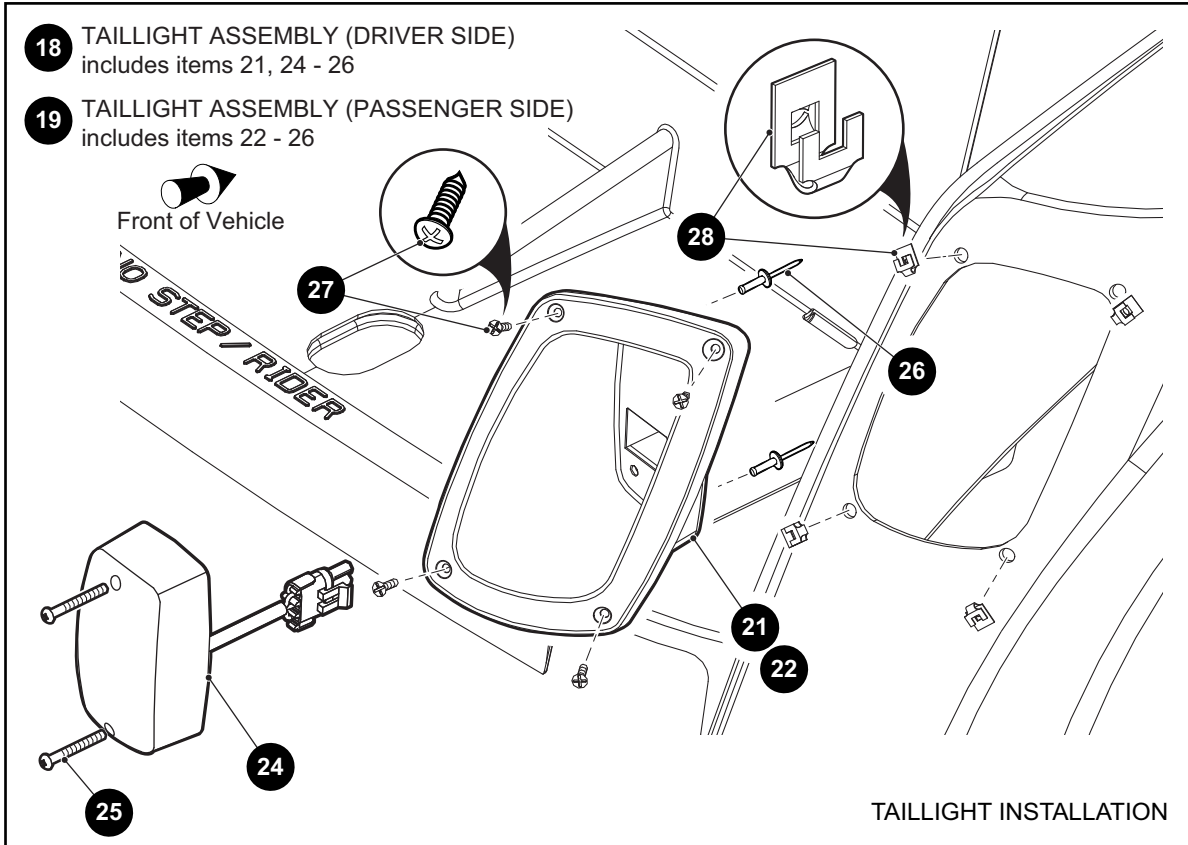
*** Indicates consult Customer Service Department for additional information.

ITEM	PART NO.	1 2 3 4 5	DESCRIPTION	QTY.
ITEMS 1 - 10: FOR VEHICLES MANUFACTURED BEFORE JULY 21, 2019				
1	<u>71078G01</u>		12V POWER OUTLET	1
2	<u>600543</u>		BUTTON HEAD TORX BOLT, M4 - .75 X 12MM LG	2
3	<u>602053</u>		LOCK NUT, M4 - .7	2
4				
5	<u>639384</u>		USB PORT HOUSING ASSEMBLY (INCLUDES ITEMS 6 - 7)	1
6	639383		USB PORT HOUSING.....	1
7	639382		USB PORT LID.....	1
8				
9	10001356		USB ELECTRONICS	1
10	<u>17618G1</u>		CLAMP (NYLON), 7" LG	2
ITEMS 11 - 16: FOR VEHICLES MANUFACTURED AFTER JULY 21, 2019				
11	<u>639384</u>		USB PORT HOUSING ASSEMBLY (INCLUDES ITEMS 12 - 13)	1
12	639383		USB PORT HOUSING.....	1
13	639382		USB PORT LID.....	1
14				
15	10001356		USB ELECTRONICS	1
16	<u>17618G1</u>		CLAMP (NYLON), 7" LG	2

- 1** HEADLIGHT ASSEMBLY (DRIVER SIDE) includes items 5, 6, 11 - 17
- 2** HEADLIGHT ASSEMBLY (PASSENGER SIDE) includes items 8, 9, 11 - 17



- 18** TAILLIGHT ASSEMBLY (DRIVER SIDE) includes items 21, 24 - 26
- 19** TAILLIGHT ASSEMBLY (PASSENGER SIDE) includes items 22 - 26



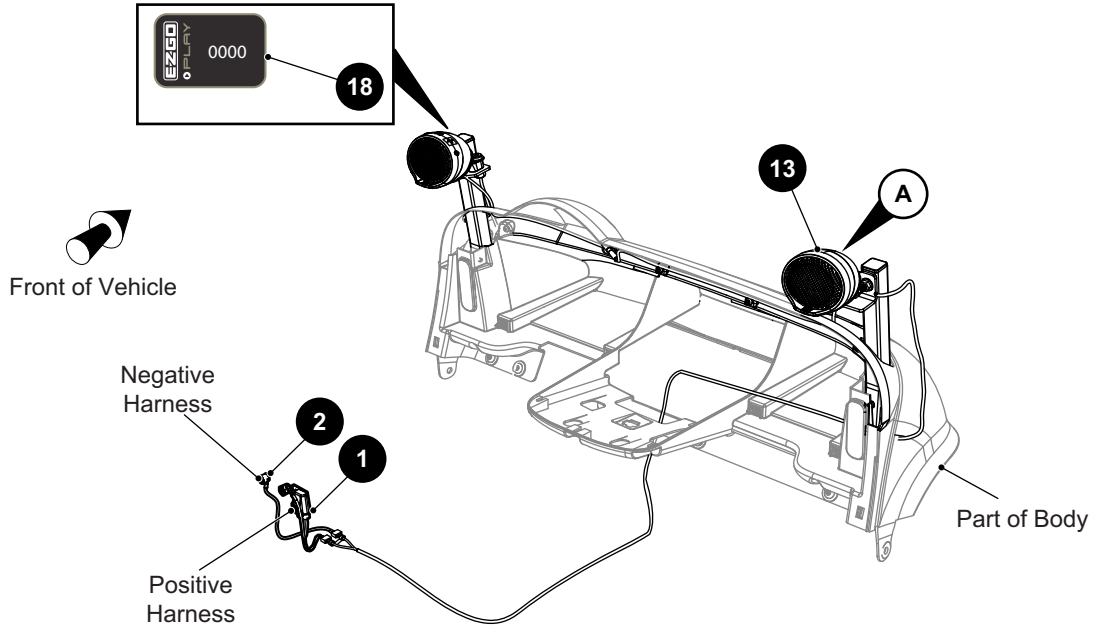
THE USE OF NON U.L. PARTS WILL VOID ANY U.L. LISTING.

When ordering parts, please specify the model and serial number of the product.

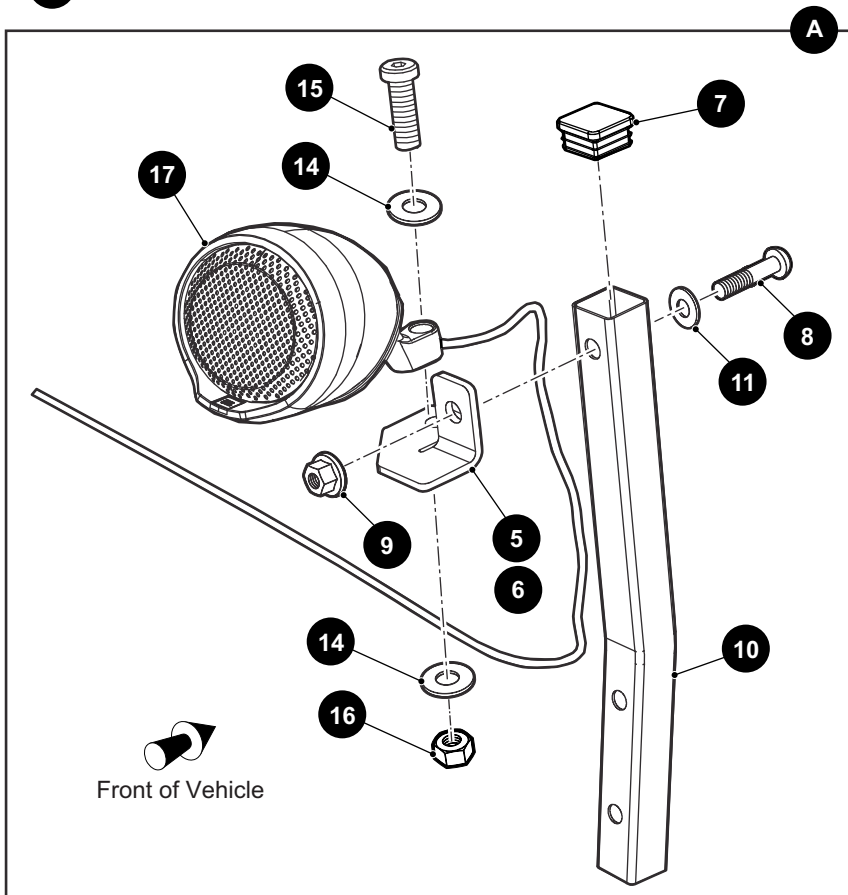
* Indicates a component that is not available as an individual part.

*** Indicates consult Customer Service Department for additional information.

ITEM	PART NO.	1 2 3 4 5	DESCRIPTION	QTY.
1	<u>607439</u>		HEADLIGHT ASSEMBLY (DRIVER SIDE) (INCLUDES ITEM 5, 6, 11 - 17).....	1
2	<u>607438</u>		HEADLIGHT ASSEMBLY (PASSENGER SIDE) (INCLUDES ITEM 8, 9, 11 - 17).....	1
3				
4				
5	<u>607452</u>		GASKET (DRIVER SIDE).....	1
6	<u>607436</u>		HEADLIGHT (DRIVER SIDE).....	1
7				
8	<u>607437</u>		GASKET (PASSENGER SIDE).....	1
9	<u>607435</u>		HEADLIGHT (PASSENGER SIDE).....	1
10				
11	<u>74004G01</u>		BULB.....	1
12	<u>676687</u>		FRONT TURN SIGNAL BULB.....	1
13	<u>607487</u>		WIRING HARNESS (TURN SIGNAL).....	1
14	<u>607434</u>		CLIP.....	4
15	<u>608328</u>		BUTTON HEAD TORX SCREW (PLASTITE), M3 - 1.3 X 14MM LG.....	1
16	<u>608322</u>		RETAINER.....	1
17	<u>615459</u>		ANTI ROTATION COLLAR.....	1
18	<u>648672G01</u>		TAILLIGHT ASSEMBLY (DRIVER SIDE) (INCLUDES ITEM 21, 24 - 26).....	1
19	<u>648672G02</u>		TAILLIGHT ASSEMBLY (PASSENGER SIDE) (INCLUDES ITEM 22 - 26).....	1
20				
21	<u>639815G01</u>		BEZEL (DRIVER SIDE).....	1
22	<u>639815G02</u>		BEZEL (PASSENGER SIDE).....	1
23				
24	<u>639816</u>		TAILLIGHT.....	1
25	<u>00513G4</u>		PAN HEAD PHILLIPS SCREW, #8 - 18 X 3/4" LG.....	2
26	<u>14601G11</u>		RIVET (ALUMINUM), 3/16" X 9/16".....	2
27	<u>71425G01</u>		TAPPING SCREW, #8 - 18 X 3/4" LG.....	4
28	<u>71364G02</u>		J-TYPE NUT, #8.....	4



- 3** SPEAKER ASSEMBLY MOUNTING, DRIVER SIDE includes items 5, 7 - 11
- 4** SPEAKER ASSEMBLY MOUNTING, PASSENGER SIDE includes items 6 - 11
- 12** BLUETOOTH SPEAKERS ASSEMBLY includes items 13 - 18
- 13** BLUETOOTH SPEAKER (PARENT) includes items 14 - 16



THE USE OF NON U.L. PARTS WILL VOID ANY U.L. LISTING.

When ordering parts, please specify the model and serial number of the product.

* Indicates a component that is not available as an individual part.

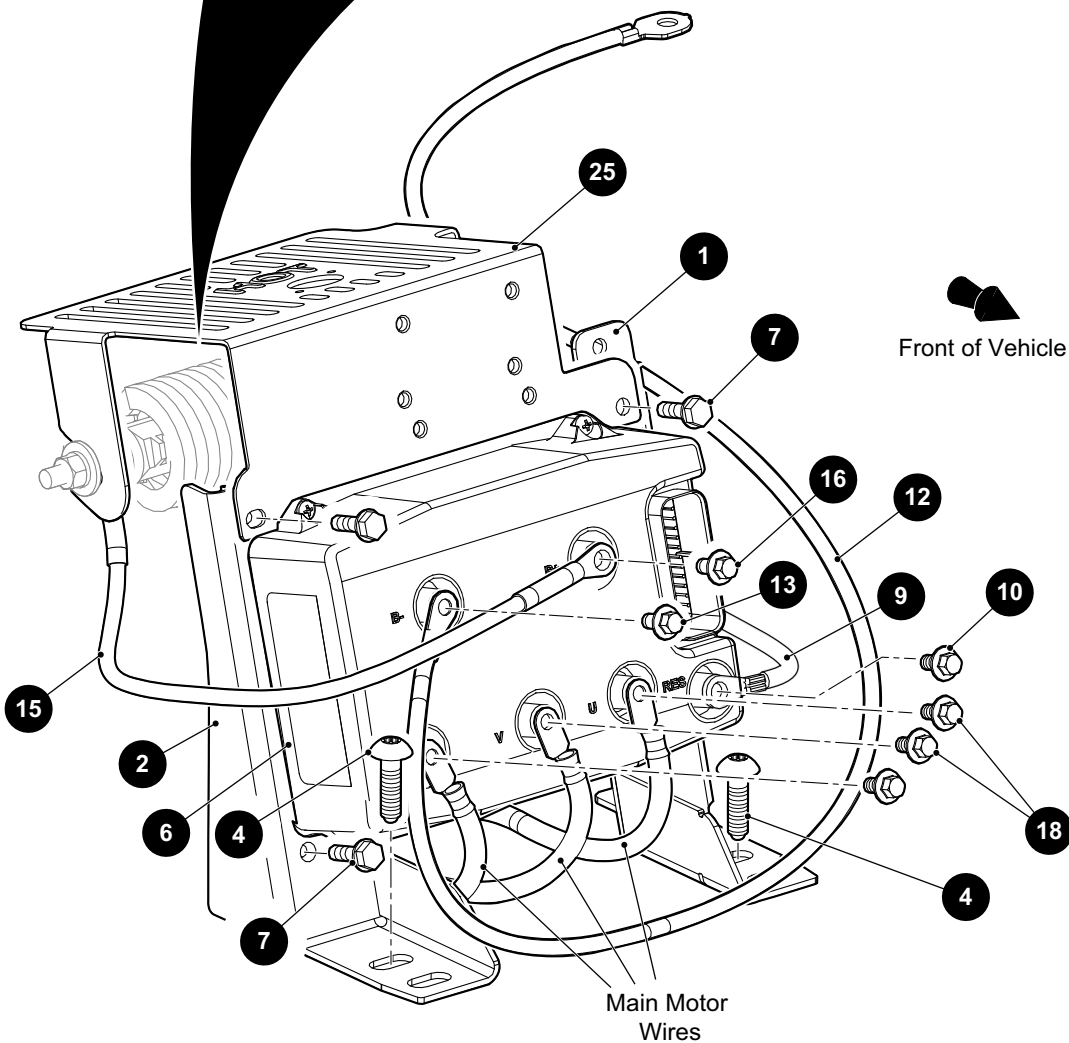
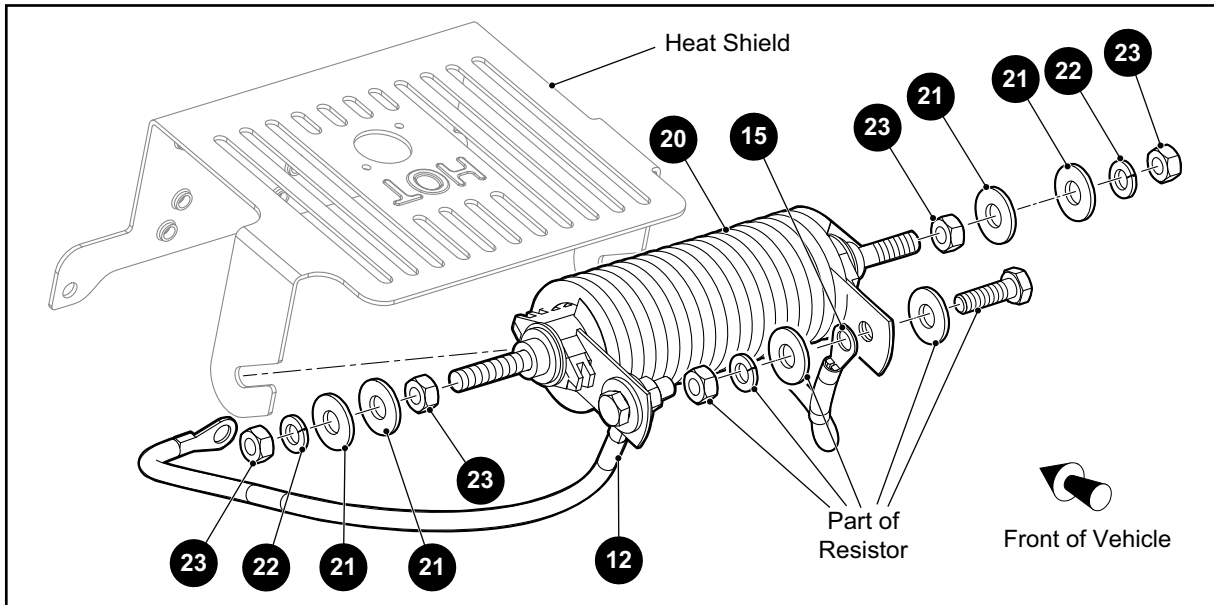
*** Indicates consult Customer Service Department for additional information.

ITEM	PART NO.	1 2 3 4 5	DESCRIPTION	QTY.
1	697532		SPEAKER HARNESS (POSITIVE).....	1
2	697533		SPEAKER HARNESS (NEGATIVE)	1
3	697232		SPEAKER ASSEMBLY MOUNTING, DRIVER SIDE (INCLUDES ITEMS 5, 7 - 11).....	1
4	697231		SPEAKER ASSEMBLY MOUNTING, PASSENGER SIDE (INCLUDES ITEMS 6 - 11).....	1
5	690335G01		SPEAKER BRACKET, L.H.	1
6	690335G02		SPEAKER BRACKET, R.H.....	1
7	<u>620634</u>		END CAP.....	1
8	<u>600527</u>		BUTTON HEAD TORX BOLT, M10 - 1.5 X 60 MM LG	1
9	<u>600525</u>		LOCK NUT, M10 - 1.5.....	1
10	<u>648473</u>		FRONT MIRROR MOUNT STRUT.....	1
11	<u>603823</u>		FLAT WASHER	1
12	692171		BLUETOOTH SPEAKERS ASSEMBLY (INCLUDES ITEMS 13 - 18).....	1
13	690350		BLUETOOTH SPEAKER (PARENT) (INCLUDES ITEMS 14 - 16)	1
14	*		FLAT WASHER, 1/2" - 13.....	2
15	*		SOCKET HEAD CAP SCREW, 1/2" -13 X 1 1/2" LG	1
16	*		LOCK NUT, 1/2" - 13	1
17	692906		BLUETOOTH SPEAKER (CHILD).....	1
18	692795		BLUETOOTH SPEAKER DECAL.....	1

Notes:

A large rectangular grid of graph paper, consisting of 20 columns and 30 rows of small squares. The grid is empty and occupies the majority of the page below the 'Notes:' heading.

ELECTRONIC SPEED CONTROL



ELECTRONIC SPEED CONTROL

THE USE OF NON U.L. PARTS WILL VOID ANY U.L. LISTING.

When ordering parts, please specify the model and serial number of the product.

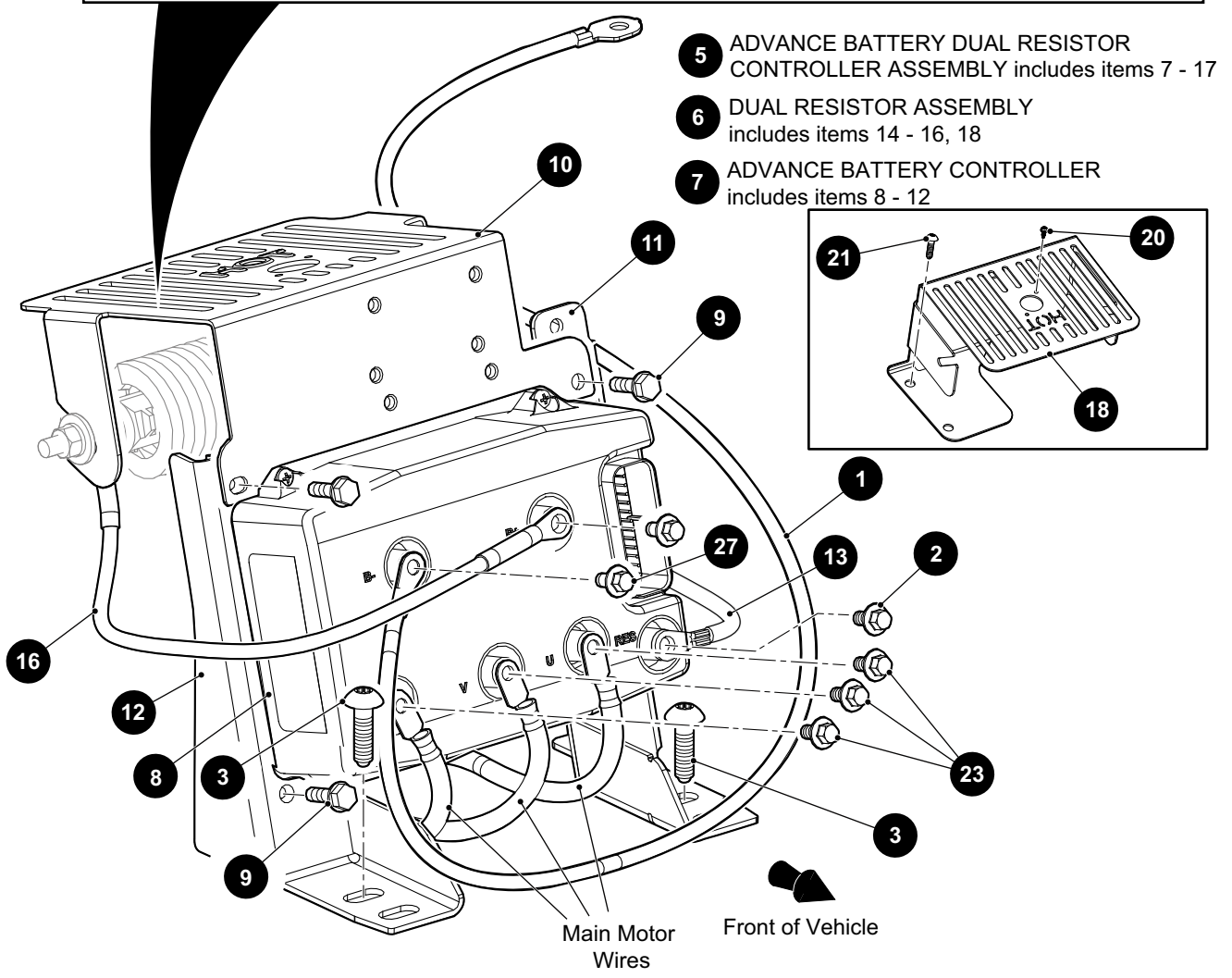
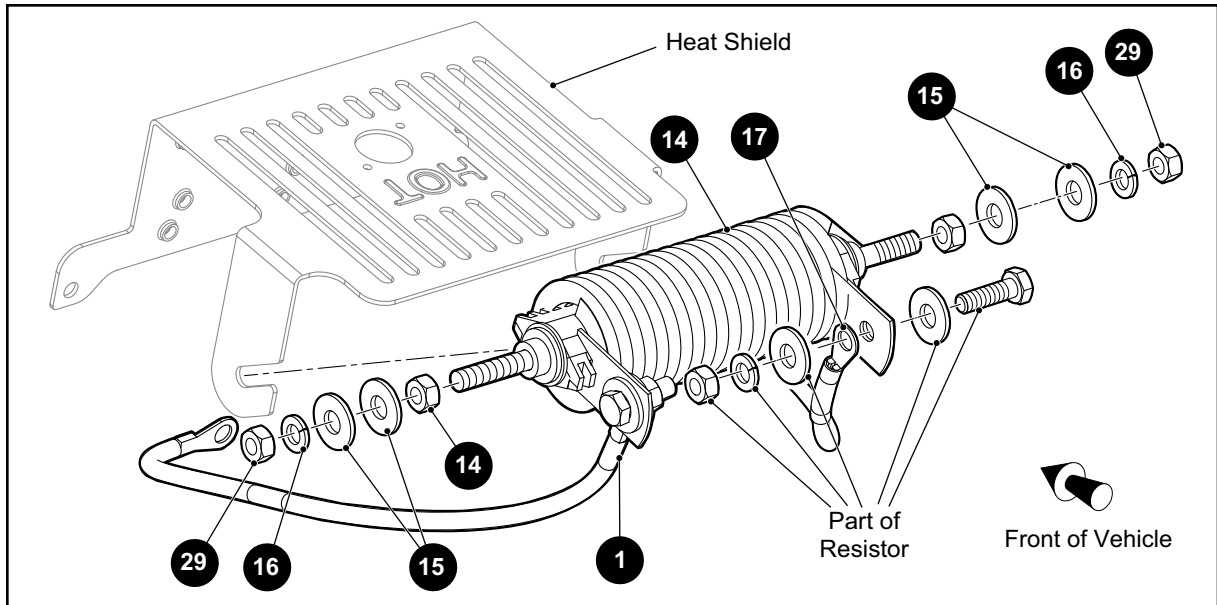
* Indicates a component that is not available as an individual part.

*** Indicates consult Customer Service Department for additional information.

ITEM	PART NO.	1 2 3 4 5	DESCRIPTION	QTY.
1	<u>623170</u>		CONTROLLER BRACKET (DRIVER SIDE)	1
2	<u>623213</u>		CONTROLLER BRACKET (PASSENGER SIDE).....	1
3				
4	<u>649804</u>		BUTTON HEAD TORX SCREW, M8 X 3.50 X 30MM LG	2
5				
6	<u>667000G02</u>		CONTROLLER, 1206-AC, ADV-BATT	1
7	<u>606264</u>		FLANGED HEX HEAD BOLT, M6 - 1 X 20MM LG.....	4
8				
9	<u>607707</u>		WIRE ASSEMBLY (WHITE), 10 AWG, 300MM LG	1
10	<u>73876G01</u>		FLANGED HEX HEAD BOLT, M6 - 1 X 12MM LG.....	1
11				
12	<u>653471</u>		BATTERY CABLE (BLACK), 6 AWG, 480MM LG	1
13	<u>73876G01</u>		FLANGED HEX HEAD BOLT, M6 - 1 X 12MM LG.....	1
14				
15	<u>624611</u>		WIRE ASSEMBLY (WHITE), 10 AWG, 400MM LG	1
16	<u>73876G01</u>		FLANGED HEX HEAD BOLT, M6 - 1 X 12MM LG.....	1
17				
18	<u>73876G01</u>		FLANGED HEX HEAD BOLT, M6 - 1 X 12MM LG.....	3
19				
20	<u>619001</u>		RESISTOR, .86 OHM RATING	1
21	<u>00571G2</u>		FLAT WASHER, 5/16".....	4
22	<u>00565G8</u>		LOCK WASHER, 5/16"	2
23	*		HEX NUT, 5/16"	4
24				
25	<u>645964</u>		HEAT SHIELD.....	1

ELECTRONIC SPEED CONTROL

FOR VEHICLES WITH DUAL RESISTOR OPTION



- 5** ADVANCE BATTERY DUAL RESISTOR CONTROLLER ASSEMBLY includes items 7 - 17
- 6** DUAL RESISTOR ASSEMBLY includes items 14 - 16, 18
- 7** ADVANCE BATTERY CONTROLLER includes items 8 - 12

ELECTRONIC SPEED CONTROL

THE USE OF NON U.L. PARTS WILL VOID ANY U.L. LISTING.

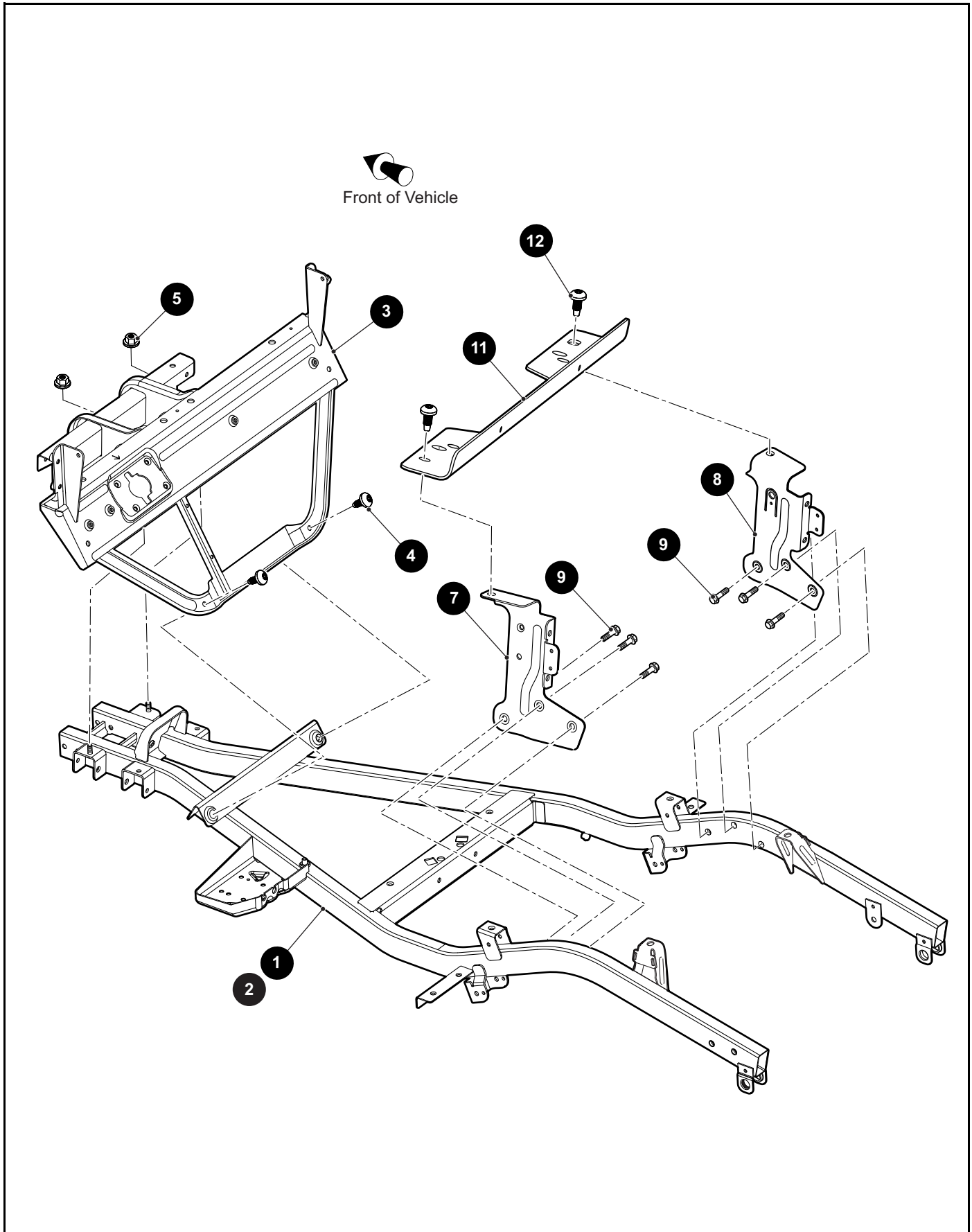
When ordering parts, please specify the model and serial number of the product.

* Indicates a component that is not available as an individual part.

*** Indicates consult Customer Service Department for additional information.

ITEM	PART NO.	1 2 3 4 5	DESCRIPTION	QTY.
FOR VEHICLES WITH DUAL RESISTOR OPTION				
1	<u>653471</u>		BATTERY CABLE (BLACK), 6 AWG, 480MM LG	1
2	<u>73876G01</u>		FLANGED HEX HEAD BOLT, M6 - 1 X 12MM LG.....	1
3	<u>649804</u>		BUTTON HEAD TORX SCREW, M8 X 3.50 X 30MM LG.....	2
4				
5	691833		ADVANCE BATTERY DUAL RESISTOR CONTROLLER ASSEMBLY (INCLUDES ITEMS 7 - 17)	1
6	685540		DUAL RESISTOR ASSEMBLY (INCLUDES ITEMS 14 - 16, 18).....	1
7	684248		ADVANCE BATTERY CONTROLLER (INCLUDES ITEMS 8 - 12).....	1
8	<u>667000G02</u>		CONTROLLER, 1206AC	1
9	<u>606264</u>		FLANGED HEX HEAD BOLT, M6 - 1 X 20MM LG.....	4
10	<u>645964</u>		HEAT SHIELD	1
11	<u>623170</u>		CONTROLLER BRACKET (DRIVER SIDE)	1
12	<u>623213</u>		CONTROLLER BRACKET (PASSENGER SIDE).....	1
13	683048		DUAL RESISTOR HARNESS	1
14	<u>607701</u>		RESISTOR, .42 OHM RATING.....	1
15	<u>00571G2</u>		FLAT WASHER, 5/16"	4
16	<u>00565G8</u>		LOCK WASHER, 5/16"	2
17	<u>624611</u>		WIRE ASSEMBLY (WHITE), 10 AWG, 400MM LG	1
18	683801		RESISTOR BRACKET	1
19				
20	<u>00614-G4</u>		PAN HEAD PHILLIPS SELF DRILLING SCREW, #8 - 18 X 1/2" LG.....	2
21	<u>649804</u>		BUTTON HEAD TORX SCREW, M8 X 3.50 X 30MM LG.....	2
22				
23	<u>73876G01</u>		FLANGED HEX HEAD BOLT, M6 - 1 X 12MM LG.....	3
24				
25	<u>17618G1</u>		NYLON CLAMP, 8" LG (NOT ILLUSTRATED).....	2
26				
27	<u>73876G01</u>		FLANGED HEX HEAD BOLT, M6 - 1 X 12MM LG.....	1
28				
29	*		HEX NUT, 5/16"	2

FRAME



THE USE OF NON U.L. PARTS WILL VOID ANY U.L. LISTING.

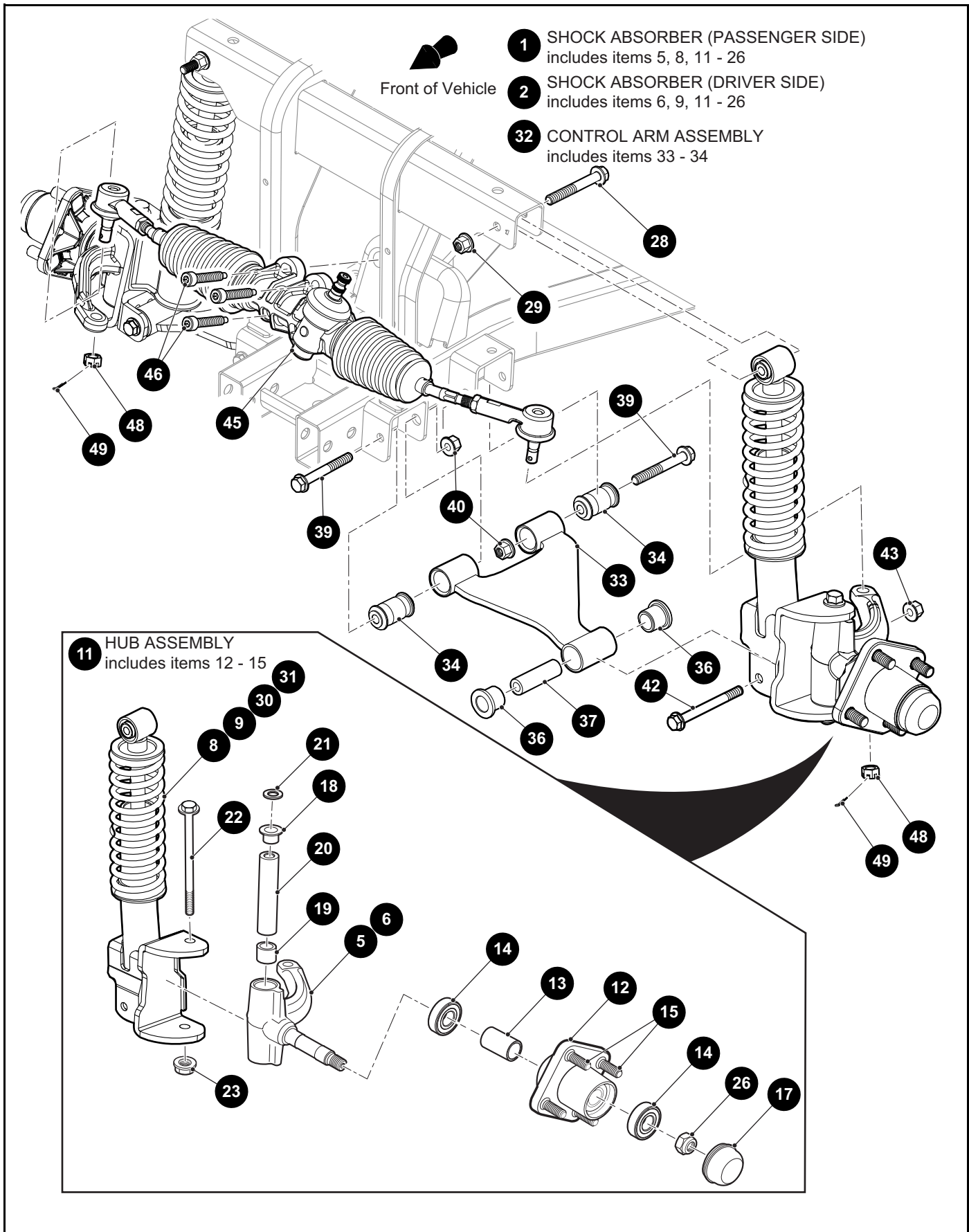
When ordering parts, please specify the model and serial number of the product.

* Indicates a component that is not available as an individual part.

*** Indicates consult Customer Service Department for additional information.

ITEM	PART NO.	1 2 3 4 5	DESCRIPTION	QTY.
1	<u>657280G05</u>		FRAME WELDMENT, P/COAT	1
2	<u>657280G03</u>		FRAME WELDMENT, E/COAT & P/COAT	1
3	<u>614597</u>		INSTRUMENT PANEL SUPPORT WELDMENT	1
4	<u>602572</u>		PAN HEAD TAPITE BOLT, M10 - 1.5 X 25MM LG.....	2
5	<u>600525</u>		FLANGED LOCK NUT, M10 - 1.5	2
6				
7	<u>600218</u>		SEAT SUPPORT BRACKET (DRIVER SIDE)	1
8	<u>628614</u>		SEAT SUPPORT BRACKET (PASSENGER SIDE).....	1
9	<u>603799</u>		FLANGED HEX HEAD BOLT, M10 - 1.5 X 25MM LG.....	3
10				
11	<u>601275</u>		SEAT SUPPORT BRACE	1
12	<u>602572</u>		PAN HEAD TAPITE BOLT, M10 - 1.5 X 25MM LG.....	2

FRONT SUSPENSION AND STEERING



FRONT SUSPENSION AND STEERING

THE USE OF NON U.L. PARTS WILL VOID ANY U.L. LISTING.

When ordering parts, please specify the model and serial number of the product.

* Indicates a component that is not available as an individual part.

*** Indicates consult Customer Service Department for additional information.

ITEM	PART NO.	1 2 3 4 5	DESCRIPTION	QTY.
1	<u>663321</u>		SHOCK ABSORBER (PASSENGER SIDE) (INCLUDES ITEMS 5, 8, 11 - 26)	1
2	<u>663303</u>		SHOCK ABSORBER (DRIVER SIDE) (INCLUDES ITEMS 6, 9, 11 - 26).....	1
3				
4				
5	663348		SPINDLE (PASSENGER SIDE)	1
6	663345		SPINDLE (DRIVER SIDE).....	1
7				
8	<u>655529</u>		STRUT (PASSENGER SIDE) (FOR VEHICLES MANUFACTURED AFTER 26 APRIL 2017)	1
9	<u>655526</u>		STRUT (DRIVER SIDE) (FOR VEHICLES MANUFACTURED AFTER 26 APRIL 2017)	1
10				
11	<u>609603</u>		HUB ASSEMBLY (INCLUDES ITEMS 12 - 15)	1
12	*		HUB.....	1
13	*		BEARING SPACER, 28MM O.D. X 22MM I.D. X 46.7MM LG.....	1
14	*		BALL BEARING, 47MM O.D. X 20MM I.D. X 14MM.....	2
15	<u>19862G1</u>		WHEEL BOLT, 1/2" - 20 X 1.218" LG	4
16				
17	<u>12091G2</u>		SPINDLE CAP.....	1
18	<u>632925</u>		FLANGED BUSHING	1
19	<u>632926</u>		FLANGED SLEEVE.....	1
20	<u>614034</u>		KINGPIN TUBE	1
21	<u>601920</u>		THRUST WASHER (SS), 35MM O.D. X 26MM I.D. X 2.5MM LG.....	1
22	<u>620380</u>		FLANGED HEX HEAD BOLT, M12 - 1.25 X 145MM LG	1
23	<u>600549</u>		LOCK NUT, M12 - 1.25.....	1
24				
25				
26	<u>615109</u>		LOCK NUT, M16 - 2.....	1
27				
28	<u>602415</u>		FLANGED HEX HEAD BOLT, M10 - 1.5 X 80MM LG.....	1
29	<u>600525</u>		LOCK NUT, M10 - 1.5	1

FRONT SUSPENSION AND STEERING

THE USE OF NON U.L. PARTS WILL VOID ANY U.L. LISTING.

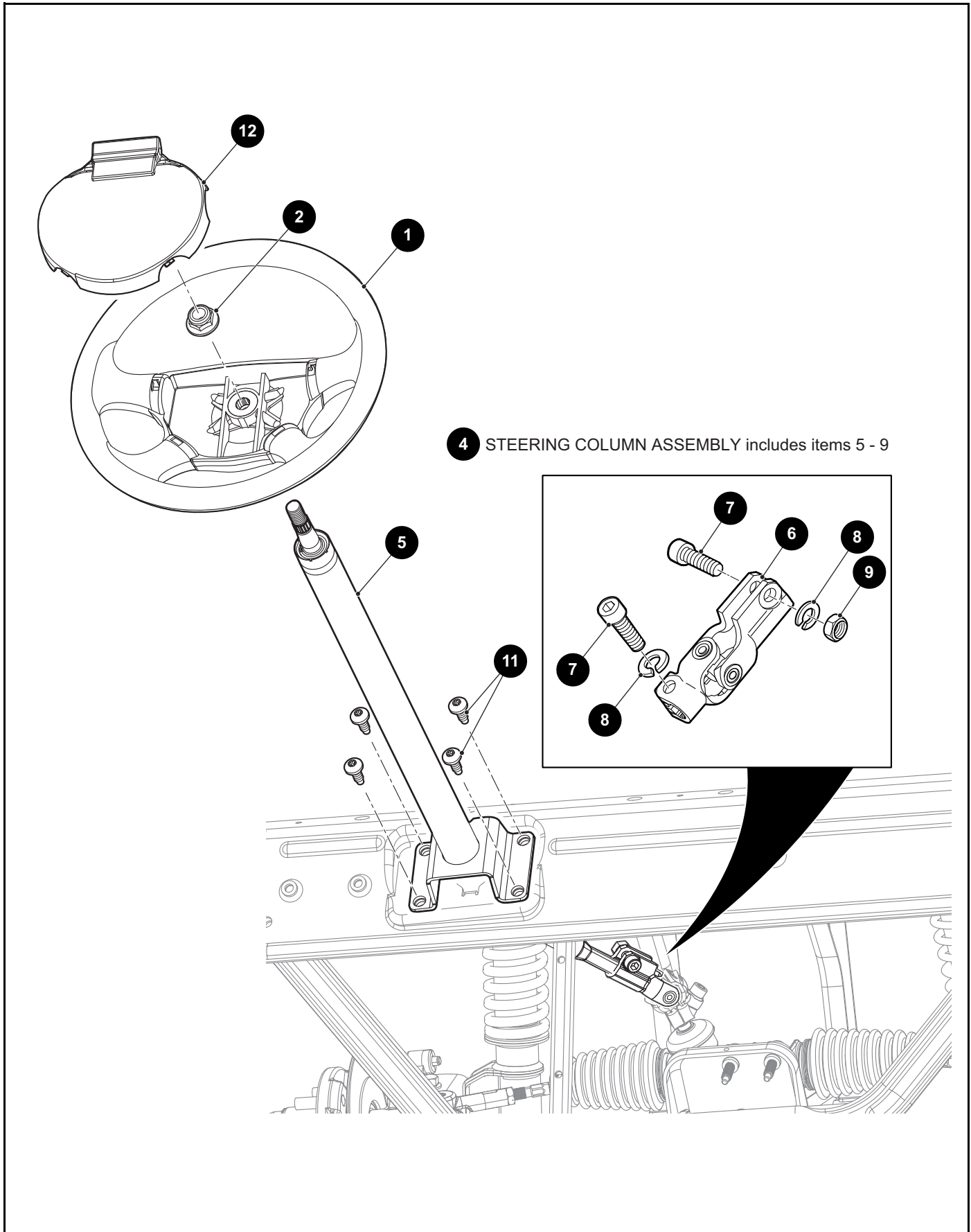
When ordering parts, please specify the model and serial number of the product.

* Indicates a component that is not available as an individual part.

*** Indicates consult Customer Service Department for additional information.

ITEM	PART NO.	1	2	3	4	5	DESCRIPTION	QTY.
30	<u>601246</u>						STRUT (DRIVER SIDE) (FOR VEHICLES MANUFACTURED BEFORE 26 APRIL 2017).....	1
31	<u>603024</u>						STRUT (PASSENGER SIDE) (FOR VEHICLES MANUFACTURED BEFORE 26 APRIL 2017).....	1
32	<u>608089</u>						CONTROL ARM ASSEMBLY (INCLUDES ITEMS 33 - 34).....	1
33	<u>608090</u>						CONTROL ARM.....	1
34	<u>608086</u>						MOUNTING SLEEVE (RUBBER).....	2
35								
36	<u>601340</u>						CONTROL ARM BUSHING.....	2
37	<u>602085</u>						CONTROL ARM CARRIER TUBE.....	2
38								
39	<u>602415</u>						FLANGED HEX HEAD BOLT, M10 - 1.5 X 80MM LG.....	2
40	<u>600525</u>						LOCK NUT, M10 - 1.5.....	2
41								
42	<u>601754</u>						FLANGED HEX HEAD BOLT, M10 - 1.5 X 100MM LG.....	1
43	<u>600525</u>						LOCK NUT, M10 - 1.5.....	1
44								
45	<u>618329</u>						STEERING RACK ASSEMBLY.....	1
46	<u>602020</u>						SOCKET HEAD BOLT, M10 - 1.5 X 50MM LG.....	3
47								
48	<u>608005</u>						CASTLE NUT (SS), M12 - 1.25.....	2
49	<u>10387G2</u>						COTTER PIN, .094" X 1".....	2

FRONT SUSPENSION AND STEERING



4 STEERING COLUMN ASSEMBLY includes items 5 - 9

FRONT SUSPENSION AND STEERING

THE USE OF NON U.L. PARTS WILL VOID ANY U.L. LISTING.

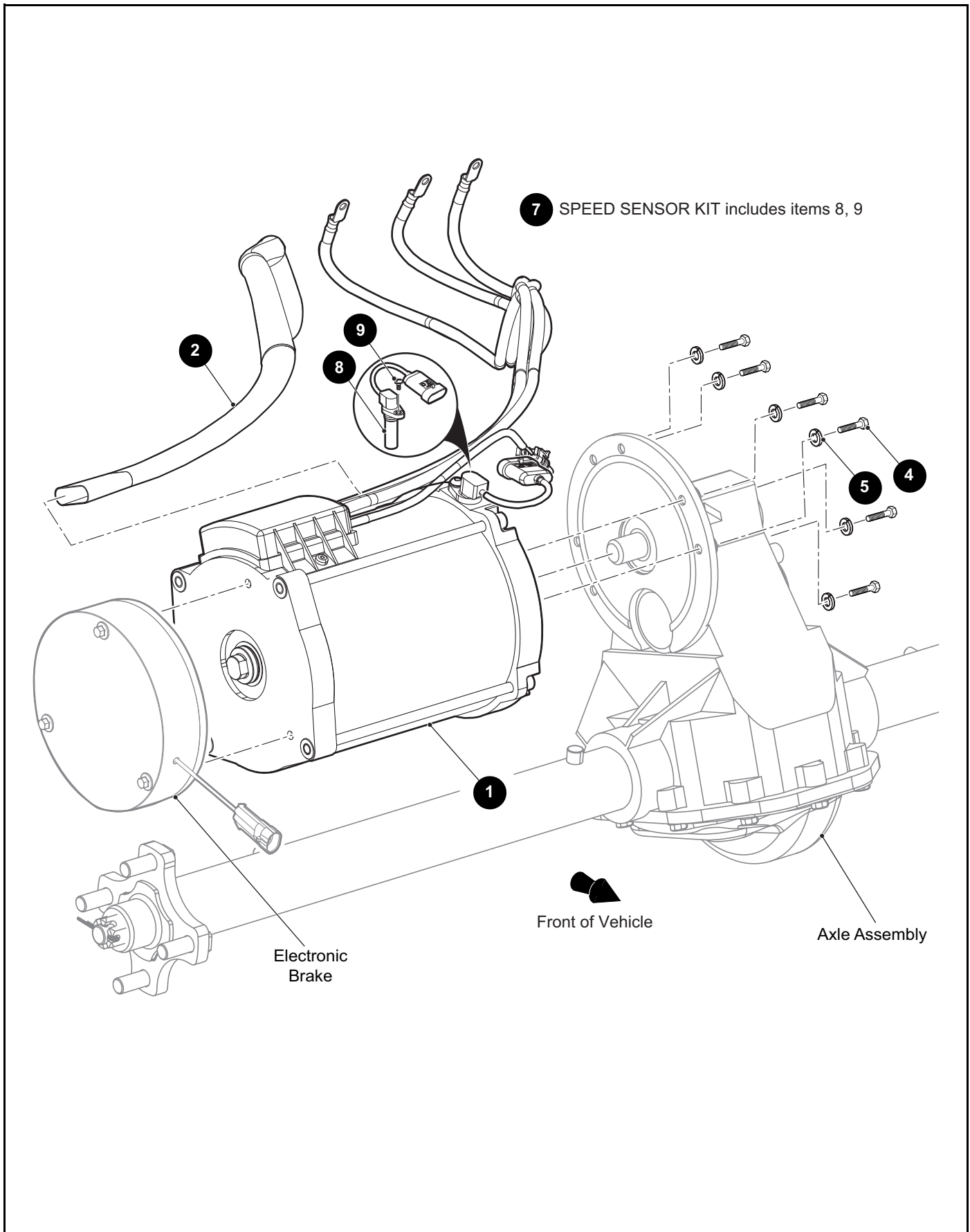
When ordering parts, please specify the model and serial number of the product.

* Indicates a component that is not available as an individual part.

*** Indicates consult Customer Service Department for additional information.

ITEM	PART NO.	1 2 3 4 5	DESCRIPTION	QTY.
1	<u>602980</u>		STEERING WHEEL	1
2	10013991		LOCK NUT, M16 - 2	1
3				
4	<u>600333</u>		STEERING COLUMN ASSEMBLY (INCLUDES ITEMS 5 - 9)	1
5	<u>608117</u>		STEERING COLUMN	1
6	<u>608114</u>		STEERING YOKE	1
7	<u>608653</u>		SOCKET HEAD BOLT, M10 - 1.5 X 35MM LG	2
8	<u>608654</u>		LOCK WASHER, 10.5MM	2
9	<u>608655</u>		HEX NUT, M10 - 1.5	1
10				
11	<u>602572</u>		PAN HEAD TAPTITE BOLT, M10 - 1.5 X 25MM LG	4
12	<u>607925</u>		SCORECARD HOLDER	1

MOTOR



THE USE OF NON U.L. PARTS WILL VOID ANY U.L. LISTING.

When ordering parts, please specify the model and serial number of the product.

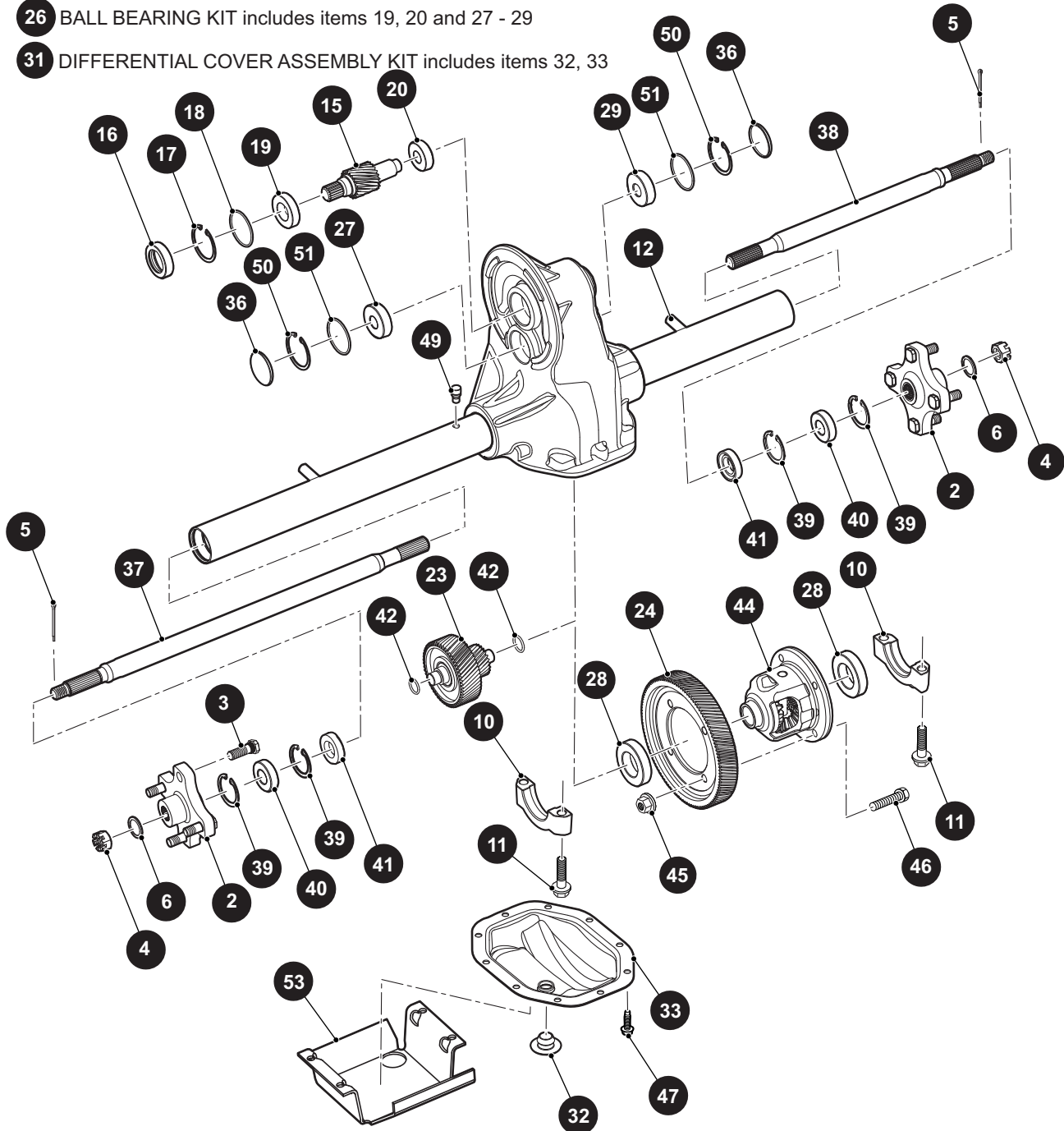
* Indicates a component that is not available as an individual part.

*** Indicates consult Customer Service Department for additional information.

ITEM	PART NO.	1 2 3 4 5	DESCRIPTION	QTY.
1	680638		MOTOR, 48V AC.....	1
2	<u>605714</u>		FLEX LOOM SLEEVE.....	1
3				
4	<u>605741</u>		HEX HEAD BOLT, M6 - 1 X 25MM LG.....	6
5	<u>601327</u>		LOCK WASHER (SS), M6	6
6				
7	<u>614252</u>		SPEED SENSOR KIT (INCLUDES ITEMS 8, 9).....	1
8	687424		SPEED SENSOR	1
9	<u>614253</u>		PAN HEAD TORX BOLT, M6 - 1 X 12MM LG.....	1
10				
11				
12				
13	<u>32372G6</u>		VINYL TRIM (NOT ILLUSTRATED)	1
14	<u>27327G02</u>		TWISTED CLAMP CLIP (NOT ILLUSTRATED).....	1

REAR AXLE

- 1** LIGHT DUTY ELECTRIC AXLE ASSEMBLY 16.99:1 includes items 2 - 9
- 2** REAR AXLE HUB ASSEMBLY includes item 3
- 9** LIGHT DUTY ELECTRIC AXLE, 16.99:1 includes items 10 - 51
- 10** AXLE HOUSING includes item 11, 12
- 14** INPUT GEAR KIT includes items 15 - 20
- 22** INTERNAL GEARS KIT includes items 15, 23, 24
- 26** BALL BEARING KIT includes items 19, 20 and 27 - 29
- 31** DIFFERENTIAL COVER ASSEMBLY KIT includes items 32, 33



THE USE OF NON U.L. PARTS WILL VOID ANY U.L. LISTING.

When ordering parts, please specify the model and serial number of the product.

* Indicates a component that is not available as an individual part.

*** Indicates consult Customer Service Department for additional information.

ITEM	PART NO.	1 2 3 4 5	DESCRIPTION	QTY.
1	<u>630901</u>		LIGHT DUTY ELECTRIC AXLE ASSEMBLY 16.99:1 (INCLUDES ITEMS 2 - 9)	1
2	<u>615604</u>		REAR AXLE HUB ASSEMBLY (INCLUDES ITEM 3)	2
3	<u>644957</u>		WHEEL BOLT	8
4	<u>612928</u>		SLOTTED HEX NUT, 5/8" - 18	2
5	<u>10387G1</u>		COTTER PIN, 5/32" X 1 3/4" LG	2
6	<u>15487G1</u>		FLAT WASHER (BRAKE DRUM), 1.5" O.D. X .76" I.D.	2
7				
8				
9	630902		LIGHT DUTY ELECTRIC AXLE, 16.99:1 (INCLUDES ITEMS 10 - 51).....	1
10	***		AXLE HOUSING (INCLUDES ITEMS 11, 12).....	1
11	<u>15118G1</u>		FLANGED HEX HEAD BOLT, 3/8" - 16 X 2.12" LG.....	4
12	618650		AXLE BRACKET LOCATING PIN	2
13				
14	<u>620329</u>		INPUT GEAR KIT (INCLUDES ITEMS 15 - 20).....	1
15	<u>620327</u>		INPUT GEAR.....	1
16	<u>620328</u>		OIL SEAL.....	1
17	<u>23530G1</u>		RETAINING RING, 2.059" DIA	1
18	<u>24628G1</u>		O-RING SEAL, 1.84" I. D.....	1
19	<u>23519G2</u>		BALL BEARING, .984" I. D X 1.85" O.D.....	1
20	<u>23520G1</u>		BALL BEARING, .669" I. D X 1.97" O. D.....	1
21				
22	<u>620361</u>		INTERNAL GEARS KIT (INCLUDES ITEMS 15, 23, 24).....	1
23	<u>620349</u>		INTERMEDIATE GEAR ASSEMBLY	1
24	<u>620350</u>		DRIVE GEAR	1
25				
26	<u>620362</u>		BALL BEARING KIT (INCLUDES ITEMS 19, 20 AND 27 - 29).....	1
27	<u>620340</u>		BALL BEARING	1
28	<u>17473G1</u>		DIFFERENTIAL BEARING ASSEMBLY	2
29	<u>620355</u>		BALL BEARING	1
30				

REAR AXLE

THE USE OF NON U.L. PARTS WILL VOID ANY U.L. LISTING.

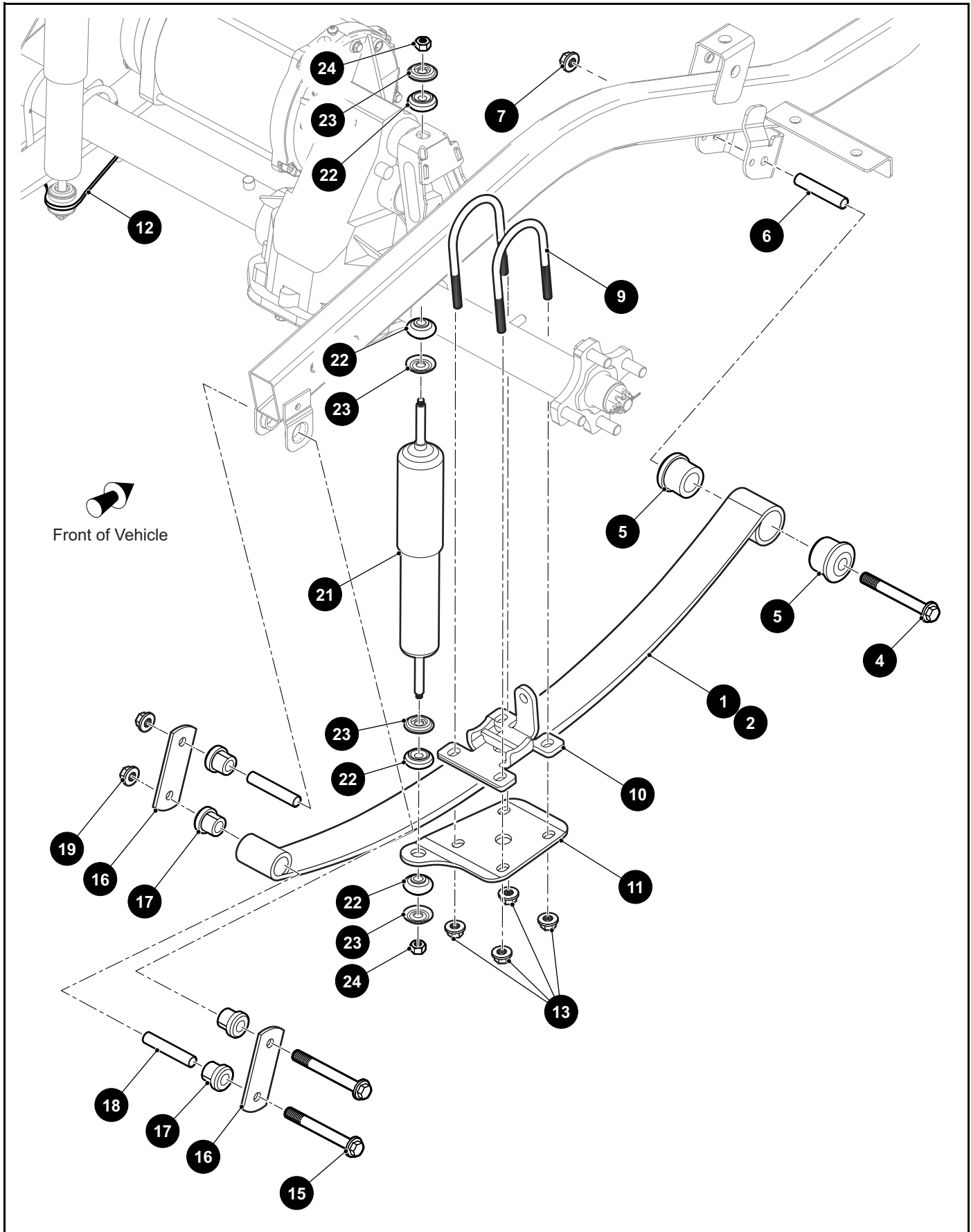
When ordering parts, please specify the model and serial number of the product.

* Indicates a component that is not available as an individual part.

*** Indicates consult Customer Service Department for additional information.

ITEM	PART NO.	1	2	3	4	5	DESCRIPTION	QTY.
31	<u>620363</u>						DIFFERENTIAL COVER ASSEMBLY KIT (INCLUDES ITEMS 32, 33)	1
32	<u>620347</u>						RUBBER PLUG	1
33	<u>620348</u>						DIFERENTIAL COVER PLATE	1
34								
35								
36	<u>608811</u>						END CAP PLUG	2
37	<u>614208</u>						AXLE SHAFT, LONG (DRIVER SIDE)	1
38	<u>614209</u>						AXLE SHAFT, SHORT (PASSENGER SIDE).....	1
39	<u>620342</u>						RETAINING RING	4
40	<u>620343</u>						BALL BEARING.....	2
41	<u>620344</u>						OIL SEAL.....	2
42	<u>620345</u>						O-RING.....	2
43								
44	<u>614756</u>						LIMITED SLIP DIFFERENTIAL KIT	1
45	<u>601084</u>						LOCK NUT, 3/8" - 24	4
46	<u>620335</u>						FLANGED HEX HEAD BOLT, 3/8" - 24 X 1.25" LG.....	4
47	<u>620346</u>						FLANGED HEX HEAD BOLT, 5/16" - 18 X .75" LG.....	10
48								
49	<u>620357</u>						AXLE VENT.....	1
50	<u>620358</u>						O-RING.....	2
51	<u>620359</u>						RETAINING RING	2
52								
53	<u>72763G02</u>						SCUFF GUARD.....	1

REAR SUSPENSION



REAR SUSPENSION

THE USE OF NON U.L. PARTS WILL VOID ANY U.L. LISTING.

When ordering parts, please specify the model and serial number of the product.

* Indicates a component that is not available as an individual part.

*** Indicates consult Customer Service Department for additional information.

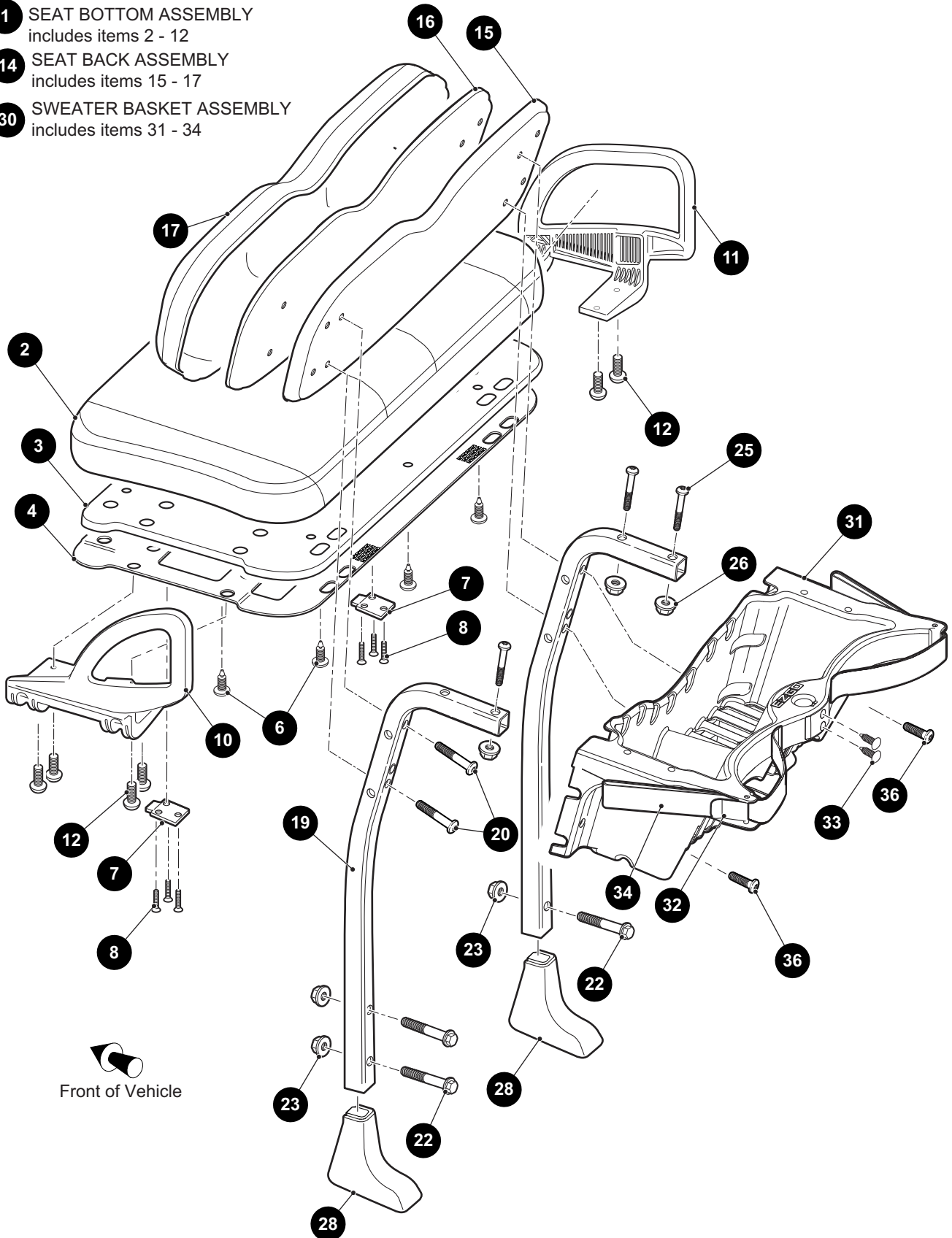
ITEM	PART NO.	1 2 3 4 5	DESCRIPTION	QTY.
1	<u>652611</u>		TAPERED LEAF SPRING.....	1
2	<u>604494</u>		TAPERED LEAF SPRING (HEAVY DUTY).....	1
3				
4	<u>601754</u>		FLANGED HEX HEAD BOLT, M10 - 1.5 X 100MM LG.....	1
5	<u>620160</u>		FLANGED BUSHING (URETHANE).....	2
6	<u>620161</u>		SPLIT SPACER (STEEL).....	1
7	<u>614974</u>		FLANGED HEX NUT, M10 - 1.5.....	1
8				
9	<u>632103</u>		U-BOLT, 68MM DIA X 45MM X 110MM LG	2
10	<u>626422</u>		AXLE SUPPORT BRACKET.....	1
11	<u>625658</u>		SHOCK MOUNT PLATE (PASSENGER SIDE)	1
12	<u>625657</u>		SHOCK MOUNT PLATE (DRIVER SIDE).....	1
13	<u>600525</u>		FLANGED LOCK NUT, M10 - 1.5	4
14				
15	<u>601754</u>		FLANGED HEX HEAD BOLT, M10 - 1.5 X 100MM LG.....	2
16	<u>652245</u>		SHACKLE PLATE	2
17	<u>624030</u>		FLANGED BUSHING (IGUS).....	4
18	<u>620161</u>		SPLIT SPACER (STEEL).....	2
19	<u>614974</u>		FLANGED HEX NUT, M10 - 1.5.....	2
20				
21	<u>76418G01</u>		SHOCK ABSORBER.....	1
22	<u>10194G1</u>		RUBBER BUSHING.....	4
23	<u>10435G1</u>		SHOCK ABSORBER WASHER, 1.25" O.D. X .406" I.D X .22" LG	4
24	<u>00532G6</u>		HEX NUT, 3/8" - 24	2

SEATING

1 SEAT BOTTOM ASSEMBLY
includes items 2 - 12

14 SEAT BACK ASSEMBLY
includes items 15 - 17

30 SWEATER BASKET ASSEMBLY
includes items 31 - 34



THE USE OF NON U.L. PARTS WILL VOID ANY U.L. LISTING.

When ordering parts, please specify the model and serial number of the product.

* Indicates a component that is not available as an individual part.

*** Indicates consult Customer Service Department for additional information.

ITEM	PART NO.	1 2 3 4 5	DESCRIPTION	QTY.
1	***		SEAT BOTTOM ASSEMBLY (INCLUDES ITEMS 2 - 12) 629269G1502 STONE BEIGE 629269G1501 OYSTER 629269G1506 BLACK 629269G1504 GRAY	1
2	***		VINYL AND FOAM SEAT BOTTOM 644819G02 STONE BEIGE 644819G01 OYSTER 644819G06 BLACK 644819G04 GRAY	1
3	<u>644351</u>		WOODEN BASE ASSEMBLY.....	1
4	<u>602551</u>		COVER PLATE.....	1
5				
6	<u>16816G2</u>		RATCHET RIVET, .25" X .887".....	4
7	<u>71610G01</u>		SEAT HINGE.....	1
8	<u>00720G08</u>		FLAT HEAD PHILLIPS TAPPING SCREW, #12 - 14 X 1" LG.....	3
9				
10	<u>617645</u>		HIP RESTRAINT (DRIVER SIDE).....	1
11	<u>617644</u>		HIP RESTRAINT (PASSENGER SIDE).....	1
12	<u>615417</u>		BUTTON HEAD TORX BOLT, M10 - 1.5 X 25MM LG.....	4
13				
14	***		SEAT BACK ASSEMBLY (INCLUDES ITEMS 15 - 17)..... 641897G0002 STONE BEIGE 641897G0001 OYSTER 641897G0006 BLACK 641897G0004 GRAY	1
15	<u>605529</u>		COVER (PLASTIC) (BLACK).....	1
16	<u>644268</u>		BASE ASSEMBLY.....	1
17	***		VINYL COVER AND FOAM SEAT BACK 644820G02 STONE BEIGE 644820G01 OYSTER 644820G06 BLACK 644820G04 GRAY	1
18				
19	<u>602413</u>		SEAT BACK SUPPORT STRUT.....	2
20	<u>600527</u>		BUTTON HEAD TORX BOLT, M10 - 1.5 X 60MM LG.....	4
21				

SEATING

THE USE OF NON U.L. PARTS WILL VOID ANY U.L. LISTING.

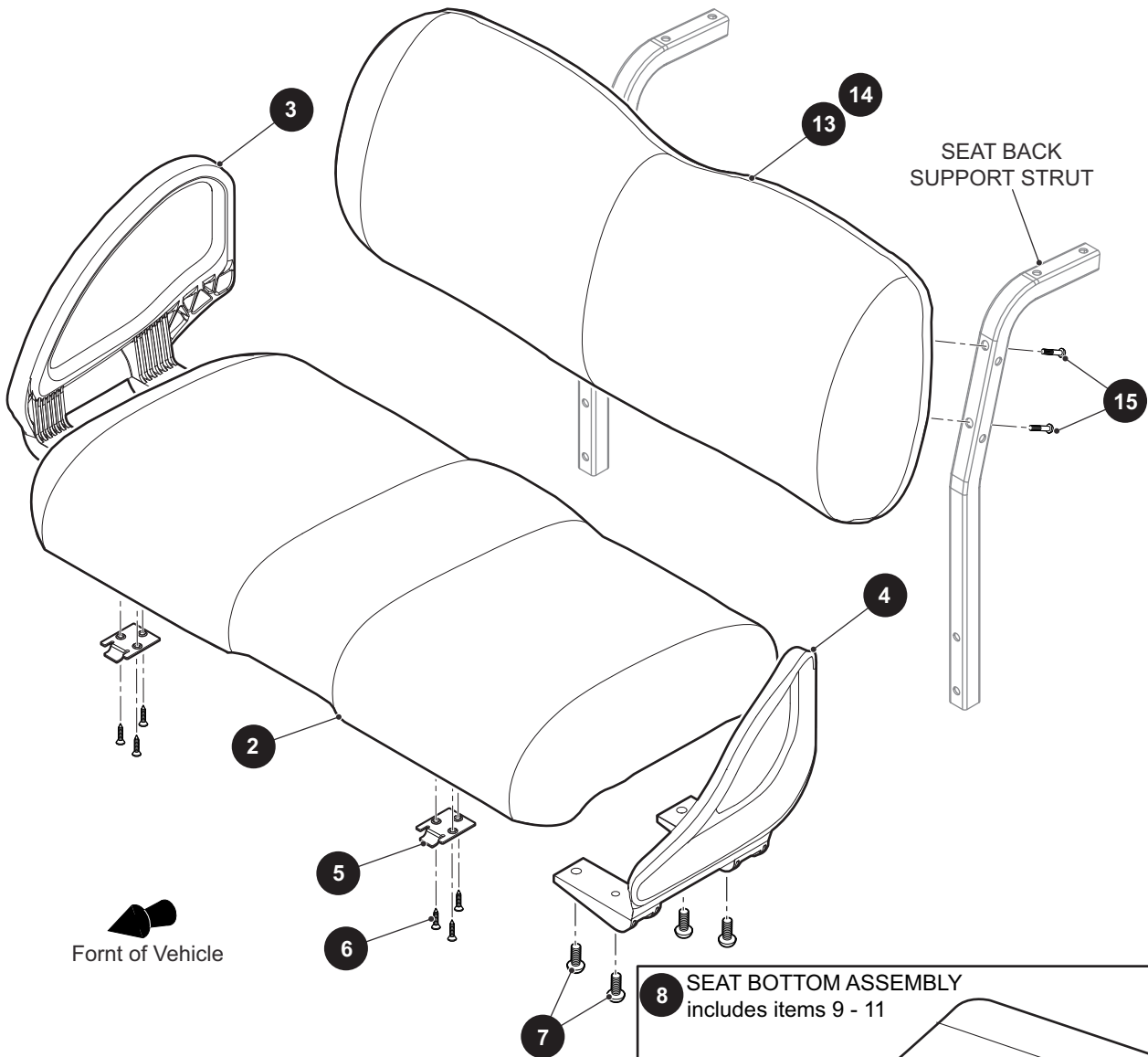
When ordering parts, please specify the model and serial number of the product.

* Indicates a component that is not available as an individual part.V

*** Indicates consult Customer Service Department for additional information.

ITEM	PART NO.	1	2	3	4	5	DESCRIPTION	QTY.
22	<u>603800</u>						FLANGED HEX HEAD BOLT, M10 - 1.5 X 50MM LG	2
23	<u>600525</u>						FLANGED LOCK NUT, M10 - 1.5.....	2
24								
25	<u>600527</u>						BUTTON HEAD TORX BOLT, M10 - 1.5 X 60 MM LG	4
26	<u>600525</u>						LOCK NUT, M10 - 1.5.....	4
27								
28	<u>645088</u>						SEAT BACK SUPPORT STRUT COVER.....	2
29								
30	<u>602742</u>						SWEATER BASKET ASSEMBLY (INCLUDES ITEMS 31 - 34)	1
31	*						SWEATER BASKET	1
32	<u>608051</u>						CLAMP (BAGRACK).....	2
33	<u>16816G1</u>						RACHET RIVET, .25" X .680"	2
34	<u>71853G01</u>						BAG STRAP.....	1
35								
36	<u>600530</u>						BUTTON HEAD TORX BOLT, M10 - 1.5 X 25 MM LG	2

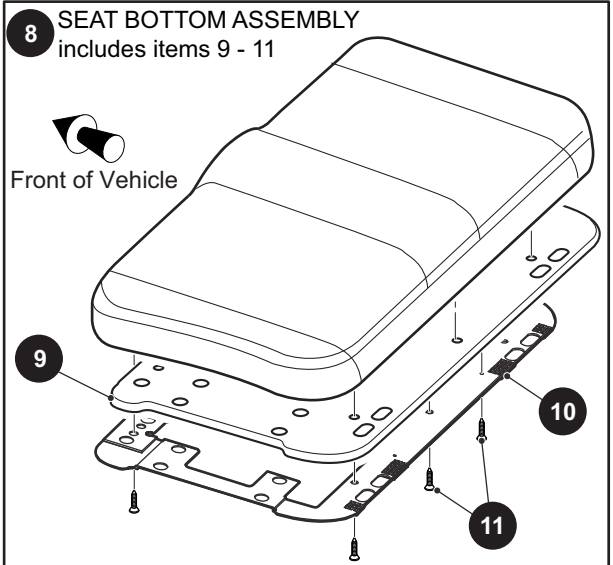
FOR VEHICLES WITH PREMIUM SEAT OPTION



Front of Vehicle

1 SEAT BOTTOM ASSEMBLY includes items 2 - 7

12 SEAT BOTTOM ASSEMBLY includes items 3 - 8



8 SEAT BOTTOM ASSEMBLY includes items 9 - 11

Front of Vehicle

THE USE OF NON U.L. PARTS WILL VOID ANY U.L. LISTING.

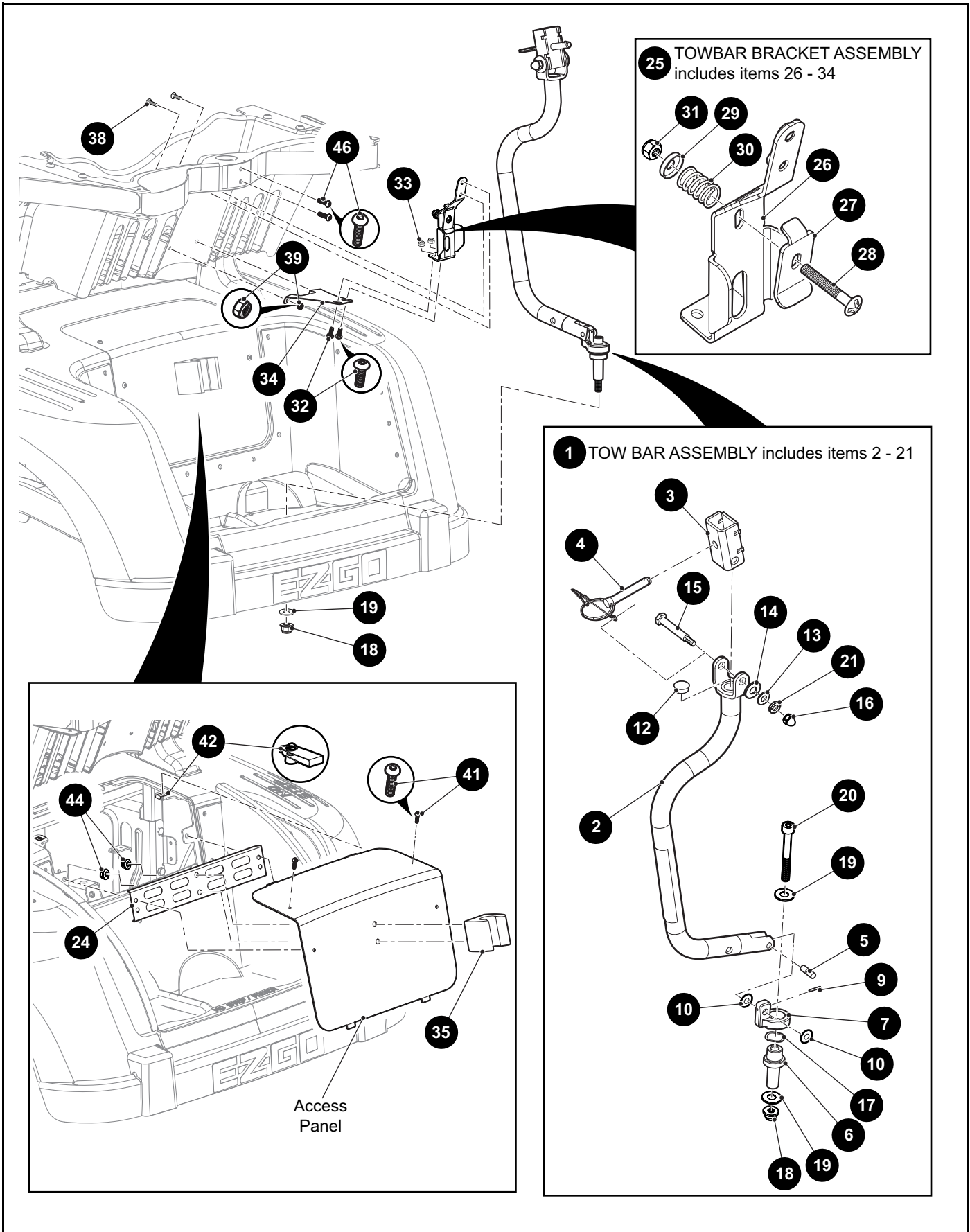
When ordering parts, please specify the model and serial number of the product.

* Indicates a component that is not available as an individual part.

*** Indicates consult Customer Service Department for additional information.

ITEM	PART NO.	1 2 3 4 5	DESCRIPTION	QTY.
1	***		SEAT BOTTOM ASSEMBLY (INCLUDES ITEMS 2 - 7) 629269G1617 LIGHT BEIGE	1
2	***		SEAT BOTTOM COVER 647267G17 LIGHT BEIGE	1
3	<u>617644</u>		HIP RESTRAINT (PASSENGER SIDE)	1
4	<u>617645</u>		HIP RESTRAINT (DRIVER SIDE)	1
5	<u>71610G01</u>		SEAT HINGE	2
6	<u>00720G08</u>		PHILLIPS HEAD TAPPING SCREW, #12 -14 X 1" LG.....	6
7	<u>615417</u>		BUTTON HEAD TORX BOLT, M10 - 1.5 X 25MM LG	8
8	***		SEAT BOTTOM (INCLUDES ITEMS 9 - 11) 686148G18 MUSHROOM 686148G19 GRAY 686148G20 CUSTOM 686148G21 BLACK 686148G23 CHARCOAL 686148G24 OYSTER 686148G25 WHITE	1
9	605502		BASE ASSEMBLY	1
10	602551		COVER PLATE	1
11	<u>16816G2</u>		RATCHET RIVET, .25" X .887"	4
12	***		SEAT BOTTOM ASSEMBLY (INCLUDES ITEMS 3 - 8) 629269G1618 MUSHROOM 629269G1619 GRAY 629269G1620 CUSTOM 629269G1621 BLACK 629269G1623 CHARCOAL 629269G1624 OYSTER 629269G1625 WHITE	1
13	***		SEAT BACK ASSEMBLY 647282G17 LIGHT BEIGE	1
14	***		SEAT BACK ASSEMBLY 686149G18 MUSHROOM 686149G19 GRAY 686149G20 CUSTOM 686149G21 BLACK 686149G23 CHARCOAL 686149G24 OYSTER 686149G25 WHITE	1
15	<u>600527</u>		BUTTON HEAD TORX BOLT, M10 - 1.5 X 60MM LG.....	4

TOWBAR



THE USE OF NON U.L. PARTS WILL VOID ANY U.L. LISTING.

When ordering parts, please specify the model and serial number of the product.

* Indicates a component that is not available as an individual part.

*** Indicates consult Customer Service Department for additional information.

ITEM	PART NO.	1 2 3 4 5	DESCRIPTION	QTY.
1	<u>635818</u>		TOWBAR ASSEMBLY (INCLUDES ITEMS 2 - 21).....	1
2	<u>635820</u>		TOWBAR	1
3	<u>635461</u>		COUPLING WELDMENT	1
4	685471		HITCH PIN ASSEMBLY (SHORT).....	1
5	<u>75360G01</u>		PIVOT PIN	1
6	<u>602990</u>		PIVOT	1
7	<u>625458</u>		SWIVEL	1
8				
9	<u>608793</u>		SPIROL PIN, 3MM X 22MM	1
10	<u>75340G01</u>		FLAT WASHER (DELFIN), M10	2
11				
12	<u>20271G6</u>		PLUG, .875" DIA.....	1
13	<u>00560G1</u>		FLAT WASHER, 3/8"	1
14	<u>00571G5</u>		FLAT WASHER, 5/16"	1
15	<u>14158G1</u>		SHOULDER BOLT, 3/8" - 16 X 2.75" LG	1
16	<u>15717G5</u>		ACORN NUT, 3/8" - 16	1
17	<u>603341</u>		WAVY WASHER, M32	1
18	<u>625748</u>		LOCK NUT, M12 - 1.25.....	1
19	<u>603182</u>		FLAT WASHER, M12.....	2
20	<u>603384</u>		SOCKET HEAD BOLT, M12 - 1.25 X 100MM LG	1
21	<u>00566G1</u>		SPRING LOCK WASHER, 7/16"	1
22				
23				
24	<u>641228</u>		SUPPORT CHANNEL.....	1
25	<u>641381</u>		TOWBAR BRACKET ASSEMBLY (INCLUDES ITEMS 26 - 34).....	1
26	<u>641380</u>		SOCKET WELDMENT	1
27	<u>641546</u>		RETENTION CLIP	1
28	<u>16705G6</u>		TRUSS HEAD PHILLIPS SCREW (SS), 1/4" - 20 X 1.75" LG	1
29	<u>25727G01</u>		CUP WASHER, .687" O.D. X .265" I.D.....	1
30	<u>72735G01</u>		COMPRESSION SPRING	1
31	<u>14390G4</u>		LOCK NUT (SS), 1/4" - 20	1

TOWBAR

THE USE OF NON U.L. PARTS WILL VOID ANY U.L. LISTING.

When ordering parts, please specify the model and serial number of the product.

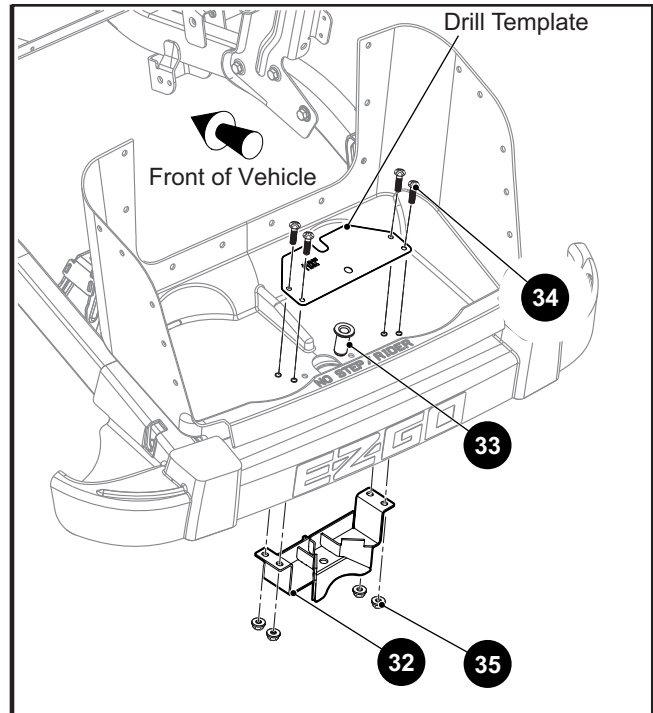
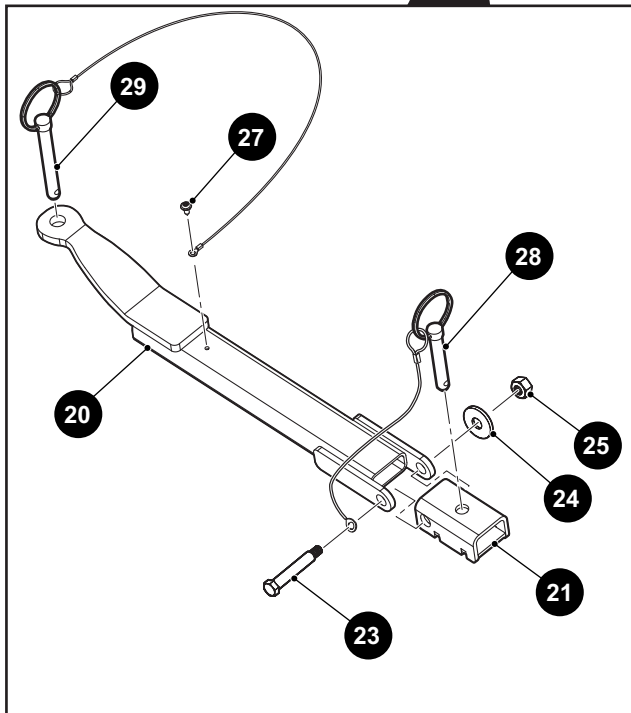
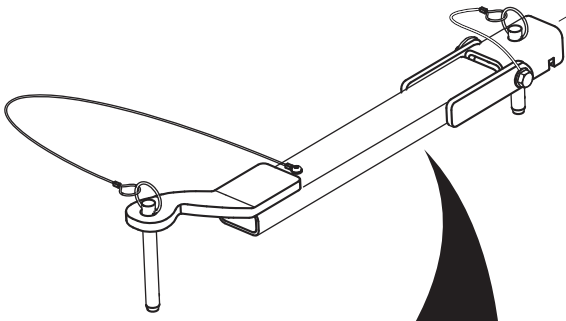
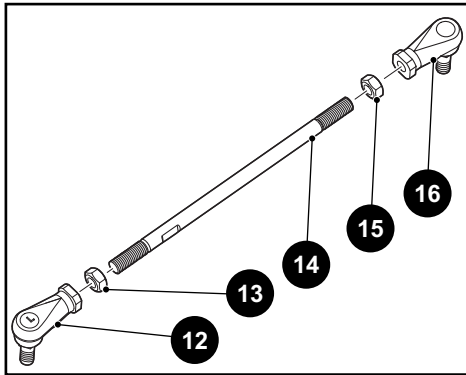
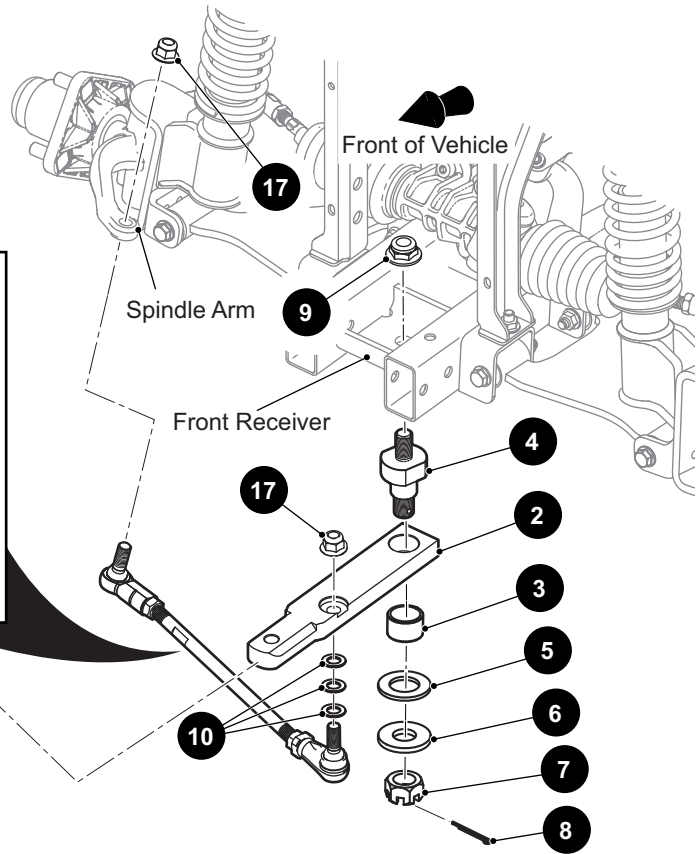
* Indicates a component that is not available as an individual part.

*** Indicates consult Customer Service Department for additional information.

ITEM	PART NO.	1	2	3	4	5	DESCRIPTION	QTY.
32	<u>16705G2</u>						PAN HEAD PHILLIPS SCREW (SS), 1/4" - 20 X 5/8" LG.....	2
33	<u>14390G4</u>						LOCK NUT (SS), 1/4" - 20	2
34	<u>641402</u>						TOWBAR SUPPORT BRACKET	1
35	<u>603020</u>						TOWBAR RETAINER.....	1
36								
37	<u>641402</u>						TOWBAR SUPPORT BRACKET.....	1
38	<u>16705G2</u>						PAN HEAD PHILLIPS SCREW (SS), 1/4" - 20 X 5/8" LG	2
39	<u>14390G4</u>						LOCK NUT (SS), 1/4" - 20	2
40								
41	<u>601326</u>						BUTTON HEAD TORX BOLT, M6 - 1 X 20MM LG.....	2
42	<u>602409</u>						BARREL CLIP, M6 - 1.....	2
43								
44	<u>600525</u>						FLANGED LOCK NUT, M10 - 1.5.....	2
45								
46	<u>601326</u>						BUTTON HEAD TORX BOLT, M6 - 1 X 20MM LG.....	2

TOWBAR

- 1** TOWBAR FRONT ASSEMBLY includes items 2 - 17
- 11** TIE ROD ASSEMBLY includes items 12 - 16
- 19** TOWBAR ASSEMBLY (SEMI PERMANENT) includes items 20 - 29



THE USE OF NON U.L. PARTS WILL VOID ANY U.L. LISTING.

When ordering parts, please specify the model and serial number of the product.

* Indicates a component that is not available as an individual part.

*** Indicates consult Customer Service Department for additional information.

ITEM	PART NO.	1 2 3 4 5	DESCRIPTION	QTY.
1	670614		TOWBAR FRONT ASSEMBLY (INCLUDES ITEMS 2 - 17)	1
2	670611		FRONT PIVOT BAR	1
3	<u>75307G01</u>		BEARING	1
4	<u>635464</u>		PIVOT BOLT	1
5	<u>75309G01</u>		THRUST BEARING 1.75" O.D. X 1" I.D.	1
6	<u>75342G01</u>		FLAT WASHER, 1.75" O.D. X .78" I.D.	1
7	<u>00518G8</u>		CASTLE NUT, 3/4" - 16	1
8	<u>10387G1</u>		COTTER PIN, 5/32" X 1 3/4" LG	1
9	<u>601709</u>		LOCK NUT, M16 - 2.....	1
10	<u>00560G2</u>		FLAT WASHER, 7/16"	3
11	<u>646856</u>		TIE-ROD ASSEMBLY (INCLUDES ITEMS 12 - 16)	1
12	<u>643610</u>		TIE ROD END, LH	1
13	<u>624962</u>		HEX NUT, M12 - 1.75.....	1
14	<u>644116</u>		TOWBAR	1
15	<u>615414</u>		HEX NUT, M12 - 1.75.....	1
16	<u>614436</u>		TIE ROD END	1
17	<u>617787</u>		FLANGED LOCK NUT, M12 - 1.75.....	2
18				
19	<u>635736</u>		TOWBAR ASSEMBLY (SEMI PERMANENT) (INCLUDES ITEMS 20 - 29)....	1
20	<u>635428</u>		TONGUE WELDMENT	1
21	<u>635461</u>		COUPLING WELDMENT	1
22				
23	<u>14158G1</u>		SHOULDER BOLT, 3/8" - 16 X 2.75" LG	1
24	<u>00571G5</u>		FLAT WASHER, 5/16"	1
25	<u>11098G5</u>		LOCK NUT, 3/8" - 16	1
26				
27	<u>637563</u>		SELF TAPPING SCREW, M4.8 - 1.6 X 14MM LG.....	1
28	685471		HITCH PIN ASSEMBLY (SHORT).....	1
29	<u>641171</u>		HITCH PIN ASSEMBLY (LONG)	1
30				
31				

TOWBAR

THE USE OF NON U.L. PARTS WILL VOID ANY U.L. LISTING.

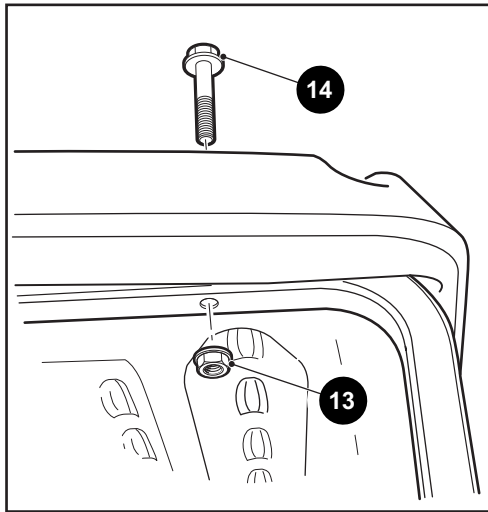
When ordering parts, please specify the model and serial number of the product.

* Indicates a component that is not available as an individual part.

*** Indicates consult Customer Service Department for additional information.

ITEM	PART NO.	1 2 3 4 5	DESCRIPTION	QTY.
32	691744		TOWBAR RECEIVER WELDMENT	1
33	<u>635442</u>		TOWBAR BUSHING	1
34	<u>628635</u>		BUTTON HEAD BOLT, M8 - 1.25 X 30MM LG.....	4
35	<u>645956</u>		FLANGED HEX NUT, M8 x 1.25	4

WEATHER PROTECTION



1 SUN TOP KIT, STONE BEIGE
includes items 2, 19

3 SUN TOP KIT, OYSTER
includes items 4, 19

5 SUN TOP KIT, BLACK
includes items 6, 7

7 SUN TOP STRUT KIT
includes items 8 - 11

11 SUN TOP HARDWARE KIT
includes items 12 - 16

19 SUN TOP STRUT KIT
includes items 8 - 10, 20

20 SUN TOP HARDWARE KIT
includes items 12 - 16

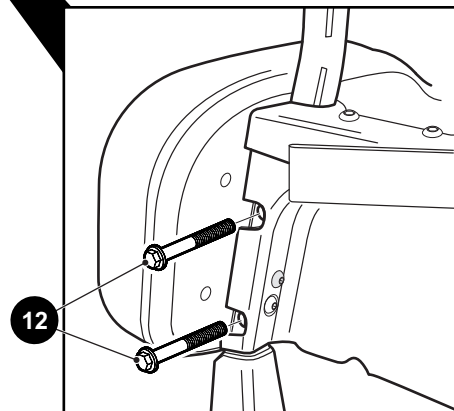
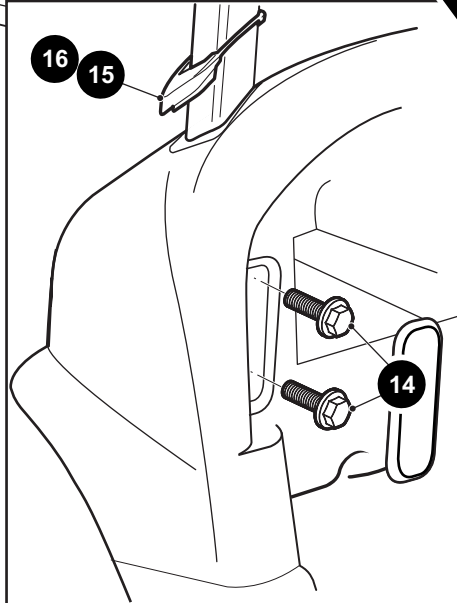
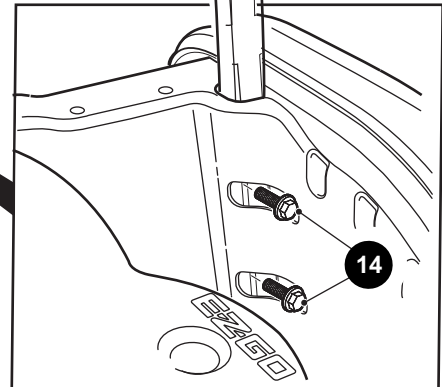
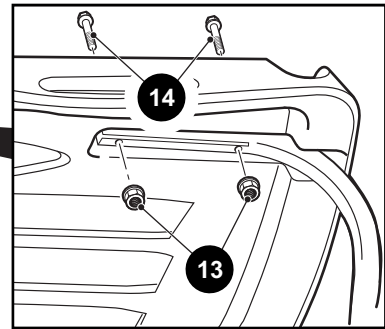
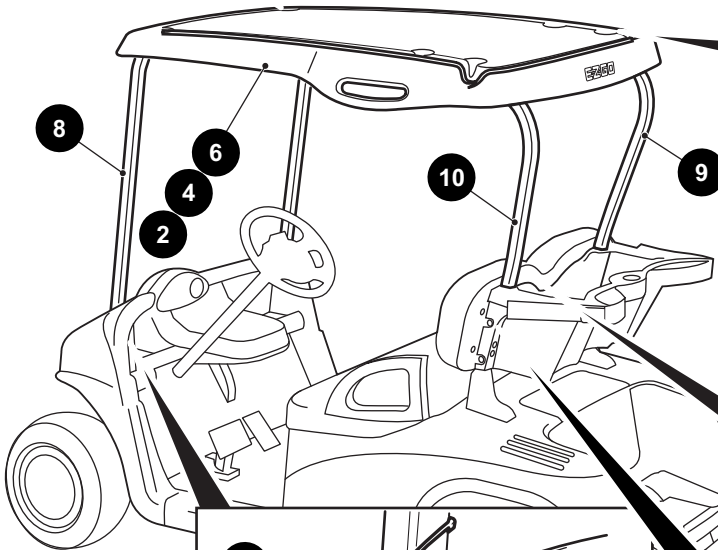
22 SUN TOP KIT, 54", STONE BEIGE,
(GPS MOUNTING)
includes items 2, 26, 28

23 SUN TOP KIT, 54", OYSTER,
(GPS MOUNTING)
includes items 4, 26, 28

24 SUN TOP KIT, 54", BLACK,
(GPS MOUNTING)
includes items 6, 26, 28

26 FRONT STRUT KIT
includes items 8, 15, 25, 27

28 REAR STRUT KIT
includes items 9, 10, 20



WEATHER PROTECTION

THE USE OF NON U.L. PARTS WILL VOID ANY U.L. LISTING.

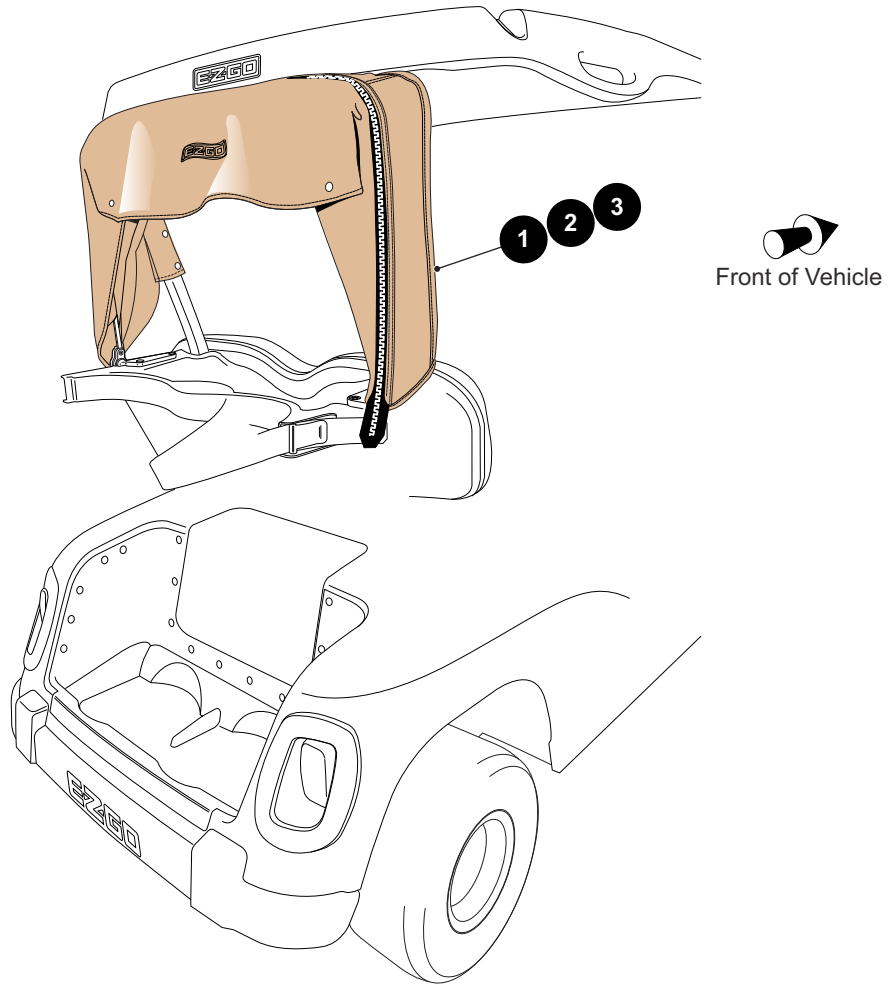
When ordering parts, please specify the model and serial number of the product.

* Indicates a component that is not available as an individual part.

*** Indicates consult Customer Service Department for additional information.

ITEM	PART NO.	1 2 3 4 5	DESCRIPTION	QTY.
1	610766		SUN TOP KIT, STONE BEIGE (INCLUDES ITEMS 2, 19)	1
2	<u>608198</u>		SUN TOP	1
3	610767		SUN TOP KIT, OYSTER (INCLUDES ITEMS 4, 19).....	1
4	<u>608015</u>		SUN TOP	1
5	<u>613233</u>		SUN TOP KIT, BLACK (INCLUDES ITEM 6, 7)	1
6	<u>613227</u>		SUN TOP	1
7	608677		SUN TOP STRUT KIT (INCLUDES ITEMS 8 - 11).....	1
8	<u>603203</u>		FRONT STRUT	1
9	<u>614310</u>		REAR STRUT (PASSENGER SIDE)	1
10	<u>614309</u>		REAR STRUT (DRIVER SIDE).....	1
11	<u>607013</u>		SUN TOP HARDWARE KIT (INCLUDES ITEMS 12 - 16)	1
12	<u>602415</u>		FLANGED HEX HEAD BOLT, M10 - 1.5 X 80MM LG	4
13	<u>600525</u>		FLANGED LOCK NUT, M10 - 1.5.....	10
14	<u>603800</u>		FLANGED HEX HEAD BOLT, M10 - 1.5 X 50MM LG	10
15	<u>602770</u>		GROMMET (DRIVER SIDE).....	1
16	<u>602992</u>		GROMMET (PASSENGER SIDE)	1
17				
18				
19	<u>620880</u>		SUN TOP STRUT KIT (INCLUDES ITEMS 8 - 10, 20).....	1
20	<u>610763</u>		SUN TOP HARDWARE KIT (INCLUDES ITEMS 12 - 16)	1
21				
22	<u>647663</u>		SUN TOP KIT, 54", STONE BEIGE (GPS MOUNTING) (INCLUDES ITEMS 2, 26, 28).....	1
23	<u>647664</u>		SUN TOP KIT, 54", OYSTER (GPS MOUNTING) (INCLUDES ITEMS 4, 26, 28).....	1
24	<u>647665</u>		SUN TOP KIT, 54", BLACK (GPS MOUNTING) (INCLUDES ITEMS 6, 26, 28).....	1
25	<u>664522G05</u>		GPS MOUNTING SYSTEM (NOT ILLUSTRATED)	1
26	<u>647661</u>		FRONT STRUT KIT (INCLUDES ITEMS 8, 15, 25, 27)	1
27	<u>643882G01</u>		GPS MOUNTING SYSTEM (NOT ILLUSTRATED)	1
28	<u>647623</u>		REAR STRUT KIT (INCLUDES ITEMS 9,10, 20).....	1

WEATHER PROTECTION



WEATHER PROTECTION

THE USE OF NON U.L. PARTS WILL VOID ANY U.L. LISTING.

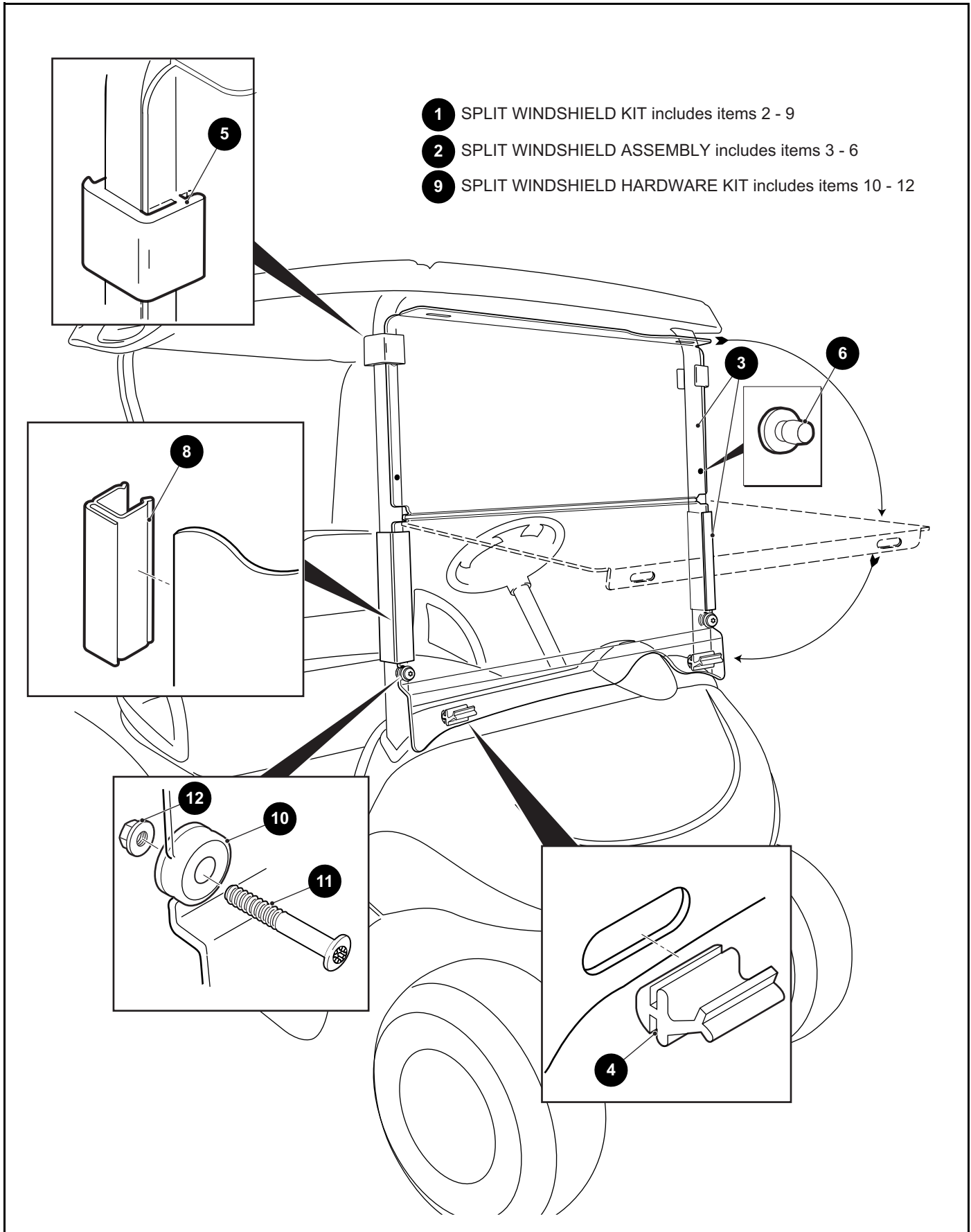
When ordering parts, please specify the model and serial number of the product.

* Indicates a component that is not available as an individual part.

*** Indicates consult Customer Service Department for additional information.

ITEM	PART NO.	1 2 3 4 5	DESCRIPTION	QTY.
1	<u>614267</u>		BAG COVER KIT (STONE BEIGE)	1
2	<u>614268</u>		BAG COVER KIT (OYSTER)	1
3	<u>619020</u>		BAG COVER KIT (BLACK)	1

WEATHER PROTECTION



WEATHER PROTECTION

THE USE OF NON U.L. PARTS WILL VOID ANY U.L. LISTING.

When ordering parts, please specify the model and serial number of the product.

* Indicates a component that is not available as an individual part.

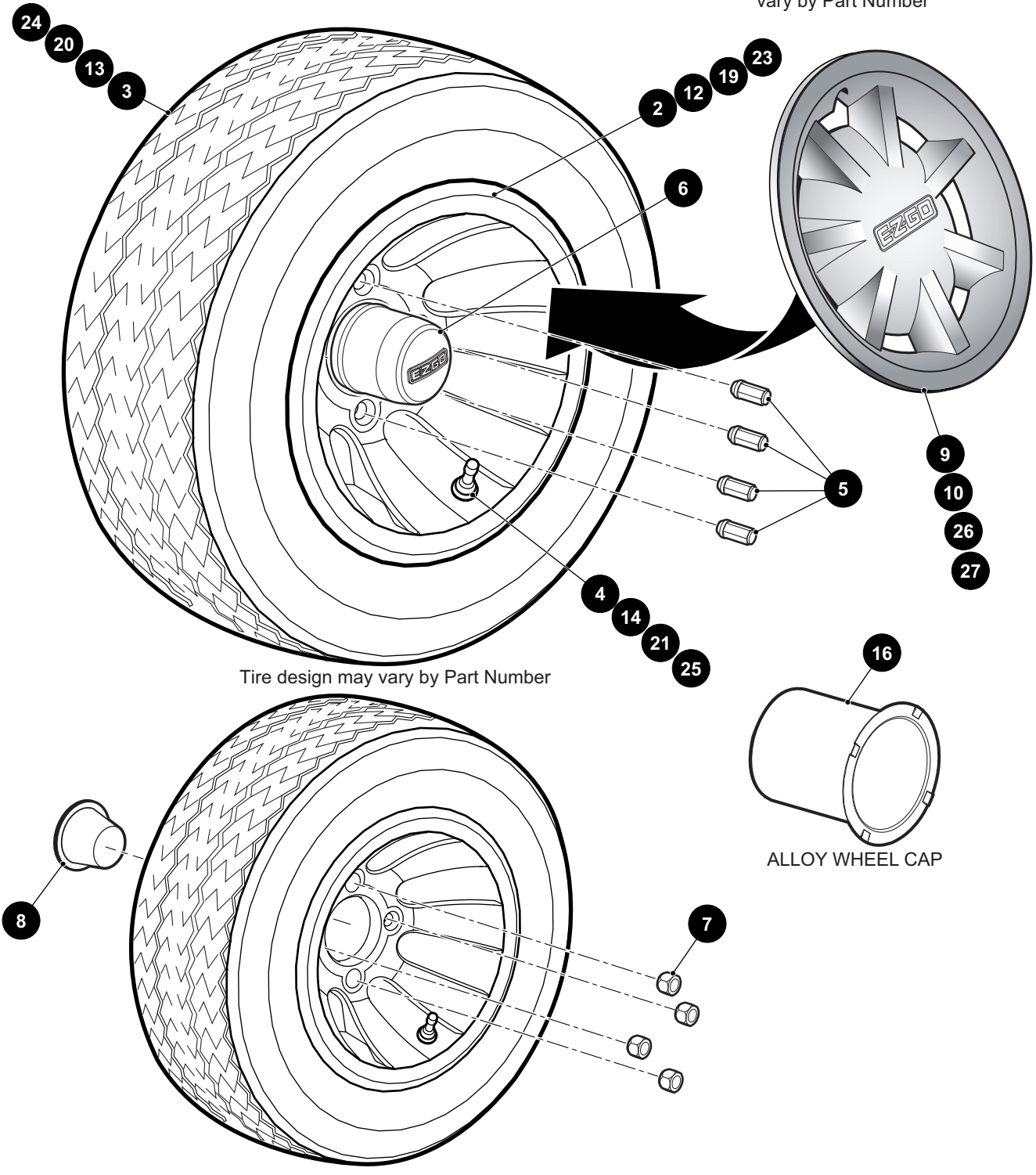
*** Indicates consult Customer Service Department for additional information.

ITEM	PART NO.	1 2 3 4 5	DESCRIPTION	QTY.
FOR VEHICLES MANUFACTURED BEFORE 27SEP2020				
1	<u>606584</u>		SPLIT WINDSHIELD KIT (INCLUDES ITEMS 2 - 9)	1
2	<u>606623</u>		SPLIT WINDSHIELD ASSEMBLY (INCLUDES ITEMS 3 - 6)	1
3	<u>603738</u>		SPLIT WINDSHIELD	1
4	<u>603201</u>		LOWER WINDSHIELD LATCH	2
5	<u>603198</u>		UPPER WINDSHIELD LATCH	2
6	<u>604115</u>		ISOLATOR	2
7				
8	<u>613136</u>		WINDSHIELD ATTACHMENT SASH, 10"	2
9	668122		SPLIT WINDSHIELD HARDWARE KIT (INCLUDES ITEMS 10 - 12)	1
10	<u>604116</u>		GROMMET	2
11	<u>600527</u>		BUTTON HEAD TORX BOLT, M10 - 1.5 X 60MM LG	2
12	<u>600525</u>		FLANGED LOCK NUT, M10 - 1.5	2
FOR VEHICLES MANUFACTURED AFTER 27SEP2020				
1	10009762		SPLIT WINDSHIELD KIT (INCLUDES ITEMS 2 - 9)	1
2	<u>606623</u>		SPLIT WINDSHIELD ASSEMBLY (INCLUDES ITEMS 3 - 6)	1
3	<u>603738</u>		SPLIT WINDSHIELD	1
4	<u>603201</u>		LOWER WINDSHIELD LATCH	2
5	<u>603198</u>		UPPER WINDSHIELD LATCH	2
6	<u>604115</u>		ISOLATOR	2
7				
8	10009146		WINDSHIELD ATTACHMENT SASH, 9"	2
9	668122		SPLIT WINDSHIELD HARDWARE KIT (INCLUDES ITEMS 10 - 12)	1
10	<u>604116</u>		GROMMET	2
11	<u>600527</u>		BUTTON HEAD TORX BOLT, M10 - 1.5 X 60MM LG	2
12	<u>600525</u>		FLANGED LOCK NUT, M10 - 1.5	2

WHEELS AND TIRES

- 1** WHEEL AND TIRE ASSEMBLY (MACHINE ALLOY) includes items 2 - 4
- 11** WHEEL AND TIRE ASSEMBLY (HOLE-N-ONE) includes items 12 - 14
- 18** WHEEL AND TIRE ASSEMBLY (ASM - MILLED) includes items 19 - 21
- 22** WHEEL AND TIRE ASSEMBLY (USA TRAIL) includes items 23 - 25

Wheel cover design may vary by Part Number



WHEELS AND TIRES

THE USE OF NON U.L. PARTS WILL VOID ANY U.L. LISTING.

When ordering parts, please specify the model and serial number of the product.

* Indicates a component that is not available as an individual part.

*** Indicates consult Customer Service Department for additional information.

ITEM	PART NO.	1 2 3 4 5	DESCRIPTION	QTY.
1	<u>647042</u>		WHEEL AND TIRE ASSEMBLY (MACHINE ALLOY) (INCLUDES ITEMS 2 - 4)	1
2	<u>653593</u>		WHEEL, 10"	1
3	<u>647044</u>		TIRE (KENDA), 205/50 - 10"	1
4	<u>604915</u>		VALVE STEM (CHROME)	1
5	<u>605310</u>		LUG NUT (CHROME)	4
6	<u>652122</u>		WHEEL CAP (CHROME)	1
7	<u>14723G1</u>		LUG NUT, 1/2" - 20	4
8	<u>74175G01</u>		DUST CAP	1
9	<u>615617</u>		HUB CAP (GOLD) (FOR VEHICLES MANUFACTURED BEFORE JANUARY 8, 2018)	
10	<u>615618</u>		HUB CAP (SILVER) (FOR VEHICLES MANUFACTURED BEFORE JANUARY 8, 2018)	
11	<u>612772</u>		WHEEL AND TIRE ASSEMBLY (HOLE-N-ONE) (INCLUDES ITEMS 12 - 14)	1
12	<u>612770</u>		WHEEL, 8"	1
13	<u>612771</u>		TIRE (KENDA)	1
14	<u>11657G2</u>		VALVE STEM	1
15				
16	<u>601353</u>		ALLOY WHEEL CAP	1
17				
18	<u>635726</u>		WHEEL AND TIRE ASSEMBLY (ASM - MILLED) (INCLUDES ITEMS 19 - 21)	1
19	<u>635727</u>		ALLOY WHEEL	1
20	<u>601768</u>		TIRE (TOUR MAX), 205/50 - 10"	1
21	<u>601767</u>		VALVE STEM	1
22	<u>28842G01</u>		WHEEL AND TIRE ASSEMBLY (USA TRAIL) (INCLUDES ITEMS 24 - 26)...	1
23	<u>28759G01</u>		WHEEL (WHITE)	1
24	<u>28764G08</u>		TIRE (CARLISLE)	1
25	<u>11657G2</u>		VALVE STEM	1
26	<u>665149</u>		WHEEL COVER (METALLIC GOLD) (FOR VEHICLES MANUFACTURED AFTER JANUARY 8, 2018)	1
27	<u>665144</u>		WHEEL COVER (METALLIC SILVER) (FOR VEHICLES MANUFACTURED AFTER JANUARY 8, 2018)	1

1 Cowl

2 Cup Holder

3 Rear Body

4 EZGO

5 Controller Splash Shield

6 [Label for Controller Splash Shield]

7 [Component of Controller Splash Shield]

8 [Label for Score Card Assembly]

9 Advanced Battery Top Cover

10 Score Card Assembly

11 [Label for Permanent Towbar]

12 Permanent Towbar

13 [Label for Semi Permanent Towbar]

14 Instrument Panel Trim

15 [Label for Instrument Panel Trim]

16 Steering Wheel

ELITE

WARNING FAILURE TO FOLLOW THESE INSTRUCTIONS MAY RESULT IN SEVERE PERSONAL INJURY. No user serviceable parts. Service, removal or installation of battery pack must be performed by authorized personnel only. Charge with an OEM approved Lithium-Ion battery charger only. Do not store or operate at temperatures below -4°F (-20°C). Do not expose to temperatures above 140°F (60°C).

WARNING NEVER drive on public roads. Drivers must possess a valid drivers license to accompany with local state laws. Do not start moving until all occupants are PROPERLY SEATED and IN CONTACT. A ROPS seat belt is REQUIRED while moving. Always DRIVE SLOWLY in congested areas, on road or rough terrain, and when backing up. DRIVE SLOWLY when turning and AVOID sudden stops. ALWAYS drive under the influence of drugs or alcohol. Drive responsibly. NEVER drink and drive. NEVER allow anyone to ride in the vehicle when parked. NEVER carry more than 2 occupants on each bench seat. Do not exceed vehicle WEIGHT CAPACITY (see Owner's Manual). NEVER allow the vehicle to exceed travel speeds shown for specifications. ONLY authorized EZGO dealers should adjust after the vehicle using approved parts. All equipment is subject to change by EZGO Corporation without notice and without prior consent of the user.

WARNING NEVER allow the vehicle to exceed travel speeds shown for specifications. ONLY authorized EZGO dealers should adjust after the vehicle using approved parts. All equipment is subject to change by EZGO Corporation without notice and without prior consent of the user.

BUILT RIGHT. RIGHT HERE.

DECALS AND LABELS

THE USE OF NON U.L. PARTS WILL VOID ANY U.L. LISTING.

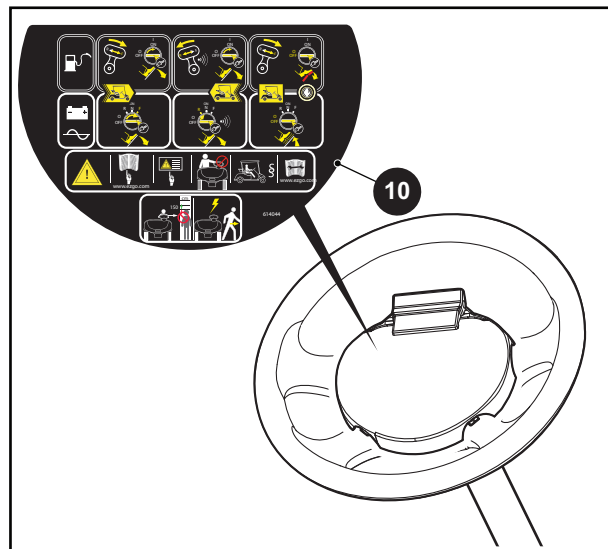
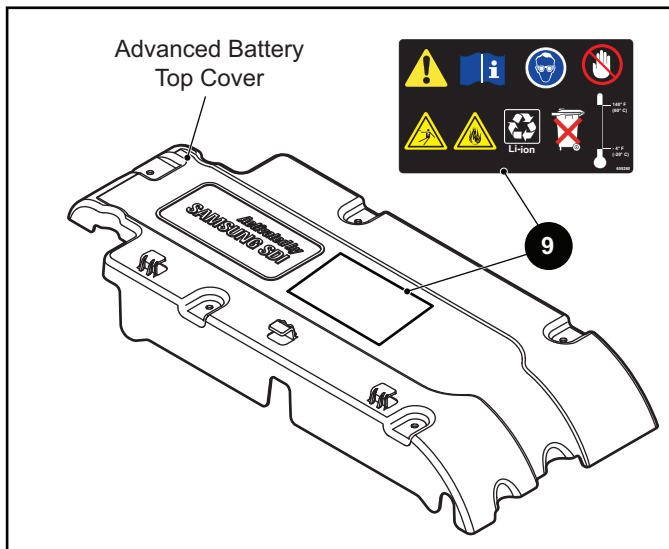
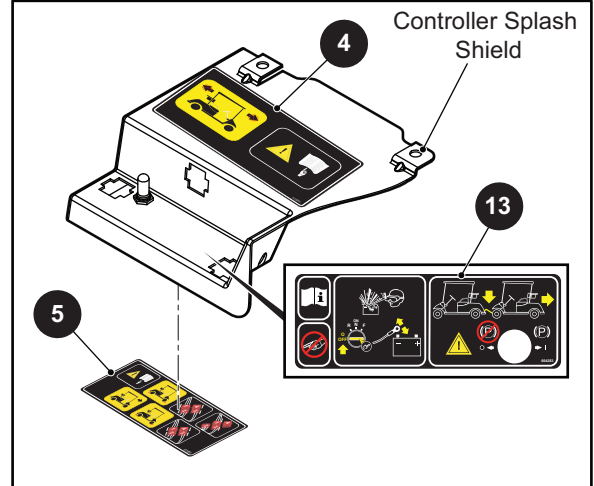
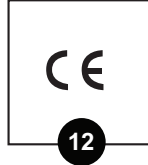
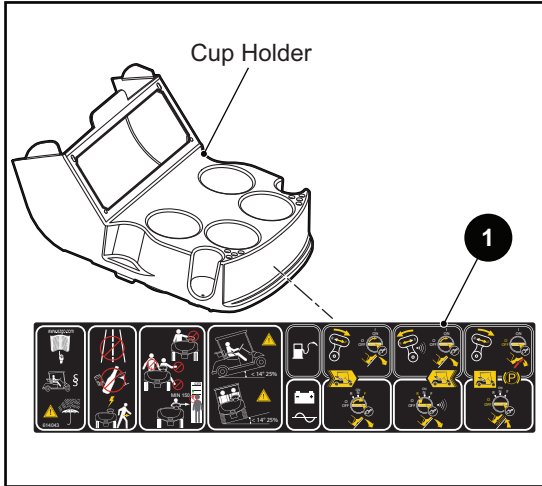
When ordering parts, please specify the model and serial number of the product.

* Indicates a component that is not available as an individual part.

*** Indicates consult Customer Service Department for additional information.

ITEM	PART NO.	1 2 3 4 5	DESCRIPTION	QTY.
1	10011930		E-Z-GO NAME PLATE (PLATINUM).....	1
2	<u>608528</u>		WARNING LABEL (INSTRUMENT PANEL)	1
3	10007728		ELITE BRANDING DECAL	1
4				
5	<u>612594</u>		TOW SWITCH WARNING LABEL	1
6	<u>609694</u>		TOWING INSTRUCTION NOTICE LABEL	1
7	<u>609987</u>		TOWING/MAINTENANCE LABEL	1
8				
9	<u>655748</u>		ADVANCED BATTERY WARNING LABEL.....	1
10	664789		WARNING LABEL (STEERING WHEEL)	1
11				
12	<u>635906</u>		TOWBAR WARNING LABEL	1
13				
14	<u>657850</u>		ADVANCED BATTERY DECAL	1
15				
16	685698		DECAL, MADE IN USA.....	1

FOR CE VEHICLES



DECALS AND LABELS

THE USE OF NON U.L. PARTS WILL VOID ANY U.L. LISTING.

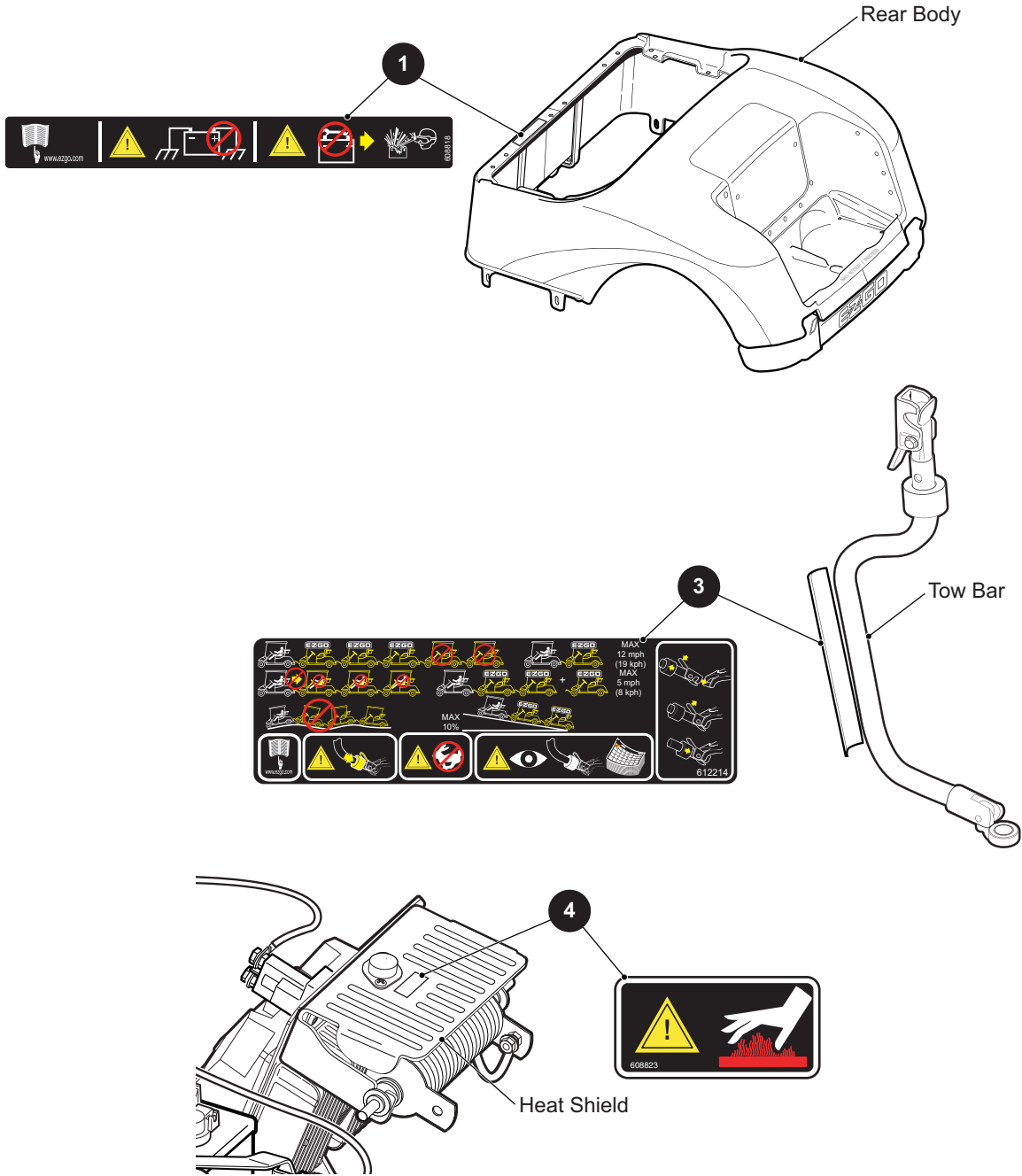
When ordering parts, please specify the model and serial number of the product.

* Indicates a component that is not available as an individual part.

*** Indicates consult Customer Service Department for additional information.

ITEM	PART NO.	1 2 3 4 5	DESCRIPTION	QTY.
1	<u>614043</u>		WARNING LABEL (INSTRUMENT PANEL)	1
2				
3				
4	610991		TOWING/MAINTENANCE LABEL	1
5	610990		TOWING INSTRUCTION NOTICE LABEL	1
6				
7				
8				
9	<u>659260</u>		ADVANCED BATTERY WARNING LABEL	1
10	<u>614044</u>		STEERING WHEEL LABEL	1
11				
12	<u>601783</u>		CE LABEL	1
13	664283		RUN/TOW LABEL, CE	1

FOR CE VEHICLES



DECALS AND LABELS

THE USE OF NON U.L. PARTS WILL VOID ANY U.L. LISTING.

When ordering parts, please specify the model and serial number of the product.

* Indicates a component that is not available as an individual part.

*** Indicates consult Customer Service Department for additional information.

ITEM	PART NO.	1 2 3 4 5	DESCRIPTION	QTY.
1	<u>608818</u>		GROUNDING LABEL.....	1
2				
3	<u>612214</u>		TOWBAR LABEL	1
4	<u>608823</u>		HOT CE LABEL.....	1



A Textron Company

Textron Specialized Vehicles, Inc.

1451 Marvin Griffin Road
Augusta, Georgia 30906 - 3852 USA

CONTACT US:

North America:

Technical Assistance & Warranty Phone: 1-800-774-3946, FAX: 1-800-448-8124
Service Parts Phone: 1-888-438-3946, FAX: 1-800-752-6175

International:

Phone: 001-706-798-4311, FAX: 001-706-771-4609

Owner's guides and repair manuals
are available from a local Distributor, or an authorized Branch,
Parts & Accessories Department or at www.shop.ezgo.com.

Copyrighted Material

This manual may not be reproduced in whole
or in part without the express permission of
TSV Technical Communications Department