



A Textron Company

# Electric Service Parts Manual



## 625478-BM

ISSUED SEP 2011

REVISED MARCH 2020



# SERVICE PARTS MANUAL

## ELECTRIC POWERED VEHICLE

**EXPRESS S4**

**EXPRESS L4**

## STARTING MODEL YEAR 2012

DISCLAIMER: The E-Z-GO Division of Textron Inc. (E-Z-GO) reserves the right to incorporate engineering and design changes to products in this Manual, without obligation to include these changes on units leased/sold previously.

The information contained in this Manual may be revised periodically E-Z-GO, and therefore is subject to change without notice.

E-Z-GO DISCLAIMS LIABILITY FOR ERRORS IN THIS MANUAL, and E-Z-GO SPECIFICALLY DISCLAIMS LIABILITY FOR INCIDENTAL AND CONSEQUENTIAL DAMAGES RESULTING FROM THE USE OF THE INFORMATION AND MATERIALS IN THIS MANUAL.

### **TO CONTACT US**

#### **NORTH AMERICA:**

**TECHNICAL ASSISTANCE & WARRANTY PHONE: 1-800-774-3946, FAX: 1-800-448-8124**

**SERVICE PARTS PHONE: 1-888-GET-EZGO (1-888-438-3946), FAX: 1-800-752-6175**

**INTERNATIONAL: PHONE: 001-706-798-4311, FAX: 001-706-771-4609**

**E-Z-GO DIVISION OF TEXTRON INC., 1451 MARVIN GRIFFIN RD., AUGUSTA, GEORGIA USA 30906-3852**

## GENERAL INFORMATION

To obtain a copy of the limited warranty applicable to the vehicle, call or write a local Distributor, authorized Branch or the Warranty Department with vehicle serial number and manufacturer code.

The use of non Original Equipment Manufacturer (OEM) parts may void the warranty.

Overfilling of batteries may void the warranty.

### BATTERY PROLONGED STORAGE

All batteries will self discharge over time. The rate of self discharge varies depending on the ambient temperature and the age and condition of the batteries.

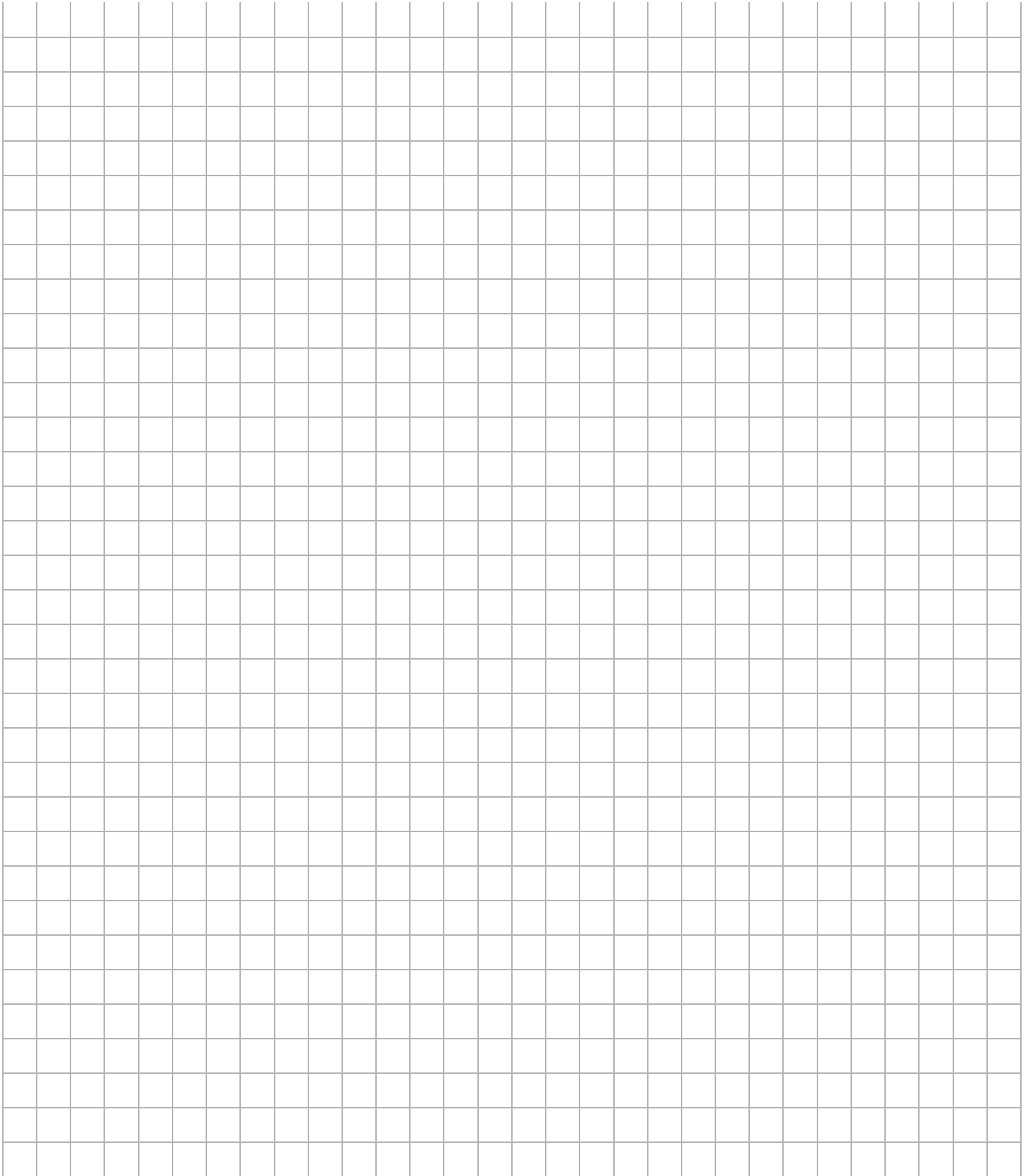
A fully charged battery will not freeze in winter temperatures unless the temperature falls below -75° F (-60° C).

As with all electric vehicles, the batteries must be checked and recharged as required or at a minimum of 30 day intervals.

# TABLE OF CONTENTS

<b>SECTION</b>	<b>Page No.</b>
<b>HOW TO USE THE SERVICE PARTS MANUAL</b> .....	<b>V</b>
<b>ACCELERATOR</b> .....	<b>A - 1</b>
<b>BATTERY CHARGER</b> .....	<b>B - 1</b>
<b>BODY</b> .....	<b>C - 1</b>
<b>BRAKES</b> .....	<b>D - 1</b>
<b>ELECTRICAL SYSTEM</b> .....	<b>E - 1</b>
<b>ELECTRONIC SPEED CONTROL</b> .....	<b>F - 1</b>
<b>FRONT SUSPENSION - STEERING</b> .....	<b>G - 1</b>
<b>MOTOR</b> .....	<b>H - 1</b>
<b>REAR AXLE</b> .....	<b>J - 1</b>
<b>REAR SUSPENSION</b> .....	<b>K - 1</b>
<b>SEATING</b> .....	<b>L - 1</b>
<b>WEATHER PROTECTION</b> .....	<b>M - 1</b>
<b>WHEELS AND TIRES</b> .....	<b>N - 1</b>

# NOTES



# HOW TO USE THE SERVICE PARTS MANUAL

This manual is divided into several sections:

- GENERAL INFORMATION
- ILLUSTRATED PARTS BREAKDOWN
- APPENDIX

The first section, GENERAL INFORMATION, contains the following information:

- WARRANTY INFORMATION
- GENERAL INDEX
- HOW TO USE THE SERVICE PARTS MANUAL

The second section, ILLUSTRATED PARTS BREAKDOWN, contains illustrations and parts lists for all systems of your vehicle.

The third section, APPENDIX, contains a listing of specialty products and accessories.

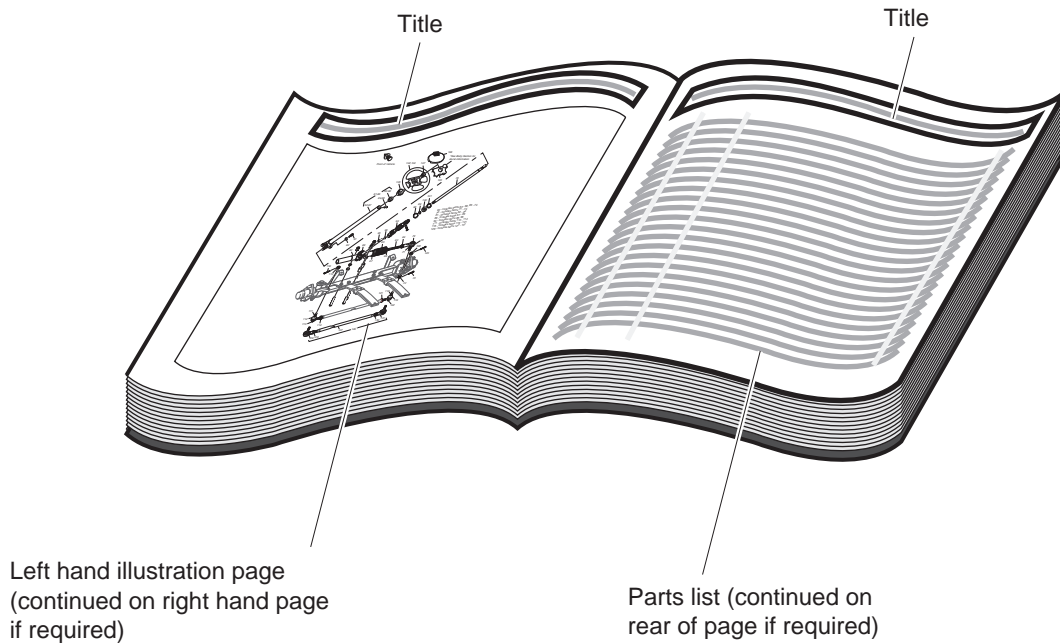
## USE OF THE MANUAL

To use this manual, consult the GENERAL INDEX to locate the information or illustration required.

Introduction of some revisions varies due to supply of components; therefore, it is possible that various combinations of components may be found that are not directly reflected by each illustration. Consult the illustration that best suits your situation and then contact the Service Parts Department. It is important that the serial number of your vehicle and its model number be supplied to Service Parts when ordering any replacement components.

Locate the serial number plate (see BODY located in the Illustrated Parts Breakdown section of this manual for its location) and note the complete number shown on the plate.

# HOW TO USE THE SERVICE PARTS MANUAL



## 1. WHEN THE PART NUMBER IS NOT KNOWN

- Determine the function and application of the part required. Turn to the General Index and select the most appropriate title.
- Turn to the page number indicated and locate the desired part on the illustration.
- From the illustration, obtain the item number as signed to the desired part. Refer to the accompanying description for specific information regarding the part.

## 2. IF YOU KNOW THE PART NUMBER

- Locate the part number or description in the appropriate column on the parts list page.

NOTE: It is suggested that you confirm that the part selected is correct by verifying it with the pictorial representation on the illustrated page.

Should an asterisk (\*) appear in the part number column on the parts list page, read upwards until a part number is found. The part number is the lowest assembly sold by Service Parts and the asterisk (\*) indicates that the part depicted is not available for purchase.

NOTE: Descriptions are indented under the assembly that they are used on. That assembly is, in turn listed under the assembly that it is used on. This process is repeated until the highest final assembly is reached.

**To facilitate the maintenance and repair of the vehicle, a Technician's Repair and Service Manual is available from the Service Parts Department.**



# HOW TO USE THE SERVICE PARTS MANUAL

## 3. COLOR CODE FOR BODY COMPONENTS

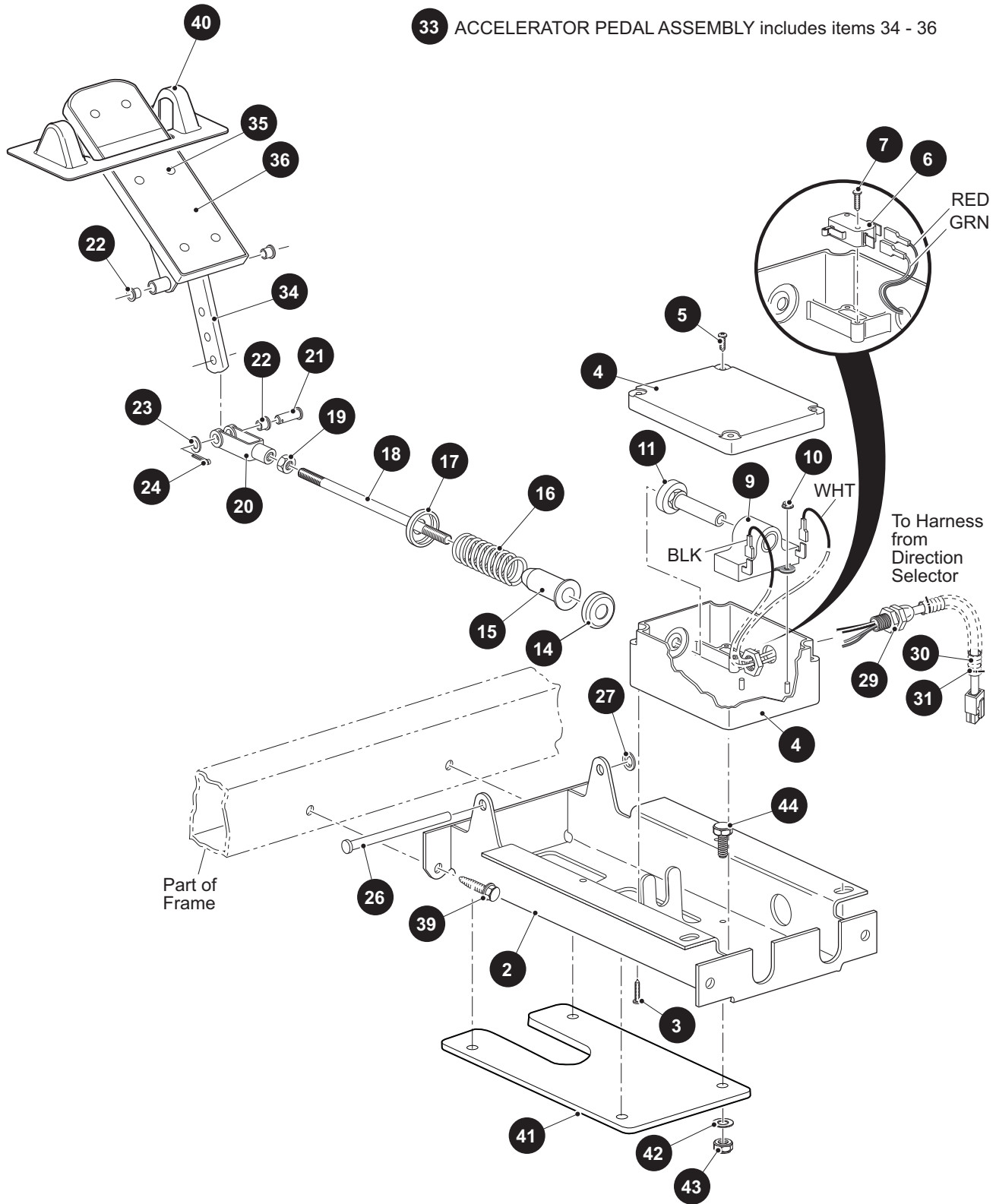
The last two digits of the part number for the body part will denote the color code, locate the part number for the cowl, rear body, seat pod, side panel or seat wrap then locate your color in the list below, replace the last \*\* or XX with the two digit color code.

<u>CODE #</u>	<u>DESCRIPTION</u>	<u>CODE #</u>	<u>DESCRIPTION</u>
01	NO PAINT	53	MOSSY OAK NEW BREAK UP - DIPPED
02	SPECIAL COLOR	54	MOSSY OAK OBSESSION - DIPPED
05	JACOBSEN ORANGE	55	REALTREE ADVANTAGE MAX 4 - DIPPED
06	LIGHT GOLD PEARL	56	REALTREE HARDWOOD BROWN - DIPPED
07	SILVER PEARL METALIC	57	REALTREE AP HOT PINK - DIPPED
11	BLACK	58	BLACK / SILVER MARBLE - DIPPED
12	EMERALD GREEN PEARL	59	RED / SILVER MARBLE - DIPPED
13	CLOUD GRAY	60	HOT PINK / SILVER MARBLE - DIPPED
14	VIPER BLUE METALLIC	61	REALTREE AP
19	PATRIOT BLUE PEARL	62	REALTREE MAX 4
20	INFERNO RED METALLIC	63	MOSSY OAK BREAKUP
23	ADVANTAGE CLASSIC CAMO	64	MOSSY OAK TREESTAND
24	NATURAL	65	REALTREE APG
25	VIVID NEW HOLLAND BLUE	66	REALTREE MAX 1
26	STEEL BLUE PEARL	67	REALTREE AP PINK
27	BRIGHT SILVER METALLIC	68	REALTREE AP - DIPPED
29	PRIMER ONLY	69	MONSTER GREEN
30	HD ADVANTAGE CAMO	74	BARLEY GOLD
31	METALLIC CHARCOAL	75	OASIS GREEN
32	LIGHT ALMOND PEARL	76	JAVA BROWN
33	TIMBERLINE GREEN		
34	DEEP MOLTEN RED		
35	SAFETY YELLOW		
36	IVORY		
37	FOREST GREEN		
38	BRIGHT WHITE		
39	FLAME RED		
40	BLACK		
41	ELECTRIC BLUE		
42	PLATINUM		
43	BURGUNDY		
44	ALMOND		
45	BLACK		
46	BURGUNDY		
47	BURLINGTON GREEN		
48	BLACK		
49	FLAME RED		
50	RECON GREEN		
51	SUNBURST ORANGE		
52	BRITISH RACING GREEN		

# ACCELERATOR

1 PEDAL BOX ASSEMBLY includes items 2 - 36

33 ACCELERATOR PEDAL ASSEMBLY includes items 34 - 36



# ACCELERATOR

When ordering parts, please specify the model and serial number of the product.

\* Indicates a component that is not available as an individual part.

\*\*\* Indicates consult Customer Service Department for additional information.

ITEM	PART NO.	1 2 3 4 5	DESCRIPTION	QTY.
1	<u>613163</u>		PEDAL BOX ASSEMBLY (INCLUDES ITEMS 2 - 36) .....	1
2	<u>652241G03</u>		ACCELERATOR PEDAL BRACKET .....	1
3	<u>01051G01</u>		SCREW, #8 - 10 X 1/2" LG.....	4
4	<u>25853G01</u>		PEDAL BOX AND COVER .....	1
5	<u>00684G6</u>		SCREW, #8 - 32 X 3/4" LG (SS).....	2
6	<u>25861G02</u>		MICRO SWITCH .....	1
7	<u>01050G01</u>		SCREW, #4 - 20 X 5/8" LG.....	2
8				
9	<u>25854G01</u>		INDUCTIVE THROTTLE SENSOR .....	1
10	<u>00983G01</u>		SELF THREADING NUT .....	2
11	<u>602484</u>		PLUNGER AND SLEEVE ASSEMBLY .....	1
12	<u>28444G01</u>		ACCELERATOR CAM ROD .....	1
13				
14	<u>17677G1</u>		SPRING RETAINER.....	1
15	<u>17979G1</u>		BUSHING .....	1
16	<u>73046G01</u>		COMPRESSION SPRING .....	1
17	<u>17677G2</u>		SPRING RETAINER, 3/8".....	1
18	<u>73332G01</u>		ACCELERATOR ROD .....	1
19	<u>00532G4</u>		NUT, 5/16 - 24 .....	1
20	<u>10385G4</u>		CLEVIS YOKE (ADJUSTABLE).....	1
21	<u>10386G3</u>		CLEVIS PIN, 5/16" X 13/16" LG .....	1
22	<u>17838G1</u>		NYLON BUSHING .....	3
23	<u>17255G1</u>		TEFLON WASHER, 5/16" .....	1
24	<u>10387G3</u>		COTTER PIN, 3/32" X 3/4" LG .....	1
25				
26	<u>74432G01</u>		PEDAL PIVOT PIN .....	1
27	<u>12064G6</u>		PUSH NUT, 5/16" .....	1
28				
29	<u>620418</u>		PEDAL HARNESS 48V .....	1
30	<u>17313G1</u>		LOOM FLEX, 3/8" X 6" LG (BULK) .....	1
31	<u>17618G1</u>		WIRE TIE.....	2

# ACCELERATOR

When ordering parts, please specify the model and serial number of the product.

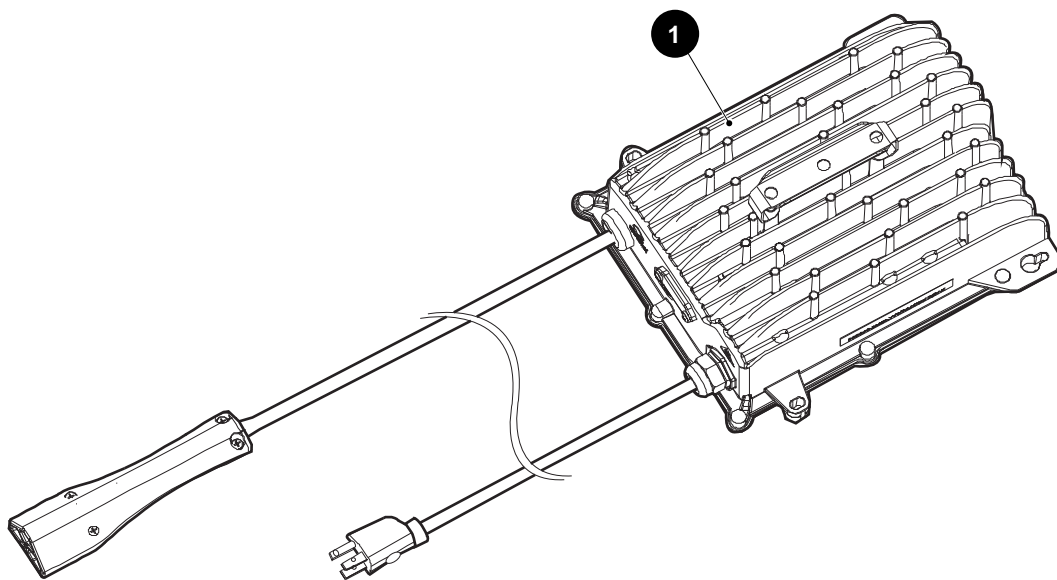
\* Indicates a component that is not available as an individual part.

\*\*\* Indicates consult Customer Service Department for additional information.

ITEM	PART NO.	1	2	3	4	5	DESCRIPTION	QTY.
32								
33	<u>25799G03</u>						ACCELERATOR PEDAL ASSEMBLY (INCLUDES ITEMS 34 - 36) .....	1
34	652824						ACCELERATOR PEDAL .....	1
35	<u>16409G1</u>						OVAL RIVET, 3/16" X 7/16" LG .....	6
36	<u>27512G01</u>						ACCELERATOR PEDAL PAD .....	1
37								
38								
39	<u>00715G2</u>						BOLT, 5/16 - 18 X 4/5" LG .....	4
40	<u>70135G01</u>						PEDAL PIVOT COVER .....	1
41	<u>652780G03</u>						BRACKET PLATE.....	1
42	<u>01110G01</u>						FLAT WASHER, 1/4 .....	4
43	<u>00654G2</u>						STAINLESS STEEL HEX NUT, 3/8 - 16 .....	4
44	00414G06						HEX HEAD BOLT, 1/4-20 X .75 LG .....	4



# BATTERY CHARGER



# BATTERY CHARGER

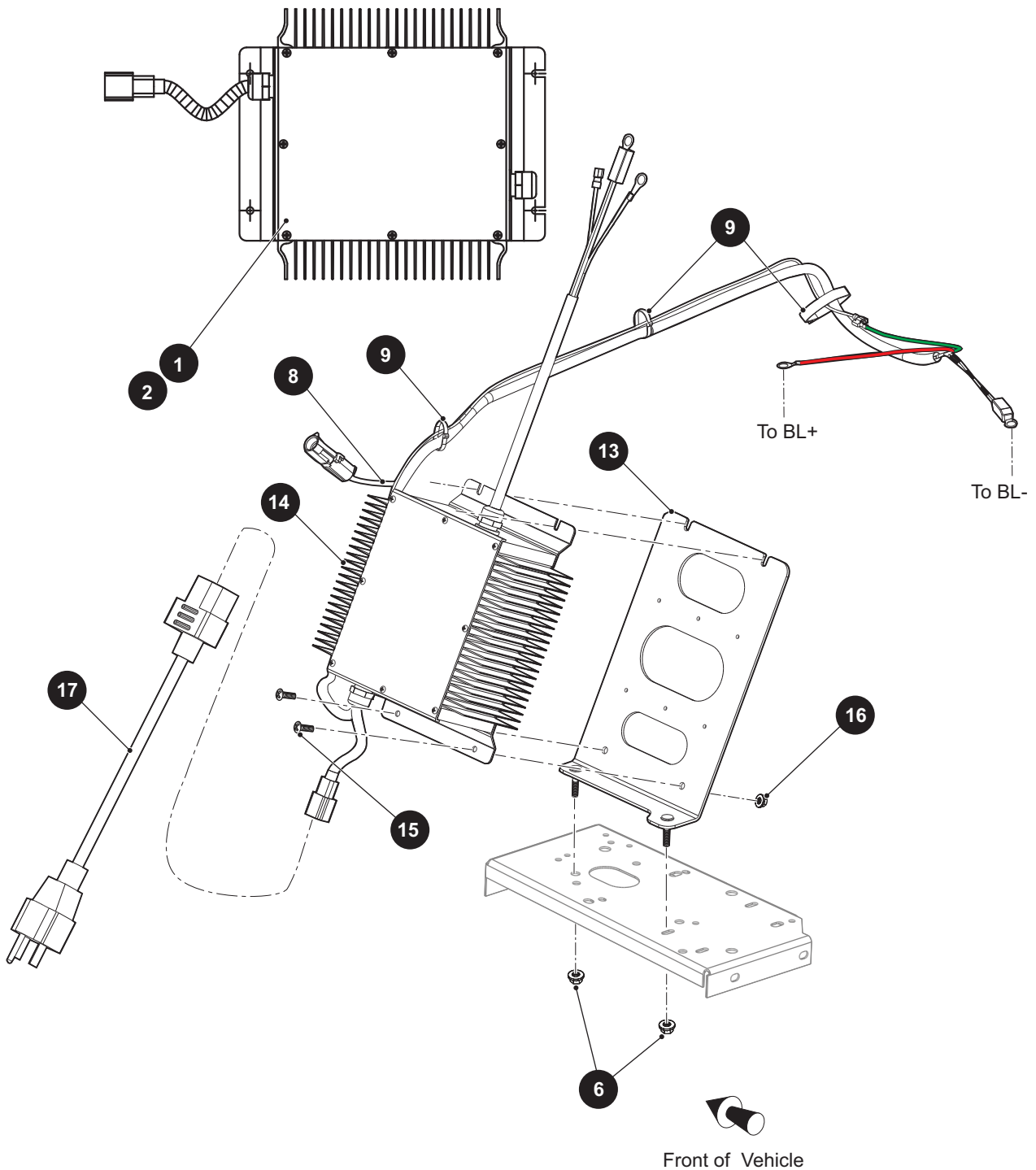
When ordering parts, please specify the model and serial number of the product.

\* Indicates a component that is not available as an individual part.

\*\*\* Indicates consult Customer Service Department for additional information.

ITEM	PART NO.	1 2 3 4 5 DESCRIPTION	QTY.
1	<u>635671</u>	BATTERY CHARGER , 3 METER CORD.....	1

# BATTERY CHARGER



**12** ON-BOARD CHARGER ASSEMBLY includes items 13 - 17



# BATTERY CHARGER

When ordering parts, please specify the model and serial number of the product.

\* Indicates a component that is not available as an individual part.

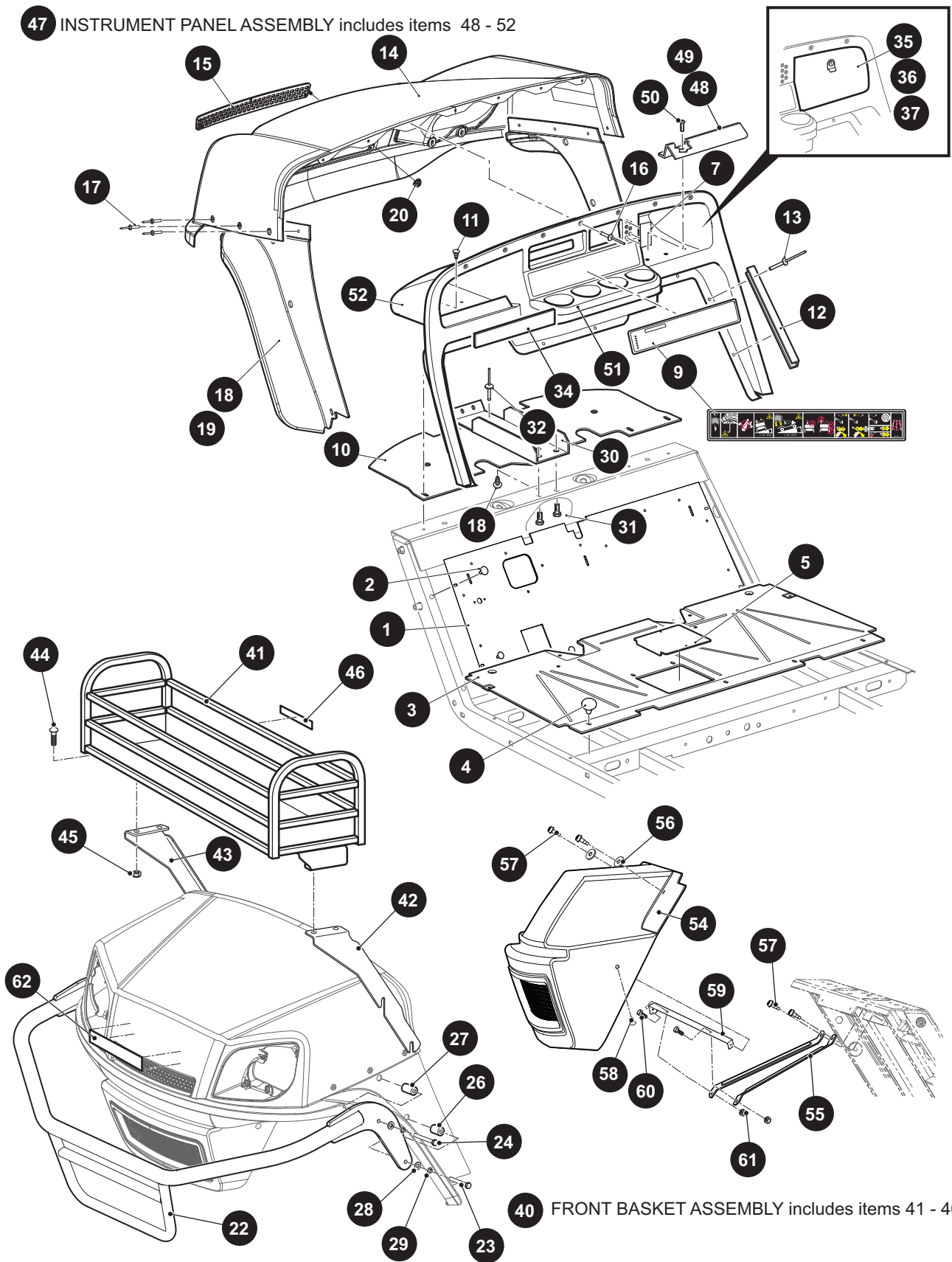
\*\*\* Indicates consult Customer Service Department for additional information.

ITEM	PART NO.	1 2 3 4 5	DESCRIPTION	QTY.
1	<u>622419</u>		WORLD CHARGER, 48V, 3M CORD .....	1
2	<u>622667</u>		WORLD CHARGER, 48V, 5.5M CORD .....	1
3	<u>605834</u>		NYLON CLAMP 36" (NOT SHOWN IN ILLUSTRATION) .....	2
4				
5				
6	<u>800706</u>		FLANGED LOCK NUT, 1/4" - 20 .....	2
7				
8	<u>631543</u>		CHARGER INTERLOCK JUMPER .....	1
9	<u>17618G1</u>		NYLON CLAMP .....	3
10				
11				
12	<u>638578</u>		ON-BOARD CHARGER ASSEMBLY (INCLUDES ITEMS 13 - 17) .....	1
13	<u>637104</u>		CHARGER BRACKET .....	1
14	<u>632744</u>		ON-BOARD CHARGER, 48V .....	1
15	16705G3		TRUSS HEAD MACHINE SCREW (SS), 1/4" - 20 X 3/4" LG .....	4
16	<u>11027G2</u>		FLANGED LOCK NUT, 1/4" - 20 .....	4
17	<u>600462G03</u>		AC CORD, SHIELDED, 6' 7" LG .....	1





47 INSTRUMENT PANEL ASSEMBLY includes items 48 - 52



40 FRONT BASKET ASSEMBLY includes items 41 - 46

When ordering parts, please specify the model and serial number of the product.

\* Indicates a component that is not available as an individual part.

\*\*\* Indicates consult Customer Service Department for additional information.

ITEM	PART NO.	1 2 3 4 5	DESCRIPTION	QTY.
1	<u>637534</u>		UPPER FLOORPAN (AXLE MOUNTED STEERING) .....	1
2	<u>14601G11</u>		RIVET, 3/16" X 9/16" LG .....	9
3	<u>70451G01</u>		LOWER FLOORPAN .....	1
4	<u>14601G11</u>		RIVET, 3/16" X 9/16" LG .....	7
5	<u>70452G01</u>		ACCESS COVER.....	1
6				
7	<u>35968G01</u>		T-HOLDER COVER .....	1
8				
9	<u>601781</u>		WARNING DECAL .....	1
10	<u>71413G01</u>		SPLASH PANEL.....	1
11	<u>16816G2</u>		RATCHET FASTENER, 1/4" X 3/4" LG.....	5
12	<u>71115G01</u>		VINYL TRIM .....	2
13	<u>71055G01</u>		RIVET, 3/16" X 1" LG .....	10
14	613036GXXX		COWL (See COLOR CODES in HOW TO USE Section) .....	1
15	<u>617643</u>		GRILL COVER .....	1
16	<u>71055G01</u>		RIVET, 3/16" X 1" LG .....	7
17	<u>71055G01</u>		RIVET, 3/16" X 1" LG .....	6
18	<u>614378</u>		FENDER FLARE (DRIVER SIDE) .....	1
19	<u>613274</u>		FENDER FLARE (PASSENGER SIDE).....	1
20	<u>71597G01</u>		SELF-THREADING NUT, 3/16" X 19/32" .....	2
21				
22	617620		BRUSHGUARD.....	1
23	<u>00440G2</u>		HEX HEAD BOLT, 5/16" - 18 X 2 1/4" LG .....	2
24	<u>00440G6</u>		HEX HEAD BOLT, 5/16" - 18 X 2 3/4" LG .....	2
25				
26	<u>75048G04</u>		SPACER, .32" X 0.75" X 1" LG .....	2
27	<u>75048G02</u>		SPACER, .32" X 0.75" X 1.3" LG .....	2
28	00559G8		FLAT WASHER, 5/16" .....	4
29	<u>00565G8</u>		SPRING TYPE LOCK WASHER, 5/16" .....	4
30	<u>71101G02</u>		COWL SUPPORT BRACKET .....	1
31	<u>71102G02</u>		SELF TAPPING SCREW, 1/4" - 20 X 1/2" LG .....	3

# BODY

When ordering parts, please specify the model and serial number of the product.

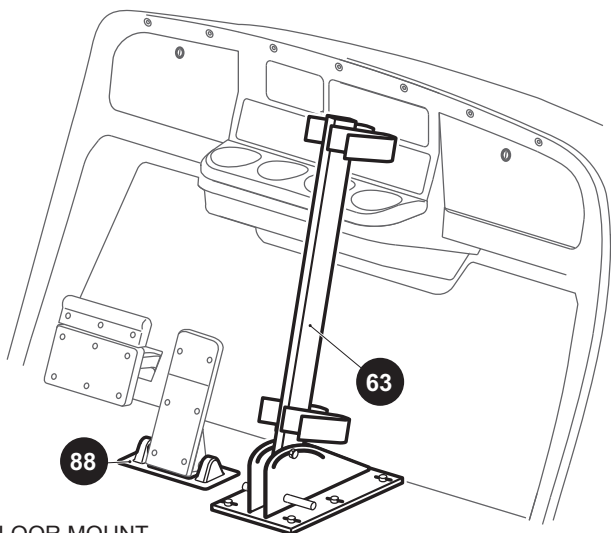
\* Indicates a component that is not available as an individual part.

\*\*\* Indicates consult Customer Service Department for additional information.

ITEM	PART NO.	1	2	3	4	5	DESCRIPTION	QTY.
32	<u>71055G01</u>						RIVET, 3/16" X 1 1/8" LG.....	1
33								
34	<u>74443G01</u>						ANTI-ROLLBACK LABEL.....	1
35	<u>75459G01</u>						GLOVE BOX DOORS (BOTH SIDES).....	1
36	<u>75459G02</u>						GLOVE BOX DOOR (DRIVER SIDE).....	1
37	<u>75459G03</u>						GLOVE BOX DOOR (PASSENGER SIDE).....	1
38								
39								
40	<u>74521G02</u>						FRONT BASKET ASSEMBLY (INCLUDES ITEMS 41 - 46).....	1
41	<u>74523G01</u>						FRONT BASKET.....	1
42	<u>74522G01</u>						BASKET MOUNTING BRACKET (DRIVER SIDE).....	1
43	<u>74522G02</u>						BASKET MOUNTING BRACKET (PASSENGER SIDE).....	1
44	<u>00769G2</u>						CARRIAGE BOLT (SS), 3/8" - 16 X 1.25" LG.....	4
45	<u>11098G5</u>						LOCK NUT, 3/8" - 16.....	4
46	<u>71931G01</u>						FRONT BASKET WARNING LABEL.....	1
47	<u>71151G03</u>						INSTRUMENT PANEL ASSEMBLY (INCLUDES ITEMS 48 - 52).....	1
48	<u>71153G01</u>						DEFLECTOR (PASSENGER SIDE).....	1
49	<u>71154G01</u>						DEFLECTOR (DRIVER SIDE).....	1
50	00614G3						PAN HEAD PHILLIPS SCREW, #8 - 15 X 3/8" LG.....	4
51	<u>71158G01</u>						INSTRUMENT PANEL INSERT (FOUR CUP).....	1
52	71152G01						INSTRUMENT PANEL.....	1
53								
54	<u>613273</u>						FRONT FASCIA.....	1
55	<u>654276</u>						FRONT SHIELD BRACE.....	2
56	<u>16469G1</u>						FENDER WASHER, 9/32" I.D. X 1 1/4" O.D. ....	2
57	<u>01038G01</u>						HEX HEAD BOLT, 1/4" - 20 X 3/4" LG.....	4
58	<u>15058G1</u>						RIVET (ALUMINUM), 3/16" X 4/9" LG.....	2
59	<u>654275</u>						FASCIA BRACKET.....	1
60	<u>00414G6</u>						HEX HEAD BOLT, 1/4" - 20 X 3/4" LG.....	2
61	<u>14390G4</u>						PLASTIC INSERT LOCK NUT, 1/4" - 20.....	2
62	<u>619206</u>						E-Z-GO COWL DECAL.....	1

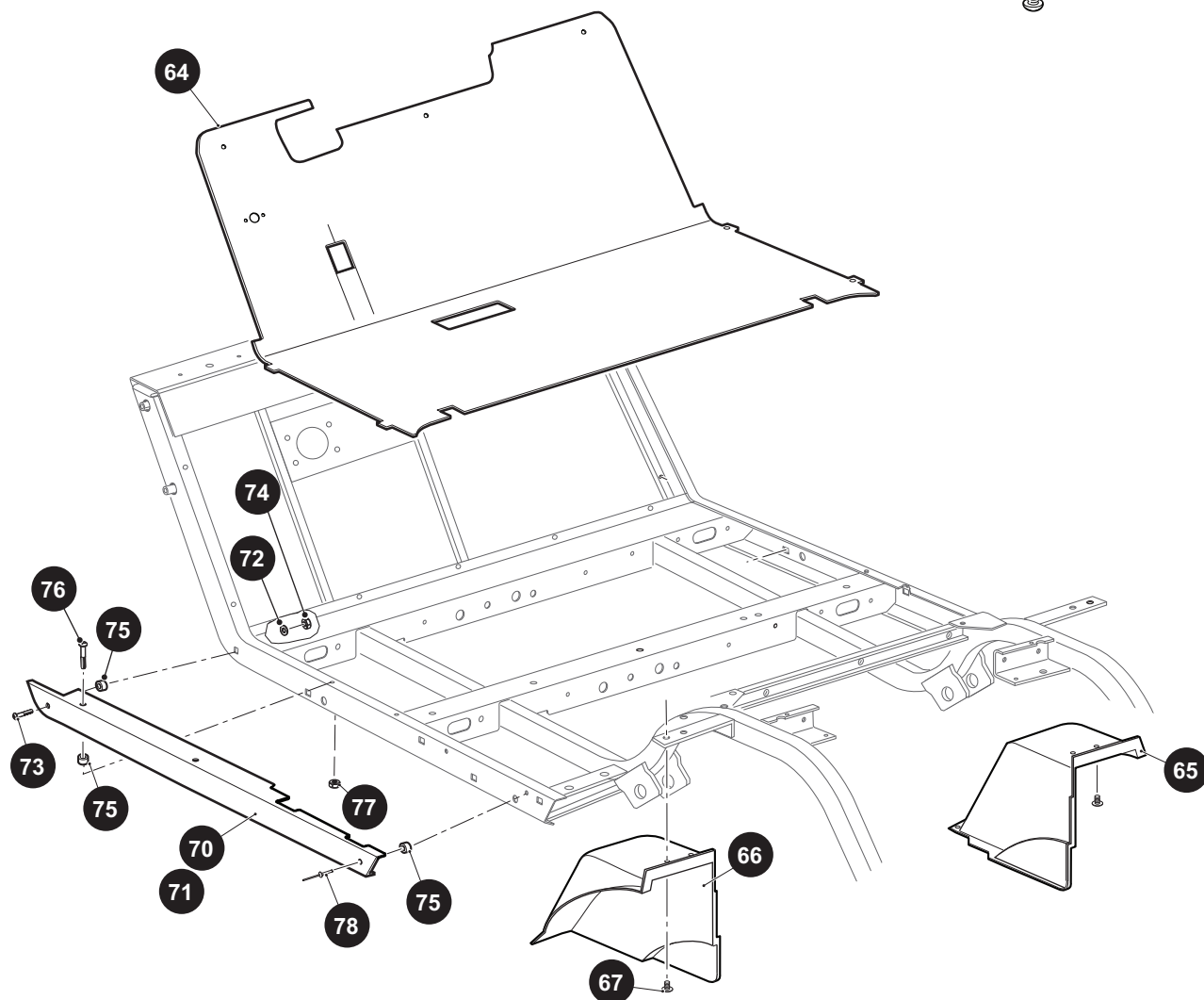
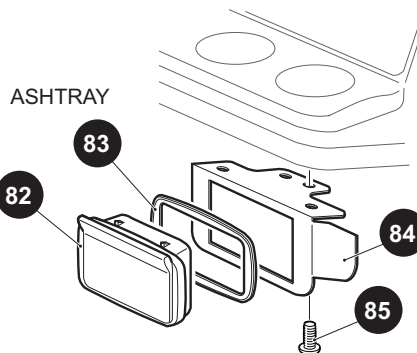


# BODY



FLOOR MOUNT  
GUN HOLDER

81 ASHTRAY ASSEMBLY includes items 82 - 85





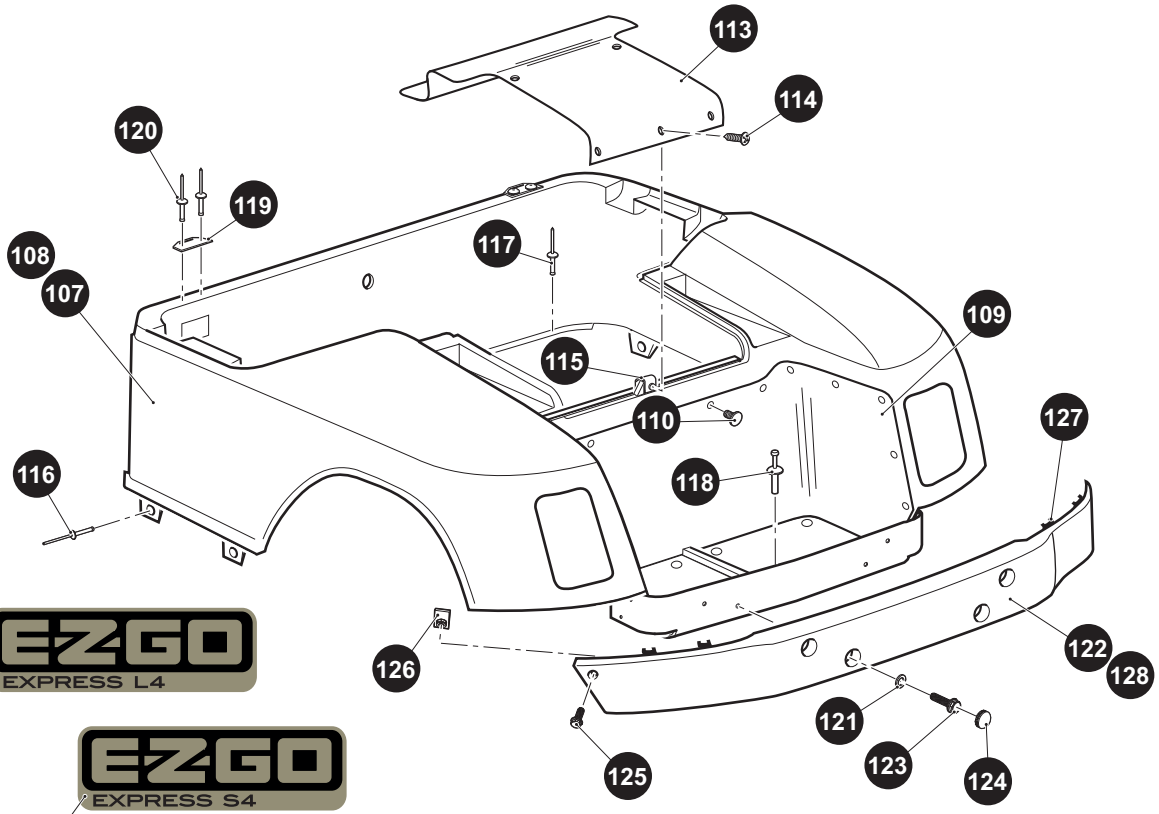
When ordering parts, please specify the model and serial number of the product.

\* Indicates a component that is not available as an individual part.

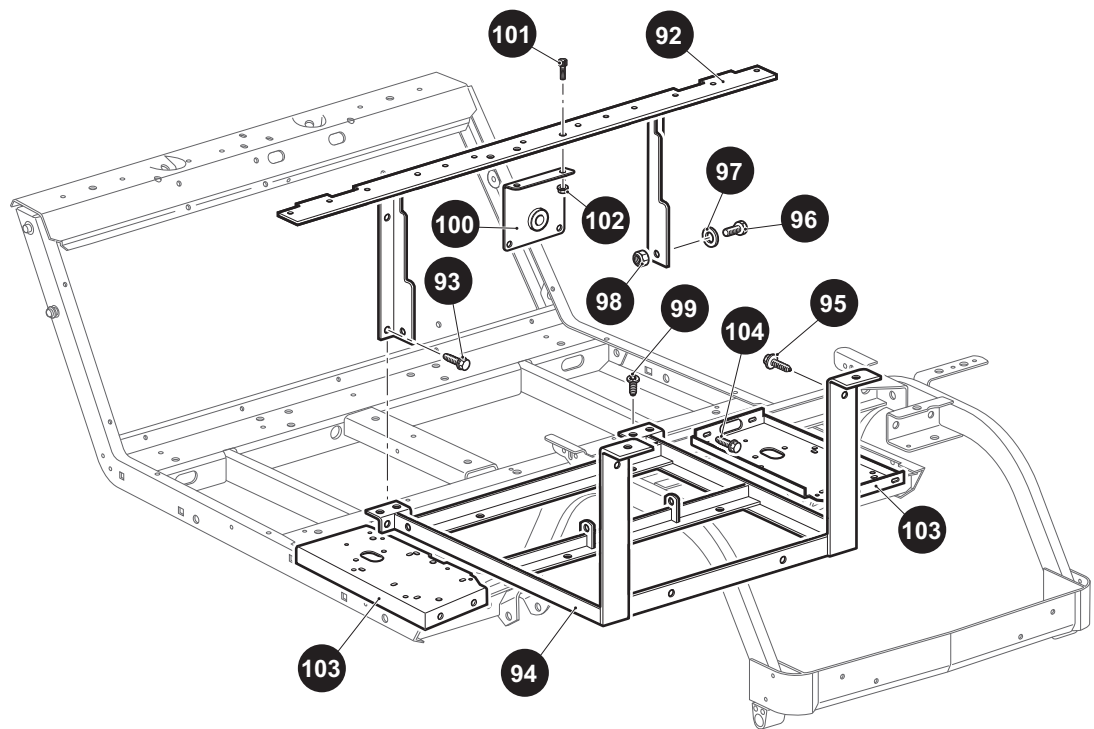
\*\*\* Indicates consult Customer Service Department for additional information.

ITEM	PART NO.	1 2 3 4 5	DESCRIPTION	QTY.
63	<u>74365G01</u>		GUN HOLDER, FLOOR MOUNT.....	1
64	<u>637535G02</u>		FLOORMAT WITH HORN HOLES .....	1
65	<u>635054G02</u>		FENDER LINER (PASSENGER SIDE).....	1
66	<u>635054G01</u>		FENDER LINER (DRIVER SIDE) .....	1
67	<u>16816G2</u>		RATCHET FASTENER, 1/4" X 3/4" LG.....	8
68				
69				
70	<u>617867</u>		ROCKER PANEL (DRIVER SIDE).....	1
71	<u>617870</u>		ROCKER PANEL (PASSENGER SIDE) .....	1
72	<u>00660G5</u>		FLAT WASHER, #10 .....	2
73	<u>00789G2</u>		TRUSS HEAD PHILLIPS SCREW #10 - 24 X1.25" LG .....	2
74	<u>14390G10</u>		LOCK NUT, #10-24 .....	2
75	<u>23726G4</u>		SPACER, .25" .....	8
76	<u>16705G1</u>		TRUSS HEAD PHILLIPS SCREW (SS), 1/4" - 20 X 1" LG.....	4
77	<u>14390G4</u>		LOCK NUT, 1/4" - 20 .....	4
78	<u>15058G6</u>		RIVET (ALUMINUM), 3/16" .....	2
79				
80				
81	<u>75109G04</u>		ASH TRAY KIT (INCLUDES ITEMS 82 - 85) .....	1
82	<u>27731G01</u>		ASH TRAY .....	1
83	<u>27736G01</u>		GASKET .....	1
84	<u>75108G02</u>		BRACKET.....	1
85	<u>00106G6</u>		PAN HEAD PHILLIPS SCREW, #12 - 14 X .75" LG.....	4
86	<u>74533G01</u>		GUN HOLDER (SWIVEL MOUNT) (NOT ILLUSTRATED).....	1
87				
88	<u>70135G01</u>		PEDAL PIVOT COVER.....	1
89				
90				
91				

# BODY



- 107 REAR BODY (WITHOUT TAILLIGHTS) includes items 109 & 110
- 108 REAR BODY (WITH TAILLIGHTS) includes items 109 & 110



When ordering parts, please specify the model and serial number of the product.

\* Indicates a component that is not available as an individual part.

\*\*\* Indicates consult Customer Service Department for additional information.

ITEM	PART NO.	1 2 3 4 5	DESCRIPTION	QTY.
92	<u>70441G01</u>		SEAT FRAME .....	1
93	<u>00715G2</u>		HEX HEAD BOLT, 5/16" - 18 X 13/16" LG .....	2
94	<u>652254G03</u>		BATTERY RACK .....	1
95	<u>00715G2</u>		HEX HEAD BOLT, 5/16" - 18 X 13/16" LG .....	2
96	00438G6		HEX HEAD BOLT, 5/16" - 18 X 3/4" LG .....	2
97	00559G8		FLAT WASHER, 5/16" .....	2
98	11098G6		LOCK NUT (SS), 5/16" - 18 .....	2
99	<u>70200G01</u>		TRUSS HEAD TORX SCREW, 3/8" - 16 X 3/4" LG .....	2
100	<u>70444G02</u>		BRACKET .....	1
101	<u>70227G01</u>		SOCKET HEAD CAP SCREW, 1/4" - 20 X 7/8" LG .....	2
102	<u>11027G2</u>		LOCK NUT, 1/4" - 20 .....	2
103	<u>70244G05</u>		SPLASH PANEL .....	2
104	<u>00715G2</u>		HEX HEAD BOLT, 5/16" - 18 X 13/16" LG .....	8
105				
106				
107	71912G4**		REAR BODY (WITHOUT TAILLIGHTS) (INCLUDES ITEMS 109, 110) .....	1
108	71331G0**		REAR BODY (WITH TAILLIGHTS) (INCLUDES ITEMS 109, 110) .....	1
109	71318G01		BAGWELL LINER .....	1
110	<u>16816G1</u>		RATCHET FASTENER, 1/4" X 9/16" LG .....	20
111				
112				
113	<u>71320G01</u>		ACCESS PANEL .....	1
114	<u>01107G01</u>		PAN HEAD TORX SCREW (SS), #8 X 3/8" LG .....	5
115	<u>71364G02</u>		"J" CLIP .....	1
116	10570G12		RIVET (ALUMINUM), 1/4" X 9/16" LG .....	2
117	<u>10570G10</u>		RIVET (SS), 5/32" X 9/16" LG .....	5
118	<u>18436G1</u>		PLASTIC DRIVE RIVET, 1/4" X 3/4" LG .....	2
119	<u>71609G01</u>		SEAT HINGE PLATE .....	2
120	<u>10570G11</u>		RIVET (SS), 3/16" X 3/4" LG .....	4
121	<u>00571G2</u>		FLAT WASHER, 5/16" .....	2
122	71456G01		NOTCHED REAR BUMPER .....	1

# BODY

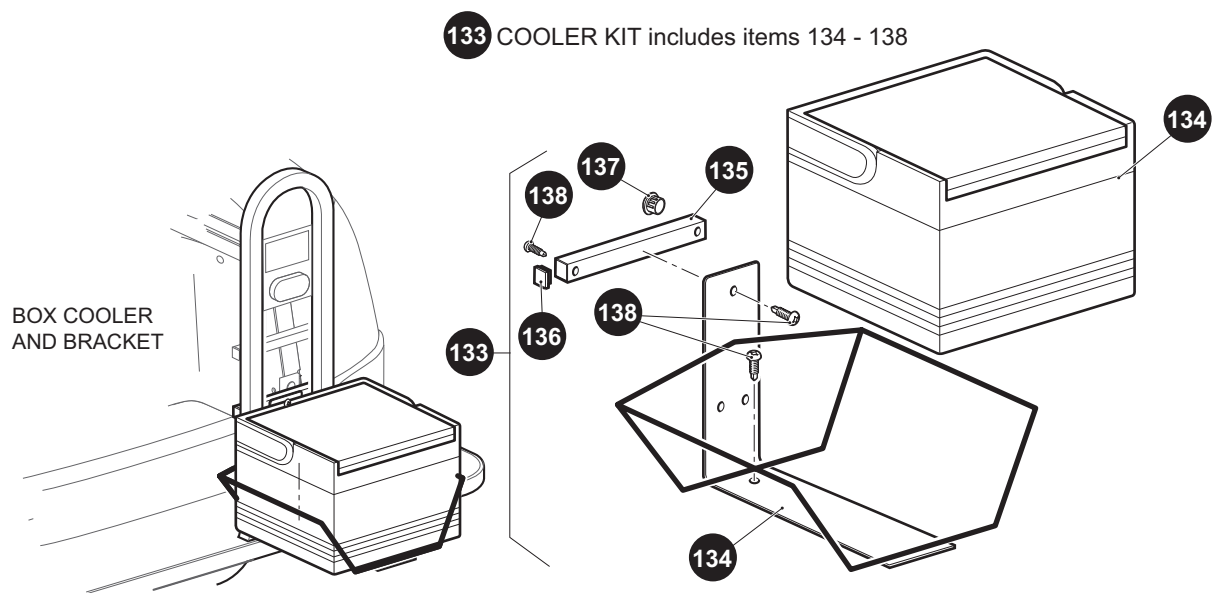
When ordering parts, please specify the model and serial number of the product.

\* Indicates a component that is not available as an individual part.

\*\*\* Indicates consult Customer Service Department for additional information.

ITEM	PART NO.	1 2 3 4 5	DESCRIPTION	QTY.
123	<u>71102G01</u>		HEX HEAD BOLT, 1/4" - 20 X 3/4" LG.....	4
124	<u>71455G01</u>		BUMPER PLUG .....	4
125	<u>71102G01</u>		HEX HEAD BOLT, 1/4" - 20 X 3/4" LG.....	2
126	<u>71554G01</u>		J-TYPE NUT RETAINER, 1/4" - 20 .....	2
127	<u>71457G01</u>		BUMPER STAY .....	4
128	<u>71451G02</u>		REAR BUMPER .....	1
129	<u>619186</u>		E-Z-GO EXPRESS L4 DECAL .....	2
130	<u>619184</u>		E-Z-GO EXPRESS S4 DECAL.....	2
131				
132				





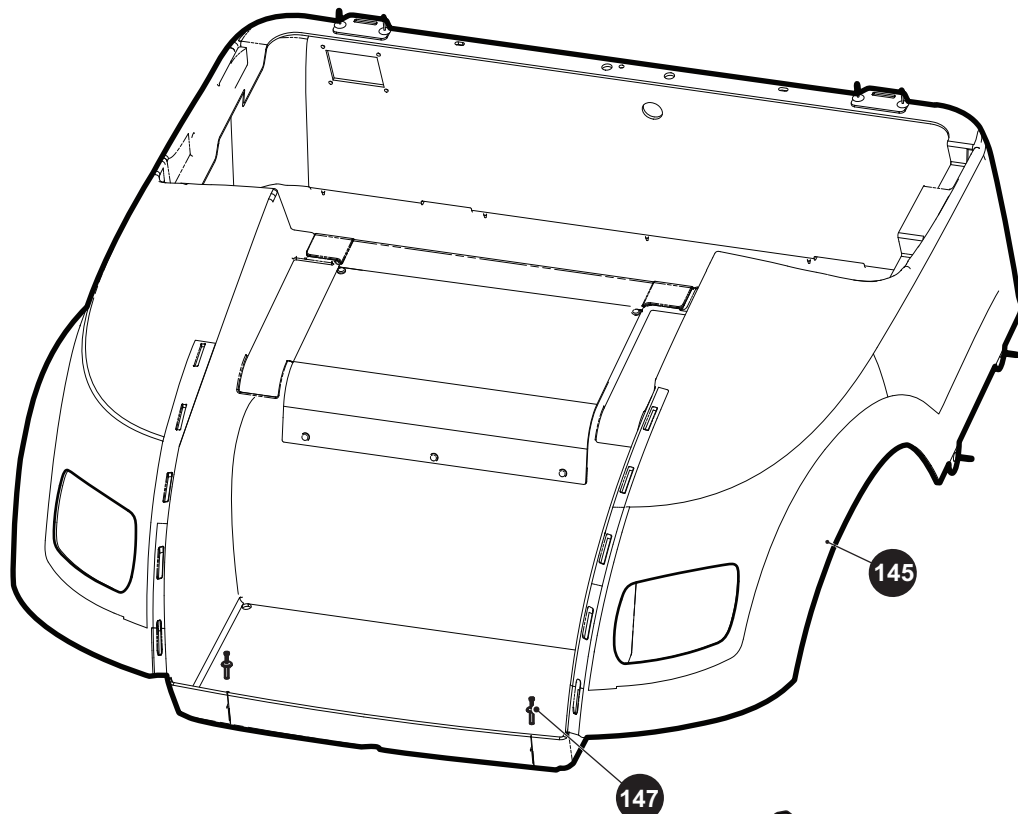
When ordering parts, please specify the model and serial number of the product.

\* Indicates a component that is not available as an individual part.

\*\*\* Indicates consult Customer Service Department for additional information.

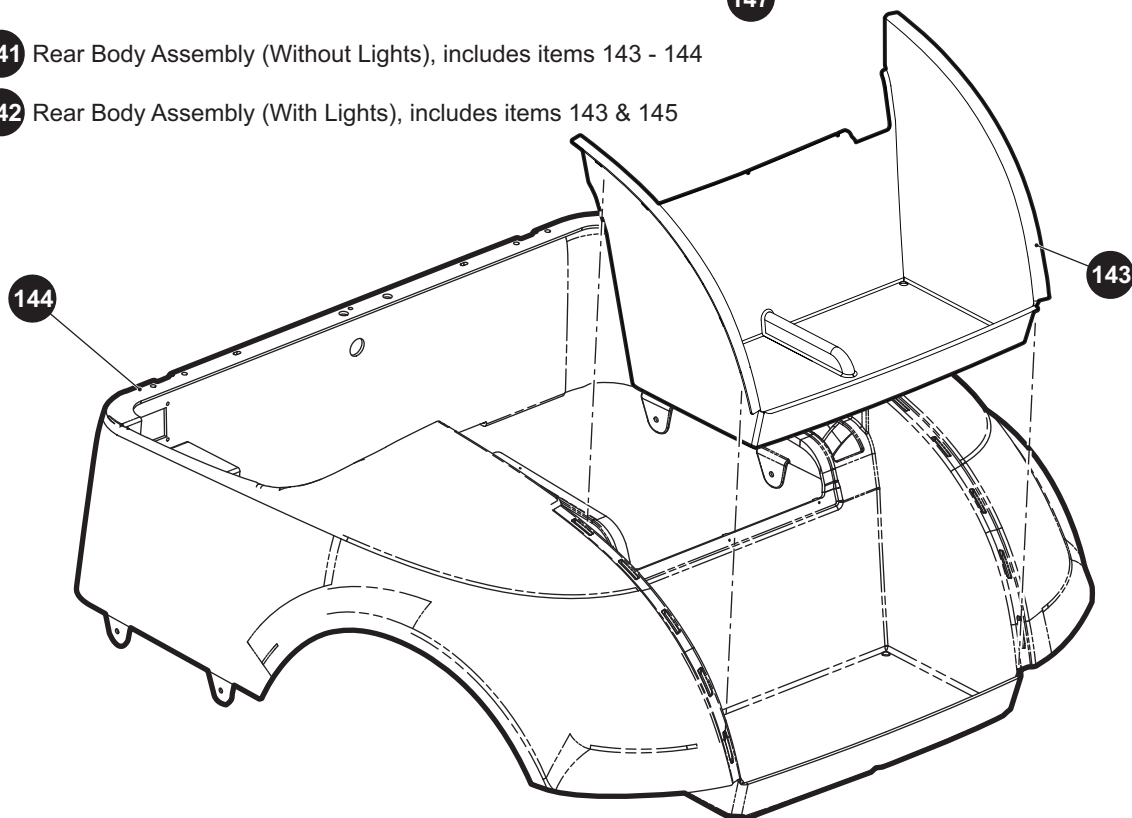
ITEM	PART NO.	1 2 3 4 5	DESCRIPTION	QTY.
133	<u>74581G01</u>		COOLER KIT (INCLUDES ITEMS 134 - 138).....	1
134	<u>71048G01</u>		COOLER & BRACKET KIT.....	1
135	<u>75268G01</u>		SUPPORT TUBE.....	1
136	<u>19859G1</u>		END CAP, 3/4".....	2
137	<u>20271G2</u>		HOLE PLUG, 1/2".....	2
138	<u>00106G6</u>		PAN HEAD PHILLIPS SELF DRILLING SCREW, #12 - 24 X 3/4" LG .....	4
139				
140				

VEHICLES MANUFACTURED FROM MARCH 2014



**141** Rear Body Assembly (Without Lights), includes items 143 - 144

**142** Rear Body Assembly (With Lights), includes items 143 & 145





When ordering parts, please specify the model and serial number of the product.

\* Indicates a component that is not available as an individual part.

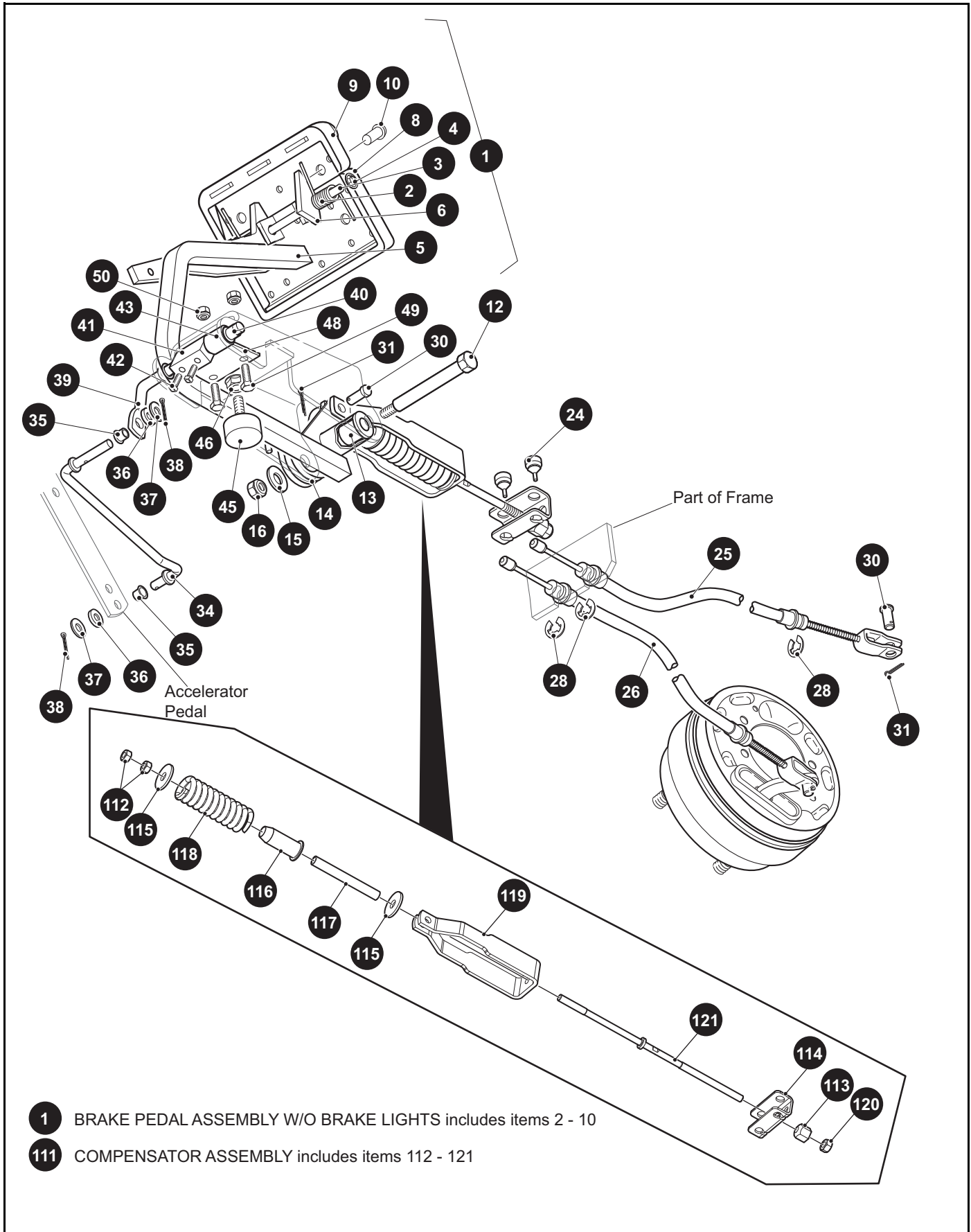
\*\*\* Indicates consult Customer Service Department for additional information.

ITEM	PART NO.	1 2 3 4 5	DESCRIPTION	QTY.
141	625272G0XX		REAR BODY ASSEMBLY (WITHOUT LIGHTS) (INCLUDES ITEMS 143-144) (See COLOR CODE in HOW TO USE section) (FOR VEHICLES MANUFACTURED FROM MARCH 2014).....	1
142	625272G1XX		REAR BODY ASSEMBLY (WITH LIGHTS) (INCLUDES ITEMS 143 & 145) (See COLOR CODE in HOW TO USE section) (FOR VEHICLES MANUFACTURED FROM MARCH 2014).....	1
143	<u>624374</u>		BAGWELL LINER (FOR VEHICLES MANUFACTURED FROM MARCH 2014).....	1
144	619752G0XX		REAR BODY (WITHOUT LIGHTS) (See COLOR CODE in HOW TO USE section) (FOR VEHICLES MANUFACTURED FROM MARCH 2014) ....	1
145	619752G1XX		REAR BODY (WITH LIGHTS) (See COLOR CODE in HOW TO USE section) (FOR VEHICLES MANUFACTURED FROM MARCH 2014) .....	1
146				
147	<u>633917</u>		RIVET (FOR VEHICLES MANUFACTURED FROM MARCH 2014).....	2



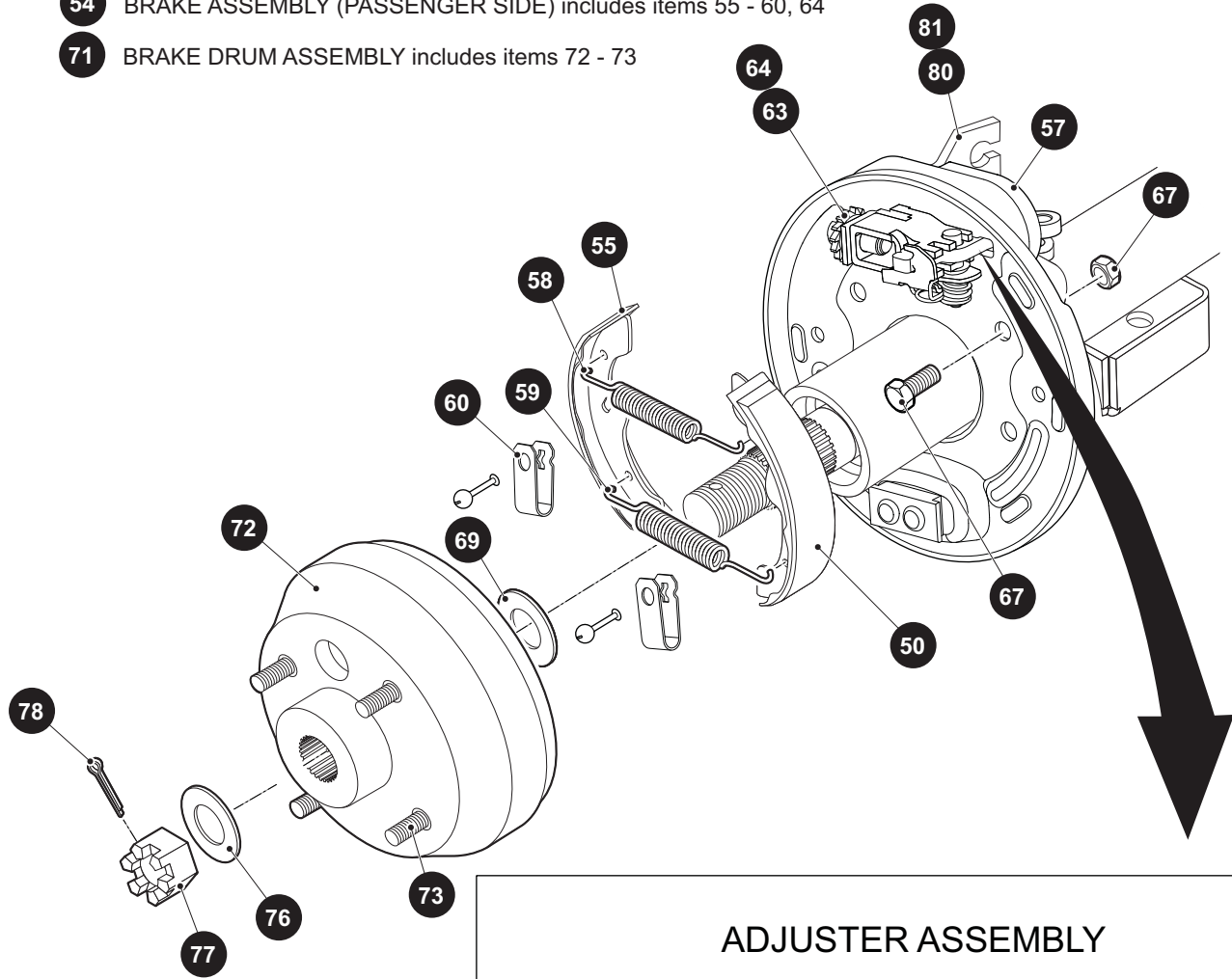


# BRAKES

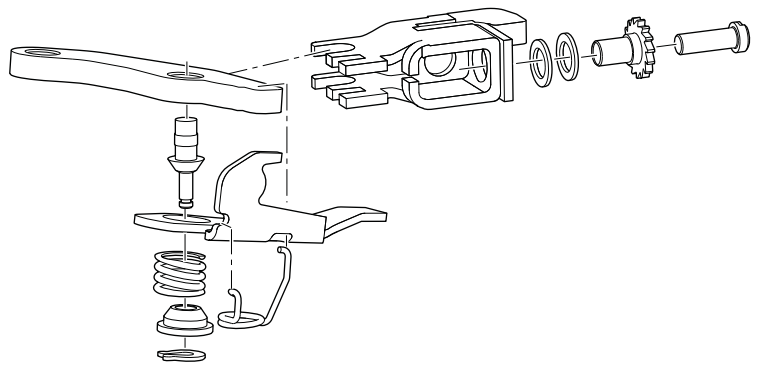


## TOP PULL

- 53 BRAKE ASSEMBLY (DRIVER SIDE) includes items 55 - 60, 63
- 54 BRAKE ASSEMBLY (PASSENGER SIDE) includes items 55 - 60, 64
- 71 BRAKE DRUM ASSEMBLY includes items 72 - 73

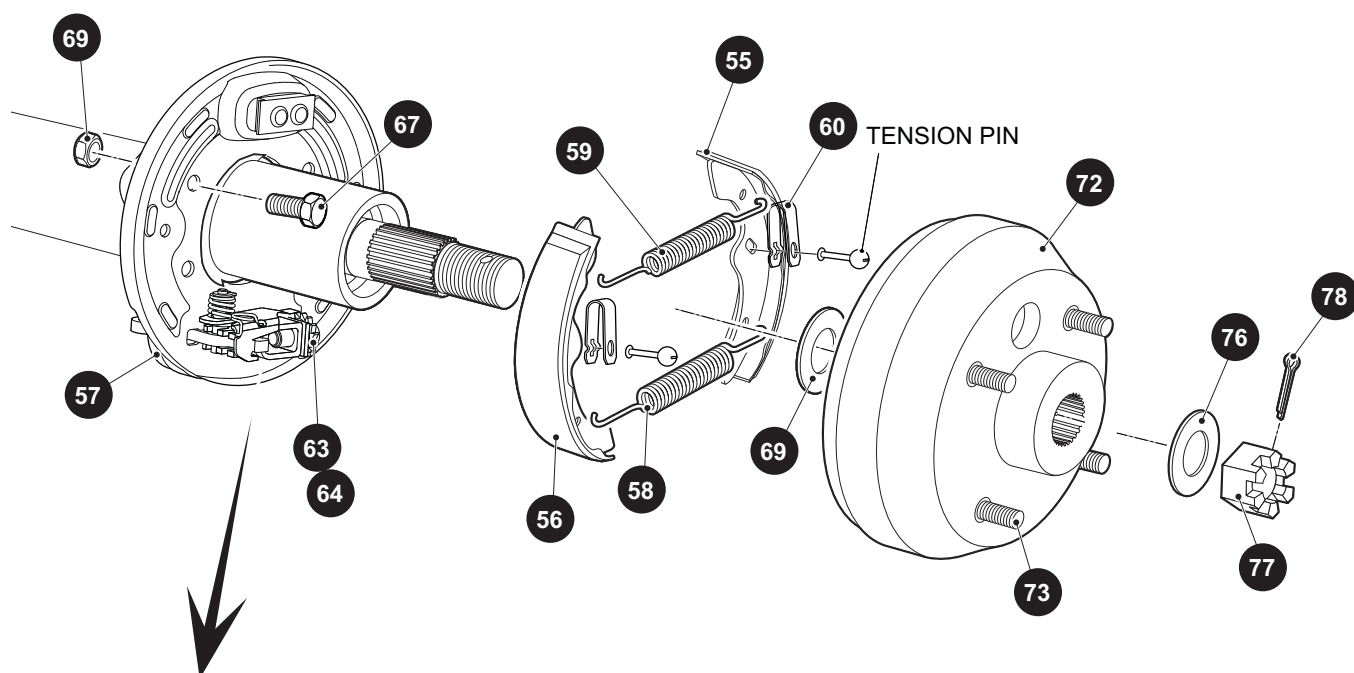


### ADJUSTER ASSEMBLY

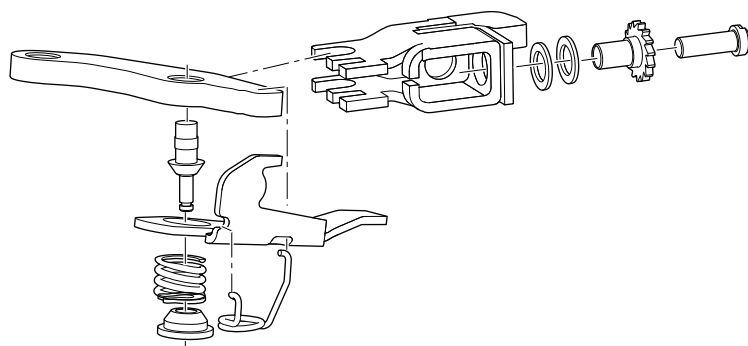


## BOTTOM PULL

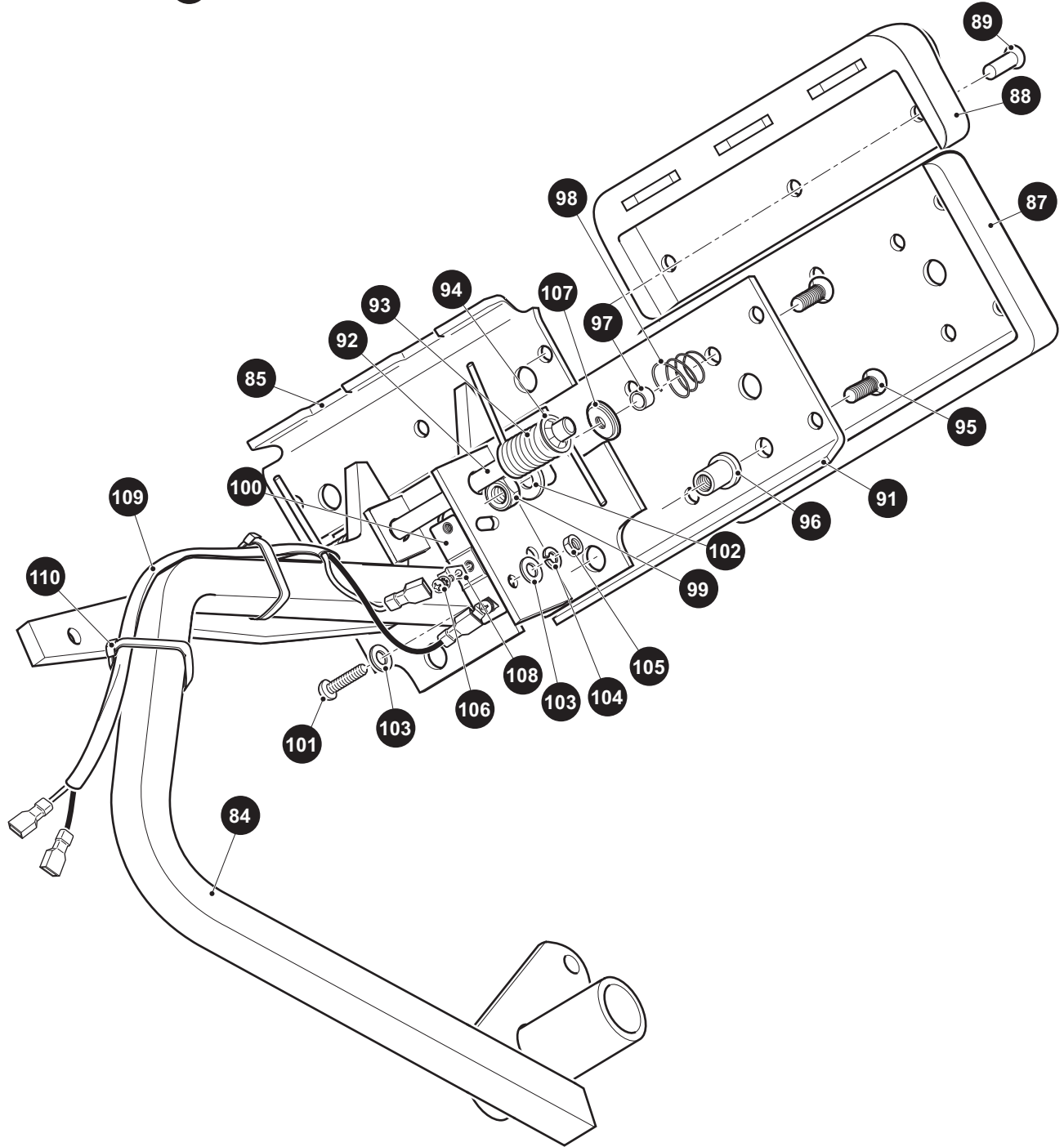
- 53 BRAKE ASSEMBLY (DRIVER SIDE) includes items 55 - 60, 63
- 54 BRAKE ASSEMBLY (PASSENGER SIDE) includes items 55 - 60, 64
- 71 BRAKE DRUM ASSEMBLY includes items 72 - 73



### ADJUSTER ASSEMBLY



**83** BRAKE PEDAL ASSEMBLY (WITH LIGHTS) includes items 84 - 110



# BRAKES

When ordering parts, please specify the model and serial number of the product.

\* Indicates a component that is not available as an individual part.

\*\*\* Indicates consult Customer Service Department for additional information.

ITEM	PART NO.	1 2 3 4 5	DESCRIPTION	QTY.
1	<u>70612G02</u>		BRAKE PEDAL ASSEMBLY (WITHOUT BRAKE LIGHTS) (INCLUDES ITEMS 2 - 10).....	1
2	<u>70681G01</u>		TORSION SPRING .....	2
3	<u>70682G01</u>		PIVOT PIN .....	1
4	<u>658825</u>		PUSHNUT, 5/16" .....	2
5	<u>652251G03</u>		BRAKE PEDAL .....	1
6	<u>652253G03</u>		PARK BRAKE PEDAL.....	1
7				
8	<u>70257G01</u>		SERVICE BRAKE PAD .....	1
9	<u>70256G01</u>		PARK BRAKE PEDAL PAD.....	1
10	<u>16409G1</u>		OVAL RIVET, 3/16" X 7/16" LG .....	9
11				
12	<u>70582G01</u>		SHOULDER BOLT (SS), 3/8" - 16 X 4" LG .....	1
13	<u>70581G01</u>		FLANGED BUSHING, 1" LG .....	2
14	<u>70676G01</u>		TORSION SPRING .....	1
15	<u>00643G1</u>		FLAT WASHER, 3/8" .....	1
16	<u>11098G5</u>		LOCK NUT, 3/8" - 16 .....	1
17				
18	<u>01038G01</u>		SWAGEFORM SCREW, 1/4" - 20 (NOT ILLUSTRATED) .....	1
19				
20	<u>12416G2</u>		NYLON WEDGE LOCK CLAMP (NOT ILLUSTRATED) .....	1
21				
22				
23				
24	<u>28083G01</u>		BRAKE COMPENSATOR BUMPER .....	2
25	<u>624690</u>		BRAKE CABLE (DRIVER SIDE) .....	1
26	<u>624691</u>		BRAKE CABLE (PASSENGER SIDE).....	1
27				
28	<u>01111G01</u>		RETAINING RING (SS), 13/32" .....	4
29				
30	<u>10386G3</u>		CLEVIS PIN, 5/16" X 13/16" LG .....	3
31	<u>10387G3</u>		COTTER PIN, 3/32" X 3/4" LG .....	3



When ordering parts, please specify the model and serial number of the product.

\* Indicates a component that is not available as an individual part.

\*\*\* Indicates consult Customer Service Department for additional information.

ITEM	PART NO.	1 2 3 4 5	DESCRIPTION	QTY.
32				
33				
34	<u>70601G01</u>		KICK-OFF LINK .....	1
35	<u>17838G1</u>		NYLON BUSHING, .3" LG .....	2
36	<u>20835G1</u>		TEFLON WASHER, 3/8" .....	2
37	<u>00559G8</u>		FLAT WASHER, 5/16" .....	2
38	<u>10387G3</u>		COTTER PIN, 3/32" X 3/4" LG.....	2
39	<u>70098G01</u>		KICK-OFF CAM PIVOT.....	1
40	<u>10097G6</u>		FLANGED BEARING .....	2
41	<u>70587G01</u>		KICK-OFF CAM .....	1
42	<u>71215G01</u>		SETSCREW, 1/4" - 20 X 1/2" LG .....	2
43	<u>14134G4</u>		SPACER, 1.25" .....	1
44				
45	<u>70113G01</u>		ADJUSTABLE BUMPER.....	1
46	<u>11027G1</u>		LOCK NUT, 5/16" - 18.....	1
47				
48	<u>70080G02</u>		CATCH BRACKET .....	1
49	<u>00414G6</u>		HEX HEAD BOLT, 1/4" - 20 X 3/4" LG .....	2
50	<u>14390G4</u>		LOCK NUT (SS), 1/4" - 20 .....	2
51				
52				
53	<u>612211</u>		BRAKE ASSEMBLY (DRIVER SIDE) (INCLUDES ITEMS 55 - 60, 63).....	1
54	<u>612189</u>		BRAKE ASSEMBLY (PASSENGER SIDE) (INCLUDES ITEMS 55 - 60, 64) .	1
55	<u>612411</u>		BRAKE SHOE, L .....	1
56	<u>612412</u>		BRAKE SHOE, T .....	1
57	<u>612413</u>		DUST COVER .....	1
58	<u>612415</u>		BRAKE SPRING.....	1
59	<u>612414</u>		BRAKE SPRING.....	1
60	<u>612416</u>		SHOE CLAMP .....	2
61				
62				

# BRAKES

When ordering parts, please specify the model and serial number of the product.

\* Indicates a component that is not available as an individual part.

\*\*\* Indicates consult Customer Service Department for additional information.

ITEM	PART NO.	1	2	3	4	5	DESCRIPTION	QTY.
63	<u>612418</u>						GEAR ADJUSTER .....	1
64	<u>612417</u>						GEAR ADJUSTER .....	1
65								
66								
67	<u>17083G2</u>						HEX HEAD BOLT, 5/16" - 24 X 1" LG.....	8
68	<u>15126G1</u>						LOCK NUT, 5/16" - 24 .....	8
69	<u>21809G1</u>						FLAT WASHER, 1/4" .....	2
70								
71	<u>21807G1</u>						BRAKE DRUM ASSEMBLY (INCLUDES ITEMS 72 - 73).....	2
72	<u>20947G1</u>						BRAKE DRUM .....	1
73	<u>19862G1</u>						LUG BOLT, 1/2" - 20 X 1 3/16" LG .....	4
74								
75								
76	<u>21830G1</u>						WASHER, 1 3/8" O.D. ....	2
77	<u>613172</u>						CASTELLATED NUT, 5/8 - 18 .....	2
78	<u>10387G1</u>						COTTER PIN, 1/8" X 1 1/2" LG .....	2
79								
80	<u>652248</u>						BRAKE CABLE BRACKET (PASSENGER SIDE).....	1
81	<u>652249</u>						BRAKE CABLE BRACKET (DRIVER SIDE) .....	1
82								
83	70690G02						BRAKE PEDAL ASSEMBLY (WITH BRAKE LIGHTS) (INCLUDES ITEMS 84 - 110) .....	1
84	<u>652791G03</u>						BRAKE PEDAL .....	1
85	<u>652253G03</u>						PARK BRAKE PEDAL.....	1
86								
87	<u>70257G01</u>						SERVICE BRAKE PAD .....	1
88	<u>70256G01</u>						PARK BRAKE PAD .....	1
89	160409G1						OVAL RIVET, 3/16" x 3/8" LG.....	9
90								
91	<u>652820</u>						SERVICE BRAKE PEDAL PLATE .....	1
92	<u>70682G01</u>						PIVOT PIN .....	1
93	<u>70681G01</u>						TORSION SPRING .....	2

When ordering parts, please specify the model and serial number of the product.

\* Indicates a component that is not available as an individual part.

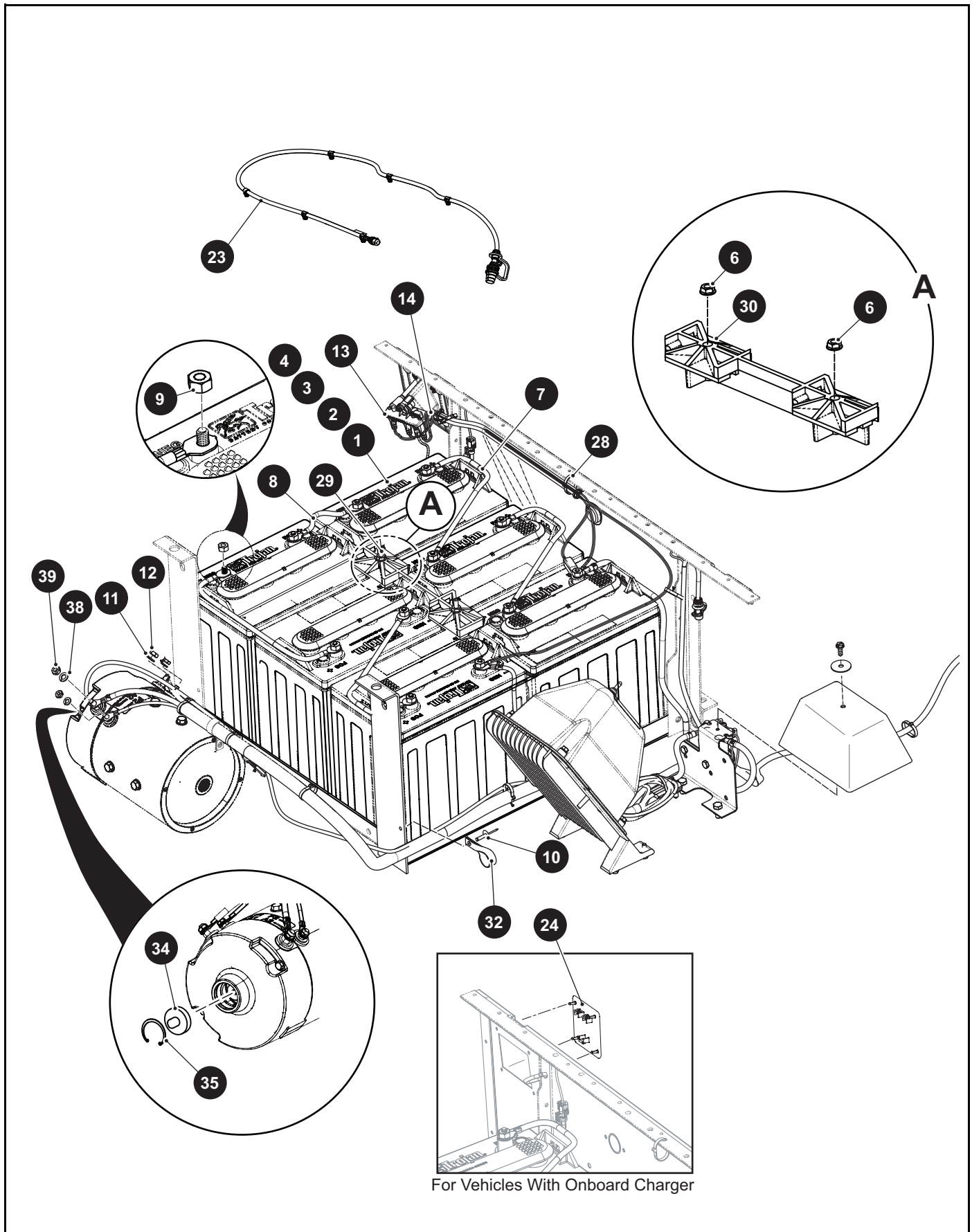
\*\*\* Indicates consult Customer Service Department for additional information.

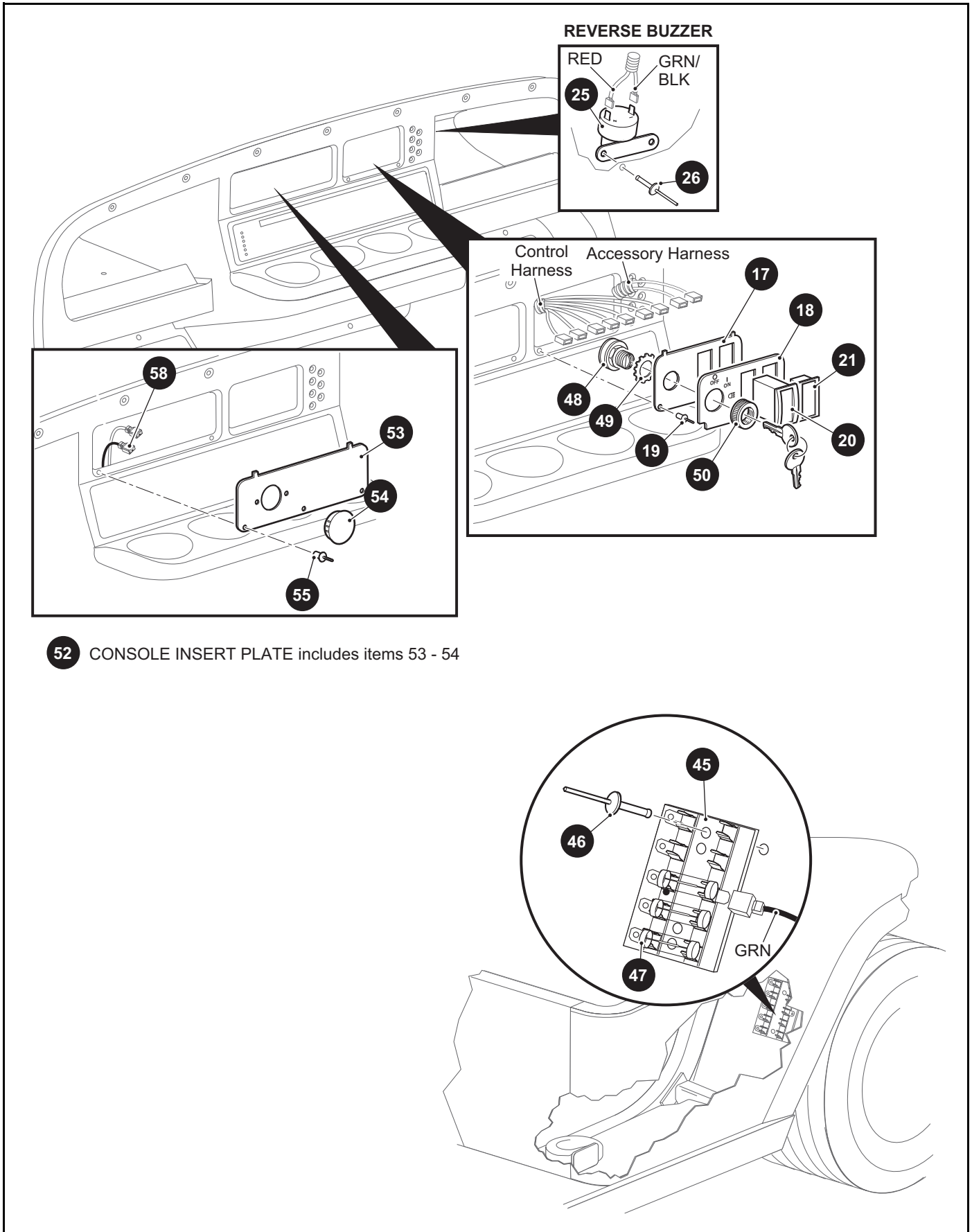
ITEM	PART NO.	1 2 3 4 5	DESCRIPTION	QTY.
94	<u>658825</u>		PUSHNUT, 5/16" .....	1
95	<u>00737G8</u>		PHILLIPS FLAT HEAD MACHINE SCREW, #10 - 24 X 1" LG .....	4
96	<u>00739G1</u>		RUBBER NUT, #10 - 24 .....	2
97	<u>652355</u>		BRAKE PEDAL SPACER .....	2
98	<u>27137G01</u>		CONICAL SPRING .....	2
99	<u>14390G10</u>		LOCK NUT, #10 - 24.....	2
100	10606G8		MICRO SWITCH .....	1
101	<u>00645G2</u>		PHILLIPS PAN HEAD MACHINE SCREW, #6 - 32 X 1 1/4" LG .....	2
102	<u>00559G5</u>		FLAT WASHER, #10 .....	2
103	<u>00559G3</u>		FLAT WASHER, #6 .....	4
104	<u>00565G3</u>		LOCK WASHER, #6 .....	2
105	<u>00525G5</u>		HEX NUT, #6 - 32 .....	2
106	<u>13514G1</u>		SCREW AND LOCK WASHER, #6 .....	2
107	<u>00642G8</u>		FLAT WASHER, 5/16" .....	2
108	<u>14628G1</u>		FASTON TAB.....	2
109	<u>24605G1</u>		BRAKE LIGHT WIRE HARNESS .....	1
110	<u>17618G1</u>		WIRE TIE.....	2
111	<u>612558</u>		COMPENSATOR ASSEMBLY (INCLUDES ITEMS 112 - 121).....	1
112	<u>00532G4</u>		HEX NUT, 1/4" - 20.....	2
113	<u>629486</u>		HEX NUT, 5/16 - 24 .....	1
114	<u>28082G01</u>		EQUALIZER BRACKET .....	1
115	<u>15121G1</u>		FLAT WASHER - 5/16" .....	2
116	<u>17979G1</u>		ACCELERATOR ROD BUSHING.....	1
117	<u>23061G2</u>		TUBE .....	1
118	<u>23463G1</u>		COMPRESSION SPRING .....	1
119	<u>652256</u>		BRAKE YOKE .....	1
120	<u>11098G9</u>		HEX LOCK NUT, 5/16" - 24.....	1
121	<u>612557</u>		COMPENSATOR ROD LINK.....	1





# ELECTRICAL SYSTEM





# ELECTRICAL SYSTEM

When ordering parts, please specify the model and serial number of the product.

\* Indicates a component that is not available as an individual part.

\*\*\* Indicates consult Customer Service Department for additional information.

ITEM	PART NO.	1 2 3 4 5	DESCRIPTION	QTY.
1	<u>618594</u>		8 VOLT BATTERY .....	6
2	<u>614015</u>		8 VOLT BATTERY .....	6
3	<u>618595</u>		8 VOLT BATTERY .....	6
4	<u>614381</u>		8 VOLT BATTERY .....	6
5	<u>615352</u>		CLAMP - POLYPROPYLENE (NOT ILLUSTRATED).....	1
6	<u>11027G1</u>		LOCK NUT, 5/16" - 18 .....	2
7	<u>613236</u>		6 AWG WIRE, BLUE, 380mm (15").....	4
8	<u>613237</u>		6 AWG WIRE, BLUE, 150mm (5.90").....	1
9	<u>00702G2</u>		HEX NUT, 5/16" - 18.....	12
10	<u>10570G11</u>		RIVET, 3/16" X 0.70" .....	1
11	<u>00993G02</u>		LOCK WASHER (SILICON BRONZE), 1/4" .....	2
12	<u>28418G02</u>		LOCK NUT (BRASS), 1/4" - 20 .....	2
13	<u>613304</u>		CHARGER RECEPTACLE, 48V .....	1
14	*		CHARGER HARNESS.....	1
15				
16				
17	<u>73030G12</u>		CONSOLE PLATE .....	1
18	<u>74322G01</u>		CONSOLE PLATE DECAL .....	1
19	<u>33623G02</u>		DRIVE RIVET, 3/16" X 3/8" LG.....	2
20	<u>624514G02</u>		DIRECTION SELECTOR SWITCH (F-N-R).....	1
21	<u>33636G05</u>		STATE OF CHARGE METER (SOC) .....	1
22				
23	<u>614457</u>		SNAKE HYDROLINK, 6 - 6V OR 6 - 8V .....	1
24	<u>666066</u>		RECPTICAL COVER.....	1
25	<u>613271</u>		CONTINUOUS TONE BUZZER .....	1
26	<u>01041G01</u>		RIVET, 1/8" X 13/16" LG.....	2
27				
28	<u>17618G1</u>		WIRE TIE.....	9
29	<u>01101G01</u>		TIE DOWN BOLT.....	2
30	<u>612867</u>		BATTERY RETAINER .....	1
31				



# ELECTRICAL SYSTEM

When ordering parts, please specify the model and serial number of the product.

\* Indicates a component that is not available as an individual part.

\*\*\* Indicates consult Customer Service Department for additional information.

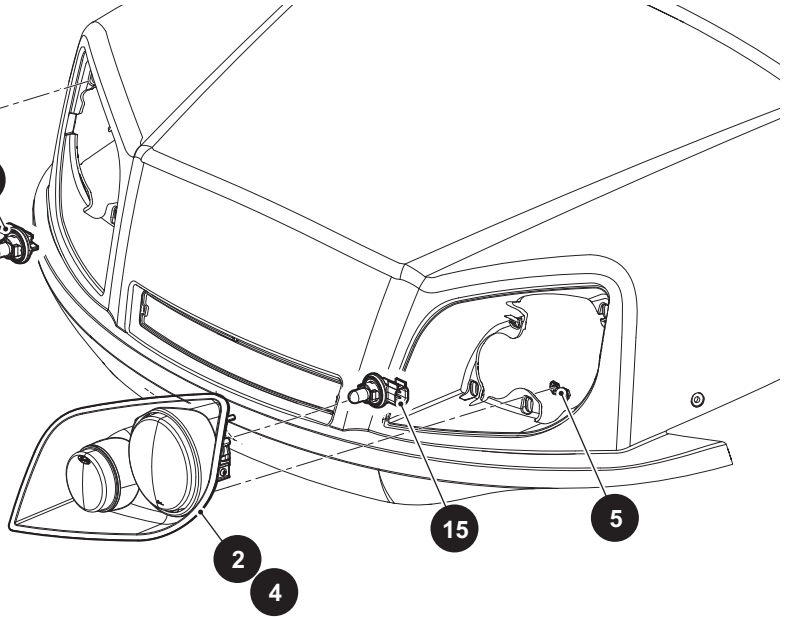
ITEM	PART NO.	1 2 3 4 5	DESCRIPTION	QTY.
32	<u>27327G02</u>		CABLE CLAMP .....	1
33				
34	<u>620422</u>		SPEED SENSOR.....	1
35	<u>73277G01</u>		RETAINING RING.....	1
36				
37				
38	<u>00993G01</u>		LOCK WASHER (SILICON BRONZE), 5/16".....	2
39	<u>28418G01</u>		LOCK NUT (BRASS), 5/16" - 18".....	2
40				
41				
42				
43				
44				
45	<u>22674G1</u>		FUSE BLOCK .....	1
46	<u>01041G01</u>		RIVET, 1/8" X 13/16" LG .....	2
47	<u>18392G1</u>		15 AMP FUSE .....	AR
48	33639G**		KEY SWITCH (WITH LIGHTS) .....	1
49	<u>00568G6</u>		LOCK WASHER, 3/4" .....	1
50	<u>17137P1</u>		FACE NUT, 3/4" - 20 .....	1
51				
52	<u>74693G02</u>		CONSOLE INSERT ASSEMBLY (INCLUDES ITEMS 53 - 54).....	1
53	<u>73522G03</u>		CONSOLE INSERT PLATE .....	1
54	<u>20271G10</u>		HOLE PLUG .....	1
55	33623G02		DRIVE RIVET, 3/16" X 3/8" LG .....	3
56				
57				
58	<u>71081G01</u>		WIRE HARNESS (POWER OUTLET) .....	1

# ELECTRICAL SYSTEM

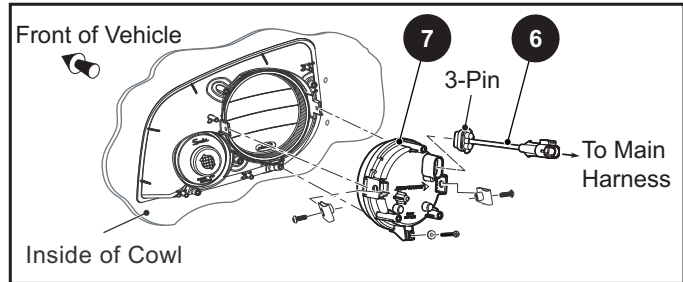
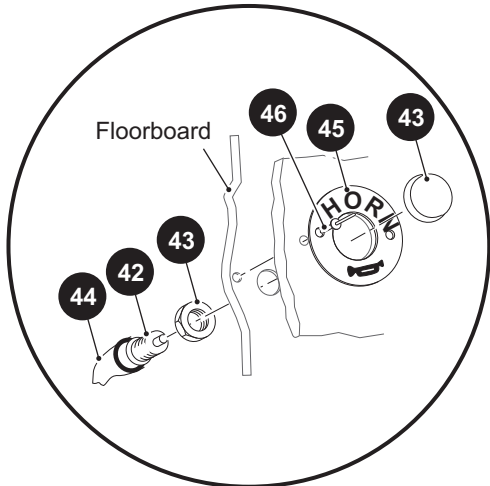
## HEAD LIGHT & TURN SIGNAL

1 3

15

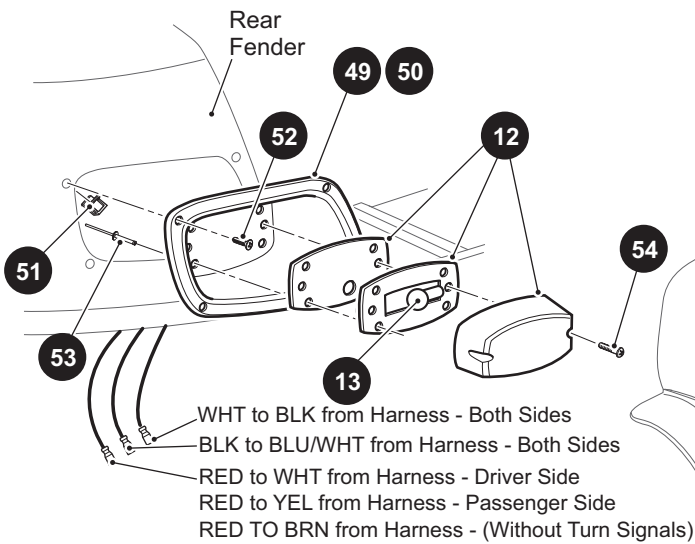


## FLOOR MOUNTED HORN BUTTON

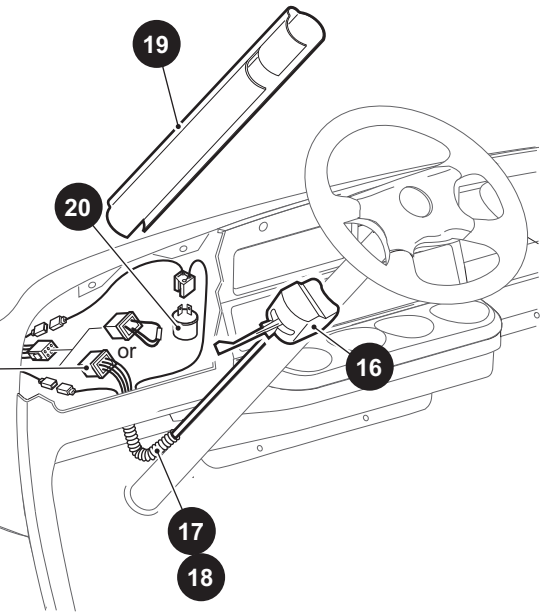


- 3 LED HEADLIGHT ASSEMBLY (PASSENGER SIDE) includes item 7
- 4 LED HEADLIGHT ASSEMBLY (DRIVER SIDE) includes item 7

## TAILLIGHTS

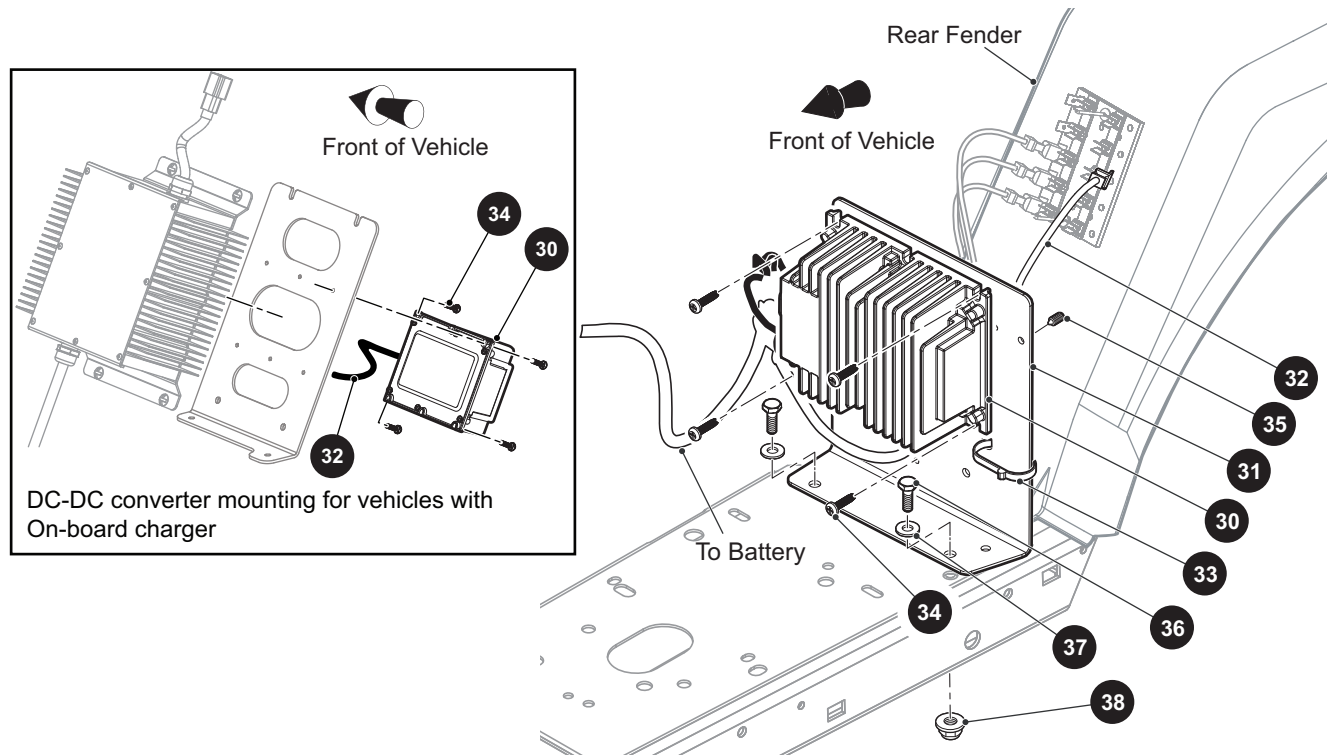
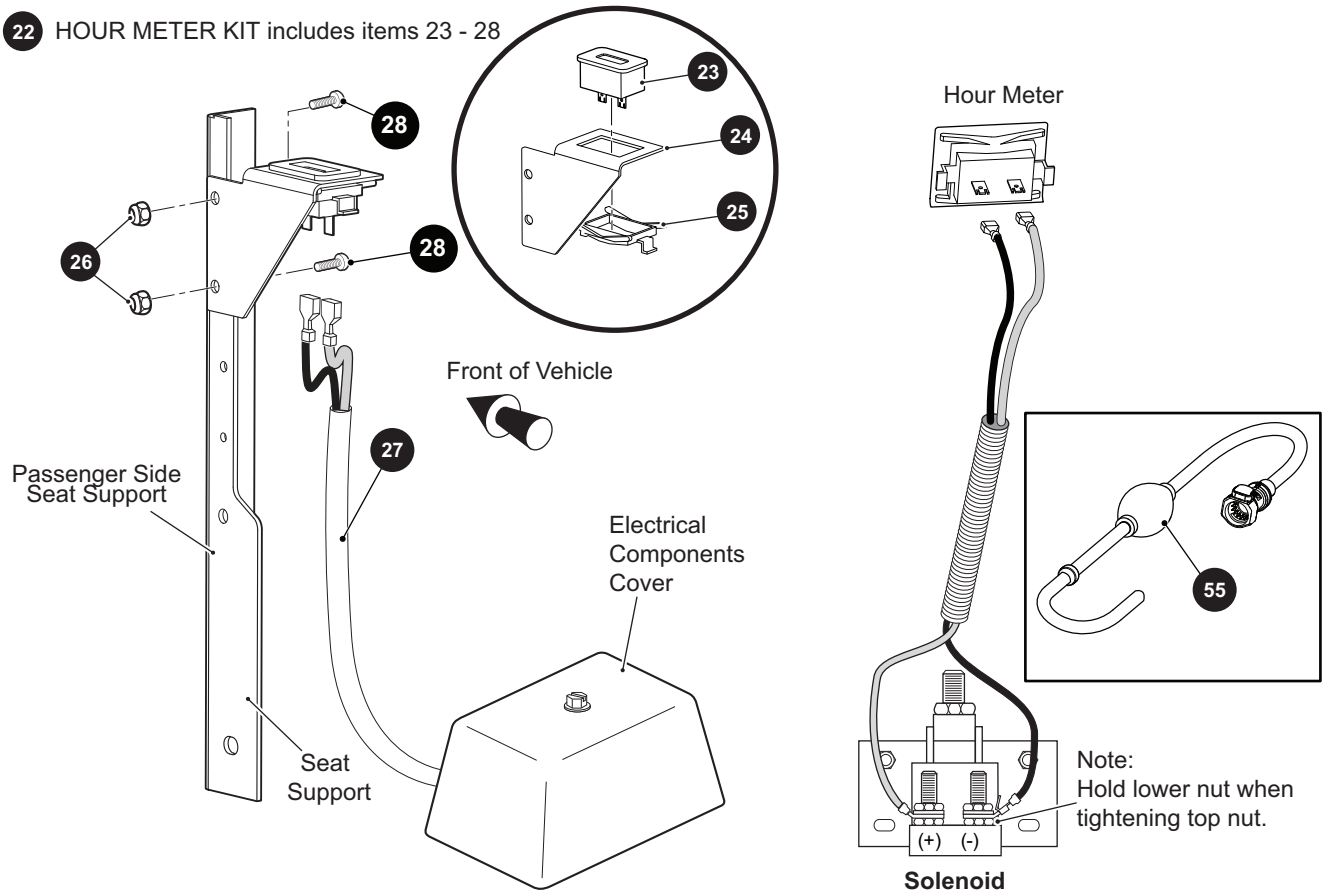


- WHT to BLK from Harness - Both Sides
- BLK to BLU/WHT from Harness - Both Sides
- RED to WHT from Harness - Driver Side
- RED to YEL from Harness - Passenger Side
- RED TO BRN from Harness - (Without Turn Signals)



- 14 TURN SIGNAL KIT includes items 15 - 20

22 HOUR METER KIT includes items 23 - 28



# ELECTRICAL SYSTEM

When ordering parts, please specify the model and serial number of the product.

\* Indicates a component that is not available as an individual part.

\*\*\* Indicates consult Customer Service Department for additional information.

ITEM	PART NO.	1 2 3 4 5	DESCRIPTION	QTY.
1	<u>614497</u>		HEADLIGHT WITHOUT TURN SIGNAL (PASSENGER SIDE) .....	1
2	<u>614501</u>		HEADLIGHT WITHOUT TURN SIGNAL (DRIVER SIDE) .....	1
3	<u>659008</u>		LED HEADLIGHT ASSEMBLY (PASSENGER SIDE) (INCLUDES ITEM 7) ...	1
4	<u>659009</u>		LED HEADLIGHT ASSEMBLY (DRIVER SIDE) (INCLUDES ITEM 7).....	1
5	<u>71597G01</u>		SELF THREADING NUT .....	8
6	<u>654465</u>		JUMPER HARNESS, LED HEADLIGHT .....	2
7	<u>651411G03</u>		LED HEADLIGHT.....	1
8				
9	<u>618257</u>		WIRE HARNESS (ACCESSORY) 48V DC,SWB .....	1
10				
11				
12	<u>22288G1</u>		COMPLETE TAIL LIGHT ASSEMBLY (INCLUDES ITEM 13) .....	2
13	<u>21759G1</u>		TAIL LIGHT BULB .....	1
14	<u>622712</u>		TURN SIGNAL KIT (INCLUDES ITEMS 15 - 20) .....	1
15	<u>619102</u>		TURN SIGNAL BULB.....	1
16	<u>611810</u>		TURN SIGNAL SWITCH ASSEMBLY .....	1
17	<u>32307G3</u>		FLEX LOOM, 3/8" X 8" LG .....	1
18	<u>17618G1</u>		WIRE TIE .....	2
19	<u>20965G3</u>		STEERING COLUMN COVER .....	1
20	<u>21640G1</u>		FLASHER UNIT .....	1
21				
22	<u>75113G06</u>		HOUR METER KIT (INCLUDES ITEMS 23 - 28) .....	1
23	<u>74665G02</u>		HOUR METER .....	1
24	<u>74716G01</u>		HOUR METER BRACKET .....	1
25	<u>74696G01</u>		RETAINER CLIP .....	1
26	<u>14390G10</u>		LOCK NUT, #10 - 24 .....	2
27	<u>75117G04</u>		WIRE HARNESS (HOUR METER).....	1
28	<u>00379G4</u>		PAN HEAD PHILLIPS SCREW,#10 - 24 X 1/2" LG .....	2
29				
30	<u>632185</u>		DC TO DC CONVERTER .....	1
31	<u>633303</u>		DC TO DC CONVERTER BRACKET .....	1

# ELECTRICAL SYSTEM

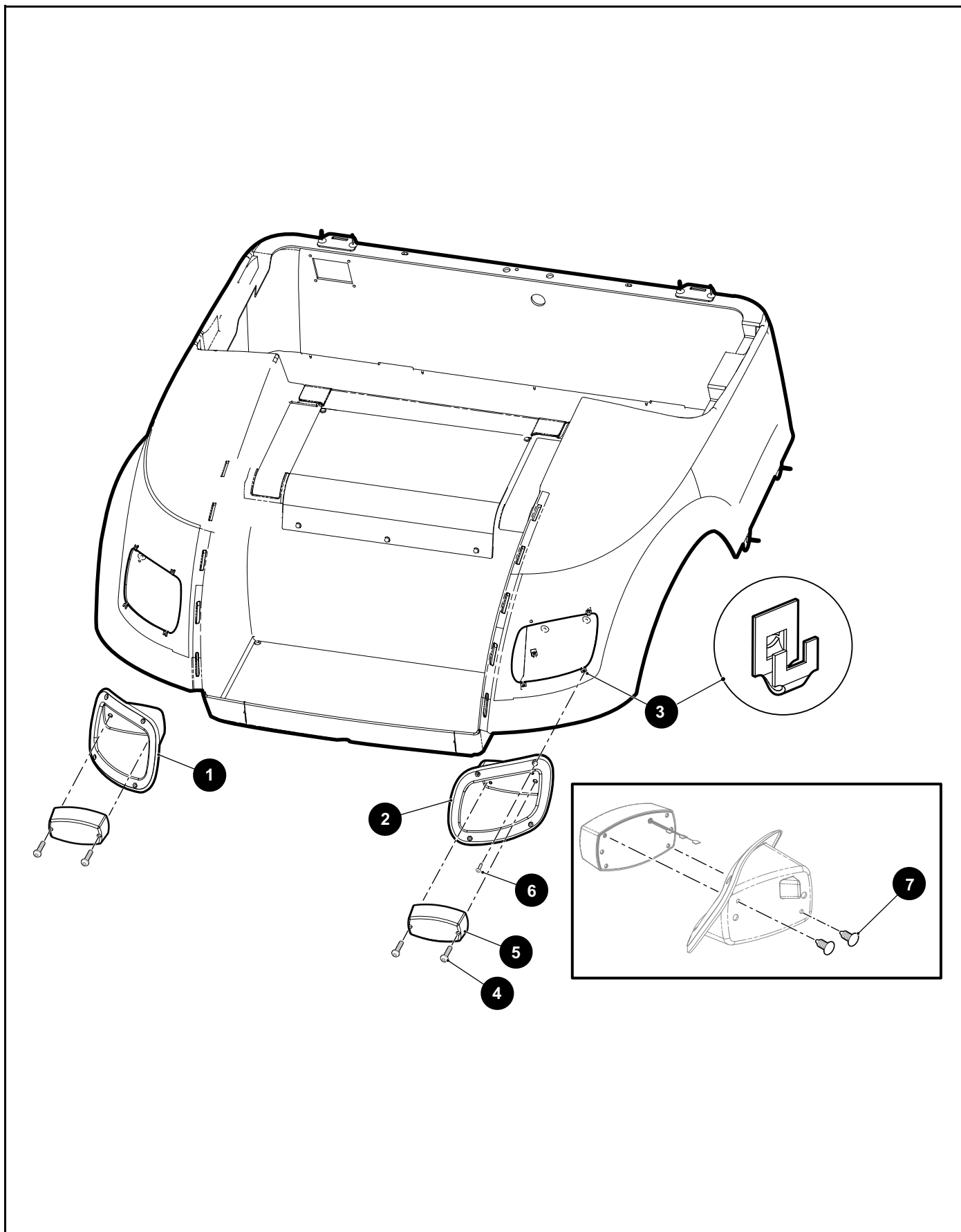
When ordering parts, please specify the model and serial number of the product.

\* Indicates a component that is not available as an individual part.

\*\*\* Indicates consult Customer Service Department for additional information.

ITEM	PART NO.	1 2 3 4 5	DESCRIPTION	QTY.
32	<u>605888</u>		DC TO DC WIRING HARNESS .....	1
33	<u>17618G1</u>		CLAMP (NYLON), 7" LG .....	4
34	<u>632372</u>		SELF TAPPING SCREW, #10 - 32 X .75" LG .....	4
35	<u>16816G5</u>		RATCHET RIVET, .187" X .550" LG .....	1
36	<u>00414G6</u>		HEX HEAD BOLT, 1/4" - 20 X .75" LG .....	2
37	<u>00559G7</u>		FLAT WASHER, 1/4" .....	2
38	<u>11027G2</u>		FLANGED LOCK NUT, 1/4" - 20 ' .....	2
39	<u>19344G1</u>		ELECTRICAL VINYL TAPE (NOT ILLUSTRATED).....	1
40				
41				
42	<u>17318G1</u>		HORN SWITCH .....	1
43	<u>17318G2</u>		HORN SWITCH CAP AND NUT .....	1
44	<u>27068G01</u>		HOR SWITCH BOOT .....	1
45	<u>608397</u>		HORN SWITCH LABEL .....	1
46	<u>71055G01</u>		RIVET (ALUMINUM), 3/16" X 1" LG .....	2
47				
48				
49	<u>74371G01</u>		BEZEL (DRIVER SIDE) .....	1
50	<u>74371G02</u>		BEZEL (PASSENGER SIDE).....	1
51	<u>71364G02</u>		J-CLIP .....	8
52	<u>71425G01</u>		FLAT HEAD PHILLIPS TAPPING SCREW, #8 - 18 X 0.75" LG.....	8
53	<u>14601G11</u>		ALUMINUM RIVET, 3/16" X 9/16" LG .....	4
54	<u>00513G4</u>		PAN HEAD SCREW, #8 - 18 X 1 1/2" LG .....	4
55	<u>676122</u>		TROJAN HAND PUMP KIT.....	1

# ELECTRICAL SYSTEM



# ELECTRICAL SYSTEM

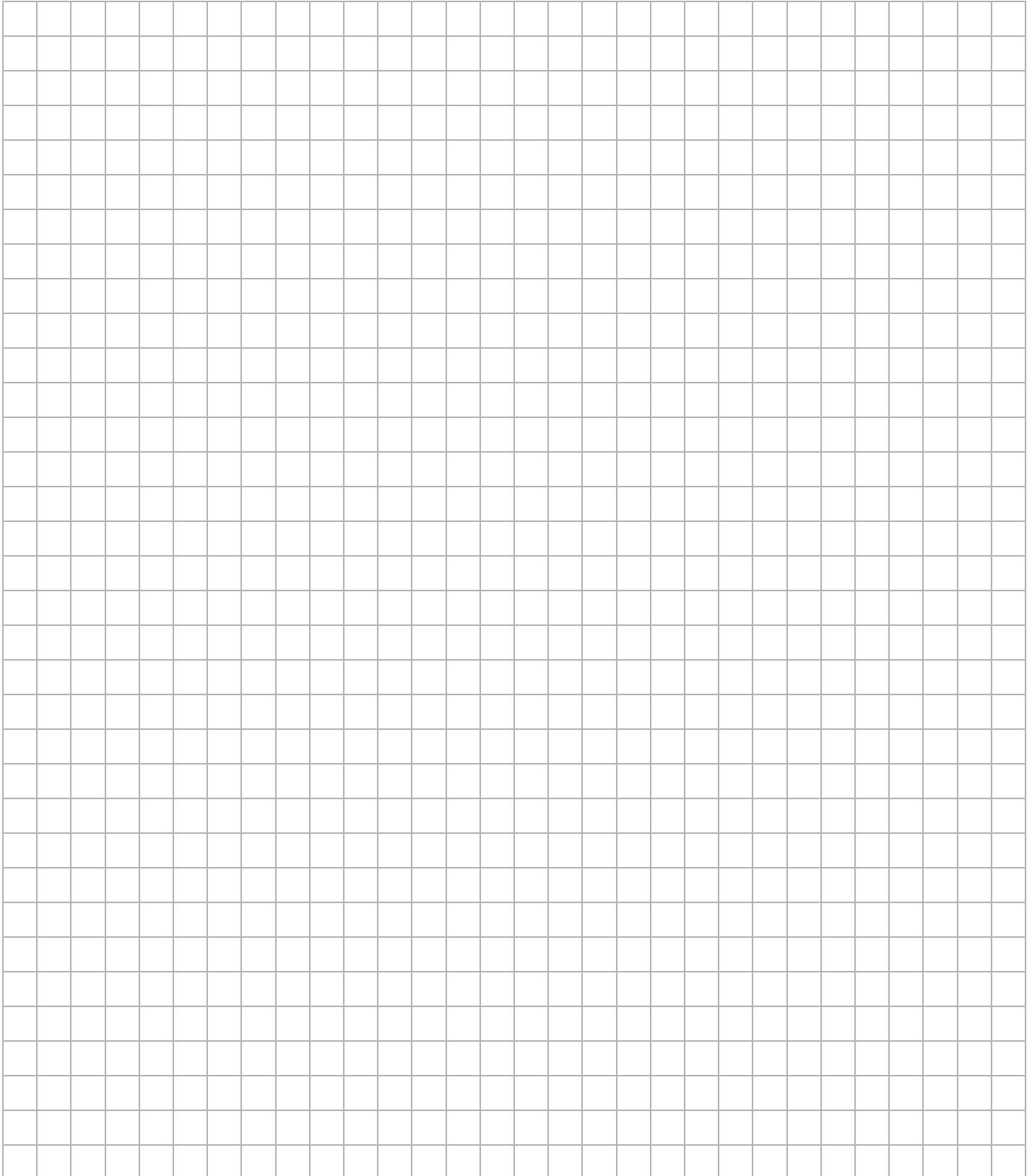
When ordering parts, please specify the model and serial number of the product.

\* Indicates a component that is not available as an individual part.

\*\*\* Indicates consult Customer Service Department for additional information.

ITEM	PART NO.	1 2 3 4 5	DESCRIPTION	QTY.
1	<u>625251</u>		BEZEL, TAILLIGHT (DRIVER SIDE) (FOR VEHICLES MANUFACTURED FROM MARCH 2014).....	1
2	<u>625252</u>		BEZEL, TAILLIGHT (PASSENGER SIDE) (FOR VEHICLES MANUFACTURED FROM MARCH 2014).....	1
3	<u>71364G02</u>		"J" TYPE NUT, #8 (FOR VEHICLES MANUFACTURED FROM MARCH 2014).....	8
4	<u>00513G4</u>		PAN HEAD PHILLIPS SCREW, #8 - 18 X 1.5" LG (FOR VEHICLES MANUFACTURED FROM MARCH 2014).....	4
5	<u>22288G1</u>		TAILLIGHT ASSEMBLY (FOR VEHICLES MANUFACTURED FROM MARCH 2014).....	2
6	<u>71425G01</u>		TAPPING SCREW, #8 - 18 X .75" LG (FOR VEHICLES MANUFACTURED FROM MARCH 2014).....	8
7	<u>14601G11</u>		RIVET, 3/16" X 9/16" (FOR VEHICLES MANUFACTURED FROM MARCH 2014).....	2

## Notes:

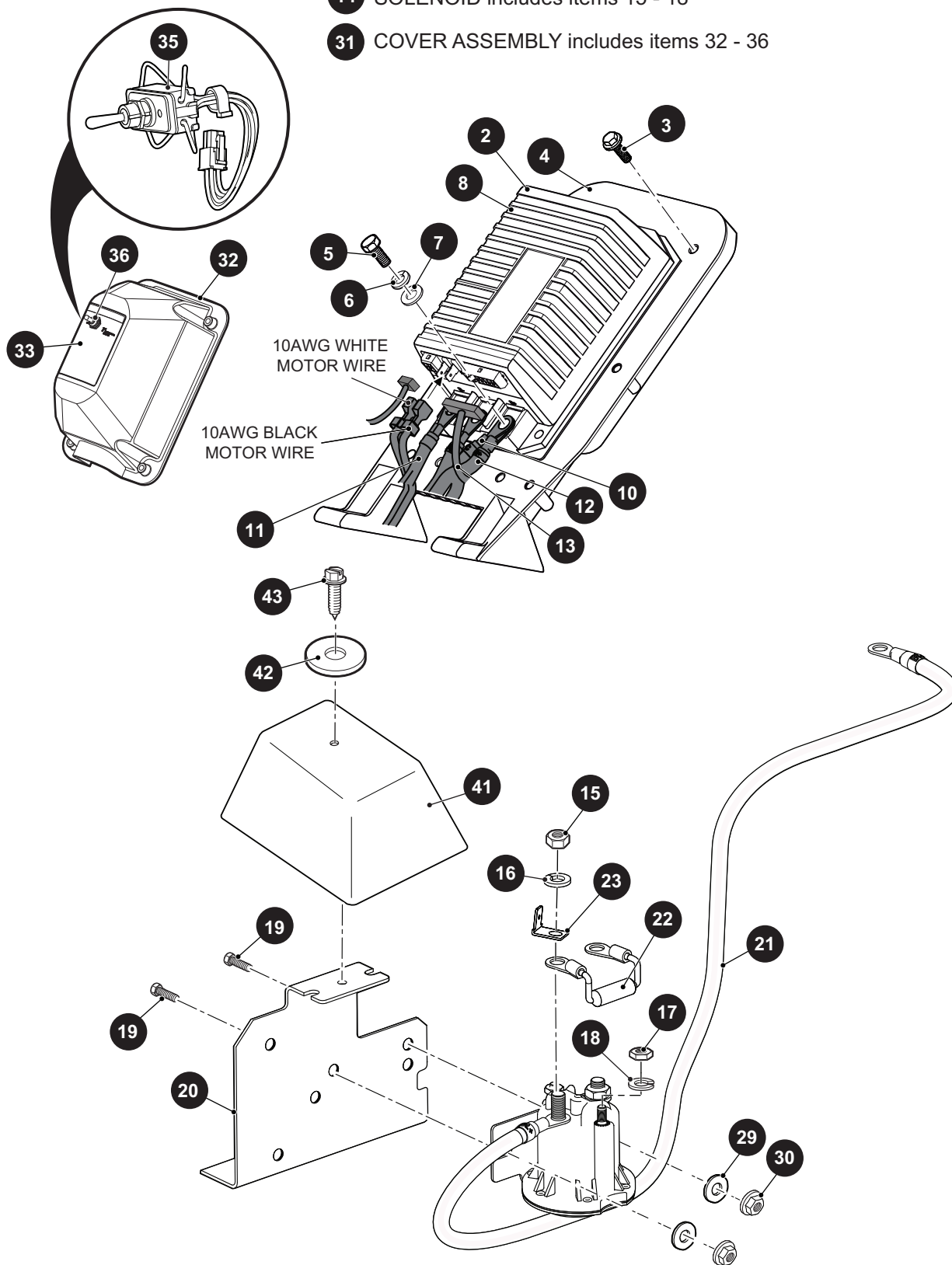
A large grid of graph paper, consisting of 20 columns and 30 rows of small squares, intended for taking notes.





# ELECTRONIC SPEED CONTROL

- 1 ELECTRONIC SPEED CONTROL ASSEMBLY includes items 2 - 30
- 14 SOLENOID includes items 15 - 18
- 31 COVER ASSEMBLY includes items 32 - 36



# ELECTRONIC SPEED CONTROL

When ordering parts, please specify the model and serial number of the product.

\* Indicates a component that is not available as an individual part.

\*\*\* Indicates consult Customer Service Department for additional information.

ITEM	PART NO.	1 2 3 4 5	DESCRIPTION	QTY.
1	<u>654740</u>		ELECTRONIC SPEED CONTROL ASSEMBLY, 48V (INCLUDES ITEMS 2 - 30) .....	1
2	<u>612632</u>		CONTROLLER, 48V.....	1
3	<u>71102G01</u>		HEX HEAD CAP SCREW, 1/4" - 20 X .90" LG.....	3
4	<u>73471G01</u>		HEATSINK.....	1
5	<u>73296G01</u>		HEX HEAD BOLT, M8 - 1.25 X 16MM.....	3
6	<u>00565G8</u>		LOCK WASHER, 5/16".....	3
7	00559G8		FLAT WASHER, 5/16".....	3
8	<u>73190G01</u>		THERMAL MOUNTING PAD.....	1
9	<u>31539G1</u>		NYLON CLAMP (NOT ILLUSTRATED).....	1
10	<u>617612</u>		POWER HARNESS.....	1
11	<u>620437</u>		WIRE ASSEMBLY (BLUE), 6AWG, 675MM.....	1
12	<u>620432</u>		WIRE ASSEMBLY (GREEN), 4AWG, 400MM.....	1
13	<u>620964</u>		MAIN WIRE HARNESS (VPS), 48V.....	1
14	<u>612711</u>		SOLENOID, 48V (INCLUDES ITEMS 15 - 18).....	1
15	<u>00544G4</u>		LOCK NUT, 5/16" - 24.....	2
16	<u>00565G8</u>		LOCK WASHER, 5/16".....	2
17	<u>00526G4</u>		LOCK NUT, #10 - 32.....	2
18	<u>00565G5</u>		LOCK WASHER, #10.....	2
19	<u>00414G5</u>		HEX HEAD BOLT, 1/4" - 20 X 5/8" LG.....	2
20	<u>73057G02</u>		BRACKET.....	1
21	<u>607592</u>		WIRE ASSEMBLY (GREEN), 4AWG, 28" LG.....	1
22	<u>620430</u>		RESISTOR ASSEMBLY, 500 OHM.....	1
23	<u>73446G01</u>		FASTON TAB.....	2
24				
25				
26				
27				
28				
29	<u>01110G01</u>		FLAT WASHER, 1/4".....	2
30	<u>11027G2</u>		FLANGED NUT, 5/16 - 18".....	2

# ELECTRONIC SPEED CONTROL

When ordering parts, please specify the model and serial number of the product.

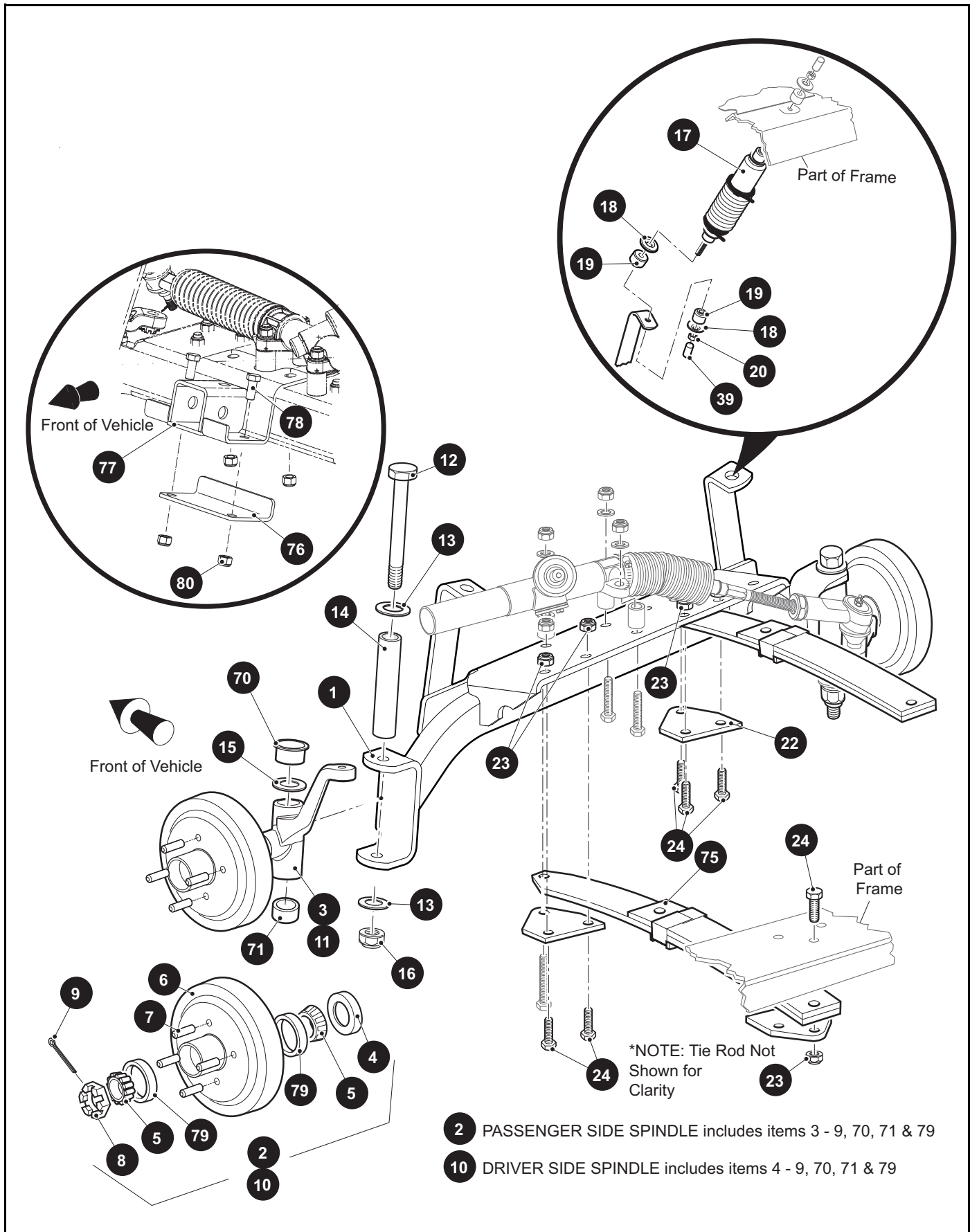
\* Indicates a component that is not available as an individual part.

\*\*\* Indicates consult Customer Service Department for additional information.

ITEM	PART NO.	1 2 3 4 5	DESCRIPTION	QTY.
31	<u>612753</u>		COVER ASSEMBLY (INCLUDES ITEMS 32 - 36) .....	1
32	<u>73482G01</u>		COVER .....	1
33	<u>613048</u>		LABEL .....	1
34				
35	<u>633114</u>		TOGGLE SWITCH .....	1
36	<u>73139G01</u>		SEALED NUT, 15/32" - 32 .....	1
37				
38				
39				
40				
41	<u>73049G01</u>		COVER .....	1
42	<u>16469G1</u>		FLAT WASHER, 1/4" .....	1
43	<u>00114G6</u>		TAPPING SCREW, 1/4" - 10 X 3/4" LG .....	1



# FRONT SUSPENSION/STEERING

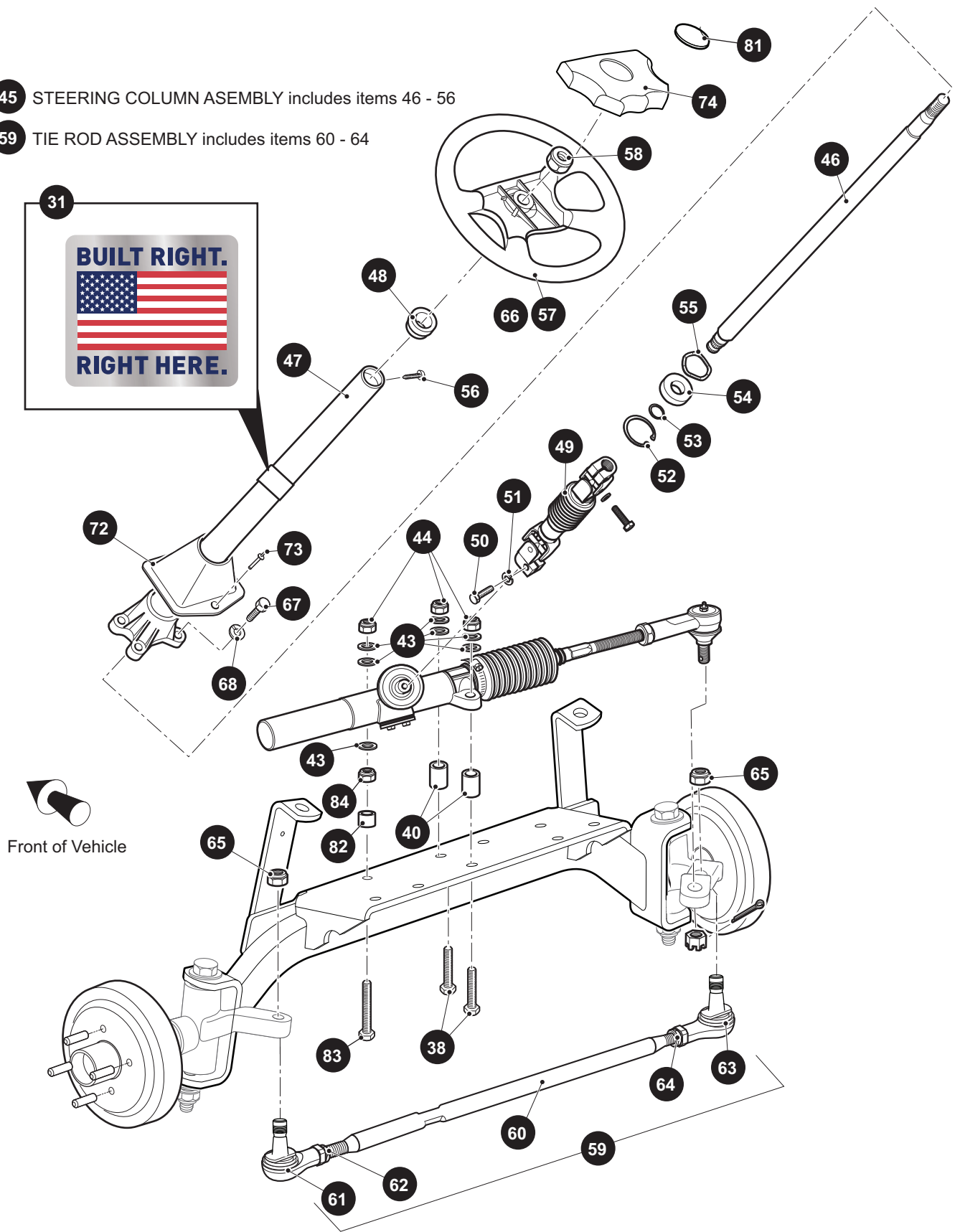
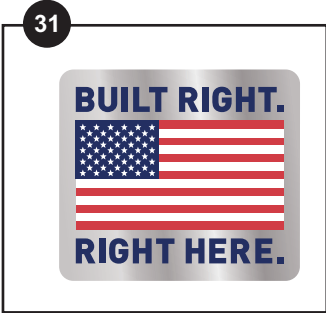


- 2** PASSENGER SIDE SPINDLE includes items 3 - 9, 70, 71 & 79
- 10** DRIVER SIDE SPINDLE includes items 4 - 9, 70, 71 & 79

# FRONT SUSPENSION/STEERING

45 STEERING COLUMN ASSEMBLY includes items 46 - 56

59 TIE ROD ASSEMBLY includes items 60 - 64



# FRONT SUSPENSION/STEERING

When ordering parts, please specify the model and serial number of the product.

\* Indicates a component that is not available as an individual part.

\*\*\* Indicates consult Customer Service Department for additional information.

ITEM	PART NO.	1 2 3 4 5	DESCRIPTION	QTY.
1	652823		FRONT AXLE .....	1
2	<u>70930G02</u>		SPINDLE AND HUB ASSEMBLY (PASSENGER SIDE) (INCLUDES ITEMS 3 - 9, 70, 71 & 79) .....	1
3	<u>70802G01</u>		SPINDLE ASSEMBLY (PASSENGER SIDE) .....	1
4	<u>25146G1</u>		GREASE SEAL .....	1
5	<u>11750G2</u>		ROLLER BEARING AND RACE ASSEMBLY .....	2
6	74332G01		WHEEL HUB ASSEMBLY .....	1
7	<u>36038G01</u>		STUD .....	4
8	12093G1		CASTELLATED NUT, 1" - 14 .....	1
9	<u>00798G8</u>		COTTER PIN, 5/32" X 1 3/4" LG.....	1
10	<u>70931G02</u>		SPINDLE AND HUB ASSEMBLY (DRIVER SIDE) (INCLUDES ITEMS 4 - 9, 11, 70, 71 & 79).....	1
11	<u>70803G01</u>		SPINDLE ASSEMBLY (DRIVER SIDE) .....	1
12	<u>00407G6</u>		KING PIN BOLT, 1/2" - 13 X 6" LG .....	2
13	<u>00560G3</u>		FLAT WASHER, 1/2" .....	4
14	<u>70745G01</u>		KING PIN TUBE .....	2
15	<u>70754G01</u>		THRUST WASHER, 1" (SS).....	2
16	<u>14390G6</u>		LOCK NUT, 1/2" - 13 .....	2
17	<u>76419G01</u>		SHOCK ABSORBER .....	2
18	<u>10435G1</u>		SHOCK ABSORBER WASHER .....	8
19	<u>10194G1</u>		RUBBER BUSHING .....	8
20	<u>00532G6</u>		HEX NUT, 1/4" - 20.....	4
21				
22	<u>652258</u>		SPRING PLATE.....	4
23	<u>00734G1</u>		LOCK NUT, 7/16" - 14 .....	11
24	<u>00463G11</u>		HEX HEAD BOLT, 7/16" - 14 X 1 1/2" LG.....	11
25				
26				
27				
28				
29				
30				



# FRONT SUSPENSION/STEERING

When ordering parts, please specify the model and serial number of the product.

\* Indicates a component that is not available as an individual part.

\*\*\* Indicates consult Customer Service Department for additional information.

ITEM	PART NO.	1 2 3 4 5	DESCRIPTION	QTY.
31	685698		DECAL, MADE IN USA.....	1
32				
33				
34				
35				
36				
37				
38	<u>00464G8</u>		HEX HEAD BOLT, 7/16" - 14 X 2 3/4" LG .....	2
39	<u>10044G01</u>		VINYL CAP.....	4
40	<u>70667G02</u>		SPACER, O.D 1" X I.D .46" X 1.2" LG .....	2
41				
42				
43	<u>00560G2</u>		FLAT WASHER, 7/16".....	7
44	<u>00734G1</u>		LOCK NUT, 7/16" - 14.....	3
45	<u>70758G05</u>		STEERING COLUMN KIT (INCLUDES ITEMS 46 - 56).....	1
46	<u>70607G01</u>		STEERING SHAFT.....	1
47	<u>70610G03</u>		STEERING COLUMN.....	1
48	<u>28569G01</u>		STEERING COLUMN BUSHING .....	1
49	<u>70580G01</u>		INTERMEDIATE SHAFT .....	1
50	<u>01055G01</u>		METRIC BOLT, M8 X 1.25.....	1
51	<u>00565G8</u>		LOCK WASHER, 5/16".....	1
52	<u>70751G01</u>		RETAINING RING (INTERNAL) .....	1
53	<u>70888G01</u>		RETAINING RING (EXTERNAL) .....	1
54	<u>15112G1</u>		BALL BEARING .....	1
55	<u>70887G01</u>		WAVE WASHER.....	1
56	<u>01022G01</u>		HEX HEAD BOLT, #6 - 20 x 5/16" LG .....	1
57	<u>602980</u>		STEERING WHEEL (PREMIUM).....	1
58	<u>14390G2</u>		LOCK NUT, 5/8" - 18.....	1
59	<u>70876G02</u>		TIE ROD ASSEMBLY (INCLUDES ITEMS 60 - 64).....	1
60	<u>70897G02</u>		THREADED ROD (24" LG) .....	1
61	<u>70902G01</u>		TIE ROD END (LEFT HAND THREADS) .....	1

# FRONT SUSPENSION/STEERING

When ordering parts, please specify the model and serial number of the product.

\* Indicates a component that is not available as an individual part.

\*\*\* Indicates consult Customer Service Department for additional information.

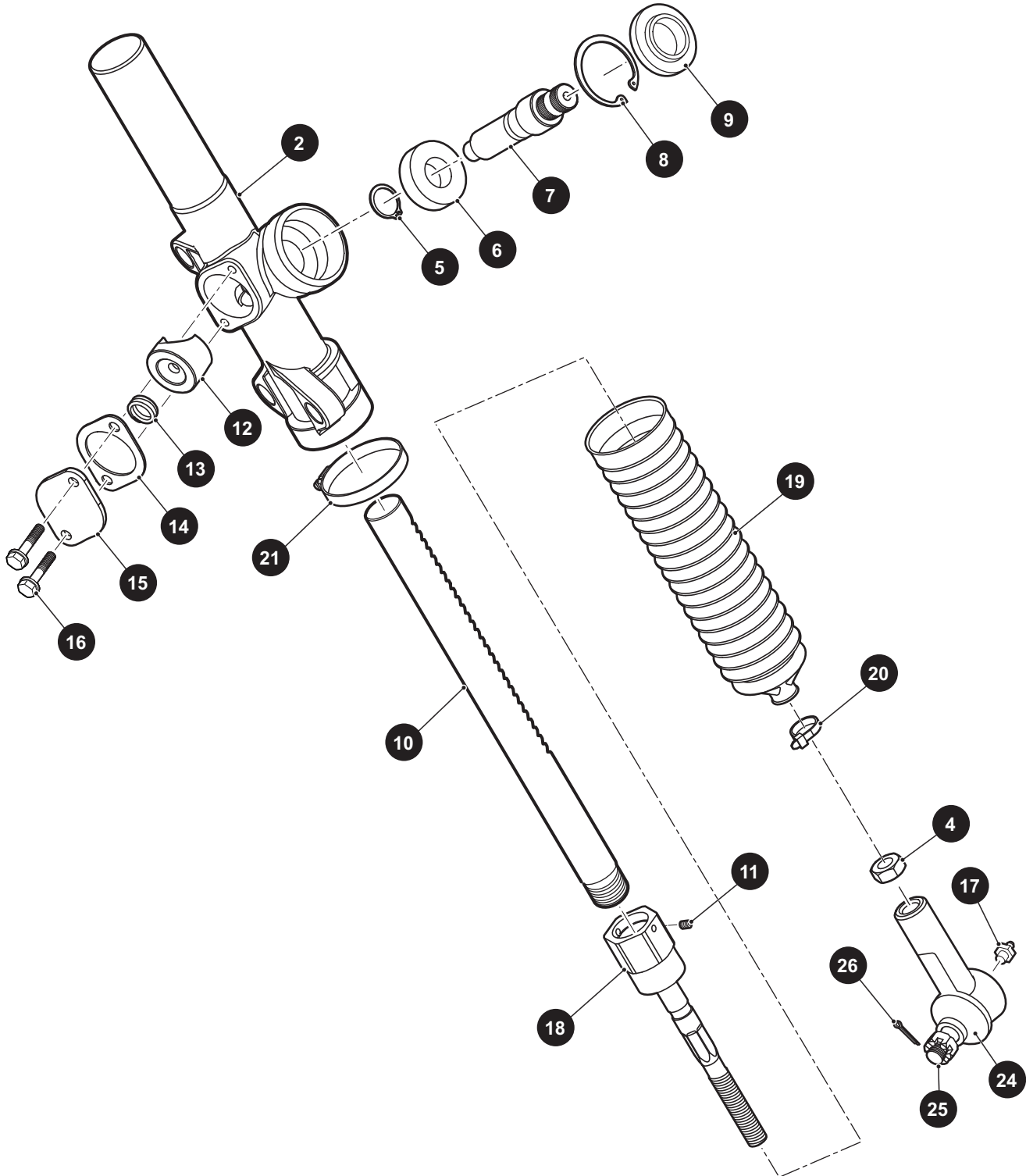
ITEM	PART NO.	1	2	3	4	5	DESCRIPTION	QTY.
62	<u>01069G01</u>						JAM NUT, M12 X 1.25 (LEFT HAND THREADS) .....	1
63	<u>70902G02</u>						TIE ROD END (RIGHT HAND THREADS) .....	1
64	<u>01069G02</u>						JAM NUT, M12 X 1.25 (RIGHT HAND THREADS) .....	1
65	<u>00734G1</u>						LOCK NUT, 7/16" - 14 .....	2
66	<u>602979</u>						STEERING WHEEL.....	1
67	<u>01006G01</u>						HEX HEAD BOLT, 3/8" - 16 x 1 1/4" LG .....	4
68	<u>00879G1</u>						LOCK WASHER, 3/8" .....	4
69								
70	<u>632925</u>						BUSHING, FLANGED .....	1
71	<u>632926</u>						BUSHING, SLEEVE .....	1
72	<u>70997G01</u>						STEERING COLUMN BASE COVER .....	1
73	<u>71055G01</u>						RIVET, 3/16" DIA .....	1
74	<u>71147G01</u>						STEERING WHEEL COVER.....	1
75	<u>70990G03</u>						CALTILEVER LEAF SPRING .....	2
76	<u>604572</u>						WINCH RECEIVER RETAINER PLATE .....	1
77	<u>635202</u>						WINCH RECEIVER WELDMENT .....	1
78	<u>00462G8</u>						HEX HEAD BOLT, 7/16" - 14 X 1" LG.....	4
79	<u>51141G1</u>						RACE BEARING .....	2
80	<u>00734G1</u>						LOCKNUT, 7/16" - 14 .....	4
81	<u>605435</u>						E-Z-GO STEERING WHEEL DECAL .....	1
82	<u>70667G04</u>						SPACER, O.D 1" X I.D .46" X .69" LG.....	1
83	<u>01068G01</u>						HEX HEAD BOLT, 7/16" - 14 X 3.5" LG.....	1
84	<u>00532G7</u>						HEX NUT, 1/4" - 20.....	1



# FRONT SUSPENSION/STEERING

**1** RACK AND PINION UNIT includes items 2 - 23

**23** RACK BALL JOINT includes items 24 - 25



# FRONT SUSPENSION/STEERING

When ordering parts, please specify the model and serial number of the product.

\* Indicates a component that is not available as an individual part.

\*\*\* Indicates consult Customer Service Department for additional information.

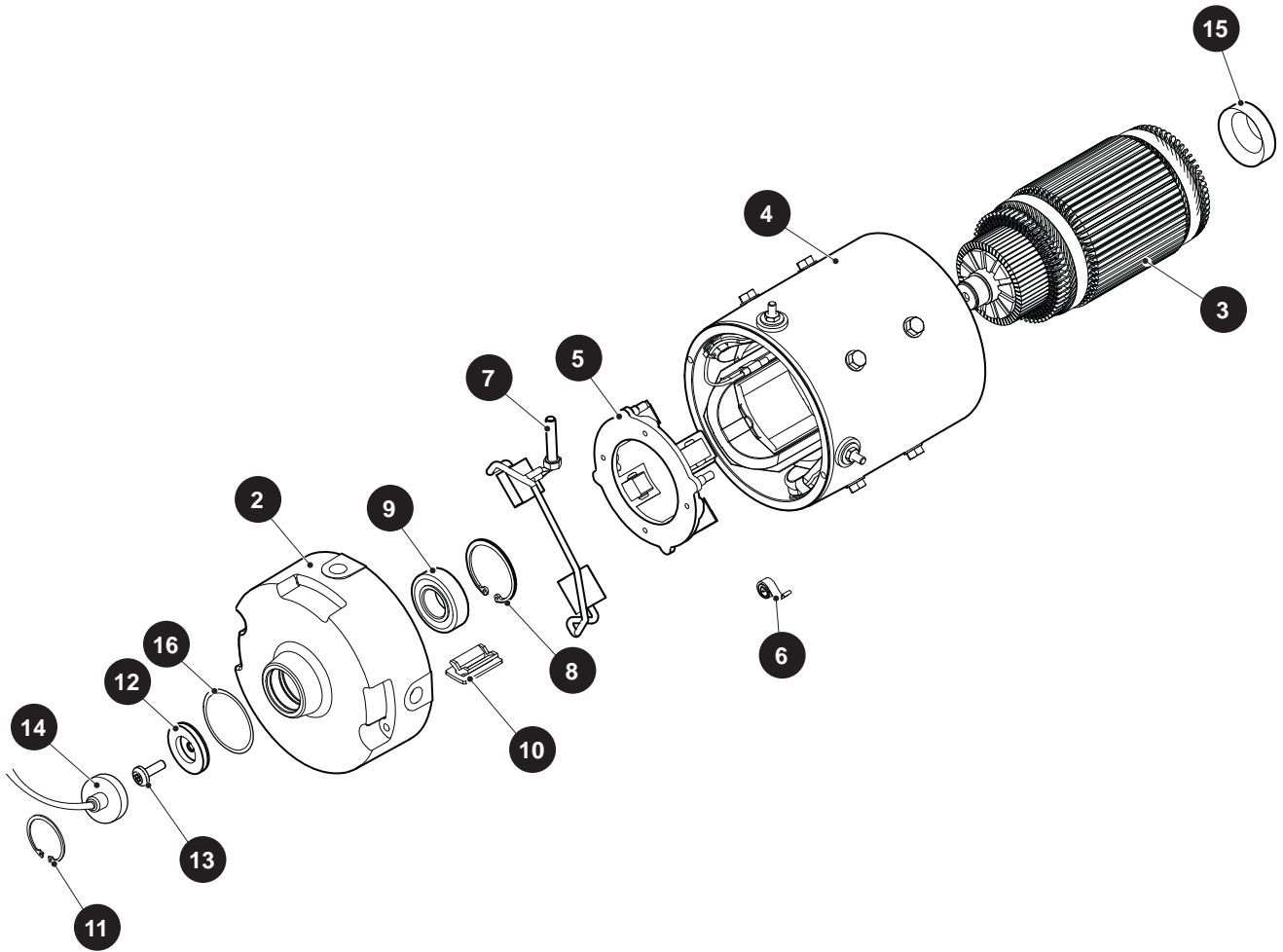
ITEM	PART NO.	1 2 3 4 5	DESCRIPTION	QTY.
1	<u>70964G01</u>		RACK AND PINION UNIT (INCLUDES ITEMS 2 - 23) .....	1
2	<u>70965G01</u>		STEERING RACK COVER & BEARING .....	1
3				
4	*		JAM NUT, 1/2" - 20 .....	1
5	<u>70750G01</u>		RETAINING RING (EXTERNAL) .....	1
6	<u>15112G1</u>		BALL BEARING .....	1
7	<u>70603G01</u>		PINION .....	1
8	<u>70751G01</u>		RETAINING RING (INTERNAL) .....	1
9	<u>70638G01</u>		SEAL (PINION) .....	1
10	<u>70604G01</u>		STEERING RACK .....	1
11	*		SET SCREW, #10 - 32 X .25" LG .....	1
12	<u>70590G01</u>		RACK LOADER .....	1
13	<u>70666G01</u>		COMPRESSION SPRING .....	1
14	<u>70645G01</u>		GASKET (RACK LOADER COVER) .....	1
15	<u>652259</u>		COVER (RACK LOADER) .....	1
16	<u>71102G01</u>		HEX WASHER HEAD BOLT, 1/4" - 20 X 11/16" LG .....	2
17	<u>10389G3</u>		GREASE FITTING (STRAIGHT) .....	1
18	<u>74694G01</u>		ROD END (INNER) .....	1
19	<u>70961G01</u>		RACK BOOT .....	1
20	<u>12416G2</u>		NYLON CLAMP, 10" .....	1
21	<u>11391G8</u>		HOSE CLAMP, 1.81" .....	1
22				
23	<u>70695G01</u>		TIE ROD END (OUTER) (INCLUDES ITEMS 24 - 25) .....	1
24	<u>50641G1</u>		GROMMET .....	1
25	<u>50209G2</u>		HEX SLOTTED NUT, 7/16" - 20 .....	1
26	<u>10387G2</u>		COTTER PIN, 3/32" X 1" .....	1





# MOTOR

**1** Motor Includes Items 2 - 10





When ordering parts, please specify the model and serial number of the product.

\* Indicates a component that is not available as an individual part.

\*\*\* Indicates consult Customer Service Department for additional information.

ITEM	PART NO.	1 2 3 4 5	DESCRIPTION	QTY.
1	<u>624105</u>		MOTOR 48V (INCLUDES ITEMS 2 - 10).....	1
2	<u>625886</u>		COMMUNTATOR END HEAD .....	1
3	<u>626171</u>		ARMATURE.....	1
4	<u>626172</u>		FRAME AND FILED ASSEMBLY .....	1
5	<u>625884</u>		BRUSH BOX ASSEMBLY .....	1
6	<u>73120G03</u>		BRUSH SPRING .....	4
7	<u>73120G25</u>		BRUSH AND TERMINAL SERVICE KIT .....	1
8	<u>73120G06</u>		RETAINING RING .....	1
9	<u>73120G07</u>		BEARING.....	1
10	<u>625885</u>		COVER .....	1
11	<u>73277G01</u>		RETAINING RING .....	1
12	<u>73328G01</u>		SPEED SENSOR MAGNET .....	1
13	<u>01037G02</u>		SCREW.....	1
14	<u>620422</u>		SPEED SENSOR HARNESS .....	1
15	<u>24261G1</u>		BUMPER SPLINE .....	1
16	<u>624109</u>		O-RING .....	1



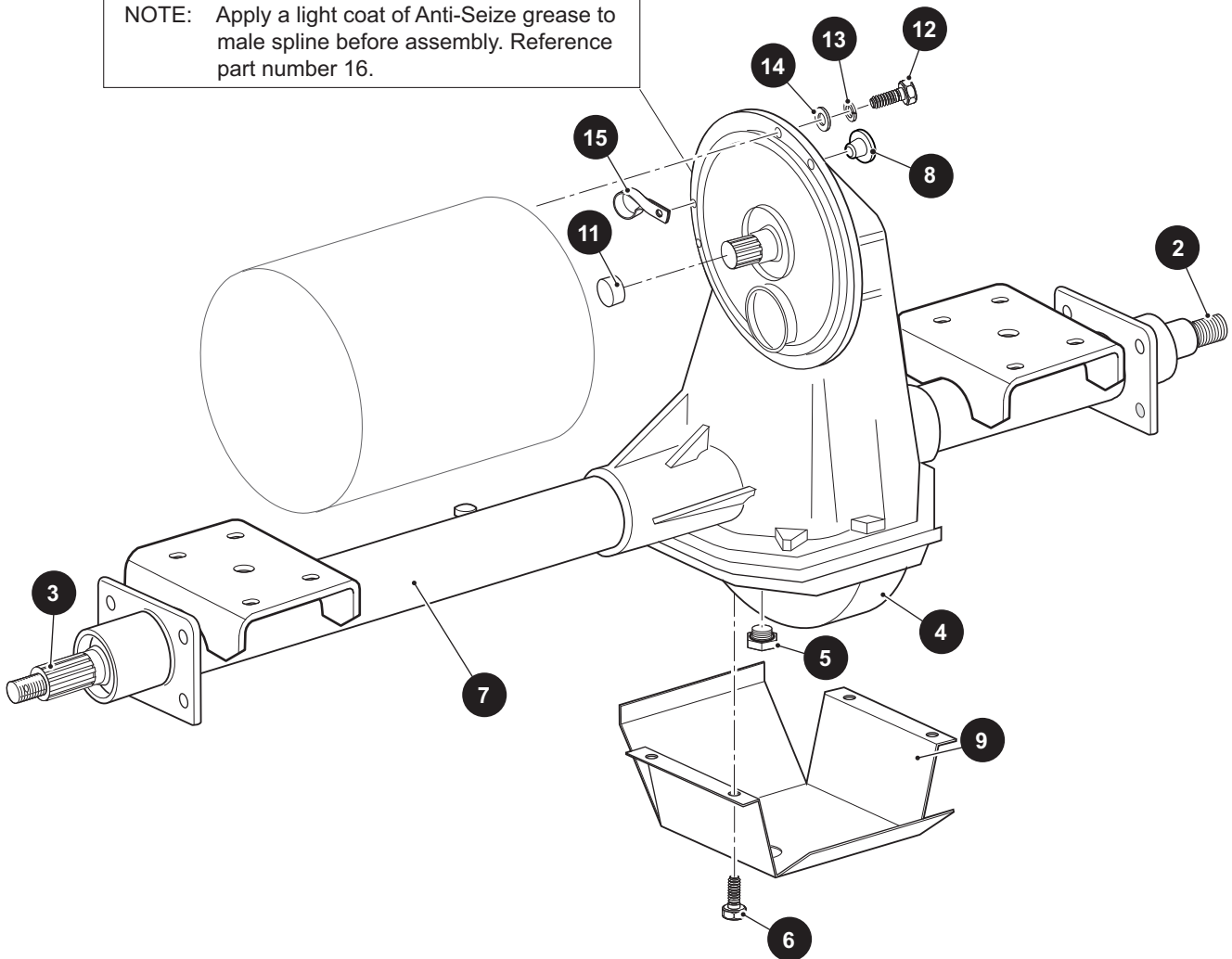


# REAR AXLE

**1** REAR AXLE ASSEMBLY includes items 2 - 7

**18** REAR AXLE ASSEMBLY includes items 2 - 7

NOTE: Apply a light coat of Anti-Seize grease to male spline before assembly. Reference part number 16.



# REAR AXLE

When ordering parts, please specify the model and serial number of the product.

\* Indicates a component that is not available as an individual part.

\*\*\* Indicates consult Customer Service Department for additional information.

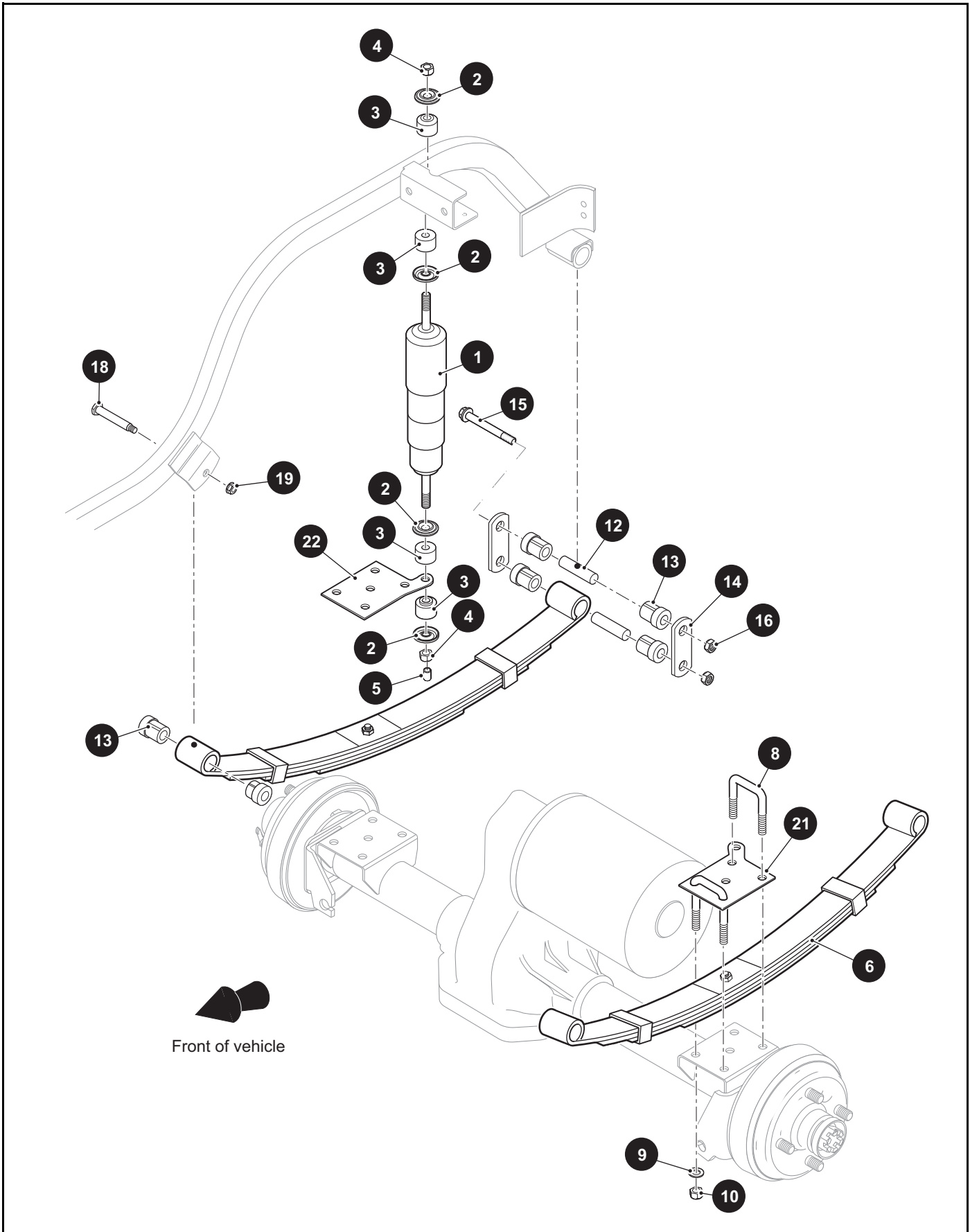
ITEM	PART NO.	1 2 3 4 5	DESCRIPTION	QTY.
1	<u>74776G01</u>		REAR AXLE ASSEMBLY (INCLUDES ITEMS 2 - 7) .....	1
2	<u>617609</u>		AXLE SHAFT (PASSENGER SIDE).....	1
3	<u>617608</u>		AXLE SHAFT (DRIVER SIDE) .....	1
4	<u>612823</u>		DIFFERENTIAL COVER .....	1
5	<u>28610G01</u>		FILL PLUG WITH 'O' RING .....	1
6	<u>15558G1</u>		BOLT, 5/16 - 18 X 3/4" LG .....	10
7	<u>73050G01</u>		VENT .....	1
8	<u>624110</u>		PLUG .....	3
9	<u>72764G02</u>		SCUFF GUARD .....	1
10				
11	<u>24261G1</u>		SPLINE BUMPER .....	1
12	<u>00797G2</u>		BOLT, 1/4 - 20 X 1 1/4" LG.....	3
13	<u>00664G7</u>		LOCK WASHER, 1/4" (SS) .....	3
14	<u>01110G01</u>		FLAT WASHER, 1/4" (SS).....	3
15	<u>27327G01</u>		CLAMP .....	1
16	<u>27023G01</u>		MOLY LUBE, 2 OZ.....	AR
17				
18	<u>617150</u>		REAR AXLE ASSEMBLY W/LSD (INCLUDES ITEMS 2 - 7) .....	1

Notes:

A large rectangular area filled with a grid of small squares, intended for writing notes. The grid consists of 25 columns and 30 rows.



# REAR SUSPENSION





# REAR SUSPENSION

When ordering parts, please specify the model and serial number of the product.

\* Indicates a component that is not available as an individual part.

\*\*\* Indicates consult Customer Service Department for additional information.

ITEM	PART NO.	1 2 3 4 5	DESCRIPTION	QTY.
1	<u>76418G01</u>		SHOCK ABSORBER.....	2
2	<u>10435G1</u>		SHOCK ABSORBER WASHER.....	8
3	<u>10194G1</u>		RUBBER BUSHING.....	8
4	<u>00532G6</u>		HEX NUT, 3/8" - 24.....	4
5	<u>10044G01</u>		VINYL CAP.....	2
6	<u>75721G01</u>		LEAF SPRING.....	2
7				
8	<u>72618G01</u>		'U' BOLT, 3/8 - 16 X 2" X 2 1/2" LG.....	4
9	<u>00560G1</u>		FLAT WASHER, 3/8".....	8
10	<u>11098G5</u>		LOCK NUT, 3/8" - 16.....	8
11				
12	<u>70289G02</u>		SPLIT STEEL SPACER.....	4
13	<u>624030</u>		FLANGED BUSHING.....	12
14	<u>652245</u>		SHACKLE PLATE.....	4
15	<u>00665G9</u>		HEX HEAD BOLT, 3/8" - 16 X 3 1/2" LG (STAINLESS STEEL).....	4
16	<u>11098G5</u>		LOCK NUT, 3/8" - 16.....	4
17				
18	<u>14158G1</u>		SHOULDER BOLT, 3/8" - 16 X 3 1/4" LG.....	2
19	<u>12262G1</u>		LOCK NUT, 3/8" - 16.....	2
20				
21	<u>620733</u>		SHOCK ABSORBER MOUNTING PLATE (DRIVER SIDE).....	1
22	<u>620736</u>		SHOCK ABSORBER MOUNTING PLATE (PASSENGER SIDE).....	1



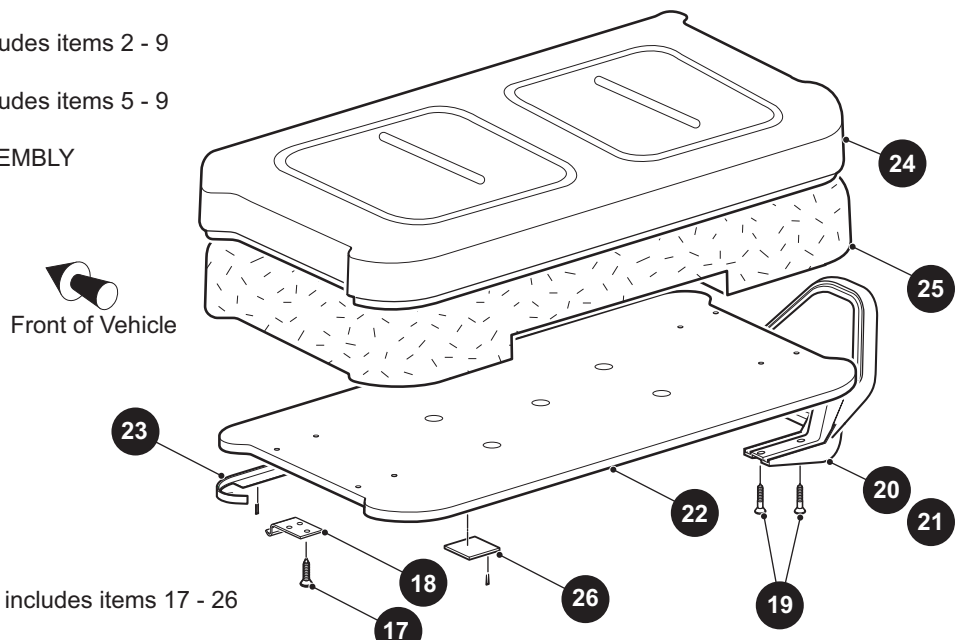


# SEATING

**1** SEAT BACK ASSEMBLY includes items 2 - 9

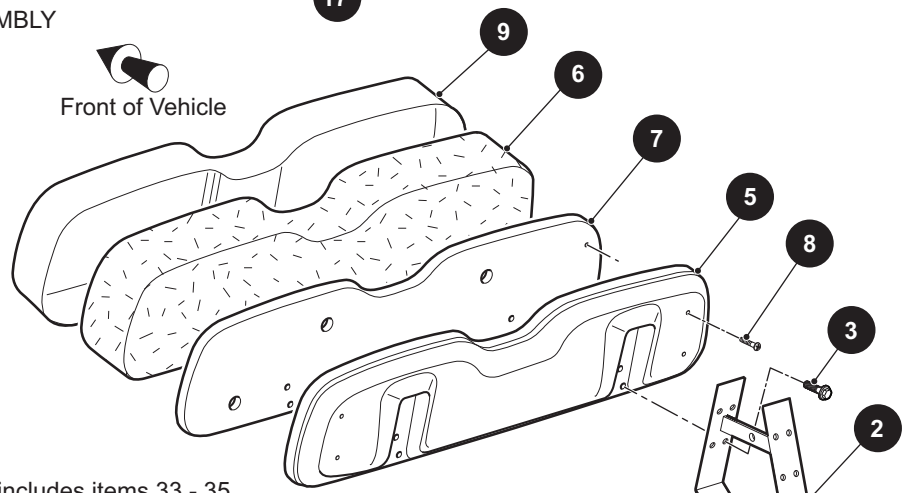
**4** SEAT BACK ASSEMBLY includes items 5 - 9

**10** PREMIUM SEAT BACK ASSEMBLY includes items 2 - 3, 11

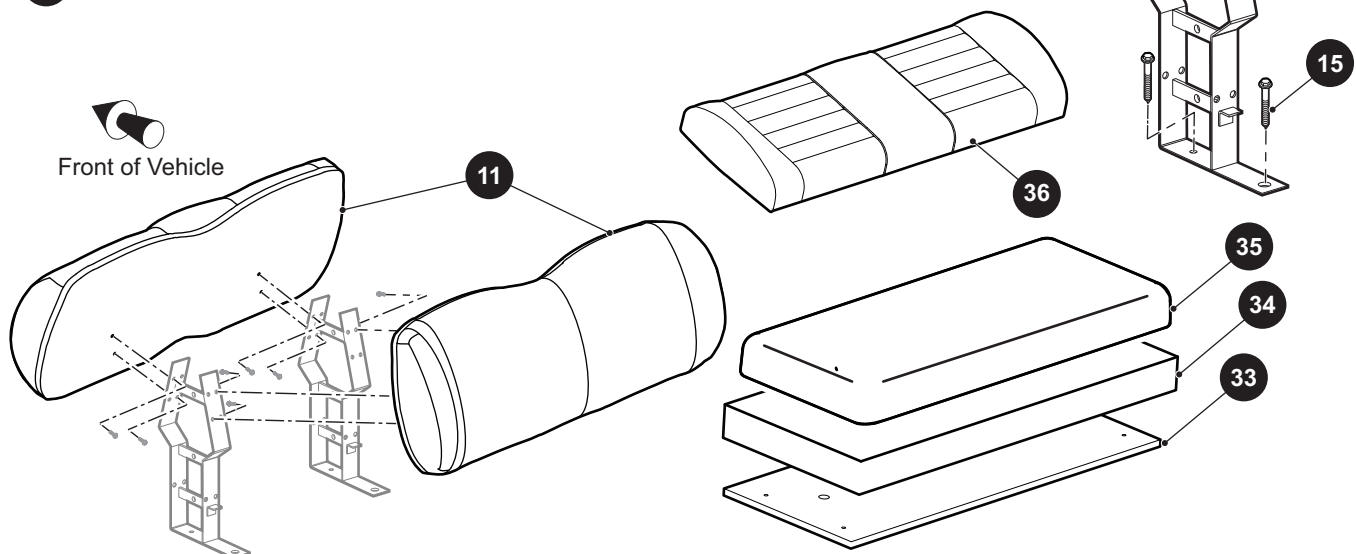


**16** SEAT BOTTOM ASSEMBLY includes items 17 - 26

**27** PREMIUM SEAT BOTTOM ASSEMBLY includes items 17 - 21, 24



**30** FLIP SEAT BOTTOM ASSEMBLY includes items 33 - 35



When ordering parts, please specify the model and serial number of the product.

\* Indicates a component that is not available as an individual part.

\*\*\* Indicates consult Customer Service Department for additional information.

ITEM	PART NO.	1	2	3	4	5	DESCRIPTION	QTY.
1	***	SEAT BACK ASSEMBLY (INCLUDES ITEMS 2 - 9).....					1	
		10000522G0114 GRAY/BLACK						
		10000522G0122 WHITE/BEIGE						
		632818G01 OYSTER						
		632818G03 TAN						
		632818G04 GRAY						
		632818G06 BLACK						
2	<u>634178</u>	SUPPORT WELDMENT .....					1	
3	<u>71204G01</u>	HEX WASHER HEAD BOLT WITH PATCH LOCK, 1/4" - 20 X .875" LG.					4	
4	***	SEAT BACK ASSEMBLY (INCLUDES ITEMS 5 - 9) .....					2	
		10000520G0114 GRAY/BLACK						
		10000520G0122 WHITE/BEIGE						
		71751G03 OYSTER						
		71751G04 TAN						
		71751G02 GRAY						
		71751G07 BLACK						
5	<u>71752G01</u>	COVER (PLASTIC).....					1	
6	<u>71754G01</u>	PADDING (FOAM) .....					1	
7	<u>645021</u>	BASE ASSEMBLY .....					1	
8	<u>01107G01</u>	PAN HEAD TORX SCREW, #8 X .63" LG .....					4	
9	***	VINYL COVER .....					1	
		10004901G14 GRAY/BLACK						
		10000417G22 WHITE/BEIGE						
		71753G02 GRAY						
		71753G03 OYSTER						
		71753G04 TAN						
		71753G07 BLACK						
10	***	PREMIUM SEAT BACK ASSEMBLY (INCLUDES ITEMS 2 - 3, 11).....					1	
		692961G18 MUSHROOM						
		692961G21 PREMIUM BLACK						
11	***	SEAT BACK ASSEMBLY .....					2	
		654084G18 MUSHROOM						
		654084G21 PREMIUM BLACK						
12								
13								
14								
15	<u>01006G01</u>	HEX WASHER HEAD THREAD FORMING SCREW, 3/8" - 16 X 1.25" LG ...					2	

# SEATING

When ordering parts, please specify the model and serial number of the product.

\* Indicates a component that is not available as an individual part.

\*\*\* Indicates consult Customer Service Department for additional information.

ITEM	PART NO.	1	2	3	4	5	DESCRIPTION	QTY.
16	***	SEAT BOTTOM ASSEMBLY (INCLUDES ITEMS 17 - 26).....					1	
		629269G0101 OYSTER						
		629269G0103 TAN						
		629269G0104 GRAY						
		629269G0106 BLACK						
		629269G3022 WHITE/BEIGE						
		629269G3014 GRAY/BLACK						
17	<u>00720G08</u>	FLAT HEAD PHILLIPS TAPPING SCREW, #12 - 14 X 1" LG.....					6	
18	<u>71610G01</u>	SEAT HINGE.....					2	
19	<u>615417</u>	BUTTON HEAD TORX BOLT, M10 - 1.5 X 25MM LG .....					4	
20	<u>617644</u>	HIP RESTRAINT (PASSENGER SIDE).....					1	
21	<u>617645</u>	HIP RESTRAINT (DRIVER SIDE) .....					1	
22	<u>645492</u>	BASE .....					1	
23	<u>71012G01</u>	TRIM (POLYPROPYLENE).....					1	
24	***	VINYL COVER .....					1	
		71602G02	GRAY					
		71602G03	OYSTER					
		71602G04	TAN					
		71602G06	BLACK					
		10000416G22	WHITE/BEIGE					
		10004900G14	GRAY/BLACK					
		654085G18	MUSHROOM					
		654085G21	PREMIUM BLACK					
25	<u>71603G02</u>	PADDING (FOAM) .....					1	
26	<u>17074G1</u>	SOILING SLAB .....					2	
27	***	PREMIUM SEAT BOTTOM ASSEMBLY (INCLUDES ITEMS 17 - 21, 24).....					1	
		629269G2818 MUSHROOM						
		629269G2821 PREMIUM BLACK						
28								
29								
30	***	FLIP SEAT BOTTOM ASSEMBLY (INCLUDES ITEM 33 - 35) .....					1	
		699321G01 OYSTER						
		699321G03 TAN						
		699321G04 GRAY						
		699321G06 BLACK						
		699321G14 GRAY/BLACK						
		699321G22 WHITE/BEIGE						
31								
32								
33	669061	SEAT BOTTOM.....					1	

When ordering parts, please specify the model and serial number of the product.

\* Indicates a component that is not available as an individual part.

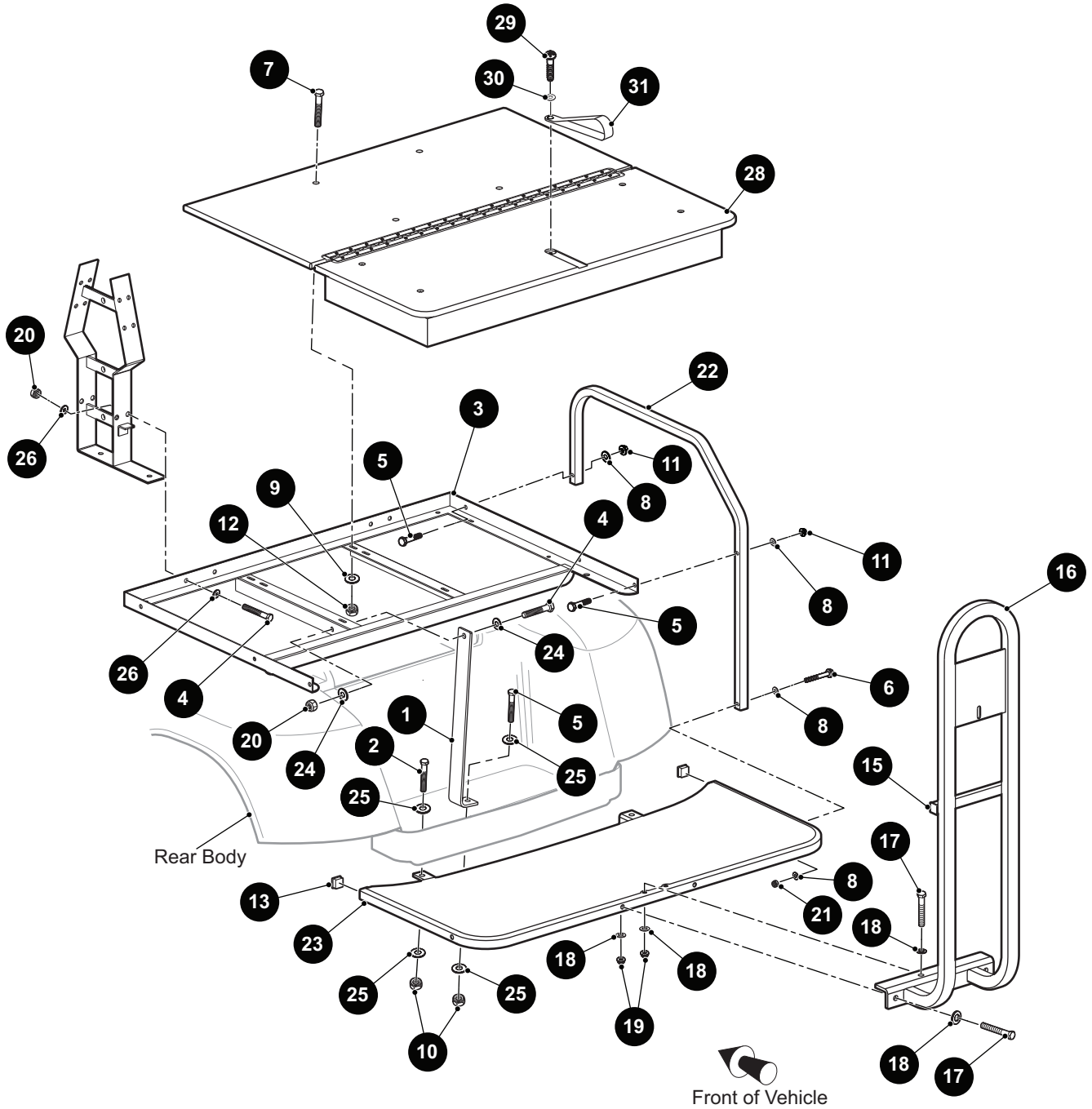
\*\*\* Indicates consult Customer Service Department for additional information.

ITEM	PART NO.	1	2	3	4	5	DESCRIPTION	QTY.
34	699297						SEAT BOTTOM (FOAM) .....	1
35	***						SEAT BOTTOM (VINYL) ..... 615646 OYSTER 615647 TAN 617892 GRAY 615648 BLACK 10004899G14 GRAY/BLACK 10000413G22 WHITE/BEIGE	1
36	***						FLIP SEAT BOTTOM ASSEMBLY (PREMIUM) ..... 600082G18 MUSHROOM 600082G21 PREMIUM BLACK	1

# SEATING

**14** HANDRAIL KIT, FLIP FLOP SEAT includes items 15 - 19

**27** FLIP SEAT ASSEMBLY includes items 28 - 31





When ordering parts, please specify the model and serial number of the product.

\* Indicates a component that is not available as an individual part.

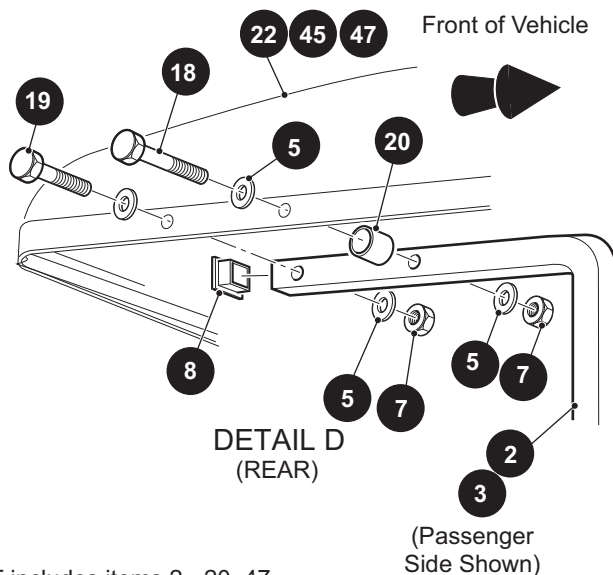
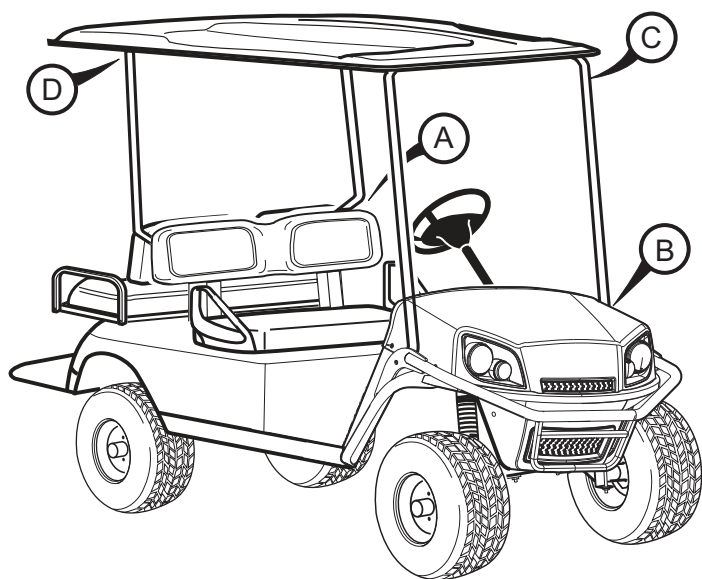
\*\*\* Indicates consult Customer Service Department for additional information.

ITEM	PART NO.	1 2 3 4 5	DESCRIPTION	QTY.
1	<u>634174</u>		SEAT FRAME SUPPORT .....	2
2	<u>00427G6</u>		HEX HEAD BOLT, 3/8" - 16 X 1 3/4" LG, GRADE 5 .....	2
3	<u>634180</u>		SEAT FRAME WELDMENT .....	1
4	<u>00427G2</u>		HEX HEAD BOLT, 3/8" - 16 X 1 1/4" LG, GRADE 5 .....	4
5	<u>00427G4</u>		HEX HEAD BOLT, 3/8" - 16 X 1 1/2" LG, GRADE 5 .....	6
6	<u>00428G8</u>		HEX HEAD BOLT, 3/8" - 16 X 2 1/4" LG .....	2
7	<u>16705G9</u>		TRUSS HEAD PHILLIPS SCREW (SS), 1/4" - 20 X 1 1/4" LG .....	4
8	<u>614221</u>		FLAT WASHER, 3/8" .....	8
9	<u>00559G7</u>		FLAT WASHER, 1/4" .....	4
10	<u>11098G5</u>		LOCK NUT, 3/8" - 16 .....	4
11	<u>11027G5</u>		LOCK NUT, 3/8" - 16 .....	4
12	<u>14390G4</u>		LOCK NUT, 1/4" - 20 .....	4
13	<u>19853G1</u>		SQUARE TUBE CAP, 1" .....	2
14	<u>634184</u>		HANDRAIL KIT, FLIP FLOP SEAT (INCLUDES ITEMS 15 - 19) .....	1
15	<u>19859G1</u>		SQUARE TUBE CAP, 3/4" .....	2
16	<u>634185</u>		FOOTREST HANDLE WELDMENT .....	1
17	<u>00427G8</u>		HEX HEAD BOLT, 3/8" - 16 X 2" LG, GRADE 5 .....	4
18	<u>614221</u>		FLAT WASHER, 3/8" .....	8
19	<u>11098G5</u>		LOCK NUT, 3/8" - 16 .....	4
20	<u>11098G5</u>		LOCK NUT, 3/8" - 16 .....	4
21	<u>11098G5</u>		LOCK NUT, 3/8" - 16 .....	2
22	<u>634175</u>		REAR SEAT ARM REST .....	2
23	<u>634179</u>		FOOTREST WELDMENT .....	1
24	<u>614221</u>		FLAT WASHER, 3/8" .....	4
25	<u>614221</u>		FLAT WASHER, 3/8" .....	8
26	<u>614221</u>		FLAT WASHER, 3/8" .....	4
27	600118		FLIP SEAT ASSEMBLY (INCLUDES ITEMS 28 - 31) .....	1
28	<u>634190</u>		DECK BOARD ASSEMBLY .....	1
29	<u>16705G1</u>		TRUSS HEAD PHILLIPS SCREW (SS), 1/4" - 20 X 1" LG .....	5
30	<u>00559G7</u>		FLAT WASHER, 1/4" .....	1
31	<u>617402</u>		SEAT STRAP .....	1

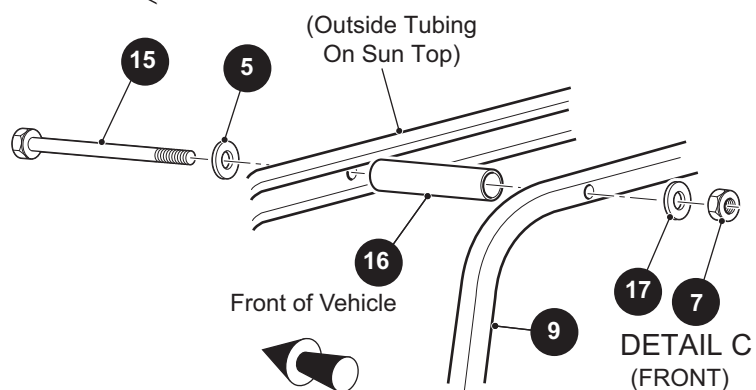
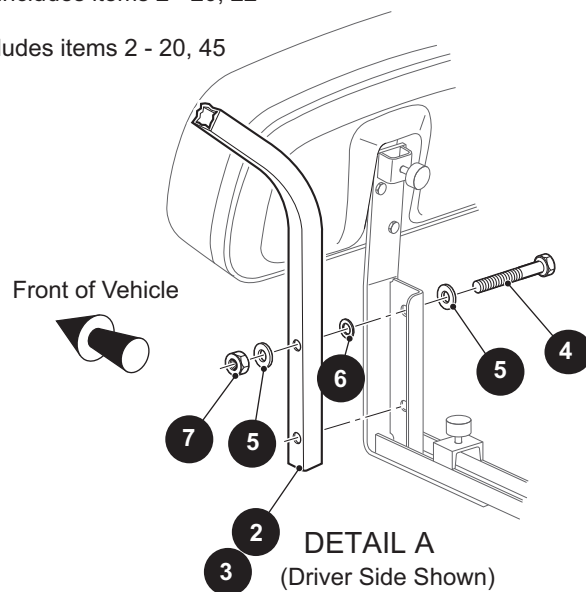
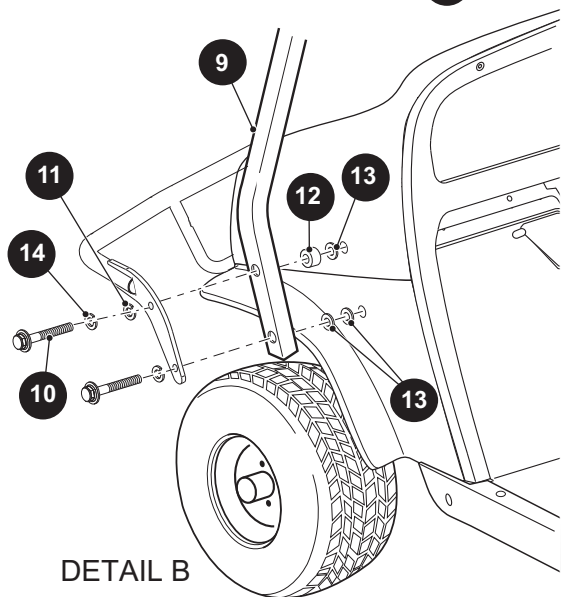


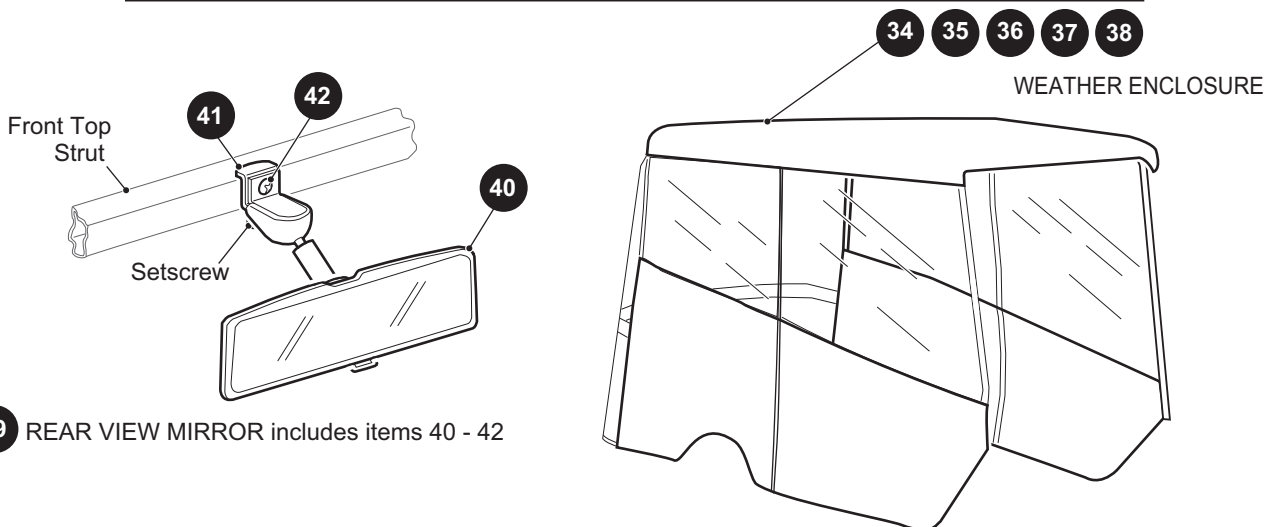
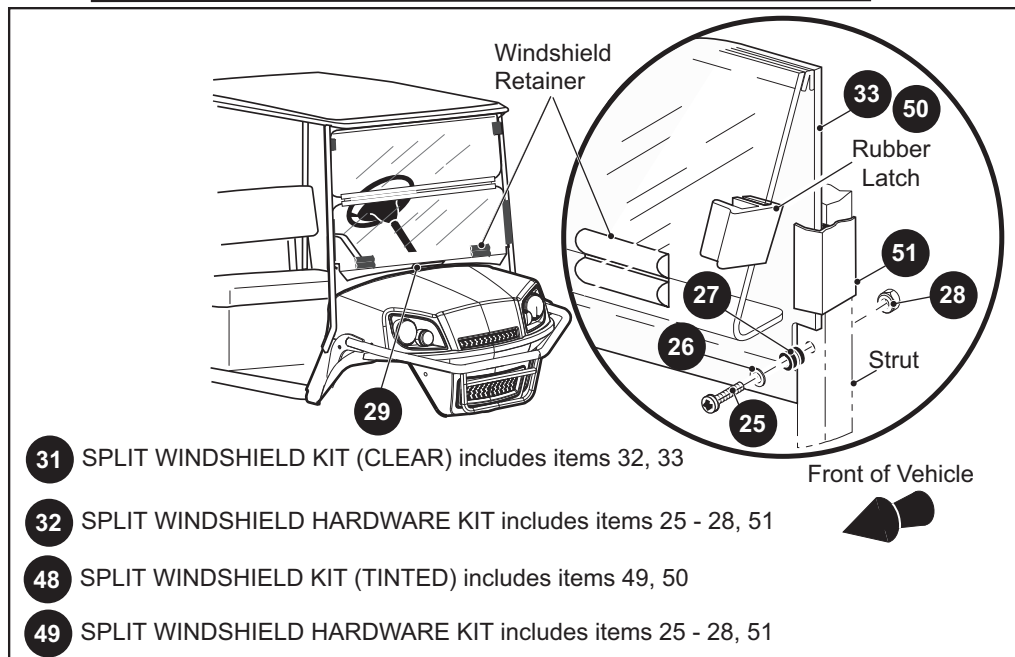
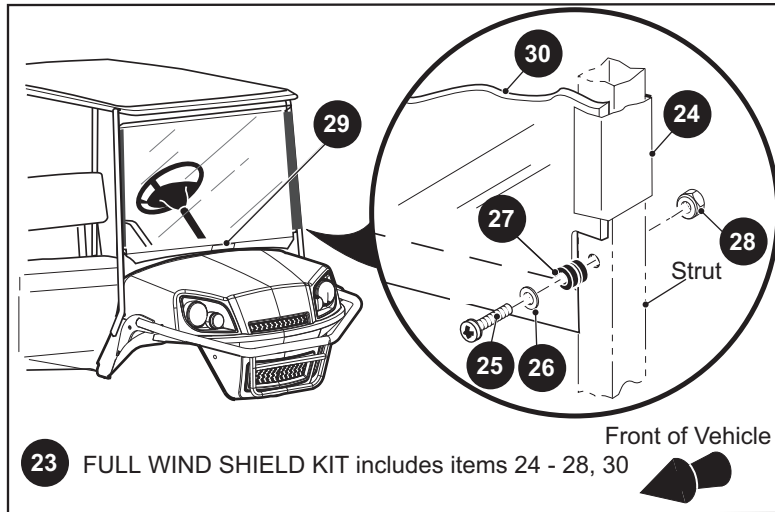


# WEATHER PROTECTION



- 1** BLACK SUN TOP KIT includes items 2 - 20, 47
- 21** WHITE SUN TOP KIT includes items 2 - 20, 22
- 44** TAN SUN TOP KIT includes items 2 - 20, 45





# WEATHER PROTECTION

When ordering parts, please specify the model and serial number of the product.

\* Indicates a component that is not available as an individual part.

\*\*\* Indicates consult Customer Service Department for additional information.

ITEM	PART NO.	1 2 3 4 5	DESCRIPTION	QTY.
1	<u>606260</u>		BLACK SUN TOP KIT, 80"LG (INCLUDES ITEMS 2 - 20, 47).....	1
2	<u>602743</u>		REAR STRUT (DRIVER SIDE) .....	1
3	<u>602741</u>		REAR STRUT (PASSENGER SIDE) .....	1
4	<u>00665G5</u>		HEX HEAD BOLT (SS), 3/8" - 16 X 1 3/4" LG .....	4
5	<u>00679G1</u>		FLAT WASHER (SS), 3/8" .....	18
6	<u>00771G5</u>		NYLON WASHER, 3/8" .....	4
7	<u>00891G5</u>		LOCK NUT, 3/8" - 16 .....	10
8	<u>19853G1</u>		END CAP, 1" .....	2
9	75125G01		FRONT STRUT.....	1
10	<u>00440G2</u>		HEX HEAD BOLT, 5/16" - 18 X 2 1/4" LG .....	4
11	<u>00565G8</u>		LOCK WASHER, 5/16" .....	4
12	<u>75048G01</u>		SPACER, 1/2" .....	2
13	<u>00879G1</u>		LOCK WASHER, 3/8" .....	4
14	00559G8		FLAT WASHER, 5/16" .....	4
15	00674G8		HEX HEAD BOLT, 3/8" - 16 X 5" LG.....	2
16	<u>18716G1</u>		SPACER .....	2
17	<u>00653G1</u>		FLAT WASHER (SS), 3/8" .....	2
18	00665G3		HEX HEAD BOLT (SS), 3/8" - 16 X 2 1/2" LG .....	2
19	<u>00665G6</u>		HEX HEAD BOLT (SS), 3/8" - 16 X 2" LG .....	2
20	24647G1		SPACER, 1/4" .....	2
21	<u>603119</u>		WHITE SUN TOP KIT, 80" LG (INCLUDES ITEMS 2 - 20, 22).....	1
22	<u>27604G01</u>		SUN TOP, WHITE .....	1
23	<u>71966G03</u>		FULL WINDSHIELD KIT (INCLUDES ITEMS 24 - 28, 30).....	1
24	<u>615662</u>		SASH, 26" LG .....	2
25	*		HEX HEAD BOLT (SS), 1/4" - 20 X 1 3/4" LG .....	2
26	*		FLAT WASHER (SS), 1/4" .....	2
27	*		RUBBER GROMMET .....	2
28	*		LOCK NUT (SS), 1/4" - 20 .....	2
29	71963G01		SAFETY LABEL .....	1
30	<u>71960G01</u>		FULL WINDSHIELD .....	1

# WEATHER PROTECTION

When ordering parts, please specify the model and serial number of the product.

\* Indicates a component that is not available as an individual part.

\*\*\* Indicates consult Customer Service Department for additional information.

ITEM	PART NO.	1 2 3 4 5	DESCRIPTION	QTY.
31	<u>71966G05</u>		SPLIT WINDSHIELD KIT (CLEAR) (INCLUDES ITEMS 32, 33) .....	1
32	<u>71956G05</u>		SPLIT WINDSHIELD HARDWARE KIT (INCLUDES ITEMS 25 - 28, 51) .....	1
33	<u>630012</u>		SPLIT WINDSHIELD (CLEAR) .....	1
34	<u>624829</u>		BLACK WEATHER ENCLOSURE (3 SIDED) (REQUIRES SUN TOP KIT) ...	1
35	<u>624830</u>		GRAY WEATHER ENCLOSURE (3 SIDED) (REQUIRES SUN TOP KIT) .....	1
36	<u>624831</u>		GREEN WEATHER ENCLOSURE (3 SIDED) (REQUIRES SUN TOP KIT) ..	1
37	<u>624832</u>		WHITE WEATHER ENCLOSURE (3 SIDED) (REQUIRES SUN TOP KIT) ...	1
38	<u>624833</u>		TAN WEATHER ENCLOSURE (3 SIDED) (REQUIRES SUN TOP KIT) .....	1
39	195 28G2		REAR VIEW MIRROR KIT (INCLUDES ITEMS 40 - 42) .....	1
40	<u>19496G1</u>		REAR VIEW MIRROR .....	1
41	19502G2		SUPPORT BRACKET .....	1
42	<u>19527G1</u>		HEX HEAD BOLT (SS), #8 - 32 X 5/8" LG .....	1
43				
44	<u>603120</u>		TAN SUN TOP KIT, 80" LG (INCLUDES 2 - 20, 45) .....	1
45	<u>602672</u>		TAN SUN TOP, 80" LG .....	1
46				
47	<u>606937</u>		BLACK SUN TOP .....	1
48	<u>71966G06</u>		SPLIT WINDSHIELD KIT (TINTED) (INCLUDES ITEMS 49, 50) .....	1
49	<u>71956G05</u>		SPLIT WINDSHIELD HARDWARE KIT (INCLUDES ITEMS 25 - 28, 51) .....	1
50	<u>630013</u>		SPLIT WINDSHIELD (TINTED) .....	1
51	<u>615661</u>		SASH, 12" LG .....	2

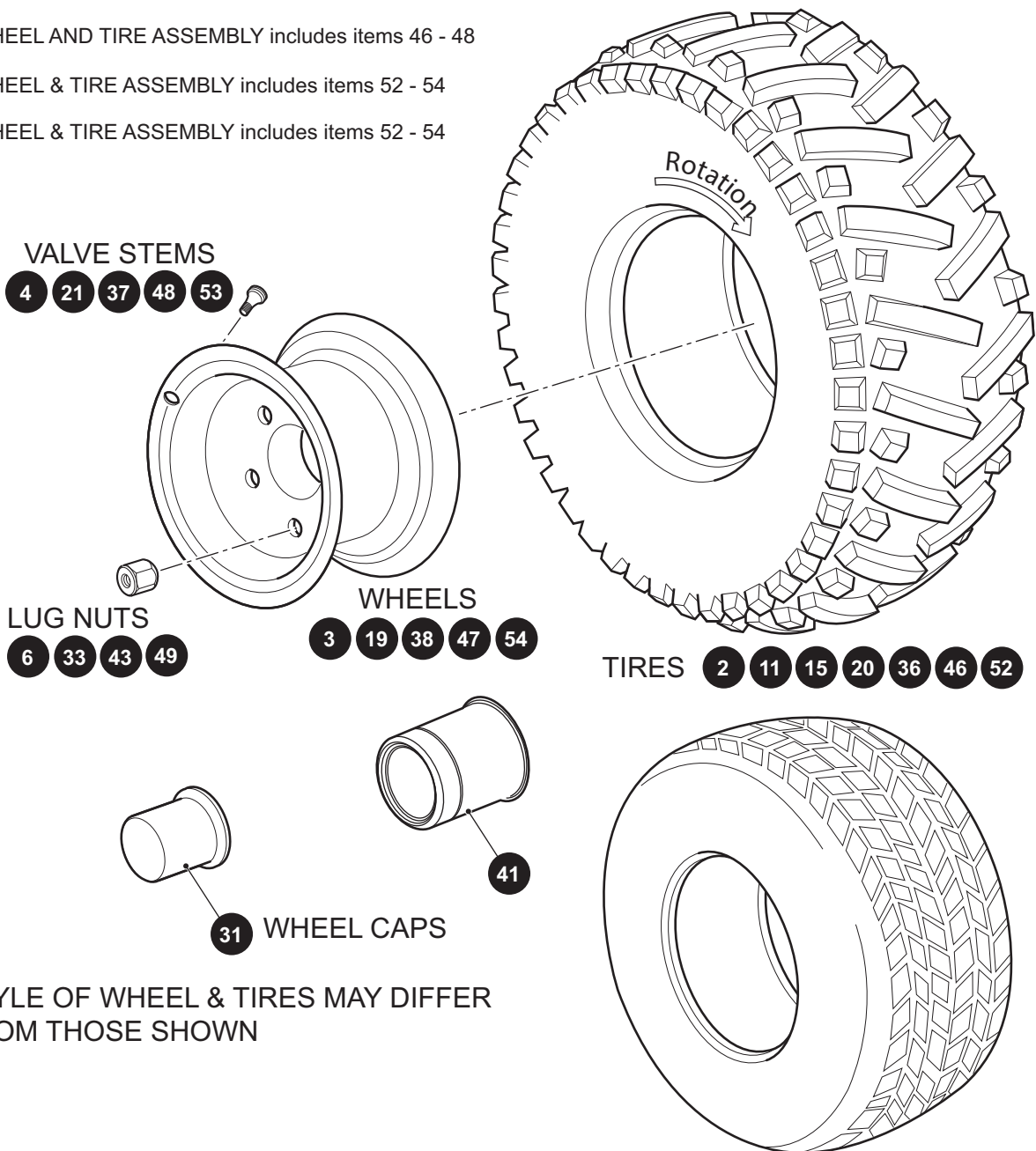






# WHEELS AND TIRES

- 1 BLACK WHEEL & TURF SAVERTIRE ASSEMBLY includes items 2 - 4
- 9 WHEEL & TRAIL WOLF TIRE ASSEMBLY DRIVER SIDE includes items 11
- 10 WHEEL & TRAIL WOLF TIRE ASSEMBLY PASSENGER SIDE includes items 11
- 13 BLACK WHEEL & STRYKER 1 TIRE ASSEMBLY DRIVER SIDE includes items 2, 4, 15
- 14 BLACK WHEEL & STRYKER 1 TIRE ASSEMBLY PASSENGER SIDE includes items 2, 4, 15
- 17 POLISHED WHEEL & PATHFINDER TIRE ASSEMBLY DRIVER SIDE includes items 19 - 21
- 18 POLISHED WHEEL & PATHFINDER TIRE ASSEMBLY PASSENGER SIDE includes items 19 - 21
- 35 POLISHED SPOKED WHEEL & TERRA TRAC TIRE ASSEMBLY includes items 36 - 38
- 45 WHEEL AND TIRE ASSEMBLY includes items 46 - 48
- 50 WHEEL & TIRE ASSEMBLY includes items 52 - 54
- 51 WHEEL & TIRE ASSEMBLY includes items 52 - 54



# WHEELS AND TIRES

When ordering parts, please specify the model and serial number of the product.

\* Indicates a component that is not available as an individual part.

\*\*\* Indicates consult Customer Service Department for additional information.

ITEM	PART NO.	1 2 3 4 5	DESCRIPTION	QTY.
1	<u>28442G03</u>		BLACK WHEEL AND TURF SAVER® TIRE ASSEMBLY (INCLUDES ITEMS 2 - 4) (FOR VEHICLES MANUFACTURED UNTIL 14OCT2016) .....	AR
2	<u>28442G02</u>		TIRE, 20 X 10 - 10 TURF SAVER® .....	1
3	<u>15172G02</u>		BLACK WHEEL RIM, (4 LUG).....	1
4	<u>11657-G1</u>		VALVE STEM.....	1
5				
6	<u>14723G1</u>		LUG NUT, 1/2" -20 .....	AR
7				
8				
9	<u>74842G03</u>		WHEEL & TRAIL WOLF TIRE® ASSEMBLY (DRIVER SIDE) (INCLUDES ITEM 11) .....	AR
10	<u>74842G04</u>		WHEEL & TRAIL WOLF TIRE® ASSEMBLY (PASSENGER SIDE) (INCLUDES ITEM 11) .....	AR
11	<u>74842G05</u>		TIRE, 20 X 11 - 10 TRAIL WOLF®.....	1
12				
13	<u>28630G04</u>		BLACK WHEEL & STRYKER® 1 TIRE ASSEMBLY (DRIVER SIDE) (INCLUDES ITEMS 2, 4, 15).....	AR
14	<u>28630G05</u>		BLACK WHEEL & STRYKER® 1 TIRE ASSEMBLY (PASSENGER SIDE) (INCLUDES ITEMS 2, 4, 15).....	AR
15	<u>28630G01</u>		TIRE, 22 X 9 - 10 STRYKER 1 .....	1
16				
17	<u>604930</u>		POLISHED WHEEL & PATHFINDER TIRE® ASSEMBLY (DRIVER SIDE) (INCLUDES ITEM 19 - 21) .....	AR
18	<u>605228</u>		POLISHED WHEEL & PATHFINDER TIRE® ASSEMBLY (PASSENGER SIDE) (INCLUDES ITEM 19 - 21) .....	AR
19	<u>604927</u>		POLISHED CAST ALUMINUM WHEEL .....	1
20	<u>604928</u>		TIRE, 22 X 11 PATHFINDER TIRE®.....	1
21	<u>604915</u>		VALVE STEM.....	1
22				
23				
24				
25				
26				

# WHEELS AND TIRES

When ordering parts, please specify the model and serial number of the product.

\* Indicates a component that is not available as an individual part.

\*\*\* Indicates consult Customer Service Department for additional information.

ITEM	PART NO.	1	2	3	4	5	DESCRIPTION	QTY.
27								
28	<u>606240</u>						DIAMOND WHEEL & SPEEDRACER TIRE ASSY (DRIVER SIDE).....	AR
29	<u>606179</u>						DIAMOND WHEEL & SPEEDRACER TIRE ASSY (PASSENGER SIDE) .....	AR
30								
31	<u>608910</u>						DIAMOND WHEEL CAP.....	AR
32								
33	<u>605310</u>						CHROME LUG NUT, 1/2" - 20.....	AR
34								
35	<u>608914</u>						POLISHED SPOKED WHEEL & TERRA TRAC TIRE ASSEMBLY (INCLUDES ITEMS 36 - 38) (FOR VEHICLES MANUFACTURED BEFORE MAY 19, 2018).....	AR
36	<u>606141</u>						TERRA TRAC TIRE, 22 X 11 - 10.....	1
37	<u>604915</u>						CHROME VALVE STEM.....	1
38	<u>604927</u>						POLISHED SPOKED WHEEL, 10 X 7.....	1
39								
40								
41	<u>601353</u>						WHEEL CAP.....	AR
42								
43	<u>605310</u>						CHROME LUG NUT, 1/2" - 20.....	AR
44								
45	<u>652263</u>						WHEEL AND TIRE ASSEMBLY (INCLUDES ITEMS 46 - 48) (FOR VEHICLES MANUFACTURED FROM 15OCT2016).....	AR
46	<u>652986</u>						KENDA TIRE, K500, 20 X 8 - 10, 6PLY .....	1
47	<u>643934</u>						WHEEL, 10 X 6.....	1
48	<u>643948</u>						VALVE STEM.....	1
49	<u>14723G1</u>						LUG NUT, 1/2" - 20.....	AR
50	671955G01						DESERT EAGLE WHEEL AND TIRE ASSEMBLY, DRIVER SIDE (INCLUDES ITEMS 52 - 54).....	AR
51	671955G02						DESERT EAGLE WHEEL AND TIRE ASSEMBLY, PASSENGER SIDE (INCLUDES ITEMS 52 - 54).....	AR
52	<u>671459</u>						TIRE, 23 X 10 - 14 .....	1
53	<u>604915</u>						CHROME VALVE STEM.....	1
54	<u>670078</u>						WHEEL, 14 X 7 .....	1









A Textron Company

**E-Z-GO Division of Textron Inc.,**  
1451 Marvin Griffin Road, Augusta, Georgia 30906 - 3852 USA

**TO CONTACT US...**

North America:

**Technical Assistance & Warranty** Phone: 1-800-774-3946, FAX: 1-800-448-8124

**Service Parts** Phone: 1-888-GET-E-Z-GO (1-888-438-3946), FAX: 1-800-752-6175

International: Phone: 001-706-798-4311, FAX: 001-706-771-4609

Service Parts Manuals, as well as Repair and Service Manuals  
are available from a local Distributor, an authorized Branch,  
Genuine E-Z-GO Parts & Accessories Department or at [www.shopezgo.com](http://www.shopezgo.com).

Copyrighted Material  
This manual may not be reproduced in whole or  
in part without the express permission of  
E-Z-GO Division of Textron Inc.  
Technical Communications Department