



A Textron Company

# **Express S4, 72V**

## **Service Parts Manual**



# SERVICE PARTS MANUAL

## ELECTRIC POWERED VEHICLE

### EXPRESS S4, 72V

### STARTING MODEL YEAR 2020

Never modify the vehicle in any way that will alter the weight distribution of the vehicle, decrease its stability or increase the speed beyond the factory specifications. Such modifications can cause serious personal injury or death. Textron Specialized Vehicles prohibits and dis-claims responsibility for any such modifications or any other alteration which would adversely affect the safety of the vehicle.

TSV reserves the right to incorporate engineering and design changes to products in this manual, without obligation to include these changes on units sold previously.

The information contained in this manual may be revised periodically by TSV, and therefore is subject to change without notice.

TSV DISCLAIMS LIABILITY FOR ERRORS IN THIS MANUAL, and SPECIFICALLY DISCLAIMS LIABILITY FOR INCIDENTAL AND CONSEQUENTIAL DAMAGES resulting from the use of the information and materials in this manual.

These are the original instructions as defined by 2006/42/EC.

#### TO CONTACT US:

Textron Specialized Vehicles, Inc.  
1451 Marvin Griffin Road  
Augusta, Georgia, USA 30906-3852

#### NORTH AMERICA:

Technical Assistance & Warranty PHONE: 1-800-774-3946, FAX: 1-800-448-8124

Service Parts PHONE: 1-888-438-3946, FAX: 1-800-752-6175

International: PHONE: 001-706-798-4311, FAX: 001-706-771-4609

## GENERAL INFORMATION

To obtain a copy of the limited warranty applicable to the vehicle, call or write a local Distributor, authorized Branch or the Warranty Department with vehicle serial number and manufacturer code.

The use of non Original Equipment Manufacturer (OEM) approved parts may void the warranty.

Tampering with or adjusting the governor to permit vehicle to operate at above factory specifications will void the vehicle warranty.

When servicing engines, all adjustments and replacement components must be per original vehicle specifications in order to maintain the United States of America Federal and State emission certification applicable at the time of manufacture.

### BATTERY PROLONGED STORAGE

All batteries will self discharge over time. The rate of self discharge varies depending on the ambient temperature and the age and condition of the batteries.

A fully charged battery will not freeze in winter temperatures unless the temperature falls below -75° F (-60° C).

### BATTERY DISPOSAL

Lead-acid batteries are recyclable. Return whole scrap batteries to distributor, manufacturer or lead smelter for recycling. For neutralized spills, place residue in acid-resistant containers with absorbent material, sand or earth and dispose of in accordance with local, state and federal regulations for acid and lead compounds. Contact local and/or state environmental officials regarding disposal information.



# TABLE OF CONTENTS

<b>SECTION</b>	<b>Page No.</b>
<b>HOW TO USE THE SERVICE PARTS MANUAL</b> .....	<b>V</b>
<b>ACCELERATOR</b> .....	<b>A - 1</b>
<b>BATTERY CHARGER</b> .....	<b>B - 1</b>
<b>BODY</b> .....	<b>C - 1</b>
<b>BRAKES</b> .....	<b>D - 1</b>
<b>ELECTRICAL</b> .....	<b>E - 1</b>
<b>ELECTRONIC SPEED CONTROL</b> .....	<b>F - 1</b>
<b>FRONT SUSPENSION AND STEERING</b> .....	<b>G - 1</b>
<b>MOTOR</b> .....	<b>H - 1</b>
<b>REAR AXLE</b> .....	<b>J - 1</b>
<b>REAR SUSPENSION</b> .....	<b>K - 1</b>
<b>SEATING</b> .....	<b>L - 1</b>
<b>WEATHER PROTECTION</b> .....	<b>M - 1</b>
<b>WHEELS AND TIRES</b> .....	<b>N - 1</b>
<b>DECALS AND LABELS</b> .....	<b>P - 1</b>



# HOW TO USE THE SERVICE PARTS MANUAL

This manual is divided into several sections:

- GENERAL INFORMATION
- ILLUSTRATED PARTS BREAKDOWN

The first section, GENERAL INFORMATION, contains the following information:

- WARRANTY INFORMATION
- TABLE OF CONTENT
- HOW TO USE THE SERVICE PARTS MANUAL

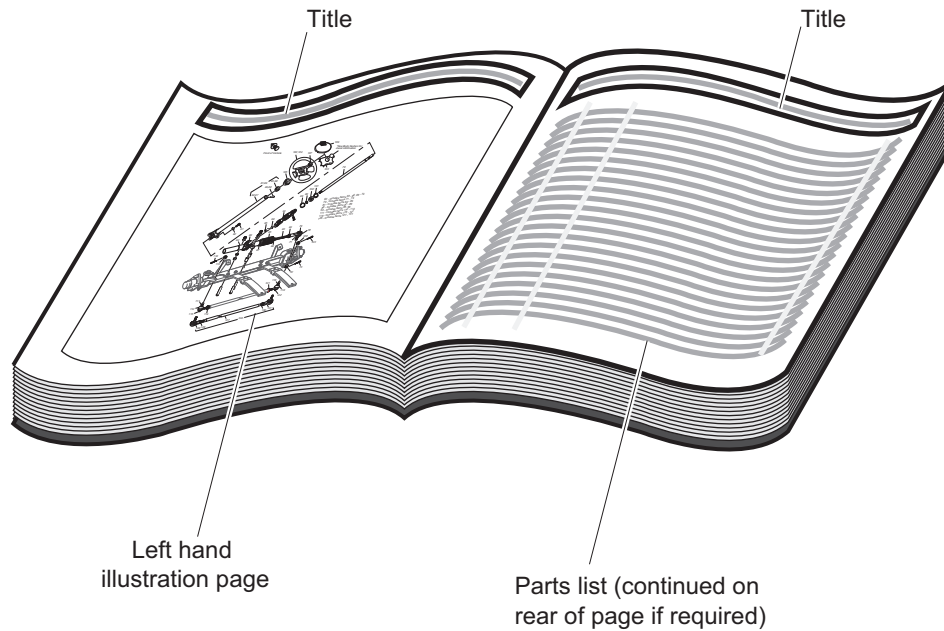
The second section, ILLUSTRATED PARTS BREAKDOWN, contains illustrations and parts lists for all systems of your vehicle.

## USE OF THE MANUAL

To use this manual, consult the TABLE OF CONTENTS to locate the information or illustration required.

Introduction of some revisions varies due to supply of components; therefore, it is possible that various combinations of components may be found that are not directly reflected by each illustration. Consult the illustration that best suits your situation and then contact the Service Parts Department. It is important that the serial number or VIN of your vehicle and the model name be supplied to Service Parts when ordering any replacement components.

# HOW TO USE THE SERVICE PARTS MANUAL



## 1. WHEN THE PART NUMBER IS NOT KNOWN

- Determine the function and application of the part required. Turn to the Table of Content and select the most appropriate title.
- Turn to the page number indicated and locate the desired part on the illustration.
- From the illustration, obtain the item number assigned to the desired part. Refer to the accompanying description for specific information regarding the part.

## 2. IF YOU KNOW THE PART NUMBER

- Locate the part number or description in the appropriate column on the parts list page.

NOTE: It is suggested that you confirm that the part selected is correct by verifying it with the pictorial representation on the illustrated page.

Should an asterisk (\*) appear in the part number column on the parts list page, read upwards until a part number is found. The part number is the lowest assembly sold by Service Parts and the asterisk (\*) indicates that the part depicted is not available for purchase.

NOTE: Descriptions are indented under the assembly that they are used on. That assembly is, in turn listed under the assembly that it is used on. This process is repeated until the highest final assembly is reached.

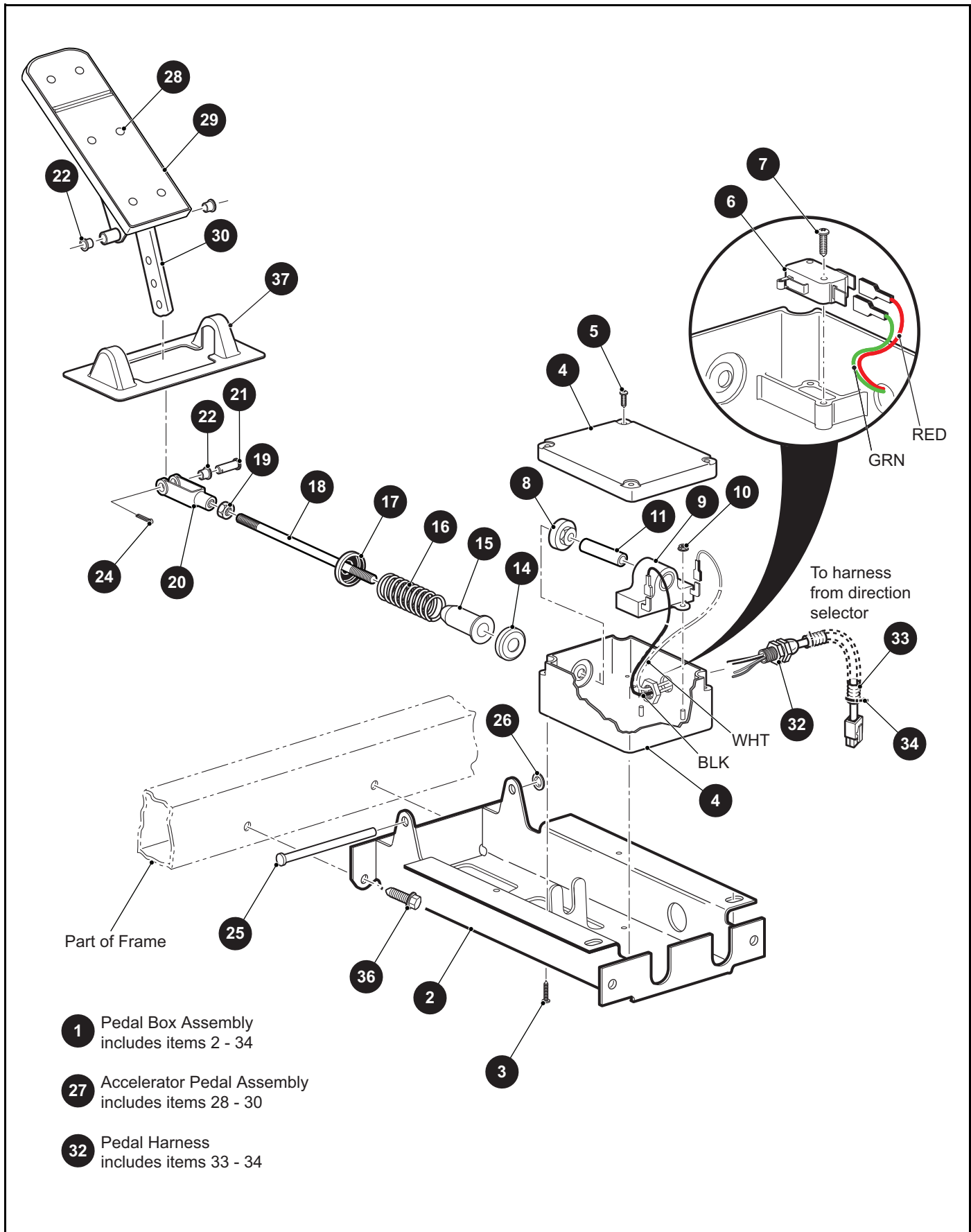
**To facilitate the maintenance and repair of the vehicle, a Repair and Service Manual is available from the Service Parts Department.**

## 3. COLOR CODE FOR BODY COMPONENTS

The last two digits of the part number for the body part will denote the color code, locate the part number for the cowl, rear body, seat pod, side panel or seat wrap then locate your color in the list below, replace the last \*\* or XX with the two digit color code.

<b><u>CODE #</u></b>	<b><u>DESCRIPTION</u></b>
02	SPECIAL COLOR
11	BLACK
19	PATRIOT BLUE PEARL
20	INFERNO RED METALLIC
26	STEEL BLUE PEARL
31	METALLIC CHARCOAL
35	SAFETY YELLOW
36	IVORY
37	FOREST GREEN
38	BRIGHT WHITE
39	FLAME RED
41	ELECTRIC BLUE
42	PLATINUM
43	BURGUNDY
44	ALMOND
51	SUNBURST ORANGE
52	BRITISH RACING GREEN
69	MONSTER GREEN
74	BARLEY GOLD
75	OASIS GREEN
76	JAVA BROWN
79	JACOBSEN ORANGE 172
A5	OCEAN GRAY

# ACCELERATOR



THE USE OF NON U.L. PARTS WILL VOID ANY U.L. LISTING.

When ordering parts, please specify the model and serial number of the product.

\* Indicates a component that is not available as an individual part.

\*\*\* Indicates consult Customer Service Department for additional information.

ITEM	PART NO.	1 2 3 4 5	DESCRIPTION	QTY.
1	<u>73333G11</u>		Pedal Box Assembly (Includes Items 2 - 34).....	1
2	<u>652241G03</u>		Accelerator Pedal Bracket .....	1
3	<u>01051G01</u>		Pan Head Phillips Screw, #8 - 10 x 1/2" Lg .....	4
4	<u>25853G01</u>		Pedal Box And Cover .....	1
5	<u>00684G6</u>		Truss Head Screw (SS), #8 - 32 x 3/4" Lg.....	2
6	<u>25861G01</u>		Micro Switch .....	1
7	<u>01050G01</u>		Pan Head Torx Screw, #4 - 20 x 5/8" Lg.....	2
8	<u>28444G01</u>		Accelerator Rod Cam .....	1
9	<u>25854G01</u>		Inductive Throttle Sensor.....	1
10	<u>00983G01</u>		Self Threading Nut, .38" .....	2
11	<u>602484</u>		Plunger .....	1
12				
13				
14	<u>17677G1</u>		Spring Retainer.....	1
15	<u>17979G1</u>		Bushing, .75" x 2" Lg .....	1
16	<u>73046G01</u>		Compression Spring .....	1
17	<u>17677G2</u>		Spring Retainer, 3/8".....	1
18	<u>73332G01</u>		Accelerator Rod.....	1
19	<u>00532G4</u>		Hex Nut, 5/16" - 24 .....	1
20	10385G4		Clevis Yoke (Adjustable).....	1
21	<u>10386G3</u>		Clevis Pin, 5/16" x 13/16" Lg .....	1
22	<u>17838G1</u>		Nylon Bushing, .37" x .31" Lg .....	3
23				
24	<u>10387G3</u>		Cotter Pin, 3/32" x 3/4" Lg .....	1
25	<u>74432G01</u>		Pedal Pivot Pin .....	1
26	<u>12064G6</u>		Push Nut, 5/16".....	1
27	<u>25799G03</u>		Accelerator Pedal Assembly (Includes Items 28 - 30).....	1
28	<u>16409G1</u>		Oval Rivet, 3/16" x 7/16" Lg .....	6
29	<u>27512G01</u>		Accelerator Pedal Pad .....	1
30	652824		Accelerator Pedal.....	1
31				

# ACCELERATOR

THE USE OF NON U.L. PARTS WILL VOID ANY U.L. LISTING.

When ordering parts, please specify the model and serial number of the product.

\* Indicates a component that is not available as an individual part.

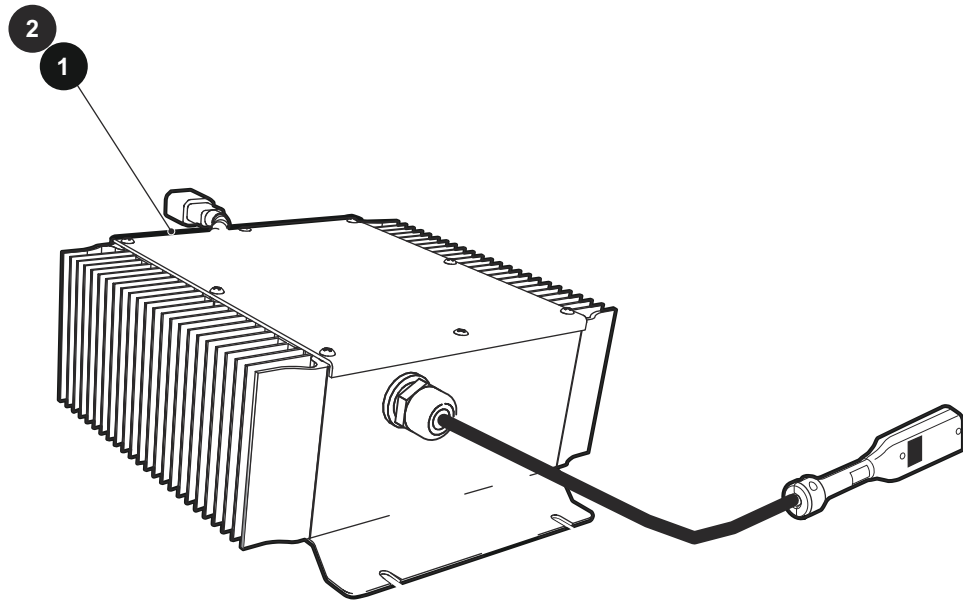
\*\*\* Indicates consult Customer Service Department for additional information.

ITEM	PART NO.	1	2	3	4	5	DESCRIPTION	QTY.
32	<u>25879G08</u>						Pedal Harness (Includes Items 33 - 34).....	1
33	<u>17313G1</u>						Loom Flex (Bulk), 3/8" .....	1
34	<u>17618G1</u>						Nylon Clamp, 8" Lg.....	2
35								
36	<u>00715G2</u>						Hex Head Bolt, 5/16" - 18 x 3/4" Lg.....	4
37	<u>71035G01</u>						Pedal Pivot Cover.....	1





# BATTERY CHARGER



# BATTERY CHARGER

THE USE OF NON U.L. PARTS WILL VOID ANY U.L. LISTING.

When ordering parts, please specify the model and serial number of the product.

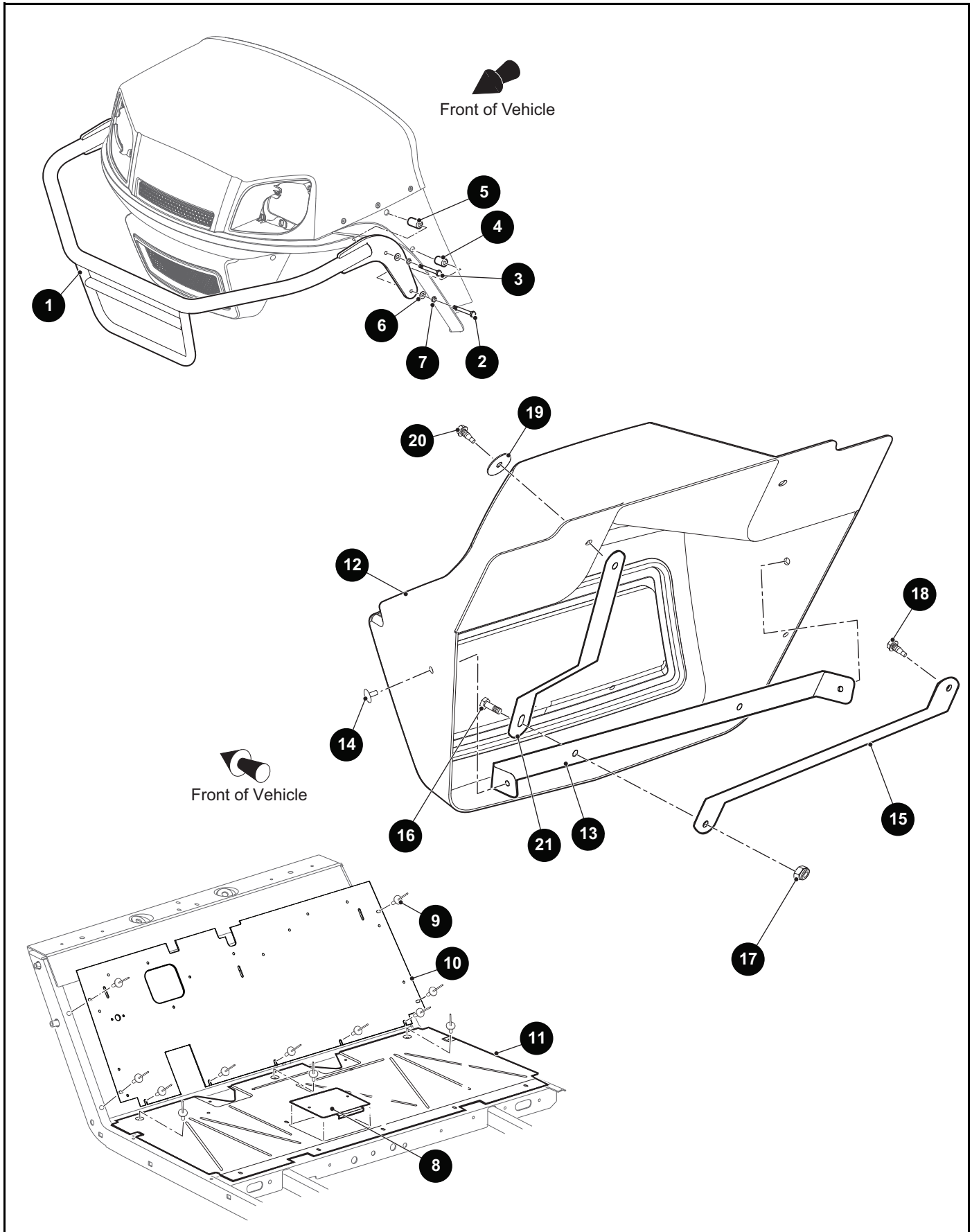
\* Indicates a component that is not available as an individual part.

\*\*\* Indicates consult Customer Service Department for additional information.

ITEM	PART NO.	1 2 3 4 5	DESCRIPTION	QTY.
1	<u>645743</u>		Battery Charger, 72V, 1500W .....	1
2	<u>634567</u>		Battery Charger, 72V, 1000W .....	1







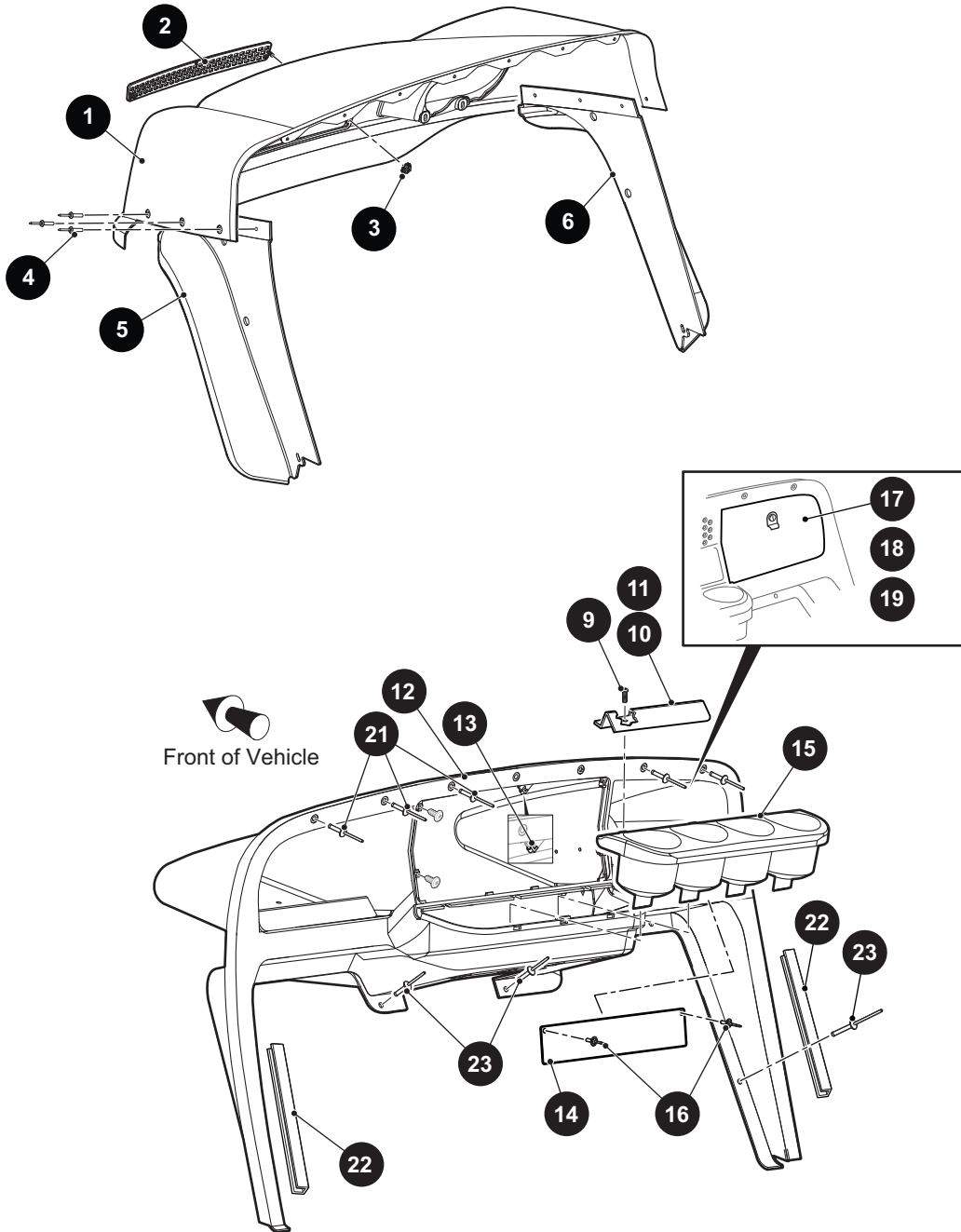
THE USE OF NON U.L. PARTS WILL VOID ANY U.L. LISTING.

When ordering parts, please specify the model and serial number of the product.

\* Indicates a component that is not available as an individual part.

\*\*\* Indicates consult Customer Service Department for additional information.

ITEM	PART NO.	1 2 3 4 5	DESCRIPTION	QTY.
1	617620		Brushguard.....	1
2	<u>00440G2</u>		Hex Head Bolt, 5/16" - 18 x 2 1/4" Lg, Grade 5 .....	2
3	<u>00440G6</u>		Hex Head Bolt, 5/16" - 18 x 2 3/4" Lg, Grade 5 .....	2
4	<u>75048G04</u>		Spacer, .328" x .75" x 1" Lg .....	2
5	<u>75048G02</u>		Spacer, .328" x .75" x 1.31" Lg .....	2
6	00559G8		Flat Washer (Narrow), 5/16".....	4
7	<u>00565G8</u>		Lock Washer, 5/16" .....	4
8	<u>70452G01</u>		Access Cover .....	1
9	<u>14601G11</u>		Rivet (Aluminum), 3/16" x 9/16" Lg .....	16
10	<u>641260</u>		Upper Floor Panel.....	1
11	<u>70451G01</u>		Lower Floor Panel.....	1
12	<u>613273</u>		Front Fascia .....	1
13	<u>654275</u>		Front Fascia Bracket.....	1
14	<u>15058G1</u>		Rivet (Aluminum Black), 3/16" x .45" .....	2
15	654276		Front Fascia Brace .....	2
16	<u>00414G6</u>		Hex Head Bolt, 1/4" - 20 x 3/4" Lg, Grade 5 .....	2
17	<u>14390G4</u>		Lock Nut, 1/4" - 20 .....	2
18	<u>01038G01</u>		Hex Washer Head Bolt, 1/4" - 20 x .700" Lg .....	2
19	<u>16469G1</u>		Fender Washer, 1 1/4" O.D. x 9/32" I.D. ....	2
20	<u>71102G03</u>		Hex Washer Head Taptite Bolt, 1/4" - 20 x 1.15" Lg, Grade 5.....	2
21	664610		Cowl Strap.....	1



- 7 Instrument Panel Assembly includes items 8 - 16
- 8 Instrument Panel Assembly with Ball Deflector includes items 9 - 13



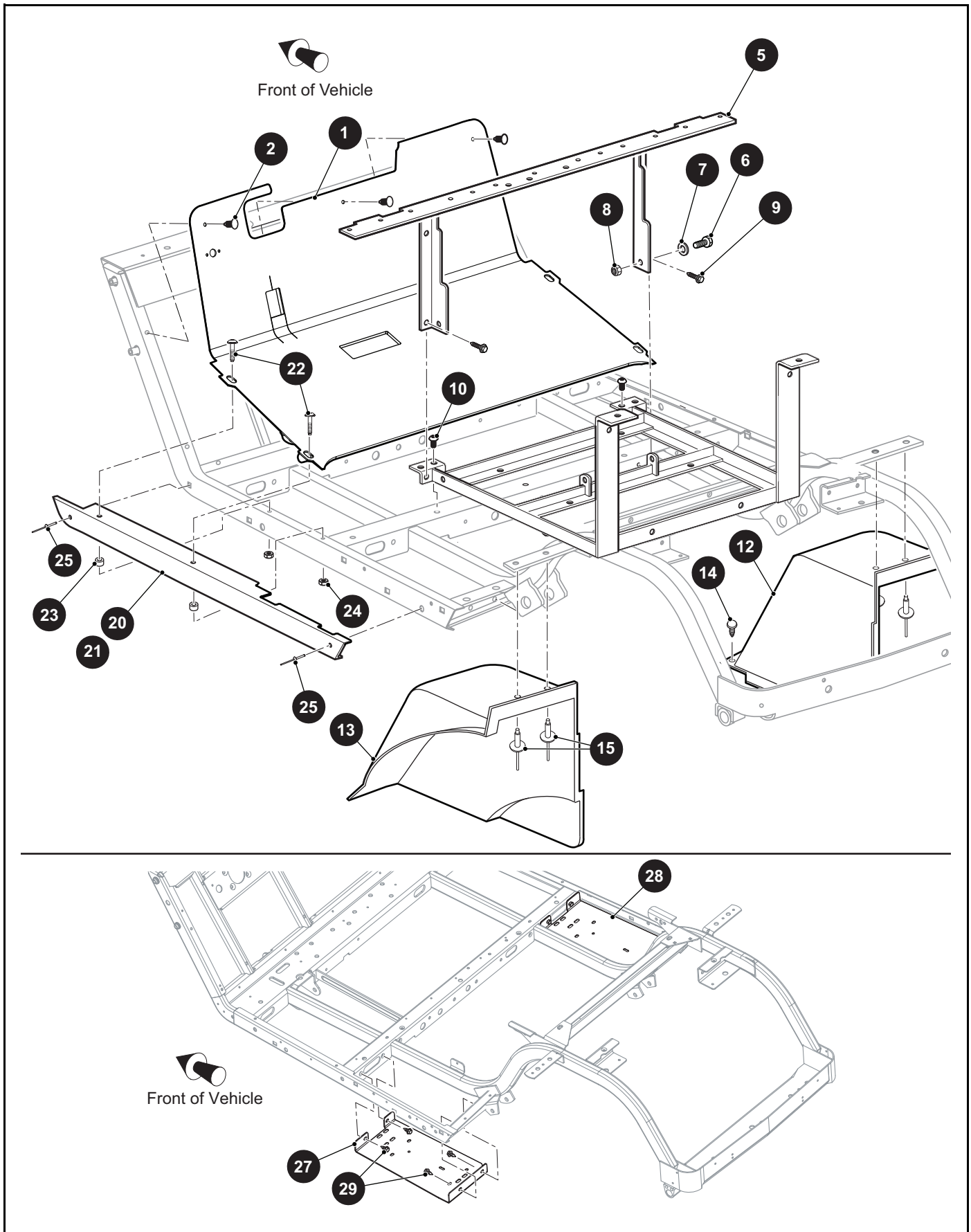
THE USE OF NON U.L. PARTS WILL VOID ANY U.L. LISTING.

When ordering parts, please specify the model and serial number of the product.

\* Indicates a component that is not available as an individual part.

\*\*\* Indicates consult Customer Service Department for additional information.

ITEM	PART NO.	1 2 3 4 5	DESCRIPTION	QTY.
1	613036G0**		Cowl (See HOW TO USE Section for COLOR CODES) .....	1
2	<u>617643</u>		Grill Cover .....	1
3	<u>71597G01</u>		Self Threading Nut, 5mm x 10mm x 15mm.....	2
4	<u>71055G01</u>		Rivet, 3/16" x 1" Lg .....	6
5	<u>614378</u>		Fender Flare (Driver Side) .....	1
6	<u>613274</u>		Fender Flare (Passenger Side).....	1
7	662328		Instrument Panel Assembly (Includes Items 8 - 16).....	1
8	<u>71917G01</u>		Instrument Panel Assembly with Ball Deflector (Includes Items 9 - 13) ...	1
9	00614G3		Pan Head Phillips Screw, #8 - 18 x 5/8" Lg.....	6
10	<u>71153G01</u>		Ball Deflector (Passenger Side) .....	1
11	<u>71154G01</u>		Ball Deflector (Driver Side) .....	1
12	<u>628010</u>		Instrument Panel .....	1
13	<u>71364G02</u>		Speed Nut "J" Type, #8 .....	5
14	<u>662223</u>		Safety Console Label Bracket .....	1
15	<u>71158G01</u>		Cup Holder Insert .....	1
16	<u>71055G01</u>		Rivet (Aluminum), 3/16" x 1" Lg .....	2
17	<u>75459G01</u>		Glove Box (Driver/Passenger Side).....	1
18	<u>75459G02</u>		Glove Box (Driver Side ) .....	1
19	<u>75459G03</u>		Glove Box (Passenger Side ).....	1
20				
21	<u>71055G01</u>		Rivet (Aluminum), 3/16" x 1" Lg .....	7
22	<u>71115G01</u>		Vinyl Trim .....	2
23	<u>71055G01</u>		Rivet (Aluminum), 3/16" x 1" Lg.....	2



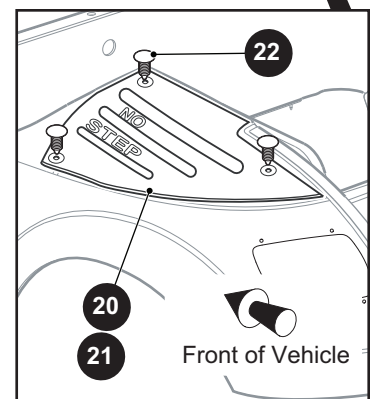
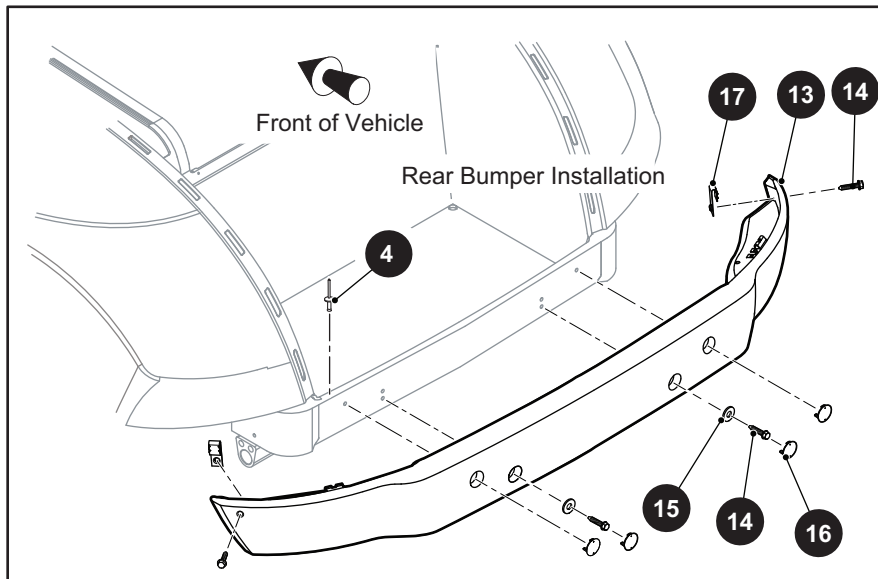
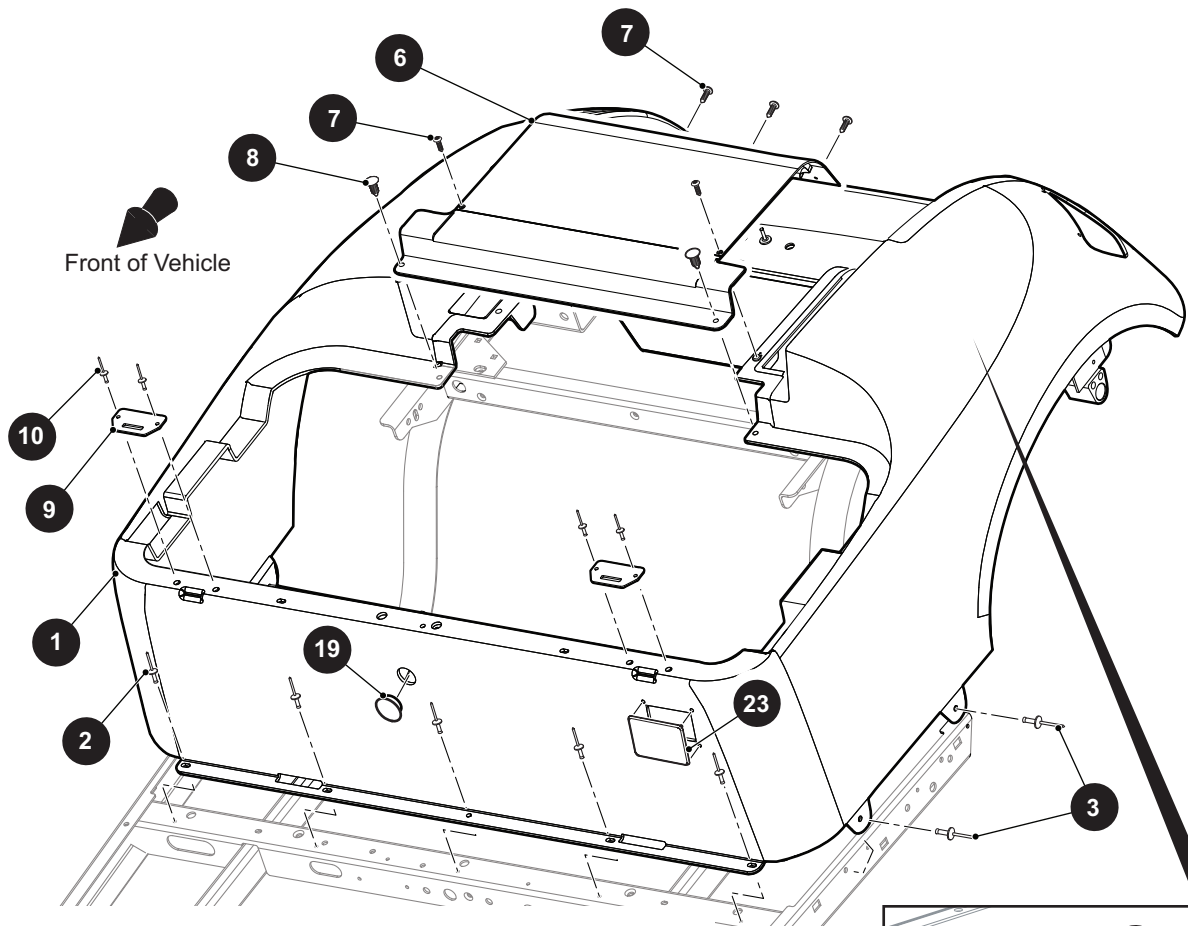
THE USE OF NON U.L. PARTS WILL VOID ANY U.L. LISTING.

When ordering parts, please specify the model and serial number of the product.

\* Indicates a component that is not available as an individual part.

\*\*\* Indicates consult Customer Service Department for additional information.

ITEM	PART NO.	1 2 3 4 5	DESCRIPTION	QTY.
1	<u>637535G01</u>		Floor Mat .....	1
2	<u>16816G1</u>		Ratchet Rivet, .25" x .72" .....	3
3				
4				
5	<u>70441G01</u>		Seat Frame .....	1
6	00438G6		Hex Head Bolt, 5/16" - 18 x 3/4" Lg, Grade 5 .....	2
7	00559G8		Flat Washer, 5/16" .....	2
8	11098G6		Lock Nut , 5/16" - 18 .....	2
9	<u>00715G2</u>		Hex Washer Head Bolt, 5/16" - 18 x .8" Lg .....	2
10	<u>70200G01</u>		Truss Head Torx Screw, 3/8" - 16 x 3/4" Lg.....	2
11				
12	658946		Fender Liner (Passenger Side).....	1
13	658949		Fender Liner (Driver Side).....	1
14	<u>16816G2</u>		Ratchet Fastener, 1/4" x .887" Lg .....	2
15	14601G17		Rivet (Aluminum), .3/16" x .575" Lg .....	2
16				
17				
18				
19				
20	689928G01		Rocker Panel (Driver Side) .....	1
21	689928G02		Rocker Panel (Passenger Side).....	1
22	<u>645323</u>		Pan Washer Head Torx Bolt, M6 - 1 x 30mm Lg.....	2
23	<u>23726G4</u>		Spacer, .298" Lg.....	2
24	<u>601476</u>		Lock Nut, 1/4" - 20 .....	2
25	<u>15058G6</u>		Rivet (Aluminum), 3/16" x .937" Lg .....	2
26				
27	<u>652443G103</u>		Battery Tray Bracket (Driver Side) .....	1
28	<u>652443G203</u>		Battery Tray Bracket (Passenger Side) .....	1
29	<u>00715G2</u>		Hex Washer Head Bolt, 5/16" - 18 x .8" Lg .....	4



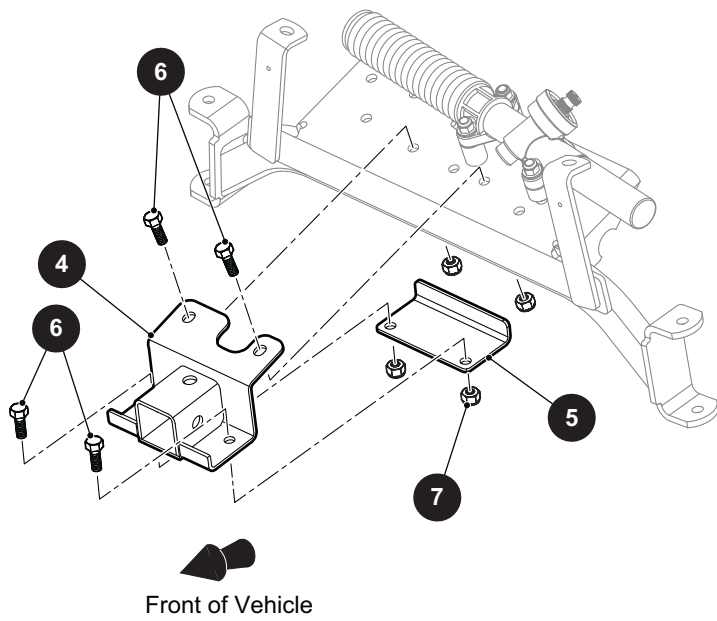
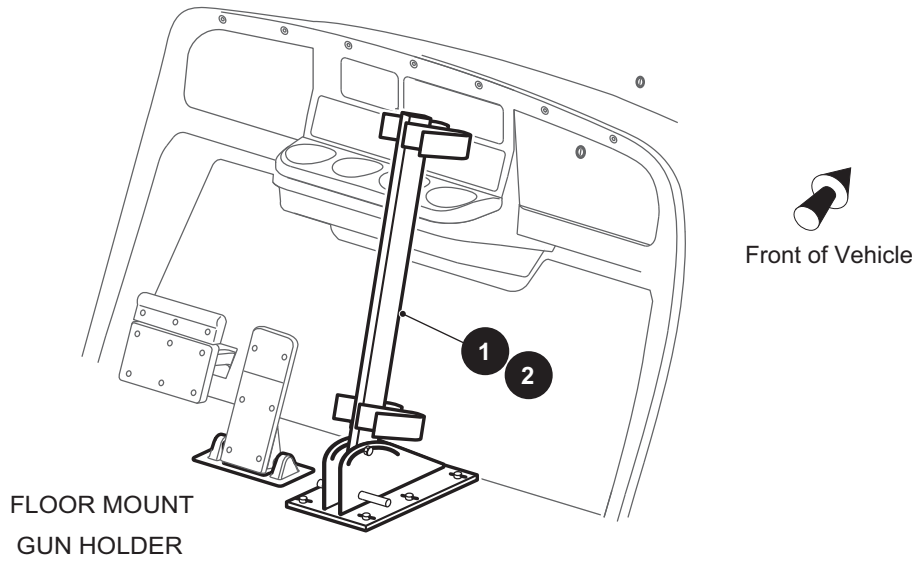
THE USE OF NON U.L. PARTS WILL VOID ANY U.L. LISTING.

When ordering parts, please specify the model and serial number of the product.

\* Indicates a component that is not available as an individual part.

\*\*\* Indicates consult Customer Service Department for additional information.

ITEM	PART NO.	1 2 3 4 5	DESCRIPTION	QTY.
1	625272G1XX		Rear Body (With Taillights)..... (See HOW TO USE Section for COLOR CODES)	1
2	<u>10570G10</u>		Rivet (SS), 5/32" x 9/16" Lg .....	5
3	10570G12		Rivet (Aluminum), .257" x .556" Lg .....	4
4	<u>633917</u>		Rivet (Plastic).....	2
5				
6	<u>71320G01</u>		Access Panel .....	1
7	<u>01107G01</u>		Pan Head Torx Screw (SS), #8 x .63" Lg .....	5
8	<u>16816G2</u>		Ratchet Rivet, .25" x .887" .....	2
9	<u>71609G01</u>		Seat Hinge Plate .....	2
10	<u>10570G11</u>		Rivet (SS), 5/32" x .70" Lg .....	4
11				
12				
13	<u>71451G02</u>		Rear Bumper.....	1
14	<u>71102G01</u>		Hex Head Bolt, 1/4" - 20 x 3/4" Lg, Grade 5 .....	4
15	<u>00571G2</u>		Flat Washer, 5/16" .....	2
16	<u>71455G01</u>		Bumper Plug .....	4
17	<u>71554G01</u>		J-Type Nut Retainer, 1/4" - 20 .....	4
18				
19	<u>71316G01</u>		Plug .....	1
20	<u>625210</u>		Rear Scuff Pad (Driver Side) .....	1
21	<u>625211</u>		Rear Scuff Pad (Passenger Side) .....	1
22	<u>16816G2</u>		Ratchet Rivet, .25" x .887" .....	3
23	<u>666066</u>		Receptacle Cover Plate .....	1



THE USE OF NON U.L. PARTS WILL VOID ANY U.L. LISTING.

When ordering parts, please specify the model and serial number of the product.

\* Indicates a component that is not available as an individual part.

\*\*\* Indicates consult Customer Service Department for additional information.

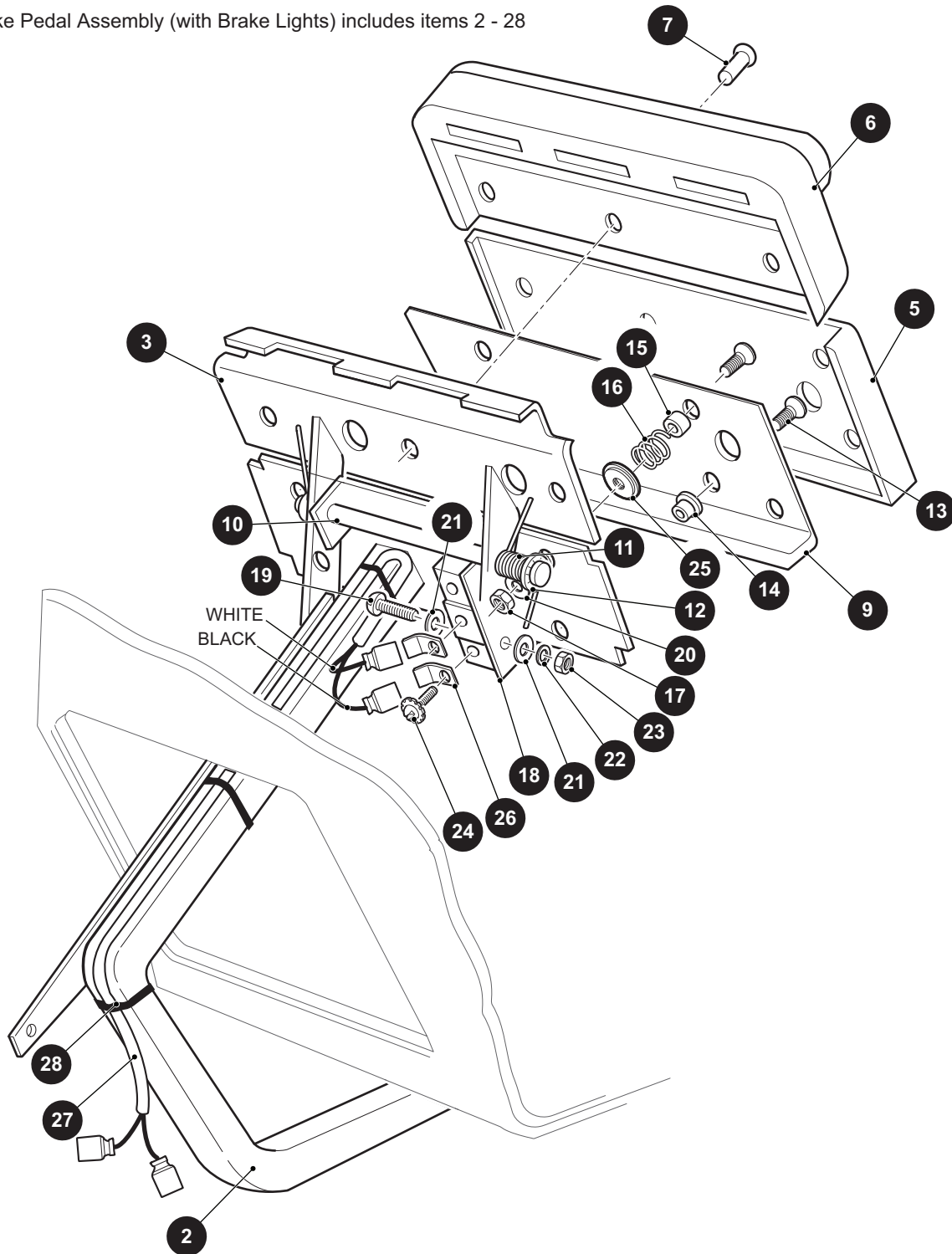
ITEM	PART NO.	1 2 3 4 5	DESCRIPTION	QTY.
1	<u>74365G01</u>		Gun Holder, Floor Mount.....	1
2	<u>74533G01</u>		Gun Holder (Swivel Mount).....	1
3				
4	<u>635202</u>		Winch Receiver.....	1
5	<u>604572</u>		Winch Receiver Retainer Plate.....	1
6	<u>00462G8</u>		Hex Head Bolt, 7/16" - 14 x 1" Lg.....	4
7	<u>00734G1</u>		Lock Nut, 7/16" - 14.....	4







1 Brake Pedal Assembly (with Brake Lights) includes items 2 - 28



# BRAKES

THE USE OF NON U.L. PARTS WILL VOID ANY U.L. LISTING.

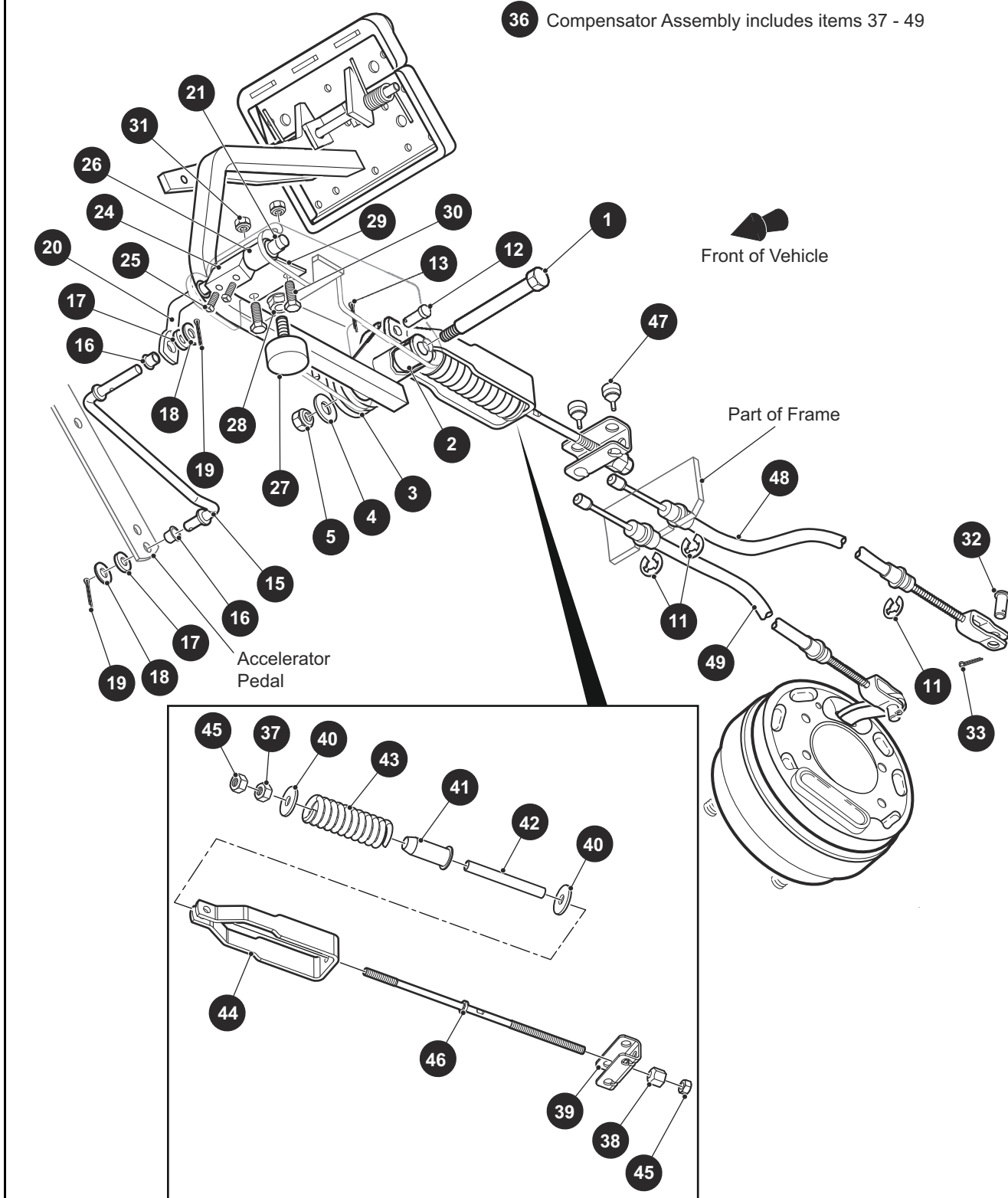
When ordering parts, please specify the model and serial number of the product.

\* Indicates a component that is not available as an individual part.

\*\*\* Indicates consult Customer Service Department for additional information.

ITEM	PART NO.	1 2 3 4 5	DESCRIPTION	QTY.
1	70690G02		Brake Pedal Assembly (with Brake Lights) (Includes Items 2 - 28).....	1
2	<u>652791G03</u>		Brake Pedal .....	1
3	<u>652253G03</u>		Park Brake Pedal.....	1
4				
5	<u>70257G01</u>		Service Brake Pad .....	1
6	<u>70256G01</u>		Park Brake Pad .....	1
7	<u>16409G1</u>		Oval Rivet, 3/8" x 15/32" Lg.....	9
8				
9	<u>652820</u>		Service Brake Pedal Plate .....	1
10	<u>70682G01</u>		Pivot Pin .....	1
11	<u>70681G01</u>		Torsion Spring, .408" Dia x .93" Lg .....	2
12	<u>658825</u>		Push Nut, 5/16".....	2
13	<u>00737G8</u>		Flat Head Phillips Screw, #10 - 24 x 1" Lg, Grade 5.....	4
14	<u>00739G1</u>		Rubber Nut, #10 - 24 .....	2
15	<u>652355</u>		Brake Pedal Spacer.....	2
16	<u>27137G01</u>		Conical Spring .....	2
17	<u>14390G10</u>		Lock Nut, #10 - 24 .....	2
18	10606G8		Micro Switch .....	1
19	<u>00645G2</u>		Pan Head Phillips Screw, #6 - 32 x 1 1/4" Lg .....	2
20	<u>00559G5</u>		Flat Washer, #10.....	2
21	<u>00559G3</u>		Flat Washer, #6.....	4
22	<u>00565G3</u>		Lock Washer, #6 .....	2
23	<u>00525G5</u>		Hex Nut, #6 - 32 .....	2
24	<u>13514G1</u>		Pan Head Phillips Screw with Internal Tooth Lock Washer, #6 - 32 x .22" Lg .....	2
25	<u>00642G8</u>		Flat Washer, 5/16" .....	2
26	<u>14628G1</u>		Faston Tab.....	2
27	<u>24605G1</u>		Wire Harness, Brake Light.....	1
28	<u>17618G1</u>		Nylon Clamp, 7" Lg .....	2

36 Compensator Assembly includes items 37 - 49



THE USE OF NON U.L. PARTS WILL VOID ANY U.L. LISTING.

When ordering parts, please specify the model and serial number of the product.

\* Indicates a component that is not available as an individual part.

\*\*\* Indicates consult Customer Service Department for additional information.

ITEM	PART NO.	1 2 3 4 5	DESCRIPTION	QTY.
1	<u>70582G01</u>		Hex Head Shoulder Bolt (SS), 3/4" x 4.03", 3/8" - 16 x .62" Lg .....	1
2	<u>70581G01</u>		Flanged Bushing, .1.062" O.D. x .795" I.D.....	2
3	<u>70676G01</u>		Torsion Spring .....	1
4	<u>00643G1</u>		Lock Washer, 3/8" .....	1
5	<u>11098G5</u>		Lock Nut, 3/8" - 16 .....	1
6	<u>01038G01</u>		Hex Washer Head Bolt, 1/4" - 20 x .7" Lg (Not Illustrated).....	1
7	<u>12416G2</u>		Nylon Wedge Lock Clamp (Not Illustrated).....	3
8				
9				
10				
11	<u>01111G01</u>		Retaining Ring (SS), Dia .8" .....	4
12	<u>10386G3</u>		Clevis Pin, .438" x .938" Lg.....	1
13	<u>10387G3</u>		Cotter Pin, .094" x .75" Lg.....	1
14				
15	<u>70601G01</u>		Kick-off Link.....	1
16	<u>17838G1</u>		Nylon Bushing, .37" O.D. x .31" I.D.....	2
17	<u>20835G1</u>		Teflon Washer, 3/8" .....	2
18	<u>00559G8</u>		Flat Washer, 5/16" .....	2
19	<u>10387G3</u>		Cotter Pin, .094" x .75" Lg.....	2
20	<u>70098G01</u>		Kick-off Cam Pivot.....	1
21	<u>10097G6</u>		Flanged Bearing.....	2
22				
23				
24	<u>70587G01</u>		Kick-off Cam.....	1
25	<u>71215G01</u>		Set Screw With Patch Lock, 1/4" - 20 x .5" Lg .....	2
26	<u>14134G4</u>		Spacer, .76" O.D. x .395" I.D. x 1.25" Lg .....	1
27	<u>70113G01</u>		Adjustable Bumper .....	1
28	<u>11027G1</u>		Lock Nut, 5/16 - 18" .....	1
29	<u>70080G02</u>		Catch Bracket.....	1
30	<u>00414G6</u>		Hex Head Bolt, 1/4" - 20 x .25" Lg, Grade 5 .....	2
31	<u>14390G4</u>		Lock Nut (SS), 1/4" - 20 .....	2

# BRAKES

THE USE OF NON U.L. PARTS WILL VOID ANY U.L. LISTING.

When ordering parts, please specify the model and serial number of the product.

\* Indicates a component that is not available as an individual part.

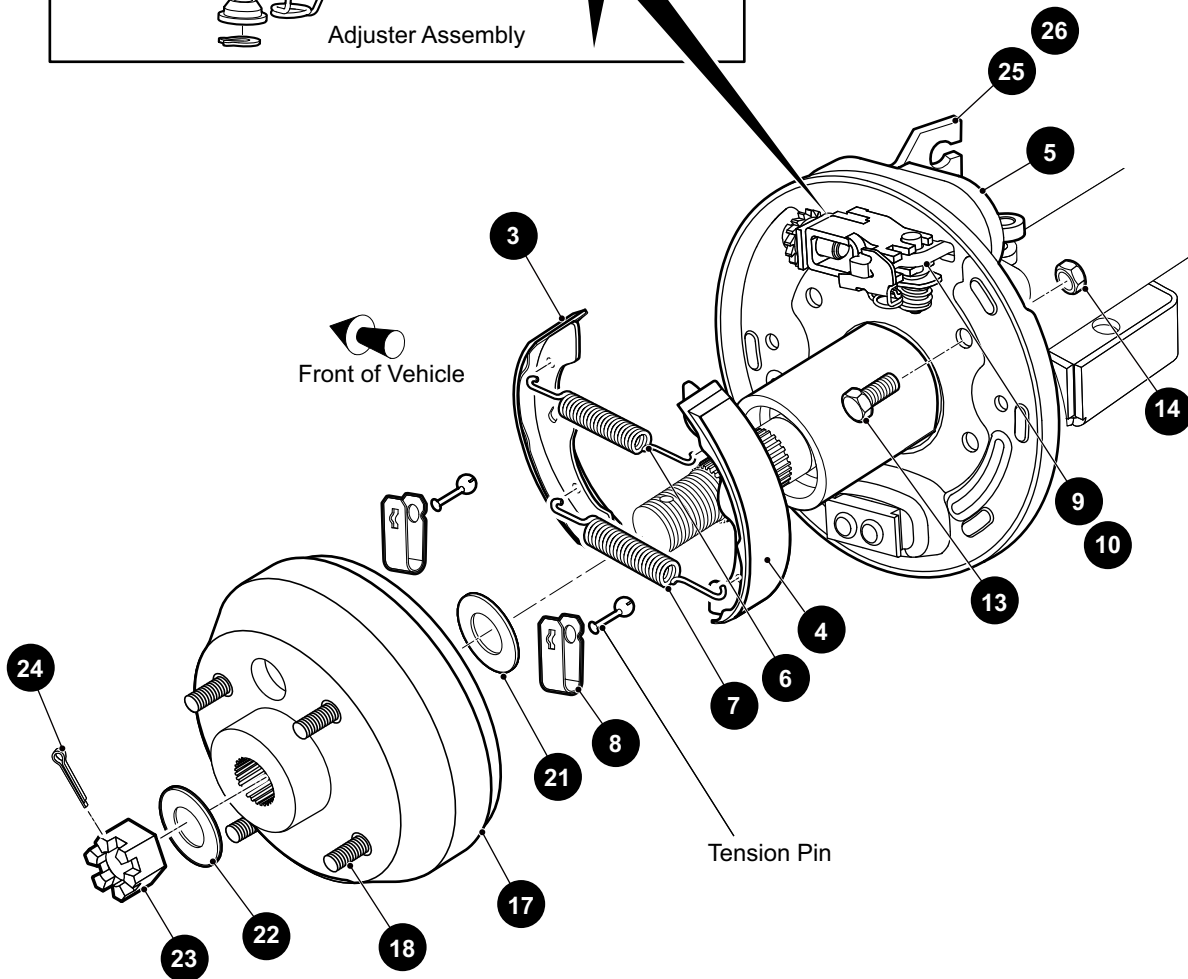
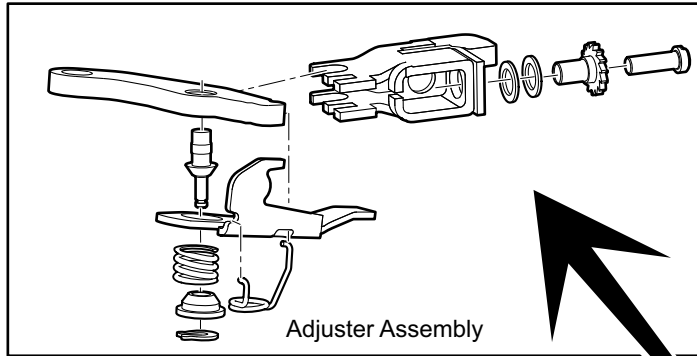
\*\*\* Indicates consult Customer Service Department for additional information.

ITEM	PART NO.	1 2 3 4 5	DESCRIPTION	QTY.
32	<u>10386G3</u>		Clevis Pin, .438" x .938" Lg .....	1
33	<u>10387G3</u>		Cotter Pin, .094" x .75" Lg .....	1
34				
35				
36	654663		Compensator Assembly (Includes Items 37 - 49).....	1
37	<u>00532G4</u>		Hex Nut, 1/4" - 20.....	1
38	<u>629486</u>		Spherical Hex Nut, 5/16"- 24.....	1
39	<u>28082G01</u>		Equalizer Bracket .....	1
40	<u>15121G1</u>		Flat Washer, 5/16" .....	2
41	<u>17979G1</u>		Accelerator Rod Bushing, .464" I.D. x 1" O.D. x 2" Lg .....	1
42	<u>23061G2</u>		Tube .....	1
43	<u>23463G1</u>		Compression Spring.....	1
44	<u>652256</u>		Brake Yoke .....	1
45	<u>11098G9</u>		Hex Lock Nut, 5/16" - 24 .....	2
46	<u>612557</u>		Compensator Link Rod .....	1
47	<u>28083G01</u>		Brake Compensator Bumper.....	2
48	<u>624695</u>		Brake Cable (Driver Side) .....	1
49	<u>624696</u>		Brake Cable (Passenger Side).....	1



# BRAKES

- 1 Brake Assembly (Driver Side) includes items 3 - 9
- 2 Brake Assembly (Passenger Side) includes items 3 - 8, 10
- 16 Brake Drum Assembly includes items 17, 18





# BRAKES

THE USE OF NON U.L. PARTS WILL VOID ANY U.L. LISTING.

When ordering parts, please specify the model and serial number of the product.

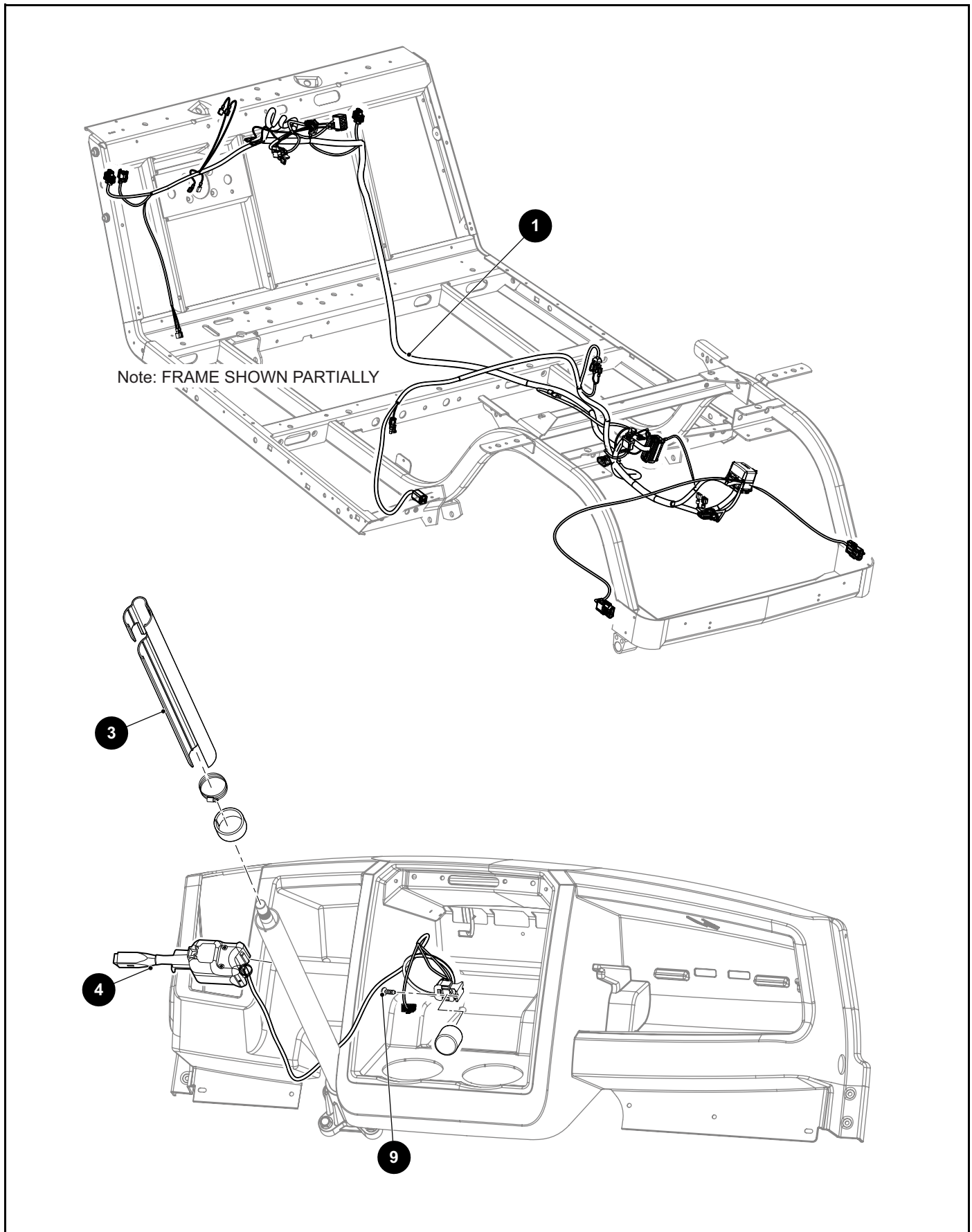
\* Indicates a component that is not available as an individual part.

\*\*\* Indicates consult Customer Service Department for additional information.

ITEM	PART NO.	1 2 3 4 5	DESCRIPTION	QTY.
1	<u>612189</u>		Brake Assembly (Driver Side) (Includes Items 3 - 9) .....	1
2	<u>612211</u>		Brake Assembly (Passenger Side) (Includes Items 3 - 8, 10).....	1
3	<u>612411</u>		Brake Shoe, Leading .....	1
4	<u>612412</u>		Brake Shoe, Trailing .....	1
5	<u>612413</u>		Dust Cover.....	1
6	<u>612415</u>		Brake Spring, Top .....	1
7	<u>612414</u>		Brake Spring, Bottom .....	1
8	<u>612416</u>		Shoe Clamp.....	2
9	<u>612418</u>		Gear Adjuster (Driver Side) .....	1
10	<u>612417</u>		Gear Adjuster (Passenger Side).....	1
11				
12				
13	<u>17083G2</u>		Hex Head Bolt, 5/16" - 24 x 1" Lg, Grade 8 .....	4
14	<u>15126G1</u>		Lock Nut, 5/16" - 24 .....	4
15				
16	<u>21807G2</u>		Brake Drum Assembly (Includes Items 17, 18).....	1
17	<u>20947G1</u>		Brake Drum .....	1
18	<u>19862G2</u>		Lug Bolt, 1/2" - 20 x 1.718" Lg.....	4
19				
20				
21	<u>21809G1</u>		Flat Washer (Inner Wheel Rim), .984" x 1.312" x .031" .....	1
22	<u>21830G1</u>		Flat Washer (Brake Drum), .765" x 1.50" x .1196" .....	1
23	<u>613172</u>		Slotted Hex Nut, 3/4" - 16 .....	1
24	<u>10387G1</u>		Cotter Pin, 5/32" x 1 3/4" Lg.....	1
25	<u>652248</u>		Brake Cable Bracket (Passenger Side) .....	1
26	<u>652249</u>		Brake Cable Bracket (Driver Side).....	1







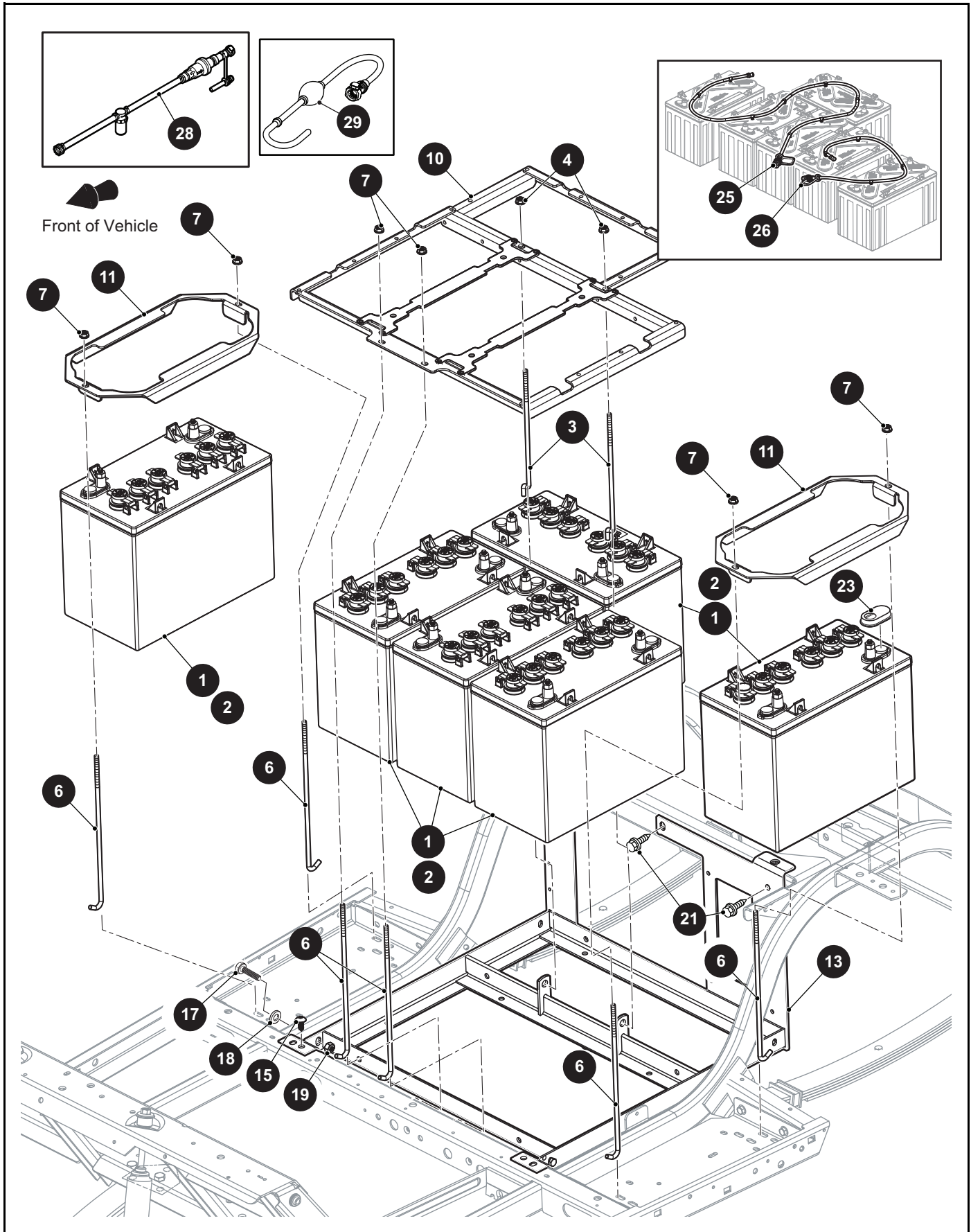
THE USE OF NON U.L. PARTS WILL VOID ANY U.L. LISTING.

When ordering parts, please specify the model and serial number of the product.

\* Indicates a component that is not available as an individual part.

\*\*\* Indicates consult Customer Service Department for additional information.

ITEM	PART NO.	1 2 3 4 5	DESCRIPTION	QTY.
1	687518		Main Harness .....	1
2				
3	<u>20965G3</u>		Steering Column Cover.....	1
4	<u>615236</u>		Turn Signal Switch Assembly .....	1
5				
6	<u>19344G1</u>		Vinyl Tape (Not Illustrated).....	1
7				
8	<u>31539G1</u>		Nylon Clamp, 15.5" (Not Illustrated).....	1
9	<u>16816G5</u>		Ratchet Rivet, .187" x .550" Lg .....	2
10				
11	<u>17618G1</u>		Nylon Clamp, 15.5" Lg (Not Illustrated).....	11



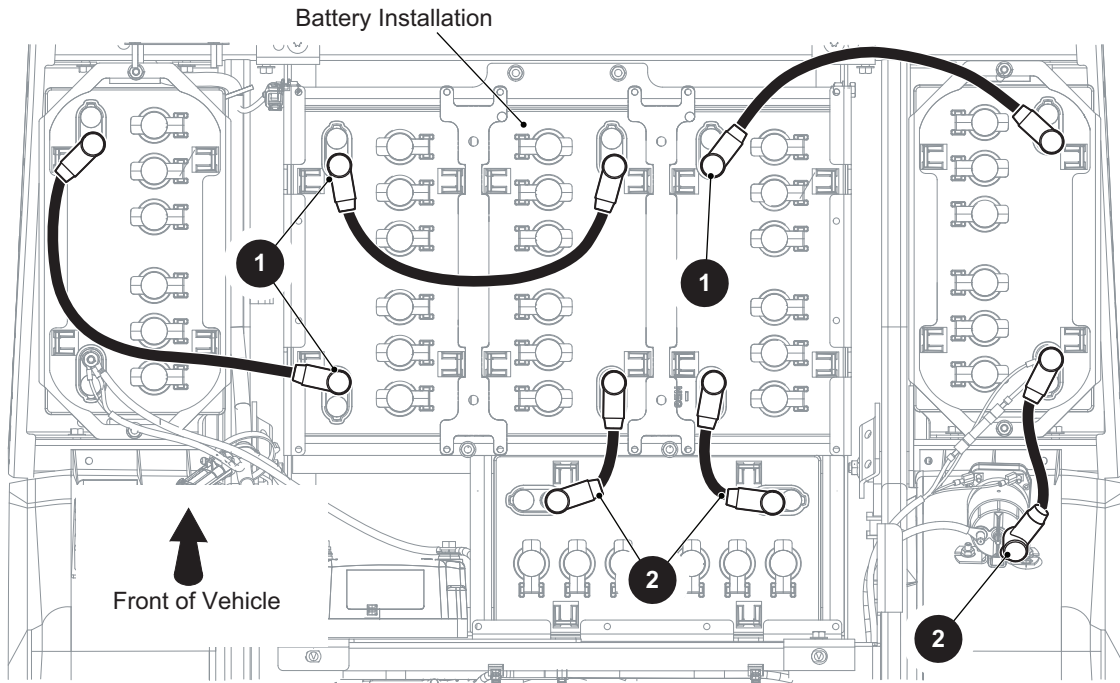
THE USE OF NON U.L. PARTS WILL VOID ANY U.L. LISTING.

When ordering parts, please specify the model and serial number of the product.

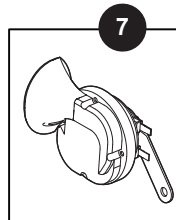
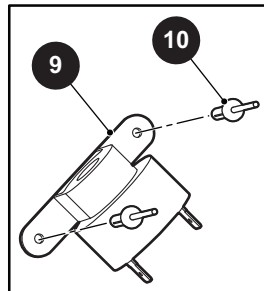
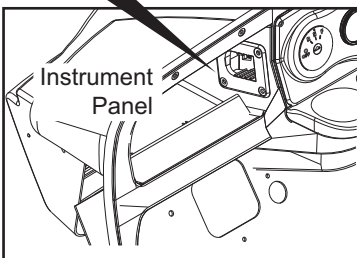
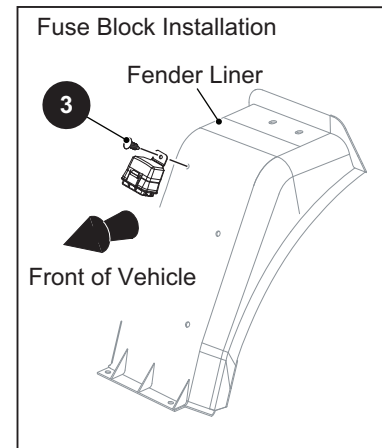
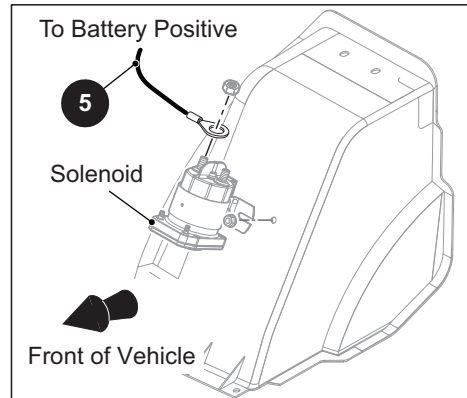
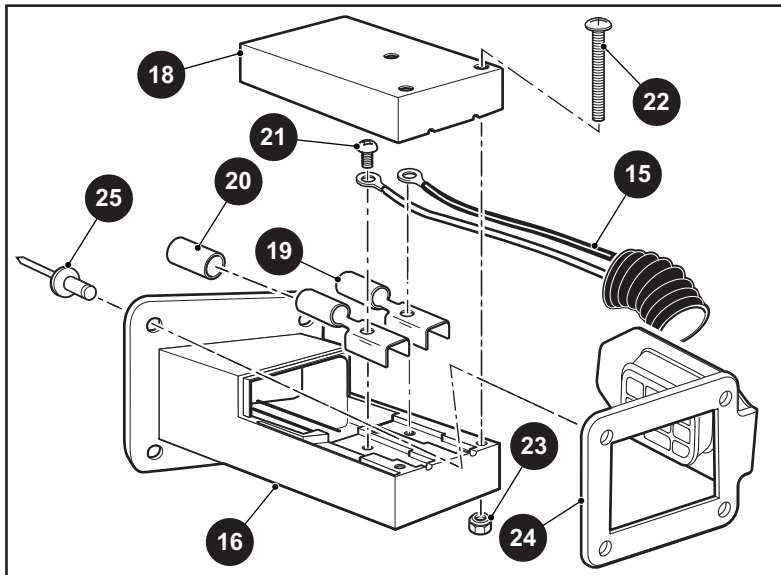
\* Indicates a component that is not available as an individual part.

\*\*\* Indicates consult Customer Service Department for additional information.

ITEM	PART NO.	1 2 3 4 5	DESCRIPTION	QTY.
1	<u>647050</u>		Battery (12V).....	6
2	<u>652295</u>		Battery (12V) with Hydro .....	6
3	<u>01101G01</u>		Tie Down Bolt .....	2
4	<u>11027G1</u>		Flanged Lock Nut, 5/16" - 18 .....	2
5				
6	<u>70386G01</u>		Battery Tie Down Bolt, 5/16" - 18 x 2" Lg .....	6
7	<u>11027G1</u>		Flanged Lock Nut, 5/16" - 18 .....	6
8				
9				
10	<u>658565</u>		Battery Hold Down .....	1
11	<u>631988</u>		Battery Hold Down .....	2
12				
13	689763		Battery Rack .....	1
14				
15	<u>70200G01</u>		Truss Head Torx Screw, 3/8" - 16 x 3/4" Lg .....	2
16				
17	00438G6		Hex Head Bolt, 5/16" - 18 x 3/4" Lg, Grade 5 .....	2
18	00559G8		Flat Washer, 5/16" .....	2
19	11098G6		Lock Nut, 5/16" - 18 .....	2
20				
21	<u>00715G2</u>		Hex Washer Head Bolt, 5/16" - 18 x 3/4" Lg .....	3
22				
23	<u>631156</u>		Terminal Protector .....	12
24				
25	<u>620820</u>		Hydro-link Snake Assembly .....	1
26	<u>630974</u>		Battery Fill Snake .....	1
27				
28	<u>614521</u>		Regulated Hose, 20ft Kit .....	1
29	<u>676122</u>		Trojan Hand Pump Kit.....	1



**14** Charger Receptacle Assembly includes items 15 - 23





THE USE OF NON U.L. PARTS WILL VOID ANY U.L. LISTING.

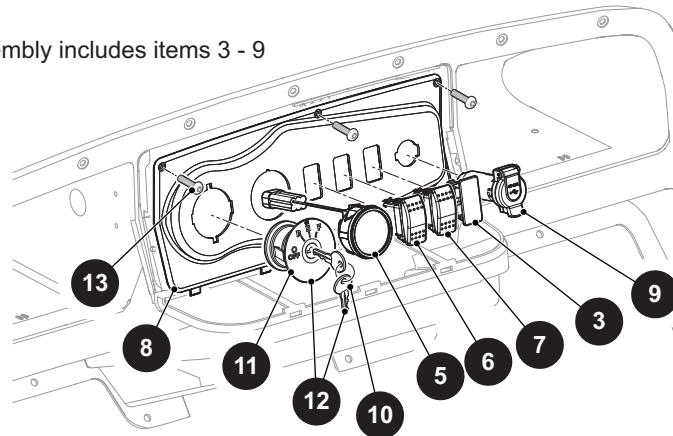
When ordering parts, please specify the model and serial number of the product.

\* Indicates a component that is not available as an individual part.

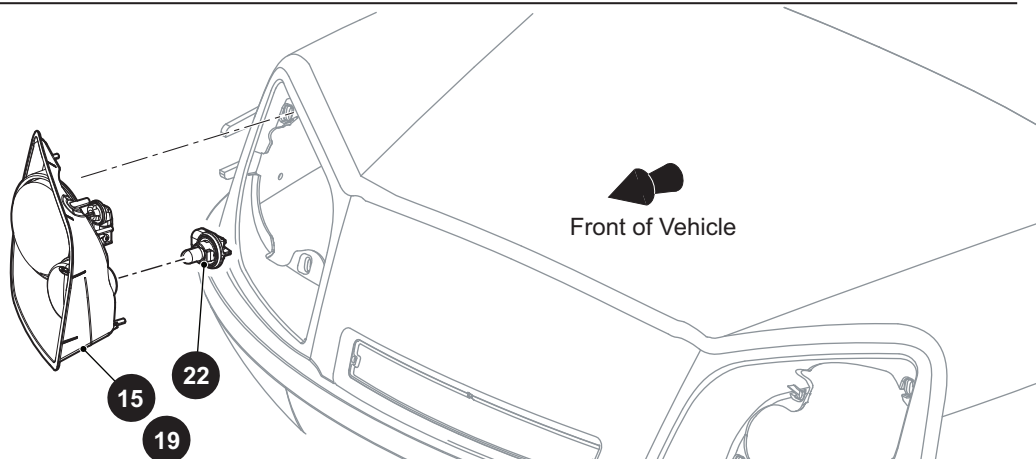
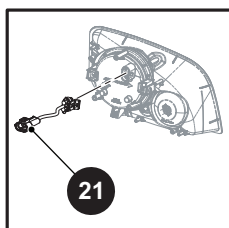
\*\*\* Indicates consult Customer Service Department for additional information.

ITEM	PART NO.	1 2 3 4 5	DESCRIPTION	QTY.
1	<u>634270G03</u>		#4 AWG Battery Wire, 15" Lg.....	3
2	<u>634270G01</u>		#4 AWG Battery Wire, 6" Lg.....	2
3	<u>16816G2</u>		Ratchet Rivet, .25" x .887" .....	1
4				
5	634270G02		#4 AWG Battery Wire, 9" Lg.....	1
6				
7	32860G01		Horn .....	1
8				
9	<u>613271</u>		Reverse Buzzer.....	1
10	<u>01041G01</u>		Rivet (Aluminum), 5/32" .....	2
11				
12				
13				
14	<u>658089</u>		Charger Receptacle Assembly (Includes Items 15 - 23) .....	1
15	<u>658986</u>		Charger Wire Harness .....	1
16	<u>663285</u>		Charger Receptacle.....	1
17				
18	*		Receptacle Cover .....	1
19	*		Female Connector .....	2
20	*		Insulator Sleeve .....	1
21	*		Brass Screw, #10 - 32 x 1/2" Lg.....	2
22	*		Pan Head Screw (SS), #6 - 32 x 1 3/4" Lg .....	3
23	*		Lock Nut, #6 - 32.....	3
24	<u>660162</u>		Receptacle Cover .....	1
25	<u>71055G01</u>		Rivet (Aluminum), 5/32" .....	4

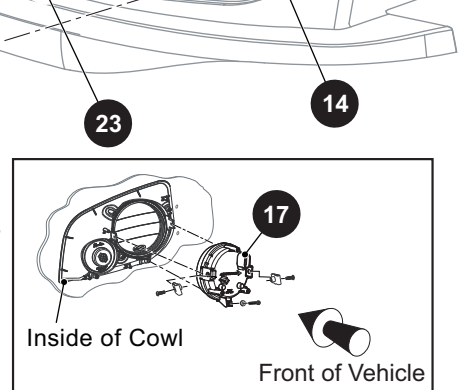
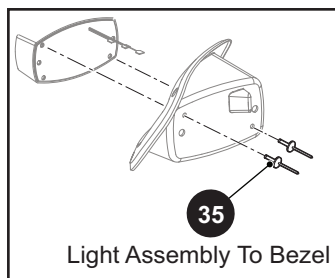
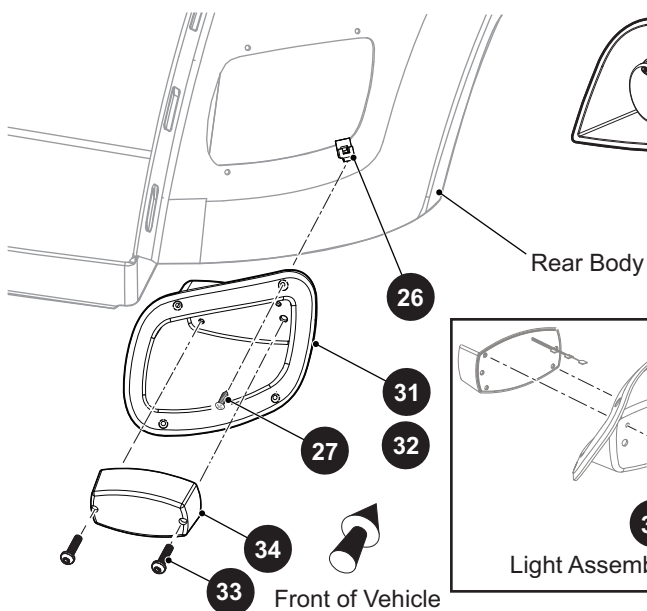
**1** Control Panel Assembly includes items 3 - 9



## Headlight Assembly



## Taillight Assembly



- 15** LED Headlight Assembly, (Driver Side) includes item 17
- 16** LED Headlight Assembly, (Passenger Side) includes item 17
- 29** Taillight Assembly, (Driver Side) includes items 31, 33 - 35
- 30** Taillight Assembly, (Passenger Side) includes items 32 - 35

THE USE OF NON U.L. PARTS WILL VOID ANY U.L. LISTING.

When ordering parts, please specify the model and serial number of the product.

\* Indicates a component that is not available as an individual part.

\*\*\* Indicates consult Customer Service Department for additional information.

ITEM	PART NO.	1 2 3 4 5	DESCRIPTION	QTY.
1	628708G13		Control Panel Assembly (Includes Items 3 - 9) .....	1
2				
3	<u>651897G01</u>		Horn Switch .....	1
4				
5	<u>667014G01</u>		State of Charge Meter .....	1
6	<u>651897G06</u>		Speed Rocker Switch .....	1
7	<u>651897G05</u>		Lights Rocker Switch .....	1
8	<u>626655G06</u>		Control Panel .....	1
9	<u>651901</u>		12V USB Port .....	1
10	<u>611282</u>		Common Key Set.....	1
11	<u>611283</u>		Key Switch Set.....	1
12	<u>609692</u>		Key Set and Key Switch.....	1
13	<u>608290</u>		Self Tapping Screw, #10 - 16 x .780" Lg .....	3
14	<u>71597G01</u>		Self Threading Nut, 5mm x 10mm x 15mm.....	4
15	<u>659008</u>		LED Headlight Assembly (Passenger Side) (Includes Item 17).....	1
16	<u>659009</u>		LED Headlight Assembly (Driver Side) (Includes Item 17).....	1
17	<u>651411G03</u>		LED Headlight .....	1
18	<u>644877</u>		Headlight Assembly (Driver Side) .....	1
19	<u>644876</u>		Headlight Assembly (Passenger Side).....	1
20	<u>71781G02</u>		Tape (Vinyl) (Not Illustrated) .....	1
21	<u>654465</u>		LED Jumper Harness .....	2
22	<u>619100</u>		Headlight Bulb.....	1
23	<u>619102</u>		Turn Signal Assembly Bulb .....	1
24	<u>672448</u>		Charger Receptacle Harness (Not Illustrated) .....	1
25	699417		Jumper Harness, Turn Signal Horn (Not Illustrated) .....	1
26	71364G02		J-Type Nut, #8.....	4
27	71425G01		Tapping Screw, #8 - 18 x 3/4" Lg .....	4
28	<u>71781G02</u>		Tape (Vinyl) (Not Illustrated) .....	1
29	655150		Taillight Assembly (Driver Side) (Includes Items 31, 33 - 35).....	1
30	655152		Taillight Assembly (Passenger Side) (Includes Items 32 - 35) .....	1
31	<u>625251</u>		Taillight Bezel (Driver Side) .....	1

# ELECTRICAL

THE USE OF NON U.L. PARTS WILL VOID ANY U.L. LISTING.

When ordering parts, please specify the model and serial number of the product.

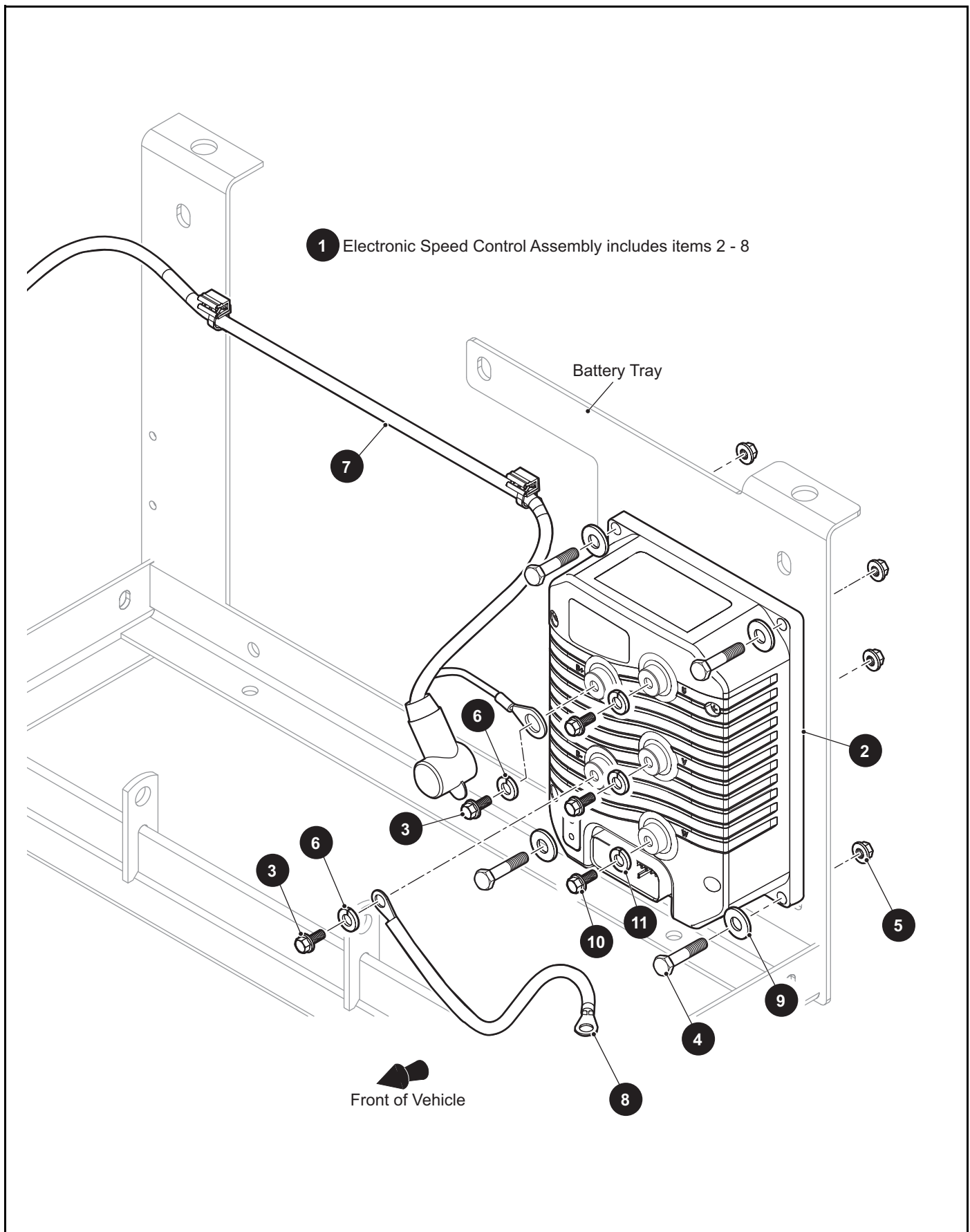
\* Indicates a component that is not available as an individual part.

\*\*\* Indicates consult Customer Service Department for additional information.

ITEM	PART NO.	1	2	3	4	5	DESCRIPTION	QTY.
32	625252						Taillight Bezel (Passenger Side) .....	1
33	00513G4						Pan Head Phillips Screw, #8 - 18 x 3/4" Lg.....	2
34	22288G1						Taillight Assembly.....	1
35	14601G11						Rivet (Aluminum), 3/16" x 9/16" .....	2



# ELECTRONIC SPEED CONTROL



## ELECTRONIC SPEED CONTROL

THE USE OF NON U.L. PARTS WILL VOID ANY U.L. LISTING.

When ordering parts, please specify the model and serial number of the product.

\* Indicates a component that is not available as an individual part.

\*\*\* Indicates consult Customer Service Department for additional information.

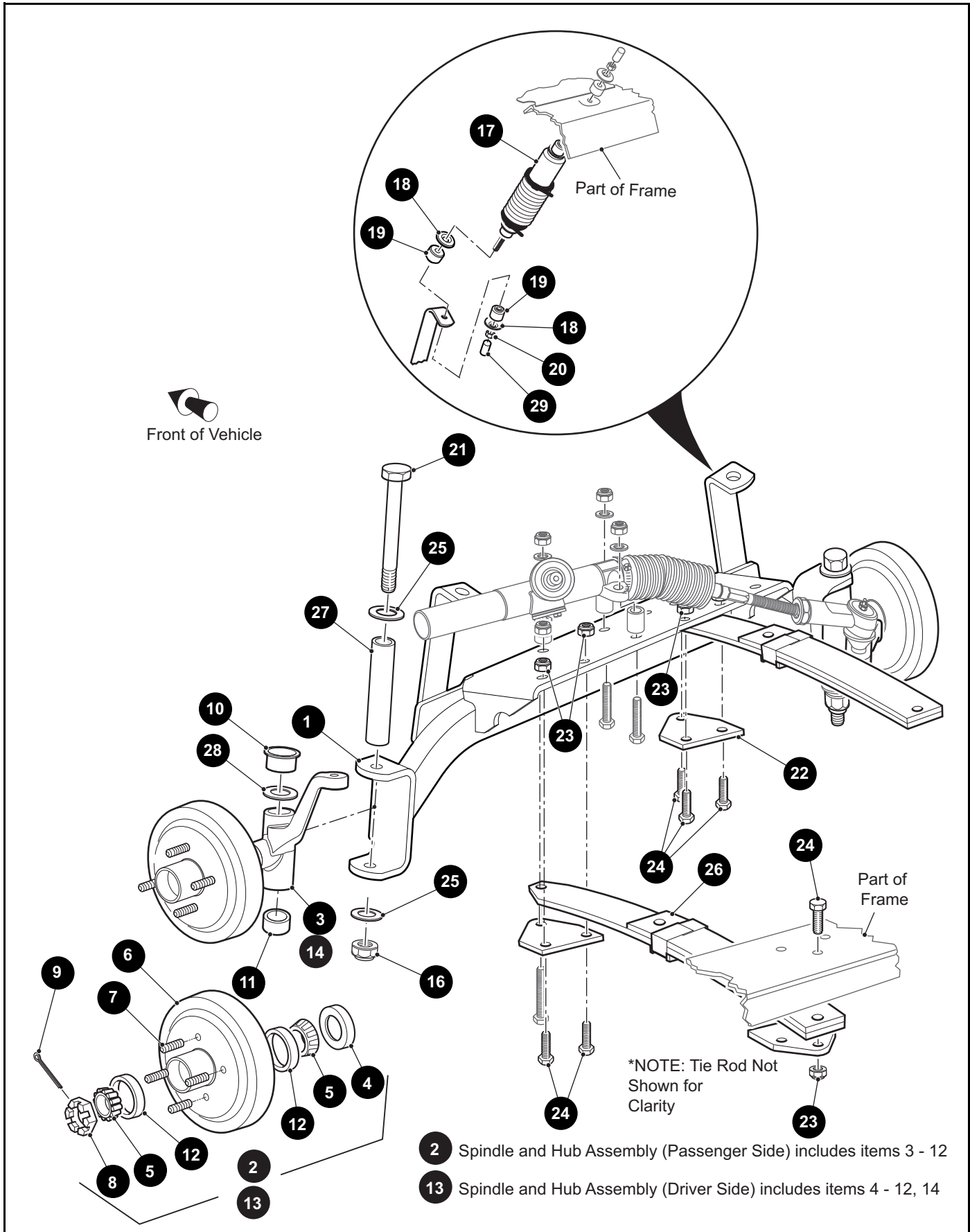
ITEM	PART NO.	1 2 3 4 5	DESCRIPTION	QTY.
1	689763		Electronic Speed Control Assembly (Includes Items 2 - 8) .....	1
2	672599G011		Controller, 1234SE-AC, 350A .....	1
3	<u>73876G01</u>		Flanged Hex Head Bolt, M6 - 1 x 12mm Lg .....	2
4	<u>00797G2</u>		Hex Head Bolt, 1/4" - 20 x 1 1/4" Lg, Grade 8 .....	4
5	<u>11027G2</u>		Flanged Lock Nut, 1/4" - 20 .....	4
6	<u>606272</u>		Lock Washer, 8mm .....	2
7	<u>634210G13</u>		Battery Wire, #4 AWG, 34" Lg .....	1
8	<u>634270G04</u>		Battery Wire, #4 AWG, 22" Lg .....	1
9				
10	<u>73876G01</u>		Flanged Hex Head Bolt, M6 - 1 x 12mm Lg .....	3
11	<u>606272</u>		Lock Washer, 8mm .....	3







# FRONT SUSPENSION AND STEERING



## FRONT SUSPENSION AND STEERING

THE USE OF NON U.L. PARTS WILL VOID ANY U.L. LISTING.

When ordering parts, please specify the model and serial number of the product.

\* Indicates a component that is not available as an individual part.

\*\*\* Indicates consult Customer Service Department for additional information.

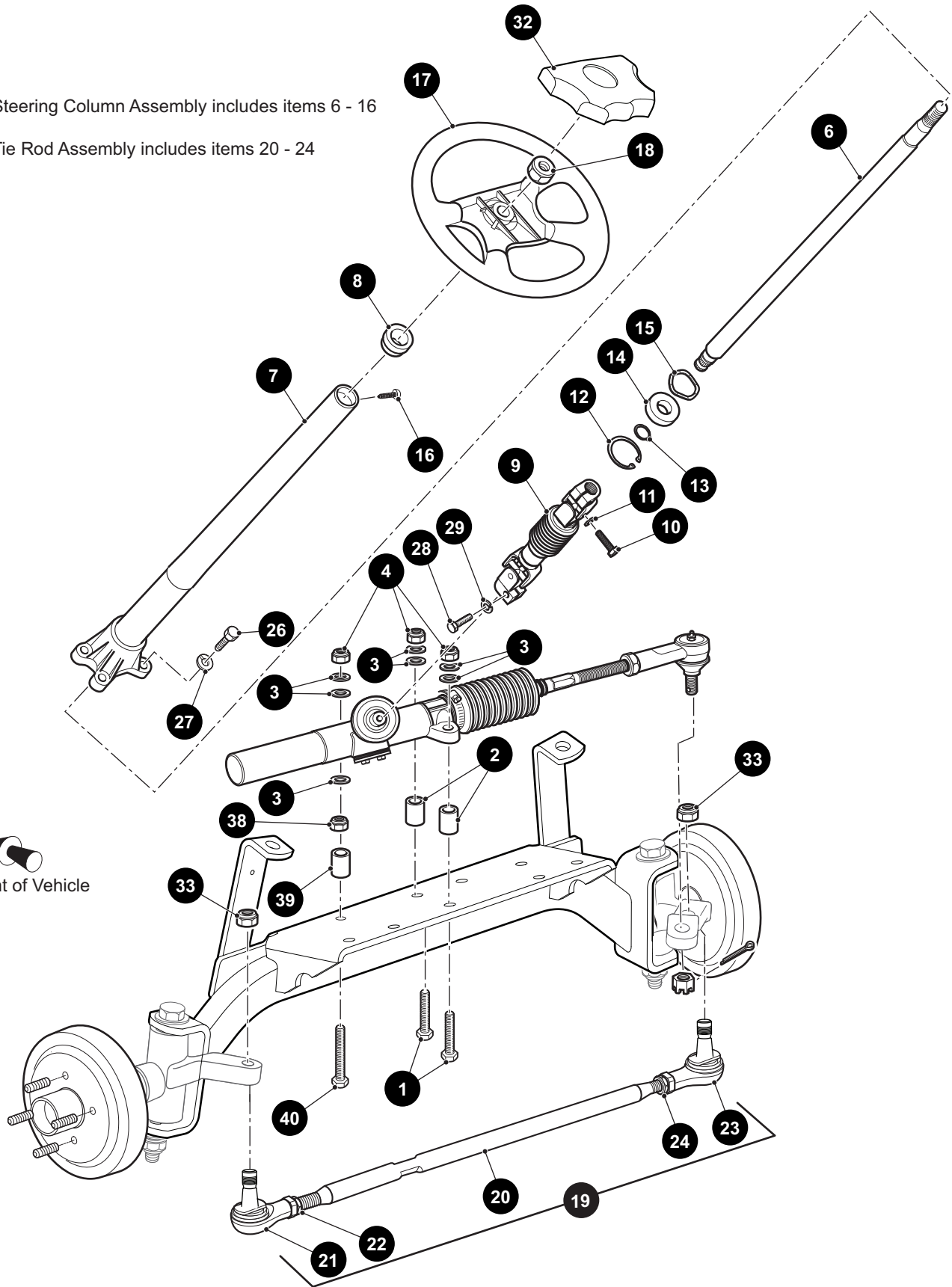
ITEM	PART NO.	1 2 3 4 5	DESCRIPTION	QTY.
1	<u>633795</u>		Front Axle .....	1
2	<u>70930G02</u>		Spindle and Hub Assembly (Passenger Side) (Includes Items 3 - 12).....	1
3	<u>70802G01</u>		Spindle Assembly (Passenger Side) .....	1
4	<u>25146G1</u>		Grease Seal.....	1
5	<u>11750G2</u>		Roller Bearing and Race Assembly .....	2
6	<u>74332G01</u>		Wheel Hub .....	1
7	<u>36038G01</u>		Drive Flange Stud.....	4
8	<u>12093G1</u>		Castle Nut, 1" - 14 .....	1
9	<u>00798G8</u>		Cotter Pin, 5/32" x 1 3/4" Lg .....	1
10	<u>632925</u>		Flanged Bushing.....	1
11	<u>632926</u>		Bushing Sleeve.....	1
12	<u>51141G1</u>		Race Bearing.....	2
13	<u>70931G02</u>		Spindle and Hub Assembly (Driver Side) (Includes Items 4 - 12, 14) .....	1
14	<u>70803G01</u>		Spindle Assembly (Driver Side) .....	1
15				
16	<u>14390G6</u>		Lock Nut, 1/2" - 13 .....	1
17	<u>76419G01</u>		Shock Absorber.....	2
18	<u>10435G1</u>		Shock Absorber Washer .....	4
19	<u>10194G1</u>		Rubber Bushing .....	4
20	<u>00532G6</u>		Hex Nut, 3/8" - 24.....	2
21	<u>00407G6</u>		King Pin Bolt, 1/2" - 13 x 6" Lg, Grade 5.....	1
22	<u>652258</u>		Spring Plate.....	4
23	<u>00734G1</u>		Lock Nut, 7/16" - 14 .....	11
24	<u>00463G11</u>		Hex Head Bolt, 7/16" - 14 x 1 3/4" Lg, Grade 5 .....	11
25	<u>00560G3</u>		Flat Washer, 1/2" .....	2
26	<u>70990G03</u>		Leaf Spring.....	2
27	<u>70745G01</u>		King Pin Tube.....	1
28	<u>70754G01</u>		Thrust Washer, (SS), 1" .....	1
29	<u>10044G01</u>		Vinyl Cap.....	2

# FRONT SUSPENSION AND STEERING

5 Steering Column Assembly includes items 6 - 16

19 Tie Rod Assembly includes items 20 - 24

Front of Vehicle



## FRONT SUSPENSION AND STEERING

THE USE OF NON U.L. PARTS WILL VOID ANY U.L. LISTING.

When ordering parts, please specify the model and serial number of the product.

\* Indicates a component that is not available as an individual part.

\*\*\* Indicates consult Customer Service Department for additional information.

ITEM	PART NO.	1 2 3 4 5	DESCRIPTION	QTY.
1	<u>00464G6</u>		Hex Head Bolt, 7/16" - 14 x 2 3/4" Lg, Grade 5 .....	2
2	<u>70667G02</u>		Spacer, 1.21" .....	2
3	<u>00560G2</u>		Flat Washer, 7/16" .....	7
4	<u>00734G1</u>		Lock Nut, 7/16" - 14 .....	3
5	<u>70758G05</u>		Steering Column Kit (Includes Items 6 - 16) .....	1
6	<u>70607G01</u>		Steering Shaft .....	1
7	<u>70610G03</u>		Steering Column .....	1
8	<u>28569G01</u>		Steering Column Bushing .....	1
9	<u>70580G01</u>		Intermediate Shaft .....	1
10	<u>01055G01</u>		Hex Head Bolt, M8 - 1.25 x 1.18" Lg, Grade 5 .....	1
11	<u>00565G8</u>		Lock Washer, 5/16" .....	1
12	<u>70751G01</u>		Retaining Ring (Internal) .....	1
13	<u>70888G01</u>		Retaining Ring (External) .....	1
14	<u>15112G1</u>		Ball Bearing .....	1
15	<u>70887G01</u>		Wave Washer .....	1
16	<u>01022G01</u>		Hex Washer Head Screw, #6 - 20 x 5/16" Lg .....	1
17	<u>602980</u>		Steering Wheel (Premium) .....	1
18	<u>14390G2</u>		Lock Nut, 5/8" - 18 .....	1
19	<u>70876G02</u>		Tie Rod Assembly (Includes Items 20 - 24) .....	1
20	<u>70897G02</u>		Threaded Rod, 24" Lg .....	1
21	<u>70902G01</u>		Tie Rod End (Left Hand Threads) .....	1
22	<u>01069G01</u>		Jam Nut, M12 x 1.25 (Left Hand Threads) .....	1
23	<u>70902G02</u>		Tie Rod End (Right Hand Threads) .....	1
24	<u>01069G02</u>		Jam Nut, M12 x 1.25 (Right Hand Threads) .....	1
25				
26	<u>01006G01</u>		Hex Washer Head Bolt, 3/8" - 16 x 1 1/4" Lg .....	4
27	<u>00879G1</u>		Lock Washer, 3/8" .....	4
28	<u>01055G01</u>		Hex Head Bolt, M8 - 1.25 x 1.18" Lg, Grade 5 .....	1
29	<u>00565G8</u>		Lock Washer, 5/16" .....	1
30				
31				

## FRONT SUSPENSION AND STEERING

THE USE OF NON U.L. PARTS WILL VOID ANY U.L. LISTING.

When ordering parts, please specify the model and serial number of the product.

\* Indicates a component that is not available as an individual part.

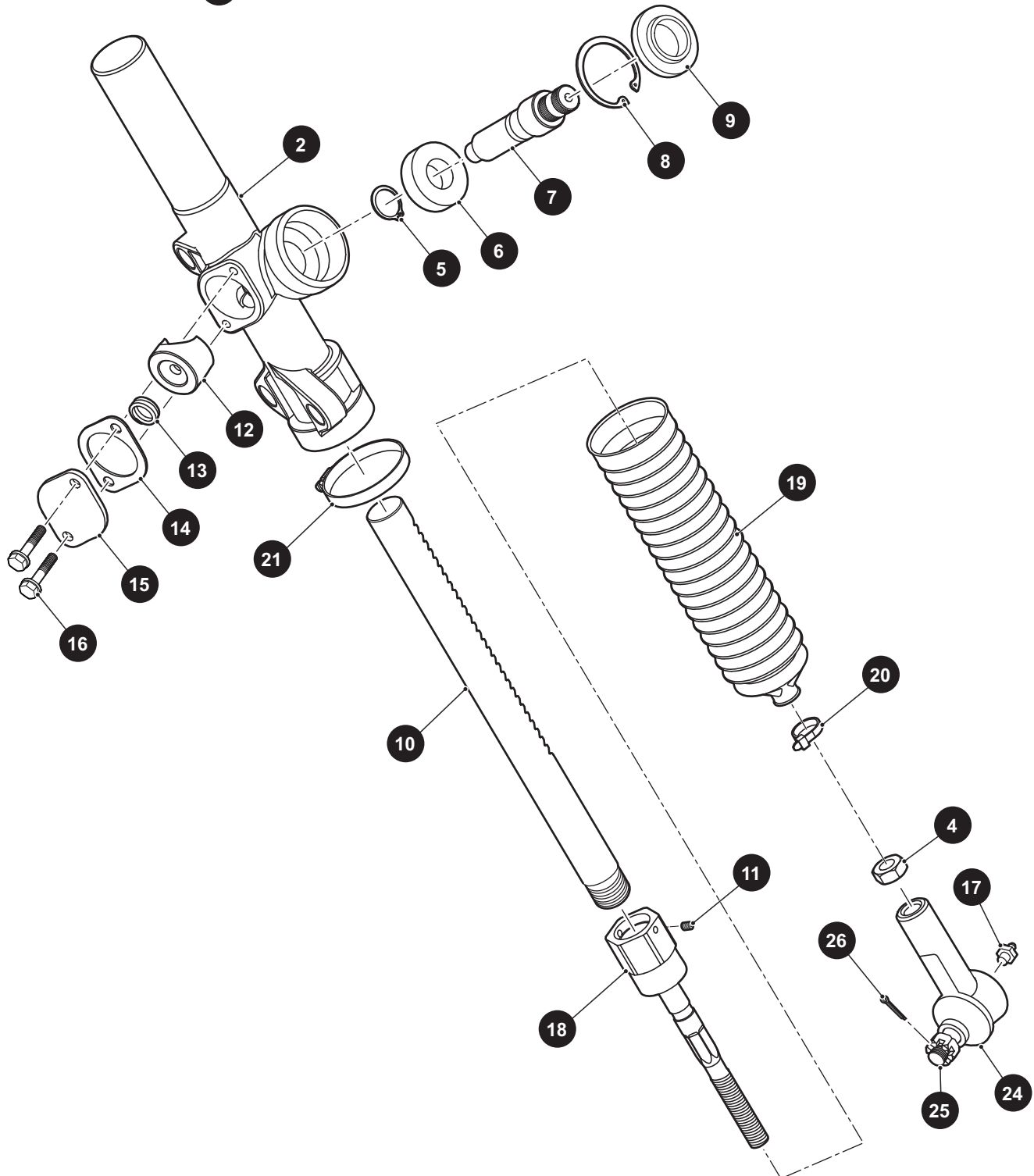
\*\*\* Indicates consult Customer Service Department for additional information.

ITEM	PART NO.	1 2 3 4 5	DESCRIPTION	QTY.
32	<u>71147G01</u>		Steering Wheel Cover .....	1
33	<u>00734G1</u>		Lock Nut, 7/16" - 14 .....	2
34				
35				
36				
37				
38	<u>00532G7</u>		Hex Nut, 7/16" - 14 .....	1
39	<u>70667G04</u>		Spacer, 1" O.D x .469" I.D. x .69" Lg .....	1
40	<u>01068G01</u>		Hex Head Bolt, 7/16" - 14 x 3.5" Lg, Grade 5 .....	1



# FRONT SUSPENSION AND STEERING

- 1** Rack and Pinion Unit includes items 2 - 23
- 23** Tie Rod End (Outer) includes items 24 - 25





## FRONT SUSPENSION AND STEERING

THE USE OF NON U.L. PARTS WILL VOID ANY U.L. LISTING.

When ordering parts, please specify the model and serial number of the product.

\* Indicates a component that is not available as an individual part.

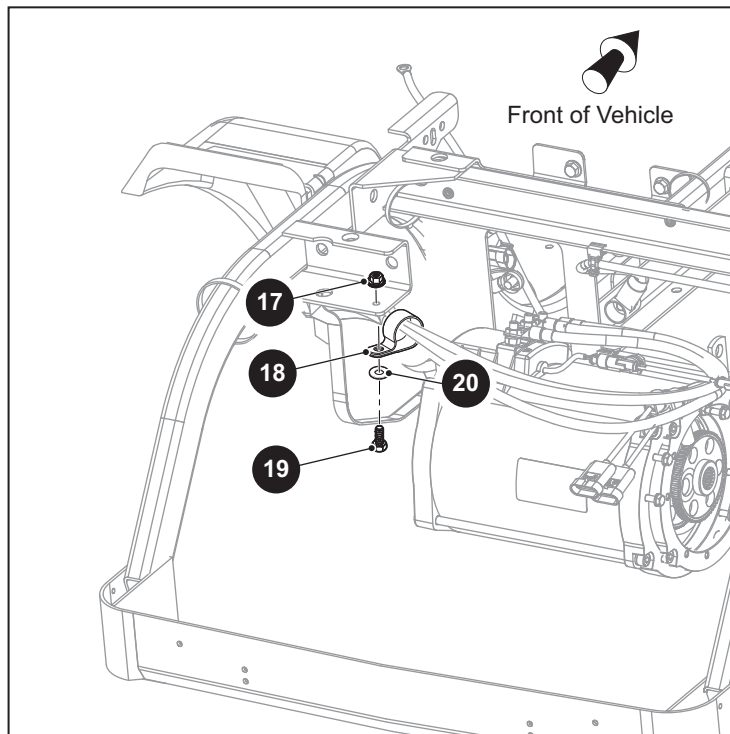
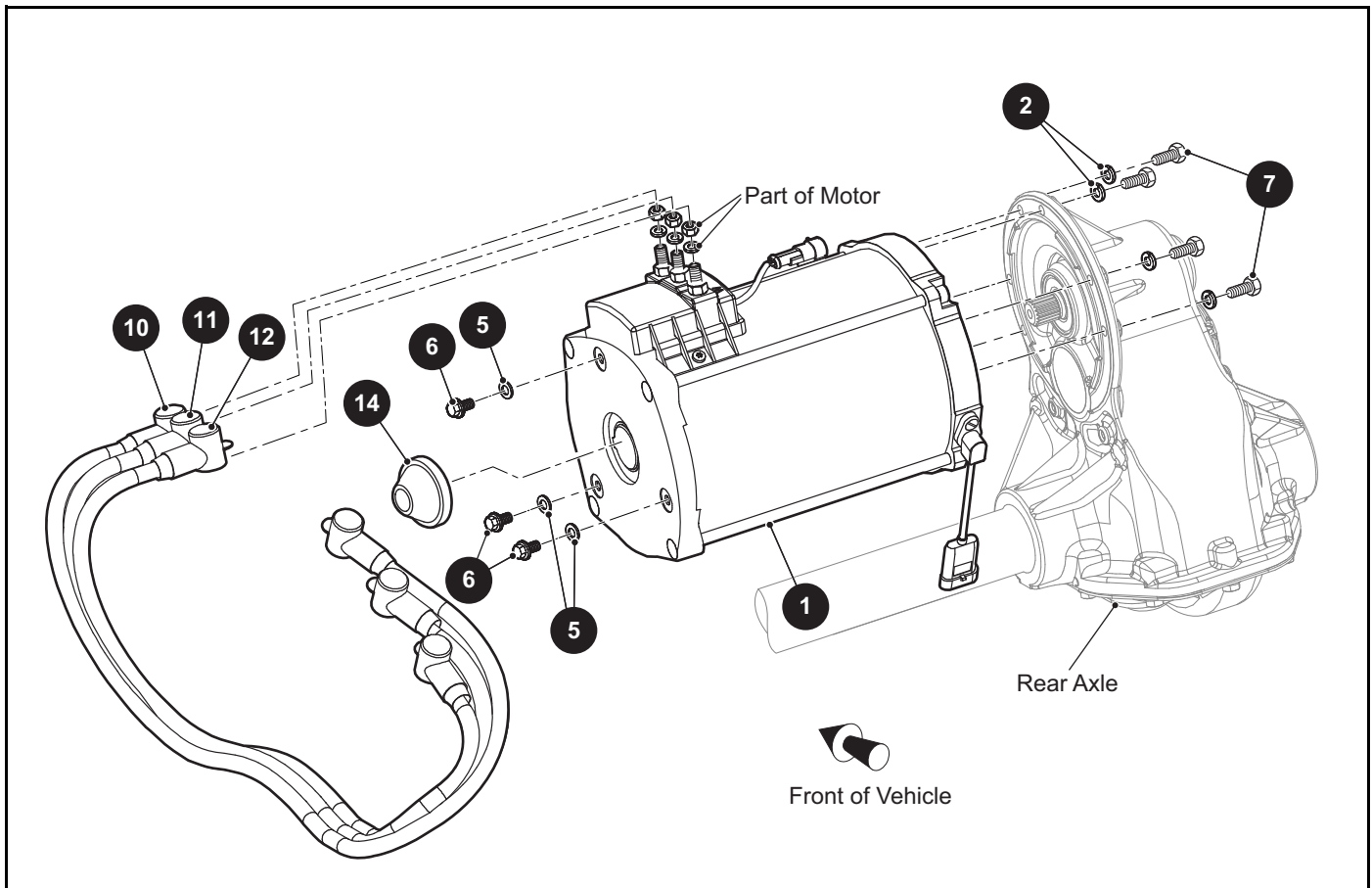
\*\*\* Indicates consult Customer Service Department for additional information.

ITEM	PART NO.	1 2 3 4 5	DESCRIPTION	QTY.
1	<u>70964G01</u>		Rack and Pinion Unit (Includes Items 2 - 23).....	1
2	<u>70965G01</u>		Steering Rack Cover and Bearing .....	1
3				
4	*		Jam Nut, 1/2" - 20.....	1
5	<u>70750G01</u>		Retaining Ring (External) .....	1
6	<u>15112G1</u>		Ball Bearing .....	1
7	<u>70603G01</u>		Pinion.....	1
8	<u>70751G01</u>		Retaining Ring (Internal).....	1
9	<u>70638G01</u>		Seal (Pinion) .....	1
10	<u>70604G01</u>		Steering Rack .....	1
11	*		Set Screw, #10 - 32 x .25" Lg .....	1
12	<u>70590G01</u>		Rack Loader .....	1
13	<u>70666G01</u>		Compression Spring .....	1
14	<u>70645G01</u>		Gasket (Rack Loader Cover).....	1
15	<u>652259</u>		Cover (Rack Loader) .....	1
16	<u>71102G01</u>		Hex Washer Head Bolt, 1/4" - 20 x 11/16" Lg, Grade 5.....	2
17	<u>10389G3</u>		Grease Fitting (Straight) .....	1
18	<u>70694G01</u>		Rod End (Inner) .....	1
19	<u>70961G01</u>		Rack Boot .....	1
20	<u>12416G2</u>		Nylon Clamp, 11.8" Lg .....	1
21	<u>11391G8</u>		Hose Clamp, 1.81".....	1
22				
23	<u>70695G01</u>		Tie Rod End (Outer) (Includes Items 24 - 25).....	1
24	<u>50641G1</u>		Grommet .....	1
25	*		Hex Slotted Nut, 7/16" - 20 .....	1
26	<u>10387G2</u>		Cotter Pin, 3/32" x 1".....	1





# MOTOR



THE USE OF NON U.L. PARTS WILL VOID ANY U.L. LISTING.

When ordering parts, please specify the model and serial number of the product.

\* Indicates a component that is not available as an individual part.

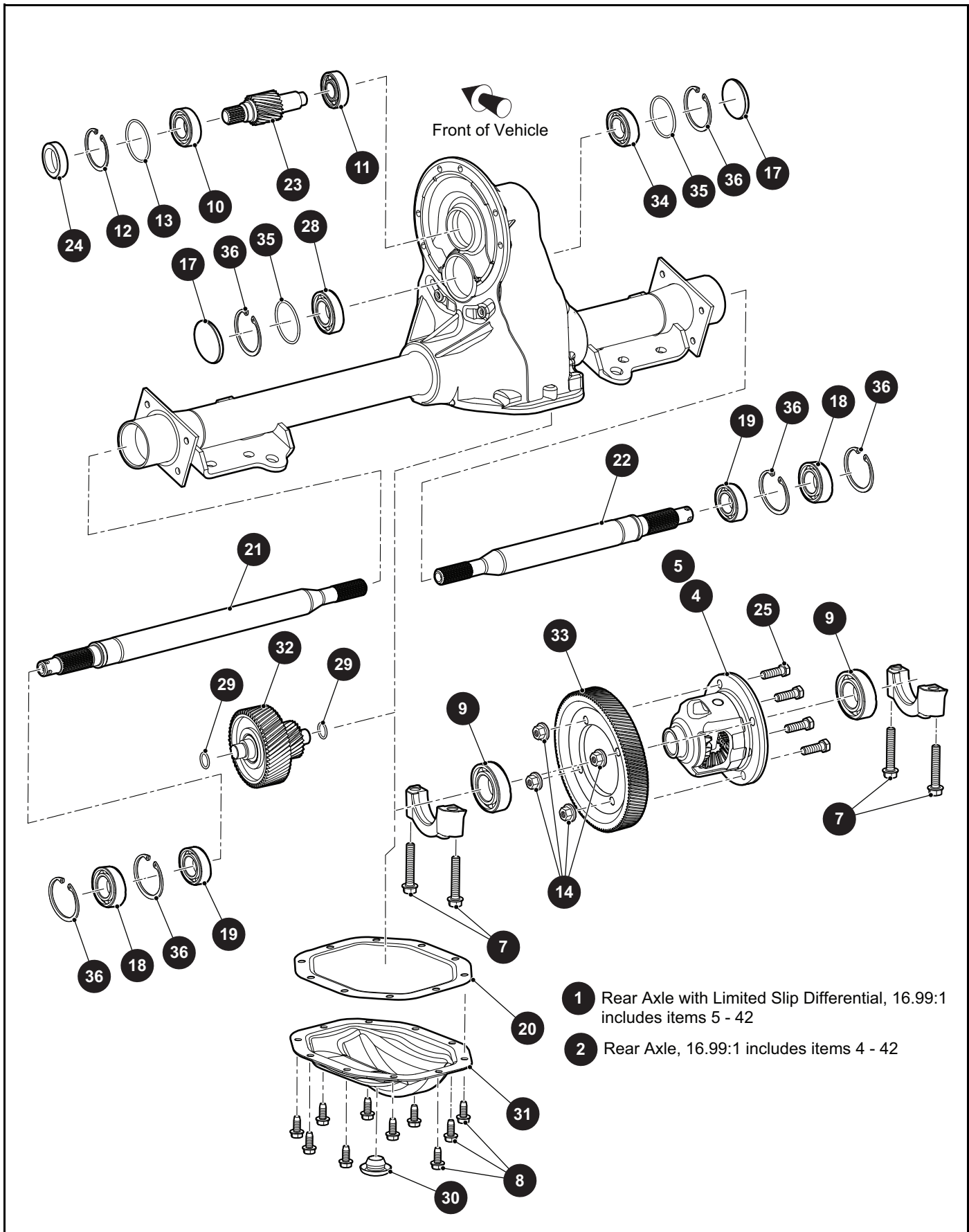
\*\*\* Indicates consult Customer Service Department for additional information.

ITEM	PART NO.	1 2 3 4 5	DESCRIPTION	QTY.
1	681071		Motor, 72V.....	1
2	<u>601327</u>		Lock Washer, 6mm .....	6
3				
4				
5	<u>00915G1</u>		Bonded Seal Washer, 1/4" I.D. ....	3
6	<u>73876G01</u>		Flanged Hex Head Bolt, M6 - 1 x 12mm Lg.....	3
7	<u>605741</u>		Hex Head Bolt, M6 - 1 x 25mm Lg, Grade 10.9.....	6
8				
9				
10	<u>635137G01</u>		Motor Wire (U), 2AWG, 44".....	1
11	<u>635137G02</u>		Motor Wire (V), 2AWG, 41" .....	1
12	<u>635137G03</u>		Motor Wire (W), 2AWG, 37" .....	1
13				
14	668275		End Cap Plug.....	1
15				
16				
17	<u>11027G2</u>		Flanged Lock Nut, 1/4" - 20 .....	1
18	<u>630761</u>		Loop Clamp.....	1
19	<u>00414G7</u>		Hex Head Bolt, 1/4" - 20 x 7/8" Lg, Grade 5 .....	1
20	<u>00559G7</u>		Flat Washer, 1/4".....	1





# REAR AXLE





## REAR AXLE

THE USE OF NON U.L. PARTS WILL VOID ANY U.L. LISTING.

When ordering parts, please specify the model and serial number of the product.

\* Indicates a component that is not available as an individual part.

\*\*\* Indicates consult Customer Service Department for additional information.

ITEM	PART NO.	1 2 3 4 5	DESCRIPTION	QTY.
1	<u>633600</u>		Rear Axle with Limited Slip Differential, 16.99:1 (Includes Items 5 - 42).....	1
2	<u>633599</u>		Rear Axle, 16.99:1 (Includes Items 4 - 42).....	1
3				
4	<u>601082</u>		Differential Assembly .....	1
5	<u>614059</u>		Limited Slip Differential with CC Clutch .....	1
6				
7	<u>15118G1</u>		Hex Head Bolt, 3/8" - 16 x 2.125" Lg.....	4
8	<u>15558G1</u>		Hex Head Bolt, 5/16" - 18 x .75" Lg.....	10
9	<u>17473G1</u>		Bearing Assembly.....	2
10	<u>23519G2</u>		Ball Bearing Single Lip Seal .....	1
11	<u>23520G1</u>		Ball Bearing .....	1
12	<u>23530G1</u>		Retainer Ring.....	1
13	<u>24628G1</u>		O-ring Seal .....	1
14	<u>601084</u>		Lock Nut, 3/8" - 24 .....	4
15				
16				
17	<u>608811</u>		End Cap.....	2
18	<u>611788</u>		Ball Bearing .....	2
19	<u>612064</u>		Oil Seal .....	2
20	<u>612824</u>		Gasket .....	1
21	<u>617608</u>		Axle Shaft (Driver Side).....	1
22	<u>617609</u>		Axle Shaft (Passenger Side) .....	1
23	<u>620327</u>		Input Gear.....	1
24	<u>620328</u>		Oil Seal .....	1
25	<u>620335</u>		Hex Head Bolt, 3/8" - 24 x 1.25" Lg.....	4
26				
27				
28	<u>620340</u>		Ball Bearing .....	1
29	<u>620345</u>		O-ring, 18mm.....	2
30	<u>620347</u>		Rubber Plug.....	1
31	<u>620348</u>		Differential Cover Plate.....	1

## REAR AXLE

THE USE OF NON U.L. PARTS WILL VOID ANY U.L. LISTING.

When ordering parts, please specify the model and serial number of the product.

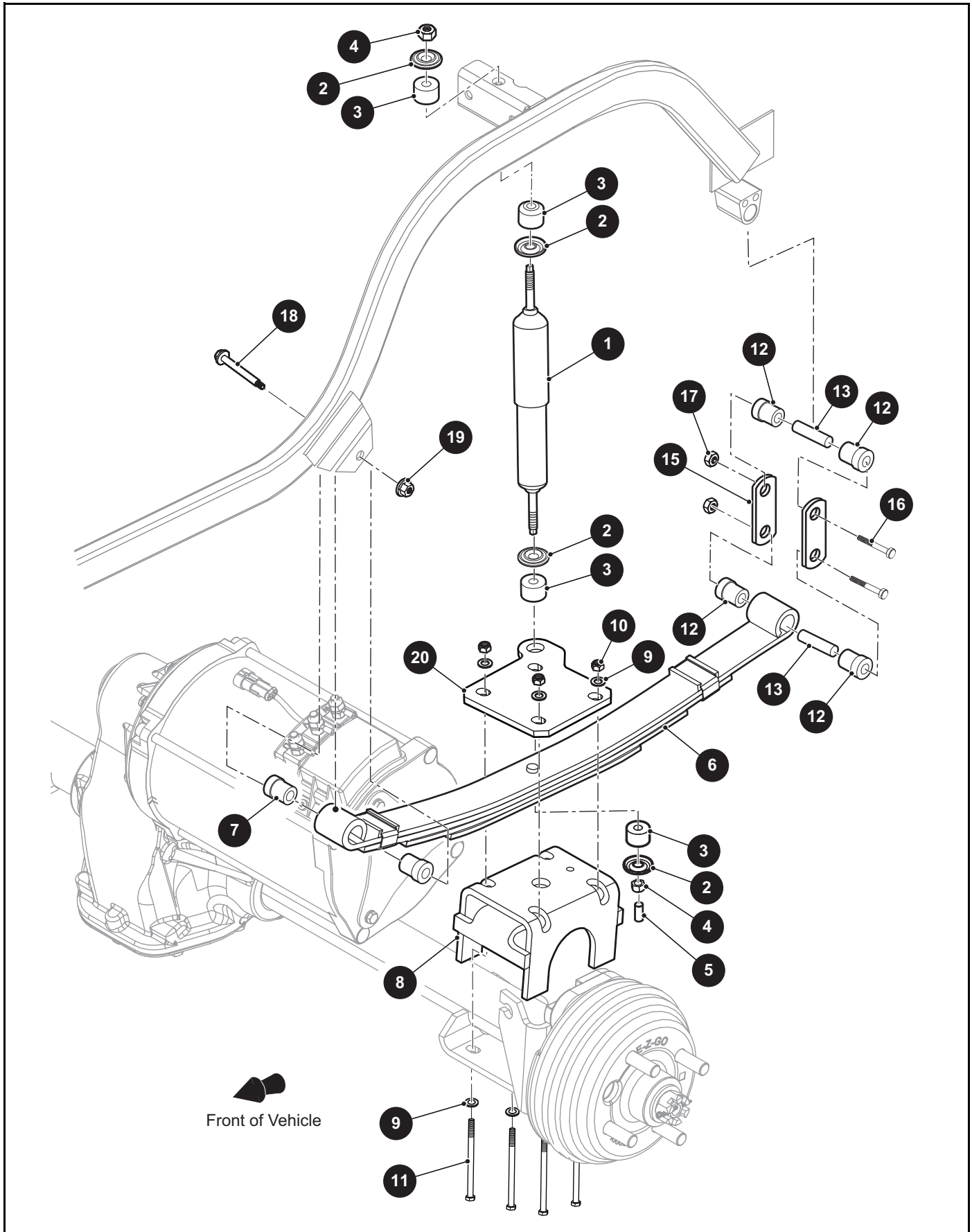
\* Indicates a component that is not available as an individual part.

\*\*\* Indicates consult Customer Service Department for additional information.

ITEM	PART NO.	1	2	3	4	5	DESCRIPTION	QTY.
32	<u>620349</u>						Intermediate Gear Assembly.....	1
33	<u>620350</u>						Drive Gear.....	1
34	<u>620355</u>						Ball Bearing.....	1
35	<u>620358</u>						O-ring, 18mm.....	2
36	<u>620359</u>						Retaining Ring.....	6
37								
38								
39	<u>620329</u>						Input Gears Kit (Not Illustrated).....	1
40	<u>620361</u>						Internal Gears Kit (Not Illustrated).....	1
41	<u>620362</u>						Ball Bearing Kit (Not Illustrated).....	1
42	<u>620363</u>						Differential Cover Assembly Kit (Not Illustrated).....	1



# REAR SUSPENSION



## REAR SUSPENSION

THE USE OF NON U.L. PARTS WILL VOID ANY U.L. LISTING.

When ordering parts, please specify the model and serial number of the product.

\* Indicates a component that is not available as an individual part.

\*\*\* Indicates consult Customer Service Department for additional information.

ITEM	PART NO.	1 2 3 4 5	DESCRIPTION	QTY.
1	<u>642085</u>		Shock Absorber.....	2
2	<u>10435G1</u>		Shock Absorber Washer, I.D. .406" x O.D. 1.25" .....	4
3	<u>10194G1</u>		Rubber Bushing .....	4
4	<u>00532G6</u>		Hex Nut, 3/8" - 24.....	2
5	<u>10044G01</u>		Vinyl Cap.....	1
6	<u>667990</u>		Leaf Spring.....	2
7	<u>624030</u>		Flanged Bushing .....	2
8	<u>652708G03</u>		Lift Bracket .....	1
9	<u>00560G1</u>		Flat Washer, 3/8".....	8
10	<u>11098G5</u>		Lock Nut, 3/8" - 16 .....	4
11	<u>00430G12</u>		Hex Head Bolt, 3/8" - 16 x 5 1/2" Lg, Grade 5 .....	4
12	<u>624030</u>		Flanged Bushing .....	4
13	<u>70289G02</u>		Split Spacer (Steel), I.D .376" x O.D. 1" x 1" Lg.....	2
14				
15	<u>652245</u>		Shackle Plate .....	2
16	<u>00665G9</u>		Hex Head Bolt (SS), 3/8" - 16 x 3 1/2" Lg .....	2
17	<u>11098G5</u>		Lock Nut, 3/8" - 16 .....	2
18	<u>14158G1</u>		Shoulder Bolt, 1/2" Dia x 3/8" - 16 Thread x 3 1/4" Lg .....	1
19	<u>12262G1</u>		Flanged Lock Nut, 3/8" - 16 .....	1
20	<u>605977</u>		Rear Suspension Plate .....	1



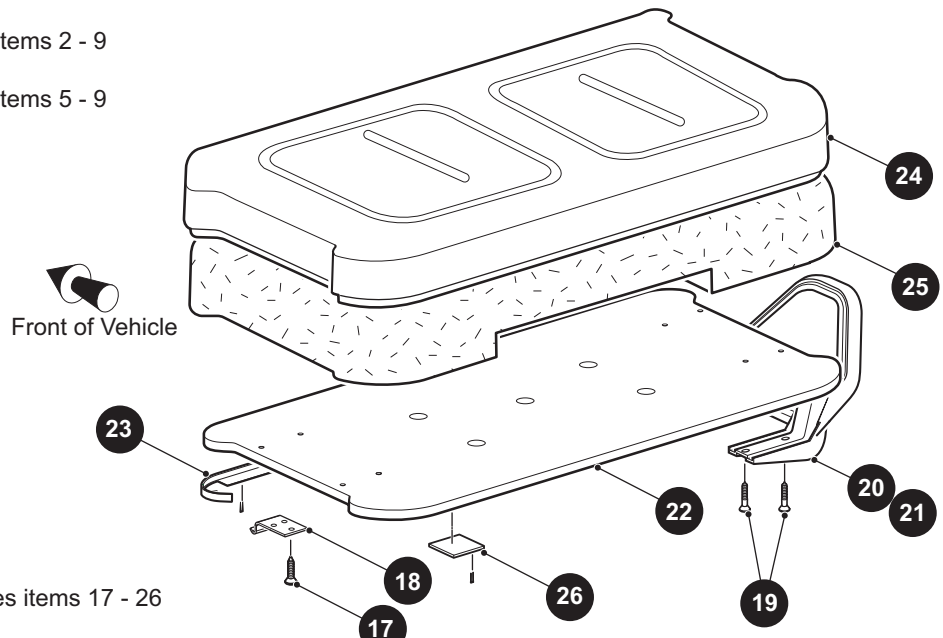


# SEATING

**1** Seat Back Assembly includes items 2 - 9

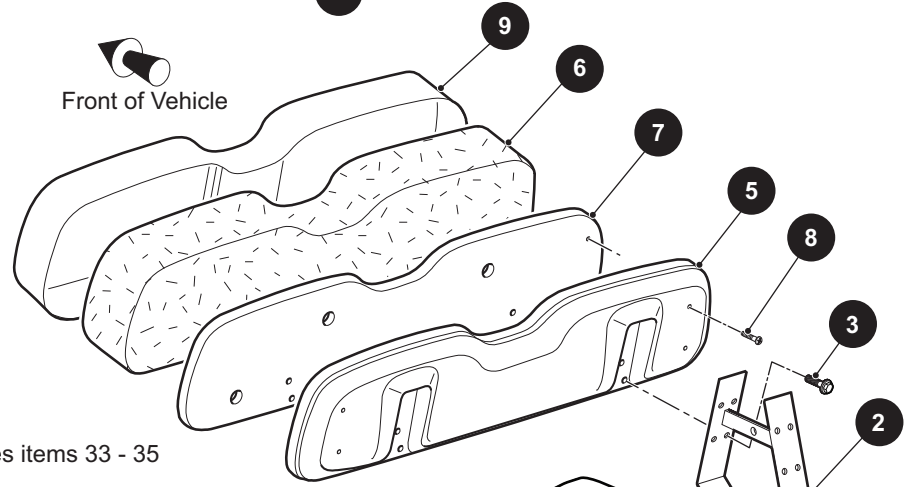
**4** Seat Back Assembly includes items 5 - 9

**10** Premium Seat Back Assembly includes items 2 - 3, 11

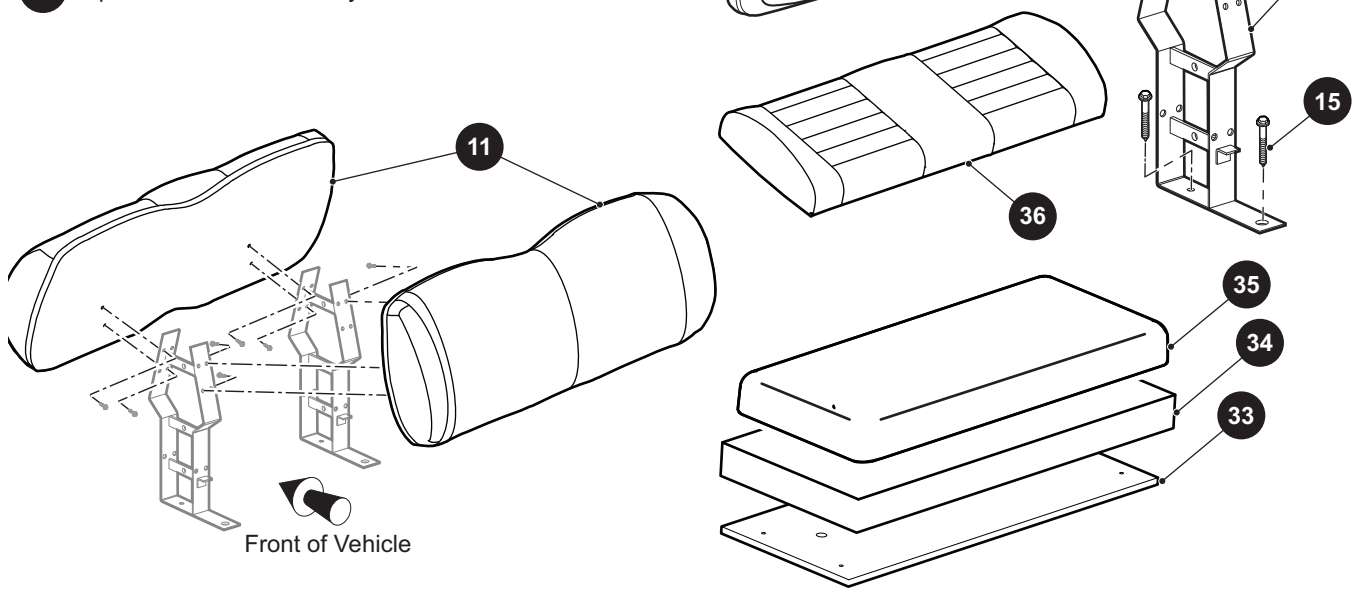


**16** Seat Bottom Assembly includes items 17 - 26

**27** Premium Seat Bottom Assembly includes items 17 - 21, 24



**30** Flip Seat Bottom Assembly includes items 33 - 35





THE USE OF NON U.L. PARTS WILL VOID ANY U.L. LISTING.

When ordering parts, please specify the model and serial number of the product.

\* Indicates a component that is not available as an individual part.

\*\*\* Indicates consult Customer Service Department for additional information.

ITEM	PART NO.	1 2 3 4 5	DESCRIPTION	QTY.
1	***		Seat Back Assembly (Includes Items 2 - 9)..... 10000522G0114 Gray/Black 10000522G0122 White/Beige 632818G01 Oyster 632818G03 Tan 632818G04 Gray 632818G06 Black	1
2	<u>634178</u>		Support Weldment.....	1
3	71204G01		Hex Washer Head Bolt with Patch Lock, 1/4" - 20 x .875" Lg .....	4
4	***		Seat Back Assembly (Includes Items 5 - 9)..... 10000520G0114 Gray/Black 10000520G0122 White/Beige 71751G03 Oyster 71751G04 Tan 71751G02 Gray 71751G07 Black	2
5	71752G01		Cover (Plastic).....	1
6	<u>71754G01</u>		Padding (Foam) .....	1
7	<u>645021</u>		Base Assembly .....	1
8	<u>01107G01</u>		Pan Head Torx Screw, #8 x .63" Lg.....	4
9	***		Vinyl Cover..... 10004901G14 Gray/Black 10000417G22 White/Beige 71753G02 Gray 71753G03 Oyster 71753G04 Tan 71753G07 Black	1
10	***		Premium Seat Back Assembly (Includes Items 2 - 3, 11) .....	1
			692961G18 Mushroom 692961G21 Premium Black	
11	***		Seat Back Assembly..... 654084G18 Mushroom 654084G21 Premium Black	2
12				
13				
14				
15	<u>01006G01</u>		Hex Washer Head Thread Forming Screw, 3/8" - 16 x 1.25" Lg .....	2
16	***		Seat Bottom Assembly (Includes Items 17 - 26) .....	1
			629269G0101 Oyster 629269G0103 Tan 629269G0104 Gray	

# SEATING

THE USE OF NON U.L. PARTS WILL VOID ANY U.L. LISTING.

When ordering parts, please specify the model and serial number of the product.

\* Indicates a component that is not available as an individual part.

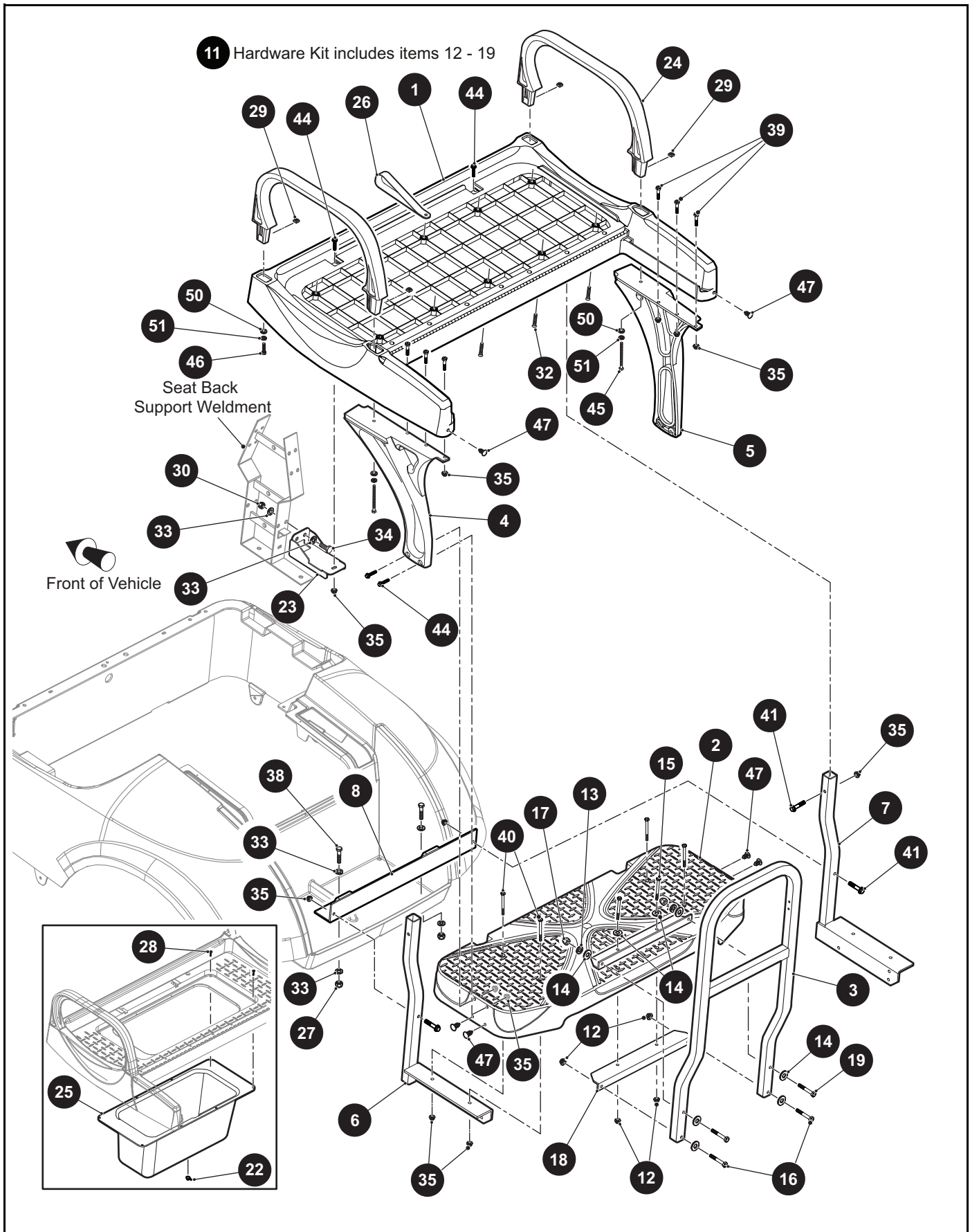
\*\*\* Indicates consult Customer Service Department for additional information.

ITEM	PART NO.	1	2	3	4	5	DESCRIPTION	QTY.
							629269G0106 Black 629269G3022 White/Beige 629269G3014 Gray/Black	
17	<u>00720G08</u>						Flat Head Phillips Tapping Screw, #12 - 14 x 1" Lg.....	6
18	71610G01						Seat Hinge .....	2
19	<u>615417</u>						Button Head Torx Bolt, M10 - 1.5 x 25mm Lg .....	4
20	<u>617644</u>						Hip Restraint (Passenger Side).....	1
21	<u>617645</u>						Hip Restraint (Driver Side) .....	1
22	<u>645492</u>						Base.....	1
23	<u>71012G01</u>						Trim (Polypropylene).....	1
24	***						Vinyl Cover..... 71602G02 Gray 71602G03 Oyster 71602G04 Tan 71602G06 Black 10000416G22 White/Beige 10004900G14 Gray/Black 654085G18 Mushroom 654085G21 Premium Black	1
25	<u>71603G02</u>						Padding (Foam) .....	1
26	<u>17074G1</u>						Soiling Slab .....	2
27	***						Premium Seat Bottom Assembly (Includes Items 17 - 21, 24) .....	1
							629269G2818 Mushroom 629269G2821 Premium Black	
28								
29								
30	***						Flip Seat Bottom Assembly (Includes Items 33 - 35).....	1
							699321G01 Oyster 699321G03 Tan 699321G04 Gray 699321G06 Black 699321G14 Gray/Black 699321G22 White/Beige	
31								
32								
33	669061						Seat Bottom .....	1
34	699297						Seat Bottom (Foam).....	1
35	***						Seat Bottom (Vinyl) .....	1

THE USE OF NON U.L. PARTS WILL VOID ANY U.L. LISTING.  
 When ordering parts, please specify the model and serial number of the product.  
 \* Indicates a component that is not available as an individual part.  
 \*\*\* Indicates consult Customer Service Department for additional information.

ITEM	PART NO.	1 2 3 4 5 DESCRIPTION	QTY.
36	***	615646 Oyster 615647 Tan 617892 Gray 615648 Black 10004899G14 Gray/Black 10000413G22 White/Beige  Flip Seat Bottom Assembly (Premium) ..... 600082G18 Mushroom 600082G21 Premium Black	1

# SEATING



THE USE OF NON U.L. PARTS WILL VOID ANY U.L. LISTING.

When ordering parts, please specify the model and serial number of the product.

\* Indicates a component that is not available as an individual part.

\*\*\* Indicates consult Customer Service Department for additional information.

ITEM	PART NO.	1 2 3 4 5	DESCRIPTION	QTY.
1	10007752		Seat Base Assembly .....	1
2	10007792		Footrest .....	1
3	10007798		Grab Bar .....	1
4	10007789G01		Seat Base Support (Driver Side) .....	1
5	10007789G02		Seat Base Support (Passenger Side) .....	1
6	10007791G01		Footrest Support (Driver Side) .....	1
7	10007791G02		Footrest Support (Passenger Side) .....	1
8	10007795		Bumper Support .....	1
9				
10				
11	10008507		Hardware Kit (Includes Items 12 - 19) .....	1
12	10007945		Flanged Hex Nut, 1/4" - 20 .....	4
13	10014523		Lock Washer, 1/4" .....	2
14	10014524		Flat Washer, 1/4" .....	8
15	10014521		Hex Head Bolt, 1/4" - 20 x 3 1/4" Lg, Grade 5 .....	2
16	10014520		Hex Head Bolt, 1/4" - 20 x 2" Lg, Grade 5 .....	2
17	10014522		Acorn Nut, 1/4" - 20 .....	2
18	10014518		Grab Bar Support Clamp .....	2
19	10014519		Hex Head Bolt, 1/4" - 20 x 1 3/4" Lg, Grade 5 .....	2
20				
21				
22	10001207		Rubber Pull Plug .....	1
23	10000073		Flip Seat Support Bracket .....	2
24	699419		Hip Restraint .....	2
25	699428		Plastic Bucket .....	1
26	<u>617402</u>		Seat Strap .....	1
27	<u>11098G5</u>		Lock Nut, 3/8" - 16 .....	2
28	<u>71425G01</u>		Tapping Screw, #8 - 18 x 3/4" Lg .....	8
29	697319		Square Nut (SS), 1/4" - 20 .....	4
30	<u>11098G5</u>		Lock Nut, 3/8" - 16 .....	4
31				

# SEATING

THE USE OF NON U.L. PARTS WILL VOID ANY U.L. LISTING.

When ordering parts, please specify the model and serial number of the product.

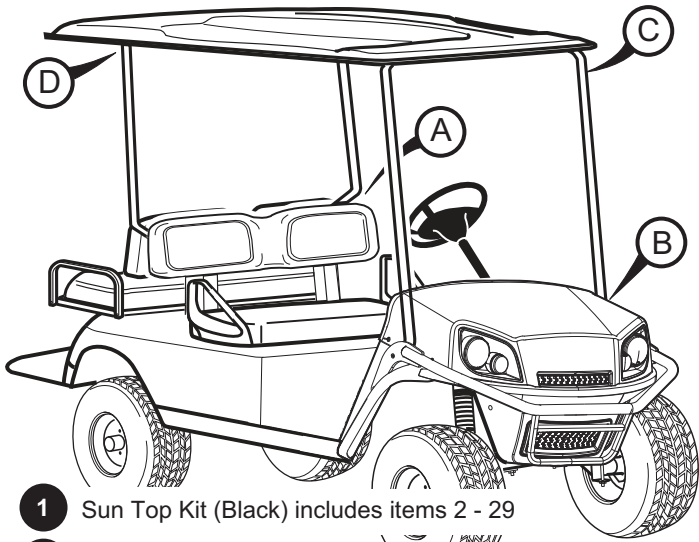
\* Indicates a component that is not available as an individual part.

\*\*\* Indicates consult Customer Service Department for additional information.

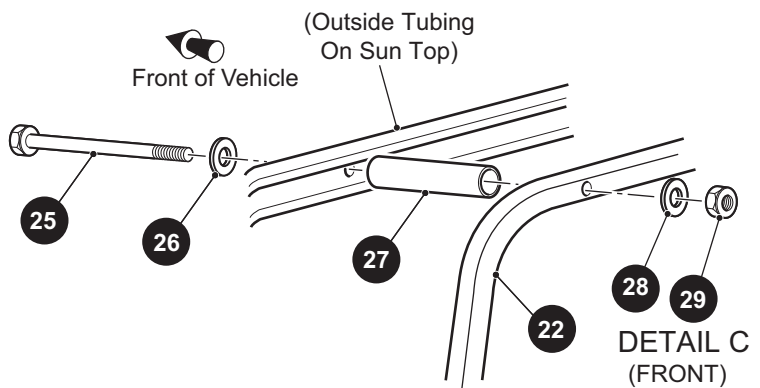
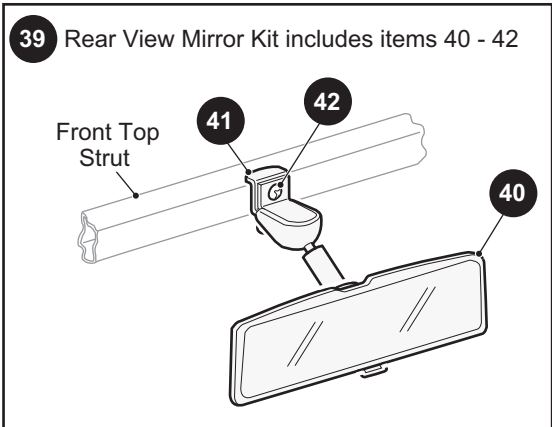
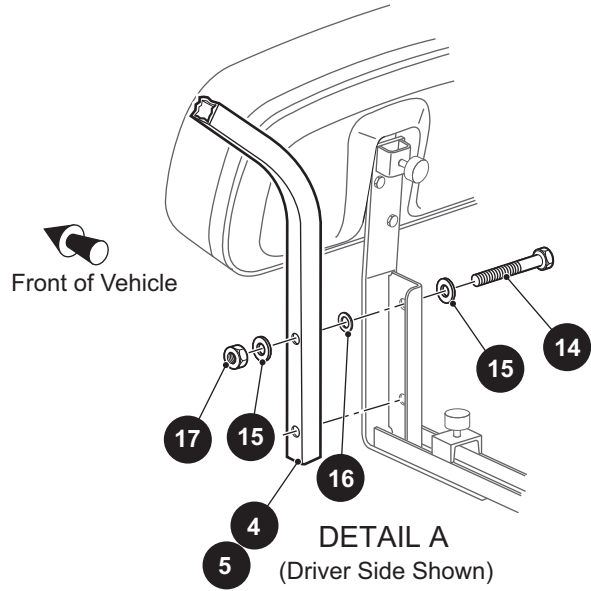
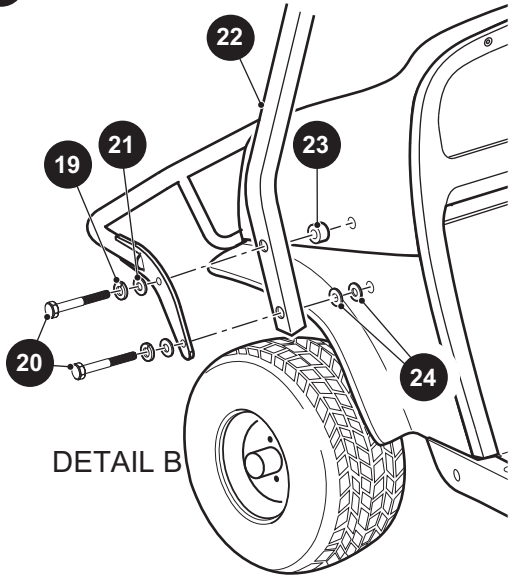
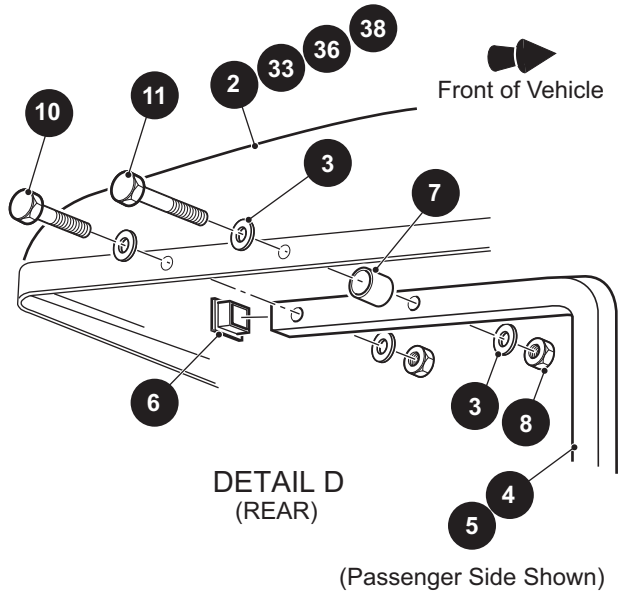
ITEM	PART NO.	1	2	3	4	5	DESCRIPTION	QTY.
32	<u>00205-G4</u>						Flat Head Phillips Screw, 1/4" - 20 x 1 1/2" Lg .....	10
33	<u>614221</u>						Flat Washer, 3/8", Grade 8 .....	12
34	<u>00427G2</u>						Hex Head Bolt, 3/8" - 16 x 1 1/4" Lg.....	4
35	10007945						Flanged Hex Nut, 1/4" - 20 .....	20
36								
37								
38	<u>00427G6</u>						Hex Head Bolt, 3/8" - 16 x 1 1/4" Lg, Grade 5.....	2
39	10007944						Hex Head Bolt, 1/4" - 20 x 1 1/4" Lg.....	6
40	652326						Hex Head Bolt, 1/4" - 20 x 2 3/4" Lg, Grade 5.....	4
41	10008129						Hex Head Bolt, 1/4" - 20 x 2" Lg, Grade 5.....	4
42								
43								
44	10008132						Hex Head Bolt, 1/4" - 20 x 1 1/4" Lg, Grade 5.....	6
45	400128J						Hex Head Bolt, 1/4" - 20 x 3 1/2" Lg.....	2
46	<u>00415G2</u>						Hex Head Bolt, 1/4" - 20 x 2" Lg.....	2
47	<u>16816G1</u>						Ratchet Rivet, .25" x .680".....	6
48								
49								
50	<u>00559G7</u>						Flat Washer, 1/4" .....	4
51	446130						Lock Washer (Heavy), 1/4" .....	4



# WEATHER PROTECTION



- 1 Sun Top Kit (Black) includes items 2 - 29
- 32 Sun Top Kit (White) includes items 3 - 29, 33
- 35 Sun Top Kit (Tan) includes items 3 - 29, 36
- 37 Sun Top Kit (Gray) includes items 3 - 29, 38





# WEATHER PROTECTION

THE USE OF NON U.L. PARTS WILL VOID ANY U.L. LISTING.

When ordering parts, please specify the model and serial number of the product.

\* Indicates a component that is not available as an individual part.

\*\*\* Indicates consult Customer Service Department for additional information.

ITEM	PART NO.	1 2 3 4 5	DESCRIPTION	QTY.
1	<u>606260</u>		Sun Top Kit (Black), 80" Lg (Includes Items 2 - 29).....	1
2	<u>606937</u>		Sun Top .....	1
3	<u>00679G1</u>		Flat Washer (SS), 3/8" .....	4
4	<u>602743</u>		Rear Strut (Driver Side) .....	1
5	<u>602741</u>		Rear Strut (Passenger Side) .....	1
6	<u>19853G1</u>		End Cap, 1 Sq" .....	1
7	<u>24647G1</u>		Spacer, 1/4" .....	1
8	<u>00891G5</u>		Lock Nut, 3/8" - 16 .....	2
9				
10	<u>00665G6</u>		Hex Head Bolt (SS), 3/8" - 16 x 2" Lg.....	1
11	<u>00665G3</u>		Hex Head Bolt (SS), 3/8" - 16 x 2 1/2" Lg.....	1
12				
13				
14	<u>00665G5</u>		Hex Head Bolt (SS), 3/8" - 16 x 1 3/4" Lg.....	2
15	<u>00679G1</u>		Flat Washer (SS), 3/8" .....	4
16	<u>00771G5</u>		Nylon Washer, 3/8" .....	2
17	<u>00891G5</u>		Lock Nut, 3/8" - 16 .....	2
18				
19	<u>00565G8</u>		Lock Washer, 5/16" .....	2
20	<u>00440G2</u>		Hex Head Bolt, 5/16" - 18 x 2 1/4" Lg, Grade 5 .....	2
21	<u>00559G8</u>		Flat Washer, 5/16" .....	2
22	<u>75125G01</u>		Front Strut.....	1
23	<u>75048G01</u>		Spacer, 1/2" .....	1
24	<u>00879G1</u>		Flat Washer, 3/8" .....	2
25	<u>00674G8</u>		Hex Head Bolt, 3/8" - 16 x 5" Lg.....	1
26	<u>00679G1</u>		Flat Washer (SS), 3/8" .....	1
27	<u>18716G1</u>		Spacer .....	1
28	<u>00653G1</u>		Flat Washer (SS), 3/8" .....	1
29	<u>00891G5</u>		Lock Nut, 3/8" - 16 .....	1
30				
31				

## WEATHER PROTECTION

THE USE OF NON U.L. PARTS WILL VOID ANY U.L. LISTING.

When ordering parts, please specify the model and serial number of the product.

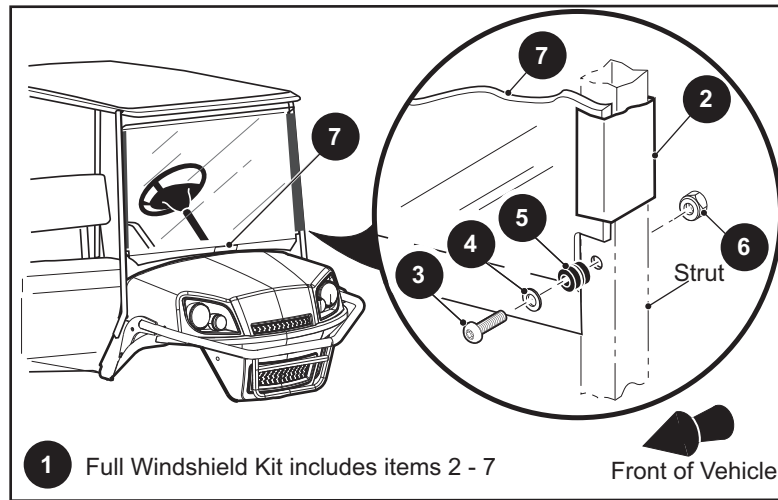
\* Indicates a component that is not available as an individual part.

\*\*\* Indicates consult Customer Service Department for additional information.

ITEM	PART NO.	1 2 3 4 5	DESCRIPTION	QTY.
32	<u>603119</u>		Sun Top Kit (White), 80" Lg (Includes Items 3 - 29, 33).....	1
33	<u>27604G01</u>		Sun Top .....	1
34				
35	<u>603120</u>		Sun Top Kit (Tan), 80" Lg (Includes 3 - 29, 36).....	1
36	<u>602672</u>		Sun Top .....	1
37	10006742		Sun Top Kit (Gray), 80" Lg (Includes 3 - 29, 38).....	1
38	<u>687855</u>		Sun Top .....	1
39	<u>19528G2</u>		Rear View Mirror Kit (Includes Items 40 - 42).....	1
40	<u>19496G1</u>		Mirror.....	1
41	19502G2		Support Bracket .....	1
42	<u>19527G1</u>		Pan Head Screw, #8 - 32 x 5/8" Lg .....	1

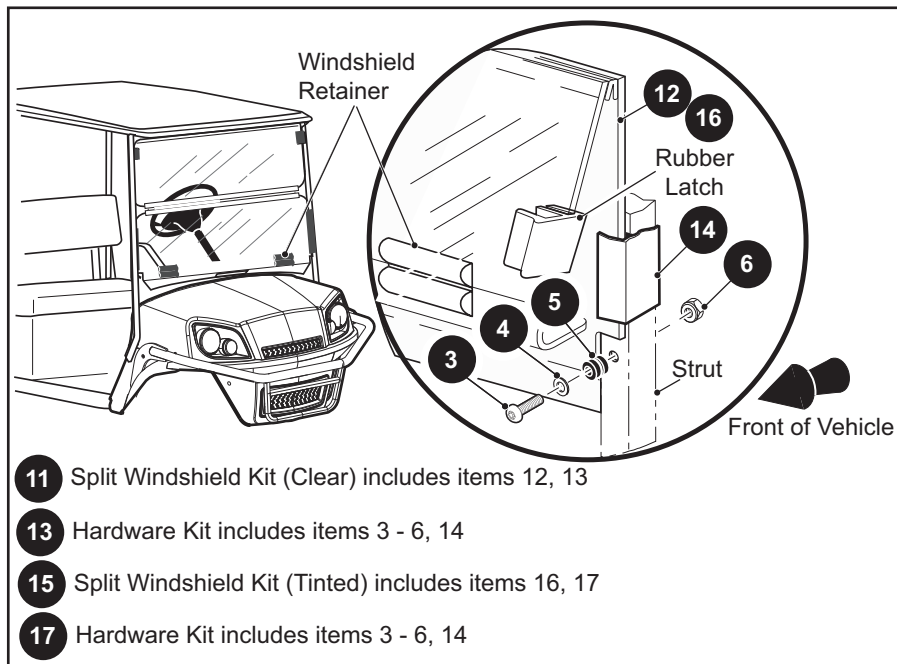


# WEATHER PROTECTION



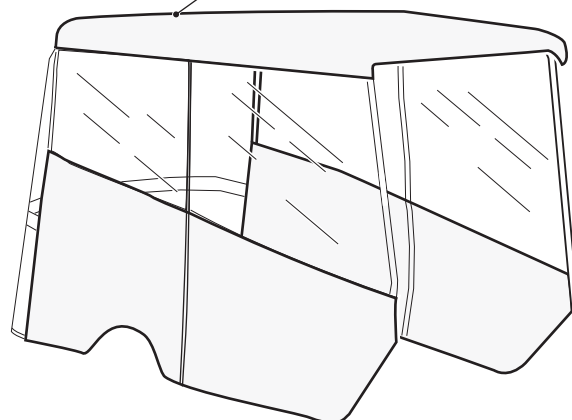
**1** Full Windshield Kit includes items 2 - 7

Front of Vehicle



- 11** Split Windshield Kit (Clear) includes items 12, 13
- 13** Hardware Kit includes items 3 - 6, 14
- 15** Split Windshield Kit (Tinted) includes items 16, 17
- 17** Hardware Kit includes items 3 - 6, 14

**19 20 21 22 23 24 25 26 27 28 29 30**



WEATHER ENCLOSURE

# WEATHER PROTECTION

THE USE OF NON U.L. PARTS WILL VOID ANY U.L. LISTING.

When ordering parts, please specify the model and serial number of the product.

\* Indicates a component that is not available as an individual part.

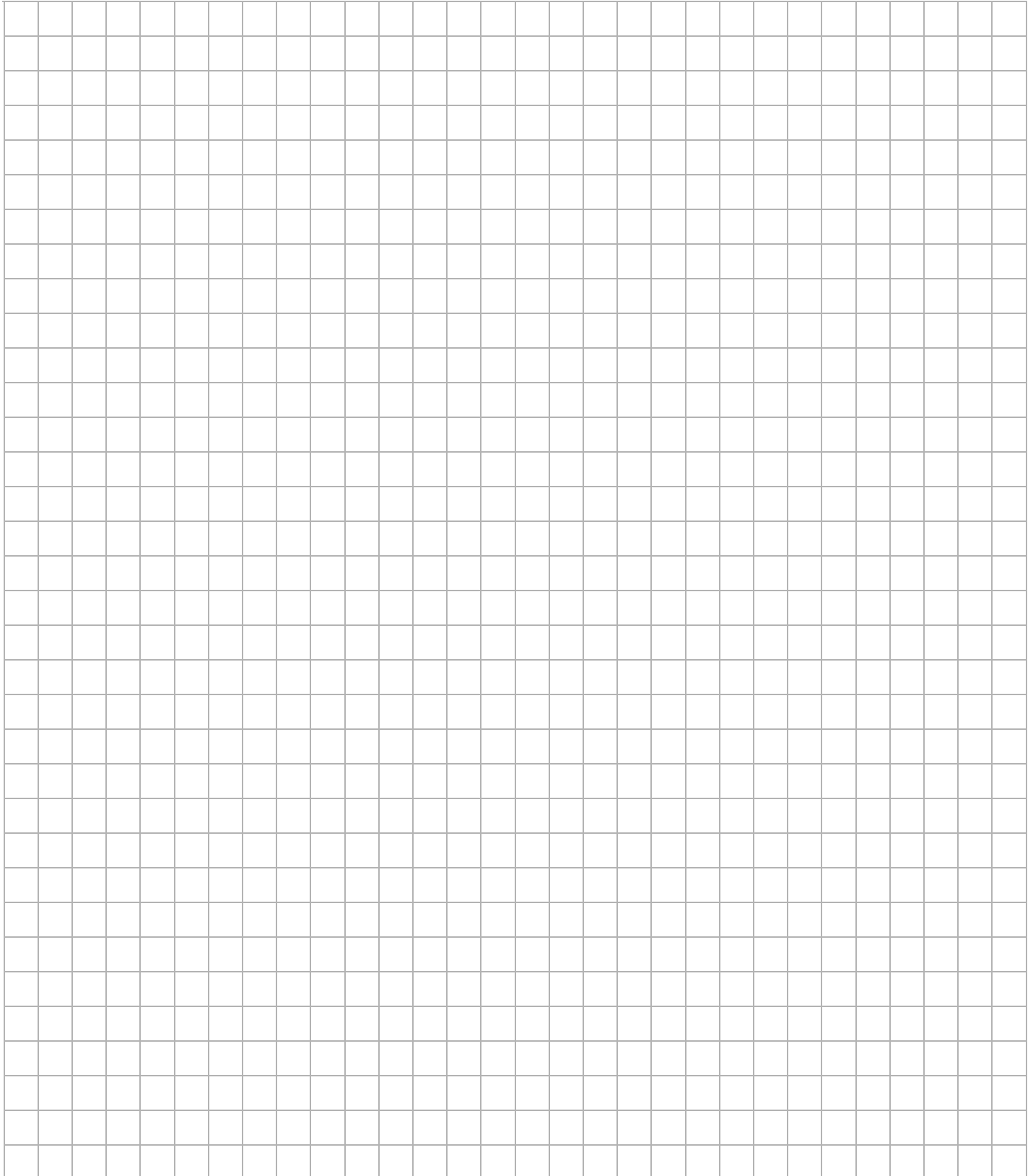
\*\*\* Indicates consult Customer Service Department for additional information.

ITEM	PART NO.	1 2 3 4 5	DESCRIPTION	QTY.
1	<u>71966G03</u>		Full Windshield Kit (Includes Items 2 - 7).....	1
2	<u>615662</u>		Sash, 26" Lg .....	2
3	*		Hex Head Bolt (SS), 1/4" - 20 x 1 3/4" Lg.....	2
4	*		Flat Washer (SS), 1/4" .....	4
5	*		Rubber Grommet.....	2
6	*		Lock Nut (SS), 1/4" - 20.....	2
7	<u>71960G01</u>		Full Windshield .....	1
8				
9	<u>601379</u>		Rear View Mirror Kit (Not Illustrated) .....	1
10				
11	<u>71966G05</u>		Split Windshield Kit (Clear) (Includes Items 12, 13).....	1
12	<u>630012</u>		Split Windshield (Clear) .....	1
13	<u>71956G05</u>		Hardware Kit (Includes Items 3 - 6, 14) .....	1
14	<u>615661</u>		Sash, 12" Lg.....	2
15	<u>71966G06</u>		Split Windshield Kit (Tinted) (Includes Items 16, 17) .....	1
16	<u>630013</u>		Split Windshield (Tinted).....	1
17	<u>71956G05</u>		Hardware Kit (Includes Items 3 - 6, 14) .....	1
18				
19	<u>605119</u>		Weather Enclosure (Tan) .....	1
20	<u>605120</u>		Weather Enclosure (Oyster).....	1
21	<u>605121</u>		Weather Enclosure (Hunter Green) .....	1
22	<u>605122</u>		Weather Enclosure (Pacific Blue) .....	1
23	<u>605123</u>		Weather Enclosure (Capri).....	1
24	<u>605125</u>		Weather Enclosure (Hemlock Tweed).....	1
25	<u>605126</u>		Weather Enclosure (Burgundy).....	1
26	<u>605127</u>		Weather Enclosure (Linen Tweed).....	1
27	<u>605128</u>		Weather Enclosure (Tuscan).....	1
28	<u>605130</u>		Weather Enclosure (Charcoal Tweed) .....	1
29	<u>605131</u>		Weather Enclosure (Jockey Red) .....	1
30	<u>605132</u>		Weather Enclosure (Mediterranean Blue).....	1

**Notes:**

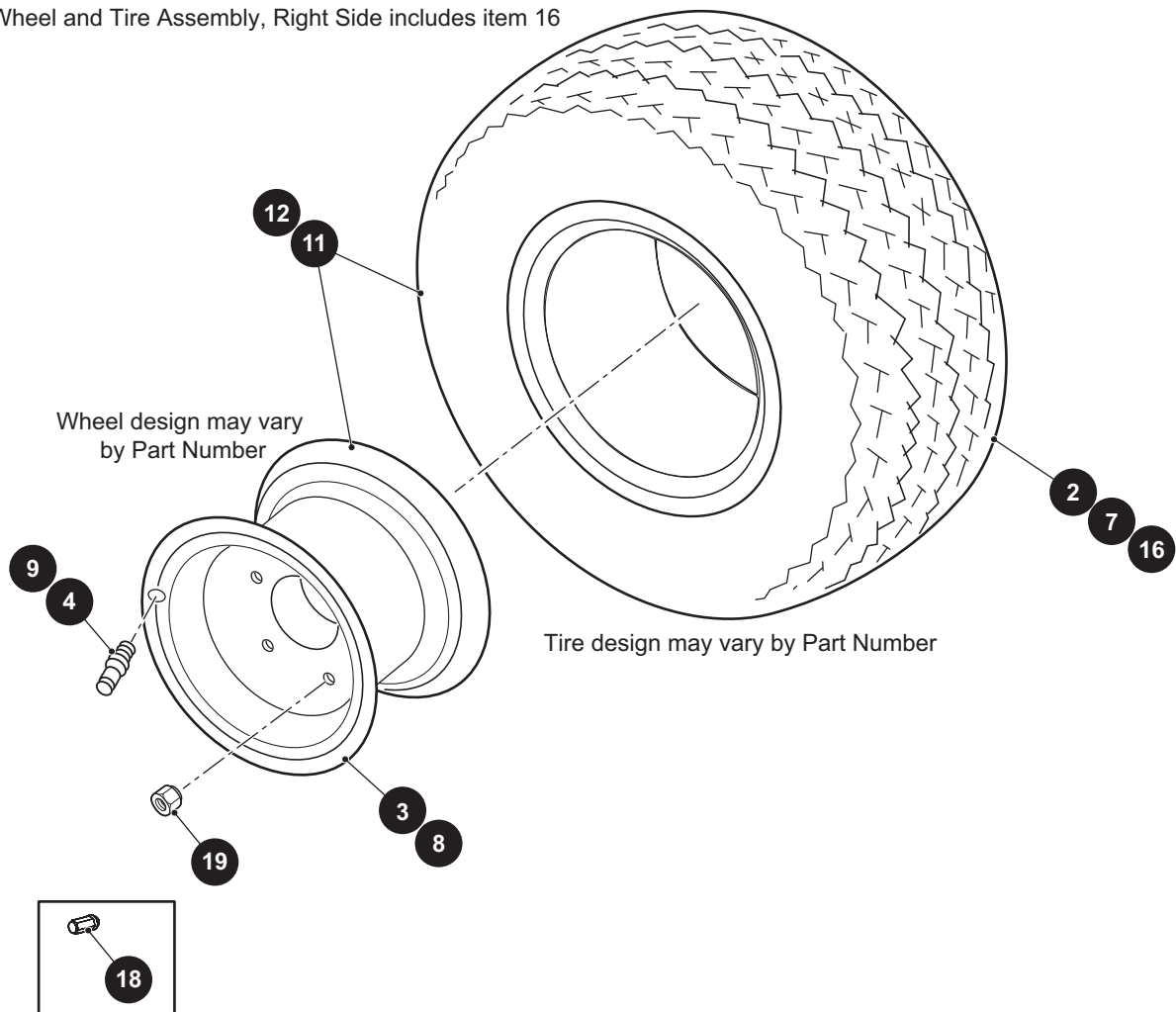
A large rectangular area filled with a light gray grid pattern, intended for taking handwritten notes.

**Notes:**



# WHEELS AND TIRES

- 1 Wheel and Tire Assembly, Kenda includes items 2 - 4
- 6 Wheel and Tire Assembly, Kenda includes items 7 - 9
- 14 Wheel and Tire Assembly, Left Side includes item 16
- 15 Wheel and Tire Assembly, Right Side includes item 16





# WHEELS AND TIRES

THE USE OF NON U.L. PARTS WILL VOID ANY U.L. LISTING.

When ordering parts, please specify the model and serial number of the product.

\* Indicates a component that is not available as an individual part.

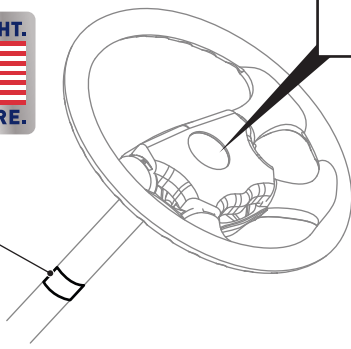
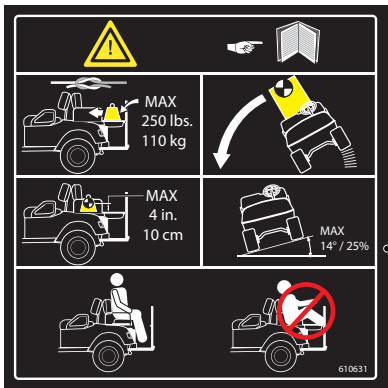
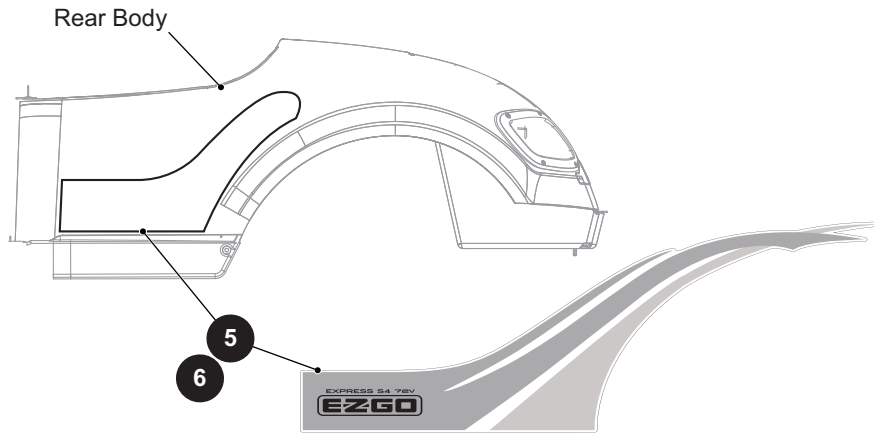
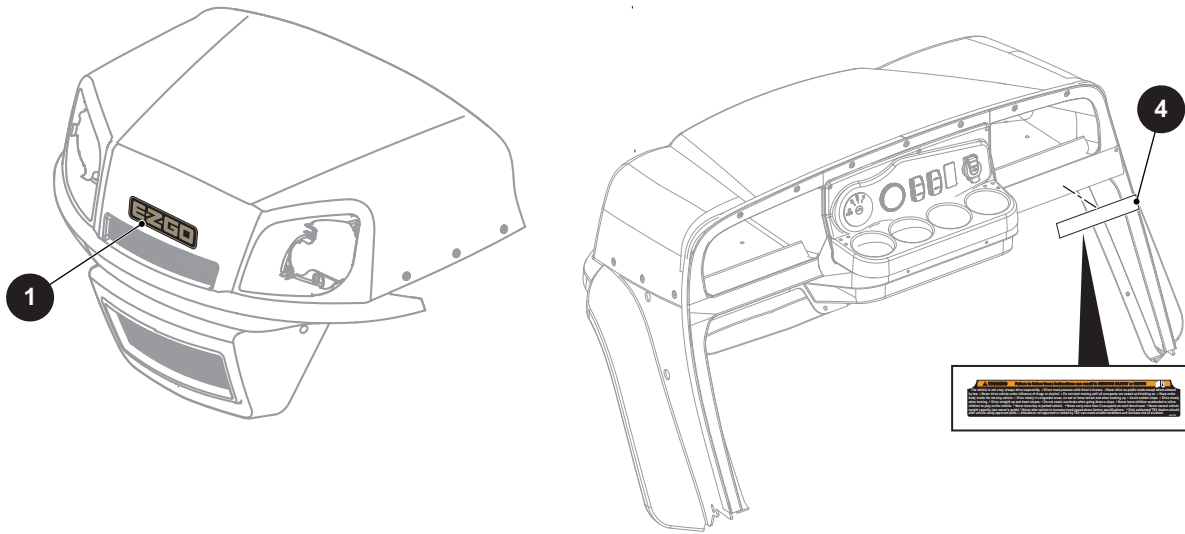
\*\*\* Indicates consult Customer Service Department for additional information.

ITEM	PART NO.	1 2 3 4 5	DESCRIPTION	QTY.
1	<u>652263</u>		Wheel and Tire Assembly, Kenda (Includes Items 2 - 4).....	1
2	<u>652986</u>		Tire, 20" x 8" - 10".....	1
3	<u>643934</u>		Wheel, 10" x 6".....	1
4	<u>643948</u>		Valve Stem.....	1
5				
6	<u>652392</u>		Wheel and Tire Assembly, Kenda (Includes Items 7 - 9).....	1
7	<u>652992</u>		Tire, 205/65.....	1
8	<u>643934</u>		Wheel, 10" x 6".....	1
9	<u>643948</u>		Valve Stem.....	1
10				
11	671955G01		Wheel and Tire Assembly, Left Side, Desert Eagle.....	1
12	671955G02		Wheel and Tire Assembly, Right Side, Desert Eagle.....	1
13				
14	<u>74842G03</u>		Wheel and Tire Assembly, Left Side, Trail Wolf (Includes Item 16).....	1
15	<u>74842G04</u>		Wheel and Tire Assembly, Right Side, Trail Wolf (Includes Item 16).....	1
16	<u>74842G05</u>		Tire, 20" x 11" - 10".....	1
17				
18	<u>605310</u>		Lug Nut (Chrome).....	4
19	<u>14723G1</u>		Lug Nut, 1/2" - 20.....	4





# DECALS AND LABELS



## DECALS AND LABELS

THE USE OF NON U.L. PARTS WILL VOID ANY U.L. LISTING.

When ordering parts, please specify the model and serial number of the product.

\* Indicates a component that is not available as an individual part.

\*\*\* Indicates consult Customer Service Department for additional information.

ITEM	PART NO.	1 2 3 4 5	DESCRIPTION	QTY.
1	<u>619206</u>		E-Z-GO Cowl Decal .....	1
2	685698		MADE IN USA Decal.....	1
3	<u>605435</u>		Steering Wheel Decal .....	1
4	662185		Console Safety Label.....	1
5	690162G01		Side Decal, Driver Side.....	1
6	690162G02		Side Decal, Passenger Side .....	1
7	<u>610631</u>		Clays Bed Decal.....	1







A Textron Company

**Textron Specialized Vehicles, Inc.,**  
1451 Marvin Griffin Road  
Augusta, Georgia 30906 - 3852 USA

**CONTACT INFORMATION**

North America:

**Technical Assistance & Warranty** Phone: 1-800-774-3946, FAX: 1-800-448-8124  
**Service Parts** Phone: 1-888-438-3946, FAX: 1-800-752-6175

International: Phone: 001-706-798-4311, FAX: 001-706-771-4609

Owner's Guides and Repair Manuals  
are available from a local Distributor, an authorized Branch,  
Parts & Accessories Department or at [www.shop.txtsv.com/shop-ezgo](http://www.shop.txtsv.com/shop-ezgo)

Copyrighted Material  
This manual may not be reproduced in whole or  
in part without the express permission of  
Textron Specialized Vehicles  
Technical Publications Department