



A Textron Company

Express S4 48V Li

Service Parts Manual

SERVICE PARTS MANUAL

ELECTRIC POWERED VEHICLE

EXPRESS S4 48V Li

STARTING MODEL YEAR 2021

Never modify the vehicle in any way that will alter the weight distribution of the vehicle, decrease its stability or increase the speed beyond the factory specifications. Such modifications can cause serious personal injury or death. Textron Specialized Vehicles prohibits and dis-claims responsibility for any such modifications or any other alteration which would adversely affect the safety of the vehicle.

TSV reserves the right to incorporate engineering and design changes to products in this manual, without obligation to include these changes on units sold previously.

The information contained in this manual may be revised periodically by TSV, and therefore is subject to change without notice.

TSV DISCLAIMS LIABILITY FOR ERRORS IN THIS MANUAL, and SPECIFICALLY DISCLAIMS LIABILITY FOR INCIDENTAL AND CONSEQUENTIAL DAMAGES resulting from the use of the information and materials in this manual.

These are the original instructions as defined by 2006/42/EC.

TO CONTACT US:

Textron Specialized Vehicles, Inc.
1451 Marvin Griffin Road
Augusta, Georgia, USA 30906-3852

NORTH AMERICA:

Technical Assistance & Warranty PHONE: 1-800-774-3946, FAX: 1-800-448-8124

Service Parts PHONE: 1-888-438-3946, FAX: 1-800-752-6175

International: PHONE: 001-706-798-4311, FAX: 001-706-771-4609

GENERAL INFORMATION

To obtain a copy of the limited warranty applicable to the vehicle, call or write a local Distributor, authorized Branch or the Warranty Department with vehicle serial number and manufacturer code.

The use of non Original Equipment Manufacturer (OEM) approved parts may void the warranty.

Tampering with or adjusting the governor to permit vehicle to operate at above factory specifications will void the vehicle warranty.

BATTERY PROLONGED STORAGE

All batteries will self discharge over time. The rate of self discharge varies depending on the ambient temperature and the age and condition of the batteries.

BATTERY DISPOSAL

Lithium-ion batteries are recyclable. Return discarded batteries to distributor, manufacturer or contact your local recycling center for instructions. Dispose in accordance with local, state and federal regulations for Lithium-ion batteries. Contact local or state environmental authorized people for the disposal information.

TABLE OF CONTENTS

SECTION	Page No.
HOW TO USE THE SERVICE PARTS MANUAL	V
ACCELERATOR	A - 1
BATTERY CHARGER	B - 1
BODY	C - 1
BRAKES	D - 1
ELECTRICAL	E - 1
ELECTRONIC SPEED CONTROL	F - 1
FRONT SUSPENSION AND STEERING	G - 1
MOTOR	H - 1
REAR AXLE	J - 1
REAR SUSPENSION	K - 1
SEATING	L - 1
WEATHER PROTECTION	M - 1
WHEELS AND TIRES	N - 1
DECALS AND LABELS	P - 1

NOTES

A large grid of 25 columns and 25 rows, intended for taking notes. The grid is empty.

HOW TO USE THE SERVICE PARTS MANUAL

This manual is divided into several sections:

- GENERAL INFORMATION
- ILLUSTRATED PARTS BREAKDOWN

The first section, GENERAL INFORMATION, contains the following information:

- WARRANTY INFORMATION
- TABLE OF CONTENT
- HOW TO USE THE SERVICE PARTS MANUAL

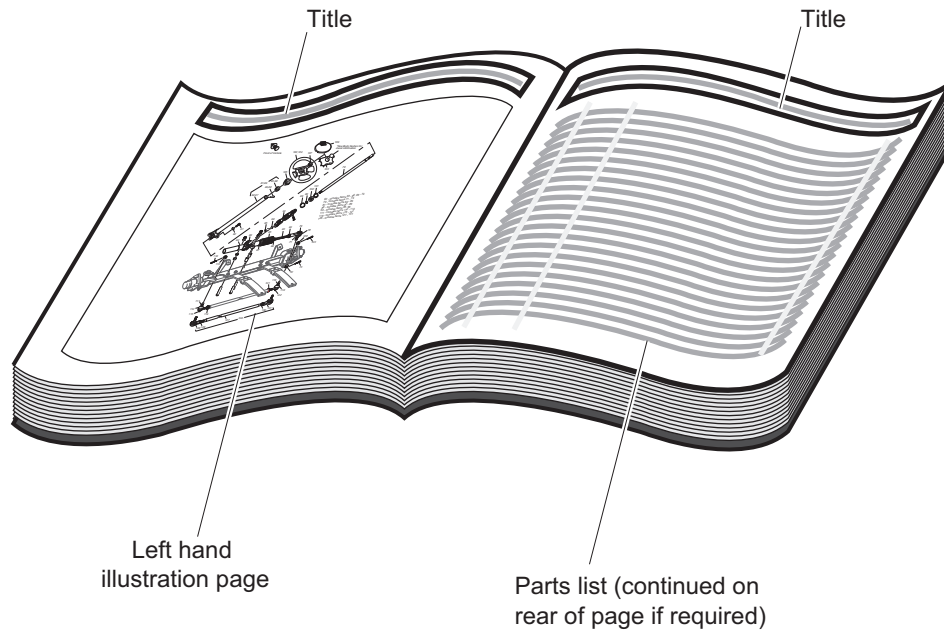
The second section, ILLUSTRATED PARTS BREAKDOWN, contains illustrations and parts lists for all systems of your vehicle.

USE OF THE MANUAL

To use this manual, consult the TABLE OF CONTENTS to locate the information or illustration required.

Introduction of some revisions varies due to supply of components; therefore, it is possible that various combinations of components may be found that are not directly reflected by each illustration. Consult the illustration that best suits your situation and then contact the Service Parts Department. It is important that the serial number or VIN of your vehicle and the model name be supplied to Service Parts when ordering any replacement components.

HOW TO USE THE SERVICE PARTS MANUAL



1. WHEN THE PART NUMBER IS NOT KNOWN

- Determine the function and application of the part required. Turn to the Table of Content and select the most appropriate title.
- Turn to the page number indicated and locate the desired part on the illustration.
- From the illustration, obtain the item number assigned to the desired part. Refer to the accompanying description for specific information regarding the part.

2. IF YOU KNOW THE PART NUMBER

- Locate the part number or description in the appropriate column on the parts list page.

NOTE: It is suggested that you confirm that the part selected is correct by verifying it with the pictorial representation on the illustrated page.

Should an asterisk (*) appear in the part number column on the parts list page, read upwards until a part number is found. The part number is the lowest assembly sold by Service Parts and the asterisk (*) indicates that the part depicted is not available for purchase.

NOTE: Descriptions are indented under the assembly that they are used on. That assembly is, in turn listed under the assembly that it is used on. This process is repeated until the highest final assembly is reached.

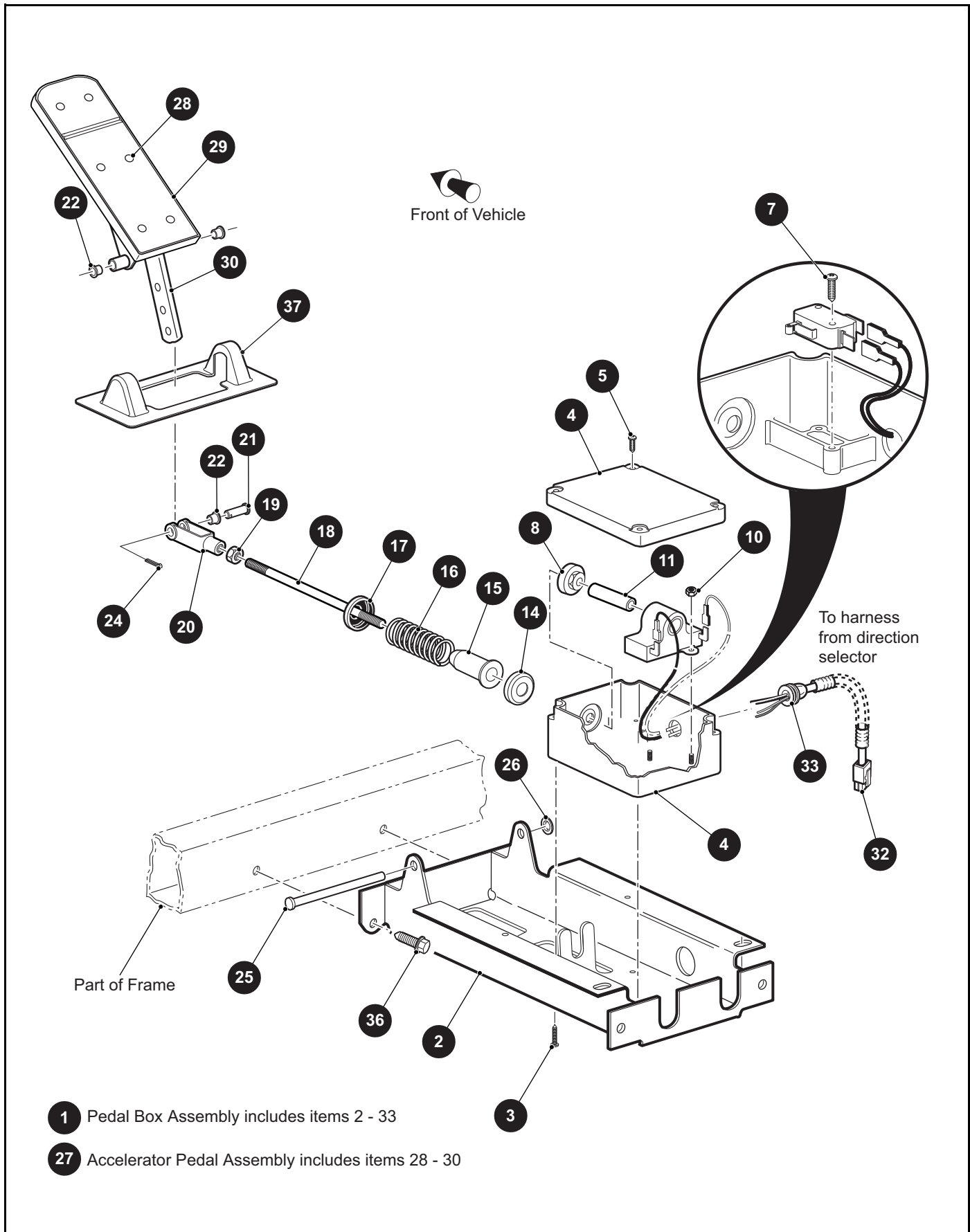
To facilitate the maintenance and repair of the vehicle, a Repair and Service Manual is available from the Service Parts Department.

3. COLOR CODE FOR BODY COMPONENTS

The last two digits of the part number for the body part will denote the color code, locate the part number for the cowl, rear body, seat pod, side panel or seat wrap then locate your color in the list below, replace the last ** or XX with the two digit color code.

<u>CODE #</u>	<u>DESCRIPTION</u>
02	SPECIAL COLOR
11	BLACK
19	PATRIOT BLUE PEARL
20	INFERNO RED METALLIC
31	METALLIC CHARCOAL
35	SAFETY YELLOW
36	IVORY
37	FOREST GREEN
38	BRIGHT WHITE
39	FLAME RED
41	ELECTRIC BLUE
42	PLATINUM
43	BURGUNDY
44	ALMOND
72	MATTE BLACK
79	JACOBSEN ORANGE 172
89	TRUE TIMBER KANATI
A5	OCEAN GRAY
A6	TRUMP PEARL WHITE
A7	SLATE GRAY

ACCELERATOR



THE USE OF NON U.L. PARTS WILL VOID ANY U.L. LISTING.

When ordering parts, please specify the model and serial number of the product.

* Indicates a component that is not available as an individual part.

*** Indicates consult Customer Service Department for additional information.

ITEM	PART NO.	1 2 3 4 5	DESCRIPTION	QTY.
1	<u>654643</u>		Pedal Box Assembly (Includes Items 2 - 33).....	1
2	<u>652241G03</u>		Accelerator Pedal Bracket	1
3	<u>01051G01</u>		Pan Head Phillips Screw, #8 - 10 x 1/2" Lg	4
4	<u>25853G01</u>		Pedal Box and Cover.....	1
5	<u>00684G6</u>		Truss Head Screw (SS), #8 - 32 x 3/4" Lg.....	2
6				
7	<u>01050G02</u>		Pan Head Torx Screw, #4 - 20 x 5/8" Lg.....	2
8	<u>28444G01</u>		Accelerator Rod Cam	1
9				
10	<u>00983G01</u>		Self Threading Nut, .38"	2
11	<u>602484</u>		Plunger	1
12				
13				
14	<u>17677G1</u>		Spring Retainer.....	1
15	<u>17979G1</u>		Bushing, .75" x 2" Lg	1
16	<u>73046G01</u>		Compression Spring	1
17	<u>17677G2</u>		Spring Retainer, 3/8".....	1
18	<u>73332G01</u>		Accelerator Rod.....	1
19	<u>00532G4</u>		Hex Nut, 5/16" - 24	1
20	10385G4		Clevis Yoke (Adjustable).....	1
21	<u>10386G3</u>		Clevis Pin, 5/16" x 13/16" Lg	1
22	<u>17838G1</u>		Nylon Bushing, .37" x .31" Lg	3
23				
24	<u>10387G3</u>		Cotter Pin, 3/32" x 3/4" Lg	1
25	<u>74432G01</u>		Pedal Pivot Pin	1
26	<u>12064G6</u>		Push Nut, 5/16".....	1
27	<u>25799G03</u>		Accelerator Pedal Assembly (Includes Items 28 - 30).....	1
28	*		Oval Rivet, 3/16" x 7/16" Lg	6
29	<u>27512G01</u>		Accelerator Pedal Pad	1
30	652824		Accelerator Pedal.....	1
31				

ACCELERATOR

THE USE OF NON U.L. PARTS WILL VOID ANY U.L. LISTING.

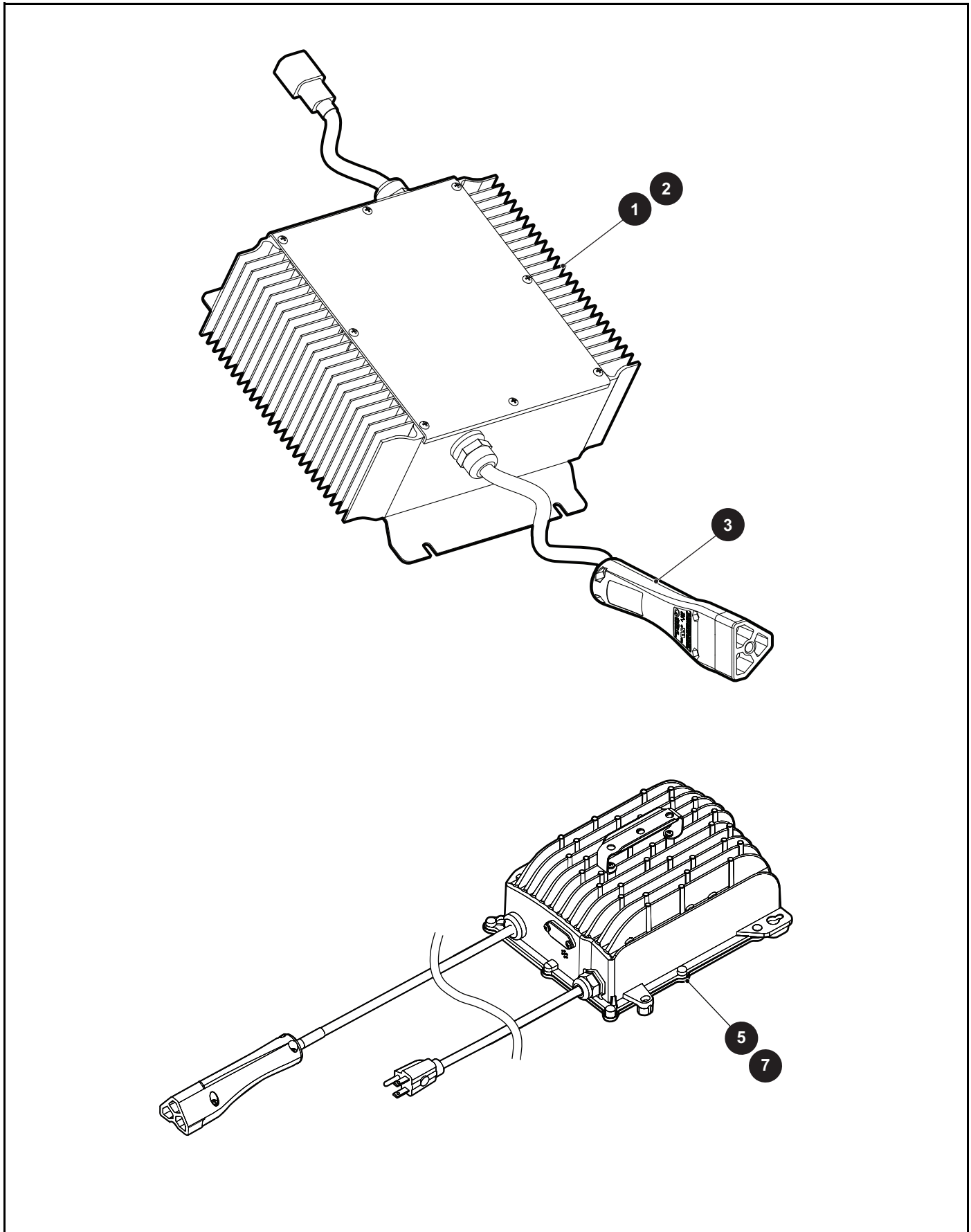
When ordering parts, please specify the model and serial number of the product.

* Indicates a component that is not available as an individual part.

*** Indicates consult Customer Service Department for additional information.

ITEM	PART NO.	1	2	3	4	5	DESCRIPTION	QTY.
32	<u>654644</u>						Pedal Harness.....	1
33	<u>654645</u>						Grommet (Rubber).....	1
34								
35								
36	<u>00715G2</u>						Hex Washer Head Bolt, 5/16" - 18 x 4/5" Lg.....	4
37	<u>70135G01</u>						Pedal Pivot Cover.....	1

BATTERY CHARGER



BATTERY CHARGER

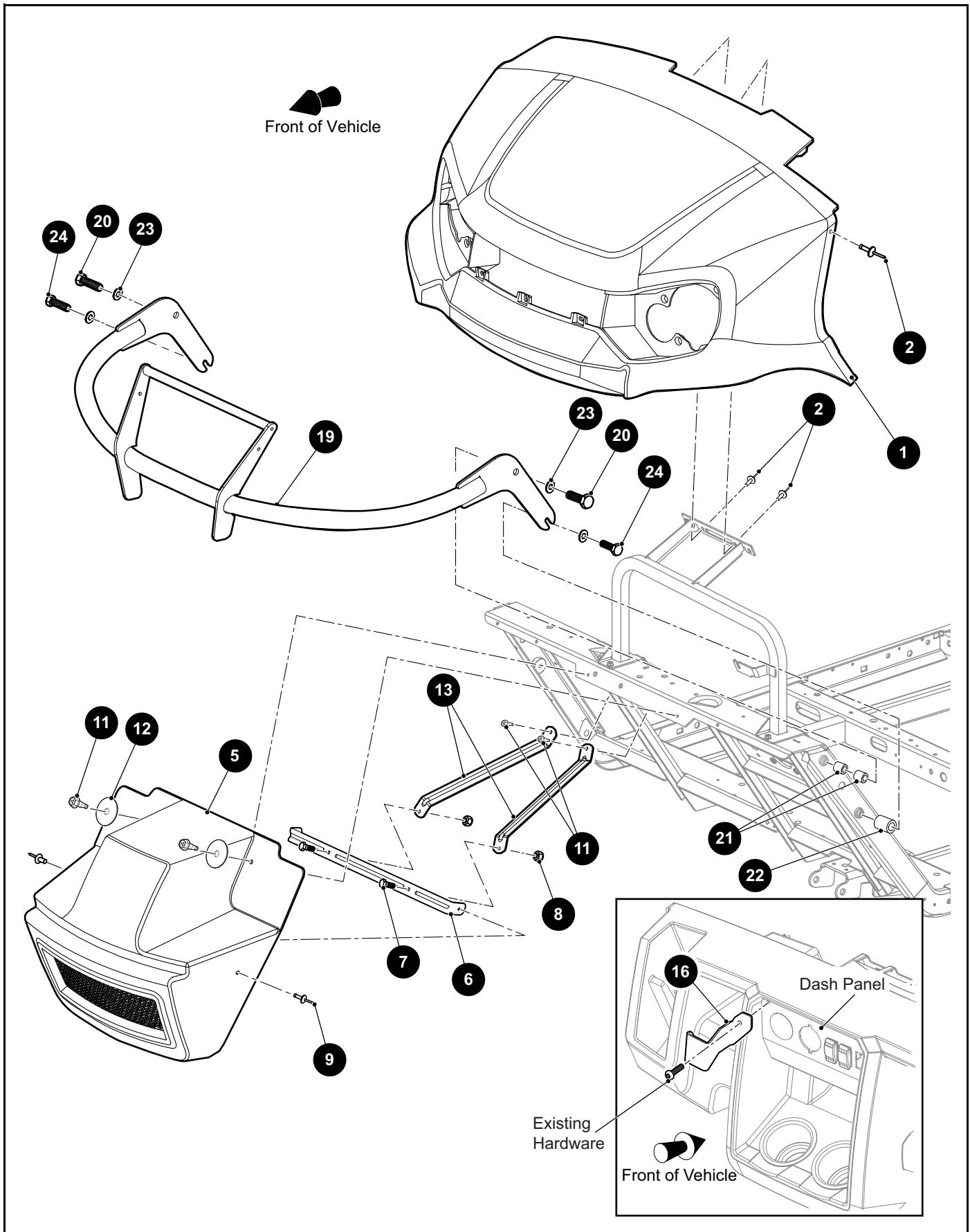
THE USE OF NON U.L. PARTS WILL VOID ANY U.L. LISTING.

When ordering parts, please specify the model and serial number of the product.

* Indicates a component that is not available as an individual part.

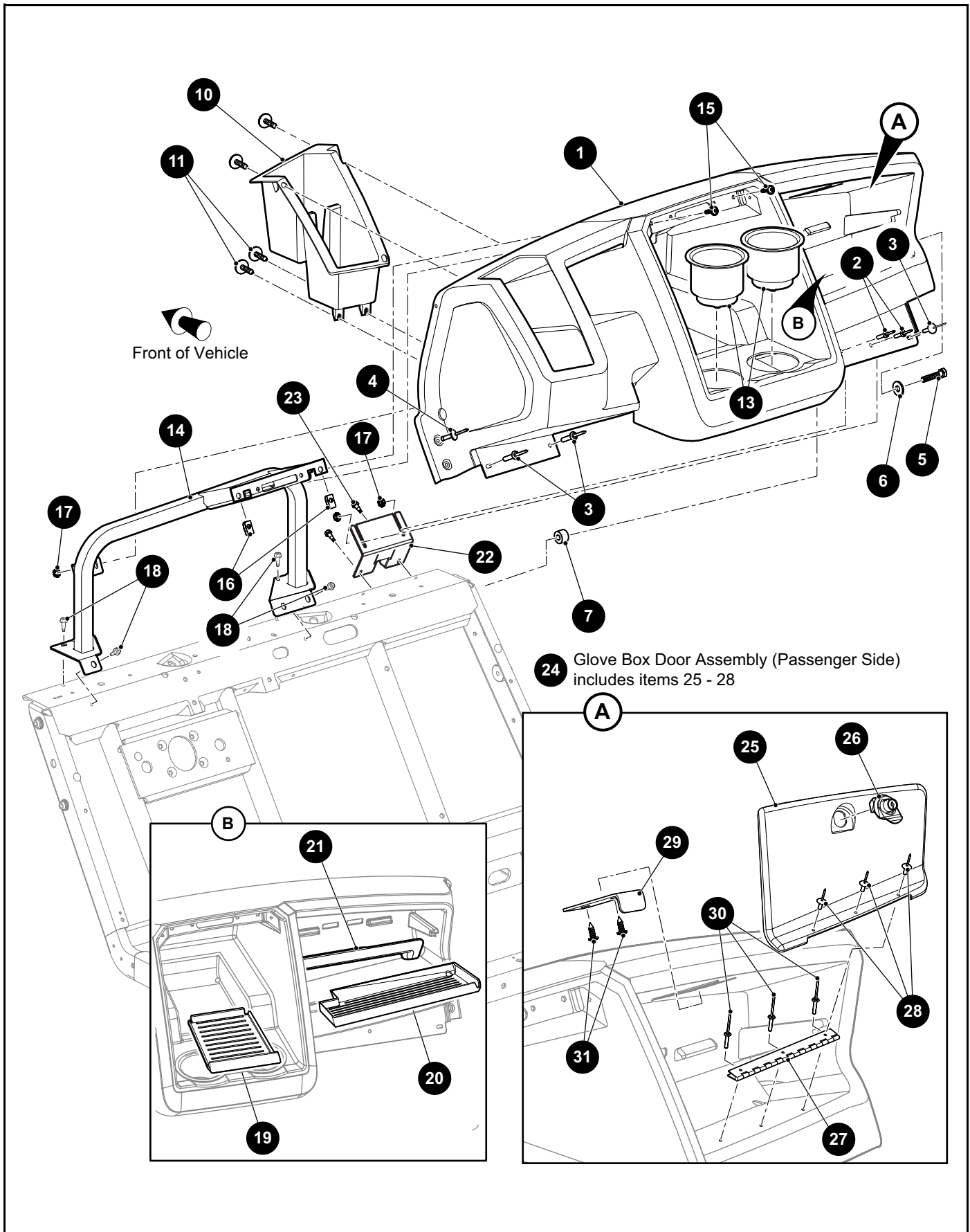
*** Indicates consult Customer Service Department for additional information.

ITEM	PART NO.	1 2 3 4 5	DESCRIPTION	QTY.
1	<u>653213</u>		Battery Charger, 51V, 3 Meter Cord	1
2	<u>653216</u>		Battery Charger, 51V, 5.5 Meter Cord	1
3	<u>657667</u>		Battery Charger Paddle.....	1
4				
5	690009G05		Battery Charger, 51V, 350 Watt, 3 Meter Cord (Domestic)	1
6				
7	690009G07		Battery Charger, 51V, 350 Watt, 3 Meter Cord (International)	1



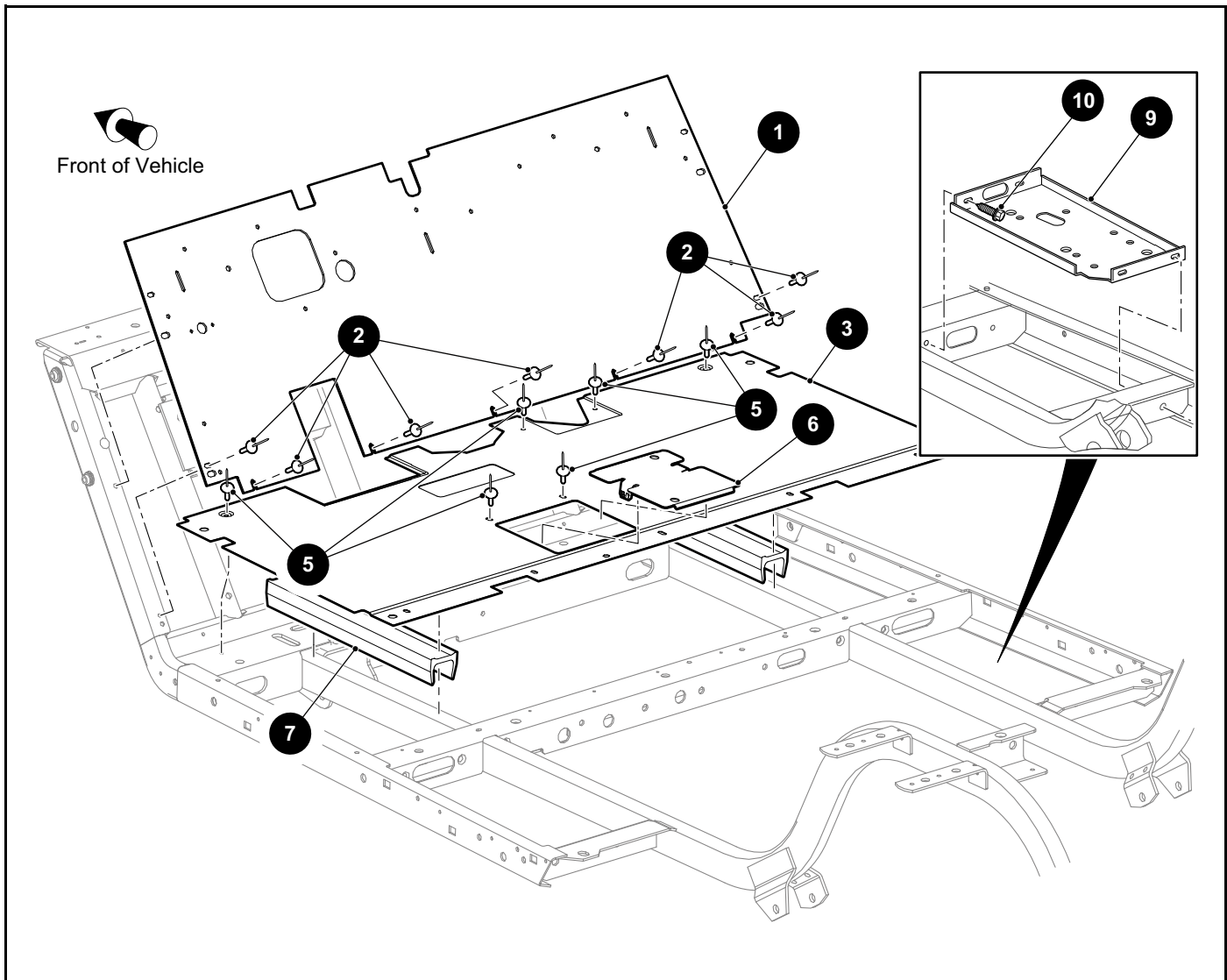
THE USE OF NON U.L. PARTS WILL VOID ANY U.L. LISTING.
 When ordering parts, please specify the model and serial number of the product.
 * Indicates a component that is not available as an individual part.
 *** Indicates consult Customer Service Department for additional information.

ITEM	PART NO.	1 2 3 4 5	DESCRIPTION	QTY.
1	648566G00**		Cowl (See COLOR CODE in HOW TO USE Section)	1
2	<u>71055G02</u>		Rivet (Aluminum), 3/16"	6
3				
4				
5	<u>613273</u>		Front Fascia	1
6	<u>654275</u>		Mounting Bracket	1
7	<u>00414G6</u>		Hex Head Bolt, 1/4" - 20 x 3/4" Lg, Grade 5	2
8	<u>14390G4</u>		Lock Nut, 1/4" - 20	2
9	<u>15058G1</u>		Rivet (Aluminum), 3/16" x .45" Lg	2
10				
11	<u>01038G01</u>		Hex Washer Head Swageform Screw, 1/4" - 20 x .70" Lg	4
12	<u>16469G1</u>		Fender Washer	2
13	654276		Front Fascia Mounting Brace	1
14				
15				
16	<u>664044</u>		Radio Clip.....	1
17				
18				
19	<u>662022</u>		Brush Guard	1
20	<u>00441G2</u>		Hex Head Bolt, 5/16" - 18 x 3 1/4" Lg	2
21	<u>75048G04</u>		Spacer, .328" I.D. x .75" O.D. x 1" Lg	4
22	<u>75048G03</u>		Spacer, .328" I.D. x .75" O.D. x 1.5" Lg	2
23	00559G8		Flat Washer, .349" I.D. x .692" O.D.	4
24	<u>00440G6</u>		Hex Head Bolt, 5/16" - 18 x 2 3/4" Lg, Grade 5	2



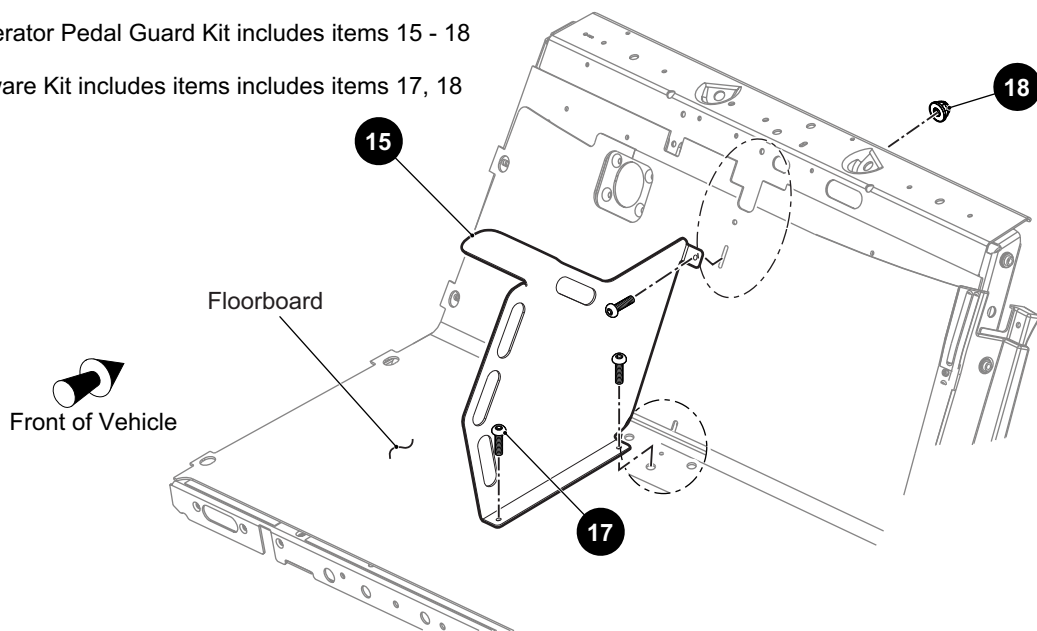
THE USE OF NON U.L. PARTS WILL VOID ANY U.L. LISTING.
 When ordering parts, please specify the model and serial number of the product.
 * Indicates a component that is not available as an individual part.
 *** Indicates consult Customer Service Department for additional information.

ITEM	PART NO.	1 2 3 4 5	DESCRIPTION	QTY.
1	<u>648568</u>		Instrument Panel	1
2	<u>71055G01</u>		Rivet (Aluminum), 3/16" x 1 1/8" Lg	2
3	<u>14601G11</u>		Rivet (Aluminum), 3/16" x 9/16" Lg	3
4	<u>71055G01</u>		Rivet (Aluminum), 3/16" x 1.18" Lg	2
5	<u>651011</u>		Hex Head Bolt, 5/16" - 18 x 1.5" Lg, Grade 5	2
6	<u>634808</u>		Flat Washer, 5/16"	2
7	<u>75048G01</u>		Spacer, .328" x .75" x .5"	2
8				
9				
10	<u>648562</u>		Cup Holder (Driver Side)	1
11	<u>613373</u>		Pan Head Tapping Screw (with Washer), M4.8 - 1.6 x 22mm Lg	4
12				
13	<u>650913</u>		Single Center Cup Holder	2
14	<u>666298</u>		Instrument Panel Support	1
15	<u>645323</u>		Pan Washer Head Torx Screw, M6 - 1 x 23.4mm Lg	2
16	<u>602409</u>		Barrel Clip, M6 - 1	2
17	<u>71597G01</u>		Self Threading Nut, 5mm x 10mm x 15mm	3
18	<u>01038G01</u>		Hex Washer Head Swageform Screw, 1/4" - 20 x .70" Lg	4
19	<u>660844</u>		Mat (Center Instrument Panel).....	1
20	<u>660880</u>		Glove Box Mat.....	1
21	<u>648561</u>		Tray Panel (Passenger Side).....	1
22	<u>666244</u>		Instrument Panel Support Bracket (Passenger Side)	1
23	<u>01038G01</u>		Hex Washer Head Swageform Screw, 1/4" - 20 x .70" Lg	2
24	<u>650784</u>		Glove Box Assembly (Passenger Side) (Includes Items 25 - 28).....	1
25	<u>650813</u>		Glove Box Door	1
26	<u>654475</u>		Glove Box Lock Assembly	1
27	<u>652386</u>		Piano Hinge	1
28	<u>14601G10</u>		Rivet (Aluminum), 5/32".....	3
29	<u>652390</u>		Glove Box Striker	1
30	<u>71045G01</u>		Black Aluminum Rivet, 5/23" x .38"	3
31	<u>00614G4</u>		Self Drilling Pan Head Phillips Screw, #8 - 18 x 1/2" LG.....	2



14 Accelerator Pedal Guard Kit includes items 15 - 18

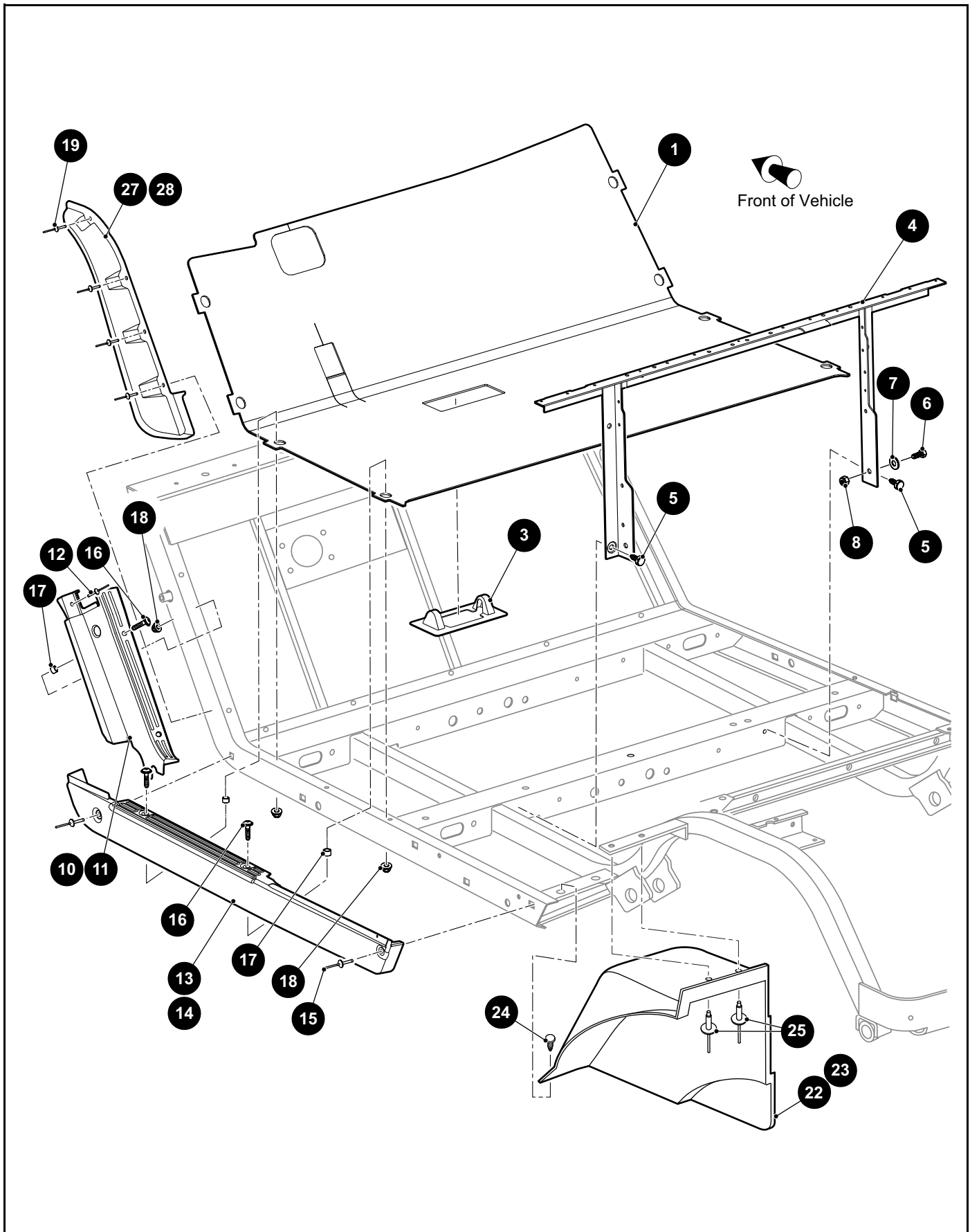
16 Hardware Kit includes items includes items 17, 18



THE USE OF NON U.L. PARTS WILL VOID ANY U.L. LISTING.
 When ordering parts, please specify the model and serial number of the product.
 * Indicates a component that is not available as an individual part.
 *** Indicates consult Customer Service Department for additional information.

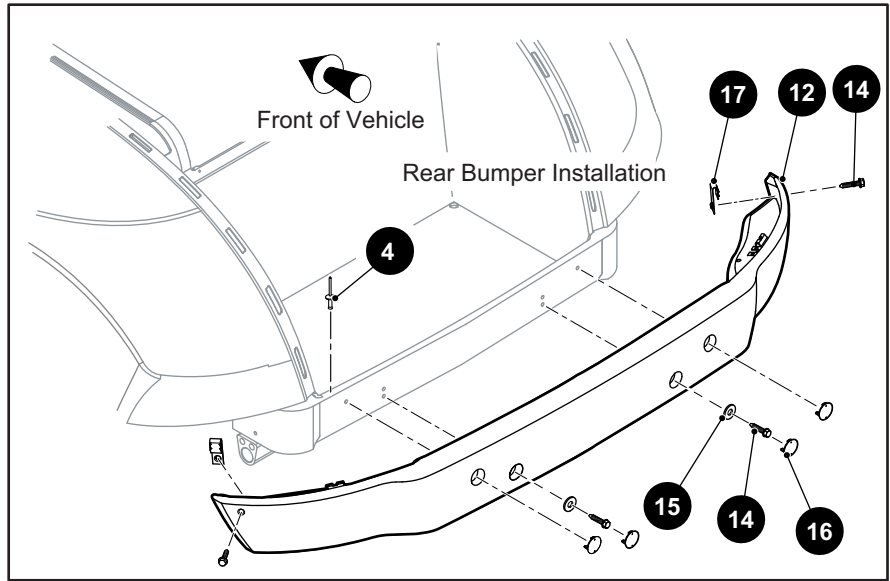
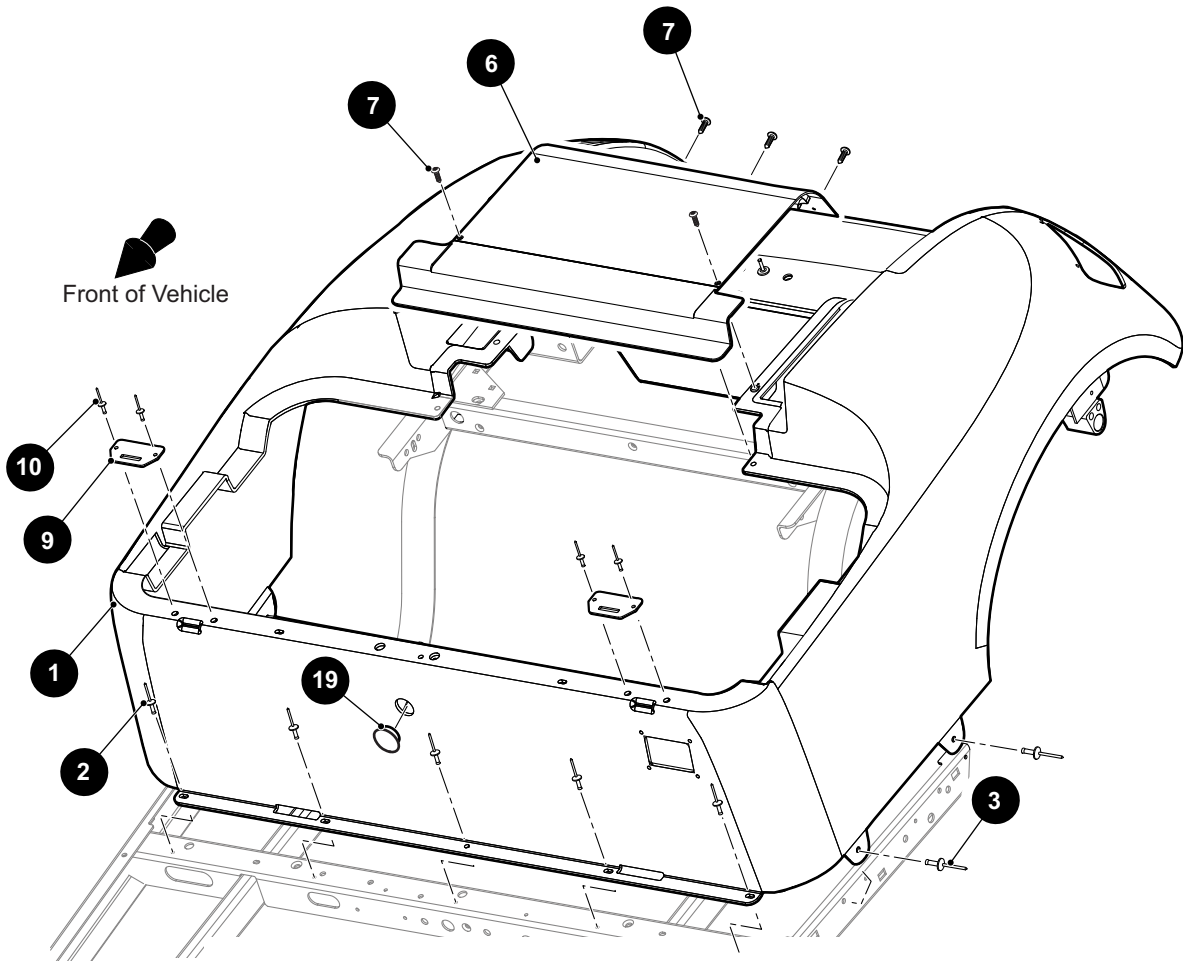
ITEM	PART NO.	1 2 3 4 5	DESCRIPTION	QTY.
1	<u>641260</u>		Upper Floor Panel	1
2	<u>14601G11</u>		Rivet (Aluminum), 3/16" x .575" Lg	7
3	<u>664052G01</u>		Floor Mat (Lower)	1
4				
5	<u>14601G11</u>		Rivet (Aluminum), 3/16" x .575" Lg	7
6	<u>665025</u>		Access Cover (Micro Switch)	1
7	<u>664735</u>		Floorboard Spacer	2
8				
9	<u>70244G05</u>		Splash Pan.....	1
10	<u>00715G2</u>		Hex Washer Head Bolt, 5/16" - 18 x 4/5" Lg	4
11				
12				
13				
14	666379		Accelerator Pedal Guard Kit (Includes Items 15 - 18).....	1
15	<u>662991</u>		Accelerator Pedal Guard.....	1
16	<u>666380</u>		Hardware Kit (Includes Items 17, 18)	1
17	<u>645323</u>		Torx Head Screw, M6 x 1 - 23.4mm Lg.....	3
18	<u>601476</u>		Lock Nut, M6 - 1.....	3

BODY



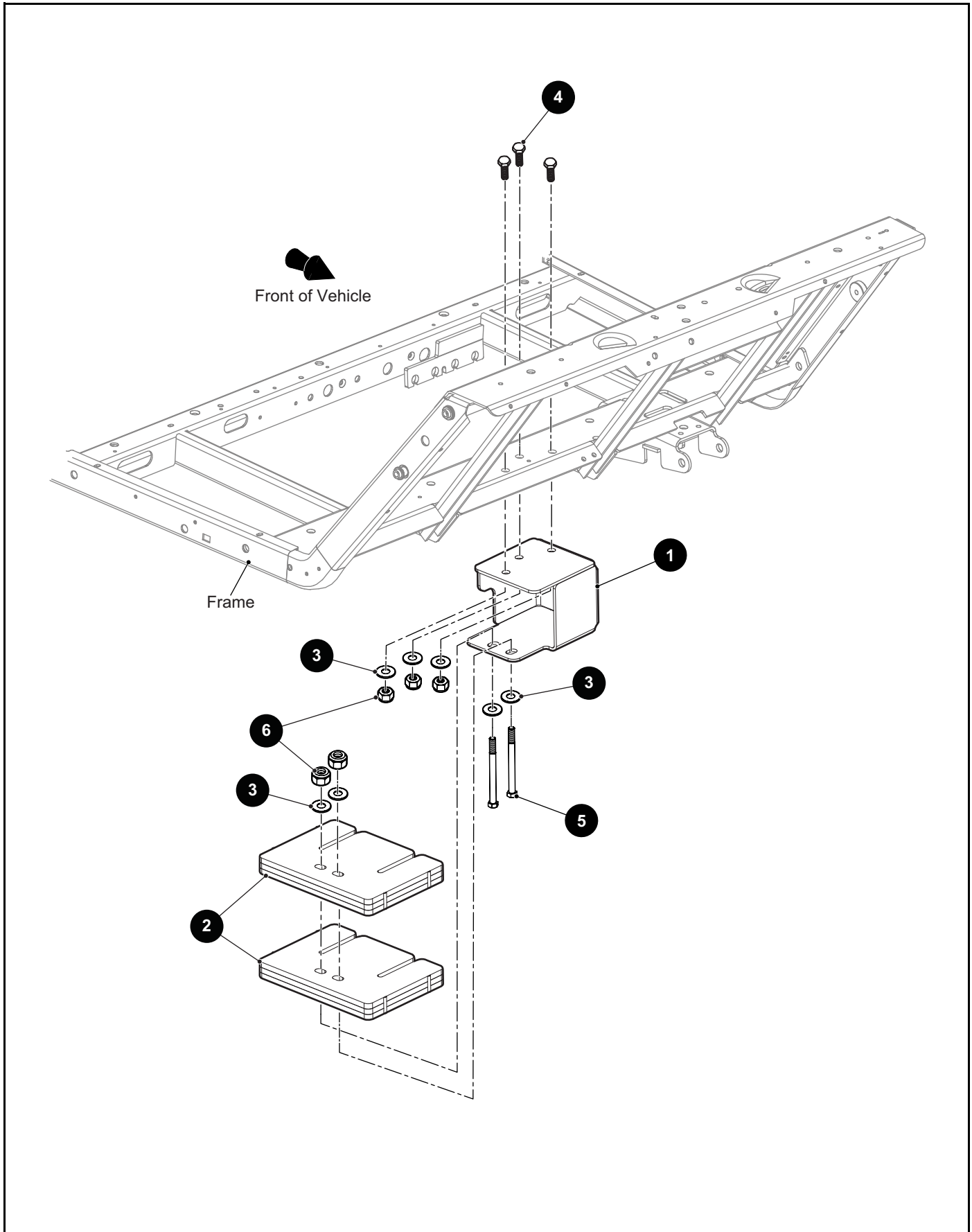
THE USE OF NON U.L. PARTS WILL VOID ANY U.L. LISTING.
 When ordering parts, please specify the model and serial number of the product.
 * Indicates a component that is not available as an individual part.
 *** Indicates consult Customer Service Department for additional information.

ITEM	PART NO.	1 2 3 4 5	DESCRIPTION	QTY.
1	10010644		Floor Mat (Hexagonal)	1
2				
3	<u>70135G01</u>		Pedal Pivot Cover	1
4	<u>70441G01</u>		Seat Frame	1
5	<u>00715G2</u>		Hex Washer Head Bolt, 5/16" - 18 x .8" Lg	2
6	00438G6		Hex Head Bolt, 5/16" - 18 x 3/4" Lg, Grade 5	2
7	00559G8		Flat Washer, 5/16"	2
8	11098G6		Lock Nut, 5/16"	2
9				
10	<u>655917G03</u>		Upper Rocker Panel with Fender Flare Mounting Holes (Driver Side)	1
11	<u>655917G04</u>		Upper Rocker Panel with Fender Flare Mounting Holes (Passenger Side)	1
12	<u>71055G02</u>		Rivet (Aluminum), 3/16"	1
13	<u>615239</u>		Rocker Panel (Driver Side)	1
14	<u>617333</u>		Rocker Panel (Passenger Side)	1
15	<u>15058G6</u>		Rivet (Aluminum), 3/16" x .95" Lg	2
16	<u>645323</u>		Pan Washer Head Torx Screw, M6 - 1 x 23.4mm Lg	4
17	<u>23726G4</u>		Spacer, .5" O.D. x .38" I.D. x .325" Lg	4
18	<u>601476</u>		Flanged Lock Nut, M6 - 1	4
19	<u>71055G02</u>		Rivet (Aluminum), 3/16"	4
20				
21				
22	<u>635054G02</u>		Fender Liner (Passenger Side)	1
23	<u>635054G01</u>		Fender Liner (Driver Side)	1
24	<u>16816G2</u>		Ratchet Fastener, 1/4" x .887" Lg	2
25	14601G17		Rivet (Aluminum), .3/16" x .575" Lg	2
26				
27	<u>674546G01</u>		Large Front Fender Flare (Driver Side)	1
28	<u>674546G02</u>		Large Front Fender Flare (Passenger Side)	1



THE USE OF NON U.L. PARTS WILL VOID ANY U.L. LISTING.
 When ordering parts, please specify the model and serial number of the product.
 * Indicates a component that is not available as an individual part.
 *** Indicates consult Customer Service Department for additional information.

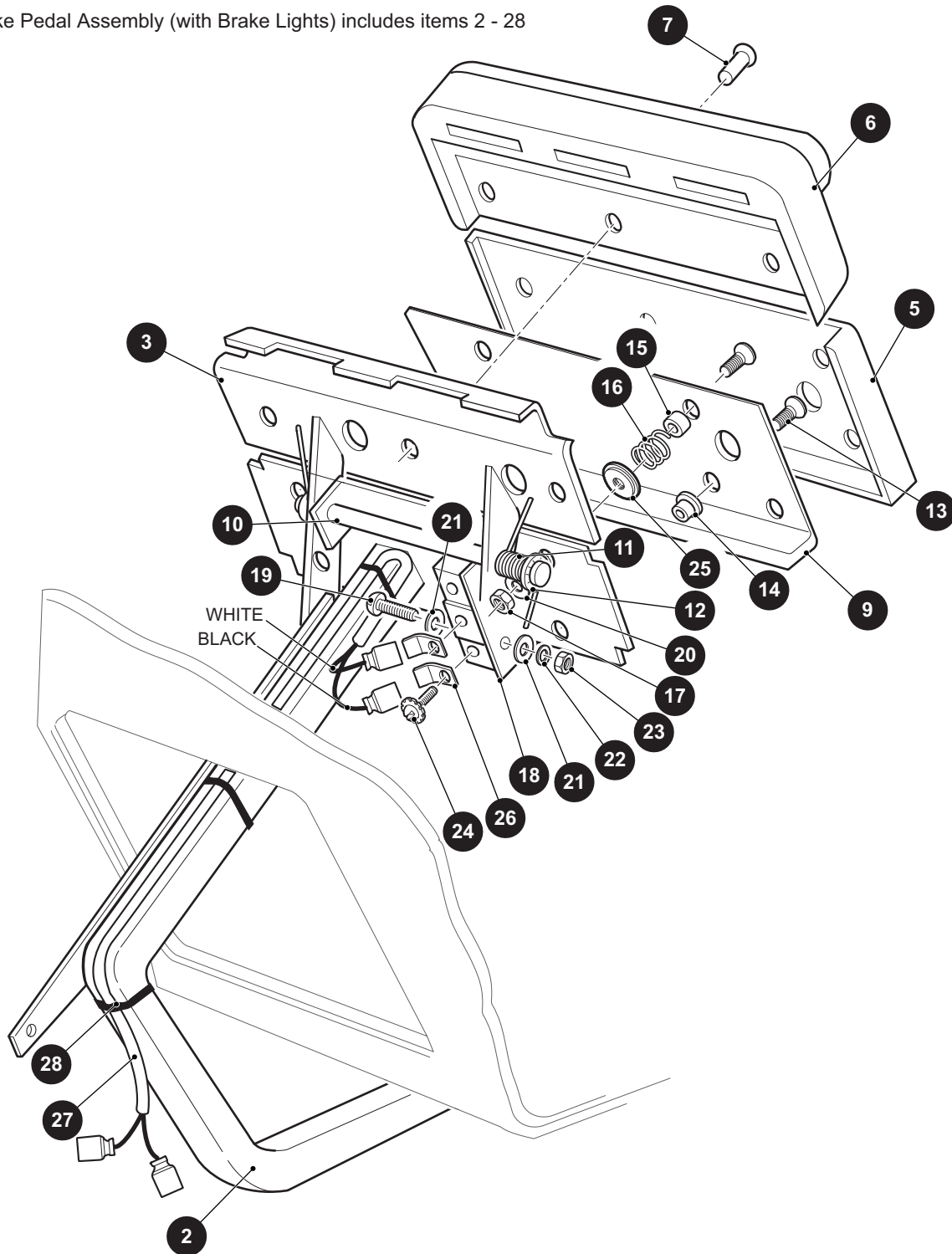
ITEM	PART NO.	1 2 3 4 5	DESCRIPTION	QTY.
1	625272G1**		Rear Body (See HOW TO USE Section for COLOR CODES)	1
2	<u>10570G10</u>		Rivet (SS), 5/32" x 9/16" Lg	5
3	10570G12		Rivet (Aluminum), .257" x .556" Lg	4
4	<u>633917</u>		Rivet (Plastic).....	2
5				
6	<u>71320G01</u>		Access Panel	1
7	<u>01107G01</u>		Pan Head Torx Screw (SS), #8 x .63" Lg	5
8				
9	<u>71609G01</u>		Seat Hinge Plate	2
10	<u>10570G11</u>		Rivet (SS), 5/32" x .70" Lg	4
11				
12	<u>71451G02</u>		Rear Bumper.....	1
13				
14	<u>71102G01</u>		Hex Head Bolt, 1/4" - 20 x 3/4" Lg, Grade 5	4
15	<u>00571G2</u>		Flat Washer, 5/16"	2
16	<u>71455G01</u>		Bumper Plug	4
17	<u>71554G01</u>		"J" Type Nut Retainer, 1/4" - 20.....	4
18	<u>666066</u>		Receptacle Cover.....	1
19	<u>71316G01</u>		Hole Plug	1



THE USE OF NON U.L. PARTS WILL VOID ANY U.L. LISTING.
 When ordering parts, please specify the model and serial number of the product.
 * Indicates a component that is not available as an individual part.
 *** Indicates consult Customer Service Department for additional information.

ITEM	PART NO.	1 2 3 4 5	DESCRIPTION	QTY.
1	698122		Weight Mounting Bracket	1
2	698181		Plate Weldment, 20 lbs	2
3	<u>00560G2</u>		Flat Washer, 7/16"	7
4	400336J		Hex Head Bolt, 7/16" - 14 x 1 1/4" Lg	3
5	<u>01068G01</u>		Hex Head Bolt, 7/16" - 14 x 3 1/2" Lg, Grade 5	2
6	<u>00734G1</u>		Lock Nut, 7/16" - 14	5

1 Brake Pedal Assembly (with Brake Lights) includes items 2 - 28



BRAKES

THE USE OF NON U.L. PARTS WILL VOID ANY U.L. LISTING.

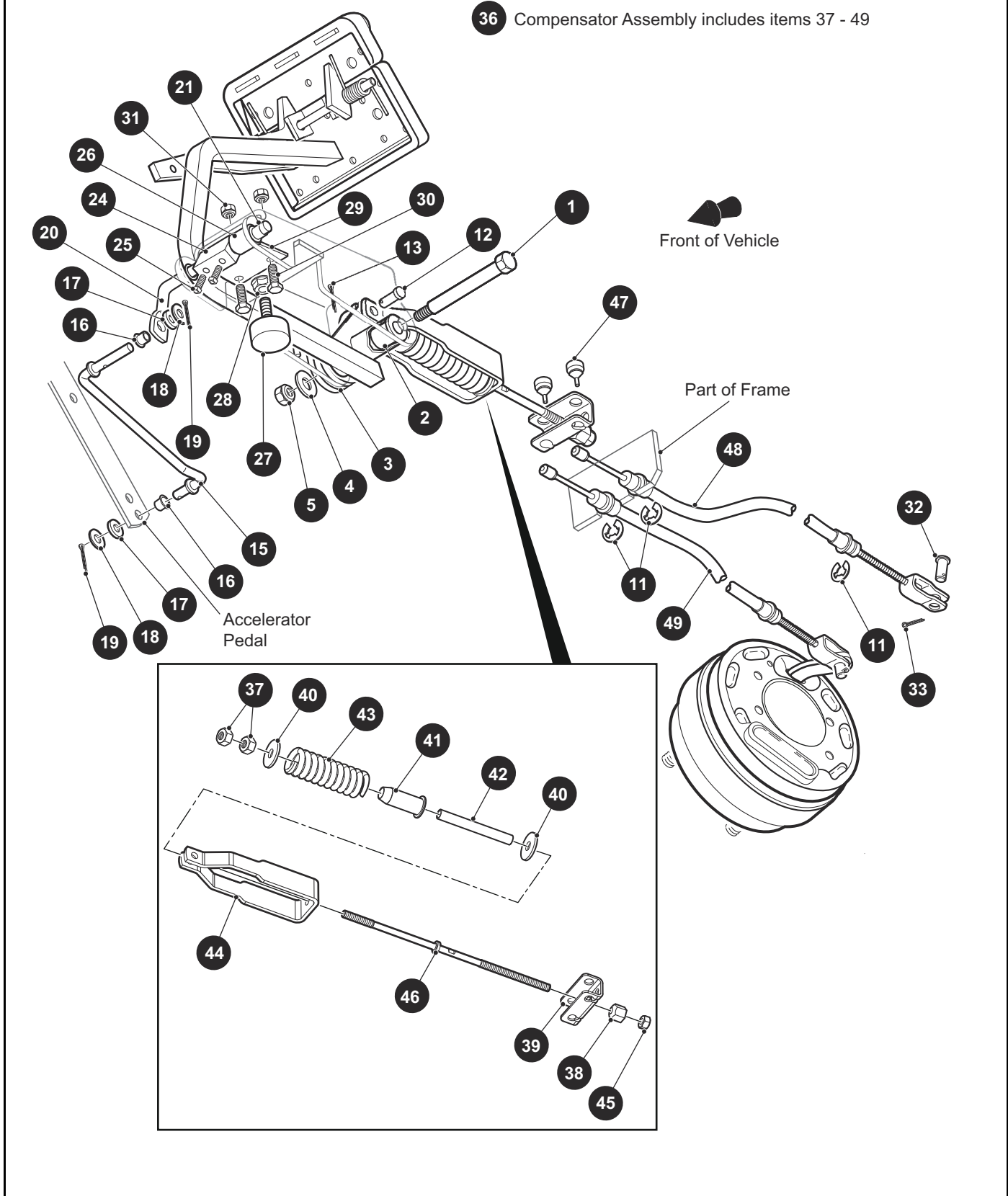
When ordering parts, please specify the model and serial number of the product.

* Indicates a component that is not available as an individual part.

*** Indicates consult Customer Service Department for additional information.

ITEM	PART NO.	1 2 3 4 5	DESCRIPTION	QTY.
1	70690G02		Brake Pedal Assembly (with Brake Lights) (Includes Items 2 - 28).....	1
2	<u>652791G03</u>		Brake Pedal	1
3	<u>652253G03</u>		Park Brake Pedal.....	1
4				
5	<u>70257G01</u>		Service Brake Pad	1
6	<u>70256G01</u>		Park Brake Pad	1
7	<u>16409G1</u>		Oval Rivet, 3/8" x 15/32" Lg.....	9
8				
9	<u>652820</u>		Service Brake Pedal Plate	1
10	<u>70682G01</u>		Pivot Pin	1
11	<u>70681G01</u>		Torsion Spring, .408" Dia x .93" Lg	2
12	<u>658825</u>		Push Nut, 5/16".....	2
13	<u>00737G8</u>		Flat Head Phillips Screw, #10 - 24 x 1" Lg, Grade 5.....	4
14	<u>00739G1</u>		Rubber Nut, #10 - 24	2
15	<u>652355</u>		Brake Pedal Spacer.....	2
16	<u>27137G01</u>		Conical Spring	2
17	<u>14390G10</u>		Lock Nut, #10 - 24	2
18	10606G8		Micro Switch	1
19	<u>00645G2</u>		Pan Head Phillips Screw, #6 - 32 x 1 1/4" Lg	2
20	<u>00559G5</u>		Flat Washer, #10.....	2
21	<u>00559G3</u>		Flat Washer, #6.....	4
22	<u>00565G3</u>		Lock Washer, #6	2
23	<u>00525G5</u>		Hex Nut, #6 - 32	2
24	<u>13514G1</u>		Pan Head Phillips Screw with Internal Tooth Lock Washer, #6 - 32 x .22" Lg	2
25	<u>00642G8</u>		Flat Washer, 5/16"	2
26	<u>14628G1</u>		Faston Tab.....	2
27	<u>24605G1</u>		Wire Harness, Brake Light.....	1
28	<u>17618G1</u>		Nylon Clamp, 7" Lg	2

36 Compensator Assembly includes items 37 - 49



THE USE OF NON U.L. PARTS WILL VOID ANY U.L. LISTING.

When ordering parts, please specify the model and serial number of the product.

* Indicates a component that is not available as an individual part.

*** Indicates consult Customer Service Department for additional information.

ITEM	PART NO.	1 2 3 4 5	DESCRIPTION	QTY.
1	<u>70582G01</u>		Hex Head Shoulder Bolt (SS), 3/4" x 4.03", 3/8" - 16 x .62" Lg	1
2	<u>70581G01</u>		Flanged Bushing, .1.062" O.D. x .795" I.D.....	2
3	<u>70676G01</u>		Torsion Spring	1
4	<u>00643G1</u>		Lock Washer, 3/8"	1
5	<u>11098G5</u>		Lock Nut, 3/8" - 16	1
6	<u>01038G01</u>		Hex Washer Head Bolt, 1/4" - 20 x .7" Lg (Not Illustrated).....	1
7	<u>12416G2</u>		Nylon Wedge Lock Clamp (Not Illustrated).....	3
8				
9				
10				
11	<u>01111G01</u>		Retaining Ring (SS), Dia .8"	4
12	<u>10386G3</u>		Clevis Pin, .438" x .938" Lg.....	1
13	<u>10387G3</u>		Cotter Pin, .094" x .75" Lg.....	1
14				
15	<u>70601G01</u>		Kick-off Link.....	1
16	<u>17838G1</u>		Nylon Bushing, .37" O.D. x .31" I.D.....	2
17	<u>20835G1</u>		Teflon Washer, 3/8"	2
18	<u>00559G8</u>		Flat Washer, 5/16"	2
19	<u>10387G3</u>		Cotter Pin, .094" x .75" Lg.....	2
20	<u>70098G01</u>		Kick-off Cam Pivot.....	1
21	<u>10097G6</u>		Flanged Bearing.....	2
22				
23				
24	<u>70587G01</u>		Kick-off Cam.....	1
25	<u>71215G01</u>		Set Screw With Patch Lock, 1/4" - 20 x .5" Lg	2
26	<u>14134G4</u>		Spacer, .76" O.D. x .395" I.D. x 1.25" Lg	1
27	<u>70113G01</u>		Adjustable Bumper.....	1
28	<u>11027G1</u>		Lock Nut, 5/16" - 18	1
29	<u>70080G02</u>		Catch Bracket.....	1
30	<u>00414G6</u>		Hex Head Bolt, 1/4" - 20 x .25" Lg, Grade 5	2
31	<u>14390G4</u>		Lock Nut (SS), 1/4" - 20	2

BRAKES

THE USE OF NON U.L. PARTS WILL VOID ANY U.L. LISTING.

When ordering parts, please specify the model and serial number of the product.

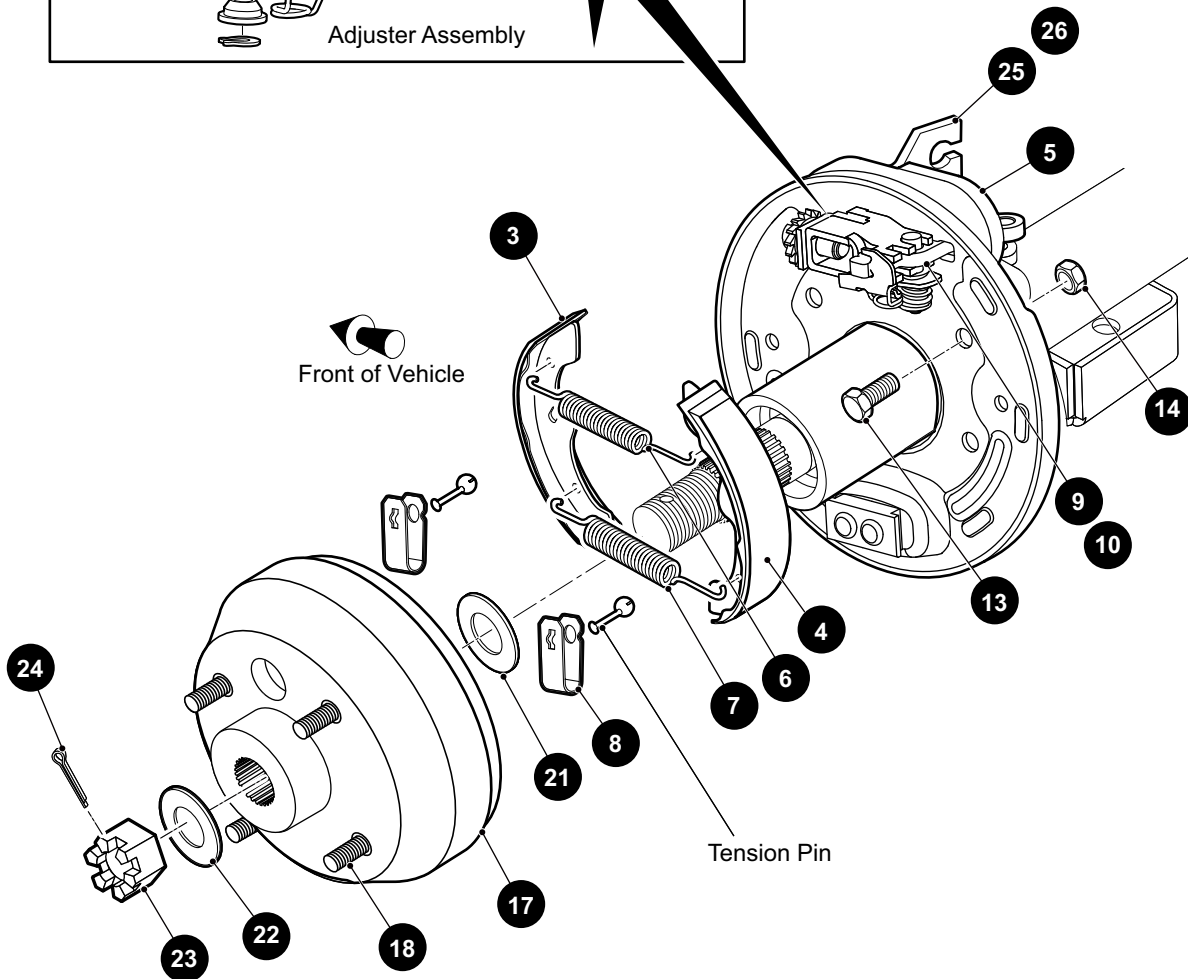
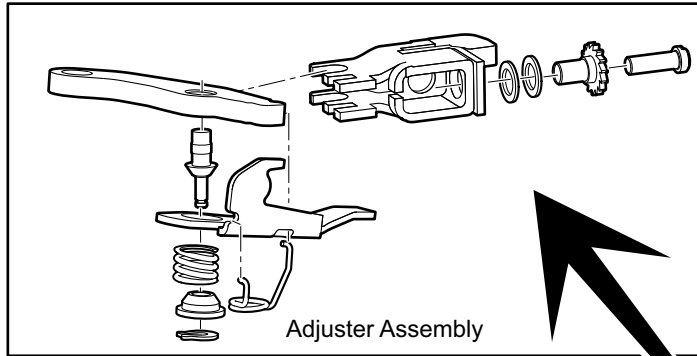
* Indicates a component that is not available as an individual part.

*** Indicates consult Customer Service Department for additional information.

ITEM	PART NO.	1	2	3	4	5	DESCRIPTION	QTY.
32	<u>10386G3</u>						Clevis Pin, .438" x .938" Lg	1
33	<u>10387G3</u>						Cotter Pin, .094" x .75" Lg	1
34								
35								
36	654663						Compensator Assembly (Includes Items 37 - 49).....	1
37	<u>00532G4</u>						Hex Nut, 1/4" - 20.....	2
38	<u>629486</u>						Spherical Hex Nut, 5/16"- 24.....	1
39	<u>28082G01</u>						Equalizer Bracket	1
40	<u>15121G1</u>						Flat Washer, 5/16"	2
41	<u>17979G1</u>						Accelerator Rod Bushing, .464" I.D. x 1" O.D. x 2" Lg	1
42	<u>23061G2</u>						Tube	1
43	<u>23463G1</u>						Compression Spring.....	1
44	<u>652256</u>						Brake Yoke	1
45	<u>11098G9</u>						Hex Lock Nut, 5/16" - 24	1
46	<u>612557</u>						Compensator Link Rod	1
47	<u>28083G01</u>						Brake Compensator Bumper.....	2
48	<u>624690</u>						Brake Cable (Driver Side)	1
49	<u>624691</u>						Brake Cable (Passenger Side).....	1

BRAKES

- 1 Brake Assembly (Driver Side) includes items 3 - 9
- 2 Brake Assembly (Passenger Side) includes items 3 - 8, 10
- 16 Brake Drum Assembly includes items 17, 18



BRAKES

THE USE OF NON U.L. PARTS WILL VOID ANY U.L. LISTING.

When ordering parts, please specify the model and serial number of the product.

* Indicates a component that is not available as an individual part.

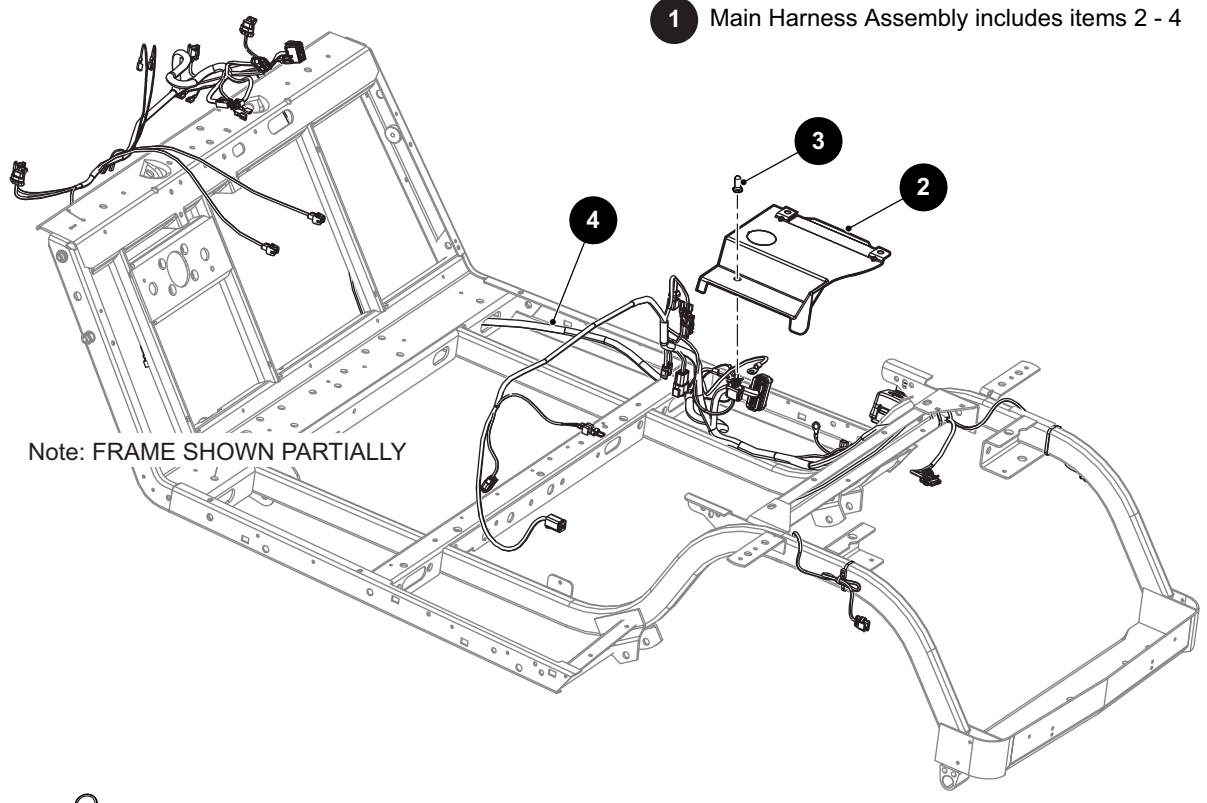
*** Indicates consult Customer Service Department for additional information.

ITEM	PART NO.	1 2 3 4 5	DESCRIPTION	QTY.
1	<u>612189</u>		Brake Assembly (Driver Side) (Includes Items 3 - 9)	1
2	<u>612211</u>		Brake Assembly (Passenger Side) (Includes Items 3 - 8, 10).....	1
3	<u>612411</u>		Brake Shoe, Leading	1
4	<u>612412</u>		Brake Shoe, Trailing	1
5	<u>612413</u>		Dust Cover.....	1
6	<u>612415</u>		Brake Spring, Top	1
7	<u>612414</u>		Brake Spring, Bottom	1
8	<u>612416</u>		Shoe Clamp.....	2
9	<u>612418</u>		Gear Adjuster (Driver Side)	1
10	<u>612417</u>		Gear Adjuster (Passenger Side).....	1
11				
12				
13	<u>17083G2</u>		Hex Head Bolt, 5/16" - 24 x 1" Lg, Grade 8	4
14	<u>15126G1</u>		Lock Nut, 5/16" - 24	4
15				
16	<u>19186G2</u>		Brake Drum Assembly (Includes Items 17, 18).....	1
17	<u>18500G2</u>		Brake Drum	1
18	<u>19862G2</u>		Lug Bolt, 1/2" - 20 x 1.718" Lg.....	4
19				
20				
21	<u>15485G1</u>		Flat Washer (Inner Wheel Rim), 1.31" O.D. x .85" I.D	1
22	<u>15487G1</u>		Flat Washer (Brake Drum), 1.75" O.D. x .85" I.D	1
23	<u>612928</u>		Castle Nut, 5/8" - 18.....	1
24	<u>10387G1</u>		Cotter Pin, 5/32" x 1 3/4" Lg.....	1
25	<u>652248</u>		Brake Cable Bracket (Passenger Side)	1
26	<u>652249</u>		Brake Cable Bracket (Driver Side).....	1

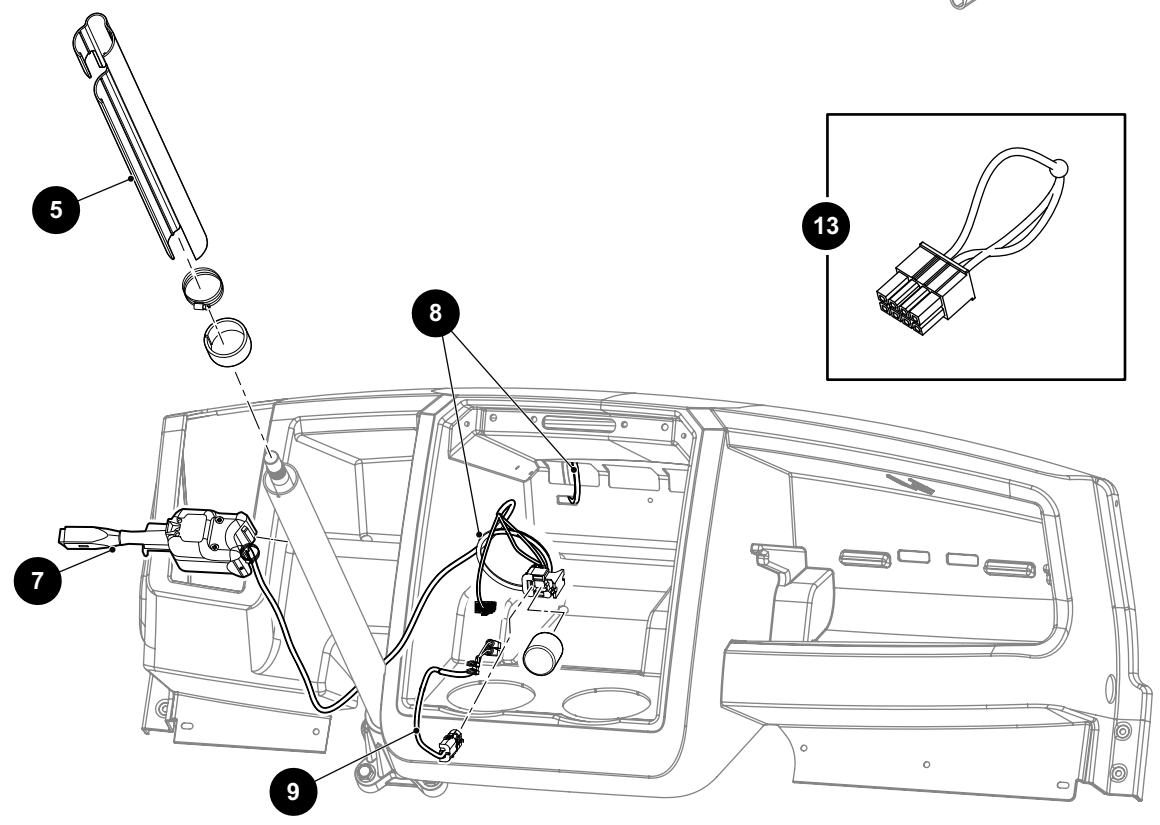
Notes:

A large rectangular grid of graph paper with 30 columns and 30 rows, intended for taking notes.

1 Main Harness Assembly includes items 2 - 4



Note: FRAME SHOWN PARTIALLY



THE USE OF NON U.L. PARTS WILL VOID ANY U.L. LISTING.

When ordering parts, please specify the model and serial number of the product.

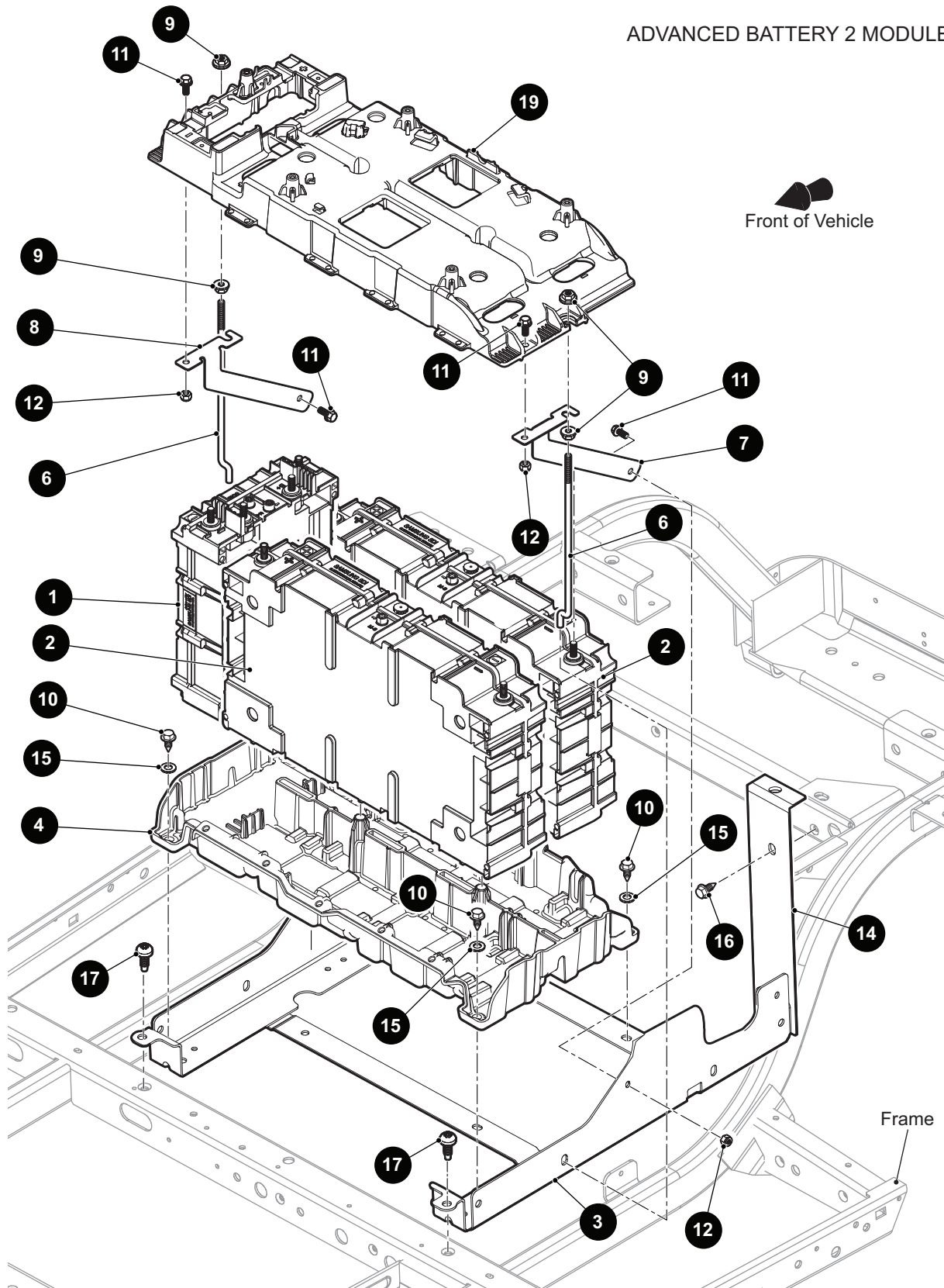
* Indicates a component that is not available as an individual part.

*** Indicates consult Customer Service Department for additional information.

ITEM	PART NO.	1 2 3 4 5	DESCRIPTION	QTY.
1	10012510		Main Harness Assembly (Includes Items 2 - 4).....	1
2	<u>679118</u>		Splash Shield.....	1
3	<u>655019</u>		Rubber Boot (Run-Tow Switch)	1
4	10010667		Main Harness	1
5	<u>20965G3</u>		Steering Column Cover.....	1
6	<u>19344G1</u>		Vinyl Tape (Not Illustrated).....	1
7	<u>615236</u>		Turn Signal Switch Assembly	1
8	<u>31539G1</u>		Nylon Clamp, 15.5' Lg.....	2
9	<u>664706</u>		Horn Jumper	1
10				
11	<u>17618G1</u>		Nylon Clamp, 15.5" (Not Illustrated).....	12
12				
13	<u>664780</u>		Jumper Harness, Turn Signal Lights (For Vehicles without Turn Signal)	1
14				
			Items 15 - 22 Not Shown	
15	<u>636455G22</u>		Mini Fuse, 10A, 58V	1
16	<u>636455G13</u>		Mini Fuse, 15A, 32V	1
17	<u>662004</u>		Mini Fuse Package, 6650HM	1
18	<u>636455G10</u>		Mini Fuse, 5A, 32V	1
19	<u>636455G12</u>		Mini Fuse, 10A, 32V	1
20	<u>643691</u>		Relay, A17, 20A, 12V	1
21	<u>651800G01</u>		Male Resistor, AT, 2P, 1200HM	1
22	<u>608900</u>		Run-Tow Switch Kit	1

ADVANCED BATTERY 2 MODULE

Front of Vehicle



THE USE OF NON U.L. PARTS WILL VOID ANY U.L. LISTING.

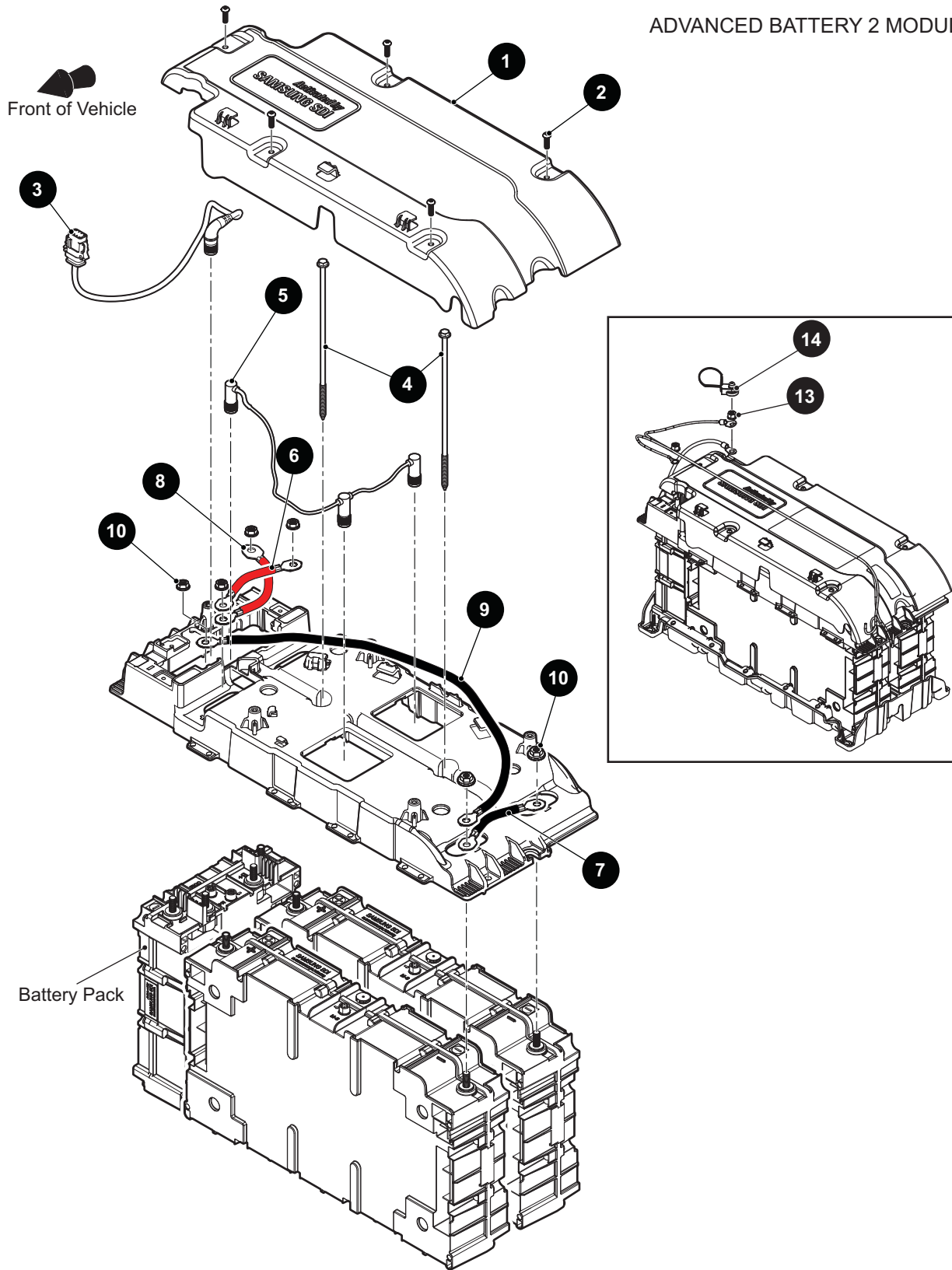
When ordering parts, please specify the model and serial number of the product.

* Indicates a component that is not available as an individual part.

*** Indicates consult Customer Service Department for additional information.

ITEM	PART NO.	1 2 3 4 5	DESCRIPTION	QTY.
1	691886		Battery Management System.....	1
2	<u>665954</u>		Cell Module	2
3	663490		Battery Tray.....	1
4	<u>651809</u>		Bottom Tray.....	1
5				
6	<u>01101G01</u>		Tie Down Bolt.....	2
7	<u>654002G01</u>		Hold Down Bracket (Driver Side).....	1
8	<u>654002G02</u>		Hold Down Bracket (Passenger Side).....	1
9	<u>11027G1</u>		Flanged Lock Nut, 5/16" - 18	4
10	<u>00715G2</u>		Hex Washer Head Bolt, 5/16" - 18 x .80" Lg	4
11	<u>13437G9</u>		Serrated Head Lock Screw, 1/4" - 20 x 3/4" Lg.....	8
12	<u>14390G4</u>		Lock Nut, 1/4" - 20	8
13				
14	<u>70090G02</u>		Rear Support.....	2
15	00559G8		Flat Washer, 5/16"	4
16	<u>00715G2</u>		Hex Washer Head Bolt, 5/16" - 18 x .80" Lg	4
17	<u>70200G01</u>		Truss Head Torx Screw, 3/8" - 16 x .75" Lg.....	2
18				
19	<u>651812</u>		Top Tray	1

ADVANCED BATTERY 2 MODULE



THE USE OF NON U.L. PARTS WILL VOID ANY U.L. LISTING.

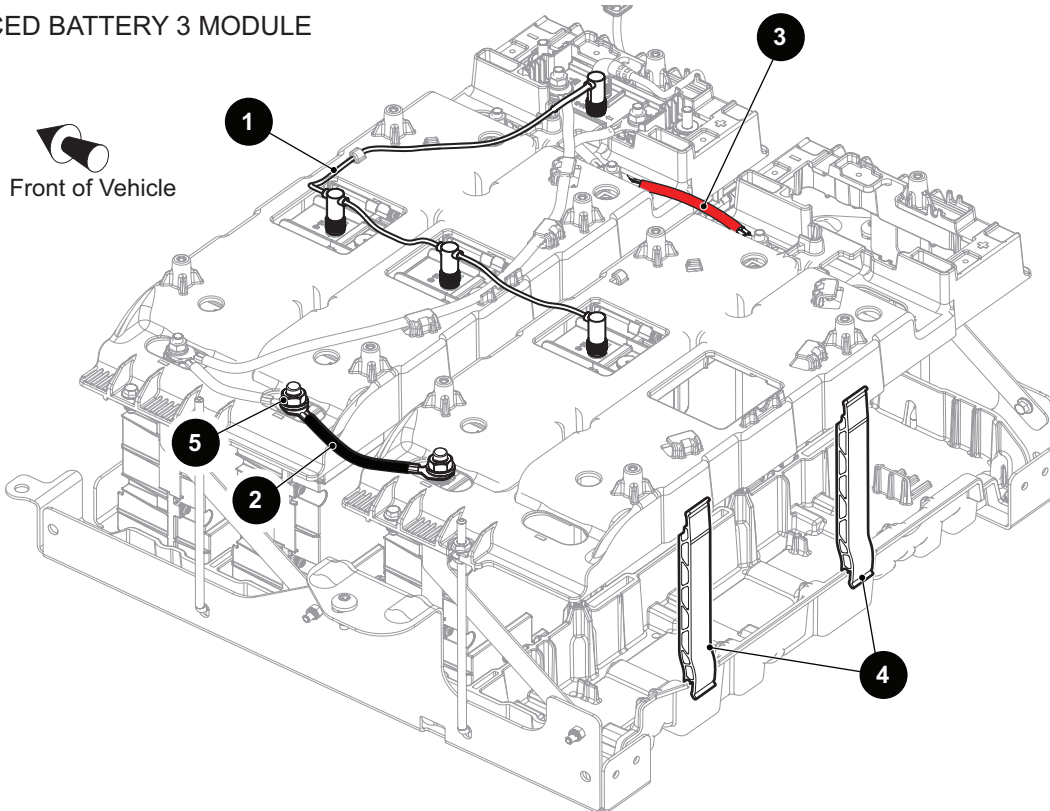
When ordering parts, please specify the model and serial number of the product.

* Indicates a component that is not available as an individual part.

*** Indicates consult Customer Service Department for additional information.

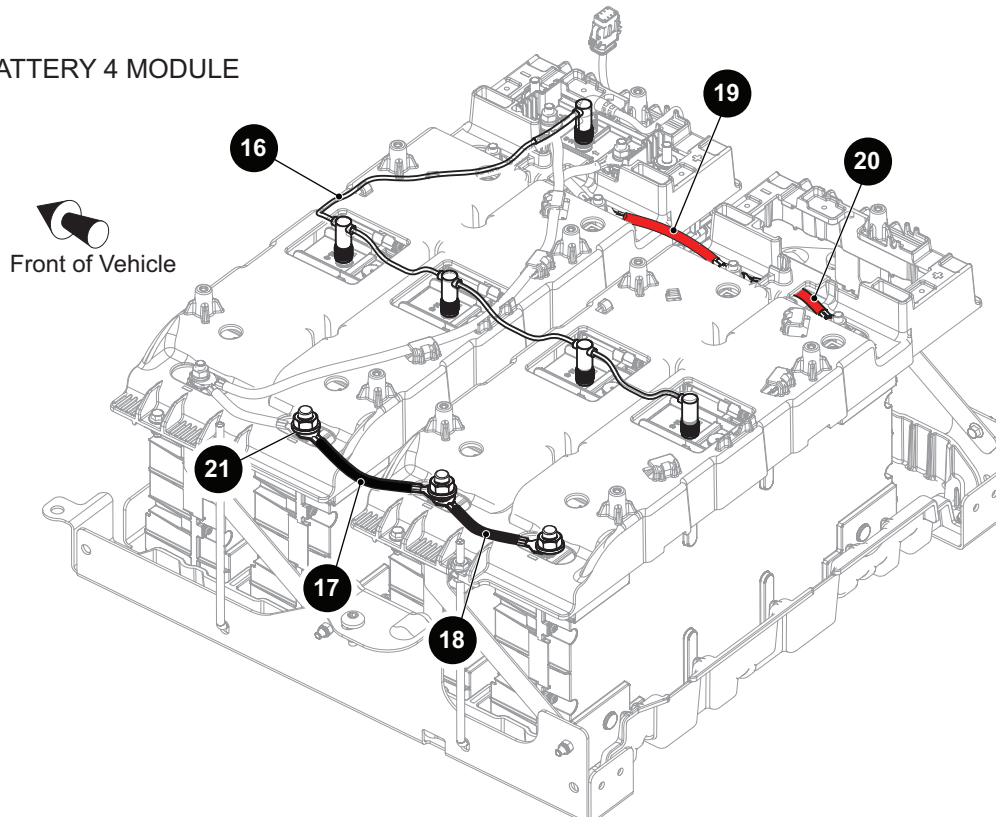
ITEM	PART NO.	1 2 3 4 5	DESCRIPTION	QTY.
1	<u>651878</u>		Top Cover.....	1
2	<u>654616</u>		Button Head Tapping Screw, #10 X .625" Lg.....	5
3	<u>652090</u>		Harness (BMS to Main Harness).....	1
4	<u>654863</u>		Flanged Hex Head Bolt, 1/4" - 10 x 8 3/4" Lg.....	2
5	<u>651960</u>		Battery Communication Cable, 60AH.....	1
6	<u>652002</u>		Battery Cable (Red), 6AWG, 122mm Lg.....	1
7	<u>653432</u>		Battery Cable (Black), 6AWG, 122mm Lg.....	1
8	<u>653449</u>		Battery Cable (Red), 6AWG, 145mm Lg.....	1
9	<u>651811</u>		Battery Cable (Black), 6AWG, 595mm Lg.....	1
10	<u>659134</u>		Conical Hex Nut, M8 - 1.25.....	6
11				
12				
13	<u>659134</u>		Conical Hex Nut, M8 - 1.25.....	2
14	<u>681557</u>		Terminal Boot.....	1

ADVANCED BATTERY 3 MODULE



*NOTE: Refer to ADVANCED BATTERY 2 MODULE for exploded view of battery pack

ADVANCED BATTERY 4 MODULE



*NOTE: Refer to ADVANCED BATTERY 2 MODULE for exploded view of battery pack

THE USE OF NON U.L. PARTS WILL VOID ANY U.L. LISTING.

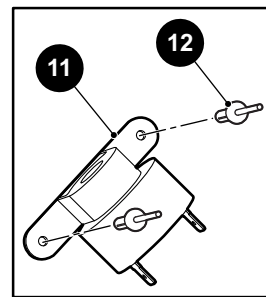
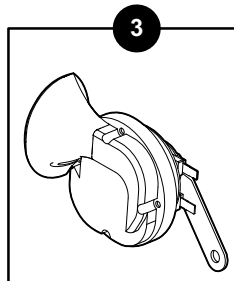
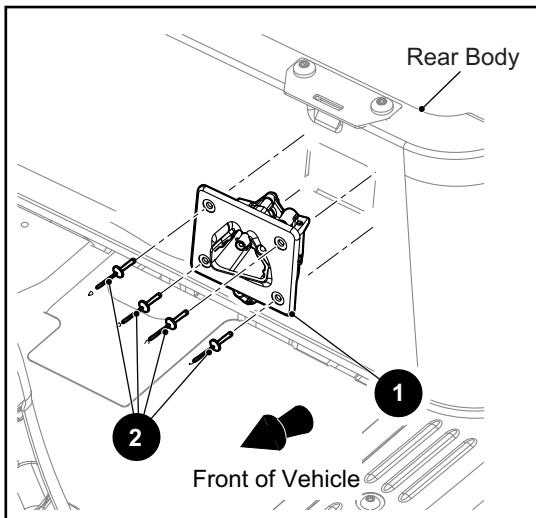
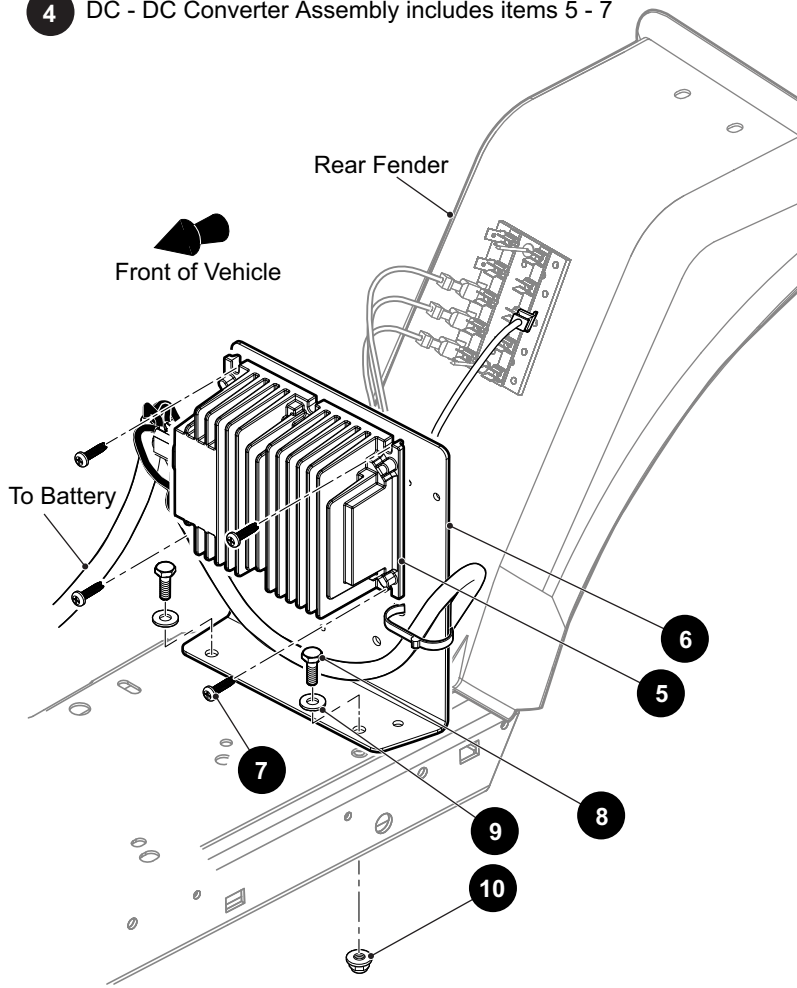
When ordering parts, please specify the model and serial number of the product.

* Indicates a component that is not available as an individual part.

*** Indicates consult Customer Service Department for additional information.

ITEM	PART NO.	1 2 3 4 5	DESCRIPTION	QTY.
1	<u>651961</u>		Battery Communication Cable, 90AH	1
2	<u>653431</u>		Battery Cable (Black), 6AWG, 154mm Lg.....	1
3	<u>653433</u>		Battery Cable (Red), 6AWG, 154mm Lg.....	1
4	<u>654488</u>		Battery Tray Spacer	2
5	<u>659134</u>		Conical Hex Nut, M8 - 1.25	2
6				
7				
8				
9				
10				
11				
12				
13				
14				
15				
16	<u>651962</u>		Battery Communication Cable, 120AH	1
17	<u>653431</u>		Battery Cable (Black), 6AWG, 154mm Lg.....	1
18	<u>653432</u>		Battery Cable (Black), 6AWG, 122mm Lg.....	1
19	<u>653433</u>		Battery Cable (Red), 6AWG, 154mm Lg.....	1
20	<u>652002</u>		Battery Cable (Red), 6AWG, 122mm Lg.....	1
21	<u>659134</u>		Conical Hex Nut, M8 - 1.25	3

4 DC - DC Converter Assembly includes items 5 - 7



THE USE OF NON U.L. PARTS WILL VOID ANY U.L. LISTING.

When ordering parts, please specify the model and serial number of the product.

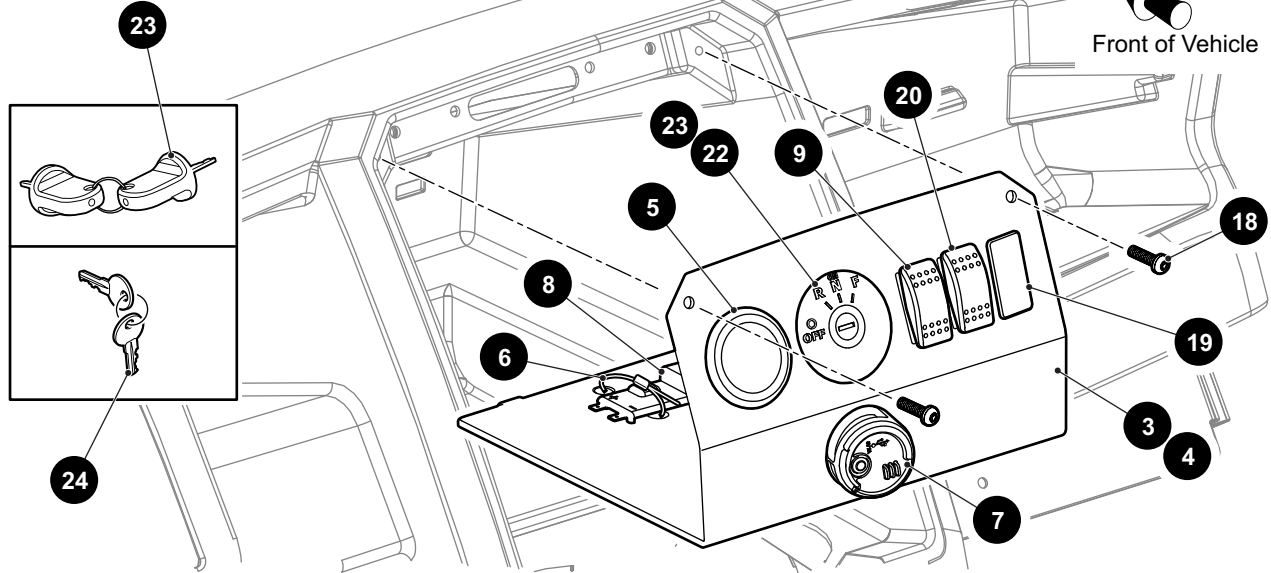
* Indicates a component that is not available as an individual part.

*** Indicates consult Customer Service Department for additional information.

ITEM	PART NO.	1 2 3 4 5	DESCRIPTION	QTY.
1	<u>651531</u>		Charger Receptacle	1
2	<u>71055G02</u>		Rivet, 3/16" Dia.	4
3	<u>32860G1</u>		Horn	1
4	656108		DC-DC Converter Assembly (Includes Items 5 - 7).....	1
5	<u>632185</u>		DC-DC Converter	1
6	<u>633303</u>		DC-DC Converter Bracket	1
7	<u>632372</u>		Self Tapping Screw, #10 - 32 x 3/4" Lg.....	4
8	<u>00414G6</u>		Hex Head Bolt, 1/4" - 20 x 3/4" Lg, Grade 5	2
9	<u>00559G7</u>		Flat Washer, 1/4".....	2
10	<u>11027G2</u>		Flanged Lock Nut, 1/4" - 20	2
11	<u>613271</u>		Reverse Buzzer.....	1
12	<u>01041G01</u>		Rivet (Aluminum), 5/32"	2

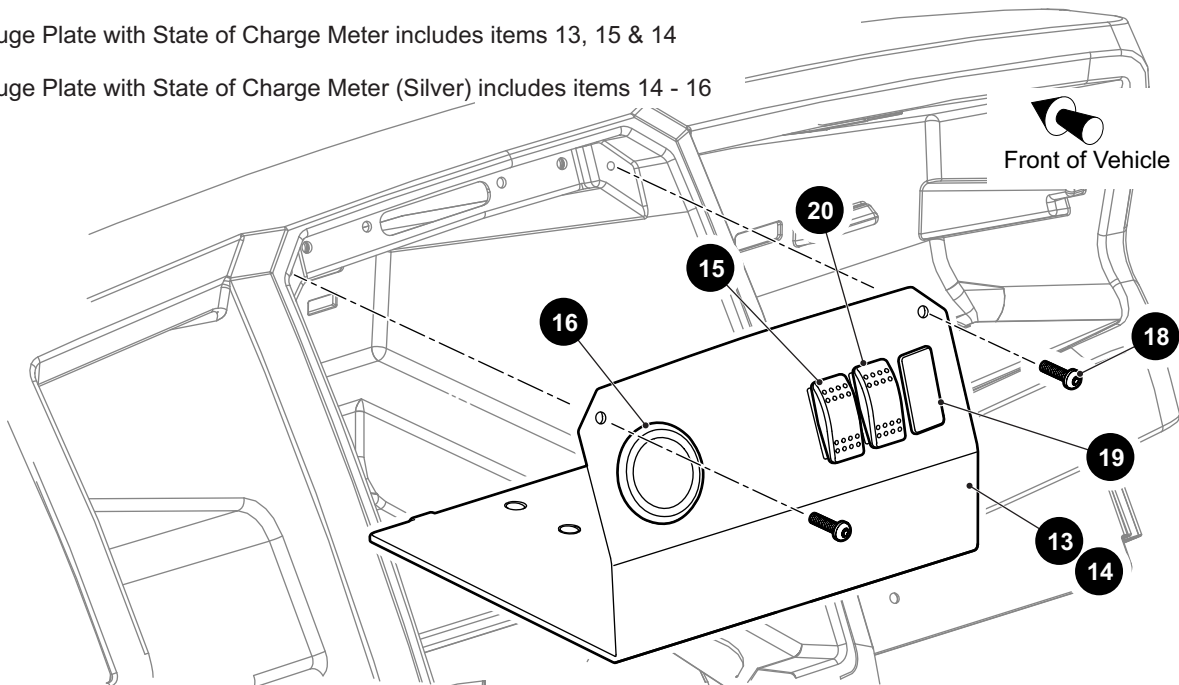
1 Gauge Plate with USB and State of Charge Meter (Silver) includes items 3, 5 - 9

2 Gauge Plate with USB and State of Charge Meter includes items 4 - 9



11 Gauge Plate with State of Charge Meter includes items 13, 15 & 14

12 Gauge Plate with State of Charge Meter (Silver) includes items 14 - 16



THE USE OF NON U.L. PARTS WILL VOID ANY U.L. LISTING.

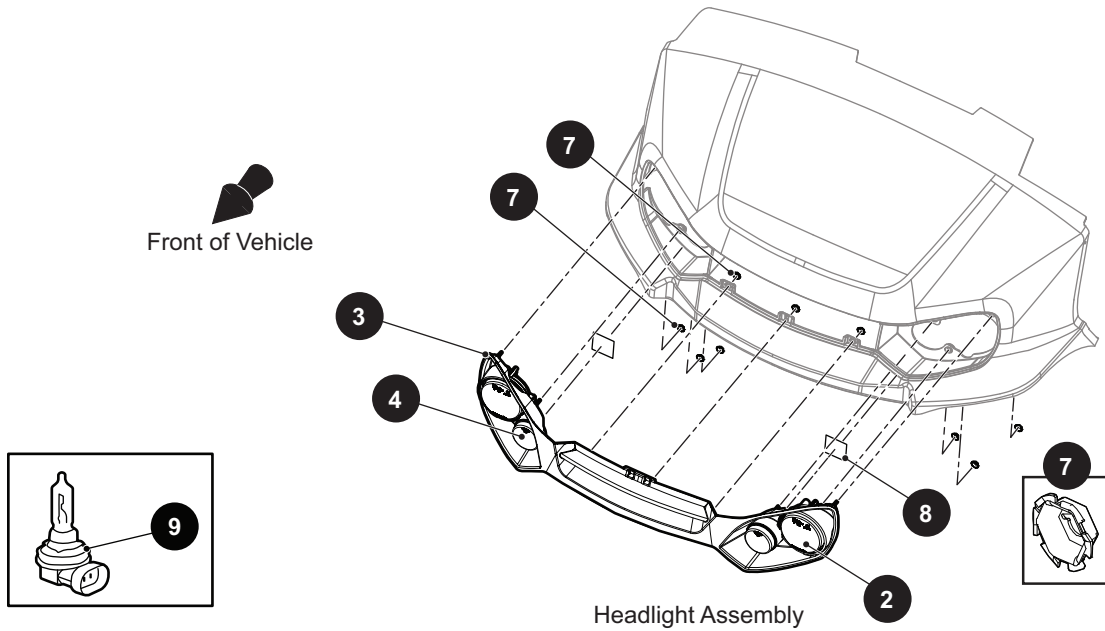
When ordering parts, please specify the model and serial number of the product.

* Indicates a component that is not available as an individual part.

*** Indicates consult Customer Service Department for additional information.

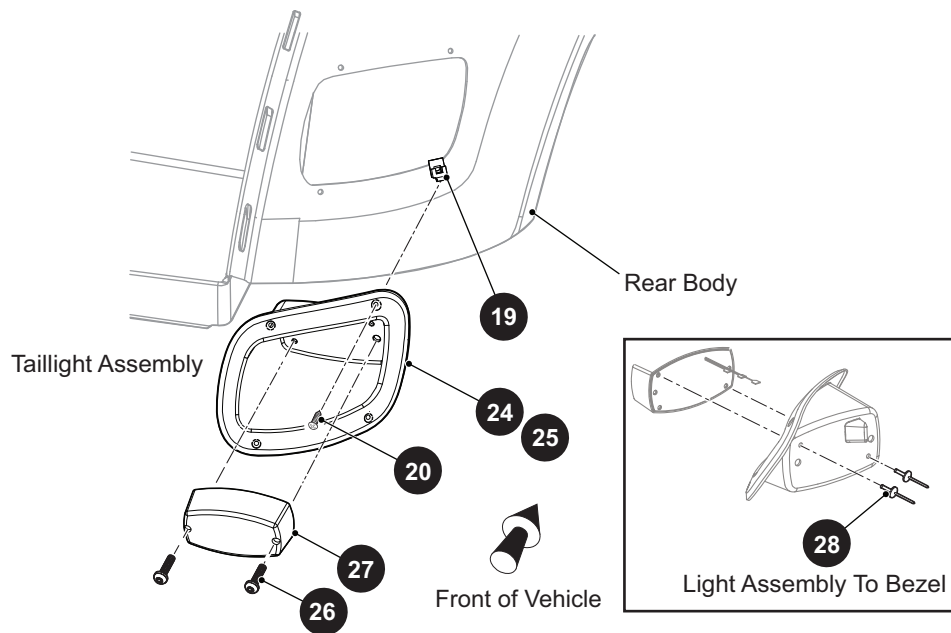
ITEM	PART NO.	1 2 3 4 5	DESCRIPTION	QTY.
1	666085G13		Gauge Plate with USB and State of Charge Meter (Silver) (Includes Items 3, 5 - 9)	1
2	666085G15		Gauge Plate with USB and State of Charge Meter (Includes Items 4 - 9)	1
3	662083G05		Gauge Plate (Silver)	1
4	662083G06		Gauge Plate	1
5	691550		Multifunction Meter	1
6	<u>17618G1</u>		Nylon Clamp, 15.5" Lg.	1
7	<u>639384</u>		USB Port Housing Assembly	1
8	10001356		USB Electronics	1
9	<u>651897G01</u>		Horn Switch (2 Position)	1
10				
11	666085G17		Gauge Plate with State of Charge Meter (Includes Items 13, 15 & 14)	1
12	666085G18		Gauge Plate with State of Charge Meter (Silver) (Includes Items 14 - 16)	1
13	<u>662083G01</u>		Gauge Plate	1
14	662083G04		Gauge Plate (Silver)	1
15	<u>651897G01</u>		Horn Switch (2 Position)	1
16	691550		Multifunction Meter	1
17				
18	<u>649803</u>		Pan Head Torx Screw, M6 - 2.65 x 25mm Lg.	2
19	<u>627035</u>		Switch Panel Plug	1
20	<u>651897G03</u>		Headlight Switch, Hi/Low (3 Position)	1
21				
22	<u>653072</u>		Keyswitch, R-N-F 4 Position	1
23	<u>655131</u>		Key and Keyswitch, Unique	1
24	<u>611282</u>		Common Key Set	1

- 1** Front Grille with LED Headlight Assembly (Hi/Low) includes items 2 - 4



- 22** Taillight Assembly, (Driver Side) includes items 24, 26 - 28

- 23** Taillight Assembly, (Passenger Side) includes items 25 - 28



THE USE OF NON U.L. PARTS WILL VOID ANY U.L. LISTING.

When ordering parts, please specify the model and serial number of the product.

* Indicates a component that is not available as an individual part.

*** Indicates consult Customer Service Department for additional information.

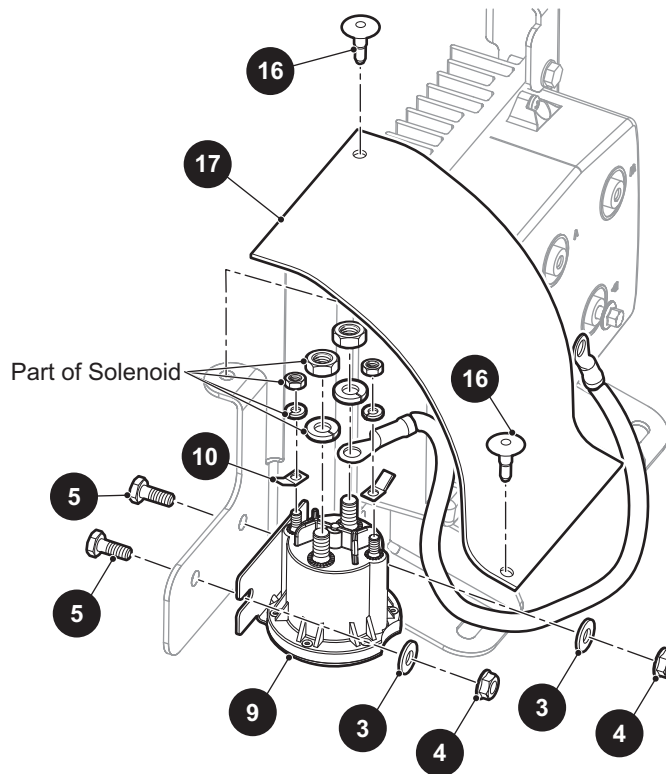
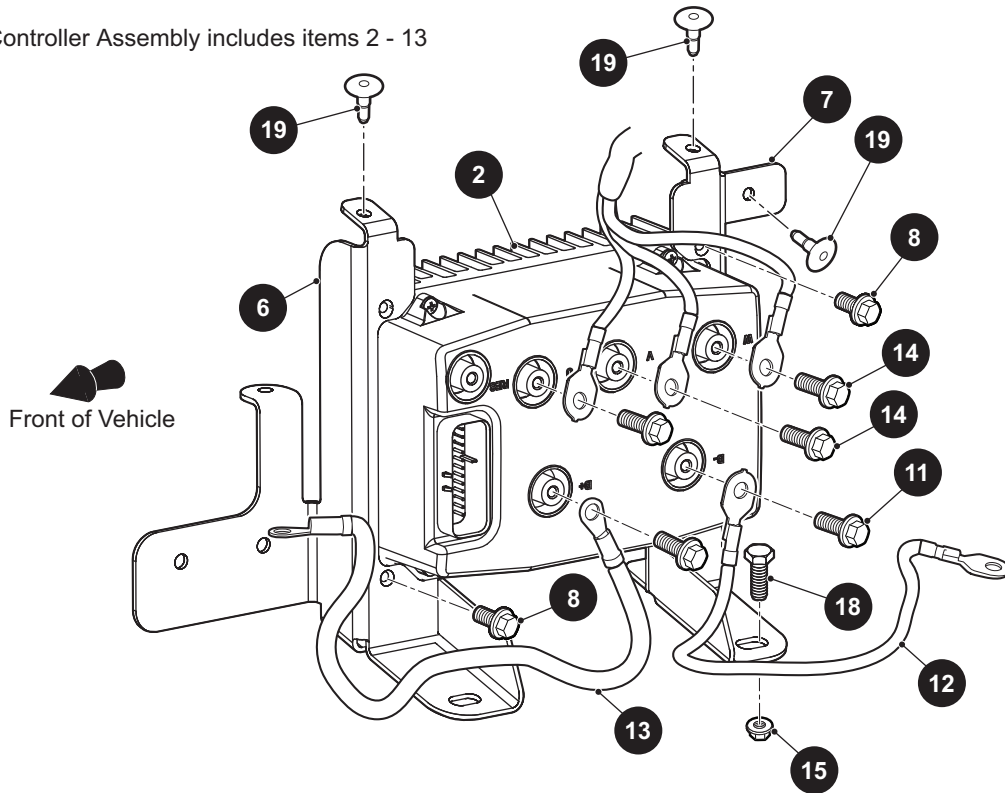
ITEM	PART NO.	1 2 3 4 5	DESCRIPTION	QTY.
1	<u>651698G03</u>		Front Grille with LED Headlight Assembly (Hi/Low) (Includes Items 2 - 4)	1
2	<u>651411G03</u>		LED Headlight	2
3	648564		Front Grille with Lights	1
4	651437		Lens Cover	2
5				
6				
7	<u>71597G01</u>		Self Threading Nut	9
8	<u>71781G02</u>		Vinyl Tape.....	2
9	<u>619102</u>		Turn Signal Bulb.....	1
10				
11				
12				
13	10013736		Jumper Harness, Taillight Halogen (Not Illustrated).....	1
14				
15				
16				
17				
18				
19	71364G02		"J" Type Nut, #8	4
20	71425G01		Tapping Screw, #8 - 18 X 3/4" Lg.....	4
21				
22	655170		Taillight Assembly (Driver Side) (Includes Items 24, 26 - 28).....	1
23	655171		Taillight Assembly (Passenger Side) (Includes Items 25 - 28)	1
24	<u>74371G01</u>		Taillight Bezel (Driver Side)	1
25	<u>74371G02</u>		Taillight Bezel (Passenger Side).....	1
26	00513G4		Pan Head Phillips Screw, #8 - 18 x 3/4" Lg	2
27	22288G1		Taillight Assembly.	1
28	14601G11		Rivet (Aluminum), 3/16" X 9/16"	2

Notes:

A large rectangular grid consisting of 25 columns and 25 rows of small squares, intended for handwritten notes.

ELECTRONIC SPEED CONTROL

1 Controller Assembly includes items 2 - 13



ELECTRONIC SPEED CONTROL

THE USE OF NON U.L. PARTS WILL VOID ANY U.L. LISTING.

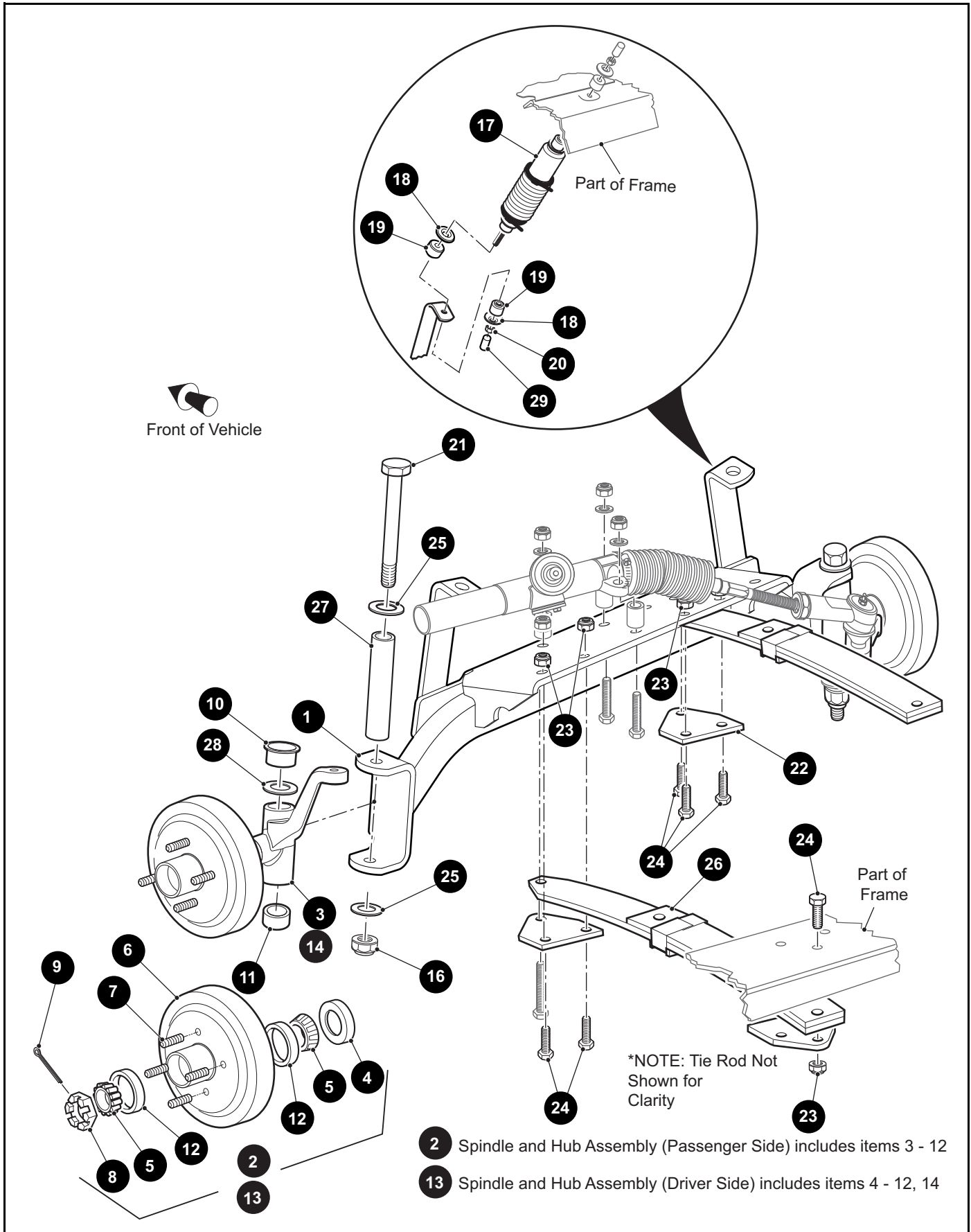
When ordering parts, please specify the model and serial number of the product.

* Indicates a component that is not available as an individual part.

*** Indicates consult Customer Service Department for additional information.

ITEM	PART NO.	1 2 3 4 5	DESCRIPTION	QTY.
1	696672		Controller Assembly (Includes Items 2 - 13)	1
2	10012698G01		Controller Kit.....	1
3	<u>01110G01</u>		Flat Washer, 1/4"	2
4	<u>11027G2</u>		Flanged Lock Nut, 1/4" - 20	2
5	<u>00414G5</u>		Hex Head Bolt, 1/4" - 20 x 1/2" Lg, Grade 5.....	2
6	663609G06		Controller Bracket, Front	1
7	663609G08		Controller Bracket, Rear	1
8	<u>606264</u>		Flanged Hex Head Bolt, M6 - 1 x 20mm Lg, Grade 8.8	4
9	<u>612711</u>		Solenoid, 48V	1
10	<u>12914G1</u>		Push on Male Terminal	2
11	<u>73876G01</u>		Flanged Hex Head Bolt, M6 - 1 x 12mm Lg, Grade 8.8	2
12	<u>603104</u>		Negative Battery Cable, B-, 570mm	1
13	<u>653485</u>		Positive Battery Cable, B+, 525mm.....	1
14	<u>73876G01</u>		Flanged Hex Head Bolt, M6 - 1 x 12mm Lg, Grade 8.8	3
15	<u>11027G1</u>		Flanged Lock Nut, 5/16" - 18	2
16	<u>610487</u>		Plastic Rivet, .256	2
17	667126		Rubber Cover.....	1
18	00438G6		Hex Head Bolt, 5/16" - 18 x 3/4" Lg, Grade 5	2
19	<u>610487</u>		Plastic Rivet, .256"	3

FRONT SUSPENSION AND STEERING



FRONT SUSPENSION AND STEERING

THE USE OF NON U.L. PARTS WILL VOID ANY U.L. LISTING.

When ordering parts, please specify the model and serial number of the product.

* Indicates a component that is not available as an individual part.

*** Indicates consult Customer Service Department for additional information.

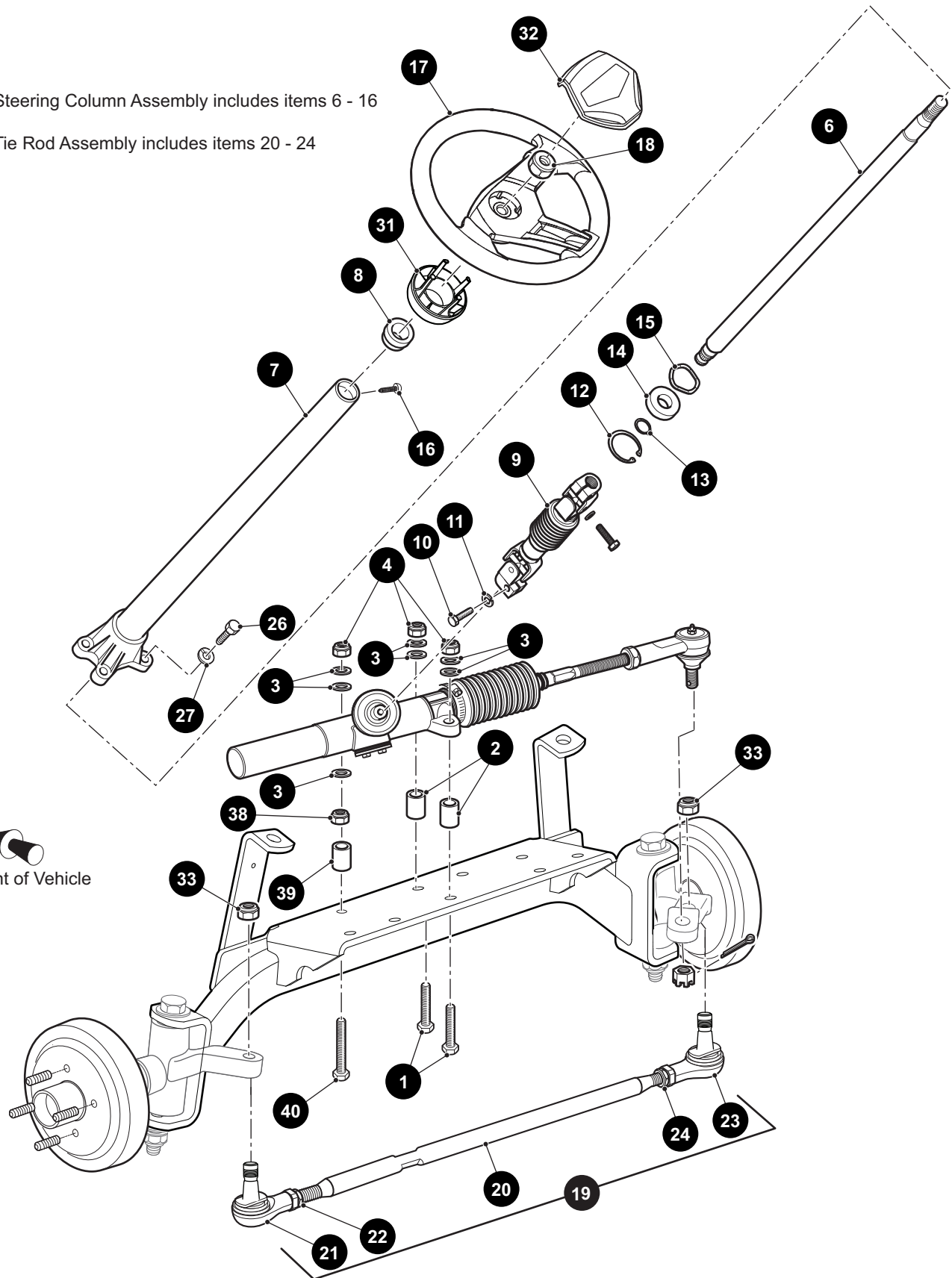
ITEM	PART NO.	1 2 3 4 5	DESCRIPTION	QTY.
1	<u>633795</u>		Front Axle	1
2	<u>70930G02</u>		Spindle and Hub Assembly (Passenger Side) (Includes Items 3 - 12).....	1
3	<u>70802G01</u>		Spindle Assembly (Passenger Side)	1
4	<u>25146G1</u>		Grease Seal.....	1
5	<u>11750G2</u>		Roller Bearing and Race Assembly	2
6	<u>74332G01</u>		Wheel Hub	1
7	<u>36038G01</u>		Drive Flange Stud	4
8	<u>12093G1</u>		Castle Nut, 1" - 14	1
9	<u>00798G8</u>		Cotter Pin, 5/32" x 1 3/4" Lg	1
10	<u>632925</u>		Flanged Bushing.....	1
11	<u>632926</u>		Bushing Sleeve.....	1
12	<u>51141G1</u>		Race Bearing.....	2
13	<u>70931G02</u>		Spindle and Hub Assembly (Driver Side) (Includes Items 4 - 12, 14)	1
14	<u>70803G01</u>		Spindle Assembly (Driver Side)	1
15				
16	<u>14390G6</u>		Lock Nut, 1/2" - 13	1
17	<u>76419G01</u>		Shock Absorber.....	2
18	<u>10435G1</u>		Shock Absorber Washer	4
19	<u>10194G1</u>		Rubber Bushing	4
20	<u>00532G6</u>		Hex Nut, 3/8" - 24.....	2
21	<u>00407G6</u>		King Pin Bolt, 1/2" - 13 x 6" Lg, Grade 5.....	1
22	<u>652258</u>		Spring Plate.....	4
23	<u>00734G1</u>		Lock Nut, 7/16" - 14	11
24	<u>00463G11</u>		Hex Head Bolt, 7/16" - 14 x 1 3/4" Lg, Grade 5	11
25	<u>00560G3</u>		Flat Washer, 1/2"	2
26	<u>70990G03</u>		Leaf Spring.....	2
27	<u>70745G01</u>		King Pin Tube.....	1
28	<u>70754G01</u>		Thrust Washer, (SS), 1"	1
29	<u>10044G01</u>		Vinyl Cap.....	2

FRONT SUSPENSION AND STEERING

5 Steering Column Assembly includes items 6 - 16

19 Tie Rod Assembly includes items 20 - 24

Front of Vehicle



FRONT SUSPENSION AND STEERING

THE USE OF NON U.L. PARTS WILL VOID ANY U.L. LISTING.

When ordering parts, please specify the model and serial number of the product.

* Indicates a component that is not available as an individual part.

*** Indicates consult Customer Service Department for additional information.

ITEM	PART NO.	1 2 3 4 5	DESCRIPTION	QTY.
1	<u>00464G6</u>		Hex Head Bolt, 7/16" - 14 x 2 3/4" Lg, Grade 5	2
2	<u>70667G02</u>		Spacer, 1.21".....	2
3	<u>00560G2</u>		Flat Washer, 7/16".....	7
4	<u>00734G1</u>		Lock Nut, 7/16" - 14	3
5	<u>70758G05</u>		Steering Column Kit (Includes Items 6 - 16)	1
6	<u>70607G01</u>		Steering Shaft.....	1
7	<u>70610G03</u>		Steering Column.....	1
8	<u>28569G01</u>		Steering Column Bushing.....	1
9	<u>70580G01</u>		Intermediate Shaft	1
10	<u>01055G01</u>		Hex Head Bolt, M8 - 1.25 x 1.18" Lg, Grade 5	1
11	<u>00565G8</u>		Lock Washer, 5/16".....	1
12	<u>70751G01</u>		Retaining Ring (Internal).....	1
13	<u>70888G01</u>		Retaining Ring (External)	1
14	<u>15112G1</u>		Ball Bearing	1
15	<u>70887G01</u>		Wave Washer	1
16	10026871		Pan Head Torx Screw, #6 - 20 x .25" Lg.....	1
17	10013920		Steering Wheel (Premium).....	1
18	<u>14390G2</u>		Lock Nut, 5/8" - 18	1
19	<u>70876G02</u>		Tie Rod Assembly (Includes Items 20 - 24)	1
20	<u>70897G02</u>		Threaded Rod, 24" Lg	1
21	<u>70902G01</u>		Tie Rod End (Left Hand Threads).....	1
22	<u>01069G01</u>		Jam Nut, M12 x 1.25 (Left Hand Threads)	1
23	<u>70902G02</u>		Tie Rod End (Right Hand Threads)	1
24	<u>01069G02</u>		Jam Nut, M12 x 1.25 (Right Hand Threads).....	1
25				
26	<u>01006G01</u>		Hex Washer Head Bolt, 3/8" - 16 x 1 1/4" Lg	4
27	<u>00879G1</u>		Lock Washer, 3/8"	4
28				
29				
30				
31	10012163		Steering Wheel Adapter	1

FRONT SUSPENSION AND STEERING

THE USE OF NON U.L. PARTS WILL VOID ANY U.L. LISTING.

When ordering parts, please specify the model and serial number of the product.

* Indicates a component that is not available as an individual part.

*** Indicates consult Customer Service Department for additional information.

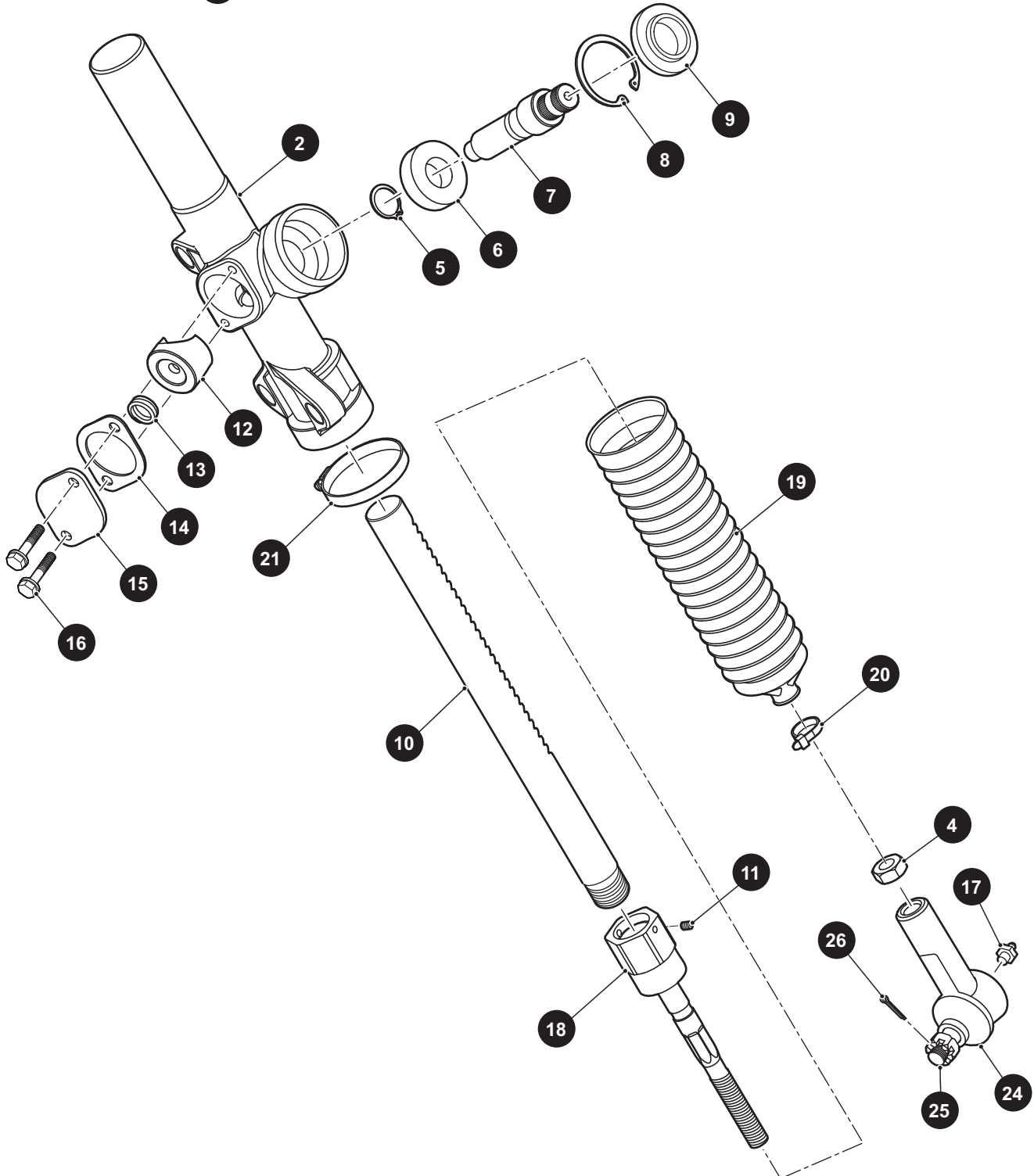
ITEM	PART NO.	1 2 3 4 5	DESCRIPTION	QTY.
32	0405-620		Center Cap (Steering Wheel)	1
33	<u>00734G1</u>		Lock Nut, 7/16" - 14	2
34				
35				
36				
37				
38	<u>00532G7</u>		Hex Nut, 7/16" - 14	1
39	<u>70667G04</u>		Spacer, 1" O.D x .469" I.D. x .69" Lg	1
40	<u>01068G01</u>		Hex Head Bolt, 7/16" - 14 x 3.5" Lg, Grade 5	1

Notes:

A large grid of graph paper consisting of 30 columns and 30 rows of small squares, intended for taking notes.

FRONT SUSPENSION AND STEERING

- 1** Rack and Pinion Unit includes items 2 - 23
- 23** Tie Rod End (Outer) includes items 24 - 25



FRONT SUSPENSION AND STEERING

THE USE OF NON U.L. PARTS WILL VOID ANY U.L. LISTING.

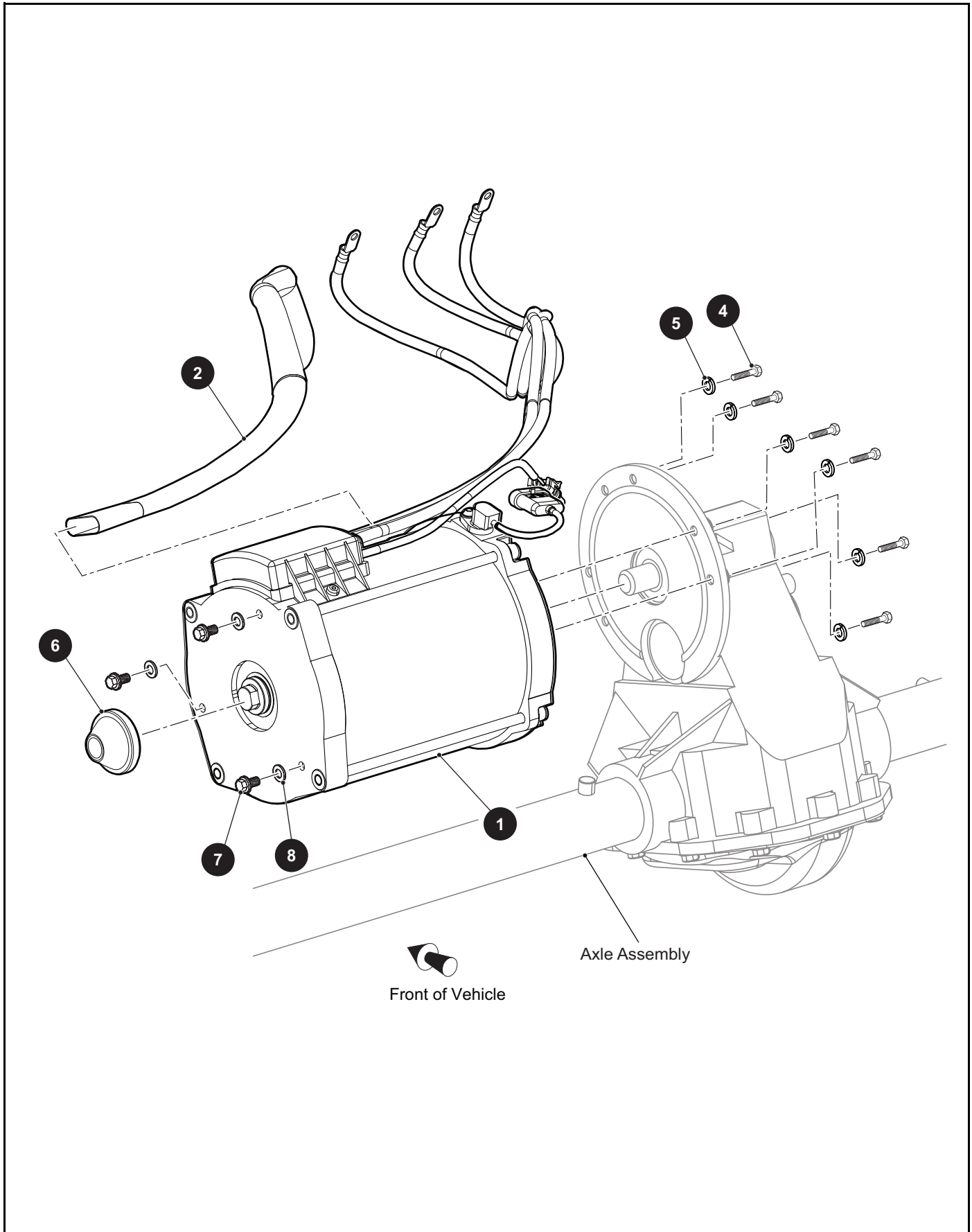
When ordering parts, please specify the model and serial number of the product.

* Indicates a component that is not available as an individual part.

*** Indicates consult Customer Service Department for additional information.

ITEM	PART NO.	1 2 3 4 5	DESCRIPTION	QTY.
1	<u>70964G01</u>		Rack and Pinion Unit (Includes Items 2 - 23).....	1
2	<u>70965G01</u>		Steering Rack Cover and Bearing	1
3				
4	*		Jam Nut, 1/2" - 20.....	1
5	<u>70750G01</u>		Retaining Ring (External)	1
6	<u>15112G1</u>		Ball Bearing	1
7	<u>70603G01</u>		Pinion.....	1
8	<u>70751G01</u>		Retaining Ring (Internal).....	1
9	<u>70638G01</u>		Seal (Pinion)	1
10	<u>70604G01</u>		Steering Rack	1
11	*		Set Screw, #10 - 32 x .25" Lg	1
12	<u>70590G01</u>		Rack Loader	1
13	<u>70666G01</u>		Compression Spring	1
14	<u>70645G01</u>		Gasket (Rack Loader Cover).....	1
15	<u>652259</u>		Cover (Rack Loader)	1
16	<u>71102G01</u>		Hex Washer Head Bolt, 1/4" - 20 x 11/16" Lg, Grade 5.....	2
17	<u>10389G3</u>		Grease Fitting (Straight)	1
18	<u>70694G01</u>		Rod End (Inner)	1
19	<u>70961G01</u>		Rack Boot	1
20	<u>12416G2</u>		Nylon Clamp, 11.8" Lg	1
21	<u>11391G8</u>		Hose Clamp, 1.81".....	1
22				
23	<u>70695G01</u>		Tie Rod End (Outer) (Includes Items 24 - 25).....	1
24	<u>50641G1</u>		Grommet	1
25	*		Hex Slotted Nut, 7/16" - 20	1
26	<u>10387G2</u>		Cotter Pin, 3/32" X 1"	1

MOTOR



THE USE OF NON U.L. PARTS WILL VOID ANY U.L. LISTING.

When ordering parts, please specify the model and serial number of the product.

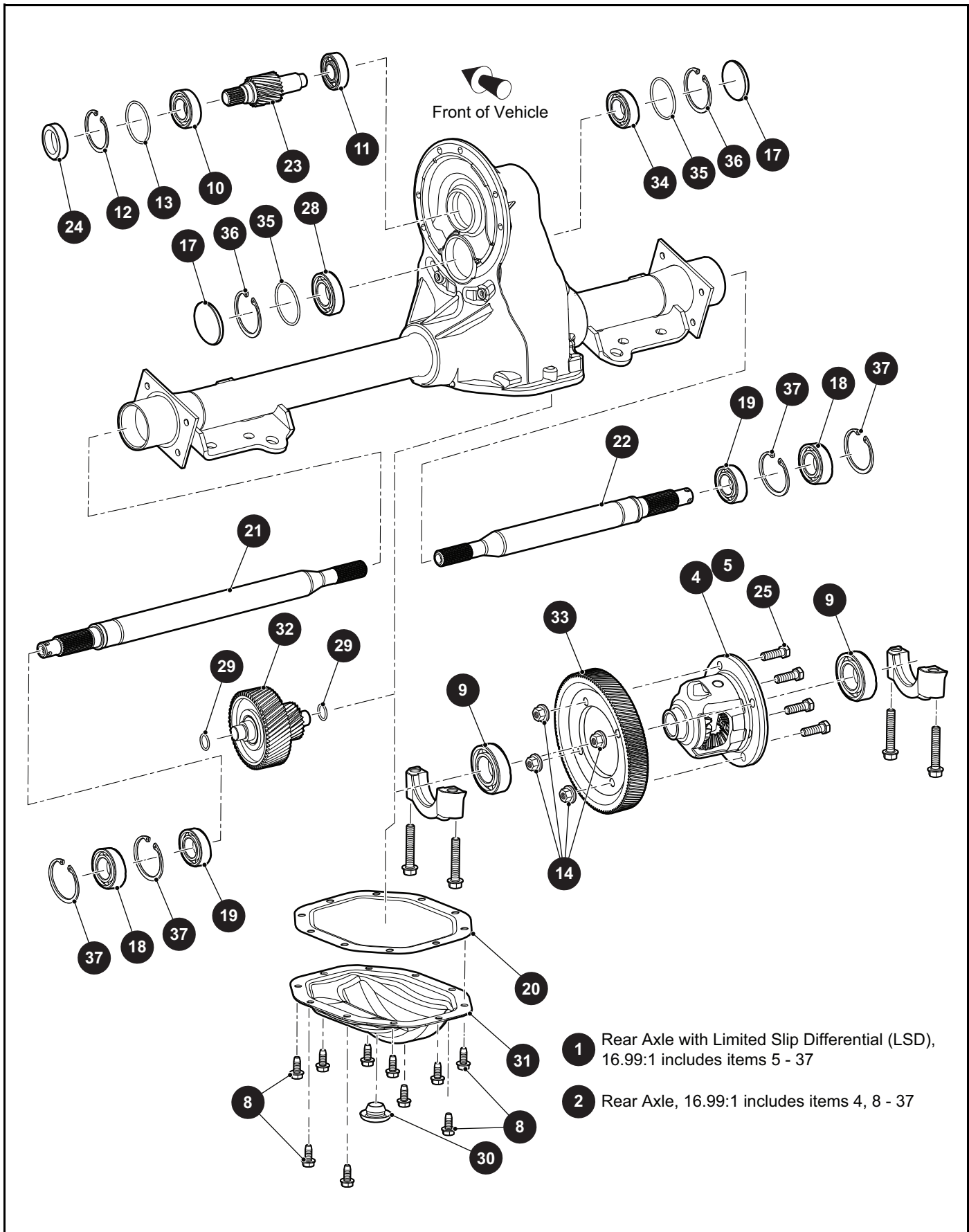
* Indicates a component that is not available as an individual part.

*** Indicates consult Customer Service Department for additional information.

ITEM	PART NO.	1 2 3 4 5	DESCRIPTION	QTY.
1	680638		Motor, 48V, AC	1
2	<u>605714</u>		Flexloom.....	1
3				
4	<u>605741</u>		Hex Head Bolt, M6 - 1 x 25mm Lg, Grade 10.9.....	6
5	<u>601327</u>		Lock Washer, 6mm	6
6	668275		End Cap	1
7	<u>73876G01</u>		Flanged Hex Head Bolt, M6 - 1 x 12mm Lg.....	3
8	<u>00915G1</u>		Bonded Seal Washer, 1/4" I.D.....	3

Notes:

REAR AXLE



REAR AXLE

THE USE OF NON U.L. PARTS WILL VOID ANY U.L. LISTING.

When ordering parts, please specify the model and serial number of the product.

* Indicates a component that is not available as an individual part.

*** Indicates consult Customer Service Department for additional information.

ITEM	PART NO.	1 2 3 4 5	DESCRIPTION	QTY.
1	662883		Rear Axle with Limited Slip Differential (LSD), 16.99:1 (Includes Items 5 - 37).	1
2	662882		Rear Axle, 16.99:1 (Includes Items 4, 8 - 37)	1
3				
4	<u>601082</u>		Differential Assembly	1
5	<u>614059</u>		Limited Slip Differential Carrier with CC Clutch	1
6				
7				
8	<u>15558G1</u>		Flanged Hex Head Cover Bolt, 5/16" - 18 x .75" Lg.....	10
9	<u>17473G1</u>		Bearing Assembly	2
10	<u>23519G2</u>		Ball Bearing Single Lip Seal.....	1
11	<u>23520G1</u>		Ball Bearing.....	1
12	<u>23530G1</u>		Retainer Ring	1
13	<u>24628G1</u>		O-Ring Seal	1
14	<u>601084</u>		Lock Nut, 3/8" - 24	4
15				
16				
17	<u>608811</u>		End Cap	2
18	620343		Ball Bearing.....	2
19	620344		Oil Seal	2
20	<u>612824</u>		Gasket.....	1
21	<u>666220</u>		Axle Shaft (Driver Side)	1
22	<u>666221</u>		Axle Shaft (Passenger Side).....	1
23	<u>620327</u>		Input Gear	1
24	<u>620328</u>		Oil Seal	1
25	<u>620335</u>		Hex Head Bolt, 3/8" - 24 x 1.25" Lg	4
26				
27				
28	<u>620340</u>		Ball Bearing.....	1
29	<u>620345</u>		O-Ring, 18mm.....	2
30	<u>666219</u>		Rubber Plug	1
31	<u>620348</u>		Differential Cover Plate	1

REAR AXLE

THE USE OF NON U.L. PARTS WILL VOID ANY U.L. LISTING.

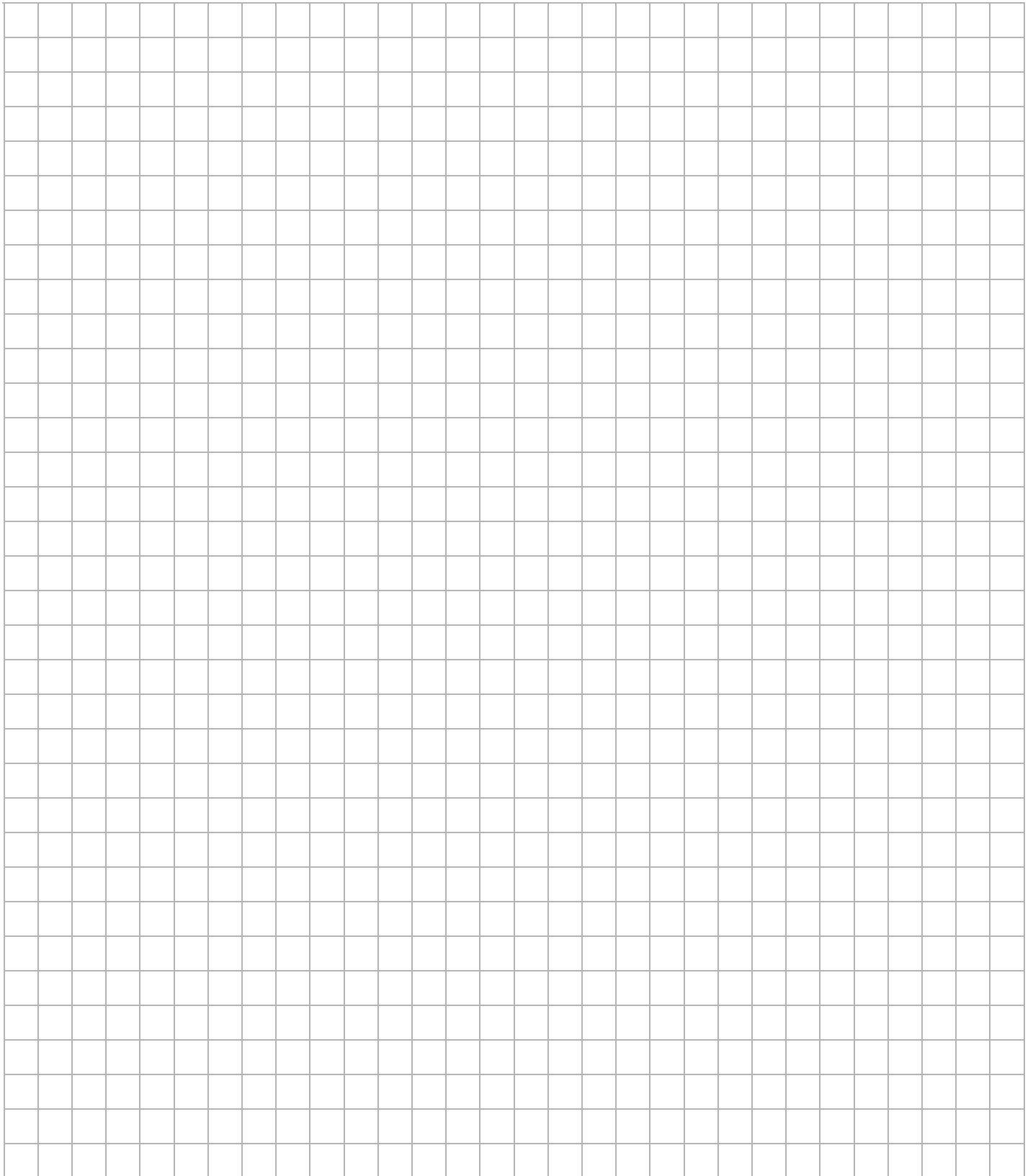
When ordering parts, please specify the model and serial number of the product.

* Indicates a component that is not available as an individual part.

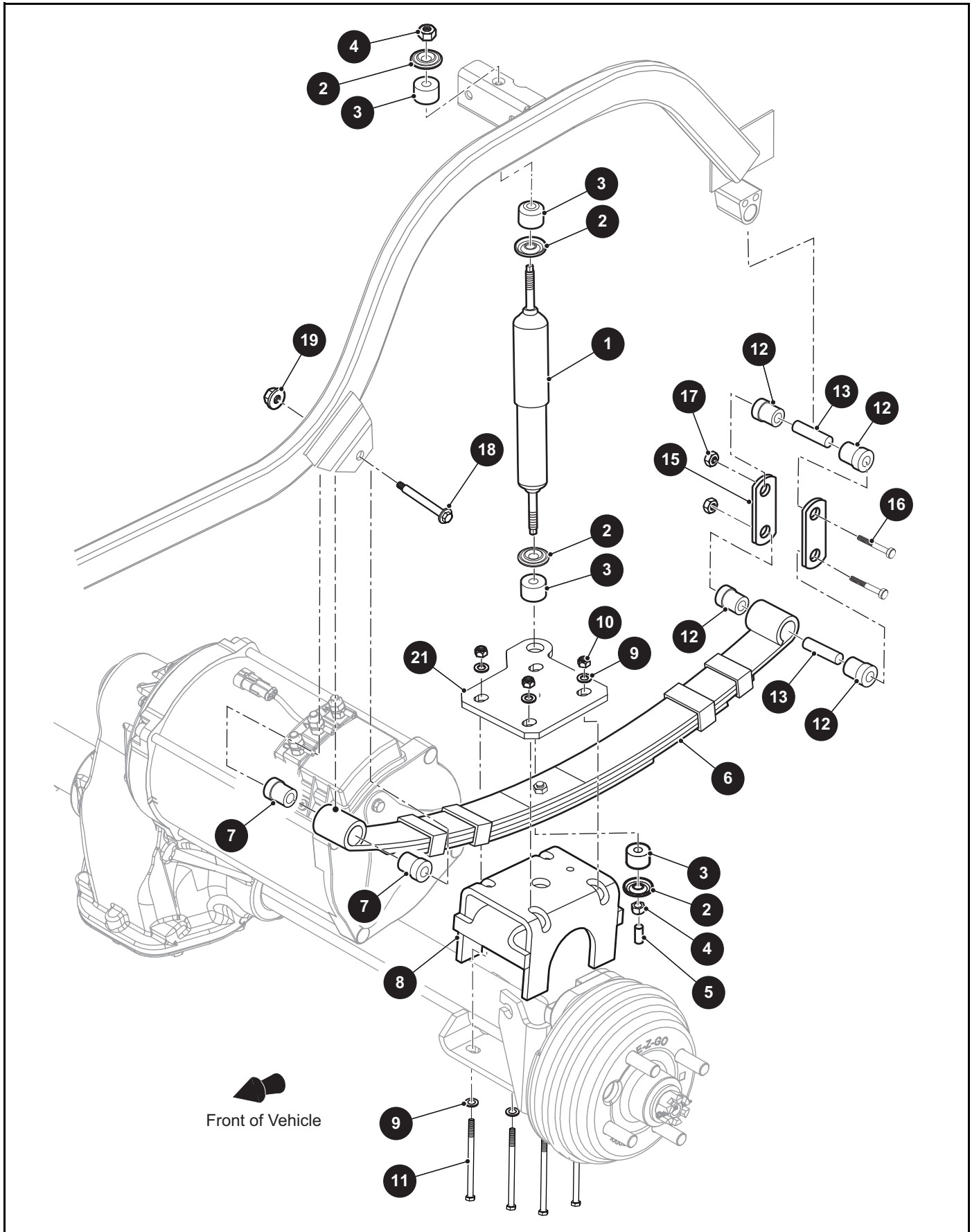
*** Indicates consult Customer Service Department for additional information.

ITEM	PART NO.	1	2	3	4	5	DESCRIPTION	QTY.
32	<u>620349</u>						Intermediate Gear Assembly	1
33	<u>620350</u>						Drive Gear	1
34	<u>620355</u>						Ball Bearing	1
35	<u>620358</u>						O-Ring, 18mm	2
36	<u>620359</u>						Retaining Ring	2
37	620342						Retaining Ring	4

Notes:



REAR SUSPENSION



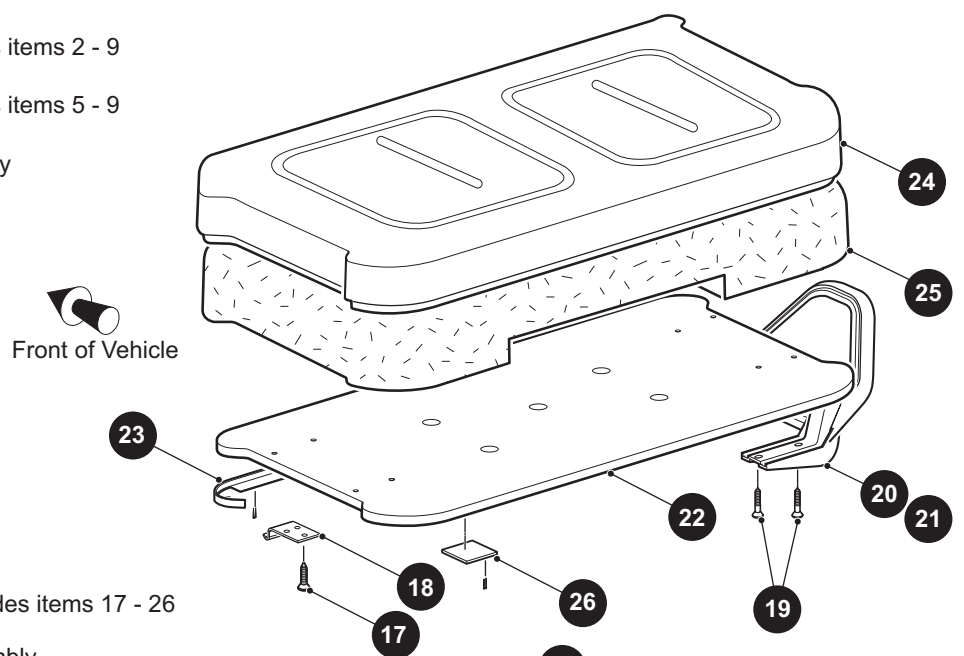
REAR SUSPENSION

THE USE OF NON U.L. PARTS WILL VOID ANY U.L. LISTING.
 When ordering parts, please specify the model and serial number of the product.
 * Indicates a component that is not available as an individual part.
 *** Indicates consult Customer Service Department for additional information.

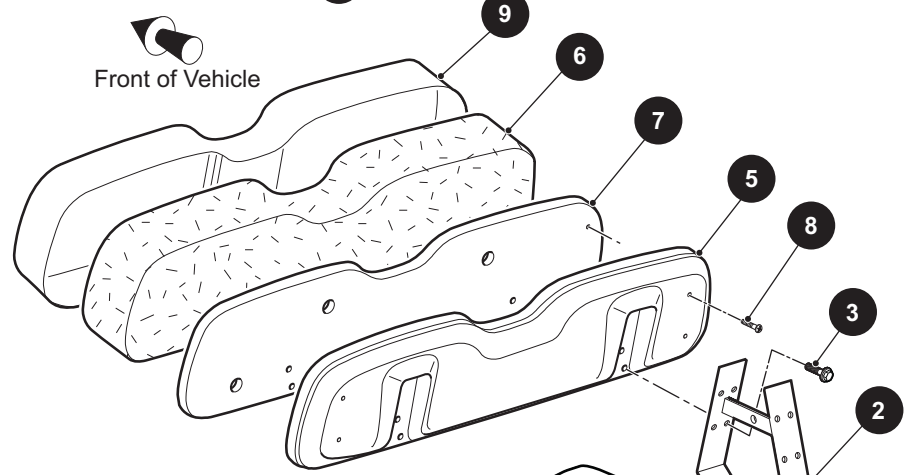
ITEM	PART NO.	1 2 3 4 5	DESCRIPTION	QTY.
1	<u>642085</u>		Shock Absorber.....	2
2	<u>10435G1</u>		Shock Absorber Washer, I.D. .406" x O.D. 1.25"	4
3	<u>10194G1</u>		Rubber Bushing	4
4	<u>00532G6</u>		Hex Nut, 3/8" - 24.....	2
5	<u>10044G01</u>		Vinyl Cap.....	1
6	<u>74207G03</u>		Leaf Spring.....	2
7	<u>624030</u>		Spring Bushing (Front).....	2
8	<u>652708G03</u>		Lift Bracket	1
9	<u>00560G1</u>		Flat Washer, 3/8".....	8
10	<u>11098G5</u>		Lock Nut, 3/8" - 16	4
11	<u>00430G12</u>		Hex Head Bolt, 3/8" - 16 x 5 1/2" Lg, Grade 5	4
12	<u>624030</u>		Flanged Bushing	4
13	<u>70289G02</u>		Split Spacer (Steel), I.D. .376" x O.D. 1" x 1" Lg.....	2
14				
15	<u>652245</u>		Shackle Plate	2
16	<u>00665G9</u>		Hex Head Bolt (SS), 3/8" - 16 x 3 1/2" Lg	2
17	<u>11098G5</u>		Lock Nut, 3/8" - 16	2
18	<u>14158G1</u>		Shoulder Bolt, 1/2" Dia x 3/8" - 16 Thread x 3 1/4" Lg	1
19	<u>12262G1</u>		Flanged Lock Nut, 3/8" - 16	1
20				
21	<u>605977</u>		Rear Suspension Plate	1

SEATING

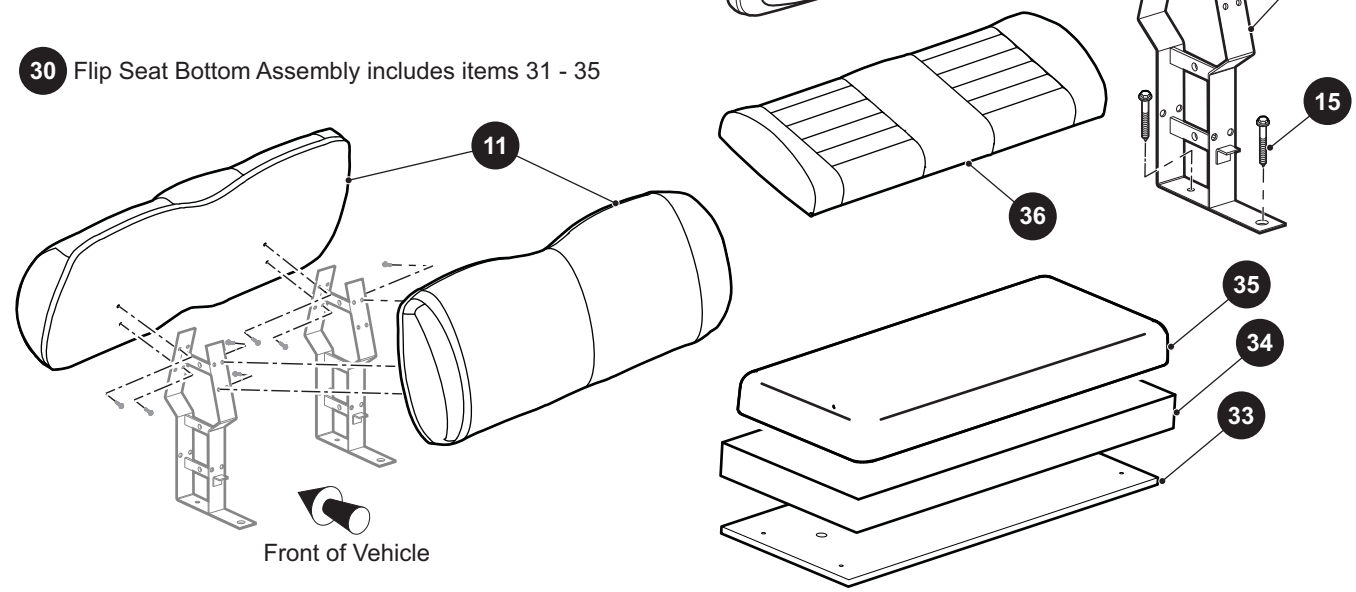
- 1** Seat Back Assembly includes items 2 - 9
- 4** Seat Back Assembly includes items 5 - 9
- 10** Premium Seat Back Assembly includes items 2 - 3, 11



- 16** Seat Bottom Assembly includes items 17 - 26
- 27** Premium Seat Bottom Assembly includes items 17 - 21, 24



- 30** Flip Seat Bottom Assembly includes items 31 - 35



THE USE OF NON U.L. PARTS WILL VOID ANY U.L. LISTING.

When ordering parts, please specify the model and serial number of the product.

* Indicates a component that is not available as an individual part.

*** Indicates consult Customer Service Department for additional information.

ITEM	PART NO.	1 2 3 4 5	DESCRIPTION	QTY.
1	***		Seat Back Assembly (Includes Items 2 - 9)..... 10000522G0114 Gray/Black 10000522G0122 White/Beige 632818G01 Oyster 632818G03 Tan 632818G04 Gray 632818G06 Black	1
2	<u>634178</u>		Support Weldment.....	1
3	<u>71204G01</u>		Hex Washer Head Bolt With Patch Lock, 1/4" - 20 X .875" Lg.....	4
4	***		Seat Back Assembly (Includes Items 5 - 9)..... 10000520G0114 Gray/Black 10000520G0122 White/Beige 71751G03 Oyster 71751G04 Tan 71751G02 Gray 71751G07 Black	2
5	<u>71752G01</u>		Cover (Plastic).....	1
6	<u>71754G01</u>		Padding (Foam)	1
7	<u>645021</u>		Base Assembly	1
8	<u>648271</u>		Pan Head Torx Screw, #8 - 15 x 1" Lg (For Gray/Black, White/Beige)	4
8	<u>01107G01</u>		Pan Head Torx Screw, #8 x .63" Lg (For Oyster, Tan, Gray, Black)	4
9	***		Vinyl Cover..... 10004901G14 Gray/black 10000417G22 White/Beige 71753G02 Gray 71753G03 Oyster 71753G04 Tan 71753G07 Black	1
10	***		Premium Seat Back Assembly (Includes Items 2 - 3, 11)..... 692961G18 Mushroom 692961G21 Premium Black	1
11	***		Seat Back Assembly..... 654084G18 Mushroom 654084G21 Premium Black	2
12				
13				
14				
15	<u>01006G01</u>		Hex Washer Head Thread Forming Screw, 3/8" - 16 X 1.25" Lg	2

SEATING

THE USE OF NON U.L. PARTS WILL VOID ANY U.L. LISTING.

When ordering parts, please specify the model and serial number of the product.

* Indicates a component that is not available as an individual part.

*** Indicates consult Customer Service Department for additional information.

ITEM	PART NO.	1	2	3	4	5	DESCRIPTION	QTY.
16	***						Seat Bottom Assembly (Includes Items 17 - 26)..... 629269G0101 Oyster 629269G0103 Tan 629269G0104 Gray 629269G0106 Black 629269G3022 White/Beige 629269G3014 Gray/Black	1
17	<u>00720G08</u>						Flat Head Phillips Tapping Screw, #12 - 14 X 1" Lg.....	6
18	<u>71610G01</u>						Seat Hinge	2
19	<u>615417</u>						Button Head Torx Bolt, M10 - 1.5 X 25mm Lg.....	4
20	<u>617644</u>						Hip Restraint (Passenger Side).....	1
21	<u>617645</u>						Hip Restraint (Driver Side)	1
22	<u>645492</u>						Base.....	1
23	<u>71012G01</u>						Trim (Polypropylene).....	1
24	***						Vinyl Cover..... 71602G02 Gray 71602G03 Oyster 71602G04 Tan 71602G06 Black 10000416G22 White/Beige 10004900G14 Gray/Black 654085G18 Mushroom 654085G21 Premium Black	1
25	<u>71603G02</u>						Padding (Foam)	1
26	<u>17074G1</u>						Soiling Slab	2
27	***						Premium Seat Bottom Assembly (Includes Items 17 - 21, 24) 629269G2818 Mushroom 629269G2821 Black	1
28								
29								
30	***						Flip Seat Bottom Assembly (Includes Item 33 - 35)..... 699321G01 Oyster 699321G03 Tan 699321G04 Gray 699321G06 Black 699321G14 Gray/Black 699321G22 White/Beige	1
31								
32								
33	669061						Seat Bottom	1

THE USE OF NON U.L. PARTS WILL VOID ANY U.L. LISTING.

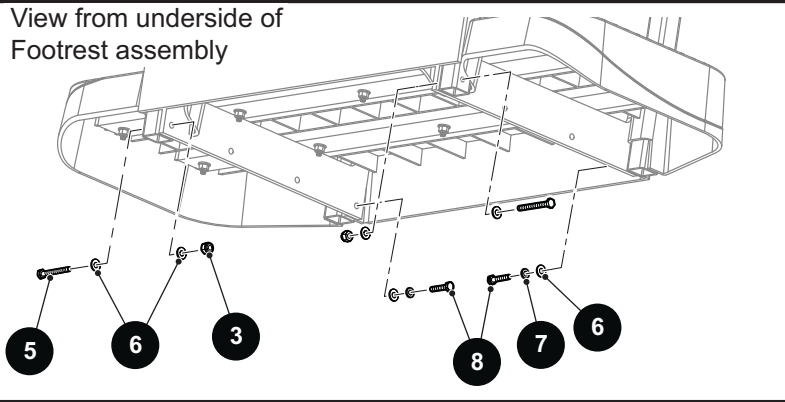
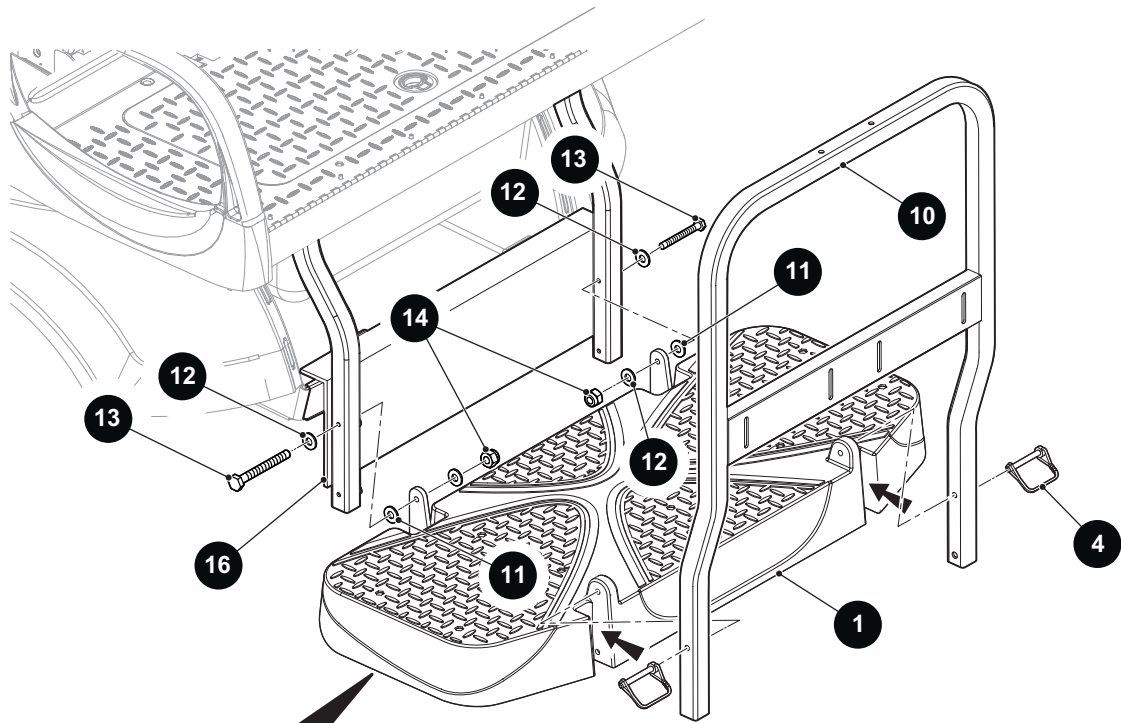
When ordering parts, please specify the model and serial number of the product.

* Indicates a component that is not available as an individual part.

*** Indicates consult Customer Service Department for additional information.

ITEM	PART NO.	1 2 3 4 5	DESCRIPTION	QTY.
34	699297		Seat Bottom (Foam)	1
35	***		Seat Bottom (Vinyl)..... 615646 Oyster 615647 Tan 617892 Gray 615648 Black 10004899G14 Gray/Black 10000413G22 White/Beige	1
36	***		Flip Seat Bottom Assembly (Premium) 600082G18 Mushroom 600082G21 Black	1

2 Rear Facing Seat Hardware Kit includes items 3 - 8



THE USE OF NON U.L. PARTS WILL VOID ANY U.L. LISTING.

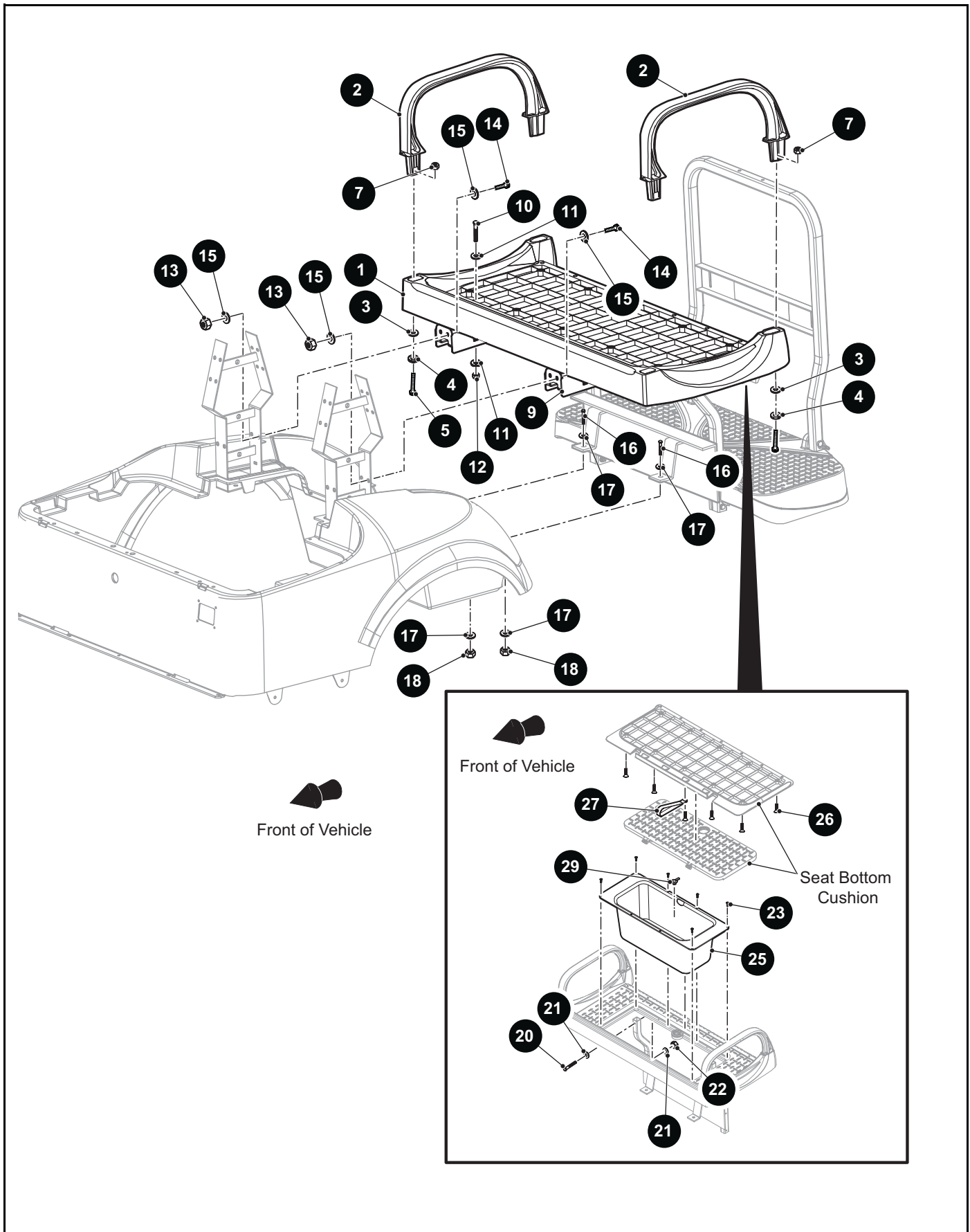
When ordering parts, please specify the model and serial number of the product.

* Indicates a component that is not available as an individual part.

*** Indicates consult Customer Service Department for additional information.

ITEM	PART NO.	1 2 3 4 5	DESCRIPTION	QTY.
1	699422		Footrest Assembly.....	1
2	10007049		Rear Facing Seat Hardware Kit (Includes Items 3 - 8).....	1
3	<u>14390G4</u>		Lock Nut, 1/4" - 20	2
4	699594		Locking Pin, 5/16" x 2.3"	2
5	400122J		Hex Head Bolt, 1/4" - 20 x 2 1/4" Lg	2
6	<u>00559G7</u>		Flat Washer, .286" I.D x .63" O.D	6
7	446130		Lock Washer, 1/4"	2
8	<u>00415G2</u>		Hex Head Bolt, 1/4" - 20 x 1 1/4" Lg	2
9				
10	10024185		Safety Bar	1
11	<u>20835G1</u>		Teflon Washer, 3/8"	2
12	<u>00559G7</u>		Flat Washer, 1/4"	4
13	400122J		Hex Head Bolt, 1/4" - 20 x 2 1/4" Lg	2
14	<u>14390G4</u>		Lock Nut, 1/4" - 20	2
15				
16	10023041		Bumper Weldment	1

SEATING



THE USE OF NON U.L. PARTS WILL VOID ANY U.L. LISTING.

When ordering parts, please specify the model and serial number of the product.

* Indicates a component that is not available as an individual part.

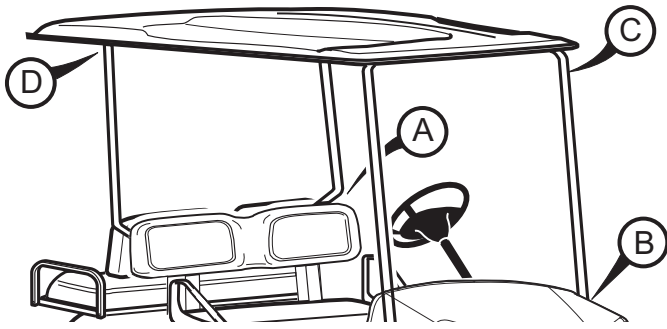
*** Indicates consult Customer Service Department for additional information.

ITEM	PART NO.	1 2 3 4 5	DESCRIPTION	QTY.
1	699418		Base Seat Assembly	1
2	699419		Restraint Hip	2
3	<u>00559G7</u>		Flat Washer, 1/4"	4
4	446130		Lock Washer, 1/4"	4
5	400124J		Hex Head Bolt, 1/4" - 20 x 2 1/2" Lg	2
6	<u>00415G2</u>		Hex Head Bolt, 1/4" - 20 x 2" Lg	2
7	697319		Square Nut, 1/4" - 20	4
8				
9	10000073		Flip Seat Bracket.....	2
10	400116J		Hex Head Bolt, 1/4" - 20 x 1 1/2" Lg	2
11	<u>00559G7</u>		Flat Washer, 1/4"	4
12	<u>14390G4</u>		Lock Nut, 1/4" - 20	2
13	<u>11098G5</u>		Lock Nut, 3/8" - 16	4
14	<u>00427G2</u>		Hex Head Bolt, 3/8" - 16 x 1 1/4" Lg, Grade 5	4
15	<u>614221</u>		Flat Washer, 3/8" Grade 8.....	8
16	<u>00427G6</u>		Hex Head Bolt, 3/8" - 16 x 1 1/4" Lg, Grade 5	2
17	<u>614221</u>		Flat Washer, 3/8" Grade 8.....	4
18	<u>11098G5</u>		Lock Nut, 3/8" - 16	2
19				
20	400120J		Hex Head Bolt, 1/4" - 20 x 2" Lg	2
21	<u>00559G7</u>		Flat Washer, 1/4"	4
22	<u>14390G4</u>		Lock Nut, 1/4" - 20	2
23	<u>71425G01</u>		Flat Head Phillips Tapping Screw, #8 - 18 x 3/4" Lg.....	8
24				
25	699428		Plastic Bucket.....	1
26	<u>00205-G4</u>		Flat Head Phillips Tapping Screw, 1/4" - 20 x 1 1/2" Lg, Grade 2	10
27	<u>617402</u>		Seat Strap	1
28				
29	10001207		Rubber Plug	1

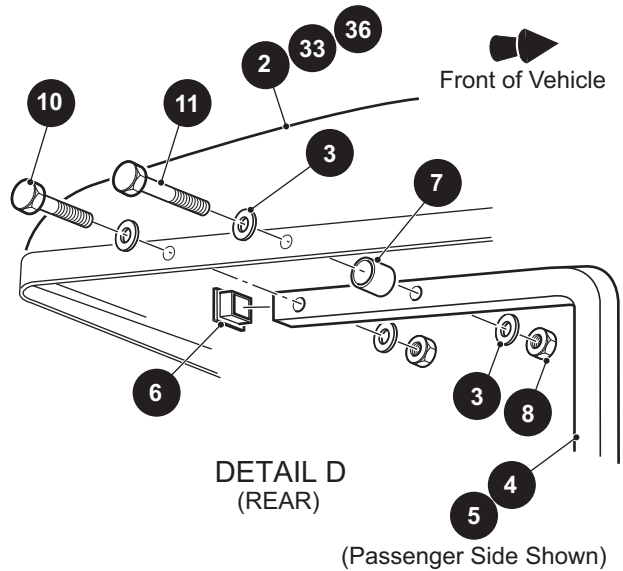
Notes:

A large grid of 20 columns and 30 rows, providing a space for handwritten notes.

WEATHER PROTECTION



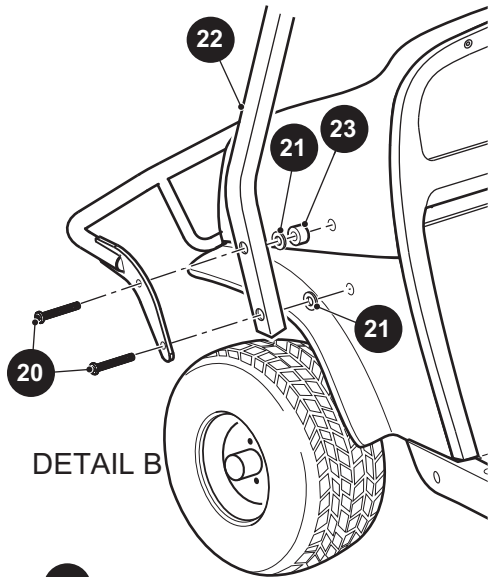
VEHICLE SHOWN FOR REFERENCE ONLY



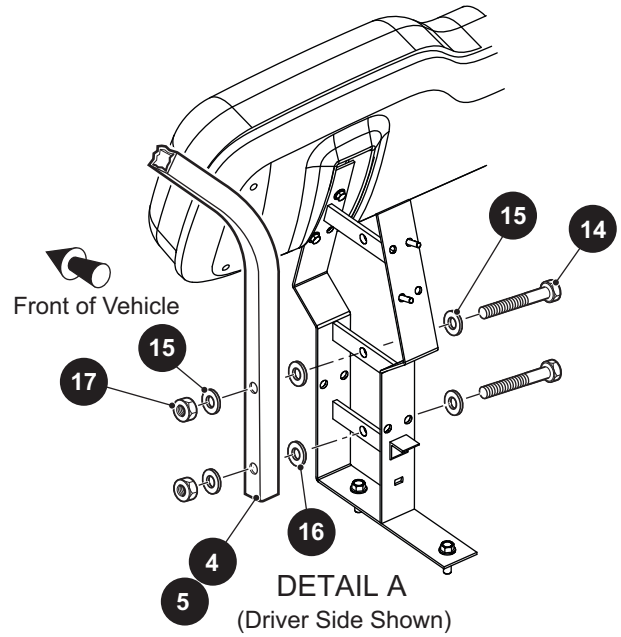
DETAIL D
(REAR)

(Passenger Side Shown)

- 1 Sun Top Kit (Black) includes items 2 - 30
- 32 Sun Top Kit (White) includes items 3 - 30, 33
- 35 Sun Top Kit (Tan) includes items 3 - 30, 36

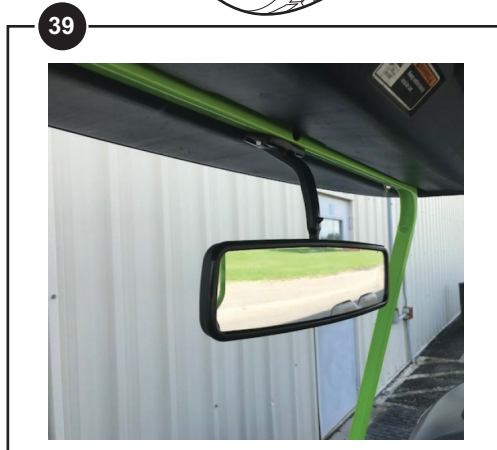


DETAIL B

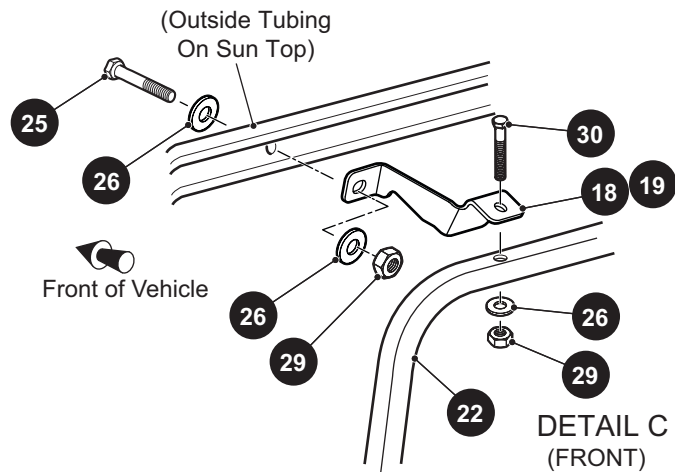


DETAIL A

(Driver Side Shown)



39



DETAIL C
(FRONT)

WEATHER PROTECTION

THE USE OF NON U.L. PARTS WILL VOID ANY U.L. LISTING.

When ordering parts, please specify the model and serial number of the product.

* Indicates a component that is not available as an individual part.

*** Indicates consult Customer Service Department for additional information.

ITEM	PART NO.	1 2 3 4 5	DESCRIPTION	QTY.
1	10012621G02		Sun Top Kit (Black), 80" Lg (Includes Items 2 - 30).....	1
2	<u>606937</u>		Sun Top	1
3	<u>00679G1</u>		Flat Washer (SS), 3/8"	8
4	10011317G01		Rear Strut (Driver Side)	1
5	10011317G02		Rear Strut (Passenger Side)	1
6	<u>19853G1</u>		End Cap, 1 Sq"	2
7	<u>24647G1</u>		Spacer, 1/4"	2
8	<u>00891G5</u>		Lock Nut, 3/8" - 16	4
9				
10	<u>00665G6</u>		Hex Head Bolt (SS), 3/8" - 16 x 2" Lg.....	2
11	<u>00665G3</u>		Hex Head Bolt (SS), 3/8" - 16 x 2 1/2" Lg.....	2
12				
13				
14	<u>00665G5</u>		Hex Head Bolt (SS), 3/8" - 16 x 1 3/4" Lg.....	4
15	<u>00679G1</u>		Flat Washer (SS), 3/8"	8
16	<u>00771G5</u>		Nylon Washer, 3/8"	4
17	<u>00891G5</u>		Lock Nut, 3/8" - 16	4
18	10010148G01		Mounting Bracket (Driver Side)	1
19	10010148G02		Mounting Bracket (Passenger Side).....	1
20	<u>652311</u>		Round Head Torx Bolt, 5/16" - 18 x 3" Lg	4
21	<u>634808</u>		Flat Washer, 5/16"	4
22	<u>648270</u>		Front Strut.....	1
23	<u>634807</u>		Spacer, .328" x .75" x .5"	2
24				
25	<u>00427G2</u>		Hex Head Bolt, 3/8" - 16 x 1 1/4" Lg.....	2
26	<u>00679G1</u>		Flat Washer (SS), 3/8"	6
27				
28				
29	<u>00891G5</u>		Lock Nut, 3/8" - 16	4
30	<u>00427G8</u>		Hex Head Bolt, 3/8" - 16 x 2" Lg, Grade 5.....	2
31				

WEATHER PROTECTION

THE USE OF NON U.L. PARTS WILL VOID ANY U.L. LISTING.

When ordering parts, please specify the model and serial number of the product.

* Indicates a component that is not available as an individual part.

*** Indicates consult Customer Service Department for additional information.

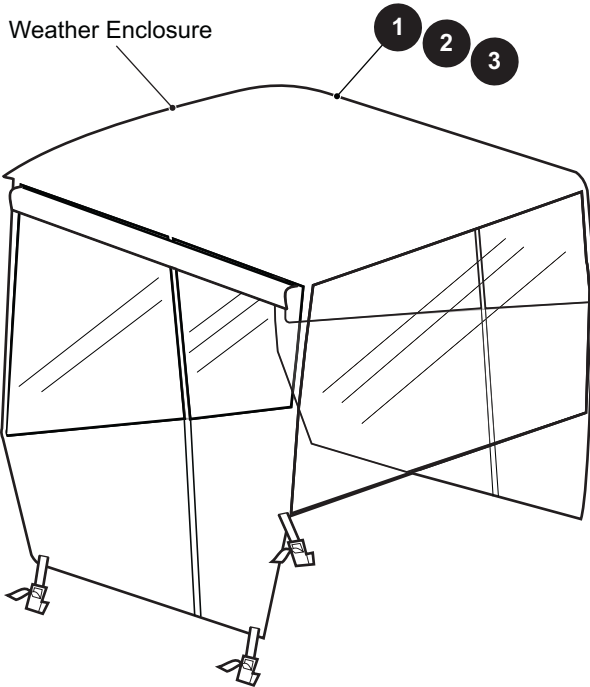
ITEM	PART NO.	1	2	3	4	5	DESCRIPTION	QTY.
32	10012621G01						Sun Top Kit (White), 80" Lg (Includes Items 3 - 30, 33).....	1
33	<u>27604G01</u>						Sun Top	1
34								
35	10012621G03						Sun Top Kit (Tan), 80" Lg (Includes Items 3 - 30, 36).....	1
36	<u>602672</u>						Sun Top	1
37								
38								
39	<u>690087</u>						Rear View Mirror Kit	1
40	<u>601379</u>						Rear View Mirror Kit, Five Panel (Not Illustrated).....	1

Notes:

A large grid of 25 columns and 30 rows for taking notes. The grid is composed of thin gray lines forming a series of small squares. It is intended for handwritten notes.

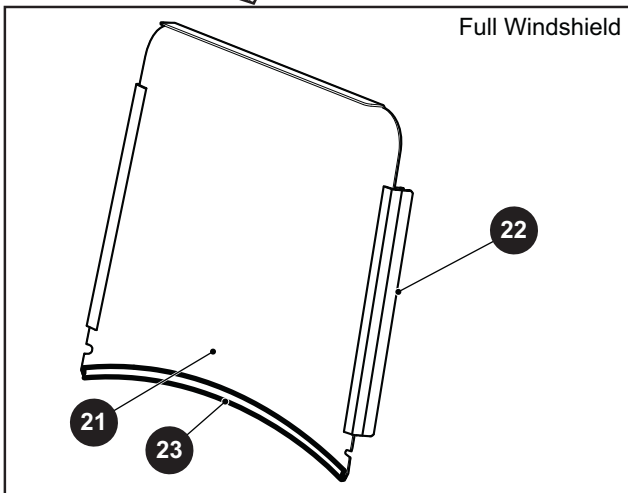
WEATHER PROTECTION

Weather Enclosure

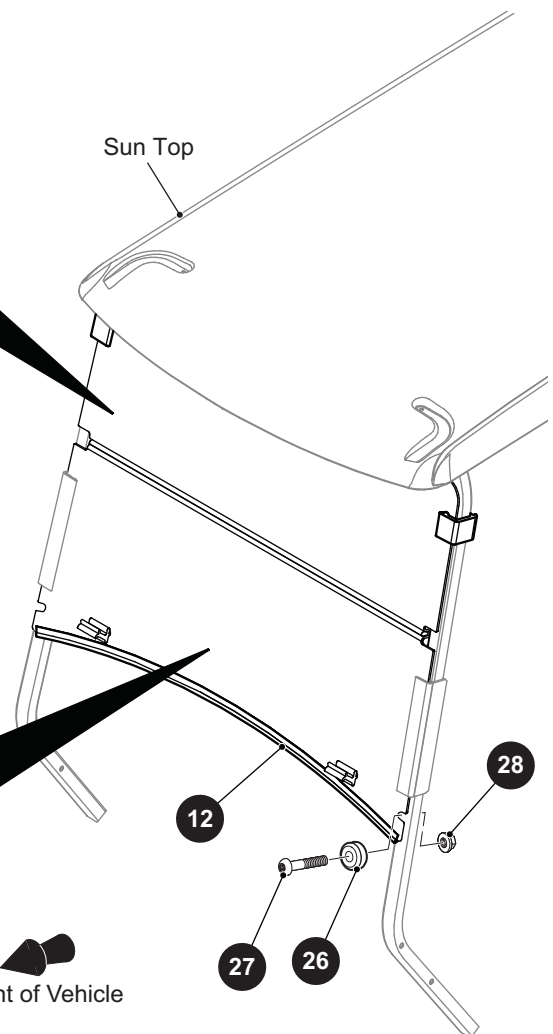
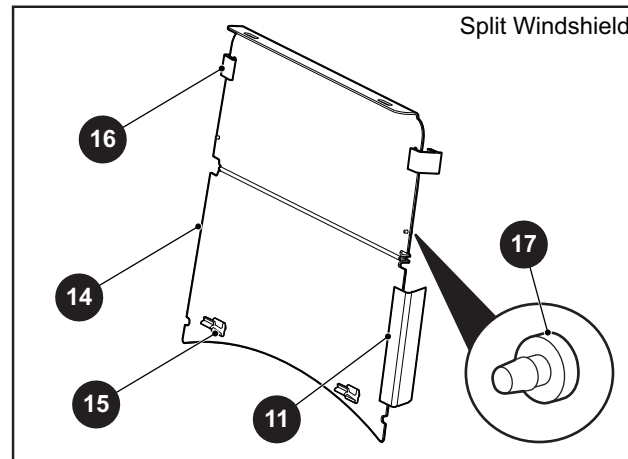


- 10** Split Windshield Utility Kit includes items 11 - 17, 25
- 13** Split Windshield Assembly includes items 14 - 17
- 20** Full Windshield Kit includes items 21 - 25
- 25** Windshield Hardware Kit includes items 26 - 28

Full Windshield



Split Windshield



WEATHER PROTECTION

THE USE OF NON U.L. PARTS WILL VOID ANY U.L. LISTING.

When ordering parts, please specify the model and serial number of the product.

* Indicates a component that is not available as an individual part.

*** Indicates consult Customer Service Department for additional information.

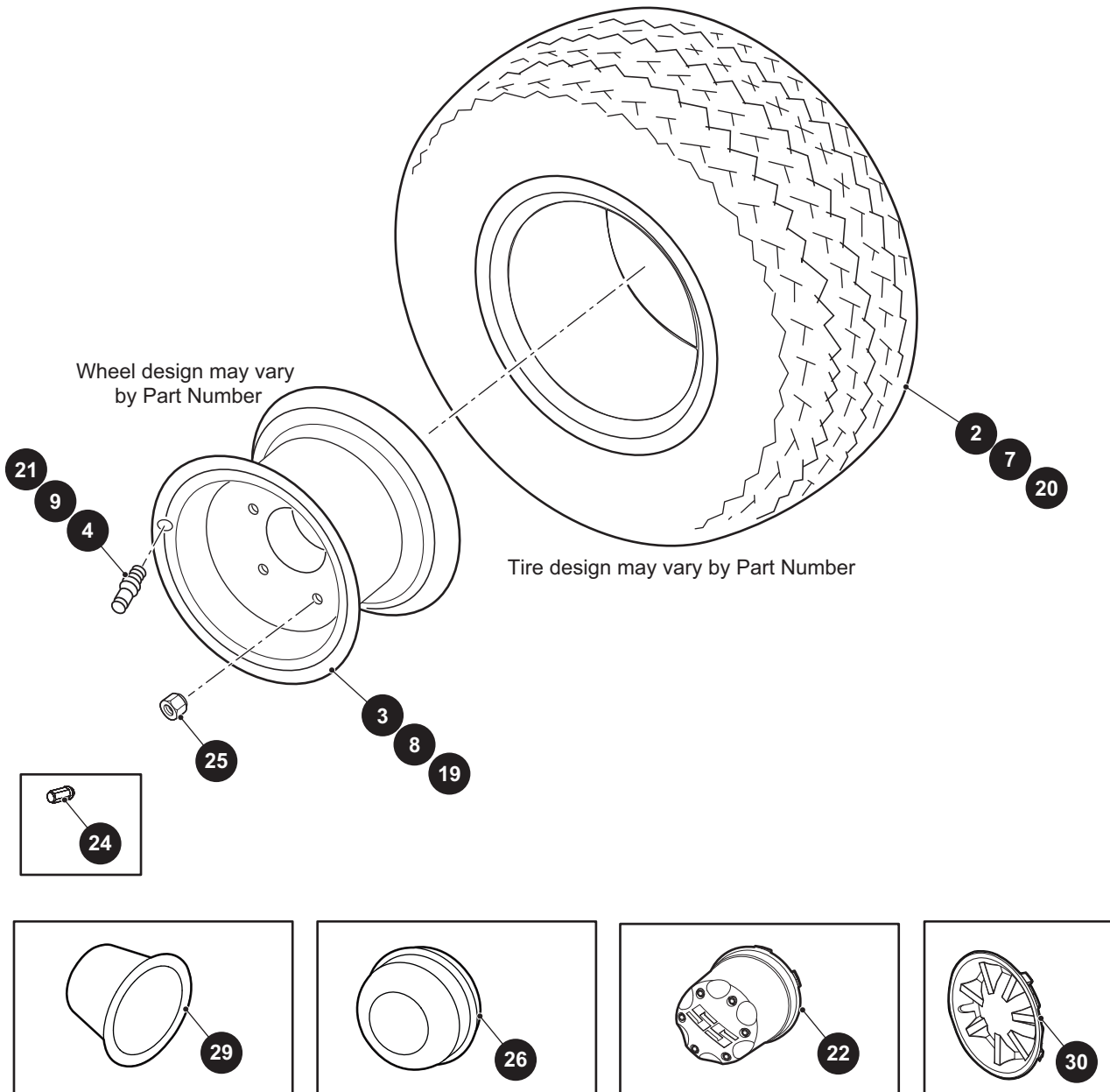
ITEM	PART NO.	1 2 3 4 5	DESCRIPTION	QTY.
1	10013531G01		Top Enclosure (White), 80"	1
2	10013531G02		Top Enclosure (Black), 80"	1
3	10013531G03		Top Enclosure (Tan), 80"	1
4				
5				
6				
7				
8				
9				
10	<u>649825</u>		Split Windshield Kit (Includes Items 11 - 17, 25).....	1
11	<u>613136</u>		Sash	2
12	<u>649836</u>		Seal	1
13	649849		Split Windshield Assembly (Includes Items 14 - 17).....	1
14	649824		Windshield.....	1
15	<u>603201</u>		Lower Latch.....	2
16	<u>603198</u>		Upper Latch.....	2
17	<u>604115</u>		Grommet	2
18				
19				
20	<u>649883</u>		Full Windshield Kit (Includes Items 21 - 25).....	1
21	649882		Flat Windshield	1
22	<u>649885</u>		Sash	2
23	<u>649836</u>		Seal	1
24				
25	668122		Windshield Hardware Kit (Includes Items 26 - 28)	1
26	<u>604116</u>		Grommet	2
27	<u>600527</u>		Button Head Torx Bolt, M10 - 1.5 x 60mm Lg	2
28	<u>600525</u>		Flanged Lock Nut, M10 - 1.5.....	2

Notes:

A large grid of graph paper, consisting of 20 columns and 30 rows of small squares, intended for taking notes.

WHEELS AND TIRES

- 1 Wheel and Tire Assembly, Kenda includes items 2 - 4
- 6 Wheel and Tire Assembly, Kenda includes items 7 - 9
- 18 Wheel and Tire Assembly, Paramount M/T includes items 19 - 22



WHEELS AND TIRES

THE USE OF NON U.L. PARTS WILL VOID ANY U.L. LISTING.

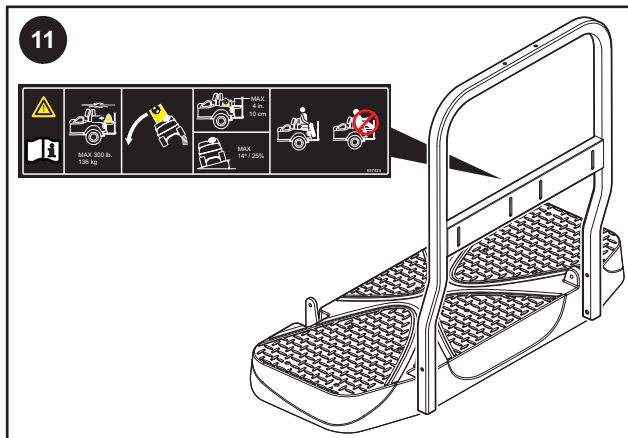
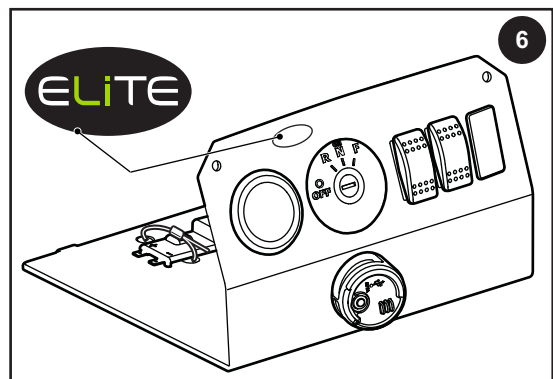
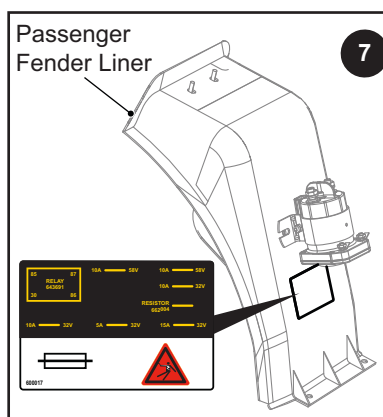
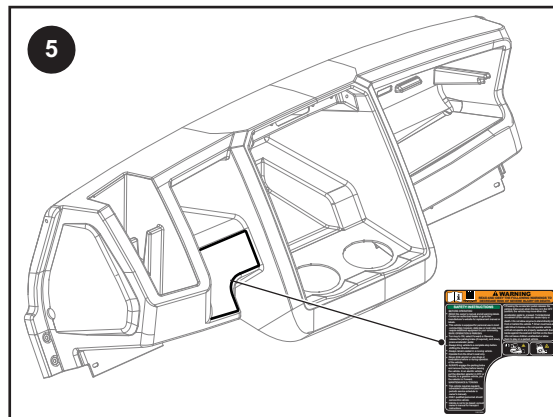
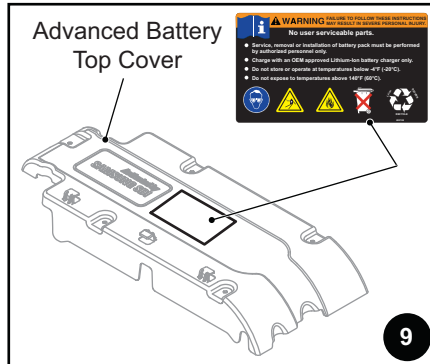
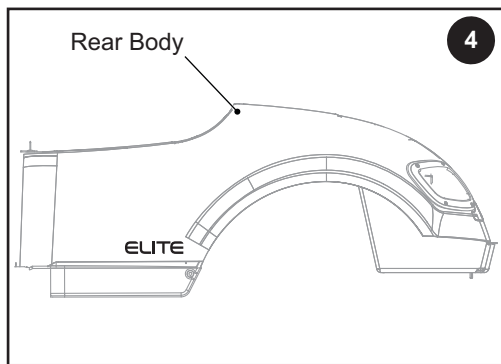
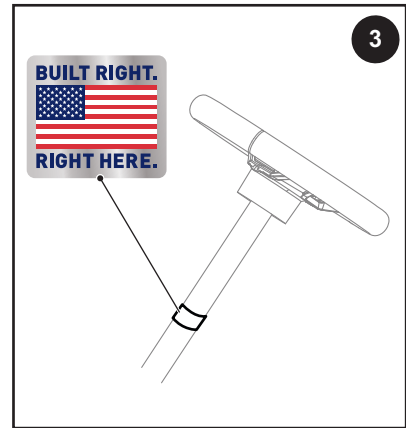
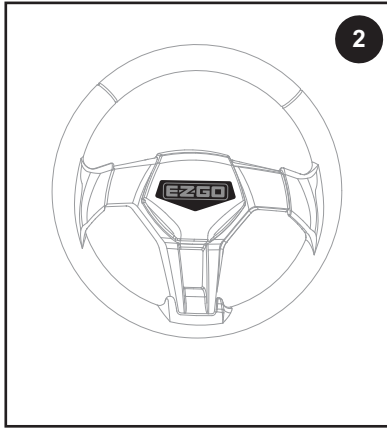
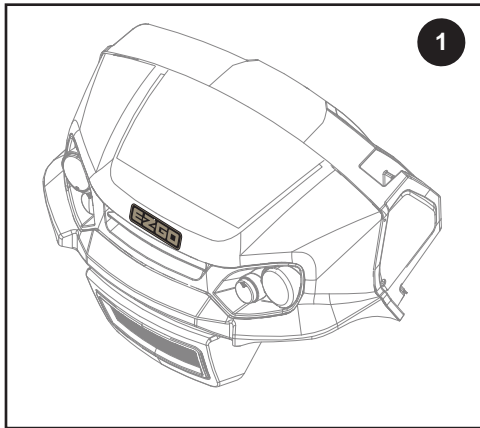
When ordering parts, please specify the model and serial number of the product.

* Indicates a component that is not available as an individual part.

*** Indicates consult Customer Service Department for additional information.

ITEM	PART NO.	1 2 3 4 5	DESCRIPTION	QTY.
1	<u>652263</u>		Wheel and Tire Assembly, Kenda (Includes Items 2 - 4).....	1
2	<u>652986</u>		Tire, 20" x 8" - 10".....	1
3	<u>643934</u>		Wheel, 10" x 6".....	1
4	<u>643948</u>		Valve Stem.....	1
5				
6	<u>652392</u>		Wheel and Tire Assembly, Kenda (Includes Items 7 - 9).....	1
7	<u>652992</u>		Tire, 205/65.....	1
8	<u>643934</u>		Wheel, 10" x 6".....	1
9	<u>643948</u>		Valve Stem.....	1
10				
11				
12				
13				
14				
15				
16				
17				
18	10013361		Wheel and Tire Assembly, Paramount M/T (Includes Items 19 - 22).....	1
19	695907		Wheel, 14" x 7".....	1
20	10007692		Tire, 23" x 10 R14.....	1
21	<u>604915</u>		Valve Stem (Chrome).....	1
22	<u>685275</u>		Wheel Cap.....	1
23				
24	<u>605310</u>		Lug Nut (Chrome).....	4
25	<u>14723G1</u>		Lug Nut, 1/2" - 20.....	4
26	<u>12091G2</u>		Spindle Cap.....	1
27				
28	25808G12		Standard Wheel Cover (Not Illustrated).....	1
29	<u>74175G01</u>		Dust Cap, Molded.....	1
30	<u>665151</u>		Wheel Cover, 10" (Silver).....	1

DECALS AND LABELS



DECALS AND LABELS

THE USE OF NON U.L. PARTS WILL VOID ANY U.L. LISTING.

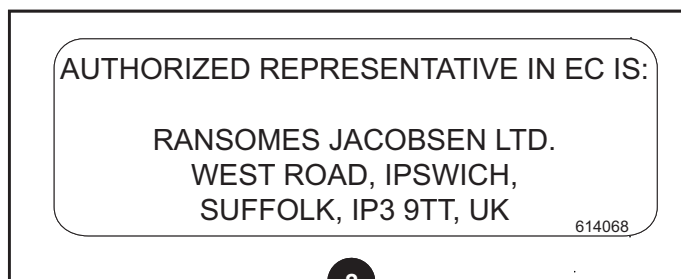
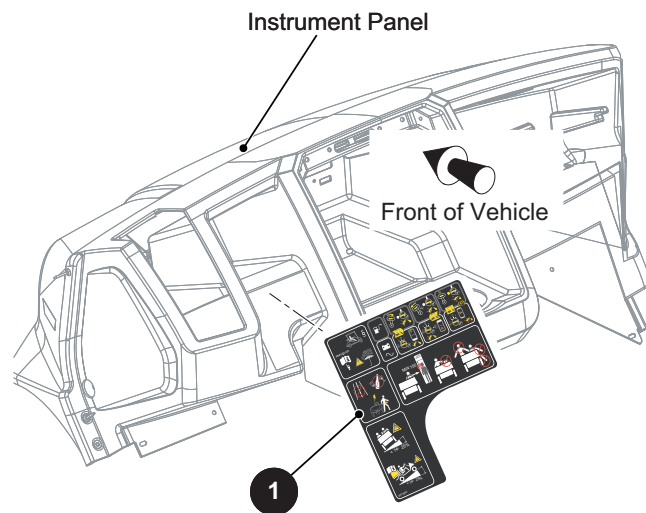
When ordering parts, please specify the model and serial number of the product.

* Indicates a component that is not available as an individual part.

*** Indicates consult Customer Service Department for additional information.

ITEM	PART NO.	1 2 3 4 5	DESCRIPTION	QTY.
1	10011930		E-Z-GO Name Plate.....	1
2	10013296		Steering Wheel Decal	1
3	685698		MADE IN USA Decal.....	1
4	10007728		ELiTE Branding Decal.....	1
5	10013899		Operator Instructions Label.....	1
6	<u>657850</u>		Advanced Battery Decal.....	1
7	600017		Fuse Block Decal	1
8				
9	<u>655748</u>		Advanced Battery Warning Label.....	1
10				
11	697425		Rear Facing Seat Warning Label.....	1

For CE Vehicles



DECALS AND LABELS

THE USE OF NON U.L. PARTS WILL VOID ANY U.L. LISTING.

When ordering parts, please specify the model and serial number of the product.

* Indicates a component that is not available as an individual part.

*** Indicates consult Customer Service Department for additional information.

ITEM	PART NO.	1 2 3 4 5	DESCRIPTION	QTY.
1	<u>651654</u>		Operating Instruction Label	1
2	<u>614068</u>		Authorized Representative Decal (EC)	1
3	<u>28203G01</u>		Battery Warning Decal	1



A Textron Company

Textron Specialized Vehicles, Inc.,
1451 Marvin Griffin Road
Augusta, Georgia 30906 - 3852 USA

CONTACT INFORMATION

North America:

Technical Assistance & Warranty Phone: 1-800-774-3946, FAX: 1-800-448-8124
Service Parts Phone: 1-888-438-3946, FAX: 1-800-752-6175

International: Phone: 001-706-798-4311, FAX: 001-706-771-4609

Owner's Guides and Repair Manuals
are available from a local Distributor, an authorized Branch,
Parts & Accessories Department or at www.shop.txtsv.com/shop-ezgo

Copyrighted Material
This manual may not be reproduced in whole or
in part without the express permission of
Textron Specialized Vehicles
Technical Publications Department