



A Textron Company

Express L6 48V Li

Service Parts Manual

10015777 - A
ISSUED FEBRUARY 2021

SERVICE PARTS MANUAL

ELECTRIC POWERED VEHICLE

EXPRESS L6 48V Li

STARTING MODEL YEAR 2021

Never modify the vehicle in any way that will alter the weight distribution of the vehicle, decrease its stability or increase the speed beyond the factory specifications. Such modifications can cause serious personal injury or death. Textron Specialized Vehicles prohibits and dis-claims responsibility for any such modifications or any other alteration which would adversely affect the safety of the vehicle.

TSV reserves the right to incorporate engineering and design changes to products in this manual, without obligation to include these changes on units sold previously.

The information contained in this manual may be revised periodically by TSV, and therefore is subject to change without notice.

TSV DISCLAIMS LIABILITY FOR ERRORS IN THIS MANUAL, and SPECIFICALLY DISCLAIMS LIABILITY FOR INCIDENTAL AND CONSEQUENTIAL DAMAGES resulting from the use of the information and materials in this manual.

These are the original instructions as defined by 2006/42/EC.

TO CONTACT US:

Textron Specialized Vehicles, Inc.
1451 Marvin Griffin Road
Augusta, Georgia, USA 30906-3852

NORTH AMERICA:

Technical Assistance & Warranty PHONE: 1-800-774-3946, FAX: 1-800-448-8124

Service Parts PHONE: 1-888-438-3946, FAX: 1-800-752-6175

International: PHONE: 001-706-798-4311, FAX: 001-706-771-4609

GENERAL INFORMATION

To obtain a copy of the limited warranty applicable to the vehicle, call or write a local Distributor, authorized Branch or the Warranty Department with vehicle serial number and manufacturer code.

The use of non Original Equipment Manufacturer (OEM) approved parts may void the warranty.

Tampering with or adjusting the governor to permit vehicle to operate at above factory specifications will void the vehicle warranty.

BATTERY PROLONGED STORAGE

All batteries will self discharge over time. The rate of self discharge varies depending on the ambient temperature and the age and condition of the batteries.

BATTERY DISPOSAL

Lithium-ion batteries are recyclable. Return discarded batteries to distributor, manufacturer or contact your local recycling center for instructions. Dispose in accordance with local, state and federal regulations for Lithium-ion batteries. Contact local or state environmental authorized people for the disposal information.

TABLE OF CONTENTS

SECTION	Page No.
HOW TO USE THE SERVICE PARTS MANUAL	V
ACCELERATOR	A - 1
BATTERY CHARGER	B - 1
BODY	C - 1
BRAKES	D - 1
ELECTRICAL	E - 1
ELECTRONIC SPEED CONTROL	F - 1
FRONT SUSPENSION AND STEERING	G - 1
MOTOR	H - 1
REAR AXLE	J - 1
REAR SUSPENSION	K - 1
SEATING	L - 1
WEATHER PROTECTION	M - 1
WHEELS AND TIRES	N - 1
DECALS AND LABELS	P - 1

HOW TO USE THE SERVICE PARTS MANUAL

This manual is divided into several sections:

- GENERAL INFORMATION
- ILLUSTRATED PARTS BREAKDOWN

The first section, GENERAL INFORMATION, contains the following information:

- WARRANTY INFORMATION
- TABLE OF CONTENT
- HOW TO USE THE SERVICE PARTS MANUAL

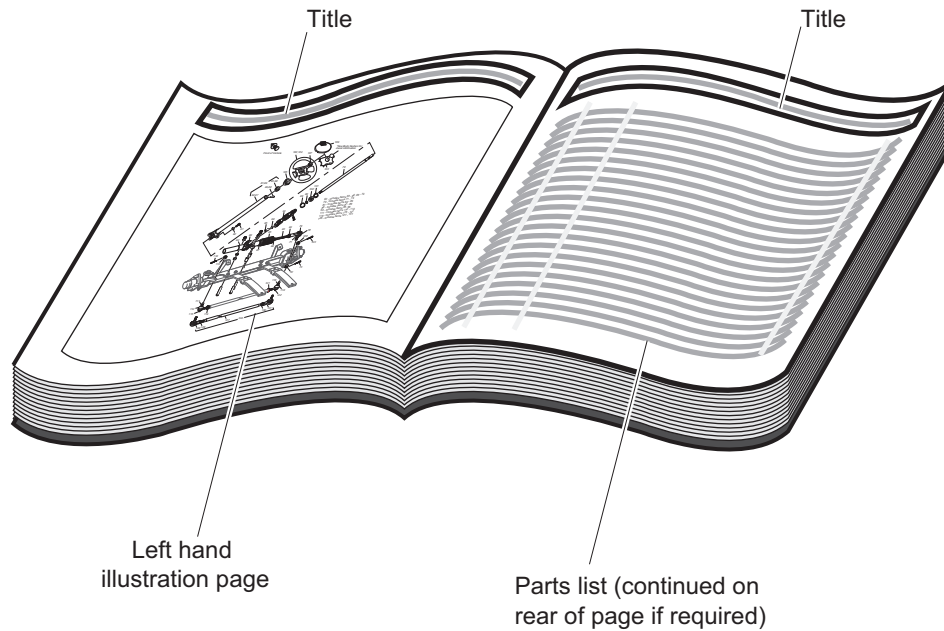
The second section, ILLUSTRATED PARTS BREAKDOWN, contains illustrations and parts lists for all systems of your vehicle.

USE OF THE MANUAL

To use this manual, consult the TABLE OF CONTENTS to locate the information or illustration required.

Introduction of some revisions varies due to supply of components; therefore, it is possible that various combinations of components may be found that are not directly reflected by each illustration. Consult the illustration that best suits your situation and then contact the Service Parts Department. It is important that the serial number or VIN of your vehicle and the model name be supplied to Service Parts when ordering any replacement components.

HOW TO USE THE SERVICE PARTS MANUAL



1. WHEN THE PART NUMBER IS NOT KNOWN

- Determine the function and application of the part required. Turn to the Table of Content and select the most appropriate title.
- Turn to the page number indicated and locate the desired part on the illustration.
- From the illustration, obtain the item number assigned to the desired part. Refer to the accompanying description for specific information regarding the part.

2. IF YOU KNOW THE PART NUMBER

- Locate the part number or description in the appropriate column on the parts list page.

NOTE: It is suggested that you confirm that the part selected is correct by verifying it with the pictorial representation on the illustrated page.

Should an asterisk (*) appear in the part number column on the parts list page, read upwards until a part number is found. The part number is the lowest assembly sold by Service Parts and the asterisk (*) indicates that the part depicted is not available for purchase.

NOTE: Descriptions are indented under the assembly that they are used on. That assembly is, in turn listed under the assembly that it is used on. This process is repeated until the highest final assembly is reached.

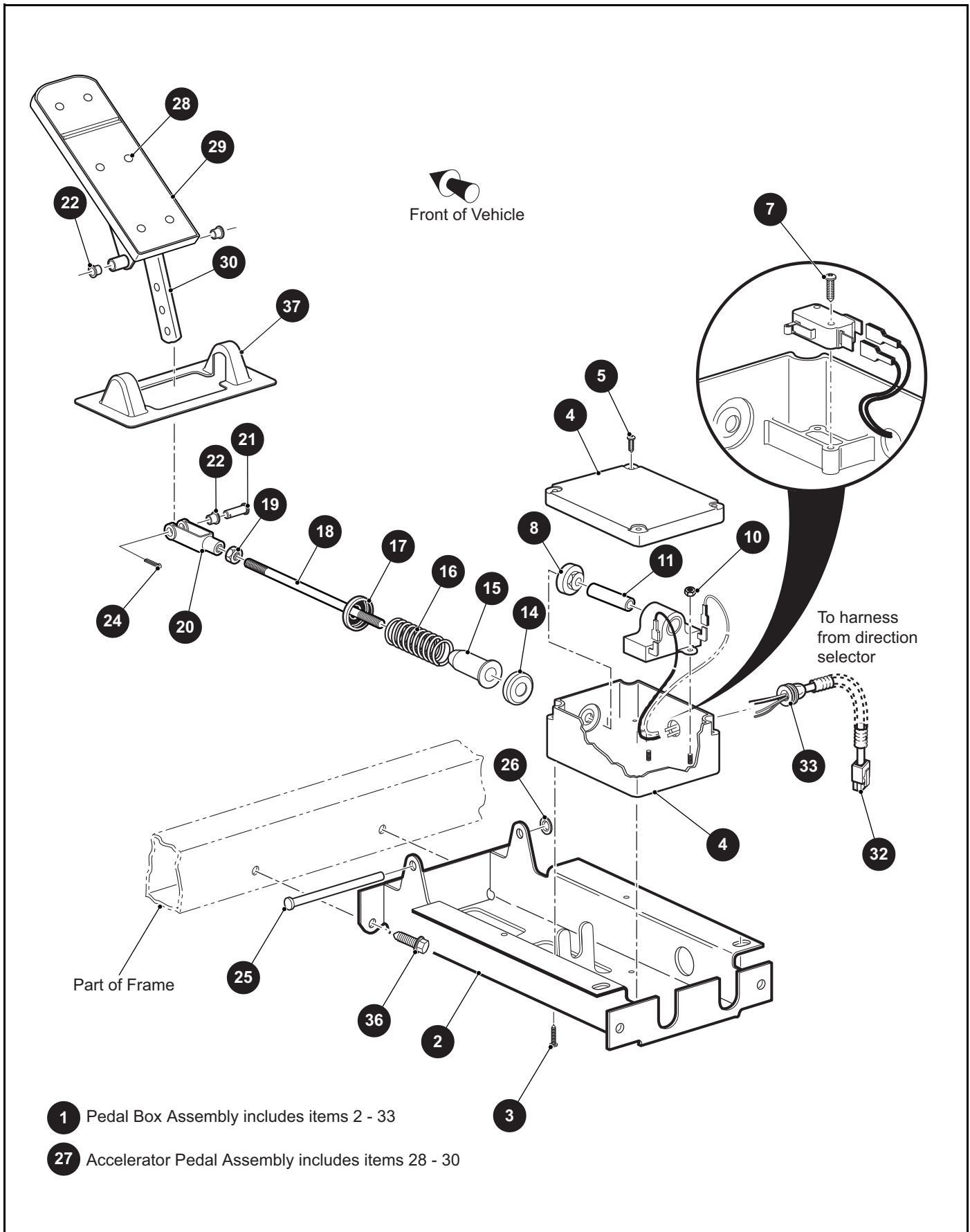
To facilitate the maintenance and repair of the vehicle, a Repair and Service Manual is available from the Service Parts Department.

3. COLOR CODE FOR BODY COMPONENTS

The last two digits of the part number for the body part will denote the color code, locate the part number for the cowl, rear body, seat pod, side panel or seat wrap then locate your color in the list below, replace the last ** or XX with the two digit color code.

<u>CODE #</u>	<u>DESCRIPTION</u>
02	SPECIAL COLOR
11	BLACK
19	PATRIOT BLUE PEARL
20	INFERNO RED METALLIC
31	METALLIC CHARCOAL
35	SAFETY YELLOW
36	IVORY
37	FOREST GREEN
38	BRIGHT WHITE
39	FLAME RED
41	ELECTRIC BLUE
42	PLATINUM
43	BURGUNDY
44	ALMOND
72	MATTE BLACK
79	JACOBSEN ORANGE 172
89	TRUE TIMBER KANATI
A5	OCEAN GRAY
A6	TRUMP PEARL WHITE
A7	SLATE GRAY

ACCELERATOR



THE USE OF NON U.L. PARTS WILL VOID ANY U.L. LISTING.

When ordering parts, please specify the model and serial number of the product.

* Indicates a component that is not available as an individual part.

*** Indicates consult Customer Service Department for additional information.

ITEM	PART NO.	1 2 3 4 5	DESCRIPTION	QTY.
1	<u>654643</u>		Pedal Box Assembly (Includes Items 2 - 33).....	1
2	<u>652241G03</u>		Accelerator Pedal Bracket	1
3	<u>01051G01</u>		Pan Head Phillips Screw, #8 - 10 x 1/2" Lg	4
4	<u>25853G01</u>		Pedal Box and Cover.....	1
5	<u>00684G6</u>		Truss Head Screw (SS), #8 - 32 x 3/4" Lg.....	2
6				
7	<u>01050G02</u>		Pan Head Torx Screw, #4 - 20 x 5/8" Lg.....	2
8	<u>28444G01</u>		Accelerator Rod Cam	1
9				
10	<u>00983G01</u>		Self Threading Nut, .38"	2
11	<u>602484</u>		Plunger	1
12				
13				
14	<u>17677G1</u>		Spring Retainer.....	1
15	<u>17979G1</u>		Bushing, .75" x 2" Lg	1
16	<u>73046G01</u>		Compression Spring	1
17	<u>17677G2</u>		Spring Retainer, 3/8".....	1
18	<u>73332G01</u>		Accelerator Rod.....	1
19	<u>00532G4</u>		Hex Nut, 5/16" - 24	1
20	10385G4		Clevis Yoke (Adjustable).....	1
21	<u>10386G3</u>		Clevis Pin, 5/16" x 13/16" Lg	1
22	<u>17838G1</u>		Nylon Bushing, .37" x .31" Lg	3
23				
24	<u>10387G3</u>		Cotter Pin, 3/32" x 3/4" Lg	1
25	<u>74432G01</u>		Pedal Pivot Pin	1
26	<u>12064G6</u>		Push Nut, 5/16".....	1
27	<u>25799G03</u>		Accelerator Pedal Assembly (Includes Items 28 - 30).....	1
28	*		Oval Rivet, 3/16" x 7/16" Lg	6
29	<u>27512G01</u>		Accelerator Pedal Pad	1
30	652824		Accelerator Pedal.....	1
31				

ACCELERATOR

THE USE OF NON U.L. PARTS WILL VOID ANY U.L. LISTING.

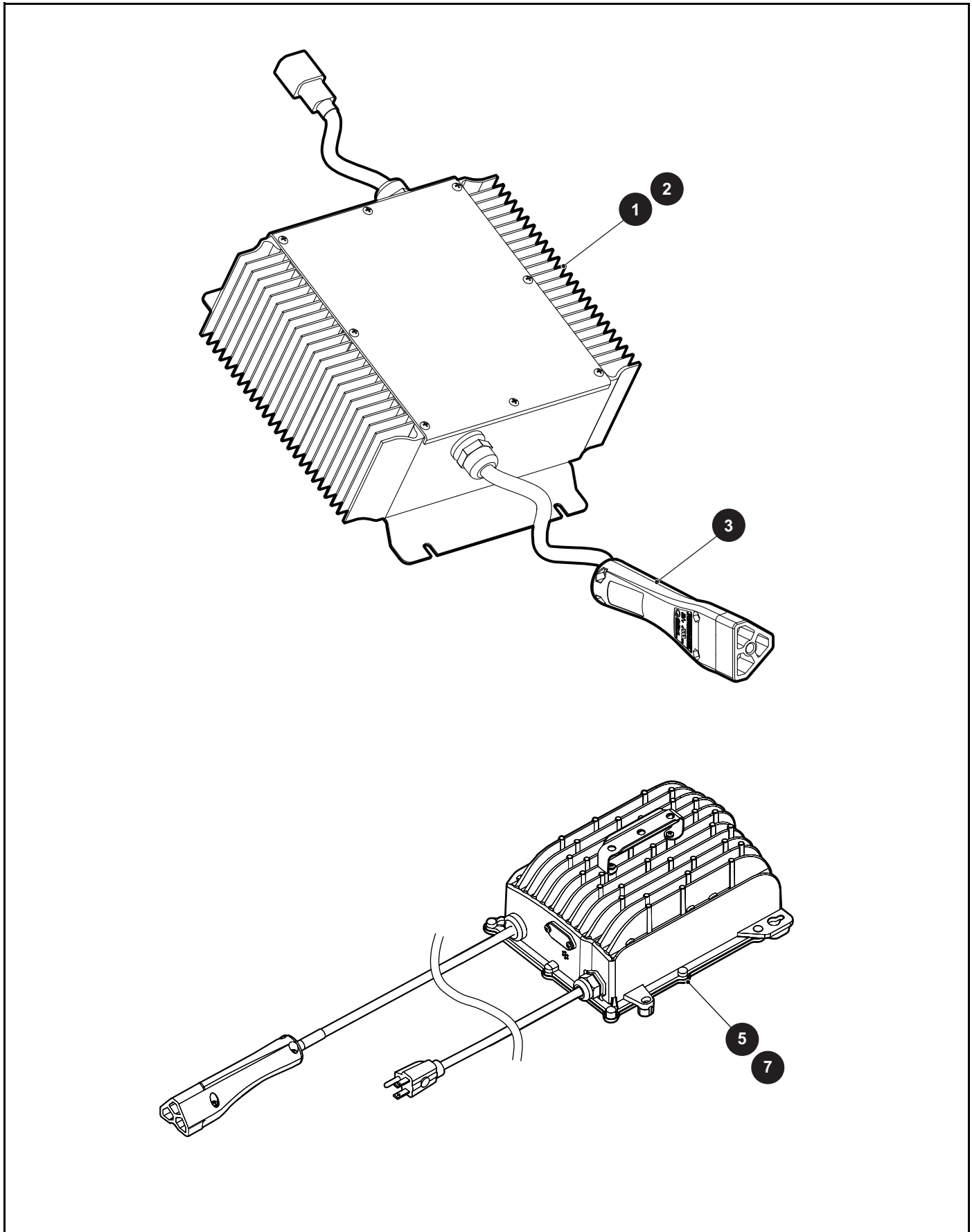
When ordering parts, please specify the model and serial number of the product.

* Indicates a component that is not available as an individual part.

*** Indicates consult Customer Service Department for additional information.

ITEM	PART NO.	1	2	3	4	5	DESCRIPTION	QTY.
32	<u>654644</u>						Pedal Harness.....	1
33	<u>654645</u>						Grommet (Rubber).....	1
34								
35								
36	<u>00715G2</u>						Hex Washer Head Bolt, 5/16" - 18 x 4/5" Lg.....	4
37	<u>70135G01</u>						Pedal Pivot Cover.....	1

BATTERY CHARGER



BATTERY CHARGER

THE USE OF NON U.L. PARTS WILL VOID ANY U.L. LISTING.

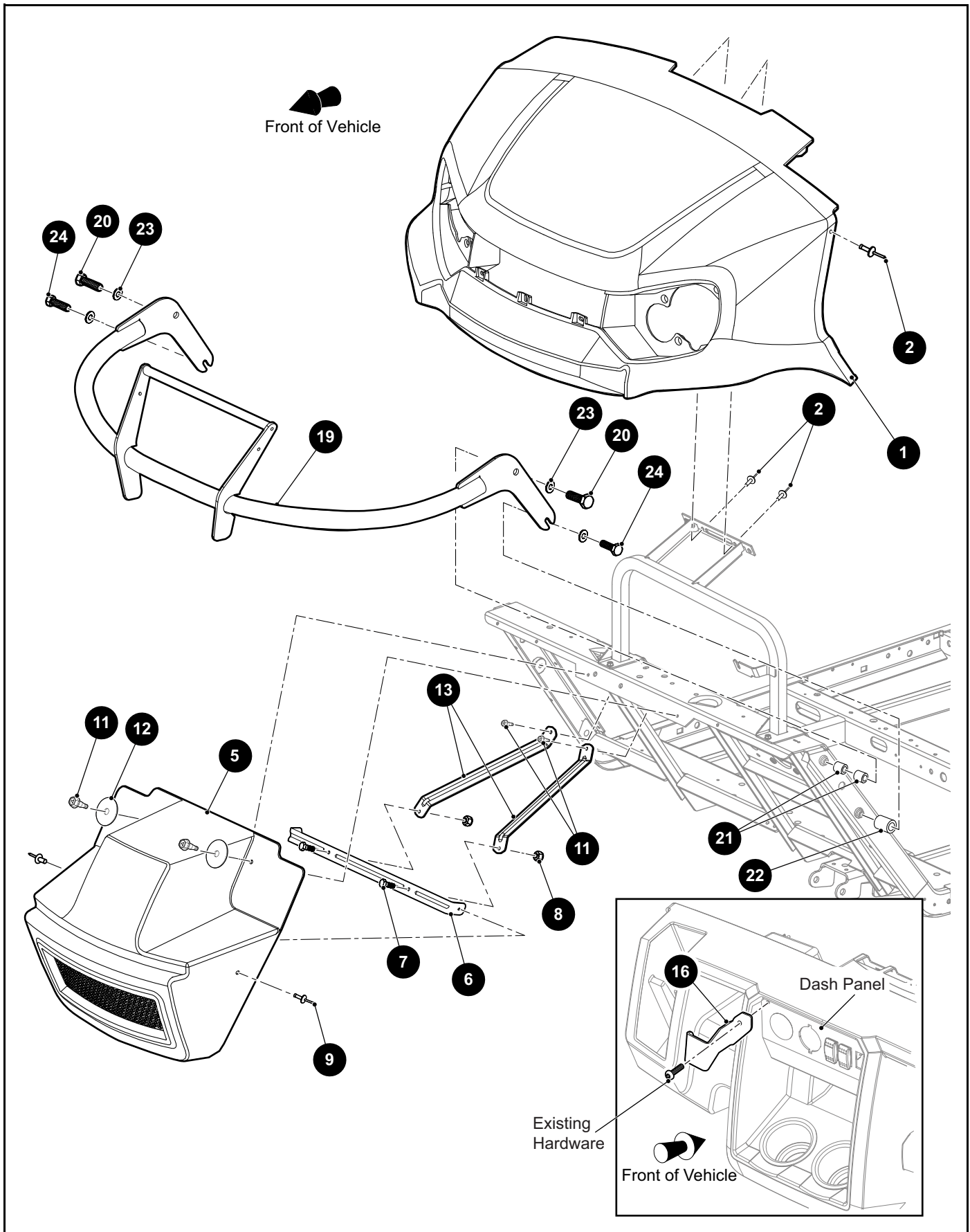
When ordering parts, please specify the model and serial number of the product.

* Indicates a component that is not available as an individual part.

*** Indicates consult Customer Service Department for additional information.

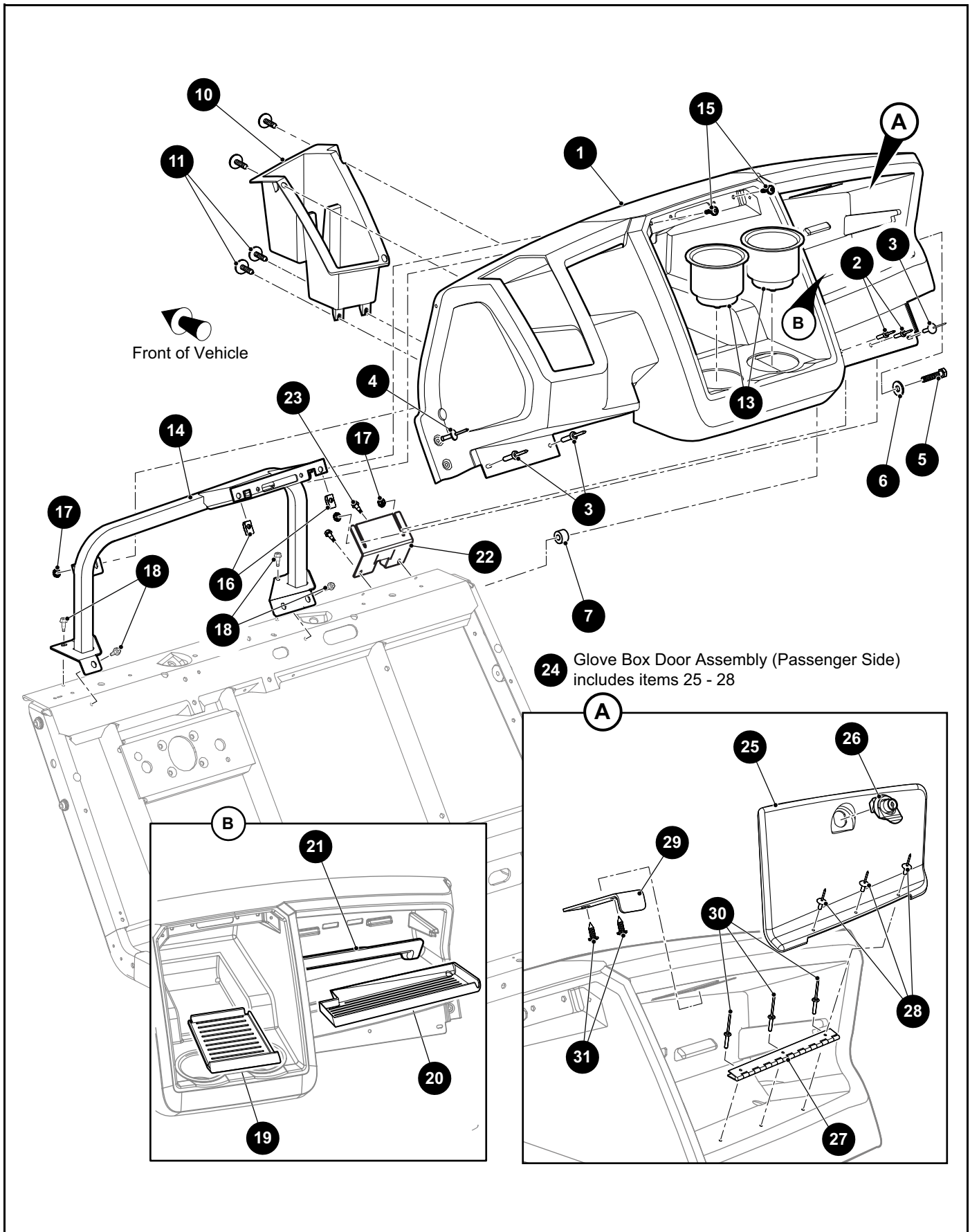
ITEM	PART NO.	1 2 3 4 5	DESCRIPTION	QTY.
1	<u>653213</u>		Battery Charger, 51V, 3 Meter Cord	1
2	<u>653216</u>		Battery Charger, 51V, 5.5 Meter Cord	1
3	<u>657667</u>		Battery Charger Paddle.....	1
4				
5	690009G05		Battery Charger, 51V, 350 Watt, 3 Meter Cord (Domestic)	1
6				
7	690009G07		Battery Charger, 51V, 350 Watt, 3 Meter Cord (International)	1

BODY



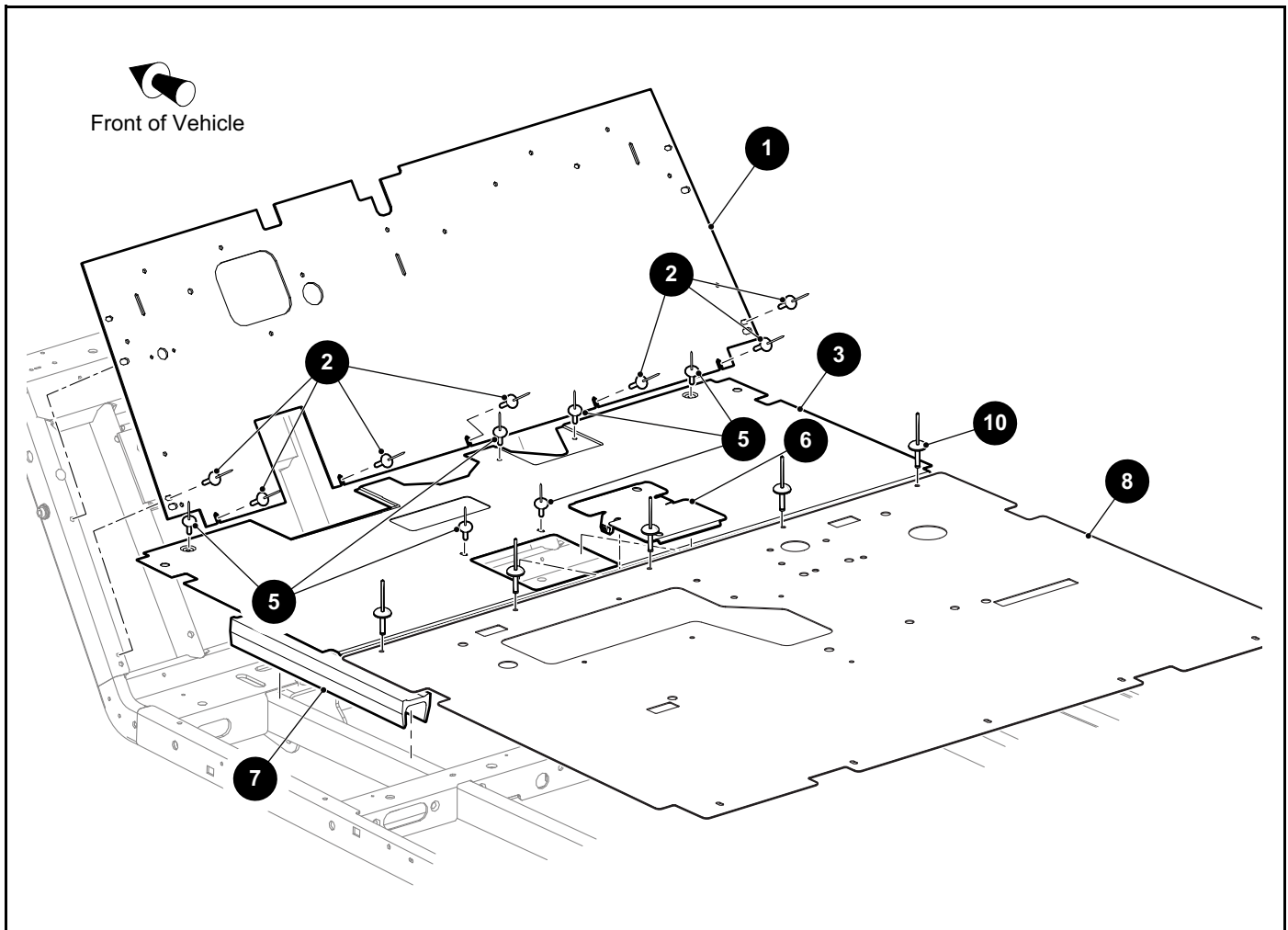
THE USE OF NON U.L. PARTS WILL VOID ANY U.L. LISTING.
 When ordering parts, please specify the model and serial number of the product.
 * Indicates a component that is not available as an individual part.
 *** Indicates consult Customer Service Department for additional information.

ITEM	PART NO.	1 2 3 4 5	DESCRIPTION	QTY.
1	648566G00**		Cowl (See COLOR CODE in HOW TO USE Section)	1
2	<u>71055G02</u>		Rivet (Aluminum), 3/16"	6
3				
4				
5	<u>613273</u>		Front Fascia	1
6	<u>654275</u>		Mounting Bracket	1
7	<u>00414G6</u>		Hex Head Bolt, 1/4" - 20 x 3/4" Lg, Grade 5	2
8	<u>14390G4</u>		Lock Nut, 1/4" - 20	2
9	<u>15058G1</u>		Rivet (Aluminum), 3/16" x .45" Lg	2
10				
11	<u>01038G01</u>		Hex Washer Head Swageform Screw, 1/4" - 20 x .70" Lg	4
12	<u>16469G1</u>		Fender Washer	2
13	654276		Front Fascia Mounting Brace	1
14				
15				
16	<u>664044</u>		Radio Clip.....	1
17				
18				
19	<u>662022</u>		Brush Guard	1
20	<u>00441G2</u>		Hex Head Bolt, 5/16" - 18 x 3 1/4" Lg	2
21	<u>75048G04</u>		Spacer, .328" I.D. x .75" O.D. x 1" Lg	4
22	<u>75048G03</u>		Spacer, .328" I.D. x .75" O.D. x 1.5" Lg	2
23	00559G8		Flat Washer, .349" I.D. x .692" O.D.	4
24	<u>00440G6</u>		Hex Head Bolt, 5/16" - 18 x 2 3/4" Lg, Grade 5	2



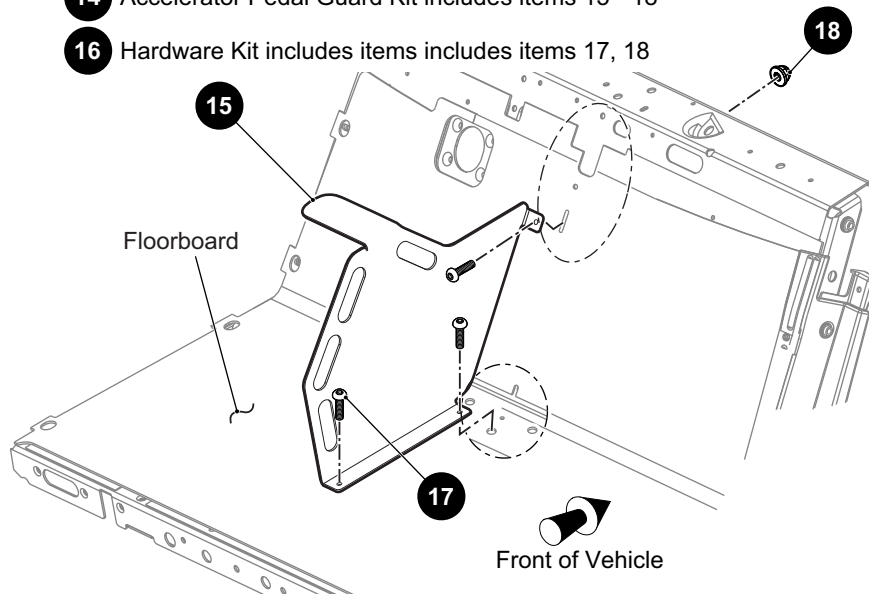
THE USE OF NON U.L. PARTS WILL VOID ANY U.L. LISTING.
 When ordering parts, please specify the model and serial number of the product.
 * Indicates a component that is not available as an individual part.
 *** Indicates consult Customer Service Department for additional information.

ITEM	PART NO.	1 2 3 4 5	DESCRIPTION	QTY.
1	<u>648568</u>		Instrument Panel	1
2	<u>71055G01</u>		Rivet (Aluminum), 3/16" x 1 1/8" Lg	2
3	<u>14601G11</u>		Rivet (Aluminum), 3/16" x 9/16" Lg	3
4	<u>71055G01</u>		Rivet (Aluminum), 3/16" x 1.18" Lg	2
5	<u>651011</u>		Hex Head Bolt, 5/16" - 18 x 1.5" Lg, Grade 5	2
6	<u>634808</u>		Flat Washer, 5/16"	2
7	<u>75048G01</u>		Spacer, .328" x .75" x .5"	2
8				
9				
10	<u>648562</u>		Cup Holder (Driver Side)	1
11	<u>613373</u>		Pan Head Tapping Screw (with Washer), M4.8 - 1.6 x 22mm Lg	4
12				
13	<u>650913</u>		Single Center Cup Holder	2
14	<u>666298</u>		Instrument Panel Support	1
15	<u>645323</u>		Pan Washer Head Torx Screw, M6 - 1 x 23.4mm Lg	2
16	<u>602409</u>		Barrel Clip, M6 - 1	2
17	<u>71597G01</u>		Self Threading Nut, 5mm x 10mm x 15mm	3
18	<u>01038G01</u>		Hex Washer Head Swageform Screw, 1/4" - 20 x .70" Lg	4
19	<u>660844</u>		Mat (Center Instrument Panel).....	1
20	<u>660880</u>		Glove Box Mat.....	1
21	<u>648561</u>		Tray Panel (Passenger Side).....	1
22	<u>666244</u>		Instrument Panel Support Bracket (Passenger Side)	1
23	<u>01038G01</u>		Hex Washer Head Swageform Screw, 1/4" - 20 x .70" Lg	2
24	<u>650784</u>		Glove Box Assembly (Passenger Side) (Includes Items 25 - 28).....	1
25	<u>650813</u>		Glove Box Door	1
26	<u>654475</u>		Glove Box Lock Assembly	1
27	<u>652386</u>		Piano Hinge	1
28	<u>14601G10</u>		Rivet (Aluminum), 5/32".....	3
29	<u>652390</u>		Glove Box Striker	1
30	<u>71045G01</u>		Black Aluminum Rivet, 5/23" x .38"	3
31	<u>00614G4</u>		Self Drilling Pan Head Phillips Screw, #8 - 18 x 1/2" LG.....	2



14 Accelerator Pedal Guard Kit includes items 15 - 18

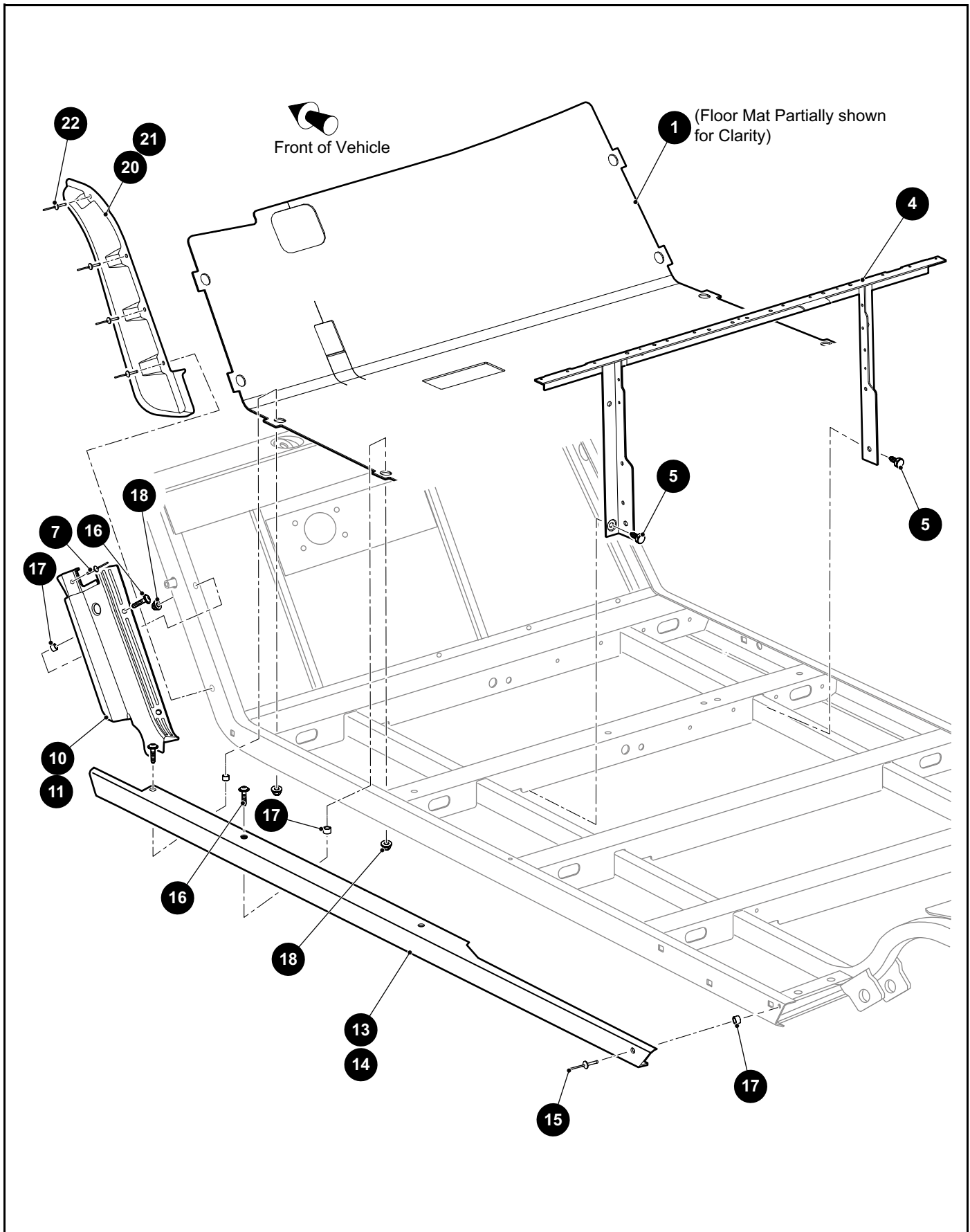
16 Hardware Kit includes items 17, 18



THE USE OF NON U.L. PARTS WILL VOID ANY U.L. LISTING.
 When ordering parts, please specify the model and serial number of the product.
 * Indicates a component that is not available as an individual part.
 *** Indicates consult Customer Service Department for additional information.

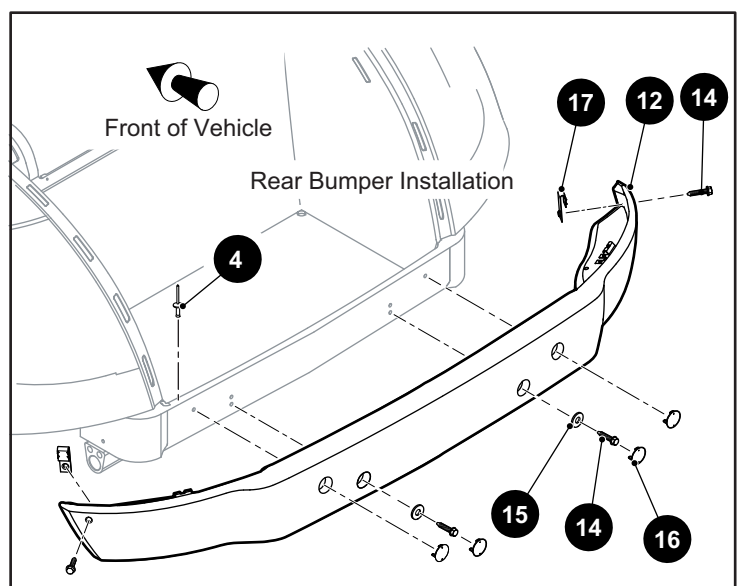
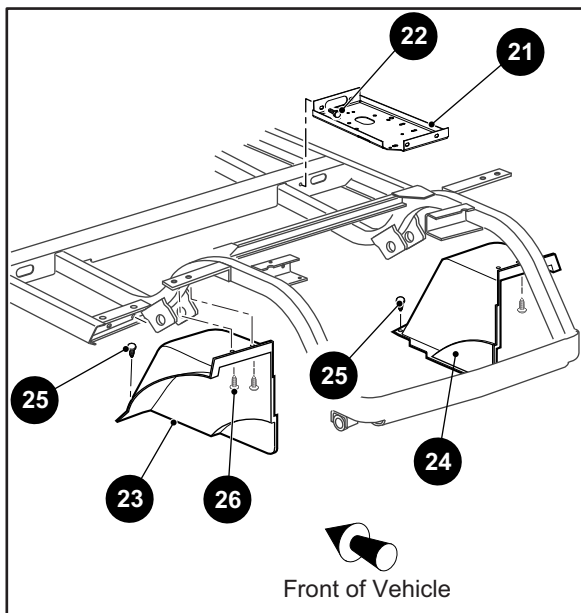
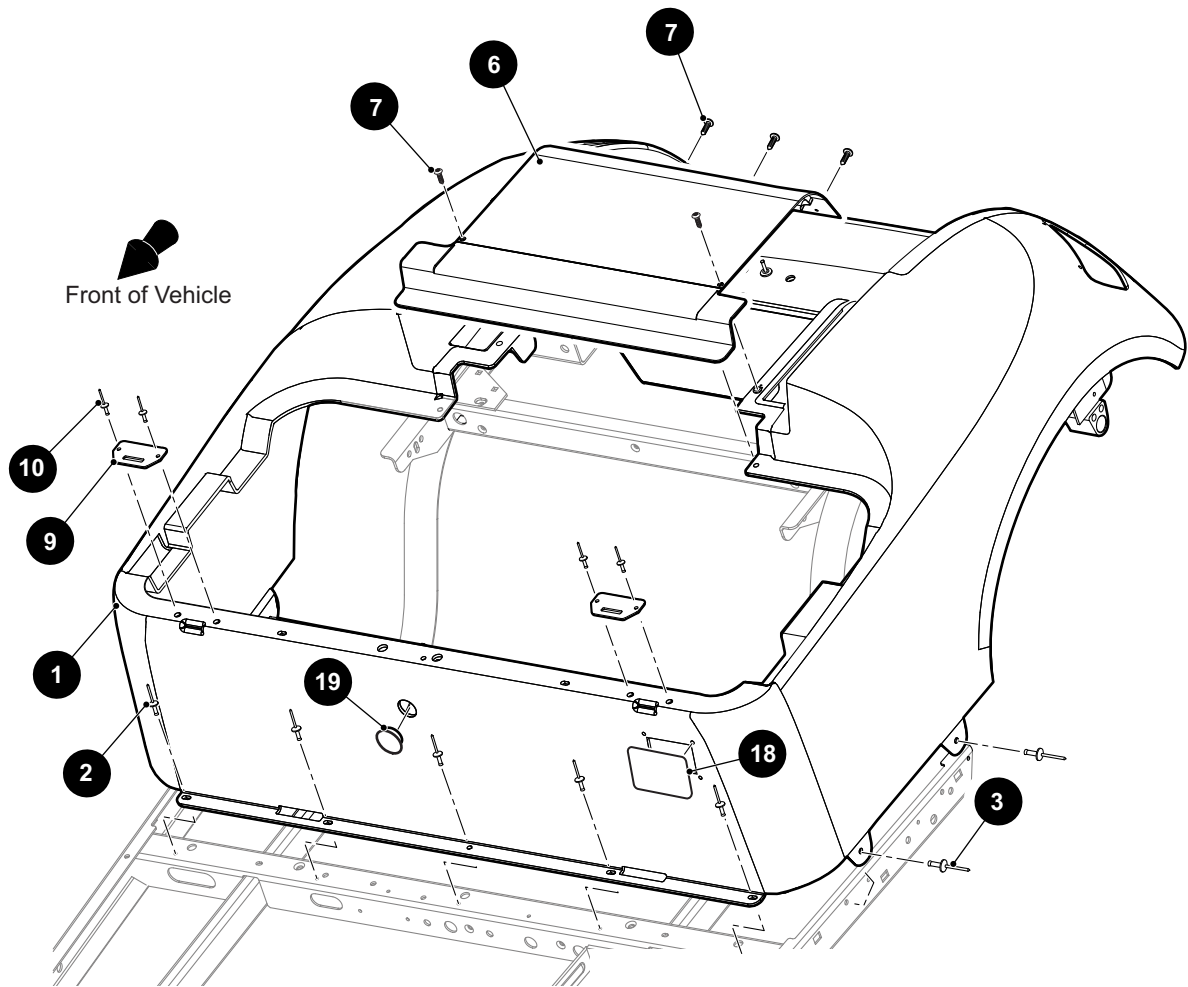
ITEM	PART NO.	1 2 3 4 5	DESCRIPTION	QTY.
1	<u>641260</u>		Upper Floor Panel	1
2	<u>14601G11</u>		Rivet (Aluminum), 3/16" x .575" Lg	7
3	<u>664052G02</u>		Floor Mat (Lower)	1
4				
5	<u>14601G11</u>		Rivet (Aluminum), 3/16" x .575" Lg	7
6	<u>665025</u>		Access Cover (Micro Switch)	1
7	<u>664735</u>		Floorboard Spacer	2
8	<u>648840</u>		Floor Panel, (Rear).....	1
9				
10	<u>10570G10</u>		Domed Rivet (SS), 5/32" x 9/16".....	5
11				
12				
13				
14	666379		Accelerator Pedal Guard Kit (Includes Items 15 - 18).....	1
15	<u>662991</u>		Accelerator Pedal Guard	1
16	<u>666380</u>		Hardware Kit (Includes Items 17, 18)	1
17	<u>645323</u>		Torx Head Screw, M6 x 1 - 23.4mm Lg	3
18	<u>601476</u>		Lock Nut, M6 - 1.....	3

BODY



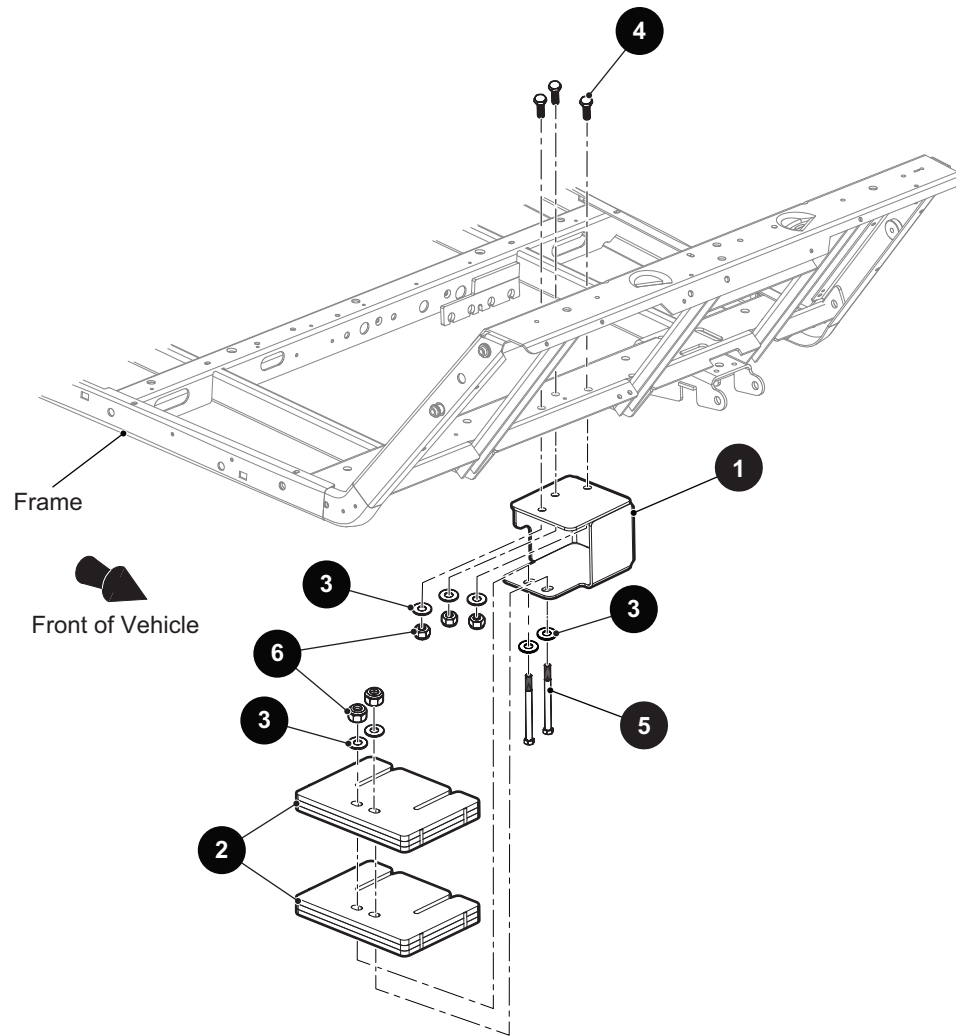
THE USE OF NON U.L. PARTS WILL VOID ANY U.L. LISTING.
 When ordering parts, please specify the model and serial number of the product.
 * Indicates a component that is not available as an individual part.
 *** Indicates consult Customer Service Department for additional information.

ITEM	PART NO.	1 2 3 4 5	DESCRIPTION	QTY.
1	10010645		Floor Mat (Hexagonal)	1
2				
3				
4	<u>70441G01</u>		Seat Frame	1
5	<u>00715G2</u>		Hex Washer Head Bolt, 5/16" - 18 x .8" Lg	2
6				
7	<u>71055G02</u>		Rivet (Aluminum), 3/16"	1
8				
9				
10	<u>655917G03</u>		Upper Rocker Panel with Fender Flare Mounting Holes (Driver Side)	1
11	<u>655917G04</u>		Upper Rocker Panel with Fender Flare Mounting Holes (Passenger Side)	1
12				
13	10012037G01		Rocker Panel (Driver Side)	1
14	10012037G02		Rocker Panel (Passenger Side)	1
15	<u>15058G6</u>		Rivet (Aluminum), 3/16" x .95" Lg	2
16	<u>645323</u>		Pan Washer Head Torx Screw, M6 - 1 x 23.4mm Lg	5
17	<u>23726G4</u>		Spacer, .5" O.D. x .38" I.D. x .325" Lg	6
18	<u>601476</u>		Flanged Lock Nut, M6 - 1	5
19				
20	<u>674546G01</u>		Large Front Fender Flare (Driver Side)	1
21	<u>674546G02</u>		Large Front Fender Flare (Passenger Side)	1
22	<u>71055G02</u>		Rivet (Aluminum), 3/16"	4



THE USE OF NON U.L. PARTS WILL VOID ANY U.L. LISTING.
 When ordering parts, please specify the model and serial number of the product.
 * Indicates a component that is not available as an individual part.
 *** Indicates consult Customer Service Department for additional information.

ITEM	PART NO.	1 2 3 4 5	DESCRIPTION	QTY.
1	625272G1**		Rear Body (See HOW TO USE Section for COLOR CODES)	1
2	<u>10570G10</u>		Rivet (SS), 5/32" x 9/16" Lg	5
3	10570G12		Rivet (Aluminum), .257" x .556" Lg	4
4	<u>633917</u>		Rivet (Plastic).....	2
5				
6	<u>71320G01</u>		Access Panel	1
7	<u>01107G01</u>		Pan Head Torx Screw (SS), #8 x .63" Lg	5
8				
9	<u>71609G01</u>		Seat Hinge Plate	2
10	<u>10570G11</u>		Rivet (SS), 5/32" x .70" Lg	4
11				
12	<u>71451G02</u>		Rear Bumper.....	1
13				
14	<u>71102G01</u>		Hex Head Bolt, 1/4" - 20 x 3/4" Lg, Grade 5	4
15	<u>00571G2</u>		Flat Washer, 5/16"	2
16	<u>71455G01</u>		Bumper Plug	4
17	<u>71554G01</u>		"J" Type Nut Retainer, 1/4" - 20.....	4
18	<u>666066</u>		Receptacle Cover.....	1
19	<u>71316G01</u>		Hole Plug	1
20				
21	<u>70244G05</u>		Splash Pan.....	1
22	<u>00715G2</u>		Hex Washer Head Bolt, 5/16" - 18 x 4/5" Lg	4
23	<u>635054G02</u>		Fender Liner (Driver Side).....	1
24	635054G03		Fender Liner (Passenger Side).....	1
25	<u>16816G2</u>		Ratchet Fastener, 1/4" x .887"	4
26	14601G17		Rivet, 3/16"	4



THE USE OF NON U.L. PARTS WILL VOID ANY U.L. LISTING.
 When ordering parts, please specify the model and serial number of the product.
 * Indicates a component that is not available as an individual part.
 *** Indicates consult Customer Service Department for additional information.

ITEM	PART NO.	1 2 3 4 5	DESCRIPTION	QTY.
1	698122		Weight Mounting Bracket	1
2	698181		Plate Weldment, 20lbs	2
3	<u>00560G2</u>		Flat Washer, 7/16"	7
4	400336J		Hex Head Bolt, 7/16" - 14 x 1 1/4" Lg	3
5	<u>01068G01</u>		Hex Head Bolt, 7/16" - 14 x 3.5" Lg, Grade 5	2
6	<u>00734G1</u>		Lock Nut, 7/16" - 14	5

BRAKES

THE USE OF NON U.L. PARTS WILL VOID ANY U.L. LISTING.

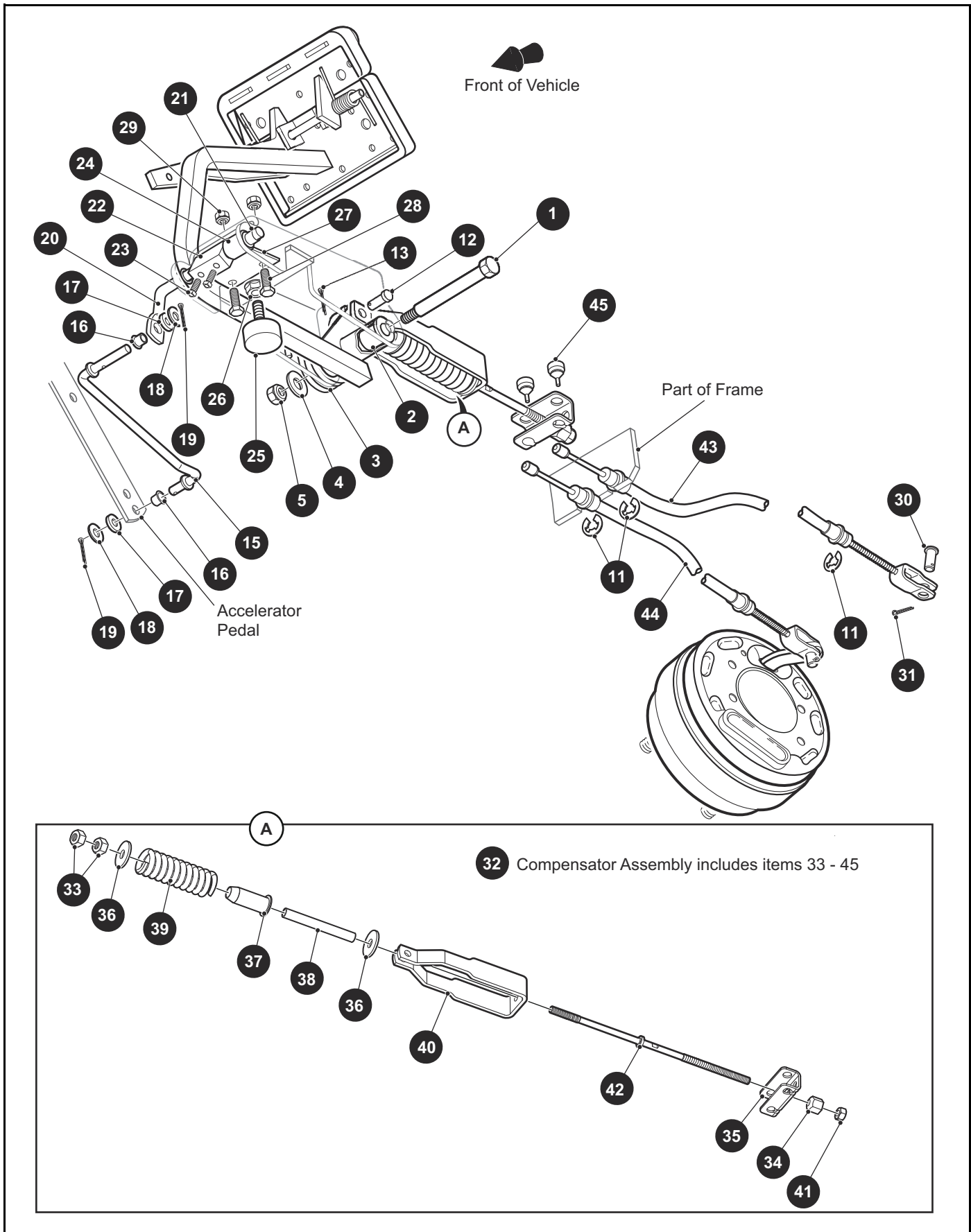
When ordering parts, please specify the model and serial number of the product.

* Indicates a component that is not available as an individual part.

*** Indicates consult Customer Service Department for additional information.

ITEM	PART NO.	1 2 3 4 5	DESCRIPTION	QTY.
1	70690G02		Brake Pedal Assembly (Includes Items 2 - 30)	1
2	<u>652253G03</u>		Park Brake Pedal.....	1
3				
4				
5	<u>70681G01</u>		Torsion Spring.....	2
6	<u>70682G01</u>		Pivot Pin	1
7	<u>658825</u>		Push Nut, 5/16" - 24	2
8				
9	<u>70257G01</u>		Service Brake Pad.....	1
10	<u>16409G1</u>		Oval Rivet, .375" x .468" Lg.....	6
11	<u>70256G01</u>		Park Brake Pedal Pad	1
12	<u>16409G1</u>		Oval Rivet, .375" x .468" Lg.....	3
13	<u>652820</u>		Service Brake Pedal Plate	1
14	<u>00737G8</u>		Flat Head Phillips Screw, #10 - 24 x .875" Lg, Grade 5.....	4
15	<u>00739G1</u>		Rubber Well Nut, #10 - 24	2
16	<u>652355</u>		Brake Pedal Spacer.....	2
17	<u>27137G01</u>		Conical Spring	2
18	<u>14390G10</u>		Lock Nut, #10 - 24	2
19	10606G8		Micro Switch	1
20	<u>00645G2</u>		Pan Head Phillips Screw, #6 - 32 x 1 1/4" Lg	1
21	<u>00559G5</u>		Flat Washer, #10.....	2
22	<u>00559G3</u>		Flat Washer, #6.....	2
23	<u>00565G3</u>		Lock Washer, #6	1
24	<u>00525G5</u>		Lock Nut, #6 - 32	1
25	<u>13514G1</u>		Limit Switch Screw, #6 - 32 x .22" Lg	1
26	<u>00642G8</u>		Flat Washer, 5/16"	2
27	<u>14628G1</u>		Faston Tab.....	1
28	<u>24605G1</u>		Wire Harness (Brake Light)	1
29	<u>17618G1</u>		Wire Tie	2
30	<u>652791G03</u>		Brake Pedal	1

BRAKES



THE USE OF NON U.L. PARTS WILL VOID ANY U.L. LISTING.

When ordering parts, please specify the model and serial number of the product.

* Indicates a component that is not available as an individual part.

*** Indicates consult Customer Service Department for additional information.

ITEM	PART NO.	1 2 3 4 5	DESCRIPTION	QTY.
1	<u>70582G01</u>		Shoulder Bolt (SS), 3/8" - 16 x 3.406" Lg.....	1
2	<u>70581G01</u>		Flanged Bushing, .1.062" O.D. x .795" I.D.....	2
3	<u>70676G01</u>		Torsion Spring	1
4	<u>00643G1</u>		Lock Washer, 3/8"	1
5	<u>11098G5</u>		Lock Nut, 3/8" - 16	1
6	<u>01038G01</u>		Hex Washer Head Bolt, 1/4" - 20 x .7" Lg (Not Illustrated).....	1
7	<u>12416G2</u>		Nylon Wedge Lock Clamp (Not Illustrated).....	3
8				
9				
10				
11	<u>01111G01</u>		Retaining Ring (SS), Dia. .8".....	4
12	<u>10386G3</u>		Clevis Pin, .438" x .938" Lg.....	1
13	<u>10387G3</u>		Cotter Pin, .094" x .75" Lg.....	1
14				
15	<u>70601G01</u>		Kick-off Link.....	1
16	<u>17838G1</u>		Nylon Bushing, .37" O.D. x .31" I.D.....	2
17	<u>20835G1</u>		Teflon Washer, 3/8"	2
18	<u>00559G8</u>		Flat Washer, 5/16"	2
19	<u>10387G3</u>		Cotter Pin, .094" x .75" Lg.....	2
20	<u>70098G01</u>		Kick-off Cam Pivot.....	1
21	<u>10097G6</u>		Flanged Bearing.....	2
22	<u>70587G01</u>		Kick-off Cam.....	1
23	<u>71215G01</u>		Set Screw with Patch Lock, 1/4" - 20 x 1/2" Lg	2
24	<u>14134G4</u>		Spacer, .76" O.D. x .395" I.D. x 1.25" Lg	1
25	<u>70113G01</u>		Adjustable Bumper.....	1
26	<u>11027G1</u>		Lock Nut, 5/16 - 18"	1
27	<u>70080G02</u>		Catch Bracket.....	1
28	<u>00414G6</u>		Hex Head Bolt, 1/4" - 20 x 3/4" Lg, Grade 5	2
29	<u>14390G4</u>		Lock Nut (SS), 1/4" - 20	2
30	<u>10386G3</u>		Clevis Pin, .438" x .938" Lg.....	1
31	<u>10387G3</u>		Cotter Pin, .094" x .75" Lg.....	1

BRAKES

THE USE OF NON U.L. PARTS WILL VOID ANY U.L. LISTING.

When ordering parts, please specify the model and serial number of the product.

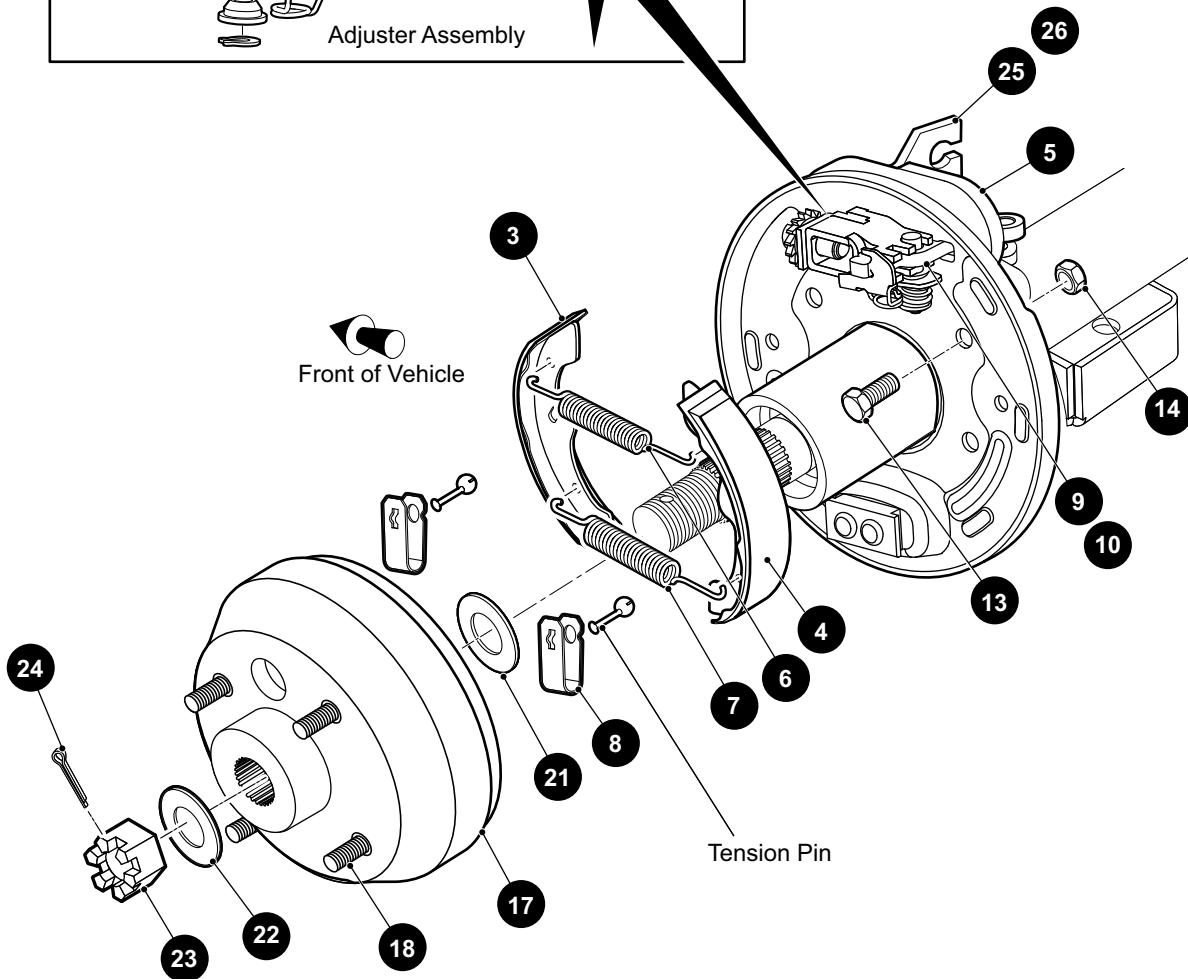
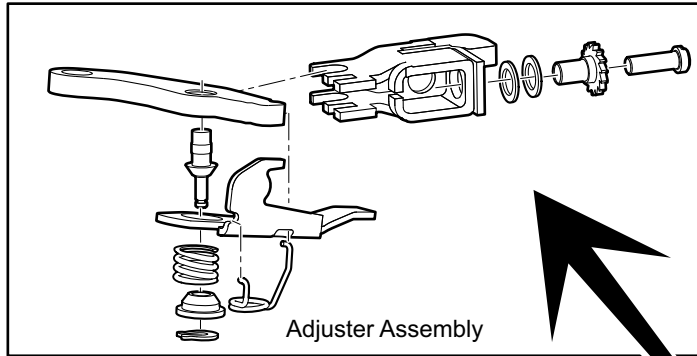
* Indicates a component that is not available as an individual part.

*** Indicates consult Customer Service Department for additional information.

ITEM	PART NO.	1 2 3 4 5	DESCRIPTION	QTY.
32	654665		Compensator Assembly (Includes Items 33 - 45).....	1
33	<u>00532G4</u>		Hex Nut, 1/4" - 20.....	2
34	<u>629486</u>		Spherical Hex Nut, 5/16" - 24.....	1
35	<u>28082G01</u>		Equalizer Bracket.....	1
36	<u>15121G1</u>		Flat Washer, 5/16".....	2
37	<u>17979G1</u>		Accelerator Rod Bushing, .464" I.D. x 1" O.D. x 2" Lg.....	1
38	<u>23061G2</u>		Tube.....	1
39	<u>23463G1</u>		Compression Spring.....	1
40	<u>652256</u>		Brake Yoke.....	1
41	<u>11098G9</u>		Hex Lock Nut, 5/16" - 24.....	1
42	<u>612557</u>		Compensator Link Rod.....	1
43	<u>624695</u>		Brake Cable (Driver Side).....	1
44	<u>624696</u>		Brake Cable (Passenger Side).....	1
45	<u>28083G01</u>		Brake Compensator Bumper.....	2

BRAKES

- 1 Brake Assembly (Driver Side) includes items 3 - 9
- 2 Brake Assembly (Passenger Side) includes items 3 - 8, 10
- 16 Brake Drum Assembly includes items 17, 18



BRAKES

THE USE OF NON U.L. PARTS WILL VOID ANY U.L. LISTING.

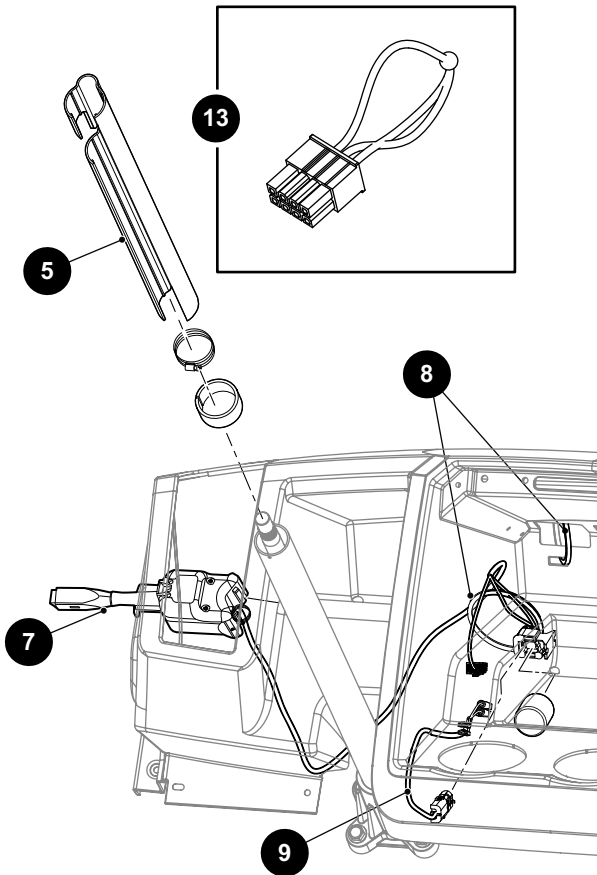
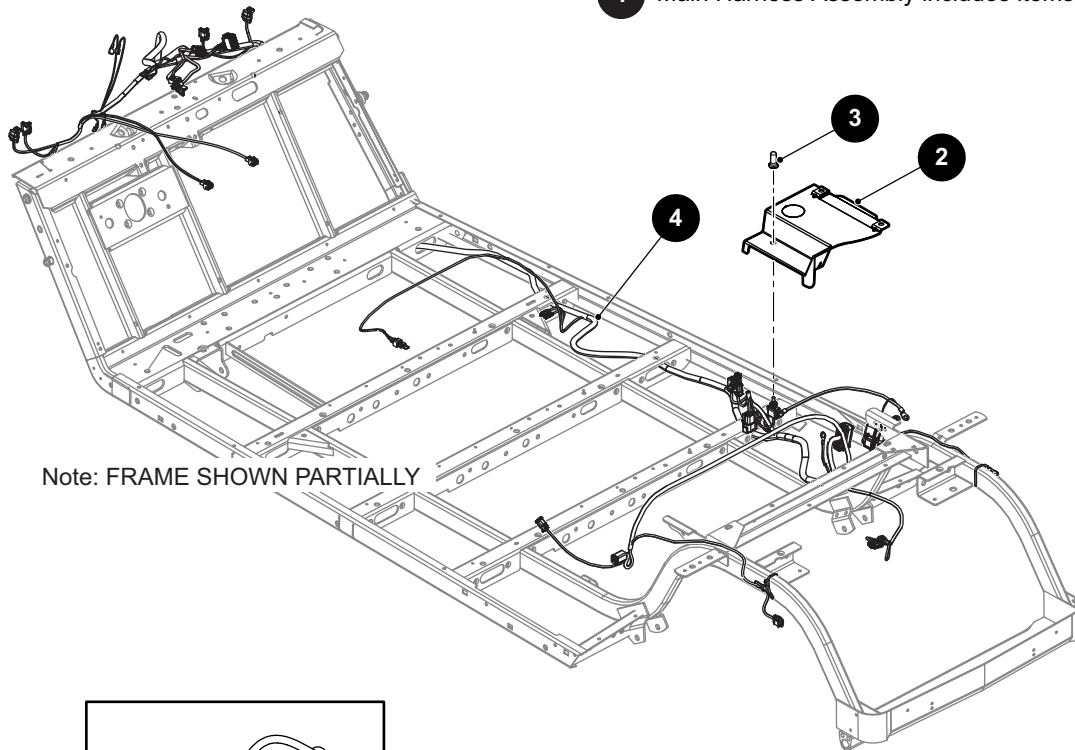
When ordering parts, please specify the model and serial number of the product.

* Indicates a component that is not available as an individual part.

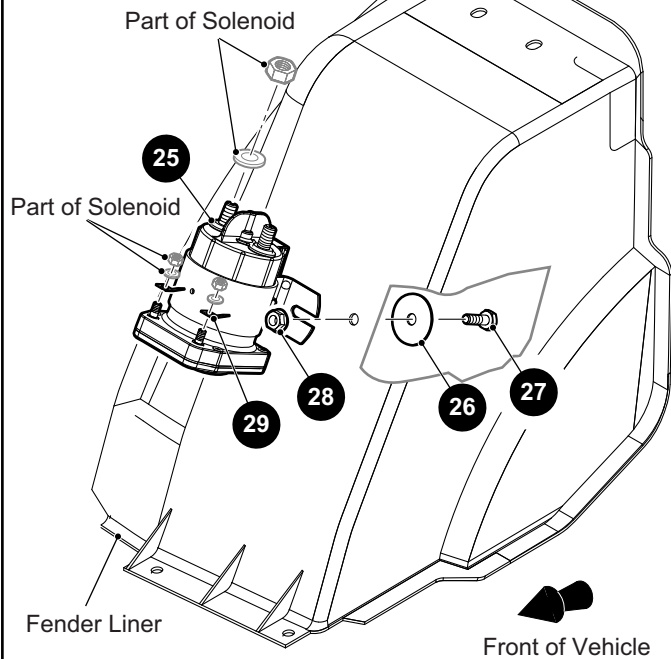
*** Indicates consult Customer Service Department for additional information.

ITEM	PART NO.	1 2 3 4 5	DESCRIPTION	QTY.
1	<u>612189</u>		Brake Assembly (Driver Side) (Includes Items 3 - 9)	1
2	<u>612211</u>		Brake Assembly (Passenger Side) (Includes Items 3 - 8, 10).....	1
3	<u>612411</u>		Brake Shoe, Leading	1
4	<u>612412</u>		Brake Shoe, Trailing	1
5	<u>612413</u>		Dust Cover.....	1
6	<u>612415</u>		Brake Spring, Top	1
7	<u>612414</u>		Brake Spring, Bottom	1
8	<u>612416</u>		Shoe Clamp	2
9	<u>612417</u>		Gear Adjuster (Driver Side)	1
10	<u>612418</u>		Gear Adjuster (Passenger Side).....	1
11				
12				
13	<u>17083G2</u>		Hex Head Bolt, 5/16" - 24 x 1" Lg, Grade 8	4
14	<u>15126G1</u>		Lock Nut, 5/16" - 24	4
15				
16	<u>21807G2</u>		Brake Drum Assembly (Includes Items 17, 18).....	1
17	<u>20947G1</u>		Brake Drum	1
18	<u>19862G2</u>		Lug Bolt, 1/2" - 20 x 1.718" Lg.....	4
19				
20				
21	<u>21809G1</u>		Flat Washer (Inner Wheel Rim), .984" x 1.312" x .031"	1
22	<u>21830G1</u>		Flat Washer (Brake Drum), .765" x 1.50" x .1196"	1
23	<u>613172</u>		Castle Nut, 5/8" - 18.....	1
24	<u>10387G1</u>		Cotter Pin, 5/32" x 1 3/4" Lg.....	1
25	<u>652248</u>		Brake Cable Bracket (Passenger Side)	1
26	<u>652249</u>		Brake Cable Bracket (Driver Side).....	1

1 Main Harness Assembly includes items 2 - 4



24 Fender Solenoid Assembly (Passenger Side) includes items 25 - 29



THE USE OF NON U.L. PARTS WILL VOID ANY U.L. LISTING.

When ordering parts, please specify the model and serial number of the product.

* Indicates a component that is not available as an individual part.

*** Indicates consult Customer Service Department for additional information.

ITEM	PART NO.	1 2 3 4 5	DESCRIPTION	QTY.
1	10012511		Main Harness Assembly (Includes Items 2 - 4).....	1
2	<u>679118</u>		Splash Shield.....	1
3	<u>655019</u>		Rubber Boot (Run-Tow Switch)	1
4	10011436		Main Harness	1
5	<u>20965G3</u>		Steering Column Cover.....	1
6	<u>19344G1</u>		Vinyl Tape (Not Illustrated).....	1
7	<u>615236</u>		Turn Signal Switch Assembly.....	1
8	<u>31539G1</u>		Nylon Clamp, 15.5' Lg.....	2
9	<u>664706</u>		Horn Jumper	1
10				
11	<u>17618G1</u>		Nylon Clamp, 15.5" (Not Illustrated).....	12
12				
13	<u>664780</u>		Jumper Harness, Turn Signal Lights (For Vehicles without Turn Signal)	1
14				
			Items 15 - 22 Not Shown	
15	<u>636455G22</u>		Mini Fuse, 10A, 58V.....	1
16	<u>636455G13</u>		Mini Fuse, 15A, 32V.....	1
17	<u>662004</u>		Mini Fuse Package, 6650HM.....	1
18	<u>636455G10</u>		Mini Fuse, 5A, 32V.....	1
19	<u>636455G12</u>		Mini Fuse, 10A, 32V.....	1
20	<u>643691</u>		Relay, A17, 20A, 12V	1
21	<u>651800G01</u>		Male Resistor, AT, 2P, 1200HM	1
22	<u>608900</u>		Run-Tow Switch Kit	1
23				
24	658946		Fender Solenoid Assembly (Passenger Side) (Includes Items 25 - 29).....	1
25	<u>621330</u>		Solenoid.....	1
26	<u>16469G1</u>		Fender Washer, .281" I.D. x 1.250" O.D.....	2
27	<u>00414G6</u>		Hex Head Bolt, 1/4" - 20 x .25" Lg Grade 5.....	2
28	<u>11027G2</u>		Flanged Lock Nut, 1/4" - 20.....	2
29	<u>12914G1</u>		Faston Tab.....	2

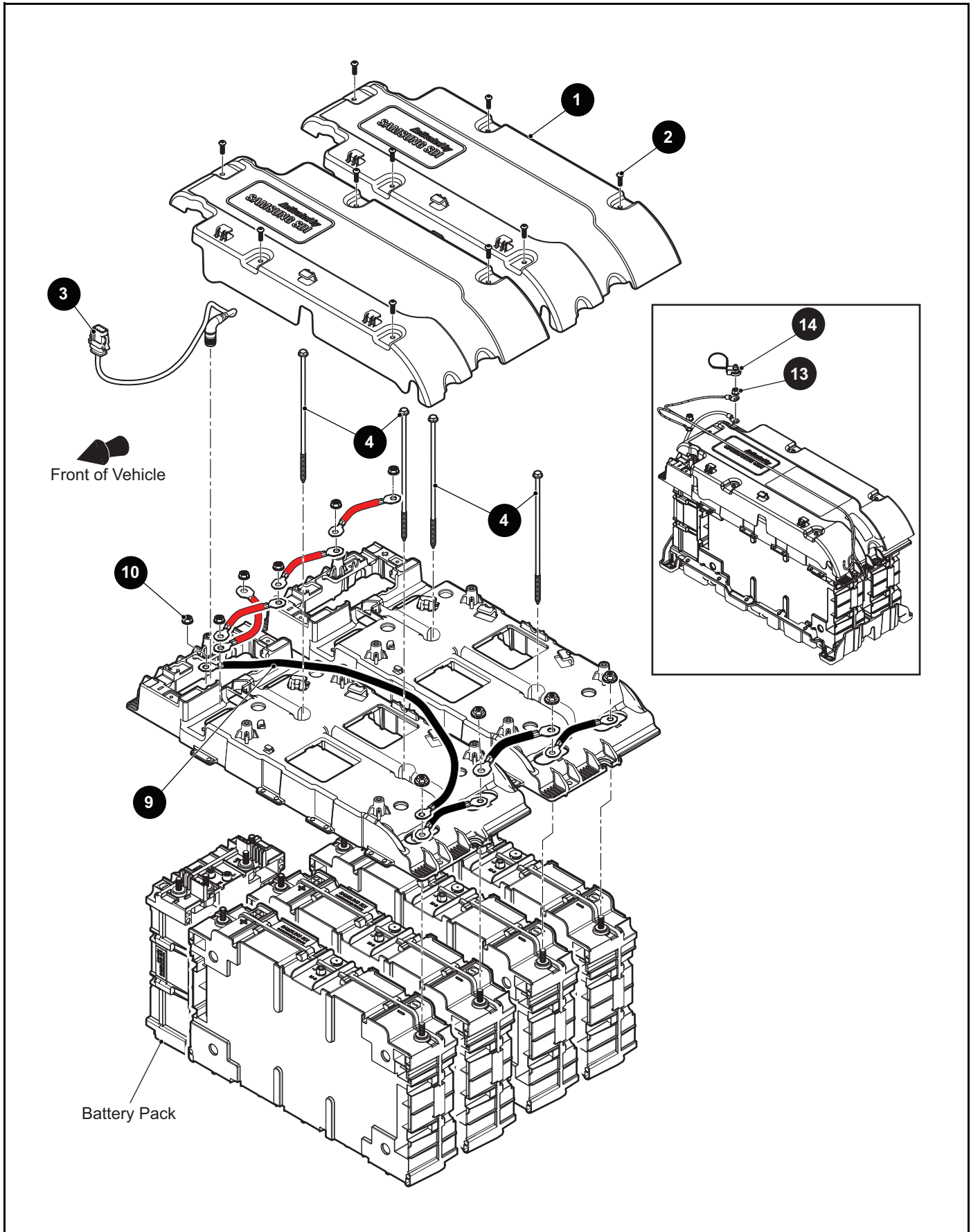
THE USE OF NON U.L. PARTS WILL VOID ANY U.L. LISTING.

When ordering parts, please specify the model and serial number of the product.

* Indicates a component that is not available as an individual part.

*** Indicates consult Customer Service Department for additional information.

ITEM	PART NO.	1 2 3 4 5	DESCRIPTION	QTY.
1	691886		Battery Management System.....	1
2	<u>665954</u>		Cell Module (90AH).....	3
3	<u>665954</u>		Cell Module (120AH).....	4
4	<u>651809</u>		Bottom Tray.....	2
5	663490		Battery Tray.....	1
6	<u>01101G01</u>		Tie Down Bolt.....	4
7	<u>654002G01</u>		Hold Down Bracket (Driver Side).....	2
8	<u>654002G02</u>		Hold Down Bracket (Passenger Side).....	2
9	<u>11027G1</u>		Flanged Lock Nut, 5/16" - 18	8
10	<u>00715G2</u>		Hex Washer Head Bolt, 5/16" - 18 x .80" Lg	8
11	<u>13437G9</u>		Serrated Head Lock Screw, 1/4" - 20 x 3/4" Lg.....	12
12	<u>14390G4</u>		Lock Nut, 1/4" - 20	12
13				
14	<u>70090G02</u>		Rear Support.....	2
15	00559G8		Flat Washer, 5/16"	8
16	<u>00715G2</u>		Hex Washer Head Bolt, 5/16" - 18 x .80" Lg	8
17	<u>70200G01</u>		Truss Head Torx Screw, 3/8" - 16 x .75" Lg.....	2
18	<u>651812</u>		Top Tray	2



THE USE OF NON U.L. PARTS WILL VOID ANY U.L. LISTING.

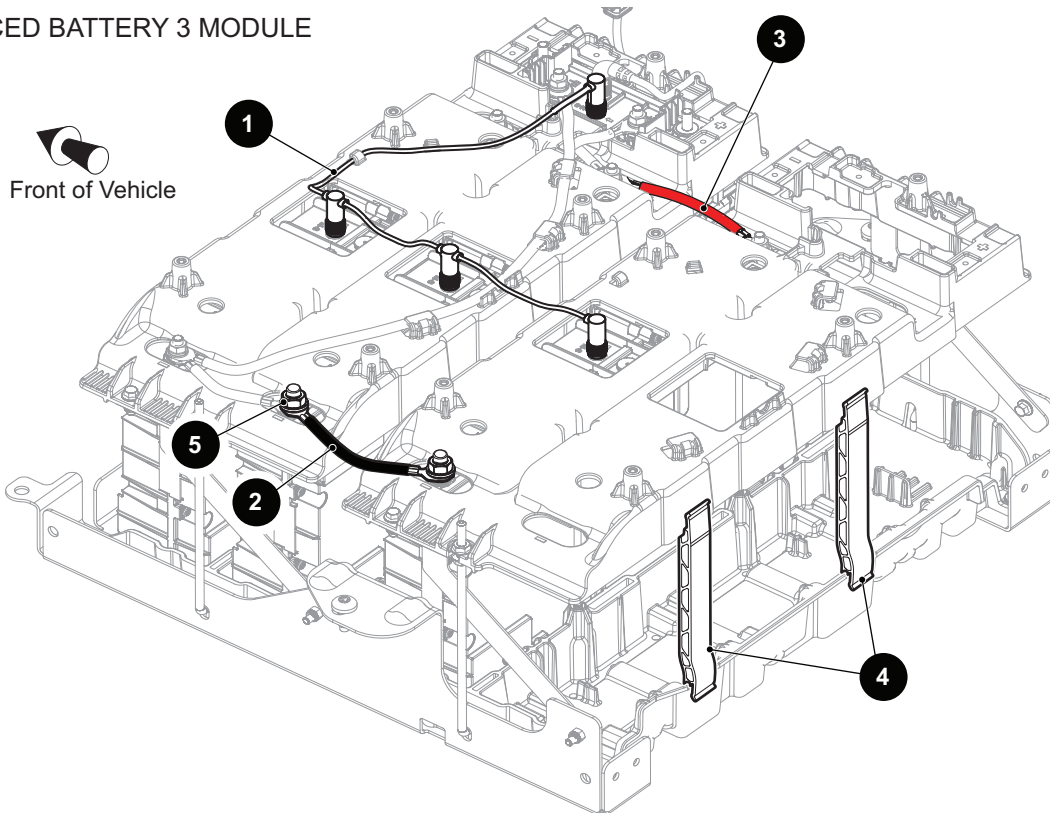
When ordering parts, please specify the model and serial number of the product.

* Indicates a component that is not available as an individual part.

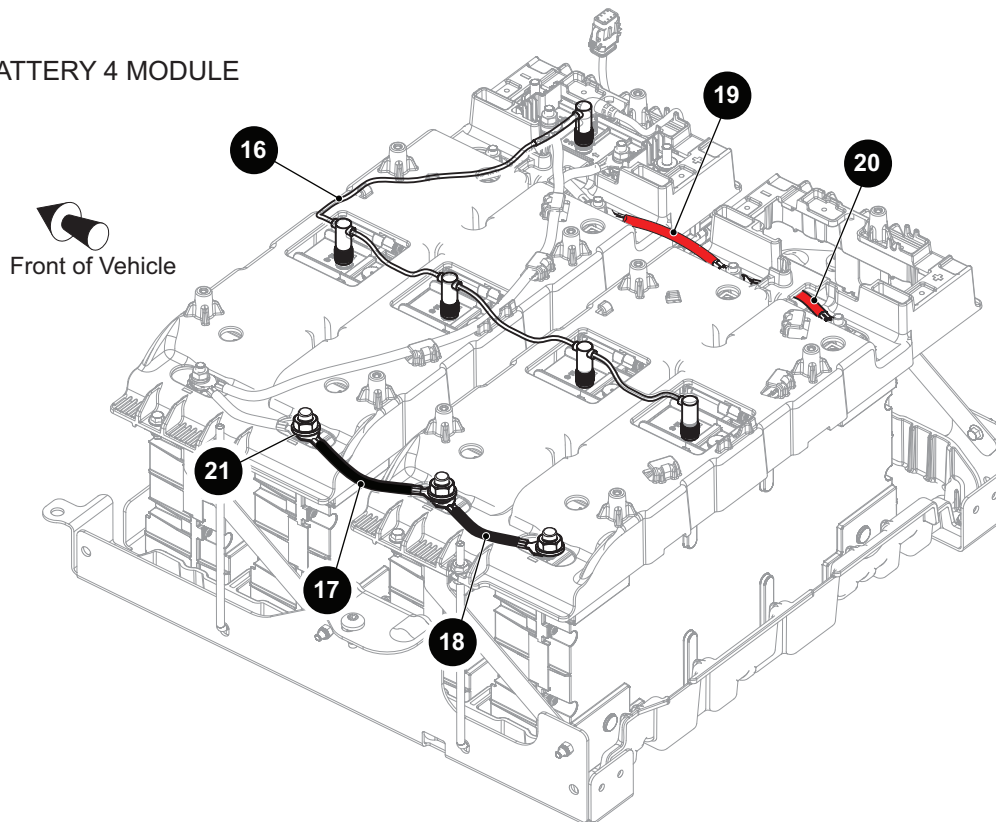
*** Indicates consult Customer Service Department for additional information.

ITEM	PART NO.	1 2 3 4 5	DESCRIPTION	QTY.
1	<u>651878</u>		Top Cover.....	2
2	<u>654616</u>		Button Head Tapping Screw, #10 X .625" Lg.....	10
3	<u>652090</u>		Harness (BMS to Main Harness).....	1
4	<u>654863</u>		Flanged Hex Head Bolt, 1/4" - 10 x 8 3/4" Lg.....	4
5				
6				
7				
8				
9	<u>651811</u>		Battery Cable (Black), 6AWG, 595mm Lg.....	1
10	<u>659134</u>		Conical Hex Nut, M8 - 1.25.....	4
11				
12				
13	<u>659134</u>		Conical Hex Nut, M8 - 1.25.....	2
14	<u>681557</u>		Terminal Boot.....	1

ADVANCED BATTERY 3 MODULE



ADVANCED BATTERY 4 MODULE



THE USE OF NON U.L. PARTS WILL VOID ANY U.L. LISTING.

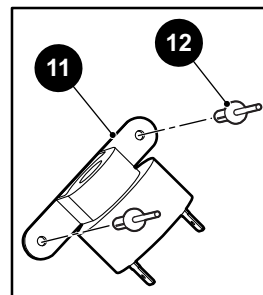
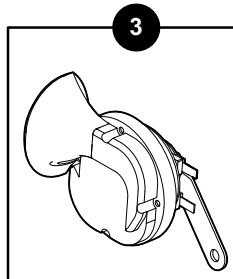
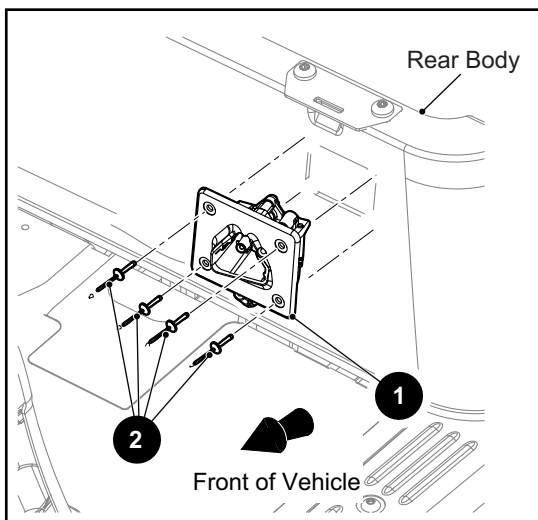
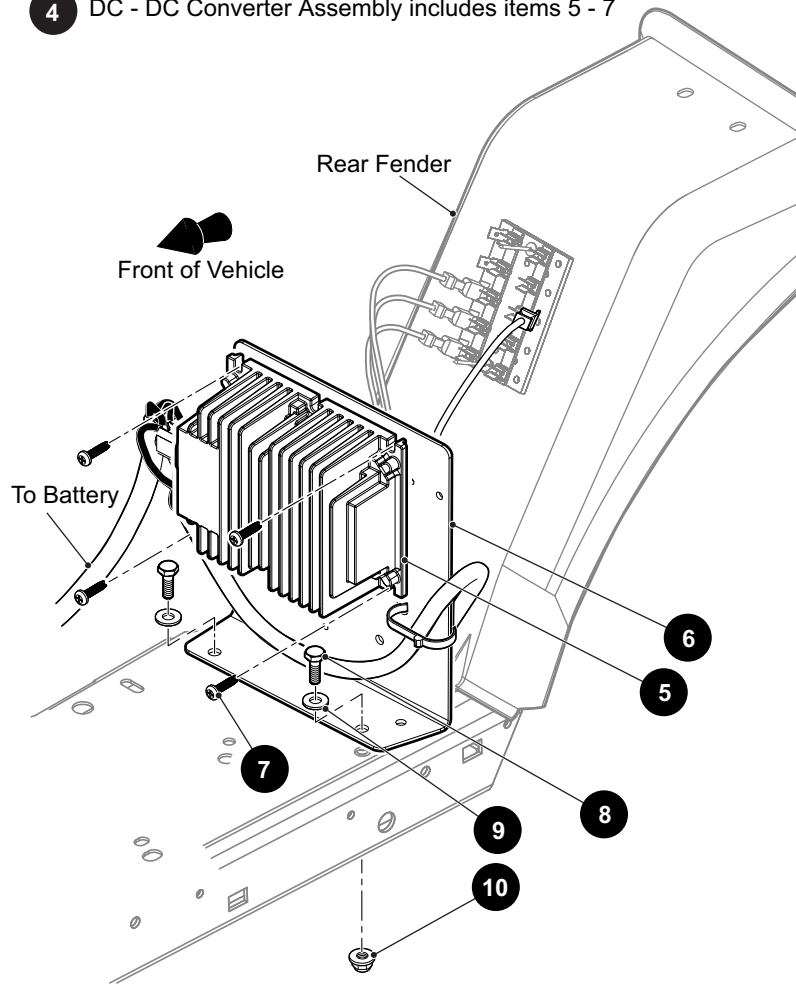
When ordering parts, please specify the model and serial number of the product.

* Indicates a component that is not available as an individual part.

*** Indicates consult Customer Service Department for additional information.

ITEM	PART NO.	1 2 3 4 5	DESCRIPTION	QTY.
1	<u>651961</u>		Battery Communication Cable, 90AH	1
2	<u>653431</u>		Battery Cable (Black), 6AWG, 154mm Lg.....	1
3	<u>653433</u>		Battery Cable (Red), 6AWG, 154mm Lg.....	1
4	<u>654488</u>		Battery Tray Spacer	2
5	<u>659134</u>		Conical Hex Nut, M8 - 1.25	2
6				
7				
8				
9				
10				
11				
12				
13				
14				
15				
16	<u>651962</u>		Battery Communication Cable, 120AH	1
17	<u>653431</u>		Battery Cable (Black), 6AWG, 154mm Lg.....	1
18	<u>653432</u>		Battery Cable (Black), 6AWG, 122mm Lg.....	1
19	<u>653433</u>		Battery Cable (Red), 6AWG, 154mm Lg.....	1
20	<u>652002</u>		Battery Cable (Red), 6AWG, 122mm Lg.....	1
21	<u>659134</u>		Conical Hex Nut, M8 - 1.25	3

4 DC - DC Converter Assembly includes items 5 - 7



THE USE OF NON U.L. PARTS WILL VOID ANY U.L. LISTING.

When ordering parts, please specify the model and serial number of the product.

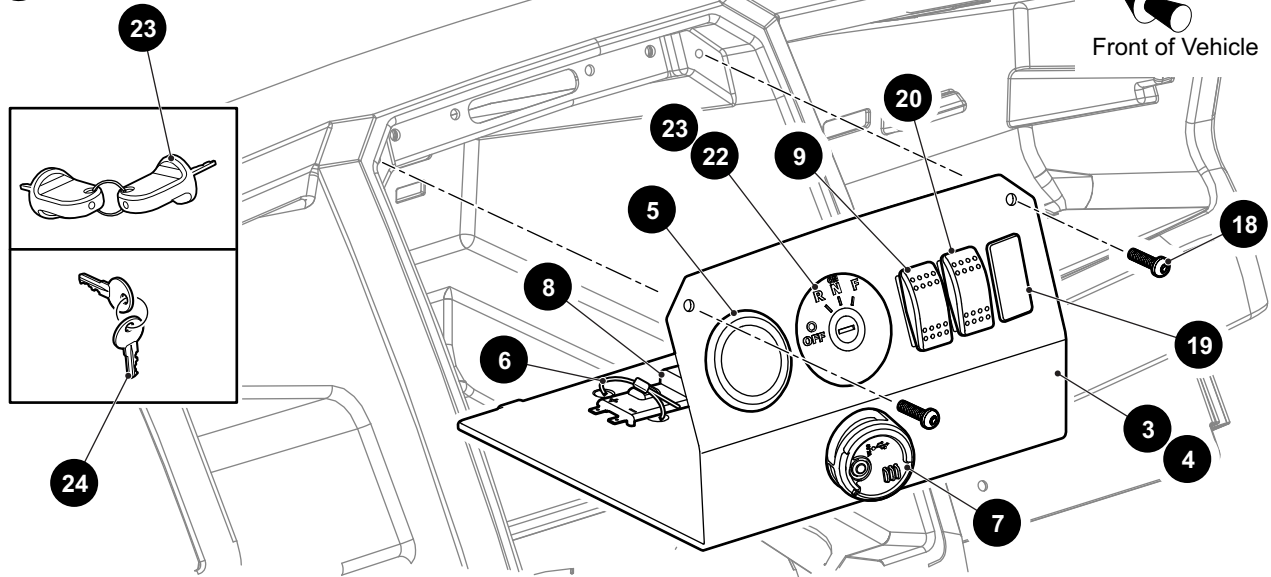
* Indicates a component that is not available as an individual part.

*** Indicates consult Customer Service Department for additional information.

ITEM	PART NO.	1 2 3 4 5	DESCRIPTION	QTY.
1	<u>651531</u>		Charger Receptacle	1
2	<u>71055G02</u>		Rivet, 3/16" Dia.	4
3	<u>32860G1</u>		Horn	1
4	656108		DC-DC Converter Assembly (Includes Items 5 - 7).....	1
5	<u>632185</u>		DC-DC Converter	1
6	<u>633303</u>		DC-DC Converter Bracket	1
7	<u>632372</u>		Self Tapping Screw, #10 - 32 x 3/4" Lg.....	4
8	<u>00414G6</u>		Hex Head Bolt, 1/4" - 20 x 3/4" Lg, Grade 5	2
9	<u>00559G7</u>		Flat Washer, 1/4".....	2
10	<u>11027G2</u>		Flanged Lock Nut, 1/4" - 20	2
11	<u>613271</u>		Reverse Buzzer.....	1
12	<u>01041G01</u>		Rivet (Aluminum), 5/32"	2

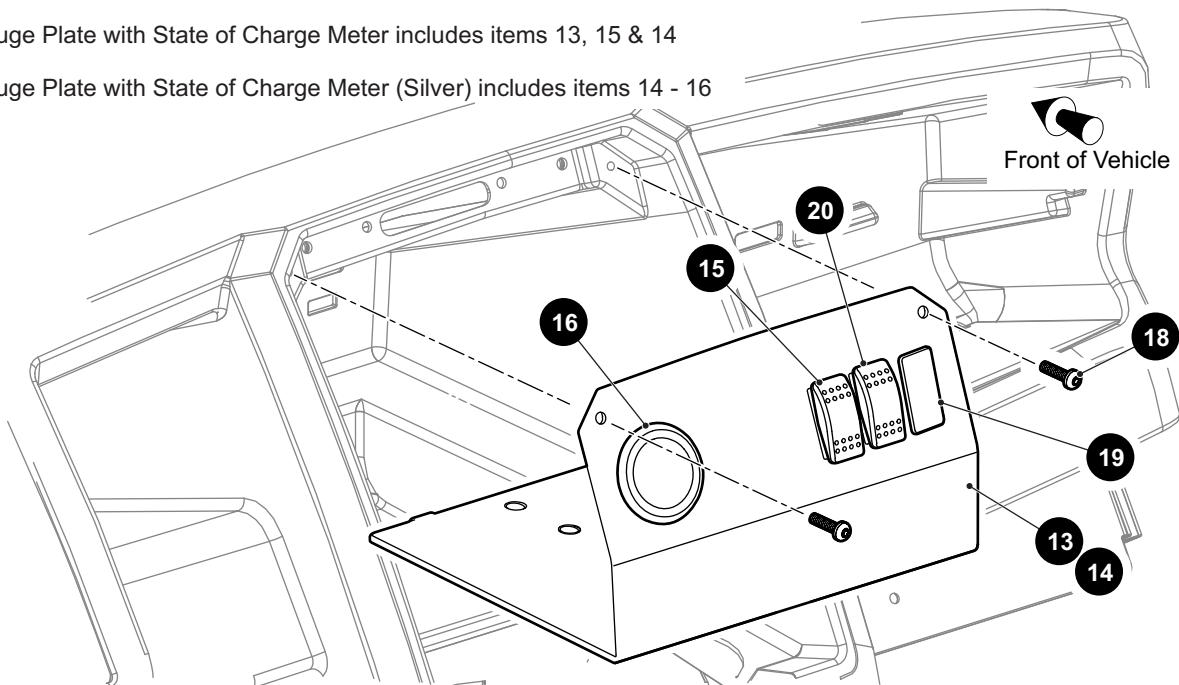
1 Gauge Plate with USB and State of Charge Meter (Silver) includes items 3, 5 - 9

2 Gauge Plate with USB and State of Charge Meter includes items 4 - 9



11 Gauge Plate with State of Charge Meter includes items 13, 15 & 14

12 Gauge Plate with State of Charge Meter (Silver) includes items 14 - 16



THE USE OF NON U.L. PARTS WILL VOID ANY U.L. LISTING.

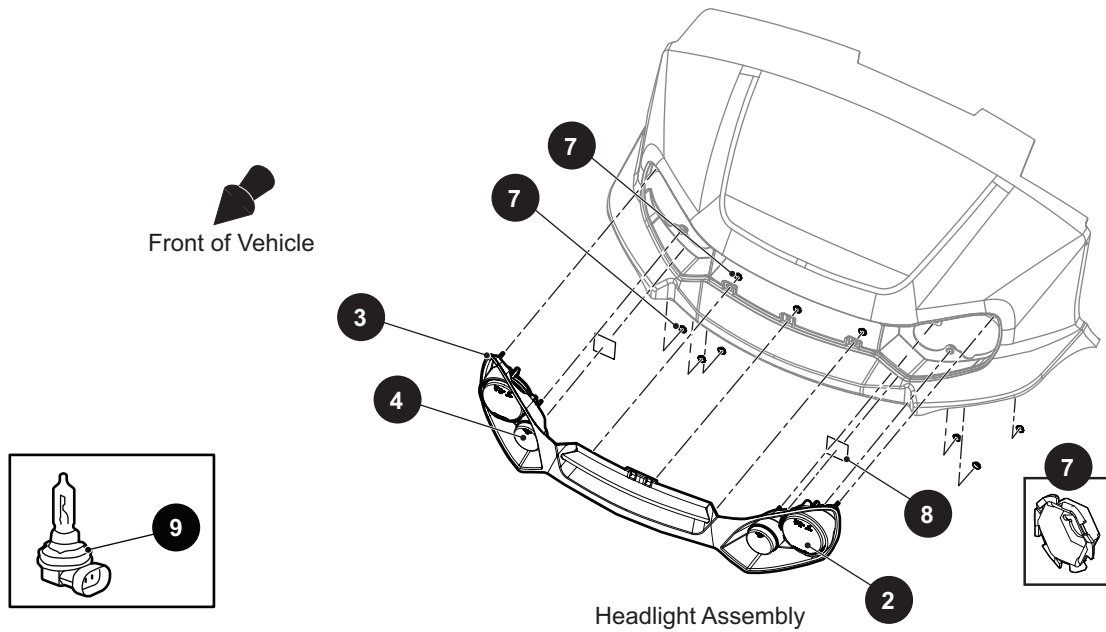
When ordering parts, please specify the model and serial number of the product.

* Indicates a component that is not available as an individual part.

*** Indicates consult Customer Service Department for additional information.

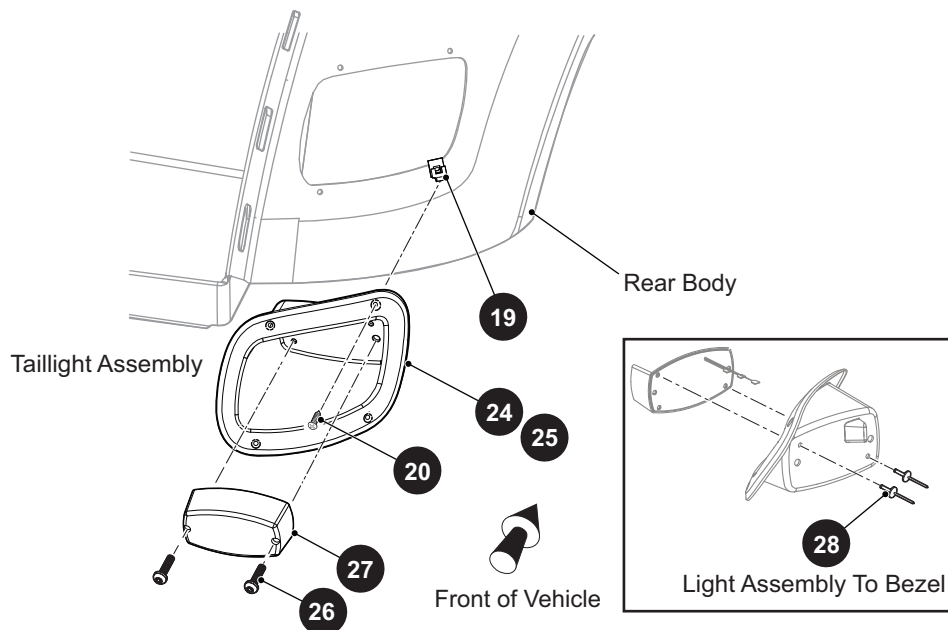
ITEM	PART NO.	1 2 3 4 5	DESCRIPTION	QTY.
1	666085G13		Gauge Plate with USB and State of Charge Meter (Silver) (Includes Items 3, 5 - 9)	1
2	666085G15		Gauge Plate with USB and State of Charge Meter (Includes Items 4 - 9)	1
3	662083G05		Gauge Plate (Silver)	1
4	662083G06		Gauge Plate	1
5	691550		Multifunction Meter	1
6	<u>17618G1</u>		Nylon Clamp, 15.5" Lg.	1
7	<u>639384</u>		USB Port Housing Assembly	1
8	10001356		USB Electronics	1
9	<u>651897G01</u>		Horn Switch (2 Position)	1
10				
11	666085G17		Gauge Plate with State of Charge Meter (Includes Items 13, 15 & 14)	1
12	666085G18		Gauge Plate with State of Charge Meter (Silver) (Includes Items 14 - 16)	1
13	<u>662083G01</u>		Gauge Plate	1
14	662083G04		Gauge Plate (Silver)	1
15	<u>651897G01</u>		Horn Switch (2 Position)	1
16	691550		Multifunction Meter	1
17				
18	<u>649803</u>		Pan Head Torx Screw, M6 - 2.65 x 25mm Lg.	2
19	<u>627035</u>		Switch Panel Plug	1
20	<u>651897G03</u>		Headlight Switch, Hi/Low (3 Position)	1
21				
22	<u>653072</u>		Keyswitch, R-N-F 4 Position	1
23	<u>655131</u>		Key and Keyswitch, Unique	1
24	<u>611282</u>		Common Key Set	1

- 1** Front Grille with LED Headlight Assembly (Hi/Low) includes items 2 - 4



- 22** Taillight Assembly, (Driver Side) includes items 24, 26 - 28

- 23** Taillight Assembly, (Passenger Side) includes items 25 - 28



THE USE OF NON U.L. PARTS WILL VOID ANY U.L. LISTING.

When ordering parts, please specify the model and serial number of the product.

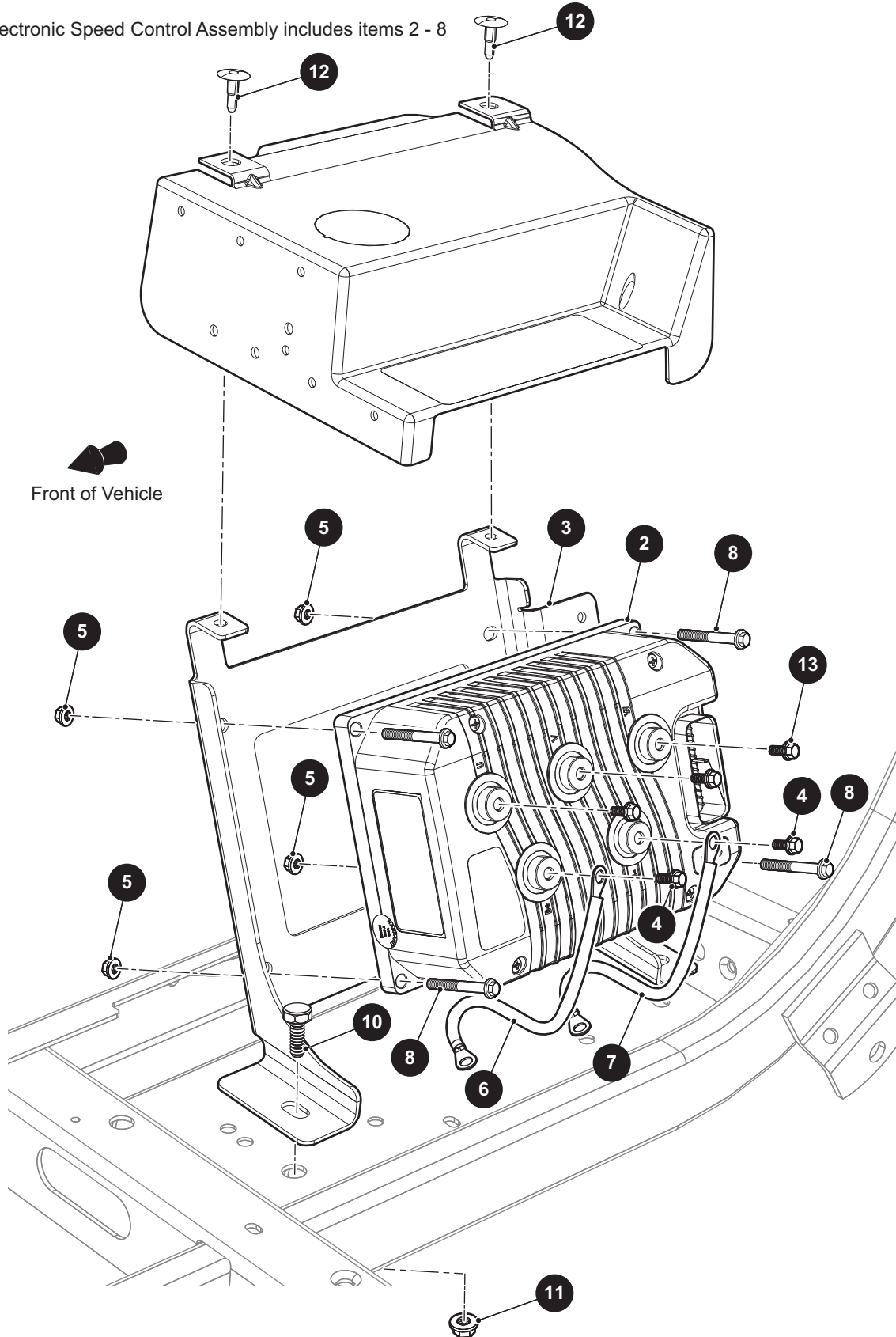
* Indicates a component that is not available as an individual part.

*** Indicates consult Customer Service Department for additional information.

ITEM	PART NO.	1 2 3 4 5	DESCRIPTION	QTY.
1	<u>651698G03</u>		Front Grille with LED Headlight Assembly (Hi/Low) (Includes Items 2 - 4)	1
2	<u>651411G03</u>		LED Headlight	2
3	648564		Front Grille with Lights	1
4	651437		Lens Cover	2
5				
6				
7	<u>71597G01</u>		Self Threading Nut	9
8	<u>71781G02</u>		Vinyl Tape.....	2
9	<u>619102</u>		Turn Signal Bulb.....	1
10				
11				
12				
13	10013736		Jumper Harness, Taillight Halogen (Not Illustrated).....	1
14				
15				
16				
17				
18				
19	71364G02		"J" Type Nut, #8	4
20	71425G01		Tapping Screw, #8 - 18 X 3/4" Lg.....	4
21				
22	655170		Taillight Assembly (Driver Side) (Includes Items 24, 26 - 28).....	1
23	655171		Taillight Assembly (Passenger Side) (Includes Items 25 - 28)	1
24	<u>74371G01</u>		Taillight Bezel (Driver Side)	1
25	<u>74371G02</u>		Taillight Bezel (Passenger Side).....	1
26	00513G4		Pan Head Phillips Screw, #8 - 18 x 3/4" Lg	2
27	22288G1		Taillight Assembly.	1
28	14601G11		Rivet (Aluminum), 3/16" X 9/16"	2

ELECTRONIC SPEED CONTROL

1 Electronic Speed Control Assembly includes items 2 - 8



ELECTRONIC SPEED CONTROL

THE USE OF NON U.L. PARTS WILL VOID ANY U.L. LISTING.

When ordering parts, please specify the model and serial number of the product.

* Indicates a component that is not available as an individual part.

*** Indicates consult Customer Service Department for additional information.

ITEM	PART NO.	1 2 3 4 5	DESCRIPTION	QTY.
1	696692		Electronic Speed Control Assembly (Includes Items 2 - 8)	1
2	10012710G01		Controller Kit.....	1
3	696571		Controller Bracket.....	1
4	<u>606264</u>		Flanged Hex Head Bolt, M6 - 1 x 20mm Lg, Grade 8.8	2
5	<u>450452</u>		Flanged Hex Nut, M6 - 1	4
6	<u>653485</u>		Battery Cable, B+, 525mm (20.6").....	1
7	<u>603104</u>		Wire Assembly, 6AWG, 570mm.....	1
8	<u>606421</u>		Flanged Hex Head Bolt, M6 - 1 x 30mm Lg, Grade 8.8	4
9				
10	00438G6		Hex Head Bolt, 5/16" - 18 x 3/4" Lg, Grade 5	2
11	<u>11027G1</u>		Flanged Lock Nut, 5/16" - 18	2
12	<u>610487</u>		Removable Plastic Rivet, .256".....	2
13	<u>606264</u>		Flanged Hex Head Bolt, M6 - 1 x 20mm Lg, Grade 8.8	3

FRONT SUSPENSION AND STEERING

THE USE OF NON U.L. PARTS WILL VOID ANY U.L. LISTING.

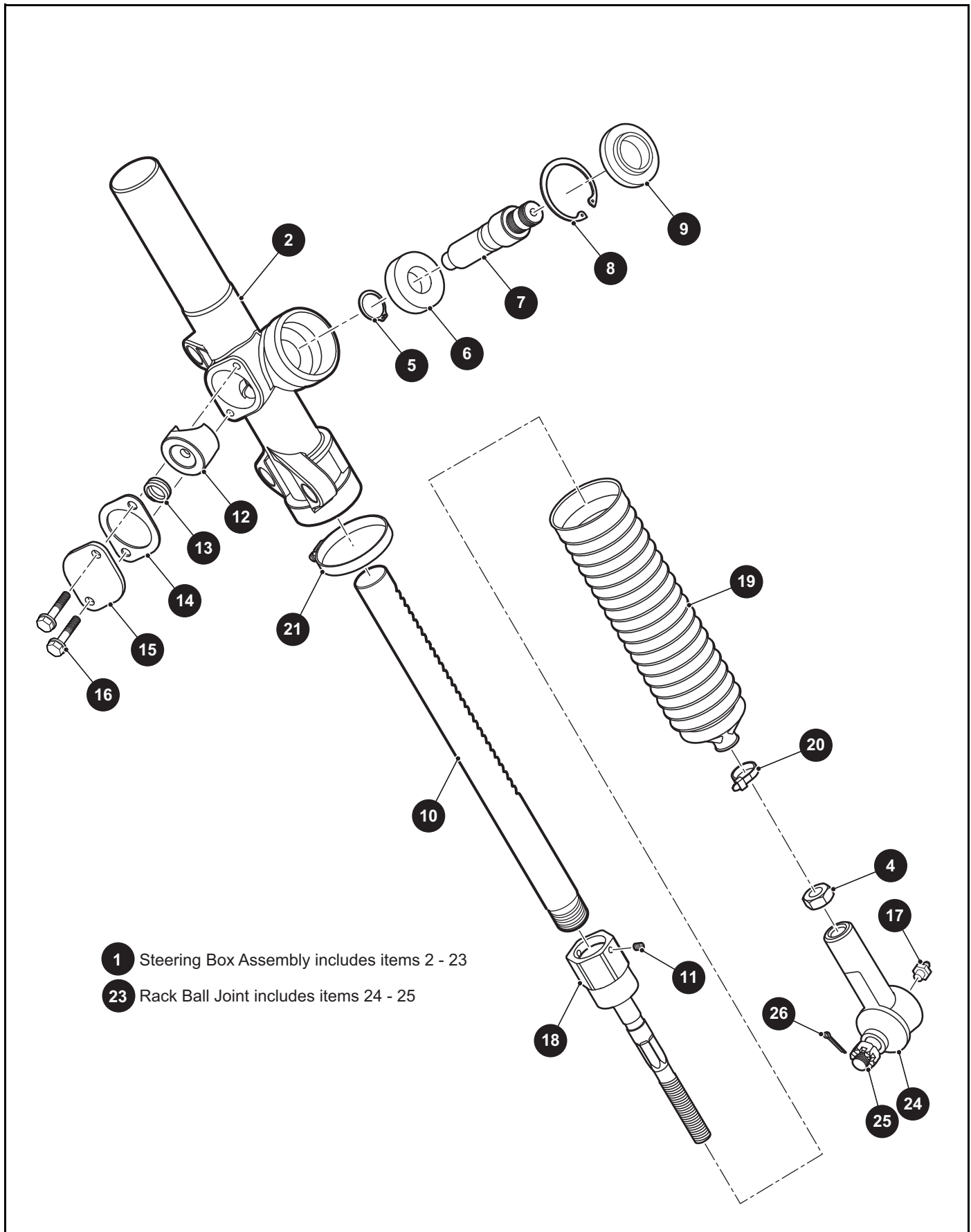
When ordering parts, please specify the model and serial number of the product.

* Indicates a component that is not available as an individual part.

*** Indicates consult Customer Service Department for additional information.

ITEM	PART NO.	1 2 3 4 5	DESCRIPTION	QTY.
1	<u>633795</u>		Front Axle	1
2	<u>70990G03</u>		Leaf Spring.....	2
3	<u>70930G01</u>		Spindle and Hub Assembly, 4 Lug (Passenger Side) (Includes Items 4 - 13)..	1
4	<u>70802G01</u>		Spindle Assembly	1
5	<u>632925</u>		Flanged Bushing, O.D 35mm x I.D 25mm	1
6	<u>632926</u>		Bearing, O.D 28mm.....	1
7	<u>25146G1</u>		Grease Seal.....	1
8	<u>11750G2</u>		Roller Bearing and Race Assembly	2
9	<u>35886G01</u>		Wheel Hub	1
10				
11	<u>12093G1</u>		Slotted Nut, #1 - 14.....	1
12	<u>00798G8</u>		Cotter Pin, 5/32" x 1 3/4" Lg	1
13	<u>12091G2</u>		Spindle Cap	1
14	<u>70754G01</u>		Thrust Washer (SS), 1.3"	1
15				
16	<u>70931G01</u>		Spindle and Hub Assembly, 4 Lug (Driver Side) (Includes Items 5 - 13, 17) ...	1
17	<u>70803G01</u>		Spindle Assembly	1
18				
19	<u>00560G3</u>		Flat Washer, 1/2"	2
20	<u>70745G01</u>		King Pin Tube, 4.36" Lg	1
21	<u>00407G6</u>		Hex Head Bolt, 1/2" - 13 x 6" Lg, Grade 5	1
22	<u>14390G6</u>		Lock Nut, 1/2" - 13	1
23	<u>652258</u>		Spring Plate.....	2
24	<u>00734G1</u>		Lock Nut, 7/16" - 14	6
25	<u>00463G11</u>		Hex Head Bolt, 7/16" - 14 x 1 1/2" Lg, Grade 5	6
26	<u>10435G1</u>		Shock Absorber Washer	4
27	<u>10194G1</u>		Rubber Shock Absorber Bushing.....	4
28	<u>00532G6</u>		Hex Nut, 1/4" - 20.....	2
29	<u>76419G01</u>		Shock Absorber.....	2
30	<u>10044G01</u>		Vinyl Cap.....	2

FRONT SUSPENSION AND STEERING



FRONT SUSPENSION AND STEERING

THE USE OF NON U.L. PARTS WILL VOID ANY U.L. LISTING.

When ordering parts, please specify the model and serial number of the product.

* Indicates a component that is not available as an individual part.

*** Indicates consult Customer Service Department for additional information.

ITEM	PART NO.	1 2 3 4 5	DESCRIPTION	QTY.
1	<u>70964G01</u>		Steering Box Assembly (Includes Items 2 - 23)	1
2	<u>70965G01</u>		Steering Rack Cover and Bearing	1
3				
4	*		Jam Nut, 1/2" - 20	1
5	<u>70750G01</u>		Retaining Ring (External)	1
6	<u>15112G1</u>		Ball Bearing, O.D 1.65" x I.D .78"	1
7	<u>70603G01</u>		Pinion	1
8	<u>70751G01</u>		Retaining Ring (Internal).....	1
9	<u>70638G01</u>		Seal (Pinion)	1
10	<u>70604G01</u>		Steering Rack	1
11	*		Set Screw, #10 - 32 x .25" Lg	1
12	<u>70590G01</u>		Rack Loader	1
13	<u>70666G01</u>		Compression Spring	1
14	<u>70645G01</u>		Gasket (Rack Loader Cover).....	1
15	<u>652259</u>		Cover (Rack Loader)	1
16	<u>71102G01</u>		Hex Washer Head Bolt, 1/4" - 20 x 11/16" Lg, Grade 5	2
17	<u>10389G3</u>		Grease Fitting (Straight)	1
18	<u>70694G01</u>		Rod End (Inner)	1
19	<u>70961G01</u>		Rack Boot	1
20	<u>12416G2</u>		Nylon Clamp, 10" Lg.....	1
21	<u>11391G8</u>		Hose Clamp, 1.81".....	1
22				
23	<u>70695G01</u>		Tie Rod End (Outer) (Includes Items 24 - 25).....	1
24	<u>50641G1</u>		Grommet	1
25	<u>50209G02</u>		Hex Slotted Nut, 7/16" - 20	1
26	<u>10387G2</u>		Cotter Pin, 3/32" x 1"	1

FRONT SUSPENSION AND STEERING

THE USE OF NON U.L. PARTS WILL VOID ANY U.L. LISTING.

When ordering parts, please specify the model and serial number of the product.

* Indicates a component that is not available as an individual part.

*** Indicates consult Customer Service Department for additional information.

ITEM	PART NO.	1 2 3 4 5	DESCRIPTION	QTY.
1	<u>00464G6</u>		Hex Head Bolt, 7/16" - 14 x 2 3/4" Lg, Grade 5	2
2	<u>01068G01</u>		Hex Head Bolt, 7/16" - 14 x 3.5" Lg, Grade 5	1
3	<u>70667G02</u>		Spacer, O.D, 1" X I.D .46" x 1.2" Lg	2
4	<u>70667G04</u>		Spacer, O.D 1" X I.D .46" x .69" Lg	1
5	<u>00463G11</u>		Hex Head Bolt, 7/16" - 14 x 1 1/2" Lg, Grade 5	2
6	<u>00560G2</u>		Flat Washer, 7/16"	7
7	<u>00734G1</u>		Lock Nut, 7/16" - 14	3
8	<u>00532G7</u>		Hex Nut, 1/4" - 20	1
9	<u>01006G01</u>		Hex Washer Head Bolt, 3/8" - 16 x 1 1/4" Lg	4
10	<u>00879G1</u>		Lock Washer, 3/8"	4
11				
12	<u>70758G05</u>		Steering Column Assembly (Includes Items 13 - 25)	1
13	<u>70610G03</u>		Steering Column	1
14	<u>28569G01</u>		Steering Column Bushing	1
15	10026871		Pan Head Torx Screw, #6 - 20 x .25" Lg	1
16	<u>70607G01</u>		Steering Shaft	1
17	<u>15112G1</u>		Ball Bearing, O.D 1.65" x I.D .78"	1
18	<u>70887G01</u>		Wave Washer	1
19				
20	<u>70580G01</u>		Intermediate Shaft	1
21	<u>01055G01</u>		Hex Head Bolt, M8 - 1.25 x 1.18" Lg, Grade 5	1
22	<u>00565G8</u>		Lock Washer, 5/16"	1
23				
24	<u>70751G01</u>		Retaining Ring (Internal)	1
25	<u>70888G01</u>		Retaining Ring (External)	1
26	10012163		Steering Wheel Adapter	1
27	10013920		Steering Wheel (Premium)	1
28	0405-620		Center Cap (Steering Wheel)	1
29	<u>14390G2</u>		Lock Nut, 5/8" - 18	1
30	<u>01055G01</u>		Hex Head Bolt, M8 - 1.25 x 1.18" Lg, Grade 5	1
31	<u>00565G8</u>		Lock Washer, 5/16"	1

FRONT SUSPENSION AND STEERING

THE USE OF NON U.L. PARTS WILL VOID ANY U.L. LISTING.

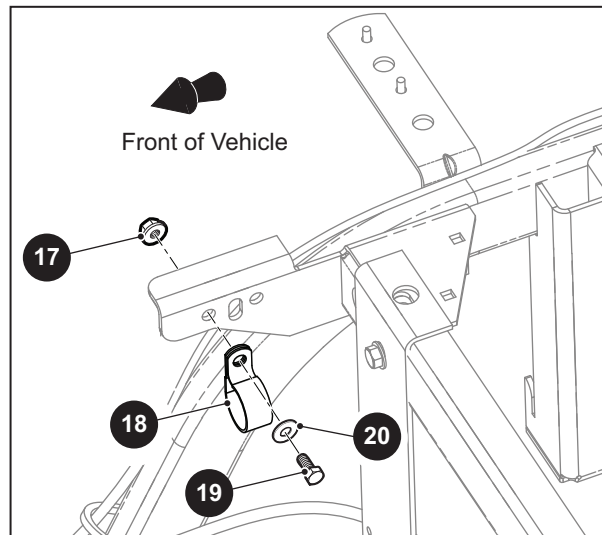
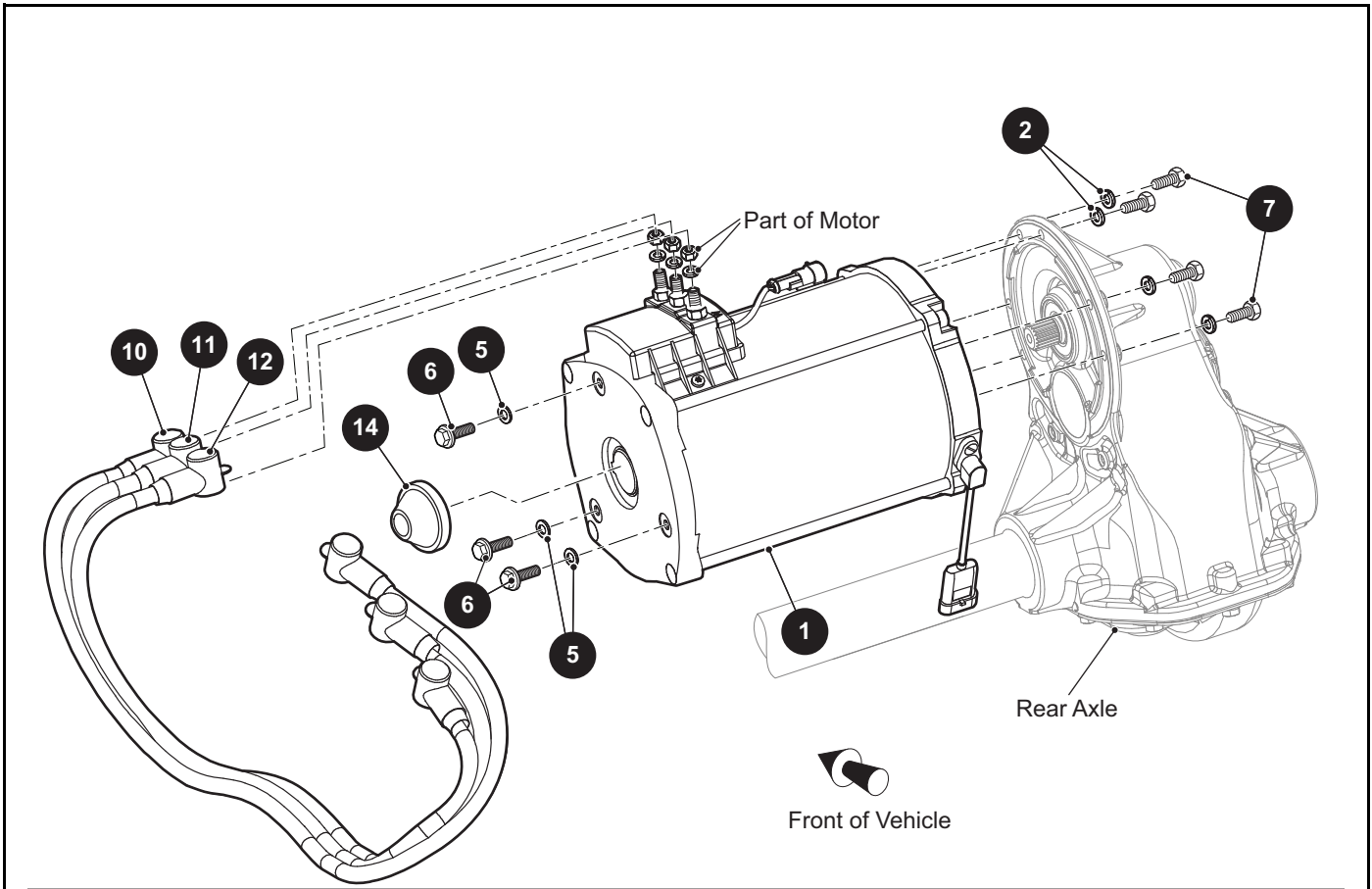
When ordering parts, please specify the model and serial number of the product.

* Indicates a component that is not available as an individual part.

*** Indicates consult Customer Service Department for additional information.

ITEM	PART NO.	1 2 3 4 5	DESCRIPTION	QTY.
32	<u>00734G1</u>		Lock Nut, 7/16" - 14	2
33				
34				
35				
36	<u>70876G02</u>		Tie Rod Assembly 26.44" Lg (Includes Items 37 - 41).....	1
37	<u>70897G02</u>		Threaded Rod (24" Lg)	1
38	<u>70902G01</u>		Tie Rod End (Left Hand Threads)	1
39	<u>01069G01</u>		Jam Nut, M12 x 1.25 - 05 (Left Hand Threads).....	1
40	<u>70902G02</u>		Tie Rod End (Right Hand Threads).....	1
41	<u>01069G02</u>		Jam Nut, M12 x 1.25 - 05 (Right Hand Threads)	1

MOTOR



THE USE OF NON U.L. PARTS WILL VOID ANY U.L. LISTING.

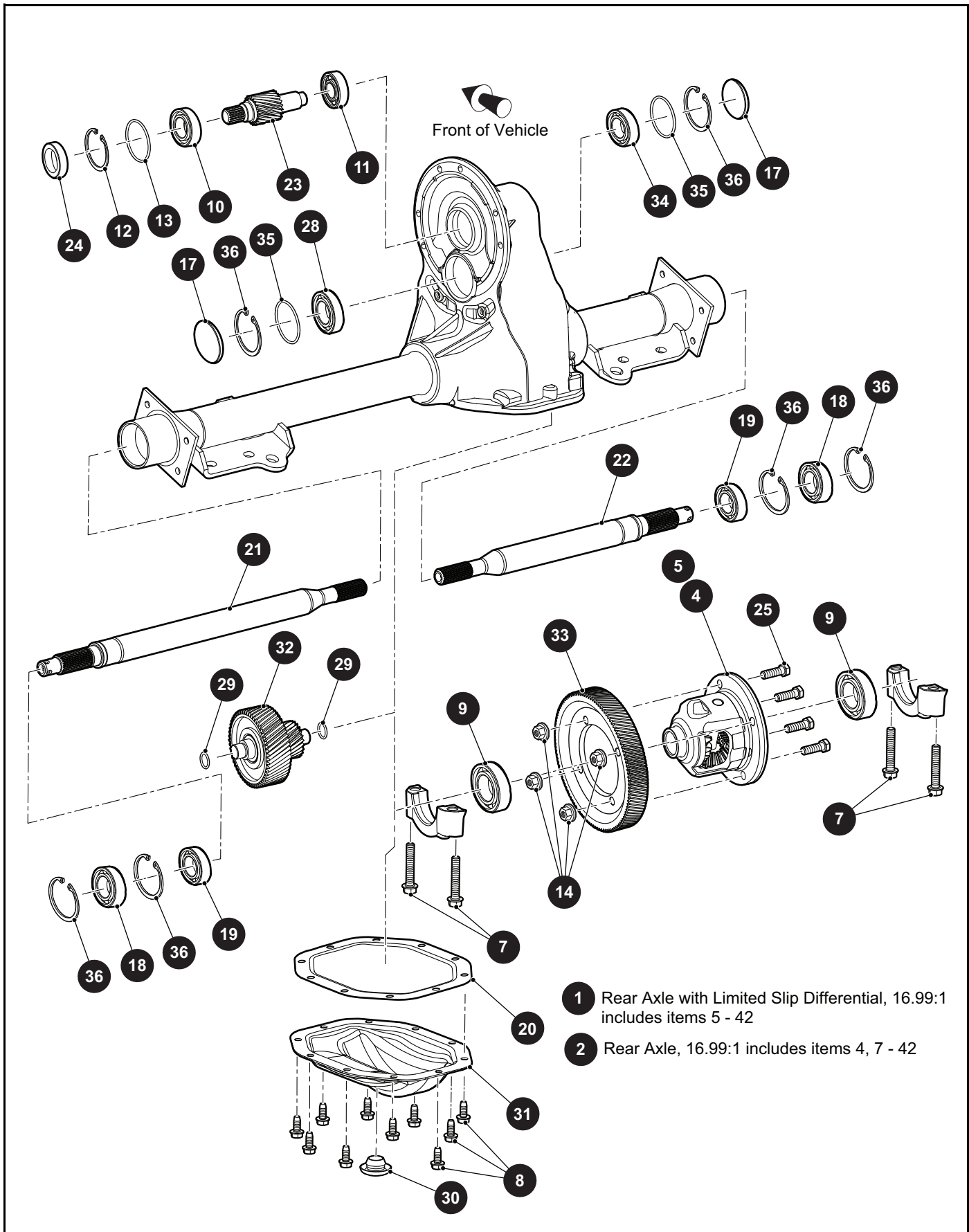
When ordering parts, please specify the model and serial number of the product.

* Indicates a component that is not available as an individual part.

*** Indicates consult Customer Service Department for additional information.

ITEM	PART NO.	1 2 3 4 5	DESCRIPTION	QTY.
1	681071		Motor, 72V.....	1
2	<u>601327</u>		Lock Washer, 6mm	6
3				
4				
5	<u>00915G1</u>		Bonded Seal Washer, 1/4" I.D.	3
6	<u>73876G01</u>		Flanged Hex Head Bolt, M6 - 1 x 12mm Lg.....	3
7	<u>605741</u>		Hex Head Bolt, M6 - 1 x 25mm Lg.....	6
8	<u>27327G02</u>		Twisted Clamp (Not Illustrated).....	1
9				
10	<u>635137G01</u>		Motor Wire (U), 2AWG, 44".....	1
11	<u>635137G02</u>		Motor Wire (V), 2AWG, 41"	1
12	<u>635137G03</u>		Motor Wire (W), 2AWG, 37"	1
13				
14	668275		End Cap Plug.....	1
15				
16				
17	<u>11027G2</u>		Flanged Lock Nut, 1/4" - 20	1
18	<u>630761</u>		Loop Clamp.....	1
19	<u>00414G7</u>		Hex Head Bolt, 1/4" - 20 x 7/8" Lg, Grade 5	1
20	<u>00559G7</u>		Flat Washer, 1/4".....	1

REAR AXLE



THE USE OF NON U.L. PARTS WILL VOID ANY U.L. LISTING.

When ordering parts, please specify the model and serial number of the product.

* Indicates a component that is not available as an individual part.

*** Indicates consult Customer Service Department for additional information.

ITEM	PART NO.	1 2 3 4 5	DESCRIPTION	QTY.
1	<u>633600</u>		Rear Axle with Limited Slip Differential, 16.99:1 (Includes Items 5 - 42).....	1
2	<u>633599</u>		Rear Axle, 16.99:1 (Includes Items 4, 7 - 42).....	1
3				
4	<u>601082</u>		Differential Assembly	1
5	<u>614059</u>		Limited Slip Differential with CC Clutch	1
6				
7	<u>15118G1</u>		Hex Head Bolt, 3/8" - 16 x 2.125" Lg.....	4
8	<u>15558G1</u>		Hex Head Bolt, 5/16" - 18 x .75" Lg.....	10
9	<u>17473G1</u>		Bearing Assembly.....	2
10	<u>23519G2</u>		Ball Bearing Single Lip Seal	1
11	<u>23520G1</u>		Ball Bearing	1
12	<u>23530G1</u>		Retainer Ring.....	1
13	<u>24628G1</u>		O-ring Seal	1
14	<u>601084</u>		Lock Nut, 3/8" - 24	4
15				
16				
17	<u>608811</u>		End Cap.....	2
18	<u>611788</u>		Ball Bearing	2
19	<u>612064</u>		Oil Seal	2
20	<u>612824</u>		Gasket	1
21	<u>617608</u>		Axle Shaft (Driver Side).....	1
22	<u>617609</u>		Axle Shaft (Passenger Side)	1
23	<u>620327</u>		Input Gear.....	1
24	<u>620328</u>		Oil Seal	1
25	<u>620335</u>		Hex Head Bolt, 3/8" - 24 x 1.25" Lg.....	4
26				
27				
28	<u>620340</u>		Ball Bearing	1
29	<u>620345</u>		O-ring, 18mm.....	2
30	<u>620347</u>		Rubber Plug.....	1
31	<u>620348</u>		Differential Cover Plate.....	1

REAR AXLE

THE USE OF NON U.L. PARTS WILL VOID ANY U.L. LISTING.

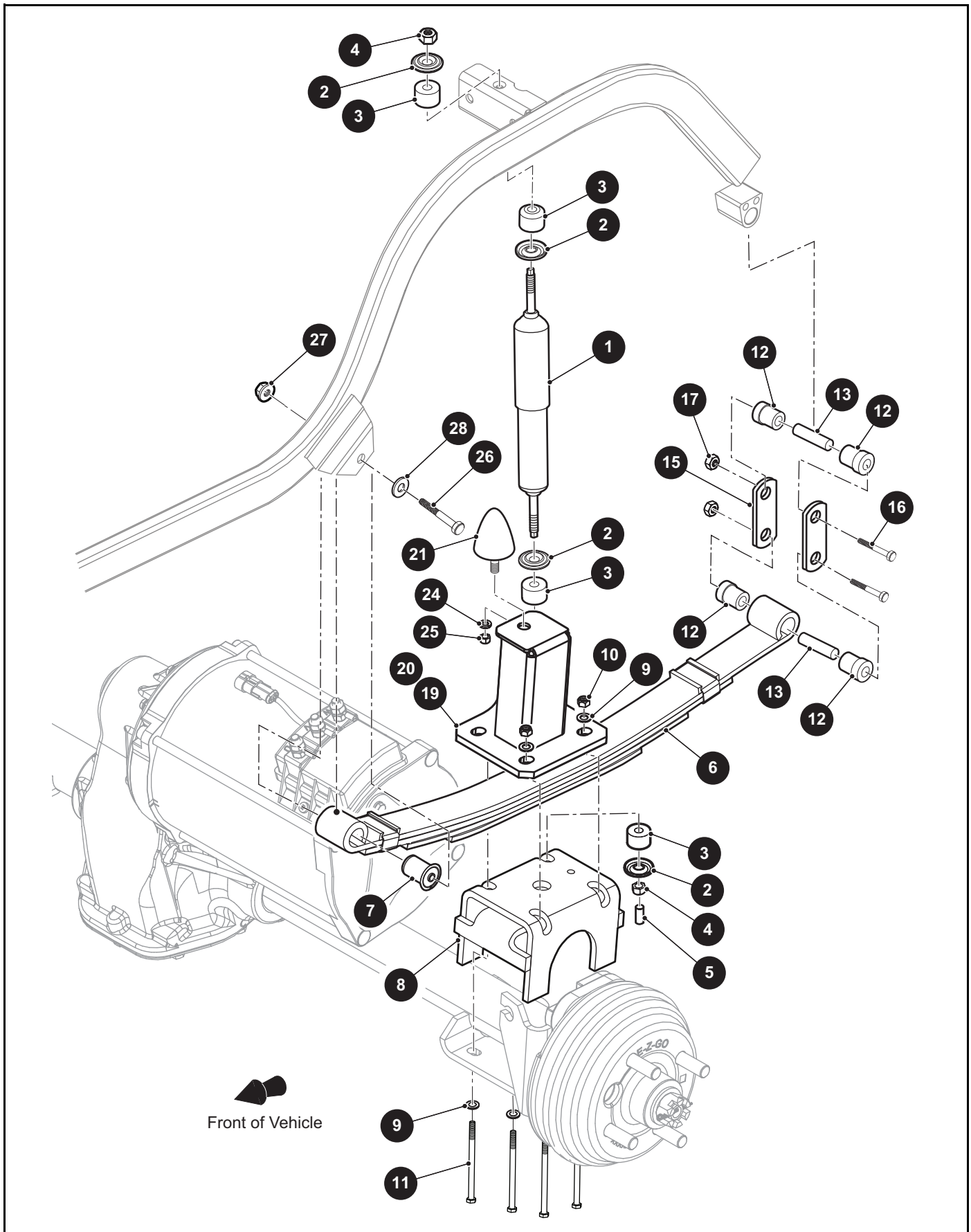
When ordering parts, please specify the model and serial number of the product.

* Indicates a component that is not available as an individual part.

*** Indicates consult Customer Service Department for additional information.

ITEM	PART NO.	1	2	3	4	5	DESCRIPTION	QTY.
32	<u>620349</u>						Intermediate Gear Assembly.....	1
33	<u>620350</u>						Drive Gear.....	1
34	<u>620355</u>						Ball Bearing.....	1
35	<u>620358</u>						O-ring, 18mm.....	2
36	<u>620359</u>						Retaining Ring.....	6
37								
38								
39	<u>620329</u>						Input Gears Kit (Not Illustrated).....	1
40	<u>620361</u>						Internal Gears Kit (Not Illustrated).....	1
41	<u>620362</u>						Ball Bearing Kit (Not Illustrated).....	1
42	<u>620363</u>						Differential Cover Assembly Kit (Not Illustrated).....	1

REAR SUSPENSION



REAR SUSPENSION

THE USE OF NON U.L. PARTS WILL VOID ANY U.L. LISTING.

When ordering parts, please specify the model and serial number of the product.

* Indicates a component that is not available as an individual part.

*** Indicates consult Customer Service Department for additional information.

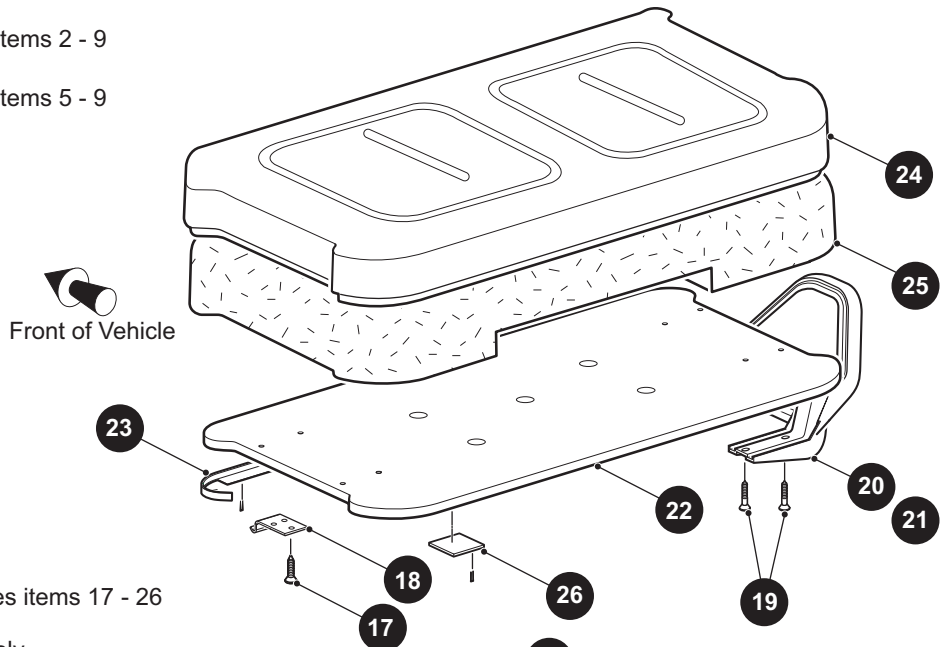
ITEM	PART NO.	1 2 3 4 5	DESCRIPTION	QTY.
1	<u>642085</u>		Shock Absorber.....	2
2	<u>10435G1</u>		Shock Absorber Washer, I.D. .406" x O.D. 1.25"	4
3	<u>10194G1</u>		Rubber Bushing	4
4	<u>00532G6</u>		Hex Nut, 3/8" - 24.....	2
5	<u>10044G01</u>		Vinyl Cap.....	1
6	<u>605721</u>		Leaf Spring.....	2
7	<u>605445</u>		Front Spring Bushing	2
8	<u>652708G03</u>		Lift Bracket	1
9	<u>00560G1</u>		Flat Washer, 3/8".....	8
10	<u>11098G5</u>		Lock Nut, 3/8" - 16	4
11	<u>00430G12</u>		Hex Head Bolt, 3/8" - 16 x 5 1/2" Lg, Grade 5	4
12	<u>624030</u>		Flanged Bushing	4
13	<u>70289G02</u>		Split Spacer (Steel), I.D. .376" x O.D. 1" x 1" Lg.....	2
14				
15	<u>652245</u>		Shackle Plate	2
16	<u>00665G9</u>		Hex Head Bolt (SS), 3/8" - 16 x 3 1/2" Lg	2
17	<u>11098G5</u>		Lock Nut, 3/8" - 16	2
18				
19	<u>652629G103</u>		Spring Plate with E-Coat/P-Coat (Driver Side).....	1
20	<u>652629G203</u>		Spring Plate with E-Coat/P-Coat (Passenger Side).....	1
21	<u>70492G01</u>		Rubber Bumper.....	1
22				
23				
24	<u>608654</u>		Split Lock Washer, M10	1
25	<u>00974G01</u>		Hex Nut, M10 - 1	1
26	<u>00665G9</u>		Hex Head Bolt (SS), 3/8" - 16 x 3 1/2" Lg	1
27	<u>12262G1</u>		Flanged Lock Nut, 3/8" - 16	1
28	<u>00643G1</u>		Flat Washer, 3/8".....	2

SEATING

1 Seat Back Assembly includes items 2 - 9

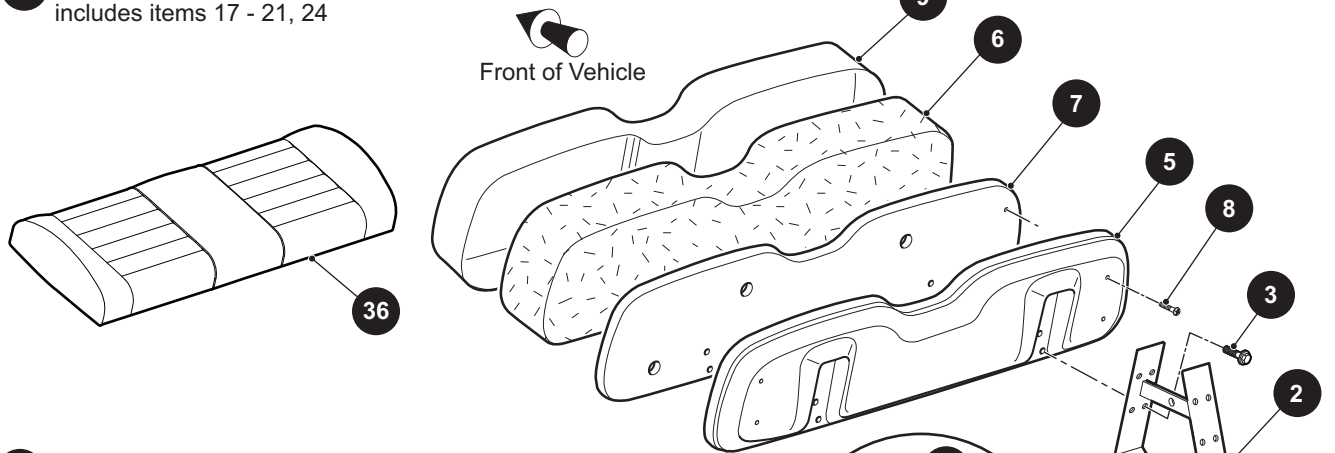
4 Seat Back Assembly includes items 5 - 9

10 Premium Seat Back Assembly includes items 2 - 3, 11

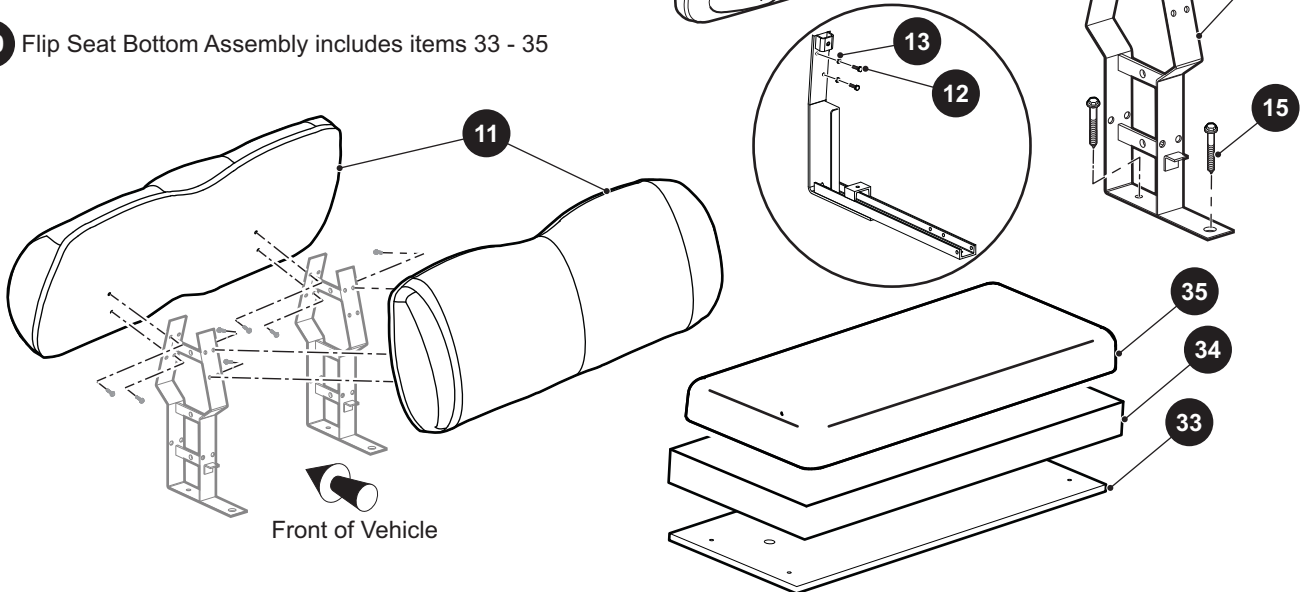


16 Seat Bottom Assembly includes items 17 - 26

27 Premium Seat Bottom Assembly includes items 17 - 21, 24



30 Flip Seat Bottom Assembly includes items 33 - 35



THE USE OF NON U.L. PARTS WILL VOID ANY U.L. LISTING.

When ordering parts, please specify the model and serial number of the product.

* Indicates a component that is not available as an individual part.

*** Indicates consult Customer Service Department for additional information.

ITEM	PART NO.	1 2 3 4 5	DESCRIPTION	QTY.
1	***		Seat Back Assembly (Includes Items 2 - 9)..... 632818G01 Oyster 632818G03 Tan 632818G04 Gray 632818G06 Black	1
2	<u>634178</u>		Support Weldment.....	1
3	71204G01		Hex Washer Head Bolt With Patch Lock, 1/4" - 20 x .875" Lg.....	4
4	***		Seat Back Assembly (Includes Items 5 - 9)..... 71751G03 Oyster 71751G04 Tan 71751G02 Gray 71751G07 Black	2
5	71752G01		Cover (Plastic).....	1
6	<u>71754G01</u>		Padding (Foam)	1
7	<u>645021</u>		Base Assembly	1
8	<u>01107G01</u>		Pan Head Torx Screw, #8 x .63" Lg.....	4
9	***		Vinyl Cover..... 71753G02 Gray 71753G03 Oyster 71753G04 Tan 71753G07 Black	1
10	***		Premium Seat Back Assembly (Includes Items 2 - 3, 11) 692961G18 Mushroom 692961G21 Premium Black 10000522G0114 Gray/Black 10000522G0122 White/Beige	1
11	***		Seat Back Assembly..... 654084G18 Mushroom 654084G21 Premium Black 10000520G0114 Gray/Black 10000520G0122 White/Beige	2
12	<u>00661G8</u>		Hex Head Bolt, 1/4" - 20 x 1/2" Lg	4
13	<u>00664G7</u>		Lock Washer (SS), 0.255".....	4
14				
15	<u>01006G01</u>		Hex Washer Head Thread Forming Screw, 3/8" - 16 x 1.25" Lg.....	2

SEATING

THE USE OF NON U.L. PARTS WILL VOID ANY U.L. LISTING.

When ordering parts, please specify the model and serial number of the product

* Indicates a component that is not available as an individual part.

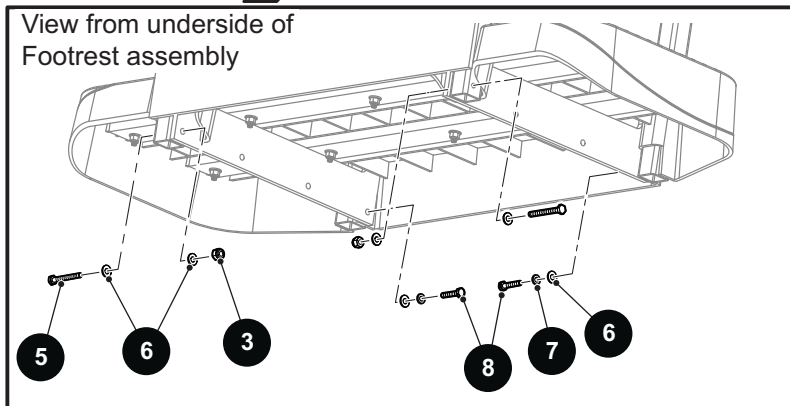
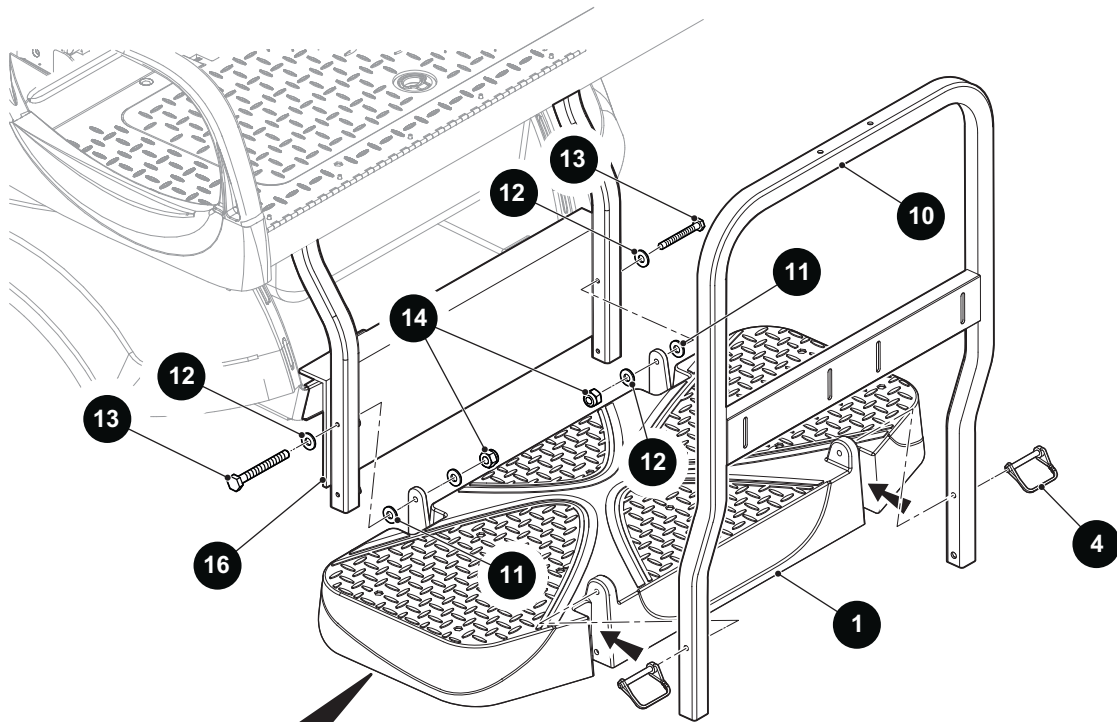
*** Indicates consult Customer Service Department for additional information.

ITEM	PART NO.	1	2	3	4	5	DESCRIPTION	QTY.
16	***						Seat Bottom Assembly (Includes Items 17 - 26)..... 629269G0101 Oyster 629269G0103 Tan 629269G0104 Gray 629269G0106 Black 629269G3014 Gray/Black 629269G3022 White/Beige	1
17	<u>00720G08</u>						Flat Head Phillips Tapping Screw, #12 - 14 x 1" Lg.....	6
18	<u>71610G01</u>						Seat Hinge	2
19	<u>615417</u>						Button Head Torx Bolt, M10 - 1.5 x 25mm Lg	4
20	<u>617644</u>						Hip Restraint (Passenger Side).....	1
21	<u>617645</u>						Hip Restraint (Driver Side)	1
22	<u>645492</u>						Base.....	1
23	<u>71012G01</u>						Trim (Polypropylene).....	1
24	***						Vinyl Cover..... 71602G02 Gray 71602G03 Oyster 71602G04 Tan 71602G06 Black 10004900G14 Gray/Black 10000416G22 White/Beige 654085G18 Mushroom 654085G21 Premium Black	1
25	<u>71603G02</u>						Padding (Foam)	1
26	<u>17074G1</u>						Soiling Slab	2
27	***						Premium Seat Bottom Assembly (Includes Items 17 - 21, 24)..... 629269G2818 Mushroom 629269G2821 Black	1
28								
29								
30	***						Flip Seat Bottom Assembly (Includes Item 33 - 35)..... 699321G01 Oyster 699321G03 Tan 699321G04 Gray 699321G06 Black 699321G14 Gray/Black 699321G22 White/Beige	1
31								
32								
33	669061						Seat Bottom	1

THE USE OF NON U.L. PARTS WILL VOID ANY U.L. LISTING.
 When ordering parts, please specify the model and serial number of the product.
 * Indicates a component that is not available as an individual part.
 *** Indicates consult Customer Service Department for additional information.

ITEM	PART NO.	1 2 3 4 5 DESCRIPTION	QTY.
34	699297	Seat Bottom (Foam)	1
35	***	Seat Bottom (Vinyl)..... 615646 Oyster 615647 Tan 617892 Gray 615648 Black 10004899G14 Gray/Black 10000413G22 White/Beige	1
36	***	Flip Seat Bottom Assembly (Premium) 600082G18 Mushroom 600082G21 Black	1

2 Rear Facing Seat Hardware Kit includes items 3 - 8



THE USE OF NON U.L. PARTS WILL VOID ANY U.L. LISTING.

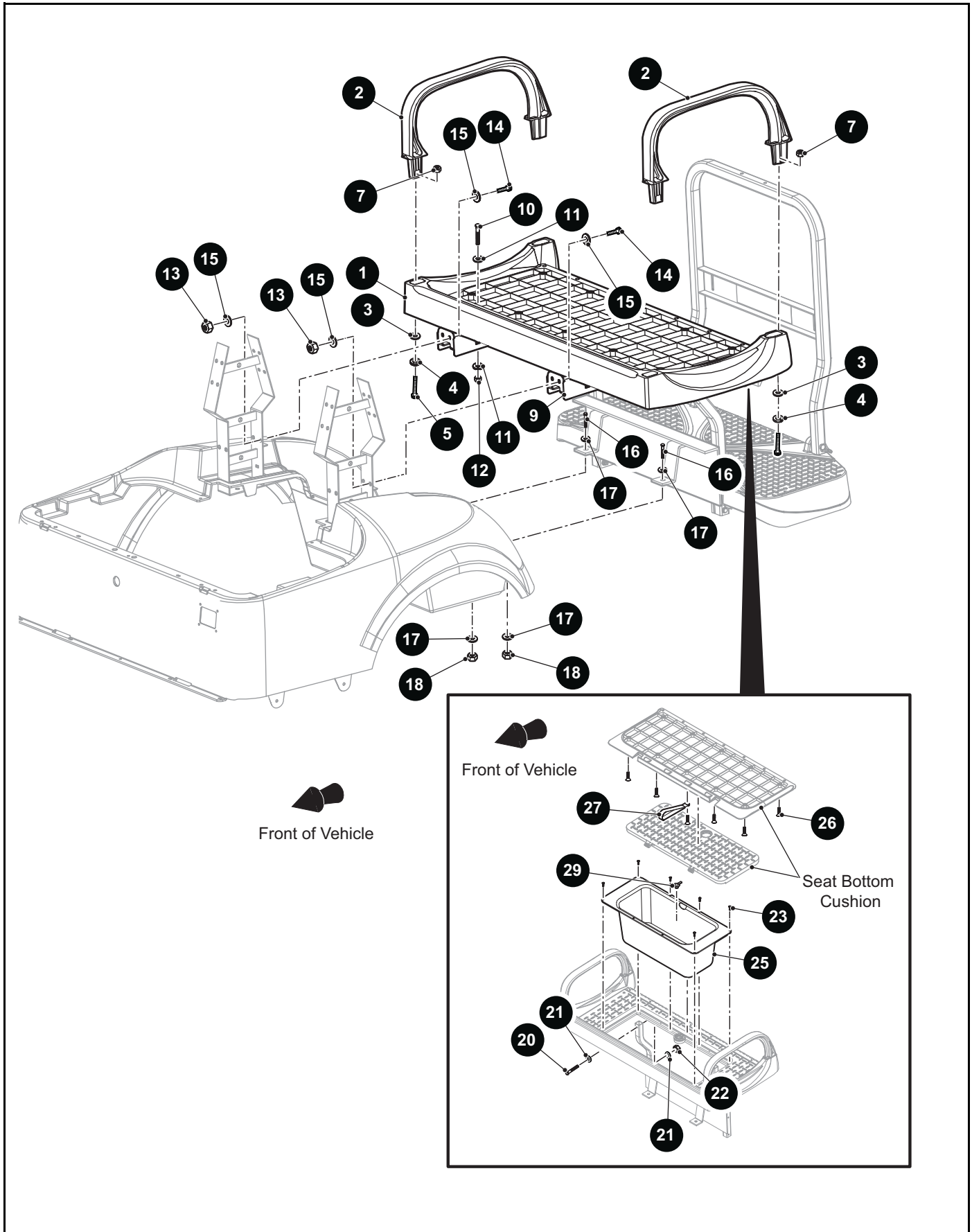
When ordering parts, please specify the model and serial number of the product.

* Indicates a component that is not available as an individual part.

*** Indicates consult Customer Service Department for additional information.

ITEM	PART NO.	1 2 3 4 5	DESCRIPTION	QTY.
1	699422		Footrest Assembly.....	1
2	10007049		Rear Facing Seat Hardware Kit (Includes Items 3 - 8).....	1
3	<u>14390G4</u>		Lock Nut, 1/4" - 20	2
4	699594		Locking Pin, 5/16" x 2.3"	2
5	400122J		Hex Head Bolt, 1/4" - 20 x 2 1/4" Lg	2
6	<u>00559G7</u>		Flat Washer, .286" I.D x .63" O.D	6
7	446130		Lock Washer, 1/4"	2
8	<u>00415G2</u>		Hex Head Bolt, 1/4" - 20 x 1 1/4" Lg	2
9				
10	10024185		Safety Bar	1
11	<u>20835G1</u>		Teflon Washer, 3/8"	2
12	<u>00559G7</u>		Flat Washer, 1/4"	4
13	400122J		Hex Head Bolt, 1/4" - 20 x 2 1/4" Lg	2
14	<u>14390G4</u>		Lock Nut, 1/4" - 20	2
15				
16	10023041		Bumper Weldment	1

SEATING



THE USE OF NON U.L. PARTS WILL VOID ANY U.L. LISTING.

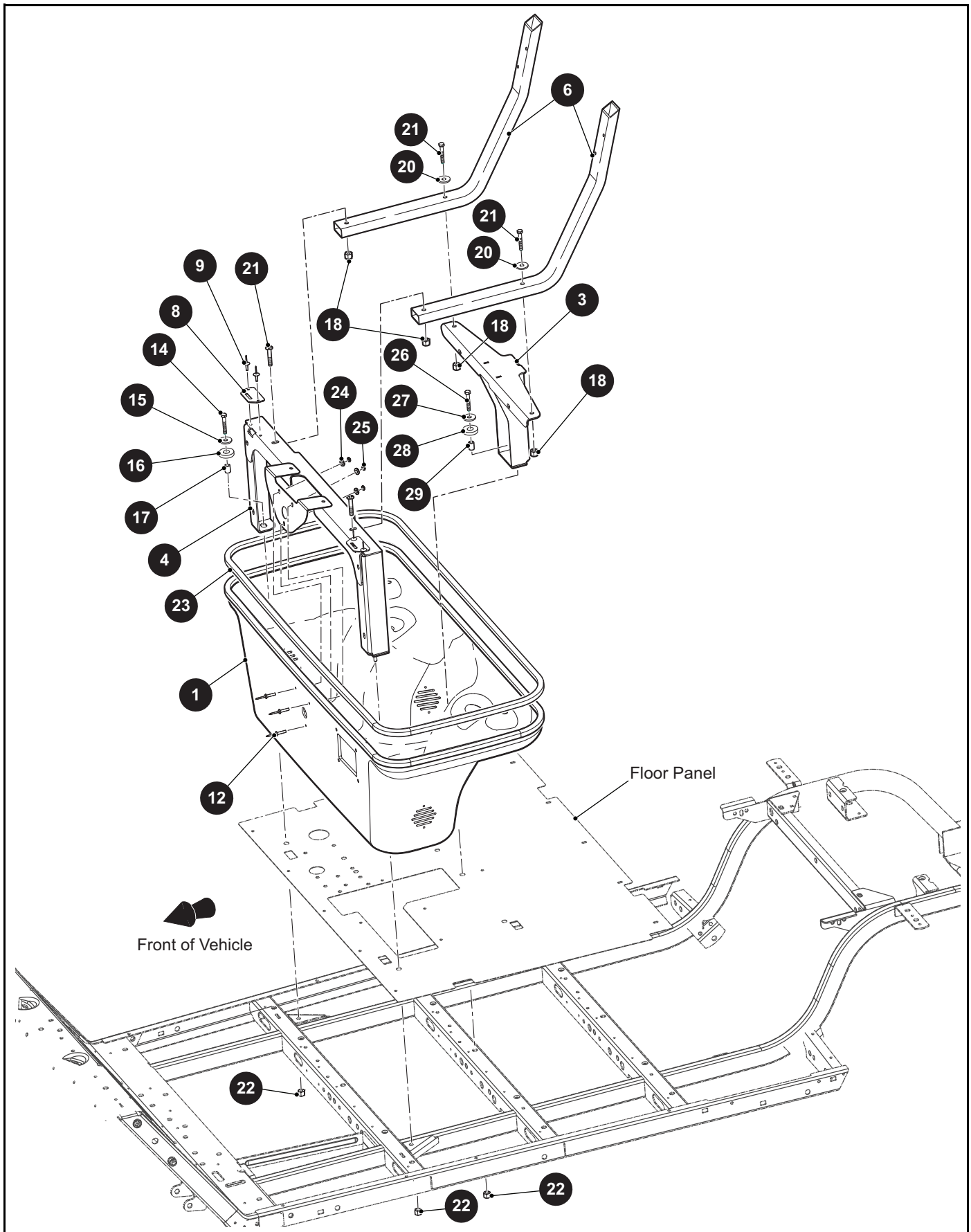
When ordering parts, please specify the model and serial number of the product.

* Indicates a component that is not available as an individual part.

*** Indicates consult Customer Service Department for additional information.

ITEM	PART NO.	1 2 3 4 5	DESCRIPTION	QTY.
1	699418		Base Seat Assembly	1
2	699419		Restraint Hip	2
3	<u>00559G7</u>		Flat Washer, 1/4"	4
4	446130		Lock Washer, 1/4"	4
5	400124J		Hex Head Bolt, 1/4" - 20 x 2 1/2" Lg	2
6	<u>00415G2</u>		Hex Head Bolt, 1/4" - 20 x 2" Lg	2
7	697319		Square Nut, 1/4" - 20	4
8				
9	10000073		Flip Seat Bracket.....	2
10	400116J		Hex Head Bolt, 1/4" - 20 x 1 1/2" Lg	2
11	<u>00559G7</u>		Flat Washer, 1/4"	4
12	<u>14390G4</u>		Lock Nut, 1/4" - 20	2
13	<u>11098G5</u>		Lock Nut, 3/8" - 16	4
14	<u>00427G2</u>		Hex Head Bolt, 3/8" - 16 x 1 1/4" Lg, Grade 5	4
15	<u>614221</u>		Flat Washer, 3/8" Grade 8.....	8
16	<u>00427G6</u>		Hex Head Bolt, 3/8" - 16 x 1 1/4" Lg, Grade 5	2
17	<u>614221</u>		Flat Washer, 3/8" Grade 8.....	4
18	<u>11098G5</u>		Lock Nut, 3/8" - 16	2
19				
20	400120J		Hex Head Bolt, 1/4" - 20 x 2" Lg	2
21	<u>00559G7</u>		Flat Washer, 1/4"	4
22	<u>14390G4</u>		Lock Nut, 1/4" - 20	2
23	<u>71425G01</u>		Flat Head Phillips Tapping Screw, #8 - 18 x 3/4" Lg.....	8
24				
25	699428		Plastic Bucket.....	1
26	<u>00205-G4</u>		Flat Head Phillips Tapping Screw, 1/4" - 20 x 1 1/2" Lg, Grade 2	10
27	<u>617402</u>		Seat Strap	1
28				
29	10001207		Rubber Plug	1

SEATING



THE USE OF NON U.L. PARTS WILL VOID ANY U.L. LISTING.

When ordering parts, please specify the model and serial number of the product.

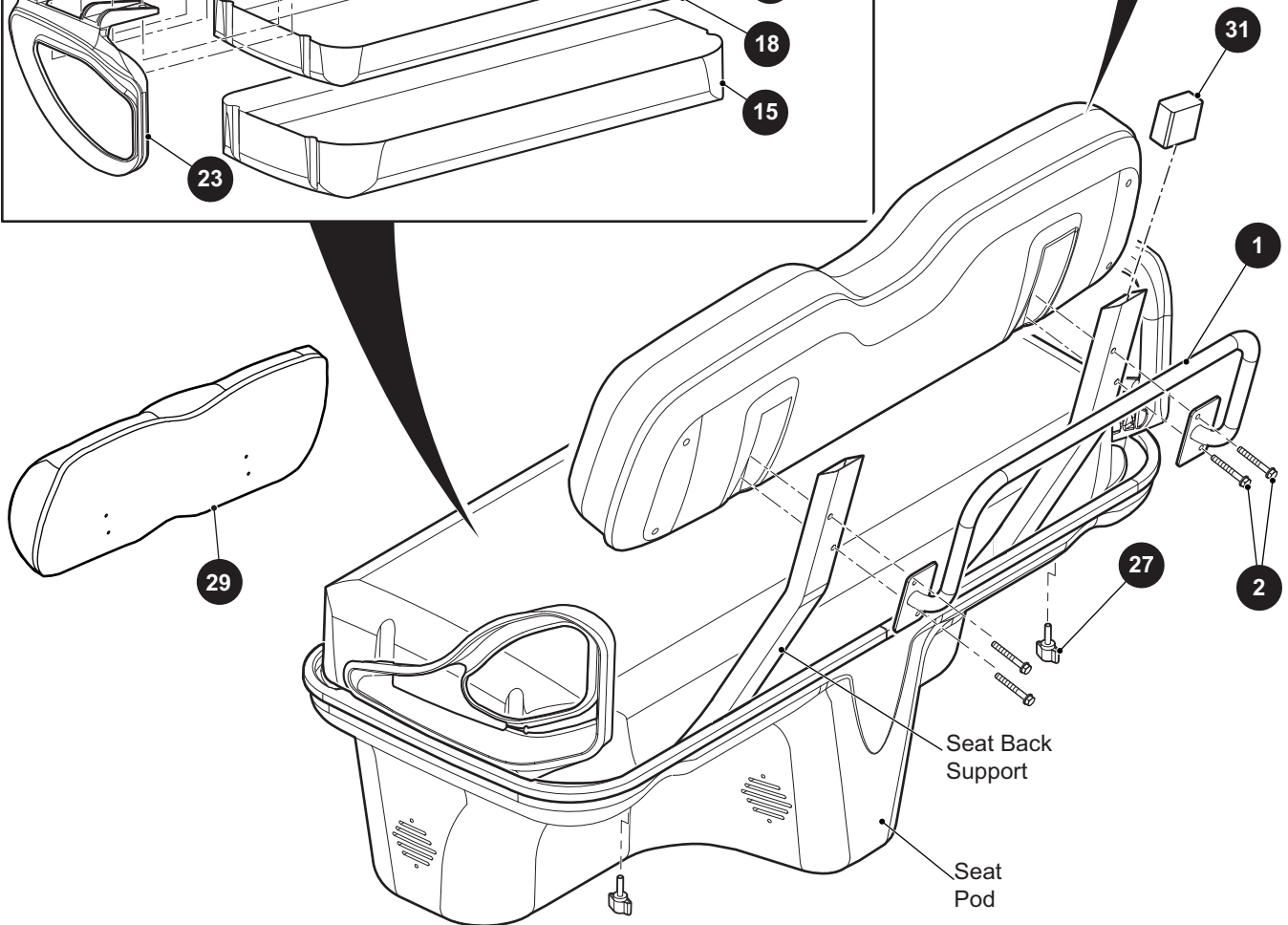
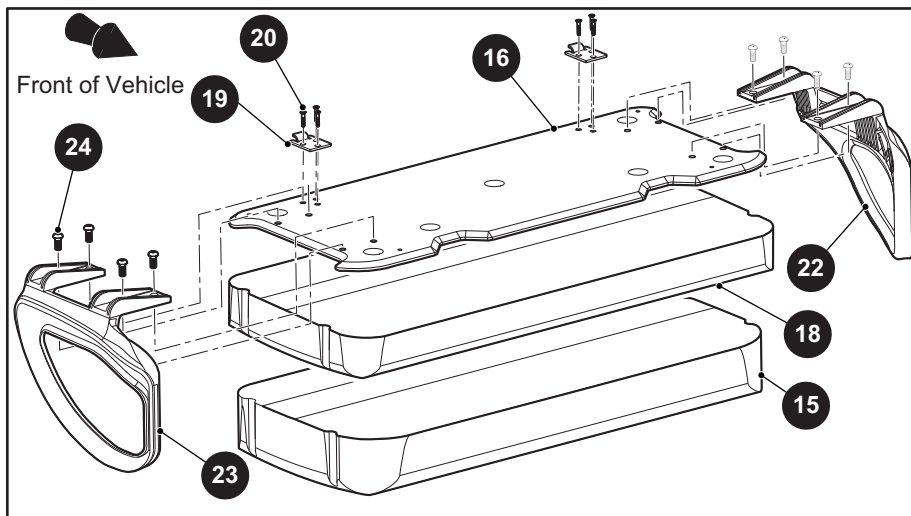
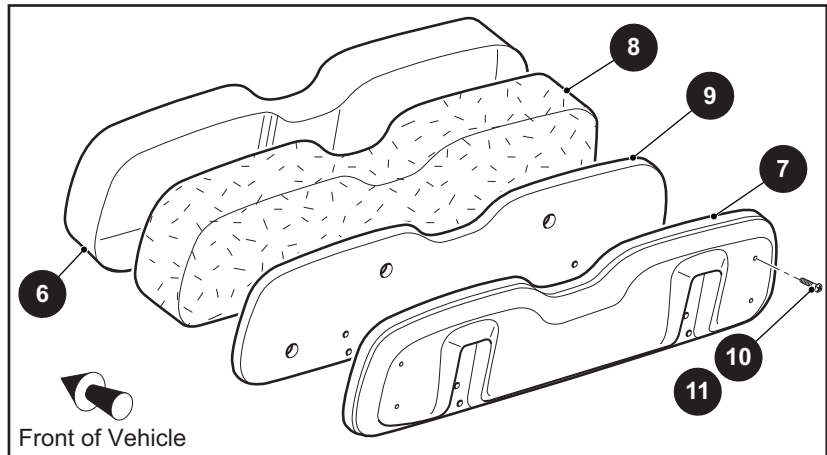
* Indicates a component that is not available as an individual part.

*** Indicates consult Customer Service Department for additional information.

ITEM	PART NO.	1 2 3 4 5	DESCRIPTION	QTY.
1	648313GXX		Seat Pod (See HOW TO USE Section for COLOR CODES).....	1
2				
3	<u>657681</u>		Rear Seat Support Weldment	1
4	<u>654767</u>		Seat Support Weldment.....	1
5				
6	694377		Seat Back Support Tube	2
7				
8	<u>71609G01</u>		Hinge Plate.....	2
9	<u>10570G11</u>		Rivet (SS), 3/16" x .70" Lg	4
10				
11				
12	<u>71055G01</u>		Rivet (Aluminum), 3/16" x 1" Lg	3
13				
14	00439G8		Hex Head Bolt (SS), 5/16" - 18 x 2" Lg, Grade 5	2
15	<u>00675G1</u>		Flat Washer (SS), .398" I.D. x 1.25" O.D. x .115" Lg	2
16	<u>71883G01</u>		Flat Washer (Rubber), .625" I.D. x 1.50" O.D. x .312" Lg	2
17	<u>23726G9</u>		Spacer, .312" I.D. x .562" O.D. x .750" Lg	2
18	11098G6		Lock Nut, 5/16" - 18	4
19				
20	<u>00560G1</u>		Flat Washer, 3/8"	4
21	<u>00439G6</u>		Hex Head Bolt, 5/16" - 18 x 1.75" Lg, Grade 5	4
22	11098G6		Lock Nut, 5/16" - 18	3
23	<u>32805G6</u>		Trim, 118" Lg.....	1
24	<u>00660G5</u>		Flat Washer, #10	3
25	<u>01110G01</u>		Flat Washer, 1/4"	3
26	00439G8		Hex Head Bolt (SS), 5/16" - 18 x 2" Lg, Grade 5	1
27	<u>00675G1</u>		Flat Washer (SS), .398" I.D. x 1.25" O.D. x .115" Lg	1
28	<u>71883G01</u>		Flat Washer (Rubber), .625" I.D. x 1.50" O.D. x .312" Lg	1
29	<u>23726G9</u>		Spacer, .312" I.D. x .562" O.D. x .750" Lg	1

SEATING

- 4 Seat Back Assembly includes items 6 - 10
- 5 Seat Back Assembly includes items 6 - 9, 11
- 12 Seat Bottom Assembly includes items 15 - 24
- 13 Seat Bottom Assembly includes items 15, 19 - 24



THE USE OF NON U.L. PARTS WILL VOID ANY U.L. LISTING.

When ordering parts, please specify the model and serial number of the product.

* Indicates a component that is not available as an individual part.

*** Indicates consult Customer Service Department for additional information.

ITEM	PART NO.	1 2 3 4 5	DESCRIPTION	QTY.
1	<u>71632G01</u>		Hand Grip Weldment.....	1
2	<u>71204G02</u>		Hex Washer Head Bolt with Patch Lock, 1/4" - 20 x 2" Lg.....	4
3				
4	***		Seat Back Assembly (Includes Item 6 - 10) 71751G02 Gray 71751G03 Oyster 71751G04 Tan 71751G07 Black	2
5	***		Seat Back Assembly (Includes Item 6 - 9, 11)..... 10000520G0114 Gray/Black 10000520G0122 White/Beige	2
6	***		Vinyl Seat Back Cover 71753G02 Gray 71753G03 Oyster 71753G04 Tan 71753G07 Black 10004901G14 Gray/Black 10000417G22 White/Beige	1
7	<u>71752G01</u>		Rear Seat Back Cover.....	1
8	<u>71754G01</u>		Seat Back Padding	1
9	<u>645021</u>		Seat Back Base	1
10	<u>01107G01</u>		Pan Head Torx Screw (SS), #8 x .63" Lg.....	4
11	<u>648271</u>		Pan Head Torx Screw (SS), #8 - 15 x 1" Lg	4
12	***		Seat Bottom Assembly (Includes Item 15 - 24)..... 629269G1701 Oyster 629269G1703 Tan 629269G1704 Gray 629269G1706 Black 629269G3114 Gray/Black 629269G3122 White/Beige	1
13	***		Seat Bottom Assembly (Includes Item 15, 19 - 24)..... 629269G2518 Mushroom 629269G2521 Black	1
14				
15	***		Vinyl Seat Cover..... 71624G03 Oyster 71624G04 Tan 71624G02 Gray 71624G07 Black 693086G18 Mushroom	1

SEATING

THE USE OF NON U.L. PARTS WILL VOID ANY U.L. LISTING.

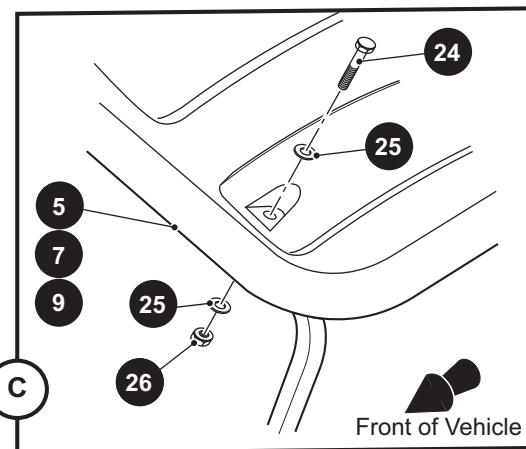
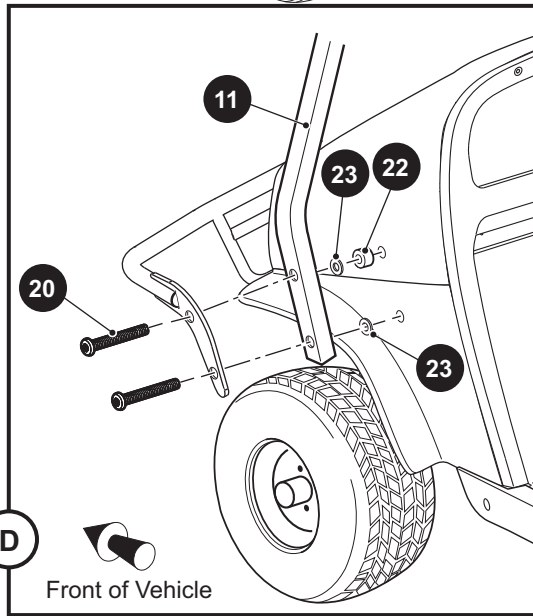
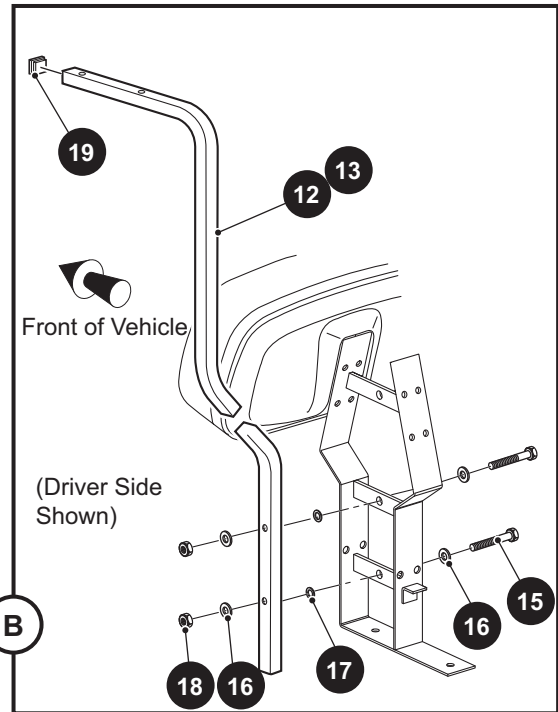
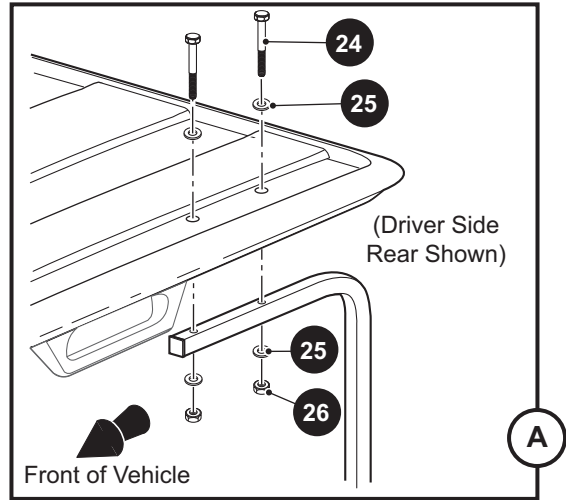
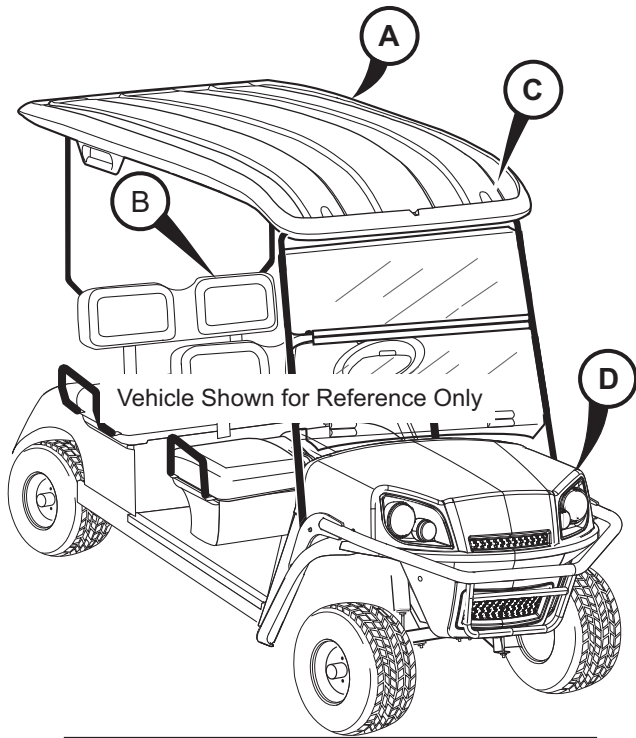
When ordering parts, please specify the model and serial number of the product

* Indicates a component that is not available as an individual part.

*** Indicates consult Customer Service Department for additional information.

ITEM	PART NO.	1	2	3	4	5	DESCRIPTION	QTY.
16	<u>649851</u>						693086G21 Black 10004898G14 Gray/Black 10000415G22 White/Beige Seat Bottom Base	1
17								
18	<u>71625G01</u>						Seat Bottom Padding	1
19	<u>71610G01</u>						Seat Hinge	2
20	<u>00720G08</u>						Flat Head Phillips Screw, #12 -14 x 1" Lg	6
21								
22	<u>617645</u>						Hip Restraint (Driver Side)	1
23	<u>617644</u>						Hip Restraint (Passenger Side).....	1
24	<u>615417</u>						Button Head Torx Bolt, M10 - 1.5 x 25mm Lg	8
25								
26								
27	70864G01						T-knob Stud, 1/4" - 20 x 1" Lg.....	2
28								
29	***						Seat Back Assembly..... 654084G18 Mushroom 654084G21 Black	1
30								
31	697694						Tube Cap.....	2

WEATHER PROTECTION



- 1 Sun Top Kit, 82" (Black) includes items 5, 11 - 26
- 2 Sun Top Kit, 82" (White) includes items 7, 11 - 26
- 3 Sun Top Kit, 82" (Tan) includes items 9, 11 - 26
- 14 Sun Top Hardware Kit includes items 15 - 26

WEATHER PROTECTION

THE USE OF NON U.L. PARTS WILL VOID ANY U.L. LISTING.

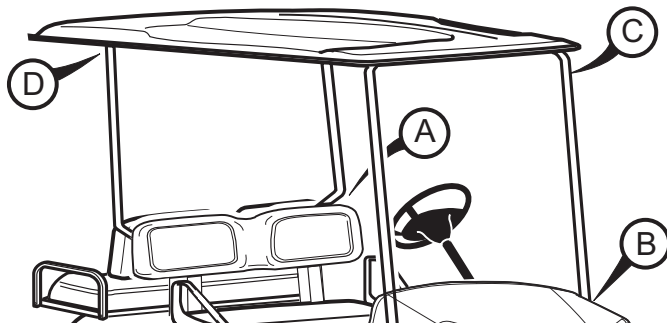
When ordering parts, please specify the model and serial number of the product.

* Indicates a component that is not available as an individual part.

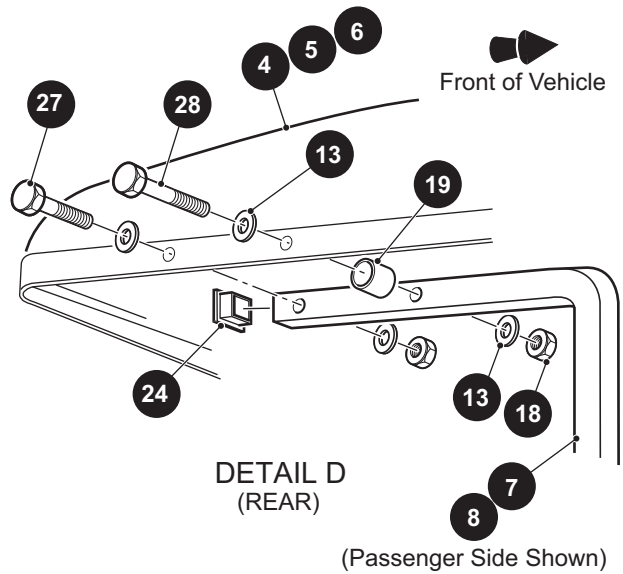
*** Indicates consult Customer Service Department for additional information.

ITEM	PART NO.	1 2 3 4 5	DESCRIPTION	QTY.
1	10012623G05		Sun Top Kit, 82" (Black) (Includes Items 5, 11 - 26).....	1
2	10012623G04		Sun Top Kit, 82' (White) (Includes Items 7, 11 - 26).....	1
3	10012623G06		Sun Top Kit, 82" (Tan) (Includes Items 9, 11 - 26).....	1
4				
5	<u>607258</u>		Sun Top, Black.....	1
6				
7	<u>607580</u>		Sun Top, White	1
8				
9	<u>643212</u>		Sun Top, Tan.....	1
10				
11	10011801		Front Support.....	1
12	<u>617943</u>		Rear Support (Driver Side).....	1
13	<u>617942</u>		Rear Support (Passenger Side)	1
14	10013156		Sun Top Hardware Kit (Includes Items 15 - 26).....	1
15	<u>00665G5</u>		Hex Head Bolt (SS), 3/8" - 16 x 1" Lg	4
16	<u>00679G1</u>		Flat Washer (SS), 3/8"	8
17	<u>00771G5</u>		Nylon Washer, 3/8".....	4
18	<u>00891G5</u>		Lock Nut, 3/8" - 16	4
19	<u>19853G1</u>		End Cap, 1" Sq	2
20	<u>652311</u>		Round Head Torx Bolt (Black), 5/16" - 18 x 3" Lg	4
21				
22	<u>634807</u>		Spacer, .328" x .75" x .5".....	2
23	<u>634808</u>		Flat Washer, 5/16"	4
24	<u>00441G2</u>		Hex Head Bolt, 5/16" - 18 x 3 1/4" Lg	6
25	<u>00907G2</u>		Flat Washer (SS), 5/16"	12
26	11098G6		Lock Nut, 5/16" - 18	6

WEATHER PROTECTION



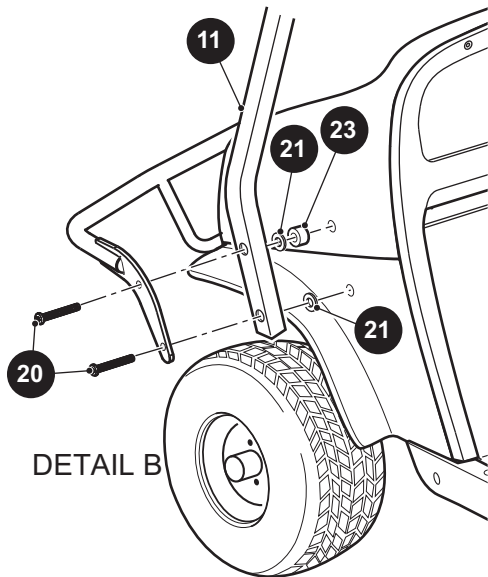
VEHICLE SHOWN FOR REFERENCE ONLY



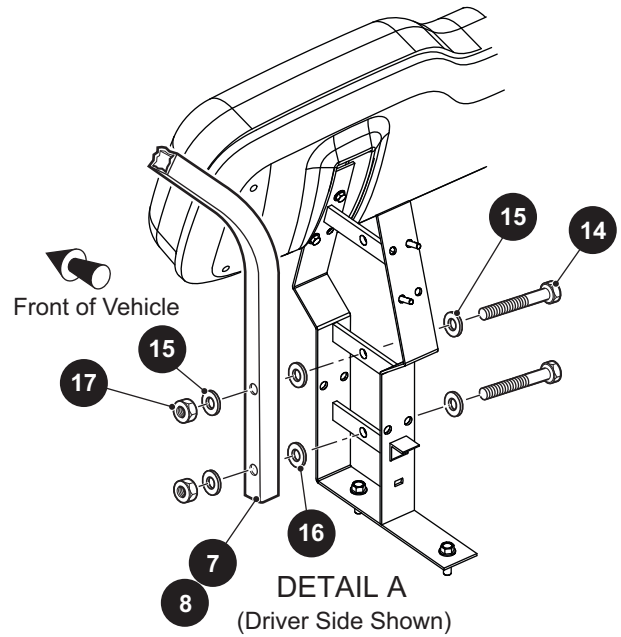
DETAIL D
(REAR)

(Passenger Side Shown)

- 1 Sun Top Kit (Black), 116" Lg includes items 4, 7 - 30
- 2 Sun Top Kit (White), 116" Lg includes items 5, 7 - 30
- 3 Sun Top Kit (Beige), 116" Lg includes items 6, 7 - 30
- 12 Sun Top Hardware Kit includes items 13 - 30

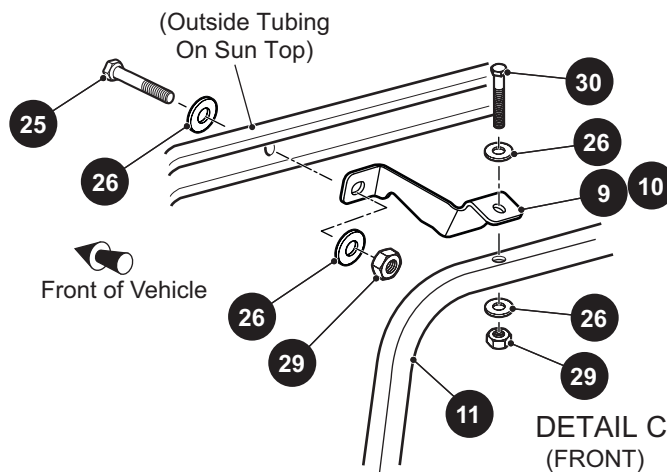


DETAIL B



DETAIL A

(Driver Side Shown)



DETAIL C
(FRONT)

WEATHER PROTECTION

THE USE OF NON U.L. PARTS WILL VOID ANY U.L. LISTING.

When ordering parts, please specify the model and serial number of the product.

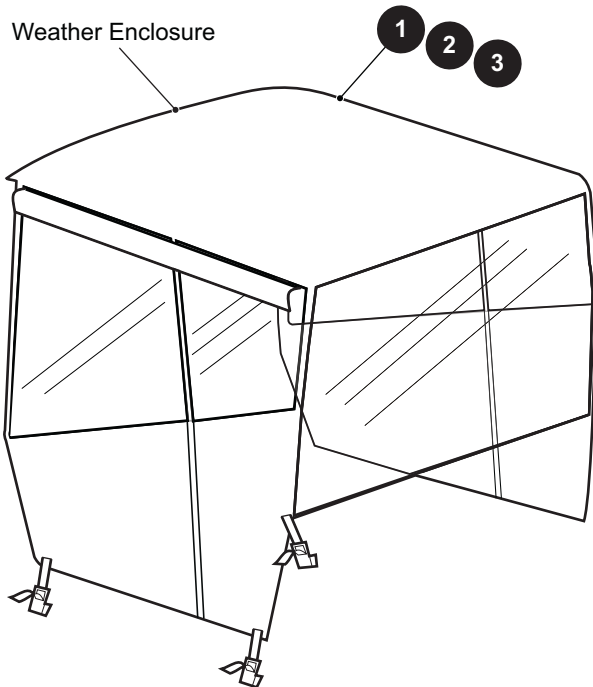
* Indicates a component that is not available as an individual part.

*** Indicates consult Customer Service Department for additional information.

ITEM	PART NO.	1 2 3 4 5	DESCRIPTION	QTY.
1	10012624G02		Sun Top Kit (Black), 116" Lg (Includes Items 4, 7 - 30).....	1
2	10012624G01		Sun Top Kit (White), 116" Lg (Includes Items 5, 7 - 30)	1
3	10012624G03		Sun Top Kit (Beige), 116" Lg (Includes Items 6, 7 - 30)	1
4	<u>610263</u>		Sun Top, Black.....	1
5	<u>610265</u>		Sun Top, White	1
6	<u>610264</u>		Sun Top, Beige	1
7	10011317G01		Rear Strut (Driver Side)	1
8	10011317G02		Rear Strut (Passenger Side)	1
9	10010148G01		Mounting Bracket (Driver Side)	1
10	10010148G02		Mounting Bracket (Passenger Side).....	1
11	<u>648270</u>		Front Strut.....	1
12	10013155		Sun Top Hardware Kit (Includes Items 13 - 30).....	1
13	<u>00679G1</u>		Flat Washer (SS), 3/8"	8
14	<u>00665G5</u>		Hex Head Bolt (SS), 3/8" - 16 x 1 3/4" Lg	4
15	<u>00679G1</u>		Flat Washer (SS), 3/8"	8
16	<u>00771G5</u>		Nylon Washer, 3/8".....	4
17	<u>00891G5</u>		Lock Nut, 3/8" - 16	4
18	<u>00891G5</u>		Lock Nut, 3/8" - 16	4
19	24647G1		Spacer, 1/4".....	2
20	<u>652311</u>		Round Head Torx Bolt, 5/16" - 18 x 3" Lg.....	4
21	<u>634808</u>		Flat Washer, 5/16"	4
22				
23	<u>634807</u>		Spacer, .328" x .75" x .5".....	2
24	<u>19853G1</u>		End Cap, 1 Sq"	2
25	<u>00427G2</u>		Hex Head Bolt, 3/8" - 16 x 1 1/4" Lg	2
26	<u>00679G1</u>		Flat Washer (SS), 3/8"	8
27	<u>00665G6</u>		Hex Head Bolt (SS), 3/8" - 16 x 2" Lg	2
28	00665G3		Hex Head Bolt (SS), 3/8" - 16 x 2 1/2" Lg	2
29	<u>00891G5</u>		Lock Nut, 3/8" - 16	4
30	<u>00427G8</u>		Hex Head Bolt, 3/8" - 16 x 2" Lg, Grade 5	2

WEATHER PROTECTION

Weather Enclosure

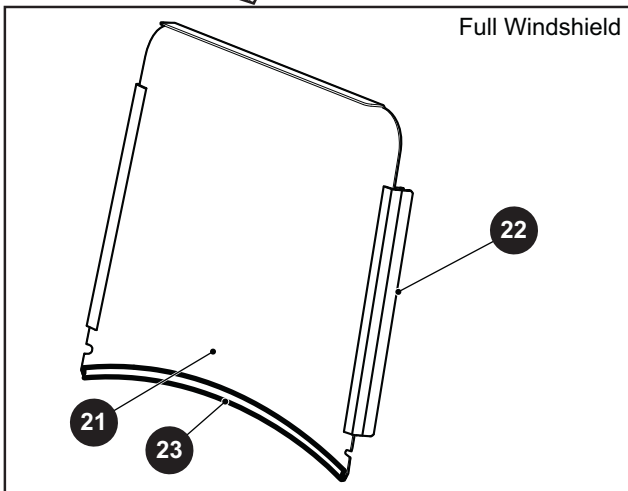


- 10 Split Windshield Utility Kit includes items 11 - 17, 25
- 13 Split Windshield Assembly includes items 14 - 17
- 20 Full Windshield Kit includes items 21 - 25
- 25 Windshield Hardware Kit includes items 26 - 28
- 32 Split Windshield Kit, Short includes items 33 - 41, 25
- 33 Split Windshield Assembly, Short includes items 34 - 39

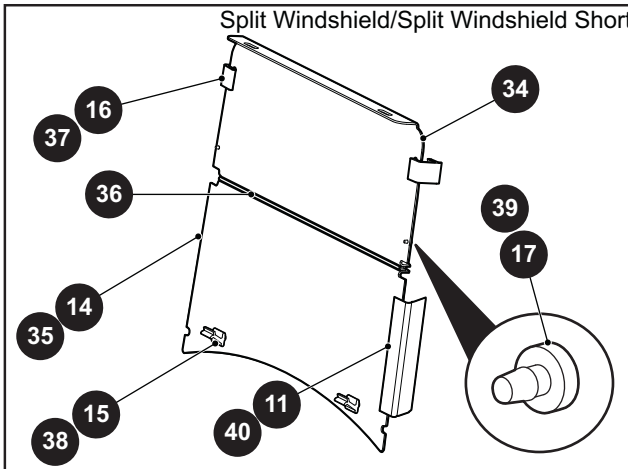
43



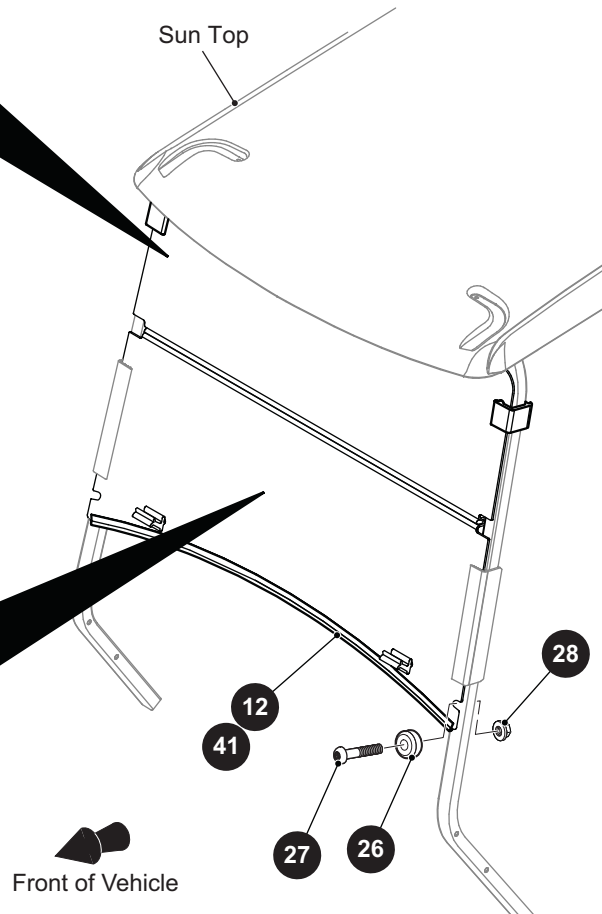
Full Windshield



Split Windshield/Split Windshield Short



Sun Top



Front of Vehicle

WEATHER PROTECTION

THE USE OF NON U.L. PARTS WILL VOID ANY U.L. LISTING.

When ordering parts, please specify the model and serial number of the product.

* Indicates a component that is not available as an individual part.

*** Indicates consult Customer Service Department for additional information.

ITEM	PART NO.	1 2 3 4 5	DESCRIPTION	QTY.
1	10013532G01		Top Enclosure (White), 116".....	1
2	10013532G02		Top Enclosure (Black), 116".....	1
3	10013532G03		Top Enclosure (Tan), 116".....	1
4				
5				
6				
7				
8				
9				
10	<u>649825</u>		Split Windshield Kit (Includes Items 11 - 17, 25).....	1
11	<u>613136</u>		Sash.....	2
12	<u>649836</u>		Seal.....	1
13	649849		Split Windshield Assembly (Includes Items 14 - 17).....	1
14	649824		Windshield.....	1
15	<u>603201</u>		Lower Latch.....	2
16	<u>603198</u>		Upper Latch.....	2
17	<u>604115</u>		Grommet.....	2
18				
19				
20	<u>649883</u>		Full Windshield Kit (Includes Items 21 - 25).....	1
21	649882		Flat Windshield.....	1
22	<u>649885</u>		Sash.....	2
23	<u>649836</u>		Seal.....	1
24				
25	668122		Windshield Hardware Kit (Includes Items 26 - 28).....	1
26	<u>604116</u>		Grommet.....	2
27	<u>600527</u>		Button Head Torx Bolt, M10 - 1.5 x 60mm Lg.....	2
28	<u>600525</u>		Flanged Lock Nut, M10 - 1.5.....	2
29				
30				
31				

WEATHER PROTECTION

THE USE OF NON U.L. PARTS WILL VOID ANY U.L. LISTING.

When ordering parts, please specify the model and serial number of the product.

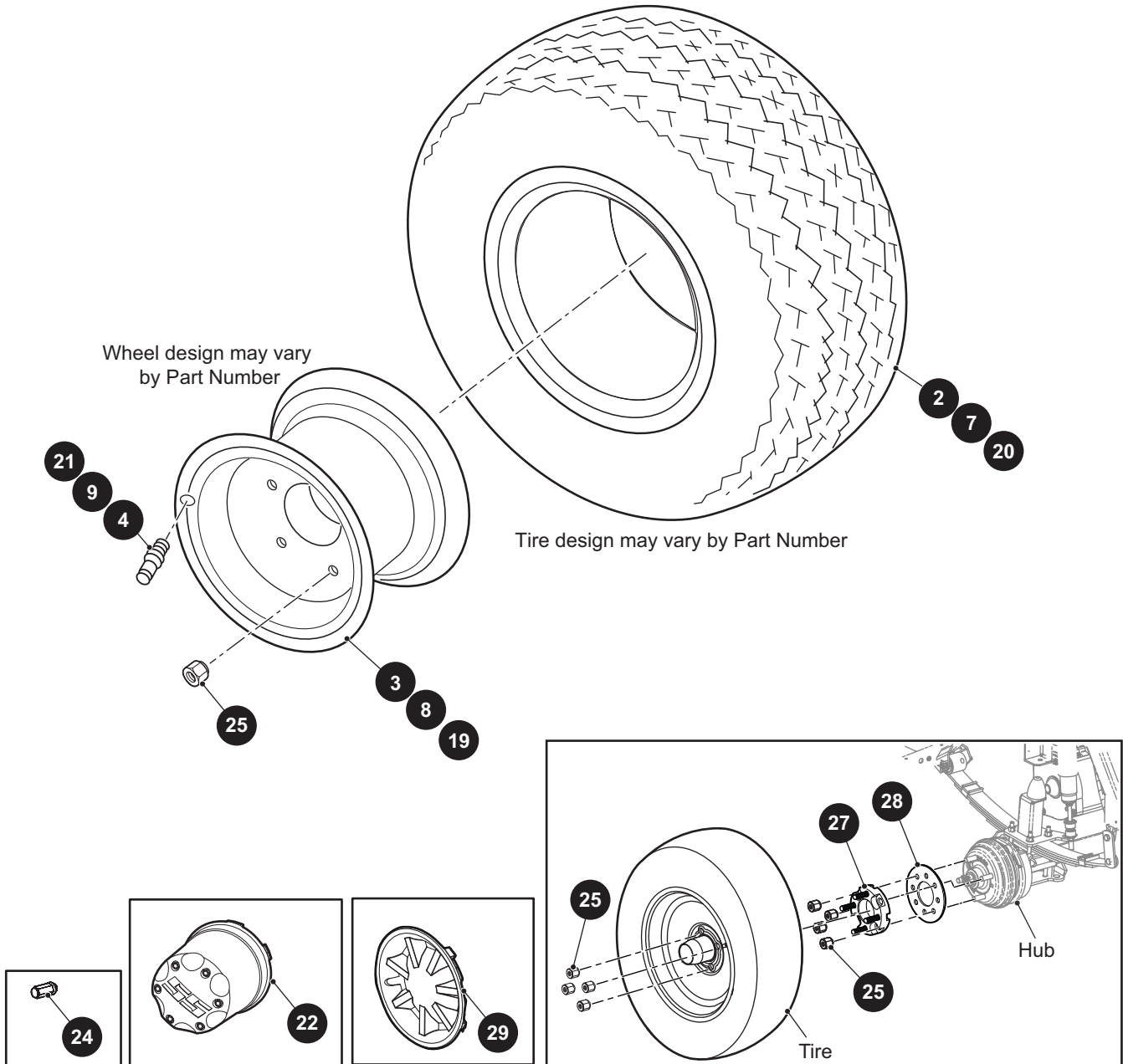
* Indicates a component that is not available as an individual part.

*** Indicates consult Customer Service Department for additional information.

ITEM	PART NO.	1	2	3	4	5	DESCRIPTION	QTY.
32	10011929						Split Windshield Kit, Short (Includes Items 33 - 41, 25)	1
33	10011938						Split Windshield Assembly Short (Includes Items 34 - 39).....	1
34	*						Windshield (Top).....	1
35	*						Windshield (Bottom)	1
36	*						Hinge, 37.5"	1
37	<u>603201</u>						Upper Latch	2
38	<u>603198</u>						Lower Latch	2
39	<u>604115</u>						Grommet.....	2
40	10009146						Sash.....	2
41	<u>649836</u>						Seal.....	1
42								
43	<u>690087</u>						Rear View Mirror Kit	1
44	<u>601379</u>						Rear View Mirror Kit, Five Panel (Not Illustrated).....	1

WHEELS AND TIRES

- 1 Wheel and Tire Assembly, Kenda includes items 2 - 4
- 6 Wheel and Tire Assembly, Kenda includes items 7 - 9
- 18 Wheel and Tire Assembly, Paramount M/T includes items 19 - 22



WHEELS AND TIRES

THE USE OF NON U.L. PARTS WILL VOID ANY U.L. LISTING.

When ordering parts, please specify the model and serial number of the product.

* Indicates a component that is not available as an individual part.

*** Indicates consult Customer Service Department for additional information.

ITEM	PART NO.	1 2 3 4 5	DESCRIPTION	QTY.
1	<u>652263</u>		Wheel and Tire Assembly, Kenda (Includes Items 2 - 4).....	1
2	<u>652986</u>		Tire, 20" x 8" - 10".....	1
3	<u>643934</u>		Wheel, 10" x 6".....	1
4	<u>643948</u>		Valve Stem.....	1
5				
6	<u>652392</u>		Wheel and Tire Assembly, Kenda (Includes Items 7 - 9).....	1
7	<u>652992</u>		Tire, 205/65.....	1
8	<u>643934</u>		Wheel, 10" x 6".....	1
9	<u>643948</u>		Valve Stem.....	1
10				
11				
12				
13				
14				
15				
16				
17				
18	10013361		Wheel and Tire Assembly, Paramount M/T (Includes Items 19 - 22).....	1
19	695907		Wheel, 14" x 7".....	1
20	10007692		Tire, 23" x 10 R14.....	1
21	<u>604915</u>		Valve Stem (Chrome).....	1
22	<u>685275</u>		Wheel Cap.....	1
23				
24	<u>605310</u>		Lug Nut (Chrome).....	4
25	<u>14723G1</u>		Lug Nut, 1/2" - 20.....	4
26	25808G12		Standard Wheel Cover (Not Illustrated).....	1
27	10014790		Wheel Spacer with Studs (Aluminum).....	1
28	<u>631744</u>		Wheel Spacer (8 Holes) (Only for Rear Hubs).....	1
29	<u>665151</u>		Wheel Cover, 10" (Silver).....	1

DECALS AND LABELS

THE USE OF NON U.L. PARTS WILL VOID ANY U.L. LISTING.

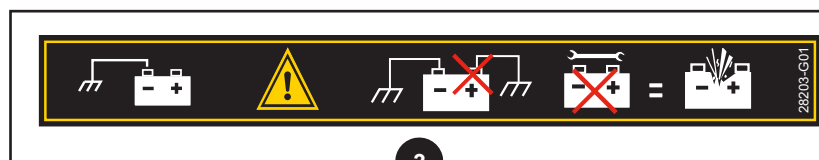
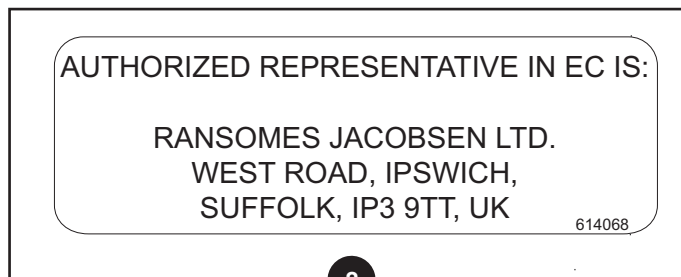
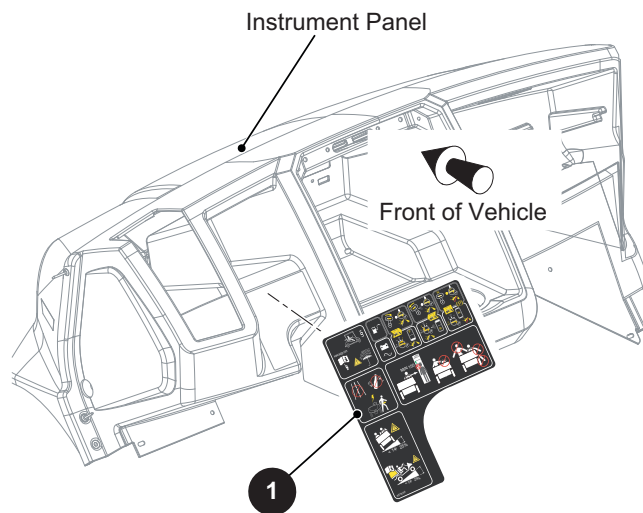
When ordering parts, please specify the model and serial number of the product.

* Indicates a component that is not available as an individual part.

*** Indicates consult Customer Service Department for additional information.

ITEM	PART NO.	1 2 3 4 5	DESCRIPTION	QTY.
1	10011930		E-Z-GO Name Plate.....	1
2	10013296		Steering Wheel Decal	1
3	685698		MADE IN USA Decal.....	1
4	10007728		ELiTE Branding Decal.....	1
5	10013899		Operator Instructions Label.....	1
6	<u>657850</u>		Advanced Battery Decal.....	1
7	600017		Fuse Block Decal	1
8				
9	<u>655748</u>		Advanced Battery Warning Label.....	1
10				
11	697425		Rear Facing Seat Warning Label.....	1

For CE Vehicles



DECALS AND LABELS

THE USE OF NON U.L. PARTS WILL VOID ANY U.L. LISTING.

When ordering parts, please specify the model and serial number of the product.

* Indicates a component that is not available as an individual part.

*** Indicates consult Customer Service Department for additional information.

ITEM	PART NO.	1 2 3 4 5	DESCRIPTION	QTY.
1	<u>651654</u>		Operating Instruction Label	1
2	<u>614068</u>		Authorized Representative Decal (EC)	1
3	<u>28203G01</u>		Battery Warning Decal	1



A Textron Company

Textron Specialized Vehicles, Inc.,
1451 Marvin Griffin Road
Augusta, Georgia 30906 - 3852 USA

CONTACT INFORMATION

North America:

Technical Assistance & Warranty Phone: 1-800-774-3946, FAX: 1-800-448-8124
Service Parts Phone: 1-888-438-3946, FAX: 1-800-752-6175

International: Phone: 001-706-798-4311, FAX: 001-706-771-4609

Owner's Guides and Repair Manuals
are available from a local Distributor, an authorized Branch,
Parts & Accessories Department or at www.shop.txtsv.com/shop-ezgo

Copyrighted Material
This manual may not be reproduced in whole or
in part without the express permission of
Textron Specialized Vehicles
Technical Publications Department