



A Textron Company

Express L6 Li

Service Parts Manual

SERVICE PARTS MANUAL

ELECTRIC POWERED VEHICLE

EXPRESS L6 Li

STARTING MODEL YEAR 2019

Never modify the vehicle in any way that will alter the weight distribution of the vehicle, decrease its stability or increase the speed beyond the factory specifications. Such modifications can cause serious personal injury or death. Textron Specialized Vehicles prohibits and dis-claims responsibility for any such modifications or any other alteration which would adversely affect the safety of the vehicle. TSV reserves the right to incorporate engineering and design changes to products in this manual, without obligation to include these changes on units sold previously.

The information contained in this manual may be revised periodically by TSV, and therefore is subject to change without notice.

TSV DISCLAIMS LIABILITY FOR ERRORS IN THIS MANUAL, and SPECIFICALLY DISCLAIMS LIABILITY FOR INCIDENTAL AND CONSEQUENTIAL DAMAGES resulting from the use of the information and materials in this manual.

These are the original instructions as defined by 2006/42/EC.

TO CONTACT US:

Textron Specialized Vehicles, Inc.
1451 Marvin Griffin Road
Augusta, Georgia, USA 30906-3852

NORTH AMERICA:

Technical Assistance & Warranty PHONE: 1-800-774-3946, FAX: 1-800-448-8124

Service Parts PHONE: 1-888-438-3946, FAX: 1-800-752-6175

International: PHONE: 001-706-798-4311, FAX: 001-706-771-4609

GENERAL INFORMATION

To obtain a copy of the limited warranty applicable to the vehicle, call or write a local Distributor, authorized Branch or the Warranty Department with vehicle serial number and manufacturer code.

The use of non Original Equipment Manufacturer (OEM) approved parts may void the warranty.

Tampering with or adjusting the governor to permit vehicle to operate at above factory specifications will void the vehicle warranty.

When servicing engines, all adjustments and replacement components must be per original vehicle specifications in order to maintain the United States of America Federal and State emission certification applicable at the time of manufacture.

BATTERY PROLONGED STORAGE

All batteries will self discharge over time. The rate of self discharge varies depending on the ambient temperature and the age and condition of the batteries.

A fully charged battery will not freeze in winter temperatures unless the temperature falls below -75° F (-60° C).

BATTERY DISPOSAL

Lead-acid batteries are recyclable. Return whole scrap batteries to distributor, manufacturer or lead smelter for recycling. For neutralized spills, place residue in acid-resistant containers with absorbent material, sand or earth and dispose of in accordance with local, state and federal regulations for acid and lead compounds. Contact local and/or state environmental officials regarding disposal information.

TABLE OF CONTENTS

SECTION	Page No.
HOW TO USE THE SERVICE PARTS MANUAL.....	V
ACCELERATOR.....	A - 1
BATTERY CHARGER.....	B - 1
BODY.....	C - 1
BRAKES.....	D - 1
ELECTRICAL.....	E - 1
ELECTRONIC SPEED CONTROL.....	F - 1
FRONT SUSPENSION AND STEERING.....	G - 1
MOTOR.....	H - 1
REAR AXLE.....	J - 1
REAR SUSPENSION.....	K - 1
TRUCK BED.....	L - 1
SEATING.....	M - 1
WEATHER PROTECTION.....	N - 1
WHEELS AND TIRES.....	P - 1
DECALS AND LABELS.....	R - 1

HOW TO USE THE SERVICE PARTS MANUAL

This manual is divided into several sections:

- GENERAL INFORMATION
- ILLUSTRATED PARTS BREAKDOWN

The first section, GENERAL INFORMATION, contains the following information:

- WARRANTY INFORMATION
- TABLE OF CONTENT
- HOW TO USE THE SERVICE PARTS MANUAL

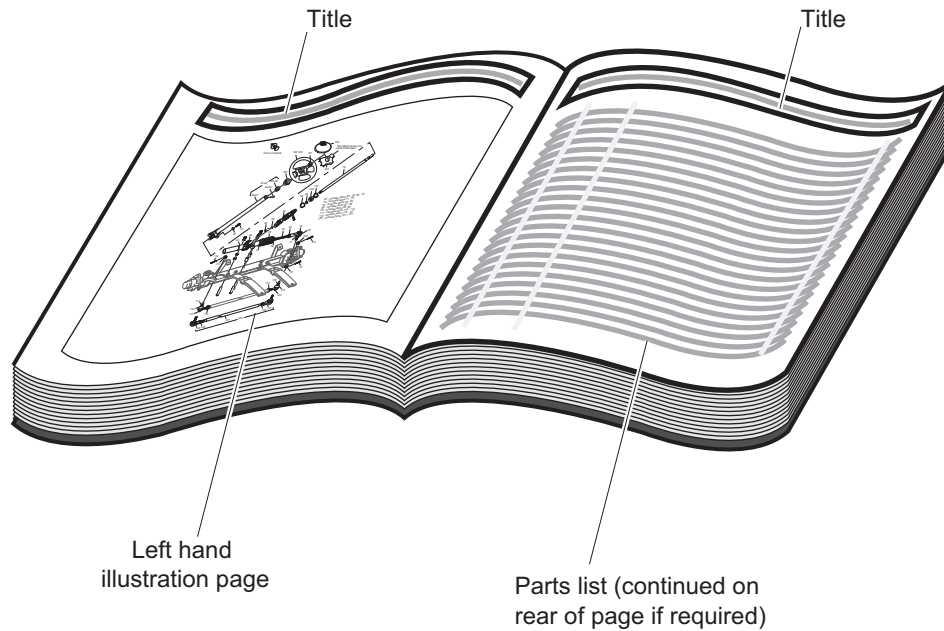
The second section, ILLUSTRATED PARTS BREAKDOWN, contains illustrations and parts lists for all systems of your vehicle.

USE OF THE MANUAL

To use this manual, consult the TABLE OF CONTENTS to locate the information or illustration required.

Introduction of some revisions varies due to supply of components; therefore, it is possible that various combinations of components may be found that are not directly reflected by each illustration. Consult the illustration that best suits your situation and then contact the Service Parts Department. It is important that the serial number or VIN of your vehicle and the model name be supplied to Service Parts when ordering any replacement components.

HOW TO USE THE SERVICE PARTS MANUAL



1. WHEN THE PART NUMBER IS NOT KNOWN

- Determine the function and application of the part required. Turn to the Table of Content and select the most appropriate title.
- Turn to the page number indicated and locate the desired part on the illustration.
- From the illustration, obtain the item number assigned to the desired part. Refer to the accompanying description for specific information regarding the part.

2. IF YOU KNOW THE PART NUMBER

- Locate the part number or description in the appropriate column on the parts list page.

NOTE: It is suggested that you confirm that the part selected is correct by verifying it with the pictorial representation on the illustrated page.

Should an asterisk (*) appear in the part number column on the parts list page, read upwards until a part number is found. The part number is the lowest assembly sold by Service Parts and the asterisk (*) indicates that the part depicted is not available for purchase.

NOTE: Descriptions are indented under the assembly that they are used on. That assembly is, in turn listed under the assembly that it is used on. This process is repeated until the highest final assembly is reached.

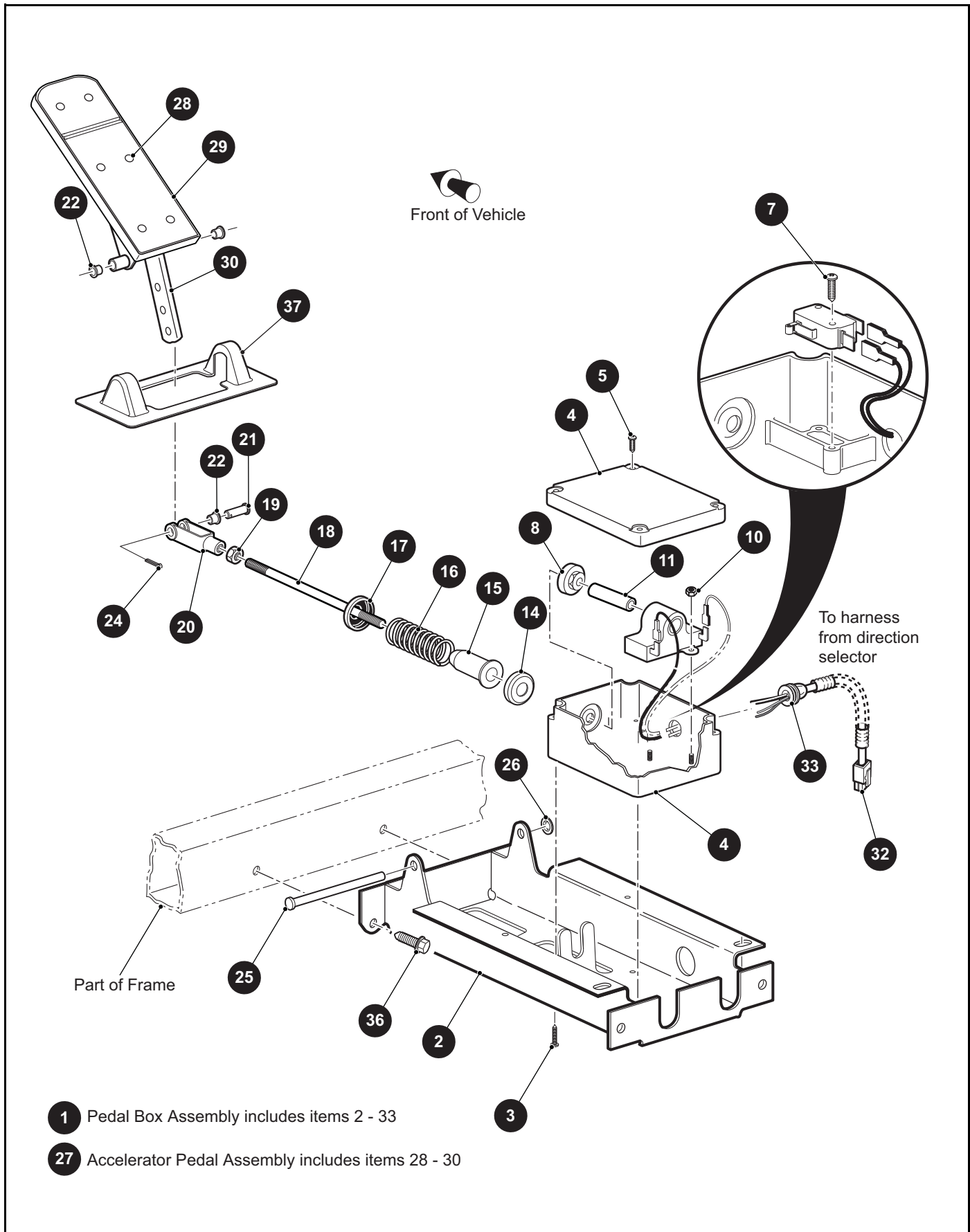
To facilitate the maintenance and repair of the vehicle, a Repair and Service Manual is available from the Service Parts Department.

3. COLOR CODE FOR BODY COMPONENTS

The last two digits of the part number for the body part will denote the color code, locate the part number for the cowl, rear body, seat pod, side panel or seat wrap then locate your color in the list below, replace the last ** or XX with the two digit color code.

<u>CODE #</u>	<u>DESCRIPTION</u>
02	SPECIAL COLOR
11	BLACK
19	PATRIOT BLUE PEARL
20	INFERNO RED METALLIC
26	STEEL BLUE PEARL
31	METALLIC CHARCOAL
35	SAFETY YELLOW
36	IVORY
37	FOREST GREEN
38	BRIGHT WHITE
39	FLAME RED
41	ELECTRIC BLUE
42	PLATINUM
43	BURGUNDY
44	ALMOND
51	SUNBURST ORANGE
52	BRITISH RACING GREEN
69	MONSTER GREEN
74	BARLEY GOLD
75	OASIS GREEN
76	JAVA BROWN
79	JACOBSEN ORANGE 172
A5	OCEAN GRAY

ACCELERATOR



THE USE OF NON U.L. PARTS WILL VOID ANY U.L. LISTING.

When ordering parts, please specify the model and serial number of the product.

* Indicates a component that is not available as an individual part.

*** Indicates consult Customer Service Department for additional information.

ITEM	PART NO.	1 2 3 4 5	DESCRIPTION	QTY.
1	<u>654643</u>		Pedal Box Assembly (Includes Items 2 - 33).....	1
2	<u>652241G03</u>		Accelerator Pedal Bracket	1
3	<u>01051G01</u>		Pan Head Phillips Screw, #8 - 10 x 1/2" Lg	4
4	<u>25853G01</u>		Pedal Box and Cover.....	1
5	<u>00684G6</u>		Truss Head Screw (SS), #8 - 32 x 3/4" Lg.....	2
6				
7	<u>01050G02</u>		Pan Head Torx Screw, #4 - 20 x 5/8" Lg.....	2
8	<u>28444G01</u>		Accelerator Rod Cam	1
9				
10	<u>00983G01</u>		Self Threading Nut, .38"	2
11	<u>602484</u>		Plunger	1
12				
13				
14	<u>17677G1</u>		Spring Retainer.....	1
15	<u>17979G1</u>		Bushing, .75" x 2" Lg	1
16	<u>73046G01</u>		Compression Spring	1
17	<u>17677G2</u>		Spring Retainer, 3/8".....	1
18	<u>73332G01</u>		Accelerator Rod.....	1
19	<u>00532G4</u>		Hex Nut, 5/16" - 24	1
20	10385G4		Clevis Yoke (Adjustable).....	1
21	<u>10386G3</u>		Clevis Pin, 5/16" x 13/16" Lg	1
22	<u>17838G1</u>		Nylon Bushing, .37" x .31" Lg	3
23				
24	<u>10387G3</u>		Cotter Pin, 3/32" x 3/4" Lg	1
25	<u>74432G01</u>		Pedal Pivot Pin	1
26	<u>12064G6</u>		Push Nut, 5/16".....	1
27	<u>25799G03</u>		Accelerator Pedal Assembly (Includes Items 28 - 30)	1
28	*		Oval Rivet, 3/16" x 7/16" Lg	6
29	<u>27512G01</u>		Accelerator Pedal Pad	1
30	652824		Accelerator Pedal.....	1
31				

ACCELERATOR

THE USE OF NON U.L. PARTS WILL VOID ANY U.L. LISTING.

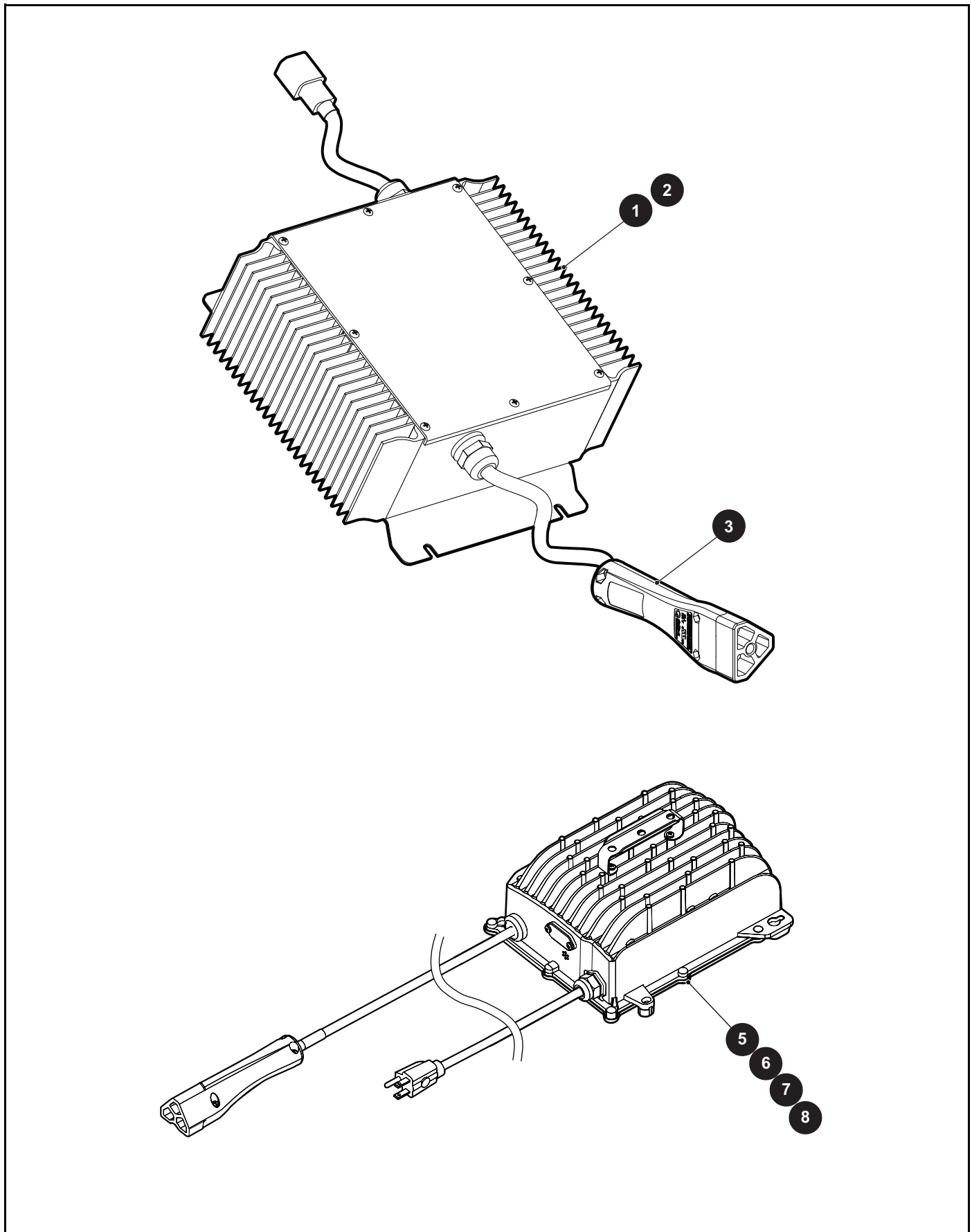
When ordering parts, please specify the model and serial number of the product.

* Indicates a component that is not available as an individual part.

*** Indicates consult Customer Service Department for additional information.

ITEM	PART NO.	1	2	3	4	5	DESCRIPTION	QTY.
32	<u>654644</u>						Pedal Harness.....	1
33	<u>654645</u>						Grommet (Rubber).....	1
34								
35								
36	<u>00715G2</u>						Hex Washer Head Bolt, 5/16" - 18 x 4/5" Lg.....	4
37	<u>70135G01</u>						Pedal Pivot Cover.....	1

BATTERY CHARGER



BATTERY CHARGER

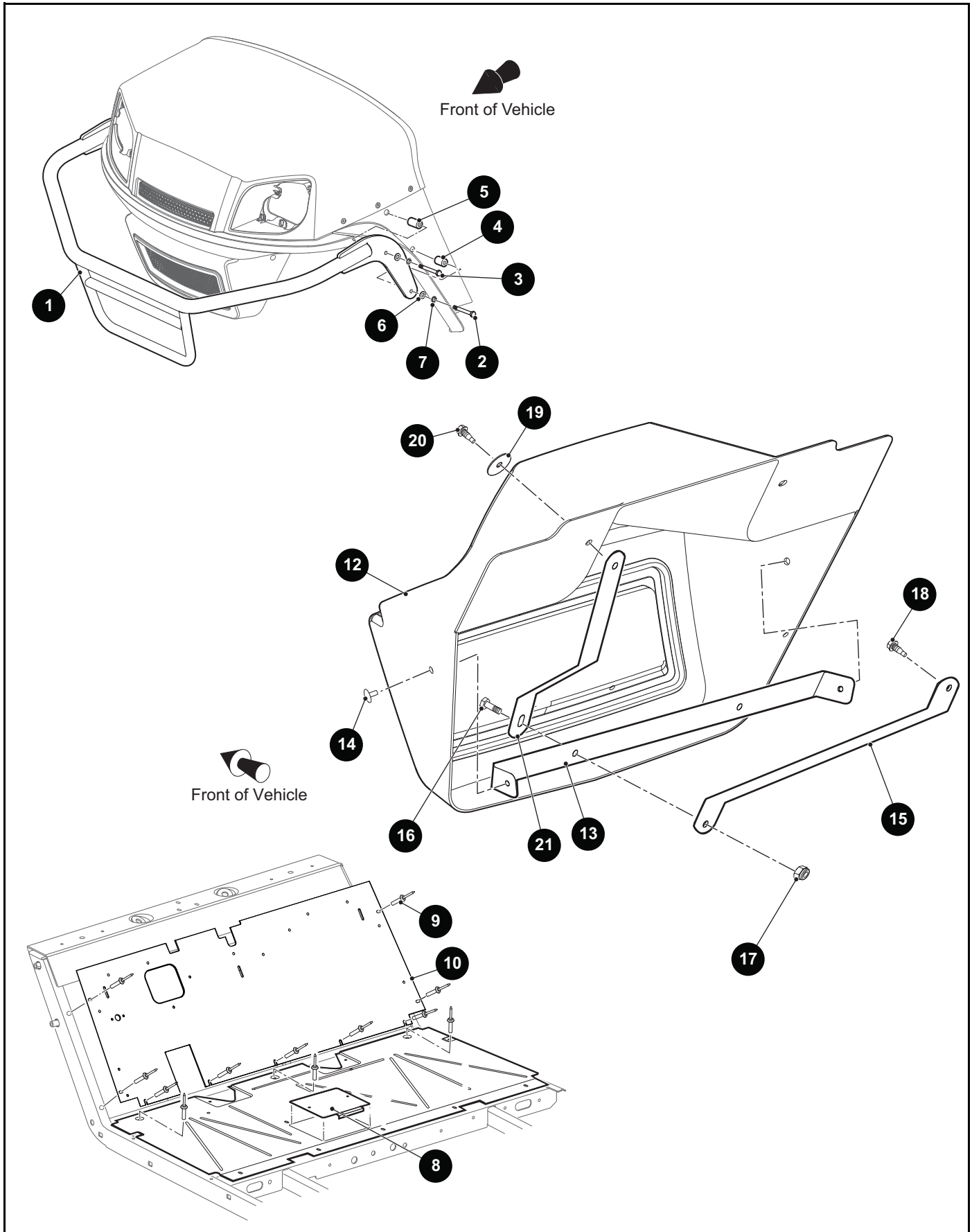
THE USE OF NON U.L. PARTS WILL VOID ANY U.L. LISTING.

When ordering parts, please specify the model and serial number of the product.

* Indicates a component that is not available as an individual part.

*** Indicates consult Customer Service Department for additional information.

ITEM	PART NO.	1 2 3 4 5	DESCRIPTION	QTY.
1	<u>653214</u>		Battery Charger, 51V, 3 Meter Cord	1
2	<u>653217</u>		Battery Charger, 51V, 5.5 Meter Cord	1
3	<u>657667</u>		Battery Charger Paddle.....	1
4				
5	690009G05		Battery Charger, 51V, 350 Watt, 3 Meter Cord (Domestic)	1
6	690009G06		Battery Charger, 51V, 350 Watt, 5.5 Meter Cord (Domestic)	1
7	690009G07		Battery Charger, 51V, 350 Watt, 3 Meter Cord (International)	1
8	690009G08		Battery Charger, 51V, 350 Watt, 5.5 Meter Cord (International)	1



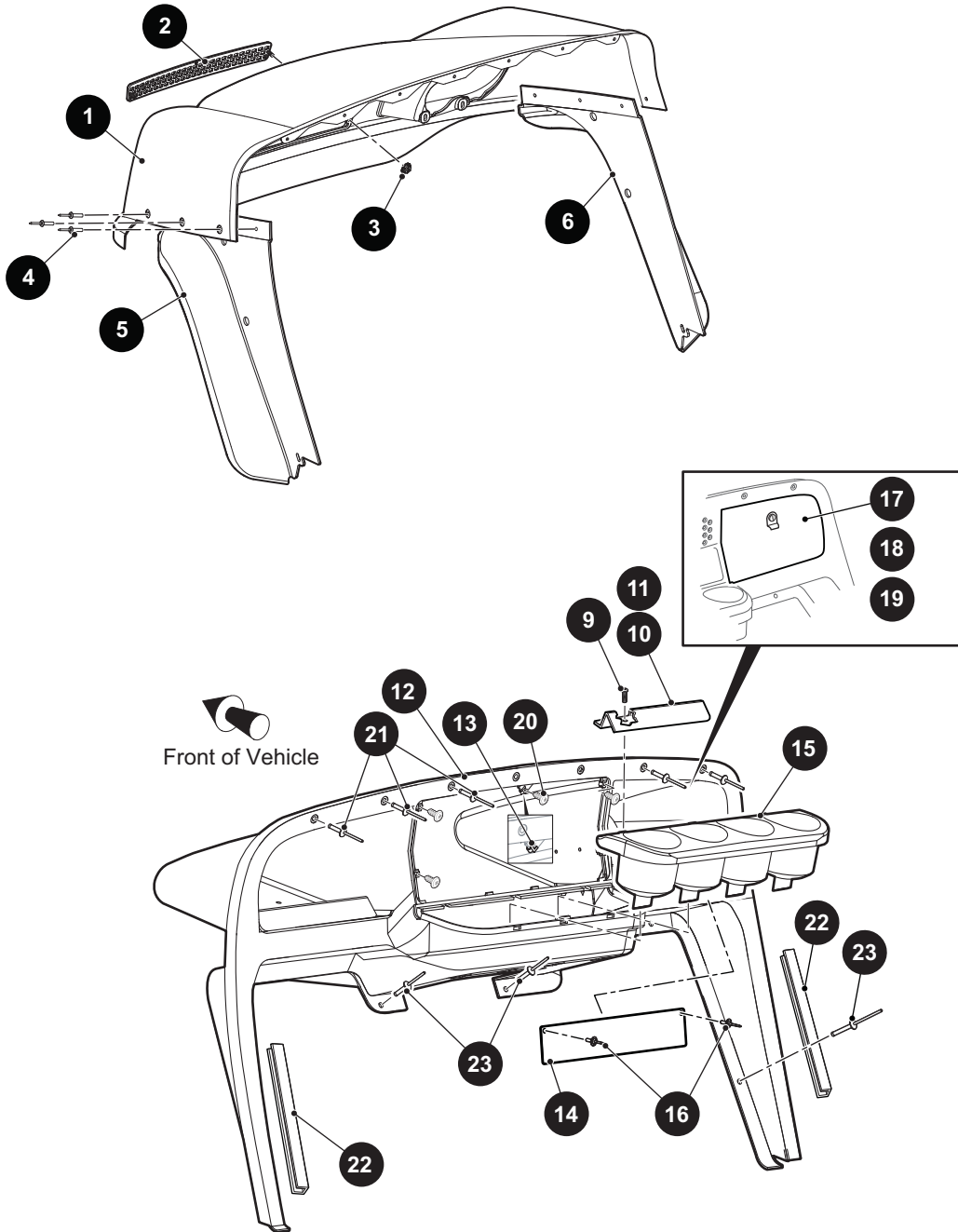
THE USE OF NON U.L. PARTS WILL VOID ANY U.L. LISTING.

When ordering parts, please specify the model and serial number of the product.

* Indicates a component that is not available as an individual part.

*** Indicates consult Customer Service Department for additional information.

ITEM	PART NO.	1 2 3 4 5	DESCRIPTION	QTY.
1	617620		Brushguard.....	1
2	<u>00440G2</u>		Hex Head Bolt, 5/16" - 18 x 2 1/4" Lg, Grade 5	2
3	<u>00440G6</u>		Hex Head Bolt, 5/16" - 18 x 2 3/4" Lg, Grade 5	2
4	<u>75048G04</u>		Spacer, .328" x .75" x 1" Lg	2
5	<u>75048G02</u>		Spacer, .328" x .75" x 1.31" Lg	2
6	00559G8		Flat Washer (Narrow), 5/16".....	4
7	<u>00565G8</u>		Lock Washer, 5/16"	4
8	<u>70452G01</u>		Access Cover	1
9	<u>14601G11</u>		Rivet (Aluminum), 3/16" x 9/16" Lg	16
10	<u>641260</u>		Upper Floor Panel.....	1
11				
12	<u>613273</u>		Front Fascia	1
13	<u>654275</u>		Front Fascia Bracket.....	1
14	<u>15058G1</u>		Rivet (Aluminum Black), 3/16" x .45"	2
15	654276		Front Fascia Brace	2
16	<u>00414G6</u>		Hex Head Bolt, 1/4" - 20 x 3/4" Lg, Grade 5	2
17	<u>14390G4</u>		Lock Nut, 1/4" - 20	2
18	<u>01038G01</u>		Hex Washer Head Swageform Screw, 1/4" - 20 x .700" Lg	2
19	<u>16469G1</u>		Fender Washer, 1 1/4" O.D. x 9/32" I.D.	2
20	<u>71102G03</u>		Hex Washer Head Taptite Bolt, 1/4" - 20 x 1.15" Lg, Grade 5.....	2
21	664610		Cowl Strap.....	11



- 7 Instrument Panel Assembly includes items 8 - 16
- 8 Instrument Panel Assembly with Ball Deflector includes items 9 - 13

THE USE OF NON U.L. PARTS WILL VOID ANY U.L. LISTING.

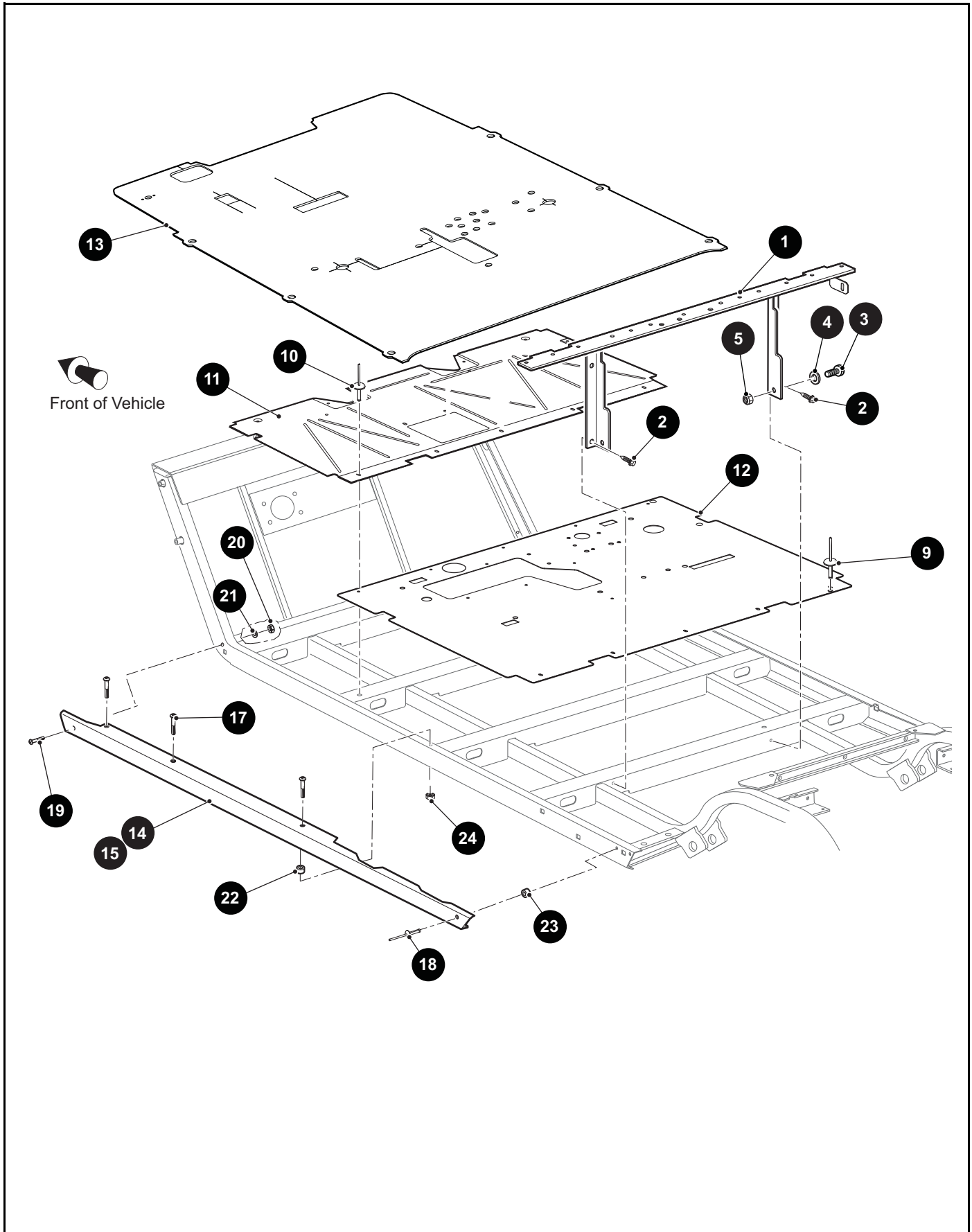
When ordering parts, please specify the model and serial number of the product.

* Indicates a component that is not available as an individual part.

*** Indicates consult Customer Service Department for additional information.

ITEM	PART NO.	1 2 3 4 5	DESCRIPTION	QTY.
1	613036G0**		Cowl (See HOW TO USE Section for COLOR CODES)	1
2	<u>617643</u>		Grill Cover	1
3	<u>71597G01</u>		Self Threading Nut, 5mm x 10mm x 15mm.....	2
4	<u>71055G01</u>		Rivet, 3/16" x 1" Lg	6
5	<u>614378</u>		Fender Flare (Driver Side)	1
6	<u>613274</u>		Fender Flare (Passenger Side).....	1
7	674314		Instrument Panel Assembly (Includes Item 8 - 16).....	1
8	<u>71917G01</u>		Instrument Panel Assembly with Ball Deflector (Includes Item 9 - 13)	1
9	00614G3		Pan Head Phillips Screw, #8 - 18 x 5/8" Lg.....	6
10	<u>71153G01</u>		Ball Deflector (Passenger Side)	1
11	<u>71154G01</u>		Ball Deflector (Driver Side)	1
12	<u>628010</u>		Instrument Panel	1
13	<u>71364G02</u>		Speed Nut "J" Type, #8	5
14	<u>662223</u>		Safety Console Label Bracket	1
15	<u>71158G01</u>		Cup Holder Insert	1
16	<u>71055G01</u>		Rivet (Aluminum), 3/16" x 1" Lg	2
17	<u>75459G01</u>		Glove Box (Driver/Passenger Side)	1
18	<u>75459G02</u>		Glove Box (Driver Side)	1
19	<u>75459G03</u>		Glove Box (Passenger Side).....	1
20	<u>608290</u>		Self Tapping Screw, #10 - 16 x 3/4" Lg	5
21	<u>71055G01</u>		Rivet (Aluminum), 3/16" x 1" Lg	7
22	<u>71115G01</u>		Vinyl Trim	2
23	<u>71055G01</u>		Rivet (Aluminum), 3/16" x 1" Lg.....	2

BODY



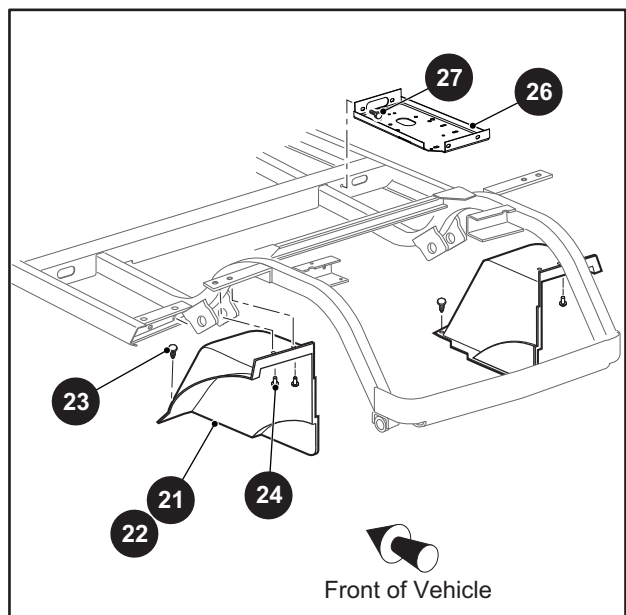
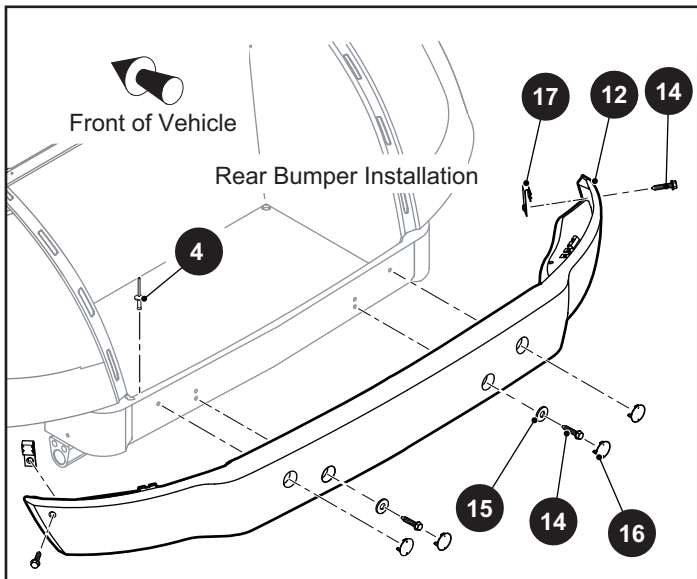
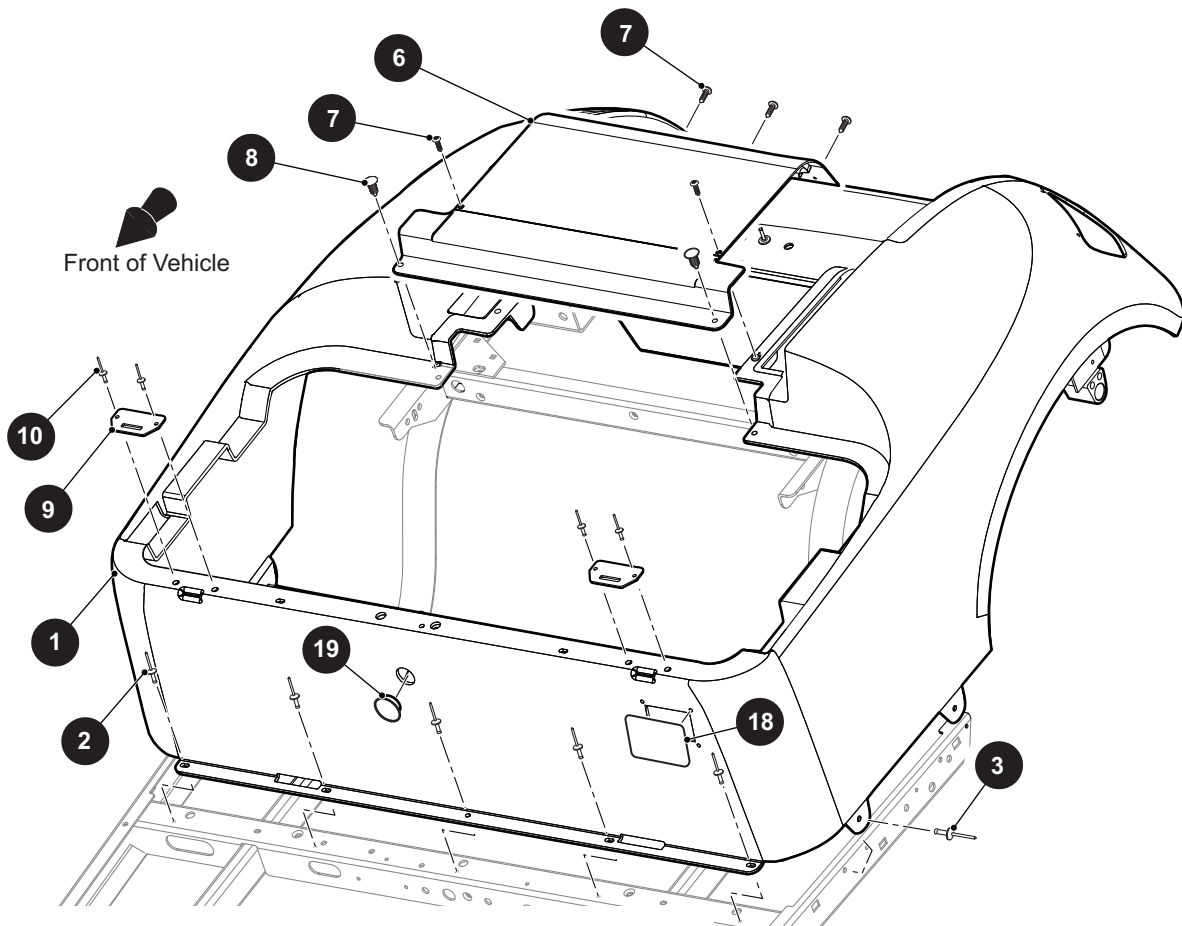
THE USE OF NON U.L. PARTS WILL VOID ANY U.L. LISTING.

When ordering parts, please specify the model and serial number of the product.

* Indicates a component that is not available as an individual part.

*** Indicates consult Customer Service Department for additional information.

ITEM	PART NO.	1 2 3 4 5	DESCRIPTION	QTY.
1	<u>70441G01</u>		Seat Frame	1
2	<u>00715G2</u>		Hex Washer Head Screw, 5/16" - 18 x .875 " Lg	2
3	00438G6		Hex Head Bolt, 5/16" - 18 x 3/4" Lg, Grade 5	2
4	00559G8		Flat Washer, 5/16"	2
5	11098G6		Lock Nut , 5/16" - 18	2
6				
7				
8				
9	<u>10570G10</u>		Domed Rivet (SS), 5/32" x 9/16" Lg	10
10	<u>14601G11</u>		Rivet (Aluminum), 3/16" x 9/16" Lg	5
11	<u>70451G01</u>		Lower Floor Panel	1
12	<u>648840</u>		Rear Floor Panel	1
13	652149G02		Floormat	1
14	<u>618888</u>		Rocker Panel (Driver Side)	1
15	<u>618889</u>		Rocker Panel (Passenger Side)	1
16				
17	<u>634161</u>		Flanged Button Head Torx Bolt, M6 - 1 x 30mm Lg	3
18	<u>15058G6</u>		Rivet (Aluminum), 3/16" x .95" Lg	1
19	<u>00789G2</u>		Truss Head Phillips Screw (SS), #10 - 24 x 1 1/4" Lg	1
20	<u>14390G10</u>		Lock Nut, #10 - 24	1
21	<u>00660G5</u>		Flat Washer, #10	1
22	<u>23726G4</u>		Spacer, 5/16"	3
23	<u>23726G4</u>		Spacer, 5/16"	1
24	<u>601476</u>		Flanged Lock Nut, M6 - 1	3



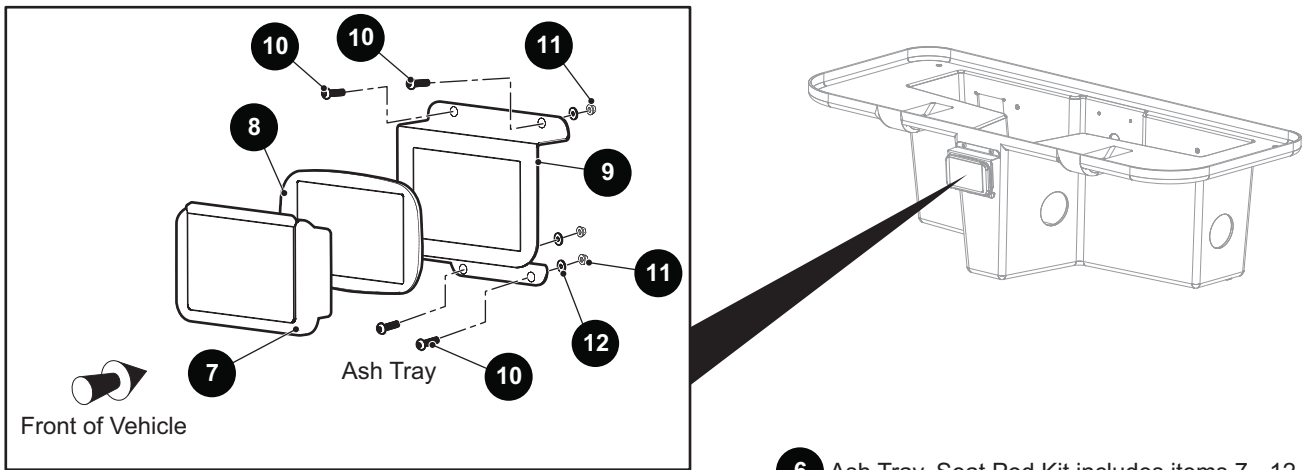
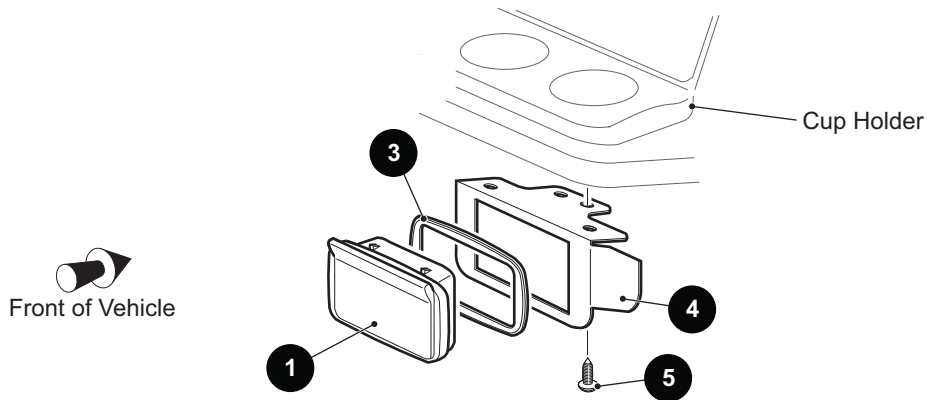
THE USE OF NON U.L. PARTS WILL VOID ANY U.L. LISTING.

When ordering parts, please specify the model and serial number of the product.

* Indicates a component that is not available as an individual part.

*** Indicates consult Customer Service Department for additional information.

ITEM	PART NO.	1 2 3 4 5	DESCRIPTION	QTY.
1	625272G1XX		Rear Body (With Taillights) (See HOW TO USE Section for COLOR CODES)	1
2	<u>10570G10</u>		Rivet (SS), 5/32" x 9/16" Lg	2
3	10570G12		Rivet (Aluminum), .257" x .556" Lg	2
4	<u>633917</u>		Rivet (Plastic).....	2
5				
6	<u>71320G01</u>		Access Panel	1
7	<u>01107G01</u>		Pan Head Torx Screw (SS), #8 x .63" Lg	5
8	<u>16816G2</u>		Ratchet Rivet, .25" x .887"	2
9	<u>71609G01</u>		Seat Hinge Plate	2
10	<u>10570G11</u>		Rivet (SS), 5/32" x .70" Lg	4
11				
12	<u>71451G02</u>		Rear Bumper.....	1
13				
14	<u>71102G01</u>		Hex Head Bolt, 1/4" - 20 x 3/4" Lg, Grade 5	4
15	<u>00571G2</u>		Flat Washer, 5/16"	2
16	<u>71455G01</u>		Bumper Plug	4
17	<u>71554G01</u>		"J" - Type Nut Retainer, 1/4" - 20.....	4
18	<u>666066</u>		Cover Plate	1
19	<u>71316G01</u>		Plug	1
20				
21	<u>635054G02</u>		Fender Liner (Driver Side).....	1
22	635054G03		Fender Liner (Passenger Side).....	1
23	<u>16816G2</u>		Ratchet Fastener, 1/4" x .887" Lg	2
24	14601G17		Rivet (Aluminum), 3/16" x .575" Lg	2
25				
26	<u>70244G05</u>		Battery Tray (Passenger Side).....	1
27	<u>00715G2</u>		Hex Washer Head Screw, 5/16" - 18 x .8" Lg	4



6 Ash Tray, Seat Pod Kit includes items 7 - 12

THE USE OF NON U.L. PARTS WILL VOID ANY U.L. LISTING.

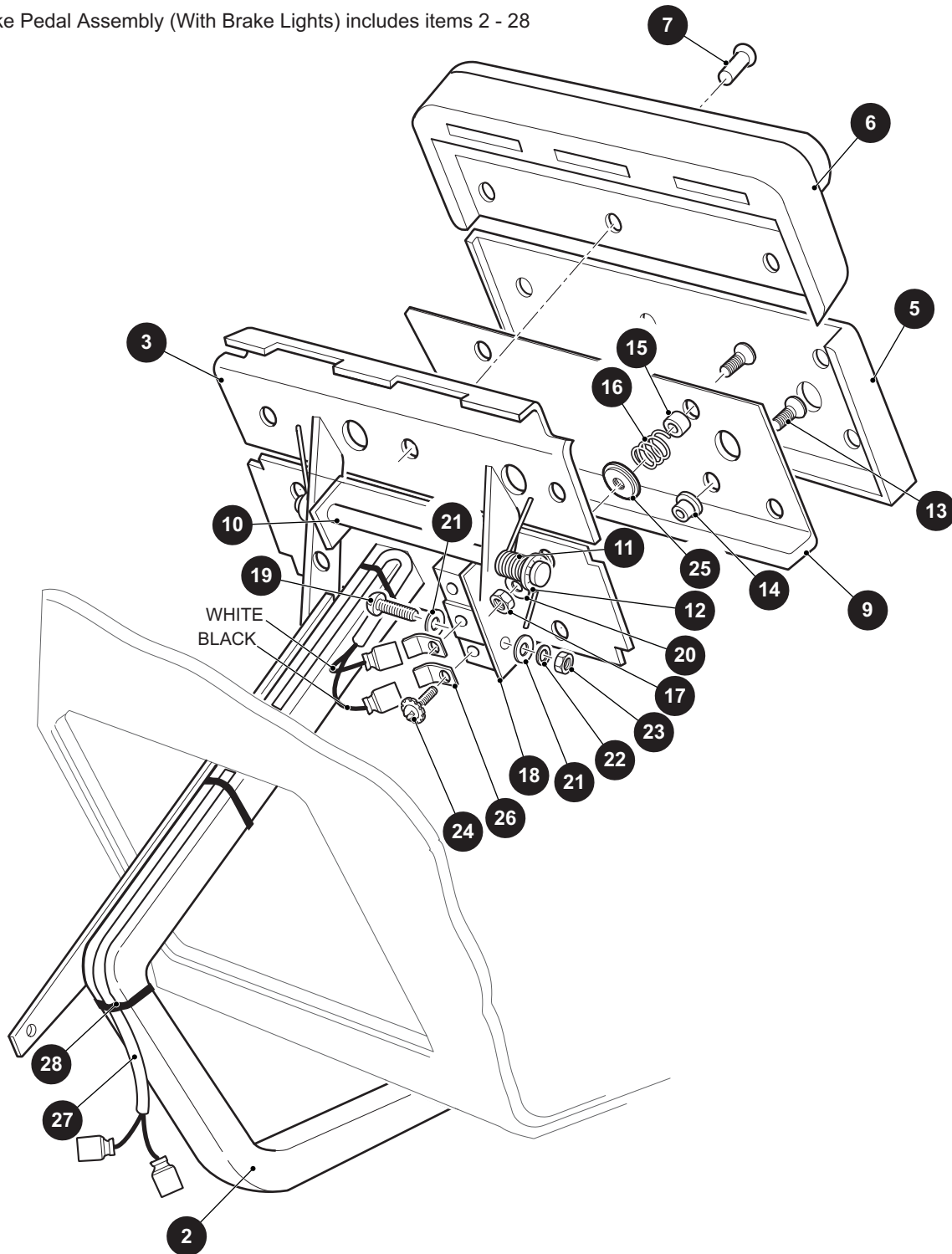
When ordering parts, please specify the model and serial number of the product.

* Indicates a component that is not available as an individual part.

*** Indicates consult Customer Service Department for additional information.

ITEM	PART NO.	1 2 3 4 5	DESCRIPTION	QTY.
1	27731G01		Ash Tray	1
2				
3	27736G01		Gasket.....	1
4	<u>75108G02</u>		Bracket.....	1
5	<u>00106G6</u>		Pan Head Phillips Screw, #12 - 14 x .75" Lg.....	4
6	632412		Ash Tray, Seat Pod Kit (Includes Items 7 - 12)	1
7	27731G01		Ash Tray	1
8	27736G01		Gasket	1
9	631079		Bracket	1
10	<u>601326</u>		Button Head Torx Bolt, M6 - 1 x 20mm Lg.....	4
11	<u>601476</u>		Flanged Lock Nut, M6	4
12	<u>16469G1</u>		Fender Washer, 9/32" I.D x 1 1/4" O.D.....	4

1 Brake Pedal Assembly (With Brake Lights) includes items 2 - 28



BRAKES

THE USE OF NON U.L. PARTS WILL VOID ANY U.L. LISTING.

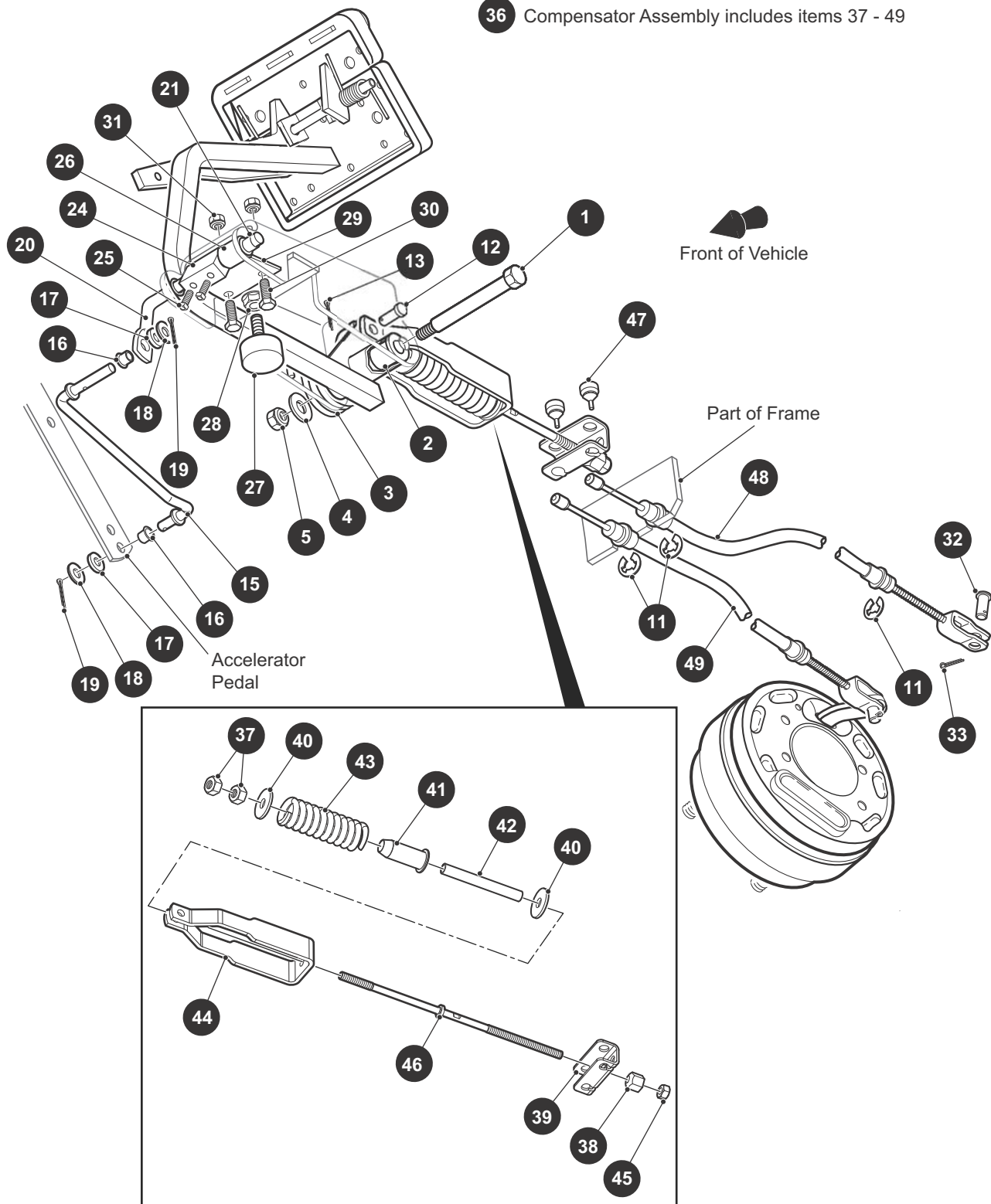
When ordering parts, please specify the model and serial number of the product.

* Indicates a component that is not available as an individual part.

*** Indicates consult Customer Service Department for additional information.

ITEM	PART NO.	1 2 3 4 5	DESCRIPTION	QTY.
1	70690G02		Brake Pedal Assembly (with Brake Lights) (Includes Items 2 - 28).....	1
2	<u>652791G03</u>		Brake Pedal	1
3	<u>652253G03</u>		Park Brake Pedal.....	1
4				
5	<u>70257G01</u>		Service Brake Pad.....	1
6	<u>70256G01</u>		Park Brake Pad	1
7	<u>16409G1</u>		Oval Rivet, 3/8" x 15/32" Lg.....	9
8				
9	<u>652820</u>		Service Brake Pedal Plate.....	1
10	<u>70682G01</u>		Pivot Pin	1
11	<u>70681G01</u>		Torsion Spring, .408" Dia x .93" Lg	2
12	<u>658825</u>		Push Nut, 5/16".....	2
13	<u>00737G8</u>		Flat Head Phillips Screw, #10 - 24 x 1" Lg, Grade 5.....	4
14	<u>00739G1</u>		Rubber Nut, #10 - 24	2
15	<u>652355</u>		Brake Pedal Spacer.....	2
16	<u>27137G01</u>		Conical Spring	2
17	<u>14390G10</u>		Lock Nut, #10 - 24	2
18	10606G8		Micro Switch	1
19	<u>00645G2</u>		Pan Head Phillips Screw, #6 - 32 x 1 1/4" Lg	2
20	<u>00559G5</u>		Flat Washer, #10.....	2
21	<u>00559G3</u>		Flat Washer, #6.....	4
22	<u>00565G3</u>		Lock Washer, #6	2
23	<u>00525G5</u>		Hex Nut, #6 - 32	2
24	<u>13514G1</u>		Pan Head Phillips Screw with Internal Tooth Lock Washer, #6 - 32 x .22" Lg.....	2
25	<u>00642G8</u>		Flat Washer, 5/16"	2
26	<u>14628G1</u>		Faston Tab.....	2
27	<u>24605G1</u>		Wire Harness, Brake Light.....	1
28	<u>17618G1</u>		Nylon Clamp, 7" Lg	2

36 Compensator Assembly includes items 37 - 49



THE USE OF NON U.L. PARTS WILL VOID ANY U.L. LISTING.

When ordering parts, please specify the model and serial number of the product.

* Indicates a component that is not available as an individual part.

*** Indicates consult Customer Service Department for additional information.

ITEM	PART NO.	1 2 3 4 5	DESCRIPTION	QTY.
1	<u>70582G01</u>		Hex Head Shoulder Bolt (SS), 3/4" x 4.03", 3/8" - 16 x .62" Lg	1
2	<u>70581G01</u>		Flanged Bushing, .1.062" O.D. x .795" I.D.....	2
3	<u>70676G01</u>		Torsion Spring	1
4	<u>00643G1</u>		Lock Washer, 3/8"	1
5	<u>11098G5</u>		Lock Nut, 3/8" - 16	1
6	<u>01038G01</u>		Hex Washer Head Bolt, 1/4" - 20 x .7" Lg (Not Illustrated).....	1
7	<u>12416G2</u>		Nylon Wedge Lock Clamp (Not Illustrated)	3
8				
9				
10				
11	<u>01111G01</u>		Retaining Ring (SS), Dia .8"	4
12	<u>10386G3</u>		Clevis Pin, .438" x .938" Lg.....	1
13	<u>10387G3</u>		Cotter Pin, .094" x .75" Lg.....	1
14				
15	<u>70601G01</u>		Kick-off Link.....	1
16	<u>17838G1</u>		Nylon Bushing, .37" O.D. x .31" I.D.....	2
17	<u>20835G1</u>		Teflon Washer, 3/8"	2
18	<u>00559G8</u>		Flat Washer, 5/16"	2
19	<u>10387G3</u>		Cotter Pin, .094" x .75" Lg.....	2
20	<u>70098G01</u>		Kick-off Cam Pivot.....	1
21	<u>10097G6</u>		Flanged Bearing	2
22				
23				
24	<u>70587G01</u>		Kick-off Cam.....	1
25	<u>71215G01</u>		Set Screw With Patch Lock, 1/4" - 20 x .5" Lg	2
26	<u>14134G4</u>		Spacer, .76" O.D. x .395" I.D. x 1.25" Lg	1
27	<u>70113G01</u>		Adjustable Bumper	1
28	<u>11027G1</u>		Lock Nut, 5/16 - 18"	1
29	<u>70080G02</u>		Catch Bracket.....	1
30	<u>00414G6</u>		Hex Head Bolt, 1/4" - 20 x .25" Lg, Grade 5	2
31	<u>14390G4</u>		Lock Nut (SS), 1/4" - 20	2

BRAKES

THE USE OF NON U.L. PARTS WILL VOID ANY U.L. LISTING.

When ordering parts, please specify the model and serial number of the product.

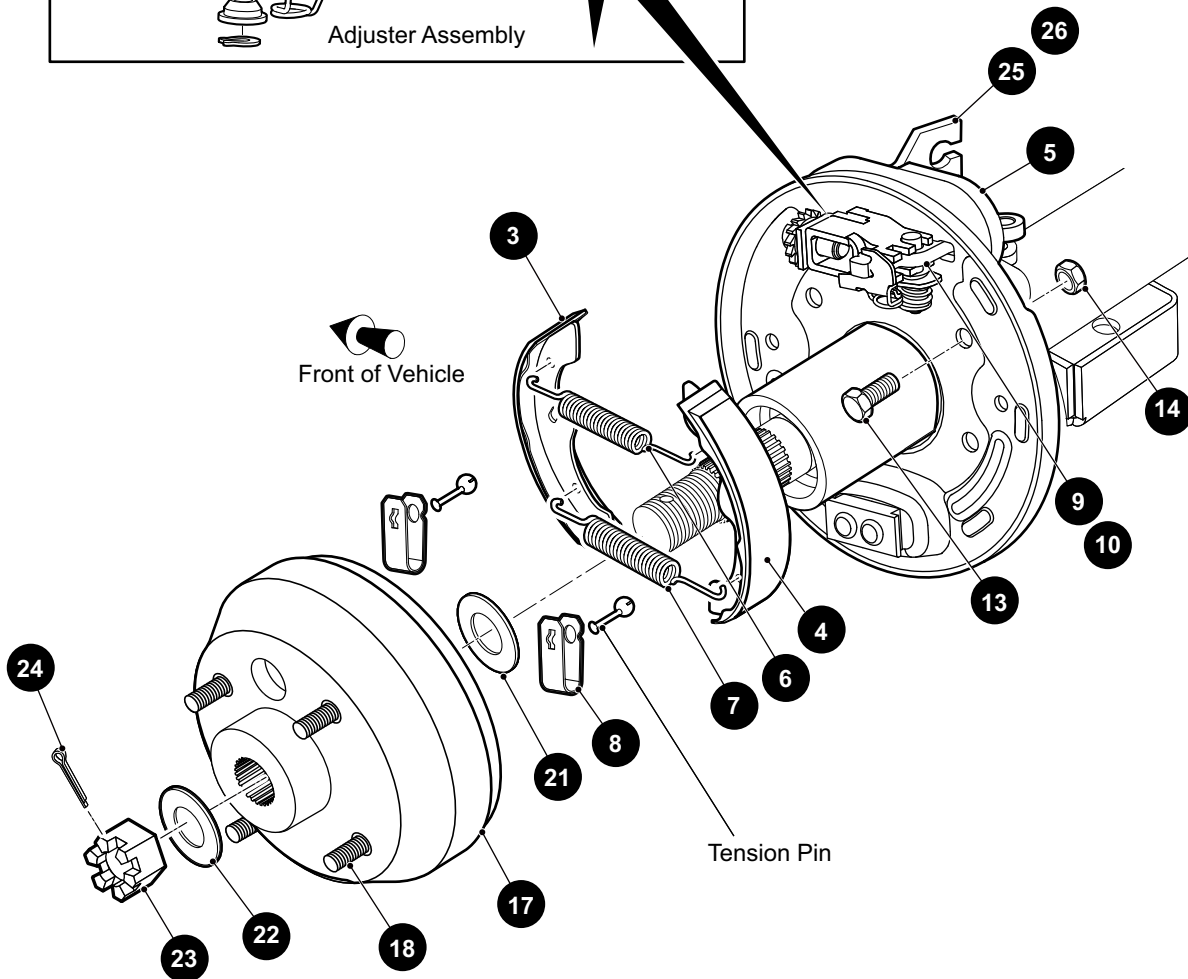
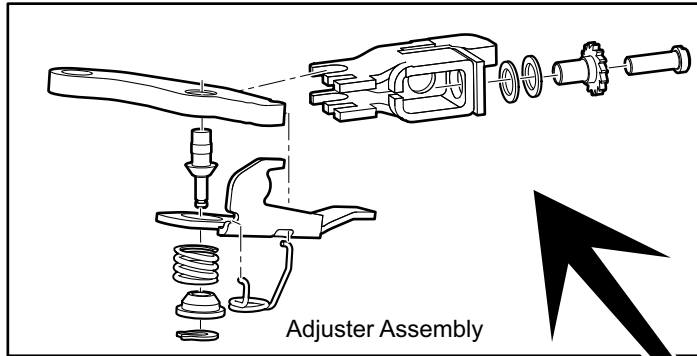
* Indicates a component that is not available as an individual part.

*** Indicates consult Customer Service Department for additional information.

ITEM	PART NO.	1	2	3	4	5	DESCRIPTION	QTY.
32	<u>10386G3</u>						Clevis Pin, .438" x .938" Lg	1
33	<u>10387G3</u>						Cotter Pin, .094" x .75" Lg	1
34								
35								
36	654663						Compensator Assembly (Includes Items 37 - 49)	1
37	<u>00532G4</u>						Hex Nut, 1/4" - 20	2
38	<u>629486</u>						Spherical Hex Nut, 5/16" - 24	1
39	<u>28082G01</u>						Equalizer Bracket	1
40	<u>15121G1</u>						Flat Washer, 5/16"	2
41	<u>17979G1</u>						Accelerator Rod Bushing, .464" I.D. x 1" O.D. x 2" Lg	1
42	<u>23061G2</u>						Tube	1
43	<u>23463G1</u>						Compression Spring	1
44	<u>652256</u>						Brake Yoke	1
45	<u>11098G9</u>						Hex Lock Nut, 5/16" - 24	1
46	<u>612557</u>						Compensator Link Rod	1
47	<u>28083G01</u>						Brake Compensator Bumper	2
48	<u>624695</u>						Brake Cable (Driver Side)	1
49	<u>624696</u>						Brake Cable (Passenger Side)	1

BRAKES

- 1 Brake Assembly (Driver Side) includes items 3 - 9
- 2 Brake Assembly (Passenger Side) includes items 3 - 8, 10
- 16 Brake Drum Assembly includes items 17, 18



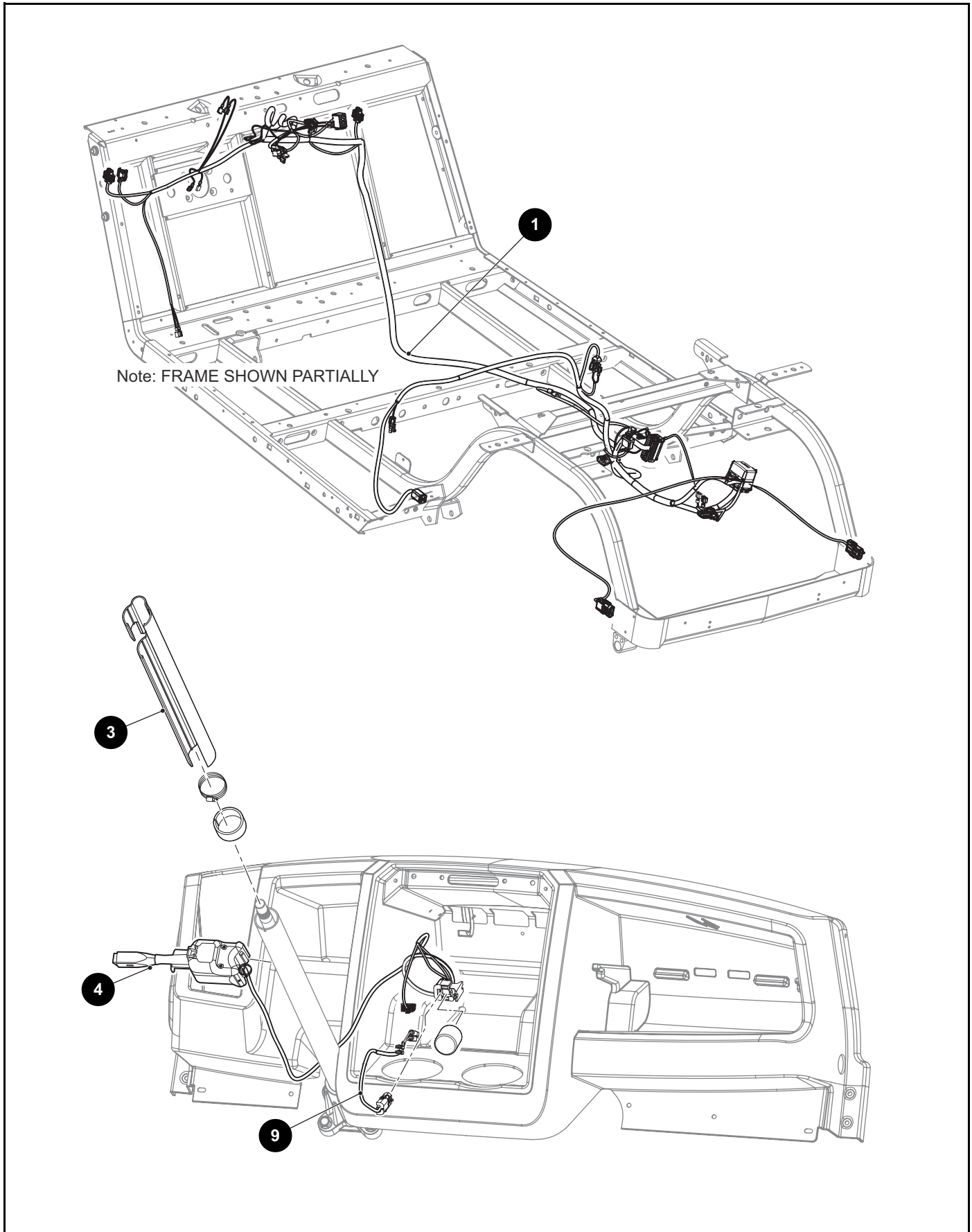
THE USE OF NON U.L. PARTS WILL VOID ANY U.L. LISTING.

When ordering parts, please specify the model and serial number of the product.

* Indicates a component that is not available as an individual part.

*** Indicates consult Customer Service Department for additional information.

ITEM	PART NO.	1 2 3 4 5	DESCRIPTION	QTY.
1	<u>612189</u>		Brake Assembly (Driver Side) (Includes Items 3 - 9)	1
2	<u>612211</u>		Brake Assembly (Passenger Side) (Includes Items 3 - 8, 10).....	1
3	<u>612411</u>		Brake Shoe, Leading	1
4	<u>612412</u>		Brake Shoe, Trailing	1
5	<u>612413</u>		Dust Cover.....	1
6	<u>612415</u>		Brake Spring, Top	1
7	<u>612414</u>		Brake Spring, Bottom	1
8	<u>612416</u>		Shoe Clamp	2
9	<u>612418</u>		Gear Adjuster (Driver Side)	1
10	<u>612417</u>		Gear Adjuster (Passenger Side).....	1
11				
12				
13	<u>17083G2</u>		Hex Head Bolt, 5/16" - 24 x 1" Lg, Grade 8	4
14	<u>15126G1</u>		Lock Nut, 5/16" - 24	4
15				
16	<u>21807G2</u>		Brake Drum Assembly (Includes Items 17, 18).....	1
17	<u>20947G1</u>		Brake Drum	1
18	<u>19862G2</u>		Lug Bolt, 1/2" - 20 x 1.718" Lg.....	4
19				
20				
21	<u>21809G1</u>		Flat Washer (Inner Wheel Rim), .984" x 1.312" x .031"	1
22	<u>21830G1</u>		Flat Washer (Brake Drum), .765" x 1.50" x .1196"	1
23	<u>613172</u>		Slotted Hex Nut, 3/4" - 16	1
24	<u>10387G1</u>		Cotter Pin, 5/32" x 1 3/4" Lg.....	1
25	<u>652248</u>		Brake Cable Bracket (Passenger Side)	1
26	<u>652249</u>		Brake Cable Bracket (Driver Side).....	1



THE USE OF NON U.L. PARTS WILL VOID ANY U.L. LISTING.

When ordering parts, please specify the model and serial number of the product.

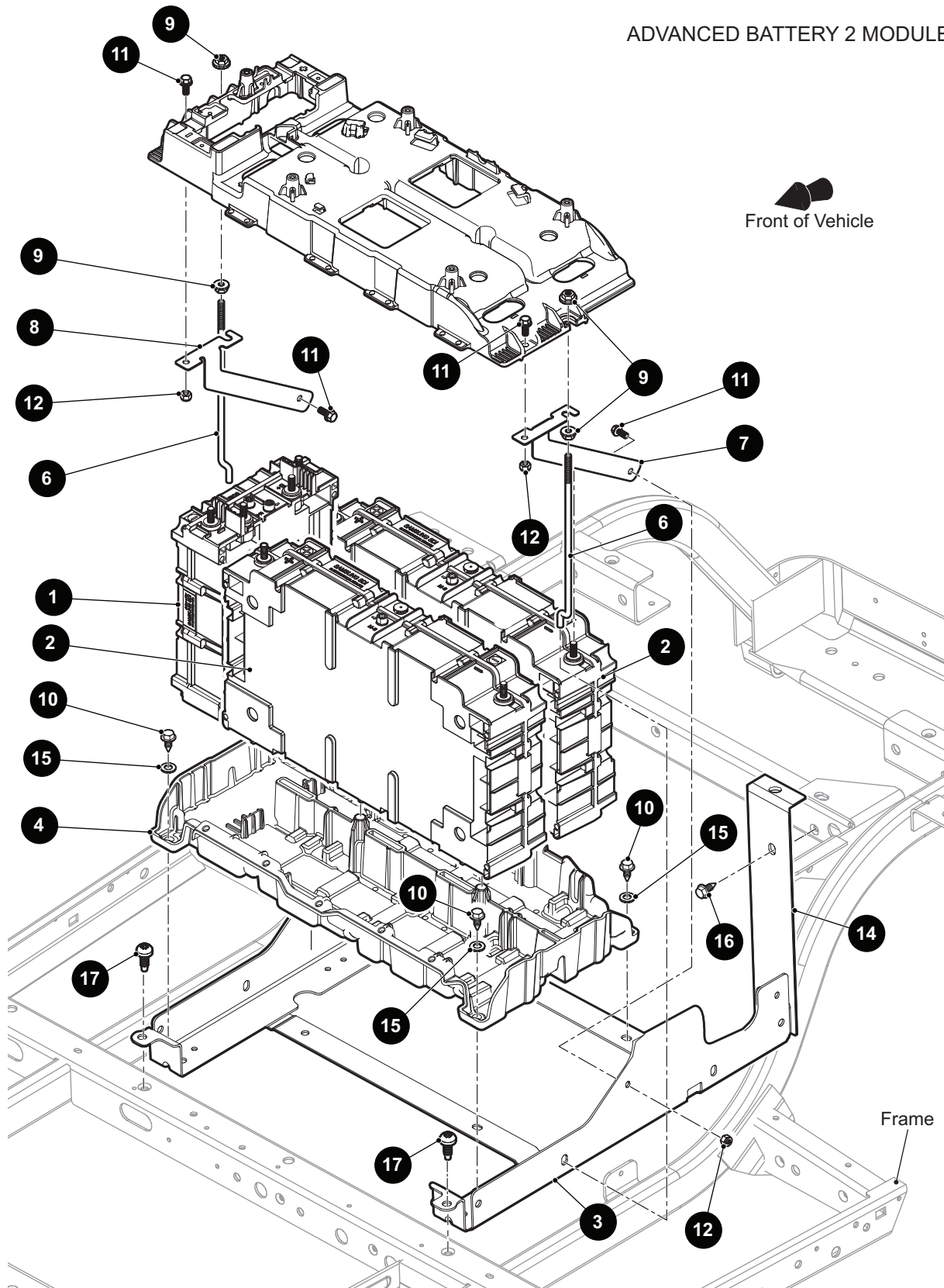
* Indicates a component that is not available as an individual part.

*** Indicates consult Customer Service Department for additional information.

ITEM	PART NO.	1 2 3 4 5	DESCRIPTION	QTY.
1	696632		Main Harness	1
2				
3	<u>20965G3</u>		Steering Column Cover.....	1
4	<u>615236</u>		Turn Signal Switch Assembly	1
5				
6	<u>19344G1</u>		Vinyl Tape (Not Illustrated).....	1
7				
8	<u>31539G1</u>		Nylon Clamp, 15.5" (Not Illustrated).....	7
9	<u>664706</u>		Horn Jumper	1
10				
11	<u>17618G1</u>		Nylon Clamp, 15.5" (Not Illustrated).....	12

ADVANCED BATTERY 2 MODULE

Front of Vehicle



THE USE OF NON U.L. PARTS WILL VOID ANY U.L. LISTING.

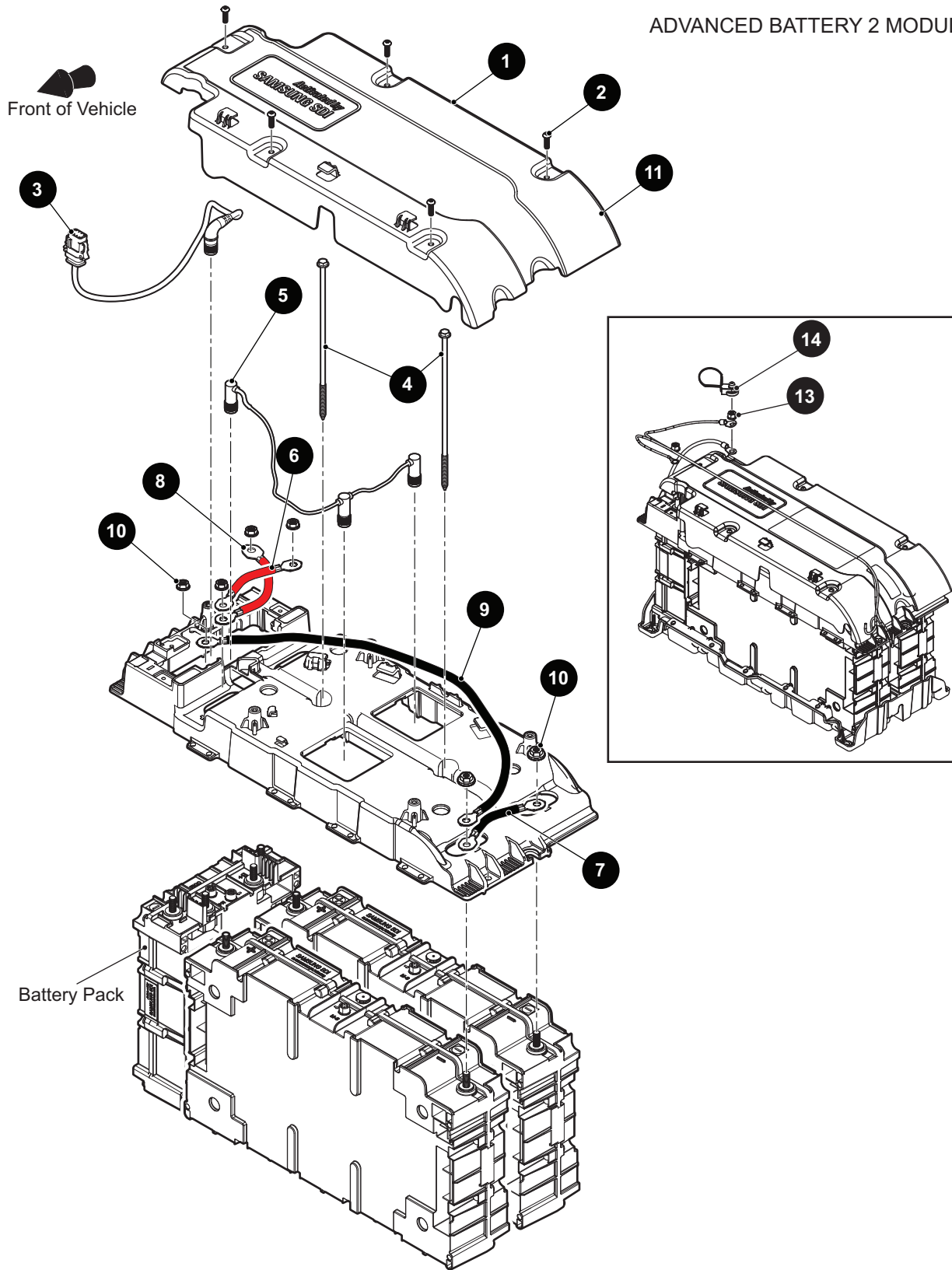
When ordering parts, please specify the model and serial number of the product.

* Indicates a component that is not available as an individual part.

*** Indicates consult Customer Service Department for additional information.

ITEM	PART NO.	1 2 3 4 5	DESCRIPTION	QTY.
1	691886		Battery Management System.....	1
2	<u>665954</u>		Cell Module	2
3	663490		Battery Tray.....	1
4	<u>651809</u>		Bottom Tray.....	1
5				
6	<u>01101G01</u>		Tie Down Bolt.....	2
7	<u>654002G01</u>		Hold Down Bracket (Driver Side).....	1
8	<u>654002G02</u>		Hold Down Bracket (Passenger Side).....	1
9	<u>11027G1</u>		Flanged Lock Nut, 5/16" - 18	4
10	<u>00715G2</u>		Hex Washer Head Bolt, 5/16" - 18 x .80" Lg	4
11	<u>13437G9</u>		Serrated Head Lock Screw, 1/4" - 20 x 3/4" Lg.....	8
12	<u>14390G4</u>		Lock Nut, 1/4" - 20	8
13				
14	<u>70090G02</u>		Rear Support.....	2
15	00559G8		Flat Washer, 5/16"	4
16	<u>00715G2</u>		Hex Washer Head Bolt, 5/16" - 18 x .80" Lg	4
17	<u>70200G01</u>		Truss Head Torx Screw, 3/8" - 16 x .75" Lg.....	2

ADVANCED BATTERY 2 MODULE



THE USE OF NON U.L. PARTS WILL VOID ANY U.L. LISTING.

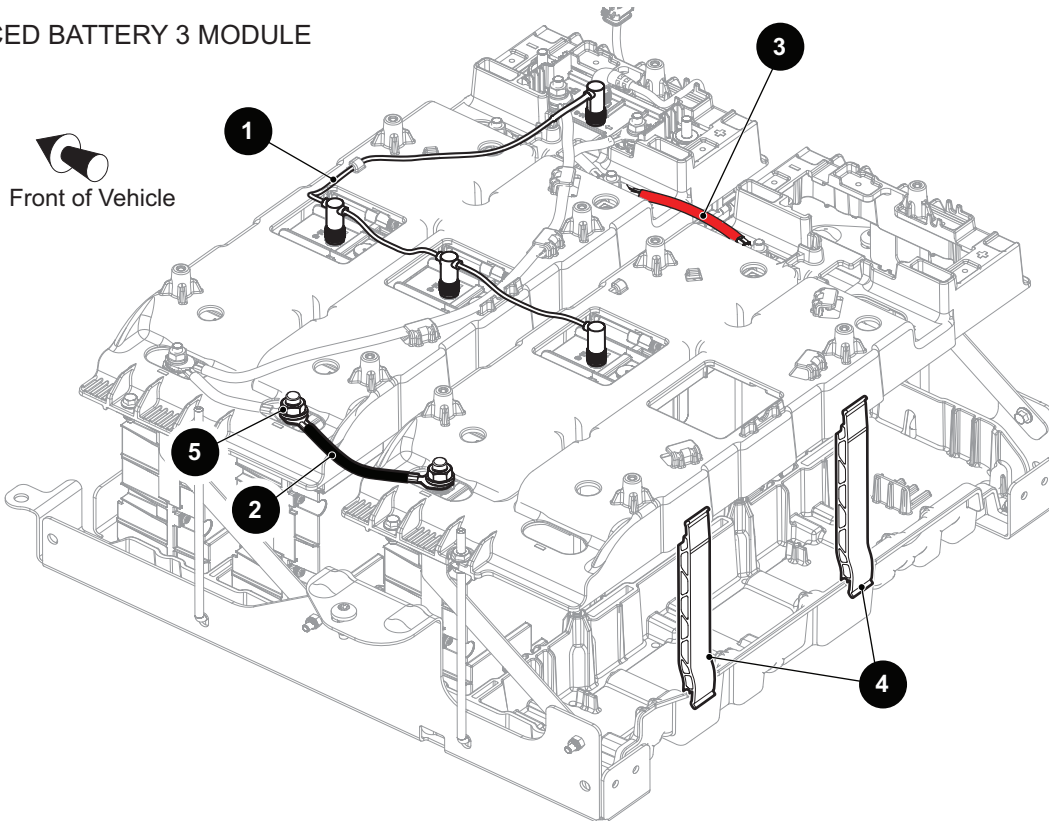
When ordering parts, please specify the model and serial number of the product.

* Indicates a component that is not available as an individual part.

*** Indicates consult Customer Service Department for additional information.

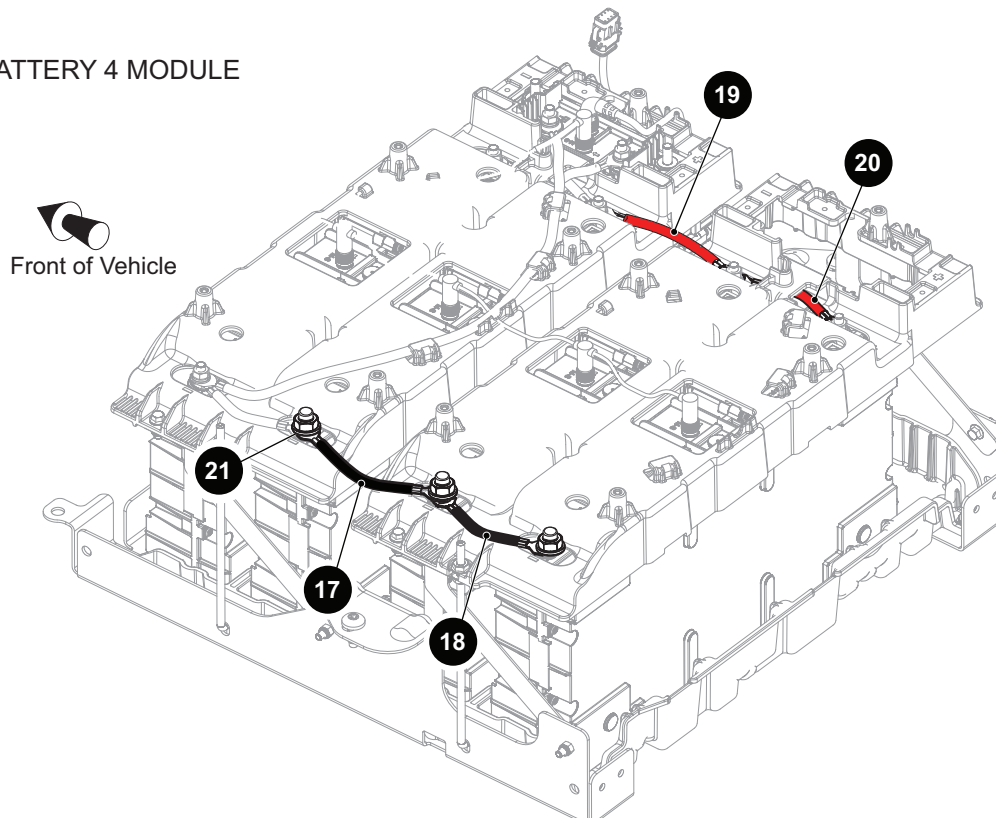
ITEM	PART NO.	1 2 3 4 5	DESCRIPTION	QTY.
1	<u>651878</u>		Top Cover.....	1
2	<u>654616</u>		Button Head Tapping Screw, #10 X .625" Lg.....	5
3	<u>652090</u>		Harness (BMS to Main Harness).....	1
4	<u>654863</u>		Flanged Hex Head Bolt, 1/4" - 10 x 8 3/4" Lg.....	2
5	<u>651960</u>		Battery Communication Cable, 60AH.....	1
6	<u>652002</u>		Battery Cable (Red), 6AWG, 122mm Lg.....	1
7	<u>653432</u>		Battery Cable (Black), 6AWG, 122mm Lg.....	1
8	<u>653449</u>		Battery Cable (Red), 6AWG, 145mm Lg.....	1
9	<u>651811</u>		Battery Cable (Black), 6AWG, 595mm Lg.....	1
10	<u>659134</u>		Conical Hex Nut, M8 - 1.25.....	6
11	<u>651812</u>		Top Tray.....	1
12				
13	<u>659134</u>		Conical Hex Nut, M8 - 1.25.....	2
14	<u>681557</u>		Terminal Boot.....	1

ADVANCED BATTERY 3 MODULE



*NOTE: Refer to ADVANCED BATTERY 2 MODULE for exploded view of battery pack

ADVANCED BATTERY 4 MODULE



*NOTE: Refer to ADVANCED BATTERY 2 MODULE for exploded view of battery pack

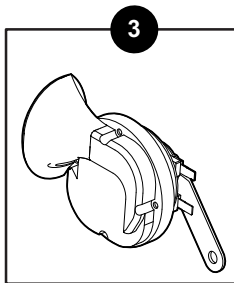
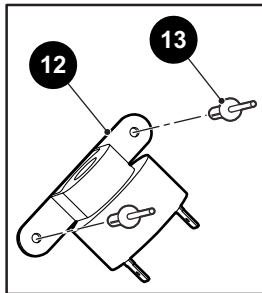
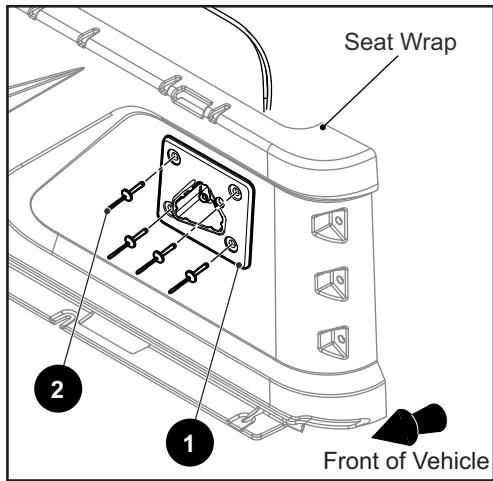
THE USE OF NON U.L. PARTS WILL VOID ANY U.L. LISTING.

When ordering parts, please specify the model and serial number of the product.

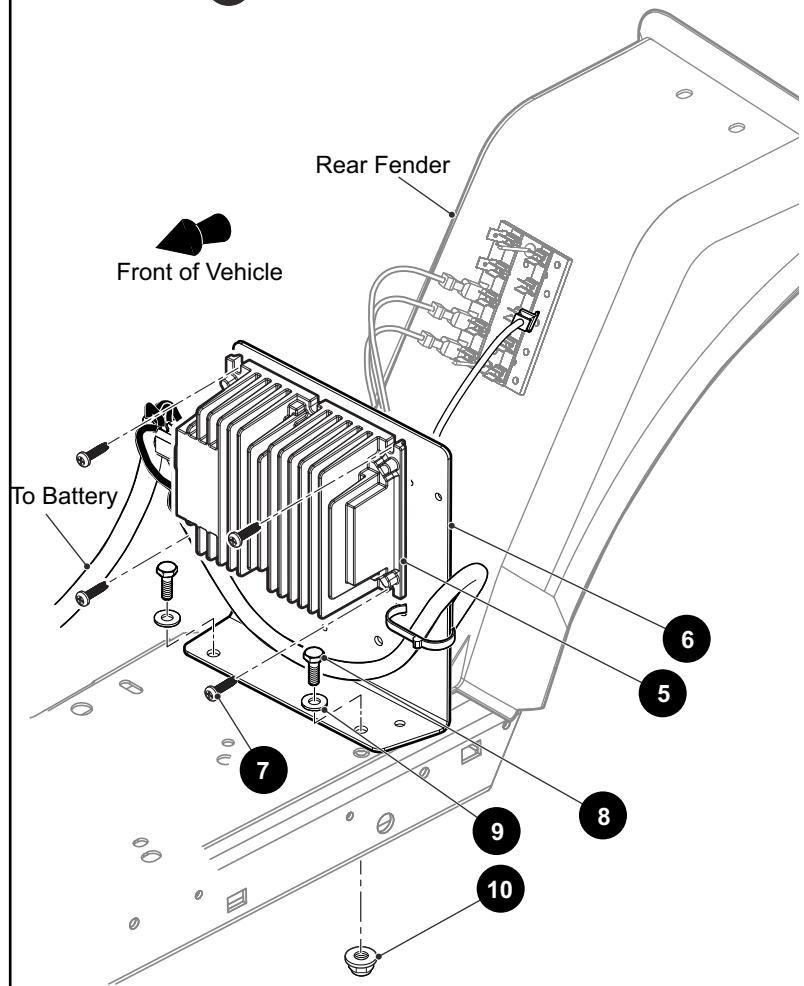
* Indicates a component that is not available as an individual part.

*** Indicates consult Customer Service Department for additional information.

ITEM	PART NO.	1 2 3 4 5	DESCRIPTION	QTY.
1	<u>651961</u>		Battery Communication Cable, 90AH	1
2	<u>653431</u>		Battery Cable (Black), 6AWG, 154mm Lg.....	1
3	<u>653433</u>		Battery Cable (Red), 6AWG, 154mm Lg.....	1
4	<u>654488</u>		Battery Tray Spacer	2
5	<u>659134</u>		Conical Hex Nut, M8 - 1.25	2
6				
7				
8				
9				
10				
11				
12				
13				
14				
15				
16				
17	<u>653431</u>		Battery Cable (Black), 6AWG, 154mm Lg.....	1
18	<u>653432</u>		Battery Cable (Black), 6AWG, 122mm Lg.....	1
19	<u>653433</u>		Battery Cable (Red), 6AWG, 154mm Lg.....	1
20	<u>652002</u>		Battery Cable (Red), 6AWG, 122mm Lg.....	1
21	<u>659134</u>		Conical Hex Nut, M8 - 1.25	3



4 DC - DC Converter Assembly includes items 5 - 7



THE USE OF NON U.L. PARTS WILL VOID ANY U.L. LISTING.

When ordering parts, please specify the model and serial number of the product.

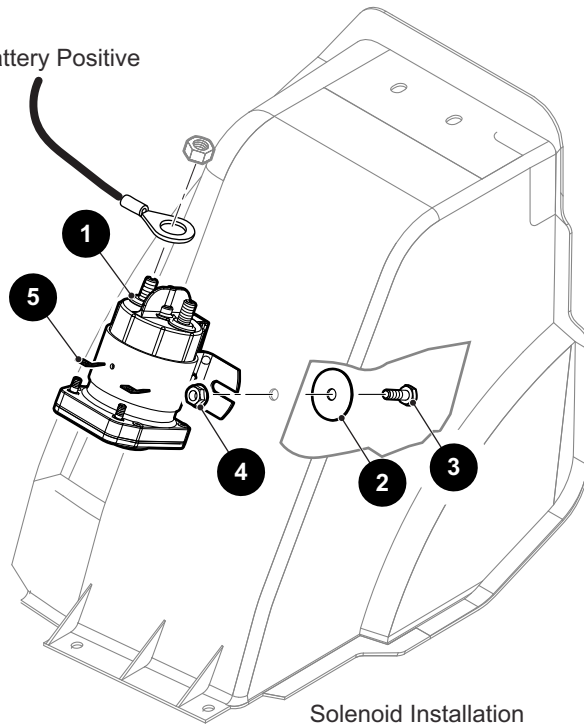
* Indicates a component that is not available as an individual part.

*** Indicates consult Customer Service Department for additional information.

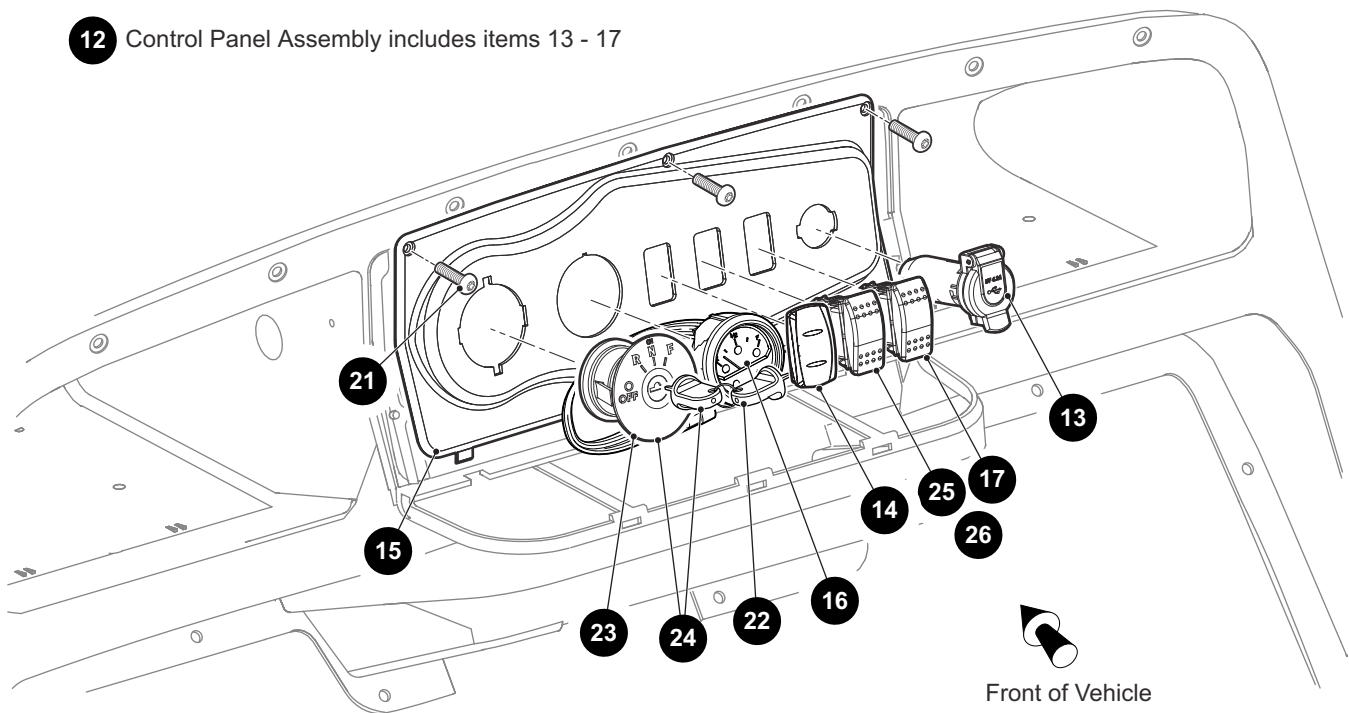
ITEM	PART NO.	1 2 3 4 5	DESCRIPTION	QTY.
1	<u>651531</u>		Charger Receptacle, 51V.....	1
2	<u>71055G02</u>		Rivet, 3/16" Dia.	4
3	<u>32860G1</u>		Horn	1
4	656108		DC-DC Converter Assembly (Includes Items 5 - 7).....	1
5	<u>632185</u>		DC-DC Converter	1
6	<u>633303</u>		DC-DC Converter Bracket	1
7	<u>632372</u>		Self Tapping Screw, #10 - 32 x 3/4" Lg.....	4
8	<u>00414G6</u>		Hex Head Bolt, 1/4" - 20 x 3/4" Lg, Grade 5	2
9	<u>00559G7</u>		Flat Washer, 1/4".....	2
10	<u>11027G2</u>		Flanged Lock Nut, 1/4" - 20	2
11				
12	<u>613271</u>		Reverse Buzzer.....	1
13	<u>01041G01</u>		Rivet (Aluminum), 5/32"	2

Front of Vehicle

To Battery Positive



12 Control Panel Assembly includes items 13 - 17



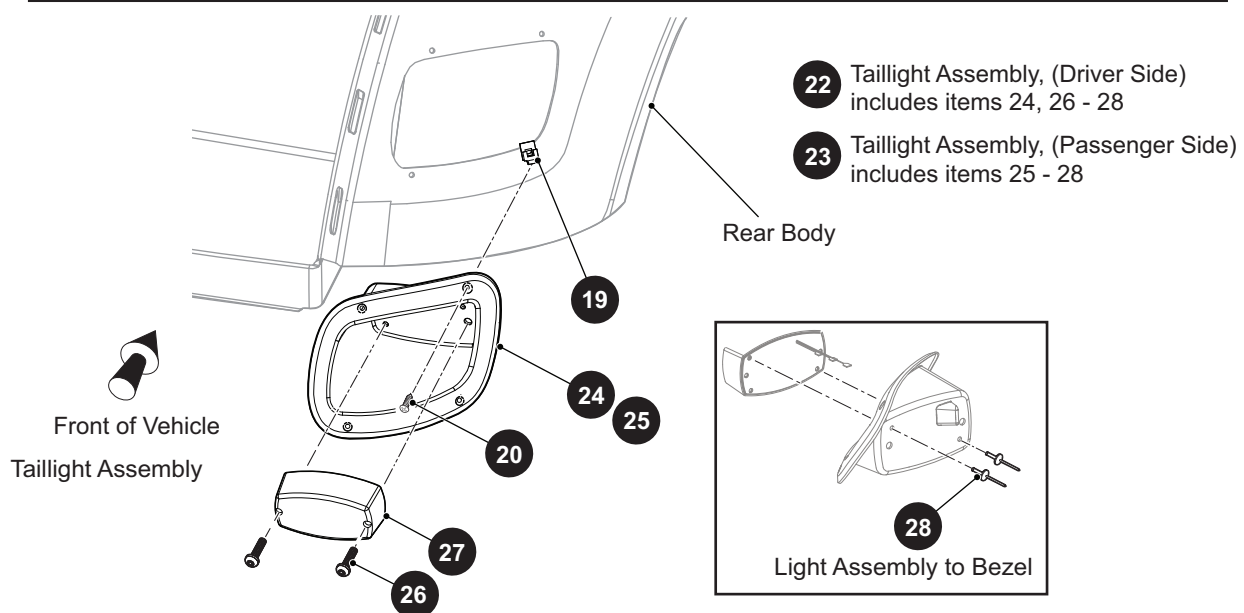
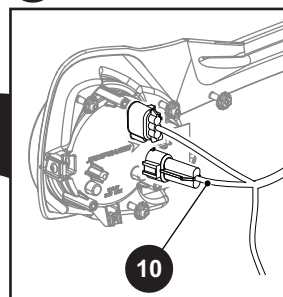
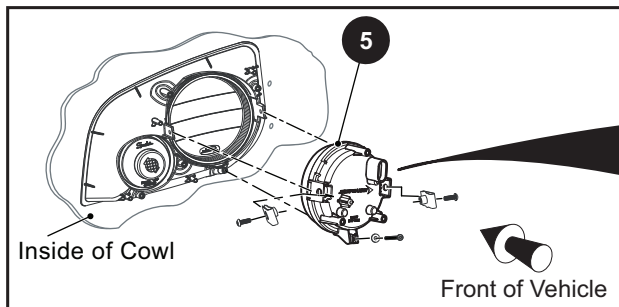
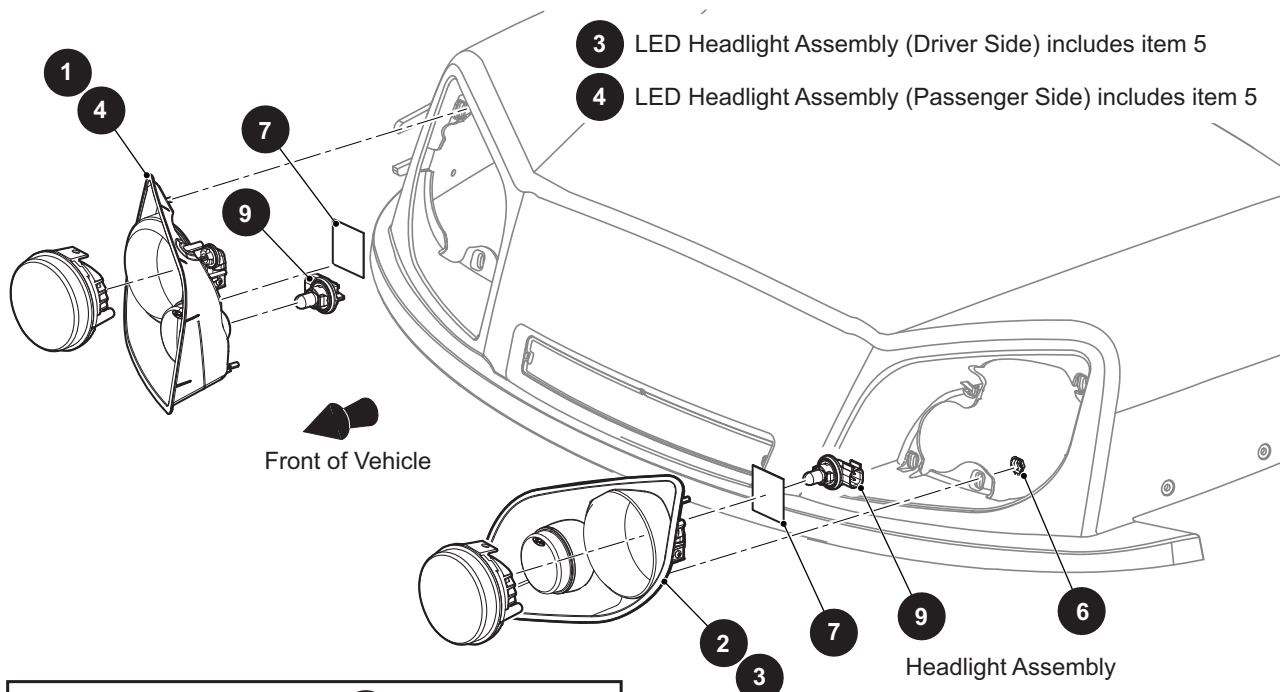
THE USE OF NON U.L. PARTS WILL VOID ANY U.L. LISTING.

When ordering parts, please specify the model and serial number of the product.

* Indicates a component that is not available as an individual part.

*** Indicates consult Customer Service Department for additional information.

ITEM	PART NO.	1 2 3 4 5	DESCRIPTION	QTY.
1	<u>621330</u>		Solenoid	1
2	<u>16469G1</u>		Fender Washer	2
3	<u>00414G6</u>		Hex Head Bolt, 1/4" - 20 x .25" Lg Grade 5	2
4	<u>11027G2</u>		Flanged Lock Nut, 1/4" - 20	2
5	<u>12914G1</u>		Faston Tab	2
6				
7				
8				
9				
10				
11				
12	<u>697126</u>		Control Panel Assembly (Includes Items 13 - 17)	1
13	<u>651901</u>		12V USB Port	1
14	<u>651897G06</u>		Rocker Speed Switch	1
15	<u>626655G06</u>		Control Panel	1
16	<u>667014G01</u>		State of Charge Fuel Meter	1
17	<u>651897G01</u>		Horn Switch (2 Position)	1
18				
19				
20				
21	<u>608290</u>		Self Tapping Screw, #10 - 16 x .780" Lg	3
22	<u>611282</u>		Common Key Set.....	1
23	<u>653072</u>		Key Switch, Snap-in, 4 Position	1
24	<u>655131</u>		Key Switch and Key Set (Unique Keyed).....	1
25	<u>651897G03</u>		Headlight Switch, Hi/Low (3 Position) (For LED Lights).....	1
26	<u>651897G02</u>		Headlight Switch (2 Position) (For Halogen Lights)	1



THE USE OF NON U.L. PARTS WILL VOID ANY U.L. LISTING.

When ordering parts, please specify the model and serial number of the product.

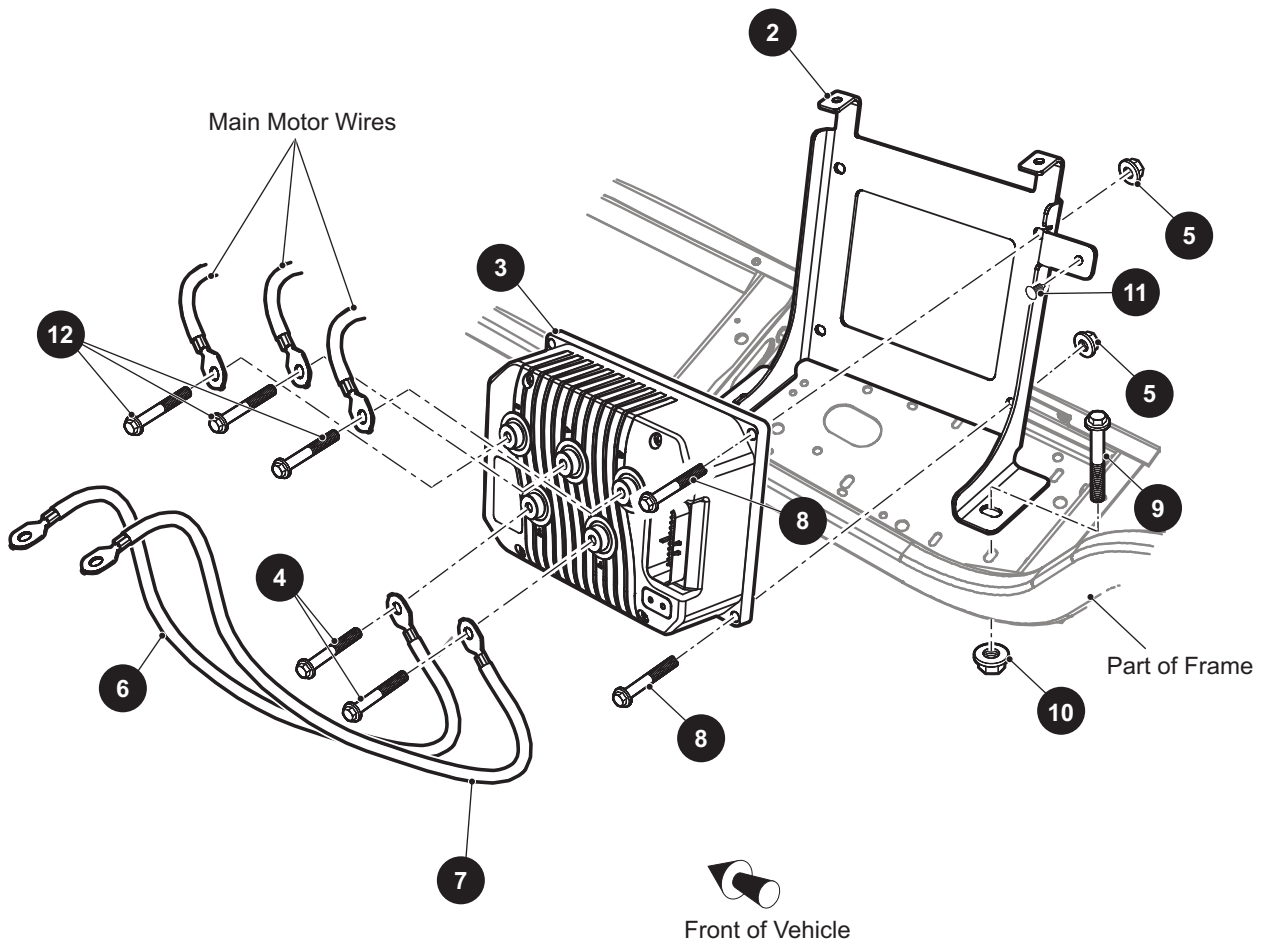
* Indicates a component that is not available as an individual part.

*** Indicates consult Customer Service Department for additional information.

ITEM	PART NO.	1 2 3 4 5	DESCRIPTION	QTY.
1	<u>644876</u>		Headlight Assembly (Passenger Side).....	1
2	<u>644877</u>		Headlight Assembly (Driver Side)	1
3	<u>659009</u>		LED Headlight Assembly (Driver Side) (Includes Item 5).....	1
4	<u>659008</u>		LED Headlight Assembly (Passenger Side) (Includes Item 5).....	1
5	<u>651411G03</u>		LED Headlight	1
6	<u>71597G01</u>		Self Threading Nut, 5mm x 10mm x 15mm.....	4
7	<u>71781G02</u>		Vinyl Tape.....	1
8				
9	<u>619102</u>		Turn Signal Assembly Bulb	2
10	<u>677730</u>		Jumper Harness (Hi/Low), Led Headlight.	1
11				
12	<u>664780</u>		Jumper Harness, Turn Signal Lights (Not Illustrated)	1
13				
14				
15				
16				
17				
18				
19	71364G02		"J" Type Nut, #8	4
20	71425G01		Tapping Screw, #8 - 18 x 3/4" Lg	4
21	<u>71781G02</u>		Tape (Vinyl) (Not Illustrated)	1
22	655150		Taillight Assembly (Driver Side) (Includes Items 24, 26 - 28).....	1
23	655152		Taillight Assembly (Passenger Side) (Includes Items 25 - 28)	1
24	<u>625251</u>		Taillight Bezel (Driver Side)	1
25	625252		Taillight Bezel (Passenger Side).....	1
26	00513G4		Pan Head Phillips Screw, #8 - 18 x 3/4" Lg	2
27	22288G1		Taillight Assembly.	1
28	14601G11		Rivet (Aluminum), 3/16" x 9/16".....	2

ELECTRONIC SPEED CONTROL

1 Controller Assembly includes items 2 - 8



ELECTRONIC SPEED CONTROL

THE USE OF NON U.L. PARTS WILL VOID ANY U.L. LISTING.

When ordering parts, please specify the model and serial number of the product.

* Indicates a component that is not available as an individual part.

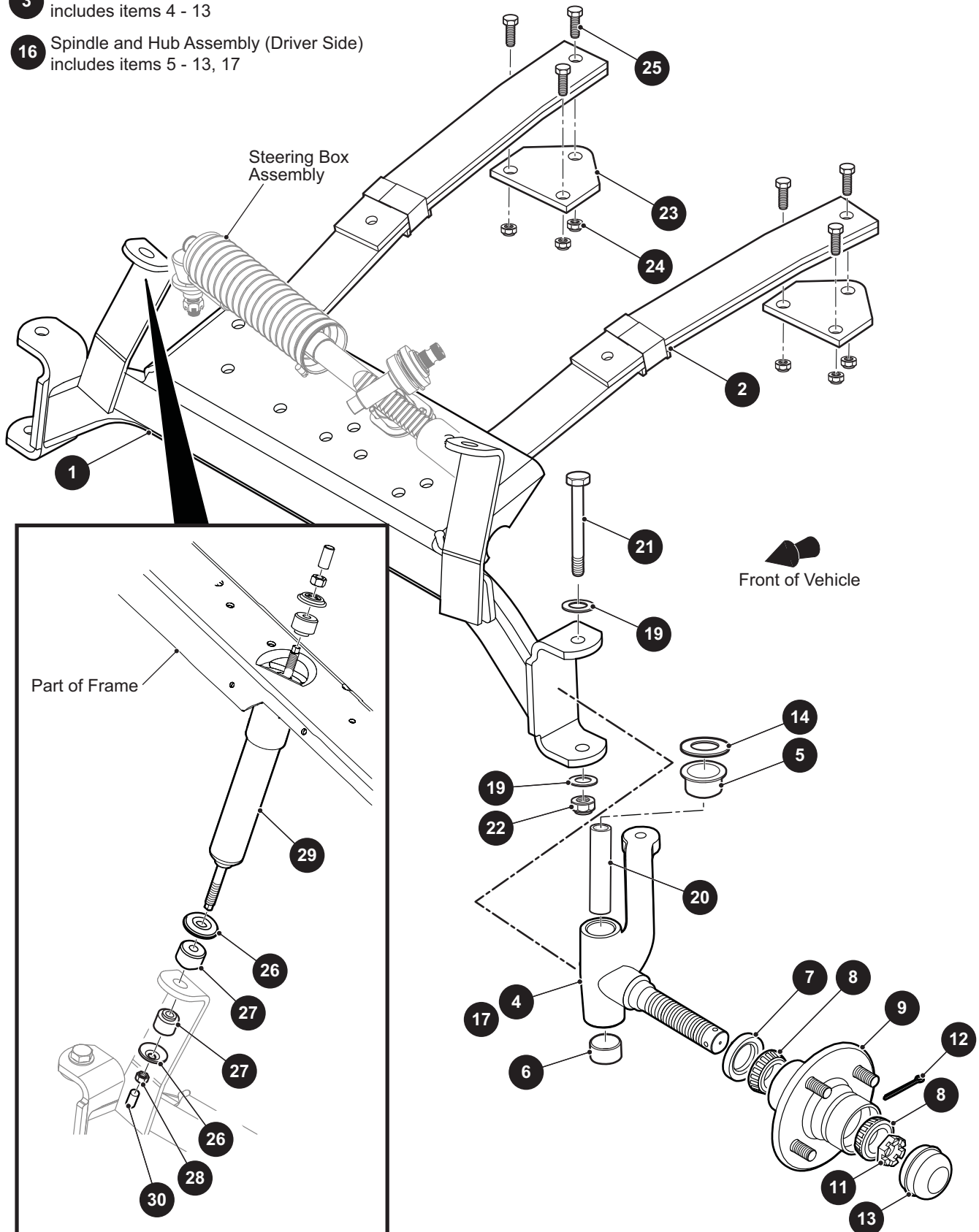
*** Indicates consult Customer Service Department for additional information.

ITEM	PART NO.	1 2 3 4 5	DESCRIPTION	QTY.
1	696692		Controller Assembly (Includes Items 2 - 8)	1
2	696571		Controller Bracket	1
3	697454		Controller, 1234SE	1
4	<u>606264</u>		Flanged Hex Head Bolt, M6 - 1 x 20mm Lg, Grade 8.8	2
5	<u>450452</u>		Flanged Nut, M6 - 1	4
6	<u>653485</u>		Positive Battery Cable, B+, 21" Lg	1
7	<u>653471</u>		Negative Battery Cable, B-, 19" Lg.....	1
8	<u>606421</u>		Flanged Hex Head Bolt, M6 - 1 x 30mm Lg	4
9	00438G6		Hex Head Bolt, 5/16" - 18 x 3/4" Lg, Grade 5	2
10	<u>11027G1</u>		Flanged Lock Nut, 5/16" - 18	2
11	<u>16816G2</u>		Ratchet Rivet, .25" x .887"	1
12	<u>606264</u>		Flanged Hex Head Bolt, M6 - 1 x 20mm Lg, Grade 8.8.....	3

FRONT SUSPENSION AND STEERING

3 Spindle and Hub Assembly, 4 Lug (Passenger Side)
includes items 4 - 13

16 Spindle and Hub Assembly (Driver Side)
includes items 5 - 13, 17



FRONT SUSPENSION AND STEERING

THE USE OF NON U.L. PARTS WILL VOID ANY U.L. LISTING.

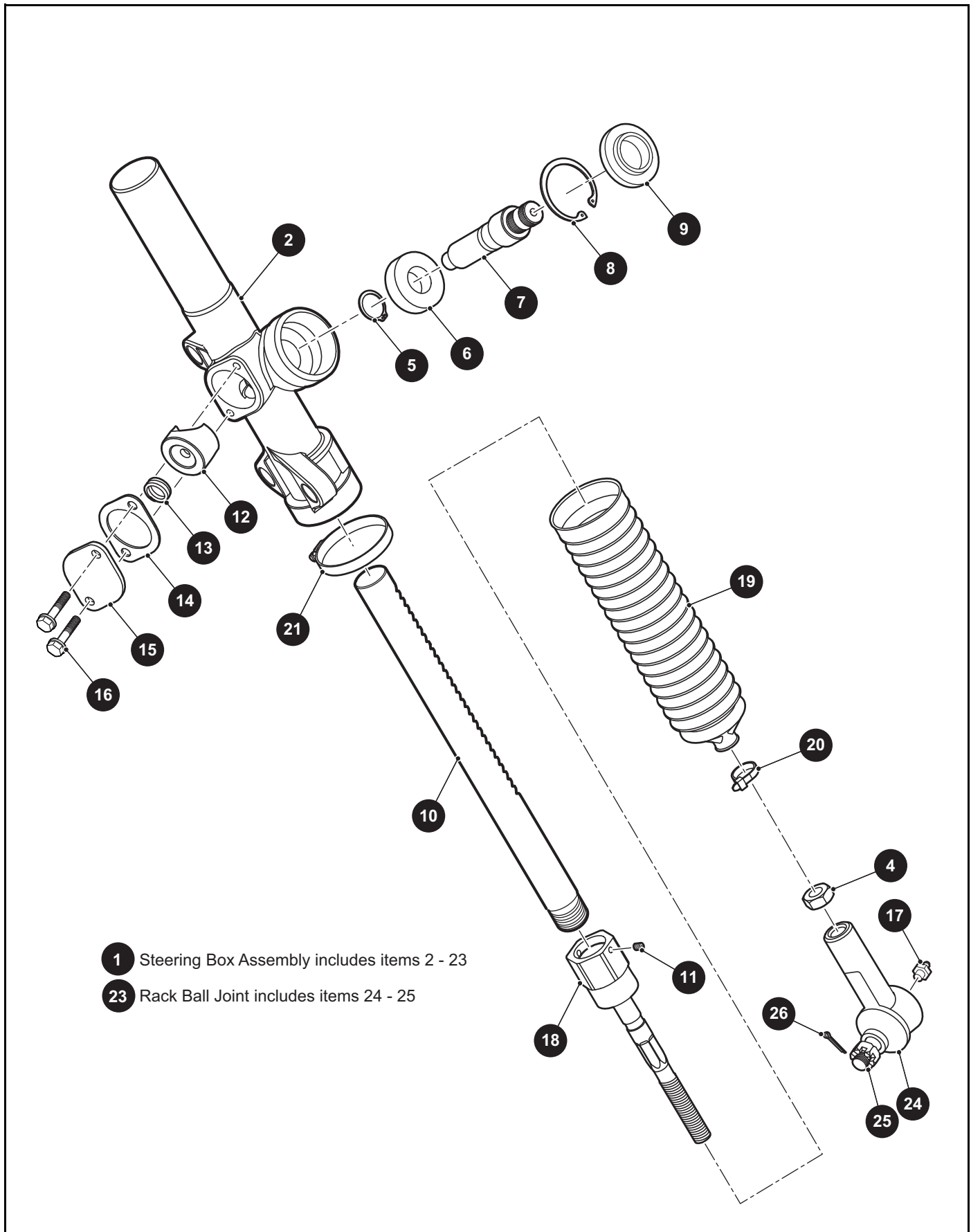
When ordering parts, please specify the model and serial number of the product.

* Indicates a component that is not available as an individual part.

*** Indicates consult Customer Service Department for additional information.

ITEM	PART NO.	1 2 3 4 5	DESCRIPTION	QTY.
1	<u>633795</u>		Front Axle	1
2	<u>70990G03</u>		Leaf Spring.....	2
3	<u>70930G01</u>		Spindle and Hub Assembly, 4 Lug (Passenger Side) (Includes Items 4 - 13)..	1
4	<u>70802G01</u>		Spindle Assembly	1
5	<u>632925</u>		Flanged Bushing, O.D 35mm x I.D 25mm	1
6	<u>632926</u>		Bearing, O.D 28mm.....	1
7	<u>25146G1</u>		Grease Seal.....	1
8	<u>11750G2</u>		Roller Bearing and Race Assembly	2
9	<u>35886G01</u>		Wheel Hub	1
10				
11	<u>12093G1</u>		Slotted Nut, #1 - 14.....	1
12	<u>00798G8</u>		Cotter Pin, 5/32" x 1 3/4" Lg	1
13	<u>12091G2</u>		Spindle Cap	1
14	<u>70754G01</u>		Thrust Washer (SS), 1.3"	1
15				
16	<u>70931G01</u>		Spindle and Hub Assembly, 4 Lug (Driver Side) (Includes Items 5 - 13, 17) ...	1
17	<u>70803G01</u>		Spindle Assembly	1
18				
19	<u>00560G3</u>		Flat Washer, 1/2"	2
20	<u>70745G01</u>		King Pin Tube, 4.36" Lg	1
21	<u>00407G6</u>		Hex Head Bolt, 1/2" - 13 x 6" Lg, Grade 5	1
22	<u>14390G6</u>		Lock Nut, 1/2" - 13	1
23	<u>652258</u>		Spring Plate.....	2
24	<u>00734G1</u>		Lock Nut, 7/16" - 14	6
25	<u>00463G11</u>		Hex Head Bolt, 7/16" - 14 x 1 1/2" Lg, Grade 5	6
26	<u>10435G1</u>		Shock Absorber Washer	4
27	<u>10194G1</u>		Rubber Shock Absorber Bushing.....	4
28	<u>00532G6</u>		Hex Nut, 1/4" - 20.....	2
29	<u>76419G01</u>		Shock Absorber.....	2
30	<u>10044G01</u>		Vinyl Cap.....	2

FRONT SUSPENSION AND STEERING



FRONT SUSPENSION AND STEERING

THE USE OF NON U.L. PARTS WILL VOID ANY U.L. LISTING.

When ordering parts, please specify the model and serial number of the product.

* Indicates a component that is not available as an individual part.

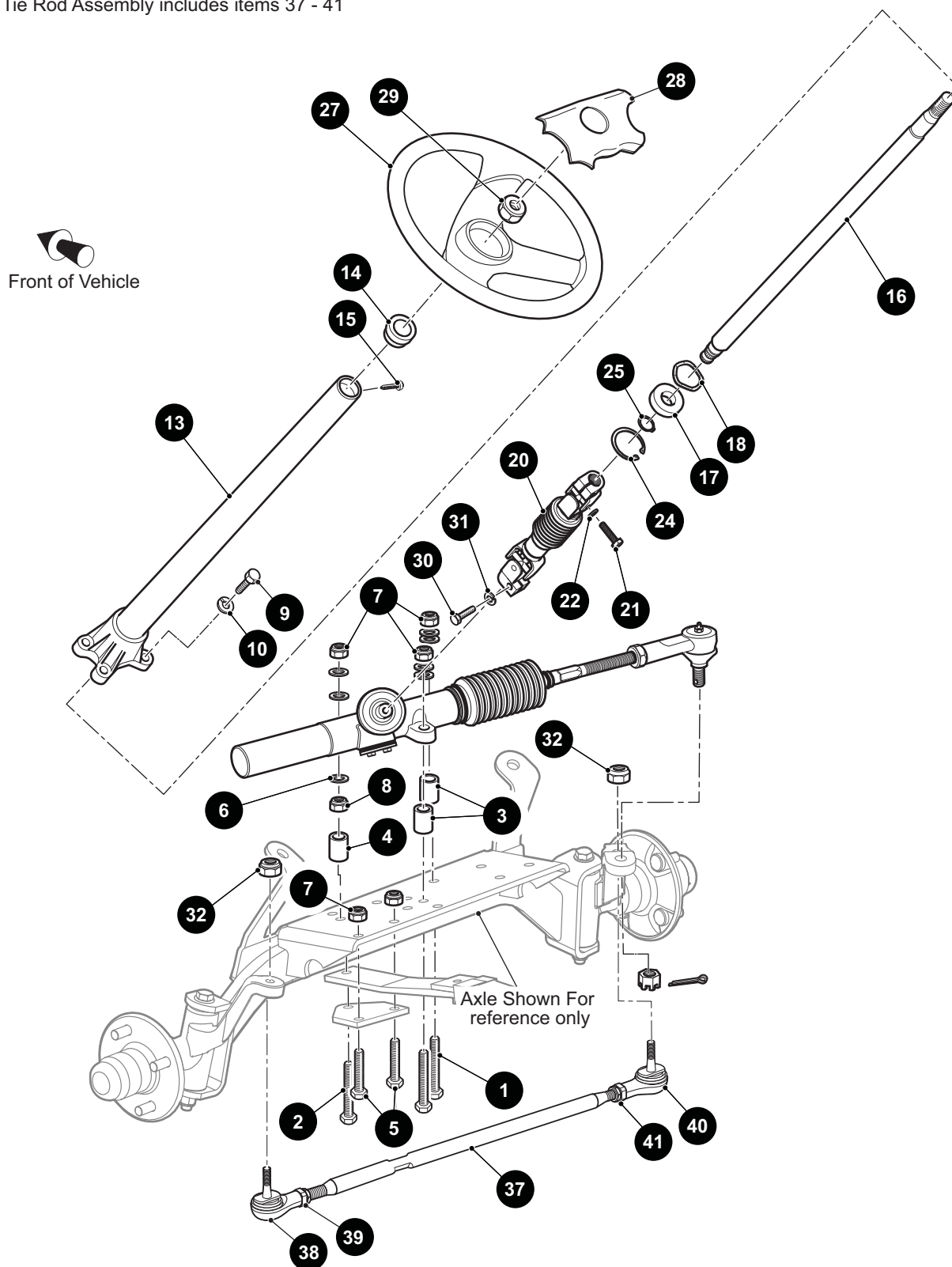
*** Indicates consult Customer Service Department for additional information.

ITEM	PART NO.	1 2 3 4 5	DESCRIPTION	QTY.
1	<u>70964G01</u>		Steering Box Assembly (Includes Items 2 - 23)	1
2	<u>70965G01</u>		Steering Rack Cover and Bearing	1
3				
4	*		Jam Nut, 1/2" - 20	1
5	<u>70750G01</u>		Retaining Ring (External)	1
6	<u>15112G1</u>		Ball Bearing, O.D 1.65" x I.D .78"	1
7	<u>70603G01</u>		Pinion	1
8	<u>70751G01</u>		Retaining Ring (Internal)	1
9	<u>70638G01</u>		Seal (Pinion)	1
10	<u>70604G01</u>		Steering Rack	1
11	*		Set Screw, #10 - 32 x .25" Lg	1
12	<u>70590G01</u>		Rack Loader	1
13	<u>70666G01</u>		Compression Spring	1
14	<u>70645G01</u>		Gasket (Rack Loader Cover)	1
15	<u>652259</u>		Cover (Rack Loader)	1
16	<u>71102G01</u>		Hex Washer Head Bolt, 1/4" - 20 x 11/16" Lg, Grade 5	2
17	<u>10389G3</u>		Grease Fitting (Straight)	1
18	<u>70694G01</u>		Rod End (Inner)	1
19	<u>70961G01</u>		Rack Boot	1
20	<u>12416G2</u>		Nylon Clamp, 10" Lg	1
21	<u>11391G8</u>		Hose Clamp, 1.81"	1
22				
23	<u>70695G01</u>		Tie Rod End (Outer) (Includes Items 24 - 25)	1
24	<u>50641G1</u>		Grommet	1
25	<u>50209G02</u>		Hex Slotted Nut, 7/16" - 20	1
26	<u>10387G2</u>		Cotter Pin, 3/32" x 1"	1

FRONT SUSPENSION AND STEERING

12 Steering Column Kit includes items 13 - 25

36 Tie Rod Assembly includes items 37 - 41



FRONT SUSPENSION AND STEERING

THE USE OF NON U.L. PARTS WILL VOID ANY U.L. LISTING.

When ordering parts, please specify the model and serial number of the product.

* Indicates a component that is not available as an individual part.

*** Indicates consult Customer Service Department for additional information.

ITEM	PART NO.	1 2 3 4 5	DESCRIPTION	QTY.
1	<u>00464G8</u>		Hex Head Bolt, 7/16" - 14 x 2 3/4" Lg, Grade 5	2
2	<u>01068G01</u>		Hex Head Bolt, 7/16" - 14 x 3.5" Lg, Grade 5	1
3	<u>70667G02</u>		Spacer, O.D, 1" X I.D .46" x 1.2" Lg	2
4	<u>70667G04</u>		Spacer, O.D 1" X I.D .46" x .69" Lg	1
5	<u>00463G11</u>		Hex Head Bolt, 7/16" - 14 x 1 1/2" Lg, Grade 5	2
6	<u>00560G2</u>		Flat Washer, 7/16"	7
7	<u>00734G1</u>		Lock Nut, 7/16" - 14	3
8	<u>00532G7</u>		Hex Nut, 1/4" - 20	1
9	<u>01006G01</u>		Hex Washer Head Bolt, 3/8" - 16 x 1 1/4" Lg	4
10	<u>00879G1</u>		Lock Washer, 3/8"	4
11				
12	<u>70758G05</u>		Steering Column Assembly (Includes Items 13 - 25)	1
13	<u>70610G03</u>		Steering Column	1
14	<u>28569G01</u>		Steering Column Bushing	1
15	<u>01022G01</u>		Hex Washer Head Bolt, #6 - 20 x 5/16" Lg	1
16	<u>70607G01</u>		Steering Shaft	1
17	<u>15112G1</u>		Ball Bearing, O.D 1.65" x I.D .78"	1
18	<u>70887G01</u>		Wave Washer	1
19				
20	<u>70580G01</u>		Intermediate Shaft	1
21	<u>01055G01</u>		Hex Head Bolt, M8 - 1.25 x 1.18" Lg, Grade 5	1
22	<u>00565G8</u>		Lock Washer, 5/16"	1
23				
24	<u>70751G01</u>		Retaining Ring (Internal)	1
25	<u>70888G01</u>		Retaining Ring (External)	1
26				
27	<u>602980</u>		Steering Wheel, Premium	1
28	<u>71147G01</u>		Steering Wheel Cover	1
29	<u>14390G2</u>		Lock Nut, 5/8" - 18	1
30	<u>01055G01</u>		Hex Head Bolt, M8 - 1.25 x 1.18" Lg, Grade 5	1
31	<u>00565G8</u>		Lock Washer, 5/16"	1

FRONT SUSPENSION AND STEERING

THE USE OF NON U.L. PARTS WILL VOID ANY U.L. LISTING.

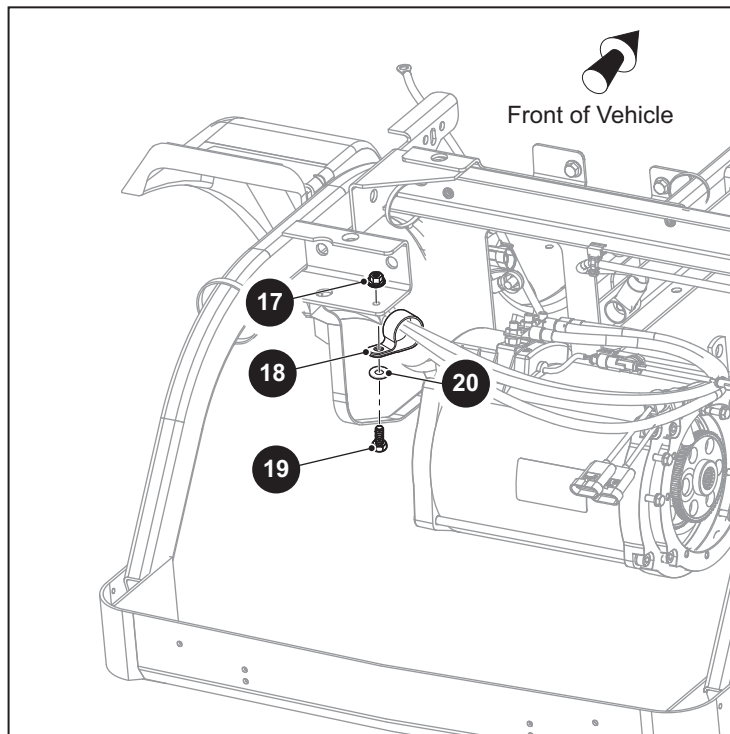
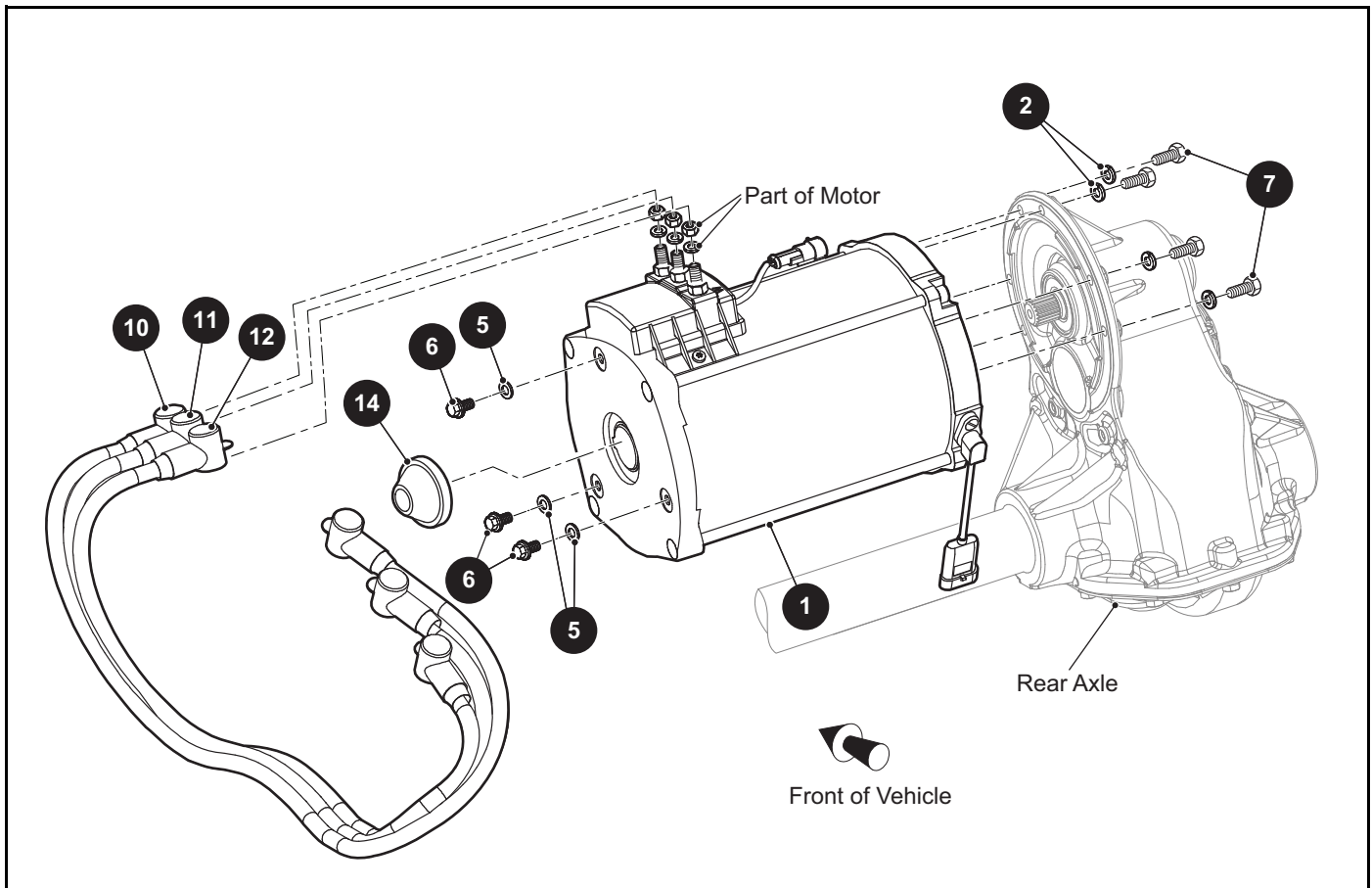
When ordering parts, please specify the model and serial number of the product.

* Indicates a component that is not available as an individual part.

*** Indicates consult Customer Service Department for additional information.

ITEM	PART NO.	1	2	3	4	5	DESCRIPTION	QTY.
32	<u>00734G1</u>						Lock Nut, 7/16" - 14	2
33								
34								
35								
36	<u>70876G02</u>						Tie Rod Assembly 26.44" Lg (Includes Items 37 - 41).....	1
37	<u>70897G02</u>						Threaded Rod (24" Lg)	1
38	<u>70902G01</u>						Tie Rod End (Left Hand Threads)	1
39	<u>01069G01</u>						Jam Nut, M12 x 1.25 - 05 (Left Hand Threads).....	1
40	<u>70902G02</u>						Tie Rod End (Right Hand Threads).....	1
41	<u>01069G02</u>						Jam Nut, M12 x 1.25 - 05 (Right Hand Threads)	1

MOTOR



THE USE OF NON U.L. PARTS WILL VOID ANY U.L. LISTING.

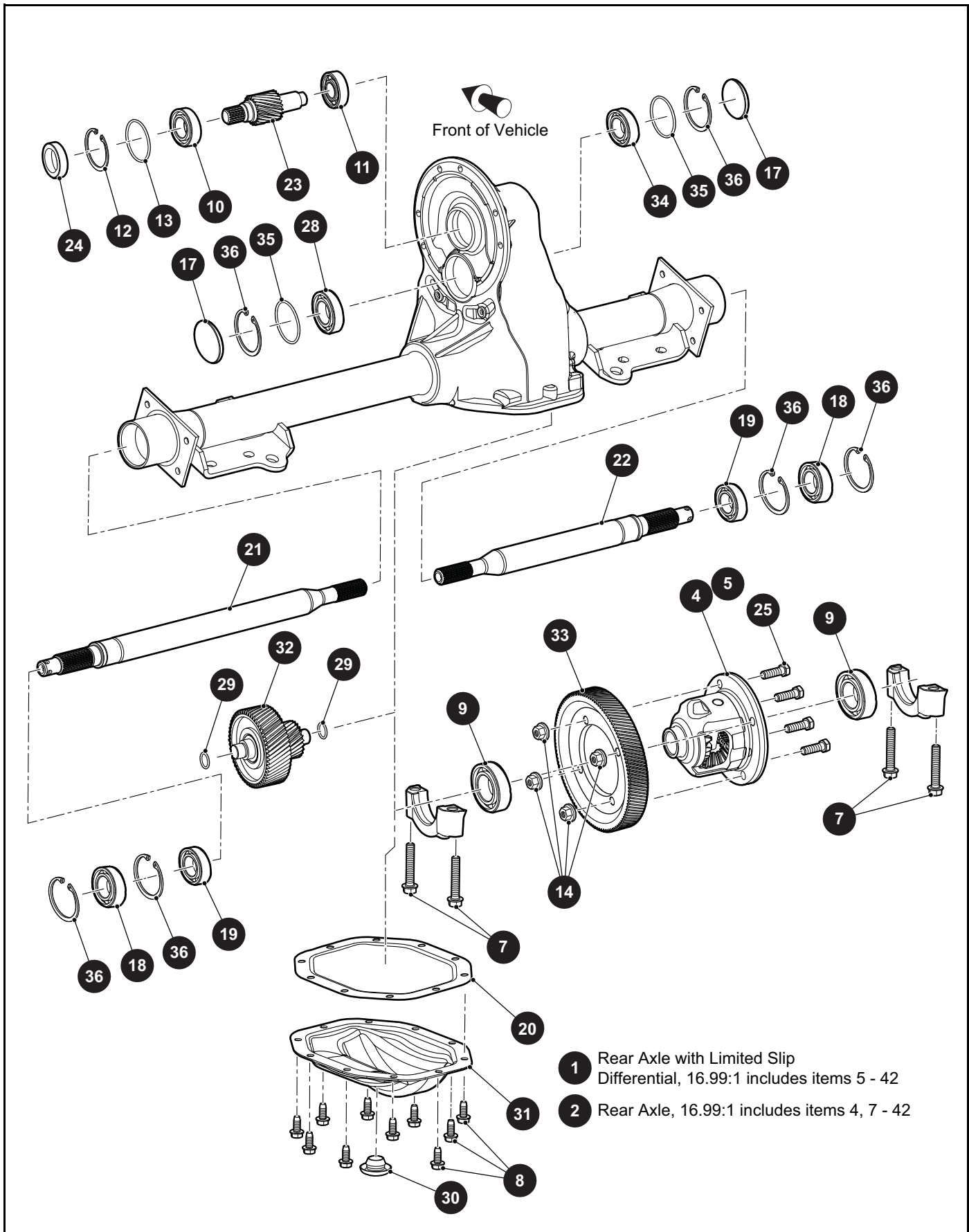
When ordering parts, please specify the model and serial number of the product.

* Indicates a component that is not available as an individual part.

*** Indicates consult Customer Service Department for additional information.

ITEM	PART NO.	1 2 3 4 5	DESCRIPTION	QTY.
1	681071		Motor, 72V.....	1
2	<u>601327</u>		Lock Washer, 6mm	6
3				
4				
5	<u>00915G1</u>		Bonded Seal Washer, 1/4" I.D.	3
6	<u>73876G01</u>		Flanged Hex Head Bolt, M6 - 1 x 12mm Lg.....	3
7	<u>605741</u>		Hex Head Bolt, M6 - 1 x 25mm Lg, Grade 10.9.....	6
8				
9				
10	<u>635137G01</u>		Motor Wire (U), 2AWG, 44".....	1
11	<u>635137G02</u>		Motor Wire (V), 2AWG, 41"	1
12	<u>635137G03</u>		Motor Wire (W), 2AWG, 37"	1
13				
14	668275		End Cap Plug.....	1
15				
16				
17	<u>11027G2</u>		Flanged Lock Nut, 1/4" - 20	1
18	<u>630761</u>		Loop Clamp.....	1
19	<u>00414G7</u>		Hex Head Bolt, 1/4" - 20 x 7/8" Lg, Grade 5	1
20	<u>00559G7</u>		Flat Washer, 1/4".....	1

REAR AXLE



THE USE OF NON U.L. PARTS WILL VOID ANY U.L. LISTING.

When ordering parts, please specify the model and serial number of the product.

* Indicates a component that is not available as an individual part.

*** Indicates consult Customer Service Department for additional information.

ITEM	PART NO.	1 2 3 4 5	DESCRIPTION	QTY.
1	<u>633600</u>		Rear Axle with Limited Slip Differential, 16.99:1 (Includes Items 5 - 42)	1
2	<u>633599</u>		Rear Axle, 16.99:1 (Includes Items 4, 7 - 42)	1
3				
4	<u>601082</u>		Differential Assembly	1
5	<u>614059</u>		Limited Slip Differential Carrier with CC Clutch	1
6				
7	<u>15118G1</u>		Hex Head Bolt, 3/8" - 16 x 2.125" Lg.....	4
8	<u>15558G1</u>		Hex Head Bolt, 5/16" - 18 x .75" Lg.....	10
9	<u>17473G1</u>		Bearing Assembly.....	2
10	<u>23519G2</u>		Ball Bearing Single Lip Seal	1
11	<u>23520G1</u>		Ball Bearing	1
12	<u>23530G1</u>		Retainer Ring.....	1
13	<u>24628G1</u>		O-ring Seal	1
14	<u>601084</u>		Lock Nut, 3/8" - 24	4
15				
16				
17	<u>608811</u>		End Cap.....	2
18	<u>611788</u>		Ball Bearing	2
19	<u>612064</u>		Oil Seal	2
20	<u>612824</u>		Gasket	1
21	<u>617608</u>		Axle Shaft (Driver Side)	1
22	<u>617609</u>		Axle Shaft (Passenger Side)	1
23	<u>620327</u>		Input Gear.....	1
24	<u>620328</u>		Oil Seal	1
25	<u>620335</u>		Hex Head Bolt, 3/8" - 24 x 1.25" Lg.....	4
26				
27				
28	<u>620340</u>		Ball Bearing	1
29	<u>620345</u>		O-ring, 18mm.....	2
30	<u>620347</u>		Rubber Plug.....	1
31	<u>620348</u>		Differential Cover Plate.....	1

REAR AXLE

THE USE OF NON U.L. PARTS WILL VOID ANY U.L. LISTING.

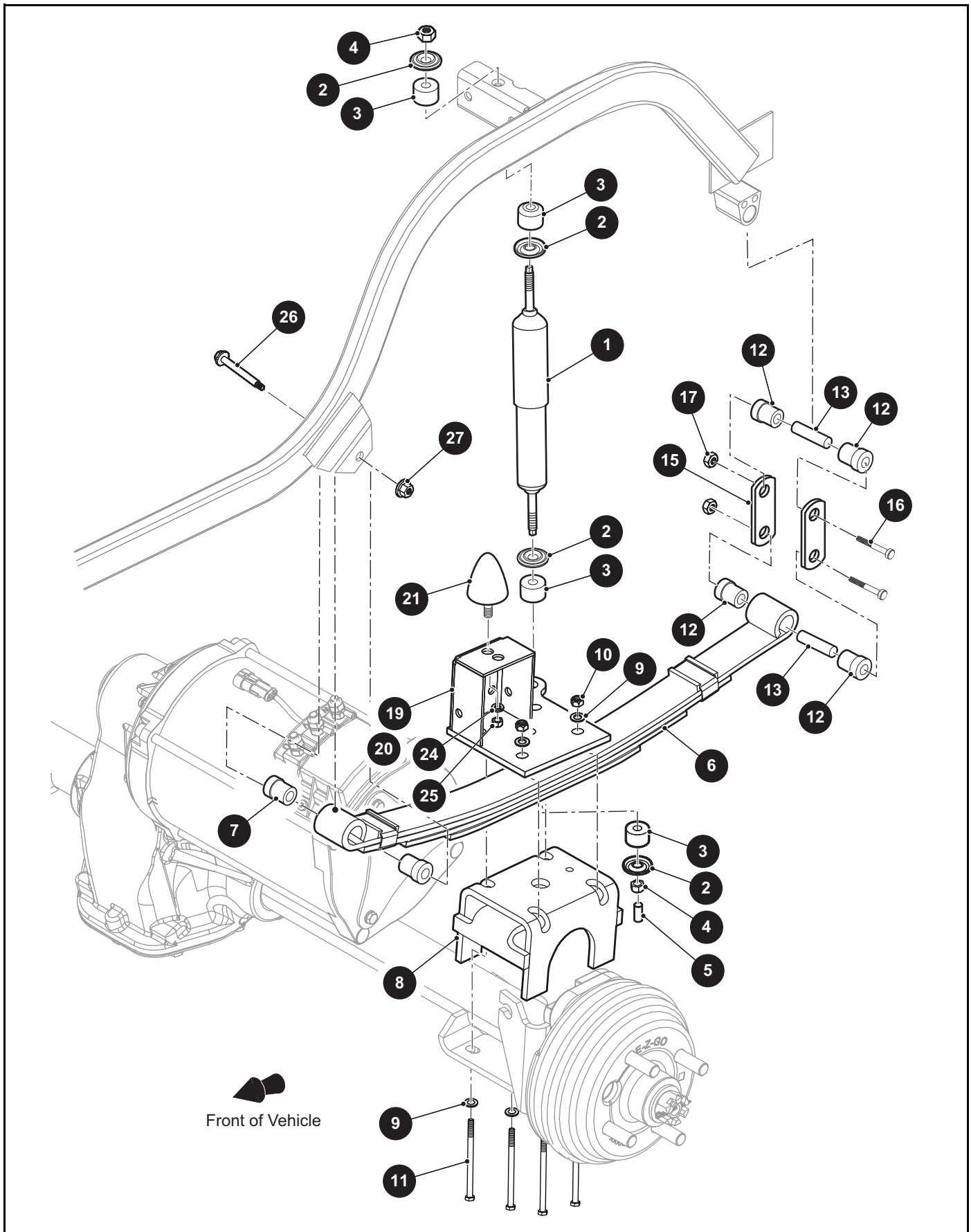
When ordering parts, please specify the model and serial number of the product.

* Indicates a component that is not available as an individual part.

*** Indicates consult Customer Service Department for additional information.

ITEM	PART NO.	1	2	3	4	5	DESCRIPTION	QTY.
32	<u>620349</u>						Intermediate Gear Assembly.....	1
33	<u>620350</u>						Drive Gear.....	1
34	<u>620355</u>						Ball Bearing.....	1
35	<u>620358</u>						O-ring, 18mm.....	2
36	<u>620359</u>						Retaining Ring.....	6
37								
38								
39	<u>620329</u>						Input Gears Kit (Not Illustrated).....	1
40	<u>620361</u>						Internal Gears Kit (Not Illustrated).....	1
41	<u>620362</u>						Ball Bearing Kit (Not Illustrated).....	1
42	<u>620363</u>						Differential Cover Assembly Kit (Not Illustrated).....	1

REAR SUSPENSION



REAR SUSPENSION

THE USE OF NON U.L. PARTS WILL VOID ANY U.L. LISTING.

When ordering parts, please specify the model and serial number of the product.

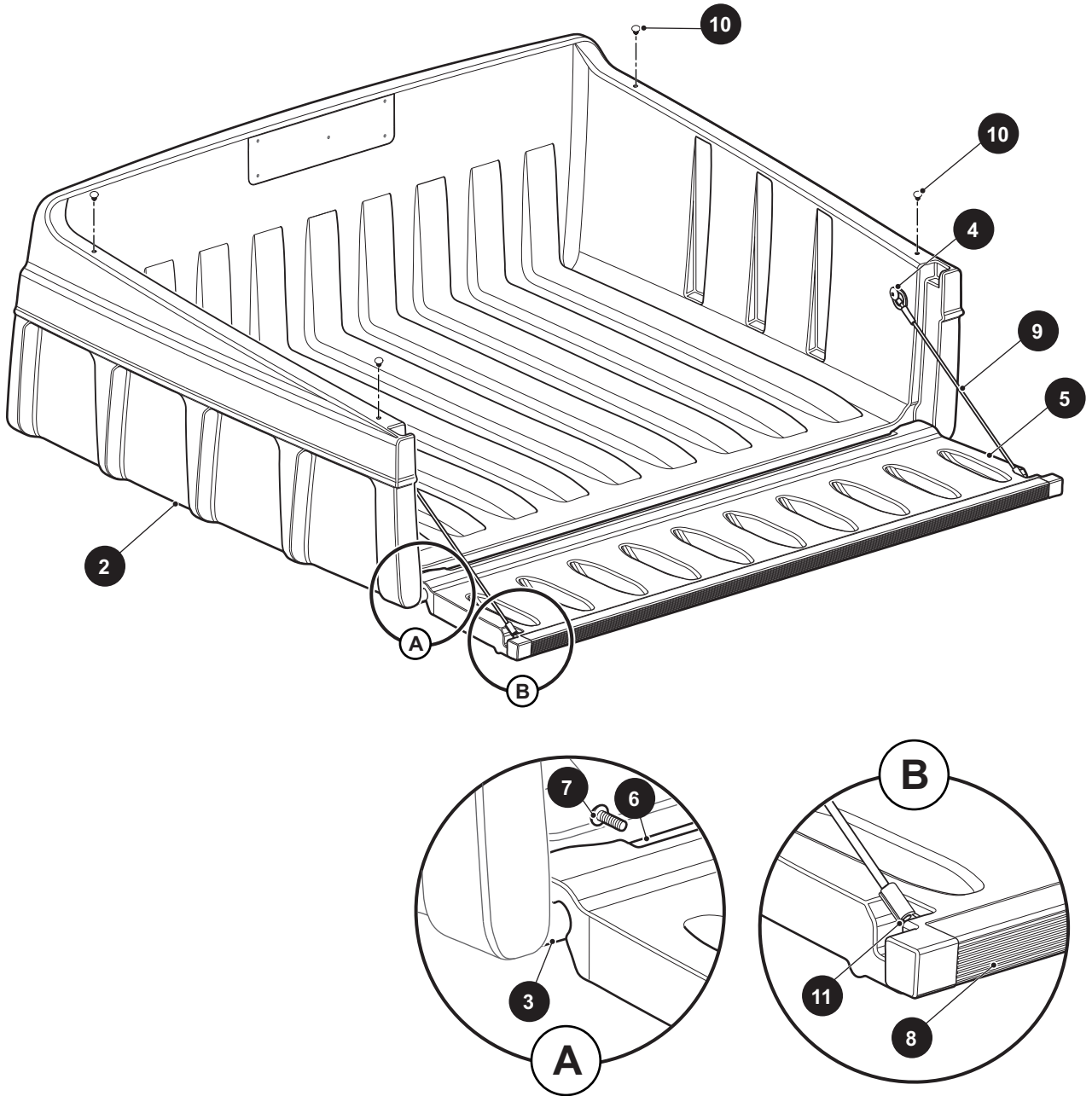
* Indicates a component that is not available as an individual part.

*** Indicates consult Customer Service Department for additional information.

ITEM	PART NO.	1 2 3 4 5	DESCRIPTION	QTY.
1	<u>642085</u>		Shock Absorber.....	2
2	<u>10435G1</u>		Shock Absorber Washer, I.D. .406" x O.D. 1.25"	4
3	<u>10194G1</u>		Rubber Bushing	4
4	<u>00532G6</u>		Hex Nut, 3/8" - 24.....	2
5	<u>10044G01</u>		Vinyl Cap.....	1
6	<u>667990</u>		Leaf Spring.....	2
7	<u>624030</u>		Flanged Bushing	2
8	<u>652708G03</u>		Lift Bracket	1
9	<u>00560G1</u>		Flat Washer, 3/8"	8
10	<u>11098G5</u>		Lock Nut, 3/8" - 16	4
11	<u>00430G12</u>		Hex Head Bolt, 3/8" - 16 x 5 1/2" Lg, Grade 5	4
12	<u>624030</u>		Flanged Bushing	4
13	<u>70289G02</u>		Split Spacer (Steel), I.D. .376" x O.D. 1" x 1" Lg.....	2
14				
15	<u>652245</u>		Shackle Plate	2
16	<u>00665G9</u>		Hex Head Bolt (SS), 3/8" - 16 x 3 1/2" Lg	2
17	<u>11098G5</u>		Lock Nut, 3/8" - 16	2
18				
19	<u>652713G103</u>		Mounting Plate (Driver Side).....	1
20	<u>652713G203</u>		Mounting Plate (Passenger Side)	1
21	<u>70492G01</u>		Rubber Bumper.....	1
22				
23				
24	<u>608654</u>		Split Lock Washer, M10	1
25	<u>00974G01</u>		Hex Nut, M10 - 1	1
26	<u>14158G1</u>		Shoulder Bolt, 1/2" Dia x 3/8" - 16 Thread x 3 1/4" Lg	1
27	<u>12262G1</u>		Flanged Lock Nut, 3/8" - 16	1

TRUCK BED

1 Bed Assembly includes items 2 - 11



THE USE OF NON U.L. PARTS WILL VOID ANY U.L. LISTING.

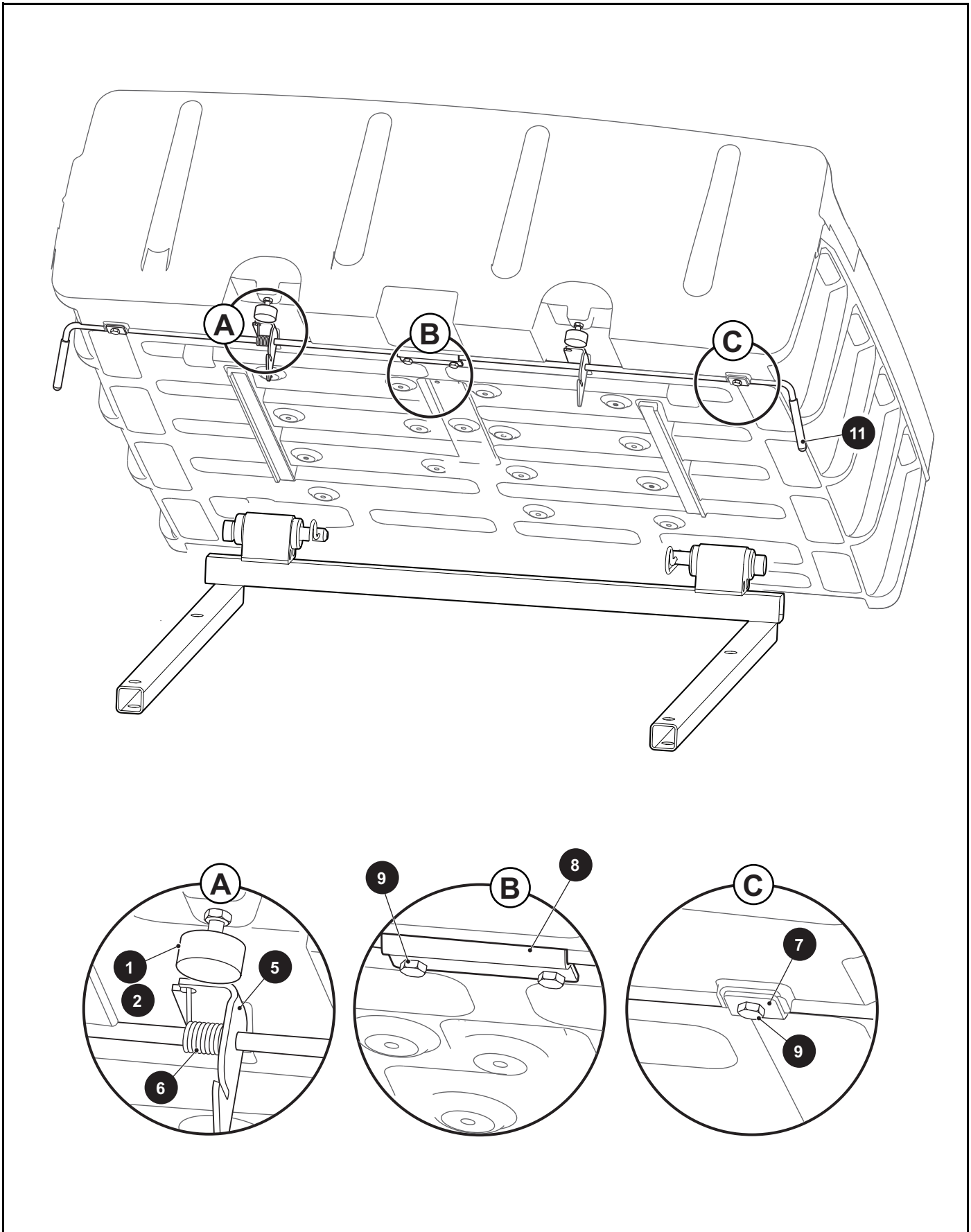
When ordering parts, please specify the model and serial number of the product.

* Indicates a component that is not available as an individual part.

*** Indicates consult Customer Service Department for additional information.

ITEM	PART NO.	1 2 3 4 5	DESCRIPTION	QTY.
1	<u>72647G01</u>		Bed Assembly (Includes Items 2 -11).....	1
2	72648G01		Plastic Bed, 36"	1
3	<u>73454G01</u>		Pivot Shaft	2
4	<u>73460G01</u>		Shoulder Bolt, .350" Dia x 1/4" - 20 x 3/4" Lg.....	2
5	<u>72649G01</u>		Tailgate	1
6	<u>73450G01</u>		Bowed Angle.....	1
7	<u>16705G2</u>		Pan Head Phillips Screw (SS), 1/4" - 20 x 5/8" Lg	4
8	<u>73449G01</u>		Tailgate Cap.....	1
9	73455G02		Tailgate Cable	1
10	<u>16816G5</u>		Ratchet Rivet, .187 x .550	4
11	<u>00415G2</u>		Hex Head Bolt, 1/4" - 20 x 1 1/4" Lg, Grade 5.....	2

TRUCK BED



THE USE OF NON U.L. PARTS WILL VOID ANY U.L. LISTING.

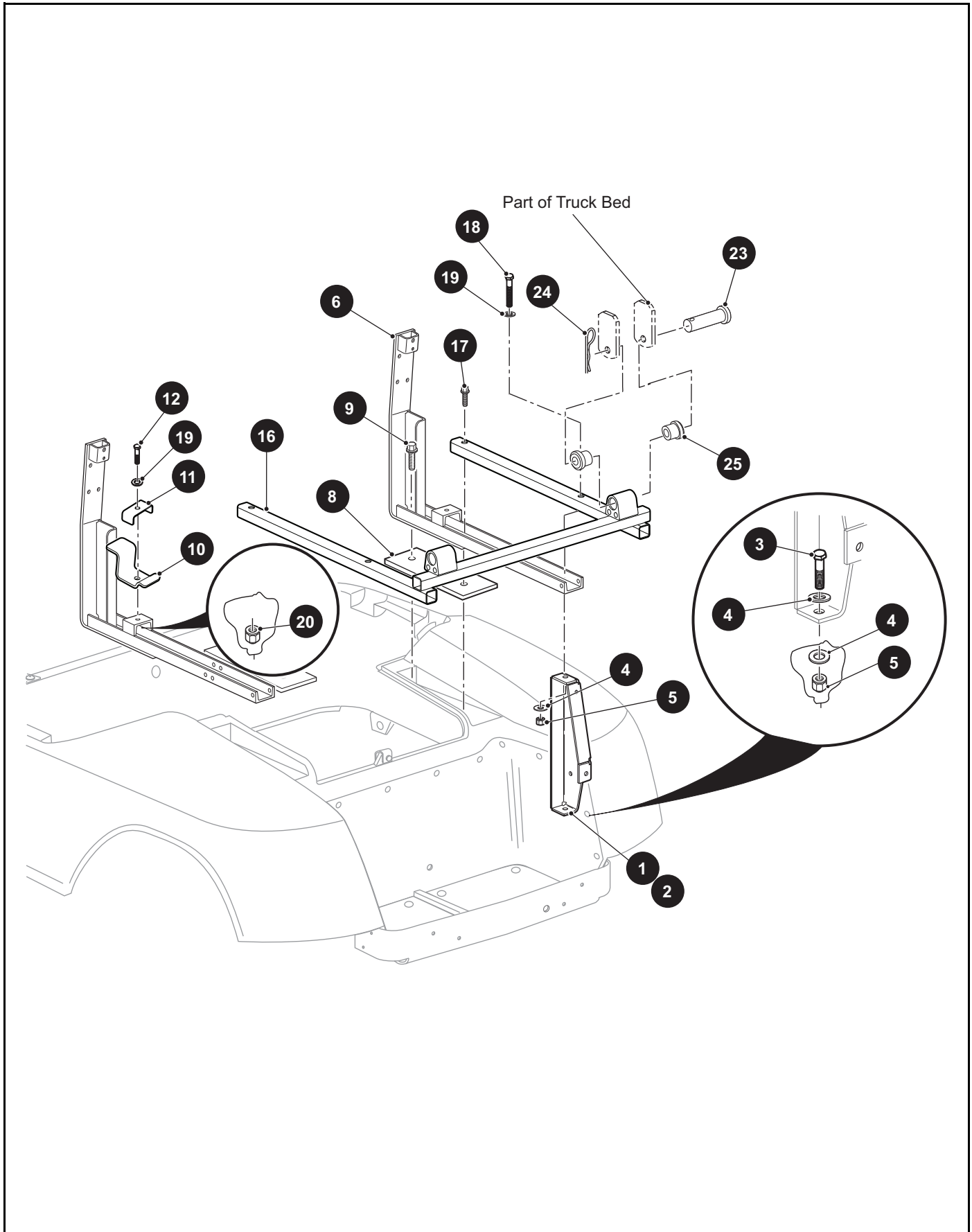
When ordering parts, please specify the model and serial number of the product.

* Indicates a component that is not available as an individual part.

*** Indicates consult Customer Service Department for additional information.

ITEM	PART NO.	1 2 3 4 5	DESCRIPTION	QTY.
1	<u>70113G01</u>		Adjustable Rubber Bumper	2
2	<u>11027G1</u>		Lock Nut, 5/16" - 18	2
3				
4				
5	<u>607072</u>		Bed Latch	1
6	<u>71538G01</u>		Latch Torsion Spring	1
7	<u>652442G03</u>		Keeper Plate	2
8	<u>652440G03</u>		Retainer Bracket	1
9	<u>01118G01</u>		Hex Head Bolt with Patch Lock, 1/4" - 20 x 5/8" Lg, Grade 5	4
10				
11	<u>71704G01</u>		Handle Grip	2

TRUCK BED



THE USE OF NON U.L. PARTS WILL VOID ANY U.L. LISTING.

When ordering parts, please specify the model and serial number of the product.

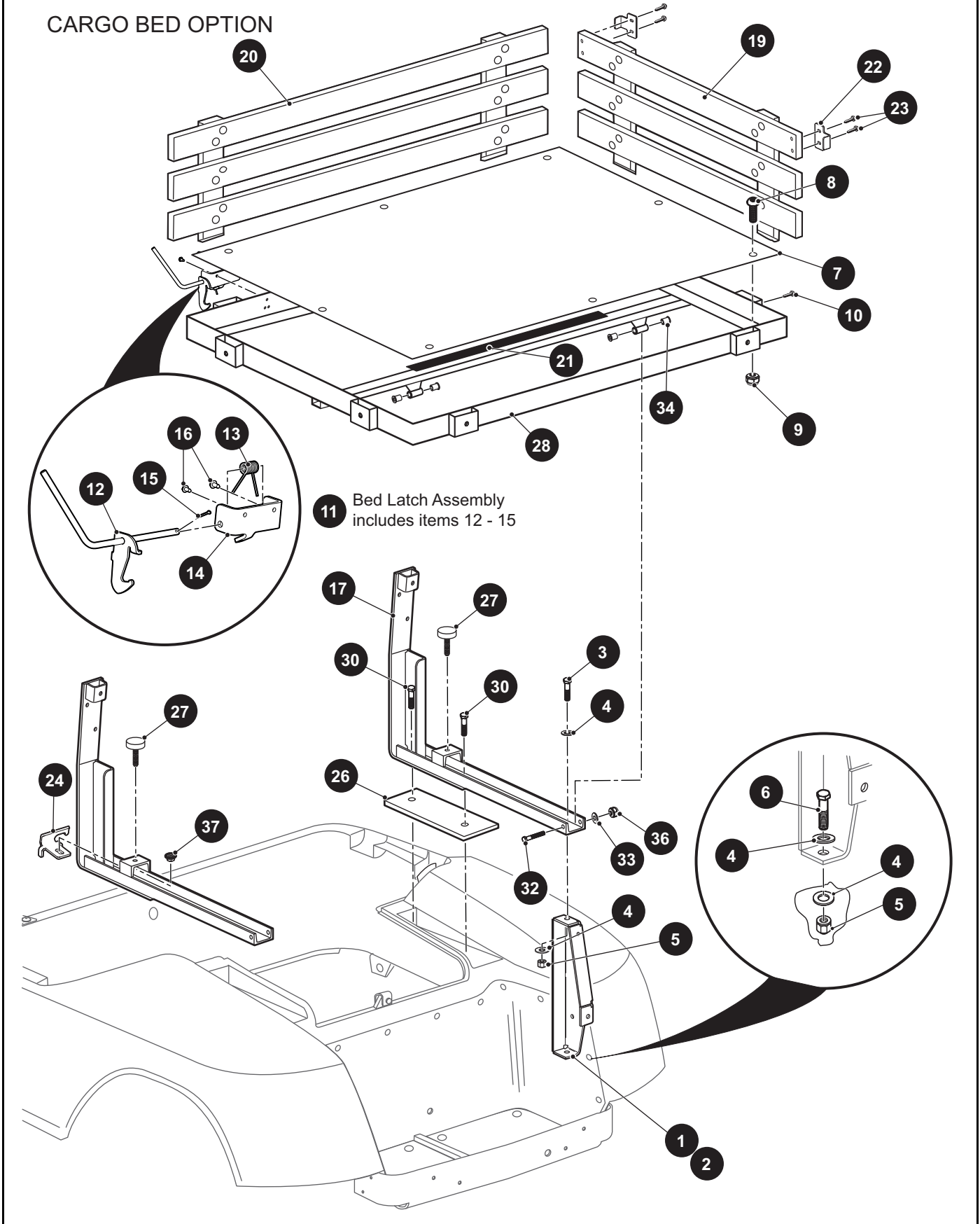
* Indicates a component that is not available as an individual part.

*** Indicates consult Customer Service Department for additional information.

ITEM	PART NO.	1 2 3 4 5	DESCRIPTION	QTY.
1	<u>74126G01</u>		Rear Support Frame (Driver Side)	1
2	<u>74126G02</u>		Rear Support Frame (Passenger Side)	1
3	<u>00427G4</u>		Hex Head Bolt, 3/8" - 16 X 1 1/2" Lg, Grade 5.....	2
4	<u>00560G1</u>		Flat Washer, 3/8"	6
5	<u>11098G5</u>		Lock Nut, 3/8" - 16	4
6	685520		Seat Support Weldment.....	2
7				
8	<u>70364G01</u>		Spacer.....	2
9	<u>01006G02</u>		Hex Washer Head Bolt, 3/8" - 16 X 1 1/2" Lg	2
10	<u>606167</u>		Front Bed Support.....	2
11	<u>607093</u>		Bed Support Bracket	2
12	<u>00439G1</u>		Hex Head Bolt, 5/16"- 18 X 1 1/8" Lg, Grade 5.....	2
13				
14				
15				
16	<u>635380</u>		Bed Frame	1
17	<u>01075G02</u>		Hex Washer Head Bolt, 3/8" - 16 X 2.5" Lg	2
18	<u>00665G8</u>		Hex Head Bolt (SS), 3/8" - 16 X 2" Lg.....	2
19	00559G8		Flat Washer, 5/16"	4
20	11098G6		Lock Nut, 3/8" - 16	2
21				
22				
23	<u>71571G01</u>		Clevis Pin	2
24	<u>21683G1</u>		Cotter Pin, 5/32" X 2 13/16"	2
25	<u>624030</u>		Flanged Bushing	4

TRUCK BED

CARGO BED OPTION



THE USE OF NON U.L. PARTS WILL VOID ANY U.L. LISTING.

When ordering parts, please specify the model and serial number of the product.

* Indicates a component that is not available as an individual part.

*** Indicates consult Customer Service Department for additional information.

ITEM	PART NO.	1 2 3 4 5	DESCRIPTION	QTY.
1	<u>74126G01</u>		Rear Support Frame (Driver Side)	1
2	<u>74126G02</u>		Rear Support Frame (Passenger Side).....	1
3	<u>00426G8</u>		Hex Head Bolt, 3/16" - 16 x 1" Lg, Grade 5	2
4	<u>00560G1</u>		Flat Washer, 3/8"	8
5	<u>11098G5</u>		Lock Nut, 3/8" - 16	4
6	<u>00427G4</u>		Hex Head Bolt, 3/8" - 16 x 1 1/2" Lg, Grade 5	2
7	<u>655936</u>		Cargo Deckboard	1
8	<u>16705G9</u>		Truss Head Phillips Screw (SS), 1/4" - 20 x 1 1/4" Lg.....	8
9	<u>14390G4</u>		Lock Nut, 1/4" - 20	8
10	00666G6		Truss Head Thread Forming Screw (SS), #10 - 12 x 3/4" Lg.....	6
11	72913G01		Bed Latch Assembly (Includes Items 12 - 15).....	1
12	<u>72912G01</u>		Bed Latch	1
13	<u>70681G01</u>		Torsion Spring.....	1
14	<u>74509G01</u>		Pivot Bracket	1
15	<u>10387G3</u>		Cotter Pin.....	1
16	<u>00100G6</u>		Hex Washer Self Tapping Screw, #10 - 16 x 3/4" Lg.....	2
17	685520		Seat Support Weldment.....	2
18				
19	<u>34280G01</u>		Cargo Rack, 30.5"	2
20	<u>34280G02</u>		Cargo Rack, 43"	2
21	23052G1		Weather Stripping	1
22	<u>74079G02</u>		Tailgate Retainer Bracket.....	4
23	00666G6		Truss Head Thread Forming Screw (SS), #10 - 12 x 3/4" Lg.....	8
24	<u>72914G01</u>		Latch Tab Bracket (Passenger Side).....	1
25				
26	<u>70364G01</u>		Spacer Plate.....	2
27	<u>70113G01</u>		Adjustable Rubber Bumper	2
28	<u>635862</u>		Cargo Deck Weldment	1
29				
30	<u>01006G01</u>		Hex Washer Head Thread Forming Screw, 3/8" - 16 x 1 1/4" Lg.....	4
31				

TRUCK BED

THE USE OF NON U.L. PARTS WILL VOID ANY U.L. LISTING.

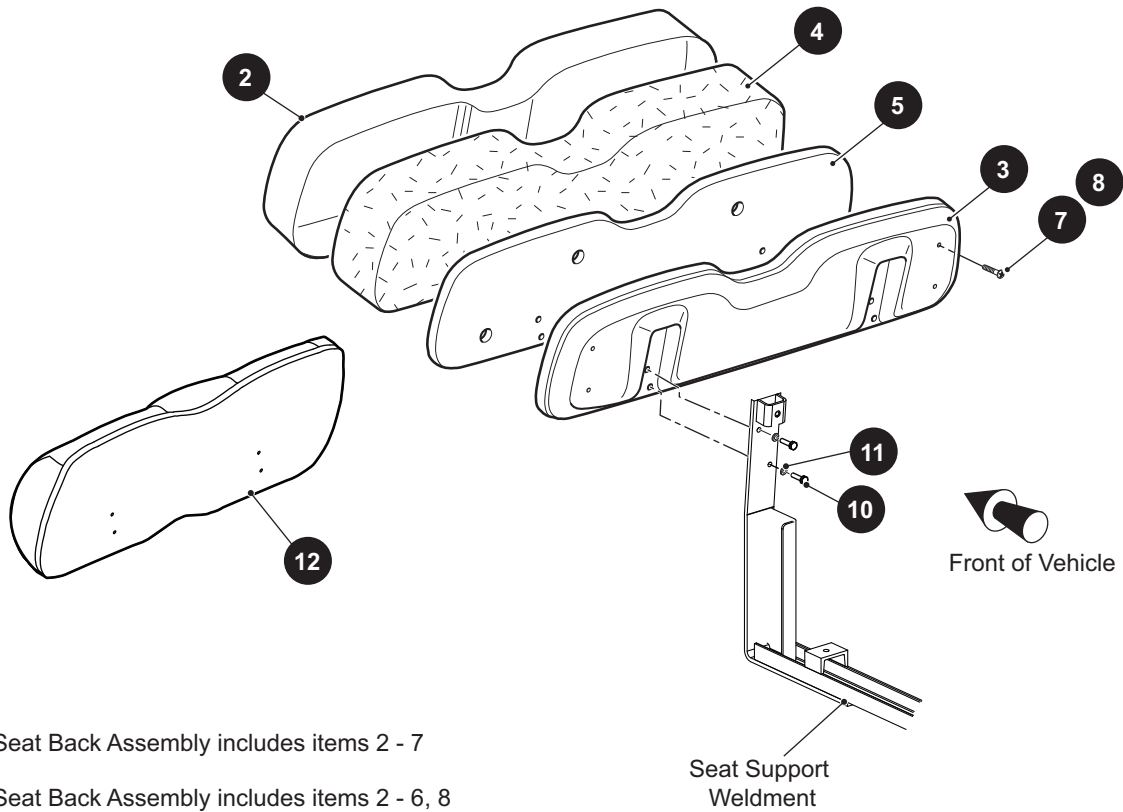
When ordering parts, please specify the model and serial number of the product.

* Indicates a component that is not available as an individual part.

*** Indicates consult Customer Service Department for additional information.

ITEM	PART NO.	1 2 3 4 5	DESCRIPTION	QTY.
32	<u>00440G4</u>		Hex Head Bolt, 5/16" 18 x 1 1/4" Lg.....	2
33	00559G8		Flat Washer, 5/16"	2
34	<u>17838G1</u>		Nyliner Bushing	4
35				
36	11098G6		Lock Nut, 5/16" - 18.....	2
37	<u>11027G1</u>		Flanged Lock Nut, 5/16" - 18.....	4

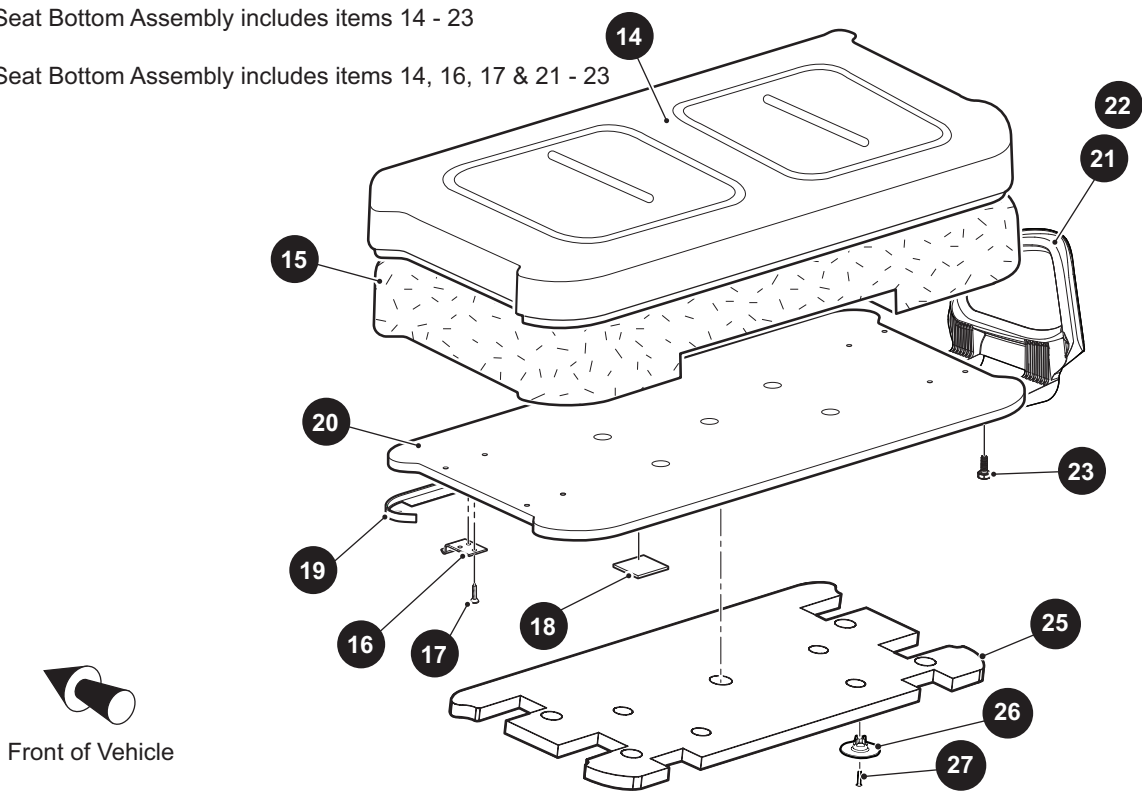
SEATING



- 1 Seat Back Assembly includes items 2 - 7
- 9 Seat Back Assembly includes items 2 - 6, 8

- 13 Seat Bottom Assembly includes items 14 - 23

- 24 Seat Bottom Assembly includes items 14, 16, 17 & 21 - 23



THE USE OF NON U.L. PARTS WILL VOID ANY U.L. LISTING.

When ordering parts, please specify the model and serial number of the product.

* Indicates a component that is not available as an individual part.

*** Indicates consult Customer Service Department for additional information.

ITEM	PART NO.	1 2 3 4 5	DESCRIPTION	QTY.
1	***		Seat Back Assembly (Includes Items 2 - 7)..... 71751G02 Gray 71751G03 Oyster 71751G04 Tan 71751G07 Black	1
2	***		Vinyl Seat Back Cover 71753G02 Gray 71753G03 Oyster 71753G04 Tan 71753G07 Black 10000417G22 White/Beige 10004901G14 Gray/Black	1
3	71752G01		Seat Back Rear Cover	1
4	<u>71754G01</u>		Foam Padding	1
5	645021		Seat Back Base	1
6				
7	<u>01107G01</u>		Torx Screw, #8 x 5/8" Lg	4
8	<u>648271</u>		Pan Head Torx Screw (SS), #8 - 15 x 1" Lg	4
9	***		Seat Back Assembly (Includes Items 2 - 6, 8)..... 10000520G0122 White/Beige 10000520G0114 Gray/Black	1
10	00661G8		Hex Head Bolt, 1/4" - 20 x 1/2" Lg	4
11	00664G7		Lock Washer, .255" x .263"	4
12	***		Seat Back Assembly 654084G18 Mushroom 654084G21 Black	1
13	***		Seat Bottom Assembly (Includes Items 14 - 23) 629269G0103 Tan 629269G0104 Gray 629269G0101 Oyster 629269G0106 Black 629269G3022 White/Beige 629269G3014 Gray/Black	1
14	***		Vinyl Seat Bottom Cover 71602G04 Tan 71602G02 Gray 71602G03 Oyster 71602G06 Black 10000416G22 White/Beige 10004900G14 Gray/Black	1

SEATING

THE USE OF NON U.L. PARTS WILL VOID ANY U.L. LISTING.

When ordering parts, please specify the model and serial number of the product

* Indicates a component that is not available as an individual part.

*** Indicates consult Customer Service Department for additional information.

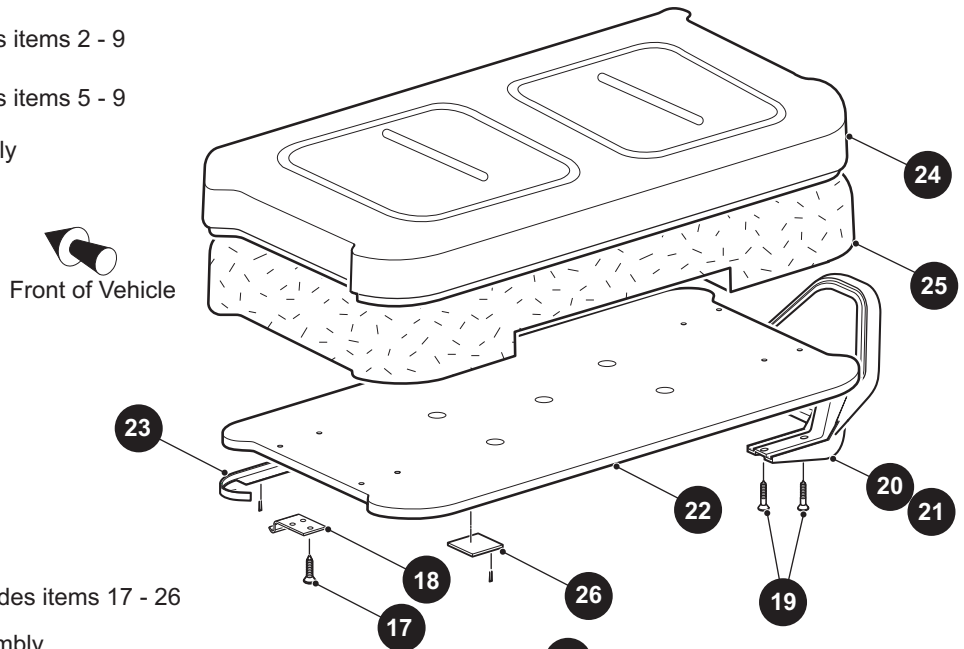
ITEM	PART NO.	1	2	3	4	5	DESCRIPTION	QTY.
15	<u>71603G02</u>						Foam Padding (Seat Bottom).....	1
16	<u>71610G01</u>						Seat Hinge	2
17	<u>00720G08</u>						Flat Head Phillips Screw, #12 -14 x 1" Lg	6
18	<u>17074G1</u>						Rubber Pad	2
19	<u>71012G01</u>						Vinyl Trim (Seat Bottom)	1
20	<u>645492</u>						Seat Bottom	1
21	<u>617644</u>						Hip Restraint (Driver Side)	1
22	<u>617645</u>						Hip Restraint (Passenger Side).....	1
23	<u>615417</u>						Button Head Torx Bolt, M10 - 1.5 x 25mm Lg	8
24	***						Seat Bottom Assembly (Includes Items 14, 16, 17 & 21 - 23)	1
							629269G2818 Mushroom	
							629269G2821 Premium Black	
25	<u>657949</u>						Sound Treatment (Seat Bottom).....	1
26	<u>663426</u>						Sound Treatment Retainer	4
27	<u>00720G08</u>						Flat Head Phillips Tapping Screw, #12 - 14 x 1" Lg	4

SEATING

1 Seat Back Assembly includes items 2 - 9

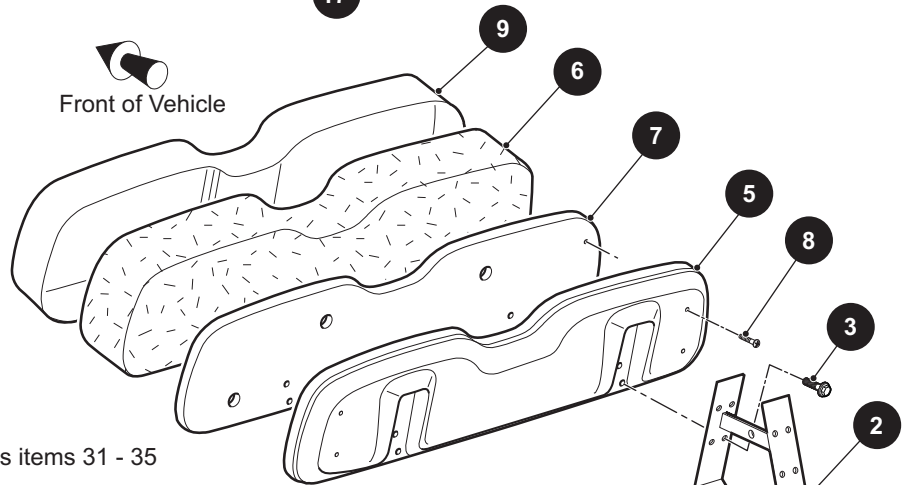
4 Seat Back Assembly includes items 5 - 9

10 Premium Seat Back Assembly includes items 2 - 3, 11

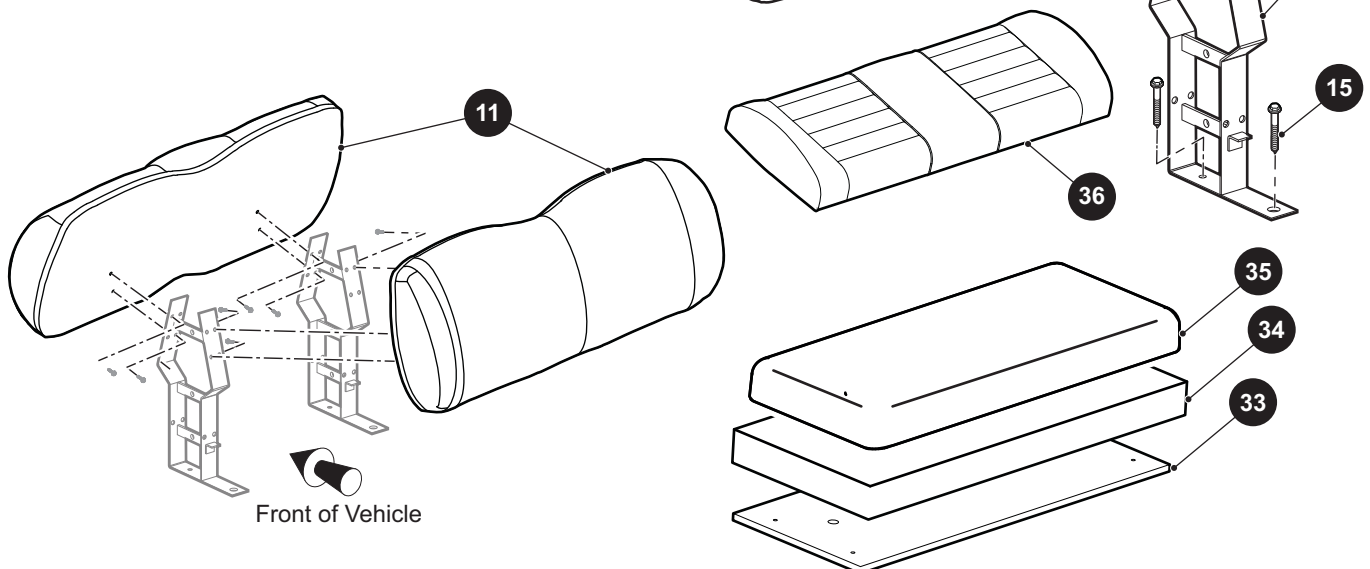


16 Seat Bottom Assembly includes items 17 - 26

27 Premium Seat Bottom Assembly includes items 17 - 21, 24



30 Flip Seat Bottom Assembly includes items 31 - 35



THE USE OF NON U.L. PARTS WILL VOID ANY U.L. LISTING.

When ordering parts, please specify the model and serial number of the product.

* Indicates a component that is not available as an individual part.

*** Indicates consult Customer Service Department for additional information.

ITEM	PART NO.	1 2 3 4 5	DESCRIPTION	QTY.
1	***		Seat Back Assembly (Includes Items 2 - 9)..... 10000522G0114 Gray/Black 10000522G0122 White/Beige 632818G01 Oyster 632818G03 Tan 632818G04 Gray 632818G06 Black	1
2	<u>634178</u>		Support Weldment.....	1
3	<u>71204G01</u>		Hex Washer Head Bolt With Patch Lock, 1/4" - 20 X .875" Lg.....	4
4	***		Seat Back Assembly (Includes Items 5 - 9)..... 10000520G0114 Gray/Black 10000520G0122 White/Beige 71751G03 Oyster 71751G04 Tan 71751G02 Gray 71751G07 Black	2
5	<u>71752G01</u>		Cover (Plastic).....	1
6	<u>71754G01</u>		Padding (Foam)	1
7	<u>645021</u>		Base Assembly	1
8	<u>01107G01</u>		Pan Head Torx Screw, #8 X .63" Lg.....	4
9	***		Vinyl Cover..... 10004901G14 Gray/black 10000417G22 White/Beige 71753G02 Gray 71753G03 Oyster 71753G04 Tan 71753G07 Black	1
10	***		Premium Seat Back Assembly (Includes Items 2 - 3, 11)..... 692961G18 Mushroom 692961G21 Premium Black	1
11	***		Seat Back Assembly..... 654084G18 Mushroom 654084G21 Premium Black	2
12				
13				
14				
15	<u>01006G01</u>		Hex Washer Head Thread Forming Screw, 3/8" - 16 X 1.25" Lg.....	2

SEATING

THE USE OF NON U.L. PARTS WILL VOID ANY U.L. LISTING.

When ordering parts, please specify the model and serial number of the product

* Indicates a component that is not available as an individual part.

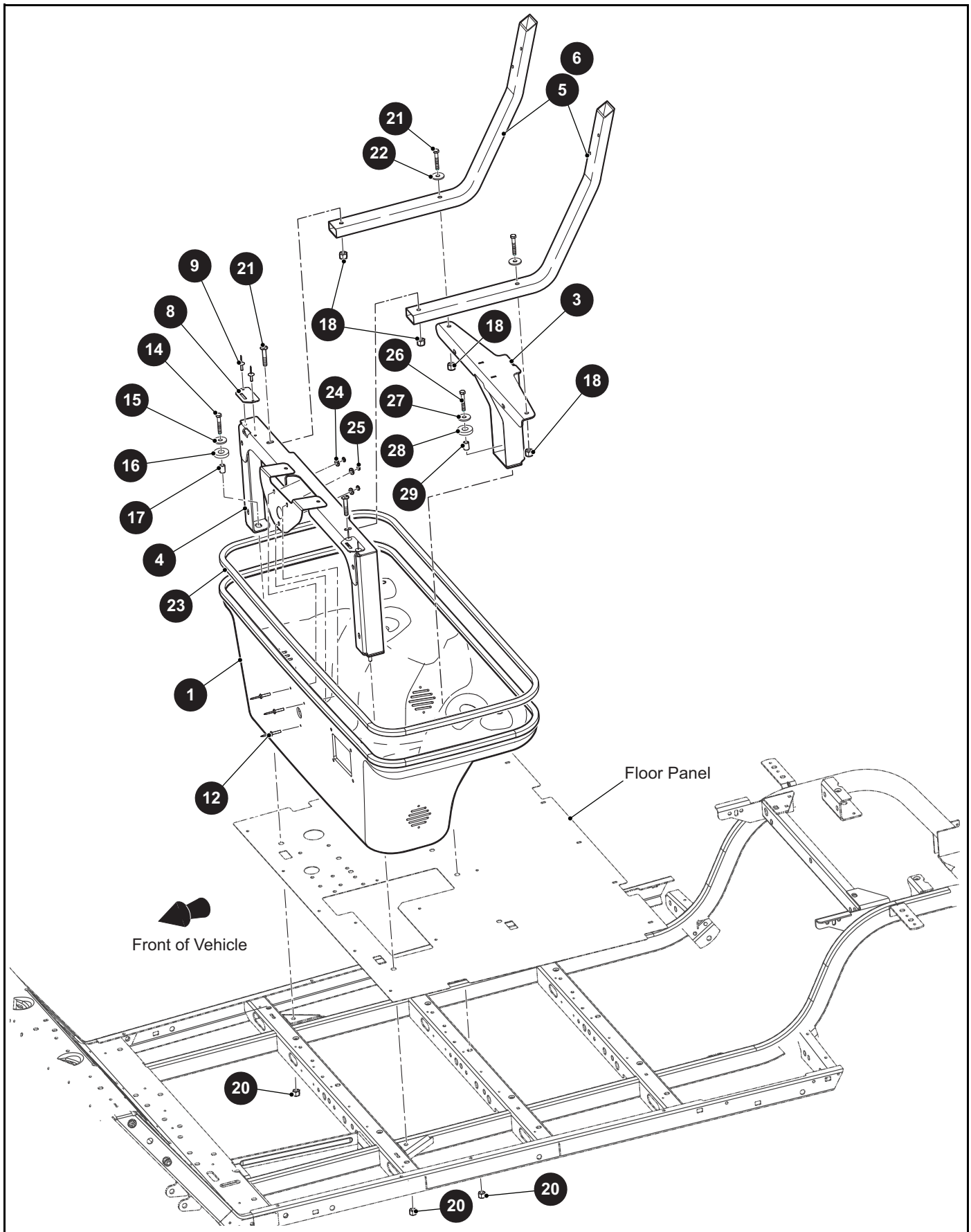
*** Indicates consult Customer Service Department for additional information.

ITEM	PART NO.	1	2	3	4	5	DESCRIPTION	QTY.
16	***						Seat Bottom Assembly (Includes Items 17 - 26)..... 629269G0101 Oyster 629269G0103 Tan 629269G0104 Gray 629269G0106 Black 629269G3022 White/Beige 629269G3014 Gray/Black	1
17	<u>00720G08</u>						Flat Head Phillips Tapping Screw, #12 - 14 X 1" Lg.....	6
18	<u>71610G01</u>						Seat Hinge	2
19	<u>615417</u>						Button Head Torx Bolt, M10 - 1.5 X 25mm Lg.....	4
20	<u>617644</u>						Hip Restraint (Passenger Side).....	1
21	<u>617645</u>						Hip Restraint (Driver Side)	1
22	<u>645492</u>						Base.....	1
23	<u>71012G01</u>						Trim (Polypropylene).....	1
24	***						Vinyl Cover..... 71602G02 Gray 71602G03 Oyster 71602G04 Tan 71602G06 Black 10000416G22 White/Beige 10004900G14 Gray/Black 654085G18 Mushroom 654085G21 Premium Black	1
25	<u>71603G02</u>						Padding (Foam)	1
26	<u>17074G1</u>						Soiling Slab	2
27	***						Premium Seat Bottom Assembly (Includes Items 17 - 21, 24)..... 629269G2818 Mushroom 629269G2821 Black	1
28								
29								
30	***						Flip Seat Bottom Assembly (Includes Item 33 - 35)..... 699321G01 Oyster 699321G03 Tan 699321G04 Gray 699321G06 Black 699321G14 Gray/Black 699321G22 White/Beige	1
31								
32								
33	669061						Seat Bottom	1

THE USE OF NON U.L. PARTS WILL VOID ANY U.L. LISTING.
 When ordering parts, please specify the model and serial number of the product.
 * Indicates a component that is not available as an individual part.
 *** Indicates consult Customer Service Department for additional information.

ITEM	PART NO.	1 2 3 4 5	DESCRIPTION	QTY.
34	699297		Seat Bottom (Foam)	1
35	***		Seat Bottom (Vinyl)..... 615646 Oyster 615647 Tan 617892 Gray 615648 Black 10004899G14 Gray/Black 10000413G22 White/Beige	1
36	***		Flip Seat Bottom Assembly (Premium) 600082G18 Mushroom 600082G21 Black	1

SEATING



THE USE OF NON U.L. PARTS WILL VOID ANY U.L. LISTING.

When ordering parts, please specify the model and serial number of the product.

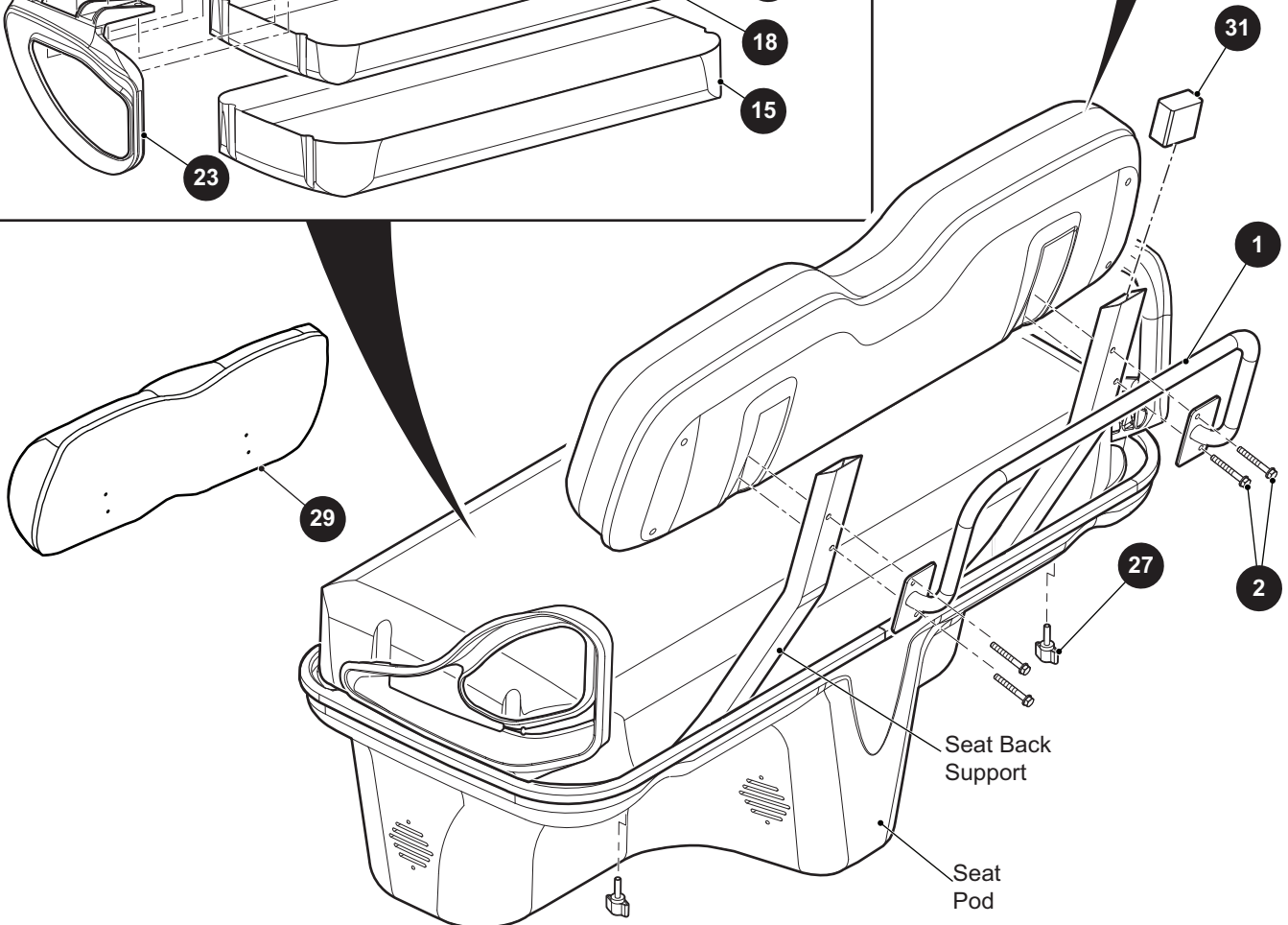
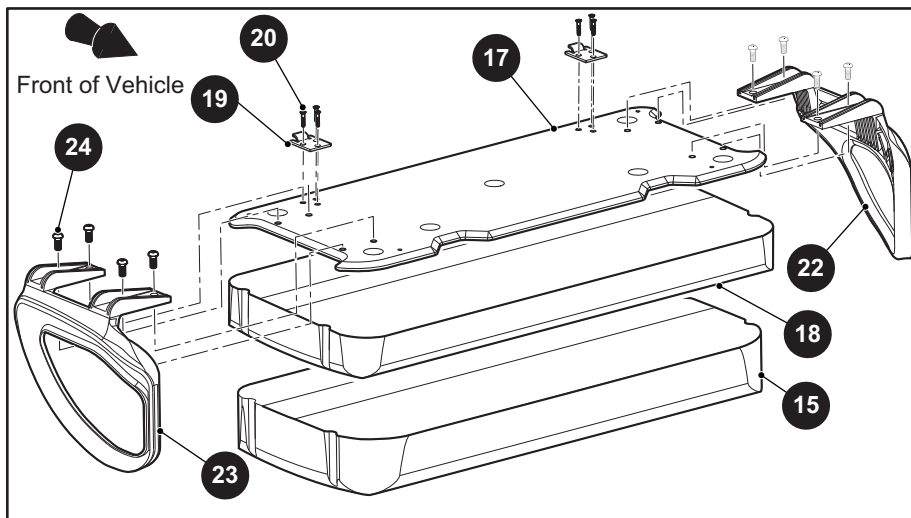
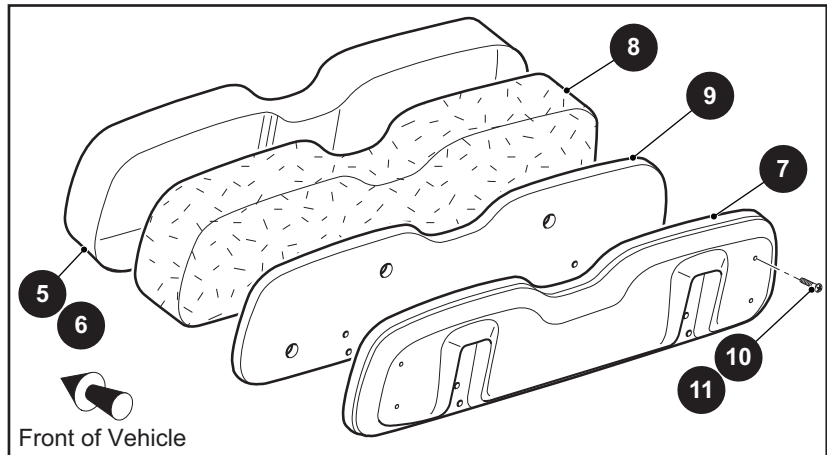
* Indicates a component that is not available as an individual part.

*** Indicates consult Customer Service Department for additional information.

ITEM	PART NO.	1 2 3 4 5	DESCRIPTION	QTY.
1	648313G**		Seat Pod (See HOW TO USE Section for COLOR CODES).....	1
2				
3	<u>657681</u>		Rear Seat Support Weldment	1
4	<u>654767</u>		Seat Support Weldment.....	1
5	<u>648523</u>		Seat Back Support Tube (For Vehicles Manufactured Before August 17, 2019)	2
6	694377		Seat Back Support Tube (For Vehicles Manufactured After August 17, 2019).....	2
7				
8	<u>71609G01</u>		Hinge Plate.....	2
9	<u>10570G11</u>		Rivet (SS), 3/16" x .70" Lg	4
10				
11				
12	<u>71055G01</u>		Rivet (Aluminum), 3/16" x 1" Lg	3
13				
14	00439G8		Hex Head Bolt (SS), 5/16" - 18 x 2" Lg, Grade 5	2
15	<u>00675G1</u>		Flat Washer (SS), .398" I.D. x 1.25" O.D. x .115" Lg	2
16	<u>71883G01</u>		Flat Washer (Rubber), .625" I.D. x 1.50" O.D. x .312" Lg	2
17	<u>23726G9</u>		Spacer, .312" I.D. x .562" O.D. x .750" Lg	2
18	11098G6		Lock Nut, 5/16" - 18	4
19				
20	11098G6		Lock Nut, 5/16" - 18	3
21	<u>00439G6</u>		Hex Head Bolt, 5/16" - 18 x 1.75" Lg, Grade 5	4
22	<u>00560G1</u>		Flat Washer, 3/8	4
23	<u>32805G6</u>		Trim, 118" Lg.....	1
24	<u>00660G5</u>		Flat Washer, #10	3
25	<u>01110G01</u>		Flat Washer, 1/4".....	3
26	00439G8		Hex Head Bolt (SS), 5/16" - 18 x 2" Lg, Grade 5	1
27	<u>00675G1</u>		Flat Washer (SS), .398" I.D. x 1.25" O.D. x .115" Lg	1
28	<u>71883G01</u>		Flat Washer (Rubber), .625" I.D. x 1.50" O.D. x .312" Lg	1
29	<u>23726G9</u>		Spacer, .312" I.D. x .562" O.D. x .750" Lg	1

SEATING

- 3** Seat Back Assembly includes item 5, 7 - 10
- 4** Seat Back Assembly includes items 6 - 9, 11
- 12** Seat Bottom Assembly includes items 15 - 24
- 13** Seat Bottom Assembly includes items 15, 19 - 24



THE USE OF NON U.L. PARTS WILL VOID ANY U.L. LISTING.

When ordering parts, please specify the model and serial number of the product.

* Indicates a component that is not available as an individual part.

*** Indicates consult Customer Service Department for additional information.

ITEM	PART NO.	1 2 3 4 5	DESCRIPTION	QTY.
1	<u>71632G01</u>		Hand Grip Weldment.....	1
2	<u>71204G02</u>		Hex Washer Head Bolt with Patch Lock, 1/4" - 20 x 2" Lg.....	4
3	***		Seat Back Assembly (Includes Item 5, 7 - 10) 10000520G0122 White/Beige 10000520G0114 Gray/Black	2
4	***		Seat Back Assembly (Includes Item 6 - 9, 11)..... 71751G02 Gray 71751G03 Oyster 71751G04 Tan 71751G07 Black	2
5	***		Vinyl Seat Back Cover 10000417G22 White/Beige 10004901G14 Gray/Black	1
6	***		Vinyl Seat Back Cover 71753G02 Gray 71753G03 Oyster 71753G04 Tan 71753G07 Black	1
7	<u>71752G01</u>		Rear Seat Back Cover.....	1
8	<u>71754G01</u>		Seat Back Padding	1
9	<u>645021</u>		Seat Back Base	1
10	<u>648271</u>		Pan Head Torx Screw (SS), #8 - 15 x 1" Lg	4
11	<u>01107G01</u>		Pan Head Torx Screw (SS), #8 x .63" Lg.....	4
12	***		Seat Bottom Assembly (Includes Item 15 - 24)..... 629269G1701 Oyster 629269G1703 Tan 629269G1704 Gray 629269G1706 Black 629269G3122 White/Beige 629269G3114 Gray/Black	1
13	***		Seat Bottom Assembly (Includes Item 15, 19 - 24)..... 629269G2518 Mushroom 629269G2521 Black	1
14				
15	***		Vinyl Seat Cover..... 71624G03 Oyster 71624G04 Tan 71624G02 Gray 71624G07 Black 10004898G14 Gray/Black	1

SEATING

THE USE OF NON U.L. PARTS WILL VOID ANY U.L. LISTING.

When ordering parts, please specify the model and serial number of the product

* Indicates a component that is not available as an individual part.

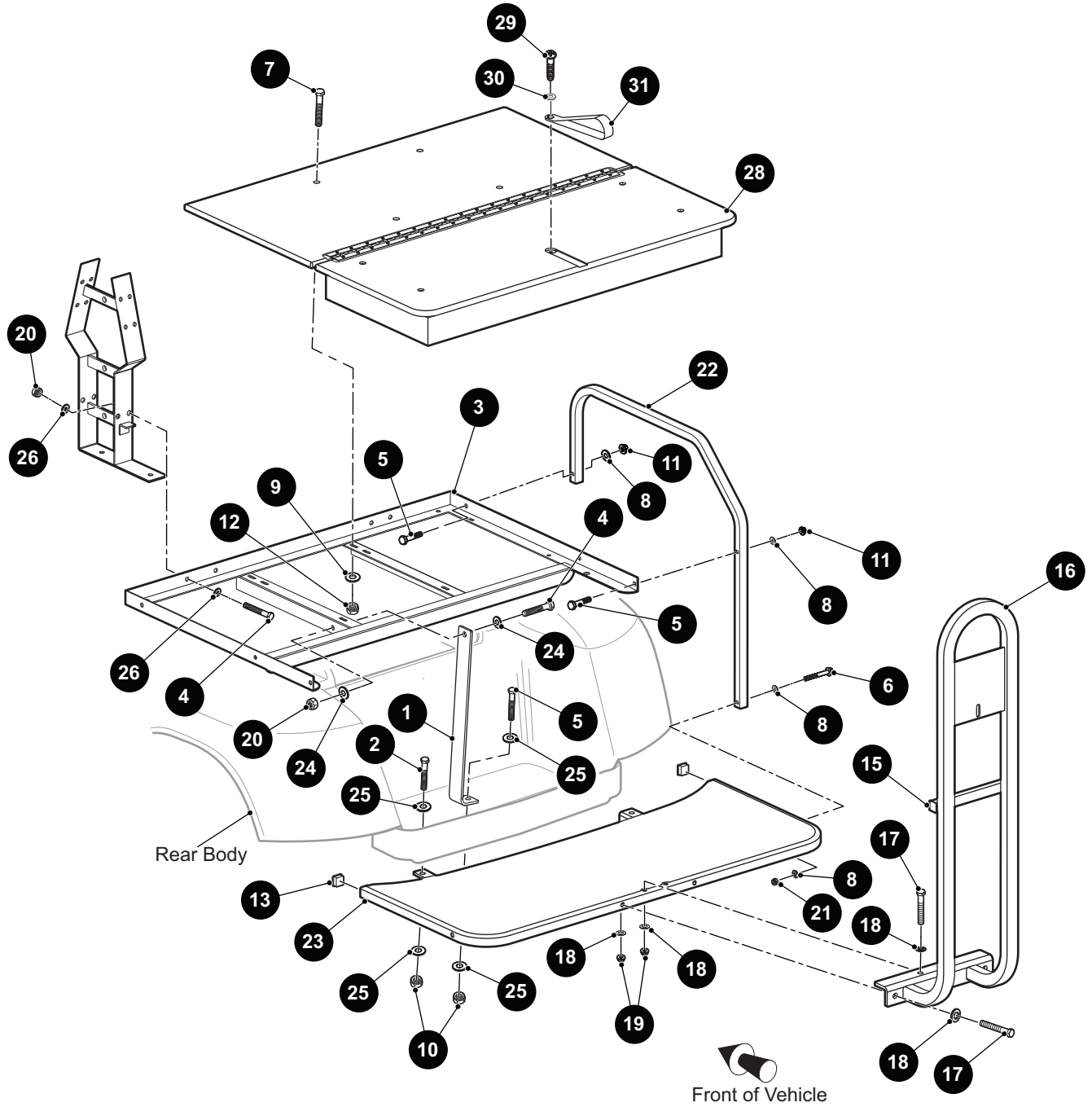
*** Indicates consult Customer Service Department for additional information.

ITEM	PART NO.	1	2	3	4	5	DESCRIPTION	QTY.
16							10000415G22 White/Beige 693086G18 Mushroom 693086G21 Black	
17	649851						Seat Bottom Base	1
18	<u>71625G01</u>						Seat Bottom Padding	1
19	<u>71610G01</u>						Seat Hinge	2
20	<u>00720G08</u>						Flat Head Phillips Screw, #12 -14 x 1" Lg	6
21								
22	<u>617645</u>						Hip Restraint (Driver Side)	1
23	<u>617644</u>						Hip Restraint (Passenger Side).....	1
24	<u>615417</u>						Button Head Torx Bolt, M10 - 1.5 x 25mm Lg	8
25								
26								
27	70864G01						T-knob Stud, 1/4" - 20 x 1" Lg.....	2
28								
29	***						Seat Back Assembly..... 654084G18 Mushroom 654084G21 Black	1
30								
31	697694						Tube Cap.....	2

SEATING

14 Handrail Kit, Flip Flop Seat includes items 15 - 19

27 Flip Seat Assembly includes items 28 - 31



THE USE OF NON U.L. PARTS WILL VOID ANY U.L. LISTING.

When ordering parts, please specify the model and serial number of the product.

* Indicates a component that is not available as an individual part.

*** Indicates consult Customer Service Department for additional information.

ITEM	PART NO.	1 2 3 4 5	DESCRIPTION	QTY.
1	<u>634174</u>		Seat Frame Support	2
2	<u>00427G6</u>		Hex Head Bolt, 3/8" - 16 x 1 3/4" Lg, Grade 5	2
3	<u>634180</u>		Seat Frame Weldment	1
4	<u>00427G2</u>		Hex Head Bolt, 3/8" - 16 x 1 1/4" Lg, Grade 5	4
5	<u>00427G4</u>		Hex Head Bolt, 3/8" - 16 x 1 1/2" Lg, Grade 5	6
6	<u>00428G8</u>		Hex Head Bolt, 3/8" - 16 x 2 1/4" Lg	2
7	<u>16705G9</u>		Truss Head Phillips Screw (SS), 1/4" - 20 x 1 1/4" Lg.....	4
8	<u>614221</u>		Flat Washer, 3/8"	8
9	<u>00559G7</u>		Flat Washer, 1/4"	4
10	<u>11098G5</u>		Lock Nut, 3/8" - 16	4
11	<u>11027G5</u>		Lock Nut, 3/8" - 16	4
12	<u>14390G4</u>		Lock Nut, 1/4" - 20	4
13	<u>19853G1</u>		Square Tube Cap, 1".....	2
14	<u>634184</u>		Handrail Kit, Flip Flop Seat (Includes Items 15 - 19).....	1
15	<u>19859G1</u>		Square Tube Cap, 3/4"	2
16	<u>634185</u>		Footrest Handle Weldment.....	1
17	<u>00427G8</u>		Hex Head Bolt, 3/8" - 16 x 2" Lg, Grade 5.....	4
18	<u>614221</u>		Flat Washer, 3/8"	8
19	<u>11098G5</u>		Lock Nut, 3/8" - 16.....	4
20	<u>11098G5</u>		Lock Nut, 3/8" - 16	4
21	<u>11098G5</u>		Lock Nut, 3/8" - 16	2
22	<u>634175</u>		Rear Seat Arm Rest	2
23	<u>634179</u>		Footrest Weldment.....	1
24	<u>614221</u>		Flat Washer, 3/8"	4
25	<u>614221</u>		Flat Washer, 3/8"	8
26	<u>614221</u>		Flat Washer, 3/8"	4
27	600118		Flip Seat Assembly (Includes Items 28 - 31).....	1
28	<u>634190</u>		Deck Board Assembly	1
29	<u>16705G1</u>		Truss Head Phillips Screw (SS), 1/4" - 20 x 1" Lg	5
30	<u>00559G7</u>		Flat Washer, 1/4"	1
31	<u>617402</u>		Seat Strap.....	1

THE USE OF NON U.L. PARTS WILL VOID ANY U.L. LISTING.

When ordering parts, please specify the model and serial number of the product.

* Indicates a component that is not available as an individual part.

*** Indicates consult Customer Service Department for additional information.

ITEM	PART NO.	1 2 3 4 5	DESCRIPTION	QTY.
1	10007752		Seat Base Assembly	1
2	10007792		Footrest	1
3	10007798		Grab Bar	1
4	10007789G01		Seat Base Support (Driver Side)	1
5	10007789G02		Seat Base Support (Passenger Side)	1
6	10007791G01		Footrest Support (Driver Side)	1
7	10007791G02		Footrest Support (Passenger Side)	1
8	10007795		Bumper Support	1
9				
10				
11	10008507		Hardware Kit (Includes Items 12 - 19)	1
12	10007945		Flanged Hex Nut, 1/4" - 20	4
13	10014523		Lock Washer, 1/4"	2
14	10014524		Flat Washer, 1/4"	8
15	10014521		Hex Head Bolt, 1/4" - 20 x 3 1/4" Lg, Grade 5	2
16	10014520		Hex Head Bolt, 1/4" - 20 x 2" Lg, Grade 5	2
17	10014522		Acorn Nut, 1/4" - 20	2
18	10014518		Grab Bar Support Clamp	2
19	10014519		Hex Head Bolt, 1/4" - 20 x 1 3/4" Lg, Grade 5	2
20				
21				
22	10001207		Rubber Pull Plug	1
23	10000073		Flip Seat Support Bracket	2
24	699419		Hip Restraint	2
25	699428		Plastic Bucket	1
26	<u>617402</u>		Seat Strap	1
27	<u>11098G5</u>		Lock Nut, 3/8" - 16	2
28	<u>71425G01</u>		Tapping Screw, #8 - 18 x 3/4" Lg	8
29	697319		Square Nut (SS), 1/4" - 20	4
30	<u>11098G5</u>		Lock Nut, 3/8" - 16	4
31				

SEATING

THE USE OF NON U.L. PARTS WILL VOID ANY U.L. LISTING.

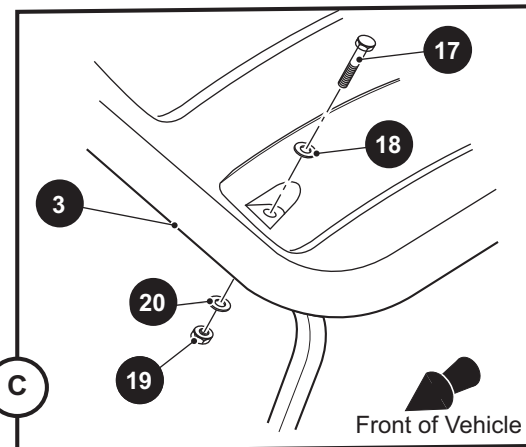
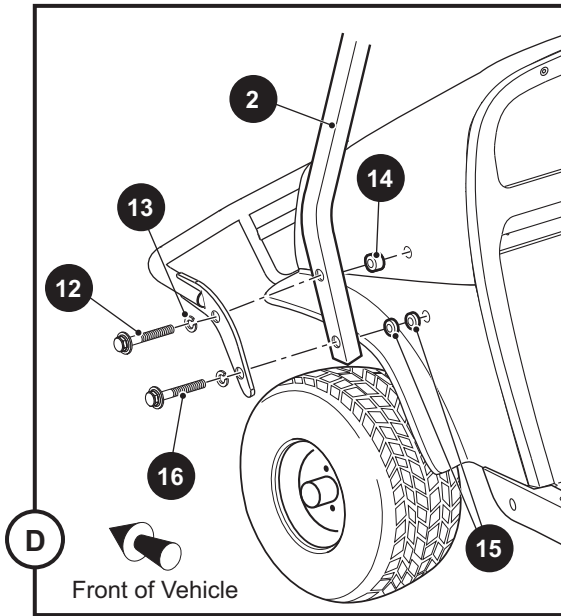
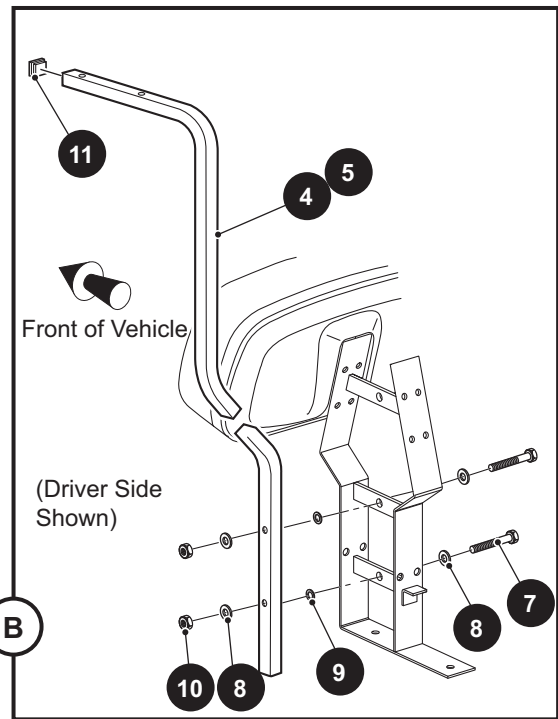
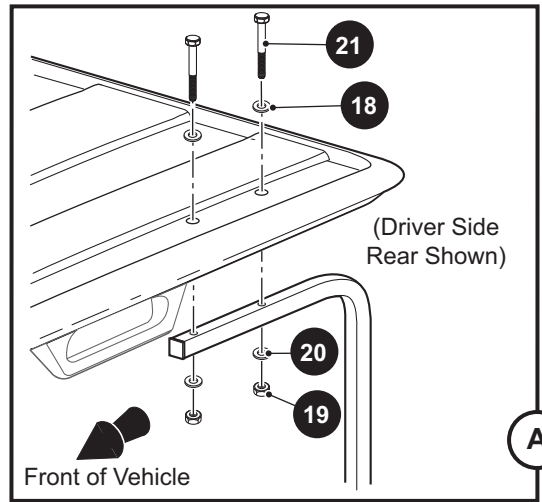
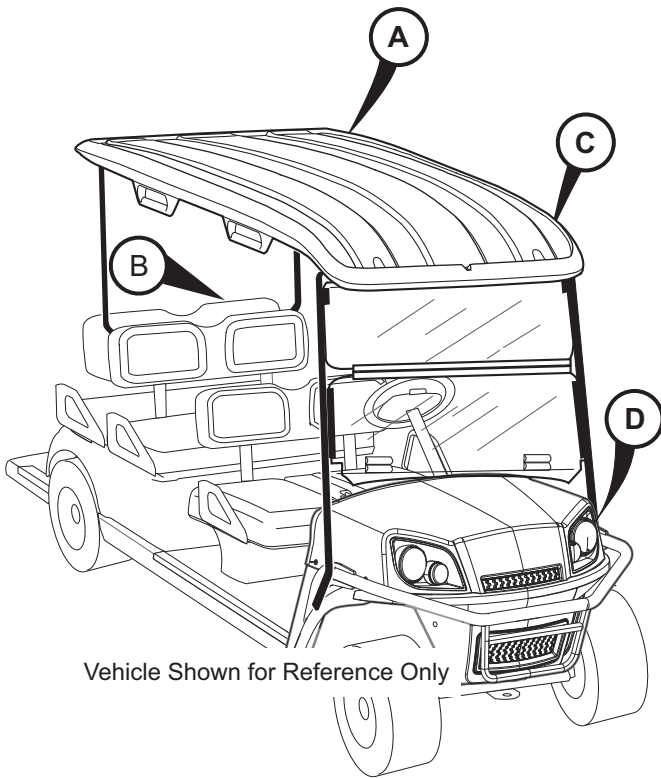
When ordering parts, please specify the model and serial number of the product

* Indicates a component that is not available as an individual part.

*** Indicates consult Customer Service Department for additional information.

ITEM	PART NO.	1 2 3 4 5	DESCRIPTION	QTY.
32	<u>00205-G4</u>		Flat Head Phillips Screw, 1/4" - 20 x 1 1/2" Lg	10
33	<u>614221</u>		Flat Washer, 3/8", Grade 8	12
34	<u>00427G2</u>		Hex Head Bolt, 3/8" - 16 x 1 1/4" Lg.....	4
35	10007945		Flanged Hex Nut, 1/4" - 20	20
36				
37				
38	<u>00427G6</u>		Hex Head Bolt, 3/8" - 16 x 1 1/4" Lg, Grade 5.....	2
39	10007944		Hex Head Bolt, 1/4" - 20 x 1 1/4" Lg.....	6
40	652326		Hex Head Bolt, 1/4" - 20 x 2 3/4" Lg, Grade 5.....	4
41	10008129		Hex Head Bolt, 1/4" - 20 x 2" Lg, Grade 5.....	4
42				
43				
44	10008132		Hex Head Bolt, 1/4" - 20 x 1 1/4" Lg, Grade 5.....	6
45	400128J		Hex Head Bolt, 1/4" - 20 x 3 1/2" Lg.....	2
46	<u>00415G2</u>		Hex Head Bolt, 1/4" - 20 x 2" Lg.....	2
47	<u>16816G1</u>		Ratchet Rivet, .25" x .680".....	6
48				
49				
50	<u>00559G7</u>		Flat Washer, 1/4"	4
51	446130		Lock Washer (Heavy), 1/4"	4

WEATHER PROTECTION



- 1** Sun Top Kit, Black includes items 2 - 6
- 6** Sun Top Hardware Kit includes items 7 - 21

WEATHER PROTECTION

THE USE OF NON U.L. PARTS WILL VOID ANY U.L. LISTING.

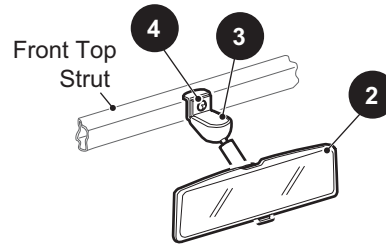
When ordering parts, please specify the model and serial number of the product.

* Indicates a component that is not available as an individual part.

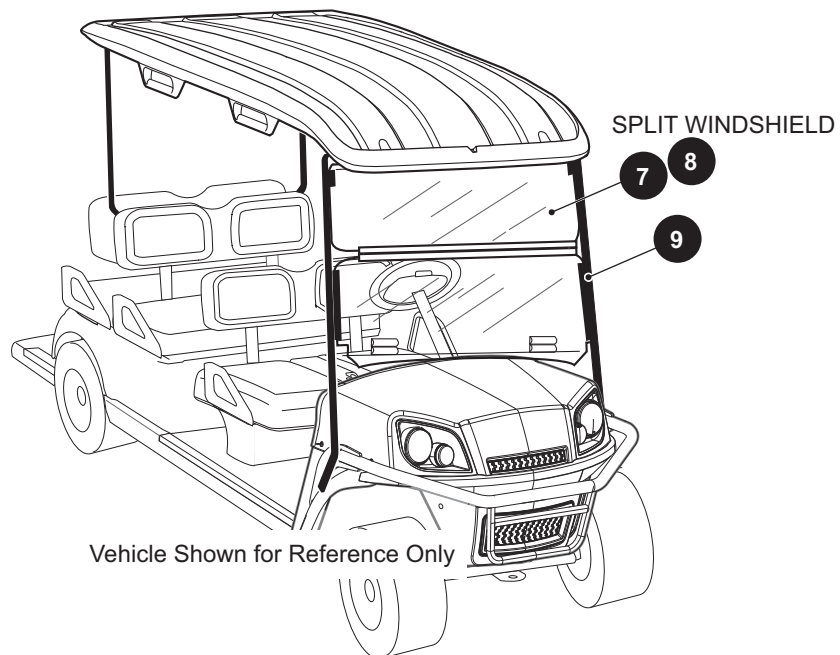
*** Indicates consult Customer Service Department for additional information.

ITEM	PART NO.	1 2 3 4 5	DESCRIPTION	QTY.
1	<u>617950</u>		Sun Top Kit, Black (Includes Items 2 - 6)	1
2	<u>75488G01</u>		Front Support.....	1
3	<u>607258</u>		Sun Top, Black.....	1
4	<u>617943</u>		Rear Support (Driver Side)	1
5	<u>617942</u>		Rear Support (Passenger Side)	1
6	<u>608138</u>		Sun Top Hardware Kit (Includes Items 7 - 21)	1
7	<u>00665G5</u>		Hex Head Bolt (SS), 3/8" - 16 x 1" Lg	4
8	<u>00679G1</u>		Flat Washer (SS), 3/8"	8
9	<u>00771G5</u>		Nylon Washer, 3/8".....	4
10	<u>00891G5</u>		Lock Nut, 3/8" - 16	4
11	<u>19853G1</u>		End Cap, 1" Sq	2
12	<u>01035G02</u>		Hex Washer Head Bolt, 5/16" - 18 x 2 1/2" Lg, Grade 5	2
13	<u>00565G8</u>		Lock Washer, 5/16"	4
14	<u>75048G01</u>		Spacer, 1/2"	2
15	<u>00879G1</u>		Flat Washer, 3/8"	4
16	<u>00440G2</u>		Hex Head Bolt, 5/16" - 18 x 2 1/4" Lg, Grade 5	2
17	<u>00685G10</u>		Hex Head Bolt, 5/16" - 18 x 2.75" Lg	2
18	<u>00907G2</u>		Flat Washer (SS), 5/16"	6
19	11098G6		Lock Nut, 5/16" - 18	6
20	<u>00660G8</u>		Flat Washer (SS), 5/16"	6
21	<u>00685G11</u>		Hex Head Bolt (SS), 5/16" - 18 x 3 1/4" Lg	4

- 1 Rear View Mirror Kit includes items 2 - 4



REAR VIEW MIRROR



- 7 Split Windshield Kit, Express (Includes Items 9)
- 8 Split Windshield Kit, Shuttle 2/4/6 (Includes Items 9)

WEATHER PROTECTION

THE USE OF NON U.L. PARTS WILL VOID ANY U.L. LISTING.

When ordering parts, please specify the model and serial number of the product.

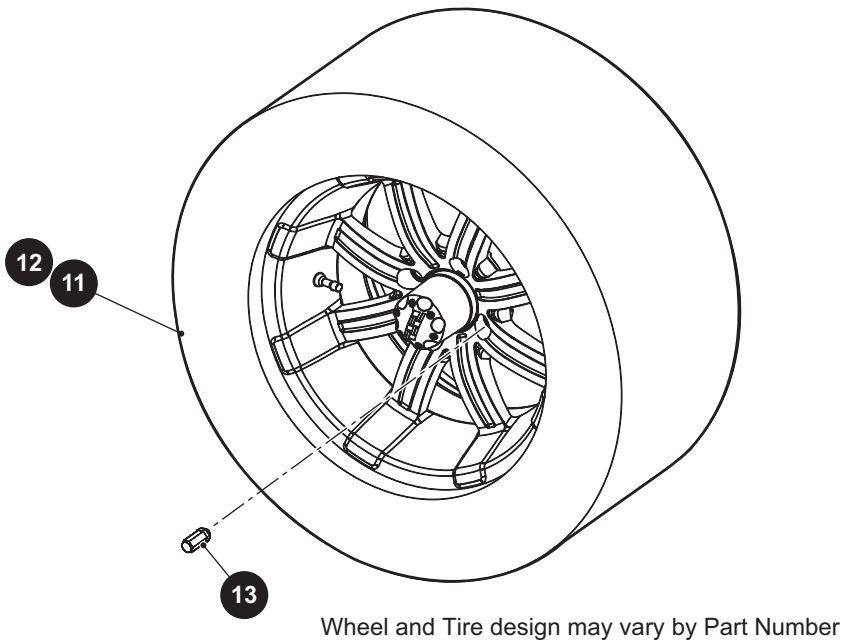
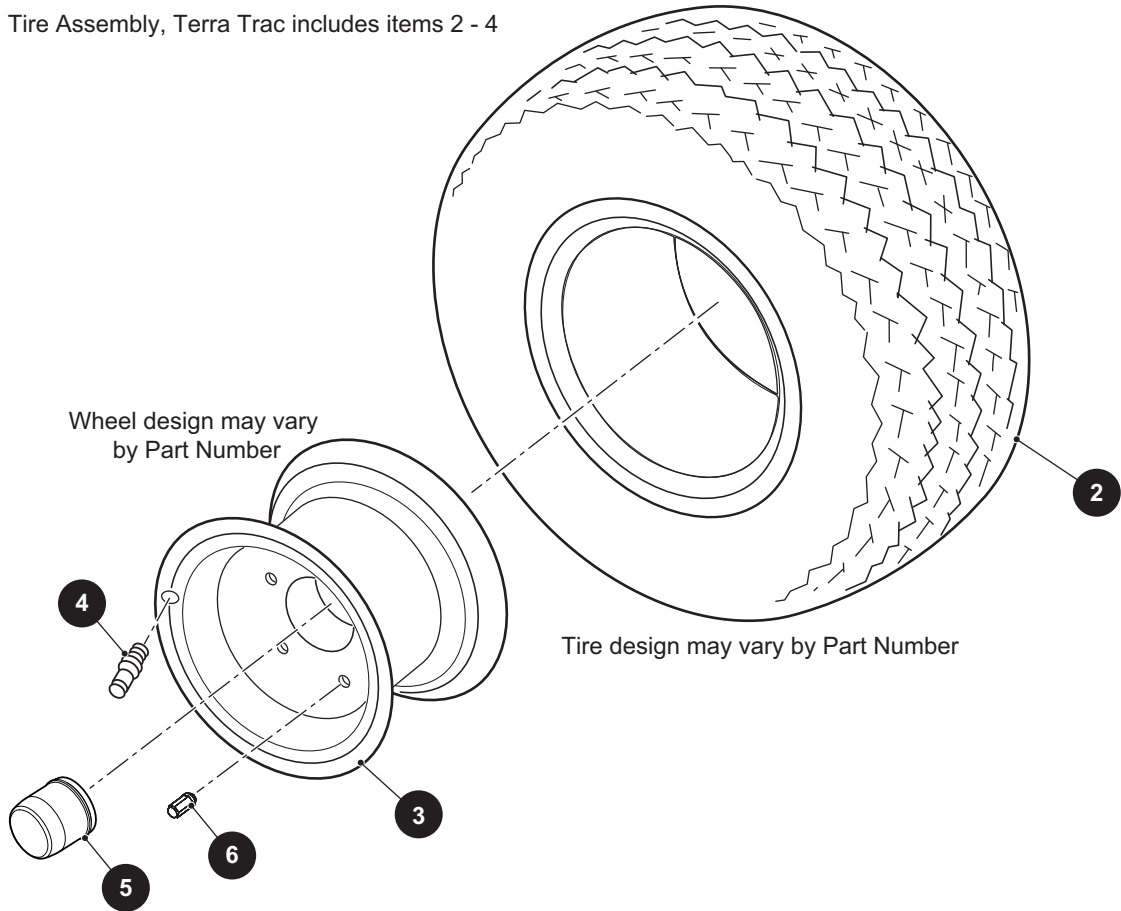
* Indicates a component that is not available as an individual part.

*** Indicates consult Customer Service Department for additional information.

ITEM	PART NO.	1 2 3 4 5	DESCRIPTION	QTY.
1	<u>19528G2</u>		Rear View Mirror Kit (Includes Items 2 - 4)	1
2	<u>19496G1</u>		Rear View Mirror.....	1
3	<u>19502G2</u>		Support Bracket.....	1
4	<u>19527G1</u>		Pan Head Screw, # 8 - 32 x 5/8" Lg.....	1
5				
6	<u>601379</u>		Rear View Mirror (Five Panel Kit) (Not Illustrated)	1
7	<u>607255</u>		Split Windshield Kit, Express (Includes Item 9).....	1
8	<u>611100</u>		Split Windshield Kit, Shuttle 2/4/6 (Includes Item 9)	1
9	<u>615661</u>		Sash, 12"	2

WHEELS AND TIRES

- 1 Wheel and Tire Assembly, Terra Trac includes items 2 - 4



WHEELS AND TIRES

THE USE OF NON U.L. PARTS WILL VOID ANY U.L. LISTING.

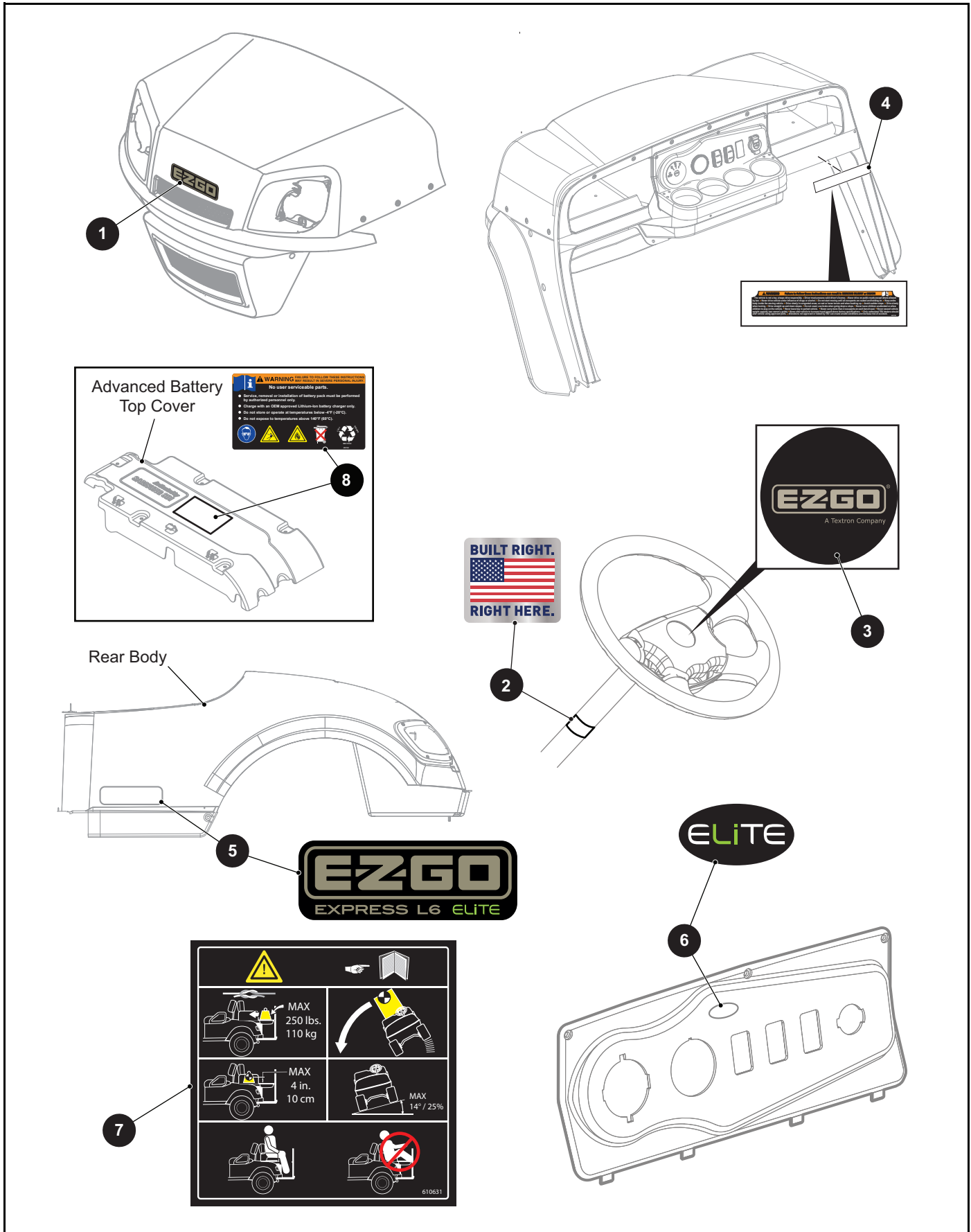
When ordering parts, please specify the model and serial number of the product.

* Indicates a component that is not available as an individual part.

*** Indicates consult Customer Service Department for additional information.

ITEM	PART NO.	1 2 3 4 5	DESCRIPTION	QTY.
1	<u>607252</u>		Wheel and Tire Assembly, Terra Trac (Includes Items 2 - 4)	1
2	<u>606142</u>		Tire, 23" x 10.5" x 12"	1
3	<u>606149</u>		Wheel	1
4	<u>604915</u>		Valve Stem	1
5	<u>614272</u>		Wheel Cap	1
6	<u>605310</u>		Lug Nut (Chrome)	4
7				
8				
9				
10				
11	671955G01		Wheel and Tire Assembly, Left Side, Desert Eagle	1
12	671955G02		Wheel and Tire Assembly, Right Side, Desert Eagle	1
13	<u>605310</u>		Lug Nut (Chrome)	4

DECALS AND LABELS



DECALS AND LABELS

THE USE OF NON U.L. PARTS WILL VOID ANY U.L. LISTING.

When ordering parts, please specify the model and serial number of the product.

* Indicates a component that is not available as an individual part.

*** Indicates consult Customer Service Department for additional information.

ITEM	PART NO.	1 2 3 4 5	DESCRIPTION	QTY.
1	<u>619206</u>		E-Z-GO Cowl Decal	1
2	685698		MADE IN USA Decal.....	1
3	<u>605435</u>		Steering Wheel Decal	1
4	662185		Console Safety Label.....	1
5	696704		Side Decal.....	2
6	<u>657850</u>		Advanced Battery Decal.....	1
7	<u>610631</u>		Clays Bed Decal.....	1
8	<u>655748</u>		Li-Ion Battery Warning Label.....	1



A Textron Company

Textron Specialized Vehicles, Inc.,
1451 Marvin Griffin Road
Augusta, Georgia 30906 - 3852 USA

CONTACT INFORMATION

North America:

Technical Assistance & Warranty Phone: 1-800-774-3946, FAX: 1-800-448-8124
Service Parts Phone: 1-888-438-3946, FAX: 1-800-752-6175

International: Phone: 001-706-798-4311, FAX: 001-706-771-4609

Owner's Guides and Repair Manuals
are available from a local Distributor, an authorized Branch,
Parts & Accessories Department or at www.shop.txtsv.com/shop-ezgo

Copyrighted Material
This manual may not be reproduced in whole or
in part without the express permission of
Textron Specialized Vehicles
Technical Publications Department