



A Textron Company

Electric Powered Vehicle Service Parts Manual



625482-BC

ISSUED SEP 2011

REVISED DECEMBER 2019

SERVICE PARTS MANUAL

ELECTRIC POWERED VEHICLE

EXPRESS L6

STARTING MODEL YEAR 2012

DISCLAIMER: The E-Z-GO Division of Textron Inc. (E-Z-GO) reserves the right to incorporate engineering and design changes to products in this Manual, without obligation to include these changes on units leased/sold previously.

The information contained in this Manual may be revised periodically E-Z-GO, and therefore is subject to change without notice.

E-Z-GO DISCLAIMS LIABILITY FOR ERRORS IN THIS MANUAL, and E-Z-GO SPECIFICALLY DISCLAIMS LIABILITY FOR INCIDENTAL AND CONSEQUENTIAL DAMAGES RESULTING FROM THE USE OF THE INFORMATION AND MATERIALS IN THIS MANUAL.

TO CONTACT US

NORTH AMERICA:

TECHNICAL ASSISTANCE & WARRANTY PHONE: 1-800-774-3946, FAX: 1-800-448-8124

SERVICE PARTS PHONE: 1-888-GET-EZGO (1-888-438-3946), FAX: 1-800-752-6175

INTERNATIONAL: PHONE: 001-706-798-4311, FAX: 001-706-771-4609

E-Z-GO DIVISION OF TEXTRON INC., 1451 MARVIN GRIFFIN RD., AUGUSTA, GEORGIA USA 30906-3852

GENERAL INFORMATION

To obtain a copy of the limited warranty applicable to the vehicle, call or write a local Distributor, authorized Branch or the Warranty Department with vehicle serial number and manufacturer code.

The use of non Original Equipment Manufacturer (OEM) parts may void the warranty.

Overfilling of batteries may void the warranty.

BATTERY PROLONGED STORAGE

All batteries will self discharge over time. The rate of self discharge varies depending on the ambient temperature and the age and condition of the batteries.

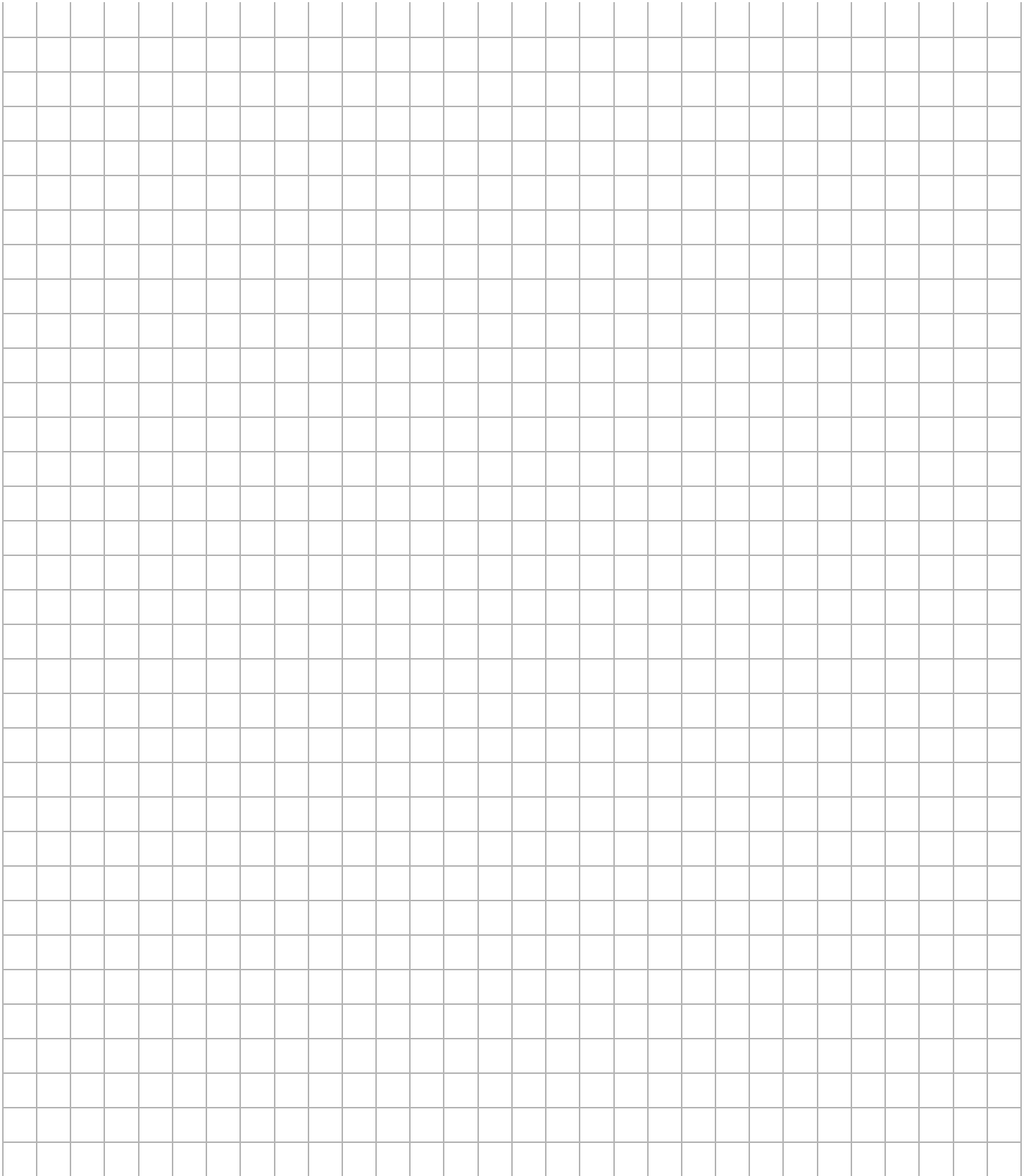
A fully charged battery will not freeze in winter temperatures unless the temperature falls below -75° F (-60° C).

As with all electric vehicles, the batteries must be checked and recharged as required or at a minimum of 30 day intervals.

TABLE OF CONTENTS

SECTION	Page No.
HOW TO USE THE SERVICE PARTS MANUAL	V
ACCELERATOR	A - 1
BATTERY CHARGER	B - 1
BODY	C - 1
BRAKES	D - 1
ELECTRICAL SYSTEM -	E - 1
ELECTRONIC SPEED CONTROL	F - 1
FRONT SUSPENSION - STEERING	G - 5
MOTOR	H - 1
REAR AXLE	J - 1
REAR SUSPENSION	K - 1
SEATING	L - 1
TRUCK BED	M - 1
WEATHER PROTECTION	N - 1
WHEELS AND TIRES	P - 1

NOTES



HOW TO USE THE SERVICE PARTS MANUAL

This manual is divided into several sections:

- GENERAL INFORMATION
- ILLUSTRATED PARTS BREAKDOWN
- APPENDIX

The first section, GENERAL INFORMATION, contains the following information:

- WARRANTY INFORMATION
- GENERAL INDEX
- HOW TO USE THE SERVICE PARTS MANUAL

The second section, ILLUSTRATED PARTS BREAKDOWN, contains illustrations and parts lists for all systems of your vehicle.

The third section, APPENDIX, contains a listing of specialty products and accessories.

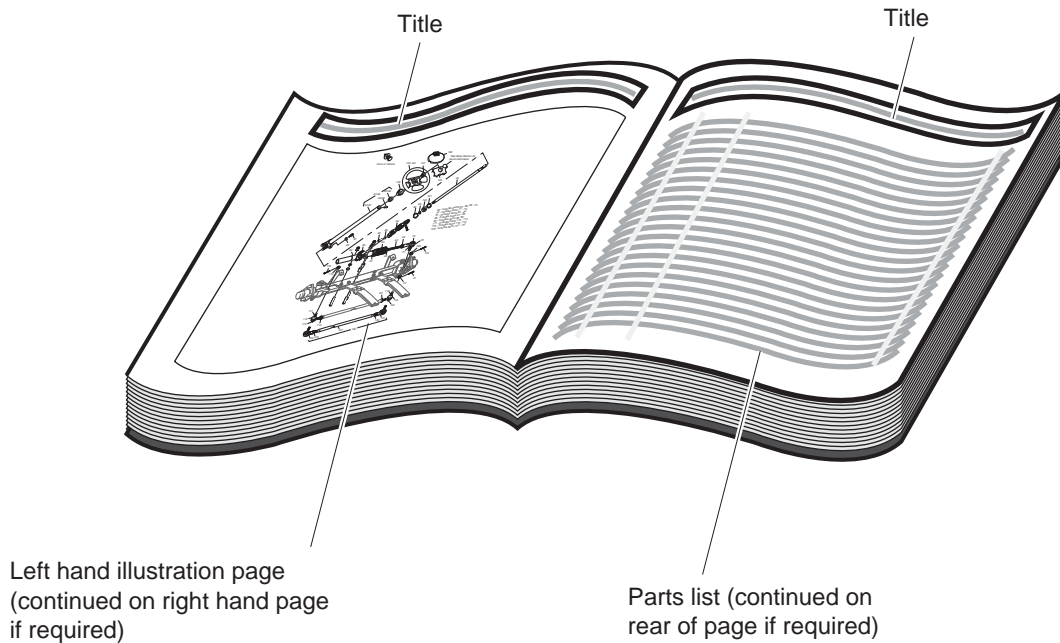
USE OF THE MANUAL

To use this manual, consult the GENERAL INDEX to locate the information or illustration required.

Introduction of some revisions varies due to supply of components; therefore, it is possible that various combinations of components may be found that are not directly reflected by each illustration. Consult the illustration that best suits your situation and then contact the Service Parts Department. It is important that the serial number of your vehicle and its model number be supplied to Service Parts when ordering any replacement components.

Locate the serial number plate (see BODY located in the Illustrated Parts Breakdown section of this manual for its location) and note the complete number shown on the plate.

HOW TO USE THE SERVICE PARTS MANUAL



1. WHEN THE PART NUMBER IS NOT KNOWN

- Determine the function and application of the part required. Turn to the General Index and select the most appropriate title.
- Turn to the page number indicated and locate the desired part on the illustration.
- From the illustration, obtain the item number assigned to the desired part. Refer to the accompanying description for specific information regarding the part.

2. IF YOU KNOW THE PART NUMBER

- Locate the part number or description in the appropriate column on the parts list page.

NOTE: It is suggested that you confirm that the part selected is correct by verifying it with the pictorial representation on the illustrated page.

Should an asterisk (*) appear in the part number column on the parts list page, read upwards until a part number is found. The part number is the lowest assembly sold by Service Parts and the asterisk (*) indicates that the part depicted is not available for purchase.

NOTE: Descriptions are indented under the assembly that they are used on. That assembly is, in turn listed under the assembly that it is used on. This process is repeated until the highest final assembly is reached.

To facilitate the maintenance and repair of the vehicle, a Technician's Repair and Service Manual is available from the Service Parts Department.

HOW TO USE THE SERVICE PARTS MANUAL

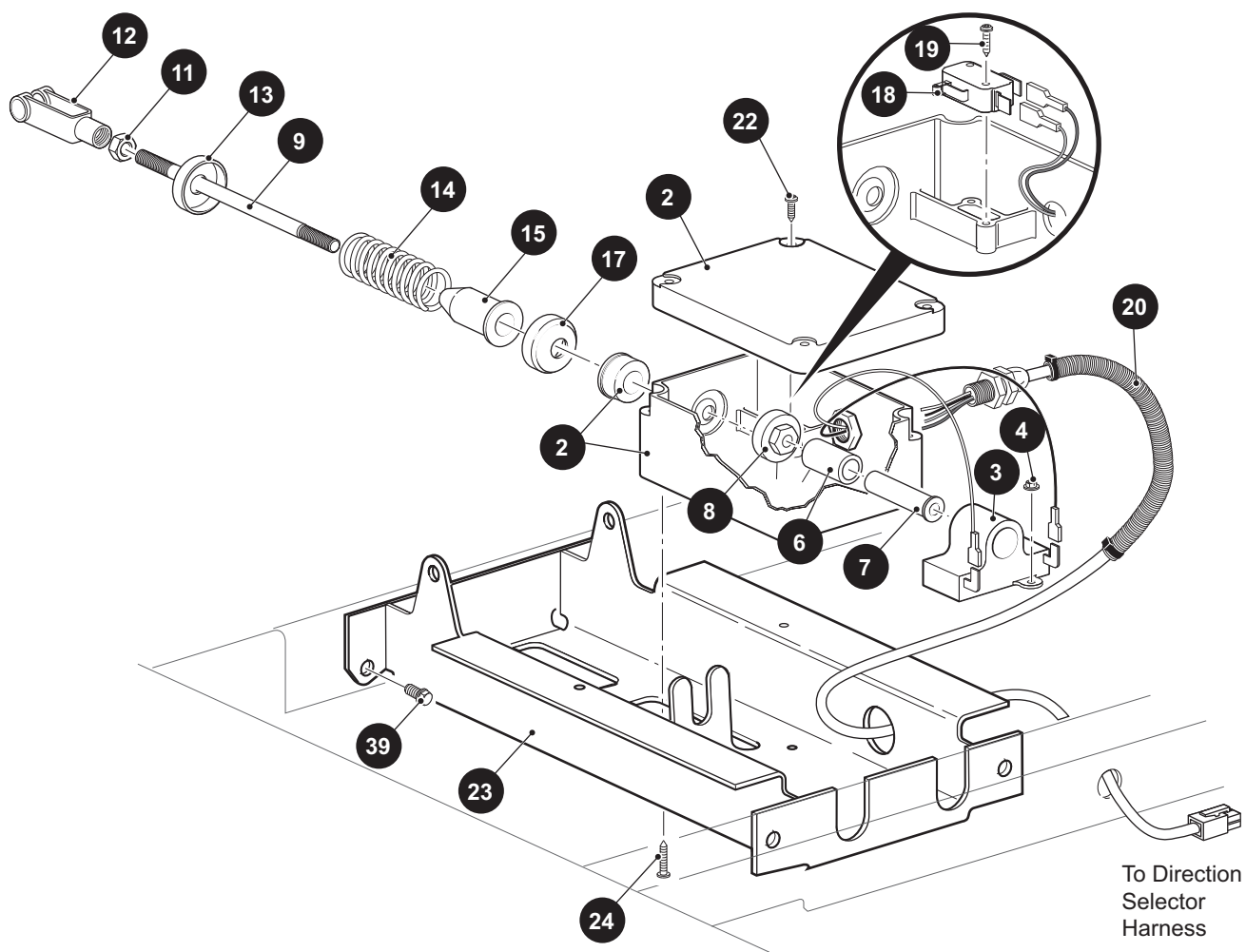
3. COLOR CODE FOR BODY COMPONENTS

The last two digits of the part number for the body part will denote the color code, locate the part number for the cowl, rear body, seat pod, side panel or seat wrap then locate your color in the list below, replace the last ** or XX with the two digit color code.

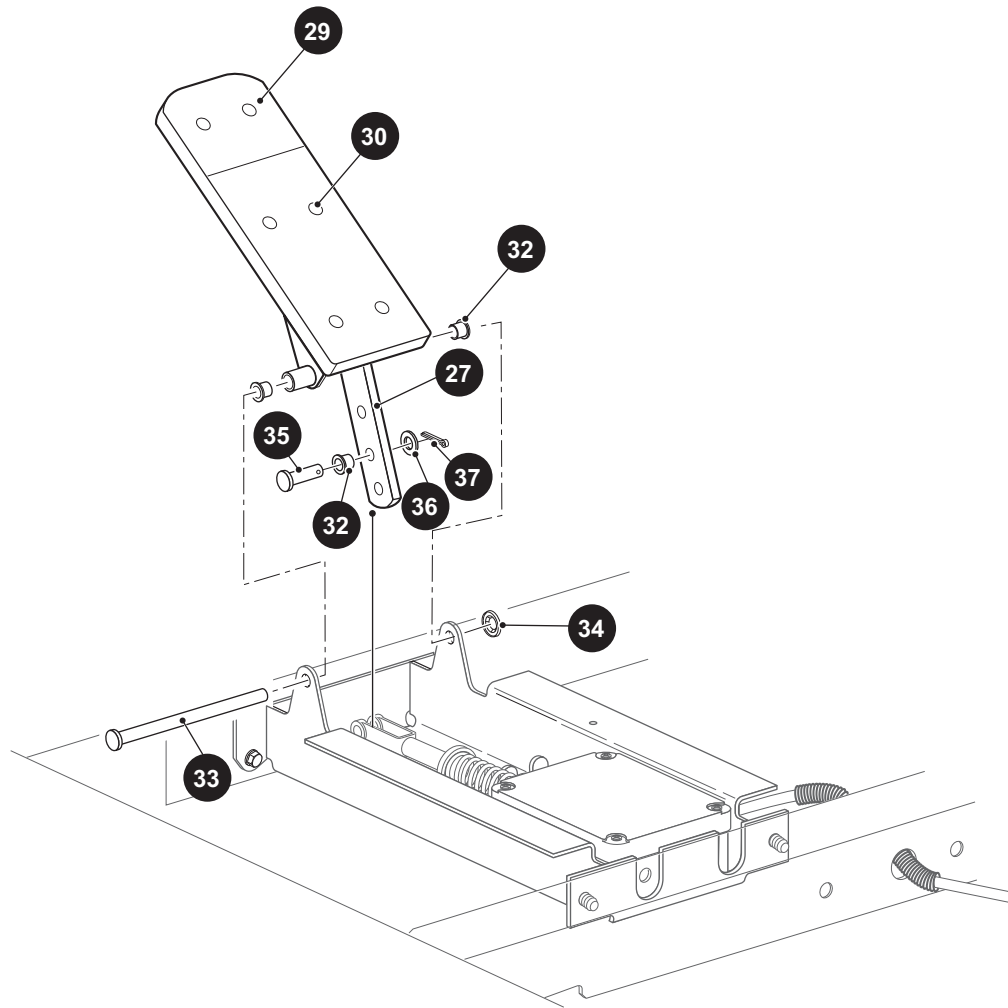
<u>CODE #</u>	<u>DESCRIPTION</u>	<u>CODE #</u>	<u>DESCRIPTION</u>
01	NO PAINT	53	MOSSY OAK NEW BREAK UP - DIPPED
02	SPECIAL COLOR	54	MOSSY OAK OBSESSION - DIPPED
05	JACOBSEN ORANGE	55	REALTREE ADVANTAGE MAX 4 - DIPPED
06	LIGHT GOLD PEARL	56	REALTREE HARDWOOD BROWN - DIPPED
07	SILVER PEARL METALIC	57	REALTREE AP HOT PINK - DIPPED
11	BLACK	58	BLACK / SILVER MARBLE - DIPPED
12	EMERALD GREEN PEARL	59	RED / SILVER MARBLE - DIPPED
13	CLOUD GRAY	60	HOT PINK / SILVER MARBLE - DIPPED
14	VIPER BLUE METALLIC	61	REALTREE AP
19	PATRIOT BLUE PEARL	62	REALTREE MAX 4
20	INFERNO RED METALLIC	63	MOSSY OAK BREAKUP
23	ADVANTAGE CLASSIC CAMO	64	MOSSY OAK TREESTAND
24	NATURAL	65	REALTREE APG
25	VIVID NEW HOLLAND BLUE	66	REALTREE MAX 1
26	STEEL BLUE PEARL	67	REALTREE AP PINK
27	BRIGHT SILVER METALLIC	68	REALTREE AP - DIPPED
29	PRIMER ONLY	69	MONSTER GREEN
30	HD ADVANTAGE CAMO	74	BARLEY GOLD
31	METALLIC CHARCOAL	75	OASIS GREEN
32	LIGHT ALMOND PEARL	76	JAVA BROWN
33	TIMBERLINE GREEN	79	JACOBSEN ORANGE 172
34	DEEP MOLTEN RED		
35	SAFETY YELLOW		
36	IVORY		
37	FOREST GREEN		
38	BRIGHT WHITE		
39	FLAME RED		
40	BLACK		
41	ELECTRIC BLUE		
42	PLATINUM		
43	BURGUNDY		
44	ALMOND		
45	BLACK		
46	BURGUNDY		
47	BURLINGTON GREEN		
48	BLACK		
49	FLAME RED		
50	RECON GREEN		
51	SUNBURST ORANGE		
52	BRITISH RACING GREEN		

ACCELERATOR

1 PEDAL BOX ASSEMBLY includes items 2 - 37



26 ACCELERATOR PEDAL ASSEMBLY includes items 27 - 30



ACCELERATOR

When ordering parts, please specify the model and serial number of the product.

* Indicates a component that is not available as an individual part.

*** Indicates consult Customer Service Department for additional information.

ITEM	PART NO.	1 2 3 4 5	DESCRIPTION	QTY.
1	<u>73333G07</u>		PEDAL BOX ASSEMBLY (INCLUDES ITEMS 2 - 37).....	1
2	<u>25853G01</u>		PEDAL BOX AND COVER (SEAL AND BEARING).....	1
3	<u>25854G01</u>		INDUCTIVE THROTTLE SENSOR.....	1
4	<u>00983G01</u>		SELF THREADING NUT, 3/16".....	2
5				
6	<u>25857G01</u>		PLUNGER SLEEVE.....	1
7	<u>28443G01</u>		PLUNGER.....	1
8	<u>28444G01</u>		PLUNGER CAM.....	1
9	<u>73332G01</u>		ACCELERATOR ROD	1
10				
11	<u>00532G4</u>		LOCK NUT, 5/16 - 24	1
12	<u>10385G4</u>		YOKE (ADJUSTABLE).....	1
13	<u>17677G2</u>		SPRING RETAINER, 3/8"	1
14	<u>73046G01</u>		COMPRESSION SPRING	1
15	<u>17979G1</u>		ACCELERATOR ROD BUSHING	1
16				
17	<u>17677G1</u>		SPRING RETAINER, 1/2"	1
18	<u>25861G02</u>		MICRO SWITCH	1
19	<u>01050G01</u>		SCREW, #4 - 20 X 5/8" LG	2
20	<u>25879G06</u>		WIRING HARNESS (PEDAL BOX ASSEMBLY).....	1
21				
22	<u>00684G6</u>		SCREW, #8 - 32 X 3/4" LG	2
23	<u>652241G03</u>		ACCELERATOR PEDAL BRACKET	1
24	<u>01051G01</u>		SCREW, #8 - 16 X 1/2" LG	4
25				
26	<u>25799G03</u>		ACCELERATOR PEDAL ASSEMBLY (INCLUDES ITEMS 27 - 30)	1
27	<u>652824</u>		ACCELERATOR PEDAL	1
28				
29	<u>27512G01</u>		ACCELERATOR PEDAL PAD	1
30	<u>16409G1</u>		OVAL RIVET 3/16" X 7/16" LG	6
31				

When ordering parts, please specify the model and serial number of the product.

* Indicates a component that is not available as an individual part.

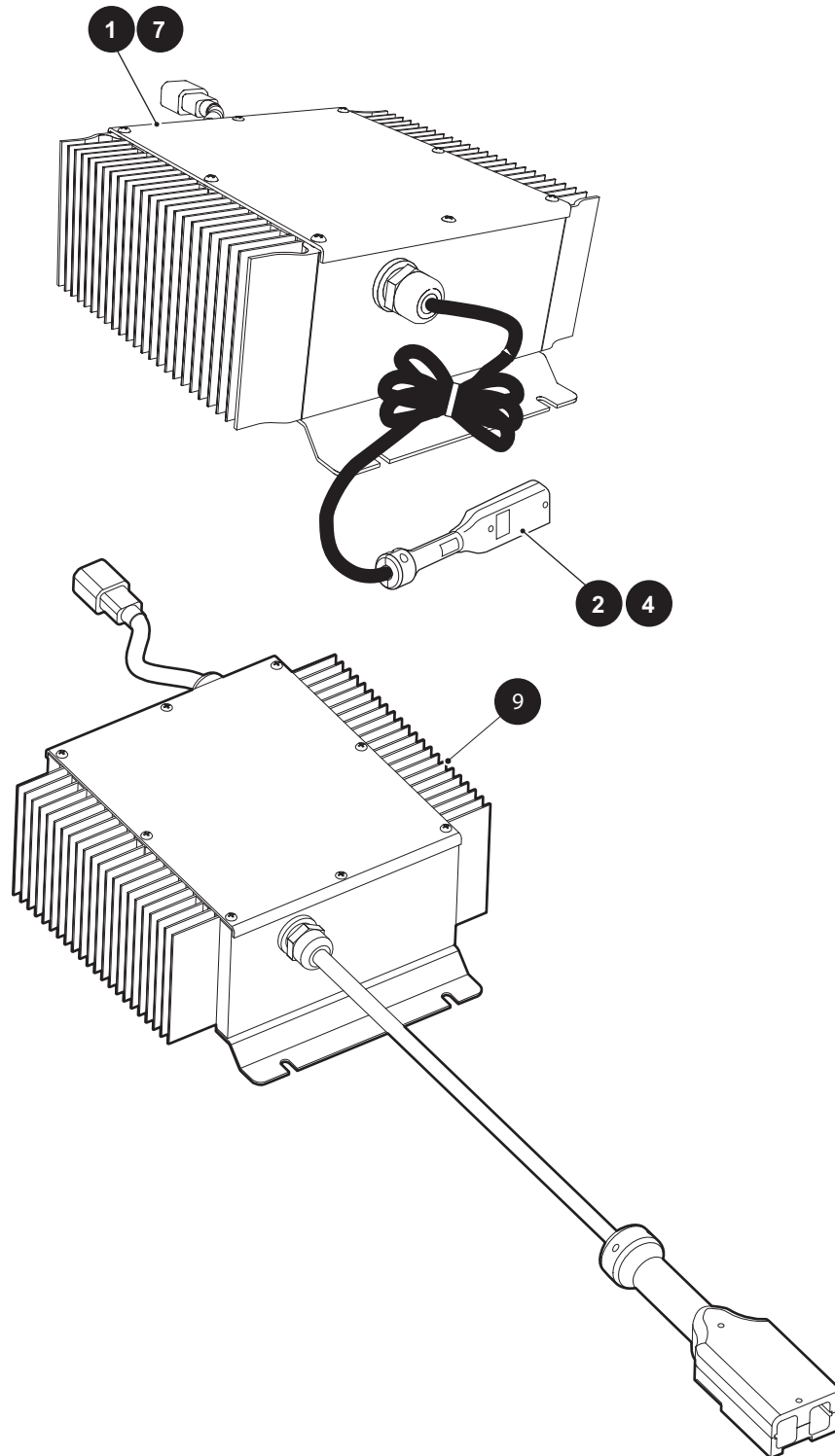
*** Indicates consult Customer Service Department for additional information.

ITEM	PART NO.	1 2 3 4 5	DESCRIPTION	QTY.
32	<u>17838G1</u>		BUSHING	3
33	<u>74432G01</u>		PEDAL PIVOT PIN	1
34	<u>12064G6</u>		PUSHNUT, 9/32" I.D.	1
35	<u>10386G3</u>		CLEVIS PIN, 5/16" X 13/16" LG	1
36	<u>17255G1</u>		TEFLON WASHER, 5/16"	1
37	<u>10387G3</u>		COTTER PIN, 3/32" X 3/4" LG	1
38				
39	<u>00715G2</u>		BOLT, 5/16 - 18 X 13/16" LG.....	4

BATTERY CHARGER

1 PORTABLE 48V CHARGER includes items 2 & 3

7 PORTABLE 48V CHARGER includes items 3 & 4



BATTERY CHARGER

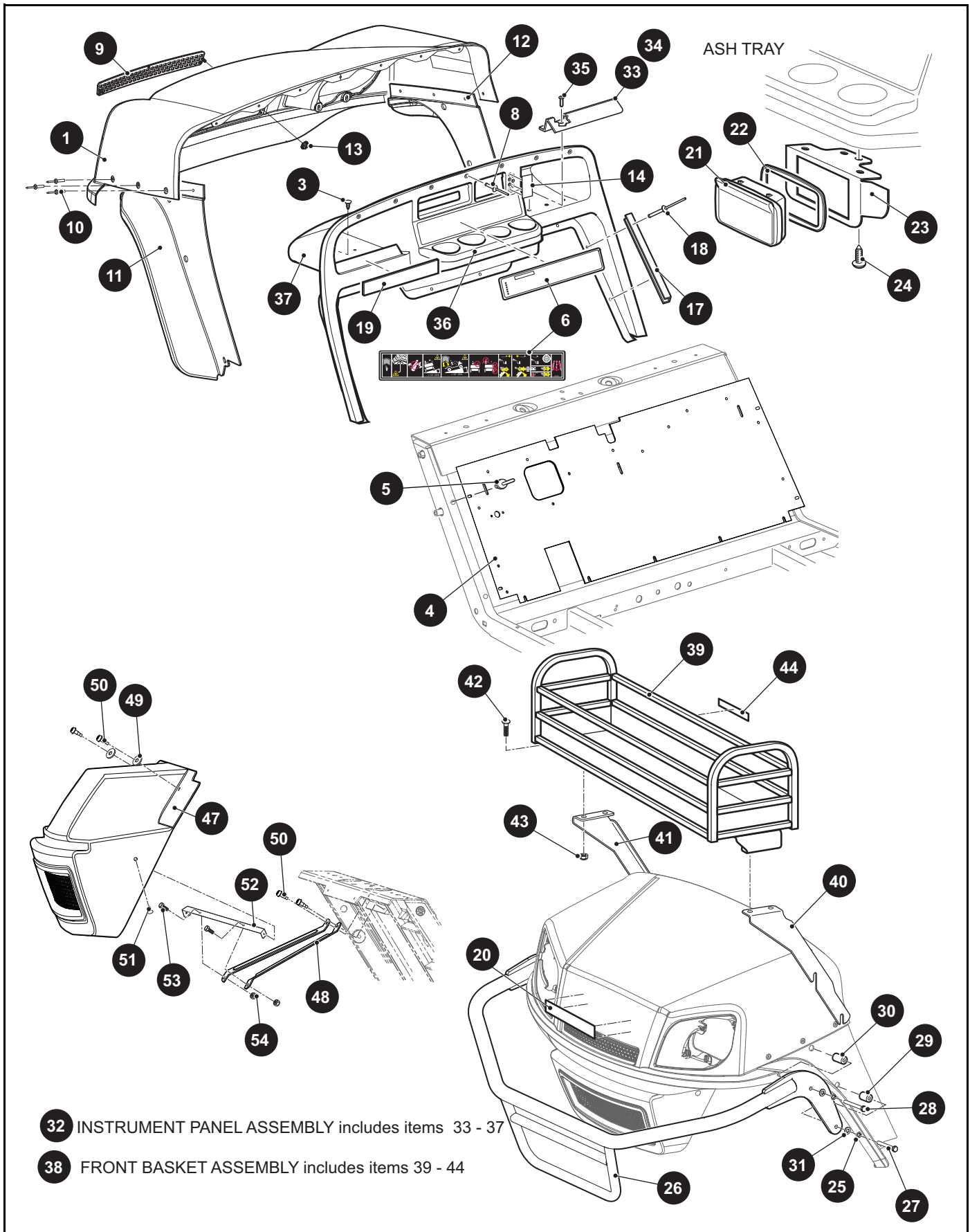
When ordering parts, please specify the model and serial number of the product.

* Indicates a component that is not available as an individual part.

*** Indicates consult Customer Service Department for additional information.

ITEM	PART NO.	1 2 3 4 5	DESCRIPTION	QTY.
1	<u>603689</u>		PORTABLE 48V CHARGER (INCLUDES ITEMS 2 & 3).....	1
2	<u>600463G02</u>		10' DC CABLE ASSEMBLY	1
3	<u>600462G01</u>		AC POWER CORD (NOT SHOWN).....	1
4	<u>600463G04</u>		18' DC CABLE ASSEMBLY	1
5				
6				
7	<u>603690</u>		PORTABLE 48V CHARGER (INCLUDES ITEMS 3 & 4).....	1
8				
9	<u>649420</u>		48V BATTERY CHARGER, 3 METER CORD	1

BODY



When ordering parts, please specify the model and serial number of the product.

* Indicates a component that is not available as an individual part.

*** Indicates consult Customer Service Department for additional information.

ITEM	PART NO.	1 2 3 4 5	DESCRIPTION	QTY.
1	613036GXX		COWL (See COLOR CODES in HOW TO USE section).....	1
2				
3	<u>16816G2</u>		RATCHET FASTENER, 1/4" X 3/4" LG.....	4
4	<u>641260</u>		UPPER FLOORPAN	1
5	<u>14601G11</u>		RIVET (ALUMINUM), 3/16" X 9/16" LG	16
6	<u>601781</u>		WARNING DECAL.....	1
7				
8	<u>71055G01</u>		RIVET, 3/16" X 1" LG	7
9	<u>617643</u>		GRILL COVER.....	1
10	<u>71055G01</u>		RIVET, 3/16" X 1" LG	6
11	<u>614378</u>		FENDER FLARE (DRIVER SIDE)	1
12	<u>613274</u>		FENDER FLARE (PASSENGER SIDE).....	1
13	<u>71597G01</u>		SELF-THREADING NUT, 3/16" X 19/32".....	2
14	<u>35968G01</u>		T-HOLDER COVER	1
15				
16				
17	<u>71115G01</u>		VINYL TRIM	2
18	<u>71055G01</u>		RIVET, 3/16" X 1" LG	10
19	<u>74443G01</u>		ANTI-ROLLBACK LABEL	1
20	<u>619206</u>		COWL DECAL.....	1
21	27731G01		ASH TRAY.....	1
22	27736G01		GASKET.....	1
23	<u>75108G02</u>		BRACKET	1
24	<u>00106G6</u>		PAN HEAD PHILLIPS SCREW, #12 - 14 X .75" LG	4
25	<u>00565G8</u>		LOCK WASHER, 5/16"	4
26	617620		BRUSHGUARD.....	1
27	<u>00440G2</u>		HEX HEAD BOLT, 5/16" - 18 X 2 1/4" LG	2
28	<u>00440G6</u>		HEX HEAD BOLT, 5/16" - 18 X 2 3/4" LG	2
29	<u>75048G04</u>		SPACER, 21/64" X 3/4" X 1" LG	2
30	<u>75048G02</u>		SPACER, 21/64" X 3/4" X 1 5/16" LG	2
31	00559G8		FLAT WASHER, 5/16".....	4

BODY

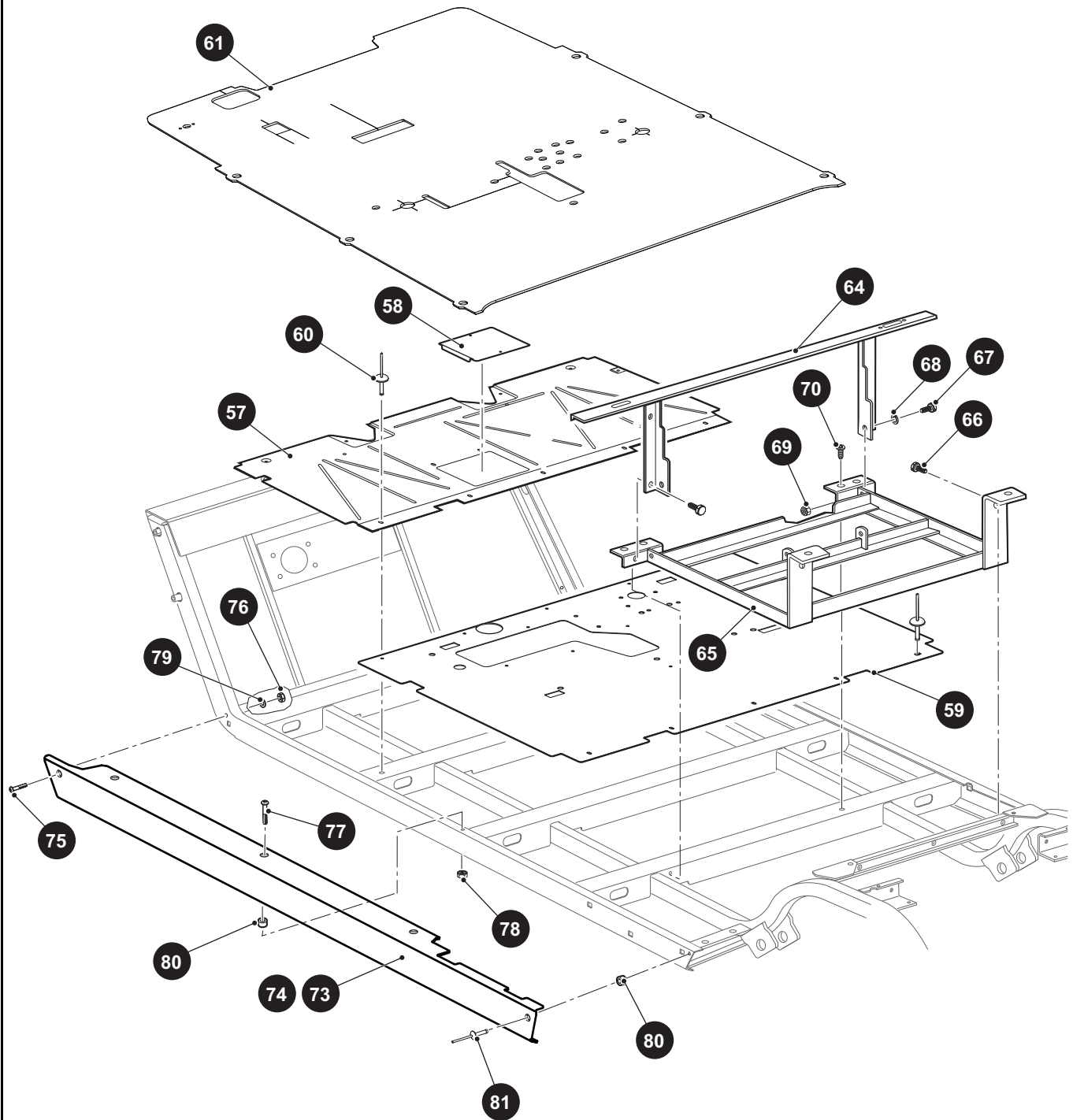
When ordering parts, please specify the model and serial number of the product.

* Indicates a component that is not available as an individual part.

*** Indicates consult Customer Service Department for additional information.

ITEM	PART NO.	1 2 3 4 5	DESCRIPTION	QTY.
32	<u>71151G03</u>		INSTRUMENT PANEL ASSEMBLY (INCLUDES ITEMS 33 - 37)	1
33	<u>71153G01</u>		DEFLECTOR (PASSENGER SIDE)	1
34	<u>71154G01</u>		DEFLECTOR (DRIVER SIDE)	1
35	00614G3		PAN HEAD PHILLIPS SCREW, #8 - 15 X 3/8" LG	4
36	<u>71158G01</u>		INSTRUMENT PANEL INSERT (FOUR CUP)	1
37	71152G01		INSTRUMENT PANEL	1
38	<u>74521G02</u>		FRONT BASKET ASSEMBLY (INCLUDES ITEMS 39 - 44)	1
39	<u>74523G01</u>		BASKET	1
40	<u>625076</u>		BRACKET (DRIVER SIDE)	1
41	<u>625077</u>		BRACKET (PASSENGER SIDE)	1
42	00725G01		CARRIAGE BOLT (SS), 3/8" - 16 X 1" LG	4
43	<u>11098G5</u>		LOCK NUT, 3/8" - 16	4
44	<u>71931G01</u>		FRONT BASKET WARNING DECAL	1
45				
46				
47	<u>613273</u>		FRONT FASCIA	1
48	<u>654276</u>		FRONT SHIELD BRACE	2
49	<u>16469G1</u>		FENDER WASHER, 9/32" I.D. X 1 1/4" O.D.	2
50	<u>01038G01</u>		HEX HEAD BOLT, 1/4" - 20 X 3/4" LG	4
51	<u>15058G1</u>		RIVET (ALUMINUM), 3/16" X 4/9" LG	2
52	<u>654275</u>		FASCIA BRACKET	1
53	<u>00414G6</u>		HEX HEAD BOLT, 1/4" - 20 X 3/4" LG	2
54	<u>14390G4</u>		PLASTIC INSERT LOCK NUT, 1/4" - 20	2
55				
56				

BODY



When ordering parts, please specify the model and serial number of the product.

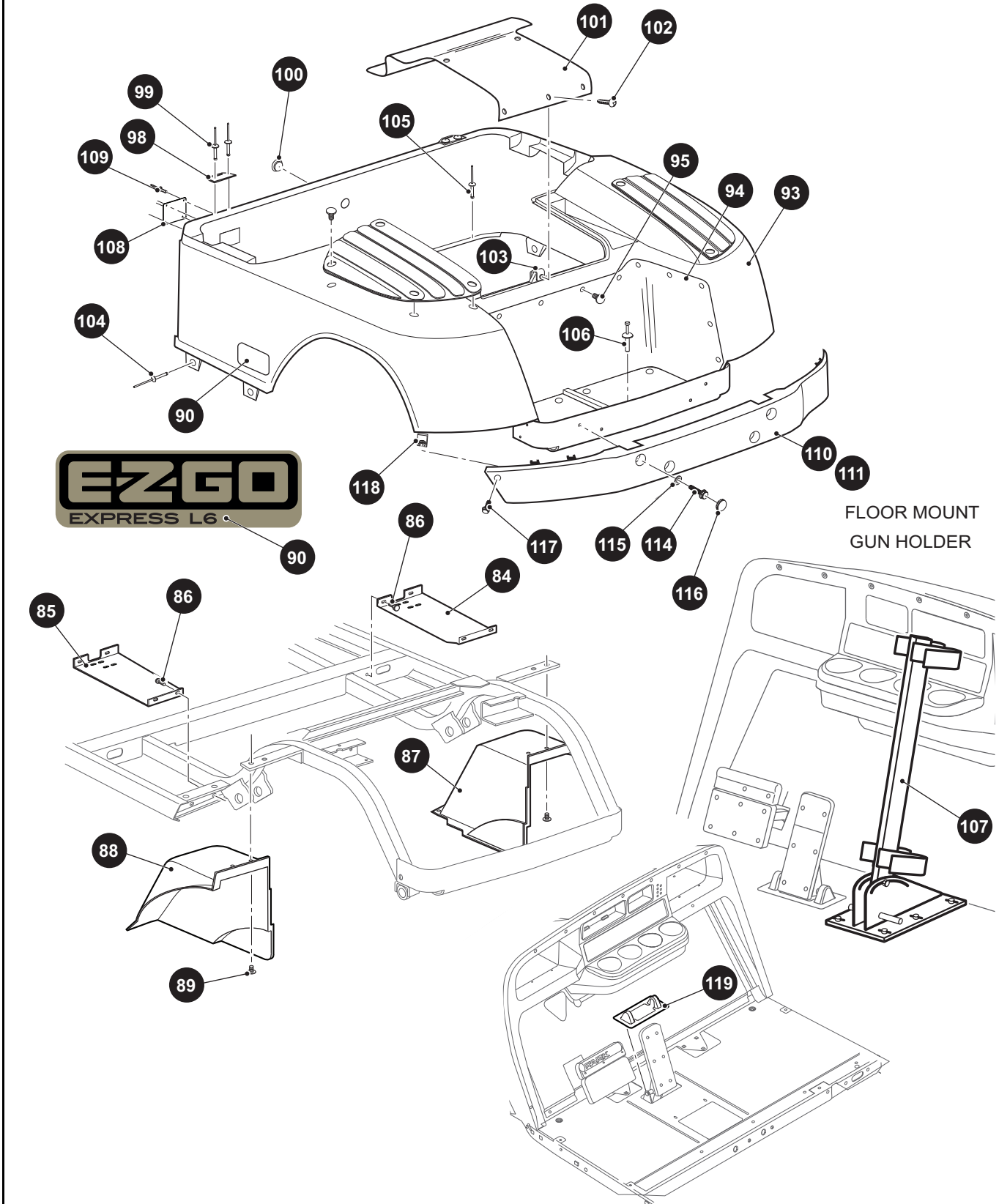
* Indicates a component that is not available as an individual part.

*** Indicates consult Customer Service Department for additional information.

ITEM	PART NO.	1 2 3 4 5	DESCRIPTION	QTY.
57	<u>70451G01</u>		LOWER FLOORPAN	1
58	<u>70452G01</u>		ACCESS COVER.....	1
59	<u>648840</u>		REAR FLOORPAN.....	1
60	<u>10570G10</u>		RIVET (SS), 5/32" X 9/16" LG.....	5
61	<u>652139G03</u>		FLOORMAT WITH HORN HOLES	1
62				
63				
64	<u>70441G01</u>		SEAT FRAME	1
65	<u>652254G03</u>		BATTERY RACK	1
66	<u>00715G2</u>		HEX HEAD BOLT, 5/16" - 18 X 13/16" LG	4
67	00438G6		HEX HEAD BOLT, 5/16" - 18 X 3/4" LG	2
68	00559G8		FLAT WASHER, 5/16".....	2
69	11098G6		LOCK NUT, 5/16" - 18.....	2
70	<u>70200G01</u>		TRUSS HEAD TORX SCREW, 3/8" - 16 X 3/4" LG	2
71				
72				
73	<u>618889</u>		ROCKER PANEL (DRIVER SIDE).....	1
74	<u>618888</u>		ROCKER PANEL (PASSENGER SIDE)	1
75	<u>00789G2</u>		TRUSS HEAD PHILLIPS SCREW, #10 - 24 X 1" LG	2
76	<u>14390G10</u>		LOCK NUT, #10 - 24	2
77	<u>16705G1</u>		TRUSS HEAD PHILLIPS SCREW (SS), 1/4" - 20 X 1" LG.....	6
78	<u>14390G4</u>		LOCK NUT, 1/4" - 20	6
79	<u>00660G5</u>		FLAT WASHER, #10	2
80	<u>23726G4</u>		SPACER, 5/16"	8
81	<u>15058G6</u>		RIVET (ALUMINUM), 3/16" X 15/16" LG	2
82				
83				

BODY

93 REAR BODY WITH LNR AND WITH LIGHT includes items 94 and 95



When ordering parts, please specify the model and serial number of the product.

* Indicates a component that is not available as an individual part.

*** Indicates consult Customer Service Department for additional information.

ITEM	PART NO.	1 2 3 4 5	DESCRIPTION	QTY.
84	<u>652443G203</u>		BATTERY TRAY (PASSENGER SIDE).....	1
85	<u>652443G103</u>		BATTERY TRAY (DRIVER SIDE)	1
86	<u>00715G2</u>		HEX HEAD BOLT, 5/16" - 18 X 13/16" LG	8
87	<u>635054G02</u>		FENDER LINER (PASSENGER SIDE).....	1
88	<u>635054G01</u>		FENDER LINER (DRIVER SIDE)	1
89	<u>16816G2</u>		RATCHET FASTENER	8
90	<u>619188</u>		E-Z-GO DECAL.....	1
91				
92				
93	71331G0XX		REAR BODY WITH LNR AND WITH LIGHT (INCLUDES ITEMS 94 and 95) (See COLOR CODES in HOW TO USE section)	1
94	71318G01		BAGWELL LINER.....	1
95	<u>16816G1</u>		RATCHET FASTENER, 1/4" X 9/16" LG	20
96				
97				
98	<u>71609G01</u>		HINGE PLATE.....	2
99	<u>10570G11</u>		RIVET (SS), 3/16" X 3/4" LG	4
100	<u>71316G01</u>		PLUG	1
101	<u>71320G01</u>		ACCESS PANEL.....	1
102	<u>01107G01</u>		PAN HEAD TORX SCREW, #8 X 5/8" LG	5
103	<u>71364G02</u>		'J' CLIP, #8	1
104	10570G12		RIVET (ALUMINUM), 1/4" X 9/16" LG	2
105	<u>10570G10</u>		RIVET (SS), 5/32" X 9/16" LG.....	6
106	<u>18436G1</u>		PLASTIC DRIVE RIVET, 1/4" X 9/16" LG	2
107	<u>74365G01</u>		GUN HOLDER REMOVABLE FLOOR MOUNT	1
108	<u>73173G02</u>		COVER PLATE	1
109	<u>71055G01</u>		RIVET (ALUMINUM), 3/16" X 1" LG	4
110	<u>71451G02</u>		REAR BUMPER.....	1
111	71456G01		REAR BUMPER (FOR VEHICLES WITH CARGO BED OPTION)	1
112				
113				

BODY

When ordering parts, please specify the model and serial number of the product.

* Indicates a component that is not available as an individual part.

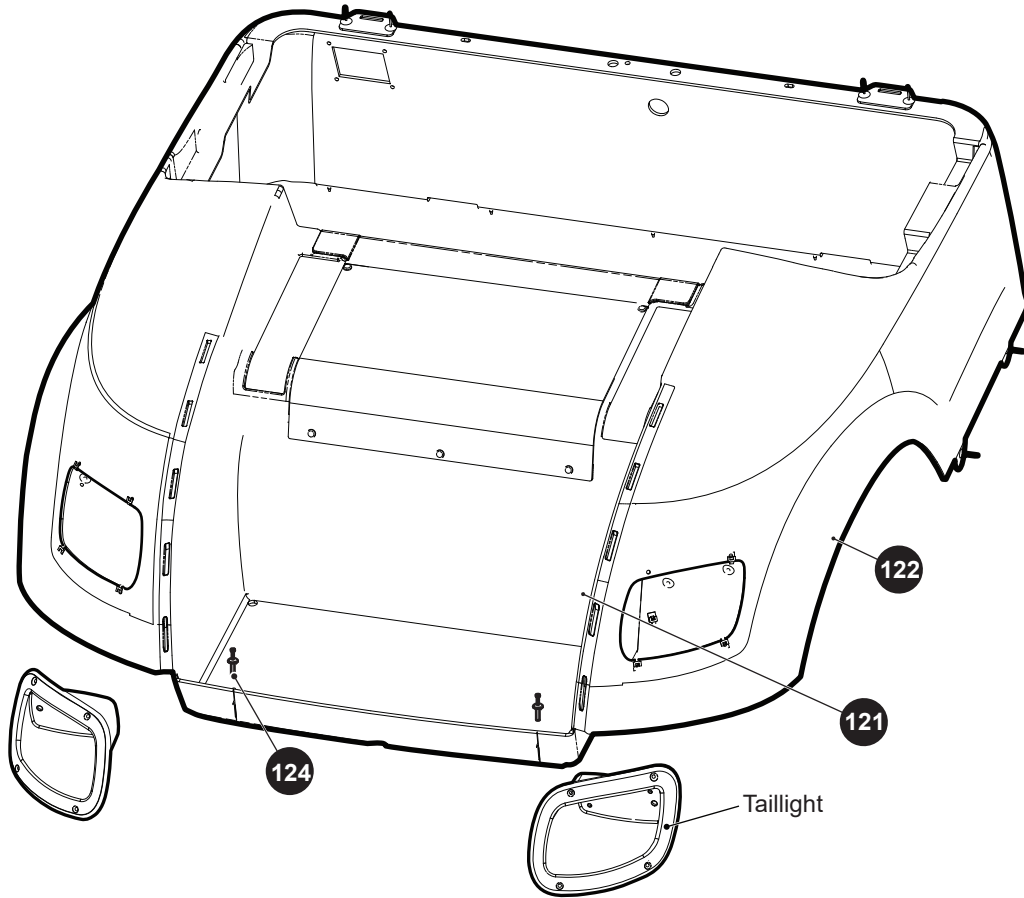
*** Indicates consult Customer Service Department for additional information.

ITEM	PART NO.	1 2 3 4 5	DESCRIPTION	QTY.
114	<u>71102G01</u>		HEX HEAD BOLT, 1/4" - 20 X 3/4" LG	2
115	<u>00571G2</u>		FLAT WASHER, 5/16"	2
116	<u>71455G01</u>		BUMPER PLUG	4
117	<u>71102G01</u>		HEX HEAD BOLT, 1/4" - 20 X 3/4" LG.....	2
118	<u>71554G01</u>		J-TYPE NUT RETAINER, 1/4" - 20	2
119	<u>70135G01</u>		PEDAL PIVOT COVER	1

Notes:

A large grid area for taking notes, consisting of many small squares.

VEHICLES MANUFACTURED FROM MARCH 2014



120 Rear Body Assembly (With Lights), includes items 121 & 122

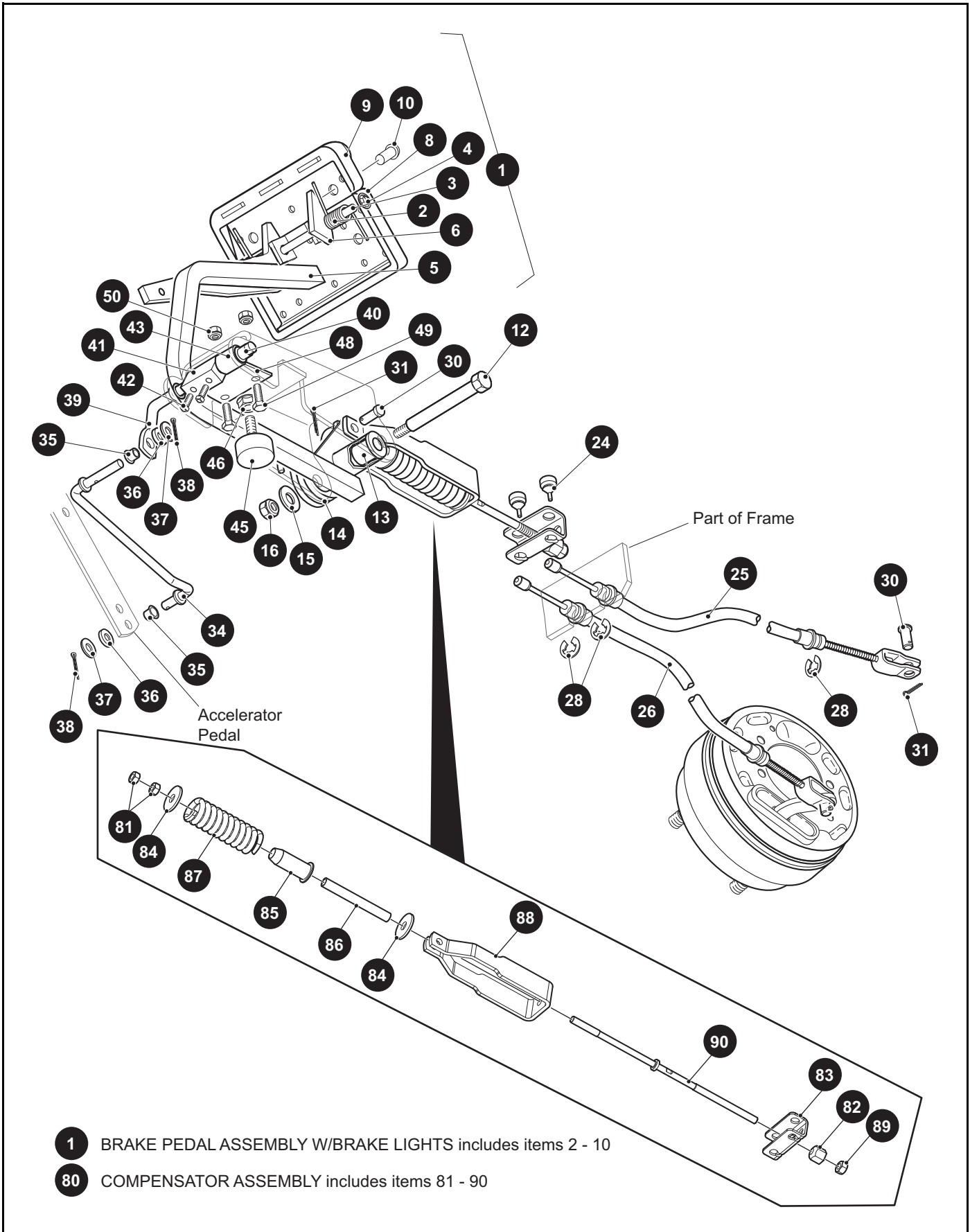
When ordering parts, please specify the model and serial number of the product.

* Indicates a component that is not available as an individual part.

*** Indicates consult Customer Service Department for additional information.

ITEM	PART NO.	1 2 3 4 5	DESCRIPTION	QTY.
120	625272G1XX		REAR BODY ASSEMBLY (WITH LIGHTS) (INCLUDES ITEMS 121 & 122) (See COLOR CODE in HOW TO USE section) (FOR VEHICLES MANUFACTURED FROM MARCH 2014).....	1
121	<u>624374</u>		BAGWELL LINER (FOR VEHICLES MANUFACTURED FROM MARCH 2014)	1
122	619752G1XX		REAR BODY (WITH LIGHTS) (See COLOR CODE in HOW TO USE section) (FOR VEHICLES MANUFACTURED FROM MARCH 2014)	1
123				
124	<u>633917</u>		RIVET (FOR VEHICLES MANUFACTURED FROM MARCH 2014).....	2

BRAKES

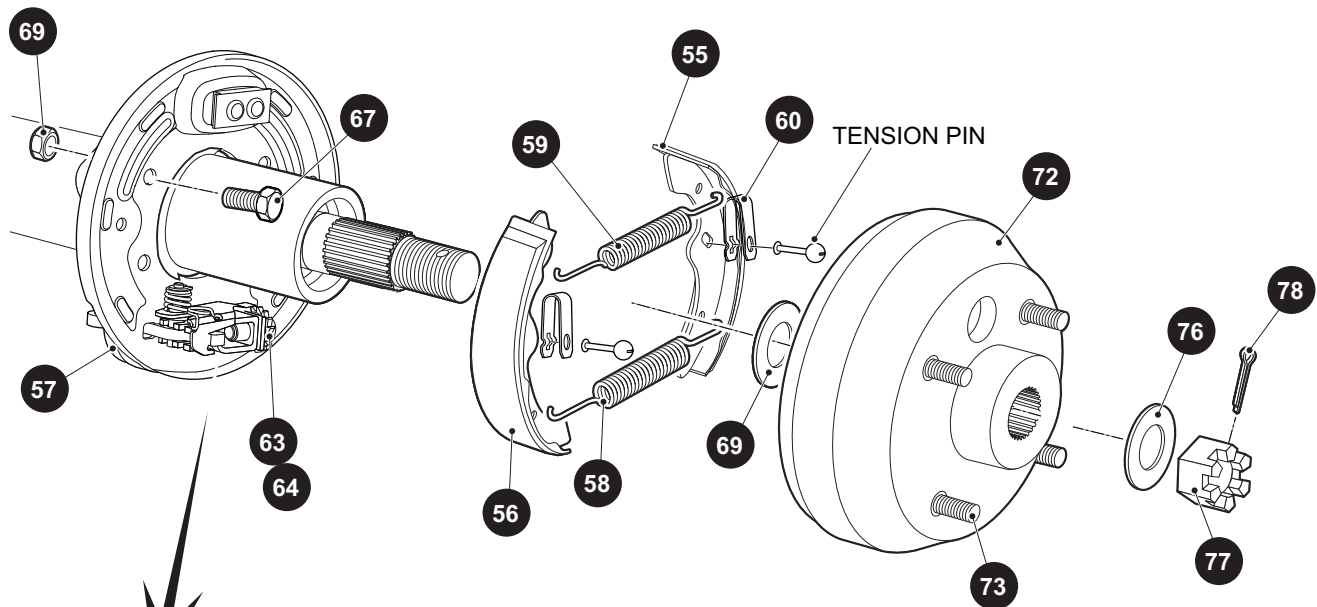


1 BRAKE PEDAL ASSEMBLY W/BRAKE LIGHTS includes items 2 - 10

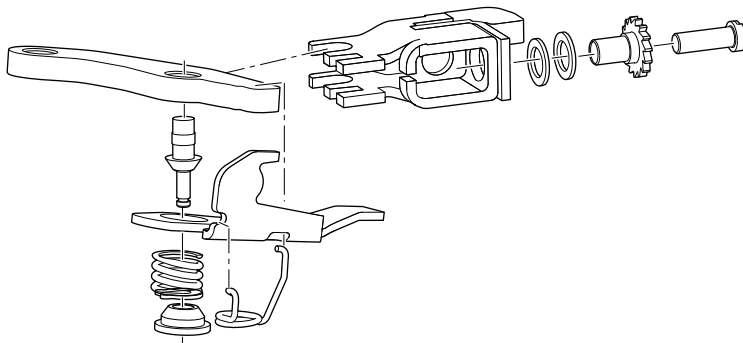
80 COMPENSATOR ASSEMBLY includes items 81 - 90

BOTTOM PULL

- 53** BRAKE ASSEMBLY DRIVER SIDE includes items 55 - 60, 63
- 54** BRAKE ASSEMBLY PASSENGER SIDE includes items 55 - 60, 64
- 71** BRAKE DRUM ASSEMBLY includes items 72 - 73



ADJUSTER ASSEMBLY



BRAKES

When ordering parts, please specify the model and serial number of the product.

* Indicates a component that is not available as an individual part.

*** Indicates consult Customer Service Department for additional information.

ITEM	PART NO.	1 2 3 4 5	DESCRIPTION	QTY.
1	70690G02		BRAKE PEDAL ASSEMBLY (WITH BRAKE LIGHTS) (INCLUDES ITEMS 2 - 10).....	1
2	<u>70681G01</u>		TORSION SPRING	2
3	<u>70682G01</u>		PIVOT PIN	1
4	<u>658825</u>		PUSHNUT, 5/16"	2
5	<u>652791G03</u>		BRAKE PEDAL	1
6	<u>652253G03</u>		PARK BRAKE PEDAL.....	1
7				
8	70257G01		SERVICE BRAKE PAD	1
9	70256G01		PARK BRAKE PEDAL PAD.....	1
10	<u>16409G1</u>		OVAL RIVET, 3/16" X 7/16" LG	9
11				
12	<u>70582G01</u>		SHOULDER BOLT, 3/8 - 16 X 4" LG (STAINLESS STEEL).....	1
13	<u>70581G01</u>		FLANGED BUSHING	2
14	<u>70676G01</u>		TORSION SPRING	1
15	<u>00643G1</u>		WASHER, 3/8"	1
16	<u>11098G5</u>		LOCK NUT, 3/8 - 16.....	1
17				
18				
19	<u>01038G01</u>		SWAGEFORM SCREW, 1/4 - 20 (NOT ILLUSTRATED)	1
20				
21	<u>12416G2</u>		NYLON WEDGE LOCK CLAMP (NOT ILLUSTRATED)	3
22				
23				
24	<u>28083G01</u>		BRAKE COMPENSATOR BUMPER	2
25	<u>624695</u>		BRAKE CABLE (DRIVER SIDE)	1
26	<u>624696</u>		BRAKE CABLE (PASSENGER SIDE).....	1
27				
28	<u>01111G01</u>		RETAINING RING, 13/32" (STAINLESS STEEL).....	4
29				
30	<u>10386G3</u>		CLEVIS PIN, 5/16" X 13/16" LG	3
31	<u>10387G3</u>		COTTER PIN, 3/32" X 3/4" LG	3

When ordering parts, please specify the model and serial number of the product.

* Indicates a component that is not available as an individual part.

*** Indicates consult Customer Service Department for additional information.

ITEM	PART NO.	1 2 3 4 5	DESCRIPTION	QTY.
32				
33				
34	<u>70601G01</u>		KICK-OFF LINK	1
35	<u>17838G1</u>		NYLON BUSHING	2
36	<u>20835G1</u>		TEFLON WASHER, 3/8"	2
37	<u>00559G8</u>		WASHER, 5/16"	2
38	<u>10387G3</u>		COTTER PIN, 3/32" X 3/4" LG.....	2
39	<u>70098G01</u>		KICK-OFF CAM PIVOT.....	1
40	<u>10097G6</u>		FLANGED BEARING	2
41	<u>70587G01</u>		KICK-OFF CAM	1
42	<u>71215G01</u>		SET SCREW, 1/4 - 20 X 1/2" LG	2
43	<u>14134G4</u>		SPACER.....	1
44				
45	<u>70113G01</u>		ADJUSTABLE BUMPER.....	1
46	<u>11027G1</u>		LOCK NUT, 5/16 - 18	1
47				
48	<u>70080G02</u>		CATCH BRACKET	1
49	<u>00414G6</u>		BOLT, 1/4 - 20 X 3/4" LG.....	2
50	<u>14390G4</u>		LOCK NUT, 1/4 - 20 (STAINLESS STEEL).....	2
51				
52				
53	<u>612211</u>		BRAKE ASSEMBLY (DRIVER SIDE) (INCLUDES ITEMS 55 - 60, 63).....	1
54	<u>612189</u>		BRAKE ASSEMBLY (PASSENGER SIDE) (INCLUDES ITEMS 55 - 60, 64) .	1
55	<u>612411</u>		BRAKE SHOE, L	2
56	<u>612412</u>		BRAKE SHOE, T	2
57	<u>612413</u>		DUST COVER	1
58	<u>612415</u>		BRAKE SPRING.....	1
59	<u>612414</u>		BRAKE SPRING.....	1
60	<u>612416</u>		SHOE CLAMP	2
61				
62				

BRAKES

When ordering parts, please specify the model and serial number of the product.

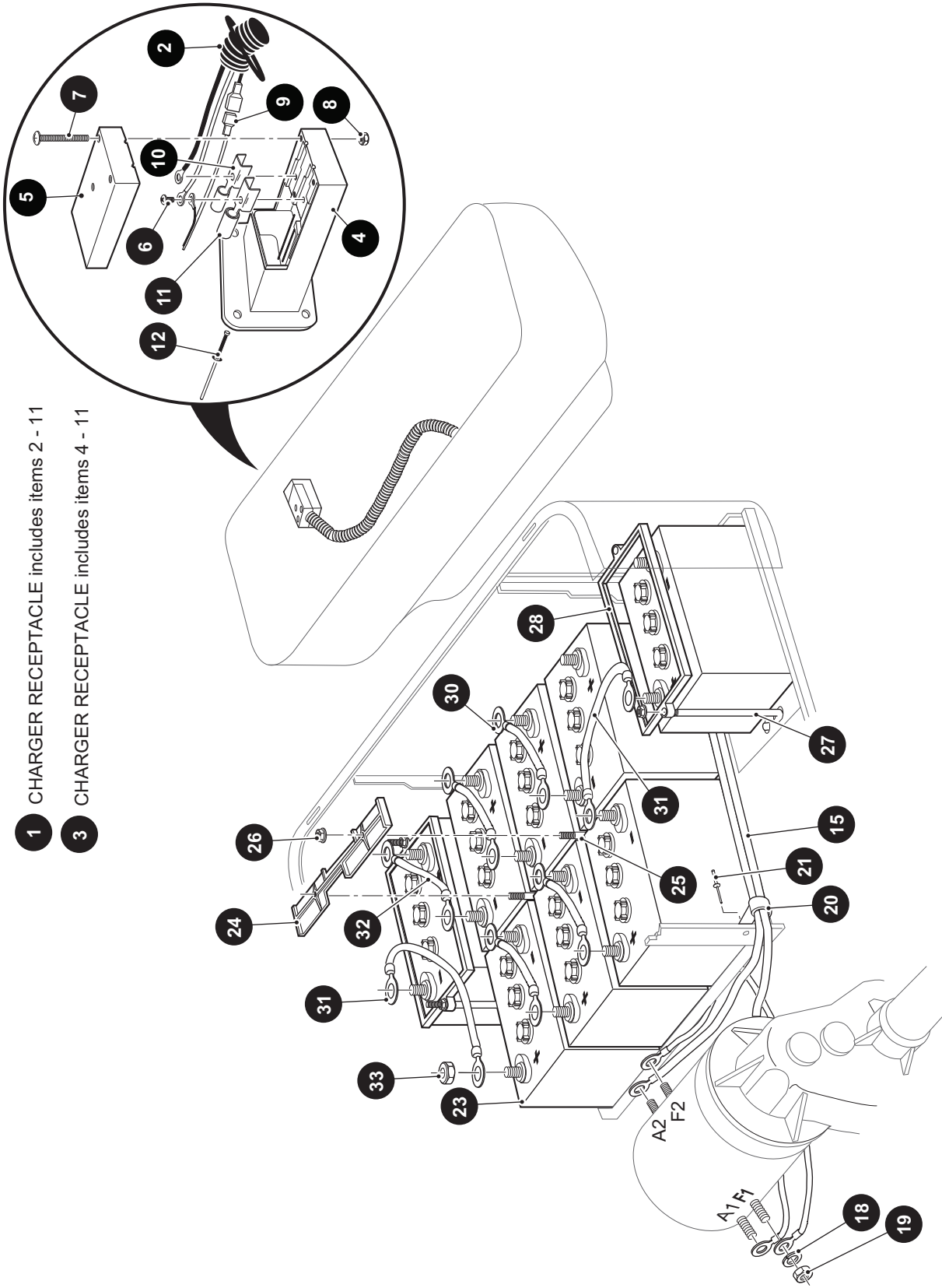
* Indicates a component that is not available as an individual part.

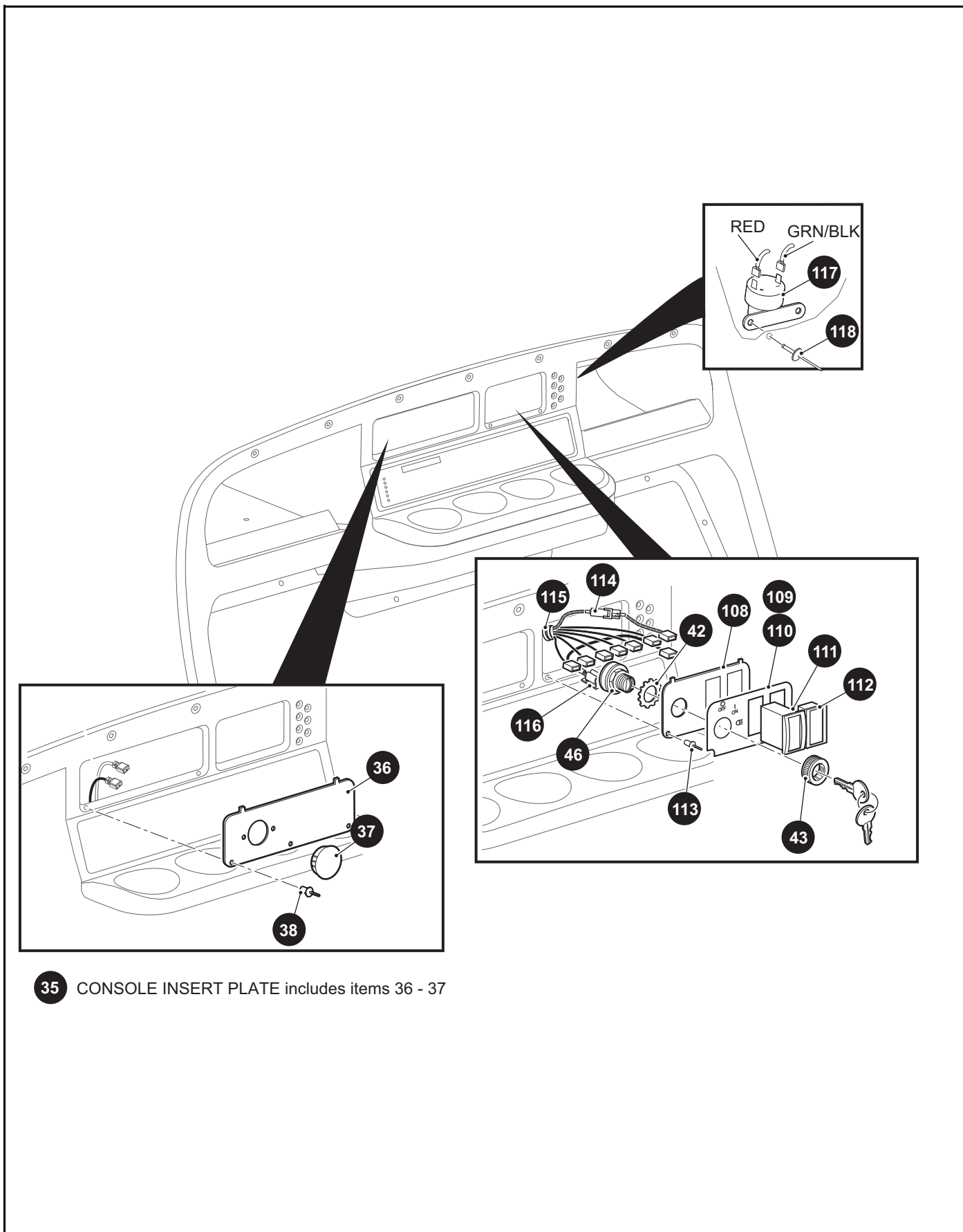
*** Indicates consult Customer Service Department for additional information.

ITEM	PART NO.	1 2 3 4 5	DESCRIPTION	QTY.
63	<u>612418</u>		GEAR ADJUSTER	1
64	<u>612417</u>		GEAR ADJUSTER	1
65				
66				
67	<u>17083G2</u>		BOLT, 5/16 - 24 X 1" LG	8
68	<u>15126G1</u>		LOCK NUT, 5/16 - 24.....	8
69	<u>21809G1</u>		WASHER.....	2
70				
71	<u>21807G1</u>		BRAKE DRUM ASSEMBLY (INCLUDES ITEMS 72 - 73).....	2
72	<u>20947G1</u>		BRAKE DRUM	1
73	<u>19862G1</u>		LUG BOLT, 1/2 - 20 X 1 3/16" LG	4
74				
75				
76	<u>21830G1</u>		WASHER, 1 3/8" O.D. X 21/32".....	2
77	<u>613172</u>		CASTELLATED NUT, 5/8 - 18.....	2
78	<u>10387G1</u>		COTTER PIN, 1/8" X 1 1/2" LG	2
79				
80	<u>612558</u>		COMPENSATOR ASSEMBLY (INCLUDES ITEMS 81 - 90).....	1
81	<u>00532G4</u>		HEX NUT	2
82	<u>629486</u>		HEX NUT, 5/16 - 24.....	1
83	<u>28082G01</u>		EQUALIZER BRACKET.....	1
84	<u>15121G1</u>		FLAT WASHER - 5/16.....	2
85	<u>17979G1</u>		ACCELERATOR ROD BUSHING	1
86	<u>23061G2</u>		TUBE.....	1
87	<u>23463G1</u>		COMPRESSION SPRING	1
88	<u>652256</u>		BRAKE YOKE	1
89	<u>11098G9</u>		HEX LOCK NUT, 5/16 - 24.....	1
90	<u>612557</u>		COMPENSATOR LINK ROD	1

ELECTRICAL SYSTEM

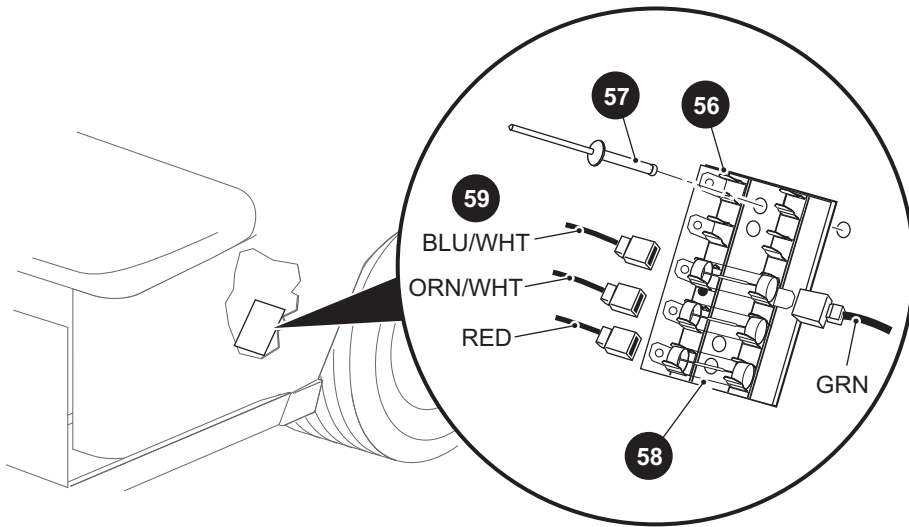
- 1 CHARGER RECEPTACLE includes items 2 - 11
- 3 CHARGER RECEPTACLE includes items 4 - 11



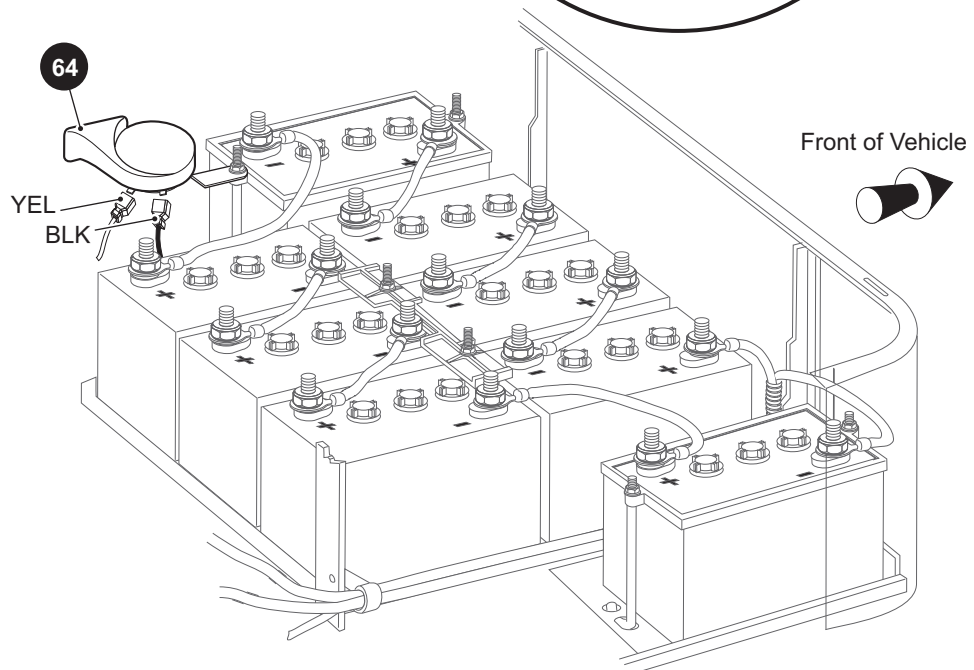
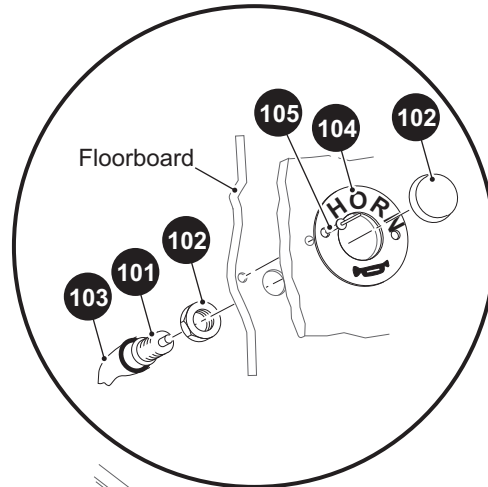
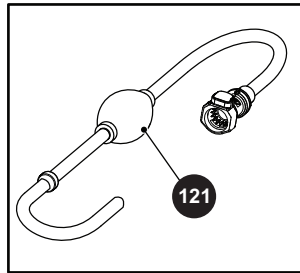


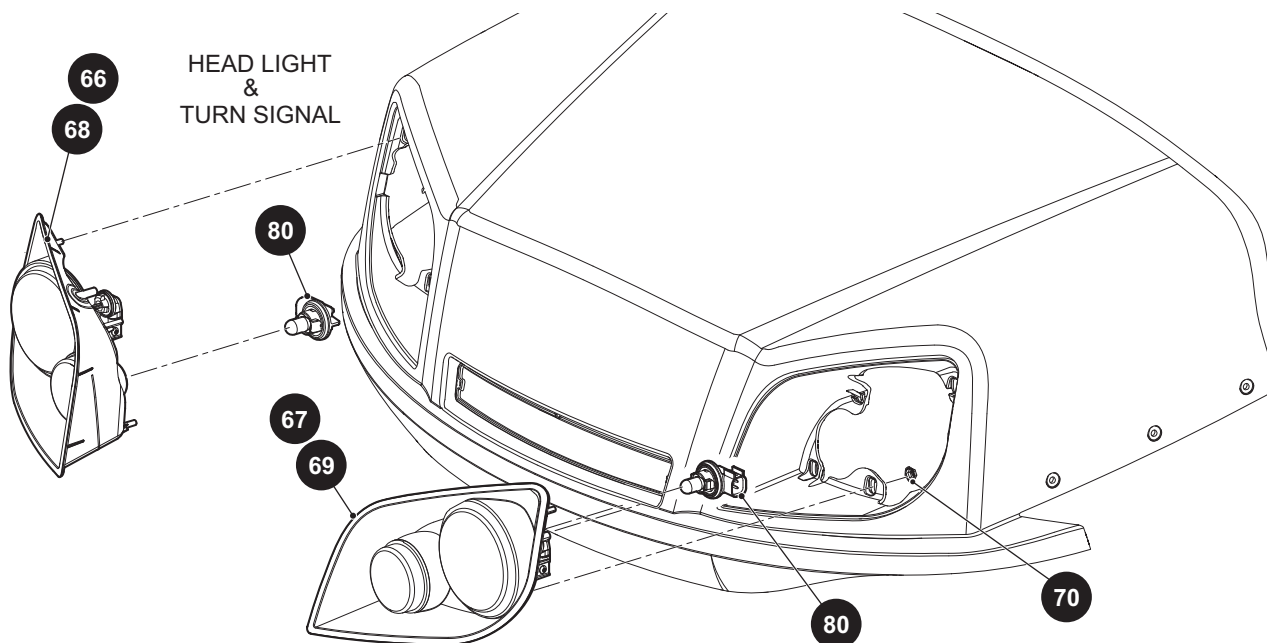
35 CONSOLE INSERT PLATE includes items 36 - 37

ELECTRICAL SYSTEM



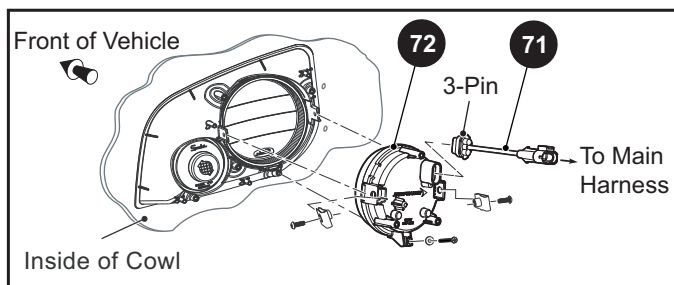
FLOOR MOUNTED HORN BUTTON



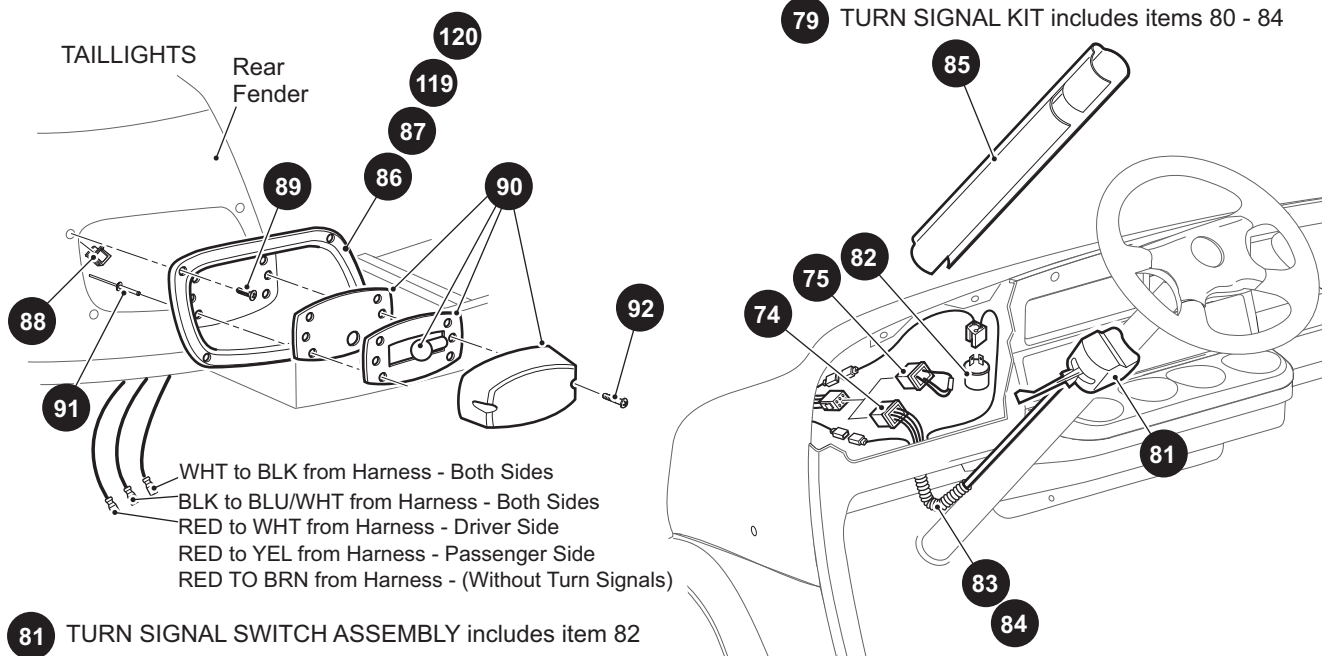


68 LED HEADLIGHT ASSEMBLY (PASSENGER SIDE) includes item 72

69 LED HEADLIGHT ASSEMBLY (DRIVER SIDE) includes item 72



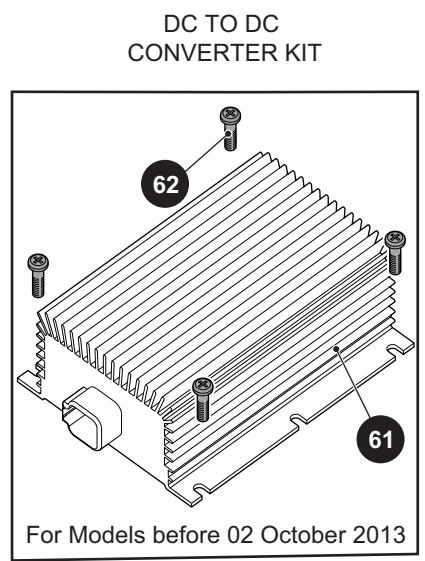
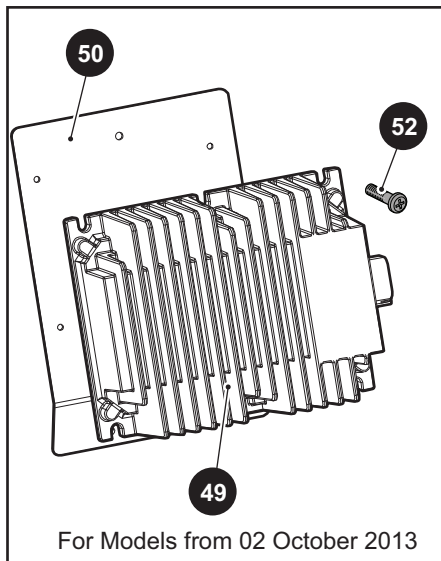
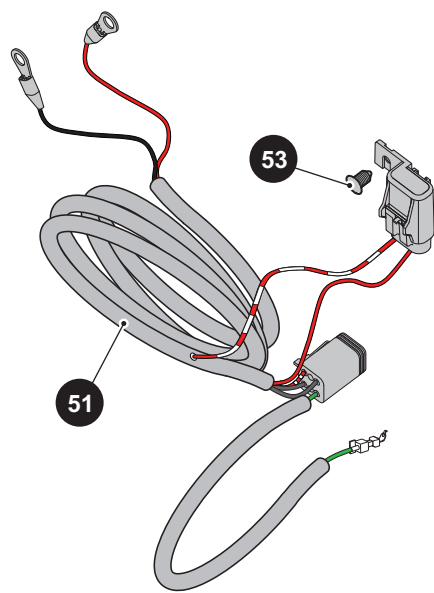
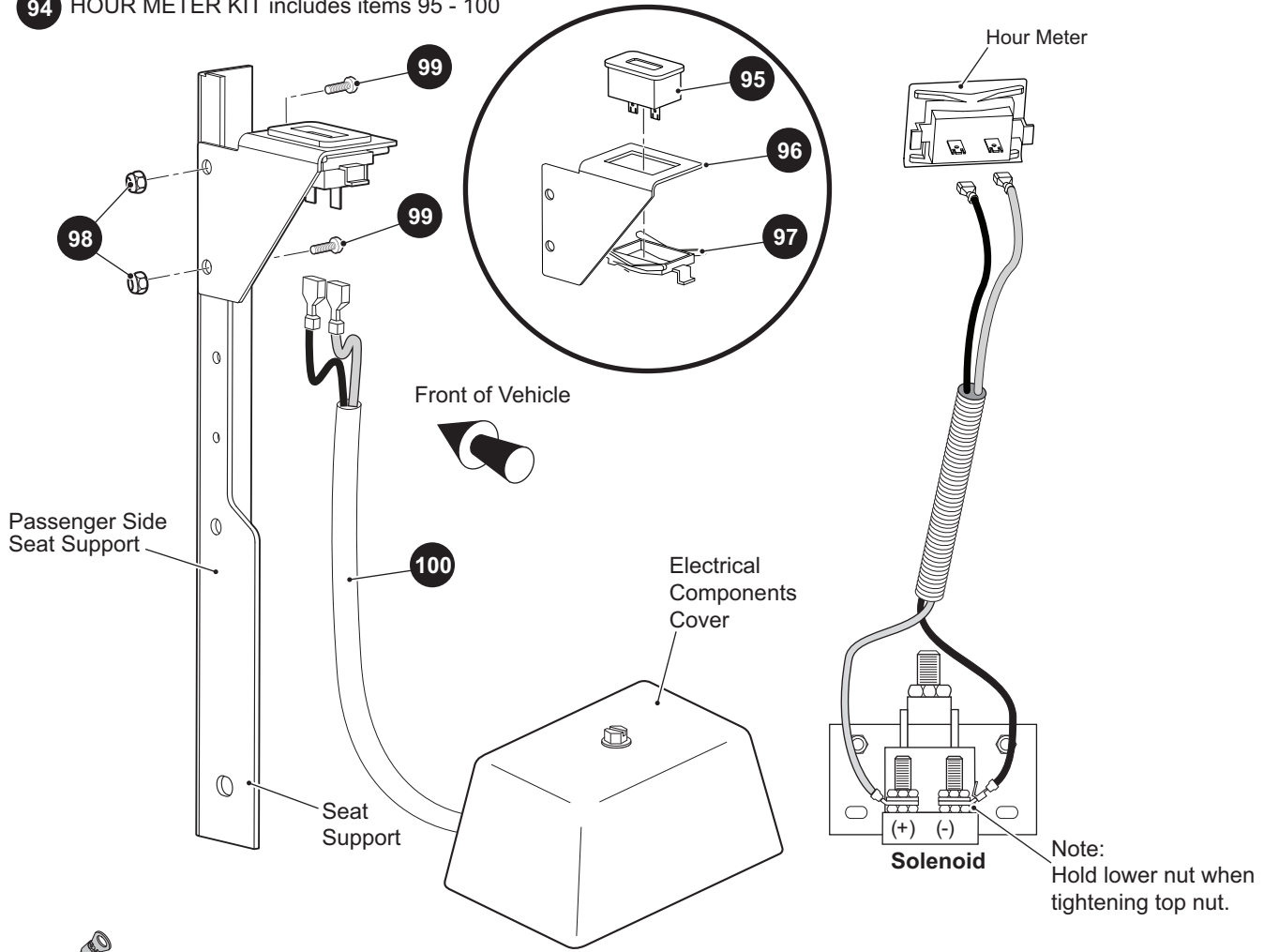
79 TURN SIGNAL KIT includes items 80 - 84



81 TURN SIGNAL SWITCH ASSEMBLY includes item 82

ELECTRICAL SYSTEM

94 HOUR METER KIT includes items 95 - 100



48 DC to DC CONVERTER KIT includes items 49 - 54, 61 & 62

ELECTRICAL SYSTEM

When ordering parts, please specify the model and serial number of the product.

* Indicates a component that is not available as an individual part.

*** Indicates consult Customer Service Department for additional information.

ITEM	PART NO.	1 2 3 4 5	DESCRIPTION	QTY.
1	<u>73311G03</u>		CHARGER HARNESS / RECEPTACLE (INCLUDES ITEMS 2 - 11)	1
2	<u>602822</u>		CHARGER HARNESS	1
3	<u>668283</u>		CHARGER RECEPTACLE (INCLUDES ITEMS 4 - 11)	1
4	73051G22		RECEPTACLE BOTTOM	1
5	73051G21		RECEPTACLE COVER.....	1
6	<u>73051G08</u>		BINDING HEAD BRASS SCREW, #10 - 32 X 1/2" LG	2
7	<u>73051G09</u>		PAN HEAD SCREW (SS), #6 - 32 X 1 3/4" LG.....	3
8	<u>73051G10</u>		LOCK NUT, #6 - 32	3
9	<u>25978G25</u>		RED JUMPER WIRE, 18 GA.	1
10	73051G23		FEMALE CONTACT.....	1
11	<u>73051G24</u>		FEMALE CONTACT, INSULATED	1
12	<u>71055G01</u>		RIVET, 3/16" X 1" LG	4
13				
14				
15	<u>73349G01</u>		POWER HARNESS	1
16				
17				
18	<u>00993G02</u>		LOCK WASHER, 5/16"	4
19	<u>28418G02</u>		LOCK NUT, 1/4" - 20.....	4
20	27327G0*		CLAMP.....	1
21	<u>10570G11</u>		RIVET (SS), 3/16" X 3/4" LG.....	1
22				
23	***		6 VOLT BATTERY	8
24	<u>612867</u>		BATTERY RETAINER.....	1
25	<u>01101G01</u>		TIE DOWN BOLT	2
26	<u>11027G1</u>		LOCK NUT, 5/16" - 18.....	6
27	<u>70386G01</u>		HOLD DOWN BOLT, 5/16" - 18 X 11.5" LG	4
28	70387G01		BATTERY RETAINER.....	2
29				
30	<u>25971G18</u>		4 GA WIRE (BLK 6")	4
31	<u>25971G16</u>		4 GA WIRE (BLK 19")	1

ELECTRICAL SYSTEM

When ordering parts, please specify the model and serial number of the product.

* Indicates a component that is not available as an individual part.

*** Indicates consult Customer Service Department for additional information.

ITEM	PART NO.	1 2 3 4 5	DESCRIPTION	QTY.
32	<u>25971G13</u>		4 GA WIRE (BLK 10 1/2").....	2
33	<u>00702G2</u>		HEX NUT, 5/16" - 24.....	16
34				
35	<u>74693G02</u>		CONSOLE INSERT ASSEMBLY (INCLUDES ITEMS 36 - 37)	1
36	<u>73522G03</u>		CONSOLE INSERT PLATE	1
37	<u>20271G10</u>		HOLE PLUG.....	1
38	<u>33623G02</u>		DRIVE RIVET, 3/16" X 3/8" LG.....	3
39				
40				
41				
42	<u>00568G6</u>		LOCK WASHER, 3/4"	1
43	<u>17137G1</u>		FACE NUT, 3/4" - 20.....	1
44				
45				
46	<u>33639G01</u>		IGNITION SWITCH (WITH LIGHTS, STANDARD KEY)	1
47				
48	<u>605988</u>		DC TO DC CONVERTER KIT (INCLUDES ITEMS 49 - 54, 61 & 62)	1
49	<u>632185</u>		DC TO DC CONVERTER (FOR MODELS FROM 02 OCTOBER 2013)..	1
50	<u>626315</u>		BRACKET	1
51	<u>606018</u>		DC TO DC WIRING HARNESS	1
52	<u>632372</u>		PAN HEAD SCREW, #10 - 24 X 1/2" LG (FOR MODELS FROM 02 OCTOBER 2013).....	4
53	<u>16816G5</u>		CHRISTMAS TREE RIVET, .187" X .55" LG	1
54	<u>00715G2</u>		HEX HEAD BOLT, 5/16" - 18 X .80" LG (NOT ILLUSTRATED)	2
55				
56	<u>22674G1</u>		FUSE BLOCK.....	1
57	<u>01041G01</u>		RIVET, 5/32" X 3/8" LG.....	2
58	<u>18392G1</u>		FUSE, 15 AMP	3
59	<u>619156</u>		WIRE HARNESS (ACCESSORY).....	1
60				
61	<u>604884</u>		DC TO DC CONVERTER (FOR MODELS BEFORE 02 OCTOBER 2013)	1

ELECTRICAL SYSTEM

When ordering parts, please specify the model and serial number of the product.

* Indicates a component that is not available as an individual part.

*** Indicates consult Customer Service Department for additional information.

ITEM	PART NO.	1 2 3 4 5	DESCRIPTION	QTY.
62	<u>00379G4</u>		PHILLIPS PAN HEAD SCREW, #10 - 24 X 1/2" LG (FOR MODELS BEFORE 02 OCTOBER 2013)	6
63				
64	<u>32860G1</u>		HORN.....	1
65				
66	<u>614497</u>		HEADLIGHT W/O TURN SIGNAL (PASSENGER SIDE)	1
67	<u>614501</u>		HEADLIGHT W/O TURN SIGNAL (DRIVER SIDE)	1
68	<u>659008</u>		LED HEADLIGHT ASSEMBLY (PASSENGER SIDE) (INCLUDES ITEM 72).	1
69	<u>659009</u>		LED HEADLIGHT ASSEMBLY (DRIVER SIDE) (INCLUDES ITEM 72)	1
70	<u>71597G01</u>		SELF THREADING NUT, 5MM X 10MM X 15MM	8
71	<u>654465</u>		JUMPER HARNESS, LED HEADLIGHT	2
72	<u>651411G03</u>		LED HEADLIGHT	1
73				
74	<u>618257</u>		WIRE HARNESS (ACCESSORY), 48V DC, SWB.....	1
75	<u>618260</u>		JUMPER PLUG, TAIL LIGHT	1
76				
77	<u>22288G1</u>		TAIL LIGHT ASSEMBLY (COMPLETE)	1
78				
79	<u>622712</u>		TURN SIGNAL KIT (INCLUDES ITEMS 80 - 85).....	1
80	<u>619102</u>		TURN SIGNAL BULB	1
81	<u>611810</u>		TURN SIGNAL SWITCH ASSEMBLY (INCLUDES ITEM 82)	1
82	<u>21640G1</u>		FLASHER UNIT	1
83	<u>32307G3</u>		FLEX LOOM, 3/8" X 8" LG	1
84	<u>17618G1</u>		WIRE TIE.....	2
85	<u>20965G3</u>		STEERING COLUMN COVER.....	1
86	<u>74371G01</u>		BEZEL (DRIVER SIDE)	1
87	<u>74371G02</u>		BEZEL (PASSENGER SIDE).....	1
88	<u>71364G02</u>		'J' CLIP.....	8
89	<u>71425G01</u>		COUNTERSUNK SCREW, #8	8
90	<u>22288G1</u>		BRAKE/TAILLIGHT LAMP	2
91	<u>14601G11</u>		RIVET (ALUMINUM), 3/16' X 9/16' LG	4

ELECTRICAL SYSTEM

When ordering parts, please specify the model and serial number of the product.

* Indicates a component that is not available as an individual part.

*** Indicates consult Customer Service Department for additional information.

ITEM	PART NO.	1 2 3 4 5	DESCRIPTION	QTY.
92	<u>00513G4</u>		PAN HEAD SCREW, #8 - 18 X 1 1/2" LG.....	4
93				
94	<u>75113G06</u>		HOUR METER KIT (INCLUDES ITEMS 95 - 100)	1
95	<u>74665G02</u>		HOUR METER	1
96	<u>74716G01</u>		HOUR METER BRACKET	1
97	<u>74696G01</u>		RETAINER CLIP	1
98	<u>14390G10</u>		LOCK NUT, #10 - 24	2
99	<u>00379G4</u>		PAN HEAD PHILLIPS SCREW,#10 - 24 X 1/2" LG	2
100	<u>75117G04</u>		WIRE HARNESS (HOUR METER).....	1
101	<u>17318G1</u>		HORN SWITCH.....	1
102	<u>17318G2</u>		CAP AND NUT ASSEMBLY.....	
103	<u>27068G01</u>		HORN SWITCH BOOT.....	1
104	<u>608397</u>		HORN SWITCH LABEL.....	1
105	<u>71055G01</u>		RIVET (ALUMINUM), 3/16" X 1" LG.....	2
106				
107				
108	<u>73030G12</u>		CONSOLE INSERT PLATE.....	1
109				
110	<u>74322G01</u>		LABEL, LIGHTS, DIRECTION SELECTOR & STATE OF CHARGE METER.	1
111	<u>624514G02</u>		DIRECTION SELECTOR SWITCH	1
112	<u>33636G05</u>		STATE OF CHARGE METER (VERTICAL).....	1
113	<u>33623G02</u>		RIVET, 3/16" X 3/8" LG.....	2
114	<u>645774</u>		SOC FUSE HARNESS.....	1
115	<u>73334G01</u>		HARNESS (CONTROL)	1
116	<u>25978G74</u>		18 GA WIRE (RED 6").....	1
117	<u>73290G02</u>		BUZZER	1
118	<u>01041G01</u>		RIVET, 5/32" X 3/4" LG.....	2
119	<u>625251</u>		BEZEL, TAILLIGHT (DRIVER SIDE) (FOR VEHICLES MANUFACTURED FROM MARCH 2014)	1
120	<u>625252</u>		BEZEL, TAILLIGHT (PASSENGER SIDE) (FOR VEHICLES MANUFACTURED FROM MARCH 2014)	1
121	<u>676122</u>		TROJAN HAND PUMP KIT	1

ELECTRONIC SPEED CONTROL

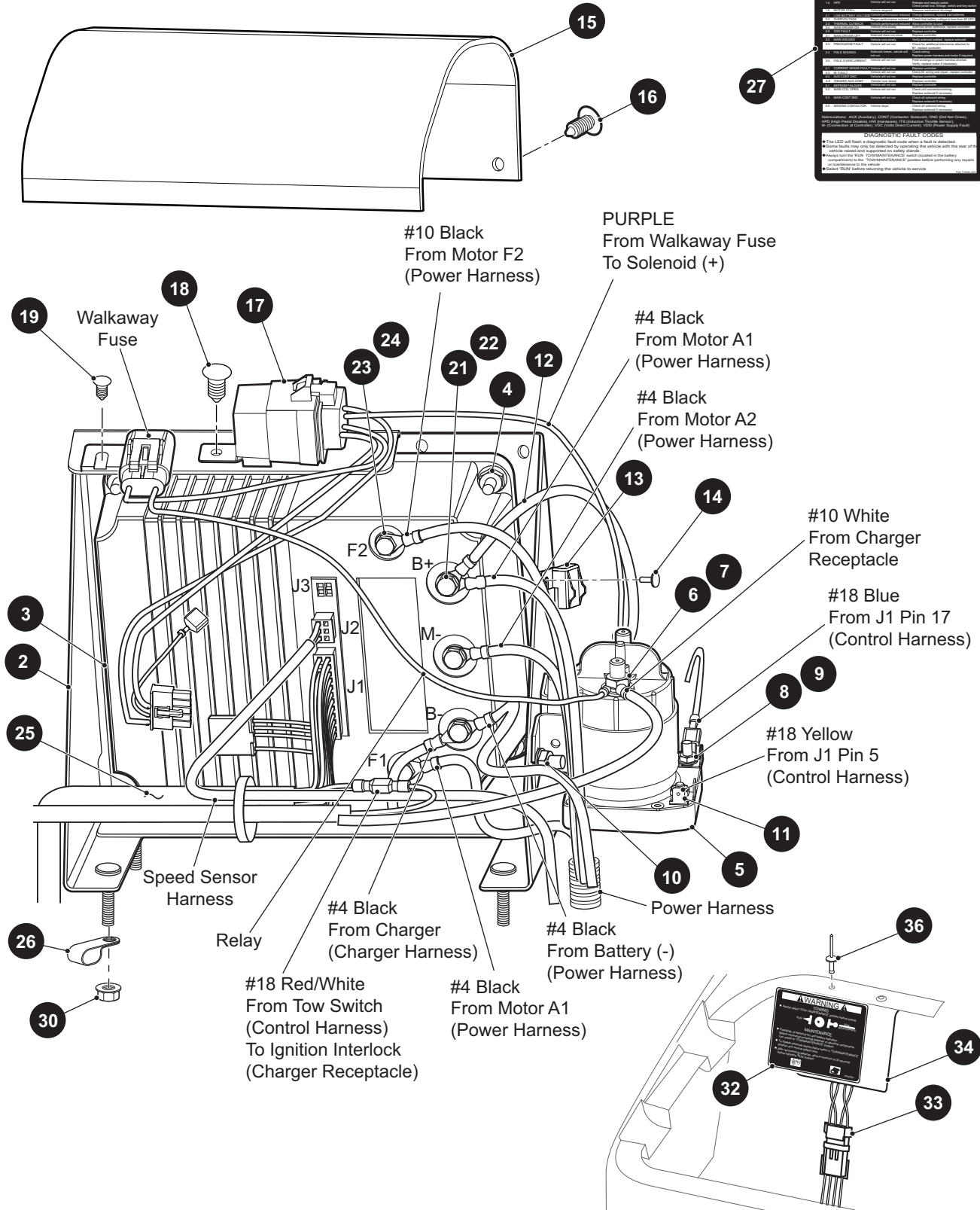
1 ELECTRONIC SPEED CONTROL ASSEMBLY includes items 2 - 20

31 TOW SWITCH ASSEMBLY includes items 32 - 34

Code	Pin Color	Location	Connection Action
1	Black	Motor A1	Connect to Pin 1
2	Black	Motor A2	Connect to Pin 2
3	Black	Motor F2	Connect to Pin 3
4	Black	Charger	Connect to Pin 4
5	Yellow	J1 Pin 5	Connect to Pin 5
6	Blue	J1 Pin 17	Connect to Pin 6
7	White	Charger Receptacle	Connect to Pin 7
8	Red/White	Tow Switch	Connect to Pin 8
9	Yellow	J1 Pin 5	Connect to Pin 9
10	Black	Battery (-)	Connect to Pin 10
11	Black	Charger	Connect to Pin 11
12	Black	Motor A1	Connect to Pin 12
13	Black	Motor A2	Connect to Pin 13
14	Black	Motor F2	Connect to Pin 14
15	Black	Motor F2	Connect to Pin 15
16	Purple	Walkaway Fuse	Connect to Pin 16
17	Blue	J1 Pin 17	Connect to Pin 17
18	Yellow	J1 Pin 5	Connect to Pin 18
19	Black	Walkaway Fuse	Connect to Pin 19
20	Black	Motor A1	Connect to Pin 20
21	Black	Motor A2	Connect to Pin 21
22	Black	Motor F2	Connect to Pin 22
23	Black	Charger	Connect to Pin 23
24	Black	Motor A1	Connect to Pin 24
25	Black	Motor A2	Connect to Pin 25
26	Black	Motor F2	Connect to Pin 26
27	Purple	Walkaway Fuse	Connect to Pin 27
28	Black	Motor A1	Connect to Pin 28
29	Black	Motor A2	Connect to Pin 29
30	Black	Motor F2	Connect to Pin 30
31	Black	Charger	Connect to Pin 31
32	Black	Motor A1	Connect to Pin 32
33	Black	Motor A2	Connect to Pin 33
34	Black	Motor F2	Connect to Pin 34

DIAGNOSTIC FAULT CODES

- The ECU will flash a diagnostic fault code when a fault is detected.
- Disconnect only one end of the diagnostic plug from the vehicle with the rear of the vehicle raised and the engine running.
- Always use the RIGHT TOWSWITCH/IGNITION switch located in the battery compartment in the TOWSWITCH/IGNITION control panel performing any repair.
- Always use the correct wire color.
- Select "BLM" button returning the vehicle to service.



ELECTRONIC SPEED CONTROL

When ordering parts, please specify the model and serial number of the product.

* Indicates a component that is not available as an individual part.

*** Indicates consult Customer Service Department for additional information.

ITEM	PART NO.	1 2 3 4 5	DESCRIPTION	QTY.
1	<u>73348G04</u>		ELECTRONIC SPEED CONTROL ASSEMBLY (INCLUDES ITEMS 2 -19)	1
2	<u>73351G01</u>		CONTROLLER MOUNT BRACKET	1
3	<u>611173</u>		ELECTRONIC SPEED CONTROLLER.....	1
4	<u>11027G2</u>		LOCK NUT, 1/4" - 20	4
5	<u>621330</u>		SOLENOID	1
6	<u>00565G5</u>		LOCK WASHER, #10	2
7	<u>00526G4</u>		LOCK NUT, #10 - 32.....	2
8	<u>00565G8</u>		LOCK WASHER, 5/16"	2
9	<u>00544G4</u>		JAM NUT, 5/16" - 24	2
10	<u>11027G2</u>		LOCK NUT, 1/4" - 20	2
11	<u>73446G01</u>		FASTON TAB, 90°	4
12	<u>25971G17</u>		4 GA WIRE (BLACK 9").....	1
13	<u>73499G01</u>		INLINE FUSE COVER.....	1
14	<u>15058G1</u>		RIVET (ALUMINUM), 3/16" X 7/16" LG	1
15	<u>73523G01</u>		CONTROLLER COVER	1
16	<u>16816G1</u>		RATCHET FASTENER, 1/4" X 9/16" LG	4
17	608931		WALKAWAY RELAY HARNESS, 48V	1
18	<u>16816G2</u>		RIVET, 0.25" X 0.887"	1
19	<u>16816G5</u>		RIVET, 0.187" X 0.550"	1
20				
21	<u>73296G01</u>		BOLT, 8MM X 16MM LG	3
22	<u>00993G01</u>		LOCK WASHER, 5/16"	3
23	<u>73346G01</u>		BOLT, 6MM X 1 X 12MM LG.....	2
24	<u>00993G02</u>		LOCK WASHER, 1/4"	2
25	<u>73334G01</u>		CONTROL HARNESS	1
26	<u>73053G01</u>		DOUBLE TUBE CLAMP	1
27	<u>73398G01</u>		DIAGNOSTIC LABEL (FAULT CODE)	1
28				
29				
30	<u>11027G2</u>		LOCK NUT, 1/4 - 20	4

ELECTRONIC SPEED CONTROL

When ordering parts, please specify the model and serial number of the product.

* Indicates a component that is not available as an individual part.

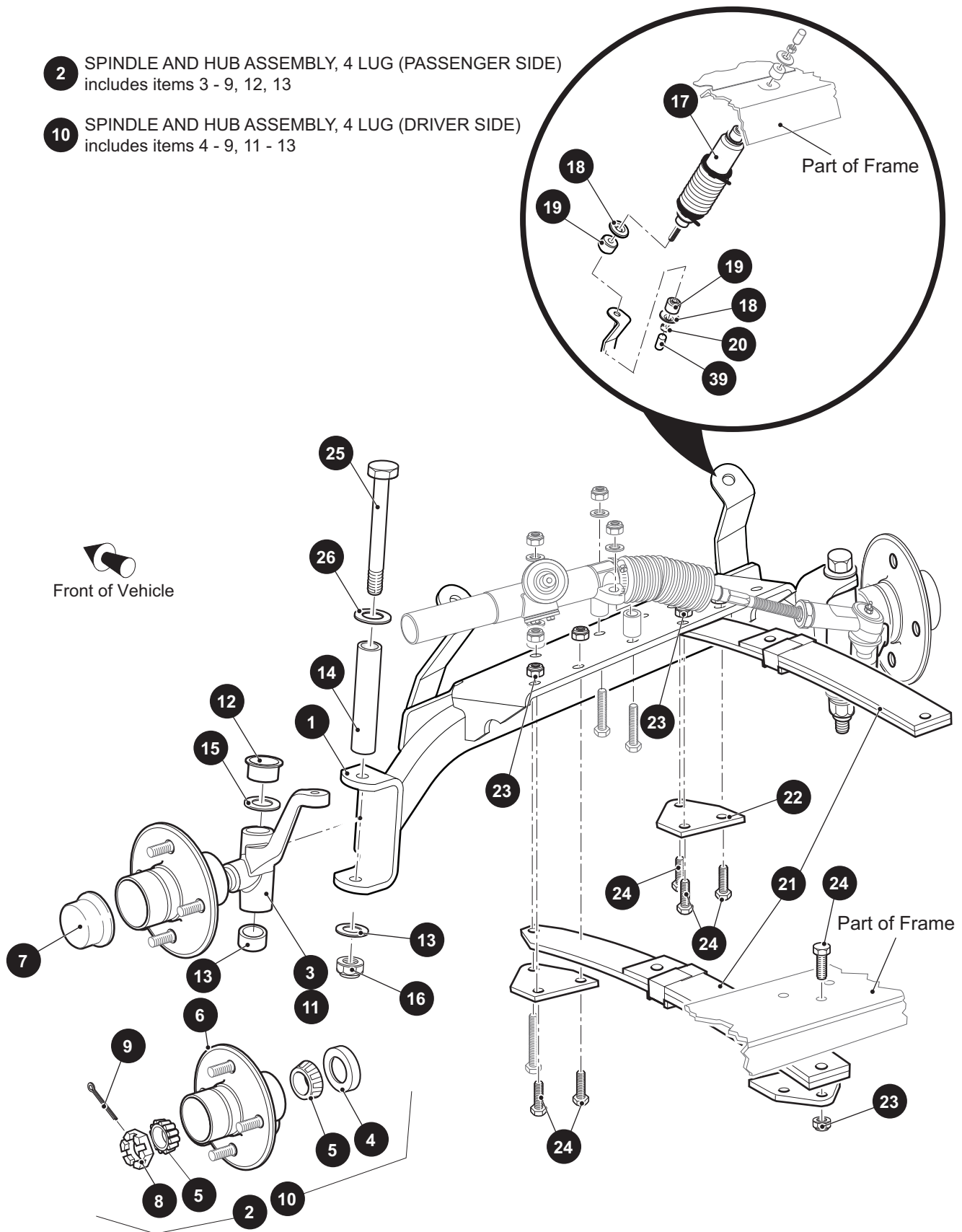
*** Indicates consult Customer Service Department for additional information.

ITEM	PART NO.	1 2 3 4 5	DESCRIPTION	QTY.
31	<u>73347G03</u>		TOW SWITCH ASSEMBLY (INCLUDES ITEMS 32 - 34)	1
32	<u>73347G01</u>		RUN/TOW SWITCH LABEL.....	1
33	<u>648593</u>		TOGGLE SWITCH	1
34	73336G02		TOW SWITCH BRACKET.....	1
35				
36	<u>71055G01</u>		RIVET, 5/32" X 3/4" LG.....	2

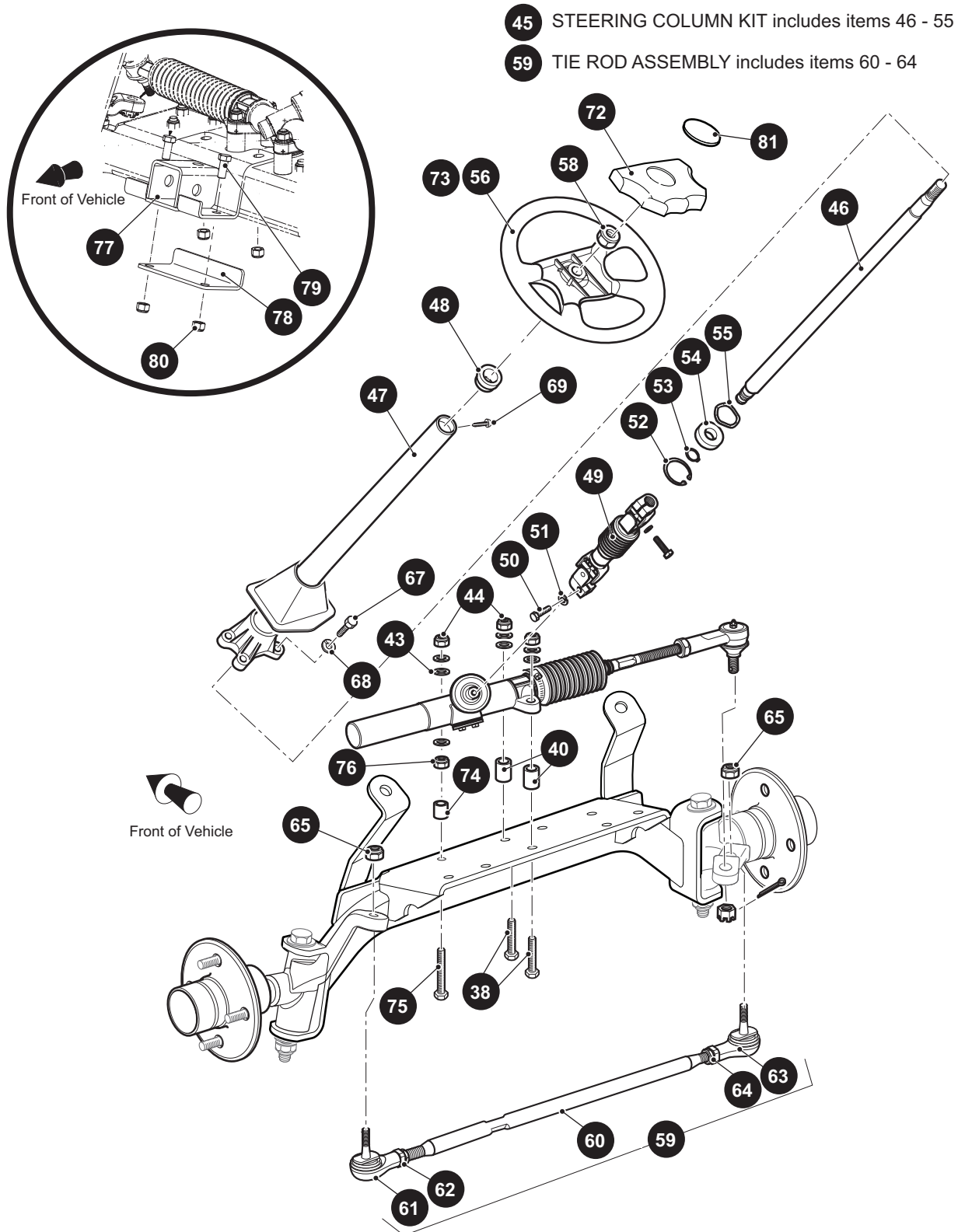
FRONT SUSPENSION/STEERING

2 SPINDLE AND HUB ASSEMBLY, 4 LUG (PASSENGER SIDE)
includes items 3 - 9, 12, 13

10 SPINDLE AND HUB ASSEMBLY, 4 LUG (DRIVER SIDE)
includes items 4 - 9, 11 - 13



FRONT SUSPENSION/STEERING



FRONT SUSPENSION/STEERING

When ordering parts, please specify the model and serial number of the product.

* Indicates a component that is not available as an individual part.

*** Indicates consult Customer Service Department for additional information.

ITEM	PART NO.	1 2 3 4 5	DESCRIPTION	QTY.
1	<u>633795</u>		FRONT AXLE	1
2	<u>70930G01</u>		SPINDLE AND HUB ASSEMBLY, 4 LUG (PASSENGER SIDE) (INCLUDES ITEMS 3 - 9, 70, 71).....	1
3	<u>70802G01</u>		SPINDLE ASSEMBLY (PASSENGER SIDE).....	1
4	<u>25146G1</u>		GREASE SEAL	1
5	<u>11750G2</u>		ROLLER BEARING AND RACE ASSEMBLY	2
6	<u>35886G01</u>		WHEEL HUB ASSEMBLY WITH RACES, 4 LUG	1
7	<u>12091G2</u>		SPINDLE CAP	1
8	<u>12093G1</u>		CASTELLATED NUT, 1" - 14	1
9	<u>00798G8</u>		COTTER PIN, 5/32" X 1 3/4" LG.....	1
10	<u>70931G01</u>		SPINDLE AND HUB ASSEMBLY, 4 LUG (DRIVER SIDE) (INCLUDES ITEMS 4 - 9, 11, 70, 71).....	1
11	<u>70803G01</u>		SPINDLE ASSEMBLY (DRIVER SIDE)	1
12	<u>632925</u>		FLANGED BUSHING.....	1
13	<u>632926</u>		SLEEVE BUSHING.....	1
14	<u>70745G01</u>		KING PIN TUBE	2
15	<u>70754G01</u>		THRUST WASHER, 1" (SS).....	2
16	<u>14390G6</u>		LOCK NUT, 1/2" - 13	2
17	<u>76419G01</u>		SHOCK ABSORBER.....	2
18	<u>10435G1</u>		SHOCK ABSORBER WASHER	8
19	<u>10194G1</u>		RUBBER BUSHING	8
20	<u>00532G6</u>		HEX NUT, 1/4" - 20.....	4
21	<u>70990G03</u>		LEAF SPRING (HEAVY DUTY)	2
22	<u>652258</u>		SPRING PLATE.....	4
23	<u>00734G1</u>		LOCK NUT, 7/16 " - 14	11
24	<u>00463G11</u>		HEX HEAD BOLT, 7/16" - 14 X 1 5/8" LG.....	11
25	<u>00407G6</u>		HEX HEAD BOLT, 1/2" - 13 X 6" LG.....	2
26	<u>00560G3</u>		WASHER, 1/2"	4
27				
28				
29				
30				

FRONT SUSPENSION/STEERING

When ordering parts, please specify the model and serial number of the product.

* Indicates a component that is not available as an individual part.

*** Indicates consult Customer Service Department for additional information.

ITEM	PART NO.	1 2 3 4 5	DESCRIPTION	QTY.
31				
32				
33				
34				
35				
36				
37				
38	<u>00464G6</u>		HEX HEAD BOLT, 7/16" - 14 X 2 3/4" LG	2
39	<u>10044G01</u>		VINYL CAP.....	4
40	<u>70667G02</u>		SPACER, O.D 1" X I.D .46" X 1.2" LG	2
41				
42				
43	<u>00560G2</u>		FLAT WASHER, 1/2".....	7
44	<u>00734G1</u>		LOCK NUT, 7/16" - 14.....	3
45	<u>70758G05</u>		STEERING COLUMN KIT (INCLUDES ITEMS 46 - 55).....	1
46	<u>70607G01</u>		STEERING SHAFT.....	1
47	<u>70610G03</u>		STEERING COLUMN.....	1
48	<u>28569G01</u>		STEERING COLUMN BUSHING	1
49	<u>70580G01</u>		INTERMEDIATE SHAFT	1
50	<u>01055G01</u>		METRIC BOLT, M8 X 1.25 - 05.....	1
51	<u>00565G8</u>		LOCK WASHER, 5/16".....	1
52	<u>70751G01</u>		RETAINING RING (INTERNAL).....	1
53	<u>70888G01</u>		RETAINING RING (EXTERNAL).....	1
54	<u>15112G1</u>		BALL BEARING	1
55	<u>70887G01</u>		WAVE WASHER.....	1
56	<u>602979</u>		STEERING WHEEL	1
57	<u>71950G01</u>		CLIPBOARD	1
58	<u>14390G2</u>		LOCK NUT, 5/8"- 18.....	1
59	<u>70876G02</u>		TIE ROD ASSEMBLY (INCLUDES ITEMS 60 - 64).....	1
60	<u>70897G02</u>		THREADED ROD (24" LG)	1
61	<u>70902G01</u>		TIE ROD END (LEFT HAND THREADS).....	1

FRONT SUSPENSION/STEERING

When ordering parts, please specify the model and serial number of the product.

* Indicates a component that is not available as an individual part.

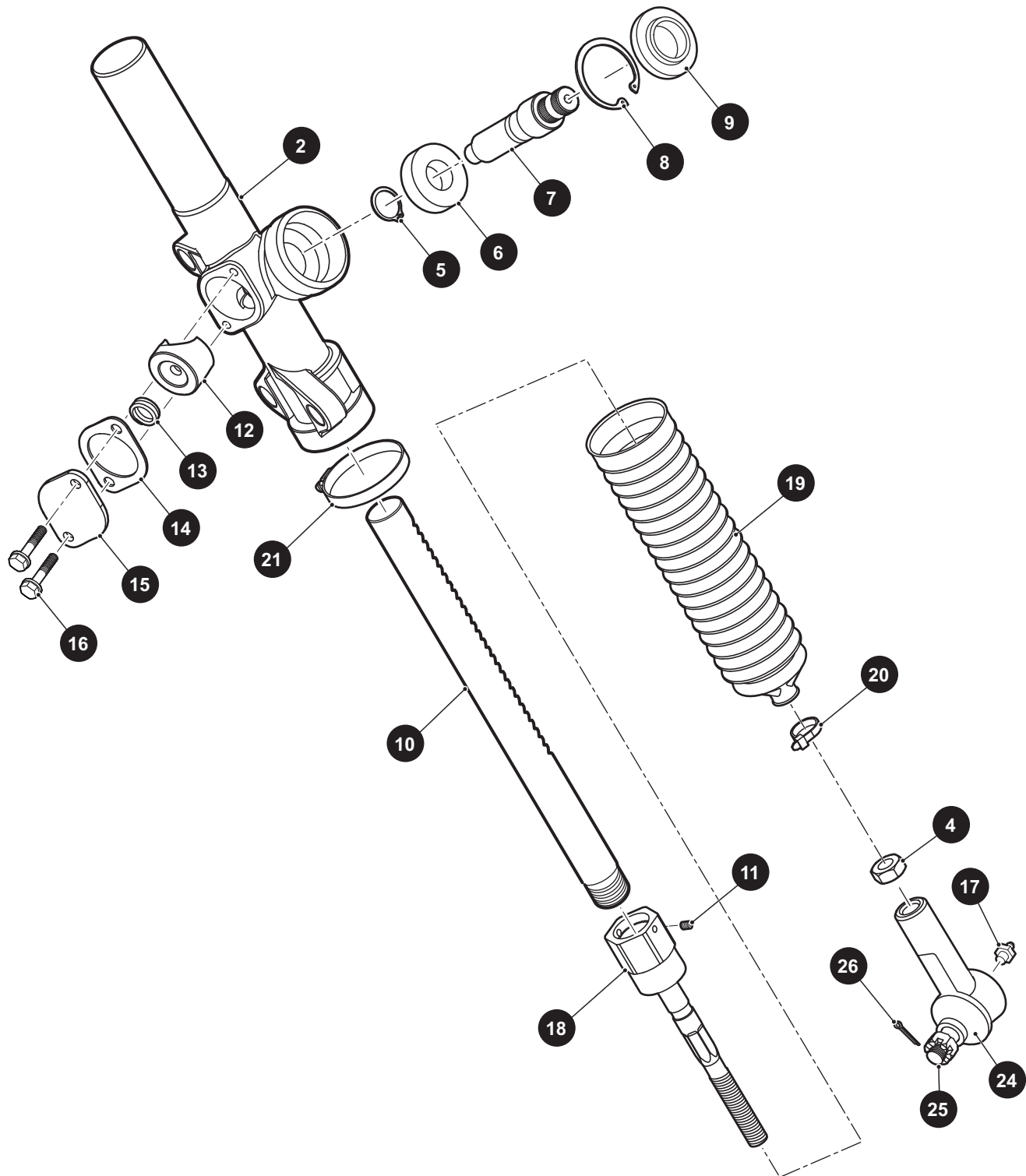
*** Indicates consult Customer Service Department for additional information.

ITEM	PART NO.	1	2	3	4	5	DESCRIPTION	QTY.
62	<u>01069G01</u>						JAM NUT, M12 X 1.25 - 05 (LEFT HAND THREADS).....	1
63	<u>70902G02</u>						TIE ROD END (RIGHT HAND THREADS).....	1
64	<u>01069G02</u>						JAM NUT, M12 X 1.25 - 05 (RIGHT HAND THREADS)	1
65	<u>00734G1</u>						LOCK NUT, 7/16" - 14	2
66								
67	<u>01006G01</u>						HEX WASHER HEAD BOLT, 3/8" - 16 x 1 1/4" LG	4
68	<u>00879G1</u>						LOCK WASHER, 3/8".....	4
69	<u>01022G01</u>						SCREW #6 - 20 x 5/16" LG	1
70								
71								
72	<u>71147G01</u>						STEERING WHEEL COVER.....	1
73	<u>602980</u>						STEERING WHEEL, PREMIUM	1
74	<u>70667G04</u>						SPACER, O.D 1" X I.D .46" X .69" LG	1
75	<u>01068G01</u>						HEX HEAD BOLT, 7/16" - 14 X 3.5" LG.....	1
76	<u>00532G7</u>						HEX NUT, 1/4" - 20.....	1
77	<u>635202</u>						WINCH RECEIVER WELDMENT	1
78	<u>604572</u>						WINCH RECEIVER RETAINER	1
79	<u>00462G8</u>						HEX HEAD CAP BOLT, 7/16" - 14 X 7/8" LG	4
80	<u>00734G1</u>						HEX LOCK NUT, 7/16" - 14.....	4
81	<u>605435</u>						E-Z-GO DECAL	1

FRONT SUSPENSION/STEERING

1 RACK AND PINION UNIT includes items 2 - 23

23 RACK BALL JOINT includes items 24 - 25



FRONT SUSPENSION/STEERING

When ordering parts, please specify the model and serial number of the product.

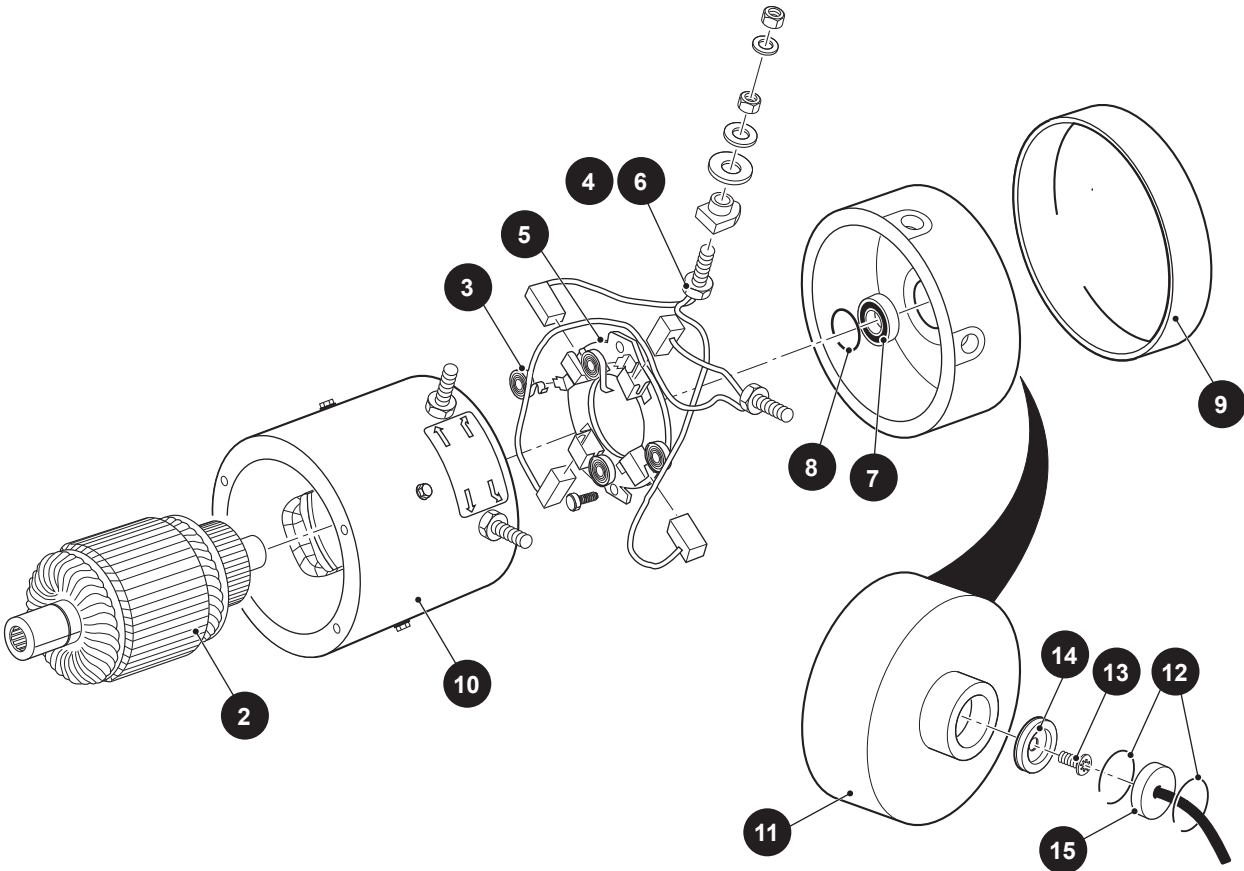
* Indicates a component that is not available as an individual part.

*** Indicates consult Customer Service Department for additional information.

ITEM	PART NO.	1 2 3 4 5	DESCRIPTION	QTY.
1	<u>70964G01</u>		RACK AND PINION UNIT (INCLUDES ITEMS 2 - 23)	1
2	<u>70965G01</u>		STEERING RACK COVER & BEARING	1
3				
4	*		JAM NUT, 1/2" - 20	1
5	<u>70750G01</u>		RETAINING RING (EXTERNAL)	1
6	<u>15112G1</u>		BALL BEARING	1
7	<u>70603G01</u>		PINION	1
8	<u>70751G01</u>		RETAINING RING (INTERNAL)	1
9	<u>70638G01</u>		SEAL (PINION)	1
10	<u>70604G01</u>		STEERING RACK	1
11	*		SET SCREW, #10 - 32 X .25" LG	1
12	<u>70590G01</u>		RACK LOADER	1
13	<u>70666G01</u>		COMPRESSION SPRING	1
14	<u>70645G01</u>		GASKET (RACK LOADER COVER)	1
15	<u>652259</u>		COVER (RACK LOADER)	1
16	<u>71102G01</u>		HEX WASHER HEAD BOLT, 1/4" - 20 X 11/16" LG	2
17	<u>10389G3</u>		GREASE FITTING (STRAIGHT)	1
18	<u>74694G01</u>		ROD END (INNER)	1
19	<u>70961G01</u>		RACK BOOT	1
20	<u>12416G2</u>		NYLON CLAMP, 10"	1
21	<u>11391G8</u>		HOSE CLAMP, 1.81"	1
22				
23	<u>70695G01</u>		TIE ROD END (OUTER) (INCLUDES ITEMS 24 - 25)	1
24	<u>50641G1</u>		GROMMET	1
25	<u>50209G2</u>		HEX SLOTTED NUT, 7/16" - 20	1
26	<u>10387G2</u>		COTTER PIN, 3/32" X 1"	1

MOTOR

1 MOTOR 48V includes items 2 - 12



When ordering parts, please specify the model and serial number of the product.

* Indicates a component that is not available as an individual part.

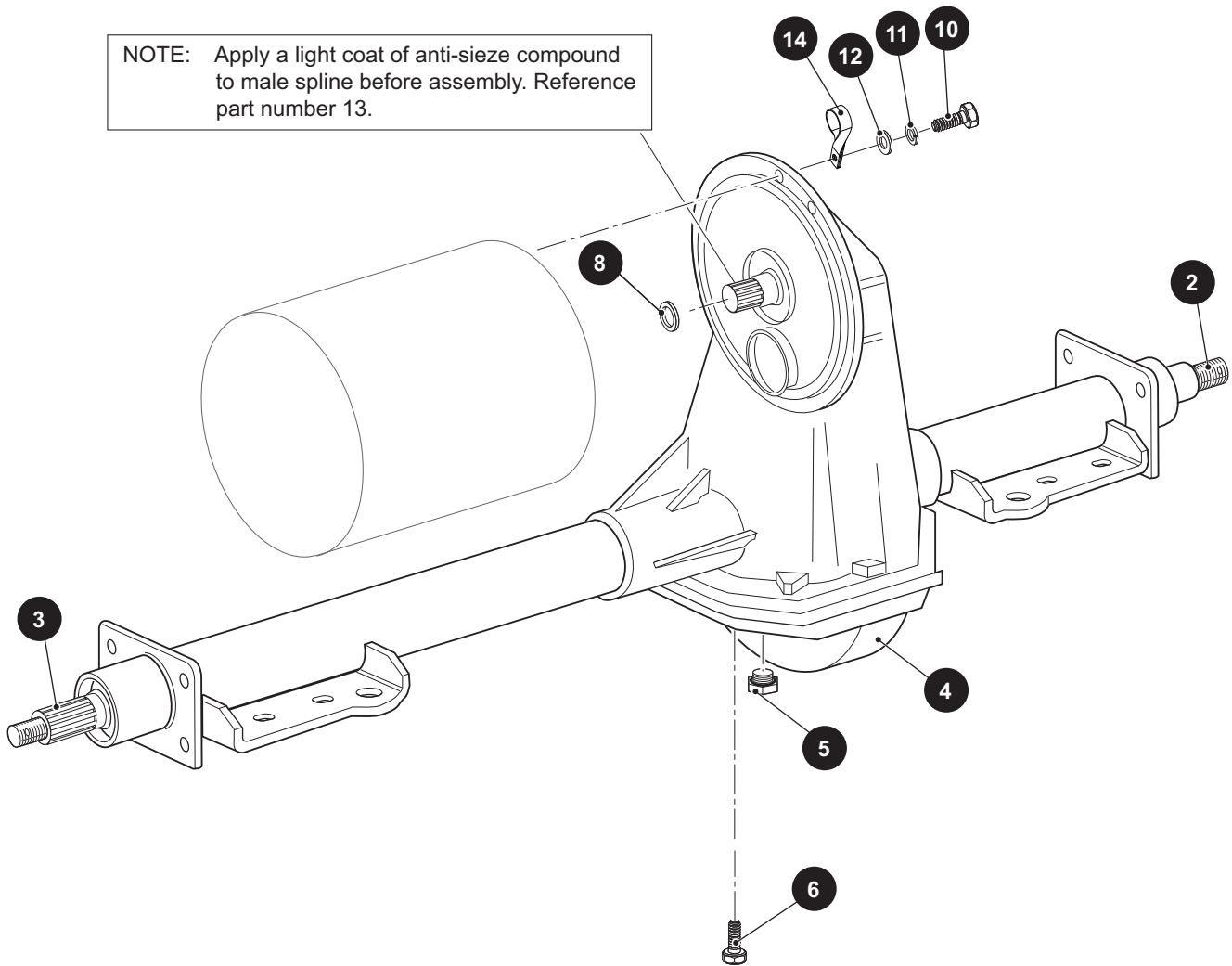
*** Indicates consult Customer Service Department for additional information.

ITEM	PART NO.	1 2 3 4 5	DESCRIPTION	QTY.
1	<u>73291G04</u>		MOTOR, 48V (INCLUDES ITEMS 2-12).....	1
2	<u>73120G36</u>		ARMATURE ASSEMBLY.....	1
3	<u>73120G38</u>		BRUSH SPRING	8
4	<u>73120G39</u>		BRUSH	1
5	<u>73120G40</u>		BRUSH BOX ASSEMBLY	1
6	<u>73120G41</u>		BRUSH REPLACEMENT KIT (INCLUDES HARDWARE).....	1
7	<u>73120G07</u>		BEARING	1
8	<u>73120G06</u>		SNAP RING.....	1
9	<u>73120G43</u>		HEADBAND.....	1
10	<u>73120G37</u>		FRAME AND FIELD COIL (INCLUDES HARDWARE)	1
11	<u>73120G42</u>		COVER COMMUTATOR END.....	1
12	<u>73277G01</u>		RETAINING RING	1
13	<u>01037G02</u>		SCREW, #10 - 32 X 1/2" LG	1
14	<u>73328G01</u>		MAGNET.....	1
15	<u>73327G02</u>		SPEED SENSOR.....	1

REAR AXLE

- 1** REAR AXLE ASSEMBLY includes items 2 - 8
- 16** REAR AXLE ASSEMBLY W/LSD includes items 2 - 8

NOTE: Apply a light coat of anti-sieze compound to male spline before assembly. Reference part number 13.



REAR AXLE

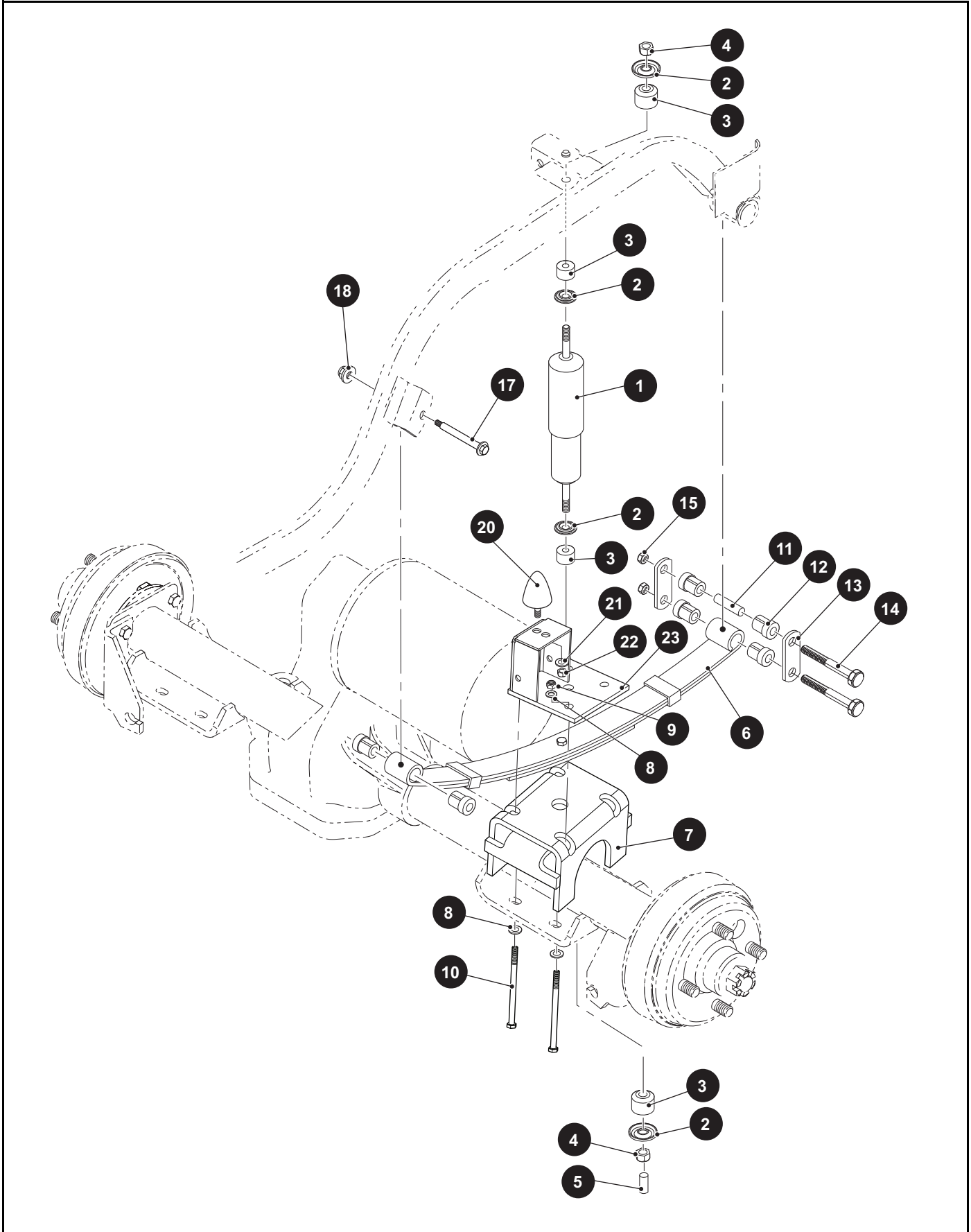
When ordering parts, please specify the model and serial number of the product.

* Indicates a component that is not available as an individual part.

*** Indicates consult Customer Service Department for additional information.

ITEM	PART NO.	1 2 3 4 5	DESCRIPTION	QTY.
1	<u>74612G01</u>		REAR AXLE ASSEMBLY 14.76:1 (INCLUDES ITEMS 2 - 8)	1
2	<u>617609</u>		AXLE SHAFT (PASSENGER SIDE).....	1
3	<u>617608</u>		AXLE SHAFT (DRIVER SIDE)	1
4	*		DIFFERENTIAL COVER	1
5	<u>601085</u>		HEXAGONAL HEAD PLUG.....	1
6	<u>15558G1</u>		BOLT, 5/16 - 18 X 3/4" LG	10
7				
8	<u>24628G1</u>		O-RING INPUT SHAFT	1
9				
10	<u>00797G2</u>		BOLT, 1/4 - 20 X 1 1/4" LG.....	3
11	<u>00664G7</u>		LOCK WASHER, 1/4" (STAINLESS STEEL)	3
12	<u>01110G01</u>		WASHER, 1/4" (STAINLESS STEEL).....	3
13	*		ANTI-SIEZE COMPOUND	AR
14	<u>27327G02</u>		TWISTED CLAMP, 1.187" O.D X 1.125" I.D	1
15				
16	<u>617173</u>		REAR AXLE ASSEMBLY 14.76:1 W/LSD (INCLUDES ITEMS 2 - 8)	1

REAR SUSPENSION



REAR SUSPENSION

When ordering parts, please specify the model and serial number of the product.

* Indicates a component that is not available as an individual part.

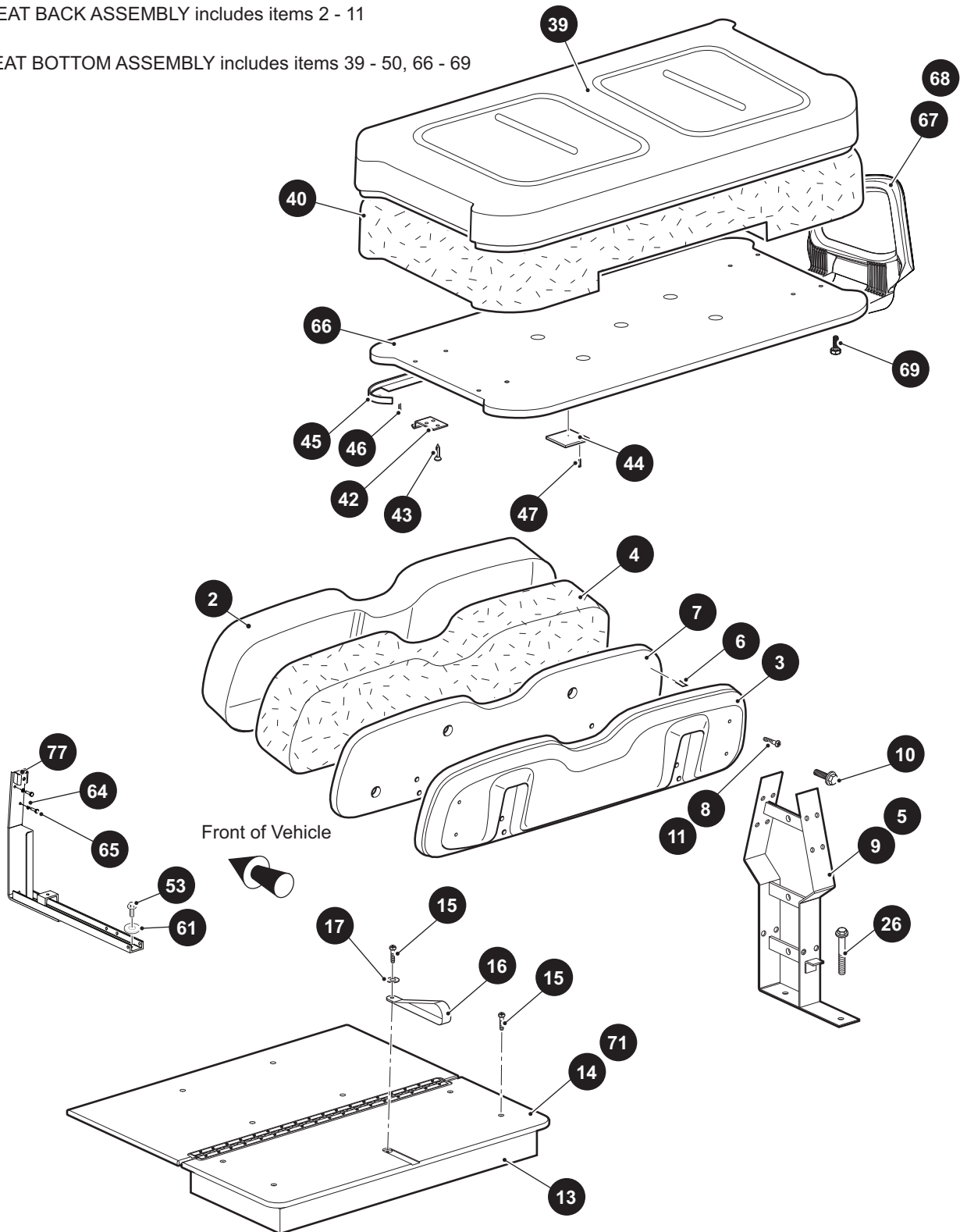
*** Indicates consult Customer Service Department for additional information.

ITEM	PART NO.	1 2 3 4 5	DESCRIPTION	QTY.
1	<u>76418G01</u>		SHOCK ABSORBER.....	2
2	<u>10435G1</u>		SHOCK ABSORBER WASHER.....	8
3	<u>10194G1</u>		SHOCK ABSORBER RUBBER BUSHING.....	8
4	<u>00532G6</u>		HEX NUT, 3/8" - 24.....	4
5	<u>10044G01</u>		VINYL CAP.....	2
6	<u>74207G03</u>		HEAVY DUTY LEAF SPRING.....	2
7	<u>652708G03</u>		LIFT BRACKET.....	2
8	<u>00560G1</u>		FLAT WASHER, 3/8".....	16
9	<u>11098G5</u>		LOCK NUT, 3/8" - 16.....	8
10	<u>00430G12</u>		HEX HEAD BOLT GRADE 5, 3/8" - 16 X 5 1/2" LG.....	8
11	<u>70289G02</u>		SPLIT STEEL SPACER.....	4
12	<u>624030</u>		FLANGED BUSHING.....	12
13	<u>652245</u>		SHACKLE PLATE.....	4
14	<u>00665G9</u>		HEX HEAD BOLT, 3/8" - 16 X 3 1/2" LG (STAINLESS STEEL).....	4
15	<u>11098G5</u>		LOCK NUT, 3/8" - 16.....	4
16				
17	<u>14158G1</u>		SHOULDER BOLT, 3/8" - 16 X 3 1/4" LG.....	2
18	<u>12262G1</u>		LOCK NUT, 3/8" - 16.....	2
19				
20	<u>70492G01</u>		RUBER BUMPER.....	2
21	<u>00968G01</u>		LOCK WASHER, M10.....	2
22	<u>00974G01</u>		HEX NUT, M10 X 1.0.....	2
23	<u>652713G103</u>		MOUNTING PLATE, SHOCK DRIVER SIDE.....	1
24	<u>652713G203</u>		MOUNTING PLATE, SHOCK PASSENGER SIDE (NOT ILLUSTRATED).....	1

SEATING

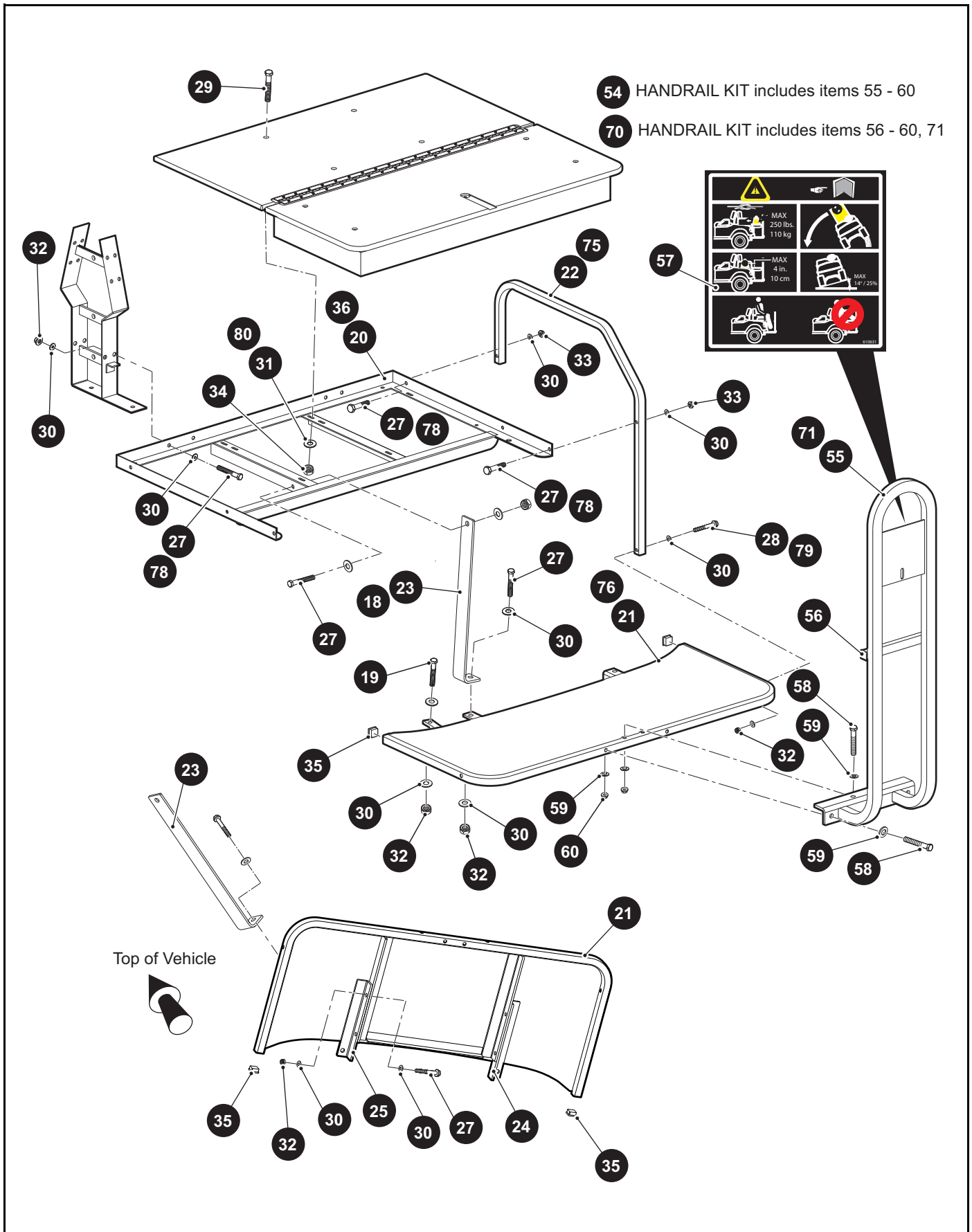
1 SEAT BACK ASSEMBLY includes items 2 - 11

38 SEAT BOTTOM ASSEMBLY includes items 39 - 50, 66 - 69



12 FLIP FLOP SEAT BOTTOM ASSEMBLY includes items 13 - 17

73 FLIP FLOP SEAT BOTTOM ASSEMBLY includes items 13, 15 - 17, 74



SEATING

When ordering parts, please specify the model and serial number of the product.

* Indicates a component that is not available as an individual part.

*** Indicates consult Customer Service Department for additional information.

ITEM	PART NO.	1	2	3	4	5	DESCRIPTION	QTY.
1	***	SEAT BACK ASSEMBLY (INCLUDES ITEMS 2 - 11)					1	
		606828	RED/BLACK					
		71751G03	OYSTER					
		71751G04	TAN					
		71751G07	BLACK					
		604908	WHITE/BLUE					
		604907	WHITE/RED					
		615838	WHITE/BLACK					
		620794	WHITE/YELLOW					
		620796	GRAY/BLACK					
		615837	OYSTER/GARNET					
		71751G02	GRAY					
		71751G06	BROWN					
2	***	VINYL SEAT BACK COVER					1	
		71753G03	OYSTER					
		71753G04	TAN					
		71753G07	BLACK					
		604916G0103	WHITE/RED					
		604916G0102	WHITE/BLUE					
		604916G0304	RED/BLACK					
		604916G0104	WHITE/BLACK					
		604916G0108	WHITE/YELLOW					
		604916G0704	GRAY/BLACK					
		604916G0506	OYSTER/GARNET					
		71753G02	GRAY					
		71753G06	BROWN					
3	71752G01	SEAT BACK REAR COVER					1	
4	<u>71754G01</u>	FOAM PADDING.....					1	
5	<u>634178</u>	SEAT BACK SUPPORT (FOR VEHICLES MANUFACTURED FROM MARCH 2014).....					1	
6	23222G01	FLAT STAPLE, 3/8" X 3/8"					95	
7	<u>645021</u>	SEAT BACK BASE.....					1	
8	<u>01107G01</u>	TORX SCREW, #8 X 5/8" LG.....					4	
9	<u>615730</u>	SEAT BACK SUPPORT					2	
10	71204G01	MACHINE SCREW WITH PATCH LOCK, 1/4" - 20 X 7/8" LG.....					8	
11	607535	PAN HEAD TORX SCREW, #8 X .88" LG (FOR VEHICLES MANUFACTURED FROM MARCH 2014).....					4	
12	***	FLIP FLOP SEAT BOTTOM ASSEMBLY (INCLUDES ITEMS 13 - 17).....					1	
		621027	TAN					
		621026	OYSTER					
		621031	WHITE/BLUE					
		621036	BLACK					
		621032	WHITE/RED					

When ordering parts, please specify the model and serial number of the product.

* Indicates a component that is not available as an individual part.

*** Indicates consult Customer Service Department for additional information.

ITEM	PART NO.	1	2	3	4	5	DESCRIPTION	QTY.
13	***	621033	RED/BLACK					
		621034	WHITE/YELLOW					
		621038	WHITE/BLACK					
		621035	GRAY/BLACK					
		621037	OYSTER/RUBY					
			VINYL FLIP FLOP SEAT BOTTOM COVER					1
		615646	OYSTER					
		615647	TAN					
		615648	BLACK					
		611126	WHITE/RED					
		611125	WHITE/BLUE					
		611135	RED/BLACK					
		611127	WHITE/YELLOW					
		611137	GRAY/BLACK					
		611130	WHITE/BLACK					
		611136	OYSTER/RUBY					
		617892	GRAY					
		617893	BROWN					
14	<u>617137</u>		DECK BOARD ASSEMBLY					1
15	<u>16705G1</u>		TRUSS HEAD PHILLIPS SCREW (SS), 1/4" - 20 X 1" LG					5
16	<u>617402</u>		SEAT STRAP.....					1
17	<u>00559G7</u>		FLAT WASHER, 1/4"					1
18	<u>634174</u>		SEAT FRAME SUPPORT (FOR VEHICLES MANUFACTURED FROM MARCH 2014).....					2
19	<u>00427G6</u>		HEX HEAD BOLT, 3/8" - 16 X 1 1/4" LG (FOR VEHICLES MANUFACTURED FROM MARCH 2014).....					2
20	<u>615712</u>		SEAT FRAME WELDMENT					1
21	<u>615714</u>		FOOTREST WELDMENT					1
22	<u>615729</u>		ARMREST, REAR SEAT					2
23	<u>615713</u>		SEAT FRAME SUPPORT					2
24	<u>615728</u>		FOOTREST BRACKET (PASSENGER SIDE).....					1
25	<u>615727</u>		FOOTREST BRACKET (DRIVER SIDE)					1
26	<u>01006G01</u>		HEX HEAD BOLT, 3/8" - 16 X 1 1/4" LG					4
27	<u>00427G4</u>		HEX HEAD BOLT, 3/8" - 16 X 1 1/2" LG					16
28	<u>00429G2</u>		HEX HEAD BOLT, 3/8" - 16 X 3 1/4" LG					2
29	<u>16705G9</u>		TRUSS HEAD PHILLIPS SCREW (SS), 1/4" - 20 X 1 1/4" LG.....					4
30	<u>614221</u>		FLAT WASHER, 3/8"					32
31	<u>01110G01</u>		FLAT WASHER, 1/4"					4

SEATING

When ordering parts, please specify the model and serial number of the product.

* Indicates a component that is not available as an individual part.

*** Indicates consult Customer Service Department for additional information.

ITEM	PART NO.	1	2	3	4	5	DESCRIPTION	QTY.
32	<u>11098G5</u>						LOCK NUT, 3/8" - 16	10
33	<u>11027G5</u>						LOCK NUT, 3/8" - 16	4
34	<u>14390G4</u>						LOCK NUT, 1/4" - 20	4
35	<u>19853G1</u>						SQUARE CAP TUBE, 1"	2
36	<u>634180</u>						SEAT FRAME WELDMENT (FOR VEHICLES MANUFACTURED FROM MARCH 2014)	1
37								
38	***						SEAT BOTTOM ASSEMBLY (INCLUDES ITEMS 39 - 50, 66 - 69)	1
							629269G0103 TAN	
							629269G0101 OYSTER	
							629269G0110 RED/BLACK	
							629269G0106 BLACK	
							629269G0109 WHITE/BLUE	
							629269G0111 WHITE/RED	
							629269G0107 BROWN	
							629269G0113 WHITE/YELLOW	
							629269G0115 OYSTER/GARNET	
							629269G0114 GRAY/BLACK	
39	***						VINYL SEAT BOTTOM COVER.....	1
							71602G03 OYSTER	
							71602G04 TAN	
							71602G06 BLACK	
							604912G0102 WHITE/BLUE	
							604912G0304 RED/BLACK	
							604912G0103 WHITE/RED	
							71602G07 BROWN	
							604912G0108 WHITE/YELLOW	
							604912G0506 OYSTER/GARNET	
							604912G0704 GRAY/BLACK	
40	<u>71603G02</u>						FOAM PADDING (SEAT BOTTOM).....	1
41								
42	<u>71610G01</u>						SEAT HINGE.....	2
43	<u>00720G08</u>						FLAT HEAD PHILLIPS SCREW, #12 -14 X 1" LG	6
44	<u>17074G1</u>						RUBBER PAD	2
45	<u>71012G01</u>						VINYL TRIM (SEAT BOTTOM)	1
46	<u>23222G1</u>						FLAT STAPLE, 3/8"	110
47	<u>23223G1</u>						FLAT STAPLE	36
48								
49								

When ordering parts, please specify the model and serial number of the product.

* Indicates a component that is not available as an individual part.

*** Indicates consult Customer Service Department for additional information.

ITEM	PART NO.	1 2 3 4 5	DESCRIPTION	QTY.
50				
51				
52				
53	<u>00426G8</u>		HEX HEAD BOLT, 3/8" - 16 X 3/4" LG	2
54	<u>617901</u>		HANDRAIL KIT, FLIP-FLOP SEAT (INCLUDES ITEMS 55 - 60)	1
55	<u>615721</u>		FOOTREST HANDLE WELDMENT	1
56	<u>19859G1</u>		SQUARE CAP TUBE, 3/4"	2
57	<u>610631</u>		WARNING DECAL.....	1
58	<u>00427G8</u>		HEX HEAD BOLT, 3/8" - 16 X 2" LG.....	4
59	<u>614221</u>		FLAT WASHER, 3/8"	8
60	<u>11098G5</u>		LOCK NUT, 3/8" - 16	4
61	<u>00560G1</u>		FLAT WASHER, 3/8"	8
62				
63				
64	<u>00664G7</u>		LOCK WASHER (SS), 1/4"	4
65	<u>00661G8</u>		HEX HEAD BOLT, 1/4" - 20 X 1/2" LG	4
66	<u>645492</u>		SEAT BOTTOM	1
67	<u>617644</u>		HIP RESTRAINT (DRIVER SIDE)	1
68	<u>617645</u>		HIP RESTRAINT (PASSENGER SIDE)	1
69	<u>615417</u>		BUTTON HEAD TORX BOLT, M10 - 1.5 X 25MM LG	8
70	<u>634184</u>		HANDRAIL KIT, FLIP-FLOP SEAT (INCLUDES ITEMS 56 - 60, 71) (FOR VEHICLES MANUFACTURED FROM MARCH 2014).....	1
71	<u>631485</u>		FOOTREST HANDLE WELDMENT (FOR VEHICLES MANUFACTURED FROM MARCH 2014)	1
72				
73	***		FLIP FLOP SEAT BOTTOM ASSEMBLY (INCLUDES ITEMS 13, 15 - 17, 74) (FOR VEHICLES MANUFACTURED FROM MARCH 2014)..... 628058G01 OYSTER 628058G03 TAN 628058G04 GRAY 628058G06 BLACK 628058G07 BROWN 628058G09 WHITE/BLUE 628058G10 RED/BLACK 628058G11 WHITE/RED 628058G12 WHITE/BLACK	1

SEATING

When ordering parts, please specify the model and serial number of the product.

* Indicates a component that is not available as an individual part.

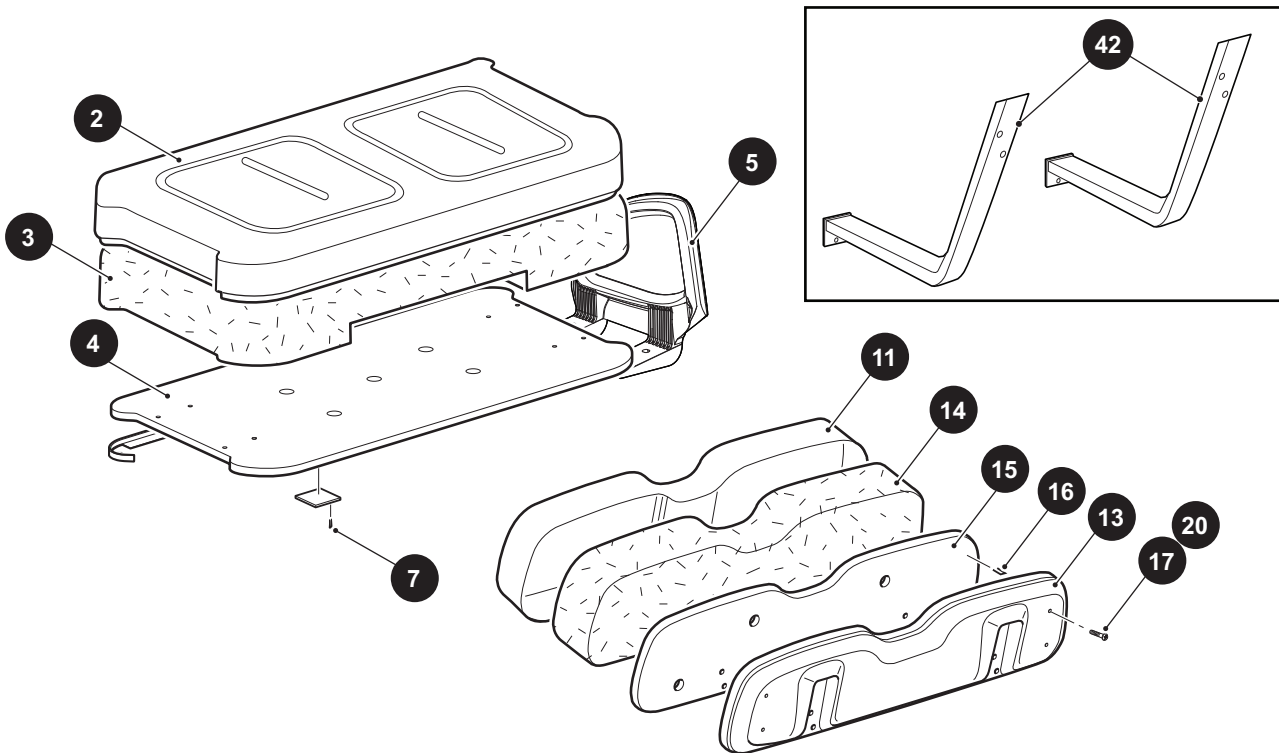
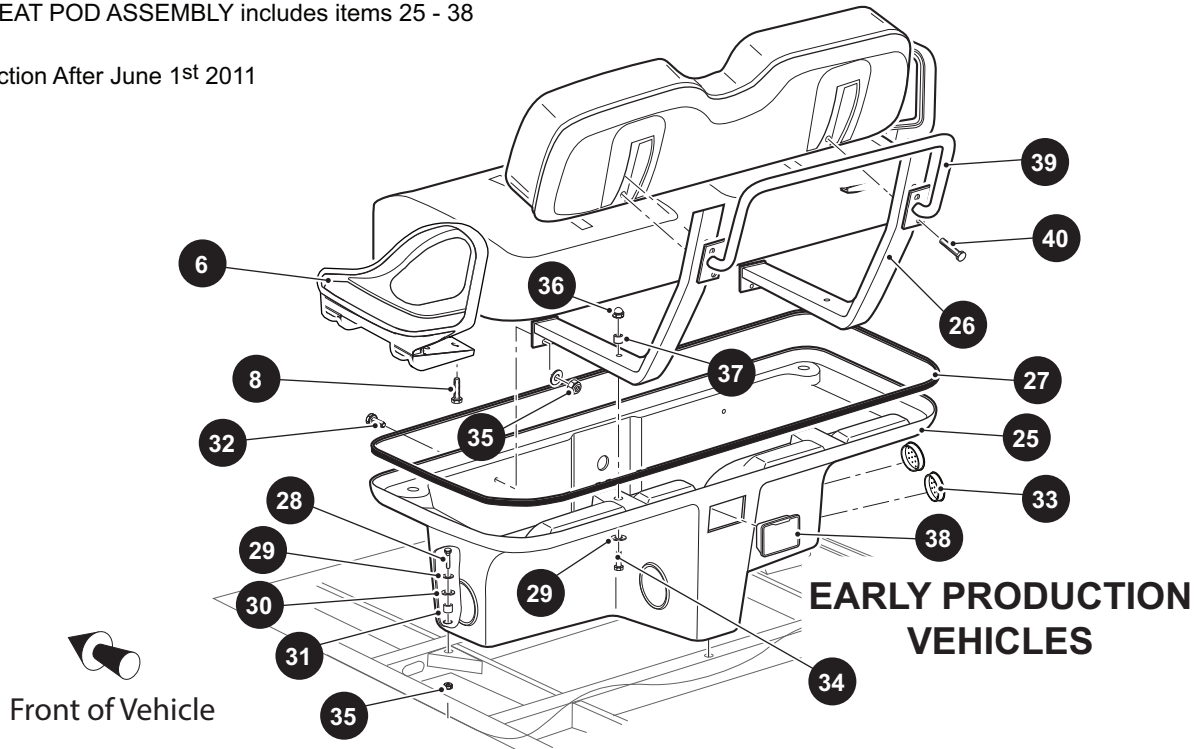
*** Indicates consult Customer Service Department for additional information.

ITEM	PART NO.	1	2	3	4	5	DESCRIPTION	QTY.
							628058G13 WHITE/YELLOW 628058G14 GRAY/BLACK 628058G15 OYSTER/GARNET	
74	<u>634190</u>						DECK BOARD ASSEMBLY (FOR VEHICLES MANUFACTURED FROM MARCH 2014).....	1
75	<u>634175</u>						REAR SEAT ARM REST (FOR VEHICLES MANUFACTURED FROM MARCH 2014)	1
76	<u>634179</u>						FOOTREST WELDMENT (FOR VEHICLES MANUFACTURED FROM MARCH 2014)	1
77	<u>625525</u>						SEAT SUPPORT WELDMENT (FOR VEHICLES MANUFACTURED FROM MARCH 2014)	1
78	<u>00427G2</u>						HEX HEAD BOLT, 3/8" - 16 X 1 1/4" LG (FOR VEHICLES MANUFACTURED FROM MARCH 2014)	16
79	<u>00428G8</u>						HEX HEAD BOLT, 3/8" - 16 X 2 1/4" LG (FOR VEHICLES MANUFACTURED FROM MARCH 2014)	2
80	<u>00559G7</u>						FLAT WASHER, 1/4" (FOR VEHICLES MANUFACTURED FROM MARCH 2014)	4

SEATING

- 1 SEAT BOTTOM ASSEMBLY includes items 2 - 8
- 10 SEAT BACK ASSEMBLY includes items 11 - 17, 20
- 24 SEAT POD ASSEMBLY includes items 25 - 38

Production After June 1st 2011



When ordering parts, please specify the model and serial number of the product.

* Indicates a component that is not available as an individual part.

*** Indicates consult Customer Service Department for additional information.

ITEM	PART NO.	1 2 3 4 5	DESCRIPTION	QTY.
1	***		SEAT BOTTOM ASSEMBLY (INCLUDES ITEMS 2 - 8) 629269G0406 BLACK 629269G0410 RED/BLACK 629269G0409 WHITE/BLUE 629269G0403 TAN 629269G0401 OYSTER 629269G0411 WHITE/RED	1
2	***		VINYL SEAT BOTTOM COVER) 71624G07 BLACK 604912G0304 RED/BLACK 604912G0102 WHITE/BLUE 71624G04 TAN 71624G03 WHITE/BLUE 604912G0103 WHITE/RED	1
3	<u>71625G01</u>		SEAT BOTTOM FOAM PADDING.....	1
4	645494		SEAT BOTTOM ASSEMBLY	1
5	<u>617644</u>		HIP RESTRAINT (PASSENGER SIDE)	1
6	<u>617645</u>		HIP RESTRAINT (DRIVER SIDE)	1
7	<u>23222G1</u>		STAPLE, 3/8" X 3/8"	110
8	<u>615417</u>		BUTTON HEAD TORX BOLT, M10 - 1.5 X 25" LG.....	8
9				
10	***		SEAT BACK ASSEMBLY (INCLUDES ITEMS 11 - 17, 20)..... 71757G07 BLACK 71751G04 TAN 71751G03 OYSTER 606828 RED/BLACK 604908 WHITE/BLUE 604907 WHITE/RED	1
11	***		VINYL SEAT BACK COVER..... 71753G07 BLACK 71753G04 TAN 71753G03 OYSTER 604916G0304 RED/BLACK 604916G0102 WHITE/BLUE 604916G0103 WHITE/RED	1
12				
13	71752G01		PLASTIC SEAT BACK REAR COVER.....	1
14	<u>71754G01</u>		SEAT BACK, FOAM PADDING	1
15	<u>645021</u>		SEAT BACK BASE	1
16	<u>23222G1</u>		STAPLE, 3/8" x 3/8"	95

SEATING

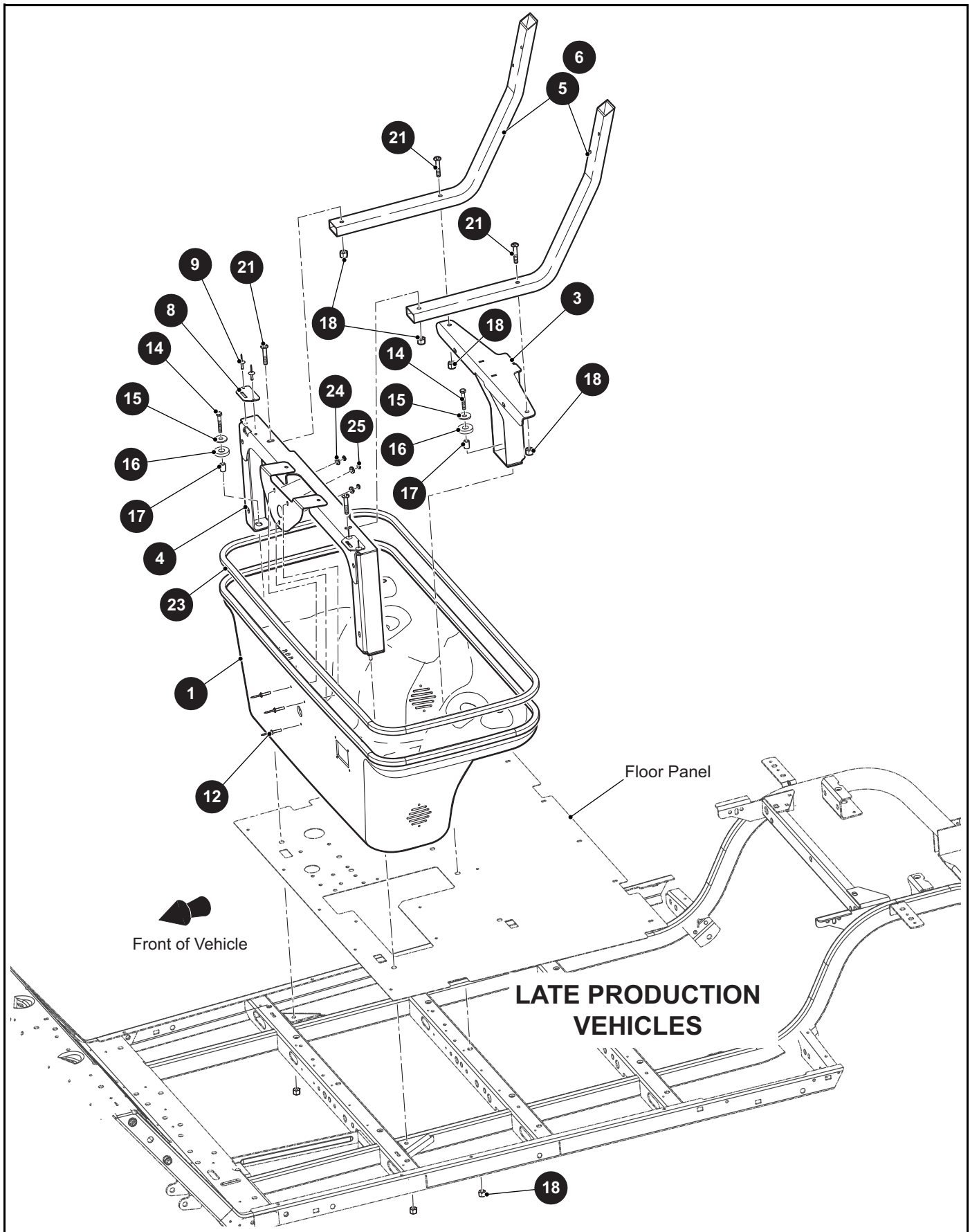
When ordering parts, please specify the model and serial number of the product.

* Indicates a component that is not available as an individual part.

*** Indicates consult Customer Service Department for additional information.

ITEM	PART NO.	1	2	3	4	5	DESCRIPTION	QTY.
17	<u>01107G01</u>						TORX SCREW, #8 X 5/8" LG.....	4
18								
19								
20	607535						PAN HEAD TORX SCREW, #8 X .88" LG	4
21								
22								
23								
24	620216G0**						SEAT POD ASSEMBLY (INCLUDES ITEMS 25 - 38)	1
25	70836G0**						SEAT POD	1
26	<u>626576</u>						SEAT BACK SUPPORT WELDMENT	2
27	<u>32805G6</u>						BLACK TRIM.....	1
28	00439G8						HEX HEAD BOLT, 5/16" - 18 X 2" LG	3
29	<u>00675G1</u>						FLAT WASHER (SS), 3/8".....	5
30	<u>71883G01</u>						RUBBER WASHER, 5/8"	3
31	<u>23726G9</u>						SPACER, 3/4"	3
32	<u>00976G06</u>						TRUSS HEAD PHILLIPS SCREW (SS), 5/16" - 18 X 3/4" LG.....	2
33	<u>71599G01</u>						VENT PLUG.....	4
34	<u>00427G8</u>						HEX HEAD BOLT, 3/8" - 16 X 2" LG	2
35	11098G6						LOCK NUT (SS), 5/16" - 18	5
36	<u>15717G5</u>						ACORN NUT, 3/8" - 16.....	2
37	<u>23726G4</u>						SPACER, 5/16"	2
38	27731G01						ASHTRAY, FLUSH MOUNTED PLASTIC.....	1
39	<u>71632G01</u>						HANDGRIP WELDMENT	1
40	<u>71204G02</u>						MACHINE SCREW WITH PATCH LOCK, 1/4" - 20 X 2" LG	4
41								
42	<u>71868G01</u>						SEAT BACK SUPPORT WELDMENT	2

SEATING



When ordering parts, please specify the model and serial number of the product.

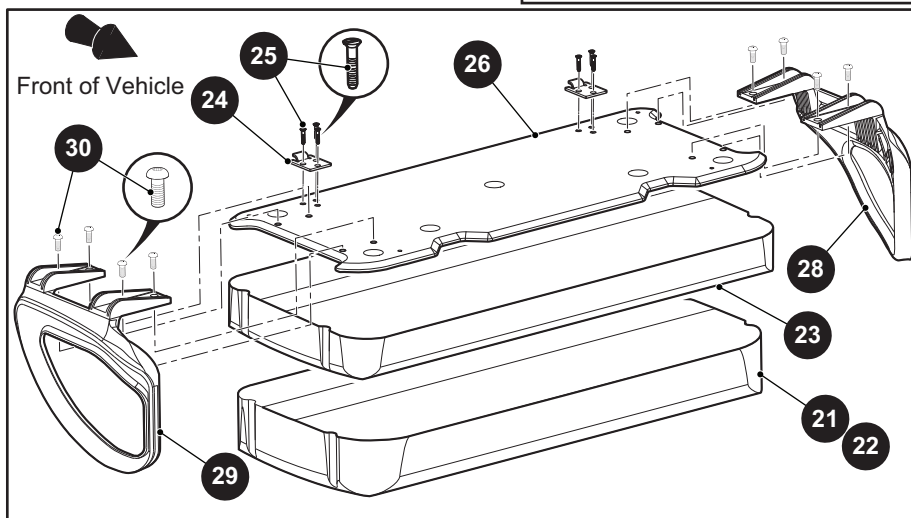
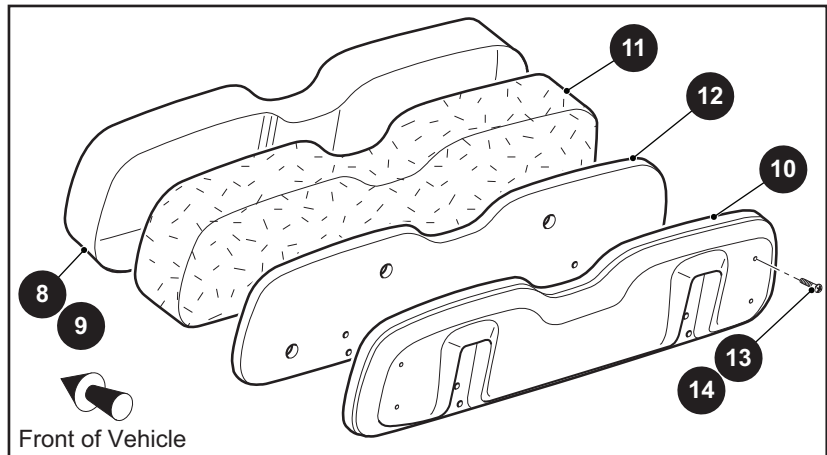
* Indicates a component that is not available as an individual part.

*** Indicates consult Customer Service Department for additional information.

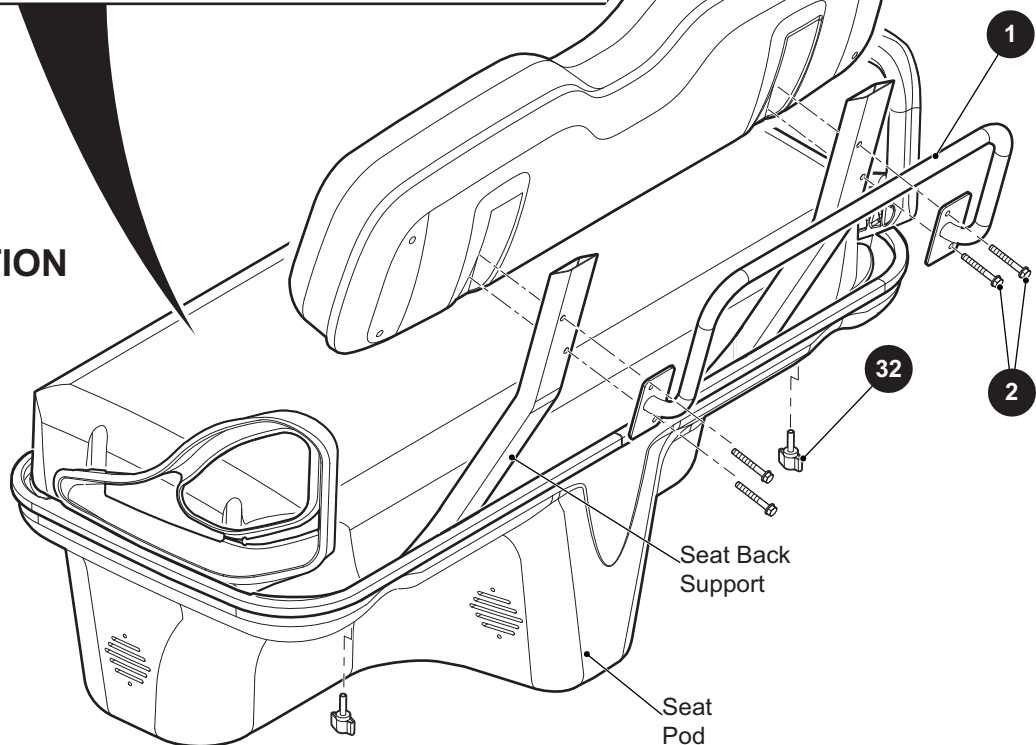
ITEM	PART NO.	1 2 3 4 5	DESCRIPTION	QTY.
1	648313GXX		SEAT POD	1
2				
3	<u>657681</u>		REAR SEAT SUPPORT	1
4	<u>654767</u>		SEAT SUPPORT	1
5	<u>648523</u>		SEAT BACK SUPPORT TUBE (FOR VEHICLES MANUFACTURED BEFORE AUGUST 17, 2019)	2
6	694377		SEAT BACK SUPPORT TUBE (FOR VEHICLES MANUFACTURED AFTER AUGUST 17, 2019).....	2
7				
8	<u>71609G01</u>		HINGE PLATE.....	2
9	<u>10570G11</u>		RIVET (SS), 3/16" X .70" LG.....	4
10				
11				
12	<u>71055G01</u>		RIVET (ALUMINUM), 3/16" X 1" LG	3
13				
14	00439G8		HEX HEAD BOLT (SS), 5/16" - 18 X 2" LG	3
15	<u>00675G1</u>		WASHER (SS), .398" I.D. X 1.25" O.D. X .115" LG	3
16	<u>71883G01</u>		WASHER (RUBBER), .625" I.D. X 1.50" O.D. X .312" LG.....	3
17	<u>23726G9</u>		SPACER, .312" I.D. X .562" O.D. X .750" LG	3
18	11098G6		LOCK NUT, 5/16" - 18.....	7
19				
20				
21	<u>00762G6</u>		TRUSS HEAD PHILLIPS SCREW (SS), 5/16" - 18 X 3/4" LG.....	4
22				
23	<u>32805G6</u>		TRIM, 118" LG	1
24	<u>00660G5</u>		FLAT WASHER, #10	3
25	<u>01110G01</u>		FLAT WASHER, 1/4"	3

SEATING

- 6** SEAT BACK ASSEMBLY
includes items 8, 10 - 13
- 7** SEAT BACK ASSEMBLY
includes items 9 - 12, 14
- 17** SEAT BOTTOM ASSEMBLY
includes items 22 - 30
- 18** SEAT BOTTOM ASSEMBLY
includes items 21, 23 - 30



**LATE PRODUCTION
VEHICLES**



When ordering parts, please specify the model and serial number of the product.

* Indicates a component that is not available as an individual part.

*** Indicates consult Customer Service Department for additional information.

ITEM	PART NO.	1 2 3 4 5	DESCRIPTION	QTY.
1	<u>71632G01</u>		HAND GRIP WELDMENT.....	1
2	<u>71204G02</u>		MACHINE SCREW WITH PATCH LOCK, 1/4" - 20 X 2" LG.....	4
3				
4				
5				
6	***		SEAT BACK ASSEMBLY (INCLUDES ITEM 8, 10 - 13)..... 606828 RED/BLACK 604908 WHITE/BLUE 604907 WHITE/RED 615838 WHITE/BLACK 620794 WHITE/YELLOW 620796 GRAY/BLACK 615837 OYSTER/GARNET	2
7	***		SEAT BACK ASSEMBLY (INCLUDES ITEM 9 - 12, 14)..... 71751G02 GRAY 71751G03 OYSTER 71751G04 TAN 71751G06 BROWN 71751G07 BLACK	2
8	***		VINYL SEAT BACK COVER..... 604916G0304 RED/BLACK 604912G0102 WHITE/BLUE 604912G0103 WHITE/RED 604916G0104 WHITE/BLACK 604916G0108 WHITE/YELLOW 604916G0704 GREY/BLACK 604916G0506 OYSTER/GARNET	1
9	***		VINYL SEAT BACK COVER..... 71753G01 WHITE 71753G03 OYSTER 71753G04 TAN 71753G06 BROWN 71753G07 BLACK	1
10	71752G01		REAR SEAT BACK COVER.....	1
11	<u>71754G01</u>		SEAT BACK PADDING	1
12	<u>645021</u>		SEAT BACK BASE	1
13	<u>648271</u>		PAN HEAD TORX SCREW (SS), #8 - 15 X 1" LG	4
14	<u>01107G01</u>		PAN HEAD TORX SCREW (SS), #8 X .63" LG.....	4
15				
16				

SEATING

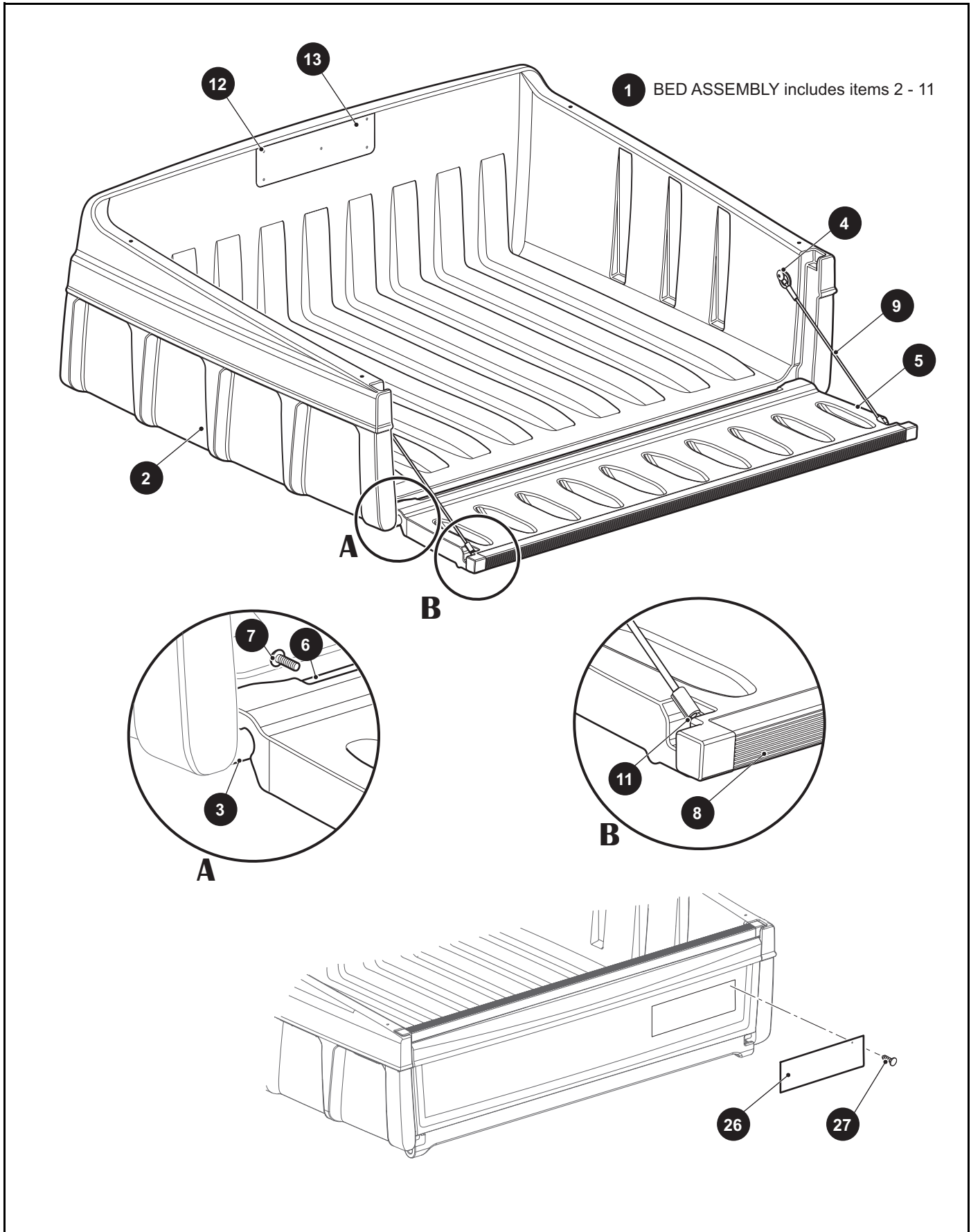
When ordering parts, please specify the model and serial number of the product.

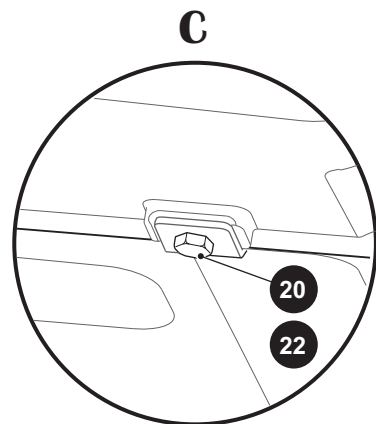
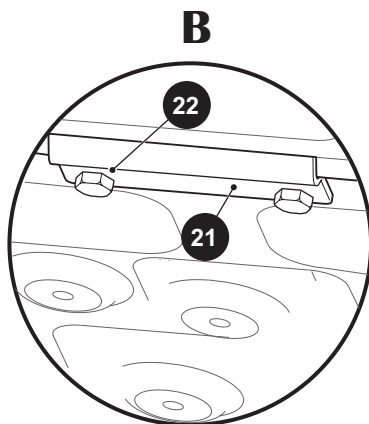
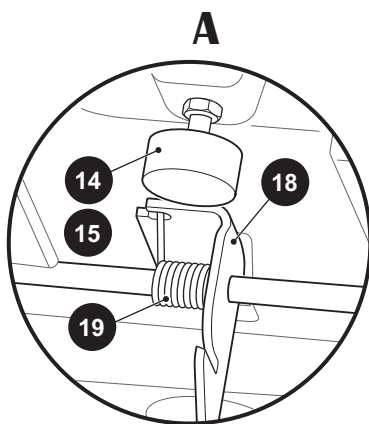
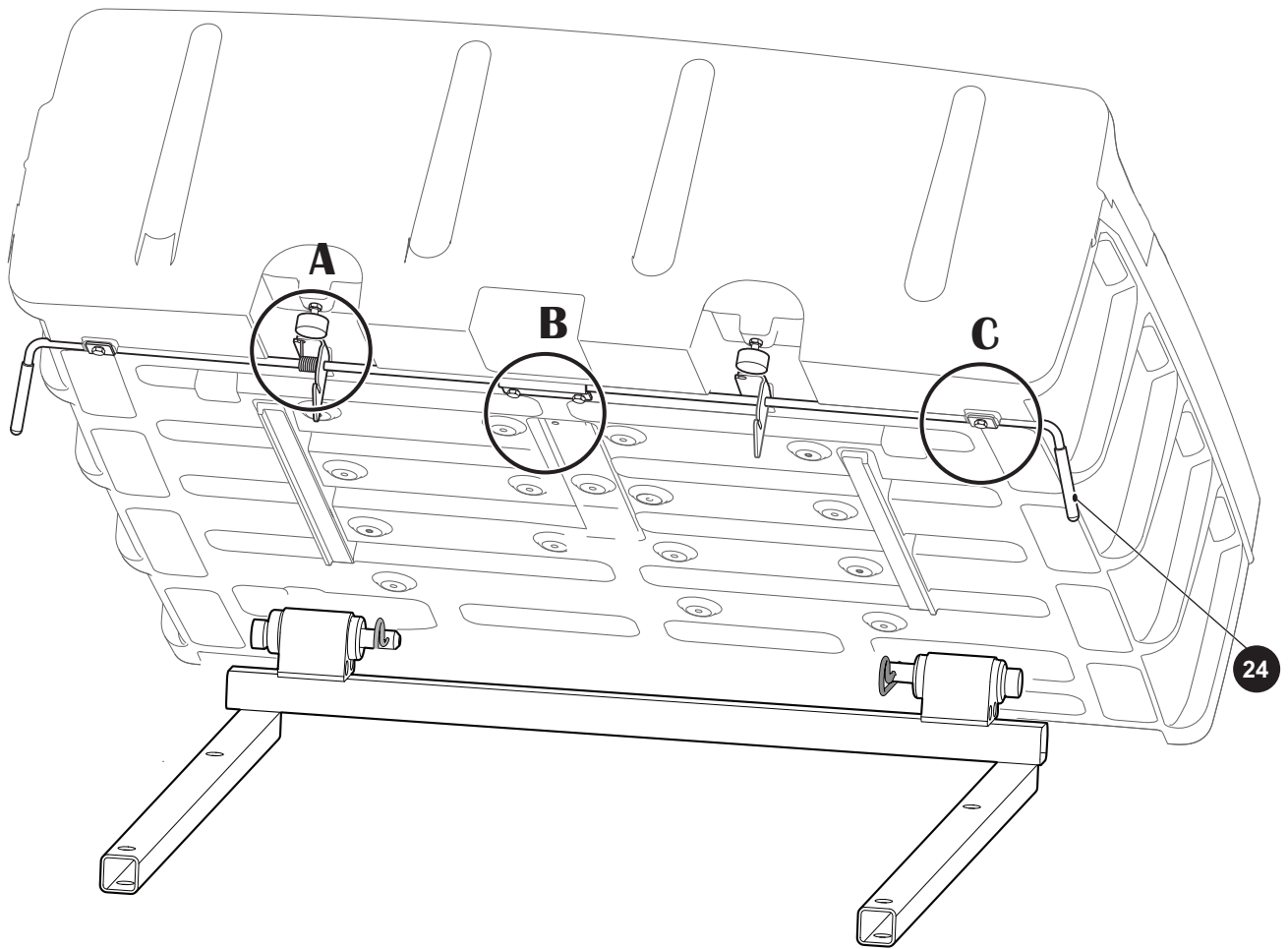
* Indicates a component that is not available as an individual part.

*** Indicates consult Customer Service Department for additional information.

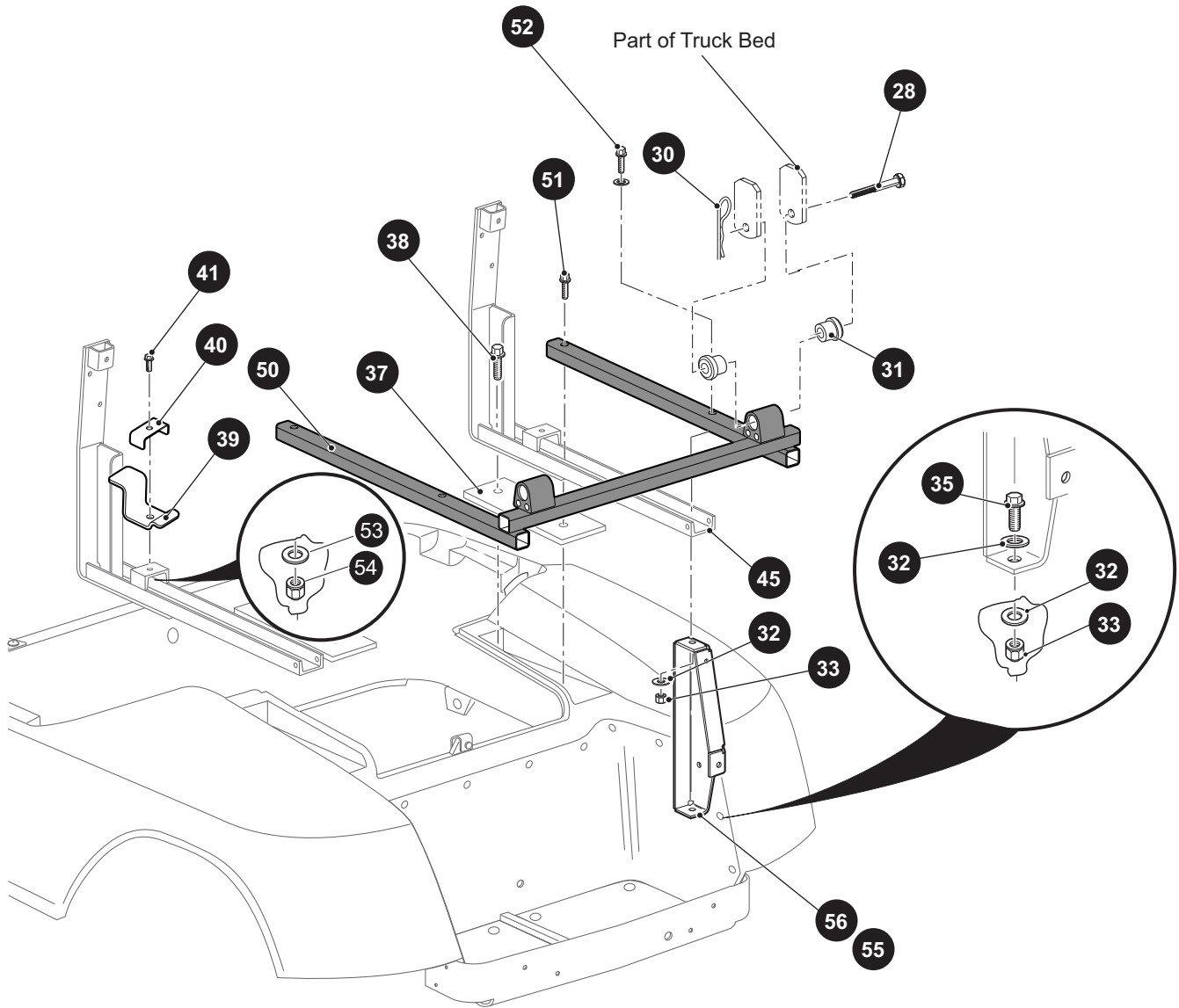
ITEM	PART NO.	1	2	3	4	5	DESCRIPTION	QTY.
17	***						SEAT BOTTOM ASSEMBLY (INCLUDES ITEM 22 - 30) 629269G1701 OYSTER 629269G1703 TAN 629269G1704 GRAY 629269G1706 BLACK 629269G1707 BROWN	1
18	***						SEAT BOTTOM ASSEMBLY (INCLUDES ITEM 21, 23 - 30) 629269G1709 WHITE/BLUE 629269G1710 RED/BLACK 629269G1711 WHITE/RED 629269G1712 WHITE/BLACK 629269G1713 WHITE/YELLOW 629269G1714 GRAY/BLACK 629269G1715 OYSTER/GARNET	1
19								
20								
21	***						VINYL SEAT COVER 604912G0102 WHITE/BLUE 604912G0103 WHITE/RED 604916G0104 WHITE/BLACK 604916G0108 WHITE/YELLOW 604916G0304 RED/BLACK 604916G0506 OYSTER/GARNET 604916G0704 GREY/BLACK	1
22	***						VINYL SEAT COVER 71624G03 OYSTER 71624G04 TAN 71624G02 GRAY 71624G07 BLACK 71624G06 BROWN	1
23	<u>71625G01</u>						SEAT BOTTOM PADDING.....	1
24	<u>71610G01</u>						SEAT HINGE.....	2
25	<u>00720G08</u>						FLAT HEAD PHILLIPS SCREW, #12 -14 X 1" LG	6
26	<u>649851</u>						SEAT BOTTOM BASE	1
27								
28	<u>617645</u>						HIP RESTRAINT (DRIVER SIDE)	1
29	<u>617644</u>						HIP RESTRAINT (PASSENGER SIDE)	1
30	<u>615417</u>						BUTTON HEAD TORX BOLT, M10 - 1.5 X 25MM LG	8
31								
32	70864G01						T-KNOB STUD, 1/4" - 20 X 1" LG	2

TRUCK BED





TRUCK BED



When ordering parts, please specify the model and serial number of the product.

* Indicates a component that is not available as an individual part.

*** Indicates consult Customer Service Department for additional information.

ITEM	PART NO.	1 2 3 4 5	DESCRIPTION	QTY.
1	<u>72647G01</u>		BED ASSEMBLY (INCLUDES ITEMS 2 -11)	1
2	72648G01		PLASTIC BED, 36"	1
3	<u>73454G01</u>		PIVOT SHAFT	2
4	<u>73460G01</u>		SHOULDER BOLT, 1/4" - 20 X 3/4" LG	2
5	<u>72649G01</u>		TAILGATE	1
6	<u>73450G01</u>		BOWED ANGLE	1
7	<u>16705G2</u>		PAN HEAD SCREW (SS), 1/4" - 20 X 5/8" LG	4
8	<u>73449G01</u>		TAILGATE CAP	1
9	73455G02		TAILGATE CABLE	1
10				
11	<u>00415G2</u>		HEX HEAD BOLT, 1/4" - 20 X 1 1/4" LG.....	2
12	<u>74821G01</u>		LOAD BED DECAL	1
13	<u>71055G01</u>		RIVET	5
14	<u>70113G01</u>		ADJUSTABLE RUBBER BUMPER.....	2
15	<u>11027G1</u>		LOCK NUT, 5/16" - 18.....	2
16				
17				
18	<u>607072</u>		BED LATCH	1
19	<u>71538G01</u>		LATCH TORSION SPRING.....	1
20	<u>652442G03</u>		KEEPER PLATE	2
21	<u>652440G03</u>		RETAINER BRACKET	1
22	<u>01118G01</u>		HEX HEAD BOLT, 1/4" - 20 X 5/8" LG	4
23				
24	<u>71704G01</u>		HANDLE GRIP.....	2
25				
26	<u>600821</u>		E-Z-GO LABEL	1
27	<u>71571G01</u>		CLEVIS PIN, .49 X 5.25" LG.....	2
28				
29				
30	<u>21683G1</u>		COTTER PIN, 15/32" X 2 11/16" LG.....	2
31	<u>624030</u>		FLANGED BUSHING.....	4

TRUCK BED

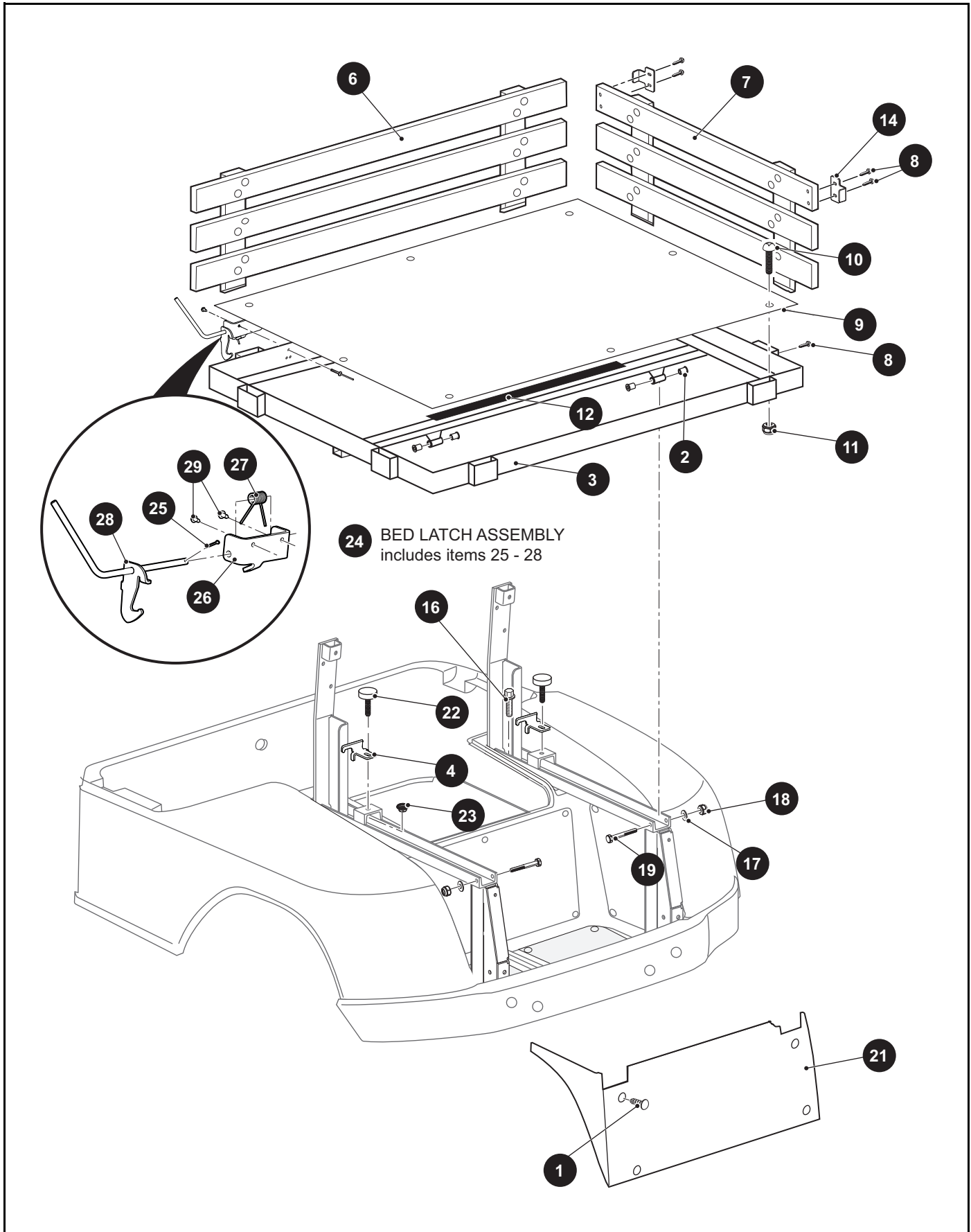
When ordering parts, please specify the model and serial number of the product.

* Indicates a component that is not available as an individual part.

*** Indicates consult Customer Service Department for additional information.

ITEM	PART NO.	1 2 3 4 5	DESCRIPTION	QTY.
32	<u>00560G1</u>		FLAT WASHER, 3/8"	8
33	<u>11098G5</u>		LOCK NUT, 3/8" - 16	4
34				
35	<u>00427G4</u>		HEX HEAD BOLT, 3/8" - 16 X 1.5.....	2
36				
37	<u>70364G01</u>		SPACER	2
38	<u>01006G02</u>		HEX WASHER HEAD BOLT, 3/8" - 16 X 1.25" LG	2
39	<u>606167</u>		FRONT BED SUPPORT.....	2
40	<u>607093</u>		BED SUPPORT BRACKET	2
41	<u>00439G1</u>		HEX HEAD BOLT, 5/16" - 18 X 1.2" LG.....	2
42				
43				
44				
45	<u>74111G01</u>		SEAT SUPPORT	2
46				
47				
48				
49				
50	<u>606112</u>		BED FRAME.....	1
51	<u>01075G01</u>		HEX HEAD SCREW, 3/8" - 16 X 5/2" LG	2
52	<u>00427G8</u>		HEX HEAD BOLT, 3/8" - 16 X 2" LG.....	2
53	<u>00559G8</u>		FLAT WASHER, 5/16"	2
54	<u>11098G6</u>		LOCK NUT, 5/16" - 18	2
55	<u>74126G01</u>		REAR SUPPORT FRAME (DRIVER SIDE)	1
56	<u>74126G02</u>		REAR SUPPORT FRAME (PASSENGER SIDE)	1

TRUCK BED



When ordering parts, please specify the model and serial number of the product.

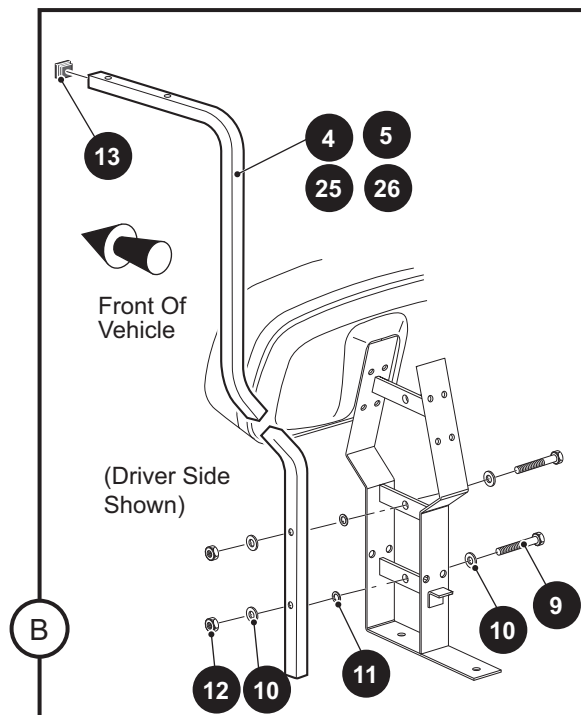
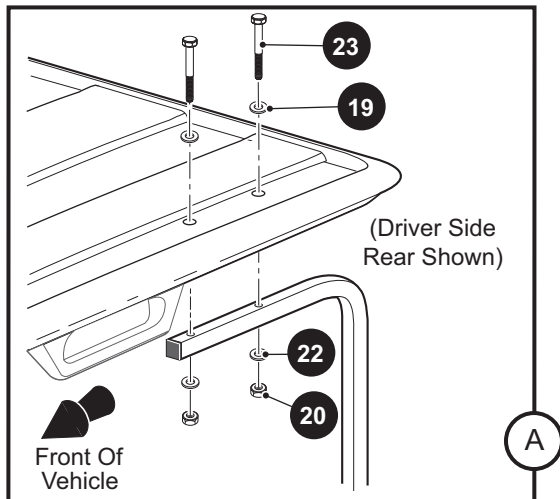
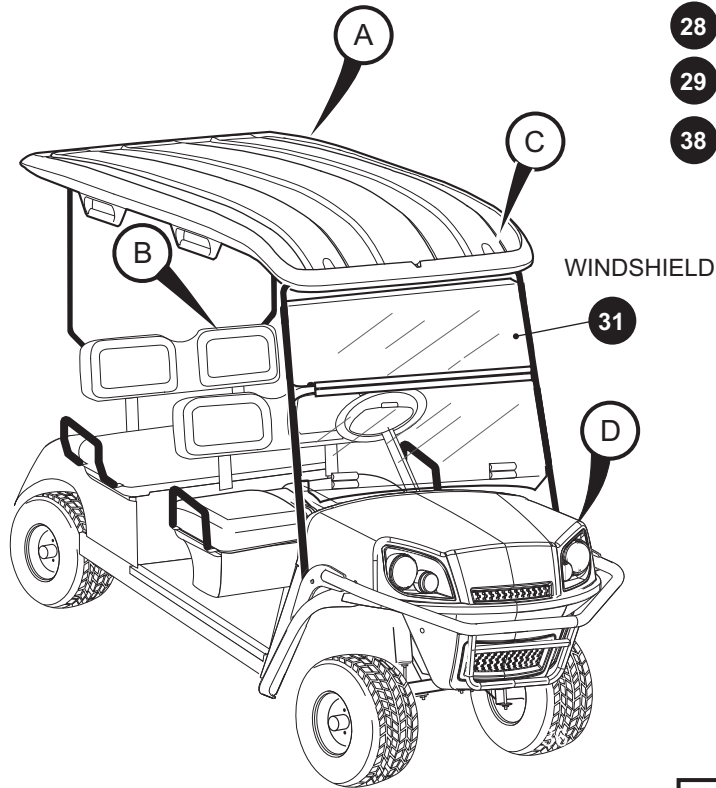
* Indicates a component that is not available as an individual part.

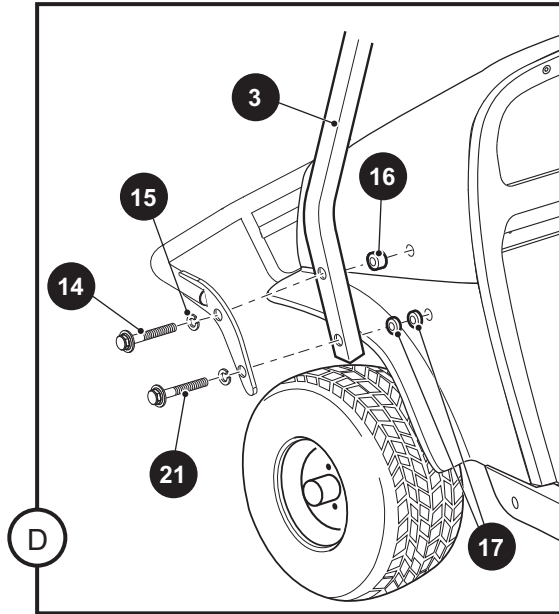
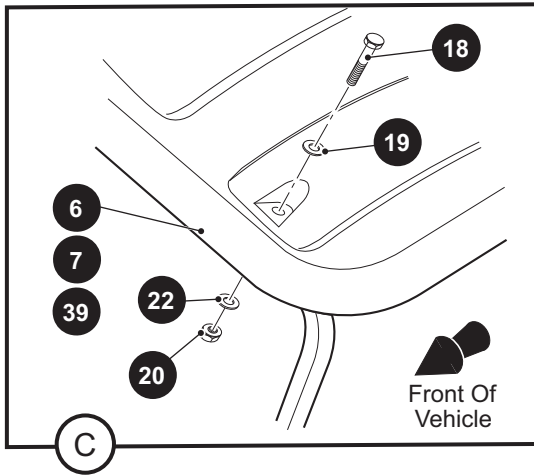
*** Indicates consult Customer Service Department for additional information.

ITEM	PART NO.	1 2 3 4 5	DESCRIPTION	QTY.
1	<u>16816G2</u>		RIVET, 1/4" X .887" LG	4
2	<u>17838G1</u>		NYLON BUSHING	4
3	<u>74080G01</u>		CARGO DECK.....	1
4	<u>72914G02</u>		HOLD DOWN BRACKET	1
5	<u>635862</u>		CARGO DECK (FOR VEHICLES MANUFACTURED FROM MARCH 2014)	1
6	<u>34280G02</u>		FRONT/REAR CARGO RACK.....	2
7	<u>34280G01</u>		SIDE CARGO RACK.....	2
8	00666G6		TAPPING SCREW (SS), #10 - 12 X 3/4" LG	14
9	<u>655936</u>		CARGO DECKBOARD	1
10	<u>16705G9</u>		TRUSS HEAD SCREW (SS), 1/4" - 20 X 1.25" LG	8
11	<u>14390G4</u>		LOCK NUT, 1/4" - 20	8
12	23052G1		NOISE SUPPRESSOR.....	1
13				
14	<u>74079G02</u>		TAILGATE RETAINER BRACKET	4
15				
16	<u>01006G01</u>		HEX WASHER HEAD BOLT, 3/8" - 16 X 1.25" LG	4
17	00559G8		FLAT WASHER, 5/16".....	2
18	11098G6		LOCK NUT (SS), 5/16" - 18	2
19	<u>00440G4</u>		HEX HEAD BOLT, 5/16" - 18 X 2 1/2" LG	2
20				
21	<u>74149G01</u>		PANEL.....	1
22	<u>70113G01</u>		ADJUSTABLE RUBBER BUMPER.....	2
23	<u>11027G1</u>		LOCK NUT, 5/16" - 18.....	4
24	72913G01		BED LATCH ASSEMBLY (INCLUDES ITEMS 25 - 28).....	1
25	<u>10387G3</u>		COTTER PIN.....	1
26	<u>74509G01</u>		PIVOT BRACKET	1
27	<u>70681G01</u>		TORSION SPRING.....	1
28	<u>72912G01</u>		LONG BED LATCH.....	1
29	<u>00100G6</u>		HEX HEAD BOLT, # 10 - 16 X 3/4" LG	2

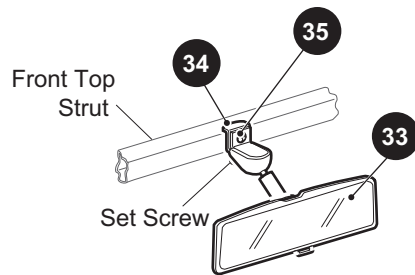
WEATHER PROTECTION

- 1 SUN TOP KIT, BLACK includes items 3 - 6, 8
- 2 SUN TOP KIT, WHITE includes items 3 - 5, 7, 8
- 28 SUN TOP KIT, WHITE includes items 3, 7, 8 - 26
- 29 SUN TOP KIT, BLACK includes items 3, 6, 8 - 26
- 38 SUN TOP KIT, TAN includes items 3, 8 - 26, 39





32 REAR VIEW MIRROR KIT includes items 33 - 35



REAR VIEW MIRROR

WEATHER PROTECTION

When ordering parts, please specify the model and serial number of the product.

* Indicates a component that is not available as an individual part.

*** Indicates consult Customer Service Department for additional information.

ITEM	PART NO.	1 2 3 4 5	DESCRIPTION	QTY.
1	<u>607305</u>		SUN TOP KIT, BLACK (INCLUDES ITEMS 3 - 6, 8)	1
2	<u>607581</u>		SUNTOP KIT, WHITE (INCLUDES ITEMS 3 - 5, 7, 8)	1
3	<u>75488G01</u>		FRONT SUPPORT	1
4	<u>75487G02</u>		REAR SUPPORT (DRIVER SIDE)	1
5	<u>75487G01</u>		REAR SUPPORT (PASSENGER SIDE)	1
6	<u>607258</u>		SUN TOP, BLACK	1
7	<u>607580</u>		SUN TOP, WHITE	1
8	<u>608138</u>		SUN TOP HARDWARE KIT (INCLUDES ITEMS 9 - 23)	1
9	<u>00665G5</u>		HEX HEAD BOLT (SS), 3/8" - 16 X 1 3/4" LG	4
10	<u>00679G1</u>		FLAT WASHER (SS), 3/8"	8
11	<u>00771G5</u>		NYLON WASHER, 3/8"	4
12	<u>00891G5</u>		LOCK NUT, 3/8" - 16	4
13	<u>19853G1</u>		END CAP, 1"	2
14	<u>01035G02</u>		HEX HEAD BOLT, 5/16" - 18 X 2 1/2" LG	2
15	<u>00565G8</u>		LOCK WASHER, 5/16"	4
16	<u>75048G01</u>		SPACER, 1/2"	2
17	<u>00879G1</u>		LOCK WASHER, 3/8"	4
18	<u>00685G10</u>		HEX HEAD BOLT, 5/6" - 18 X 2.75" LG	2
19	<u>00907G2</u>		FLAT WASHER, 5/16"	6
20	11098G6		LOCK NUT, 5/16" - 18	6
21	<u>00440G2</u>		BOLT, 5/16" - 18 X 2 1/4" LG	2
22	<u>00660G8</u>		FLAT WASHER, 5/16"	6
23	<u>00685G11</u>		HEX HEAD BOLT, 5/16" - 18 X 3 1/4" LG	4
24				
25	<u>617943</u>		REAR SUPPORT (DRIVER SIDE)	1
26	<u>617942</u>		REAR SUPPORT (PASSENGER SIDE)	1
27				
28	<u>617947</u>		SUNTOP KIT, WHITE (INCLUDES ITEMS 3, 7, 8 - 26)	1
29	<u>617950</u>		SUNTOP KIT, BLACK (INCLUDES ITEMS 3, 6, 8 - 26)	1
30				
31	<u>607255</u>		WINDSHIELD KIT	1

WEATHER PROTECTION

When ordering parts, please specify the model and serial number of the product.

* Indicates a component that is not available as an individual part.

*** Indicates consult Customer Service Department for additional information.

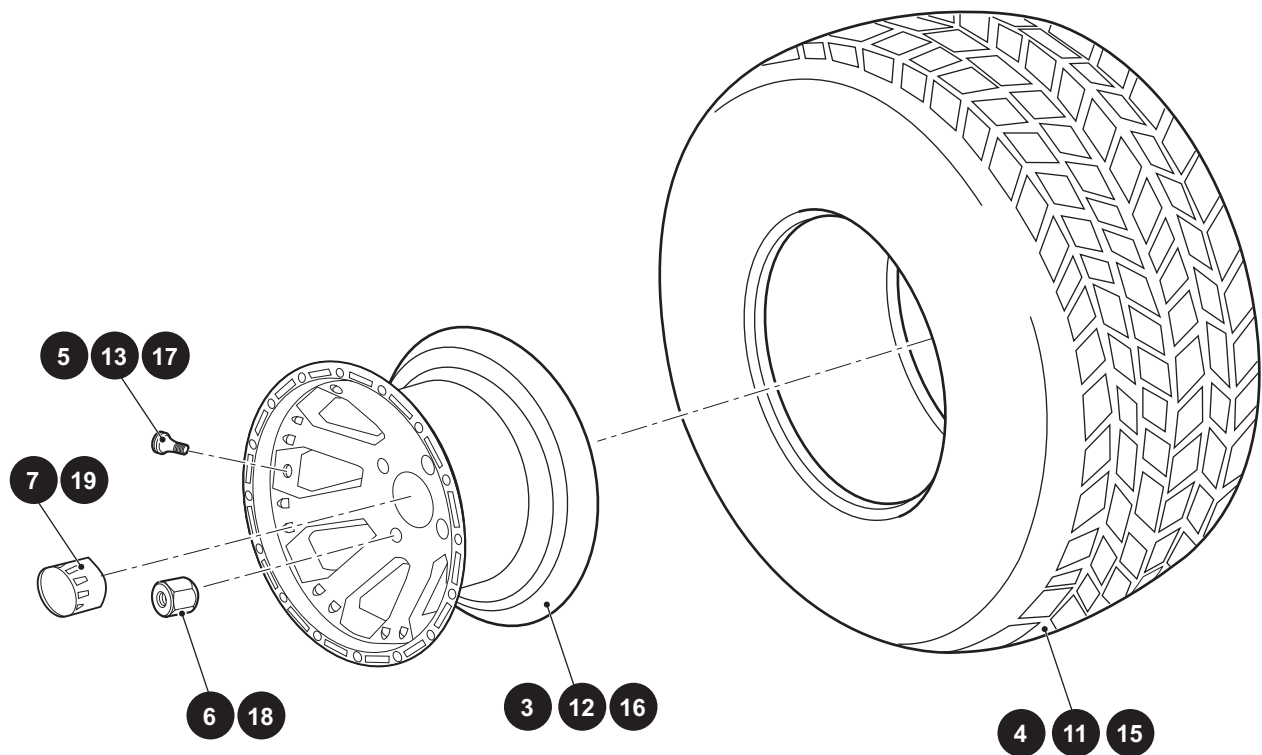
ITEM	PART NO.	1 2 3 4 5	DESCRIPTION	QTY.
32	<u>19528G2</u>		REAR VIEW MIRROR KIT (INCLUDES ITEMS 33 - 35)	1
33	<u>19496G1</u>		REAR VIEW MIRROR	1
34	<u>19502G2</u>		SUPPORT BRACKET	1
35	<u>19527G1</u>		HEX HEAD BOLT (SS), # 8 - 32 X 5/8" LG	1
36				
37				
38	<u>643404</u>		SUN TOP KIT, TAN (INCLUDES ITEMS 3, 8 - 26, 39)	1
39	<u>643212</u>		SUN TOP, TAN	1

Notes:

A large grid area for taking notes, consisting of 20 columns and 30 rows of small squares.

WHEELS AND TIRES

- 1 DESERT EAGLE WHEEL AND TIRE ASSEMBLY, DRIVER SIDE includes items 3 - 5
- 2 DESERT EAGLE WHEEL AND TIRE ASSEMBLY, PASSENGER SIDE includes items 3 - 5
- 10 SPEEDRACER TIRE & WHEEL, DRIVER SIDE includes items 11 - 13
- 14 SPEEDRACER TIRE & WHEEL, PASSENGER SIDE includes items 15 - 17



(Style of tire may differ from tire shown)

WHEELS AND TIRES

When ordering parts, please specify the model and serial number of the product.

* Indicates a component that is not available as an individual part.

*** Indicates consult Customer Service Department for additional information.

ITEM	PART NO.	1 2 3 4 5	DESCRIPTION	QTY.
1	671955G01		DESERT EAGLE WHEEL AND TIRE ASSEMBLY, DRIVER SIDE (INCLUDES ITEMS 3 - 5)	AR
2	671955G02		DESERT EAGLE WHEEL AND TIRE ASSEMBLY, PASSENGER SIDE (INCLUDES ITEMS 3 - 5)	AR
3	<u>670078</u>		WHEEL, 14 X 7	1
4	<u>671459</u>		TIRE, 23 X 10 - 14.....	1
5	<u>604915</u>		VALVE STEM.....	1
6				
7	<u>605310</u>		LUG NUT, 1/2" - 20	AR
8	<u>608910</u>		DIAMOND WHEEL CAP	1
9				
10	<u>606240</u>		SPEEDRACER TIRE AND WHEEL, 10X7, DRIVER SIDE (INCLUDES 11-13) (MUST USE ITEM 18 LUG NUTS, ORDER SEPARATELY).....	2
11	<u>606139</u>		SPEED RACER, 10X7 DRIVER SIDE	1
12	<u>606152</u>		WHEEL, 10" DIAMOND FINISHED WHEEL	1
13	<u>604915</u>		VALVE STEM, CHROME	1
14	<u>606179</u>		SPEEDRACER TIRE AND WHEEL, 10X7, PASSENGER SIDE (INCLUDES 15-17) (MUST USE ITEM 18 LUG NUTS, ORDER SEPARATELY)	2
15	<u>606139</u>		SPEED RACER, 10X7 DRIVER SIDE	1
16	<u>606152</u>		WHEEL, 10 " DIAMOND FINISHED WHEEL	1
17	<u>604915</u>		VALVE STEM, CHROME	1
18	<u>605310</u>		LUG NUT, 1/2" - 20.....	4
19	<u>608910</u>		DIAMOND WHEEL CAP	1



A Textron Company

E-Z-GO Division of Textron Inc.,
1451 Marvin Griffin Road, Augusta, Georgia 30906 - 3852 USA

TO CONTACT US...

North America:

Technical Assistance & Warranty Phone: 1-800-774-3946, FAX: 1-800-448-8124

Service Parts Phone: 1-888-GET-E-Z-GO (1-888-438-3946), FAX: 1-800-752-6175

International: Phone: 001-706-798-4311, FAX: 001-706-771-4609

Service Parts Manuals, as well as Repair and Service Manuals
are available from a local Distributor, an authorized Branch,
Genuine E-Z-GO Parts & Accessories Department or at www.shopezgo.com.

Copyrighted Material
This manual may not be reproduced in whole or
in part without the express permission of
E-Z-GO Division of Textron Inc.
Technical Communications Department