



A Textron Company

72V EXPRESS 4X4 iS

Service Parts Manual

10004908-D
Issued Sept 2019

Revised Jan 2021

SERVICE PARTS MANUAL

72V ELECTRIC VEHICLE

EXPRESS 4X4 iS

STARTING MODEL YEAR 2020

Never modify the vehicle in any way that will alter the weight distribution of the vehicle, decrease its stability or increase the speed beyond the factory specifications. Such modifications can cause serious personal injury or death. Textron Specialized Vehicles prohibits and dis-claims responsibility for any such modifications or any other alteration which would adversely affect the safety of the vehicle. TSV reserves the right to incorporate engineering and design changes to products in this manual, without obligation to include these changes on units sold previously.

The information contained in this manual may be revised periodically by TSV, and therefore is subject to change without notice.

TSV DISCLAIMS LIABILITY FOR ERRORS IN THIS MANUAL, and SPECIFICALLY DISCLAIMS LIABILITY FOR INCIDENTAL AND CONSEQUENTIAL DAMAGES resulting from the use of the information and materials in this manual.

These are the original instructions as defined by 2006/42/EC.

TO CONTACT US:

Textron Specialized Vehicles, Inc.

1451 Marvin Griffin Road

Augusta, Georgia, USA 30906-3852

NORTH AMERICA:

Technical Assistance & Warranty PHONE: 1-800-774-3946, FAX: 1-800-448-8124

Service Parts PHONE: 1-888-438-3946, FAX: 1-800-752-6175

International: PHONE: 001-706-798-4311, FAX: 001-706-771-4609

www.ezgo.txtsv.com

GENERAL INFORMATION

This vehicle has been designed and manufactured in the United States of America (USA). The Standards and Specifications listed in the following text originate in the USA unless otherwise indicated.

The use of non-Original Equipment Manufacturer (OEM) approved parts may void the warranty.

Failure to properly maintain batteries may void the warranty. Refer to the battery manual for instructions on the proper maintenance and care of the batteries.

BATTERY PROLONGED STORAGE

Batteries self-discharge over time. The rate of self-discharge varies depending on the ambient temperature, the age and condition of the batteries.

Fully charged batteries will not freeze in winter temperatures unless the temperature falls below -75°F (-60°C).

For winter storage, the batteries must be clean, fully charged and disconnected from any source of electrical drain.

The battery charger may remain connected to the vehicle to maintain a full charge on the batteries, provided the charger is plugged into an active electrical source. If power to the electrical source is disconnected or interrupted, the battery charger continues to check the charge on the battery pack. This pulls power from the battery pack and eventually drains the batteries if power is not restored in a timely manner.

As with all electric vehicles, the batteries must be checked and recharged as required or at a minimum of 30 day intervals.

Check and maintain the proper fluid level in all battery cells during the storage period. Proper fluid level is required for maximum battery performance.

BATTERY DISPOSAL

Lead-acid batteries are recyclable. Return whole scrap batteries to distributor, manufacturer or lead smelter for recycling. For neutralized spills, place residue in acid-resistant containers with absorbent material such as sand. Dispose in accordance with local, state and federal regulations for acid and lead compounds. Contact local and/or state environmental officials regarding disposal information.

TABLE OF CONTENTS

SECTION	Page No.
HOW TO USE THE SERVICE PARTS MANUAL	v
ACCELERATOR	A - 1
BATTERY CHARGER	B - 1
BODY	C - 1
BRAKES	D - 1
ELECTRICAL	E - 1
ELECTRONIC SPEED CONTROL	F - 1
FRONT SUSPENSION AND STEERING	G - 1
MOTOR	H - 1
ROPS	J - 1
FRONT AXLE	K - 1
REAR AXLE	L - 1
REAR SUSPENSION	M - 1
SEATING	N - 1
WEATHER PROTECTION	P - 1
WHEELS AND TIRES	R - 1
DECALS AND LABELS	S - 1

NOTES

A large grid of graph paper for taking notes, consisting of 20 columns and 30 rows of small squares.

HOW TO USE THE SERVICE PARTS MANUAL

This manual is divided into several sections:

- GENERAL INFORMATION
- ILLUSTRATED PARTS BREAKDOWN

The first section, GENERAL INFORMATION, contains the following information:

- WARRANTY INFORMATION
- TABLE OF CONTENTS
- HOW TO USE THE SERVICE PARTS MANUAL

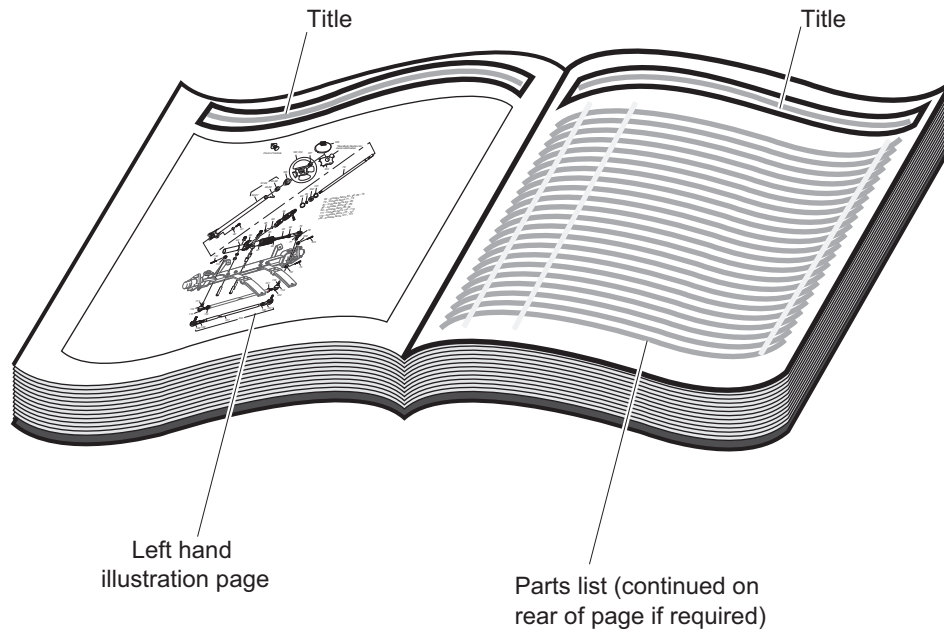
The second section, ILLUSTRATED PARTS BREAKDOWN, contains illustrations and parts lists for all systems of your vehicle.

USE OF THE MANUAL

To use this manual, consult the TABLE OF CONTENTS to locate the information or illustration required.

Introduction of some revisions varies due to supply of components; therefore, it is possible that various combinations of components may be found that are not directly reflected by each illustration. Consult the illustration that best suits your situation and then contact the Service Parts Department. It is important that the serial number of your vehicle and its model number be supplied to Service Parts when ordering any replacement components.

HOW TO USE THE SERVICE PARTS MANUAL



1. WHEN THE PART NUMBER IS NOT KNOWN

- Determine the function and application of the part required. Turn to the TABLE OF CONTENTS and select the most appropriate title.
- Turn to the page number indicated and locate the desired part on the illustration.
- From the illustration, obtain the item number assigned to the desired part. Refer to the accompanying description for specific information regarding the part.

2. IF YOU KNOW THE PART NUMBER

- Locate the part number or description in the appropriate column on the parts list page.

NOTE: Confirm the part selected is correct by verifying it with the illustration.

If an asterisk (*) appears in the part number column on the parts list page, read upward until a part number is found. The part number is the lowest assembly sold by Service Parts and the asterisk (*) indicates the part depicted is not available for purchase.

NOTE: Descriptions are indented under the assembly that they are used on. That assembly is, in turn listed under the assembly that it is used on. This process is repeated until the highest final assembly is reached.

To facilitate the maintenance and repair of the vehicle, a Repair and Service Manual is available from the Service Parts Department.

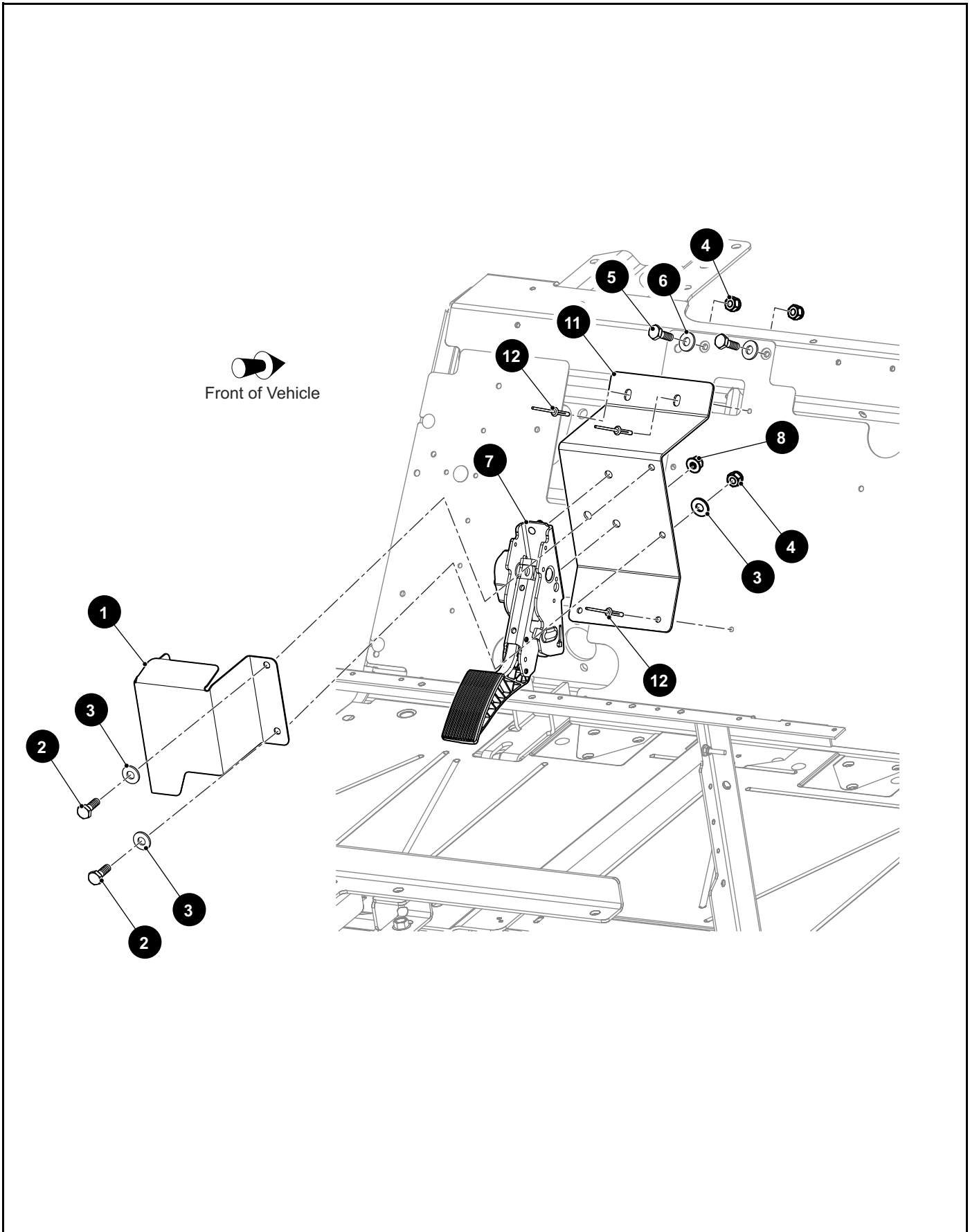
HOW TO USE THE SERVICE PARTS MANUAL

3. COLOR CODE FOR BODY COMPONENTS

The last two digits of the part number for the body part will denote the color code, locate the part number for the cowl, rear body, seat pod, side panel or seat wrap then locate your color in the list below, replace the last ** or XX with the two digit color code.

<u>CODE #</u>	<u>DESCRIPTION</u>
11	BLACK
89	TRUE TIMBER KANATI

ACCELERATOR



ACCELERATOR

THE USE OF NON U.L. PARTS WILL VOID ANY U.L. LISTING.

When ordering parts, please specify the model and serial number of the product.

* Indicates a component that is not available as an individual part.

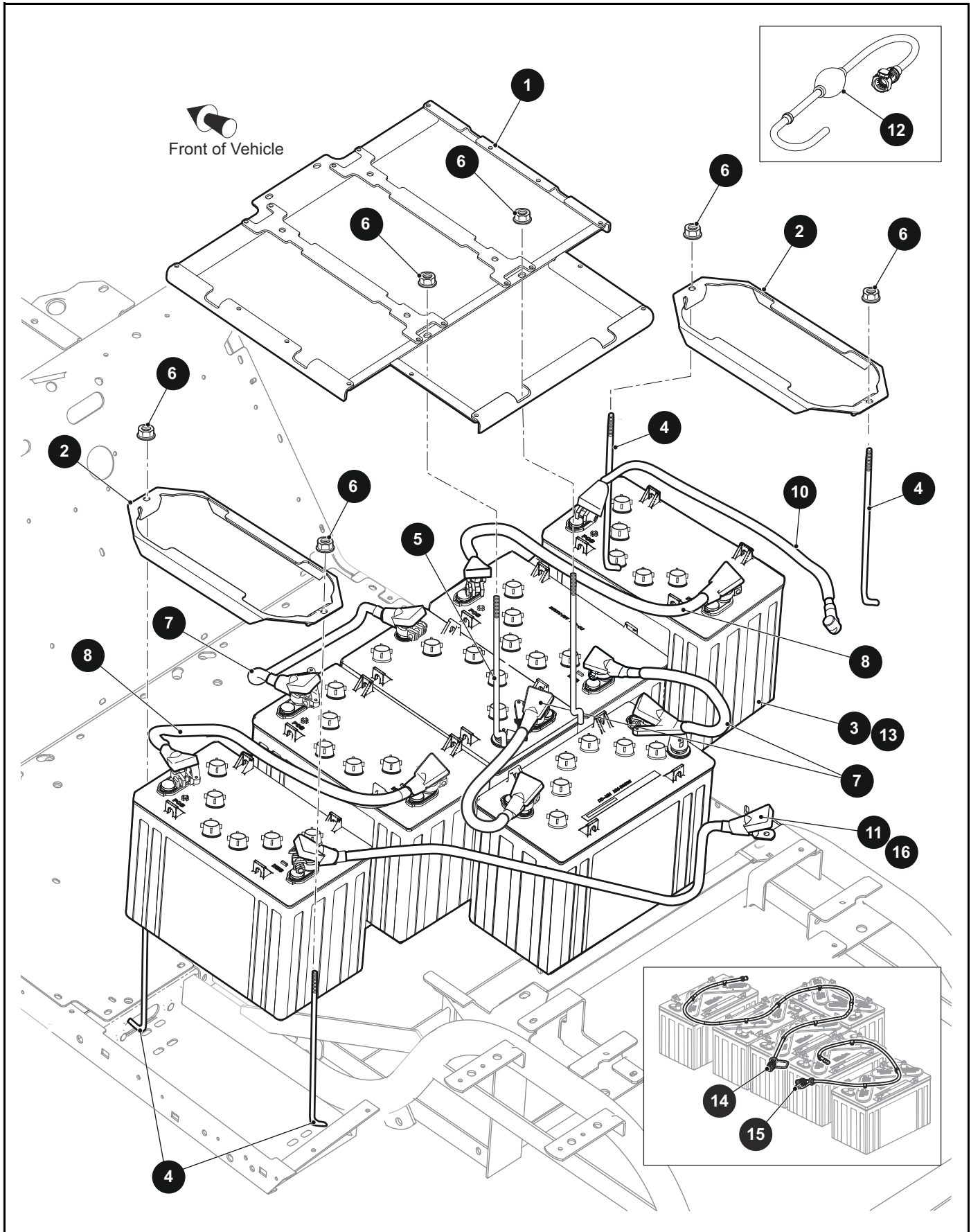
*** Indicates consult Customer Service Department for additional information.

ITEM	PART NO.	1 2 3 4 5	DESCRIPTION	QTY.
1	<u>656066</u>		Accelerator Pedal Cover Bracket	1
2	<u>00414G6</u>		Hex Head Bolt, 1/4" - 20 x 7/8" Lg, Grade 5	2
3	<u>00559G7</u>		Flat Washer, 1/4"	4
4	<u>14390G4</u>		Lock Nut, 1/4" - 20	4
5	<u>302288</u>		Hex Head Bolt, 1/4" - 20 x 1" Lg, Grade 5	2
6	<u>01110G01</u>		Flat Washer, 1/4"	2
7	0509-173		Accelerator Pedal	1
8	<u>645956</u>		Flanged Hex Nut, M8 - 1.25	2
9				
10				
11	<u>655658</u>		Accelerator Pedal Mounting Bracket	1
12	<u>10570G11</u>		Domed Rivet, 3/16" x .7"	4

Notes:

A large grid of graph paper for taking notes. The grid consists of 28 columns and 28 rows of small squares, providing a space for handwritten notes.

BATTERY SYSTEM



BATTERY SYSTEM

THE USE OF NON U.L. PARTS WILL VOID ANY U.L. LISTING.

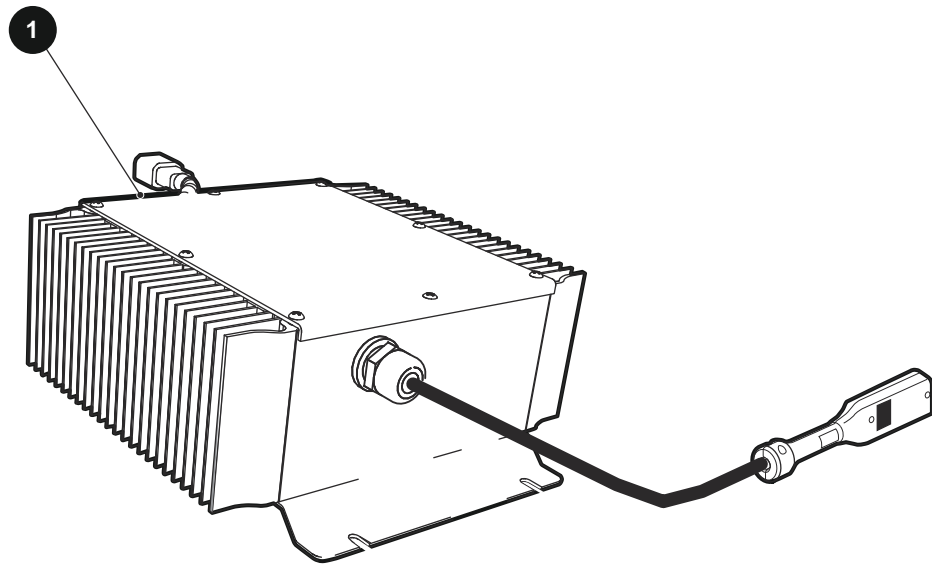
When ordering parts, please specify the model and serial number of the product.

* Indicates a component that is not available as an individual part.

*** Indicates consult Customer Service Department for additional information.

ITEM	PART NO.	1 2 3 4 5	DESCRIPTION	QTY.
1	<u>629435</u>		Battery Hold Down Bracket, 4 - 12V	1
2	<u>631988</u>		Hold Down Bracket, 1 - 12V	2
3	<u>647050</u>		Battery, 12V	6
4	<u>70386G01</u>		Tie Down Bolt, 5/16" - 18 x 11 3/4" Lg.....	6
5	<u>01101G01</u>		Tie Down Bolt.....	2
6	<u>11027G1</u>		Flanged Lock Nut, 5/16" - 18	8
7	<u>628624</u>		Battery Wire, 12.5" Lg	3
8	<u>628628</u>		Battery Wire, 16" Lg	2
9				
10	<u>628630</u>		Battery Wire, 22" Lg	1
11	<u>628631</u>		Battery Wire, 32" Lg	1
12	<u>676122</u>		Trojan Hand Pump Kit.....	1
13	<u>652295</u>		Battery, 12V.....	6
14	<u>620820</u>		Hydro-Link Snake Assembly	1
15	<u>630974</u>		Battery Fill Snake	1
16	<u>670936</u>		Battery Wire, 38" Lg	1

BATTERY SYSTEM



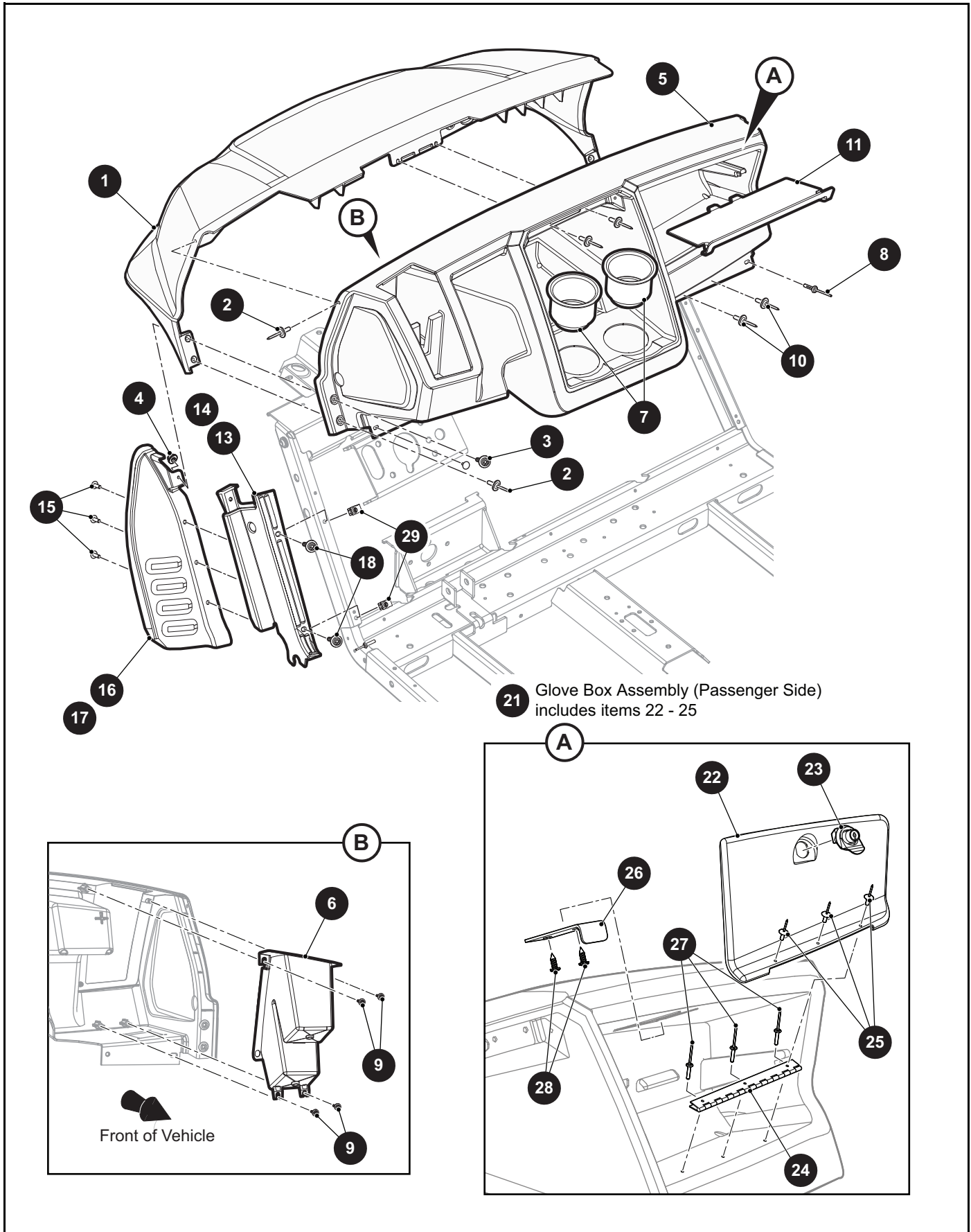
BATTERY SYSTEM

THE USE OF NON U.L. PARTS WILL VOID ANY U.L. LISTING.
 When ordering parts, please specify the model and serial number of the product.
 * Indicates a component that is not available as an individual part.
 *** Indicates consult Customer Service Department for additional information.

ITEM	PART NO.	1 2 3 4 5	DESCRIPTION	QTY.
1	<u>645743</u>		Battery Charger, D Plug 72V 1500W	1

Notes:

A large grid area for taking notes, consisting of many small squares. The grid is 25 columns wide and 30 rows high, providing a space for handwritten notes or diagrams.



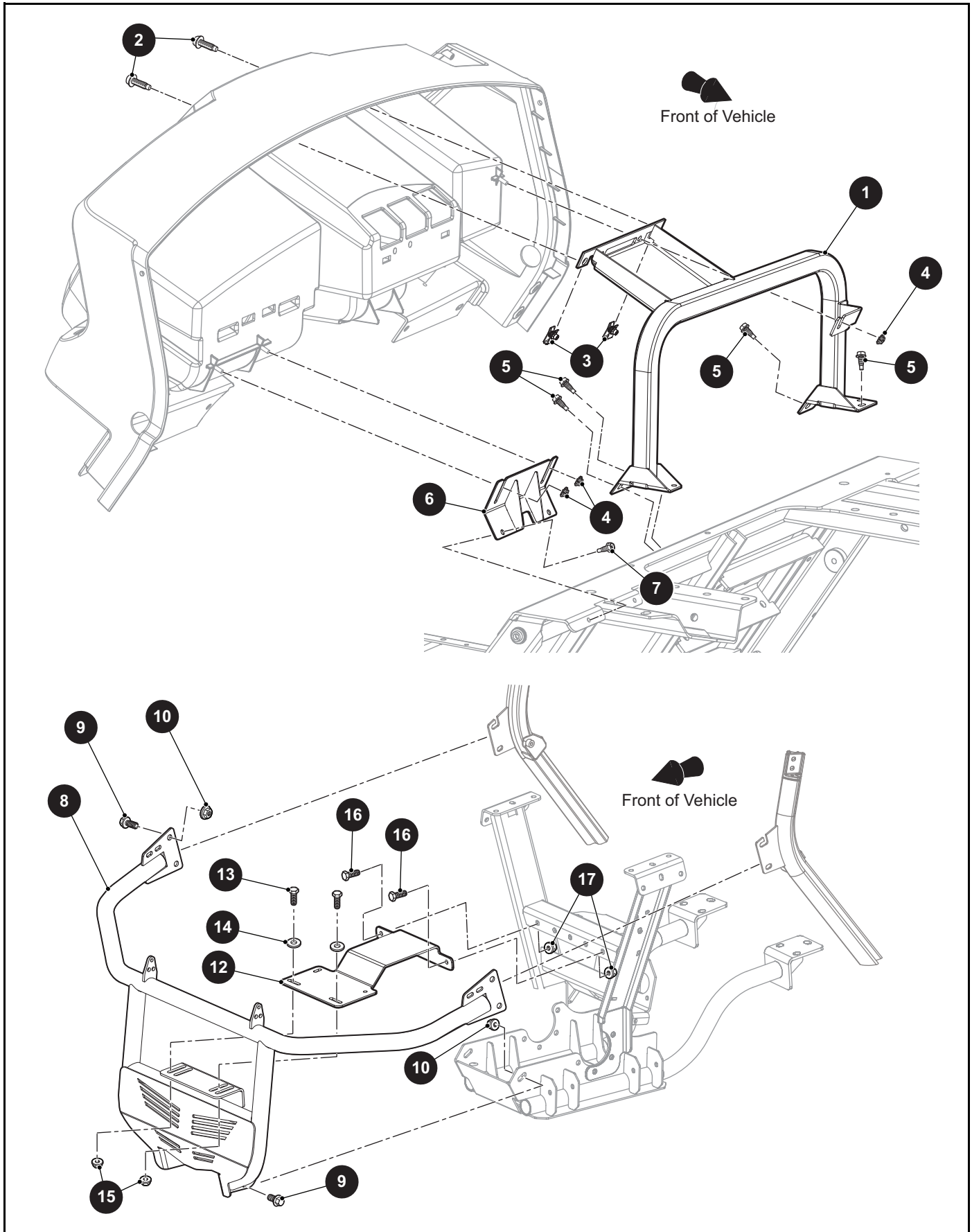
THE USE OF NON U.L. PARTS WILL VOID ANY U.L. LISTING.

When ordering parts, please specify the model and serial number of the product.

* Indicates a component that is not available as an individual part.

*** Indicates consult Customer Service Department for additional information.

ITEM	PART NO.	1 2 3 4 5	DESCRIPTION	QTY.
1	648566G00XX		Cowl (See COLOR CODE in HOW TO USE section).....	1
2	<u>71055G02</u>		Black Aluminum Rivet, 3/16" x .56" Grip.....	6
3	<u>645323</u>		Button Head Torx Hexalobular Screw, M6 - 1 x 23.4mm Lg.....	2
4	<u>601476</u>		Lock Nut, M6 - 1.....	2
5	<u>666317</u>		Instrument Panel.....	1
6	<u>648562</u>		Cup Holder (Driver Side).....	1
7	<u>650913</u>		Cup Holder (Center).....	2
8	<u>14601G11</u>		Rivet, 3/16" x 9/16".....	3
9	<u>613373</u>		Pan Head Tapping Screw, M4.8 - 1.6 x 22mm Lg.....	4
10	<u>71055G01</u>		Black Aluminum Rivet, 3/16" x .38" Grip.....	2
11	<u>648561</u>		Compartment Tray Panel.....	1
12				
13	<u>655917G01</u>		Upper Rocker Panel (Driver Side).....	1
14	<u>655917G02</u>		Upper Rocker Panel (Passenger Side).....	1
15	<u>18436G1</u>		Plastic Drive Rivet, 1/4" x 3/4".....	3
16	<u>664361G01</u>		Fender Mud Flap (Driver Side).....	1
17	<u>664361G02</u>		Fender Mud Flap (Passenger Side).....	1
18	<u>645323</u>		Button Head Torx Hexalobular Screw, M6 - 1 x 23.4mm Lg.....	2
19				
20				
21	<u>650784</u>		Glove Box Assembly (Passenger Side) (Includes Items 22 - 25).....	1
22	650813		Glove Box Door.....	1
23	654475		Glove Box Lock Assembly.....	1
24	652386		Piano Hinge.....	1
25	<u>14601G10</u>		Black Aluminum Rivet, 5/32" x .25".....	3
26	<u>652390</u>		Glove Box Striker.....	1
27	<u>71045G01</u>		Black Aluminum Rivet, 5/23" x .38".....	3
28	<u>00614G4</u>		Self Drilling Pan Head Phillips Screw, #8 - 18 x 1/2" Lg.....	2
29	<u>602409</u>		Barrel Clip, M6 - 1.....	2



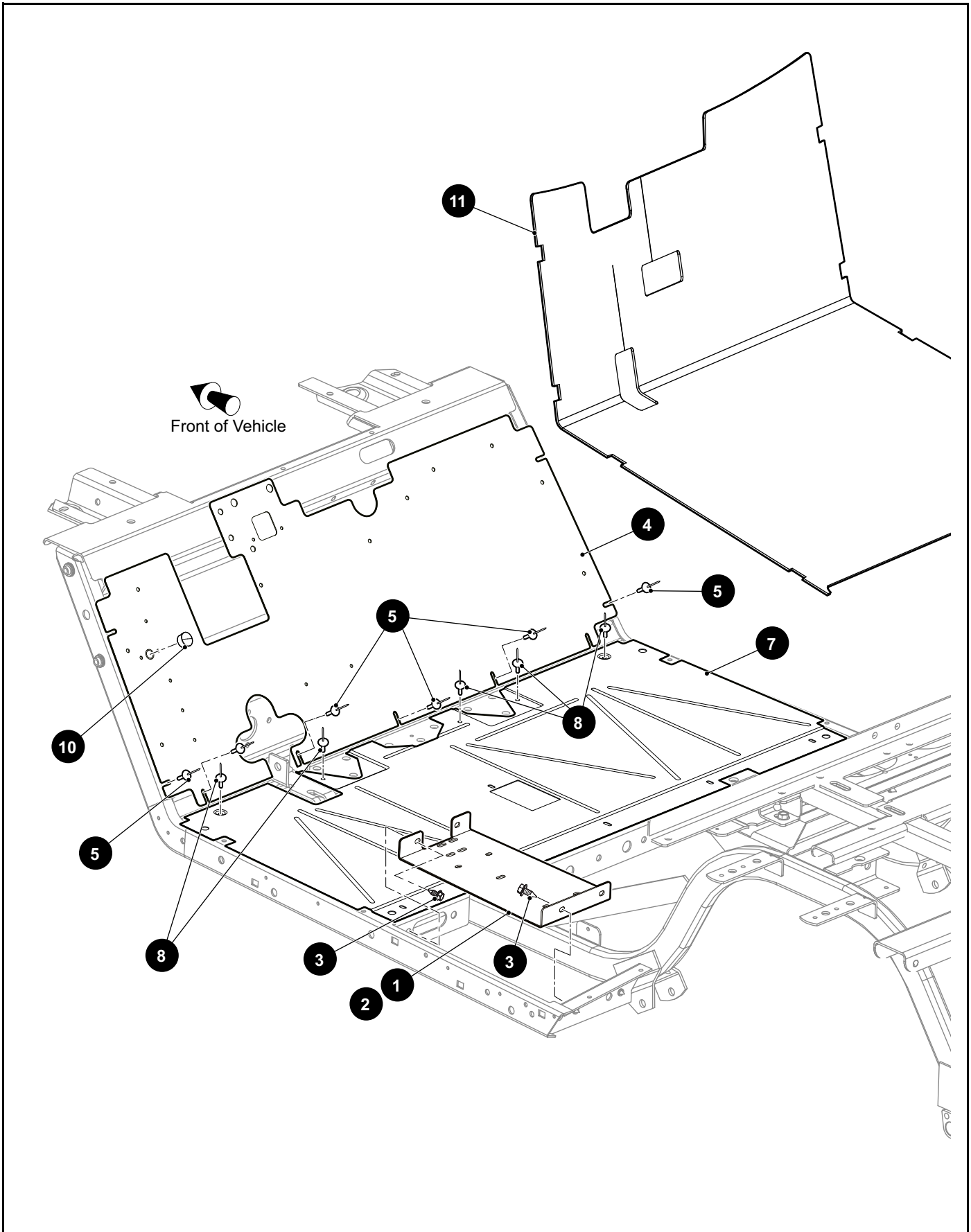
THE USE OF NON U.L. PARTS WILL VOID ANY U.L. LISTING.

When ordering parts, please specify the model and serial number of the product.

* Indicates a component that is not available as an individual part.

*** Indicates consult Customer Service Department for additional information.

ITEM	PART NO.	1 2 3 4 5	DESCRIPTION	QTY.
1	666298		Instrument Panel Weldment.....	1
2	<u>645323</u>		Button Head Torx Hexalobular Screw, M6 - 1 x 23.4mm Lg	2
3	<u>602409</u>		Barrel Clip, M6 - 1	2
4	<u>71597G01</u>		Self Threading Nut, 5mm x 10mm x 15mm.....	3
5	<u>01038G01</u>		Flanged Hex Head Thread Forming Screw, 1/4" - 20 x .7" Lg	4
6	<u>666244</u>		Instrument Panel Support Bracket	1
7	<u>01038G01</u>		Flanged Hex Head Thread Forming Screw, 1/4" - 20 x .7" Lg	2
8	<u>664620</u>		Brushguard.....	1
9	<u>603799</u>		Flanged Hex Head Bolt, M10 - 1.5 x 25mm Lg, Grade 8.8.....	6
10	<u>600525</u>		Flanged Lock Nut, M10 - 1.5.....	6
11				
12	<u>664865</u>		Winch Plate	1
13	<u>00438G8</u>		Hex Head Bolt, 5/16" - 18 x 5/8" Lg, Grade 5	2
14	00559G8		Flat Washer, 5/16".....	2
15	<u>800697</u>		Lock Nut, 5/16" - 18	2
16	<u>548604</u>		Flanged Hex Head Bolt, 5/16" - 18 x 3/4" Lg, Grade 5	3
17	<u>11027G1</u>		Flanged Lock Nut, 5/16" - 18	3



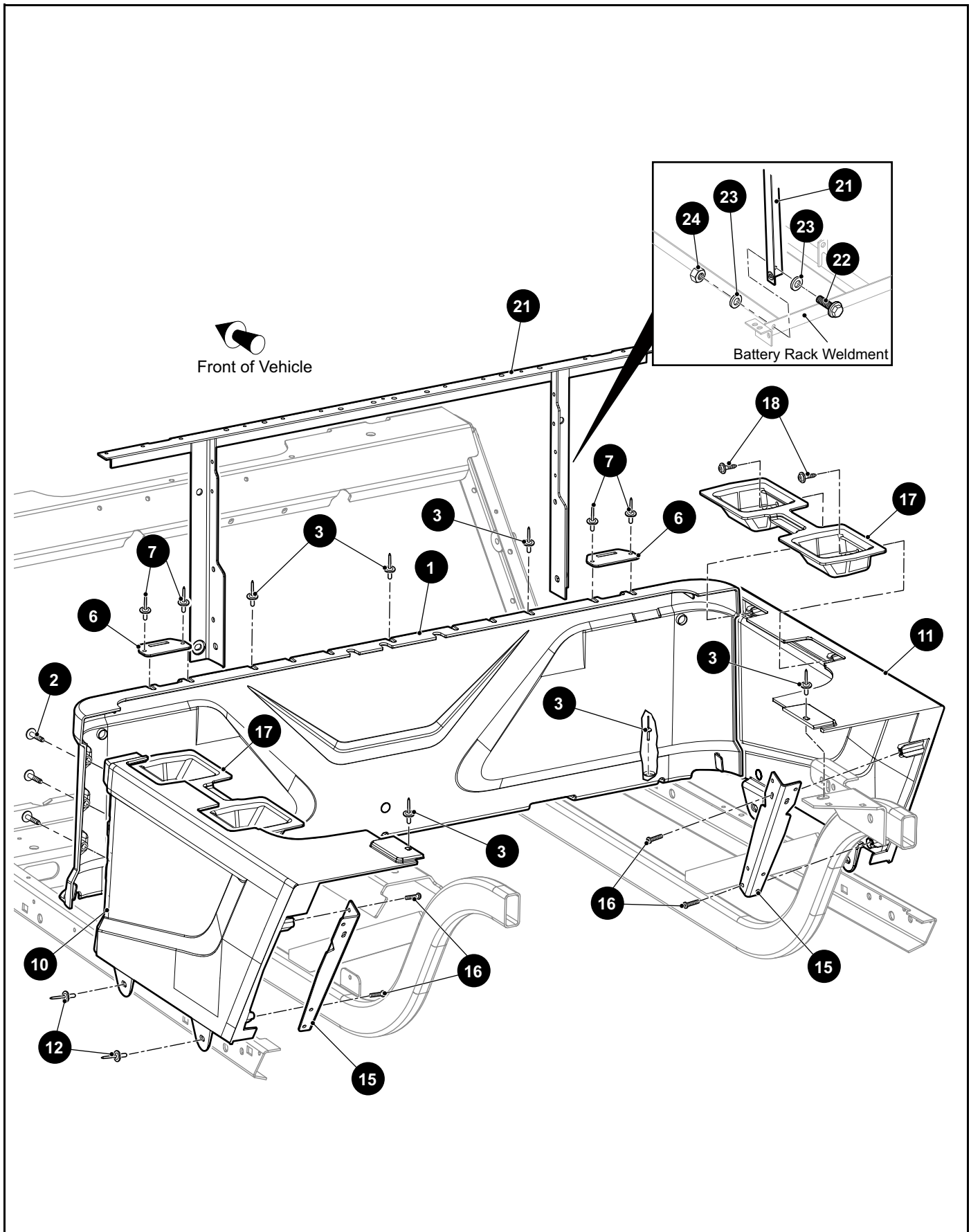
THE USE OF NON U.L. PARTS WILL VOID ANY U.L. LISTING.

When ordering parts, please specify the model and serial number of the product.

* Indicates a component that is not available as an individual part.

*** Indicates consult Customer Service Department for additional information.

ITEM	PART NO.	1 2 3 4 5	DESCRIPTION	QTY.
1	<u>652443G103</u>		Battery Tray Bracket (Driver Side)	1
2	<u>652443G203</u>		Battery Tray Bracket (Passenger Side).....	1
3	<u>00715G2</u>		Hex Washer Head Bolt, 5/16" - 18 x .80" Lg	4
4	<u>640553</u>		Upper Floor Panel	1
5	<u>14601G11</u>		Large Dome Head Rivet (SS), 3/16" x 9/16"	7
6				
7	<u>70451G06</u>		Lower Floor Panel	1
8	<u>14601G11</u>		Large Dome Head Rivet (SS), 3/16" x 9/16"	5
9				
10	<u>20271G11</u>		Hole Plug, .625"	1
11	<u>664733</u>		Floor Mat	1



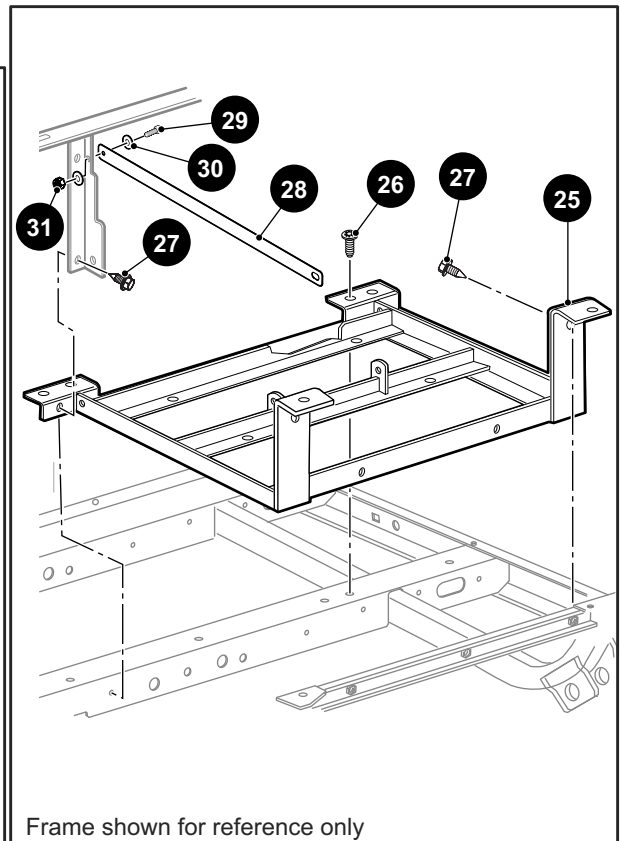
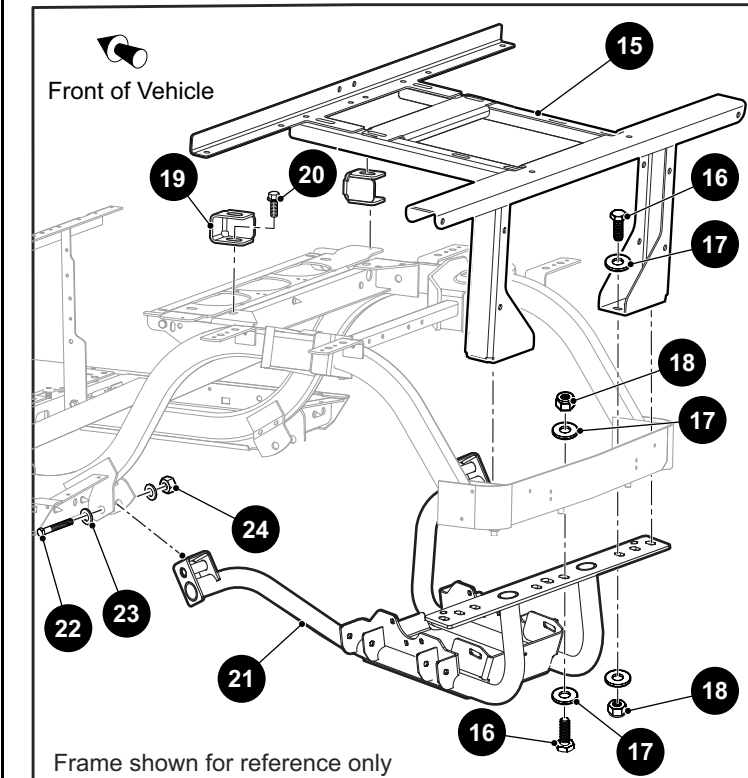
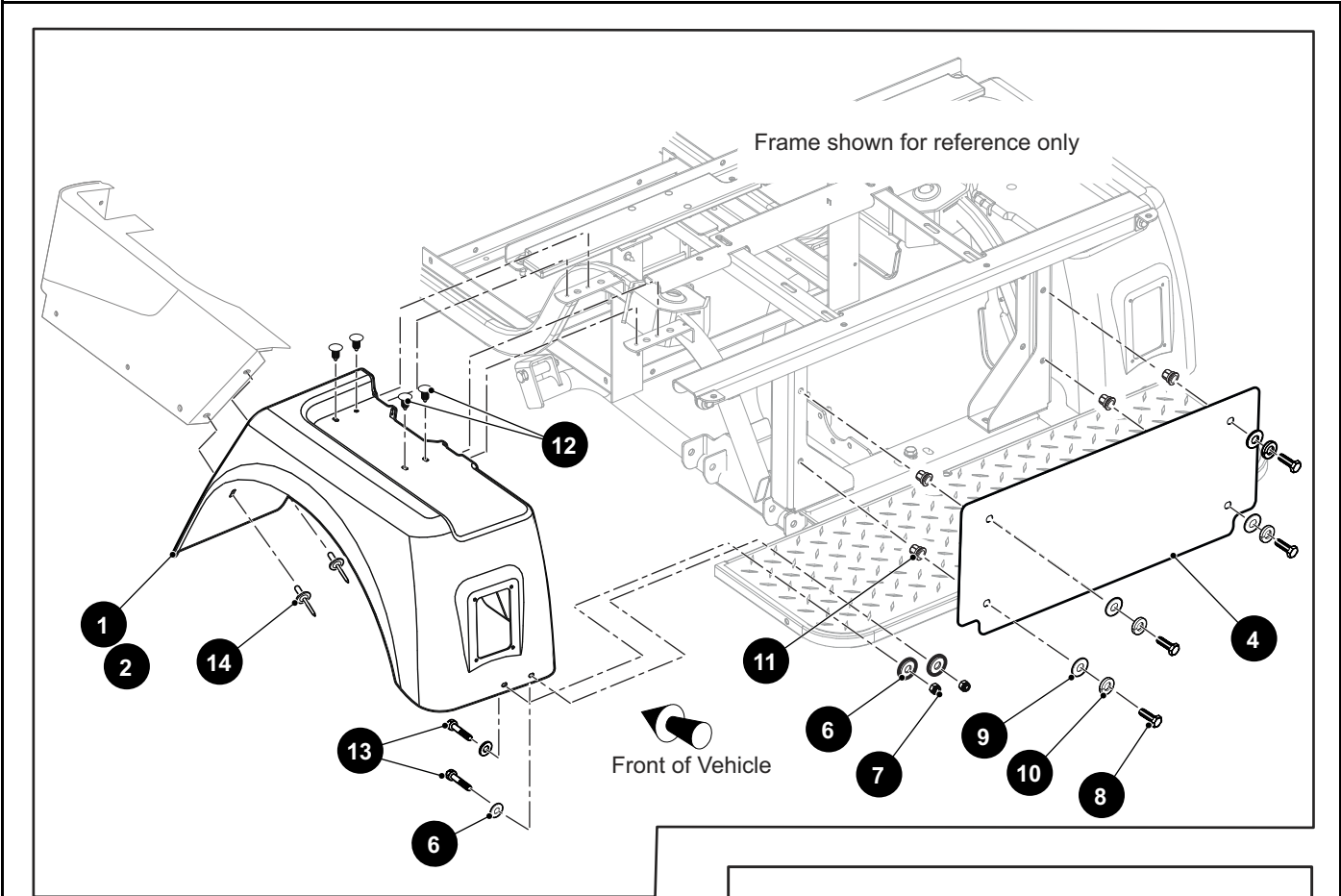
THE USE OF NON U.L. PARTS WILL VOID ANY U.L. LISTING.

When ordering parts, please specify the model and serial number of the product.

* Indicates a component that is not available as an individual part.

*** Indicates consult Customer Service Department for additional information.

ITEM	PART NO.	1 2 3 4 5	DESCRIPTION	QTY.
1	<u>649251G01</u>		Seat Wrap	1
2	<u>634161</u>		Flanged Button Head Torx Bolt, M6 - 1 x 30mm Lg	6
3	<u>10570G10</u>		Large Dome Head Rivet (SS), 5/32" x .25" Grip	10
4				
5				
6	<u>71609G01</u>		Seat Hinge Plate	2
7	<u>10570G11</u>		Large Dome Head Rivet (SS), 3/16" x .5" Grip	4
8				
9				
10	<u>652716G04</u>		Side Panel (Driver Side).....	1
11	<u>652716G05</u>		Side Panel (Passenger Side).....	1
12	<u>10570G12</u>		Dome Head Aluminum Rivet, 1/4" x .34" Grip.....	4
13				
14				
15	<u>662216</u>		Side Panel Bracket.....	1
16	<u>608290</u>		Self Tapping Screw, #10 - 16 x 3/4" Lg	2
17	<u>667879</u>		Side Panel Close Out.....	1
18	<u>613373</u>		Pan Washer Head Torx Screw, M6 - 1 x 16mm Lg	2
19				
20				
21	<u>70441G01</u>		Seat Frame Weldment	1
22	<u>00438G6</u>		Hex Head Bolt, 5/16" - 18 x 5/8" Lg, Grade 5	2
23	<u>00559G8</u>		Flat Washer, 5/16"	4
24	<u>11098G6</u>		Lock Nut, 5/16" - 18	2



THE USE OF NON U.L. PARTS WILL VOID ANY U.L. LISTING.

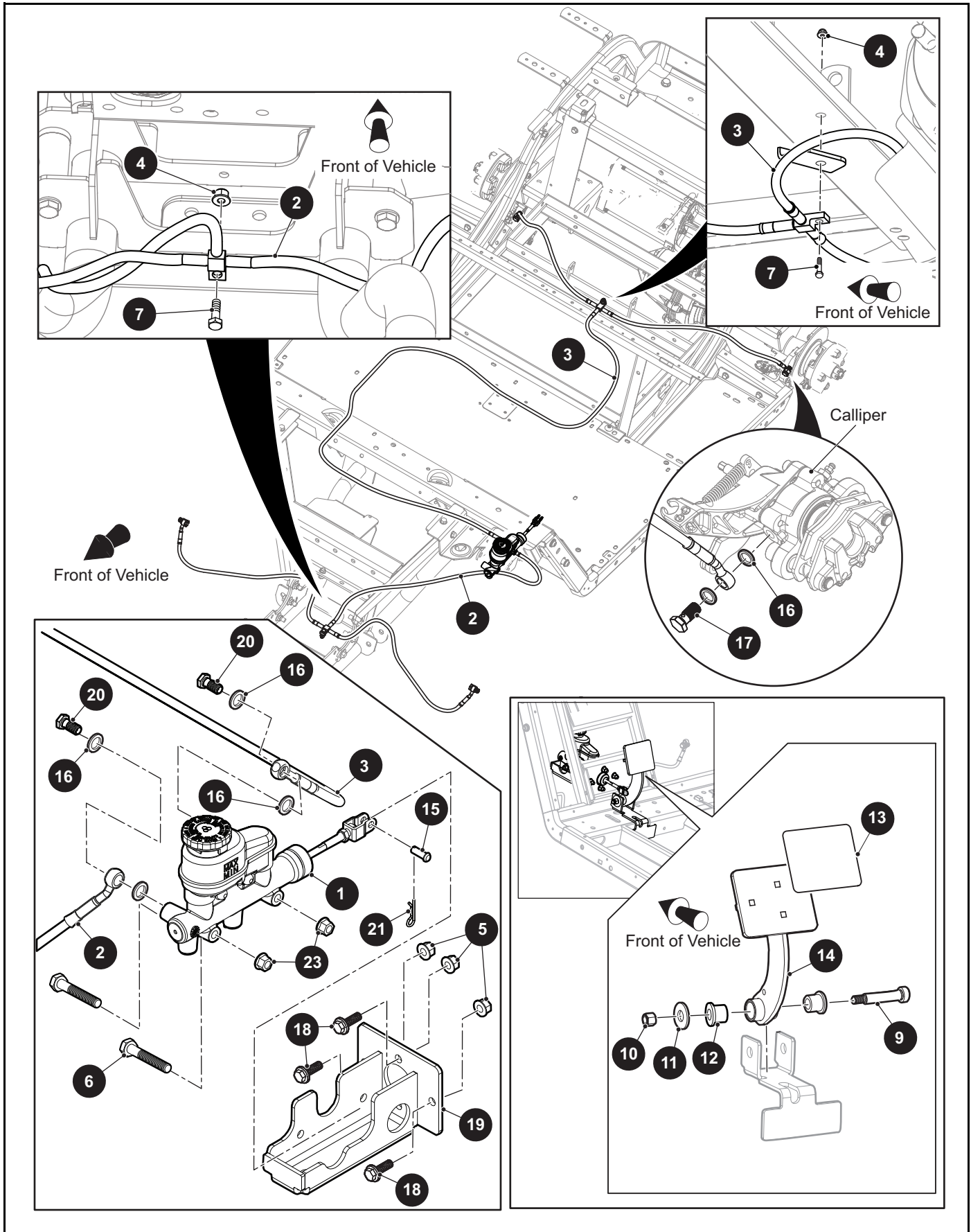
When ordering parts, please specify the model and serial number of the product.

* Indicates a component that is not available as an individual part.

*** Indicates consult Customer Service Department for additional information.

ITEM	PART NO.	1 2 3 4 5	DESCRIPTION	QTY.
1	<u>629186G01</u>		Fender Flare, Rear (Driver Side).....	1
2	<u>629186G05</u>		Fender Flare, Rear (Passenger Side).....	1
3				
4	<u>629417G03</u>		Rear Closeout Panel.....	1
5				
6	<u>00793G2</u>		Flat Washer (SS), 1/4"	4
7	<u>14390G4</u>		Lock Nut, 1/4" - 20	4
8	<u>00427G2</u>		Hex Head Bolt, 3/8" - 16 x 1.25" Lg	4
9	<u>00643G1</u>		Flat Washer, 3/8".....	4
10	<u>120177</u>		Lock Washer, 3/8"	4
11	641848		Thread Insert Hex Nut, 3/8" - 16	4
12	<u>16816G2</u>		Ratchet Rivet, .25" x .887"	4
13	<u>303459</u>		Hex Head Bolt, 1/4" - 20 x 1.5" Lg, Grade 5	2
14	<u>15058G6</u>		Domed Rivet, 3/16" x .75" Grip	2
15	642437		Seat Support	1
16	<u>00463G11</u>		Hex Head Bolt, 7/16" - 14 x 1.5" Lg, Grade 5	6
17	<u>306982</u>		Flat Washer, 7/16".....	12
18	<u>00734G1</u>		Lock Nut, 7/16" - 14	6
19	<u>629351</u>		Seat Frame Bracket	2
20	<u>01006G02</u>		Hex Washer Head Bolt, 3/8" - 16 x 1.5" Lg	2
21	<u>640500</u>		Rear Suspension Weldment	1
22	<u>311398</u>		Hex Head Bolt, 1/2" - 13 x 3 1/2" Lg	2
23	<u>00560G3</u>		Flat Washer, B Type.....	4
24	<u>00557G1</u>		Lock Nut, 1/2" - 13	2
25	<u>70046G03</u>		Battery Rack.....	1
26	<u>70200G01</u>		Truss Head Torx Bolt, 3/8" - 16 x .75" Lg	2
27	<u>00715G2</u>		Hex Head Bolt, 5/16" - 18 x .8" Lg, Grade 5	5
28	668895		Seat Frame Restraint Bracket.....	1
29	<u>800296</u>		Pan Head Phillips Screw, #10 - 24 x 3/4" Lg.....	1
30	<u>00559G5</u>		Flat Washer, #10	2
31	<u>14390G10</u>		Lock Nut, #10 - 24.....	1

BRAKES



THE USE OF NON U.L. PARTS WILL VOID ANY U.L. LISTING.

When ordering parts, please specify the model and serial number of the product.

* Indicates a component that is not available as an individual part.

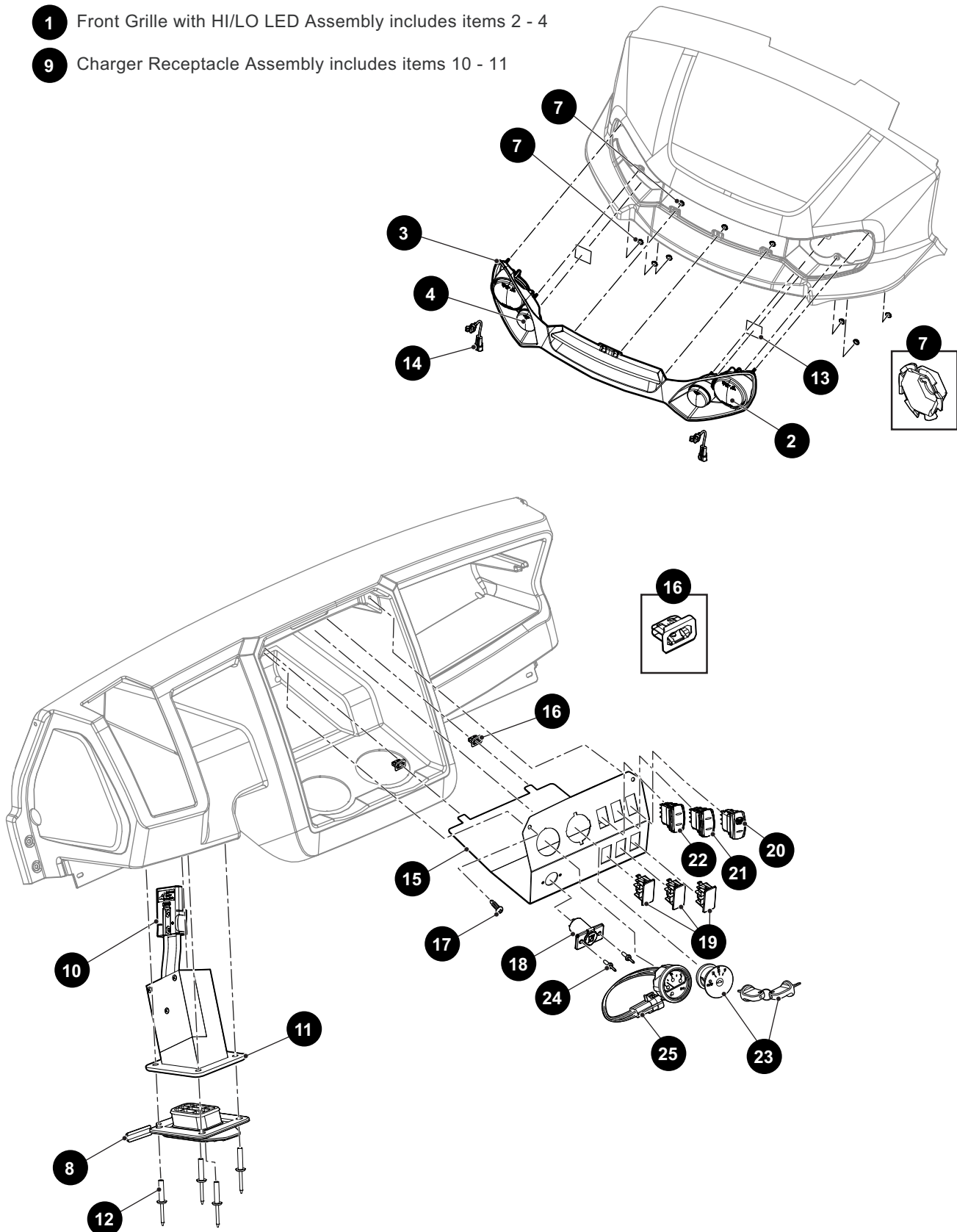
*** Indicates consult Customer Service Department for additional information.

ITEM	PART NO.	1 2 3 4 5	DESCRIPTION	QTY.
1	<u>631593</u>		Brake Master Cylinder.....	1
2	<u>626613</u>		Front Brake Line	1
3	<u>616455</u>		Rear Brake Line	1
4	<u>601476</u>		Lock Nut, M6 - 1.....	1
5	<u>800697</u>		Lock Nut, 5/16" - 18	4
6	00439G8		Hex Head Bolt, 5/18" - 18 x 1.12" Lg, Grade 5	2
7	<u>613231</u>		Hex Head Bolt, M6 - 1 x 20mm Lg.....	1
8	<u>12416G2</u>		Nylon Clamp, 11.8" Lg (To Secure Brake Lines to Frame - Not Illustrated).....	12
9	<u>635177</u>		Shoulder Bolt, 1/2" x 2", 3/8" - 16 x 2" Lg	1
10	<u>11098G5</u>		Lock Nut, 3/8" - 16	1
11	<u>00643G1</u>		Flat Washer, 3/8".....	1
12	<u>70581G02</u>		Flanged Bushing, I.D. .510" x O.D. .795" x .75" Lg	2
13	<u>640478</u>		Pedal Grip	1
14	637808		Brake Pedal Weldment	1
15	<u>10386G2</u>		Clevis Pin, .245" x .68" Lg	1
16	<u>613293</u>		Crush Washer, M10	6
17	<u>616459</u>		Banjo Bolt, M10 - 1 x 20mm Lg.....	2
18	<u>13437G3</u>		Flanged Hex Head Bolt, 5/16" - 18 x 1" Lg, Grade 5	4
19	<u>631616</u>		Master Cylinder Bracket.....	1
20	<u>613292</u>		Banjo Bolt, M10 - 1.25 x 20mm Lg.....	1
21	<u>01076G01</u>		Hairpin Cotter, .078" x 1.21"	1
22	<u>31539G1</u>		Nylon Clamp, 15.5" Lg (Not Illustrated).....	2
23	<u>800697</u>		Lock Nut, 5/16" - 18	2

ELECTRICAL

1 Front Grille with HI/LO LED Assembly includes items 2 - 4

9 Charger Receptacle Assembly includes items 10 - 11



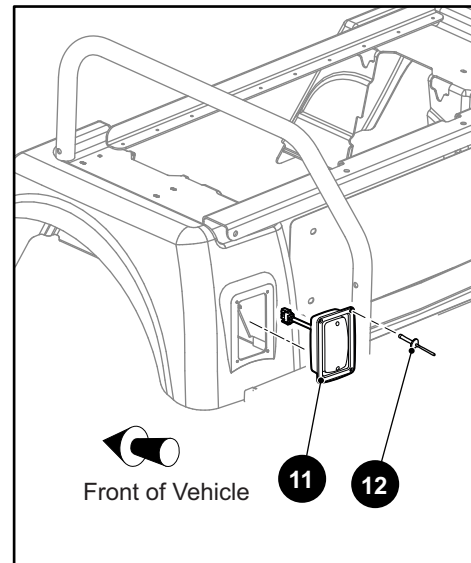
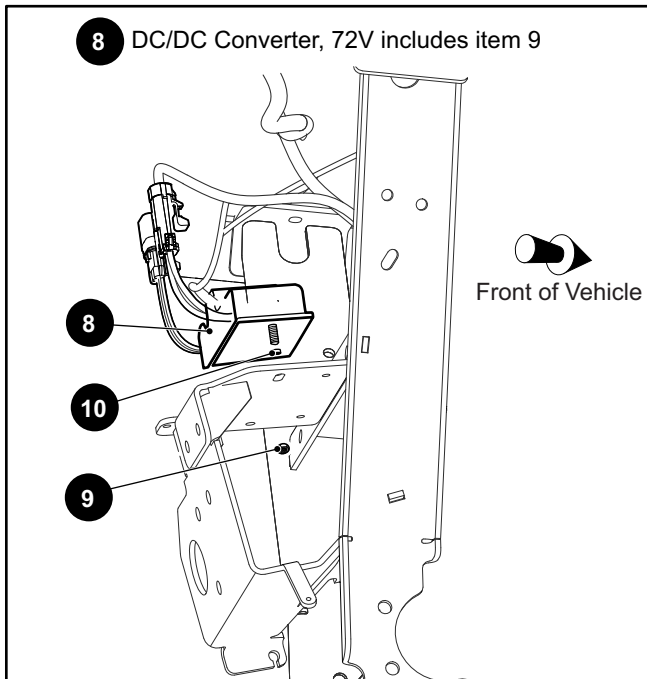
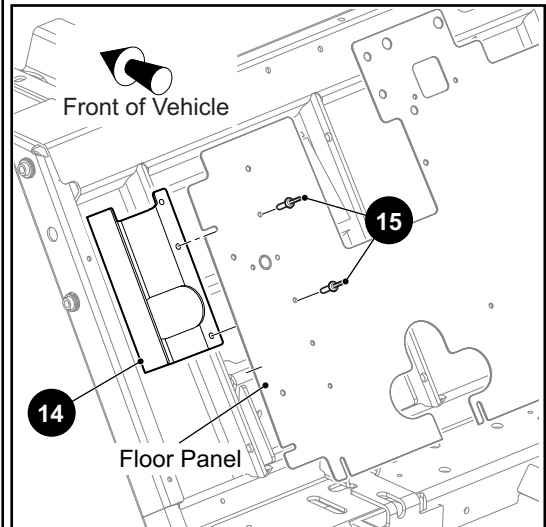
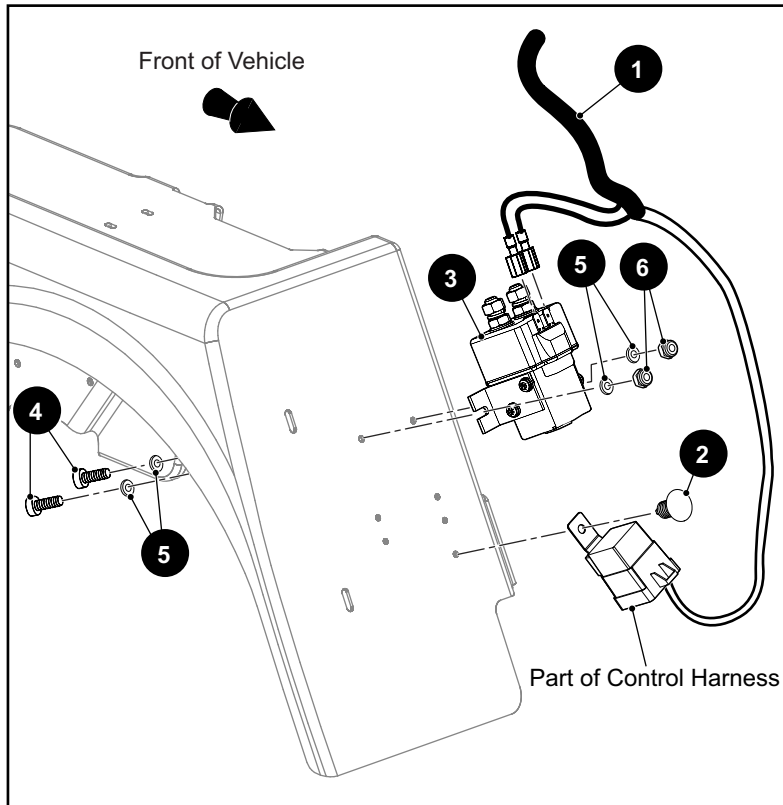
THE USE OF NON U.L. PARTS WILL VOID ANY U.L. LISTING.

When ordering parts, please specify the model and serial number of the product.

* Indicates a component that is not available as an individual part.

*** Indicates consult Customer Service Department for additional information.

ITEM	PART NO.	1 2 3 4 5	DESCRIPTION	QTY.
1	<u>651698G03</u>		Front Grille with HI/LO LED Assembly (Includes Items 2 - 4)	1
2	<u>651411G03</u>		LED Headlight, HI/LO	1
3	648564		Front Grille	1
4	651437		Lens Cover	2
5				
6				
7	<u>71597G01</u>		Self Threading Nut, .226"	9
8	<u>660162</u>		Cover Receptacle.....	1
9	<u>658089</u>		Charger Receptacle Assembly (Includes Items 10 - 11)	1
10	658956		Charger Harness	1
11	<u>663285</u>		Charging Receptacle	1
12	<u>71055G01</u>		Black Aluminum Rivet, 3/16" x .38" Grip.....	4
13	<u>71781G02</u>		Vinyl Tape.....	2
14	<u>654465</u>		Jumper Harness.....	2
15	<u>652987G02</u>		Gauge Panel	1
16	<u>602184</u>		Clip	2
17	<u>649803</u>		Pan Head Torx Screw, M6 - 2.65 x 25mm Lg.....	2
18	<u>71078G01</u>		12V Power Outlet.....	1
19	<u>627035</u>		Panel Plug.....	1
20	<u>668037</u>		Locking Rocker Switch.....	1
21	<u>651897G05</u>		Light Switch.....	1
22	<u>651897G06</u>		Speed Switch	1
23	<u>609692</u>		Key-switch and Key Set Assembly (Unique).....	1
24	<u>71055G01</u>		Black Aluminum Rivet, 3/16" x .38" Grip	2
25	<u>631656</u>		State of Charge Meter.....	1



THE USE OF NON U.L. PARTS WILL VOID ANY U.L. LISTING.

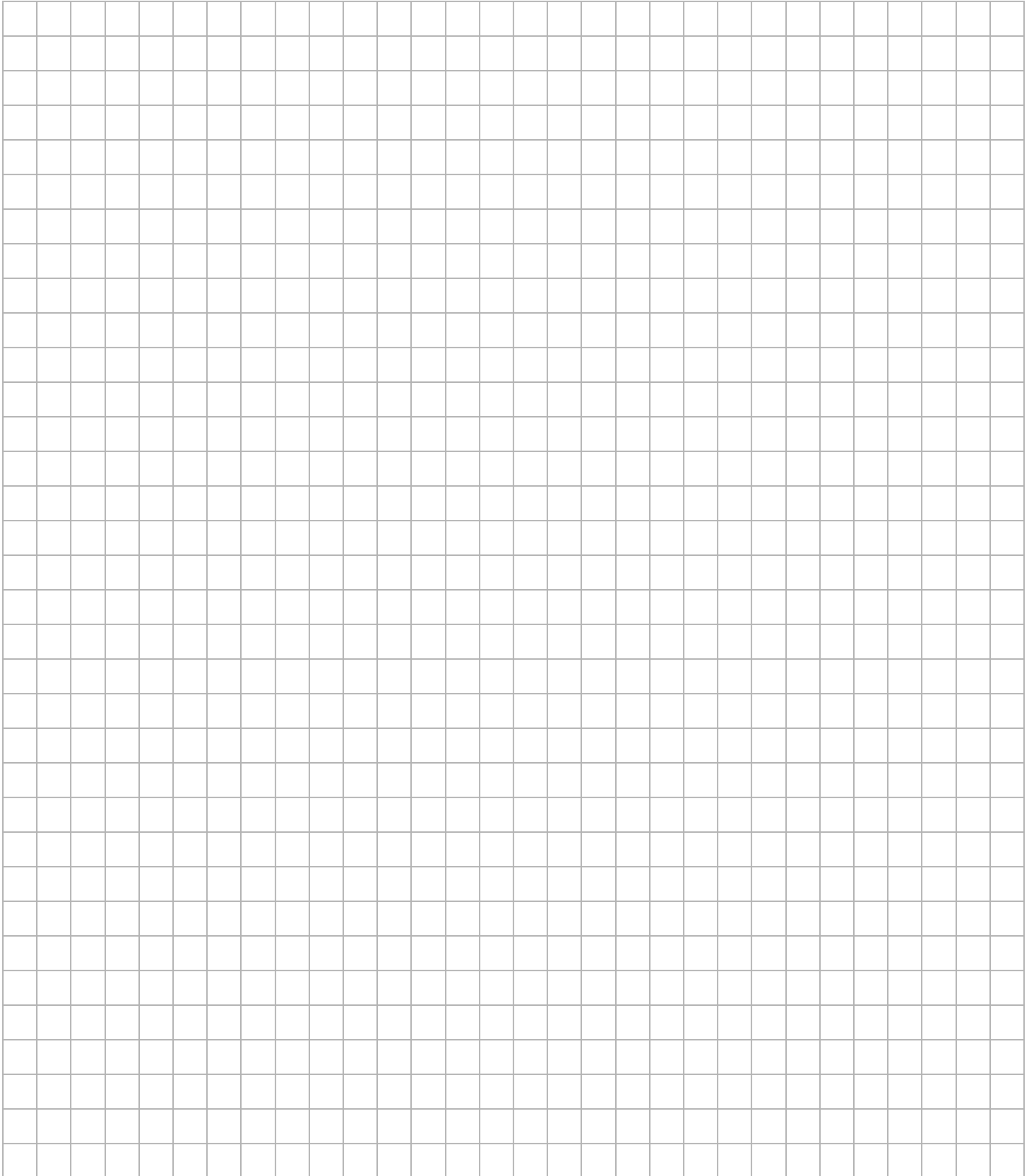
When ordering parts, please specify the model and serial number of the product.

* Indicates a component that is not available as an individual part.

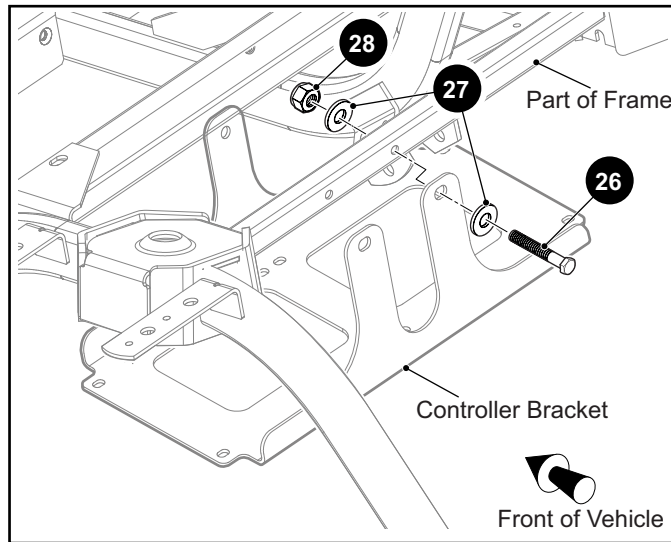
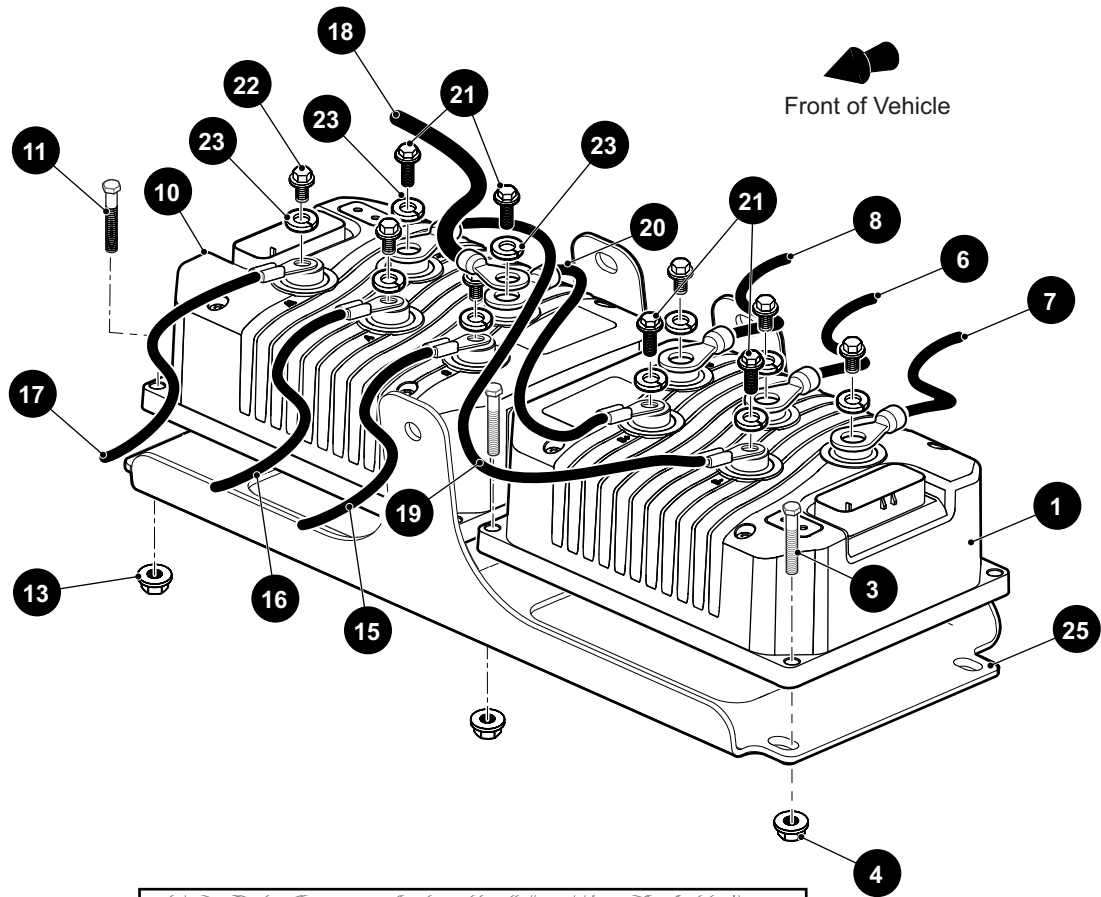
*** Indicates consult Customer Service Department for additional information.

ITEM	PART NO.	1 2 3 4 5	DESCRIPTION	QTY.
1	<u>671775</u>		72V Off Road Control Harness	1
2	<u>16816G2</u>		Ratchet Rivet, .25" x .887"	1
3	655498G01		Contactor, 72V	1
4	<u>800296</u>		Pan Head Phillips Screw, #10 - 24 x 3/4" Lg.....	2
5	<u>00660G5</u>		Flat Washer, #10	4
6	<u>14390G10</u>		Lock Nut, #10 - 24.....	2
7				
8	<u>633778</u>		DC/DC Converter, 72V (Includes Item 9).....	1
9	*		Hex Nut, 1/4" - 20	2
10	<u>23726G11</u>		Spacer, .30" Lg.....	2
11	<u>629148</u>		Taillight Assembly.....	1
12	<u>71055G01</u>		Rivet (Aluminum), 3/18" x .38" Grip	4
13				
14	<u>629678</u>		Wire Guide	1
15	<u>71055G01</u>		Rivet (Aluminum), 3/18" x .38" Grip	3

Notes:

A large grid of graph paper, consisting of 25 columns and 40 rows of small squares, intended for taking notes.

ELECTRONIC SPEED CONTROL



ELECTRONIC SPEED CONTROL

THE USE OF NON U.L. PARTS WILL VOID ANY U.L. LISTING.

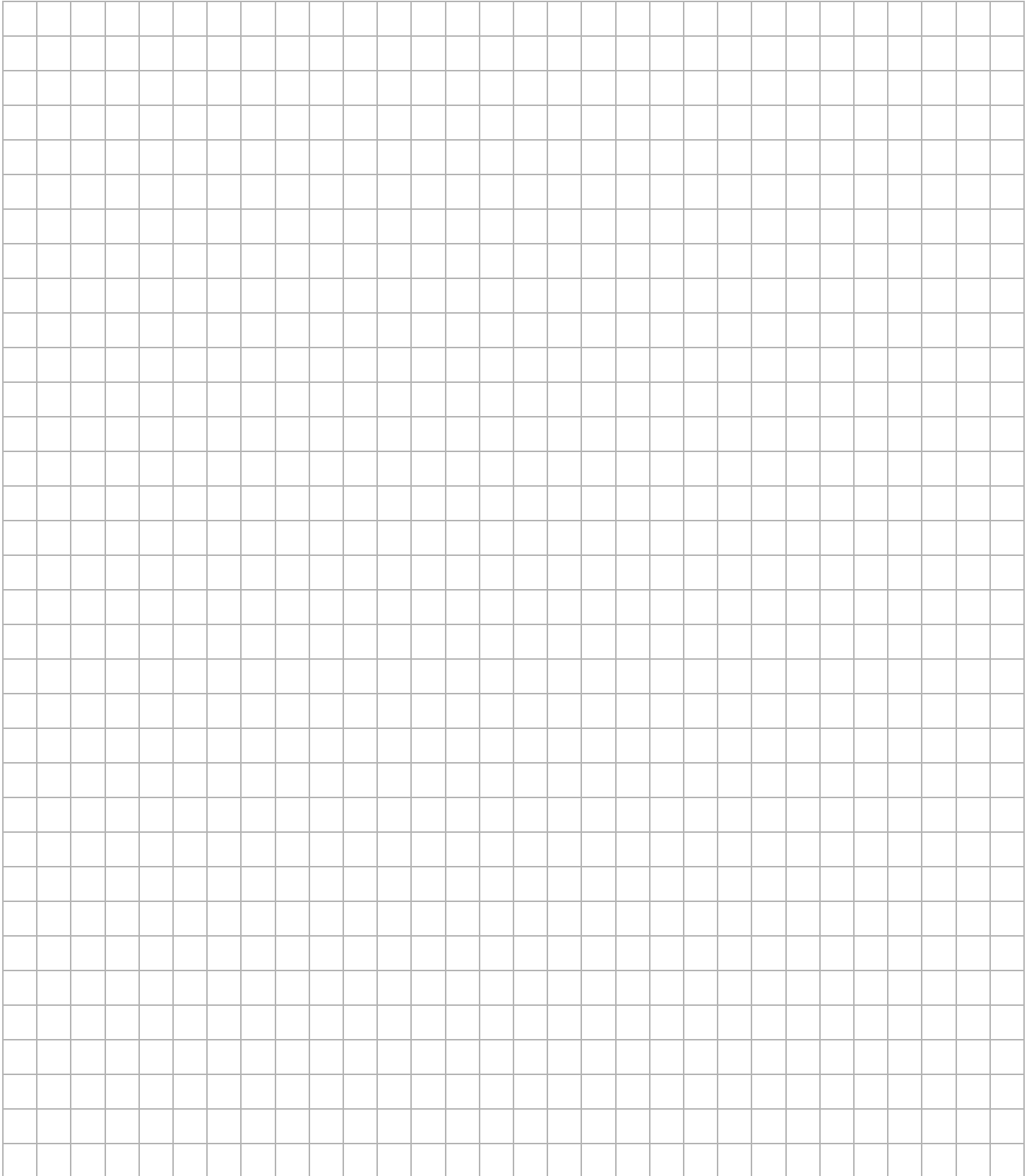
When ordering parts, please specify the model and serial number of the product.

* Indicates a component that is not available as an individual part.


*** Indicates consult Customer Service Department for additional information.

ITEM	PART NO.	1 2 3 4 5	DESCRIPTION	QTY.
1	672599G014		Controller, 72V 4WD Off Road	1
2				
3	<u>00797G2</u>		Hex Head Bolt, 1/4" - 20 x 1.5" Lg, Grade 5	4
4	<u>11027G2</u>		Flanged Lock Nut, 1/4" - 20	4
5				
6	<u>628671</u>		Motor Wire, Front (U)	1
7	<u>628669</u>		Motor Wire, Front (V)	1
8	<u>628670</u>		Motor Wire, Front (W)	1
9				
10	672599G014		Controller, 72V 4WD Off Road	1
11	<u>00797G2</u>		Hex Head Bolt, 1/4" - 20 x 1.5" Lg, Grade 5	4
12				
13	<u>11027G2</u>		Flanged Lock Nut, 1/4" - 20	4
14				
15	<u>628668</u>		Motor Wire, Rear (U)	1
16	<u>628665</u>		Motor Wire, Rear (V)	1
17	<u>628667</u>		Motor Wire, Rear (W)	1
18	<u>628680</u>		Control Wire (B+ to Solenoid)	1
19	<u>628676</u>		Control Wire (B- to Control B-)	1
20	<u>628677</u>		Control Wire (B+ to Control B+)	1
21	<u>606264</u>		Flanged Hex Head Bolt, M6 - 1 x 20mm Lg	4
22	<u>73876G01</u>		Flanged Hex Head Bolt, M6 - 1 x 12mm Lg	6
23	<u>606272</u>		Lock Washer, 8mm	10
24				
25	682655		Controller Bracket	1
26	00415G6		Hex Head Bolt, 1/4" - 20 x 1.75" Lg, Grade 5	2
27	<u>00642G7</u>		Flat Washer, 1/4"	4
28	<u>14390G4</u>		Lock Nut, 1/4" - 20	2

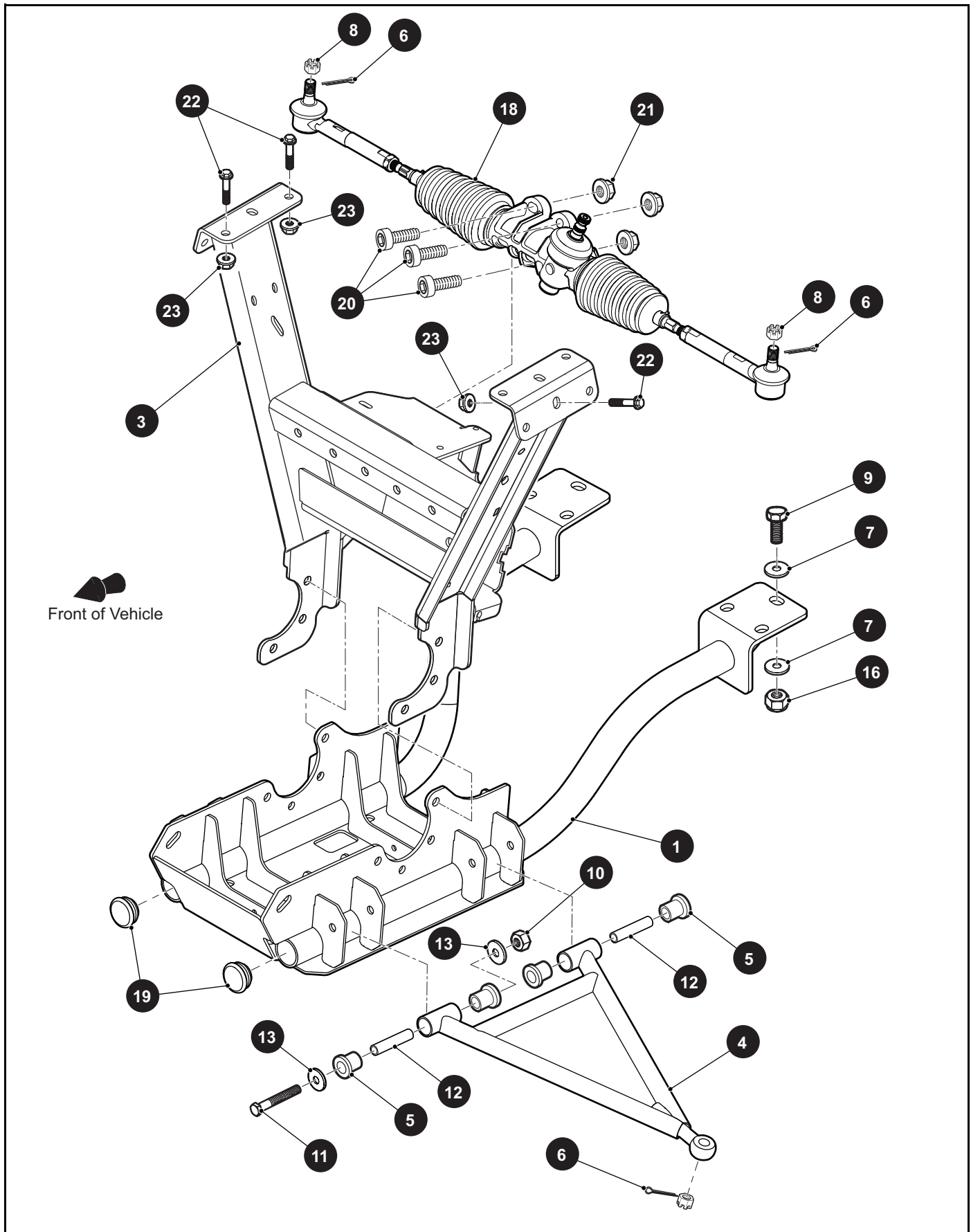
Notes:

A large grid of graph paper, consisting of 30 columns and 30 rows of small squares, intended for taking notes.

Notes:

A large grid of graph paper, consisting of approximately 20 columns and 30 rows of small squares, intended for taking notes.

FRONT SUSPENSION AND STEERING



FRONT SUSPENSION AND STEERING

THE USE OF NON U.L. PARTS WILL VOID ANY U.L. LISTING.

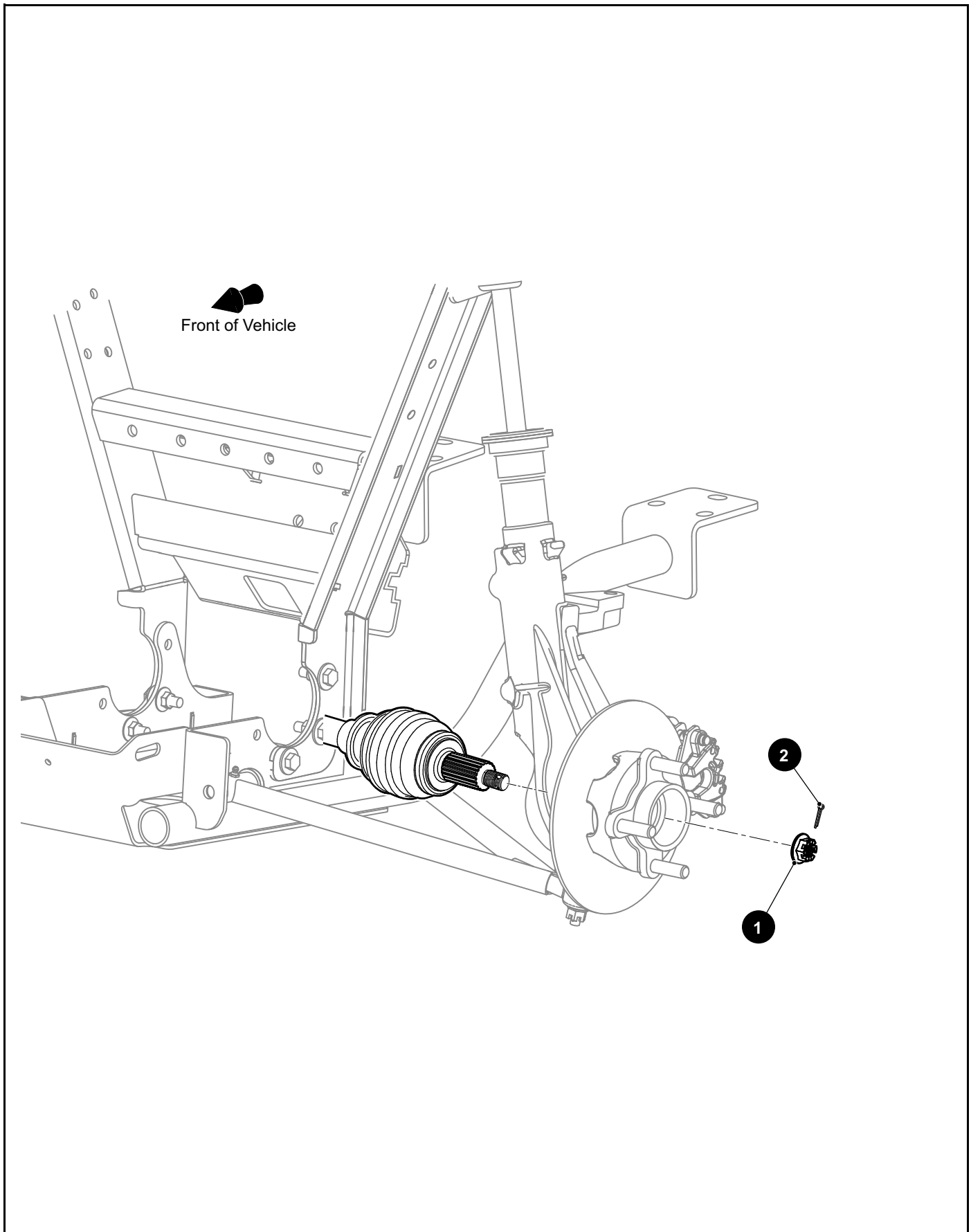
When ordering parts, please specify the model and serial number of the product.

* Indicates a component that is not available as an individual part.

*** Indicates consult Customer Service Department for additional information.

ITEM	PART NO.	1 2 3 4 5	DESCRIPTION	QTY.
1	<u>637378</u>		Front Powertrain Frame	1
2				
3	<u>641999</u>		Front Upper Suspension Weldment	1
4	<u>638383G01</u>		Control Arm Weldment	1
5	<u>637745</u>		Control Arm Bushing	4
6	<u>10387G2</u>		Cotter Pin, .094" x 1"	1
7	<u>306982</u>		Flat Washer, .34" x .92" x .06"	6
8	<u>608005</u>		Castle Nut, M12 - 1.25	1
9	<u>00463G11</u>		Hex Head Bolt, 7/16" - 14 x 1.5" Lg, Grade 5	3
10	<u>11098G5</u>		Lock Nut, 3/8" - 16	2
11	<u>00429G4</u>		Hex Head Bolt, 3/8" - 16 x 3.5" Lg, Grade 5	2
12	<u>638223</u>		Split Spacer, 3/8" x 2.390"	2
13	<u>00560G1</u>		Flat Washer, 3/8"	4
14				
15				
16	<u>00734G1</u>		Lock Nut, 7/16" - 14	3
17				
18	<u>630988</u>		Steering Rack with Spacer	1
19	<u>628915</u>		Tube Plug	2
20	<u>630449</u>		Socket Head Bolt, M10 - 1.5 x 45mm Lg	3
21	<u>630450</u>		Flanged Lock Nut, M10 - 1.5	3
22	<u>641289</u>		Flanged Hex Head Bolt, 3/8" - 16 x 1" Lg, Grade 8	6
23	<u>11027G5</u>		Flanged Lock Nut, 3/8" - 16	6

FRONT SUSPENSION AND STEERING



FRONT SUSPENSION AND STEERING

THE USE OF NON U.L. PARTS WILL VOID ANY U.L. LISTING.

When ordering parts, please specify the model and serial number of the product.

* Indicates a component that is not available as an individual part.

*** Indicates consult Customer Service Department for additional information.

ITEM	PART NO.	1 2 3 4 5	DESCRIPTION	QTY.
1	<u>635491</u>		Flanged Castle Nut, M16 - 1.5	1
2	<u>10387G1</u>		Cotter Pin, .125" x 1.5"	1

FRONT SUSPENSION AND STEERING

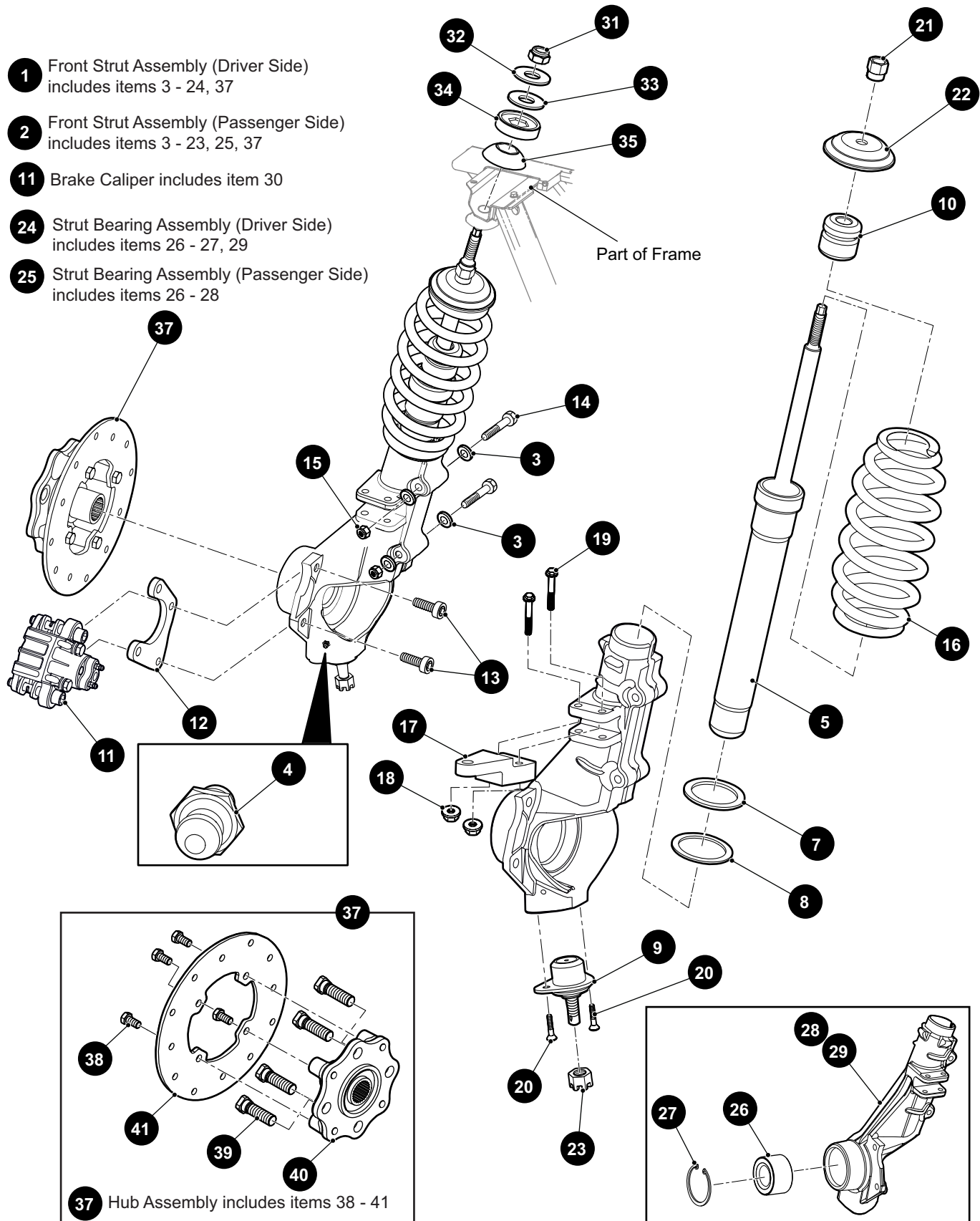
1 Front Strut Assembly (Driver Side)
includes items 3 - 24, 37

2 Front Strut Assembly (Passenger Side)
includes items 3 - 23, 25, 37

11 Brake Caliper includes item 30

24 Strut Bearing Assembly (Driver Side)
includes items 26 - 27, 29

25 Strut Bearing Assembly (Passenger Side)
includes items 26 - 28



FRONT SUSPENSION AND STEERING

THE USE OF NON U.L. PARTS WILL VOID ANY U.L. LISTING.

When ordering parts, please specify the model and serial number of the product.

* Indicates a component that is not available as an individual part.

*** Indicates consult Customer Service Department for additional information.

ITEM	PART NO.	1 2 3 4 5	DESCRIPTION	QTY.
1	<u>640501G01</u>		Front Strut Assembly (Driver Side) (Includes Items 3 - 24, 37).....	1
2	<u>640501G02</u>		Front Strut Assembly (Passenger Side) (Includes Items 3 - 23, 25, 37)	1
3	<u>103867</u>		Flat Washer, .31" x .69" x .06"	2
4	<u>632405</u>		Grease Fitting, 3/16" Straight Drive	1
5	<u>634705</u>		Shock Strut.....	1
6				
7	<u>616053</u>		Flat Washer, 2"	1
8	<u>616060</u>		Strut Washer (Coil Spring), 52mm.....	1
9	<u>645047</u>		Strut Ball Joint	1
10	<u>616073</u>		Strut Bump Stop	1
11	<u>638129</u>		Brake Caliper (Includes Item 30)	1
12	<u>616451</u>		Caliper Mounting Bracket	1
13	<u>616596</u>		Socket Head Bolt, 3/8" - 24 x 3/4" Lg	2
14	<u>616672</u>		Hex Head Bolt, M8 - 1.25 x 60mm Lg	2
15	<u>616673</u>		Lock Nut, M8	2
16	<u>618346</u>		Coil Spring	1
17	<u>626725</u>		Steering Arm (Short).....	1
18	<u>630803</u>		Lock Nut, 5/16" - 18	2
19	<u>630804G01</u>		Flanged Hex Head Bolt, 5/16" - 18 x 2" Lg	2
20	<u>616597</u>		Flat Head Socket Screw, 1/4" - 20 x 3/4" Lg.....	2
21	<u>616056</u>		Spring Retaining Nut, M12 - 1.25	1
22	<u>634967</u>		Coil Spring Cap	1
23	649714		Castle Nut, M10 - 1.25.....	1
24	<u>642461G01</u>		Strut Bearing Assembly (Driver Side) (Includes Items 26 - 27, 29)	1
25	<u>642461G02</u>		Strut Bearing Assembly (Passenger Side) (Includes Items 26 - 28).....	1
26	<u>633663</u>		Wheel Bearing, 2.52" O.D x 1.37" I.D	1
27	<u>632409</u>		Snap Ring	1
28	<u>632410G04</u>		Strut Base (Passenger Side).....	1
29	<u>632410G03</u>		Strut Base (Driver Side)	1
30	<u>633875</u>		Brake Pads.....	2
31	<u>625748</u>		Nylock Nut, M12 - 1.25.....	1

FRONT SUSPENSION AND STEERING

THE USE OF NON U.L. PARTS WILL VOID ANY U.L. LISTING.

When ordering parts, please specify the model and serial number of the product.

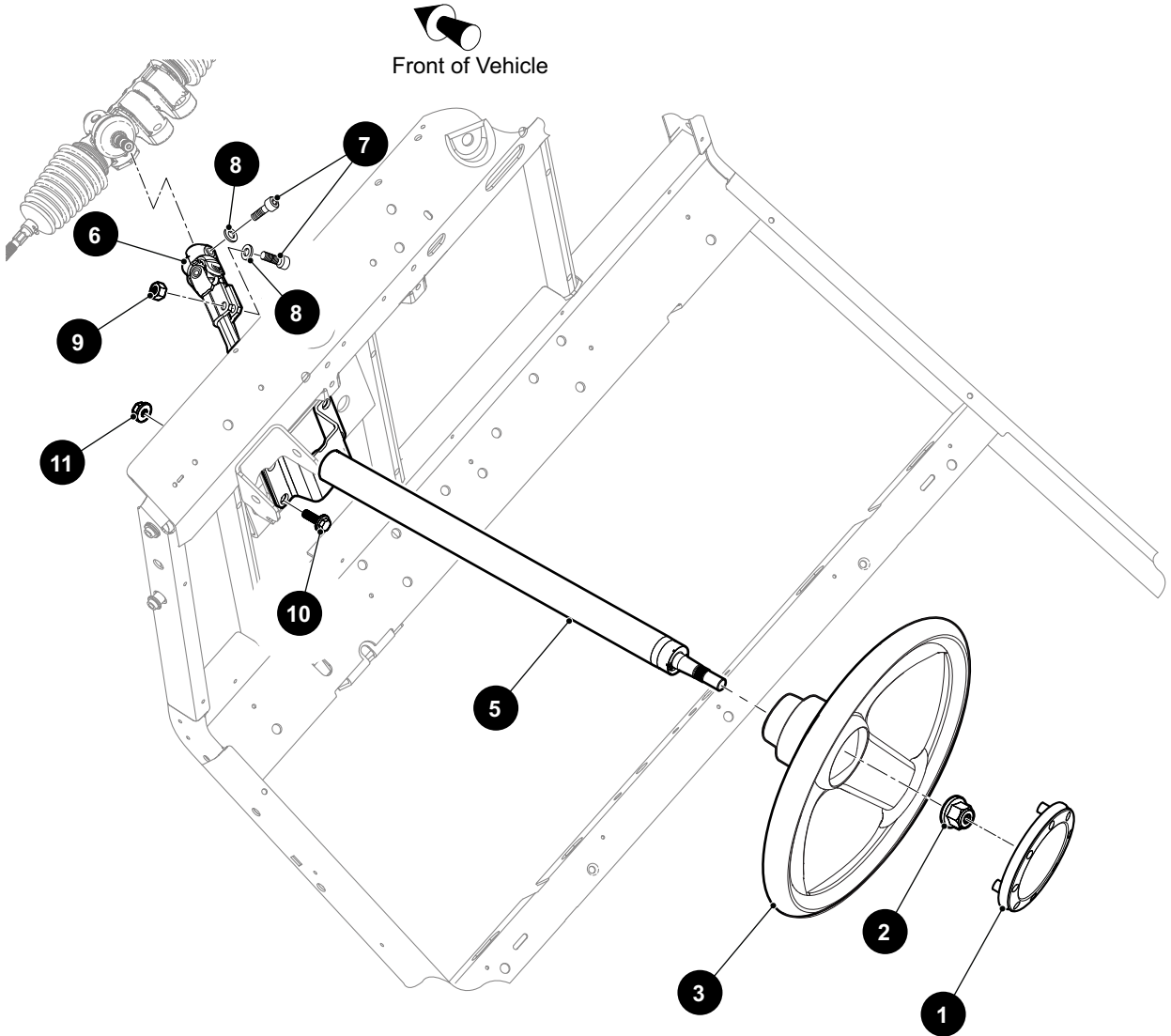
* Indicates a component that is not available as an individual part.

*** Indicates consult Customer Service Department for additional information.

ITEM	PART NO.	1	2	3	4	5	DESCRIPTION	QTY.
32	<u>636610</u>						Flat Washer, 3/8"	1
33	<u>616701</u>						Rubber Washer, 1.5mm x .76mm	1
34	<u>629592</u>						Strut Bushing (Female).....	1
35	<u>629593</u>						Strut Bushing (Male).....	1
36								
37	<u>633792G02</u>						Hub Assembly (Includes Items 38 - 41)	1
38	<u>636096</u>						Hex Head Bolt, M8 - 1.25 x 20mm Lg	4
39	<u>19862G2</u>						Wheel Hub Bolt, 1/2" - 20 x 1.718" Lg	4
40	632713G02						Hub	1
41	632714G01						Rotor (Cross Drilled).....	1

FRONT SUSPENSION AND STEERING

4 Steering Column Assembly includes items 5 - 9



FRONT SUSPENSION AND STEERING

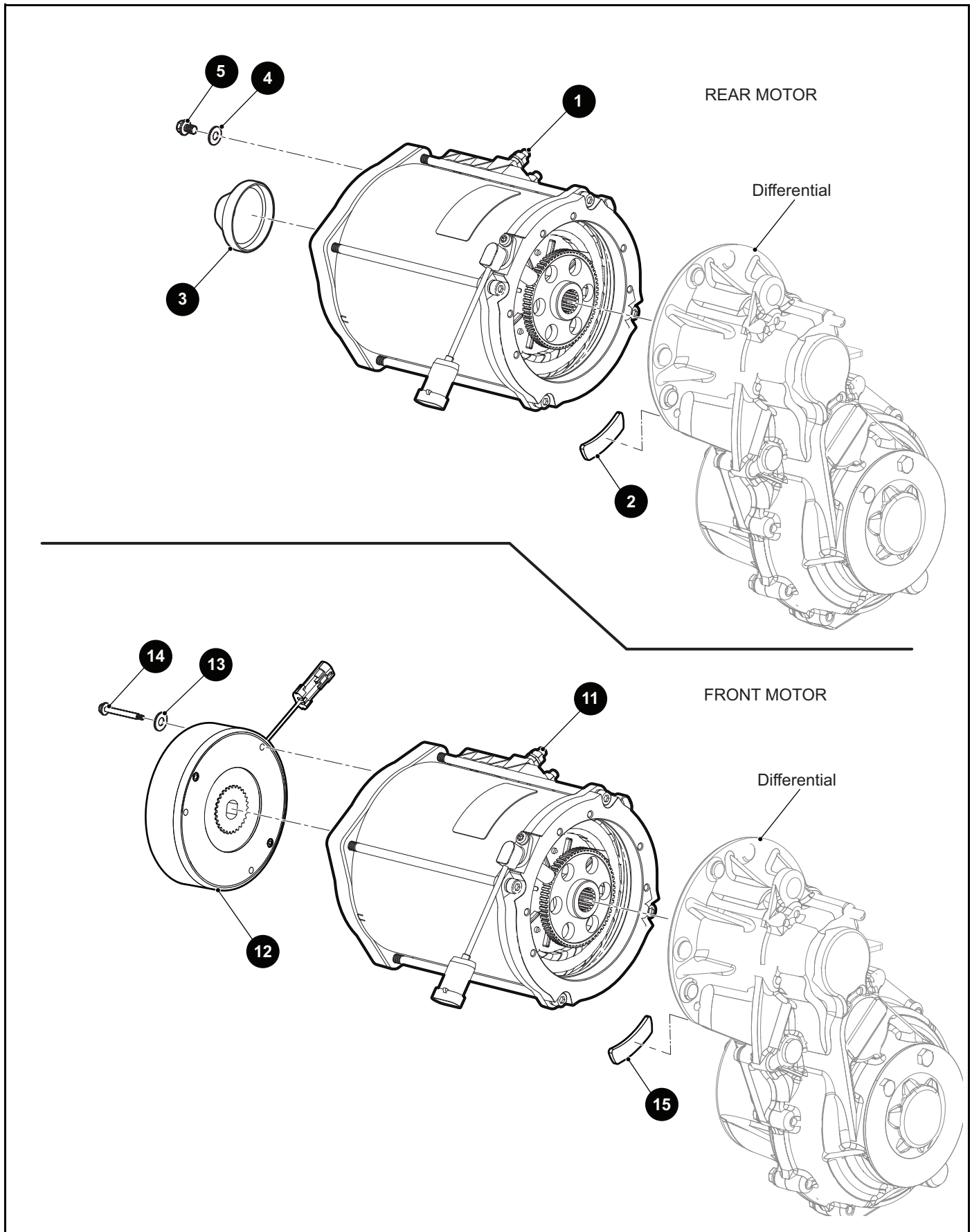
THE USE OF NON U.L. PARTS WILL VOID ANY U.L. LISTING.

When ordering parts, please specify the model and serial number of the product.

* Indicates a component that is not available as an individual part.

*** Indicates consult Customer Service Department for additional information.

ITEM	PART NO.	1 2 3 4 5	DESCRIPTION	QTY.
1	<u>639439</u>		Steering Wheel Cover.....	1
2	<u>601709</u>		Lock Nut, M16 - 2.....	1
3	<u>639437</u>		Steering Wheel	1
4	<u>600333</u>		Steering Column Assembly (Includes Items 5 - 9).....	1
5	<u>608117</u>		Steering Column.....	1
6	<u>608114</u>		Steering Yoke	1
7	<u>608653</u>		Socket Head Bolt, M10 - 1.5 x 35mm Lg.....	2
8	<u>608654</u>		Lock Washer, 10mm.....	2
9	<u>608655</u>		Hex Nut, M10 - 1.5	1
10	<u>603799</u>		Flanged Hex Head Bolt, M10 - 1.5 x 25mm Lg, Grade 8.8.....	4
11	<u>600525</u>		Flanged Lock Nut, M10 - 1.5.....	4



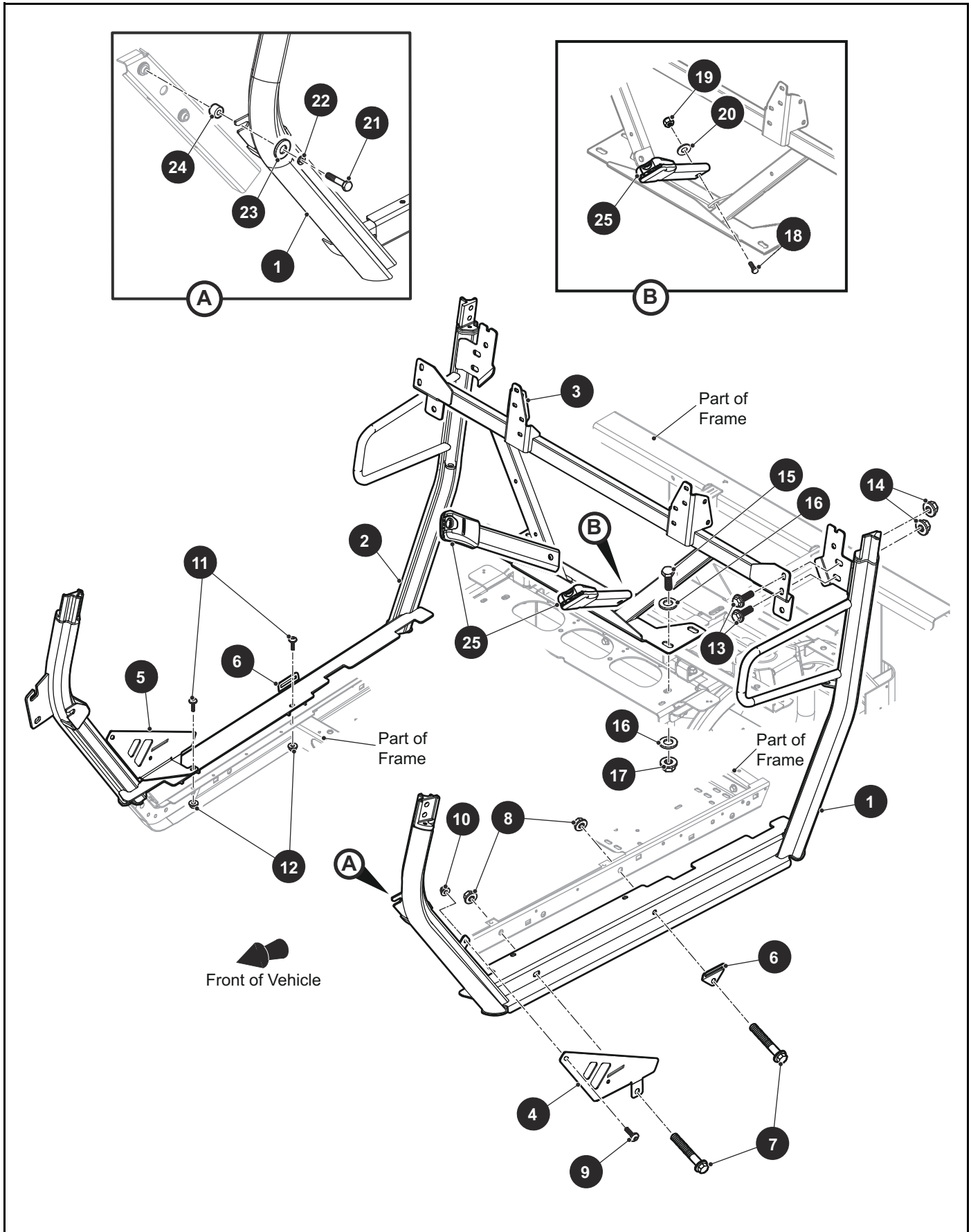
THE USE OF NON U.L. PARTS WILL VOID ANY U.L. LISTING.

When ordering parts, please specify the model and serial number of the product.

* Indicates a component that is not available as an individual part.

*** Indicates consult Customer Service Department for additional information.

ITEM	PART NO.	1 2 3 4 5	DESCRIPTION	QTY.
1	680639		Motor, 72V (If motor has female connector on the temp sensor, you must use kit 671146 to make this new style motor temp sensor work on older units. New style has male connector on the temp sensor)	1
2	658445		Differential Gasket.....	1
3	668275		End Cap	1
4	<u>00915G1</u>		Bonded Seal Washer	3
5	<u>73876G01</u>		Flanged Hex Head Bolt, M6 - 1 x 12mm Lg	3
6				
7				
8				
9				
10				
11	680639		Motor, 72V (If motor has female connector on the temp sensor, you must use kit 671146 to make this new style motor temp sensor work on older units. New style has male connector on the temp sensor)	1
12	<u>655677</u>		Sealed E - Brake	1
13	<u>00915G1</u>		Bonded Seal Washer	3
14	<u>73715G01</u>		Flanged Hex Head Bolt, M6 - 1 x 60mm Lg	3
15	658445		Differential Gasket.....	1



THE USE OF NON U.L. PARTS WILL VOID ANY U.L. LISTING.

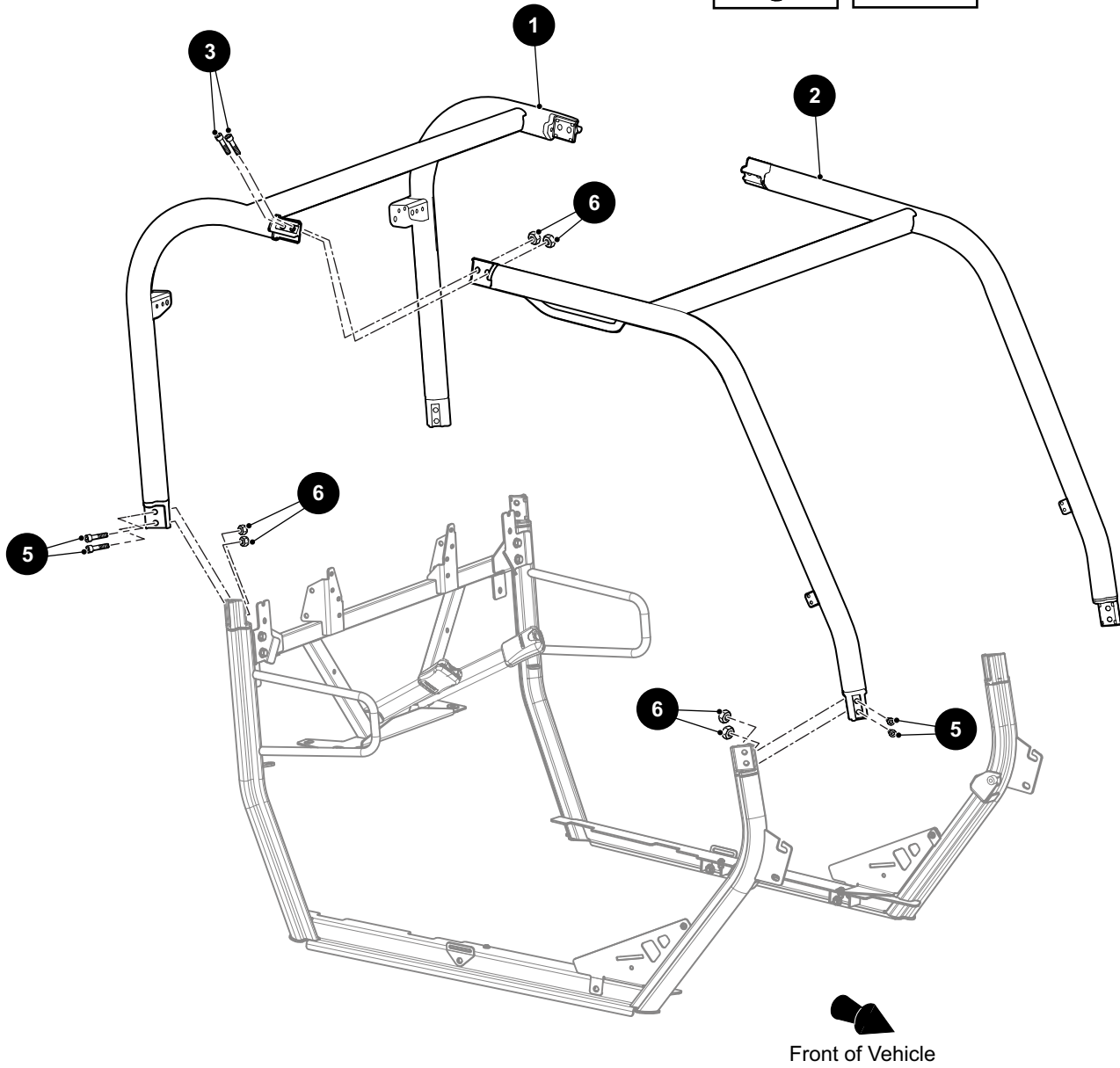
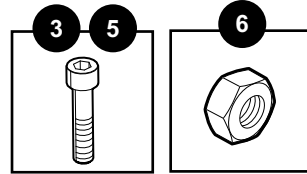
When ordering parts, please specify the model and serial number of the product.

* Indicates a component that is not available as an individual part.

*** Indicates consult Customer Service Department for additional information.

ITEM	PART NO.	1 2 3 4 5	DESCRIPTION	QTY.
1	<u>666324G01</u>		Lower Weldment (Driver Side).....	1
2	<u>666324G02</u>		Lower Weldment (Passenger Side)	1
3	<u>666200</u>		Seat Mounting Assembly.....	1
4	<u>692812G01</u>		Restraint Panel (Driver Side)	1
5	<u>692812G02</u>		Restraint Panel (Passenger Side).....	1
6	<u>667928</u>		Lower Net Bracket.....	1
7	<u>602415</u>		Flanged Hex Head Bolt, M10 - 1.5 x 80mm Lg, Grade 12.9.....	4
8	<u>600525</u>		Flanged Lock Nut, M10 - 1.5.....	4
9	<u>612635</u>		Button Head Torx Bolt, M6 - 1 x 20mm Lg	1
10	<u>601476</u>		Lock Nut, M6 - 1.....	1
11	<u>612635</u>		Button Head Torx Bolt, M6 - 1 x 20mm Lg	2
12	<u>601476</u>		Lock Nut, M6 - 1.....	2
13	<u>603799</u>		Flanged Hex Head Bolt, M10 - 1.5 x 25mm Lg, Grade 8.8.....	4
14	<u>600525</u>		Flanged Lock Nut, M10 - 1.5.....	4
15	<u>00427G2</u>		Hex Head Bolt, 3/8" - 16 x 1.25" Lg, Grade 5	2
16	<u>00643G1</u>		Flat Washer, 3/8".....	4
17	<u>11098G5</u>		Lock Nut, 3/8" - 16	2
18	<u>610753</u>		Hex Head Bolt, 7/16" - 20 x 1" Lg, Grade 5	1
19	<u>00734G3</u>		Lock Nut, 7/16" - 20	1
20	<u>00560G3</u>		Flat Washer, 3/8".....	1
21	<u>00439G6</u>		Hex Head Bolt, 5/18" - 18 x 1.75" Lg, Grade 5	1
22	<u>00565G8</u>		Lock Washer, 5/16"	1
23	<u>00675G1</u>		Flat Washer, 3/8".....	1
24	<u>75048G01</u>		Spacer .328" x .75" x .50" Lg	1
25	<u>631973</u>		Buckle and Bracket Assembly.....	1

4 Upper Hardware Kit includes items 5 - 6



THE USE OF NON U.L. PARTS WILL VOID ANY U.L. LISTING.

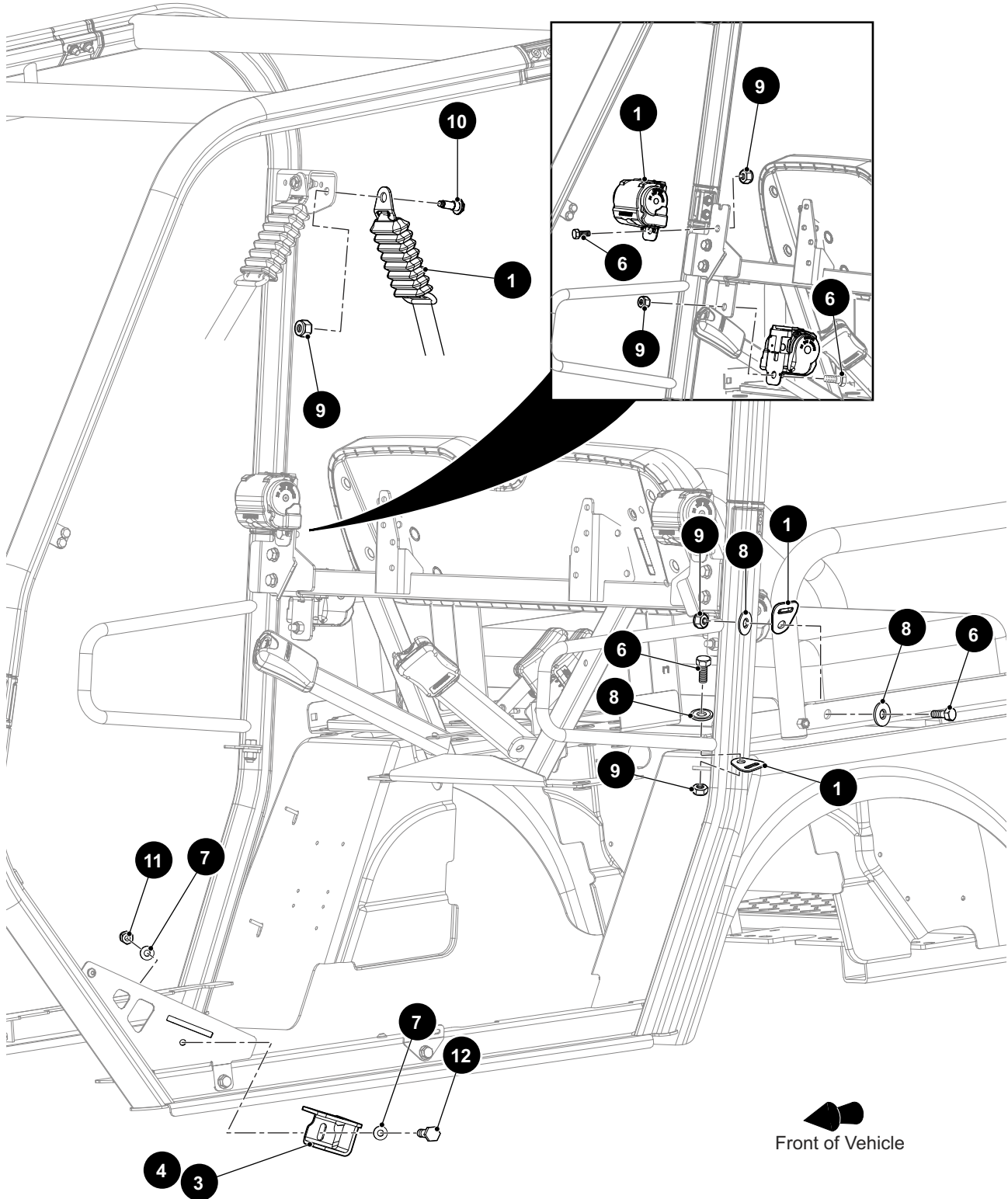
When ordering parts, please specify the model and serial number of the product.

* Indicates a component that is not available as an individual part.

*** Indicates consult Customer Service Department for additional information.

ITEM	PART NO.	1 2 3 4 5	DESCRIPTION	QTY.
1	<u>666355</u>		Rear Upper Weldment	1
2	<u>666354</u>		Front Upper Weldment.....	1
3	<u>630449</u>		Socket Head Bolt, M10 - 1.5 X 45mm Lg, Grade 12.9.....	4
4	<u>668186</u>		Upper Hardware Kit (Includes Items 5 - 6).....	1
5	<u>630449</u>		Socket Head Bolt, M10 - 1.5 x 45mm Lg, Grade 12.9.....	8
6	<u>616675</u>		Lock Nut, M10 - 1.5	12

5 Hardware Kit includes items 6 - 12



THE USE OF NON U.L. PARTS WILL VOID ANY U.L. LISTING.

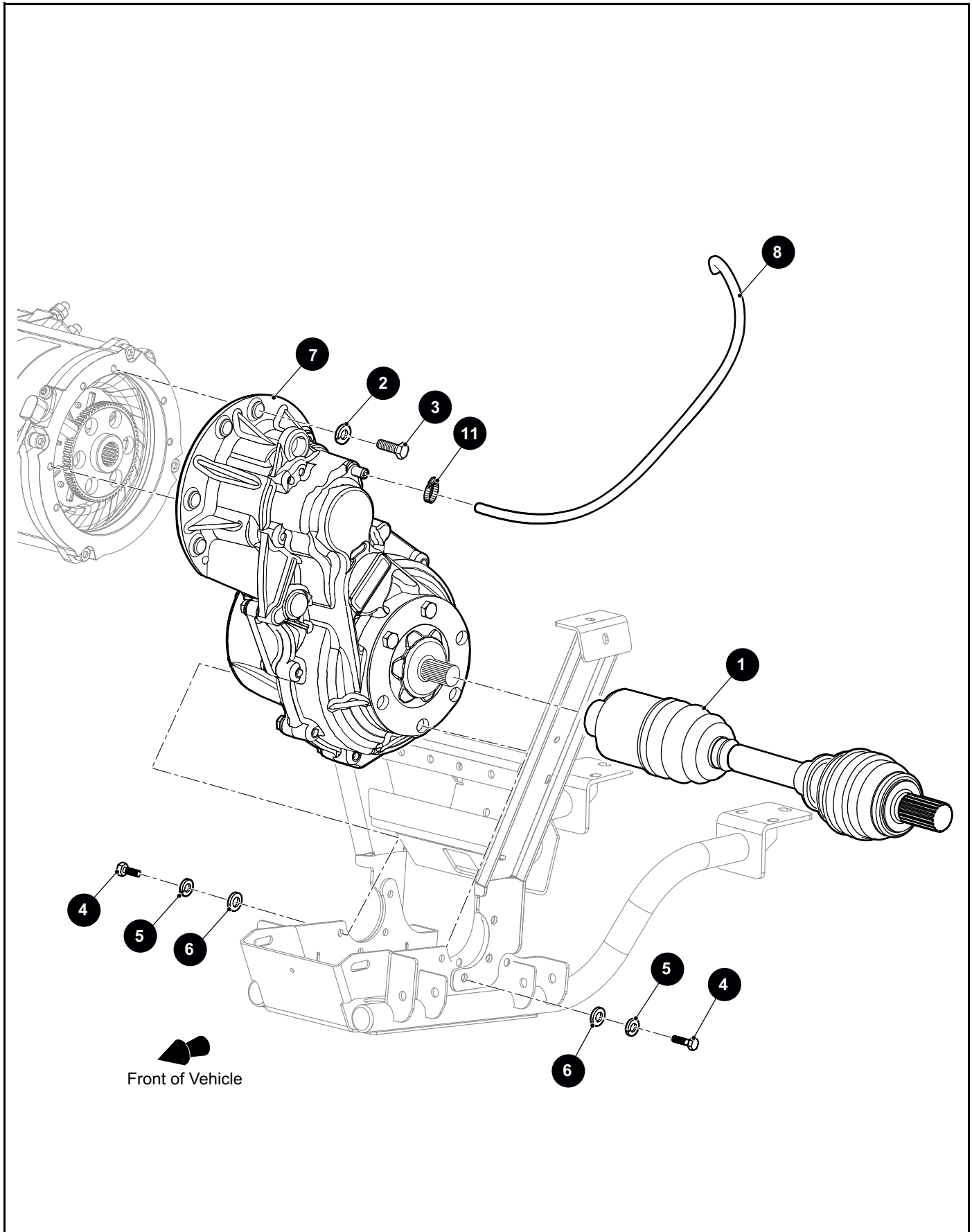
When ordering parts, please specify the model and serial number of the product.

* Indicates a component that is not available as an individual part.

*** Indicates consult Customer Service Department for additional information.

ITEM	PART NO.	1 2 3 4 5	DESCRIPTION	QTY.
1	682415		Seat Belt Retractor.....	1
2	<u>651519</u>		Front Door Net (Not Illustrated).....	1
3	<u>660063G01</u>		Side Bracket Weldment (Driver Side).....	1
4	<u>660063G02</u>		Side Bracket Weldment (Passenger Side).....	1
5	667166		Hardware Kit (Includes Items 6 - 12).....	1
6	<u>610753</u>		Hex Head Bolt, 7/16" - 20 x 1" Lg, Grade 5.....	8
7	<u>00559G7</u>		Flat Washer, 1/4".....	12
8	<u>00560G3</u>		Flat Washer, 3/8".....	6
9	<u>00734G3</u>		Lock Nut, 7/16" - 20.....	12
10	<u>609569</u>		Seat Belt Bolt, 7/16" - 20 x 1.5" Lg.....	4
11	<u>14390G4</u>		Lock Nut, 1/4" - 20.....	6
12	<u>302288</u>		Hex Head Bolt, 1/4" - 20 x 1" Lg, Grade 5.....	6

FRONT AXLE



FRONT AXLE

THE USE OF NON U.L. PARTS WILL VOID ANY U.L. LISTING.

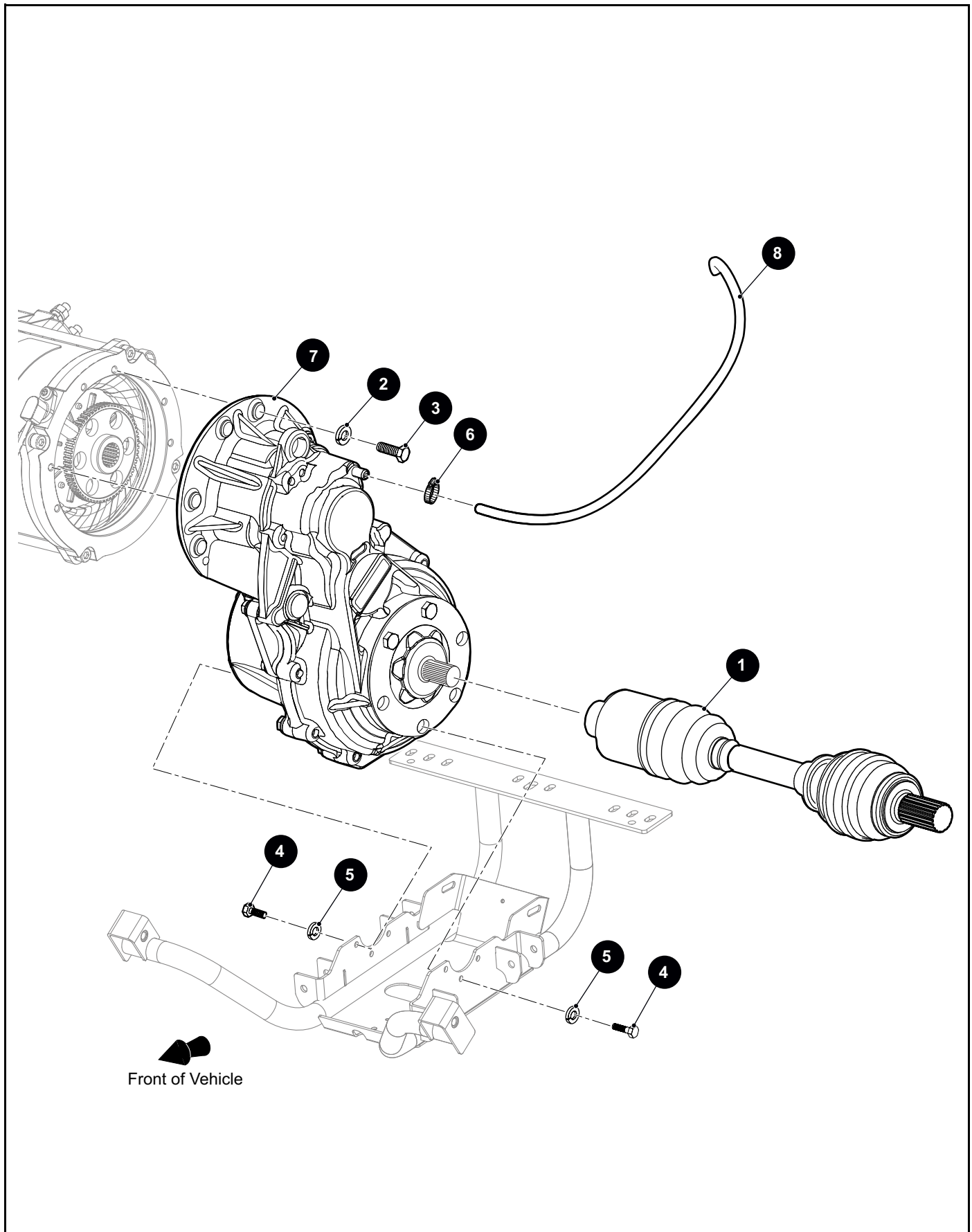
When ordering parts, please specify the model and serial number of the product.

* Indicates a component that is not available as an individual part.

*** Indicates consult Customer Service Department for additional information.

ITEM	PART NO.	1 2 3 4 5	DESCRIPTION	QTY.
1	<u>653033</u>		CV Axle Assembly	2
2	<u>601327</u>		Lock Washer, 6mm	6
3	<u>605741</u>		Hex Head Bolt, M6 - 1 x 25mm Lg	6
4	<u>306835</u>		Hex Head Bolt, 3/8" - 16 x 1.25" Lg, Grade 5	8
5	<u>608654</u>		Split Lock Washer, 10mm	8
6	<u>00571G3</u>		Flat Washer, 5/16"	8
7	<u>629151</u>		Independent Differential (Hardened Gears)	1
8	616705		Breather Hose	1
9	<u>31539G1</u>		Nylon Clamp, 15.5" (Not Illustrated)	1
10				
11	<u>11391G4</u>		Hose Clamp, .25" Dia	1

REAR AXLE



THE USE OF NON U.L. PARTS WILL VOID ANY U.L. LISTING.

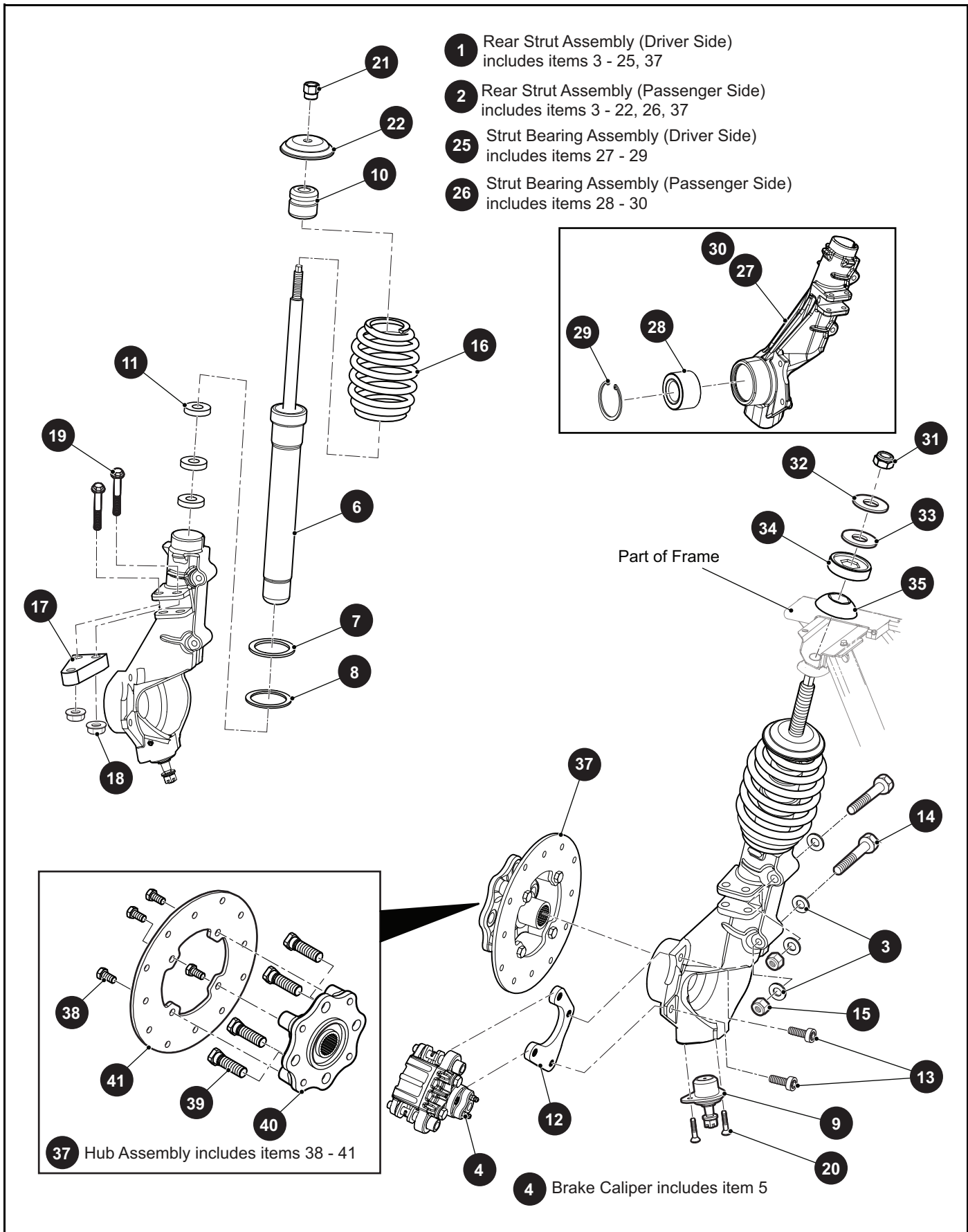
When ordering parts, please specify the model and serial number of the product.

* Indicates a component that is not available as an individual part.

*** Indicates consult Customer Service Department for additional information.

ITEM	PART NO.	1 2 3 4 5	DESCRIPTION	QTY.
1	<u>653033</u>		CV Axle Assembly	2
2	<u>601327</u>		Lock Washer, 6mm	6
3	<u>605741</u>		Hex Head Bolt, M6 - 1 x 25mm Lg	6
4	<u>306835</u>		Hex Head Bolt, 3/8" - 16 x 1 1/4" Lg, Grade 5	6
5	<u>608654</u>		Split Lock Washer, 10mm	6
6	<u>11391G4</u>		Hose Clamp, .25" Dia.....	1
7	<u>629151</u>		Independent Differential (Hardened Gears)	1
8	<u>616705</u>		Breather Hose	1
9	<u>31539G1</u>		Nylon Clamp, 15.5" Lg (Not Illustrated).....	1

REAR SUSPENSION



REAR SUSPENSION

THE USE OF NON U.L. PARTS WILL VOID ANY U.L. LISTING.

When ordering parts, please specify the model and serial number of the product.

* Indicates a component that is not available as an individual part.

*** Indicates consult Customer Service Department for additional information.

ITEM	PART NO.	1 2 3 4 5	DESCRIPTION	QTY.
1	640501G11		Rear Strut Assembly (Driver Side) (Includes Items 3 - 25, 37)	1
2	640501G12		Rear Strut Assembly (Passenger Side) (Includes Items 3 - 22, 26, 37).....	1
3	<u>103867</u>		Flat Washer, .31" x .69" x .06"	4
4	<u>638129</u>		Brake Caliper (Includes Item 5)	1
5	<u>633875</u>		Brake Pads (Not Illustrated)	2
6	<u>634705</u>		Shock Strut	1
7	<u>616053</u>		Flat Washer, 2"	1
8	<u>616060</u>		Strut Washer (Coil Spring), 52mm.....	1
9	649721		Strut Ball Joint	1
10	<u>616073</u>		Strut Bump Stop	1
11	<u>71883G01</u>		Rubber Washer.....	3
12	<u>616451</u>		Caliper Mounting Bracket	1
13	<u>616596</u>		Socket Head Bolt, 3/8" - 24 x 3/4" Lg	2
14	<u>616672</u>		Hex Head Bolt, M8 - 1.25 x 60mm Lg	2
15	<u>616673</u>		Lock Nut, M8	2
16	<u>616062</u>		Coil Spring	1
17	<u>634928</u>		Rear Steering Arm	1
18	<u>630803</u>		Lock Nut, 5/16" - 18	2
19	<u>630804G01</u>		Flanged Hex Head Bolt, 5/16" - 18 x 2" Lg	2
20	<u>616597</u>		Flat Head Socket Screw, 1/4" - 20 x 3/4" Lg.....	2
21	<u>616056</u>		Spring Retaining Nut, M12 - 1.25	1
22	<u>634967</u>		Coil Spring Cap	1
23				
24				
25	<u>642461G01</u>		Strut Bearing Assembly (Driver Side) (Includes Items 27 - 29)	1
26	<u>642461G02</u>		Strut Bearing Assembly (Passenger Side) (Includes Items 28 - 30).....	1
27	<u>632410G03</u>		Strut Base (Driver Side)	1
28	<u>633663</u>		Wheel Bearing, 2.52" O.D x 1.37" I.D	1
29	<u>632409</u>		Snap Ring	1
30	<u>632410G04</u>		Strut Base (Passenger Side).....	1
31	<u>625748</u>		Nylock Nut, M12 - 1.25.....	1

REAR SUSPENSION

THE USE OF NON U.L. PARTS WILL VOID ANY U.L. LISTING.

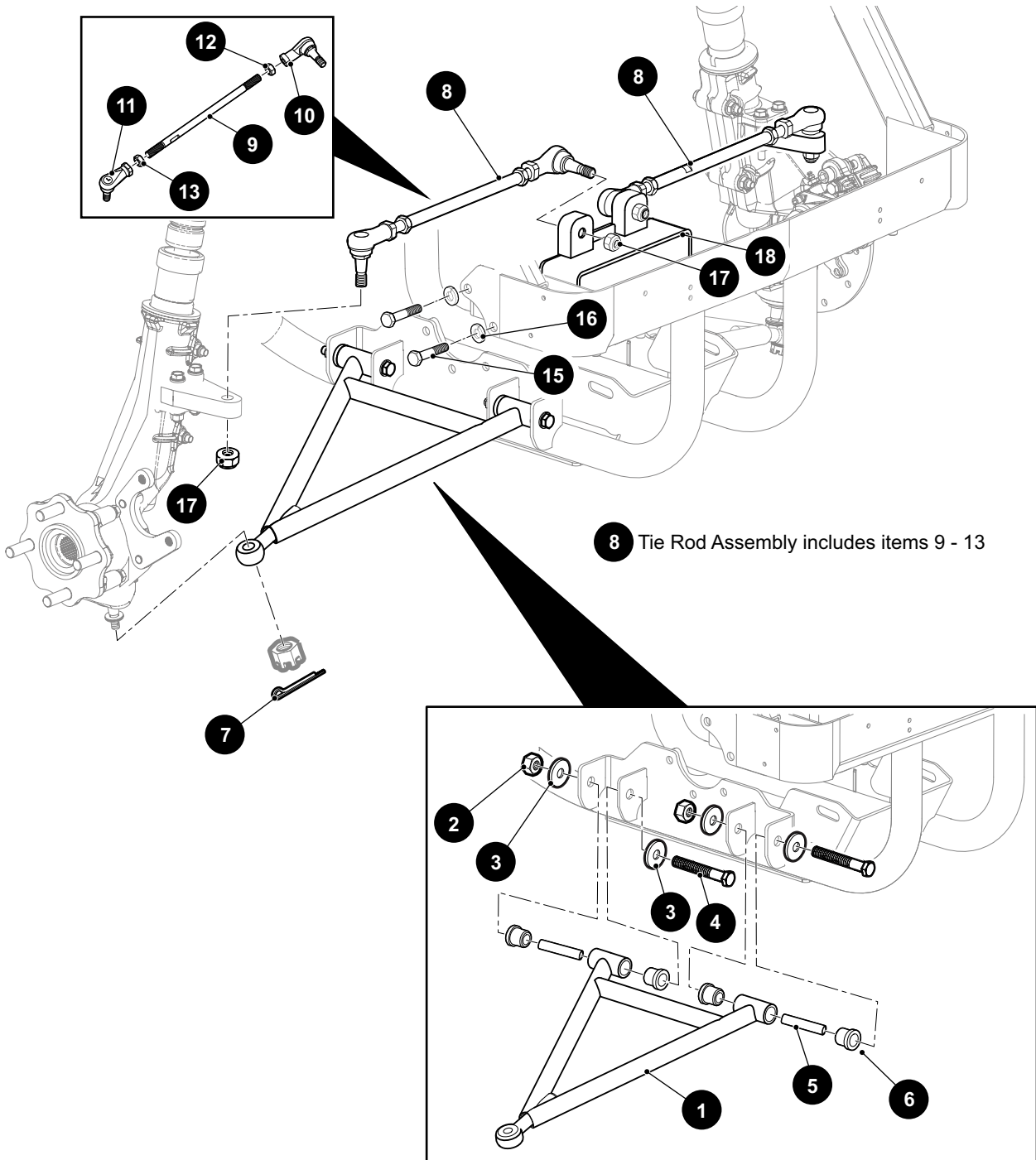
When ordering parts, please specify the model and serial number of the product.

* Indicates a component that is not available as an individual part.

*** Indicates consult Customer Service Department for additional information.

ITEM	PART NO.	1	2	3	4	5	DESCRIPTION	QTY.
32	<u>636610</u>						Flat Washer, 3/8"	1
33	<u>616701</u>						Rubber Washer, 1.5mm x .76mm	1
34	<u>629592</u>						Strut Bushing (Female).....	1
35	<u>629593</u>						Strut Bushing (Male).....	1
36								
37	<u>633792G02</u>						Hub Assembly (Includes Items 38 - 41)	1
38	<u>636096</u>						Hex Head Bolt, M8 - 1.25 x 20mm Lg	4
39	<u>19862G2</u>						Wheel Hub Bolt, 1/2" - 20 x 1.718" Lg	4
40	632713G02						Hub	1
41	632714G01						Rotor (Cross Drilled).....	1

REAR SUSPENSION



REAR SUSPENSION

THE USE OF NON U.L. PARTS WILL VOID ANY U.L. LISTING.

When ordering parts, please specify the model and serial number of the product.

* Indicates a component that is not available as an individual part.

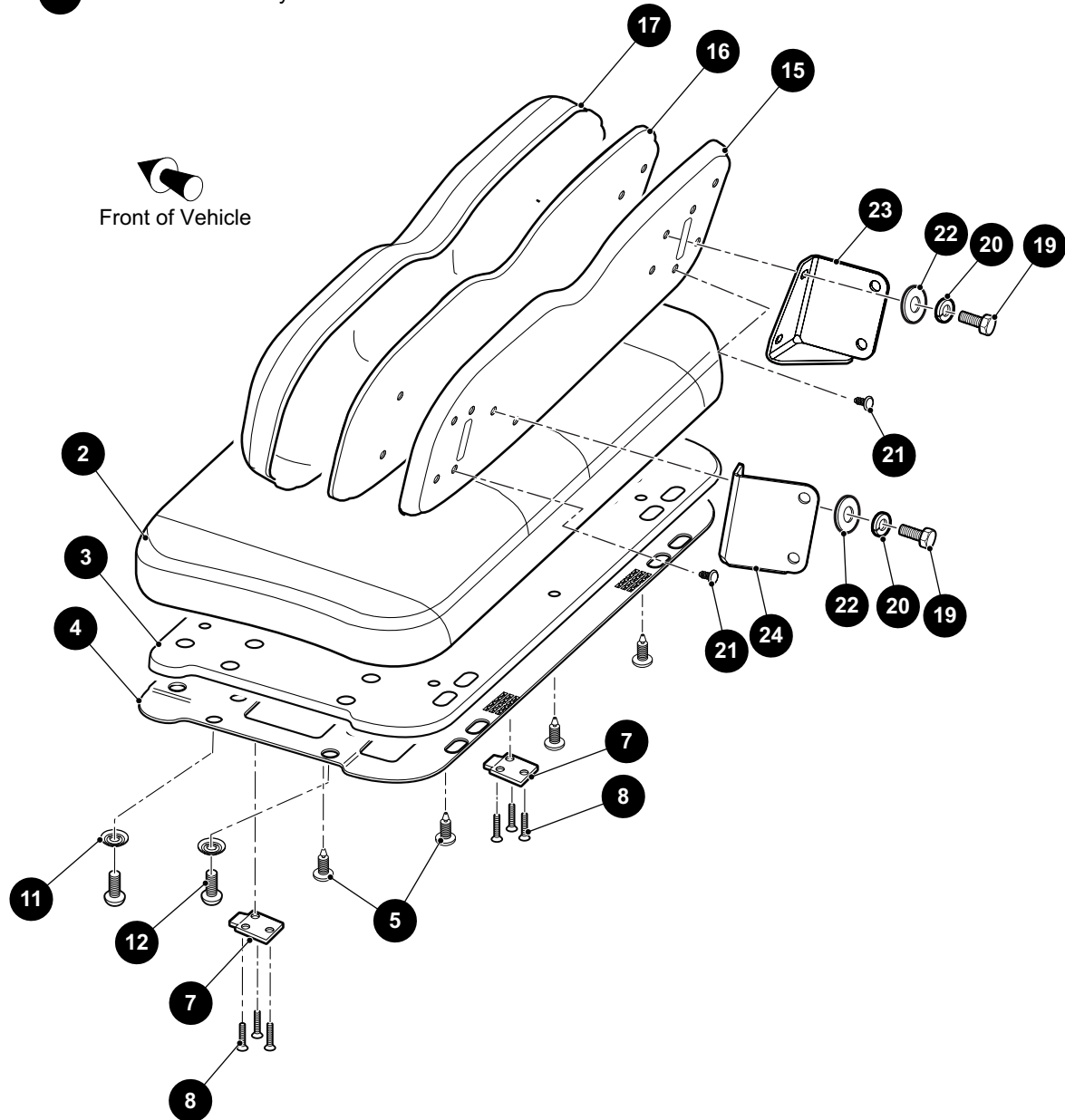
*** Indicates consult Customer Service Department for additional information.

ITEM	PART NO.	1 2 3 4 5	DESCRIPTION	QTY.
1	<u>638383G01</u>		Control Arm Assembly.....	1
2	<u>11098G5</u>		Lock Nut, 3/8" - 16	2
3	<u>00560G1</u>		Flat Washer, 3/8"	4
4	<u>00429G4</u>		Hex Head Bolt, 3/8" - 16 x 3.5" Lg, Grade 5	2
5	<u>638223</u>		Split Seam Spacer, 3/8" x 2.39"	2
6	<u>637745</u>		Control Arm Bushing	4
7	<u>00798G3</u>		Cotter Pin, 3/32" x 1/2" Lg.....	1
8	<u>70904G06</u>		Tie Rod Assembly, 10.91" (Includes Items 9 - 13)	1
9	<u>70855G05</u>		Threaded Tie Rod.....	1
10	<u>70902G01</u>		Tie Rod End - LH	1
11	<u>70902G02</u>		Tie Rod End - RH	1
12	<u>01069G01</u>		Jam Nut - LH, M12 x 1.25.....	1
13	<u>01069G02</u>		Jam Nut - RH, M12 x 1.25	1
14				
15	<u>306835</u>		Hex Head Bolt, 3/8" - 16 x 1.25" Lg, Grade 5	4
16	<u>608654</u>		Lock Washer, 10mm.....	4
17	<u>00734G1</u>		Lock Nut, 7/16" - 14	2
18	<u>630515G03</u>		Tie Rod Weldment Bracket	1

SEATING

1 Seat Bottom Assembly includes items 2 - 12

14 Seat Back Assembly includes items 15 - 17



THE USE OF NON U.L. PARTS WILL VOID ANY U.L. LISTING.

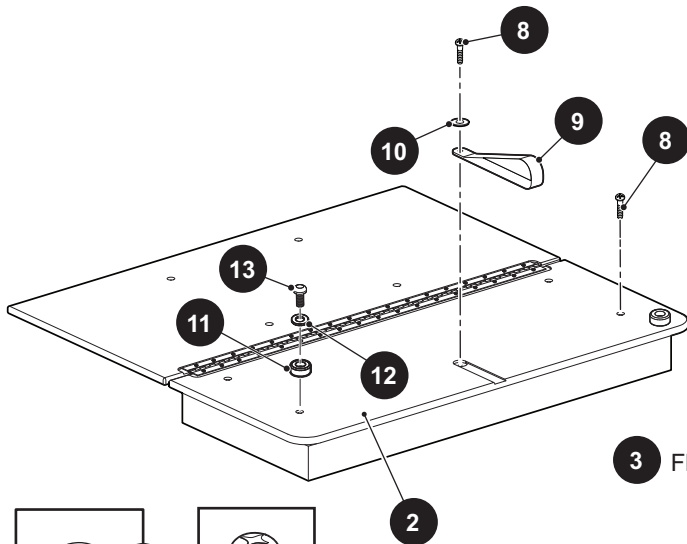
When ordering parts, please specify the model and serial number of the product.

* Indicates a component that is not available as an individual part.

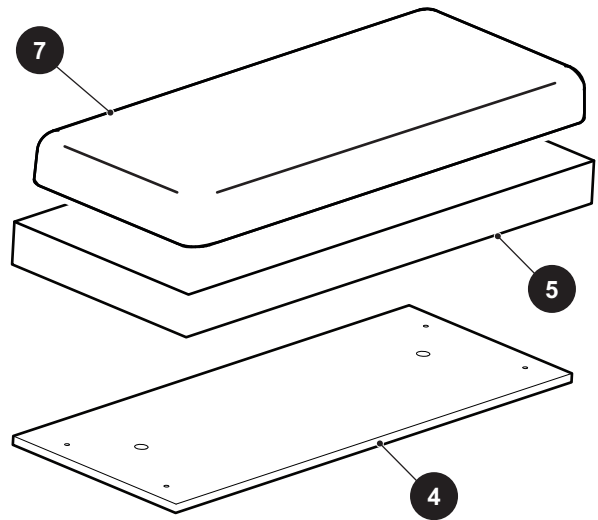
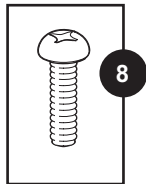
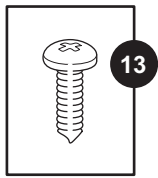
*** Indicates consult Customer Service Department for additional information.

ITEM	PART NO.	1 2 3 4 5	DESCRIPTION	QTY.
1	<u>629269G2406</u>		Seat Bottom Assembly (Black) (Includes Items 2 - 12)	1
2	<u>644819G06</u>		Vinyl and Foam Seat Bottom (Black).....	1
3	<u>644351</u>		Wooden Base Assembly	1
4	<u>602551</u>		Cover Plate	1
5	<u>16816G2</u>		Ratchet Rivet, .25" x .887".....	4
6				
7	<u>71610G01</u>		Seat Hinge.....	1
8	<u>00720G08</u>		Flat Head Phillips Tapping Screw, #12 - 14 x 1" Lg	3
9				
10				
11	<u>10435G1</u>		Shock Absorber Washer, 1.25"	4
12	<u>615417</u>		Button Head Torx Bolt, M10 - 1.5 x 25mm Lg.....	4
13				
14	<u>641897G0006</u>		Seat Back Assembly (Black) (Includes Items 15 - 17)	1
15	<u>605529</u>		Cover (Plastic) (Black).....	1
16	<u>644268</u>		Base Assembly	1
17	<u>644820G06</u>		Vinyl Cover and Foam (Black).....	1
18				
19	<u>605056</u>		Hex Head Bolt (SS), 1/4" - 20 x 1" Lg	2
20	<u>00664G7</u>		Lock Washer, 1/4"	2
21	<u>617533</u>		Push Rivet.....	2
22	<u>00793G2</u>		Flat Washer (SS), 1/4"	2
23	671479G01		Seat Back Bracket (Driver Side)	1
24	671479G02		Seat Back Bracket (Passenger Side).....	1

1 Flip Seat Bottom Assembly includes items 2 - 10



3 Flip Seat Bottom includes items 4 - 7



THE USE OF NON U.L. PARTS WILL VOID ANY U.L. LISTING.

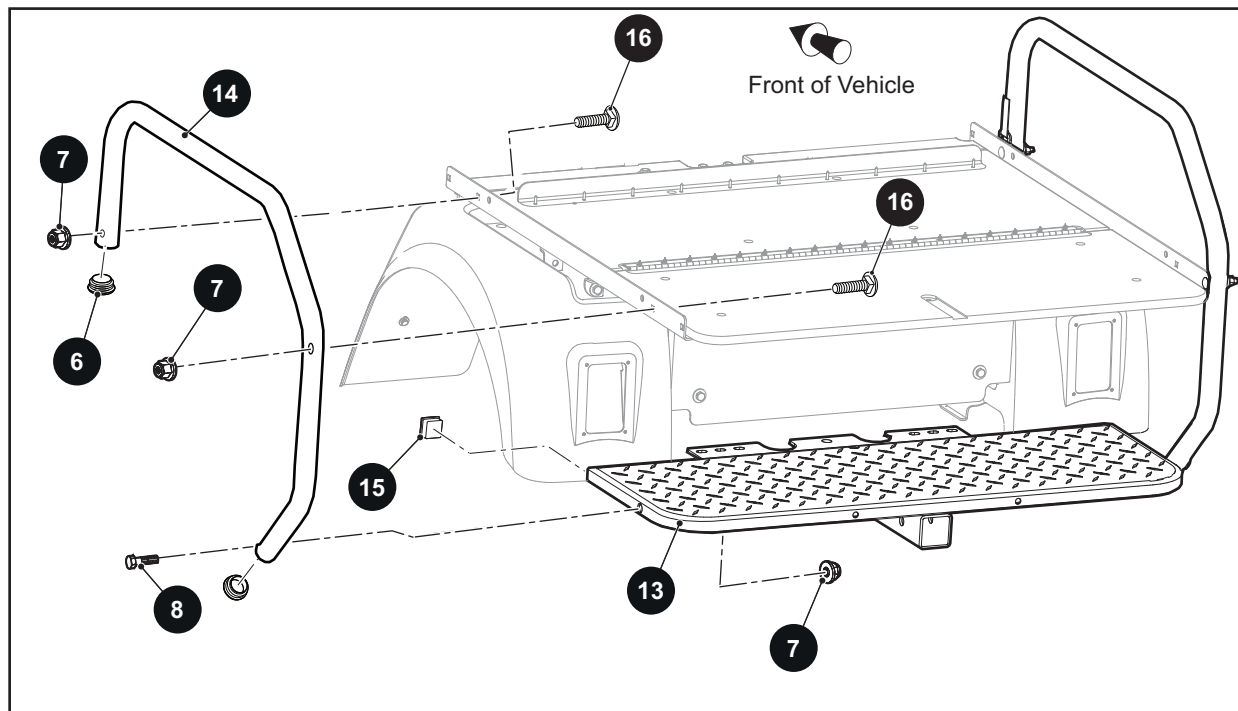
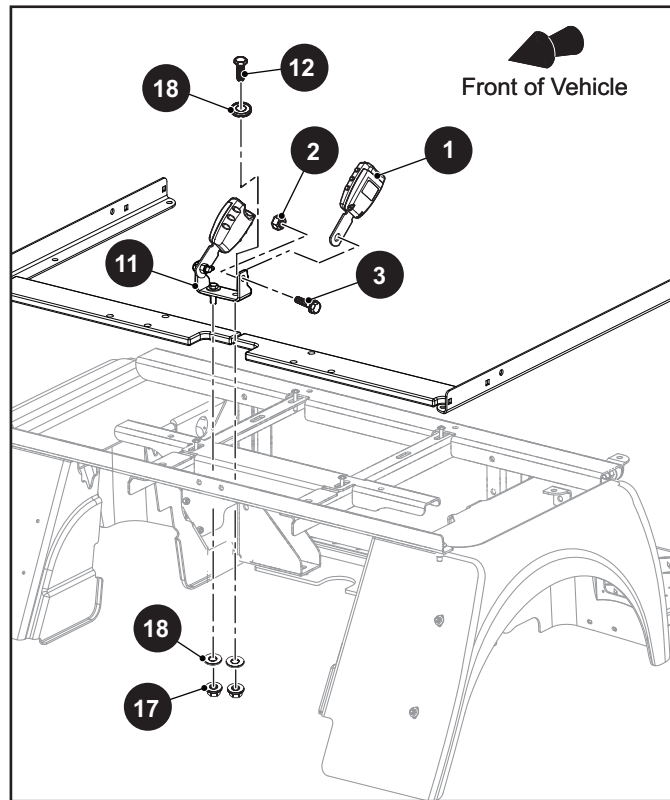
When ordering parts, please specify the model and serial number of the product.

* Indicates a component that is not available as an individual part.

*** Indicates consult Customer Service Department for additional information.

ITEM	PART NO.	1 2 3 4 5	DESCRIPTION	QTY.
1	<u>615822</u>		Flip Seat Bottom Assembly (Includes Items 2 - 10)	1
2	<u>617137</u>		Deck Board Assembly	1
3	<u>621036</u>		Flip Seat Bottom (Includes Items 4 - 7)	1
4	<u>645820</u>		Seat Bottom	1
5	<u>617401</u>		Seat Bottom Foam	1
6				
7	<u>615648</u>		Seat Bottom Vinyl.....	1
8	<u>16705G1</u>		Truss Head Phillips Screw (SS), 1/4" - 20 x 1" Lg	5
9	<u>617402</u>		Seat Strap.....	1
10	<u>00559G7</u>		Flat Washer, 1/4"	1
11	<u>619756</u>		Rubber Bumper.....	1
12	<u>616671</u>		Flat Washer, 8mm	1
13	<u>800344</u>		Truss Head Phillips Tapping Screw, #10 - 16 x 5/8" Lg.....	1

SEATING



THE USE OF NON U.L. PARTS WILL VOID ANY U.L. LISTING.

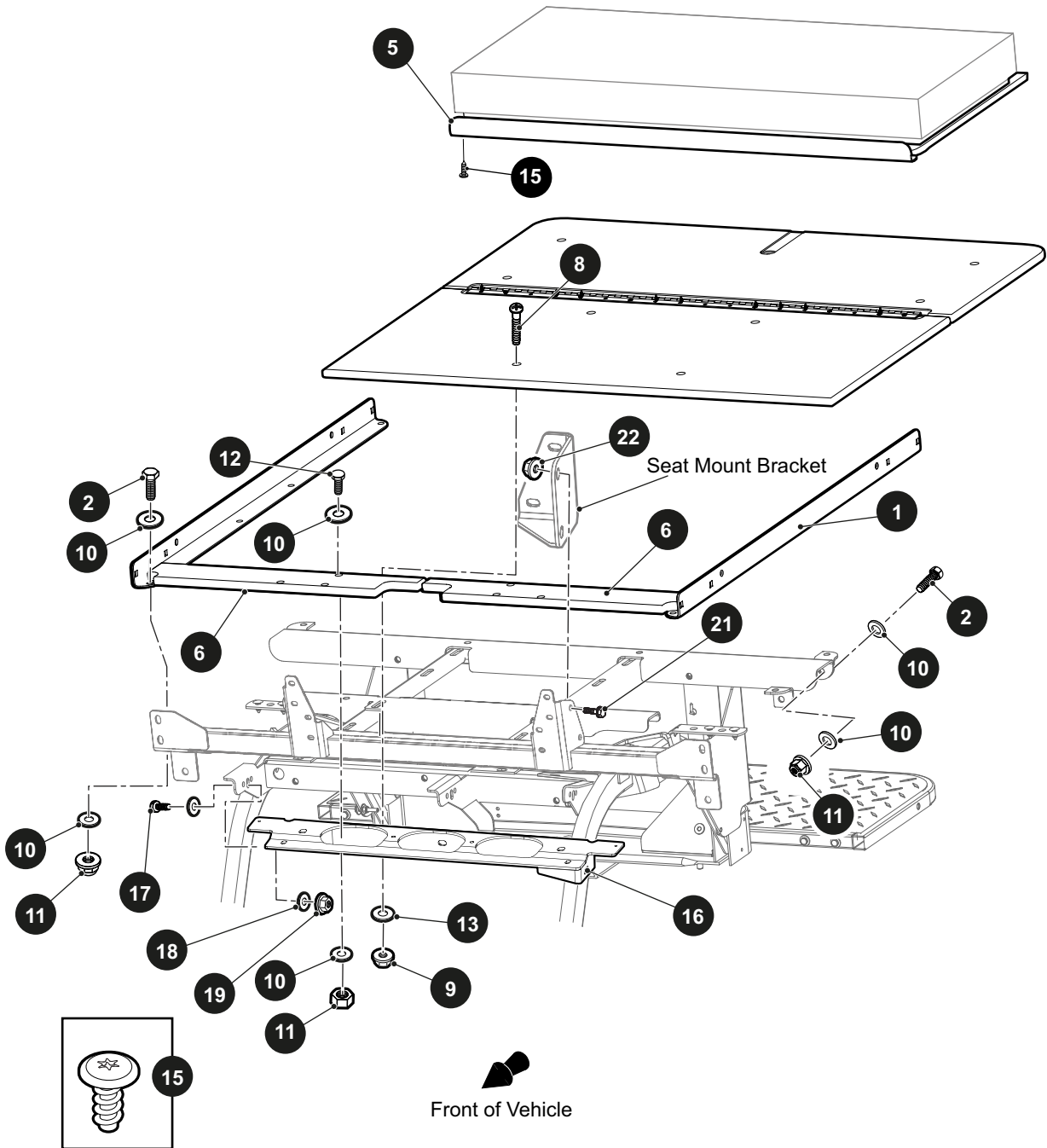
When ordering parts, please specify the model and serial number of the product.

* Indicates a component that is not available as an individual part.

*** Indicates consult Customer Service Department for additional information.

ITEM	PART NO.	1 2 3 4 5	DESCRIPTION	QTY.
1	661524		Seat Belt Latch Buckle, 6".....	1
2	<u>00734G3</u>		Lock Nut, 7/16" - 20	1
3	<u>610753</u>		Hex Head Bolt, 7/16" - 20 x 1" Lg, Grade 5	1
4				
5				
6	<u>617679</u>		Plug.....	2
7	<u>630643</u>		Flanged Lock Nut, 3/8" - 16	3
8	<u>630674</u>		Hex Head Bolt, 3/8" - 16 x 3.25" Lg	1
9				
10				
11	<u>609787</u>		Rear Seat Belt Bracket.....	1
12	<u>00427G2</u>		Hex Head Bolt, 3/8" - 16 x 1.25" Lg, Grade 5	2
13	671897		Footboard Assembly	1
14	671536		Flip Seat Armrest.....	1
15	<u>19853G1</u>		Tube Cap	2
16	<u>630673</u>		Carriage Bolt, 3/8" - 16 x 2.25" Lg.....	2
17	<u>11098G5</u>		Lock Nut, 3/8" - 16	2
18	<u>00643G1</u>		Flat Washer, 3/8".....	4

SEATING



THE USE OF NON U.L. PARTS WILL VOID ANY U.L. LISTING.

When ordering parts, please specify the model and serial number of the product.

* Indicates a component that is not available as an individual part.

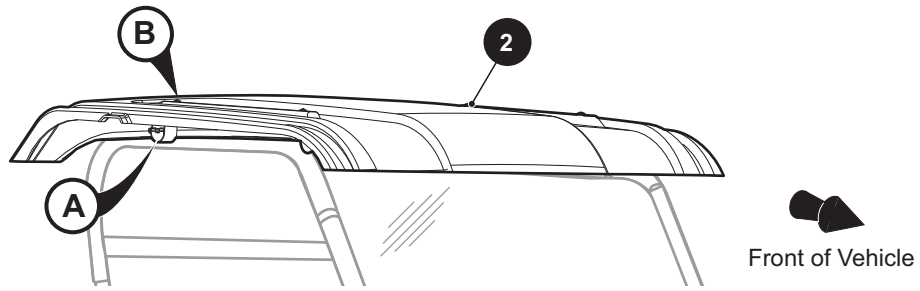
*** Indicates consult Customer Service Department for additional information.

ITEM	PART NO.	1 2 3 4 5	DESCRIPTION	QTY.
1	<u>629358</u>		Seat Frame	4
2	<u>00427G2</u>		Hex Head Bolt, 3/8" - 16 x 1.25" Lg, Grade 5	4
3				
4				
5	<u>629112</u>		Flip Seat Edge Reinforcement	1
6	<u>629275</u>		Deck Board Filler.....	2
7				
8	<u>16705G5</u>		Truss Head Phillips Screw (SS), 1/4" - 20 x 1.50" Lg.....	4
9	<u>14390G4</u>		Lock Nut, 1/4" - 20	4
10	<u>00643G1</u>		Flat Washer, 3/8".....	6
11	<u>11098G5</u>		Lock Nut, 3/8" - 16	7
12	<u>00427G8</u>		Hex Head Bolt, 3/8" - 16 x 2" Lg, Grade 5	3
13	<u>01110G01</u>		Flat Washer, 1/4".....	4
14				
15	<u>71425G01</u>		Tapping Screw, #8 - 18 x .75" Lg	10
16	<u>74971G01</u>		Seat Back Support	1
17	<u>00438G8</u>		Hex Head Bolt, 5/16" - 18 x 5/8" Lg, Grade 5	2
18	<u>00642G8</u>		Flat Washer, 5/16".....	4
19	11098G6		Lock Nut, 5/16" - 18	2
20				
21	<u>603799</u>		Flanged Hex Head Bolt, M10 - 1.5 x 25mm Lg	4
22	<u>600525</u>		Flanged Lock Nut, M10 - 1.5.....	4

Notes:

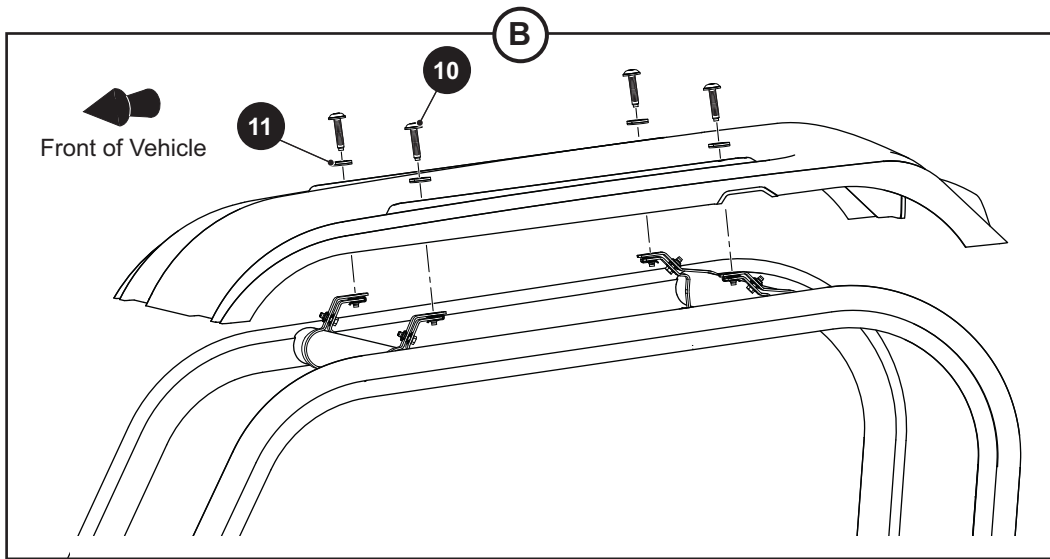
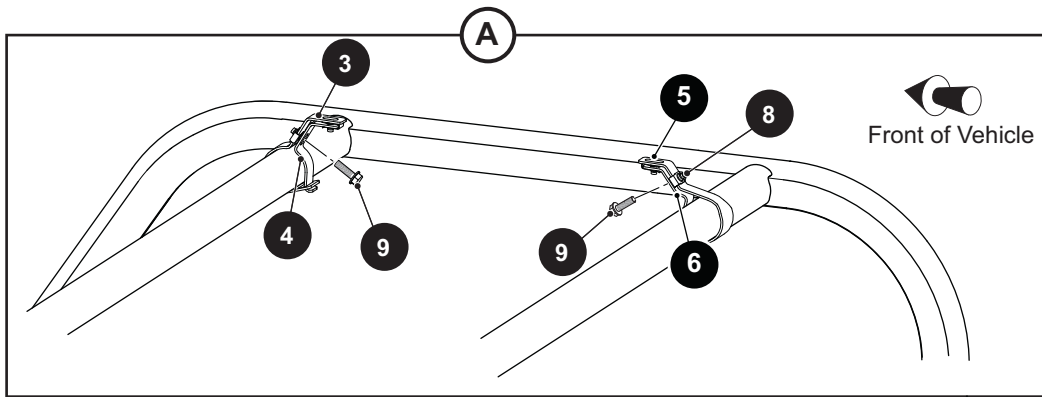
A large rectangular grid for taking notes, consisting of 20 columns and 30 rows of small squares.

WEATHER PROTECTION



1 Canopy Top Kit includes items 2 - 7

7 Hardware Kit includes items 8 - 11



WEATHER PROTECTION

THE USE OF NON U.L. PARTS WILL VOID ANY U.L. LISTING.

When ordering parts, please specify the model and serial number of the product.

* Indicates a component that is not available as an individual part.

*** Indicates consult Customer Service Department for additional information.

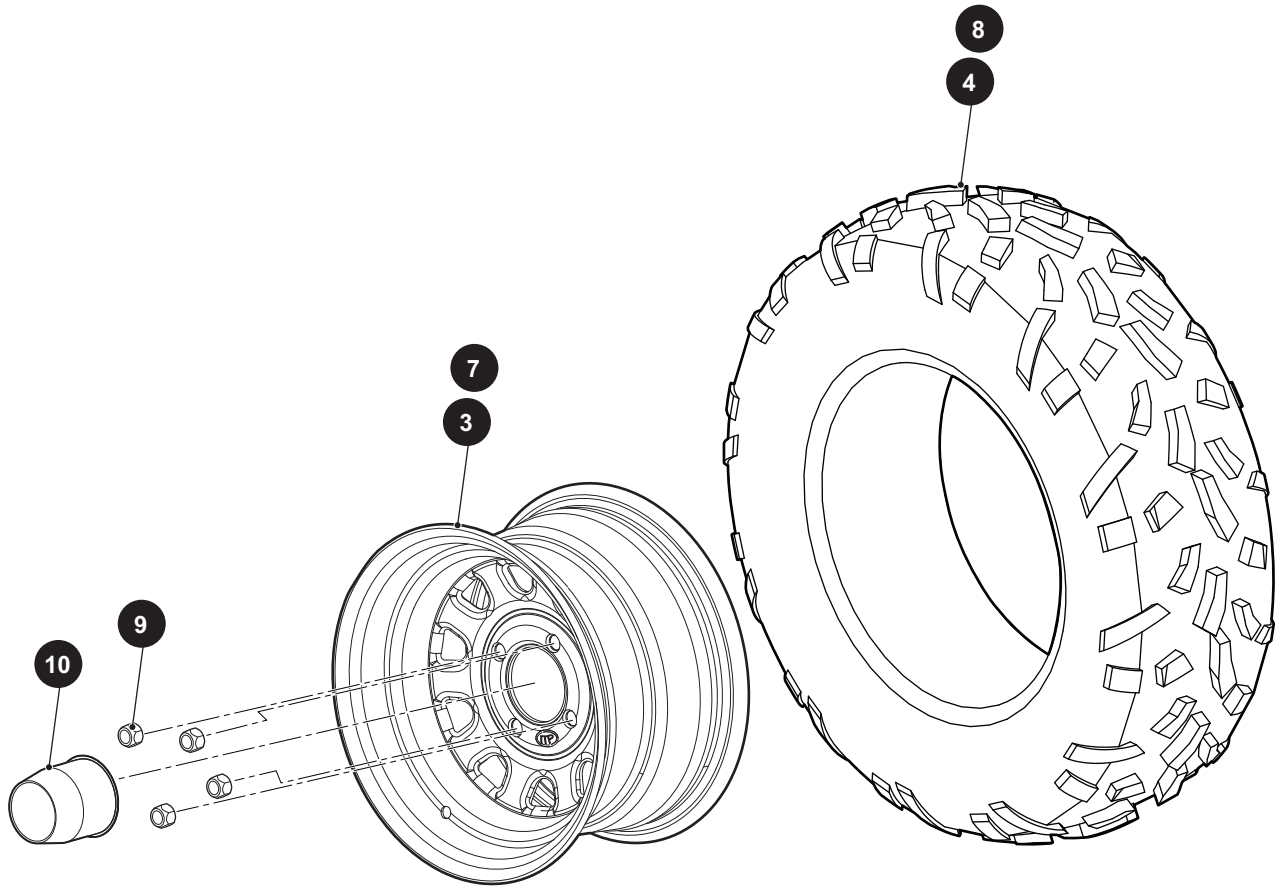
ITEM	PART NO.	1 2 3 4 5	DESCRIPTION	QTY.
1	<u>668077</u>		Canopy Top Kit (Includes Items 2 - 7)	1
2	<u>627077</u>		Canopy Top	1
3	<u>668116</u>		Front Mounting Clamp	2
4	<u>668126</u>		Front Mounting Bracket	2
5	<u>668129</u>		Rear Mounting Clamp	2
6	<u>668130</u>		Rear Mounting Bracket	2
7	<u>668729</u>		Hardware Kit (Includes Items 8 - 11)	1
8	<u>602409</u>		Barrel Clip, M6	8
9	<u>606264</u>		Flanged Hex Head Bolt, M6 - 1 x 20mm Lg, Grade 8.8	4
10	<u>634161</u>		Flanged Button Head Torx Bolt, M6 - 1 x 30mm Lg	4
11	<u>00915G1</u>		Bonded Seal Washer	4

Notes:

A large grid area for taking notes, consisting of approximately 20 columns and 30 rows of empty squares.

WHEELS AND TIRES

- 1 Wheel and Tire Assembly, Front, Driver Side includes items 3 - 4
- 2 Wheel and Tire Assembly, Front, Passenger Side includes items 3 - 4
- 5 Wheel and Tire Assembly, Rear, Driver Side includes items 7 - 8
- 6 Wheel and Tire Assembly, Rear, Passenger Side includes items 7 - 8



Style of wheels & tires may differ from those shown

WHEELS AND TIRES

THE USE OF NON U.L. PARTS WILL VOID ANY U.L. LISTING.

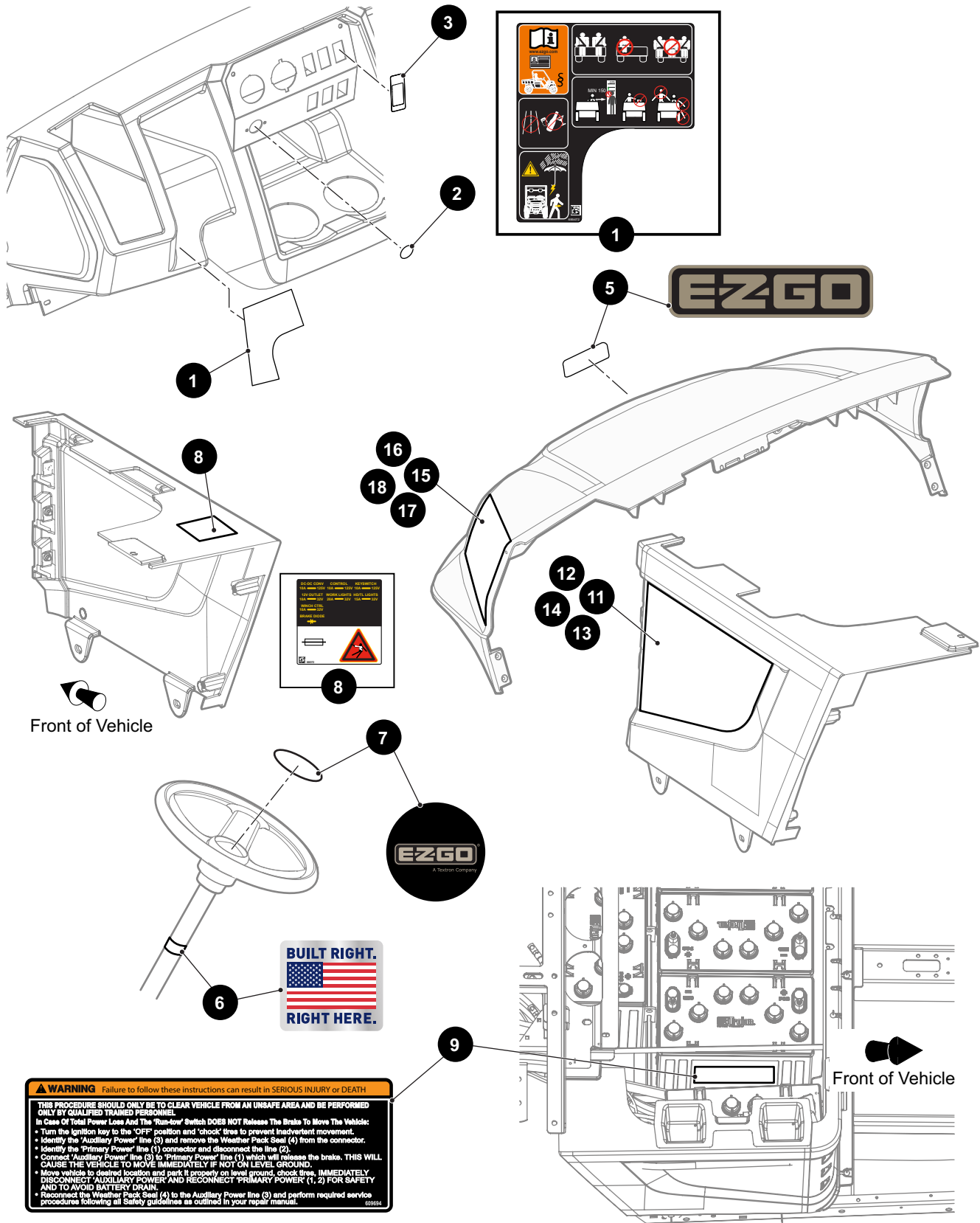
When ordering parts, please specify the model and serial number of the product.

* Indicates a component that is not available as an individual part.

*** Indicates consult Customer Service Department for additional information.

ITEM	PART NO.	1 2 3 4 5	DESCRIPTION	QTY.
1	<u>639550</u>		Wheel and Tire Assembly, Front, Driver Side (Includes Items 3 - 4).....	1
2	<u>639548</u>		Wheel and Tire Assembly, Front, Passenger Side (Includes Items 3 - 4)	1
3	<u>631041</u>		Wheel, 12 x 7.....	1
4	<u>639540</u>		Tire, 25 x 8 - 12.....	1
5	<u>639551</u>		Wheel and Tire Assembly, Rear, Driver Side (Includes Items 7 - 8).....	1
6	<u>639549</u>		Wheel and Tire Assembly, Rear, Passenger Side (Includes Items 7 - 8).....	1
7	<u>631041</u>		Wheel, 12 x 7.....	1
8	<u>639541</u>		Tire, 25 x 11 - 12.....	1
9	<u>14723G1</u>		Lug Nut, 12/'' - 20.....	4
10	<u>630268</u>		Center Cap.....	4

DECALS AND LABELS



DECALS AND LABELS

THE USE OF NON U.L. PARTS WILL VOID ANY U.L. LISTING.

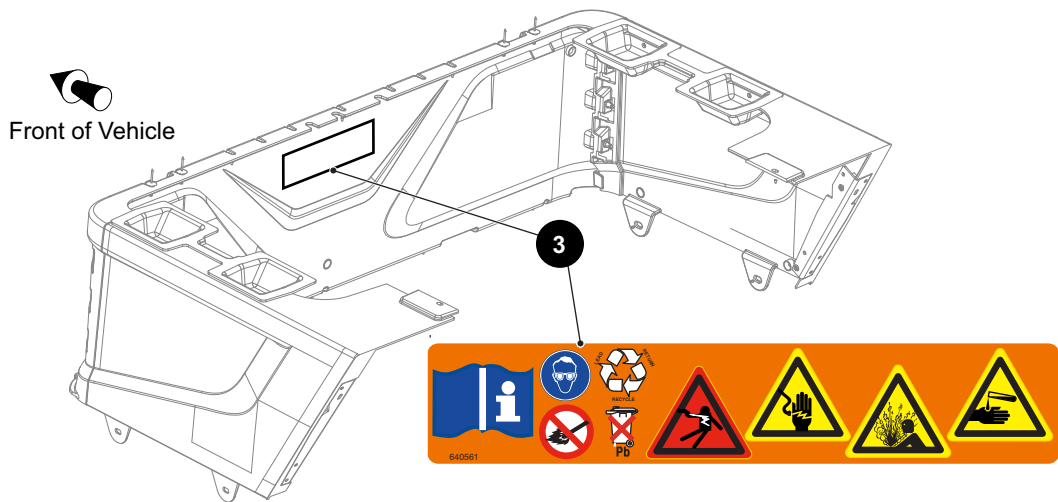
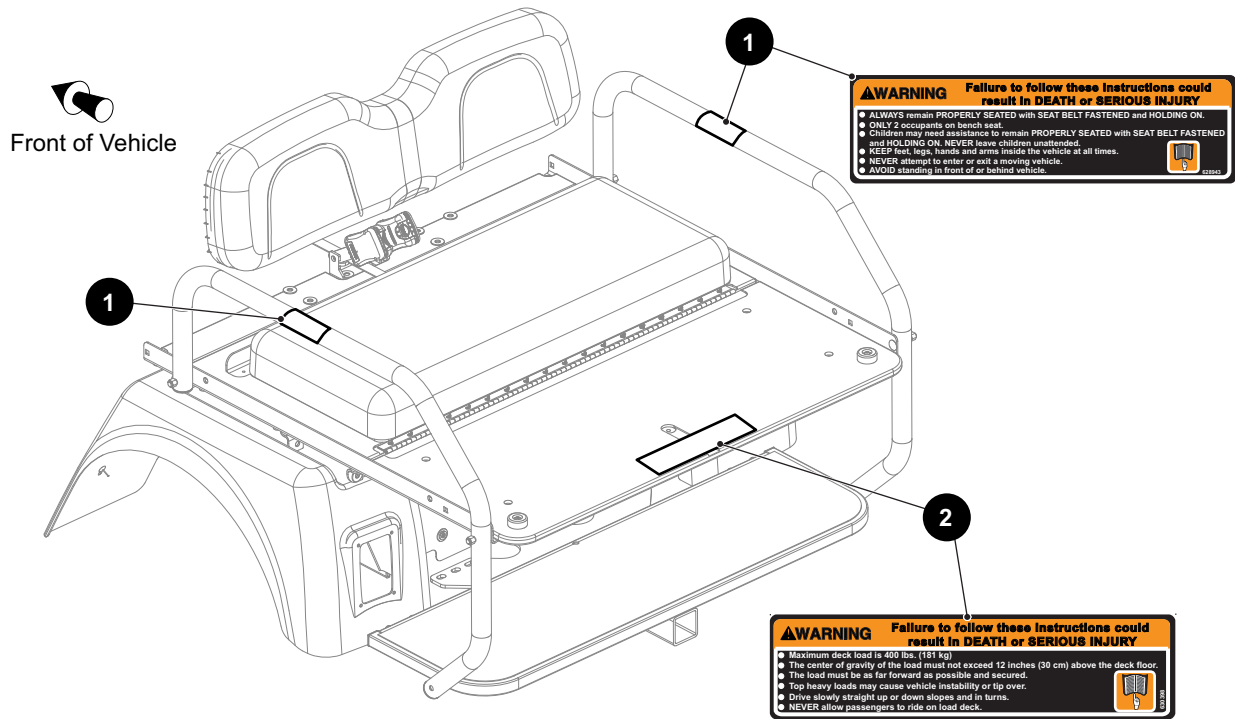
When ordering parts, please specify the model and serial number of the product.

* Indicates a component that is not available as an individual part.

*** Indicates consult Customer Service Department for additional information.

ITEM	PART NO.	1 2 3 4 5	DESCRIPTION	QTY.
1	685472		Dash Panel Label.....	1
2	<u>637067</u>		12V Outlet CE Label	1
3	<u>667079</u>		Tow Switch Decal	1
4				
5	<u>619206</u>		E-Z-GO Cowl Decal	1
6	685698		Decal, Made in USA.....	1
7	<u>605435</u>		Steering Wheel Decal	1
8	<u>666372</u>		Fuse Block Label.....	1
9	<u>609694</u>		Towing Instruction Notice Label	1
10				
11	683953G111		Seat Wrap Decal, Black (Driver Side).....	1
12	683953G189		Seat Wrap Decal, True Timber Kanati (Driver Side)	1
13	683953G211		Seat Wrap Decal, Black (Passenger Side)	1
14	683953G289		Seat Wrap Decal, True Timber Kanati (Passenger Side).....	1
15	693169G111		Side Decal, Black (Driver Side).....	1
16	693169G189		Side Decal, True Timber Kanati (Driver Side)	1
17	693169G211		Side Decal, Black (Passenger Side)	1
18	693169G289		Side Decal, True Timber Kanati (Passenger Side).....	1

DECALS AND LABELS



DECALS AND LABELS

THE USE OF NON U.L. PARTS WILL VOID ANY U.L. LISTING.

When ordering parts, please specify the model and serial number of the product.

* Indicates a component that is not available as an individual part.

*** Indicates consult Customer Service Department for additional information.

ITEM	PART NO.	1 2 3 4 5	DESCRIPTION	QTY.
1	<u>628943</u>		Flip Seat Warning Label.....	2
2	630398		Deck Load Limit Warning Label	1
3	<u>640561</u>		Battery Label.....	1



A Textron Company

Textron Specialized Vehicles, Inc.

1451 Marvin Griffin Road
Augusta, Georgia 30906 - 3852 USA

CONTACT US:

North America:

Technical Assistance & Warranty Phone: 1-800-774-3946, FAX: 1-800-448-8124
Service Parts Phone: 1-888-438-3946, FAX: 1-800-752-6175

International:

Phone: 001-706-798-4311, FAX: 001-706-771-4609

Owner's guides and repair manuals
are available from a local Distributor, or an authorized Branch,
Parts & Accessories Department or at www.ezgo.txtsv.com.

Copyrighted Material

This manual may not be reproduced in whole
or in part without the express permission of
TSV Technical Communications Department