



A Textron Company

72V EXPRESS 4X4

Service Parts Manual

SERVICE PARTS MANUAL

ELECTRIC POWERED VEHICLE

EXPRESS 4X4

STARTING MODEL YEAR 2019

Never modify the vehicle in any way that will alter the weight distribution of the vehicle, decrease its stability or increase the speed beyond the factory specifications. Such modifications can cause serious personal injury or death. Textron Specialized Vehicles prohibits and dis-claims responsibility for any such modifications or any other alteration which would adversely affect the safety of the vehicle. TSV reserves the right to incorporate engineering and design changes to products in this manual, without obligation to include these changes on units sold previously.

The information contained in this manual may be revised periodically by TSV, and therefore is subject to change without notice.

TSV DISCLAIMS LIABILITY FOR ERRORS IN THIS MANUAL, and SPECIFICALLY DISCLAIMS LIABILITY FOR INCIDENTAL AND CONSEQUENTIAL DAMAGES resulting from the use of the information and materials in this manual.

These are the original instructions as defined by 2006/42/EC.

TO CONTACT US:

Textron Specialized Vehicles, Inc.

1451 Marvin Griffin Road

Augusta, Georgia, USA 30906-3852

NORTH AMERICA:

Technical Assistance & Warranty PHONE: 1-800-774-3946, FAX: 1-800-448-8124

Service Parts PHONE: 1-888-438-3946, FAX: 1-800-752-6175

International: PHONE: 001-706-798-4311, FAX: 001-706-771-4609

www.ezgo.txtsv.com

GENERAL INFORMATION

This vehicle has been designed and manufactured in the United States of America (USA). The Standards and Specifications listed in the following text originate in the USA unless otherwise indicated.

The use of non-Original Equipment Manufacturer (OEM) approved parts may void the warranty.

Failure to properly maintain batteries may void the warranty. Refer to the battery manual for instructions on the proper maintenance and care of the batteries.

BATTERY PROLONGED STORAGE

Batteries self-discharge over time. The rate of self-discharge varies depending on the ambient temperature, the age and condition of the batteries.

Fully charged batteries will not freeze in winter temperatures unless the temperature falls below -75°F (-60°C).

For winter storage, the batteries must be clean, fully charged and disconnected from any source of electrical drain.

The battery charger may remain connected to the vehicle to maintain a full charge on the batteries, provided the charger is plugged into an active electrical source. If power to the electrical source is disconnected or interrupted, the battery charger continues to check the charge on the battery pack. This pulls power from the battery pack and eventually drains the batteries if power is not restored in a timely manner.

As with all electric vehicles, the batteries must be checked and recharged as required or at a minimum of 30 day intervals.

Check and maintain the proper fluid level in all battery cells during the storage period. Proper fluid level is required for maximum battery performance.

BATTERY DISPOSAL

Lead-acid batteries are recyclable. Return whole scrap batteries to distributor, manufacturer or lead smelter for recycling. For neutralized spills, place residue in acid-resistant containers with absorbent material such as sand. Dispose in accordance with local, state and federal regulations for acid and lead compounds. Contact local and/or state environmental officials regarding disposal information.

TABLE OF CONTENTS

SECTION	Page No.
HOW TO USE THE SERVICE PARTS MANUAL	v
ACCELERATOR	A - 1
BATTERY CHARGER	B - 1
BODY	C - 1
BRAKES	D - 1
ELECTRICAL	E - 1
ELECTRONIC SPEED CONTROL	F - 1
FRONT SUSPENSION AND STEERING	G - 1
MOTOR	H - 1
ROPS	J - 1
FRONT AXLE	K - 1
REAR AXLE	L - 1
REAR SUSPENSION	M - 1
SEATING	N - 1
WEATHER PROTECTION	P - 1
WHEELS AND TIRES	R - 1
DECALS AND LABELS	S - 1

HOW TO USE THE SERVICE PARTS MANUAL

This manual is divided into several sections:

- GENERAL INFORMATION
- ILLUSTRATED PARTS BREAKDOWN

The first section, GENERAL INFORMATION, contains the following information:

- WARRANTY INFORMATION
- GENERAL INDEX
- HOW TO USE THE SERVICE PARTS MANUAL

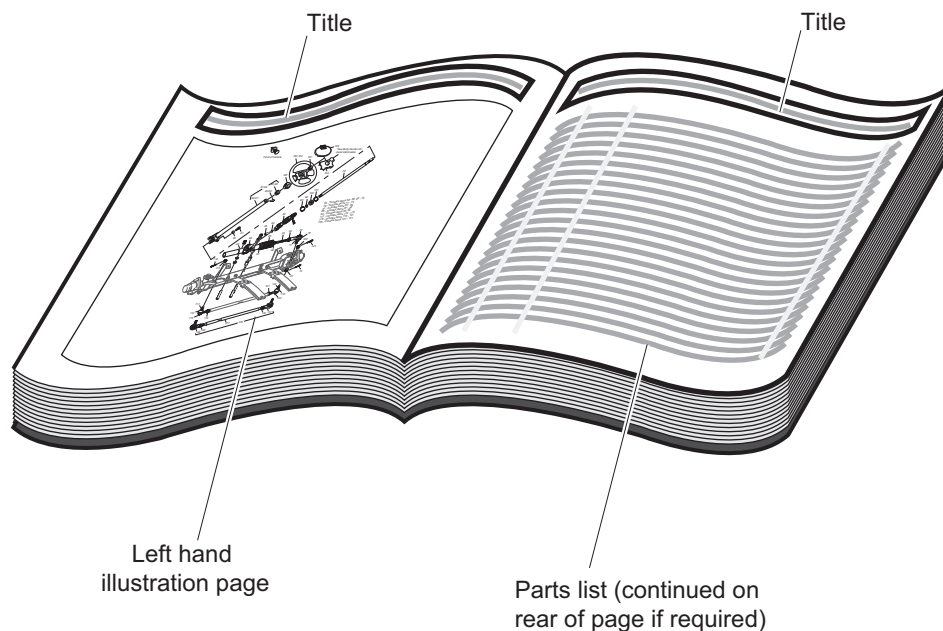
The second section, ILLUSTRATED PARTS BREAKDOWN, contains illustrations and parts lists for all systems of your vehicle.

USE OF THE MANUAL

To use this manual, consult the TABLE OF CONTENT to locate the information or illustration required.

Introduction of some revisions varies due to supply of components; therefore, it is possible that various combinations of components may be found that are not directly reflected by each illustration. Consult the illustration that best suits your situation and then contact the Service Parts Department. It is important that the serial number of your vehicle and its model number be supplied to Service Parts when ordering any replacement components.

HOW TO USE THE SERVICE PARTS MANUAL



1. WHEN THE PART NUMBER IS NOT KNOWN

- Determine the function and application of the part required. Turn to the TABLE OF CONTENT and select the most appropriate title.
- Turn to the page number indicated and locate the desired part on the illustration.
- From the illustration, obtain the item number assigned to the desired part. Refer to the accompanying description for specific information regarding the part.

2. IF YOU KNOW THE PART NUMBER

- Locate the part number or description in the appropriate column on the parts list page.

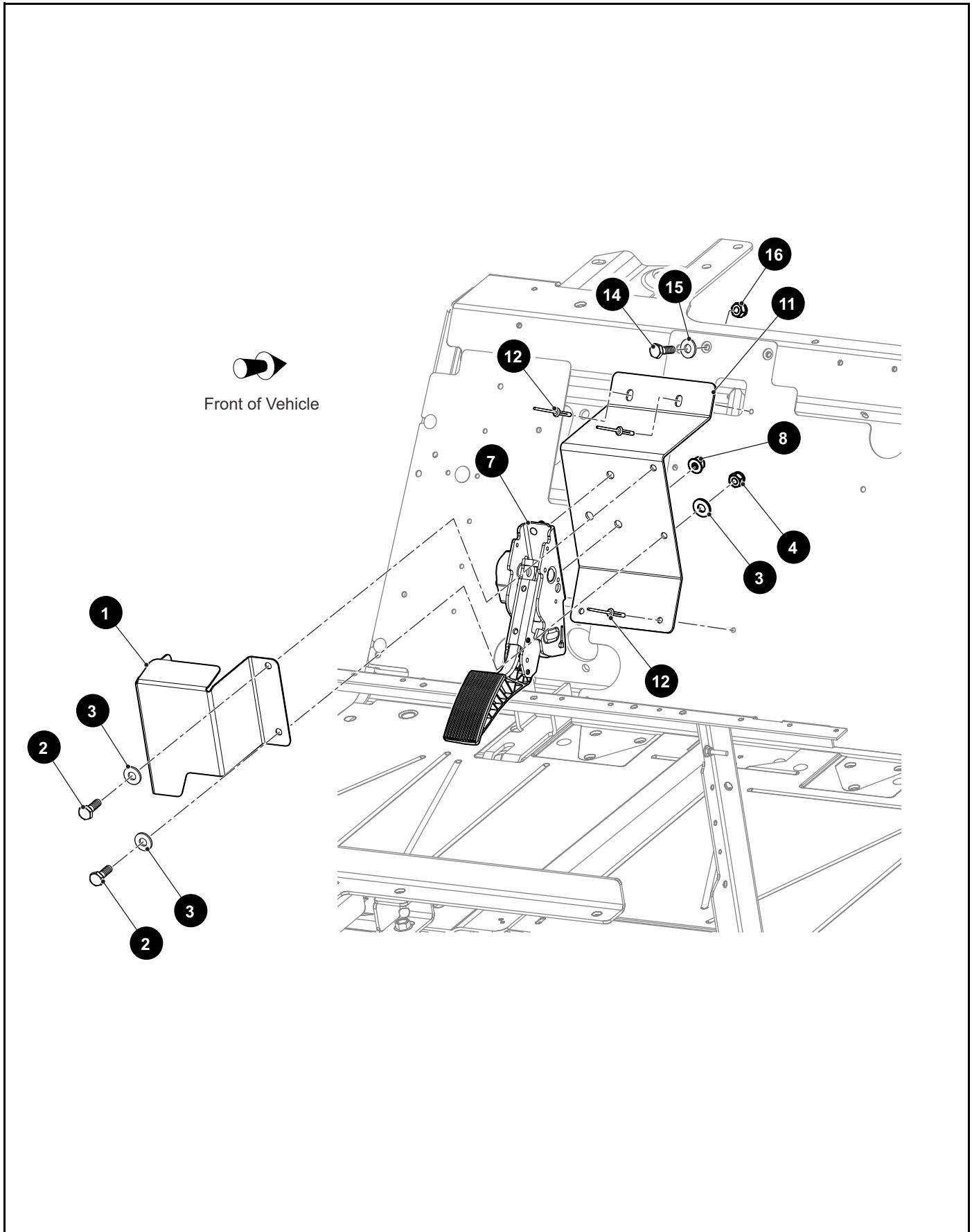
NOTE: Confirm the part selected is correct by verifying it with the illustration.

If an asterisk (*) appears in the part number column on the parts list page, read upward until a part number is found. The part number is the lowest assembly sold by Service Parts and the asterisk (*) indicates the part depicted is not available for purchase.

NOTE: Descriptions are indented under the assembly that they are used on. That assembly is, in turn listed under the assembly that it is used on. This process is repeated until the highest final assembly is reached.

To facilitate the maintenance and repair of the vehicle, a Technician's Repair and Service Manual is available from the Service Parts Department.

ACCELERATOR



ACCELERATOR

THE USE OF NON U.L. PARTS WILL VOID ANY U.L. LISTING.

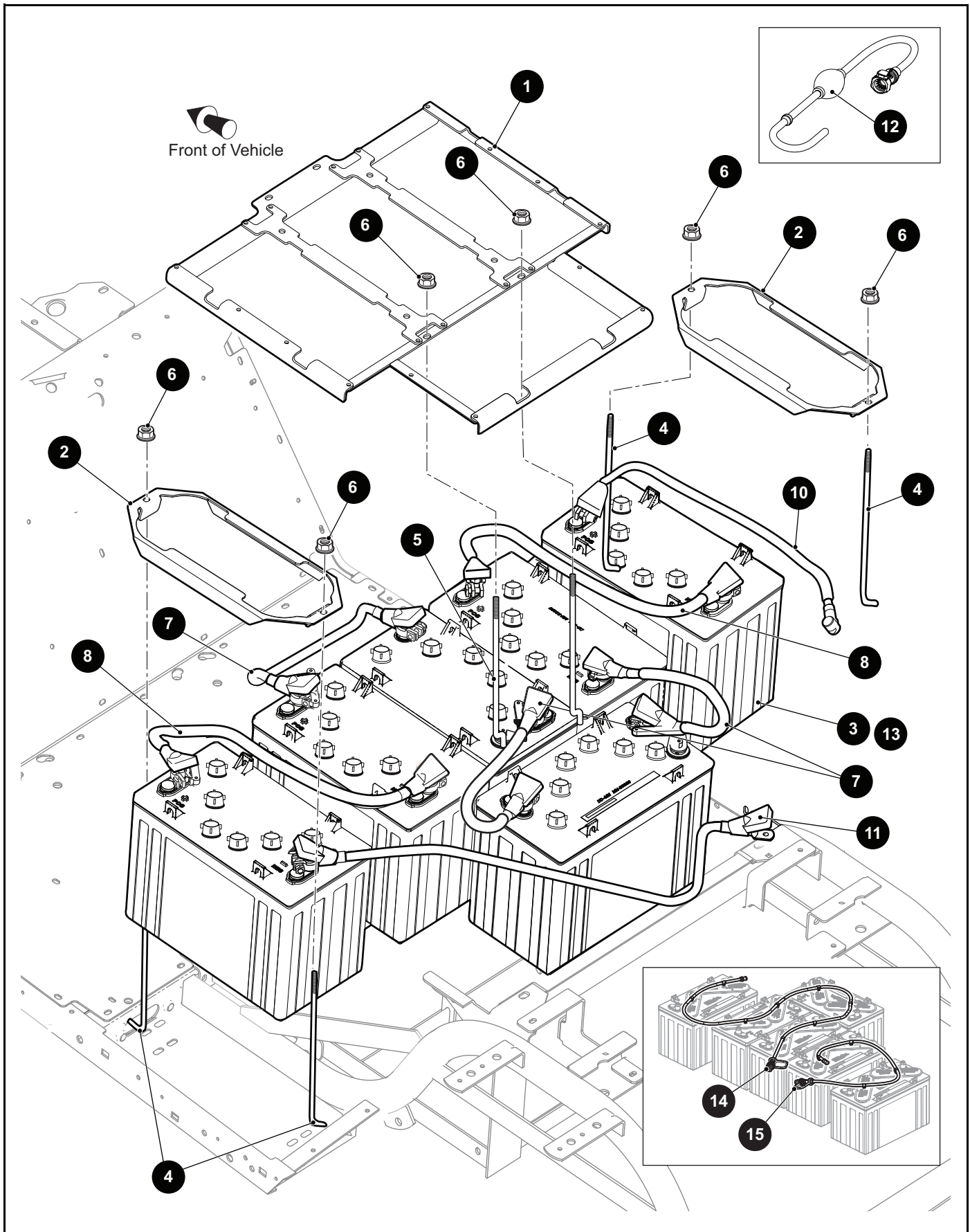
When ordering parts, please specify the model and serial number of the product.

* Indicates a component that is not available as an individual part.

*** Indicates consult Customer Service Department for additional information.

ITEM	PART NO.	1 2 3 4 5	DESCRIPTION	QTY.
1	<u>656066</u>		Accelerator Pedal Cover Bracket	1
2	<u>00414G6</u>		Hex Head Bolt, 1/4" - 20 x 7/8" Lg, Grade 5	2
3	<u>00559G7</u>		Flat Washer, 1/4"	4
4	<u>14390G4</u>		Lock Nut, 1/4" - 20	2
5				
6				
7	0509-173		Accelerator Pedal.....	1
8	<u>645956</u>		Flanged Hex Nut, M8 x 1.25	2
9				
10				
11	<u>655658</u>		Accelerator Pedal Mounting Bracket.....	1
12	<u>10570G11</u>		Domed Rivet (SS), 3/16" x .5" Grip	4
13				
14	<u>302288</u>		Hex Head Bolt, 1/4" - 20 x 1" Lg Grade 5	2
15	<u>01110G01</u>		Flat Washer, 1/4"	2
16	<u>14390G4</u>		Lock Nut, 1/4" - 20	2

BATTERY SYSTEM



BATTERY SYSTEM

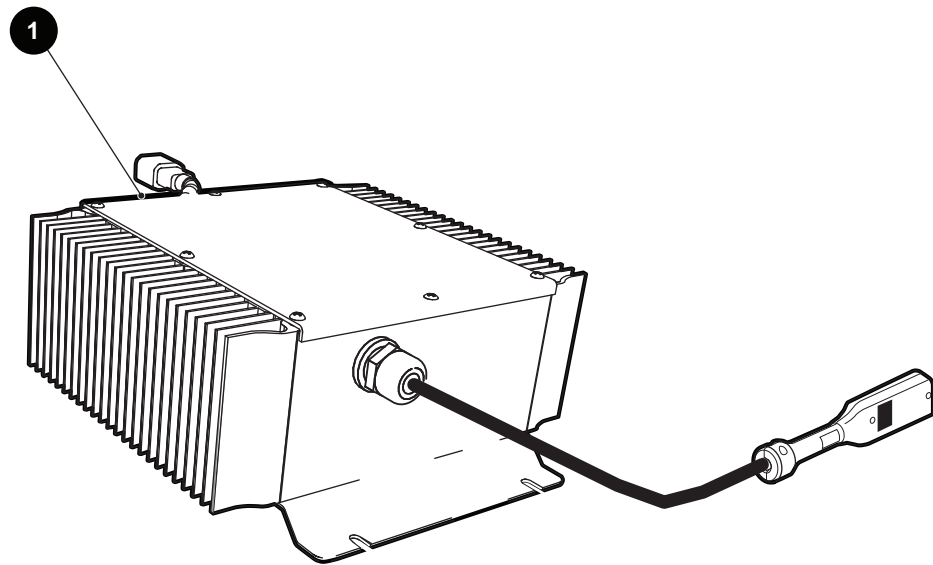
THE USE OF NON U.L. PARTS WILL VOID ANY U.L. LISTING.

When ordering parts, please specify the model and serial number of the product.

* Indicates a component that is not available as an individual part.

*** Indicates consult Customer Service Department for additional information.

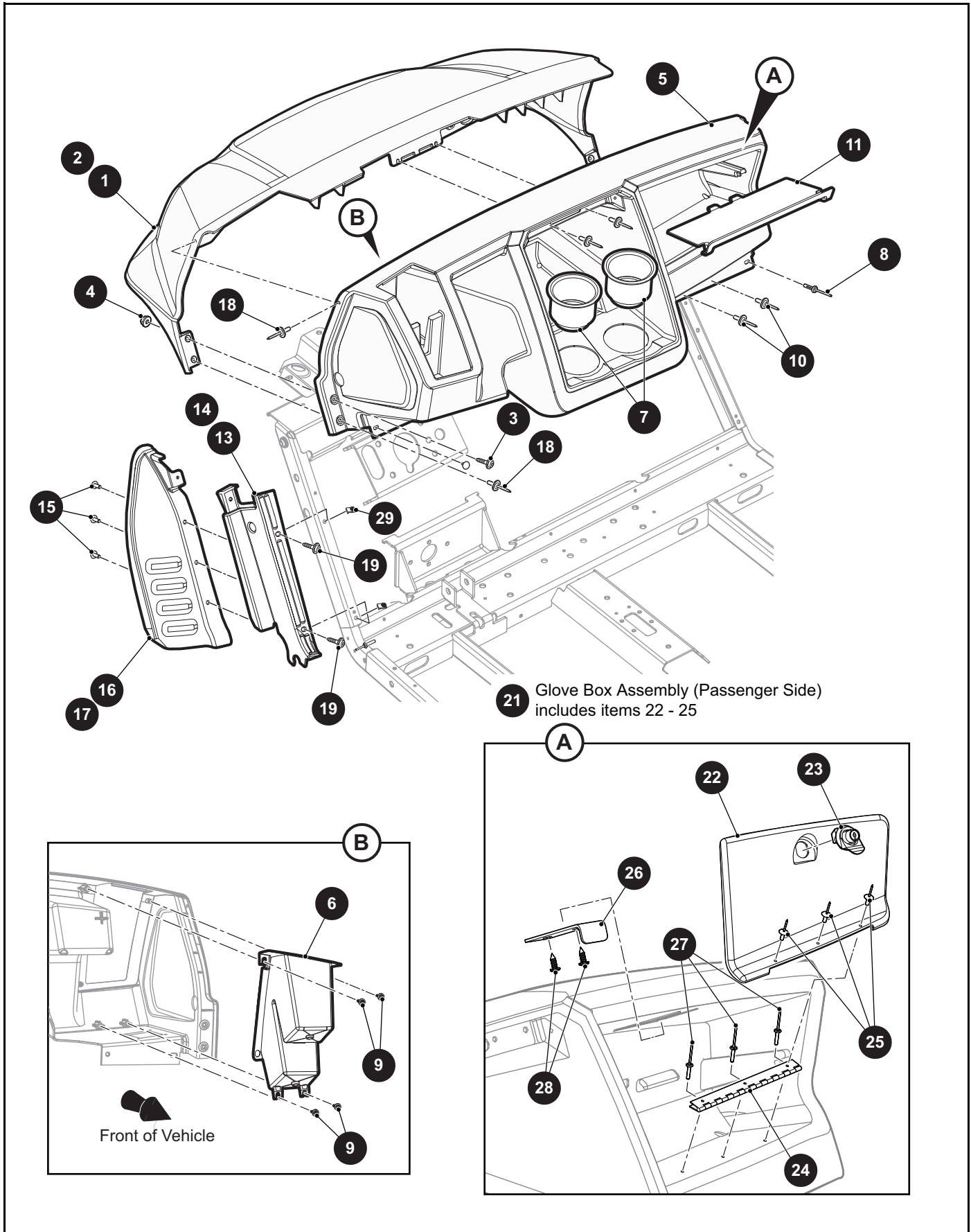
ITEM	PART NO.	1 2 3 4 5	DESCRIPTION	QTY.
1	<u>629435</u>		Battery Hold Down Bracket, 4 - 12V	1
2	<u>631988</u>		Hold Down Bracket, 1 - 12V	2
3	<u>647050</u>		Battery, 12V	6
4	<u>70386G01</u>		Tie Down Bolt, 5/16" - 18 x 11 3/4" Lg.....	6
5	<u>01101G01</u>		Tie Down Bolt.....	2
6	<u>11027G1</u>		Flanged Lock Nut, 5/16" - 18	8
7	<u>628624</u>		Battery Wire, 12.5" Lg	3
8	<u>628628</u>		Battery Wire, 16" Lg	2
9				
10	<u>628630</u>		Battery Wire, 22" Lg	1
11	<u>670963</u>		Battery Wire, 38" Lg	1
12	<u>676122</u>		Trojan Hand Pump Kit.....	1
13	<u>652295</u>		Battery, 12V.....	6
14	<u>620820</u>		Hydro-link Snake Assembly	1
15	<u>630974</u>		Battery Fill Snake	1



BATTERY SYSTEM

THE USE OF NON U.L. PARTS WILL VOID ANY U.L. LISTING.
 When ordering parts, please specify the model and serial number of the product.
 * Indicates a component that is not available as an individual part.
 *** Indicates consult Customer Service Department for additional information.

ITEM	PART NO.	1 2 3 4 5	DESCRIPTION	QTY.
1	<u>645743</u>		Off Board Battery Charger, 72V, 1500W	1



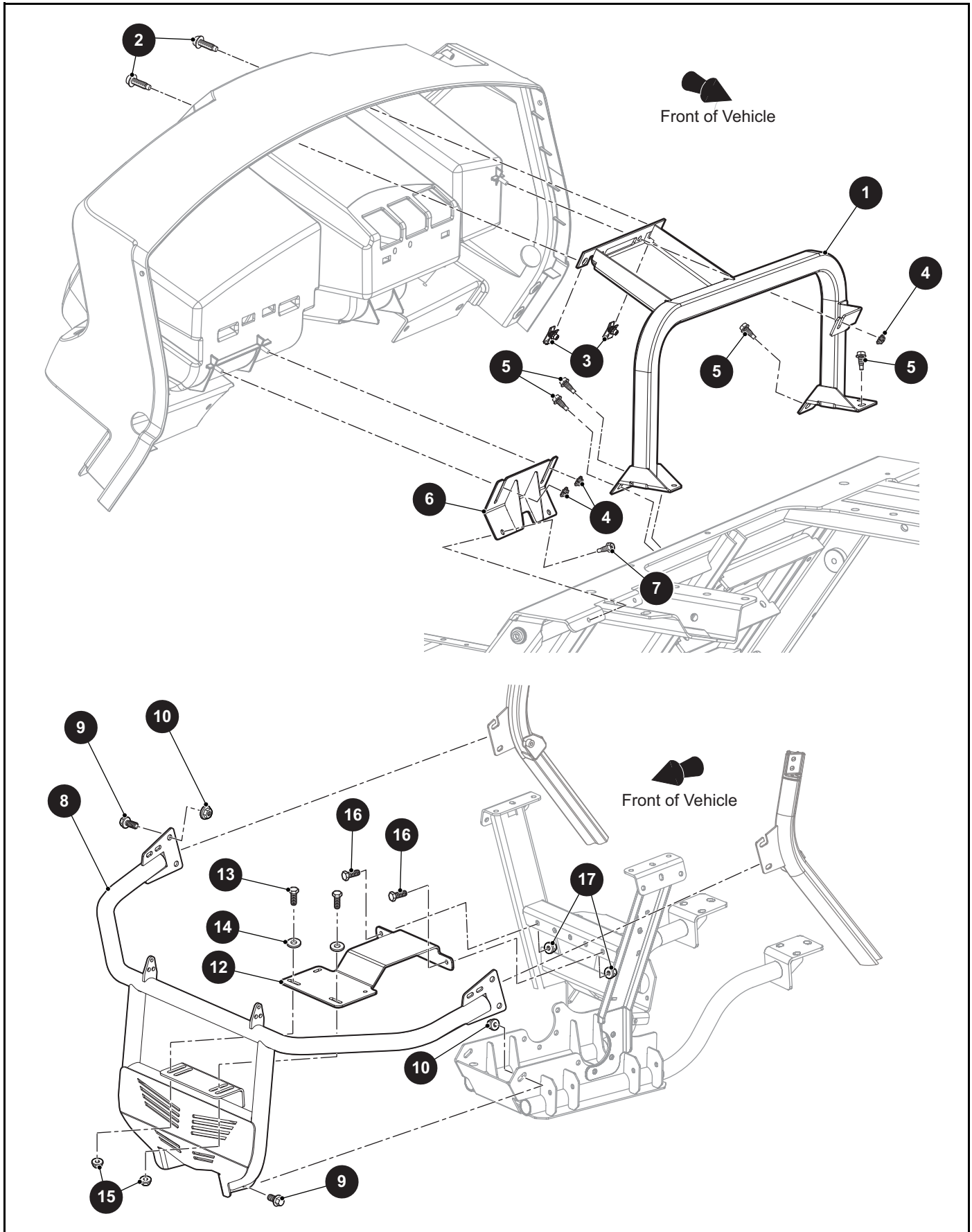
THE USE OF NON U.L. PARTS WILL VOID ANY U.L. LISTING.

When ordering parts, please specify the model and serial number of the product.

* Indicates a component that is not available as an individual part.

*** Indicates consult Customer Service Department for additional information.

ITEM	PART NO.	1 2 3 4 5	DESCRIPTION	QTY.
1	<u>648566G0011</u>		Cowl, Black	1
2	<u>648566G0089</u>		Cowl, True Timber Kanati.....	1
3	<u>645323</u>		Pan Washer Head Torx Screw, M6 - 1 x 23.4mm Lg	2
4	<u>601476</u>		Lock Nut, M6 - 1.....	2
5	<u>666317</u>		Instrument Panel	1
6	<u>648562</u>		Cupholder (Driver Side)	1
7	<u>650913</u>		Cupholder (Center)	2
8	<u>14601G11</u>		Rivet, 3/16" x 9/16"	3
9	<u>613373</u>		Pan Head Tapping Screw, M4.8 - 1.6 x 22mm Lg.....	4
10	<u>71055G01</u>		Rivet (Aluminum), 3/16" x .38" Grip	2
11	<u>648561</u>		Compartment Tray Panel	1
12				
13	<u>655917G01</u>		Upper Rocker Panel (Driver Side).....	1
14	<u>655917G02</u>		Upper Rocker Panel (Passenger Side).....	1
15	<u>18436G1</u>		Rivet (Plastic), 1/4" x 3/4"	3
16	<u>664361G01</u>		Fender Mud Flap (Driver Side).....	1
17	<u>664361G02</u>		Fender Mud Flap (Passenger Side).....	1
18	<u>71055G02</u>		Rivet (Aluminum), 3/16" x .56" Grip	6
19	<u>645323</u>		Pan Washer Head Torx Screw, M6 - 1 x 23.4mm Lg	2
20				
21	<u>650784</u>		Glove Box Assembly (Passenger Side) (Includes Items 22 - 25)	1
22	<u>650813</u>		Glove Box Door	1
23	<u>654475</u>		Glove Box Lock Assembly	1
24	<u>652386</u>		Piano Hinge	1
25	<u>14601G10</u>		Rivet (Aluminum), 5/32" x .25".....	3
26	<u>652390</u>		Glove Box Striker	1
27	<u>71045G01</u>		Rivet (Aluminum), 5/23" x .38"	3
28	<u>00614G4</u>		Self Drilling Pan Head Phillips Screw, #8 - 18 x 1/2" Lg	2
29	<u>602409</u>		Barrel Clip, M6 - 1	2



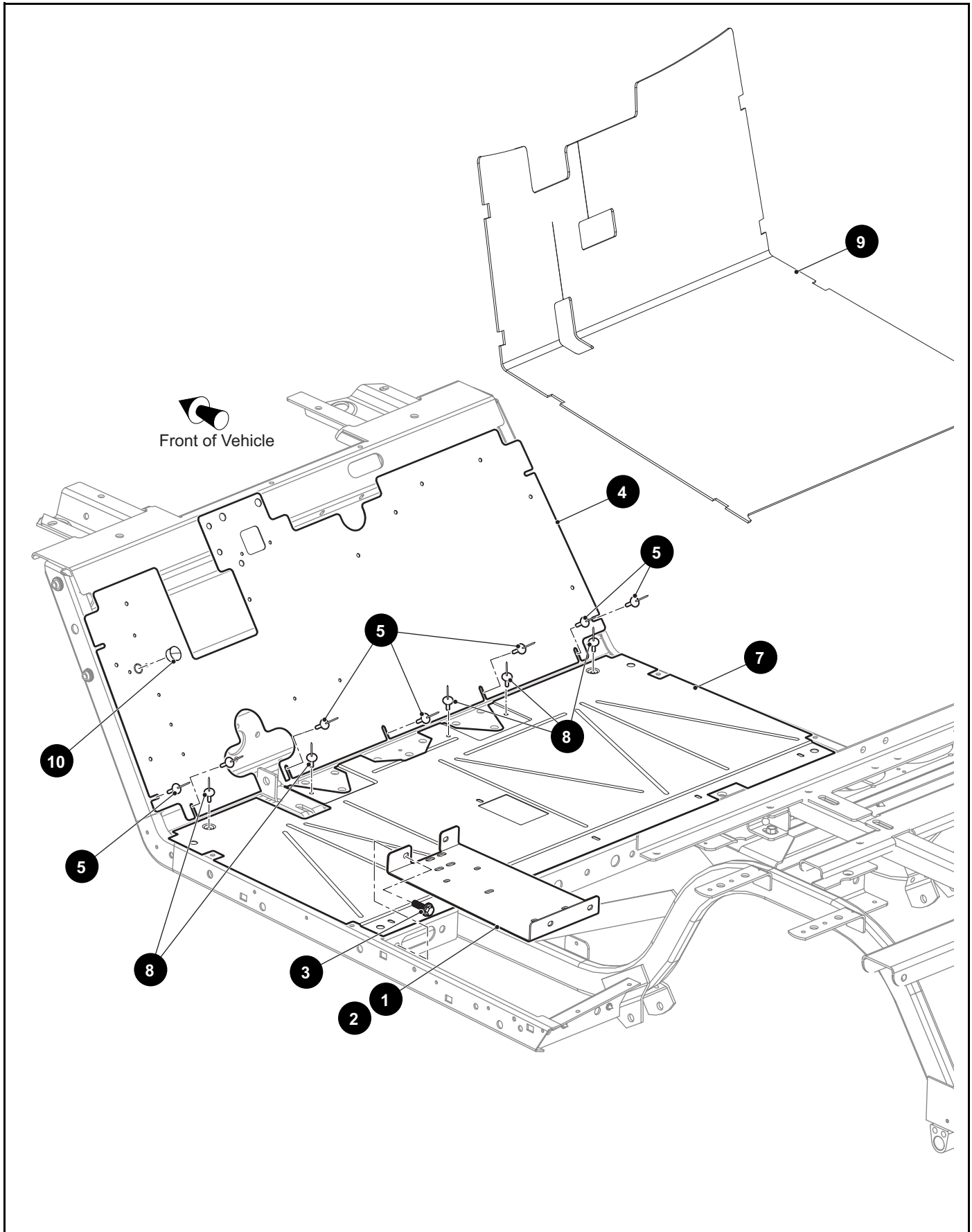
THE USE OF NON U.L. PARTS WILL VOID ANY U.L. LISTING.

When ordering parts, please specify the model and serial number of the product.

* Indicates a component that is not available as an individual part.

*** Indicates consult Customer Service Department for additional information.

ITEM	PART NO.	1 2 3 4 5	DESCRIPTION	QTY.
1	666298		Instrument Panel Weldment.....	1
2	<u>645323</u>		Pan Washer Head Torx Screw, M6 - 1 x 23.4mm Lg	2
3	<u>602409</u>		Barrel Clip, M6 - 1	2
4	<u>71597G01</u>		Self Threading Nut, 5mm x 10mm x 15mm.....	3
5	<u>01038G01</u>		Flanged Hex Head Thread Forming Screw, 1/4" - 20 x .7" Lg	4
6	<u>666244</u>		Instrument Panel Support Bracket	1
7	<u>01038G01</u>		Flanged Hex Head Thread Forming Screw, 1/4" - 20 x .7" Lg	2
8	<u>664620</u>		Brushguard.....	1
9	<u>603799</u>		Flanged Hex Head Bolt, M10 - 1.5 x 25mm Lg	6
10	<u>600525</u>		Flanged Lock Nut, M10 - 1.5.....	6
11				
12	<u>664865</u>		Winch Plate	1
13	<u>00438G8</u>		Hex Head Bolt, 5/16" - 18 x 5/8" Lg	2
14	00559G8		Flat Washer, 5/16".....	2
15	<u>800697</u>		Lock Nut, 5/16" - 18	2
16	<u>548604</u>		Flanged Hex Head Bolt, 5/16" - 18 x 3/4" Lg	3
17	<u>11027G1</u>		Flanged Lock Nut, 5/16" - 18	3



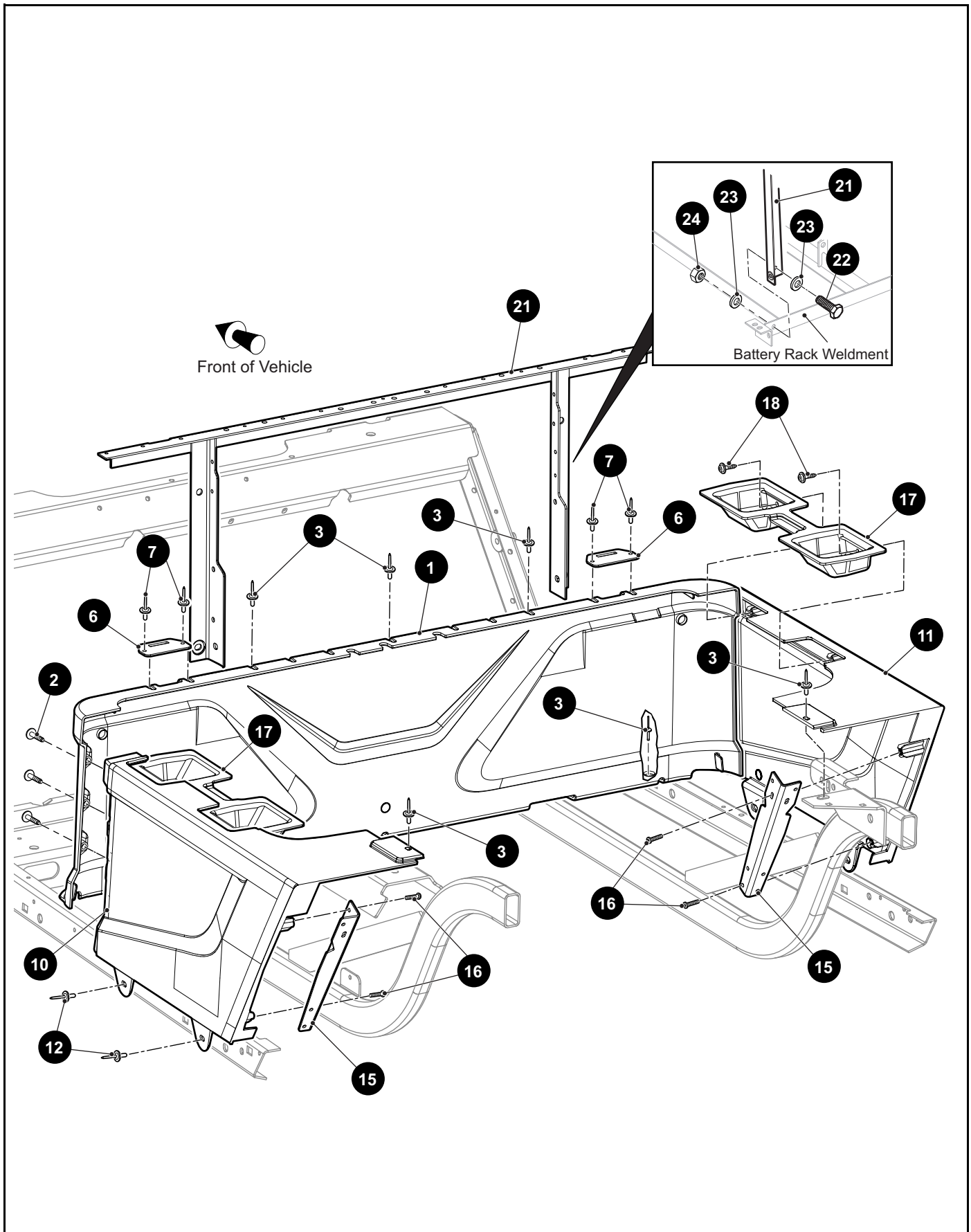
THE USE OF NON U.L. PARTS WILL VOID ANY U.L. LISTING.

When ordering parts, please specify the model and serial number of the product.

* Indicates a component that is not available as an individual part.

*** Indicates consult Customer Service Department for additional information.

ITEM	PART NO.	1 2 3 4 5	DESCRIPTION	QTY.
1	<u>652443G103</u>		Battery Tray Bracket (Driver Side)	1
2	<u>652443G203</u>		Battery Tray Bracket (Passenger Side).....	1
3	<u>00715G2</u>		Hex Washer Head Bolt, 5/16" - 18 x .80" Lg.....	4
4	<u>640553</u>		Upper Floor Panel	1
5	<u>14601G11</u>		Domed Rivet (SS), 3/16" x 9/16".....	7
6				
7	<u>70451G06</u>		Lower Floor Panel	1
8	<u>14601G11</u>		Domed Rivet (SS), 3/16" x 9/16".....	5
9	<u>664733</u>		Floormat	1
10	<u>20271G11</u>		Hole Plug, .625"	1



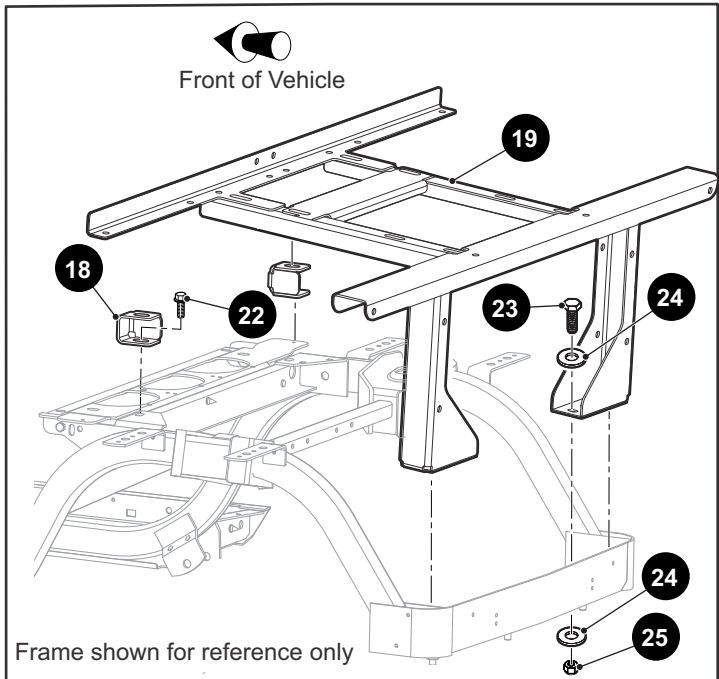
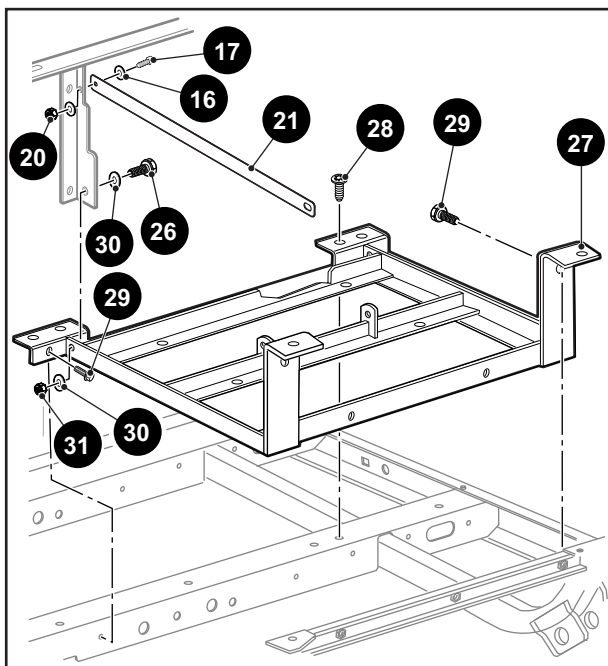
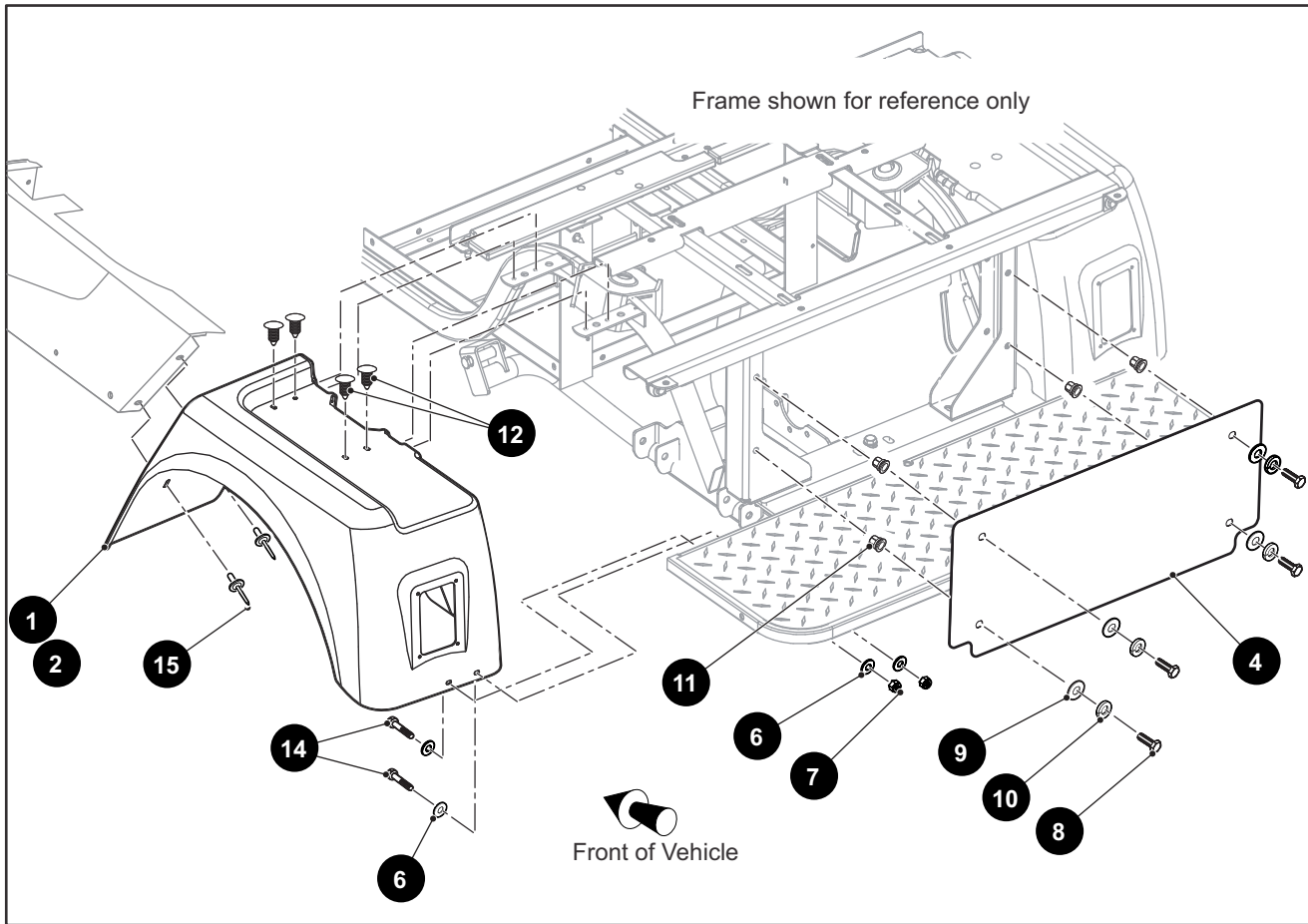
THE USE OF NON U.L. PARTS WILL VOID ANY U.L. LISTING.

When ordering parts, please specify the model and serial number of the product.

* Indicates a component that is not available as an individual part.

*** Indicates consult Customer Service Department for additional information.

ITEM	PART NO.	1 2 3 4 5	DESCRIPTION	QTY.
1	<u>649251G01</u>		Seat Wrap	1
2	<u>634161</u>		Flanged Button Head Torx Bolt, M6 - 1 x 30mm Lg	6
3	<u>10570G10</u>		Domed Rivet (SS), 5/32" x .25" Grip	10
4				
5				
6	<u>71609G01</u>		Seat Hinge Plate	2
7	<u>10570G11</u>		Domed Rivet (SS), 3/16" x .5" Grip	4
8				
9				
10	<u>652716G04</u>		Side Panel (Driver Side).....	1
11	<u>652716G05</u>		Side Panel (Passenger Side).....	1
12	<u>10570G12</u>		Domed Rivet (Aluminum), 1/4" x .34" Grip.....	4
13				
14				
15	<u>662216</u>		Side Panel Bracket.....	1
16	<u>608290</u>		Self Tapping Screw, #10 - 16 x 3/4" Lg	2
17	<u>667879</u>		Side Panel Close Out.....	1
18	<u>613373</u>		Pan Washer Head Torx Screw, M6 - 1 x 16mm Lg	2
19				
20				
21	<u>70441G01</u>		Seat Frame Weldment	1
22	<u>00438G6</u>		Hex Head Bolt, 5/16" - 18 x 5/8" Lg, Grade 5	2
23	<u>00559G8</u>		Flat Washer, 5/16"	4
24	<u>11098G6</u>		Lock Nut, 5/16" - 18	2



THE USE OF NON U.L. PARTS WILL VOID ANY U.L. LISTING.

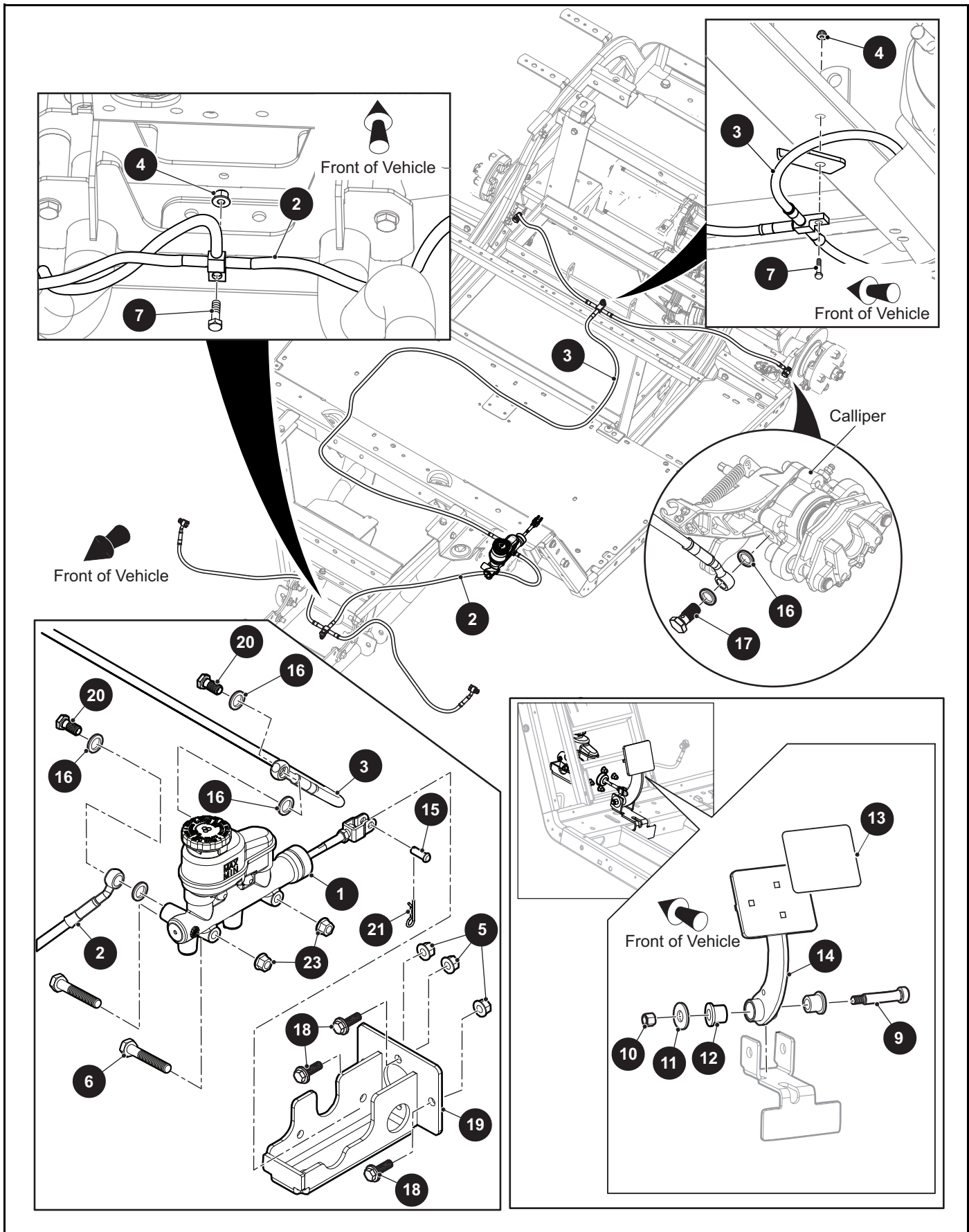
When ordering parts, please specify the model and serial number of the product.

* Indicates a component that is not available as an individual part.

*** Indicates consult Customer Service Department for additional information.

ITEM	PART NO.	1 2 3 4 5	DESCRIPTION	QTY.
1	<u>629186G01</u>		Fender Flare, Rear (Driver Side).....	1
2	<u>629186G05</u>		Fender Flare, Rear (Passenger Side).....	1
3				
4	<u>629417G03</u>		Rear Closeout Panel.....	1
5				
6	<u>00793G2</u>		Flat Washer (SS), 1/4"	4
7	<u>14390G4</u>		Lock Nut, 1/4" - 20	4
8	<u>00427G2</u>		Hex Head Bolt, 3/8" - 16 x 1.25" Lg	4
9	<u>00643G1</u>		Flat Washer, 3/8".....	4
10	<u>120177</u>		Lock Washer, 3/8"	4
11	641848		Thread Insert Hex Nut, 3/8" - 16	4
12	<u>16816G2</u>		Ratchet Rivet, .25" x .887"	4
13				
14	<u>303459</u>		Hex Head Bolt, 1/4" - 20 x 1 1/2" Lg, Grade 5	2
15	<u>15058G6</u>		Domed Rivet (Aluminum), 3/16" x .75" Grip.....	2
16	<u>00559G5</u>		Flat Washer, #10	2
17	<u>800296</u>		Pan Head Phillips Screw, #10 - 24 x 3/4" Lg.....	1
18	<u>629351</u>		Seat Frame Bracket	2
19	642437		Seat Support	1
20	<u>14390G10</u>		Lock Nut, #10 - 24.....	1
21	668895		Seat Frame Restraint Bracket.....	1
22	<u>01006G02</u>		Hex Washer Head Bolt, 3/8" - 16 x 1.5" Lg	2
23	<u>00463G11</u>		Hex Head Bolt, 7/16" - 14 x 1.5" Lg, Grade 5	4
24	<u>306982</u>		Flat Washer, 7/16".....	8
25	<u>00734G1</u>		Lock Nut, 7/16" - 14	4
26	00438G6		Hex Head Bolt, 5/16" - 18 x 5/8" Lg, Grade 5	2
27	<u>70046G03</u>		Battery Rack.....	1
28	<u>70200G01</u>		Truss Head Torx Bolt, 3/8" - 16 x .75" Lg	2
29	<u>00715G2</u>		Hex Head Bolt, 5/16" - 18 x .8" Lg	2
30	00559G8		Flat Washer, 5/16".....	4
31	11098G6		Lock Nut, 5/17" - 18	2

BRAKES



THE USE OF NON U.L. PARTS WILL VOID ANY U.L. LISTING.

When ordering parts, please specify the model and serial number of the product.

* Indicates a component that is not available as an individual part.

*** Indicates consult Customer Service Department for additional information.

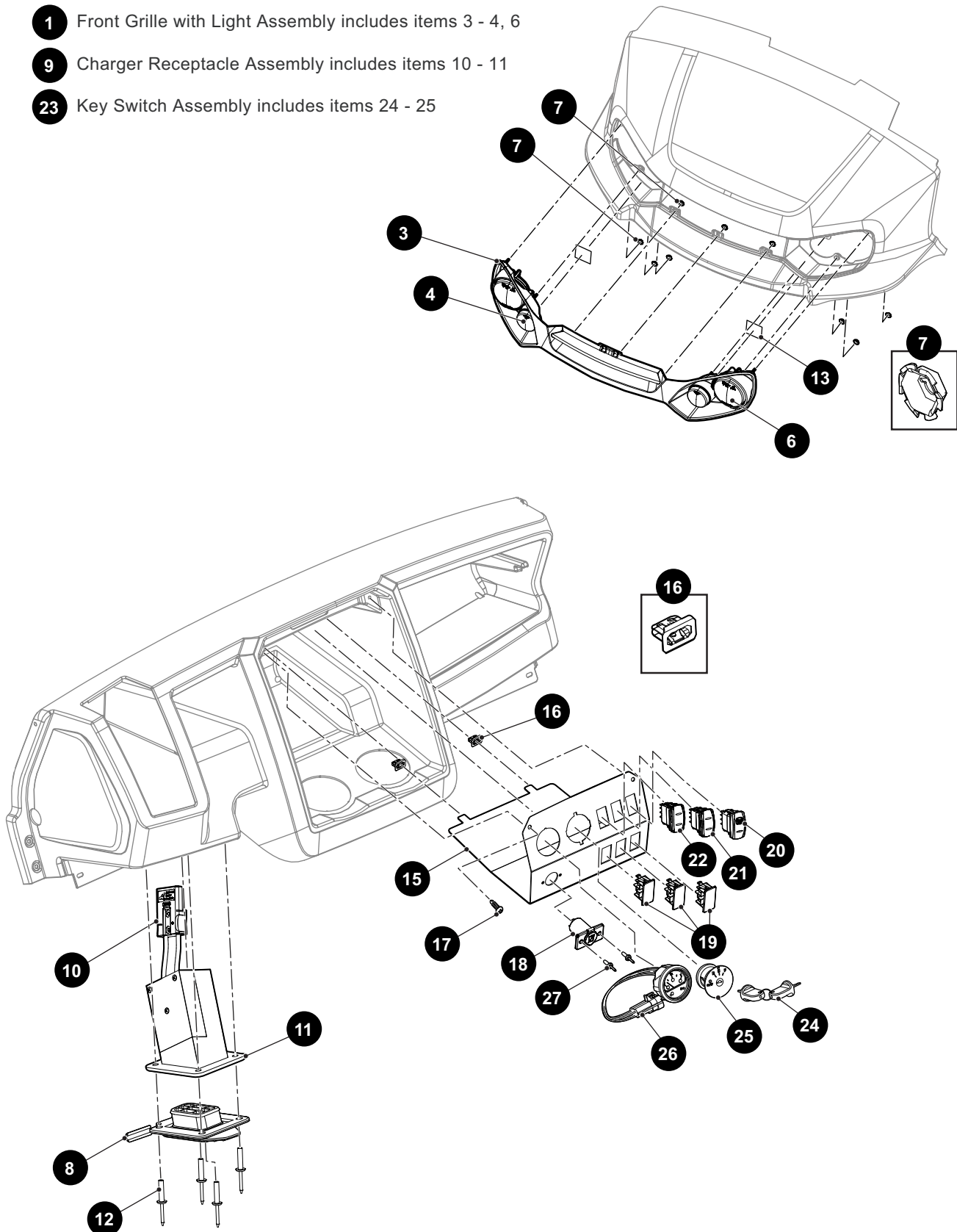
ITEM	PART NO.	1 2 3 4 5	DESCRIPTION	QTY.
1	<u>631593</u>		Brake Master Cylinder.....	1
2	<u>626613</u>		Front Brake Line	1
3	<u>616455</u>		Rear Brake Line	1
4	<u>601476</u>		Lock Nut, M6 - 1.....	1
5	<u>800697</u>		Lock Nut, 5/16" - 18	4
6	00439G8		Hex Head Bolt, 5/18" - 18 x 1.12" Lg, Grade 5	2
7	<u>613231</u>		Hex Head Bolt, M6 - 1 x 20mm Lg.....	1
8	<u>12416G2</u>		Nylon Clamp, 10" (To Secure Brake Lines to Frame - Not Illustrated).....	26
9	<u>635177</u>		Shoulder Bolt, 1/2" x 2", 3/8" - 16 x 2" Lg	1
10	<u>11098G5</u>		Lock Nut, 3/8" - 16	1
11	<u>00643G1</u>		Flat Washer, 3/8".....	1
12	<u>70581G02</u>		Flanged Bushing, I.D. .510" x O.D. .795" x .75" Lg	2
13	<u>640478</u>		Pedal Grip	1
14	637808		Brake Pedal Weldment	1
15	<u>10386G2</u>		Clevis Pin, .245" x .68" Lg	1
16	<u>613293</u>		Crush Washer, M10	6
17	<u>616459</u>		Banjo Bolt, M10 - 1 x 20mm Lg.....	2
18	<u>13437G3</u>		Flanged Hex Head Bolt, 5/16" - 18 x 1" Lg, Grade 5	4
19	<u>631616</u>		Master Cylinder Bracket.....	1
20	<u>613292</u>		Banjo Bolt, M10 - 1.25 x 20mm Lg.....	1
21	<u>01076G01</u>		Hairpin Cotter, .078" x 1.21"	1
22				
23	<u>800697</u>		Lock Nut, 5/16" - 18	2

ELECTRICAL

1 Front Grille with Light Assembly includes items 3 - 4, 6

9 Charger Receptacle Assembly includes items 10 - 11

23 Key Switch Assembly includes items 24 - 25



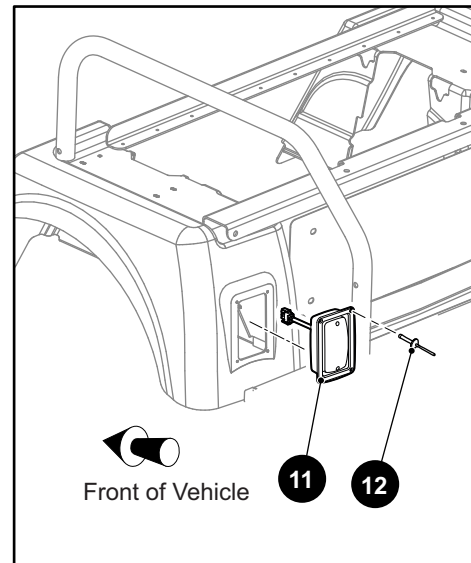
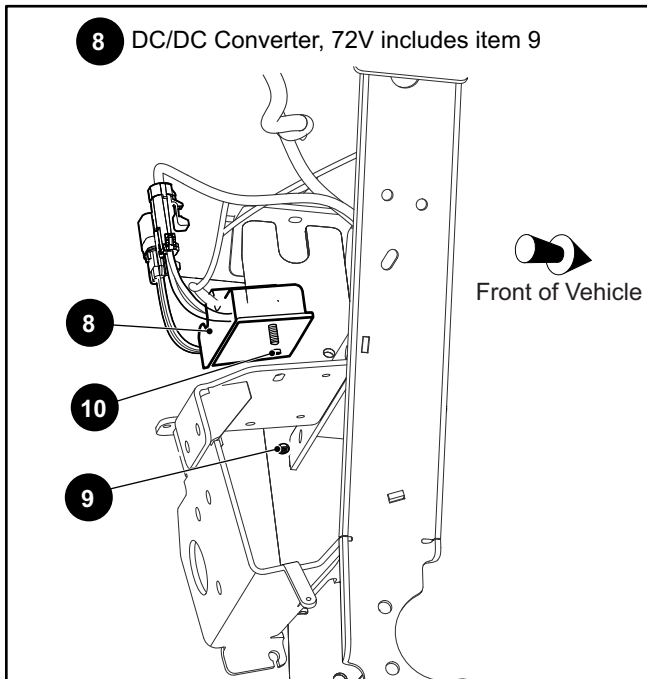
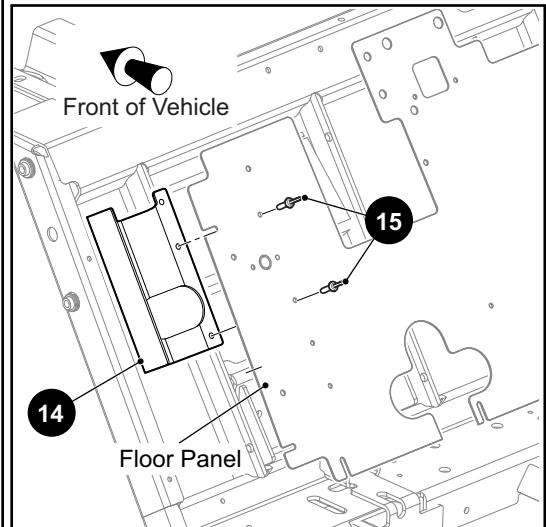
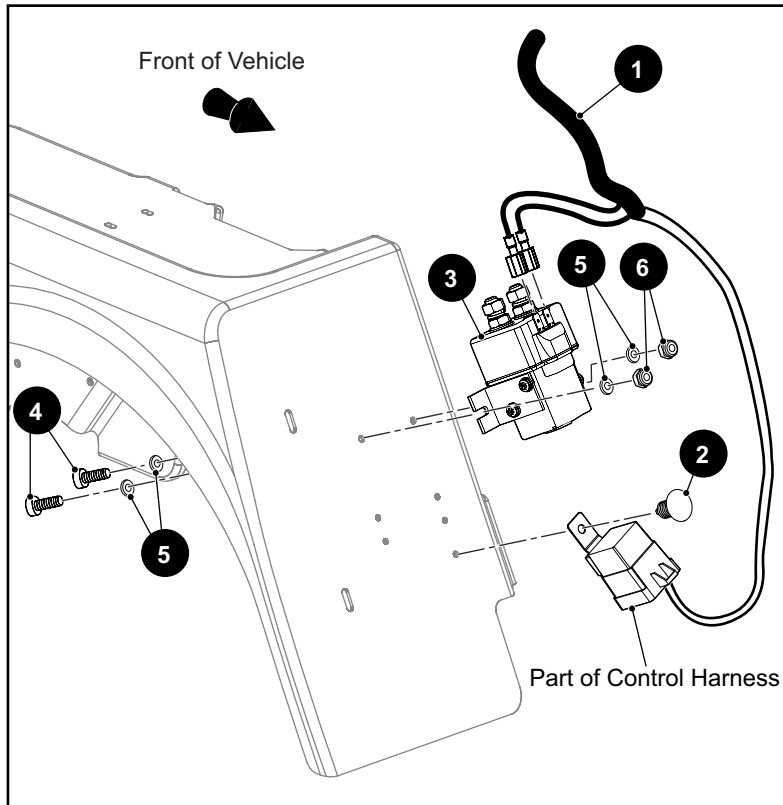
THE USE OF NON U.L. PARTS WILL VOID ANY U.L. LISTING.

When ordering parts, please specify the model and serial number of the product.

* Indicates a component that is not available as an individual part.

*** Indicates consult Customer Service Department for additional information.

ITEM	PART NO.	1 2 3 4 5	DESCRIPTION	QTY.
1	<u>651698G01</u>		Front Grille with Light Assembly (Includes Items 3 - 4, 6).....	1
2				
3	648564		Front Grille.....	1
4	651437		Lens Cover	2
5				
6	<u>651411G01</u>		Headlight	1
7	<u>71597G01</u>		Self Threading Nut, .226".....	9
8	<u>660162</u>		Receptacle Cover.....	1
9	<u>658089</u>		Charger Receptacle Assembly (Includes Items 10 - 11).....	1
10	658956		Charger Harness	1
11	<u>663285</u>		Charging Receptacle	1
12	<u>71055G01</u>		Rivet (Aluminum), 3/16" x .38" Grip.....	4
13	<u>71781G02</u>		Vinyl Tape.....	2
14				
15	<u>652987G02</u>		Gauge Panel	1
16	<u>602184</u>		Clip.....	2
17	<u>649803</u>		Pan Head Torx Screw, M6 - 2.65 x 25mm Lg.....	2
18	<u>71078G01</u>		12V Power Outlet.....	1
19	<u>627035</u>		Panel Plug.....	1
20	<u>668037</u>		Locking Rocker Switch.....	1
21	<u>651897G05</u>		Light Switch.....	1
22	<u>651897G06</u>		Speed Switch	1
23	<u>609692</u>		Key Switch Assembly (Includes Items 24 - 25).....	1
24	609693		Key Set	1
25	609682		Keyswitch with RNF (Reverse-Neutral-Forward).....	1
26	<u>631656</u>		State of Charge Meter.....	1
27	<u>71055G01</u>		Rivet (Aluminum), 3/16" x .38" Grip	2



THE USE OF NON U.L. PARTS WILL VOID ANY U.L. LISTING.

When ordering parts, please specify the model and serial number of the product.

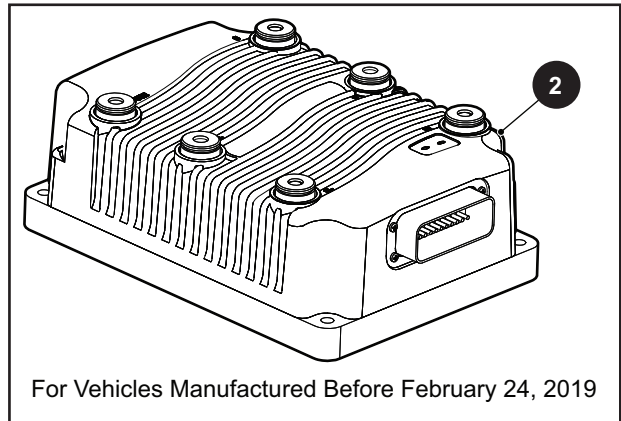
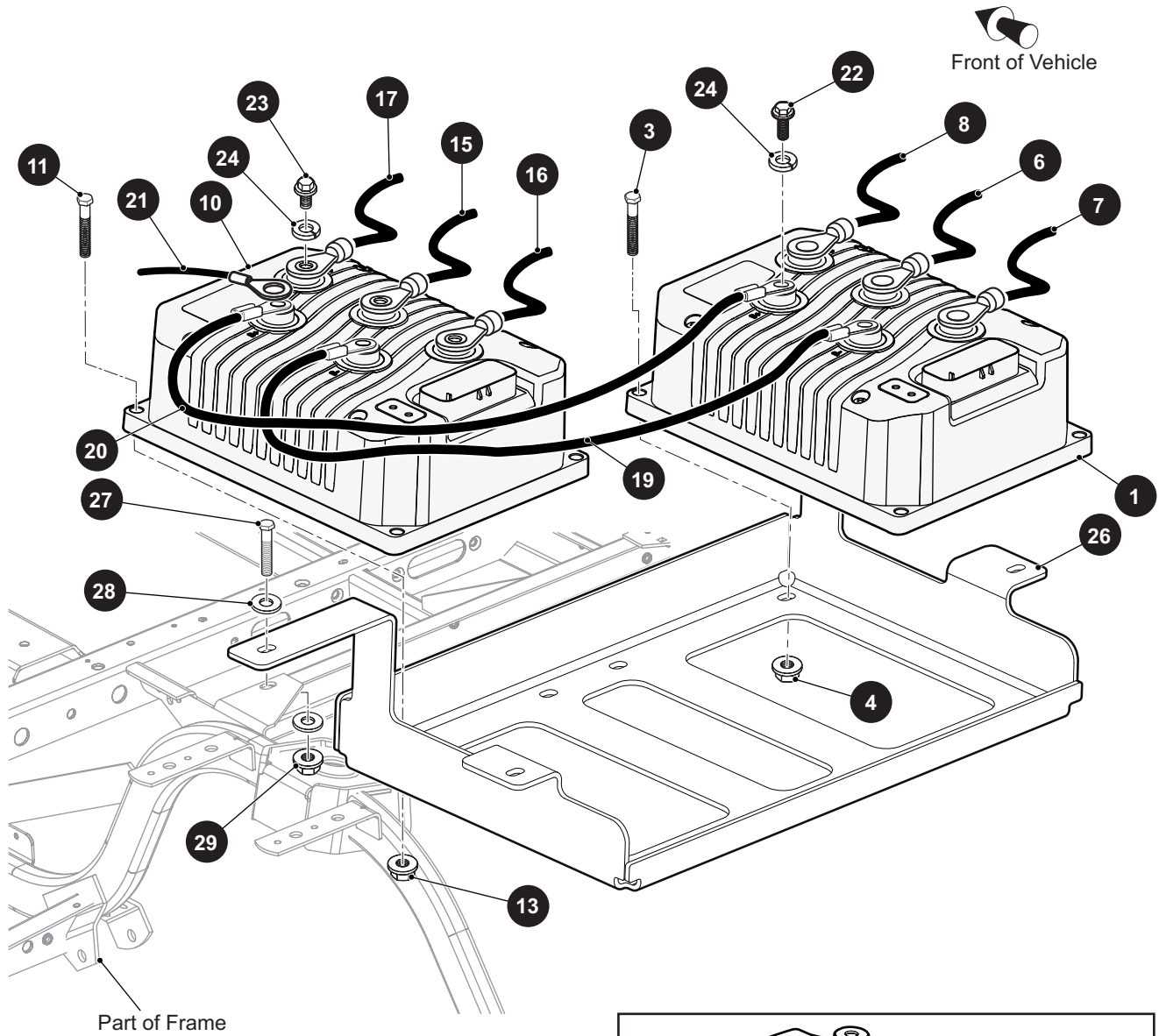
* Indicates a component that is not available as an individual part.

*** Indicates consult Customer Service Department for additional information.

ITEM	PART NO.	1 2 3 4 5	DESCRIPTION	QTY.
1	<u>671775</u>		72V Off Road Control Harness	1
2	<u>16816G2</u>		Ratchet Rivet, .25" x .887"	1
3	655498G01		Contactor, 72V	1
4	<u>800296</u>		Pan Head Phillips Screw, #10 - 24 x 3/4" Lg.....	2
5	<u>00660G5</u>		Flat Washer, #10	4
6	<u>14390G10</u>		Lock Nut, #10 - 24.....	2
7				
8	<u>633778</u>		DC/DC Converter, 72V (Includes Item 9).....	1
9	*		Hex Nut, 1/4" - 20	2
10	<u>23726G11</u>		Spacer, .30" Lg.....	2
11	<u>629148</u>		Taillight Assembly.....	1
12	<u>71055G01</u>		Rivet (Aluminum), 3/18" x .38" Grip	4
13				
14	<u>629678</u>		Wire Guide	1
15	<u>71055G01</u>		Rivet (Aluminum), 3/18" x .38" Grip	3

ELECTRONIC SPEED CONTROL

For Vehicles Manufactured After February 25, 2019



ELECTRONIC SPEED CONTROL

THE USE OF NON U.L. PARTS WILL VOID ANY U.L. LISTING.

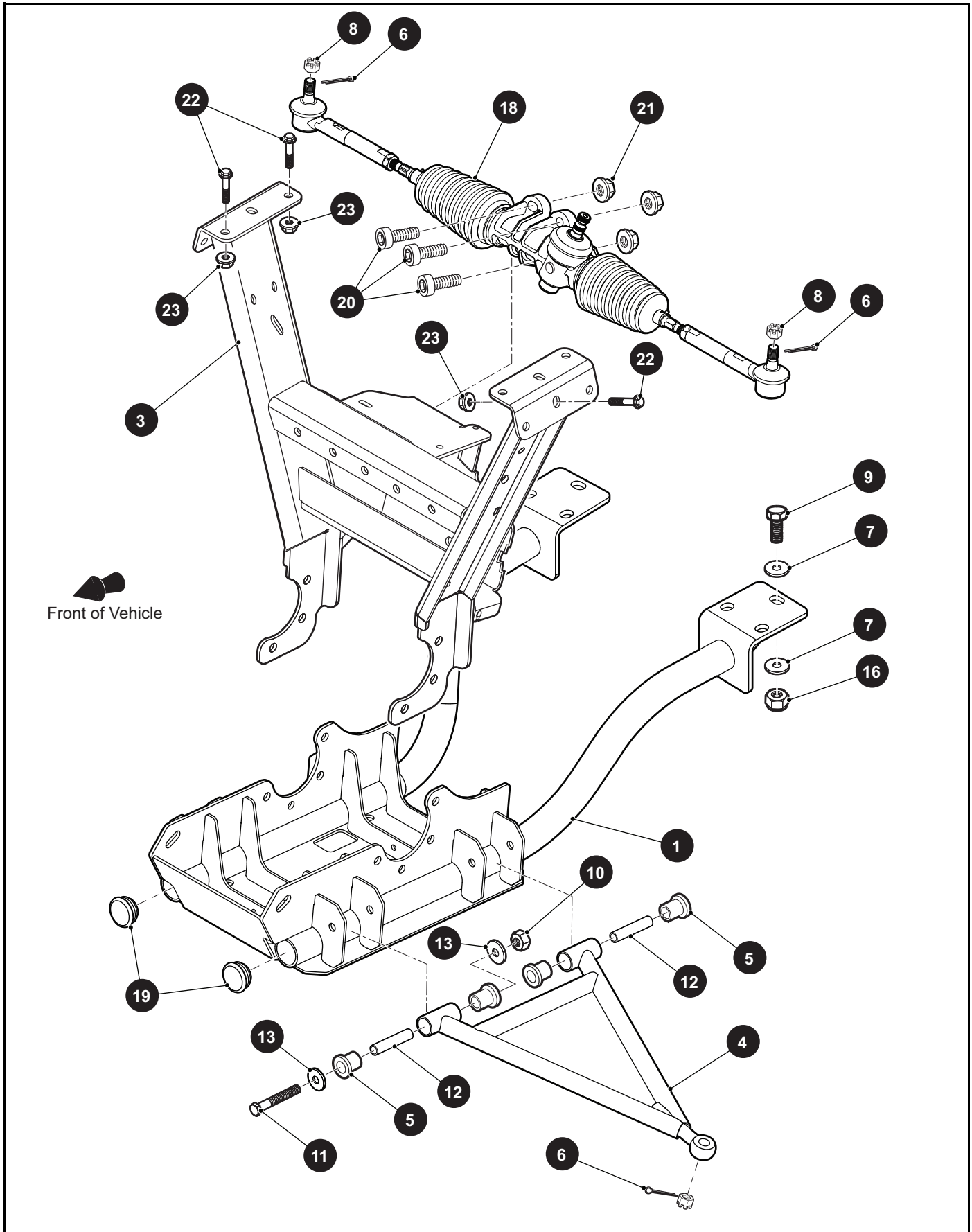
When ordering parts, please specify the model and serial number of the product.

* Indicates a component that is not available as an individual part.

*** Indicates consult Customer Service Department for additional information.

ITEM	PART NO.	1 2 3 4 5	DESCRIPTION	QTY.
1	<u>672599G007</u>		Controller, 72V 4WD Off Road (For Vehicles Manufactured After February 25, 2019)	1
2	<u>662218</u>		Controller, 72V 4WD Off Road (For Vehicles Manufactured Before February 24, 2019)	2
3	<u>303459</u>		Hex Head Bolt, 1/4" - 20 x 1.5" Lg Grade 5	4
4	<u>11027G2</u>		Flanged Lock Nut, 1/4" - 20	4
5				
6	<u>628665</u>		Motor Wire, Rear (V)	1
7	<u>628667</u>		Motor Wire, Rear (W)	1
8	<u>628668</u>		Motor Wire, Rear (U)	1
9				
10	<u>672599G007</u>		Controller, 72V 4WD Off Road (For Vehicles Manufactured After February 25, 2019)	1
11	<u>303459</u>		Hex Head Bolt, 1/4" - 20 x 1.5" Lg Grade 5	4
12				
13	<u>11027G2</u>		Flanged Lock Nut, 1/4" - 20	4
14				
15	<u>628669</u>		Motor Wire, Front (V)	1
16	<u>628670</u>		Motor Wire, Front (W)	1
17	<u>628671</u>		Motor Wire, Front (U)	1
18				
19	<u>628676</u>		Control Wire (B- to Control B-)	1
20	<u>628677</u>		Control Wire (B+ to Control B+)	1
21	<u>628680</u>		Control Wire (B+ to Solenoid)	1
22	<u>606264</u>		Flanged Hex Head Bolt, M6 - 1 x 20mm Lg	4
23	<u>73876G01</u>		Flanged Hex Head Bolt, M6 - 1 x 12mm Lg	6
24	<u>606272</u>		Lock Washer, 8mm	10
25				
26	683325		Controller Bracket	1
27	<u>302288</u>		Hex Head Bolt, 1/4" - 20 x 1" Lg Grade 5	4
28	<u>00642G7</u>		Flat Washer, 1/4"	8
29	<u>11027G2</u>		Flanged Lock Nut, 1/4" - 20	4

FRONT SUSPENSION AND STEERING



FRONT SUSPENSION AND STEERING

THE USE OF NON U.L. PARTS WILL VOID ANY U.L. LISTING.

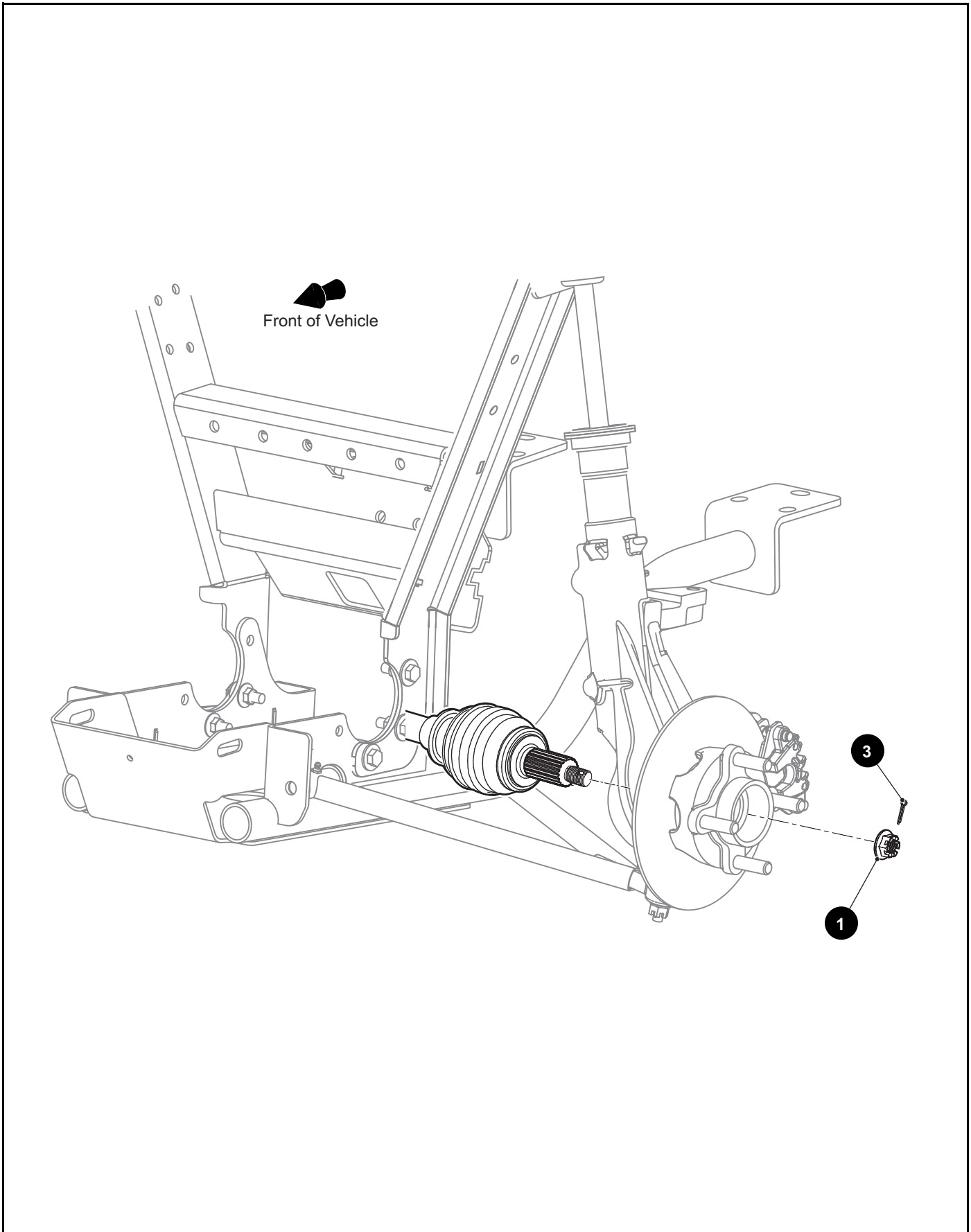
When ordering parts, please specify the model and serial number of the product.

* Indicates a component that is not available as an individual part.

*** Indicates consult Customer Service Department for additional information.

ITEM	PART NO.	1 2 3 4 5	DESCRIPTION	QTY.
1	<u>637378</u>		Front Powertrain Frame	1
2				
3	<u>641999</u>		Front Upper Suspension Weldment	1
4	<u>638383G01</u>		Control Arm Weldment	1
5	<u>637745</u>		Control Arm Bushing	4
6	<u>10387G2</u>		Cotter Pin, .094" x 1"	2
7	<u>306982</u>		Flat Washer, .34" x .92" x .06"	6
8	<u>608005</u>		Castle Nut, M12 - 1.25	1
9	<u>00463G11</u>		Hex Head Bolt, 7/16" - 14 x 1.5" Lg, Grade 5	3
10	<u>11098G5</u>		Lock Nut, 3/8" - 16	2
11	<u>00429G4</u>		Hex Head Bolt, 3/8" - 16 x 3.5" Lg, Grade 5	2
12	<u>638223</u>		Split Spacer, 3/8" x 2.390"	2
13	<u>00560G1</u>		Flat Washer, 3/8"	4
14				
15				
16	<u>00734G1</u>		Lock Nut, 7/16" - 14	3
17				
18	<u>630988</u>		Steering Rack with Spacer	1
19	<u>628915</u>		Tube Plug	2
20	<u>630449</u>		Socket Head Bolt, M10 - 1.5 x 45mm Lg	3
21	<u>630450</u>		Flanged Lock Nut, M10 - 1.5	3
22	<u>641289</u>		Flanged Hex Head Bolt, 3/8" - 16 x 1" Lg Grade 8	6
23	<u>11027G5</u>		Flanged Lock Nut, 3/8" - 16	6

FRONT SUSPENSION AND STEERING



FRONT SUSPENSION AND STEERING

THE USE OF NON U.L. PARTS WILL VOID ANY U.L. LISTING.

When ordering parts, please specify the model and serial number of the product.

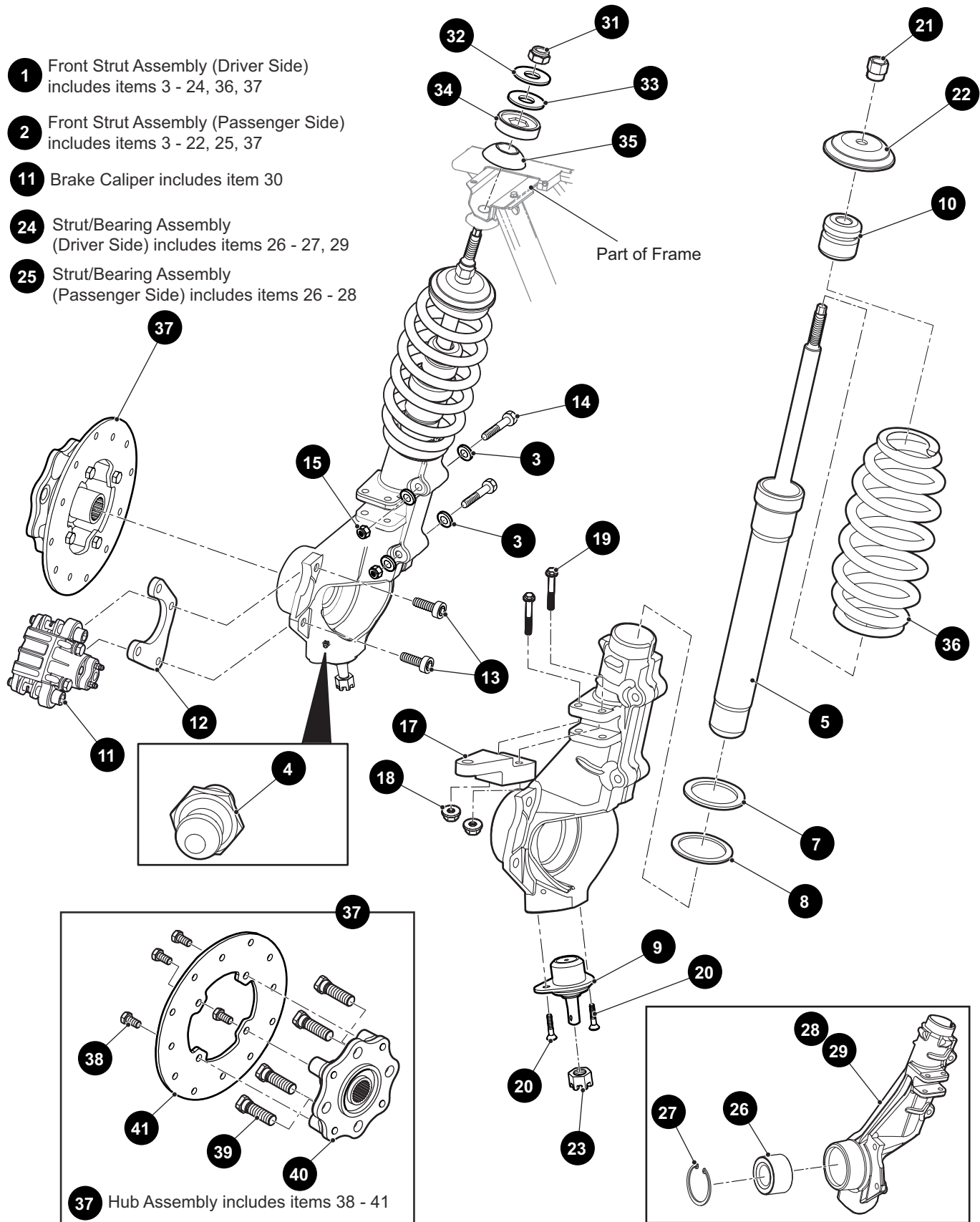
* Indicates a component that is not available as an individual part.

*** Indicates consult Customer Service Department for additional information.

ITEM	PART NO.	1 2 3 4 5	DESCRIPTION	QTY.
1	<u>635491</u>		Flanged Castle Nut, M16 x 1 x.5.....	1
2				
3	<u>10387G1</u>		Cotter Pin, .125" x 1.5".....	1

FRONT SUSPENSION AND STEERING

- 1** Front Strut Assembly (Driver Side)
includes items 3 - 24, 36, 37
- 2** Front Strut Assembly (Passenger Side)
includes items 3 - 22, 25, 37
- 11** Brake Caliper includes item 30
- 24** Strut/Bearing Assembly
(Driver Side) includes items 26 - 27, 29
- 25** Strut/Bearing Assembly
(Passenger Side) includes items 26 - 28



FRONT SUSPENSION AND STEERING

THE USE OF NON U.L. PARTS WILL VOID ANY U.L. LISTING.

When ordering parts, please specify the model and serial number of the product.

* Indicates a component that is not available as an individual part.

*** Indicates consult Customer Service Department for additional information.

ITEM	PART NO.	1 2 3 4 5	DESCRIPTION	QTY.
1	<u>640501G01</u>		Front Strut Assembly (Driver Side) (Includes Items 3 - 24, 36 - 37)	1
2	<u>640501G02</u>		Front Strut Assembly (Passenger Side) (Includes Items 3 - 23, 25, 37)	1
3	<u>103867</u>		Flat Washer, .31" x .69" x .06"	2
4	<u>632405</u>		Grease Fitting, 3/16" Straight Drive	1
5	<u>634705</u>		Shock Strut	1
6				
7	<u>616053</u>		Flat Washer, 2"	1
8	<u>616060</u>		Strut Washer (Coil Spring), 52mm	1
9	<u>645047</u>		Strut Ball Joint	1
10	<u>616073</u>		Strut Bump Stop	1
11	<u>638129</u>		Brake Caliper (Includes Item 30)	1
12	<u>616451</u>		Caliper Mounting Bracket	1
13	<u>616596</u>		Socket Head Bolt, 3/8" - 24 x 3/4" Lg	2
14	<u>616672</u>		Hex Head Bolt, M8 - 1.25 x 60mm Lg	2
15	<u>616673</u>		Lock Nut, M8	2
16				
17	<u>626725</u>		Steering Arm (Short)	1
18	<u>630803</u>		Lock Nut, 5/16" - 18	2
19	<u>630804G01</u>		Flanged Hex Head Bolt, 5/16" - 18 x 2" Lg	2
20	<u>616597</u>		Flat Head Socket Screw, 1/4" - 20 x 3/4" Lg	2
21	<u>616056</u>		Spring Retaining Nut, M12 - 1.25	1
22	<u>634967</u>		Coil Spring Cap	1
23	<u>649714</u>		Castle Nut, M10 - 1.25	1
24	<u>642461G01</u>		Strut Bearing (Driver Side) (Includes Items 26 - 27, 29)	1
25	<u>642461G02</u>		Strut Bearing (Passenger Side) (Includes Items 26 - 28)	1
26	<u>633663</u>		Wheel Bearing, 2.52" O.D x 1.37" I.D	1
27	<u>632409</u>		Snap Ring	1
28	<u>632410G04</u>		Strut Base (Passenger Side)	1
29	<u>632410G03</u>		Strut Base (Driver Side)	1
30	<u>633875</u>		Brake Pads (Set of 2)	1

FRONT SUSPENSION AND STEERING

THE USE OF NON U.L. PARTS WILL VOID ANY U.L. LISTING.

When ordering parts, please specify the model and serial number of the product.

* Indicates a component that is not available as an individual part.

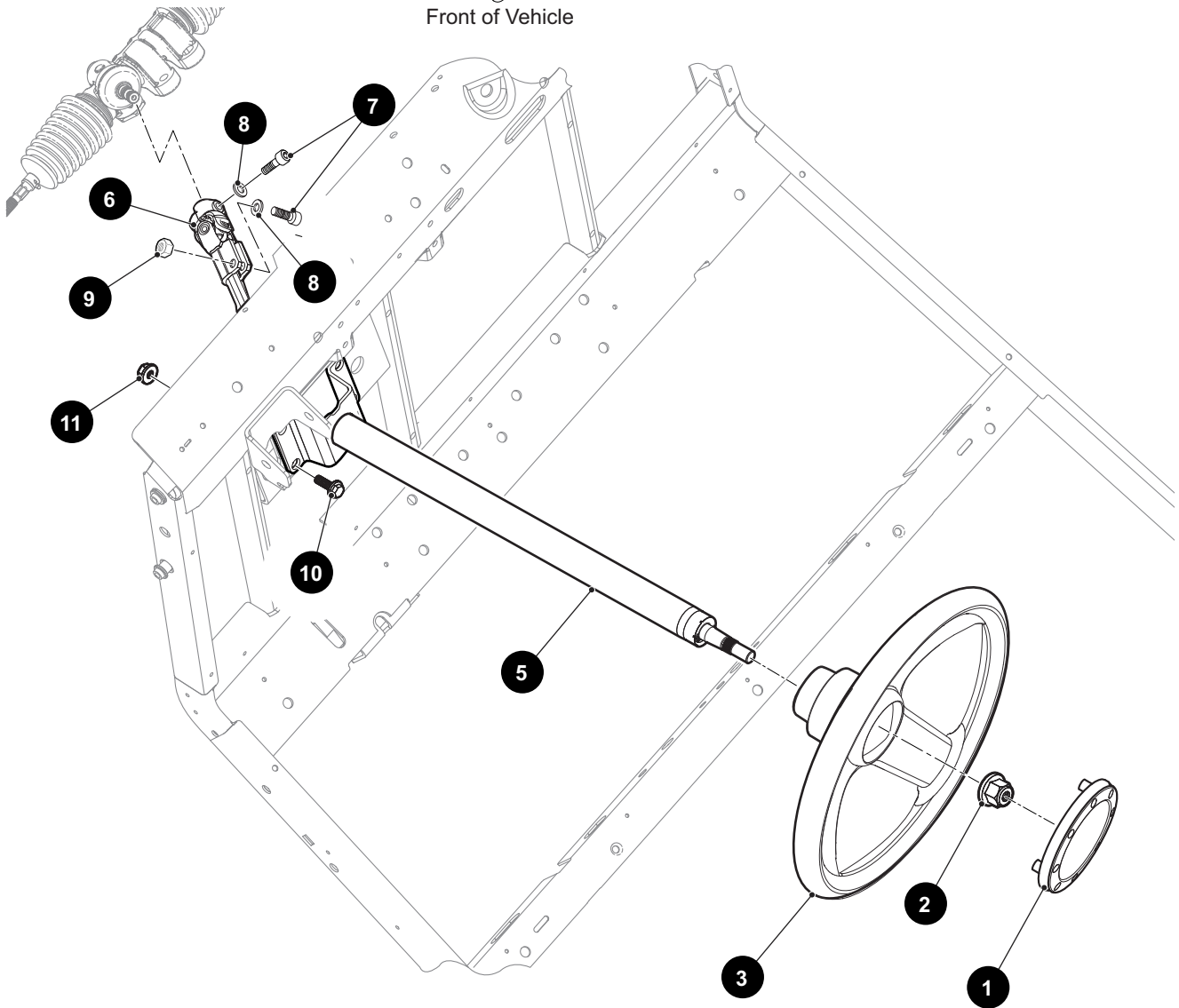
*** Indicates consult Customer Service Department for additional information.

ITEM	PART NO.	1 2 3 4 5	DESCRIPTION	QTY.
31	<u>625748</u>		Nylock Nut, M12 - 1.25	1
32	<u>636610</u>		Flat Washer, 3/8"	1
33	<u>616701</u>		Rubber Washer, 1.5mm x .76mm	1
34	<u>629592</u>		Strut Bushing (Female).....	1
35	<u>629593</u>		Strut Bushing (Male).....	1
36	<u>618346</u>		Coil Spring.....	1
37	<u>633792G02</u>		Hub Assembly (Includes Items 38 - 41)	1
38	<u>636096</u>		Hex Head Bolt, M8 - 1.25 x 20mm Lg	4
39	<u>19862G2</u>		Wheel Hub Bolt, 1/2" - 20 x 1.718" Lg.....	4
40	<u>632713G02</u>		Hub	1
41	<u>632714G01</u>		Rotor (Cross Drilled).....	1

FRONT SUSPENSION AND STEERING

4 Steering Column Assembly includes items 5 - 9

Front of Vehicle



FRONT SUSPENSION AND STEERING

THE USE OF NON U.L. PARTS WILL VOID ANY U.L. LISTING.

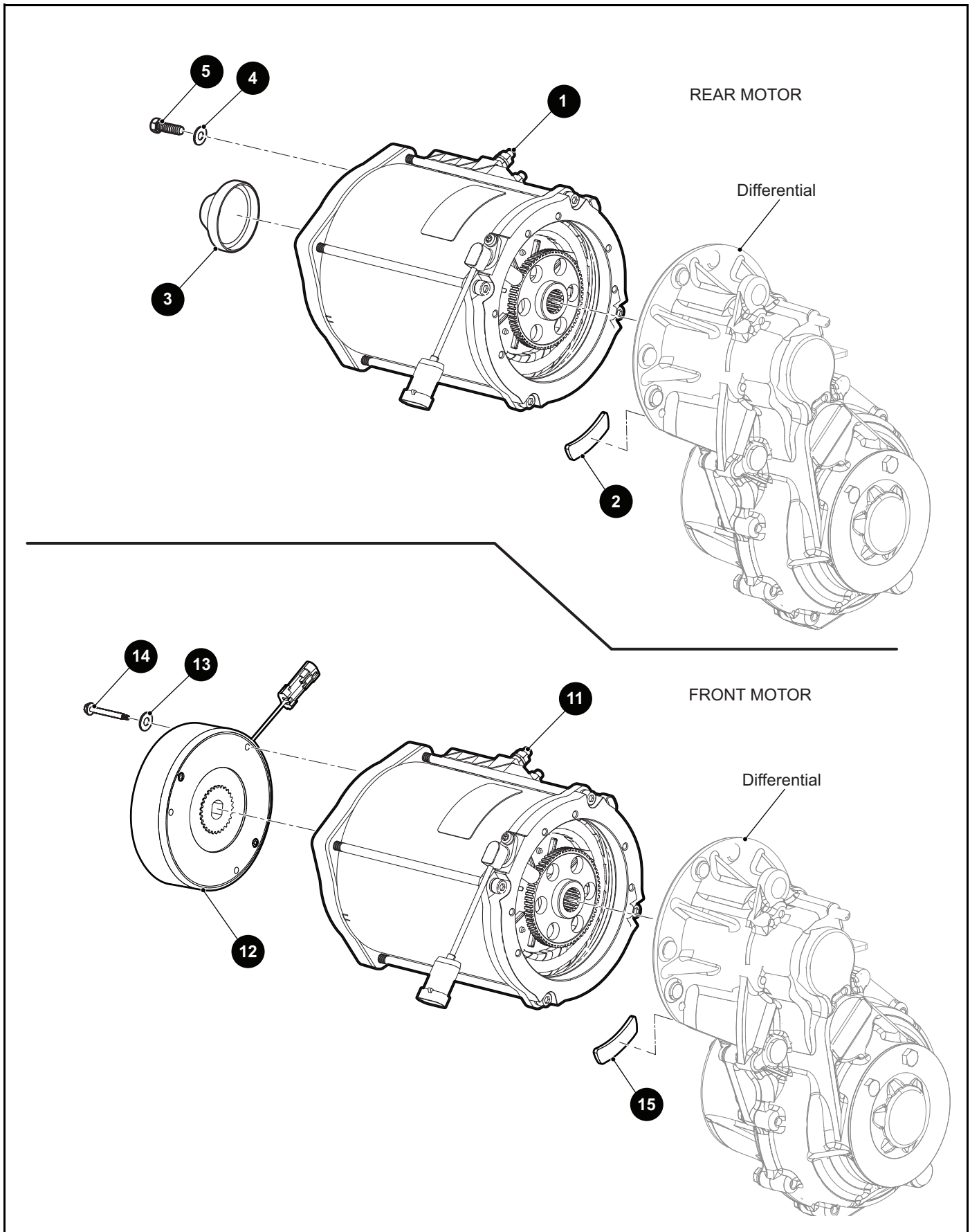
When ordering parts, please specify the model and serial number of the product.

* Indicates a component that is not available as an individual part.

*** Indicates consult Customer Service Department for additional information.

ITEM	PART NO.	1 2 3 4 5	DESCRIPTION	QTY.
1	<u>639439</u>		Steering Wheel Cover.....	1
2	<u>601709</u>		Lock Nut, M16 - 2.....	1
3	<u>639437</u>		Steering Wheel	1
4	<u>600333</u>		Steering Column Assembly (Includes Items 5 - 9).....	1
5	<u>608117</u>		Steering Column.....	1
6	<u>608114</u>		Steering Yoke	1
7	<u>608653</u>		Socket Head Bolt, M10 - 1.5 x 35mm Lg.....	2
8	<u>608654</u>		Lock Washer, 10mm.....	2
9	<u>608655</u>		Hex Nut, M10 - 1.5	1
10	<u>603799</u>		Flanged Hex Head Bolt, M10 - 1.5 x 25mm Lg	4
11	<u>600525</u>		Flanged Lock Nut, M10 - 1.5.....	4

MOTOR



THE USE OF NON U.L. PARTS WILL VOID ANY U.L. LISTING.

When ordering parts, please specify the model and serial number of the product.

* Indicates a component that is not available as an individual part.

*** Indicates consult Customer Service Department for additional information.

ITEM	PART NO.	1 2 3 4 5	DESCRIPTION	QTY.
1	680639		Motor, 72V (If motor has female connector on the temp sensor, you must use kit 671146 to make this new style motor temp sensor work on older units. New style has male connector on the temp sensor)	1
2	658445		Differential Gasket.....	1
3	668275		End Cap	1
4	<u>00915G1</u>		Bonded Seal Washer	3
5	<u>616716</u>		Hex Head Bolt, M6 - 1 x 16mm Lg.....	3
6				
7				
8				
9				
10				
11	680639		Motor, 72V (If motor has female connector on the temp sensor, you must use kit 671146 to make this new style motor temp sensor work on older units. New style has male connector on the temp sensor)	1
12	<u>655677</u>		Sealed E - Brake	1
13	<u>00915G1</u>		Bonded Seal Washer	3
14	<u>73715G01</u>		Flanged Hex Head Bolt, M6 - 1 x 60mm Lg.....	3
15	658445		Differential Gasket.....	1

THE USE OF NON U.L. PARTS WILL VOID ANY U.L. LISTING.

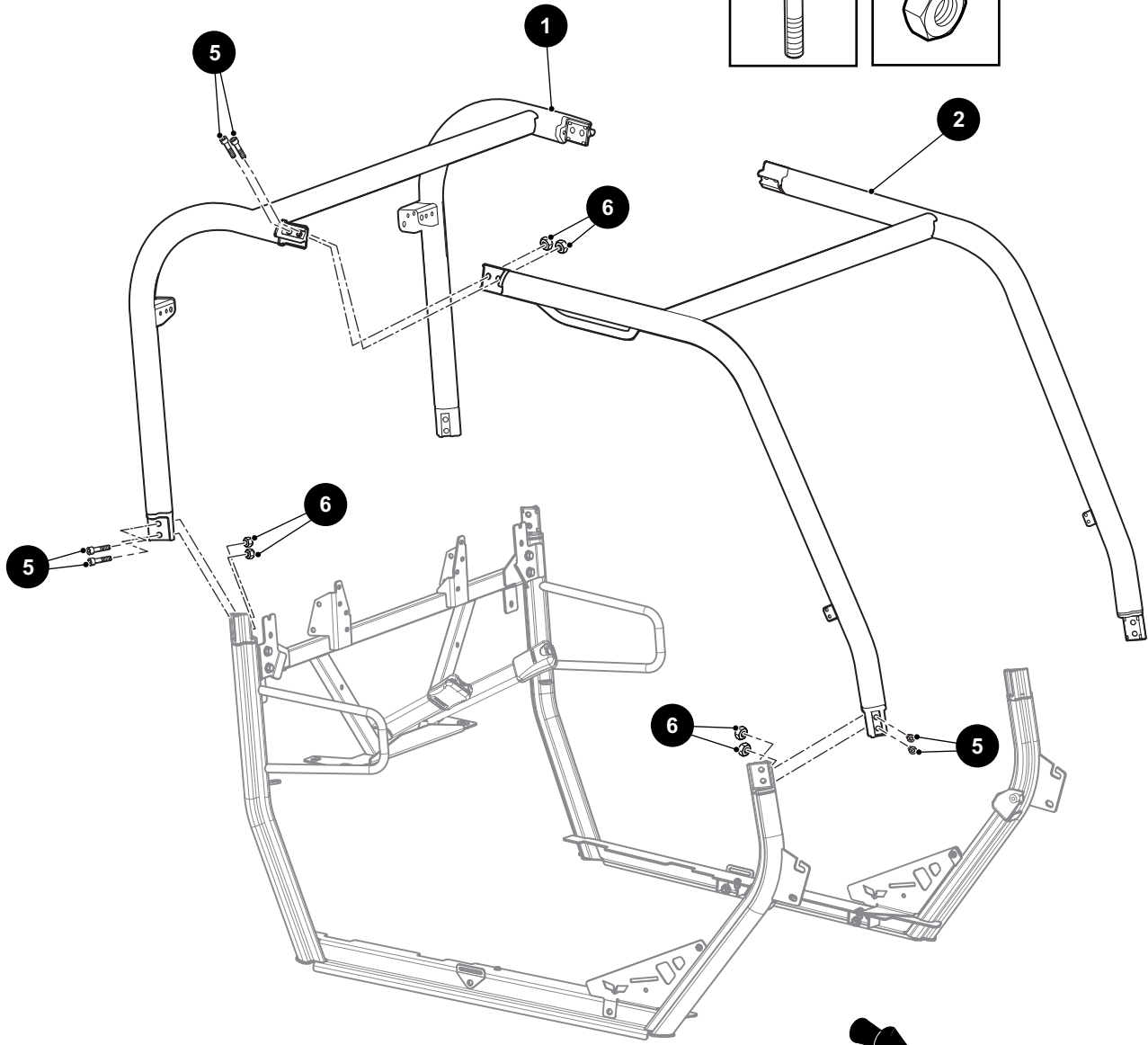
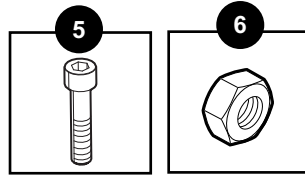
When ordering parts, please specify the model and serial number of the product.

* Indicates a component that is not available as an individual part.

*** Indicates consult Customer Service Department for additional information.

ITEM	PART NO.	1 2 3 4 5	DESCRIPTION	QTY.
1	<u>666324G01</u>		Lower Weldment (Driver Side).....	1
2	<u>666324G02</u>		Lower Weldment (Passenger Side)	1
3	<u>666200</u>		Seat Mounting Assembly.....	1
4	<u>667883G01</u>		Restraint Panel (Driver Side)	1
5	<u>667883G02</u>		Restraint Panel (Passenger Side).....	1
6	<u>667928</u>		Lower Net Bracket.....	1
7	<u>602415</u>		Flanged Hex Head Bolt, M10 - 1.5 x 80mm Lg	2
8	<u>600525</u>		Flanged Lock Nut, M10 - 1.5.....	2
9	<u>612635</u>		Button Head Torx Bolt, M6 - 1 x 20mm Lg	1
10	<u>601476</u>		Lock Nut, M6 - 1	1
11	<u>612635</u>		Button Head Torx Bolt, M6 - 1 x 20mm Lg	2
12	<u>601476</u>		Lock Nut, M6 - 1.....	2
13	<u>603799</u>		Flanged Hex Head Bolt, M10 - 1.5 x 25mm Lg	4
14	<u>600525</u>		Flanged Lock Nut, M10 - 1.5.....	4
15	<u>00427G2</u>		Hex Head Bolt, 3/8" - 16 x 1.25" Lg	2
16	<u>00643G1</u>		Flat Washer, 3/8"	4
17	<u>11098G5</u>		Lock Nut, 3/8" - 16	2
18	<u>610753</u>		Hex Head Bolt, 7/16" - 20 x 1" Lg	1
19	<u>00734G3</u>		Lock Nut, 7/16" - 20	1
20	<u>00560G3</u>		Flat Washer, 3/8"	1
21	<u>00439G6</u>		Hex Head Capscrew, 5/16" - 18, Grade 5.....	1
22	<u>00565G8</u>		Lock Washer, 5/16"	1
23	<u>00675G1</u>		Flat Washer, 3/8"	1
24	<u>75048G01</u>		Spacer .328" x .75" x .50" Lg	1
25	<u>631973</u>		Buckle and Bracket Assembly.....	1

4 Upper Hardware Kit includes items 5 - 6




Front of Vehicle

THE USE OF NON U.L. PARTS WILL VOID ANY U.L. LISTING.

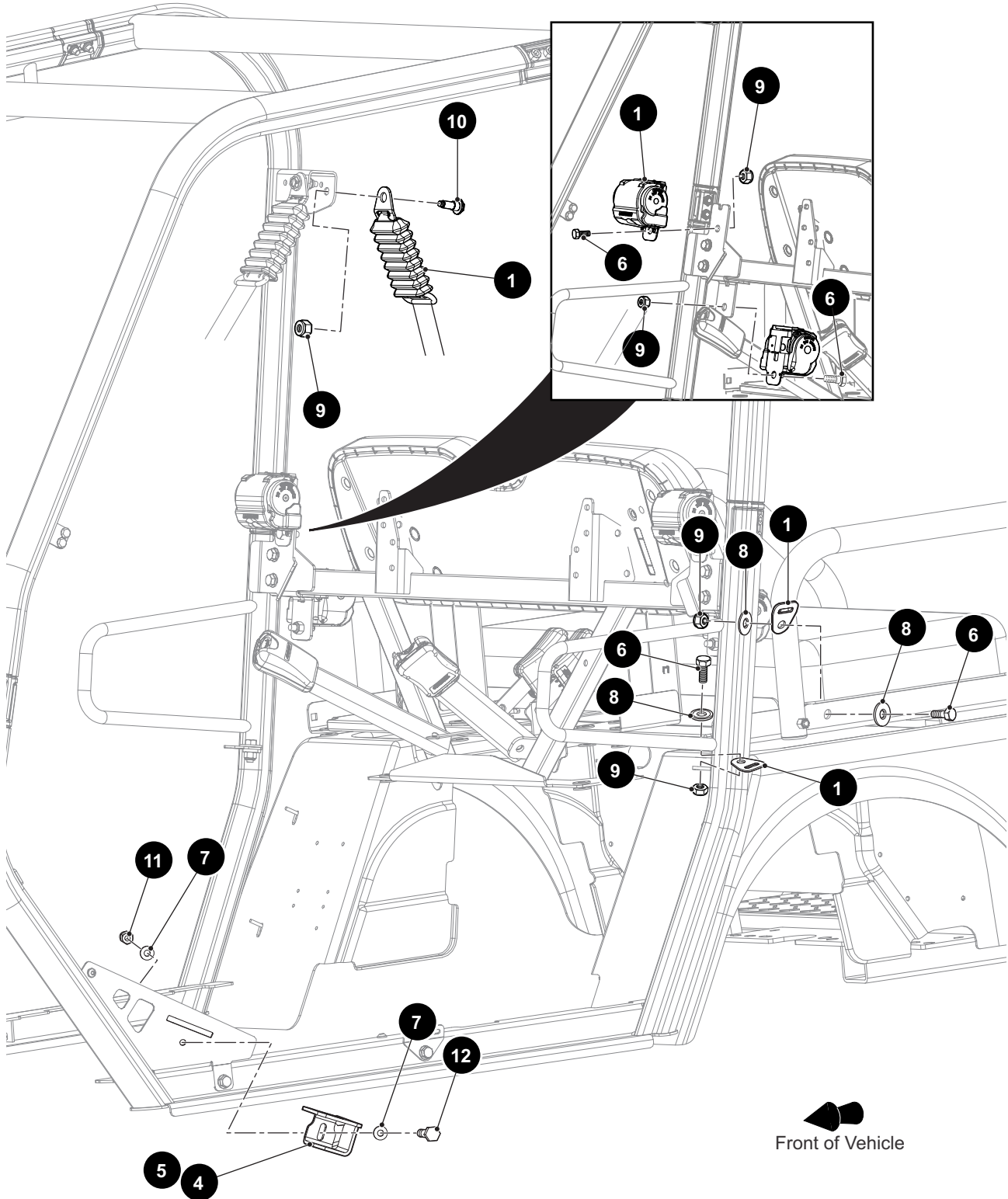
When ordering parts, please specify the model and serial number of the product.

* Indicates a component that is not available as an individual part.

*** Indicates consult Customer Service Department for additional information.

ITEM	PART NO.	1 2 3 4 5	DESCRIPTION	QTY.
1	<u>666355</u>		Rear Upper Weldment	1
2	<u>666354</u>		Front Upper Weldment.....	1
3				
4	<u>668186</u>		Upper Hardware Kit (Includes Items 5 - 6).....	1
5	<u>630449</u>		Socket Head Capscrew, M10 - 1.5 x 45mm Lg	12
6	<u>616675</u>		Lock Nut, M10 - 1.5	12

5 Hardware Kit includes items 6 - 12



THE USE OF NON U.L. PARTS WILL VOID ANY U.L. LISTING.

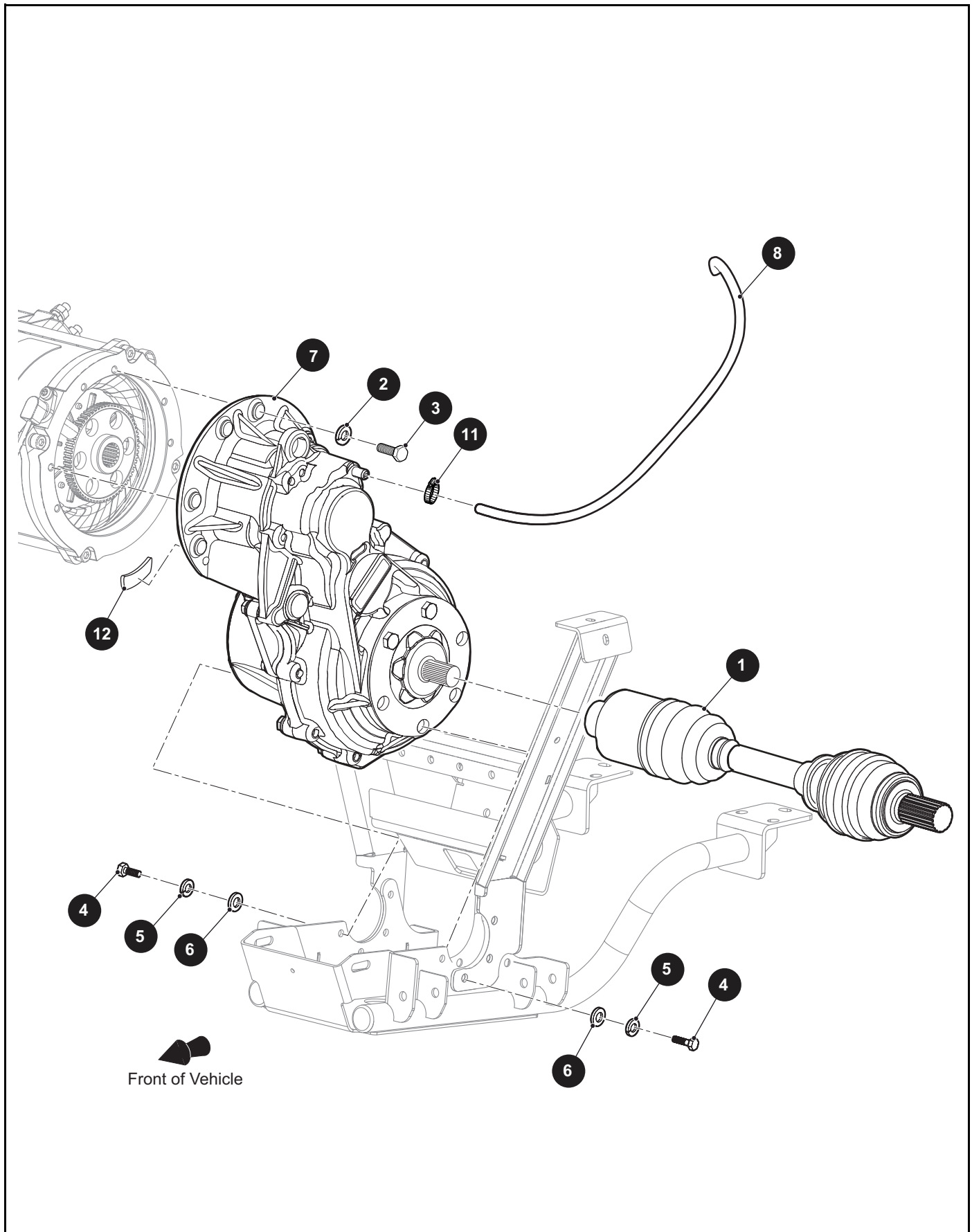
When ordering parts, please specify the model and serial number of the product.

* Indicates a component that is not available as an individual part.

*** Indicates consult Customer Service Department for additional information.

ITEM	PART NO.	1 2 3 4 5	DESCRIPTION	QTY.
1	<u>649134</u>		Seat Belt Retractor.....	4
2	<u>651519</u>		Front Door Net (Not Illustrated).....	1
3	<u>660063G01</u>		Side Bracket Weldment (Driver Side)	1
4	<u>660063G02</u>		Side Bracket Weldment (Passenger Side).....	1
5	667166		Hardware Kit (Includes Items 6 - 12).....	1
6	<u>610753</u>		Hex Head Bolt, 7/16" - 20 x 1" Lg.....	8
7	<u>00559G7</u>		Flat Washer, 1/4"	12
8	<u>00560G3</u>		Flat Washer, 3/8"	6
9	<u>00734G3</u>		Lock Nut,	12
10	<u>609569</u>		Seat Belt Bolt, 7/16" - 20 x 1.5" Lg	4
11	<u>14390G4</u>		Lock Nut, 1/4" - 20.....	6
12	<u>302288</u>		Hex Head Bolt, 1/4" - 20 x 1" Lg.....	6

FRONT AXLE



FRONT AXLE

THE USE OF NON U.L. PARTS WILL VOID ANY U.L. LISTING.

When ordering parts, please specify the model and serial number of the product.

* Indicates a component that is not available as an individual part.

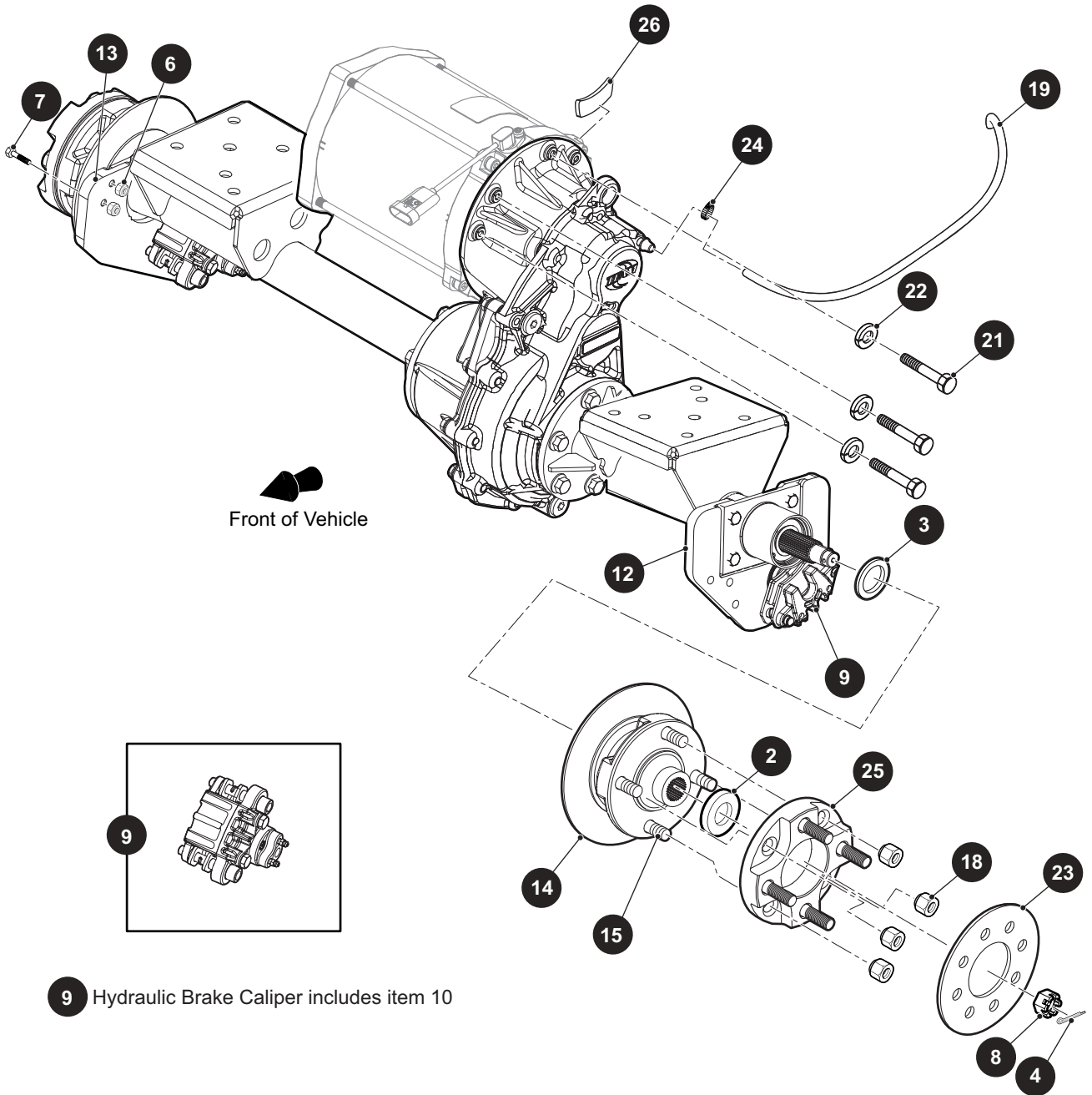
*** Indicates consult Customer Service Department for additional information.

ITEM	PART NO.	1 2 3 4 5	DESCRIPTION	QTY.
1	<u>653033</u>		CV Axle Assembly	2
2	<u>601327</u>		Lock Washer, 6mm	6
3	<u>605741</u>		Hex Head Bolt, M6 - 1 x 25mm Lg	6
4	<u>306835</u>		Hex Head Bolt, 3/8" - 16 x 1.25" Lg, Grade 5	8
5	<u>608654</u>		Split Lock Washer, 10mm	8
6	<u>00571G3</u>		Flat Washer, 5/16"	8
7	<u>629151</u>		Independent Differential (Hardened Gears)	1
8	616705		Breather Hose	1
9	<u>31539G1</u>		Nylon Clamp, 15.5" (Not Illustrated)	1
10				
11	<u>11391G4</u>		Hose Clamp, .25" Dia	1
12	658845		Differential Gasket	1

REAR AXLE

1 Rear Axle Differential Assembly includes items 2 - 14

14 Hub Assembly includes item 15



REAR AXLE

THE USE OF NON U.L. PARTS WILL VOID ANY U.L. LISTING.

When ordering parts, please specify the model and serial number of the product.

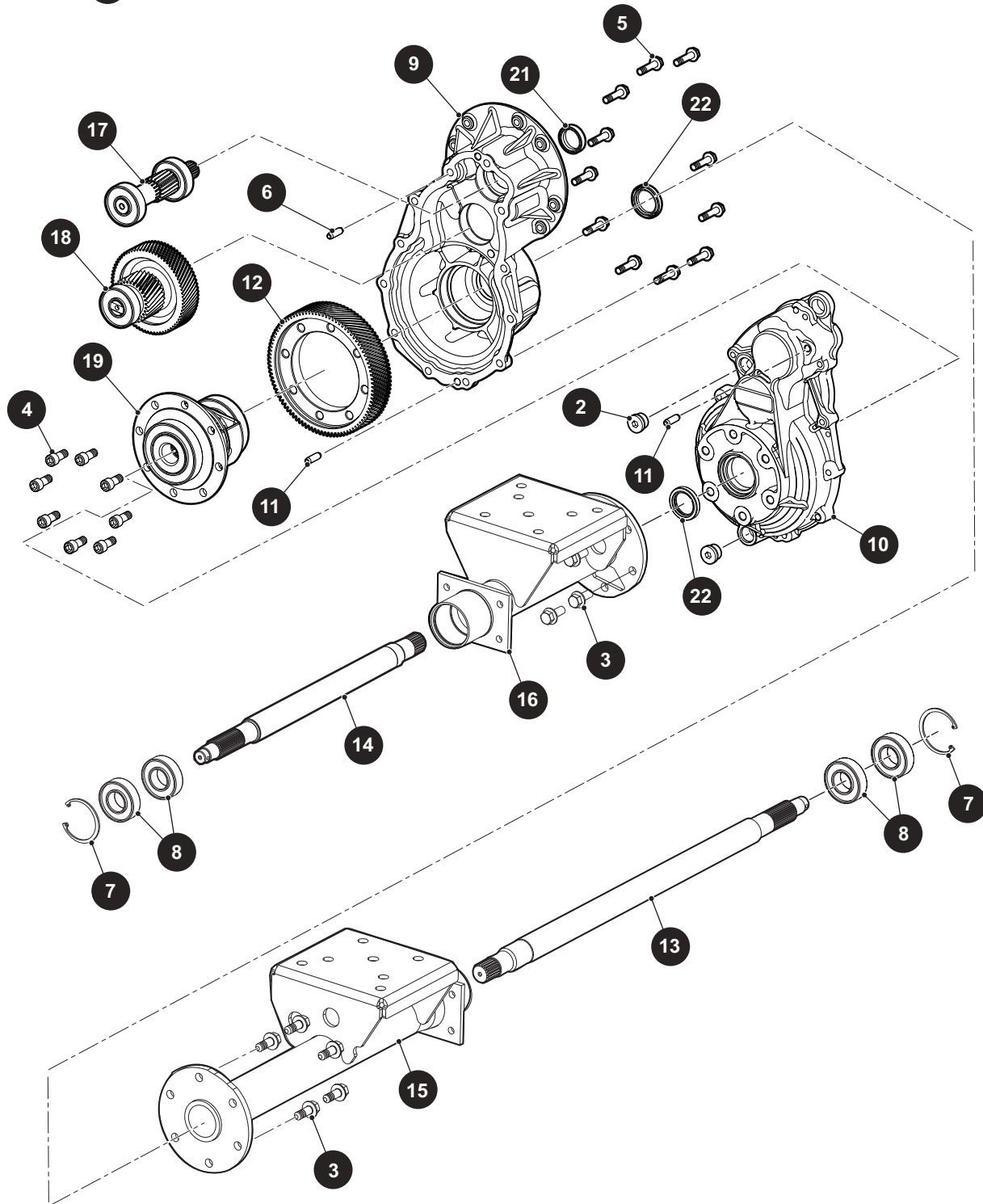
* Indicates a component that is not available as an individual part.

*** Indicates consult Customer Service Department for additional information.

ITEM	PART NO.	1 2 3 4 5	DESCRIPTION	QTY.
1	666300		Rear Axle Differential Assembly (Includes Items 2 - 14).....	1
2	<u>21830G1</u>		Brake Drum Washer, .979" I.D. x 1.312" O.D.	2
3	<u>21809G1</u>		Flat Washer, .765" I.D. x 1.50" O.D. (Not Illustrated)	2
4	<u>10387G1</u>		Cottor Pin, .125" x 1.50"	2
5				
6	<u>15126G1</u>		Lock Nut, 5/16" - 24.....	4
7	<u>17083G2</u>		Hex Head Bolt, 5/16" - 24 x 1" Lg, Grade 5	4
8	<u>613172</u>		Castle Nut, 3/4" - 16	1
9	<u>638129</u>		Hydraulic Brake Caliper (Includes Item 10).....	1
10	<u>633875</u>		Brake Pads (Set of 2) (Not Illustrated)	1
11				
12	<u>630989G01</u>		Disc Brake Bracket (Driver Side).....	1
13	<u>630989G02</u>		Disc Brake Bracket (Passenger Side).....	1
14	<u>617121</u>		Hub Assembly (Includes Item 15).....	1
15	<u>614820</u>		Wheel Stud.....	4
16				
17				
18	<u>14723G1</u>		Lug Nut, 1/2" - 20	8
19	616705		Breather Hose	1
20	<u>31539G1</u>		Nylon Clamp, 15.5" Lg (Not Illustrated).....	1
21	<u>605741</u>		Hex Head Bolt, M6 - 1 x 25mm Lg	6
22	<u>601327</u>		Lock Washer, 6mm	6
23	<u>631744</u>		Wheel Spacer, 8 Holes	2
24	<u>11391G4</u>		Hose Clamp, .25" Dia	1
25	<u>643076</u>		Wheel Spacer with Studs Assembly	2
26	658445		Differential Gasket.....	1

REAR AXLE

1 Differential Solid Axle includes items 2 - 22



THE USE OF NON U.L. PARTS WILL VOID ANY U.L. LISTING.

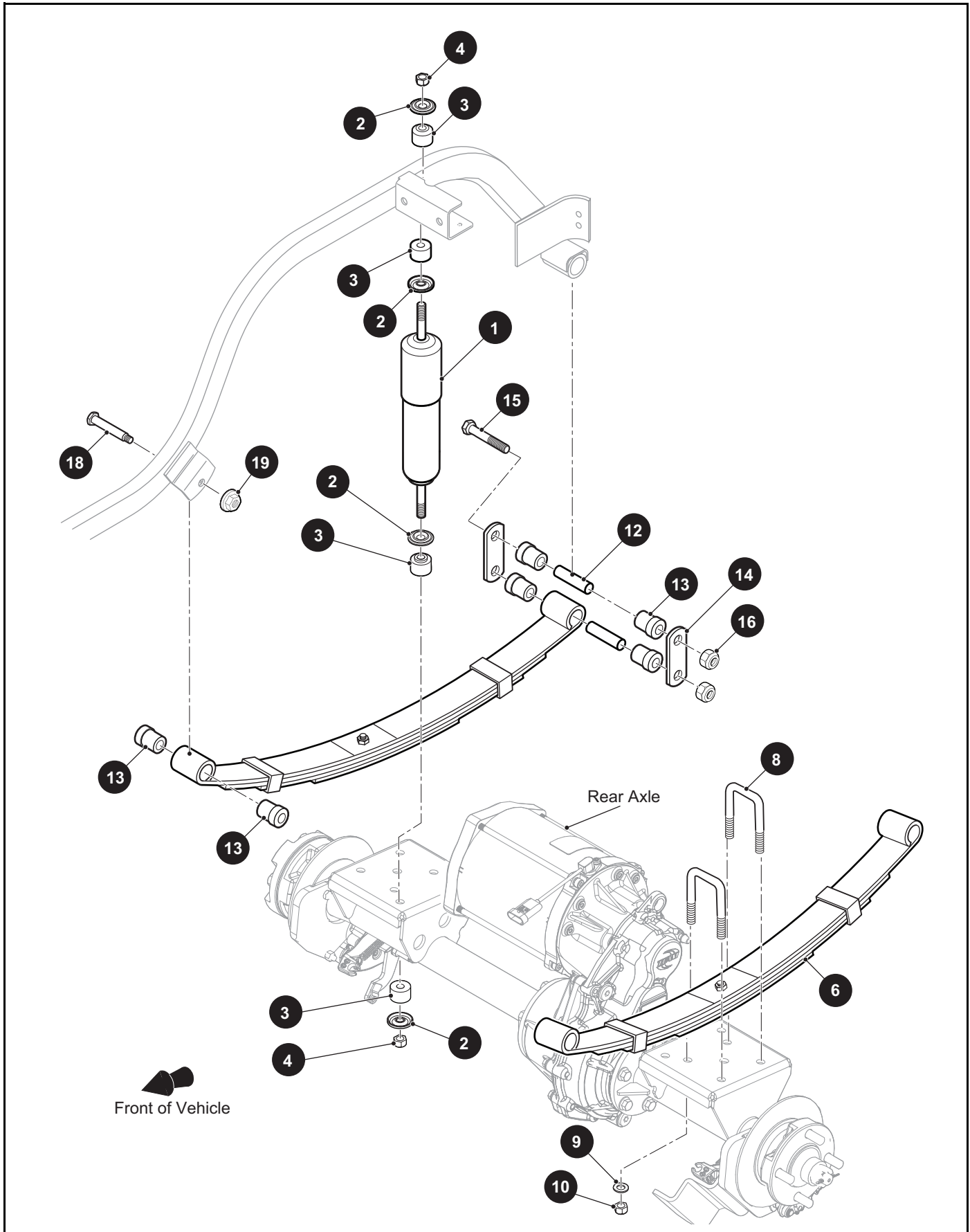
When ordering parts, please specify the model and serial number of the product.

* Indicates a component that is not available as an individual part.

*** Indicates consult Customer Service Department for additional information.

ITEM	PART NO.	1 2 3 4 5	DESCRIPTION	QTY.
1	<u>631165</u>		Differential Solid Axle (Includes Items 2 - 22)	1
2	*		Hex Hollow Plug	2
3	*		Hex Head Bolt	12
4	*		Hex Head Bolt	8
5	*		Tapping Screw	12
6	*		Pin	2
7	*		Retaining Ring	2
8	*		Ball Bearing	4
9	*		Gear Case (Driver Side)	1
10	*		Gear Case (Passenger Side)	1
11	*		Vent Tube	1
12	*		Helical Output Gear	1
13	*		Axle Shaft (Driver Side)	1
14	*		Axle Shaft (Passenger Side)	1
15	*		Axle Tube Weldment (Driver Side)	1
16	*		Axle Tube Weldment (Passenger Side).....	1
17	*		Shaft Motor Input Subassembly	1
18	*		Intermediate Shaft Subassembly.....	1
19	*		Differential Subassembly	1
20	*		Vent Cap Plug (Not Illustrated)	1
21	*		Triple Lip Seal	1
22	*		Dual Lip Seal	2

REAR SUSPENSION



REAR SUSPENSION

THE USE OF NON U.L. PARTS WILL VOID ANY U.L. LISTING.

When ordering parts, please specify the model and serial number of the product.

* Indicates a component that is not available as an individual part.

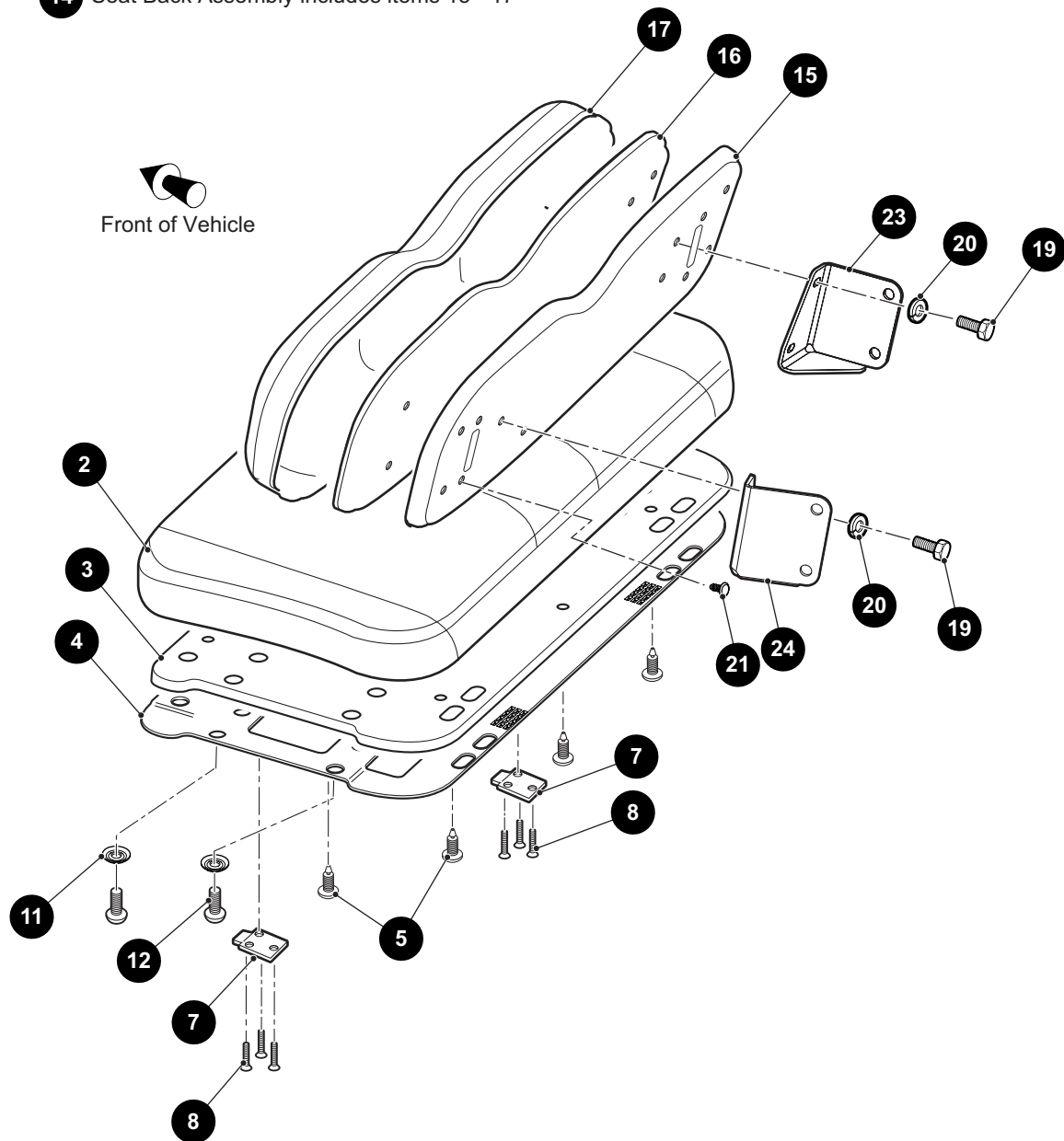
*** Indicates consult Customer Service Department for additional information.

ITEM	PART NO.	1 2 3 4 5	DESCRIPTION	QTY.
1	<u>633674</u>		Shock Absorber	2
2	634006		Shock Absorber Washer, .416" I.D. x 1.57" O.D.	4
3	<u>634005</u>		Rubber Bushing, .4" I.D. x 1.19" O.D. x .59"	4
4	<u>606255</u>		Hex Jam Nut, M10 x 1.25.....	2
5				
6	<u>616098</u>		Leaf Spring	2
7				
8	<u>616321</u>		'U' Bolt, M10 - 1.50 x 42.8mm Lg	2
9	<u>306981</u>		Flat Washer, .41" x .81" x .06"	4
10	<u>616675</u>		Lock Nut, M10 x 1.5	4
11				
12	<u>620161</u>		Split Spacer (Steel)	2
13	<u>624030</u>		Flanged Bushing, 21.8mm x 13.4mm x 23.7mm.....	6
14	<u>652245</u>		Shackle Plate	2
15	<u>00665G9</u>		Hex Head Bolt (SS), 3/8" - 16 x 3.5" Lg	2
16	<u>11098G5</u>		Lock Nut, 3/8" - 16.....	2
17				
18	<u>14158G1</u>		Shoulder Bolt, 3/8" - 16 x 2.75" Lg	1
19	<u>12262G1</u>		Flanged Lock Nut, 3/8" - 16.....	1

SEATING

1 Seat Bottom Assembly includes items 2 - 12

14 Seat Back Assembly includes items 15 - 17



THE USE OF NON U.L. PARTS WILL VOID ANY U.L. LISTING.

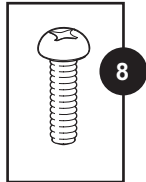
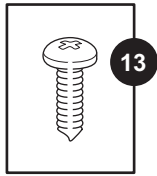
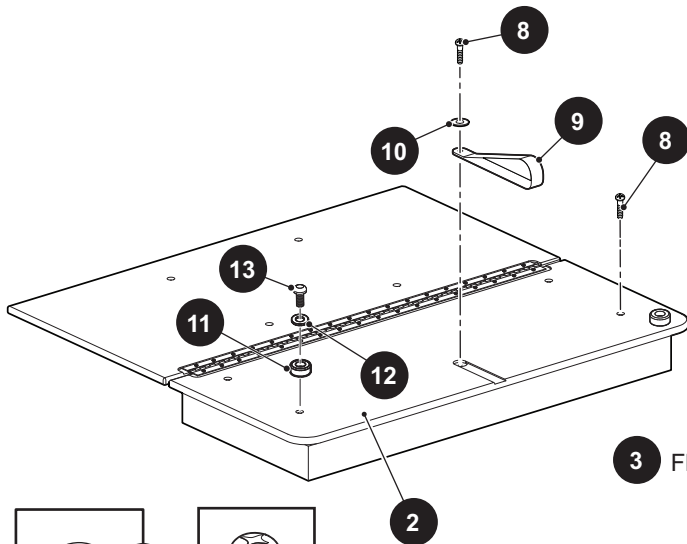
When ordering parts, please specify the model and serial number of the product.

* Indicates a component that is not available as an individual part.

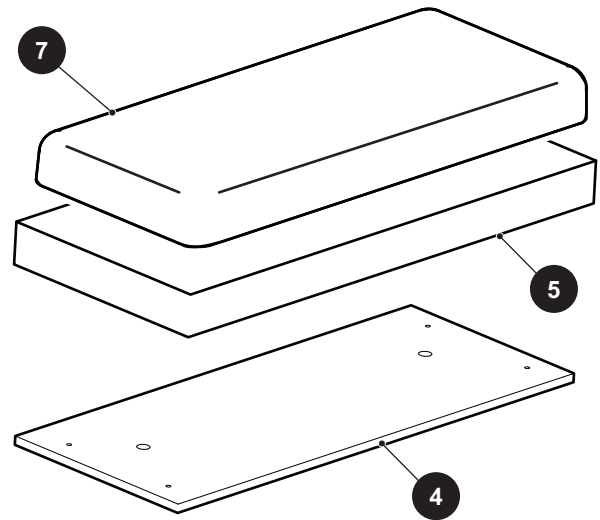
*** Indicates consult Customer Service Department for additional information.

ITEM	PART NO.	1 2 3 4 5	DESCRIPTION	QTY.
1	<u>629269G2406</u>		Seat Bottom Assembly (Black) (Includes Items 2 - 12)	1
2	<u>644819G06</u>		Vinyl and Foam Seat Bottom (Black).....	1
3	<u>644351</u>		Wooden Base Assembly	1
4	<u>602551</u>		Cover Plate	1
5	<u>16816G2</u>		Ratchet Rivet, .25" x .887".....	4
6				
7	<u>71610G01</u>		Seat Hinge.....	1
8	<u>00720G08</u>		Flat Head Phillips Tapping Screw, #12 - 14 x 1" Lg	3
9				
10				
11	<u>10435G1</u>		Shock Absorber Washer, 1.25"	4
12	<u>615417</u>		Button Head Torx Bolt, M10 - 1.5 x 25mm Lg.....	4
13				
14	<u>641897G0006</u>		Seat Back Assembly (Black) (Includes Items 15 - 17)	1
15	<u>605529</u>		Cover (Plastic) (Black).....	1
16	<u>644268</u>		Base Assembly	1
17	<u>644820G06</u>		Vinyl Cover and Foam (Black).....	1
18				
19	<u>605056</u>		Hex Head Bolt (SS), 1/4" - 20 x 1" Lg	4
20	<u>00664G7</u>		Lock Washer, 1/4"	4
21	<u>617533</u>		Push Rivet.....	4
22				
23	671479G01		Seat Back Bracket (Driver Side)	1
24	671479G02		Seat Back Bracket (Passenger Side).....	1

1 Flip Seat Bottom Assembly includes items 2 - 10



3 Flip Seat Bottom includes items 4 - 7



THE USE OF NON U.L. PARTS WILL VOID ANY U.L. LISTING.

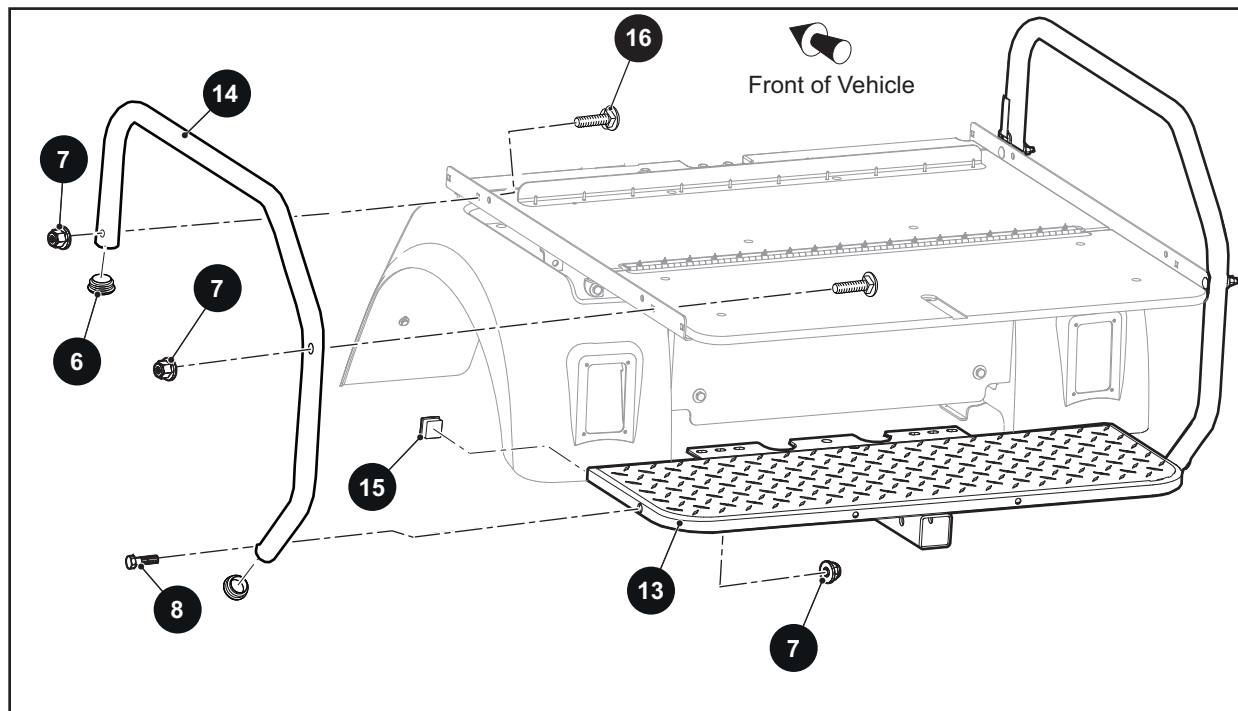
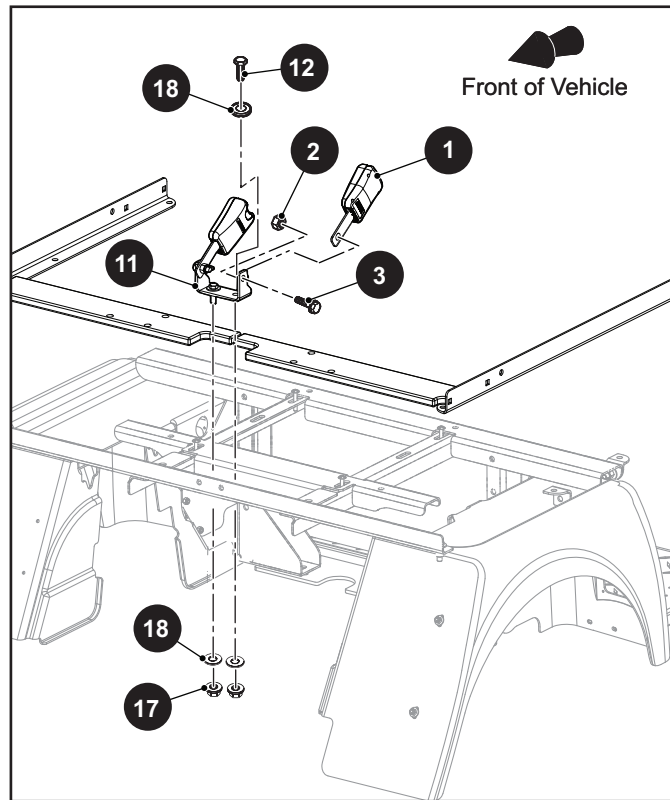
When ordering parts, please specify the model and serial number of the product.

* Indicates a component that is not available as an individual part.

*** Indicates consult Customer Service Department for additional information.

ITEM	PART NO.	1 2 3 4 5	DESCRIPTION	QTY.
1	<u>615822</u>		Flip Seat Bottom Assembly (Includes Items 2 - 10)	1
2	<u>617137</u>		Deck Board Assembly	1
3	<u>621036</u>		Flip Seat Bottom (Includes Items 4 - 7)	1
4	<u>645820</u>		Seat Bottom	1
5	<u>617401</u>		Seat Bottom Foam	1
6				
7	<u>615648</u>		Seat Bottom Vinyl.....	1
8	<u>16705G1</u>		Truss Head Phillips Screw (SS), 1/4" - 20 x 1" Lg	5
9	<u>617402</u>		Seat Strap.....	1
10	<u>00559G7</u>		Flat Washer, 1/4"	1
11	<u>619756</u>		Rubber Bumper.....	1
12	<u>616671</u>		Flat Washer, 8mm	1
13	<u>800344</u>		Truss Head Phillips Tapping Screw, #10 - 16 x 5/8" Lg.....	1

SEATING



THE USE OF NON U.L. PARTS WILL VOID ANY U.L. LISTING.

When ordering parts, please specify the model and serial number of the product.

* Indicates a component that is not available as an individual part.

*** Indicates consult Customer Service Department for additional information.

ITEM	PART NO.	1 2 3 4 5	DESCRIPTION	QTY.
1	<u>609854</u>		Seat Belt Latch Buckle, 6".....	1
2	<u>00734G3</u>		Lock Nut, 7/16" - 20	1
3	<u>610753</u>		Hex Head Bolt, 7/16" - 20 x 1" Lg	1
4				
5				
6	<u>617679</u>		Plug.....	2
7	<u>630643</u>		Flanged Lock Nut, 3/8" - 16	3
8	<u>630674</u>		Hex Head Bolt, 3/8" - 16 x 3.25" Lg	1
9				
10				
11	<u>609787</u>		Rear Seat Belt Bracket.....	1
12	<u>00427G2</u>		Hex Head Bolt, 3/8" - 16 x 1.25" Lg	2
13	<u>671897</u>		Footboard Assembly	1
14	<u>671536</u>		Flip Seat Armrest.....	1
15	<u>19853G1</u>		Tube Cap	2
16	<u>630673</u>		Carriage Bolt, 3/8" - 16 x 2.25" Lg.....	2
17	<u>11098G5</u>		Lock Nut, 3/8" - 16	2
18	<u>00643G1</u>		Flat Washer, 3/8".....	4

THE USE OF NON U.L. PARTS WILL VOID ANY U.L. LISTING.

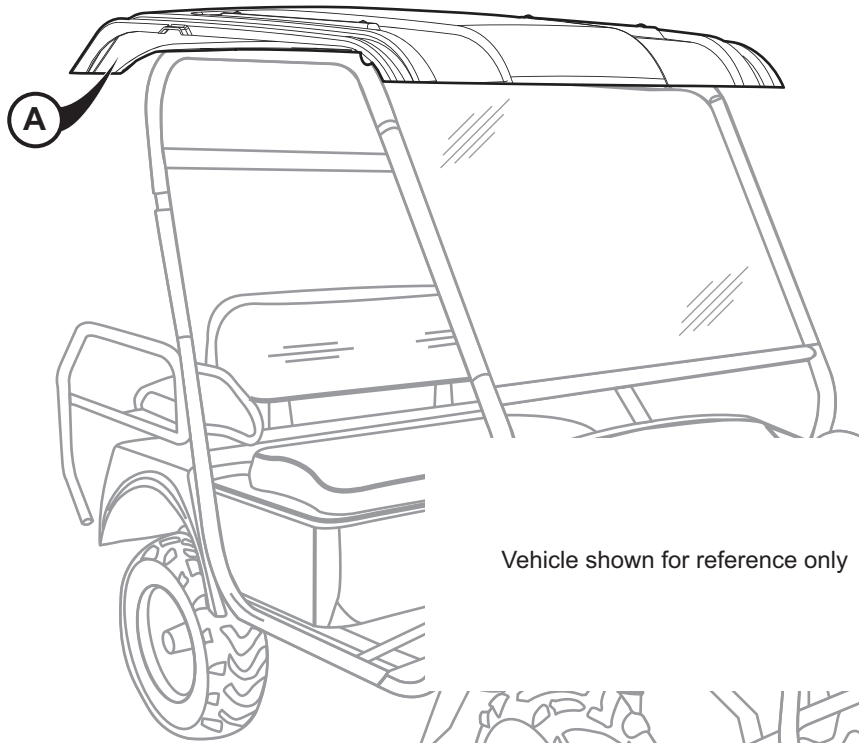
When ordering parts, please specify the model and serial number of the product.

* Indicates a component that is not available as an individual part.

*** Indicates consult Customer Service Department for additional information.

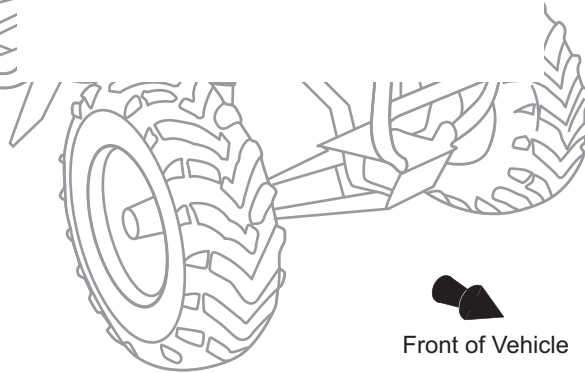
ITEM	PART NO.	1 2 3 4 5	DESCRIPTION	QTY.
1	<u>629358</u>		Seat Frame	4
2	<u>00427G2</u>		Hex Head Bolt, 3/8" - 16 x 1.25" Lg	4
3				
4				
5	<u>629112</u>		Flip Seat Edge Reinforcement	1
6	<u>629275</u>		Deck Board Filler.....	2
7				
8	<u>16705G5</u>		Truss Head Phillips Screw (SS), 1/4" - 20 x 1.50" Lg.....	4
9	<u>14390G4</u>		Lock Nut, 1/4" - 20	4
10	<u>00643G1</u>		Flat Washer, 3/8".....	6
11	<u>11098G5</u>		Lock Nut, 3/8" - 16	10
12	<u>00427G8</u>		Hex Head Bolt, 3/8" - 16 x 2" Lg	4
13	<u>01110G01</u>		Flat Washer, 1/4".....	3
14				
15	<u>71425G01</u>		Tapping Screw, #8 - 18 x .75" Lg	10
16	<u>74971G01</u>		Seat Back Support	1
17	<u>00438G8</u>		Hex Head Bolt, 5/16" - 18 x 5/8" Lg	2
18	<u>00642G8</u>		Flat Washer, 5/16".....	4
19	11098G6		Lock Nut, 5/16" - 18	2
20	<u>00715G2</u>		Hex Washer Head Bolt, 5/16" - 18 x .80" Lg	3
21	<u>603799</u>		Flanged Hex Head Bolt, M10 - 1.5 x 25mm Lg	4
22	<u>600525</u>		Flanged Lock Nut, M10 - 1.5.....	4

WEATHER PROTECTION

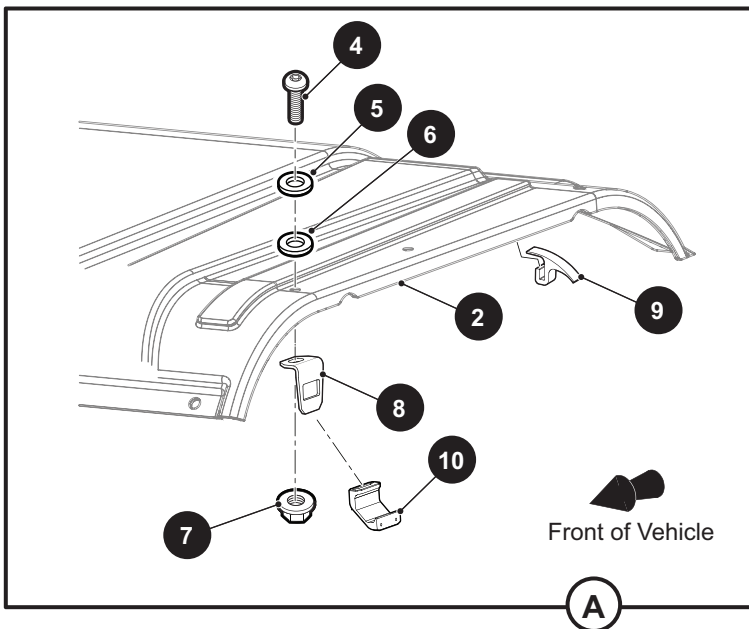


Vehicle shown for reference only

- 1 Canopy Top Kit includes items 2 - 10
- 3 Hardware Kit includes items 4 - 7



Front of Vehicle



WEATHER PROTECTION

THE USE OF NON U.L. PARTS WILL VOID ANY U.L. LISTING.

When ordering parts, please specify the model and serial number of the product.

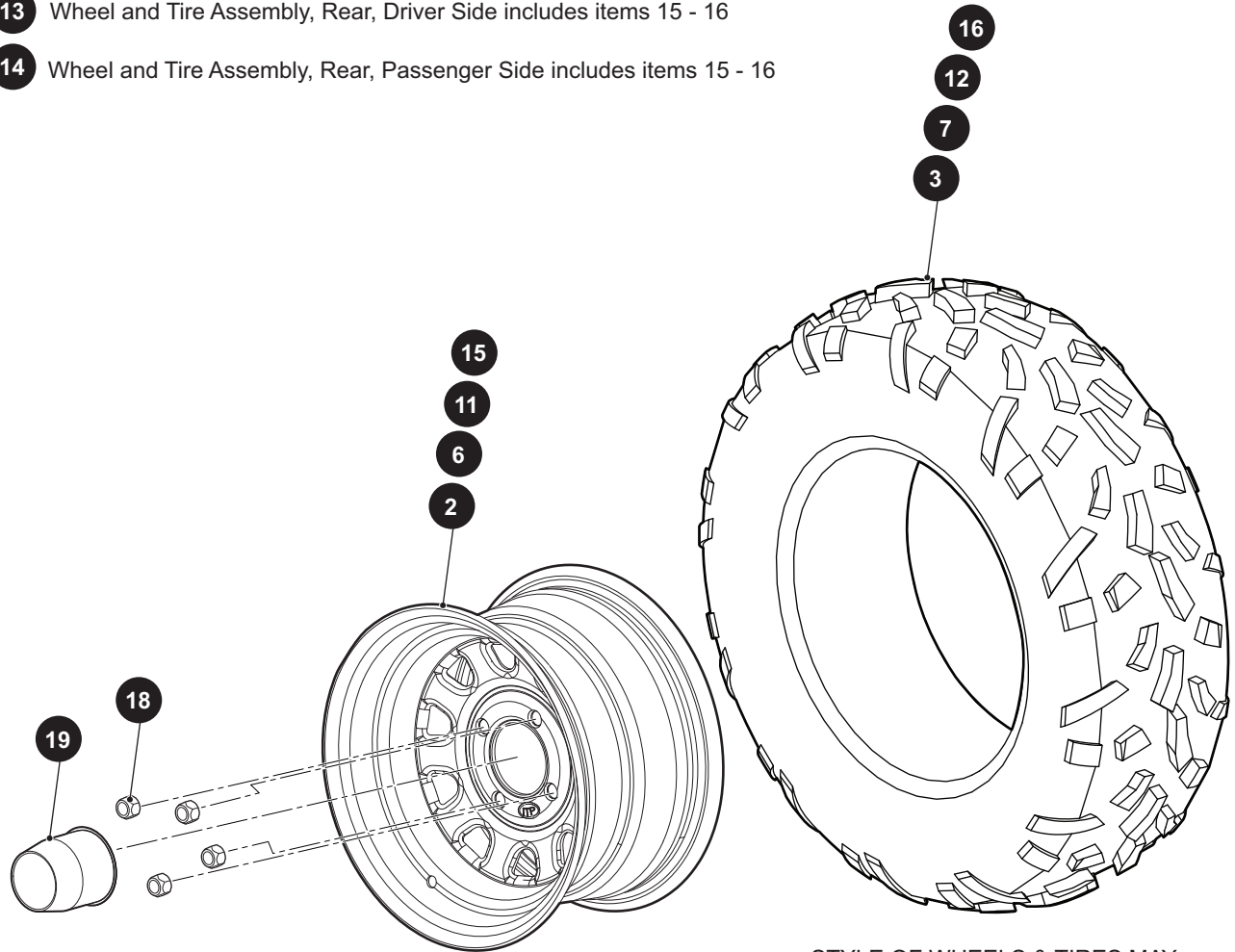
* Indicates a component that is not available as an individual part.

*** Indicates consult Customer Service Department for additional information.

ITEM	PART NO.	1 2 3 4 5	DESCRIPTION	QTY.
1	<u>682611</u>		Canopy Top Kit (Includes Items 2 - 10).....	1
2	681131		Canopy Top	1
3	682610		Hardware Kit (Includes Items 4 - 7)	1
4	<u>600530</u>		Button Head Torx Bolt, M10 - 1.5 x 25mm Lg	6
5	<u>604066</u>		Flat Washer, M10	6
6	<u>660573</u>		Rubber Washer, M10	6
7	<u>600525</u>		Flanged Lock Nut, M10 - 1.5.....	6
8	681487		Modular Bracket Clamp	6
9	677451		Canopy Seal	2
10	3441-338		Buckle Body Clamp	6

WHEELS AND TIRES

- 1 Wheel and Tire Assembly, Front includes items 2 - 3
- 5 Wheel and Tire Assembly, Rear includes items 6 - 7
- 9 Wheel and Tire Assembly, Front, Driver Side includes items 11 - 12
- 10 Wheel and Tire Assembly, Front, Passenger Side includes items 11 - 12
- 13 Wheel and Tire Assembly, Rear, Driver Side includes items 15 - 16
- 14 Wheel and Tire Assembly, Rear, Passenger Side includes items 15 - 16



STYLE OF WHEELS & TIRES MAY
DIFFER FROM THOSE SHOWN

WHEELS AND TIRES

THE USE OF NON U.L. PARTS WILL VOID ANY U.L. LISTING.

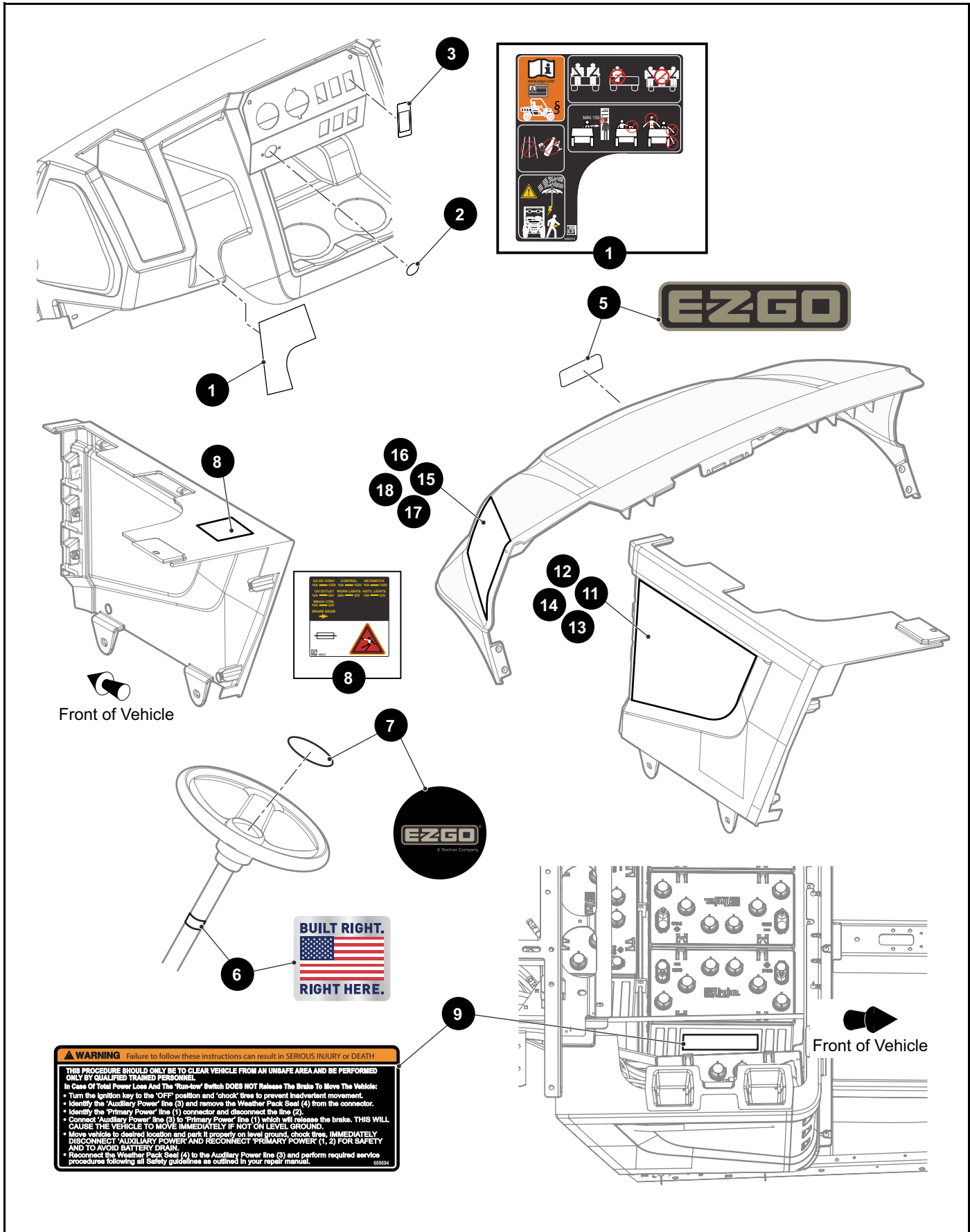
When ordering parts, please specify the model and serial number of the product.

* Indicates a component that is not available as an individual part.

*** Indicates consult Customer Service Department for additional information.

ITEM	PART NO.	1 2 3 4 5	DESCRIPTION	QTY.
			ITEMS: 1 - 7: FOR VEHICLES MANUFACTURED BEFORE SEPTEMBER 19, 2019	
1	<u>667330</u>		Wheel and Tire Assembly, Front (Includes Items 2 - 3).....	1
2	<u>670884</u>		Wheel, 12 x 7.....	1
3	<u>667311</u>		Tire, 25 x 8 - 12.....	1
4				
5	<u>667332</u>		Wheel and Tire Assembly, Rear (Includes Items 6 - 7)	1
6	<u>670884</u>		Wheel, 12 x 7.....	1
7	<u>667312</u>		Tire, 25 x 10 - 12.....	1
8				
			ITEMS: 9 - 16: FOR VEHICLES MANUFACTURED AFTER SEPTEMBER 19, 2019	
9	<u>639550</u>		Wheel and Tire Assembly, Front, Driver Side (Includes Items 11 - 12)	1
10	<u>639548</u>		Wheel and Tire Assembly, Front, Passenger Side (Includes Items 11 - 12)	1
11	<u>631041</u>		Wheel, 12 x 7.....	1
12	<u>639540</u>		Tire, 25 x 8 - 12.....	1
13	<u>639551</u>		Wheel and Tire Assembly, Rear, Driver Side (Includes Items 15 - 16).....	1
14	<u>639549</u>		Wheel and Tire Assembly, Rear, Passenger Side (Includes Items 15 - 16)	1
15	<u>631041</u>		Wheel, 12 x 7.....	1
16	<u>639541</u>		Tire, 25 x 11 - 12.....	1
17				
18	<u>14723G1</u>		Lug Nut, 1/2" - 20.....	4
19	<u>630268</u>		Center Cap.....	4

DECALS AND LABELS



⚠ WARNING Failure to follow these instructions can result in SERIOUS INJURY or DEATH

THIS PROCEDURE SHOULD ONLY BE TO CLEAR VEHICLE FROM AN UNSAFE AREA AND BE PERFORMED ONLY BY QUALIFIED TRAINED PERSONNEL.

In Case Of Total Power Loss And The 'Run-Away' Switch DOES NOT Release The Brakes To Move The Vehicle:

- Turn the Ignition key to the 'OFF' position and 'chock' free to prevent inadvertent movement.
- Identify the 'Auxiliary Power' line (3) and remove the Weather Pack Seal (4) from the connector.
- Identify the 'Primary Power' line (1) connector and disconnect the line (2).
- Connect 'Auxiliary Power' line (3) to 'Primary Power' line (1) which will release the brake. **THIS WILL CAUSE THE VEHICLE TO MOVE IMMEDIATELY IF NOT ON LEVEL GROUND.**
- Move vehicle to desired location and park it properly on level ground, chock free, **IMMEDIATELY DISCONNECT 'AUXILIARY POWER' AND RECONNECT 'PRIMARY POWER' (1, 2) FOR SAFETY AND TO AVOID BATTERY DRAIN.**
- Reconnect the Weather Pack Seal (4) to the Auxiliary Power line (3) and perform required service procedures following all Safety guidelines as outlined in your repair manual.

02604

DECALS AND LABELS

THE USE OF NON U.L. PARTS WILL VOID ANY U.L. LISTING.

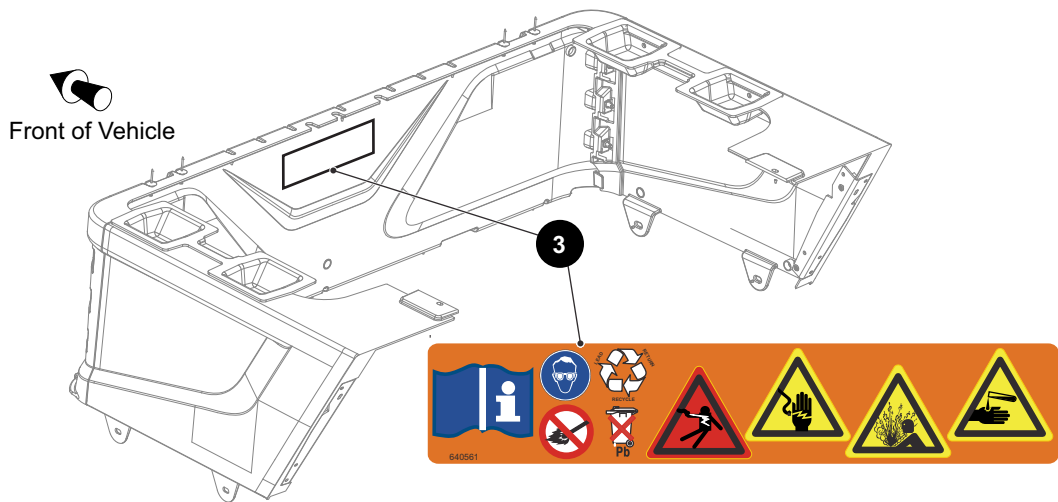
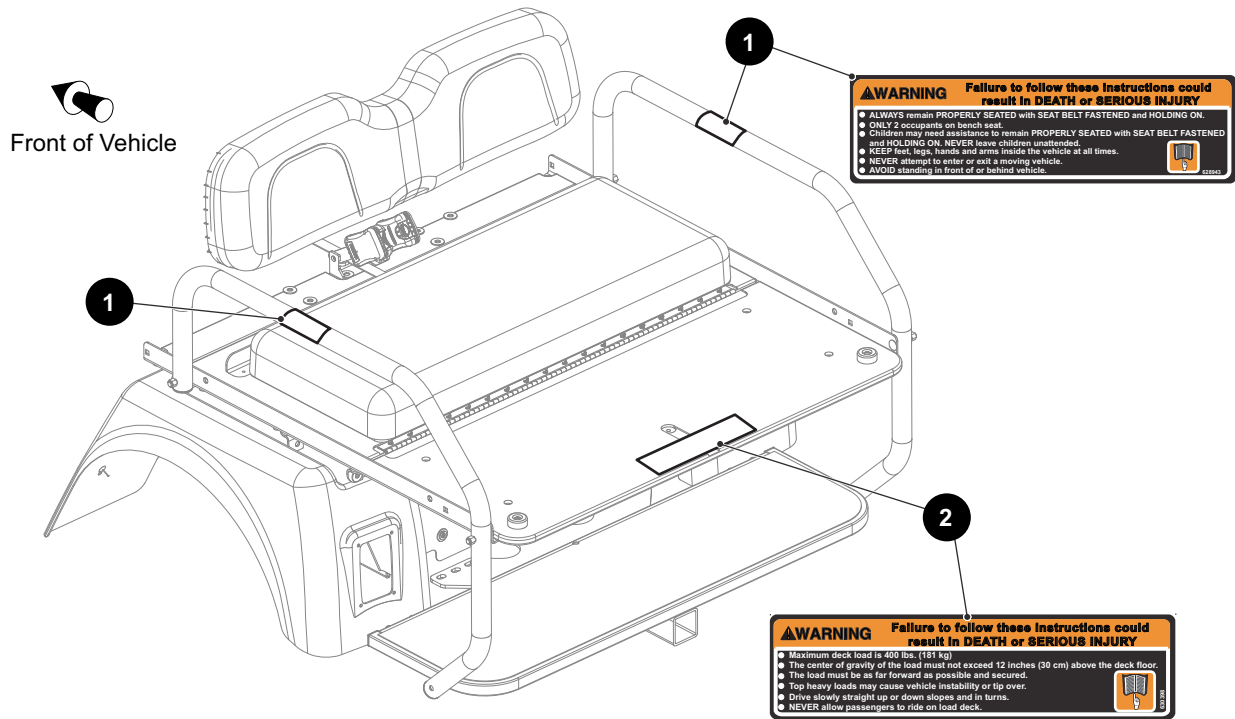
When ordering parts, please specify the model and serial number of the product.

* Indicates a component that is not available as an individual part.

*** Indicates consult Customer Service Department for additional information.

ITEM	PART NO.	1 2 3 4 5	DESCRIPTION	QTY.
1	685472		Dash Panel Label.....	1
2	<u>637067</u>		12V Outlet CE Label	1
3	<u>667079</u>		Tow Switch Decal	1
4				
5	<u>619206</u>		E-Z-GO Cowl Decal	1
6	685698		Decal, Made in USA.....	1
7	<u>605435</u>		Steering Wheel Decal	1
8	<u>666372</u>		Fuse Block Label.....	1
9	<u>609694</u>		Towing Instruction Notice Label	1
10				
11	683953G111		Seat Wrap Decal, Black (Driver Side).....	1
12	683953G189		Seat Wrap Decal, True Timber Kenati (Driver Side)	1
13	683953G211		Seat Wrap Decal, Black (Passenger Side)	1
14	683953G289		Seat Wrap Decal, True Timber Kenati (Passenger Side).....	1
15	683981G111		Side Decal, Black (Driver Side).....	1
16	683981G189		Side Decal, True Timber Kenati (Driver Side)	1
17	683981G211		Side Decal, Black (Passenger Side)	1
18	683981G289		Side Decal, True Timber Kenati (Passenger Side).....	1

DECALS AND LABELS



DECALS AND LABELS

THE USE OF NON U.L. PARTS WILL VOID ANY U.L. LISTING.

When ordering parts, please specify the model and serial number of the product.

* Indicates a component that is not available as an individual part.

*** Indicates consult Customer Service Department for additional information.

ITEM	PART NO.	1 2 3 4 5	DESCRIPTION	QTY.
1	<u>628943</u>		Flip Seat Warning Label.....	2
2	630398		Deck Load Limit Warning Label	1
3	<u>640561</u>		Battery Label.....	1



A Textron Company

Textron Specialized Vehicles, Inc.

1451 Marvin Griffin Road
Augusta, Georgia 30906 - 3852 USA

CONTACT US:

North America:

Technical Assistance & Warranty Phone: 1-800-774-3946, FAX: 1-800-448-8124
Service Parts Phone: 1-888-438-3946, FAX: 1-800-752-6175

International:

Phone: 001-706-798-4311, FAX: 001-706-771-4609

Owner's guides and repair manuals
are available from a local Distributor, or an authorized Branch,
Parts & Accessories Department or at www.ezgo.txtsv.com.

Copyrighted Material

This manual may not be reproduced in whole
or in part without the express permission of
TSV Technical Communications Department