



72V AC EXPRESS S6

Service Parts Manual

677966 - P
ISSUED JULY 2018

REVISED DECEMBER 2020

SERVICE PARTS MANUAL

ELECTRIC POWERED UTILITY VEHICLE

EXPRESS S6 72V

STARTING MODEL YEAR 2018

Never modify the vehicle in any way that will alter the weight distribution of the vehicle, decrease its stability or increase the speed beyond the factory specifications. Such modifications can cause serious personal injury or death. Textron Specialized Vehicles prohibits and dis-claims responsibility for any such modifications or any other alteration which would adversely affect the safety of the vehicle. TSV reserves the right to incorporate engineering and design changes to products in this manual, without obligation to include these changes on units sold previously.

The information contained in this manual may be revised periodically by TSV, and therefore is subject to change without notice.

TSV DISCLAIMS LIABILITY FOR ERRORS IN THIS MANUAL, and SPECIFICALLY DISCLAIMS LIABILITY FOR INCIDENTAL AND CONSEQUENTIAL DAMAGES resulting from the use of the information and materials in this manual.

These are the original instructions as defined by 2006/42/EC.

TO CONTACT US:

Textron Specialized Vehicles, Inc.
1451 Marvin Griffin Road
Augusta, Georgia, USA 30906-3852

NORTH AMERICA:

Technical Assistance & Warranty PHONE: 1-800-774-3946, FAX: 1-800-448-8124

Service Parts PHONE: 1-888-438-3946, FAX: 1-800-752-6175

International: PHONE: 001-706-798-4311, FAX: 001-706-771-4609

GENERAL INFORMATION

To obtain a copy of the limited warranty applicable to the vehicle, call or write a local Distributor, authorized Branch or the Warranty Department with vehicle serial number and manufacturer code.

The use of non Original Equipment Manufacturer (OEM) approved parts may void the warranty.

Tampering with or adjusting the governor to permit vehicle to operate at above factory specifications will void the vehicle warranty.

When servicing engines, all adjustments and replacement components must be per original vehicle specifications in order to maintain the United States of America Federal and State emission certification applicable at the time of manufacture.

BATTERY PROLONGED STORAGE

All batteries will self discharge over time. The rate of self discharge varies depending on the ambient temperature and the age and condition of the batteries.

A fully charged battery will not freeze in winter temperatures unless the temperature falls below -75° F (-60° C).

BATTERY DISPOSAL

Lead-acid batteries are recyclable. Return whole scrap batteries to distributor, manufacturer or lead smelter for recycling. For neutralized spills, place residue in acid-resistant containers with absorbent material, sand or earth and dispose of in accordance with local, state and federal regulations for acid and lead compounds. Contact local and/or state environmental officials regarding disposal information.

TABLE OF CONTENTS

SECTION	Page No.
HOW TO USE THE SERVICE PARTS MANUAL.....	V
ACCELERATOR.....	A - 1
BATTERY CHARGER.....	B - 1
BODY.....	C - 1
BRAKES.....	D - 1
ELECTRICAL.....	E - 1
ELECTRONIC SPEED CONTROL.....	F - 1
FRONT SUSPENSION.....	G - 1
MOTOR.....	H - 1
REAR AXLE.....	J - 1
REAR SUSPENSION.....	K - 1
SEATING.....	L - 1
TRUCK BED.....	M - 1
WEATHER PROTECTION.....	N - 1
WHEELS AND TIRES.....	P - 1
DECALS AND LABELS.....	R - 1

HOW TO USE THE SERVICE PARTS MANUAL

This manual is divided into several sections:

- GENERAL INFORMATION
- ILLUSTRATED PARTS BREAKDOWN

The first section, GENERAL INFORMATION, contains the following information:

- WARRANTY INFORMATION
- TABLE OF CONTENT
- HOW TO USE THE SERVICE PARTS MANUAL

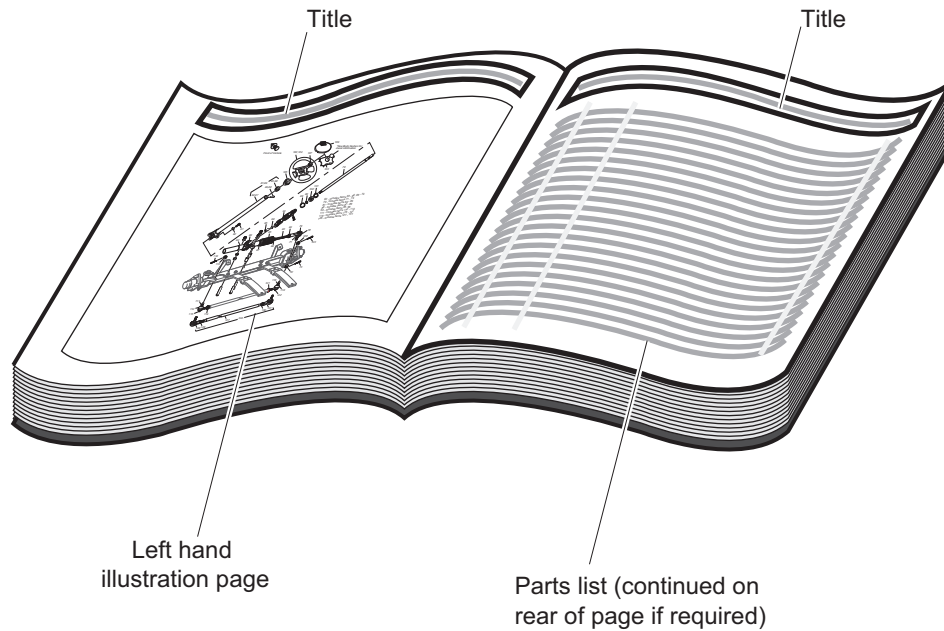
The second section, ILLUSTRATED PARTS BREAKDOWN, contains illustrations and parts lists for all systems of your vehicle.

USE OF THE MANUAL

To use this manual, consult the TABLE OF CONTENT to locate the information or illustration required.

Introduction of some revisions varies due to supply of components; therefore, it is possible that various combinations of components may be found that are not directly reflected by each illustration. Consult the illustration that best suits your situation and then contact the Service Parts Department. It is important that the serial number or VIN of your vehicle and the model name be supplied to Service Parts when ordering any replacement components.

HOW TO USE THE SERVICE PARTS MANUAL



1. WHEN THE PART NUMBER IS NOT KNOWN

- Determine the function and application of the part required. Turn to the Table of Content and select the most appropriate title.
- Turn to the page number indicated and locate the desired part on the illustration.
- From the illustration, obtain the item number assigned to the desired part. Refer to the accompanying description for specific information regarding the part.

2. IF YOU KNOW THE PART NUMBER

- Locate the part number or description in the appropriate column on the parts list page.

NOTE: It is suggested that you confirm that the part selected is correct by verifying it with the pictorial representation on the illustrated page.

Should an asterisk (*) appear in the part number column on the parts list page, read upwards until a part number is found. The part number is the lowest assembly sold by Service Parts and the asterisk (*) indicates that the part depicted is not available for purchase.

NOTE: Descriptions are indented under the assembly that they are used on. That assembly is, in turn listed under the assembly that it is used on. This process is repeated until the highest final assembly is reached.

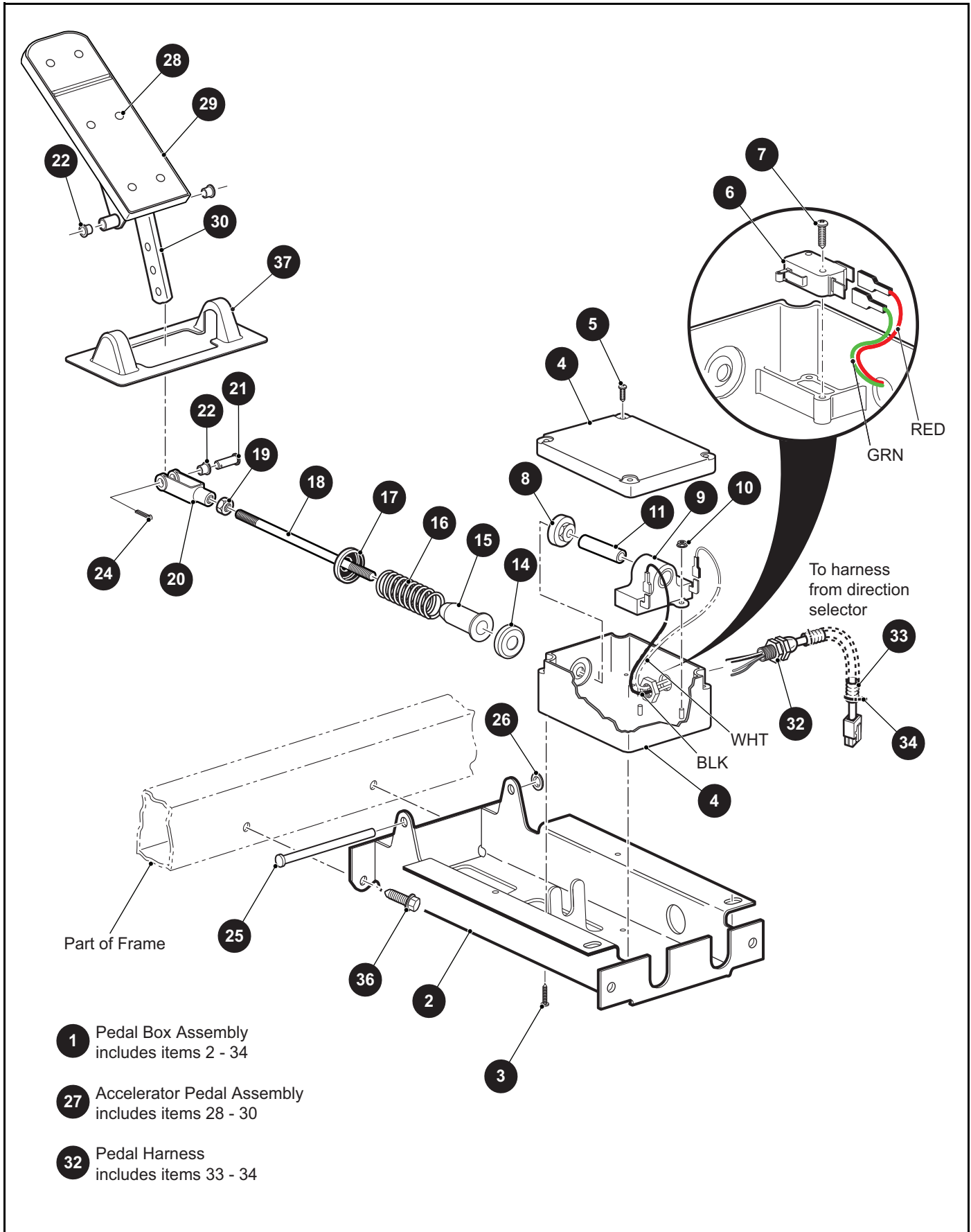
To facilitate the maintenance and repair of the vehicle, a Technician's Repair and Service Manual is available from the Service Parts Department.

3. COLOR CODE FOR BODY COMPONENTS

The last two digits of the part number for the body part will denote the color code, locate the part number for the cowl, rear body, seat pod, side panel or seat wrap then locate your color in the list below, replace the last ** or XX with the two digit color code.

<u>CODE #</u>	<u>DESCRIPTION</u>
02	SPECIAL COLOR
05	JACOBSEN ORANGE
11	BLACK
19	PATRIOT BLUE PEARL
20	INFERNO RED METALLIC
26	STEEL BLUE PEARL
31	METALLIC CHARCOAL
35	SAFETY YELLOW
36	IVORY
37	FOREST GREEN
38	BRIGHT WHITE
39	FLAME RED
41	ELECTRIC BLUE
42	PLATINUM
43	BURGUNDY
44	ALMOND
51	SUNBURST ORANGE
52	BRITISH RACING GREEN
69	MONSTER GREEN
74	BARLEY GOLD
75	OASIS GREEN
76	JAVA BROWN
79	JACOBSEN ORANGE 172
A5	OCEAN GRAY

ACCELERATOR



THE USE OF NON U.L. PARTS WILL VOID ANY U.L. LISTING.

When ordering parts, please specify the model and serial number of the product.

* Indicates a component that is not available as an individual part.

*** Indicates consult Customer Service Department for additional information.

ITEM	PART NO.	1 2 3 4 5	DESCRIPTION	QTY.
1	<u>73333G11</u>		Pedal Box Assembly (Includes Items 2 - 34).....	1
2	<u>652241G03</u>		Accelerator Pedal Bracket	1
3	<u>01051G01</u>		Pan Head Phillips Screw, #8 - 10 x 1/2" Lg	4
4	<u>25853G01</u>		Pedal Box and Cover.....	1
5	<u>00684G6</u>		Truss Head Screw (SS), #8 - 32 x 3/4" Lg.....	2
6	<u>25861G01</u>		Micro Switch	1
7	<u>01050G01</u>		Pan Head Torx Screw, #4 - 20 x 5/8" Lg.....	2
8	<u>28444G01</u>		Accelerator Rod Cam	1
9	<u>25854G01</u>		Inductive Throttle Sensor.....	1
10	<u>00983G01</u>		Self Threading Nut, .38"	2
11	<u>602484</u>		Plunger	1
12				
13				
14	<u>17677G1</u>		Spring Retainer.....	1
15	<u>17979G1</u>		Bushing, .75" x 2" Lg	1
16	<u>73046G01</u>		Compression Spring	1
17	<u>17677G2</u>		Spring Retainer, 3/8".....	1
18	<u>73332G01</u>		Accelerator Rod.....	1
19	<u>00532G4</u>		Hex Nut, 5/16" - 24	1
20	10385G4		Clevis Yoke (Adjustable).....	1
21	<u>10386G3</u>		Clevis Pin, 5/16" x 13/16" Lg	1
22	<u>17838G1</u>		Nylon Bushing, .37" x .31" Lg	3
23				
24	<u>10387G3</u>		Cotter Pin, 3/32" x 3/4" Lg	1
25	<u>74432G01</u>		Pedal Pivot Pin	1
26	<u>12064G6</u>		Push Nut, 5/16".....	1
27	<u>25799G03</u>		Accelerator Pedal Assembly (Includes Items 28 - 30)	1
28	<u>16409G1</u>		Oval Rivet, 3/16" x 7/16" Lg	6
29	<u>27512G01</u>		Accelerator Pedal Pad	1
30	652824		Accelerator Pedal.....	1
31				

ACCELERATOR

THE USE OF NON U.L. PARTS WILL VOID ANY U.L. LISTING.

When ordering parts, please specify the model and serial number of the product.

* Indicates a component that is not available as an individual part.

*** Indicates consult Customer Service Department for additional information.

ITEM	PART NO.	1	2	3	4	5	DESCRIPTION	QTY.
32	<u>25879G08</u>						Pedal Harness (Includes Items 33 - 34).....	1
33	<u>17313G1</u>						Loom Flex (Bulk), 3/8"	1
34	<u>17618G1</u>						Nylon Clamp, 8" Lg.....	2
35								
36	<u>00715G2</u>						Hex Head Bolt, 5/16" - 18 x 3/4" Lg.....	4
37	<u>70135G01</u>						Pedal Pivot Cover.....	1

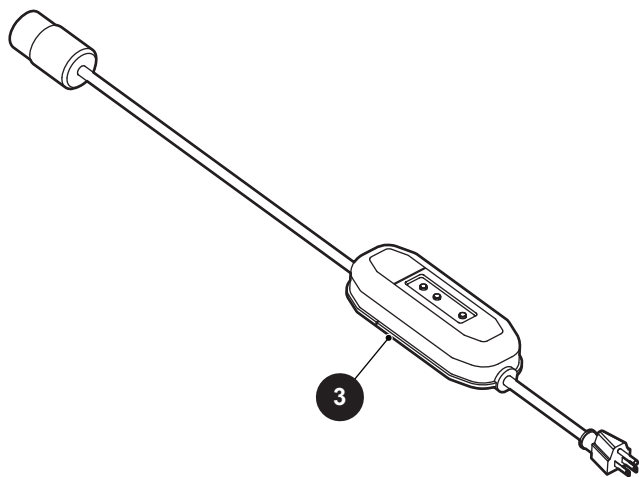
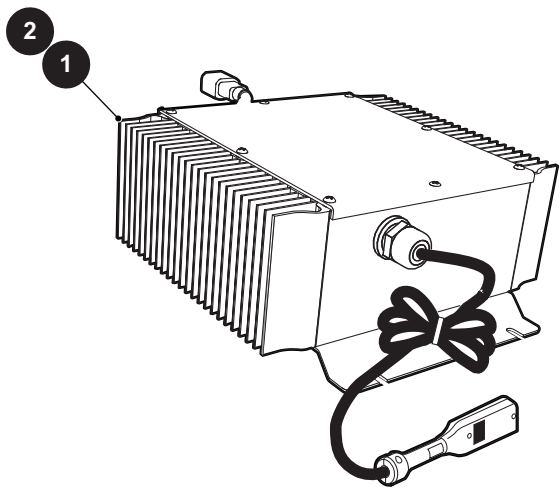
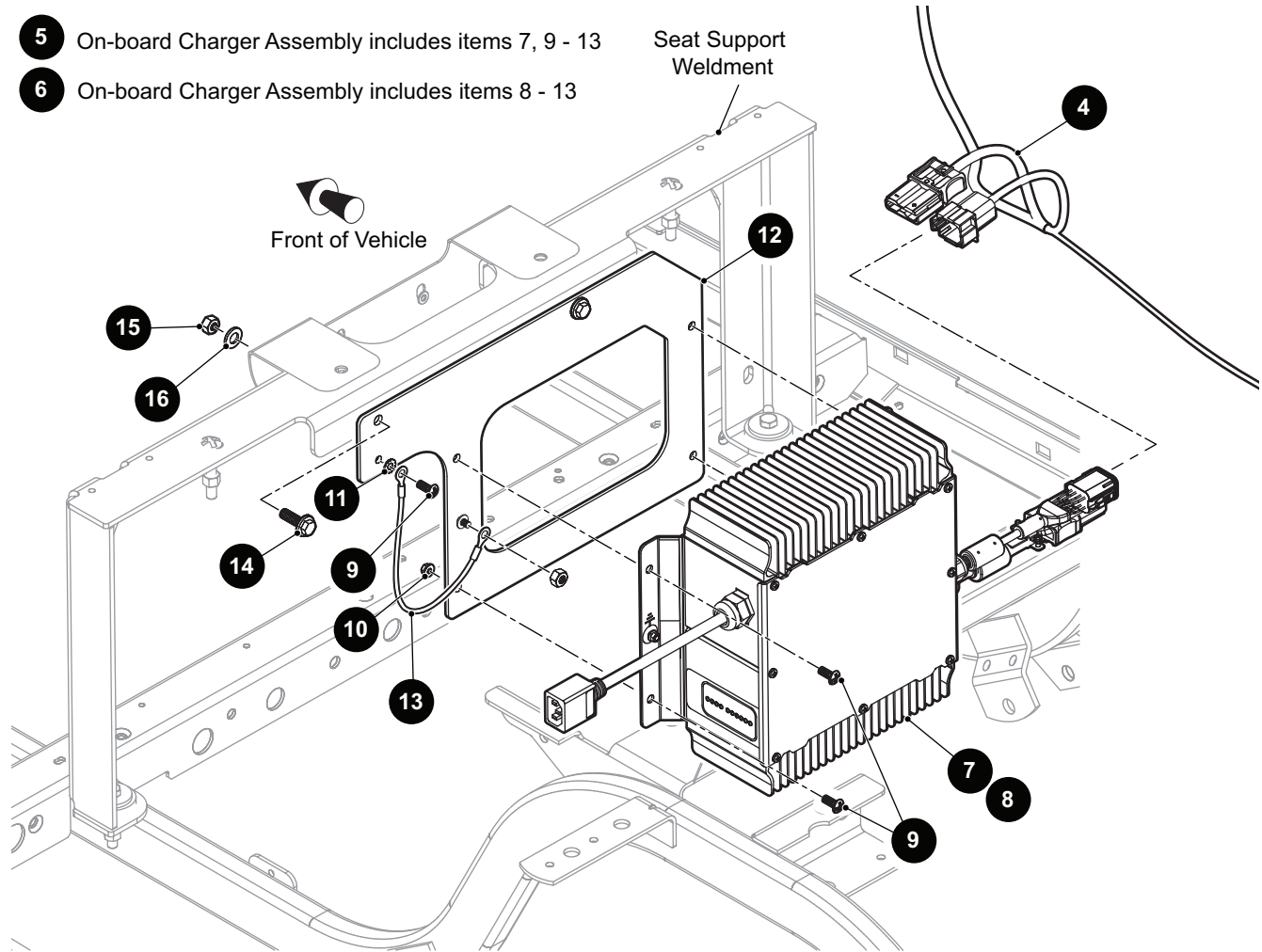
BATTERY CHARGER

5 On-board Charger Assembly includes items 7, 9 - 13

6 On-board Charger Assembly includes items 8 - 13

Seat Support
Weldment

Front of Vehicle



BATTERY CHARGER

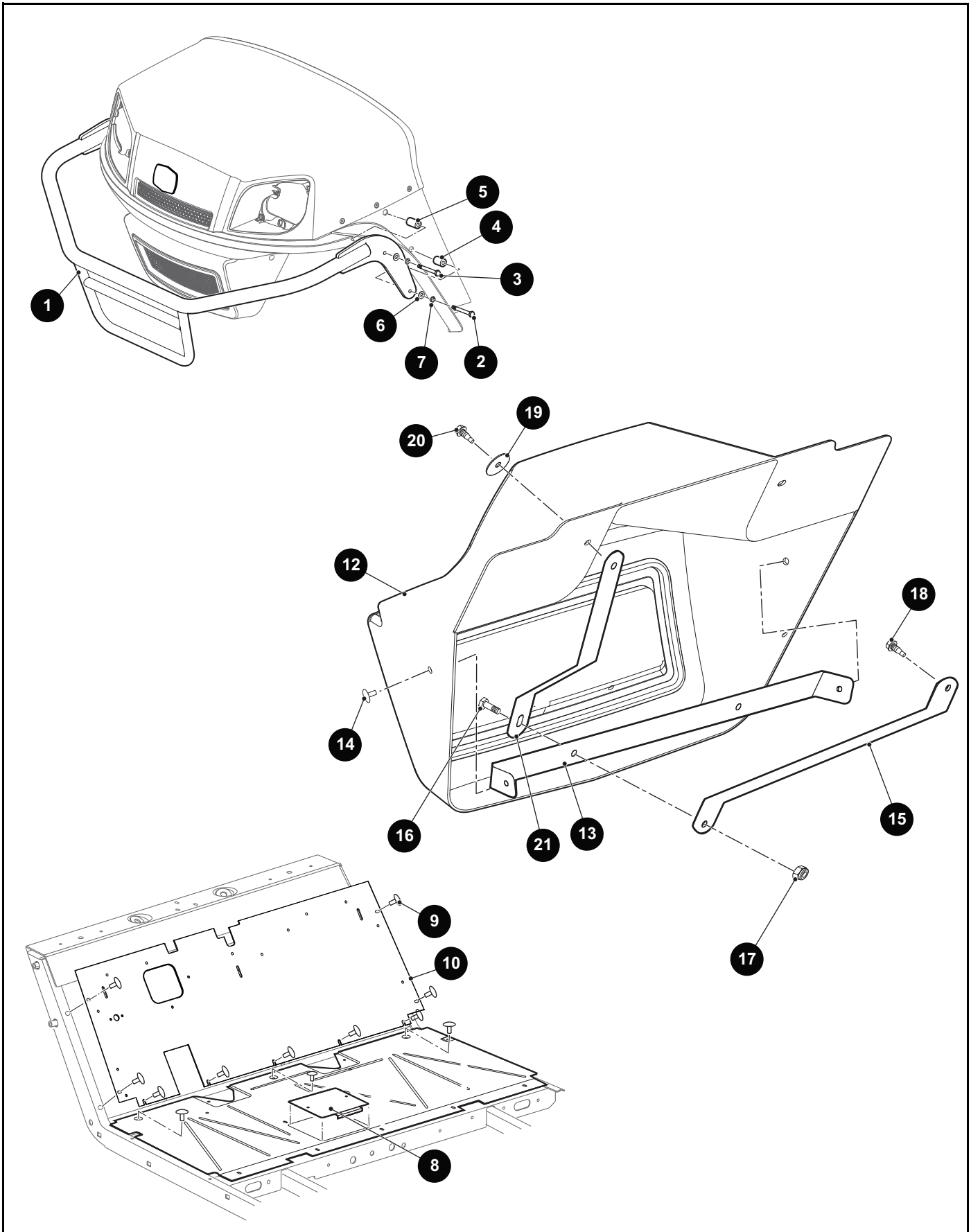
THE USE OF NON U.L. PARTS WILL VOID ANY U.L. LISTING.

When ordering parts, please specify the model and serial number of the product.

* Indicates a component that is not available as an individual part.

*** Indicates consult Customer Service Department for additional information.

ITEM	PART NO.	1 2 3 4 5	DESCRIPTION	QTY.
1	<u>634567</u>		Off-board Battery Charger, 72V, 1000W	1
2	<u>645743</u>		Off-board Battery Charger, 72V, 1500W	1
3	<u>652608</u>		Charger Cord, 5meter	1
4	<u>671750</u>		On-board Charger Harness.....	1
5	681354G01		On-board Charger Assembly, 1000W, 72V (Includes Items 7, 9 - 13) (For CE Vehicles).....	1
6	681354G02		On-board Charger Assembly, 1500W, 72V (Includes Items 8 - 13)	1
7	<u>640261</u>		On-board Charger, 72V (Quiq)	1
8	642542		On-board Charger, 72V (Delta - Q)	1
9	16705G3		Truss Head Phillips Screw (SS), 1/4" - 20 x 3/4" Lg, (Grade 5).....	5
10	<u>11027G2</u>		Flanged Lock Nut, 1/4" - 20	5
11	<u>00567G7</u>		Lock Washer (External Tooth Type), 1/4"	1
12	672193		Mounting Plate.....	1
13	<u>668709</u>		Charger Bonding Jumper	1
14	<u>13437G3</u>		Serrated Flanged Hex Head Bolt, 5/16" - 18 x 1" Lg, (Grade 5)	2
15	11098G6		Lock Nut, 5/16" - 18	2
16	00559G8		Flat Washer, 5/16"	2



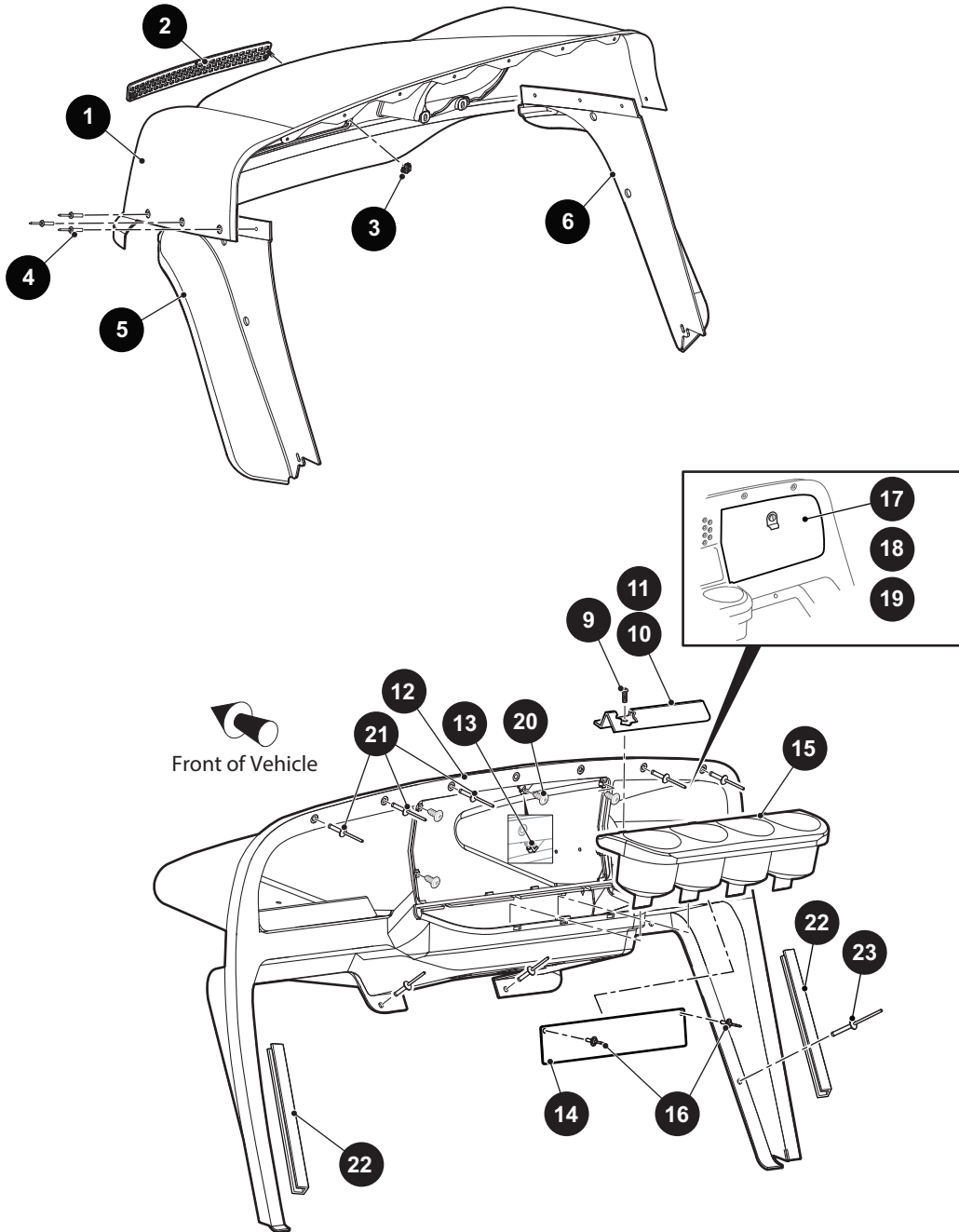
THE USE OF NON U.L. PARTS WILL VOID ANY U.L. LISTING.

When ordering parts, please specify the model and serial number of the product.

* Indicates a component that is not available as an individual part.

*** Indicates consult Customer Service Department for additional information.

ITEM	PART NO.	1 2 3 4 5	DESCRIPTION	QTY.
1	617620		Brushguard.....	1
2	<u>00440G2</u>		Hex Head Bolt, 5/16" - 18 x 2 1/4" Lg	2
3	<u>00440G6</u>		Hex Head Bolt, 5/16" - 18 x 2 3/4" Lg	2
4	<u>75048G04</u>		Spacer, .328" x .75" x 1" Lg	2
5	<u>75048G02</u>		Spacer, .328" x .75" x 1.31" Lg	2
6	00559G8		Flat Washer (Narrow), 5/16".....	4
7	<u>00565G8</u>		Lock Washer, 5/16"	4
8	<u>70452G01</u>		Access Cover	1
9	<u>14601G11</u>		Rivet (Aluminum), 3/16" x 9/16" Lg	16
10	<u>641260</u>		Upper Floor Panel.....	1
11				
12	<u>613273</u>		Front Fascia	1
13	<u>654275</u>		Front Fascia Bracket.....	1
14	<u>15058G1</u>		Rivet (Aluminum Black), 3/16" x .45"	2
15	654276		Front Fascia Brace	2
16	<u>00414G6</u>		Hex Head Bolt, 1/4" - 20 Lg, Grade 5	2
17	<u>14390G4</u>		Lock Nut, 1/4" - 20	2
18	<u>01038G01</u>		Hex Washer Head Bolt, 1/4" - 20 x .700" Lg	2
19	<u>16469G1</u>		Fender Washer, 1 1/4" O.D. x 9/32" I.D.	2
20	<u>71102G03</u>		Hex Washer Head Taptite Bolt, 1/4 - 20 x 1.15 mm Lg, Grade 5	2
21	664610		Cowl Strap.....	2



- 7** Instrument Panel Assembly includes items 8 - 16
- 8** Instrument Panel Assembly with Ball Deflector includes items 9 - 13

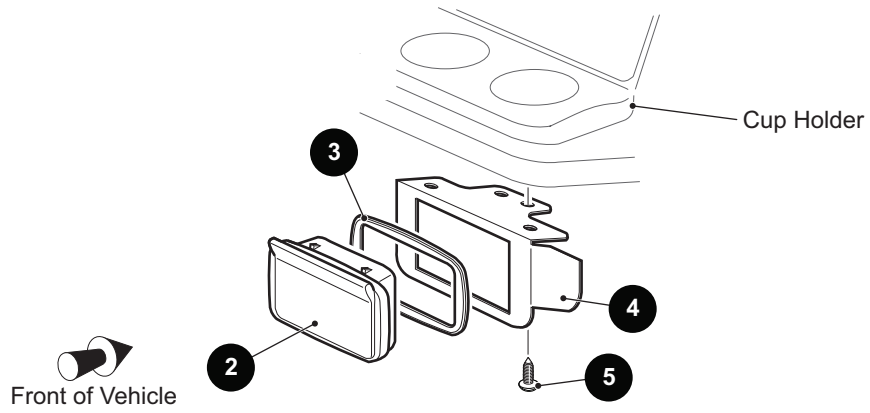
THE USE OF NON U.L. PARTS WILL VOID ANY U.L. LISTING.

When ordering parts, please specify the model and serial number of the product.

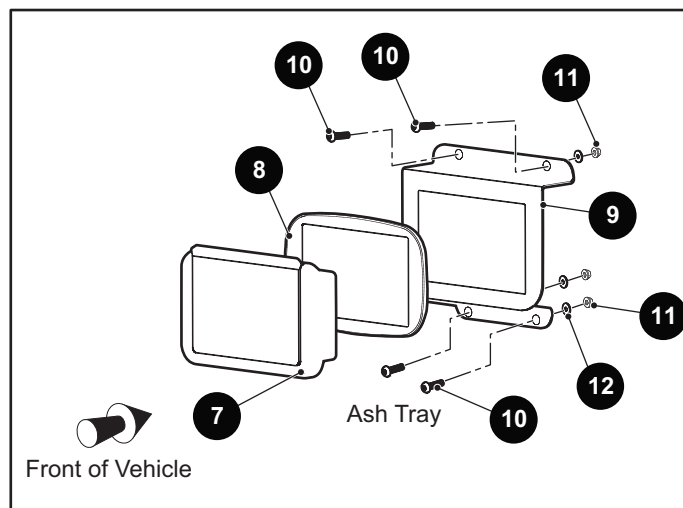
* Indicates a component that is not available as an individual part.

*** Indicates consult Customer Service Department for additional information.

ITEM	PART NO.	1 2 3 4 5	DESCRIPTION	QTY.
1	613036G0**		Cowl (See HOW TO USE Section for COLOR CODES)	1
2	<u>617643</u>		Grill Cover	1
3	<u>71597G01</u>		Self Threading Nut, 5mm x 10mm x 15mm.....	2
4	<u>71055G01</u>		Rivet, 3/16" x 1" Lg	6
5	<u>614378</u>		Fender Flare (Driver Side)	1
6	<u>613274</u>		Fender Flare (Passenger Side).....	1
7	674314		Instrument Panel Assembly (Includes Item 8 - 16).....	1
8	<u>71917G01</u>		Instrument Panel Assembly with Ball Deflector (Includes Item 9 - 13)	1
9	00614G3		Pan Head Phillips Screw, #8 - 18 x 5/8" Lg.....	6
10	<u>71153G01</u>		Ball Deflector (Passenger Side)	1
11	<u>71154G01</u>		Ball Deflector (Driver Side)	1
12	<u>628010</u>		Instrument Panel	1
13	<u>71364G02</u>		Speed Nut "J" Type, #8	5
14	<u>662223</u>		Safety Console Label Bracket	1
15	<u>71158G01</u>		Cup Holder Insert	1
16	<u>71055G01</u>		Rivet (Aluminum), 3/16" x 1" Lg	2
17	<u>75459G01</u>		Glove Box (Driver/Passenger Side)	1
18	<u>75459G02</u>		Glove Box (Driver Side)	1
19	<u>75459G03</u>		Glove Box (Passenger Side).....	1
20	<u>608290</u>		Self Tapping Screw, #10 - 16 x 3/4" Lg	5
21	<u>71055G01</u>		Rivet (Aluminum), 3/16" x 1" Lg	7
22	<u>71115G01</u>		Vinyl Trim	2
23	<u>71055G01</u>		Rivet (Aluminum), 3/16" x 1" Lg.....	2



1 Ash Tray Kit includes items 2 - 5



6 Ash Tray, Seat Pod Kit includes items 7 - 12

THE USE OF NON U.L. PARTS WILL VOID ANY U.L. LISTING.

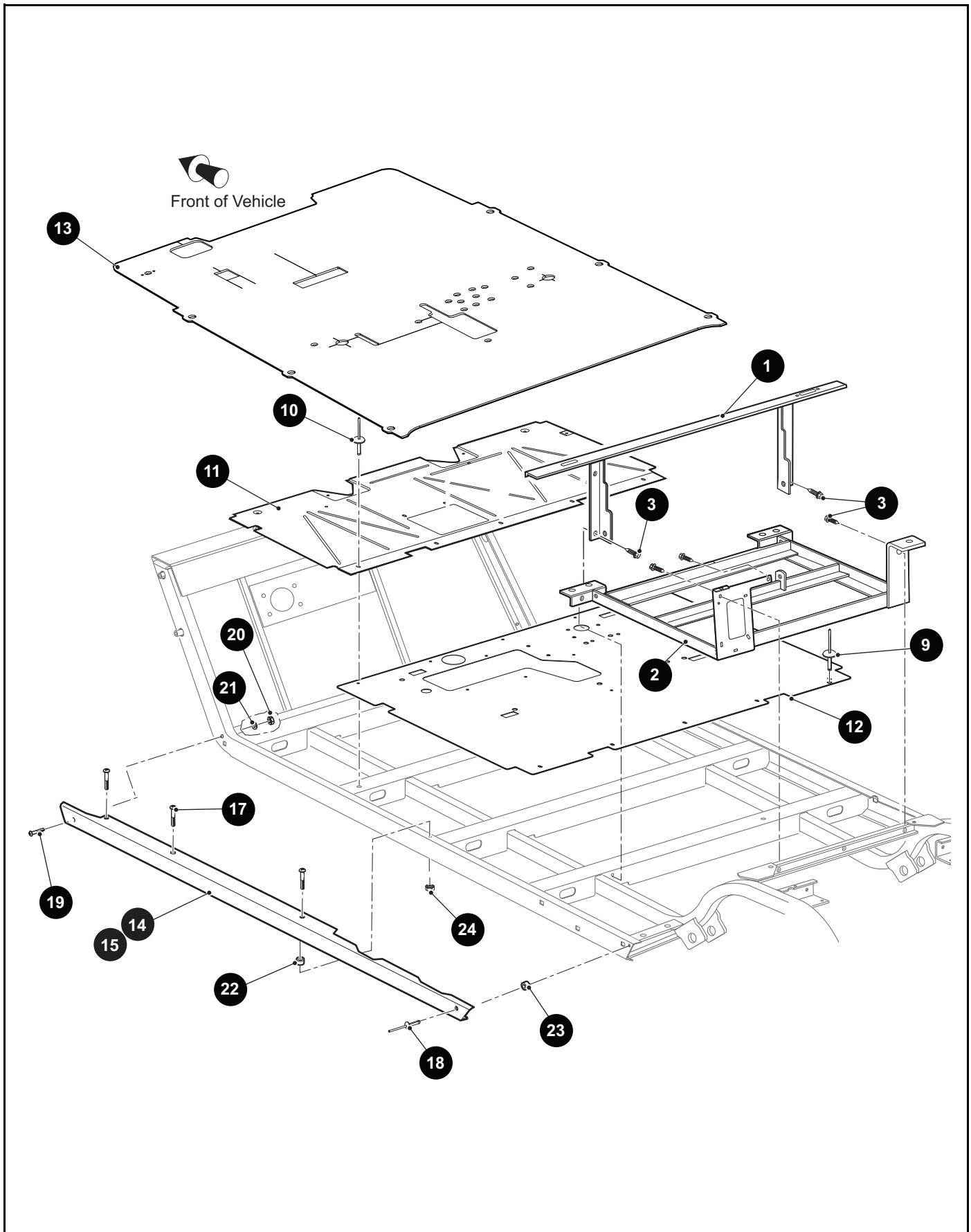
When ordering parts, please specify the model and serial number of the product.

* Indicates a component that is not available as an individual part.

*** Indicates consult Customer Service Department for additional information.

ITEM	PART NO.	1 2 3 4 5	DESCRIPTION	QTY.
1	<u>75109G03</u>		Ash Tray Kit (Includes Items 2 - 5).....	1
2	27731G01		Ash Tray	1
3	27736G01		Gasket	1
4	<u>75108G02</u>		Bracket	1
5	<u>00106G6</u>		Pan Head Phillips Screw, #12 - 14 x .75" Lg	4
6	632412		Ash Tray, Seat Pod Kit (Includes Items 7 - 12)	1
7	27731G01		Ash Tray	1
8	27736G01		Gasket	1
9	631079		Bracket	1
10	<u>601326</u>		Button Head Torx Bolt, M6 - 1 x 20mm Lg.....	4
11	<u>601476</u>		Flanged Lock Nut, M6	4
12	<u>16469G1</u>		Fender Washer, 9/32" I.D x 1 1/4" O.D.....	4

BODY



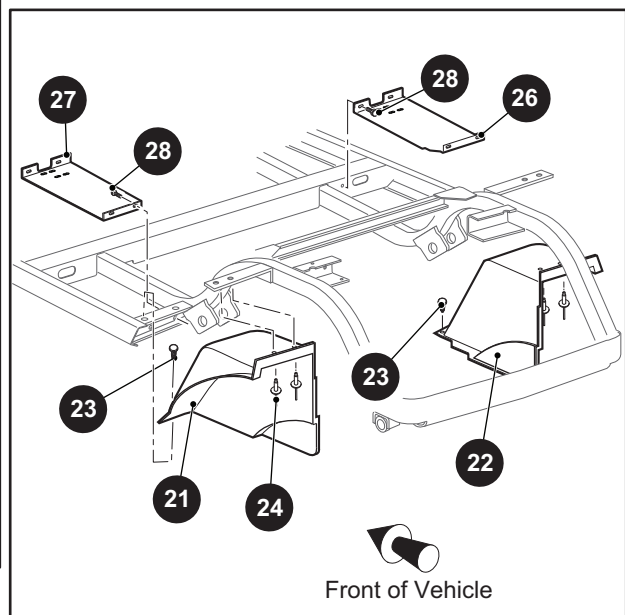
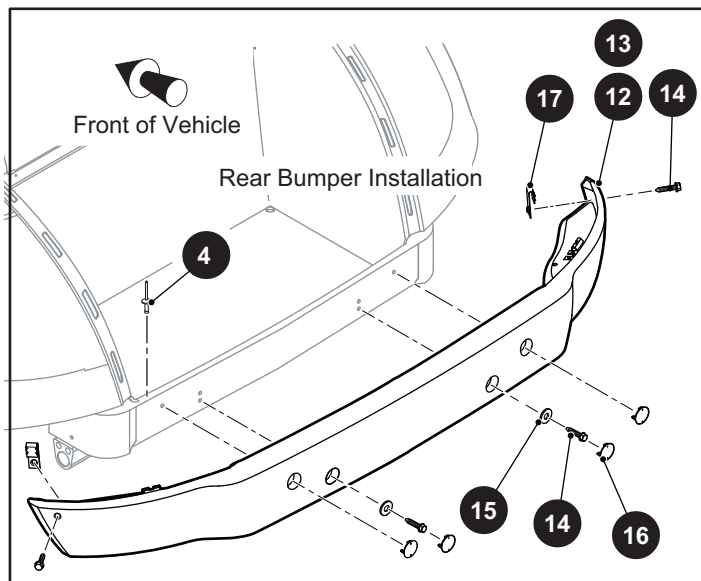
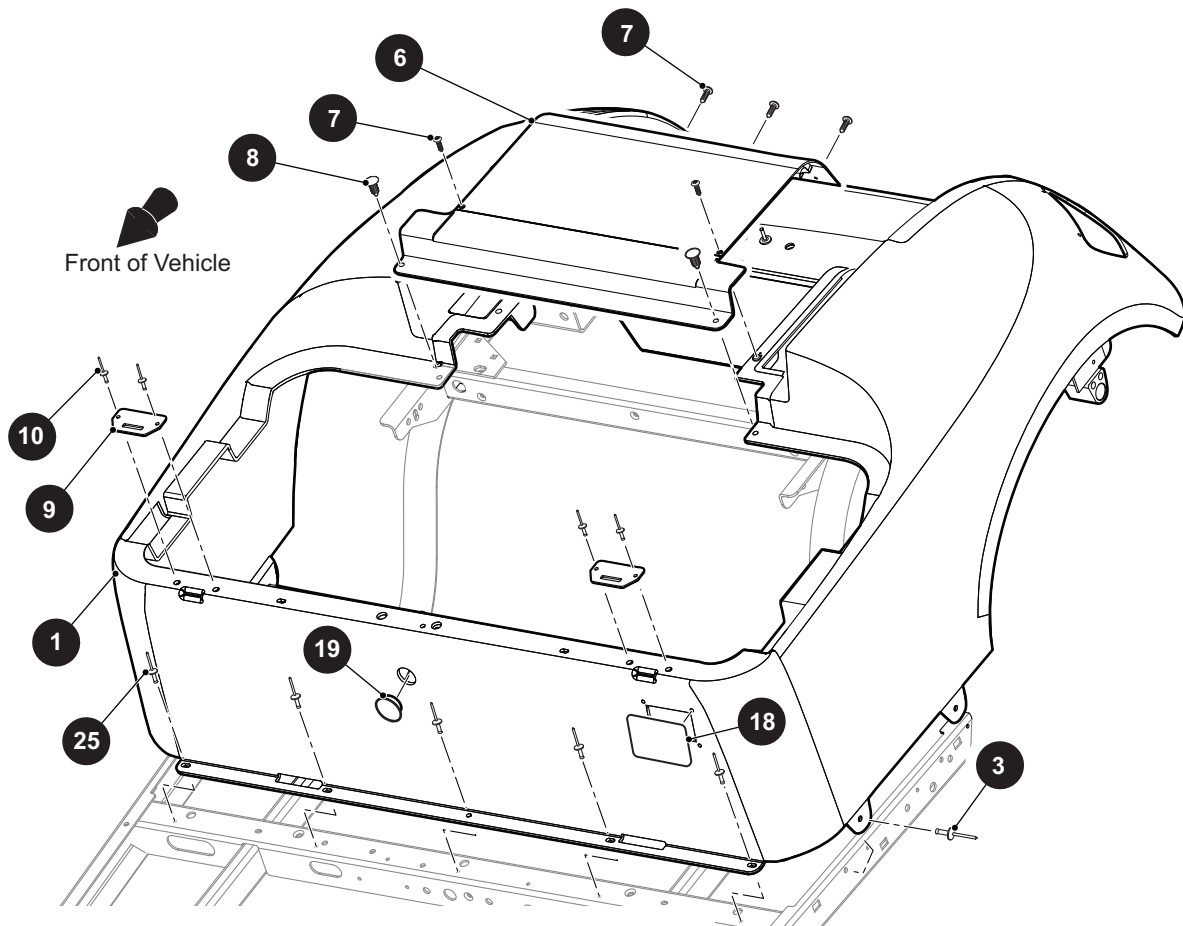
THE USE OF NON U.L. PARTS WILL VOID ANY U.L. LISTING.

When ordering parts, please specify the model and serial number of the product.

* Indicates a component that is not available as an individual part.

*** Indicates consult Customer Service Department for additional information.

ITEM	PART NO.	1 2 3 4 5	DESCRIPTION	QTY.
1	<u>70441G01</u>		Seat Frame	1
2	<u>659514</u>		Battery Tray	1
3	<u>00715G2</u>		Hex Washer Head Screw, 5/16" - 18 x.875 " Lg	5
4				
5				
6				
7				
8				
9	<u>10570G10</u>		Domed Rivet (SS), 5/32" x 9/16" Lg	10
10	<u>14601G11</u>		Rivet (Aluminum), 3/16" x 9/16" Lg	5
11	<u>70451G01</u>		Lower Floor Panel	1
12	<u>648840</u>		Rear Floor Panel	1
13	<u>652149G02</u>		Floormat	1
14	<u>618888</u>		Rocker Panel (Driver Side)	1
15	<u>618889</u>		Rocker Panel (Passenger Side)	1
16				
17	<u>634161</u>		Flanged Button Head Torx Bolt, M6 - 1 x 30mm Lg	3
18	<u>15058G6</u>		Rivet (Aluminum), 3/16" x .95" Lg	1
19	<u>00789G2</u>		Truss Head Phillips Screw (SS), #10 - 24 x 1 - 1/4" Lg.....	1
20	<u>14390G10</u>		Lock Nut, #10 - 24.....	1
21	<u>00660G5</u>		Flat Washer, #10	1
22	<u>23726G4</u>		Spacer, 5/16".....	3
23	<u>23726G4</u>		Spacer, 5/16".....	1
24	<u>601476</u>		Flanged Lock Nut, M6	3



THE USE OF NON U.L. PARTS WILL VOID ANY U.L. LISTING.

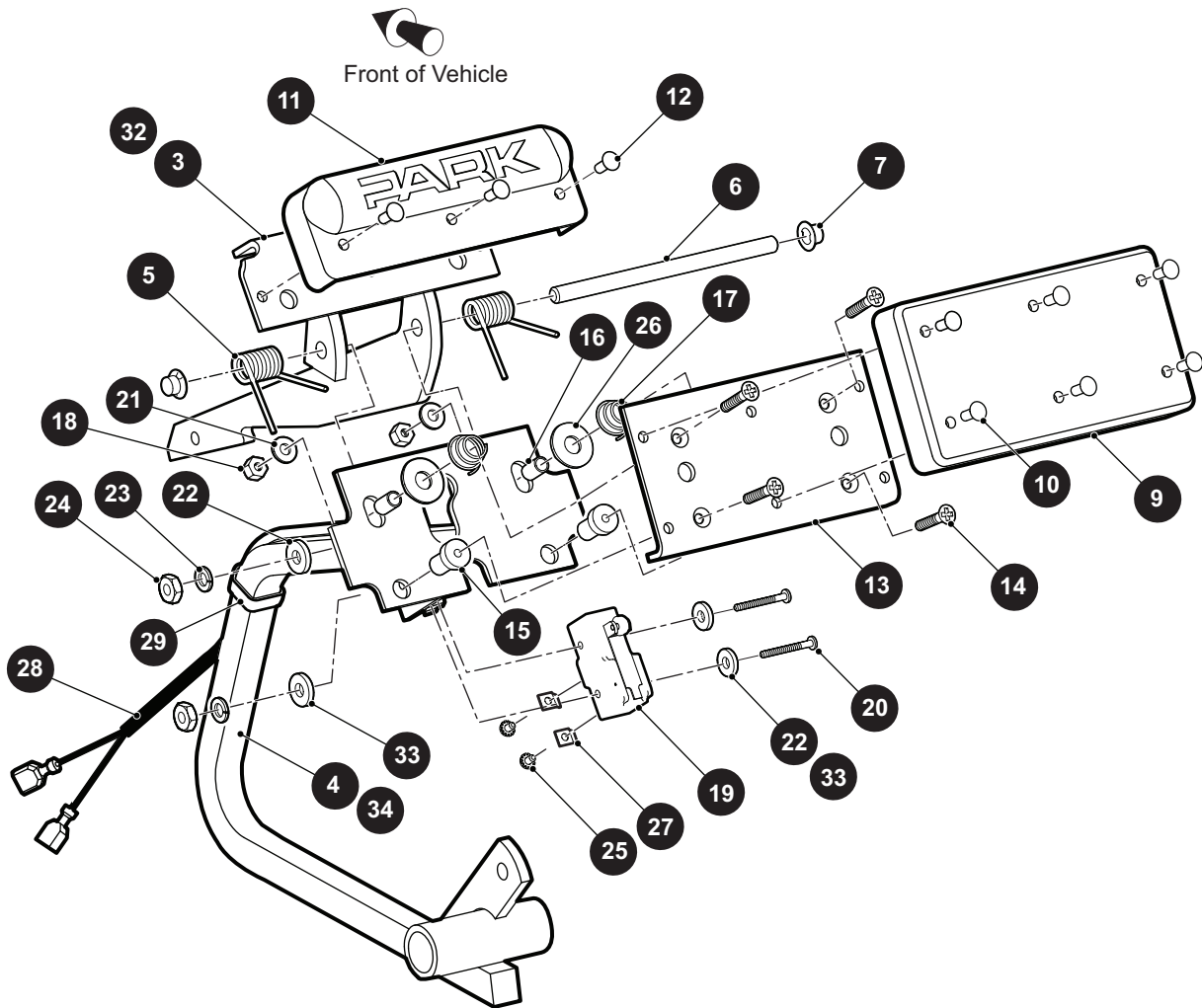
When ordering parts, please specify the model and serial number of the product.

* Indicates a component that is not available as an individual part.

*** Indicates consult Customer Service Department for additional information.

ITEM	PART NO.	1 2 3 4 5	DESCRIPTION	QTY.
1	625272G1XX		Rear Body (With Taillights)..... (See HOW TO USE Section for COLOR CODES)	1
2				
3	10570G12		Rivet (Aluminum), .257" x .556" Lg	2
4	<u>633917</u>		Rivet (Plastic).....	2
5				
6	<u>71320G01</u>		Access Panel	1
7	<u>01107G01</u>		Pan Head Torx Screw (SS), #8 x .63" Lg	5
8	<u>16816G2</u>		Ratchet Rivet, .25" x .887"	2
9	<u>71609G01</u>		Seat Hinge Plate	2
10	<u>10570G11</u>		Rivet (SS), 5/32" x .70" Lg	4
11				
12	<u>71451G02</u>		Rear Bumper.....	1
13	71456G01		Rear Bumper (For Vehicles With Cargo Bed Option).....	1
14	<u>71102G01</u>		Hex Head Bolt, 1/4" - 20 x 3/4" Lg	4
15	<u>00571G2</u>		Flat Washer, 5/16"	2
16	<u>71455G01</u>		Bumper Plug	4
17	<u>71554G01</u>		"J" - Type Nut Retainer, 1/4" - 20.....	2
18	<u>666066</u>		Cover Plate	1
19	<u>71316G01</u>		Plug	1
20				
21	658946		Fender Liner (Passenger Side).....	1
22	658949		Fender Liner (Driver Side).....	1
23	<u>16816G2</u>		Ratchet Fastener, 1/4" x .887" Lg	2
24	14601G17		Rivet (Aluminum), 3/16 x .575mm Lg.....	2
25	<u>10570G10</u>		Rivet (SS), 5/32" x .55" Lg	5
26	<u>652443G203</u>		Battery Tray (Passenger Side).....	1
27	<u>652443G103</u>		Battery Tray (Driver Side).....	1
28	<u>00715G2</u>		Hex Washer head Screw, 5/16" - 18 x.875 " Lg	4

- 1 Brake Pedal Assembly (with Brake Lights) includes items 3 - 29
- 31 Brake Pedal Assembly (with Brake Lights) includes items 5 - 21, 23 - 29, 32 - 34



BRAKES

THE USE OF NON U.L. PARTS WILL VOID ANY U.L. LISTING.

When ordering parts, please specify the model and serial number of the product.

* Indicates a component that is not available as an individual part.

*** Indicates consult Customer Service Department for additional information.

ITEM	PART NO.	1 2 3 4 5	DESCRIPTION	QTY.
1	70690G02		Brake Pedal Assembly (with Lights) (Includes Items 3 - 29)	1
2				
3	<u>652253G03</u>		Park Brake Pedal.....	1
4	<u>652791G03</u>		Brake Pedal	1
5	<u>70681G01</u>		Torsion Spring.....	2
6	<u>70682G01</u>		Pivot Pin	1
7	<u>658825</u>		Push Nut, 5/16" - 24	2
8				
9	<u>70257G01</u>		Service Brake Pad.....	1
10	<u>16409G1</u>		Oval Rivet, .375" x .468" Lg.....	6
11	<u>70256G01</u>		Park Brake Pedal Pad	1
12	<u>16409G1</u>		Oval Rivet, .375" x .468" Lg.....	3
13	<u>652820</u>		Service Brake Pedal Plate.....	1
14	<u>00737G8</u>		Flat Head Phillips Screw, #10 - 24 x .875" Lg.....	4
15	<u>00739G1</u>		Rubber Well Nut, #10 - 24	2
16	<u>652355</u>		Brake Pedal Spacer.....	2
17	<u>27137G01</u>		Conical Spring	2
18	<u>14390G10</u>		Lock Nut, #10 - 24	2
19	10606G8		Micro Switch	1
20	<u>00645G2</u>		Pan Head Phillips Screw, #6 - 32 x 1.25" Lg	2
21	<u>00559G5</u>		Flat Washer, #10.....	2
22	<u>00559G3</u>		Flat Washer, #6.....	2
23	<u>00565G3</u>		Lock Washer, #6	2
24	<u>00525G5</u>		Lock Nut, #6 - 32	2
25	<u>13514G1</u>		Pan Head Phillips Screw with Internal Tooth Lock Washer, #6 - 32 x .22" Lg	2
26	<u>00642G8</u>		Flat Washer, 5/16"	2
27	<u>14628G1</u>		Faston Tab.....	2
28	<u>24605G1</u>		Wire Harness (Brake Light)	1
29	<u>17618G1</u>		Wire Tie	2
30				

BRAKES

THE USE OF NON U.L. PARTS WILL VOID ANY U.L. LISTING.

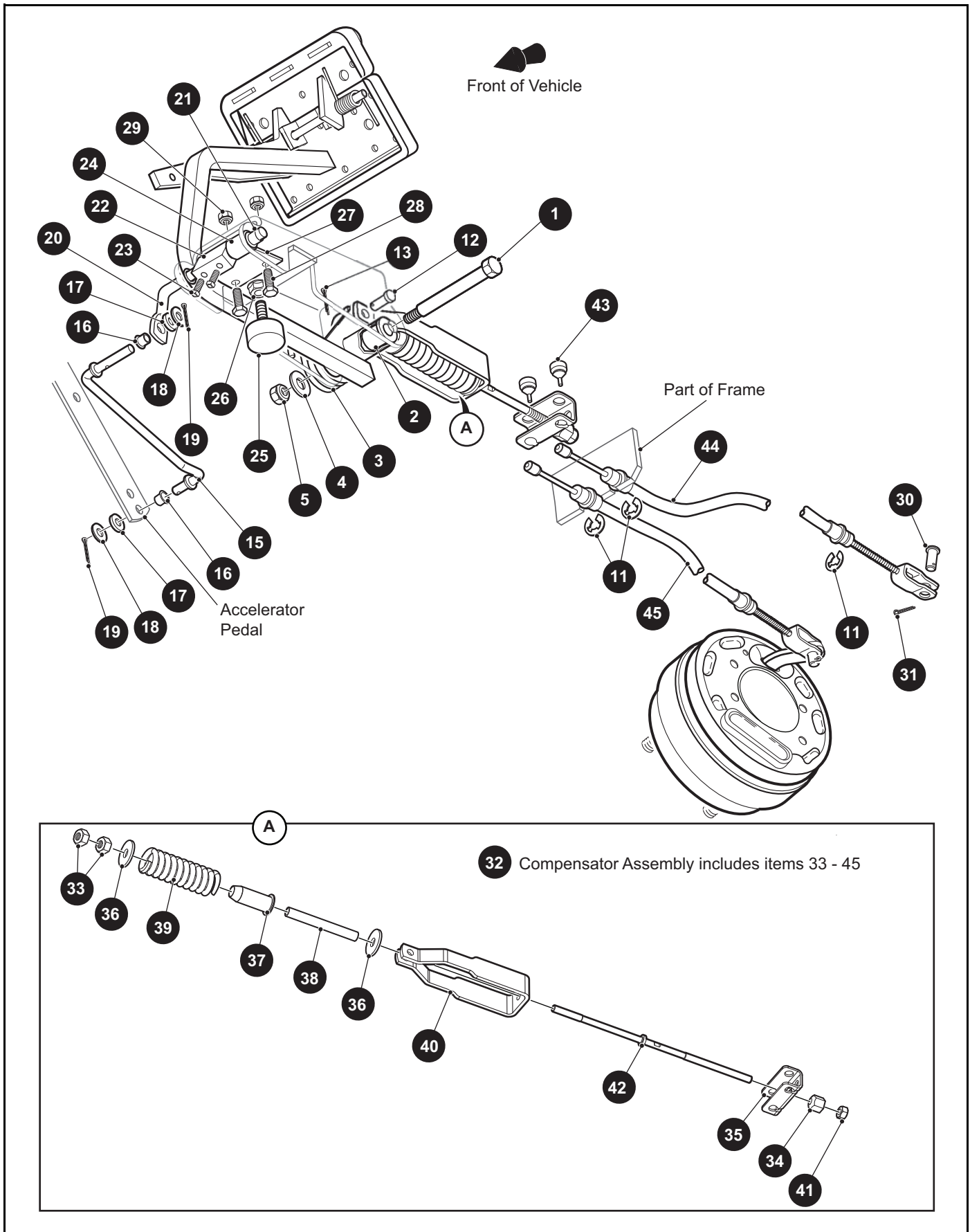
When ordering parts, please specify the model and serial number of the product

* Indicates a component that is not available as an individual part.

*** Indicates consult Customer Service Department for additional information.

ITEM	PART NO.	1 2 3 4 5	DESCRIPTION	QTY.
31	<u>74874G01</u>		Brake Pedal Assembly (With Lights) (Includes items 5 - 21, 23 - 29, 32 - 34) (For Vehicles Manufactured with Hydraulic Brakes).....	1
32	<u>641760</u>		Park Brake Pedal	1
33	<u>00559G5</u>		Flat Washer, #10	4
34	<u>74870G01</u>		Brake Pedal.....	1

BRAKES



THE USE OF NON U.L. PARTS WILL VOID ANY U.L. LISTING.

When ordering parts, please specify the model and serial number of the product.

* Indicates a component that is not available as an individual part.

*** Indicates consult Customer Service Department for additional information.

ITEM	PART NO.	1 2 3 4 5	DESCRIPTION	QTY.
1	<u>70582G01</u>		Shoulder Bolt (SS), 1/2" x 3/8" - 16 x 3.406" Lg.....	1
2	<u>70581G01</u>		Flanged Bushing, .1.062" O.D. x .795" I.D.....	2
3	<u>70676G01</u>		Torsion Spring	1
4	<u>00643G1</u>		Lock Washer, 3/8"	1
5	<u>11098G5</u>		Lock Nut, 3/8" - 16	1
6	<u>01038G01</u>		Hex Washer Head Swageform Screw, 1/4" - 20 X .7" Lg (Not Illustrated)	1
7	<u>12416G2</u>		Nylon Wedge Lock Clamp (Not Illustrated).....	3
8				
9				
10				
11	<u>01111G01</u>		Retaining Ring (SS), Dia .8"	4
12	<u>10386G3</u>		Clevis Pin, .438" x .938" Lg.....	1
13	<u>10387G3</u>		Cotter Pin, .094" x .75" Lg.....	1
14				
15	<u>70601G01</u>		Kick-off Link.....	1
16	<u>17838G1</u>		Nylon Bushing, .37" O.D. x .31" I.D.....	2
17	<u>20835G1</u>		Teflon Washer, 3/8"	2
18	<u>00559G8</u>		Flat Washer, 5/16"	2
19	<u>10387G3</u>		Cotter Pin, .094" x .75" Lg.....	2
20	<u>70098G01</u>		Kick-off Cam Pivot.....	1
21	<u>10097G6</u>		Flanged Bearing.....	2
22	<u>70587G01</u>		Kick-off Cam.....	1
23	<u>71215G01</u>		Set Screw with Patch Lock, 1/4" - 20 x .5" Lg	2
24	<u>14134G4</u>		Spacer, .76" O.D. x .395" I.D. x 1.25" Lg	1
25	<u>70113G01</u>		Adjustable Bumper.....	1
26	<u>11027G1</u>		Lock Nut, 5/16" - 18	1
27	<u>70080G02</u>		Catch Bracket.....	1
28	<u>00414G6</u>		Hex Head Bolt, 1/4" - 20 x .25" Lg, Grade 5	2
29	<u>14390G4</u>		Lock Nut (SS), 1/4" - 20	2
30	<u>10386G3</u>		Clevis Pin, .438" x .938" Lg.....	1
31	<u>10387G3</u>		Cotter Pin, .094" x .75" Lg.....	1

BRAKES

THE USE OF NON U.L. PARTS WILL VOID ANY U.L. LISTING.

When ordering parts, please specify the model and serial number of the product

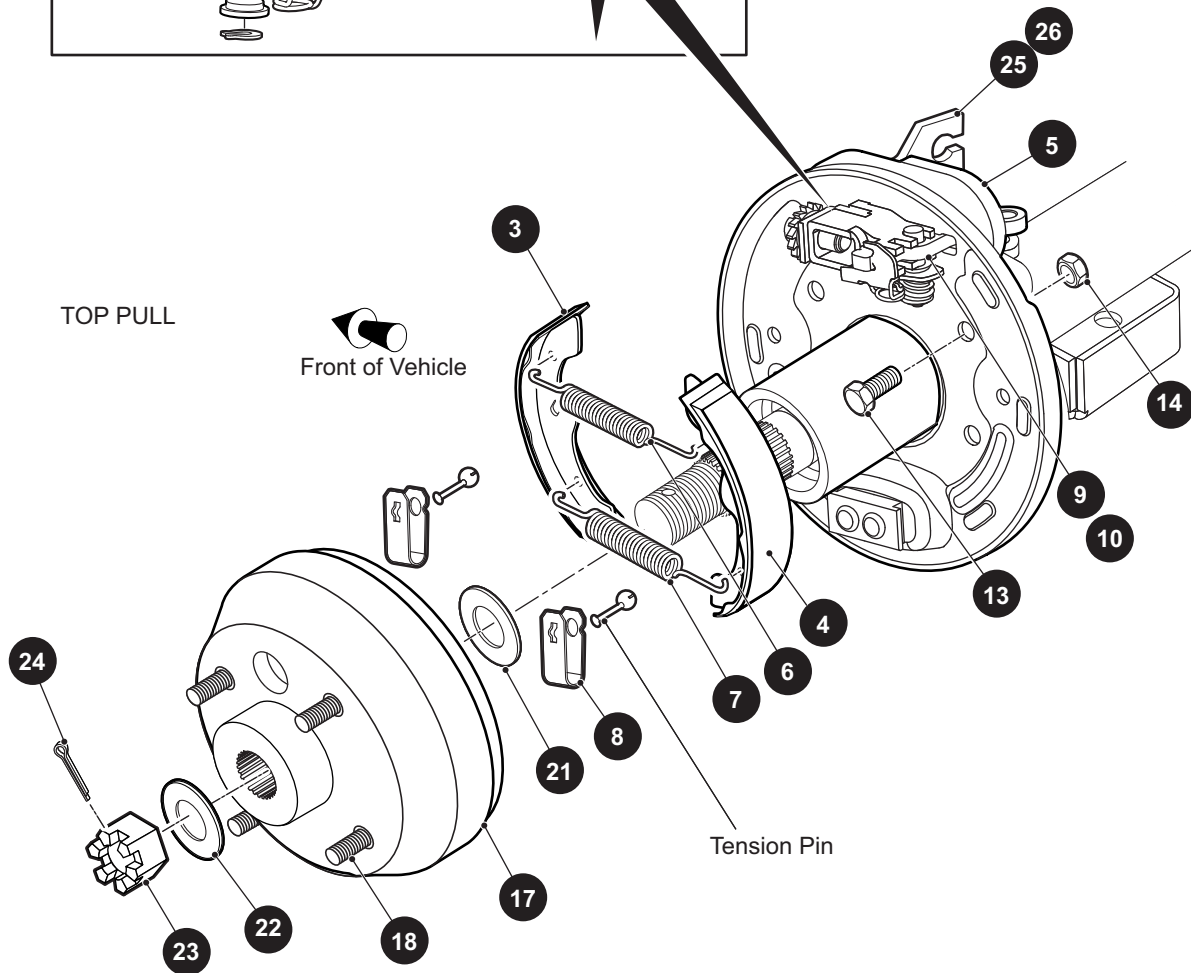
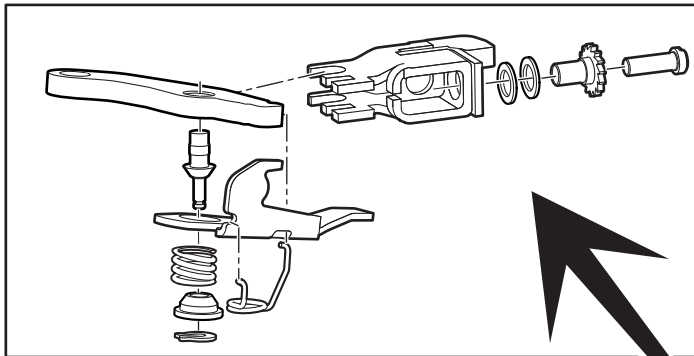
* Indicates a component that is not available as an individual part.

*** Indicates consult Customer Service Department for additional information.

ITEM	PART NO.	1 2 3 4 5	DESCRIPTION	QTY.
32	654665		Compensator Assembly (Includes Items 33 - 45).....	1
33	<u>00532G4</u>		Hex Nut, 1/4" - 20.....	2
34	<u>629486</u>		Spherical Hex Nut, 5/16" - 24.....	1
35	<u>28082G01</u>		Equalizer Bracket.....	1
36	<u>15121G1</u>		Flat Washer, 5/16".....	2
37	<u>17979G1</u>		Accelerator Rod Bushing, .464" I.D. x 1" O.D. x 2" Lg.....	1
38	<u>23061G2</u>		Tube.....	1
39	<u>23463G1</u>		Compression Spring.....	1
40	<u>652256</u>		Brake Yoke.....	1
41	<u>11098G9</u>		Hex Lock Nut, 5/16" - 24.....	1
42	<u>612557</u>		Compensator Link Rod.....	1
43	<u>28083G01</u>		Brake Compensator Bumper.....	2
44	<u>624695</u>		Brake Cable (Driver Side), 65.06" Lg.....	1
45	<u>624696</u>		Brake Cable (Passenger Side), 74.81" Lg.....	1
46				
47	<u>17618G1</u>		Nylon Clamp, 8" Lg (Not Illustrated).....	1

BRAKES

- 1 Brake Assembly (Driver Side) includes items 3 - 9
- 2 Brake Assembly (Passenger Side) includes items 3 - 8, 10
- 16 Brake Drum Assembly includes items 17, 18



BRAKES

THE USE OF NON U.L. PARTS WILL VOID ANY U.L. LISTING.

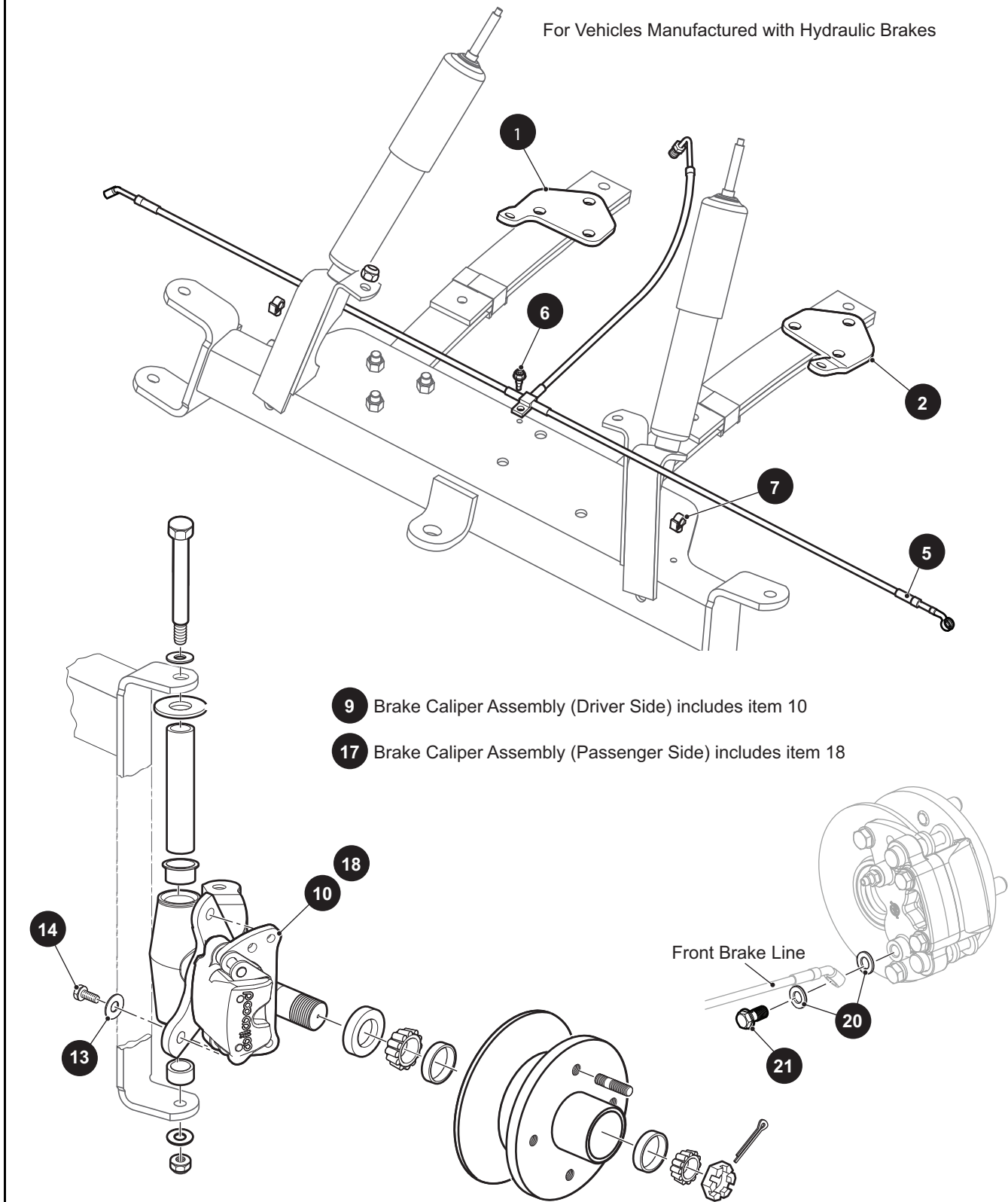
When ordering parts, please specify the model and serial number of the product.

* Indicates a component that is not available as an individual part.

*** Indicates consult Customer Service Department for additional information.

ITEM	PART NO.	1 2 3 4 5	DESCRIPTION	QTY.
1	<u>612189</u>		Brake Assembly (Driver Side) (Includes Items 3 - 9)	1
2	<u>612211</u>		Brake Assembly (Passenger Side) (Includes Items 3 - 8, 10).....	1
3	<u>612411</u>		Brake Shoe, Leading	1
4	<u>612412</u>		Brake Shoe, Trailing	1
5	<u>612413</u>		Dust Cover.....	1
6	<u>612415</u>		Brake Spring, Top	1
7	<u>612414</u>		Brake Spring, Bottom	1
8	<u>612416</u>		Shoe Clamp	2
9	<u>612418</u>		Gear Adjuster (Driver Side)	1
10	<u>612417</u>		Gear Adjuster (Passenger Side).....	1
11				
12				
13	<u>17083G2</u>		Hex Head Bolt, 5/16" - 24 x 1" Lg, Grade 8	4
14	<u>15126G1</u>		Lock Nut, 5/16" - 24	4
15				
16	<u>21807G2</u>		Brake Drum Assembly (Includes Items 17, 18).....	1
17	<u>20947G1</u>		Brake Drum	1
18	<u>19862G2</u>		Lug Bolt, 1/2" - 20 x 1.718" Lg.....	4
19				
20				
21	<u>21809G1</u>		Flat Washer (Inner Wheel Rim), .984" x 1.312" x .031"	1
22	<u>21830G1</u>		Flat Washer (Brake Drum), .765" x 1.50" x .1196"	1
23	<u>613172</u>		Slotted Hex Nut, 3/4" - 16	1
24	<u>10387G1</u>		Cotter Pin, 5/32" x 1 3/4" Lg.....	1
25	<u>652248</u>		Brake Cable Bracket (Passenger Side)	1
26	<u>652249</u>		Brake Cable Bracket (Driver Side).....	1

For Vehicles Manufactured with Hydraulic Brakes



9 Brake Caliper Assembly (Driver Side) includes item 10

17 Brake Caliper Assembly (Passenger Side) includes item 18

Front Brake Line

BRAKES

THE USE OF NON U.L. PARTS WILL VOID ANY U.L. LISTING.

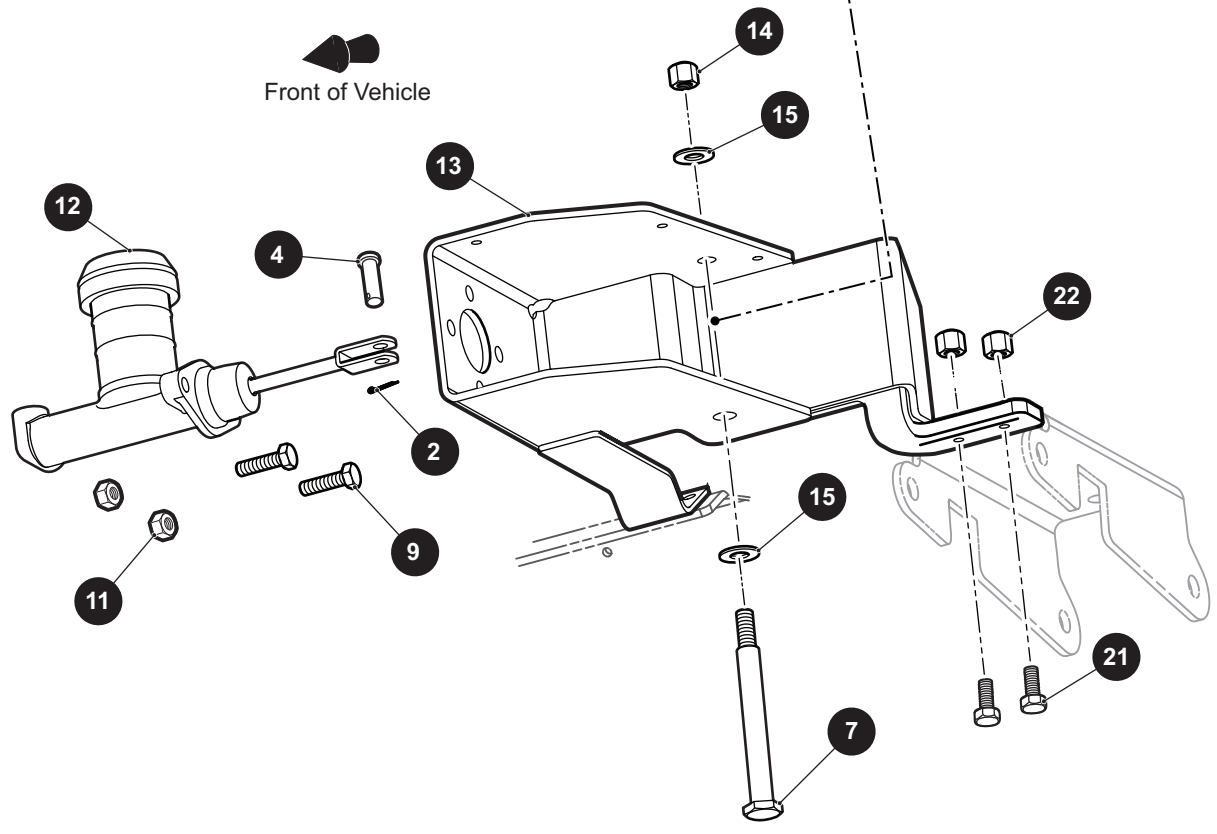
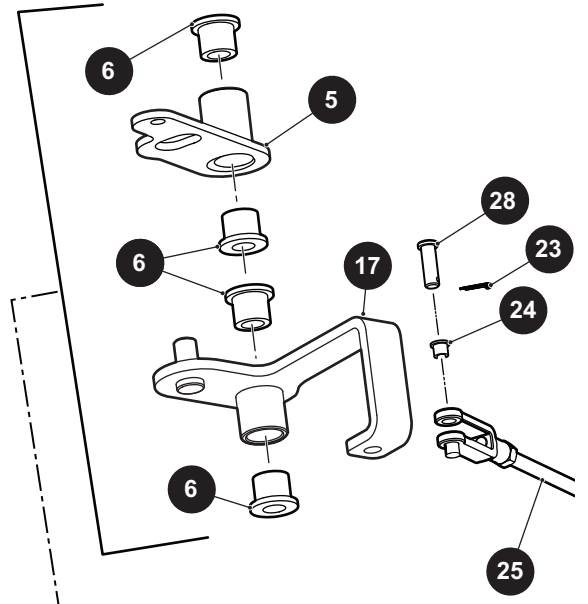
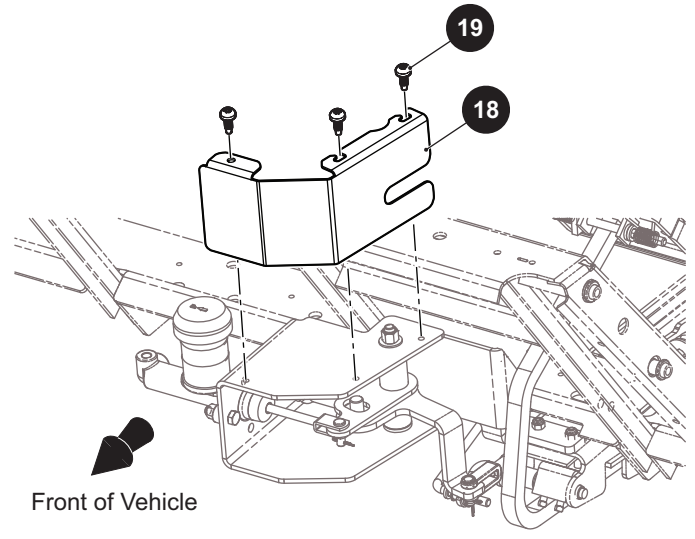
When ordering parts, please specify the model and serial number of the product.

* Indicates a component that is not available as an individual part.

*** Indicates consult Customer Service Department for additional information.

ITEM	PART NO.	1 2 3 4 5	DESCRIPTION	QTY.
1	<u>74731G02</u>		Spring Plate (Passenger Side).....	1
2	<u>74731G01</u>		Spring Plate (Driver Side)	1
3				
4				
5	<u>630766</u>		Brake Line.....	1
6	<u>01038G01</u>		Hex Washer Head Swageform Screw, 1/4" - 20 X .7" Lg	1
7	<u>74875G01</u>		Wire Retainer	2
8				
9	<u>633918G01</u>		Brake Caliper Assembly (Driver Side) (Includes Item 10).....	1
10	668990		Brake Pad (1 Pair)	1
11				
12				
13	<u>00566G1</u>		Flat Washer, 3/8"	2
14	<u>00426G6</u>		Hex Head Bolt, 3/8" - 16 X 3/4" Lg, Grade 5.....	2
15				
16				
17	<u>633918G02</u>		Brake Caliper Assembly (Passenger Side) (Includes Item 18)	1
18	668990		Brake Pad (1 Pair)	1
19				
20	<u>613293</u>		Crush Washer, M10	2
21	<u>616459</u>		Banjo Bolt, M10 - 1 X 20mm Lg	1

1 Front Disc Brake Actuator Assembly includes items 2 - 17



THE USE OF NON U.L. PARTS WILL VOID ANY U.L. LISTING.

When ordering parts, please specify the model and serial number of the product.

* Indicates a component that is not available as an individual part.

*** Indicates consult Customer Service Department for additional information.

ITEM	PART NO.	1 2 3 4 5	DESCRIPTION	QTY.
1	<u>608706</u>		Front Disc Brake Actuator Assembly (Includes Items 2 - 17)	1
2	<u>10387G3</u>		Cotter Pin, 3/32" X 3/4" Lg.....	1
3				
4	<u>10386G3</u>		Clevis Pin, 5/16" X 1" Lg.....	1
5	<u>608122</u>		Upper Actuator Pivot Bracket	1
6	<u>70581G02</u>		Acetal Bushing, .79" O.D. X .5" I.D. X .75" Lg.....	4
7	<u>74711G01</u>		Actuator Pivot Bolt, 3/4" - 16 X 3/4" Lg	1
8				
9	<u>00439G1</u>		Hex Head Bolt, 1/2" - 13 X 6" Lg, Grade 5	2
10				
11	<u>11098G6</u>		Lock Nut, 5/16" - 18.....	2
12	<u>887364</u>		Master Cylinder	1
13	<u>612706</u>		Master Cylinder Mount Weldment	1
14	<u>11098G5</u>		Lock Nut, 3/8" - 16.....	1
15	<u>00679G1</u>		Lock Washer (SS), 3/8"	2
16				
17	<u>641826</u>		Lower Actuator Pivot.....	1
18	<u>612704</u>		Actuator Assembly Cover.....	1
19	<u>01038G01</u>		Hex Washer Head Swageform Screw, 1/4" - 20 X .7" Lg.....	3
20				
21	<u>00414G6</u>		Hex Head Bolt, 1/4" - 20 X 3/4" Lg. Grade 5.....	2
22	<u>14390G4</u>		Lock Nut, 1/4" - 20	2
23	<u>10387G3</u>		Cotter Pin, .094" X .75" Lg	2
24	<u>17838G1</u>		Nylon Bushing, .37" O.D. X .31" I.D.....	2
25	<u>608943</u>		Actuator Linkage	1
26	<u>00771G5</u>		Flat Washer, 3/8" (Not Illustrated)	1
27				
28	<u>10386G3</u>		Clevis Pin, 5/16" X 13/16" Lg	2

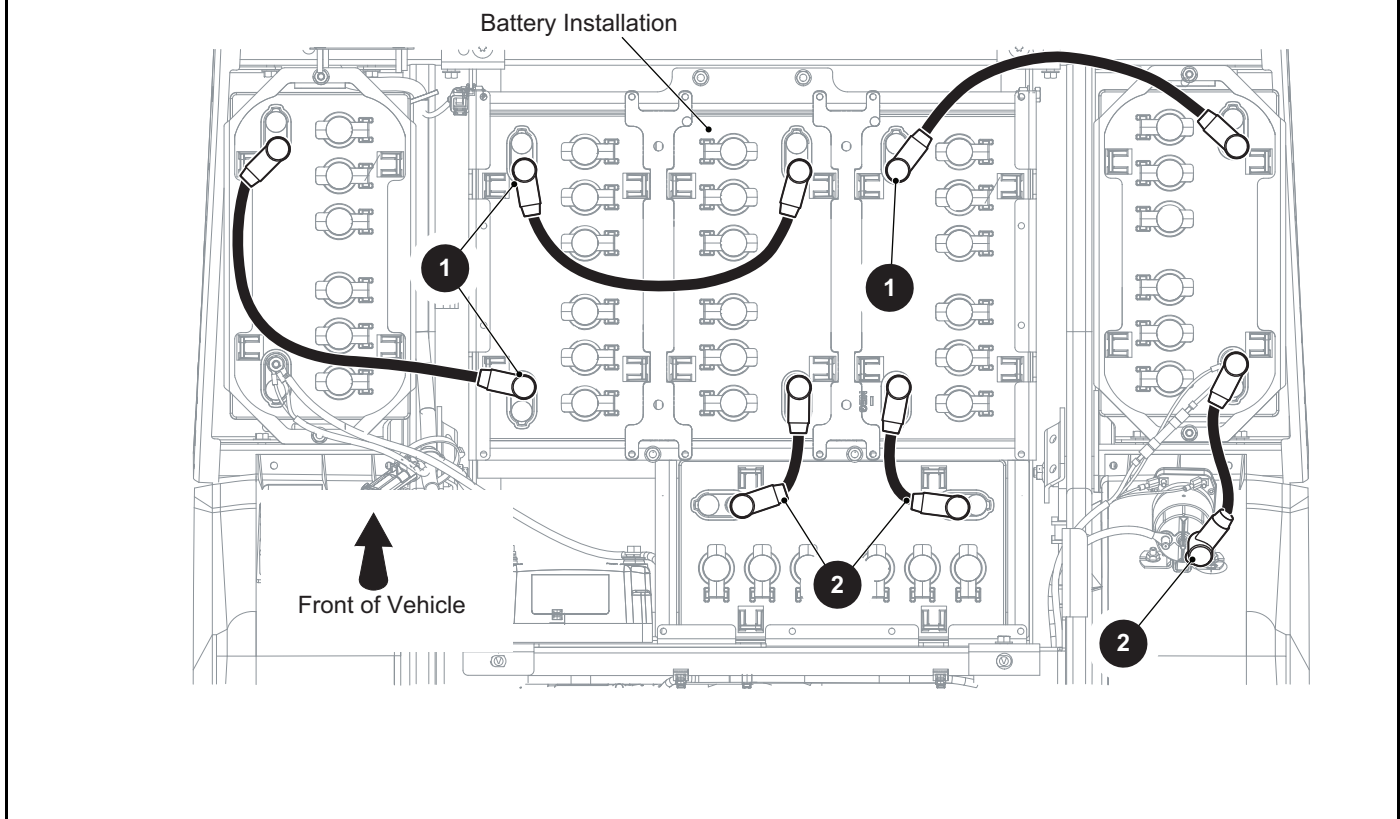
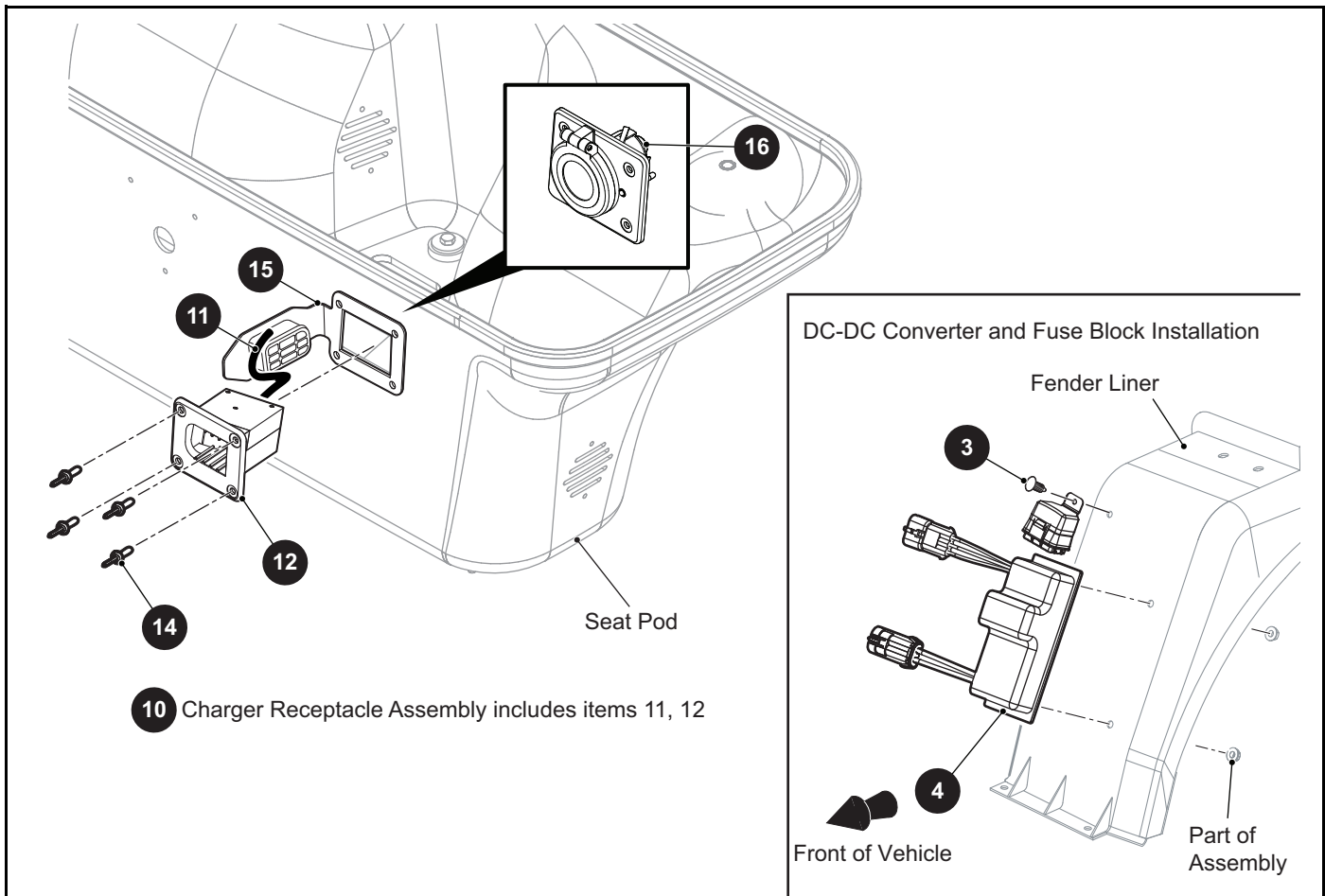
THE USE OF NON U.L. PARTS WILL VOID ANY U.L. LISTING.

When ordering parts, please specify the model and serial number of the product.

* Indicates a component that is not available as an individual part.

*** Indicates consult Customer Service Department for additional information.

ITEM	PART NO.	1 2 3 4 5	DESCRIPTION	QTY.
1	<u>647050</u>		Battery (12V).....	6
2				
3	<u>01101G01</u>		Tie Down Bolt	2
4	<u>11027G1</u>		Flanged Lock Nut, 5/16" - 18	2
5				
6	<u>70386G01</u>		Battery Tie Down Bolt, 5/16" - 18 x 2" Lg	6
7	<u>11027G1</u>		Flanged Lock Nut, 5/16" - 18	6
8	<u>23726G2</u>		Spacer, .5" O.D. x .25" I.D. x .26" Lg	2
9				
10	<u>658565</u>		Battery Hold Down	1
11	<u>631988</u>		Battery Hold Down	2
12				
13	<u>659514</u>		Battery Rack	1
14				
15	<u>70200G01</u>		Truss Head Torx Screw, 3/8" - 16 x 3/4" Lg	2
16				
17	00438G6		Hex Head Bolt, 5/16" - 18 x 3/4" Lg, Grade 5	2
18	00559G8		Flat Washer, 5/16"	2
19	11098G6		Lock Nut, 5/16" - 18	2
20				
21	<u>00715G2</u>		Hex Washer Head Bolt, 5/16" - 18 x 3/4" Lg	3
22	<u>00702G2</u>		Hex Nut, 5/16" - 18	2
23				
24				
25	<u>631156</u>		Terminal Protector	12
26				
27	<u>620820</u>		Hydro-link Snake Assembly	1
28	<u>630974</u>		Battery Fill Snake	1
29	<u>614521</u>		Regulated Hose, 20ft Kit	1
30	<u>676122</u>		Trojan Hand Pump Kit	1



THE USE OF NON U.L. PARTS WILL VOID ANY U.L. LISTING.

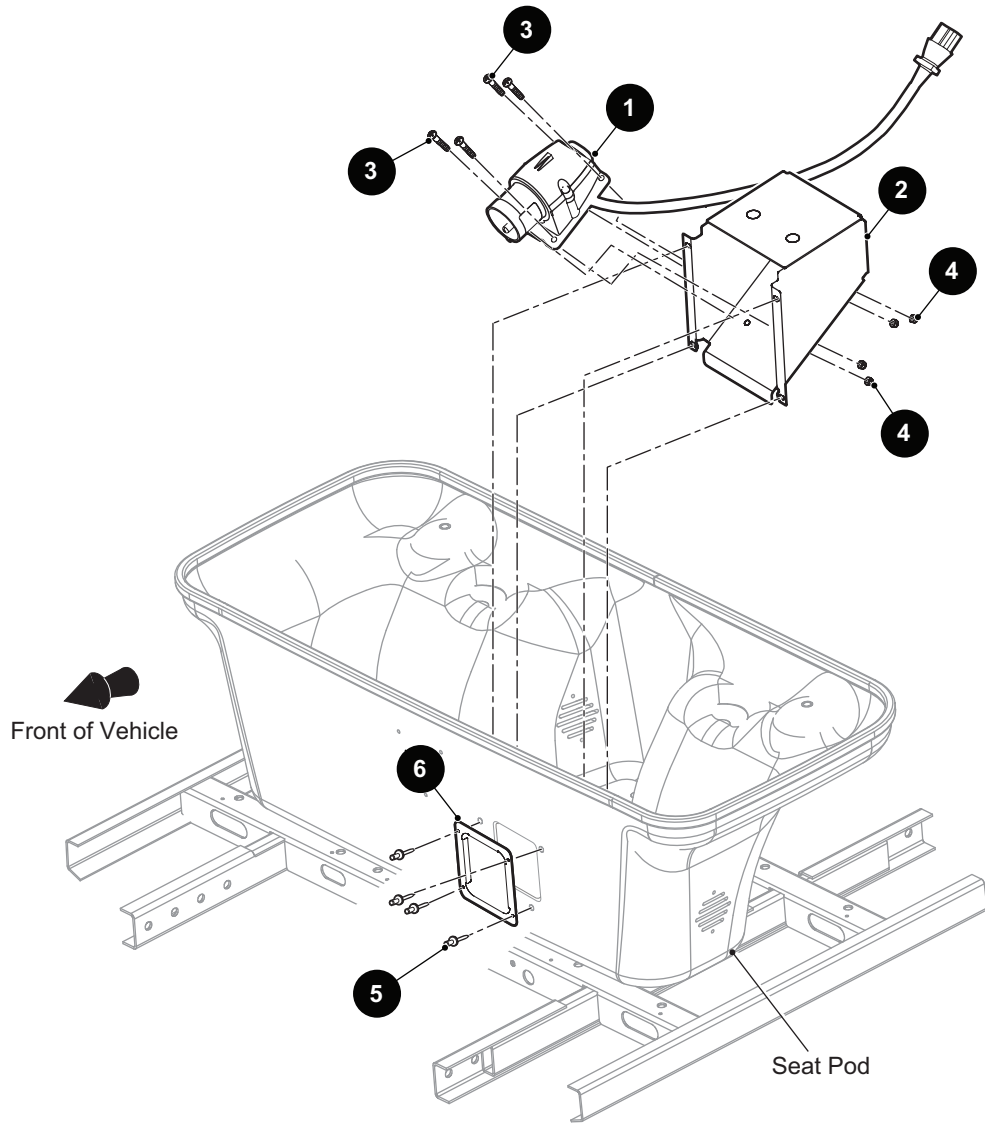
When ordering parts, please specify the model and serial number of the product.

* Indicates a component that is not available as an individual part.

*** Indicates consult Customer Service Department for additional information.

ITEM	PART NO.	1 2 3 4 5	DESCRIPTION	QTY.
1	<u>634270G03</u>		#4 AWG Battery Wire, 15" Lg.....	3
2	<u>634270G01</u>		#4 AWG Battery Wire, 6" Lg.....	3
3	<u>16816G2</u>		Ratchet Rivet, .25" x .887"	1
4	<u>633778</u>		DC-DC Converter (72V).....	1
5				
6				
7				
8				
9				
10	<u>671655</u>		Charger Receptacle Assembly (Includes Items 11, 12)	1
11	<u>669167</u>		Receptacle Harness	1
12	<u>663285</u>		Charger Receptacle.....	1
13				
14	<u>71055G01</u>		Rivet (Aluminum), 5/32"	4
15	<u>660162</u>		Receptacle Cover	1
16	<u>610536</u>		Charger Receptacle (On Board Charger)	1

For CE Vehicles Only



THE USE OF NON U.L. PARTS WILL VOID ANY U.L. LISTING.

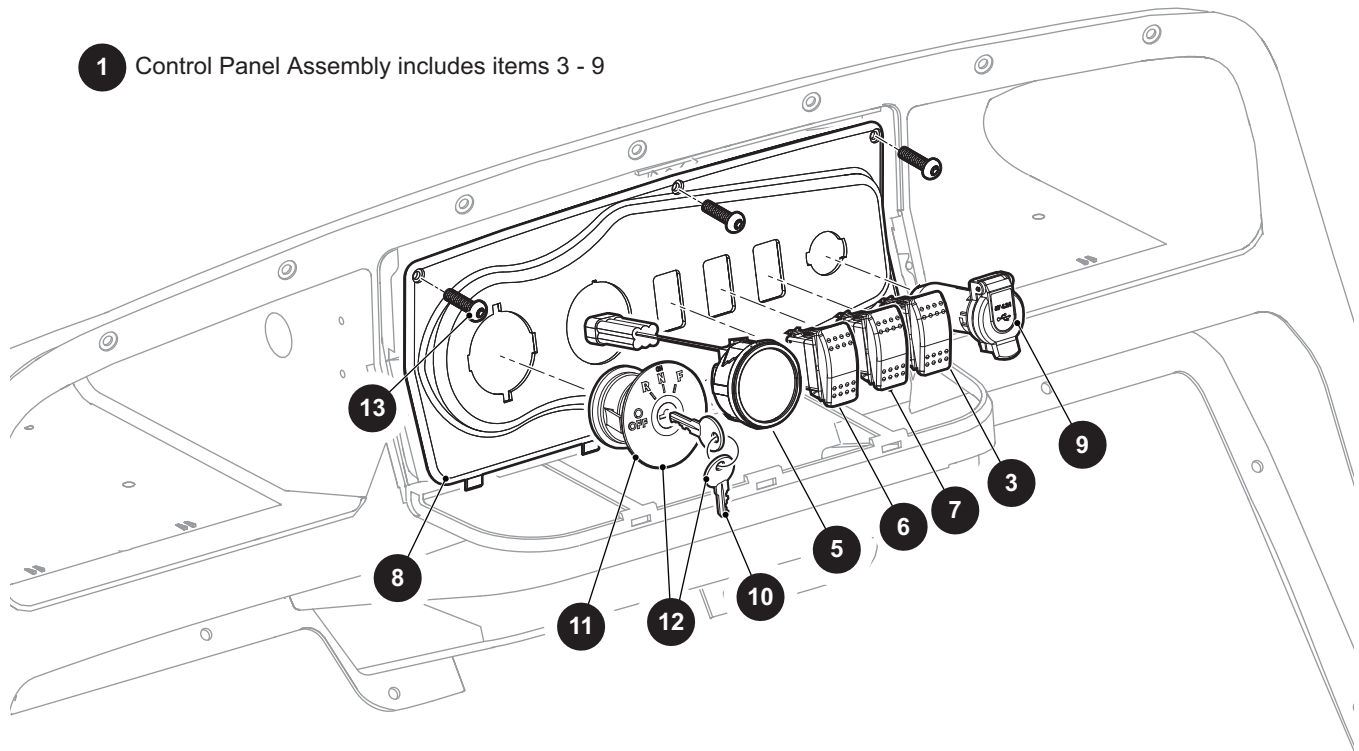
When ordering parts, please specify the model and serial number of the product.

* Indicates a component that is not available as an individual part.

*** Indicates consult Customer Service Department for additional information.

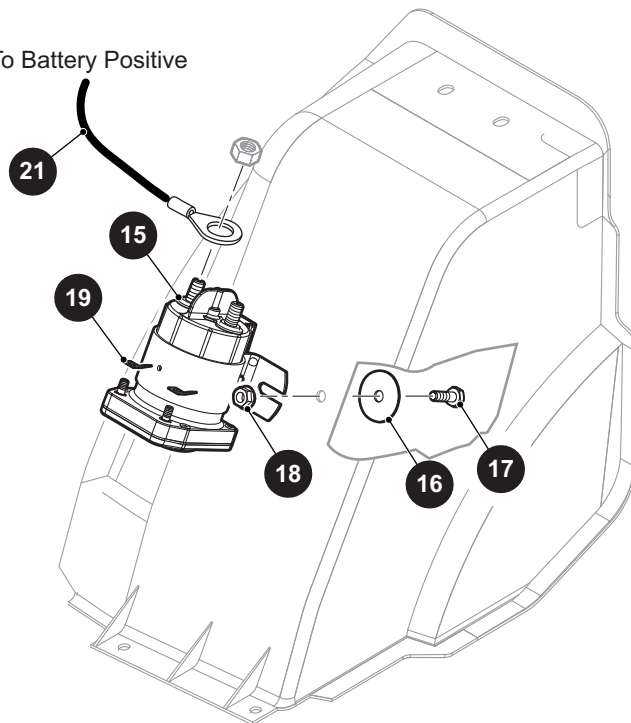
ITEM	PART NO.	1 2 3 4 5	DESCRIPTION	QTY.
1	<u>638478</u>		Receptacle, AC	1
2	<u>639167</u>		Receptacle Bracket.....	1
3	<u>00379G4</u>		Pan Head Phillips Screw, #10 - 24 x 1/2" Lg.....	4
4	<u>14390G10</u>		Lock Nut, #10 - 24.....	4
5	14601G13		Rivet, 5/32" x 9/16" Lg.....	4
6	<u>639412</u>		Cover Plate	1

1 Control Panel Assembly includes items 3 - 9



Front of Vehicle

To Battery Positive



Solenoid Installation

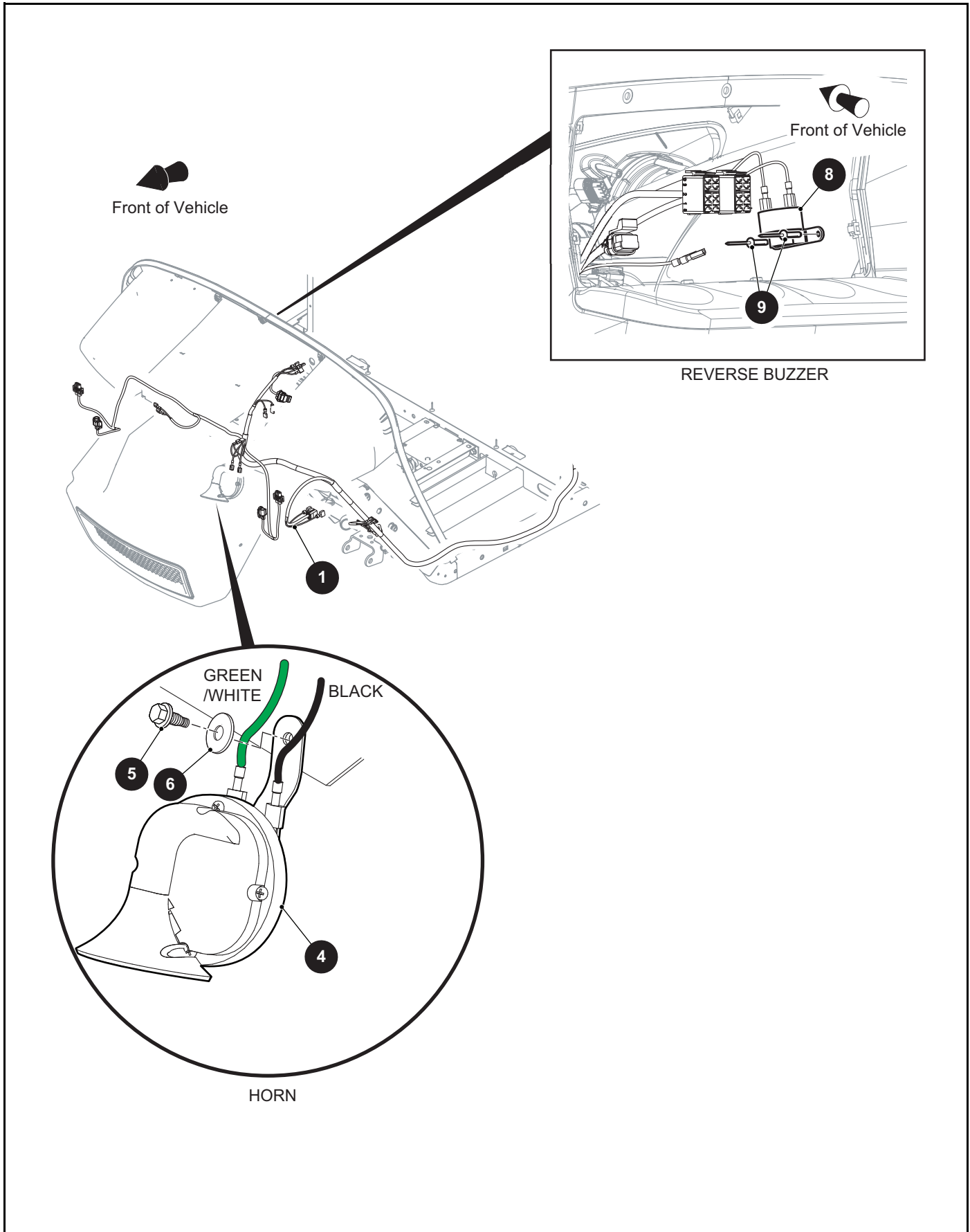
THE USE OF NON U.L. PARTS WILL VOID ANY U.L. LISTING.

When ordering parts, please specify the model and serial number of the product.

* Indicates a component that is not available as an individual part.

*** Indicates consult Customer Service Department for additional information.

ITEM	PART NO.	1 2 3 4 5	DESCRIPTION	QTY.
1	628708G11		Control Panel Assembly (Includes Items 3 - 9)	1
2				
3	<u>651897G01</u>		Horn Switch	1
4				
5	<u>667014G01</u>		State of Charge Meter	1
6	<u>651897G06</u>		Speed Rocker Switch	1
7	<u>651897G05</u>		Lights Rocker Switch	1
8	<u>626655G06</u>		Control Panel	1
9	<u>651901</u>		12V USB Port	1
10	<u>611282</u>		Common Key Set.....	1
11	<u>611283</u>		Key Switch Set.....	1
12	<u>609692</u>		Key Set and Key Switch.....	1
13	<u>608290</u>		Self Tapping Screw, #10 - 16 x .780" Lg	3
14				
15	<u>621330</u>		Solenoid	1
16	<u>16469G1</u>		Fender Washer	2
17	<u>00414G6</u>		Hex Head Bolt, 1/4" - 20 x .25" Lg	2
18	<u>11027G2</u>		Flanged Lock Nut, 1/4" - 20	2
19	<u>12914G1</u>		Faston Tab	2
20				
21	634270G02		#4 AWG Battery Wire, 9" Lg.....	1



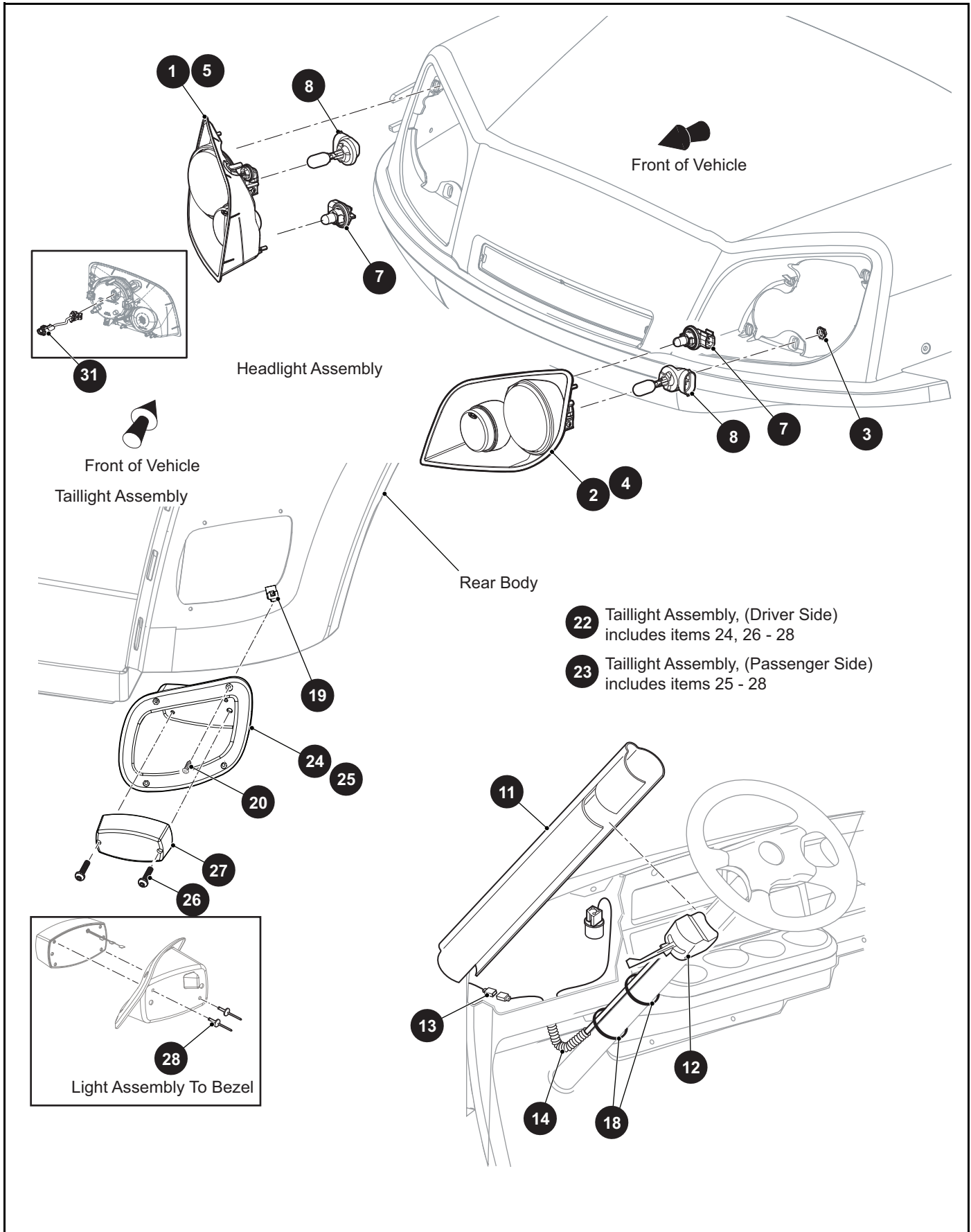
THE USE OF NON U.L. PARTS WILL VOID ANY U.L. LISTING.

When ordering parts, please specify the model and serial number of the product.

* Indicates a component that is not available as an individual part.

*** Indicates consult Customer Service Department for additional information.

ITEM	PART NO.	1 2 3 4 5	DESCRIPTION	QTY.
1	<u>669056</u>		Control Harness	1
2				
3				
4	32860G01		Horn	1
5	<u>01038G01</u>		Hex Washer Head Swageform Screw, 1/4" - 20 X .70" Lg.....	1
6	<u>16469G1</u>		Fender Washer	1
7				
8	<u>613271</u>		Reverse Buzzer.....	1
9	<u>01041G01</u>		Rivet (Bulbex), 5/32"	2
10	<u>17618G1</u>		Nylon Clamp, 7" Lg (Not Illustrated).....	9
11				
12	<u>664780</u>		Turn Signal Lights Jumper Harness (Not Illustrated)	1



THE USE OF NON U.L. PARTS WILL VOID ANY U.L. LISTING.

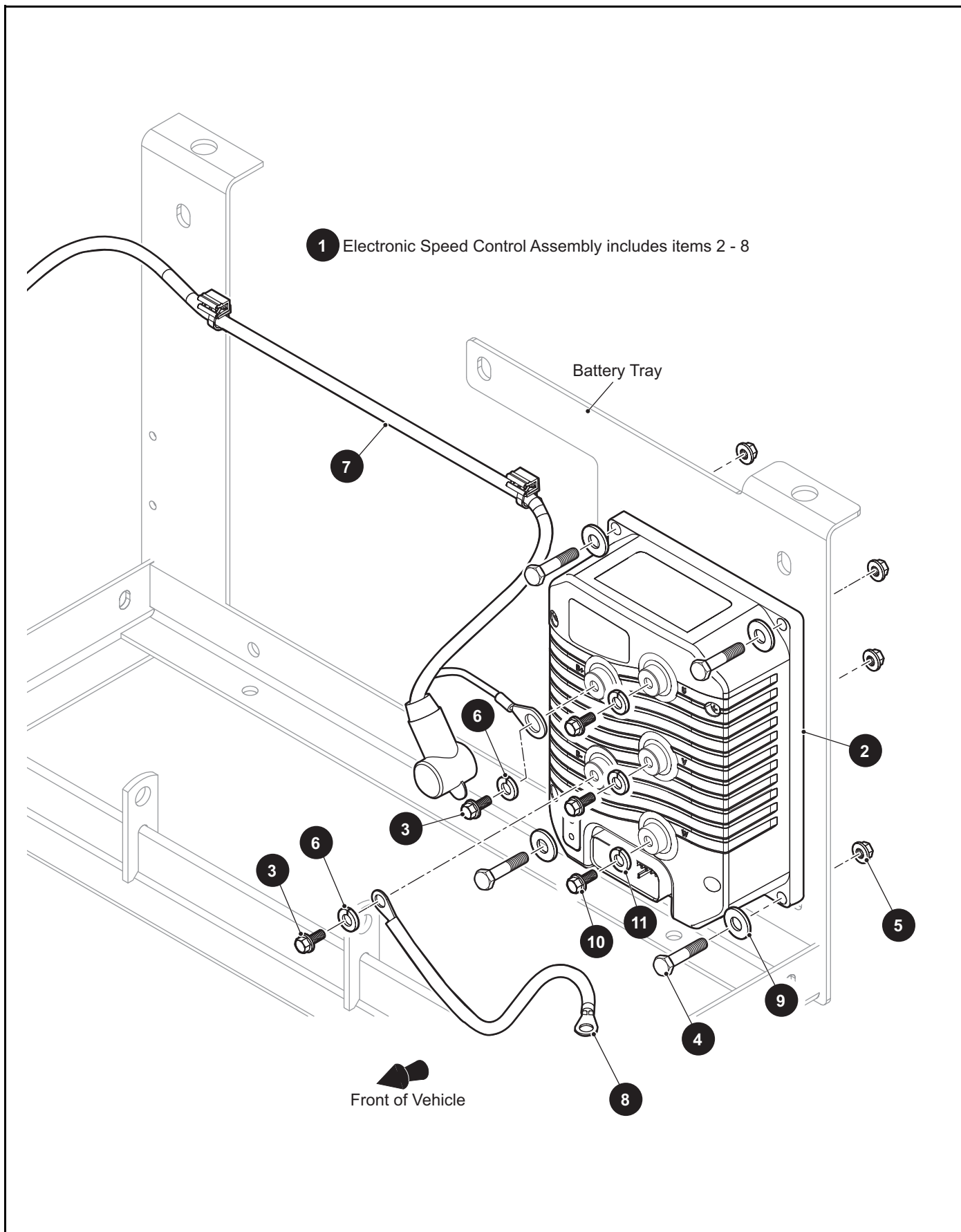
When ordering parts, please specify the model and serial number of the product.

* Indicates a component that is not available as an individual part.

*** Indicates consult Customer Service Department for additional information.

ITEM	PART NO.	1 2 3 4 5	DESCRIPTION	QTY.
1	<u>659008</u>		LED Headlight Assembly (Passenger Side).....	1
2	<u>659009</u>		LED Headlight Assembly (Driver Side)	1
3	<u>71597G01</u>		Self Threading Nut, 5mm x 10mm x 15mm.....	4
4	<u>644877</u>		Headlight Assembly (Driver Side)	1
5	<u>644876</u>		Headlight Assembly (Passenger Side).....	1
6				
7	<u>619102</u>		Turn Signal Bulb	1
8	<u>619100</u>		Headlight Bulb (For Non LED Lights Only)	1
9				
10				
11	<u>20965G3</u>		Steering Column Cover.....	1
12	<u>615236</u>		Turn Signal Switch Assembly with Horn.....	1
13	<u>664706</u>		Horn Jumper Harness	1
14	<u>17313G1</u>		Flex Loom	1
15				
16				
17				
18	<u>31539G1</u>		Nylon Clamp, 5.5" Lg	2
19	71364G02		"J" Type Nut, #8	4
20	71425G01		Tapping Screw, #8 - 18 X 3/4" Lg.....	4
21	<u>71781G02</u>		Tape (Vinyl) (Not Illustrated)	1
22	655150		Taillight Assembly (Driver Side) (Includes Items 24, 26 - 28).....	1
23	655152		Taillight Assembly (Passenger Side) (Includes Items 25 - 28)	1
24	<u>625251</u>		Taillight Bezel (Driver Side)	1
25	625252		Taillight Bezel (Passenger Side).....	1
26	00513G4		Pan Head Phillips Screw, #8 - 18 X 3/4" Lg.....	2
27	22288G1		Taillight Assembly.	1
28	14601G11		Rivet (Aluminum), 3/16" X 9/16"	2
29				
30				
31	<u>654465</u>		LED Jumper Harness	1

ELECTRONIC SPEED CONTROL



ELECTRONIC SPEED CONTROL

THE USE OF NON U.L. PARTS WILL VOID ANY U.L. LISTING.

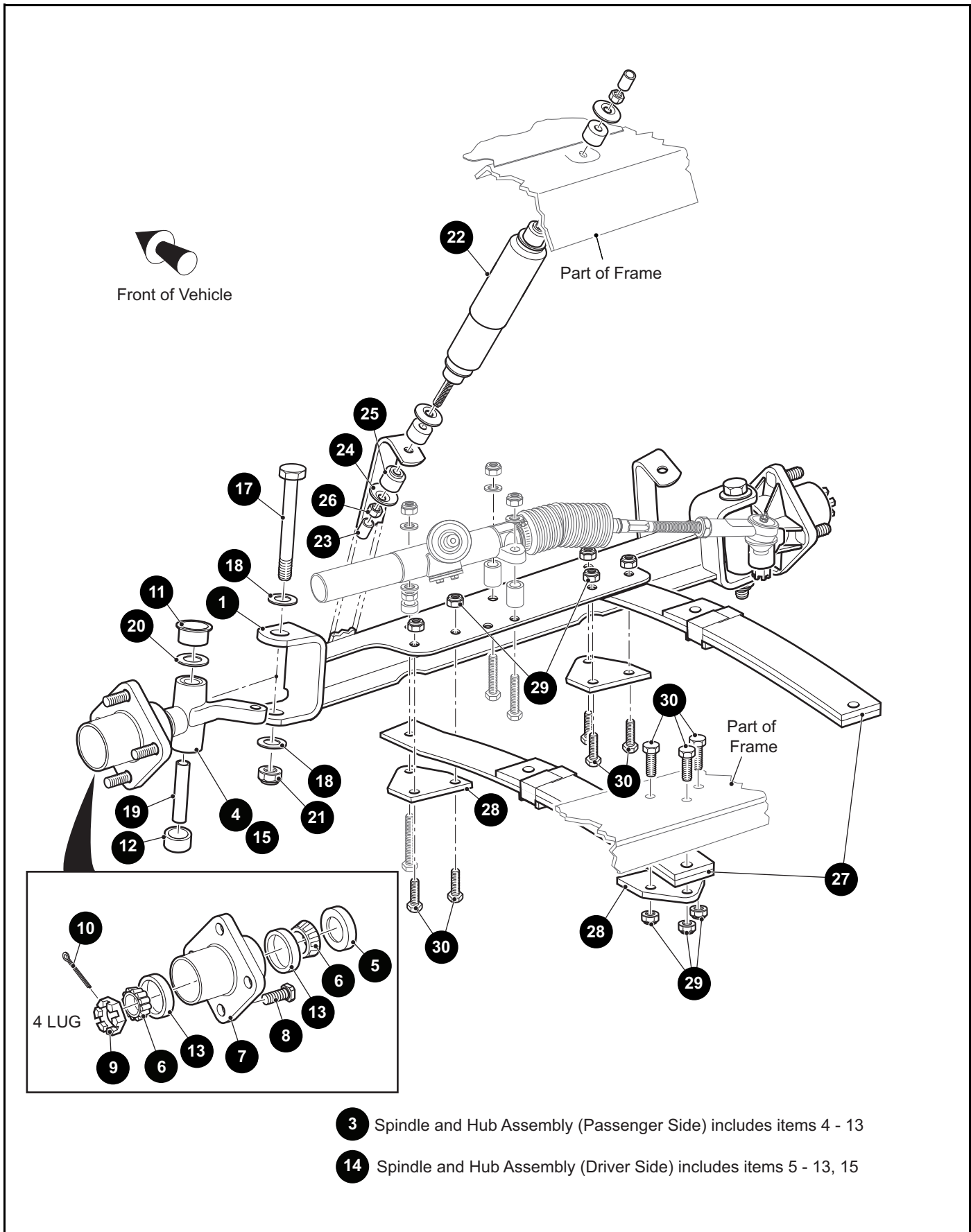
When ordering parts, please specify the model and serial number of the product.

* Indicates a component that is not available as an individual part.

*** Indicates consult Customer Service Department for additional information.

ITEM	PART NO.	1 2 3 4 5	DESCRIPTION	QTY.
FOR VEHICLES WITH 1234E CONTROLLER				
1	689935		Electronic Speed Control Assembly (Includes Items 2 - 8)	1
2	682377		Controller, 1234SE, Blank	1
3	<u>73876G01</u>		Flanged Hex Head Bolt, M6 - 1 x 12mm Lg	2
4	<u>00797G2</u>		Hex Head Bolt, 1/4" - 20 x 1 1/4" Lg, Grade 8	4
5	<u>11027G2</u>		Flanged Lock Nut, 1/4" - 20	4
6	<u>606272</u>		Lock Washer, 8mm	2
7	<u>634210G13</u>		Battery Wire, 4 AWG, 34" Lg	1
8	<u>634270G04</u>		Battery Wire, 4 AWG, 22" Lg	1
9				
10	<u>73876G01</u>		Flanged Hex Head Bolt, M6 - 1 x 12mm Lg	3
11	<u>606272</u>		Lock Washer, 8mm	3
FOR VEHICLES WITH 1236E CONTROLLER				
1	684217		Electronic Speed Control Assembly (Includes Items 2 - 8)	1
2	<u>683003G003</u>		Controller, 1236E-AC, 350A	1
3	<u>606262</u>		Flanged Hex Head Bolt, M8 - 1.25 x 16mm Lg	2
4	<u>00797G2</u>		Hex Head Bolt, 1/4" - 20 x 1 1/4" Lg, Grade 8	4
5	<u>11027G2</u>		Flanged Lock Nut, 1/4" - 20	4
6	<u>606272</u>		Lock Washer, 8mm	2
7	<u>634210G13</u>		Battery Wire, 4 AWG, 34" Lg	1
8	<u>634270G04</u>		Battery Wire, 4 AWG, 22" Lg	1
9	<u>00642G7</u>		Flat Washer, 1/4"	4
10	<u>73876G01</u>		Flanged Hex Head Bolt, M6 - 1 x 12mm Lg	3
11	<u>606272</u>		Lock Washer, 8mm	3

FRONT SUSPENSION AND STEERING



FRONT SUSPENSION AND STEERING

THE USE OF NON U.L. PARTS WILL VOID ANY U.L. LISTING.

When ordering parts, please specify the model and serial number of the product.

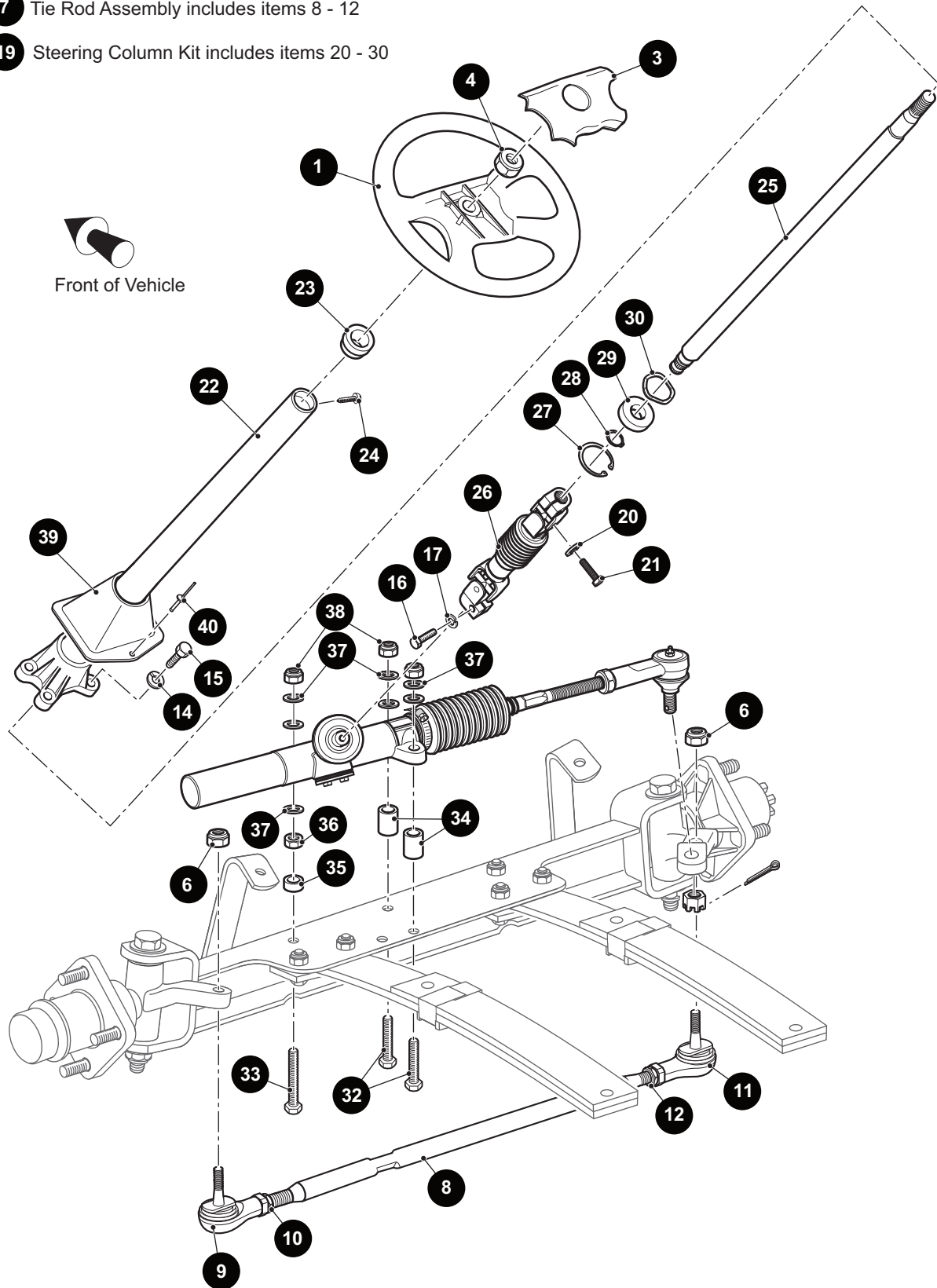
* Indicates a component that is not available as an individual part.

*** Indicates consult Customer Service Department for additional information.

ITEM	PART NO.	1 2 3 4 5	DESCRIPTION	QTY.
1	<u>602512</u>		Front Axle	1
2				
3	<u>70942G03</u>		Spindle and Hub Assembly, 4 Lug (Passenger Side) (Includes Items 4 - 13).	1
4	<u>70940G02</u>		Spindle Assembly (Passenger Side)	1
5	<u>25146G1</u>		Grease Seal.....	1
6	<u>11750G2</u>		Roller Bearing.....	2
7	<u>70589G01</u>		Wheel Hub.....	1
8	<u>19862G1</u>		Lug Bolt, 1/2" - 20 x 1 3/16" Lg.....	4
9	<u>12093G1</u>		Castellated Nut, 1" - 14.....	1
10	<u>00798G8</u>		Cotter Pin, 5/32" x 1 3/4" Lg	1
11	<u>632925</u>		Flanged Bushing.....	1
12	<u>632926</u>		Bushing.....	1
13	<u>51141G1</u>		Race Bearing.....	2
14	<u>70673G03</u>		Spindle and Hub Assembly, 4 Lug (Driver Side) (Includes Items 5 - 13, 15) ..	1
15	<u>70742G02</u>		Spindle Assembly (Driver Side)	1
16				
17	<u>00407G6</u>		Hex Head Bolt, 1/2" - 13 x 6" Lg, Grade 5	1
18	<u>00560G3</u>		Flat Washer, 1/2".....	2
19	<u>70745G01</u>		King Pin Tube.....	1
20	<u>70754G01</u>		Thrust Washer (SS), 1"	1
21	<u>14390G6</u>		Lock Nut, 1/2" - 13	1
22	<u>76419G01</u>		Shock Absorber.....	2
23	<u>10044G01</u>		Vinyl Cap.....	2
24	<u>10435G1</u>		Shock Absorber Washer	4
25	<u>10194G1</u>		Rubber Bushing	4
26	<u>00532G6</u>		Hex Nut, 3/8" - 24.....	2
27	<u>70989G03</u>		Leaf Spring.....	2
28	<u>652258</u>		Spring Plate.....	4
29	<u>00734G1</u>		Lock Nut, 7/16" - 14	11
30	<u>00463G11</u>		Hex Head Bolt, 7/16" - 14 x 1 3/4" Lg, Grade 5	11

FRONT SUSPENSION AND STEERING

- 7** Tie Rod Assembly includes items 8 - 12
- 19** Steering Column Kit includes items 20 - 30



FRONT SUSPENSION AND STEERING

THE USE OF NON U.L. PARTS WILL VOID ANY U.L. LISTING.

When ordering parts, please specify the model and serial number of the product.

* Indicates a component that is not available as an individual part.

*** Indicates consult Customer Service Department for additional information.

ITEM	PART NO.	1 2 3 4 5	DESCRIPTION	QTY.
1	<u>602980</u>		Steering Wheel (Premium).....	1
2				
3	<u>71147G01</u>		Steering Wheel Cover.....	1
4	<u>14390G2</u>		Lock Nut, 5/8" - 18	1
5				
6	<u>00734G1</u>		Lock Nut, 7/16" - 14	2
7	<u>74604G01</u>		Tie Rod Assembly (Includes Items 8 - 12)	1
8	<u>74603G01</u>		Threaded Rod.....	1
9	<u>70902G01</u>		Tie Rod End (Left Hand Threads).....	1
10	<u>01069G01</u>		Jam Nut, M12 x 1.25 (Left Hand Threads)	1
11	<u>70902G02</u>		Tie Rod End (Right Hand Threads)	1
12	<u>01069G02</u>		Jam Nut, M12 x 1.25 (Right Hand Threads).....	1
13				
14	<u>00879G1</u>		Lock Washer, 3/8"	4
15	<u>01006G01</u>		Hex Washer Head Bolt, 3/8" - 16 x 1 1/4" Lg	4
16	<u>01055G01</u>		Hex Head Bolt, M8 - 1.25 x 1.18" Lg, Grade 5.....	1
17	<u>00565G8</u>		Lock Washer, 5/16"	1
18				
19	<u>70758G05</u>		Steering Column Kit (Includes Items 20 - 30)	1
20	<u>00565G8</u>		Lock Washer, 5/16".....	1
21	<u>01055G01</u>		Hex Head Bolt, M8 - 1.25 x 1.18" Lg, Grade 5	1
22	<u>70610G03</u>		Steering Column.....	1
23	<u>28569G01</u>		Steering Column Bushing.....	1
24	<u>01022G01</u>		Hex Washer Head Screw, #6 - 20 x 5/16" Lg	1
25	<u>70607G01</u>		Steering Shaft.....	1
26	<u>70580G01</u>		Intermediate Shaft	1
27	<u>70751G01</u>		Retaining Ring (Internal).....	1
28	<u>70888G01</u>		Retaining Ring (External)	1
29	<u>15112G1</u>		Ball Bearing	1
30	<u>70887G01</u>		Wave Washer	1
31				

FRONT SUSPENSION AND STEERING

THE USE OF NON U.L. PARTS WILL VOID ANY U.L. LISTING.

When ordering parts, please specify the model and serial number of the product.

* Indicates a component that is not available as an individual part.

*** Indicates consult Customer Service Department for additional information.

ITEM	PART NO.	1 2 3 4 5	DESCRIPTION	QTY.
32	<u>00464G8</u>		Hex Head Bolt, 7/16" - 14 x 2 3/4" Lg, Grade 5.....	2
33	<u>01068G01</u>		Hex Head Bolt, 7/16" - 14 x 3 1/2" Lg, Grade 5.....	1
34	<u>70667G02</u>		Spacer, 1.21"	2
35	<u>70667G04</u>		Spacer (Short), .69"	1
36	<u>00532G7</u>		Hex Nut, 7/16" - 14	1
37	<u>00560G2</u>		Flat Washer, 7/16"	7
38	<u>00734G1</u>		Lock Nut, 7/16" - 14	3
39	<u>70997G01</u>		Cover	1
40	<u>71055G01</u>		Rivet (Aluminum), 3/16" x 1" Lg.....	1

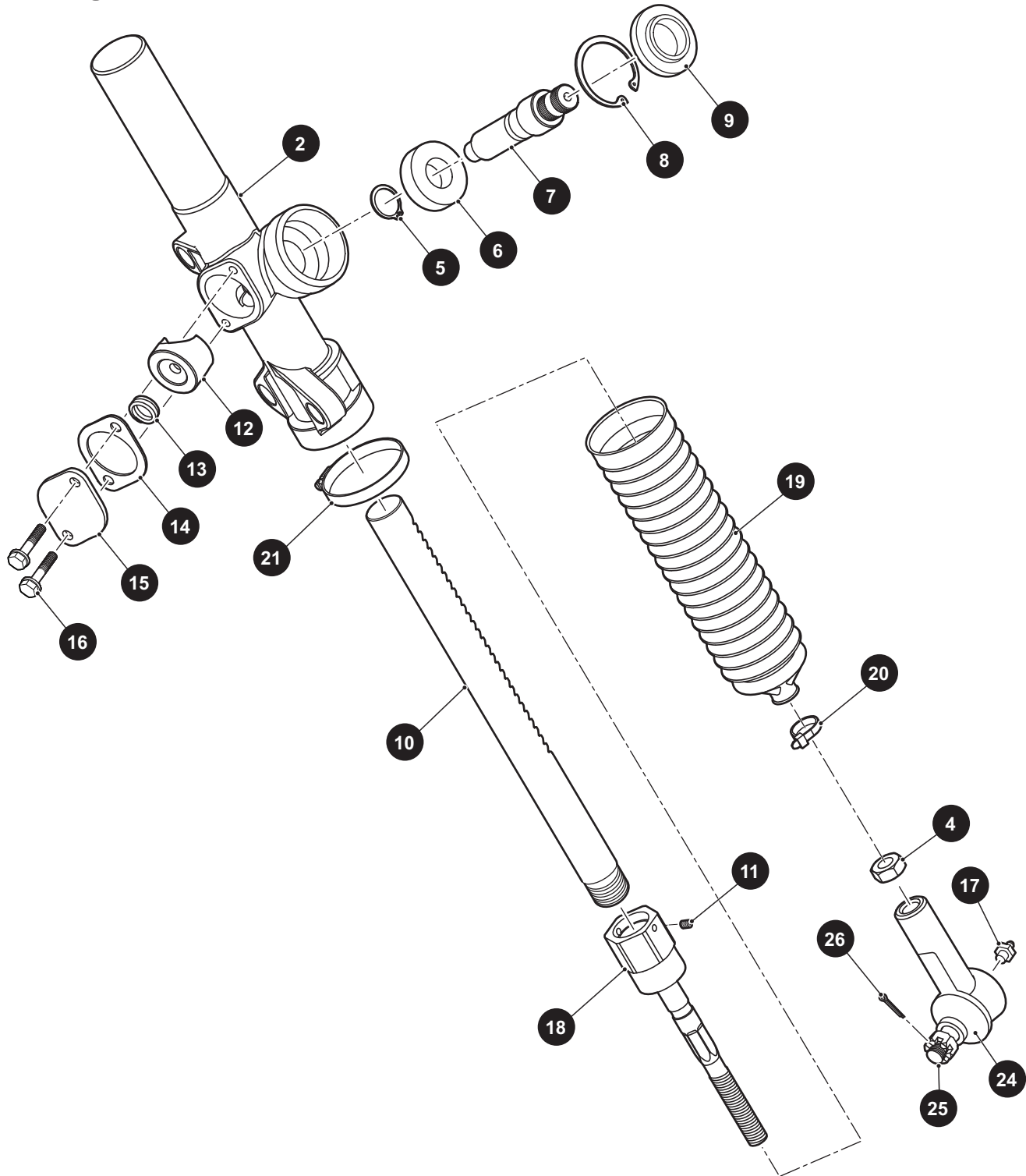
Notes:

A large grid of graph paper, consisting of 28 columns and 38 rows of small squares, intended for taking notes on the subject of front suspension and steering.

FRONT SUSPENSION AND STEERING

1 Rack and Pinion Unit includes items 2 - 23

23 Tie Rod End (Outer) includes items 24 - 25



FRONT SUSPENSION AND STEERING

THE USE OF NON U.L. PARTS WILL VOID ANY U.L. LISTING.

When ordering parts, please specify the model and serial number of the product.

* Indicates a component that is not available as an individual part.

*** Indicates consult Customer Service Department for additional information.

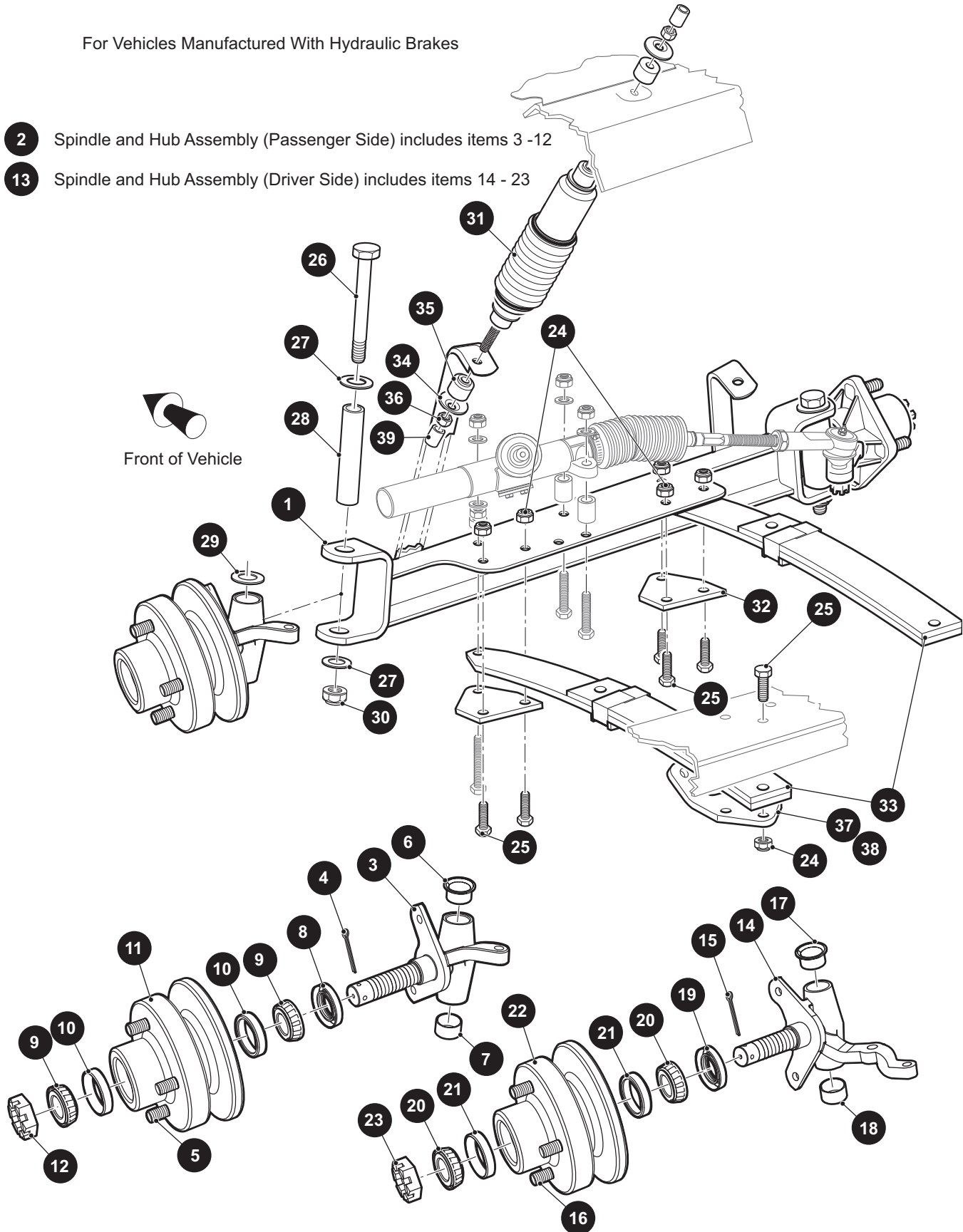
ITEM	PART NO.	1 2 3 4 5	DESCRIPTION	QTY.
1	<u>74605G01</u>		Rack and Pinion Unit (Includes Items 2 - 23).....	1
2	<u>70965G01</u>		Steering Rack Cover and Bearing.....	1
3				
4	*		Jam Nut, 1/2" - 20.....	1
5	<u>70750G01</u>		Retaining Ring (External)	1
6	<u>15112G1</u>		Ball Bearing	1
7	<u>70603G01</u>		Pinion.....	1
8	<u>70751G01</u>		Retaining Ring (Internal).....	1
9	<u>70638G01</u>		Seal (Pinion)	1
10	<u>70604G01</u>		Steering Rack.....	1
11	*		Set Screw, #10 - 32 x .25" Lg	1
12	<u>70590G01</u>		Rack Loader	1
13	<u>70666G01</u>		Compression Spring	1
14	<u>70645G01</u>		Gasket (Rack Loader Cover).....	1
15	<u>652259</u>		Cover (Rack Loader)	1
16	<u>71102G01</u>		Hex Washer Head Bolt, 1/4" - 20 x 11/16" Lg, Grade 5.....	2
17	<u>10389G3</u>		Grease Fitting (Straight)	1
18	<u>74602G01</u>		Rod End (Inner)	1
19	<u>70961G01</u>		Rack Boot	1
20	<u>12416G2</u>		Nylon Clamp, 11.8" Lg	1
21	<u>11391G8</u>		Hose Clamp, 1.81".....	1
22				
23	<u>70695G01</u>		Tie Rod End (Outer) (Includes Items 24 - 25).....	1
24	<u>50641G1</u>		Grommet	1
25	*		Hex Slotted Nut, 7/16" - 20	1
26	<u>10387G2</u>		Cotter Pin, 3/32" X 1"	1

FRONT SUSPENSION AND STEERING

For Vehicles Manufactured With Hydraulic Brakes

2 Spindle and Hub Assembly (Passenger Side) includes items 3 -12

13 Spindle and Hub Assembly (Driver Side) includes items 14 - 23



FRONT SUSPENSION AND STEERING

THE USE OF NON U.L. PARTS WILL VOID ANY U.L. LISTING.

When ordering parts, please specify the model and serial number of the product.

* Indicates a component that is not available as an individual part.

*** Indicates consult Customer Service Department for additional information.

ITEM	PART NO.	1 2 3 4 5	DESCRIPTION	QTY.
1	<u>602327</u>		Front Axle	1
2	<u>602288</u>		Spindle And Hub Assembly (Passenger Side) (Includes Items 3 - 12)	1
3	<u>602158</u>		Spindle (Passenger Side).....	1
4	<u>00798G8</u>		Cotter Pin, 5/32" x 1 3/4"	1
5	<u>74864G01</u>		Drive Flange Stud, 1 1/2".....	4
6	<u>632925</u>		Flanged Bushing.....	1
7	<u>632926</u>		Sleeve Bushing.....	1
8	<u>25146G1</u>		Grease Seal.....	1
9	<u>11750G2</u>		Roller Bearing	2
10	<u>51141G1</u>		Bearing Race.....	2
11	<u>630672</u>		Hub - Disc Brake	1
12	12093G1		Slotted Nut, 17/32".....	1
13	<u>602281</u>		Spindle And Hub Assembly (Driver Side) (Includes Items 14 - 23)	1
14	<u>602176</u>		Spindle (Driver Side)	1
15	<u>00798G8</u>		Cotter Pin, 5/32" x 1 3/4"	1
16	<u>74864G01</u>		Drive Flange Stud, 1 1/2".....	4
17	<u>632925</u>		Flanged Bushing.....	1
18	<u>632926</u>		Sleeve Bushing.....	1
19	<u>25146G1</u>		Grease Seal.....	1
20	<u>11750G2</u>		Roller Bearing	2
21	<u>51141G1</u>		Bearing Race.....	2
22	<u>630672</u>		Hub - Disc Brake	1
23	12093G1		Slotted Nut, 17/32".....	1
24	<u>00734G1</u>		Lock Nut, 7/16" - 14	11
25	<u>00463G11</u>		Hex Head Bolt, 7/16" - 14 x 1 1/2" Lg	11
26	<u>00407G6</u>		Hex Head Bolt, 1/2" - 13 x 6" Lg	2
27	<u>00560G3</u>		Flat Washer, 1/2"	4
28	<u>70745G01</u>		King Pin Tube.....	2
29	<u>70754G01</u>		Thrust Washer (SS), 1"	2
30	<u>14390G6</u>		Lock Nut, 1/2" - 13	2

FRONT SUSPENSION AND STEERING

THE USE OF NON U.L. PARTS WILL VOID ANY U.L. LISTING.

When ordering parts, please specify the model and serial number of the product.

* Indicates a component that is not available as an individual part.

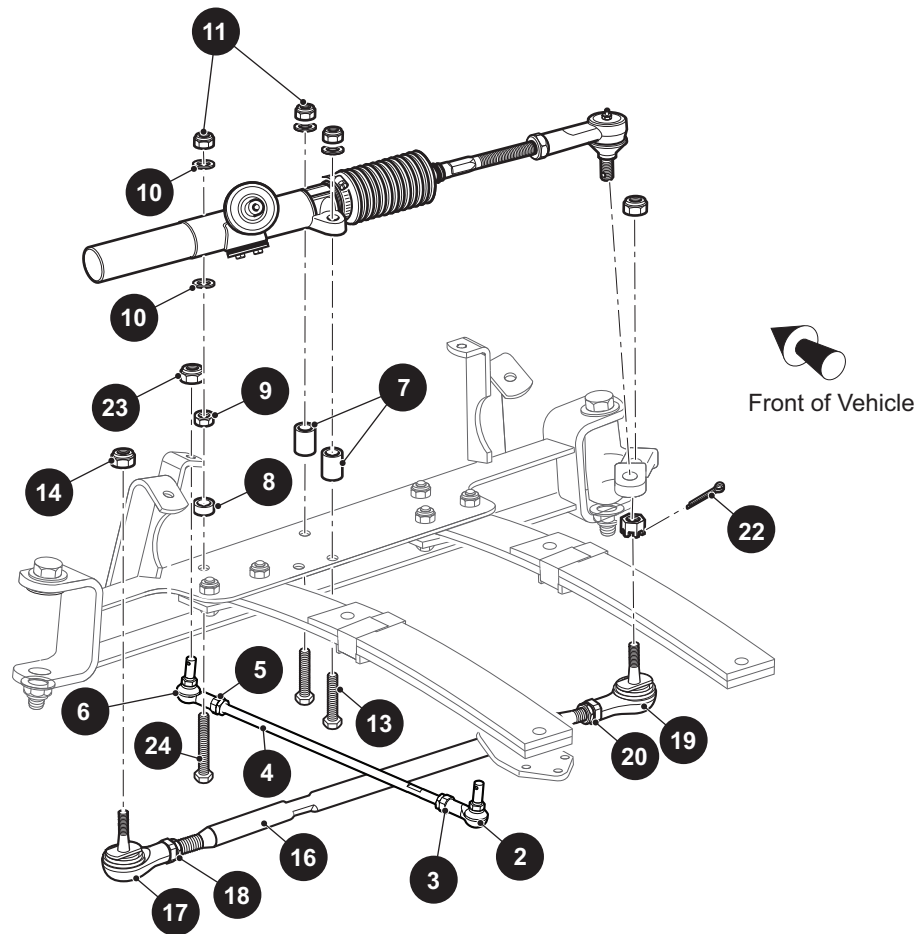
*** Indicates consult Customer Service Department for additional information.

ITEM	PART NO.	1 2 3 4 5	DESCRIPTION	QTY.
31	<u>76419G01</u>		Shock Absorber	2
32	<u>652258</u>		Spring Plate	2
33	<u>70664G03</u>		Leaf Spring (Heavy Duty) (See Part Number On Spring)	2
34	<u>10435G1</u>		Shock Absorber Washer, .406" I.d. x 1.25" O.d.	8
35	<u>10194G1</u>		Rubber Bushing.....	8
36	<u>00532G6</u>		Hex Nut, 1/4" - 20	4
37	<u>74731G01</u>		Spring Plate (Driver Side).....	1
38	<u>74731G02</u>		Spring Plate (Passenger Side)	1
39	<u>10044G01</u>		Vinyl Cap	4

FRONT SUSPENSION AND STEERING

For Vehicles Manufactured With Hydraulic Brakes

- 1 Link Rod Assembly includes items 2 - 6
- 15 Tie Rod Assembly includes items 16 - 20



FRONT SUSPENSION AND STEERING

THE USE OF NON U.L. PARTS WILL VOID ANY U.L. LISTING.

When ordering parts, please specify the model and serial number of the product.

* Indicates a component that is not available as an individual part.

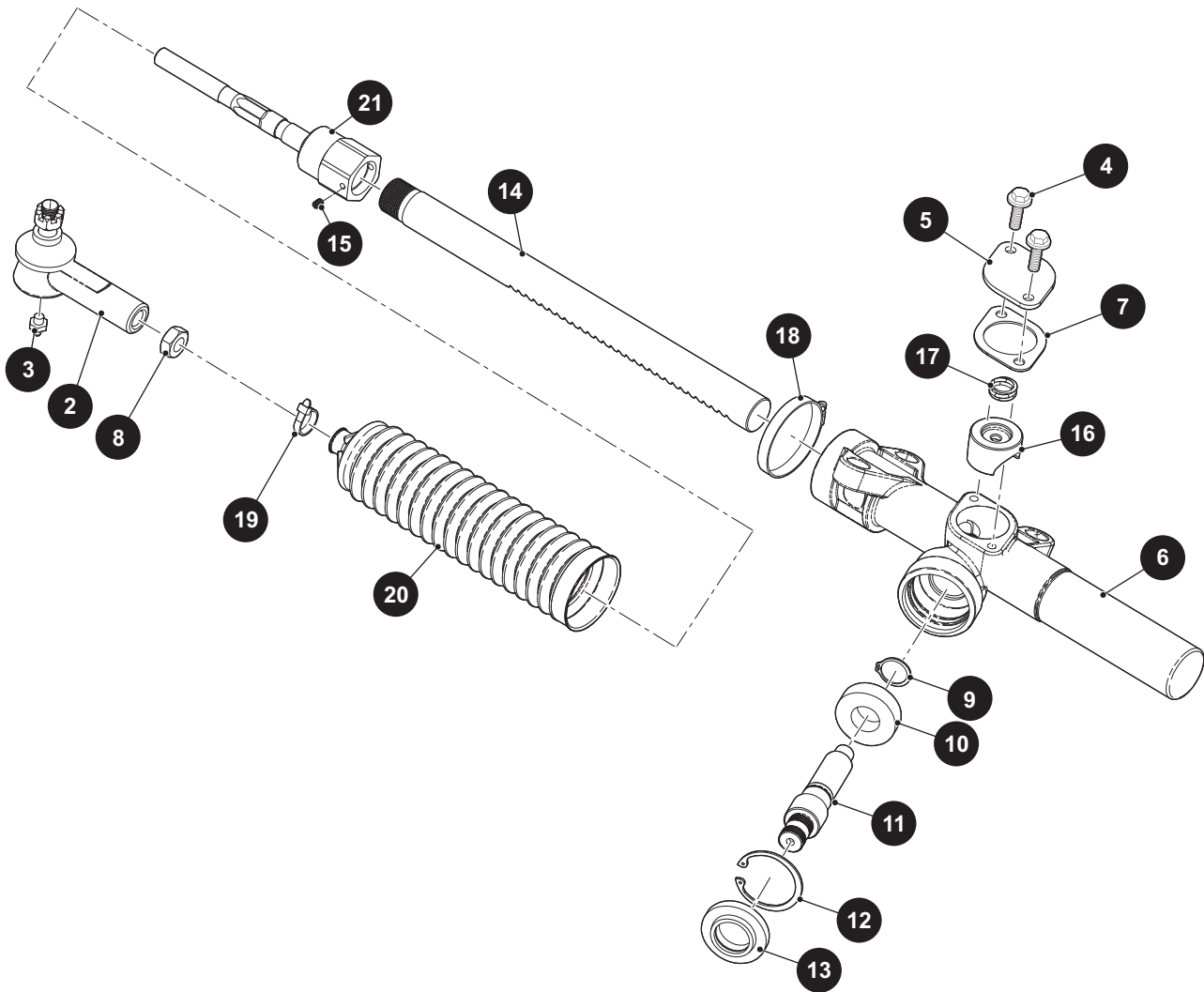
*** Indicates consult Customer Service Department for additional information.

ITEM	PART NO.	1 2 3 4 5	DESCRIPTION	QTY.
1	74730G01		Link Rod Assembly (Includes Items 2 - 6)	2
2	<u>74734G02</u>		Tie Rod End (Right Hand Threads)	1
3	01083G01		Jam Nut, M10 - 1 1/4" (Right Hand Threads)	1
4	618531		Link Rod	1
5	01083G02		Jam Nut, M10 - 1 1/4" (Left Hand Threads).....	1
6	<u>74734G02</u>		Tie Rod End (Left Hand Threads).....	1
7	<u>70667G02</u>		Spacer, 1.21".....	2
8	<u>70667G04</u>		Steering Housing Spacer	1
9	<u>00532G7</u>		Hex Nut, 1/4" - 20.....	1
10	<u>00560G2</u>		Flat Washer, 3/8".....	7
11	<u>00734G1</u>		Lock Nut, 7/16" - 14	3
12				
13	<u>00464G6</u>		Hex Head Bolt, 7/16" - 14 x 2 3/4" Lg	2
14	<u>00734G1</u>		Lock Nut, 7/16" - 14	2
15	<u>70876G02</u>		Tie Rod Assembly (Includes Items 16 - 20)	1
16	<u>70897G02</u>		Threaded Rod (24" Lg)	1
17	<u>70902G01</u>		Tie Rod End (Left Hand Threads).....	1
18	<u>01069G01</u>		Jam Nut, M12 x 1.25 - 05 (Left Hand Threads)	1
19	<u>70902G02</u>		Tie Rod End (Right Hand Threads)	1
20	<u>01069G02</u>		Jam Nut, M12 x 1.25 - 05 (Right Hand Threads).....	1
21				
22	<u>10387G2</u>		Cotter Pin .094" x 1".....	1
23	606279		Flanged Hex Nut, M10 - 1.25.....	4
24	<u>01068G01</u>		Hex Head Bolt, 7/16" - 14 x 3 1/2" Lg	1

FRONT SUSPENSION AND STEERING

For Vehicles Manufactured With Hydraulic Brakes

1 Rack and Pinion Unit Assembly includes items 2 - 21



FRONT SUSPENSION AND STEERING

THE USE OF NON U.L. PARTS WILL VOID ANY U.L. LISTING.

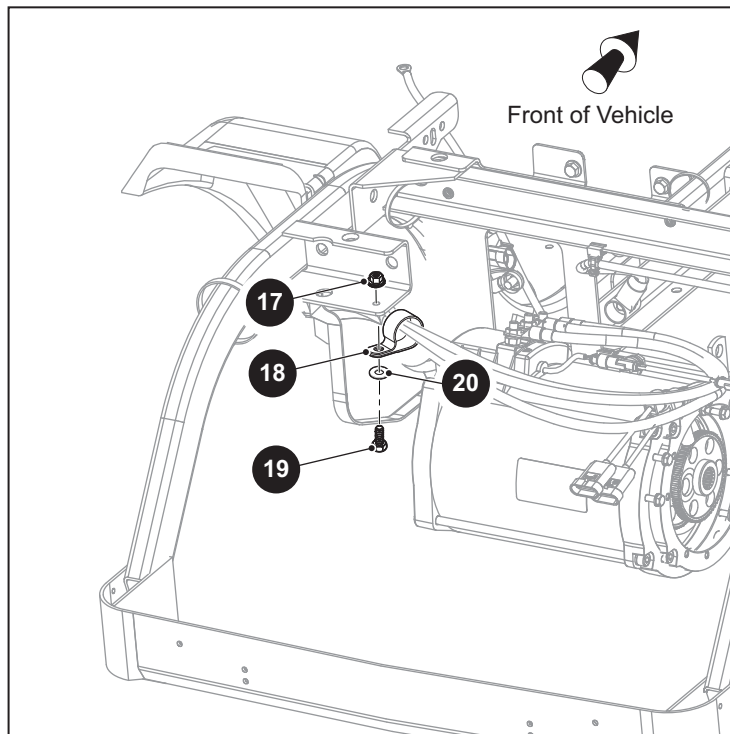
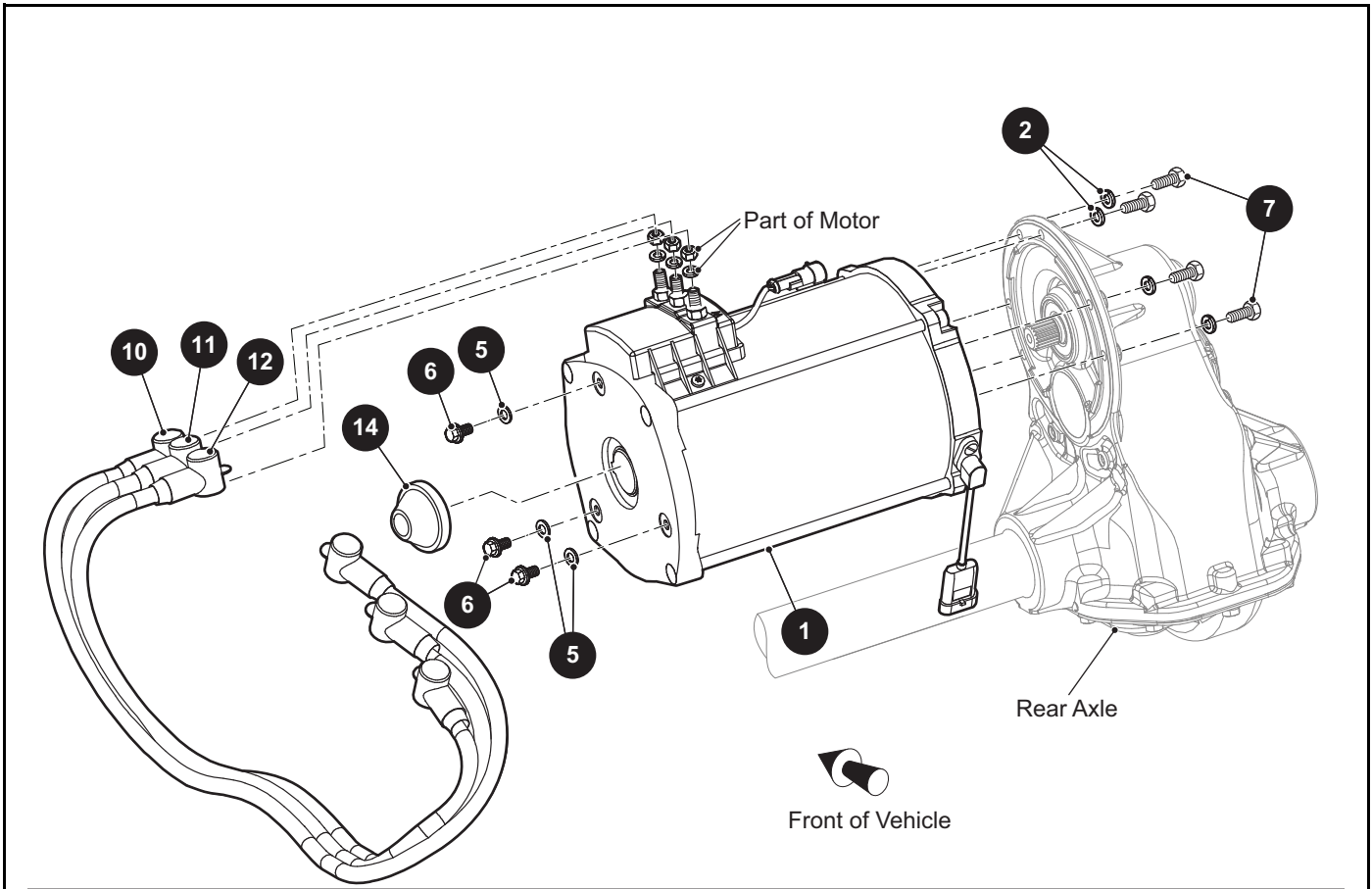
When ordering parts, please specify the model and serial number of the product.

* Indicates a component that is not available as an individual part.

*** Indicates consult Customer Service Department for additional information.

ITEM	PART NO.	1 2 3 4 5	DESCRIPTION	QTY.
1	<u>70964G01</u>		Rack And Pinion Unit Assembly (Includes Items 2 - 21)	1
2	<u>70695G01</u>		Tie Rod End - Outer.....	1
3	<u>10389G3</u>		Grease Fitting, Straight.....	1
4	<u>71102G01</u>		Hex Head Bolt, 1/4" - 20	2
5	<u>652259</u>		Cover (Rack Loader)	1
6	<u>70965G01</u>		Steering Rack Cover And Bearing.....	1
7	<u>70645G01</u>		Gasket (Rack Loader)	1
8	*		Jam Nut, 1/2" - 20.....	1
9	<u>70750G01</u>		Retaining Ring - External.....	1
10	<u>15112G1</u>		Ball Bearing	1
11	<u>70603G01</u>		Pinion.....	1
12	<u>70751G01</u>		Retaining Ring - Internal.....	1
13	<u>70638G01</u>		Pinion Seal	1
14	<u>70604G01</u>		Steering Rack.....	1
15	*		Socket Head Screw, #10 - 32	1
16	<u>70590G01</u>		Rack Loader	1
17	<u>70666G01</u>		Compression Spring	1
18	<u>11391G8</u>		Hose Clamp, 1.81".....	1
19	<u>12416G2</u>		Nylon Clamp, 10".....	1
20	<u>70961G01</u>		Bellows Rack Cover	1
21	<u>74694G01</u>		Rod End - Inner	1

MOTOR



THE USE OF NON U.L. PARTS WILL VOID ANY U.L. LISTING.

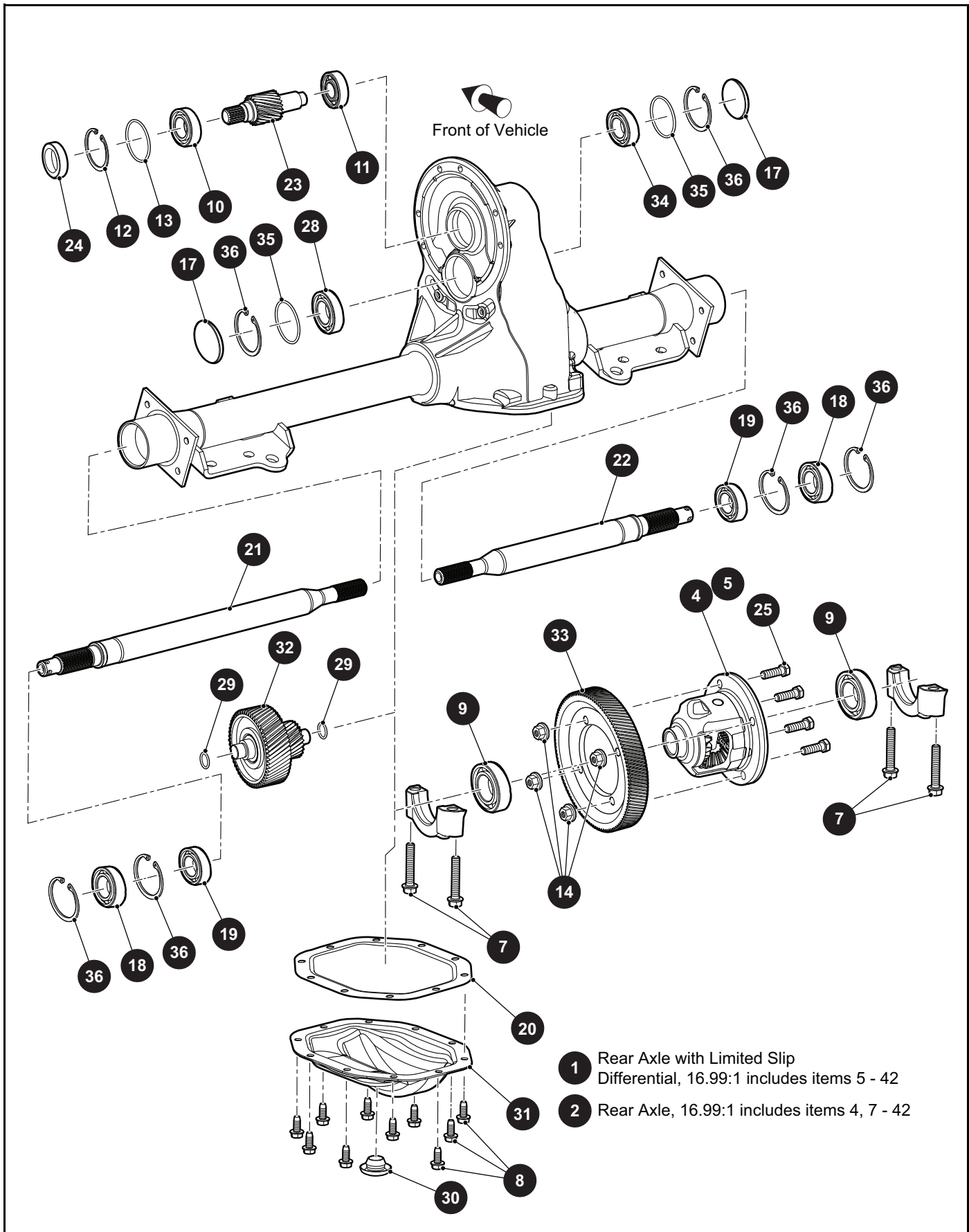
When ordering parts, please specify the model and serial number of the product.

* Indicates a component that is not available as an individual part.

*** Indicates consult Customer Service Department for additional information.

ITEM	PART NO.	1 2 3 4 5	DESCRIPTION	QTY.
1	681071		Motor, 72V.....	1
2	<u>601327</u>		Lock Washer, 6mm	6
3				
4				
5	<u>00915G1</u>		Bonded Seal Washer, 1/4" I.D.	3
6	<u>73876G01</u>		Flanged Hex Head Bolt, M6 - 1 x 12mm Lg.....	3
7	<u>605741</u>		Hex Head Bolt, M6 - 1 x 25mm Lg.....	6
8				
9				
10	<u>635137G01</u>		Motor Wire (U), 2AWG, 44".....	1
11	<u>635137G02</u>		Motor Wire (V), 2AWG, 41"	1
12	<u>635137G03</u>		Motor Wire (W), 2AWG, 37"	1
13				
14	668275		End Cap Plug.....	1
15				
16				
17	<u>11027G2</u>		Flanged Lock Nut, 1/4" - 20	1
18	<u>630761</u>		Loop Clamp.....	1
19	<u>00414G7</u>		Hex Head Bolt, 1/4" - 20 x 7/8" Lg, Grade 5	1
20	<u>00559G7</u>		Flat Washer, 1/4".....	1

REAR AXLE



THE USE OF NON U.L. PARTS WILL VOID ANY U.L. LISTING.

When ordering parts, please specify the model and serial number of the product.

* Indicates a component that is not available as an individual part.

*** Indicates consult Customer Service Department for additional information.

ITEM	PART NO.	1 2 3 4 5	DESCRIPTION	QTY.
1	<u>633600</u>		Rear Axle with Limited Slip Differential, 16.99:1 (Includes Items 5 - 42)	1
2	<u>633599</u>		Rear Axle, 16.99:1 (Includes Items 4, 7 - 42)	1
3				
4	<u>601082</u>		Differential Assembly	1
5	<u>614059</u>		Limited Slip Differential Carrier with CC Clutch	1
6				
7	<u>15118G1</u>		Hex Head Bolt, 3/8" - 16 X 2.125" Lg	4
8	<u>15558G1</u>		Hex Head Bolt, 5/16" - 18 X .75" Lg	10
9	<u>17473G1</u>		Bearing Assembly	2
10	<u>23519G2</u>		Ball Bearing Single Lip Seal	1
11	<u>23520G1</u>		Ball Bearing	1
12	<u>23530G1</u>		Retainer Ring	1
13	<u>24628G1</u>		O-ring Seal	1
14	<u>601084</u>		Lock Nut, 3/8" - 24	4
15				
16				
17	<u>608811</u>		End Cap	2
18	<u>611788</u>		Ball Bearing	2
19	<u>612064</u>		Oil Seal	2
20	<u>612824</u>		Gasket	1
21	<u>617608</u>		Axle Shaft (Driver Side)	1
22	<u>617609</u>		Axle Shaft (Passenger Side)	1
23	<u>620327</u>		Input Gear	1
24	<u>620328</u>		Oil Seal	1
25	<u>620335</u>		Hex Head Bolt, 3/8" - 24 X 1.25" Lg	4
26				
27				
28	<u>620340</u>		Ball Bearing	1
29	<u>620345</u>		O-ring, 18mm	2
30	<u>620347</u>		Rubber Plug	1

REAR AXLE

THE USE OF NON U.L. PARTS WILL VOID ANY U.L. LISTING.

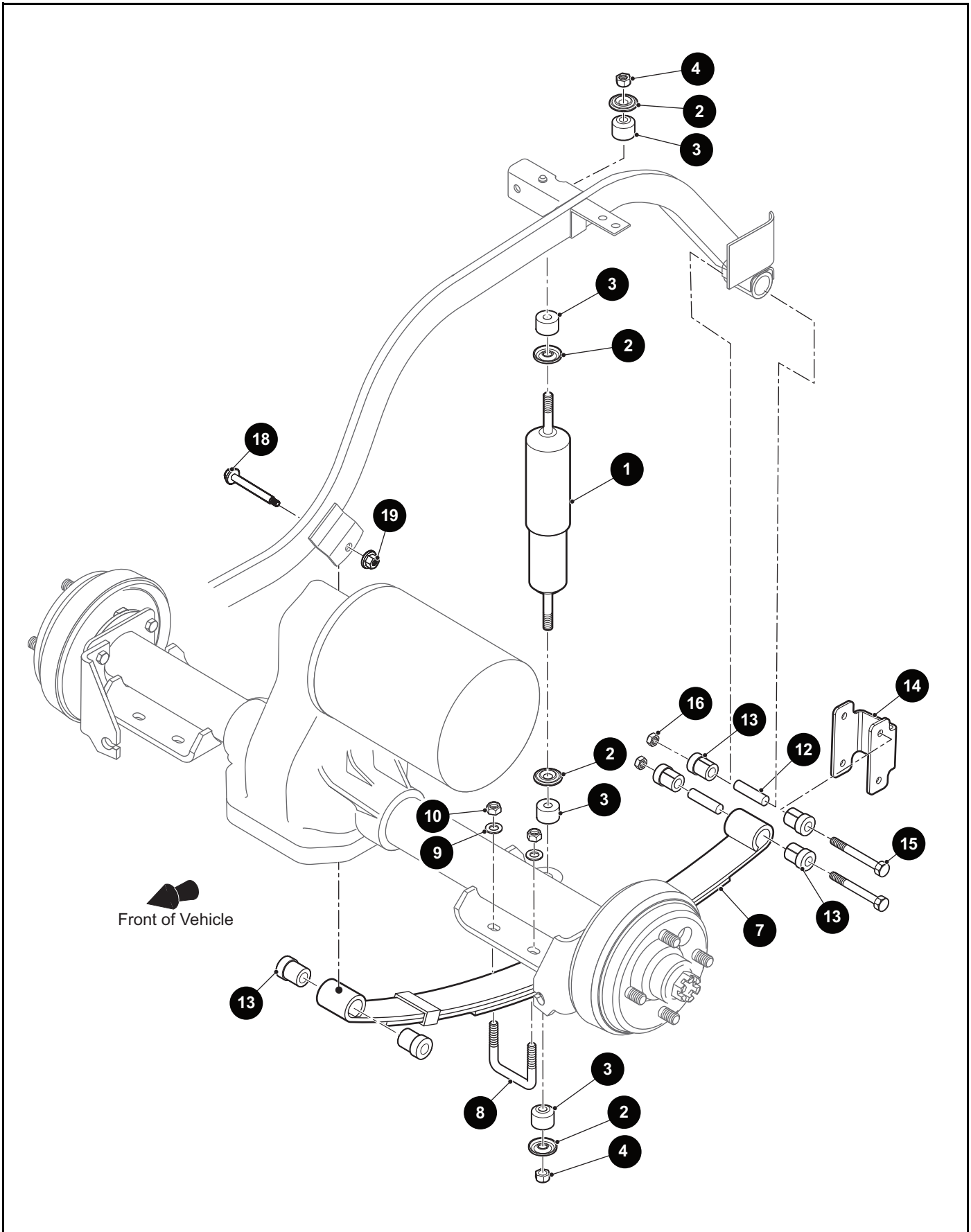
When ordering parts, please specify the model and serial number of the product.

* Indicates a component that is not available as an individual part.

*** Indicates consult Customer Service Department for additional information.

ITEM	PART NO.	1	2	3	4	5	DESCRIPTION	QTY.
31	<u>620348</u>						Differential Cover Plate	1
32	<u>620349</u>						Intermediate Gear Assembly	1
33	<u>620350</u>						Drive Gear	1
34	<u>620355</u>						Ball Bearing	1
35	<u>620358</u>						O-ring, 18mm	2
36	<u>620359</u>						Retaining Ring.....	6
37								
38								
39	<u>620329</u>						Input Gears Kit (Not Illustrated).....	1
40	<u>620361</u>						Internal Gears Kit (Not Illustrated).....	1
41	<u>620362</u>						Ball Bearing Kit (Not Illustrated)	1
42	<u>620363</u>						Differential Cover Assembly Kit (Not Illustrated)	1

REAR SUSPENSION



REAR SUSPENSION

THE USE OF NON U.L. PARTS WILL VOID ANY U.L. LISTING.

When ordering parts, please specify the model and serial number of the product.

* Indicates a component that is not available as an individual part.

*** Indicates consult Customer Service Department for additional information.

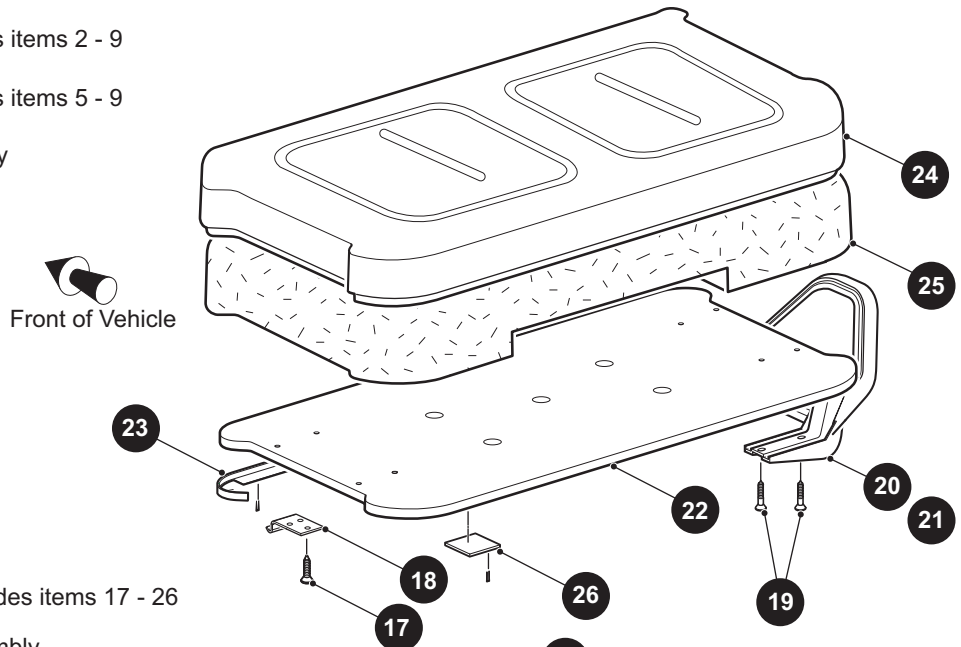
ITEM	PART NO.	1 2 3 4 5	DESCRIPTION	QTY.
1	<u>642085</u>		Shock Absorber.....	2
2	<u>10435G1</u>		Shock Absorber Washer, .406" x 1.25" x .22"	4
3	<u>10194G1</u>		Rubber Bushing, 1"	4
4	<u>00532G6</u>		Hex Jam Nut, 3/8" - 24.....	2
5				
6				
7	<u>667990</u>		Leaf Spring.....	1
8	<u>72618G01</u>		U Bolt, 3/8" - 16 x 2" x 2 1/2" Lg.....	2
9	<u>00560G1</u>		Flat Washer, 3/8"	4
10	<u>11098G5</u>		Lock Nut, 3/8" - 16	4
11				
12	<u>70289G02</u>		Split Spacer Steel.....	2
13	<u>624030</u>		Flanged Bushing	6
14	<u>652252G03</u>		Shackle Bracket	2
15	<u>00665G9</u>		Hex Head Bolt (SS), 3/8" - 16 x 3 1/2" Lg	2
16	<u>11098G5</u>		Lock Nut, 3/8" - 16	2
17				
18	<u>14158G1</u>		Shoulder Bolt, 1/2" Dia x 3/8" - 16 Thread x 3 1/4" Lg	1
19	<u>12262G1</u>		Flanged Lock Nut, 3/8" - 16	1

SEATING

1 Seat Back Assembly includes items 2 - 9

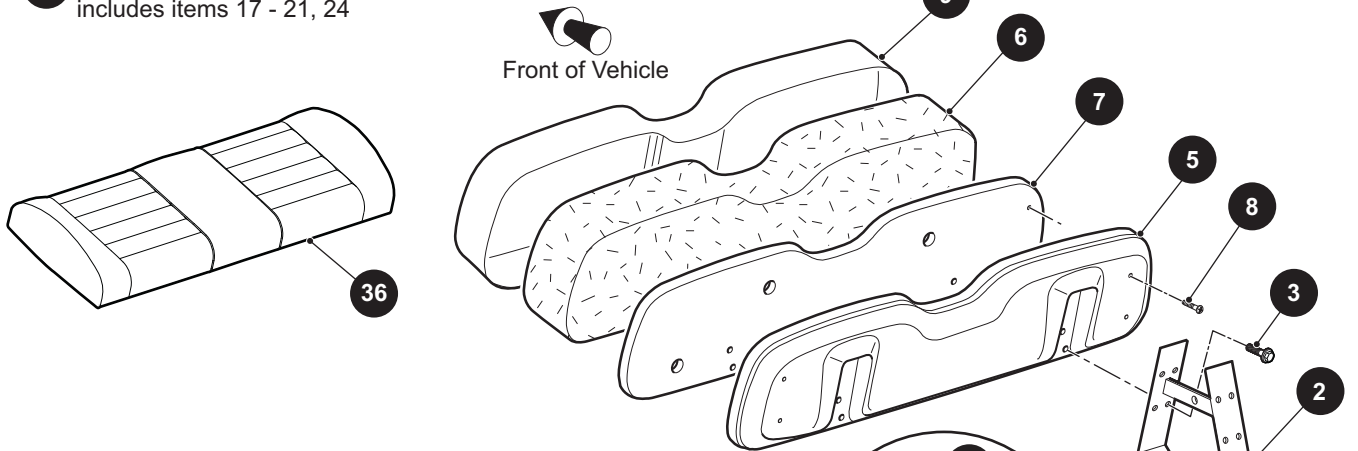
4 Seat Back Assembly includes items 5 - 9

10 Premium Seat Back Assembly includes items 2 - 3, 11

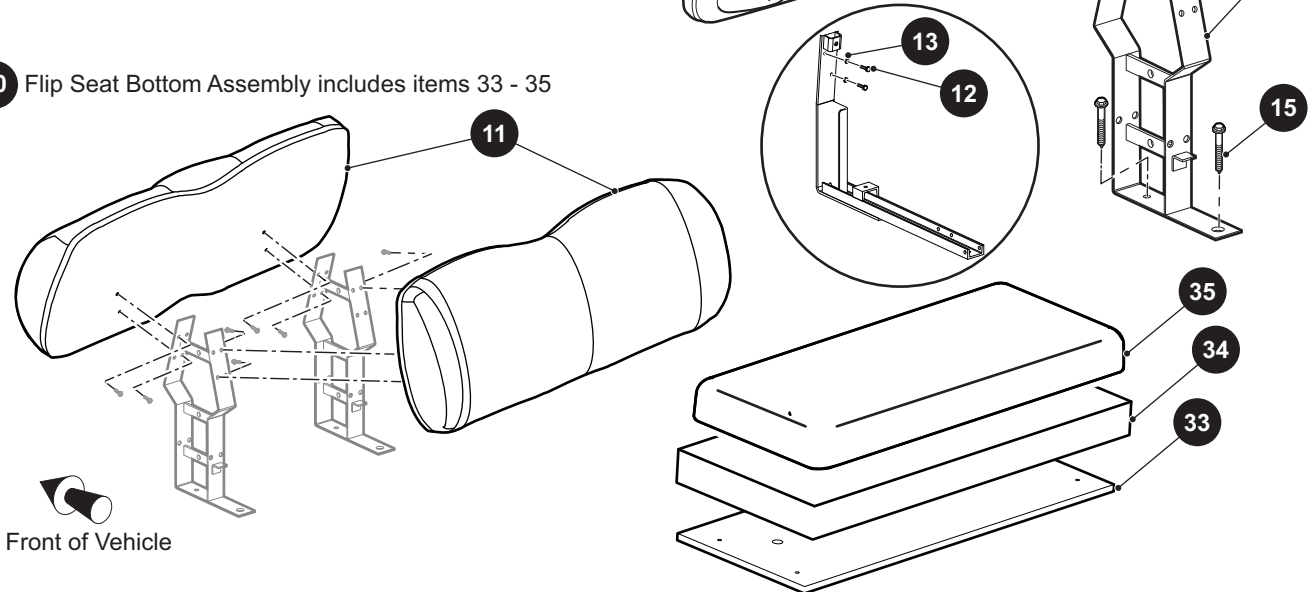


16 Seat Bottom Assembly includes items 17 - 26

27 Premium Seat Bottom Assembly includes items 17 - 21, 24



30 Flip Seat Bottom Assembly includes items 33 - 35



THE USE OF NON U.L. PARTS WILL VOID ANY U.L. LISTING.

When ordering parts, please specify the model and serial number of the product.

* Indicates a component that is not available as an individual part.

*** Indicates consult Customer Service Department for additional information.

ITEM	PART NO.	1 2 3 4 5	DESCRIPTION	QTY.
1	***		Seat Back Assembly (Includes Items 2 - 9)..... 632818G01 Oyster 632818G03 Tan 632818G04 Gray 632818G06 Black	1
2	<u>634178</u>		Support Weldment.....	1
3	71204G01		Hex Washer Head Bolt With Patch Lock, 1/4" - 20 x .875" Lg.....	4
4	***		Seat Back Assembly (Includes Items 5 - 9)..... 71751G03 Oyster 71751G04 Tan 71751G02 Gray 71751G07 Black	2
5	71752G01		Cover (Plastic).....	1
6	<u>71754G01</u>		Padding (Foam)	1
7	<u>645021</u>		Base Assembly	1
8	<u>01107G01</u>		Pan Head Torx Screw, #8 x .63" Lg.....	4
9	***		Vinyl Cover..... 71753G02 Gray 71753G03 Oyster 71753G04 Tan 71753G07 Black	1
10	***		Premium Seat Back Assembly (Includes Items 2 - 3, 11) 692961G18 Mushroom 692961G21 Premium Black 10000522G0114 Gray/Black 10000522G0122 White/Beige	1
11	***		Seat Back Assembly..... 654084G18 Mushroom 654084G21 Premium Black 10000520G0114 Gray/Black 10000520G0122 White/Beige	2
12	<u>00661G8</u>		Hex Head Bolt, 1/4" - 20 x 1/2" Lg	4
13	<u>00664G7</u>		Lock Washer (SS), 0.255".....	4
14				
15	<u>01006G01</u>		Hex Washer Head Thread Forming Screw, 3/8" - 16 x 1.25" Lg.....	2

SEATING

THE USE OF NON U.L. PARTS WILL VOID ANY U.L. LISTING.

When ordering parts, please specify the model and serial number of the product

* Indicates a component that is not available as an individual part.

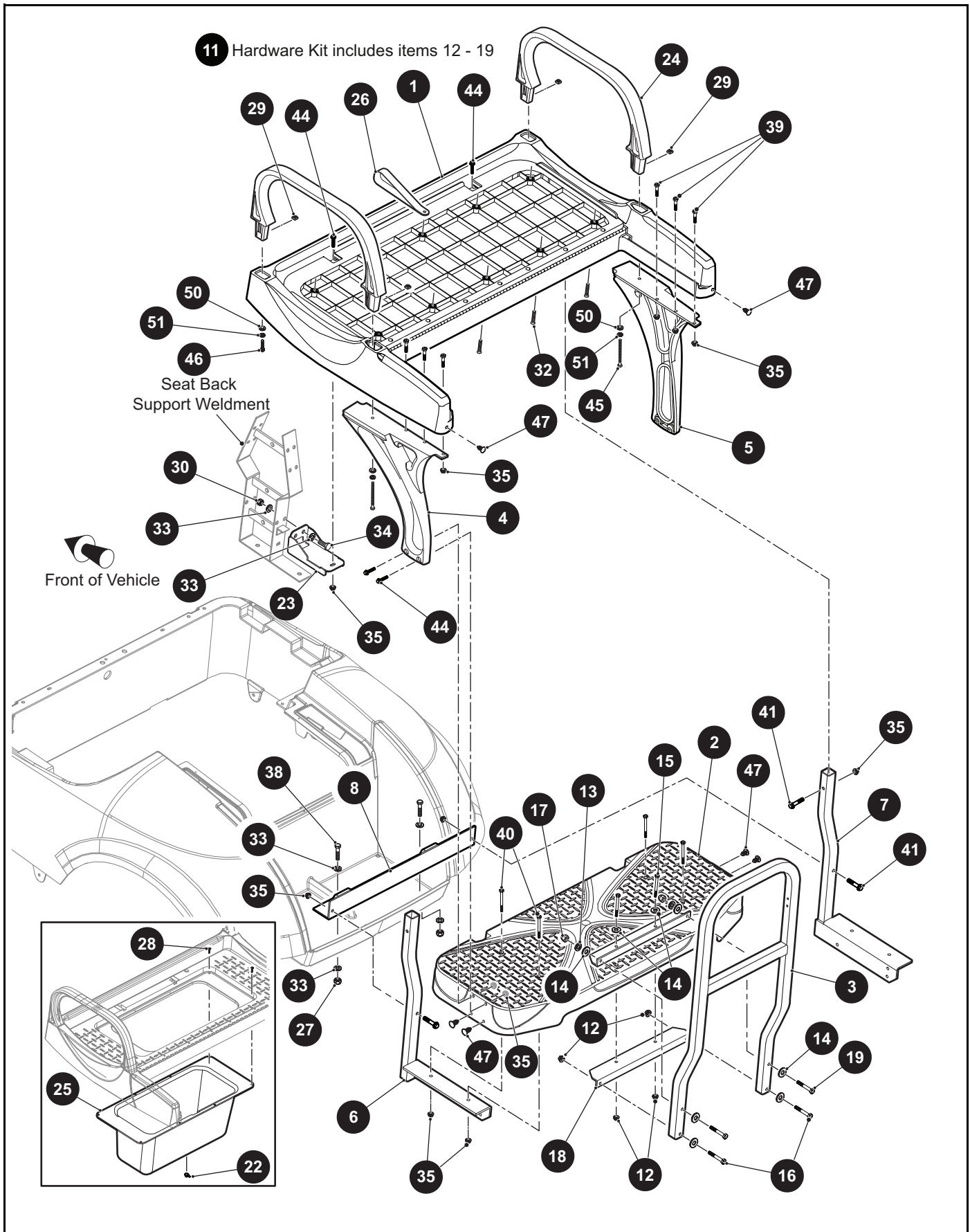
*** Indicates consult Customer Service Department for additional information.

ITEM	PART NO.	1	2	3	4	5	DESCRIPTION	QTY.
16	***						Seat Bottom Assembly (Includes Items 17 - 26)..... 629269G0101 Oyster 629269G0103 Tan 629269G0104 Gray 629269G0106 Black 629269G3014 Gray/Black 629269G3022 White/Beige	1
17	<u>00720G08</u>						Flat Head Phillips Tapping Screw, #12 - 14 x 1" Lg.....	6
18	<u>71610G01</u>						Seat Hinge	2
19	<u>615417</u>						Button Head Torx Bolt, M10 - 1.5 x 25mm Lg	4
20	<u>617644</u>						Hip Restraint (Passenger Side).....	1
21	<u>617645</u>						Hip Restraint (Driver Side)	1
22	<u>645492</u>						Base.....	1
23	<u>71012G01</u>						Trim (Polypropylene).....	1
24	***						Vinyl Cover..... 71602G02 Gray 71602G03 Oyster 71602G04 Tan 71602G06 Black 10004900G14 Gray/Black 10000416G22 White/Beige 654085G18 Mushroom 654085G21 Premium Black	1
25	<u>71603G02</u>						Padding (Foam)	1
26	<u>17074G1</u>						Soiling Slab	2
27	***						Premium Seat Bottom Assembly (Includes Items 17 - 21, 24) 629269G2818 Mushroom 629269G2821 Black	1
28								
29								
30	***						Flip Seat Bottom Assembly (Includes Item 33 - 35)..... 699321G01 Oyster 699321G03 Tan 699321G04 Gray 699321G06 Black 699321G14 Gray/Black 699321G22 White/Beige	1
31								
32								
33	669061						Seat Bottom	1

THE USE OF NON U.L. PARTS WILL VOID ANY U.L. LISTING.
 When ordering parts, please specify the model and serial number of the product.
 * Indicates a component that is not available as an individual part.
 *** Indicates consult Customer Service Department for additional information.

ITEM	PART NO.	1 2 3 4 5	DESCRIPTION	QTY.
34	699297		Seat Bottom (Foam)	1
35	***		Seat Bottom (Vinyl)..... 615646 Oyster 615647 Tan 617892 Gray 615648 Black 10004899G14 Gray/Black 10000413G22 White/Beige	1
36	***		Flip Seat Bottom Assembly (Premium) 600082G18 Mushroom 600082G21 Black	1

SEATING



THE USE OF NON U.L. PARTS WILL VOID ANY U.L. LISTING.

When ordering parts, please specify the model and serial number of the product.

* Indicates a component that is not available as an individual part.

*** Indicates consult Customer Service Department for additional information.

ITEM	PART NO.	1 2 3 4 5	DESCRIPTION	QTY.
1	10007752		Seat Base Assembly	1
2	10007792		Footrest	1
3	10007798		Grab Bar	1
4	10007789G01		Seat Base Support (Driver Side)	1
5	10007789G02		Seat Base Support (Passenger Side)	1
6	10007791G01		Footrest Support (Driver Side)	1
7	10007791G02		Footrest Support (Passenger Side)	1
8	10007795		Bumper Support	1
9				
10				
11	10008507		Hardware Kit (Includes Items 12 - 19)	1
12	10007945		Flanged Hex Nut, 1/4" - 20	4
13	10014523		Lock Washer, 1/4"	2
14	10014524		Flat Washer, 1/4"	8
15	10014521		Hex Head Bolt, 1/4" - 20 x 3 1/4" Lg, Grade 5	2
16	10014520		Hex Head Bolt, 1/4" - 20 x 2" Lg, Grade 5	2
17	10014522		Acorn Nut, 1/4" - 20	2
18	10014518		Grab Bar Support Clamp	2
19	10014519		Hex Head Bolt, 1/4" - 20 x 1 3/4" Lg, Grade 5	2
20				
21				
22	10001207		Rubber Pull Plug	1
23	10000073		Flip Seat Support Bracket	2
24	699419		Hip Restraint	2
25	699428		Plastic Bucket	1
26	<u>617402</u>		Seat Strap	1
27	<u>11098G5</u>		Lock Nut, 3/8" - 16	2
28	<u>71425G01</u>		Tapping Screw, #8 - 18 x 3/4" Lg	8
29	697319		Square Nut (SS), 1/4" - 20	4
30	<u>11098G5</u>		Lock Nut, 3/8" - 16	4
31				

SEATING

THE USE OF NON U.L. PARTS WILL VOID ANY U.L. LISTING.

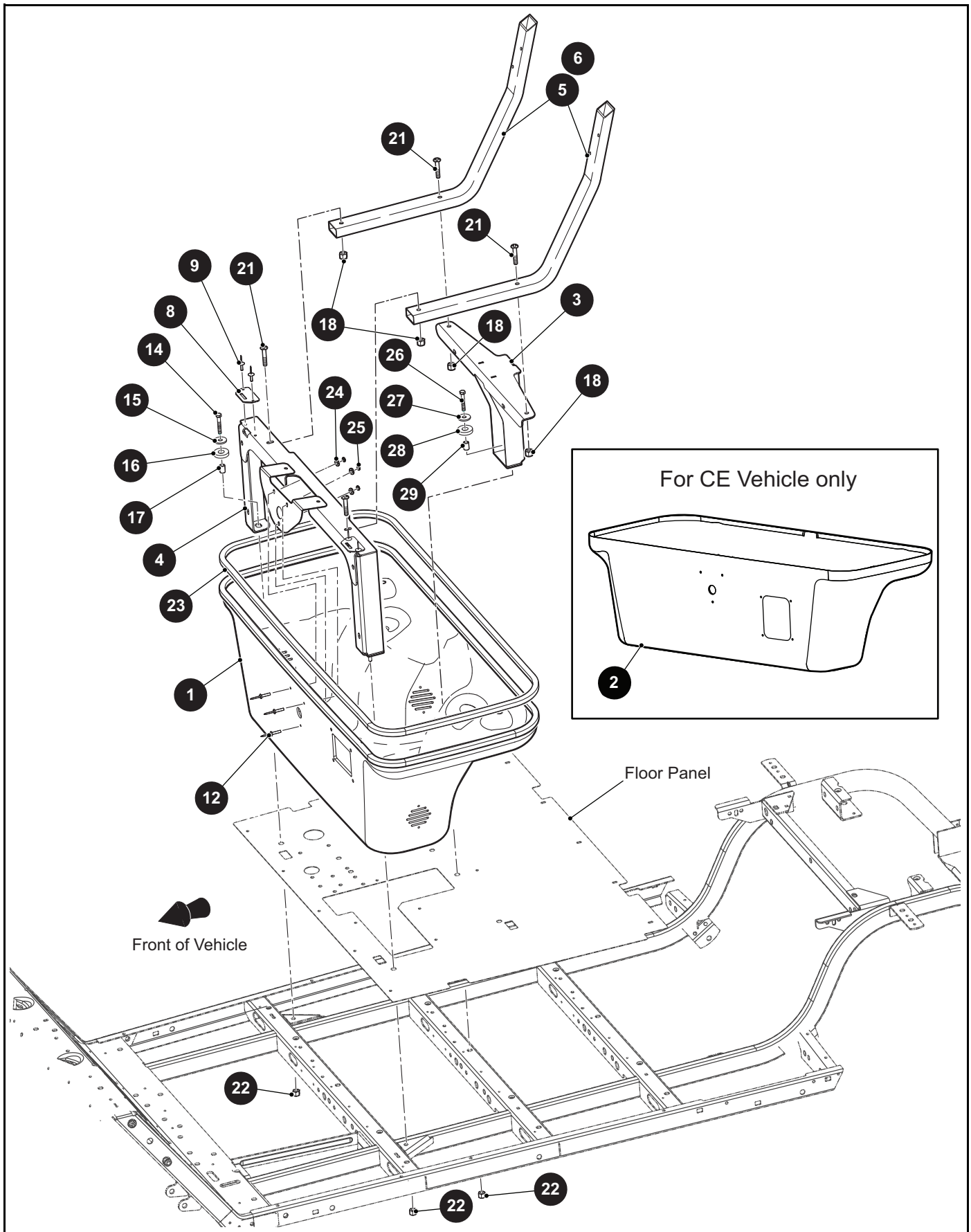
When ordering parts, please specify the model and serial number of the product

* Indicates a component that is not available as an individual part.

*** Indicates consult Customer Service Department for additional information.

ITEM	PART NO.	1 2 3 4 5	DESCRIPTION	QTY.
32	<u>00205-G4</u>		Flat Head Phillips Screw, 1/4" - 20 x 1 1/2" Lg	10
33	<u>614221</u>		Flat Washer, 3/8", Grade 8	12
34	<u>00427G2</u>		Hex Head Bolt, 3/8" - 16 x 1 1/4" Lg.....	4
35	10007945		Flanged Hex Nut, 1/4" - 20	20
36				
37				
38	<u>00427G6</u>		Hex Head Bolt, 3/8" - 16 x 1 1/4" Lg, Grade 5.....	2
39	10007944		Hex Head Bolt, 1/4" - 20 x 1 1/4" Lg.....	6
40	652326		Hex Head Bolt, 1/4" - 20 x 2 3/4" Lg, Grade 5.....	4
41	10008129		Hex Head Bolt, 1/4" - 20 x 2" Lg, Grade 5.....	4
42				
43				
44	10008132		Hex Head Bolt, 1/4" - 20 x 1 1/4" Lg, Grade 5.....	6
45	400128J		Hex Head Bolt, 1/4" - 20 x 3 1/2" Lg.....	2
46	<u>00415G2</u>		Hex Head Bolt, 1/4" - 20 x 2" Lg.....	2
47	<u>16816G1</u>		Ratchet Rivet, .25" x .680".....	6
48				
49				
50	<u>00559G7</u>		Flat Washer, 1/4"	4
51	446130		Lock Washer (Heavy), 1/4"	4

SEATING



THE USE OF NON U.L. PARTS WILL VOID ANY U.L. LISTING.

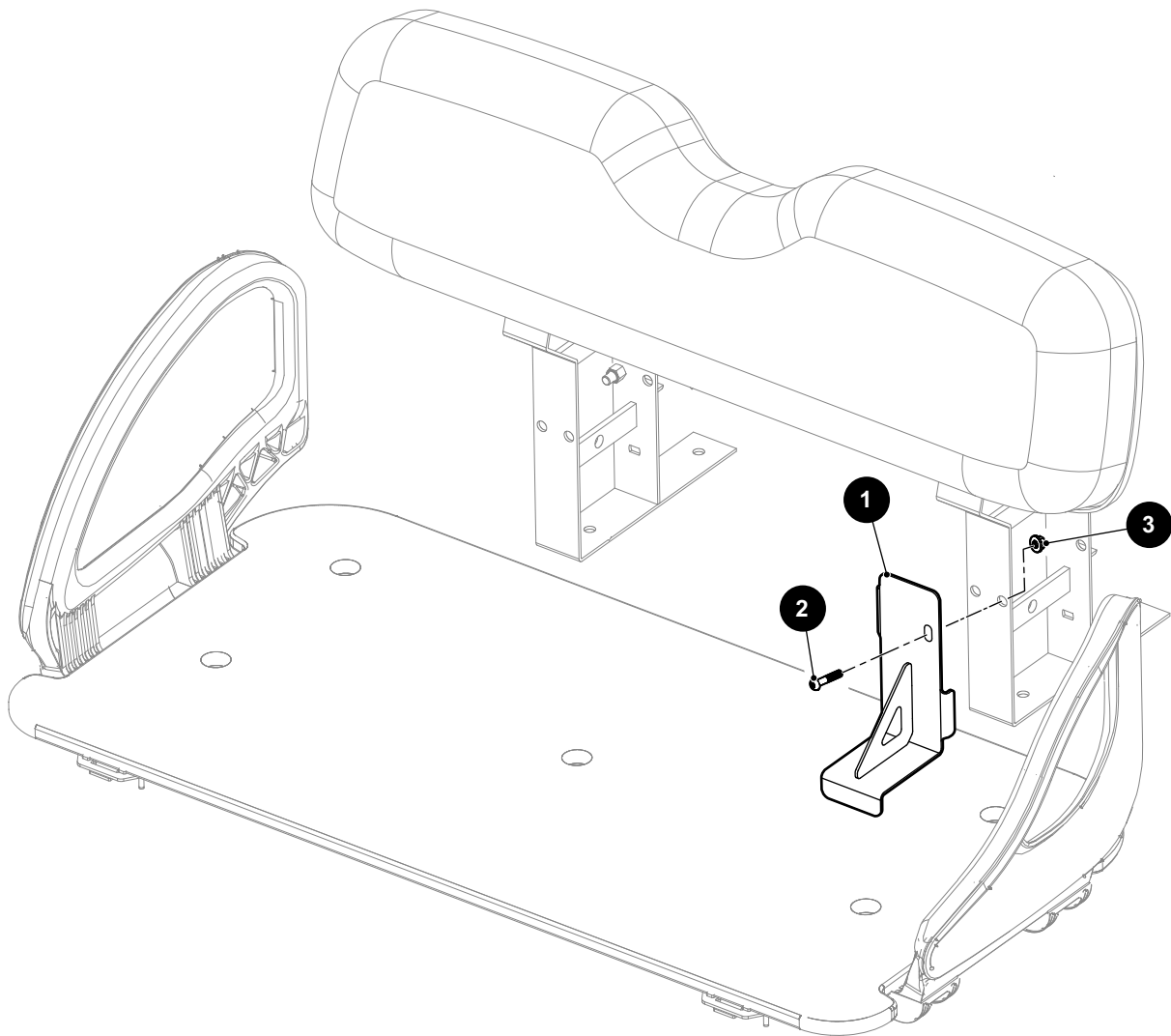
When ordering parts, please specify the model and serial number of the product.

* Indicates a component that is not available as an individual part.

*** Indicates consult Customer Service Department for additional information.

ITEM	PART NO.	1 2 3 4 5	DESCRIPTION	QTY.
1	648313GXX		Seat Pod (See HOW TO USE Section for COLOR CODES).....	1
2	674210GXX		Seat Pod (See HOW TO USE Section for COLOR CODES).....	1
3	<u>657681</u>		Rear Seat Support Weldment	1
4	<u>654767</u>		Seat Support Weldment.....	1
5	<u>648523</u>		Seat Back Support Tube (For Vehicles Manufactured Before August 17, 2019)	2
6	694377		Seat Back Support Tube (For Vehicles Manufactured After August 17, 2019).....	2
7				
8	<u>71609G01</u>		Hinge Plate.....	2
9	<u>10570G11</u>		Rivet (SS), 3/16" x .70" Lg	4
10				
11				
12	<u>71055G01</u>		Rivet (Aluminum), 3/16" x 1" Lg	3
13				
14	00439G8		Hex Head Bolt (SS), 5/16" - 18 x 2" Lg, Grade 5	2
15	<u>00675G1</u>		Flat Washer (SS), .398" I.D. x 1.25" O.D. x .115" Lg	2
16	<u>71883G01</u>		Flat Washer (Rubber), .625" I.D. x 1.50" O.D. x .312" Lg	2
17	<u>23726G9</u>		Spacer, .312" I.D. x .562" O.D. x .750" Lg	2
18	11098G6		Lock Nut, 5/16" - 18	4
19				
20				
21	<u>00762G6</u>		Truss Head Phillips Screw (SS), 5/16" - 18 x 3/4" Lg.....	4
22	11098G6		Lock Nut, 5/16" - 18	3
23	<u>32805G6</u>		Trim, 118" Lg.....	1
24	<u>00660G5</u>		Flat Washer, #10	3
25	<u>01110G01</u>		Flat Washer, 1/4".....	3
26	00439G8		Hex Head Bolt (SS), 5/16" - 18 x 2" Lg, Grade 5	1
27	<u>00675G1</u>		Flat Washer (SS), .398" I.D. x 1.25" O.D. x .115" Lg	1
28	<u>71883G01</u>		Flat Washer (Rubber), .625" I.D. x 1.50" O.D. x .312" Lg	1
29	<u>23726G9</u>		Spacer, .312" I.D. x .562" O.D. x .750" Lg	1

For CE Vehicles Only

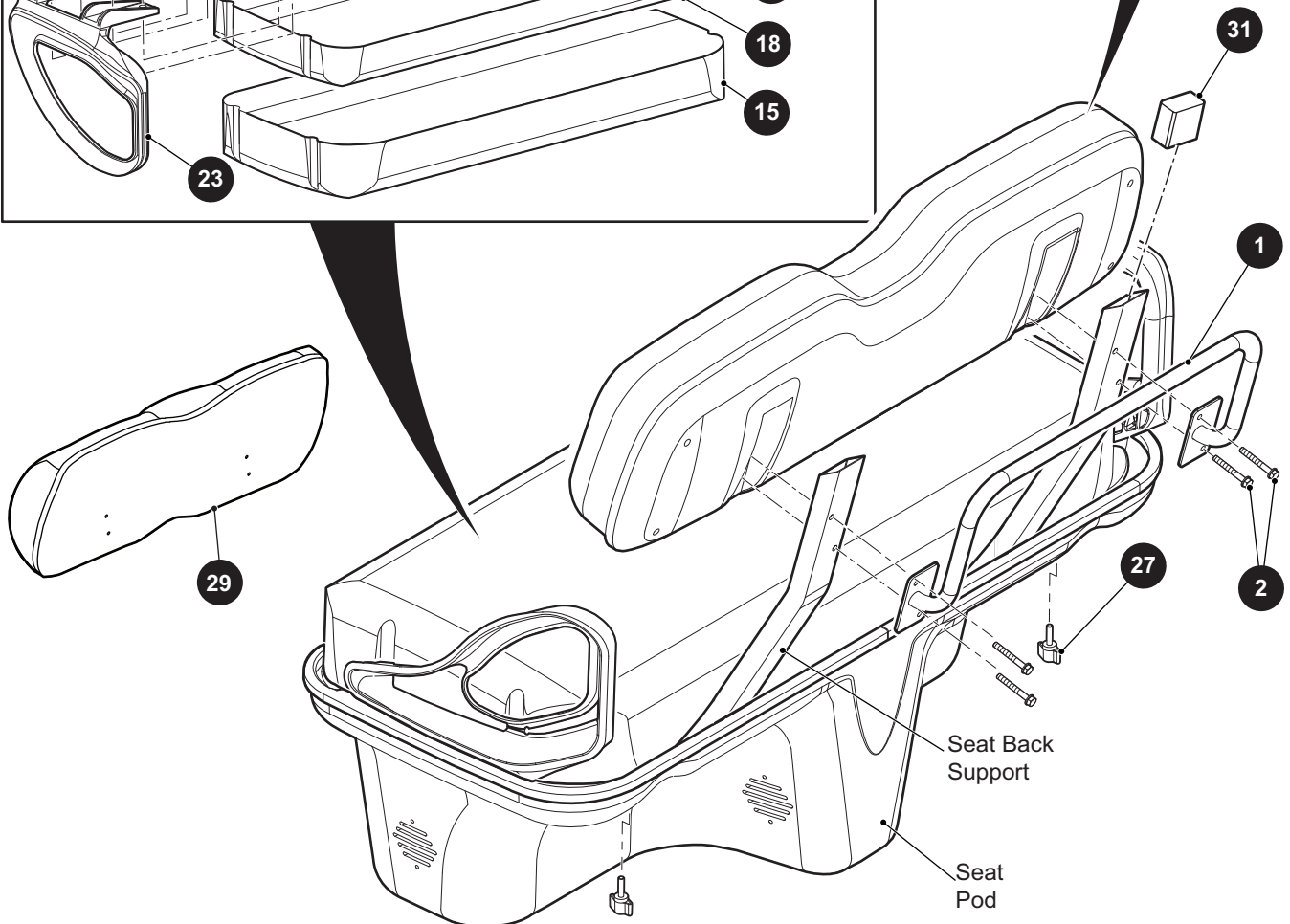
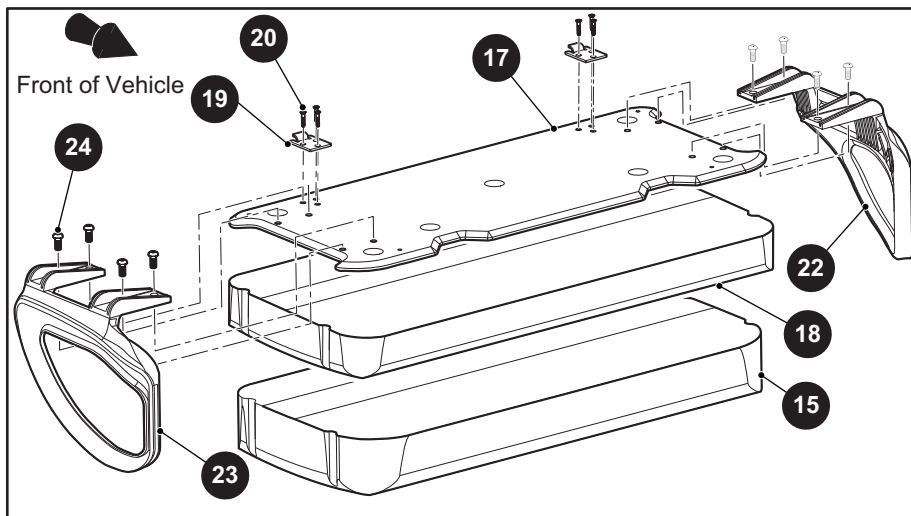
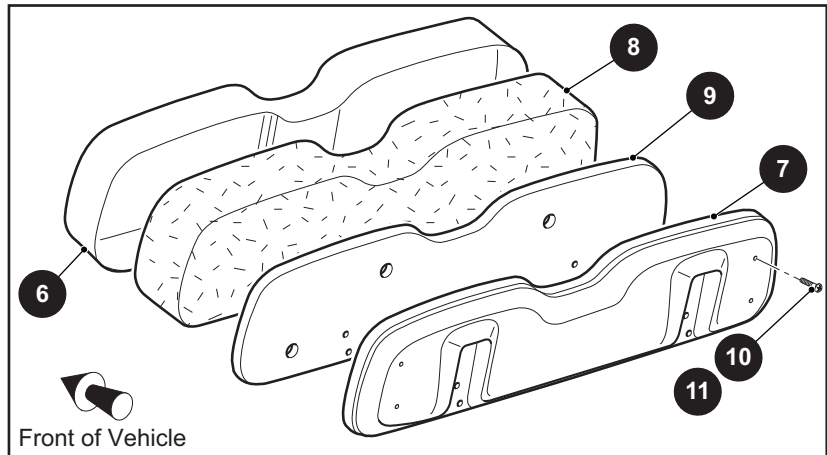


THE USE OF NON U.L. PARTS WILL VOID ANY U.L. LISTING.
 When ordering parts, please specify the model and serial number of the product.
 * Indicates a component that is not available as an individual part.
 *** Indicates consult Customer Service Department for additional information.

ITEM	PART NO.	1 2 3 4 5 DESCRIPTION	QTY.
1	679973	Lock Out Weldment.....	1
2	<u>601326</u>	Button Head Torx Bolt, M6 - 1 x 20mm Lg	1
3	<u>601476</u>	Flanged Lock Nut, M6	1

SEATING

- 4 Seat Back Assembly includes items 6 - 10
- 5 Seat Back Assembly includes items 6 - 9, 11
- 12 Seat Bottom Assembly includes items 15 - 24
- 13 Seat Bottom Assembly includes items 15, 19 - 24



THE USE OF NON U.L. PARTS WILL VOID ANY U.L. LISTING.

When ordering parts, please specify the model and serial number of the product.

* Indicates a component that is not available as an individual part.

*** Indicates consult Customer Service Department for additional information.

ITEM	PART NO.	1 2 3 4 5	DESCRIPTION	QTY.
1	<u>71632G01</u>		Hand Grip Weldment.....	1
2	<u>71204G02</u>		Hex Washer Head Bolt with Patch Lock, 1/4" - 20 x 2" Lg.....	4
3				
4	***		Seat Back Assembly (Includes Item 6 - 10) 71751G02 Gray 71751G03 Oyster 71751G04 Tan 71751G07 Black	2
5	***		Seat Back Assembly (Includes Item 6 - 9, 11)..... 10000520G0114 Gray/Black 10000520G0122 White/Beige	2
6	***		Vinyl Seat Back Cover 71753G02 Gray 71753G03 Oyster 71753G04 Tan 71753G07 Black 10004901G14 Gray/Black 10000417G22 White/Beige	1
7	<u>71752G01</u>		Rear Seat Back Cover.....	1
8	<u>71754G01</u>		Seat Back Padding	1
9	<u>645021</u>		Seat Back Base	1
10	<u>01107G01</u>		Pan Head Torx Screw (SS), #8 x .63" Lg.....	4
11	<u>648271</u>		Pan Head Torx Screw (SS), #8 - 15 x 1" Lg	4
12	***		Seat Bottom Assembly (Includes Item 15 - 24)..... 629269G1701 Oyster 629269G1703 Tan 629269G1704 Gray 629269G1706 Black 629269G3114 Gray/Black 629269G3122 White/Beige	1
13	***		Seat Bottom Assembly (Includes Item 15, 19 - 24)..... 629269G2518 Mushroom 629269G2521 Black	1
14				
15	***		Vinyl Seat Cover..... 71624G03 Oyster 71624G04 Tan 71624G02 Gray 71624G07 Black 693086G18 Mushroom	1

SEATING

THE USE OF NON U.L. PARTS WILL VOID ANY U.L. LISTING.

When ordering parts, please specify the model and serial number of the product

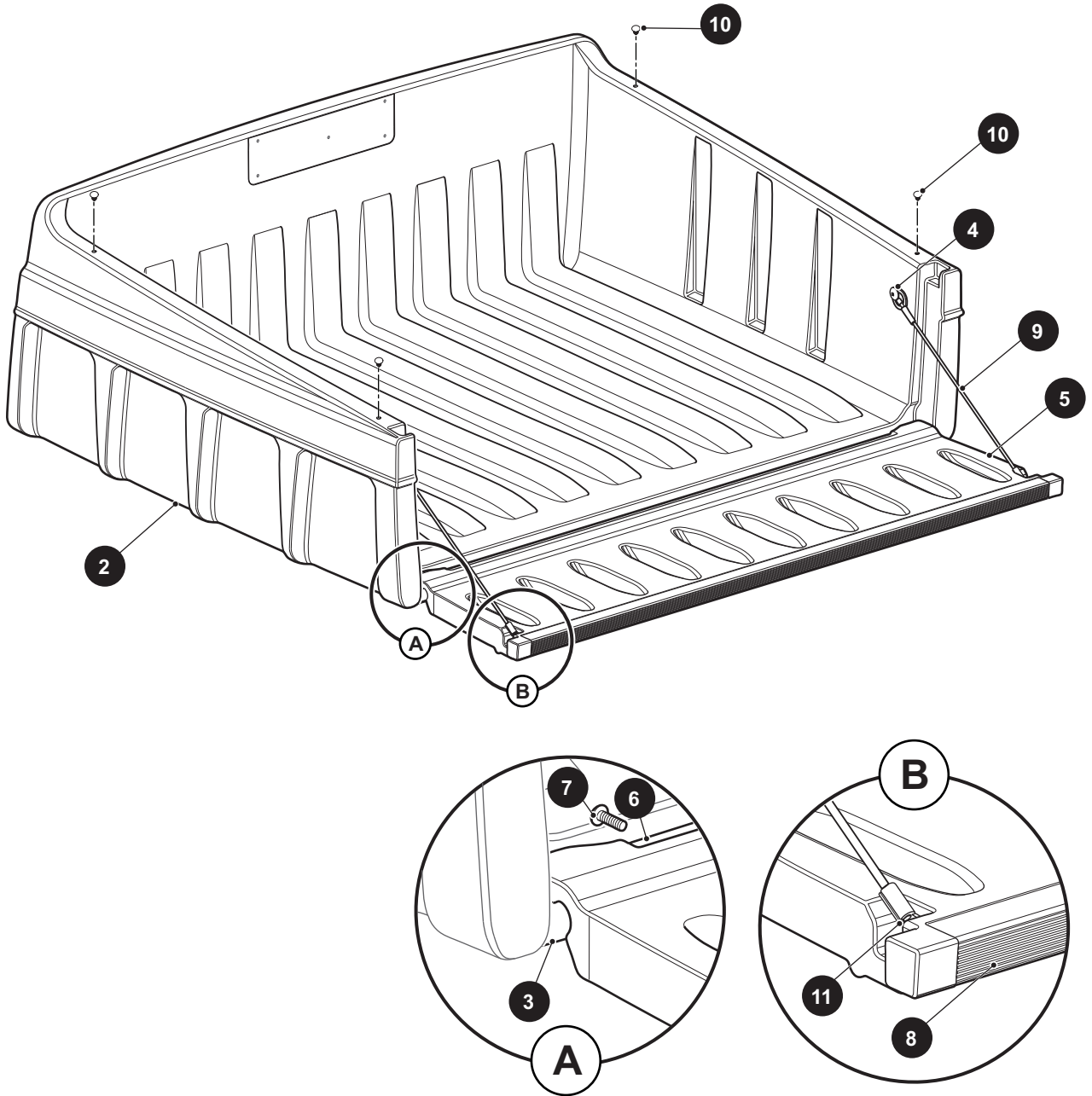
* Indicates a component that is not available as an individual part.

*** Indicates consult Customer Service Department for additional information.

ITEM	PART NO.	1	2	3	4	5	DESCRIPTION	QTY.
16							693086G21 Black 10004898G14 Gray/Black 10000415G22 White/Beige	
17	649851						Seat Bottom Base	1
18	<u>71625G01</u>						Seat Bottom Padding	1
19	<u>71610G01</u>						Seat Hinge	2
20	<u>00720G08</u>						Flat Head Phillips Screw, #12 -14 x 1" Lg	6
21								
22	<u>617645</u>						Hip Restraint (Driver Side)	1
23	<u>617644</u>						Hip Restraint (Passenger Side).....	1
24	<u>615417</u>						Button Head Torx Bolt, M10 - 1.5 x 25mm Lg	8
25								
26								
27	70864G01						T-knob Stud, 1/4" - 20 x 1" Lg.....	2
28								
29	***						Seat Back Assembly..... 654084G18 Mushroom 654084G21 Black	1
30								
31	697694						Tube Cap.....	2

TRUCK BED

1 Bed Assembly includes items 2 - 11



THE USE OF NON U.L. PARTS WILL VOID ANY U.L. LISTING.

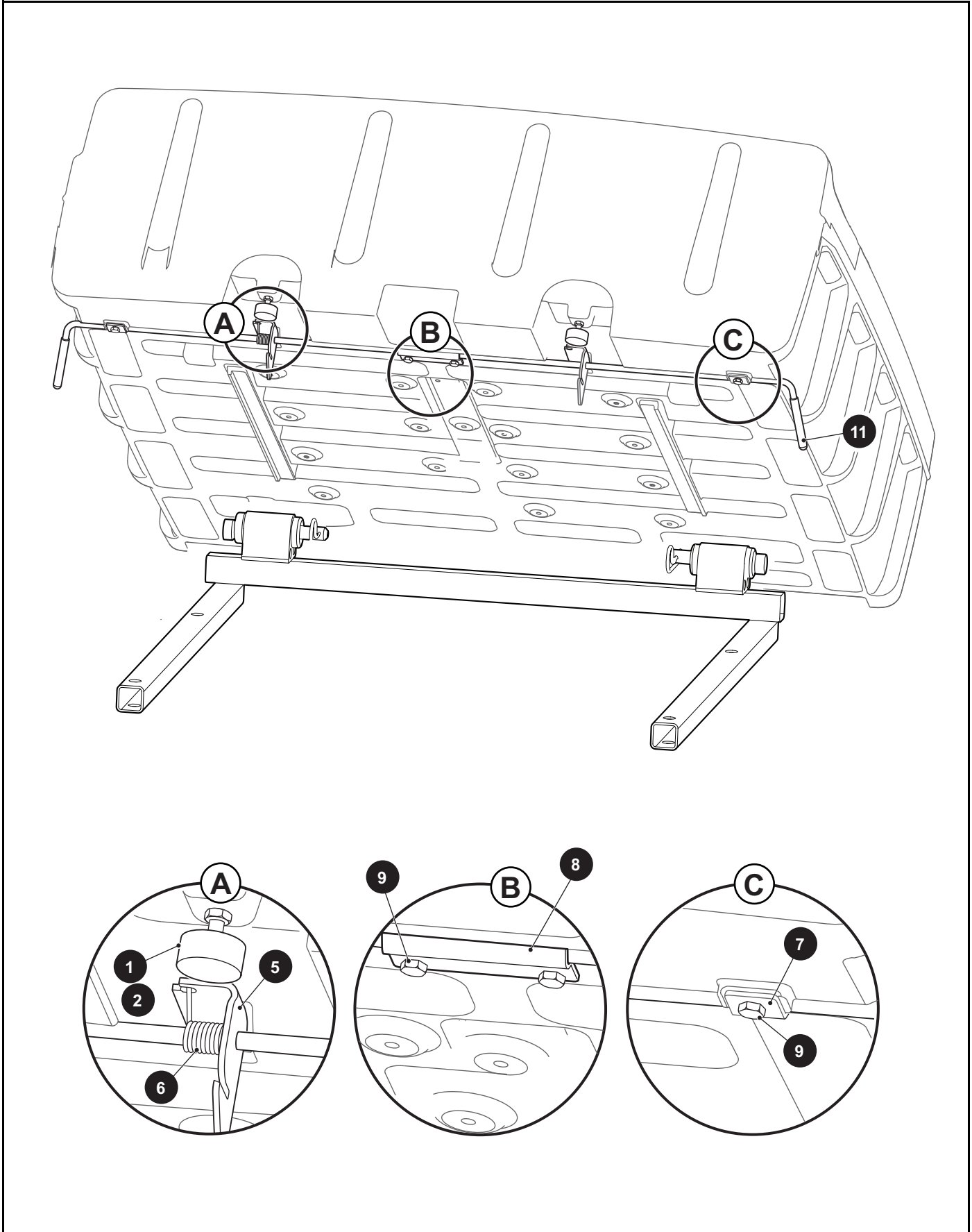
When ordering parts, please specify the model and serial number of the product.

* Indicates a component that is not available as an individual part.

*** Indicates consult Customer Service Department for additional information.

ITEM	PART NO.	1 2 3 4 5	DESCRIPTION	QTY.
1	<u>72647G01</u>		Bed Assembly (Includes Items 2 -11).....	1
2	72648G01		Plastic Bed, 36"	1
3	<u>73454G01</u>		Pivot Shaft	2
4	<u>73460G01</u>		Shoulder Bolt, .350" Dia x 1/4" - 20 x 3/4" Lg.....	2
5	<u>72649G01</u>		Tailgate	1
6	<u>73450G01</u>		Bowed Angle.....	1
7	<u>16705G2</u>		Pan Head Phillips Screw (SS), 1/4" - 20 x 5/8" Lg	4
8	<u>73449G01</u>		Tailgate Cap.....	1
9	73455G02		Tailgate Cable	1
10	<u>16816G5</u>		Ratchet Rivet, .187 x .550	4
11	<u>00415G2</u>		Hex Head Bolt, 1/4" - 20 x 1 1/4" Lg, Grade 5.....	2

TRUCK BED



THE USE OF NON U.L. PARTS WILL VOID ANY U.L. LISTING.

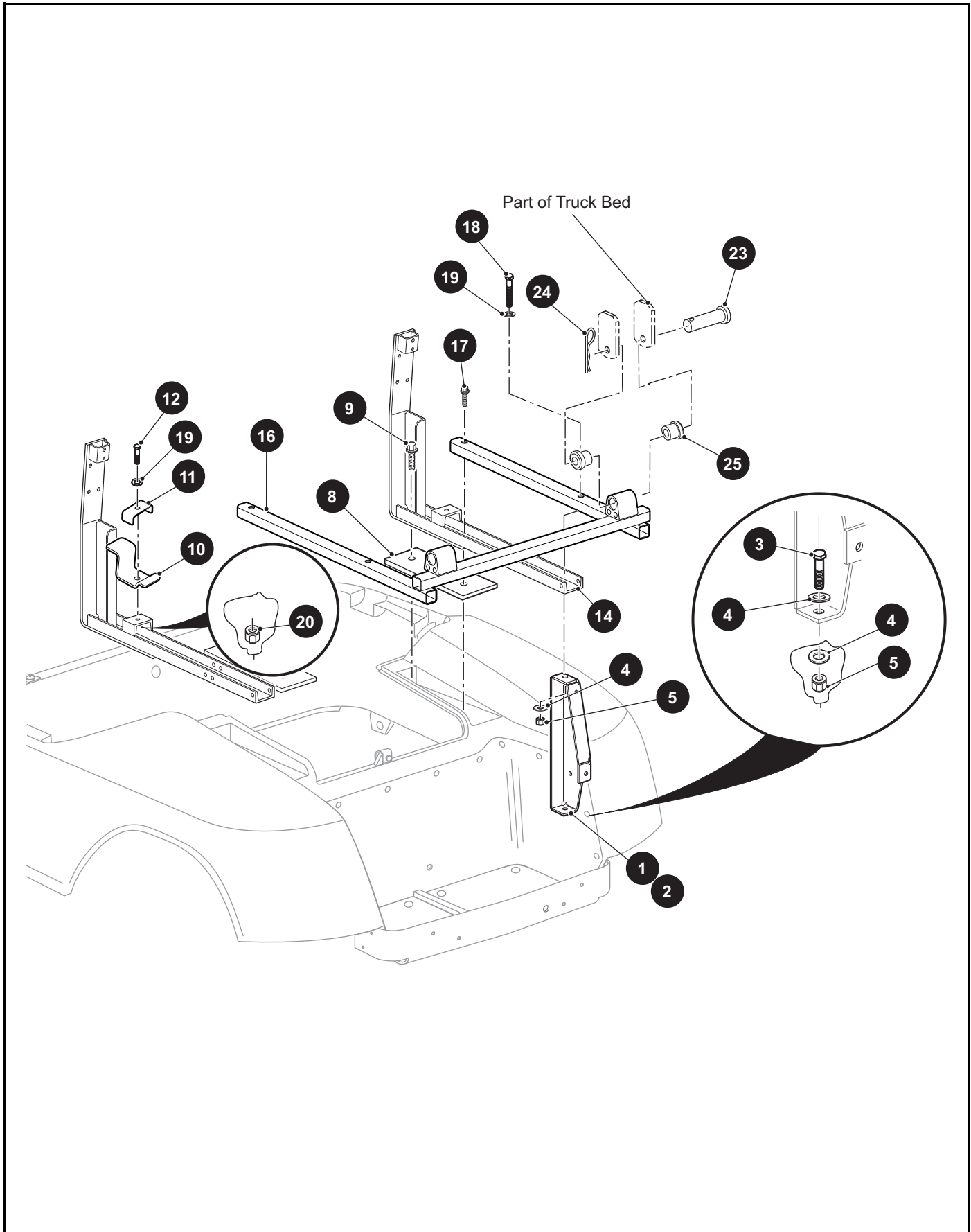
When ordering parts, please specify the model and serial number of the product.

* Indicates a component that is not available as an individual part.

*** Indicates consult Customer Service Department for additional information.

ITEM	PART NO.	1 2 3 4 5	DESCRIPTION	QTY.
1	<u>70113G01</u>		Adjustable Rubber Bumper	2
2	<u>11027G1</u>		Lock Nut, 5/16" - 18	2
3				
4				
5	<u>607072</u>		Bed Latch	1
6	<u>71538G01</u>		Latch Torsion Spring	1
7	<u>652442G03</u>		Keeper Plate	2
8	<u>652440G03</u>		Retainer Bracket	1
9	<u>01118G01</u>		Hex Head Bolt, 1/4" - 20 x 5/8" Lg	4
10				
11	<u>71704G01</u>		Handle Grip	2

TRUCK BED



THE USE OF NON U.L. PARTS WILL VOID ANY U.L. LISTING.

When ordering parts, please specify the model and serial number of the product.

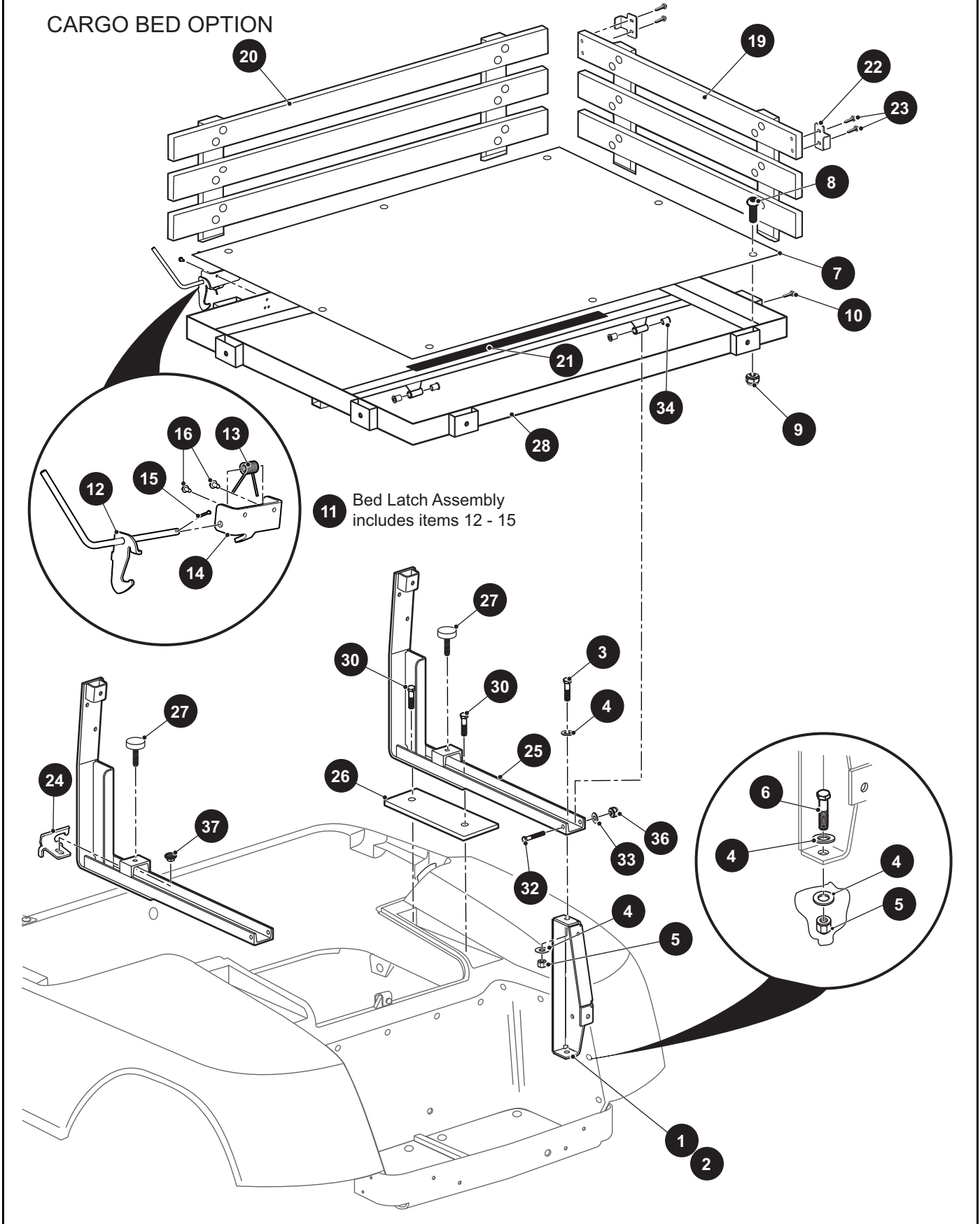
* Indicates a component that is not available as an individual part.

*** Indicates consult Customer Service Department for additional information.

ITEM	PART NO.	1 2 3 4 5	DESCRIPTION	QTY.
1	<u>74126G01</u>		Rear Support Frame (Driver Side)	1
2	<u>74126G02</u>		Rear Support Frame (Passenger Side)	1
3	<u>00427G4</u>		Hex Head Bolt, 3/8" - 16 X 1 1/2" Lg, Grade 5.....	2
4	<u>00560G1</u>		Flat Washer, 3/8"	6
5	<u>11098G5</u>		Lock Nut, 3/8" - 16	4
6				
7				
8	<u>70364G01</u>		Spacer.....	2
9	<u>01006G02</u>		Hex Washer Head Bolt, 3/8" - 16 X 1 1/2" Lg	2
10	<u>606167</u>		Front Bed Support.....	2
11	<u>607093</u>		Bed Support Bracket	2
12	<u>00439G1</u>		Hex Head Bolt, 5/16"- 18 X 1 1/8" Lg, Grade 5.....	2
13				
14	<u>625525</u>		Seat Support	2
15				
16	<u>635380</u>		Bed Frame	1
17	<u>01075G02</u>		Hex Washer Head Bolt, 3/8" - 16 X 2.5" Lg	2
18	<u>00665G8</u>		Hex Head Bolt, 3/8" - 16 X 2" Lg.....	2
19	<u>00559G8</u>		Flat Washer, 5/16"	4
20	<u>11098G6</u>		Lock Nut, 3/8" - 16	2
21				
22				
23	<u>71571G01</u>		Clevis Pin	2
24	<u>21683G1</u>		Cotter Pin, 5/32" X 2 13/16"	2
25	<u>624030</u>		Flanged Bushing	4

TRUCK BED

CARGO BED OPTION



THE USE OF NON U.L. PARTS WILL VOID ANY U.L. LISTING.

When ordering parts, please specify the model and serial number of the product.

* Indicates a component that is not available as an individual part.

*** Indicates consult Customer Service Department for additional information.

ITEM	PART NO.	1 2 3 4 5	DESCRIPTION	QTY.
1	<u>74126G01</u>		Rear Support Frame (Driver Side)	1
2	<u>74126G02</u>		Rear Support Frame (Passenger Side).....	1
3	<u>00426G8</u>		Hex Head Bolt, 3/16" - 16 x 1" Lg, Grade 5	2
4	<u>00560G1</u>		Flat Washer, 3/8"	8
5	<u>11098G5</u>		Lock Nut, 3/8" - 16	4
6	<u>00427G4</u>		Hex Head Bolt, 3/8" - 16 x 1 1/2" Lg, Grade 5	2
7	<u>655936</u>		Cargo Deckboard	1
8	<u>16705G9</u>		Truss Head Phillips Screw (SS), 1/4" - 20 x 1 1/4" Lg.....	8
9	<u>14390G4</u>		Lock Nut, 1/4" - 20	8
10	00666G6		Truss Head Thread Forming Screw (SS), #10 - 12 x 3/4" Lg.....	6
11	72913G01		Bed Latch Assembly (Includes Items 12 - 15).....	1
12	<u>72912G01</u>		Bed Latch	1
13	<u>70681G01</u>		Torsion Spring.....	1
14	<u>74509G01</u>		Pivot Bracket	1
15	<u>10387G3</u>		Cotter Pin.....	1
16	<u>00100G6</u>		Hex Washer Self Tapping Screw, #10 - 16 x 3/4" Lg.....	2
17				
18				
19	<u>34280G01</u>		Cargo Rack, 30.5"	2
20	<u>34280G02</u>		Cargo Rack, 43"	2
21	23052G1		Weather Stripping	1
22	<u>74079G02</u>		Tailgate Retainer Bracket.....	4
23	00666G6		Truss Head Thread Forming Screw (SS), #10 - 12 x 3/4" Lg.....	8
24	<u>72914G01</u>		Latch Tab Bracket (Passenger Side).....	1
25	<u>625525</u>		Seat Support Weldment.....	2
26	<u>70364G01</u>		Spacer Plate.....	2
27	<u>70113G01</u>		Adjustable Rubber Bumper	2
28	<u>635862</u>		Cargo Deck Weldment	1
29				
30	<u>01006G01</u>		Hex Washer Head Thread Forming Screw, 3/8" - 16 x 1 1/4" Lg.....	4
31				

TRUCK BED

THE USE OF NON U.L. PARTS WILL VOID ANY U.L. LISTING.

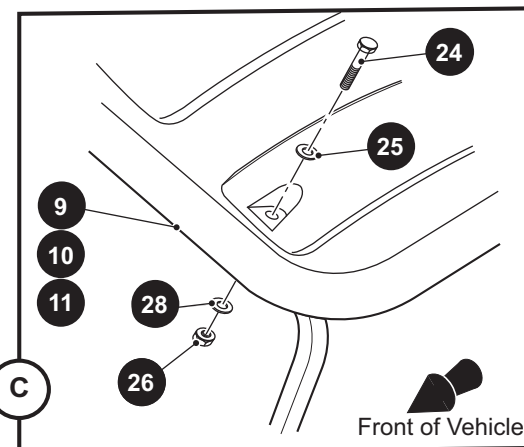
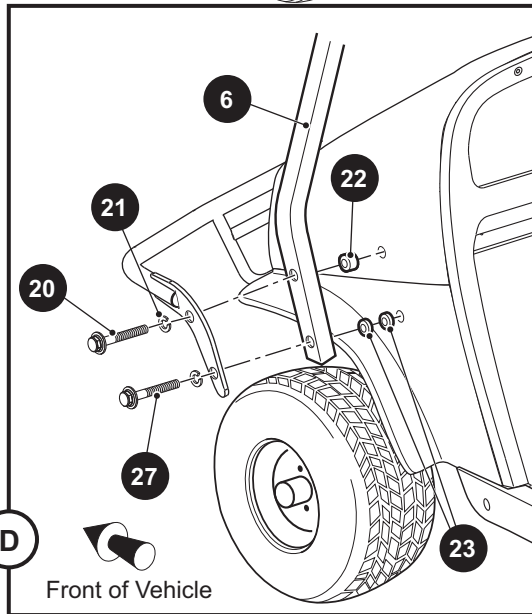
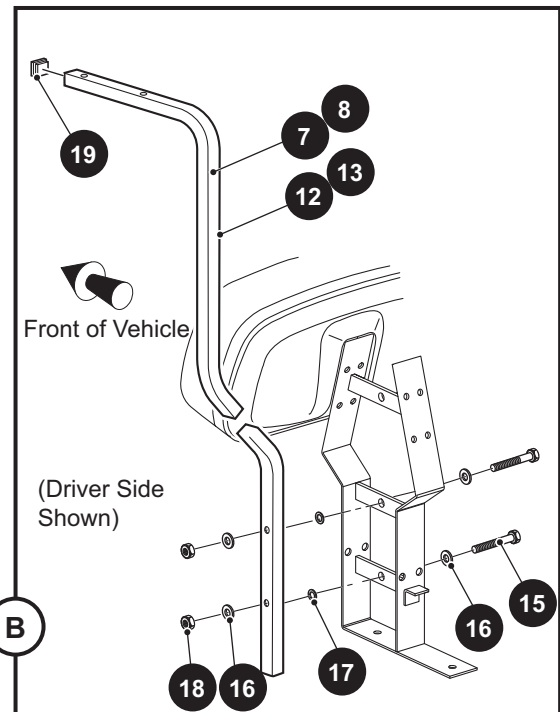
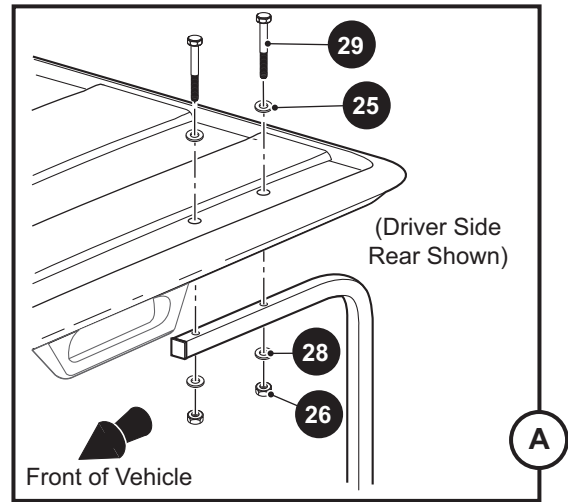
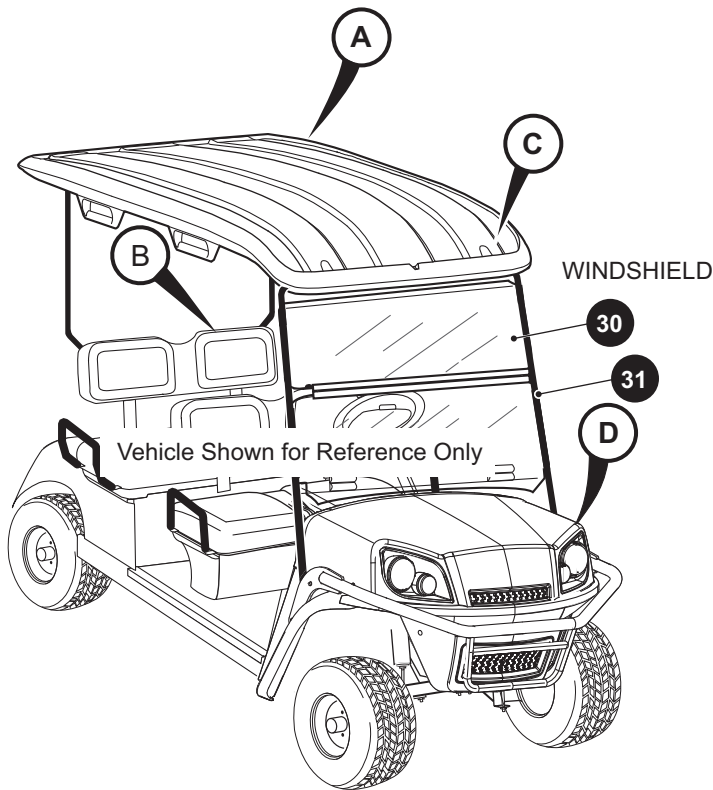
When ordering parts, please specify the model and serial number of the product.

* Indicates a component that is not available as an individual part.

*** Indicates consult Customer Service Department for additional information.

ITEM	PART NO.	1 2 3 4 5	DESCRIPTION	QTY.
32	<u>00440G4</u>		Hex Head Bolt, 5/16" 18 x 1 1/4" Lg.....	2
33	00559G8		Flat Washer, 5/16"	2
34	<u>17838G1</u>		Nyliner Bushing	4
35				
36	11098G6		Lock Nut, 5/16" - 18.....	2
37	<u>11027G1</u>		Flanged Lock Nut, 5/16" - 18.....	4

WEATHER PROTECTION



- 1 Sun Top Kit, Black includes items 6 - 9, 14
- 2 Sun Top Kit, White includes items 6 - 8, 10, 14
- 3 Sun Top Kit, White includes items 6, 10, 12 - 14
- 4 Sun Top Kit, Black includes items 6, 9, 12 - 14
- 5 Sun Top Kit, Tan includes items 6, 11 - 14
- 14 Sun Top Hardware Kit includes items 15 - 29

WEATHER PROTECTION

THE USE OF NON U.L. PARTS WILL VOID ANY U.L. LISTING.

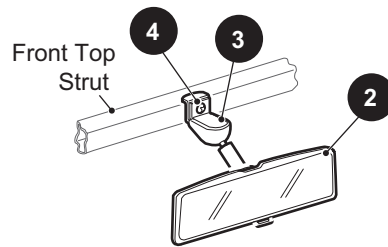
When ordering parts, please specify the model and serial number of the product.

* Indicates a component that is not available as an individual part.

*** Indicates consult Customer Service Department for additional information.

ITEM	PART NO.	1 2 3 4 5	DESCRIPTION	QTY.
1	<u>607305</u>		Sun Top Kit, Black (Includes Items 6 - 9, 14)	1
2	<u>607581</u>		Sun Top Kit, White (Includes Items 6 - 8, 10, 14)	1
3	<u>617947</u>		Sun Top Kit, White (Includes Items 6, 10, 12 - 14)	1
4	<u>617950</u>		Sun Top Kit, Black (Includes Items 6, 9, 12 - 14)	1
5	<u>643404</u>		Sun Top Kit, Tan (Includes Items 6, 11 - 14)	1
6	<u>75488G01</u>		Front Support	1
7	<u>75487G02</u>		Rear Support (Driver Side)	1
8	<u>75487G01</u>		Rear Support (Passenger Side)	1
9	<u>607258</u>		Sun Top, Black	1
10	<u>607580</u>		Sun Top, White	1
11	<u>643212</u>		Sun Top, Tan	1
12	<u>617943</u>		Rear Support (Driver Side)	1
13	<u>617942</u>		Rear Support (Passenger Side)	1
14	<u>608138</u>		Sun Top Hardware Kit (Includes Items 15 - 29)	1
15	<u>00665G5</u>		Hex Head Bolt (SS), 3/8" - 16 x 1" Lg	4
16	<u>00679G1</u>		Flat Washer (SS), 3/8"	8
17	<u>00771G5</u>		Nylon Washer, 3/8"	4
18	<u>00891G5</u>		Lock Nut, 3/8" - 16	4
19	<u>19853G1</u>		End Cap, 1" Sq	2
20	<u>01035G02</u>		Hex Washer Head Bolt, 5/16" - 18 x 2 1/2" Lg, Grade 5	2
21	<u>00565G8</u>		Lock Washer, 5/16"	4
22	<u>75048G01</u>		Spacer, 1/2"	2
23	<u>00879G1</u>		Flat Washer, 3/8"	4
24	<u>00685G10</u>		Hex Head Bolt, 5/16" - 18 x 2.75" Lg	2
25	<u>00907G2</u>		Flat Washer (SS), 5/16"	6
26	11098G6		Lock Nut, 5/16" - 18	6
27	<u>00440G2</u>		Hex Head Bolt, 5/16" - 18 x 2 1/4" Lg, Grade 5	2
28	<u>00660G8</u>		Flat Washer (SS), 5/16"	6
29	<u>00685G11</u>		Hex Head Bolt (SS), 5/16" - 18 x 3 1/4" Lg	4
30	<u>607255</u>		Windshield Kit (Includes Item 31)	1
31	<u>615661</u>		Sash, 12"	2

- 1 Rear View Mirror Kit includes items 2 - 4



REAR VIEW MIRROR

WEATHER PROTECTION

THE USE OF NON U.L. PARTS WILL VOID ANY U.L. LISTING.

When ordering parts, please specify the model and serial number of the product.

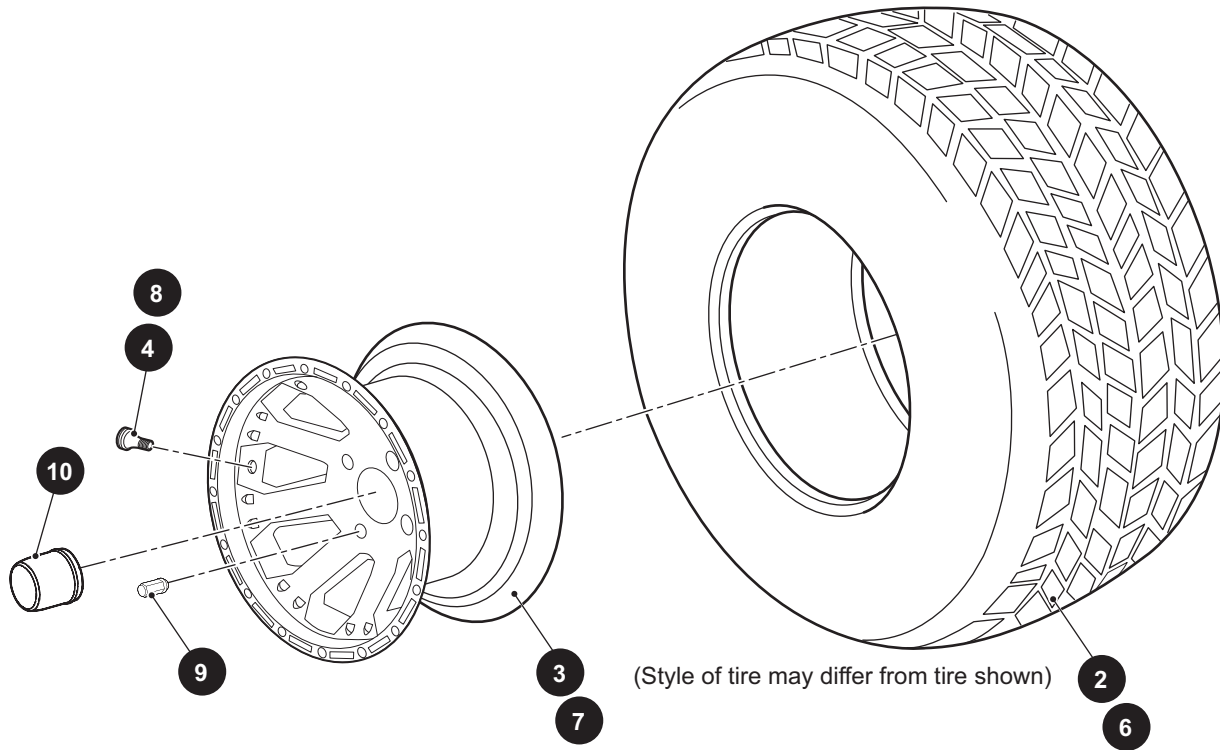
* Indicates a component that is not available as an individual part.

*** Indicates consult Customer Service Department for additional information.

ITEM	PART NO.	1 2 3 4 5	DESCRIPTION	QTY.
1	<u>19528G2</u>		Rear View Mirror Kit (Includes Items 2 - 4)	1
2	<u>19496G1</u>		Rear View Mirror.....	1
3	19502G2		Support Bracket.....	1
4	<u>19527G1</u>		Pan Head Screw, # 8 - 32 X 5/8" LG	1
5				
6	<u>601379</u>		Rear View Mirror (Five Panel Kit) (Not Illustrated)	1

WHEELS AND TIRES

- 1 Wheel and Tire Assembly, Speedracer, Driver Side includes items 2 - 4
- 5 Wheel and Tire Assembly, Speedracer, Passenger Side includes items 6 - 8



WHEELS AND TIRES

THE USE OF NON U.L. PARTS WILL VOID ANY U.L. LISTING.

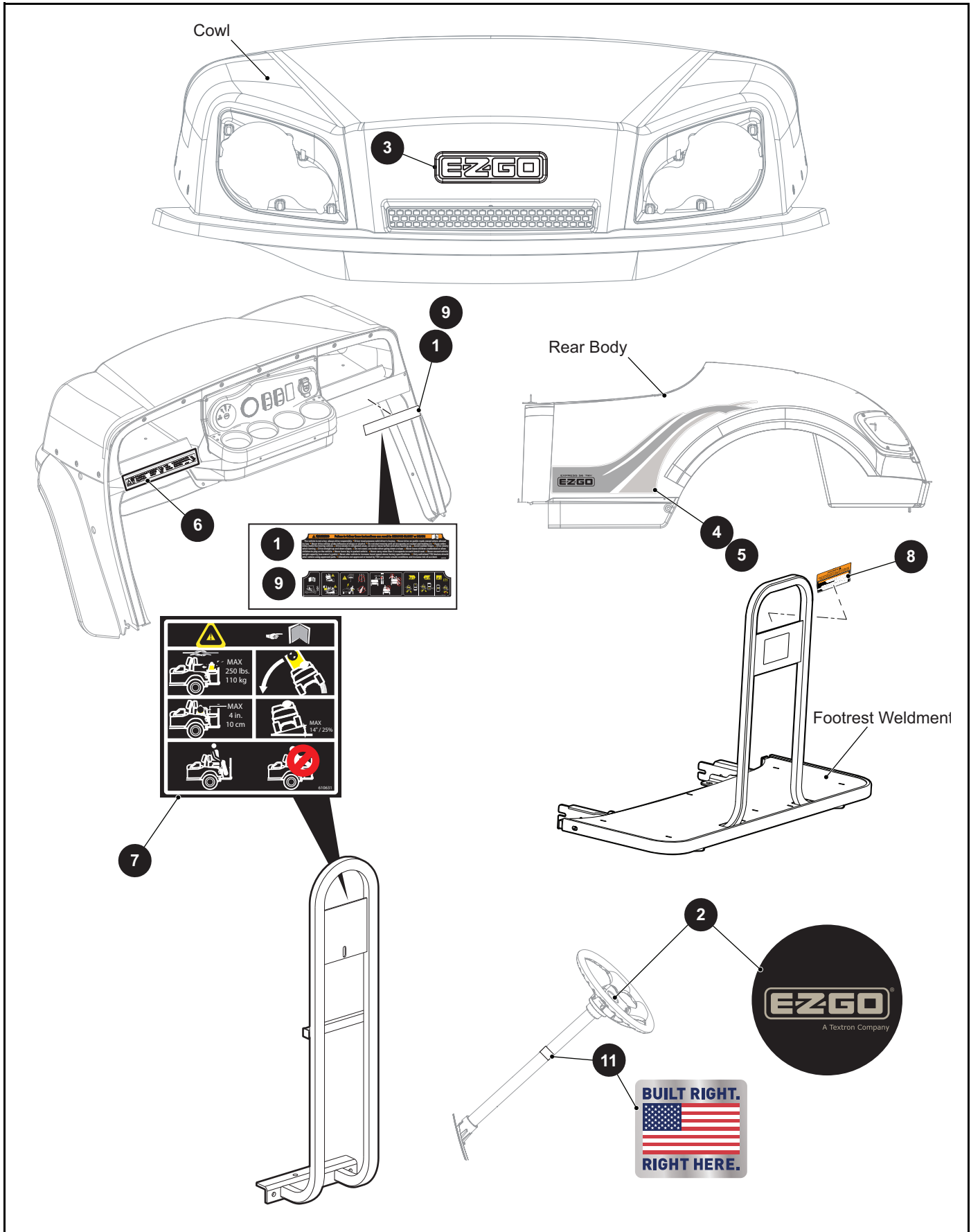
When ordering parts, please specify the model and serial number of the product.

* Indicates a component that is not available as an individual part.

*** Indicates consult Customer Service Department for additional information.

ITEM	PART NO.	1 2 3 4 5	DESCRIPTION	QTY.
1	<u>606240</u>		Wheel and Tire Assembly, Speedracer, Driver Side (Includes Items 2 - 4)....	1
2	<u>606139</u>		Tire, 10 x 7.....	1
3	<u>606152</u>		Rim	1
4	<u>604915</u>		Valve Stem	1
5	<u>606179</u>		Wheel and Tire Assembly, Speedracer, Passenger Side (Includes Items 6 - 8)	1
6	<u>606139</u>		Tire, 10 x 7.....	1
7	<u>606152</u>		Rim	1
8	<u>604915</u>		Valve Stem	1
9	<u>605310</u>		Lug Nut, 1/2" - 20.....	4
10	<u>608910</u>		Diamond Wheel Cap.....	1

DECALS AND LABELS



DECALS AND LABELS

THE USE OF NON U.L. PARTS WILL VOID ANY U.L. LISTING.

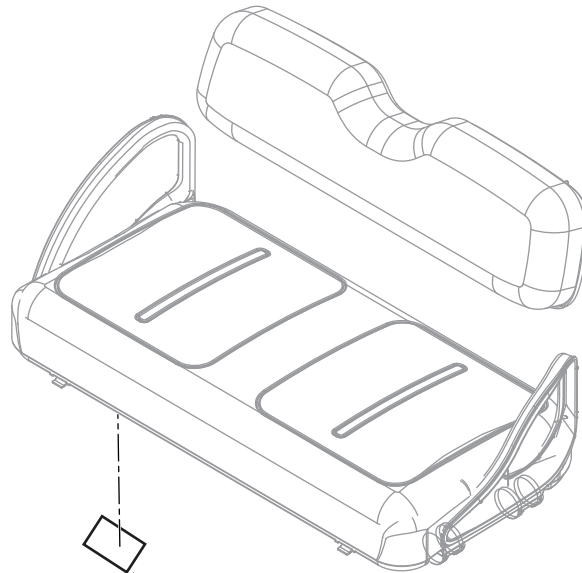
When ordering parts, please specify the model and serial number of the product.

* Indicates a component that is not available as an individual part.

*** Indicates consult Customer Service Department for additional information.

ITEM	PART NO.	1 2 3 4 5	DESCRIPTION	QTY.
1	662185		Console Safety Label	1
2	<u>605435</u>		Steering Wheel Decal	1
3	<u>619206</u>		Cowl Decal	1
4	<u>671333</u>		Side Decal (Driver Side).....	1
5	<u>671334</u>		Side Decal (Passenger Side).....	1
6	<u>74443G01</u>		Anti Rollback Decal	1
7	<u>610631</u>		Clays Bed Decal.....	1
8				
9	662186		Operator Instruction Label (For CE Vehicles only).....	1
10				
11	685698		Decal, Made in USA.....	1

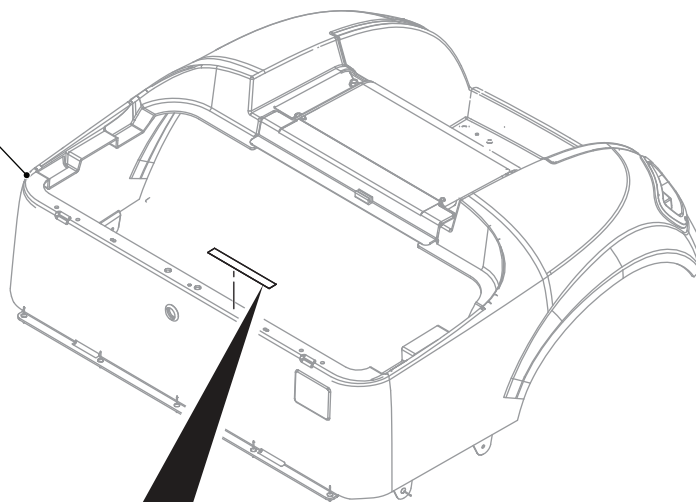
For CE vehicle only



1

AUTHORIZED REPRESENTATIVE IN EC IS:
RANSOMES JACOBSEN LTD.
WEST ROAD, IPSWICH,
SUFFOLK, IP3 9TT, UK

Rear Body



2



DECALS AND LABELS

THE USE OF NON U.L. PARTS WILL VOID ANY U.L. LISTING.

When ordering parts, please specify the model and serial number of the product.

* Indicates a component that is not available as an individual part.

*** Indicates consult Customer Service Department for additional information.

ITEM	PART NO.	1 2 3 4 5	DESCRIPTION	QTY.
1	<u>614068</u>		Authorized Representative Label	1
2	<u>28203G01</u>		Battery Warning Decal	1



Textron Specialized Vehicles, Inc.,
1451 Marvin Griffin Road
Augusta, Georgia 30906 - 3852 USA

CONTACT INFORMATION

North America:

Technical Assistance & Warranty Phone: 1-800-774-3946, FAX: 1-800-448-8124
Service Parts Phone: 1-888-438-3946, FAX: 1-800-752-6175

International: Phone: 001-706-798-4311, FAX: 001-706-771-4609

Owner's Guides and Repair Manuals
are available from a local Distributor, an authorized Branch,
Parts & Accessories Department or at www.shopezgo.com.

Copyrighted Material
This manual may not be reproduced in whole or
in part without the express permission of
Textron Specialized Vehicles
Technical Publications Department