



A Textron Company

# 2FIVE ELECTRIC SERVICE PARTS MANUAL



## **609432-AE**

ISSUED APRIL 2010

REVISED MARCH 2017



# SERVICE PARTS MANUAL

2FIVE ELECTRIC

E-Z-GO Division of TEXTRON Inc. reserves the right to incorporate engineering and design changes to products in this Manual, without obligation to include these changes on units leased/sold previously.

The information contained in this Manual may be revised periodically by the E-Z-GO Division, and therefore is subject to change without notice.

The E-Z-GO Division **DISCLAIMS LIABILITY FOR ERRORS IN THIS MANUAL**, and the E-Z-GO Division **SPECIFICALLY DISCLAIMS LIABILITY FOR INCIDENTAL AND CONSEQUENTIAL DAMAGES** resulting from the use of the information and materials in this Manual.

## **TO CONTACT US**

### **NORTH AMERICA:**

**TECHNICAL ASSISTANCE & WARRANTY PHONE: 1-800-774-3946, FAX: 1-800-448-8124**

**SERVICE PARTS PHONE: 1-888-GET-EZGO (1-888-438-3946), FAX: 1-800-752-6175**

### **INTERNATIONAL:**

**SALES PHONE: 001-706-798-4311, FAX: 001-706-771-4609**

**E-Z-GO DIVISION OF TEXTRON INC., 1451 MARVIN GRIFFIN ROAD, AUGUSTA, GEORGIA USA 30906-3852**

## **NOTES**

To obtain a copy of the limited warranty applicable to the vehicle, call or write a local Distributor, authorized Branch or the Warranty Department with the vehicle serial number and the manufacturer code.

The use of non Original Equipment Manufacturer (OEM) approved parts may void the warranty.

Overfilling batteries may void the warranty.

### **BATTERY PROLONGED STORAGE**

All batteries will self discharge over time. The rate of self discharge varies depending on the ambient temperature and the age and condition of the batteries.

A fully charged battery will not freeze in winter temperatures unless the temperature falls below -75 F (-60 C).

As with all electric vehicles, the batteries must be checked and recharged as required or at a minimum of 30 day intervals.

# TABLE OF CONTENTS

SECTION	Page No.
HOW TO USE THE SERVICE PARTS MANUAL .....	Vii
ACCELERATOR PEDAL ASSEMBLY.....	A-1
• Accelerator Pedal Pad	
• Accelerator Pedal Assembly	
• Switches	
BATTERY CHARGER .....	B-1
• Charger	
• Charger Cords	
• Charger Receptacle	
• Support Bracket	
BODY - FRONT .....	C-1
• Front Bumper	
• Front Splash Shield	
• Front Fascia with Lights	
• Cowl	
• Instrument Panel	
• Instrument Panel Trim	
• Cup Holder	
• Power outlet	
• Speed Selector Switch	
• Ash Tray	
• Nameplate	
BODY - MID SECTION .....	C-5
• Pedal Cover	
• Floorboard	
• Floormat	
• Rocker Panels	
BODY - REAR .....	C-7
• Rear Body	
• Rear Splash Shields	
• Seat Support	
• Bagwell Liner	
• Access Panel	
• Scuff Guards	
• Rear Bumper	
BODY - ACCESSORIES .....	C-11
• Cooler	
• Sand Bottle	
• Club & Ball Washer	
• Trunk Lid	
• Hinges	
• Lock Assembly	
• Scuff Pads	
• Tethers	
BRAKES - PEDAL .....	D-1
• Brake Pedal Assembly	
• Brake Pedal Pad	
• Brake Pedal Return Spring	
• Brake Cable	

# TABLE OF CONTENTS

SECTION	Page No.
BRAKES - MASTER CYLINDER..... <ul style="list-style-type: none"> <li>• Bell crank</li> <li>• Brake Calipers</li> <li>• Brake Liner Hanger</li> <li>• Brake Pads</li> </ul>	D - 3
BRAKES - MOTOR BRAKE..... <ul style="list-style-type: none"> <li>• Motor Brake Assembly</li> <li>• Brake Handle</li> <li>• Handle Return Spring</li> </ul>	D - 7
ELECTRICAL SYSTEM - MAIN COMPONENTS ..... <ul style="list-style-type: none"> <li>• Main Harness</li> <li>• Solenoid</li> <li>• Reverse Warning Indicator</li> <li>• Run / Tow Switch</li> <li>• Run Plug</li> <li>• Speedometer</li> <li>• Key Switch</li> <li>• Charger Receptacle</li> <li>• Solenoid Wires</li> </ul>	E-1
ELECTRICAL SYSTEM - BATTERIES ..... <ul style="list-style-type: none"> <li>• Batteries</li> <li>• Battery Tray</li> <li>• Battery Hold Down</li> <li>• Battery Tray Liner</li> <li>• Wires</li> <li>• Battery Fill System</li> <li>• Nozzle Gun</li> </ul>	E - 3
ELECTRICAL ACCESSORIES ..... <ul style="list-style-type: none"> <li>• Horn Assembly</li> <li>• Horn Button</li> <li>• Strobe Light</li> <li>• Fan Controller</li> <li>• Headlight Switch</li> <li>• Head Lights</li> <li>• Tail Lights</li> <li>• Turn Signal Switch</li> <li>• Defroster/Heater Kit</li> <li>• 2 &amp; 4 Passenger Backup Light Kit</li> </ul>	E-5
ELECTRONIC SPEED CONTROL ..... <ul style="list-style-type: none"> <li>• Controller Assembly</li> <li>• Controller Splash Shield</li> </ul>	F - 1
FRAMES ..... <ul style="list-style-type: none"> <li>• Frames</li> <li>• Seat Frames</li> </ul>	G - 1
FRONT SUSPENSION - STRUTS ..... <ul style="list-style-type: none"> <li>• Shock Absorber</li> <li>• Spindles</li> <li>• Strut Assemblies</li> <li>• Front Hub</li> <li>• A-Arm</li> </ul>	H-1

# TABLE OF CONTENTS

SECTION	Page No.
MOTOR .....	J-1
• AC Motor	
• Flexloom Sleeve	
• Speed Sensor	
REAR AXLE .....	K - 1
• Axle Assembly	
• Axle Shaft	
• Rear Hub	
REAR SUSPENSION .....	L - 1
• Leaf Spring	
• U-bolt	
• Bushings	
• Shackles	
• Shocks	
SEATING & BASKET- FRONT SEAT .....	M - 1
• Front Seat Bottom	
• Front Seat Back	
• Hip Restraints	
• Seat Back Support	
SEATING - REAR SEAT 2 + 2 .....	M - 5
• Rear Seat Bottom	
• Rear Seat Back	
• Seat Hinge	
• Arm Rest	
• Foot Rest	
• Grab Handle	
• Seat Belt	
• Buckle	
• Sweeter Basket	
• Struts	
• License Plate Bracket	
• Side Basket	
STEERING .....	N - 1
• Steering Rack Assembly	
• Steering Column	
• Steering Wheel	
WEATHER PROTECTION .....	P - 1
• Wind Shield	
• Wind Shiled Seal	
• Canopy	
• Brake Light	
• Rear View Mirror	
• Side View Mirror	
• Wiper Assembly	
WHEELS AND TIRES .....	Q - 1
• Tires	
• Wheels	
• Lug Nuts	
• Wheel Cover	
• Wheel Cap	





# HOW TO USE THE SERVICE PARTS MANUAL

This manual is divided into several sections:

## GENERAL INFORMATION

- TABLE OF CONTENTS
- HOW TO USE THE SERVICE PARTS MANUAL

## ILLUSTRATED PARTS BREAKDOWN

- Contains illustrations and parts lists for all systems of the vehicle.

## USE OF THE MANUAL

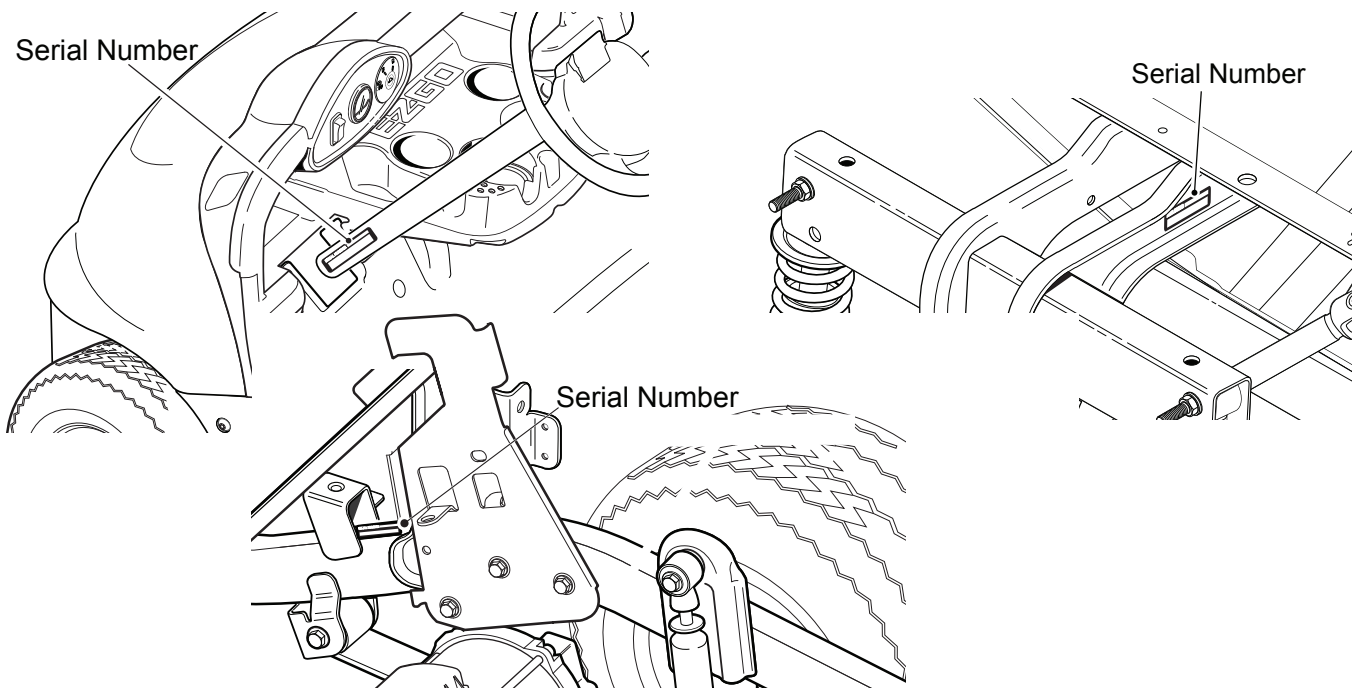
To use this manual, consult the TABLE OF CONTENTS (page iii) to locate the information or illustration required.

Introduction of some revisions varies due to supply of components; therefore, it is possible that various combinations of components may be found that are not directly reflected by each illustration. Consult the illustration that best suits your situation. Locate the serial number. It is important that the serial number of your vehicle and its model number be supplied to Service Parts when ordering any replacement components.

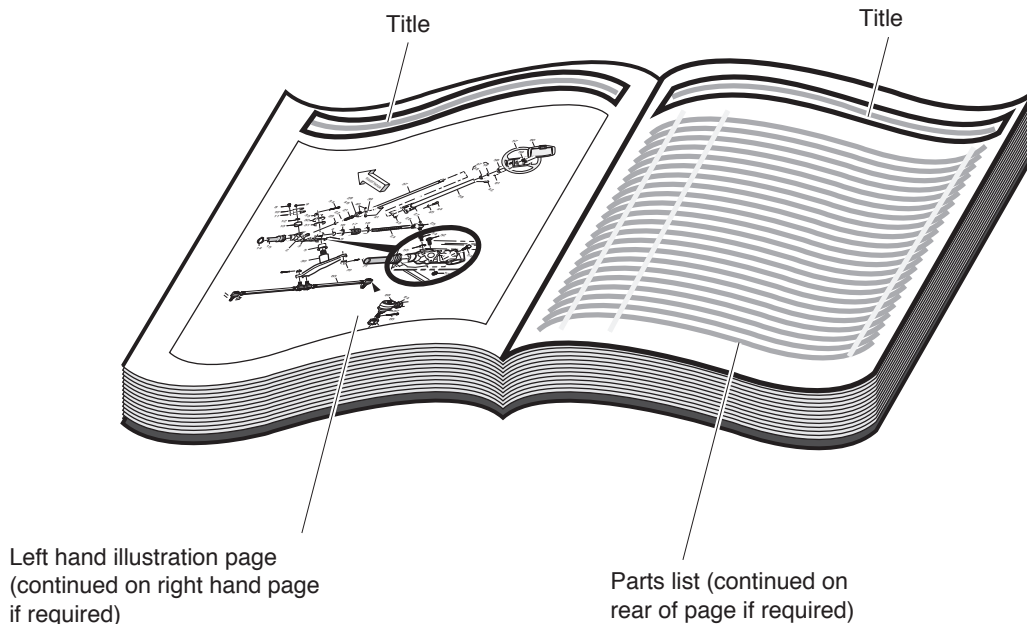
## SERIAL NUMBER LOCATION

Three serial number and manufacture date code labels are on the vehicle. One is placed on the steering column, the second is located on the frame member under the front splash shield on the driver side and the third is located on the passenger side frame rail at the rear of the vehicle.

In order to obtain correct components for the vehicle, the manufacture date code, serial number and vehicle model must be provided when ordering service parts.



# HOW TO USE THE SERVICE PARTS MANUAL



## 1. WHEN THE PART NUMBER IS NOT KNOWN

- Determine the function and application of the part required. Turn to the TABLE OF CONTENTS and select the most appropriate component description.
- Turn to the page number indicated and locate the part description in the parts list. Read the full accompanying description for specific information regarding the part that was not shown in the index.
- From the parts list, obtain the item number assigned to it and confirm that the part selected is correct by verifying it with the pictorial representation on the illustrated page.

Should an asterisk (\*) appear in the part number column on the parts list page, read upwards until a part number is found. The part number is the lowest assembly sold by Service Parts. The asterisk (\*) indicates that the part depicted is not available for purchase.

NOTE: Descriptions are indented under the assembly that they are used on. That assembly is, in turn listed under the assembly that it is used on. This process is repeated until the highest final assembly is reached.

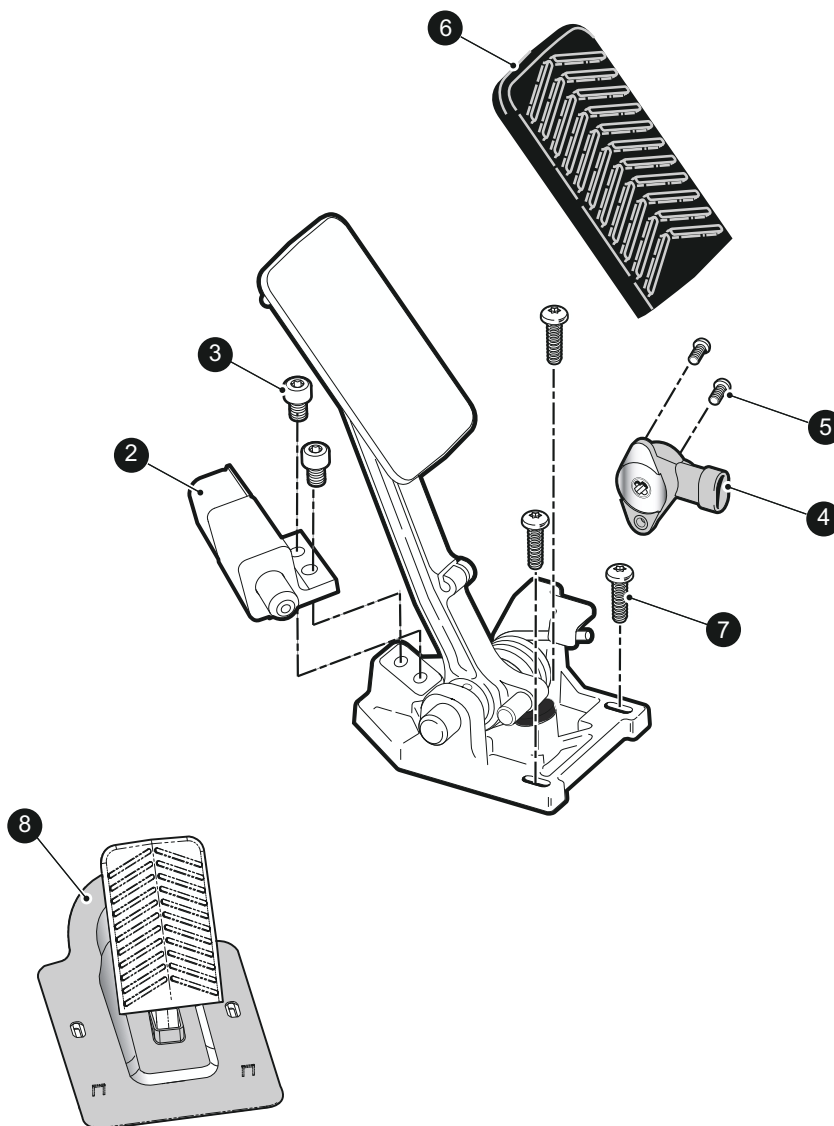
**To facilitate the maintenance and repair of the vehicle, a Technician's Repair and Service Manual is available from the Service Parts Department.**

# ILLUSTRATED PARTS BREAKDOWN

# ILLUSTRATED PARTS BREAKDOWN

# ACCELERATOR

## 1 Accelerator Pedal Assembly (Includes items 2 - 6)



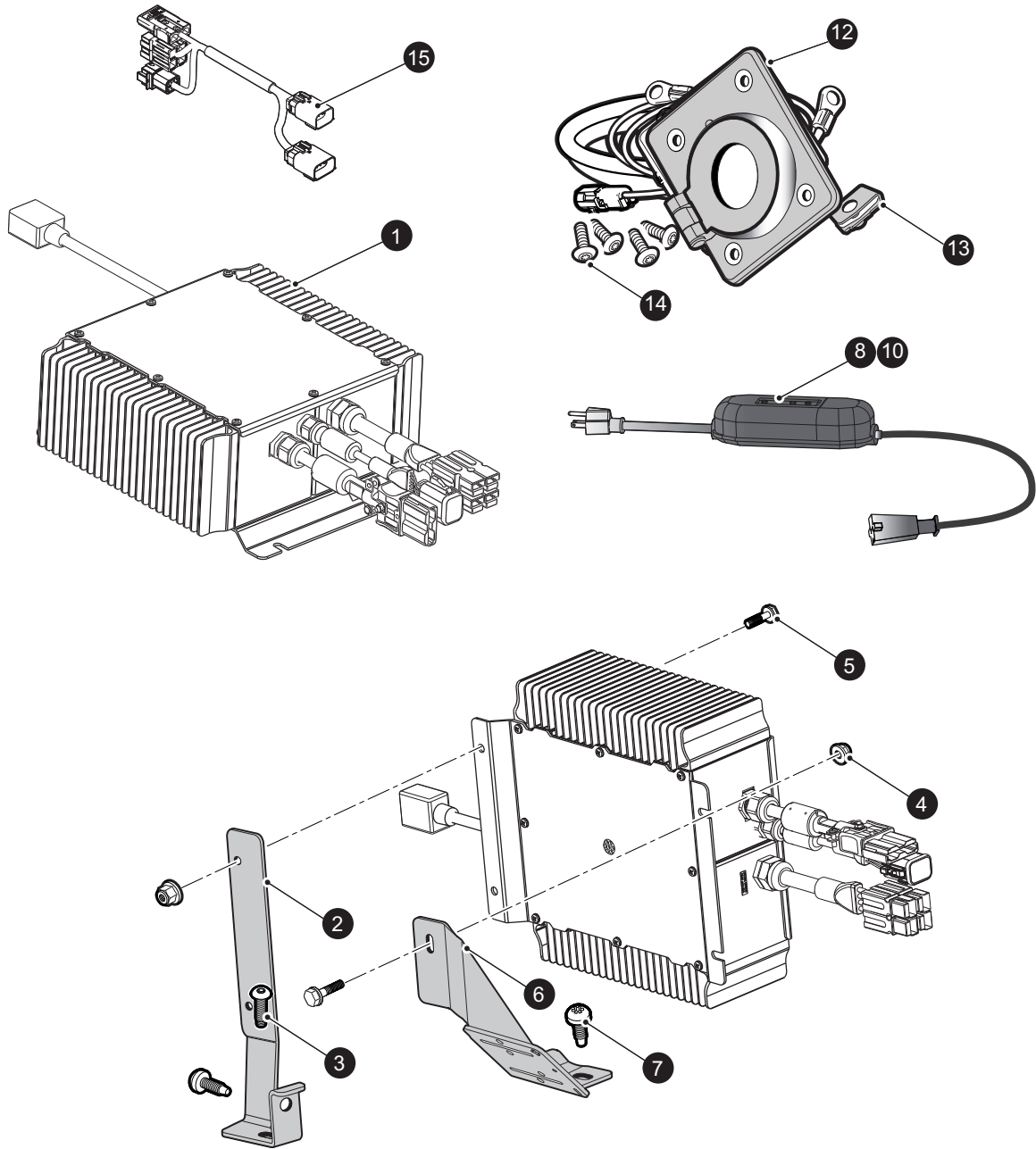
# ACCELERATOR

When ordering parts, please specify the model and serial number of the product.  
 \* Indicates a component that is not available as an individual part.  
 \*\*\* Indicates consult Customer Service Department for additional information.

ITEM	PART NO.	1	2	3	4	5	DESCRIPTION	QTY.
1	626138						ACCELERATOR PEDAL ASSEMBLY (INCLUDES ITEMS 2 - 6).....	1
2	612889						ACCELERATOR PEDAL MOLEX SWITCH .....	1
3	620030						SOCKET HEAD CAP SCREW, M5 - 0.8 X 10.....	2
4	600019						ROTARY POSITION SENSOR.....	1
5	600543						BUTTON HEAD TORX BOLT, M4 - 0.75 X 12 .....	2
6	610529						ACCELERATOR PEDAL PAD .....	1
7	606277						BOSS SCREW, M6 - 1.0 X 25 .....	3
8	614393						ACCELERATOR PEDAL INSERT.....	1

# BATTERY CHARGER WITH DC TO DC CONVERTER

## 48V ON-BOARD BATTERY CHARGER WITH DC TO DC CONVERTER



## BATTERY CHARGER WITH DC TO DC CONVERTER

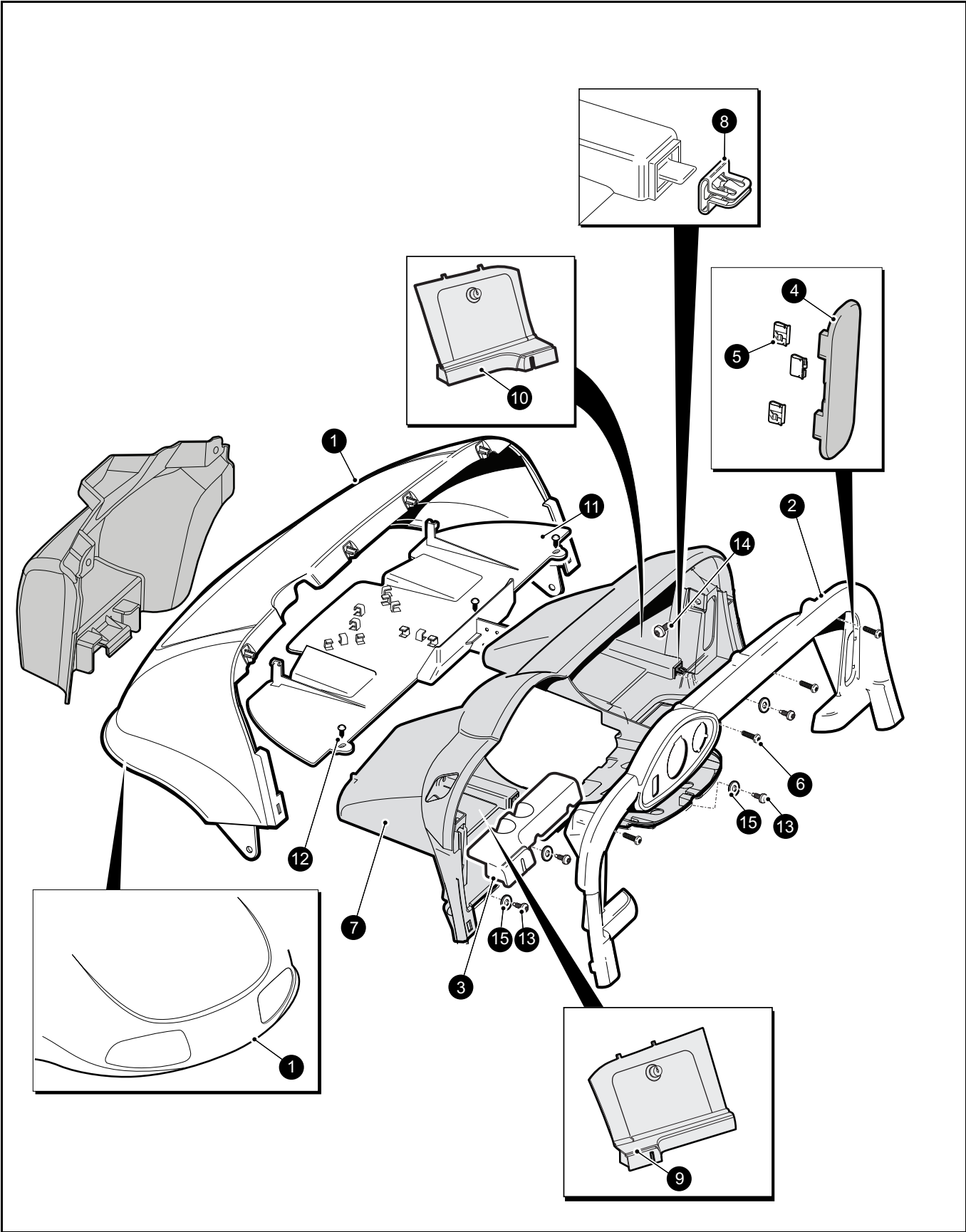
When ordering parts, please specify the model and serial number of the product.

\* Indicates a component that is not available as an individual part.

\*\*\* Indicates consult Customer Service Department for additional information.

ITEM	PART NO.	1	2	3	4	5	DESCRIPTION	QTY.
1	632862						48V ON-BOARD BATTERY CHARGER WITH DC TO DC CONVERTER .....	1
2	613145						CHARGER FRONT BRACKET .....	1
3	605957						BOSS HEAD TORX SCREW, M8 X 29MM LG .....	1
4	601476						LOCK NUT, M6 - 1 .....	4
5	606264						HEX HEAD FLANGED BOLT, M6 - 1 X 20MM LG .....	4
6	613148						CHARGER SUPPORT BRACKET .....	1
7	602572						PAN HEAD TORX TAPTITE BOLT, M10 - 1.5 X 25MM LG .....	2
8	610935						48V BATTERY CHARGER, 3 METER CORD KIT (INCLUDES ITEM 9) .....	1
9	610956						ON BOARD CHARGER, 3 METER CORD .....	1
10	611781						48V BATTERY CHARGER, 5 METER CORD KIT (INCLUDES ITEM 11) .....	1
11	610957						ON BOARD CHARGER 5 METER CORD .....	1
12	610536						CHARGER RECEPTACLE, 48V DELTA-Q .....	1
13	602409						BARREL CLIP, M6 - 1 .....	1
14	601326						BUTTON HEAD TORX BOLT, M6 - 1 X 20MM LG .....	4
15	641860						CHARGER HARNESS ADAPTOR .....	1

# BODY





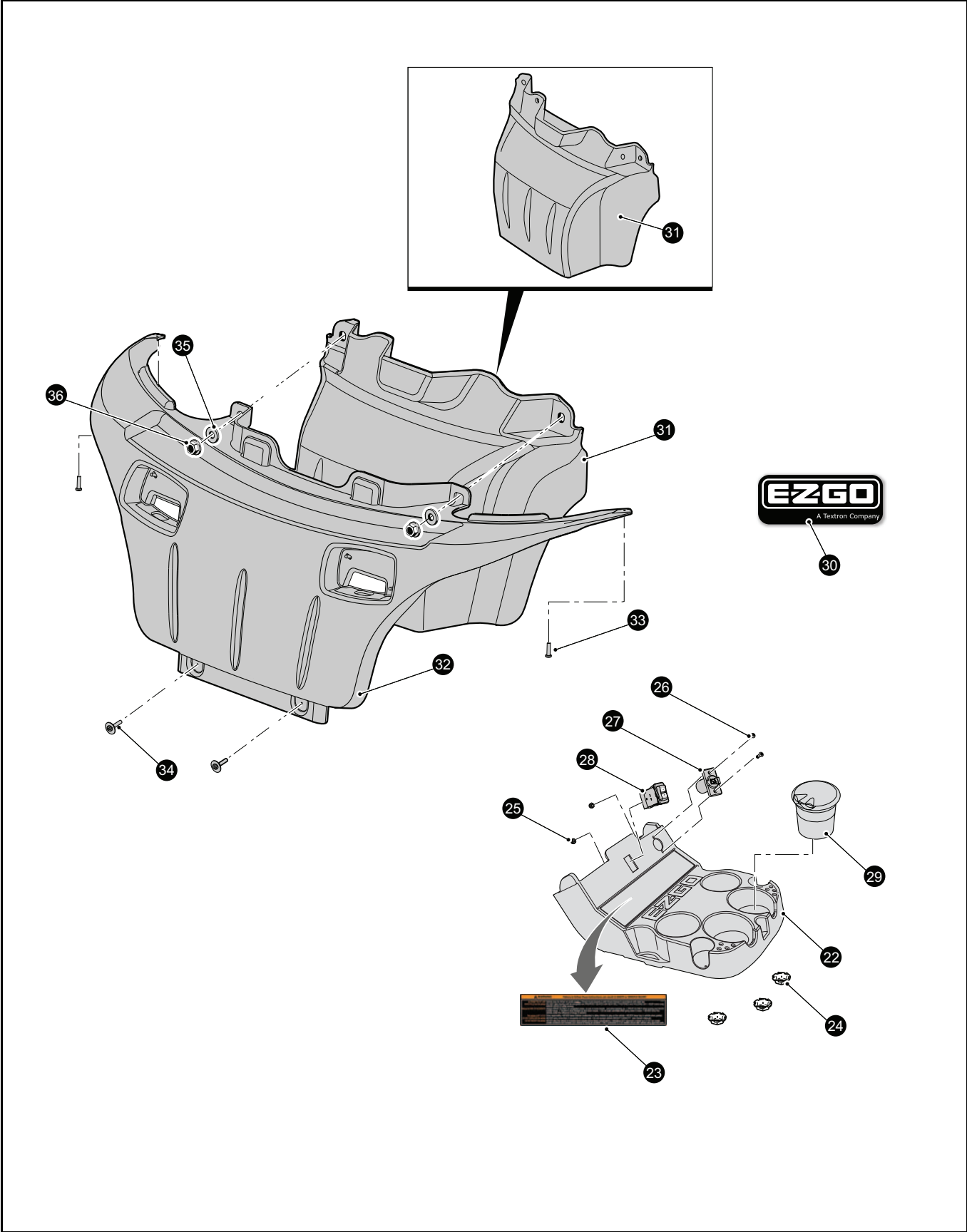
When ordering parts, please specify the model and serial number of the product.

\* Indicates a component that is not available as an individual part.

\*\*\* Indicates consult Customer Service Department for additional information.

ITEM	PART NO.	1 2 3 4 5	DESCRIPTION	QTY.
1	6XXXXX***		FRONT COWL, WITH HEADLIGHTS (see colors below)..... 620227 .... IVORY 620228 .... FOREST GREEN 620229 .... PATRIOT BLUE 620230 .... BLACK 620231 .... BURGANDY 620232 .... BRIGHT WHITE 620233 .... FLAME RED 620234 .... STEEL BLUE 608478 .... PLATINUM 608479 .... ALMOND 608516 .... ELECTRIC BLUE 608517 .... INFERNO RED 617581 .... SUN BURST ORANGE 617579 .... BRITISH RACING GREEN 630169 .... BARLEY GOLD 630171 .... OASIS GREEN 630173 .... JAVA BROWN 630175 .... METALLIC CHARCOAL	1
2	610621		INSTRUMENT PANEL TRIM, KS, SPEEDOMETER, & LIGHT SWITCH.....	1
3	600243		BALL HOLDER INSERT, DRIVER SIDE.....	1
4	602388		ACCESS COVER ASSEMBLY (includes item 5).....	1
5	602100		U-CLIP.....	3
6	606277		BOSS HEAD TORX SCREW, M6 - 1.0 X 25 .....	4
7	602387		INSTRUMENT PANEL (includes item 8).....	1
8	602184		SPRING CLIP .....	4
9	607533		GLOVE BOX, DRIVER SIDE .....	1
10	607131		GLOVE BOX, PASSENGER SIDE.....	1
11	601634		FRONT SPLASH GUARD.....	1
12	16816G2		CHRISTMAS TREE RIVET (.25" x .88").....	3
13	602572		PAN HEAD TORX BOLT, M10 - 15 x 25 .....	4
14	70200G01		TRUSS HEAD TORX 3 BOLT .....	2
15	604066		FLAT WASHER, M10, 10.5 X 30.....	4
16				

# BODY



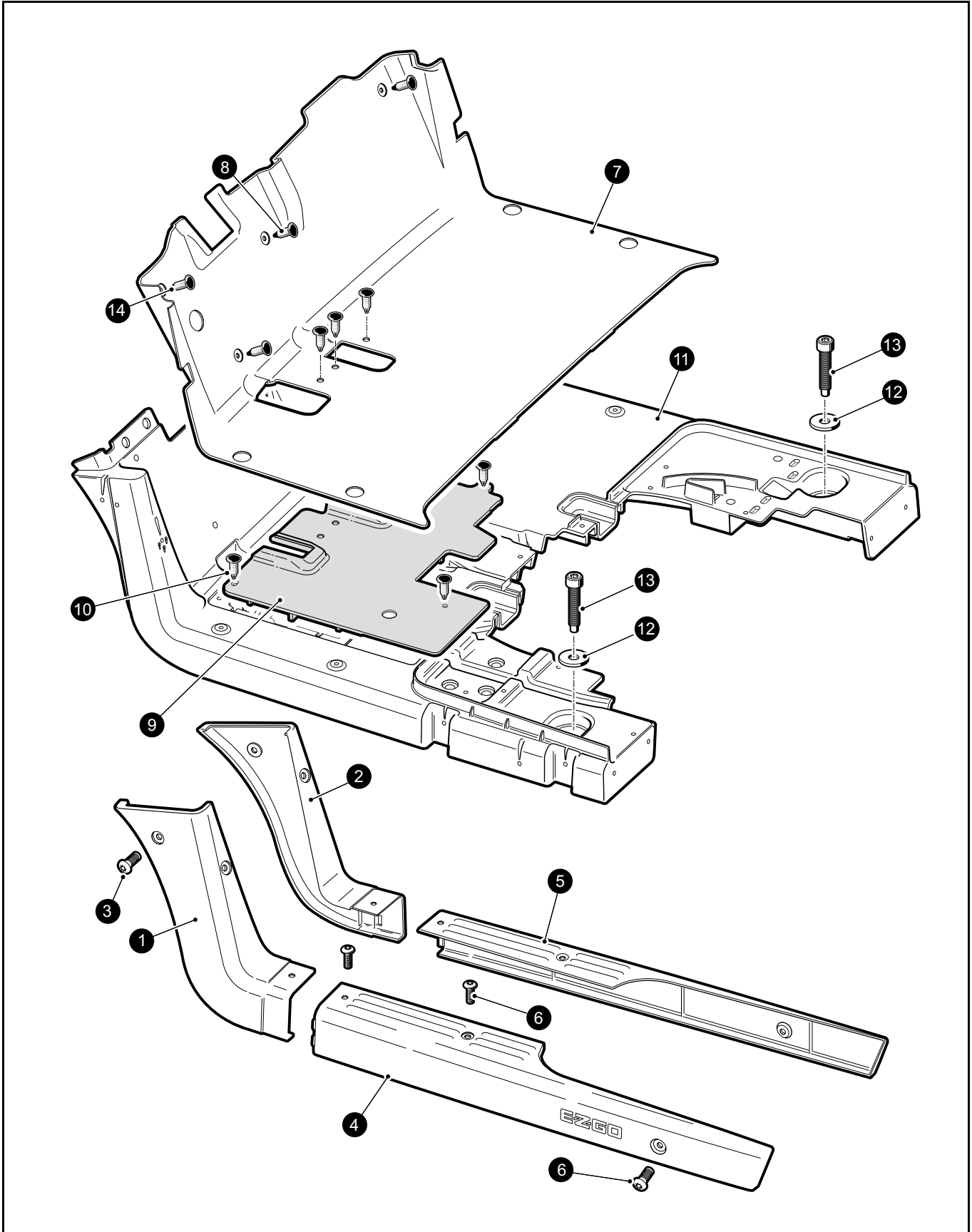
When ordering parts, please specify the model and serial number of the product.

\* Indicates a component that is not available as an individual part.

\*\*\* Indicates consult Customer Service Department for additional information.

ITEM	PART NO.	1	2	3	4	5	DESCRIPTION	QTY.
17								
18								
19								
20								
21								
22	609203						CUPHOLDER ASSEMBLY (includes item 23).....	1
23	610793						WARNING AND INSTRUCTION DECAL.....	1
24	71597G01						SELF THREADING NUT.....	3
25	602053						LOCK NUT, M4 - 0.7 .....	2
26	600543						BUTTON HEAD TORX BOLT, M4 - 0.75 X 12 .....	2
27	71078G01						POWER OUTLET 12V .....	1
28	609380						SPEED SELECTOR SWITCH .....	1
29	603725						ASH TRAY .....	1
30	606405						E - Z - GO NAMEPLATE .....	1
31	605935						FRONT BUMPER .....	1
32	612104						FRONT FASCIA ASSEMBLY W/LIGHTS .....	1
33	608290						PAN HEAD PHILLIPS SELF TAPPING SCREW, #10 - 16 X .75.....	2
34	613373						PAN HEAD TORX SCREW WITH WASHER, 4.8 - 16 X 22mm .....	2
35	604066						FLAT WASHER, M10 - 10.5 X 30 .....	2
36	600525						FLANGED HEX NUT, M10 -1.5.....	2

# BODY



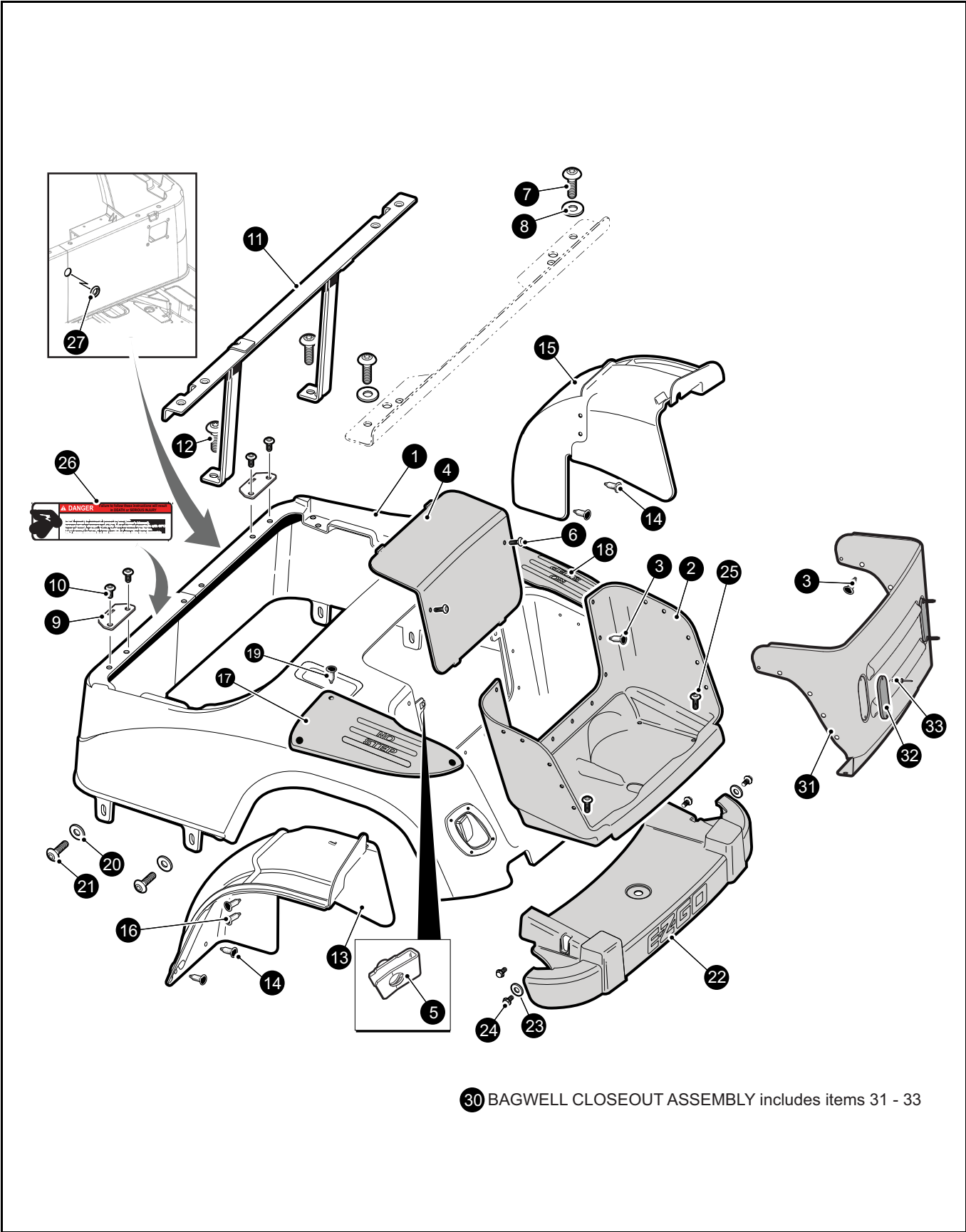
When ordering parts, please specify the model and serial number of the product.

\* Indicates a component that is not available as an individual part.

\*\*\* Indicates consult Customer Service Department for additional information.

ITEM	PART NO.	1	2	3	4	5	DESCRIPTION	QTY.
1	601257						UPPER ROCKER PANEL, DRIVER SIDE .....	1
2	601258						UPPER ROCKER PANEL, PASSENGER SIDE .....	1
3	605957						BUTTON HEAD TORX SCREW, M8 X 29 .....	2
4	600253						LOWER ROCKER PANEL, DRIVER SIDE .....	1
5	600257						LOWER ROCKER PANEL, PASSENGER SIDE .....	1
6	605957						BUTTON HEAD TORX SCREW, M8 X 29 .....	3
7	603707						FLOORMAT WITH HOLE FOR HORN .....	1
8	16816G2						CHRISTMAS TREE RIVET (.25" X .88") .....	5
9	605277						PEDAL COVER PLATE .....	1
10	16816G2						CHRISTMAS TREE RIVET (.25" X .88") .....	4
11	600225						FLOOR BOARD .....	1
12	604066						FLAT WASHER, M10, 10.5 X 30 .....	2
13	602020						TORX SOCKET HEAD CAP SCREW, M10 - 1.5 X 50 .....	2
14	16816G1						CHRISTMAS TREE RIVET (.25" X .680") .....	2

# BODY



When ordering parts, please specify the model and serial number of the product.

\* Indicates a component that is not available as an individual part.

\*\*\* Indicates consult Customer Service Department for additional information.

ITEM	PART NO.	1 2 3 4 5	DESCRIPTION	QTY.
1	6XXXXX		REAR BODY ASSEMBLY WITH TAIL LIGHT OPENINGS ..... (see colors below, includes item 2 & 3 ).....	1
			615026 .... IVORY	
			615027 .... FOREST GREEN	
			615028 .... PATRIOT BLUE	
			615029 .... BLACK	
			615030 .... BURGANDY	
			615031 .... BRIGHT WHITE	
			615032 .... FLAME RED	
			615033 .... STEEL BLUE	
			615034 .... PLATINUM	
			615035 .... ALMOND	
			615036 .... ELECTRIC BLUE	
			615037 .... INFERNO RED	
			617595 .... SUN BURST ORNAGE	
			617597 .... BRITISH RACING GREEN	
			630195 .... BARLEY GOLD	
			630201 .... OASIS GREEN	
			630207 .... JAVA BROWN	
			630213 .... METALLIC CHARCOAL	
2	601679		BAGWELL LINER INSERT.....	1
3	16816G2		CHRISTMAS TREE RIVET (.25" X .88").....	16
4	600249		REAR BODY ACCESS PANEL.....	1
5	602409		BARREL CLIP, M6-1.....	2
6	601326		BUTTON HEAD TORX BOLT, M6 - 1 X 20.....	2
7	602572		PAN HEAD TORX BOLT, M10 - 1.5 X 25.....	2
8	604066		FLAT WASHER, M10 - 10.5 X 30.....	2
9	602558		SEAT HINGE PLATE.....	2
10	602572		PAN HEAD TORX BOLT, M10 - 1.5 X 25.....	4
11	601921		FRONT SEAT SUPPORT ASSEMBLY.....	1
12	602572		PAN HEAD TORX BOLT, M10 - 1.5 X 25.....	2
13	601621		REAR SPLASH GUARD, DRIVER SIDE.....	1
14	16816G2		CHRISTMAS TREE RIVET (.25" X .88").....	4
15	601622		REAR SPLASH GUARD, PASSENGER SIDE.....	1

# BODY

When ordering parts, please specify the model and serial number of the product.

\* Indicates a component that is not available as an individual part.

\*\*\* Indicates consult Customer Service Department for additional information.

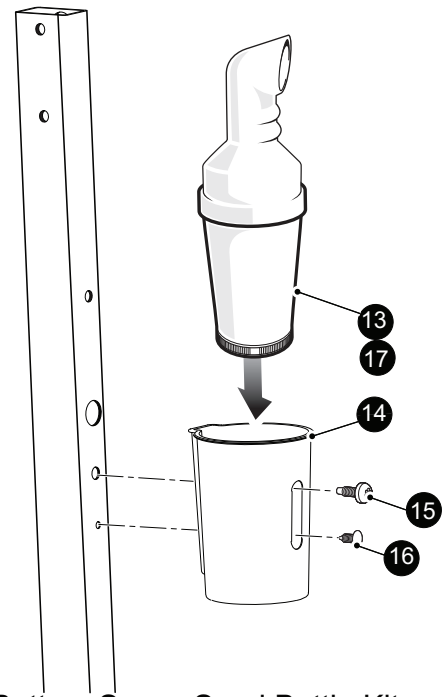
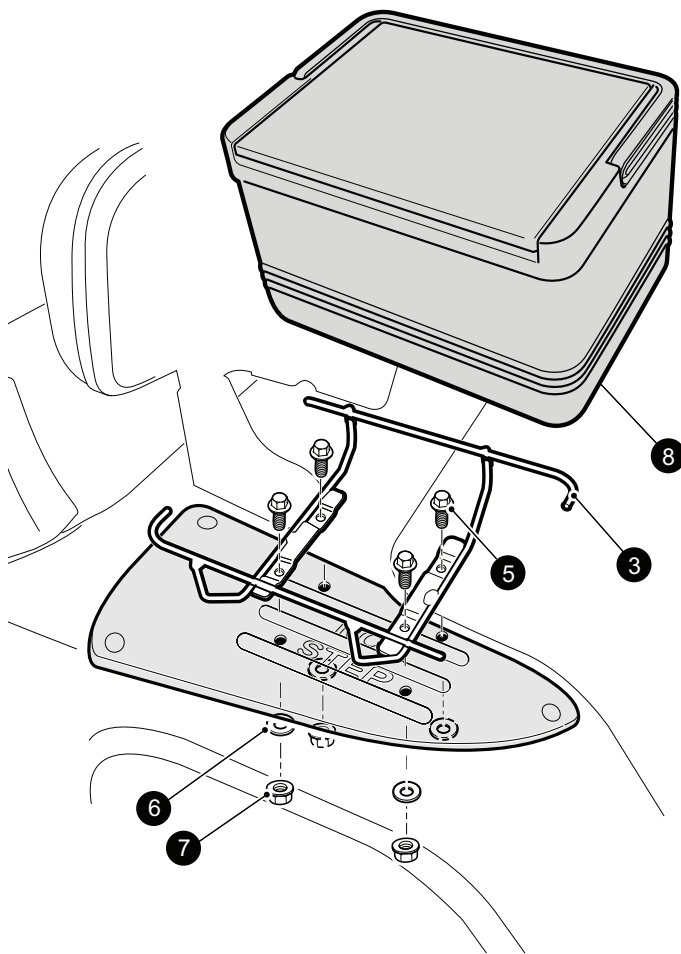
ITEM	PART NO.	1 2 3 4 5	DESCRIPTION	QTY.
16	16816G2		CHRISTMAS TREE RIVET (.25" X .88").....	4
17	601865		SCUFF GUARD, DRIVER SIDE.....	1
18	601864		SCUFF GUARD, PASSENGER SIDE .....	1
19	16816G2		CHRISTMAS TREE RIVET (.25" X .88").....	6
20	604066		FLAT WASHER, M10, 10.5 X 30 .....	4
21	605957		BUTTON HEAD TORX SCREW, M8 X 29 .....	4
22	610855		REAR BUMPER .....	1
23	604066		FLAT WASHER, M10 - 10.5 X 30 .....	2
24	603799		HEX HEAD FLANGED BOLT, M10 - 1.5 X 23 .....	4
25	605957		BUTTON HEAD TORX SCREW, M8 X 29 .....	2
26	610786		DANGER HIGH VOLTAGE, DECAL.....	1
27	71316G01		F - R HOLE PLUG .....	1
28				
29				
30	611940		BAGWELL CLOSEOUT ASSEMBLY (includes items 31 - 33 ).....	1
31	609310		BAGWELL CLOSEOUT .....	1
32	614973		OVAL RED REFLECTOR WITH ADHESIVE .....	2
33	71055G02		RIVET 3/16" .....	4





# BODY

- 1 Beverage Cooler Kit, Driver Side  
includes items 3 - 8
- 2 Beverage Cooler Kit, Passenger Side  
includes items 4 - 9



- 12 Bottom Screw Sand Bottle Kit  
includes items 13 - 16
- 18 Top Screw Sand Bottle Kit  
includes items 14 - 17

When ordering parts, please specify the model and serial number of the product.

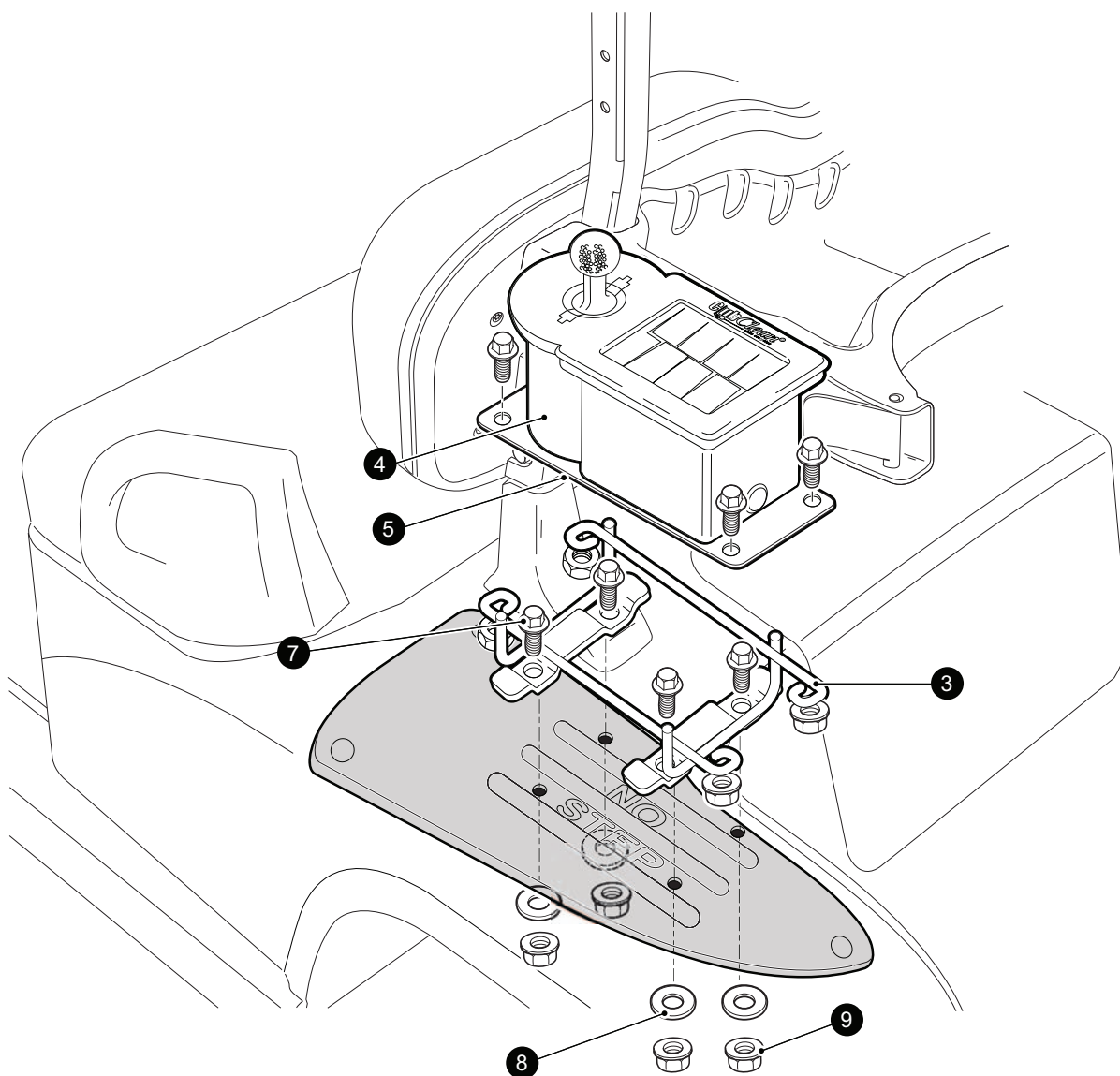
\* Indicates a component that is not available as an individual part.

\*\*\* Indicates consult Customer Service Department for additional information.

ITEM	PART NO.	1 2 3 4 5	DESCRIPTION	QTY.
1	603733		BEVERAGE COOLER KIT, DRIVER SIDE (includes items 3 - 8.....)	1
2	604215		BEVERAGE COOLER KIT, PASSENGER SIDE (includes items 4 - 9).....	1
3	603706		MOUNTING BRACKET, DRIVER SIDE .....	1
4	603710		COOLER HARDWARE KIT (includes items 5 - 7).....	1
5	606256		FLANGED HEX HEAD BOLT, M10 - 1.5 X 25 .....	4
6	608520		POLYPROPYLENE WASHER.....	4
7	606274		FLANGED HEX NUT, M10 - 1.25.....	4
8	601366		BEVERAGE COOLER.....	1
9	603777		MOUNTING BRACKET, PASSENGER SIDE (not shown in illustration) ..	1
10				
11				
12	614179		BOTTOM SCREW SAND BOTTLE KIT (includes items 13 - 16) .....	1
13	600612		SAND BOTTLE ASSEMBLY.....	1
14	28660G01		SAND BOTTLE ASSEMBLY HOLDER.....	1
15	602572		BOLT, PDH, TAPTITE, M10 - 1.5 - 25 .....	1
16	16816G2		RATCHET RIVET, 0.25" X 0.887" .....	1
17	28459G01		SAND BOTTLE.....	1
18	614195		TOP SCREW SAND BOTTLE KIT (includes items 14 - 17 ) .....	1

# BODY

- 1 Club & Ball Washer Kit, Driver Side  
includes items 3 - 9
- 2 Club & Ball Washer Kit, Passenger Side  
includes items 4 - 10



When ordering parts, please specify the model and serial number of the product.

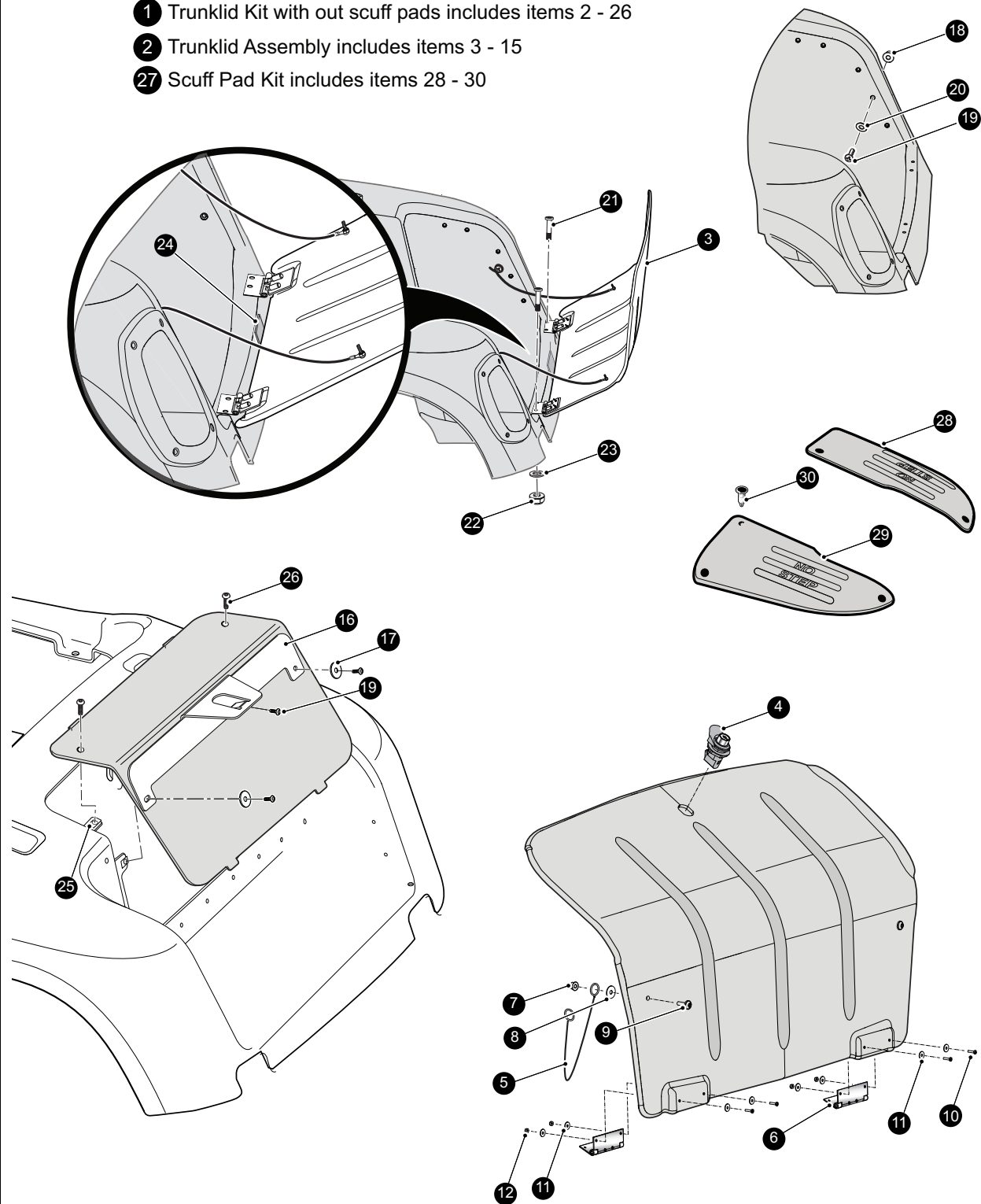
\* Indicates a component that is not available as an individual part.

\*\*\* Indicates consult Customer Service Department for additional information.

ITEM	PART NO.	1	2	3	4	5	DESCRIPTION	QTY.
1	604216						CLUB & BALL WASHER KIT, DRIVER SIDE (includes items 3 - 9).....	1
2	603252						CLUB & BALL WASHER KIT, PASSENGER SIDE (includes items 4 - 10).....	1
3	604576						MOUNTING BRACKET, DRIVER SIDE .....	1
4	603836						CLUB & BALL WASHER .....	1
5	604384						CLUB & BALL WASHER PLATE .....	1
6	603712						BALL AND CLUB WASHER HARDWARE KIT (includes items 7 - 9)....	1
7	606256						FLANGED HEX HEAD BOLT, M10 - 1.5 X 25 .....	4
8	608520						POLYPROPYLENE WASHER .....	4
9	606274						FLANGED HEX NUT, M10 - 1.25.....	4
10	604577						MOUNTING BRACKET, PASSENGER SIDE (not shown in illustration) ..	1

# BODY

- 1 Trunklid Kit with out scuff pads includes items 2 - 26
- 2 Trunklid Assembly includes items 3 - 15
- 27 Scuff Pad Kit includes items 28 - 30



When ordering parts, please specify the model and serial number of the product.

\* Indicates a component that is not available as an individual part.

\*\*\* Indicates consult Customer Service Department for additional information.

ITEM	PART NO.	1	2	3	4	5	DESCRIPTION	QTY.
1	615168						TRUNKLID KIT WITH OUT SCUFF GUARDS ( includes items 2 - 26 ) .....	1
2	612564						TRUNKLID ASSEMBLY ( includes items 3 - 15 ) .....	1
3	612497						TRUNKLID .....	1
4	612516						TRUNKLID LOCK ASSEMBLY .....	1
5	612502						TRUNKLID TETHER.....	2
6	606780						TRUNKLID HINGE.....	2
7	601476						LOCK NUT, M6 - 1 .....	2
8	608747						FLAT WASHER, M6 X 1.5.....	2
9	612635						BOLT, M6 - 1 X 20.....	2
10	612710						MACHINEDSCREW, 4 - 40 X 0.50 .....	4
11	612712						WASHER, M3.5 X 12 .....	8
12	612757						SELF LOCKING NUT, 4 - 40.....	4
13	612761						TRUNKLID SIDE SEAL.....	2
14	612762						TRUNKLID TOP SEAL.....	1
15	614241						NO WEIGHT WARNING DECAL ( not shown in illustration ) .....	1
16	615073						TRUNKLID CENTER SUPPORT.....	1
17	608747						FLAT WASHER, M6 X 1.5 .....	2
18	601476						LOCK NUT, M6 - 1.....	3
19	612635						BOLT, M6 - 1 X 20 .....	3
20	612664						TRUNKLID TETHER SPACER.....	2
21	613149						MACHINED SCREW, 4 - 40 X 0.75.....	4
22	612757						SELF LOCKING NUT, 4 - 40 .....	4
23	612712						WASHER, M3.5 X 12.....	4
24	612763						TRUNKLID INSTALLATION SPACER .....	1
25	602409						BARREL CLIP, M6-1 .....	2
26	601326						BUTTON HEAD TORX BOLT, M6 - 1 X 20.....	2
27	607441						SCUFF PAD KIT ( includes items 28 - 30 ) .....	1
28	601864						SCUFF PAD RH .....	1
29	601865						SCUFF PAD LH.....	1
30	61816G2						RATCHET RIVET, .25" X 887" .....	6

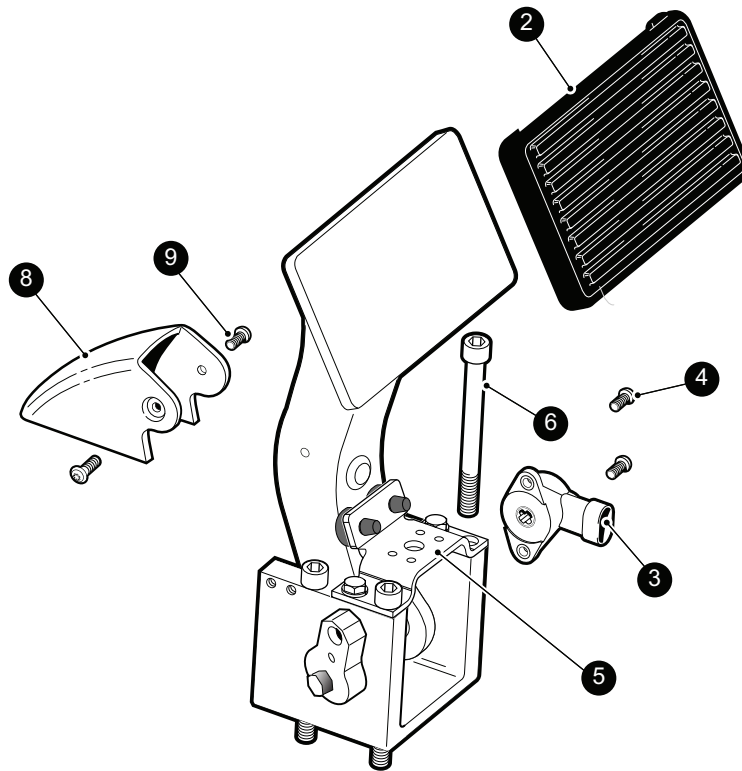




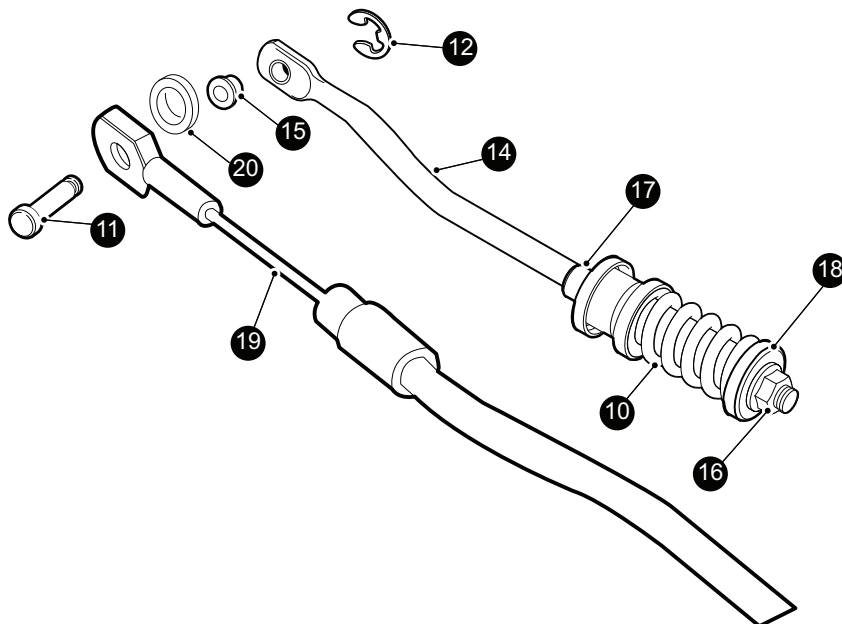


# BRAKES

1 Brake Pedal Assembly includes items 2 - 5



13 Brake Pedal Return Assembly includes items 14 - 18



When ordering parts, please specify the model and serial number of the product.

\* Indicates a component that is not available as an individual part.

\*\*\* Indicates consult Customer Service Department for additional information.

ITEM	PART NO.	1 2 3 4 5	DESCRIPTION	QTY.
1	626169		BRAKE PEDAL ASSEMBLY ( HYDRAULIC), (INCLUDES ITEMS 2 - 5).....	1
2	610471		BRAKE PEDAL PAD .....	1
3	600019		ROTARY POSITION SENSOR.....	1
4	600543		BUTTON HEAD TORX BOLT, M4 - 7 X 13.....	2
5	609226		SWITCH BUTTON BRACKET .....	1
6	605254		SOCKET HEAD CAP SCREW M8 - 1.25 X 90 .....	4
7				
8	605688		BRAKE PEDAL COVER .....	1
9	600543		BUTTON HEAD TORX BOLT, M4 - 0.7 X 12 .....	2
10	73046G01		COMPRESSION SPRING .....	1
11	614058		CLEVIS PIN .....	1
12	601835		E-RING, 8mm .....	1
13	613309		BRAKE PEDAL RETURN ASSEMBLY (INCLUDES ITEMS 14 - 18) .....	1
14	605260		PARK BRAKE ROD .....	1
15	600706		FLANGED BUSHING, 8mm.....	1
16	604538		FLANGED HEX HEAD LOCK NUT, M10 X 1.5 .....	1
17	601675		BUSHING .....	1
18	604100		WASHER .....	2
19	613157		MASTER CYLINDER BRAKE CABLE .....	1
20	614763		SPACER, M13 X 25 OD X 5 .....	1



# BRAKES

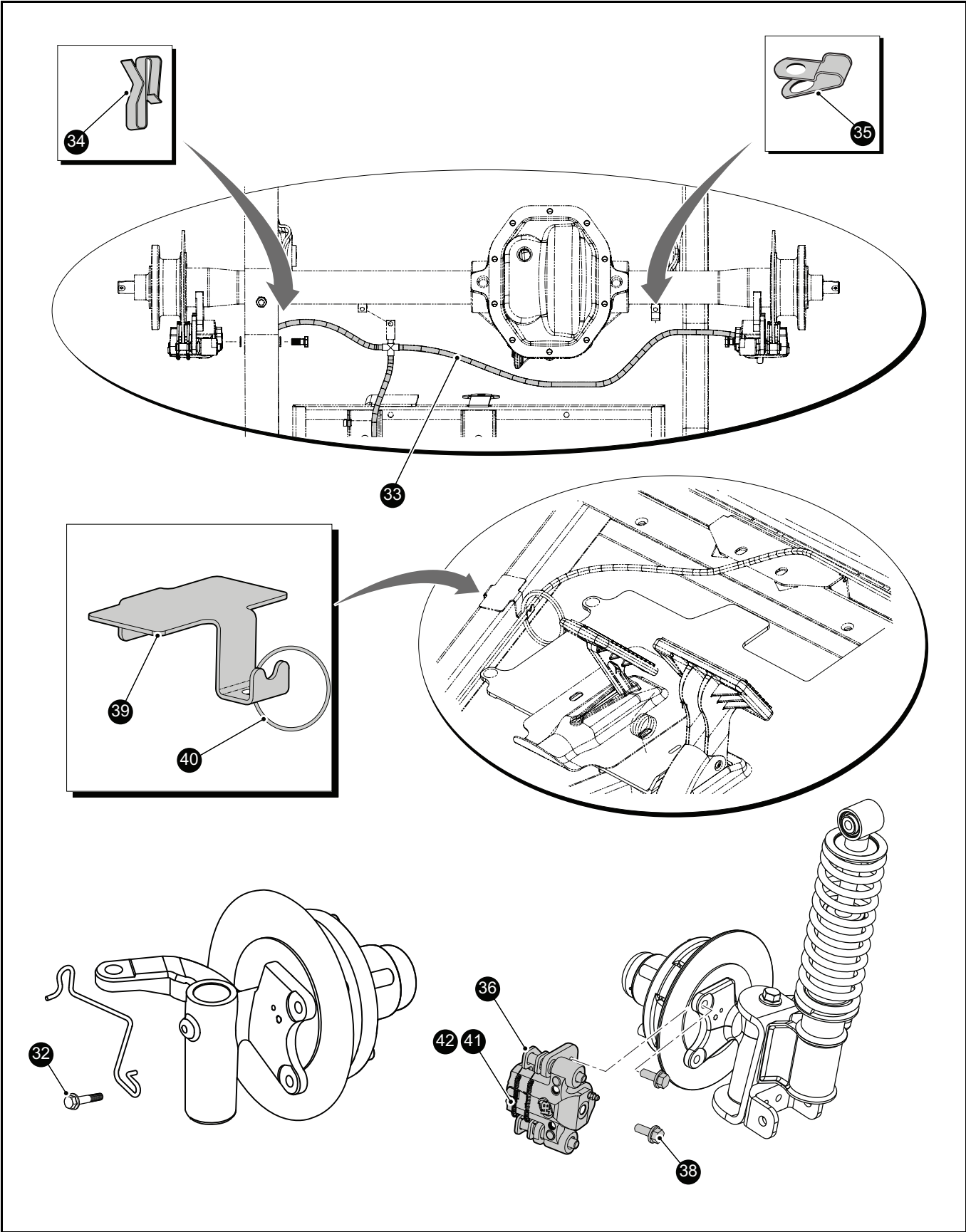
When ordering parts, please specify the model and serial number of the product.

\* Indicates a component that is not available as an individual part.

\*\*\* Indicates consult Customer Service Department for additional information.

ITEM	PART NO.	1	2	3	4	5	DESCRIPTION	QTY.
1	631593						MASTER CYLINDER .....	1
2	613147						MASTER CYLINDER BRACKET .....	1
3	70581G01						ACETAL BUSHING .....	2
4	613331						BELL CRANK BRAKE CABLE PIN .....	1
5	614261						LOCK NUT, 3/8" - 24 .....	1
6	10386G3						CLEVIS PIN, 8 X 24MM .....	1
7	10387G3						COTTER PIN .....	1
8	613154						BELL CRANK WELDMENT .....	1
9	605957						BOSS HEAD TORX SCREW, M8 X 29MM LG .....	2
10	613152						BELL CRANK SHAFT .....	1
11	00439G8						HEX HEAD CAP SCREW, 5/16" - 18 X 2.00" LG .....	2
12	01111G01						RETAINING RING .....	6
13	800697						CROWN LOCK NUT, 5/16" - 18 .....	2
14	452695						TORX HEAD TAPTITE SCREW, M6 - 1.00 X 20MM LG .....	3
15	613365						FRONT BRAKE LINE WIRE FORM ( DRIVER SIDE ) .....	1
16	613366						FRONT BRAKE LINE WIRE FORM ( PASSENGER SIDE ) .....	1
17	613293						CRUSH WASHER, M10 .....	12
18	613292						BANJO BOLT, M10 - 1.25 X 20MM LG .....	6
19	613289						FRONT BRAKE LINE .....	1
20								
21								
22								
23								
24								
25								
26								
27								
28								
29								
30								
31								

# BRAKES



# BRAKES

When ordering parts, please specify the model and serial number of the product.

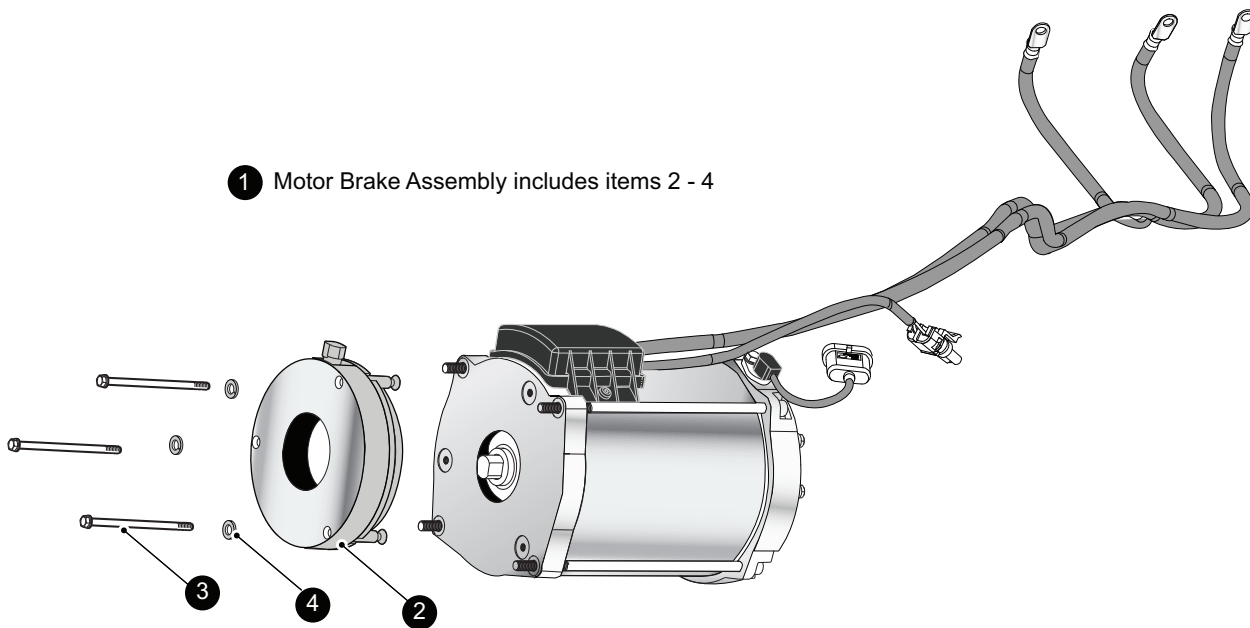
\* Indicates a component that is not available as an individual part.

\*\*\* Indicates consult Customer Service Department for additional information.

ITEM	PART NO.	1 2 3 4 5	DESCRIPTION	QTY.
32	606264		FLANGED HEX HEAD BOLT, M6 - X 20 .....	2
33	613290		REAR BRAKE LINE .....	1
34	01072G01		CABLE CLIP .....	1
35	73053G01		DOUBLE TUBE CLAMP .....	1
36	614875		DRIVER SIDE CALIPER.....	1
37	614876		PASSENGER SIDE CALIPER ( NOT ILLUSTRATED ) .....	1
38	606261		FLANGED HEX HEAD BOLT, M8 - 1.25 X 20 .....	4
39	613294		BRAKE LINE HANGER.....	1
40	31539G1		NYLON CLIP .....	1
41	614297		BRAKE PADS KIT ( INCLUDES 4 PADS - 4 RATTLE SPRINGS ).....	1
42	614874		BRAKE PADS KIT ( INCLUDES 4 PADS - 4 RATTLE SPRINGS ).....	1

# BRAKES

1 Motor Brake Assembly includes items 2 - 4





# BRAKES

When ordering parts, please specify the model and serial number of the product.

\* Indicates a component that is not available as an individual part.

\*\*\* Indicates consult Customer Service Department for additional information.

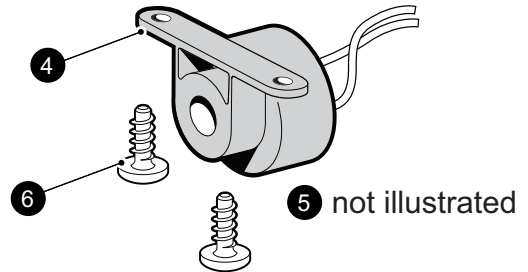
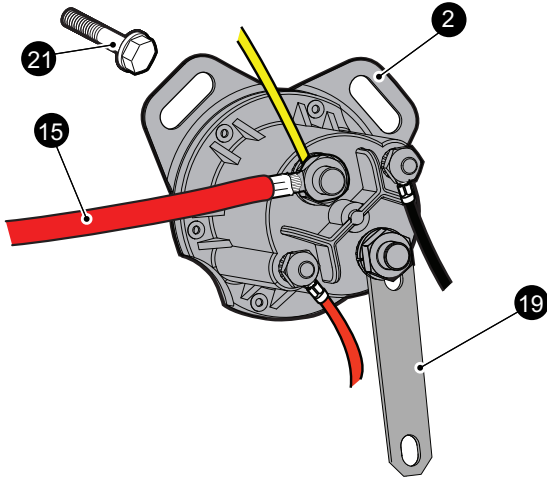
ITEM	PART NO.	1 2 3 4 5	DESCRIPTION	QTY.
1	613176		6" MOTOR BRAKE ASSEMBLY (INCLUDES ITEMS 2 - 4) .....	1
2	613176		6" MOTOR BRAKE .....	1
3	73715G01		FLANGED HEXAGONAL HEAD SCREW, M6 - 1 X 60 .....	3
4	00664G7		LOCK WASHER, STAINLESS STEEL, 1/4" .....	3

# ELECTRICAL

- 1** Main Electrical Harness (not illustrated)  
(includes items 2, 4, 8 & 11)

- 3** Reverse Warning Indicator Replacement Kit  
(includes items 4 - 6)

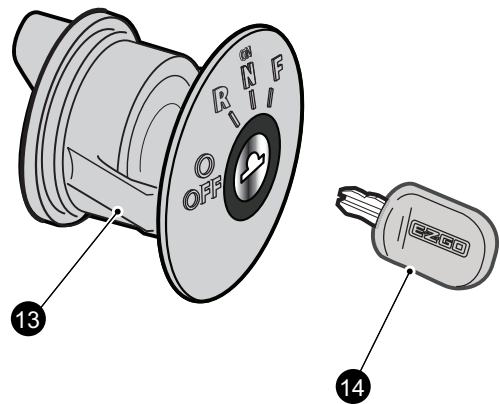
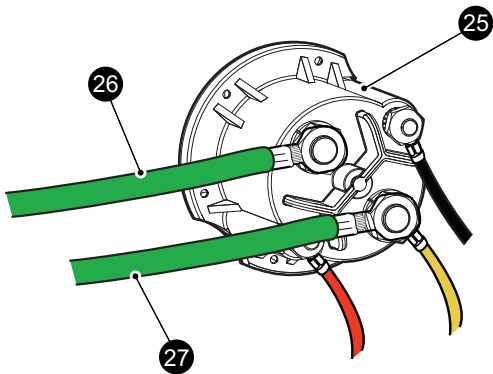
For Vehicles manufactured after 7Jan 2013



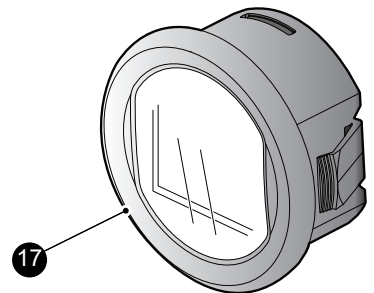
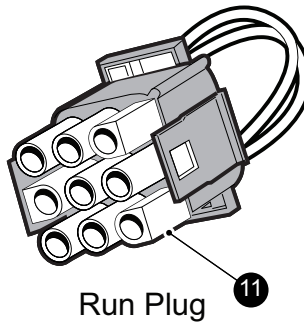
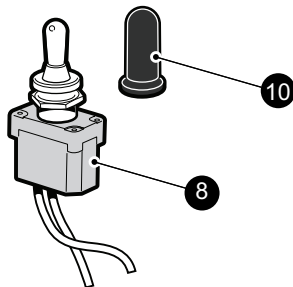
- 24** Main Electrical Harness (not illustrated)  
(includes items 25, 4, 8 & 11)

- 12** Key Switch Assembly  
(includes items 13 - 14)

For Vehicles manufactured before 7Jan 2013



- 7** Run Tow Switch Replacement Kit  
(includes items 8 - 10)



Run Plug

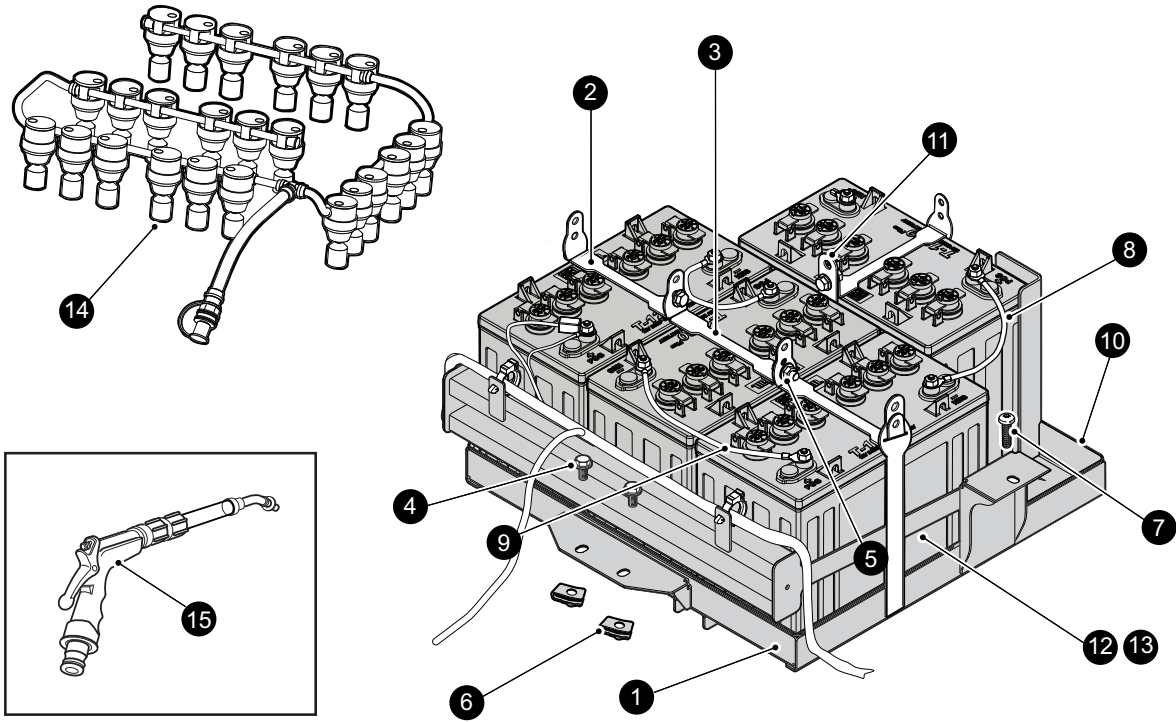
Speedometer

When ordering parts, please specify the model and serial number of the product.  
 \* Indicates a component that is not available as an individual part.  
 \*\*\* Indicates consult Customer Service Department for additional information.

ITEM	PART NO.	1	2	3	4	5	DESCRIPTION	QTY.
1	619257						MAIN ELECTRICAL HARNESS (NOT ILLUSTRATED) (FOR VEHICLES MANUFACTURED AFTER 7JAN2013) (INCLUDES ITEMS 2, 4, 8 & 11) .....	1
2	624428						SOLENOID ASSEMBLY, 36V .....	1
3	608899						REVERSE WARNING INDICATOR REPLACEMENT KIT (INCLUDES ITEMS 4 - 6).....	1
4	608882						REVERSE WARNING INDICATOR .....	1
5	608896						WATERPROOF BUTT SPLICE (NOT ILLUSTRATED).....	2
6	01051G01						PAN HEAD PHILLIPS SCREW, # 8 - 16.....	2
7	608900						RUN/TOW SWITCH REPLACEMENT KIT (INCLUDES ITEMS 8 - 10) ...	1
8	620765						RUN TOW SWITCH.....	1
9	608896						WATERPROOF BUTT SPLICE (NOT ILLUSTRATED).....	2
10	605969						RUBBER BOOT .....	1
11	620862						RUN PLUG .....	1
12	609692						KEY SWITCH ASSEMBLY (INCLUDES ITEMS 13 - 14) .....	
13	609682						KEY SWITCH, F-N-R.....	1
14	609693						KEY .....	1
15	609760						RED WIRE ASSEMBLY, 6 AWG X 650MM .....	1
16								
17	609401						SPEEDOMETER.....	1
18								
19	619047						BUS BAR .....	1
20								
21	71102G02						HEX HEAD CAP SCREW, 1/4" - 20 X 1/2" LG .....	2
22	17618G1						NYLON CLAMP (NOT ILLUSTRATED) .....	1
23								
24	609397						MAIN ELECTRICAL HARNESS (NOT ILLUSTRATED) (FOR VEHICLES MANUFACTURED BEFORE 7JAN2013) (INCLUDES ITEMS 25, 4, 8 & 11) .....	1
25	614012						HEAVY DUTY SOLENOID ASSEMBLY, 36V .....	1
26	614010						GREEN WIRE ASSEMBLY, 4 AWG X 280MM.....	1
27	614011						GREEN WIRE ASSEMBLY, 4 AWG X 700MM.....	1

# ELECTRICAL

4 - 12V BATTERY SYSTEM



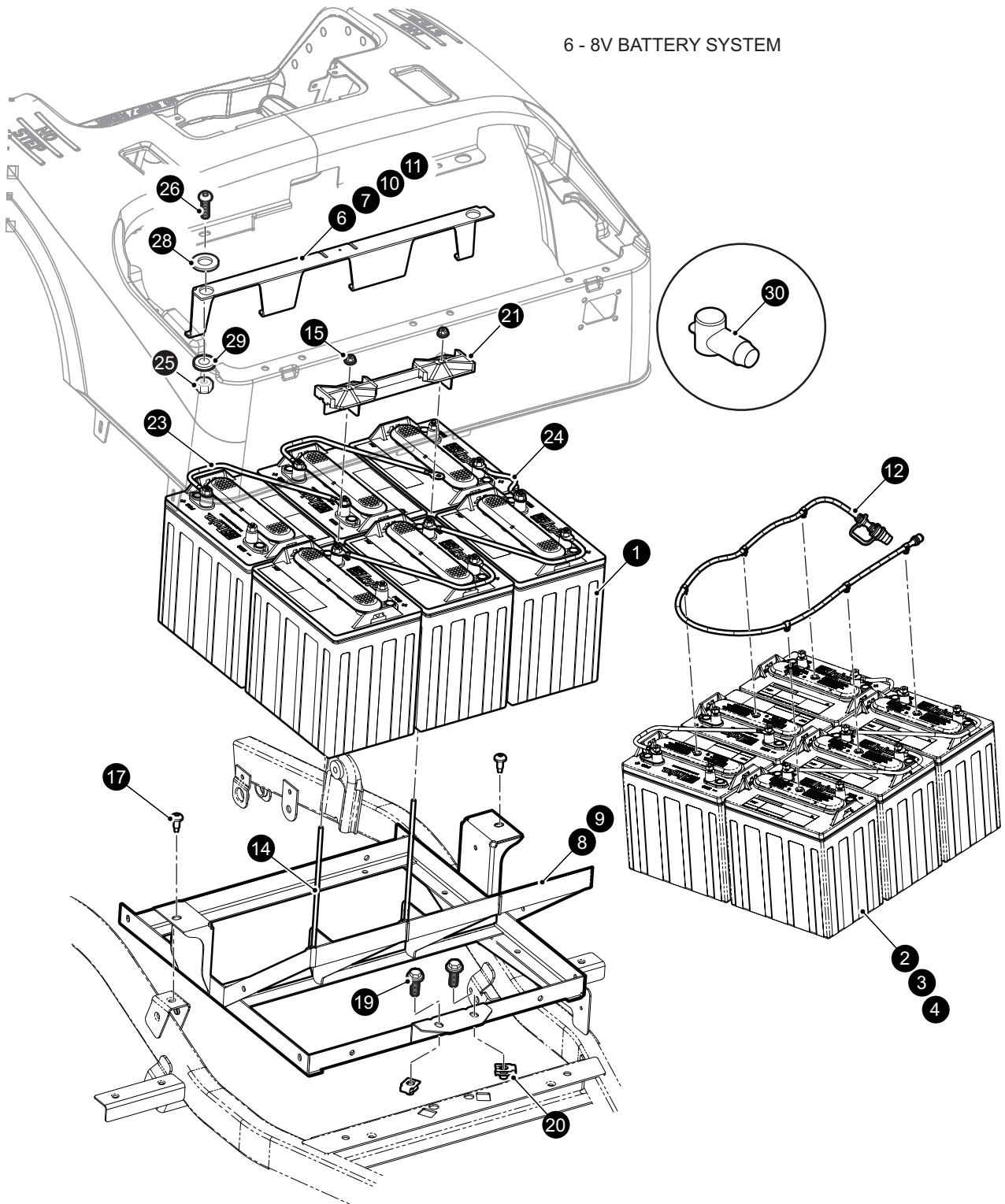
When ordering parts, please specify the model and serial number of the product.

\* Indicates a component that is not available as an individual part.

\*\*\* Indicates consult Customer Service Department for additional information.

ITEM	PART NO.	1	2	3	4	5	DESCRIPTION	QTY.
1	611364						HIGH SPEED BATTERY TRAY WELDMENT .....	1
2	614107						OUTTER BATTERY HOLD DOWN.....	3
3	609159						MIDDLE BATTERY HOLD DOWN .....	1
4	603799						HEX HEAD FLANGED BOLT, M10 - 1.5 X 25MM LG.....	5
5	600525						FLANGED HEX LOCK NUT, M10 - 1.5.....	3
6	603818						BARREL CLIP, M10 - 1.5.....	2
7	602572						PAN HEAD TORX BOLT, M10 - 1.5 X 25MM LG .....	2
8	602930						BLUE WIRE ASSEMBLY, 6 GA X 261MM .....	2
9	607057						BLUE WIRE ASSEMBLY, 6 GA X 325MM .....	1
10	611258						BATTERY TRAY LINER.....	1
11	614165						REMOVABLE UPRIGHT HOLDOWN .....	1
12	602523						TROJAN BATTERY, 12V 140AMP .....	1
13	607906						TROJAN BATTERY, 12V 175AMP .....	1
14	608299						BATTERY FILL SYSTEM.....	1
15	608813						NOZZLE GUN.....	1
16	614462						TROJAN T1275 HYDROLINK BATTERY .....	1
17	620820						HYDROLINK SNAKE ASSEMBLY.....	1
18								
19								
20	615352						CLAMP - POLYPROPYLENE (NOT ILLUSTRATED).....	1
21	604066						FLAT WASHER, M10 - 10.5 X 30MM (NOT ILLUSTRATED) .....	2

## 6 - 8V BATTERY SYSTEM



When ordering parts, please specify the model and serial number of the product.

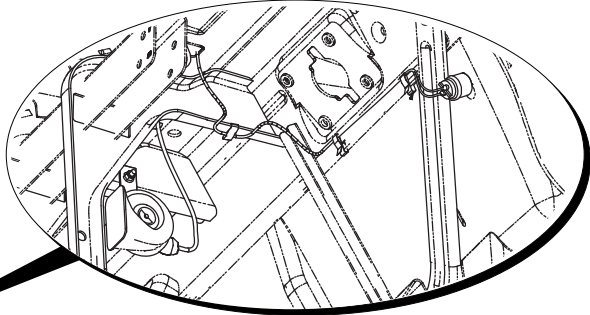
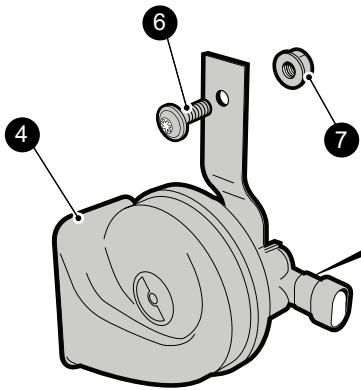
\* Indicates a component that is not available as an individual part.

\*\*\* Indicates consult Customer Service Department for additional information.

ITEM	PART NO.	1	2	3	4	5	DESCRIPTION	QTY.
1	618594						BATTERY, 8V - T8V .....	6
2	618595						BATTERY, 8V - T8V, HYDROLINK .....	6
3	641830						BATTERY US, 8V .....	6
4	641829						BATTERY US, 8V, FLOWRITE .....	6
5								
6	627782						BATTERY RETAINER - TALL .....	1
7	628618						BATTERY RETAINER - TALL, GALVANIZED .....	1
8	627656						BATTERY TRAY WELDMENT .....	1
9	628617						BATTERY TRAY WELDMENT - GALVANIZED .....	1
10	624288						BATTERY RETAINER - SHORT .....	1
11	628619						BATTERY RETAINER - SHORT, GALVANIZED .....	1
12	614457						SNAKE, HYDROLINK.....	1
13								
14	01101G01						TIE DOWN BOLT.....	2
15	11027G1						FLANGED LOCK NUT, 5/16" - 18.....	2
16	600525						LOCK NUT, M10 - 1.5 (NOT ILLUSTRATED).....	2
17	602572						PAN HEAD TAPTITE BOLT, M10 - 1.5 X 25MM LG .....	2
18								
19	603799						HEX HEAD BOLT, M10 - 1.5 X 25MM LG.....	2
20	603818						BARREL CLIP, M10 - 1.5.....	2
21	612867						RETAINER .....	1
22								
23	613236						BLUE WIRE ASSEMBLY - 6AWG, 380MM .....	4
24	613237						BLUE WIRE ASSEMBLY - 6AWG, 150MM .....	1
25	616673						LOCK NUT, M8 X 1.25.....	2
26	628635						PAN HEAD TAPTITE BOLT, M8 - 1.25 X 30MM LG .....	2
27								
28	604066						FLAT WASHER, 30MM O.D. X 10.5MM I.D.....	2
29	00571G2						FLAT WASHER, 5/16".....	2
30	840177						TERMINAL BOOT.....	3

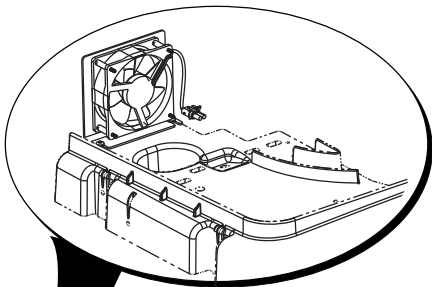
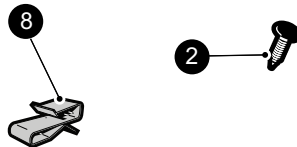
# ELECTRICAL

1 Accessory Harness (not illustrated)

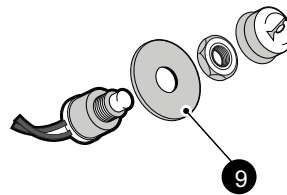


View from front driver side

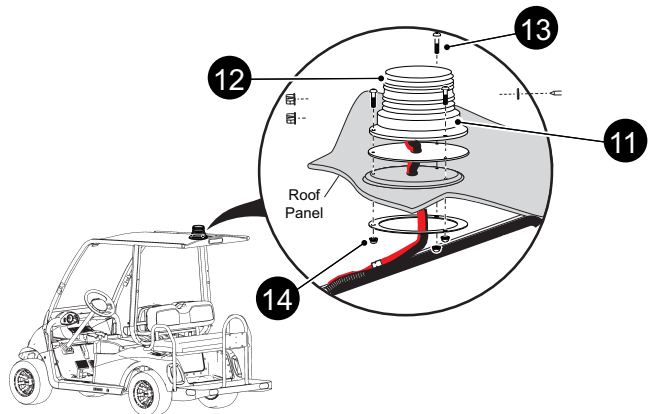
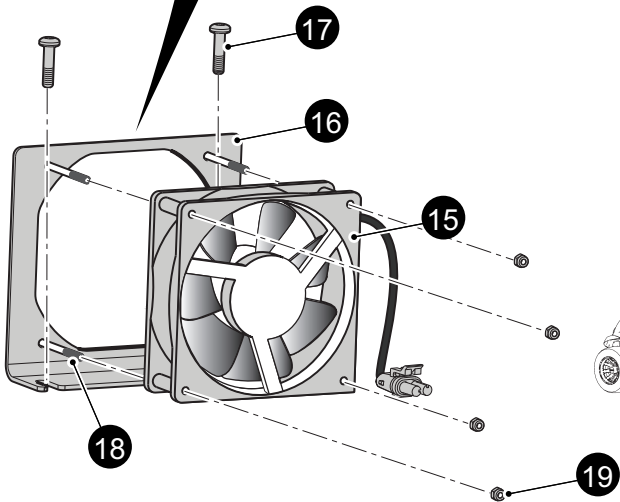
3 Horn Assembly Kit (includes items 4 - 9)



View from front driver side



5 Horn Button Switch Assembly



10 Strobe Light Kit (includes items 11 - 14)



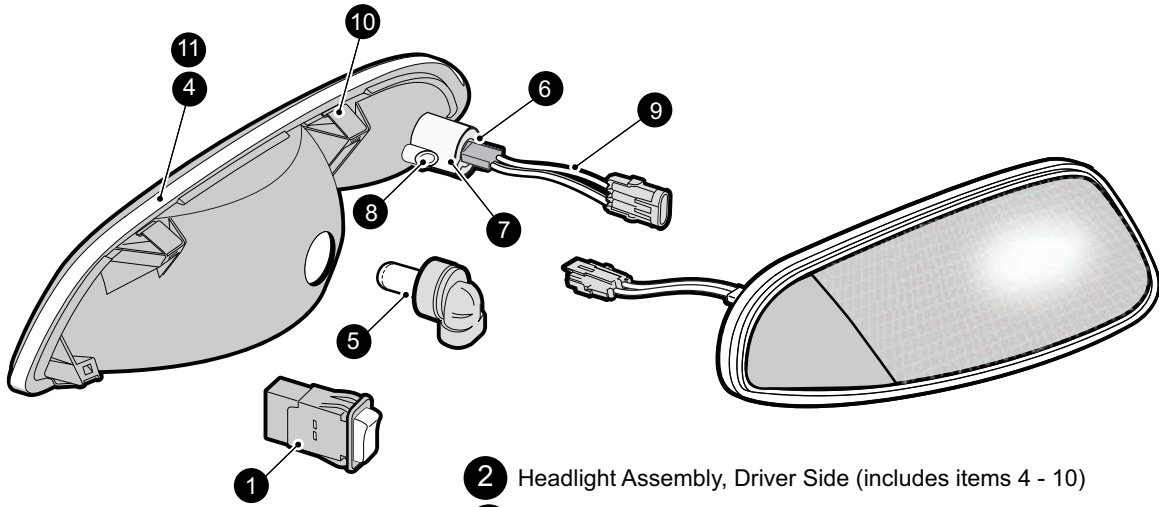
When ordering parts, please specify the model and serial number of the product.

\* Indicates a component that is not available as an individual part.

\*\*\* Indicates consult Customer Service Department for additional information.

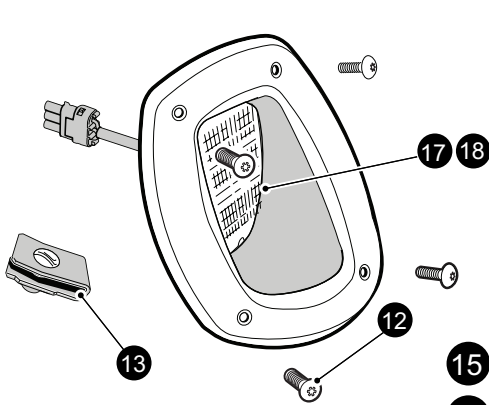
ITEM	PART NO.	1	2	3	4	5	DESCRIPTION	QTY.
1	632861						ACCESSORY HARNESS (NOT ILLUSTRATED) .....	1
2	16816G2						CHRISTMAS TREE RIVET, .25 DIA X .88" LG.....	1
3	607528						HORN ASSEMBLY KIT (INCLUDES ITEMS 4 - 9).....	1
4	604196						HORN ASSEMBLY.....	1
5	604193						HORN BUTTON SWITCH ASSEMBLY .....	1
6	601326						BUTTON HEAD TORX BOLT, M6 - 1 X 20MM LG.....	1
7	601476						LOCK NUT, M6 - 1.....	1
8	01072G01						CABLE CLIP.....	3
9	608397						HORN PLATE.....	1
10	609412						STROBE-LIGHT KIT (INCLUDES ITEM 11 - 14).....	1
11	611998						STROBE LIGHT ASSEMBLY .....	1
12	609309						AMBER STROBE LIGHT.....	1
13	14390G10						PLASTIC INSERT LOCK NUT, #10 - 24 .....	3
14	00979G01						SOCKET HEAD CAP SCREW, # 10 - 24 X .88" LG.....	3
15	611977						A/C FAN CONTROLLER ASSEMBLY .....	1
16	609658						A/C FAN CONTROLLER BRACKET.....	1
17	606277						BOSS HEAD TORX SCREW, M6 - 1.0 X 25MM LG.....	2
18	610441						PAN HEAD TORX SCREW, M4 - 0.7 X 50MM LG .....	4
19	602053						LOCK NUT, M4 - 0.7 .....	4
20	609320						STROBE LIGHT AND WIPER HARNESS .....	1

# ELECTRICAL



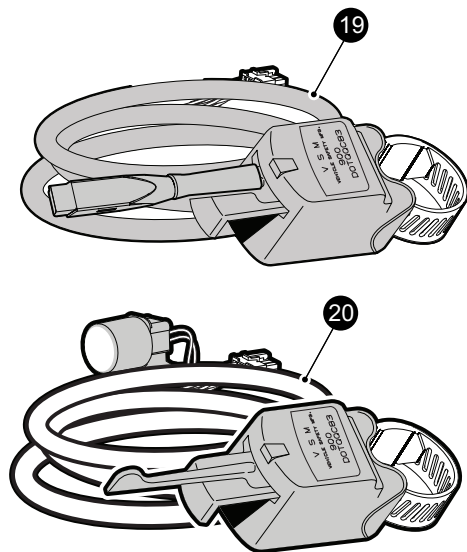
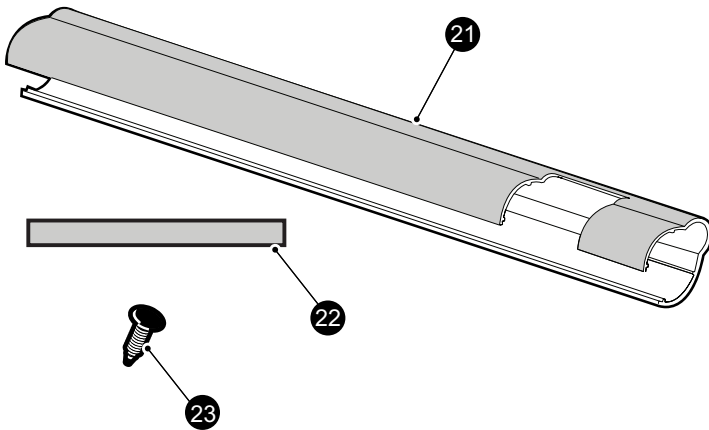
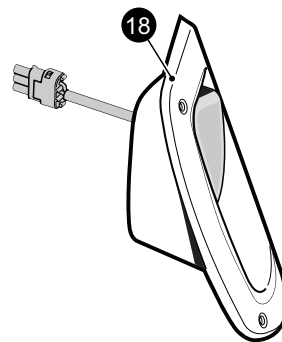
2 Headlight Assembly, Driver Side (includes items 4 - 10)

3 Headlight Assembly, Passenger Side (includes items 5 - 11)



15 Tail Light Assembly, Driver Side (includes items 17 & 18)

16 Tail Light Assembly, Passenger Side (includes items 17 & 18)

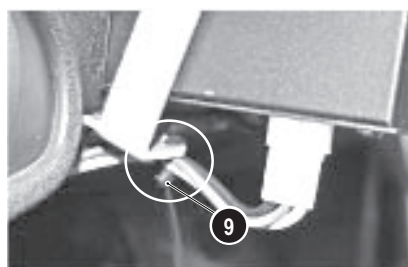
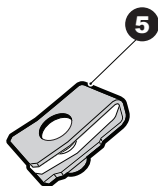
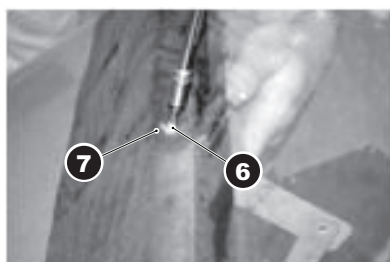
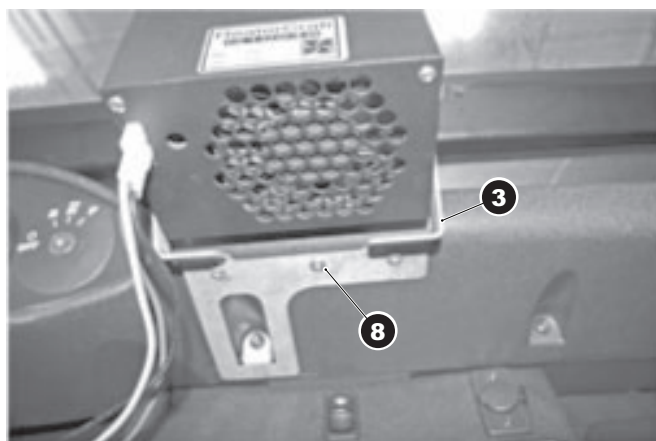
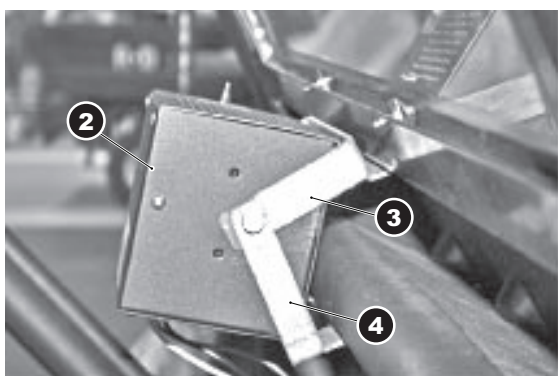


When ordering parts, please specify the model and serial number of the product.  
 \* Indicates a component that is not available as an individual part.  
 \*\*\* Indicates consult Customer Service Department for additional information.

ITEM	PART NO.	1	2	3	4	5	DESCRIPTION	QTY.
1	604019						HEADLIGHT SWITCH .....	1
2	607439						HEADLIGHT ASSEMBLY, DRIVER SIDE (INCLUDES ITEMS 4 - 10) .....	1
3	607438						HEADLIGHT ASSEMBLY, PASSENGER SIDE (INCLUDES ITEMS 5 - 11)...	1
4	607452						GASKET, DRIVER SIDE .....	1
5	74004G01						HEADLIGHT BULB.....	1
6	604539						TURN SIGNAL BULB .....	1
7	608322						BULB RETAINER .....	1
8	608328						BUTTON HEAD TORX SCREW, PLASTITE .....	1
9	607487						TURN SIGNAL WIRE HARNESS.....	1
10	607434						HEADLIGHT RETAINING CLIP .....	4
11	607437						GASKET, PASSENGER SIDE .....	1
12	601326						BUTTON HEAD TORX BOLT, M6 - 1 X 20MM LG .....	8
13	602409						BARRELL CLIP, M6 .....	8
14								
15	603325						TAIL LIGHT ASSEMBLY, DRIVER SIDE (INCLUDES ITEMS 17 & 18).....	1
16	603326						TAIL LIGHT ASSEMBLY, PASSENGER SIDE (INCLUDES ITEMS 17 & 18) .	1
17	604311						TAIL LIGHT BULB .....	1
18	604858						TAIL LIGHT LENS .....	1
19	615236						TURN SIGNAL SWITCH ASSEMBLY W / HORN.....	1
20	604511						TURN SIGNAL SWITCH ASSEMBLY.....	1
21	20965G3						STEERING COLUMN COVER .....	1
22	608771						RUBBER ISOLATION STRIP.....	1
23	16816G5						CHRISTMAS TREE RIVET, .18" X .55" .....	2

# ELECTRICAL

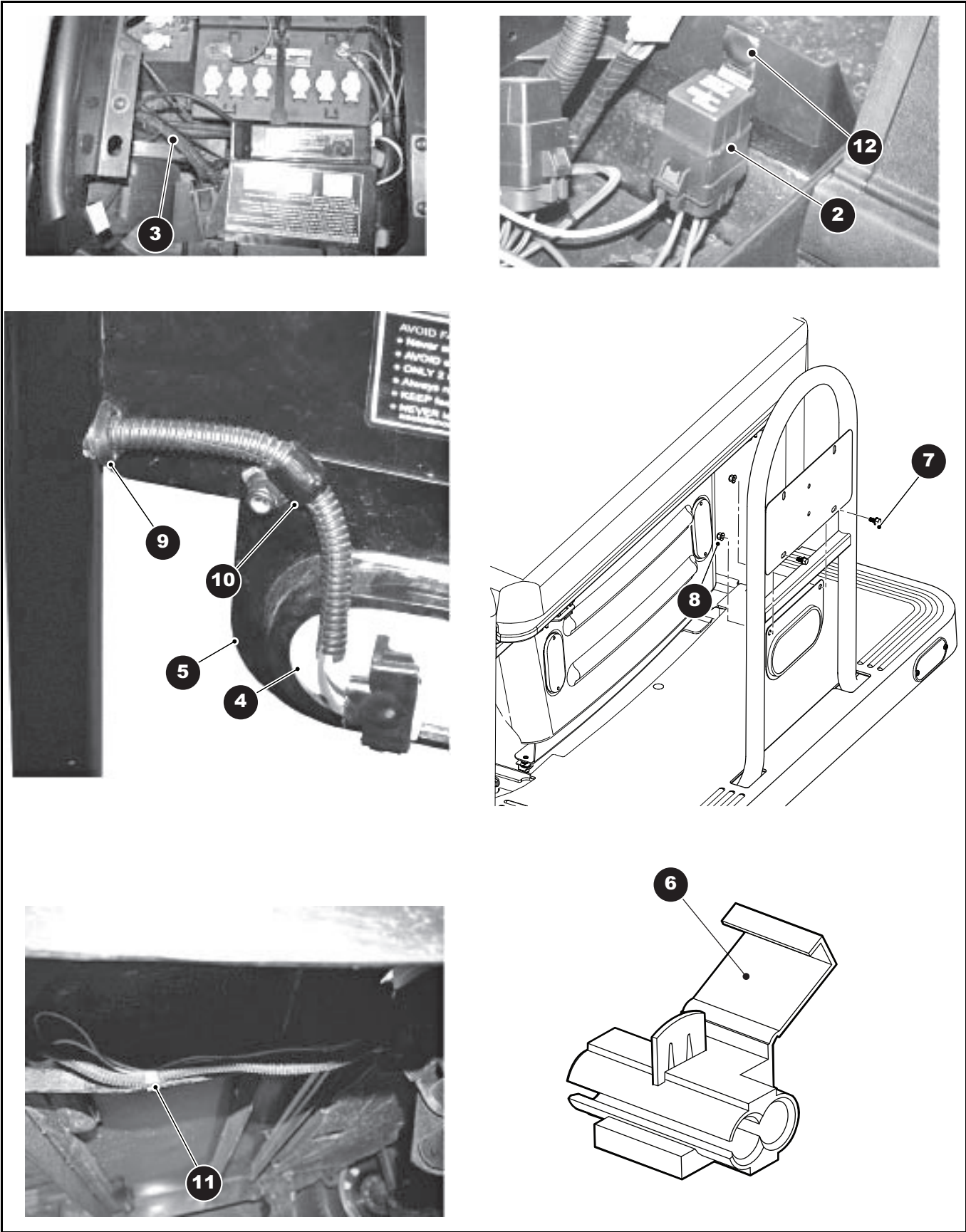
## 1 DEFROSTER / HEATER KIT (includes items 2 - 9)



When ordering parts, please specify the model and serial number of the product.  
 \* Indicates a component that is not available as an individual part.  
 \*\*\* Indicates consult Customer Service Department for additional information.

ITEM	PART NO.	1	2	3	4	5	DESCRIPTION	QTY.
1	614712						DEFROSTER / HEATER KIT (includes items 2 - 9).....	1
2	614915						DEFROSTER / HEATER 48V.....	1
3	614835						DEFROSTER UPPER BRACKET .....	1
4	614833						DEFROSTER LOWER BRACKET .....	1
5	602409						BARREL CLIP, M6 - 1 .....	1
6	601326						BUTTON HEAD TORX BOLT, M6 - 1 X 20MM LG.....	1
7	00559G6						FLAT WASHER, #12 .....	1
8	608290						SELF TAPPING SCREW, #10 - 16.....	3
9	17618G1						NYLON CLAMP.....	1

# ELECTRICAL



When ordering parts, please specify the model and serial number of the product.

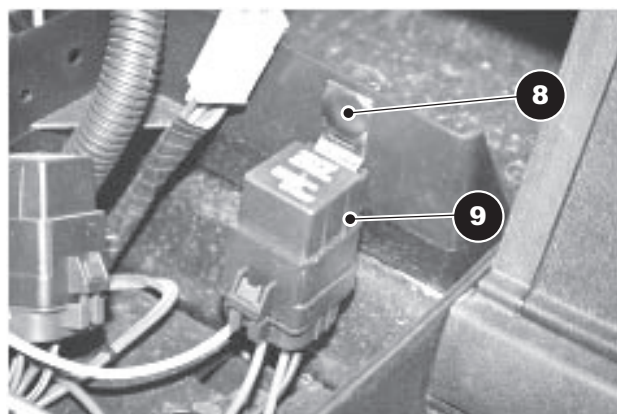
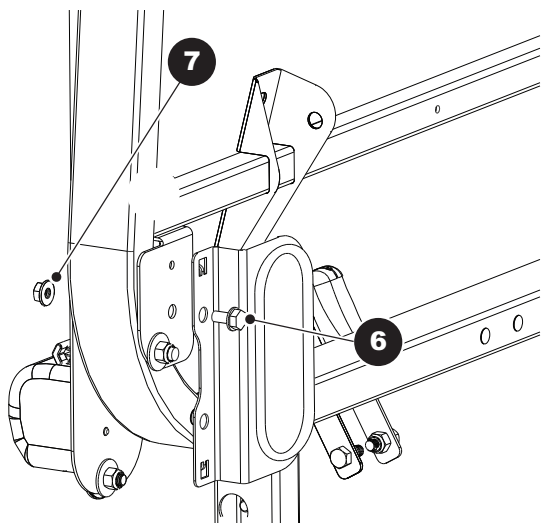
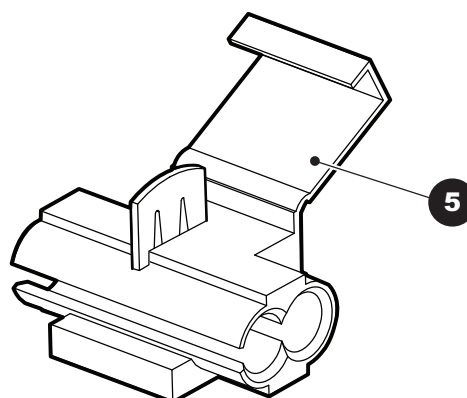
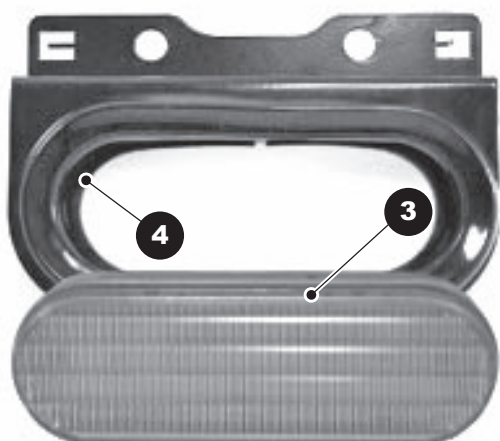
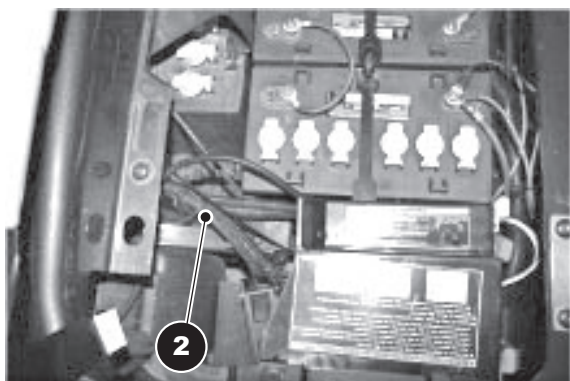
\* Indicates a component that is not available as an individual part.

\*\*\* Indicates consult Customer Service Department for additional information.

ITEM	PART NO.	1	2	3	4	5	DESCRIPTION	QTY.	
1	614896	4 - PASSENGER BACKUP LIGHT KIT (INCLUDES ITEMS 2 - 12).....							1
2	620831	BACKUP LIGHT HARNESS W / 48V RELAY.....							1
3	620830	BACKUP LIGHT HARNESS, 4 - PASSENGER.....							1
4	614871	LED BACKUP LIGHT .....							1
5	614800	BACKUP LIGHT BRACKET, 4 - PASSENGER .....							1
6	614901	SELF STRIPPING SPLICE .....							2
7	606265	HEX HEAD FLANGED BOLT, M6 - 1 X12MM LG .....							2
8	601476	LOCK NUT, M6 - 1.....							3
9	614624	GROMMET, 1/2" .....							1
10	11845G5	INSULATED CABLE CLIP .....							2
11	01072G01	CABLE CLIP .....							1
12	16816G1	RATCHET RIVET, .25" X .680" .....							1

# ELECTRICAL

## 1 2 - PASSENGER BACKUP LIGHT KIT (includes items 2 - 8)





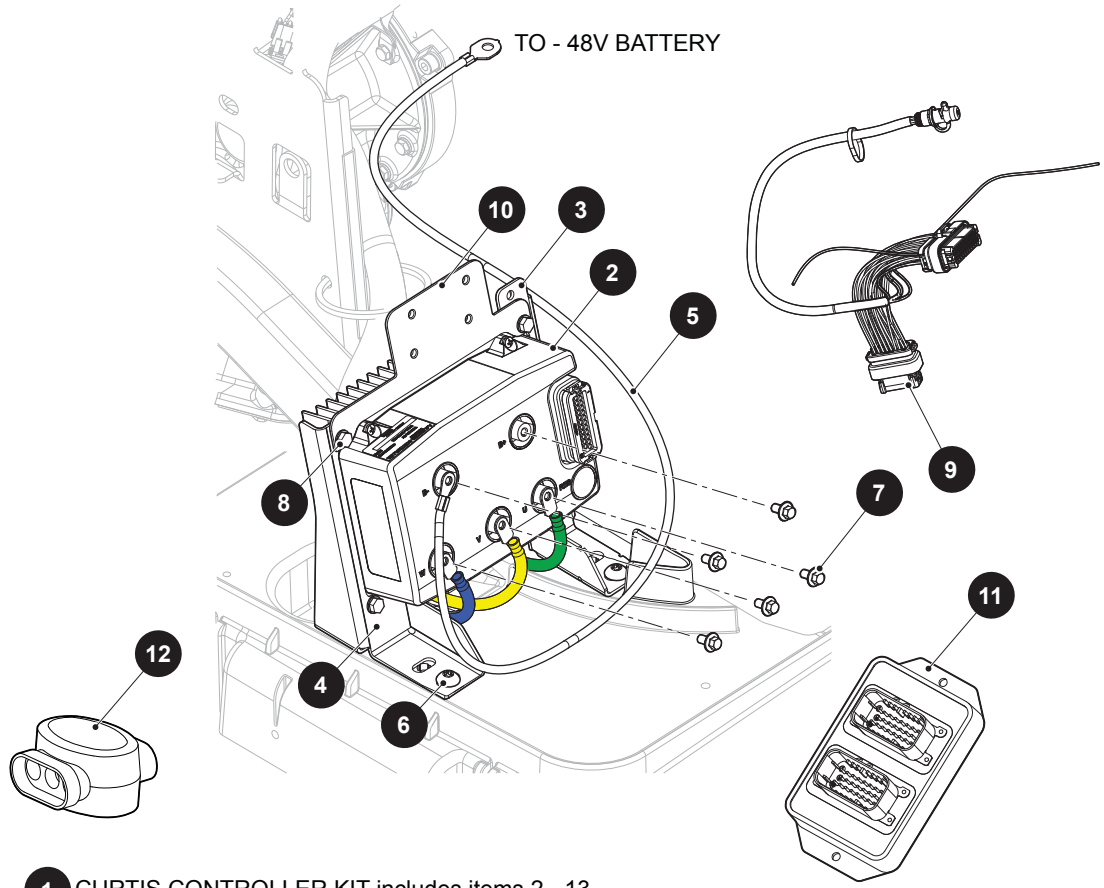
When ordering parts, please specify the model and serial number of the product.  
 \* Indicates a component that is not available as an individual part.  
 \*\*\* Indicates consult Customer Service Department for additional information.

ITEM	PART NO.	1	2	3	4	5	DESCRIPTION	QTY.
1	614895						2 - PASSENGER BACKUP LIGHT KIT (INCLUDES ITEMS 2 - 8).....	1
2	620831						BACKUP LIGHT HARNESS W / 48V RELAY.....	1
3	614871						LED BACKUP LIGHT .....	2
4	614849						BACKUP LIGHT BRACKET, 2 - PASSENGER .....	2
5	614901						SELF STRIPPING SPLICE .....	2
6	600527						BUTTON HEAD BOLT, M10 - 1.5 X 60MM LG.....	2
7	600525						PLASTIC LOCK NUT, M10 - 1.5.....	2
8	16816G1						RATCHET RIVET, .25" X .680" .....	1
9	614870						RELAY .....	1

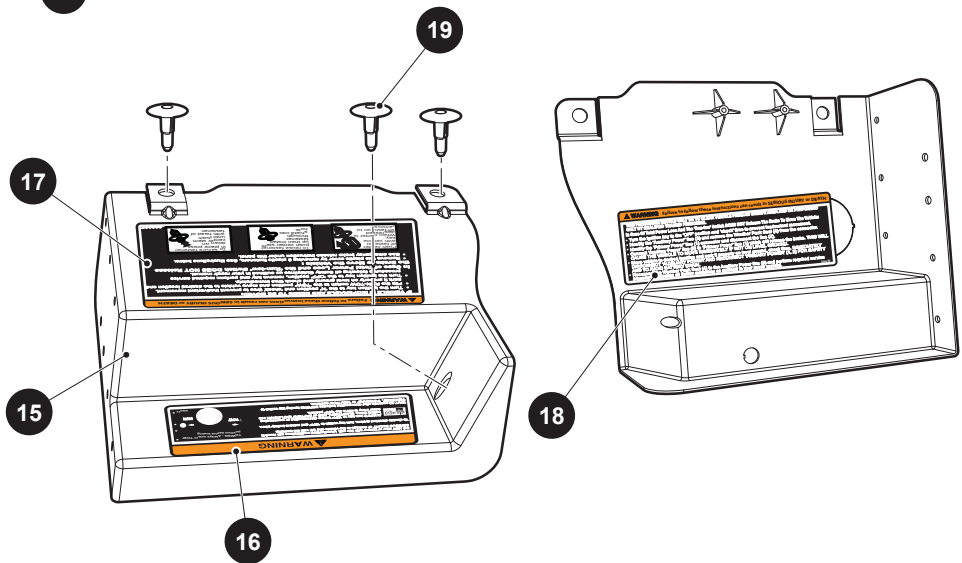




# ELECTRONIC SPEED CONTROL



- 1 CURTIS CONTROLLER KIT includes items 2 - 13
- 14 CONTROLLER SPLASH SHIELD ASSMBLY includes items 15 - 18



# ELECTRONIC SPEED CONTROL

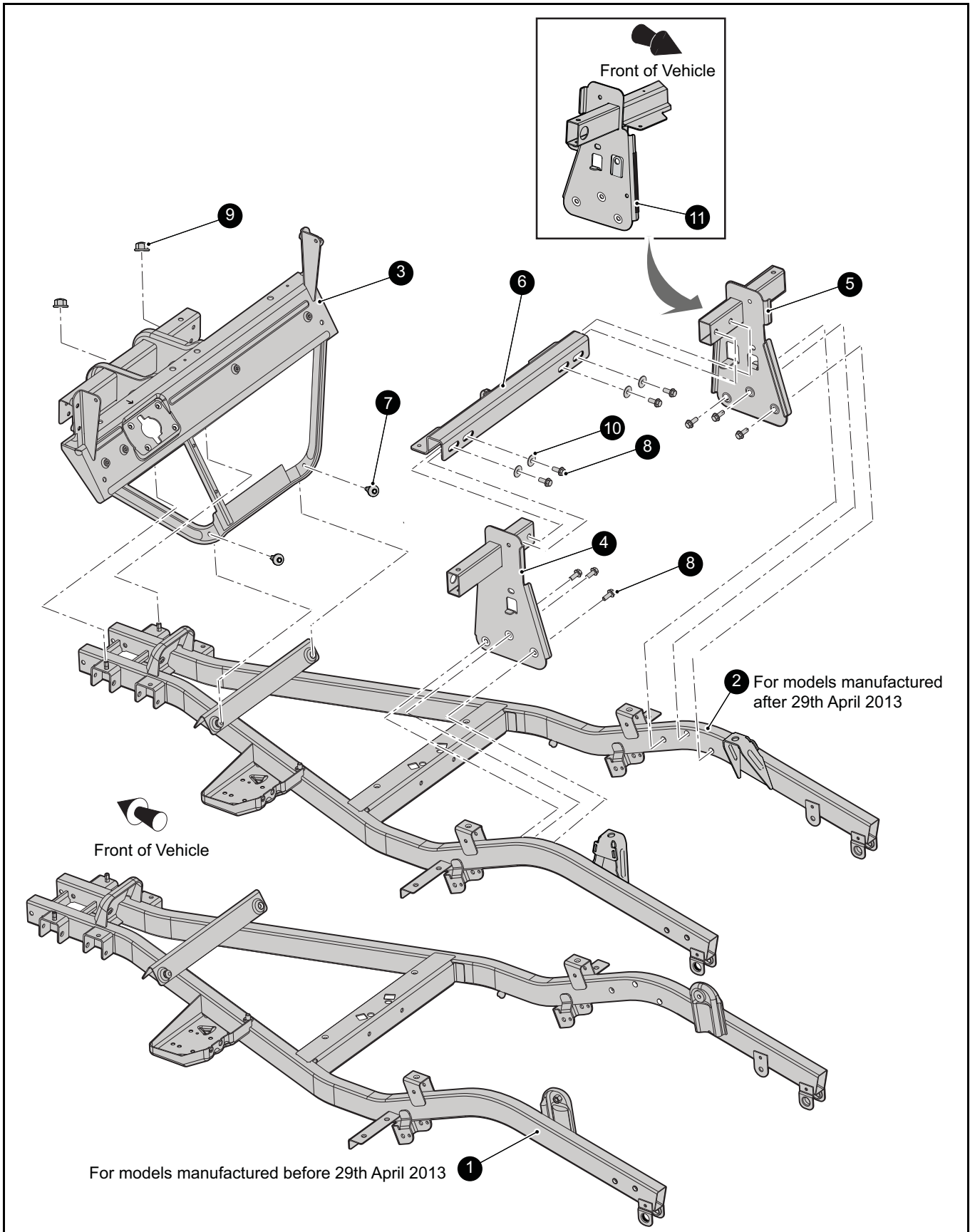
When ordering parts, please specify the model and serial number of the product.

\* Indicates a component that is not available as an individual part.

\*\*\* Indicates consult Customer Service Department for additional information.

ITEM	PART NO.	1	2	3	4	5	DESCRIPTION	QTY.
1	629511						CURTIS CONTROLLER KIT (INCLUDES ITEMS 2 - 13).....	1
2	618373						CONTROLLER, 1206AC - 5202.....	1
3	623170						CONTROLLER BRACKET, LH.....	1
4	623213						CONTROLLER BRACKET, RH.....	1
5	624618						BLACK WIRE, 6AWG (830mm).....	1
6	605957						BOSS SCREW, M8.....	2
7	73876G01						FLANGED BOLT, M6 - 1.00" X 12mm LG.....	5
8	606264						HEX BOLT, M6 - 1" X 20mm LG.....	4
9	626124						ADAPTOR HARNESS ASSEMBLY.....	1
10	624316						SOLENOID BRACKET.....	1
11	626118						ADAPTOR, 23 PIN TO 23 PIN.....	1
12	614898						SPLICE, 2 / 3 WIRE.....	1
13	608290						SELF TAPPING SCREW, #10 - 16 (NOT ILLUSTRATED).....	2
14	612423						CONTROLLER SPLASH SHIELD ASSEMBLY (INCLUDES ITEMS 15 - 18)	1
15	612422						SPLASH SHIELD CONTROLLER.....	1
16	612594						RUN/TOW SWITCH DECAL.....	1
17	609987						MAINTENANCE/TOWING DECAL.....	1
18	609694						TOWING INSTRUCTION NOTICE DECAL.....	1
19	610487						PLASTIC RIVET.....	3

# FRAME



When ordering parts, please specify the model and serial number of the product.

\* Indicates a component that is not available as an individual part.

\*\*\* Indicates consult Customer Service Department for additional information.

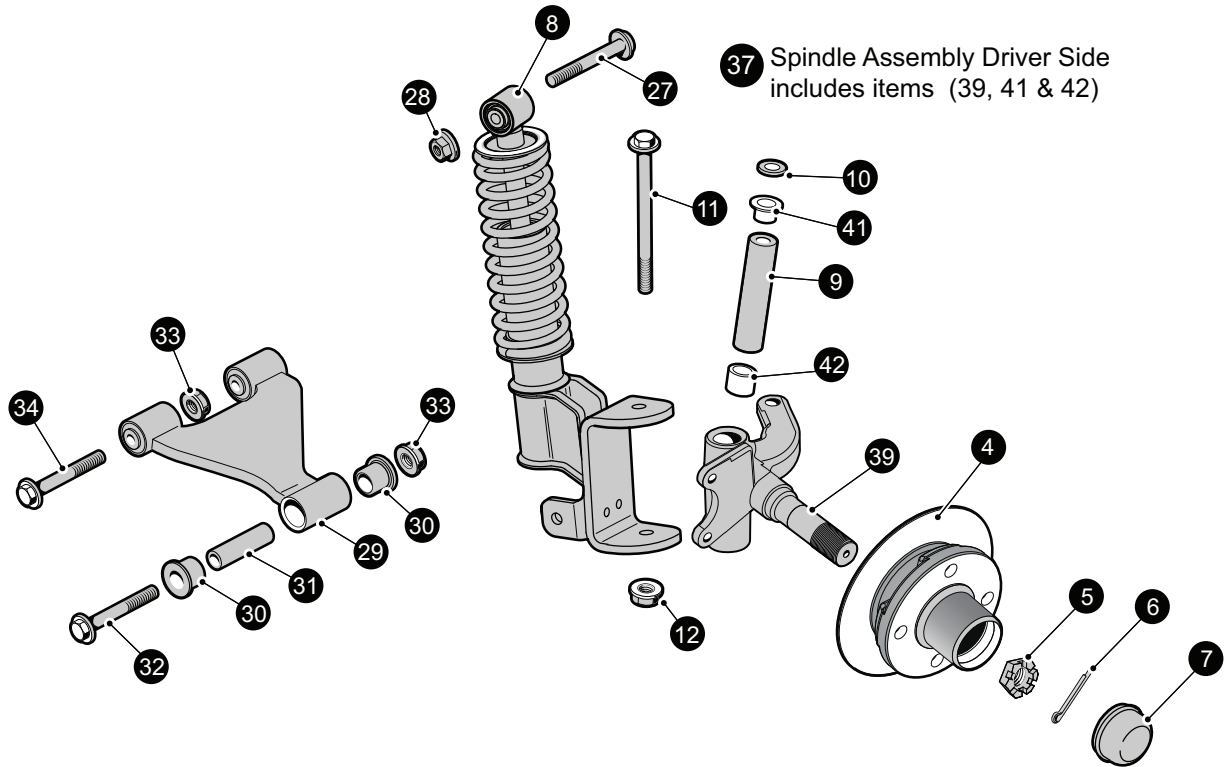
ITEM	PART NO.	1 2 3 4 5	DESCRIPTION	QTY.
1	618726		FRAME WELDMENT (FOR MODELS MANUFACTURED BEFORE 29TH APRIL 2013).....	1
2	631180		FRAME WELDMENT (FOR MODELS MANUFACTURED AFTER 29TH APRIL 2013).....	1
3	614597		IP SUPPORT WELDMENT.....	1
4	609290		SEAT SUPPORT DRIVER SIDE WELDMENT.....	1
5	609291		SEAT SUPPORT PASSENGER SIDE WELDMENT.....	1
6	609860		SEAT BELT FRONT CENTER WELDMENT.....	1
7	602572		PAN HEAD TORX BOLT, M10 - 1.5 X 25mm LG.....	2
8	603799		HEX HEAD FLANGED BOLT , M10 - 1.5 X 23mm LG.....	10
9	600525		FLANGED HEX NUT, M10 -1.5.....	2
10	604066		FLAT WASHER, M10 - 10.5 X 30mm LG.....	4
11	32372G6		VINYL TRIM, 6.25".....	1

# FRONT SUSPENSION

- 1** Shock Absorber Assembly Driver Side includes items (2 - 12)

- 2** Spindle Hub Assembly Driver Side includes items (4 - 7, 37)

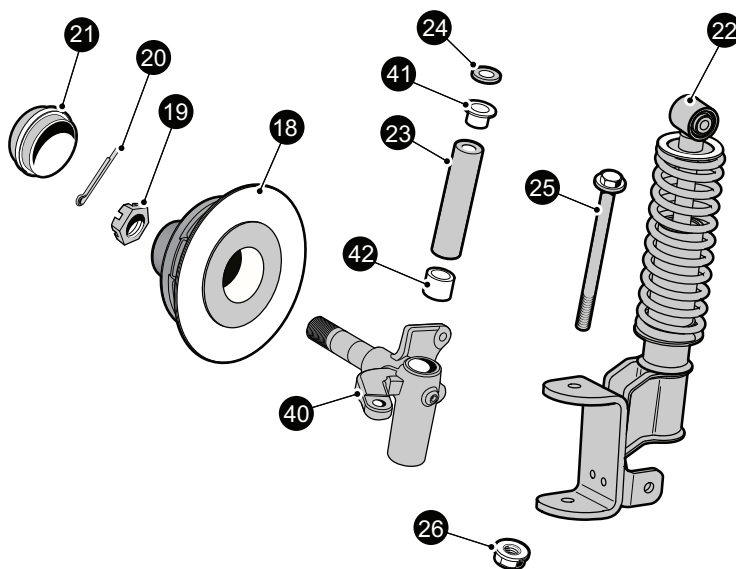
- 37** Spindle Assembly Driver Side includes items (39, 41 & 42)



- 15** Shock Absorber Assembly Passenger Side includes items (16 - 26)

- 16** Spindle Hub Assembly Passenger Side includes items (18 - 21, 38)

- 38** Spindle Assembly Passenger Side includes items (40 - 42)





# FRONT SUSPENSION

When ordering parts, please specify the model and serial number of the product.

\* Indicates a component that is not available as an individual part.

\*\*\* Indicates consult Customer Service Department for additional information.

ITEM	PART NO.	1	2	3	4	5	DESCRIPTION	QTY.
1	617117						SHOCK ABSORBER ASSEMBLY, DRIVER SIDE (includes items 2 - 12).....	1
2	617115						SPINDLE HUB ASSEMBLY, DRIVER SIDE (includes items 4 - 7, 37) .....	1
3								
4	617107						DISC HUB ASSEMBLY .....	1
5	12093G1						HEX NUT, SLOTTED, 1 - 14 .....	1
6	00798G8						COTTER PIN, 5/32" X 1.75" .....	1
7	12091G2						SPINDLE CAP .....	1
8	639431						STRUT ASSEMBLY, DRIVER SIDE .....	1
9	614034						KINGPIN TUBE .....	1
10	601920						THRUST WASHER (SS), 2.5MM .....	1
11	620380						HEX HEAD FLANGE BOLT, M12 - 1.25 X 145MM LG.....	1
12	600549						FLANGE HEX NUT, M12 - 1.25.....	1
13								
14								
15	617118						SHOCK ABSORBER ASSEMBLY, PASSENGER SIDE (includes items 16 - 26).....	1
16	617116						SPINDLE HUB ASSEMBLY, PASSENGER SIDE (includes items 18 - 21, 38) .....	1
17								
18	617107						DISC HUB ASSEMBLY .....	1
19	12093G1						HEX NUT, SLOTTED 1 - 14 .....	1
20	00798G8						COTTER PIN, 5/32" X 1.75" .....	1
21	12091G2						SPINDLE CAP .....	1
22	639432						STRUT ASSEMBLY, PASSENGER SIDE .....	1
23	614034						KINGPIN TUBE .....	1
24	601920						THRUST WASHER (SS), 2.5MM .....	1
25	620380						HEX HEAD FLANGE BOLT, M12 - 1.25 X 145MM LG.....	1
26	600549						HEX FLANGE NUT, M12 - 1.25.....	1
27	602415						HEX HEAD FLANGE BOLT, M10 - 1.5 X 80MM LG .....	2
28	600525						HEX FLANGE NUT, M10 -1.5 .....	2

## FRONT SUSPENSION

When ordering parts, please specify the model and serial number of the product.

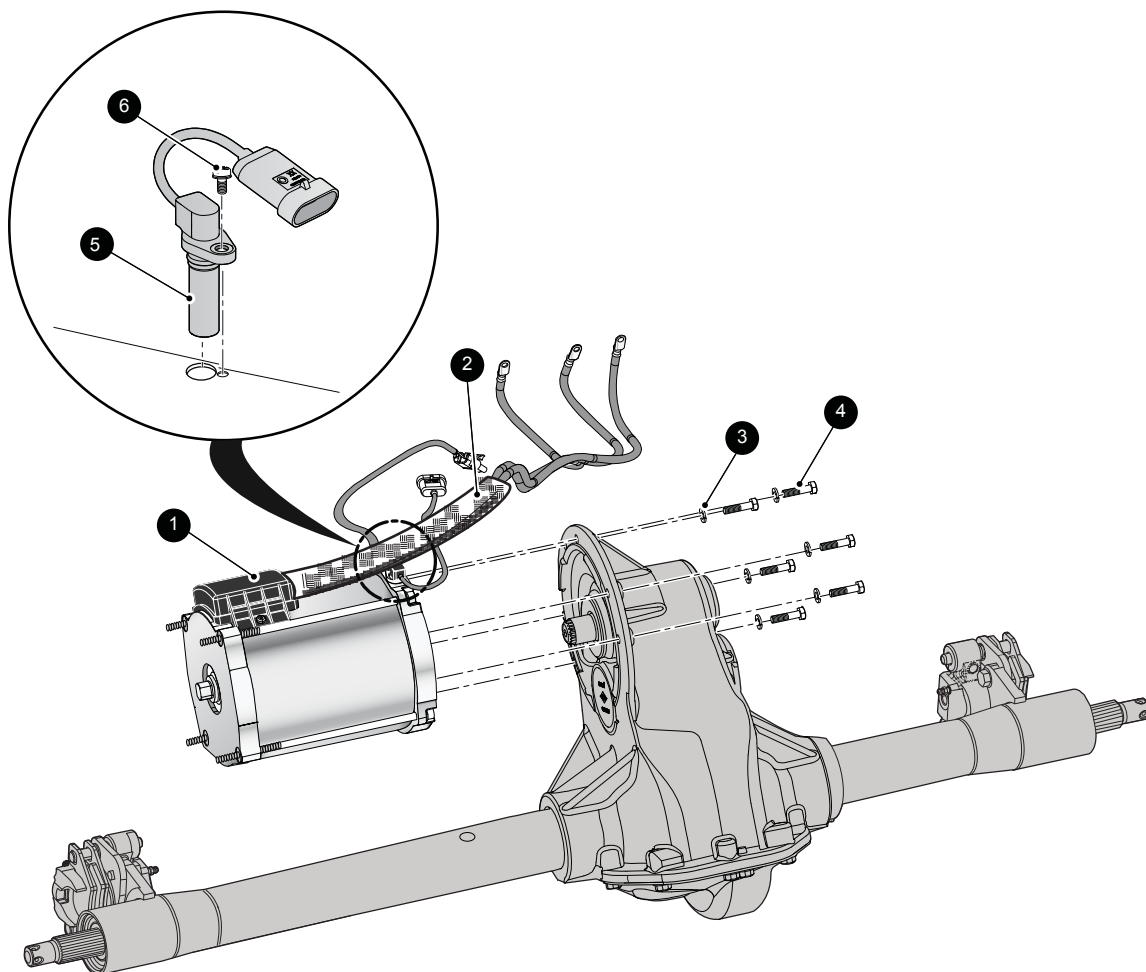
\* Indicates a component that is not available as an individual part.

\*\*\* Indicates consult Customer Service Department for additional information.

ITEM	PART NO.	1	2	3	4	5	DESCRIPTION	QTY.
29	608089						A - ARM ASSEMBLY .....	2
30	601340						A - ARM BUSHING .....	4
31	602085						A - ARM CARRIER TUBE .....	2
32	601754						HEX HEAD FLANGE BOLT, M10 - 1.5 X 100MM LG.....	2
33	600525						HEX FLANGE NUT, M10 - 1.5.....	6
34	602415						HEX HEAD FLANGE BOLT, M10 - 1.5 X 80MM LG.....	4
35								
36								
37	613026						SPINDLE ASSEMBLY, DRIVER SIDE (includes items 39, 41 & 42) .....	1
38	613246						SPINDLE ASSEMBLY, PASSENGER SIDE (includes items 40 - 42) .....	1
39	613025						SPINDLE, DRIVER SIDE.....	1
40	613242						SPINDLE, PASSENGER SIDE .....	1
41	632925						FLANGED BUSHING, 25MM, DP4 .....	1
42	632926						BUSHING, 25MM, DP4 .....	1



# MOTOR



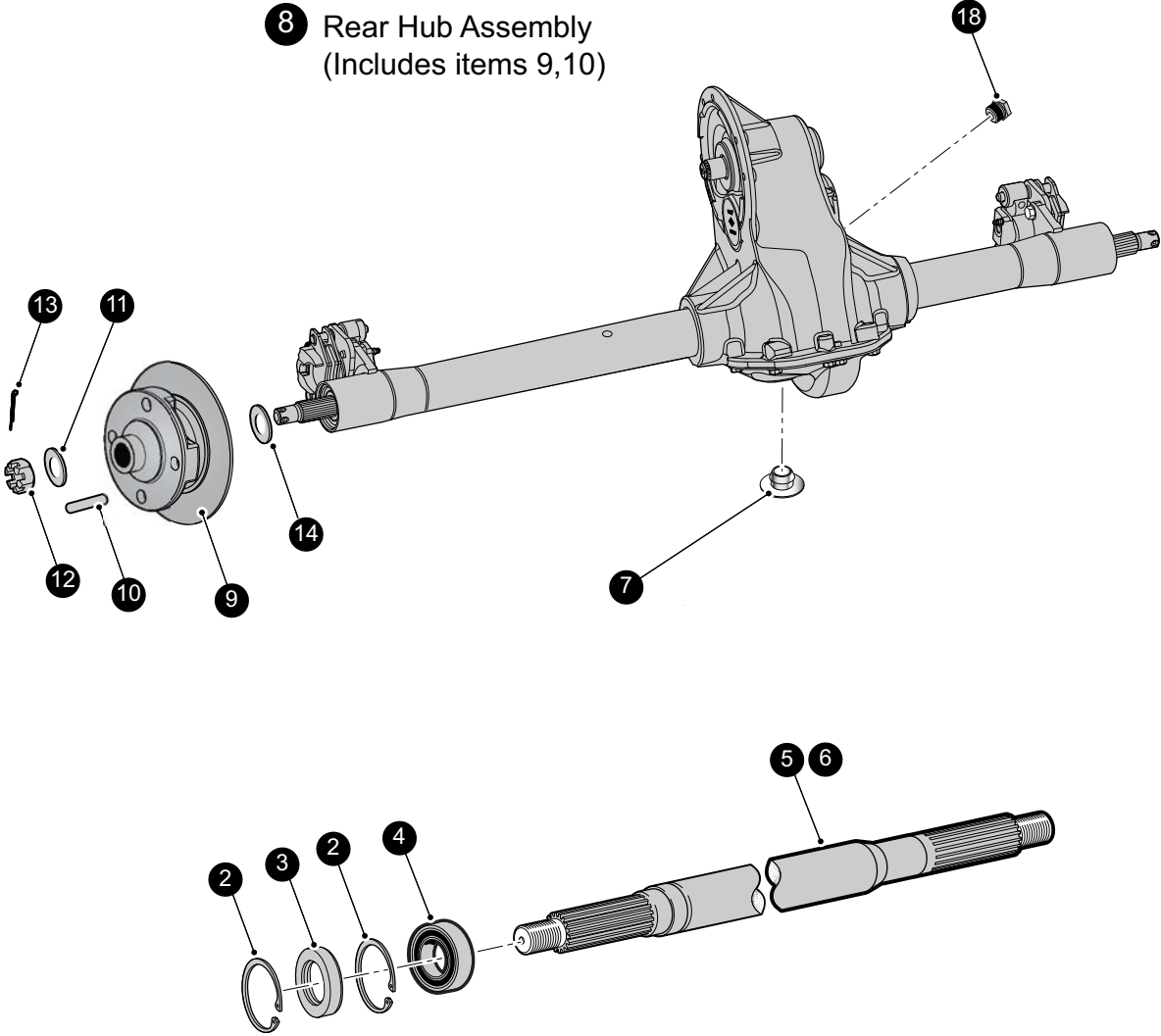
When ordering parts, please specify the model and serial number of the product.  
 \* Indicates a component that is not available as an individual part.  
 \*\*\* Indicates consult Customer Service Department for additional information.

ITEM	PART NO.	1	2	3	4	5	DESCRIPTION	QTY.
1	611355						48V AC ELECTRIC MOTOR.....	1
2	605714						FLEXLOOM SLEEVE.....	1
3	601327						LOCK WASHER, M6.....	6
4	605741						HEX HEAD BOLT, M6 - 1 X 25 (grade 10.9).....	6
5	612741						SPEED SENSOR.....	1
6	614253						PAN HEAD PHILIPS SCREW M6X1, 12MM LG.....	1
7	27327G02						TWISTED CLAMP (NOT ILLUSTRATED) .....	1
8	31539G1						NYLON CLAMP (NOT ILLUSTRATED) .....	1

# REAR AXLE

**1** Heavy Duty Electric Axle Assembly  
(Includes items 2 - 7)

**8** Rear Hub Assembly  
(Includes items 9,10)



# REAR AXLE

When ordering parts, please specify the model and serial number of the product.

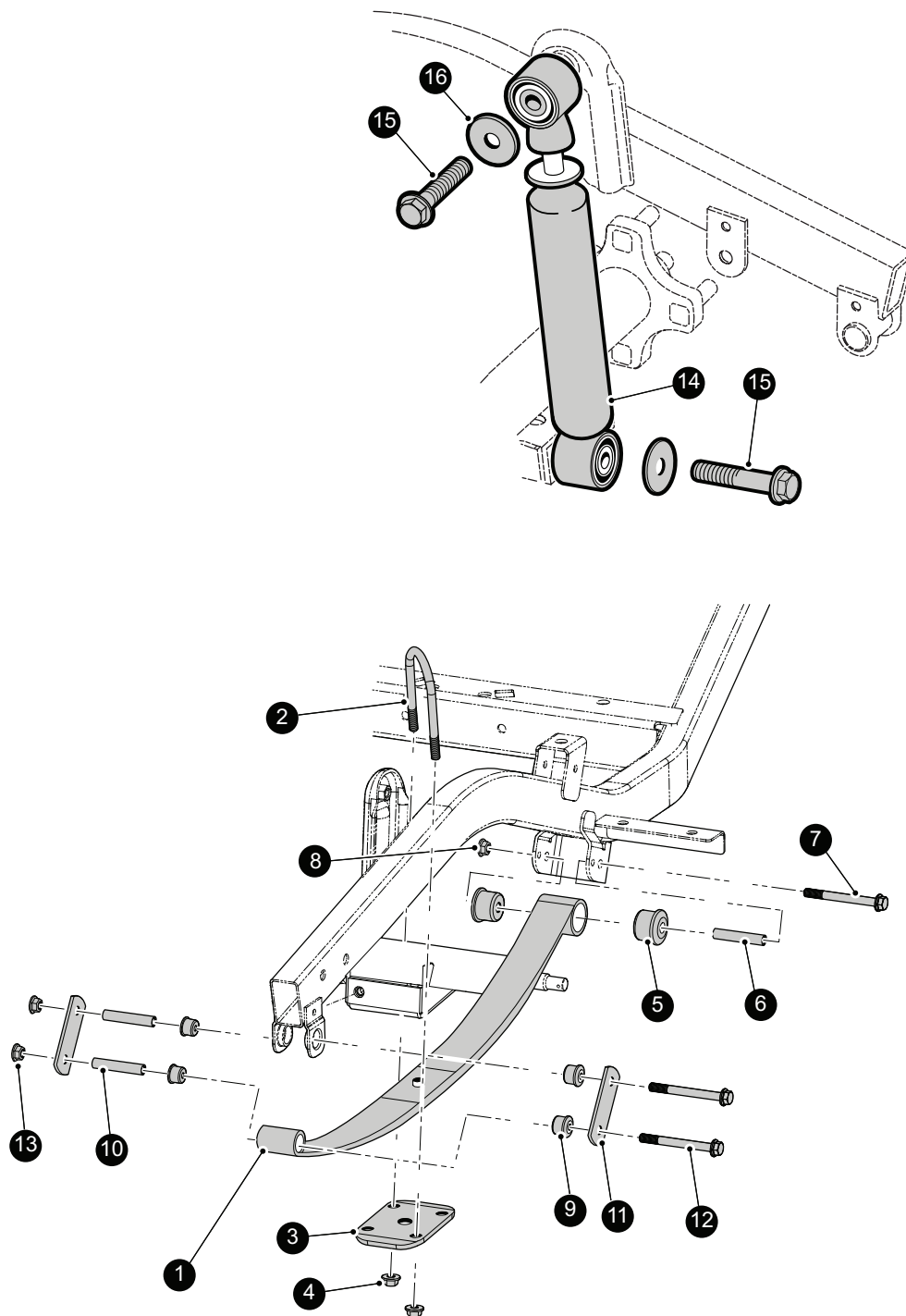
\* Indicates a component that is not available as an individual part.

\*\*\* Indicates consult Customer Service Department for additional information.

ITEM	PART NO.	1	2	3	4	5	DESCRIPTION	QTY.
1	618150						HEAVY DUTY REAR AXLE ASSEMBLY 14.76:1 (includes items 2 - 7, 18)...	1
2	620342						RETAINING RING .....	4
3	614748						BALL BEARING.....	2
4	612064						OIL SEAL.....	2
5	614750						AXLE SHAFT, DRIVER SIDE (long).....	1
6	614749						AXLE SHAFT, PASSENGER SIDE (short) .....	1
7	620347						RUBBER PLUG.....	2
8	617121						REAR HUB ASSEMBLY (includes items 9, 10).....	2
9	615388						DISC BRAKE REAR HUB .....	1
10	614820						WHEEL STUD .....	4
11	21830G1						BRAKE DRUM WASHER .....	2
12	613172						CASTLE NUT, 3/4 - 16.....	2
13	10387G1						COTTER PIN .....	2
14	21809G1						WASHER .....	2
15								
16								
17								
18	614188						FILL PLUG.....	1

# REAR SUSPENSION

For models manufactured before 29th April 2013





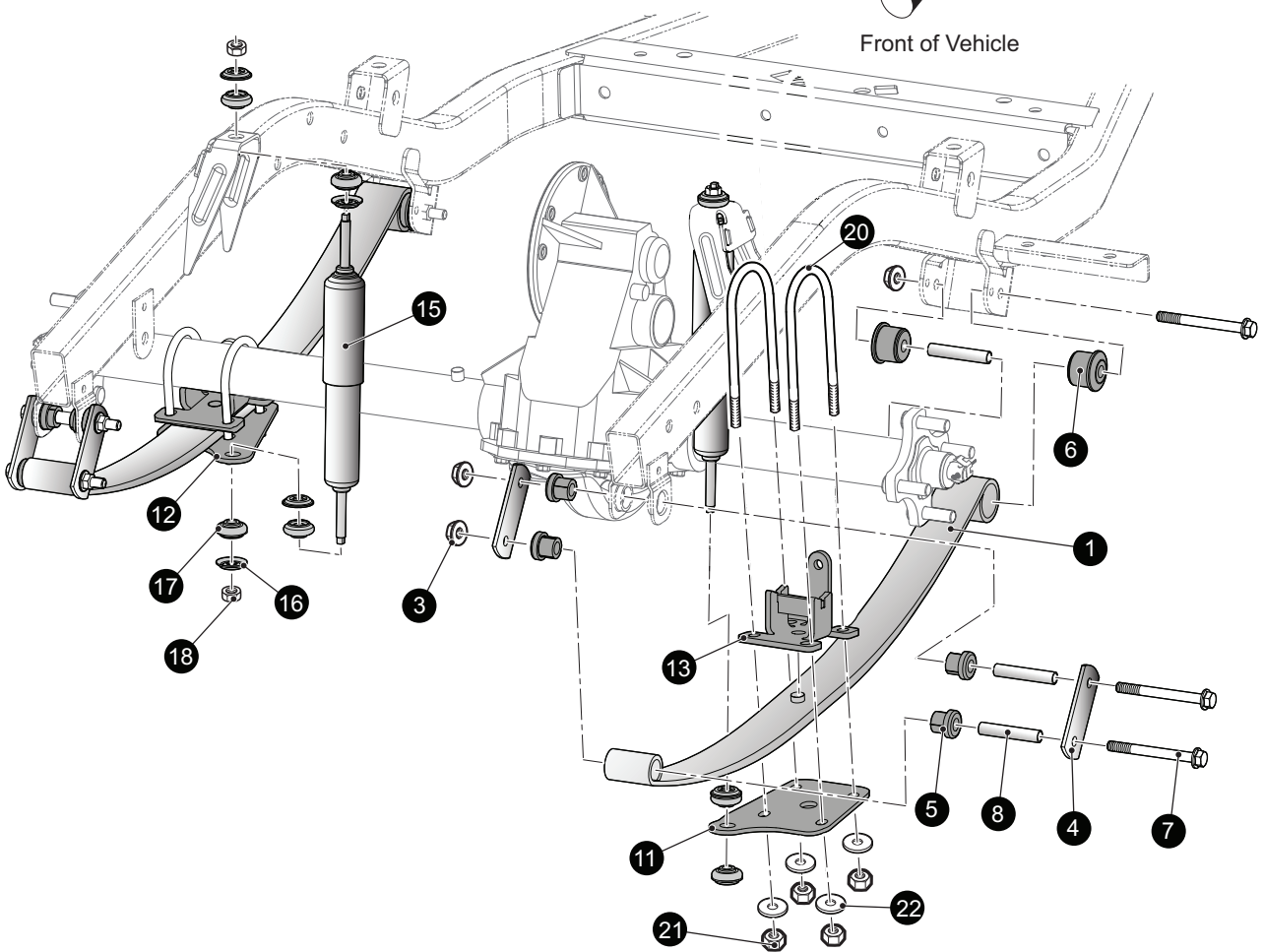
## REAR SUSPENSION

When ordering parts, please specify the model and serial number of the product.  
 \* Indicates a component that is not available as an individual part.  
 \*\*\* Indicates consult Customer Service Department for additional information.

ITEM	PART NO.	1	2	3	4	5	DESCRIPTION	QTY.
1	604494						TAPERED HEAVY DUTY LEAF SPRING .....	2
2	612281						U-BOLT .....	2
3	612765						LEAF SPRING PLATE .....	2
4	600525						FLANGED HEX NUT, M10 -1.5.....	4
5	620160						FLANGED BUSHING (large) .....	4
6	620161						SPLIT STEEL SPACER .....	2
7	601754						HEX HEAD FLANGED BOLT , M10 - 1.5 X 100mm LG .....	2
8	600525						FLANGED HEX NUT, M10 -1.5.....	2
9	624030						FLANGED BUSHING (small).....	8
10	620161						SPLIT STEEL SPACER, .394" I. D. X .51" O. D. X 2.65" LG.....	4
11	603648						SHACKLE PLATE .....	4
12	601754						HEX HEAD FLANGED BOLT, M10 - 1.5 X 100mm LG.....	4
13	600525						FLANGED HEX NUT, M10 -1.5.....	4
14	611724						SHOCK ABSORBER .....	2
15	601414						HEX HEAD FLANGED BOLT, M10 - 1.5 X 65mm LG.....	4
16	604066						FLAT WASHER, M10.....	4

# REAR SUSPENSION

For models manufactured after 29th April 2013



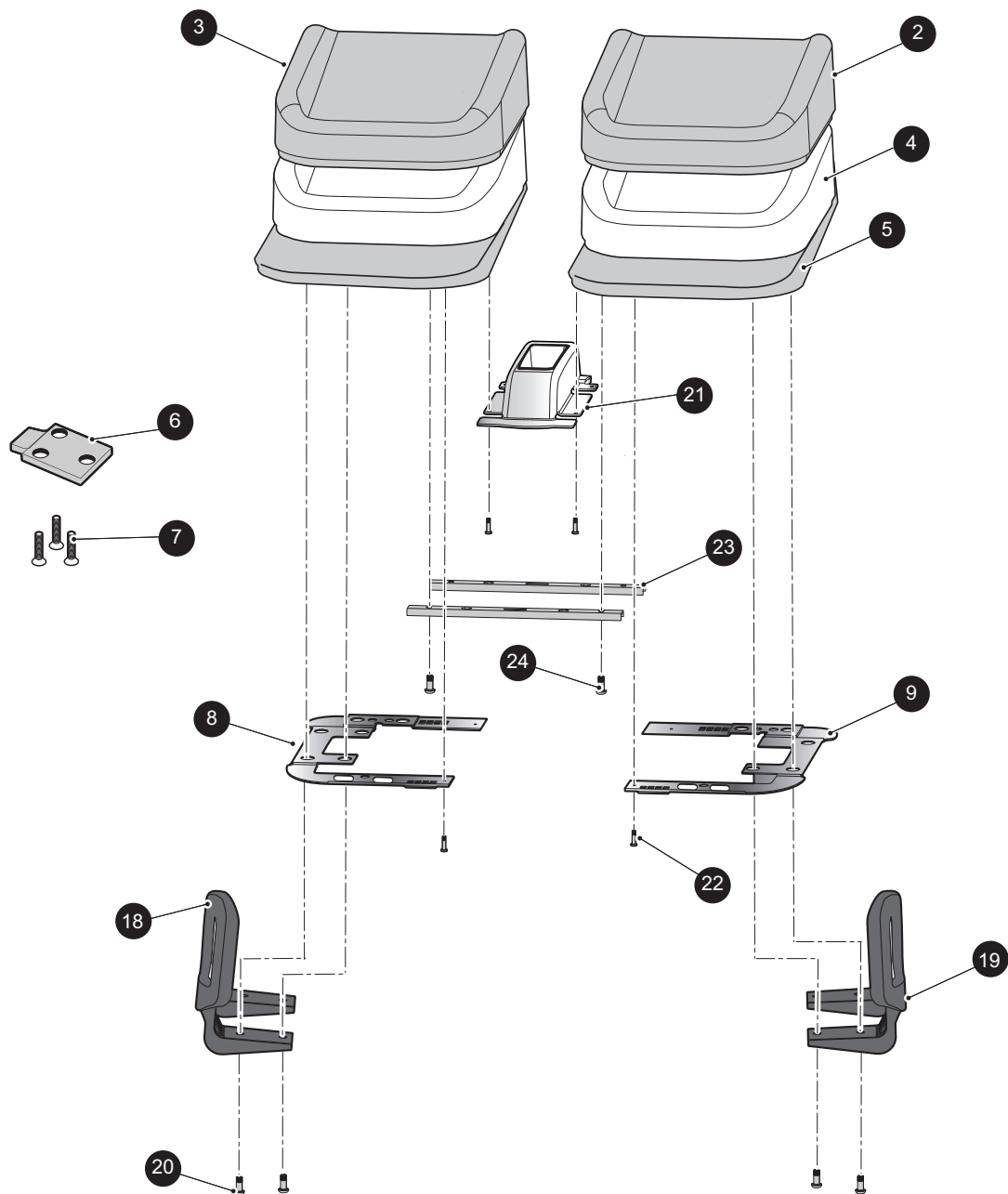
## REAR SUSPENSION

When ordering parts, please specify the model and serial number of the product.  
 \* Indicates a component that is not available as an individual part.  
 \*\*\* Indicates consult Customer Service Department for additional information.

ITEM	PART NO.	1 2 3 4 5	DESCRIPTION	QTY.
1	604494		HEAVY DUTY TAPERED LEAF SPRING.....	2
2				
3	614974		LOCK NUT, M10 - 1.5.....	6
4	603648		SHACKLE PLATE.....	4
5	624030		FLANGED BUSHING (small).....	8
6	620160		FLANGED BUSHING (large).....	4
7	601754		FLANGED HEX HEAD BOLT, M10 - 1.5 X 100mm LG.....	6
8	620161		SPLIT STEEL SPACER, .394" I. D. X .51" O. D. X 2.65" LG.....	6
9				
10				
11	625658		SHOCK MOUNT PLATE (PASSENGER SIDE).....	1
12	625657		SHOCK MOUNT PLATE (DRIVER SIDE).....	1
13	633986		AXLE SUPPORT BRACKET.....	2
14				
15	76418G01		SHOCK ABSORBER.....	2
16	10435G1		SHOCK ABSORBER WASHER.....	8
17	10194G1		SHOCK RUBBER BUSHING.....	8
18	00532G6		HEX NUT.....	4
19				
20	630819		U-BOLT, 3/8" - 16 X 2 3/8" DIA X 5.75" LG.....	4
21	11098G4		PLASTIC LOCK NUT, 3/8" - 16.....	8
22	00571G2		FLAT WASHER, .19" I. D. X .44" O. D.....	8

# SEATING

## 1 BUCKET SEAT BOTTOM ASSEMBLY (Includes Items 2 - 24)



When ordering parts, please specify the model and serial number of the product.

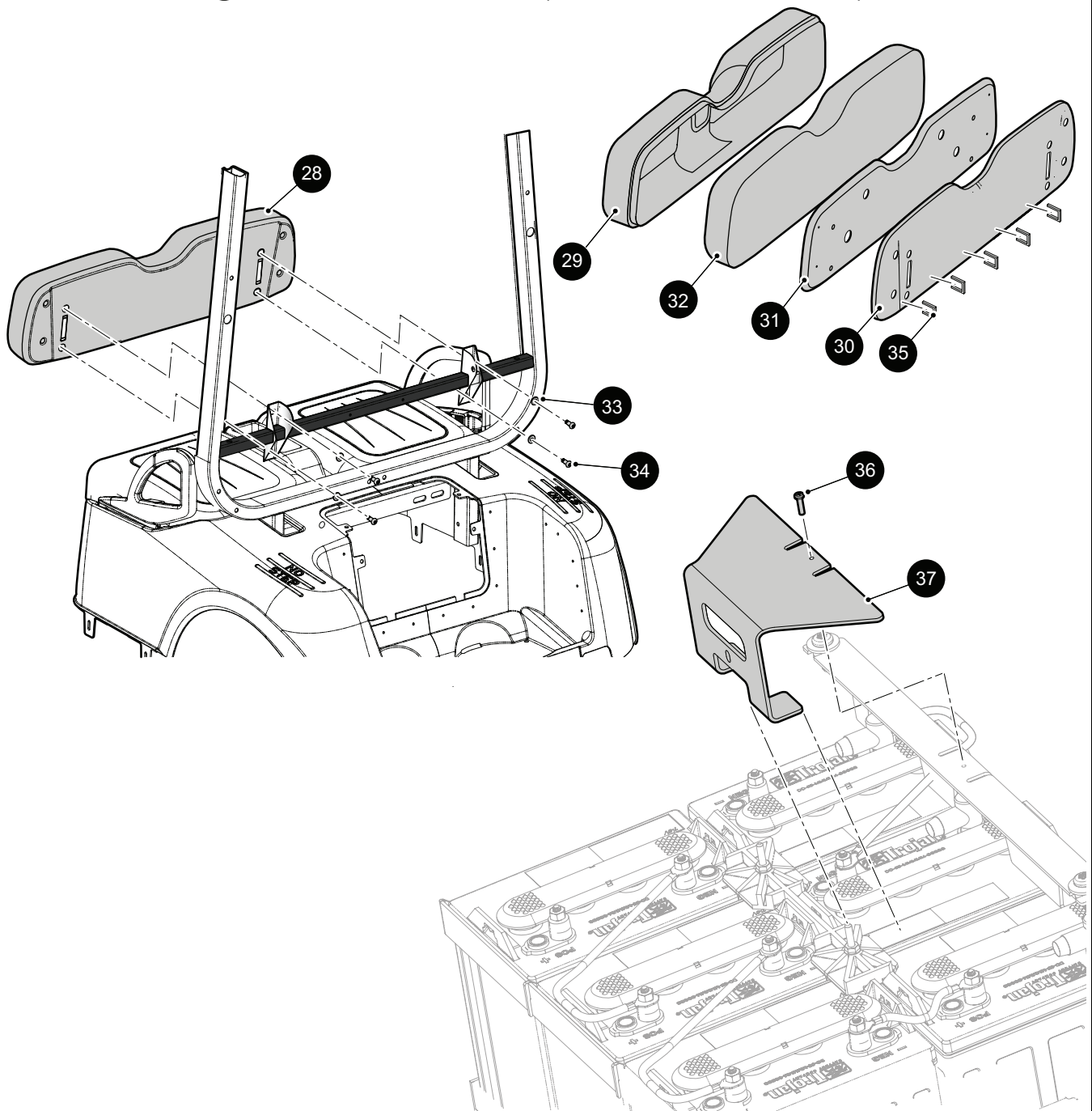
\* Indicates a component that is not available as an individual part.

\*\*\* Indicates consult Customer Service Department for additional information.

ITEM	PART NO.	1	2	3	4	5	DESCRIPTION	QTY.
1	***						BUCKET SEAT BTM ASSY (Includes Items 2 - 24) (select color below) ..... 629269G1102..... STONE BIEGE BUCKET SEAT BTM ASSY 629269G1101..... OYSTER BUCKET SEAT BTM ASSY	1
2	***						BUCKET SEAT BTM SUB-ASSY (DRIVER SIDE) (select color below) (Includes items 4 - 7, 9, 10) ..... 614717.... STONE BIEGE SEAT BTM SUB-ASSY 614719..... OYSTER SEAT BTM SUB-ASSY	1
3	***						BUCKET SEAT BTM SUB-ASSY (PASSENGER SIDE) (select color below) (Includes items 4 - 8, 10) ..... 614716.....STONE BIEGE SEAT BTM SUB-ASSY 614718.....OYSTER SEAT SEAT BTM SUB-ASSY	1
4	613253						BUCKET SEAT FOAM .....	1
5	614104						BUCKET SEAT BOTTOM BOARD .....	1
6	71610G01						SEAT HINGE.....	2
7	00720G08						FLAT HEAD PHILLIPS TAPPING SCREW, #12 - 14 X 1" LG .....	6
8	612659						BUCKET SEAT BOTTOM TRIM (PASSENGER SIDE) .....	1
9	612658						BUCKET SEAT BOTTOM TRIM (DRIVER SIDE).....	1
10	***						BUCKET SEAT BOTTOM VINYL COVER, (select color below)..... 613254.....BUCKET SEAT BTM VINYL COVER, STONE BIEGE 614098..... BUCKET SEAT BTM VINYL COVER, OYSTER	1
11								
12								
13								
14								
15								
16								
17								
18	617644						HIP RESTRAINT (PASSENGER SIDE) .....	1
19	617645						HIP RESTRAINT (DRIVER SIDE).....	1
20	600530						BOSS HEAD TORX BOLT, M10 - 1.5 X 25 MM LG.....	8
21	614233						FRONT BUCKET SEAT CENTER CONSOLE .....	1
22	608290						PAN HEAD PHILLIPS SELF TAPPING SCREW, #10 - 16 X 3/4" LG .....	8
23	613264						FRONT BUCKET SEAT STRAP.....	2
24	600530						BUTTON HEAD TORX BOLT, M10 - 1.5 X 25MM LG.....	8

# SEATING

## 28 SEAT BACK ASSEMBLY (Includes Items 29 - 32 & 35)



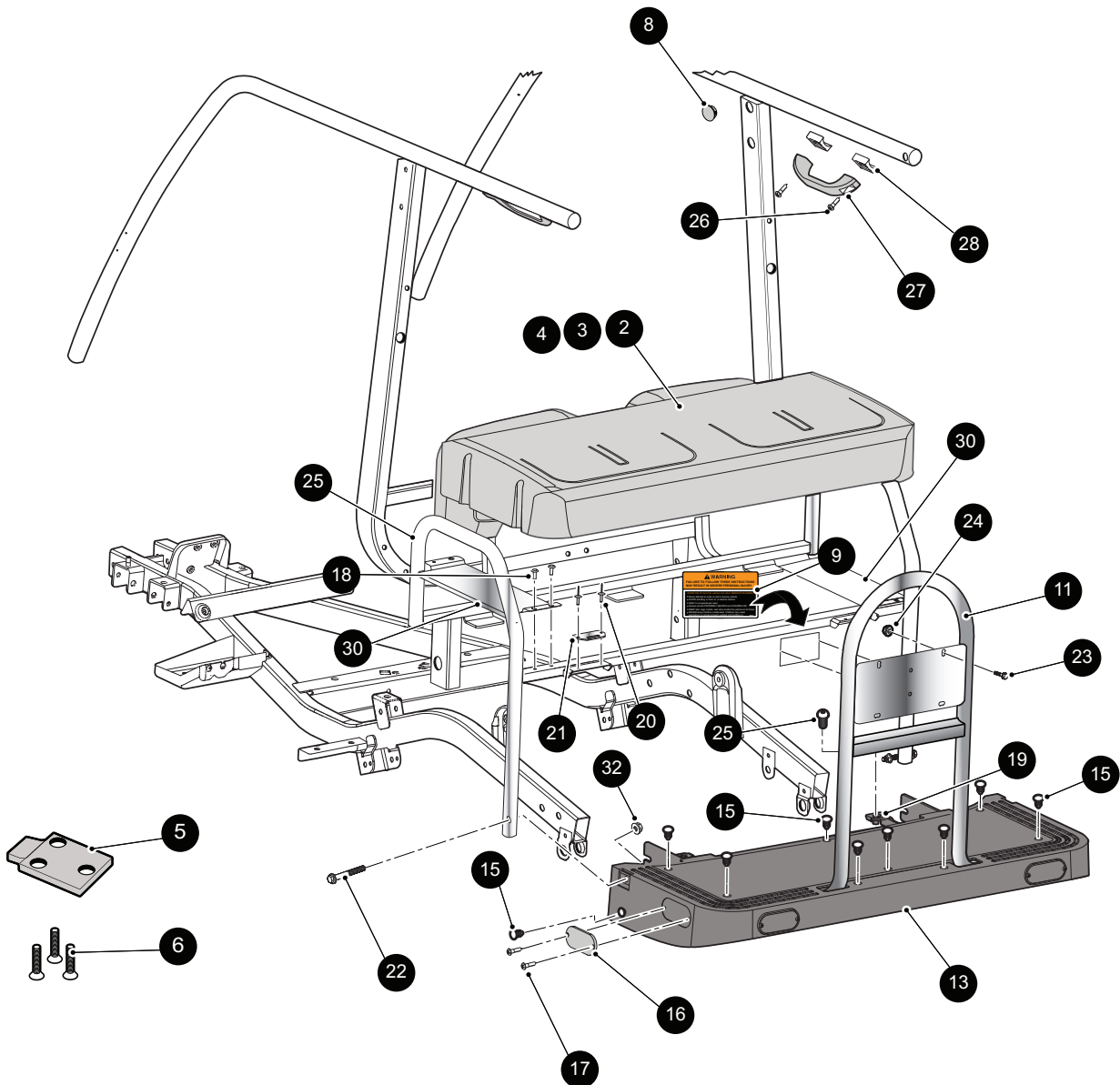
When ordering parts, please specify the model and serial number of the product.  
 \* Indicates a component that is not available as an individual part.  
 \*\*\* Indicates consult Customer Service Department for additional information.

ITEM	PART NO.	1	2	3	4	5	DESCRIPTION	QTY.
25								
26								
27								
28	***						SEAT BACK ASSY (Includes Items 29 - 32 & 35) (select color below) ..... 605548....STONE BIEGE SEAT BACK ASSY 608012....OYSTER SEAT BACK ASSY	1
29	***						SEAT BACK VINYL COVER, (select color below) ..... 605537.....SEAT BACK VINYL COVER, STONE BIEGE 608006.....SEAT BACK VINYL COVER, OYSTER	1
30	605529						SEAT BACK COVER.....	1
31	605550						SEAT BACK BASE (WOOD) ASSY.....	1
32	71754G01						SEAT BACK PADDING (FOAM).....	1
33	604066						FLAT WASHER, M10 - 10.5 MM.....	4
34	600530						BOSS HEAD TORX BOLT, M10 - 1.5 X 25 MM LG.....	4
35	23222G1						FLAT STAPLE (SS), 3/8".....	AR
36	608290						SELF TAPPING SCREW, #10 - 16.....	1
37	632527						CENTER CLOSEOUT CONSOLE.....	1

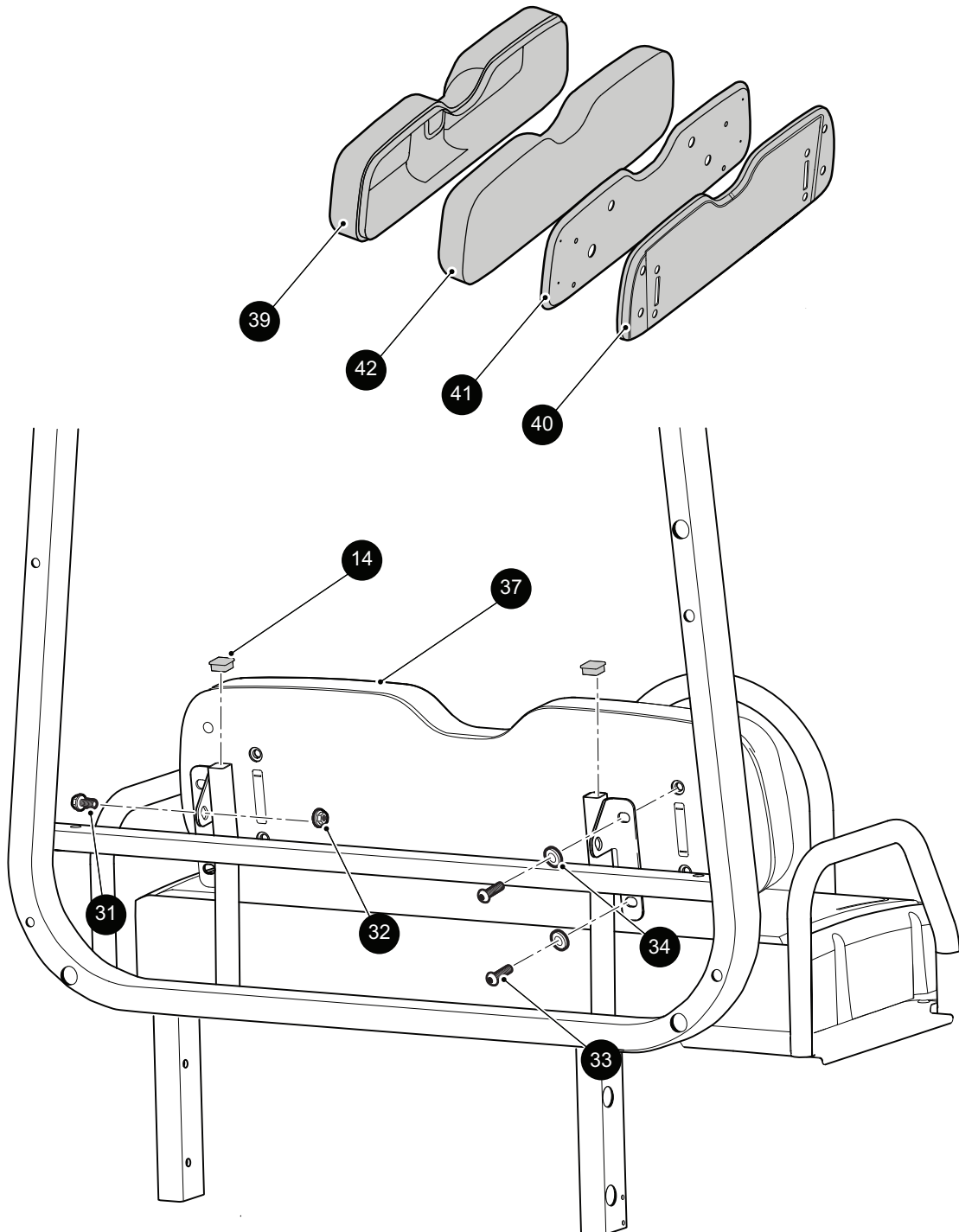
# SEATING

**1** CUSHION SEAT ASSEMBLY, RFS (Includes Items 2 - 6)

**10** FOOTREST ASSEMBLY (Includes Items 11 - 17)





**38** SEAT BACK ASSEMBLY (Includes Items 39 - 42)

# SEATING

When ordering parts, please specify the model and serial number of the product.

\* Indicates a component that is not available as an individual part.

\*\*\* Indicates consult Customer Service Department for additional information.

ITEM	PART NO.	1 2 3 4 5	DESCRIPTION	QTY.
1	***		CUSHION SEAT ASSEMBLY, RFS (Includes items 2 - 6) (select color below) 609513.....STONE BIEGE CUSHION SEAT ASSY 610678.....OYSTER CUSHION SEAT ASSY	1
2	***		RFS VINYL COVER, (select color below) ..... 609515.....RFS SEAT VINYL COVER, STONE BIEGE 71624G03...RFS SEAT VINYL COVER, OYSTER	1
3	71798G01		SEAT BOTTOM (OASIS) BASE.....	1
4	71625G01		SEAT BOTTOM PADDING (FOAM).....	1
5	71610G01		SEAT HINGE.....	2
6	00720G08		FLAT HEAD, SELF TAPPING SCREW.....	6
7				
8	604087		HOLE PLUG .....	4
9	608537		REAR FACING SEAT, WARNING DECAL .....	1
10	617064		FOOT REST - ASSEMBLY (Includes items 11 - 17) .....	1
11	617063		FOOT REST WELDMENT .....	1
12				
13	609851		FOOTREST COVER.....	1
14	19853G1		TUBE CAP, 1" .....	2
15	16816G2		RATCHET RIVET, .25" X .887" .....	10
16	614973		OVAL RED REFLECTOR .....	4
17	608290		PAN HEAD PHILLIPS SELF TAPPING SCREW, #10 - 16 X 3/4" LG.....	8
18	18436G1		PLASTIC DRIVE RIVET .....	8
19	603818		BARREL CLIP, M10 - 1.5 .....	2
20	10570G11		TYPE B (SS) RIVET, 3/16" X .70" .....	4
21	71609G01		SEAT HINGE PLATE .....	2
22	602415		HEX HEAD FLANGED BOLT, M10 - 1.5 X 80 MM LG .....	2
23	606265		HEX HEAD FLANGED BOLT, M6 - 1 X 12 MM LG .....	2
24	601476		LOCK NUT, M6 - 1.....	2
25	609023		WELDMENT RR SEAT FRAME .....	1
26	612255		PAN HEAD PHILLIPS SELF TAPPING TORX SCREW, 12 - 14 X 1" LG .....	4
27	611774		GRAB HANDLE.....	2

When ordering parts, please specify the model and serial number of the product.

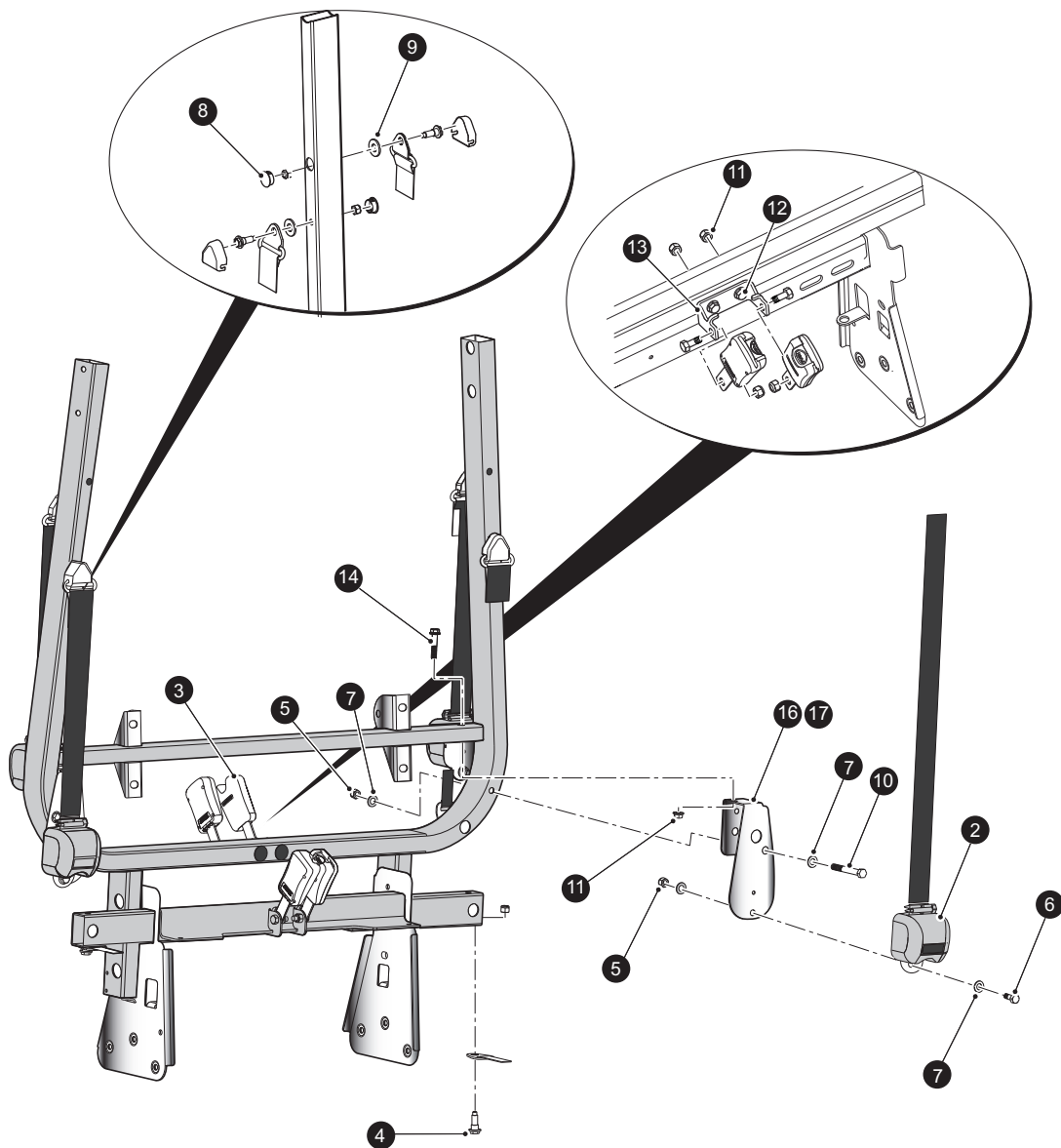
\* Indicates a component that is not available as an individual part.

\*\*\* Indicates consult Customer Service Department for additional information.

ITEM	PART NO.	1 2 3 4 5	DESCRIPTION	QTY.
28	612254		MOUNT, GRAB HANDLE.....	4
29				
30	612620		CLOSE OUT - RR FACING SEAT (PASSENGER SIDE) .....	2
31	603799		HEX HEAD FLANGED BOLT, M10 - 1.5 X 25 MM LG.....	6
32	600525		FLANGED HEX LOCK NUT, M10 - 1.5.....	4
33	600530		BOSS HEAD TORX BOLT, M10 - 1.5 X 25 MM LG .....	6
34	603823		FLAT WASHER, M10 - 22 .....	4
35				
36				
37				
38	***		SEAT BACK ASSEMBLY (Includes Items 39 - 42) (select color below) ..... 615573.....STONE BIEGE SEAT BACK ASSY 615574.....OYSTER SEAT BACK ASSY	1
39	***		SEAT BACK VINYL COVER, (select color below) ..... 605537.....SEAT BACK VINYL COVER, STONE BIEGE 608006.....SEAT BACK VINYL COVER, OYSTER	1
40	605529		SEAT BACK COVER.....	1
41	605550		SEAT BACK BASE (WOOD) ASSEMBLY .....	1
42	71754G01		SEAT BACK PADDING (FOAM).....	1

# SEATING

## 1 SEAT BELT KIT (Includes Items 2 - 10)

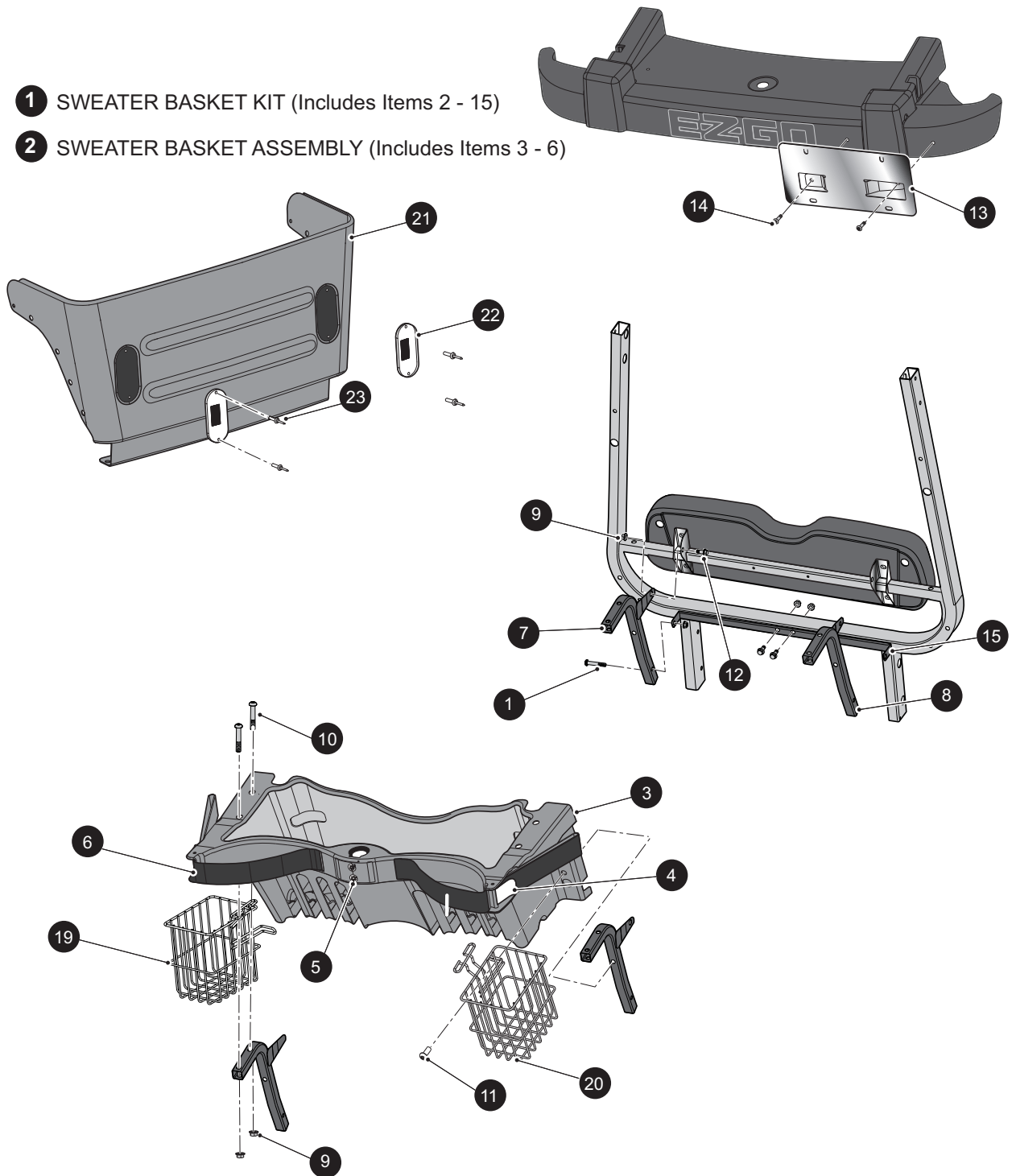


When ordering parts, please specify the model and serial number of the product.  
 \* Indicates a component that is not available as an individual part.  
 \*\*\* Indicates consult Customer Service Department for additional information.

ITEM	PART NO.	1	2	3	4	5	DESCRIPTION	QTY.
1	613474						SEAT BELT KIT (Includes Items 2 - 9).....	1
2	*						SEAT BELT RETRACTOR ASSEMBLY .....	1
3	*						SEAT BELT BUCKLE LATCH, 6".....	1
4	*						HEX HEAD SHOLDER BOLT, 7/16" X 20 .....	2
5	*						PLASTIC INSERT LOCK NUT .....	4
6	*						HEX HEAD BOLT, 7/16" - 20 X 1" LG.....	2
7	*						FLAT WASHER, 3/8" .....	2
8	*						HOLE PLUG - 25.4 MM.....	1
9	*						FLAT WASHER, 1.313 X .615 X .145, EPDM .....	1
10	600525						FLANGED HEX LOCK NUT, M10 - 1.5.....	2
11	603799						HEX HEAD FLANGED BOLT, M10 - 1.5 X 25 MM LG.....	2
12	609787						REAR SEAT BELT BRACKET .....	1
13								
14								
15	612554						SEAT BELT BRACKET (PASSENGER SIDE) .....	1
16	612555						SEAT BELT BRACKET (DRIVER SIDE).....	1

# SEATING

- 1 SWEATER BASKET KIT (Includes Items 2 - 15)
- 2 SWEATER BASKET ASSEMBLY (Includes Items 3 - 6)

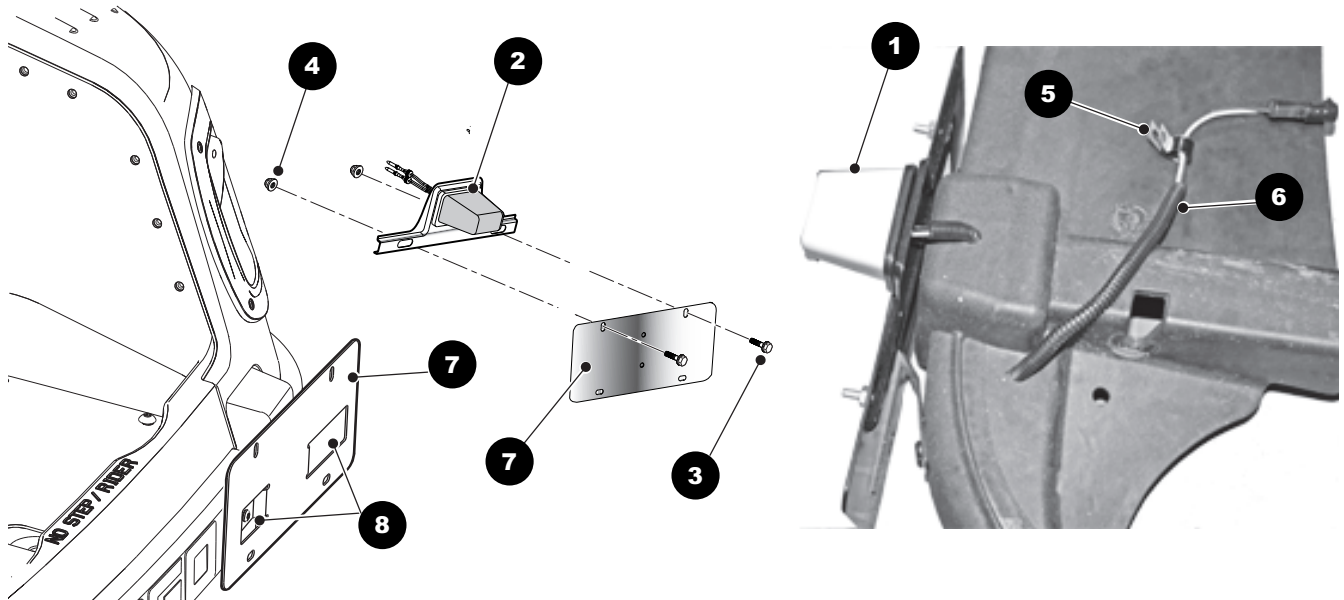


When ordering parts, please specify the model and serial number of the product.  
 \* Indicates a component that is not available as an individual part.  
 \*\*\* Indicates consult Customer Service Department for additional information.

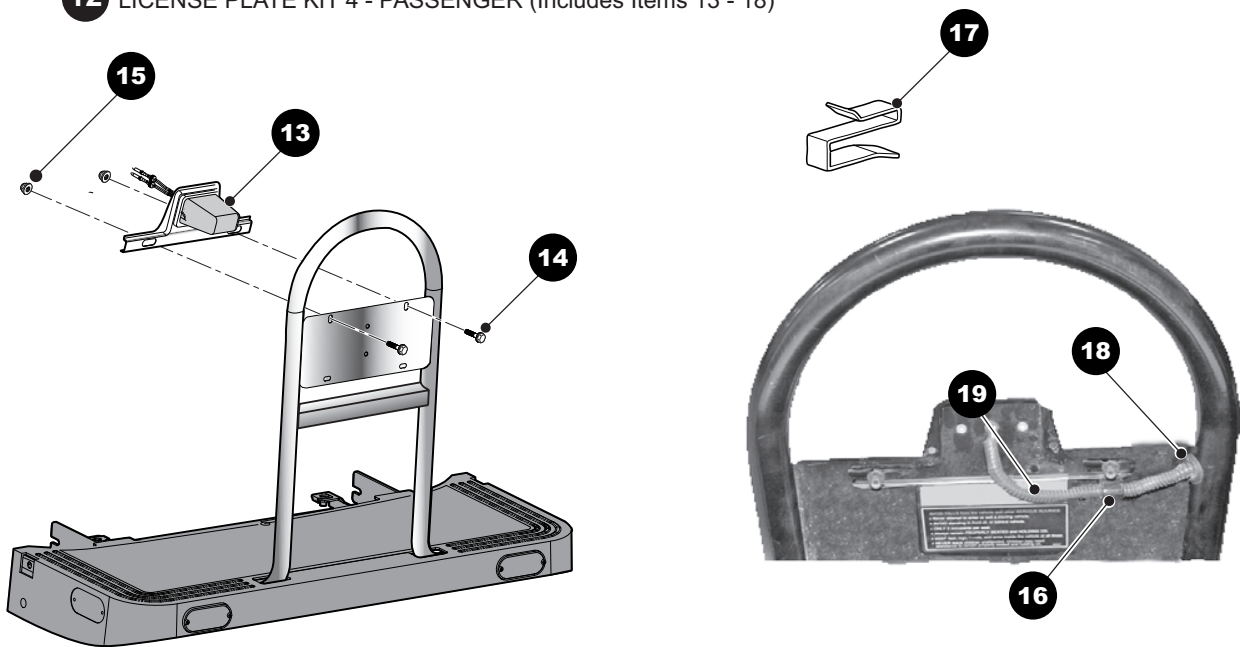
ITEM	PART NO.	1	2	3	4	5	DESCRIPTION	QTY.
1	611968						SWEATER BASKET KIT, (Includes items 2 - 15).....	1
2	602742						SWEATER BASKET ASSEMBLY (Includes items 3 - 6) .....	1
3	610607						SWEATER BASKET .....	1
4	608051						BAG STRAP CLAMP .....	2
5	16816G1						CHRISTMAS TREE RIVET, .25" X .680" .....	2
6	604102						BAG RETAINER STRAP.....	1
7	611965						SWEATER BASKET WELDMENT STRUT (DRIVER SIDE).....	1
8	612371						SWEATER BASKET WELDMENT STRUT (PASSENGER SIDE) .....	1
9	600525						FLANGED HEX LOCK NUT, M10 - 1.5 .....	10
10	600527						TORX BOLT, M10 - 1.5 X 60 MM LG.....	6
11	600530						BOSS HEAD TORX BOLT, M10 - 1.5 X 25 MM LG.....	2
12	603799						HEX HEAD FLANGED BOLT, M10 - 1.5 X 25 MM LG .....	4
13	612018						LICENSE PLATE BRACKET (2 - PASSENGER) .....	1
14	606277						BOSS SCREW, M6 - 1.0 X 25 MM LG .....	2
15	611850						LOWER MOUNT BRACKET .....	1
16								
17								
18								
19	604876						SIDE BASKET KIT (DRIVER SIDE).....	1
20	603254						SIDE BASKET KIT (PASSENGER SIDE).....	1

# SEATING

## 1 LICENSE PLATE KIT 2 - PASSENGER (Includes Items 2 - 8)



## 12 LICENSE PLATE KIT 4 - PASSENGER (Includes Items 13 - 18)





When ordering parts, please specify the model and serial number of the product.  
 \* Indicates a component that is not available as an individual part.  
 \*\*\* Indicates consult Customer Service Department for additional information.

ITEM	PART NO.	1	2	3	4	5	DESCRIPTION	QTY.
1	611968						LICENSE PLATE KIT, 2 - PASSENGER (Includes items 2 - 8) .....	1
2	614626						LICENSE PLATE LIGHT, 2 - PASSENGER.....	1
3	606264						HEX HEAD FLANGED BOLT, M6 - 1 X 20 MM LG .....	2
4	601476						LOCK NUT, M6 - 1.....	3
5	11845G5						CABLE INSULATED CLIP .....	1
6	614432						JUMPER HARNESS .....	1
7	612018						LICENSE PLATE HOLDER.....	1
8	606277						BOSS SCREW, M6 .....	2
9								
10								
11								
12	611968						LICENSE PLATE KIT, 4 - PASSENGER (Includes items 13 - 19) .....	1
13	614609						LICENSE PLATE LIGHT, 4 - PASSENGER.....	1
14	606264						HEX HEAD FLANGED BOLT, M6 - 1 X 20 MM LG .....	2
15	601476						LOCK NUT, M6 - 1.....	3
16	11845G5						CABLE INSULATED CLIP .....	2
17	01072G01						CABLE CLIP .....	2
18	614624						GROMMET, 1/2" .....	1
19	614432						JUMPER HARNESS .....	1



# STEERING

When ordering parts, please specify the model and serial number of the product.

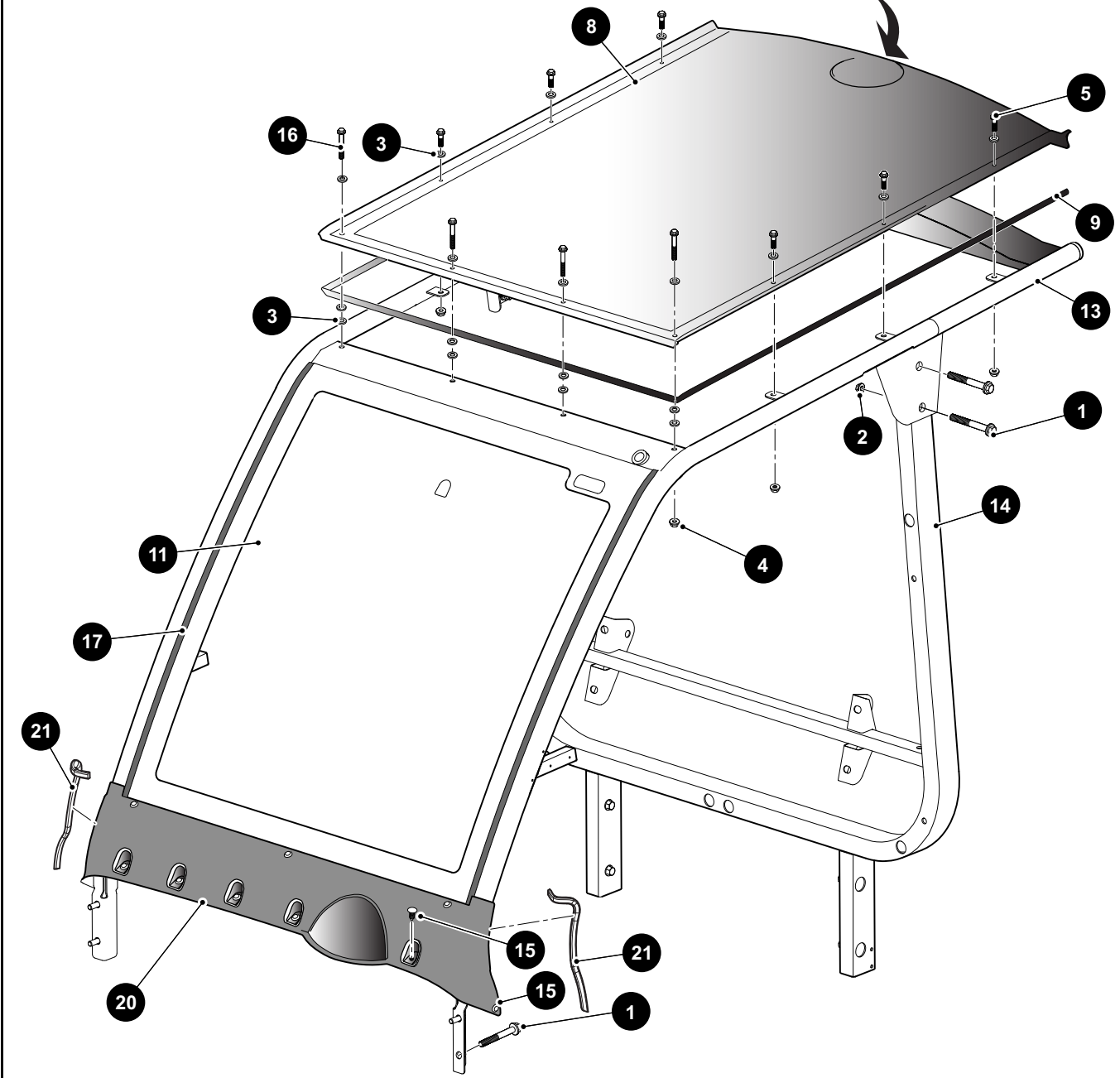
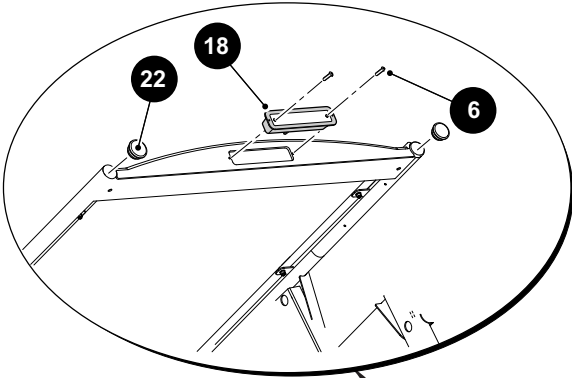
\* Indicates a component that is not available as an individual part.

\*\*\* Indicates consult Customer Service Department for additional information.

ITEM	PART NO.	1 2 3 4 5	DESCRIPTION	QTY.
1	618330		STEERING RACK ASSEMBLY .....	1
2				
3				
4				
5				
6				
7				
8	602020		TORX SOCKET HEAD CAP SCREW, M10 - 1.5 X 50 .....	3
9	608005		CASTLE HEX NUT, M12 - 1.25.....	2
10	10387G2		COTTER PIN .....	2
11				
12	600333		STEERING COLUMN ASSEMBLY (includes items 13 - 17).....	1
13	608117		STEERING COLUMN SUB ASSEMBLY .....	1
14	608114		STEERING YOKE .....	1
15	608653		SOCKET HEAD BOLT, M10 - 1.5 X 35.....	2
16	608654		LOCK WASHER, M10.5 .....	2
17	608655		HEX NUT, M10 - 1.5 .....	1
18	602572		PAN HEAD TORX BOLT, M10 - 1.5 X 50.....	4
19	602980		STEERING WHEEL .....	1
20	601709		LOCK NUT, M16 - 2 .....	1
21	71147G01		STEERING WHEEL COVER .....	1
22	605435		E-Z-GO DECAL, SW ROUND, 07 MDL .....	1

# WEATHER PROTECTION

- 10 WINDSHIELD ASSEMBLY (Includes Items 11 - 12)
- 19 WINDSHIELD TRIM - ASSY (Includes Items 20 - 21)



# WEATHER PROTECTION

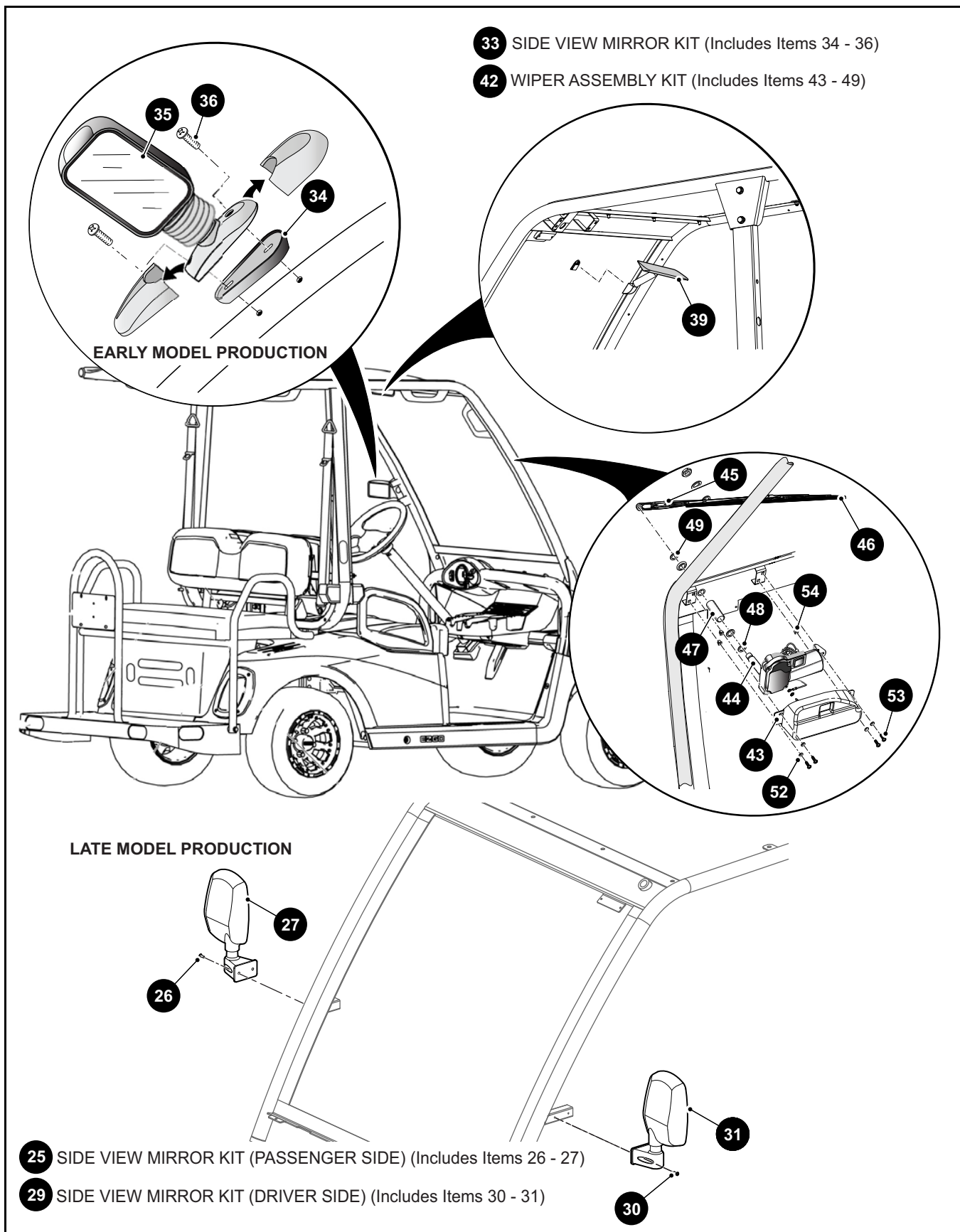
When ordering parts, please specify the model and serial number of the product.

\* Indicates a component that is not available as an individual part.

\*\*\* Indicates consult Customer Service Department for additional information.

ITEM	PART NO.	1 2 3 4 5	DESCRIPTION	QTY.
1	603799		FLANGED HEX HEAD BOLT, M10 - 1.5 X 25MM .....	8
2	600525		FLANGED HEX LOCK NUT, M10 - 1.5.....	4
3	00915G1		BONDED SEAL WASHER, # 14.....	18
4	601476		LOCK NUT, M6 - 1 .....	10
5	606264		FLANGED HEX HEAD BOLT, M6 - 1 X 20MM LG.....	6
6	00118G5		PAN HEAD PHILLIPS SELF TAPPING SCREW, #6 - 18 X .625" LG.....	2
7	613508		CANOPY KIT (INCLUDES ITEMS 8 & 9) .....	1
8	609233		SHORT CANOPY .....	1
9	609871		CANOPY WEATHER SEAL.....	1
10	611725		WINDSHIELD ASSEMBLY (INCLUDES ITEMS 11 & 12).....	1
11	609369		WINDSHIELD .....	1
12	611720		WINDSHIELD MIRROR MOUNT (NOT ILLUSTRATED) .....	1
13	626370		CANOPY W/MIRROR TUBE WELDED .....	1
14	609297		CANOPY WELDMENT, SUPPORT TUBE.....	1
15	18436G1		PLASTIC DRIVE RIVET, 3/16".....	10
16	606421		FLANGED HEX HEAD BOLT, M6 - 1 X 30" MM LG .....	4
17	610105		WINDSHIELD SEAL .....	2
18	612021		CENTER BRAKE LIGHT ASSEMBLY .....	1
19	619351		WINDSHIELD TRIM - ASSY (INCLUDES ITEMS 20 - 21).....	1
20	609313		WINDSHIELD TRIM .....	1
21	22280G1		BLACK TRIM, .52 SINGLE LIP - 10" LG .....	2
22	617679		TUBE PLUG (PLASTIC), 1.5" O.D.....	2
23				
24				
25	625785		SIDE VIEW MIRROR KIT (PASSENGER SIDE) (INCLUDES ITEMS 26 - 27)	1
26	00614G5		PAN HEAD SELF TAPPING SCREW, # 8 - 18 X 5/8" LG .....	2
27	621127		SIDE VIEW MIRROR (PASSENGER SIDE).....	1
28				
29	625786		SIDE VIEW MIRROR KIT (DRIVER SIDE) (INCLUDES ITEMS 30 - 31) .....	1
30	00614G5		PAN HEAD SELF TAPPING SCREW, # 8 - 18 X 5/8" LG .....	2
31	621147		SIDE VIEW MIRROR (DRIVER SIDE) .....	1

# WEATHER PROTECTION



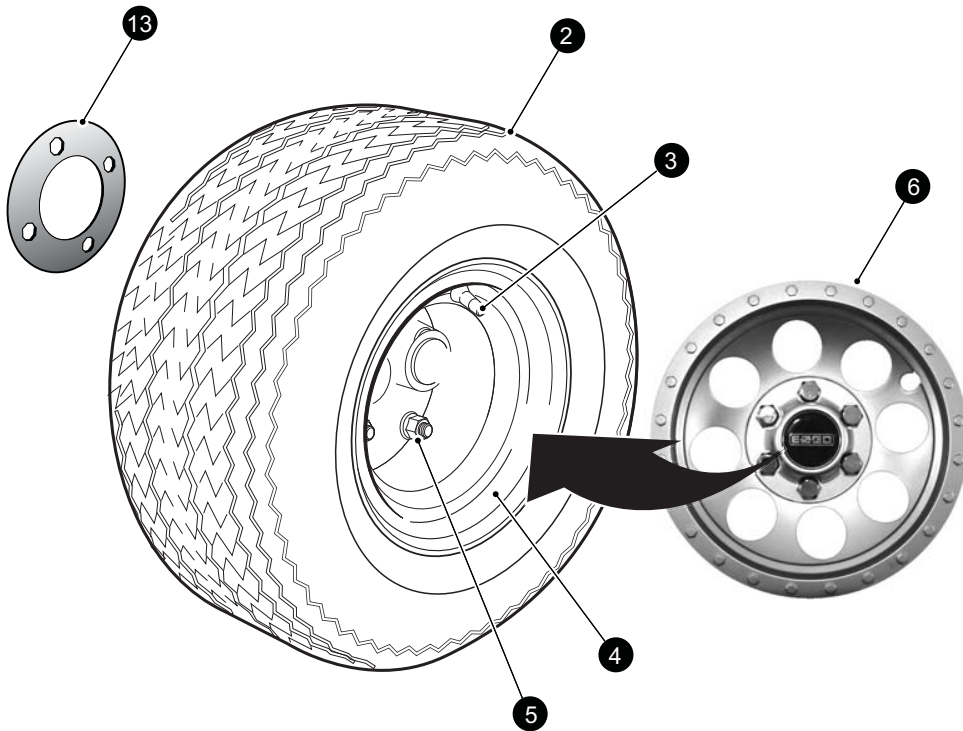
# WEATHER PROTECTION

When ordering parts, please specify the model and serial number of the product.  
 \* Indicates a component that is not available as an individual part.  
 \*\*\* Indicates consult Customer Service Department for additional information.

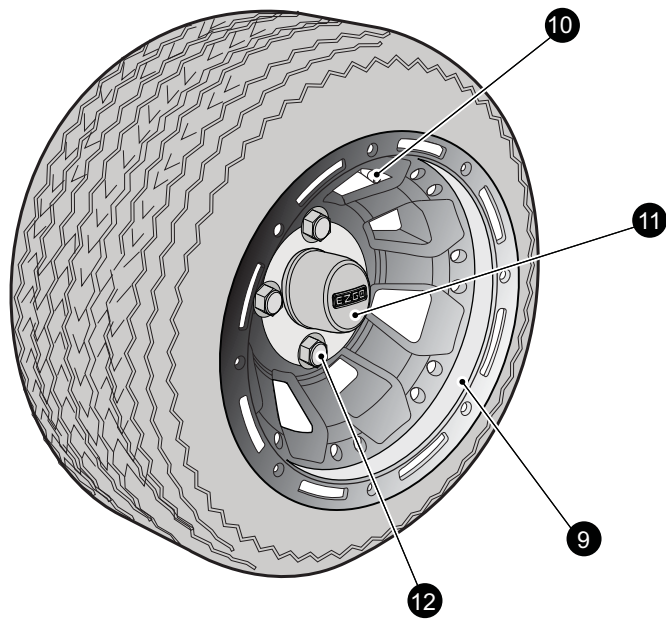
ITEM	PART NO.	1	2	3	4	5	DESCRIPTION	QTY.
32								
33	609388						SIDE VIEW MIRROR KIT (INCLUDES ITEMS 34 - 36).....	1
34	612778						MIRROR MOUNT .....	1
35	612713						SIDE MOUNTED MIRROR .....	1
36	00513G4						SELF TAPPING PHILLIPS SCREW, #8 X 1.25.....	2
37								
38								
39	609376						REAR VIEW MIRROR .....	1
40								
41								
42	611988						WIPER ASSEMBLY KIT (INCLUDES ITEMS 43 - 49).....	1
43	609204						WIPER MOTOR COVER.....	1
44	610695						WIPER MOTOR ASSEMBLY .....	1
45	609372						WIPER ARM.....	1
46	609427						22" WIPER BLADE.....	1
47	612895						NYLON TUBE.....	1
48	21830G1						BRAKE DRUM WASHER, .76".....	1
49	613286						FLAT WASHER, 1.313" X .615" X .145" .....	2
50								
51								
52	00559G4						FLAT WASHER, .18" .....	3
53	00614G4						PAN HEAD PHILLIPS SELF DRILL SCREW, #8 - 18 X 1/2" LG .....	4
54	609814						PLASTIC SCREW ANCHOR .....	4

# WHEELS AND TIRES

1 WHEEL & TIRE ASSEMBLY (includes items 2, 3 & 4)



7 WHEEL AND TIRE ASSEMBLY (includes items 8, 9 & 10)





# WHEELS AND TIRES

When ordering parts, please specify the model and serial number of the product.  
 \* Indicates a component that is not available as an individual part.  
 \*\*\* Indicates consult Customer Service Department for additional information.

ITEM	PART NO.	1	2	3	4	5	DESCRIPTION	QTY.
1	623904						WHEEL & TIRE ASSEMBLY (includes items 2, 3 & 4).....	1
2	614246						KENDA RADIAL PRO TOUR TIRE, 205/50 R10.....	1
3	620659						VALVE STEM.....	1
4	620658						SILVER CHROME WHEEL, 10 X 6.....	1
5	14723G1						LUG NUT, 1/2 - 20 UNF .....	4
6	608912						RALLY WHEEL COVER, 10" .....	1
7	623906						TIRE AND MAG WHEEL ASSEMBLY(includes items 8, 9 & 10).....	1
8	614246						KENDA RADIAL PRO TOUR TIRE, 205/50 R10.....	1
9	606152						MAG WHEEL, 10 X 7 .....	1
10	604915						VALVE STEM, CHROME.....	1
11	608910						DIAMOND WHEEL CAP .....	1
12	605310						LUG NUT, CHROME 1/2 - 20 UNF .....	4
13	614837						WHEEL SPACER.....	4







A Textron Company

**E-Z-GO Division of Textron Inc.,**  
1451 Marvin Griffin Road, Augusta, Georgia 30906 - 3852 USA

**TO CONTACT US...**

**North America:**

**Technical Assistance & Warranty  
Service Parts**

Phone: 1-800-774-3946, FAX: 1-800-448-8124

Phone: 1-888-GET-E-Z-GO (1-888-438-3946), FAX: 1-800-752-6175

**International:**

Phone: 001-706-798-4311, FAX: 001-706-771-4609

Copyrighted Material  
This manual may not be reproduced in whole or  
in part without the express permission of  
E-Z-GO Division of Textron Inc.  
Technical Communications Department