



A Textron Company

# RXV

# Service Parts Manual

## 48V ELECTRIC POWERED VEHICLE



# 647696-AL

ISSUED AUGUST 2015

REVISED JANUARY 2020



# SERVICE PARTS MANUAL

## 48V ELECTRIC POWERED FLEET AND PERSONAL GOLF CARS

**RXV GOLF CAR  
RXV FREEDOM™  
RXV SHUTTLE 2+2**

**STARTING MODEL YEAR 2016**

### **CALIFORNIA Proposition 65 Warning**

**WARNING:** Motor vehicles may contain fuels, oils and fluids, battery posts, terminals, and related accessories which contain lead, lead compounds and other chemicals identified by the State of California to potentially cause cancer, birth defects and other reproductive harm. These chemicals are found in vehicles, vehicle parts and accessories, both new and replacements. During maintenance, these vehicles generate used oil, waste fluids, grease, fumes and particulates, all identified by the State of California to potentially cause cancer, birth defects, and other reproductive harm.

DISCLAIMER: The E-Z-GO Division of Textron Inc. (E-Z-GO) reserves the right to incorporate engineering and design changes to products in this Manual, without obligation to include these changes on units leased/sold previously.

The information contained in this Manual may be revised periodically E-Z-GO, and therefore is subject to change without notice.

E-Z-GO DISCLAIMS LIABILITY FOR ERRORS IN THIS MANUAL, and E-Z-GO SPECIFICALLY DISCLAIMS LIABILITY FOR INCIDENTAL AND CONSEQUENTIAL DAMAGES RESULTING FROM THE USE OF THE INFORMATION AND MATERIALS IN THIS MANUAL.

### **TO CONTACT US**

#### **NORTH AMERICA:**

**TECHNICAL ASSISTANCE & WARRANTY PHONE: 1-800-774-3946, FAX: 1-800-448-8124**

**SERVICE PARTS PHONE: 1-888-GET-EZGO (1-888-438-3946), FAX: 1-800-752-6175**

**INTERNATIONAL: PHONE: 001-706-798-4311, FAX: 001-706-771-4609**

**E-Z-GO DIVISION OF TEXTRON INC., 1451 MARVIN GRIFFIN RD., AUGUSTA, GEORGIA USA 30906-3852**

## GENERAL INFORMATION

**This vehicle has been designed and manufactured in the United States of America (USA). The Standards and Specifications listed in the following text originate in the USA unless otherwise indicated.**

**The use of non-Original Equipment Manufacturer (OEM) approved parts may void the warranty.**

### BATTERY PROLONGED STORAGE

**Batteries self-discharge over time. The rate of self-discharge varies depending on the ambient temperature, the age and condition of the batteries.**

**Fully charged batteries will not freeze in winter temperatures unless the temperature falls below -75°F (- 60°C).**

**For winter storage, the batteries must be clean, fully charged and disconnected from any source of electrical drain.**

**The battery charger can remain connected to the vehicle to maintain a full charge on the batteries, as long as the charger is plugged into an active electrical source. If power to the electrical source is disconnected or interrupted, the battery charger continues to check the charge on the battery pack. This pulls power from the battery pack and eventually drains the batteries if power is not restored in a timely manner.**

**As with all electric vehicles, the batteries must be checked and recharged as required or at a minimum of 30 day intervals.**

**Check and maintain the proper fluid level in all battery cells during the storage period. Proper fluid level is required for maximum battery performance.**

### BATTERY DISPOSAL

**Lead-acid batteries are recyclable. Return whole scrap batteries to distributor, manufacturer or lead smelter for recycling. For neutralized spills, place residue in acid-resistant containers with absorbent material such as sand. Dispose of in accordance with local, state and federal regulations for acid and lead compounds. Contact local and/or state environmental officials regarding disposal information.**



# TABLE OF CONTENTS

<b>SECTION</b>	<b>Page No.</b>
HOW TO USE THE SERVICE PARTS MANUAL .....	V
ACCELERATOR .....	A - 1
BATTERY CHARGER .....	B - 1
BODY .....	C - 1
BRAKES .....	D - 1
ELECTRICAL SYSTEM .....	E - 1
ELECTRONIC SPEED CONTROL .....	F - 1
FRAME .....	G - 1
FRONT SUSPENSION AND STEERING .....	H - 1
MOTOR .....	J - 1
REAR AXLE .....	K - 1
REAR SUSPENSION .....	L - 1
SEATING AND BASKET .....	M - 1
TOW BAR .....	N - 1
WEATHER PROTECTION .....	P - 1
WHEELS AND TIRES .....	Q - 1
DECALS AND LABELS (FOR CE VEHICLES) .....	R - 1



# HOW TO USE THE SERVICE PARTS MANUAL

This manual is divided into several sections:

- GENERAL INFORMATION
- ILLUSTRATED PARTS BREAKDOWN

The first section, GENERAL INFORMATION, contains the following information:

- WARRANTY INFORMATION
- GENERAL INDEX
- HOW TO USE THE SERVICE PARTS MANUAL

The second section, ILLUSTRATED PARTS BREAKDOWN, contains illustrations and parts lists for all systems of your vehicle.

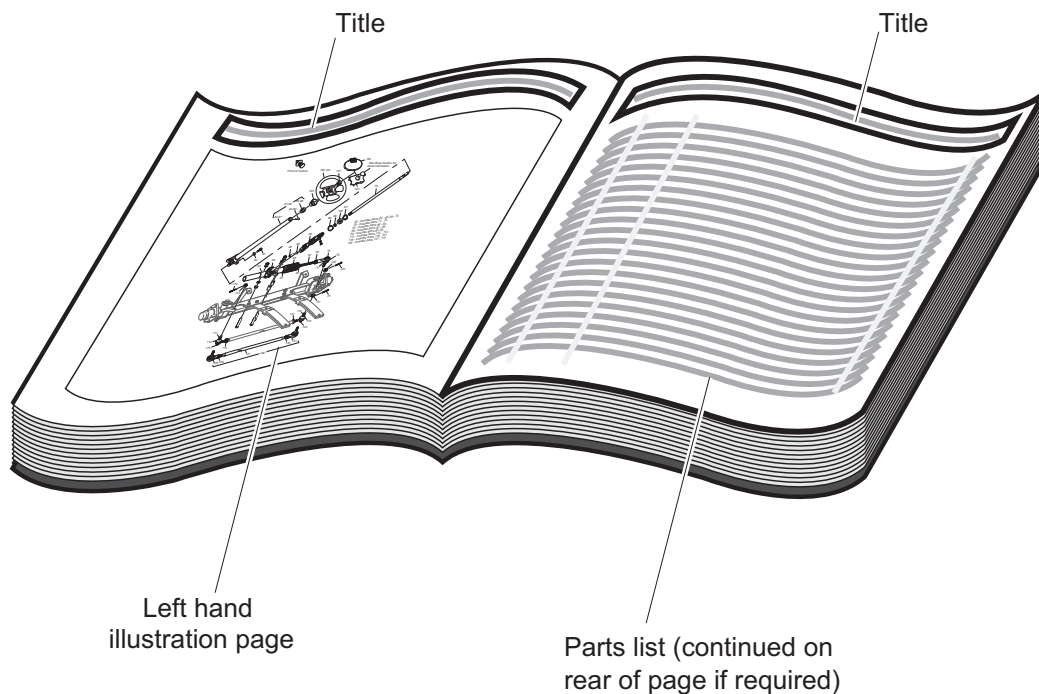
## USE OF THE MANUAL

To use this manual, consult the GENERAL INDEX to locate the information or illustration required.

Introduction of some revisions varies due to supply of components; therefore, it is possible that various combinations of components may be found that are not directly reflected by each illustration. Consult the illustration that best suits your situation and then contact the Service Parts Department. It is important that the serial number of your vehicle and its model number be supplied to Service Parts when ordering any replacement components.

Locate the serial number plate (see BODY located in the Illustrated Parts Breakdown section of this manual for its location) and note the complete number shown on the plate.

# HOW TO USE THE SERVICE PARTS MANUAL



## 1. WHEN THE PART NUMBER IS NOT KNOWN

- Determine the function and application of the part required. Turn to the General Index and select the most appropriate title.
- Turn to the page number indicated and locate the desired part on the illustration.
- From the illustration, obtain the item number assigned to the desired part. Refer to the accompanying description for specific information regarding the part.

## 2. IF YOU KNOW THE PART NUMBER

- Locate the part number or description in the appropriate column on the parts list page.

NOTE: It is suggested that you confirm that the part selected is correct by verifying it with the pictorial representation on the illustrated page.

Should an asterisk (\*) appear in the part number column on the parts list page, read upwards until a part number is found. The part number is the lowest assembly sold by Service Parts and the asterisk (\*) indicates that the part depicted is not available for purchase.

NOTE: Descriptions are indented under the assembly that they are used on. That assembly is, in turn listed under the assembly that it is used on. This process is repeated until the highest final assembly is reached.

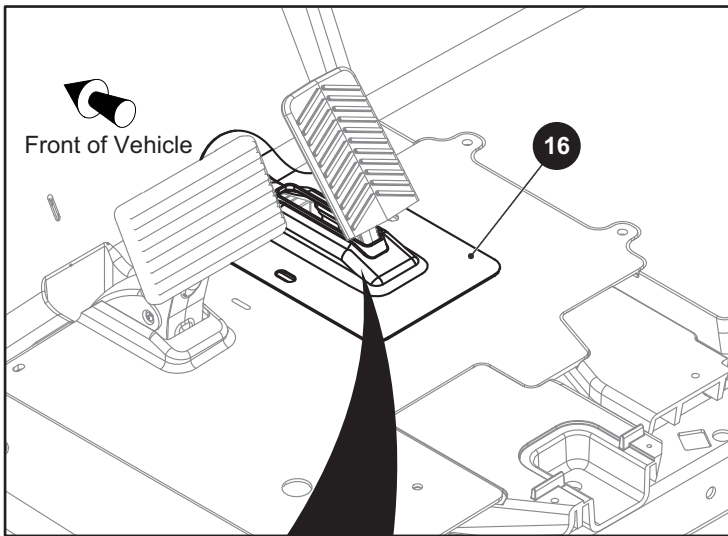
**To facilitate the maintenance and repair of the vehicle, a Technician's Repair and Service Manual is available from the Service Parts Department.**

## 3. COLOR CODE FOR BODY COMPONENTS

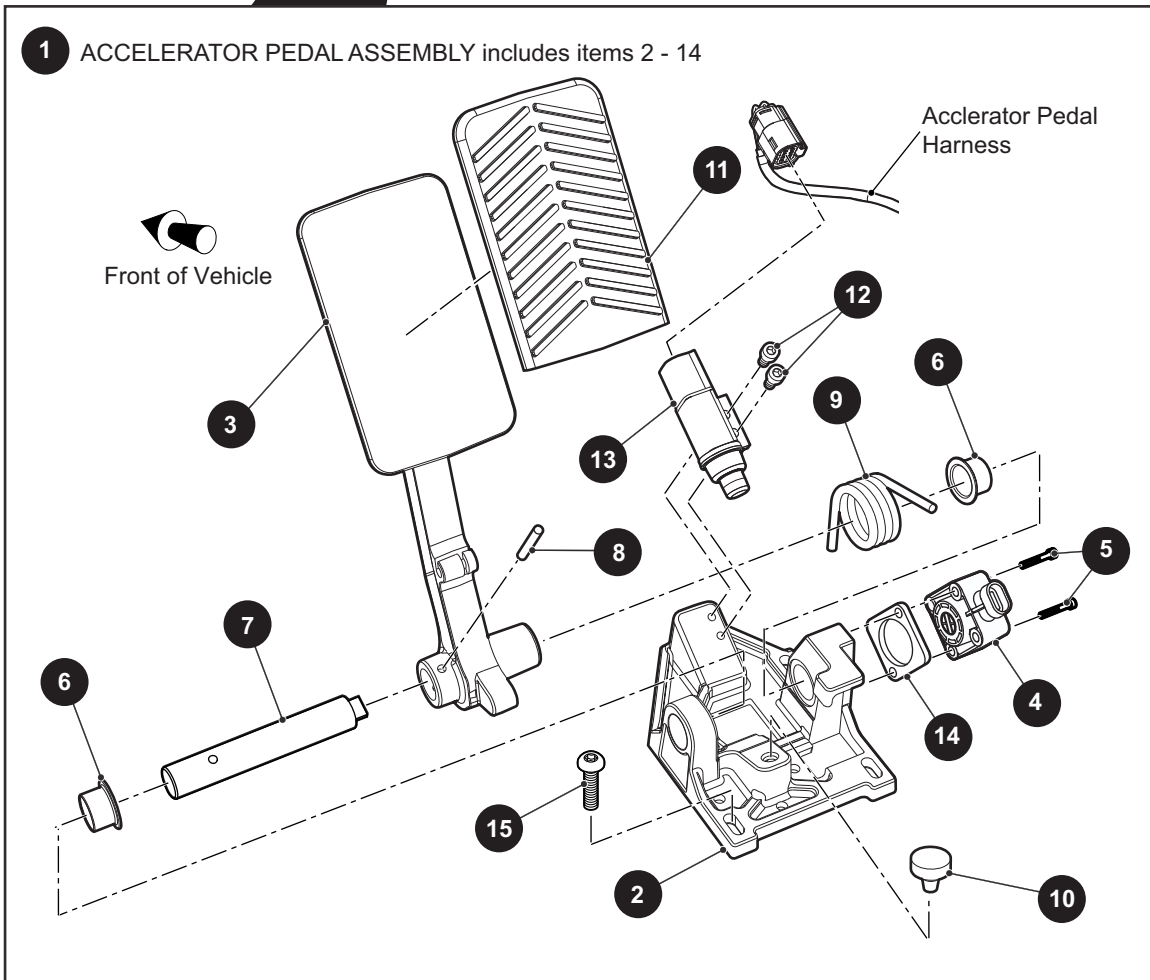
The last two digits of the part number for the body part will denote the color code, locate the part number for the cowl, rear body, seat pod, side panel or seat wrap then locate your color in the list below, replace the last \*\* or XX with the two digit color code.

<b><u>CODE #</u></b>	<b><u>DESCRIPTION</u></b>
11	BLACK
19	PATRIOT BLUE PEARL
20	INFERNO RED METALLIC
26	STEEL BLUE PEARL
31	METALLIC CHARCOAL
36	IVORY
37	FOREST GREEN
38	BRIGHT WHITE
39	FLAME RED
41	ELECTRIC BLUE
42	PLATINUM
43	BURGUNDY
44	ALMOND
51	SUNBURST ORANGE
52	BRITISH RACING GREEN
74	BARLEY GOLD
75	OASIS GREEN
76	JAVA BROWN
A5	OCEAN GRAY

# ACCELERATOR



**1** ACCELERATOR PEDAL ASSEMBLY includes items 2 - 14



# ACCELERATOR

THE USE OF NON U.L. PARTS WILL VOID ANY U.L. LISTING.

When ordering parts, please specify the model and serial number of the product.

\* Indicates a component that is not available as an individual part.

\*\*\* Indicates consult Customer Service Department for additional information.

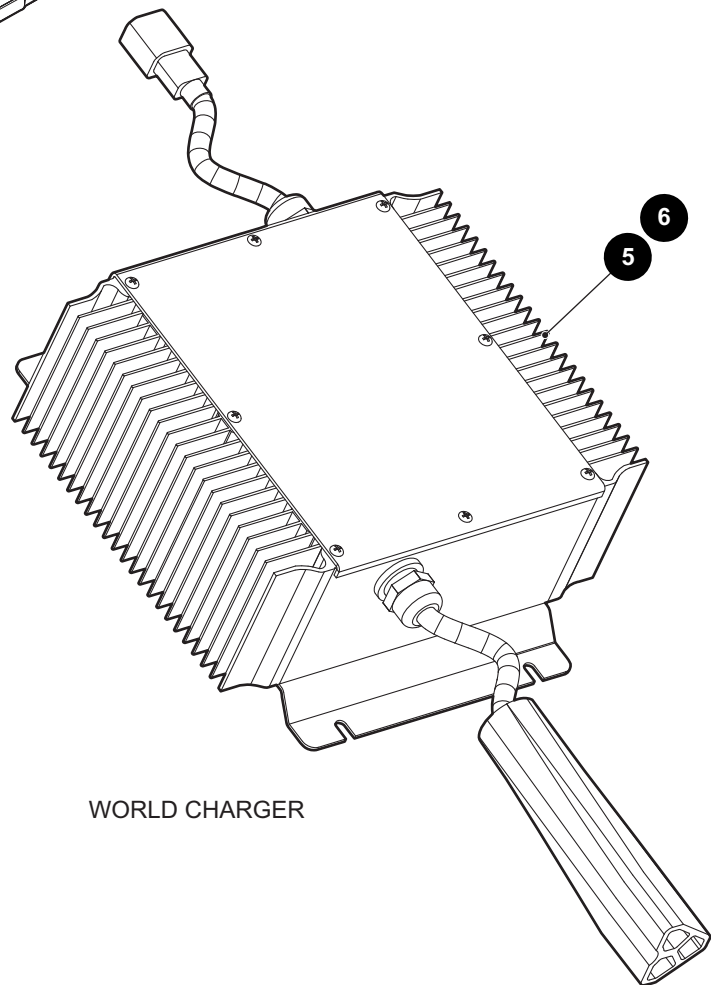
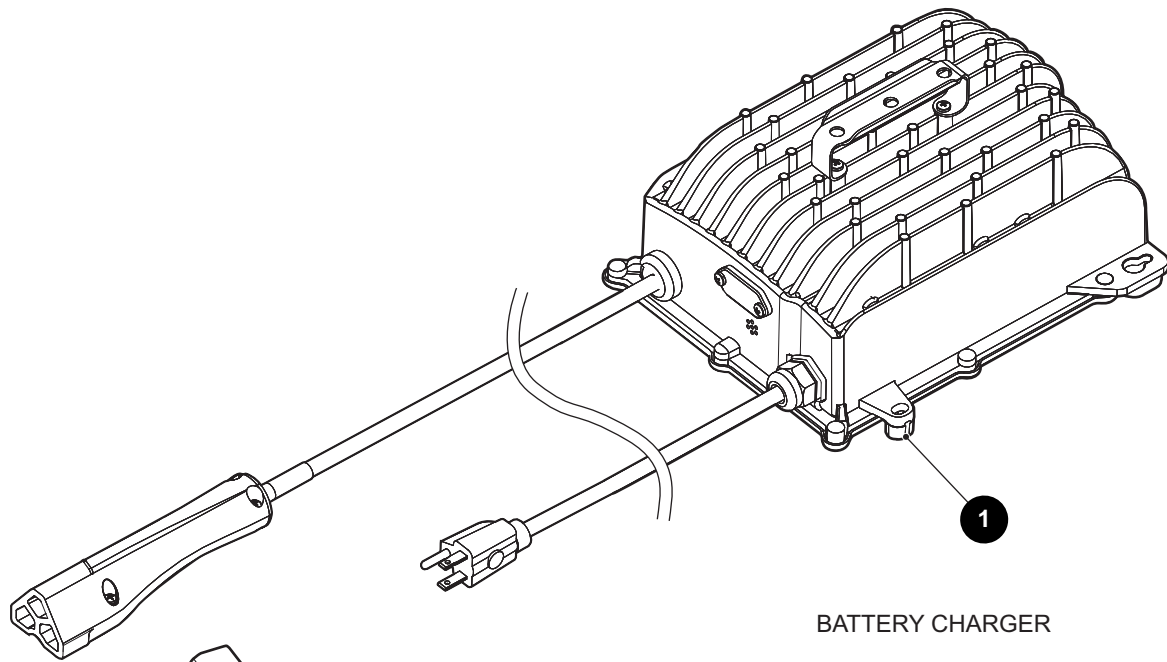
ITEM	PART NO.	1 2 3 4 5	DESCRIPTION	QTY.
1	671889		ACCELERATOR PEDAL ASSEMBLY (INCLUDES ITEMS 2 - 14) .....	1
2	*		ACCELERATOR PEDAL BRACKET .....	1
3	*		ACCELERATOR PEDAL .....	1
4	671848		ROTARY POSITION SENSOR.....	1
5	686390		SOCKET HEAD BOLT, M5 - .8 X 35MM LG.....	2
6	*		FLANGED BUSHING, 16MM O.D. X 12MM I.D.....	2
7	*		ACCELERATOR PIVOT SHAFT.....	1
8	600683		HEAVY DUTY SPIROL PIN, 4MM X 26MM.....	1
9	*		TORSION SPRING, 4.5MM DIA.....	1
10	604097		REBOUND BUMPER .....	1
11	610529		ACCELERATOR PEDAL COVER.....	1
12	620030		SOCKET HEAD BOLT, M5 - .8 X 15MM LG.....	2
13	653242		PEDAL SWITCH.....	1
14	672457		SENSOR SPACER.....	1
15	649803		PAN HEAD TORX SCREW, M6 - 2.65 X 25MM LG.....	3
16	614393		ACCELERATOR PEDAL INSERT .....	1







# BATTERY CHARGER



# BATTERY CHARGER

THE USE OF NON U.L. PARTS WILL VOID ANY U.L. LISTING.

When ordering parts, please specify the model and serial number of the product.

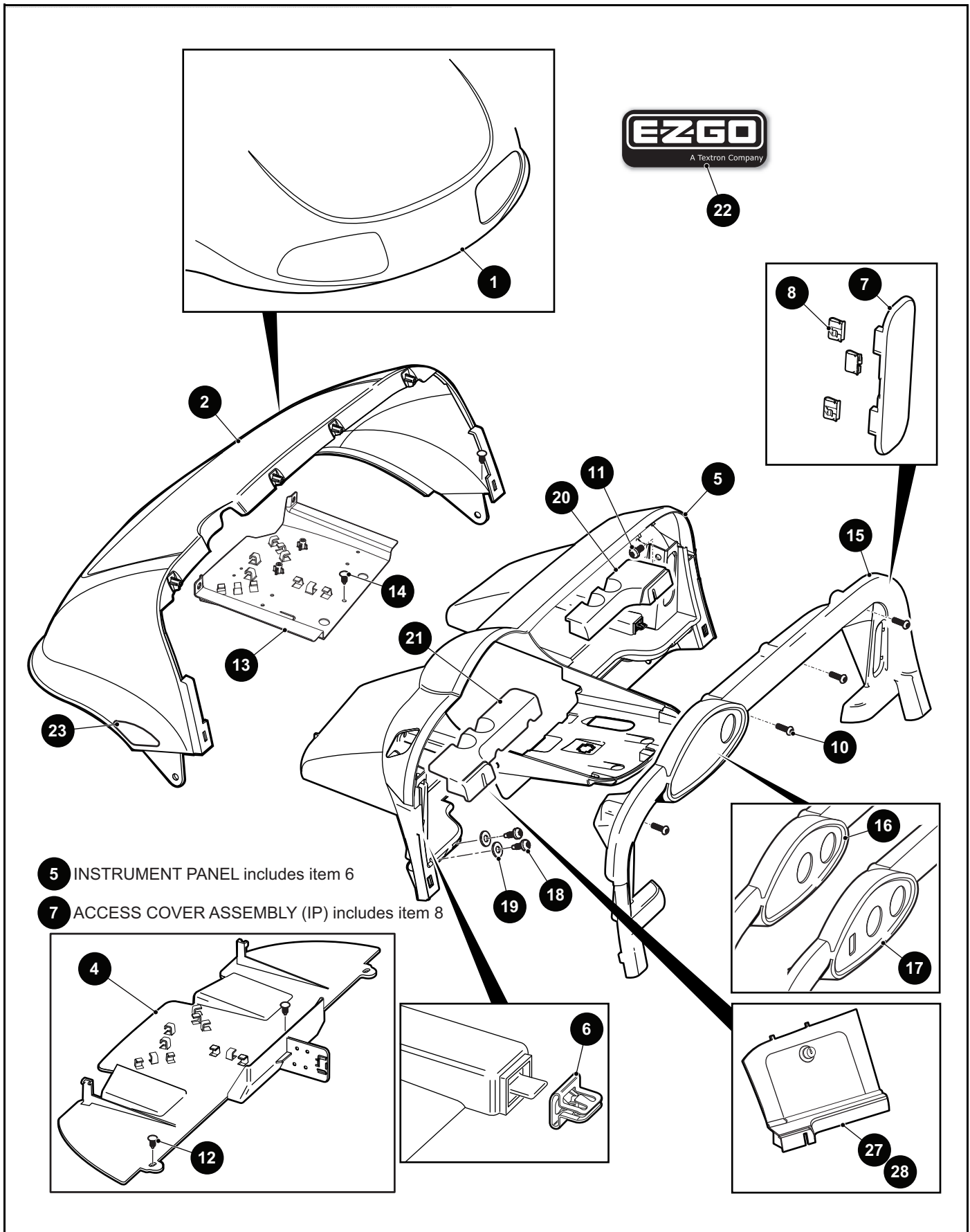
\* Indicates a component that is not available as an individual part.

\*\*\* Indicates consult Customer Service Department for additional information.

ITEM	PART NO.	1 2 3 4 5	DESCRIPTION	QTY.
1	635671		BATTERY CHARGER, 48V, 3 METER DC CORD .....	1
2				
3	605834		NYLON CLAMP, 36" (NOT ILLUSTRATED) .....	AR
4				
5	622419		WORLD CHARGER, 48V, 3 METER DC CORD .....	1
6	622667		WORLD CHARGER, 48V, 5.5 METER DC CORD .....	1
7	605834		NYLON CLAMP, 36" (NOT ILLUSTRATED) .....	2







THE USE OF NON U.L. PARTS WILL VOID ANY U.L. LISTING.

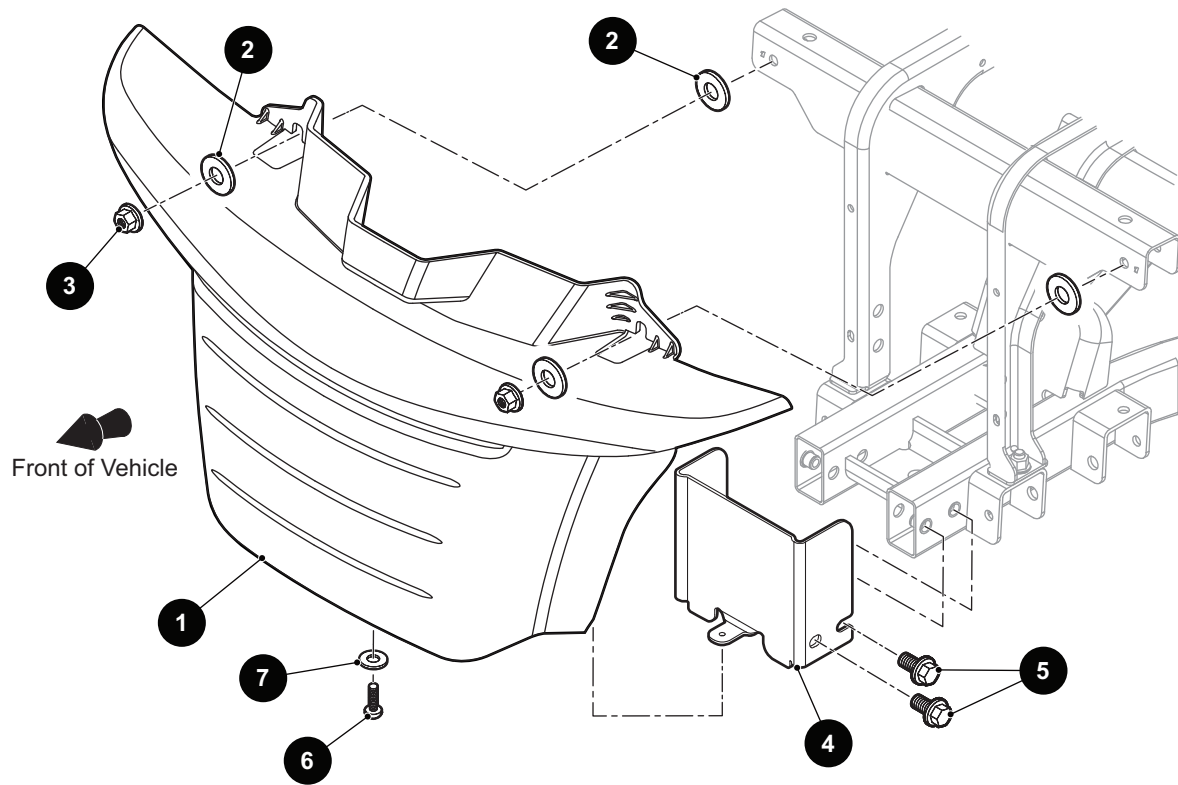
When ordering parts, please specify the model and serial number of the product.

\* Indicates a component that is not available as an individual part.

\*\*\* Indicates consult Customer Service Department for additional information.

ITEM	PART NO.	1 2 3 4 5	DESCRIPTION	QTY.
1	645759G01XX		COWL WITH LIGHTS (See COLOR CODES in HOW TO USE Section) .....	1
2	645759G00XX		COWL WITHOUT LIGHTS (See COLOR CODES in HOW TO USE Section)	1
3				
4	601634		FRONT SPLASH GUARD (FOR VEHICLES MANUFACTURED BEFORE JULY 21, 2019) .....	1
5	602387		INSTRUMENT PANEL (INCLUDES ITEM 6) .....	1
6	602184		SPRING CLIP .....	4
7	602388		ACCESS COVER ASSEMBLY (IP) (INCLUDES ITEM 8) .....	1
8	602100		U-CLIP .....	3
9				
10	649803		PAN HEAD TORX SCREW, M6 - 2.65 X 25MM LG .....	4
11	70200G01		TRUSS HEAD TORX BOLT, 3/8" - 16 X 3/4" LG .....	2
12	16816G2		RATCHET RIVET, .25" X .887" (FOR VEHICLES MANUFACTURED BEFORE JULY 21, 2019) .....	3
13	683595		FRONT COMPONENT MOUNT PLATE (FOR VEHICLES MANUFACTURED AFTER JULY 21, 2019) .....	1
14	16816G2		RATCHET RIVET, .25" X .887" (FOR VEHICLES MANUFACTURED AFTER JULY 21, 2019) .....	1
15	600242		INSTRUMENT PANEL TRIM (OPENING FOR KEY SWITCH ONLY) .....	1
16	608808		INSTRUMENT PANEL TRIM (OPENING FOR KEY SWITCH AND SOC) .....	1
17	608864		INSTRUMENT PANEL TRIM (OPENING FOR KEY SWITCH, SOC AND LIGHT SWITCH) .....	1
18	602572		PAN HEAD TAPTITE BOLT, M10 - 1.5 X 25MM LG .....	4
19	604066		FLAT WASHER, M10 .....	4
20	600241		BALL HOLDER INSERT (PASSENGER SIDE) .....	1
21	600243		BALL HOLDER INSERT (DRIVER SIDE) .....	1
22	606405		E-Z-GO NAME PLATE .....	1
23	608991		YELLOW REFLECTOR .....	1
24				
25				
26				
27	607131		GLOVE BOX (PASSENGER SIDE) .....	1
28	607533		GLOVE BOX (DRIVER SIDE) .....	1

# BODY





THE USE OF NON U.L. PARTS WILL VOID ANY U.L. LISTING.

When ordering parts, please specify the model and serial number of the product.

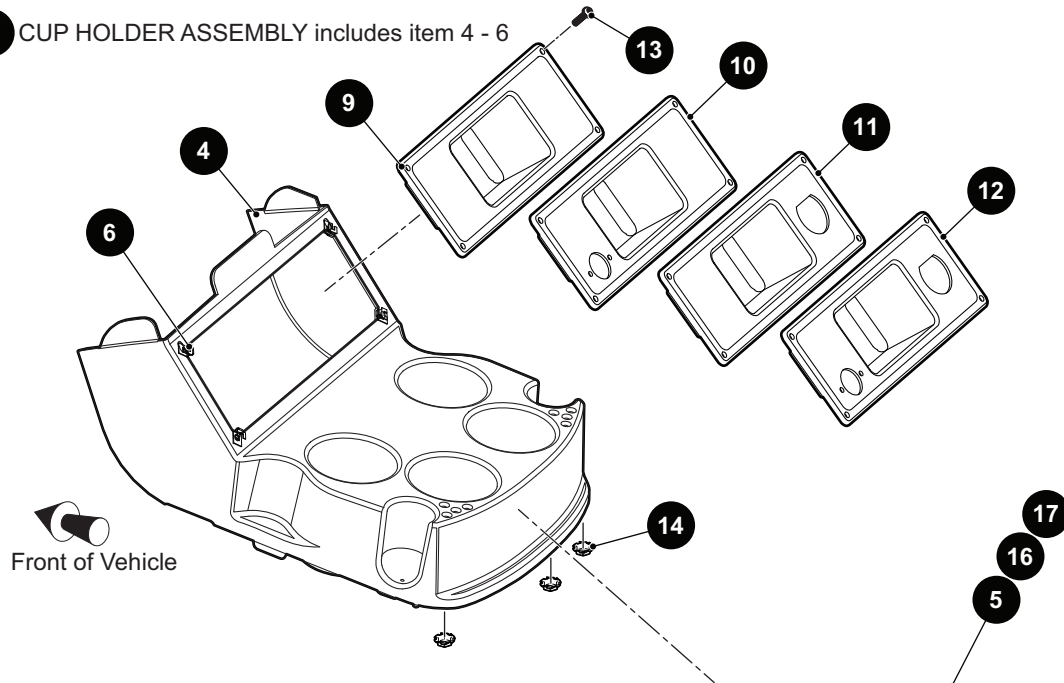
\* Indicates a component that is not available as an individual part.

\*\*\* Indicates consult Customer Service Department for additional information.

ITEM	PART NO.	1 2 3 4 5	DESCRIPTION	QTY.
1	656325		FRONT FASCIA .....	1
2	604066		FLAT WASHER, M10 .....	4
3	600525		LOCK NUT, M10 - 1.5 .....	2
4	641628		BUMPER ATTACHMENT BRACKET .....	1
5	603799		FLANGED HEX HEAD BOLT, M10 - 1.5 X 25MM LG.....	4
6	646348		THREAD FORMING SCREW, 1/4" - 20 X 1" LG .....	1
7	646345		FLAT WASHER, 1/4" .....	1

## FOR VEHICLES MANUFACTURED BEFORE JULY 21, 2019

**3** CUP HOLDER ASSEMBLY includes item 4 - 6

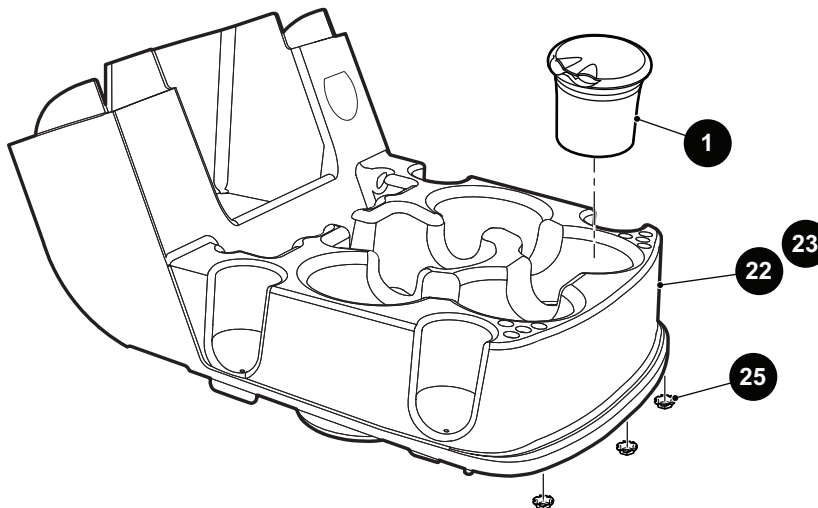


<b>WARNING</b>	
Failure to follow these instructions can result in <b>SERIOUS INJURY</b> or <b>DEATH</b>	
<b>Except where PERMITTED BY LAW:</b>	To be operated by persons with valid drivers license, in accordance with state requirements. Operate from Driver's side only.
<b>Reduce the RISK OF ACCIDENTS:</b>	For non-road use, and in designated areas only. Do not operate under the influence of drugs or alcohol.
<b>AVOID FALLS</b> from the vehicle:	All occupants must be fully seated, keep entire body inside vehicle and hold on while vehicle is in motion.
<b>STARTING</b> the vehicle:	Apply service brake, move direction selector to desired position and accelerate smoothly. On Gas Vehicle, direction selector is the F-N-R. On Electric vehicle, direction selector is the key switch.
<b>DO NOT OVERLOAD</b> this vehicle:	Maximum vehicle payload is 800 lbs. (363 kg) including a maximum of 2 persons, options, and accessories.
<b>Drive with CAUTION:</b>	Drive slowly straight up and down slopes and in turns. Use care in reverse, congested areas, and wet or loose terrain.
<b>STOPPING</b> the vehicle:	To stop, release accelerator pedal and apply service brake.
<b>PARKING</b> the vehicle:	Before leaving vehicle, turn key "OFF". On Gas vehicle, move the direction selector to "FORWARD" and engage park brake.

## FOR VEHICLES MANUFACTURED AFTER JULY 21, 2019

**20** CENTER CONSOLE, BASE ASSEMBLY includes item 22

**21** CENTER CONSOLE, USB ASSEMBLY includes item 23



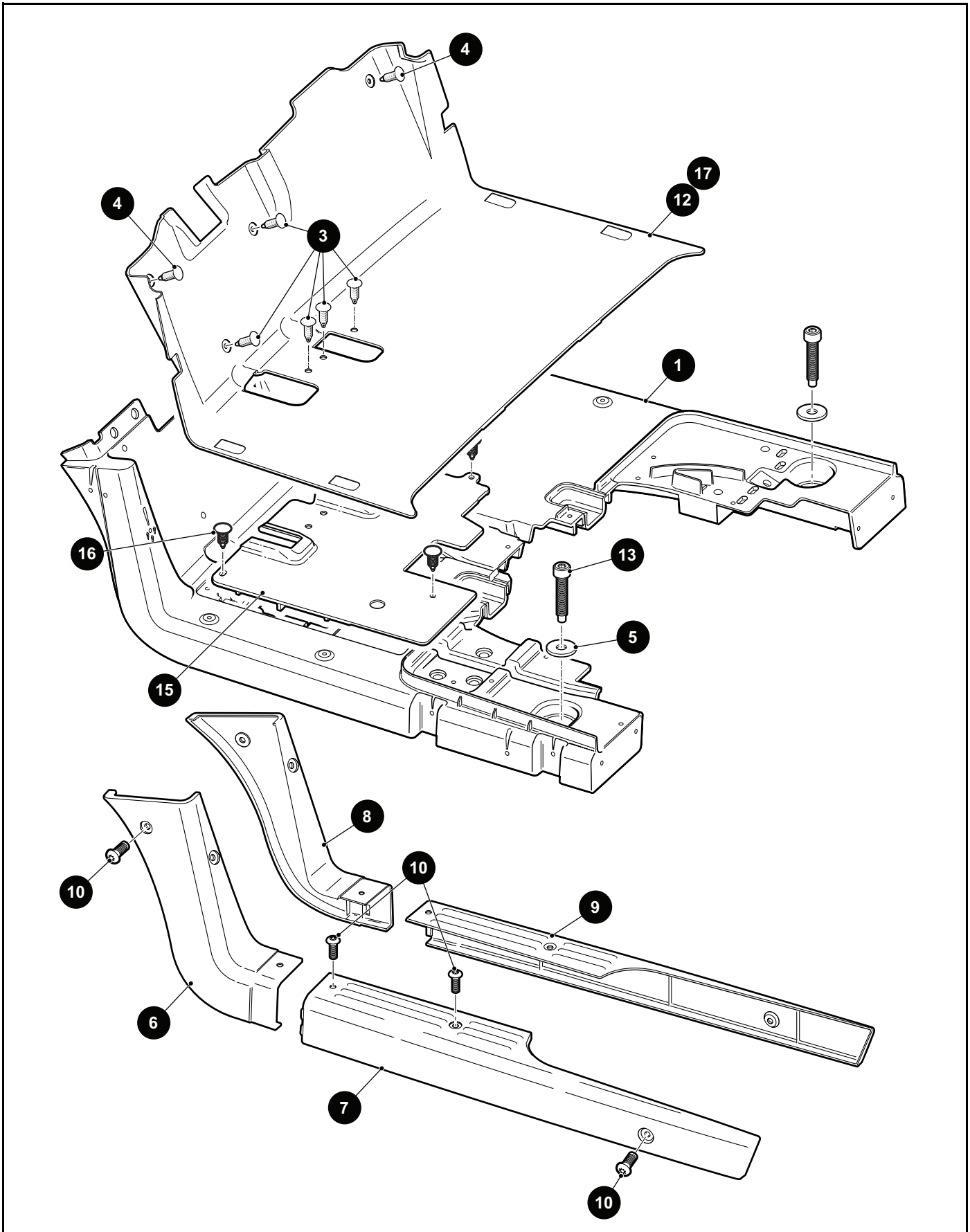
THE USE OF NON U.L. PARTS WILL VOID ANY U.L. LISTING.

When ordering parts, please specify the model and serial number of the product.

\* Indicates a component that is not available as an individual part.

\*\*\* Indicates consult Customer Service Department for additional information.

ITEM	PART NO.	1 2 3 4 5	DESCRIPTION	QTY.
1	603725		ASHTRAY .....	1
2			<b>ITEMS 3 - 17: FOR VEHICLES MANUFACTURED BEFORE JULY 21, 2019</b>	
3	644117		CUP HOLDER ASSEMBLY (INCLUDES ITEMS 4 - 6) .....	1
4	640706		CENTER CONSOLE .....	1
5	608522		WARNING LABEL .....	1
6	71364G02		J-TYPE SPEED NUT, #8 .....	4
7				
8				
9	638348G01		CENTER COMPARTMENT.....	1
10	638348G02		CENTER COMPARTMENT (OPENING FOR 12V).....	1
11	638348G03		CENTER COMPARTMENT (OPENING FOR USB).....	1
12	638348G04		CENTER COMPARTMENT (OPENING FOR 12V AND USB).....	1
13	608290		PAN HEAD PHILLIPS SCREW, #10 - 16 X 3/4" LG .....	4
14	71597G01		SELF THREADING NUT, .226" .....	3
15				
16	608528		WARNING LABEL (FREEDOM VEHICLES).....	1
17	612194		WARNING LABEL.....	1
18				
19			<b>ITEMS 20 - 25: FOR VEHICLES MANUFACTURED AFTER JULY 21, 2019</b>	
20	686696G01		CENTER CONSOLE, BASE ASSEMBLY (INCLUDES ITEM 22) .....	1
21	686696G02		CENTER CONSOLE, USB ASSEMBLY (INCLUDES ITEM 23) .....	1
22	694334G01		CENTER CONSOLE, BASE.....	1
23	694334G02		CENTER CONSOLE, USB.....	1
24				
25	71597G01		SELF THREADING NUT, .226" .....	3



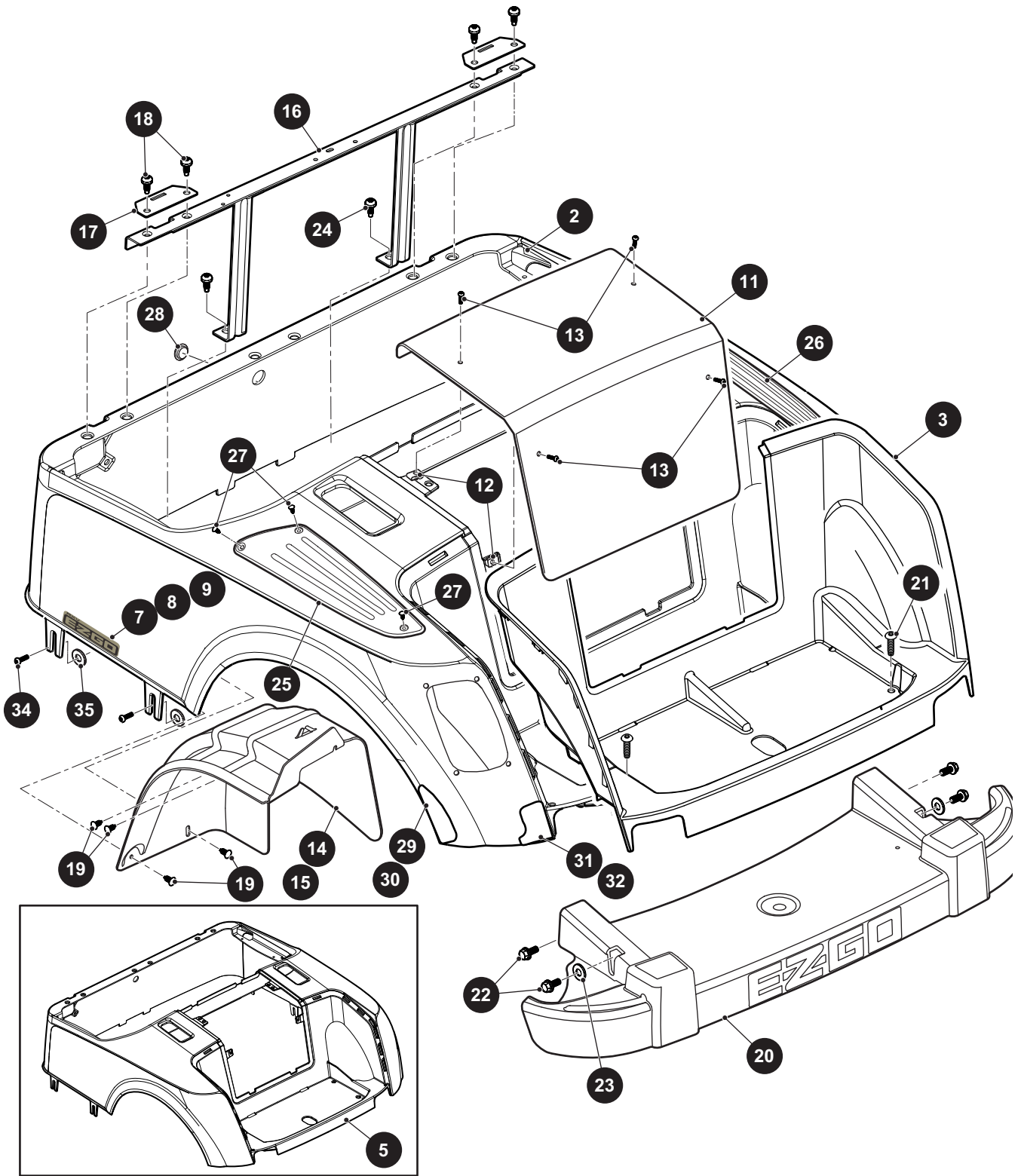
THE USE OF NON U.L. PARTS WILL VOID ANY U.L. LISTING.

When ordering parts, please specify the model and serial number of the product.

\* Indicates a component that is not available as an individual part.

\*\*\* Indicates consult Customer Service Department for additional information.

ITEM	PART NO.	1 2 3 4 5	DESCRIPTION	QTY.
1	600225		FLOORBOARD .....	1
2				
3	16816G2		RATCHET RIVET, .25" X .887" .....	5
4	16816G1		RATCHET RIVET, .25" X .680" .....	2
5	604066		FLAT WASHER, M10 .....	2
6	601257		UPPER ROCKER PANEL (DRIVER SIDE).....	1
7	600253		LOWER ROCKER PANEL (DRIVER SIDE).....	1
8	601258		UPPER ROCKER PANEL (PASSENGER SIDE) .....	1
9	600257		LOWER ROCKER PANEL (PASSENGER SIDE) .....	1
10	649804		BUTTON HEAD TORX SCREW, M8 - 3.5 X 30MM LG .....	5
11				
12	603707		FLOORMAT (HORN ATTACHMENT).....	1
13	602020		SOCKET HEAD TORX BOLT, M10 - 1.5 X 50MM LG .....	2
14				
15	605277		PEDAL COVER PLATE.....	1
16	16816G2		RATCHET RIVET, .25" X .887" .....	4
17	601118		FLOORMAT .....	1



**1** REAR BODY ASSEMBLY WITH LIGHTS includes items 2, 3

**4** REAR BODY ASSEMBLY WITHOUT LIGHTS includes items 3, 5

THE USE OF NON U.L. PARTS WILL VOID ANY U.L. LISTING.

When ordering parts, please specify the model and serial number of the product.

\* Indicates a component that is not available as an individual part.

\*\*\* Indicates consult Customer Service Department for additional information.

ITEM	PART NO.	1 2 3 4 5	DESCRIPTION	QTY.
1	650353G01XX		REAR BODY ASSEMBLY WITH LIGHTS (See COLOR CODES in HOW TO USE Section) (INCLUDES ITEMS 2, 3) ...	1
2	650311G01XX		BODY .....	1
3	650254		BAGWELL LINER.....	1
4	650353G00XX		REAR BODY ASSEMBLY WITHOUT LIGHTS (See COLOR CODES in HOW TO USE Section) (INCLUDES ITEMS 3, 5) ...	1
5	650311G00XX		BODY .....	1
6				
7	607859		RXV DECAL.....	1
8	610521		E-Z-GO FREEDOM DECAL.....	1
9	607863		E-Z-GO SHUTTLE 2+2 DECAL.....	1
10				
11	650443		ACCESS COVER.....	1
12	602409		BARREL CLIP, M6 - 1 .....	4
13	601326		BUTTON HEAD TORX BOLT, M6 - 1 X 20MM LG .....	4
14	601621		REAR SPLASH GUARD (DRIVER SIDE).....	1
15	601622		REAR SPLASH GUARD (PASSENGER SIDE).....	1
16	601921		FRONT SEAT SUPPORT ASSEMBLY.....	1
17	602558		SEAT HINGE PLATE.....	1
18	602572		PAN HEAD TAPTITE BOLT, M10 - 1.5 X 25MM LG .....	2
19	16816G2		RATCHET RIVET, .25" X .887" .....	4
20	610855		REAR BUMPER.....	1
21	649804		BUTTON HEAD TORX SCREW, M8 - 3.50 X 30MM LG .....	2
22	603799		FLANGED HEX HEAD BOLT, M10 - 1.5 X 25MM LG.....	4
23	604066		FLAT WASHER, M10 .....	2
24	602572		PAN HEAD TAPTITE BOLT, M10 - 1.5 X 25MM LG .....	1
25	639807G01		SCUFF GUARD (DRIVER SIDE).....	1
26	639807G02		SCUFF GUARD (PASSENGER SIDE) .....	1
27	16816G5		RATCHET RIVET, .187" X .550" .....	3
28	71316G01		HOLE PLUG.....	1
29	608993		SIDE REFLECTOR (RED) (DRIVER SIDE).....	1
30	608996		SIDE REFLECTOR (RED) (PASSENGER SIDE).....	1

# BODY

THE USE OF NON U.L. PARTS WILL VOID ANY U.L. LISTING.

When ordering parts, please specify the model and serial number of the product.

\* Indicates a component that is not available as an individual part.

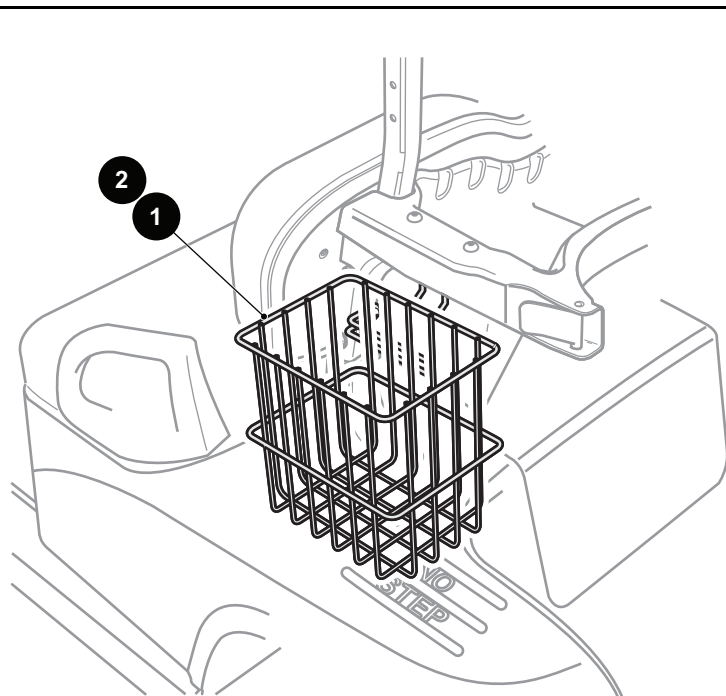
\*\*\* Indicates consult Customer Service Department for additional information.

ITEM	PART NO.	1 2 3 4 5	DESCRIPTION	QTY.
31	625246		REAR REFLEX REFLECTOR (RED) (DRIVER SIDE) .....	1
32	625244		REAR REFLEX REFLECTOR (RED) (PASSENGER SIDE) .....	1
33				
34	649804		BUTTON HEAD TORX SCREW, M8 - 3.5 X 30MM LG .....	4
35	604066		FLAT WASHER, M10 .....	4



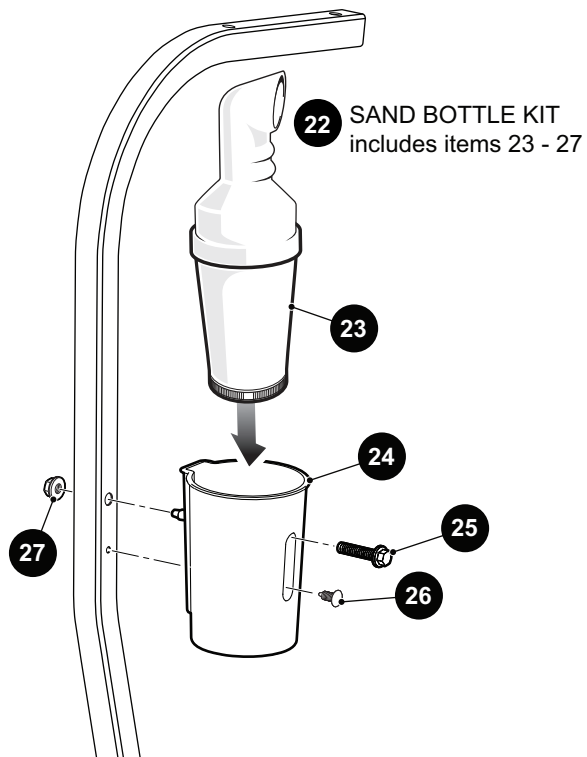
**Notes:**

The page contains a large grid of graph paper, consisting of 20 columns and 30 rows of small squares. This grid is intended for taking notes or drawing diagrams.



**3** BEVERAGE COOLER KIT (DRIVER SIDE)  
includes items 5 - 11

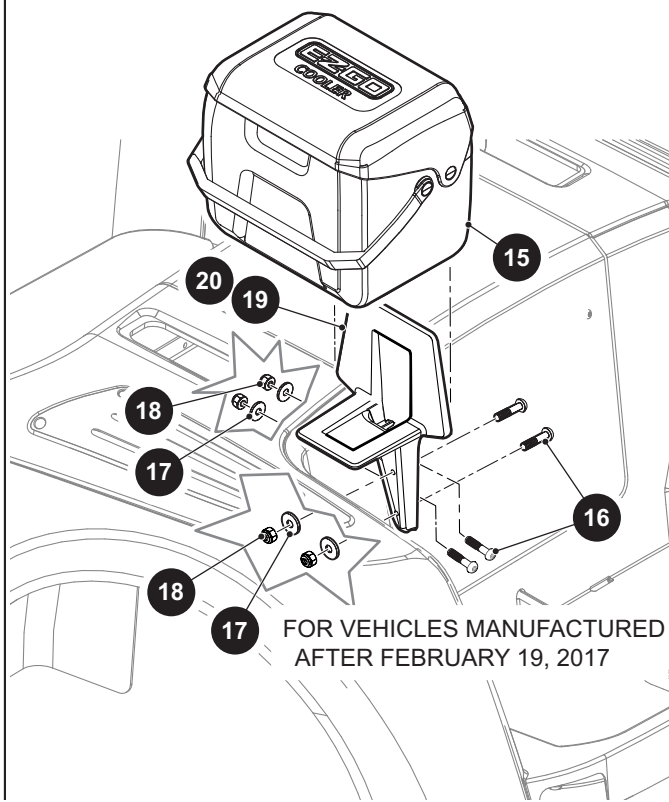
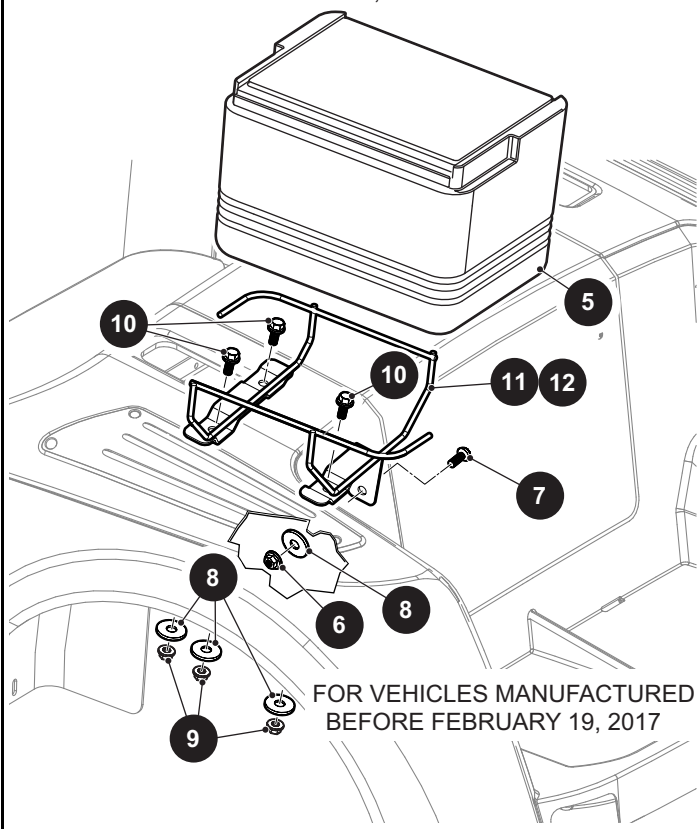
**4** BEVERAGE COOLER KIT (PASSENGER SIDE)  
includes items 5 - 10, 12



**22** SAND BOTTLE KIT  
includes items 23 - 27

**13** BEVERAGE COOLER KIT (DRIVER SIDE)  
includes items 15 - 19

**14** BEVERAGE COOLER KIT (PASSENGER SIDE)  
includes items 15 - 18, 20



THE USE OF NON U.L. PARTS WILL VOID ANY U.L. LISTING.

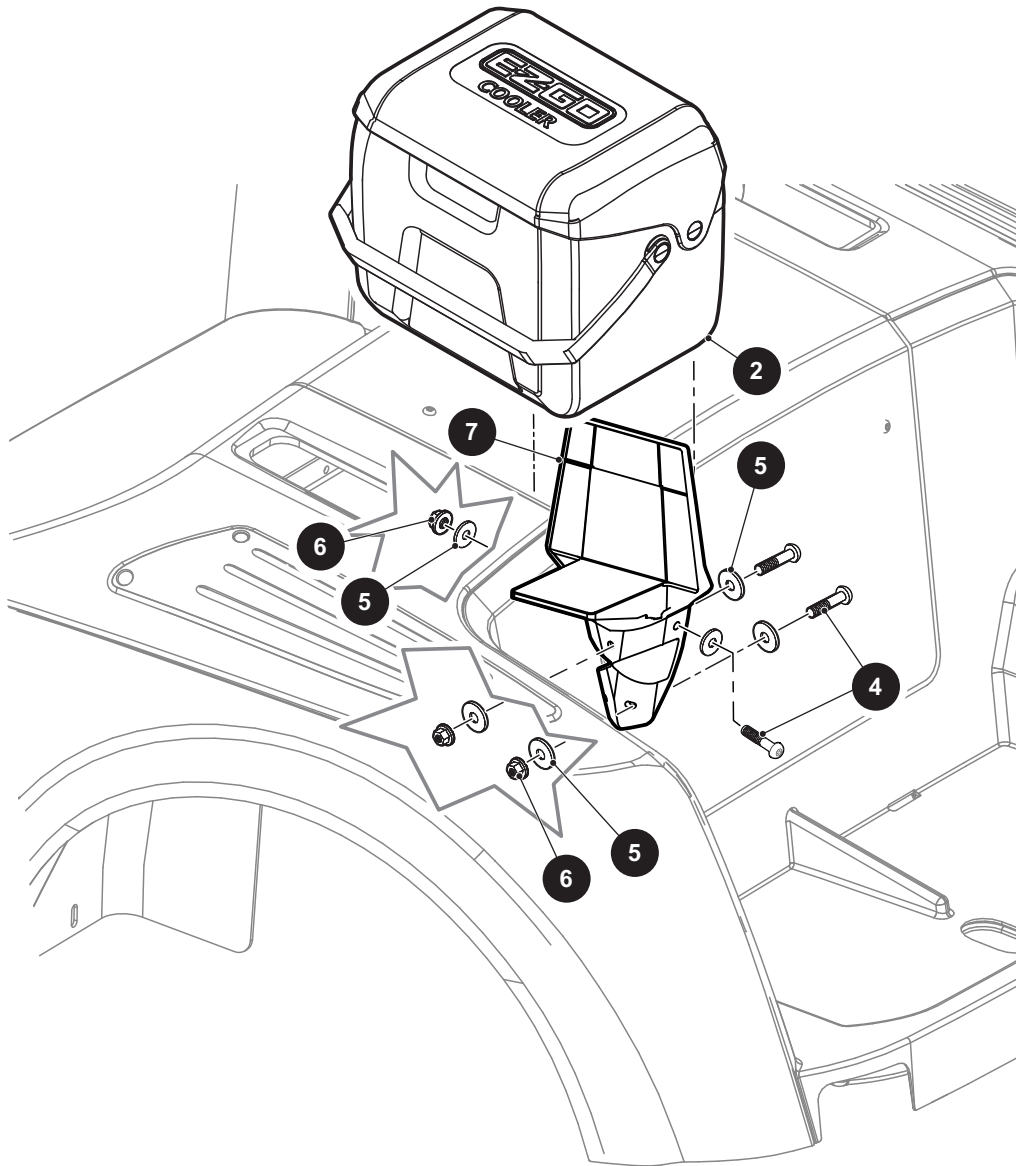
When ordering parts, please specify the model and serial number of the product.

\* Indicates a component that is not available as an individual part.

\*\*\* Indicates consult Customer Service Department for additional information.

ITEM	PART NO.	1 2 3 4 5	DESCRIPTION	QTY.
1	603846		SIDE BASKET (DRIVER SIDE) .....	1
2	603702		SIDE BASKET (PASSENGER SIDE).....	1
3	643098		BEVERAGE COOLER KIT (DRIVER SIDE) (INCLUDES ITEMS 5 - 11) (FOR VEHICLES MANUFACTURED BEFORE FEBRUARY 19, 2017) .....	1
4	643096		BEVERAGE COOLER KIT (PASSENGER SIDE) (INCLUDES ITEMS 5 - 10, 12) (FOR VEHICLES MANUFACTURED BEFORE FEBRUARY 19, 2017) .....	1
5	601366		BEVERAGE COOLER.....	1
6	614974		TORQUE NUT, M10 - 1.5 .....	1
7	600530		BUTTON HEAD TORX BOLT, M10 - 1.5 X 25MM LG .....	1
8	608520		FLAT WASHER, M10.....	4
9	606274		FLANGED HEX NUT, M10 - 1.25 .....	3
10	606256		FLANGED HEX HEAD BOLT, M10 - 1.25 X 25MM LG .....	3
11	643097		MOUNTING BRACKET (DRIVER SIDE).....	1
12	643095		MOUNTING BRACKET (PASSENGER SIDE) .....	1
13	659159		BEVERAGE COOLER KIT (DRIVER SIDE) (INCLUDES ITEMS 15 - 19) (FOR VEHICLES MANUFACTURED AFTER FEBRUARY 19, 2017) .....	1
14	659157		BEVERAGE COOLER KIT (PASSENGER SIDE) (INCLUDES ITEMS 15 - 18, 20) (FOR VEHICLES MANUFACTURED AFTER FEBRUARY 19, 2017) .....	1
15	658503		BEVERAGE COOLER.....	1
16	*		TRUSS HEAD PHILLIPS SCREW, 1/4" - 20 X 1.25" LG .....	4
17	*		FLAT WASHER, 1/4" .....	4
18	*		LOCK NUT, 1/4" - 20 .....	4
19	658504		MOUNTING BRACKET (DRIVER SIDE).....	1
20	658505		MOUNTING BRACKET (PASSENGER SIDE) .....	1
21				
22	614179		SAND BOTTLE KIT (INCLUDES ITEMS 23 - 27).....	1
23	600612		SAND BOTTLE.....	1
24	28660G01		SAND BOTTLE HOLDER.....	1
25	603800		FLANGED HEX HEAD BOLT, M10 - 1.5 X 50MM LG .....	1
26	16816G2		RATCHET RIVET, .25" X .887" .....	1
27	600525		LOCK NUT, M10 - 1.5.....	1

- 1 BEVERAGE COOLER KIT includes items 2 - 7
- 3 HARDWARE KIT includes items 4 - 6



FOR VEHICLES MANUFACTURED FROM OCTOBER 22, 2018

THE USE OF NON U.L. PARTS WILL VOID ANY U.L. LISTING.

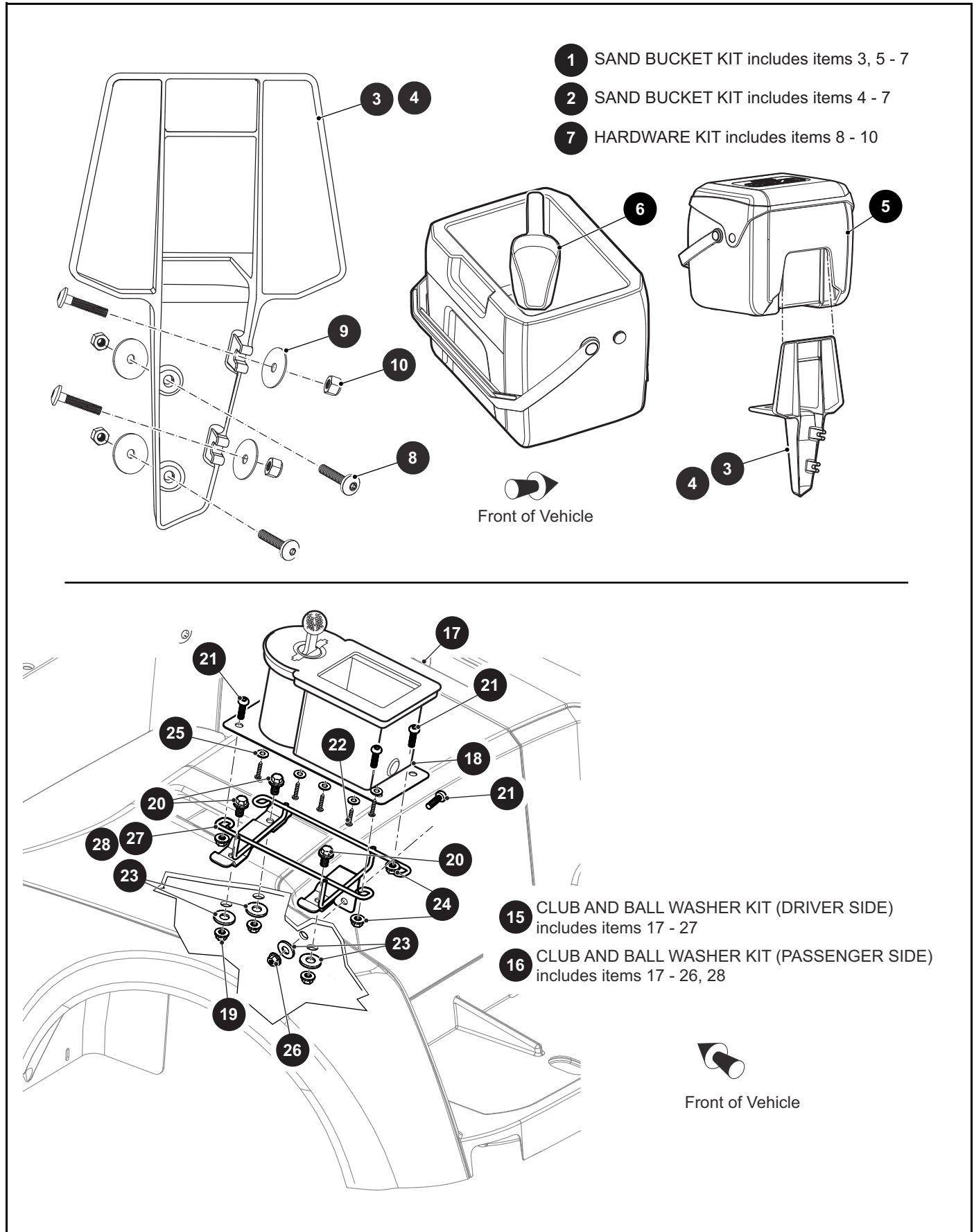
When ordering parts, please specify the model and serial number of the product.

\* Indicates a component that is not available as an individual part.

\*\*\* Indicates consult Customer Service Department for additional information.

ITEM	PART NO.	1 2 3 4 5	DESCRIPTION	QTY.
1	689255		BEVERAGE COOLER KIT (INCLUDES ITEMS 2 - 7)..... (FOR VEHICLES MANUFACTURED FROM OCTOBER 22, 2018).....	1
2	658503		BEVERAGE COOLER.....	1
3	689269		HARDWARE KIT (INCLUDES ITEMS 4 - 6) .....	
4	*		TRUSS HEAD BOLT, M6 x 1 .....	3
5	*		FLAT WASHER, M6 x 18 .....	6
6	*		LOCK NUT, M6 x 1.....	3
7	689244		BRACKET .....	1

# BODY



THE USE OF NON U.L. PARTS WILL VOID ANY U.L. LISTING.

When ordering parts, please specify the model and serial number of the product.

\* Indicates a component that is not available as an individual part.

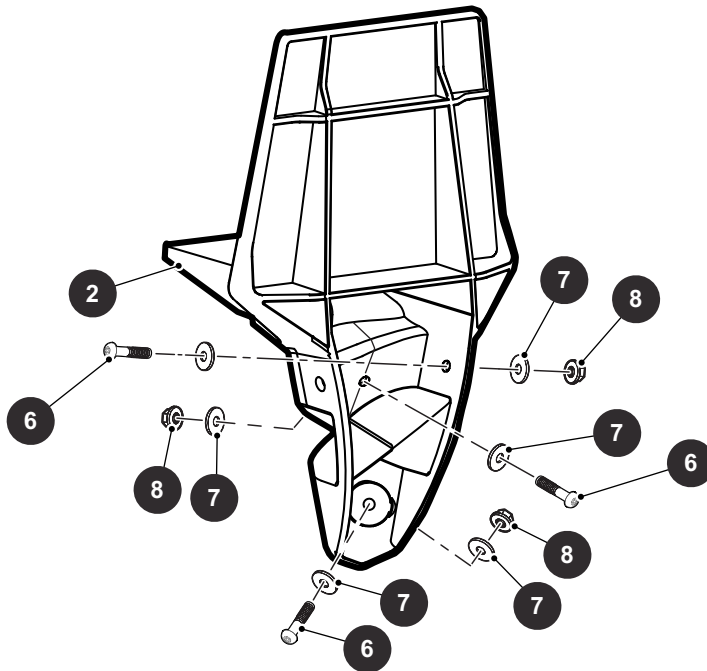
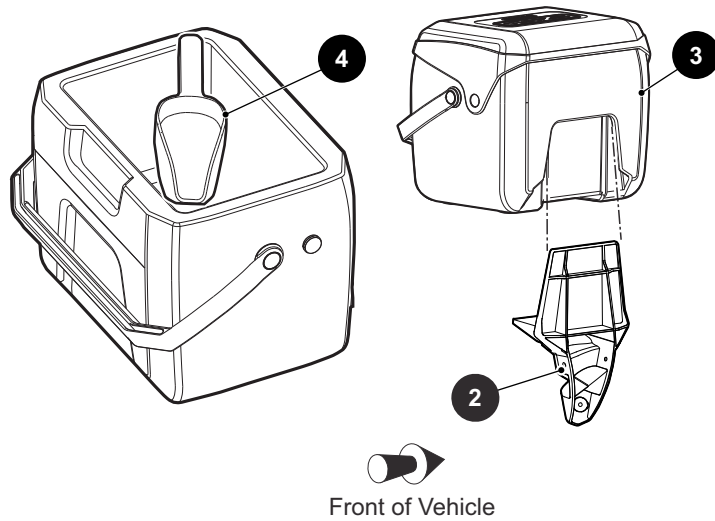
\*\*\* Indicates consult Customer Service Department for additional information.

ITEM	PART NO.	1 2 3 4 5	DESCRIPTION	QTY.
1	664388		SAND BUCKET KIT (DRIVER SIDE) (INCLUDES ITEMS 3, 5 - 7) (FLEET AND FREEDOM) (FOR VEHICLES MANUFACTURED BEFORE OCTOBER 22, 2018).....	1
2	664400		SAND BUCKET KIT (PASSENGER SIDE) (INCLUDES ITEMS 4 - 7) (FLEET AND FREEDOM) (FOR VEHICLES MANUFACTURED BEFORE OCTOBER 22, 2018).....	1
3	658504		BRACKET .....	1
4	658505		BRACKET .....	1
5	662248		SAND BUCKET .....	1
6	74848G01		SCOOP.....	1
7	659156		HARDWARE KIT (INCLUDES ITEMS 8 - 10) .....	1
8	*		TRUSS HEAD TORX BOLTS, M6 - 1 X 30MM LG .....	4
9	*		FLAT WASHERS, M6 - 30 .....	4
10	*		HEX LOCK NUTS, M6 - 1 .....	4
11				
12				
13				
14				
15	643092		CLUB AND BALL WASHER KIT (DRIVER SIDE) (INCLUDES ITEMS 17 - 27)	1
16	643094		CLUB AND BALL WASHER KIT (PASSENGER SIDE) (INCLUDES ITEMS 17 - 26, 28) .....	1
17	603836		CLUB AND BALL WASHER .....	1
18	604384		CLUB AND BALL WASHER PLATE .....	1
19	606274		FLANGED HEX NUT, M10 - 1.25 .....	3
20	606256		FLANGED HEX HEAD BOLT, M10 - 1.25 X 25MM LG .....	3
21	600530		BUTTON HEAD TORX BOLT, M10 - 1.5 X 25MM LG .....	5
22	608732		PAN HEAD PHILLIPS SCREW, M8.....	5
23	608520		FLAT WASHER, M10.....	4
24	600525		LOCK NUT, M10 - 1.5.....	4
25	608747		FLAT WASHER, M6 X 1.5 .....	5
26	614974		TORQUE NUT, M10 - 1.5 .....	1
27	643091		MOUNTING BRACKET (DRIVER SIDE).....	1
28	643093		MOUNTING BRACKET (PASSENGER SIDE) .....	1

# BODY

1 SAND BUCKET KIT includes items 2 - 5

5 HARDWARE KIT includes items 6 - 8





THE USE OF NON U.L. PARTS WILL VOID ANY U.L. LISTING.

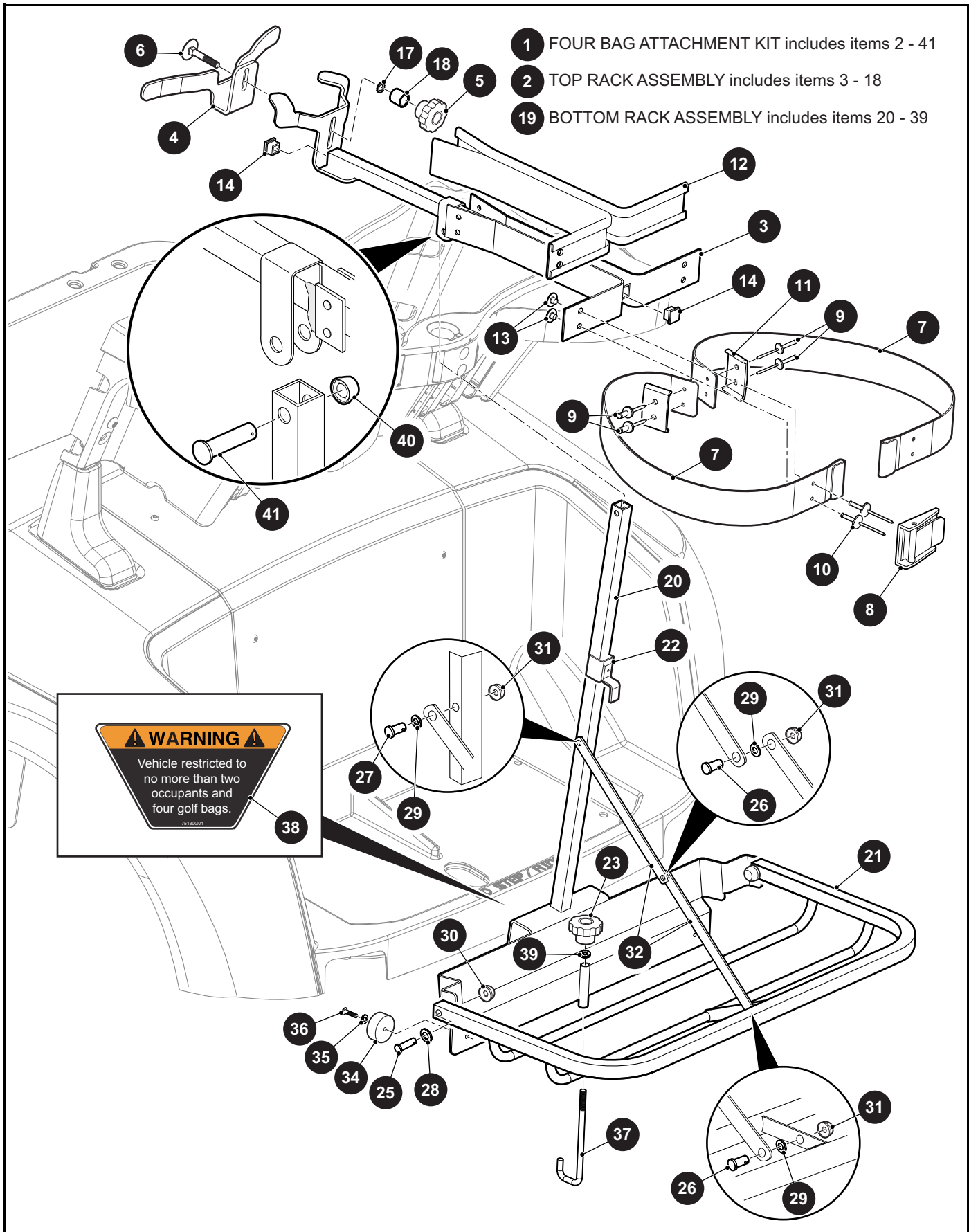
When ordering parts, please specify the model and serial number of the product.

\* Indicates a component that is not available as an individual part.

\*\*\* Indicates consult Customer Service Department for additional information.

ITEM	PART NO.	1 2 3 4 5	DESCRIPTION	QTY.
1	689254		SAND BUCKET KIT(INCLUDES ITEMS 2 - 5) (FOR VEHICLES MANUFACTURED AFTER OCTOBER 22, 2018).....	1
2	689244		BRACKET.....	1
3	662248		SAND BUCKET .....	1
4	74848G01		SCOOP.....	1
5	689269		HARDWARE KIT (INCLUDES ITEMS 6 - 8) .....	
6	*		TRUSS HEAD BOLT, M6 x 1 .....	3
7	*		FLAT WASHER, M6 x 18 .....	6
8	*		LOCK NUT, M6 x 1.....	3

# BODY



THE USE OF NON U.L. PARTS WILL VOID ANY U.L. LISTING.

When ordering parts, please specify the model and serial number of the product.

\* Indicates a component that is not available as an individual part.

\*\*\* Indicates consult Customer Service Department for additional information.

ITEM	PART NO.	1 2 3 4 5	DESCRIPTION	QTY.
1	646547		FOUR BAG ATTACHMENT KIT (INCLUDES ITEMS 2 - 41) .....	1
2	646557		TOP RACK ASSEMBLY (INCLUDES ITEMS 3 - 18).....	1
3	646556		TOP MOUNT RACK.....	1
4	608939		UNDER MOUNT BRACKET .....	1
5	75337G01		KNOB, 5/16" - 18 .....	1
6	00724G5		ELEVATOR BOLT, 5/16" - 18 X 2" LG .....	1
7	17641G1		STRAP (FOUR BAG RACK) .....	2
8	16920G1		STRAP RETAINER ASSEMBLY .....	2
9	17226G1		RIVET, .255" X .246" .....	4
10	15058G1		RIVET (ALUMINUM), .191"X .183" .....	4
11	16610G1		ANCHOR PLATE .....	2
12	14643G3		VINYL EXTRUSION .....	2
13	16935G1		TEE NUT .....	4
14	19859G1		TUBE CAP, 3/4" SQ .....	2
15	17618G1		NYLON CLAMP, 8" LG (NOT ILLUSTRATED).....	2
16	14382G7		STRIP (NOISE SUPPRESSOR) (NOT ILLUSTRATED) .....	2
17	00567G8		LOCK WASHER (EXTERNAL TOOTH TYPE), 5/16" .....	1
18	14134G2		SPACER, .80" X .76 O.D. ....	1
19	647152		BOTTOM RACK ASSEMBLY (INCLUDES ITEMS 20 - 39).....	1
20	*		LOWER MOUNT .....	1
21	*		FOUR BAG BOTTOM ASSEMBLY .....	1
22	*		LATCH ASSEMBLY .....	1
23	*		KNOB, 5/16" - 18 .....	1
24	*		VINYL SHRINK TUBING (NOT ILLUSTRATED).....	1
25	*		CLEVIS PIN, 3/8" X 1.25" .....	2
26	*		CLEVIS PIN, 5/16" X .625" .....	2
27	*		CLEVIS PIN, 5/16" X 1.25" .....	1
28	*		FLAT WASHER, 3/8" .....	2
29	*		FLAT WASHER, 5/16" .....	3
30	*		CAP NUT (BLACK), 3/8" .....	2
31	*		CAP NUT (PLASTIC), 5/16" .....	3

# BODY

THE USE OF NON U.L. PARTS WILL VOID ANY U.L. LISTING.

When ordering parts, please specify the model and serial number of the product.

\* Indicates a component that is not available as an individual part.

\*\*\* Indicates consult Customer Service Department for additional information.

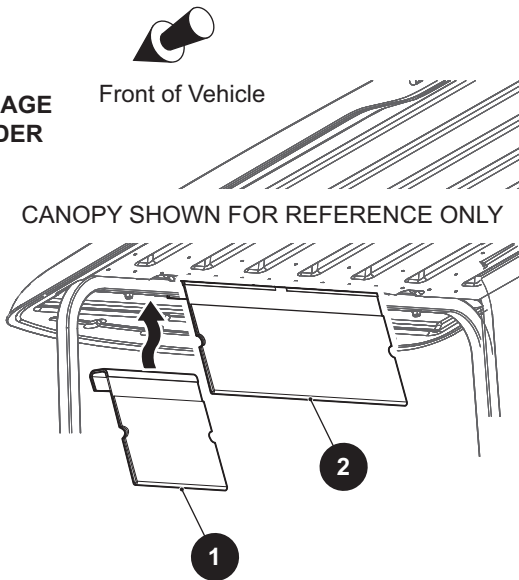
ITEM	PART NO.	1	2	3	4	5	DESCRIPTION	QTY.
32	*						BRACE .....	2
33	*						NYLON CLAMP, 8" LG (NOT ILLUSTRATED) .....	1
34	*						RUBBER BUMPER .....	2
35	*						FLAT WASHER, #10 .....	2
36	*						RIVET, 3/16 X 13/16" .....	2
37	*						RETAINER ROD .....	1
38	*						WARNING LABEL .....	1
39	*						LOCK WASHER, 5/16" .....	1
40	28129G01						CAP NUT (PLASTIC), 5/16" .....	1
41	17651G2						CLEVIS PIN, 5/16" X 1.25" .....	1



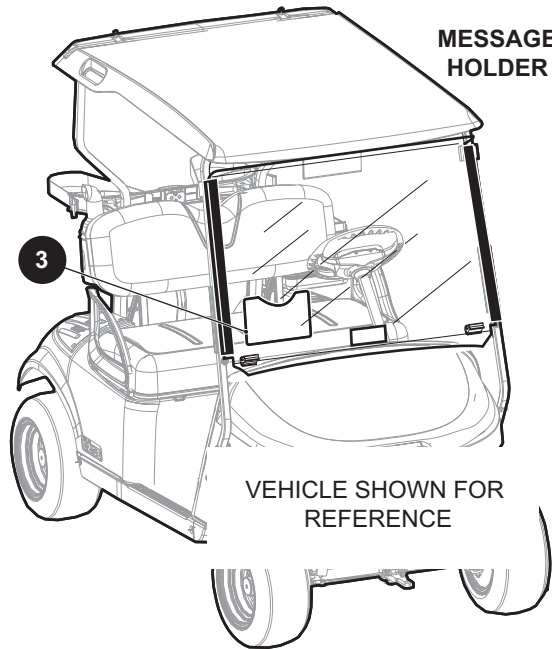
**MESSAGE  
HOLDER**

Front of Vehicle

CANOPY SHOWN FOR REFERENCE ONLY



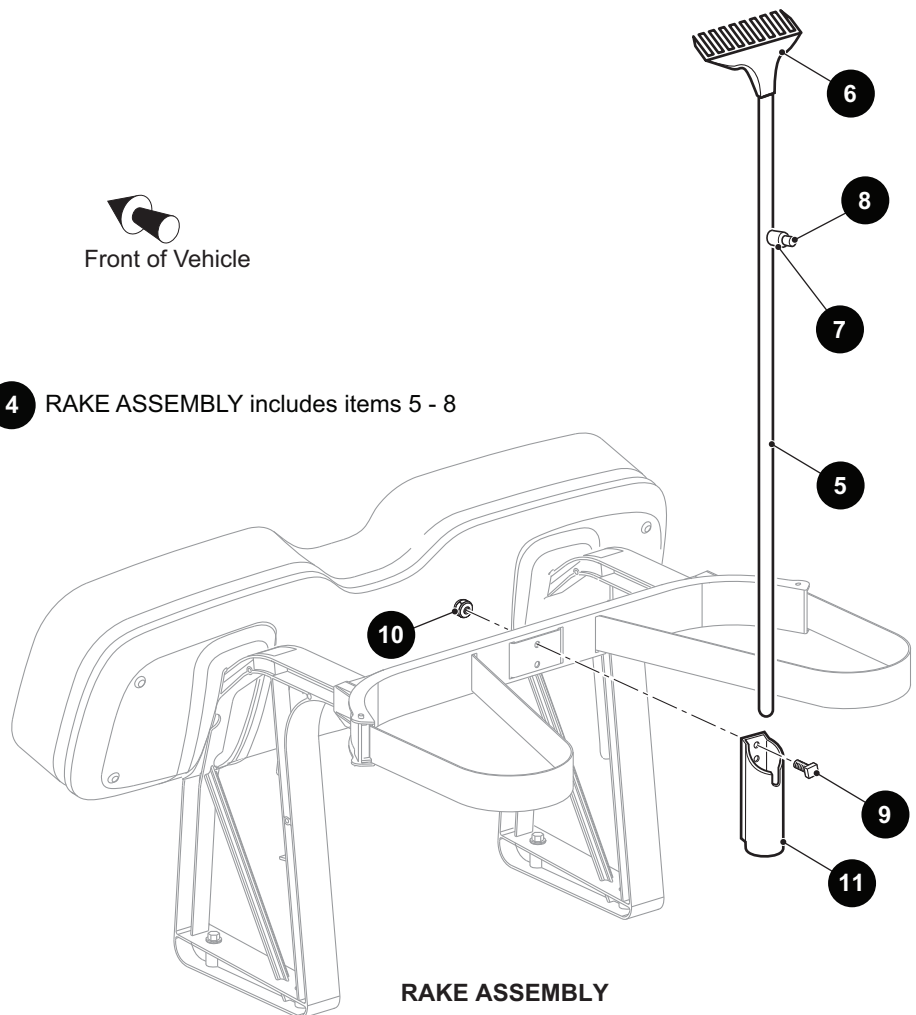
**MESSAGE  
HOLDER**



VEHICLE SHOWN FOR  
REFERENCE

Front of Vehicle

**4** RAKE ASSEMBLY includes items 5 - 8



**RAKE ASSEMBLY**

THE USE OF NON U.L. PARTS WILL VOID ANY U.L. LISTING.

When ordering parts, please specify the model and serial number of the product.

\* Indicates a component that is not available as an individual part.

\*\*\* Indicates consult Customer Service Department for additional information.

ITEM	PART NO.	1 2 3 4 5	DESCRIPTION	QTY.
1	609308		MESSAGE HOLDER (SINGLE).....	1
2	609092		MESSAGE HOLDER (DOUBLE).....	1
3	695349		MESSAGE HOLDER (MOUNTED ON WINDSHIELD).....	1
4	14735G1		RAKE ASSEMBLY (INCLUDES ITEMS 5 - 8).....	1
5	14736G2		RAKE HANDLE .....	1
6	14737G1		RAKE.....	1
7	14934G1		SPACER .....	1
8	00130G8		ROUND HEAD PHILLIPS WOOD SCREW, #10 - 13 X 1" LG .....	1
9	00989G06		SQUARE HEAD BOLT, 1/4" - 20 X 3/4" LG.....	2
10	11027G2		LOCK NUT, 1/4" - 20.....	2
11	25885G01		RAKE HOLDER .....	1



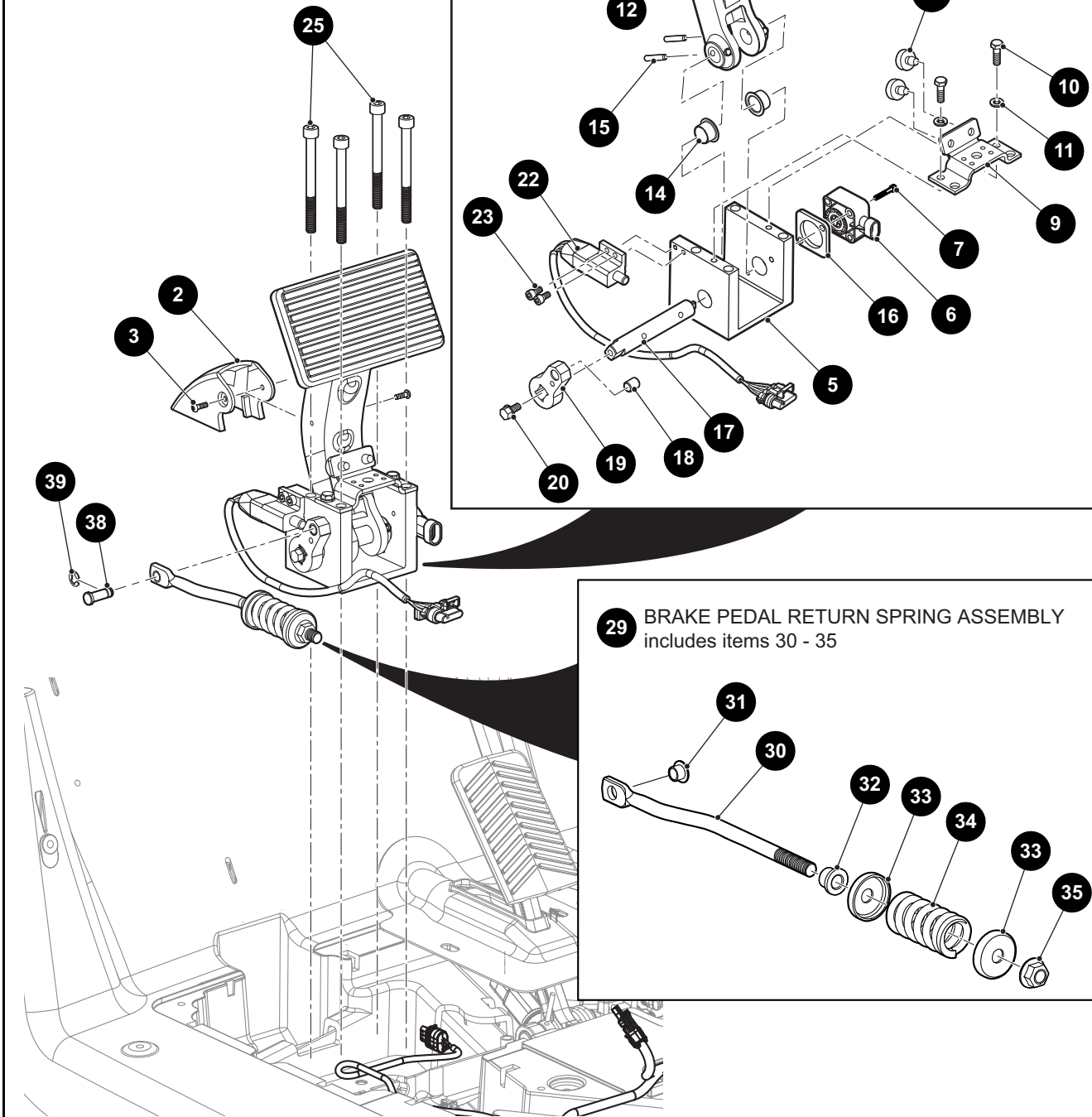




**1** BRAKE PEDAL AND COVER ASSEMBLY includes items 2 - 4

**4** BRAKE PEDAL ASSEMBLY includes items 5 - 23

**29** BRAKE PEDAL RETURN SPRING ASSEMBLY includes items 30 - 35



THE USE OF NON U.L. PARTS WILL VOID ANY U.L. LISTING.

When ordering parts, please specify the model and serial number of the product.

\* Indicates a component that is not available as an individual part.

\*\*\* Indicates consult Customer Service Department for additional information.

ITEM	PART NO.	1 2 3 4 5	DESCRIPTION	QTY.
1	676006		BRAKE PEDAL AND COVER ASSEMBLY (INCLUDES ITEMS 2 - 4) .....	1
2	605688		BRAKE PEDAL COVER .....	1
3	600543		BUTTON HEAD TORX BOLT, M4 - .75 X 12MM LG .....	2
4	671888		BRAKE PEDAL ASSEMBLY (INCLUDES ITEMS 5 - 23) .....	1
5	*		BRAKE ARM MOUNT .....	1
6	671848		ROTARY POSITION SENSOR .....	1
7	686390		SOCKET HEAD BOLT, M5 - .8 X 35MM LG .....	2
8	604097		REBOUND BUMPER.....	2
9	609226		SWITCH BUTTON BRACKET .....	1
10	613231		HEX HEAD BOLT, M6 - 1 X 20MM LG .....	2
11	601327		LOCK WASHER (SS), M6 .....	2
12	*		BRAKE PEDAL .....	1
13	610471		PEDAL COVER.....	1
14	*		FLANGED BUSHING, 16MM O.D. X 12MM I.D. ....	2
15	*		SPIROL PIN, 5MM X 30 MM.....	2
16	672457		SENSOR SPACER .....	1
17	*		PIVOT SHAFT.....	1
18	*		SPLIT SLEEVE, 10MM O.D. X 8MM I.D X 12MM LG.....	1
19	626146		BRAKE CABLE ARM (PULL).....	1
20	606265		FLANGED HEX HEAD BOLT, M6 - 1 X 12MM LG.....	1
21				
22	607605		BRAKE PEDAL SWITCH .....	1
23	620030		SOCKET HEAD BOLT, M5 - .8 X 15MM LG .....	2
24				
25	605254		SOCKET HEAD BOLT, M8 - 1.25 X 90MM LG .....	4
26				
27				
28				
29	605266		BRAKE PEDAL RETURN SPRING ASSEMBLY (INCLUDES ITEMS 30 - 35)	1
30	*		BRAKE ROD .....	1
31	*		FLANGED BUSHING, 8MM DIA .....	1

# BRAKES

THE USE OF NON U.L. PARTS WILL VOID ANY U.L. LISTING.

When ordering parts, please specify the model and serial number of the product.

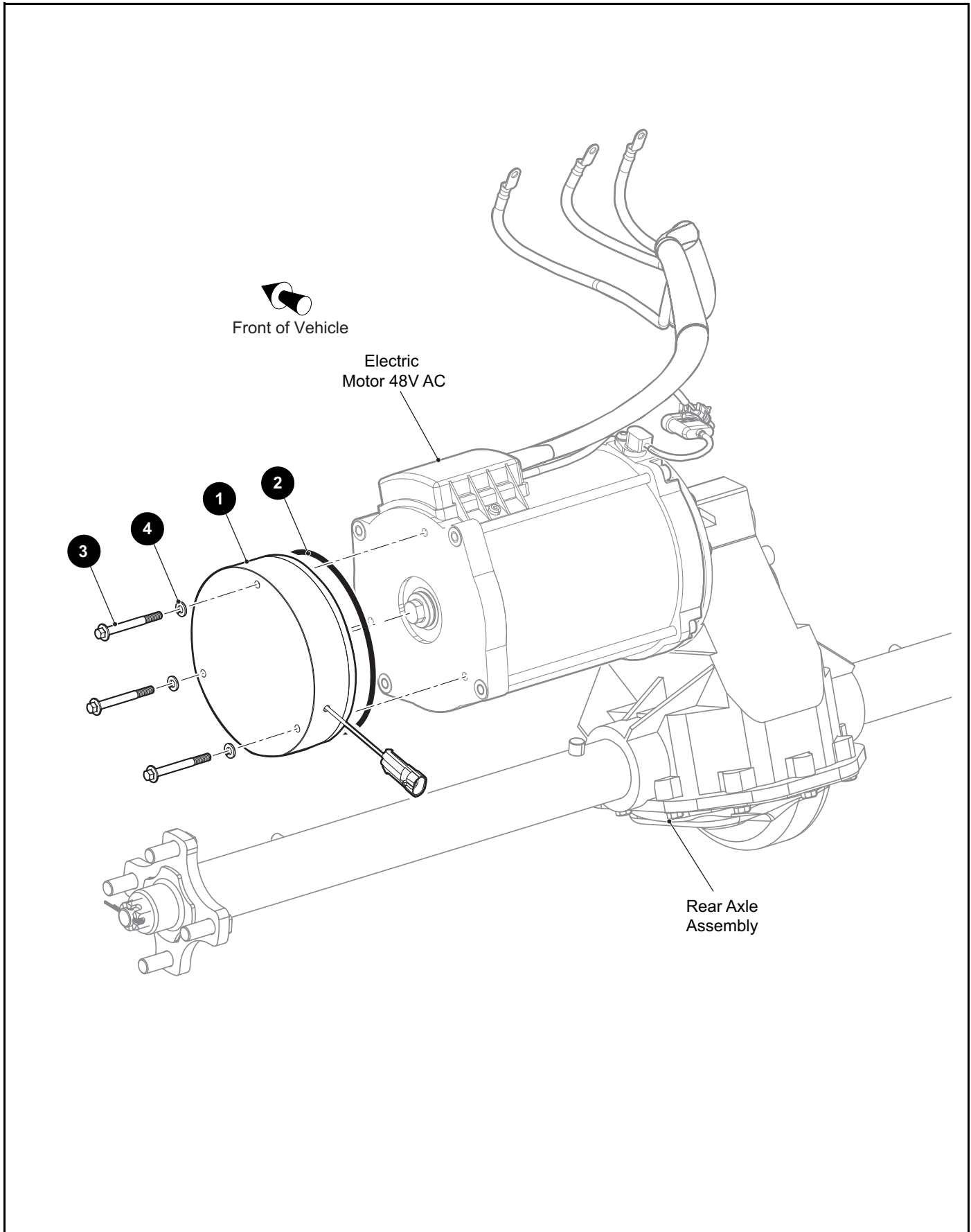
\* Indicates a component that is not available as an individual part.

\*\*\* Indicates consult Customer Service Department for additional information.

ITEM	PART NO.	1	2	3	4	5	DESCRIPTION	QTY.
32	*						BUSHING, 10.2MM DIA.....	1
33	*						SHOCK ABSORBER WASHER, 31MM O.D. X 10.3MM I.D .....	2
34	*						SPRING .....	1
35	*						FLANGED HEX HEAD LOCK NUT, M10 - 1.5.....	1
36								
37								
38	601894						CLEVIS PIN, 8MM DIA X 21.5MM LG.....	1
39	601835						RETAINING RING, 8MM .....	1

**Notes:**

A large grid of graph paper for taking notes. The grid consists of 30 columns and 25 rows of small squares. The grid is empty and occupies the majority of the page below the 'Notes:' heading.



THE USE OF NON U.L. PARTS WILL VOID ANY U.L. LISTING.

When ordering parts, please specify the model and serial number of the product.

\* Indicates a component that is not available as an individual part.

\*\*\* Indicates consult Customer Service Department for additional information.

ITEM	PART NO.	1 2 3 4 5	DESCRIPTION	QTY.
1	617766		E - BRAKE .....	1
2	628550		O-RING, DIA 152MM .....	1
3	73715G01		FLANGED HEX HEAD BOLT, M6 - 1 X 60MM LG.....	3
4	00664G7		LOCK WASHER (SS), M6 .....	3

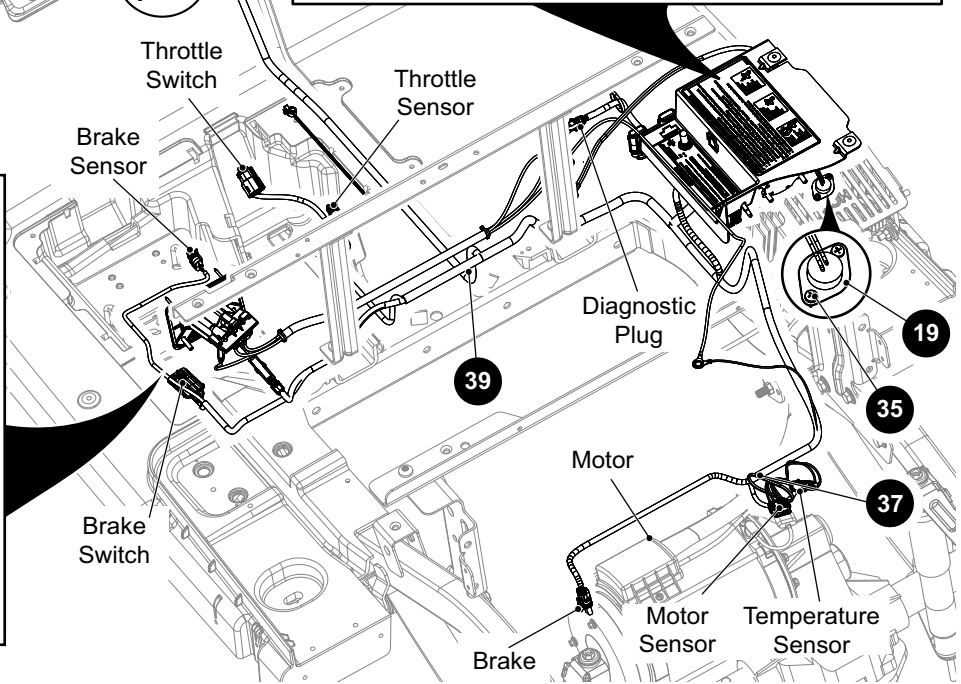
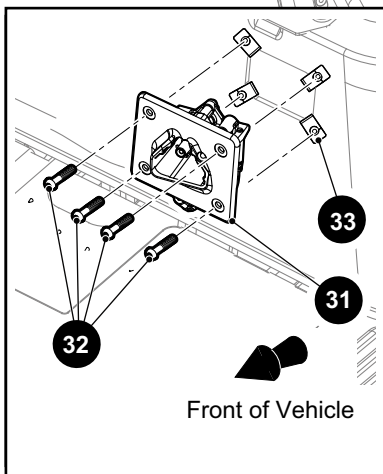
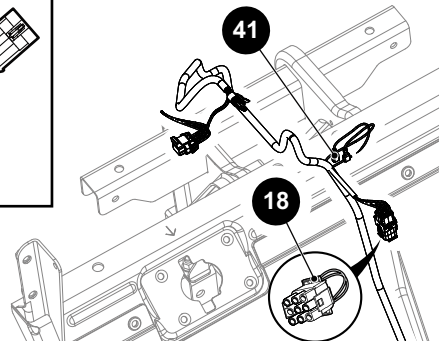
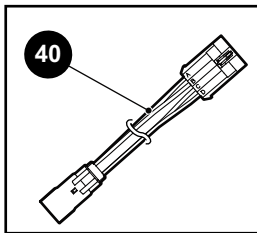
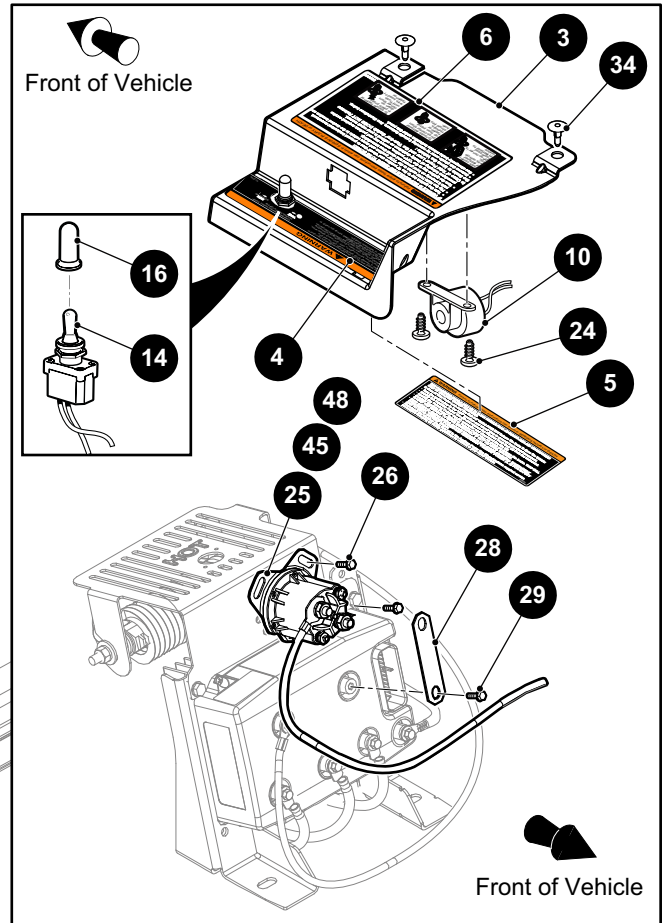






# ELECTRICAL SYSTEM

- 1** ELECTRICAL HARNESS ASSEMBLY WITH HD SOLENOID, includes items 2, 8, 21 - 25  
(FOR VEHICLES MANUFACTURED UNTIL 23 APRIL 2016)
- 2** CONTROLLER SPLASH SHIELD ASSEMBLY  
includes items 3 - 6
- 8** MAIN HARNESS, 48V  
includes items 9, 13, 16
- 9** REVERSE WARNING INDICATOR KIT  
includes items 10 - 11
- 13** RUN/TOW SWITCH KIT  
includes items 14 - 15
- 44** ELECTRICAL HARNESS ASSEMBLY WITH HD SOLENOID, includes items 2, 8, 21 - 24, 45  
(FOR VEHICLES MANUFACTURED FROM 24 APRIL 2016)



# ELECTRICAL SYSTEM

THE USE OF NON U.L. PARTS WILL VOID ANY U.L. LISTING.

When ordering parts, please specify the model and serial number of the product.

\* Indicates a component that is not available as an individual part.

\*\*\* Indicates consult Customer Service Department for additional information.

ITEM	PART NO.	1 2 3 4 5	DESCRIPTION	QTY.
1	618955		ELECTRICAL HARNESS ASSEMBLY WITH HD SOLENOID (INCLUDES ITEMS 2, 8, 21 - 25) (FOR VEHICLES MANUFACTURED UNTIL 23 APRIL 2016).....	1
2	612423		CONTROLLER SPLASH SHIELD ASSEMBLY (INCLUDES ITEMS 3 - 6)	1
3	612422		CONTROLLER SHIELD.....	1
4	612594		TOW SWITCH WARNING LABEL .....	1
5	609694		TOWING INSTRUCTION NOTICE LABEL .....	1
6	609987		TOW/MAINTENANCE LABEL.....	1
7				
8	618950		MAIN HARNESS, 48V (INCLUDES ITEMS 9, 13, 16) .....	1
9	608899		REVERSE WARNING INDICATOR KIT (INCLUDES ITEMS 10 - 11)	1
10	608882		REVERSE WARNING INDICATOR.....	1
11	608896		BUTT SPLICE, 18 AWG (NOT ILLUSTRATED) .....	2
12				
13	608900		RUN/TOW SWITCH KIT (INCLUDES ITEMS 14 - 15).....	1
14	606980		RUN TOW SWITCH .....	1
15	608896		BUTT SPLICE, 18 AWG (NOT ILLUSTRATED) .....	2
16	655019		RUN/TOW SWITCH BOOT (RUBBER).....	1
17				
18	608039		RUN PLUG JUMPER.....	1
19	609686		BI-METALLIC SWITCH.....	1
20				
21				
22				
23				
24	01051G01		PAN HEAD PHILLIPS SCREW, #8 - 16 X 1/2" LG .....	2
25	624317		SOLENOID ASSEMBLY, HEAVY DUTY, 36V .....	1
26	71102G02		HEX WASHER HEAD BOLT, 1/4" - 20 X 1/2" LG.....	2
27				
28	619047		BUS BAR (COPPER).....	1
29	73876G01		FLANGED HEX HEAD BOLT, M6 - 1 X 12MM LG.....	1
30				

# ELECTRICAL SYSTEM

THE USE OF NON U.L. PARTS WILL VOID ANY U.L. LISTING.

When ordering parts, please specify the model and serial number of the product.

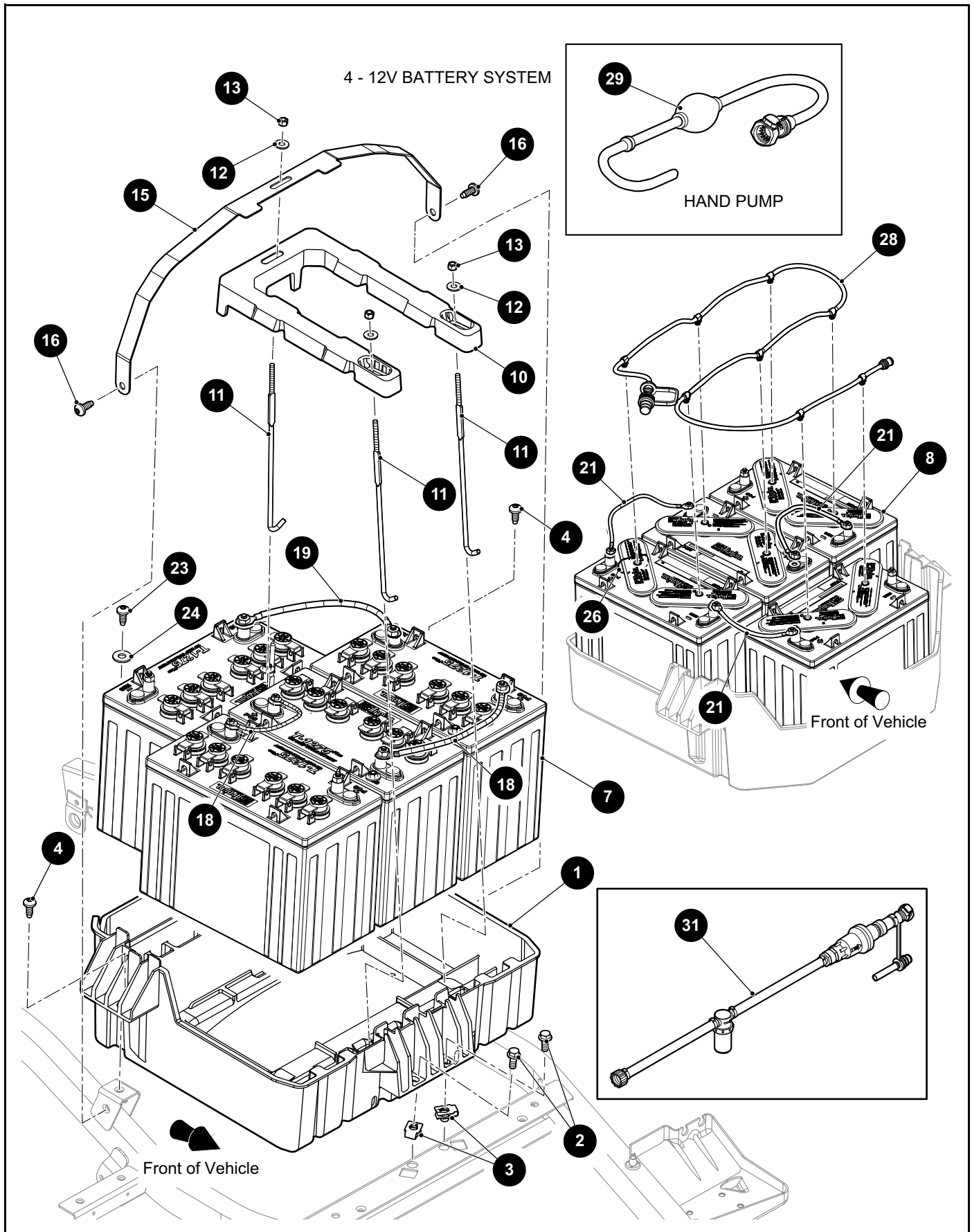
\* Indicates a component that is not available as an individual part.

\*\*\* Indicates consult Customer Service Department for additional information.

ITEM	PART NO.	1 2 3 4 5	DESCRIPTION	QTY.
31	602529		CHARGER RECEPTACLE, 48V DELTA_Q.....	1
32	601326		BUTTON HEAD TORX BOLT, M6 - 1 X 20 MM LG.....	4
33	602409		BARREL CLIP, M6 - 1.....	4
34	610487		RIVET (PLASTIC),.256".....	3
35	00614G4		PAN HEAD PHILLIPS SCREW, #8 - 18 X 1/2" LG.....	2
36				
37	17618G1		CLAMP (NYLON), 7" LG.....	AR
38				
39	649816		ACCESSORY HARNESS.....	1
40	620292		HARNESS (TOW).....	1
41	638585		HARNESS (48V USB).....	1
42				
43				
44	649374		ELECTRICAL HARNESS ASSEMBLY WITH HD SOLENOID (INCLUDES ITEMS 2, 8, 21 - 24, 45) (FOR VEHICLES MANUFACTURED FROM 24 APRIL 2016 ).....	1
45	649371		SOLENOID ASSEMBLY, HEAVY DUTY, 48V.....	1
46				
47	658741		RELAY, 20AMP, 24VDC (NOT ILLUSTRATED).....	1
48	649373		SOLENOID ASSEMBLY, HEAVY DUTY, 48V..... (FOR FREEDOM AND SHUTTLE 2+2 ONLY)	1



# ELECTRICAL SYSTEM



# ELECTRICAL SYSTEM

THE USE OF NON U.L. PARTS WILL VOID ANY U.L. LISTING.

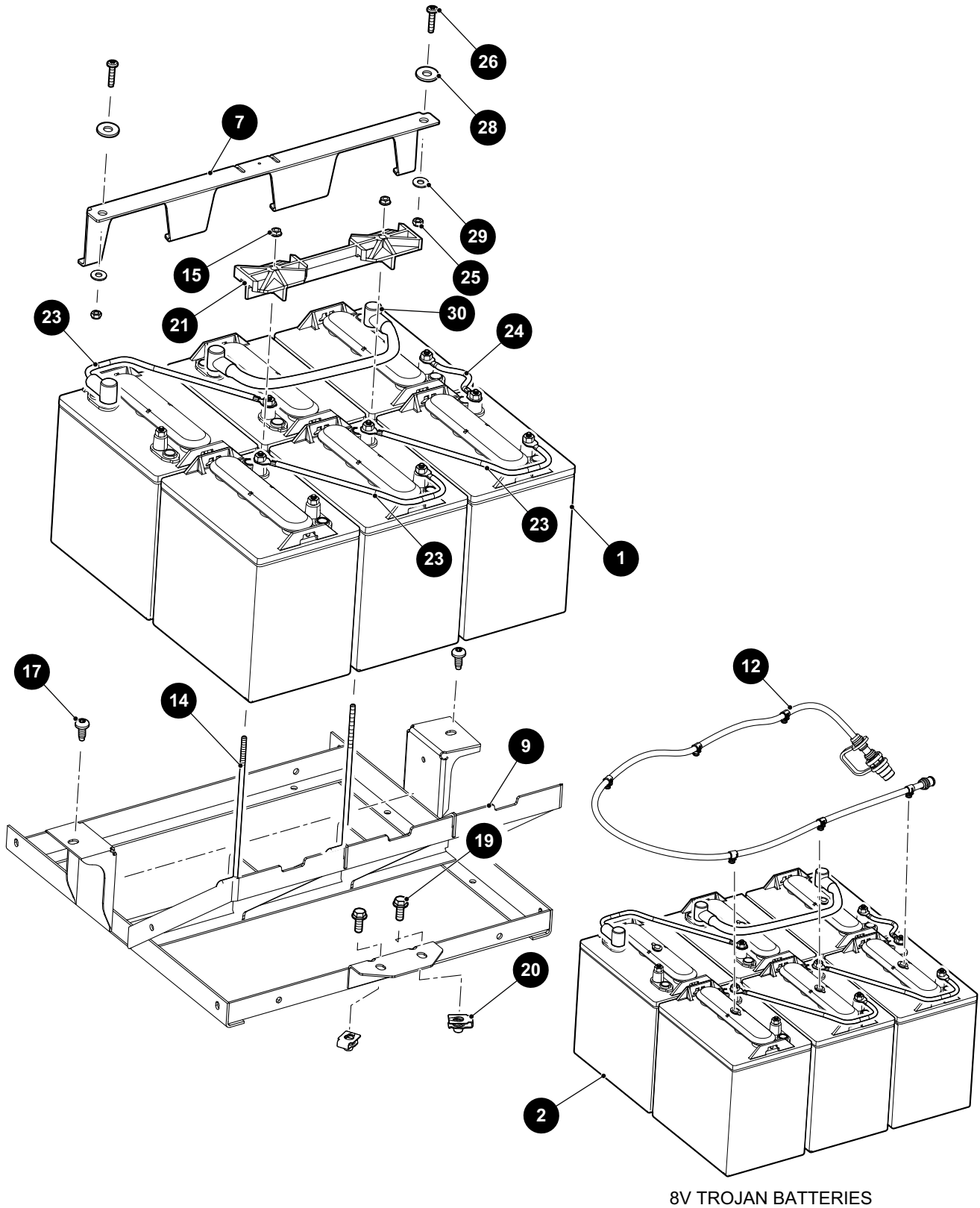
When ordering parts, please specify the model and serial number of the product.

\* Indicates a component that is not available as an individual part.

\*\*\* Indicates consult Customer Service Department for additional information.

ITEM	PART NO.	1 2 3 4 5	DESCRIPTION	QTY.
1	603064		BATTERY TRAY.....	1
2	603799		FLANGED HEX HEAD BOLT, M10 - 1.5 X 25MM LG.....	2
3	603818		BARREL CLIP, M10 - 1.5.....	2
4	602572		PAN HEAD TORX BOLT, M10 - 1.5 X 25MM LG.....	2
5				
6				
7	652457		BATTERY TROJAN, T1275.....	4
8	652295		BATTERY TROJAN, T1275, HYDROLINK.....	4
9				
10	601695		BATTERY HOLD DOWN.....	1
11	602896		BATTERY HOLD DOWN ROD.....	3
12	00571G2		FLAT WASHER, 5/16".....	3
13	11098G6		LOCK NUT, 5/16" - 18.....	3
14				
15	608315		BATTERY STRAP.....	1
16	602572		PAN HEAD TORX BOLT, M10 - 1.5 X 25MM LG.....	2
17				
18	602930		BLUE WIRE ASSEMBLY, 6 AWG, 261MM LG.....	2
19	607057		BLUE WIRE ASSEMBLY, 6 AWG, 325MM LG.....	1
20				
21	602930		BLUE WIRE ASSEMBLY, 6 AWG, 261MM LG.....	3
22				
23	602572		PAN HEAD TORX BOLT, M10 - 1.5 X 25MM LG.....	2
24	604066		FLAT WASHER, M10 - 1.5.....	2
25				
26	615352		CLAMP.....	1
27				
28	620820		SNAKE ASSEMBLY - HYDROLINK.....	1
29	676122		TROJAN HAND PUMP KIT.....	1
30				
31	614521		REGULATED HOSE, 20FT LG.....	1

6-8V BATTERY SYSTEM





# ELECTRICAL SYSTEM

THE USE OF NON U.L. PARTS WILL VOID ANY U.L. LISTING.

When ordering parts, please specify the model and serial number of the product.

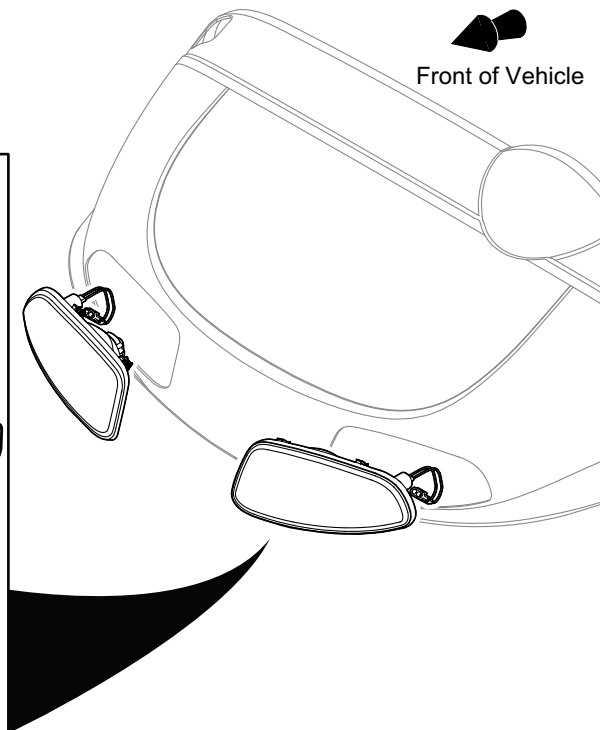
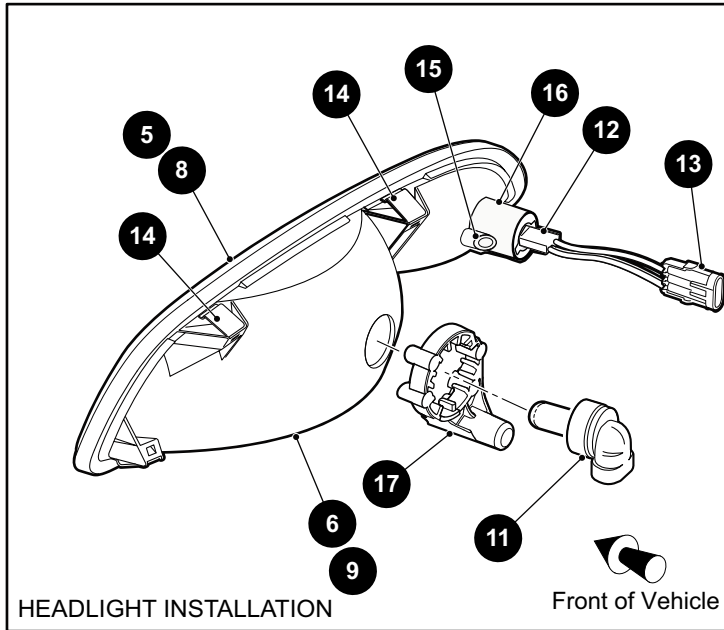
\* Indicates a component that is not available as an individual part.

\*\*\* Indicates consult Customer Service Department for additional information.

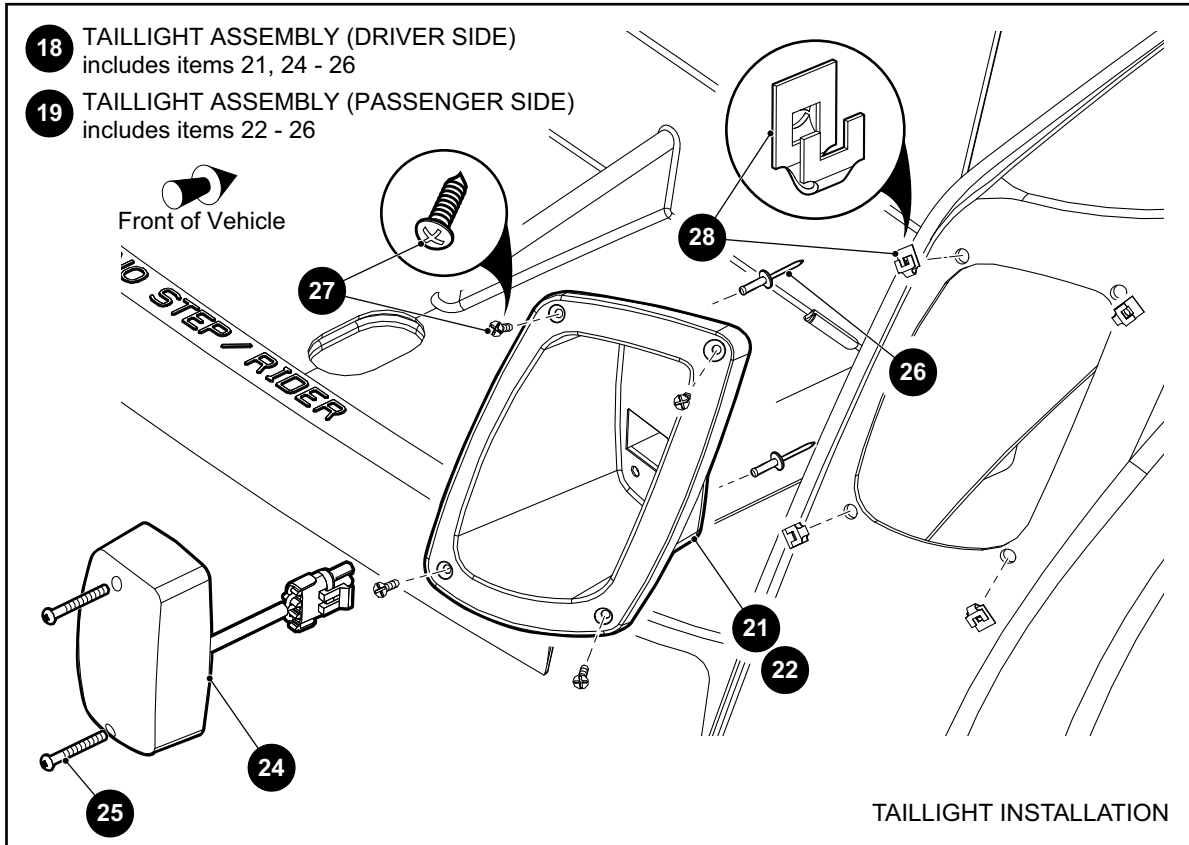
ITEM	PART NO.	1 2 3 4 5	DESCRIPTION	QTY.
1	612626		BATTERY, 8V .....	6
2	614382		BATTERY, 8V, HYDROLINK .....	6
3				
4				
5				
6				
7	671661G03		BATTERY RETAINER - TALL,.....	1
8				
9	671660G03		BATTERY TRAY WELDMENT .....	1
10				
11				
12	614457		SNAKE, HYDROLINK.....	1
13				
14	01101G01		TIE DOWN BOLT .....	2
15	11027G1		FLANGED LOCK NUT, 5/16" - 18.....	2
16				
17	602572		PAN HEAD TORX BOLT, M10 - 1.5 X 25MM LG .....	2
18				
19	603799		FLANGED HEX HEAD BOLT, M10 - 1.5 X 25MM LG.....	2
20	603818		BARREL CLIP, M10 - 1.5 .....	2
21	612867		RETAINER .....	1
22				
23	613236		BLUE WIRE ASSEMBLY, 6AWG, 380MM LG.....	4
24	613237		BLUE WIRE ASSEMBLY, 6AWG, 150MM LG.....	1
25	616673		LOCK NUT, M8 - 1.25 .....	2
26	628635		BUTTON HEAD BOLT, M8 - 1.25 X 30MM LG .....	2
27				
28	604066		FLAT WASHER, M10 - 1.5.....	2
29	00571G2		FLAT WASHER, 5/16".....	2
30	840177		TERMINAL BOOT .....	3

# ELECTRICAL SYSTEM

- 1** HEADLIGHT ASSEMBLY (DRIVER SIDE)  
includes items 5, 6, 11 - 17
- 2** HEADLIGHT ASSEMBLY (PASSENGER SIDE)  
includes items 8, 9, 11 - 17



- 18** TAILLIGHT ASSEMBLY (DRIVER SIDE)  
includes items 21, 24 - 26
- 19** TAILLIGHT ASSEMBLY (PASSENGER SIDE)  
includes items 22 - 26



# ELECTRICAL SYSTEM

THE USE OF NON U.L. PARTS WILL VOID ANY U.L. LISTING.

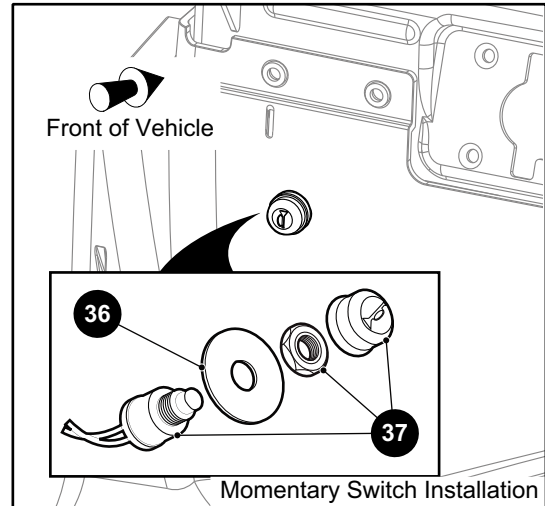
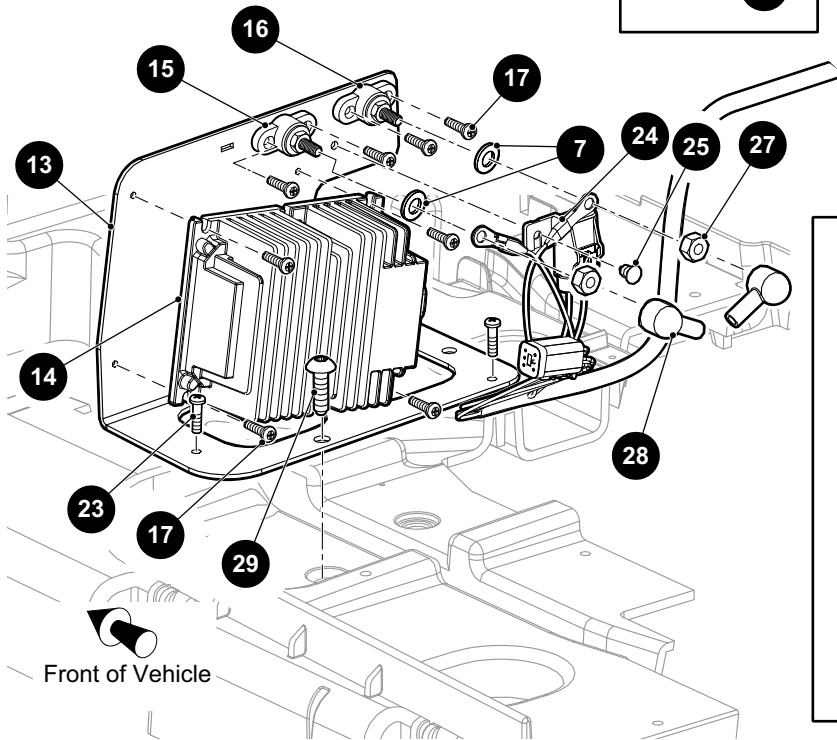
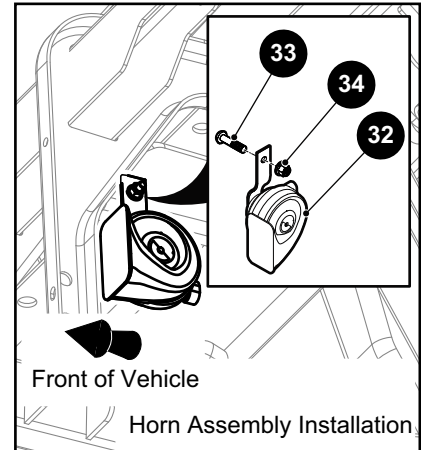
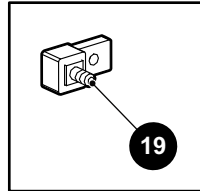
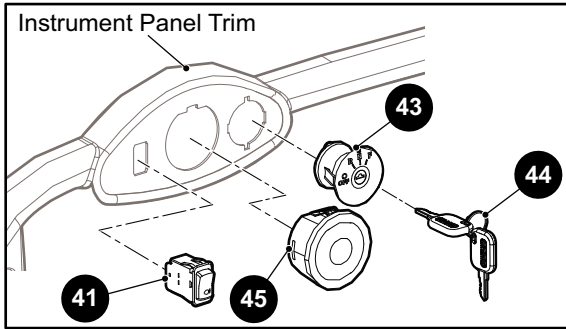
When ordering parts, please specify the model and serial number of the product.

\* Indicates a component that is not available as an individual part.

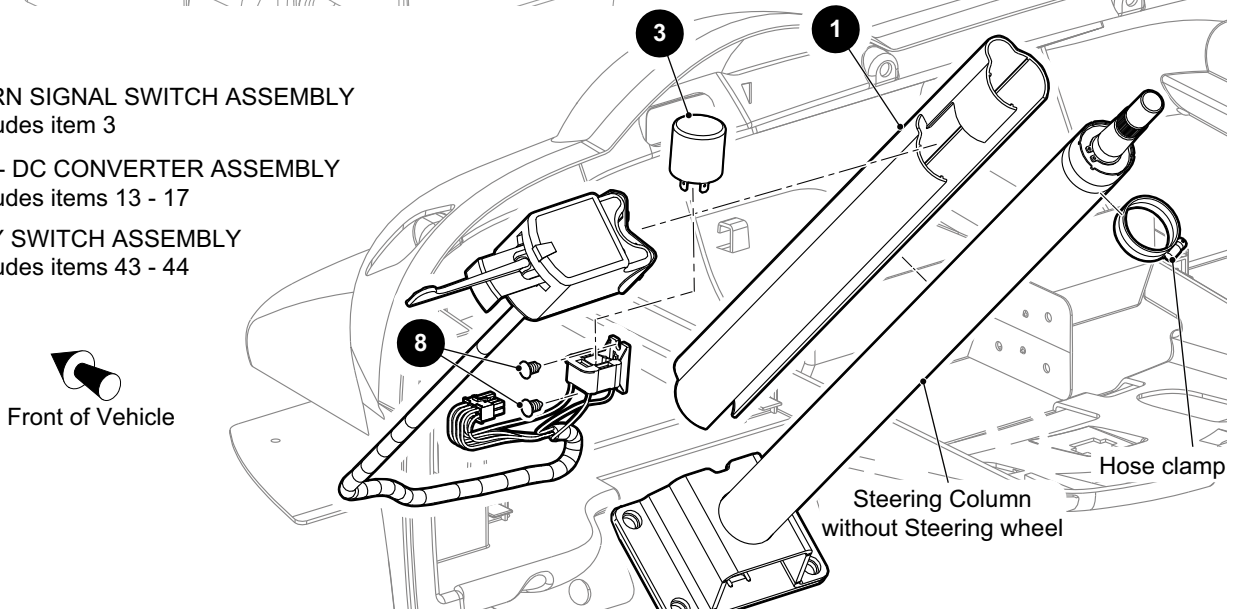
\*\*\* Indicates consult Customer Service Department for additional information.

ITEM	PART NO.	1 2 3 4 5	DESCRIPTION	QTY.
1	607439		HEADLIGHT ASSEMBLY (DRIVER SIDE) (INCLUDES ITEM 5, 6, 11 - 17).....	1
2	607438		HEADLIGHT ASSEMBLY (PASSENGER SIDE) (INCLUDES ITEM 8, 9, 11 - 17).....	1
3				
4				
5	607452		HEADLIGHT GASKET (DRIVER SIDE).....	1
6	607436		HEADLIGHT (DRIVER SIDE).....	1
7				
8	607437		HEADLIGHT GASKET (PASSENGER SIDE).....	1
9	607435		HEADLIGHT (PASSENGER SIDE).....	1
10				
11	74004G01		BULB.....	1
12	676687		FRONT TURN SIGNAL BULB.....	1
13	607487		WIRING HARNESS (TURN SIGNAL LAMP).....	1
14	607434		HEADLIGHT CLIP.....	4
15	608328		BUTTON HEAD TORX SCREW (PLASTITE), M3 - 1.3 X 14MM LG.....	1
16	608322		HEADLIGHT RETAINER.....	1
17	615459		ANTI ROTATION COLLAR.....	1
18	648672G01		TAILLIGHT ASSEMBLY (DRIVER SIDE) (INCLUDES ITEM 21, 24 - 26).....	1
19	648672G02		TAILLIGHT ASSEMBLY (PASSENGER SIDE) (INCLUDES ITEM 22 - 26).....	1
20				
21	639815G01		TAILLIGHT BEZEL (DRIVER SIDE).....	1
22	639815G02		TAILLIGHT BEZEL (PASSENGER SIDE).....	1
23				
24	639816		TAILLIGHT ASSEMBLY.....	1
25	00513G4		PAN HEAD PHILLIPS SCREW, #8 - 18 X 3/4" LG.....	2
26	14601G11		RIVET (ALUMINUM), 3/16" X 9/16".....	2
27	71425G01		TAPPING SCREW, #8 - 18 X 3/4" LG.....	4
28	71364G02		J-TYPE NUT, #8.....	4

# ELECTRICAL SYSTEM



- 2 TURN SIGNAL SWITCH ASSEMBLY  
includes item 3
- 12 DC - DC CONVERTER ASSEMBLY  
includes items 13 - 17
- 42 KEY SWITCH ASSEMBLY  
includes items 43 - 44



# ELECTRICAL SYSTEM

THE USE OF NON U.L. PARTS WILL VOID ANY U.L. LISTING.

When ordering parts, please specify the model and serial number of the product.

\* Indicates a component that is not available as an individual part.

\*\*\* Indicates consult Customer Service Department for additional information.

ITEM	PART NO.	1 2 3 4 5	DESCRIPTION	QTY.
1	20965G3		COVER (STEERING COLUMN).....	1
2	604511		TURN SIGNAL SWITCH ASSEMBLY (INCLUDES ITEM 3).....	1
3	604367		FLASHER UNIT.....	1
4				
5	19344G1		TAPE (VINYL) (NOT ILLUSTRATED).....	AR
6				
7	00559G8		FLAT WASHER, 5/16".....	2
8	16816G5		RATCHET RIVET, .187" X .550" LG.....	2
9	31539G1		CLAMP (NYLON), 5.5" LG (NOT ILLUSTRATED).....	1
10				
11				
12	632184		DC-DC CONVERTER ASSEMBLY (INCLUDES ITEMS 13 - 17).....	1
13	662828		BRACKET.....	1
14	632185		DC-DC CONVERTER.....	1
15	662824G02		TERMINAL STUD (BLACK).....	1
16	662824G01		TERMINAL STUD (RED).....	1
17	632372		TAPPING SCREW, #10 - 32 X 3/4" LG.....	8
18				
19	33343G01		TERMINAL BLOCK.....	2
20				
21				
22				
23	608290		SELF TAPPING SCREW, #10 - 16 X 3/4" LG.....	2
24	608182		DC - DC CONVERTER HARNESS.....	1
25	16816G5		RATCHET RIVET, .187" X .550" LG.....	1
26				
27	00702G2		HEX NUT, 5/16" - 18.....	2
28	25682G01		TERMINAL BOOT (RUBBER).....	2
29	649804		PAN HEAD TORX SCREW, M8 - 3.50 X 30MM LG.....	1
30				
31				

# ELECTRICAL SYSTEM

THE USE OF NON U.L. PARTS WILL VOID ANY U.L. LISTING.

When ordering parts, please specify the model and serial number of the product.

\* Indicates a component that is not available as an individual part.

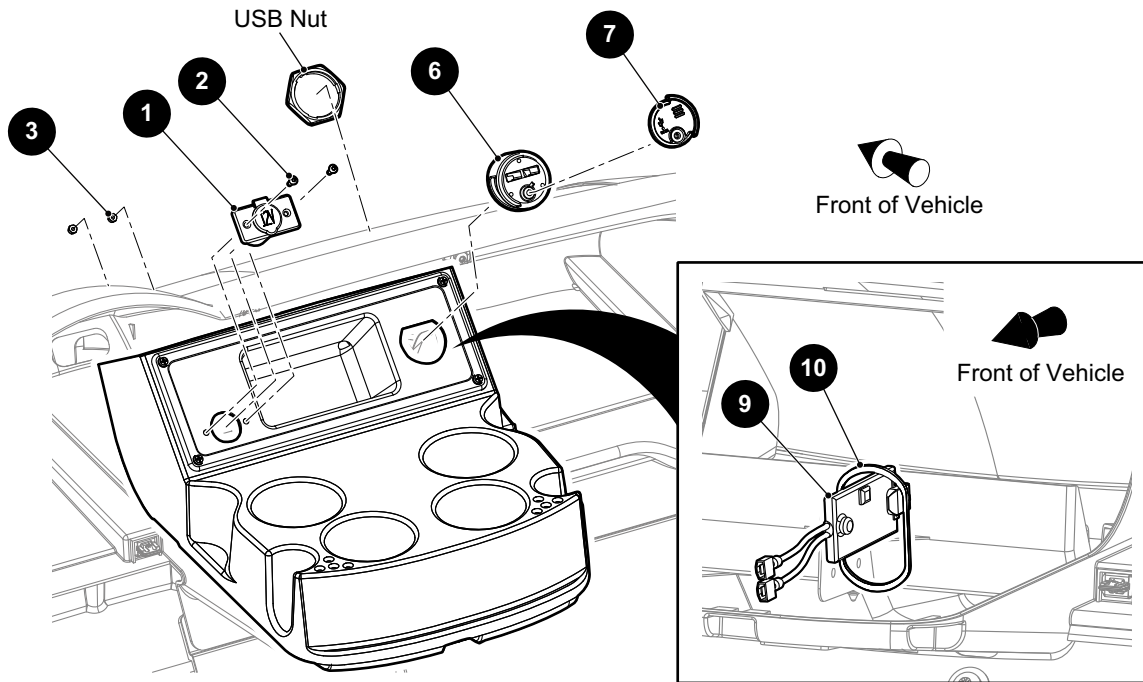
\*\*\* Indicates consult Customer Service Department for additional information.

ITEM	PART NO.	1	2	3	4	5	DESCRIPTION	QTY.
32	604196						HORN ASSEMBLY .....	1
33	601326						BUTTON HEAD TORX BOLT, M6 - 1 X 20MM LG .....	1
34	601476						LOCK NUT, M6 -1 .....	1
35								
36	608397						HORN PLATE .....	1
37	17318G1						MOMENTARY SWITCH .....	1
38								
39								
40								
41	604019						HEADLIGHT SWITCH .....	1
42	609692						KEY SWITCH ASSEMBLY (INCLUDES ITEMS 43 - 44).....	1
43	609682						KEY SWITCH, DIRECTION SELECTOR.....	1
44	609693						KEY .....	1
45	609401						SPEEDOMETER 48V.....	1
46	670675G01						GPS DISPLAY UNIT, 7" (NOT ILLUSTRATED).....	1
47	670675G02						GPS DISPLAY UNIT, 10" (NOT ILLUSTRATED).....	1
48	664519G01						GPS DISPLAY UNIT, 7" (NOT ILLUSTRATED).....	1
49	664519G02						GPS DISPLAY UNIT, 10" (NOT ILLUSTRATED).....	1



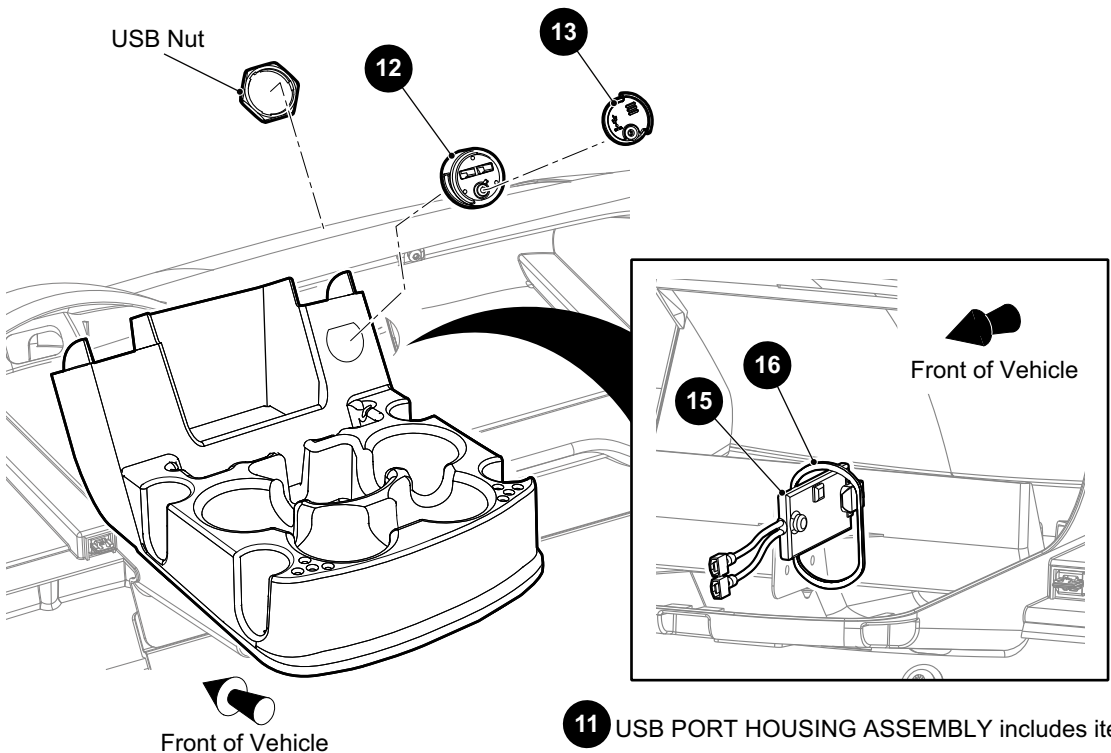
# ELECTRICAL SYSTEM

FOR VEHICLES MANUFACTURED BEFORE JULY 21, 2019



**5** USB PORT HOUSING ASSEMBLY includes items 6 - 7

FOR VEHICLES MANUFACTURED AFTER JULY 21, 2019



**11** USB PORT HOUSING ASSEMBLY includes items 12 - 13



## ELECTRICAL SYSTEM

THE USE OF NON U.L. PARTS WILL VOID ANY U.L. LISTING.

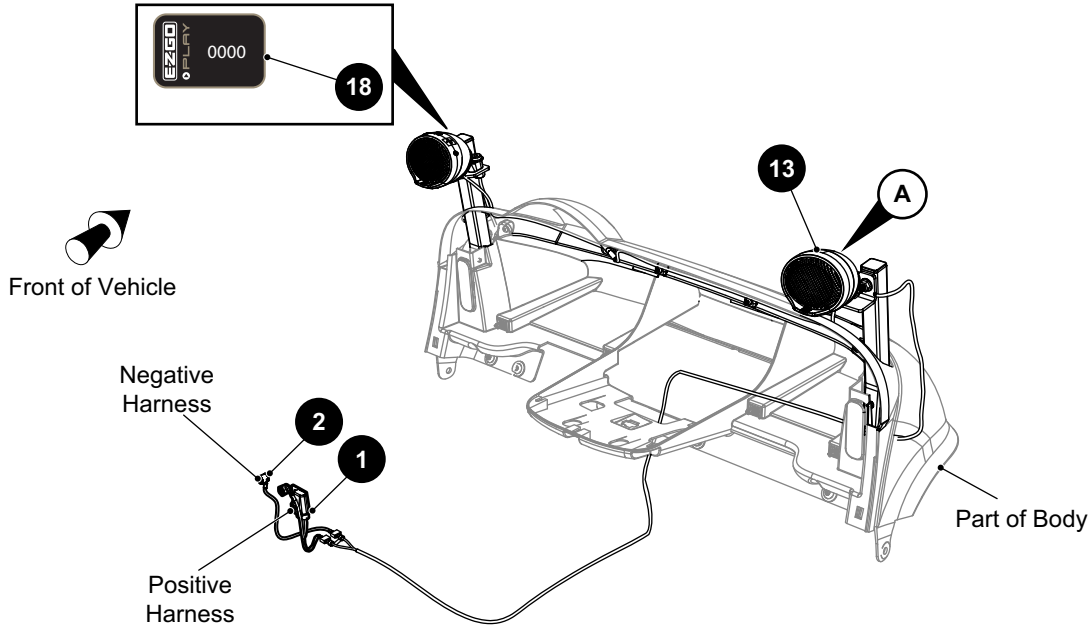
When ordering parts, please specify the model and serial number of the product.

\* Indicates a component that is not available as an individual part.

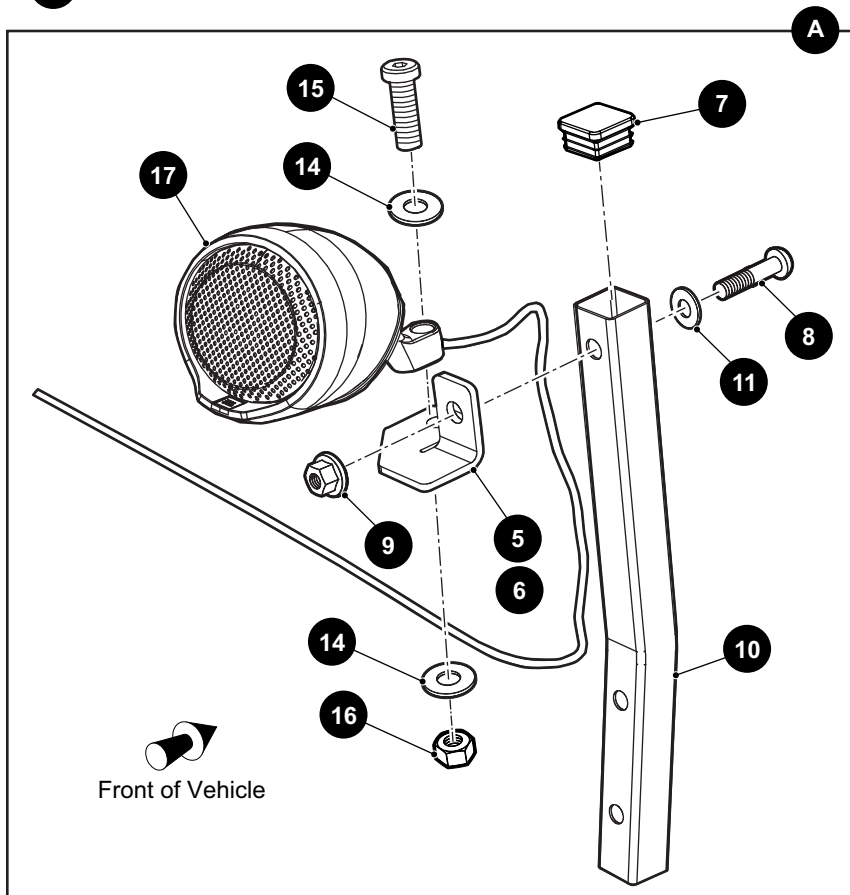
\*\*\* Indicates consult Customer Service Department for additional information.

ITEM	PART NO.	1 2 3 4 5	DESCRIPTION	QTY.
<b>ITEMS 1 - 10: FOR VEHICLES MANUFACTURED BEFORE JULY 21, 2019</b>				
1	71078G01		12V POWER OUTLET .....	1
2	600543		BUTTON HEAD TORX BOLT, M4 - .75 X 12MM LG .....	2
3	602053		LOCK NUT, M4 - .7 .....	2
4				
5	639384		USB PORT HOUSING ASSEMBLY (INCLUDES ITEMS 6 - 7) .....	1
6	639383		USB PORT HOUSING.....	1
7	639382		USB PORT LID.....	1
8				
9	638233		USB ELECTRONICS .....	1
10	17618G1		CLAMP (NYLON), 7" LG .....	AR
<b>ITEMS 11 - 16: FOR VEHICLES MANUFACTURED AFTER JULY 21, 2019</b>				
11	639384		USB PORT HOUSING ASSEMBLY (INCLUDES ITEMS 12 - 13) .....	1
12	639383		USB PORT HOUSING.....	1
13	639382		USB PORT LID.....	1
14				
15	638233		USB ELECTRONICS .....	1
16	17618G1		CLAMP (NYLON), 7" LG .....	AR

# ELECTRICAL SYSTEM



- 3** SPEAKER ASSEMBLY MOUNTING, DRIVER SIDE includes items 5, 7 - 11
- 4** SPEAKER ASSEMBLY MOUNTING, PASSENGER SIDE includes items 6 - 11
- 12** BLUETOOTH SPEAKERS ASSEMBLY includes items 13 - 18
- 13** BLUETOOTH SPEAKER (PARENT) includes items 14 - 16



## ELECTRICAL SYSTEM

THE USE OF NON U.L. PARTS WILL VOID ANY U.L. LISTING.

When ordering parts, please specify the model and serial number of the product.

\* Indicates a component that is not available as an individual part.

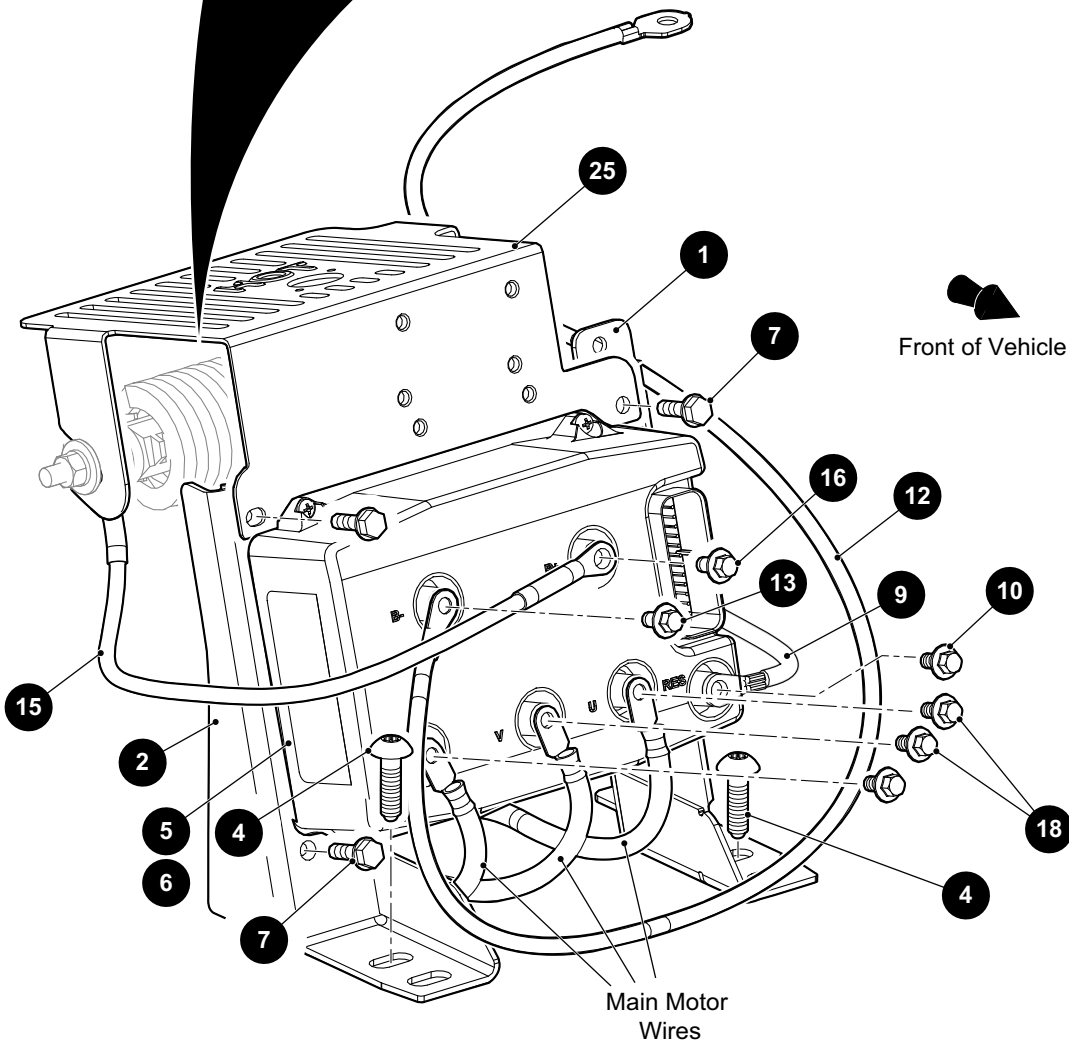
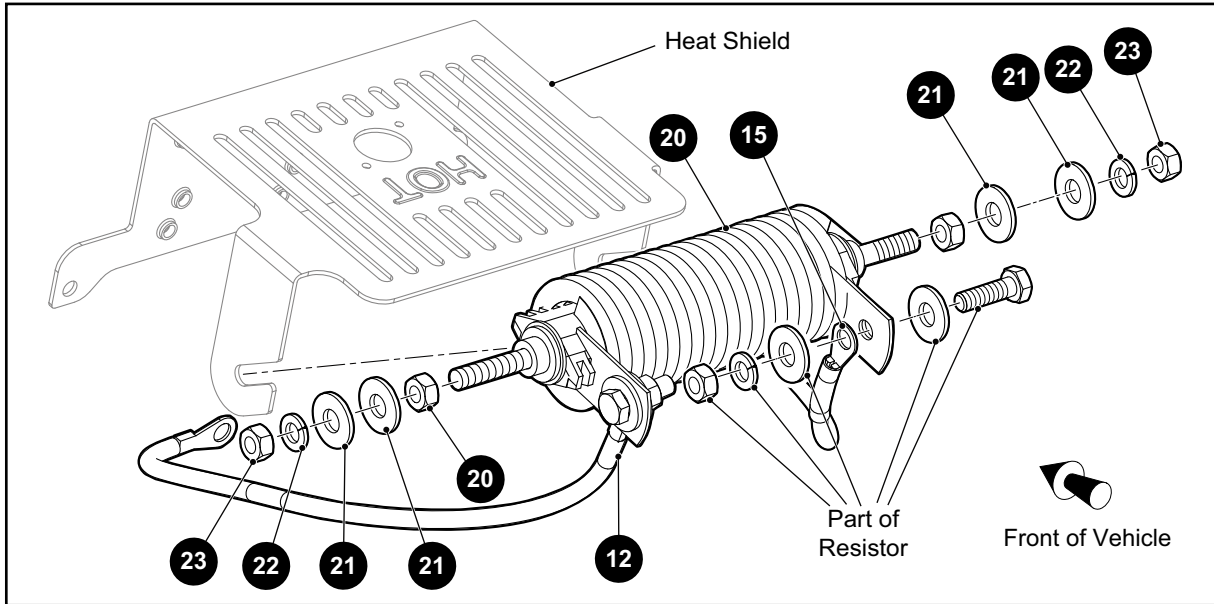
\*\*\* Indicates consult Customer Service Department for additional information.

ITEM	PART NO.	1 2 3 4 5	DESCRIPTION	QTY.
1	697532		SPEAKER HARNESS (POSITIVE).....	1
2	697533		SPEAKER HARNESS (NEGATIVE) .....	1
3	697232		SPEAKER ASSEMBLY MOUNTING, DRIVER SIDE (INCLUDES ITEMS 5, 7 - 11).....	1
4	697231		SPEAKER ASSEMBLY MOUNTING, PASSENGER SIDE (INCLUDES ITEMS 6 - 11).....	1
5	690335G01		SPEAKER BRACKET, L.H. ....	1
6	690335G02		SPEAKER BRACKET, R.H.....	1
7	620634		END CAP.....	1
8	600527		BUTTON HEAD TORX BOLT, M10 - 1.5 X 60 MM LG .....	1
9	600525		LOCK NUT, M10 - 1.5.....	1
10	648473		FRONT MIRROR MOUNT STRUT.....	1
11	603823		FLAT WASHER .....	1
12	692171		BLUETOOTH SPEAKERS ASSEMBLY (INCLUDES ITEMS 13 - 18).....	1
13	690350		BLUETOOTH SPEAKER (PARENT) (INCLUDES ITEMS 14 - 16) .....	1
14	*		FLAT WASHER, 1/2" - 13.....	2
15	*		SOCKET HEAD CAP SCREW, 1/2" -13 X 1 1/2" LG .....	1
16	*		LOCK NUT, 1/2" - 13 .....	1
17	692906		BLUETOOTH SPEAKER (CHILD).....	1
18	692795		BLUETOOTH SPEAKER DECAL.....	1





# ELECTRONIC SPEED CONTROL



## ELECTRONIC SPEED CONTROL

THE USE OF NON U.L. PARTS WILL VOID ANY U.L. LISTING.

When ordering parts, please specify the model and serial number of the product.

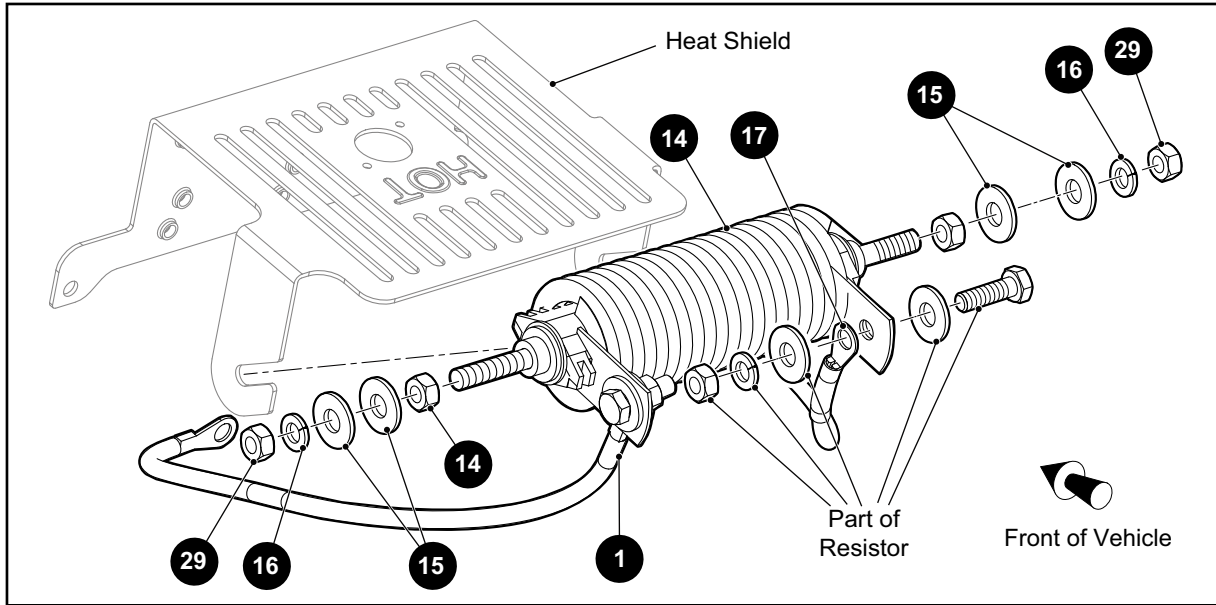
\* Indicates a component that is not available as an individual part.

\*\*\* Indicates consult Customer Service Department for additional information.

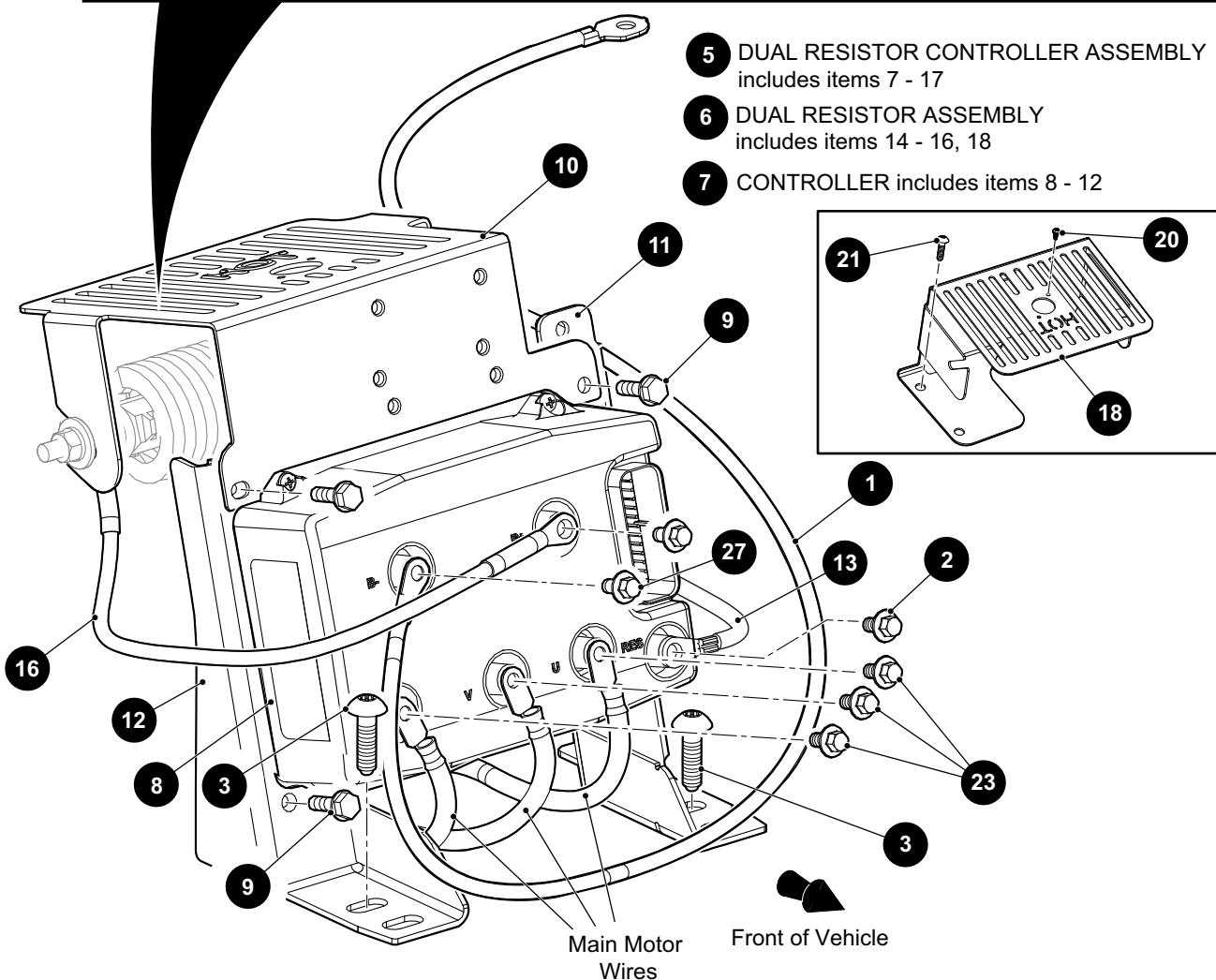
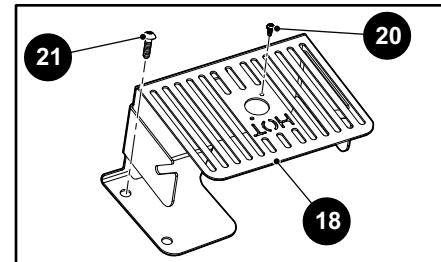
ITEM	PART NO.	1 2 3 4 5	DESCRIPTION	QTY.
1	623170		CONTROLLER BRACKET (DRIVER SIDE) .....	1
2	623213		CONTROLLER BRACKET (PASSENGER SIDE).....	1
3				
4	649804		BUTTON HEAD TORX SCREW, M8 X 3.50 X 30MM LG .....	2
5	667000G05		CONTROLLER, 1206AC .....	1
			(FOR FREEDOM AND SHUTTLE 2+2 ONLY)	
6	667000G01		CONTROLLER, 1206AC .....	1
7	606264		FLANGED HEX HEAD BOLT, M6 - 1 X 20MM LG.....	4
8				
9	607707		WIRE ASSEMBLY (WHITE), 10 AWG, 300MM LG .....	1
10	73876G01		FLANGED HEX HEAD BOLT, M6 - 1 X 12MM LG.....	1
11				
12	624618		WIRE ASSEMBLY (BLACK), 6 AWG, 830MM LG .....	1
13	73876G01		FLANGED HEX HEAD BOLT, M6 - 1 X 12MM LG.....	1
14				
15	624611		WIRE ASSEMBLY (WHITE), 10 AWG, 400MM LG .....	1
16	73876G01		FLANGED HEX HEAD BOLT, M6 - 1 X 12MM LG.....	1
17				
18	73876G01		FLANGED HEX HEAD BOLT, M6 - 1 X 12MM LG.....	3
19				
20	619001		RESISTOR, .86 OHM RATING .....	1
21	00571G2		FLAT WASHER, 5/16" .....	4
22	00565G8		LOCK WASHER, 5/16" .....	2
23	*		HEX NUT, 5/16" .....	2
24				
25	645964		HEAT SHIELD .....	1

# ELECTRONIC SPEED CONTROL

FOR VEHICLES WITH DUAL RESISTOR OPTION



- 5** DUAL RESISTOR CONTROLLER ASSEMBLY includes items 7 - 17
- 6** DUAL RESISTOR ASSEMBLY includes items 14 - 16, 18
- 7** CONTROLLER includes items 8 - 12





## ELECTRONIC SPEED CONTROL

THE USE OF NON U.L. PARTS WILL VOID ANY U.L. LISTING.

When ordering parts, please specify the model and serial number of the product.

\* Indicates a component that is not available as an individual part.

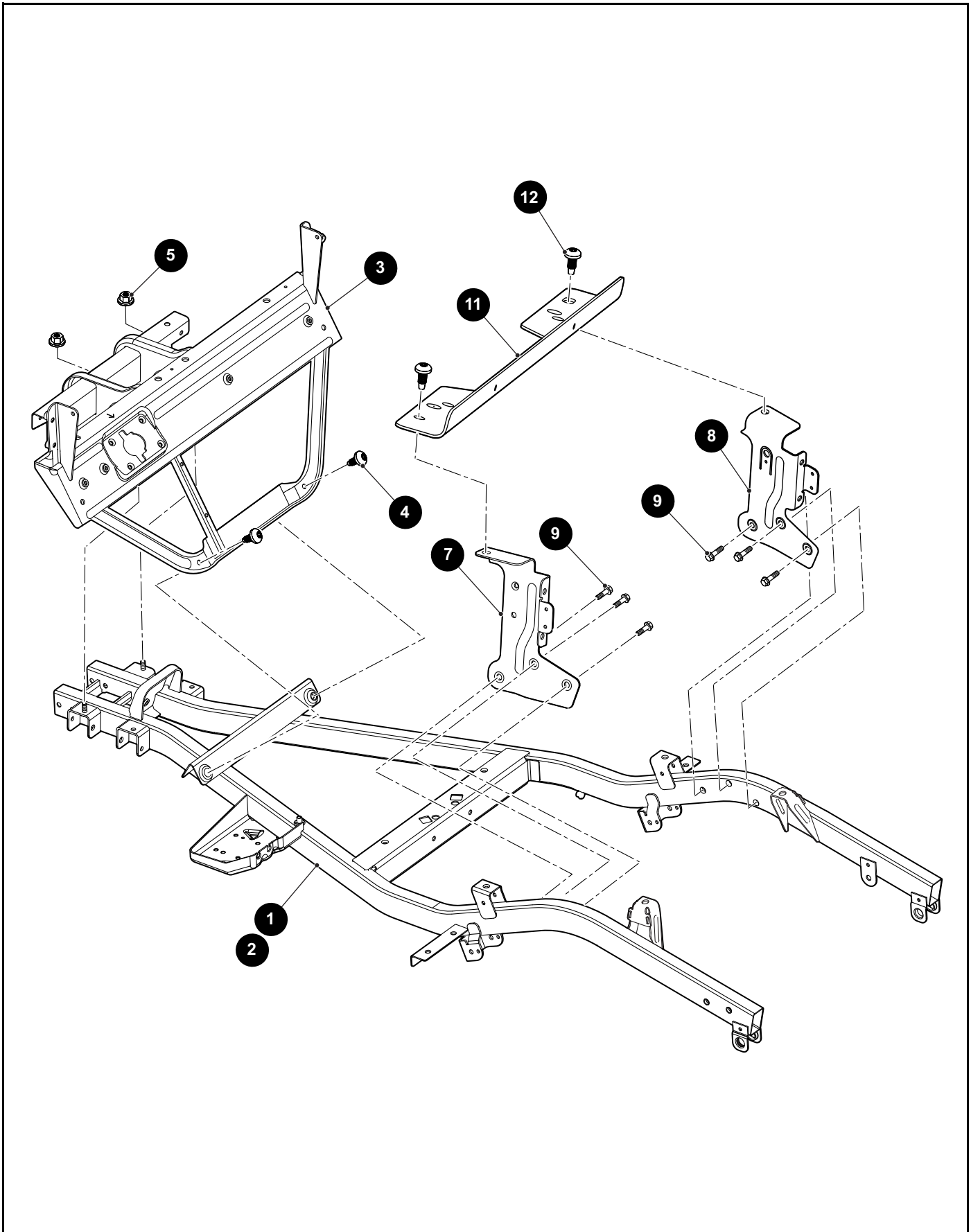
\*\*\* Indicates consult Customer Service Department for additional information.

ITEM	PART NO.	1 2 3 4 5	DESCRIPTION	QTY.
<b>FOR VEHICLES WITH DUAL RESISTOR OPTION</b>				
1	624618		WIRE ASSEMBLY (BLACK), 6 AWG, 830MM LG .....	1
2	73876G01		FLANGED HEX HEAD BOLT, M6 - 1 X 12MM LG.....	1
3	649804		BUTTON HEAD TORX SCREW, M8 X 3.50 X 30MM LG.....	2
4				
5	691829		DUAL RESISTOR CONTROLLER ASSEMBLY (INCLUDES ITEMS 7 - 17)...	1
6	685540		DUAL RESISTOR ASSEMBLY (INCLUDES ITEMS 14 - 16, 18).....	1
7	684247		CONTROLLER (INCLUDES ITEMS 8 - 12) .....	1
8	667000G01		CONTROLLER, 1206AC .....	1
9	606264		FLANGED HEX HEAD BOLT, M6 - 1 X 20MM LG.....	4
10	645964		HEAT SHIELD .....	1
11	623170		CONTROLLER BRACKET (DRIVER SIDE) .....	1
12	623213		CONTROLLER BRACKET (PASSENGER SIDE).....	1
13	683048		DUAL RESISTOR HARNESS .....	1
14	607701		RESISTOR, .42 OHM RATING.....	1
15	00571G2		FLAT WASHER, 5/16" .....	4
16	00565G8		LOCK WASHER, 5/16" .....	2
17	624611		WIRE ASSEMBLY (WHITE), 10 AWG, 400MM LG .....	1
18	683801		RESISTOR BRACKET .....	1
19				
20	00614-G4		PAN HEAD PHILLIPS SELF DRILLING SCREW, #8 - 18 X 1/2" LG.....	2
21	649804		BUTTON HEAD TORX SCREW, M8 X 3.50 X 30MM LG.....	2
22				
23	73876G01		FLANGED HEX HEAD BOLT, M6 - 1 X 12MM LG.....	3
24				
25	17618G1		NYLON CLAMP, 8" LG (NOT ILLUSTRATED).....	2
26				
27	73876G01		FLANGED HEX HEAD BOLT, M6 - 1 X 12MM LG.....	1
28				
29	*		HEX NUT, 5/16" .....	2





# FRAME



THE USE OF NON U.L. PARTS WILL VOID ANY U.L. LISTING.

When ordering parts, please specify the model and serial number of the product.

\* Indicates a component that is not available as an individual part.

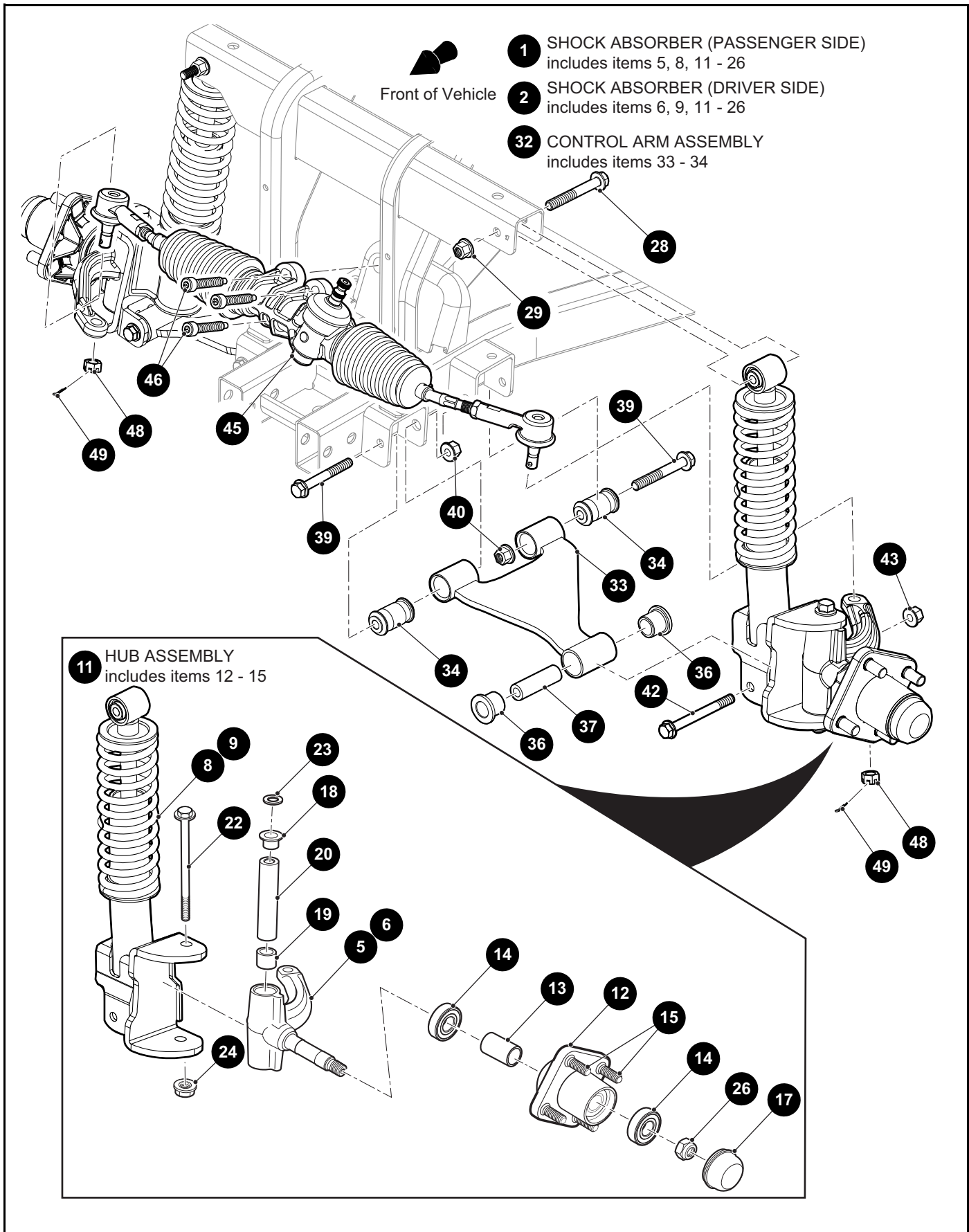
\*\*\* Indicates consult Customer Service Department for additional information.

ITEM	PART NO.	1 2 3 4 5	DESCRIPTION	QTY.
1	657280G05		FRAME WELDMENT, P/COAT .....	1
2	657280G03		FRAME WELDMENT, E/COAT & P/COAT .....	1
3	614597		IP SUPPORT WELDMENT .....	1
4	602572		PAN HEAD TAPITE BOLT, M10 - 1.5 X 25MM LG.....	2
5	600525		FLANGED LOCK NUT, M10 - 1.5 .....	2
6				
7	600218		SEAT SUPPORT BRACKET (DRIVER SIDE) .....	1
8	628614		SEAT SUPPORT BRACKET (PASSENGER SIDE).....	1
9	603799		FLANGED HEX HEAD BOLT, M10 - 1.5 X 25MM LG.....	3
10				
11	601275		SEAT SUPPORT BRACE .....	1
12	602572		PAN HEAD TAPITE BOLT, M10 - 1.5 X 25MM LG.....	2





# FRONT SUSPENSION AND STEERING





## FRONT SUSPENSION AND STEERING

THE USE OF NON U.L. PARTS WILL VOID ANY U.L. LISTING.

When ordering parts, please specify the model and serial number of the product.

\* Indicates a component that is not available as an individual part.

\*\*\* Indicates consult Customer Service Department for additional information.

ITEM	PART NO.	1 2 3 4 5	DESCRIPTION	QTY.
1	663321		SHOCK ABSORBER (PASSENGER SIDE) (INCLUDES ITEMS 5, 8, 11 - 26)	1
2	663303		SHOCK ABSORBER (DRIVER SIDE) (INCLUDES ITEMS 6, 9, 11 - 26).....	1
3				
4				
5	611271		SPINDLE (PASSENGER SIDE) .....	1
6	607413		SPINDLE (DRIVER SIDE).....	1
7				
8	655529		STRUT (PASSENGER SIDE).....	1
9	655526		STRUT (DRIVER SIDE) .....	1
10				
11	609603		HUB ASSEMBLY (INCLUDES ITEMS 12 - 15) .....	1
12	*		HUB.....	1
13	*		BEARING SPACER, 28MM O.D. X 22MM I.D. X 46.7MM LG .....	1
14	*		BALL BEARING, 47MM O.D. X 20MM I.D. X 14MM.....	2
15	19862G1		WHEEL BOLT, 1/2" - 20 X 1.218" LG .....	4
16				
17	12091G2		SPINDLE CAP .....	1
18	632925		FLANGED BUSHING .....	1
19	632926		FLANGED SLEEVE.....	1
20	614034		KINGPIN TUBE .....	1
21				
22	620380		FLANGED HEX HEAD BOLT, M12 - 1.25 X 145MM LG .....	1
23	601920		THRUST WASHER (SS), 35MM O.D. X 26MM I.D. X 2.5MM LG.....	1
24	600549		LOCK NUT, M12 - 1.25.....	1
25				
26	615109		LOCK NUT, M16 - 2.....	1
27				
28	602415		FLANGED HEX HEAD BOLT, M10 - 1.5 X 80MM LG.....	1
29	600525		LOCK NUT, M10 - 1.5 .....	1
30				
31				

## FRONT SUSPENSION AND STEERING

THE USE OF NON U.L. PARTS WILL VOID ANY U.L. LISTING.

When ordering parts, please specify the model and serial number of the product.

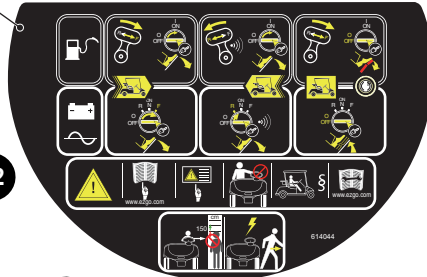
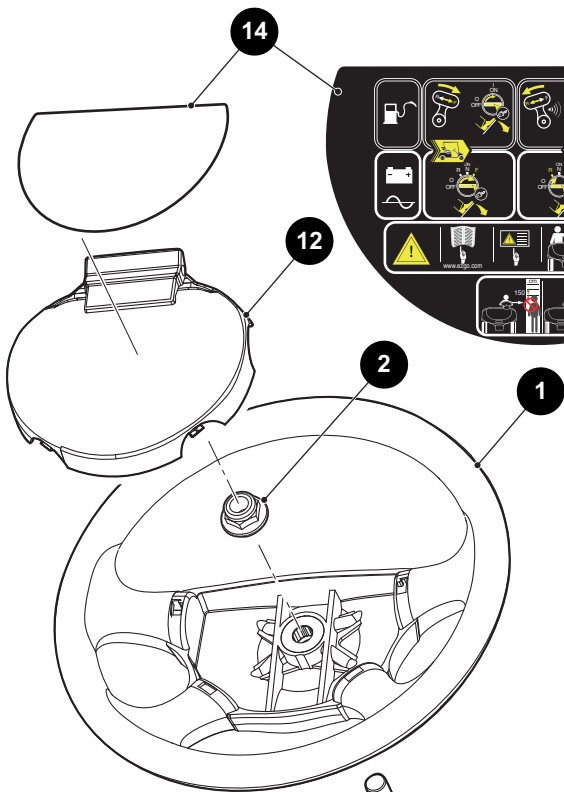
\* Indicates a component that is not available as an individual part.

\*\*\* Indicates consult Customer Service Department for additional information.

ITEM	PART NO.	1	2	3	4	5	DESCRIPTION	QTY.
32	608089						CONTROL ARM ASSEMBLY (INCLUDES ITEMS 33 - 34).....	1
33	608090						CONTROL ARM.....	1
34	608086						MOUNTING SLEEVE (RUBBER) .....	2
35								
36	601340						CONTROL ARM BUSHING .....	2
37	602085						CONTROL ARM CARRIER TUBE.....	2
38								
39	602415						FLANGED HEX HEAD BOLT, M10 - 1.5 X 80MM LG .....	2
40	600525						LOCK NUT, M10 - 1.5 .....	2
41								
42	601754						FLANGED HEX HEAD BOLT, M10 - 1.5 X 100MM LG .....	1
43	600525						LOCK NUT, M10 - 1.5 .....	1
44								
45	618329						STEERING RACK ASSEMBLY .....	1
46	602020						SOCKET HEAD BOLT, M10 - 1.5 X 50MM LG.....	3
47								
48	608005						CASTLE NUT (SS), M12 - 1.25.....	2
49	10387G2						COTTER PIN, .094" X 1" .....	2



# FRONT SUSPENSION AND STEERING



**WARNING** READ AND OBEY THE FOLLOWING WARNINGS TO DECREASE RISK OF SEVERE INJURY OR DEATH.

Pressing the accelerator pedal releases the parking brake even when the key is in the OFF position; the vehicle may move when the accelerator pedal is pressed. Unintentional movement of the vehicle can cause injury or death. Do not allow anyone to stand directly in front or behind the vehicle. Driver must have a valid driver's license. Do not operate vehicle until all occupants are properly seated with their backs against the seat and feet flat on the floor. Do not leave children unattended or allow them to play on a parked vehicle.

**SAFETY INSTRUCTIONS**

**BEFORE OPERATING**

- READ the owner's manual and all warning labels. Contact an authorized dealer or go to the manufacturer's website for replacement manual or labels.
- This vehicle is equipped for personal use. If used for commercial, towing, side law or tool use may require additional equipment in your community.

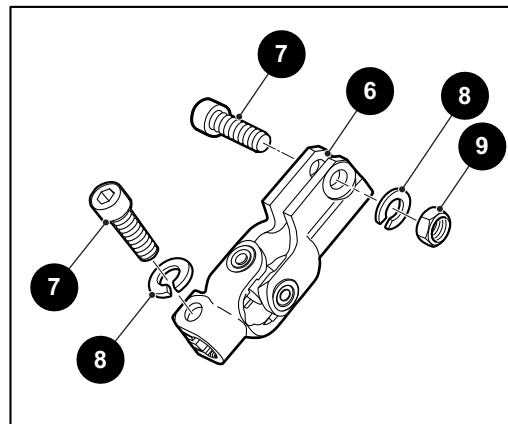
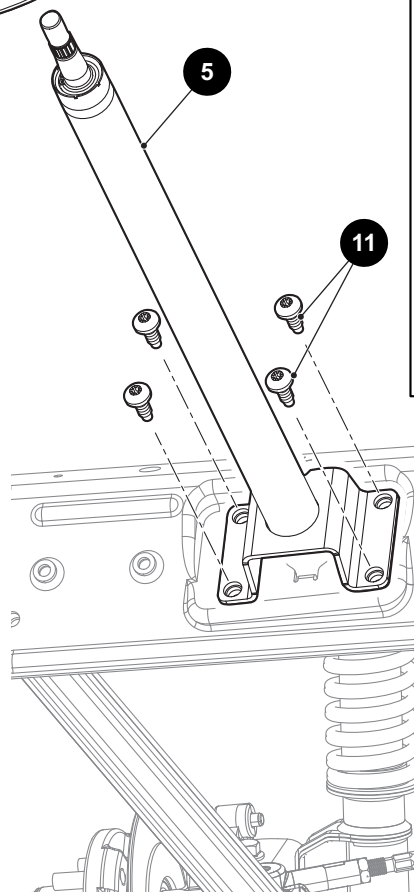
**SAFE OPERATION & PARKING**

- Turn key to ON, select Forward or Reverse, release the parking brake (if installed), and slowly press accelerator pedal.
- Always bring vehicle to a complete stop before shifting the direction selector.
- Always remain seated in a moving vehicle.
- Operate both the driver's seat only.
- Never drink alcohol or use drugs or medications before or during operation of the vehicle.
- ALWAYS release the parking brake and remove the key before leaving the vehicle. In an electric vehicle, put the direction selector in OFF or Neutral. In gasoline vehicles, put the selector in Forward.

**MAINTENANCE & TOWING**

- This vehicle requires regular scheduled maintenance (see the periodic service schedule in owner's manual).
- ONLY qualified personnel should service the vehicle.
- Vehicle is not to be towed. Consult owner's manual for transport instructions.

## 4 STEERING COLUMN ASSEMBLY includes items 5 - 9



## FRONT SUSPENSION AND STEERING

THE USE OF NON U.L. PARTS WILL VOID ANY U.L. LISTING.

When ordering parts, please specify the model and serial number of the product.

\* Indicates a component that is not available as an individual part.

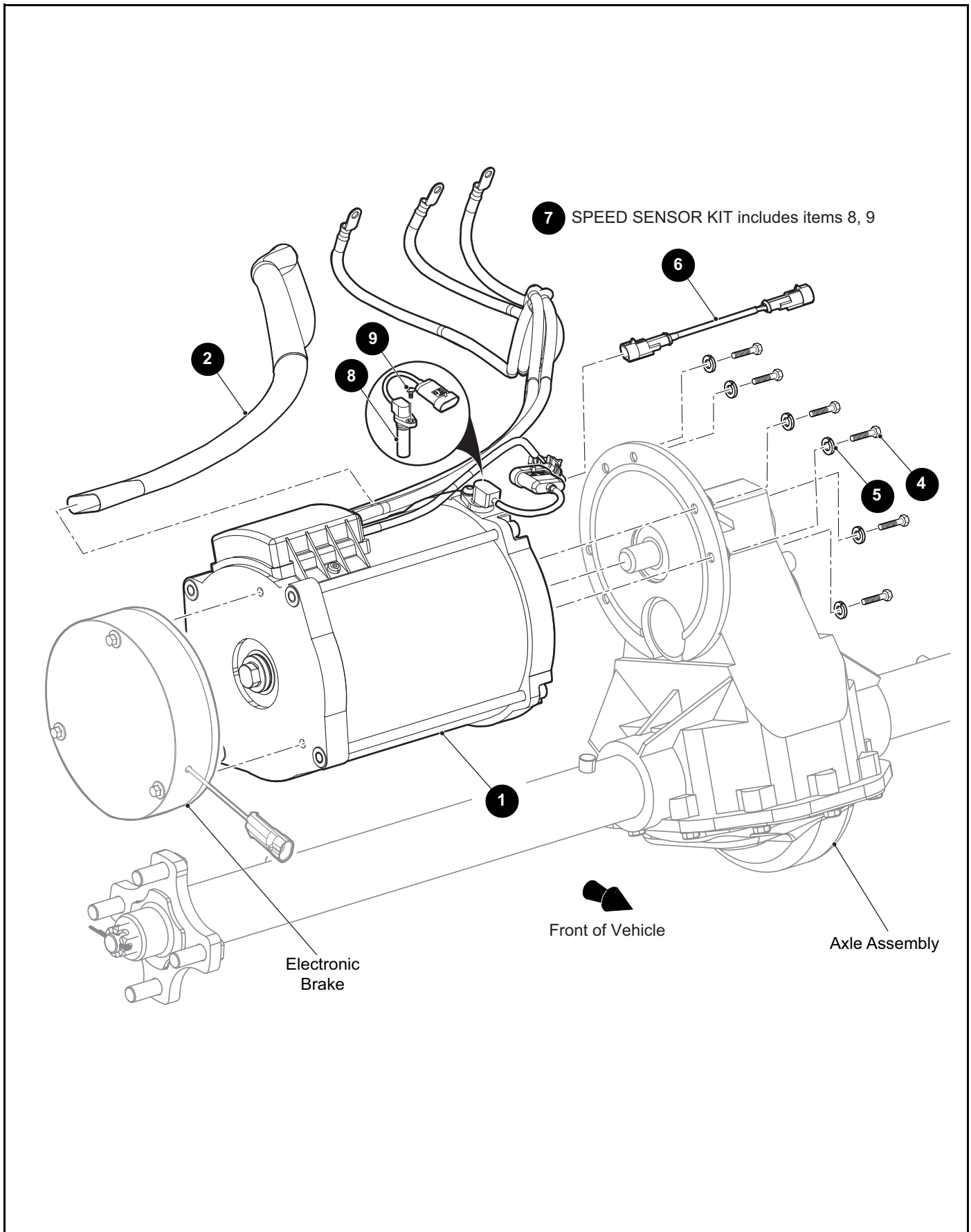
\*\*\* Indicates consult Customer Service Department for additional information.

ITEM	PART NO.	1 2 3 4 5	DESCRIPTION	QTY.
1	602980		STEERING WHEEL .....	1
2	601709		LOCK NUT, M6 - 2 .....	1
3				
4	600333		STEERING COLUMN ASSEMBLY (INCLUDES ITEMS 5 - 9) .....	1
5	608117		STEERING COLUMN .....	1
6	608114		STEERING YOKE .....	1
7	608653		SOCKET HEAD BOLT, M10 - 1.5 X 35MM LG .....	2
8	608654		LOCK WASHER, 10.5MM .....	2
9	608655		HEX NUT, M10 - 1.5 .....	1
10				
11	602572		PAN HEAD TAPTITE BOLT, M10 - 1.5 X 25MM LG .....	4
12	607925		SCORECARD HOLDER .....	1
13				
14	614044		OPERATION INSTRUCTION LABEL (CE VEHICLE ONLY) .....	1
15	664789		WARNING LABEL (STEERING WHEEL) .....	1





# MOTOR





THE USE OF NON U.L. PARTS WILL VOID ANY U.L. LISTING.

When ordering parts, please specify the model and serial number of the product.

\* Indicates a component that is not available as an individual part.

\*\*\* Indicates consult Customer Service Department for additional information.

ITEM	PART NO.	1 2 3 4 5	DESCRIPTION	QTY.
1	680638		MOTOR 48V AC.....	1
2	605714		FLEX LOOM SLEEVE.....	1
3				
4	605741		HEX HEAD BOLT, M6 - 1 X 25MM LG.....	6
5	601327		LOCK WASHER (SS), M6 .....	6
6	668214		TEMPERATURE SENSOR JUMPER HARNESS, 48V .....	1
7	614252		SPEED SENSOR KIT (INCLUDES ITEMS 8, 9).....	1
8	612741		SPEED SENSOR .....	1
9	614253		PAN HEAD TORX BOLT, M6 - 1 X 12MM LG.....	1
10				
11				
12				
13	32372G6		VINYL TRIM (NOT ILLUSTRATED) .....	1
14	27327G02		TWISTED CLAMP CLIP (NOT ILLUSTRATED).....	1







THE USE OF NON U.L. PARTS WILL VOID ANY U.L. LISTING.

When ordering parts, please specify the model and serial number of the product.

\* Indicates a component that is not available as an individual part.

\*\*\* Indicates consult Customer Service Department for additional information.

ITEM	PART NO.	1 2 3 4 5	DESCRIPTION	QTY.
1	630901		LIGHT DUTY ELECTRIC AXLE ASSEMBLY 16.99:1 (INCLUDES ITEMS 2 - 9) .....	1
2	604112		REAR AXLE HUB.....	2
3	644957		WHEEL BOLT .....	8
4	612928		SLOTTED HEX NUT, 5/8" - 18 .....	2
5	10387G1		COTTER PIN, 5/32" X 1 3/4" LG .....	2
6	15487G1		FLAT WASHER (BRAKE DRUM), 1.5" O.D. X .76" I.D. ....	2
7				
8				
9	630902		LIGHT DUTY ELECTRIC AXLE, 16.99:1 (INCLUDES ITEMS 10 - 51) ....	1
10	***		AXLE HOUSING (INCLUDES ITEM 11) .....	1
11	15118G1		FLANGED HEX HEAD BOLT, 3/8" - 16 X 2.12" LG.....	4
12				
13				
14	620329		INPUT GEAR KIT (INCLUDES ITEMS 15 - 20).....	1
15	620327		INPUT GEAR.....	1
16	620328		OIL SEAL.....	1
17	23530G1		RETAINING RING, 2.059" DIA .....	1
18	24628G1		O - RING SEAL, 1.84" I. D.....	1
19	23519G2		BALL BEARING, .984" I. D X 1.85" O.D. ....	1
20	23520G1		BALL BEARING, .669" I. D X 1.97" O. D. ....	1
21				
22	620361		INTERNAL GEARS KIT (INCLUDES ITEMS 15, 23 & 24) .....	1
23	620349		INTERMEDIATE GEAR ASSEMBLY .....	1
24	620350		DRIVE GEAR .....	1
25				
26	620362		BALL BEARING KIT (INCLUDES ITEMS 19, 20 & 27 - 29) .....	1
27	620340		BALL BEARING.....	1
28	17473G1		DIFFERENTIAL BEARING ASSEMBLY.....	2
29	620355		BALL BEARING.....	1
30				

# REAR AXLE

THE USE OF NON U.L. PARTS WILL VOID ANY U.L. LISTING.

When ordering parts, please specify the model and serial number of the product.

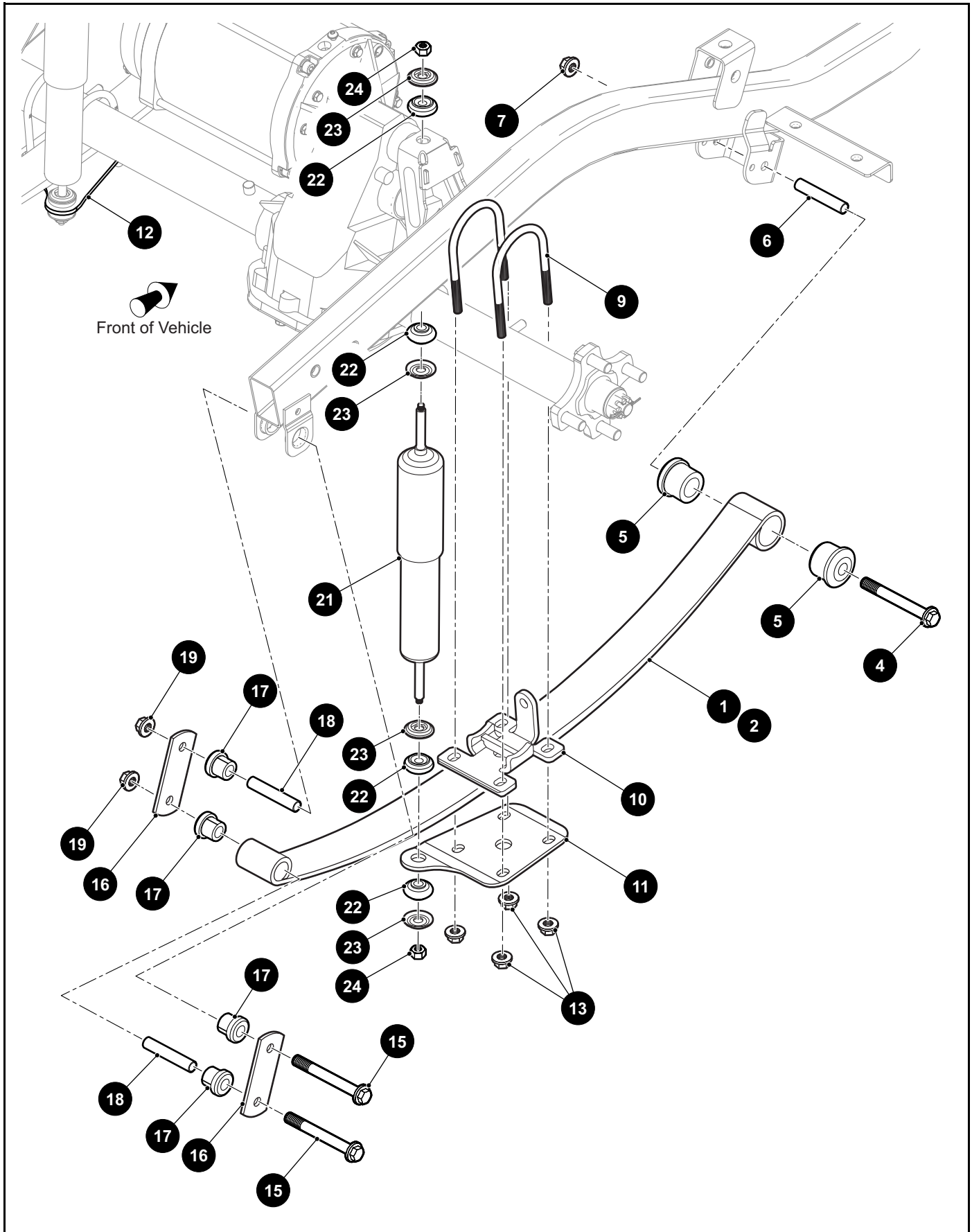
\* Indicates a component that is not available as an individual part.

\*\*\* Indicates consult Customer Service Department for additional information.

ITEM	PART NO.	1	2	3	4	5	DESCRIPTION	QTY.
31	620363						DIFFERENTIAL COVER ASSEMBLY KIT (INCLUDES ITEMS 32 & 33).....	1
32	620347						RUBBER PLUG .....	1
33	620348						DIFERENTIAL COVER PLATE .....	1
34								
35								
36	608811						END CAP PLUG .....	2
37	614208						AXLE SHAFT, LONG (DRIVER SIDE) .....	1
38	614209						AXLE SHAFT, SHORT (PASSENGER SIDE).....	1
39	620342						RETAINING RING .....	4
40	620343						BALL BEARING.....	2
41	620344						OIL SEAL.....	2
42	620345						O - RING.....	2
43								
44	614059						CARRIER LSD WITH CC CLUTCHES.....	1
45	601084						LOCK NUT, 3/8" - 24 .....	4
46	620335						FLANGED HEX HEAD BOLT, 3/8" - 24 X 1.25" LG.....	4
47	620346						FLANGED HEX HEAD BOLT, 5/16" - 18 X .75" LG.....	10
48								
49	620357						AXLE VENT .....	1
50	620358						O - RING.....	2
51	620359						RETAINING RING .....	2
52								
53	72763G01						SCUFF GUARD.....	1



# REAR SUSPENSION





## REAR SUSPENSION

THE USE OF NON U.L. PARTS WILL VOID ANY U.L. LISTING.

When ordering parts, please specify the model and serial number of the product.

\* Indicates a component that is not available as an individual part.

\*\*\* Indicates consult Customer Service Department for additional information.

ITEM	PART NO.	1 2 3 4 5	DESCRIPTION	QTY.
1	625709		MEDIUM DUTY LEAF SPRING .....	1
2	604494		HEAVY DUTY LEAF SPRING .....	1
3				
4	601754		FLANGED HEX HEAD BOLT, M10 - 1.5 X 100MM LG.....	1
5	620160		FLANGED BUSHING (URETHANE).....	2
6	620161		SPLIT SPACER (STEEL).....	1
7	614974		FLANGED HEX NUT, M10 - 1.5.....	1
8				
9	632103		U-BOLT, 68MM DIA X 45MM X 110MM LG .....	2
10	626422		AXLE SUPPORT BRACKET.....	1
11	625658		SHOCK MOUNT PLATE (PASSENGER SIDE) .....	1
12	625657		SHOCK MOUNT PLATE (DRIVER SIDE).....	1
13	600525		FLANGED LOCK NUT, M10 - 1.5 .....	4
14				
15	601754		FLANGED HEX HEAD BOLT, M10 - 1.5 X 100MM LG.....	2
16	652245		SHACKLE PLATE .....	2
17	624030		FLANGED BUSHING (IGUS).....	4
18	620161		SPLIT SPACER (STEEL).....	2
19	614974		FLANGED HEX NUT, M10 - 1.5.....	2
20				
21	76418G01		SHOCK ABSORBER.....	1
22	10194G1		RUBBER BUSHING .....	4
23	10435G1		SHOCK ABSORBER WASHER, 1.25" O.D. X .406" I.D X .22" LG .....	4
24	00532G6		HEX NUT, 3/8" - 24 .....	2





# SEATING AND BASKET

**1** SEAT BOTTOM ASSEMBLY  
includes items 2 - 12

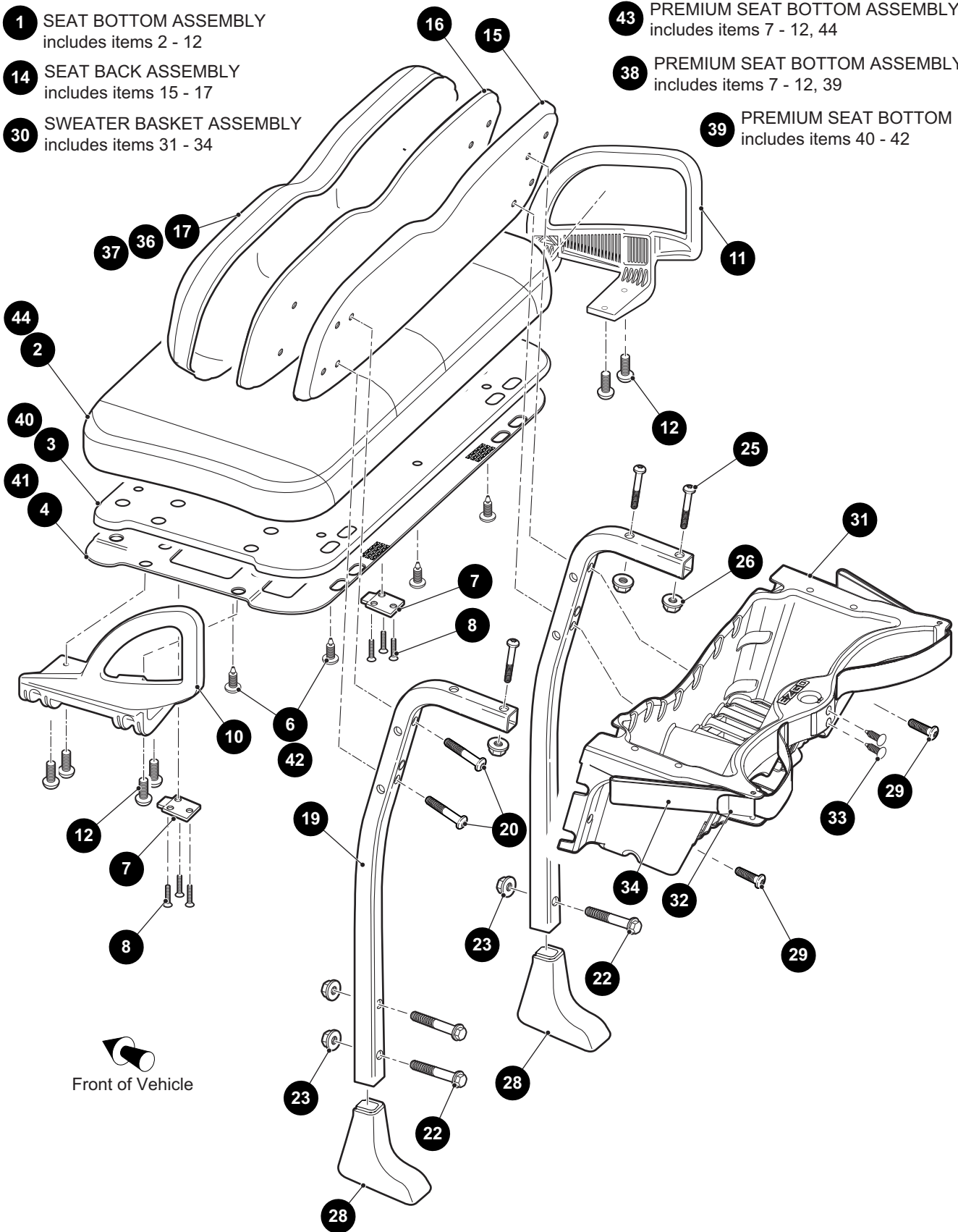
**14** SEAT BACK ASSEMBLY  
includes items 15 - 17

**30** SWEATER BASKET ASSEMBLY  
includes items 31 - 34

**43** PREMIUM SEAT BOTTOM ASSEMBLY  
includes items 7 - 12, 44

**38** PREMIUM SEAT BOTTOM ASSEMBLY  
includes items 7 - 12, 39

**39** PREMIUM SEAT BOTTOM  
includes items 40 - 42



## SEATING AND BASKET

THE USE OF NON U.L. PARTS WILL VOID ANY U.L. LISTING.

When ordering parts, please specify the model and serial number of the product.

\* Indicates a component that is not available as an individual part.

\*\*\* Indicates consult Customer Service Department for additional information.

ITEM	PART NO.	1 2 3 4 5	DESCRIPTION	QTY.
1	***		SEAT BOTTOM ASSEMBLY (INCLUDES ITEMS 2 - 12) ..... 629269G1502 STONE BEIGE 629269G1501 OYSTER 629269G1506 BLACK 629269G1504 GRAY	1
2	***		VINYL AND FOAM SEAT BOTTOM ..... 644819G02 STONE BEIGE 644819G01 OYSTER 644819G06 BLACK 644819G04 GRAY	1
3	644351		WOODEN BASE ASSEMBLY.....	1
4	602551		COVER PLATE.....	1
5				
6	16816G2		RATCHET RIVET, .25" X .887".....	4
7	71610G01		SEAT HINGE.....	1
8	00720G08		FLAT HEAD PHILLIPS TAPPING SCREW, #12 - 14 X 1" LG.....	3
9				
10	617645		HIP RESTRAINT (DRIVER SIDE).....	1
11	617644		HIP RESTRAINT (PASSENGER SIDE).....	1
12	615417		BUTTON HEAD TORX BOLT, M10 - 1.5 X 25MM LG.....	4
13				
14	***		SEAT BACK ASSEMBLY (INCLUDES ITEMS 15 - 17)..... 641897G0002 STONE BEIGE 641897G0001 OYSTER 641897G0006 BLACK 641897G0004 GRAY	1
15	605529		COVER (PLASTIC) (BLACK).....	1
16	644268		BASE ASSEMBLY.....	1
17	***		VINYL COVER AND FOAM ..... 644820G02 STONE BEIGE 644820G01 OYSTER 644820G06 BLACK 644820G04 GRAY	1
18				
19	602413		SEAT BACK SUPPORT STRUT.....	2
20	600527		BUTTON HEAD TORX BOLT, M10 - 1.5 X 60MM LG.....	4
21				

## SEATING AND BASKET

THE USE OF NON U.L. PARTS WILL VOID ANY U.L. LISTING.

When ordering parts, please specify the model and serial number of the product.

\* Indicates a component that is not available as an individual part.

\*\*\* Indicates consult Customer Service Department for additional information.

ITEM	PART NO.	1 2 3 4 5	DESCRIPTION	QTY.
22	603800		FLANGED HEX HEAD BOLT, M10 - 1.5 X 50 MM LG .....	2
23	600525		FLANGED LOCK NUT, M10 - 1.5.....	2
24				
25	600527		BUTTON HEAD TORX BOLT, M10 - 1.5 X 60 MM LG .....	4
26	600525		LOCK NUT, M10 - 1.5.....	4
27				
28	645088		SEAT BACK SUPPORT STRUT COVER.....	2
29	600530		BUTTON HEAD TORX BOLT, M10 - 1.5 X 25 MM LG .....	2
30	602742		SWEATER BASKET ASSEMBLY (INCLUDES ITEMS 31 - 34) .....	1
31	*		SWEATER BASKET .....	1
32	608051		CLAMP (BAGRACK).....	2
33	16816G1		RACHET RIVET, .25" X .680" .....	2
34	71853G01		BAG STRAP.....	1
35				
			<b>FOR FLEET AND FREEDOM WITH PREMIUM SEAT OPTION:</b>	
36	***		PREMIUM SEAT BACK ASSEMBLY..... 647282G17 LIGHT BEIGE	1
37	***		PREMIUM SEAT BACK ASSEMBLY .....	1
			686149G18 MUSHROOM	
			686149G19 GRAY	
			686149G20 CUSTOM	
38	***		PREMIUM SEAT BOTTOM ASSEMBLY (INCLUDES ITEMS 7 - 12, 39).....	1
			629269G1618 MUSHROOM	
			629269G1619 GRAY	
			629269G1620 CUSTOM	
39	***		PREMIUM SEAT BOTTOM ASSEMBLY (INCLUDES ITEMS 40 - 42) .....	1
			686148G18 MUSHROOM	
			686148G19 GRAY	
			686148G20 CUSTOM	
40	605502		WOODEN BASE ASSEMBLY .....	1
41	602551		COVER PLATE .....	1
42	16816G2		RATCHET RIVET, .25" X .887".....	4
43	***		PREMIUM SEAT BOTTOM ASSEMBLY (INCLUDES ITEMS 7 - 12, 44) .....	1
			629269G1617 LIGHT BEIGE	
44	***		PREMIUM SEAT BOTTOM .....	1
			647267G17 LIGHT BEIGE	

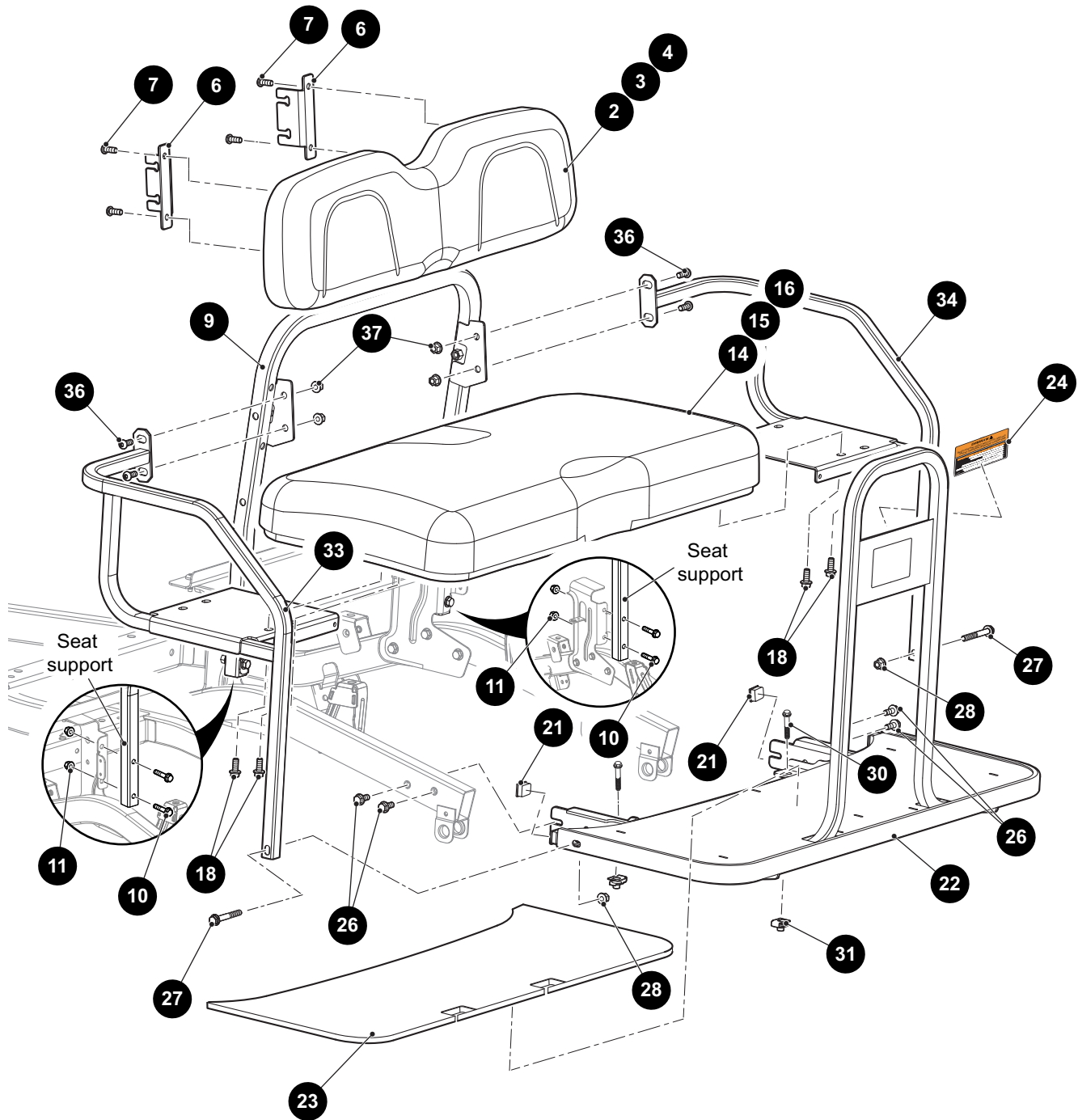


# SEATING AND BASKET

**1** SEAT BACK ASSEMBLY  
includes items 2 - 4

**20** FLOORBOARD ASSEMBLY (FIXED SEAT)  
includes items 21 - 24

**13** SEAT BOTTOM ASSEMBLY (FIXED)  
includes items 14 - 16





## SEATING AND BASKET

THE USE OF NON U.L. PARTS WILL VOID ANY U.L. LISTING.

When ordering parts, please specify the model and serial number of the product.

\* Indicates a component that is not available as an individual part.

\*\*\* Indicates consult Customer Service Department for additional information.

ITEM	PART NO.	1 2 3 4 5	DESCRIPTION	QTY.
1	***		SEAT BACK ASSEMBLY (INCLUDES ITEMS 2 - 4)..... 641897G0001 OYSTER 641897G0002 STONE BEIGE 641897G0006 BLACK 641897G0004 GRAY	1
2	***		VINYL COVER AND FOAM ..... 644820G02 STONE BEIGE 644820G01 OYSTER 644820G06 BLACK 644820G04 GRAY	1
3	605529		COVER (PLASTIC) .....	1
4	644268		BASE ASSEMBLY .....	1
5				
6	606286		REAR SEAT SUPPORT BRACKET .....	1
7	600530		BUTTON HEAD TORX BOLT, M10 - 1.5 X 25MM LG .....	2
8				
9	604473		SEAT SUPPORT .....	1
10	603800		FLANGED HEX HEAD BOLT, M10 - 1.5 X 50MM LG.....	4
11	600525		FLANGED LOCK NUT, M10 - 1.5 .....	4
12				
13	***		SEAT BOTTOM ASSEMBLY (FIXED) (INCLUDES ITEMS 14 - 16) ..... 608010 OYSTER 605501 STONE BEIGE 615170 BLACK 671495 GRAY	1
14	***		VINYL COVER AND FOAM ..... 600221 STONE BEIGE 608007 OYSTER 615169 BLACK 669919 GRAY	1
15	605502		BASE ASSEMBLY .....	1
16	605503		SEAT BOTTOM (FOAM) .....	1
17				
18	603799		FLANGED HEX HEAD BOLT, M10 - 1.5 X 25MM LG.....	4
19				
20	642444G01		FLOORBOARD ASSEMBLY (FIXED SEAT) (INCLUDES ITEMS 21 - 24) .....	1
21	19853G1		TUBE CAP, 1" X 1" .....	2

## SEATING AND BASKET

THE USE OF NON U.L. PARTS WILL VOID ANY U.L. LISTING.

When ordering parts, please specify the model and serial number of the product.

\* Indicates a component that is not available as an individual part.

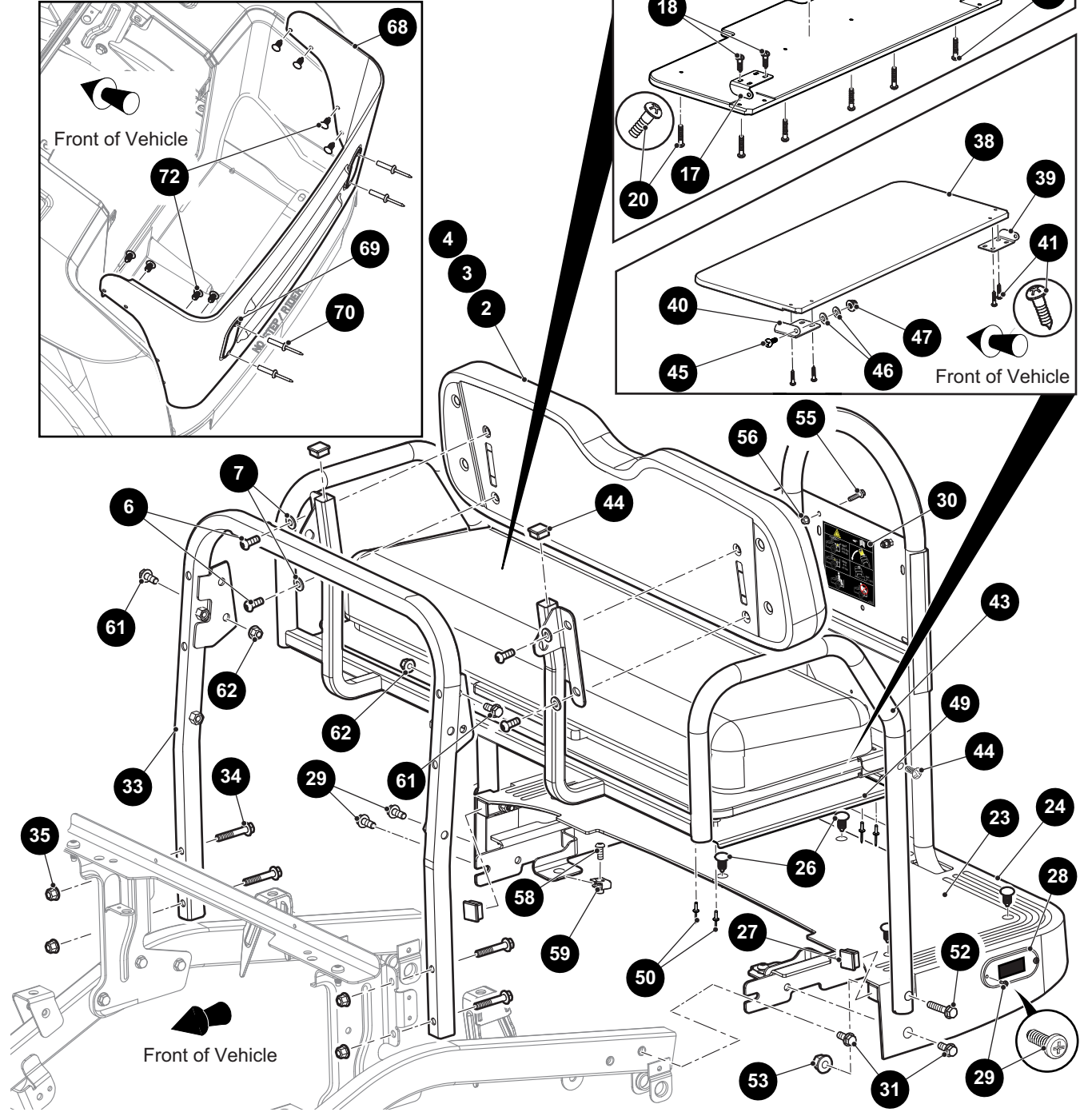
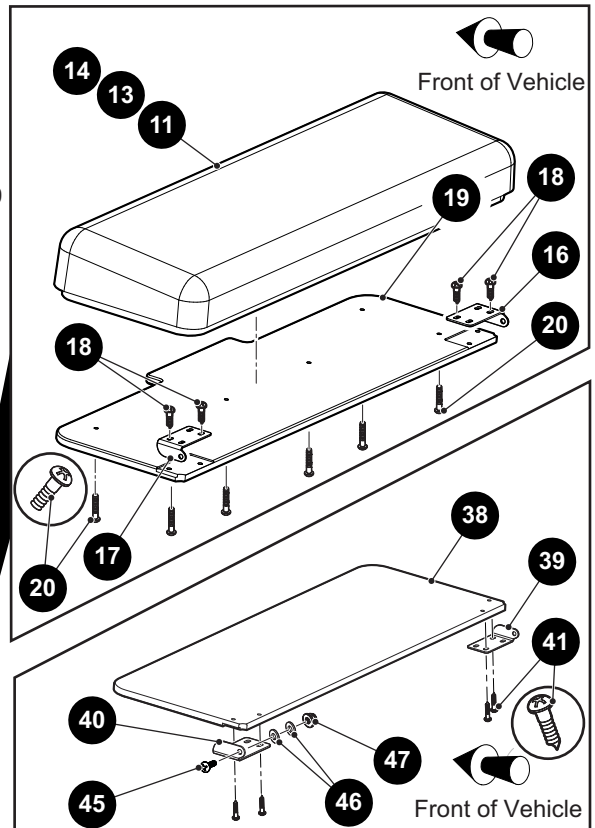
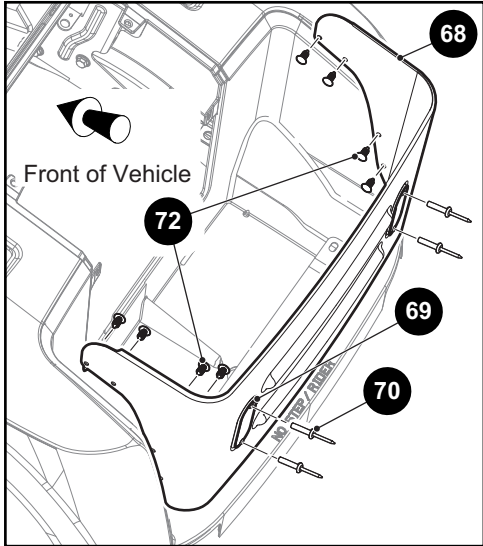
\*\*\* Indicates consult Customer Service Department for additional information.

ITEM	PART NO.	1	2	3	4	5	DESCRIPTION	QTY.
22	638346G01						FOOTREST WELDMENT (FIXED SEAT) .....	1
23	640653						FOOTREST GRIP TAPE .....	1
24	608537						REAR FACING SEAT WARNING LABEL .....	1
25								
26	603799						FLANGED HEX HEAD BOLT, M10 - 1.5 X 25MM LG .....	4
27	602415						FLANGED HEX HEAD BOLT, M10 - 1.5 X 80MM LG .....	2
28	600525						LOCK NUT, M10 - 1.5 .....	2
29								
30	603800						FLANGED HEX HEAD BOLT, M10 - 1.5 X 50 MM LG .....	2
31	603818						BARREL CLIP, M10 - 1.5.....	2
32								
33	604723						ARM REST (DRIVER SIDE).....	1
34	604725						ARM REST (PASSENGER SIDE) .....	1
35								
36	600530						BUTTON HEAD TORX BOLT, M10 - 1.5 X 25MM LG .....	2
37	600525						LOCK NUT, M10 - 1.5 .....	2



# SEATING AND BASKET

- 1** SEAT BACK ASSEMBLY includes items 2 - 4
- 9** SEAT BOTTOM ASSEMBLY (FLIP) includes items 10 - 20
- 10** SEAT BOTTOM ASSEMBLY includes items 11 - 14
- 23** FLOORBOARD ASSEMBLY (FLIP SEAT) includes items 24 - 29
- 37** DECK BED ASSEMBLY includes items 38 - 41
- 67** BAGWELL CLOSEOUT ASSEMBLY includes items 68 - 70



## SEATING AND BASKET

THE USE OF NON U.L. PARTS WILL VOID ANY U.L. LISTING.

When ordering parts, please specify the model and serial number of the product.

\* Indicates a component that is not available as an individual part.

\*\*\* Indicates consult Customer Service Department for additional information.

ITEM	PART NO.	1 2 3 4 5	DESCRIPTION	QTY.
1	***		SEAT BACK ASSEMBLY (INCLUDES ITEMS 2 - 4)..... 641897G0002 STONE BEIGE 641897G0001 OYSTER 641897G0006 BLACK 641897G0004 GRAY	1
2	605529		BLACK PLASTIC COVER .....	1
3	644268		BASE ASSEMBLY .....	1
4	***		VINYL COVER AND FOAM .....	1
			644820G02 STONE BEIGE 644820G01 OYSTER 644820G06 BLACK 644820G04 GRAY	
5				
6	600530		BUTTON HEAD TORX BOLT, M10 - 1.5 X 25MM LG .....	4
7	603823		FLAT WASHER, M10 X 22MM X 2.5MM .....	4
8				
9	***		SEAT BOTTOM ASSEMBLY (FLIP) (INCLUDES ITEMS 10 - 20)..... 615193 STONE BEIGE 615194 OYSTER 615137 BLACK 670860 GRAY	1
10	***		SEAT BOTTOM ASSEMBLY (INCLUDES ITEMS 11 - 14)..... 615192 STONE BEIGE 75197G03 OYSTER 75197G07 BLACK 75197G02 GRAY	1
11	***		VINYL COVER .....	1
			615191 STONE BEIGE 75252G03 OYSTER 75252G07 BLACK 75252G02 GRAY	
12	11394G1		SEAT STRAP, 5.5" LG (NOT ILLUSTRATED) .....	1
13	75199G01		FOAM.....	1
14	75223G01		PLYWOOD .....	1
15				
16	75250G01		SEAT HINGE (PASSENGER SIDE) .....	1
17	75250G02		SEAT HINGE (DRIVER SIDE).....	1
18	600922		TRUSS HEAD SCREW WITH PATCH LOCK, 1/4" - 20 X 5/8" LG .....	2
19	620879		SEAT BED DECK ASSEMBLY .....	1

## SEATING AND BASKET

THE USE OF NON U.L. PARTS WILL VOID ANY U.L. LISTING.

When ordering parts, please specify the model and serial number of the product.

\* Indicates a component that is not available as an individual part.

\*\*\* Indicates consult Customer Service Department for additional information.

ITEM	PART NO.	1	2	3	4	5	DESCRIPTION	QTY.
20	00205G4						FLAT HEAD SCREW, 1/4" - 20 X 1 1/2" LG .....	6
21								
22								
23	642444G02						FLOORBOARD ASSEMBLY (FLIP SEAT) (INCLUDES ITEMS 24 - 29).....	1
24	638346G02						FOOTREST WELDMENT (FIXED SEAT) .....	1
25	609851						FOOTREST COVER .....	1
26	16816G2						RATCHET RIVET, .25" X .887" .....	10
27	19853G1						TUBE CAP, 1" X 1" .....	2
28	614973						OVAL REFLECTOR (RED) .....	4
29	608290						SELF TAPPING SCREW, #10 - 16 X 3/4" LG .....	2
30	610631						CLAYS BED LABEL.....	1
31	603799						FLANGED HEX HEAD BOLT, M10 - 1.5 X 25MM LG .....	4
32								
33	604473						SEAT SUPPORT .....	1
34	601414						FLANGED HEX HEAD BOLT, M10 -1.5 X 65MM LG .....	4
35	600525						LOCK NUT, M10 - 1.5 .....	4
36								
37	615138						DECK BED ASSEMBLY (INCLUDES ITEMS 38 - 41).....	1
38	620878						MIDDLE LIFTED DECK BED .....	1
39	75250G01						SEAT HINGE (PASSENGER SIDE).....	1
40	75250G02						SEAT HNGE (DRIVER SIDE) .....	1
41	600922						TRUSS HEAD SCREW WITH PATCH LOCK, 1/4" - 20 X 5/8" LG .....	2
42								
43	617576						REAR SEAT FRAME (LIFTED) .....	1
44	19853G1						TUBE CAP, 1" X 1" .....	2
45	00762G8						TRUSS HEAD PHILLIPS SCREW, 5/16" - 18 X 2" LG.....	2
46	17255G1						FLAT WASHER (TEFLON), .360"X .625" X .030" .....	4
47	00891G3						LOCK NUT, 5/16" -18 .....	2
48								
49	612620						REAR FACING SEAT CLOSE OUT .....	1
50	18436G1						RIVET, 1/4" X 3/4" .....	4

## SEATING AND BASKET

THE USE OF NON U.L. PARTS WILL VOID ANY U.L. LISTING.

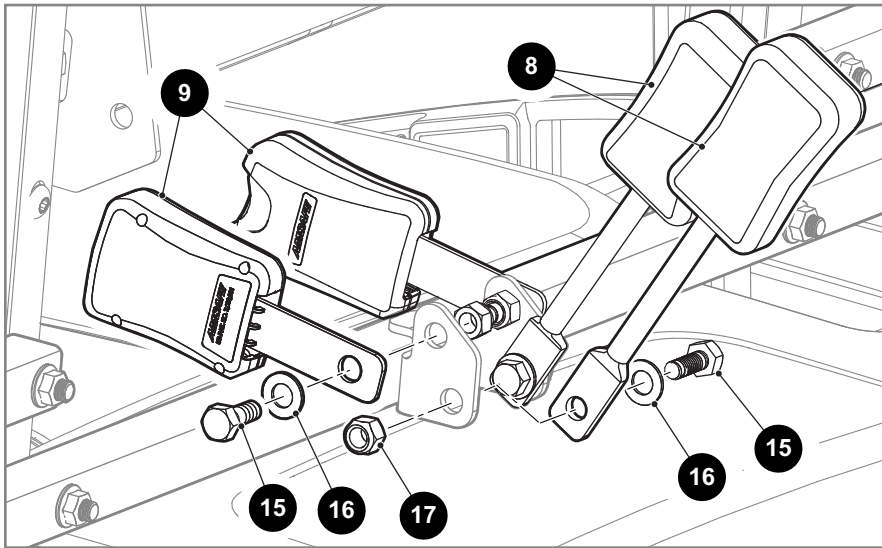
When ordering parts, please specify the model and serial number of the product.

\* Indicates a component that is not available as an individual part.

\*\*\* Indicates consult Customer Service Department for additional information.

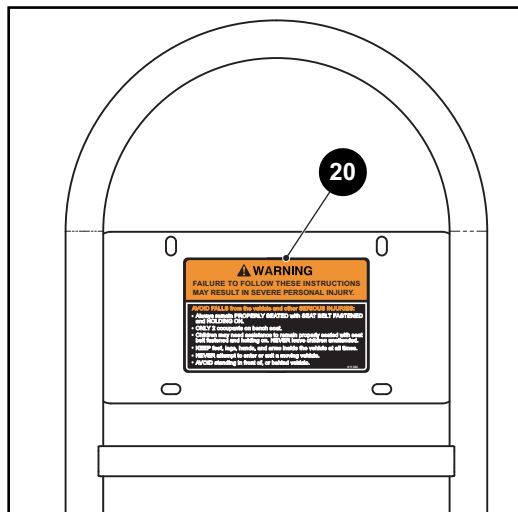
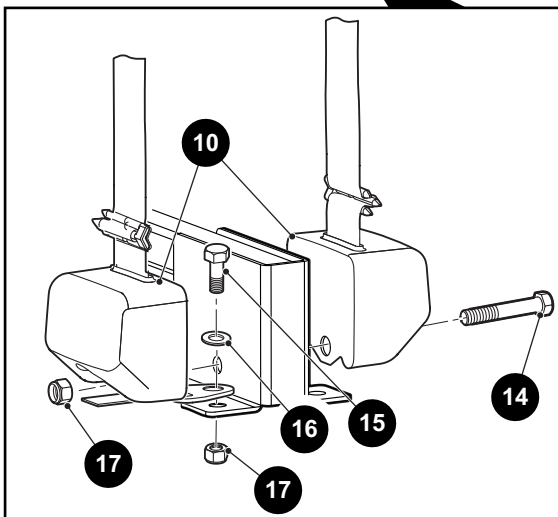
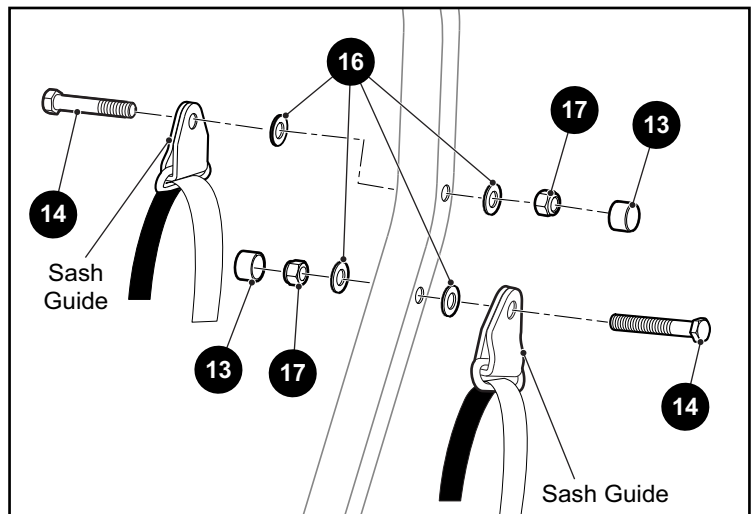
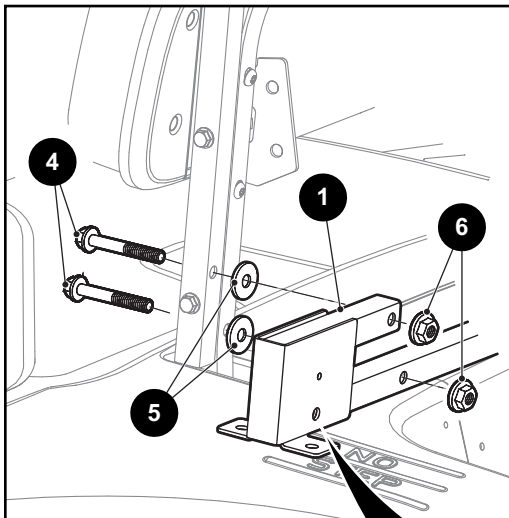
ITEM	PART NO.	1 2 3 4 5	DESCRIPTION	QTY.
51				
52	602415		FLANGED HEX HEAD BOLT, M10 - 1.5 X 80MM LG.....	2
53	600525		LOCK NUT, M10 - 1.5 .....	2
54				
55	73876G01		FLANGED HEX HEAD BOLT, M6 - 1 X12MM LG.....	2
56	601476		LOCK NUT, M6 - 1 .....	2
57				
58	600530		BUTTON HEAD TORX BOLT, M10 - 1.5 X 25MM LG .....	2
59	603818		BARREL CLIP, M10 - 1.5 .....	2
60				
61	603799		FLANGED HEX HEAD BOLT, M10 - 1.5 X 25MM LG.....	2
62	600525		LOCK NUT, M10 - 1.5 .....	2
63				
64				
65				
66				
67	643973		BAGWELL CLOSEOUT ASSEMBLY (INCLUDES ITEMS 68 - 70) .....	1
68	643062		BAGWELL CLOSEOUT .....	1
69	614973		RED REFLECTOR .....	1
70	71055G02		RIVET, 3/16" DIA .....	2
71				
72	16816G2		RATCHET RIVET, .25" X .887" .....	8

# SEATING AND BASKET



**3 SEATBELT STRUCTURE HARDWARE KIT**  
includes items 4 - 6

**12 SEATBELT INSTALLATION HARDWARE KIT**  
includes items 13 - 17



Rear Seat Footrest Weldment



## SEATING AND BASKET

THE USE OF NON U.L. PARTS WILL VOID ANY U.L. LISTING.

When ordering parts, please specify the model and serial number of the product.

\* Indicates a component that is not available as an individual part.

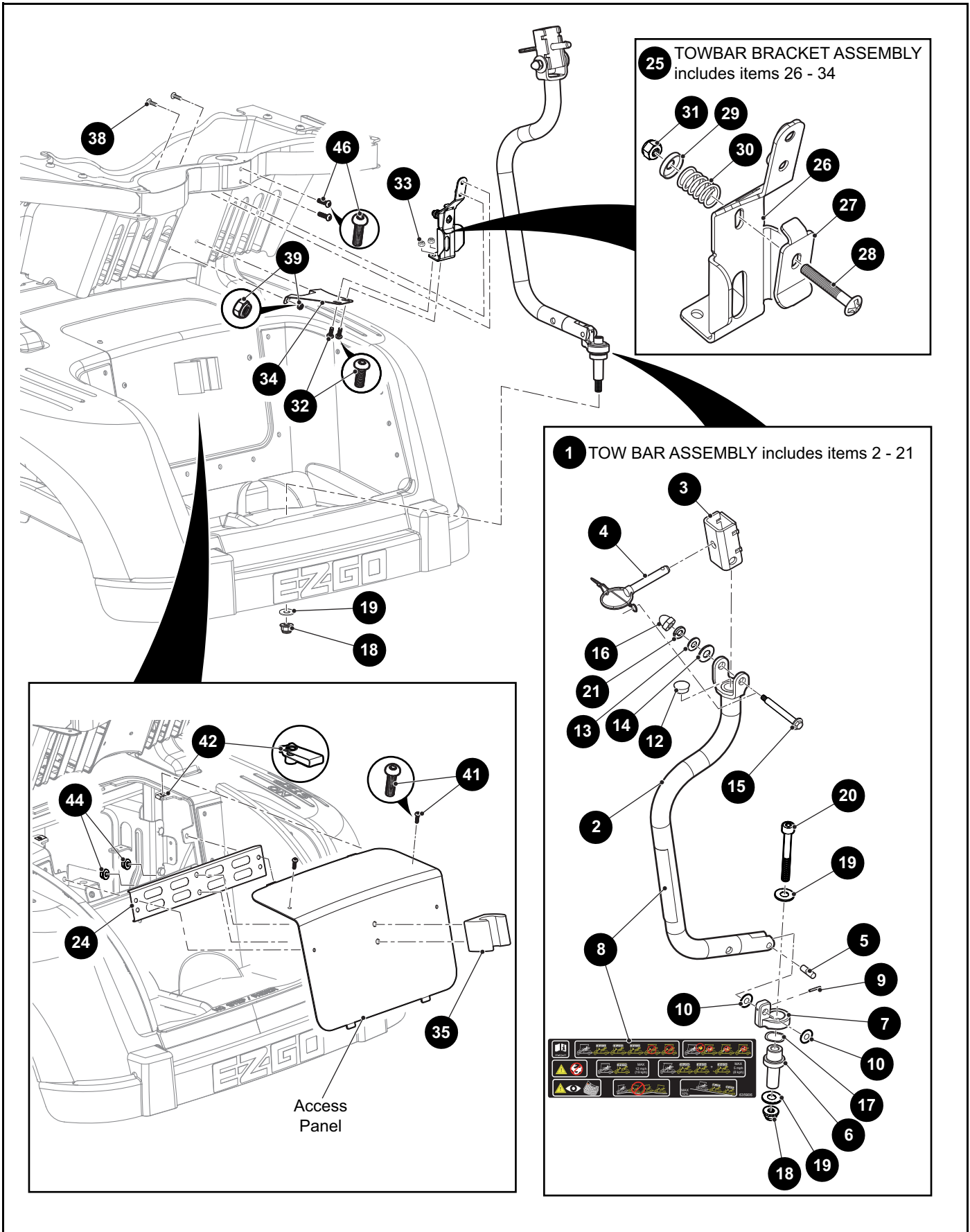
\*\*\* Indicates consult Customer Service Department for additional information.

ITEM	PART NO.	1 2 3 4 5	DESCRIPTION	QTY.
1	610739		SEATBELT WELDMENT.....	1
2				
3	612126		SEATBELT STRUCTURE HARDWARE KIT (INCLUDES ITEMS 4 - 6).....	1
4	602415		FLANGED HEX HEAD BOLT, M10 - 1.5 X 80MM LG.....	4
5	600525		FLANGED LOCK NUT, M10 - 1.5.....	4
6	604066		FLAT WASHER (STEEL), M10.....	4
7				
8	609031		SEAT BELT BUCKLE, 9".....	2
9	609854		SEAT BELT BUCKLE, 6".....	2
10	649131		SEAT BELT RETRACTOR ASSEMBLY.....	4
11				
12	612127		SEATBELT INSTALLATION HARDWARE KIT (INCLUDES ITEMS 13 - 17)...	1
13	605686		CAP (VINYL).....	4
14	612346		HEX HEAD BOLT, 7/16" - 20 X 2.5" LG.....	6
15	610753		HEX HEAD BOLT, 7/16" - 20 X 1" LG.....	8
16	00560G2		FLAT WASHER, 7/16".....	16
17	00734G3		LOCK NUT, 7/16" - 20.....	14
18				
19				
20	611362		REAR FACING SEAT LABEL.....	1





# TOWBAR



THE USE OF NON U.L. PARTS WILL VOID ANY U.L. LISTING.

When ordering parts, please specify the model and serial number of the product.

\* Indicates a component that is not available as an individual part.

\*\*\* Indicates consult Customer Service Department for additional information.

ITEM	PART NO.	1 2 3 4 5	DESCRIPTION	QTY.
1	635818		TOWBAR ASSEMBLY (INCLUDES ITEMS 2 - 21).....	1
2	635820		TOWBAR .....	1
3	635461		COUPLING WELDMENT .....	1
4	685471		HITCH PIN ASSEMBLY (SHORT).....	1
5	75360G01		PIVOT PIN .....	1
6	602990		PIVOT.....	1
7	625458		SWIVEL.....	1
8	635906		WARNING LABEL .....	1
9	608793		SPIROL PIN, 3MM X 22MM .....	1
10	75340G01		FLAT WASHER (DELFIN), M10 .....	2
11				
12	20271G6		PLUG, .875" DIA.....	1
13	00560G1		FLAT WASHER, 3/8" .....	1
14	00571G5		FLAT WASHER, 5/16" .....	1
15	14158G1		SHOULDER BOLT, 3/8" - 16 X 2.75" LG .....	1
16	15717G5		ACORN NUT, 3/8" - 16 .....	1
17	603341		WAVY WASHER, M32.....	1
18	625748		LOCK NUT, M12 - 1.25.....	1
19	603182		FLAT WASHER, M12.....	2
20	603384		SOCKET HEAD BOLT, M12 - 1.25 X 100MM LG.....	1
21	00566G1		SPRING LOCK WASHER, 7/16" .....	1
22				
23				
24	641228		SUPPORT CHANNEL.....	1
25	641381		TOWBAR BRACKET ASSEMBLY (INCLUDES ITEMS 26 - 34).....	1
26	641380		SOCKET WELDMENT .....	1
27	641546		RETENTION CLIP .....	1
28	16705G6		TRUSS HEAD PHILLIPS SCREW (SS), 1/4" - 20 X 1.75" LG .....	1
29	25727G01		CUP WASHER, .687" O.D. X .265" I.D.....	1
30	72735G01		COMPRESSION SPRING.....	1
31	14390G4		LOCK NUT (SS), 1/4" - 20 .....	1

# TOWBAR

THE USE OF NON U.L. PARTS WILL VOID ANY U.L. LISTING.

When ordering parts, please specify the model and serial number of the product.

\* Indicates a component that is not available as an individual part.

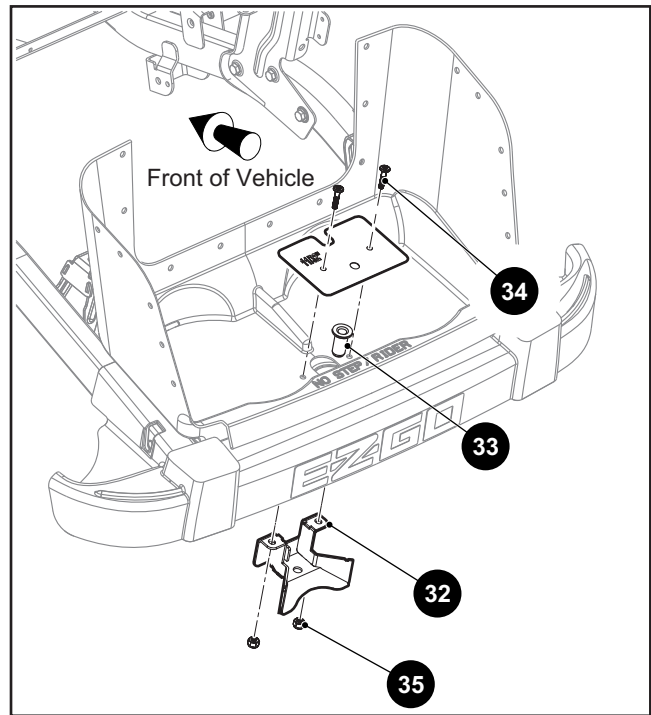
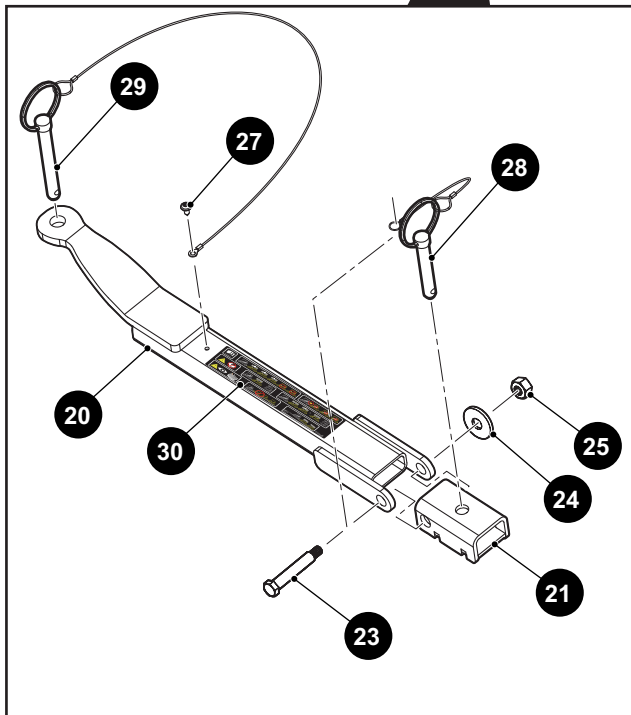
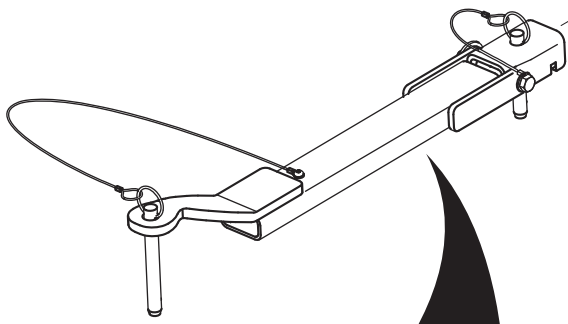
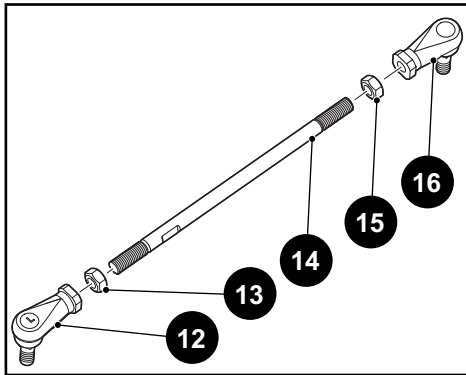
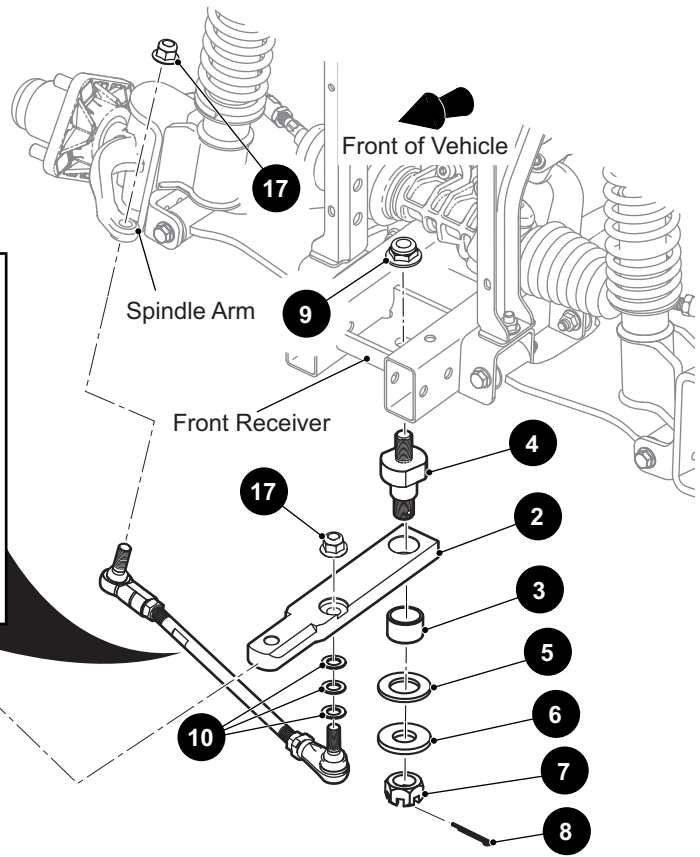
\*\*\* Indicates consult Customer Service Department for additional information.

ITEM	PART NO.	1	2	3	4	5	DESCRIPTION	QTY.
32	16705G2						PAN HEAD PHILLIPS SCREW (SS), 1/4" - 20 X 5/8" LG.....	2
33	14390G4						LOCK NUT (SS), 1/4" - 20 .....	2
34	641402						TOWBAR SUPPORT BRACKET .....	1
35	603020						TOWBAR RETAINER .....	1
36								
37								
38	16705G2						PAN HEAD PHILLIPS SCREW (SS), 1/4" - 20 X 5/8" LG .....	2
39	14390G4						LOCK NUT (SS), 1/4" - 20 .....	2
40								
41	601326						BUTTON HEAD TORX BOLT, M6 - 1 X 20MM LG .....	2
42	602409						BARREL CLIP, M6 - 1.....	2
43								
44	600525						FLANGED LOCK NUT, M10 - 1.5.....	2
45								
46	601326						BUTTON HEAD TORX BOLT, M6 - 1 X 20MM LG .....	2



# TOWBAR

- 1** TOWBAR FRONT ASSEMBLY includes items 2 - 17
- 11** TIE ROD ASSEMBLY includes items 12 - 16
- 19** TOWBAR ASSEMBLY (SEMI PERMANENT) includes items 20 - 30





THE USE OF NON U.L. PARTS WILL VOID ANY U.L. LISTING.

When ordering parts, please specify the model and serial number of the product.

\* Indicates a component that is not available as an individual part.

\*\*\* Indicates consult Customer Service Department for additional information.

ITEM	PART NO.	1 2 3 4 5	DESCRIPTION	QTY.
1	670614		TOWBAR FRONT ASSEMBLY (INCLUDES ITEMS 2 - 17) .....	1
2	670611		FRONT PIVOT BAR .....	1
3	75307G01		BEARING .....	1
4	635464		PIVOT BOLT .....	1
5	75309G01		THRUST BEARING 1.75" O.D. X 1" I.D. ....	1
6	75342G01		FLAT WASHER, 1.75" O.D. X .78" I.D. ....	1
7	00518G8		CASTLE NUT, 3/4" - 16 .....	1
8	10387G1		COTTER PIN, 5/32" X 1 3/4" LG .....	1
9	601709		LOCK NUT, M16 - 2.....	1
10	00560G2		FLAT WASHER, 7/16" .....	3
11	646856		TIE-ROD ASSEMBLY (INCLUDES ITEMS 12 - 16) .....	1
12	643610		TIE ROD END, LH .....	1
13	624962		HEX NUT, M12 - 1.75.....	1
14	644116		TOWBAR .....	1
15	615414		HEX NUT, M12 - 1.75.....	1
16	614436		TIE ROD END .....	1
17	617787		FLANGED LOCK NUT, M12 - 1.75.....	2
18				
19	635736		TOWBAR ASSEMBLY (SEMI PERMANENT) (INCLUDES ITEMS 20 - 30)....	1
20	635428		TONGUE WELDMENT .....	1
21	635461		COUPLING WELDMENT .....	1
22				
23	14158G1		SHOULDER BOLT, 3/8" - 16 X 2.75" LG .....	1
24	00571G5		FLAT WASHER, 5/16" .....	1
25	11098G5		LOCK NUT, 3/8" - 16 .....	1
26				
27	637563		SELF TAPPING SCREW, M4.8 - 1.6 X 14MM LG.....	1
28	685471		HITCH PIN ASSEMBLY (SHORT) .....	1
29	641171		HITCH PIN ASSEMBLY (LONG) .....	1
30	635906		WARNING LABEL .....	1
31				

# TOWBAR

THE USE OF NON U.L. PARTS WILL VOID ANY U.L. LISTING.

When ordering parts, please specify the model and serial number of the product.

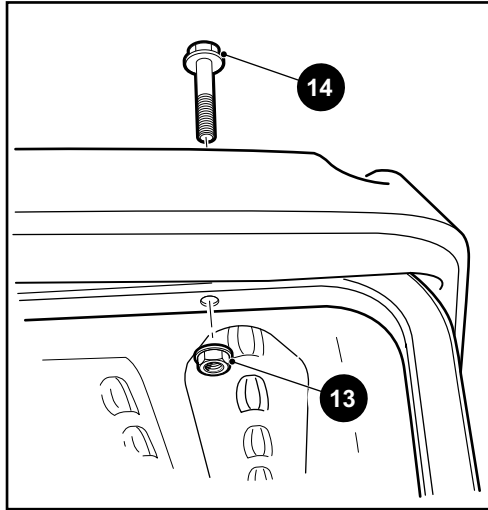
\* Indicates a component that is not available as an individual part.

\*\*\* Indicates consult Customer Service Department for additional information.

ITEM	PART NO.	1 2 3 4 5	DESCRIPTION	QTY.
32	635343		TOWBAR RECEIVER WELDMENT .....	1
33	635442		TOWBAR BUSHING .....	1
34	628635		BUTTON HEAD BOLT, M8 - 1.25 X 30MM LG.....	2
35	616673		LOCK NUT, M8 - 1.25.....	2



# WEATHER PROTECTION



**1** SUN TOP KIT, STONE BEIGE  
includes items 2, 19

**3** SUN TOP KIT, OYSTER  
includes items 4, 19

**5** SUN TOP KIT, BLACK  
includes items 6, 7

**7** SUN TOP STRUT KIT  
includes items 8 - 11

**11** SUN TOP HARDWARE KIT  
includes items 12 - 16

**19** SUN TOP STRUT KIT  
includes items 8 - 10, 20

**20** SUN TOP HARDWARE KIT  
includes items 12 - 16

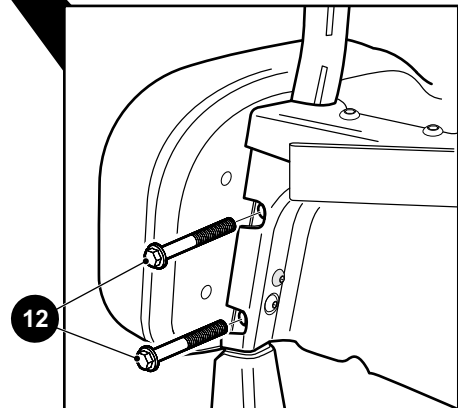
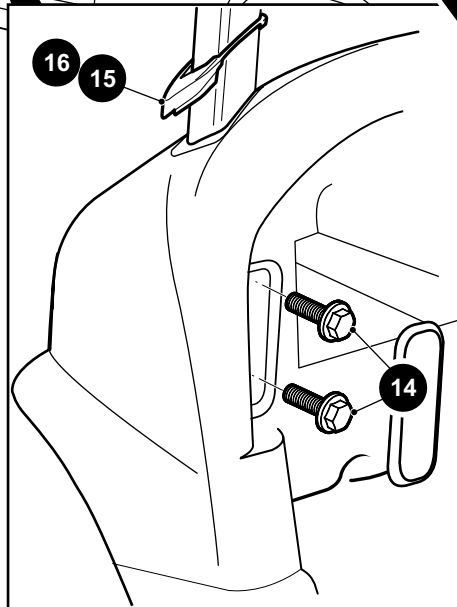
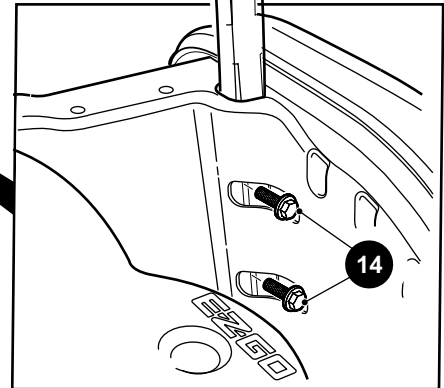
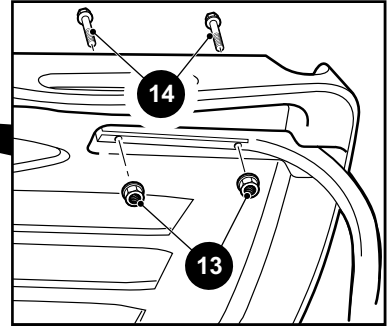
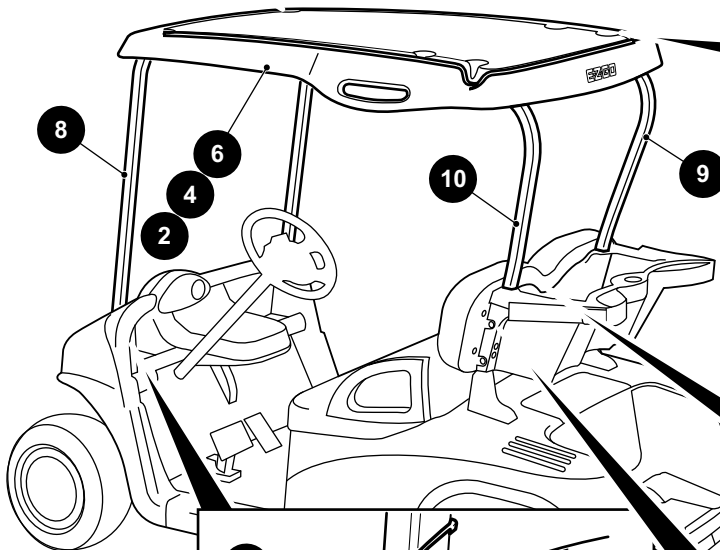
**22** SUN TOP KIT, 54", STONE BEIGE,  
(GPS MOUNTING)  
includes items 2, 26, 28

**23** SUN TOP KIT, 54", OYSTER,  
(GPS MOUNTING)  
includes items 4, 26, 28

**24** SUN TOP KIT, 54", BLACK,  
(GPS MOUNTING)  
includes items 6, 26, 28

**26** FRONT STRUT KIT  
includes items 8, 15, 25, 27

**28** REAR STRUT KIT  
includes items 9, 10, 20



## WEATHER PROTECTION

THE USE OF NON U.L. PARTS WILL VOID ANY U.L. LISTING.

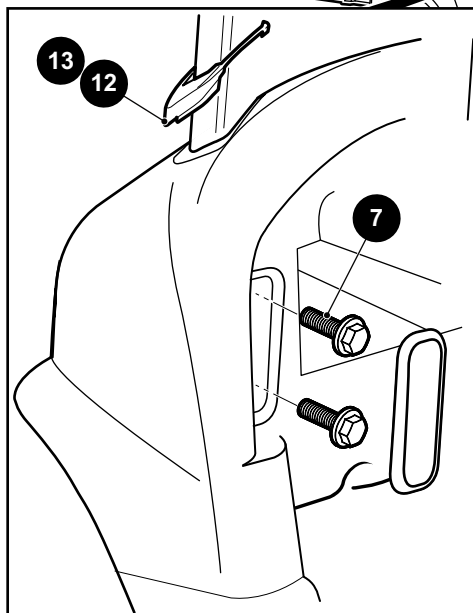
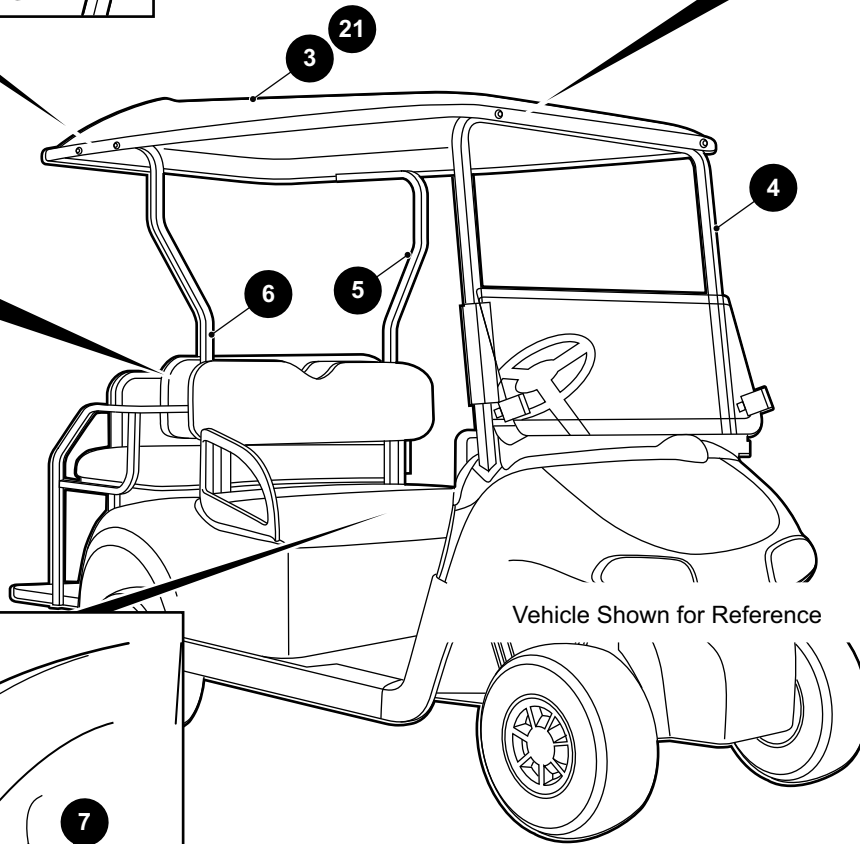
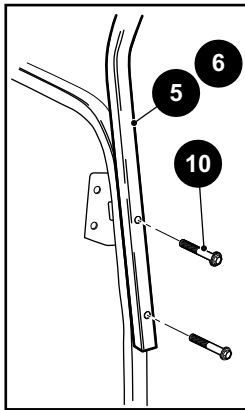
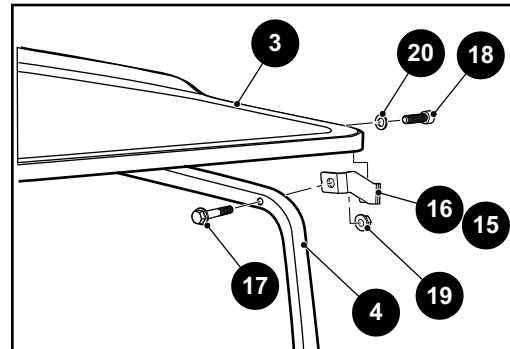
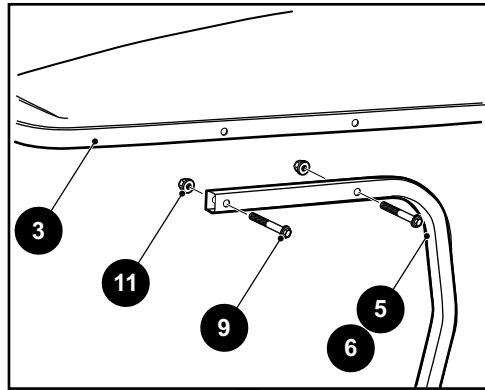
When ordering parts, please specify the model and serial number of the product.

\* Indicates a component that is not available as an individual part.

\*\*\* Indicates consult Customer Service Department for additional information.

ITEM	PART NO.	1 2 3 4 5	DESCRIPTION	QTY.
1	610766		SUN TOP KIT, STONE BEIGE (INCLUDES ITEMS 2, 19) .....	1
2	608198		SUN TOP .....	1
3	610767		SUN TOP KIT, OYSTER (INCLUDES ITEMS 4, 19).....	1
4	608015		SUN TOP .....	1
5	613233		SUN TOP KIT, BLACK (INCLUDES ITEM 6, 7) .....	1
6	613227		SUN TOP .....	1
7	608677		SUN TOP STRUT KIT (INCLUDES ITEMS 8 - 11).....	1
8	603203		FRONT STRUT .....	1
9	614310		REAR STRUT (PASSENGER SIDE) .....	1
10	614309		REAR STRUT (DRIVER SIDE).....	1
11	607013		SUN TOP HARDWARE KIT (INCLUDES ITEMS 12 - 16) .....	1
12	602415		FLANGED HEX HEAD BOLT, M10 - 1.5 X 80MM LG .....	4
13	600525		FLANGED LOCK NUT, M10 - 1.5.....	10
14	603800		FLANGED HEX HEAD BOLT, M10 - 1.5 X 50MM LG .....	10
15	602770		GROMMET (DRIVER SIDE).....	1
16	602992		GROMMET (PASSENGER SIDE) .....	1
17				
18				
19	620880		SUN TOP STRUT KIT (INCLUDES ITEMS 8 - 10, 20).....	1
20	610763		SUN TOP HARDWARE KIT (INCLUDES ITEMS 12 - 16) .....	1
21				
22	647663		SUN TOP KIT, 54", STONE BEIGE (GPS MOUNTING) (INCLUDES ITEMS 2, 26, 28).....	1
23	647664		SUN TOP KIT, 54", OYSTER (GPS MOUNTING) (INCLUDES ITEMS 4, 26, 28).....	1
24	647665		SUN TOP KIT, 54", BLACK (GPS MOUNTING) (INCLUDES ITEMS 6, 26, 28).....	1
25	664522G05		GPS MOUNTING SYSTEM (NOT ILLUSTRATED) .....	1
26	647661		FRONT STRUT KIT (INCLUDES ITEMS 8, 15, 25, 27) .....	1
27	643882G01		GPS MOUNTING SYSTEM (NOT ILLUSTRATED) .....	1
28	647623		REAR STRUT KIT (INCLUDES ITEMS 9,10, 20).....	1

# WEATHER PROTECTION



- 1 2 + 2 SUN TOP KIT, STONE BEIGE includes items 3 - 14
- 2 2 + 2 SUN TOP KIT, OYSTER includes items 4 - 14, 17
- 8 2 + 2 SUN TOP HARDWARE KIT includes items 9 - 13
- 14 2 + 2 SUN TOP HARDWARE KIT includes items 15 - 20

## WEATHER PROTECTION

THE USE OF NON U.L. PARTS WILL VOID ANY U.L. LISTING.

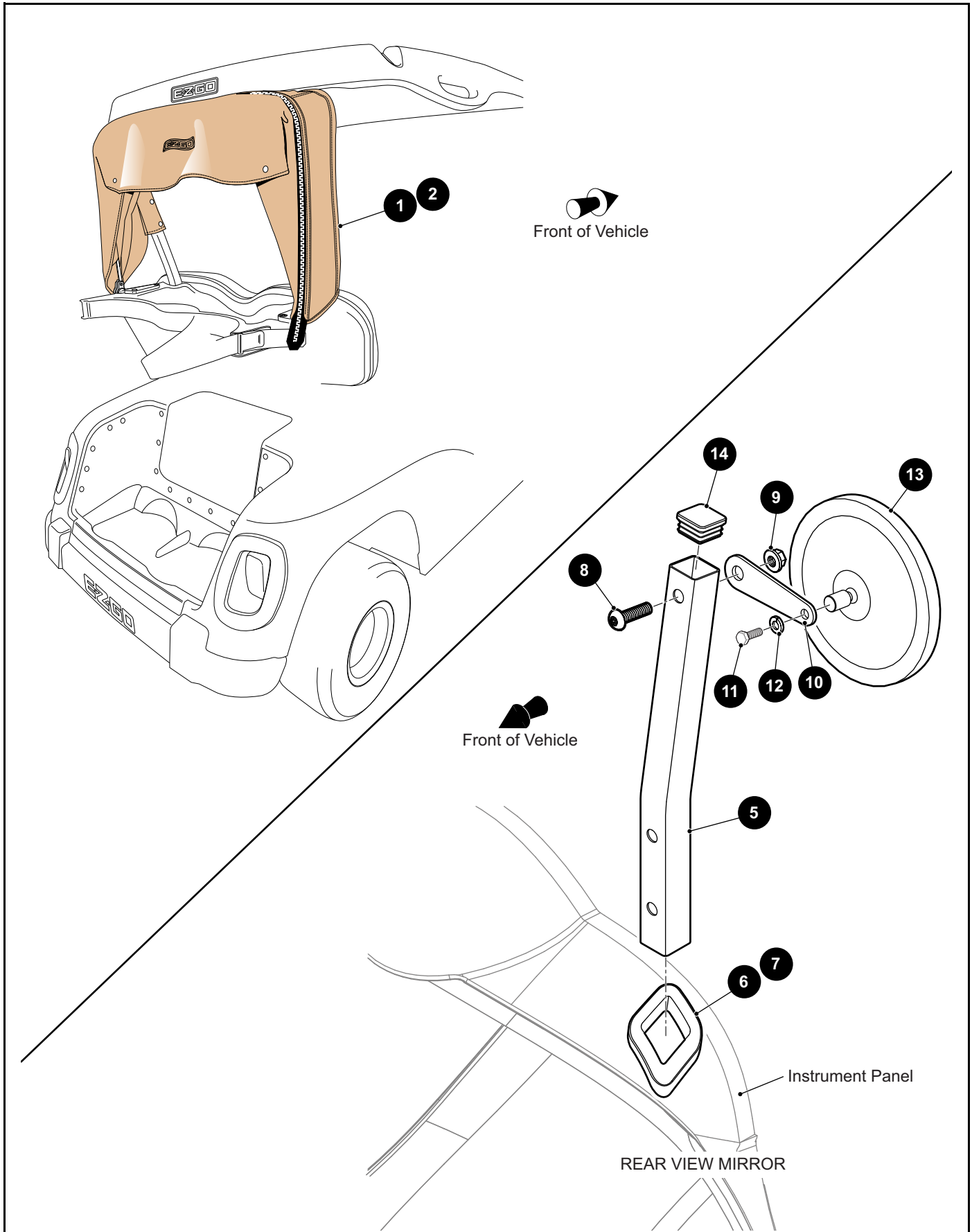
When ordering parts, please specify the model and serial number of the product.

\* Indicates a component that is not available as an individual part.

\*\*\* Indicates consult Customer Service Department for additional information.

ITEM	PART NO.	1 2 3 4 5	DESCRIPTION	QTY.
1	610461		2 + 2 SUN TOP KIT, STONE BEIGE (INCLUDES ITEMS 3 - 14).....	1
2	610462		2 + 2 SUN TOP KIT, OYSTER (INCLUDES ITEMS 4 -14, 21) .....	1
3	610434		2 + 2 SUN TOP .....	1
4	603203		FRONT STRUT TUBE .....	1
5	604423		2 + 2 REAR STRUT (DRIVER SIDE) .....	1
6	604424		2 + 2 REAR STRUT (PASSENGER SIDE).....	1
7	603800		FLANGED HEX HEAD BOLT, M10 - 1.5 X 50MM LG .....	2
8	610468		2 + 2 SUN TOP HARDWARE KIT (INCLUDES ITEMS 9 - 13).....	1
9	601414		FLANGED HEX HEAD BOLT, M10 - 1.5 X 65MM LG.....	4
10	602415		FLANGED HEX HEAD BOLT, M10 - 1.5 X 80MM LG.....	4
11	600525		FLANGED LOCK NUT, M10 - 1.5 .....	4
12	602770		STRUT GROMMET (DRIVER SIDE) .....	1
13	602992		STRUT GROMMET (PASSENGER SIDE).....	1
14	610472		2 + 2 SUN TOP HARDWARE KIT (INCLUDES ITEMS 15 - 20).....	1
15	610424		BRACKET (DRIVER SIDE).....	1
16	610425		BRACKET (PASSENGER SIDE) .....	1
17	603800		FLANGED HEX HEAD BOLT, M10 - 1.5 X 50MM LG.....	2
18	608653		SOCKET HEAD BOLT, M10 - 1.5 X 35MM LG .....	2
19	600525		FLANGED LOCK NUT, M10 - 1.5 .....	4
20	00560G1		FLAT WASHER, 3/8" .....	2
21	610433		2 + 2 SUN TOP .....	1

# WEATHER PROTECTION





## WEATHER PROTECTION

THE USE OF NON U.L. PARTS WILL VOID ANY U.L. LISTING.

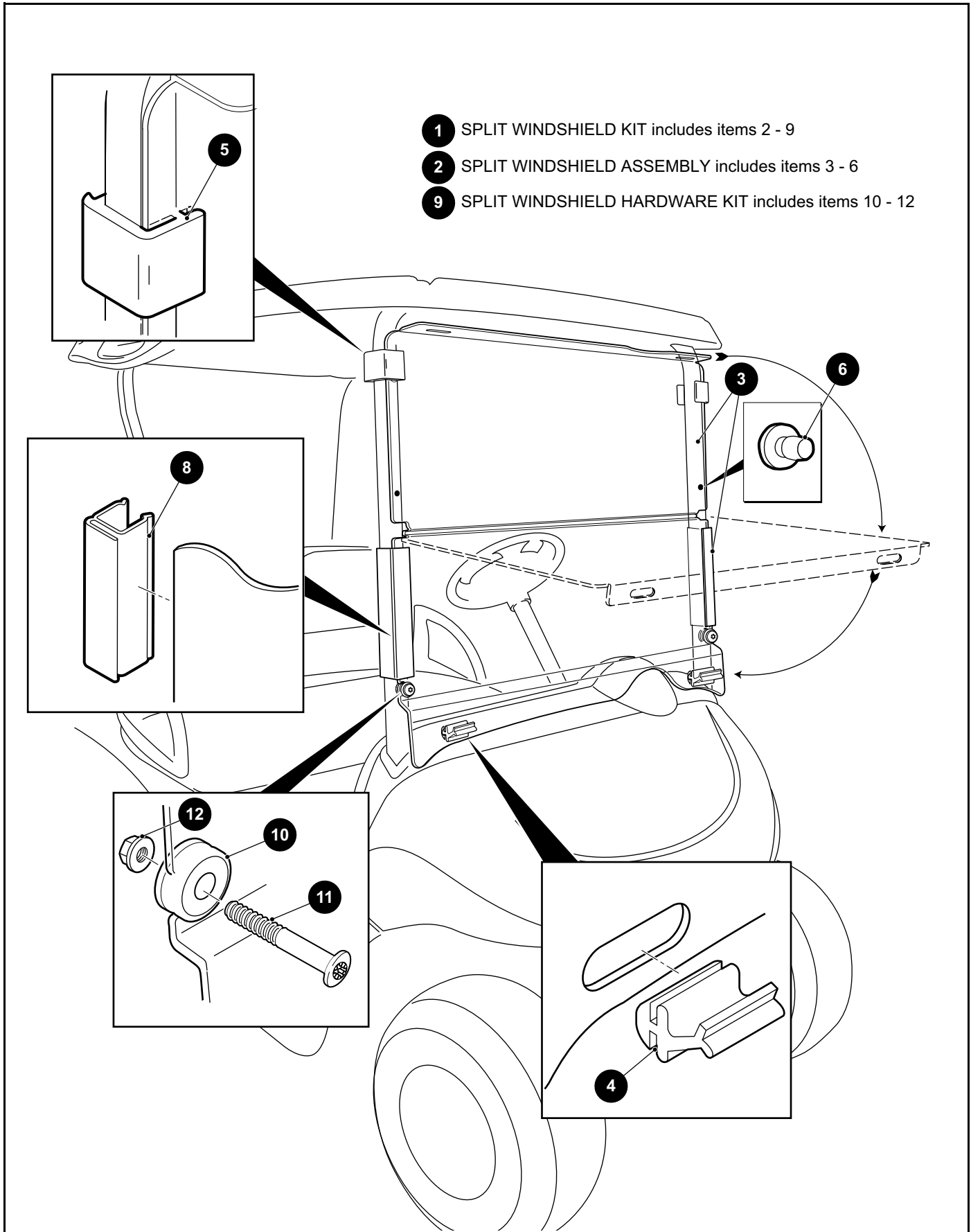
When ordering parts, please specify the model and serial number of the product.

\* Indicates a component that is not available as an individual part.

\*\*\* Indicates consult Customer Service Department for additional information.

ITEM	PART NO.	1 2 3 4 5	DESCRIPTION	QTY.
1	620400		BAG COVER KIT, STONE BEIGE .....	1
2	620397		BAG COVER KIT, OYSTER.....	1
3				
4				
5	648473		STRUT .....	1
6	602770		STRUT GROMMET (DRIVER SIDE) .....	1
7	602992		STRUT GROMMET (PASSENGER SIDE).....	1
8	600527		BUTTON HEAD TORX BOLT, M10 - 1.5 X 60 MM LG .....	1
9	600525		LOCK NUT, M10 - 1.5 .....	1
10	648528		MIRROR BRACKET.....	1
11	*		HEX HEAD BOLT, 1/4" - 20 X 5/8" LG .....	1
12	*		LOCK WASHER, 1/4" .....	1
13	74202G01		ROUND MIRROR .....	1
14	620634		END CAP .....	1

# WEATHER PROTECTION



## WEATHER PROTECTION

THE USE OF NON U.L. PARTS WILL VOID ANY U.L. LISTING.

When ordering parts, please specify the model and serial number of the product.

\* Indicates a component that is not available as an individual part.

\*\*\* Indicates consult Customer Service Department for additional information.

ITEM	PART NO.	1 2 3 4 5	DESCRIPTION	QTY.
1	606584		SPLIT WINDSHIELD KIT (INCLUDES ITEMS 2 - 9) .....	1
2	606623		SPLIT WINDSHIELD ASSEMBLY (INCLUDES ITEMS 3 - 6) .....	1
3	603738		SPLIT WINDSHIELD .....	1
4	603201		LOWER WINDSHIELD LATCH .....	2
5	603198		UPPER WINDSHIELD LATCH .....	2
6	604115		WINDSHIELD ISOLATOR .....	2
7				
8	613136		WINDSHIELD ATTACHMENT SASH .....	2
9	668122		SPLIT WINDSHIELD HARDWARE KIT (INCLUDES ITEMS 10 - 12) .....	1
10	604116		GROMMET .....	2
11	600527		BUTTON HEAD TORX BOLT, M10 - 1.5 X 60MM LG .....	2
12	600525		LOCK NUT, M10 - 1.5 .....	2





# WHEELS AND TIRES

- 1 WHEEL AND TIRE ASSEMBLY (MACHINE ALLOY) includes items 2 - 4
- 11 WHEEL AND TIRE ASSEMBLY (HOLE-N-ONE) includes items 12 - 14
- 18 WHEEL AND TIRE ASSEMBLY (ASM - MILLED) includes items 19 - 21
- 23 WHEEL AND TIRE ASSEMBLY (USA TRAIL) includes items 24 - 26
- 28 WHEEL AND TIRE ASSEMBLY (LINKS) includes items 29 - 31

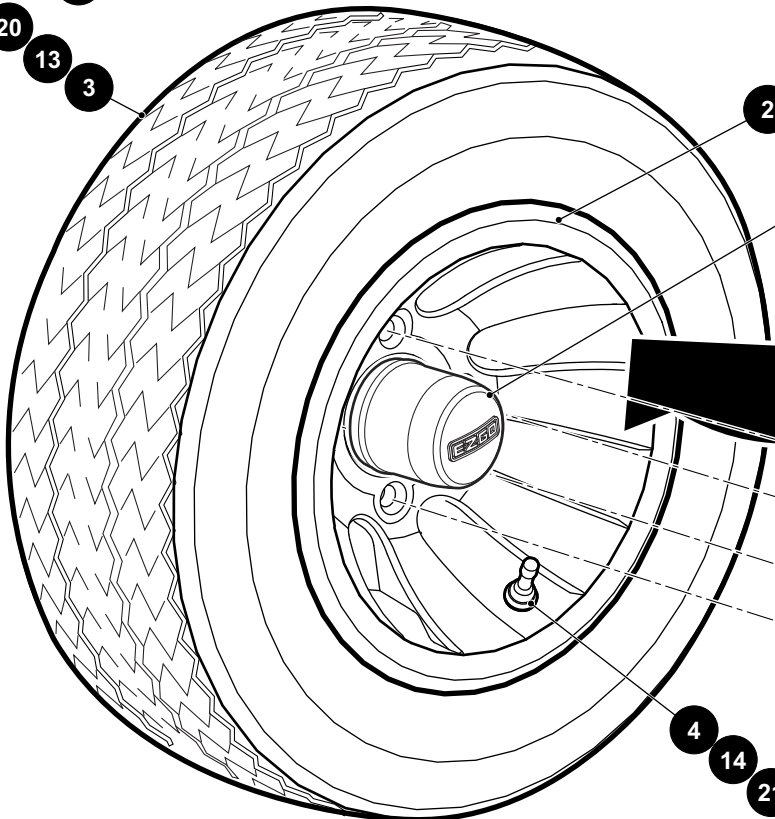
30

25

20

13

3



Wheel cover design may vary by Part Number

Tire design may vary by Part Number

ALLOY WHEEL CAP

8

9

# WHEELS AND TIRES

THE USE OF NON U.L. PARTS WILL VOID ANY U.L. LISTING.

When ordering parts, please specify the model and serial number of the product.

\* Indicates a component that is not available as an individual part.

\*\*\* Indicates consult Customer Service Department for additional information.

ITEM	PART NO.	1 2 3 4 5	DESCRIPTION	QTY.
1	647042		WHEEL AND TIRE ASSEMBLY (MACHINE ALLOY) (INCLUDES ITEMS 2 - 4) .....	1
2	647040		WHEEL, 10".....	1
3	647044		TIRE (KENDA), 205/50 - 10" .....	1
4	604915		VALVE STEM (CHROME) .....	1
5	605310		LUG NUT (CHROME).....	4
6	652122		WHEEL CAP (CHROME).....	1
7				
8	74175G01		DUST CAP .....	1
9	14723G1		LUG NUT, 1/2" - 20 .....	4
10				
11	612772		WHEEL AND TIRE ASSEMBLY (HOLE-N-ONE) (INCLUDES ITEMS 12 - 14) .....	1
12	612770		WHEEL, 8".....	1
13	612771		TIRE (KENDA).....	1
14	11657G2		VALVE STEM.....	1
15				
16	601353		ALLOY WHEEL CAP.....	1
17				
18	635726		WHEEL AND TIRE ASSEMBLY (ASM - MILLED) (INCLUDES ITEMS 19 - 21)	1
19	635727		ALLOY WHEEL .....	1
20	601768		TIRE (TOUR MAX), 205/50 - 10".....	1
21	601767		STEM VALVE.....	1
22				
23	28842G01		WHEEL AND TIRE ASSEMBLY (USA TRAIL) (INCLUDES ITEMS 24 - 26)....	1
24	28759G01		WHEEL (WHITE) .....	1
25	28764G08		TIRE (CARLISLE).....	1
26	11657G2		VALVE STEM.....	1
27				
28	28757G01		WHEEL AND TIRE ASSEMBLY (LINKS) (INCLUDES ITEMS 29 - 31) .....	1
29	28759G01		WHEEL (WHITE) .....	1
30	28764G01		TIRE (CARLISLE).....	1

# WHEELS AND TIRES

THE USE OF NON U.L. PARTS WILL VOID ANY U.L. LISTING.

When ordering parts, please specify the model and serial number of the product.

\* Indicates a component that is not available as an individual part.

\*\*\* Indicates consult Customer Service Department for additional information.

ITEM	PART NO.	1 2 3 4 5	DESCRIPTION	QTY.
31	11657G2		VALVE STEM.....	1
32				
33	615617		HUB CAP (GOLD) (FOR VEHICLES MANUFACTURED BEFORE JANUARY 8, 2018) .....	1
34	615618		HUB CAP (SILVER) (FOR VEHICLES MANUFACTURED BEFORE JANUARY 8, 2018) .....	1
35	665149		WHEEL COVER (METALLIC GOLD) (FOR VEHICLES MANUFACTURED AFTER JANUARY 8, 2018).....	1
36	665144		WHEEL COVER (METALLIC SILVER) (FOR VEHICLES MANUFACTURED AFTER JANUARY 8, 2018).....	1







## DECALS AND LABELS (FOR CE VEHICLES)

THE USE OF NON U.L. PARTS WILL VOID ANY U.L. LISTING.

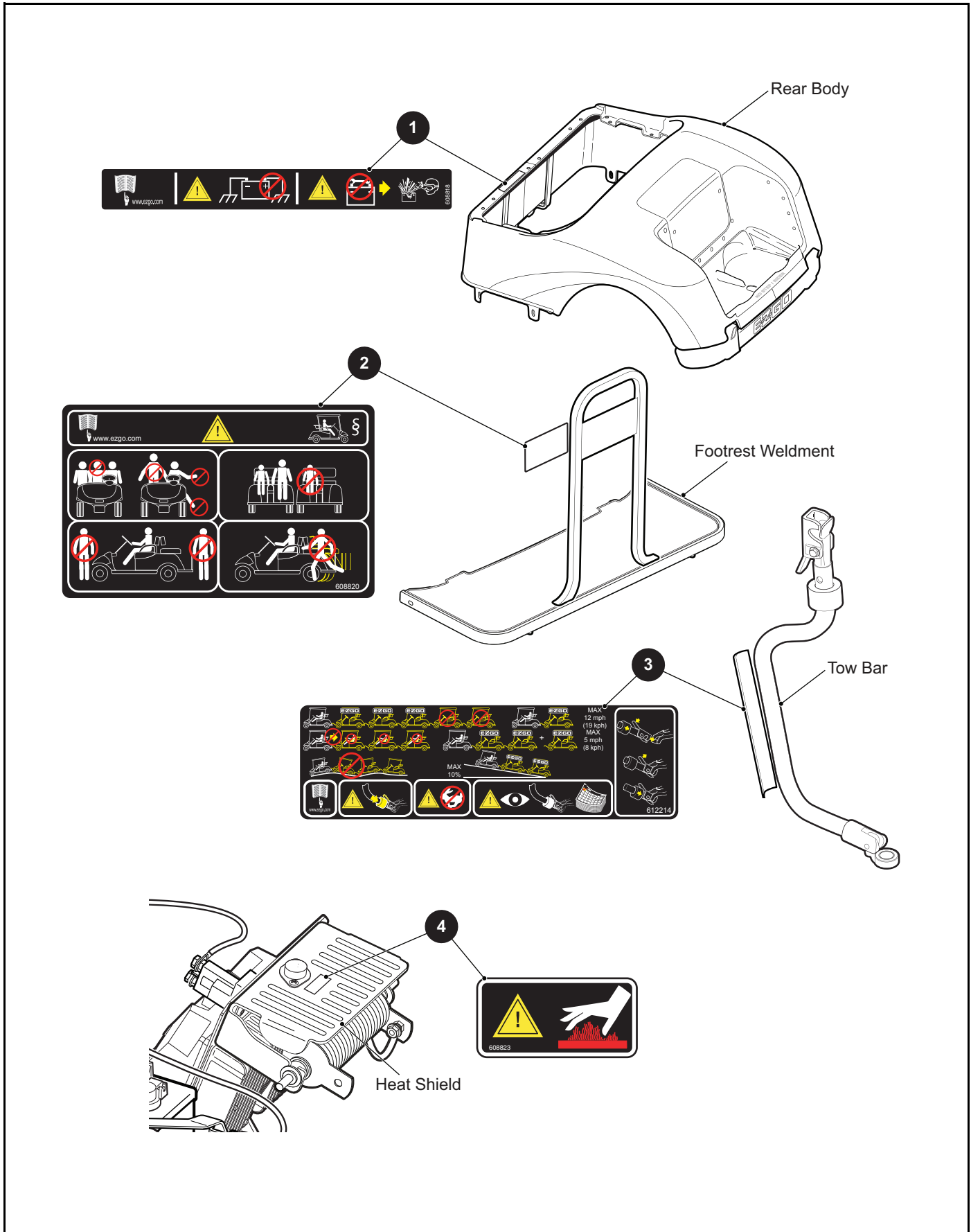
When ordering parts, please specify the model and serial number of the product.

\* Indicates a component that is not available as an individual part.

\*\*\* Indicates consult Customer Service Department for additional information.

ITEM	PART NO.	1 2 3 4 5	DESCRIPTION	QTY.
1	614043		WARNING LABEL (INSTRUMENT PANEL) .....	1
2				
3				
4	610991		TOWING/MAINTENANCE LABEL .....	1
5	610990		TOWING INSTRUCTION NOTICE LABEL .....	1
6				
7	685698		DECAL, MADE IN USA.....	1
8				
9	659260		ADVANCED BATTERY WARNING LABEL .....	1
10				
11	601783		CE LABEL.....	1
12	664283		RUN/TOW LABEL, CE.....	1

# DECALS AND LABELS (FOR CE VEHICLES)



## DECALS AND LABELS (FOR CE VEHICLES)

THE USE OF NON U.L. PARTS WILL VOID ANY U.L. LISTING.

When ordering parts, please specify the model and serial number of the product.

\* Indicates a component that is not available as an individual part.

\*\*\* Indicates consult Customer Service Department for additional information.

ITEM	PART NO.	1 2 3 4 5	DESCRIPTION	QTY.
1	608818		GROUNDING LABEL.....	1
2	608820		SHUTTLE 2+2 LABEL (FOR SHUTTLE 2+2 ONLY).....	1
3	612214		TOWBAR LABEL .....	1
4	608823		HOT CE LABEL.....	1







A Textron Company

**E-Z-GO Division of Textron Inc.,**  
1451 Marvin Griffin Road, Augusta, Georgia 30906 - 3852 USA

TO CONTACT US...

North America:

**Technical Assistance & Warranty** Phone: 1-800-774-3946, FAX: 1-800-448-8124

**Service Parts** Phone: 1-888-GET-E-Z-GO (1-888-438-3946), FAX: 1-800-752-6175

International: Phone: 001-706-798-4311, FAX: 001-706-771-4609

Service Parts Manuals, as well as Repair and Service Manuals  
are available from a local Distributor, an authorized Branch,  
Genuine E-Z-GO Parts & Accessories Department or at [www.shopezgo.com](http://www.shopezgo.com).

Copyrighted Material  
This manual may not be reproduced in whole or  
in part without the express permission of  
E-Z-GO Division of Textron Inc.  
Technical Communications Department