



A Textron Company

FLEET TXT ELiTE

Service Parts Manual

SERVICE PARTS MANUAL

48V ELECTRIC TXT ELITE

FLEET

STARTING MODEL YEAR 2017

CALIFORNIA Proposition 65 Warning

WARNING: Motor vehicles may contain fuels, oils and fluids, battery posts, terminals, and related accessories which contain lead and lead compounds and other chemicals identified by the State of California to potentially cause cancer, birth defects, and other reproductive harm. These chemicals are found in vehicles, vehicle parts and accessories, both new and replacements. During maintenance, these vehicles generate used oil, waste fluids, grease, fumes, and particulates, all identified by the State of California to potentially cause cancer, birth defects, and other reproductive harm.

Never modify the vehicle in any way that will alter the weight distribution of the vehicle, decrease its stability or increase the speed beyond the factory specifications. Such modifications can cause serious personal injury or death. Textron Specialized Vehicles prohibits and dis-claims responsibility for any such modifications or any other alteration which would adversely affect the safety of the vehicle. TSV reserves the right to incorporate engineering and design changes to products in this manual, without obligation to include these changes on units sold previously.

The information contained in this manual may be revised periodically by TSV, and therefore is subject to change without notice.

TSV DISCLAIMS LIABILITY FOR ERRORS IN THIS MANUAL, and SPECIFICALLY DISCLAIMS LIABILITY FOR INCIDENTAL AND CONSEQUENTIAL DAMAGES resulting from the use of the information and materials in this manual.

These are the original instructions as defined by 2006/42/EC.

TO CONTACT US:

Textron Specialized Vehicles, Inc.
1451 Marvin Griffin Road
Augusta, Georgia, USA 30906-3852

NORTH AMERICA:

Technical Assistance & Warranty PHONE: 1-800-774-3946, FAX: 1-800-448-8124

Service Parts PHONE: 1-888-438-3946, FAX: 1-800-752-6175

International: PHONE: 001-706-798-4311, FAX: 001-706-771-4609

GENERAL INFORMATION

This vehicle has been designed and manufactured in the United States of America (USA). The Standards and Specifications listed in the following text originate in the USA unless otherwise indicated.

The use of non-Original Equipment Manufacturer (OEM) approved parts may void the warranty.

Failure to properly maintain batteries may void the warranty. Refer to the battery manual for instructions on the proper maintenance and care of the batteries.

BATTERY PROLONGED STORAGE

Improper storage may damage, destroy or cause permanent loss of battery capacity. Do not exceed storage time or temperature limits. Batteries must be charged to the correct level before storage. Storing fully depleted batteries will make them permanently unusable.

STORAGE PREPARATION

The optimum storage temperature range is between 65°F and 82°F (18°C and 28°C).

In cold climates, fully charge the battery module. Make sure that the charging operation is complete and there are no faults displayed on the charger. The green light on the charger should be on indicating the charge cycle is complete.

In hot climates, store the vehicle with a 30% to 50% charge of battery pack capacity.

The storage time for properly charged Lithium-Ion batteries supplied with this vehicle varies based on the ambient temperature.

Temperature	Length of Storage Time
-22°F to -4°F (-30°C to -20°C)	One month at 100% battery charge, all accessories turned off.
-4°F to 113°F (-20°C to 45°C)	Six months at 100% battery charge, all accessories turned off.
113°F to 140°F (45°C to 60°C)	One month at 30% - 50% charge, all accessories turned off.

BATTERY DISPOSAL

Lithium-Ion batteries are recyclable. Return discarded batteries to the distributor or manufacturer for recycling. Contact local or state environmental department for the disposal information.

TABLE OF CONTENTS

SECTION	Page No.
HOW TO USE THE SERVICE PARTS MANUAL.....	V
ACCELERATOR.....	A-1
BATTERY CHARGER.....	B-1
BODY.....	C-1
BRAKES.....	D-1
ELECTRICAL.....	E-1
ELECTRONIC SPEED CONTROL.....	F-1
FRONT SUSPENSION AND STEERING.....	G-1
MOTOR.....	H-1
REAR AXLE.....	J-1
REAR SUSPENSION.....	K-1
SEATING.....	L-1
TOW BAR.....	M-1
WEATHER PROTECTION.....	N-1
WHEELS AND TIRES.....	P-1
DECALS AND LABELS.....	R-1

HOW TO USE THE SERVICE PARTS MANUAL

This manual is divided into several sections:

- GENERAL INFORMATION
- ILLUSTRATED PARTS BREAKDOWN

The first section, GENERAL INFORMATION, contains the following information:

- WARRANTY INFORMATION
- GENERAL INDEX
- HOW TO USE THE SERVICE PARTS MANUAL

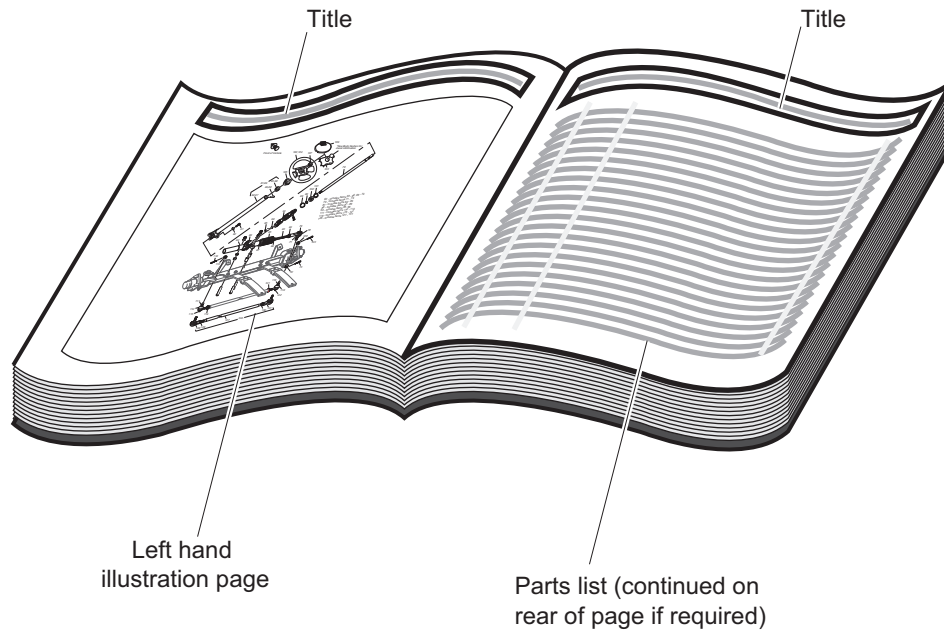
The second section, ILLUSTRATED PARTS BREAKDOWN, contains illustrations and parts lists for all systems of your vehicle.

USE OF THE MANUAL

To use this manual, consult the TABLE OF CONTENT to locate the information or illustration required.

Introduction of some revisions varies due to supply of components; therefore, it is possible that various combinations of components may be found that are not directly reflected by each illustration. Consult the illustration that best suits your situation and then contact the Service Parts Department. It is important that the serial number of your vehicle and its model number be supplied to Service Parts when ordering any replacement components.

HOW TO USE THE SERVICE PARTS MANUAL



1. WHEN THE PART NUMBER IS NOT KNOWN

- Determine the function and application of the part required. Turn to the General Index and select the most appropriate title.
- Turn to the page number indicated and locate the desired part on the illustration.
- From the illustration, obtain the item number assigned to the desired part. Refer to the accompanying description for specific information regarding the part.

2. IF YOU KNOW THE PART NUMBER

- Locate the part number or description in the appropriate column on the parts list page.

NOTE: Confirm the part selected is correct by verifying it with the illustration.

If an asterisk (*) appears in the part number column on the parts list page, read upward until a part number is found. The part number is the lowest assembly sold by Service Parts and the asterisk (*) indicates the part depicted is not available for purchase.

NOTE: Descriptions are indented under the assembly that they are used on. That assembly is, in turn listed under the assembly that it is used on. This process is repeated until the highest final assembly is reached.

To facilitate the maintenance and repair of the vehicle, a Technician's Repair and Service Manual is available from the Service Parts Department.

HOW TO USE THE SERVICE PARTS MANUAL

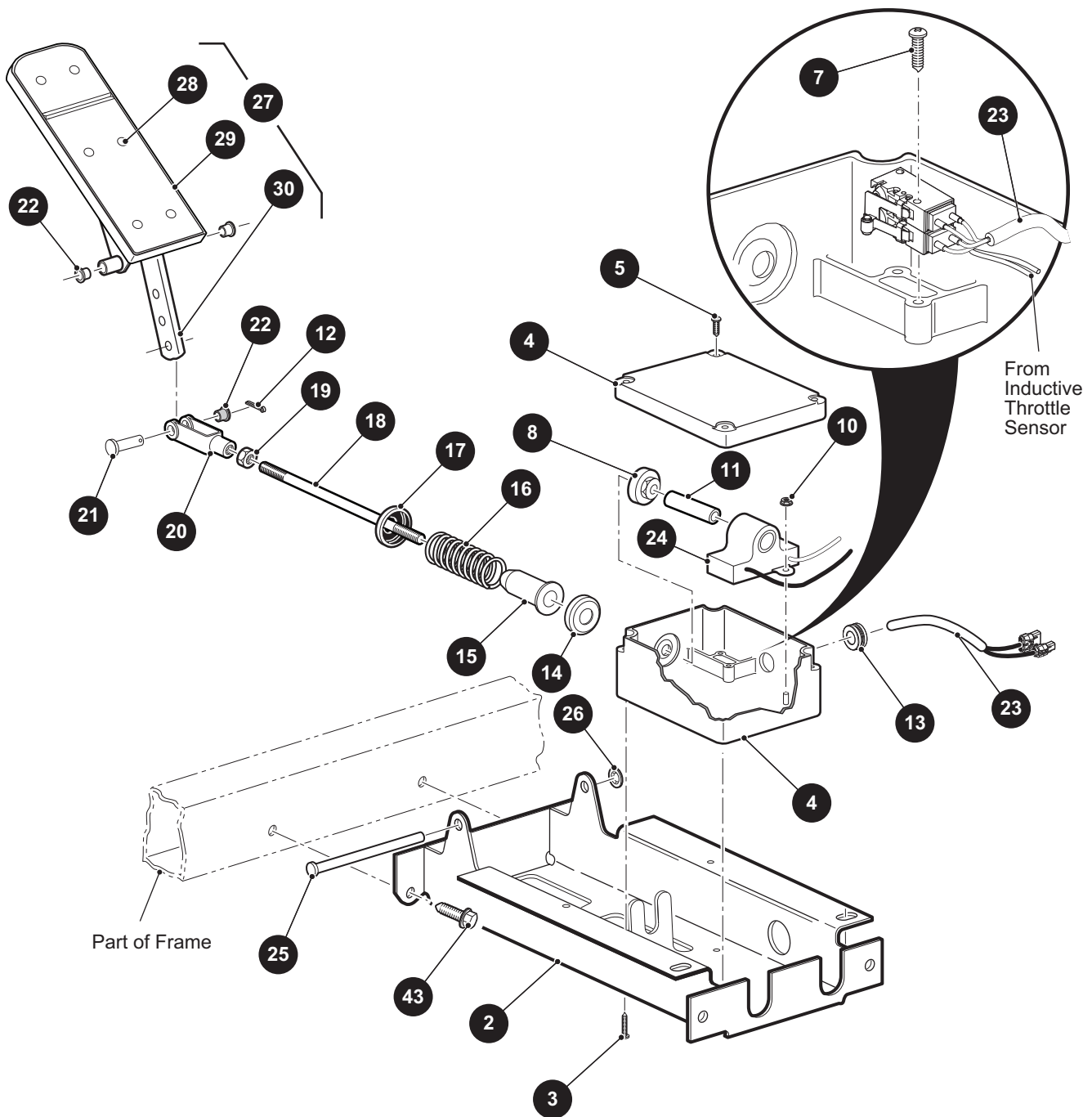
3. COLOR CODE FOR BODY COMPONENTS

The last two digits of the part number for the body part will denote the color code, locate the part number for the cowl, rear body, seat pod, side panel or seat wrap then locate your color in the list below, replace the last ** or XX with the two digit color code.

<u>CODE #</u>	<u>DESCRIPTION</u>
79	JACOBSEN ORANGE
11	BLACK
17	LIGHT BEIGE
18	MUSHROOM
19	PATRIOT BLUE PEARL
20	INFERNO RED METALLIC
26	STEEL BLUE PEARL
31	METALLIC CHARCOAL
35	SAFETY YELLOW
36	IVORY
37	FOREST GREEN
38	BRIGHT WHITE
39	FLAME RED
41	ELECTRIC BLUE
42	PLATINUM
43	BURGUNDY
44	ALMOND
51	SUNBURST ORANGE
52	BRITISH RACING GREEN
74	BARLEY GOLD
75	OASIS GREEN
76	JAVA BROWN

ACCELERATOR

- 1 PEDAL BOX ASSEMBLY includes items 2 - 27
- 23 PEDAL HARNESS includes item 24
- 27 ACCELERATOR PEDAL ASSEMBLY includes items 28 - 30



THE USE OF NON U.L. PARTS WILL VOID ANY U.L. LISTING.

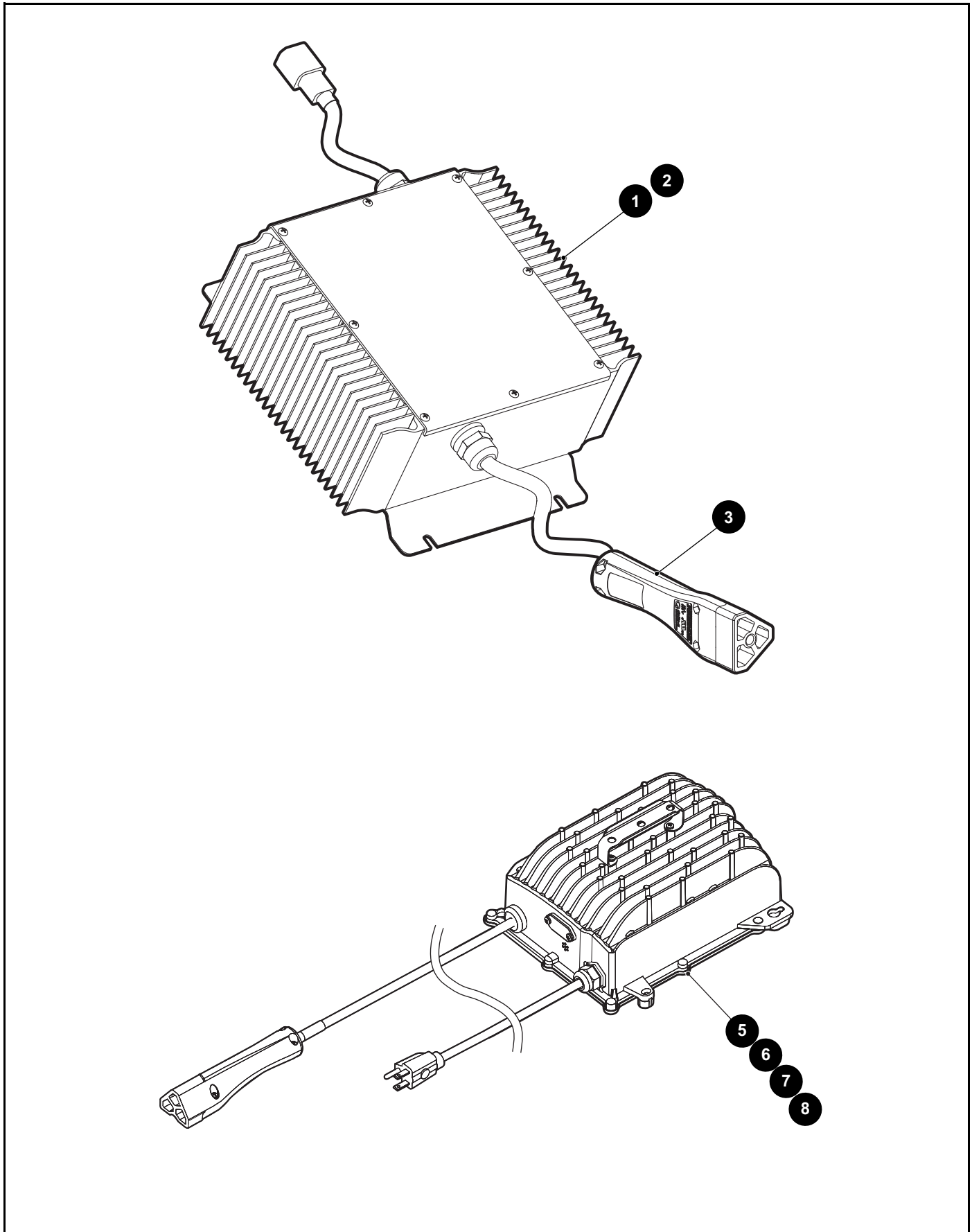
When ordering parts, please specify the model and serial number of the product.

* Indicates a component that is not available as an individual part.

*** Indicates consult Customer Service Department for additional information.

ITEM	PART NO.	1 2 3 4 5	DESCRIPTION	QTY.
1	<u>654643</u>		PEDAL BOX ASSEMBLY (INCLUDES ITEMS 2 - 27)	1
2	<u>652241G03</u>		ACCELERATOR PEDAL BRACKET	1
3	<u>01051G01</u>		PAN HEAD PHILLIPS SCREW, #8 - 10 X 1/2" LG	4
4	<u>25853G01</u>		PEDAL BOX AND COVER	1
5	<u>00684G6</u>		TRUSS HEAD PHILLIPS SCREW (SS), #8 - 32 X 3/4" LG	2
6				
7	<u>01050G02</u>		PAN HEAD TORX SCREW, #4 - 20 X .62" LG	2
8	<u>28444G01</u>		ACCELERATOR ROD CAM	1
9				
10	<u>00983G01</u>		SELF THREADING NUT, .38"	2
11	<u>602484</u>		PLUNGER	1
12	<u>10387G3</u>		COTTER PIN, 3/32" X 3/4" LG	1
13	<u>654645</u>		RUBBER GROMMET	1
14	<u>17677G1</u>		SPRING RETAINER	1
15	<u>17979G1</u>		BUSHING, .75" X 2" LG	1
16	<u>73046G01</u>		COMPRESSION SPRING	1
17	<u>17677G2</u>		SPRING RETAINER, 3/8"	1
18	<u>73332G01</u>		ACCELERATOR ROD	1
19	<u>00532G4</u>		HEX NUT, 5/16" - 24	1
20	10385G4		CLEVIS YOKE (ADJUSTABLE)	1
21	<u>10386G3</u>		CLEVIS PIN, 5/16" X 13/16" LG	1
22	<u>17838G1</u>		NYLON BUSHING, .37" X .31" LG	3
23	<u>654644</u>		PEDAL HARNESS (INCLUDES ITEM 24)	1
24	647278		INDUCTION THROTTLE SENSOR	1
25	<u>74432G01</u>		PEDAL PIVOT PIN	1
26	<u>12064G6</u>		PUSH NUT, 5/16"	1
27	<u>25799G03</u>		ACCELERATOR PEDAL ASSEMBLY (INCLUDES ITEMS 28 - 30)	1
28	<u>16409G1</u>		OVAL RIVET, 3/16" X 7/16" LG	6
29	<u>27512G01</u>		ACCELERATOR PEDAL PAD	1
30	652824		ACCELERATOR PEDAL	1

BATTERY CHARGER



BATTERY CHARGER

THE USE OF NON U.L. PARTS WILL VOID ANY U.L. LISTING.

When ordering parts, please specify the model and serial number of the product.

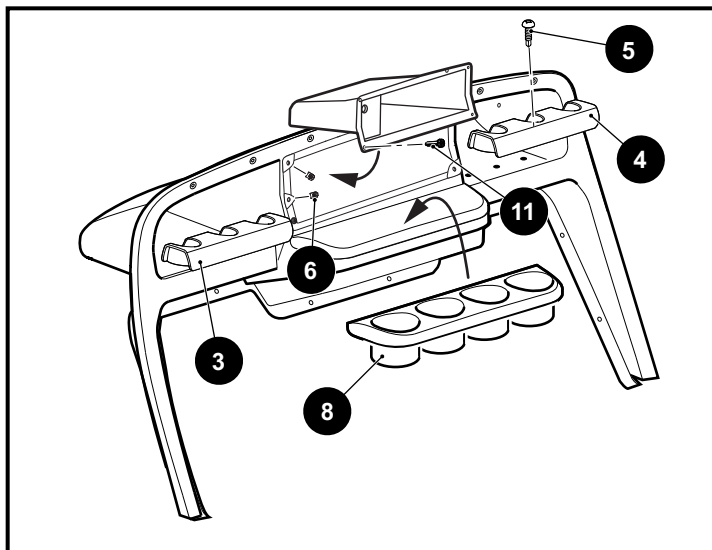
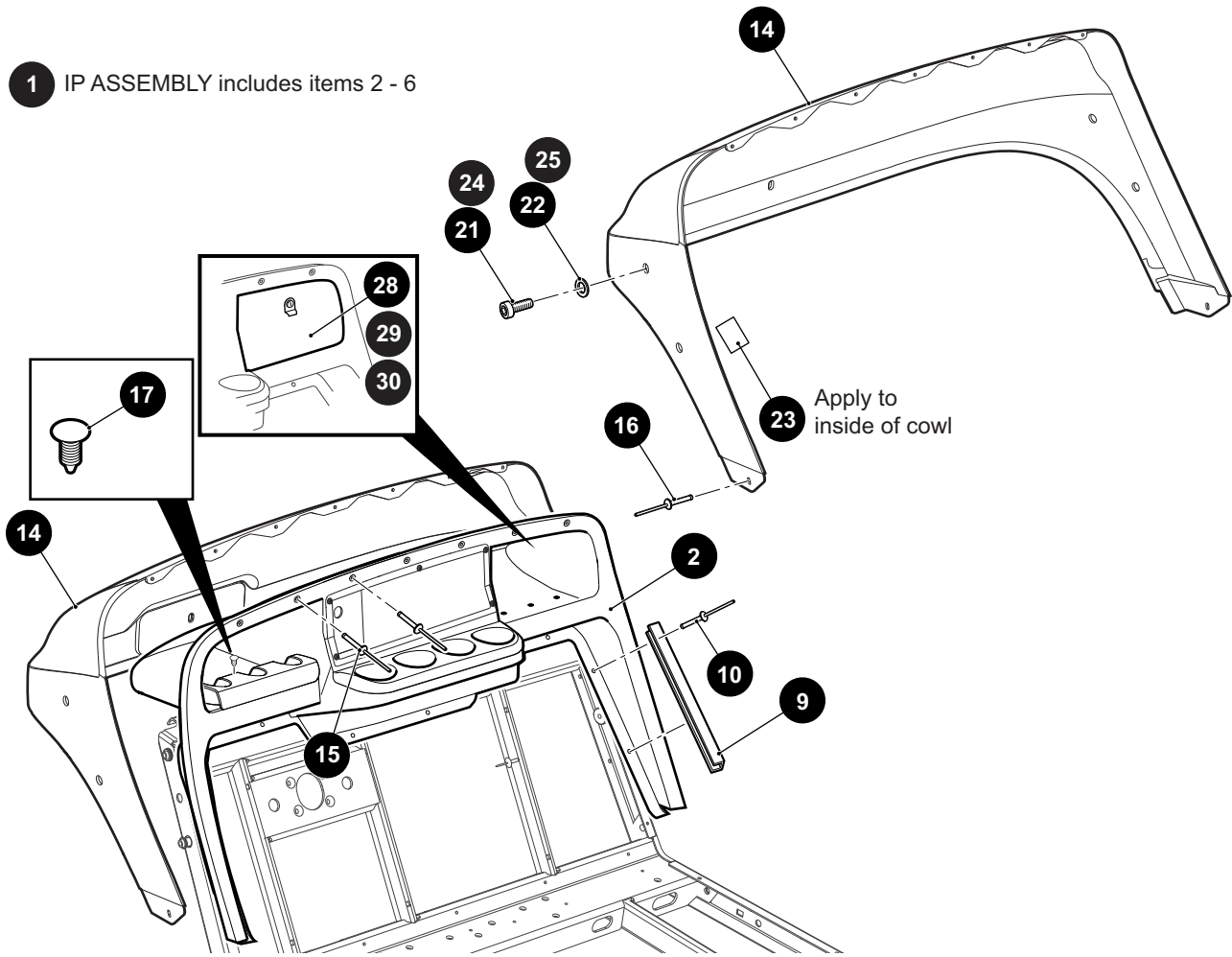
* Indicates a component that is not available as an individual part.

*** Indicates consult Customer Service Department for additional information.

ITEM	PART NO.	1 2 3 4 5	DESCRIPTION	QTY.
1	<u>653213</u>		BATTERY CHARGER, 51V, 3 METER CORD.....	1
2	<u>653216</u>		BATTERY CHARGER, 51V, 5.5 METER CORD.....	1
3	<u>657667</u>		PADDLE.....	1
4				
5	690009G05		BATTERY CHARGER, 51V, 350 WATT, 3 METER CORD (DOMESTIC).....	1
6	690009G06		BATTERY CHARGER, 51V, 350 WATT, 5.5 METER CORD (DOMESTIC)....	1
7	690009G07		BATTERY CHARGER, 51V, 350 WATT, 3 METER CORD (INTERNATIONAL)	1
8	690009G08		BATTERY CHARGER, 51V, 350 WATT, 5.5 METER CORD (INTERNATIONAL)	1

BODY

1 IP ASSEMBLY includes items 2 - 6



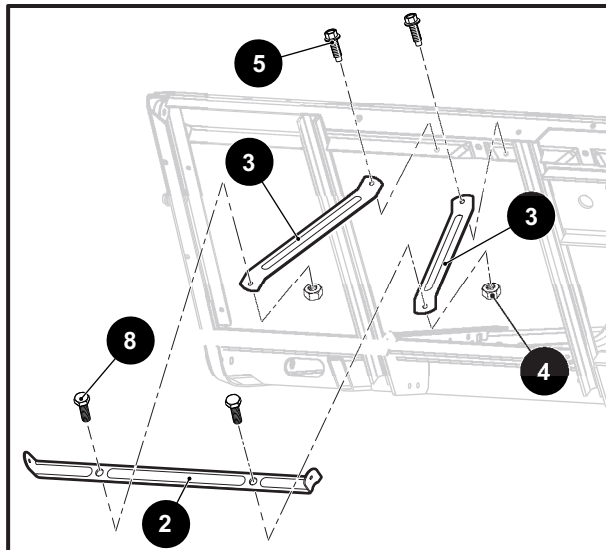
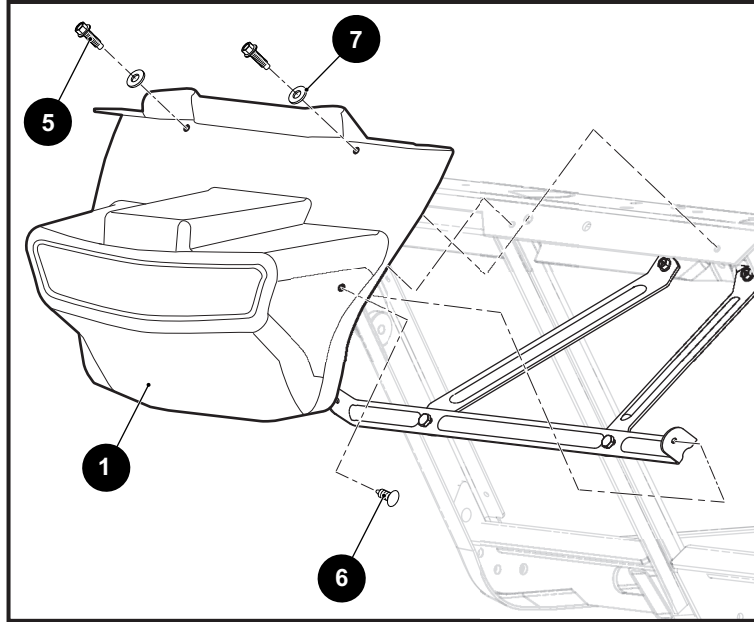
THE USE OF NON U.L. PARTS WILL VOID ANY U.L. LISTING.

When ordering parts, please specify the model and serial number of the product.

* Indicates a component that is not available as an individual part.

*** Indicates consult Customer Service Department for additional information.

ITEM	PART NO.	1 2 3 4 5	DESCRIPTION	QTY.
1	<u>628017</u>		INSTRUMENT PANEL ASSEMBLY (INCLUDES ITEMS 2 - 6).....	1
2	<u>628010</u>		INSTRUMENT PANEL ASSEMBLY WITH COMPARTMENT	1
3	<u>641632G01</u>		BALL HOLDER (DRIVER SIDE).....	1
4	<u>641632G02</u>		BALL HOLDER (PASSENGER SIDE)	1
5	00614G3		PAN HEAD PHILLIPS TAPPING SCREW, #8 - 15 X 3/8" LG	4
6	<u>71364G02</u>		'J' TYPE SPEED NUT, #8 - 15 X .198" LG	5
7				
8	<u>628023</u>		CUP HOLDER.....	1
9	<u>71115G01</u>		TRIM	2
10	<u>71055G01</u>		RIVET, 3/16" X .985" DIA.....	11
11	<u>608290</u>		PAN HEAD PHILLIPS TAPPING SCREW, #10 - 16 X 3/4" LG	5
12				
13				
14	619730G0XX		COWL (see COLOR CODES in HOW TO USE section)	1
15	<u>71055G01</u>		RIVET, 3/16" X .985" DIA.....	7
16	<u>10570G11</u>		RIVET (SS), 3/16" X .70"	2
17	<u>16816G2</u>		RATCHET RIVET, .25" X .887"	2
18				
19				
20				
21	00438G6		HEX HEAD BOLT (WITH TOP), 5/16" - 18 X 3/4" LG.....	2
22	<u>00571G2</u>		FLAT WASHER, 5/16".....	2
23	<u>71781G02</u>		VINYL TAPE.....	2
24	<u>71056G01</u>		TRUSS HEAD MACHINE SCREW (WITHOUT TOP), 5/16" - 18 X .62" LG...	4
25	<u>00570G2</u>		FLAT WASHER, 5/16".....	4
26				
27				
28	<u>75459G01</u>		GLOVE BOX (DRIVER/PASSENGER SIDE).....	1
29	<u>75459G02</u>		GLOVE BOX (DRIVER SIDE).....	1
30	<u>75459G03</u>		GLOVE BOX (PASSENGER SIDE)	1



THE USE OF NON U.L. PARTS WILL VOID ANY U.L. LISTING.

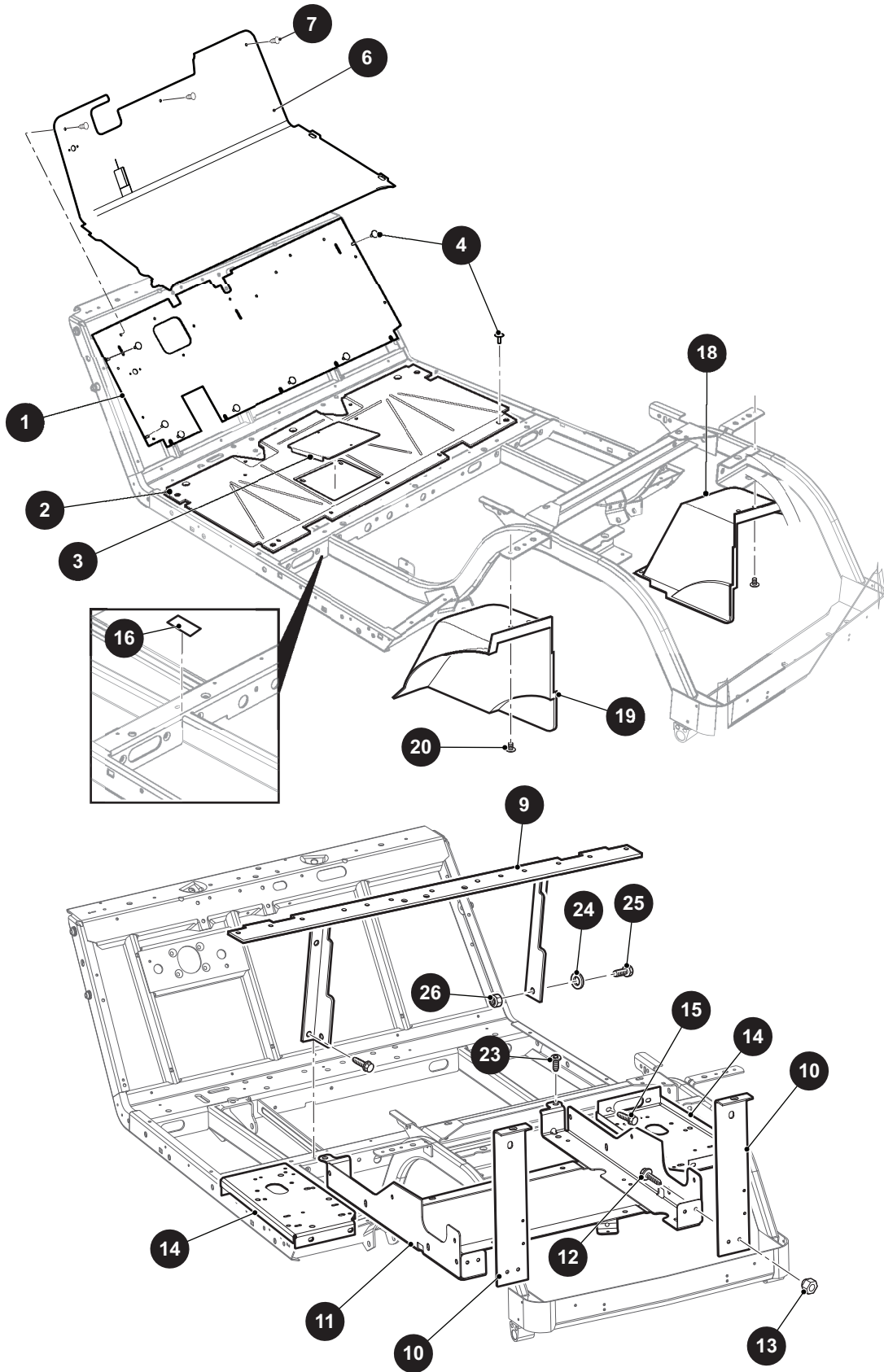
When ordering parts, please specify the model and serial number of the product.

* Indicates a component that is not available as an individual part.

*** Indicates consult Customer Service Department for additional information.

ITEM	PART NO.	1 2 3 4 5	DESCRIPTION	QTY.
1	<u>624607</u>		FRONT SHIELD	1
2	<u>627769</u>		SHIELD BRACKET	1
3	<u>70725G02</u>		FRONT SHIELD BRACE	2
4	<u>14390G4</u>		LOCK NUT, 1/4" - 20	2
5	<u>01038G01</u>		HEX HEAD WASHER SCREW, 1/4" - 20 X 11/16" LG	4
6	<u>15058G1</u>		RIVET, 3/16" X .45" LG	2
7	<u>16469G1</u>		FLAT WASHER, 1/4"	2
8	<u>00414G6</u>		HEX HEAD BOLT, 1/4" - 20 X 3/4" LG	2

BODY



THE USE OF NON U.L. PARTS WILL VOID ANY U.L. LISTING.

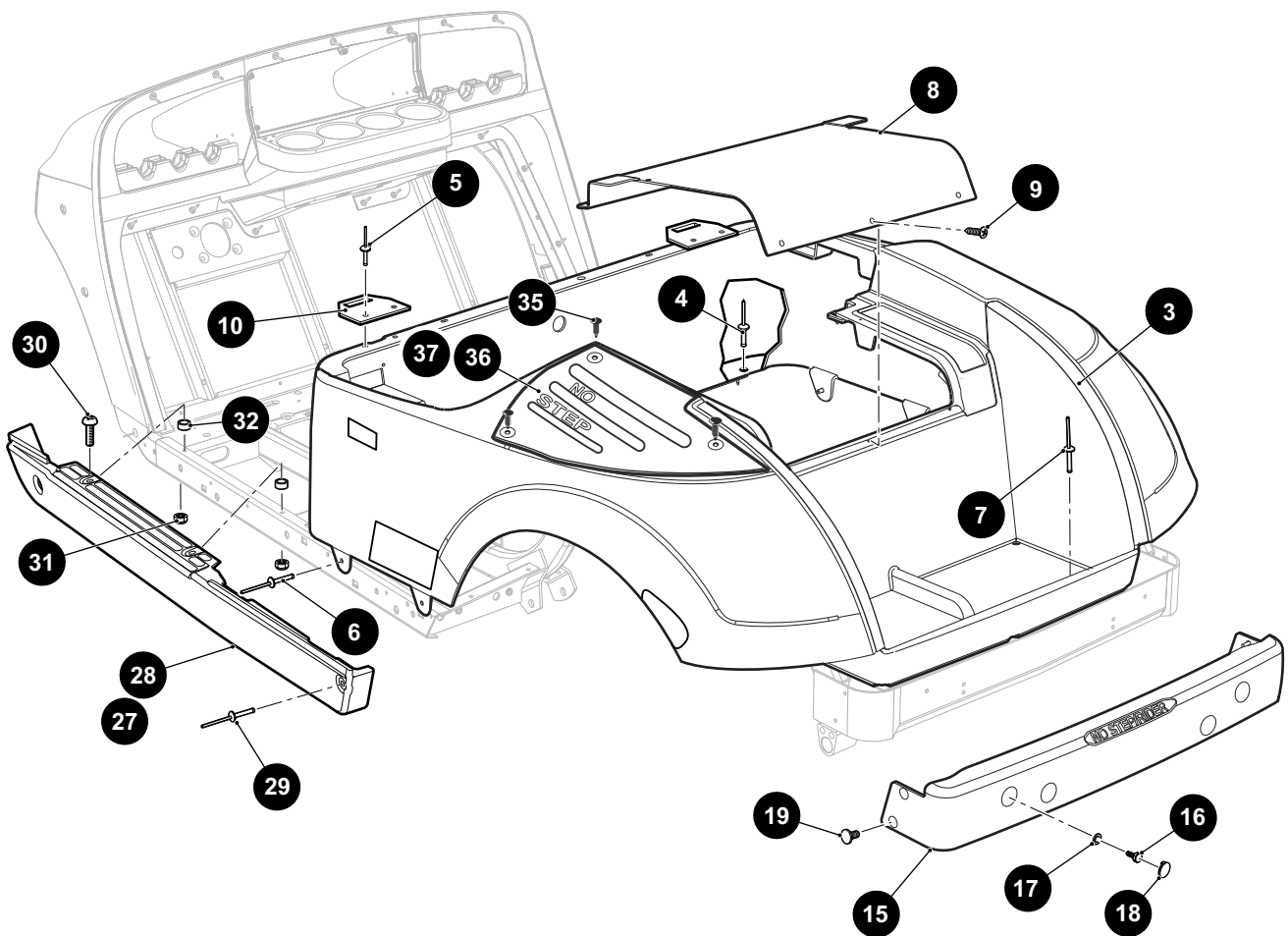
When ordering parts, please specify the model and serial number of the product.

* Indicates a component that is not available as an individual part.

*** Indicates consult Customer Service Department for additional information.

ITEM	PART NO.	1 2 3 4 5	DESCRIPTION	QTY.
1	<u>641260</u>		UPPER FLOORPAN	1
2	<u>70451G01</u>		LOWER FLOORPAN	1
3	<u>70452G01</u>		ACCESS COVER.....	1
4	<u>14601G11</u>		RIVET (ALUMINUM), 3/16" X 9/16" LG	16
5	<u>637535G01</u>		FLOORMAT	1
6				
7	<u>16816G1</u>		RATCHET RIVET, .25" X .680"	3
8				
9	<u>70441G01</u>		SEAT FRAME	1
10	<u>70090G02</u>		REAR SUPPORT	4
11	663490		BATTERY RACK WELDMENT	1
12	<u>13437G9</u>		FLANGED HEX HEAD BOLT, 1/4" - 20 X .75" LG	4
13	<u>14390G4</u>		LOCK NUT, 1/4" - 20.....	4
14	<u>70244G05</u>		SPLASH PANEL.....	2
15	<u>00715G2</u>		FLANGED HEX HEAD BOLT, 5/16" - 18 X 4/5" LG	8
16	<u>72910G01</u>		CORROSION PATCH	2
17				
18	<u>635054G02</u>		FENDER LINER (PASSENGER SIDE).....	1
19	<u>635054G01</u>		FENDER LINER (DRIVER SIDE)	1
20	<u>16816G2</u>		RATCHET FASTENER, 1/4" X 3/4" LG.....	8
21				
22				
23	<u>70200G01</u>		TRUSS HEAD TORX SCREW, 3/8" - 16 X .75" LG	2
24	00559G8		FLAT WASHER, 5/8"	2
25	00438G6		HEX HEAD BOLT, 5/16" - 18 X 3/4" LG	2
26	11098G6		LOCK NUT, 5/16" - 18.....	2

1 REAR BODY includes item 3



THE USE OF NON U.L. PARTS WILL VOID ANY U.L. LISTING.

When ordering parts, please specify the model and serial number of the product.

* Indicates a component that is not available as an individual part.

*** Indicates consult Customer Service Department for additional information.

ITEM	PART NO.	1 2 3 4 5	DESCRIPTION	QTY.
1	625272G0XX		REAR BODY (INCLUDES ITEM 3) (see COLOR CODES in HOW TO USE section)	1
2				
3	<u>624374</u>		BAGWELL LINER.....	1
4	<u>10570G10</u>		RIVET (SS), 5/32" X 9/16" LG.....	5
5	<u>10570G11</u>		RIVET (SS), 3/16" X .70" LG.....	4
6	10570G12		RIVET (SS), 1/4" X 9/16" LG.....	2
7	<u>633917</u>		PLASTIC RIVET, 1/4" X 1" LG	2
8	<u>71320G01</u>		ACCESS COVER.....	1
9	<u>01107G01</u>		PAN HEAD TORX SCREW, #8 X .63" LG	5
10	<u>71609G01</u>		SEAT HINGE PLATE.....	2
11				
12				
13				
14				
15	695282		REAR BUMPER.....	1
16	<u>71102G01</u>		HEX HEAD BOLT, 1/4" - 20 X 3/4" LG	4
17	<u>00571G2</u>		FLAT WASHER, 5/16".....	4
18	<u>71514G01</u>		BUMPER PLUG	4
19	14601G17		RIVET (ALUMINUM), 3/16" X 9/16" LG	4
20				
21				
22				
23				
24				
25				
26				
27	<u>615239</u>		ROCKER PANEL WITH SILL PLATE (DRIVER SIDE)	1
28	<u>617333</u>		ROCKER PANEL WITH SILL PLATE (PASSENGER SIDE).....	1
29	<u>15058G6</u>		BLACK RIVET (ALUMINUM), 3/16"	4
30	<u>634161</u>		BUTTON HEAD TORX BOLT, M6 - 1 X 30.5MM LG	4

BODY

THE USE OF NON U.L. PARTS WILL VOID ANY U.L. LISTING.

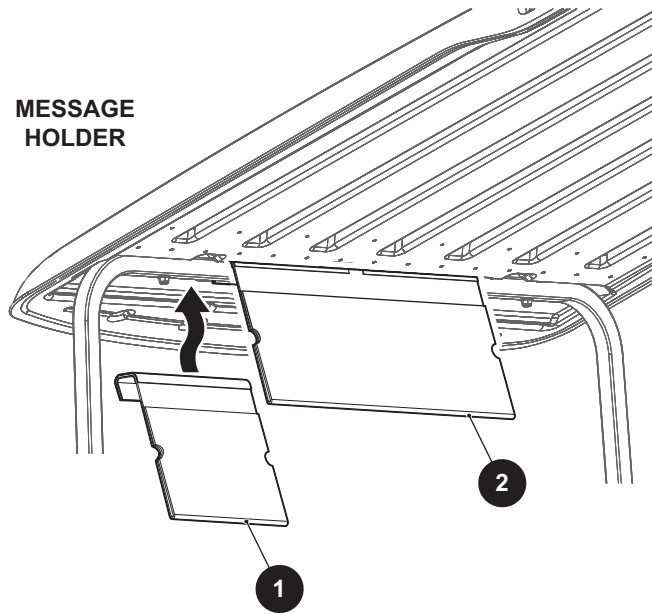
When ordering parts, please specify the model and serial number of the product.

* Indicates a component that is not available as an individual part.

*** Indicates consult Customer Service Department for additional information.

ITEM	PART NO.	1 2 3 4 5	DESCRIPTION	QTY.
31	<u>601476</u>		LOCK NUT, M6 - 1.....	4
32	<u>23726G4</u>		SPACER, 5/16"	4
33				
34				
35	<u>16816G2</u>		RATCHET RIVET, .25" X .887"	6
36	<u>625210</u>		REAR SCUFF PAD (DRIVER SIDE)	1
37	<u>625211</u>		REAR SCUFF PAD (PASSENGER SIDE).....	1

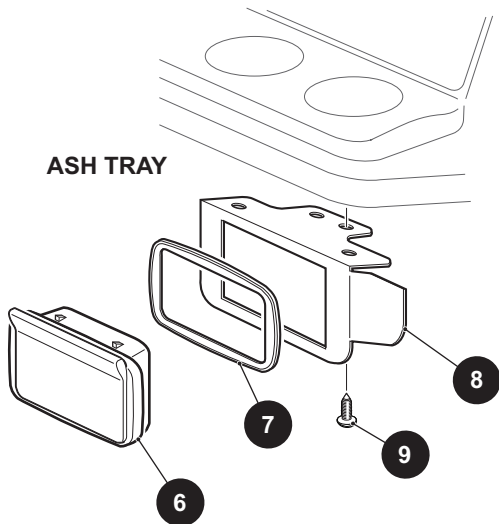
MESSAGE
HOLDER



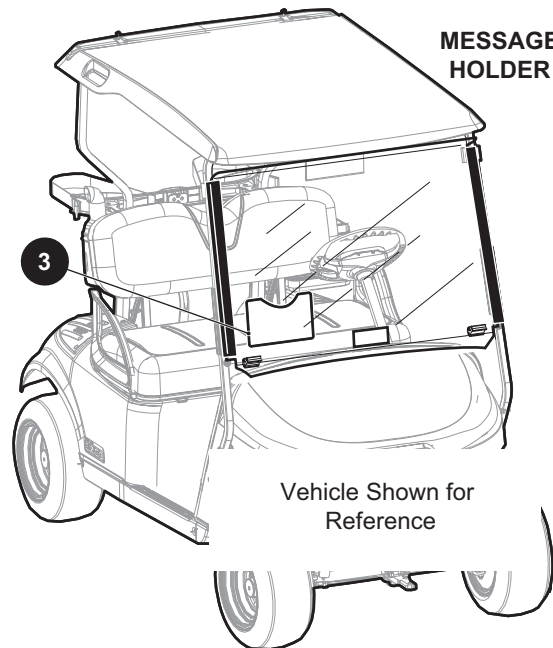
Front of Vehicle

5 ASH TRAY KIT includes items 6 - 9

ASH TRAY



MESSAGE
HOLDER



THE USE OF NON U.L. PARTS WILL VOID ANY U.L. LISTING.

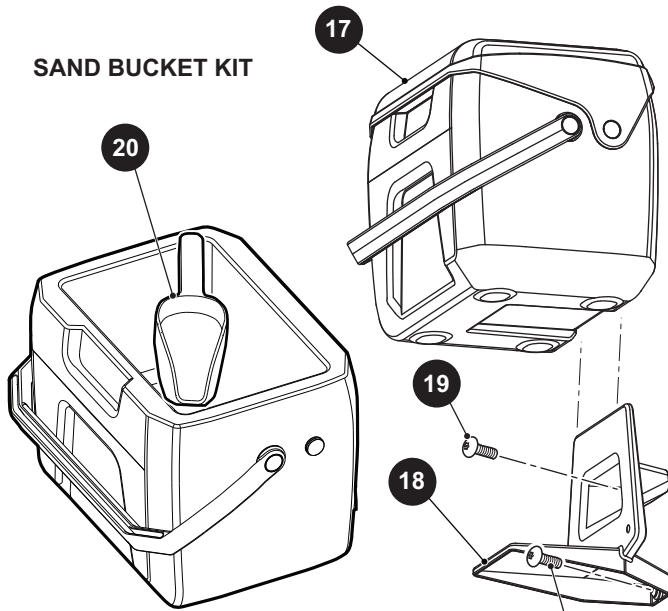
When ordering parts, please specify the model and serial number of the product.

* Indicates a component that is not available as an individual part.

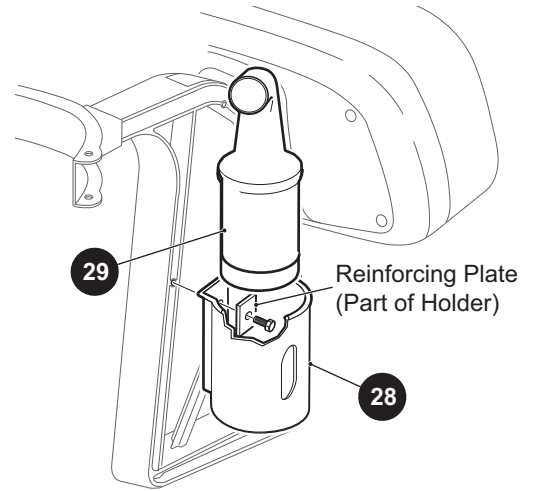
*** Indicates consult Customer Service Department for additional information.

ITEM	PART NO.	1 2 3 4 5	DESCRIPTION	QTY.
1	<u>609308</u>		MESSAGE HOLDER	1
2	<u>617613</u>		MESSAGE HOLDER, DOUBLE.....	1
3	695349		MESSAGE HOLDER (MOUNTED ON WINDSHIELD).....	1
4				
5	<u>75109G03</u>		ASH TRAY KIT (INCLUDES ITEMS 6 - 9)	1
6	27731G01		ASH TRAY	1
7	27736G01		GASKET	1
8	<u>75108G02</u>		BRACKET	1
9	<u>00106G6</u>		PAN HEAD PHILLIPS SCREW, #12 - 14 X .75" LG.....	4

SAND BUCKET KIT



SAND BOTTLE DIVOT REPAIR KIT



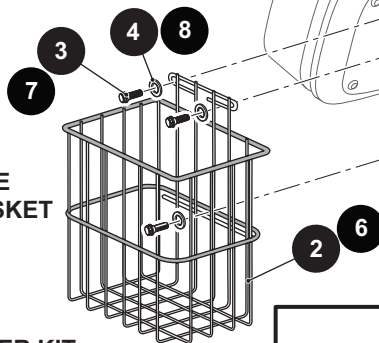
16 SAND BUCKET KIT includes items 17 - 20

1 SIDE BASKET KIT (ONE) includes items 2 - 4

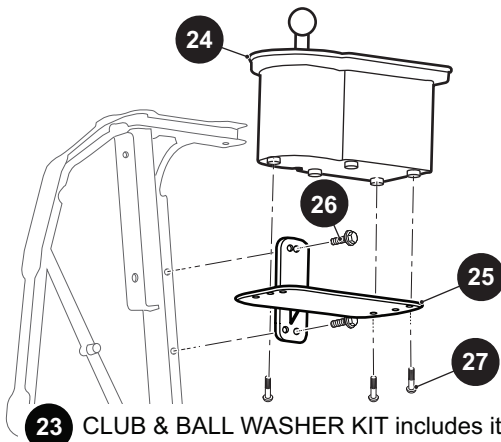
5 SIDE BASKET KIT (TWO) includes items 6 - 8

10 CENTER BASKET KIT includes items 11 - 14

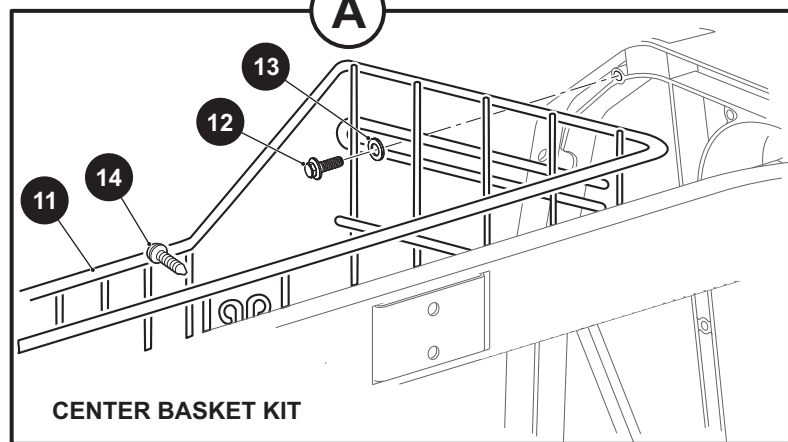
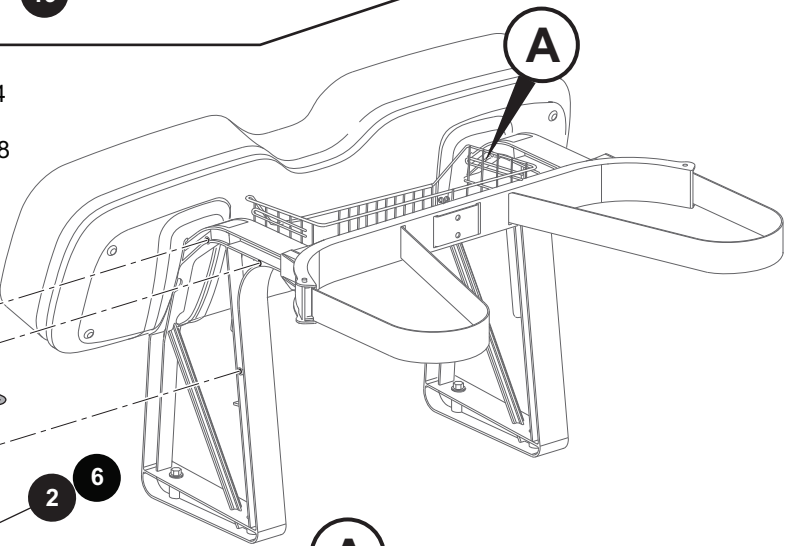
SIDE BASKET KIT



CLUB & BALL WASHER KIT



23 CLUB & BALL WASHER KIT includes items 24 - 27



CENTER BASKET KIT

THE USE OF NON U.L. PARTS WILL VOID ANY U.L. LISTING.

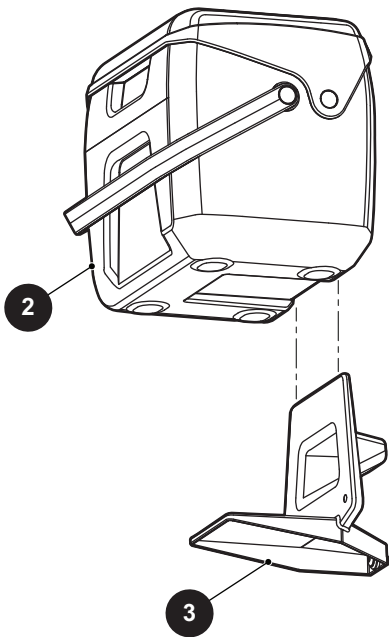
When ordering parts, please specify the model and serial number of the product.

* Indicates a component that is not available as an individual part.

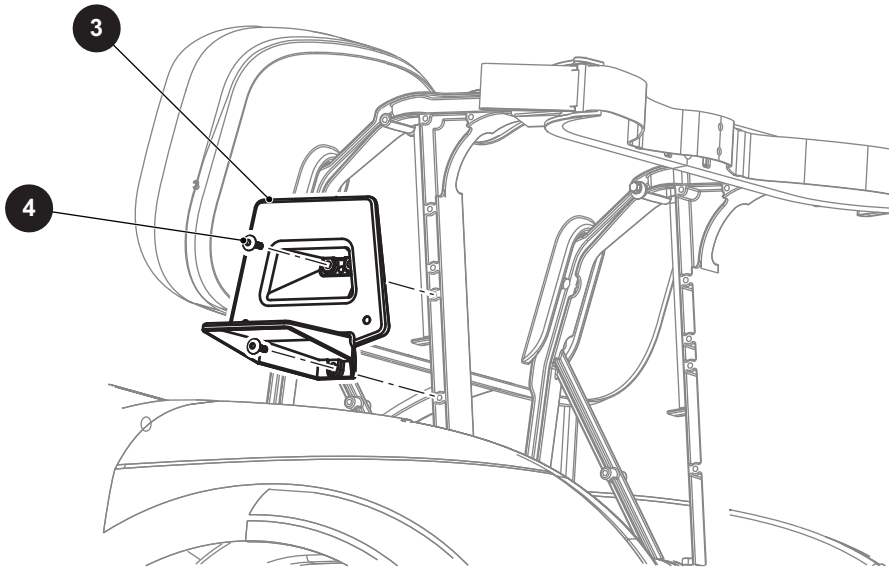
*** Indicates consult Customer Service Department for additional information.

ITEM	PART NO.	1 2 3 4 5	DESCRIPTION	QTY.
1	<u>75007G01</u>		SIDE BASKET KIT WITH ONE BASKET (INCLUDES ITEMS 2 - 4)	1
2	<u>75460G01</u>		SIDE BASKET	1
3	<u>71102G01</u>		HEX HEAD BOLT, 1/4" - 20 X 3/4" LG.....	3
4	<u>00793G2</u>		FLAT WASHER (SS), 1/4"	3
5	<u>75007G03</u>		SIDE BASKET KIT WITH TWO BASKET (INCLUDES ITEMS 6 - 8).....	1
6	<u>75460G01</u>		SIDE BASKET	2
7	<u>71102G01</u>		HEX HEAD BOLT, 1/4" - 20 X 3/4" LG.....	6
8	<u>00793G2</u>		FLAT WASHER (SS), 1/4"	6
9				
10	<u>75003G01</u>		CENTER BASKET KIT (INCLUDES ITEMS 11 - 14)	1
11	<u>75461G01</u>		CENTER BASKET	1
12	<u>71102G01</u>		HEX HEAD BOLT, 1/4" - 20 X 3/4" LG.....	2
13	<u>00793G2</u>		FLAT WASHER (SS), 1/4"	2
14	<u>01105G01</u>		TORX SCREW (SS), #10 - 14 X 5/8" LG	2
15				
16	<u>664402</u>		SAND BUCKET KIT (INCLUDES ITEMS 17 - 20)	1
17	<u>662248</u>		SAND BUCKET	1
18	<u>658506</u>		BRACKET.....	1
19	<u>659155</u>		TRUSS HEAD TORX SCREW, 1/4" - 20 X 3/4" LG	2
20	<u>74848G01</u>		SCOOP.....	1
21				
22				
23	<u>627900</u>		CLUB AND BALL WASHER KIT (INCLUDES ITEMS 24 - 27)	1
24	*		CLUB AND BALL WASHER	1
25	*		CLUB AND BALL WASHER WELDMENT.....	1
26	*		HEX HEAD BOLT, 1/4" - 20 X 3/4" LG.....	2
27	*		PAN HEAD PHILLIPS SELF TAPPING SCREW, #8 - 18 X 1" LG	3
28	<u>28660G01</u>		SAND BOTTLE HOLDER	1
29	600612		SAND BOTTLE	1
30	<u>614191</u>		SAND BOTTLE HARDWARE KIT (NOT ILLUSTRATED).....	1

1 COOLER KIT includes items 2 - 4

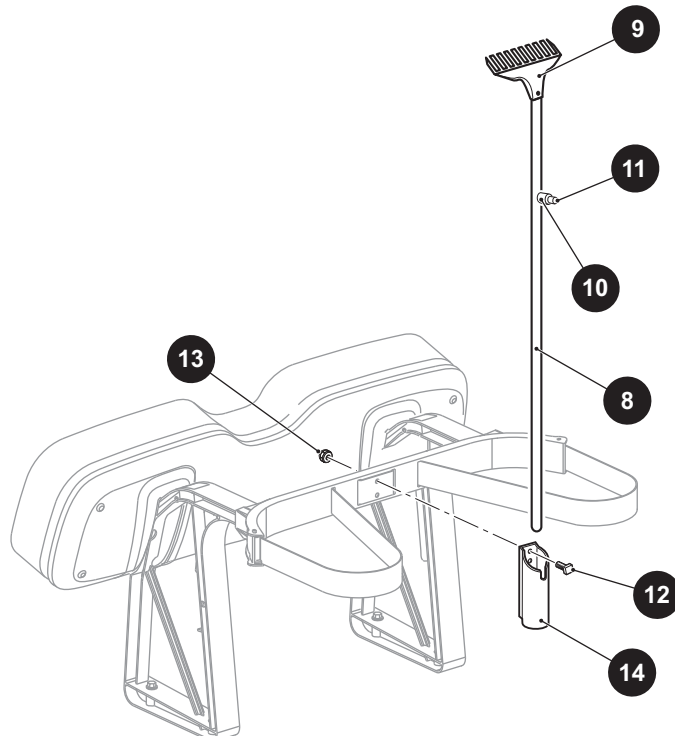


BOX COOLER AND BRACKET



RAKE ASSEMBLY

7 RAKE ASSEMBLY includes items 8 - 11



THE USE OF NON U.L. PARTS WILL VOID ANY U.L. LISTING.

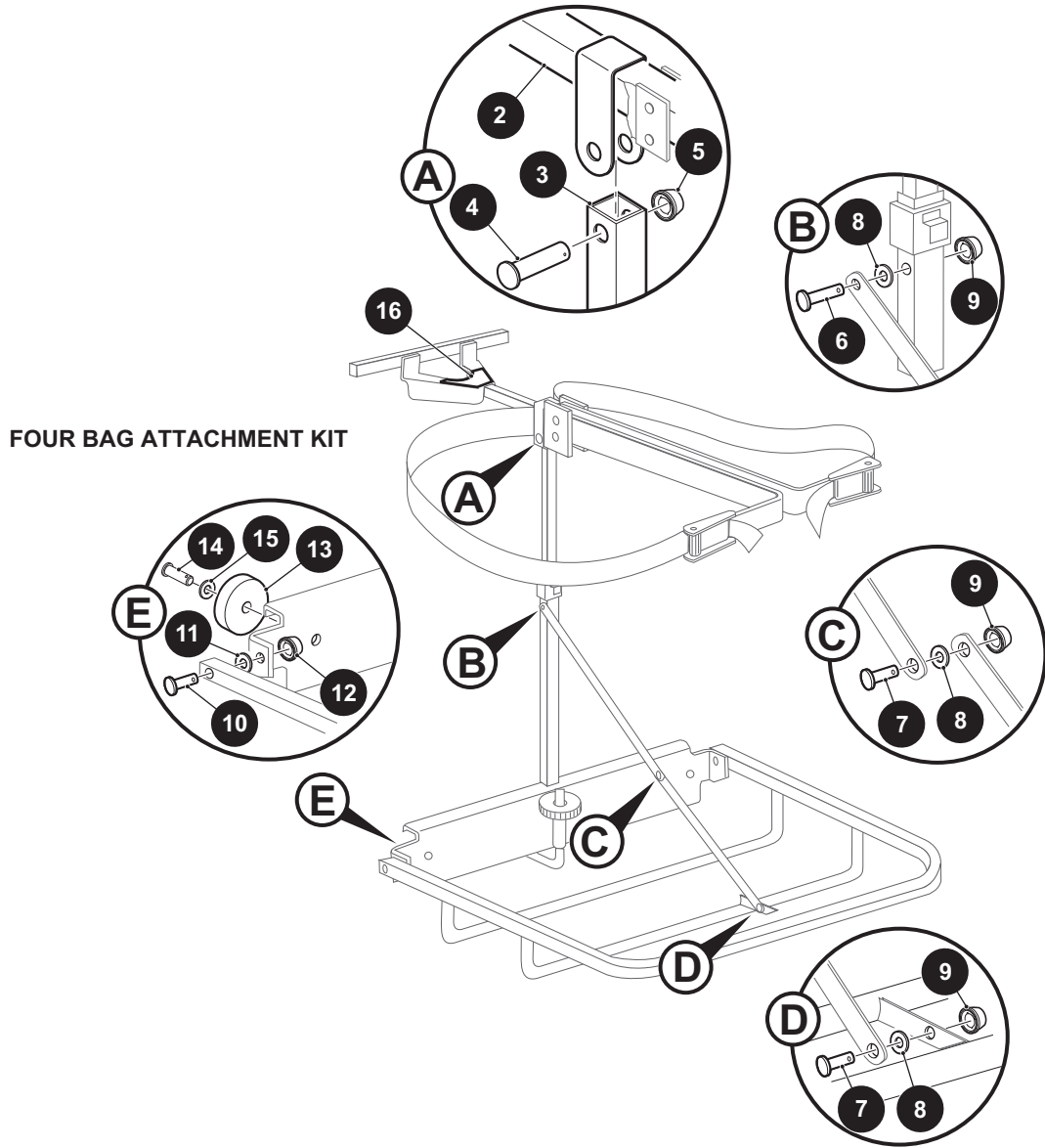
When ordering parts, please specify the model and serial number of the product.

* Indicates a component that is not available as an individual part.

*** Indicates consult Customer Service Department for additional information.

ITEM	PART NO.	1 2 3 4 5	DESCRIPTION	QTY.
1	<u>658509</u>		COOLER KIT (INCLUDES ITEMS 2 - 4)	1
2	<u>658503</u>		BEVERAGE COOLER.....	1
3	<u>658506</u>		COOLER BRACKET.....	1
4	<u>659155</u>		HEX HEAD BOLT, 1/4" - 20 X 3/4" LG.....	2
5				
6				
7	<u>14735G1</u>		RAKE ASSEMBLY (INCLUDES ITEMS 8 - 11).....	1
8	<u>14736G2</u>		RAKE HANDLE	1
9	<u>14737G1</u>		RAKE	1
10	<u>14934G1</u>		SPACER	1
11	<u>00130G8</u>		ROUND HEAD PHILLIPS WOOD SCREW, #10 - 13 X 1" LG	1
12	<u>00989G06</u>		SQUARE HEAD BOLT, 1/4" - 20 X 3/4" LG	2
13	<u>11027G2</u>		LOCK NUT, 1/4" - 20	2
14	<u>25885G01</u>		RAKE HOLDER	1

1 FOUR BAG ATTACHMENT KIT includes items 2 - 16



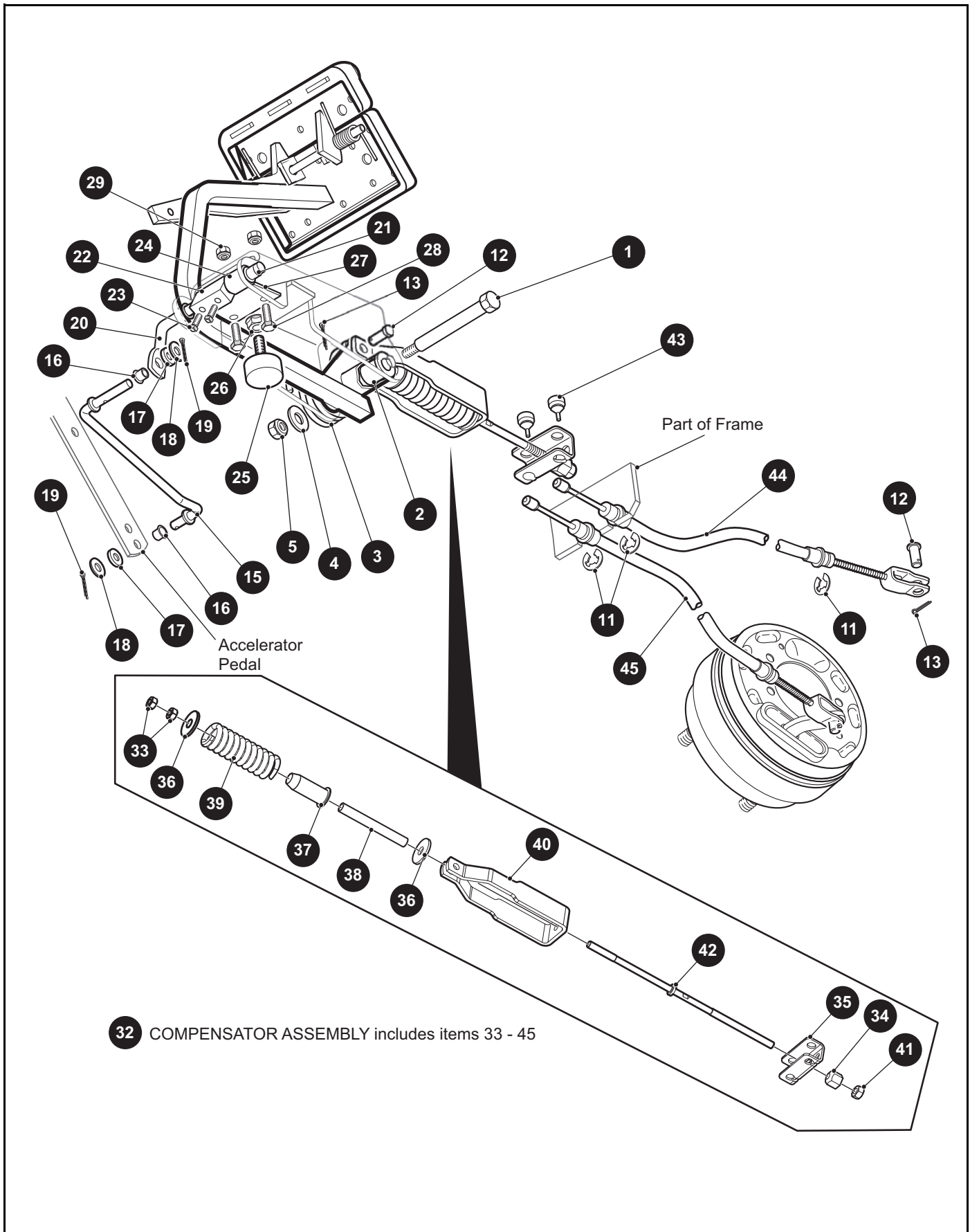
THE USE OF NON U.L. PARTS WILL VOID ANY U.L. LISTING.

When ordering parts, please specify the model and serial number of the product.

* Indicates a component that is not available as an individual part.

*** Indicates consult Customer Service Department for additional information.

ITEM	PART NO.	1 2 3 4 5	DESCRIPTION	QTY.
1	<u>75335G01</u>		FOUR BAG ATTACHMENT KIT (INCLUDES ITEMS 2 -16)	1
2	*		TOP ASSEMBLY	1
3	*		BOTTOM ASSEMBLY	1
4	<u>17651G2</u>		CLEVIS PIN, 5/16" X 1 1/8" LG	1
5	<u>28129G01</u>		PUSH NUT, 5/16"	1
6	<u>17651G2</u>		CLEVIS PIN, 5/16" X 1 1/8" LG	1
7	<u>17651G3</u>		CLEVIS PIN, 5/16" X 1/2" LG	2
8	00559G8		FLAT WASHER, 5/16"	3
9	<u>28129G01</u>		PUSH NUT, 5/16"	3
10	<u>17651G1</u>		CLEVIS PIN, 3/8" X 1 1/4" LG	2
11	<u>00560G1</u>		FLAT WASHER, 3/8"	2
12	<u>28129G02</u>		PUSH NUT, 3/8"	2
13	<u>13728G1</u>		RUBBER BUMPER	2
14	<u>14601G1</u>		RIVET, 3/16"	2
15	<u>00559G5</u>		FLAT WASHER, #10	2
16	75130G01		WARNING LABEL	1



THE USE OF NON U.L. PARTS WILL VOID ANY U.L. LISTING.

When ordering parts, please specify the model and serial number of the product.

* Indicates a component that is not available as an individual part.

*** Indicates consult Customer Service Department for additional information.

ITEM	PART NO.	1 2 3 4 5	DESCRIPTION	QTY.
1	<u>70582G01</u>		SHOULDER BOLT (SS), 1/2" / 3/8" - 16 X 4" LG.....	1
2	<u>70581G01</u>		FLANGED BUSHING, .8" O.D. X .5" I.D.....	2
3	<u>70676G01</u>		TORSION SPRING	1
4	<u>00643G1</u>		LOCK WASHER, 3/8"	1
5	<u>11098G5</u>		LOCK NUT, 3/8" - 16.....	1
6	<u>01038G01</u>		SWAGEFORM SCREW, 1/4" - 20 X .7" LG (NOT ILLUSTRATED).....	1
7	<u>12416G2</u>		NYLON WEDGE LOCK CLAMP (NOT ILLUSTRATED).....	3
8				
9				
10				
11	<u>01111G01</u>		RETAINING RING (SS), 13/32"	4
12	<u>10386G3</u>		CLEVIS PIN, 5/16" X 13/16" LG.....	3
13	<u>10387G3</u>		COTTER PIN, 3/32" X 3/4" LG.....	3
14				
15	<u>70601G01</u>		KICK-OFF LINK	1
16	<u>17838G1</u>		NYLON BUSHING, .37" O.D. X .31" I.D.	2
17	<u>20835G1</u>		TEFLON WASHER, 3/8".....	2
18	<u>00559G8</u>		FLAT WASHER, 5/16".....	2
19	<u>10387G3</u>		COTTER PIN, 3/32" X 3/4" LG.....	2
20	<u>70098G01</u>		KICK-OFF CAM PIVOT.....	1
21	<u>10097G6</u>		FLANGED BEARING	2
22	<u>70587G01</u>		KICK-OFF CAM	1
23	<u>71215G01</u>		SET SCREW, 1/4" - 20 X 1/2" LG	2
24	<u>14134G4</u>		SPACER, .76" O.D. X .395" I.D. X 1.25" LG	1
25	<u>70113G01</u>		ADJUSTABLE BUMPER.....	1
26	<u>11027G1</u>		LOCK NUT, 5/16 - 18".....	1
27	<u>70080G02</u>		CATCH BRACKET	1
28	<u>00414G6</u>		HEX HEAD BOLT, 1/4" - 20 X 3/4" LG	2
29	<u>14390G4</u>		LOCK NUT (SS), 1/4" - 20	2
30	<u>17618G1</u>		NYLON CAMP (NOT ILLUSTRATED)	1
31				

BRAKES

THE USE OF NON U.L. PARTS WILL VOID ANY U.L. LISTING.

When ordering parts, please specify the model and serial number of the product.

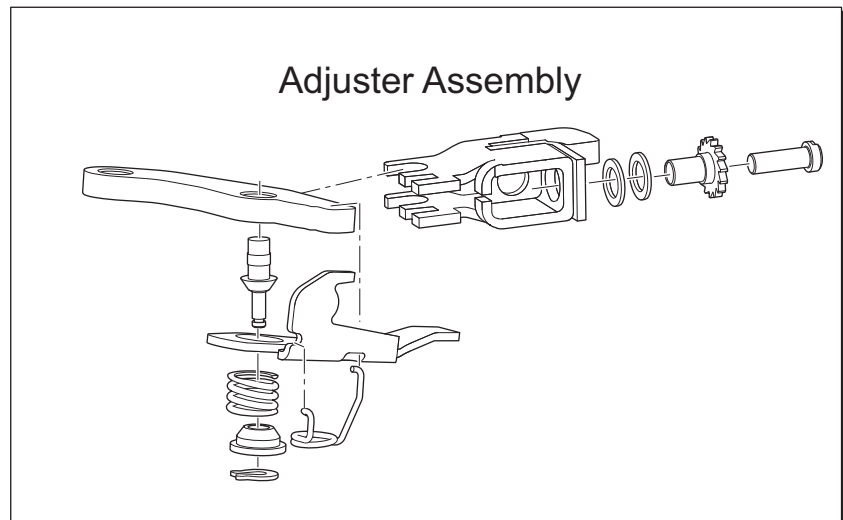
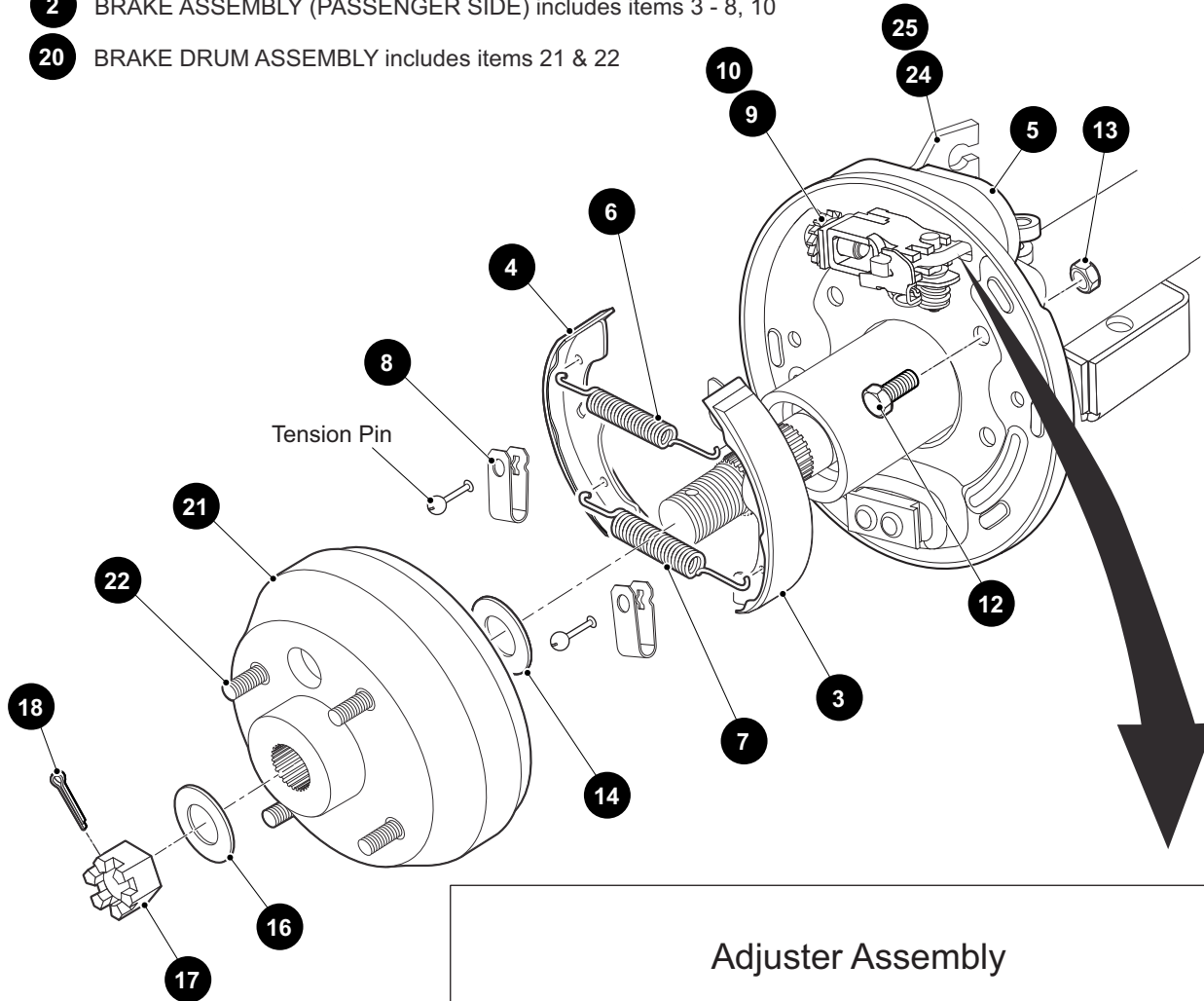
* Indicates a component that is not available as an individual part.

*** Indicates consult Customer Service Department for additional information.

ITEM	PART NO.	1	2	3	4	5	DESCRIPTION	QTY.
32	654663						COMPENSATOR ASSEMBLY (GREEN) (INCLUDES ITEMS 33 - 45).....	1
33	<u>00532G4</u>						HEX NUT, 5/16" - 48	2
34	<u>629486</u>						HEX NUT, 5/16" - 24	1
35	<u>28082G01</u>						EQUALIZER BRACKET	1
36	<u>15121G1</u>						FLAT WASHER - 5/16".....	2
37	<u>17979G1</u>						ACCELERATOR ROD BUSHING, .75" O.D. X 2" LG	1
38	<u>23061G2</u>						TUBE.....	1
39	<u>23463G1</u>						COMPRESSION SPRING	1
40	<u>27330G01</u>						BRAKE YOKE	1
41	<u>11098G9</u>						HEX LOCK NUT, 5/16" - 24	1
42	<u>612557</u>						COMPENSATOR LINK ROD	1
43	<u>28083G01</u>						BRAKE COMPENSATOR BUMPER.....	2
44	<u>624690</u>						BRAKE CABLE (DRIVER SIDE).....	1
45	<u>624691</u>						BRAKE CABLE (PASSENGER SIDE)	1

TOP PULL

- 1** BRAKE ASSEMBLY (DRIVER SIDE) includes items 3 - 9
- 2** BRAKE ASSEMBLY (PASSENGER SIDE) includes items 3 - 8, 10
- 20** BRAKE DRUM ASSEMBLY includes items 21 & 22



BRAKES

THE USE OF NON U.L. PARTS WILL VOID ANY U.L. LISTING.

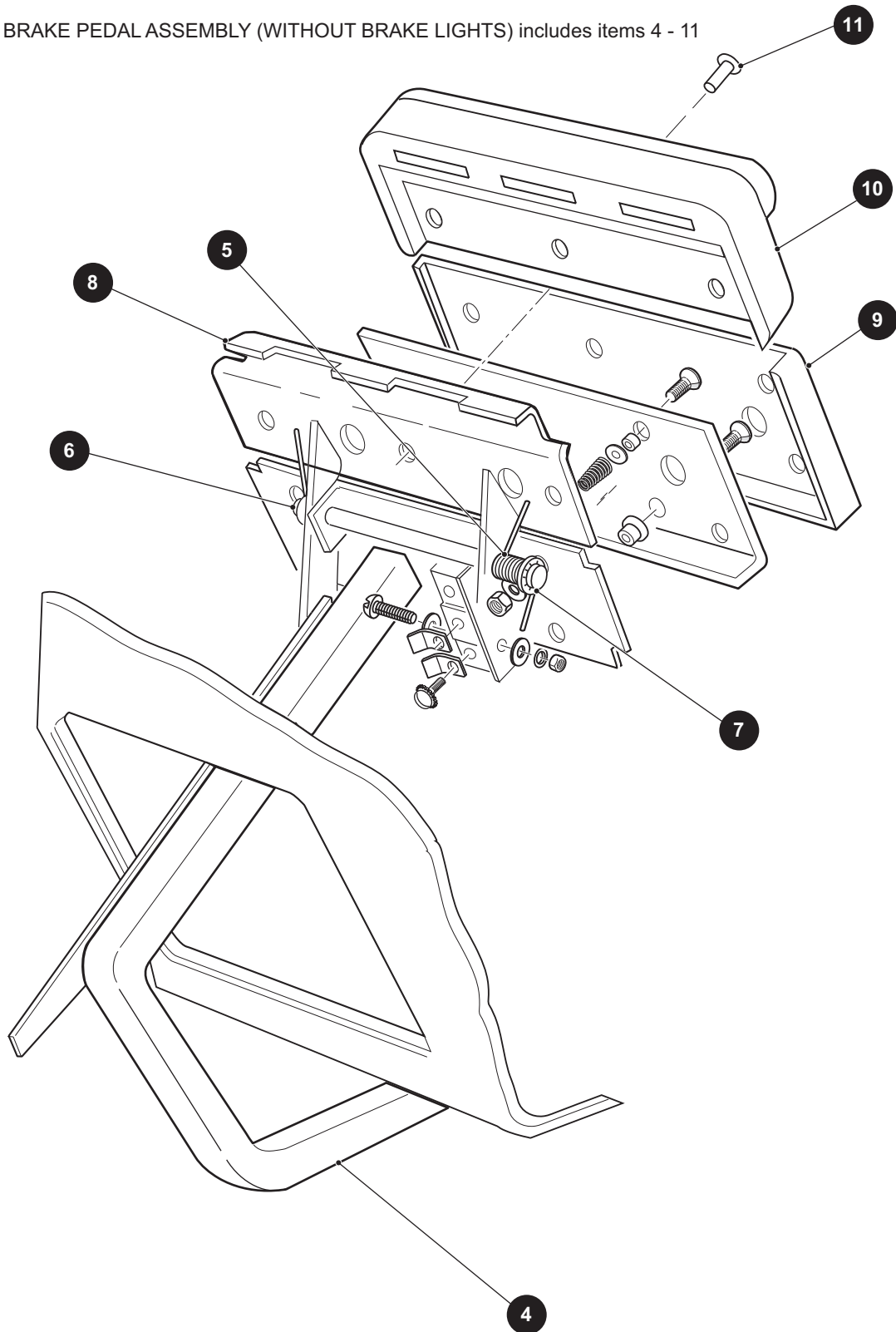
When ordering parts, please specify the model and serial number of the product.

* Indicates a component that is not available as an individual part.

*** Indicates consult Customer Service Department for additional information.

ITEM	PART NO.	1 2 3 4 5	DESCRIPTION	QTY.
1	<u>612211</u>		BRAKE ASSEMBLY (DRIVER SIDE) (INCLUDES ITEMS 3 - 9).....	1
2	<u>612189</u>		BRAKE ASSEMBLY (PASSENGER SIDE) (INCLUDES ITEMS 3 - 8, 10)	1
3	<u>612411</u>		BRAKE SHOE, LEADING	2
4	<u>612412</u>		BRAKE SHOE, TRAILING.....	2
5	<u>612413</u>		DUST COVER	1
6	<u>612415</u>		BRAKE SPRING, BOTTOM	1
7	<u>612414</u>		BRAKE SPRING, TOP	1
8	<u>612416</u>		SHOE CLAMP	2
9	<u>612418</u>		GEAR ADJUSTER (DRIVER SIDE)	1
10	<u>612417</u>		GEAR ADJUSTER (PASSENGER SIDE).....	1
11				
12	<u>17083G2</u>		HEX HEAD BOLT, 5/16" - 24 X 1" LG	8
13	<u>15126G1</u>		LOCK NUT, 5/16" - 24.....	8
14	<u>15485G1</u>		FLAT WASHER, 1/4"	2
15				
16	<u>15487G1</u>		FLAT WASHER, 1 3/8" O.D.	2
17	<u>612928</u>		CASTELLATED NUT, 5/8" - 18	2
18	<u>10387G1</u>		COTTER PIN, 1/8" X 1 1/2" LG.....	2
19				
20	<u>19186G1</u>		BRAKE DRUM ASSEMBLY (INCLUDES ITEMS 21 & 22)	2
21	<u>18500G2</u>		BRAKE DRUM.....	1
22	<u>19862G1</u>		LUG BOLT, 1/2" - 20 X 1 3/16" LG.....	4
23				
24	<u>652248</u>		BRAKE CABLE BRACKET (PASSENGER SIDE)	1
25	<u>652249</u>		BRAKE CABLE BRACKET (DRIVER SIDE).....	1

1 BRAKE PEDAL ASSEMBLY (WITHOUT BRAKE LIGHTS) includes items 4 - 11



THE USE OF NON U.L. PARTS WILL VOID ANY U.L. LISTING.

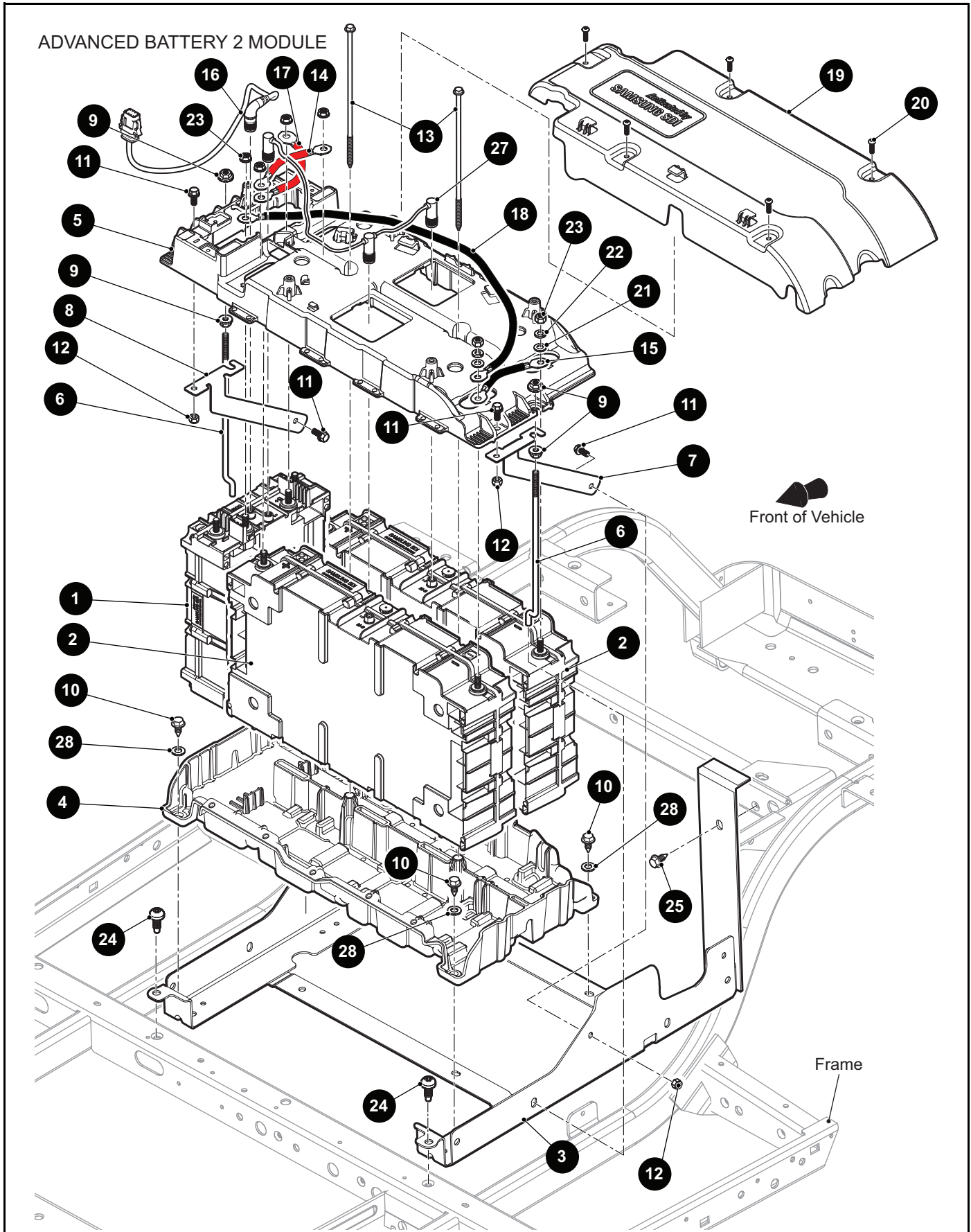
When ordering parts, please specify the model and serial number of the product.

* Indicates a component that is not available as an individual part.

*** Indicates consult Customer Service Department for additional information.

ITEM	PART NO.	1 2 3 4 5	DESCRIPTION	QTY.
1	<u>70612G02</u>		BRAKE PEDAL ASSEMBLY (WITHOUT BRAKE LIGHTS) (INCLUDES ITEMS 4 - 11).....	1
2				
3				
4	<u>652251G03</u>		BRAKE PEDAL (WITHOUT LIGHTS).....	1
5	<u>70681G01</u>		TORSION SPRING.....	2
6	<u>70682G01</u>		PIVOT PIN.....	1
7	<u>658825</u>		PUSHNUT, 5/16" - 24	2
8	<u>652253G03</u>		PARK BRAKE PEDAL	1
9	<u>70257G01</u>		SERVICE BRAKE PAD.....	1
10	<u>70256G01</u>		PARK BRAKE PEDAL PAD	1
11	<u>16409G1</u>		OVAL RIVET, 3/16" X 7/16" LG	9

ADVANCED BATTERY 2 MODULE



THE USE OF NON U.L. PARTS WILL VOID ANY U.L. LISTING.

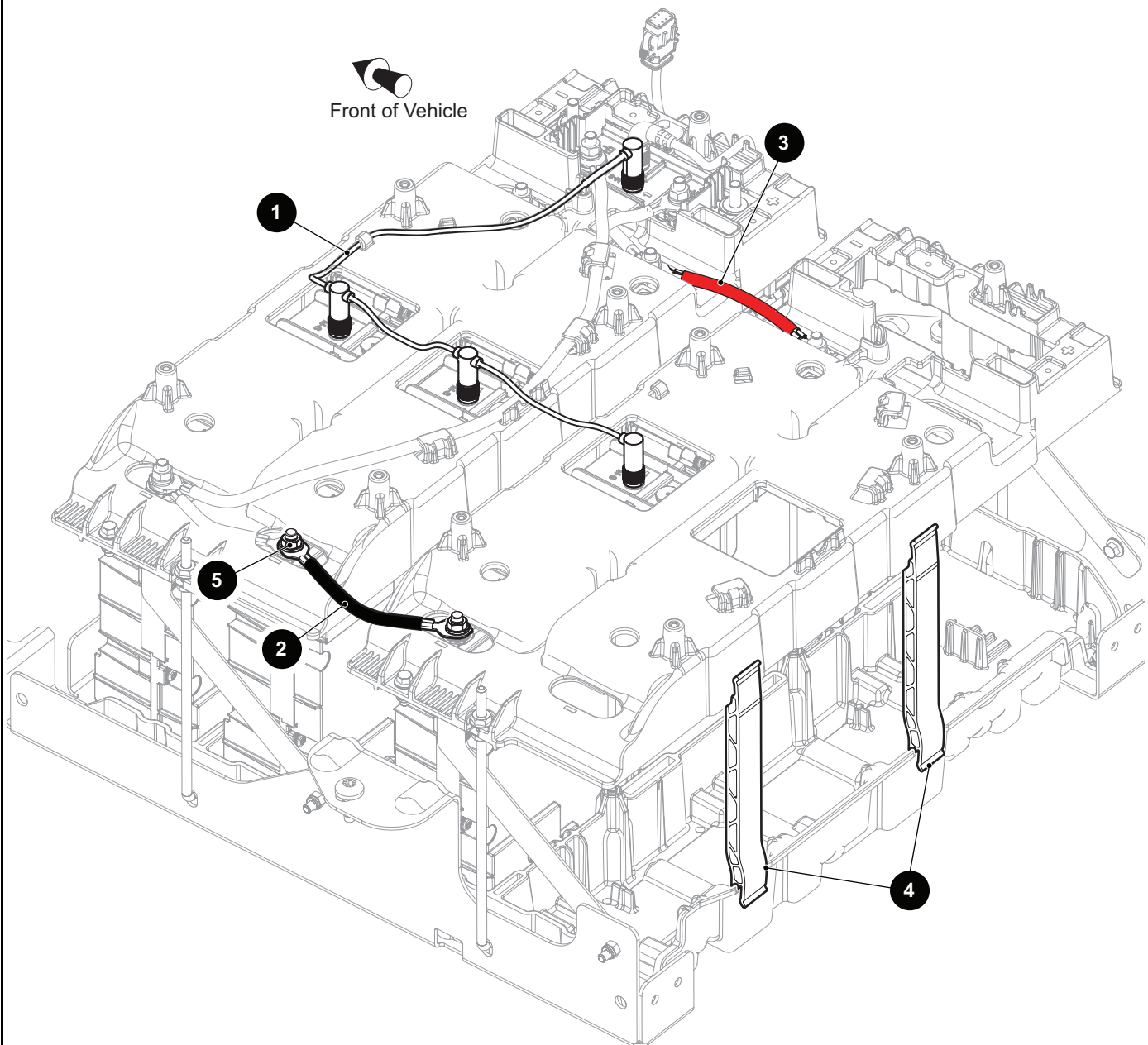
When ordering parts, please specify the model and serial number of the product.

* Indicates a component that is not available as an individual part.

*** Indicates consult Customer Service Department for additional information.

ITEM	PART NO.	1 2 3 4 5	DESCRIPTION	QTY.
1	696855		BATTERY MANAGEMENT SYSTEM	1
2	<u>665954</u>		CELL MODULE	2
3	663490		BATTERY TRAY	1
4	<u>651809</u>		BOTTOM TRAY	1
5	<u>651812</u>		TOP TRAY	1
6	<u>01101G01</u>		TIE DOWN BOLT	2
7	<u>654002G01</u>		HOLD DOWN BRACKET (DRIVER SIDE)	1
8	<u>654002G02</u>		HOLD DOWN BRACKET (PASSENGER SIDE)	1
9	<u>11027G1</u>		FLANGED LOCK NUT, 5/16" - 18	4
10	<u>00715G2</u>		HEX WASHER HEAD BOLT, 5/16" - 18 X .80" LG	4
11	<u>13437G9</u>		SERRATED HEAD LOCK SCREW, 1/4" - 20 X 3/4" LG	8
12	<u>14390G4</u>		LOCK NUT, 1/4" - 20	8
13	<u>654863</u>		FLANGED HEX HEAD BOLT, 1/4" - 10 X 8 3/4" LG	2
14	<u>652002</u>		BATTERY CABLE (RED), 6AWG, 122 MM LG	1
15	<u>653432</u>		BATTERY CABLE (BLACK), 6AWG, 122 MM LG	1
16	<u>652090</u>		HARNESS (BMS TO MAIN HARNESS)	1
17	<u>653449</u>		BATTERY CABLE (RED), 6AWG, 145 MM LG	1
18	<u>651811</u>		BATTERY CABLE (BLACK), 6AWG, 595 MM LG	1
19	<u>651878</u>		TOP COVER	1
20	<u>654616</u>		BUTTON HEAD TAPPING SCREW, #10 X .625" LG	5
21				
22				
23	<u>659134</u>		CONICAL HEX NUT, M8 - 1.25	6
24	<u>70200G01</u>		TRUSS HEAD TORX SCREW, 3/8" - 16 X .75" LG	2
25	<u>00715G2</u>		HEX WASHER HEAD BOLT, 5/16" - 18 X .80" LG	4
26				
27	<u>651960</u>		BATTERY COMMUNICATION CABLE, 60AH	1
28	00559G8		FLAT WASHER, 5/16"	4

ADVANCED BATTERY 3 MODULE



*NOTE: Refer to ADVANCED BATTERY 2 MODULE for exploded view of battery pack

THE USE OF NON U.L. PARTS WILL VOID ANY U.L. LISTING.

When ordering parts, please specify the model and serial number of the product.

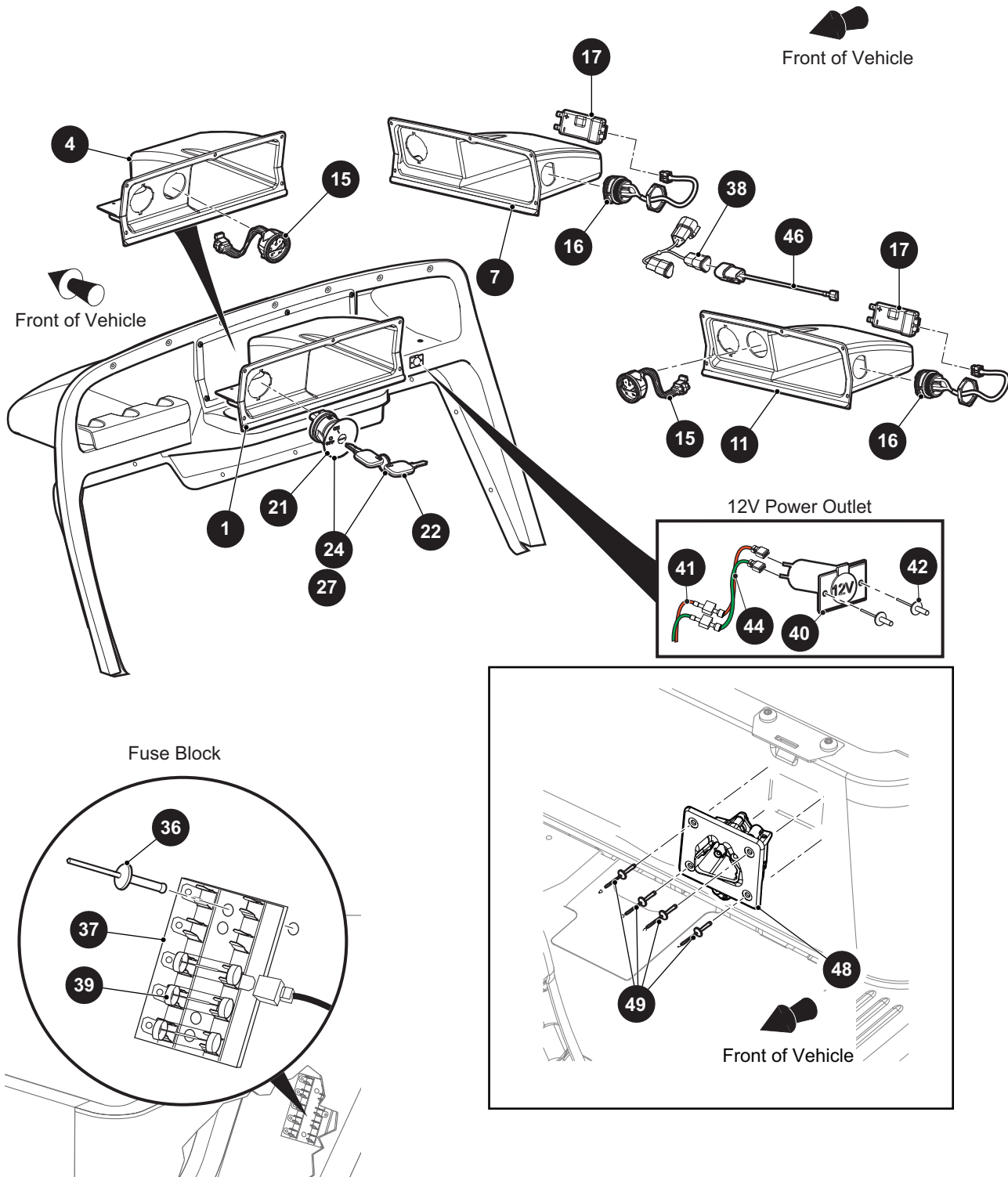
* Indicates a component that is not available as an individual part.

*** Indicates consult Customer Service Department for additional information.

ITEM	PART NO.	1 2 3 4 5	DESCRIPTION	QTY.
1	<u>651961</u>		BATTERY COMMUNICATION CABLE, 90AH	1
2	<u>653431</u>		BATTERY CABLE (BLACK), 6AWG, 160MM LG.....	1
3	<u>653433</u>		BATTERY CABLE (RED), 6AWG, 160MM LG.....	1
4	<u>654488</u>		BATTERY TRAY SPACER	2
5	<u>659134</u>		CONICAL HEX NUT, M8 - 1.25.....	2

ELECTRICAL

- 3 IP INSERT WITH STATE OF CHARGE ASSEMBLY includes items 4, 15
- 6 IP INSERT WITH USB ASSEMBLY includes items 7, 14, 16, 17
- 10 IP INSERT WITH STATE OF CHARGE AND USB ASSEMBLY includes items 11, 14 - 17



THE USE OF NON U.L. PARTS WILL VOID ANY U.L. LISTING.

When ordering parts, please specify the model and serial number of the product.

* Indicates a component that is not available as an individual part.

*** Indicates consult Customer Service Department for additional information.

ITEM	PART NO.	1 2 3 4 5	DESCRIPTION	QTY.
1	<u>657166</u>		CENTER COMPARTMENT.....	1
2				
3	<u>656506G02</u>		IP INSERT WITH STATE OF CHARGE ASSEMBLY (INCLUDES ITEMS 4, 15).....	1
4	658284G02		CENTER COMPARTMENT WITH STATE OF CHARGE	1
5				
6	<u>656506G03</u>		IP INSERT WITH USB ASSEMBLY (INCLUDES ITEMS 7, 14, 16, 17).....	1
7	658284G03		CENTER COMPARTMENT WITH USB	1
8				
9				
10	<u>656506G04</u>		IP INSERT WITH STATE OF CHARGE AND USB ASSEMBLY (INCLUDES ITEMS 11, 14 - 17).....	1
11	658284G04		CENTER COMPARTMENT WITH STATE OF CHARGE AND USB.....	1
12				
13				
14	<u>17618G1</u>		NYLON CLAMP (NOT ILLUSTRATED).....	2
15	10004640		STATE OF CHARGE METER.....	1
16	<u>639384</u>		USB PORT HOUSING ASSEMBLY.....	1
17	10001356		USB ELECTRONICS.....	1
18	<u>17618G1</u>		NYLON CLAMP (NOT ILLUSTRATED)	3
19	<u>656773</u>		STATE OF CHARGE HARNESS (NOT ILLUSTRATED)	1
20				
21	<u>653074</u>		KEYSWITCH, 2 POSITION.....	1
22	<u>611282</u>		COMMON KEY SET	1
23				
24	<u>656069</u>		KEYSWITCH AND KEY SET, 2 POSITION (GROUP KEYS)	1
25				
26				
27	<u>656070</u>		KEYSWITCH AND KEY SET, 2 POSTION (UNIQUE).....	1
28				
29				
30				

ELECTRICAL

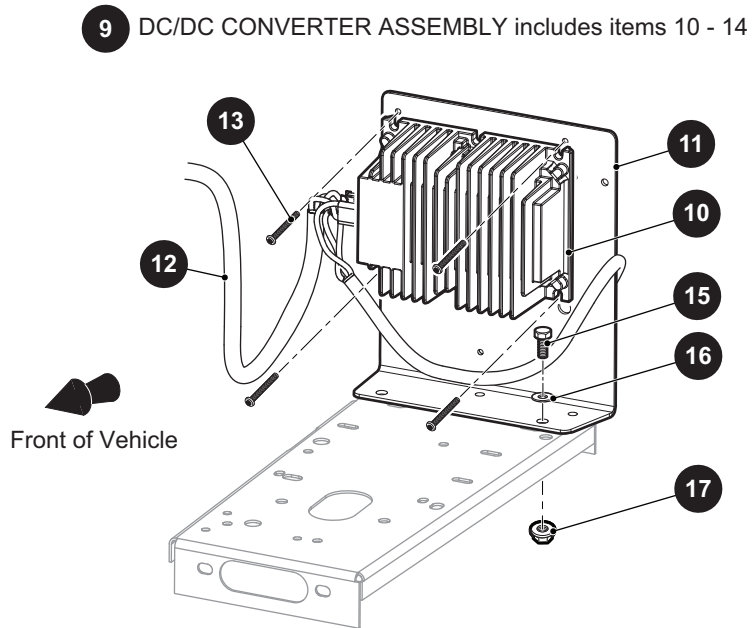
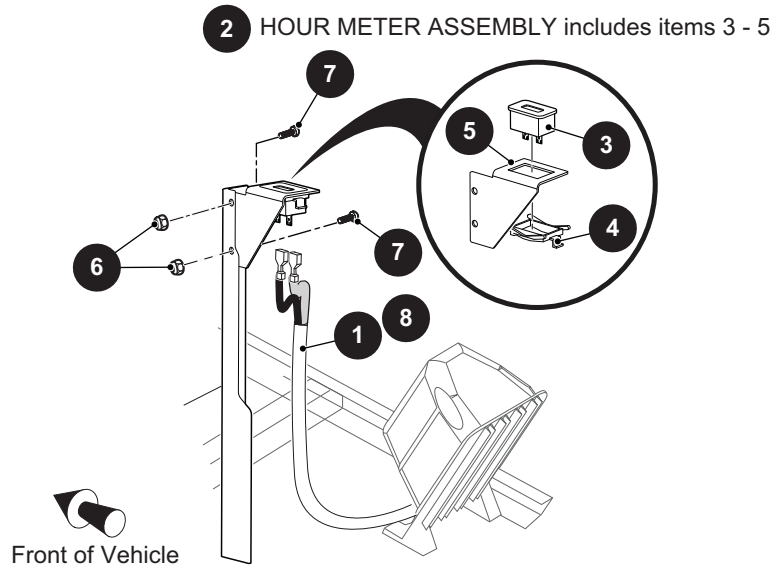
THE USE OF NON U.L. PARTS WILL VOID ANY U.L. LISTING.

When ordering parts, please specify the model and serial number of the product.

* Indicates a component that is not available as an individual part.

*** Indicates consult Customer Service Department for additional information.

ITEM	PART NO.	1	2	3	4	5	DESCRIPTION	QTY.
31								
32	<u>17618G1</u>						NYLON CLAMP (NOT ILLUSTRATED).....	3
33								
34								
35	<u>19344G1</u>						VINYL TAPE (NOT ILLUSTRATED).....	1
36	<u>01041G01</u>						RIVET, 5/32" DIA.....	2
37	<u>22674G1</u>						FUSE BLOCK.....	1
38	<u>656775</u>						JUMPER HARNESS, 3 WAY.....	1
39	<u>18392G1</u>						FUSE, 15 AMP.....	1
40	<u>71078G01</u>						POWER OUTLET, 12V.....	1
41	<u>633988</u>						HARNESS, 12V.....	1
42	<u>71055G01</u>						RIVET, 3/16".....	2
43	<u>31539G1</u>						NYLON CLAMP (NOT ILLUSTRATED).....	4
44	<u>634277</u>						JUMPER.....	1
45	<u>635865</u>						USB HARNESS (NOT ILLUSTRATED).....	1
46	<u>656772</u>						USB JUMPER.....	1
47								
48	<u>651531</u>						CHARGER RECEPTACLE.....	1
49	<u>71055G01</u>						RIVET, 3/16" DIA.....	4



THE USE OF NON U.L. PARTS WILL VOID ANY U.L. LISTING.

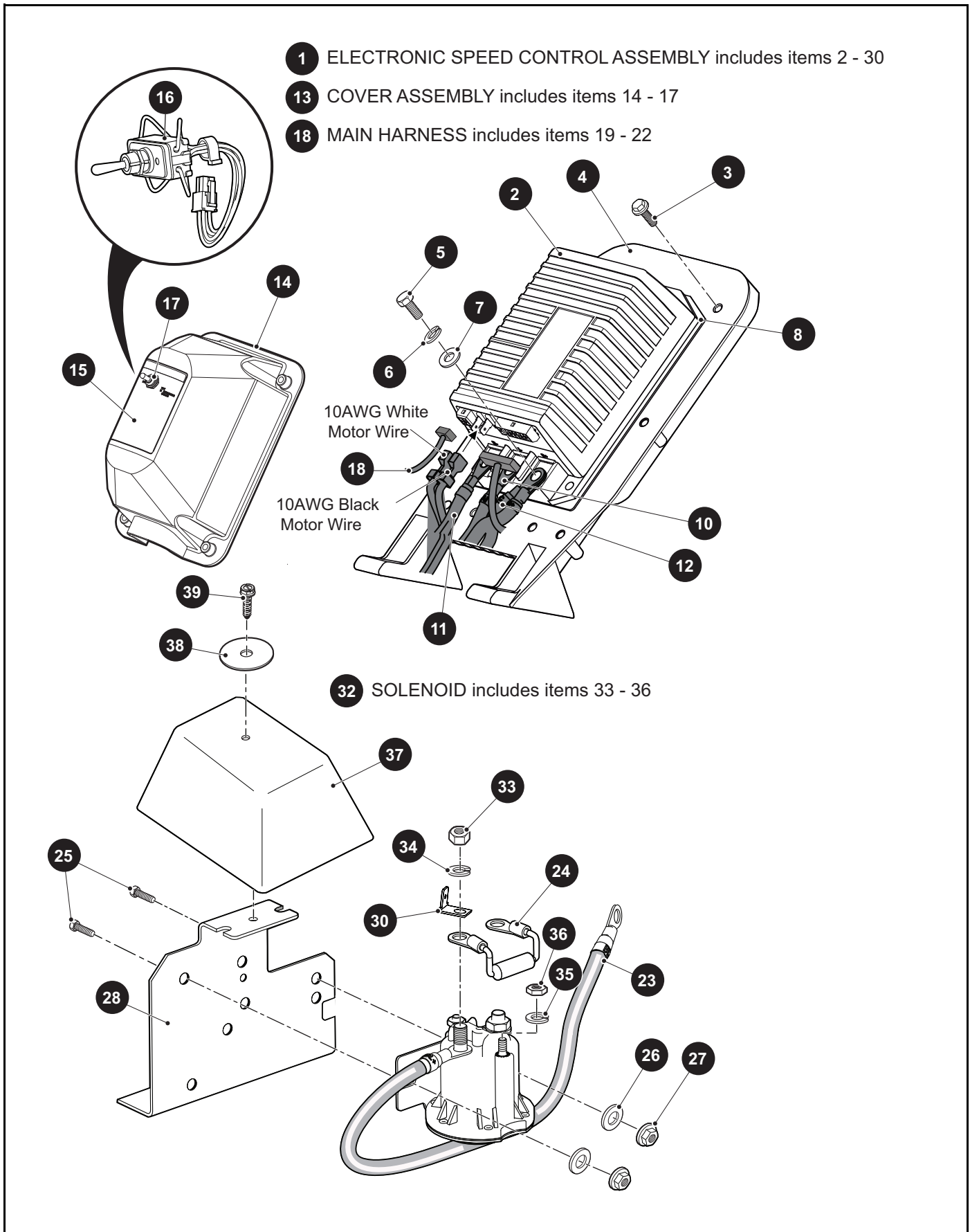
When ordering parts, please specify the model and serial number of the product.

* Indicates a component that is not available as an individual part.

*** Indicates consult Customer Service Department for additional information.

ITEM	PART NO.	1 2 3 4 5	DESCRIPTION	QTY.
1	<u>75117G01</u>		HOUR METER HARNESS (FOR VEHICLES MANUFACTURED BEFORE OCTOBER 29, 2018).....	1
2	<u>74720G01</u>		HOUR METER ASSEMBLY (INCLUDES ITEMS 3 - 5)	1
3	<u>620133</u>		HOUR METER	1
4	<u>74696G01</u>		RETAINER CLIP	1
5	<u>74716G01</u>		BRACKET.....	1
6	<u>14390G10</u>		LOCK NUT, #10 - 24	2
7	<u>00379G4</u>		PAN HEAD PHILLIPS SCREW,#10 - 24 X 1/2" LG	2
8	664689		HOUR METER HARNESS (FOR VEHICLES MANUFACTURED AFTER OCTOBER 29, 2018).....	1
9	656081		DC/DC CONVERTER ASSEMBLY (INCLUDES ITEMS 10 - 14).....	1
10	<u>632185</u>		DC/DC CONVERTER.....	1
11	<u>633303</u>		BRACKET.....	1
12	<u>605888</u>		HARNESS	1
13	<u>632372</u>		TAPPING SCREW, #10 - 32 X 3/4" LG	4
14	<u>17618G1</u>		NYLON CLAMP (NOT ILLUSTRATED).....	2
15	<u>00414G6</u>		HEX HEAD BOLT, 1/4" - 20 X 1/2" LG	2
16	<u>00559G7</u>		FLAT WASHER,	2
17	<u>11027G2</u>		FLANGED LOCK NUT, 1/4" - 20.....	2
18				
19	<u>670675G01</u>		GPS DISPLAY UNIT, 7" (NOT ILLUSTRATED)	1
20	<u>670675G02</u>		GPS DISPLAY UNIT, 10" (NOT ILLUSTRATED)	1
21	649841		GPS POWER SUPPLY, 48V (NOT ILLUSTRATED).....	1
22	<u>649842</u>		GPS POWER ADAPTER (NOT ILLUSTRATED).....	1
23	<u>643882G03</u>		GPS MOUNTING SYSTEM (NOT ILLUSTRATED).....	1
24	<u>664519G01</u>		GPS DISPLAY UNIT, 7" (NOT ILLUSTRATED)	1
25	<u>664519G02</u>		GPS DISPLAY UNIT, 10" (NOT ILLUSTRATED)	1
26	<u>664522G06</u>		GPS MOUNTING SYSTEM (NOT ILLUSTRATED).....	1

ELECTRONIC SPEED CONTROL



ELECTRONIC SPEED CONTROL

THE USE OF NON U.L. PARTS WILL VOID ANY U.L. LISTING.

When ordering parts, please specify the model and serial number of the product.

* Indicates a component that is not available as an individual part.

*** Indicates consult Customer Service Department for additional information.

ITEM	PART NO.	1 2 3 4 5	DESCRIPTION	QTY.
1	658297		ELECTRONIC SPEED CONTROL ASSEMBLY, 48V (INCLUDES ITEMS 2 - 30)	1
2	<u>658278</u>		CONTROLLER, 48V	1
3	<u>71102G01</u>		HEX HEAD WASHER BOLT, 1/4" - 20 X 3/4" LG	3
4	<u>73471G01</u>		HEAT SINK	1
5	<u>73296G01</u>		HEX HEAD BOLT, M8 - 1.25 X 16MM LG	3
6	<u>00565G8</u>		LOCK WASHER, 5/16"	3
7	00559G8		FLAT WASHER, 5/16"	3
8	<u>73190G01</u>		THERMAL MOUNTING PAD	1
9	<u>31539G1</u>		NYLON CLAMP (NOT ILLUSTRATED)	1
10	<u>617612</u>		POWER WIRE HARNESS, DC	1
11	<u>654720</u>		6 AWG BLACK WIRE, 405MM	1
12	<u>654722</u>		4 AWG RED WIRE, 255MM	1
13	<u>612753</u>		COVER ASSEMBLY (INCLUDES ITEMS 14 - 17)	1
14	<u>73482G01</u>		COVER (WITH GASKET)	1
15	<u>613048</u>		LABEL (TOW SWITCH)	1
16	<u>633114</u>		TOGGLE SWITCH	1
17	<u>73139G01</u>		SEALED NUT, 15/32" - 32	1
18	<u>653517</u>		MAIN HARNESS (INCLUDES ITEM 19 - 22)	1
19	<u>636455G22</u>		FUSE (MINI), 58V, 10A (NOT ILLUSTRATED)	1
20	<u>651800G01</u>		RESISTOR (MALE), 120 OHM (NOT ILLUSTRATED)	1
21	<u>648072</u>		CLIP (TREE TYPE) (NOT ILLUSTRATED)	1
22	<u>661807</u>		CAP, 3P (NOT ILLUSTRATED)	1
23	<u>655107</u>		4AWG GREEN WIRE ASSEMBLY, 28"	1
24	<u>620430</u>		RESISTOR ASSEMBLY, 500 OHM	1
25	<u>00414G5</u>		HEX HEAD BOLT, 1/4" - 20 X 5/8" LG	2
26	<u>01110G01</u>		FLAT WASHER, 1/4"	2
27	<u>11027G2</u>		FLANGED NUT, 1/4" - 20	2
28	<u>73057G02</u>		BRACKET	1
29				
30	<u>73446G01</u>		FASTON TAB	2

ELECTRONIC SPEED CONTROL

THE USE OF NON U.L. PARTS WILL VOID ANY U.L. LISTING.

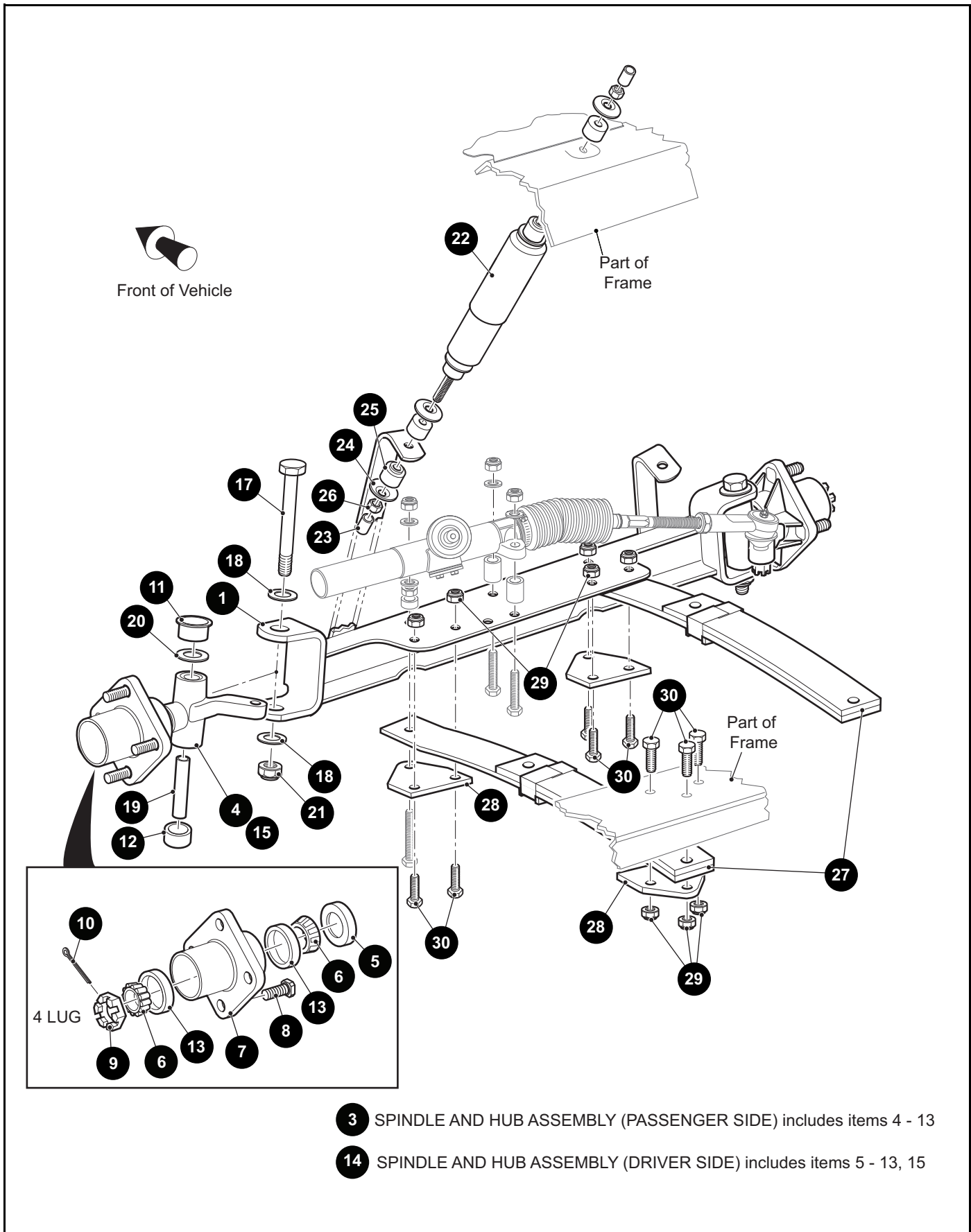
When ordering parts, please specify the model and serial number of the product.

* Indicates a component that is not available as an individual part.

*** Indicates consult Customer Service Department for additional information.

ITEM	PART NO.	1	2	3	4	5	DESCRIPTION	QTY.
31								
32	<u>612711</u>						SOLENOID, 48V (INCLUDES ITEMS 33 - 36).....	1
33	<u>00544G4</u>						LOCK NUT, 5/16" - 24.....	2
34	<u>00565G8</u>						LOCK WASHER, 5/16".....	2
35	<u>00565G5</u>						LOCK WASHER, #10.....	2
36	<u>00526G4</u>						LOCK NUT, #10 - 32.....	2
37	<u>73049G01</u>						COVER.....	1
38	<u>16469G1</u>						FLAT FENDER WASHER, 1/4".....	1
39	<u>00114G6</u>						HEX HEAD WASHER BOLT, 1/4" - 14 X 3/4" LG.....	1

FRONT SUSPENSION AND STEERING



FRONT SUSPENSION AND STEERING

THE USE OF NON U.L. PARTS WILL VOID ANY U.L. LISTING.

When ordering parts, please specify the model and serial number of the product.

* Indicates a component that is not available as an individual part.

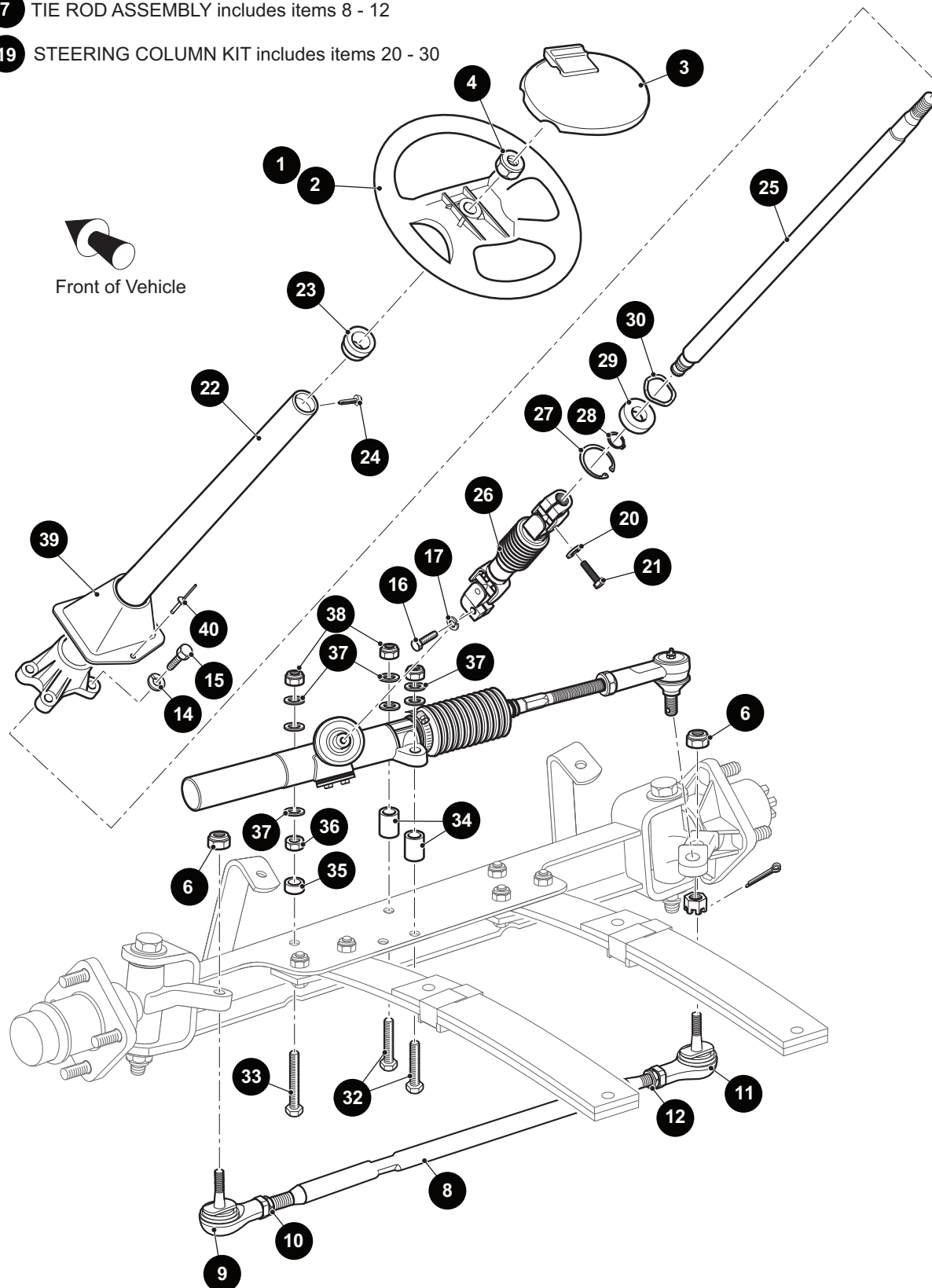
*** Indicates consult Customer Service Department for additional information.

ITEM	PART NO.	1 2 3 4 5	DESCRIPTION	QTY.
1	652822		FRONT AXLE.....	1
2				
3	<u>70942G03</u>		SPINDLE AND HUB ASSEMBLY, 4 LUG (PASSENGER SIDE) (INCLUDES ITEMS 4 - 13)	1
4	70940G02		SPINDLE ASSEMBLY (PASSENGER SIDE)	1
5	<u>25146G1</u>		GREASE SEAL.....	1
6	<u>11750G2</u>		ROLLER BEARING	2
7	<u>70589G01</u>		WHEEL HUB	1
8	<u>19862G1</u>		LUG BOLT, 1/2" - 20 X 1 3/16" LG.....	4
9	12093G1		CASTELLATED NUT, 1" - 14.....	1
10	<u>00798G8</u>		COTTER PIN, 5/32" X 1 3/4" LG	1
11	<u>632925</u>		FLANGED BUSHING	1
12	<u>632926</u>		BUSHING	1
13	<u>51141G1</u>		RACE BEARING	2
14	<u>70673G03</u>		SPINDLE AND HUB ASSEMBLY, 4 LUG (DRIVER SIDE) (INCLUDES ITEMS 5 - 13, 15)	1
15	<u>70742G02</u>		SPINDLE ASSEMBLY (DRIVER SIDE).....	1
16				
17	<u>00407G6</u>		HEX HEAD BOLT 1/2" - 13 X 6" LG.....	1
18	<u>00560G3</u>		FLAT WASHER, 1/2".....	2
19	<u>70745G01</u>		KING PIN TUBE.....	1
20	<u>70754G01</u>		THRUST WASHER (SS), 1"	1
21	<u>14390G6</u>		LOCK NUT, 1/2" - 13.....	1
22	<u>76419G01</u>		SHOCK ABSORBER.....	1
23	<u>10044G01</u>		VINYL CAP.....	2
24	<u>10435G1</u>		SHOCK ABSORBER WASHER.....	4
25	<u>10194G1</u>		RUBBER BUSHING.....	4
26	<u>00532G6</u>		HEX NUT, 3/8" - 24	2
27	<u>70990G03</u>		LEAF SPRING	2
28	<u>652258</u>		SPRING PLATE	4
29	<u>00734G1</u>		LOCK NUT, 7/16" - 14.....	11
30	<u>00463G11</u>		HEX HEAD BOLT, 7/16" - 14 X 1 3/4" LG	11

FRONT SUSPENSION AND STEERING

7 TIE ROD ASSEMBLY includes items 8 - 12

19 STEERING COLUMN KIT includes items 20 - 30



FRONT SUSPENSION AND STEERING

THE USE OF NON U.L. PARTS WILL VOID ANY U.L. LISTING.

When ordering parts, please specify the model and serial number of the product.

* Indicates a component that is not available as an individual part.

*** Indicates consult Customer Service Department for additional information.

ITEM	PART NO.	1 2 3 4 5	DESCRIPTION	QTY.
1	<u>602980</u>		STEERING WHEEL (PREMIUM).....	1
2	<u>602979</u>		STEERING WHEEL.....	1
3	<u>607925</u>		SCORECARD HOLDER.....	1
4	<u>14390G2</u>		LOCK NUT, 5/8" - 18.....	1
5				
6	<u>00734G1</u>		LOCK NUT, 7/16" - 14.....	2
7	<u>70876G02</u>		TIE ROD ASSEMBLY (INCLUDES ITEMS 8 - 12).....	1
8	<u>70897G02</u>		THREADED ROD, 24" LG.....	1
9	<u>70902G01</u>		TIE ROD END (LEFT HAND THREADS).....	1
10	<u>01069G01</u>		JAM NUT, M12 X 1.25 (LEFT HAND THREADS).....	1
11	<u>70902G02</u>		TIE ROD END (RIGHT HAND THREADS).....	1
12	<u>01069G02</u>		JAM NUT, M12 X 1.25 (RIGHT HAND THREADS).....	1
13				
14	<u>00879G1</u>		LOCK WASHER, 3/8".....	4
15	<u>01006G01</u>		HEX HEAD BOLT, 3/8" - 16 X 1 1/4" LG.....	4
16	<u>01055G01</u>		HEX HEAD BOLT, M8 - 1.25 X 1.18" LG.....	1
17	<u>00565G8</u>		LOCK WASHER, 5/16".....	1
18				
19	<u>70758G05</u>		STEERING COLUMN KIT (INCLUDES ITEMS 20 - 30).....	1
20	<u>00565G8</u>		LOCK WASHER, 5/16".....	1
21	<u>01055G01</u>		HEX HEAD BOLT, M8 - 1.25 X 1.18" LG.....	1
22	<u>70610G03</u>		STEERING COLUMN.....	1
23	<u>28569G01</u>		STEERING COLUMN BUSHING.....	1
24	<u>01022G01</u>		HEX WASHER HEAD SCREW, #6 - 20 X 5/16" LG.....	1
25	<u>70607G01</u>		STEERING SHAFT.....	1
26	<u>70580G01</u>		INTERMEDIATE SHAFT.....	1
27	<u>70751G01</u>		RETAINING RING (INTERNAL).....	1
28	<u>70888G01</u>		RETAINING RING (EXTERNAL).....	1
29	<u>15112G1</u>		BALL BEARING.....	1
30	<u>70887G01</u>		WAVE WASHER.....	1
31				

FRONT SUSPENSION AND STEERING

THE USE OF NON U.L. PARTS WILL VOID ANY U.L. LISTING.

When ordering parts, please specify the model and serial number of the product.

* Indicates a component that is not available as an individual part.

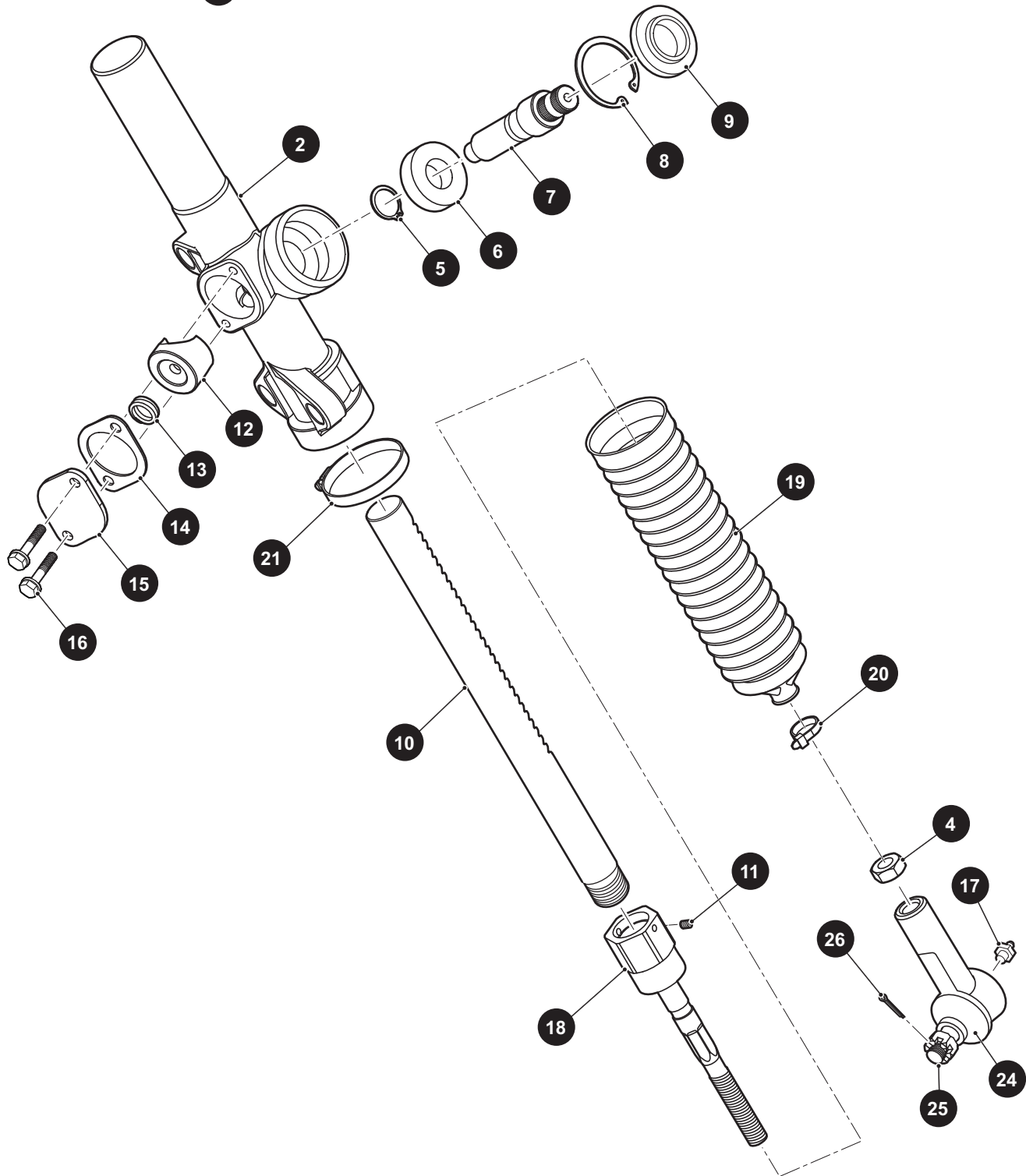
*** Indicates consult Customer Service Department for additional information.

ITEM	PART NO.	1 2 3 4 5	DESCRIPTION	QTY.
32	<u>00464G6</u>		HEX HEAD BOLT, 7/16" - 14 X 2 3/4" LG.....	2
33	<u>01068G01</u>		HEX HEAD BOLT, 7/16" - 14 X 3 1/2" LG.....	1
34	<u>70667G02</u>		SPACER, 1.21"	2
35	<u>70667G04</u>		SPACER (SHORT), .69"	1
36	<u>00532G7</u>		HEX NUT, 7/16" - 14	1
37	<u>00560G2</u>		FLAT WASHER, 7/16"	7
38	<u>00734G1</u>		LOCK NUT, 7/16" - 14	3
39	<u>70997G01</u>		COVER.....	1
40	<u>71055G01</u>		RIVET (ALUMINUM), 3/16" X 1" LG.....	1

FRONT SUSPENSION AND STEERING

1 RACK AND PINION UNIT includes items 2 - 23

23 TIE ROD END (OUTER) includes items 24 - 25



FRONT SUSPENSION AND STEERING

THE USE OF NON U.L. PARTS WILL VOID ANY U.L. LISTING.

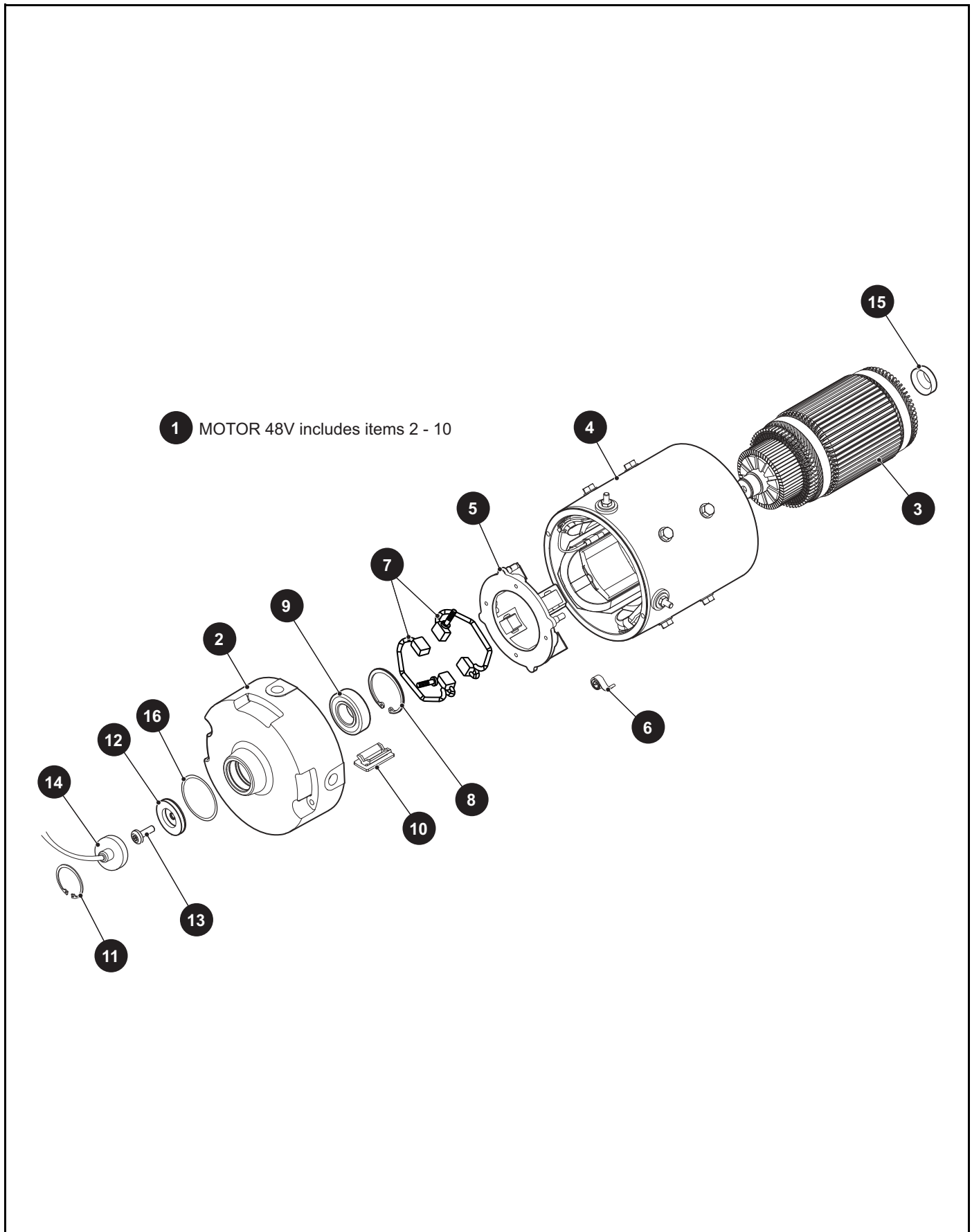
When ordering parts, please specify the model and serial number of the product.

* Indicates a component that is not available as an individual part.

*** Indicates consult Customer Service Department for additional information.

ITEM	PART NO.	1 2 3 4 5	DESCRIPTION	QTY.
1	<u>70964G01</u>		RACK AND PINION UNIT (INCLUDES ITEMS 2 - 23)	1
2	<u>70965G01</u>		STEERING RACK COVER AND BEARING	1
3				
4	*		JAM NUT, 1/2" - 20	1
5	<u>70750G01</u>		RETAINING RING (EXTERNAL)	1
6	<u>15112G1</u>		BALL BEARING	1
7	<u>70603G01</u>		PINION	1
8	<u>70751G01</u>		RETAINING RING (INTERNAL)	1
9	<u>70638G01</u>		SEAL (PINION)	1
10	<u>70604G01</u>		STEERING RACK	1
11	*		SET SCREW, #10 - 32 X .25" LG	1
12	<u>70590G01</u>		RACK LOADER	1
13	<u>70666G01</u>		COMPRESSION SPRING	1
14	<u>70645G01</u>		GASKET (RACK LOADER COVER)	1
15	<u>652259</u>		COVER (RACK LOADER)	1
16	<u>71102G01</u>		HEX WASHER HEAD BOLT, 1/4" - 20 X 11/16" LG	2
17	<u>10389G3</u>		GREASE FITTING (STRAIGHT)	1
18	<u>70694G01</u>		ROD END (INNER)	1
19	<u>70961G01</u>		RACK BOOT	1
20	<u>12416G2</u>		NYLON CLAMP, 11.8" LG	1
21	<u>11391G8</u>		HOSE CLAMP, 1.81"	1
22				
23	<u>70695G01</u>		TIE ROD END (OUTER) (INCLUDES ITEMS 24 - 25)	1
24	<u>50641G1</u>		GROMMET	1
25	*		HEX SLOTTED NUT, 7/16" - 20	1
26	<u>10387G2</u>		COTTER PIN, 3/32" X 1"	1

MOTOR



THE USE OF NON U.L. PARTS WILL VOID ANY U.L. LISTING.

When ordering parts, please specify the model and serial number of the product.

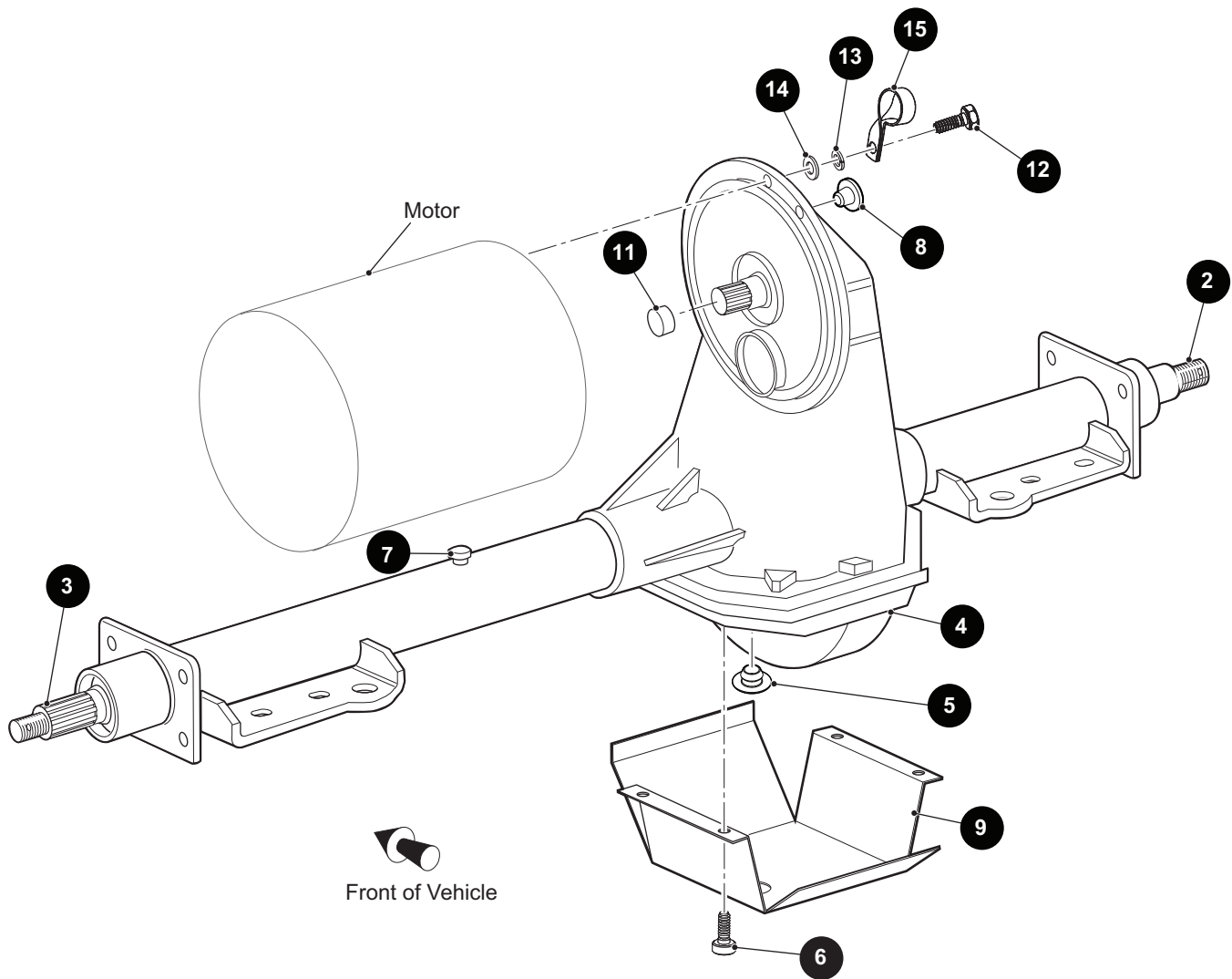
* Indicates a component that is not available as an individual part.

*** Indicates consult Customer Service Department for additional information.

ITEM	PART NO.	1 2 3 4 5	DESCRIPTION	QTY.
1	<u>624105</u>		MOTOR 48V (INCLUDES ITEMS 2 - 10).....	1
2	<u>625886</u>		COMMUTATOR END HEAD	1
3	<u>626171</u>		ARMATURE.....	1
4	<u>626172</u>		FRAME AND FIELD ASSEMBLY.....	1
5	<u>625884</u>		BRUSH BOX ASSEMBLY.....	1
6	<u>73120G03</u>		BRUSH SPRING	4
7	<u>73120G25</u>		BRUSH AND TERMINAL SERVICE KIT	2
8	<u>73120G06</u>		RETAINING RING	1
9	<u>73120G07</u>		BEARING	1
10	<u>625885</u>		COVER.....	1
11	<u>73277G01</u>		RETAINING RING, 1.66".....	1
12	<u>73328G01</u>		SPEED SENSOR MAGNET	1
13	<u>01037G02</u>		PAN HEAD TORX SCREW, #10-32 X 1/2" LG	1
14	<u>620422</u>		SPEED SENSOR HARNESS	1
15	<u>24261G1</u>		BUMPER SPLINE.....	1
16	<u>624109</u>		O-RING, 1 1/2" O.D X 1 3/8" I.D	1

REAR AXLE

1 REAR AXLE ASSEMBLY includes items 2 - 7



REAR AXLE

THE USE OF NON U.L. PARTS WILL VOID ANY U.L. LISTING.

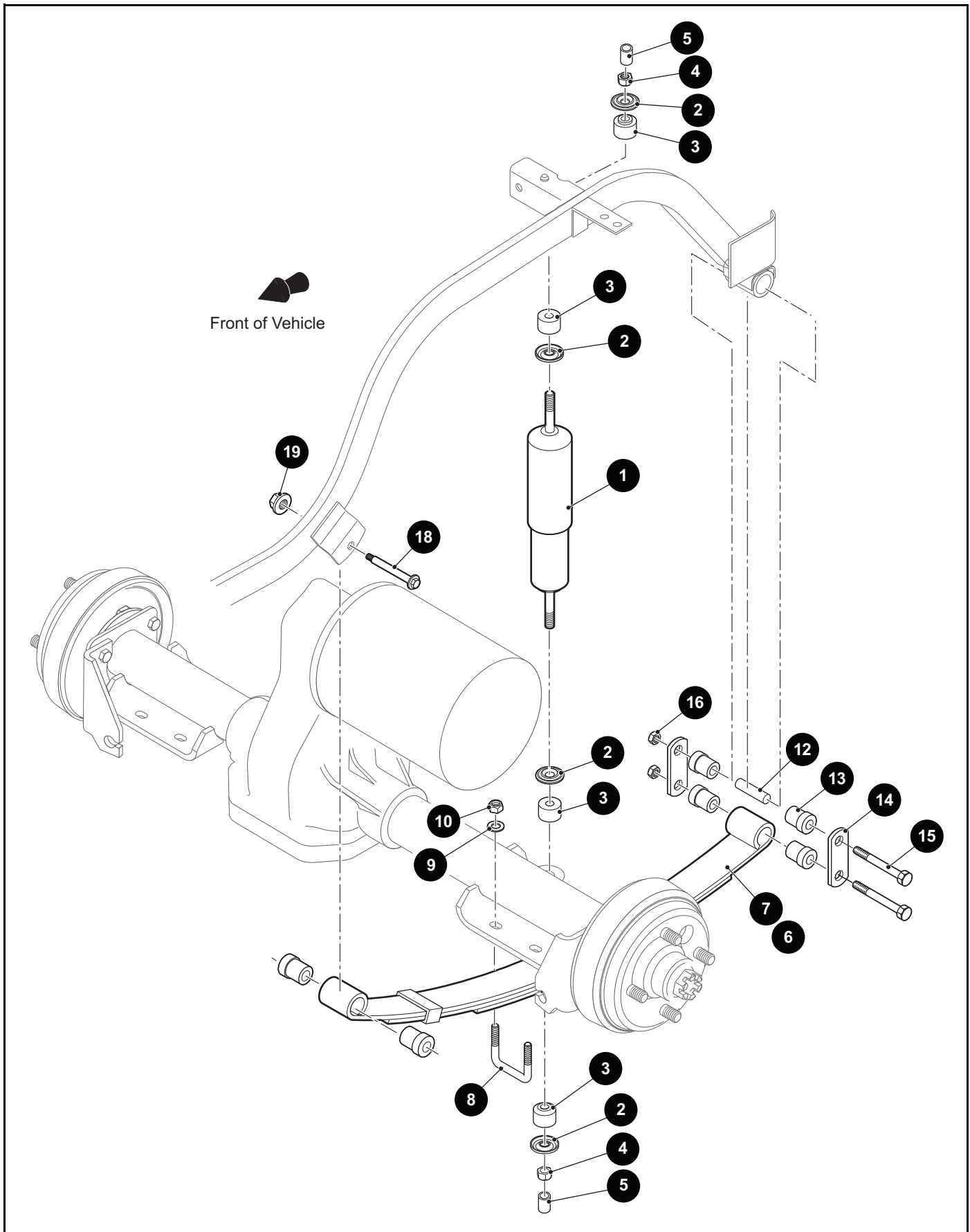
When ordering parts, please specify the model and serial number of the product.

* Indicates a component that is not available as an individual part.

*** Indicates consult Customer Service Department for additional information.

ITEM	PART NO.	1 2 3 4 5	DESCRIPTION	QTY.
1	<u>73500G01</u>		REAR AXLE ASSEMBLY (INCLUDES ITEMS 2 - 7)	1
2	<u>614209</u>		AXLE SHAFT (PASSENGER SIDE).....	1
3	<u>614208</u>		AXLE SHAFT (DRIVER SIDE)	1
4	<u>620348</u>		DIFFERENTIAL COVER	1
5	<u>620347</u>		RUBBER PLUG	1
6	<u>15558G1</u>		FLANGED HEX HEAD BOLT, 5/16" - 18 X 3/4" LG.....	10
7	<u>73050G01</u>		VENT	1
8	<u>624110</u>		PLUG	3
9	<u>72764G02</u>		SCUFF GUARD	1
10				
11	<u>24261G1</u>		SPLINE BUMPER.....	1
12	<u>00797G2</u>		HEX HEAD BOLT, 1/4" - 20 X 1 1/4" LG	3
13	<u>00664G7</u>		LOCK WASHER, 1/4"	3
14	<u>01110G01</u>		FLAT WASHER 1/4"	3
15	<u>27327G02</u>		TWISTED CABLE CLAMP	1

REAR SUSPENSION



REAR SUSPENSION

THE USE OF NON U.L. PARTS WILL VOID ANY U.L. LISTING.

When ordering parts, please specify the model and serial number of the product.

* Indicates a component that is not available as an individual part.

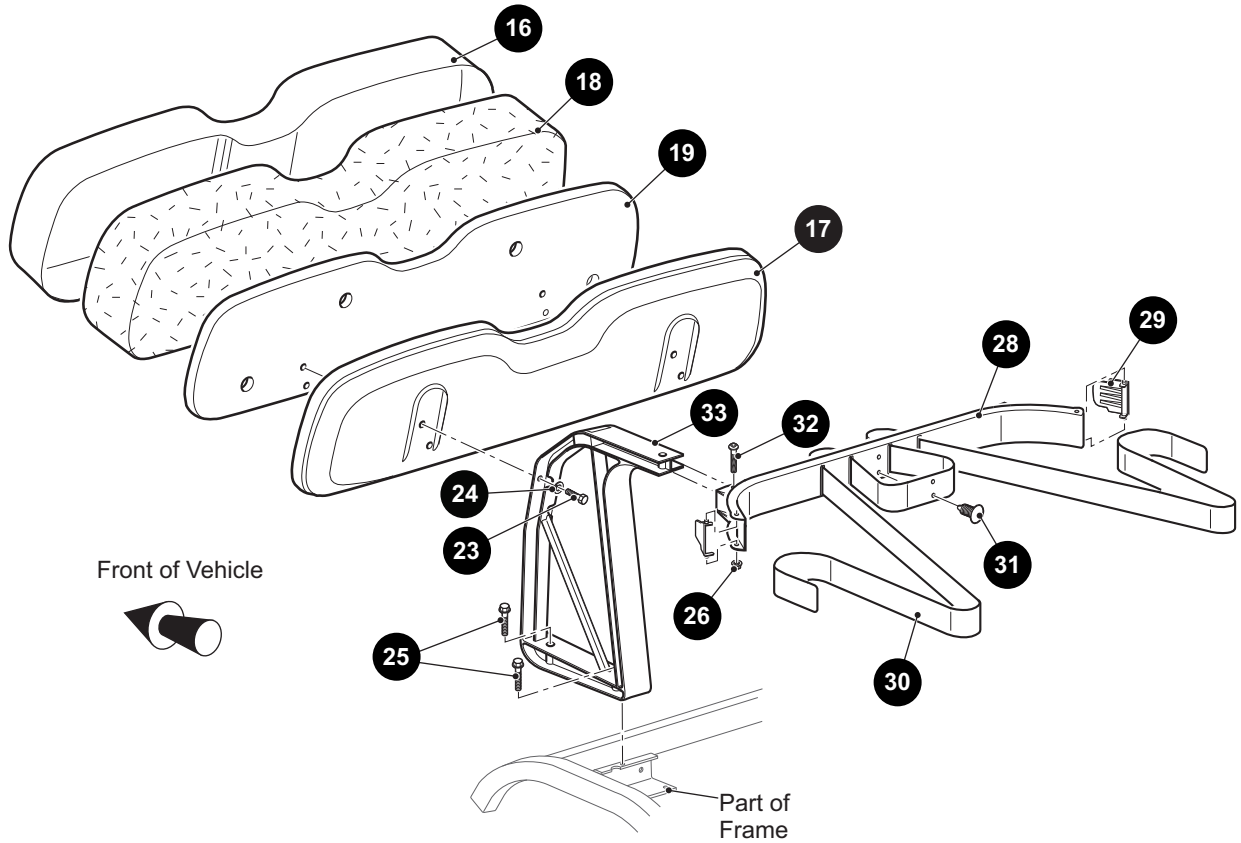
*** Indicates consult Customer Service Department for additional information.

ITEM	PART NO.	1 2 3 4 5	DESCRIPTION	QTY.
1	<u>76418G01</u>		SHOCK ABSORBER.....	1
2	<u>10435G1</u>		SHOCK ABSORBER WASHER.....	4
3	<u>10194G1</u>		RUBBER BUSHING, 1".....	4
4	<u>00532G6</u>		HEX JAM NUT, 3/8" - 24.....	2
5	<u>10044G01</u>		VINYL CAP.....	2
6	<u>658139</u>		LEAF SPRING.....	1
7	<u>74207G03</u>		HEAVY DUTY LEAF SPRING.....	1
8	<u>72618G01</u>		'U' BOLT, 3/8" - 16 X 2" X 2 1/2" LG.....	2
9	<u>00560G1</u>		FLAT WASHER, 3/8".....	4
10	<u>11098G5</u>		LOCK NUT, 3/8" - 16.....	4
11				
12	<u>70289G02</u>		SPLIT STEEL SPACER.....	2
13	<u>624030</u>		FLANGED BUSHING, 21.5MM.....	6
14	<u>652245</u>		SHACKLE PLATE.....	2
15	<u>00665G9</u>		HEX HEAD BOLT (SS), 3/8" - 16 X 3 1/2" LG.....	2
16	<u>11098G5</u>		LOCK NUT, 3/8" - 16.....	2
17				
18	<u>14158G1</u>		SHOULDER BOLT, 1/2" / 3/8" - 16 X 3 1/4" LG.....	1
19	<u>12262G1</u>		LOCK NUT, 3/8" - 16.....	1

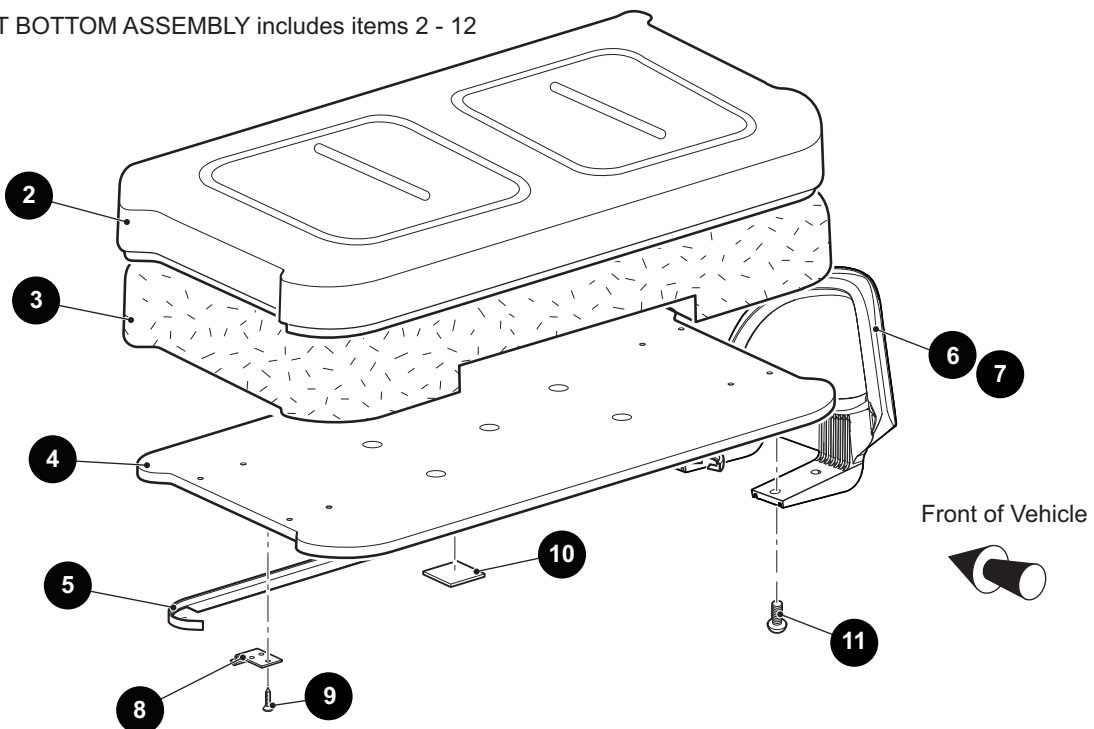
SEATING

15 SEAT BACK ASSEMBLY includes items 16 - 20

27 BAG HOLDER ASSEMBLY includes items 28 - 29



1 SEAT BOTTOM ASSEMBLY includes items 2 - 12



THE USE OF NON U.L. PARTS WILL VOID ANY U.L. LISTING.

When ordering parts, please specify the model and serial number of the product.

* Indicates a component that is not available as an individual part.

*** Indicates consult Customer Service Department for additional information.

ITEM	PART NO.	1 2 3 4 5	DESCRIPTION	QTY.
1	***		SEAT BOTTOM ASSEMBLY (INCLUDES ITEMS 2 - 12) 629269G0101 OYSTER 629269G0103 TAN 629269G0104 GREY 629269G0108 CUSTOM SOLID 629269G0106 BLACK	1
2	***		SEAT BOTTOM COVER 71602G03 OYSTER 71602G02 GREY 71602G04 TAN 71602G05 CUSTOM SOLID 71602G06 BLACK	1
3	<u>71603G02</u>		FOAM PADDING (SEAT BOTTOM)	1
4	<u>645492</u>		SEAT BOTTOM	1
5	<u>71012G01</u>		VINYL TRIM (SEAT BOTTOM).....	1
6	<u>617644</u>		HIP RESTRAINT (PASSENGER SIDE)	1
7	<u>617645</u>		HIP RESTRAINT (DRIVER SIDE).....	1
8	<u>71610G01</u>		SEAT HINGE	2
9	<u>00720G08</u>		PHILLIPS HEAD TAPPING SCREW, #12 -14 X 1" LG.....	3
10	<u>17074G1</u>		SOILING SLAB.....	2
11	<u>615417</u>		BUTTON HEAD TORX BOLT, M10 - 1.5 X 25MM LG	4
12	<u>17618G1</u>		NYLON CLAMP, 7" LG (NOT ILLUSTRATED)	1
13				
14				
15	***		SEAT BACK ASSEMBLY (INCLUDES ITEMS 16 - 20)..... 625229G0101 OYSTER 625229G0103 TAN 625229G0104 GREY 625229G0108 CUSTOM SOLID 625229G0106 BLACK	1
16	***		VINYL SEAT BACK COVER 625234G01 OYSTER 625234G03 TAN 625234G04 GREY 625234G08 CUSTOM SOLID 625234G06 BLACK	1
17	<u>625239</u>		PLASTIC SEAT BACK COVER.....	1
18	<u>625233</u>		FOAM PADDING (SEAT BACK).....	1
19	<u>644266</u>		SEAT BACK BASE	1

SEATING

THE USE OF NON U.L. PARTS WILL VOID ANY U.L. LISTING.

When ordering parts, please specify the model and serial number of the product.

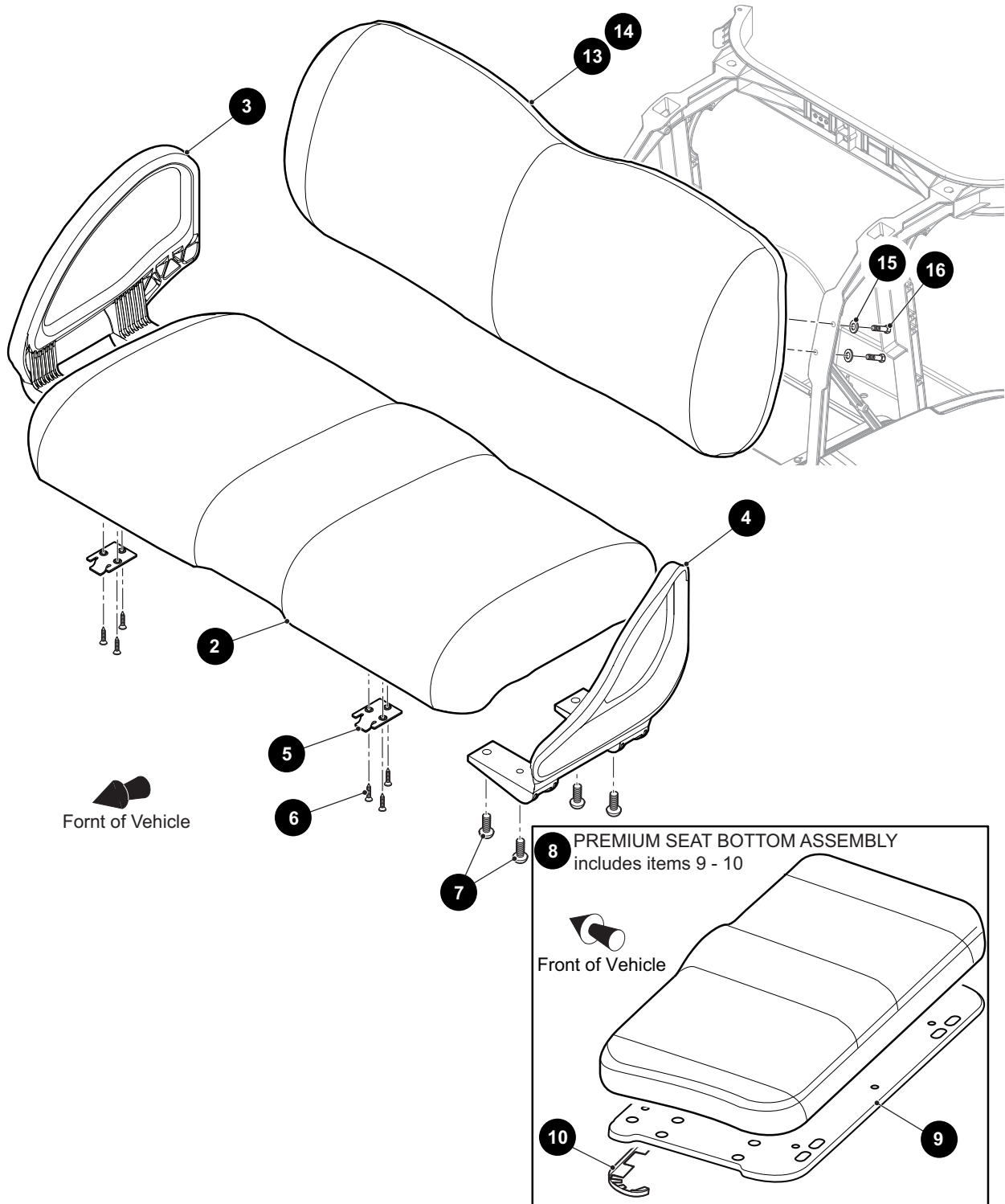
* Indicates a component that is not available as an individual part.

*** Indicates consult Customer Service Department for additional information.

ITEM	PART NO.	1	2	3	4	5	DESCRIPTION	QTY.
20	<u>17618G1</u>						NYLON CLAMP, 7" LG (NOT ILLUSTRATED).....	1
21								
22								
23	<u>605056</u>						HEX HEAD BOLT (SS), 1/4" - 20 X 1" LG	2
24	<u>00664G7</u>						LOCK WASHER (SS), 1/4"	2
25	<u>01075G01</u>						HEX HEAD BOLT, 3/8" - 16 X 2 1/2" LG.....	2
26	<u>11027G2</u>						LOCK NUT, 1/4" - 20	1
27	<u>618206</u>						BAG HOLDER ASSEMBLY (INCLUDES ITEMS 28 - 29)	1
28	<u>610642</u>						BAG HOLDER BRACKET.....	1
29	<u>608051</u>						BAG RETAINER CLAMP	1
30	<u>71853G01</u>						BAG RETAINER STRAP	1
31	<u>16816G1</u>						RATCHET FASTENER, 1/4" X 9/16" LG	2
32	<u>01102G01</u>						CARRIAGE BOLT (SS), 1/4" - 20 X 1 1/2" LG.....	1
33	<u>71811G03</u>						SEAT SUPPORT BRACKET	1

PREMIUM SEAT OPTION

- 1** PREMIUM SEAT BOTTOM ASSEMBLY includes items 2 - 7
- 12** PREMIUM SEAT BOTTOM ASSEMBLY includes items 3 - 8



THE USE OF NON U.L. PARTS WILL VOID ANY U.L. LISTING.

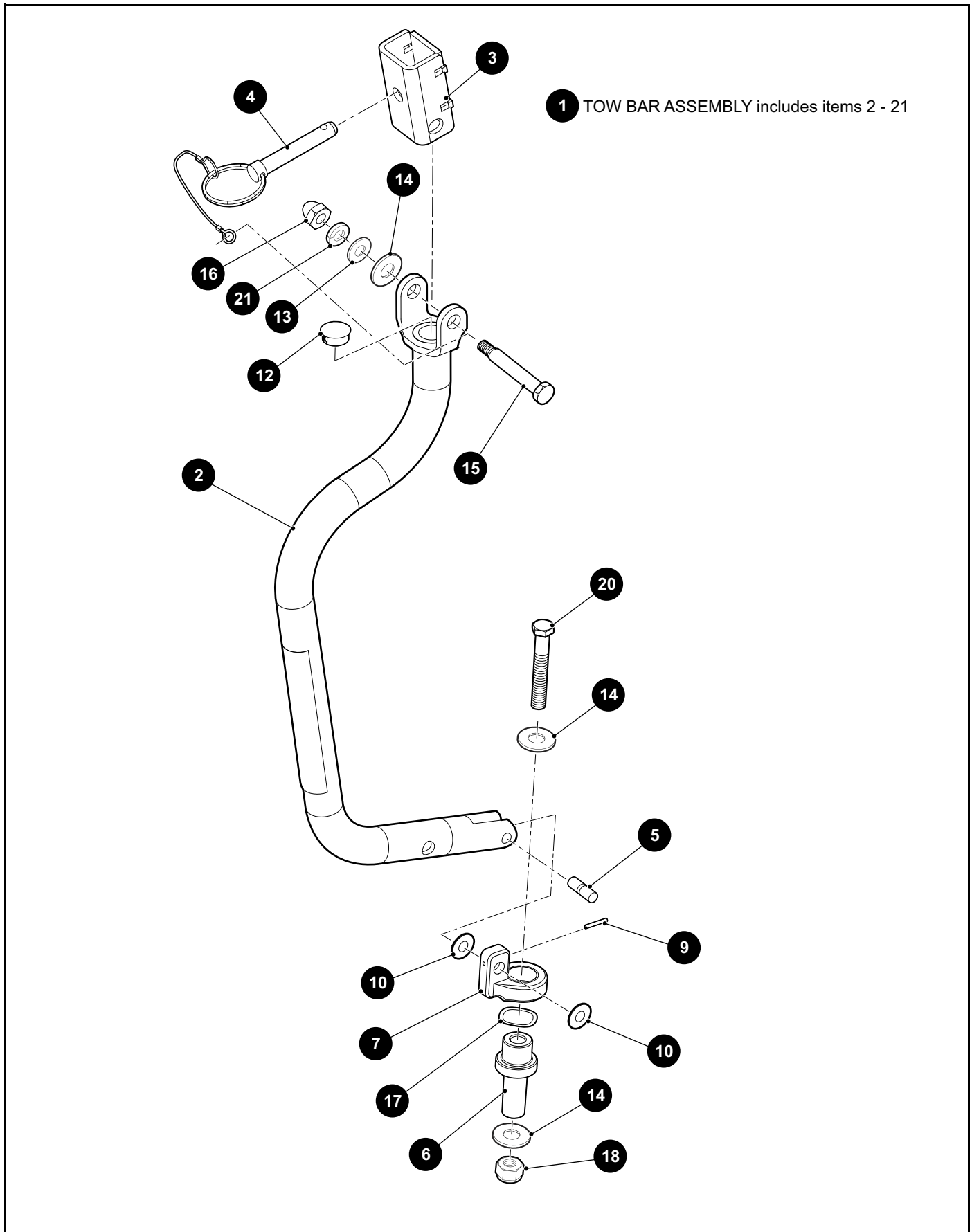
When ordering parts, please specify the model and serial number of the product.

* Indicates a component that is not available as an individual part.

*** Indicates consult Customer Service Department for additional information.

ITEM	PART NO.	1 2 3 4 5	DESCRIPTION	QTY.
1	***		PREMIUM SEAT BOTTOM ASSEMBLY (INCLUDES ITEMS 2 - 7) 629269G1917 LIGHT BEIGE	1
2	***		PREMIUM SEAT BOTTOM COVER 654085G17 LIGHT BEIGE	1
3	<u>617644</u>		HIP RESTRAINT (PASSENGER SIDE)	1
4	<u>617645</u>		HIP RESTRAINT (DRIVER SIDE)	1
5	<u>71610G01</u>		SEAT HINGE	2
6	<u>00720G08</u>		PHILLIPS HEAD TAPPING SCREW, #12 -14 X 1" LG.....	6
7	<u>615417</u>		BUTTON HEAD TORX BOLT, M10 - 1.5 X 25MM LG	8
8	***		PREMIUM SEAT BOTTOM (INCLUDES ITEMS 9 - 10)..... 686151G18 MUSHROOM 686151G19 PREMIUM GRAY 686151G20 PREMIUM CUSTOM	1
9	645492		SEAT BOTTOM.....	1
10	<u>71012G01</u>		VINYL TRIM (SEAT BOTTOM)	2
11				
12	***		PREMIUM SEAT BOTTOM ASSEMBLY (INCLUDES ITEMS 3 - 8) 629269G1918 MUSHROOM 629269G1919 GRAY 629269G1920 CUSTOM	1
13	***		PREMIUM SEAT BACK ASSEMBLY 654084G17 LIGHT BEIGE	1
14	***		PREMIUM SEAT BACK ASSEMBLY 686150G18 MUSHROOM 686150G19 GRAY 686150G20 CUSTOM	1
15	<u>00664G7</u>		LOCK WASHER (SS), 1/4"	4
16	<u>605056</u>		HEX HEAD BOLT (SS), 1/4" - 20 X 1" LG	4

TOW BAR



THE USE OF NON U.L. PARTS WILL VOID ANY U.L. LISTING.

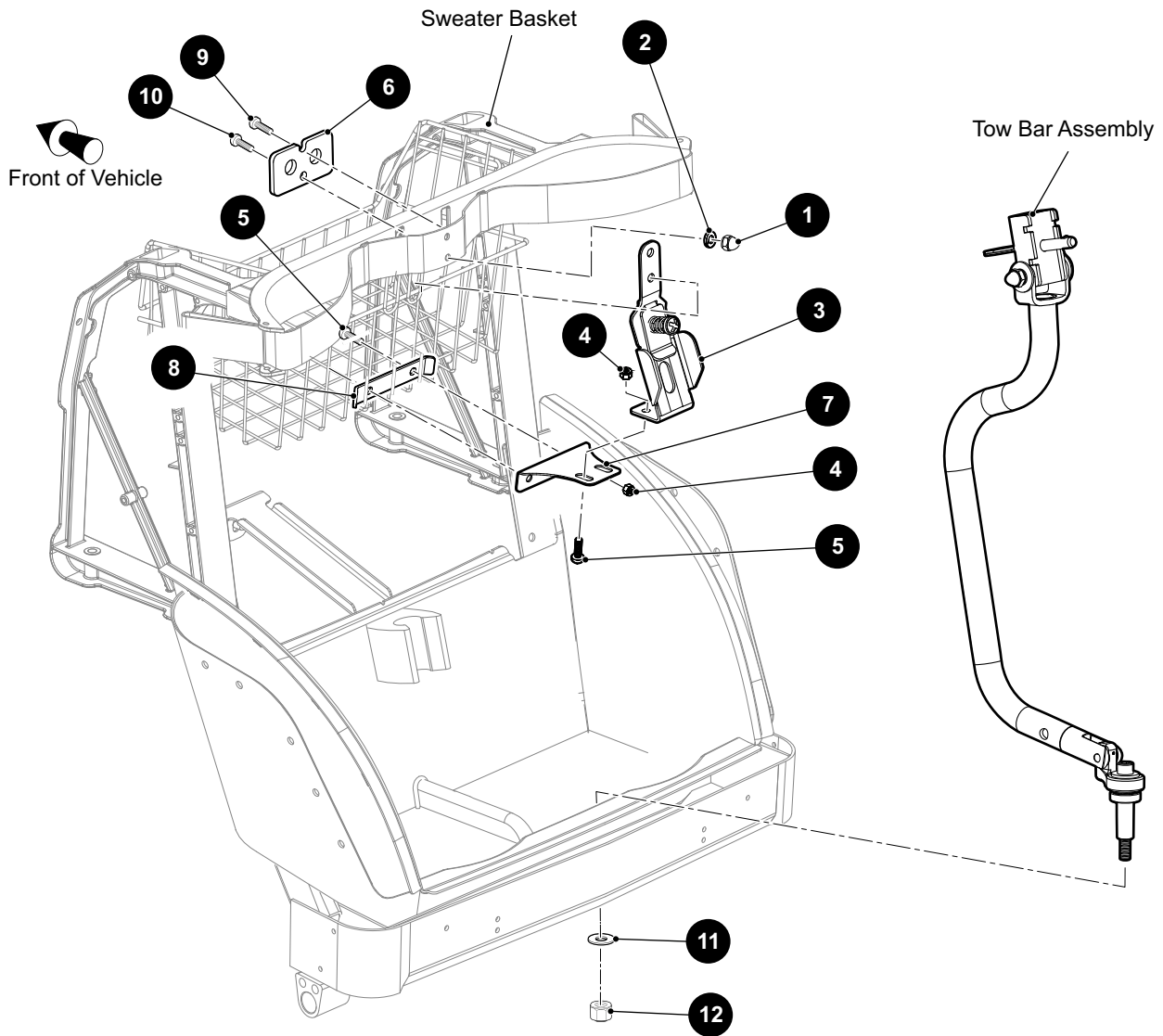
When ordering parts, please specify the model and serial number of the product.

* Indicates a component that is not available as an individual part.

*** Indicates consult Customer Service Department for additional information.

ITEM	PART NO.	1 2 3 4 5	DESCRIPTION	QTY.
1	<u>636433</u>		TOWBAR ASSEMBLY (INCLUDES ITEMS 2 - 21).....	1
2	<u>635820</u>		TOWBAR WELDMENT	1
3	<u>635461</u>		COUPLING WELDMENT	1
4	685471		HITCH PIN ASSEMBLY (SHORT).....	1
5	<u>75360G01</u>		PIVOT PIN	1
6	<u>625582</u>		TOWBAR PIVOT	1
7	<u>625458</u>		TOWBAR SWIVEL	1
8				
9	<u>608793</u>		PIN, 3MM X 22MM	1
10	<u>75340G01</u>		FLAT WASHER (DELFIN), M10	2
11				
12	<u>20271G6</u>		HOLE PLUG, .875".....	1
13	<u>00560G1</u>		FLAT WASHER, 3/8"	1
14	<u>00571G5</u>		FLAT WASHER, 5/16"	3
15	<u>14158G1</u>		SHOULDER BOLT, 1/2" / 3/8" - 16 X 2 3/4" LG.....	1
16	<u>15717G5</u>		ACORN NUT, 3/8" - 16	1
17	<u>603341</u>		WAVY WASHER, 32MM.....	1
18	<u>11098G8</u>		LOCK NUT, 3/8" - 16	1
19				
20	<u>00410G8</u>		HEX HEAD BOLT, 1/2" - 20 X 3" LG.....	1
21	<u>00566G1</u>		SPRING LOCK WASHER, 7/16"	1

TOW BAR



THE USE OF NON U.L. PARTS WILL VOID ANY U.L. LISTING.

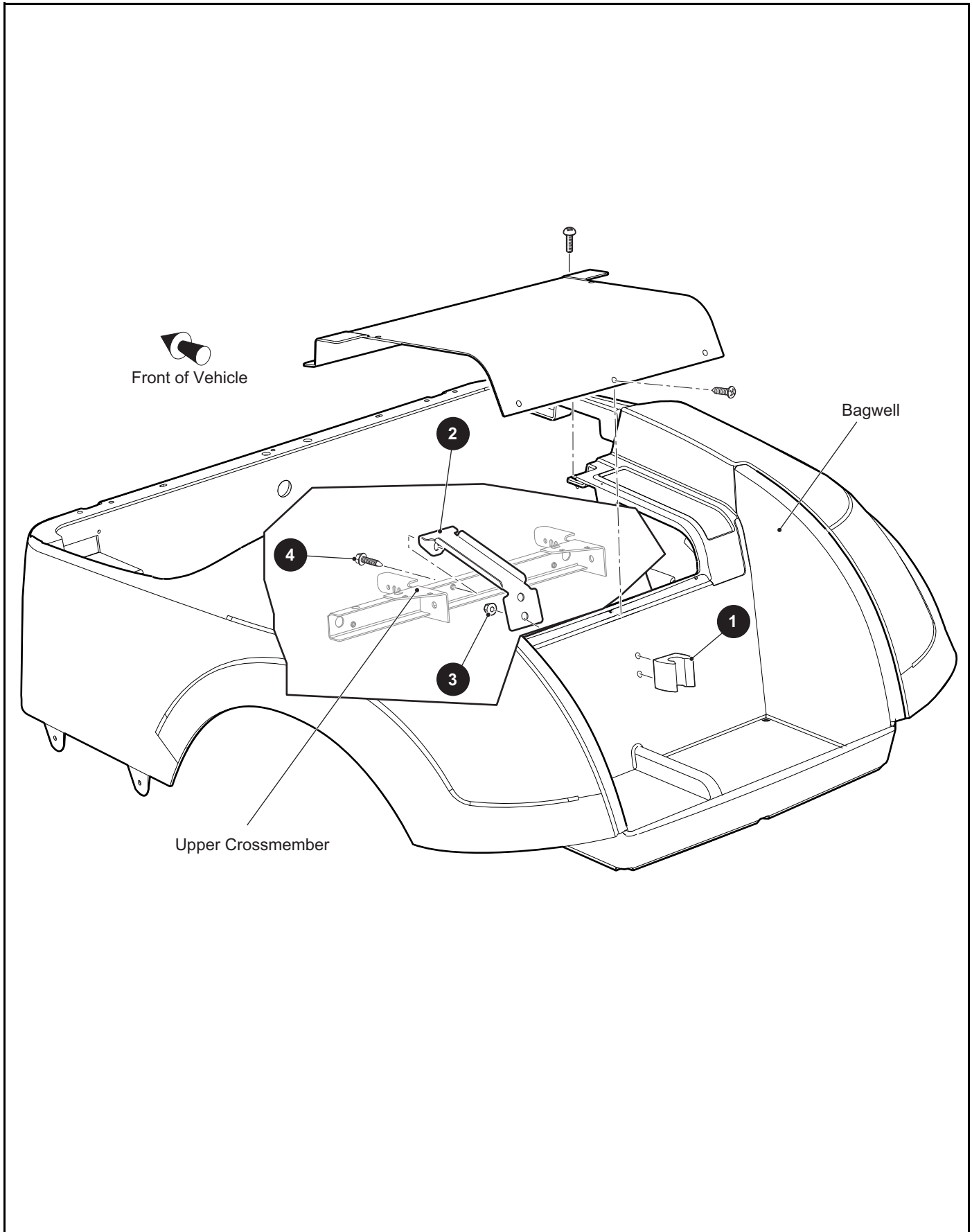
When ordering parts, please specify the model and serial number of the product.

* Indicates a component that is not available as an individual part.

*** Indicates consult Customer Service Department for additional information.

ITEM	PART NO.	1 2 3 4 5	DESCRIPTION	QTY.
1	<u>00520G1</u>		ACORN NUT.....	2
2	<u>00664G7</u>		LOCK WASHER, 1/4"	2
3	<u>641540</u>		TOWBAR BRACKET	1
4	<u>14390G4</u>		LOCK NUT, 1/4" - 20.....	4
5	<u>16705G2</u>		PAN HEAD PHILLIPS SCREW, 1/4" - 20 X 5/8" LG	4
6	<u>641600</u>		MOUNTING BRACKET.....	1
7	<u>641547</u>		SUPPORT BRACKET	1
8	<u>641599</u>		RETAINER	1
9	<u>16705G5</u>		PAN HEAD PHILLIPS SCREW, 1/4" - 20 X 1 1/2" LG	1
10	<u>16705G6</u>		PAN HEAD PHILLIPS SCREW, 1/4" - 20 X 1 3/4" LG	1
11	<u>00571G5</u>		FLAT WASHER, 5/16"	1
12	<u>11098G8</u>		LOCK NUT, 3/8" - 16.....	1

TOW BAR

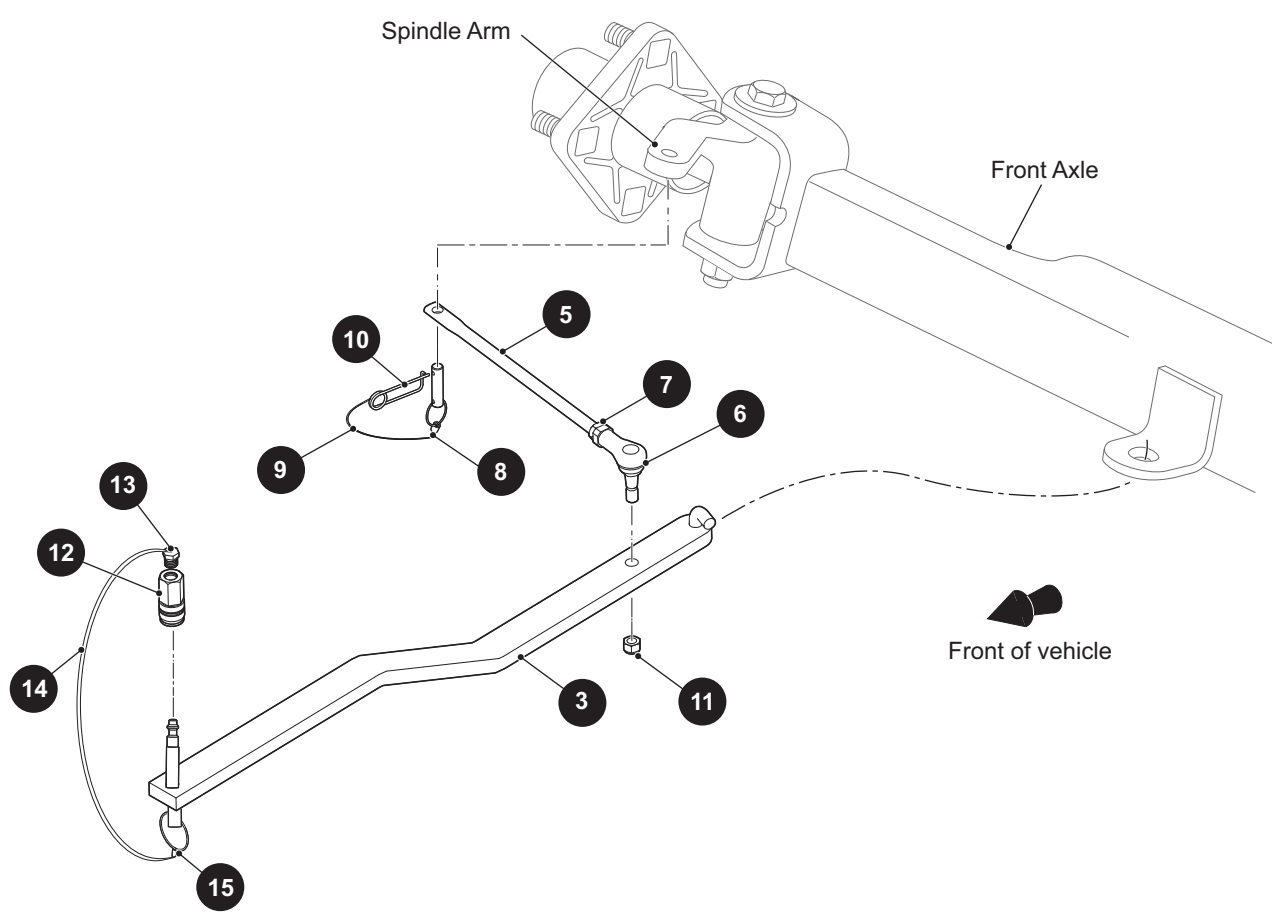


THE USE OF NON U.L. PARTS WILL VOID ANY U.L. LISTING.
 When ordering parts, please specify the model and serial number of the product.
 * Indicates a component that is not available as an individual part.
 *** Indicates consult Customer Service Department for additional information.

ITEM	PART NO.	1 2 3 4 5	DESCRIPTION	QTY.
1	<u>603020</u>		TOWBAR RETAINER	1
2	<u>637479</u>		RETAINER BRACKET	1
3	<u>600525</u>		LOCK NUT, M10 - 1.5	2
4	<u>00715G2</u>		TRUSS HEAD SCREW, 5/16" - 18 X .80" LG	1

TOW BAR

- 1 CASUAL TOW BAR KIT includes item 2
- 2 CASUAL TOW BAR ASSEMBLY includes items 3 - 15
- 4 TIE ROD ASSEMBLY includes items 5 - 7



THE USE OF NON U.L. PARTS WILL VOID ANY U.L. LISTING.

When ordering parts, please specify the model and serial number of the product.

* Indicates a component that is not available as an individual part.

*** Indicates consult Customer Service Department for additional information.

ITEM	PART NO.	1 2 3 4 5	DESCRIPTION	QTY.
1	<u>625284</u>		CASUAL TOW BAR KIT (INCLUDES ITEM 2)	1
2	<u>625282</u>		CASUAL TOW BAR ASSEMBLY (INCLUDES ITEMS 3 -15)	1
3	<u>625327</u>		TOW BAR WELDMENT	1
4	<u>625328</u>		TIE ROD ASSEMBLY (INCLUDES ITEMS 5 - 7).....	1
5	<u>625329</u>		TIE ROD WELDMENT.....	1
6	<u>70902G01</u>		TIE ROD END (DRIVER SIDE)	1
7	<u>01069G01</u>		JAM NUT, M12 - 1.25	1
8	<u>16783G1</u>		FERRULE	1
9	<u>14869G5</u>		WIRE ROPE, 6" LG	1
10	<u>75068G01</u>		SAFETY PIN	1
11	<u>00734G1</u>		LOCK NUT, 7/16" - 14	1
12	<u>75060G01</u>		COUPLING	1
13	<u>75035G02</u>		HEX HEAD PLUG WITH HOLE, 1/4" - 18	1
14	<u>14869G3</u>		WIRE ROPE, 20" LG	1
15	<u>75067G01</u>		FERRULE	1

THE USE OF NON U.L. PARTS WILL VOID ANY U.L. LISTING.

When ordering parts, please specify the model and serial number of the product.

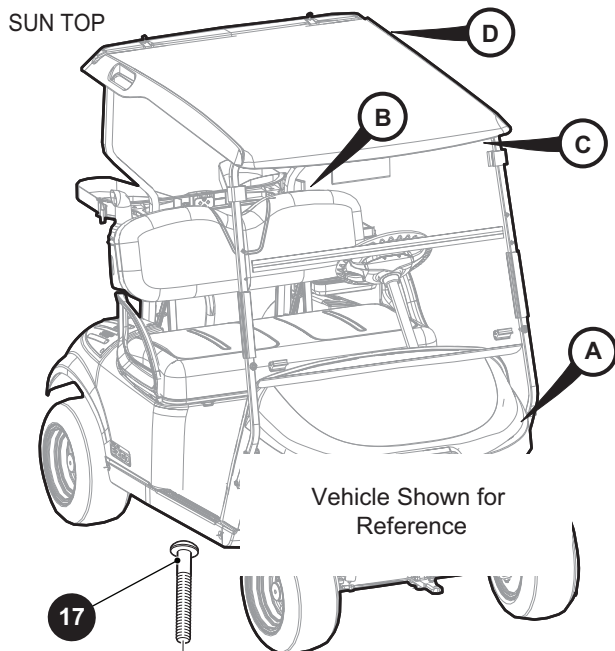
* Indicates a component that is not available as an individual part.

*** Indicates consult Customer Service Department for additional information.

ITEM	PART NO.	1 2 3 4 5	DESCRIPTION	QTY.
1	<u>637319</u>		FRONT TOWBAR ASSEMBLY (INCLUDES ITEMS 1 - 13)	1
2	<u>75307G01</u>		BEARING	1
3	<u>75309G01</u>		THRUST BEARING	2
4	<u>75342G01</u>		FLAT WASHER, 1.7" O.D. X .781" I.D.	1
5	<u>00518G8</u>		CASTLE NUT, 3/4" - 16	1
6	<u>10387G1</u>		COTTER PIN, .125" X 1.50" LG	1
7				
8	<u>625811</u>		TIE ROD ASSEMBLY	1
9	<u>75292G01</u>		PIVOT BOLT, 3/4" - 16 X 3.71" LG	1
10	<u>00566G6</u>		LOCK WASHER, 3/4"	1
11	<u>00533G8</u>		HEX NUT, 1/2" - 13	1
12	<u>635632</u>		FRONT PIVOT BAR	1
13	<u>00734G1</u>		LOCK NUT, 7/16" - 14	2
14	<u>31539G1</u>		NYLON CLAMP (NOT ILLUSTRATED)	2
15	<u>11098G5</u>		LOCK NUT, 3/8" - 16	2
16	<u>635620</u>		REAR TOWBAR RECEIVER	1
17	<u>73653G01</u>		TRUSS HEAD TORX SCREW, 3/8" - 16 X 1.5" LG	2
18	<u>635736</u>		REMOVABLE TOWBAR ASSEMBY (INCLUDES ITEMS 19 - 28)	1
19	<u>635428</u>		TOWBAR TONGUE WELDMENT	1
20	<u>635461</u>		TOWBAR COUPLING WELDMENT	1
21				
22	<u>00571G5</u>		FLAT WASHER (SS), 1/4"	1
23				
24	<u>14158G1</u>		HEX HEAD BOLT, 3/8" - 16 X 2.75" LG	1
25	<u>11098G5</u>		LOCK NUT, 3/8" - 16	1
26	<u>637563</u>		SELF TAPPING SCREW, M4 - 1 X 14/12MM LG	1
27	685471		HITCH PIN ASSEMBLY (SHORT)	1
28	<u>641171</u>		HITCH PIN ASSEMBLY (LONG)	1

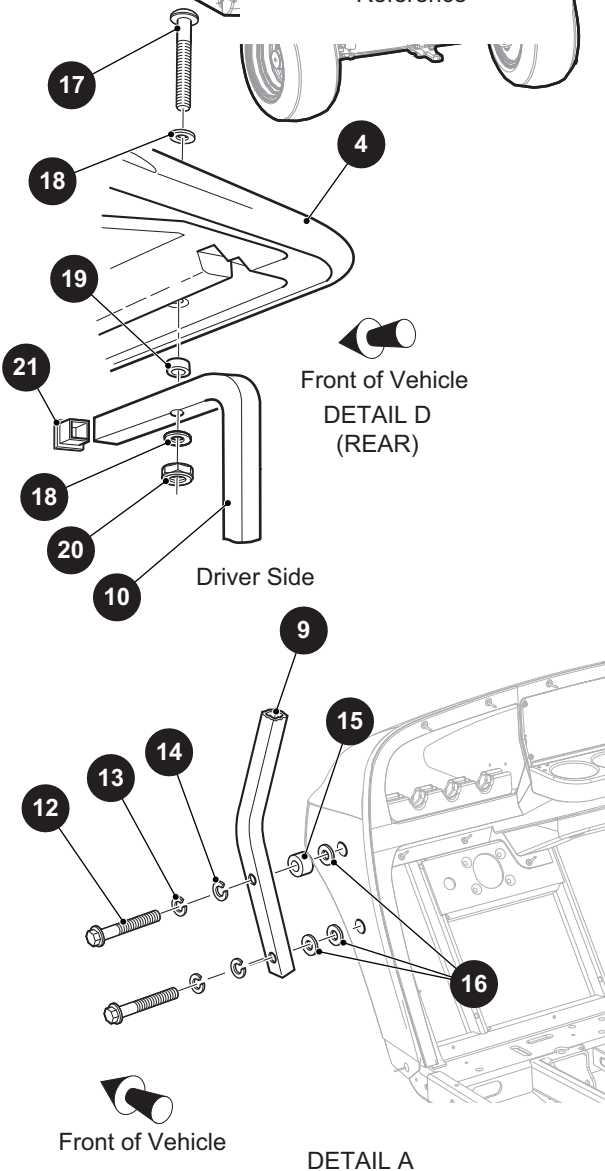
WEATHER PROTECTION

SUN TOP



Vehicle Shown for Reference

- 1 SUN TOP KIT, 54" (TAN) includes items 4, 8
- 2 SUN TOP KIT, 54" (BEIGE) includes items 5, 8
- 3 SUN TOP KIT, 54" (BLACK) includes items 6, 8
- 8 STRUT SET KIT, 1" includes items 9 - 11
- 11 SUN TOP HARDWARE KIT includes items 12 - 25
- 27 SUN TOP KIT, 54", (TAN), (GPS MOUNTING) includes items 4, 30, 32
- 28 SUN TOP KIT, 54", (BEIGE), (GPS MOUNTING) includes items 5, 30, 32
- 29 SUN TOP KIT, 54", (BLACK), (GPS MOUNTING) includes items 6, 30, 32
- 30 FRONT STRUT KIT (GPS MOUNTING) includes items 9, 31, 32
- 33 REAR STRUT SET KIT, 1" includes items 10, 11

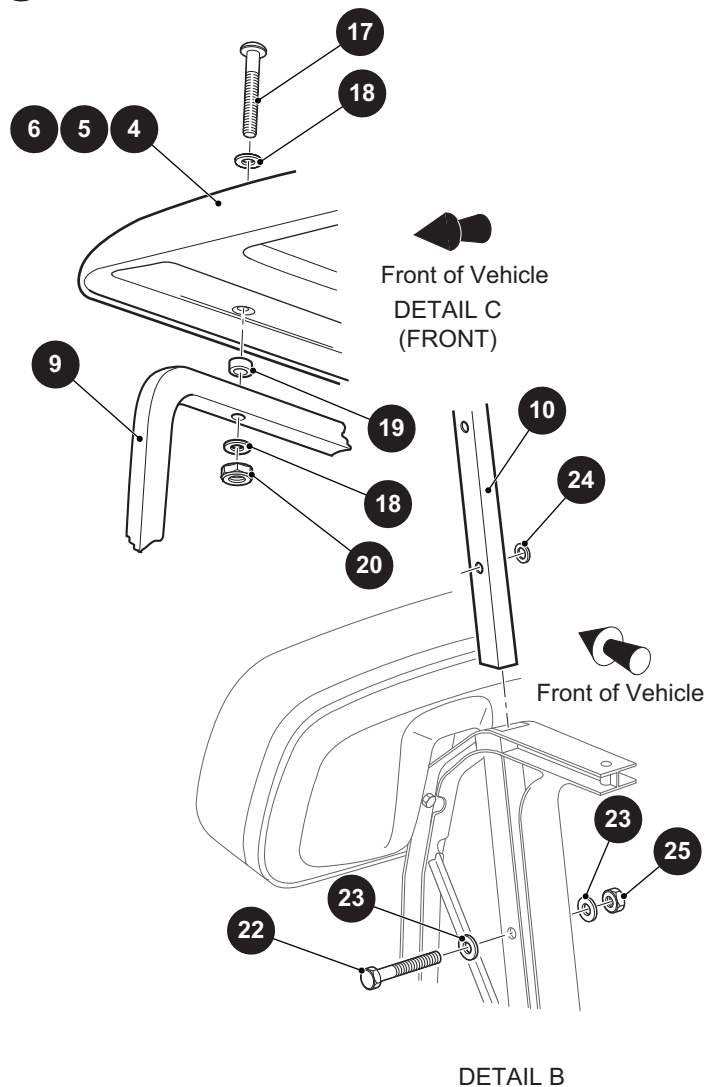


Front of Vehicle
DETAIL D
(REAR)

Driver Side

Front of Vehicle

DETAIL A



Front of Vehicle
DETAIL C
(FRONT)

Front of Vehicle

DETAIL B

WEATHER PROTECTION

THE USE OF NON U.L. PARTS WILL VOID ANY U.L. LISTING.

When ordering parts, please specify the model and serial number of the product.

* Indicates a component that is not available as an individual part.

*** Indicates consult Customer Service Department for additional information.

ITEM	PART NO.	1 2 3 4 5	DESCRIPTION	QTY.
1	<u>625299G01</u>		SUN TOP KIT, 54" (TAN) (INCLUDES ITEMS 4, 8).....	1
2	<u>625299G02</u>		SUN TOP KIT, 54" (BEIGE) (INCLUDES ITEMS 5, 8).....	1
3	<u>625299G03</u>		SUN TOP KIT, 54" (BLACK) (INCLUDES ITEMS 6, 8).....	1
4	<u>625290</u>		SUN TOP (TAN)	1
5	<u>625291</u>		SUN TOP (BEIGE)	1
6	<u>625292</u>		SUN TOP (BLACK).....	1
7				
8	<u>635005</u>		STRUT SET KIT, 1" (INCLUDES ITEM 9 - 11)	1
9	<u>625294G01</u>		FRONT STRUT	1
10	<u>75046G01</u>		REAR STRUT	1
11	<u>625296</u>		SUN TOP HARDWARE KIT (INCLUDES ITEMS 12 - 25)	1
12	*		HEX HEAD BOLT, 5/16" - 18 X 2 1/4" LG.....	2
13	*		FLAT WASHER, 5/16"	2
14	*		LOCK WASHER, 5/16"	2
15	*		SPACER, .328" I.D. X .75" O.D. X .5" LG.....	1
16	*		FLAT WASHER, 5/16"	3
17	*		HEX HEAD BOLT, 1/4" - 20 X 2 1/2" LG.....	2
18	*		FLAT WASHER (SS), 1/4"	4
19	*		SPACER (PLASTIC), .28" I.D. X .56" O.D. X .74" LG	2
20	*		LOCK NUT (SS), 1/4" - 20.....	2
21	*		END CAP, 1" SQ.....	1
22	*		HEX HEAD BOLT (SS), 5/16" - 18 X 1 3/4" LG	2
23	*		FLAT WASHER (SS), 5/16"	4
24	*		TEFLON WASHER, 5/16".....	2
25	*		LOCK NUT (SS), 5/16" - 18.....	2
26				
27	<u>625299G07</u>		SUN TOP KIT, 54" (TAN) (GPS MOUNTING) (INCLUDES ITEMS 4, 30, 32)	1
28	<u>625299G08</u>		SUN TOP KIT, 54" (BEIGE) (GPS MOUNTING) (INCLUDES ITEMS 5, 30, 32)	1
29	<u>625299G09</u>		SUN TOP KIT, 54" (BLACK) (GPS MOUNTING) (INCLUDES ITEMS 6, 30, 32)	1

WEATHER PROTECTION

THE USE OF NON U.L. PARTS WILL VOID ANY U.L. LISTING.

When ordering parts, please specify the model and serial number of the product.

* Indicates a component that is not available as an individual part.

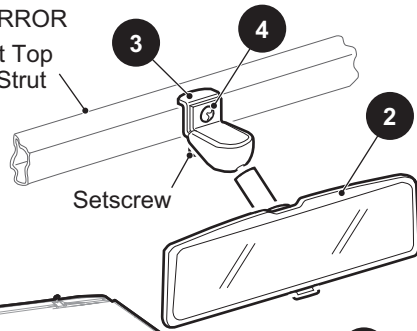
*** Indicates consult Customer Service Department for additional information.

ITEM	PART NO.	1	2	3	4	5	DESCRIPTION	QTY.
30	<u>647670</u>						FRONT STRUT KIT (GPS MOUNTING) (INCLUDES ITEMS 9, 31, 32) ..	1
31	<u>643882G03</u>						GPS MOUNTING SYSTEM (NOT ILLUSTRATED).....	1
32	<u>664522G06</u>						GPS MOUNTING SYSTEM (NOT ILLUSTRATED).....	1
33	<u>647636</u>						REAR STRUT SET KIT, 1" (INCLUDES ITEMS 10, 11)	1

WEATHER PROTECTION

REAR VIEW MIRROR

Front Top
Strut

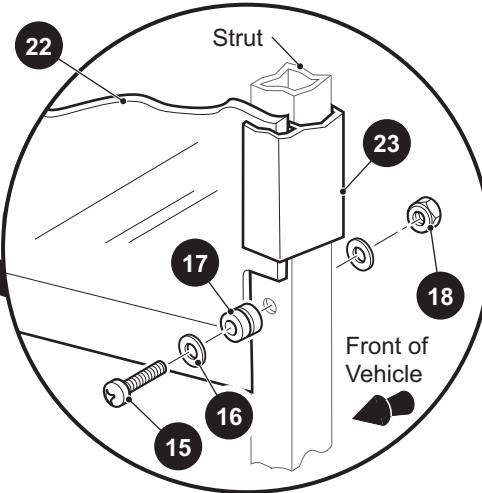
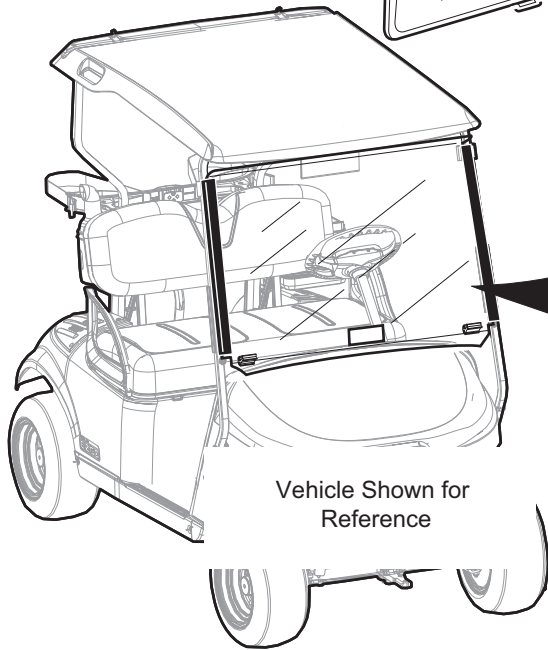


1 REAR VIEW MIRROR KIT includes items 2 - 4

6 WINDSHIELD KIT, SPLIT includes items 7 - 14

7 SPLIT WINDSHIELD ASSEMBLY includes items 8 - 11

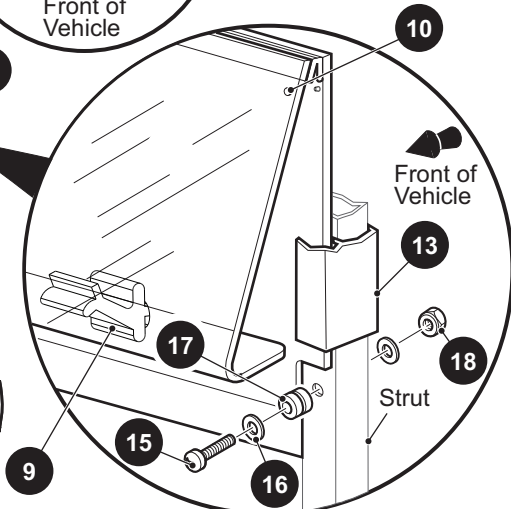
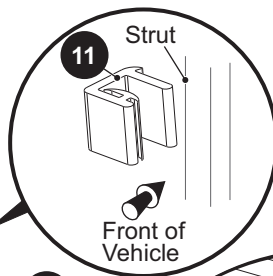
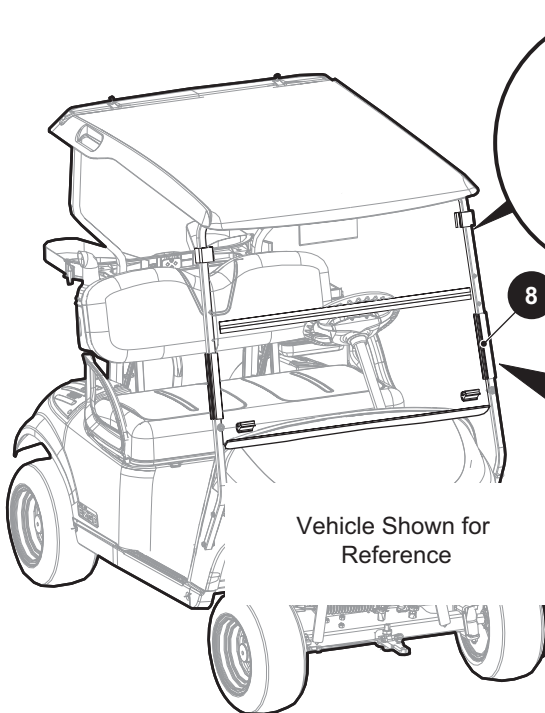
14 HARDWARE KIT includes items 15 - 18



FULL WINDSHIELD

20 WINDSHIELD KIT, FULL includes items 14, 21 - 23

21 FULL WINDSHIELD ASSEMBLY includes items 22



SPLIT WINDSHIELD

WEATHER PROTECTION

THE USE OF NON U.L. PARTS WILL VOID ANY U.L. LISTING.

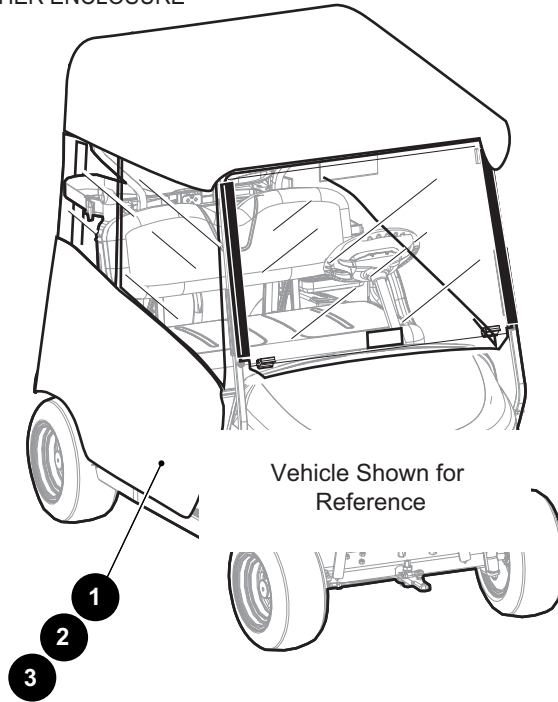
When ordering parts, please specify the model and serial number of the product.

* Indicates a component that is not available as an individual part.

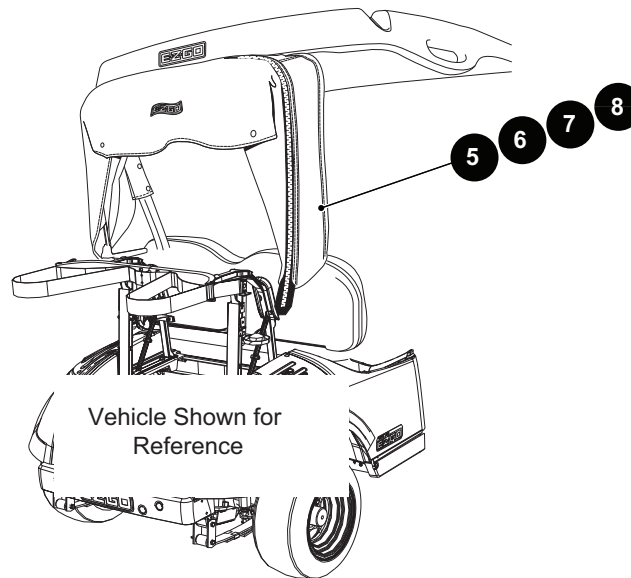
*** Indicates consult Customer Service Department for additional information.

ITEM	PART NO.	1 2 3 4 5	DESCRIPTION	QTY.
1	<u>19528G2</u>		REAR VIEW MIRROR KIT (INCLUDES ITEMS 2 - 4)	1
2	<u>19496G1</u>		REAR VIEW MIRROR	1
3	<u>19502G2</u>		SUPPORT BRACKET	1
4	<u>19527G1</u>		PAN HEAD PHILLIPS SCREW (SS), #8 - 32 X 5/8" LG	1
5				
6	<u>625279G01</u>		WINDSHIELD KIT, SPLIT (INCLUDES ITEMS 7 - 14).....	1
7	<u>625275</u>		WINDSHIELD ASSEMBLY, SPLIT (INCLUDES ITEMS 8 - 11)	1
8	*		SPLIT WINDSHIELD	1
9	<u>603201</u>		LOWER LATCH	2
10	<u>604115</u>		GROMMET	4
11	<u>625230</u>		UPPER LATCH	2
12				
13	<u>625228</u>		SASH, 9" LG.....	2
14	<u>625271</u>		HARDWARE KIT (INCLUDES ITEMS 15 - 18)	1
15	<u>00753G5</u>		TRUSS HEAD PHILLIPS SCREW, 1/4" - 20 X 2" LG	1
16	<u>01110G01</u>		FLAT WASHER (SS), 1/4".....	2
17	<u>625278</u>		RUBBER GROMMET	1
18	<u>00654G2</u>		LOCK NUT (SS), 1/4" - 20	1
19				
20	<u>625279G03</u>		WINDSHIELD KIT, FULL (INCLUDES ITEMS 14, 21 - 23).....	1
21	*		WINDSHIELD ASSEMBLY, FULL (INCLUDES ITEMS 22)	1
22	*		WINDSHIELD FULL	1
23	<u>625227</u>		SASH, 26" LG.....	2

WEATHER ENCLOSURE



BAG COVER KIT



WEATHER PROTECTION

THE USE OF NON U.L. PARTS WILL VOID ANY U.L. LISTING.

When ordering parts, please specify the model and serial number of the product.

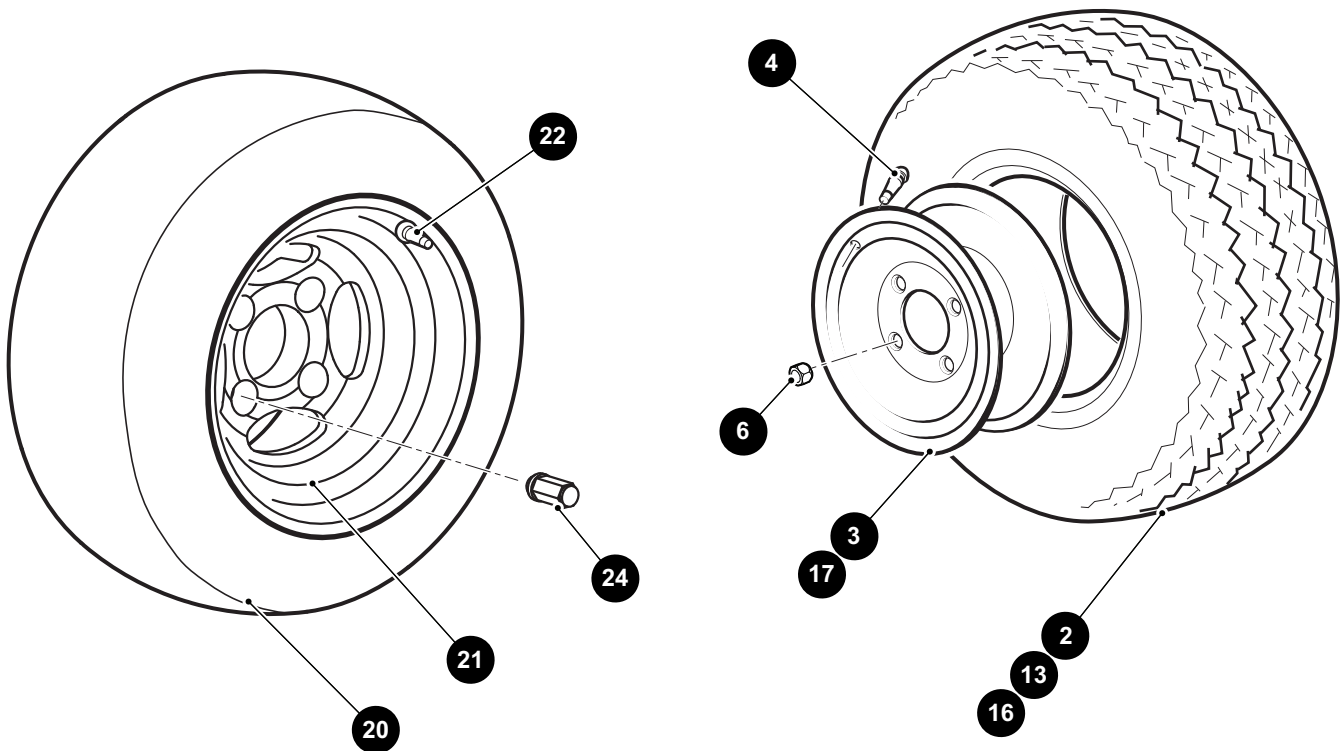
* Indicates a component that is not available as an individual part.

*** Indicates consult Customer Service Department for additional information.

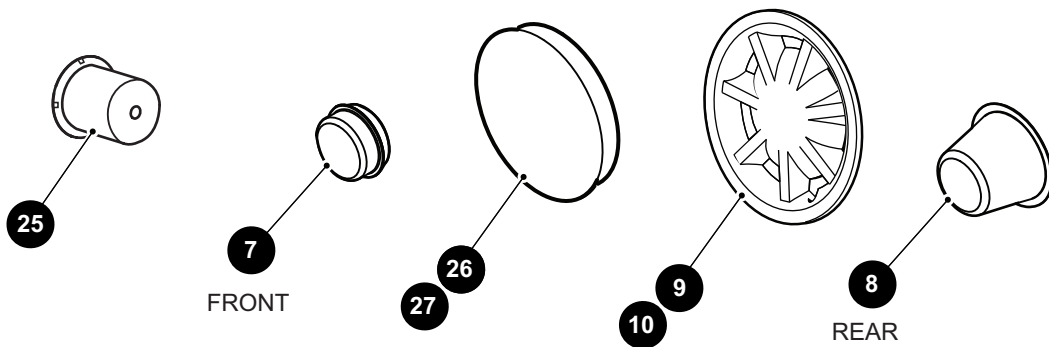
ITEM	PART NO.	1 2 3 4 5	DESCRIPTION	QTY.
1	<u>634541</u>		WEATHER ENCLOSURE (3 SIDED) (TAN) RECOMMENDED FOR VEHICLES WITH WINDSHIELDS.....	1
2	<u>634542</u>		WEATHER ENCLOSURE (3 SIDED) (OYSTER) RECOMMENDED FOR VEHICLES WITH WINDSHIELDS.....	1
3	<u>634543</u>		WEATHER ENCLOSURE (3 SIDED) (HUNTER GREEN) RECOMMENDED FOR VEHICLES WITH WINDSHIELDS.....	1
4				
5	<u>625581</u>		BAG COVER KIT (OYSTER).....	1
6	<u>625583</u>		BAG COVER KIT (TAN).....	1
7	<u>625585</u>		BAG COVER KIT (GREEN).....	1
8	<u>618430</u>		BAG COVER KIT (BLACK).....	1

WHEELS AND TIRES

- 1** WHEEL AND TIRE ASSEMBLY (LINKS) includes items 2 - 4
- 12** WHEEL AND TIRE ASSEMBLY (USA TRAIL) includes items 3 - 4, 13
- 15** WHEEL AND TIRE ASSEMBLY (HOLE-N-ONE) includes items 4, 16 - 17
- 19** WHEEL AND TIRE ASSEMBLY includes items 20 - 22



Tire design may vary by Part Number



WHEELS AND TIRES

THE USE OF NON U.L. PARTS WILL VOID ANY U.L. LISTING.

When ordering parts, please specify the model and serial number of the product.

* Indicates a component that is not available as an individual part.

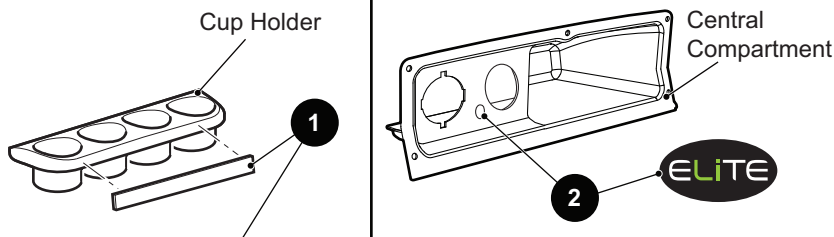
*** Indicates consult Customer Service Department for additional information.

ITEM	PART NO.	1 2 3 4 5	DESCRIPTION	QTY.
1	<u>28757G01</u>		WHEEL AND TIRE ASSEMBLY (LINKS) (INCLUDES ITEMS 2 - 4)	1
2	<u>28764G01</u>		TIRE (CARLISLE), 18 X 8.5 - 8	1
3	<u>28759G01</u>		WHEEL (WHITE).....	1
4	<u>11657G2</u>		VALVE STEM.....	1
5				
6	<u>14723G1</u>		LUG NUT, 1/2" - 20	4
7	<u>12091G2</u>		SPINDLE CAP	1
8	<u>74175G01</u>		MOLDED DUST CAP.....	1
9	<u>615617</u>		HUB CAP (GOLD) (FOR VEHICLES MANUFACTURED BEFORE JANUARY 8, 2018).....	1
10	<u>615618</u>		HUB CAP (SILVER) (FOR VEHICLES MANUFACTURED BEFORE JANUARY 8, 2018).....	1
11				
12	<u>28842G01</u>		WHEEL AND TIRE ASSEMBLY (USA TRAIL) (INCLUDES ITEMS 3 - 4, 13)	1
13	<u>28764G08</u>		TIRE (CARLISLE), 18 X 8.5 - 8	1
14				
15	<u>612772</u>		WHEEL AND TIRE ASSEMBLY (HOLE-N-ONE) (INCLUDES ITEMS 4, 16 - 17)	1
16	<u>612771</u>		TIRE (KENDA).....	1
17	<u>612770</u>		WHEEL, 8".....	1
18				
19	<u>635726</u>		WHEEL AND TIRE ASSEMBLY (INCLUDES ITEMS 20 - 22)	1
20	<u>601768</u>		TIRE (TOUR MAX), 205/50 - 10	1
21	<u>635727</u>		ALLOY WHEEL	1
22	<u>601767</u>		VALVE STEM.....	1
23				
24	<u>605310</u>		LUG NUT (CHROME), 1/2" - 20.....	4
25	<u>601353</u>		ALLOY WHEEL CAP.....	1
26	<u>665149</u>		WHEEL COVER (METALLIC GOLD) (FOR VEHICLES MANUFACTURED AFTER JANUARY 8, 2018).....	1
27	<u>665144</u>		WHEEL COVER (METALLIC SILVER) (FOR VEHICLES MANUFACTURED AFTER JANUARY 8, 2018).....	1

Notes:

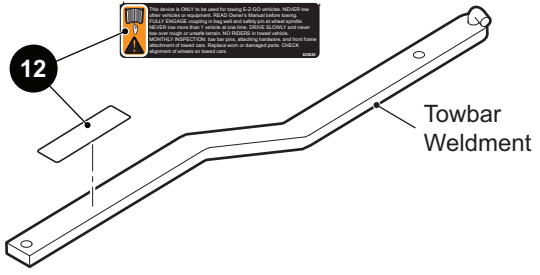
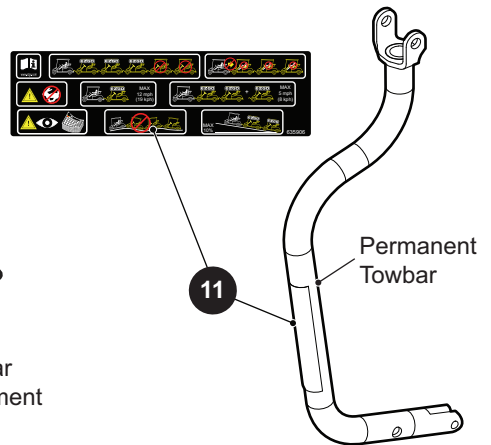
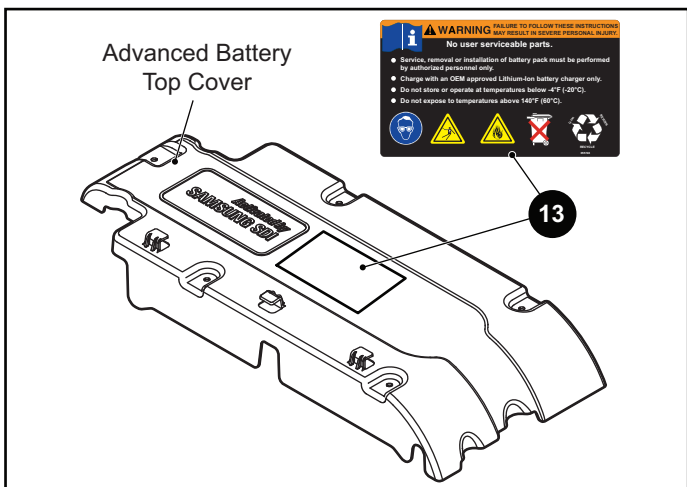
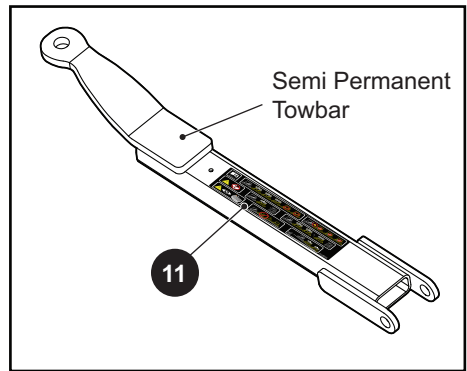
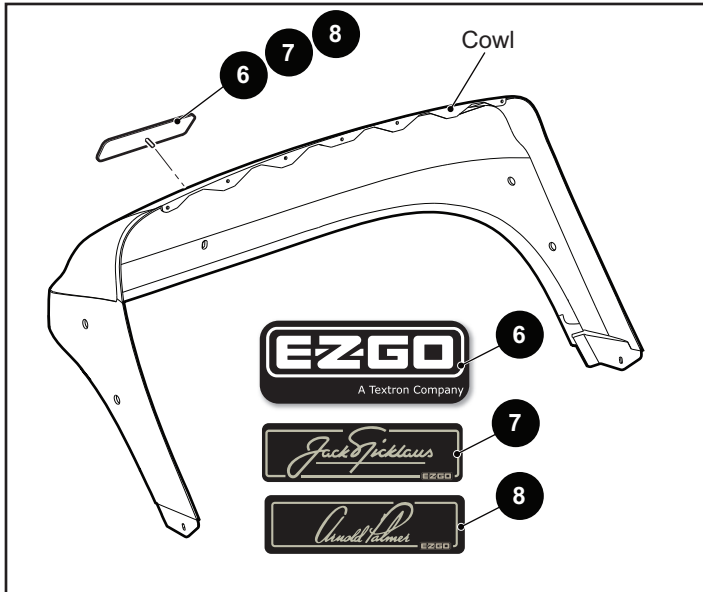
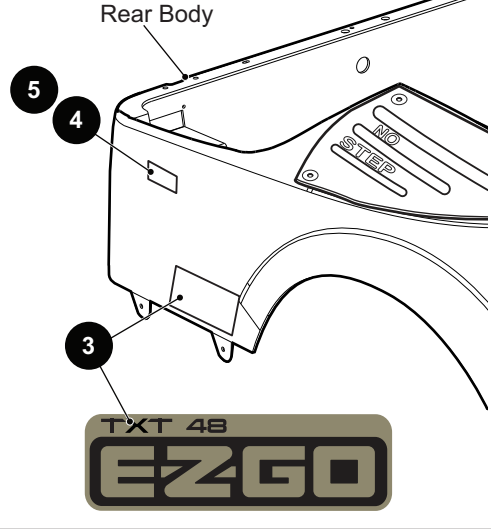
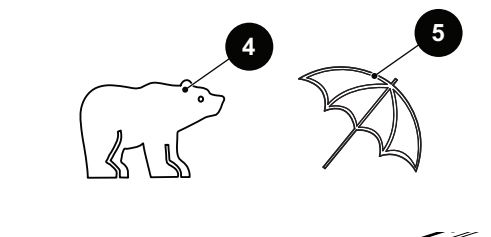
A large grid of 20 columns and 25 rows for taking notes.

DECALS AND LABELS



▲ WARNING Failure to follow these instructions can result in **SERIOUS INJURY or DEATH**.

● Operation by persons with valid Drivers Licenses, in accordance with state requirements. ● Operate from Driver's side only. ● For non-road use, and in designated areas only. ● Do not operate under the influence of drugs or alcohol. ● All occupants must be fully seated. ● Keep your feet inside vehicle and hold on while vehicle is in motion. ● Do not operate in the driver position. ● Apply service brake, turn key to "OFF" and accelerate smoothly. ● Maximum vehicle payload is 800 lbs. (363 kg) including a maximum of 2 persons, options, and accessories. ● Drive slowly straight up and down slopes and in turns. ● Use care in reverse, no congested areas or steep or loose terrain. ● To release parking (PARK) brake, depress service (brake) pedal pack. ● To stop, release accelerator pedal and apply service brake. ● Before leaving vehicle, turn key "OFF", move the direction selector to "forward" (Gas vehicles) or "neutral" (Electric), vehicle and engage parking (PARK) brake.



DECALS AND LABELS

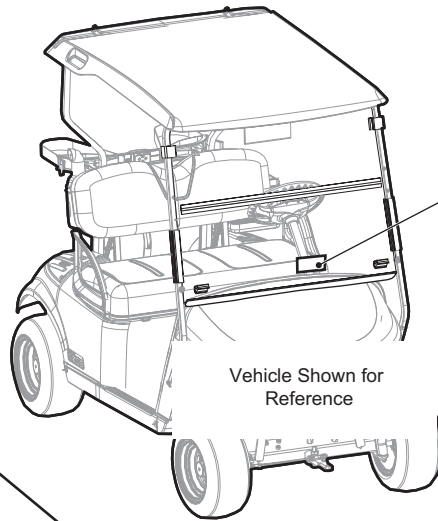
THE USE OF NON U.L. PARTS WILL VOID ANY U.L. LISTING.

When ordering parts, please specify the model and serial number of the product.

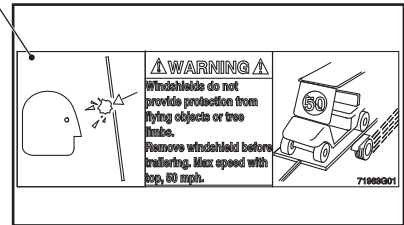
* Indicates a component that is not available as an individual part.

*** Indicates consult Customer Service Department for additional information.

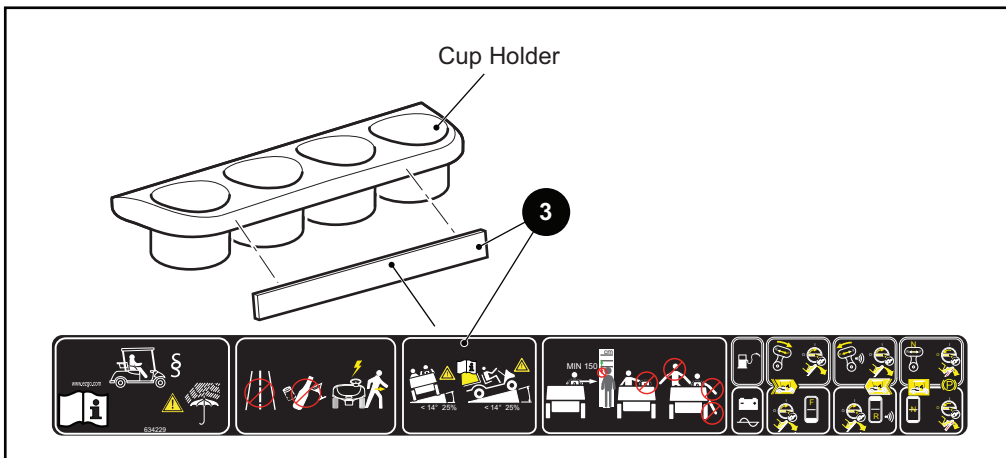
ITEM	PART NO.	1 2 3 4 5	DESCRIPTION	QTY.
1	<u>625240</u>		SAFETY LABEL (INSTRUMENT PANEL).....	1
2	<u>657850</u>		ADVANCED BATTERY DECAL	1
3	<u>613478</u>		TXT FLEET DECAL	1
4	<u>604847</u>		GOLDEN BEAR DECAL	1
5	<u>604850</u>		UMBRELLA DECAL	1
6	<u>606405</u>		E-Z-GO NAME PLATE	1
7	634299		JACK NICKLAUS NAME PLATE	1
8	<u>634297</u>		ARNOLD PALMER NAME PLATE	1
9				
10				
11	<u>635906</u>		TOWBAR WARNING LABEL	1
12	<u>625820</u>		WARNING LABEL.....	1
13	<u>655748</u>		ADVANCED BATTERY WARNING LABEL.....	1



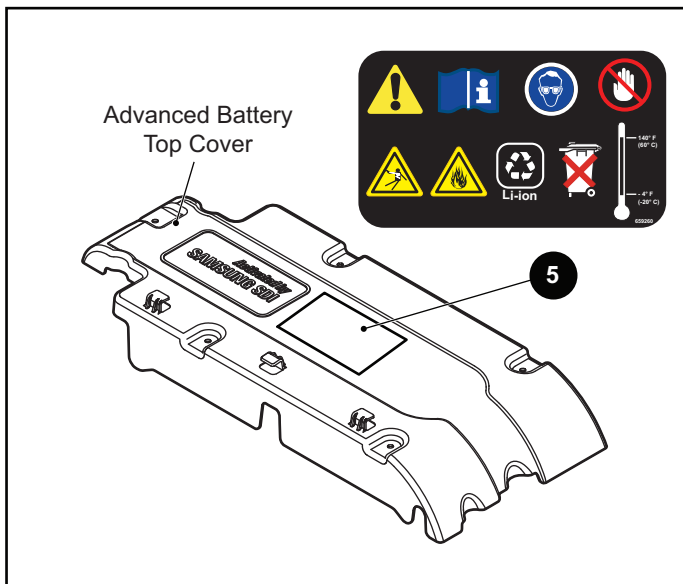
Vehicle Shown for Reference



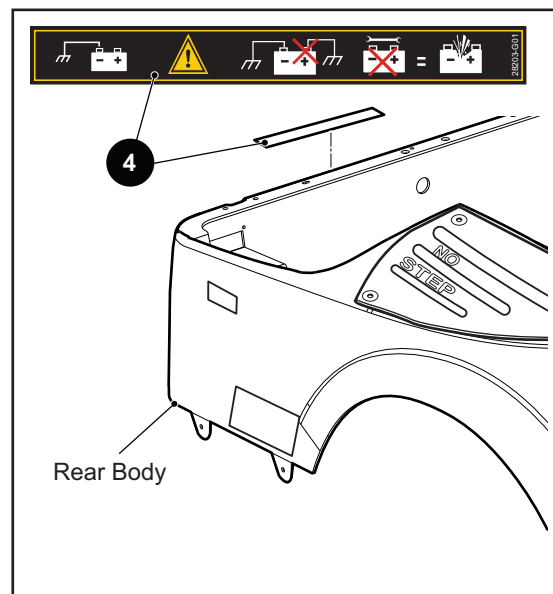
FOR CE VEHICLES



Cup Holder



Advanced Battery Top Cover



Rear Body

DECALS AND LABELS

THE USE OF NON U.L. PARTS WILL VOID ANY U.L. LISTING.

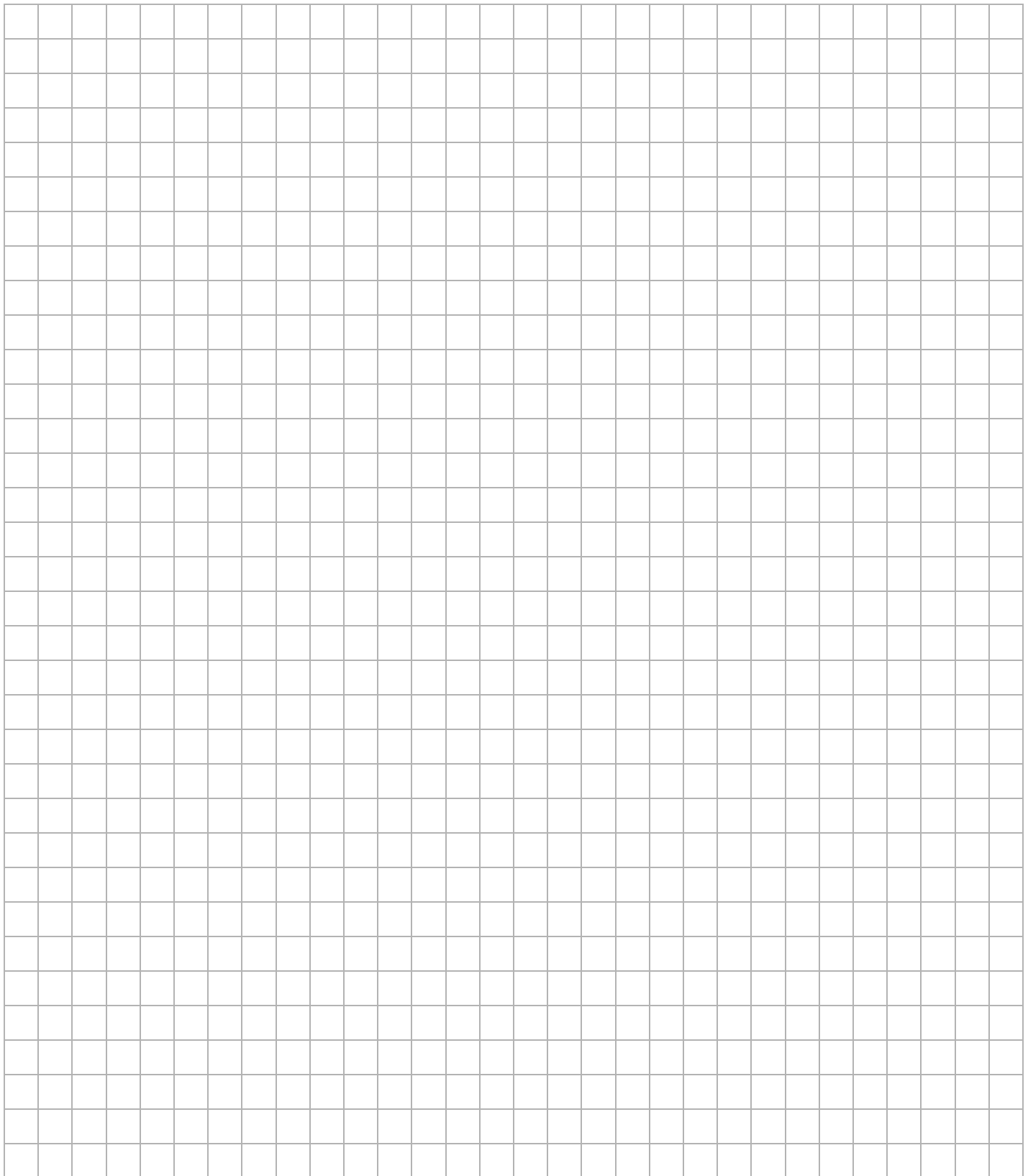
When ordering parts, please specify the model and serial number of the product.

* Indicates a component that is not available as an individual part.

*** Indicates consult Customer Service Department for additional information.

ITEM	PART NO.	1 2 3 4 5	DESCRIPTION	QTY.
1	71963G01		WINDSHIELD CLIP-ON WARNING LABEL.....	1
2				
3	<u>634229</u>		SAFETY LABEL (INSTRUMENT PANEL).....	1
4	<u>28203G01</u>		BATTERY WARNING LABEL.....	1
5	<u>659260</u>		ADVANCED BATTERY WARNING LABEL.....	1

Notes:



A large grid area for taking notes, consisting of 25 columns and 25 rows of empty cells.



A Textron Company

Textron Specialized Vehicles, Inc.

1451 Marvin Griffin Road
Augusta, Georgia 30906 - 3852 USA

CONTACT US:

North America:

Technical Assistance & Warranty Phone: 1-800-774-3946, FAX: 1-800-448-8124
Service Parts Phone: 1-888-438-3946, FAX: 1-800-752-6175

International:

Phone: 001-706-798-4311, FAX: 001-706-771-4609

Owner's guides and repair manuals
are available from a local Distributor, or an authorized Branch,
Parts & Accessories Department or at www.shop.ezgo.com.

Copyrighted Material

This manual may not be reproduced in whole
or in part without the express permission of
TSV Technical Communications Department