



A Textron Company

RXV

Service Parts Manual

GASOLINE POWERED VEHICLE



647697-AJ

ISSUED AUGUST 2015

REVISED SEPTEMBER 2020

SERVICE PARTS MANUAL

GASOLINE POWERED GOLF CARS AND PERSONAL VEHICLES

**RXV GOLF CAR
RXV FREEDOM™
RXV SHUTTLE 2+2**

STARTING MODEL YEAR 2016

CALIFORNIA Proposition 65 Warning

WARNING: Motor vehicles may contain fuels, oils and fluids, battery posts, terminals, and related accessories which contain lead, lead compounds and other chemicals identified by the State of California to potentially cause cancer, birth defects and other reproductive harm. These chemicals are found in vehicles, vehicle parts and accessories, both new and replacements. During maintenance, these vehicles generate used oil, waste fluids, grease, fumes and particulates, all identified by the State of California to potentially cause cancer, birth defects, and other reproductive harm.

DISCLAIMER: The E-Z-GO Division of Textron Inc. (E-Z-GO) reserves the right to incorporate engineering and design changes to products in this Manual, without obligation to include these changes on units leased/sold previously.

The information contained in this Manual may be revised periodically E-Z-GO, and therefore is subject to change without notice.

E-Z-GO DISCLAIMS LIABILITY FOR ERRORS IN THIS MANUAL, and E-Z-GO SPECIFICALLY DISCLAIMS LIABILITY FOR INCIDENTAL AND CONSEQUENTIAL DAMAGES RESULTING FROM THE USE OF THE INFORMATION AND MATERIALS IN THIS MANUAL.

TO CONTACT US

NORTH AMERICA:

TECHNICAL ASSISTANCE AND WARRANTY PHONE: 1-800-774-3946, FAX: 1-800-448-8124

SERVICE PARTS PHONE: 1-888-GET-EZGO (1-888-438-3946), FAX: 1-800-752-6175

INTERNATIONAL: PHONE: 001-706-798-4311, FAX: 001-706-771-4609

E-Z-GO DIVISION OF TEXTRON INC., 1451 MARVIN GRIFFIN RD., AUGUSTA, GEORGIA USA 30906-3852

GENERAL INFORMATION

To obtain a copy of the limited warranty applicable to the vehicle, call or write a local Distributor, authorized Branch or the Warranty Department with vehicle serial number and manufacturer code.

The use of non Original Equipment Manufacturer (OEM) approved parts may void the warranty.

Tampering with or adjusting the governor to permit vehicle to operate at above factory specifications will void the vehicle warranty.

When servicing engines, all adjustments and replacement components must be per original vehicle specifications in order to maintain the United States of America Federal and State emission certification applicable at the time of manufacture.

BATTERY PROLONGED STORAGE

All batteries will self discharge over time. The rate of self discharge varies depending on the ambient temperature and the age and condition of the batteries.

A fully charged battery will not freeze in winter temperatures unless the temperature falls below -75° F (-60° C).

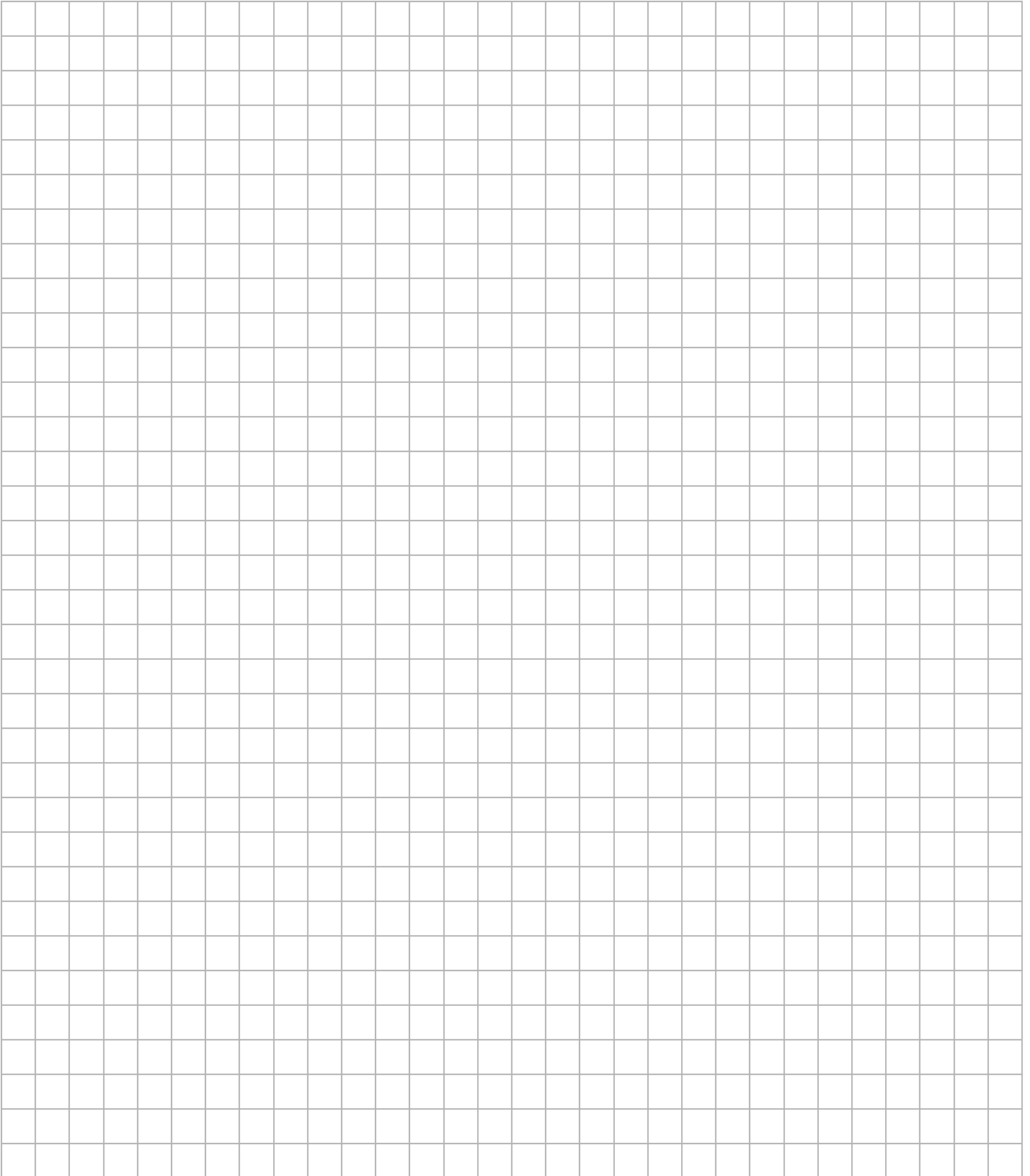
BATTERY DISPOSAL

Lead-acid batteries are recyclable. Return whole scrap batteries to distributor, manufacturer or lead smelter for recycling. For neutralized spills, place residue in acid-resistant containers with absorbent material such as sand. Dispose of in accordance with local, state and federal regulations for acid and lead compounds. Contact local and/or state environmental officials regarding disposal information.

TABLE OF CONTENTS

SECTION	Page No.
HOW TO USE THE SERVICE PARTS MANUAL.....	V
ACCELERATOR.....	A - 1
AIR FILTER.....	B - 1
BODY.....	C - 1
BRAKES.....	D - 1
CARBURETOR AND CHOKE.....	E - 1
CLUTCH.....	F - 1
DIRECTION SELECTOR.....	G - 1
ELECTRICAL SYSTEM.....	H - 1
ENGINE AND MUFFLER.....	J - 1
ENGINE MOUNTING.....	K - 1
FRAME.....	L - 1
FRONT SUSPENSION AND STEERING.....	M - 1
FUEL SYSTEM.....	N - 1
REAR AXLE.....	P - 1
REAR SUSPENSION.....	Q - 1
SEATING AND BASKET.....	R - 1
STARTER GENERATOR.....	S - 1
TOW BAR.....	T - 1
WEATHER PROTECTION.....	U - 1
WHEELS AND TIRES.....	V - 1
DECALS AND LABELS (FOR CE VEHICLES).....	W - 1

NOTES



HOW TO USE THE SERVICE PARTS MANUAL

This manual is divided into several sections:

- GENERAL INFORMATION
- ILLUSTRATED PARTS BREAKDOWN

The first section, GENERAL INFORMATION, contains the following information:

- WARRANTY INFORMATION
- GENERAL INDEX
- HOW TO USE THE SERVICE PARTS MANUAL

The second section, ILLUSTRATED PARTS BREAKDOWN, contains illustrations and parts lists for all systems of your vehicle.

The third section, APPENDIX, contains a listing of specialty products and accessories.

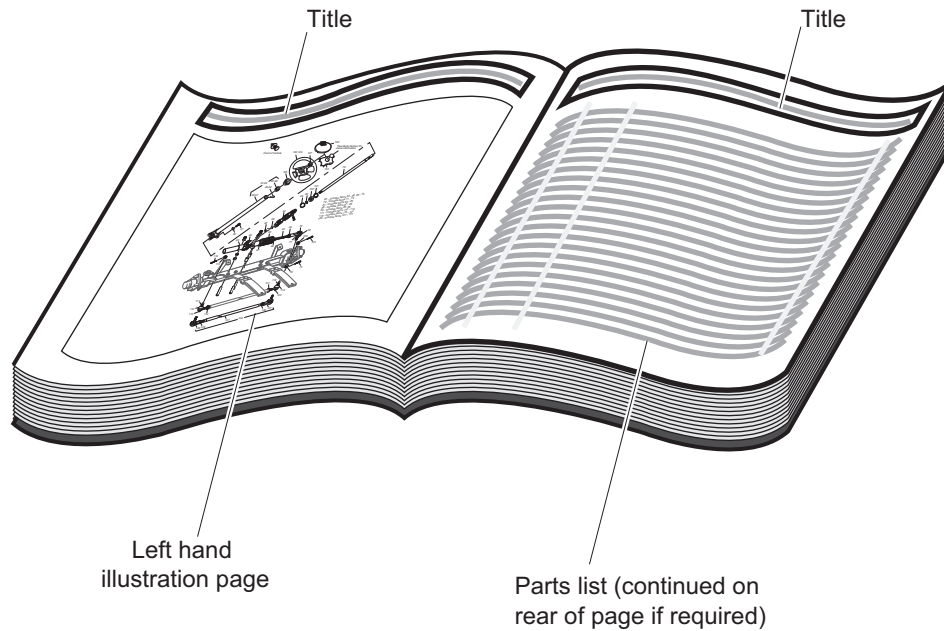
USE OF THE MANUAL

To use this manual, consult the GENERAL INDEX to locate the information or illustration required.

Introduction of some revisions varies due to supply of components; therefore, it is possible that various combinations of components may be found that are not directly reflected by each illustration. Consult the illustration that best suits your situation and then contact the Service Parts Department. It is important that the serial number of your vehicle and its model number be supplied to Service Parts when ordering any replacement components.

Locate the serial number plate (see BODY located in the Illustrated Parts Breakdown section of this manual for its location) and note the complete number shown on the plate.

HOW TO USE THE SERVICE PARTS MANUAL



1. WHEN THE PART NUMBER IS NOT KNOWN

- Determine the function and application of the part required. Turn to the General Index and select the most appropriate title.
- Turn to the page number indicated and locate the desired part on the illustration.
- From the illustration, obtain the item number assigned to the desired part. Refer to the accompanying description for specific information regarding the part.

2. IF YOU KNOW THE PART NUMBER

- Locate the part number or description in the appropriate column on the parts list page.

NOTE: It is suggested that you confirm that the part selected is correct by verifying it with the pictorial representation on the illustrated page.

Should an asterisk (*) appear in the part number column on the parts list page, read upwards until a part number is found. The part number is the lowest assembly sold by Service Parts and the asterisk (*) indicates that the part depicted is not available for purchase.

NOTE: Descriptions are indented under the assembly that they are used on. That assembly is, in turn listed under the assembly that it is used on. This process is repeated until the highest final assembly is reached.

To facilitate the maintenance and repair of the vehicle, a Technician's Repair and Service Manual is available from the Service Parts Department.

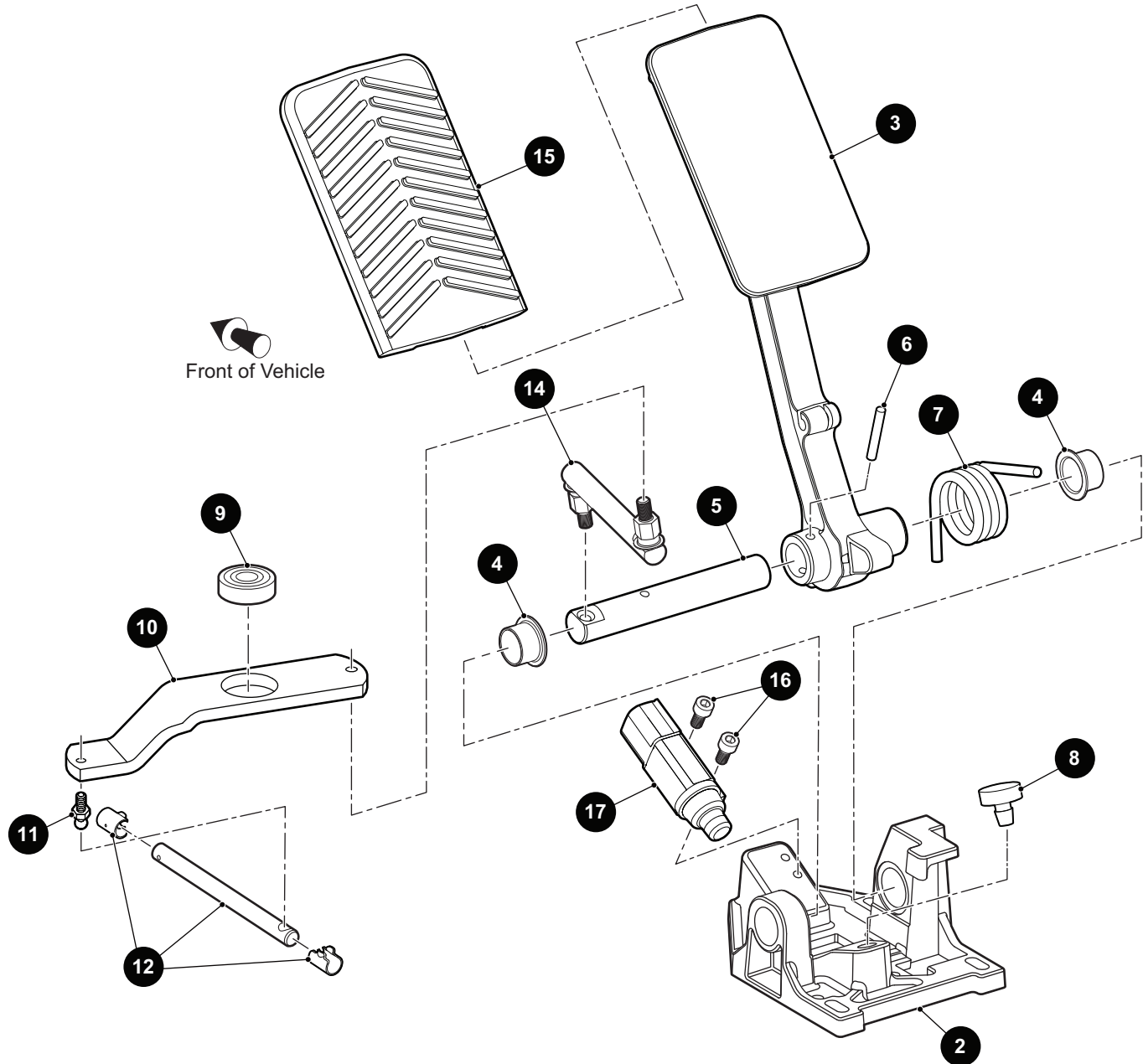
3. COLOR CODE FOR BODY COMPONENTS

The last two digits of the part number for the body part will denote the color code, locate the part number for the cowl, rear body, seat pod, side panel or seat wrap then locate your color in the list below, replace the last ** or XX with the two digit color code.

<u>CODE #</u>	<u>DESCRIPTION</u>
11	BLACK
19	PATRIOT BLUE PEARL
20	INFERNO RED METALLIC
26	STEEL BLUE PEARL
31	METALLIC CHARCOAL
36	IVORY
37	FOREST GREEN
38	BRIGHT WHITE
39	FLAME RED
41	ELECTRIC BLUE
42	PLATINUM
43	BURGUNDY
44	ALMOND
51	SUNBURST ORANGE
52	BRITISH RACING GREEN
74	BARLEY GOLD
75	OASIS GREEN
76	JAVA BROWN

ACCELERATOR

1 ACCELERATOR PEDAL ASSEMBLY includes items 2 - 17



ACCELERATOR

THE USE OF NON U.L. PARTS WILL VOID ANY U.L. LISTING.

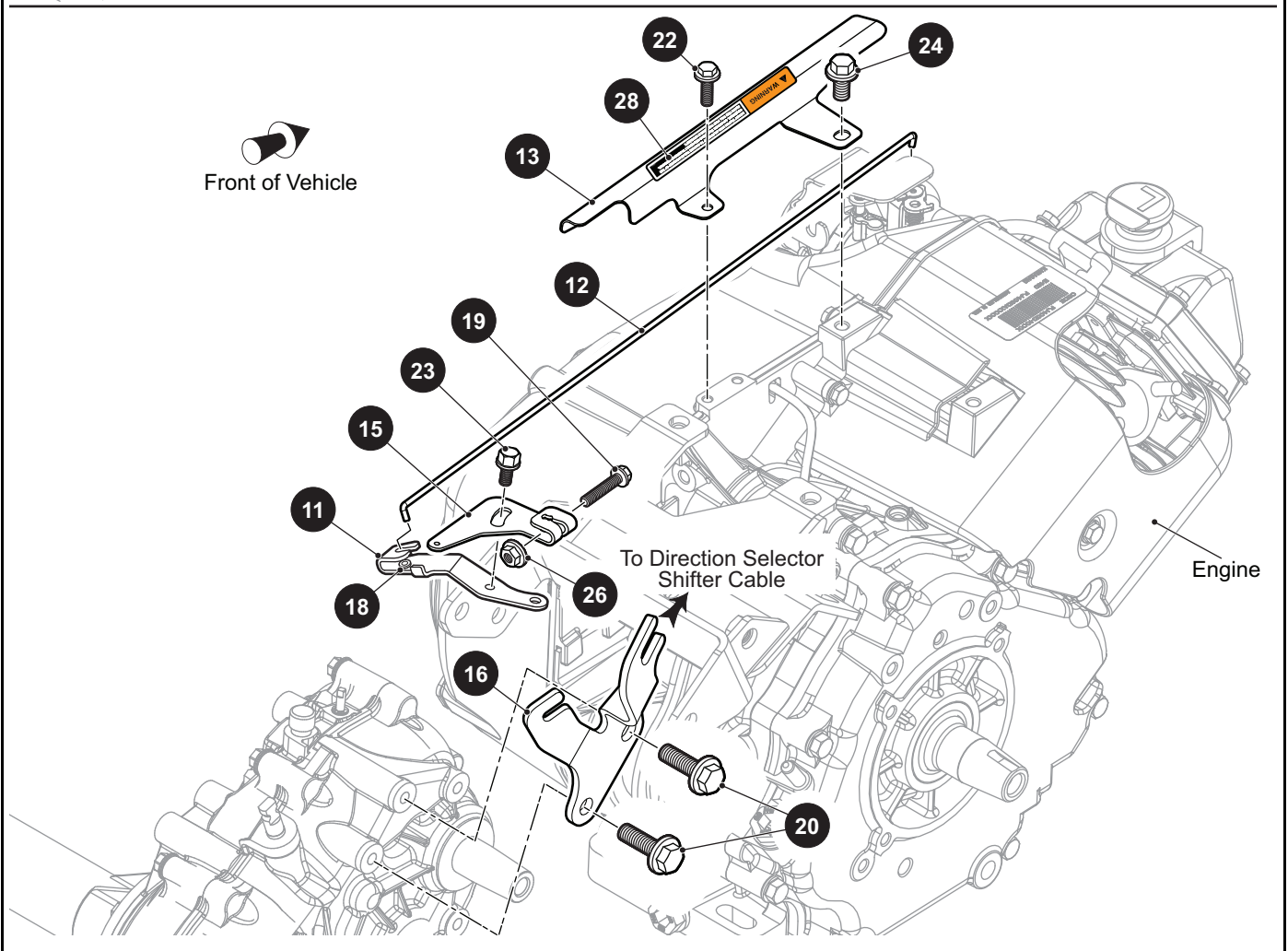
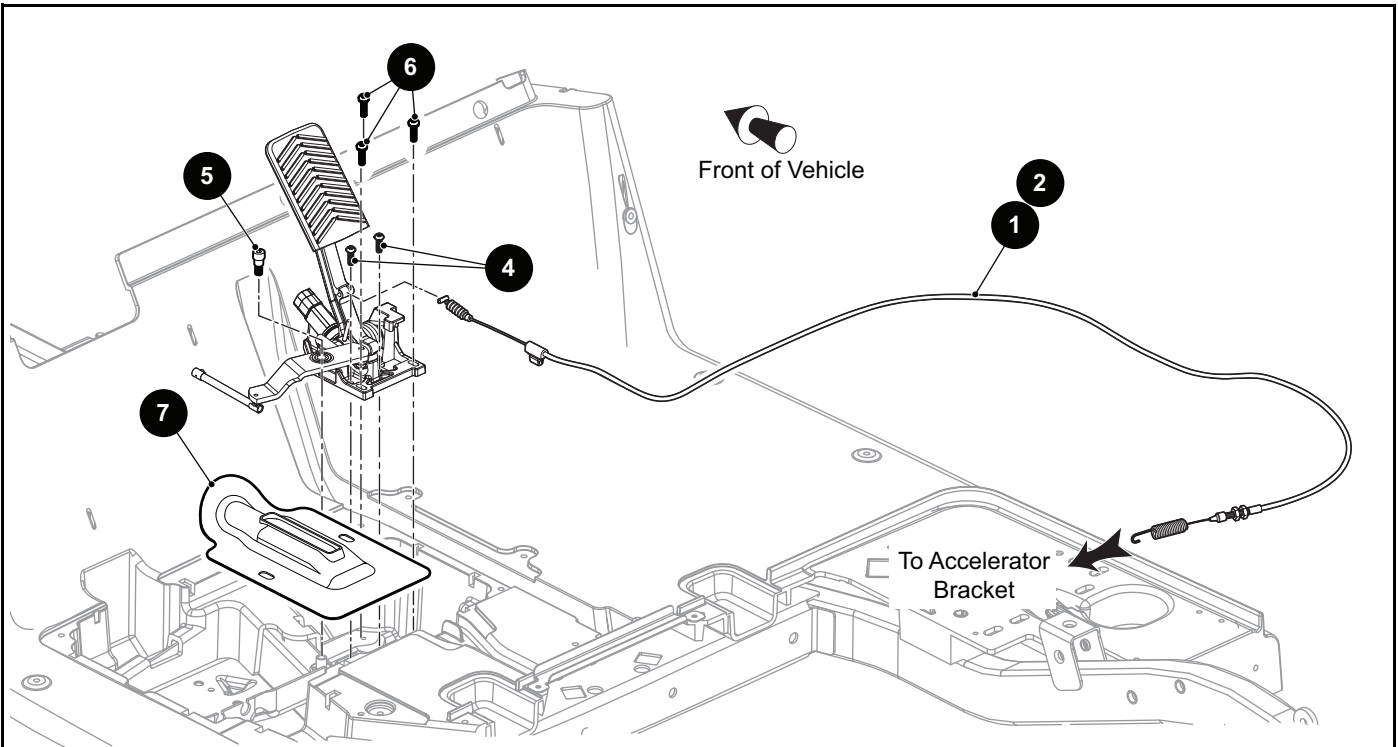
When ordering parts, please specify the model and serial number of the product.

* Indicates a component that is not available as an individual part.

*** Indicates consult Customer Service Department for additional information.

ITEM	PART NO.	1 2 3 4 5	DESCRIPTION	QTY.
1	<u>653202</u>		ACCELERATOR PEDAL ASSEMBLY (INCLUDES ITEMS 2 - 17)	1
2	*		PEDAL BRACKET	1
3	*		PEDAL	1
4	*		FLANGED BUSHING, 16MM X 12MM	2
5	*		PIVOT SHAFT, 16MM	1
6	<u>600683</u>		SPIROL PIN (HEAVY DUTY), 4MM X 26MM	1
7	*		TORSION SPRING, 4.5MM DIA	1
8	<u>604097</u>		REBOUND BUMPER	1
9	<u>603808</u>		BALL BEARING	1
10	<u>600702</u>		BELLCRANK ARM	1
11	<u>604475</u>		BALL STUD, 6MM DIA	1
12	668945		LINKAGE ROD SADDLE CLIP ASSEMBLY	1
13				
14	<u>603816</u>		BALL JOINT ROD ASSEMBLY	1
15	<u>610529</u>		PEDAL COVER	1
16	<u>620030</u>		SOCKET HEAD BOLT, M5 - .8 X 15MM LG	2
17	<u>612889</u>		PEDAL SWITCH	1

ACCELERATOR



ACCELERATOR

THE USE OF NON U.L. PARTS WILL VOID ANY U.L. LISTING.

When ordering parts, please specify the model and serial number of the product.

* Indicates a component that is not available as an individual part.

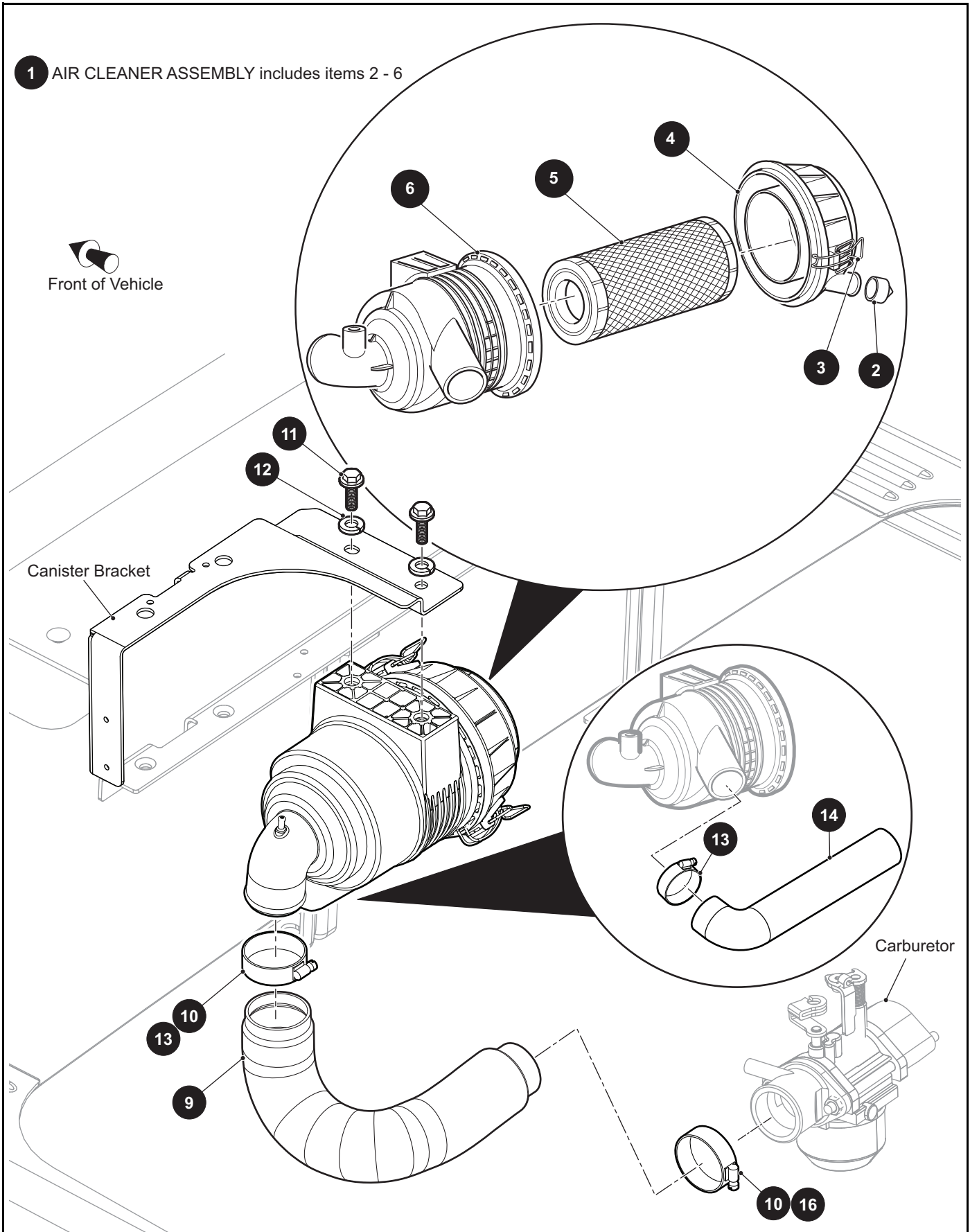
*** Indicates consult Customer Service Department for additional information.

ITEM	PART NO.	1 2 3 4 5	DESCRIPTION	QTY.
1	<u>609849</u>		ACCELERATOR CABLE (1.76M LG) (FOR FLEET, SHUTTLE 2+2)	1
2	<u>609850</u>		ACCELERATOR CABLE (1.76M LG) (FOR FREEDOM)	1
3				
4	<u>608290</u>		PAN HEAD PHILLIPS SCREW, #10 - 16 X 3/4" LG	2
5	<u>604536</u>		SOCKET HEAD SHOULDER BOLT, M8 - 1.25 X 20MM LG	1
6	<u>649803</u>		PAN HEAD TORX SCREW, M6 - 2.65 X 25MM LG.....	3
7	<u>614393</u>		PEDAL INSERT	1
8				
9				
10				
11	<u>606005</u>		GOVERNOR BRACKET (LOWER).....	1
12	<u>606284</u>		GOVERNOR LINK ROD	1
13	<u>603890</u>		GOVERNOR GUARD BRACKET	1
14				
15	<u>606083</u>		GOVERNOR BRACKET (UPPER)	1
16	<u>632936</u>		GOVERNOR CABLE/DIRECTION SELECTOR BRACKET	1
17				
18	<u>606283</u>		GOVERNOR LEVER BUSHING	1
19	<u>606421</u>		FLANGED HEX HEAD BOLT, M6 - 1 X 30MM LG.....	1
20	<u>606256</u>		FLANGED HEX HEAD BOLT, M10 - 1.25 X 25MM LG.....	2
21				
22	<u>606264</u>		FLANGED HEX HEAD BOLT, M6 - 1 X 20MM LG.....	1
23	<u>73876G01</u>		FLANGED HEX HEAD BOLT, M6 - 1 X 12MM LG.....	1
24	<u>606262</u>		FLANGED HEX HEAD BOLT, M8 - 1.25 X 16MM LG.....	1
25				
26	<u>450452</u>		FLANGED HEX NUT, M6 - 1.....	1
27				
28	<u>608527</u>		GOVERNOR WARNING LABEL.....	1

AIR FILTER

1 AIR CLEANER ASSEMBLY includes items 2 - 6

Front of Vehicle



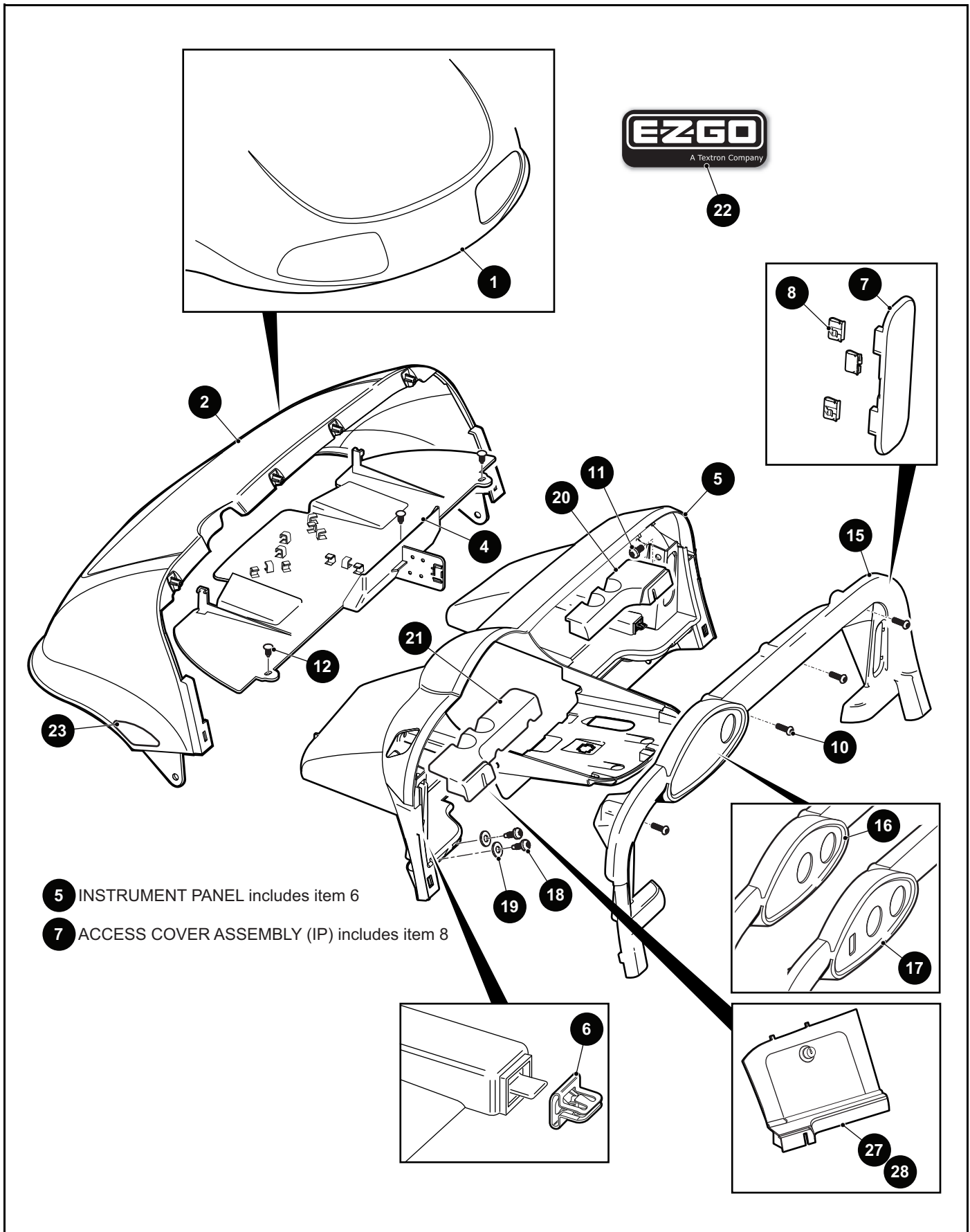
THE USE OF NON U.L. PARTS WILL VOID ANY U.L. LISTING.

When ordering parts, please specify the model and serial number of the product.

* Indicates a component that is not available as an individual part.

*** Indicates consult Customer Service Department for additional information.

ITEM	PART NO.	1 2 3 4 5	DESCRIPTION	QTY.
1	<u>658941</u>		AIR CLEANER ASSEMBLY (INCLUDES ITEMS 2 - 6)	1
2	<u>28462G01</u>		DUST EJECTOR VALVE	1
3	<u>72604G01</u>		AIR CLEANER CLIP	2
4	<u>658957</u>		AIR CLEANER COVER	1
5	<u>28463G01</u>		AIR FILTER	1
6	<u>659139</u>		BODY AND BRACKET ASSEMBLY	1
7				
8				
9	<u>601910</u>		AIR FILTER HOSE, 14" LG	1
10	<u>11391G7</u>		HOSE CLAMP, 1.56" (FOR FREEDOM AND SHUTTLE 2+2)	2
11	<u>606261</u>		FLANGED HEX HEAD BOLT, M8 - 1.25 X 20MM LG	2
12	<u>606272</u>		LOCK WASHER, 8MM	2
13	<u>11391G7</u>		HOSE CLAMP, 1.56" (FOR FLEET)	2
14	676863		INTAKE EXTENSION HOSE (FOR FLEET)	1
15	<u>31539G1</u>		NYLON CLAMP, 15.5" LG (NOT ILLUSTRATED) (FOR FLEET)	1
16	<u>11391G5</u>		HOSE CLAMP, 0.81" (FOR FLEET)	1



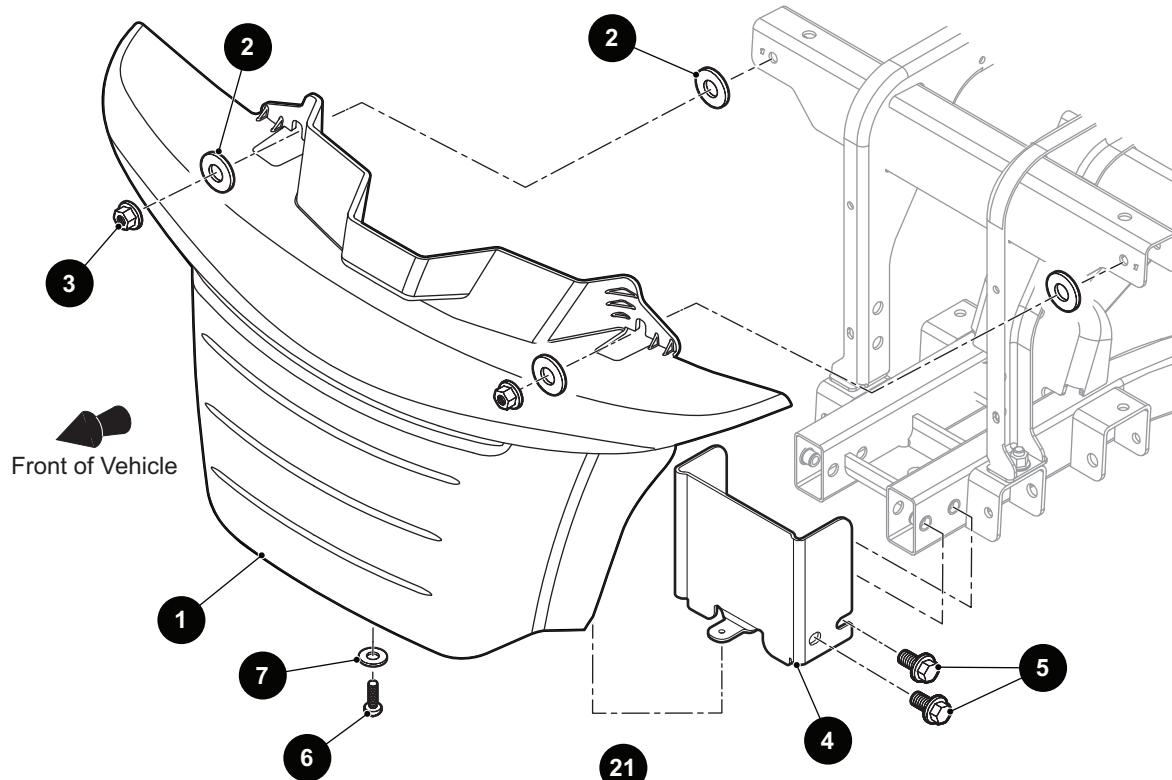
THE USE OF NON U.L. PARTS WILL VOID ANY U.L. LISTING.

When ordering parts, please specify the model and serial number of the product.

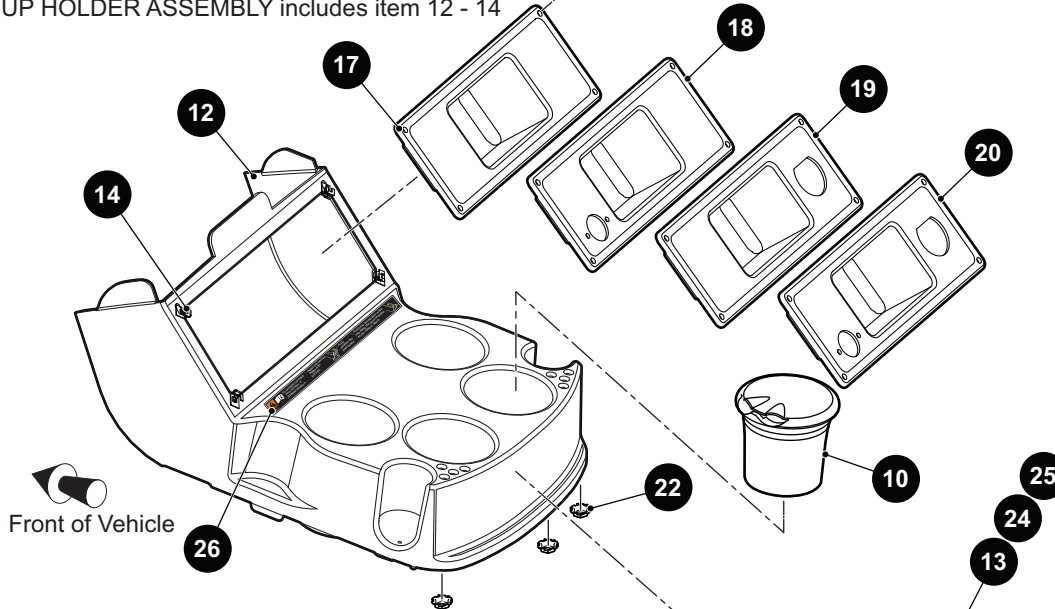
* Indicates a component that is not available as an individual part.

*** Indicates consult Customer Service Department for additional information.

ITEM	PART NO.	1 2 3 4 5	DESCRIPTION	QTY.
1	645759G01XX		COWL WITH LIGHTS (See COLOR CODES in HOW TO USE Section)	1
2	645759G00XX		COWL WITHOUT LIGHTS (See COLOR CODES in HOW TO USE Section)	1
3				
4	<u>601634</u>		FRONT SPLASH GUARD.....	1
5	<u>602387</u>		INSTRUMENT PANEL (INCLUDES ITEM 6)	1
6	<u>602184</u>		SPRING CLIP	4
7	<u>602388</u>		ACCESS COVER ASSEMBLY (IP) (INCLUDES ITEM 8).....	1
8	<u>602100</u>		U-CLIP	3
9				
10	<u>649803</u>		PAN HEAD TORX SCREW, M6 - 2.65 X 25MM LG.....	4
11	<u>70200G01</u>		TRUSS HEAD TORX BOLT, 3/8" - 16 X 3/4" LG	2
12	<u>16816G2</u>		RATCHET RIVET, .25" X .887"	3
13				
14				
15	<u>600242</u>		INSTRUMENT PANEL TRIM (OPENING FOR KEY SWITCH ONLY).....	1
16	<u>608808</u>		INSTRUMENT PANEL TRIM (OPENING FOR KEY SWITCH AND SOC)	1
17	<u>608864</u>		INSTRUMENT PANEL TRIM (OPENING FOR KEY SWITCH, SOC AND LIGHT SWITCH)	1
18	<u>602572</u>		PAN HEAD TAPTITE BOLT, M10 - 1.5 X 25MM LG	4
19	<u>604066</u>		FLAT WASHER, M10	4
20	<u>600241</u>		BALL HOLDER INSERT (PASSENGER SIDE)	1
21	<u>600243</u>		BALL HOLDER INSERT (DRIVER SIDE).....	1
22	<u>606405</u>		E-Z-GO NAME PLATE	1
23	<u>608991</u>		YELLOW REFLECTOR	1
24				
25				
26				
27	<u>607131</u>		GLOVE BOX (PASSENGER SIDE)	1
28	<u>607533</u>		GLOVE BOX (DRIVER SIDE).....	1
29				
30				



11 CUP HOLDER ASSEMBLY includes item 12 - 14



WARNING Failure to follow these instructions can result in SERIOUS INJURY or DEATH	
Except where PERMITTED BY LAW:	To be operated by persons with valid drivers licenses, in accordance with state requirements. Operate from Driver's side only.
Reduce the RISK OF ACCIDENTS:	For non-road use, and in designated areas only. Do not operate under the influence of drugs or alcohol.
AVOID FALLS from the vehicle:	All occupants must be fully seated, keep entire body inside vehicle and hold on while vehicle is in motion.
STARTING the vehicle:	Apply service brake, move direction selector to desired position and accelerate smoothly. On Gas Vehicle, direction selector is the F-N-R. On Electric vehicle, direction selector is the key switch.
DO NOT OVERLOAD this vehicle:	Maximum vehicle payload is 800 lbs. (363 kg) including a maximum of 2 persons, options, and accessories.
Drive with CAUTION:	Drive slowly straight up and down slopes and in turns. Use care in reverse, congested areas, and wet or loose terrain.
STOPPING the vehicle:	To stop, release accelerator pedal and apply service brake.
PARKING the vehicle:	Before leaving vehicle, turn key "OFF". On Gas vehicle, move the direction selector to "FORWARD" and engage park brake.

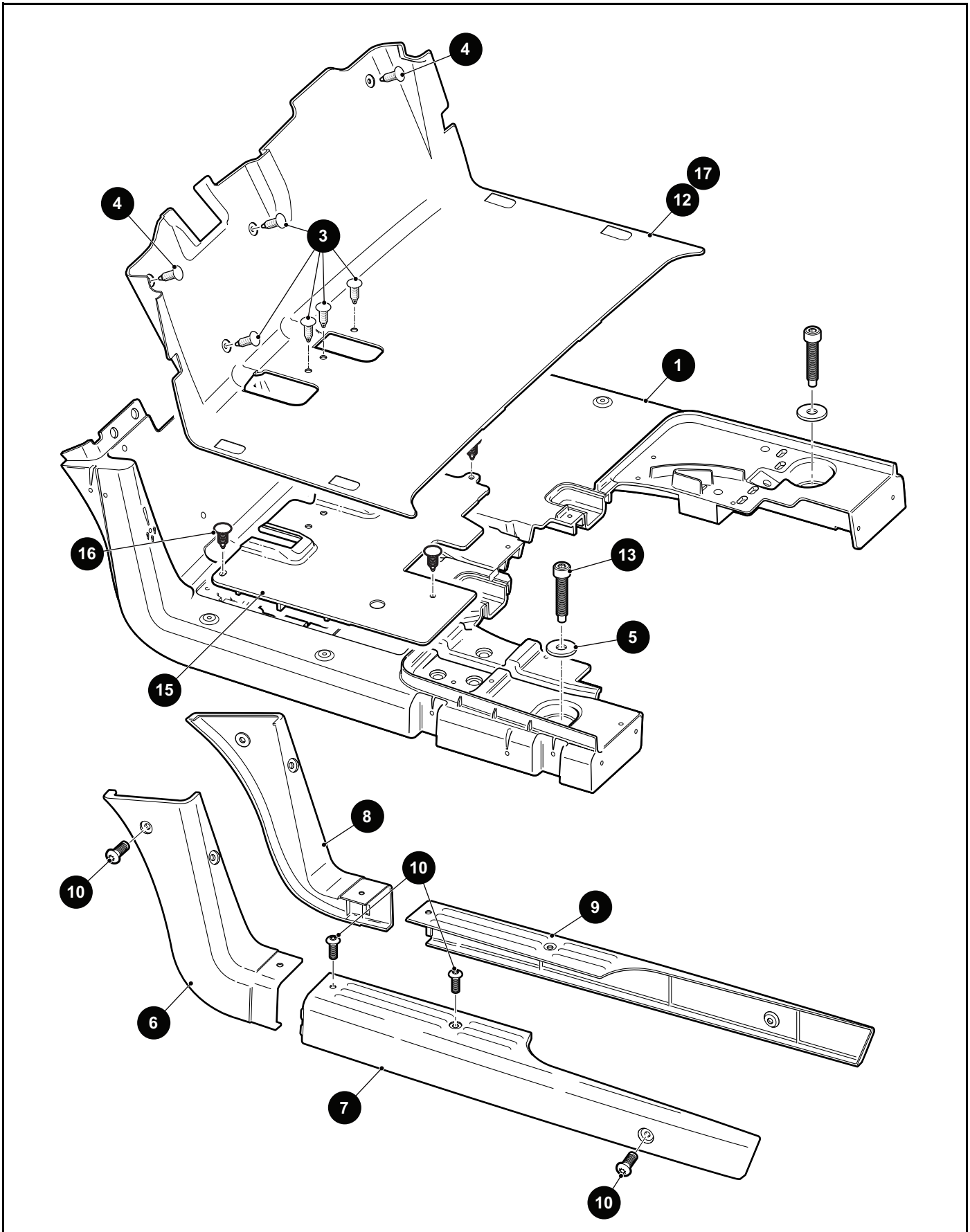
THE USE OF NON U.L. PARTS WILL VOID ANY U.L. LISTING.

When ordering parts, please specify the model and serial number of the product.

* Indicates a component that is not available as an individual part.

*** Indicates consult Customer Service Department for additional information.

ITEM	PART NO.	1 2 3 4 5	DESCRIPTION	QTY.
1	<u>656325</u>		FRONT FASCIA	1
2	<u>604066</u>		FLAT WASHER, M10	4
3	<u>600525</u>		LOCK NUT, M10 - 1.5	2
4	<u>641628</u>		BUMPER ATTACHMENT BRACKET	1
5	<u>603799</u>		FLANGED HEX HEAD BOLT, M10 - 1.5 X 25MM LG.....	4
6	<u>646348</u>		THREAD FORMING SCREW, 1/4" - 20 X 1" LG	1
7	<u>646345</u>		FLAT WASHER, 1/4"	1
8				
9				
10	<u>603725</u>		ASHTRAY	1
11	<u>644117</u>		CUP HOLDER ASSEMBLY (INCLUDES ITEMS 12 - 14).....	1
12	<u>640706</u>		CENTER CONSOLE	1
13	<u>608522</u>		WARNING LABEL	1
14	<u>71364G02</u>		J-TYPE SPEED NUT, #8	4
15				
16				
17	<u>638348G01</u>		CENTER COMPARTMENT.....	1
18	<u>638348G02</u>		CENTER COMPARTMENT (OPENING FOR 12V).....	1
19	<u>638348G03</u>		CENTER COMPARTMENT (OPENING FOR USB).....	1
20	<u>638348G04</u>		CENTER COMPARTMENT (OPENING FOR 12V AND USB).....	1
21	<u>608290</u>		PAN HEAD PHILLIPS SCREW, #10 - 16 X 3/4" LG	4
22	<u>71597G01</u>		SELF THREADING NUT, .226"	3
23				
24	<u>608528</u>		WARNING LABEL (FREEDOM VEHICLES).....	1
25	<u>612194</u>		WARNING LABEL.....	1
26	<u>647213</u>		ANTI-ROLLBACK LABEL	1



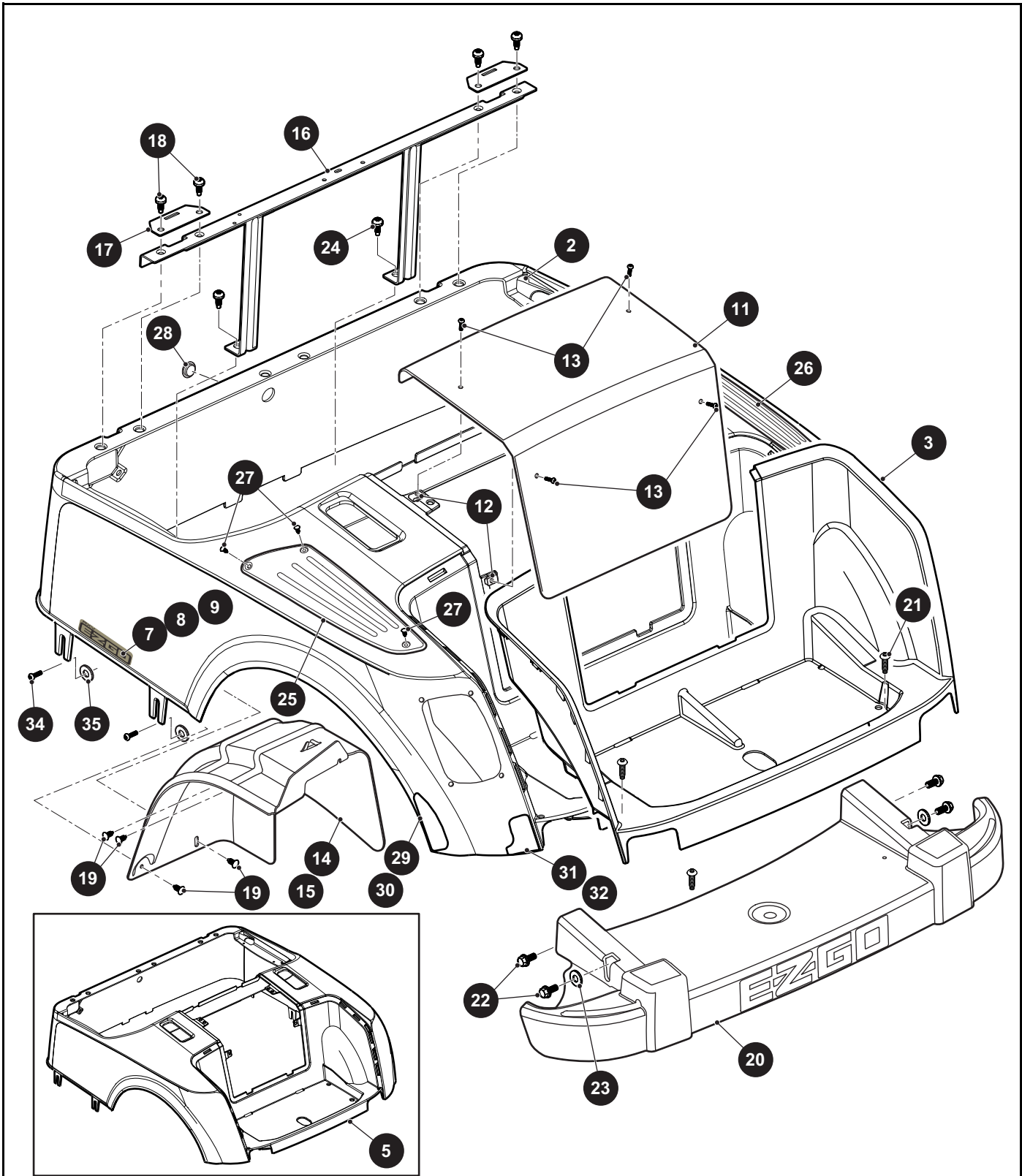
THE USE OF NON U.L. PARTS WILL VOID ANY U.L. LISTING.

When ordering parts, please specify the model and serial number of the product.

* Indicates a component that is not available as an individual part.

*** Indicates consult Customer Service Department for additional information.

ITEM	PART NO.	1 2 3 4 5	DESCRIPTION	QTY.
1	<u>600225</u>		FLOORBOARD	1
2				
3	<u>16816G2</u>		RATCHET RIVET, .25" X .887"	5
4	<u>16816G1</u>		RATCHET RIVET, .25" X .680"	2
5	<u>604066</u>		FLAT WASHER, M10	2
6	<u>601257</u>		UPPER ROCKER PANEL (DRIVER SIDE).....	1
7	<u>600253</u>		LOWER ROCKER PANEL (DRIVER SIDE).....	1
8	<u>601258</u>		UPPER ROCKER PANEL (PASSENGER SIDE)	1
9	<u>600257</u>		LOWER ROCKER PANEL (PASSENGER SIDE)	1
10	<u>649804</u>		BUTTON HEAD TORX SCREW, M8 - 3.5 X 30MM LG	5
11				
12	<u>603707</u>		FLOORMAT (HORN ATTACHMENT).....	1
13	<u>602020</u>		SOCKET HEAD TORX BOLT, M10 - 1.5 X 50MM LG	2
14				
15	<u>605277</u>		PEDAL COVER PLATE.....	1
16	<u>16816G2</u>		RATCHET RIVET, .25" X .887"	4
17	<u>601118</u>		FLOORMAT	1



- 1** REAR BODY ASSEMBLY WITH LIGHTS includes items 2, 3
- 4** REAR BODY ASSEMBLY WITHOUT LIGHTS includes items 3, 5

THE USE OF NON U.L. PARTS WILL VOID ANY U.L. LISTING.

When ordering parts, please specify the model and serial number of the product.

* Indicates a component that is not available as an individual part.

*** Indicates consult Customer Service Department for additional information.

ITEM	PART NO.	1 2 3 4 5	DESCRIPTION	QTY.
1	650353G01XX		REAR BODY ASSEMBLY WITH LIGHTS (See COLOR CODES in HOW TO USE Section) (INCLUDES ITEMS 2, 3) ...	1
2	650311G01XX		BODY	1
3	<u>650254</u>		BAGWELL LINER.....	1
4	650353G00XX		REAR BODY ASSEMBLY WITHOUT LIGHTS (See COLOR CODES in HOW TO USE Section) (INCLUDES ITEMS 3, 5) ...	1
5	650311G00XX		BODY	1
6				
7	<u>607859</u>		RXV DECAL.....	1
8	<u>610521</u>		E-Z-GO FREEDOM DECAL.....	1
9	<u>607863</u>		E-Z-GO SHUTTLE 2+2 DECAL.....	1
10				
11	<u>650443</u>		ACCESS COVER.....	1
12	<u>602409</u>		BARREL CLIP, M6 - 1	4
13	<u>601326</u>		BUTTON HEAD TORX BOLT, M6 - 1 X 20MM LG	4
14	<u>601621</u>		REAR SPLASH GUARD (DRIVER SIDE).....	1
15	<u>601622</u>		REAR SPLASH GUARD (PASSENGER SIDE).....	1
16	<u>601921</u>		FRONT SEAT SUPPORT ASSEMBLY.....	1
17	<u>602558</u>		SEAT HINGE PLATE.....	1
18	<u>602572</u>		PAN HEAD TAPTITE BOLT, M10 - 1.5 X 25MM LG	2
19	<u>16816G2</u>		RATCHET RIVET, .25" X .887"	4
20	<u>610855</u>		REAR BUMPER.....	1
21	<u>649804</u>		BUTTON HEAD TORX SCREW, M8 - 3.50 X 30MM LG	2
22	<u>603799</u>		FLANGED HEX HEAD BOLT, M10 - 1.5 X 25MM LG.....	4
23	<u>604066</u>		FLAT WASHER, M10	2
24	<u>602572</u>		PAN HEAD TAPTITE BOLT, M10 - 1.5 X 25MM LG	1
25	<u>639807G01</u>		SCUFF GUARD (DRIVER SIDE).....	1
26	<u>639807G02</u>		SCUFF GUARD (PASSENGER SIDE)	1
27	<u>16816G5</u>		RATCHET RIVET, .187" X .550"	3
28	<u>71316G01</u>		HOLE PLUG.....	1
29	<u>608993</u>		SIDE REFLECTOR (RED) (DRIVER SIDE).....	1
30	<u>608996</u>		SIDE REFLECTOR (RED) (PASSENGER SIDE).....	1

BODY

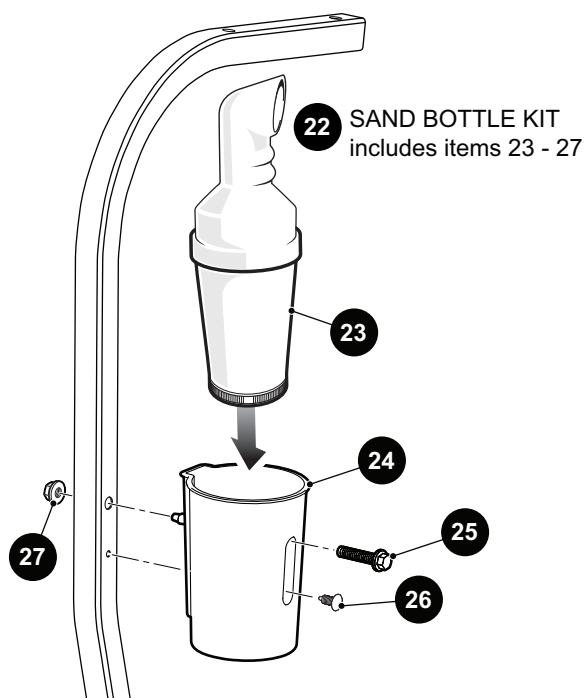
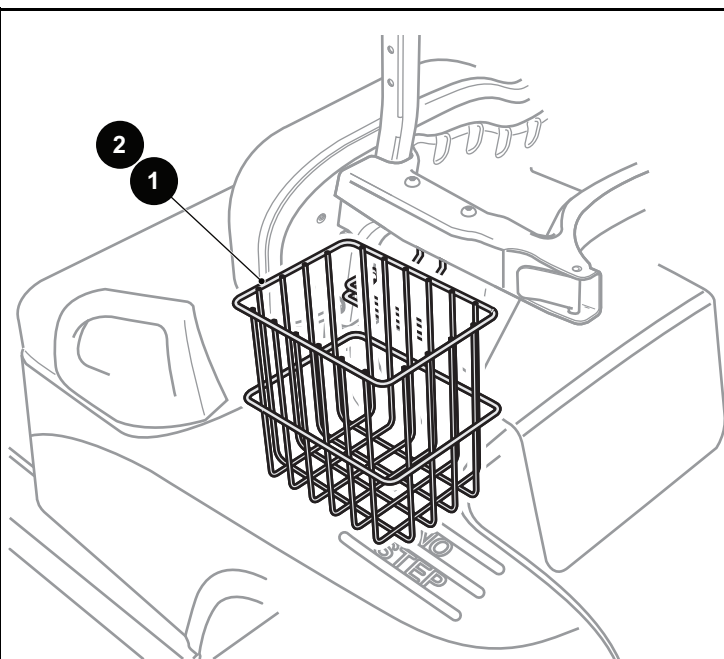
THE USE OF NON U.L. PARTS WILL VOID ANY U.L. LISTING.

When ordering parts, please specify the model and serial number of the product.

* Indicates a component that is not available as an individual part.

*** Indicates consult Customer Service Department for additional information.

ITEM	PART NO.	1 2 3 4 5	DESCRIPTION	QTY.
31	<u>625246</u>		REAR REFLEX REFLECTOR (RED) (DRIVER SIDE)	1
32	<u>625244</u>		REAR REFLEX REFLECTOR (RED) (PASSENGER SIDE)	1
33				
34	<u>649804</u>		BUTTON HEAD TORX SCREW, M8 - 3.5 X 30MM LG	4
35	<u>604066</u>		FLAT WASHER, M10	4

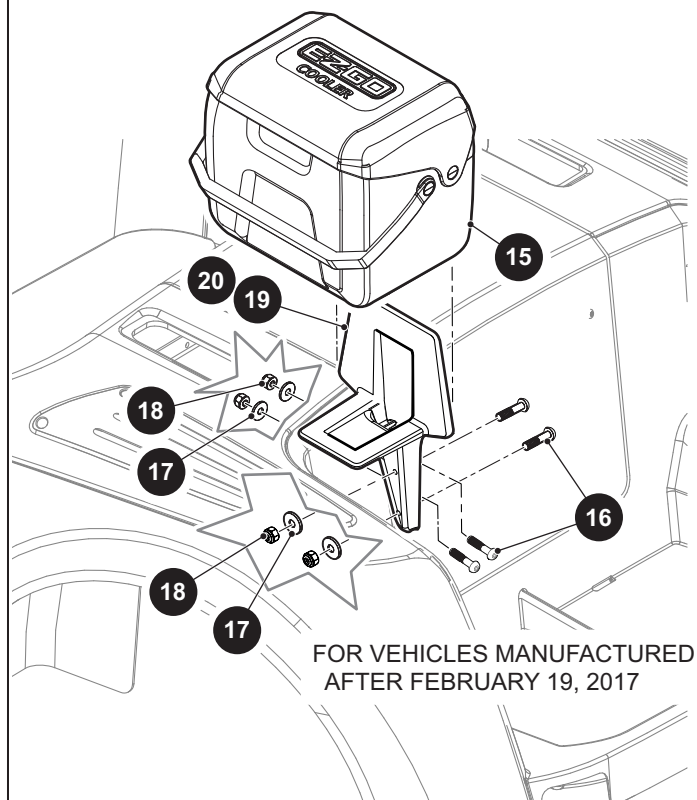
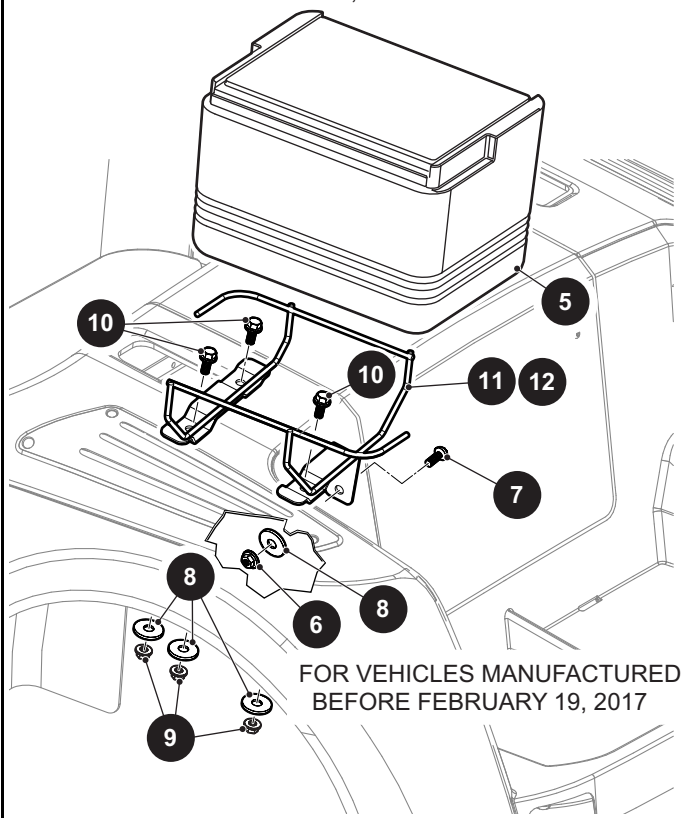


3 BEVERAGE COOLER KIT (DRIVER SIDE)
includes items 5 - 11

4 BEVERAGE COOLER KIT (PASSENGER SIDE)
includes items 5 - 10, 12

13 BEVERAGE COOLER KIT (DRIVER SIDE)
includes items 15 - 19

14 BEVERAGE COOLER KIT (PASSENGER SIDE)
includes items 15 - 18, 20



THE USE OF NON U.L. PARTS WILL VOID ANY U.L. LISTING.

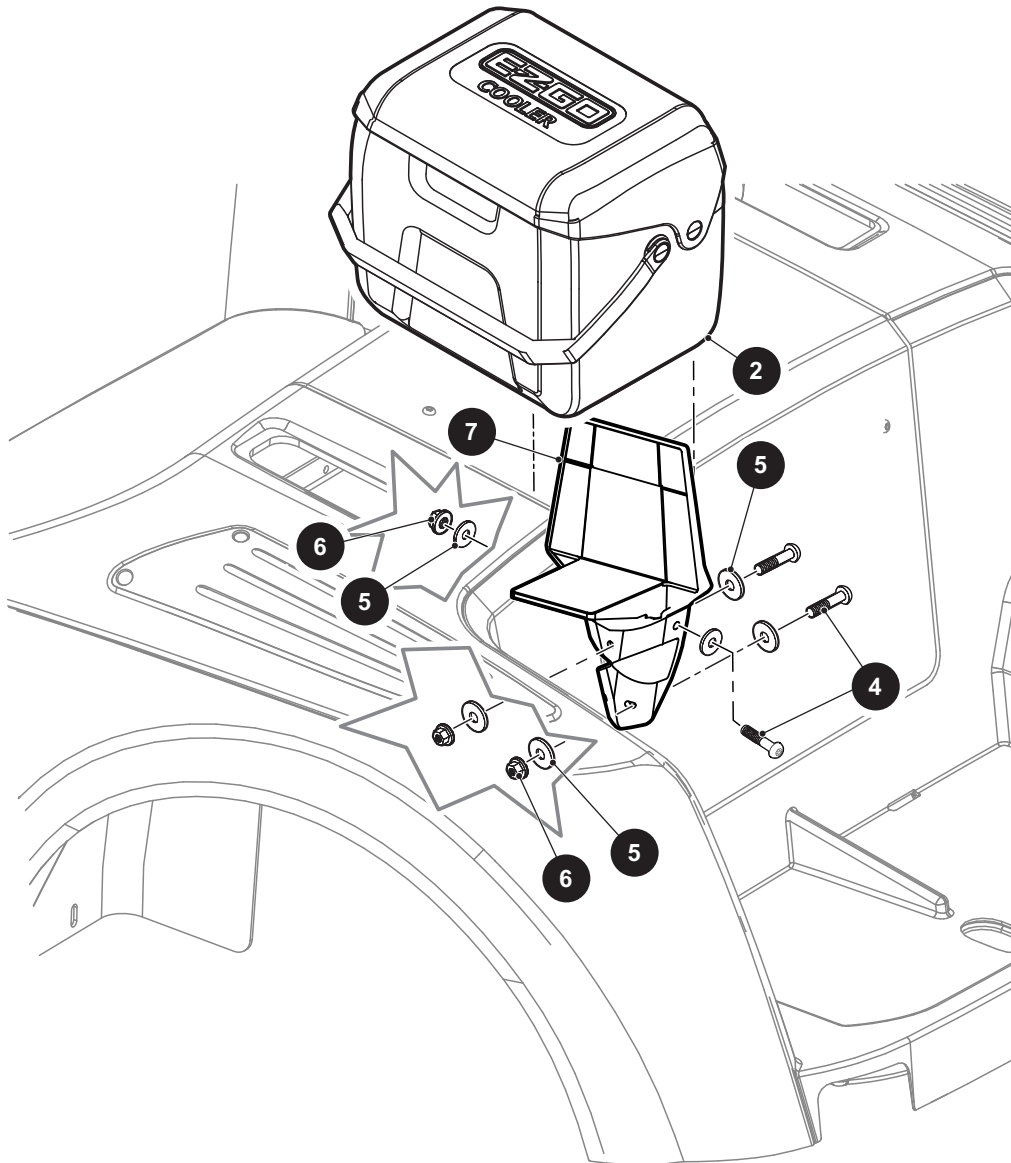
When ordering parts, please specify the model and serial number of the product.

* Indicates a component that is not available as an individual part.

*** Indicates consult Customer Service Department for additional information.

ITEM	PART NO.	1 2 3 4 5	DESCRIPTION	QTY.
1	<u>603846</u>		SIDE BASKET (DRIVER SIDE)	1
2	<u>603702</u>		SIDE BASKET (PASSENGER SIDE).....	1
3	<u>643098</u>		BEVERAGE COOLER KIT (DRIVER SIDE) (INCLUDES ITEMS 5 - 11) (FOR VEHICLES MANUFACTURED BEFORE FEBRUARY 19, 2017)	1
4	<u>643096</u>		BEVERAGE COOLER KIT (PASSENGER SIDE) (INCLUDES ITEMS 5 - 10, 12) (FOR VEHICLES MANUFACTURED BEFORE FEBRUARY 19, 2017)	1
5	<u>601366</u>		BEVERAGE COOLER.....	1
6	<u>614974</u>		TORQUE NUT, M10 - 1.5	1
7	<u>600530</u>		BUTTON HEAD TORX BOLT, M10 - 1.5 X 25MM LG	1
8	<u>608520</u>		FLAT WASHER, M10.....	4
9	<u>606274</u>		FLANGED HEX NUT, M10 - 1.25	3
10	<u>606256</u>		FLANGED HEX HEAD BOLT, M10 - 1.25 X 25MM LG	3
11	<u>643097</u>		MOUNTING BRACKET (DRIVER SIDE).....	1
12	<u>643095</u>		MOUNTING BRACKET (PASSENGER SIDE)	1
13	<u>659159</u>		BEVERAGE COOLER KIT (DRIVER SIDE) (INCLUDES ITEMS 15 - 19) (FOR VEHICLES MANUFACTURED AFTER FEBRUARY 19, 2017)	1
14	<u>659157</u>		BEVERAGE COOLER KIT (PASSENGER SIDE) (INCLUDES ITEMS 15 - 18, 20) (FOR VEHICLES MANUFACTURED AFTER FEBRUARY 19, 2017)	1
15	<u>658503</u>		BEVERAGE COOLER.....	1
16	*		TRUSS HEAD PHILLIPS SCREW, 1/4" - 20 X 1.25" LG	4
17	*		FLAT WASHER, 1/4"	4
18	*		LOCK NUT, 1/4" - 20	4
19	<u>658504</u>		MOUNTING BRACKET (DRIVER SIDE).....	1
20	<u>658505</u>		MOUNTING BRACKET (PASSENGER SIDE)	1
21				
22	<u>614179</u>		SAND BOTTLE KIT (INCLUDES ITEMS 23 - 27).....	1
23	600612		SAND BOTTLE.....	1
24	<u>28660G01</u>		SAND BOTTLE HOLDER.....	1
25	<u>603800</u>		FLANGED HEX HEAD BOLT, M10 - 1.5 X 50MM LG	1
26	<u>16816G2</u>		RATCHET RIVET, .25" X .887"	1
27	<u>600525</u>		LOCK NUT, M10 - 1.5.....	1

- 1 BEVERAGE COOLER KIT includes items 2 - 7
- 3 HARDWARE KIT includes items 4 - 6



FOR VEHICLES MANUFACTURED FROM OCTOBER 22, 2018

THE USE OF NON U.L. PARTS WILL VOID ANY U.L. LISTING.

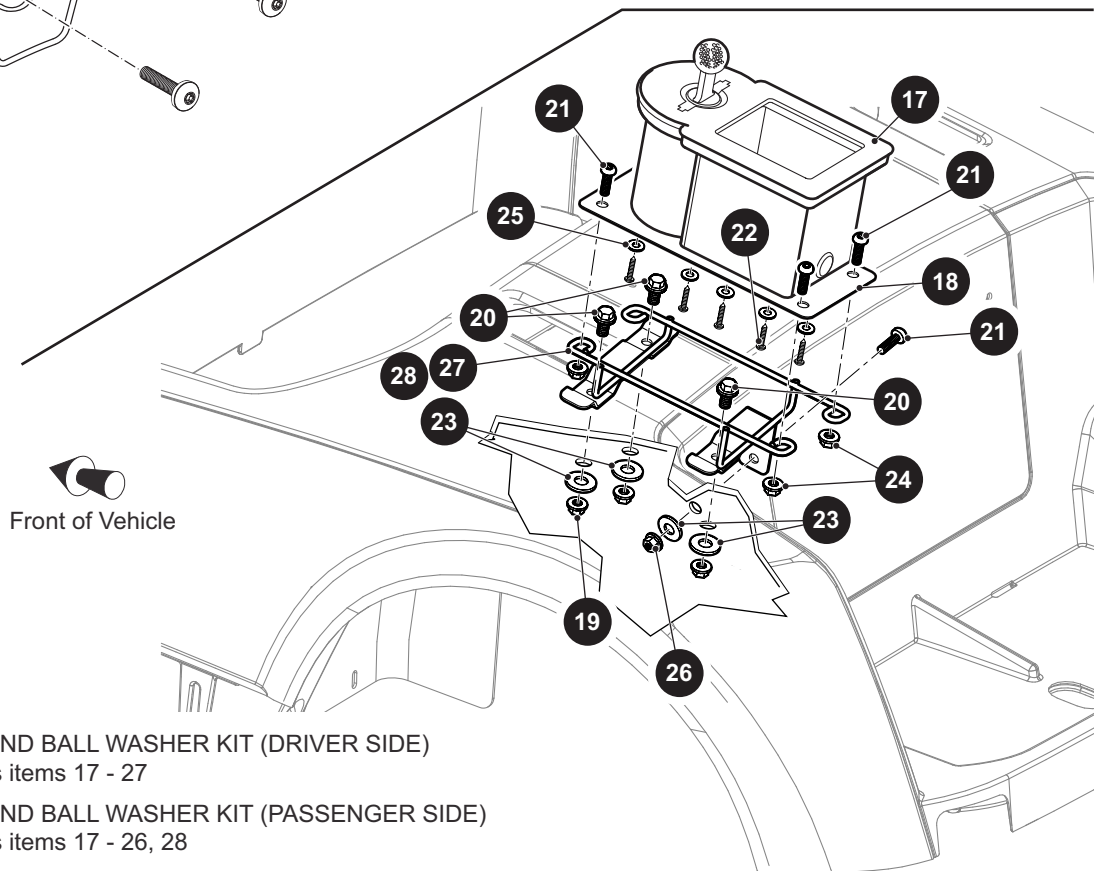
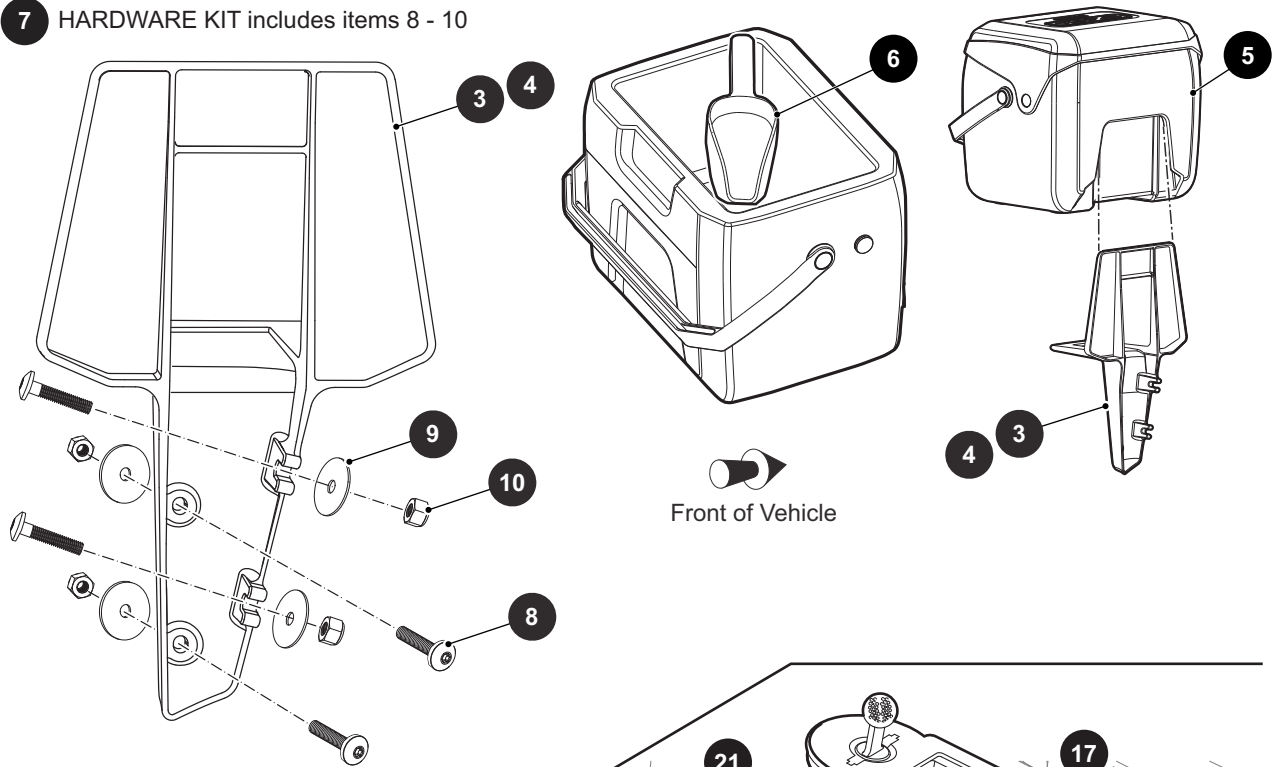
When ordering parts, please specify the model and serial number of the product.

* Indicates a component that is not available as an individual part.

*** Indicates consult Customer Service Department for additional information.

ITEM	PART NO.	1 2 3 4 5	DESCRIPTION	QTY.
1	<u>689255</u>		BEVERAGE COOLER KIT (INCLUDES ITEMS 2 - 7)..... (FOR VEHICLES MANUFACTURED FROM OCTOBER 22, 2018).....	1
2	<u>658503</u>		BEVERAGE COOLER.....	1
3	<u>689269</u>		HARDWARE KIT (INCLUDES ITEMS 4 - 6)	
4	*		TRUSS HEAD BOLT, M6 x 1	3
5	*		FLAT WASHER, M6 x 18	6
6	*		LOCK NUT, M6 x 1.....	3
7	<u>689244</u>		BRACKET	1

- 1 SAND BUCKET KIT includes items 3, 5 - 7
- 2 SAND BUCKET KIT includes items 4 - 7
- 7 HARDWARE KIT includes items 8 - 10



- 15 CLUB AND BALL WASHER KIT (DRIVER SIDE)
includes items 17 - 27

- 16 CLUB AND BALL WASHER KIT (PASSENGER SIDE)
includes items 17 - 26, 28

THE USE OF NON U.L. PARTS WILL VOID ANY U.L. LISTING.

When ordering parts, please specify the model and serial number of the product.

* Indicates a component that is not available as an individual part.

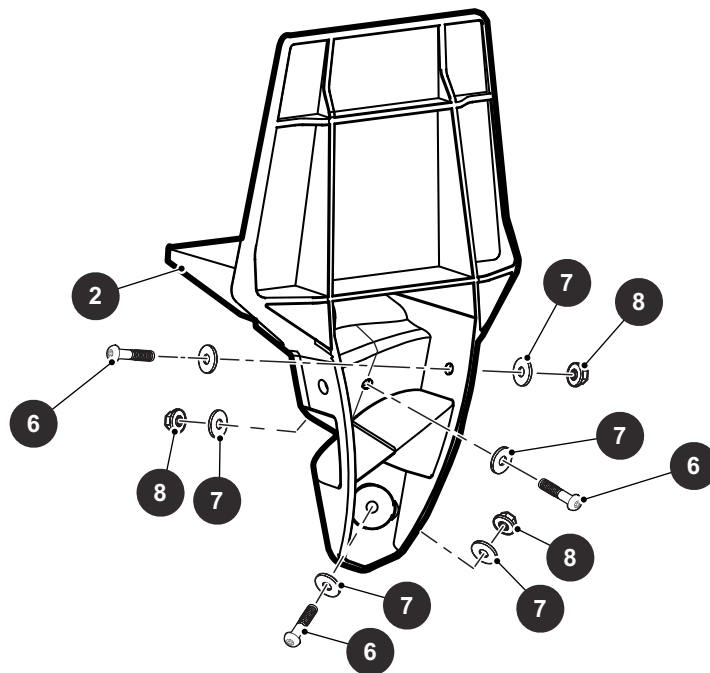
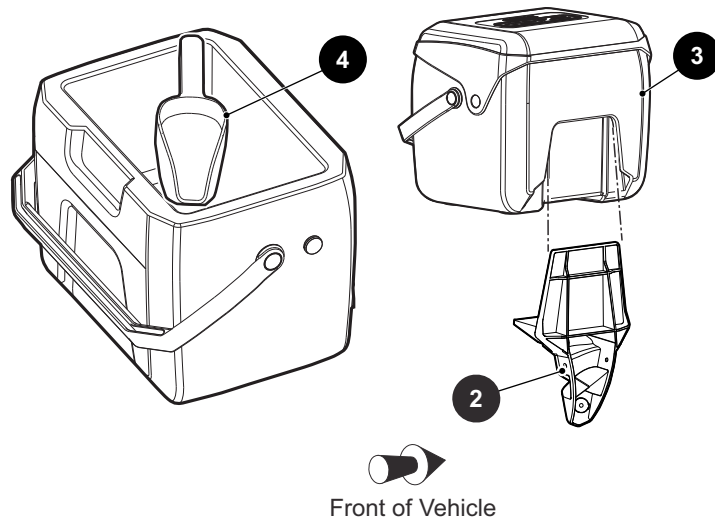
*** Indicates consult Customer Service Department for additional information.

ITEM	PART NO.	1 2 3 4 5	DESCRIPTION	QTY.
1	<u>664388</u>		SAND BUCKET KIT (DRIVER SIDE) (INCLUDES ITEMS 3, 5 - 7) (FLEET AND FREEDOM) (FOR VEHICLES MANUFACTURED BEFORE OCTOBER 22, 2018)	1
2	<u>664400</u>		SAND BUCKET KIT (PASSENGER SIDE) (INCLUDES ITEMS 4 - 7) (FLEET AND FREEDOM) (FOR VEHICLES MANUFACTURED BEFORE OCTOBER 22, 2018).....	1
3	<u>658504</u>		BRACKET	1
4	<u>658505</u>		BRACKET	1
5	<u>662248</u>		SAND BUCKET	1
6	<u>74848G01</u>		SCOOP.....	1
7	<u>659156</u>		HARDWARE KIT (INCLUDES ITEMS 8 - 10)	1
8	*		TRUSS HEAD TORX BOLTS, M6 - 1 X 30MM LG	4
9	*		FLAT WASHERS, M6 - 30	4
10	*		HEX LOCK NUTS, M6 - 1	4
11				
12				
13				
14				
15	<u>643092</u>		CLUB AND BALL WASHER KIT (DRIVER SIDE) (INCLUDES ITEMS 17 - 27)	1
16	<u>643094</u>		CLUB AND BALL WASHER KIT (PASSENGER SIDE) (INCLUDES ITEMS 17 - 26, 28)	1
17	<u>603836</u>		CLUB AND BALL WASHER	1
18	<u>604384</u>		CLUB AND BALL WASHER PLATE	1
19	<u>606274</u>		FLANGED HEX NUT, M10 - 1.25	3
20	<u>606256</u>		FLANGED HEX HEAD BOLT, M10 - 1.25 X 25MM LG	3
21	<u>600530</u>		BUTTON HEAD TORX BOLT, M10 - 1.5 X 25MM LG	5
22	<u>608732</u>		PAN HEAD PHILLIPS SCREW, M8.....	5
23	<u>608520</u>		FLAT WASHER, M10.....	4
24	<u>600525</u>		LOCK NUT, M10 - 1.5.....	4
25	<u>608747</u>		FLAT WASHER, M6 X 1.5	5
26	<u>614974</u>		TORQUE NUT, M10 - 1.5	1
27	<u>643091</u>		MOUNTING BRACKET (DRIVER SIDE).....	1
28	<u>643093</u>		MOUNTING BRACKET (PASSENGER SIDE).....	1

BODY

1 SAND BUCKET KIT includes items 2 - 5

5 HARDWARE KIT includes items 6 - 8



THE USE OF NON U.L. PARTS WILL VOID ANY U.L. LISTING.

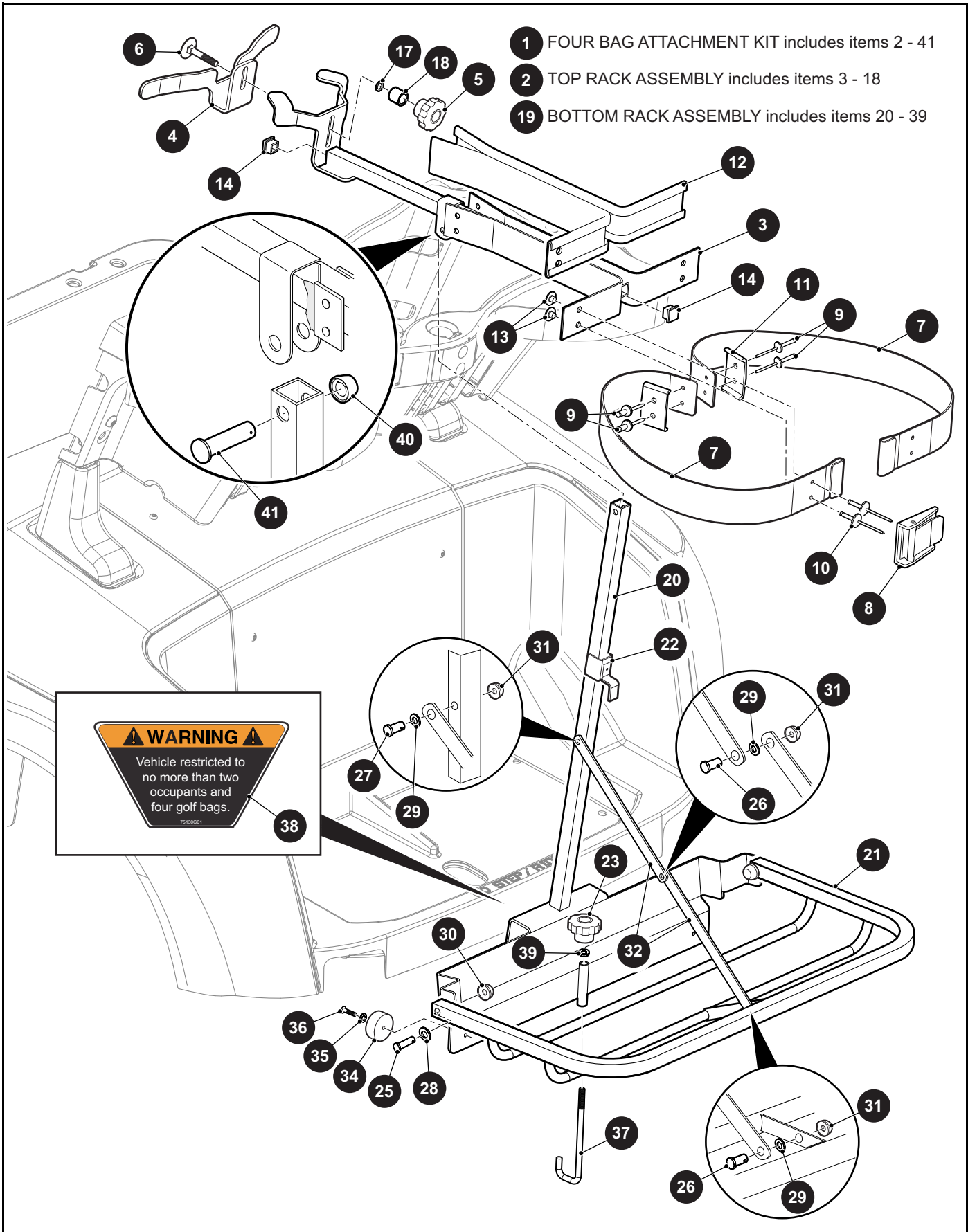
When ordering parts, please specify the model and serial number of the product.

* Indicates a component that is not available as an individual part.

*** Indicates consult Customer Service Department for additional information.

ITEM	PART NO.	1 2 3 4 5	DESCRIPTION	QTY.
1	<u>689254</u>		SAND BUCKET KIT(INCLUDES ITEMS 2 - 5) (FOR VEHICLES MANUFACTURED AFTER OCTOBER 22, 2018).....	1
2	<u>689244</u>		BRACKET.....	1
3	<u>662248</u>		SAND BUCKET	1
4	<u>74848G01</u>		SCOOP.....	1
5	<u>689269</u>		HARDWARE KIT (INCLUDES ITEMS 6 - 8)	
6	*		TRUSS HEAD BOLT, M6 x 1	3
7	*		FLAT WASHER, M6 x 18	6
8	*		LOCK NUT, M6 x 1.....	3

BODY



THE USE OF NON U.L. PARTS WILL VOID ANY U.L. LISTING.

When ordering parts, please specify the model and serial number of the product.

* Indicates a component that is not available as an individual part.

*** Indicates consult Customer Service Department for additional information.

ITEM	PART NO.	1 2 3 4 5	DESCRIPTION	QTY.
1	<u>646547</u>		FOUR BAG ATTACHMENT KIT (INCLUDES ITEMS 2 - 41)	1
2	<u>646557</u>		TOP RACK ASSEMBLY (INCLUDES ITEMS 3 - 18).....	1
3	<u>646556</u>		TOP MOUNT RACK.....	1
4	608939		UNDER MOUNT BRACKET	1
5	<u>75337G01</u>		KNOB, 5/16" - 18	1
6	00724G5		ELEVATOR BOLT, 5/16" - 18 X 2" LG	1
7	<u>17641G1</u>		STRAP (FOUR BAG RACK)	2
8	<u>16920G1</u>		STRAP RETAINER ASSEMBLY	2
9	<u>17226G1</u>		RIVET, .255" X .246"	4
10	<u>15058G1</u>		RIVET (ALUMINUM), .191"X .183"	4
11	<u>16610G1</u>		ANCHOR PLATE	2
12	14643G3		VINYL EXTRUSION	2
13	<u>16935G1</u>		TEE NUT	4
14	<u>19859G1</u>		TUBE CAP, 3/4" SQ	2
15	<u>17618G1</u>		NYLON CLAMP, 8" LG (NOT ILLUSTRATED).....	2
16	<u>14382G7</u>		STRIP (NOISE SUPPRESSOR) (NOT ILLUSTRATED)	2
17	<u>00567G8</u>		LOCK WASHER (EXTERNAL TOOTH TYPE), 5/16"	1
18	<u>14134G2</u>		SPACER, .80" X .76 O.D.	1
19	<u>647152</u>		BOTTOM RACK ASSEMBLY (INCLUDES ITEMS 20 - 39).....	1
20	*		LOWER MOUNT	1
21	*		FOUR BAG BOTTOM ASSEMBLY	1
22	*		LATCH ASSEMBLY	1
23	*		KNOB, 5/16" - 18	1
24	*		VINYL SHRINK TUBING (NOT ILLUSTRATED).....	1
25	*		CLEVIS PIN, 3/8" X 1.25"	2
26	*		CLEVIS PIN, 5/16" X .625"	2
27	*		CLEVIS PIN, 5/16" X 1.25"	1
28	*		FLAT WASHER, 3/8"	2
29	*		FLAT WASHER, 5/16"	3
30	*		CAP NUT (BLACK), 3/8"	2
31	*		CAP NUT (PLASTIC), 5/16"	3

BODY

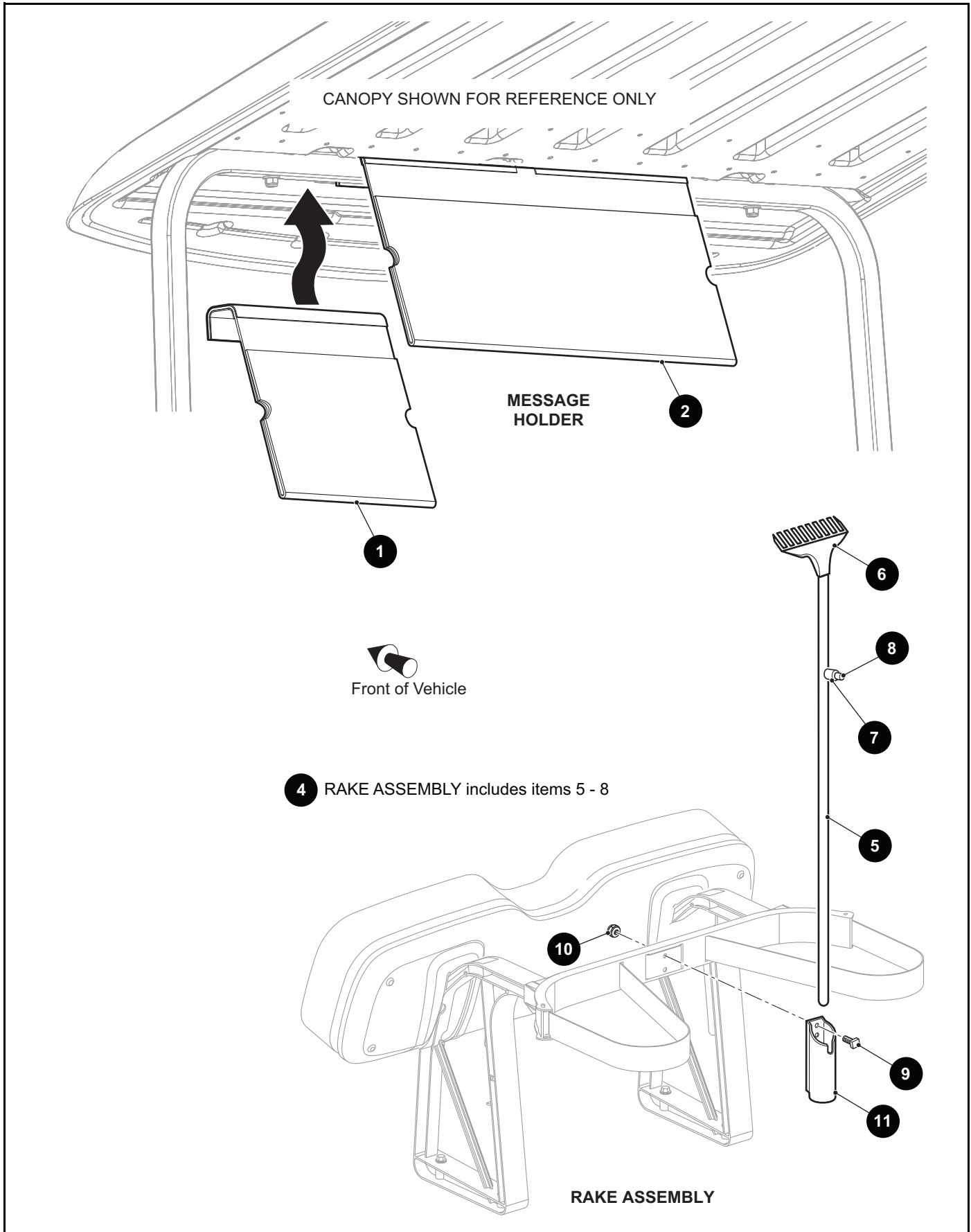
THE USE OF NON U.L. PARTS WILL VOID ANY U.L. LISTING.

When ordering parts, please specify the model and serial number of the product.

* Indicates a component that is not available as an individual part.

*** Indicates consult Customer Service Department for additional information.

ITEM	PART NO.	1	2	3	4	5	DESCRIPTION	QTY.
32	*						BRACE	2
33	*						NYLON CLAMP, 8" LG (NOT ILLUSTRATED)	1
34	*						RUBBER BUMPER	2
35	*						FLAT WASHER, #10	2
36	*						RIVET, 3/16 X 13/16"	2
37	*						RETAINER ROD	1
38	*						WARNING LABEL	1
39	*						LOCK WASHER, 5/16"	1
40	<u>28129G01</u>						CAP NUT (PLASTIC), 5/16"	1
41	<u>17651G2</u>						CLEVIS PIN, 5/16" X 1.25"	1



THE USE OF NON U.L. PARTS WILL VOID ANY U.L. LISTING.

When ordering parts, please specify the model and serial number of the product.

* Indicates a component that is not available as an individual part.

*** Indicates consult Customer Service Department for additional information.

ITEM	PART NO.	1 2 3 4 5	DESCRIPTION	QTY.
1	<u>609308</u>		MESSAGE HOLDER (SINGLE).....	1
2	<u>609092</u>		MESSAGE HOLDER (DOUBLE).....	1
3				
4	<u>14735G1</u>		RAKE ASSEMBLY (INCLUDES ITEMS 5 - 8).....	1
5	<u>14736G2</u>		RAKE HANDLE	1
6	<u>14737G1</u>		RAKE.....	1
7	<u>14934G1</u>		SPACER	1
8	<u>00130G8</u>		ROUND HEAD PHILLIPS WOOD SCREW, #10 - 13 X 1" LG	1
9	<u>00989G06</u>		SQUARE HEAD BOLT, 1/4" - 20 X 3/4" LG	2
10	<u>11027G2</u>		LOCK NUT, 1/4" - 20.....	2
11	<u>25885G01</u>		RAKE HOLDER	1

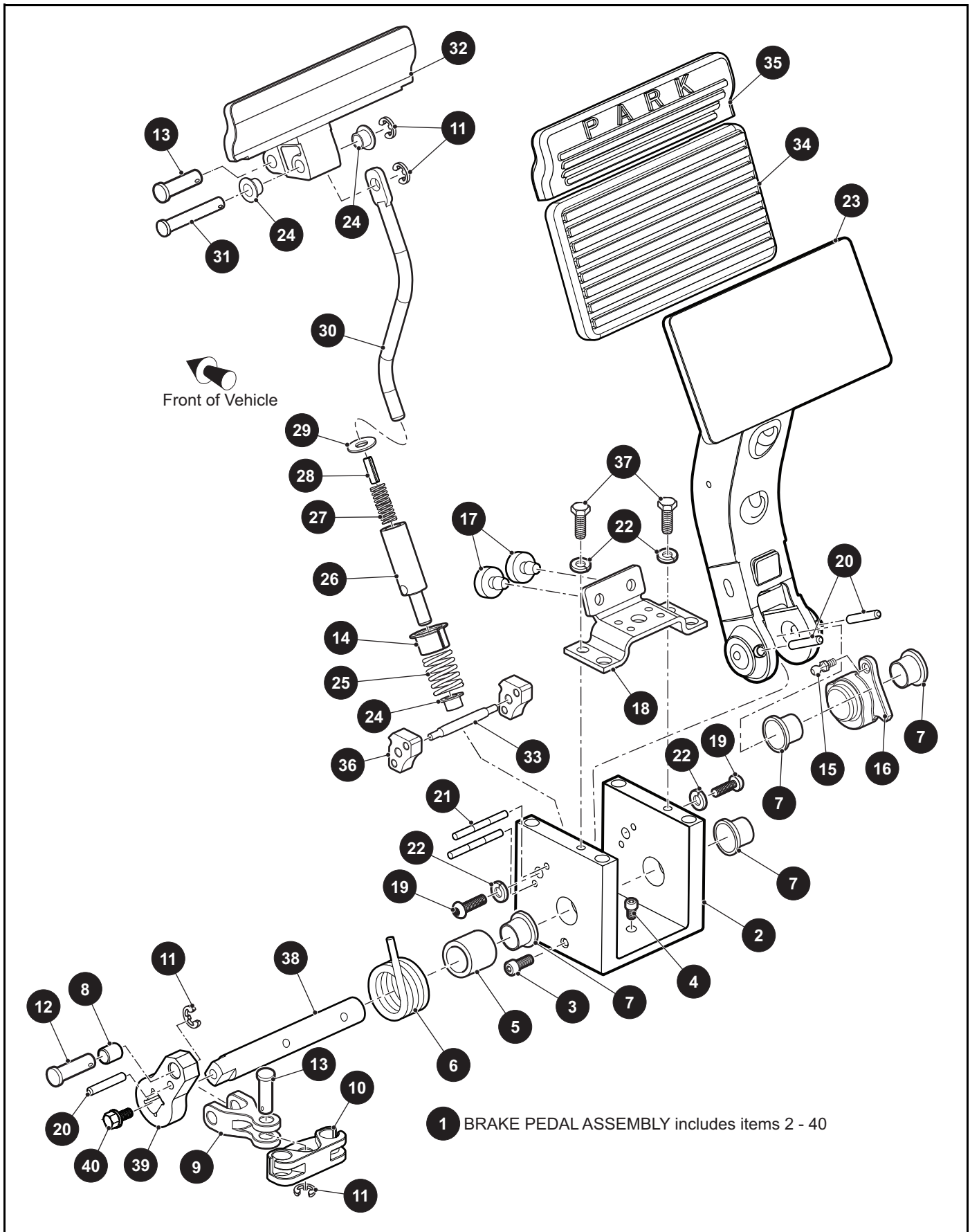
Notes:

A large grid area for taking notes, consisting of approximately 30 columns and 30 rows of small squares.

Notes:

Grid area for notes, consisting of a large grid of small squares.

BRAKES



THE USE OF NON U.L. PARTS WILL VOID ANY U.L. LISTING.

When ordering parts, please specify the model and serial number of the product.

* Indicates a component that is not available as an individual part.

*** Indicates consult Customer Service Department for additional information.

ITEM	PART NO.	1 2 3 4 5	DESCRIPTION	QTY.
1	<u>653204</u>		BRAKE PEDAL ASSEMBLY (INCLUDES ITEMS 2 - 40).....	1
2	*		BRAKE ARM MOUNT.....	1
3	*		SOCKET HEAD BOLT, M5 - .8 X 15MM LG.....	1
4	*		SOCKET HEAD BOLT, M4 - .7 X 10MM LG.....	1
5	*		SPACER (TORSION SPRING).....	1
6	*		TORSION SPRING, 4.5MM DIA.....	1
7	*		FLANGED BUSHING, 16MM X 12MM.....	4
8	*		BUSH SLEEVE (SPLIT), 8MM X 12MM.....	1
9	<u>604459</u>		CABLE PULL CLIP.....	1
10	<u>604458</u>		EQUALIZER.....	1
11	<u>601835</u>		E-RING, 8MM.....	4
12	<u>601895</u>		CLEVIS PIN, 8MM X 27MM.....	1
13	<u>601894</u>		CLEVIS PIN, 8MM X 21.5MM.....	2
14	*		FLANGED BUSHING, 16MM X 12MM.....	1
15	*		BALL STUD, 6MM DIA.....	1
16	*		MULTI LATCH CAM.....	1
17	<u>604097</u>		REBOUND BUMPER.....	2
18	<u>609226</u>		BRACKET.....	1
19	*		BUTTON HEAD TORX BOLT, M6 - 1 X 20MM LG.....	2
20	*		SPIROL PIN, 5MM X 30MM.....	3
21	<u>600683</u>		SPIROL PIN (HEAVY DUTY), 4MM X 26MM.....	4
22	*		LOCK WASHER, 6MM.....	4
23	*		PEDAL (BLACK).....	1
24	*		FLANGED BUSH (PLASTIC), 8MM.....	3
25	*		COMPRESSION SPRING.....	1
26	*		LATCH RELEASE PIN.....	1
27	*		COMPRESSION SPRING, ENGAGE.....	1
28	*		ROLL PIN, 5MM X 16MM.....	1
29	*		FLAT WASHER, M4.....	1
30	*		PARK BRAKE PUSHROD.....	1
31	*		CLEVIS PIN, 8MM X 45MM.....	1

BRAKES

THE USE OF NON U.L. PARTS WILL VOID ANY U.L. LISTING.

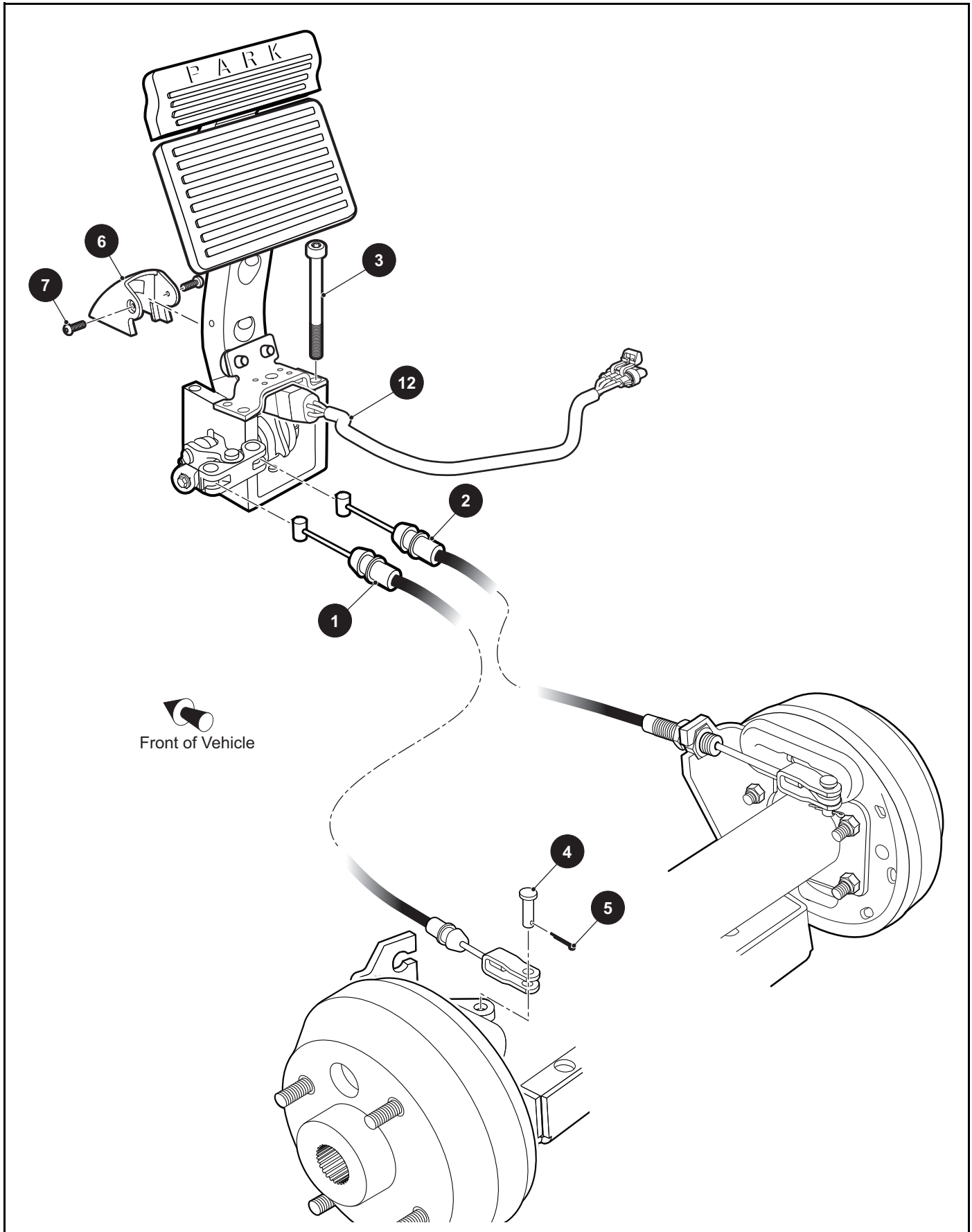
When ordering parts, please specify the model and serial number of the product.

* Indicates a component that is not available as an individual part.

*** Indicates consult Customer Service Department for additional information.

ITEM	PART NO.	1	2	3	4	5	DESCRIPTION	QTY.
32	626156						PARK BRAKE PAD	1
33	*						SOLID PIN, 4MM X 57MM	1
34	<u>610471</u>						BRAKE PEDAL COVER	1
35	<u>610635</u>						PARK BRAKE PEDAL COVER	1
36	*						LATCH RATCHET	2
37	<u>613231</u>						FLANGED HEX HEAD BOLT, M6 - 1 X 20MM LG.....	2
38	*						PIVOT SHAFT.....	1
39	626146						BRAKE CABLE ARM	1
40	<u>606265</u>						FLANGED HEX HEAD BOLT, M6 - 1 X 12MM LG.....	1

BRAKES



BRAKES

THE USE OF NON U.L. PARTS WILL VOID ANY U.L. LISTING.

When ordering parts, please specify the model and serial number of the product.

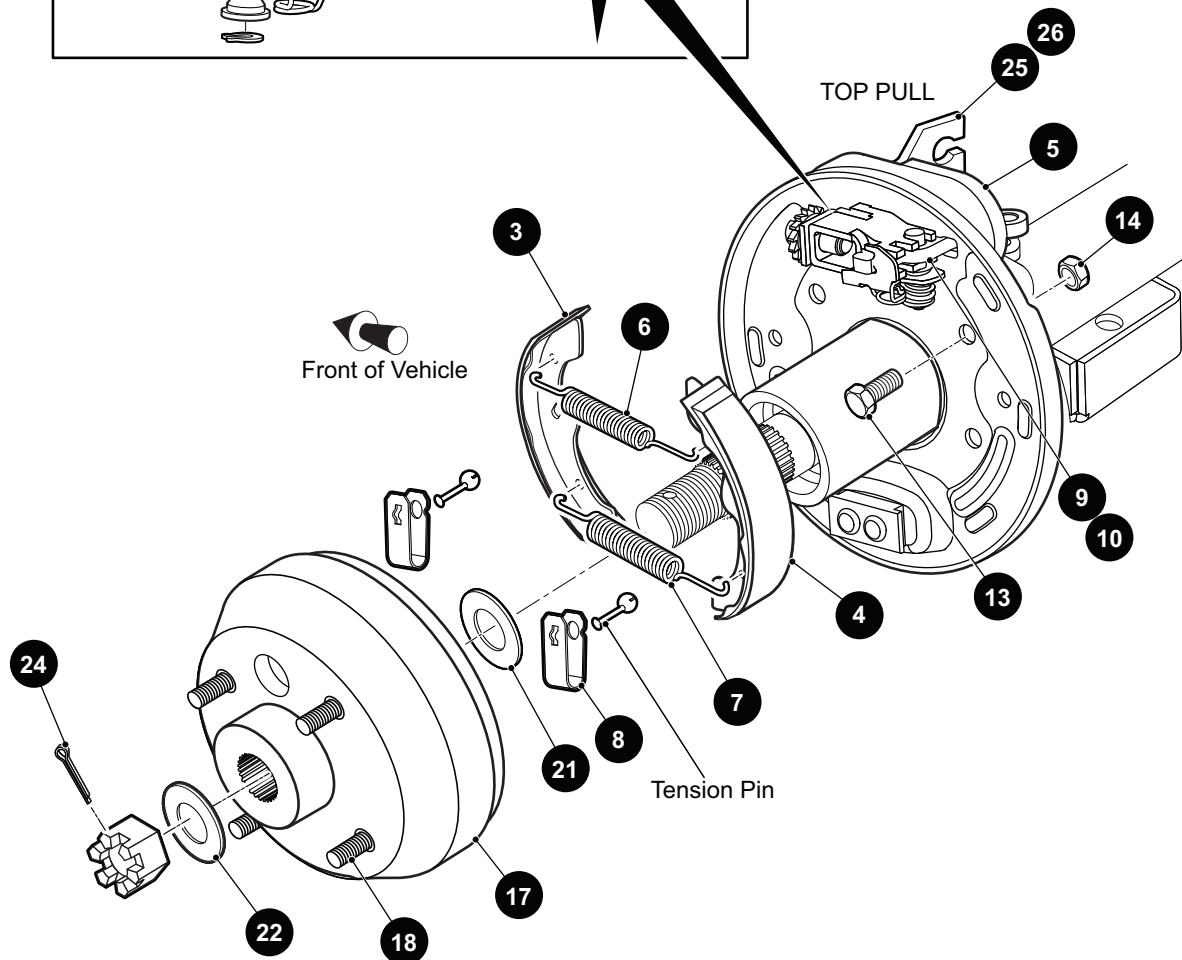
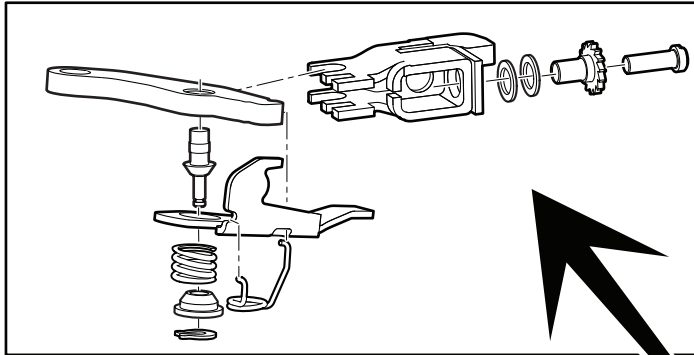
* Indicates a component that is not available as an individual part.

*** Indicates consult Customer Service Department for additional information.

ITEM	PART NO.	1 2 3 4 5	DESCRIPTION	QTY.
1	<u>611373</u>		BRAKE CABLE (DRIVER SIDE).....	1
2	<u>612519</u>		BRAKE CABLE (PASSENGER SIDE)	1
3	<u>605254</u>		SOCKET HEAD BOLT, M8 - 1.25 X 90MM LG	4
4	<u>10386G3</u>		CLEVIS PIN, 5/16" X .940"	1
5	<u>10387G3</u>		COTTER PIN, .094" X 3/4" LG.....	1
6	<u>605688</u>		BRAKE PEDAL COVER	1
7	<u>600543</u>		BUTTON HEAD TORX BOLT, M4 - .75 X 12MM LG	2
8	<u>17618G1</u>		NYLON CLAMP, 8" LG (NOT ILLUSTRATED).....	AR
9				
10				
11				
12	<u>607605</u>		SWITCH.....	1

BRAKES

- 1 BRAKE ASSEMBLY (DRIVER SIDE) includes items 3 - 9
- 2 BRAKE ASSEMBLY (PASSENGER SIDE) includes items 3 - 8, 10
- 16 BRAKE DRUM ASSEMBLY includes items 17, 18



BRAKES

THE USE OF NON U.L. PARTS WILL VOID ANY U.L. LISTING.

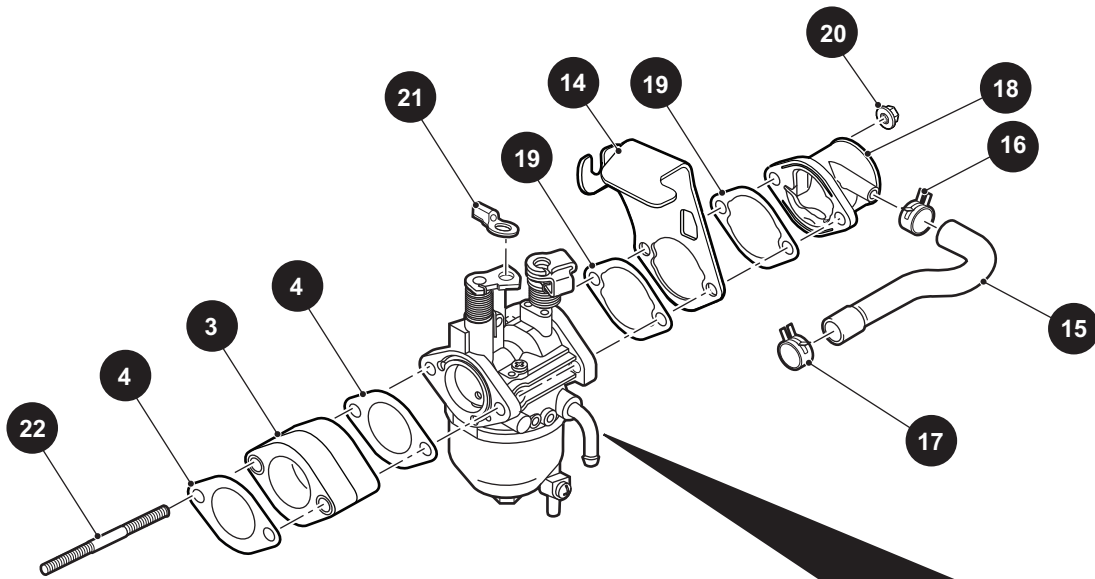
When ordering parts, please specify the model and serial number of the product.

* Indicates a component that is not available as an individual part.

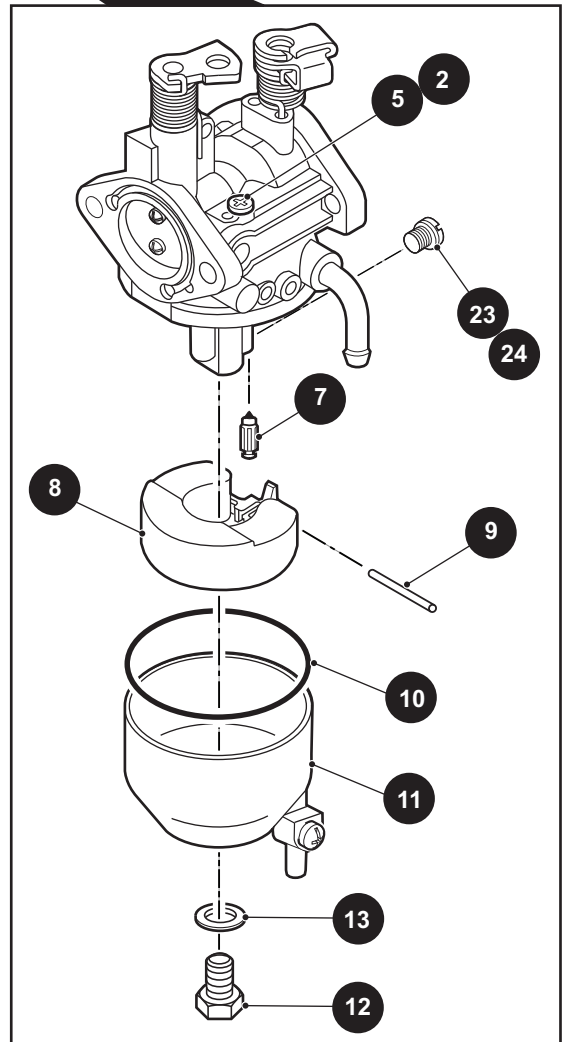
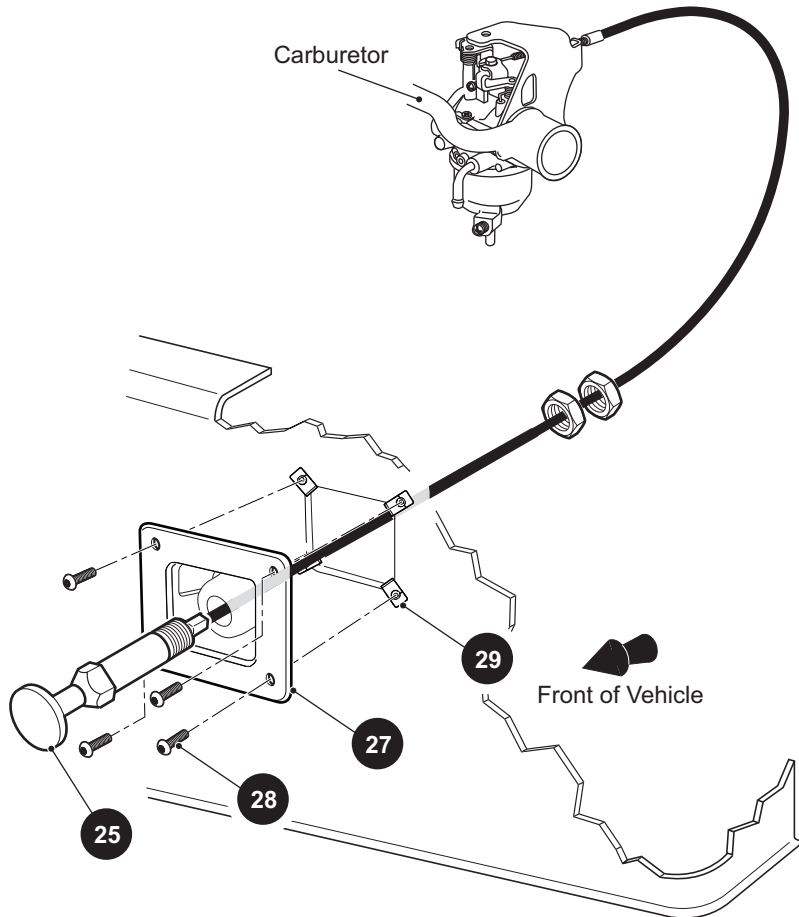
*** Indicates consult Customer Service Department for additional information.

ITEM	PART NO.	1 2 3 4 5	DESCRIPTION	QTY.
1	<u>612189</u>		BRAKE ASSEMBLY (DRIVER SIDE) (INCLUDES ITEMS 3 - 9).....	1
2	<u>612211</u>		BRAKE ASSEMBLY (PASSENGER SIDE) (INCLUDES ITEMS 3 - 8, 10)	1
3	<u>612411</u>		BRAKE SHOE, LEADING	1
4	<u>612412</u>		BRAKE SHOE, TRAILING.....	1
5	<u>612413</u>		DUST COVER	1
6	<u>612415</u>		BRAKE SPRING, TOP	1
7	<u>612414</u>		BRAKE SPRING, BOTTOM	1
8	<u>612416</u>		SHOE CLAMP	2
9	<u>612418</u>		GEAR ADJUSTER (DRIVER SIDE)	1
10	<u>612417</u>		GEAR ADJUSTER (PASSENGER SIDE).....	1
11				
12				
13	<u>17083G2</u>		HEX HEAD BOLT, 5/16" - 24 X 1" LG	4
14	<u>15126G1</u>		LOCK NUT, 5/16" - 24.....	4
15				
16	<u>21807G2</u>		BRAKE DRUM ASSEMBLY (INCLUDES ITEMS 17, 18).....	1
17	<u>20947G1</u>		BRAKE DRUM.....	1
18	<u>19862G2</u>		LUG BOLT, 1/2" - 20 X 1.718" LG.....	4
19				
20				
21	<u>21809G1</u>		FLAT WASHER (INNER WHEEL RIM), 1.31" O.D. X .98" I.D	1
22	<u>606945</u>		FLAT WASHER (BRAKE DRUM), 1.75" O.D. X .886" I.D.....	1
23				
24	<u>10387G1</u>		COTTER PIN, 5/32" X 1 3/4" LG.....	1
25	<u>652248</u>		BRAKE CABLE BRACKET (PASSENGER SIDE)	1
26	<u>652249</u>		BRAKE CABLE BRACKET (DRIVER SIDE).....	1

CARBURETOR AND CHOKE



1 CARBURETOR includes items 2 - 22



CARBURETOR AND CHOKE

THE USE OF NON U.L. PARTS WILL VOID ANY U.L. LISTING.

When ordering parts, please specify the model and serial number of the product.

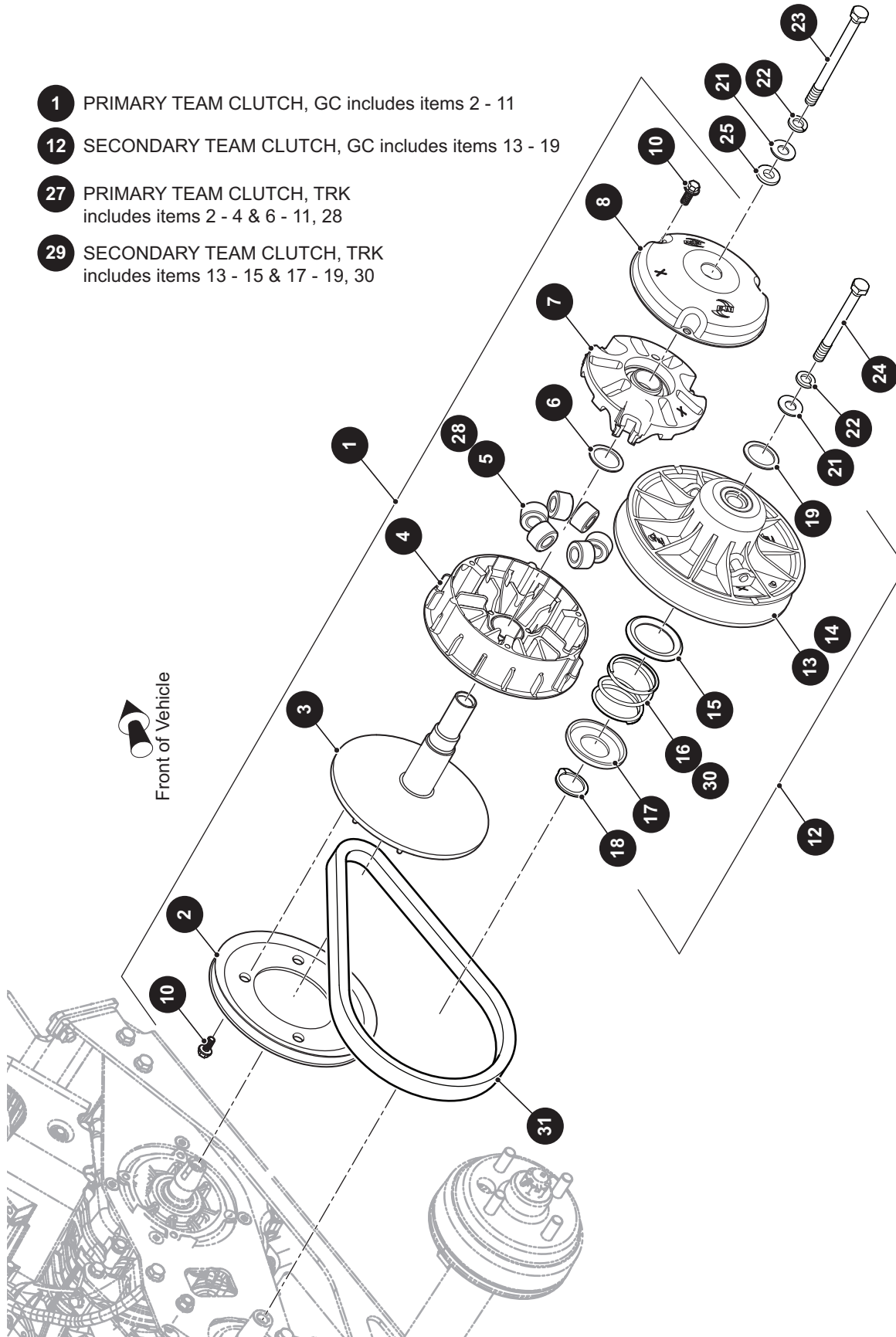
* Indicates a component that is not available as an individual part.

*** Indicates consult Customer Service Department for additional information.

ITEM	PART NO.	1 2 3 4 5	DESCRIPTION	QTY.
1	<u>607954</u>		CARBURETOR (INCLUDES ITEMS 2 - 22)	1
2	<u>608021</u>		PILOT JET (#44).....	1
3	<u>603581</u>		CARBURETOR INSULATOR	1
4	<u>603580</u>		CARBURETOR MOUNT GASKET	2
5	<u>603585</u>		PLUG.....	1
6				
7	<u>603586</u>		FLOAT VALVE	1
8	<u>603587</u>		FLOAT	1
9	<u>603588</u>		FLOAT PIN	1
10	<u>603589</u>		BOWL GASKET.....	1
11	<u>603590</u>		FLOAT CHAMBER ASSEMBLY.....	1
12	<u>603592</u>		CHAMBER PLUG	1
13	<u>603591</u>		CHAMBER GASKET	1
14	<u>603583</u>		CHOKE CABLE BRACKET	1
15	<u>603598</u>		BREATHER TUBE.....	1
16	<u>603596</u>		INTAKE TUBE CLAMP	1
17	<u>603597</u>		CYLINDER HEAD TUBE CLAMP.....	1
18	<u>603594</u>		INTAKE TUBE	1
19	<u>603593</u>		CHOKE GASKET	2
20	<u>603595</u>		FLANGE NUT, M6 X 1.0.....	2
21	<u>608023</u>		THROTTLE ROD ATTACHMENT BUSHING	1
22	<u>603584</u>		STUD BOLT.....	2
23	<u>607684</u>		MAIN JET (#102) (FOR ELEVATIONS OF 6000 FT - 10000 FT)	1
24	<u>607983</u>		MAIN JET (#104) (FOR ELEVATIONS OF 3000 FT - 6000 FT)	1
25	<u>614842</u>		CHOKE CABLE.....	1
26				
27	<u>614861</u>		CHOKE ADAPTER.....	1
28	<u>601326</u>		BUTTON HEAD TORX BOLT, M6 - 1 X 20MM LG	4
29	<u>602409</u>		BARREL CLIP, M6 - 1	4

CLUTCH

- 1 PRIMARY TEAM CLUTCH, GC includes items 2 - 11
- 12 SECONDARY TEAM CLUTCH, GC includes items 13 - 19
- 27 PRIMARY TEAM CLUTCH, TRK includes items 2 - 4 & 6 - 11, 28
- 29 SECONDARY TEAM CLUTCH, TRK includes items 13 - 15 & 17 - 19, 30



THE USE OF NON U.L. PARTS WILL VOID ANY U.L. LISTING.

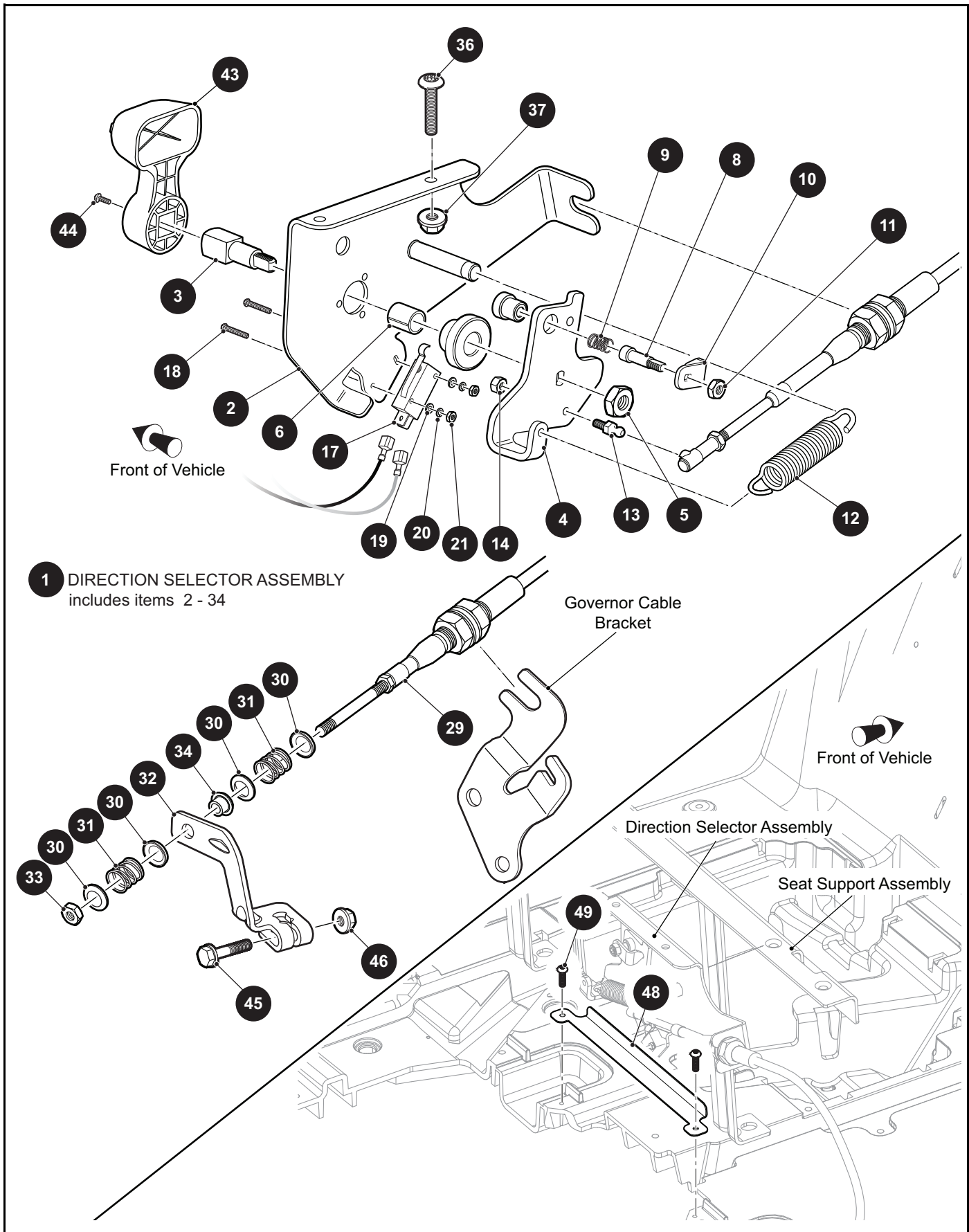
When ordering parts, please specify the model and serial number of the product.

* Indicates a component that is not available as an individual part.

*** Indicates consult Customer Service Department for additional information.

ITEM	PART NO.	1 2 3 4 5	DESCRIPTION	QTY.
1	<u>672686</u>		PRIMARY TEAM CLUTCH, GC (INCLUDES ITEMS 2 - 11)	1
2	<u>619333</u>		PRIMARY STARTER PULLY	1
3	*		STATIONARY ASSEMBLY	1
4	*		MOVEABLE PRIMARY ASSEMBLY	1
5	<u>619336</u>		SHIFT ROLLER ASSEMBLY	6
6	<u>619337</u>		SHIM, 39.5MM X 31.75MM	1
7	<u>644303</u>		PRIMARY SPIDER ASSEMBLY	1
8	*		PRIMARY DUST COVER ASSEMBLY	1
9	<u>644305</u>		BUTTON, TORQUE PRIMARY (NOT ILLUSTRATED)	1
10	<u>619332</u>		HEX WASHER HEAD BOLT, 1/4" - 20 X 3/4" LG	7
11	<u>644306</u>		PLUG, TORQUE BUTTON (NOT ILLUSTRATED)	6
12	<u>644300</u>		SECONDARY TEAM CLUTCH, GC (INCLUDES ITEMS 13 - 19)	1
13	*		SECONDARY STATIONARY CLUTCH	1
14	*		MOVEABLE SECONDARY CLUTCH	1
15	<u>619327</u>		INNER RETAINER SPRING	1
16	<u>644304</u>		COMPRESSION SPRING	1
17	<u>619329</u>		OUTER SPRING RETAINER	1
18	<u>619330</u>		RETAINER RING	1
19	<u>619331</u>		THRUST WASHER, 1.530" X 1.830" X 1"	1
20				
21	<u>606239</u>		CONICAL WASHER, M12	2
22	<u>00566G3</u>		LOCK WASHER (SPRING TYPE), 3/8"	2
23	<u>606245</u>		HEX HEAD BOLT, M12 - 1.25 X 160MM LG	1
24	<u>606243</u>		HEX HEAD BOLT, M12 - 1.25 X 120MM LG	1
25	<u>606230</u>		CLUTCH WASHER, 27.5Ø O.D X 13.06Ø I.D	1
26				
27	<u>672688</u>		PRIMARY TEAM CLUTCH, TRK (INCLUDES ITEMS 2 - 4 & 6 - 11, 28)	1
28	<u>624112</u>		SHIFT ROLLER ASSEMBLY	6
29	<u>623949</u>		SECONDARY TEAM CLUTCH, TRK (INCLUDES ITEMS 13 - 15 & 17- 19, 30)	1
30	<u>624111</u>		COMPRESSION SPRING	1
31	<u>618630</u>		DRIVE BELT	1

DIRECTION SELECTOR



DIRECTION SELECTOR

THE USE OF NON U.L. PARTS WILL VOID ANY U.L. LISTING.

When ordering parts, please specify the model and serial number of the product.

* Indicates a component that is not available as an individual part.

*** Indicates consult Customer Service Department for additional information.

ITEM	PART NO.	1 2 3 4 5	DESCRIPTION	QTY.
1	<u>608161</u>		DIRECTION SELECTOR ASSEMBLY (INCLUDES ITEMS 2 - 34)	1
2	<u>603627</u>		DIRECTION SELECTOR BRACKET.....	1
3	<u>608150</u>		DIRECTION SELECTOR SHAFT.....	1
4	<u>603700</u>		DIRECTION SELECTOR CAM.....	1
5	<u>14390G1</u>		LOCK NUT, 3/8" - 24	1
6	<u>25664G2</u>		BUSHING, 1/2" X .750" LG	1
7				
8	<u>72724G01</u>		NEUTRAL LOCK PIN	1
9	<u>72733G01</u>		COMPRESSION SPRING.....	1
10	<u>72729G01</u>		NEUTRAL LOCK LATCH.....	1
11	<u>00734G2</u>		LOCK NUT, 1/4" - 28	1
12	<u>28574G01</u>		EXTENSION SPRING	1
13	<u>72732G01</u>		BALL STUD, #10 - 32.....	1
14	<u>00734G5</u>		LOCK NUT, #10 - 32.....	1
15				
16				
17	<u>72736G01</u>		MICRO SWITCH	1
18	<u>01062G01</u>		ROUND HEAD SCREW, #4 - 40 X 1" LG.....	2
19	<u>00559G1</u>		FLAT WASHER, #4	2
20	<u>00565G1</u>		LOCK WASHER, #4	2
21	<u>00526G2</u>		HEX NUT, #4 - 40	2
22				
23				
24				
25				
26				
27				
28				
29	<u>603615</u>		SHIFTER CABLE	1
30	<u>25727G01</u>		CUP WASHER, 1/4"	4
31	<u>72735G01</u>		COMPRESSION SPRING.....	2

DIRECTION SELECTOR

THE USE OF NON U.L. PARTS WILL VOID ANY U.L. LISTING.

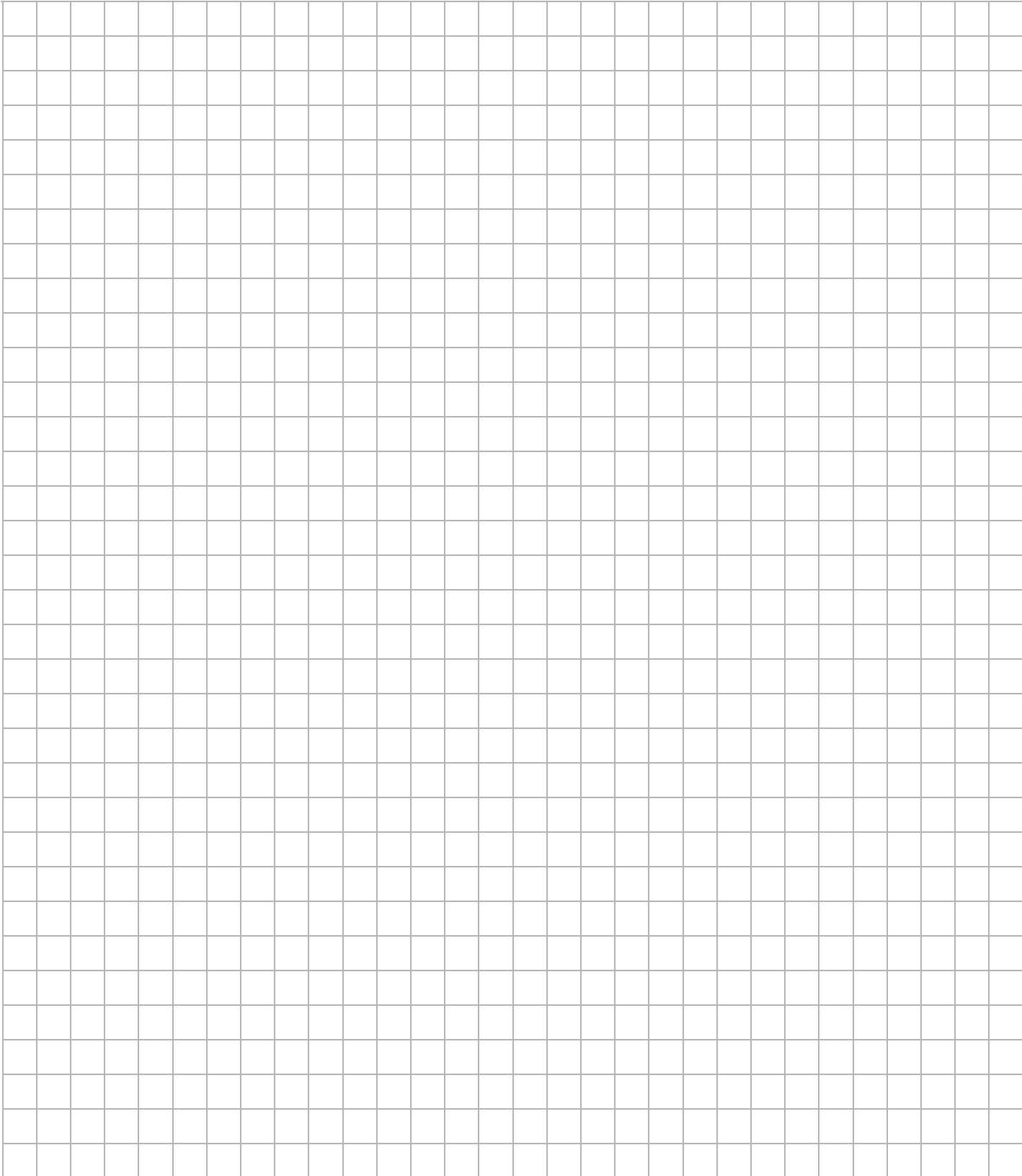
When ordering parts, please specify the model and serial number of the product.

* Indicates a component that is not available as an individual part.

*** Indicates consult Customer Service Department for additional information.

ITEM	PART NO.	1	2	3	4	5	DESCRIPTION	QTY.
32	<u>632891</u>						PIVOT BRACKET	1
33	<u>00734G5</u>						LOCK NUT, #10 - 32	1
34	<u>22754G4</u>						BUSHING (FLIP LOK), .250"	1
35								
36	<u>601326</u>						BUTTON HEAD TORX BOLT, M6 - 1 X 20MM LG	2
37	<u>450452</u>						HEX NUT, M6 - 1	2
38								
39								
40								
41								
42								
43	<u>71205G01</u>						DIRECTION SELECTOR HANDLE	1
44	<u>01037G02</u>						PAN HEAD TORX SCREW, #10 - 32 X 1/2" LG	1
45	<u>606421</u>						FLANGED HEX HEAD BOLT, M6 - 1 X 30MM LG	1
46	<u>450452</u>						HEX NUT, M6 - 1	1
47								
48	<u>628573</u>						BODY SUPPORT	1
49	<u>608290</u>						SELF TAPPING SCREW, #10 - 16 X 3/4" LG	2

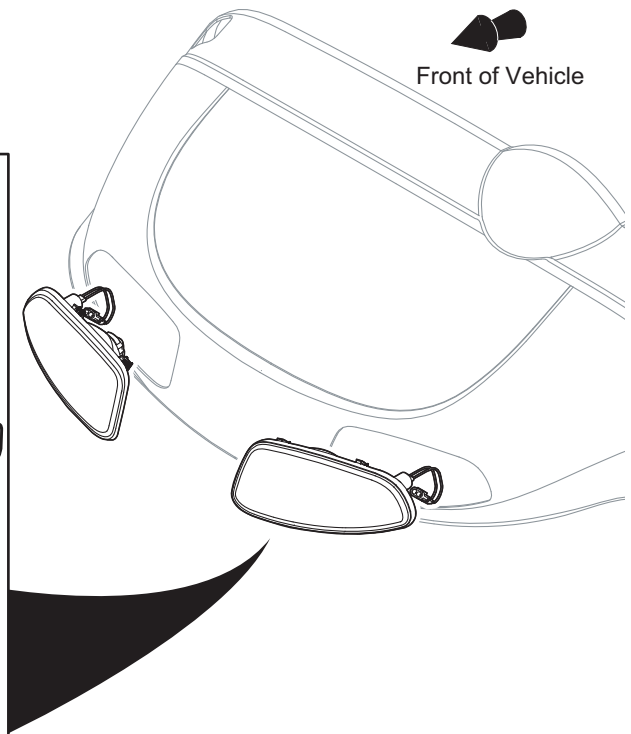
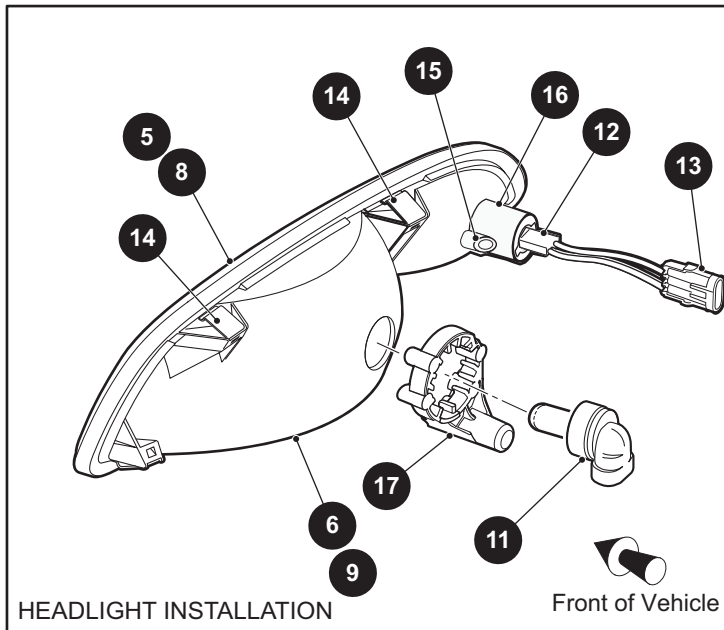
Notes:



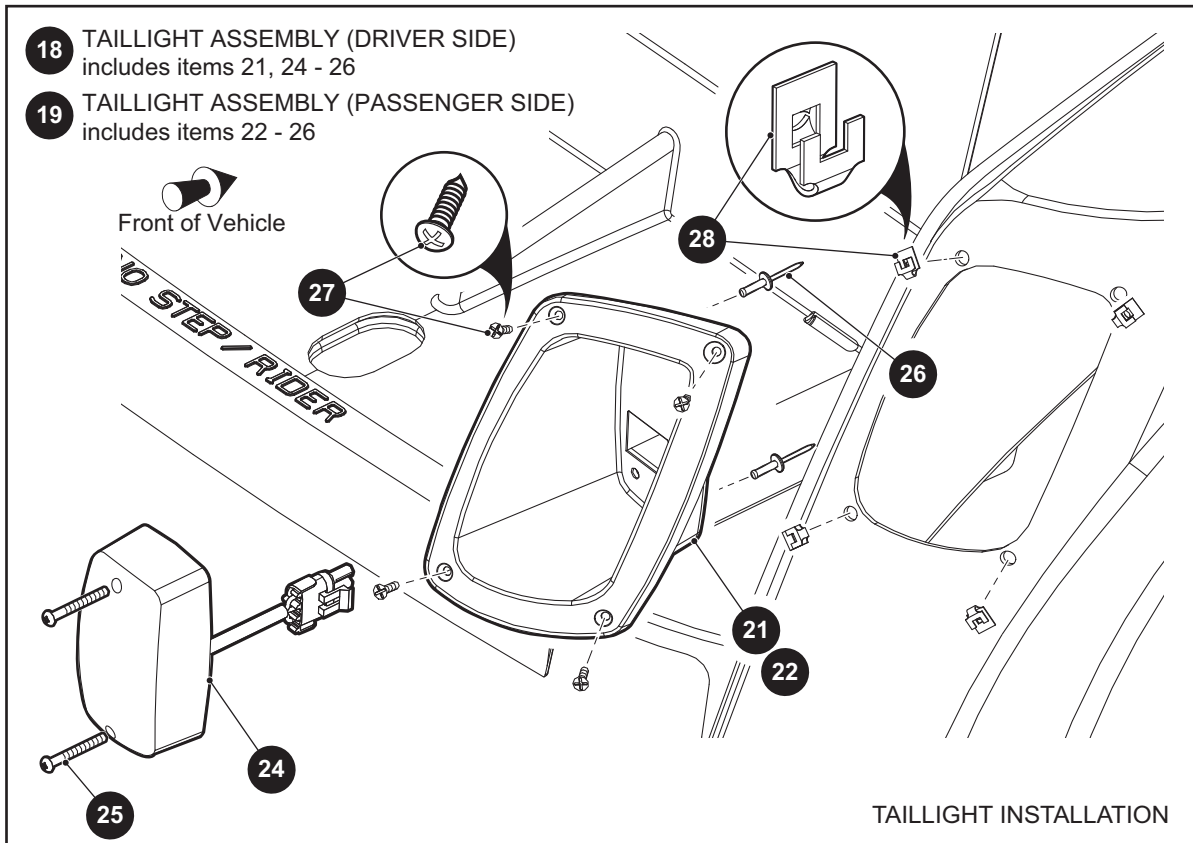
A large grid area for taking notes, consisting of approximately 20 columns and 25 rows of small squares.

ELECTRICAL SYSTEM

- 1** HEADLIGHT ASSEMBLY (DRIVER SIDE)
includes items 5, 6, 11 - 17
- 2** HEADLIGHT ASSEMBLY (PASSENGER SIDE)
includes items 8, 9, 11 - 17



- 18** TAILLIGHT ASSEMBLY (DRIVER SIDE)
includes items 21, 24 - 26
- 19** TAILLIGHT ASSEMBLY (PASSENGER SIDE)
includes items 22 - 26



ELECTRICAL SYSTEM

THE USE OF NON U.L. PARTS WILL VOID ANY U.L. LISTING.

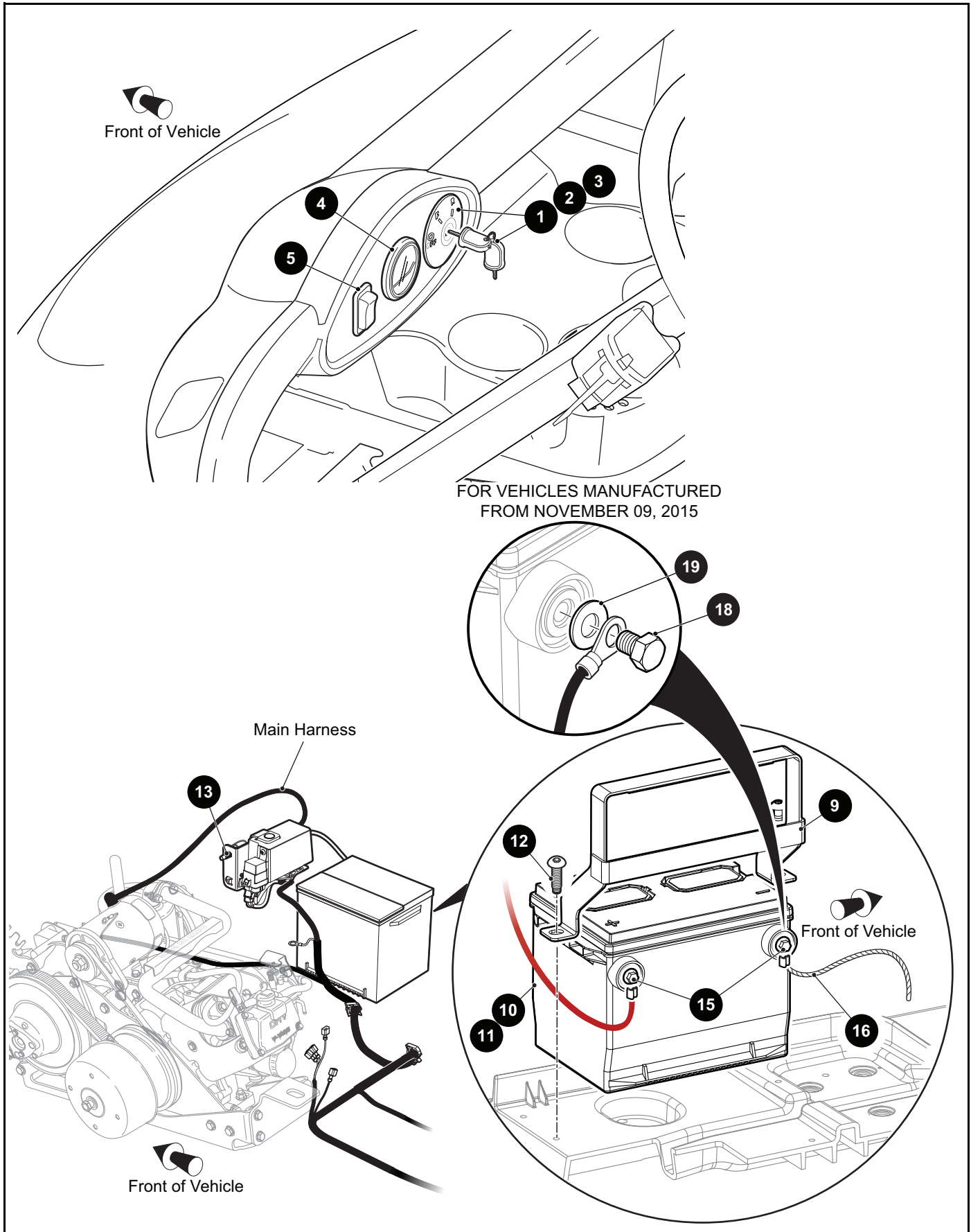
When ordering parts, please specify the model and serial number of the product.

* Indicates a component that is not available as an individual part.

*** Indicates consult Customer Service Department for additional information.

ITEM	PART NO.	1 2 3 4 5	DESCRIPTION	QTY.
1	<u>607439</u>		HEADLIGHT ASSEMBLY (DRIVER SIDE) (INCLUDES ITEM 5, 6, 11 - 17).....	1
2	<u>607438</u>		HEADLIGHT ASSEMBLY (PASSENGER SIDE) (INCLUDES ITEM 8, 9, 11 - 17).....	1
3				
4				
5	<u>607452</u>		HEADLIGHT GASKET (DRIVER SIDE).....	1
6	<u>607436</u>		HEADLIGHT (DRIVER SIDE).....	1
7				
8	<u>607437</u>		HEADLIGHT GASKET (PASSENGER SIDE).....	1
9	<u>607435</u>		HEADLIGHT (PASSENGER SIDE).....	1
10				
11	<u>74004G01</u>		BULB.....	1
12	<u>676687</u>		FRONT TURN SIGNAL BULB.....	1
13	<u>607487</u>		WIRING HARNESS (TURN SIGNAL LAMP).....	1
14	<u>607434</u>		HEADLIGHT CLIP.....	4
15	<u>608328</u>		BUTTON HEAD TORX SCREW (PLASTITE), M3 - 1.3 X 14MM LG.....	1
16	<u>608322</u>		HEADLIGHT RETAINER.....	1
17	<u>615459</u>		ANTI ROTATION COLLAR.....	1
18	<u>648672G01</u>		TAILLIGHT ASSEMBLY (DRIVER SIDE) (INCLUDES ITEM 21, 24 - 26).....	1
19	<u>648672G02</u>		TAILLIGHT ASSEMBLY (PASSENGER SIDE) (INCLUDES ITEM 22 - 26).....	1
20				
21	<u>639815G01</u>		TAILLIGHT BEZEL (DRIVER SIDE).....	1
22	<u>639815G02</u>		TAILLIGHT BEZEL (PASSENGER SIDE).....	1
23				
24	<u>639816</u>		TAILLIGHT ASSEMBLY.....	1
25	<u>00513G4</u>		PAN HEAD PHILLIPS SCREW, #8 - 18 X 3/4" LG.....	2
26	<u>14601G11</u>		RIVET (ALUMINUM), 3/16" X 9/16".....	2
27	<u>71425G01</u>		TAPPING SCREW, #8 - 18 X 3/4" LG.....	4
28	<u>71364G02</u>		J-TYPE NUT, #8.....	4
29				

ELECTRICAL SYSTEM



ELECTRICAL SYSTEM

THE USE OF NON U.L. PARTS WILL VOID ANY U.L. LISTING.

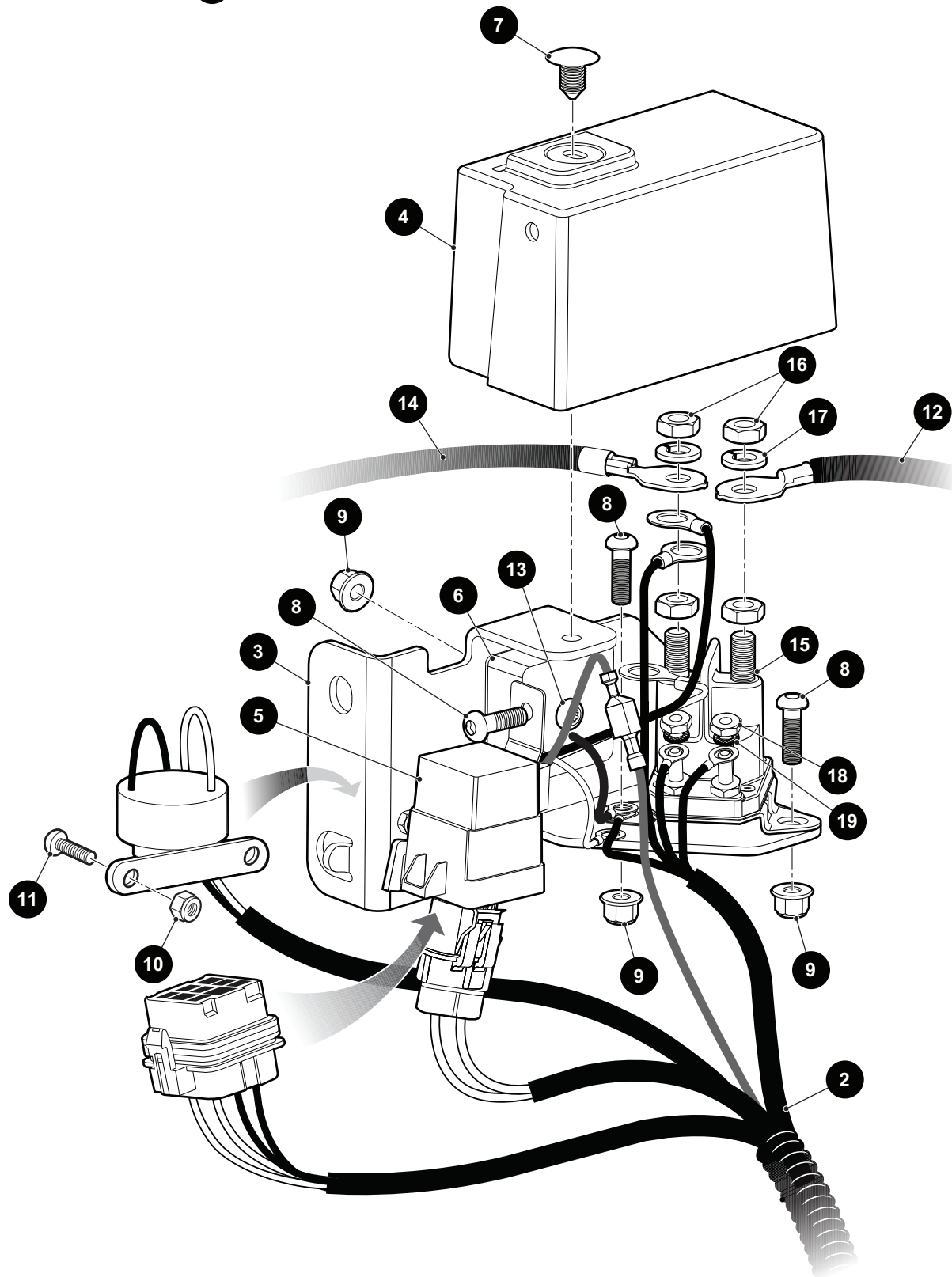
When ordering parts, please specify the model and serial number of the product.

* Indicates a component that is not available as an individual part.

*** Indicates consult Customer Service Department for additional information.

ITEM	PART NO.	1 2 3 4 5	DESCRIPTION	QTY.
1	<u>611284</u>		KEYSWITCH.....	1
2	<u>609696</u>		KEYSWITCH AND KEY SET	1
3	<u>611282</u>		KEY SET (COMMON).....	1
4	<u>612314</u>		FUEL METER	1
5	<u>604019</u>		HEADLIGHT SWITCH	1
6				
7				
8				
9	<u>643145</u>		BATTERY TIE DOWN	1
10	<u>637484</u>		BATTERY, 12V	1
11	<u>638433</u>		BATTERY (HEAVY DUTY), 12V	1
12	<u>649804</u>		BUTTON HEAD TORX SCREW, M8 - 3.50 X 30MM LG	2
13	<u>602572</u>		PAN HEAD TAPTITE BOLT, M10 - 1.5 X 25MM LG	2
14	<u>17618G1</u>		NYLON CLAMP, 8" LG (NOT ILLUSTRATED).....	AR
15	<u>640488</u>		BATTERY BOLT (SIDE TERMINAL).....	2
16	<u>645192</u>		GROUND CABLE (FOR VEHICLES MANUFACTURED FROM NOVEMBER 09, 2015)	1
17				
18	<u>651336</u>		BATTERY BOLT (FOR VEHICLES MANUFACTURED FROM NOVEMBER 09, 2015)	2
19	<u>614221</u>		FLAT WASHER, 3/8" (FOR VEHICLES MANUFACTURED FROM NOVEMBER 09, 2015)	2

1 SOLENOID HARNESS includes items 2 - 20



ELECTRICAL SYSTEM

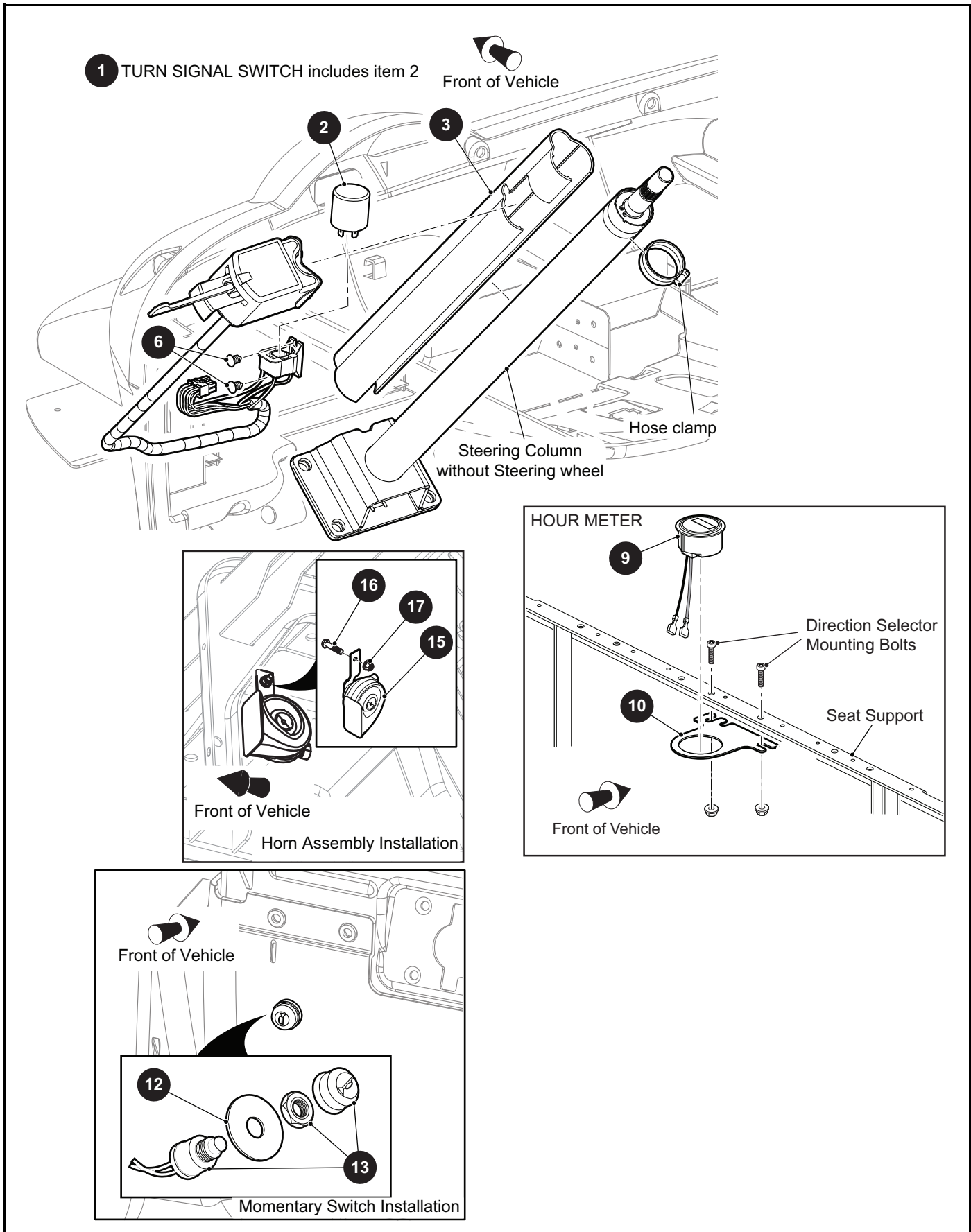
THE USE OF NON U.L. PARTS WILL VOID ANY U.L. LISTING.

When ordering parts, please specify the model and serial number of the product.

* Indicates a component that is not available as an individual part.

*** Indicates consult Customer Service Department for additional information.

ITEM	PART NO.	1 2 3 4 5	DESCRIPTION	QTY.
1	<u>646576</u>		SOLENOID HARNESS (INCLUDES ITEMS 2 - 20)	1
2	<u>647566</u>		MAIN HARNESS	1
3	<u>615349</u>		SOLENOID BRACKET	1
4	<u>603390</u>		SOLENOID COVER	1
5	<u>603282</u>		RELAY, 12V	1
6	<u>27739G01</u>		VOLTAGE REGULATOR	1
7	<u>16816G1</u>		RATCHET RIVET, .25" X .680"	1
8	<u>601326</u>		BUTTON HEAD TORX BOLT, M6 - 1 X 20MM LG	3
9	<u>601476</u>		LOCK NUT, M6 - 1.....	4
10	<u>602053</u>		LOCK NUT, M4 - .7.....	3
11	<u>600543</u>		BUTTON HEAD TORX BOLT, M4 - .75 X 12MM LG	3
12	<u>645209</u>		#6 GA WIRE ASSEMBLY (B+ / SOL)	1
13	<u>602063</u>		BUTTON HEAD TORX BOLT, M6 - 1 X 40MM LG	1
14	<u>603874</u>		6 AWG WIRE ASSEMBLY, BLACK (SOL - F2).....	1
15	613322		SOLENOID BASE, 14V	1
16	<u>00544G4</u>		HEX JAM NUT, 5/16" - 24.....	2
17	<u>00565G8</u>		LOCK WASHER, 5/16"	2
18	<u>00526G4</u>		HEX NUT, #10 - 32	2
19	<u>00565G5</u>		LOCK WASHER, #10	2
20	<u>646246</u>		3A DIODE, #10 RING (NOT ILLUSTRATED).....	1



ELECTRICAL SYSTEM

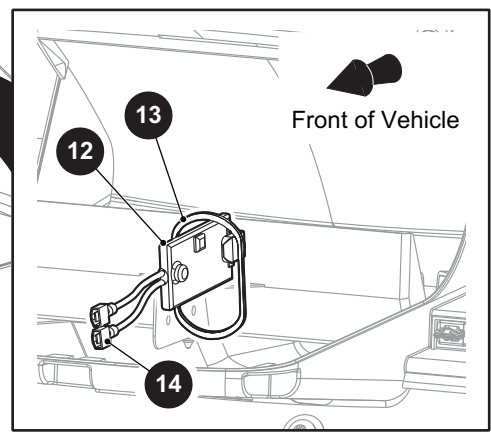
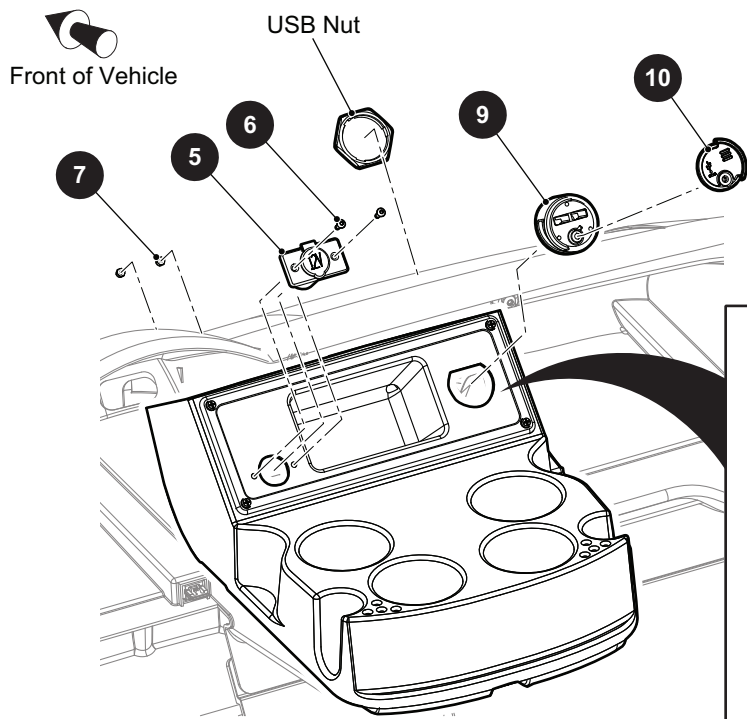
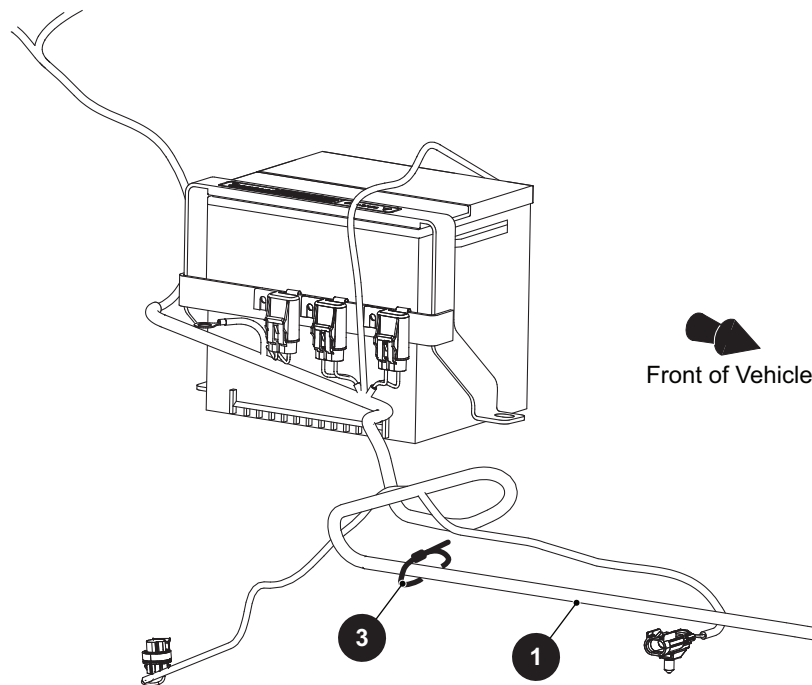
THE USE OF NON U.L. PARTS WILL VOID ANY U.L. LISTING.

When ordering parts, please specify the model and serial number of the product.

* Indicates a component that is not available as an individual part.

*** Indicates consult Customer Service Department for additional information.

ITEM	PART NO.	1 2 3 4 5	DESCRIPTION	QTY.
1	<u>604511</u>		TURN SIGNAL SWITCH (INCLUDES ITEM 2).....	1
2	<u>604367</u>		FLASHER UNIT	1
3	<u>20965G3</u>		STEERING COLUMN COVER	1
4	<u>19344G1</u>		VINYL TAPE, 40MM (NOT ILLUSTRATED).....	1
5				
6	<u>16816G5</u>		RATCHET RIVET, .187" X .550"	2
7	<u>31539G1</u>		NYLON CLAMP, 15.5" LG (NOT ILLUSTRATED).....	1
8				
9	<u>617074</u>		HOUR METER.....	1
10	<u>635649</u>		HOUR METER BRACKET	1
11				
12	<u>608397</u>		HORN PLATE	1
13	<u>17318G1</u>		MOMENTARY SWITCH.....	1
14				
15	<u>604196</u>		HORN ASSEMBLY.....	1
16	<u>601326</u>		BUTTON HEAD TORX BOLT, M6 - 1 X 20MM LG	1
17	<u>601476</u>		LOCK NUT, M6 - 1	1



8 USB PORT HOUSING ASSEMBLY includes items 9 - 10

ELECTRICAL SYSTEM

THE USE OF NON U.L. PARTS WILL VOID ANY U.L. LISTING.

When ordering parts, please specify the model and serial number of the product.

* Indicates a component that is not available as an individual part.

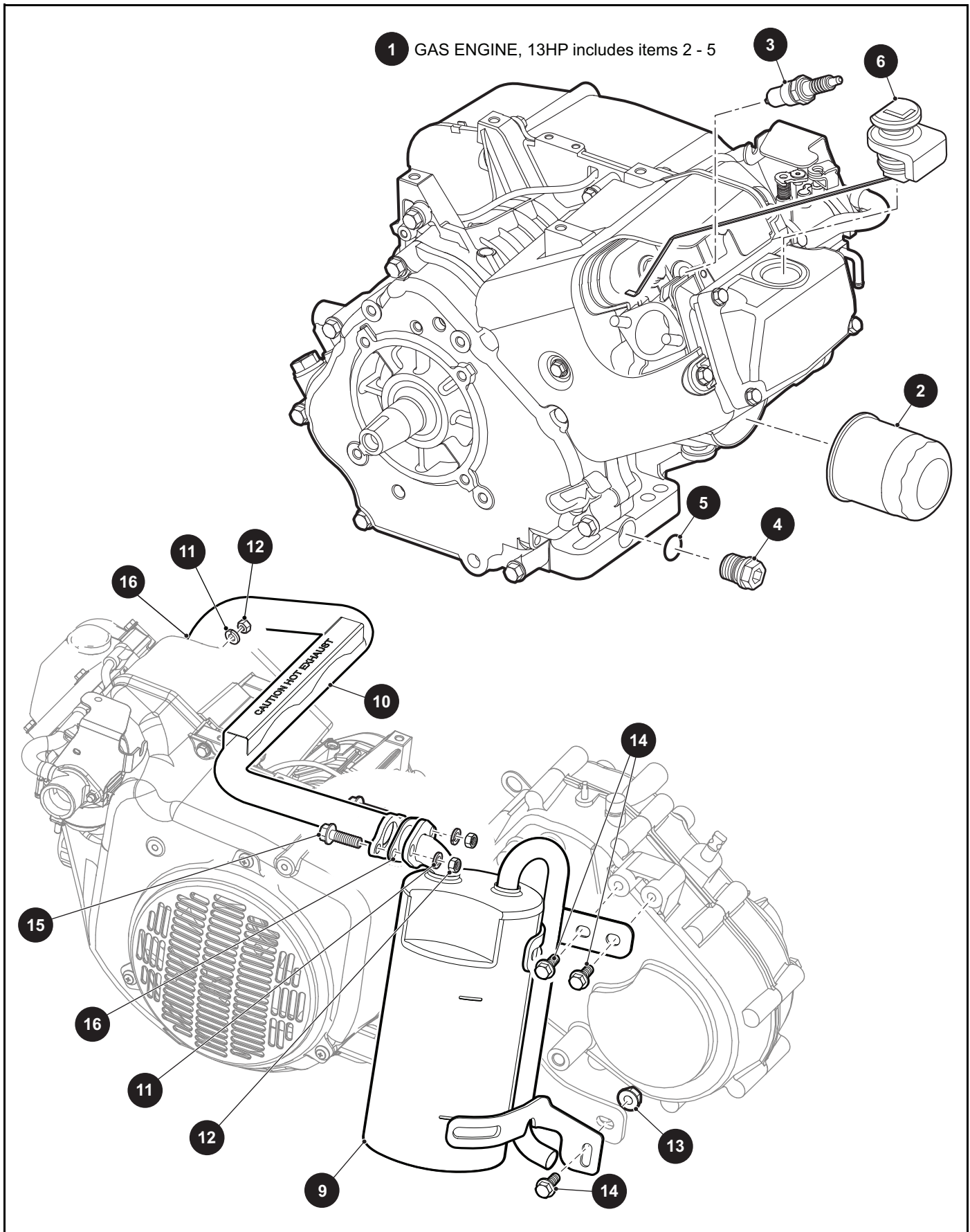
*** Indicates consult Customer Service Department for additional information.

ITEM	PART NO.	1 2 3 4 5	DESCRIPTION	QTY.
1	<u>645208</u>		ACCESSORY HARNESS	1
2	<u>01072G01</u>		CABLE CLIP (NOT ILLUSTRATED)	AR
3	<u>17618G1</u>		NYLON CLAMP, 8" LG.....	AR
4				
5	<u>71078G01</u>		12V POWER OUTLET	1
6	<u>600543</u>		BUTTON HEAD TORX SCREW, M4 - .75 X 12MM LG	2
7	<u>602053</u>		LOCK NUT, M4 - .7	2
8	<u>639384</u>		USB PORT HOUSING ASSEMBLY (INCLUDES ITEMS 9 - 10)	1
9	639383		USB PORT HOUSING.....	1
10	639382		USB PORT LID.....	1
11				
12	<u>638233</u>		USB ELECTRONICS	1
13	<u>17618G1</u>		NYLON CLAMP, 7" LG.....	AR
14	645210		USB HARNESS	1
15	<u>670675G01</u>		GPS DISPLAY UNIT, 7" (NOT ILLUSTRATED)	1
16	<u>670675G02</u>		GPS DISPLAY UNIT, 10" (NOT ILLUSTRATED)	1
17	<u>664519G01</u>		GPS DISPLAY UNIT, 7" (NOT ILLUSTRATED)	1
18	<u>664519G02</u>		GPS DISPLAY UNIT, 10" (NOT ILLUSTRATED)	1

Notes:

A large grid of graph paper, consisting of 28 columns and 32 rows of small squares, intended for taking notes.

ENGINE AND MUFFLER



ENGINE AND MUFFLER

THE USE OF NON U.L. PARTS WILL VOID ANY U.L. LISTING.

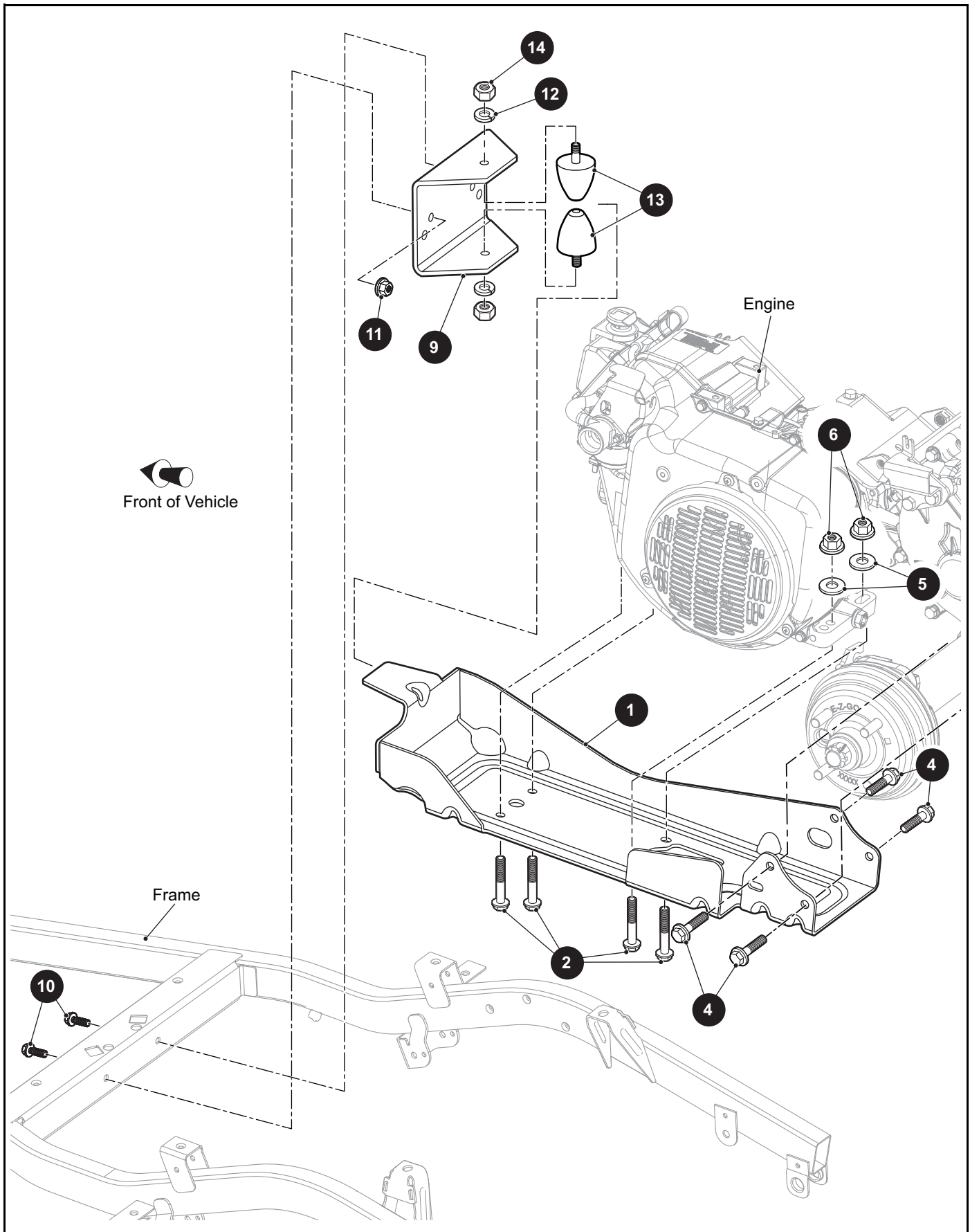
When ordering parts, please specify the model and serial number of the product.

* Indicates a component that is not available as an individual part.

*** Indicates consult Customer Service Department for additional information.

ITEM	PART NO.	1 2 3 4 5	DESCRIPTION	QTY.
1	<u>633740</u>		GAS ENGINE, 13HP (INCLUDES ITEMS 2 - 5).....	1
2	<u>607454</u>		OIL FILTER.....	1
3	<u>607462</u>		SPARK PLUG.....	1
4	<u>603557</u>		OIL DRAIN PLUG.....	3
5	<u>603562</u>		O-RING, 16MM.....	3
6	<u>606390</u>		DIP STICK.....	1
7				
8				
9	<u>630970</u>		MUFFLER.....	1
10	<u>606982</u>		EXHAUST PIPE.....	1
11	<u>606272</u>		LOCK WASHER, 8MM.....	4
12	<u>606267</u>		HEX JAM NUT, M8 X 1.25.....	4
13	<u>606279</u>		FLANGED HEX NUT, M10 - 1.25.....	1
14	<u>606256</u>		FLANGED HEX HEAD BOLT, M10 - 1.25 X 25MM LG.....	3
15	<u>602330</u>		FLANGED HEX HEAD BOLT, M8 - 1.25 X 30MM LG.....	2
16	<u>603599</u>		EXHAUST GASKET.....	2

ENGINE MOUNTING



ENGINE MOUNTING

THE USE OF NON U.L. PARTS WILL VOID ANY U.L. LISTING.

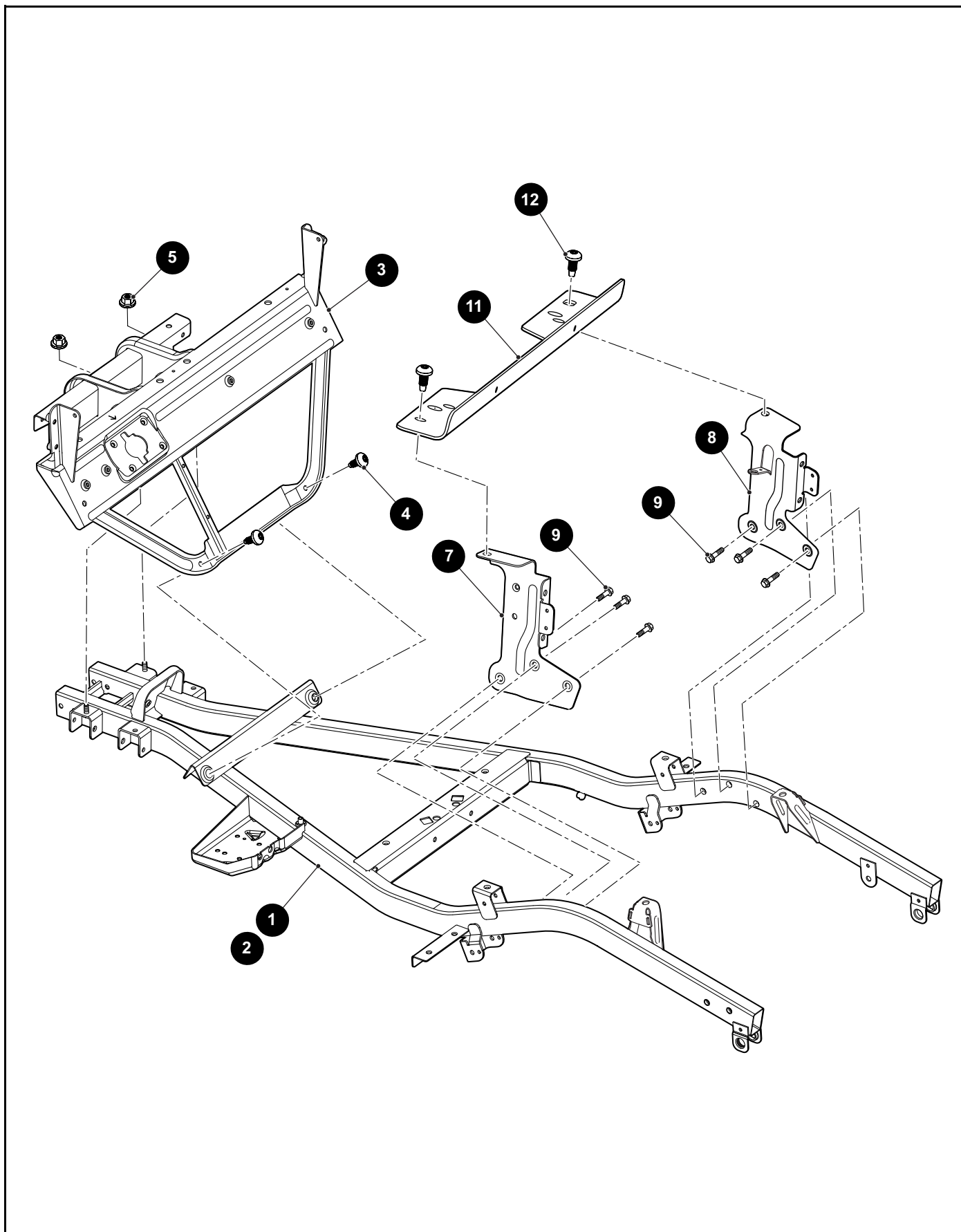
When ordering parts, please specify the model and serial number of the product.

* Indicates a component that is not available as an individual part.

*** Indicates consult Customer Service Department for additional information.

ITEM	PART NO.	1 2 3 4 5	DESCRIPTION	QTY.
1	<u>630776</u>		ENGINE PAN	1
2	<u>606259</u>		FLANGED HEX HEAD BOLT, M10 - 1.25 X 45MM LG.....	4
3				
4	<u>606256</u>		FLANGED HEX HEAD BOLT, M10 - 1.25 X 25MM LG.....	4
5	<u>603823</u>		FLAT WASHER, M10 X 22MM X 2.5MM	4
6	<u>606279</u>		FLANGED HEX NUT, M10 - 1.25.....	4
7				
8				
9	<u>625345</u>		FRONT MOUNT BRACKET.....	1
10	<u>603799</u>		FLANGED HEX HEAD BOLT, M10 - 1.5 X 25MM LG.....	2
11	<u>600525</u>		FLANGED LOCK NUT, M10 - 1.5	2
12	<u>608654</u>		LOCK WASHER (SPLIT), 10MM	2
13	<u>605757</u>		RUBBER BUMPER.....	2
14	<u>00974G01</u>		HEX NUT, M10 - 1.5.....	2

FRAME



THE USE OF NON U.L. PARTS WILL VOID ANY U.L. LISTING.

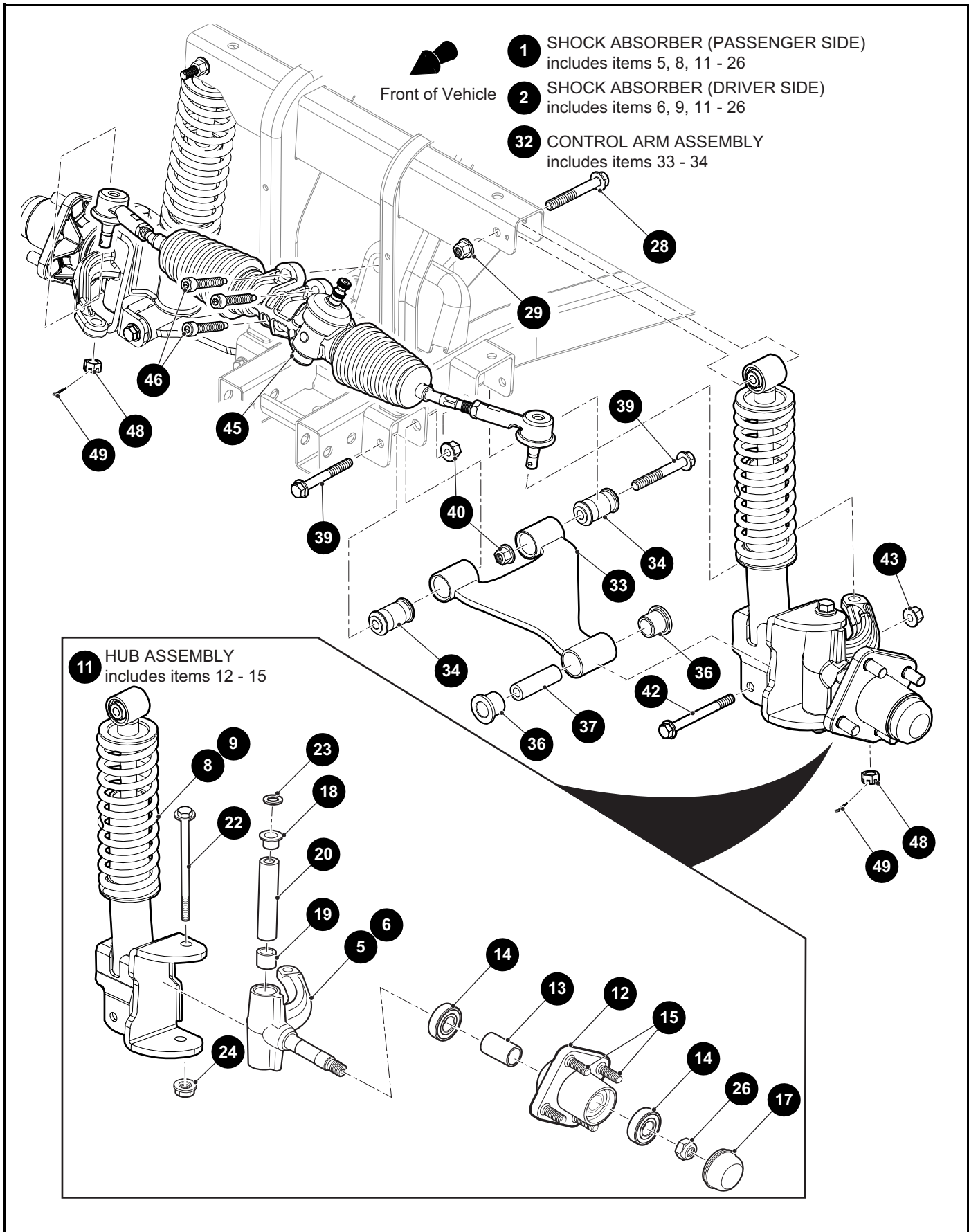
When ordering parts, please specify the model and serial number of the product.

* Indicates a component that is not available as an individual part.

*** Indicates consult Customer Service Department for additional information.

ITEM	PART NO.	1 2 3 4 5	DESCRIPTION	QTY.
1	<u>657280G05</u>		FRAME WELDMENT, P/COAT	1
2	<u>657280G03</u>		FRAME WELDMENT, E/COAT & P/COAT	1
3	<u>614597</u>		IP SUPPORT WELDMENT	1
4	<u>602572</u>		PAN HEAD TAPITE BOLT, M10 - 1.5 X 25MM LG.....	2
5	<u>600525</u>		FLANGED LOCK NUT, M10 - 1.5	2
6				
7	<u>600218</u>		SEAT SUPPORT BRACKET (DRIVER SIDE)	1
8	<u>613187</u>		SEAT SUPPORT BRACKET (PASSENGER SIDE).....	1
9	<u>603799</u>		FLANGED HEX HEAD BOLT, M10 - 1.5 X 25MM LG.....	3
10				
11	<u>601275</u>		SEAT SUPPORT BRACE	1
12	<u>602572</u>		PAN HEAD TAPITE BOLT, M10 - 1.5 X 25MM LG.....	2

FRONT SUSPENSION AND STEERING



FRONT SUSPENSION AND STEERING

THE USE OF NON U.L. PARTS WILL VOID ANY U.L. LISTING.

When ordering parts, please specify the model and serial number of the product.

* Indicates a component that is not available as an individual part.

*** Indicates consult Customer Service Department for additional information.

ITEM	PART NO.	1 2 3 4 5	DESCRIPTION	QTY.
1	<u>663321</u>		SHOCK ABSORBER (PASSENGER SIDE) (INCLUDES ITEMS 5, 8, 11 - 26)	1
2	<u>663303</u>		SHOCK ABSORBER (DRIVER SIDE) (INCLUDES ITEMS 6, 9, 11 - 26).....	1
3				
4				
5	<u>611271</u>		SPINDLE (PASSENGER SIDE)	1
6	<u>607413</u>		SPINDLE (DRIVER SIDE).....	1
7				
8	<u>655529</u>		STRUT (PASSENGER SIDE).....	1
9	<u>655526</u>		STRUT (DRIVER SIDE)	1
10				
11	<u>609603</u>		HUB ASSEMBLY (INCLUDES ITEMS 12 - 15)	1
12	*		HUB.....	1
13	*		BEARING SPACER, 28MM O.D. X 22MM I.D. X 46.7MM LG.....	1
14	*		BALL BEARING, 47MM O.D. X 20MM I.D. X 14MM.....	2
15	<u>19862G1</u>		WHEEL BOLT, 1/2" - 20 X 1.218" LG	4
16				
17	<u>12091G2</u>		SPINDLE CAP	1
18	<u>632925</u>		FLANGED BUSHING	1
19	<u>632926</u>		FLANGED SLEEVE.....	1
20	<u>614034</u>		KINGPIN TUBE	1
21				
22	<u>620380</u>		FLANGED HEX HEAD BOLT, M12 - 1.25 X 145MM LG	1
23	<u>601920</u>		THRUST WASHER (SS), 35MM O.D. X 26MM I.D. X 2.5MM LG.....	1
24	<u>600549</u>		LOCK NUT, M12 - 1.25.....	1
25				
26	<u>615109</u>		LOCK NUT, M16 - 2.....	1
27				
28	<u>602415</u>		FLANGED HEX HEAD BOLT, M10 - 1.5 X 80MM LG.....	1
29	<u>600525</u>		LOCK NUT, M10 - 1.5	1
30				
31				

FRONT SUSPENSION AND STEERING

THE USE OF NON U.L. PARTS WILL VOID ANY U.L. LISTING.

When ordering parts, please specify the model and serial number of the product.

* Indicates a component that is not available as an individual part.

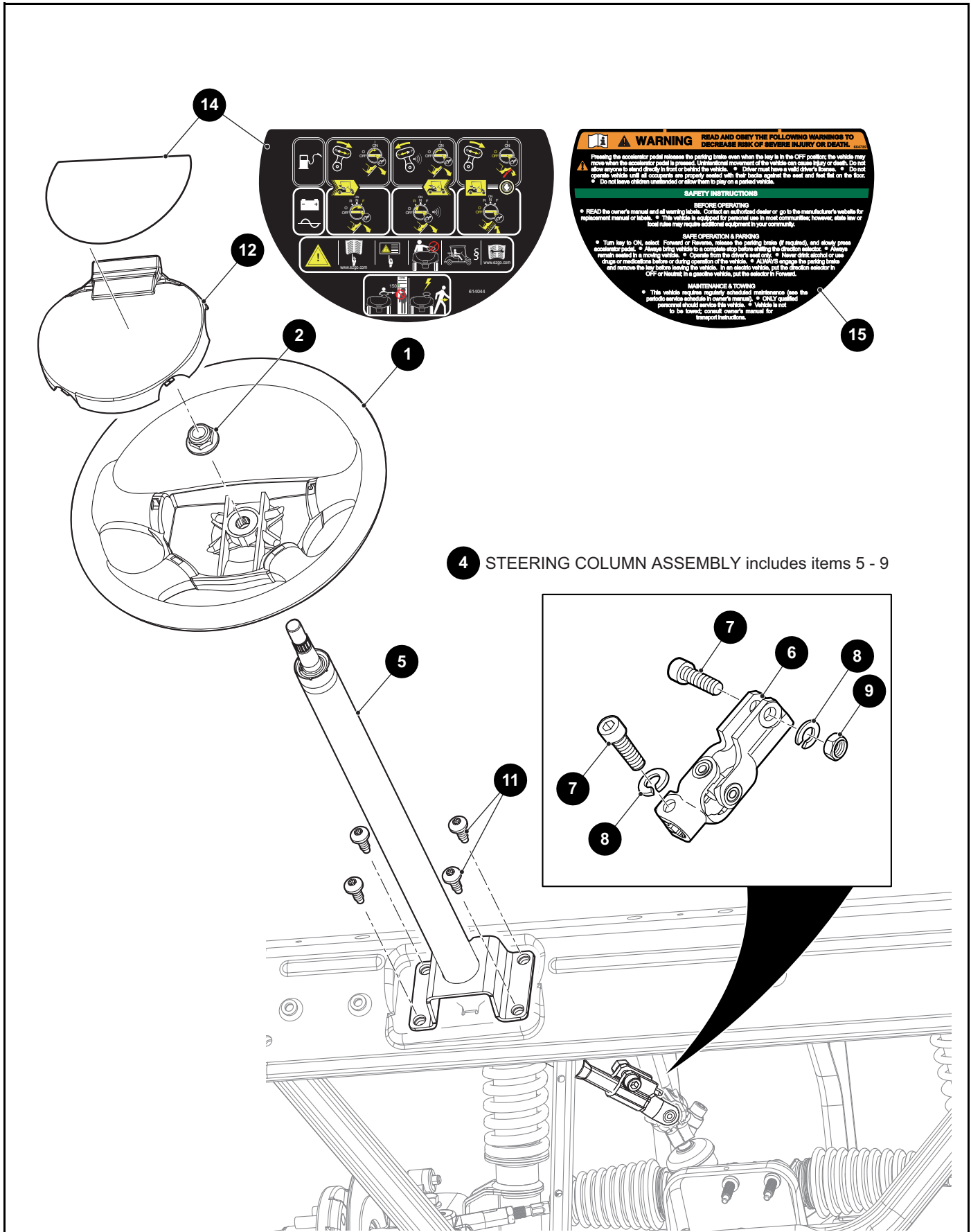
*** Indicates consult Customer Service Department for additional information.

ITEM	PART NO.	1	2	3	4	5	DESCRIPTION	QTY.
32	<u>608089</u>						CONTROL ARM ASSEMBLY (INCLUDES ITEMS 33 - 34).....	1
33	<u>608090</u>						CONTROL ARM.....	1
34	<u>608086</u>						MOUNTING SLEEVE (RUBBER).....	2
35								
36	<u>601340</u>						CONTROL ARM BUSHING.....	2
37	<u>602085</u>						CONTROL ARM CARRIER TUBE.....	2
38								
39	<u>602415</u>						FLANGED HEX HEAD BOLT, M10 - 1.5 X 80MM LG.....	2
40	<u>600525</u>						LOCK NUT, M10 - 1.5.....	2
41								
42	<u>601754</u>						FLANGED HEX HEAD BOLT, M10 - 1.5 X 100MM LG.....	1
43	<u>600525</u>						LOCK NUT, M10 - 1.5.....	1
44								
45	<u>618329</u>						STEERING RACK ASSEMBLY.....	1
46	<u>602020</u>						SOCKET HEAD BOLT, M10 - 1.5 X 50MM LG.....	3
47								
48	<u>608005</u>						CASTLE NUT (SS), M12 - 1.25.....	2
49	<u>10387G2</u>						COTTER PIN, .094" X 1".....	2

Notes:

A large grid of graph paper for taking notes, consisting of 30 columns and 35 rows of small squares.

FRONT SUSPENSION AND STEERING



WARNING READ AND OBEY THE FOLLOWING WARNINGS TO DECREASE RISK OF SEVERE INJURY OR DEATH.

Pressing the accelerator pedal releases the parking brake even when the key is in the OFF position; the vehicle may move when the accelerator pedal is pressed. Unintentional movement of the vehicle can cause injury or death. Do not allow anyone to stand directly in front or behind the vehicle. Driver must have a valid driver's license. Do not operate vehicle until all occupants are properly seated with their backs against the seat and feet flat on the floor. Do not leave children unattended or allow them to play on a parked vehicle.

SAFETY INSTRUCTIONS

BEFORE OPERATING

- READ the owner's manual and all warning labels. Contact an authorized dealer or go to the manufacturer's website for replacement manual or labels.
- This vehicle is equipped for personal use in most communities; however, state law or local rules may require additional equipment in your community.

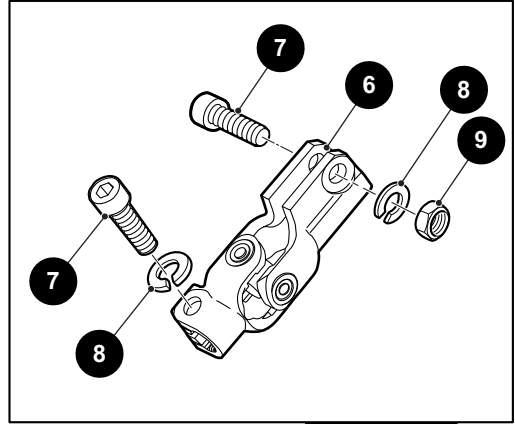
SAFE OPERATION & PARKING

- Turn key to ON, select Forward or Reverse, release the parking brake (if required), and slowly press accelerator pedal.
- Always bring vehicle to a complete stop before changing the direction selector.
- Always remain seated in a moving vehicle.
- Control from the driver's seat only.
- Never drink alcohol or use drugs or medications before or during operation of the vehicle.
- ALWAYS engage the parking brake and remove the key before leaving the vehicle. In an electric vehicle, put the direction selector in OFF or Neutral; in a gasoline vehicle, put the selector in Forward.

MAINTENANCE & TOWING

- This vehicle requires regularly scheduled maintenance from the periodic service schedule in owner's manual.
- ONLY qualified personnel should service this vehicle.
- Vehicle is not to be towed; consult owner's manual for transport instructions.

4 STEERING COLUMN ASSEMBLY includes items 5 - 9



FRONT SUSPENSION AND STEERING

THE USE OF NON U.L. PARTS WILL VOID ANY U.L. LISTING.

When ordering parts, please specify the model and serial number of the product.

* Indicates a component that is not available as an individual part.

*** Indicates consult Customer Service Department for additional information.

ITEM	PART NO.	1 2 3 4 5	DESCRIPTION	QTY.
1	<u>602980</u>		STEERING WHEEL	1
2	<u>601709</u>		LOCK NUT, M6 - 2	1
3				
4	<u>600333</u>		STEERING COLUMN ASSEMBLY (INCLUDES ITEMS 5 - 9)	1
5	<u>608117</u>		STEERING COLUMN	1
6	<u>608114</u>		STEERING YOKE	1
7	<u>608653</u>		SOCKET HEAD BOLT, M10 - 1.5 X 35MM LG.....	2
8	<u>608654</u>		LOCK WASHER, 10.5MM	2
9	<u>608655</u>		HEX NUT, M10 - 1.5.....	1
10				
11	<u>602572</u>		PAN HEAD TAPTITE BOLT, M10 - 1.5 X 25MM LG	4
12	<u>607925</u>		SCORECARD HOLDER	1
13				
14	<u>614044</u>		OPERATION INSTRUCTION LABEL (CE VEHICLE ONLY)	1
15	664789		WARNING LABEL (STEERING WHEEL)	1

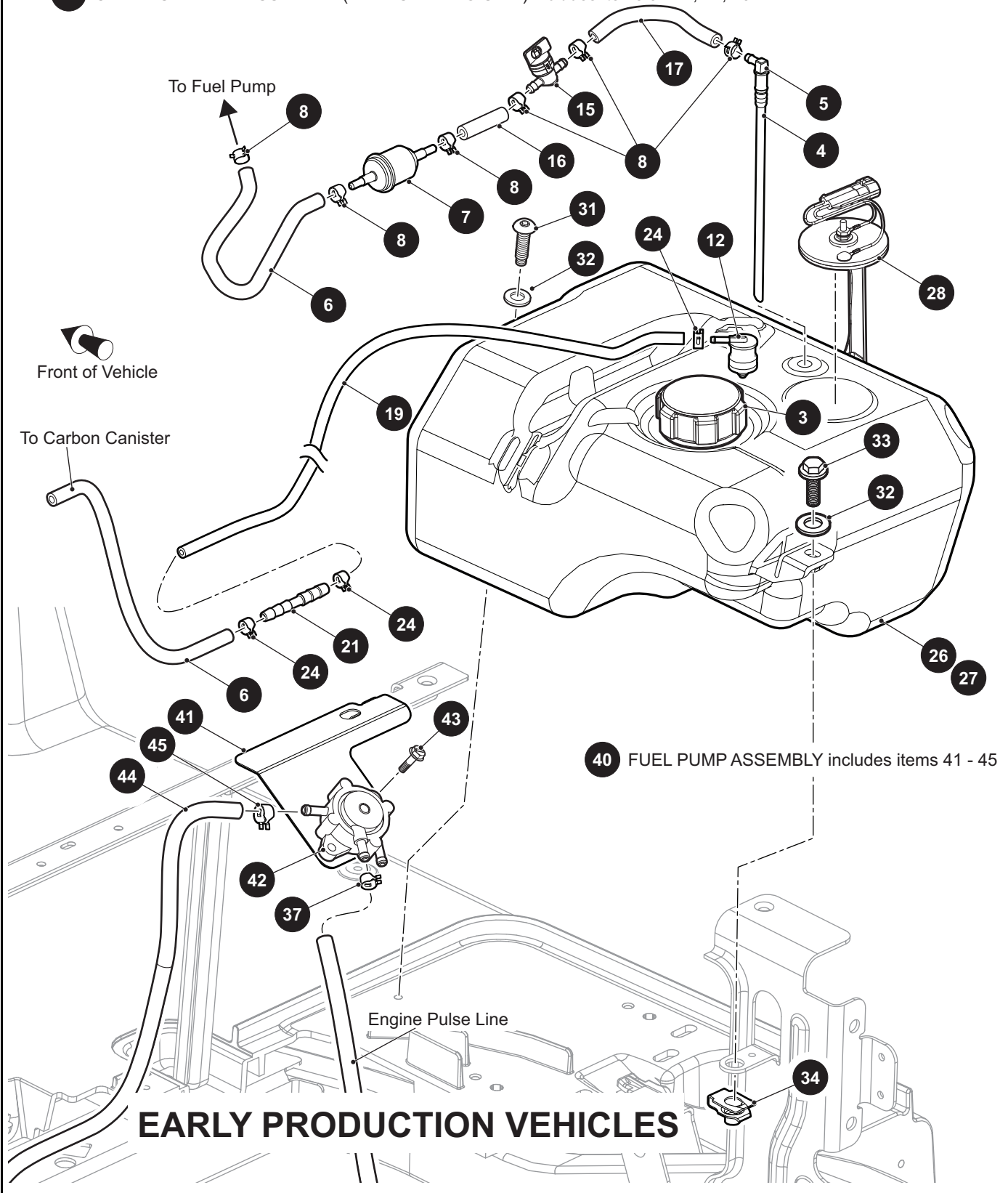
Notes:

A large grid area for taking notes, consisting of 25 columns and 30 rows of small squares.

FUEL SYSTEM

1 CARB FUEL TANK ASSEMBLY (WITHOUT SENDING UNIT) includes items 3 - 26

2 CARB FUEL TANK ASSEMBLY (WITH SENDING UNIT) includes items 3 - 24, 27, 28



FUEL SYSTEM

THE USE OF NON U.L. PARTS WILL VOID ANY U.L. LISTING.

When ordering parts, please specify the model and serial number of the product.

* Indicates a component that is not available as an individual part.

*** Indicates consult Customer Service Department for additional information.

ITEM	PART NO.	1 2 3 4 5	DESCRIPTION	QTY.
1	<u>615247</u>		CARB FUEL TANK ASSEMBLY (WITHOUT SENDING UNIT) (INCLUDES ITEMS 3 - 26)	1
2	<u>615248</u>		CARB FUEL TANK ASSEMBLY (WITH SENDING UNIT) (INCLUDES ITEMS 3 - 24, 27, 28)	1
3	670898		FUEL TANK CAP (RATCHET)	1
4	<u>635539</u>		SIPHON TUBE	1
5	<u>70988G01</u>		GROMMET (SIPHON TUBE)	1
6	<u>615121</u>		FUEL HOSE, 13" LG	2
7	<u>72084G01</u>		FUEL FILTER	1
8	<u>18292G1</u>		TUBING CLAMP	6
9				
10				
11				
12	<u>606067</u>		ROLLOVER VALVE	1
13	<u>606068</u>		ROLLOVER VALVE GROMMET (NOT ILLUSTRATED)	1
14				
15	<u>611181</u>		SHUT-OFF VALVE.....	1
16	<u>615350</u>		FUEL HOSE, 2" LG	1
17	<u>615120</u>		FUEL HOSE, 6" LG	1
18				
19	<u>614417</u>		HOSE, 3/16" I.D. X 41" LG	1
20				
21	<u>615346</u>		HOSE REDUCER, 1/4" I.D. X 3/16"	1
22				
23				
24	<u>606963</u>		HOSE CLAMP, 3/16" I.D.....	3
25				
26	*		FUEL TANK (WITHOUT SENDER HOLE)	1
27	*		FUEL TANK (WITH SENDER HOLE).....	1
28	<u>633024G01</u>		FUEL SENDER.....	1
29				
30				

FUEL SYSTEM

THE USE OF NON U.L. PARTS WILL VOID ANY U.L. LISTING.

When ordering parts, please specify the model and serial number of the product.

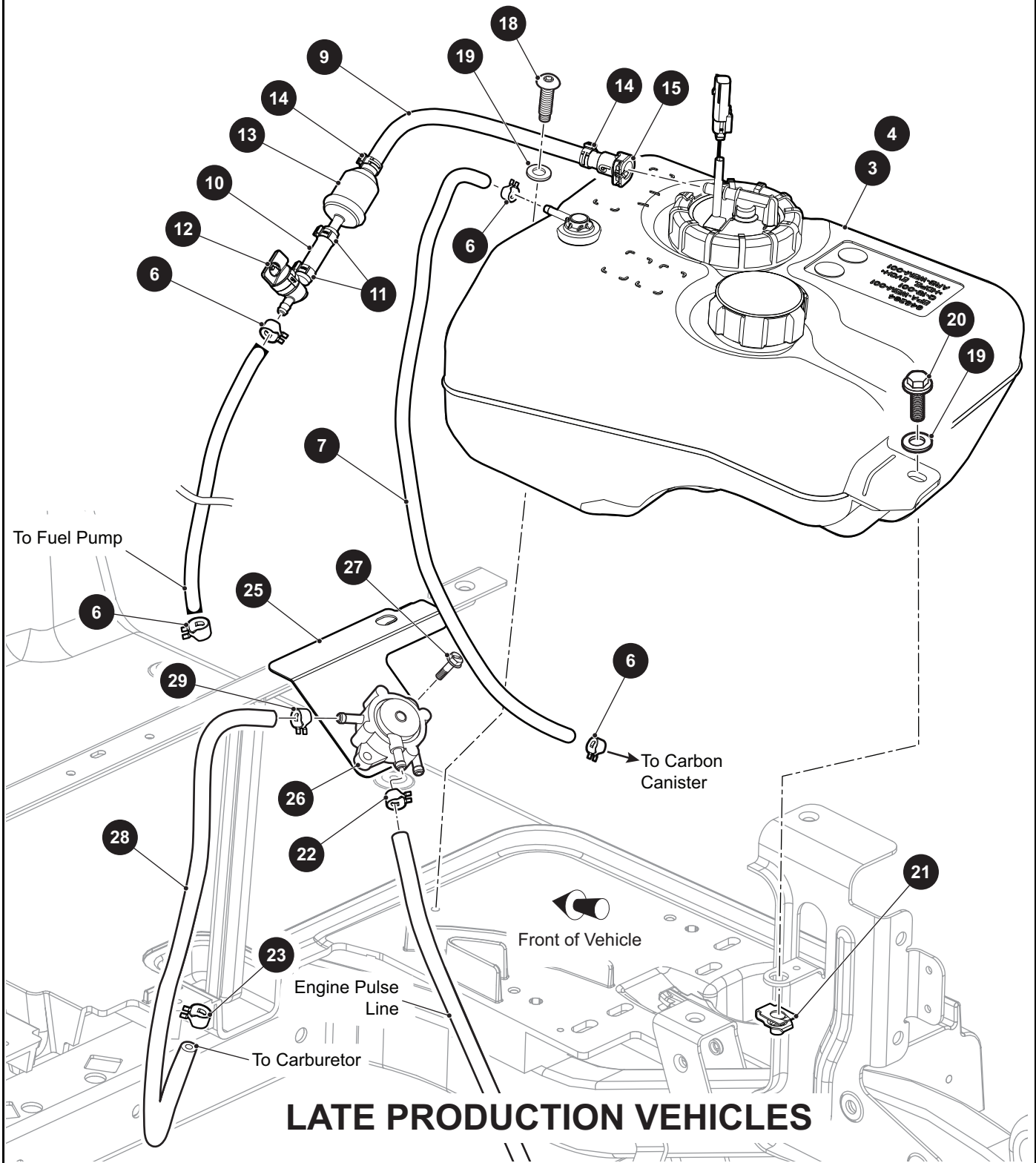
* Indicates a component that is not available as an individual part.

*** Indicates consult Customer Service Department for additional information.

ITEM	PART NO.	1	2	3	4	5	DESCRIPTION	QTY.
31	<u>649804</u>						BUTTON HEAD TORX SCREW, M8 - 3.50 X 30MM LG	1
32	<u>604066</u>						FLAT WASHER, M10	2
33	<u>603799</u>						FLANGED HEX HEAD BOLT, M10 - 1.5 X 25MM LG	1
34	<u>603818</u>						BARREL CLIP NUT, M10 - 1.5	1
35								
36								
37	<u>18292G1</u>						TUBING CLAMP, .5" O.D.	1
38	<u>11391G4</u>						HOSE CLAMP, .25" (NOT ILLUSTRATED)	1
39								
40	<u>642779</u>						FUEL PUMP ASSEMBLY (INCLUDES ITEMS 41 - 45).....	1
41	<u>641301</u>						BRACKET	1
42	<u>602061</u>						FUEL PUMP.....	1
43	<u>00114G6</u>						HEX WASHER HEAD TAPPING SCREW, 1/4" - 10 X 3/4" LG	2
44	<u>604597</u>						FUEL HOSE, 26" LG.....	1
45	<u>18292G1</u>						TUBING CLAMP, .5" O.D.	1

FUEL SYSTEM

- 1 FUEL TANK ASSEMBLY (WITHOUT SENDING UNIT) includes items 3, 6 - 8
- 2 FUEL TANK ASSEMBLY (WITH SENDING UNIT) includes items 4 - 8
- 24 FUEL PUMP ASSEMBLY includes items 25 - 29



FUEL SYSTEM

THE USE OF NON U.L. PARTS WILL VOID ANY U.L. LISTING.

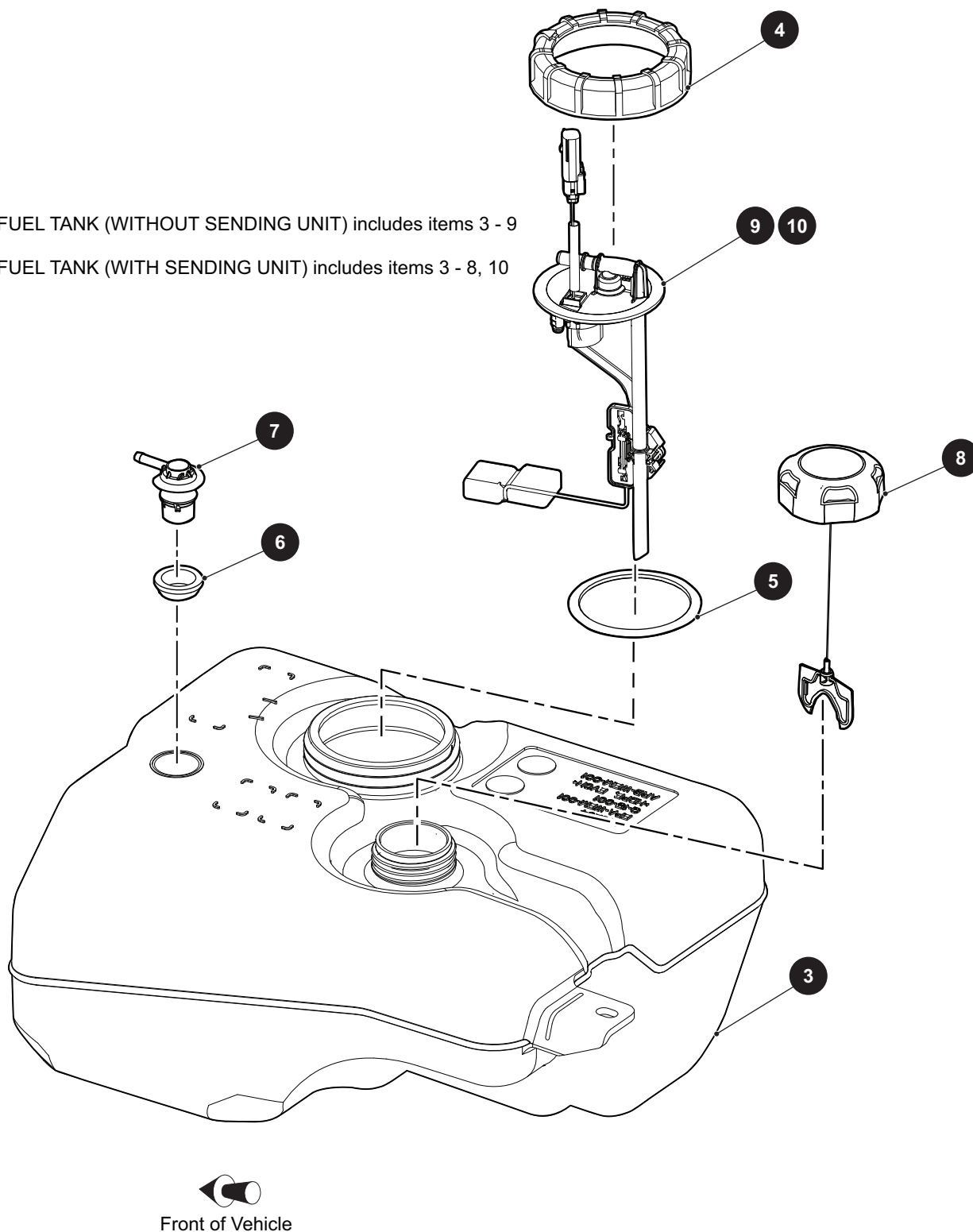
When ordering parts, please specify the model and serial number of the product.

* Indicates a component that is not available as an individual part.

*** Indicates consult Customer Service Department for additional information.

ITEM	PART NO.	1 2 3 4 5	DESCRIPTION	QTY.
1	<u>615247</u>		FUEL TANK ASSEMBLY (WITHOUT SENDING UNIT) (INCLUDES ITEMS 3, 6 - 8)	1
2	<u>615248</u>		FUEL TANK ASSEMBLY (WITH SENDING UNIT) (INCLUDES ITEMS 4 - 8)	1
3	<u>656162</u>		FUEL TANK (WITHOUT SENDING UNIT)	1
4	<u>656161</u>		FUEL TANK (WITH SENDING UNIT)	1
5				
6	<u>18292G1</u>		HOSE CLAMP, .46" DIA	4
7	<u>27184G05</u>		FUEL TUBE, .25 I.D. X .5 O.D. X 42" LG	1
8	<u>650543</u>		FUEL LINE ASSEMBLY (INCLUDES ITEMS 9 - 15)	1
9	<u>649570</u>		FUEL HOSE, .312 I.D. X .562 O.D. X 9" LG	1
10	<u>615350</u>		FUEL HOSE, 2" LG	1
11	<u>649873</u>		HOSE CLAMP, 1/2" O.D.	2
12	<u>611181</u>		SHUT-OFF VALVE	1
13	<u>72084G01</u>		FUEL FILTER	1
14	<u>649874</u>		HOSE CLAMP, 9/16" O.D.	2
15	<u>650797</u>		FUEL QUICK CONNECT (STRAIGHT)	1
16				
17				
18	<u>649804</u>		BUTTON HEAD TORX SCREW, M8 - 3.50 X 30MM LG	1
19	<u>604066</u>		FLAT WASHER, M10	2
20	<u>603799</u>		FLANGED HEX HEAD BOLT, M10 - 1.5 X 25MM LG	1
21	<u>603818</u>		BARREL CLIP NUT, M10 - 1.5	1
22	<u>18292G1</u>		HOSE CLAMP, .46" DIA	1
23	<u>11391G4</u>		HOSE CLAMP, .25" DIA	1
24	<u>642779</u>		FUEL PUMP ASSEMBLY (INCLUDES ITEMS 25 - 29)	1
25	<u>641301</u>		BRACKET	1
26	<u>602061</u>		FUEL PUMP	1
27	<u>00114G6</u>		HEX WASHER HEAD TAPPING SCREW, 1/4" - 10 X 3/4" LG	2
28	<u>604597</u>		FUEL HOSE, 26" LG	1
29	<u>18292G1</u>		TUBING CLAMP, .5" O.D.	1

- 1 FUEL TANK (WITHOUT SENDING UNIT) includes items 3 - 9
- 2 FUEL TANK (WITH SENDING UNIT) includes items 3 - 8, 10



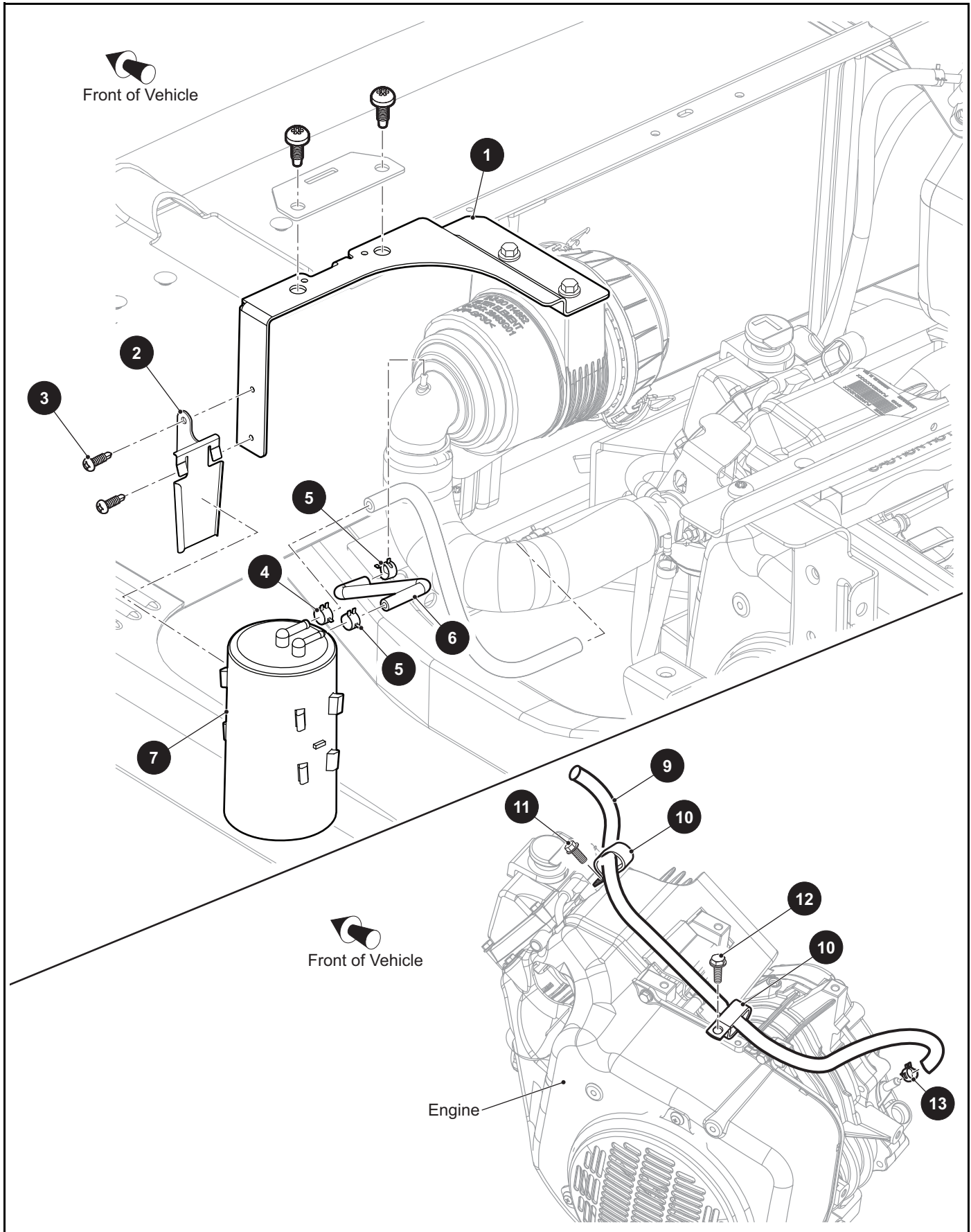
LATE PRODUCTION VEHICLES

FUEL SYSTEM

THE USE OF NON U.L. PARTS WILL VOID ANY U.L. LISTING.
 When ordering parts, please specify the model and serial number of the product.
 * Indicates a component that is not available as an individual part.
 *** Indicates consult Customer Service Department for additional information.

ITEM	PART NO.	1 2 3 4 5	DESCRIPTION	QTY.
1	<u>656162</u>		FUEL TANK (WITHOUT SENDING UNIT) (INCLUDES ITEMS 3 - 9)	1
2	<u>656161</u>		FUEL TANK (WITH SENDING UNIT) (INCLUDES ITEMS 3 - 8, 10).....	1
3	<u>646284</u>		FUEL TANK	1
4	<u>646837</u>		MASON JAR CAP	1
5	<u>646838</u>		MASON JAR SEAL.....	1
6	<u>647810</u>		ROLLOVER VALVE GROMMET	1
7	<u>647809</u>		ROLLOVER VALVE	1
8	<u>670898</u>		FUEL TANK CAP (RATCHET).....	1
9	<u>656157</u>		FUEL PICKUP WITHOUT SENDER ASSEMBLY	1
10	<u>656156</u>		FUEL PICKUP WITH SENDER ASSEMBLY	1

FUEL SYSTEM



FUEL SYSTEM

THE USE OF NON U.L. PARTS WILL VOID ANY U.L. LISTING.

When ordering parts, please specify the model and serial number of the product.

* Indicates a component that is not available as an individual part.

*** Indicates consult Customer Service Department for additional information.

ITEM	PART NO.	1 2 3 4 5	DESCRIPTION	QTY.
1	<u>614839</u>		CANISTER BRACKET	1
2	<u>606310</u>		CANISTER MOUNTING BRACKET	1
3	<u>00106G6</u>		PAN HEAD PHILLIPS SCREW, #12 - 24 X 3/4" LG	2
4	<u>18292G1</u>		TUBING CLAMP .5" O.D.	1
5	<u>606963</u>		HOSE CLAMP, 3/16" I.D.	2
6	<u>615259</u>		HOSE, 3/16" I.D. X 11" LG	1
7	<u>606071</u>		CARBON CANISTER.....	1
8				
9	<u>27184G11</u>		FUEL SYSTEM TUBE.....	1
10	<u>606962</u>		CLAMP, .75" DIA.....	2
11	<u>73876G01</u>		FLANGED HEX HEAD BOLT, M6 - 1 X 12MM LG.....	1
12	<u>606264</u>		FLANGED HEX HEAD BOLT, M6 - 1 X 20MM LG.....	1
13	<u>18292G1</u>		CLAMP, .5" DIA.....	1

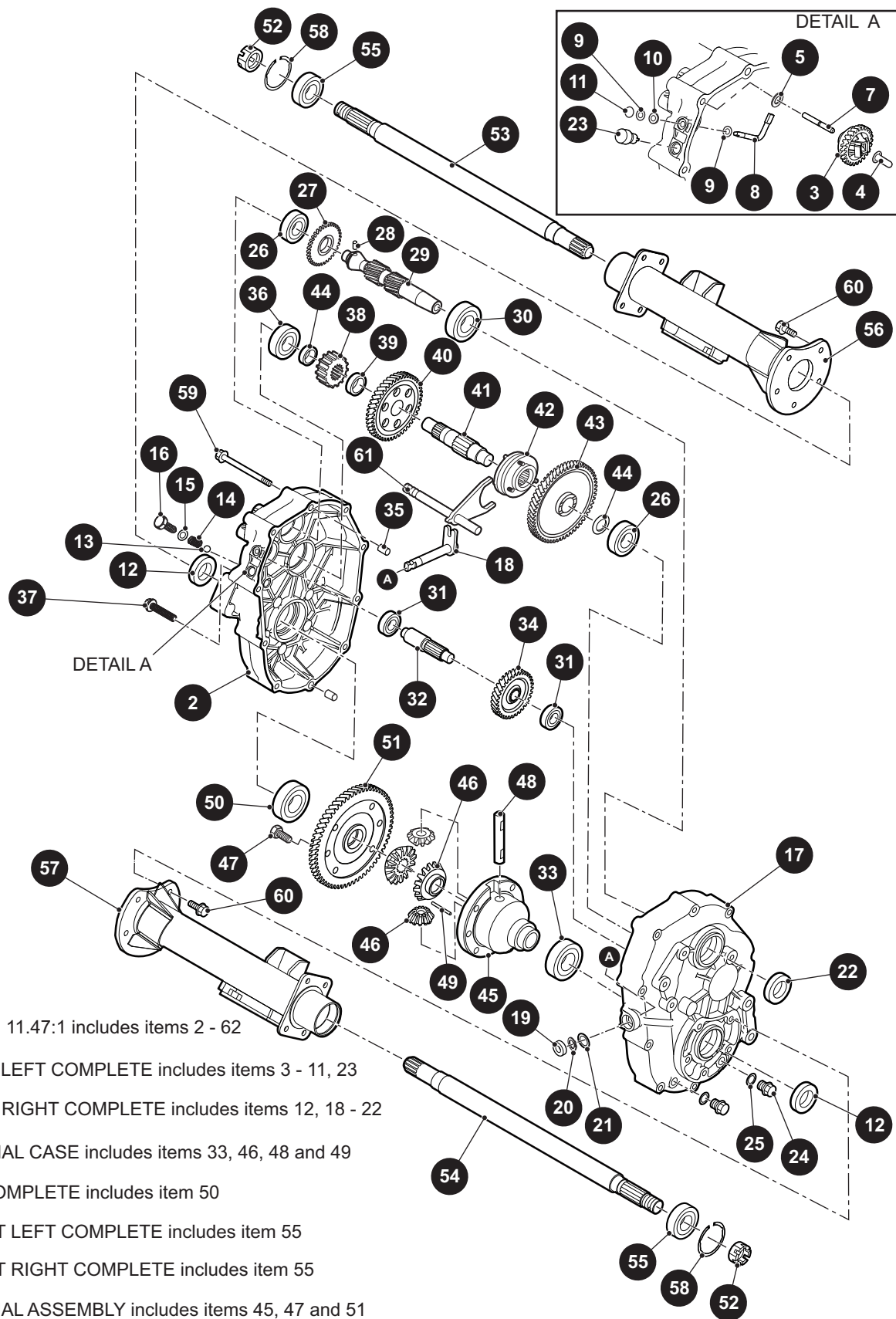
Notes:

Large grid area for taking notes.

Notes:

Grid area for taking notes.

REAR AXLE



- 1 REAR AXLE, 11.47:1 includes items 2 - 62
- 2 AXLE CASE LEFT COMPLETE includes items 3 - 11, 23
- 17 AXLE CASE RIGHT COMPLETE includes items 12, 18 - 22
- 45 DIFFERENTIAL CASE includes items 33, 46, 48 and 49
- 51 GEAR, 60 COMPLETE includes item 50
- 53 AXLE SHAFT LEFT COMPLETE includes item 55
- 54 AXLE SHAFT RIGHT COMPLETE includes item 55
- 62 DIFFERENTIAL ASSEMBLY includes items 45, 47 and 51

THE USE OF NON U.L. PARTS WILL VOID ANY U.L. LISTING.

When ordering parts, please specify the model and serial number of the product.

* Indicates a component that is not available as an individual part.

*** Indicates consult Customer Service Department for additional information.

ITEM	PART NO.	1 2 3 4 5	DESCRIPTION	QTY.
1	<u>670468</u>		REAR AXLE, 11.47:1 (INCLUDES ITEMS 2 - 62).....	1
2	<u>639859</u>		AXLE CASE LEFT COMPLETE (INCLUDES ITEMS 3 - 11, 23).....	1
3	<u>665887</u>		GOVERNOR GEAR	1
4	<u>639689</u>		GOVERNOR SLEEVE	1
5	<u>607904</u>		FLAT WASHER	1
6				
7	<u>639698</u>		GOVERNOR GEAR SHAFT	1
8	<u>639707</u>		GOVERNOR SHAFT	1
9	<u>639736</u>		FLAT WASHER, 6MM	2
10	<u>607911</u>		OIL SEAL, 6 X 10 X 2.5 MM	1
11	<u>607913</u>		RETAINING RING E5	1
12	<u>639738</u>		OIL SEAL, 24 X 40 X 9MM	2
13	<u>26818G01</u>		STEEL BALL	1
14	<u>26819G01</u>		SPRING	1
15	<u>26831G01</u>		GASKET, 10	1
16	<u>26820G01</u>		FLANGED HEX HEAD BOLT, M10 - 1.25 X 12MM LG	1
17	<u>639865</u>		AXLE CASE RIGHT COMPLETE (INCLUDES ITEMS 12, 18 - 22).....	1
18	<u>639746</u>		SELECT SHAFT	1
19	<u>607915</u>		OIL SEAL, 13 X 22 X 5MM	1
20	<u>607916</u>		SNAP RING, 13MM	1
21	<u>607917</u>		SPACER, 13 X 1MM	1
22	<u>640093</u>		OIL SEAL, 28 X 47 X 9MM	1
23	<u>607919</u>		AIR BREATHER.....	1
24	<u>639747</u>		OIL DRAIN PLUG	2
25	<u>639748</u>		GASKET, 14MM	2
26	<u>26785G01</u>		BALL BEARING (6204)	2
27	<u>665888</u>		GOVERNOR GEAR, 34	1
28	<u>607920</u>		PIN, 6 X 12L	1
29	<u>639750</u>		INPUT SHAFT	1
30	<u>607922</u>		BALL BEARING (62/28)	1
31	<u>639868</u>		BALL BEARING (TMB202).....	2

REAR AXLE

THE USE OF NON U.L. PARTS WILL VOID ANY U.L. LISTING.

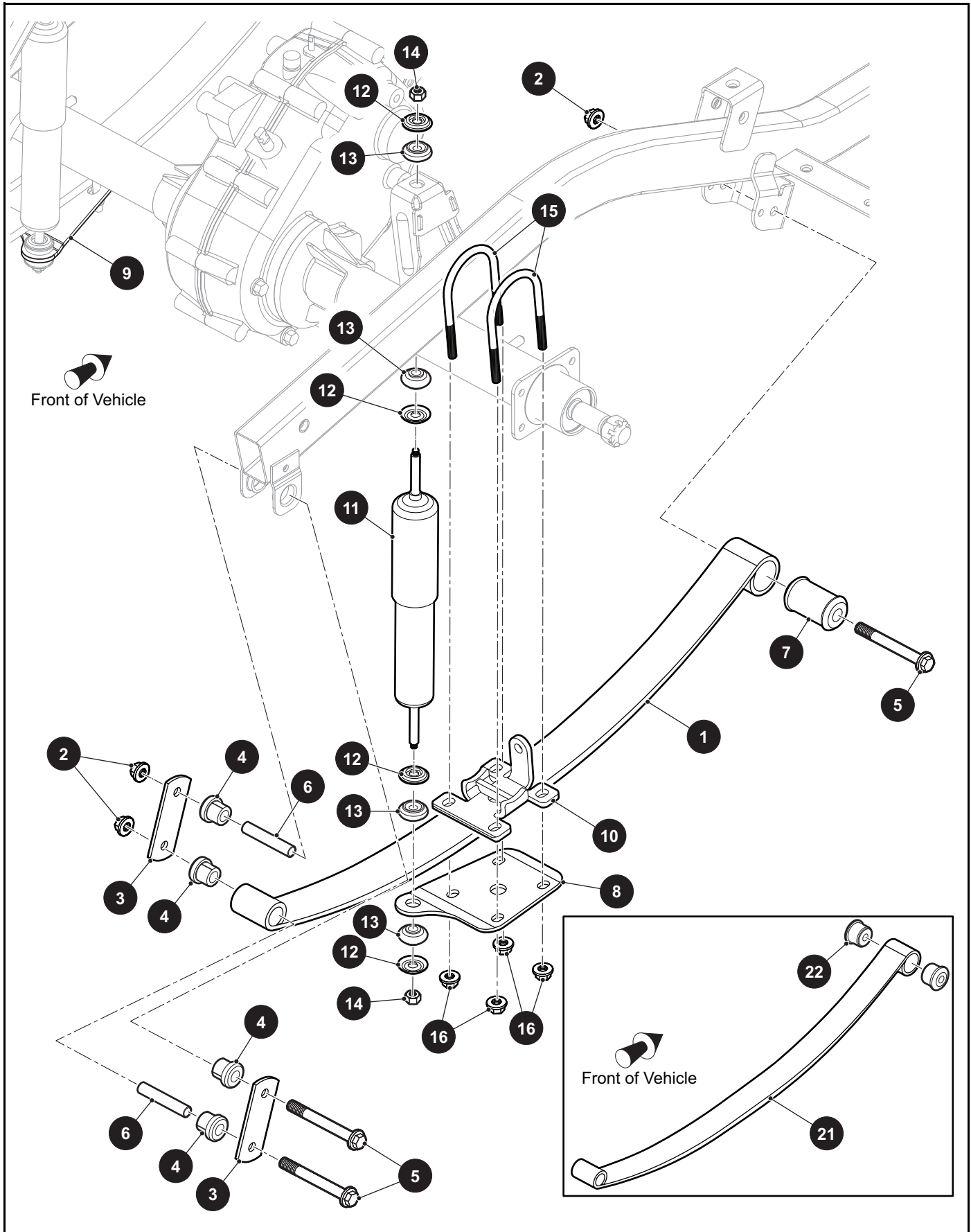
When ordering parts, please specify the model and serial number of the product.

* Indicates a component that is not available as an individual part.

*** Indicates consult Customer Service Department for additional information.

ITEM	PART NO.	1	2	3	4	5	DESCRIPTION	QTY.
32	<u>639755</u>						COUNTER SHAFT.....	1
33	<u>640744</u>						BALL BEARING (6006).....	1
34	<u>639758</u>						GEAR, 34.....	1
35	<u>639869</u>						KNOCK PIPE.....	2
36	<u>639760</u>						BALL BEARING (6304).....	2
37	<u>639768</u>						FLANGED HEX HEAD BOLT, M8 - 1.25 X 40MM LG.....	1
38	<u>639769</u>						GEAR, 17.....	1
39	<u>28689G01</u>						COLLAR, 24 X 7.5MM.....	1
40	<u>639771</u>						GEAR, 52.....	1
41	<u>670697</u>						CENTER SHAFT.....	1
42	<u>639774</u>						CLUTCH PIN.....	1
43	<u>670696</u>						GEAR, 61.....	1
44	<u>639797</u>						SPACER, 20 X 2MM.....	2
45	<u>639872</u>						DIFFERENTIAL CASE (INCLUDES ITEMS 33, 46, 48 AND 49).....	1
46	<u>639800</u>						DIFFERENTIAL PAIR GEAR.....	1
47	<u>26808G01</u>						HEX HEAD BOLT, M10 - 1.25 X 26 MM LG.....	6
48	<u>28723G01</u>						DIFFERENTIAL SHAFT.....	1
49	<u>28697G01</u>						SPRING PIN, 4 X 40L.....	1
50	<u>639801</u>						BALL BEARING (6007).....	1
51	<u>640739</u>						GEAR, 60 COMPLETE (INCLUDES ITEM 50).	1
52	<u>607938</u>						CASTLED NUT, M22 - 1.5.....	2
53	<u>639876</u>						AXLE SHAFT LEFT COMPLETE (INCLUDES ITEM 55).....	1
54	<u>639881</u>						AXLE SHAFT RIGHT COMPLETE (INCLUDES ITEM 55).....	1
55	<u>639836</u>						BALL BEARING (6205DD).....	2
56	<u>607939</u>						AXLE CASE LEFT COMPLETE.....	1
57	<u>607940</u>						AXLE CASE RIGHT COMPLETE.....	1
58	<u>26814G01</u>						SNAP RING, 52MM.....	2
59	<u>639839</u>						FLANGED HEX HEAD BOLT, M8 - 1.25 X 60MM LG.....	9
60	<u>639840</u>						FLANGED HEX HEAD BOLT, M10 - 1.25 X 25MM LG.....	10
61	<u>639844</u>						SHIFT SHAFT COMPLETE.....	1
62	<u>639847</u>						DIFFERENTIAL ASSEMBLY (INCLUDES ITEMS 45, 47 AND 51).....	1

REAR SUSPENSION



REAR SUSPENSION

THE USE OF NON U.L. PARTS WILL VOID ANY U.L. LISTING.

When ordering parts, please specify the model and serial number of the product.

* Indicates a component that is not available as an individual part.

*** Indicates consult Customer Service Department for additional information.

ITEM	PART NO.	1 2 3 4 5	DESCRIPTION	QTY.
1	<u>625709</u>		LEAF SPRING (FOR FLEET AND FREEDOM ONLY)	1
2	<u>614974</u>		FLANGED HEX NUT, M10 - 1.5.....	3
3	<u>652245</u>		SHACKLE PLATE	2
4	<u>624030</u>		FLANGED BUSHING (IGUS).....	4
5	<u>601754</u>		FLANGED HEX HEAD BOLT, M10 - 1.5 X 100MM LG.....	3
6	<u>620161</u>		SPLIT SPACER (STEEL).....	2
7	<u>605684</u>		SPRING BUSHING (FRONT).....	1
8	<u>625658</u>		SHOCK MOUNT PLATE (PASSENGER SIDE)	1
9	<u>625657</u>		SHOCK MOUNT PLATE (DRIVER SIDE).....	1
10	<u>626422</u>		AXLE SUPPORT BRACKET.....	1
11	<u>76418G01</u>		SHOCK ABSORBER.....	1
12	<u>10435G1</u>		SHOCK ABSORBER WASHER, .406" X 1.25" X .22"	4
13	<u>10194G1</u>		RUBBER BUSHING	4
14	<u>00532G6</u>		HEX NUT, 3/8" - 24	2
15	<u>632103</u>		U-BOLT, 68MM DIA X 45MM X 110MM LG	2
16	<u>600525</u>		LOCK NUT, M10 - 1.5	4
17				
18				
19				
20				
21	<u>604494</u>		HEAVY DUTY LEAF SPRING.....	1
22	<u>620160</u>		FLANGED BUSHING (URETHANE).....	2

Notes:

A large rectangular grid area, consisting of 25 columns and 30 rows of small squares, provided for taking notes.

SEATING AND BASKET

1 SEAT BOTTOM ASSEMBLY
includes items 2 - 12

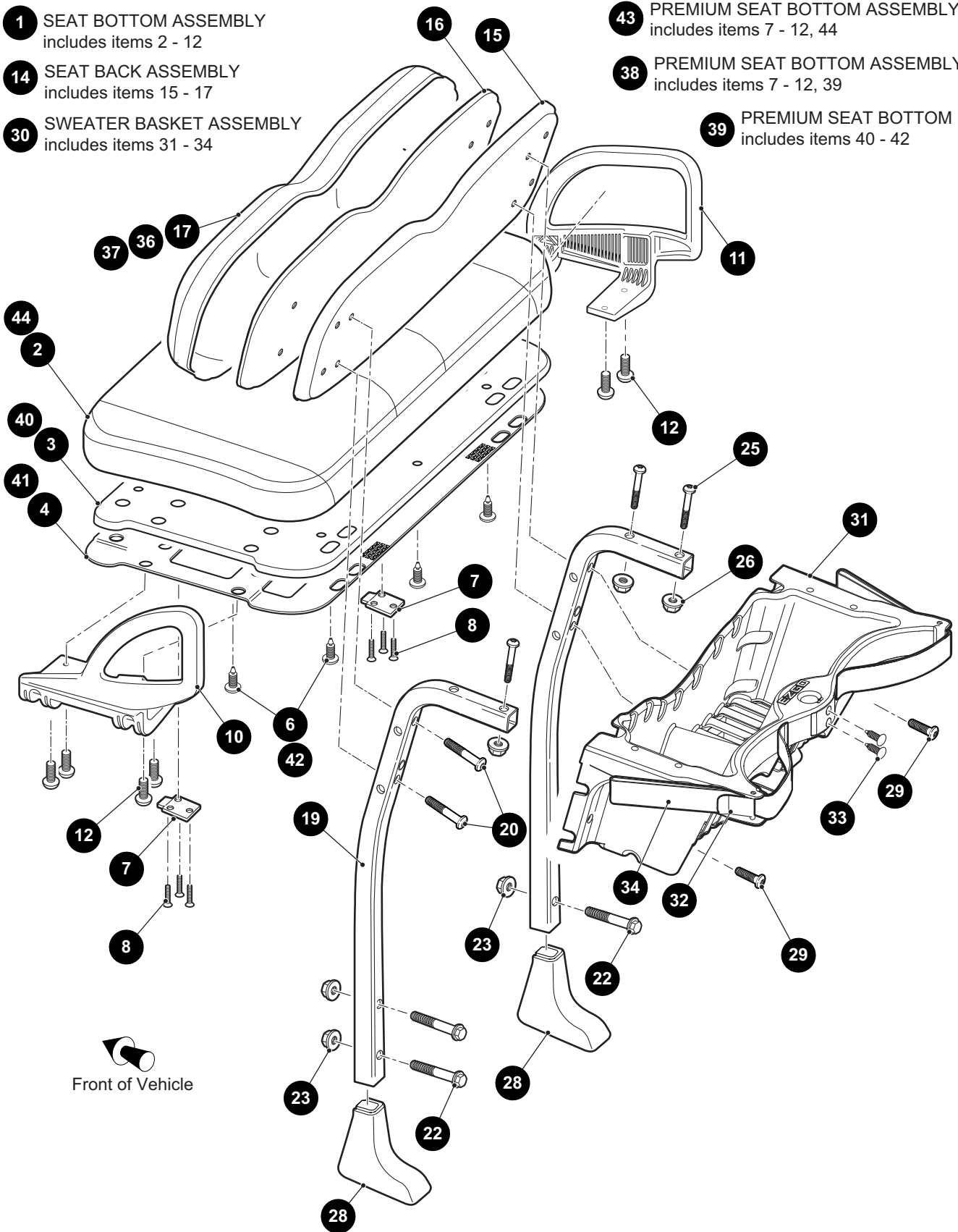
14 SEAT BACK ASSEMBLY
includes items 15 - 17

30 SWEATER BASKET ASSEMBLY
includes items 31 - 34

43 PREMIUM SEAT BOTTOM ASSEMBLY
includes items 7 - 12, 44

38 PREMIUM SEAT BOTTOM ASSEMBLY
includes items 7 - 12, 39

39 PREMIUM SEAT BOTTOM
includes items 40 - 42



SEATING AND BASKET

THE USE OF NON U.L. PARTS WILL VOID ANY U.L. LISTING.

When ordering parts, please specify the model and serial number of the product.

* Indicates a component that is not available as an individual part.

*** Indicates consult Customer Service Department for additional information.

ITEM	PART NO.	1 2 3 4 5	DESCRIPTION	QTY.
1	***		SEAT BOTTOM ASSEMBLY (INCLUDES ITEMS 2 - 12) 629269G1502 STONE BEIGE 629269G1501 OYSTER 629269G1506 BLACK 629269G1504 GRAY	1
2	***		VINYL AND FOAM SEAT BOTTOM 644819G02 STONE BEIGE 644819G01 OYSTER 644819G06 BLACK 644819G04 GRAY	1
3	<u>644351</u>		WOODEN BASE ASSEMBLY.....	1
4	<u>602551</u>		COVER PLATE.....	1
5				
6	<u>16816G2</u>		RATCHET RIVET, .25" X .887".....	4
7	<u>71610G01</u>		SEAT HINGE.....	1
8	<u>00720G08</u>		FLAT HEAD PHILLIPS TAPPING SCREW, #12 - 14 X 1" LG.....	3
9				
10	<u>617645</u>		HIP RESTRAINT (DRIVER SIDE).....	1
11	<u>617644</u>		HIP RESTRAINT (PASSENGER SIDE).....	1
12	<u>615417</u>		BUTTON HEAD TORX BOLT, M10 - 1.5 X 25MM LG.....	4
13				
14	***		SEAT BACK ASSEMBLY (INCLUDES ITEMS 15 - 17)..... 641897G0002 STONE BEIGE 641897G0001 OYSTER 641897G0006 BLACK 641897G0004 GRAY	1
15	<u>605529</u>		COVER (PLASTIC) (BLACK).....	1
16	<u>644268</u>		BASE ASSEMBLY.....	1
17	***		VINYL COVER AND FOAM 644820G02 STONE BEIGE 644820G01 OYSTER 644820G06 BLACK 644820G04 GRAY	1
18				
19	<u>602413</u>		SEAT BACK SUPPORT STRUT.....	2
20	<u>600527</u>		BUTTON HEAD TORX BOLT, M10 - 1.5 X 60MM LG.....	4
21				

SEATING AND BASKET

THE USE OF NON U.L. PARTS WILL VOID ANY U.L. LISTING.

When ordering parts, please specify the model and serial number of the product.

* Indicates a component that is not available as an individual part.

*** Indicates consult Customer Service Department for additional information.

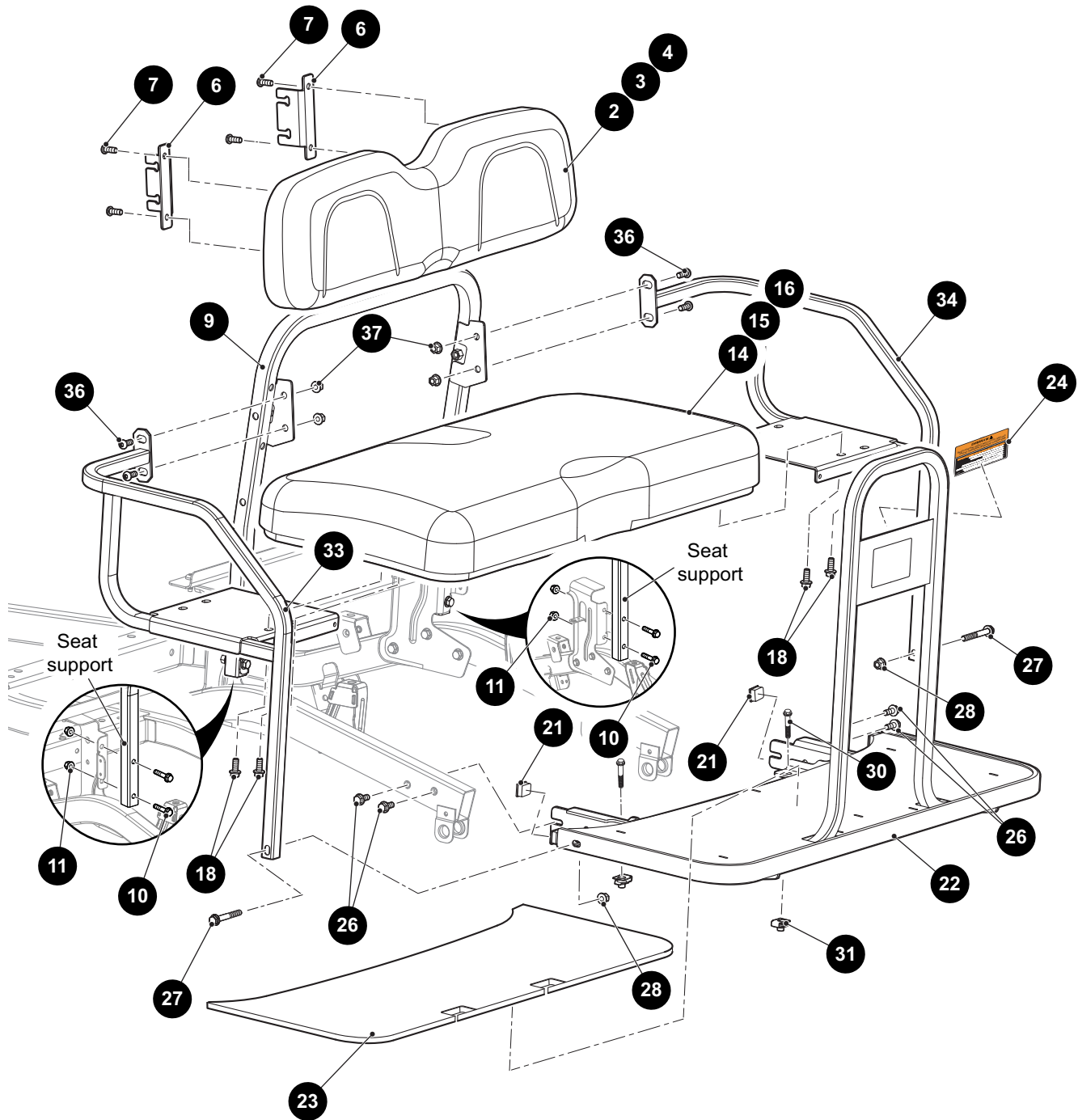
ITEM	PART NO.	1 2 3 4 5	DESCRIPTION	QTY.
22	<u>603800</u>		FLANGED HEX HEAD BOLT, M10 - 1.5 X 50 MM LG	2
23	<u>600525</u>		FLANGED LOCK NUT, M10 - 1.5.....	2
24				
25	<u>600527</u>		BUTTON HEAD TORX BOLT, M10 - 1.5 X 60 MM LG	4
26	<u>600525</u>		LOCK NUT, M10 - 1.5.....	4
27				
28	<u>645088</u>		SEAT BACK SUPPORT STRUT COVER.....	2
29	<u>600530</u>		BUTTON HEAD TORX BOLT, M10 - 1.5 X 25 MM LG	2
30	<u>602742</u>		SWEATER BASKET ASSEMBLY (INCLUDES ITEMS 31 - 34)	1
31	*		SWEATER BASKET	1
32	<u>608051</u>		CLAMP (BAGRACK).....	2
33	<u>16816G1</u>		RACHET RIVET, .25" X .680"	2
34	<u>71853G01</u>		BAG STRAP.....	1
35				
			FOR FLEET AND FREEDOM WITH PREMIUM SEAT OPTION:	
36	***		PREMIUM SEAT BACK ASSEMBLY..... 647282G17 LIGHT BEIGE	1
37	***		PREMIUM SEAT BACK ASSEMBLY	1
			686149G18 MUSHROOM	
			686149G19 GRAY	
			686149G20 CUSTOM	
38	***		PREMIUM SEAT BOTTOM ASSEMBLY (INCLUDES ITEMS 7 - 12, 39).....	1
			629269G1618 MUSHROOM	
			629269G1619 GRAY	
			629269G1620 CUSTOM	
39	***		PREMIUM SEAT BOTTOM ASSEMBLY (INCLUDES ITEMS 40 - 42)	1
			686148G18 MUSHROOM	
			686148G19 GRAY	
			686148G20 CUSTOM	
40	<u>605502</u>		WOODEN BASE ASSEMBLY	1
41	<u>602551</u>		COVER PLATE	1
42	<u>16816G2</u>		RATCHET RIVET, .25" X .887".....	4
43	***		PREMIUM SEAT BOTTOM ASSEMBLY (INCLUDES ITEMS 7 - 12, 44)	1
			629269G1617 LIGHT BEIGE	
44	***		PREMIUM SEAT BOTTOM	1
			647267G17 LIGHT BEIGE	

SEATING AND BASKET

1 SEAT BACK ASSEMBLY
includes items 2 - 4

20 FLOORBOARD ASSEMBLY (FIXED SEAT)
includes items 21 - 24

13 SEAT BOTTOM ASSEMBLY (FIXED)
includes items 14 - 16



SEATING AND BASKET

THE USE OF NON U.L. PARTS WILL VOID ANY U.L. LISTING.

When ordering parts, please specify the model and serial number of the product.

* Indicates a component that is not available as an individual part.

*** Indicates consult Customer Service Department for additional information.

ITEM	PART NO.	1 2 3 4 5	DESCRIPTION	QTY.
1	***		SEAT BACK ASSEMBLY (INCLUDES ITEMS 2 - 4)..... 641897G0001 OYSTER 641897G0002 STONE BEIGE 641897G0006 BLACK 641897G0004 GRAY	1
2	***		VINYL COVER AND FOAM 644820G02 STONE BEIGE 644820G01 OYSTER 644820G06 BLACK 644820G04 GRAY	1
3	<u>605529</u>		COVER (PLASTIC)	1
4	<u>644268</u>		BASE ASSEMBLY	1
5				
6	<u>606286</u>		REAR SEAT SUPPORT BRACKET	1
7	<u>600530</u>		BUTTON HEAD TORX BOLT, M10 - 1.5 X 25MM LG	2
8				
9	<u>604473</u>		SEAT SUPPORT	1
10	<u>603800</u>		FLANGED HEX HEAD BOLT, M10 - 1.5 X 50MM LG.....	4
11	<u>600525</u>		FLANGED LOCK NUT, M10 - 1.5	4
12				
13	***		SEAT BOTTOM ASSEMBLY (FIXED) (INCLUDES ITEMS 14 - 16) 608010 OYSTER 605501 STONE BEIGE 615170 BLACK 671495 GRAY	1
14	***		VINYL COVER AND FOAM 600221 STONE BEIGE 608007 OYSTER 615169 BLACK 669919 GRAY	1
15	<u>605502</u>		BASE ASSEMBLY	1
16	<u>605503</u>		SEAT BOTTOM (FOAM)	1
17				
18	<u>603799</u>		FLANGED HEX HEAD BOLT, M10 - 1.5 X 25MM LG.....	4
19				
20	<u>642444G01</u>		FLOORBOARD ASSEMBLY (FIXED SEAT) (INCLUDES ITEMS 21 - 24)	1
21	<u>19853G1</u>		TUBE CAP, 1" X 1"	2

SEATING AND BASKET

THE USE OF NON U.L. PARTS WILL VOID ANY U.L. LISTING.

When ordering parts, please specify the model and serial number of the product.

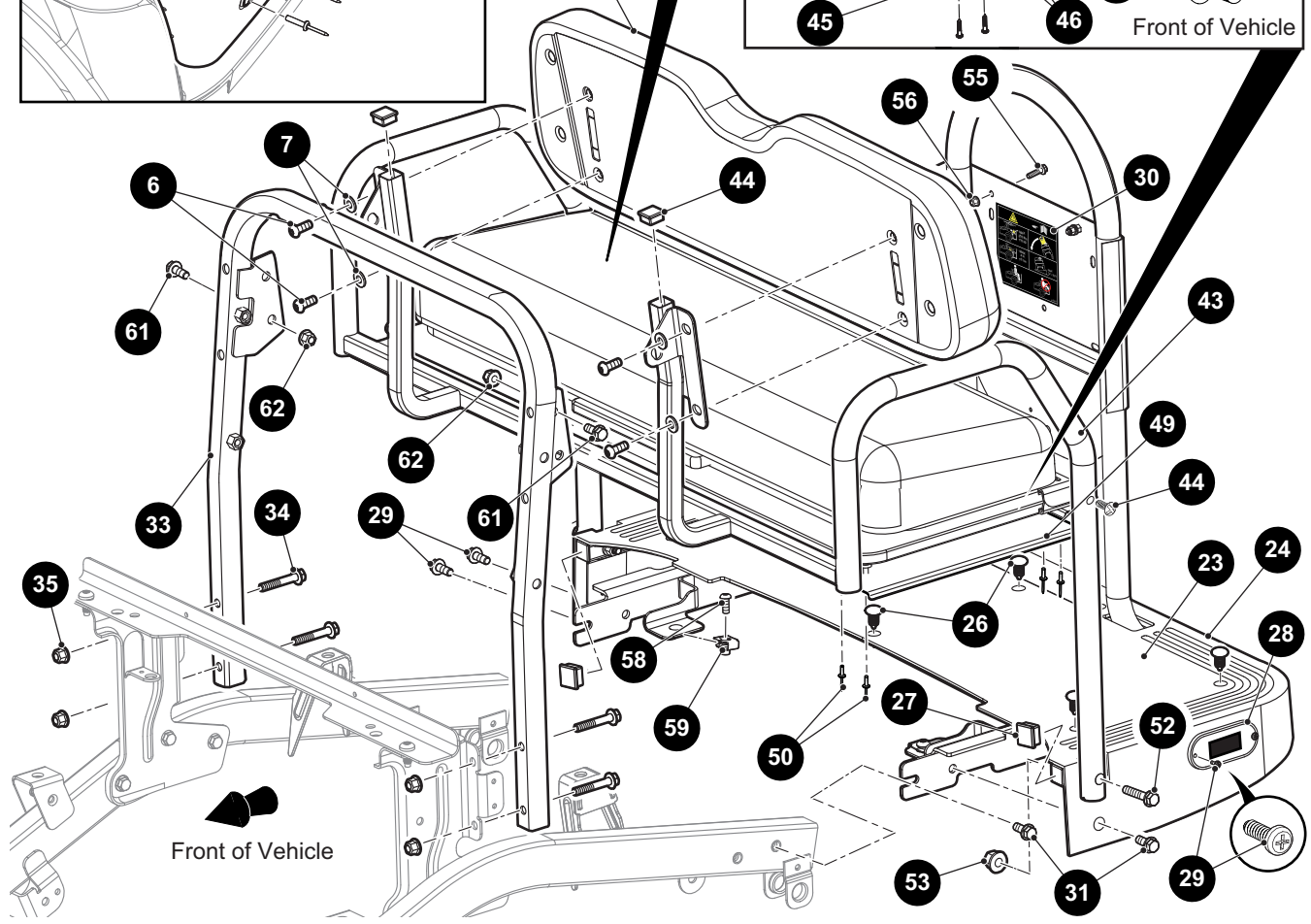
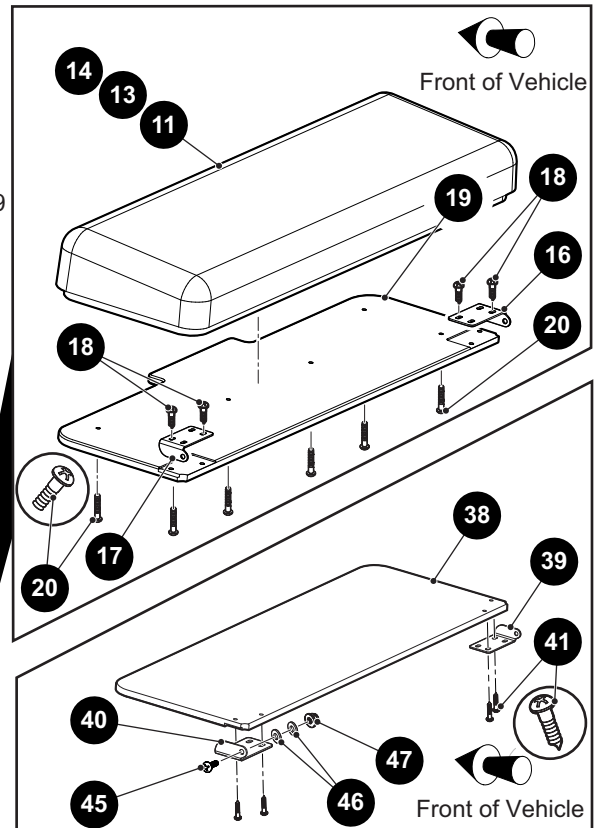
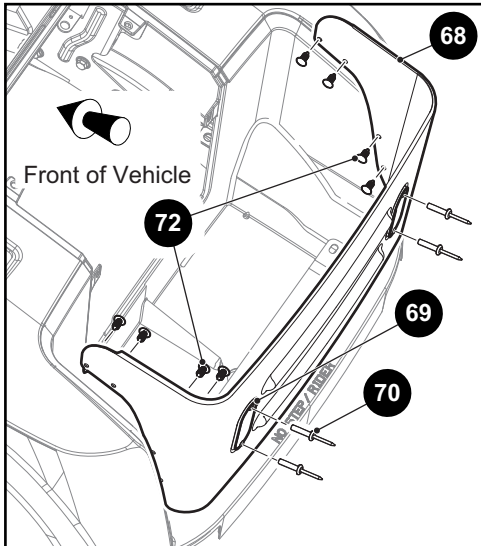
* Indicates a component that is not available as an individual part.

*** Indicates consult Customer Service Department for additional information.

ITEM	PART NO.	1	2	3	4	5	DESCRIPTION	QTY.
22	<u>638346G01</u>						FOOTREST WELDMENT (FIXED SEAT)	1
23	<u>640653</u>						FOOTREST GRIP TAPE	1
24	<u>608537</u>						REAR FACING SEAT WARNING LABEL	1
25								
26	<u>603799</u>						FLANGED HEX HEAD BOLT, M10 - 1.5 X 25MM LG	4
27	<u>602415</u>						FLANGED HEX HEAD BOLT, M10 - 1.5 X 80MM LG	2
28	<u>600525</u>						LOCK NUT, M10 - 1.5	2
29								
30	<u>603800</u>						FLANGED HEX HEAD BOLT, M10 - 1.5 X 50 MM LG	2
31	<u>603818</u>						BARREL CLIP, M10 - 1.5.....	2
32								
33	<u>604723</u>						ARM REST (DRIVER SIDE).....	1
34	<u>604725</u>						ARM REST (PASSENGER SIDE)	1
35								
36	<u>600530</u>						BUTTON HEAD TORX BOLT, M10 - 1.5 X 25MM LG	2
37	<u>600525</u>						LOCK NUT, M10 - 1.5	2

SEATING AND BASKET

- 1** SEAT BACK ASSEMBLY includes items 2 - 4
- 9** SEAT BOTTOM ASSEMBLY (FLIP) includes items 10 - 20
- 10** SEAT BOTTOM ASSEMBLY includes items 11 - 14
- 23** FLOORBOARD ASSEMBLY (FLIP SEAT) includes items 24 - 29
- 37** DECK BED ASSEMBLY includes items 38 - 41
- 67** BAGWELL CLOSEOUT ASSEMBLY includes items 68 - 70



SEATING AND BASKET

THE USE OF NON U.L. PARTS WILL VOID ANY U.L. LISTING.

When ordering parts, please specify the model and serial number of the product.

* Indicates a component that is not available as an individual part.

*** Indicates consult Customer Service Department for additional information.

ITEM	PART NO.	1 2 3 4 5	DESCRIPTION	QTY.
1	***		SEAT BACK ASSEMBLY (INCLUDES ITEMS 2 - 4)..... 641897G0002 STONE BEIGE 641897G0001 OYSTER 641897G0006 BLACK 641897G0004 GRAY	1
2	<u>605529</u>		BLACK PLASTIC COVER	1
3	<u>644268</u>		BASE ASSEMBLY	1
4	***		VINYL COVER AND FOAM	1
			644820G02 STONE BEIGE 644820G01 OYSTER 644820G06 BLACK 644820G04 GRAY	
5				
6	<u>600530</u>		BUTTON HEAD TORX BOLT, M10 - 1.5 X 25MM LG	4
7	<u>603823</u>		FLAT WASHER, M10 X 22MM X 2.5MM	4
8				
9	***		SEAT BOTTOM ASSEMBLY (FLIP) (INCLUDES ITEMS 10 - 20)..... 615193 STONE BEIGE 615194 OYSTER 615137 BLACK 670860 GRAY	1
10	***		SEAT BOTTOM ASSEMBLY (INCLUDES ITEMS 11 - 14)..... 615192 STONE BEIGE 75197G03 OYSTER 75197G07 BLACK 75197G02 GRAY	1
11	***		VINYL COVER..... 615191 STONE BEIGE 75252G03 OYSTER 75252G07 BLACK 75252G02 GRAY	1
12	<u>11394G1</u>		SEAT STRAP, 5.5" LG (NOT ILLUSTRATED)	1
13	<u>75199G01</u>		FOAM.....	1
14	<u>75223G01</u>		PLYWOOD	1
15				
16	<u>75250G01</u>		SEAT HINGE (PASSENGER SIDE)	1
17	<u>75250G02</u>		SEAT HINGE (DRIVER SIDE).....	1
18	<u>600922</u>		TRUSS HEAD SCREW WITH PATCH LOCK, 1/4" - 20 X 5/8" LG	2
19	<u>620879</u>		SEAT BED DECK ASSEMBLY	1

SEATING AND BASKET

THE USE OF NON U.L. PARTS WILL VOID ANY U.L. LISTING.

When ordering parts, please specify the model and serial number of the product.

* Indicates a component that is not available as an individual part.

*** Indicates consult Customer Service Department for additional information.

ITEM	PART NO.	1 2 3 4 5	DESCRIPTION	QTY.
20	<u>00205G4</u>		FLAT HEAD SCREW, 1/4" - 20 X 1 1/2" LG	6
21				
22				
23	<u>642444G02</u>		FLOORBOARD ASSEMBLY (FLIP SEAT) (INCLUDES ITEMS 24 - 29).....	1
24	<u>638346G02</u>		FOOTREST WELDMENT (FIXED SEAT)	1
25	<u>609851</u>		FOOTREST COVER.....	1
26	<u>16816G2</u>		RATCHET RIVET, .25" X .887"	10
27	<u>19853G1</u>		TUBE CAP, 1" X 1".....	2
28	<u>614973</u>		OVAL REFLECTOR (RED)	4
29	<u>608290</u>		SELF TAPPING SCREW, #10 - 16 X 3/4" LG	2
30	<u>610631</u>		CLAYS BED LABEL.....	1
31	<u>603799</u>		FLANGED HEX HEAD BOLT, M10 - 1.5 X 25MM LG	4
32				
33	<u>604473</u>		SEAT SUPPORT	1
34	<u>601414</u>		FLANGED HEX HEAD BOLT, M10 -1.5 X 65MM LG	4
35	<u>600525</u>		LOCK NUT, M10 - 1.5	4
36				
37	<u>615138</u>		DECK BED ASSEMBLY (INCLUDES ITEMS 38 - 41).....	1
38	<u>620878</u>		MIDDLE LIFTED DECK BED	1
39	<u>75250G01</u>		SEAT HINGE (PASSENGER SIDE).....	1
40	<u>75250G02</u>		SEAT HNGE (DRIVER SIDE)	1
41	<u>600922</u>		TRUSS HEAD SCREW WITH PATCH LOCK, 1/4" - 20 X 5/8" LG	2
42				
43	<u>617576</u>		REAR SEAT FRAME (LIFTED)	1
44	<u>19853G1</u>		TUBE CAP, 1" X 1"	2
45	<u>00762G8</u>		TRUSS HEAD PHILLIPS SCREW, 5/16" - 18 X 2" LG.....	2
46	<u>17255G1</u>		FLAT WASHER (TEFLON), .360"X .625" X .030"	4
47	<u>00891G3</u>		LOCK NUT, 5/16" -18	2
48				
49	<u>612620</u>		REAR FACING SEAT CLOSE OUT	1
50	<u>18436G1</u>		RIVET, 1/4" X 3/4"	4

SEATING AND BASKET

THE USE OF NON U.L. PARTS WILL VOID ANY U.L. LISTING.

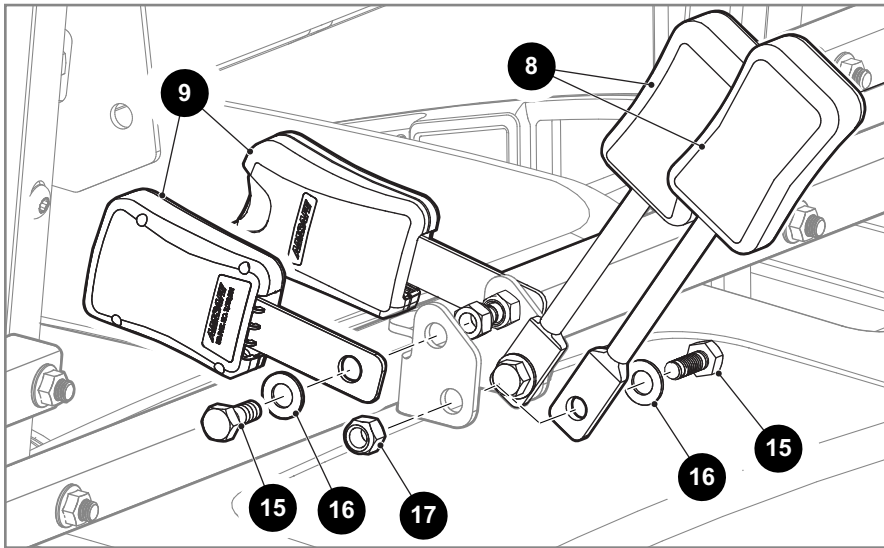
When ordering parts, please specify the model and serial number of the product.

* Indicates a component that is not available as an individual part.

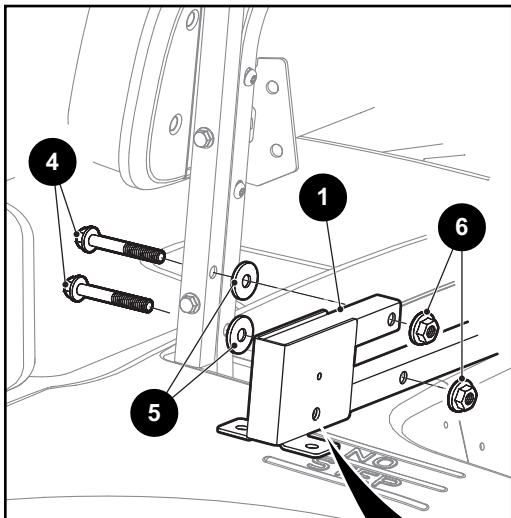
*** Indicates consult Customer Service Department for additional information.

ITEM	PART NO.	1 2 3 4 5	DESCRIPTION	QTY.
51				
52	<u>602415</u>		FLANGED HEX HEAD BOLT, M10 - 1.5 X 80MM LG.....	2
53	<u>600525</u>		LOCK NUT, M10 - 1.5	2
54				
55	<u>73876G01</u>		FLANGED HEX HEAD BOLT, M6 - 1 X12MM LG.....	2
56	<u>601476</u>		LOCK NUT, M6 - 1	2
57				
58	<u>600530</u>		BUTTON HEAD TORX BOLT, M10 - 1.5 X 25MM LG	2
59	<u>603818</u>		BARREL CLIP, M10 - 1.5	2
60				
61	<u>603799</u>		FLANGED HEX HEAD BOLT, M10 - 1.5 X 25MM LG.....	2
62	<u>600525</u>		LOCK NUT, M10 - 1.5	2
63				
64				
65				
66				
67	<u>643973</u>		BAGWELL CLOSEOUT ASSEMBLY (INCLUDES ITEMS 68 - 70)	1
68	643062		BAGWELL CLOSEOUT	1
69	<u>614973</u>		RED REFLECTOR	1
70	<u>71055G02</u>		RIVET, 3/16" DIA	2
71				
72	<u>16816G2</u>		RATCHET RIVET, .25" X .887"	8

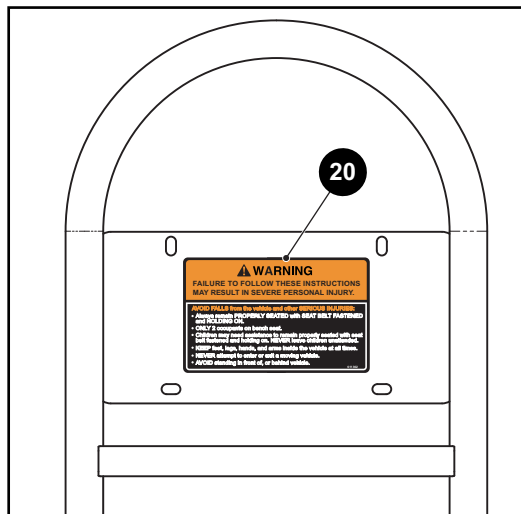
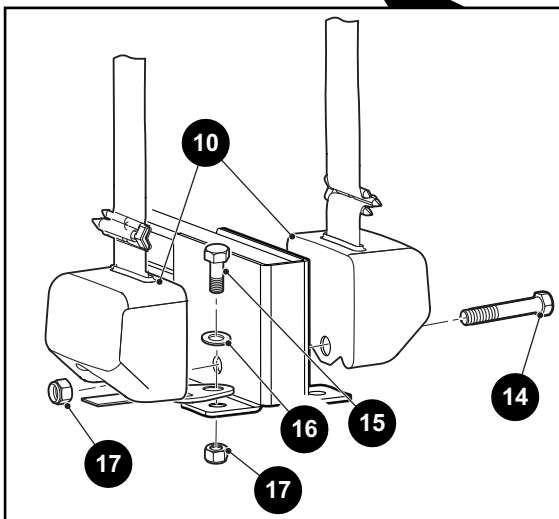
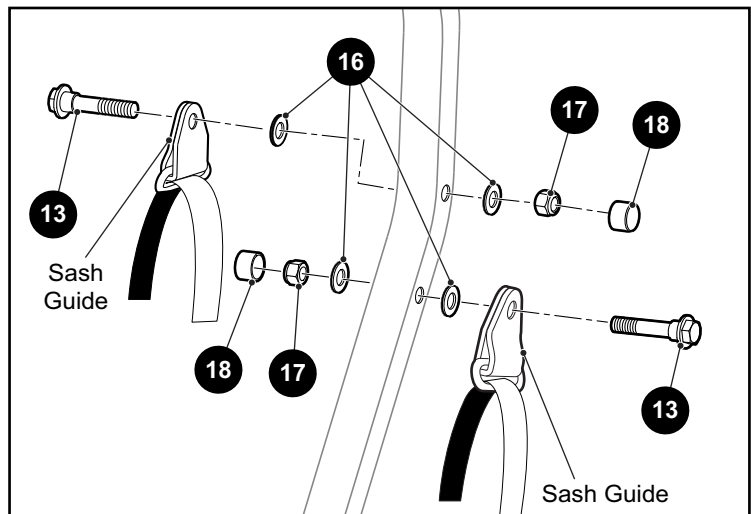
SEATING AND BASKET



3 SEATBELT STRUCTURE HARDWARE KIT
includes items 4 - 6



12 SEATBELT INSTALLATION HARDWARE KIT
includes items 13 - 18



Rear Seat Footrest Weldment

SEATING AND BASKET

THE USE OF NON U.L. PARTS WILL VOID ANY U.L. LISTING.

When ordering parts, please specify the model and serial number of the product.

* Indicates a component that is not available as an individual part.

*** Indicates consult Customer Service Department for additional information.

ITEM	PART NO.	1 2 3 4 5	DESCRIPTION	QTY.
1	610739		SEATBELT WELDMENT.....	1
2				
3	612126		SEATBELT STRUCTURE HARDWARE KIT (INCLUDES ITEMS 4 - 6).....	1
4	<u>602415</u>		FLANGED HEX HEAD BOLT, M10 - 1.5 X 80MM LG.....	4
5	<u>600525</u>		FLANGED LOCK NUT, M10 - 1.5.....	4
6	<u>604066</u>		FLAT WASHER (STEEL), M10.....	4
7				
8	<u>609031</u>		SEAT BELT BUCKLE, 9".....	2
9	<u>609854</u>		SEAT BELT BUCKLE, 6".....	2
10	<u>649131</u>		SEAT BELT RETRACTOR ASSEMBLY.....	4
11				
12	612127		SEATBELT INSTALLATION HARDWARE KIT (INCLUDES ITEMS 13 - 18)...	1
13	620770		HEX HEAD SHOULDER BOLT, 7/16" - 20 X 2.275" LG.....	4
14	612346		HEX HEAD BOLT, 7/16" - 20 X 2.5" LG.....	2
15	<u>610753</u>		HEX HEAD CAP BOLT, 7/16" - 20 X 1" LG.....	8
16	<u>00560G2</u>		FLAT WASHER, 7/16".....	16
17	<u>00734G3</u>		LOCK NUT, 7/16" - 20.....	14
18	605686		CAP (VINYL).....	4
19				
20	611362		REAR FACING SEAT LABEL.....	1

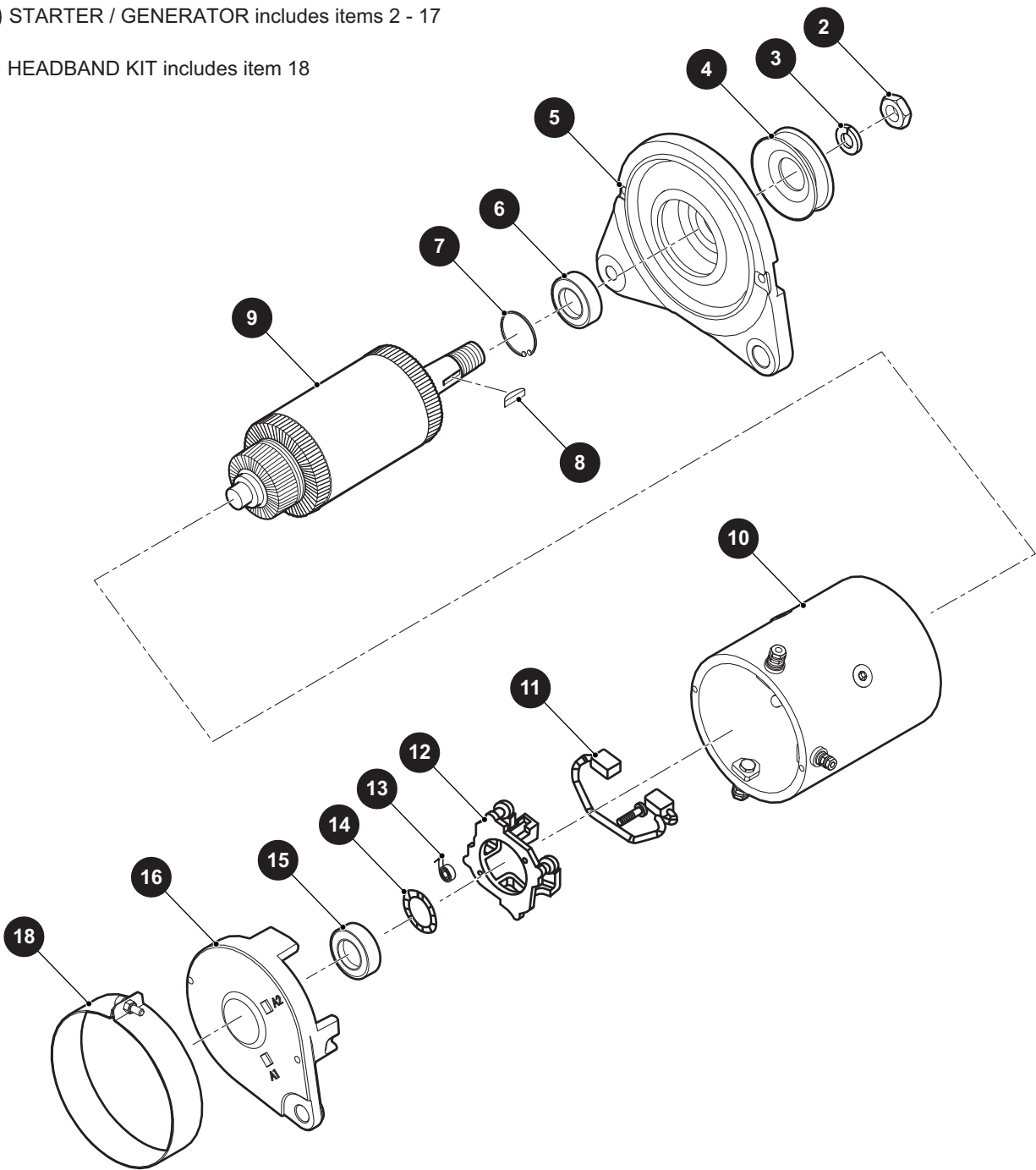
Notes:

A large grid area consisting of 30 columns and 30 rows of small squares, provided for taking notes.

STARTER AND GENERATOR

1 STARTER / GENERATOR includes items 2 - 17

17 HEADBAND KIT includes item 18



STARTER AND GENERATOR

THE USE OF NON U.L. PARTS WILL VOID ANY U.L. LISTING.

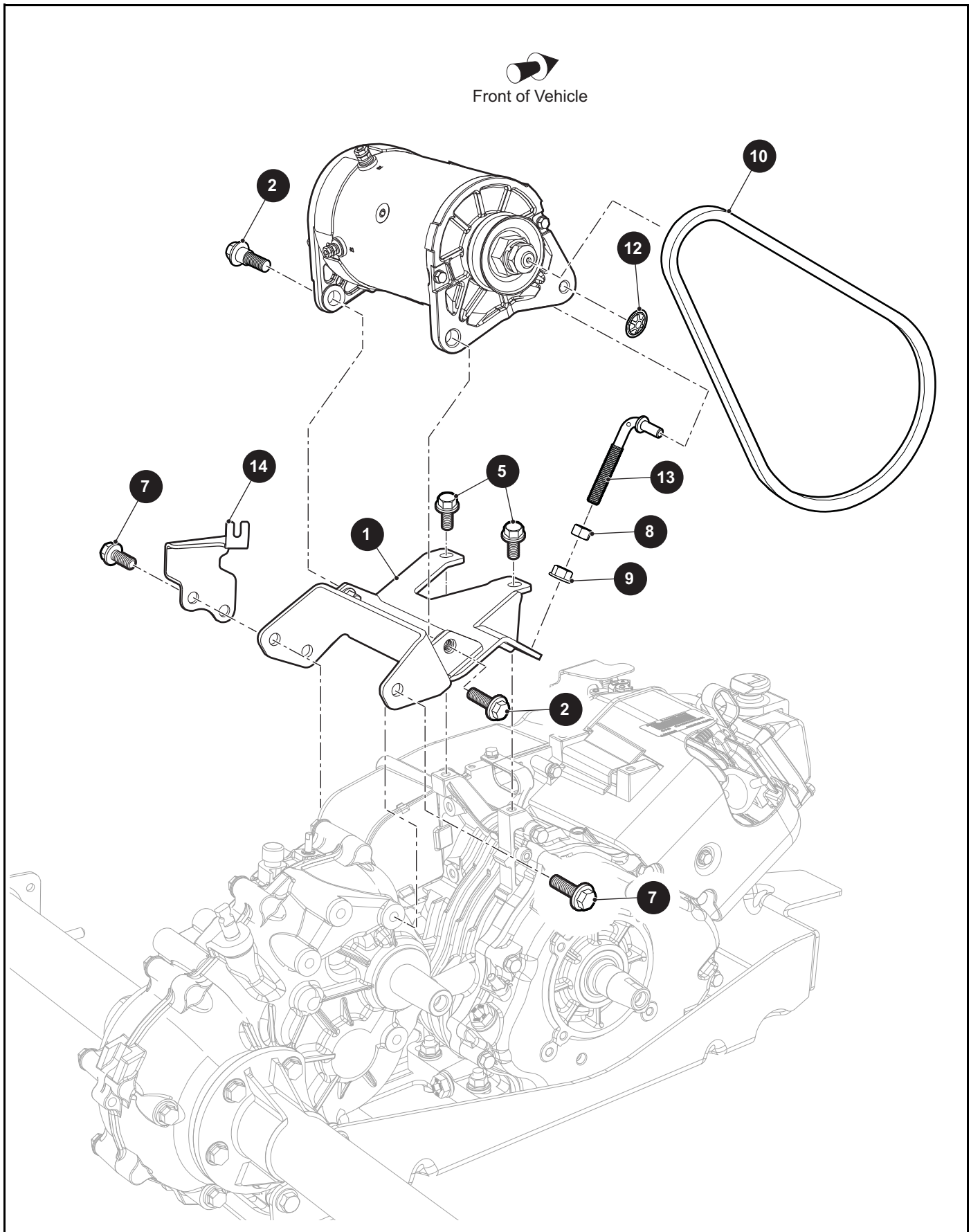
When ordering parts, please specify the model and serial number of the product.

* Indicates a component that is not available as an individual part.

*** Indicates consult Customer Service Department for additional information.

ITEM	PART NO.	1 2 3 4 5	DESCRIPTION	QTY.
1	<u>660379</u>		STARTER / GENERATOR (INCLUDES ITEMS 2 - 17)	1
2	<u>612029</u>		HEX NUT	1
3	<u>612030</u>		LOCK WASHER	1
4	<u>625716</u>		PULLEY, 2.5" O.D.	1
5	<u>654715</u>		DRIVE END HEAD	1
6	<u>612033</u>		BEARING	1
7	<u>612034</u>		RETAINING RING	1
8	<u>612035</u>		WOODRUFF KEY	1
9	<u>612036</u>		ARMATURE ASSEMBLY	1
10	<u>654716</u>		FRAME AND FIELD ASSEMBLY	1
11	<u>612038</u>		BRUSH LEAD AND TERMINAL PACKAGE	1
12	<u>654717</u>		BRUSH BOX ASSEMBLY	1
13	<u>656659</u>		BRUSH SPRING	4
14	<u>612043</u>		WAVY WASHER	1
15	<u>612044</u>		BEARING	1
16	<u>612045</u>		COMMUTATOR END HEAD	1
17	<u>658172</u>		HEADBAND KIT (INCLUDES ITEM 18)	1
18	<u>654718</u>		HEADBAND	1

STARTER AND GENERATOR



STARTER AND GENERATOR

THE USE OF NON U.L. PARTS WILL VOID ANY U.L. LISTING.

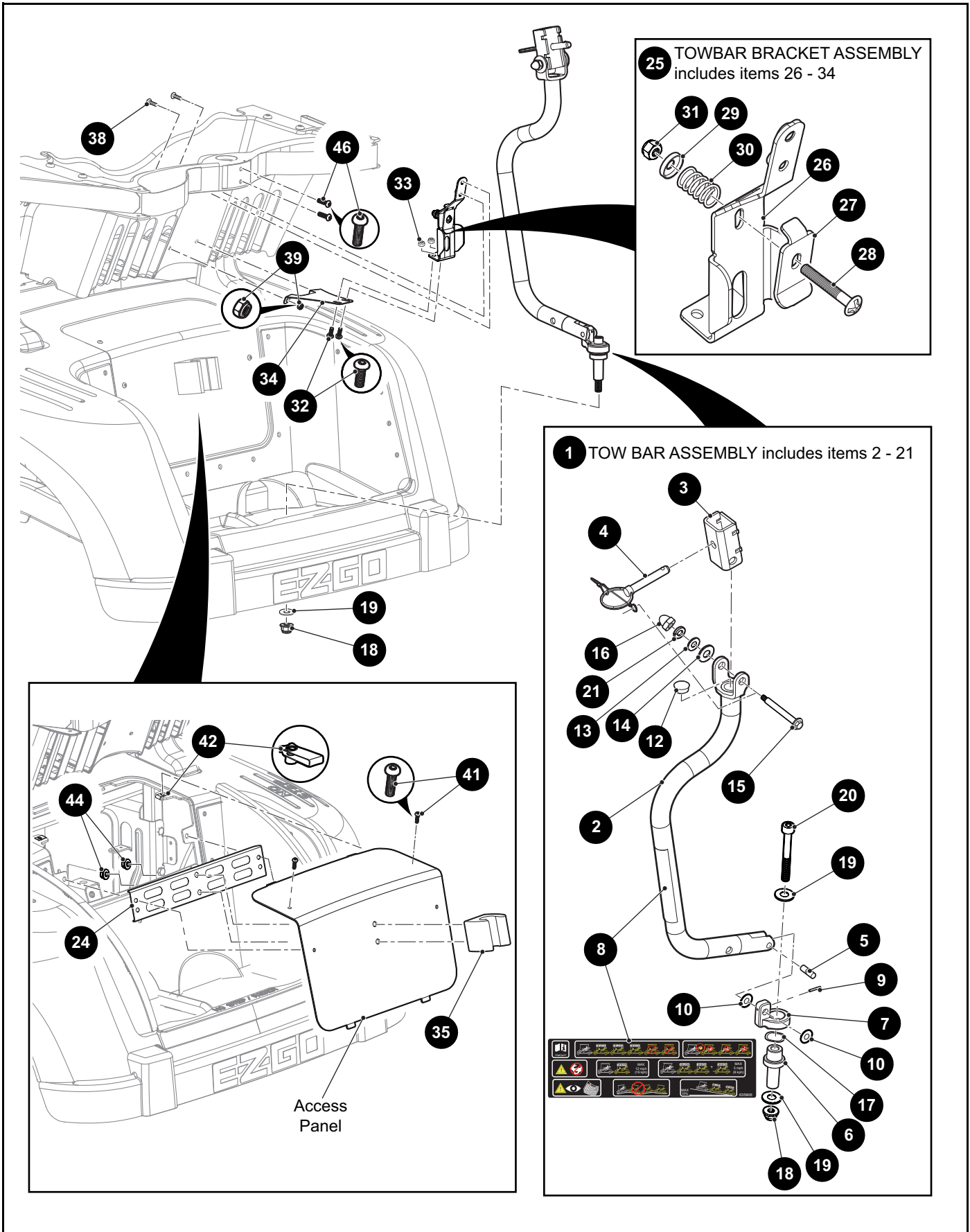
When ordering parts, please specify the model and serial number of the product.

* Indicates a component that is not available as an individual part.

*** Indicates consult Customer Service Department for additional information.

ITEM	PART NO.	1 2 3 4 5	DESCRIPTION	QTY.
1	<u>631972</u>		STARTER/GENERATOR SUPPORT BRACKET	1
2	<u>606235</u>		FLANGED HEX HEAD BOLT, M10 - 1.25 X 20MM LG.....	2
3				
4				
5	<u>606261</u>		FLANGED HEX HEAD BOLT, M8 - 1.25 X 20MM LG.....	2
6				
7	<u>606256</u>		FLANGED HEX HEAD BOLT, M10 - 1.25 X 25MM LG.....	3
8	<u>606255</u>		HEX JAM NUT, M10 - 1.25	1
9	<u>606274</u>		FLANGED HEX NUT, M10 - 1.25.....	1
10	<u>630587</u>		STARTER/GENERATOR BELT.....	1
11				
12	<u>12064G6</u>		PUSH NUT, 5/16"	1
13	<u>629763</u>		TENSIONER BOLT	1
14	<u>603884</u>		CABLE GUIDE BRACKET	1

TOWBAR



THE USE OF NON U.L. PARTS WILL VOID ANY U.L. LISTING.

When ordering parts, please specify the model and serial number of the product.

* Indicates a component that is not available as an individual part.

*** Indicates consult Customer Service Department for additional information.

ITEM	PART NO.	1 2 3 4 5	DESCRIPTION	QTY.
1	<u>635818</u>		TOWBAR ASSEMBLY (INCLUDES ITEMS 2 - 21).....	1
2	<u>635820</u>		TOWBAR	1
3	<u>635461</u>		COUPLING WELDMENT	1
4	<u>685471</u>		HITCH PIN ASSEMBLY (SHORT).....	1
5	<u>75360G01</u>		PIVOT PIN	1
6	<u>602990</u>		PIVOT	1
7	<u>625458</u>		SWIVEL	1
8	<u>635906</u>		WARNING LABEL	1
9	<u>608793</u>		SPIROL PIN, 3MM X 22MM	1
10	<u>75340G01</u>		FLAT WASHER (DELFIN), M10	2
11				
12	<u>20271G6</u>		PLUG, .875" DIA.....	1
13	<u>00560G1</u>		FLAT WASHER, 3/8"	1
14	<u>00571G5</u>		FLAT WASHER, 5/16"	1
15	<u>14158G1</u>		SHOULDER BOLT, 3/8" - 16 X 2.75" LG	1
16	<u>15717G5</u>		ACORN NUT, 3/8" - 16	1
17	<u>603341</u>		WAVY WASHER, M32	1
18	<u>625748</u>		LOCK NUT, M12 - 1.25.....	1
19	<u>603182</u>		FLAT WASHER, M12.....	2
20	<u>603384</u>		SOCKET HEAD BOLT, M12 - 1.25 X 100MM LG	1
21	<u>00566G1</u>		SPRING LOCK WASHER, 7/16"	1
22				
23				
24	<u>641228</u>		SUPPORT CHANNEL.....	1
25	<u>641381</u>		TOWBAR BRACKET ASSEMBLY (INCLUDES ITEMS 26 - 34).....	1
26	<u>641380</u>		SOCKET WELDMENT	1
27	<u>641546</u>		RETENTION CLIP	1
28	<u>16705G6</u>		TRUSS HEAD PHILLIPS SCREW (SS), 1/4" - 20 X 1.75" LG	1
29	<u>25727G01</u>		CUP WASHER, .687" O.D. X .265" I.D.....	1
30	<u>72735G01</u>		COMPRESSION SPRING	1
31	<u>14390G4</u>		LOCK NUT (SS), 1/4" - 20	1

TOWBAR

THE USE OF NON U.L. PARTS WILL VOID ANY U.L. LISTING.

When ordering parts, please specify the model and serial number of the product.

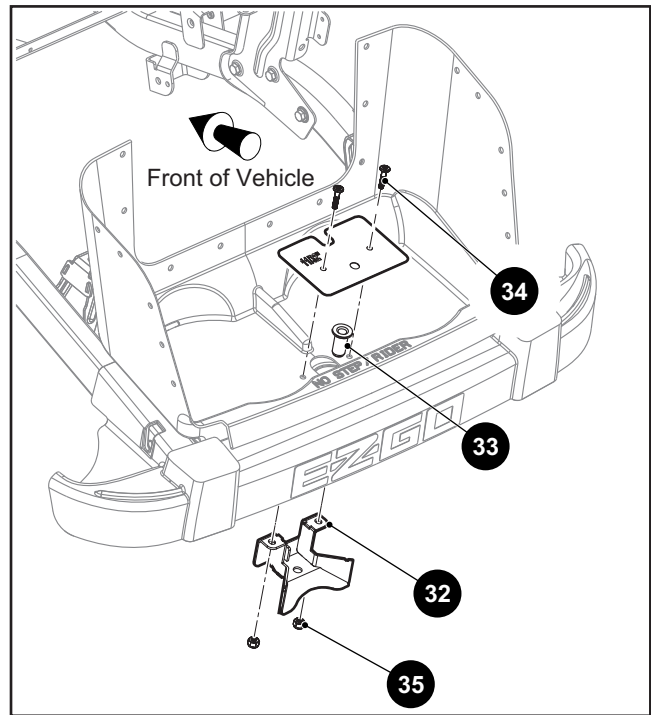
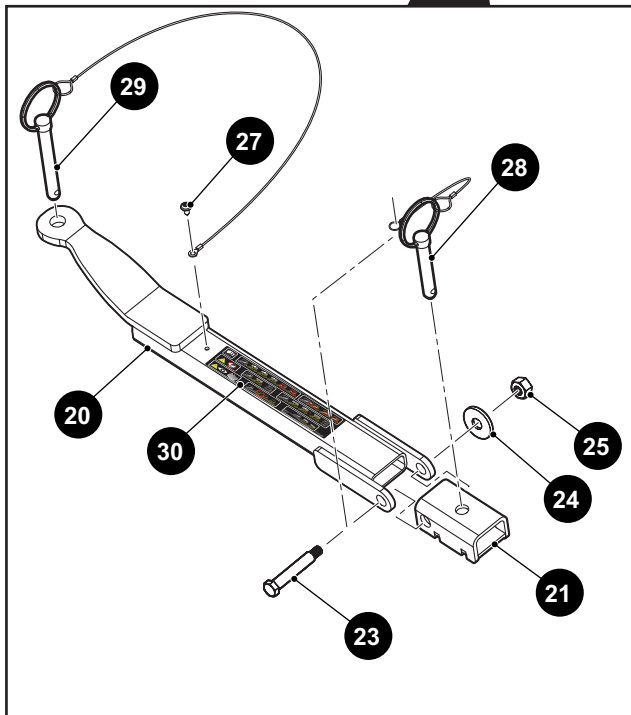
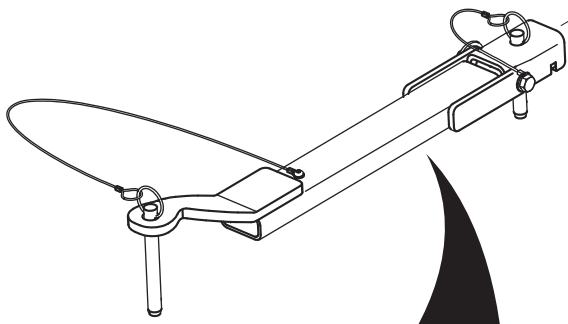
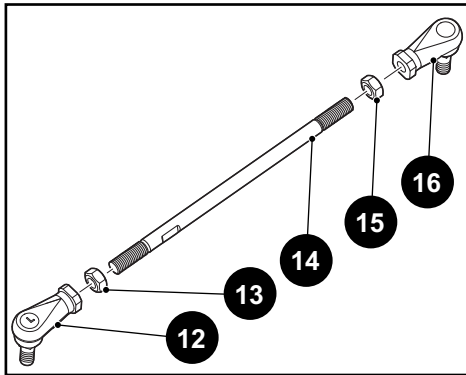
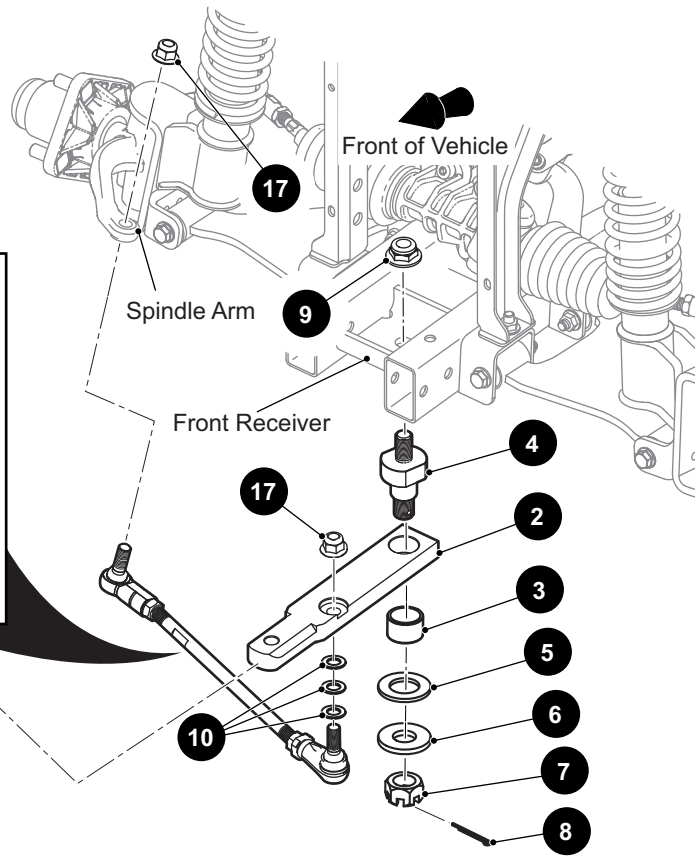
* Indicates a component that is not available as an individual part.

*** Indicates consult Customer Service Department for additional information.

ITEM	PART NO.	1	2	3	4	5	DESCRIPTION	QTY.
32	<u>16705G2</u>						PAN HEAD PHILLIPS SCREW (SS), 1/4" - 20 X 5/8" LG.....	2
33	<u>14390G4</u>						LOCK NUT (SS), 1/4" - 20	2
34	<u>641402</u>						TOWBAR SUPPORT BRACKET	1
35	<u>603020</u>						TOWBAR RETAINER.....	1
36								
37								
38	<u>16705G2</u>						PAN HEAD PHILLIPS SCREW (SS), 1/4" - 20 X 5/8" LG	2
39	<u>14390G4</u>						LOCK NUT (SS), 1/4" - 20	2
40								
41	<u>601326</u>						BUTTON HEAD TORX BOLT, M6 - 1 X 20MM LG.....	2
42	<u>602409</u>						BARREL CLIP, M6 - 1.....	2
43								
44	<u>600525</u>						FLANGED LOCK NUT, M10 - 1.5.....	2
45								
46	<u>601326</u>						BUTTON HEAD TORX BOLT, M6 - 1 X 20MM LG.....	2

TOWBAR

- 1** TOWBAR FRONT ASSEMBLY includes items 2 - 17
- 11** TIE ROD ASSEMBLY includes items 12 - 16
- 19** TOWBAR ASSEMBLY (SEMI PERMANENT) includes items 20 - 30



THE USE OF NON U.L. PARTS WILL VOID ANY U.L. LISTING.

When ordering parts, please specify the model and serial number of the product.

* Indicates a component that is not available as an individual part.

*** Indicates consult Customer Service Department for additional information.

ITEM	PART NO.	1 2 3 4 5	DESCRIPTION	QTY.
1	670614		TOWBAR FRONT ASSEMBLY (INCLUDES ITEMS 2 - 17)	1
2	670611		FRONT PIVOT BAR	1
3	<u>75307G01</u>		BEARING	1
4	<u>635464</u>		PIVOT BOLT	1
5	<u>75309G01</u>		THRUST BEARING 1.75" O.D. X 1" I.D.	1
6	<u>75342G01</u>		FLAT WASHER, 1.75" O.D. X .78" I.D.	1
7	<u>00518G8</u>		CASTLE NUT, 3/4" - 16	1
8	<u>10387G1</u>		COTTER PIN, 5/32" X 1 3/4" LG	1
9	<u>601709</u>		LOCK NUT, M16 - 2.....	1
10	<u>00560G2</u>		FLAT WASHER, 7/16"	3
11	<u>646856</u>		TIE-ROD ASSEMBLY (INCLUDES ITEMS 12 - 16)	1
12	<u>643610</u>		TIE ROD END, LH	1
13	<u>624962</u>		HEX NUT, M12 - 1.75.....	1
14	<u>644116</u>		TOWBAR	1
15	<u>615414</u>		HEX NUT, M12 - 1.75.....	1
16	<u>614436</u>		TIE ROD END	1
17	<u>617787</u>		FLANGED LOCK NUT, M12 - 1.75.....	2
18				
19	<u>635736</u>		TOWBAR ASSEMBLY (SEMI PERMANENT) (INCLUDES ITEMS 20 - 30)....	1
20	<u>635428</u>		TONGUE WELDMENT	1
21	<u>635461</u>		COUPLING WELDMENT	1
22				
23	<u>14158G1</u>		SHOULDER BOLT, 3/8" - 16 X 2.75" LG	1
24	<u>00571G5</u>		FLAT WASHER, 5/16"	1
25	<u>11098G5</u>		LOCK NUT, 3/8" - 16	1
26				
27	<u>637563</u>		SELF TAPPING SCREW, M4.8 - 1.6 X 14MM LG.....	1
28	685471		HITCH PIN ASSEMBLY (SHORT).....	1
29	<u>641171</u>		HITCH PIN ASSEMBLY (LONG)	1
30	<u>635906</u>		WARNING LABEL	1
31				

TOWBAR

THE USE OF NON U.L. PARTS WILL VOID ANY U.L. LISTING.

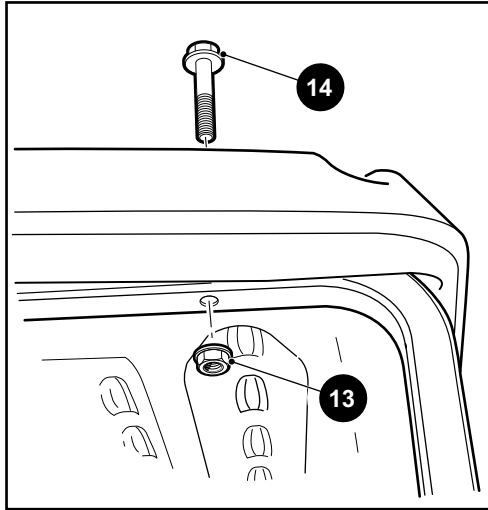
When ordering parts, please specify the model and serial number of the product.

* Indicates a component that is not available as an individual part.

*** Indicates consult Customer Service Department for additional information.

ITEM	PART NO.	1 2 3 4 5	DESCRIPTION	QTY.
32	<u>635343</u>		TOWBAR RECEIVER WELDMENT	1
33	<u>635442</u>		TOWBAR BUSHING	1
34	<u>628635</u>		BUTTON HEAD BOLT, M8 - 1.25 X 30MM LG.....	2
35	<u>616673</u>		LOCK NUT, M8 - 1.25.....	2

WEATHER PROTECTION



1 SUN TOP KIT, STONE BEIGE
includes items 2, 19

3 SUN TOP KIT, OYSTER
includes items 4, 19

5 SUN TOP KIT, BLACK
includes items 6, 7

7 SUN TOP STRUT KIT
includes items 8 - 11

11 SUN TOP HARDWARE KIT
includes items 12 - 16

19 SUN TOP STRUT KIT
includes items 8 - 10, 20

20 SUN TOP HARDWARE KIT
includes items 12 - 16

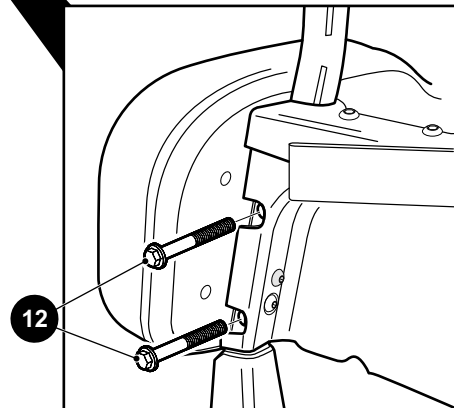
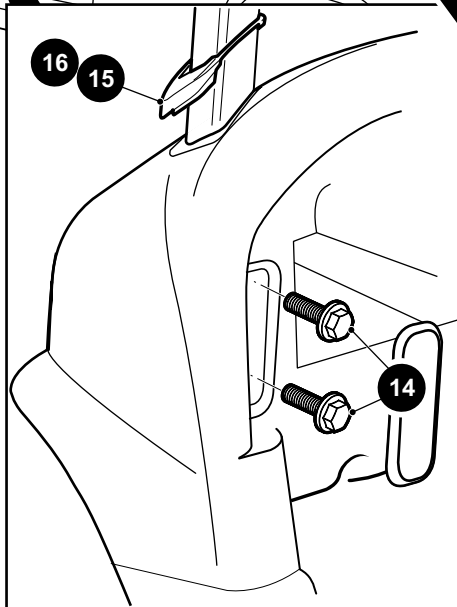
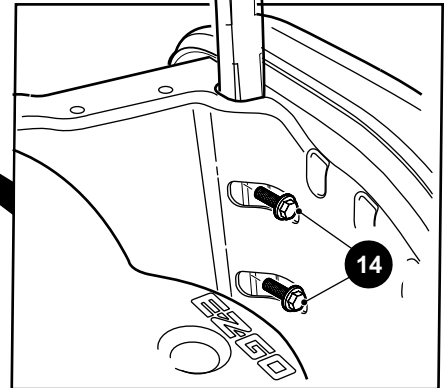
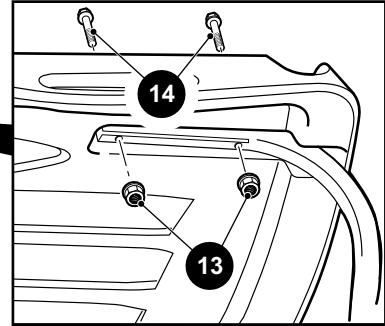
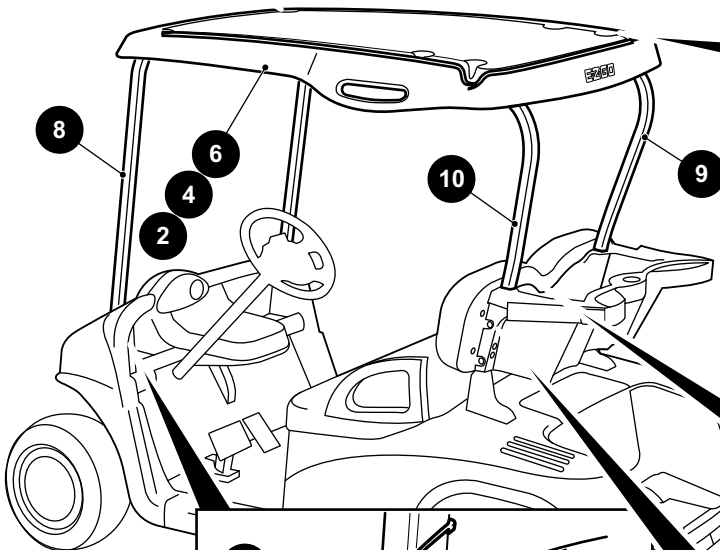
22 SUN TOP KIT, 54", STONE BEIGE,
(GPS MOUNTING)
includes items 2, 26, 28

23 SUN TOP KIT, 54", OYSTER,
(GPS MOUNTING)
includes items 4, 26, 28

24 SUN TOP KIT, 54", BLACK,
(GPS MOUNTING)
includes items 6, 26, 28

26 FRONT STRUT KIT
includes items 8, 15, 25, 27

28 REAR STRUT KIT
includes items 9, 10, 20



WEATHER PROTECTION

THE USE OF NON U.L. PARTS WILL VOID ANY U.L. LISTING.

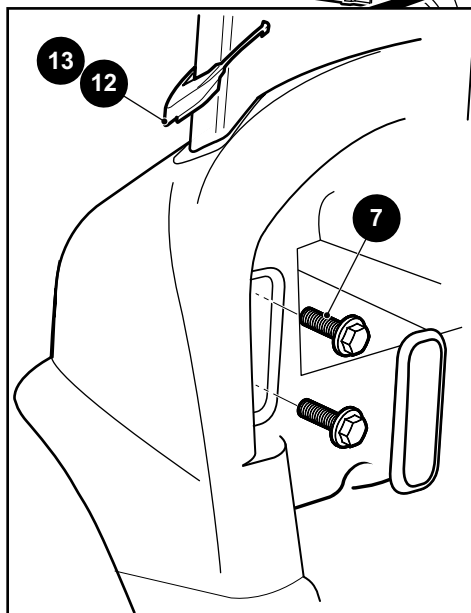
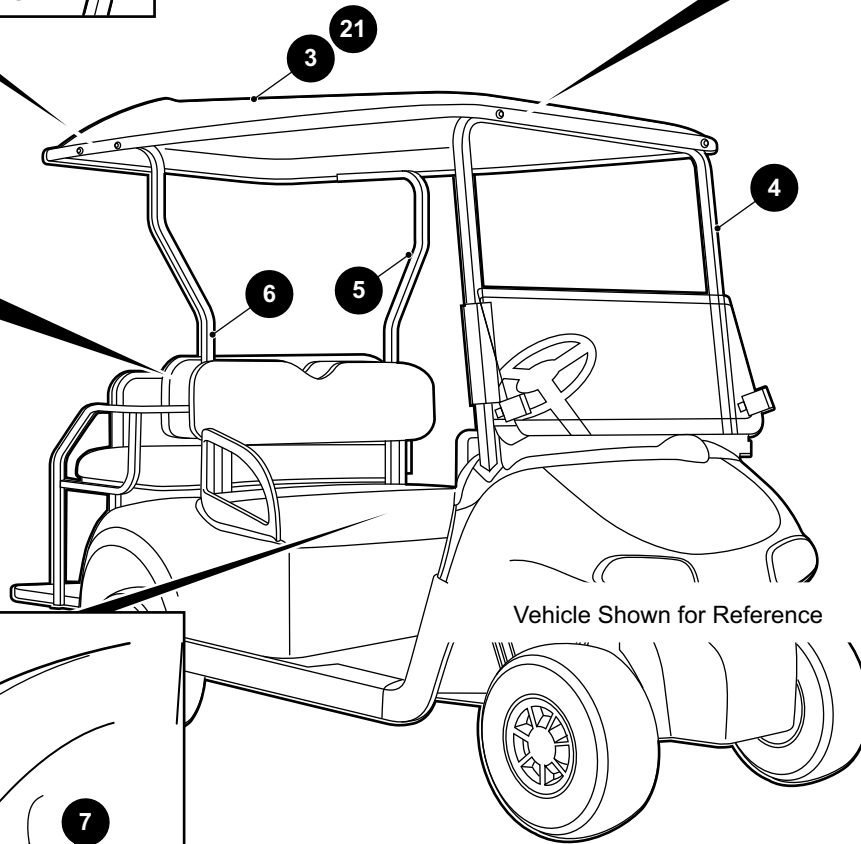
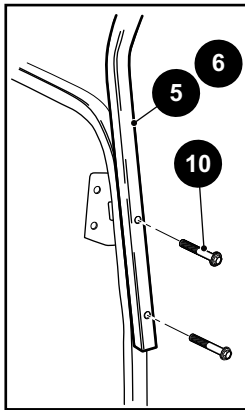
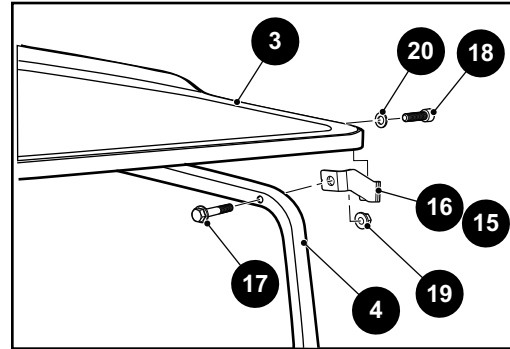
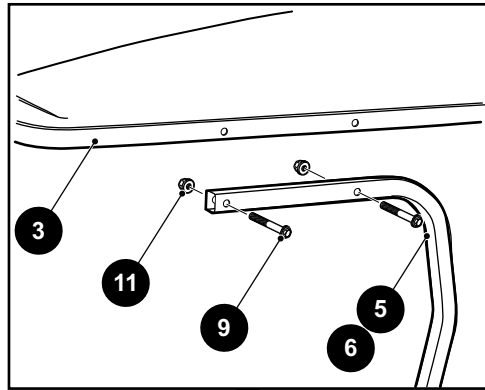
When ordering parts, please specify the model and serial number of the product.

* Indicates a component that is not available as an individual part.

*** Indicates consult Customer Service Department for additional information.

ITEM	PART NO.	1 2 3 4 5	DESCRIPTION	QTY.
1	610766		SUN TOP KIT, STONE BEIGE (INCLUDES ITEMS 2, 19)	1
2	<u>608198</u>		SUN TOP	1
3	610767		SUN TOP KIT, OYSTER (INCLUDES ITEMS 4, 19).....	1
4	<u>608015</u>		SUN TOP	1
5	<u>613233</u>		SUN TOP KIT, BLACK (INCLUDES ITEM 6, 7)	1
6	<u>613227</u>		SUN TOP	1
7	608677		SUN TOP STRUT KIT (INCLUDES ITEMS 8 - 11).....	1
8	<u>603203</u>		FRONT STRUT	1
9	<u>614310</u>		REAR STRUT (PASSENGER SIDE)	1
10	<u>614309</u>		REAR STRUT (DRIVER SIDE).....	1
11	<u>607013</u>		SUN TOP HARDWARE KIT (INCLUDES ITEMS 12 - 16)	1
12	<u>602415</u>		FLANGED HEX HEAD BOLT, M10 - 1.5 X 80MM LG	4
13	<u>600525</u>		FLANGED LOCK NUT, M10 - 1.5.....	10
14	<u>603800</u>		FLANGED HEX HEAD BOLT, M10 - 1.5 X 50MM LG	10
15	<u>602770</u>		GROMMET (DRIVER SIDE).....	1
16	<u>602992</u>		GROMMET (PASSENGER SIDE)	1
17				
18				
19	<u>620880</u>		SUN TOP STRUT KIT (INCLUDES ITEMS 8 - 10, 20).....	1
20	<u>610763</u>		SUN TOP HARDWARE KIT (INCLUDES ITEMS 12 - 16)	1
21				
22	647625		SUN TOP KIT, 54", STONE BEIGE (GPS MOUNTING) (INCLUDES ITEMS 2, 26, 28).....	1
23	647628		SUN TOP KIT, 54", OYSTER (GPS MOUNTING) (INCLUDES ITEMS 4, 26, 28).....	1
24	647629		SUN TOP KIT, 54", BLACK (GPS MOUNTING) (INCLUDES ITEMS 6, 26, 28).....	1
25	<u>664522G02</u>		GPS MOUNTING SYSTEM (NOT ILLUSTRATED).....	1
26	<u>647624</u>		FRONT STRUT KIT (INCLUDES ITEMS 8, 15, 25, 27)	1
27	<u>643882G02</u>		GPS MOUNTING SYSTEM (NOT ILLUSTRATED).....	1
28	<u>647623</u>		REAR STRUT KIT (INCLUDES ITEMS 9,10, 20).....	1

WEATHER PROTECTION



- 1 2 + 2 SUN TOP KIT, STONE BEIGE includes items 3 - 14
- 2 2 + 2 SUN TOP KIT, OYSTER includes items 4 - 14, 17
- 8 2 + 2 SUN TOP HARDWARE KIT includes items 9 - 13
- 14 2 + 2 SUN TOP HARDWARE KIT includes items 15 - 20

WEATHER PROTECTION

THE USE OF NON U.L. PARTS WILL VOID ANY U.L. LISTING.

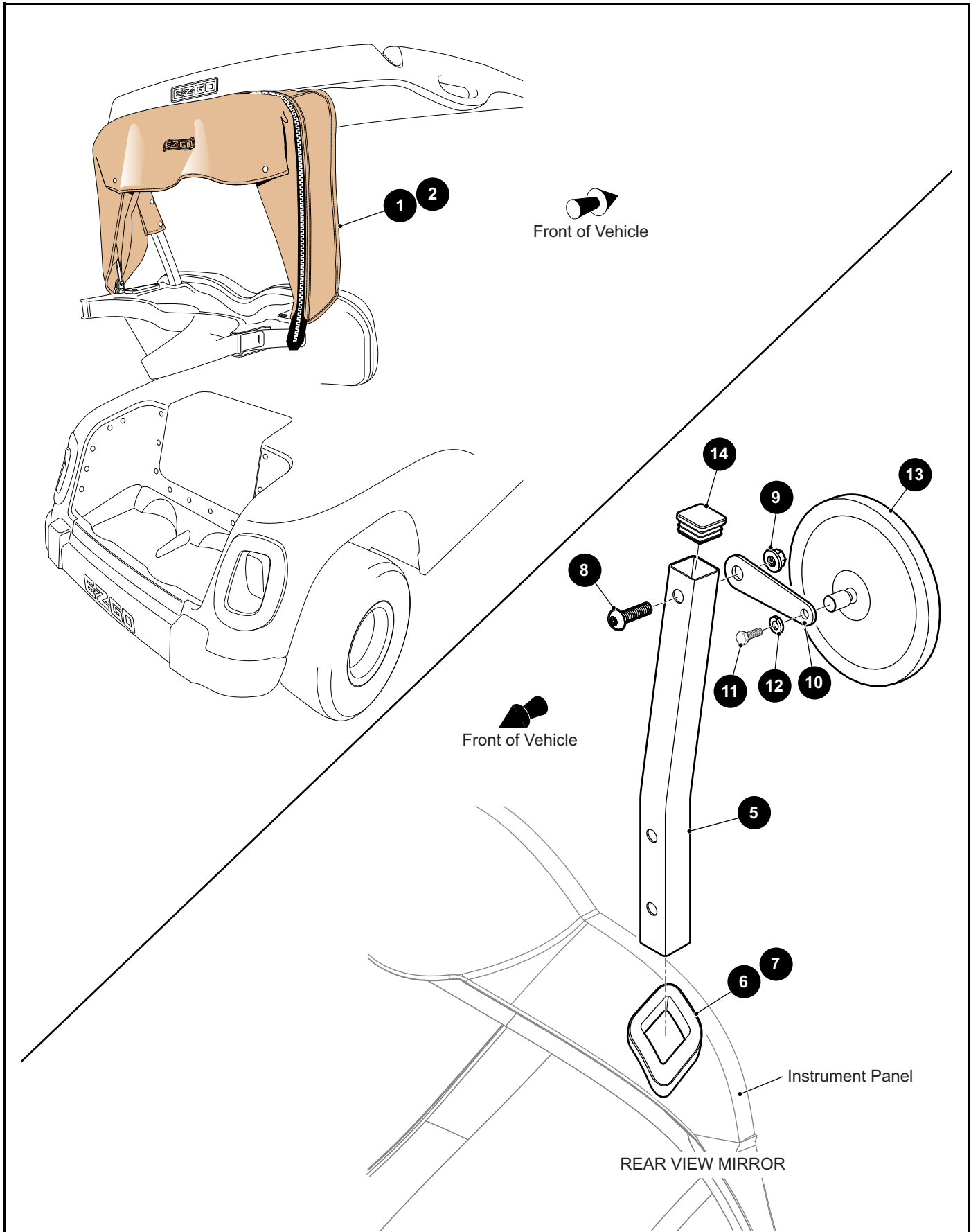
When ordering parts, please specify the model and serial number of the product.

* Indicates a component that is not available as an individual part.

*** Indicates consult Customer Service Department for additional information.

ITEM	PART NO.	1 2 3 4 5	DESCRIPTION	QTY.
1	<u>610461</u>		2 + 2 SUN TOP KIT, STONE BEIGE (INCLUDES ITEMS 3 - 14).....	1
2	<u>610462</u>		2 + 2 SUN TOP KIT, OYSTER (INCLUDES ITEMS 4 -14, 21)	1
3	<u>610434</u>		2 + 2 SUN TOP	1
4	<u>603203</u>		FRONT STRUT TUBE	1
5	<u>604423</u>		2 + 2 REAR STRUT (DRIVER SIDE)	1
6	<u>604424</u>		2 + 2 REAR STRUT (PASSENGER SIDE).....	1
7	<u>603800</u>		FLANGED HEX HEAD BOLT, M10 - 1.5 X 50MM LG	2
8	<u>610468</u>		2 + 2 SUN TOP HARDWARE KIT (INCLUDES ITEMS 9 - 13).....	1
9	<u>601414</u>		FLANGED HEX HEAD BOLT, M10 - 1.5 X 65MM LG.....	4
10	<u>602415</u>		FLANGED HEX HEAD BOLT, M10 - 1.5 X 80MM LG.....	4
11	<u>600525</u>		FLANGED LOCK NUT, M10 - 1.5	4
12	<u>602770</u>		STRUT GROMMET (DRIVER SIDE)	1
13	<u>602992</u>		STRUT GROMMET (PASSENGER SIDE).....	1
14	<u>610472</u>		2 + 2 SUN TOP HARDWARE KIT (INCLUDES ITEMS 15 - 20).....	1
15	<u>610424</u>		BRACKET (DRIVER SIDE).....	1
16	<u>610425</u>		BRACKET (PASSENGER SIDE)	1
17	<u>603800</u>		FLANGED HEX HEAD BOLT, M10 - 1.5 X 50MM LG.....	2
18	<u>608653</u>		SOCKET HEAD BOLT, M10 - 1.5 X 35MM LG	2
19	<u>600525</u>		FLANGED LOCK NUT, M10 - 1.5	4
20	<u>00560G1</u>		FLAT WASHER, 3/8"	2
21	<u>610433</u>		2 + 2 SUN TOP	1

WEATHER PROTECTION



WEATHER PROTECTION

THE USE OF NON U.L. PARTS WILL VOID ANY U.L. LISTING.

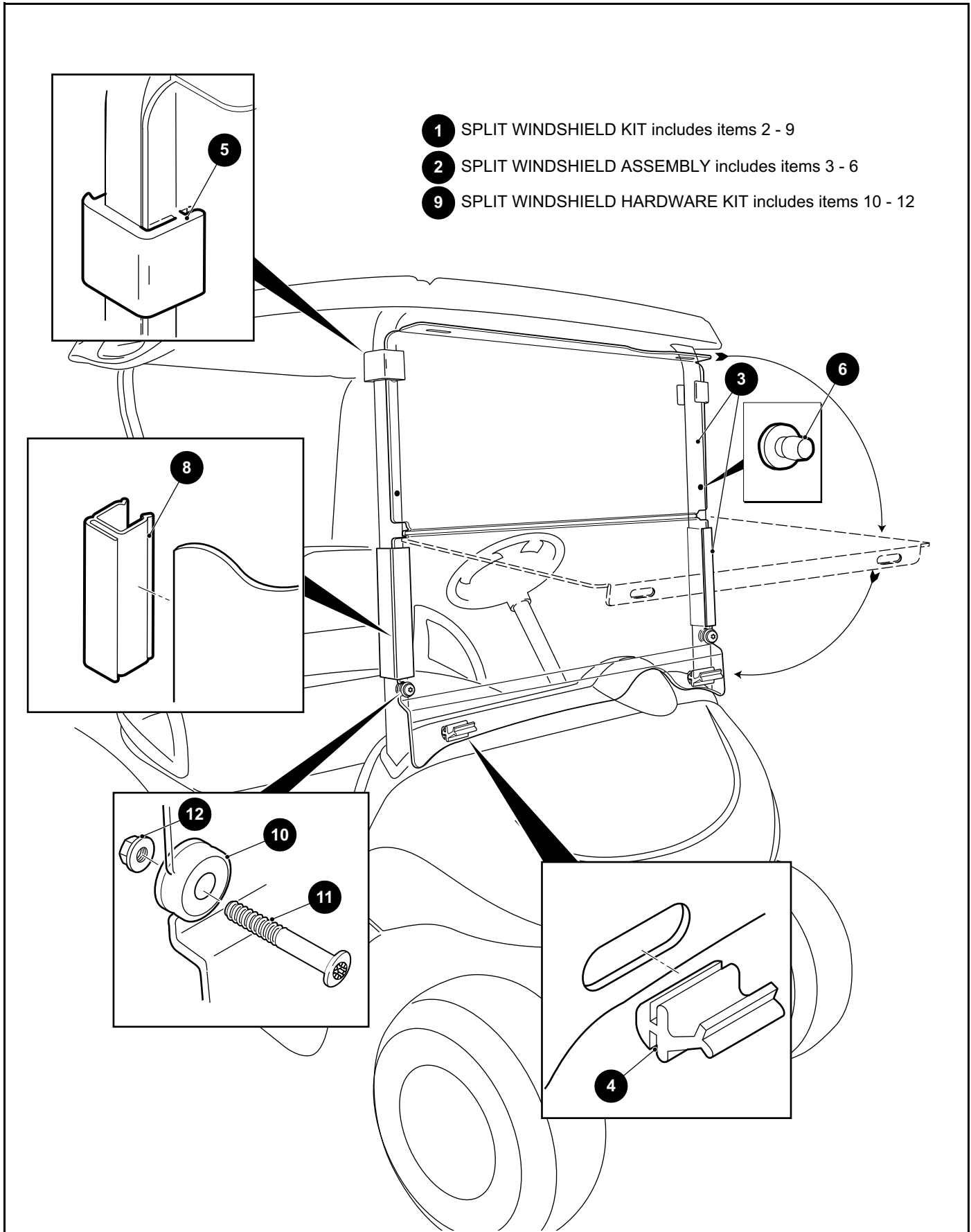
When ordering parts, please specify the model and serial number of the product.

* Indicates a component that is not available as an individual part.

*** Indicates consult Customer Service Department for additional information.

ITEM	PART NO.	1 2 3 4 5	DESCRIPTION	QTY.
1	<u>614267</u>		BAG COVER KIT, STONE BEIGE	1
2	<u>614268</u>		BAG COVER KIT, OYSTER.....	1
3				
4				
5	<u>648473</u>		STRUT	1
6	<u>602770</u>		STRUT GROMMET (DRIVER SIDE)	1
7	<u>602992</u>		STRUT GROMMET (PASSENGER SIDE).....	1
8	<u>600527</u>		BUTTON HEAD TORX BOLT, M10 - 1.5 X 60 MM LG	1
9	<u>600525</u>		LOCK NUT, M10 - 1.5	1
10	<u>648528</u>		MIRROR BRACKET.....	1
11	*		HEX HEAD BOLT, 1/4" - 20 X 5/8" LG	1
12	*		LOCK WASHER, 1/4"	1
13	<u>74202G01</u>		ROUND MIRROR	1
14	<u>620634</u>		END CAP	1

WEATHER PROTECTION



WEATHER PROTECTION

THE USE OF NON U.L. PARTS WILL VOID ANY U.L. LISTING.

When ordering parts, please specify the model and serial number of the product.

* Indicates a component that is not available as an individual part.

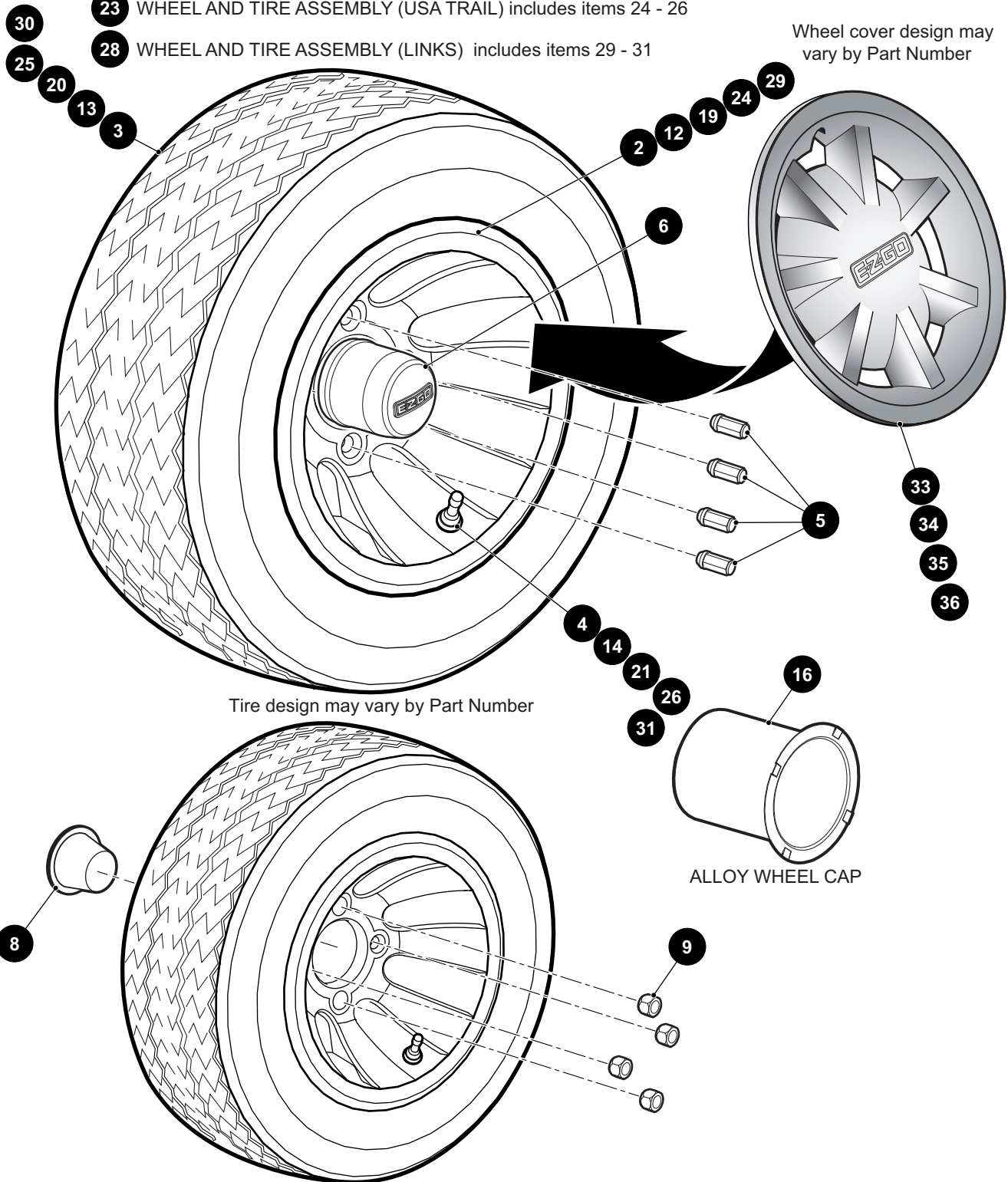
*** Indicates consult Customer Service Department for additional information.

ITEM	PART NO.	1 2 3 4 5	DESCRIPTION	QTY.
1	<u>606584</u>		SPLIT WINDSHIELD KIT (INCLUDES ITEMS 2 - 9)	1
2	<u>606623</u>		SPLIT WINDSHIELD ASSEMBLY (INCLUDES ITEMS 3 - 6)	1
3	<u>603738</u>		SPLIT WINDSHIELD	1
4	<u>603201</u>		LOWER WINDSHIELD LATCH	2
5	<u>603198</u>		UPPER WINDSHIELD LATCH	2
6	<u>604115</u>		WINDSHIELD ISOLATOR	2
7				
8	<u>613136</u>		WINDSHIELD ATTACHMENT SASH	2
9	607014		SPLIT WINDSHIELD HARDWARE KIT (INCLUDES ITEMS 10 - 12)	1
10	<u>604116</u>		GROMMET	2
11	602527		BUTTON HEAD TORX BOLT, M10 - 1.5 X 60MM LG	2
12	<u>600525</u>		LOCK NUT, M10 - 1.5	2

WHEELS AND TIRES

- 1 WHEEL AND TIRE ASSEMBLY (MACHINE ALLOY) includes items 2 - 4
- 11 WHEEL AND TIRE ASSEMBLY (HOLE-N-ONE) includes items 12 - 14
- 18 WHEEL AND TIRE ASSEMBLY (ASM - MILLED) includes items 19 - 21
- 23 WHEEL AND TIRE ASSEMBLY (USA TRAIL) includes items 24 - 26
- 28 WHEEL AND TIRE ASSEMBLY (LINKS) includes items 29 - 31

Wheel cover design may vary by Part Number



WHEELS AND TIRES

THE USE OF NON U.L. PARTS WILL VOID ANY U.L. LISTING.

When ordering parts, please specify the model and serial number of the product.

* Indicates a component that is not available as an individual part.

*** Indicates consult Customer Service Department for additional information.

ITEM	PART NO.	1 2 3 4 5	DESCRIPTION	QTY.
1	<u>647042</u>		WHEEL AND TIRE ASSEMBLY (MACHINE ALLOY) (INCLUDES ITEMS 2 - 4)	1
2	<u>647040</u>		WHEEL, 10"	1
3	<u>647044</u>		TIRE (KENDA), 205/50 - 10"	1
4	<u>604915</u>		VALVE STEM (CHROME)	1
5	<u>605310</u>		LUG NUT (CHROME)	4
6	<u>652122</u>		WHEEL CAP (CHROME)	1
7				
8	<u>74175G01</u>		DUST CAP	1
9	<u>14723G1</u>		LUG NUT, 1/2" - 20	4
10				
11	<u>612772</u>		WHEEL AND TIRE ASSEMBLY (HOLE-N-ONE) (INCLUDES ITEMS 12 - 14)	1
12	<u>612770</u>		WHEEL, 8"	1
13	<u>612771</u>		TIRE (KENDA)	1
14	<u>11657G2</u>		VALVE STEM	1
15				
16	<u>601353</u>		ALLOY WHEEL CAP	1
17				
18	<u>635726</u>		WHEEL AND TIRE ASSEMBLY (ASM - MILLED) (INCLUDES ITEMS 19 - 21)	1
19	<u>635727</u>		ALLOY WHEEL	1
20	<u>601768</u>		TIRE (TOUR MAX), 205/50 - 10"	1
21	<u>601767</u>		STEM VALVE	1
22				
23	<u>28842G01</u>		WHEEL AND TIRE ASSEMBLY (USA TRAIL) (INCLUDES ITEMS 24 - 26)....	1
24	<u>28759G01</u>		WHEEL (WHITE)	1
25	<u>28764G08</u>		TIRE (CARLISLE)	1
26	<u>11657G2</u>		VALVE STEM	1
27				
28	<u>28757G01</u>		WHEEL AND TIRE ASSEMBLY (LINKS) (INCLUDES ITEMS 29 - 31)	1
29	<u>28759G01</u>		WHEEL (WHITE)	1
30	<u>28764G01</u>		TIRE (CARLISLE)	1

WHEELS AND TIRES

THE USE OF NON U.L. PARTS WILL VOID ANY U.L. LISTING.

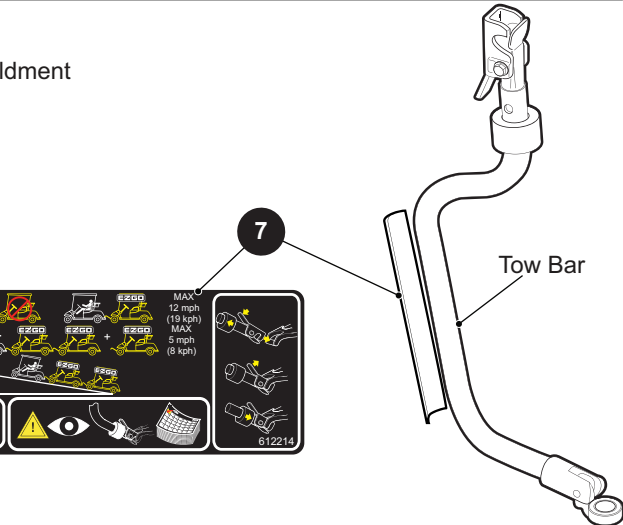
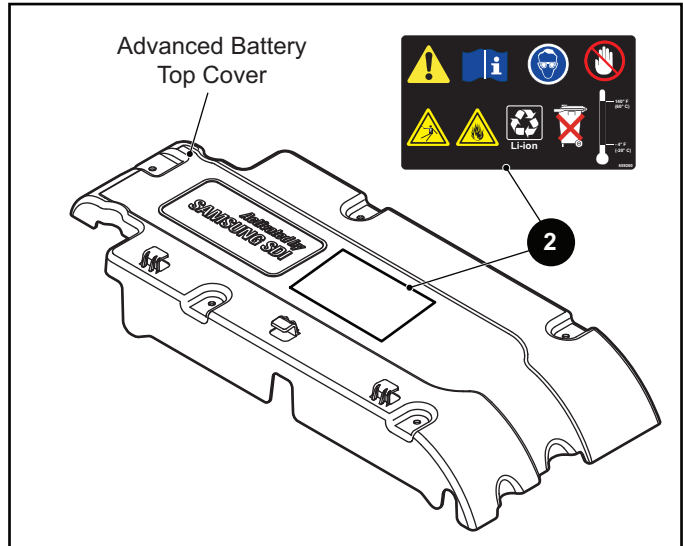
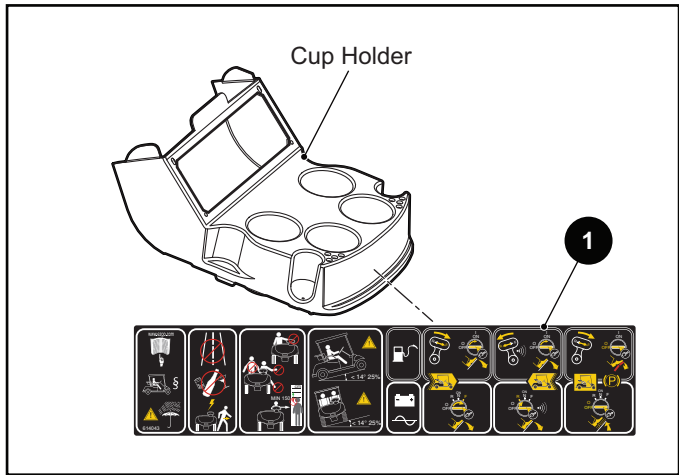
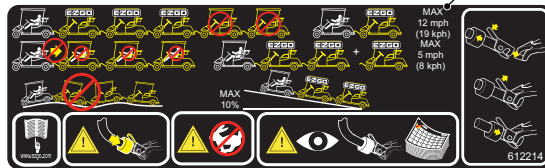
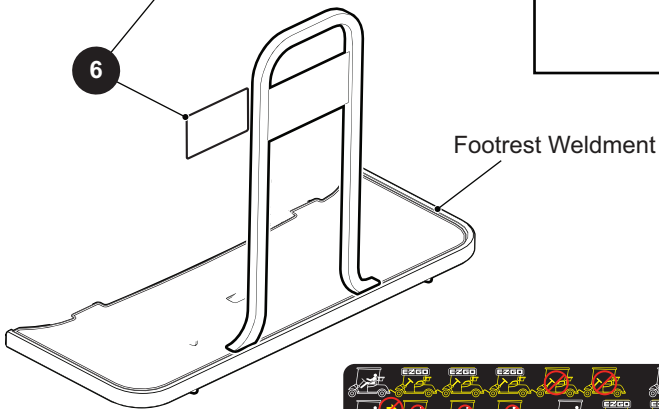
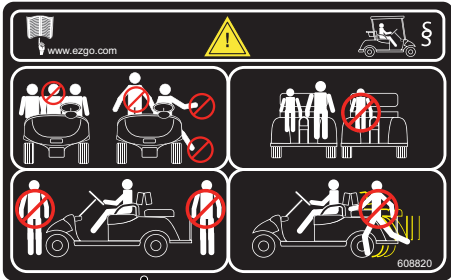
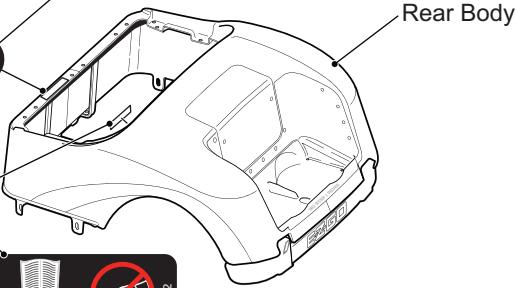
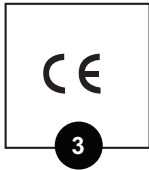
When ordering parts, please specify the model and serial number of the product.

* Indicates a component that is not available as an individual part.

*** Indicates consult Customer Service Department for additional information.

ITEM	PART NO.	1 2 3 4 5	DESCRIPTION	QTY.
31	<u>11657G2</u>		VALVE STEM.....	1
32				
33	<u>615617</u>		HUB CAP (GOLD) (FOR VEHICLES MANUFACTURED BEFORE JANUARY 8, 2018)	1
34	<u>615618</u>		HUB CAP (SILVER) (FOR VEHICLES MANUFACTURED BEFORE JANUARY 8, 2018)	1
35	<u>665149</u>		WHEEL COVER (METALLIC GOLD) (FOR VEHICLES MANUFACTURED AFTER JANUARY 8, 2018).....	1
36	<u>665144</u>		WHEEL COVER (METALLIC SILVER) (FOR VEHICLES MANUFACTURED AFTER JANUARY 8, 2018).....	1

DECALS AND LABELS (FOR CE VEHICLES)



DECALS AND LABELS (FOR CE VEHICLES)

THE USE OF NON U.L. PARTS WILL VOID ANY U.L. LISTING.

When ordering parts, please specify the model and serial number of the product.

* Indicates a component that is not available as an individual part.

*** Indicates consult Customer Service Department for additional information.

ITEM	PART NO.	1 2 3 4 5	DESCRIPTION	QTY.
1	<u>614043</u>		WARNING LABEL (INSTRUMENT PANEL)	1
2	<u>659260</u>		ADVANCED BATTERY WARNING LABEL	1
3	<u>601783</u>		CE LABEL	1
4				
5	<u>608818</u>		GROUNDING LABEL.....	1
6	<u>608820</u>		SHUTTLE 2+2 LABEL (FOR SHUTTLE 2+2 ONLY).....	1
7	<u>612214</u>		TOWBAR LABEL	1
8	<u>608822</u>		GOVERNOR LABEL	1

Notes:

A large grid of graph paper, consisting of approximately 25 columns and 30 rows of small squares, intended for writing notes.



A Textron Company

E-Z-GO Division of Textron Inc.,
1451 Marvin Griffin Road, Augusta, Georgia 30906 - 3852 USA

TO CONTACT US...

North America:

Technical Assistance & Warranty Phone: 1-800-774-3946, FAX: 1-800-448-8124

Service Parts Phone: 1-888-GET-E-Z-GO (1-888-438-3946), FAX: 1-800-752-6175

International: Phone: 001-706-798-4311, FAX: 001-706-771-4609

Service Parts Manuals, as well as Repair and Service Manuals
are available from a local Distributor, an authorized Branch,
Genuine E-Z-GO Parts & Accessories Department or at www.shopezgo.com.

Copyrighted Material
This manual may not be reproduced in whole or
in part without the express permission of
E-Z-GO Division of Textron Inc.
Technical Communications Department