



A Textron Company

Service Parts Manual

ELECTRIC POWERED VEHICLE



634464

ISSUED AUGUST 2013

REVISED SEPTEMBER 2013

SERVICE PARTS MANUAL

48V ELECTRIC POWERED GOLF CARS

TXT FLEET

TXT FREEDOM

TXT SHUTTLE 2+2

STARTING MODEL YEAR 2014

DISCLAIMER: The E-Z-GO Division of Textron Inc. (E-Z-GO) reserves the right to incorporate engineering and design changes to products in this Manual, without obligation to include these changes on units leased/sold previously.

The information contained in this Manual may be revised periodically E-Z-GO, and therefore is subject to change without notice.

E-Z-GO DISCLAIMS LIABILITY FOR ERRORS IN THIS MANUAL, and E-Z-GO SPECIFICALLY DISCLAIMS LIABILITY FOR INCIDENTAL AND CONSEQUENTIAL DAMAGES RESULTING FROM THE USE OF THE INFORMATION AND MATERIALS IN THIS MANUAL.

TO CONTACT US

NORTH AMERICA:

TECHNICAL ASSISTANCE & WARRANTY PHONE: 1-800-774-3946, FAX: 1-800-448-8124

SERVICE PARTS PHONE: 1-888-GET-EZGO (1-888-438-3946), FAX: 1-800-752-6175

INTERNATIONAL: PHONE: 001-706-798-4311, FAX: 001-706-771-4609

E-Z-GO DIVISION OF TEXTRON INC., 1451 MARVIN GRIFFIN RD., AUGUSTA, GEORGIA USA 30906-3852

GENERAL INFORMATION

To obtain a copy of the limited warranty applicable to the vehicle, call or write a local Distributor, authorized Branch or the Warranty Department with vehicle serial number and manufacturer code.

The use of non Original Equipment Manufacturer (OEM) parts may void the warranty.

Overfilling of batteries may void the warranty.

BATTERY PROLONGED STORAGE

All batteries will self discharge over time. The rate of self discharge varies depending on the ambient temperature and the age and condition of the batteries.

A fully charged battery will not freeze in winter temperatures unless the temperature falls below -75° F (-60° C).

As with all electric vehicles, the batteries must be checked and recharged as required or at a minimum of 30 day intervals.

BATTERY DISPOSAL

Lead-acid batteries are recyclable. Return whole scrap batteries to distributor, manufacturer or lead smelter for recycling. For neutralized spills, place residue in acid-resistant containers with absorbent material, sand or earth and dispose of in accordance with local, state and federal regulations for acid and lead compounds. Contact local and/or state environmental officials regarding disposal information.

TABLE OF CONTENTS

SECTION	Page No.
HOW TO USE THE SERVICE PARTS MANUAL	v
ACCELERATOR	A
BATTERY CHARGER	B
BODY	C
BODY - FRONT	C - 1
BODY - MID SECTION	C - 5
BODY - REAR	C - 7
BODY - ACCESSORIES	C - 11
BRAKES	D
ELECTRICAL	E
ELECTRONIC SPEED CONTROL	F
FRONT SUSPENSION AND STEERING	G
MOTOR	H
REAR AXLE	J
REAR SUSPENSION	K
SEATING	L
SEATING - CONVERTIBLE CARRIER	L - 1
SEATING AND BAG HOLDER - GOLF CAR	L - 9
TOW BAR	M
PERMANENT	M - 1
CASUAL	M - 5
WEATHER PROTECTION	N
WHEELS AND TIRES	P

NOTES

A large grid of graph paper for taking notes, consisting of 20 columns and 30 rows of small squares.

HOW TO USE THE SERVICE PARTS MANUAL

This manual is divided into several sections:

- GENERAL INFORMATION
- ILLUSTRATED PARTS BREAKDOWN
- APPENDIX

The first section, GENERAL INFORMATION, contains the following information:

- WARRANTY INFORMATION
- GENERAL INDEX
- HOW TO USE THE SERVICE PARTS MANUAL

The second section, ILLUSTRATED PARTS BREAKDOWN, contains illustrations and parts lists for all systems of your vehicle.

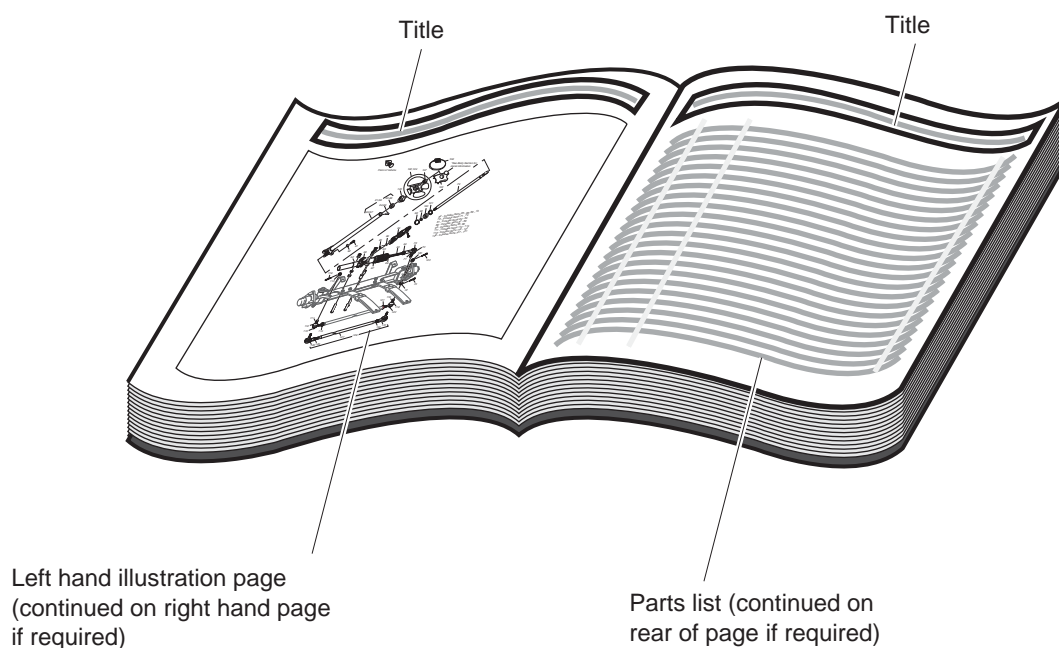
The third section, APPENDIX, contains a listing of specialty products and accessories.

USE OF THE MANUAL

To use this manual, consult the GENERAL INDEX to locate the information or illustration required.

Introduction of some revisions varies due to supply of components; therefore, it is possible that various combinations of components may be found that are not directly reflected by each illustration. Consult the illustration that best suits your situation and then contact the Service Parts Department. It is important that the serial number of your vehicle and its model number be supplied to Service Parts when ordering any replacement components.

Locate the serial number plate (see BODY located in the Illustrated Parts Breakdown section of this manual for its location) and note the complete number shown on the plate.



HOW TO USE THE SERVICE PARTS MANUAL

1. WHEN THE PART NUMBER IS NOT KNOWN

- Determine the function and application of the part required. Turn to the General Index and select the most appropriate title.
- Turn to the page number indicated and locate the desired part on the illustration.
- From the illustration, obtain the item number assigned to the desired part. Refer to the accompanying description for specific information regarding the part.

2. IF YOU KNOW THE PART NUMBER

- Locate the part number or description in the appropriate column on the parts list page.

NOTE: It is suggested that you confirm that the part selected is correct by verifying it with the pictorial representation on the illustrated page.

Should an asterisk (*) appear in the part number column on the parts list page, read upwards until a part number is found. The part number is the lowest assembly sold by Service Parts and the asterisk (*) indicates that the part depicted is not available for purchase.

NOTE: Descriptions are indented under the assembly that they are used on. That assembly is, in turn listed under the assembly that it is used on. This process is repeated until the highest final assembly is reached.

To facilitate the maintenance and repair of the vehicle, a Technician's Repair and Service Manual is available from the Service Parts Department.

HOW TO USE THE SERVICE PARTS MANUAL

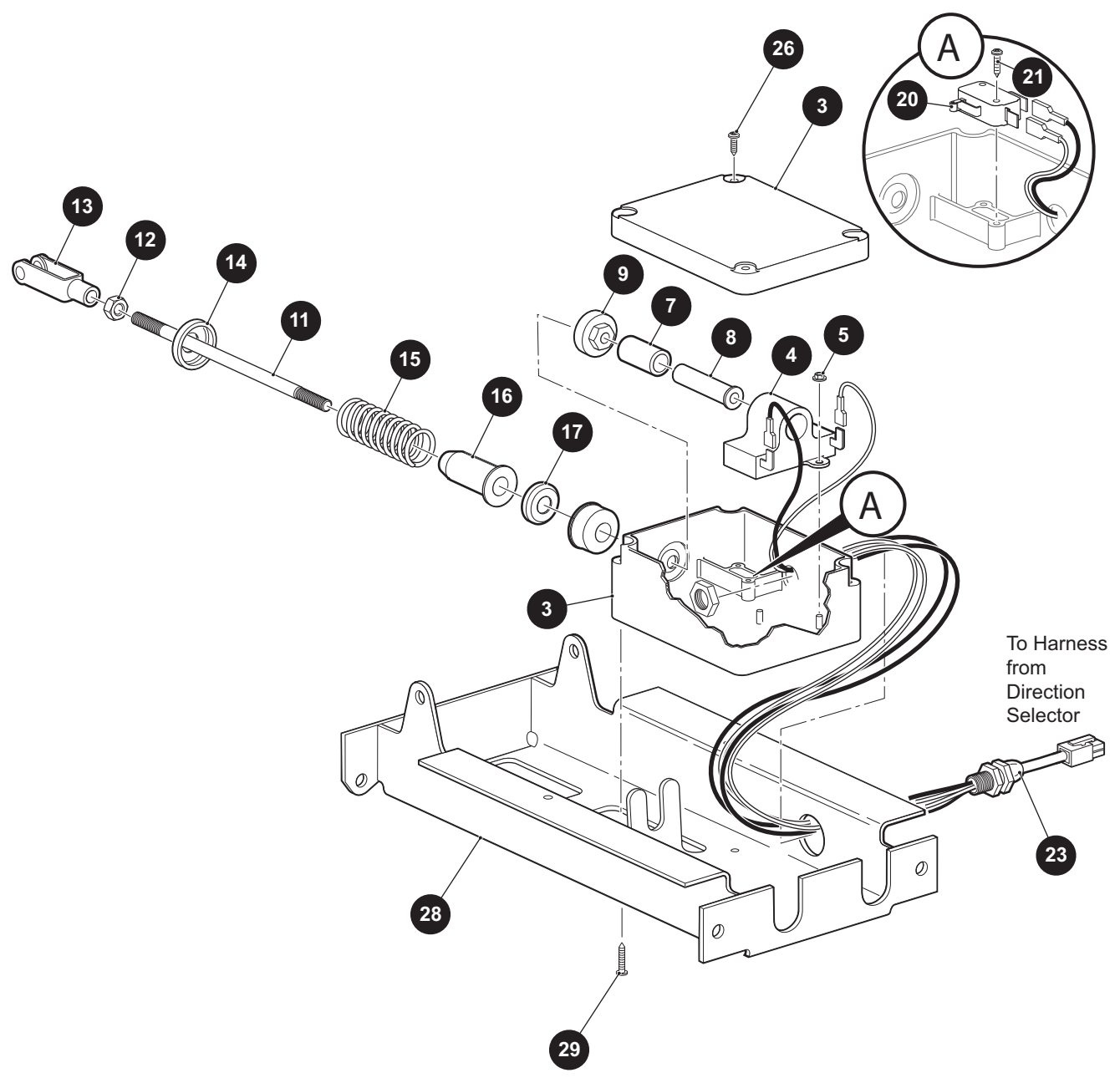
3. COLOR CODE FOR BODY COMPONENTS

The last two digits of the part number for the body part will denote the color code. Locate the part number for the cowl, rear body, seat pod, side panel or seat wrap then locate your color in the list below. Replace the last ** or XX with the two digit color code.

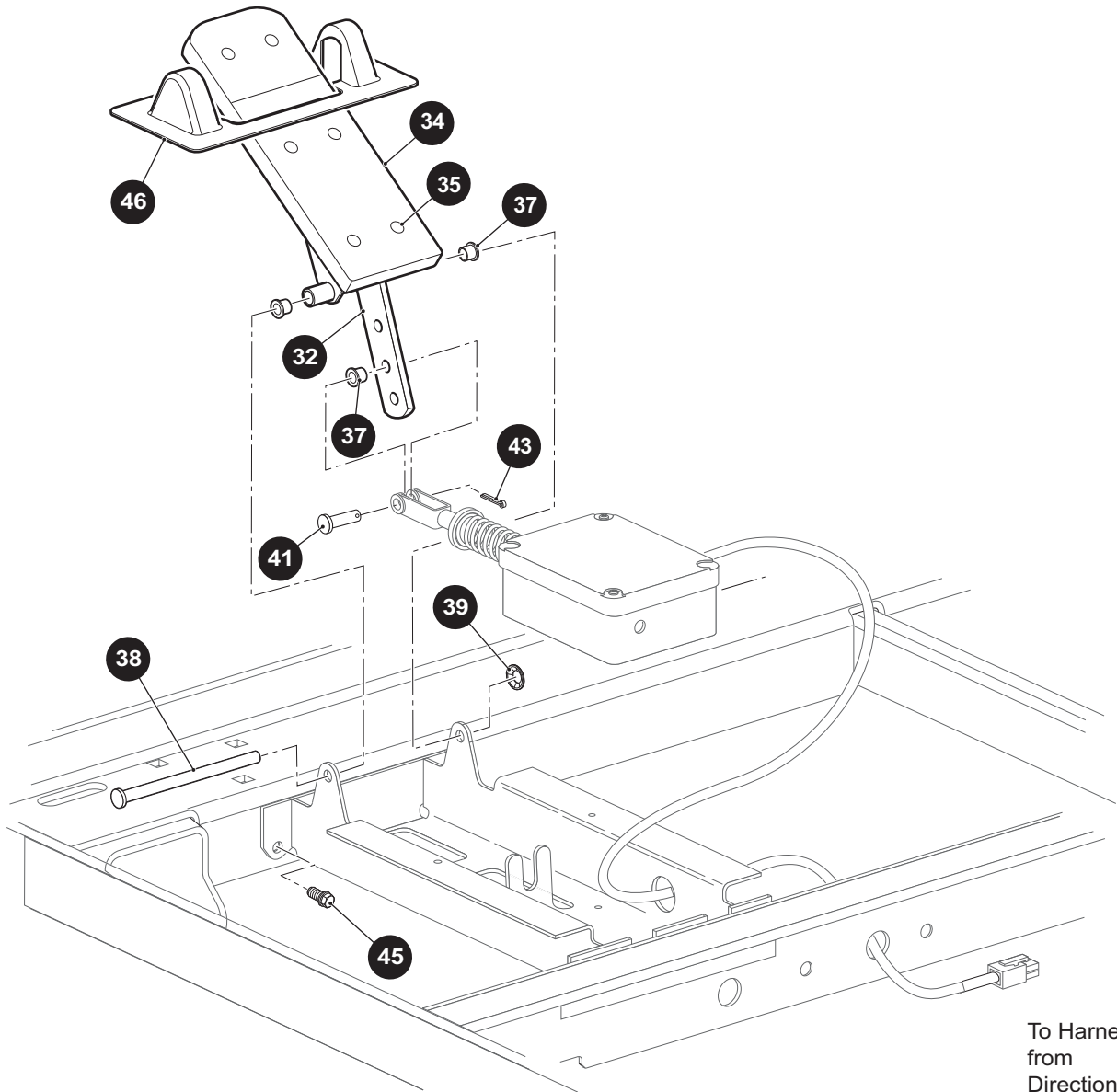
<u>CODE #</u>	<u>DESCRIPTION</u>	<u>CODE #</u>	<u>DESCRIPTION</u>
05	JACOBSEN ORANGE	105	JACOBSEN ORANGE (WITH LIGHTS)
11	BLACK	111	BLACK (WITH LIGHTS)
19	PATRIOT BLUE PEARL	119	PATRIOT BLUE PEARL (WITH LIGHTS)
20	INFERNO RED METALLIC	120	INFERNO RED METALLIC (WITH LIGHTS)
26	STEEL BLUE PEARL	126	STEEL BLUE PEARL (WITH LIGHTS)
31	METALLIC CHARCOAL	131	METALLIC CHARCOAL (WITH LIGHTS)
35	SAFETY YELLOW	135	SAFETY YELLOW (WITH LIGHTS)
36	IVORY	136	IVORY (WITH LIGHTS)
37	FOREST GREEN	137	FOREST GREEN (WITH LIGHTS)
38	BRIGHT WHITE	138	BRIGHT WHITE (WITH LIGHTS)
39	FLAME RED	139	FLAME RED (WITH LIGHTS)
41	ELECTRIC BLUE	141	ELECTRIC BLUE (WITH LIGHTS)
42	PLATINUM	142	PLATINUM (WITH LIGHTS)
43	BURGUNDY	143	BURGUNDY (WITH LIGHTS)
44	ALMOND	144	ALMOND (WITH LIGHTS)
51	SUNBURST ORANGE	151	SUNBURST ORANGE (WITH LIGHTS)
52	BRITISH RACING GREEN	152	BRITISH RACING GREEN (WITH LIGHTS)
74	BARLEY GOLD	174	BARLEY GOLD (WITH LIGHTS)
75	OASIS GREEN	175	OASIS GREEN (WITH LIGHTS)
76	JAVA BROWN	176	JAVA BROWN (WITH LIGHTS)

ACCELERATOR

1 PEDAL BOX ASSEMBLY includes items 3 - 43



31 ACCELERATOR PEDAL ASSEMBLY includes items 32 - 35



To Harness
from
Direction
Selector

ACCELERATOR

When ordering parts, please specify the model and serial number of the product.

* Indicates a component that is not available as an individual part.

*** Indicates consult Customer Service Department for additional information.

ITEM	PART NO.	1 2 3 4 5	DESCRIPTION	QTY.
1	<u>613163</u>		PEDAL BOX ASSEMBLY (INCLUDES ITEMS 3 - 43)	1
2				
3	<u>25853G01</u>		PEDAL BOX AND COVER	1
4	<u>25854G01</u>		INDUCTIVE THROTTLE SENSOR.....	1
5	<u>00983G01</u>		SELF THREADING NUT, 3/16".....	2
6				
7	<u>25857G01</u>		PLUNGER SLEEVE	1
8	<u>28443G01</u>		PLUNGER.....	1
9	<u>28444G01</u>		PLUNGER CAM.....	1
10				
11	<u>73332G01</u>		ACCELERATOR ROD	1
12	<u>00532G4</u>		HEX NUT, 5/16" - 24	1
13	10385G4		CLEVIS YOKE (ADJUSTABLE)	1
14	<u>17677G2</u>		SPRING RETAINER, 3/8"	1
15	<u>73046G01</u>		COMPRESSION SPRING	1
16	<u>17979G1</u>		ACCELERATOR ROD BUSHING	1
17	<u>17677G1</u>		SPRING RETAINER, 1/2"	1
18				
19				
20	<u>25861G02</u>		MICRO SWITCH	1
21	<u>01050G01</u>		TORX PAN HEAD PLASTITE SCREW, #4 - 20 X 5/8" LG	2
22				
23	<u>620418</u>		WIRING HARNESS (PEDAL BOX ASSEMBLY)	1
24				
25				
26	<u>00684G6</u>		PHILLIPS TRUSS HEAD MACHINE SCREW (SS), #8 - 32 X 3/4" LG	2
27				
28	70116G02		ACCELERATOR PEDAL BRACKET.....	1
29	<u>01051G01</u>		PHILLIPS PAN HEAD SCREW, #8 - 16 X 1/2" LG	4
30				

ACCELERATOR

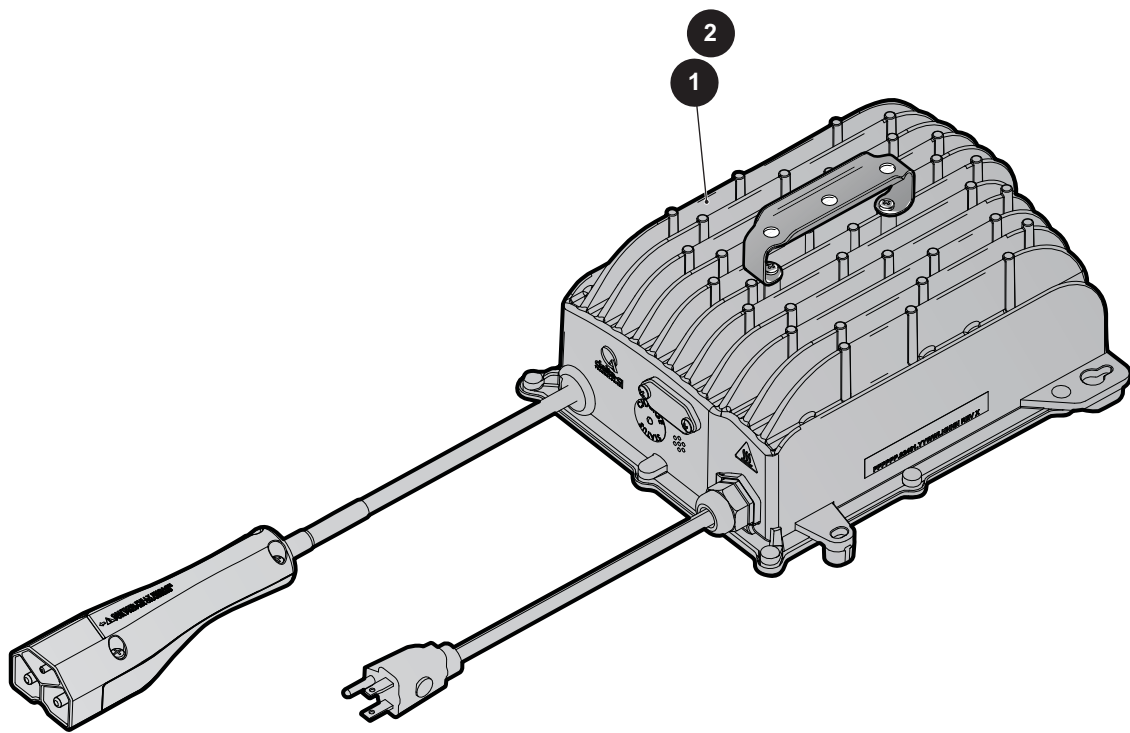
When ordering parts, please specify the model and serial number of the product.

* Indicates a component that is not available as an individual part.

*** Indicates consult Customer Service Department for additional information.

ITEM	PART NO.	1 2 3 4 5	DESCRIPTION	QTY.
31	<u>25799G03</u>		ACCELERATOR PEDAL ASSEMBLY (INCLUDES ITEMS 32 - 35)	1
32	<u>70125G04</u>		ACCELERATOR PEDAL.....	1
33				
34	<u>27512G01</u>		ACCELERATOR PEDAL PAD.....	1
35	<u>16409G1</u>		OVAL RIVET, 3/8" X 15/32" LG	6
36				
37	<u>17838G1</u>		NYLON BUSHING.....	3
38	<u>74432G01</u>		PEDAL PIVOT PIN, 4.87" LG	1
39	<u>12064G6</u>		PUSH NUT, 9/32" I.D.....	1
40				
41	<u>10386G3</u>		CLEVIS PIN, 5/16" X 13/16" LG	1
42				
43	<u>10387G3</u>		COTTER PIN, 3/32" X 3/4" LG	1
44				
45	<u>00715G2</u>		HEX HEAD FLANGE BOLT, 5/16" - 18 X .8" LG.....	4
46	<u>70135G01</u>		PEDAL PIVOT COVER.....	1

BATTERY CHARGER



BATTERY CHARGER

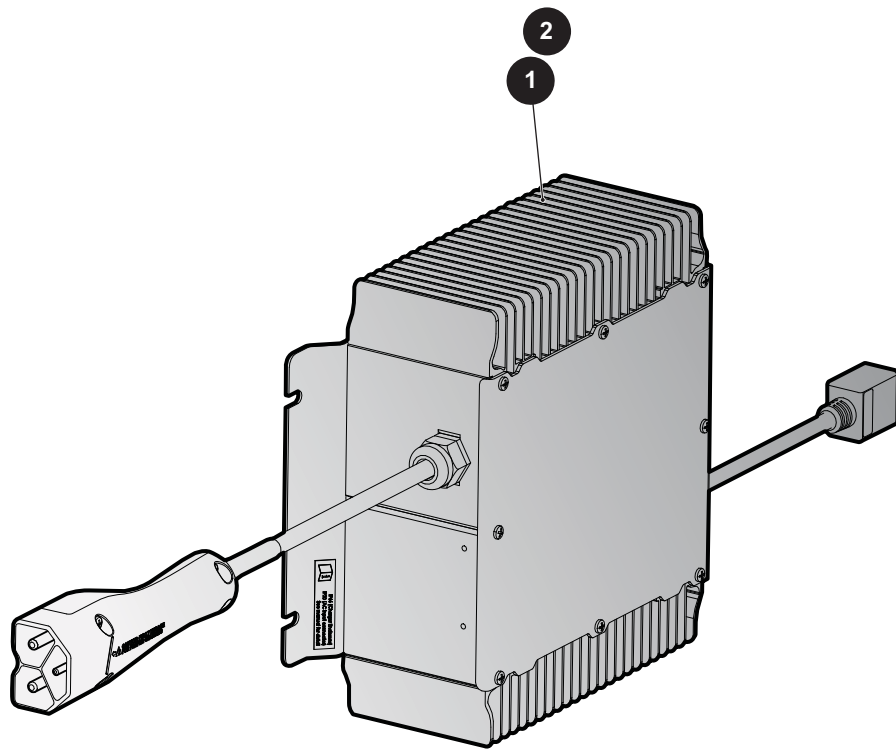
When ordering parts, please specify the model and serial number of the product.

* Indicates a component that is not available as an individual part.

*** Indicates consult Customer Service Department for additional information.

ITEM	PART NO.	1 2 3 4 5	DESCRIPTION	QTY.
1	<u>632874</u>		48V BATTERY CHARGER, 3 METER CORD	1
2	<u>632877</u>		48V BATTERY CHARGER, 5.5 METER CORD	1
3	<u>605834</u>		NYLON CLAMP, 36" (NOT ILLUSTRATED)	1

BATTERY CHARGER



BATTERY CHARGER

When ordering parts, please specify the model and serial number of the product.

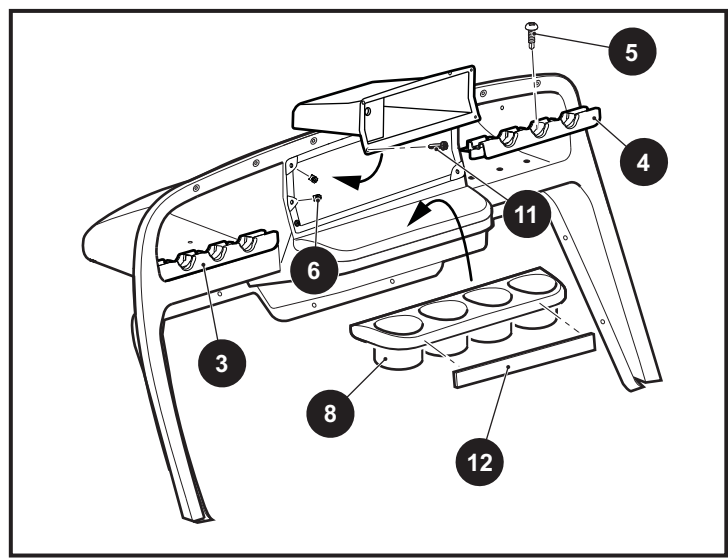
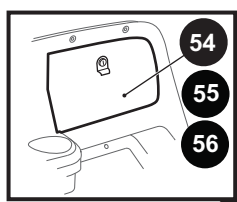
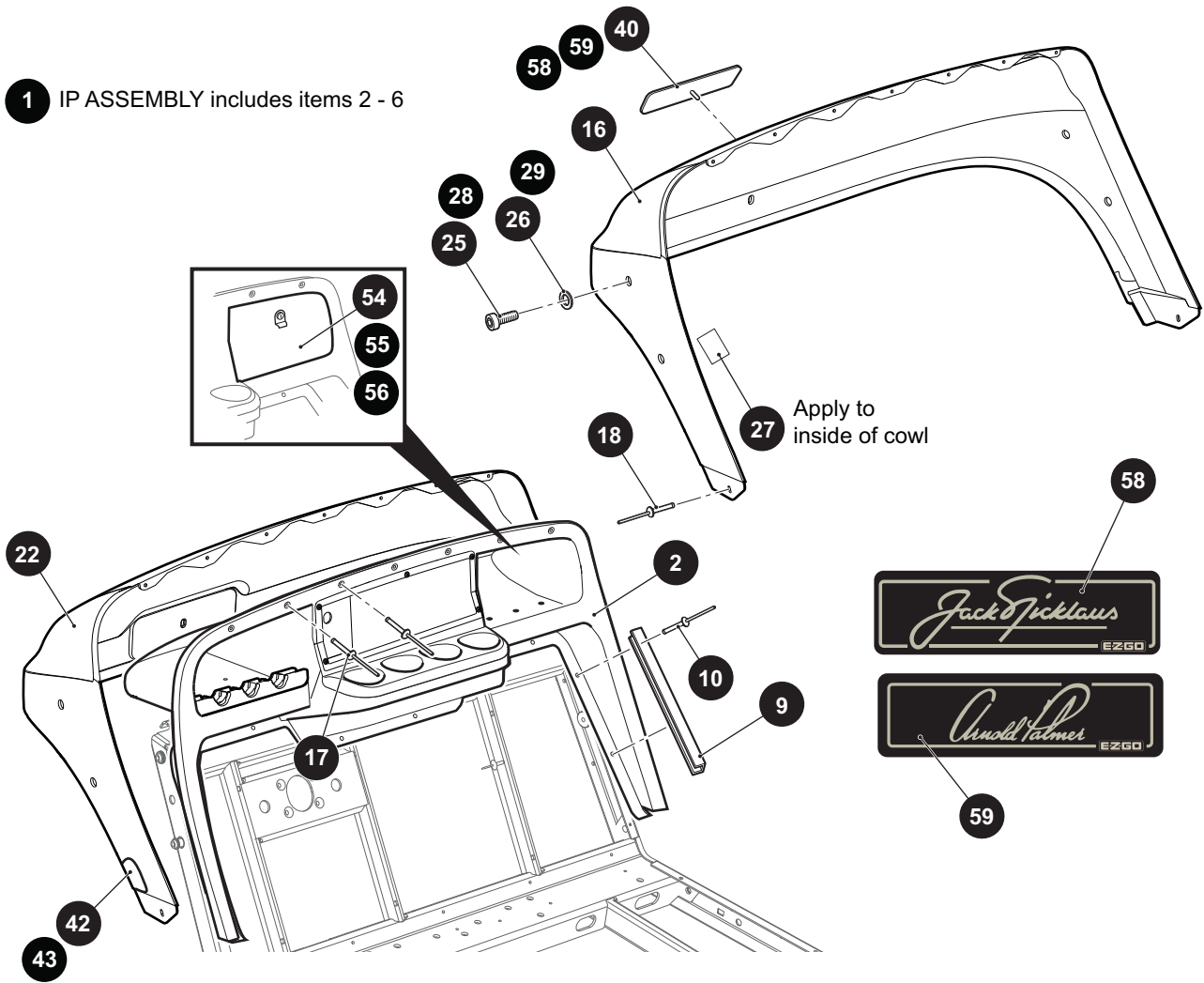
* Indicates a component that is not available as an individual part.

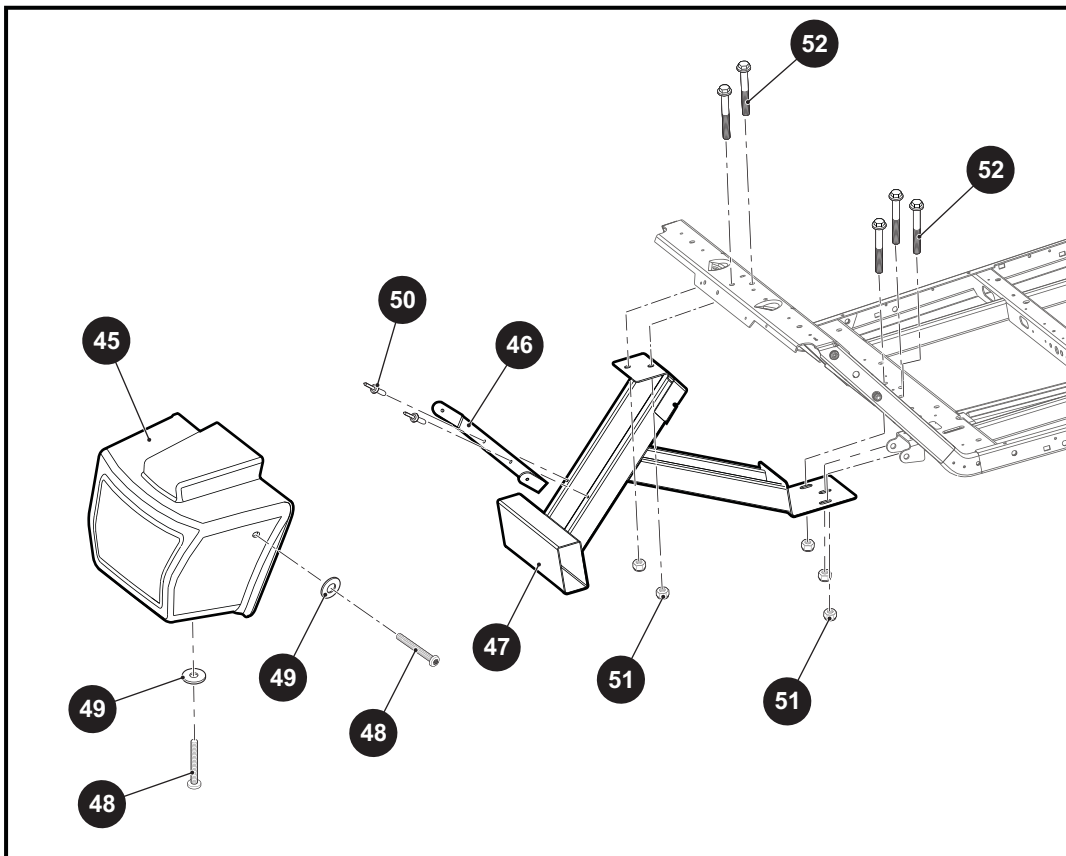
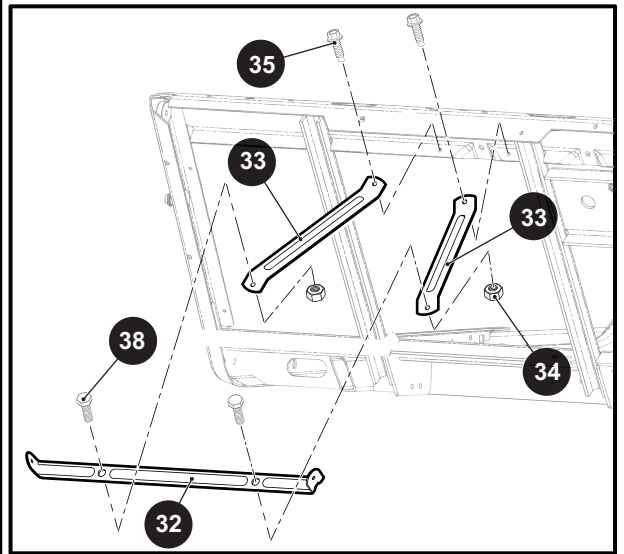
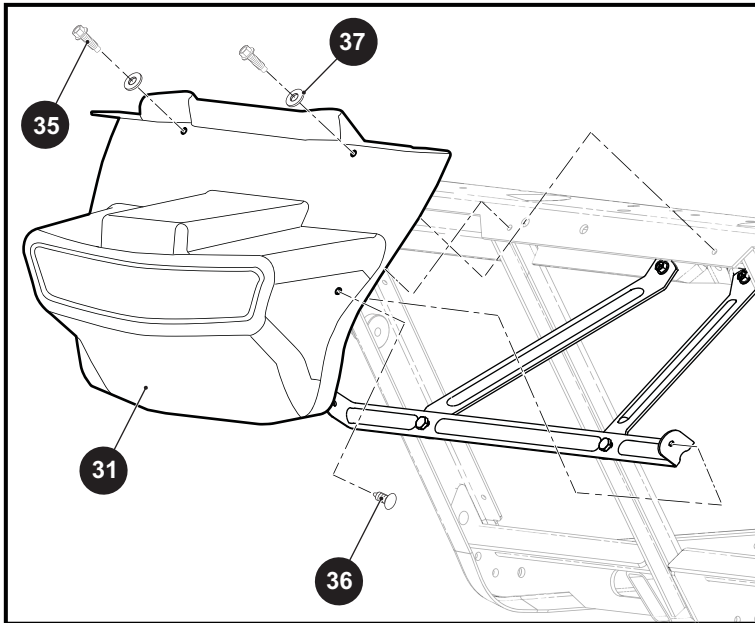
*** Indicates consult Customer Service Department for additional information.

ITEM	PART NO.	1 2 3 4 5	DESCRIPTION	QTY.
1	<u>632881</u>		WORLD CHARGER, 48V, 3 METER CORD	1
2	<u>632882</u>		WORLD CHARGER, 48V, 5.5 METER CORD	1
3	<u>605834</u>		NYLON CLAMP, 36" (NOT ILLUSTRATED)	2

BODY - FRONT

1 IP ASSEMBLY includes items 2 - 6





BODY - FRONT

When ordering parts, please specify the model and serial number of the product.

* Indicates a component that is not available as an individual part.

*** Indicates consult Customer Service Department for additional information.

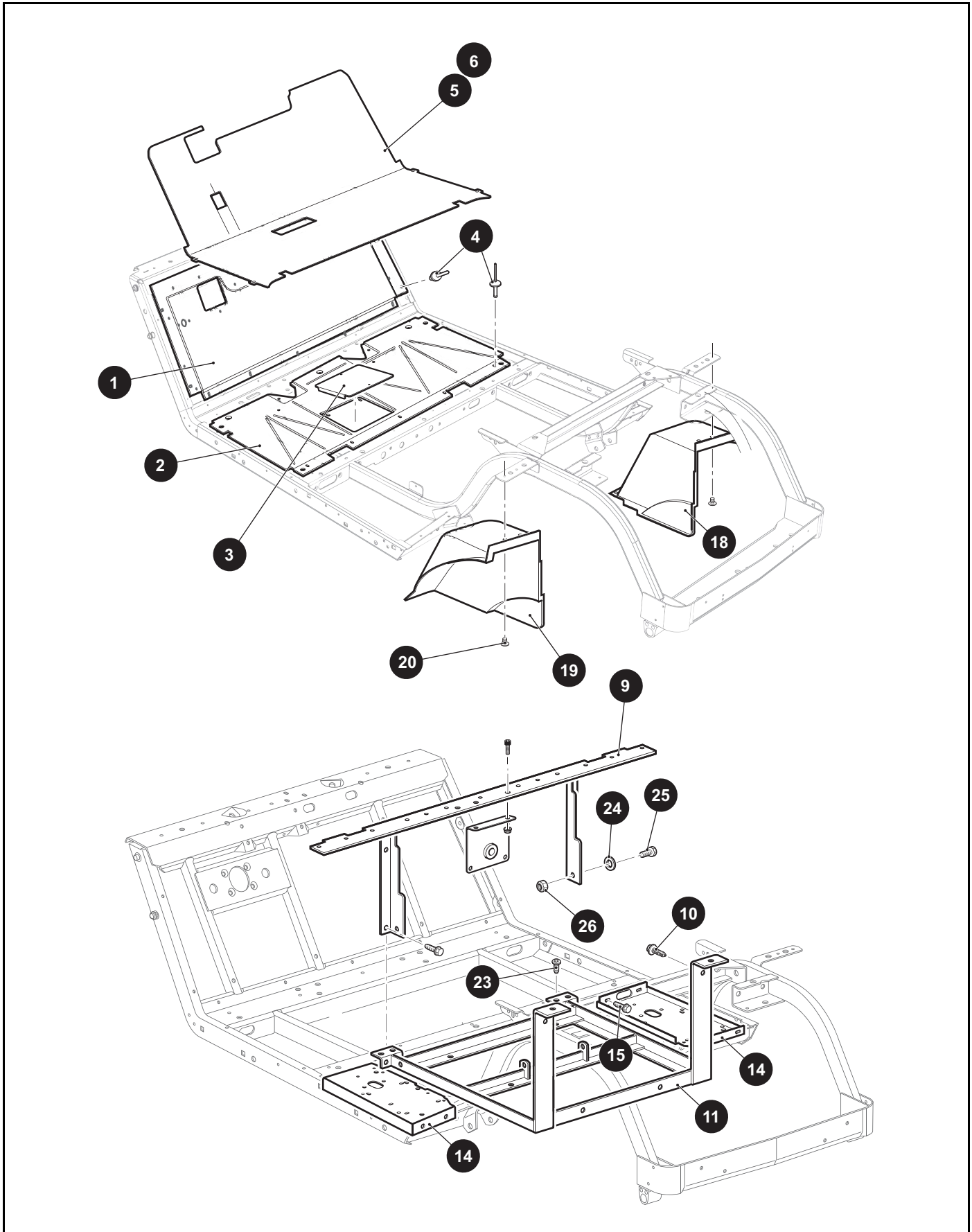
ITEM	PART NO.	1 2 3 4 5	DESCRIPTION	QTY.
1	<u>628017</u>		IP ASSEMBLY (INCLUDES ITEMS 2 - 6)	1
2	<u>628010</u>		IP ASSEMBLY WITH COMPARTMENT.....	1
3	<u>628024</u>		BALL HOLDER (DRIVER SIDE)	1
4	<u>628026</u>		BALL HOLDER (PASSENGER SIDE)	1
5	<u>00614G5</u>		PHILLIPS PAN HEAD TAPPING SCREW, #8 - 18 X 5/8" LG	4
6	<u>71364G02</u>		'J' TYPE SPEED NUT, #8 - 15 X .198" LG	5
7				
8	<u>628023</u>		CUP HOLDER	1
9	<u>71115G01</u>		TRIM - LDPE	2
10	<u>71055G01</u>		RIVET, 3/16" X .985" DIA	11
11	<u>608290</u>		PHILLIPS PAN HEAD TAPPING SCREW, #10 - 16 X 3/4" LG	5
12	<u>625240</u>		SAFETY LABEL	1
13				
14				
15				
16	619730G0XX		COWL (see COLOR CODES in HOW TO USE section).....	1
17	<u>71055G01</u>		RIVET, 3/16" X .985" DIA	7
18	<u>10570G11</u>		RIVET (SS), 3/16" X .70"	2
19				
20				
21				
22	619730G1XX		COWL WITH OPENINGS FOR LIGHTS (see COLOR CODES in HOW TO USE section)	1
23				
24				
25	00438G6		HEX HEAD BOLT, 5/16" - 18 X 3/4" LG (WITH TOP).....	2
26	<u>00571G2</u>		FLAT WASHER, 5/16"	2
27	<u>71781G02</u>		VINYL TAPE	2
28	<u>71056G01</u>		MACHINE SCREW, 5/16" - 18 X 0.62" LG (WITHOUT TOP)	4
29	<u>00570G2</u>		FLAT WASHER, 5/16"	4
30				
31	<u>624607</u>		FRONT SHIELD	1

When ordering parts, please specify the model and serial number of the product.

* Indicates a component that is not available as an individual part.

*** Indicates consult Customer Service Department for additional information.

ITEM	PART NO.	1 2 3 4 5	DESCRIPTION	QTY.
32	<u>627769</u>		SHIELD BRACKET	1
33	<u>70725G02</u>		FRONT SHIELD BRACE	2
34	<u>14390G4</u>		PLASTIC INSERT LOCK NUT, 1/4" - 20.....	2
35	<u>01038G01</u>		SWAGEFORM SCREW, 1/4" - 20 X 11/16" LG	4
36	<u>15058G1</u>		RIVET, 3/16" X .45" LG	2
37	<u>16469G1</u>		FLAT WASHER, 1/4".....	2
38	<u>00414G6</u>		HEX HEAD BOLT, 1/4" - 20 X 3/4" LG	2
39				
40	<u>606405</u>		E-Z-GO NAMEPLATE	1
41				
42	<u>627561</u>		REFLECTOR (DRIVER SIDE) (FREEDOM & 2+2).....	1
43	<u>627562</u>		REFLECTOR (PASSENGER SIDE) (FREEDOM & 2+2).....	1
44				
45	<u>634329</u>		BUMPER ASSEMBLY.....	1
46	<u>625208</u>		BUMPER BRACE	1
47	<u>625202</u>		BUMPER SUPPORT WELDMENT	1
48	<u>627566</u>		TAPPING SOCKET SCREW, 1/4" - 20 X 1.60" LG.....	3
49	<u>627565</u>		FLAT WASHER (SS), 1/4"	3
50	<u>71055G01</u>		RIVET, 3/16" X .985" DIA	2
51	<u>00734G1</u>		PLASTIC INSERT LOCK NUT, 7/16" - 14.....	5
52	<u>00463G11</u>		HEX HEAD BOLT, 7/16" - 14 X 1 5/8" LG	5
53				
54	<u>75459G01</u>		GLOVE BOX (DRIVER/PASSENGER SIDE).....	1
55	<u>75459G02</u>		GLOVE BOX (DRIVER SIDE).....	1
56	<u>75459G03</u>		GLOVE BOX (PASSENGER SIDE)	1
57				
58	<u>634299</u>		JACK NICKLAUS NAMEPLATE	1
59	<u>634297</u>		ARNOLD PALMER NAMEPLATE	1



When ordering parts, please specify the model and serial number of the product.

* Indicates a component that is not available as an individual part.

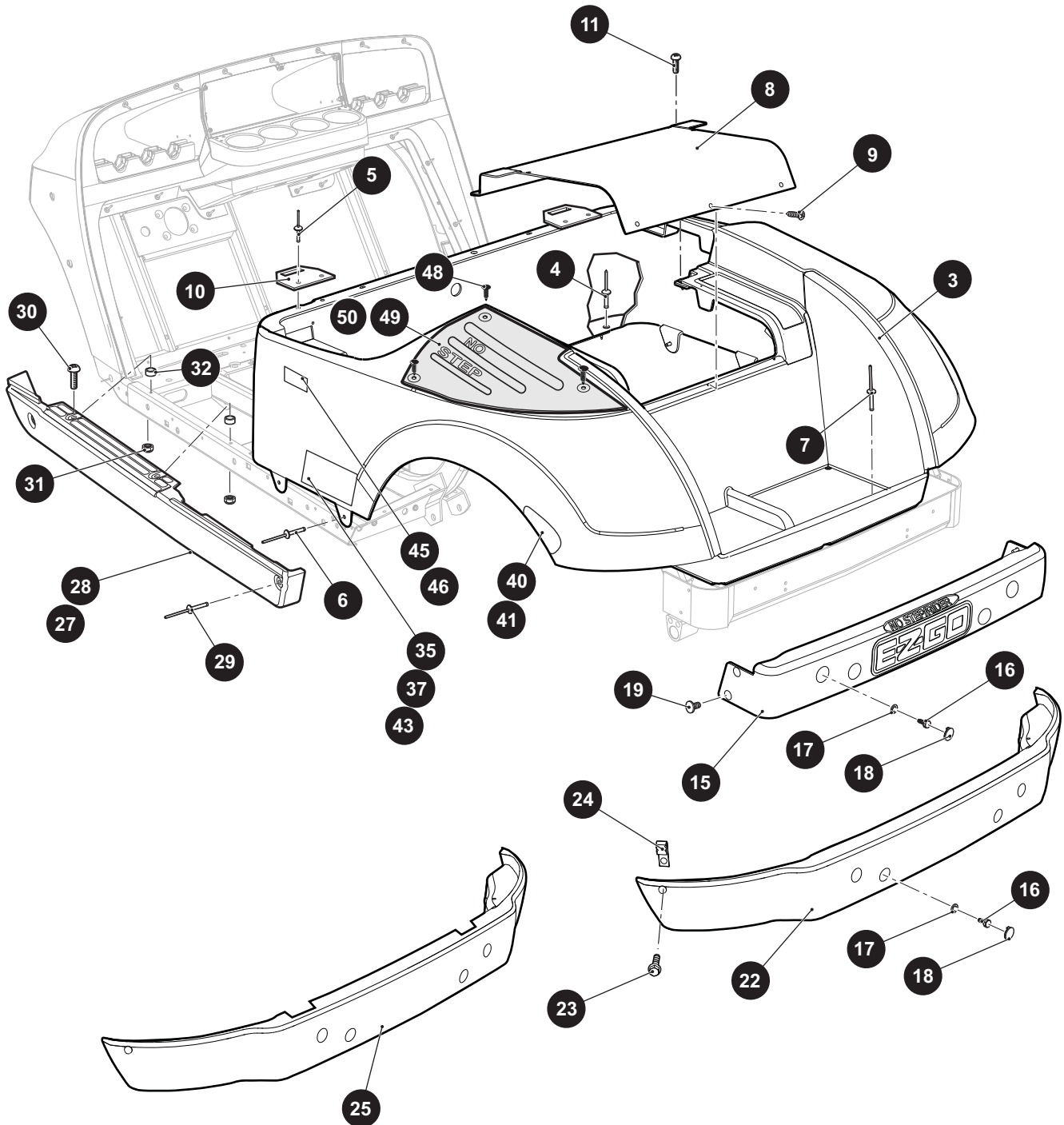
*** Indicates consult Customer Service Department for additional information.

ITEM	PART NO.	1 2 3 4 5	DESCRIPTION	QTY.
1	70662G01		UPPER FLOORPAN	1
2	<u>70451G01</u>		LOWER FLOORPAN	1
3	<u>70452G01</u>		ACCESS COVER.....	1
4	<u>14601G11</u>		RIVET, 3/16" X 9/16" LG, ALUMINUM	16
5	634355G01		FLOORMAT	1
6	634355G02		FLOORMAT WITH HORN HOLE (FREEDOM & 2+2)	1
7				
8				
9	<u>70441G01</u>		SEAT FRAME	1
10	<u>00715G2</u>		HEX HEAD FLANGE BOLT, 5/16" - 18 X 4/5" LG.....	4
11	<u>70046G02</u>		BATTERY RACK WELDMENT	1
12				
13				
14	<u>70244G03</u>		SPLASH PANEL	2
15	<u>00715G2</u>		HEX HEAD FLANGE BOLT, 5/16" - 18 X 4/5" LG.....	8
16	<u>72910G01</u>		CORROSION PATCH (NOT ILLUSTRATED)	2
17				
18	<u>635054G02</u>		FENDER LINER (PASSENGER SIDE).....	1
19	<u>635054G01</u>		FENDER LINER (DRIVER SIDE)	1
20	<u>16816G2</u>		RATCHET FASTENER, 1/4" X 3/4" LG.....	8
21				
22				
23	<u>70200G01</u>		TRUSS HEAD HEX SCREW, 3/8" - 10.....	2
24	00559G8		FLAT WASHER, 5/8".....	2
25	00438G6		HEX HEAD BOLT, 5/16" - 18 X 3/4" LG	2
26	11098G6		PLASTIC INSERT NUT, 5/16" - 18.....	2

BODY - REAR

1 REAR BODY (WITHOUT TAILLIGHTS) includes items 3 - 11

2 REAR BODY (WITH TAILLIGHTS) includes items 3 - 11



When ordering parts, please specify the model and serial number of the product.

* Indicates a component that is not available as an individual part.

*** Indicates consult Customer Service Department for additional information.

ITEM	PART NO.	1 2 3 4 5	DESCRIPTION	QTY.
1	625272G0XX		REAR BODY (WITHOUT TAILLIGHTS) (INCLUDES ITEMS 3 - 11) (see COLOR CODES in HOW TO USE section)	1
2	625272G1XX		REAR BODY (WITH TAILLIGHTS) (INCLUDES ITEMS 3 - 11) (see COLOR CODES in HOW TO USE section)	1
3	<u>624374</u>		BAGWELL LINER.....	1
4	<u>10570G10</u>		RIVET (SS), 5/32" X 9/16" LG	5
5	<u>10570G11</u>		RIVET (SS), 3/16" X .70" LG	4
6	10570G12		RIVET (SS), 1/4" X 9/16" LG	4
7	<u>633917</u>		PLASTIC RIVET, 1/4" X 1" LG.....	2
8	<u>71320G01</u>		ACCESS COVER	1
9	<u>01107G01</u>		TORX PAN HEAD SCREW, #8 X .63" LG	5
10	<u>71609G01</u>		SEAT HINGE PLATE	2
11	<u>16816G2</u>		RATCHET FASTENER, 1/4" X 3/4" LG	2
12				
13				
14				
15	<u>71578G01</u>		REAR BUMPER.....	1
16	<u>71102G01</u>		HEX HEAD BOLT, 1/4" - 20 X 3/4" LG	4
17	<u>00571G2</u>		FLAT WASHER, 5/16".....	4
18	<u>71514G01</u>		BUMPER PLUG.....	4
19	14601G17		RIVET, 3/16" X 9/16" LG, ALUMINUM	4
20				
21				
22	71456G01		REAR BUMPER (2+2)	1
23	<u>71102G03</u>		HEX HEAD BOLT, 1/4" - 20 X 1 1/4" LG	2
24	<u>71554G01</u>		'J' TYPE NUT RETAINER, 1/4" - 20.....	2
25	<u>71451G02</u>		REAR BUMPER (2+2)	1
26				
27	<u>615239</u>		ROCKER PANEL WITH SILL PLATE (DRIVER SIDE)	1
28	<u>617333</u>		ROCKER PANEL WITH SILL PLATE (PASSENGER SIDE).....	1
29	<u>15058G6</u>		BLACK RIVET, 3/16", ALUMINUM.....	4
30	<u>634161</u>		HEXALOBULAR FLANGE BOLT, M6 - 1 X 34.5MM LG	4

BODY - REAR

When ordering parts, please specify the model and serial number of the product.

* Indicates a component that is not available as an individual part.

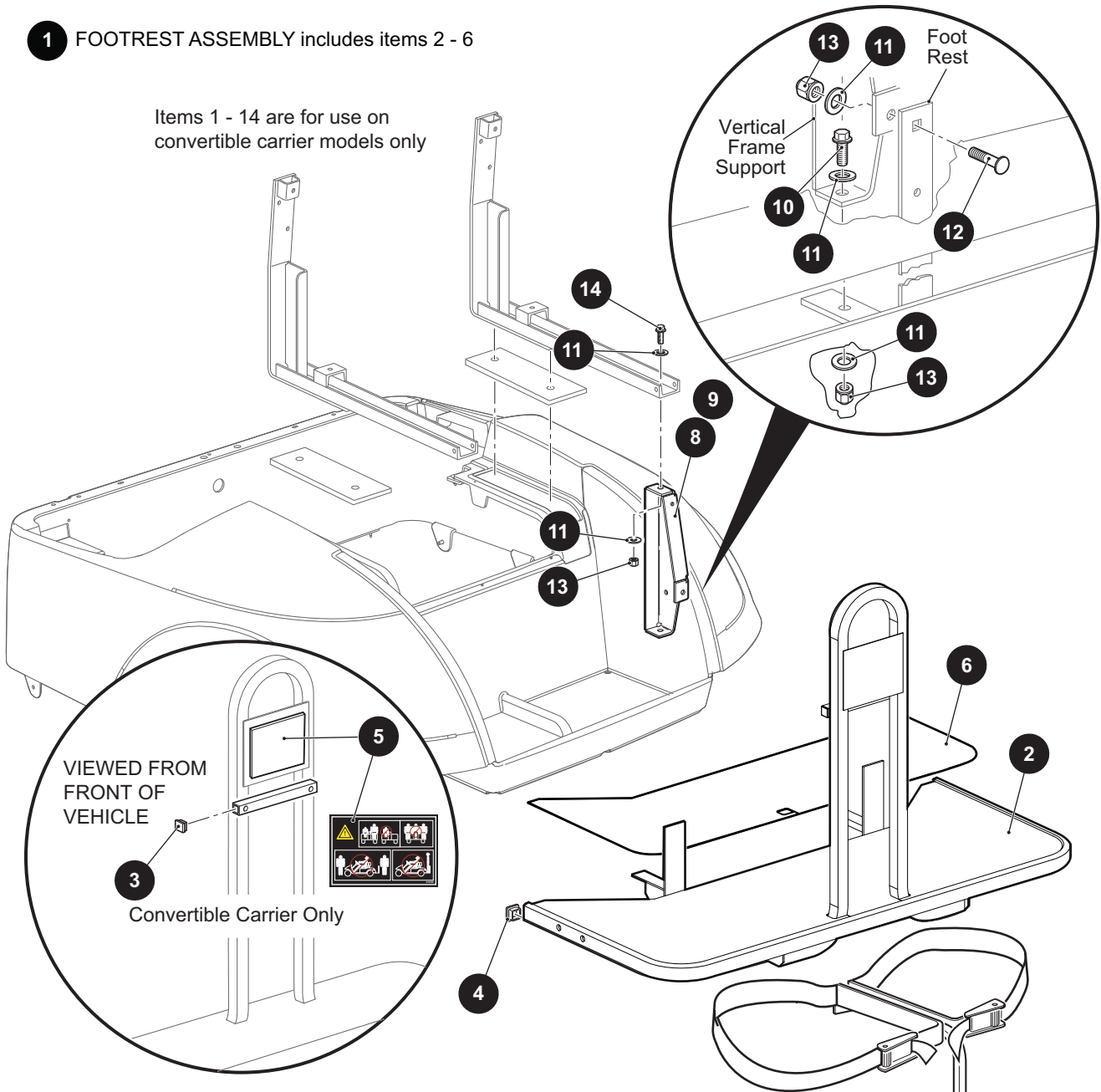
*** Indicates consult Customer Service Department for additional information.

ITEM	PART NO.	1 2 3 4 5	DESCRIPTION	QTY.
31	<u>601476</u>		LOCK NUT, M6 - 1.....	4
32	<u>23726G4</u>		SPACER, 5/16"	4
33				
34				
35	<u>613478</u>		DECAL, FLEET	2
36				
37	<u>614386</u>		DECAL, FREEDOM.....	2
38	<u>625244</u>		REAR REFLECTORS (DRIVER SIDE) (FREEDOM & 2+2) (NOT ILLUSTRATED)	1
39	<u>625246</u>		REAR REFLECTORS (PASSENGER SIDE) (FREEDOM & 2+2) (NOT ILLUSTRATED)	1
40	<u>627563</u>		SIDE REFLECTORS (DRIVER SIDE) (FREEDOM & 2+2).....	1
41	<u>627564</u>		SIDE REFLECTORS (PASSENGER SIDE) (FREEDOM & 2+2)	1
42				
43	<u>614453</u>		DECAL, 2+2	2
44				
45	<u>604847</u>		GOLDEN BEAR DECAL.....	2
46	<u>604850</u>		UMBRELLA DECAL	2
47				
48	<u>16816G2</u>		RATCHET RIVET, 0.25" X 0.887"	6
49	<u>625210</u>		REAR SCUFF PAD (DRIVER SIDE)	1
50	<u>625211</u>		REAR SCUFF PAD (PASSENGER SIDE).....	1

BODY - ACCESSORIES

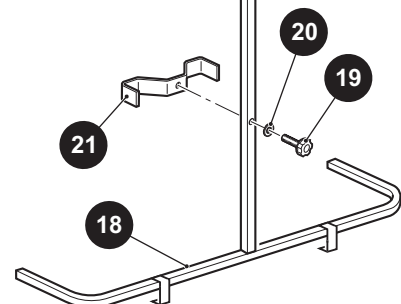
1 FOOTREST ASSEMBLY includes items 2 - 6

Items 1 - 14 are for use on convertible carrier models only



TWO BAG ATTACHMENT

17 TWO BAG ATTACHMENT KIT includes items 18 - 21



BODY - ACCESSORIES

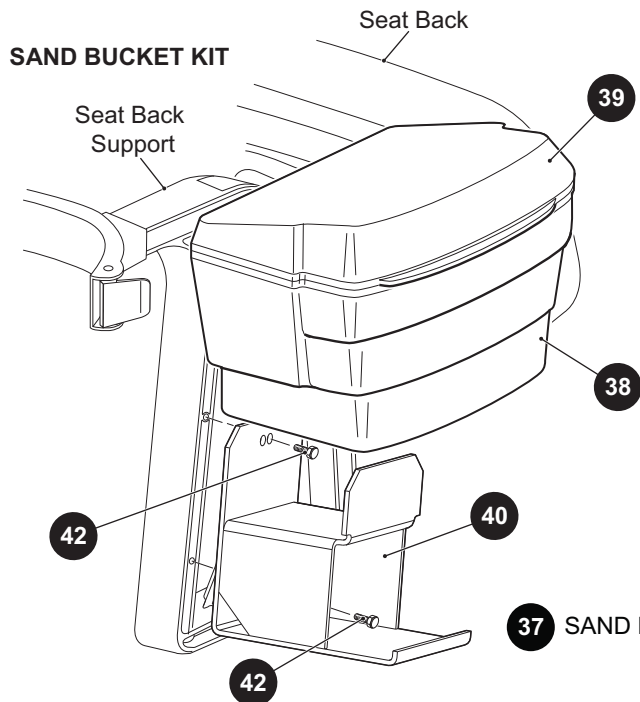
When ordering parts, please specify the model and serial number of the product.

* Indicates a component that is not available as an individual part.

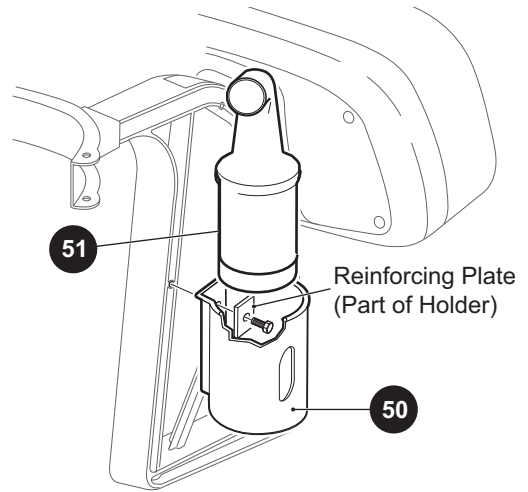
*** Indicates consult Customer Service Department for additional information.

ITEM	PART NO.	1 2 3 4 5	DESCRIPTION	QTY.
1	<u>70361G01</u>		FOOTREST ASSEMBLY (INCLUDES ITEMS 2 - 6).....	1
2	<u>70633G01</u>		FOOTREST	1
3	<u>19859G1</u>		END CAP, 3/4"	2
4	<u>19853G1</u>		END CAP, 1"	2
5	<u>610630</u>		WARNING LABEL	1
6	<u>70362G01</u>		RUBBER FLOOR MAT	1
7				
8	<u>74126G01</u>		VERTICAL FRAME SUPPORT (DRIVER SIDE)	1
9	<u>74126G02</u>		VERTICAL FRAME SUPPORT (PASSENGER SIDE).....	1
10	<u>00427G6</u>		BOLT, 3/8" - 16 X 1 1/2" LG	2
11	<u>00560G1</u>		FLAT WASHER, 3/8"	10
12	<u>00769G2</u>		CARRIAGE BOLT, 3/8" - 16 X 1 1/4" LG.....	2
13	<u>11098G5</u>		LOCK NUT, 3/8" - 16.....	6
14	<u>00426G8</u>		BOLT, 3/8" - 16 X 1" LG	2
15				
16				
17	<u>75183G01</u>		TWO BAG ATTACHMENT KIT (INCLUDES ITEMS 18 - 21).....	1
18	<u>75188G01</u>		TWO BAG ATTACHMENT.....	1
19	<u>22238G2</u>		KNOB, 3/8" - 16 X 1 1/2" LG	1
20	<u>17255G1</u>		TEFLON WASHER, 5/16"	1
21	<u>75187G01</u>		SUPPORT BRACKET	1

BODY - ACCESSORIES



SAND BOTTLE DIVOT REPAIR KIT

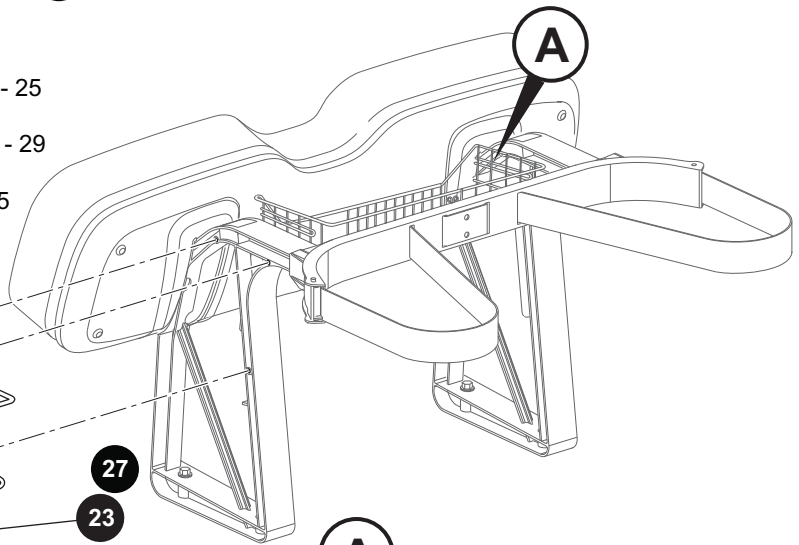
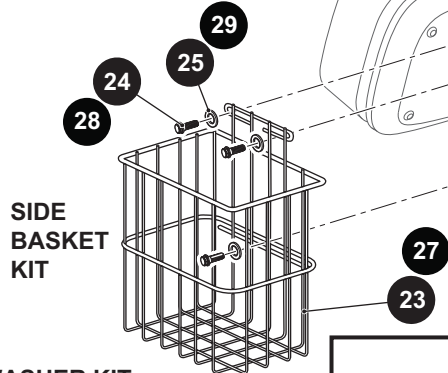


37 SAND BUCKET KIT includes items 38 - 42

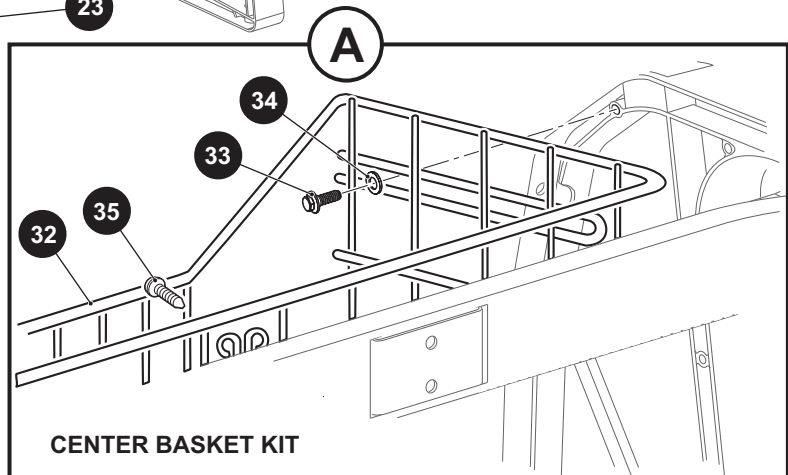
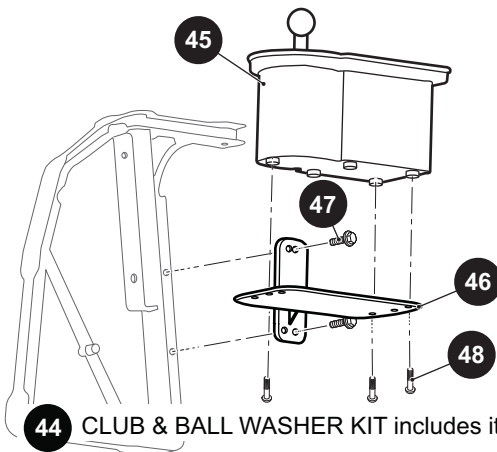
22 SIDE BASKET KIT (ONE) includes items 23 - 25

26 SIDE BASKET KIT (TWO) includes items 27 - 29

31 CENTER BASKET KIT includes items 32 - 35



CLUB & BALL WASHER KIT



CENTER BASKET KIT

44 CLUB & BALL WASHER KIT includes items 45 - 48

BODY - ACCESSORIES

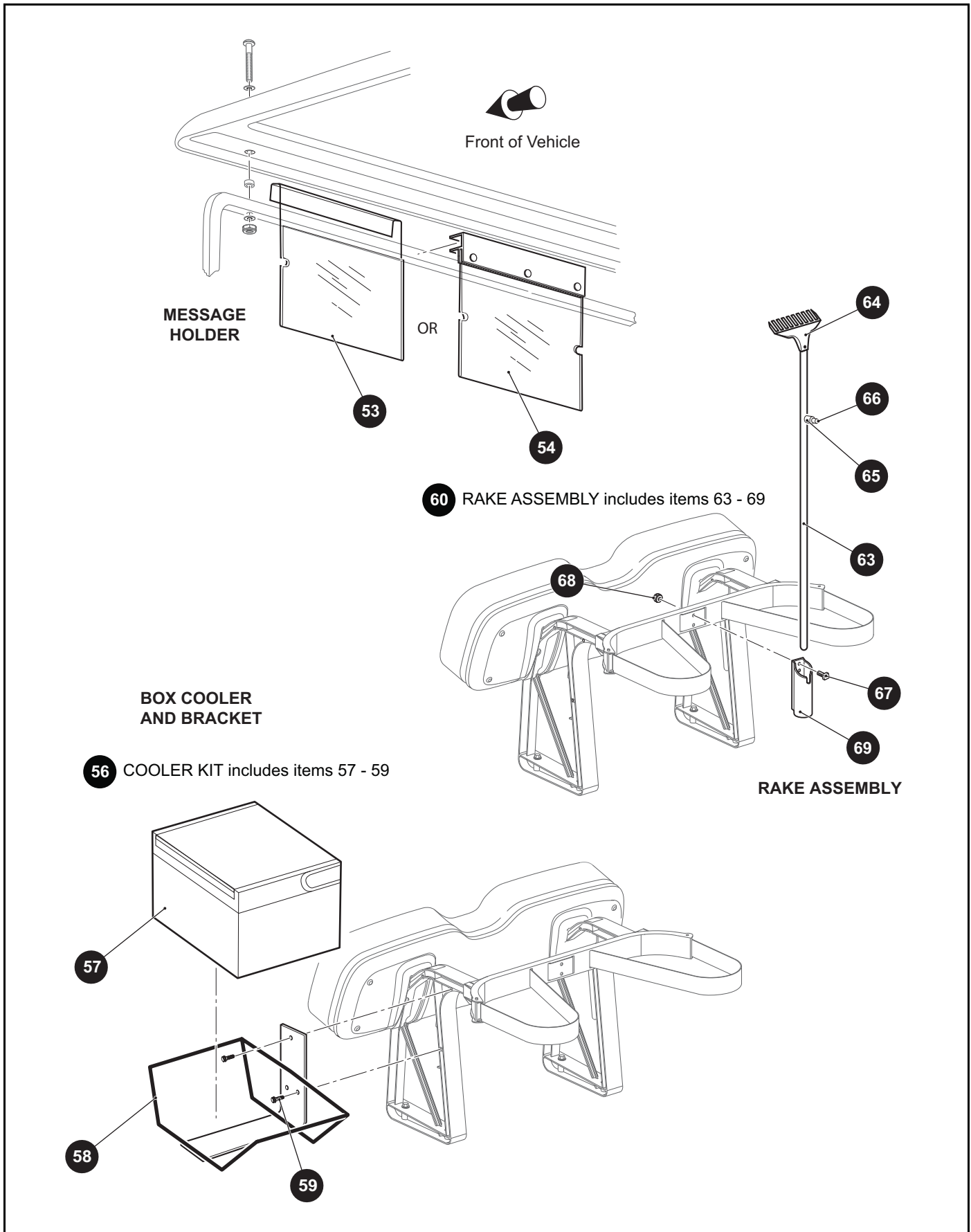
When ordering parts, please specify the model and serial number of the product.

* Indicates a component that is not available as an individual part.

*** Indicates consult Customer Service Department for additional information.

ITEM	PART NO.	1 2 3 4 5	DESCRIPTION	QTY.
22	<u>75007G01</u>		SIDE BASKET KIT WITH ONE BASKET (INCLUDES ITEMS 23 - 25)	1
23	<u>75460G01</u>		SIDE BASKET	1
24	<u>71102G01</u>		HEX HEAD BOLT, 1/4" - 20 X 3/4" LG.....	3
25	<u>00793G2</u>		FLAT WASHER (SS), 1/4"	3
26	<u>75007G03</u>		SIDE BASKET KIT WITH TWO BASKET (INCLUDES ITEMS 27 - 29)	1
27	<u>75460G01</u>		SIDE BASKET	2
28	<u>71102G01</u>		HEX HEAD BOLT, 1/4" - 20 X 3/4" LG.....	6
29	<u>00793G2</u>		FLAT WASHER (SS), 1/4"	6
30				
31	<u>75003G02</u>		CENTER BASKET KIT (INCLUDES ITEMS 32 - 35).....	1
32	<u>75461G01</u>		CENTER BASKET	1
33	<u>71102G01</u>		HEX HEAD BOLT, 1/4" - 20 X 3/4" LG.....	2
34	<u>00793G2</u>		FLAT WASHER (SS), 1/4"	2
35	<u>01105G01</u>		TORX SCREW (SS), #10 - 14 X 5/8" LG	2
36				
37	634314		SAND BUCKET KIT (INCLUDES ITEMS 38 - 42)	1
38	<u>74845G01</u>		SAND BUCKET WITHOUT LID.....	1
39	<u>74846G01</u>		SAND BUCKET LID	1
40	634181		MOUNTING BRACKET	1
41	<u>74848G01</u>		SAND SCOOP (NOT ILLUSTRATED).....	1
42	<u>71102G01</u>		HEX HEAD BOLT, 1/4" - 20 X 3/4" LG.....	2
43				
44	<u>627900</u>		CLUB & BALL WASHER KIT (INCLUDES ITEMS 45 - 48)	1
45	*		CLUB & BALL WASHER	1
46	*		CLUB & BALL WASHER WELDMENT.....	1
47	*		HEX HEAD BOLT, 1/4" - 20 X 3/4" LG.....	2
48	*		PHILLIPS PAN HEAD SELF TAPPING SCREW, #8 - 18 X 1" LG	3
49				
50	<u>28660G01</u>		SAND BOTTLE HOLDER	1
51	600612		SAND BOTTLE	1
52	<u>614191</u>		SAND BOTTLE HARDWARE KIT (NOT ILLUSTRATED).....	1

BODY - ACCESSORIES



BODY - ACCESSORIES

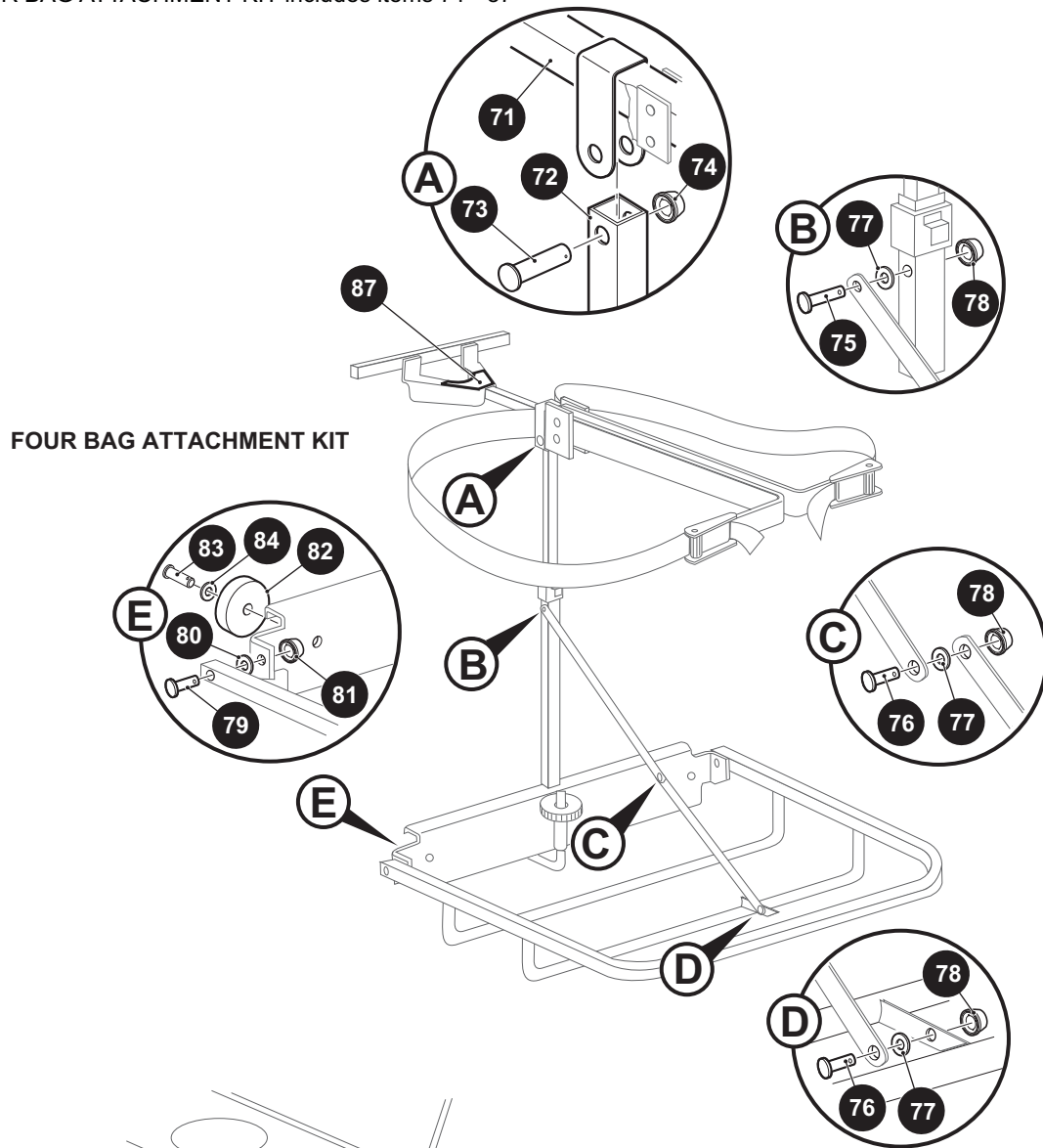
When ordering parts, please specify the model and serial number of the product.

* Indicates a component that is not available as an individual part.

*** Indicates consult Customer Service Department for additional information.

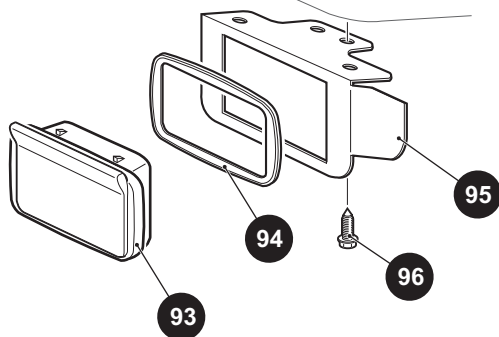
ITEM	PART NO.	1 2 3 4 5	DESCRIPTION	QTY.
53	<u>634624</u>		MESSAGE HOLDER (ONE PIECE)	1
54	<u>634347</u>		MESSAGE HOLDER	1
55				
56	<u>634319</u>		COOLER KIT (INCLUDES ITEMS 57 - 59)	1
57	<u>601366</u>		BEVERAGE COOLER.....	1
58	<u>634154</u>		COOLER BRACKET	1
59	<u>71102G01</u>		HEX HEAD BOLT, 1/4" - 20 X 3/4" LG.....	3
60				
61				
62	<u>14735G1</u>		RAKE ASSEMBLY (INCLUDES ITEMS 63 - 69)	1
63	<u>14736G2</u>		RAKE HANDLE	1
64	<u>14737G1</u>		RAKE	1
65	<u>14934G1</u>		SPACER	1
66	<u>00130G8</u>		PHILLIPS HEAD WOOD SCREW, #10 - 13 X 1" LG	1
67	<u>00989G06</u>		SQUARE HEAD BOLT, 1/4" - 20 X 3/4" LG.....	2
68	<u>11027G2</u>		LOCK NUT, 1/4" - 20	2
69	<u>25885G01</u>		RAKE HOLDER.....	1

70 FOUR BAG ATTACHMENT KIT includes items 71 - 87



FOUR BAG ATTACHMENT KIT

ASH TRAY



92 ASH TRAY KIT includes items 93 - 96

BODY - ACCESSORIES

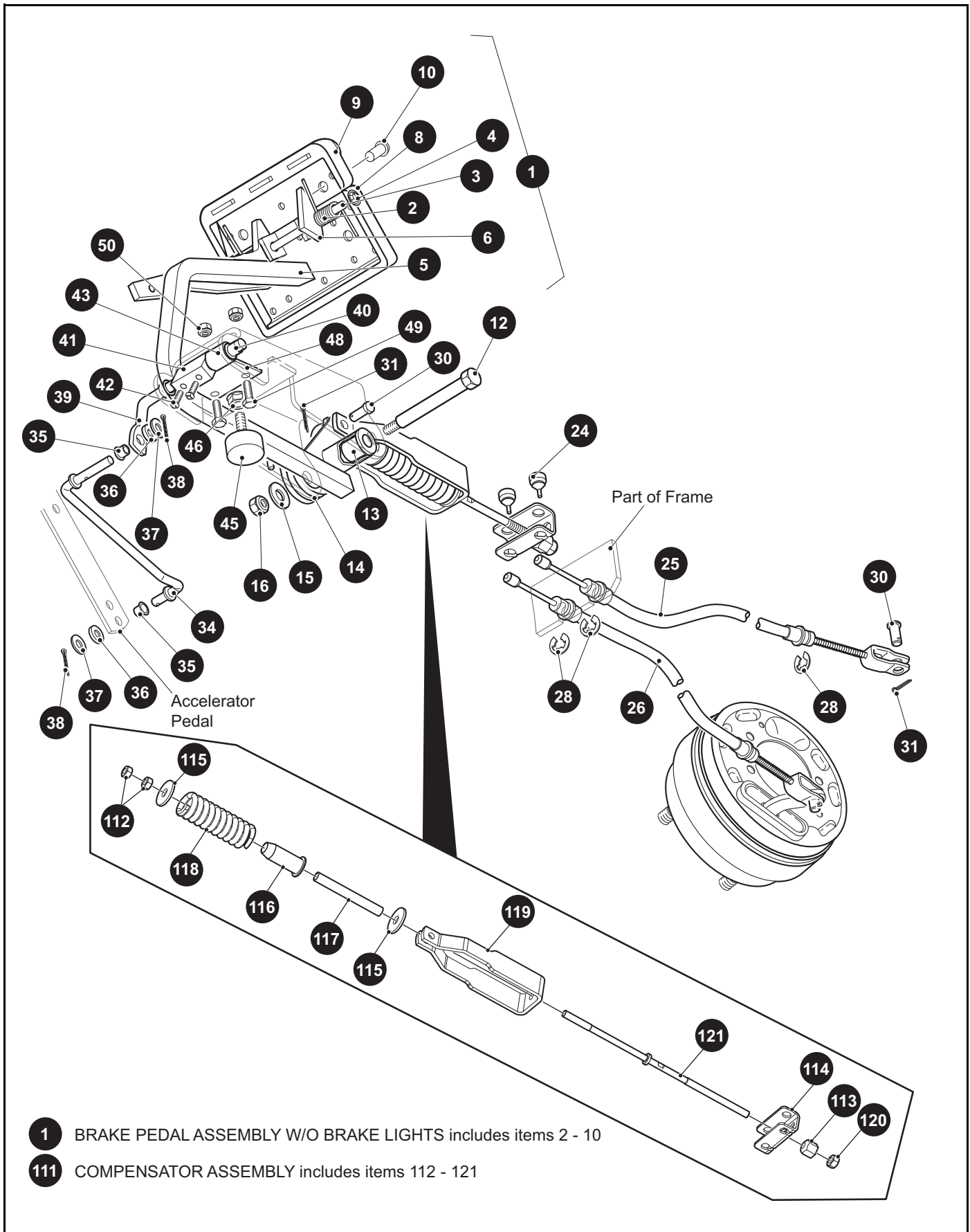
When ordering parts, please specify the model and serial number of the product.

* Indicates a component that is not available as an individual part.

*** Indicates consult Customer Service Department for additional information.

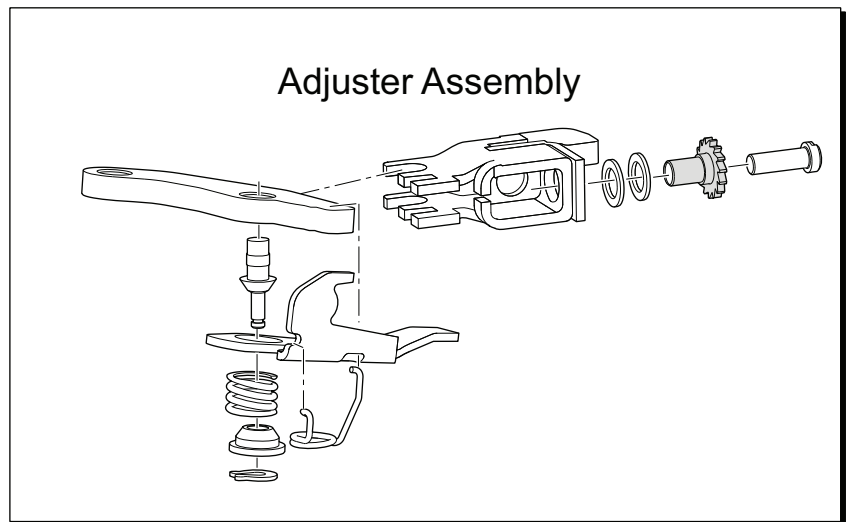
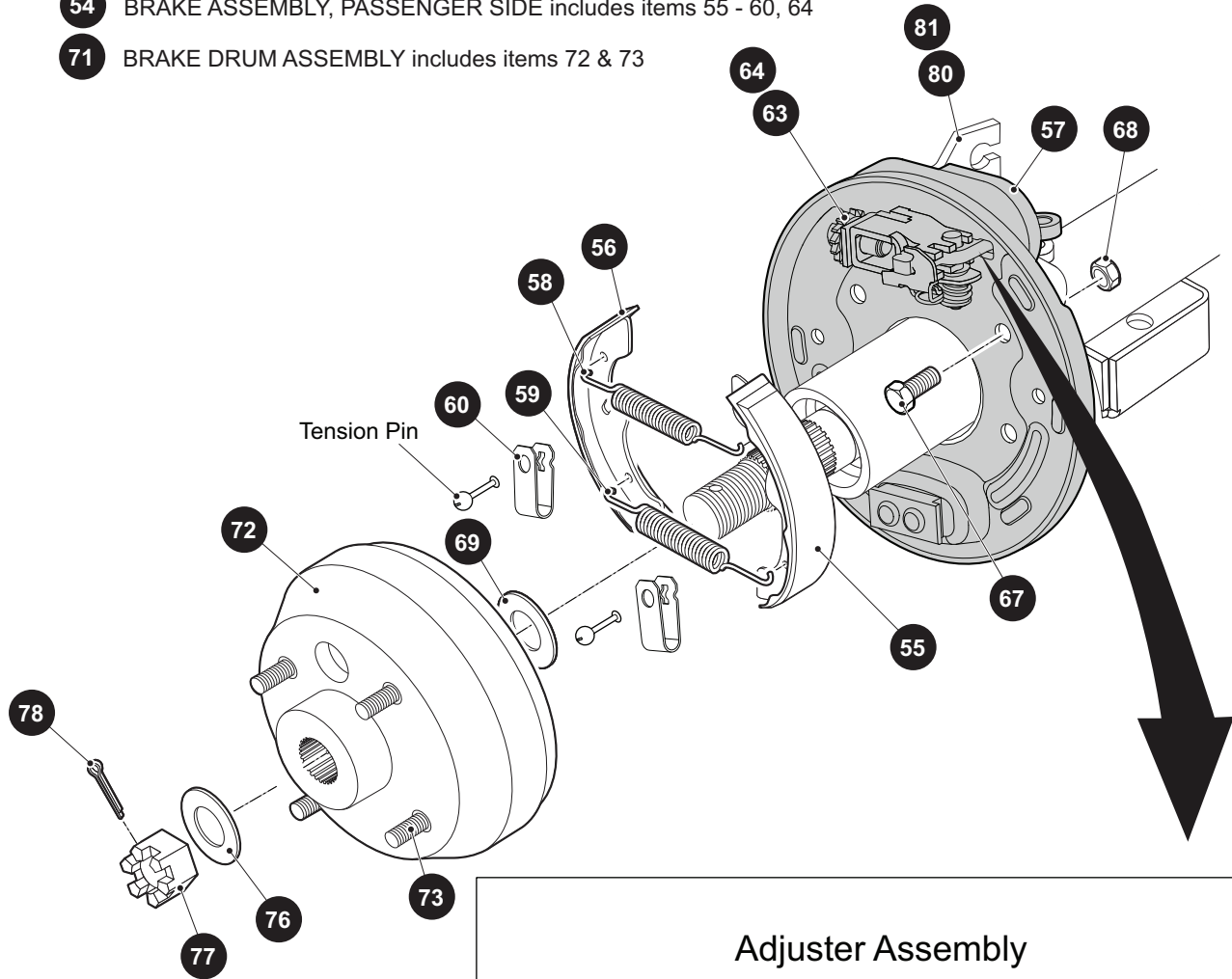
ITEM	PART NO.	1 2 3 4 5	DESCRIPTION	QTY.
70	<u>75335G01</u>		FOUR BAG ATTACHMENT KIT (INCLUDES ITEMS 71 - 87)	1
71	*		TOP ASSEMBLY	1
72	*		BOTTOM ASSEMBLY	1
73	<u>17651G2</u>		CLEVIS PIN, 5/16" X 1 1/8" LG	1
74	<u>28129G01</u>		PUSH NUT, 5/16"	1
75	<u>17651G2</u>		CLEVIS PIN, 5/16" X 1 1/8" LG	1
76	<u>17651G3</u>		CLEVIS PIN, 5/16" X 1/2" LG	2
77	00559G8		FLAT WASHER, 5/16"	3
78	<u>28129G01</u>		PUSH NUT, 5/16"	3
79	<u>17651G1</u>		CLEVIS PIN 3/8" X 1 1/4" LG	2
80	<u>00560G1</u>		FLAT WASHER, 3/8"	2
81	<u>28129G02</u>		PUSH NUT, 3/8"	2
82	<u>13728G1</u>		RUBBER BUMPER	2
83	<u>14601G1</u>		RIVET, 3/16"	2
84	<u>00559G5</u>		FLAT WASHER, #10	2
85				
86				
87	75130G01		WARNING LABEL	1
88				
89				
90				
91				
92	<u>75109G03</u>		ASH TRAY KIT (INCLUDES ITEMS 93 - 96)	1
93	27731G01		ASH TRAY	1
94	27736G01		GASKET	1
95	<u>75108G02</u>		BRACKET	1
96	<u>00100G4</u>		HEX HEAD TAPPING SCREW, #10 - 16 X 1/2" LG	4
97	<u>625920</u>		SOLAR PANEL CONTROLLER (NOT ILLUSTRATED)	1
98	<u>625921</u>		SOLAR PANEL HARNESS (NOT ILLUSTRATED)	1
99	<u>625922</u>		SOLAR PANEL BATTERY HARNESS (NOT ILLUSTRATED)	1
100	<u>625926</u>		SOLAR PANEL (NOT ILLUSTRATED)	1

BRAKES



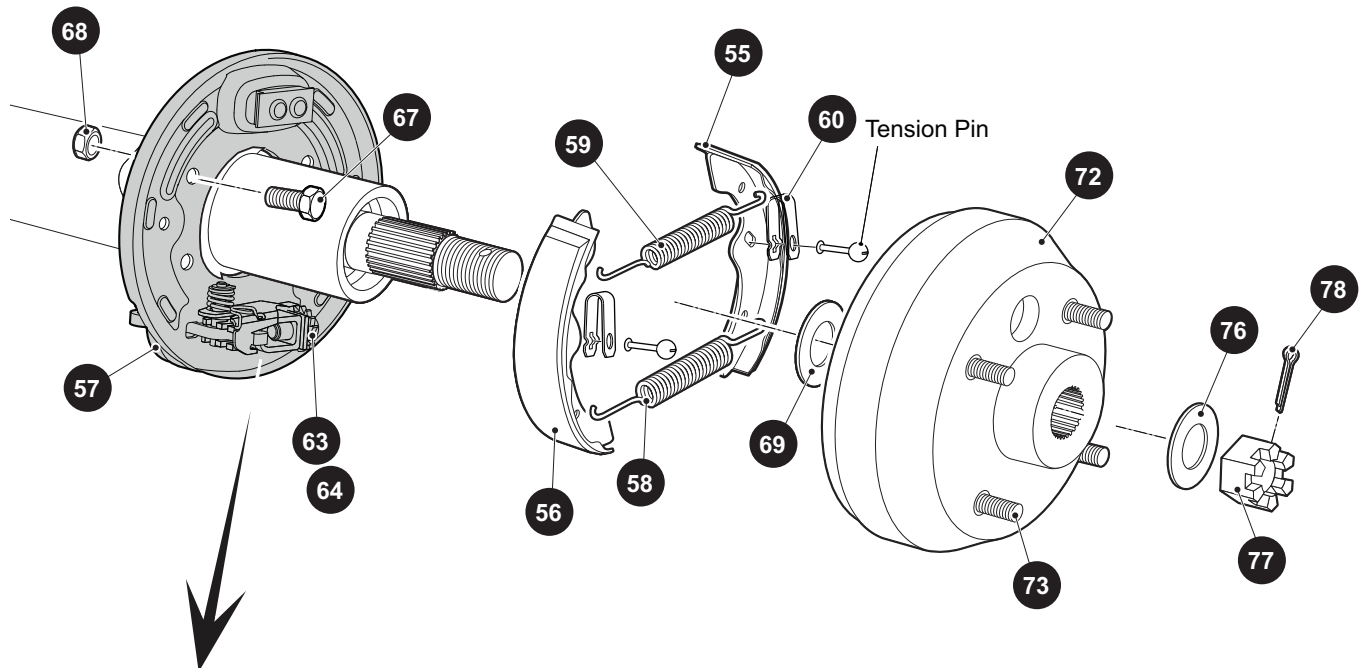
TOP PULL

- 53** BRAKE ASSEMBLY, DRIVER SIDE includes items 55 - 60, 63
- 54** BRAKE ASSEMBLY, PASSENGER SIDE includes items 55 - 60, 64
- 71** BRAKE DRUM ASSEMBLY includes items 72 & 73

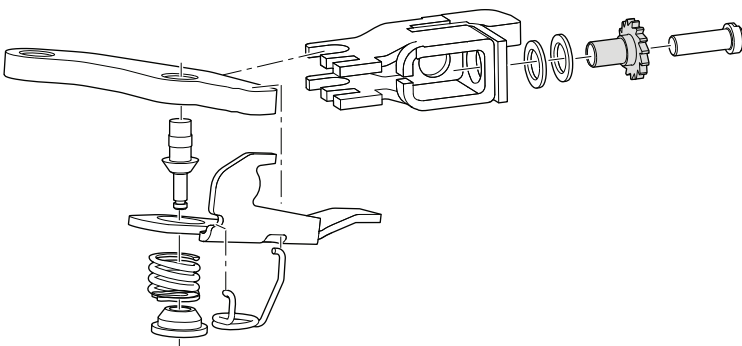


BOTTOM PULL

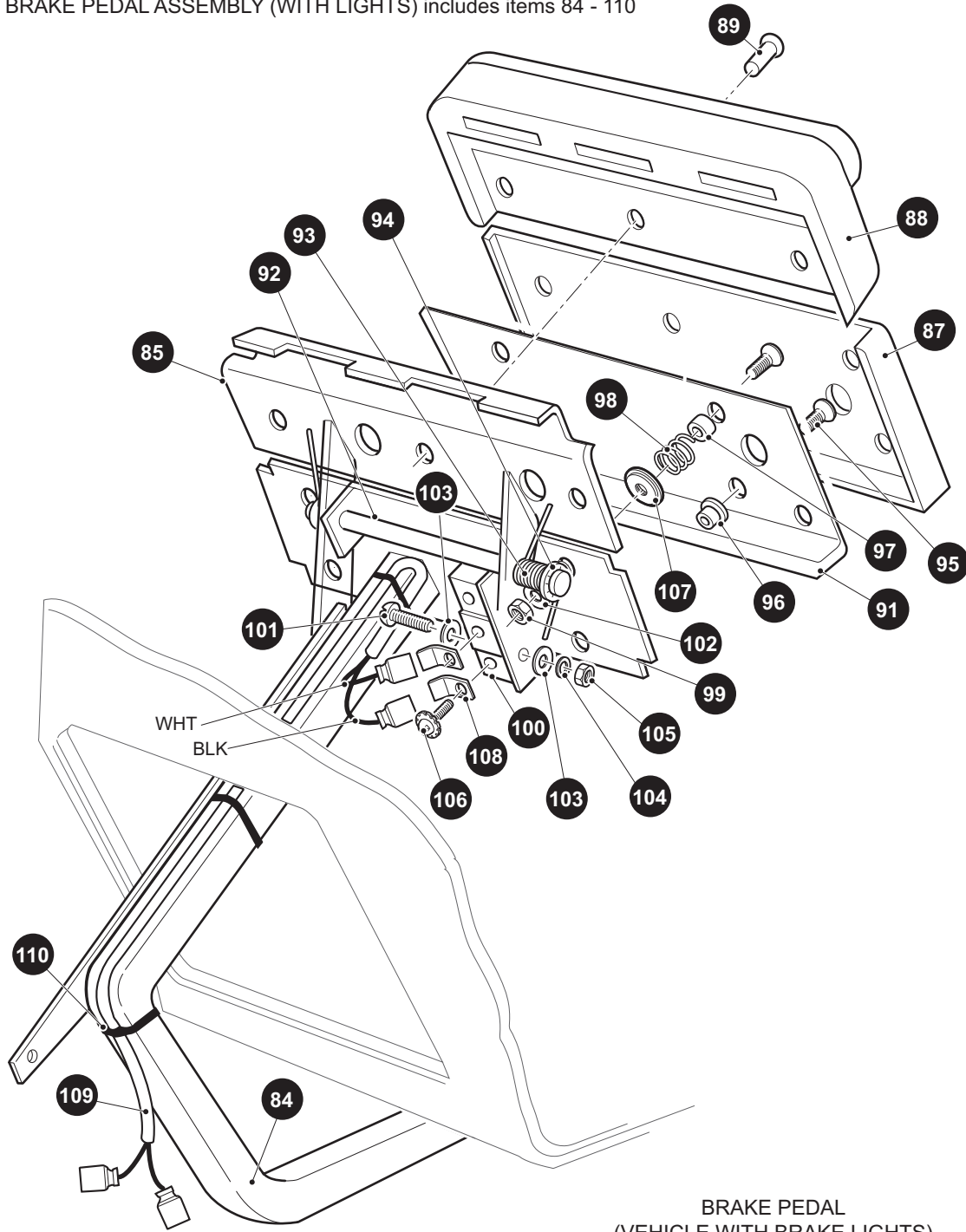
- 53 BRAKE ASSEMBLY, DRIVER SIDE includes items 55 - 60, 63
- 54 BRAKE ASSEMBLY, PASSENGER SIDE includes items 55 - 60, 64
- 71 BRAKE DRUM ASSEMBLY includes items 72 & 73



Adjuster Assembly



83 BRAKE PEDAL ASSEMBLY (WITH LIGHTS) includes items 84 - 110



BRAKE PEDAL
(VEHICLE WITH BRAKE LIGHTS)

BRAKES

When ordering parts, please specify the model and serial number of the product.

* Indicates a component that is not available as an individual part.

*** Indicates consult Customer Service Department for additional information.

ITEM	PART NO.	1 2 3 4 5	DESCRIPTION	QTY.
1	<u>70612G02</u>		BRAKE PEDAL ASSEMBLY (WITHOUT BRAKE LIGHTS) (INCLUDES ITEMS 2 - 10).....	1
2	<u>70681G01</u>		TORSION SPRING	2
3	<u>70682G01</u>		PIVOT PIN	1
4	<u>01071G01</u>		PUSHNUT, 5/16"	2
5	<u>70259G02</u>		BRAKE PEDAL	1
6	<u>70611G02</u>		PARK BRAKE PEDAL.....	1
7				
8	<u>70257G01</u>		SERVICE BRAKE PAD	1
9	<u>70256G01</u>		PARK BRAKE PEDAL PAD	1
10	<u>16409G1</u>		OVAL RIVET, 3/16" X 7/16" LG	9
11				
12	<u>70582G01</u>		SHOULDER BOLT (SS), 3/8" - 16 X 4" LG	1
13	<u>70581G01</u>		ACETAL FLANGED BUSHING	2
14	<u>70676G01</u>		TORSION SPRING	1
15	<u>00643G1</u>		FLAT WASHER, 3/8"	1
16	<u>11098G5</u>		LOCK NUT, 3/8" - 16	1
17				
18	<u>01038G01</u>		SWAGEFORM SCREW, 1/4" - 20 (NOT ILLUSTRATED)	1
19				
20	<u>12416G2</u>		NYLON WEDGE LOCK CLAMP, 10" (NOT ILLUSTRATED)	AR
21				
22				
23				
24	<u>28083G01</u>		BRAKE COMPENSATOR BUMPER	2
25	<u>624690</u>		BRAKE CABLE, 37.06" (DRIVER SIDE)	1
26	<u>624691</u>		BRAKE CABLE, 46.81" (PASSENGER SIDE)	1
27				
28	<u>01111G01</u>		RETAINING RING (SS), 13/32"	4
29				
30	<u>10386G3</u>		CLEVIS PIN, 5/16" X 13/16" LG	3
31	<u>10387G3</u>		COTTER PIN, 3/32" X 3/4" LG	3

When ordering parts, please specify the model and serial number of the product.

* Indicates a component that is not available as an individual part.

*** Indicates consult Customer Service Department for additional information.

ITEM	PART NO.	1 2 3 4 5	DESCRIPTION	QTY.
32				
33				
34	<u>70601G01</u>		KICK-OFF LINK	1
35	<u>17838G1</u>		NYLON BUSHING	2
36	<u>20835G1</u>		TEFLON WASHER, 3/8"	2
37	00559G8		FLAT WASHER, 5/16"	2
38	<u>10387G3</u>		COTTER PIN, 3/32" X 3/4" LG.....	2
39	<u>70098G01</u>		KICK-OFF CAM PIVOT.....	1
40	<u>10097G6</u>		FLANGED BEARING	2
41	<u>70587G01</u>		KICK-OFF CAM, PARK BRAKE.....	1
42	<u>71215G01</u>		SETSCREW, 1/4" - 20 X 1/2" LG	2
43	<u>14134G4</u>		SPACER, 1.25" LG	1
44				
45	<u>70113G01</u>		ADJUSTABLE BUMPER.....	1
46	<u>11027G1</u>		LOCK NUT, 5/16" - 18.....	1
47				
48	<u>70080G02</u>		CATCH BRACKET	1
49	<u>00414G6</u>		HEX HEAD BOLT, 1/4" - 20 X 3/4" LG	2
50	<u>14390G4</u>		LOCK NUT (SS), 1/4" - 20	2
51				
52				
53	<u>612211</u>		BRAKE ASSEMBLY (DRIVER SIDE) (INCLUDES ITEMS 55 - 60, 63).....	1
54	<u>612189</u>		BRAKE ASSEMBLY (PASSENGER SIDE) (INCLUDES ITEMS 55 - 60, 64) .	1
55	<u>612411</u>		BRAKE SHOE, LEADING	2
56	<u>612412</u>		BRAKE SHOE, TRAILING.....	2
57	<u>612413</u>		DUST COVER	1
58	<u>612415</u>		BRAKE SPRING, BOTTOM.....	1
59	<u>612414</u>		BRAKE SPRING, TOP.....	1
60	<u>612416</u>		SHOE CLAMP	2
61				
62				

BRAKES

When ordering parts, please specify the model and serial number of the product.

* Indicates a component that is not available as an individual part.

*** Indicates consult Customer Service Department for additional information.

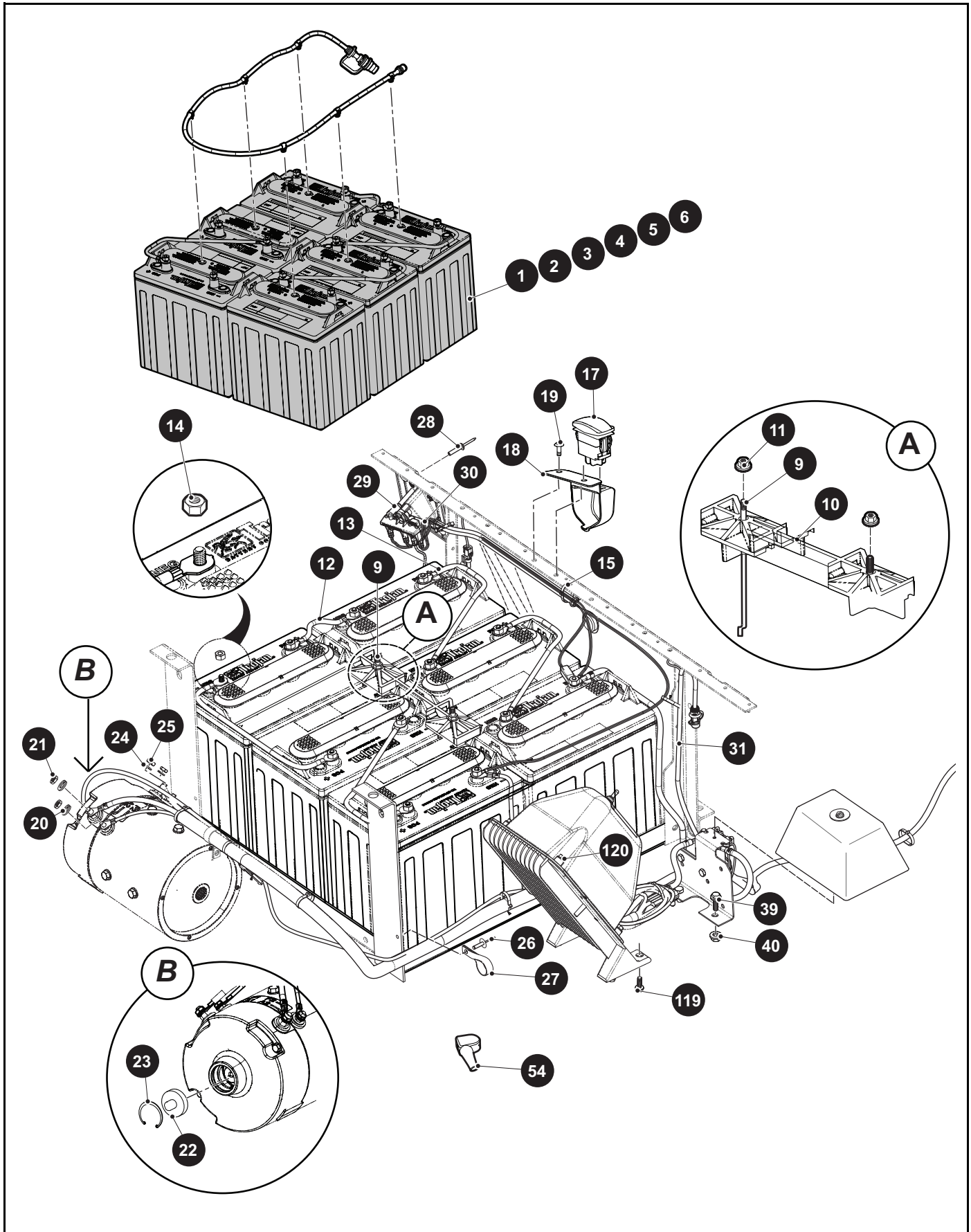
ITEM	PART NO.	1	2	3	4	5	DESCRIPTION	QTY.
63	<u>612418</u>						GEAR ADJUSTER (DRIVER SIDE).....	1
64	<u>612417</u>						GEAR ADJUSTER (PASSENGER SIDE).....	1
65								
66								
67	<u>17083G2</u>						HEX HEAD BOLT, 5/16" - 24 X 1" LG.....	8
68	<u>15126G1</u>						LOCK NUT, 5/16" - 24	8
69	<u>15485G1</u>						FLAT WASHER, 1/4"	2
70								
71	<u>19186G1</u>						BRAKE DRUM ASSEMBLY (INCLUDES ITEMS 72 & 73)	2
72	<u>18500G2</u>						BRAKE DRUM	1
73	<u>19862G1</u>						LUG BOLT, 1/2" - 20 X 1 3/16" LG	4
74								
75								
76	<u>15487G1</u>						FLAT WASHER, 1 3/8" O.D.....	2
77	<u>612928</u>						CASTELLATED NUT, 5/8" - 18.....	2
78	<u>10387G1</u>						COTTER PIN, 1/8" X 1 1/2" LG	2
79								
80	<u>608200</u>						BRAKE CABLE BRACKET (PASSENGER SIDE).....	1
81	<u>608201</u>						BRAKE CABLE BRACKET (DRIVER SIDE)	1
82								
83	70690G02						BRAKE PEDAL ASSEMBLY (WITH BRAKE LIGHTS) (INCLUDES ITEMS 84 - 110)	1
84	<u>70686G02</u>						BRAKE PEDAL	1
85	<u>70611G02</u>						PARK BRAKE PEDAL.....	1
86								
87	<u>70257G01</u>						SERVICE BRAKE PAD	1
88	<u>70256G01</u>						PARK BRAKE PAD	1
89	<u>16409G1</u>						OVAL RIVET, 3/16" X 7/16" LG.....	9
90								
91	<u>70258G03</u>						SERVICE BRAKE PEDAL PLATE	1
92	<u>70682G01</u>						PIVOT PIN	1
93	<u>70681G01</u>						TORSION SPRING	2

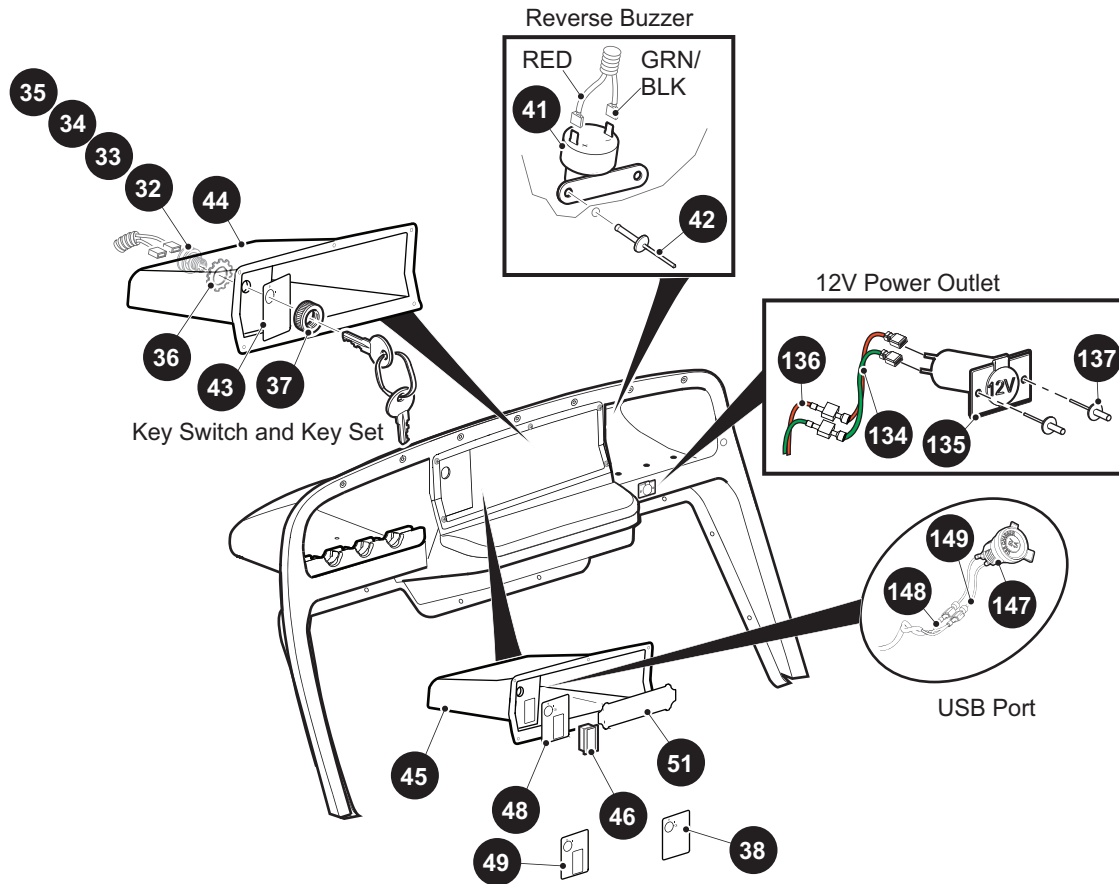
When ordering parts, please specify the model and serial number of the product.

* Indicates a component that is not available as an individual part.

*** Indicates consult Customer Service Department for additional information.

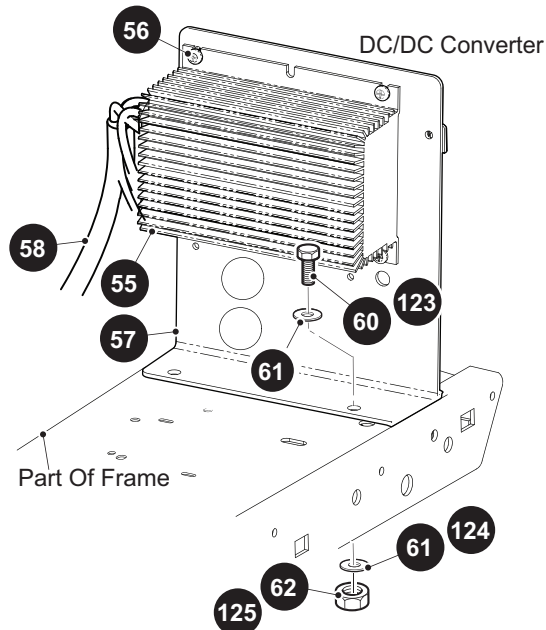
ITEM	PART NO.	1 2 3 4 5	DESCRIPTION	QTY.
94	<u>01071G01</u>		PUSHNUT, 5/16"	2
95	<u>00737G8</u>		PHILLIPS FLAT HEAD SCREW, #10 - 24 X 1" LG	4
96	<u>00739G1</u>		RUBBER NUT, #10 - 24	2
97	<u>74535G01</u>		BRAKE PEDAL STANDOFF.....	2
98	<u>27137G01</u>		CONICAL SPRING	2
99	14390G01		LOCK NUT, #10 - 24.....	2
100	10606G8		MICRO SWITCH	1
101	<u>00645G2</u>		PHILLIPS PAN HEAD SCREW, #6 - 32 X 1 1/4" LG	2
102	<u>00559G5</u>		FLAT WASHER, #10	2
103	<u>00559G3</u>		FLAT WASHER, #6	4
104	<u>00565G3</u>		LOCK WASHER, #6	2
105	<u>00525G5</u>		HEX NUT, #6 - 32	2
106	<u>13514G1</u>		PHILLIPS PAN HEAD SCREW WITH LOCK WASHER, #6.....	2
107	<u>00642G8</u>		FLAT WASHER, 5/16"	2
108	<u>14628G1</u>		FASTON TAB.....	2
109	<u>24605G1</u>		WIRE HARNESS, BRAKE LIGHT	1
110	<u>17618G1</u>		NYLON CLAMP.....	2
111	<u>612558</u>		COMPENSATOR ASSEMBLY (INCLUDES ITEMS 112 - 121).....	1
112	<u>00532G4</u>		HEX NUT.....	2
113	<u>629486</u>		HEX NUT, 5/16" - 24.....	1
114	<u>28082G01</u>		EQUALIZER BRACKET	1
115	<u>15121G1</u>		FLAT WASHER, 5/16"	2
116	<u>17979G1</u>		ACCELERATOR ROD BUSHING.....	1
117	<u>23061G2</u>		TUBE	1
118	<u>23463G1</u>		COMPRESSION SPRING	1
119	<u>27330G01</u>		BRAKE YOKE	1
120	<u>11098G9</u>		HEX LOCK NUT, 5/16" - 24.....	1
121	<u>612557</u>		COMPENSATOR ROD LINK.....	1





WARNING Failure to follow these instructions can result in **SERIOUS INJURY** or **DEATH**

Excess speed PREVENTS THE KEY FROM WORKING. NEVER drive up public roads. Drive your passenger's and driver's footrest in accordance with local laws. AVOID FALLS from the vehicle. Do not start driving until all occupants are PROPERLY SEATED and HOLDING ON. KEEP inside body INSIDE VEHICLE while moving. Reduce THE RISK OF ACCIDENTS. Always DRIVE SLOWER in congested areas, on wet or loose terrain, and when driving up or down a SLOPE. ALWAYS use proper PROUD sudden stops. ALWAYS drive straight up and down slopes. Do not coast. USE BRAKE WHEN GOING DOWN A SLOPE. NEVER drive this vehicle under the influence of drugs or alcohol. Drive responsibly. NEVER allow children, untrained or inexperienced persons to play in the vehicle. ALWAYS store the key in the vehicle when parked. NEVER carry more than 2 occupants on each bench seat. Do not exceed vehicle WEIGHT CAPACITY (see Owner's Guide). DO NOT OVERLOAD this vehicle. NEVER drive this vehicle at speeds level speeds above heavy specifications. ONLY authorized E-Z-GO dealers should alter the vehicle using approved parts. Alterations not approved or tested by E-Z-GO can create unsafe conditions and increase your chance of having an accident. ©2019



122 DC/DC CONVERTER KIT includes items 55 - 59, 123 - 125

ELECTRICAL

When ordering parts, please specify the model and serial number of the product.

* Indicates a component that is not available as an individual part.

*** Indicates consult Customer Service Department for additional information.

ITEM	PART NO.	1	2	3	4	5	DESCRIPTION	QTY.
1	***						BATTERY, 8V - T8V	6
2	***						BATTERY, 8V - T8V, HYDROLINK	6
3	***						BATTERY, US, 8V	6
4	***						BATTERY, US, 8V, FLOWRITE	6
5	***						BATTERY, 8V - T890, HYDROLINK	6
6	***						BATTERY, 8V - T890	6
7								
8								
9	<u>01101G01</u>						HOLD DOWN BOLT (SS), 5/16" - 18	2
10	<u>612867</u>						BATTERY RETAINER	1
11	<u>11027G1</u>						LOCK NUT, 5/16" - 18	2
12	<u>613236</u>						6 AWG WIRE, BLUE, 380MM (15").....	4
13	<u>613237</u>						6 AWG WIRE, BLUE, 150MM (5.90").....	1
14	<u>00702G2</u>						HEX NUT, 5/16" - 18.....	12
15	<u>17618G1</u>						NYLON CLAMP	AR
16								
17	<u>624514G01</u>						FNR SWITCH	1
18	<u>628027</u>						FNR SWITCH HOLDER	1
19	<u>18436G1</u>						PLASTIC RIVET	2
20	<u>00993G01</u>						LOCK WASHER, SILICON BRONZE, 5/16"	2
21	<u>28418G01</u>						HEX NUT, 5/16" - 18, BRASS.....	2
22	<u>620422</u>						SPEED SENSOR, 48V	1
23	<u>73277G01</u>						RETAINING RING	1
24	<u>00993G02</u>						LOCK WASHER, SILICON BRONZE, 1/4"	2
25	<u>28418G02</u>						FLANGED LOCK NUT, 1/4" - 20	2
26	<u>10570G11</u>						RIVET (SS), 3/16" X 0.70"	1
27	<u>27327G02</u>						TWISTED CABLE CLAMP	1
28	<u>71055G01</u>						RIVET, 3/16" (ALUMINUM).....	4
29	<u>613304</u>						CHARGER RECEPTACLE, DELTA - Q, 48V	1
30	*						CHARGER HARNESS.....	1
31	<u>625805</u>						MAIN HARNESS, 48V	1

When ordering parts, please specify the model and serial number of the product.

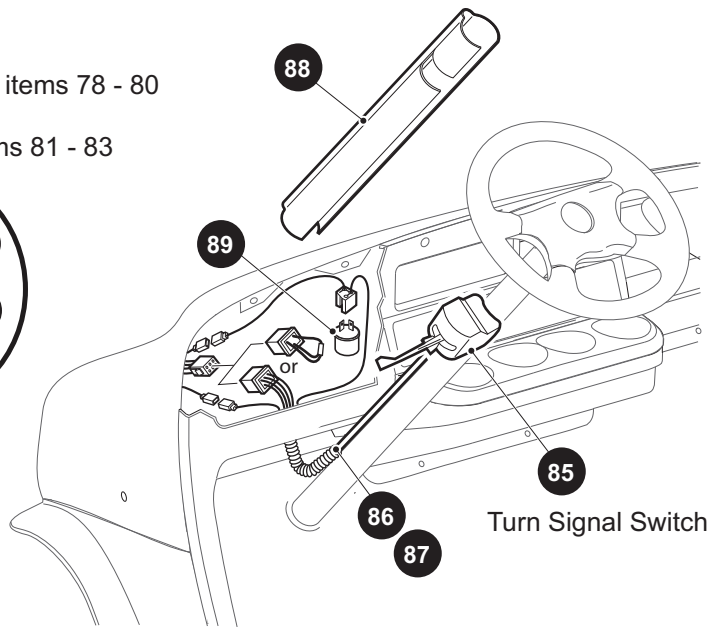
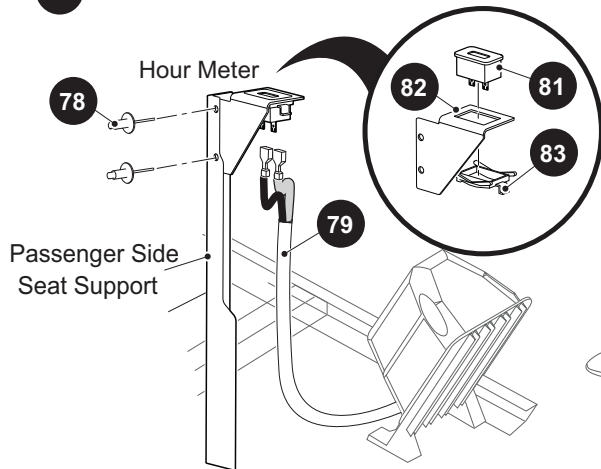
* Indicates a component that is not available as an individual part.

*** Indicates consult Customer Service Department for additional information.

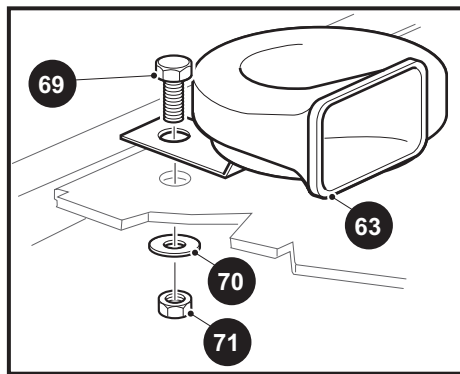
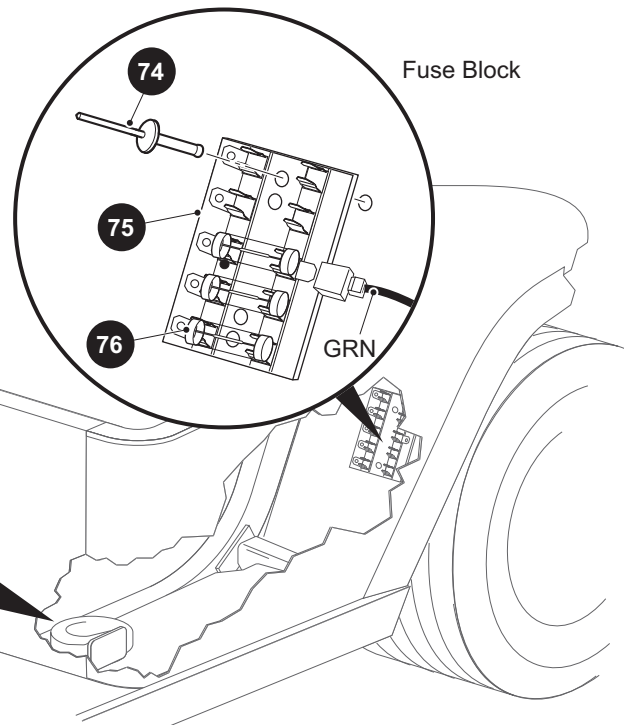
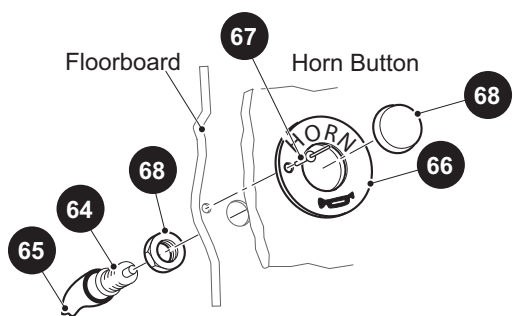
ITEM	PART NO.	1 2 3 4 5	DESCRIPTION	QTY.
32	<u>18027G1</u>		KEY SWITCH (WITHOUT LIGHTS - INDIVIDUALLY KEYED).....	1
33	33639GXX		KEY SWITCH (WITH LIGHTS)	1
34	<u>18602G1</u>		KEY SWITCH.....	1
35	<u>17955G1</u>		KEY SWITCH (GROUP KEYS).....	1
36	<u>00568G6</u>		LOCK WASHER, 3/4"	1
37	17137G1		FACE NUT, 3/4" - 20	1
38	625242		DECAL, CENTER COMPARTMENT WITH LIGHTS	1
39	00438G6		HEX HEAD CAP BOLT, 5/16" - 18 X 3/4" LG.....	2
40	<u>11027G1</u>		FLANGED HEX NUT, 5/16" - 18	2
41	<u>613271</u>		REVERSE WARNING BUZZER (CONTINUOUS TONE).....	1
42	<u>01041G01</u>		RIVET, 5/32" DIA.....	2
43	<u>625267</u>		DECAL, CENTER COMPARTMENT, KEY SWITCH, ON - OFF	1
44	<u>628022</u>		CENTER COMPARTMENT	1
45	<u>631104</u>		CENTER COMPARTMENT WITH SOC	1
46	<u>33636G05</u>		STATE OF CHARGE METER (SOC).....	1
47	<u>25978G74</u>		WIRE ASSEMBLY, RED, #18 (NOT ILLUSTRATED)	1
48	<u>625243</u>		DECAL, CENTER COMPARTMENT WITH LIGHTS AND SOC	1
49	<u>625268</u>		DECAL, CENTER COMPARTMENT, ON - OFF AND SOC.....	1
50	<u>74018G01</u>		SOC HARNESS (NOT ILLUSTRATED).....	1
51	<u>625224</u>		CENTER COMPARTMENT DIVIDER	1
52	<u>628019</u>		SAFETY LABEL, PVT CONSOLE	1
53				
54	<u>606947</u>		BATTERY TERMINAL COVER	6
55	<u>604884</u>		DC/DC CONVERTER.....	1
56	<u>632372</u>		TAPPING SCREW, #10 - 32 X 3/4" LG	4
57	<u>633303</u>		DC/DC CONVERTER BRACKET	1
58	<u>605888</u>		DC/DC CONVERTER HARNESS	1
59	<u>16816G5</u>		RATCHET RIVET, 0.187" X 0.550 (NOT ILLUSTRATED).....	1
60	<u>00414G6</u>		HEX HEAD CAP BOLT, 1/4" - 20 X 3/4" LG.....	2
61	<u>00559G7</u>		FLAT WASHER, 1/4"	4
62	00891G2		LOCK NUT, 1/4" - 20.....	2

77 HOUR METER ASSEMBLY KIT includes items 78 - 80

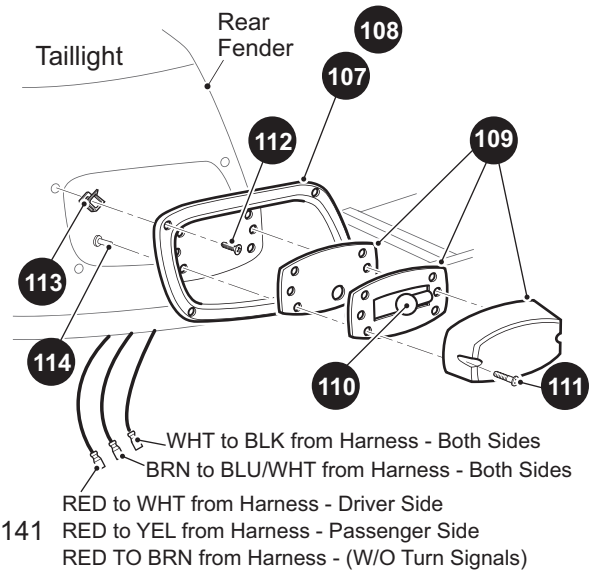
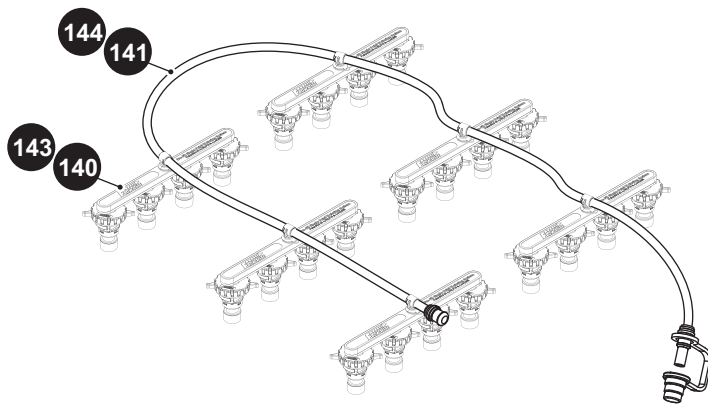
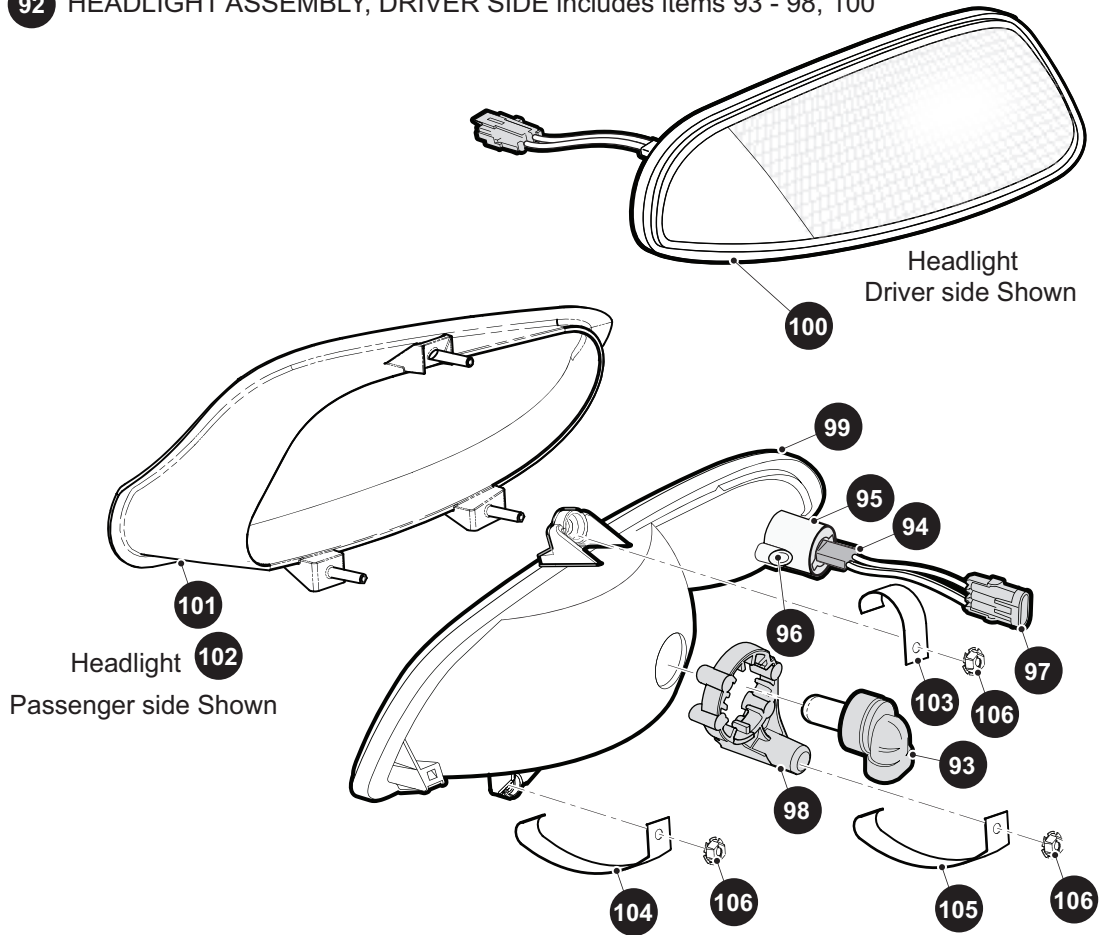
80 HOUR METER ASSEMBLY includes items 81 - 83



84 TURN SIGNAL SWITCH KIT includes items 85 - 89



- 91 HEADLIGHT ASSEMBLY, PASSENGER SIDE includes items 93 - 99
- 92 HEADLIGHT ASSEMBLY, DRIVER SIDE includes items 93 - 98, 100



- 139 BATTERY FILL SYSTEM (TROJAN) includes items 140 - 141
- 142 BATTERY FILL SYSTEM (US BAT) includes items 143 - 144
- 109 TAILLIGHT ASSEMBLY includes item 110

ELECTRICAL

When ordering parts, please specify the model and serial number of the product.

* Indicates a component that is not available as an individual part.

*** Indicates consult Customer Service Department for additional information.

ITEM	PART NO.	1 2 3 4 5	DESCRIPTION	QTY.
63	<u>32860G1</u>		HORN	1
64	<u>17318G1</u>		HORN MOMENTARY SWITCH	1
65	<u>27068G01</u>		HORN SWITCH BOOT	1
66	<u>608397</u>		HORN PLATE	1
67	<u>71055G01</u>		RIVET, 3/16" X 1" LG (ALUMINUM)	2
68	<u>17318G2</u>		HORN SWITCH CAP AND NUT	1
69	<u>00414G5</u>		HEX HEAD CAP BOLT, 1/4" - 20 X 5/8" LG	1
70	<u>00559G7</u>		FLAT WASHER, 1/4"	1
71	<u>14390G4</u>		LOCK NUT, 1/4" - 20	1
72				
73				
74	<u>01041G01</u>		RIVET, 5/32" DIA	2
75	<u>22674G1</u>		FUSE BLOCK	1
76	<u>18392G1</u>		FUSE, 15 AMP	3
77	<u>75113G02</u>		HOUR METER ASSEMBLY KIT ((INCLUDES ITEMS 78 - 80))	1
78	<u>10570G11</u>		RIVET (SS), 3/16" X 0.70	2
79	<u>75117G01</u>		HOUR METER HARNESS	1
80	<u>74720G01</u>		HOUR METER ASSEMBLY (INCLUDES ITEMS 81 - 83)	1
81	<u>620133</u>		HOUR METER	1
82	<u>74716G01</u>		BRACKET	1
83	<u>74696G01</u>		RETAINER CLIP	1
84	<u>75107G02</u>		TURN SIGNAL SWITCH KIT (INCLUDES ITEMS 85 - 89)	1
85	<u>17867G1</u>		TURN SIGNAL SWITCH ASSEMBLY	1
86	<u>32307G3</u>		FLEX LOOM, 3/8" X 8" LG	1
87	<u>17618G1</u>		NYLON CLAMP	2
88	<u>20965G3</u>		STEERING COLUMN COVER	1
89	<u>21640G1</u>		FLASHER UNIT	1
90				
91	<u>602928</u>		HEADLIGHT ASSEMBLY (PASSENGER SIDE) (INCLUDES ITEMS 93 - 99)	1
92	<u>603328</u>		HEADLIGHT ASSEMBLY (DRIVER SIDE) (INCLUDES ITEMS 93 - 98, 100)	1
93	<u>74004G01</u>		HEADLIGHT BULB	1

When ordering parts, please specify the model and serial number of the product.

* Indicates a component that is not available as an individual part.

*** Indicates consult Customer Service Department for additional information.

ITEM	PART NO.	1 2 3 4 5	DESCRIPTION	QTY.
94	<u>604539</u>		TURN SIGNAL BULB	1
95	*		BULB RETAINER	1
96	<u>608328</u>		BUTTON HEAD TORX SCREW, M3 - 1.3 X 14	1
97	<u>607487</u>		TURN SIGNAL WIRE HARNESS.....	1
98	<u>615459</u>		COLLAR	1
99	*		HEADLAMP W/O BULBS (PASSENGER SIDE).....	1
100	*		HEADLAMP W/O BULBS (DRIVER SIDE)	1
101	<u>625280</u>		HEADLAMP BEZEL (DRIVER SIDE).....	1
102	<u>625281</u>		HEADLAMP BEZEL (PASSENGER SIDE).....	1
103	<u>626275</u>		CLIP	2
104	<u>626276</u>		CLIP	2
105	<u>626277</u>		CLIP	2
106	<u>71597G01</u>		SELF THREADING NUT, 5 X 10 X 15MM	6
107	<u>625251</u>		TAILLIGHT BEZEL (DRIVER SIDE)	1
108	<u>625252</u>		TAILLIGHT BEZEL (PASSENGER SIDE).....	1
109	<u>22288G1</u>		TAILLIGHT ASSEMBLY (INCLUDES ITEM 95).....	2
110	<u>21759G1</u>		TAILLIGHT BULB	1
111	<u>00513G4</u>		PHILLIPS PAN HEAD SCREW, #8 X 1.5" LG.....	4
112	<u>71425G01</u>		TAPPING SCREW, #8 - 18 X 0.75.....	8
113	<u>71364G02</u>		"J" SPEED NUT, #8.....	8
114	<u>14601G11</u>		RIVET, 3/16" X 9/16" LG	4
115				
116				
117				
118				
119	<u>71102G01</u>		HEX HEAD CAP BOLT, 1/4" - 20 X 3/4" LG.....	4
120	<u>71102G03</u>		HEX HEAD CAP BOLT, 1/4" - 20 X 1.15" LG.....	4
121				
122	<u>605967</u>		DC/DC CONVERTER KIT (INCLUDES ITEMS 55 - 59, 123 - 125).....	1
123	00438G6		HEX HEAD CAP BOLT, 5/16" -18 X 3/4" LG	2
124	<u>01110G01</u>		FLAT WASHER, 1/4"	2

ELECTRICAL

When ordering parts, please specify the model and serial number of the product.

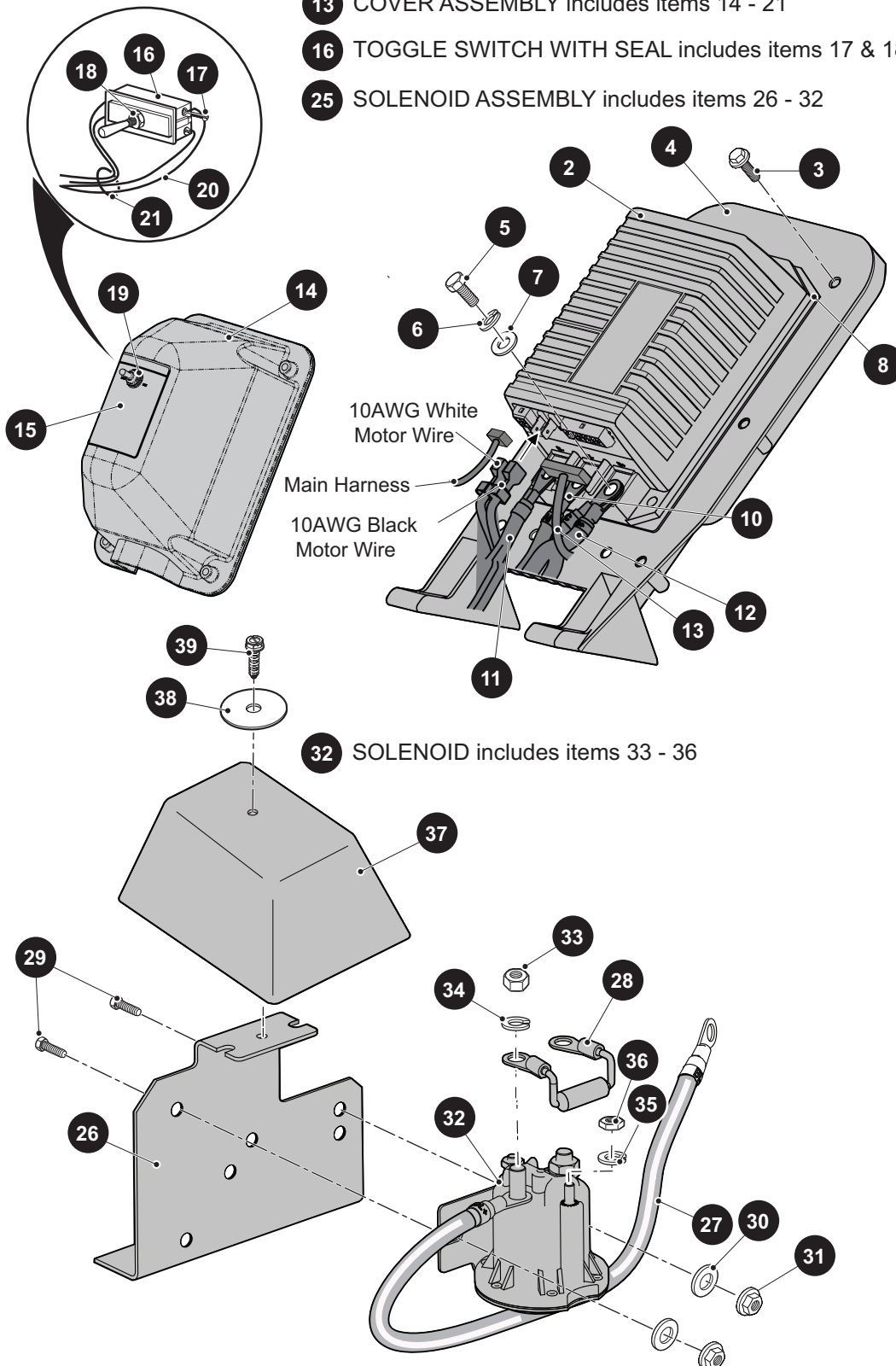
* Indicates a component that is not available as an individual part.

*** Indicates consult Customer Service Department for additional information.

ITEM	PART NO.	1	2	3	4	5	DESCRIPTION	QTY.
125	11098G6						LOCK NUT, 5/16" - 18.....	2
126								
127	<u>31539G1</u>						NYLON CLAMP (NOT ILLUSTRATED).....	AR
128	<u>625806</u>						ACCESSORY HARNESS (NOT ILLUSTRATED).....	1
129	<u>634271</u>						SOC JUMPER HARNESS (NOT ILLUSTRATED)	1
130	<u>634272</u>						REVERSE BUZZER JUMPER HARNESS (NOT ILLUSTRATED).....	1
131								
132								
133								
134	<u>634277</u>						JUMPER HARNESS, 12V POWER OUTLET	1
135	<u>71078G01</u>						12V POWER OUTLET	1
136	<u>633988</u>						HARNESS, 12V POWER OUTLET	1
137	<u>71055G01</u>						RIVET, 3/16 DIA	2
138								
139	<u>632275</u>						BATTERY FILL SYSTEM (TROJAN) (INCLUDES ITEMS 140 - 141).....	1
140	<u>632278</u>						MANIFOLD, 8V, TWIST-IN.....	6
141	<u>614457</u>						SNAKE, HYDROLINK.....	1
142	<u>632276</u>						BATTERY FILL SYSTEM (US BAT) (INCLUDES ITEMS 143 - 144)	1
143	<u>632277</u>						MANIFOLD, 8V, TWIST-IN.....	6
144	<u>614457</u>						SNAKE, HYDROLINK.....	1
145								
146								
147	<u>633680</u>						USB CHARGER PORT, 5V, 1A	1
148	<u>633682</u>						HARNESS, USB CHARGER.....	1
149	634276						USB JUMPER HARNESS	1

ELECTRONIC SPEED CONTROL

- 1 ELECTRONIC SPEED CONTROL ASSEMBLY includes items 2 - 13
- 13 COVER ASSEMBLY includes items 14 - 21
- 16 TOGGLE SWITCH WITH SEAL includes items 17 & 18
- 25 SOLENOID ASSEMBLY includes items 26 - 32



ELECTRONIC SPEED CONTROL

When ordering parts, please specify the model and serial number of the product.

* Indicates a component that is not available as an individual part.

*** Indicates consult Customer Service Department for additional information.

ITEM	PART NO.	1 2 3 4 5	DESCRIPTION	QTY.
1	<u>612756</u>		ELECTRONIC SPEED CONTROL ASSEMBLY, 48V (INCLUDES ITEMS 2 - 13)	1
2	<u>612632</u>		CONTROLLER, 48V.....	1
3	<u>71102G01</u>		HEX HEAD WASHER BOLT, 1/4" - 20 X 3/4" LG	3
4	<u>73471G01</u>		HEAT SINK.....	1
5	<u>73296G01</u>		HEX HEAD BOLT, 8MM X 16MM	3
6	<u>00565G8</u>		LOCK WASHER, 5/16"	3
7	00559G8		FLAT WASHER, 5/16"	3
8	<u>73190G01</u>		THERMAL MOUNTING PAD.....	1
9	<u>31539G1</u>		NYLON CLAMP (NOT ILLUSTRATED).....	1
10	<u>617612</u>		POWER WIRE HARNESS, DC	1
11	<u>620437</u>		6 AWG BLUE WIRE, 675MM	1
12	<u>620432</u>		6 AWG GREEN WIRE, 400MM	1
13	<u>612753</u>		COVER ASSEMBLY (INCLUDES ITEMS 14 - 21).....	1
14	<u>73482G01</u>		COVER (WITH GASKET)	1
15	<u>613048</u>		LABEL (TOW SWITCH)	1
16	73125G01		TOGGLE SWITCH WITH SEAL (INCLUDES ITEMS 17 & 18).....	1
17	*		BINDING HEAD SCREW, #5 - 40	4
18	*		HEX NUT, 15/32" - 32.....	1
19	<u>73139G01</u>		SEALED NUT, 15/32" - 32	1
20	73138G02		WIRE HARNESS (TOW SWITCH)	1
21	<u>17618G1</u>		WIRE TIE	1
22				
23				
24				
25	<u>613104</u>		SOLENOID ASSEMBLY (INCLUDES ITEMS 26 - 32).....	1
26	<u>73057G01</u>		BRACKET.....	1
27	<u>607592</u>		4AWG GREEN WIRE ASSEMBLY, 28"	1
28	<u>620430</u>		RESISTER ASSEMBLY 500 OHM	1
29	<u>00414G5</u>		HEX HEAD BOLT 1/4" - 20 X 5/8" LG	2
30	<u>01110G01</u>		FLAT WASHER, 1/4"	2

ELECTRONIC SPEED CONTROL

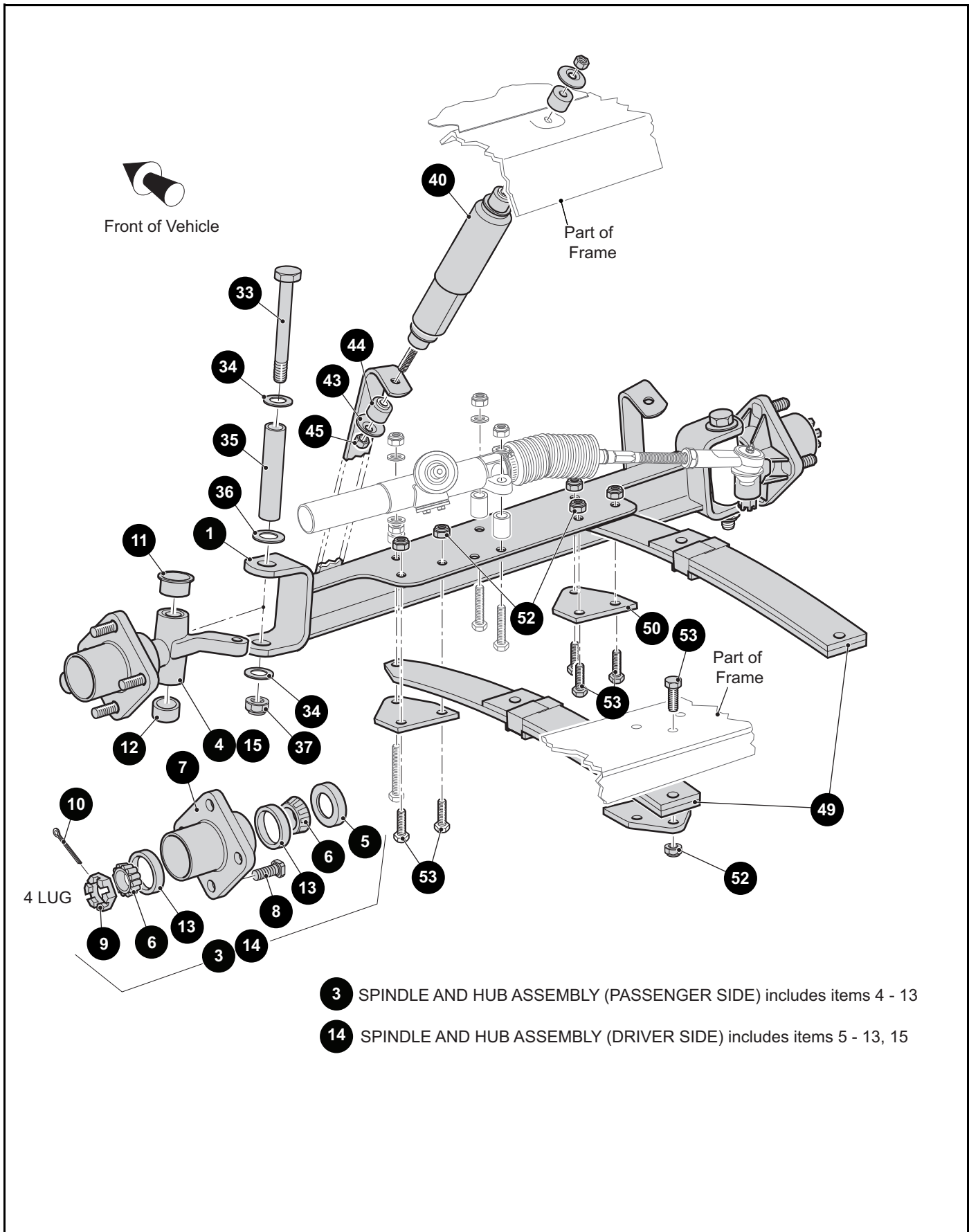
When ordering parts, please specify the model and serial number of the product.

* Indicates a component that is not available as an individual part.

*** Indicates consult Customer Service Department for additional information.

ITEM	PART NO.	1	2	3	4	5	DESCRIPTION	QTY.
31	<u>11027G2</u>						FLANGED NUT, 1/4" - 20.....	2
32	<u>612711</u>						SOLENOID, 48V (INCLUDES ITEMS 33 - 36)	1
33	<u>00544G4</u>						LOCK NUT, 5/16" - 24	2
34	<u>00565G8</u>						LOCK WASHER, 5/16"	2
35	<u>00565G5</u>						LOCK WASHER, #10	2
36	<u>00526G4</u>						LOCK NUT, #10 - 32.....	2
37	<u>73049G01</u>						COVER.....	1
38	<u>16469G1</u>						FLAT FENDER WASHER, 1/4"	1
39	<u>00114G6</u>						HEX HEAD WASHER BOLT, 1/4" - 14 X 3/4" LG	1

FRONT SUSPENSION AND STEERING

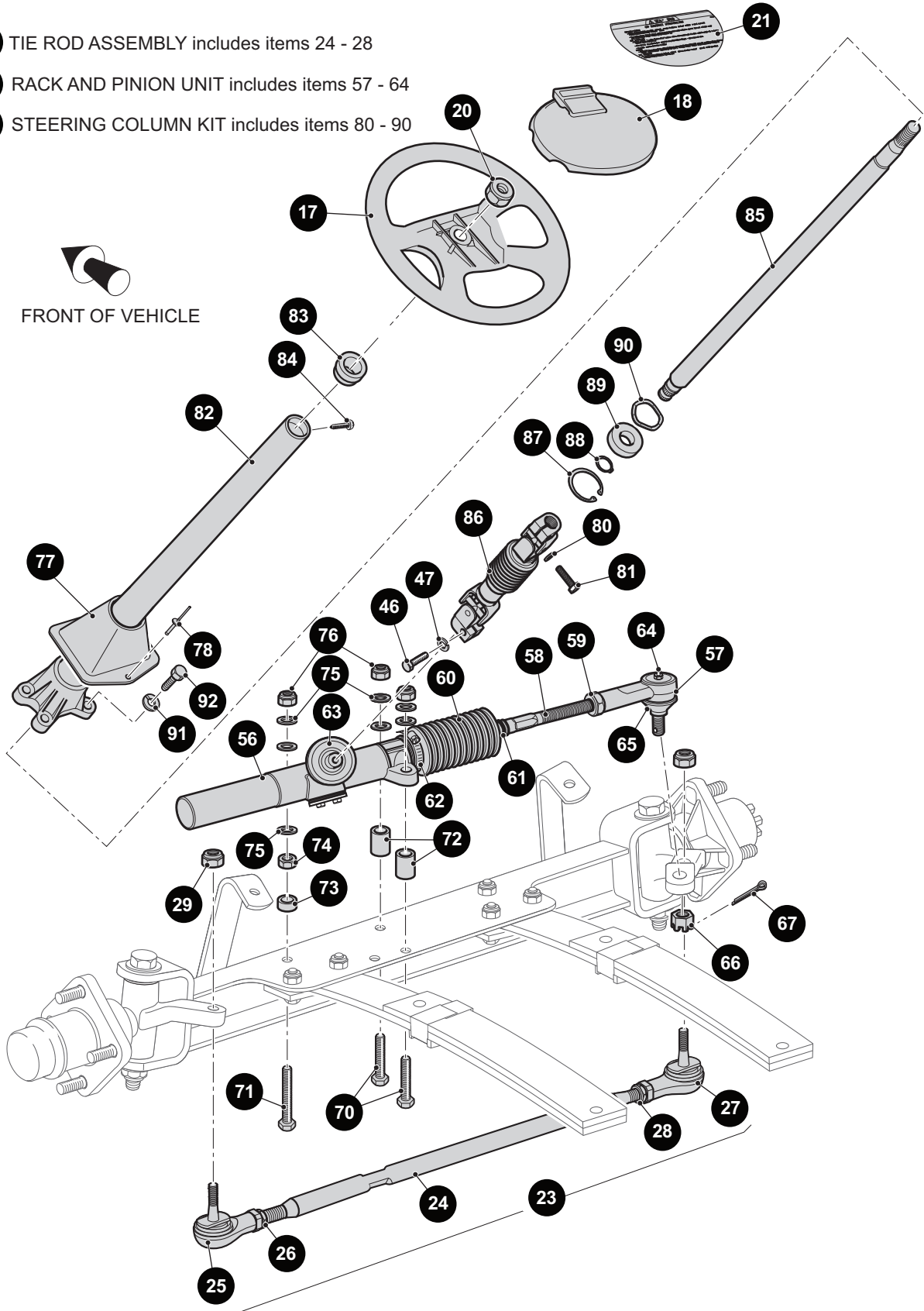


FRONT SUSPENSION AND STEERING

23 TIE ROD ASSEMBLY includes items 24 - 28

56 RACK AND PINION UNIT includes items 57 - 64

79 STEERING COLUMN KIT includes items 80 - 90



FRONT SUSPENSION AND STEERING

When ordering parts, please specify the model and serial number of the product.

* Indicates a component that is not available as an individual part.

*** Indicates consult Customer Service Department for additional information.

ITEM	PART NO.	1 2 3 4 5	DESCRIPTION	QTY.
1	602513		FRONT AXLE	1
2				
3	70942G03		SPINDLE AND HUB ASSEMBLY, 4 LUG (PASSENGER SIDE) (INCLUDES ITEMS 4 - 13).....	1
4	70940G02		SPINDLE ASSEMBLY (PASSENGER SIDE).....	1
5	25146G1		GREASE SEAL	1
6	11750G2		ROLLER BEARING.....	2
7	70589G01		WHEEL HUB.....	1
8	19862G1		LUG BOLT, 1/2" - 20 X 1 3/16" LG	4
9	12093G1		CASTELLATED NUT, 1" - 14	1
10	00798G8		COTTER PIN, 5/32" X 1 3/4" LG.....	1
11	70648G01		FLANGED BEARING	1
12	70749G01		BEARING	1
13	51141G1		RACE BEARING	2
14	70673G03		SPINDLE AND HUB ASSEMBLY, 4 LUG (DRIVER SIDE) (INCLUDES ITEMS 5 - 13, 15).....	1
15	70742G02		SPINDLE ASSEMBLY (DRIVER SIDE)	1
16				
17	602979		STEERING WHEEL	1
18	607925		CLIPBOARD	1
19				
20	14390G2		LOCK NUT, 5/8" - 18	1
21	608529		WARNING LABEL	1
22				
23	70876G02		TIE ROD ASSEMBLY (INCLUDES ITEMS 24 - 28).....	1
24	70897G02		THREADED ROD, 24" LG	1
25	70902G01		TIE ROD END (LEFT HAND THREADS)	1
26	01069G01		JAM NUT, M12 X 1.25 (LEFT HAND THREADS).....	1
27	70902G02		TIE ROD END (RIGHT HAND THREADS).....	1
28	01069G02		JAM NUT, M12 X 1.25 (RIGHT HAND THREADS).....	1
29	00734G1		LOCK NUT, 7/16" - 14	2
30				

FRONT SUSPENSION AND STEERING

When ordering parts, please specify the model and serial number of the product.

* Indicates a component that is not available as an individual part.

*** Indicates consult Customer Service Department for additional information.

ITEM	PART NO.	1 2 3 4 5	DESCRIPTION	QTY.
31				
32				
33	00407G6		HEX HEAD BOLT 1/2" - 13 X 6" LG.....	2
34	00560G3		WASHER, 1/2".....	4
35	70745G01		KING PIN TUBE.....	2
36	70754G01		THRUST WASHER (SS), 1".....	2
37	14390G6		LOCK NUT, 1/2" - 13.....	2
38				
39				
40	76419G01		SHOCK ABSORBER.....	2
41				
42				
43	10435G1		SHOCK ABSORBER WASHER.....	8
44	10194G1		RUBBER BUSHING.....	8
45	00532G6		HEX NUT, 3/8" - 24.....	4
46	01055G01		HEX HEAD SCREW, M8 X 1.25 LG.....	1
47	00565G8		LOCK WASHER, 5/16".....	1
48				
49	70990G03		LEAF SPRING (SEE PART NUMBER ON SPRING).....	2
50	70163G03		SPRING PLATE.....	4
51				
52	00734G1		LOCK NUT, 7/16" - 14.....	11
53	00463G11		HEX HEAD BOLT, 7/16" - 14 X 1 3/4" LG.....	11
54				
55				
56	70964G01		RACK AND PINION UNIT (COMPLETE) (INCLUDES ITEMS 57 - 64).....	1
57	70695G01		RACK BALL JOINT.....	1
58	*		RACK EXTENSION.....	1
59	*		JAM NUT, 1/2" - 20.....	1
60	70961G01		RACK BOOT.....	1
61	12416G2		WIRE TIE.....	1

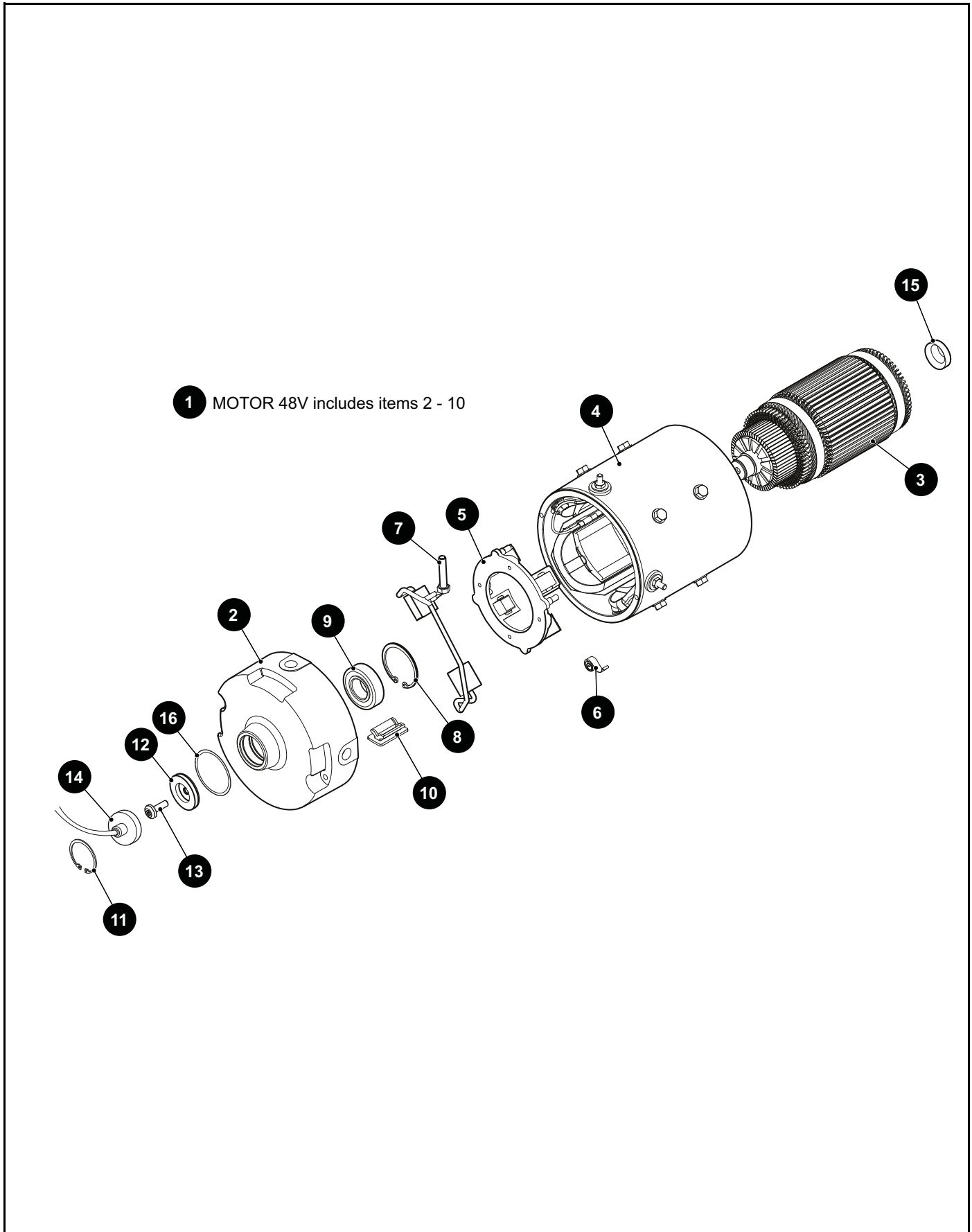
FRONT SUSPENSION AND STEERING

When ordering parts, please specify the model and serial number of the product.

* Indicates a component that is not available as an individual part.

*** Indicates consult Customer Service Department for additional information.

ITEM	PART NO.	1 2 3 4 5	DESCRIPTION	QTY.
62	11391G8		CLAMP, 1 13/16 - 2 3/8"	1
63	70638G01		PINION SEAL.....	1
64	10389G3		GREASE FITTING, STRAIGHT	1
65	50641G1		RUBBER BOOT	1
66	50209G2		CASTELLATED NUT, 7/16" - 20.....	1
67	10387G2		COTTER PIN, 3/32" X 1" LG	1
68				
69				
70	00464G6		HEX HEAD BOLT, 7/16" - 14 X 2 3/4" LG.....	2
71	01068G01		HEX HEAD BOLT, 7/16" - 14 X 3 1/2" LG.....	1
72	70667G02		SPACER, 1.21"	2
73	70667G04		SPACER (SHORT), 0.69"	1
74	00532G7		HEX NUT, 7/16" - 14.....	1
75	00560G2		FLAT WASHER, 7/16"	7
76	00734G1		LOCK NUT, 7/16" - 14	3
77	70997G01		COVER.....	1
78	71055G01		RIVET, 3/16" X 1" LG (ALUMINUM)	1
79	70758G05		STEERING COLUMN KIT (INCLUDES ITEMS 80 - 90)	1
80	00565G8		LOCK WASHER, 5/16"	1
81	01055G01		HEX HEAD SCREW, M8 X 1.25 LG	1
82	70610G03		STEERING COLUMN	1
83	28569G01		STEERING COLUMN BUSHING.....	1
84	01022G01		SCREW, #6 - 20 X 5/16" LG	1
85	70607G01		STEERING SHAFT	1
86	70580G01		INTERMEDIATE SHAFT	1
87	70751G01		RETAINING RING (INTERNAL).....	1
88	70888G01		RETAINING RING (EXTERNAL)	1
89	15112G1		BALL BEARING	1
90	70887G01		WAVE WASHER	1
91	00879G1		LOCK WASHER, 3/8"	4
92	01006G01		HEX HEAD BOLT, 3/8" - 16 X 1 1/4" LG.....	4



When ordering parts, please specify the model and serial number of the product.

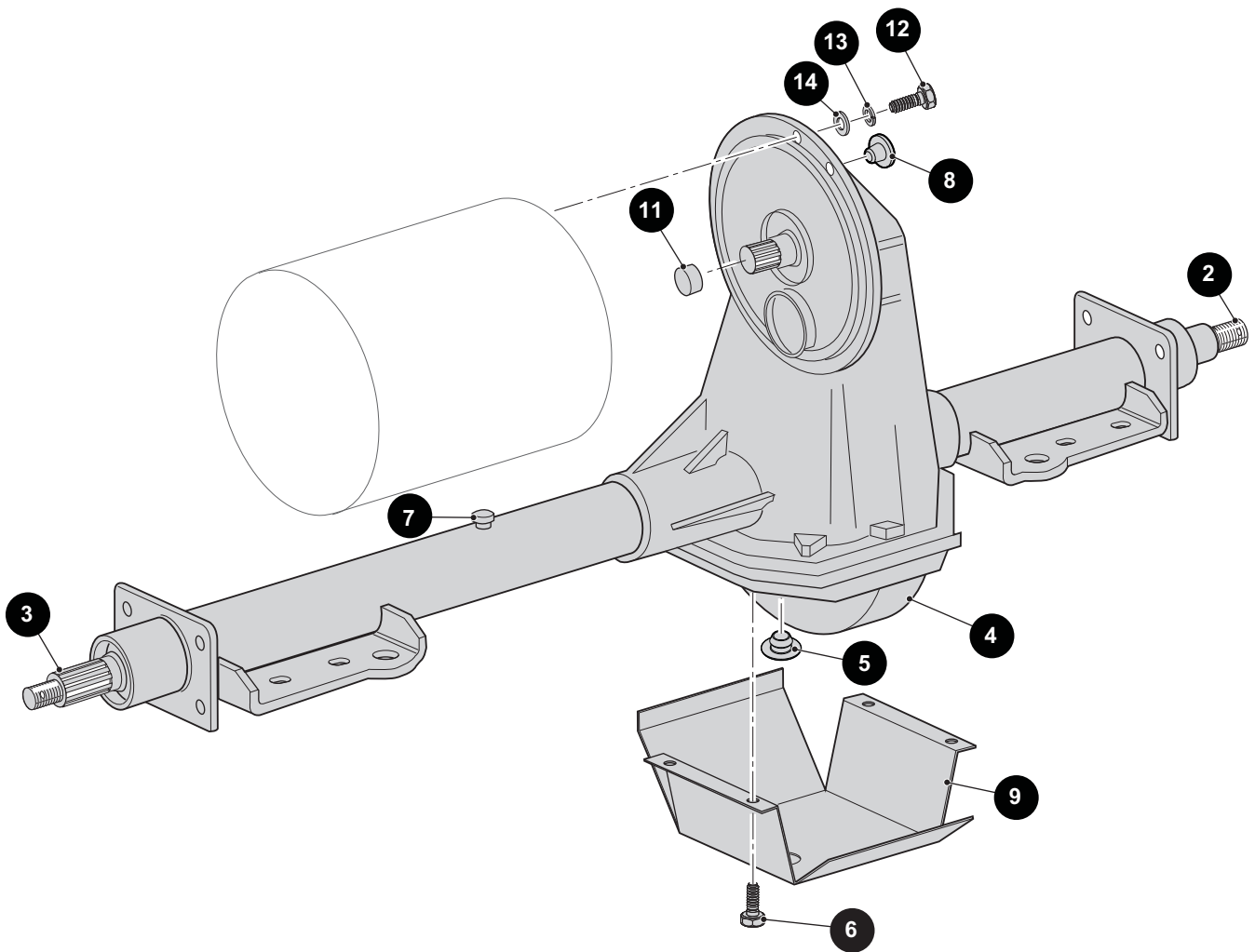
* Indicates a component that is not available as an individual part.

*** Indicates consult Customer Service Department for additional information.

ITEM	PART NO.	1 2 3 4 5	DESCRIPTION	QTY.
1	<u>624105</u>		MOTOR 48V (INCLUDES ITEMS 2 - 10).....	1
2	<u>625886</u>		COMMUTATOR END HEAD	1
3	<u>626171</u>		ARMATURE.....	1
4	<u>626172</u>		FRAME AND FIELD ASSEMBLY	1
5	<u>625884</u>		BRUSH BOX ASSEMBLY	1
6	<u>73120G03</u>		BRUSH SPRING	4
7	<u>73120G25</u>		BRUSH AND TERMINAL SERVICE KIT	1
8	<u>73120G06</u>		RETAINING RING	1
9	<u>73120G07</u>		BEARING	1
10	<u>625885</u>		COVER.....	1
11	<u>73277G01</u>		RETAINING RING, 1.66"	1
12	<u>73328G01</u>		SPEED SENSOR MAGNET	1
13	<u>01037G02</u>		PAN HEAD TORX SCREW, #10-32 X 1/2" LG	1
14	<u>620422</u>		SPEED SENSOR HARNESS	1
15	<u>24261G1</u>		BUMPER SPLINE	1
16	<u>624109</u>		O-RING, 1 1/2" O.D X 1 3/8" I.D.....	1

REAR AXLE

1 REAR AXLE ASSEMBLY includes items 2 - 7



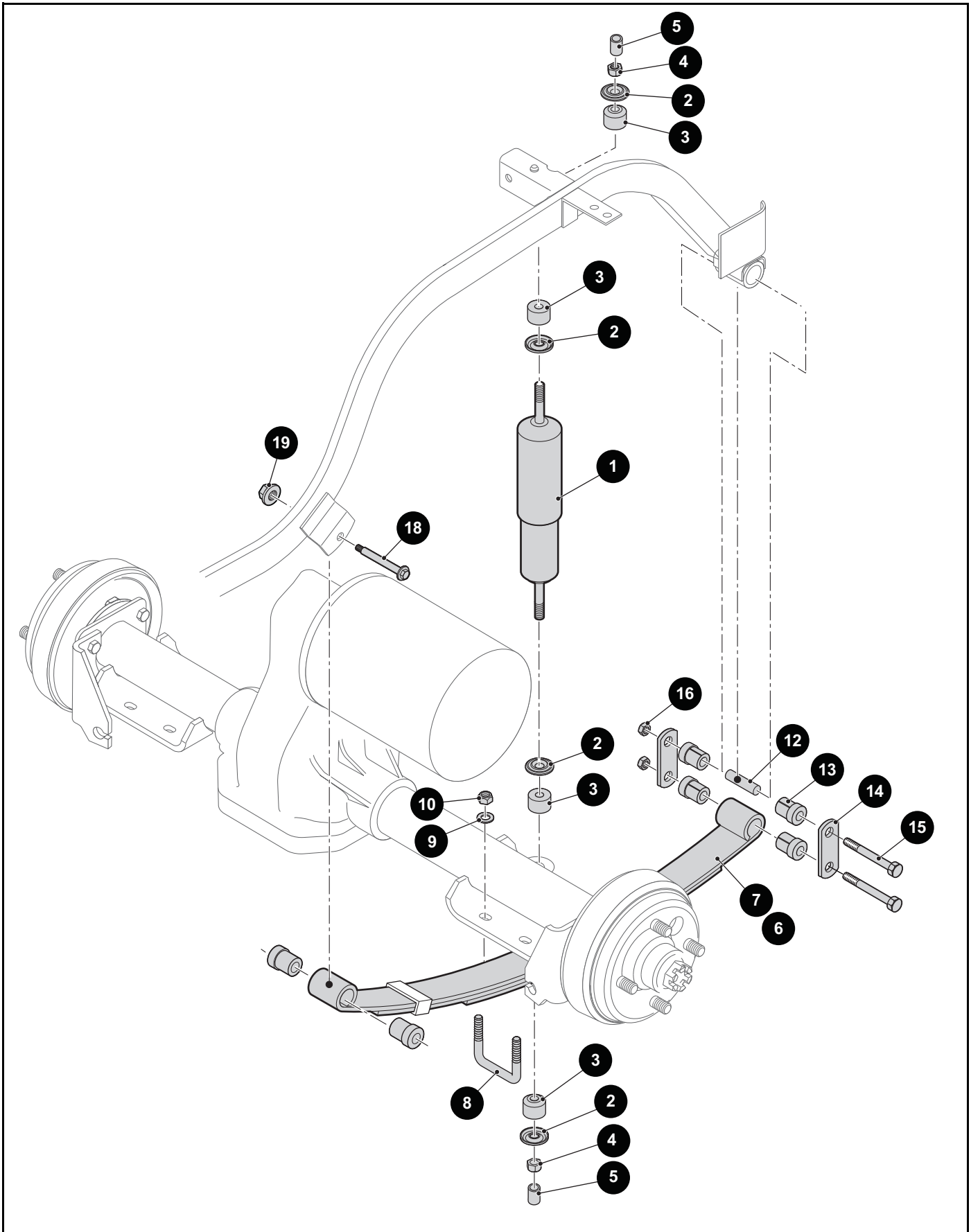
When ordering parts, please specify the model and serial number of the product.

* Indicates a component that is not available as an individual part.

*** Indicates consult Customer Service Department for additional information.

ITEM	PART NO.	1 2 3 4 5	DESCRIPTION	QTY.
1	<u>73500G01</u>		REAR AXLE ASSEMBLY (INCLUDES ITEMS 2 - 7)	1
2	<u>614209</u>		AXLE SHAFT (PASSENGER SIDE).....	1
3	<u>614208</u>		AXLE SHAFT (DRIVER SIDE)	1
4	<u>620348</u>		DIFFERENTIAL COVER	1
5	<u>620347</u>		RUBBER PLUG	1
6	<u>15558G1</u>		FLANGED BOLT, 5/16" - 18 X 3/4" LG	10
7	<u>73050G01</u>		VENT	1
8	<u>624110</u>		PLUG	3
9	<u>72763G02</u>		SCUFF GUARD	1
10				
11	<u>24261G1</u>		SPLINE BUMPER (SEE ELECTRIC MOTOR)	1
12	<u>00797G2</u>		HEX HEAD BOLT, 1/4" - 20 X 1 1/4" LG	3
13	<u>00664G7</u>		LOCK WASHER, 1/4"	3
14	<u>01110G01</u>		FLAT WASHER 1/4"	3

REAR SUSPENSION



REAR SUSPENSION

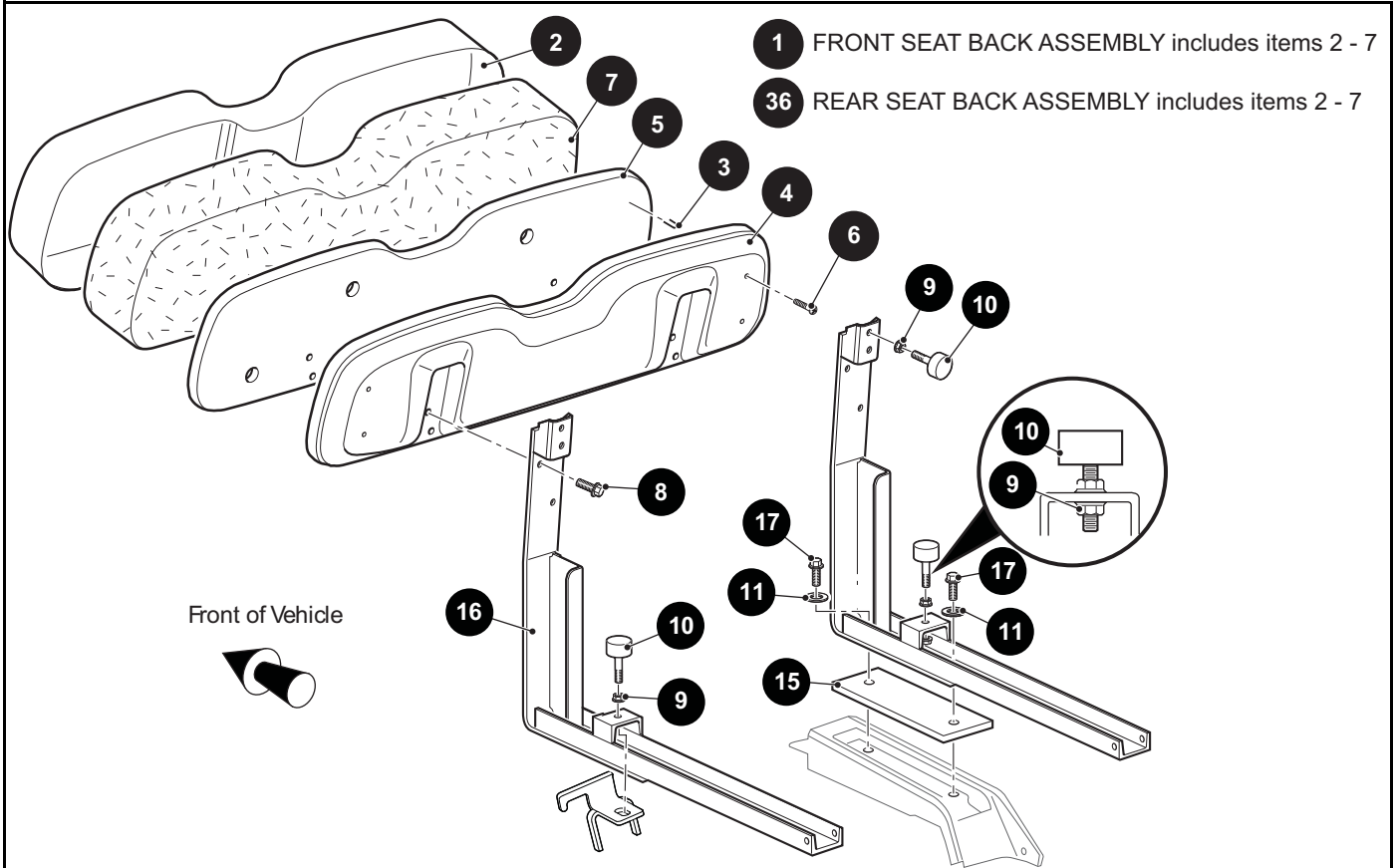
When ordering parts, please specify the model and serial number of the product.

* Indicates a component that is not available as an individual part.

*** Indicates consult Customer Service Department for additional information.

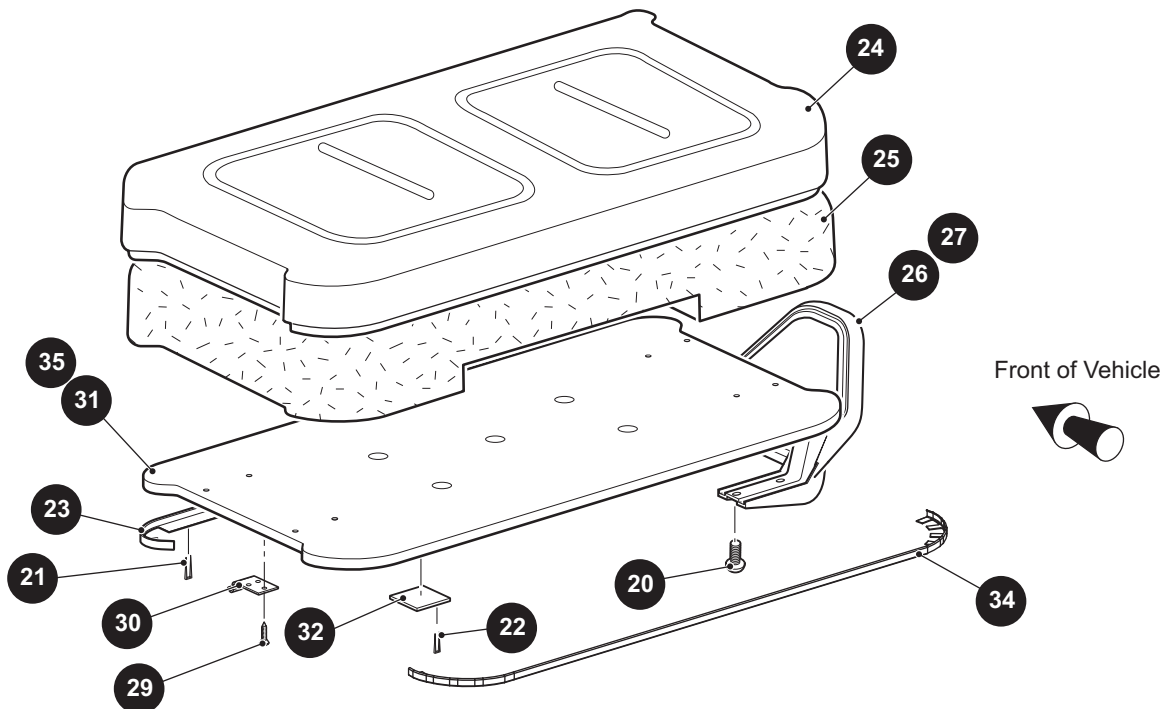
ITEM	PART NO.	1 2 3 4 5	DESCRIPTION	QTY.
1	<u>76418G01</u>		SHOCK ABSORBER	2
2	<u>10435G1</u>		SHOCK ABSORBER WASHER.....	8
3	<u>10194G1</u>		RUBBER BUSHING, 1"	8
4	<u>00532G6</u>		HEX JAM NUT, 3/8" - 24	4
5	<u>10044G01</u>		VINYL CAP	4
6	<u>603109</u>		REAR LEAF SPRINGS (REPLACE LEFT & RIGHT SPRINGS SIMULTANEOUSLY)	2
7	<u>74207G03</u>		HEAVY DUTY LEAF SPRING.....	2
8	<u>72618G01</u>		'U' BOLT, 3/8" - 16 X 2" X 2 1/2" LG	4
9	<u>00560G1</u>		FLAT WASHER, 3/8"	8
10	<u>11098G5</u>		LOCK NUT, 3/8" - 16	8
11				
12	<u>70289G02</u>		SPLIT STEEL SPACER	4
13	<u>624030</u>		FLANGED BUSHING, 21.5MM	12
14	<u>70290G02</u>		SHACKLE PLATE	4
15	<u>00665G9</u>		HEX HEAD BOLT (SS), 3/8" - 16 X 3 1/2" LG	4
16	<u>11098G5</u>		LOCK NUT, 3/8" - 16	4
17				
18	<u>14158G1</u>		SHOULDER BOLT, 3/8" - 16 X 3 1/4" LG	2
19	<u>12262G1</u>		LOCK NUT, 3/8" - 16	2

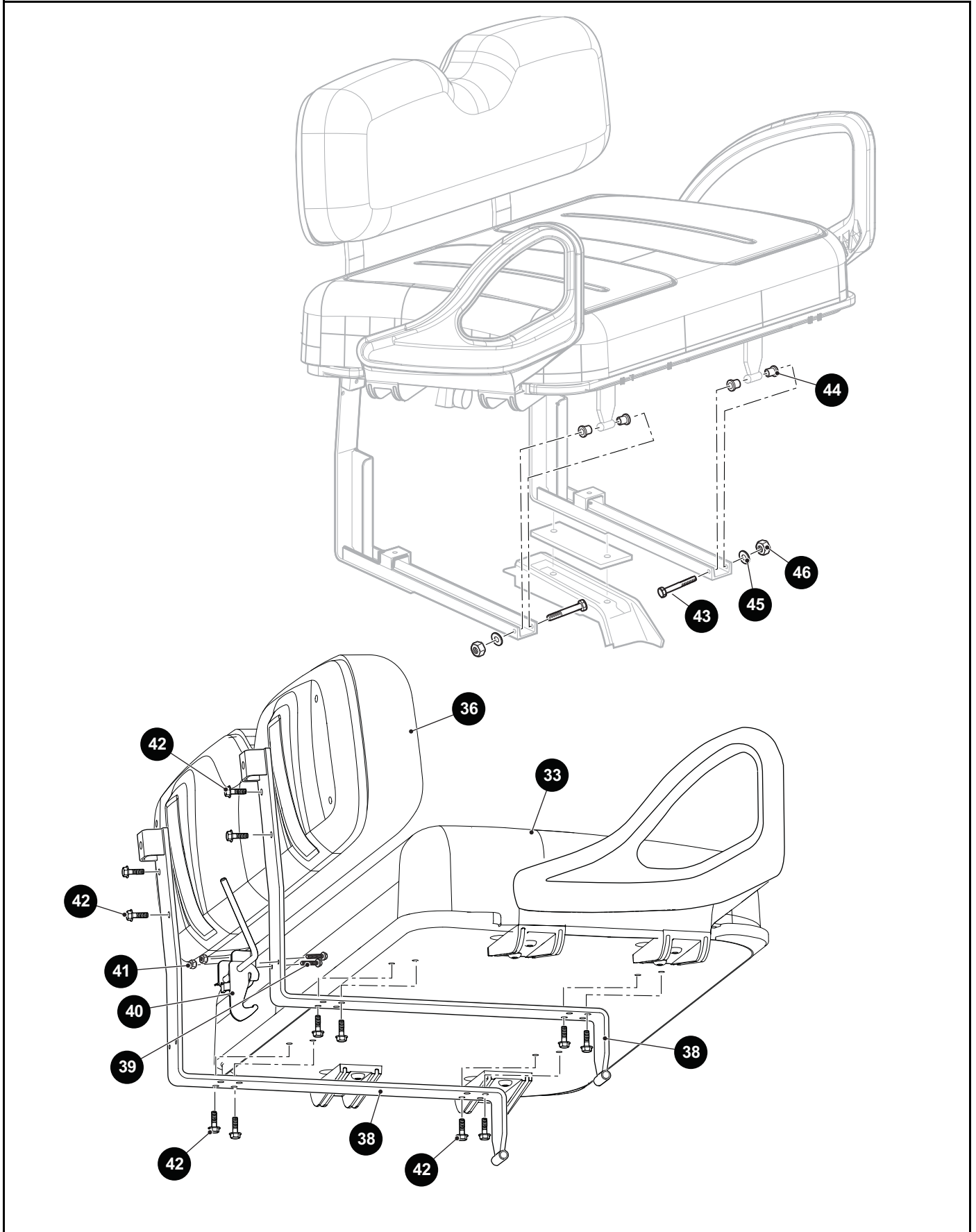
SEATING - CONVERTIBLE CARRIER



19 FRONT SEAT BOTTOM ASSEMBLY includes items 20 - 32

33 REAR SEAT BOTTOM ASSEMBLY includes items 20 - 28 and 34 - 35





SEATING - CONVERTIBLE CARRIER

When ordering parts, please specify the model and serial number of the product.

* Indicates a component that is not available as an individual part.

*** Indicates consult Customer Service Department for additional information.

ITEM	PART NO.	1	2	3	4	5	DESCRIPTION	QTY.
1	***						FRONT SEAT BACK ASSEMBLY (INCLUDES ITEMS 2 - 7) 71751G03 OYSTER 71751G02 GREY 71751G04 TAN 71751G05 SPECIAL	1
2	***						VINYL SEAT BACK COVER 71753G03 OYSTER 71753G02 GREY 71753G04 TAN 71753G05 SPECIAL	1
3	*						FLAT STAPLE	A/R
4	71752G01						PLASTIC SEAT BACK COVER	1
5	<u>76414G01</u>						SEAT BACK (WOOD)	1
6	<u>01107G01</u>						PAN HEAD TORX SCREW (SS), #8 X 5/8" LG	4
7	<u>71754G01</u>						FOAM PADDING (SEAT BACK)	1
8	71204G01						HEX HEAD BOLT, 1/4" - 20 X 7/8" LG.....	4
9	<u>11027G1</u>						LOCK NUT, 5/16" - 18	6
10	<u>70113G01</u>						ADJUSTABLE BUMPER	4
11	<u>00560G1</u>						WASHER, 3/8"	4
12								
13								
14								
15	<u>70364G01</u>						SPACER, 8.45" X 2"	2
16	<u>625525</u>						SEAT BACK SUPPORT	2
17	<u>00427G2</u>						HEX HEAD BOLT, 3/8" - 16 X 1" LG.....	4
18								
19	***						FRONT SEAT BOTTOM ASSEMBLY (INCLUDES ITEMS 20 - 32) 629269G0101 OYSTER 629269G0103 TAN 629269G0104 GREY 629269G0108 CUSTOM SOLID	1
20	<u>600530</u>						BUTTON HEAD TORX SCREW, M10 - 1.5 X 25MM LG	8
21	*						FLAT STAPLE (SS), 3/8".....	A/R
22	*						FLAT STAPLE	A/R
23	<u>71012G01</u>						VINYL TRIM (SEAT BOTTOM)	1

SEATING - CONVERTIBLE CARRIER

When ordering parts, please specify the model and serial number of the product.

* Indicates a component that is not available as an individual part.

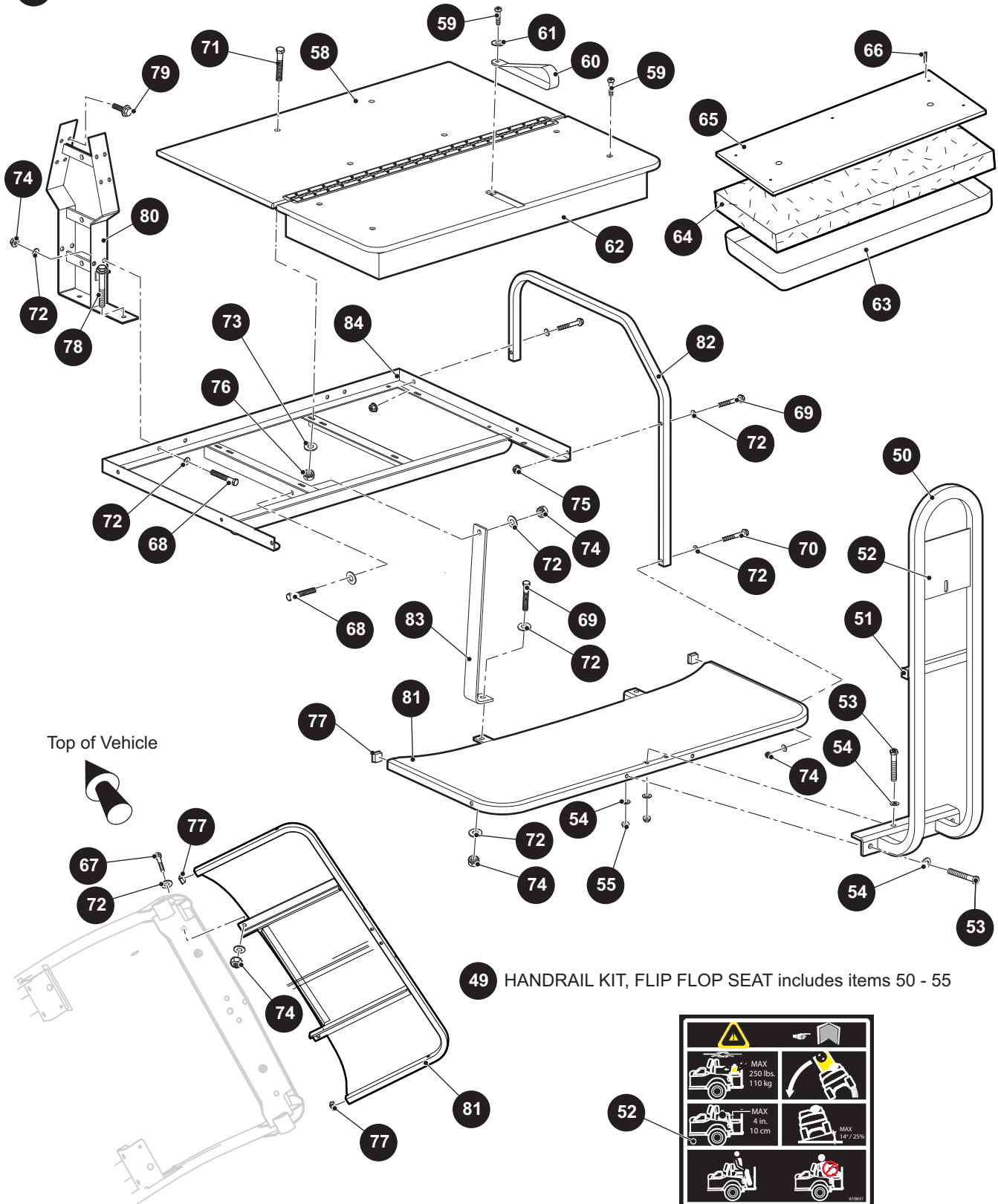
*** Indicates consult Customer Service Department for additional information.

ITEM	PART NO.	1 2 3 4 5	DESCRIPTION	QTY.
24	***		VINYL SEAT BOTTOM COVER 71602G03 OYSTER 71602G02 GREY 71602G04 TAN 71602G05 CUSTOM SOLID	1
25	<u>71603G02</u>		FOAM PADDING (SEAT BOTTOM)	1
26	<u>617645</u>		HIP RESTRAINT (DRIVER SIDE)	1
27	<u>617644</u>		HIP RESTRAINT (PASSENGER SIDE)	1
28	<u>17618G1</u>		NYLON CLAMP (NOT ILLUSTRATED)	1
29	<u>00720G08</u>		PHILLIPS HEAD TAPPING SCREW #12 -14 X 1" LG	6
30	<u>71610G01</u>		SEAT HINGE	2
31	<u>629301</u>		SEAT BOTTOM (WOOD)	1
32	<u>17074G1</u>		SOILING SLAB	2
33	***		REAR SEAT BOTTOM ASSEMBLY (INCLUDES ITEMS 20 - 28 AND 34 - 35)..... 629269G0301 OYSTER 629269G0303 TAN 629269G0304 GREY 629269G0308 CUSTOM SOLID	1
34	<u>74140G01</u>		VINYL TRIM (SEAT BOTTOM).....	1
35	629303		SEAT BOTTOM (WOOD)	1
36	***		REAR SEAT BACK ASSEMBLY (INCLUDES ITEMS 2 - 7) 71751G03 OYSTER 71751G02 GREY 71751G04 TAN 71751G05 SPECIAL	1
37				
38	<u>625526</u>		REAR SEAT SUPPORT WELDMENT	2
39	<u>628906</u>		HEX HEAD FLANGE BOLT, #10 - 24 X 3/4" LG	2
40	<u>72917G01</u>		BED LATCH ASSEMBLY	1
41	<u>14390G10</u>		LOCK NUT, #10 - 24	2
42	71204G01		HEX HEAD BOLT, 1/4" - 20 X 7/8" LG	12
43	<u>00440G4</u>		HEX HEAD BOLT, 5/16" - 18 X 2.5" LG	2
44	<u>17838G1</u>		NYLINER BUSHING, .5"	4
45	00559G8		FLAT WASHER, 5/16"	2
46	11098G6		LOCK NUT, 5/16" - 18	2

SEATING - CONVERTIBLE CARRIER

57 FLIP FLOP SEAT BOTTOM includes items 58 - 62

62 SEAT BOTTOM ASSEMBLY includes items 63 - 66



Top of Vehicle

SEATING - CONVERTIBLE CARRIER

When ordering parts, please specify the model and serial number of the product.

* Indicates a component that is not available as an individual part.

*** Indicates consult Customer Service Department for additional information.

ITEM	PART NO.	1 2 3 4 5	DESCRIPTION	QTY.
47				
48				
49	<u>634184</u>		HANDRAIL KIT, FLIP-FLOP SEAT (INCLUDES ITEMS 50 - 55).....	1
50	<u>634185</u>		FOOTREST HANDLE WELDMENT	1
51	<u>19859G1</u>		SQUARE CAP TUBE, 3/4"	2
52	<u>610631</u>		DECAL.....	1
53	<u>00427G8</u>		HEX HEAD BOLT, 3/8" - 16 X 2.0" LG.....	4
54	<u>614221</u>		FLAT WASHER, 3/8"	8
55	<u>11098G5</u>		PLASTIC LOCK NUT, 3/8" - 16	4
56				
57	***		FLIP FLOP SEAT BOTTOM (INCLUDES ITEMS 58 - 62)..... 628058G01 OYSTER 628058G03 TAN 628058G04 GREY	1
58	<u>634190</u>		DECK BOARD ASSEMBLY.....	1
59	<u>16705G1</u>		PHILLIPS TRUSS HEAD SCREW (SS), 1/4" - 20 X 1" LG	5
60	<u>617402</u>		SEAT STRAP	1
61	<u>00559G7</u>		FLAT WASHER, 1/4"	1
62	***		SEAT BOTTOM ASSEMBLY (INCLUDES ITEMS 63 - 66)	1
			632837G01 OYSTER 632837G03 TAN 632837G04 GREY	
63	***		VINYL SEAT BOTTOM	1
			615646 OYSTER 615647 TAN 617892 GREY	
64	<u>617401</u>		FOAM PADDING (SEAT BOTTOM).....	1
65	<u>617400</u>		SEAT BOTTOM (WOOD).....	1
66	*		FLAT STAPLE (SS), 3/8".....	A/R
67	<u>00427G6</u>		HEX HEAD BOLT, 3/8" - 16 X 1.75" LG	2
68	<u>00427G2</u>		HEX HEAD BOLT, 3/8" - 16 X 1.25" LG	4
69	<u>00427G4</u>		HEX HEAD BOLT, 3/8" - 16 X 1.5" LG	6
70	<u>00428G8</u>		HEX HEAD BOLT, 3/8" - 16 X 3.25" LG	2
71	<u>16705G9</u>		PHILLIPS TRUSS HEAD SCREW (SS), 1/4" - 20 X 1.25" LG.....	4

SEATING - CONVERTIBLE CARRIER

When ordering parts, please specify the model and serial number of the product.

* Indicates a component that is not available as an individual part.

*** Indicates consult Customer Service Department for additional information.

ITEM	PART NO.	1 2 3 4 5	DESCRIPTION	QTY.
72	<u>614221</u>		FLAT WASHER, 3/8"	24
73	<u>00559G7</u>		FLAT WASHER, 1/4"	4
74	<u>11098G5</u>		PLASTIC LOCK NUT, 3/8" - 16	10
75	<u>11027G5</u>		FLANGED LOCK NUT, 3/8" - 16	4
76	<u>14390G4</u>		PLASTIC LOCK NUT, 1/4" - 20	4
77	<u>19853G1</u>		SQUARE CAP TUBE, 1"	2
78	<u>01006G01</u>		HEX HEAD BOLT, 3/8" - 16 X 1.25" LG.....	4
79	71204G01		HEX HEAD BOLT, 1/4" - 20 X 7/8" LG.....	8
80	<u>634178</u>		SEAT BACK SUPPORT	1
81	<u>634179</u>		FOOTREST WELDMENT	1
82	<u>634175</u>		ARMREST, REAR SEAT	2
83	<u>634174</u>		SEAT FRAME SUPPORT.....	2
84	<u>634180</u>		SEAT FRAME WELDMENT	1

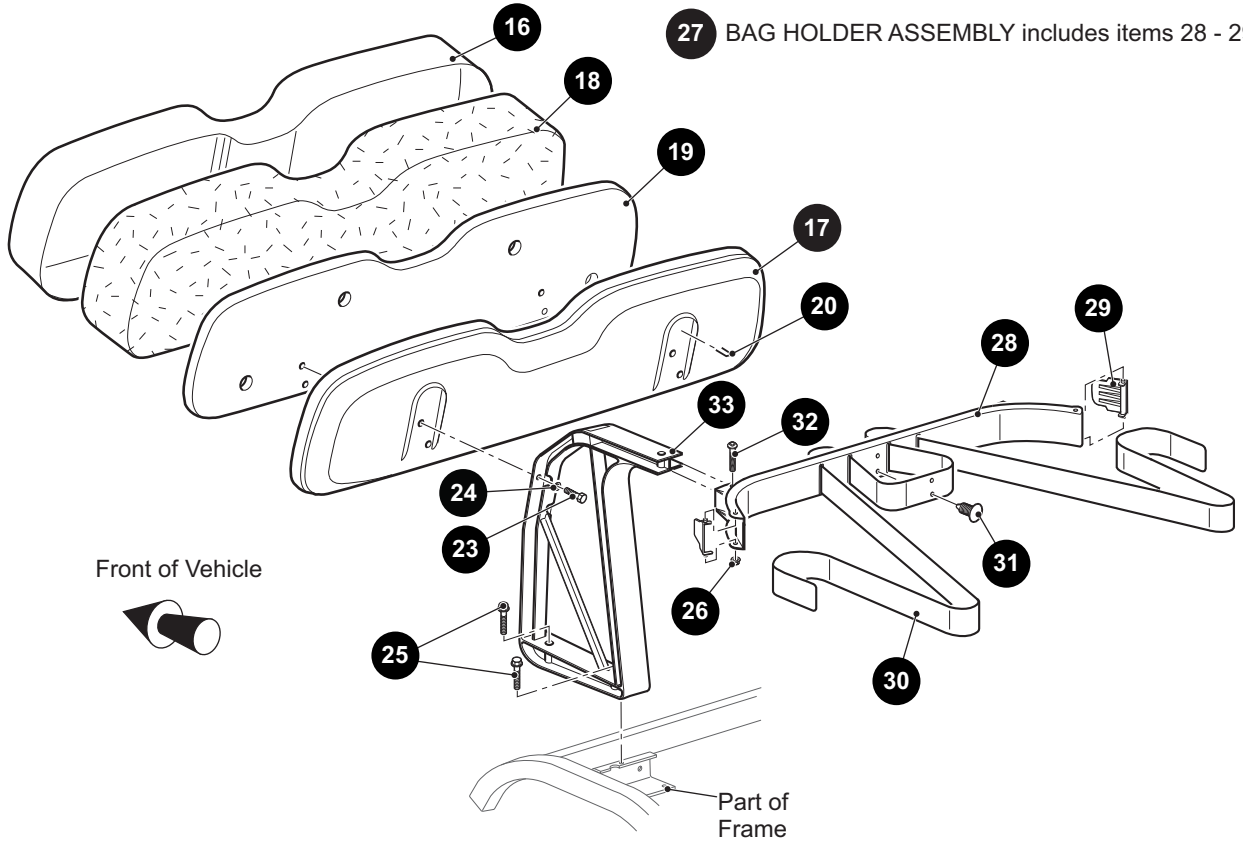
Notes:

A large grid area for taking notes, consisting of 30 columns and 25 rows of empty cells.

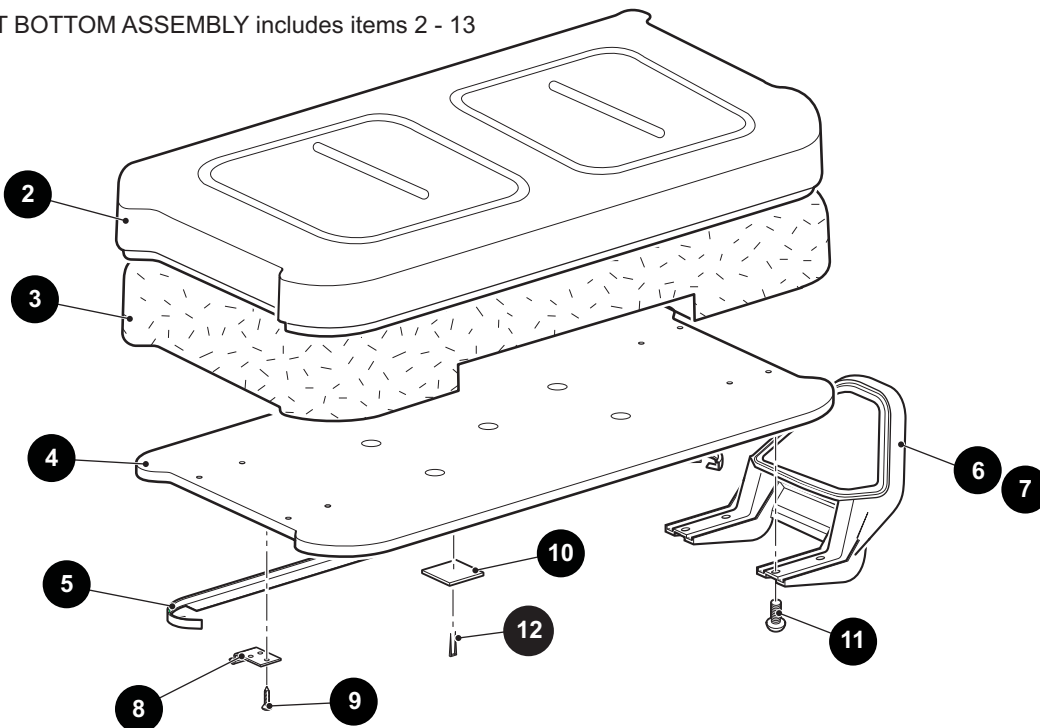
SEATING AND BAG HOLDER - GOLF CAR

15 SEAT BACK ASSEMBLY includes items 16 - 21

27 BAG HOLDER ASSEMBLY includes items 28 - 29



1 SEAT BOTTOM ASSEMBLY includes items 2 - 13



SEATING AND BAG HOLDER - GOLF CAR

When ordering parts, please specify the model and serial number of the product.

* Indicates a component that is not available as an individual part.

*** Indicates consult Customer Service Department for additional information.

ITEM	PART NO.	1 2 3 4 5	DESCRIPTION	QTY.
1	***		SEAT BOTTOM ASSEMBLY (INCLUDES ITEMS 2 - 13)..... 629269G0101 OYSTER 629269G0103 TAN 629269G0104 GREY 629269G0108 CUSTOM SOLID	1
2	***		SEAT BOTTOM COVER 71602G03 OYSTER 71602G02 GREY 71602G04 TAN 71602G05 CUSTOM SOLID	1
3	<u>71603G02</u>		FOAM PADDING (SEAT BOTTOM)	1
4	<u>629301</u>		SEAT BOTTOM (WOOD)	1
5	<u>71012G01</u>		VINYL TRIM (SEAT BOTTOM).....	1
6	<u>617644</u>		HIP RESTRAINT (PASSENGER SIDE)	1
7	<u>617645</u>		HIP RESTRAINT (DRIVER SIDE).....	1
8	<u>71610G01</u>		SEAT HINGE	2
9	<u>00720G08</u>		PHILLIPS HEAD TAPPING SCREW #12 -14 X 1" LG	6
10	<u>17074G1</u>		SOILING SLAB.....	2
11	<u>600530</u>		BUTTON HEAD TORX SCREW, M10 - 1.5 X 25MM LG	8
12	*		FLAT STAPLE.....	A/R
13	<u>17618G1</u>		NYLON CLAMP (NOT ILLUSTRATED).....	1
14				
15	***		SEAT BACK ASSEMBLY (INCLUDES ITEMS 16 - 21) 625229G0101 OYSTER 625229G0103 TAN 625229G0104 GREY 625229G0108 CUSTOM SOLID	1
16	***		VINYL SEAT BACK COVER 625234G01 OYSTER 625234G03 TAN 625234G04 GREY 625234G08 CUSTOM SOLID	1
17	<u>625239</u>		PLASTIC SEAT BACK COVER.....	1
18	<u>625233</u>		FOAM PADDING (SEAT BACK).....	1
19	<u>625231</u>		SEAT BACK BOARD (WOOD).....	1
20	*		FLAT STAPLE.....	A/R
21	<u>17618G1</u>		NYLON CLAMP (NOT ILLUSTRATED).....	1

SEATING AND BAG HOLDER - GOLF CAR

When ordering parts, please specify the model and serial number of the product.

* Indicates a component that is not available as an individual part.

*** Indicates consult Customer Service Department for additional information.

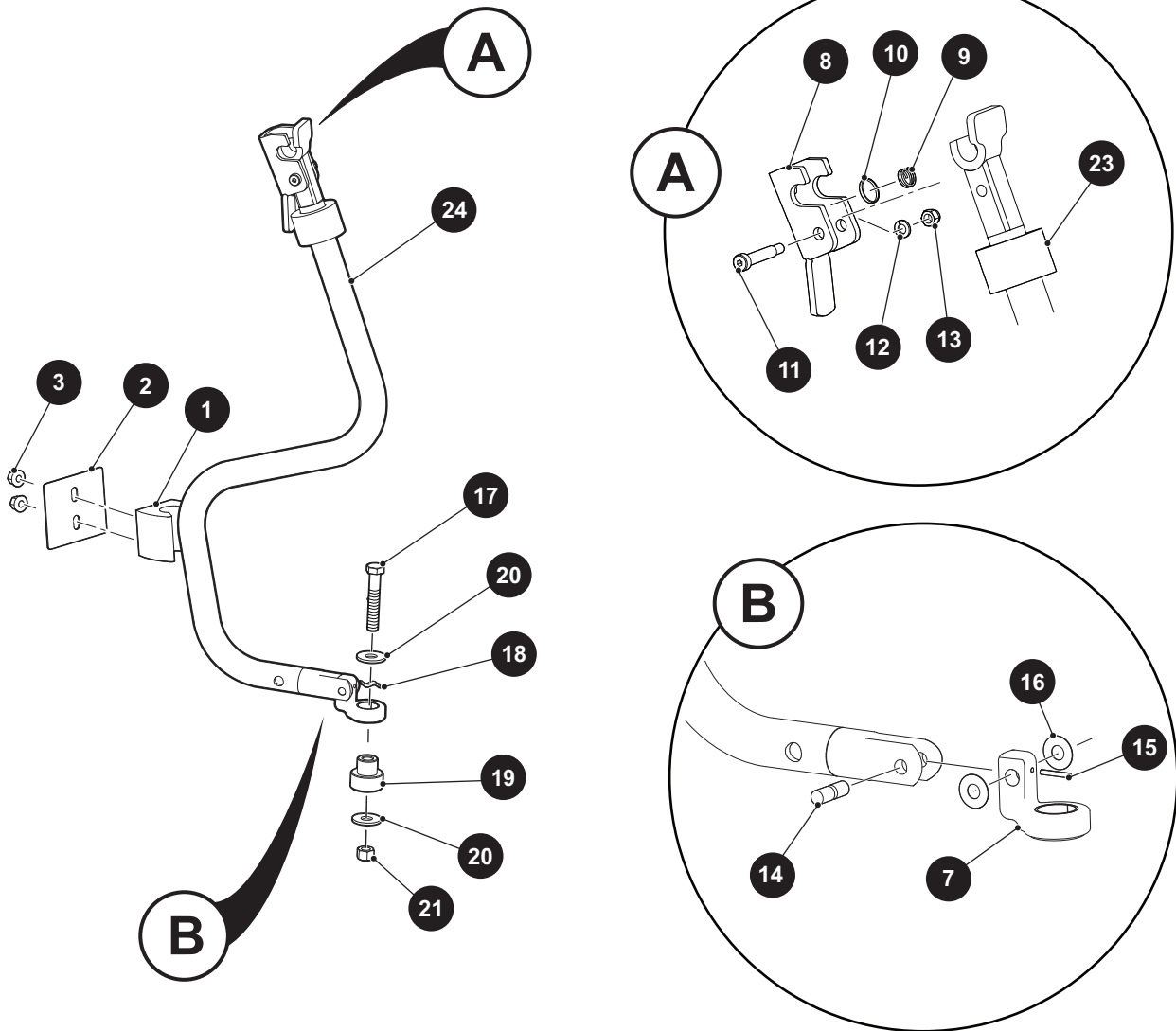
ITEM	PART NO.	1	2	3	4	5	DESCRIPTION	QTY.
22								
23	<u>605056</u>						HEX HEAD BOLT (SS), 1/4" - 20 X 1" LG	4
24	<u>00664G7</u>						LOCK WASHER (SS), 1/4"	4
25	<u>01075G01</u>						HEX HEAD BOLT, 3/8" - 16 X 2 1/2" LG.....	4
26	<u>11027G2</u>						LOCK NUT, 1/4" - 20	2
27	<u>618206</u>						BAG HOLDER ASSEMBLY (INCLUDES ITEMS 28 - 29)	1
28	<u>610642</u>						BAG HOLDER BRACKET.....	1
29	<u>608051</u>						BAG RETAINER CLAMP	2
30	<u>71853G01</u>						BAG RETAINER STRAP	1
31	<u>16816G1</u>						RATCHET FASTENER, 1/4" X 9/16" LG	2
32	<u>01102G01</u>						CARRIAGE BOLT (SS), 1/4" - 20 X 1 1/2" LG.....	2
33	<u>71811G03</u>						SEAT SUPPORT BRACKET	2

Notes:

A large grid of graph paper, consisting of 24 columns and 32 rows of small squares, intended for taking notes. The grid is empty and occupies the majority of the page.

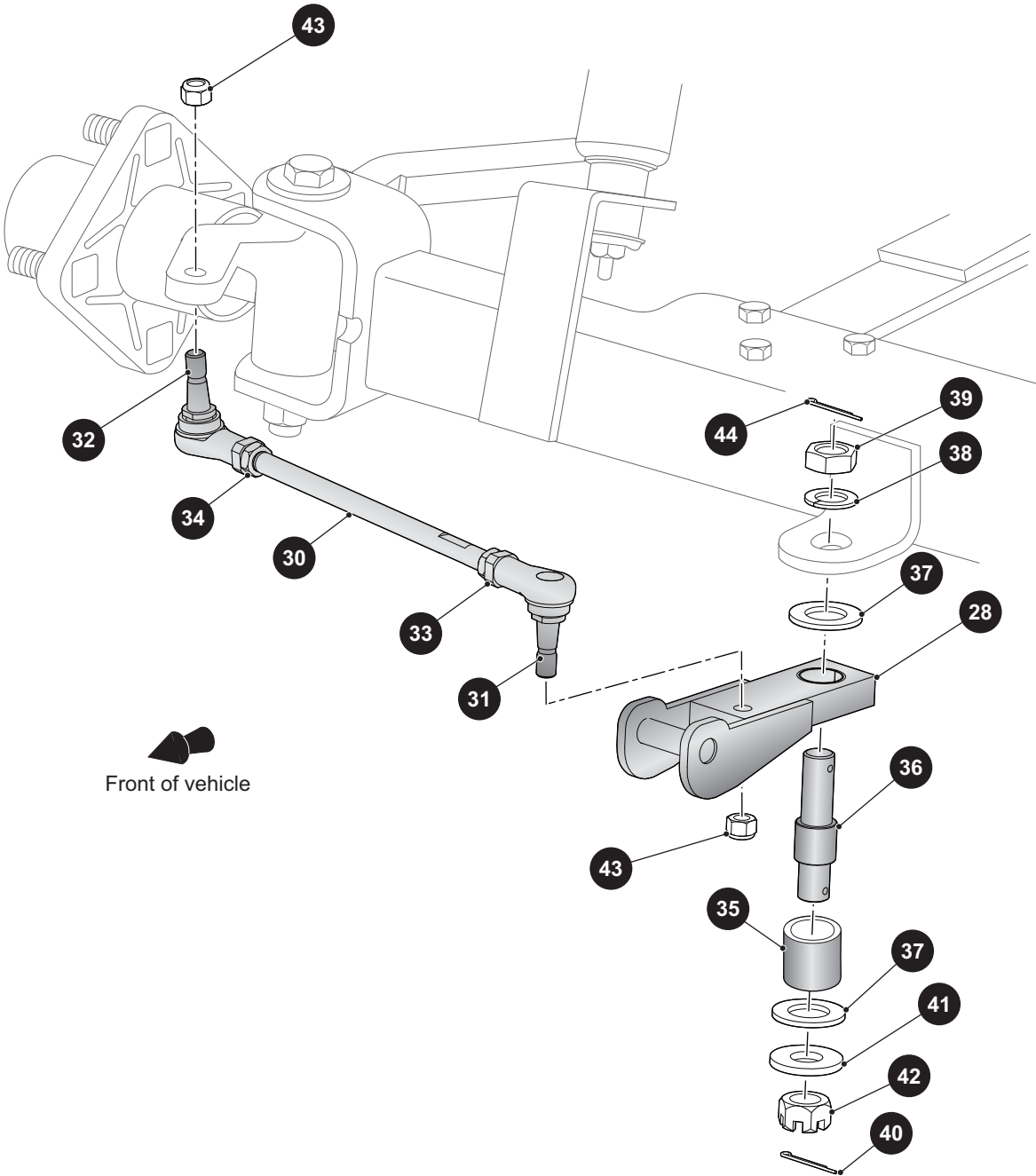
TOW BAR - PERMANENT

6 TOW BAR ASSEMBLY includes items 7 - 24



27 TOW BAR HITCH ASSEMBLY includes items 28 - 43

29 TIE ROD ASSEMBLY includes items 30 - 34



TOW BAR - PERMANENT

When ordering parts, please specify the model and serial number of the product.

* Indicates a component that is not available as an individual part.

*** Indicates consult Customer Service Department for additional information.

ITEM	PART NO.	1 2 3 4 5	DESCRIPTION	QTY.
1	<u>603020</u>		TOW BAR RETAINER	1
2	<u>625816</u>		BACKING PLATE	1
3	<u>600525</u>		HEX FLANGE NUT, M10 - 1.50.....	2
4				
5				
6	<u>625813</u>		TOW BAR ASSEMBLY (TOWING VEHICLE) (INCLUDES ITEMS 7 - 24)	1
7	<u>625458</u>		TOW BAR SWIVEL.....	1
8	<u>617147</u>		TOW BAR LATCH.....	1
9	<u>20852G2</u>		COMPRESSION SPRING (SS)	1
10	<u>25661G02</u>		CUP WASHER, 0.84" O.D X 0.20" I.D.....	1
11	<u>13005G4</u>		SOCKET HEAD BOLT, 5/16" - 18 X 0.406" LG.....	1
12	<u>00565G8</u>		LOCK WASHER, 5/16"	1
13	<u>00520G3</u>		ACORN NUT, 5/16" - 18.....	1
14	<u>75360G01</u>		PIVOT PIN	1
15	<u>608793</u>		SPIROL PIN, 3MM X 22MM.....	1
16	<u>75340G01</u>		FLAT WASHER, M10.....	2
17	<u>00410G8</u>		HEX HEAD BOLT, 1/2" - 20 X 3" LG	1
18	<u>75339G01</u>		SPRING WASHER.....	1
19	<u>625582</u>		TOW BAR PIVOT.....	1
20	<u>00571G5</u>		FLAT WASHER, 5/16".....	2
21	<u>11098G8</u>		LOCK NUT, 1 3/8" - 12.....	1
22	<u>625819</u>		WARNING DECAL (NOT ILLUSTRATED).....	1
23	<u>75362G01</u>		LATCH STOP	1
24	<u>625814</u>		TOW BAR WELDMENT	1
25				
26				
27	<u>625812</u>		TOW BAR HITCH ASSEMBLY (TOWED VEHICLE) (INCLUDES ITEMS 28 - 43).....	1
28	<u>625810</u>		TOW BAR HITCH	1
29	<u>625811</u>		TIE ROD ASSEMBLY (INCLUDES ITEMS 30 - 34).....	1
30	<u>625646</u>		TIE ROD LINK	1
31	<u>70902G01</u>		TIE ROD END (DRIVER SIDE)	1

TOW BAR - PERMANENT

When ordering parts, please specify the model and serial number of the product.

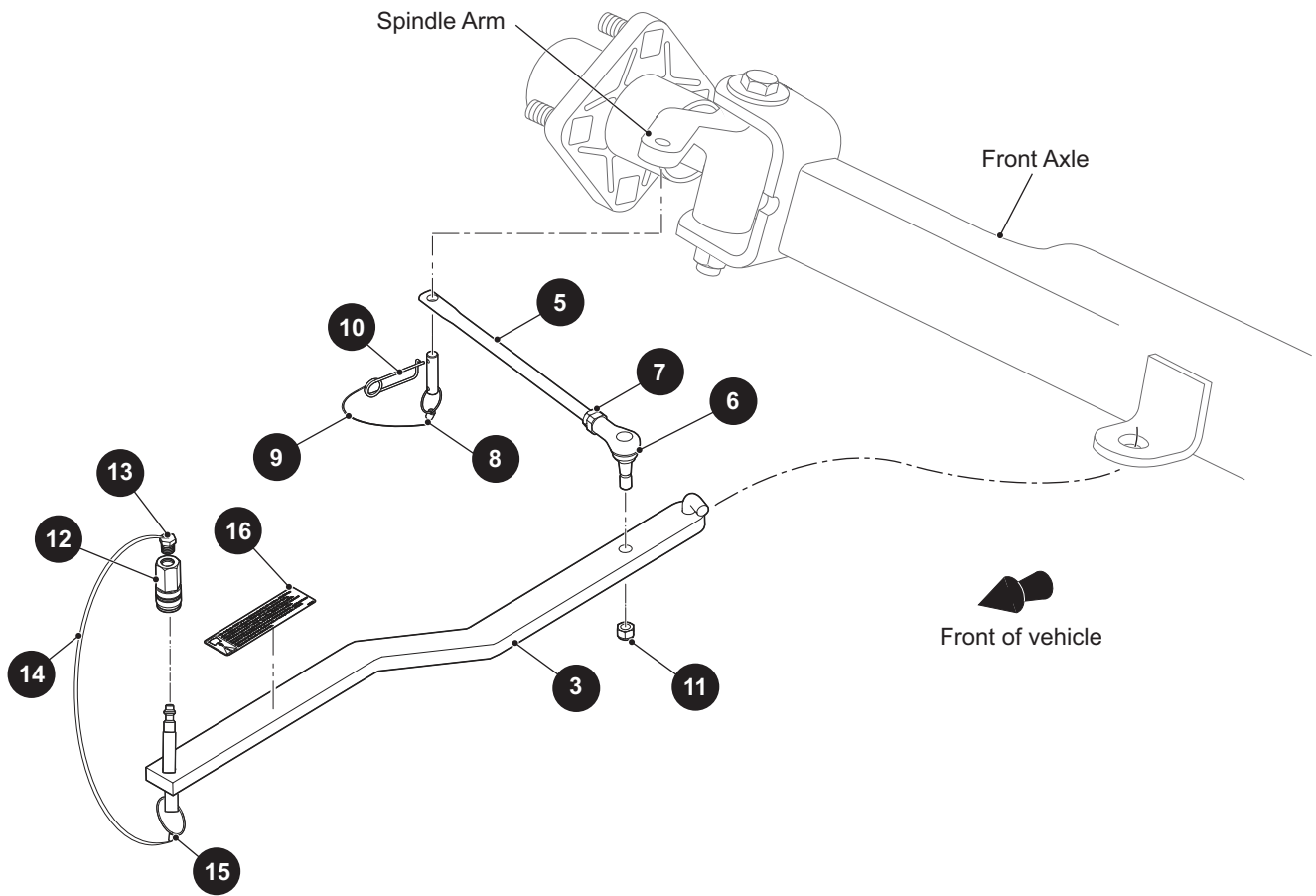
* Indicates a component that is not available as an individual part.

*** Indicates consult Customer Service Department for additional information.

ITEM	PART NO.	1 2 3 4 5	DESCRIPTION	QTY.
32	<u>70902G02</u>		TIE ROD END (PASSENGER SIDE)	1
33	<u>01069G01</u>		JAM NUT, M12 X 1.25" - 05 (DRIVER SIDE).....	1
34	<u>01069G02</u>		JAM NUT, M12 X 1.25" - 05 (PASSENGER SIDE)	1
35	<u>75307G01</u>		BEARING	1
36	<u>75292G01</u>		PIVOT BOLT	1
37	<u>75309G01</u>		THRUST BEARING	2
38	<u>00566G6</u>		SPRING LOCK WASHER, 3/8"	1
39	<u>00533G8</u>		HEX NUT, 1/2" - 13.....	1
40	<u>10387G1</u>		COTTER PIN, 0.125" X 1.50"	1
41	<u>75342G01</u>		FLAT WASHER, 1.75" O.D X 0.781" I.D	1
42	<u>00518G8</u>		CASTLE NUT, 3/4" - 16	1
43	<u>00734G1</u>		LOCK NUT, 7/16" - 14	2
44	<u>10387G1</u>		COTTER PIN, 0.125" X 1.50"	1

TOW BAR - CASUAL

- 1 CASUAL TOW BAR KIT includes item 2
- 2 CASUAL TOW BAR ASSEMBLY includes items 3 - 16
- 4 TIE ROD ASSEMBLY includes items 5 - 7



TOW BAR - CASUAL

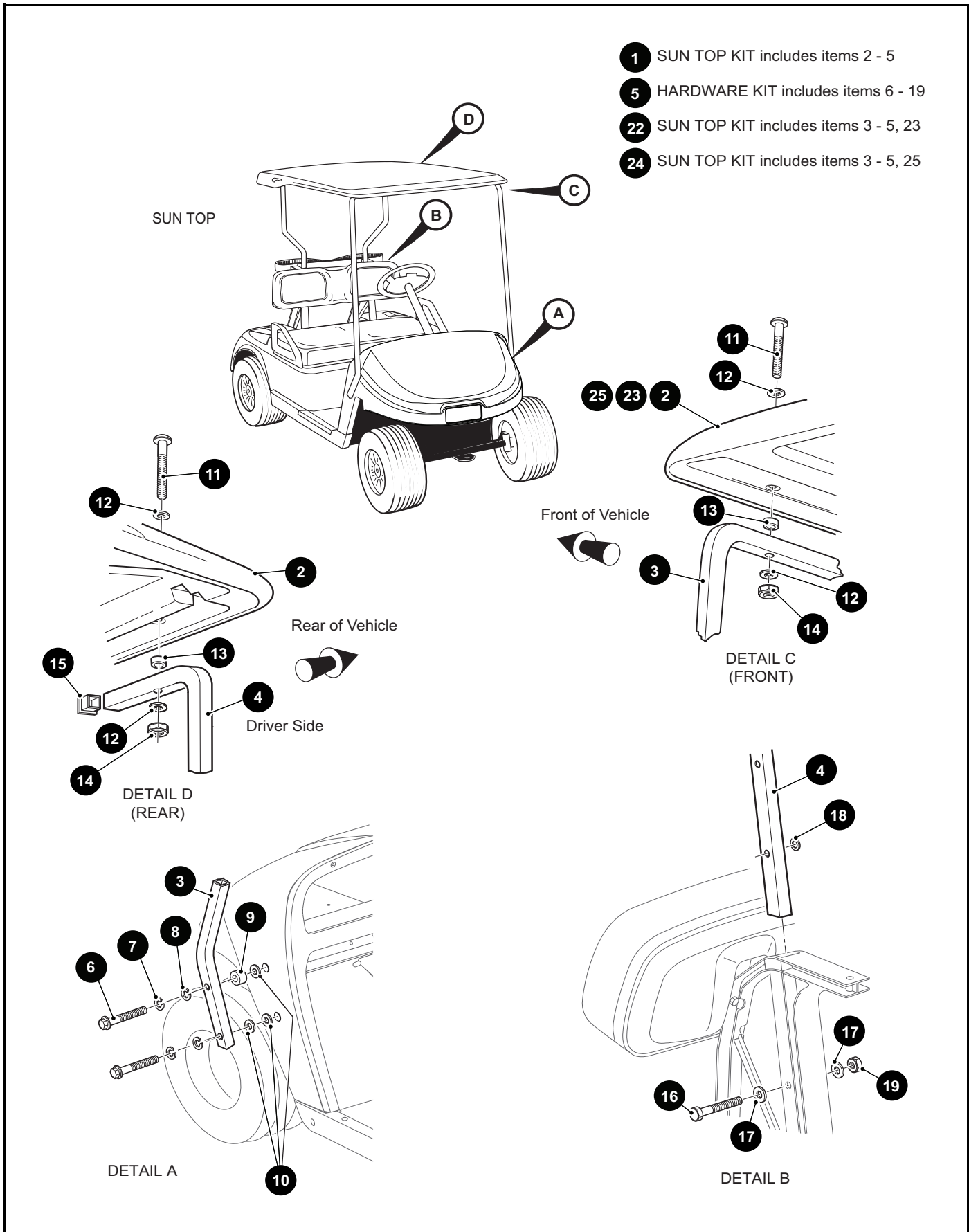
When ordering parts, please specify the model and serial number of the product.

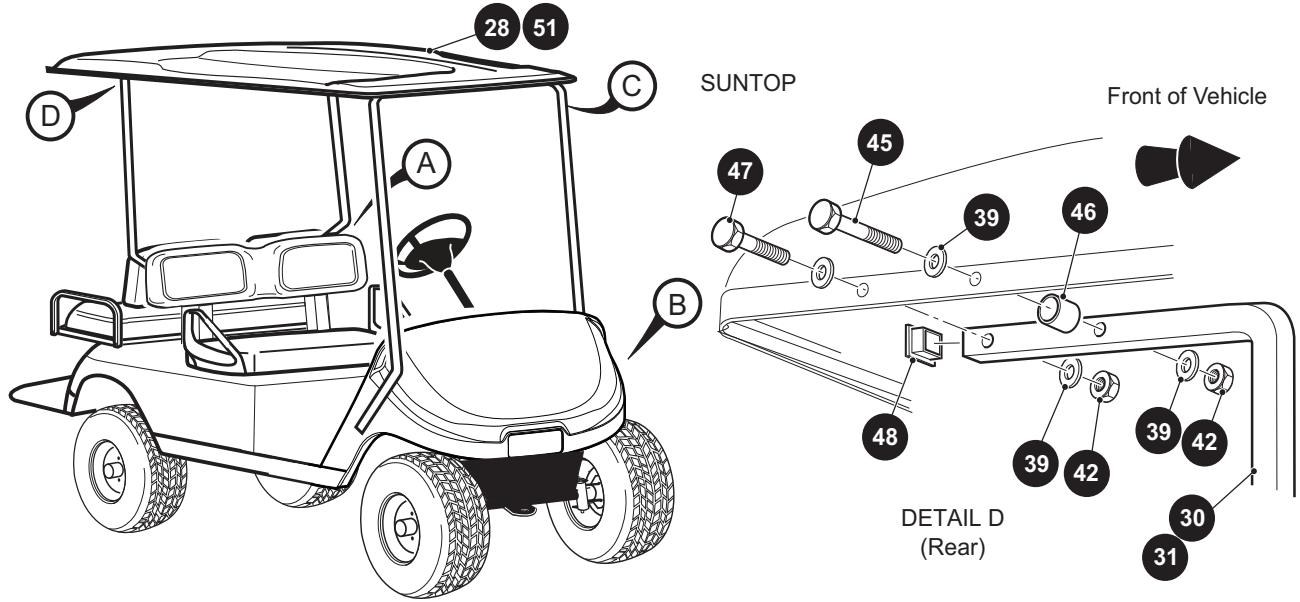
* Indicates a component that is not available as an individual part.

*** Indicates consult Customer Service Department for additional information.

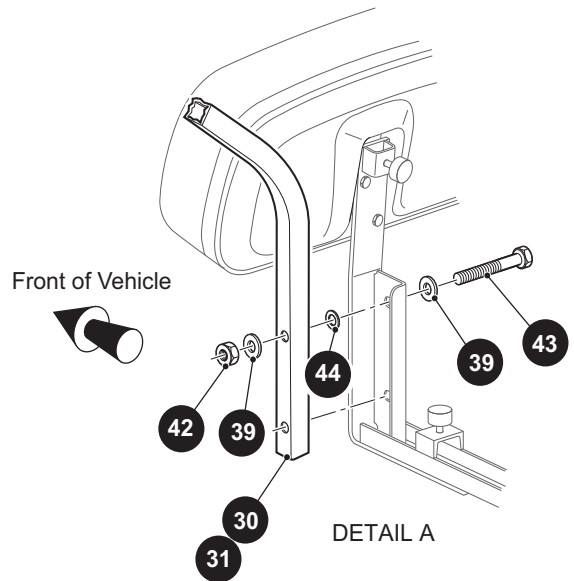
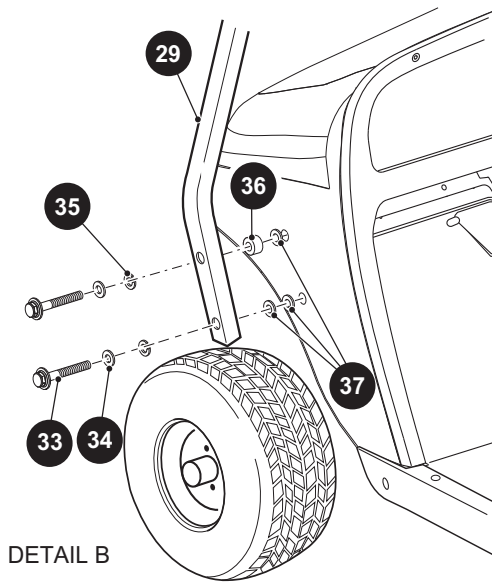
ITEM	PART NO.	1 2 3 4 5	DESCRIPTION	QTY.
1	<u>625284</u>		CASUAL TOW BAR KIT (INCLUDES ITEM 2)	1
2	<u>625282</u>		CASUAL TOW BAR ASSEMBLY (INCLUDES ITEMS 3 -16).....	1
3	<u>625327</u>		TOW BAR WELDMENT	1
4	<u>625328</u>		TIE ROD ASSEMBLY (INCLUDES ITEMS 5 - 7).....	1
5	<u>625329</u>		TIE ROD WELDMENT	1
6	<u>70902G01</u>		TIE ROD END (DRIVER SIDE)	1
7	<u>01069G01</u>		JAM NUT, M12 - 1.25	1
8	<u>16783G1</u>		FERRULE	1
9	<u>14869G5</u>		WIRE ROPE, 6" LG	1
10	<u>75068G01</u>		SAFETY PIN	1
11	<u>00734G1</u>		LOCK NUT, 7/16" - 14	1
12	<u>75060G01</u>		COUPLING	1
13	<u>75035G02</u>		HEX HEAD PLUG WITH HOLE, 1/4" - 18	1
14	<u>14869G3</u>		WIRE ROPE, 20" LG	1
15	<u>75067G01</u>		FERRULE	1
16	<u>625820</u>		WARNING DECAL	1

WEATHER PROTECTION



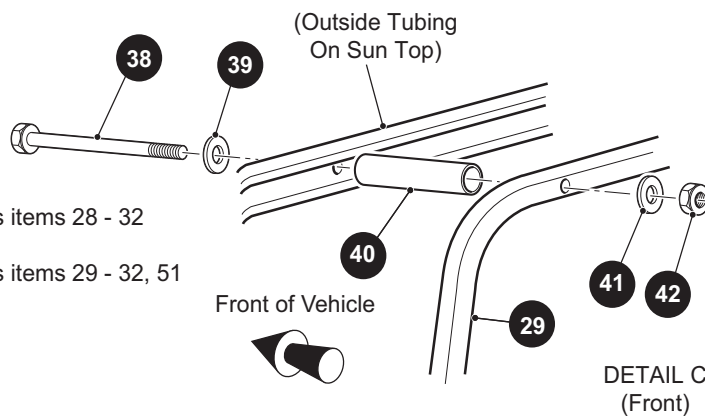


32 HARDWARE KIT includes items 33 - 48



27 SUN TOP KIT includes items 28 - 32

50 SUN TOP KIT includes items 29 - 32, 51



WEATHER PROTECTION

When ordering parts, please specify the model and serial number of the product.

* Indicates a component that is not available as an individual part.

*** Indicates consult Customer Service Department for additional information.

ITEM	PART NO.	1 2 3 4 5	DESCRIPTION	QTY.
1	<u>625299G01</u>		SUN TOP KIT (INCLUDES ITEMS 2 - 5)	1
2	<u>625290</u>		SUN TOP (TAN).....	1
3	<u>625294</u>		FRONT STRUT	1
4	<u>75046G01</u>		REAR STRUT	2
5	<u>625296</u>		HARDWARE KIT (INCLUDES ITEMS 6 - 19).....	1
6	*		HEX HEAD BOLT, 5/16" - 18 X 2 1/4" LG.....	4
7	*		FLAT WASHER, 5/16"	4
8	*		LOCK WASHER, 5/16"	4
9	*		SPACER, 0.328" ID X 0.75" OD X 0.5" LG	2
10	*		FLAT WASHER, 5/16"	6
11	*		HEX HEAD BOLT, 1/4" - 20 X 2 1/2" LG.....	4
12	*		FLAT WASHER (SS), 1/4"	8
13	*		SPACER (PLASTIC), 0.28" ID X 0.56" OD X 0.74" LG	4
14	*		LOCK NUT (SS), 1/4" - 20.....	4
15	*		END CAP, 1" SQ.....	2
16	*		HEX HEAD BOLT (SS), 5/16" - 18 X 1 3/4" LG	4
17	*		FLAT WASHER (SS), 5/16"	8
18	*		TEFLON WASHER, 5/16"	4
19	*		LOCK NUT (SS), 5/16" - 18.....	4
20				
21				
22	<u>625299G02</u>		SUN TOP KIT (INCLUDES ITEMS 3 - 5, 23)	1
23	<u>625291</u>		SUN TOP (OYSTER).....	1
24	<u>625299G03</u>		SUN TOP KIT (INCLUDES ITEMS 3 - 5, 25)	1
25	<u>625292</u>		SUN TOP (BLACK)	1
26				
27	<u>634553G01</u>		SUN TOP KIT (INCLUDES ITEMS 28 - 32)	1
28	<u>602672</u>		SUN TOP (TAN), 80" LG.....	1
29	<u>634791</u>		FRONT STRUT.....	1
30	<u>602743</u>		REAR STRUT (DRIVER SIDE).....	1
31	<u>602741</u>		REAR STRUT (PASSENGER SIDE)	1

WEATHER PROTECTION

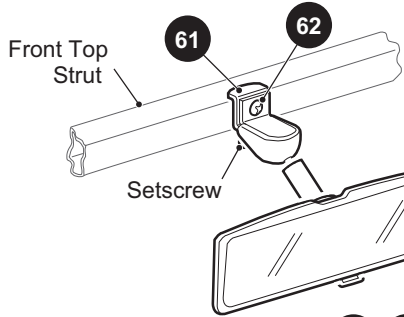
When ordering parts, please specify the model and serial number of the product.

* Indicates a component that is not available as an individual part.

*** Indicates consult Customer Service Department for additional information.

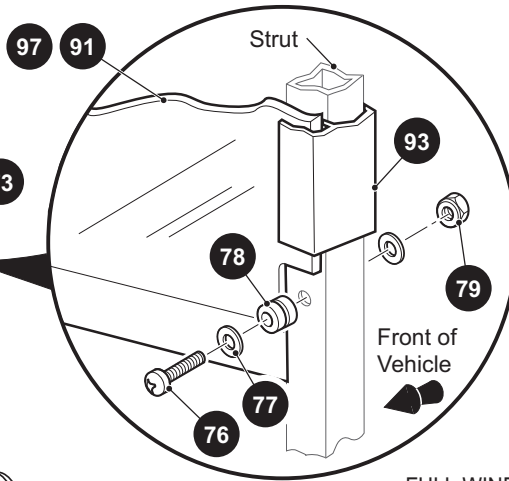
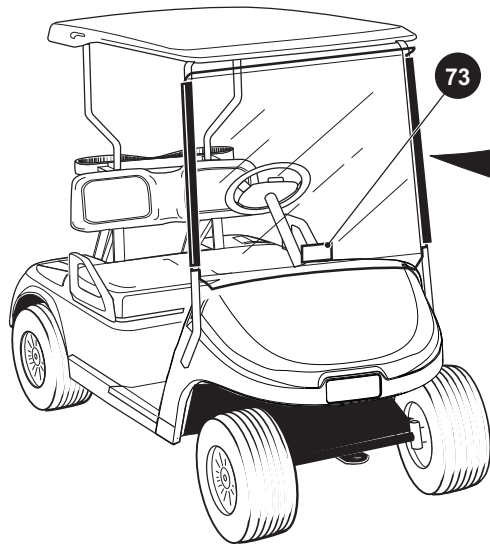
ITEM	PART NO.	1 2 3 4 5	DESCRIPTION	QTY.
32	<u>634554</u>		HARDWARE KIT (INCLUDES ITEMS 33 - 48)	1
33	<u>634806</u>		HEX HEAD BOLT, 5/16" - 18 X 2 1/4" LG	4
34	<u>634811</u>		FLAT WASHER, 5/16"	4
35	<u>634810</u>		LOCK WASHER, 5/16"	4
36	<u>634807</u>		SPACER, 0.328" ID X 0.75" OD X 1/2" LG	2
37	<u>634808</u>		FLAT WASHER, 5/16"	6
38	00674G8		HEX HEAD BOLT (SS), 3/8" - 16 X 5" LG	2
39	<u>00679G1</u>		FLAT WASHER (SS), 3/8"	16
40	<u>18716G1</u>		SPACER, 0.75" OD X 2.88" LG	2
41	<u>00653G1</u>		FLAT WASHER (SS), 3/8"	2
42	<u>00891G5</u>		LOCK NUT, 3/8" - 16	10
43	<u>00665G5</u>		HEX HEAD BOLT (SS), 3/8" - 16 X 1 3/4" LG	4
44	<u>00771G5</u>		NYLON WASHER, 3/8"	4
45	00665G3		HEX HEAD BOLT (SS), 3/8" - 16 X 2 1/2" LG	2
46	24647G1		SPACER, 0.39" ID X 0.75" OD X 0.29" LG	2
47	<u>00665G6</u>		HEX HEAD BOLT (SS), 3/8" - 16 X 2" LG	2
48	<u>19853G1</u>		END CAP, 1" SQ	2
49				
50	<u>634553G02</u>		SUN TOP KIT (INCLUDES ITEMS 29 - 32, 51)	1
51	<u>27604G01</u>		SUN TOP (WHITE), 80" LG	1
52				
53				
54				
55				
56				
57				
58				

WEATHER PROTECTION



REAR VIEW MIRROR

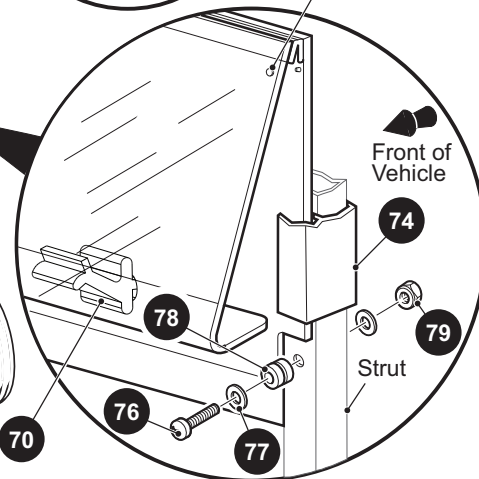
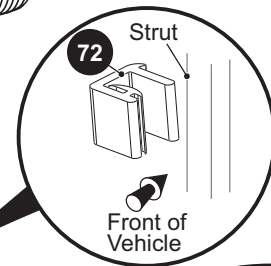
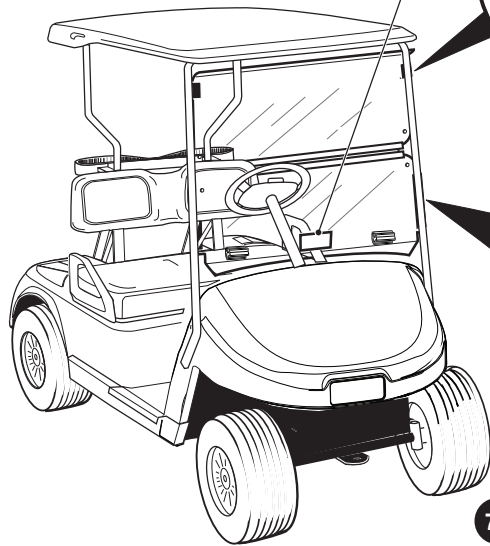
59 REAR VIEW MIRROR KIT includes items 60 - 62



FULL WINDSHIELD

90 WINDSHIELD KIT includes items 75, 91 - 93

96 WINDSHIELD KIT (2+2) includes items 75, 93, 97



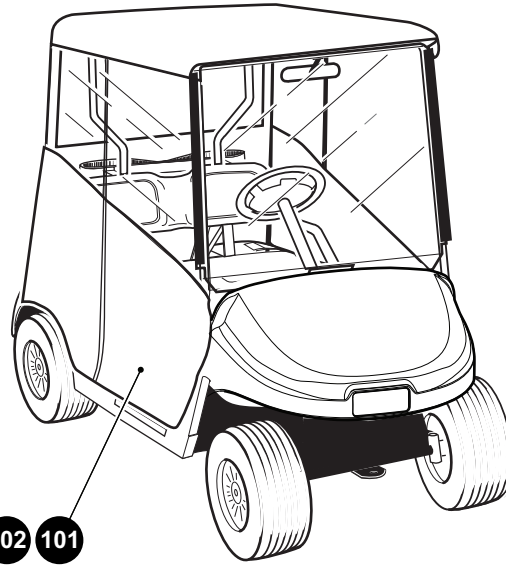
SPLIT WINDSHIELD

64 WINDSHIELD KIT, SPLIT includes items 70 - 75

82 WINDSHIELD KIT, SPLIT (2+2) includes items 70 - 75

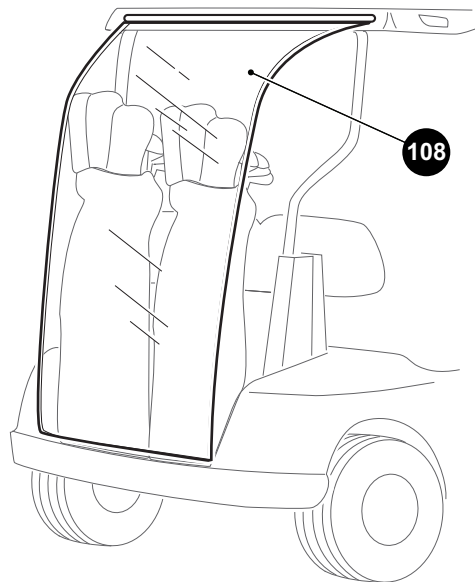
WEATHER ENCLOSURE

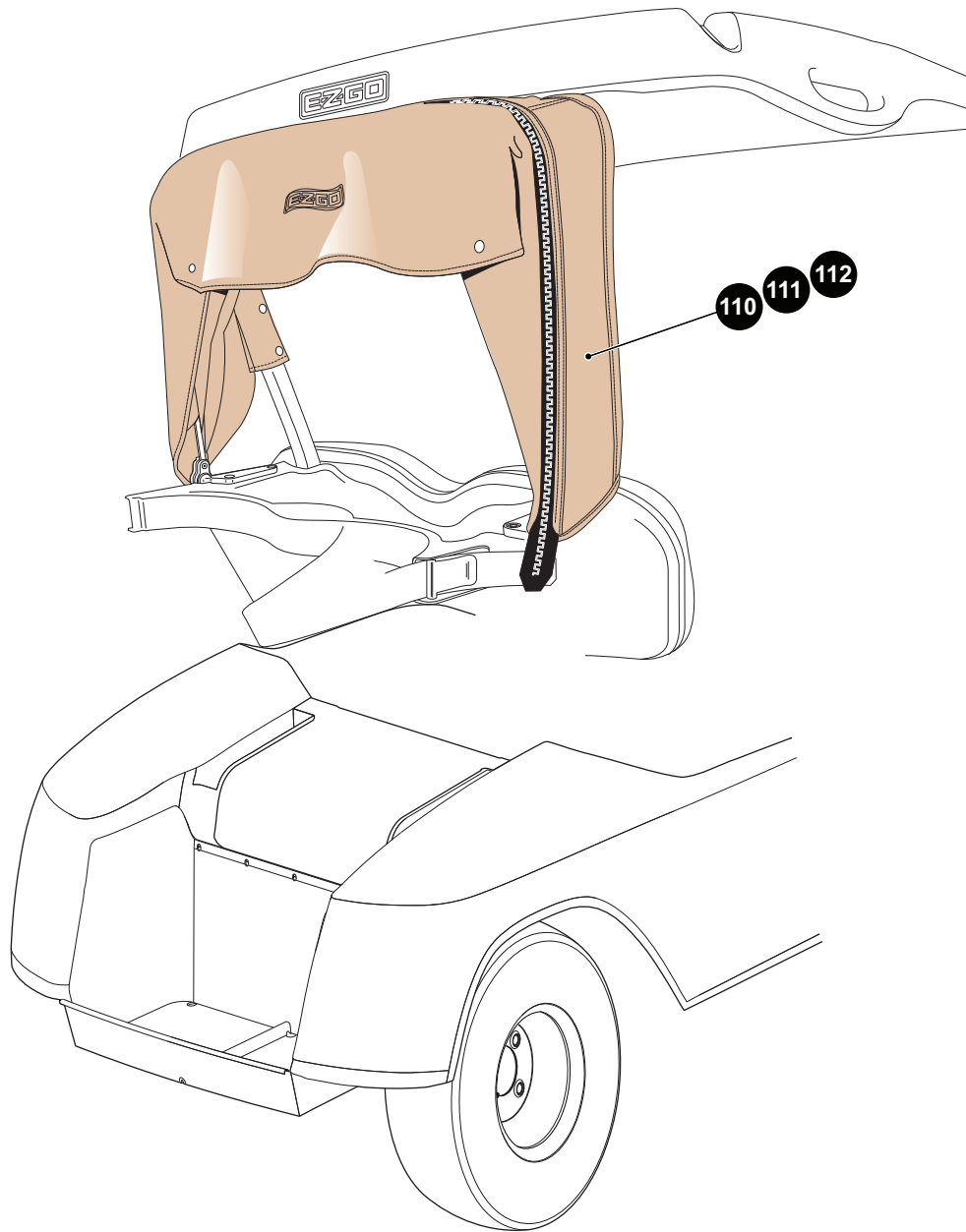
- 106
- 105
- 104
- 103
- 102
- 101



BAG AND RAIN CURTAIN

- 108





WEATHER PROTECTION

When ordering parts, please specify the model and serial number of the product.

* Indicates a component that is not available as an individual part.

*** Indicates consult Customer Service Department for additional information.

ITEM	PART NO.	1 2 3 4 5	DESCRIPTION	QTY.
59	<u>19528G2</u>		REAR VIEW MIRROR KIT (INCLUDES ITEMS 60 - 62)	1
60	<u>19496G1</u>		REAR VIEW MIRROR.....	1
61	19502G2		SUPPORT BRACKET	1
62	<u>19527G1</u>		SCREW (SS), #8 - 32 X 5/8" LG	1
63				
64	<u>625279G01</u>		WINDSHIELD KIT, SPLIT (INCLUDES ITEMS 70 - 75).....	1
65				
66				
67				
68				
69				
70	<u>603201</u>		LOWER LATCH.....	2
71	<u>604115</u>		GROMMET	4
72	<u>625230</u>		UPPER LATCH.....	2
73	71963G01		WARNING DECAL	1
74	<u>625228</u>		SASH, 10" LG.....	2
75	<u>625271</u>		HARDWARE KIT (INCLUDES ITEMS 76 - 79)	1
76	<u>00753G5</u>		PHILLIPS TRUSS HEAD MACHINE SCREW, 1/4" - 20 X 2" LG	2
77	<u>01110G01</u>		FLAT WASHER (SS), 1/4"	4
78	<u>625278</u>		RUBBER GROMMET	2
79	<u>00654G2</u>		LOCK NUT (SS), 1/4" - 20	2
80				
81				
82	<u>625279G02</u>		WINDSHIELD KIT, SPLIT (2+2) (INCLUDES ITEMS 70 - 75)	1
83				
84				
85				
86				
87				
88				
89				

WEATHER PROTECTION

When ordering parts, please specify the model and serial number of the product.

* Indicates a component that is not available as an individual part.

*** Indicates consult Customer Service Department for additional information.

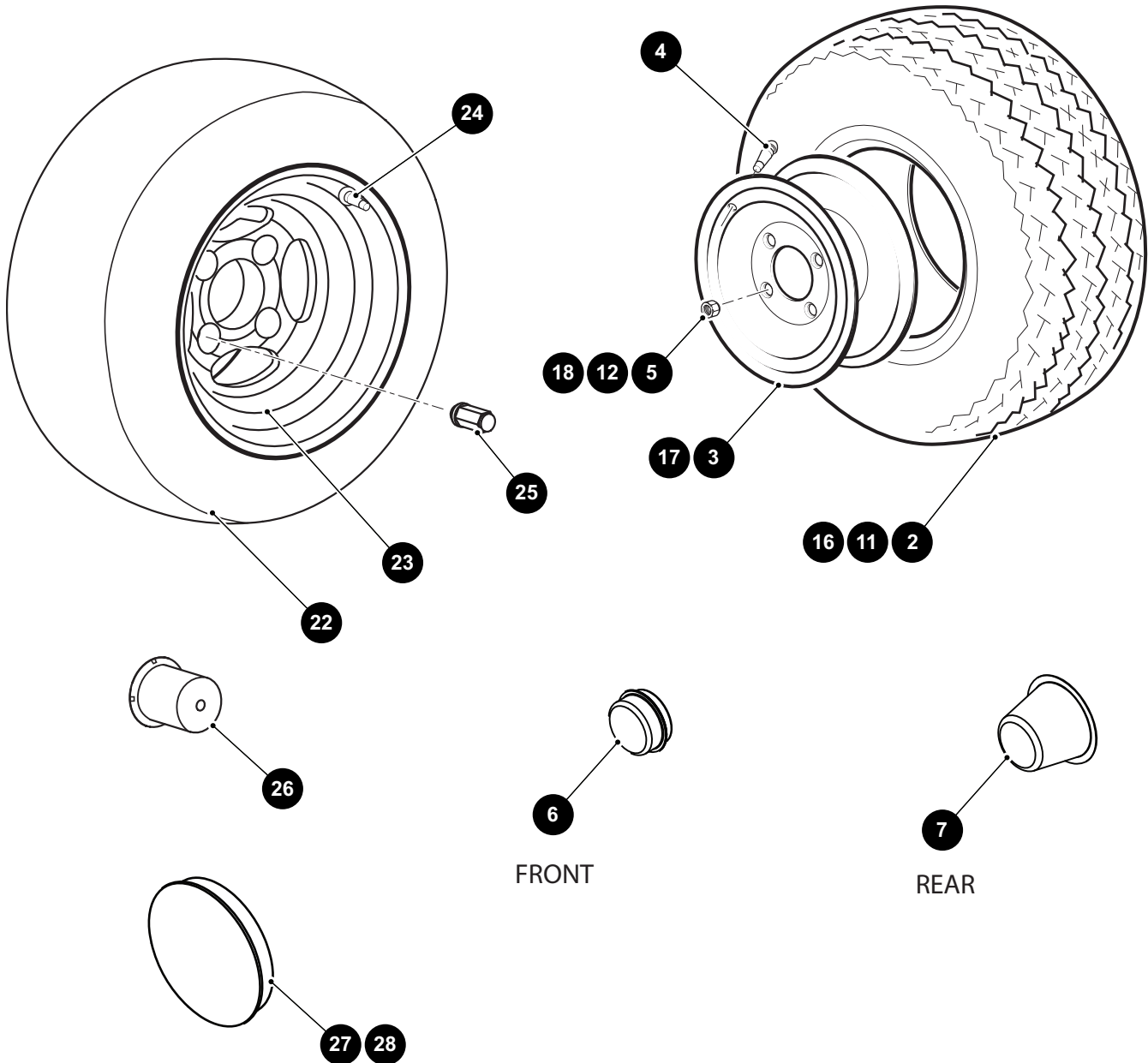
ITEM	PART NO.	1	2	3	4	5	DESCRIPTION	QTY.
90	<u>625279G03</u>						WINDSHIELD KIT, FULL (INCLUDES ITEMS 75, 91 - 93)	1
91	625277						WINDSHIELD ASSEMBLY, FULL (INCLUDES ITEMS 73, 92)	1
92	625276						WINDSHIELD FULL	1
93	<u>625227</u>						SASH, 26" LG	2
94								
95								
96	<u>625279G04</u>						WINDSHIELD KIT, FULL (2+2) (INCLUDES ITEMS 75, 93, 97)	1
97	634285						WINDSHIELD ASSEMBLY, FULL (2+2) (INCLUDES ITEMS 73, 98)	1
98	634234						WINDSHIELD, FULL (2+2).....	1
99								
100								
101	<u>634541</u>						WEATHER ENCLOSURE (3 SIDED) (TAN) RECOMMENDED FOR VEHICLES WITH WINDSHIELDS	1
102	<u>634542</u>						WEATHER ENCLOSURE (3 SIDED) (OYSTER) RECOMMENDED FOR VEHICLES WITH WINDSHIELDS	1
103	<u>634543</u>						WEATHER ENCLOSURE (3 SIDED) (HUNTER GREEN) RECOMMENDED FOR VEHICLES WITH WINDSHIELDS	1
104	<u>634544</u>						WEATHER ENCLOSURE (4 SIDED) (TAN) RECOMMENDED FOR VEHICLES WITHOUT WINDSHIELDS	1
105	<u>634545</u>						WEATHER ENCLOSURE (4 SIDED) (OYSTER) RECOMMENDED FOR VEHICLES WITHOUT WINDSHIELDS	1
106	<u>634546</u>						WEATHER ENCLOSURE (4 SIDED) (HUNTER GREEN) RECOMMENDED FOR VEHICLES WITHOUT WINDSHIELDS	1
107								
108	<u>75191G01</u>						BAG COVER AND RAIN CURTAIN KIT	1
109								
110	<u>625581</u>						BAG COVER KIT (OYSTER)	1
111	<u>625583</u>						BAG COVER KIT (TAN)	1
112	<u>625585</u>						BAG COVER KIT (GREEN)	1

Notes:

Grid area for notes.

WHEELS AND TIRES

- 1** WHEEL AND TIRE ASSEMBLY, LINKS includes items 2 - 4
- 10** WHEEL AND TIRE ASSEMBLY, SURE TRAIL includes items 3 - 4, 11
- 15** WHEEL AND TIRE ASSEMBLY, HOLE - N - ONE includes items 4, 16 - 17
- 21** ALLOY WHEEL AND TIRE ASSEMBLY includes items 22 - 24 (FREEDOM ONLY)



WHEELS AND TIRES

When ordering parts, please specify the model and serial number of the product.

* Indicates a component that is not available as an individual part.

*** Indicates consult Customer Service Department for additional information.

ITEM	PART NO.	1 2 3 4 5	DESCRIPTION	QTY.
1	<u>28757G01</u>		WHEEL AND TIRE ASSEMBLY, LINKS 18 X 8.5 - 8 (INCLUDES ITEMS 2 - 4).....	4
2	<u>28764G01</u>		TIRE, CARLISLE LINKS.....	1
3	<u>28759G01</u>		WHEEL RIM (4 LUG)	1
4	<u>11657G2</u>		VALVE STEM.....	1
5	<u>14723G1</u>		LUG NUT, 1/2" - 20	16
6	<u>12091G2</u>		SPINDLE CAP	2
7	<u>74175G01</u>		MOLDED DUST CAP.....	2
8				
9				
10	<u>28842G01</u>		WHEEL AND TIRE ASSEMBLY, SURE TRAIL 18.5 X 8.5 - 8 (INCLUDES ITEMS 3 - 4, 11).....	2
11	<u>28764G06</u>		TIRE, USA TRAIL.....	1
12	<u>14723G1</u>		LUG NUT, 1/2" - 20	8
13				
14				
15	<u>612772</u>		WHEEL AND TIRE ASSEMBLY, HOLE - N - ONE 18 X 8.5 - 8 (INCLUDES ITEMS 4, 16 - 17).....	2
16	<u>612771</u>		KENDA TIRE, HOLE - N - ONE	1
17	<u>612770</u>		WHEEL, MONITOR 8".....	1
18	<u>14723G1</u>		LUG NUT, 1/2" - 20	8
19				
20				
21	<u>600599</u>		ALLOY WHEEL AND TIRE ASSEMBLY (INCLUDES ITEMS 22 - 24) (FREEDOM ONLY)	4
22	<u>601768</u>		TIRE, TOUR MAX, 205 / 50 - 10	1
23	<u>601766</u>		ALLOY WHEEL	1
24	<u>601767</u>		VALVE STEM.....	1
25	<u>605310</u>		ALLOY WHEEL LUG NUT, 1/2" - 20.....	16
26	<u>601353</u>		ALLOY WHEEL CAP	4
27	<u>615617</u>		HUBCAP (GOLD).....	4
28	<u>615618</u>		HUBCAP (SILVER)	4



A Textron Company

E-Z-GO Division of Textron Inc.,
1451 Marvin Griffin Road, Augusta, Georgia 30906 - 3852 USA

TO CONTACT US...

North America:

Technical Assistance & Warranty

Phone: 1-800-774-3946, FAX: 1-800-448-8124

Service Parts

Phone: 1-888-GET-E-Z-GO (1-888-438-3946), FAX: 1-800-752-6175

International:

Phone: 001-706-798-4311, FAX: 001-706-771-4609

Service Parts Manuals, as well as Repair and Service Manuals
are available from a local Distributor, an authorized Branch,
Genuine E-Z-GO Parts & Accessories Department or at www.shopezgo.com.

Copyrighted Material
This manual may not be reproduced in whole or
in part without the express permission of
E-Z-GO Division of Textron Inc.
Technical Communications Department