

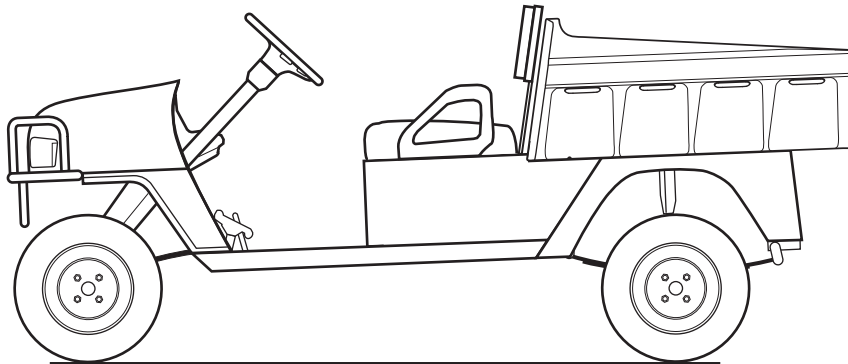
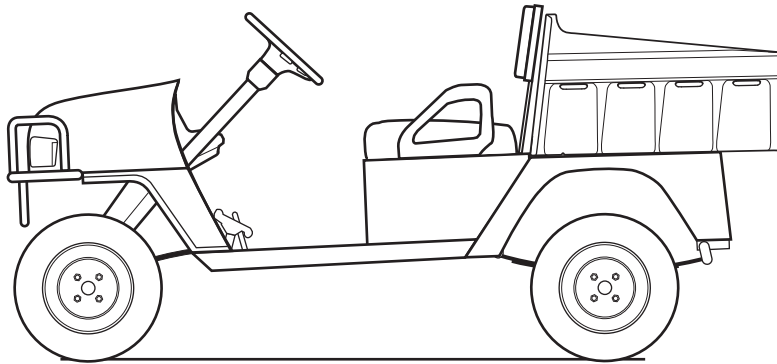
611857



A Textron Company



SERVICE PARTS MANUAL



GASOLINE POWERED UTILITY VEHICLE

ISSUED JANUARY 2009

REVISED MAY 2012

SERVICE PARTS MANUAL

GASOLINE POWERED UTILITY VEHICLE

E-Z-GO VEHICLES

ST 400
ST400 CARB
ST SPORT
ST SPORT CARB
ST SPORT II CARB
JAC 4000

BAD BOY BUGGY VEHICLES

LD

STARTING MODEL YEAR 2009

DISCLAIMER: The E-Z-GO Division of Textron Inc. (E-Z-GO) reserves the right to incorporate engineering and design changes to products in this Manual, without obligation to include these changes on units leased/sold previously.

The information contained in this Manual may be revised periodically E-Z-GO, and therefore is subject to change without notice.

E-Z-GO DISCLAIMS LIABILITY FOR ERRORS IN THIS MANUAL, and E-Z-GO SPECIFICALLY DISCLAIMS LIABILITY FOR INCIDENTAL AND CONSEQUENTIAL DAMAGES RESULTING FROM THE USE OF THE INFORMATION AND MATERIALS IN THIS MANUAL.

CUSTOMER SERVICE DEPARTMENT IN USA PHONE: 1-800-241-5855, FAX: 1-800-448-8124

OUTSIDE USA PHONE: 001-706-798-4311, FAX: 001-706-771-4609

GENERAL INFORMATION

To obtain a copy of the limited warranty applicable to the vehicle, call or write a local Distributor, authorized Branch or the Warranty Department with vehicle serial number and manufacturer code.

The use of non Original Equipment Manufacturer (OEM) parts may void the warranty.

Overfilling of batteries may void the warranty.

BATTERY PROLONGED STORAGE

All batteries will self discharge over time. The rate of self discharge varies depending on the ambient temperature and the age and condition of the batteries.

A fully charged battery will not freeze in winter temperatures unless the temperature falls below -75° F (-60° C).

As with all electric vehicles, the batteries must be checked and recharged as required or at a minimum of 30 day intervals.

TABLE OF CONTENTS

SECTION	Page No.
HOW TO USE THE SERVICE PARTS MANUAL	vii
ACCELERATOR	A-1
• Pedal Cover	
• Pedal Box Assembly	
• Accelerator Pedal Assembly	
AIR FILTER	B-1
• Air Cleaner Element	
• Air Filter Housing	
• Air Cleaner Hose	
BODY	C-1
• Front Bumper	
• Front Splash Shield	
• Cowl	
• Instrument Panel	
• Rocker Panels	
• Rear Body	
• Seat Support	
BRAKES - MECHANICAL	D-1
• Brake Pedal Pad	
• Brake Pedal	
• Brake Cable	
• Brake Drum Assembly	
CAB	E-1
• Steel Cab	
• Steel Doors	
• Vinyl Doots	
• Wiper Motor	
• Strobe Light	
• Work Light	
• Defroster / Cooling Fan	
CARBURETOR	F-1
• Carburetor	
• Main Jet	
• Choke Cable	
CLUTCH	G-1
• Drive Clutch	
• Driven Clutch	
DIRECTION SELECTOR	H-1
• Push/Pull Shifter Cable	
• Compression Spring	
• Neutral Lock Bracket	
ELECTRICAL SYSTEM	J-1
• Main Harness	
• Battery	
• Hour Meter	
• Ground Cable	
• Turn Signal	
• Headlights / Tail Lights	
• Key Switch	
ENGINE AND MUFFLER	K-1
• Engine	
• Muffler	
• Oil Dip Stick	
• Oil Filter	

TABLE OF CONTENTS

SECTION	Page No.
ENGINE MOUNTING	L-1
• Engine Pan Mount	
• Front Engine Mount	
FRONT SUSPENSION AND STEERING	M-1
• Strut	
• Spindle	
• Steering Box	
• Steering Column	
• Steering Wheel	
FUEL SYSTEM	N-1
• Fuel Tank	
• Pulse Line	
REAR AXLE	P-1
• Axle Shaft	
• Axle Tube	
• Oil Check Plug	
REAR SUSPENSION	Q-1
• Shocks	
• Leaf Spring	
• Shackles	
SEATING	R-1
• Seat Bottom	
• Seat Back	
• Hip Restraints	
• Seat Back Support	
• Seat Bottom, Rear Facing Seat	
STARTER / GENERATOR	S-1
• Starter	
• Starter Belt	
• Starter Tensioner	
TRUCK BEDS - PLASTIC	T-1
• 36" Bed	
• Electric Dump	
• 40" Bed	
• Electric Dump	
TRUCK BED - METAL	U-1
• Metal Bed	
WEATHER PROTECTION	V-1
• Sun Top	
• Windshield	
• 3 Sided Enclosure	
WHEELS AND TIRES	W-1
• Tire & Wheel Assembly	
• Lug Nuts	
WINCH	X-1
• Winch Kit	
• Solenoid	
• Drum Assembly	
• 12V Motor	
• Wire Rope	
SPECIALTY PRODUCTS	Appendix A-1
OPTIONS / ACCESSORIES	Appendix B-1

HOW TO USE THE SERVICE PARTS MANUAL

This manual is divided into several sections:

- GENERAL INFORMATION
- ILLUSTRATED PARTS BREAKDOWN
- APPENDIX

The first section, GENERAL INFORMATION, contains the following information:

- WARRANTY INFORMATION
- GENERAL INDEX
- HOW TO USE THE SERVICE PARTS MANUAL

The second section, ILLUSTRATED PARTS BREAKDOWN, contains illustrations and parts lists for all systems of your vehicle.

The third section, APPENDIX, contains a listing of specialty products and accessories.

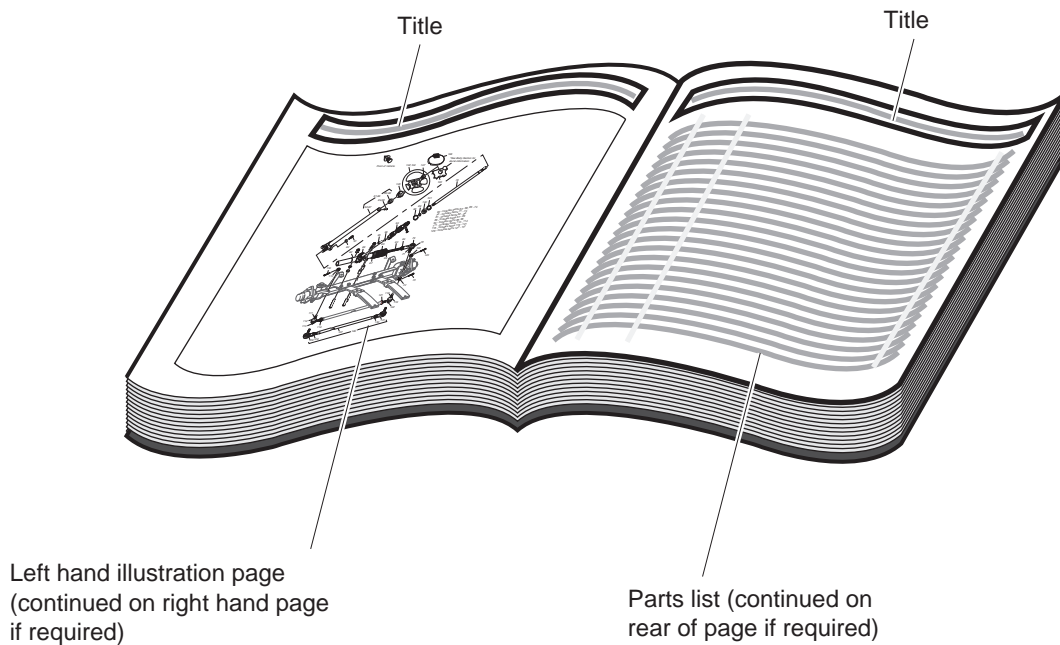
USE OF THE MANUAL

To use this manual, consult the GENERAL INDEX to locate the information or illustration required.

Introduction of some revisions varies due to supply of components; therefore, it is possible that various combinations of components may be found that are not directly reflected by each illustration. Consult the illustration that best suits your situation and then contact the Service Parts Department. It is important that the serial number of your vehicle and its model number be supplied to Service Parts when ordering any replacement components.

Locate the serial number plate (see BODY located in the Illustrated Parts Breakdown section of this manual for its location) and note the complete number shown on the plate.

HOW TO USE THE SERVICE PARTS MANUAL



1. WHEN THE PART NUMBER IS NOT KNOWN

- Determine the function and application of the part required. Turn to the General Index and select the most appropriate title.
- Turn to the page number indicated and locate the desired part on the illustration.
- From the illustration, obtain the item number as signed to the desired part. Refer to the accompanying description for specific information regarding the part.

2. IF YOU KNOW THE PART NUMBER

- Locate the part number or description in the appropriate column on the parts list page.

NOTE: It is suggested that you confirm that the part selected is correct by verifying it with the pictorial representation on the illustrated page.

Should an asterisk (*) appear in the part number column on the parts list page, read upwards until a part number is found. The part number is the lowest assembly sold by Service Parts and the asterisk (*) indicates that the part depicted is not available for purchase.

NOTE: Descriptions are indented under the assembly that they are used on. That assembly is, in turn listed under the assembly that it is used on. This process is repeated until the highest final assembly is reached.

To facilitate the maintenance and repair of the vehicle, a Technician's Repair and Service Manual is available from the Service Parts Department.

HOW TO USE THE SERVICE PARTS MANUAL

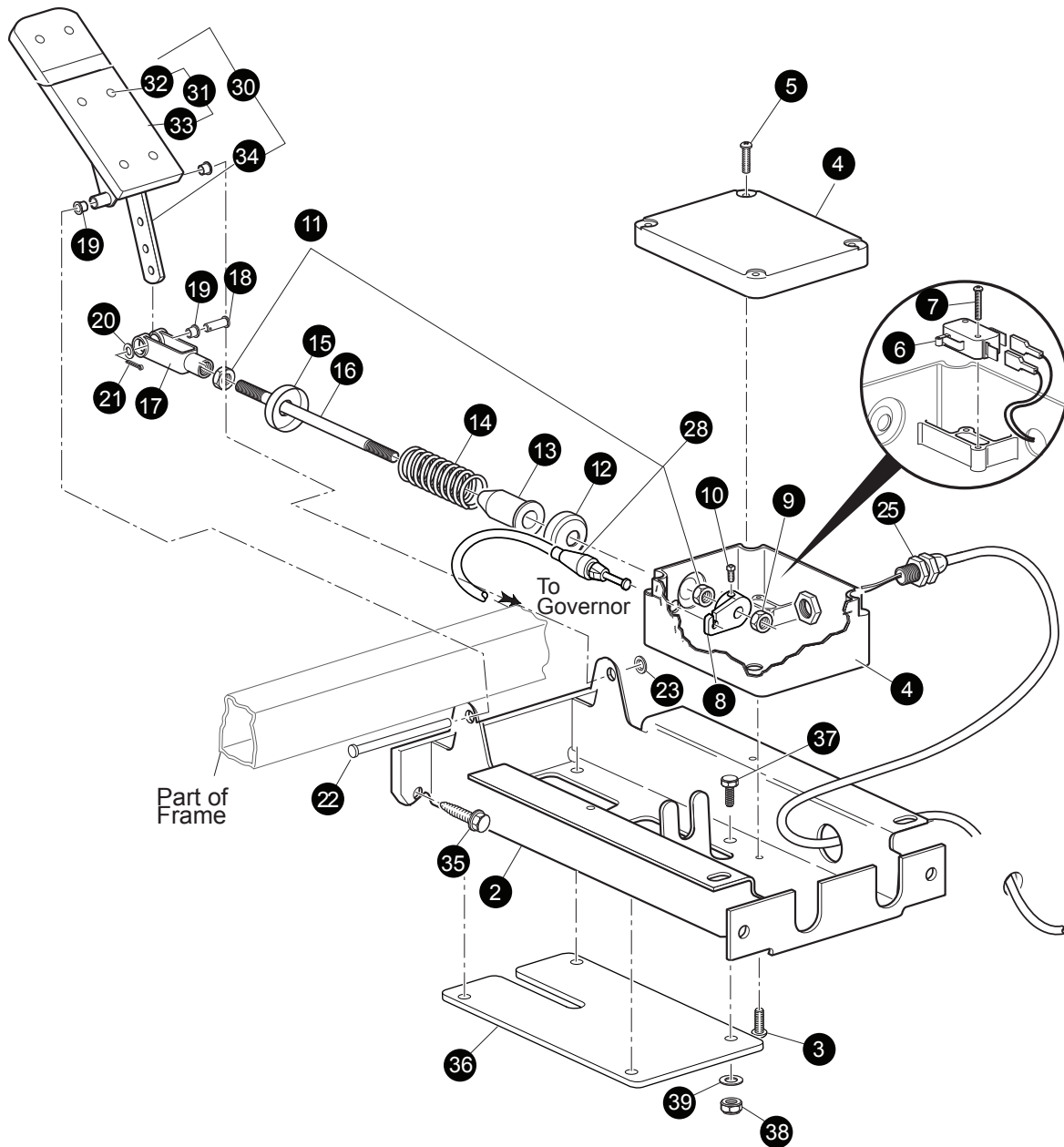
3. COLOR CODE FOR BODY COMPONENTS

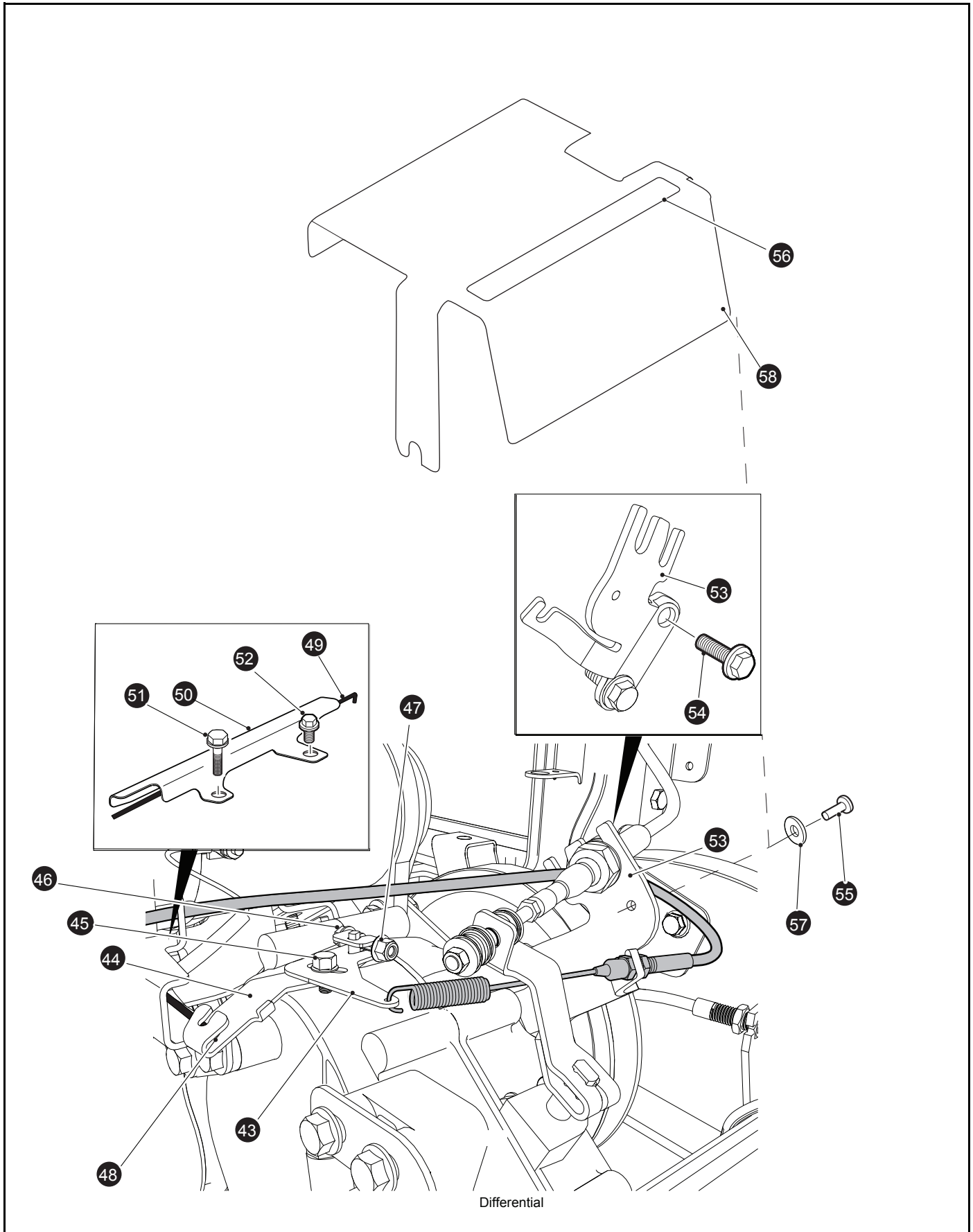
The last two digits of the part number for the body part will denote the color code, locate the part number for the cowl, rear body, seat pod, side panel or seat wrap then locate your color in the list below, replace the last ** or XX with the two digit color code.

<u>CODE #</u>	<u>DESCRIPTION</u>	<u>CODE #</u>	<u>DESCRIPTION</u>
01	NO PAINT	53	MOSSY OAK NEW BREAK UP - DIPPED
02	SPECIAL COLOR	54	MOSSY OAK OBSESSION - DIPPED
05	JACOBSEN ORANGE	55	REALTREE ADVANTAGE MAX 4 - DIPPED
06	LIGHT GOLD PEARL	56	REALTREE HARDWOOD BROWN - DIPPED
07	SILVER PEARL METALIC	57	REALTREE AP HOT PINK - DIPPED
11	BLACK	58	BLACK / SILVER MARBLE - DIPPED
12	EMERALD GREEN PEARL	59	RED / SILVER MARBLE - DIPPED
13	CLOUD GREY	60	HOT PINK / SILVER MARBLE - DIPPED
14	VIPER BLUE METALLIC	61	REALTREE AP
19	PATRIOT BLUE PEARL	62	REALTREE MAX 4
20	INFERNO RED METALLIC	63	MOSSY OAK BREAKUP
23	ADVANTAGE CLASSIC CAMO	64	MOSSY OAK TREESTAND
24	NATURAL	65	REALTREE APG
25	VIVID NEW HOLLAND BLUE	66	REALTREE MAX 1
26	STEEL BLUE PEARL	67	REALTREE AP PINK
27	BRIGHT SILVER METALLIC	68	REALTREE AP - DIPPED
29	PRIMER ONLY		
30	HD ADVANTAGE CAMO		
31	METALLIC CHARCOAL		
32	LIGHT ALMOND PEARL		
33	TIMBERLINE GREEN		
34	DEEP MOLTEN RED		
35	SAFETY YELLOW		
36	CHAMPAGNE BEIGE		
37	HUNTER GREEN		
38	BRIGHT WHITE		
39	FLAME RED		
40	BLACK		
41	ELECTRIC BLUE		
42	PLATINUM		
43	BURGUNDY		
44	ALMOND		
45	BLACK		
46	FLAME RED		
47	BURLINGTON GREEN		
48	BLACK		
49	FLAME RED		
50	RECON GREEN		
51	SUNBURST ORANGE		
52	BRITISH RACING GREEN		

ACCELERATOR

1 - Includes Items 3 - 34





ACCELERATOR

When ordering parts, please specify the model and serial number of the product.

* Indicates a component that is not available as an individual part.

*** Indicates consult Customer Service Department for additional information.

ITEM	PART NO.	1 2 3 4 5	DESCRIPTION	QTY.
1	<u>606990</u>		PEDAL BOX ASSEMBLY (INCLUDES ITEMS 2 - 34)	1
2	<u>70116G02</u>		ACCELERATOR PEDAL BRACKET	1
3	<u>01051G01</u>		SCREW, #8 - 16 X 1/2" LG	4
4	<u>25853G03</u>		PEDAL BOX AND COVER	1
5	<u>00684G6</u>		SCREW, #8 - 32 X 3/4" LG (STAINLESS STEEL)	2
6	<u>25861G01</u>		MICRO SWITCH	1
7	<u>01050G01</u>		SCREW, #4 - 20 X 5/8" LG	2
8	<u>72716G01</u>		MICRO SWITCH CAM	1
9	<u>15126G1</u>		LOCK NUT, 5/16 - 24	1
10	<u>00487G3</u>		SETSCREW, 1/4 - 20 X 3/8" LG	1
11	<u>00532G4</u>		NUT, 5/16 - 24	2
12	<u>17677G1</u>		SPRING RETAINER	1
13	<u>17979G1</u>		ACCELERATOR ROD BUSHING	1
14	<u>73046G01</u>		COMPRESSION SPRING	1
15	<u>17677G2</u>		SPRING RETAINER	1
16	<u>72072G01</u>		ACCELERATOR ROD	1
17	<u>10385G4</u>		CLEVIS YOKE (ADJUSTABLE)	1
18	<u>10386G3</u>		CLEVIS PIN, 5/16" X 13/16" LG	1
19	<u>17838G1</u>		NYLON BUSHING	3
20	<u>17255G1</u>		TEFLON WASHER, 5/16"	1
21	<u>10387G3</u>		COTTER PIN, 3/32" X 3/4" LG	1
22	<u>74432G01</u>		PEDAL PIVOT PIN	1
23	<u>12064G6</u>		PUSH NUT, 9/32"	1
24	<u>12730G1</u>		WHEEL BEARING GREASE (NOT ILLUSTRATED)	A/R
25	<u>72201G04</u>		WIRE HARNESS (PEDAL BOX)	1
26				
27				
28	<u>608608</u>		ACCELERATOR CABLE	1
29				
30	<u>25799G03</u>		ACCELERATOR PEDAL ASSEMBLY (INCLUDES ITEMS 31- 33)	1
31	<u>27844G01</u>		ACCELERATOR PEDAL PAD KIT (INCLUDES ITEMS 32- 33)	1

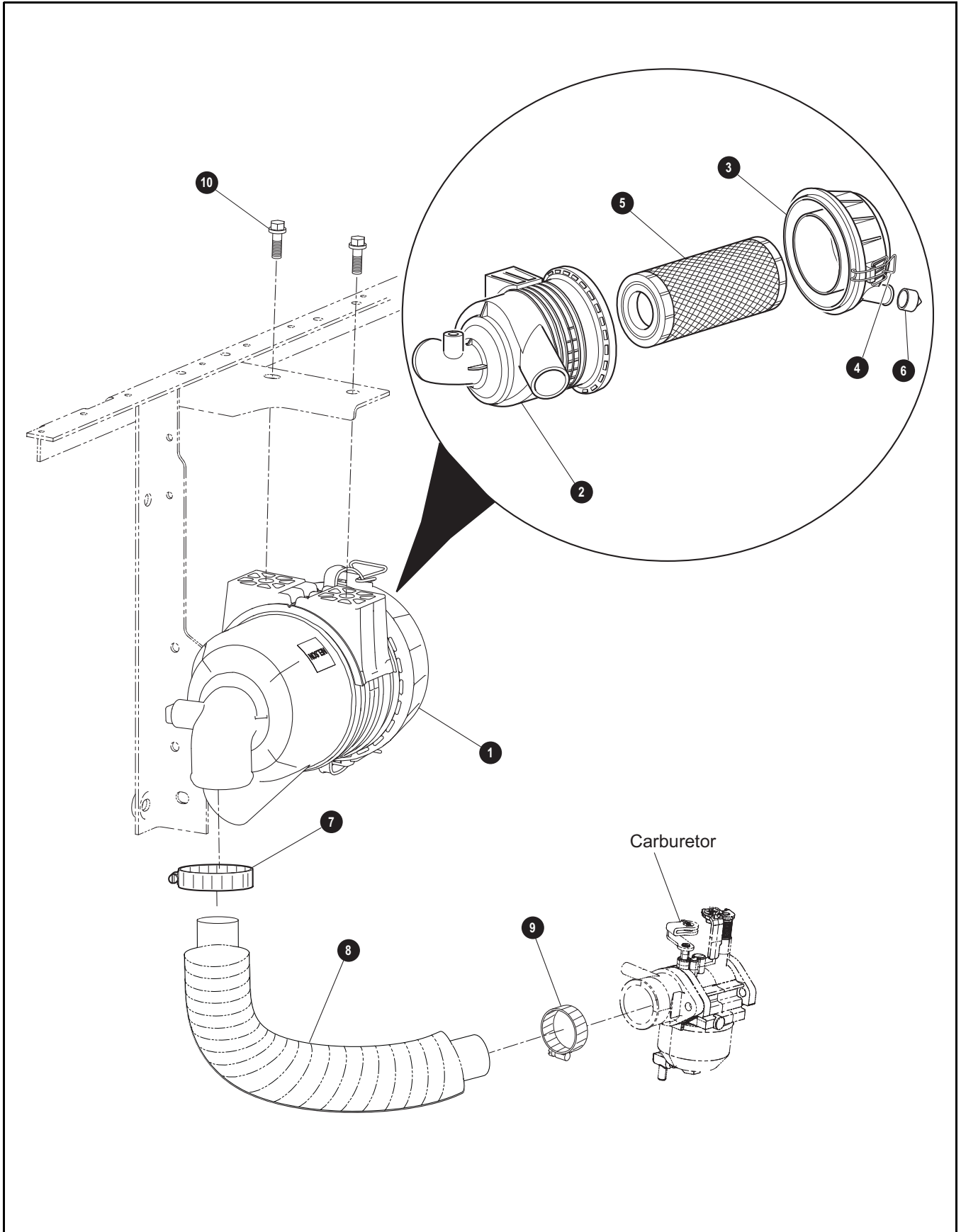
When ordering parts, please specify the model and serial number of the product.

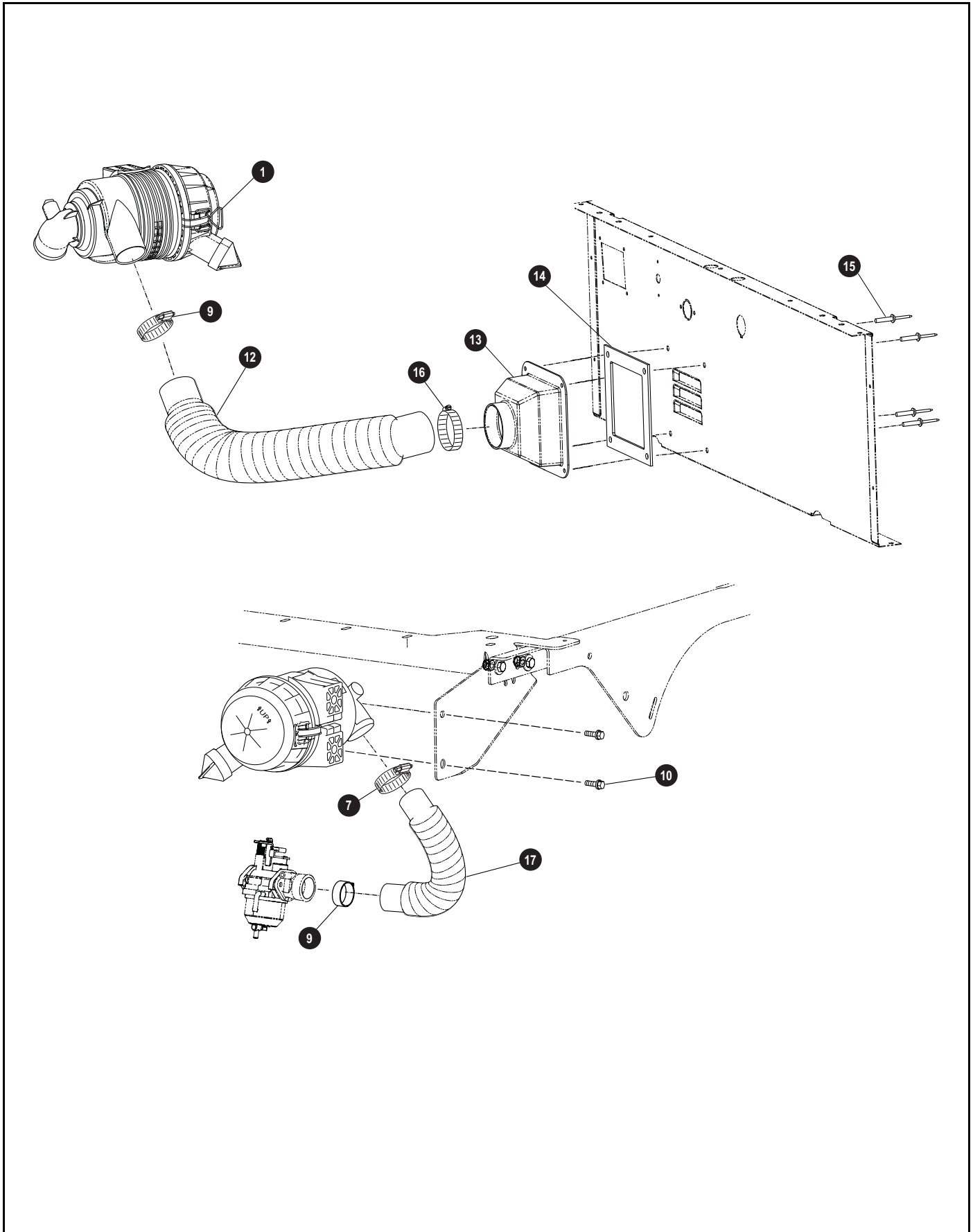
* Indicates a component that is not available as an individual part.

*** Indicates consult Customer Service Department for additional information.

ITEM	PART NO.	1 2 3 4 5	DESCRIPTION	QTY.
32	<u>16409G1</u>		OVAL RIVET, 3/16" X 7/16" LG	6
33	<u>27512-G01</u>		ACCELERATOR PEDAL PAD	1
34	*		ACCELERATOR PEDAL	
35	<u>00715G2</u>		BOLT, 5/16 -18 X 4/5" LG.....	4
36	<u>612487</u>		PLATE, BRACKET	1
37	<u>00414G6</u>		SCREW, HEX HEAD.....	4
38	<u>00654G2</u>		NUT (STAINLESS).....	4
39	<u>01110G01</u>		FLAT WASHER.....	4
40				
41				
42				
43	<u>606083</u>		UPPER GOVERNOR BRACKET.....	1
44	<u>606005</u>		LOWER GOVERNOR BRACKET	1
45	<u>606265</u>		BOLT, M6 - 1 X 12.....	1
46	<u>606421</u>		BOLT, M6 - 1 X 30.....	1
47	<u>450452</u>		NUT, M6 - 1.0.....	1
48	<u>606283</u>		GOVERNOR LEVER BUSHING	1
49	<u>606284</u>		GOVERNOR ROD	1
50	<u>603890</u>		GOVERNOR ROD GUARD	1
51	<u>606264</u>		BOLT, M6 - 1 X 20.....	1
52	<u>606262</u>		BOLT, M8 - 1.25 X 16.....	1
53	<u>606074</u>		GOVERNOR CABLE / DIRECTION SELECTOR BRACKET	1
54	<u>606256</u>		BOLT, M10 - 1.25 X 16.....	2
55	<u>14601G11</u>		RIVET.....	1
56	<u>608527</u>		GOVERNOR WARNING DECAL.....	1
57	<u>00915G1</u>		WASHER	1
58	<u>606199</u>		GOVERNOR COVER	1
59	<u>17618G1</u>		NYLON CLAMP	2

AIR FILTER





AIR FILTER

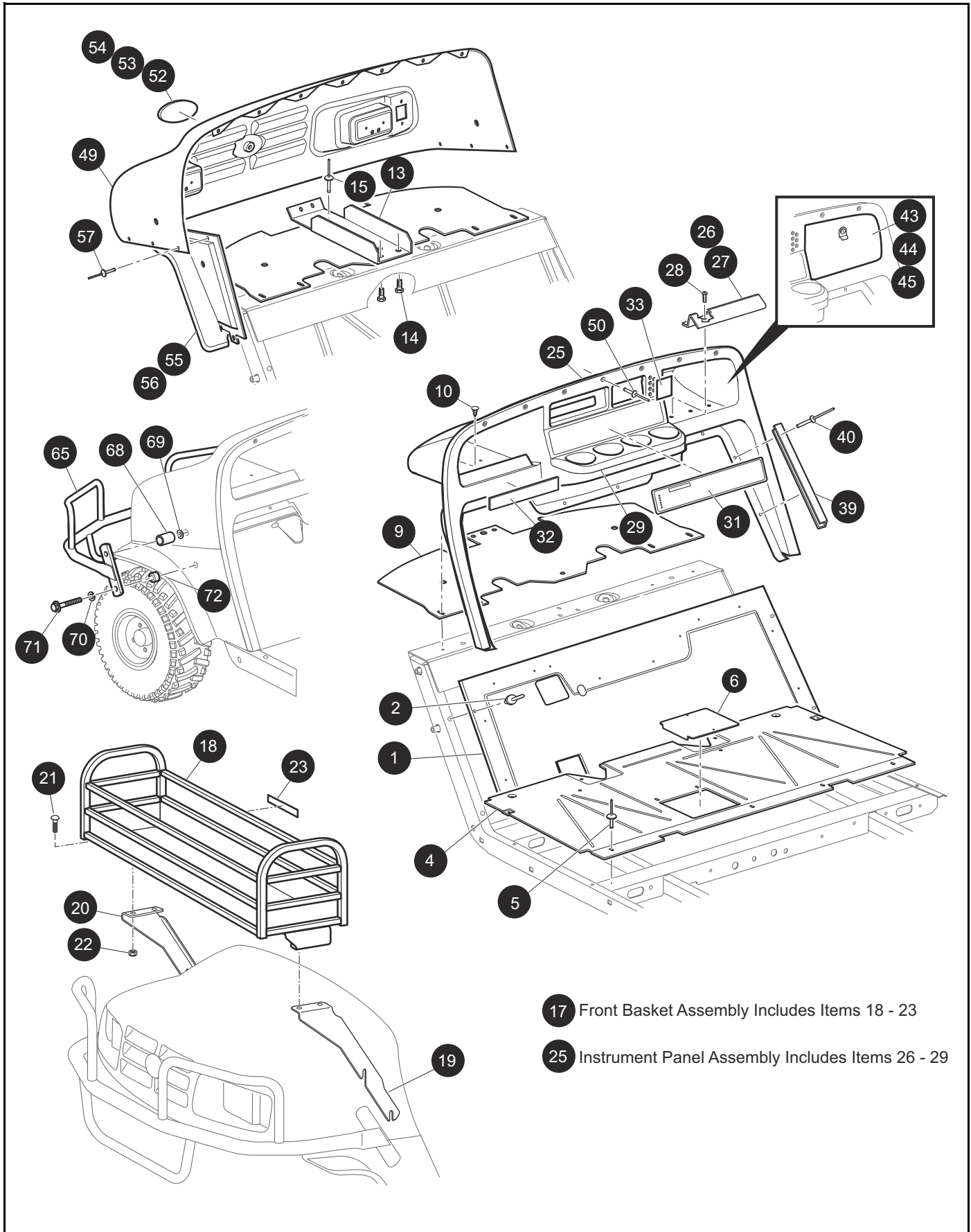
When ordering parts, please specify the model and serial number of the product.

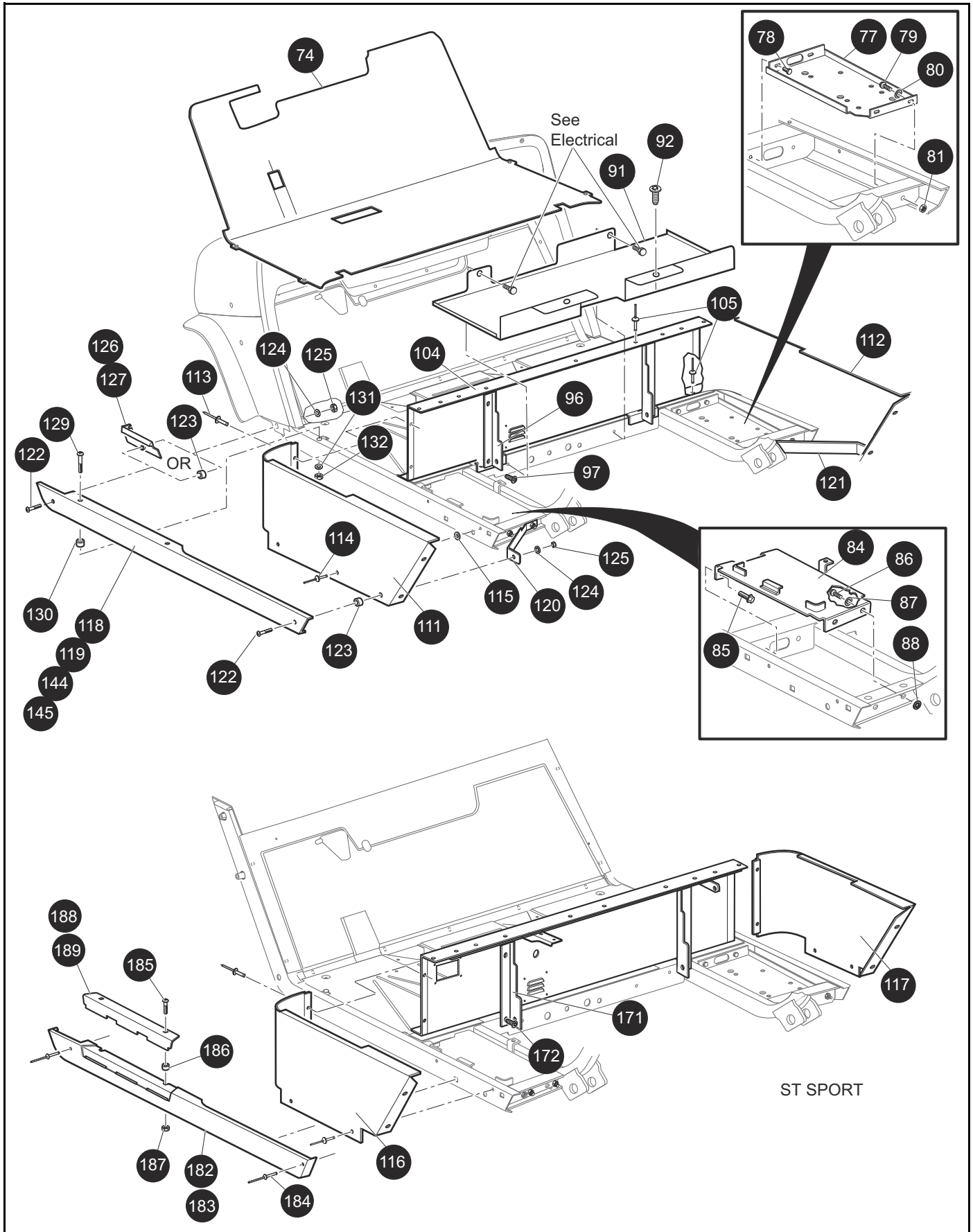
* Indicates a component that is not available as an individual part.

*** Indicates consult Customer Service Department for additional information.

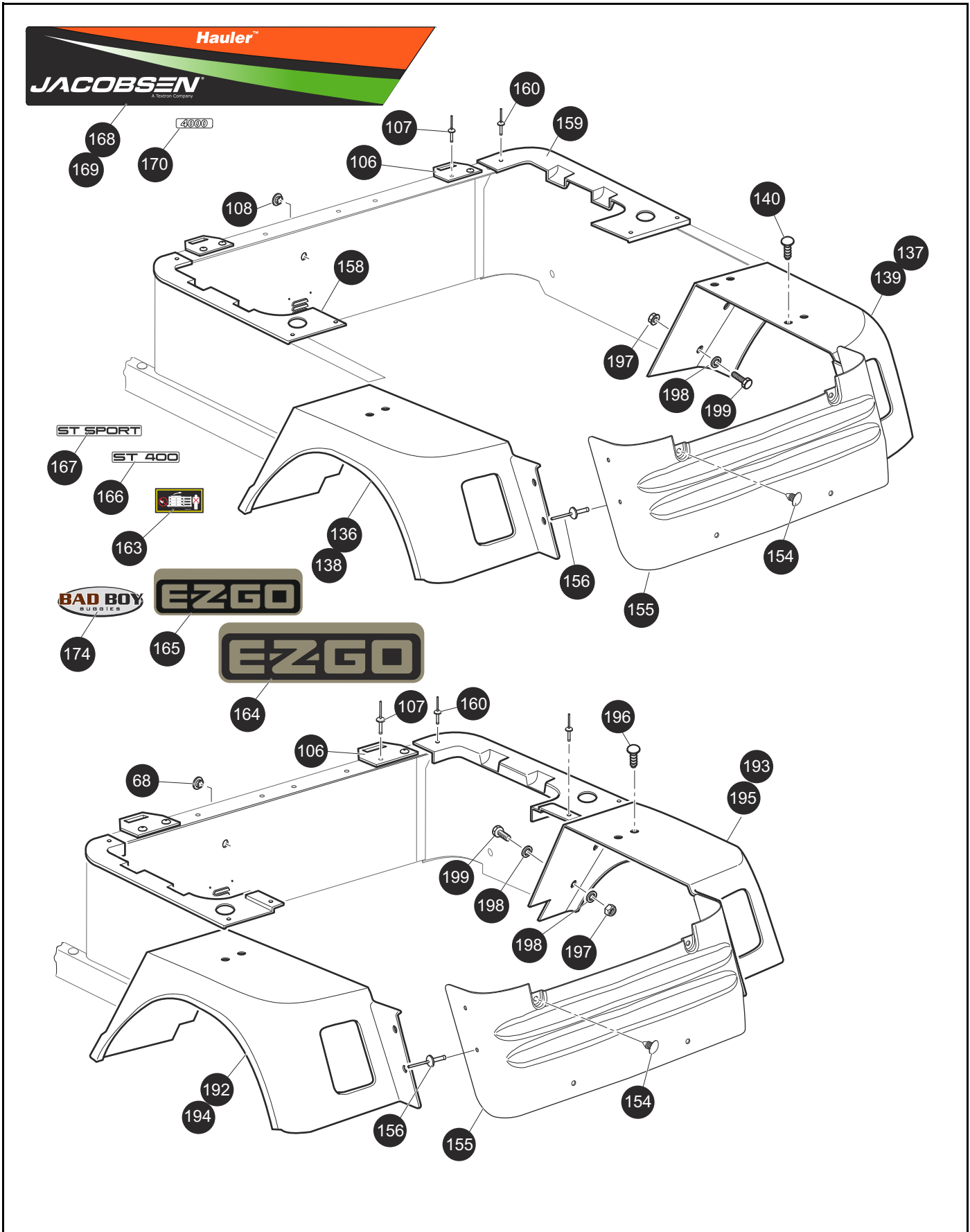
ITEM	PART NO.	1 2 3 4 5	DESCRIPTION	QTY.
1	<u>614852</u>		AIR CLEANER (INCLUDES ITEMS 2 - 6).....	1
2	<u>615390</u>		BODY & BRACKET ASSEMBLY	1
3	<u>72599G01</u>		AIR CLEANER COVER	1
4	<u>72604G01</u>		AIR CLEANER CLIP	2
5	<u>28463G01</u>		AIR FILTER	1
6	<u>28462G01</u>		VALVE DUST EJECTOR.....	1
7	<u>11391G7</u>		HOSE CLAMP, 1.56 - 2.50 DIA	1
8	<u>607950</u>		HOSE 10" LONG	1
9	<u>11391G1</u>		HOSE CLAMP 1.31 - 2.25 DIA.....	3
10	<u>25532G1</u>		BOLT AND WASHER, M8 X 1.25 X 18 MM	4
11				
12	<u>72637G03</u>		HOSE, AIR INTAKE, 16" LONG	1
13	<u>72416G01</u>		INTAKE ASSEMBLY, REMOTE AIR.....	1
14	<u>72415G01</u>		GASKET, REMOTE AIR INTAKE	1
15	<u>71055G01</u>		RIVET, 3/16 DIA	4
16	<u>11391G2</u>		CLAMP, HOSE, 2.06 - 3.00 DIA	1
17	<u>601910</u>		HOSE, 14' LONG	1

BODY



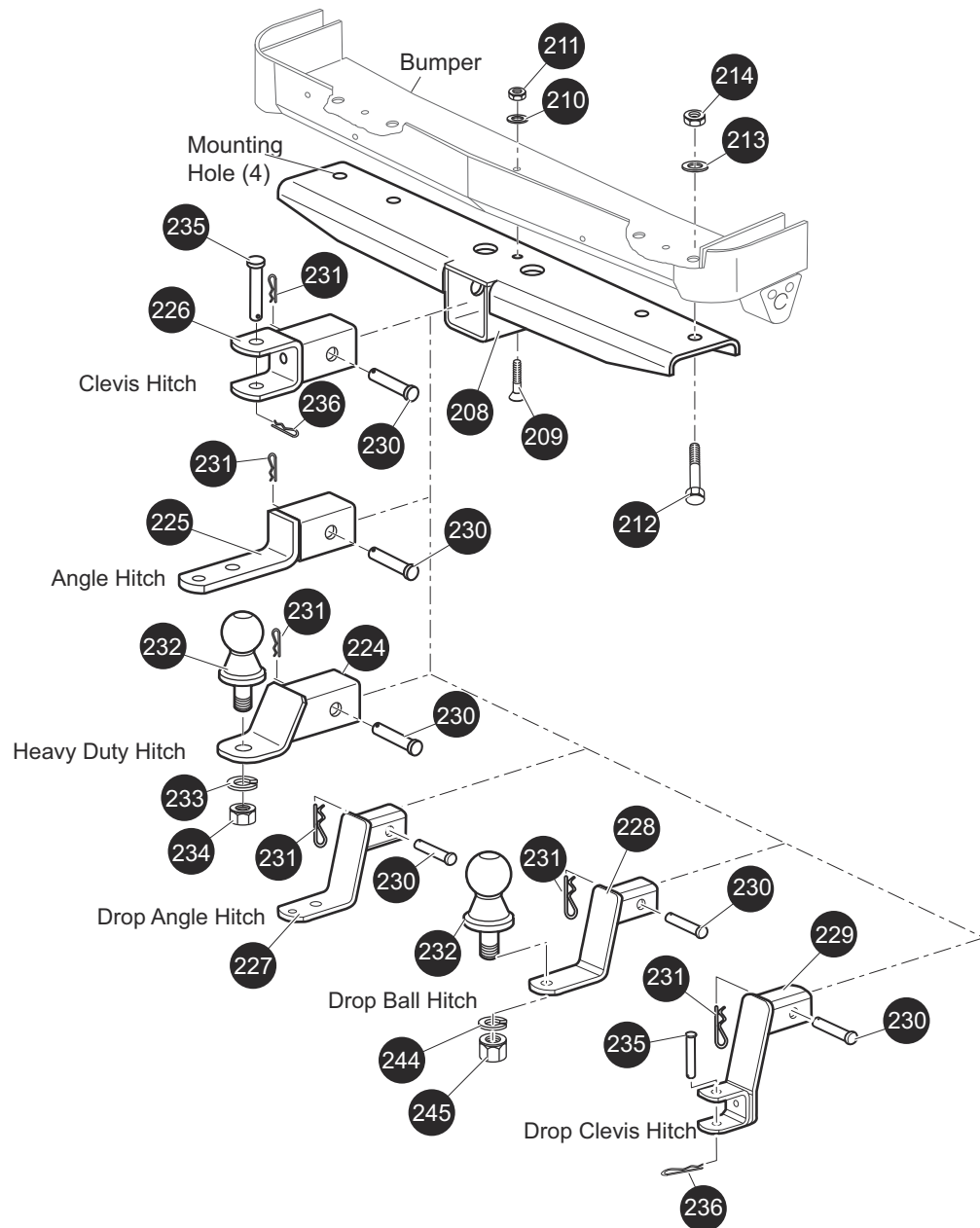


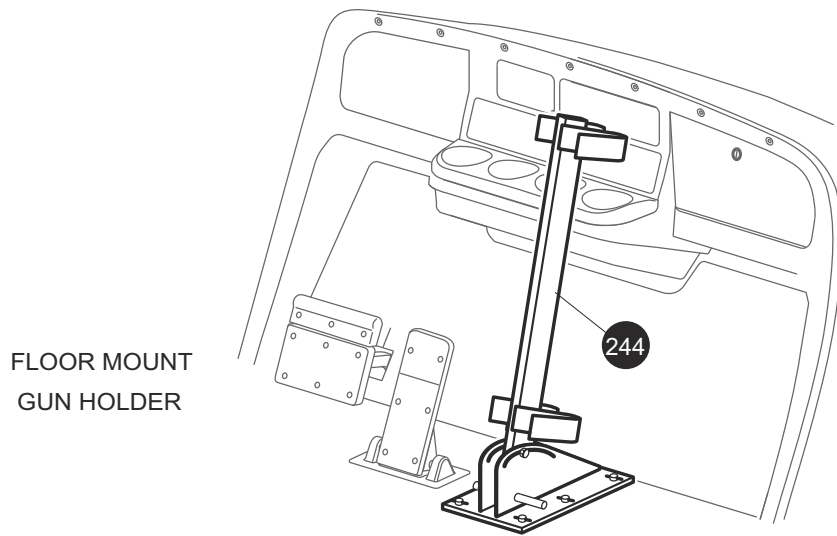
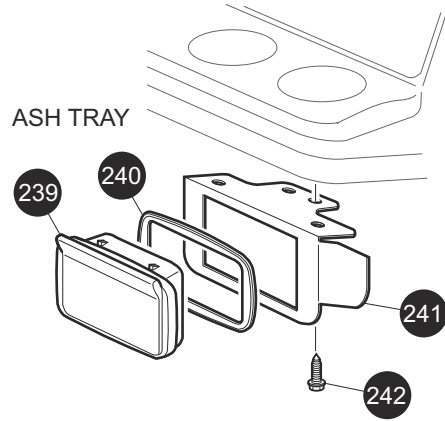
BODY



HITCHES

- 218 HEAVY DUTY HITCH KIT INCLUDES ITEMS 224, 230 - 234
- 219 ANGLE HITCH KIT INCLUDES ITEMS 225, 230, 231, 235, 236
- 220 CLEVIS HITCH KIT INCLUDES ITEMS 226, 230, 231, 235, 236
- 221 DROP ANGLE HITCH KIT INCLUDES ITEMS 227, 230, 231
- 222 DROP BALL HITCH KIT INCLUDES ITEMS 228, 230 - 234
- 223 DROP CLEVIS HITCH KIT INCLUDES ITEMS 229, 230, 231, 235, 236





When ordering parts, please specify the model and serial number of the product.

* Indicates a component that is not available as an individual part.

*** Indicates consult Customer Service Department for additional information.

ITEM	PART NO.	1 2 3 4 5	DESCRIPTION	QTY.
1	70662-G01		UPPER FLOORPAN	1
2	<u>14601G11</u>		RIVET, 3/16" X 9/16" LG (ALUMINUM).....	9
3				
4	<u>70451G01</u>		LOWER FLOORPAN	1
5	<u>14601G11</u>		RIVET, 3/16" X 9/16" LG (ALUMINUM).....	7
6	<u>70452G01</u>		ACCESS COVER.....	1
7				
8				
9	<u>71413G01</u>		SPLASH PANEL	1
10	<u>16816G2</u>		RATCHET FASTENER, 1/4" X 3/4" LG.....	4
11				
12				
13	<u>71101G02</u>		COWL SUPPORT BRACKET	1
14	<u>71102G02</u>		SELF TAPPING SCREW, 1/4 - 20 X 1/2" LG.....	3
15	<u>71055G01</u>		RIVET, 3/16" X 1 1/8" LG (ALUMINUM).....	1
16				
17	74521G02		FRONT BASKET ASSEMBLY (INCLUDES ITEMS 18 - 23).....	1
18	<u>74523G01</u>		FRONT BASKET	1
19	<u>74522G01</u>		BASKET MOUNTING BRACKET (DRIVER SIDE)	1
20	<u>74522G02</u>		BASKET MOUNTING BRACKET (PASSENGER SIDE).....	1
21	00725G1		CARRIAGE BOLT, 3/8 - 16 X 1" LG (STAINLESS STEEL)	4
22	<u>00891G1</u>		LOCK NUT, 3/8 - 16.....	4
23	<u>71931G01</u>		LABEL, FRONT BASKET (WARNING)	1
24				
25	<u>71151G03</u>		INSTRUMENT PANEL ASSEMBLY (INCLUDES ITEMS 26 - 29)	1
26	<u>71153G01</u>		DEFLECTOR (PASSENGER SIDE)	1
27	<u>71154G01</u>		DEFLECTOR (DRIVER SIDE).....	1
28	<u>00614G5</u>		SCREW, #8 - 18 X 5/8" LG.....	4
29	<u>71158G01</u>		INSTRUMENT PANEL INSERT (FOUR CUP)	1
30				
31	<u>601781</u>		LABEL (SAFETY).....	1

BODY

When ordering parts, please specify the model and serial number of the product.

* Indicates a component that is not available as an individual part.

*** Indicates consult Customer Service Department for additional information.

ITEM	PART NO.	1 2 3 4 5	DESCRIPTION	QTY.
32	<u>74443G01</u>		LABEL (ANTI-ROLL BACK).....	1
33	<u>35968G01</u>		LABEL (T-HOLDER COVER).....	1
34				
35				
36				
37				
38				
39	<u>71115G01</u>		VINYL TRIM.....	2
40	<u>71055G01</u>		RIVET, 3/16" X 1" LG (ALUMINUM).....	10
41				
42				
43	<u>75459G01</u>		GLOVE BOX DOORS (BOTH SIDES).....	1
44	<u>75459G02</u>		GLOVE BOX DOOR (DRIVER SIDE).....	1
45	<u>75459G03</u>		GLOVE BOX DOOR (PASSENGER SIDE)	1
46				
47				
48				
49	71468GXX		COWL (See COLOR CODE in HOW TO USE Section of Manual).....	1
50	<u>71055G01</u>		RIVET, 3/16" X 1" LG (ALUMINUM).....	7
51				
52	<u>605434</u>		OVAL NAMEPLATE (E-Z-GO)	1
53	<u>28907G01</u>		OVAL NAMEPLATE (JACOBSON).....	1
54	<u>617803</u>		OVAL NAMEPLATE (BAD BOY BUGGIES)	1
55	<u>71338G01</u>		FENDER FLARE (DRIVER SIDE)	1
56	<u>71338G02</u>		FENDER FLARE (PASSENGER SIDE).....	1
57	<u>71055G01</u>		RIVET, 3/16" X 1" LG (ALUMINUM).....	6
58				
59				
60				
61				
62				

When ordering parts, please specify the model and serial number of the product.

* Indicates a component that is not available as an individual part.

*** Indicates consult Customer Service Department for additional information.

ITEM	PART NO.	1 2 3 4 5	DESCRIPTION	QTY.
63				
64				
65	<u>74265G02</u>		BUMPER.....	1
66				
67				
68	<u>75048G04</u>		SPACER, 1"	2
69	<u>00570G2</u>		WASHER, 5/16"	2
70	<u>00905G8</u>		LOCK WASHER, 5/16"	4
71	<u>01035G02</u>		BOLT, 5/16 - 18 X 2 1/2" LG.....	4
72	<u>75048G01</u>		SPACER.....	2
73				
74	<u>70995-G02</u>		FLOOR MAT W/HORN HOLES	1
75				
76				
77	<u>70244G03</u>		SPLASH PANEL	1
78	<u>00715G2</u>		BOLT, 5/16 - 18 X 4/5" LG.....	4
79	<u>00438G8</u>		BOLT, 5/16 - 18 X 1" LG (ST 350).....	2
80	<u>00559G8</u>		WASHER, 5/16" (ST 350)	2
81	<u>11098G6</u>		LOCK NUT, 5/16 - 18 (STAINLESS STEEL) (ST 350).....	2
82				
83				
84	<u>600496</u>		BATTERY TRAY.....	1
85	<u>00715G2</u>		BOLT, 5/16 - 18 X 4/5" LG.....	AR
86	<u>00438G6</u>		BOLT, 5/16 - 18 X 3/4" LG.....	3
87	<u>00571G2</u>		WASHER, 5/16"	1
88	<u>00565G8</u>		LOCK WASHER, 5/16"	1
89				
90				
91	<u>70629G01</u>		SPLASH PANEL	1
92	<u>00106G6</u>		SELF THREADING SCREW, #12 - 24 X 3/4" LG	2
93				

BODY

When ordering parts, please specify the model and serial number of the product.

* Indicates a component that is not available as an individual part.

*** Indicates consult Customer Service Department for additional information.

ITEM	PART NO.	1	2	3	4	5	DESCRIPTION	QTY.
94								
95								
96	<u>605763</u>						SEAT FRAME (ST 400).....	1
97	<u>00715G2</u>						BOLT, 5/16 - 18 X 4/5" LG	2
98								
99								
100								
101								
102								
103								
104	609143GXX						SEAT WRAP W/LOUVERS (See COLOR CODE in HOW TO USE Section) .	1
105	<u>10570G10</u>						RIVET, 5/32" X 9/16" LG (STAINLESS STEEL)	8
106	<u>71609G01</u>						SEAT HINGE PLATE	2
107	<u>10570G11</u>						RIVET, 3/16" X 3/4" LG (STAINLESS STEEL)	4
108	<u>20271G9</u>						HOLE PLUG	1
109								
110								
111	609168G1XX						SIDE PANEL (DRIVER) (See COLOR CODE in HOW TO USE Section).....	1
112	609168G2XX						SIDE PANEL (PASSENGER) (See COLOR CODE in HOW TO USE Section)	1
113	<u>10570G10</u>						RIVET, 5/32" X 9/16" LG (STAINLESS STEEL)	4
114	10570G12						RIVET, 1/4" X 9/16" LG (ALUMINUM)	4
115	<u>16469G1</u>						WASHER, 1/4"	4
116	609047G1XX						SIDE PANEL (DRIVER)(See COLOR CODE in HOW TO USE Section).....	1
117	609047G2XX						SIDE PANEL (PASSENGER)(See COLOR CODE in HOW TO USE Section)	1
118	<u>71439G03</u>						ROCKER PANEL (DRIVER SIDE) (ST 400)	1
119	<u>71439G04</u>						ROCKER PANEL (PASSENGER SIDE) (ST 400).....	1
120	<u>71440G03</u>						BRACE (DRIVER SIDE).....	1
121	<u>71440G04</u>						BRACE (PASSENGER SIDE)	1
122	<u>00789G2</u>						SCREW, #10 - 24 X 1 1/4" LG	4
123	<u>23726G2</u>						SPACER, 1/4"	4
124	<u>00660G5</u>						WASHER, #10 (STAINLESS STEEL).....	4

When ordering parts, please specify the model and serial number of the product.

* Indicates a component that is not available as an individual part.

*** Indicates consult Customer Service Department for additional information.

ITEM	PART NO.	1 2 3 4 5	DESCRIPTION	QTY.
125	<u>14390G10</u>		LOCK NUT, #10 - 24	4
126	<u>71424G01</u>		SPACER (DRIVER SIDE)	1
127	<u>71424G02</u>		SPACER (PASSENGER SIDE).....	1
128				
129	<u>16705G1</u>		SCREW, 1/4 - 20 X 1" LG (STAINLESS STEEL).....	4
130	<u>23726G2</u>		SPACER, 1/4"	4
131	<u>00559G7</u>		WASHER, 1/4"	4
132	<u>14390G4</u>		LOCK NUT, 1/4 - 20	4
133				
134				
135				
136	<u>74893G01</u>		FENDER (DRIVER SIDE) (ST 400).....	1
137	<u>74893G02</u>		FENDER (PASSENGER SIDE) (ST 400)	1
138	<u>74893G03</u>		FENDER W/TAIL LIGHT OPENING (DRIVER SIDE)(ST 400).....	1
139	<u>74893G04</u>		FENDER W/TAIL LIGHT OPENING (PASSENGER SIDE)(ST400)	1
140	<u>16816G2</u>		RATCHET FASTENER, 1/4" X 3/4" LG.....	10
141				
142				
143				
144	<u>617867</u>		ROCKER PANEL, DRIVER SIDE (BBB).....	1
145	<u>617870</u>		ROCKER PANEL, PASSENGER SIDE (BBB).....	1
146				
147				
148				
149				
150				
151				
152				
153				
154	<u>16816G2</u>		RATCHET FASTENER, 1/4" X 3/4" LG.....	8
155	<u>74890G01</u>		REAR PANEL (ST 400).....	1

BODY

When ordering parts, please specify the model and serial number of the product.

* Indicates a component that is not available as an individual part.

*** Indicates consult Customer Service Department for additional information.

ITEM	PART NO.	1 2 3 4 5	DESCRIPTION	QTY.
156	<u>71055G01</u>		RIVET, 3/16" X 1" LG (ALUMINUM)	4
157				
158	<u>74891G01</u>		SEAT FILLER PANEL (DRIVER SIDE)	1
159	<u>74891G02</u>		SEAT FILLER PANEL (PASSENGER SIDE).....	1
160	<u>10570G10</u>		RIVET, 5/32" X 9/16" LG (STAINLESS STEEL)	6
161				
162				
163	<u>74099G01</u>		LABEL (TILT WARNING).....	2
164	<u>620312</u>		LABEL (E-Z-GO, LARGE)	2
165	<u>620313</u>		LABEL (E-Z-GO, MEDIUM).....	2
166	<u>620323</u>		LABEL (ST 400)	2
167	<u>620325</u>		LABEL (ST SPORT)	2
168	<u>28915G01</u>		LABEL (JACOBSEN HAULER) (DRIVER SIDE).....	1
169	<u>28915-G02</u>		LABEL (JACOBSEN HAULER) (PASSENGER SIDE).....	1
170	<u>620214</u>		LABEL (4000).....	2
171	<u>605694</u>		SEAT FRAME (ST SPORT)	1
172	<u>00715G2</u>		BOLT, 5/16 - 18 X 4/5" LG	2
173				
174	<u>617806</u>		LABEL (BAD BOY BUGGIES).....	2
175				
176				
177				
178				
179				
180				
181				
182	<u>71502G01</u>		ROCKER PANEL (DRIVER SIDE) (ST SPORT).....	1
183	<u>71501G01</u>		ROCKER PANEL (PASSENGER SIDE) (ST SPORT)	1
184	<u>15058G6</u>		RIVET, 3/16" X 15/16" LG (ALUMINUM)	4
185	<u>16705G1</u>		SCREW, 1/4 - 20 X 1" LG (STAINLESS STEEL)	4
186	<u>23726G4</u>		SPACER, 5/16"	4

When ordering parts, please specify the model and serial number of the product.

* Indicates a component that is not available as an individual part.

*** Indicates consult Customer Service Department for additional information.

ITEM	PART NO.	1 2 3 4 5	DESCRIPTION	QTY.
187	<u>14390G4</u>		LOCK NUT, 1/4 - 20	4
188	<u>71507G02</u>		SILL PLATE (DRIVER SIDE)	1
189	<u>71507G01</u>		SILL PLATE (PASSENGER SIDE).....	1
190				
191				
192	<u>74892G01</u>		FENDER (DRIVER SIDE) (ST SPORT).....	1
193	<u>74892G02</u>		FENDER (PASSENGER SIDE) (ST SPORT)	1
194	<u>74892G03</u>		FENDER WITH TAILLIGHT (DRIVER SIDE) (ST SPORT)	1
195	<u>74892G04</u>		FENDER WITH TAILLIGHT (PASSENGER SIDE) (ST SPORT).....	1
196	<u>16816G2</u>		RATCHET FASTENER, 1/4" X 3/4" LG.....	10
197	<u>14390G4</u>		LOCK NUT, 1/4 - 20	4
198	<u>00642G7</u>		WASHER, 1/4"	8
199	<u>00414G6</u>		BOLT, 1/4 - 20 X 3/4" LG.....	4
200				
201				
202				
203				
204				
205				
206				
207				
208	<u>74348G02</u>		HITCH RECEIVER.....	1
209	<u>00198G8</u>		BOLT, 5/16 - 18 X 1" LG.....	1
210	<u>00559G8</u>		WASHER, 5/16"	1
211	<u>11098G6</u>		LOCK NUT, 5/16 - 18 (STAINLESS STEEL).....	1
212	<u>00463G4</u>		BOLT, 7/16 - 14 X 1 1/2" LG.....	4
213	<u>00922G3</u>		WASHER, 7/16"	4
214	<u>00734G1</u>		LOCK NUT, 7/16 - 14	4
215				
216				
217				

BODY

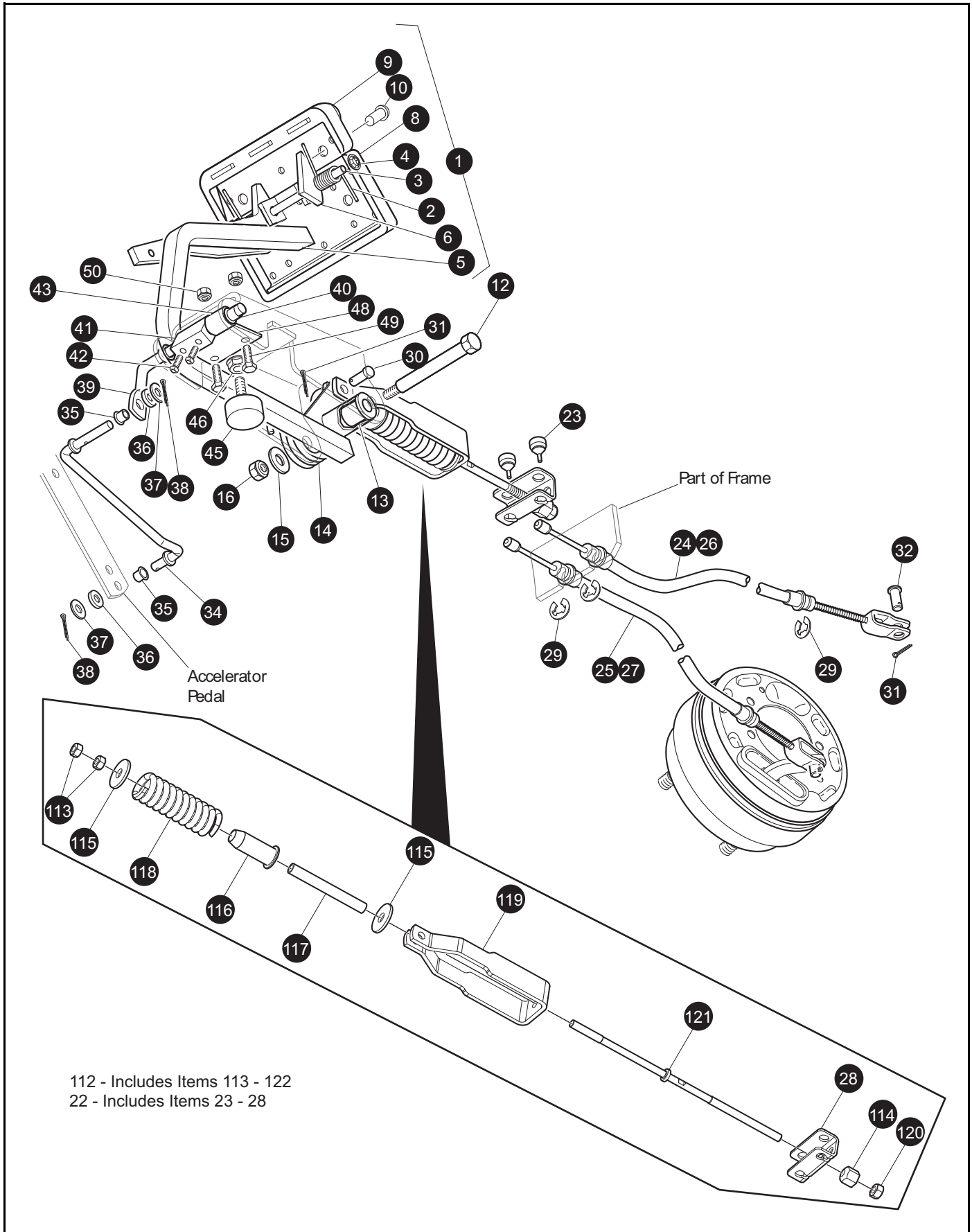
When ordering parts, please specify the model and serial number of the product.

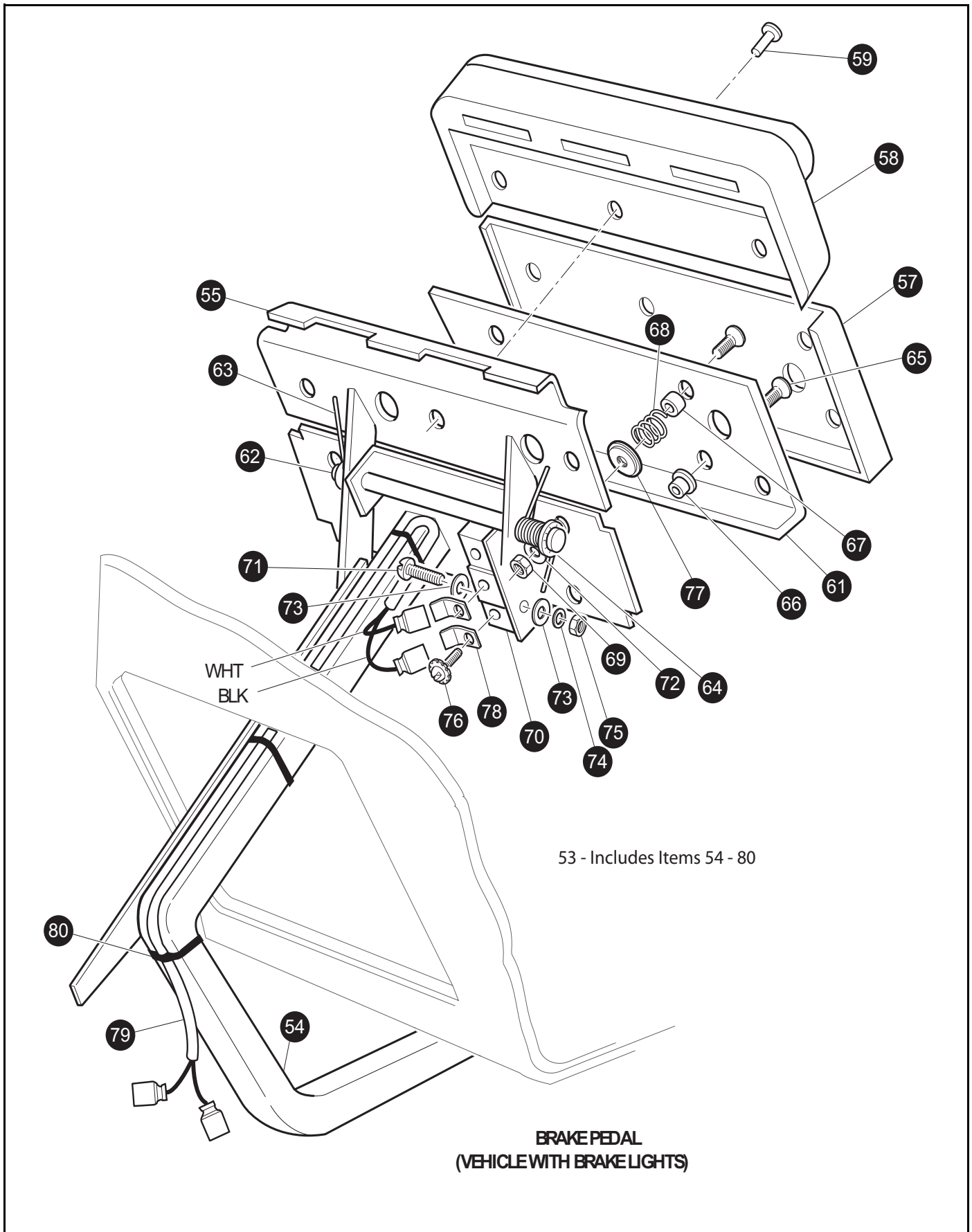
* Indicates a component that is not available as an individual part.

*** Indicates consult Customer Service Department for additional information.

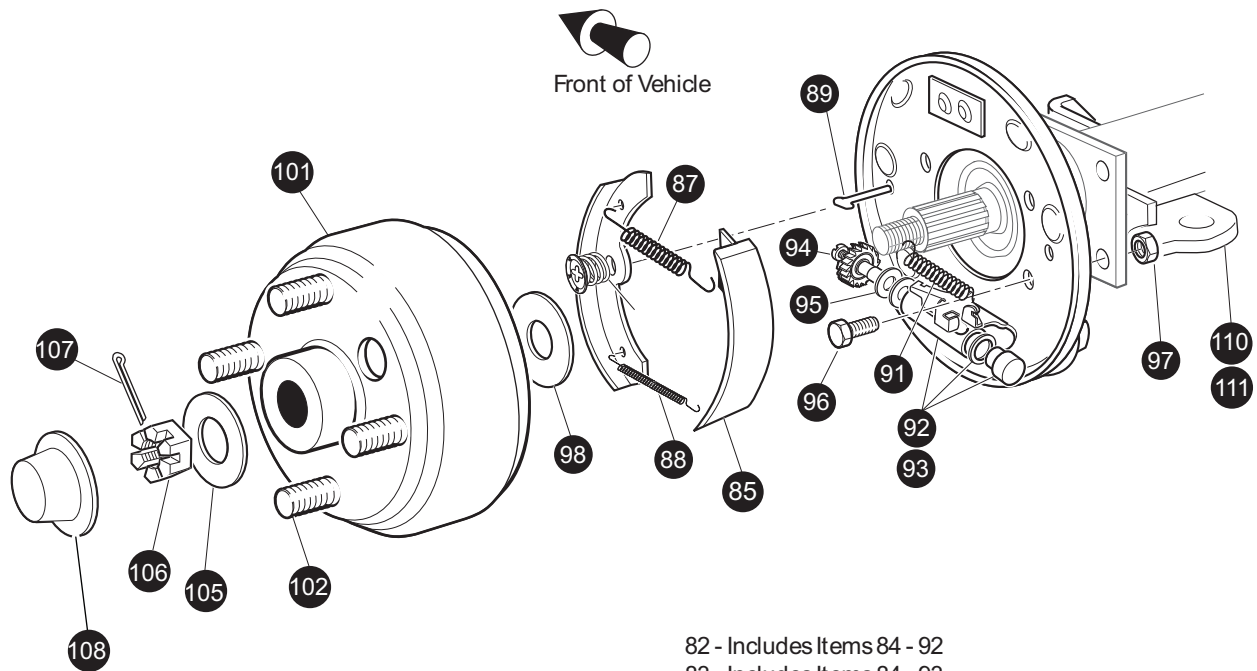
ITEM	PART NO.	1 2 3 4 5	DESCRIPTION	QTY.
218	<u>74492G02</u>		HEAVY DUTY BALL HITCH KIT (INCLUDES ITEMS 224, 230-234)	1
219	<u>74492G04</u>		ANGLE HITCH KIT (INCLUDES ITEMS 225, 230, 231, 235, 236)	1
220	<u>74492G06</u>		CLEVIS HITCH KIT (INCLUDES ITEMS 226, 230, 231, 235, 236).....	1
221	<u>74492G08</u>		DROP ANGLE HITCH KIT (INCLUDES ITEMS 227, 230, 231)	1
222	<u>74492G10</u>		DROP BALL HITCH KIT (INCLUDES ITEMS 228, 230-234)	1
223	<u>74492G12</u>		DROP CLEVIS HITCH KIT (INCLUDES ITEMS 229, 230, 231, 235, 236)	1
224	<u>74351G02</u>		HEAVY DUTY HITCH.....	1
225	<u>74339G02</u>		ANGLE HITCH	1
226	<u>74338G02</u>		CLEVIS HITCH.....	1
227	<u>74489G02</u>		DROP ANGLE HITCH	1
228	<u>74491G02</u>		DROP BALL HITCH	1
229	<u>74495G02</u>		DROP CLEVIS HITCH	1
230	<u>21317G01</u>		CLEVIS PIN, 5/8" X 3" LG	1
231	<u>21683G1</u>		COTTER PIN, 15/32" X 2 11/16" LG	1
232	<u>31757G1</u>		HITCH BALL, 1 7/8".....	1
233	<u>00566G6</u>		LOCK WASHER, 3/4".....	1
234	<u>00702G11</u>		NUT, 3/4 - 16	1
235	<u>14443G7</u>		CLEVIS PIN, 1/2" X 2 1/2" LG	1
236	<u>19314G1</u>		COTTER PIN, 2 1/2" LG.....	1
237				
238				
239	<u>27731G01</u>		ASH TRAY.....	1
240	<u>27736G01</u>		GASKET	1
241	<u>75108G02</u>		BRACKET.....	1
242	<u>00100G4</u>		SCREW, #10 - 16 X 1/2" LG.....	4
243				
244	<u>74365G01</u>		GUN HOLDER (Includes all mounting hardware)	1
245				
246				
247				
248				

BRAKES





BRAKES



- 82 - Includes Items 84 - 92
- 83 - Includes Items 84 - 93
- 84 - Includes Items 85
- 86 - Includes Items 87 - 91
- 92 - Includes Items 94, 95
- 93 - Includes Items 94, 95
- 100 - Includes Items 101, 102

Ref Brk 6-3

When ordering parts, please specify the model and serial number of the product.

* Indicates a component that is not available as an individual part.

*** Indicates consult Customer Service Department for additional information.

ITEM	PART NO.	1 2 3 4 5	DESCRIPTION	QTY.
1	<u>70612G02</u>		BRAKE PEDAL ASSEMBLY (WITHOUT BRAKE LIGHTS) (INCLUDES ITEMS 2 - 10)	1
2	<u>70681G01</u>		TORSION SPRING.....	2
3	<u>70682G01</u>		PIVOT PIN.....	1
4	<u>01071G01</u>		PUSHNUT, 5/16"	1
5	<u>70259G02</u>		BRAKE PEDAL.....	1
6	<u>70611G02</u>		PARK BRAKE PEDAL	1
7				
8	<u>70257G01</u>		SERVICE BRAKE PAD.....	1
9	<u>70256G01</u>		PARK BRAKE PEDAL PAD	1
10	<u>16409G1</u>		OVAL RIVET, 3/16" X 3/8" LG	9
11				
12	<u>70582G01</u>		SHOULDER BOLT, 3/8 - 16 X 4" LG.....	1
13	<u>70581G01</u>		FLANGED BUSHING.....	2
14	<u>70676G01</u>		TORSION SPRING	1
15	<u>00643G1</u>		WASHER, 3/8"	1
16	<u>11098G5</u>		LOCK NUT, 3/8 - 16	1
17	<u>12416G2</u>		NYLON WEDGE LOCK CLAMP (NOT ILLUSTRATED).....	AR
18				
19				
20				
21				
22	<u>624711</u>		EQUALIZER AND BRAKE CABLE ASSEMBLY (INCLUDES ITEMS 23 - 28)	1
23	<u>28083G01</u>		BRAKE COMPENSATOR BUMPER	2
24	624690		BRAKE CABLE (DRIVER SIDE) (FOR ST SPORT, ST SPORT II, LD GAS)	1
25	624703		BRAKE CABLE (PASSENGER SIDE) (FOR ST SPORT, ST SPORT II, LD GAS)	1
26	<u>624697</u>		BRAKE CABLE (DRIVER SIDE) (FOR ST400).....	1
27	<u>624698</u>		BRAKE CABLE (PASSENGER SIDE) (FOR ST400)	1
28	<u>28082G01</u>		EQUALIZER BRACKET	1
29	<u>01111G01</u>		RETAINING RING, S.S.	4

BRAKES

When ordering parts, please specify the model and serial number of the product.

* Indicates a component that is not available as an individual part.

*** Indicates consult Customer Service Department for additional information.

ITEM	PART NO.	1 2 3 4 5	DESCRIPTION	QTY.
30	<u>10386G3</u>		CLEVIS PIN, 5/16" X 1" LG	3
31	<u>10387G3</u>		COTTER PIN, 3/32" X 3/4" LG	3
32	<u>14443G2</u>		CLEVIS PIN, 5/16" X 3/4" LG	2
33				
34	<u>70601G01</u>		KICK-OFF LINK.....	1
35	<u>17838G1</u>		NYLON BUSHING.....	2
36	<u>20835G1</u>		TEFLON WASHER, 3/8"	2
37	<u>00559G8</u>		WASHER, 5/16".....	2
38	<u>10387G3</u>		COTTER PIN, 3/32" X 3/4" LG	2
39	<u>70098G01</u>		KICK-OFF CAM PIVOT	1
40	<u>10097G6</u>		FLANGED BEARING	2
41	<u>70587G01</u>		KICK-OFF CAM.....	1
42	<u>71215G01</u>		SETSCREW, 1/4 - 20 X 1/2" LG.....	2
43	<u>14134G4</u>		SPACER	1
44				
45	<u>70113G01</u>		ADJUSTABLE BUMPER	1
46	<u>11027G1</u>		LOCK NUT, 5/16 - 18.....	1
47				
48	<u>70080G02</u>		CATCH BRACKET	1
49	<u>00414G6</u>		BOLT, 1/4 - 20 X 3/4" LG	2
50	<u>14390G4</u>		LOCK NUT, 1/4 - 20.....	2
51				
52				
53	<u>70690G02</u>		BRAKE PEDAL ASSEMBLY (WITH BRAKE LIGHTS) (INCLUDES ITEMS 54 - 80).....	1
54	<u>70686G02</u>		BRAKE PEDAL	1
55	<u>70611G02</u>		PARK BRAKE PEDAL.....	1
56				
57	<u>70257G01</u>		SERVICE BRAKE PAD	1
58	<u>70256G01</u>		PARK BRAKE PAD	1
59	<u>16409G1</u>		OVAL RIVET, 3/16" x 3/8" LG	9
60				

When ordering parts, please specify the model and serial number of the product.

* Indicates a component that is not available as an individual part.

*** Indicates consult Customer Service Department for additional information.

ITEM	PART NO.	1 2 3 4 5	DESCRIPTION	QTY.
61	<u>70258G03</u>		BRAKE PEDAL PLATE	1
62	<u>70682G01</u>		PIVOT PIN.....	1
63	<u>70681G01</u>		TORSION SPRING.....	2
64	<u>01071G01</u>		PUSHNUT, 5/16"	1
65	<u>00737G8</u>		SCREW, #10 - 24 X 1" LG.....	4
66	<u>00739G1</u>		RUBBER NUT, #10 - 24	2
67	<u>74535G01</u>		BRAKE PEDAL STANDOFF.....	2
68	<u>27137G01</u>		CONICAL SPRING	2
69	<u>14390G10</u>		LOCK NUT, #10 - 24.....	2
70	<u>10606G8</u>		MICRO SWITCH	1
71	<u>00645-G2</u>		SCREW, #6 - 32 X 1 1/4" LG.....	2
72	<u>00559G5</u>		WASHER, #10	2
73	<u>00559G3</u>		WASHER, #6	4
74	<u>00565G3</u>		LOCK WASHER, #6	2
75	<u>00525G5</u>		NUT, #6 - 32	2
76	<u>13514G1</u>		SCREW AND LOCK WASHER, #6	2
77	<u>00642-G8</u>		WASHER - 5/16"	2
78	<u>14628G1</u>		FASTON TAB.....	2
79	<u>24605G1</u>		WIRE HARNESS (BRAKE LIGHT).....	1
80	<u>17618G1</u>		WIRE TIE.....	2
81				
82	<u>70998G01</u>		BRAKE ASSEMBLY (DRIVER SIDE) (INCLUDES ITEMS 84 - 92).....	1
83	<u>70998G02</u>		BRAKE ASSEMBLY (PASSENGER SIDE) (INCL. ITEMS 84 - 91, 93)	1
84	<u>70794G01</u>		BRAKE SHOE KIT (INCLUDES ITEM 85)	2
85	*		BRAKE SHOE.....	2
86	<u>27944G01</u>		BRAKE SPRING KIT (INCLUDES ITEMS 87 - 91)	2
87	*		UPPER SPRING	1
88	*		LOWER SPRING	1
89	*		PIN	2
90	*		CUP AND SPRING	2
91	*		ADJUSTER SPRING	1

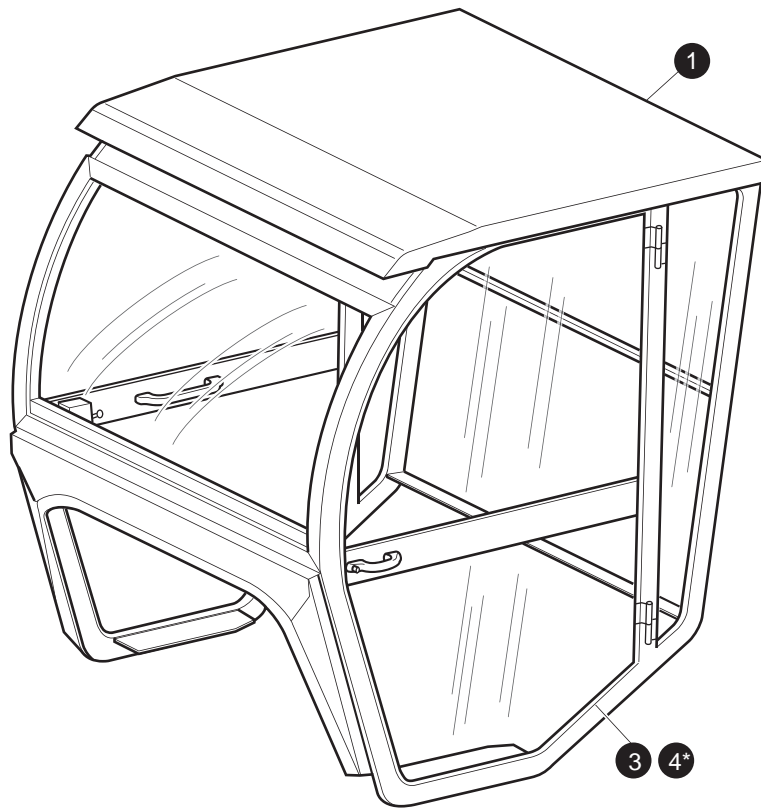
BRAKES

When ordering parts, please specify the model and serial number of the product.

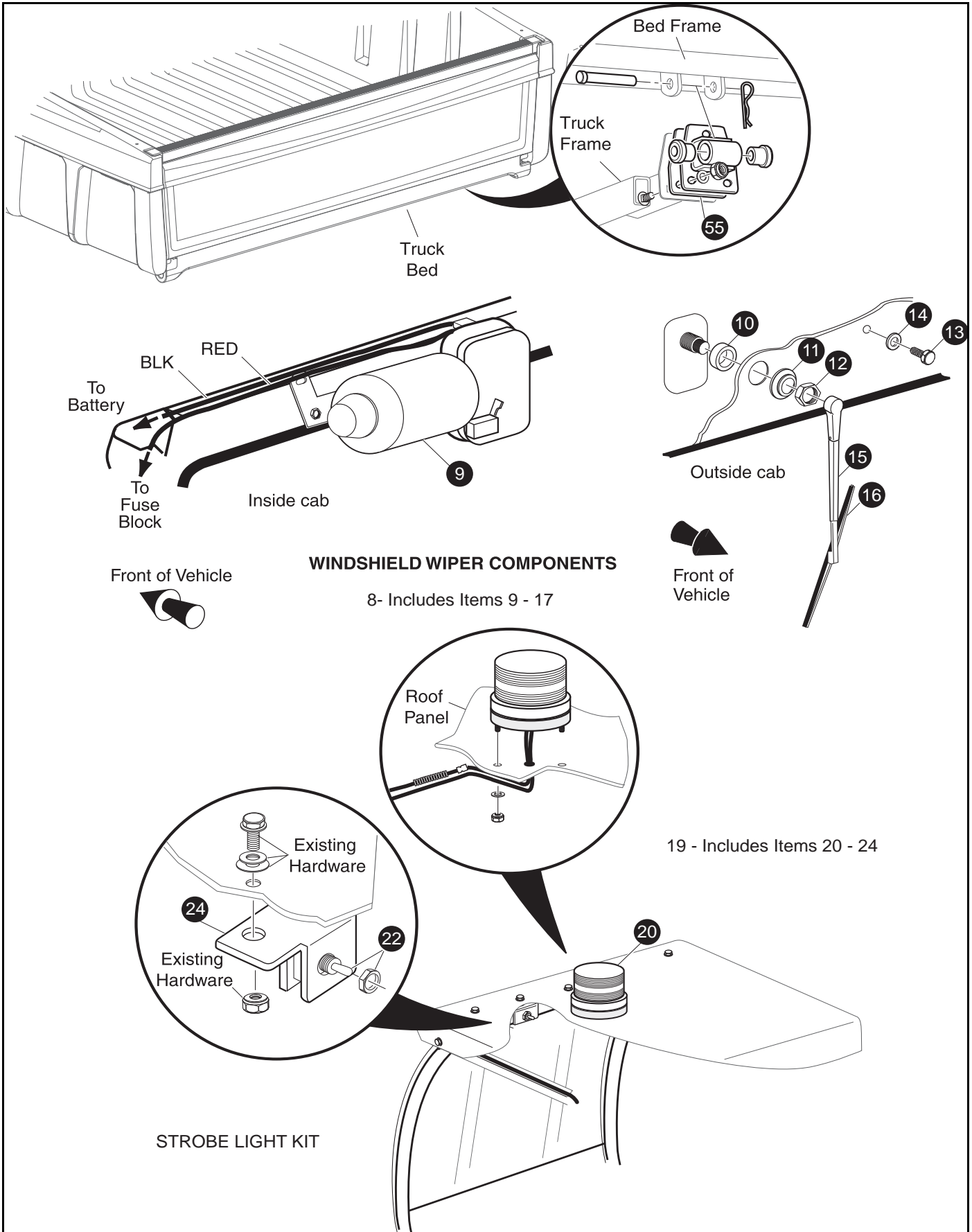
* Indicates a component that is not available as an individual part.

*** Indicates consult Customer Service Department for additional information.

ITEM	PART NO.	1	2	3	4	5	DESCRIPTION	QTY.
92	<u>72582G01</u>						BRAKE ADJUSTER KIT (DRIVER SIDE) (INCLUDES ITEMS 94, 95)	1
93	<u>72582G02</u>						BRAKE ADJUSTER KIT (PASSENGER SIDE) (INCL ITEMS 94, 95).....	1
94	*						ADJUSTER.....	1
95	*						TEFLON WASHER.....	2
96	<u>17083G2</u>						BOLT, 5/16 - 24 X 1" LG	8
97	<u>15126G1</u>						LOCK NUT, 5/16 - 24.....	8
98	<u>21809G1</u>						INNER BRAKE DRUM WASHER, 1 5/16" OD X 1" ID X 1/32"	2
99								
100	<u>21807G2</u>						BRAKE DRUM ASSEMBLY (INCLUDES ITEMS 101 - 102).....	2
101	*						BRAKE DRUM	1
102	<u>19862G1</u>						LUG BOLT, 1/2 - 20.....	4
103								
104								
105	<u>606945</u>						OUTER BRAKE DRUM WASHER	2
106	<u>606403</u>						SLOTTED NUT, 3/4 - 16.....	2
107	<u>10387G1</u>						COTTER PIN, 1/8" X 1 1/2" LG	2
108	<u>74175G01</u>						SPINDLE CAP.....	2
109								
110	<u>608200</u>						BRAKE CABLE BRACKET (PASSENGER SIDE).....	1
111	<u>608201</u>						BRAKE CABLE BRACKET (DRIVER SIDE)	1
112	<u>612558</u>						COMPENSATOR ASSEMBLY (INCLUDES ITEMS 113 - 121)	1
113	<u>00532G4</u>						HEX NUT	2
114	<u>629486</u>						HEX NUT, 5/16 - 24.....	1
115	<u>15121G1</u>						FLAT WASHER - 5/16.....	2
116	<u>17979G1</u>						ACCELERATOR ROD BUSHING	1
117	<u>23061G2</u>						TUBE.....	1
118	<u>23463G1</u>						COMPRESSION SPRING	1
119	<u>27330G01</u>						BRAKE YOKE	1
120	<u>11098G9</u>						HEX LOCK NUT, 5/16 - 24	1
121	<u>612557</u>						COMPENSATOR LINK ROD	1



*Steel Doors Shown



WINDSHIELD WIPER COMPONENTS

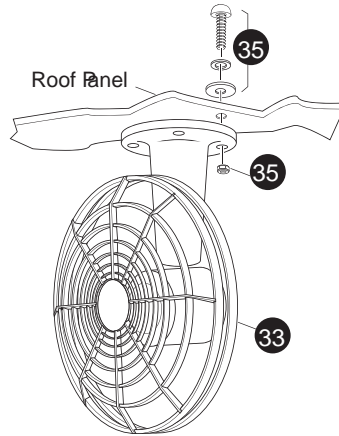
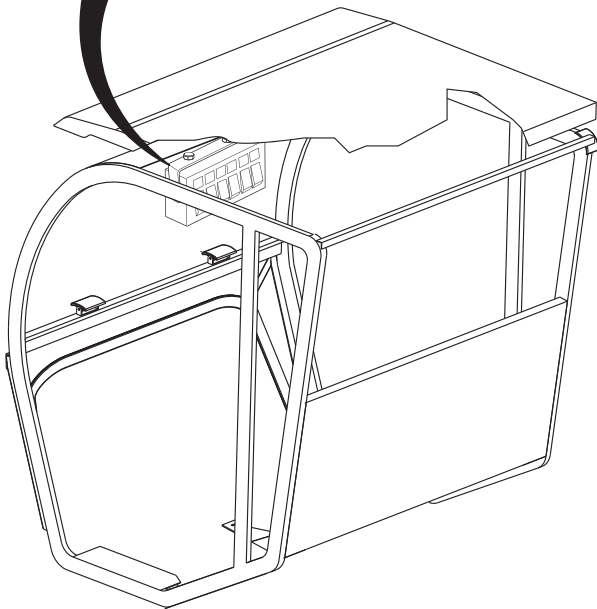
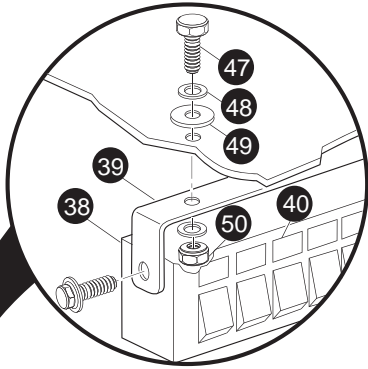
8- Includes Items 9 - 17

19 - Includes Items 20 - 24

STROBE LIGHT KIT

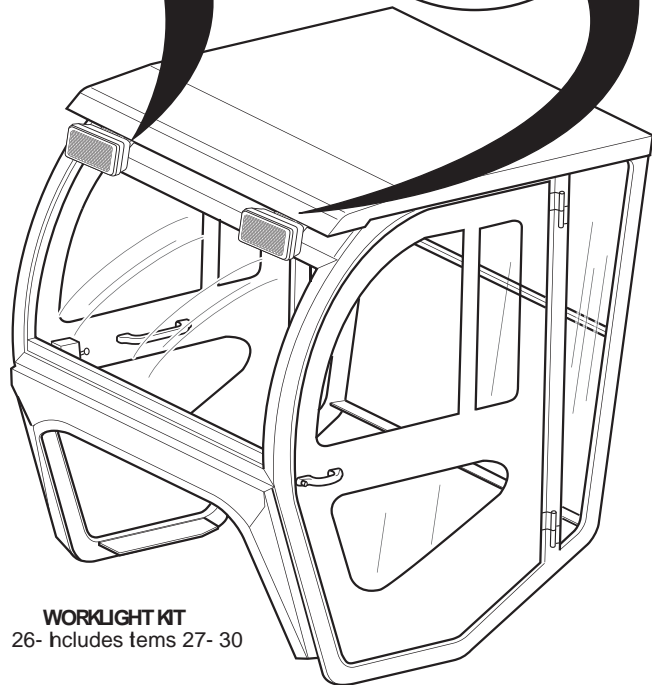
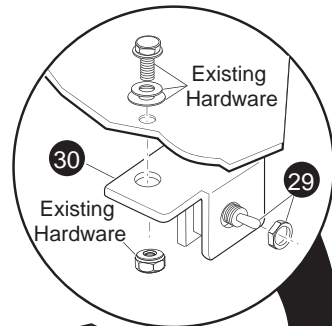
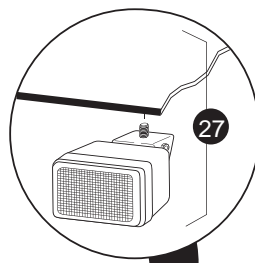
SWITCH PANEL KIT

37 - includes items 38 - 52



DEFROSTER/ COOLING FAN KIT

32- includes items 33- 35



WORKLIGHT KIT

26- includes items 27- 30

When ordering parts, please specify the model and serial number of the product.

* Indicates a component that is not available as an individual part.

*** Indicates consult Customer Service Department for additional information.

ITEM	PART NO.	1 2 3 4 5	DESCRIPTION	QTY.
1	72684G**		STEEL CAB (WITHOUT DOORS) REPACEMENT PARTS AND ACCESSORIES MAY BE OBTAINED FROM CURTIS CAB, INC.) (ST 350).	1
2				
3	<u>75855G01</u>		VINYL DOOR KIT	1
4	75856G**		STEEL DOOR KIT	1
5				
6				
7				
8	<u>74244G01</u>		WINDSHIELD WIPER KIT (INCLUDES ITEMS 9 -17)	1
9	9PWM85		WIPER MOTOR (INCLUDES ITEMS 10 - 14).....	1
10	*		SPACER.....	1
11	*		SHAFT COVER (SEAL)	1
12	*		NUT	1
13	*		BOLT	1
14	*		WASHER	1
15	9PWA		WIPER ARM.....	1
16	9PWB		WINDSHIELD WIPER BLADE	1
17	9E003		ELECTRICAL HARDWARE KIT (NOT ILLUSTRATED).....	1
18				
19	<u>74245G01</u>		STROBE LIGHT KIT (INCLUDES ITEMS 20 - 24)	1
20	9PSLRL		STROBE LENS	1
21	9E001		ELECTRICAL HARDWARE KIT (NOT ILLUSTRATED).....	1
22	9E002		TOGGLE SWITCH.....	1
23	9PSLRB		REPLACEMENT BULB (NOT ILLUSTRATED)	1
24	9PB001		BRACKET.....	1
25				
26	<u>74247G01</u>		WORK LIGHT KIT (INCLUDES ITEMS 27 - 30)	1
27	9LW1A		WORK LIGHT (INCLUDES HARDWARE)	2
28	9E001		ELECTRICAL HARDWARE KIT (NOT ILLUSTRATED).....	1
29	9E002		TOGGLE SWITCH.....	1
30	9PB001		BRACKET.....	1

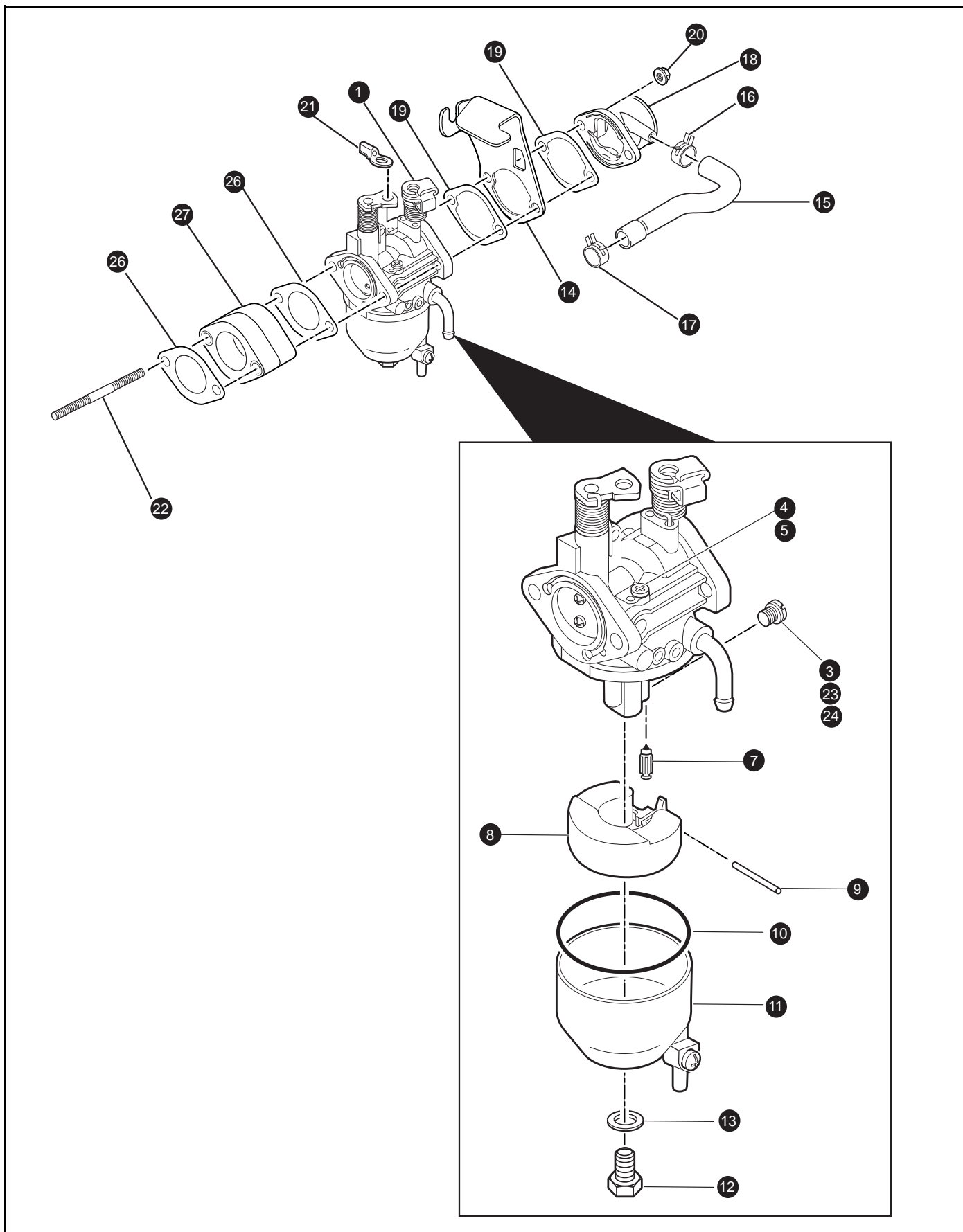
When ordering parts, please specify the model and serial number of the product.

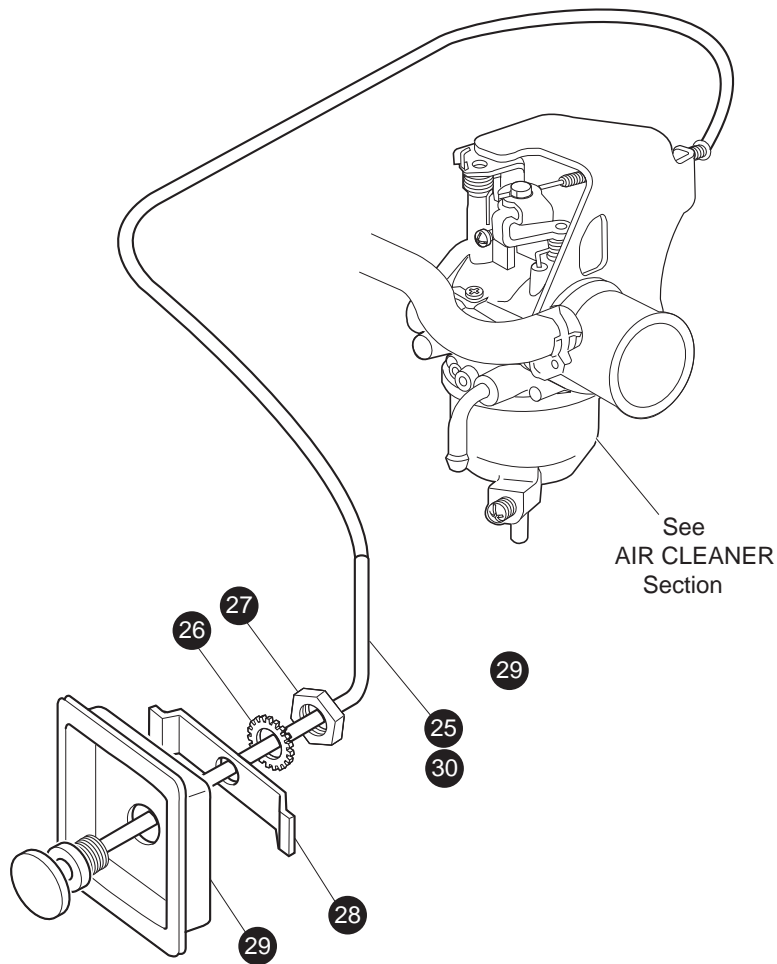
* Indicates a component that is not available as an individual part.

*** Indicates consult Customer Service Department for additional information.

ITEM	PART NO.	1	2	3	4	5	DESCRIPTION	QTY.
31								
32	<u>74248G01</u>						DEFROSTER / COOLING FAN KIT (INCLUDES ITEMS 33 - 35)	1
33	9PDF						FAN	1
34	9E001						ELECTRICAL HARDWARE KIT (NOT ILLUSTRATED)	1
35	9PFHK						HARDWARE KIT.....	1
36								
37	<u>74250G01</u>						SWITCH PANEL KIT (INCLUDES ITEMS 38 - 52)	1
38	9PSF1-001						SWITCH PANEL	1
39	9PSF1-002						MOUNTING BRACKET AND HARDWARE	1
40	9PSF1-003						ADHESIVE LABELS	1
41	9PSF1-004						3 AMP FUSE (NOT ILLUSTRATED).....	2
42	9PSF1-005						5 AMP FUSE (NOT ILLUSTRATED).....	3
43	9PSF1-006						7.5 AMP FUSE (NOT ILLUSTRATED).....	1
44	9PSF1-007						FLEX LOOM, 5/8" X 10 FT LG (NOT ILLUSTRATED).....	1
45	9PSF1-008						4-WAY BASE TIE (NOT ILLUSTRATED).....	6
46	9PSF1-009						WIRE TIE (NOT ILLUSTRATED).....	14
47	9PSF1-010						BOLT, 1/4 - 20 X 7/8" LG.....	2
48	9PSF1-011						WASHER, 1/4"	4
49	9PSF1-012						NYLON WASHER, 1/4".....	2
50	9PSF1-013						LOCK NUT, 1/4 - 20	2
51	9PSF1-014						10 GA WIRE (RED 8") (NOT ILLUSTRATED)	1
52	9PSF1-015						10 GA WIRE (BLACK 8") (NOT ILLUSTRATED).....	1
53								
54								
55	6E03T						BED SPACER.....	2
56								

CARBURETOR AND CHOKE





Ref Cac 2-2

CARBURETOR AND CHOKE

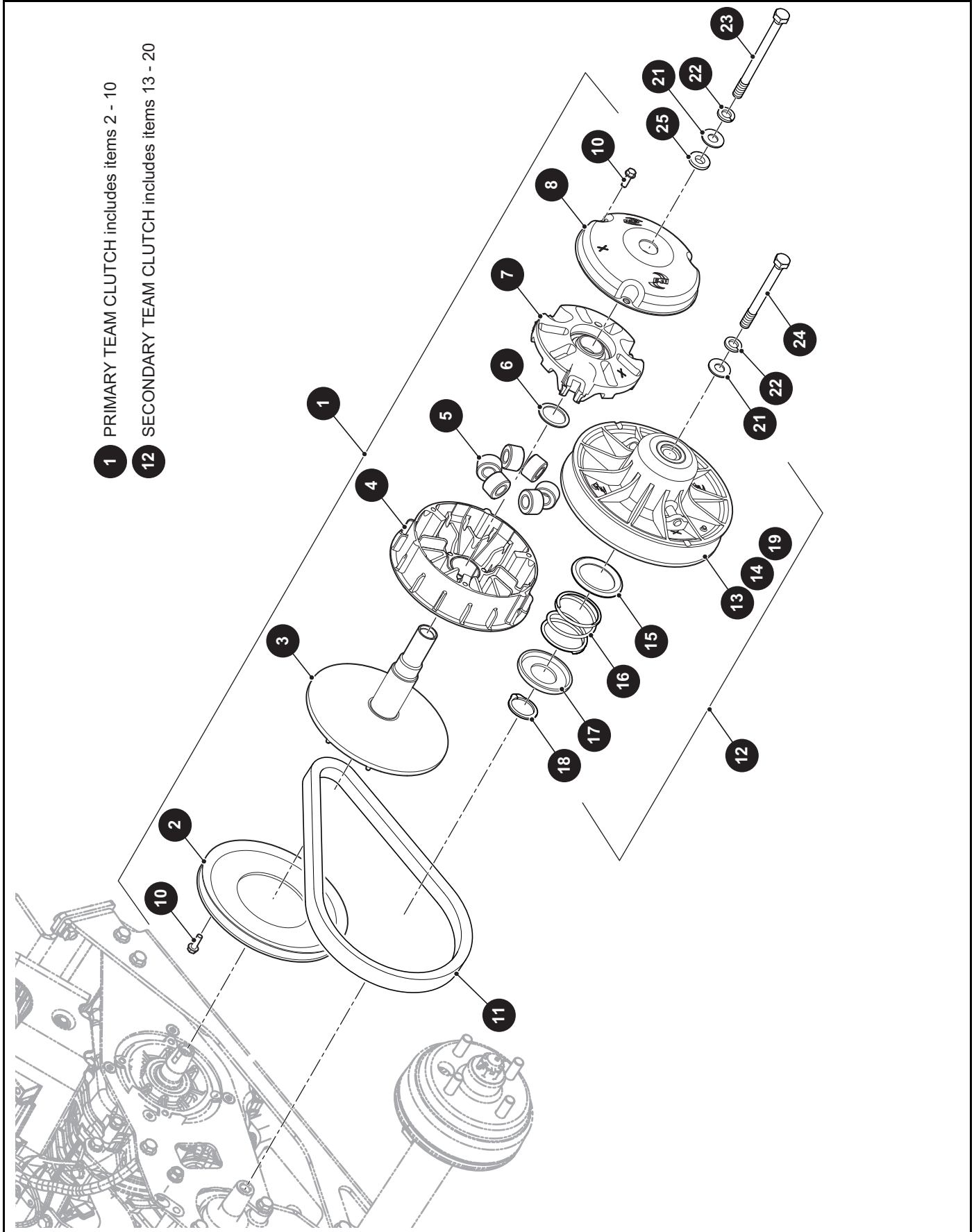
When ordering parts, please specify the model and serial number of the product.

* Indicates a component that is not available as an individual part.

*** Indicates consult Customer Service Department for additional information.

ITEM	PART NO.	1 2 3 4 5	DESCRIPTION	QTY.
1	<u>607955</u>		CARBURETOR (INCLUDES ITEMS 3 - 22).....	1
2				
3	<u>607956</u>		MAIN JET (#106)	1
4	<u>607957</u>		PILOT JET (#52)	1
5	<u>603585</u>		PLUG	1
6				
7	<u>603586</u>		NEEDLE VALVE.....	1
8	<u>603587</u>		FLOAT.....	1
9	<u>603588</u>		FLOAT PIN.....	1
10	<u>603589</u>		FLOAT BOWL GASKET.....	1
11	<u>603590</u>		FLOAT CHAMBER.....	1
12	<u>603592</u>		BOWL SCREW	1
13	<u>603591</u>		BOWL GASKET	1
14	<u>603583</u>		CHOKE BRACKET	1
15	<u>603598</u>		BREATHER TUBE	1
16	<u>603596</u>		CLAMP, INTAKE TUBE.....	1
17	<u>603597</u>		CLAMP CYLINDER HEAD TUBE	1
18	<u>603594</u>		INTAKE TUBE	1
19	<u>603593</u>		CHOKE GASKET.....	2
20	<u>603595</u>		NUT, M6 X 1.0.....	2
21	<u>608023</u>		THROTTLE ROD ATTACHMENT BUSHING.....	1
22	<u>603584</u>		STUD BOLT	2
23	<u>607684</u>		MAIN JET (#102) (FOR ELEVATIONS OF 6000 FT - 10000 FT).....	1
24	<u>607683</u>		MAIN JET (#104) (FOR ELEVATIONS OF 3000 FT - 6000 FT).....	1
25	<u>605868</u>		CHOKE CABLE (SWB)	1
26	<u>00568G4</u>		LOCK WASHER, 9/16"	1
27	<u>00545G4</u>		JAM NUT, 9/16 - 18	1
28	<u>72155G02</u>		RETAINER.....	1
29	<u>72154G01</u>		CHOKE CABLE ADAPTER.....	1
30	<u>605793</u>		CHOKE CABLE (MWB).....	1

CLUTCH



1 PRIMARY TEAM CLUTCH includes items 2 - 10

12 SECONDARY TEAM CLUTCH includes items 13 - 20

When ordering parts, please specify the model and serial number of the product.

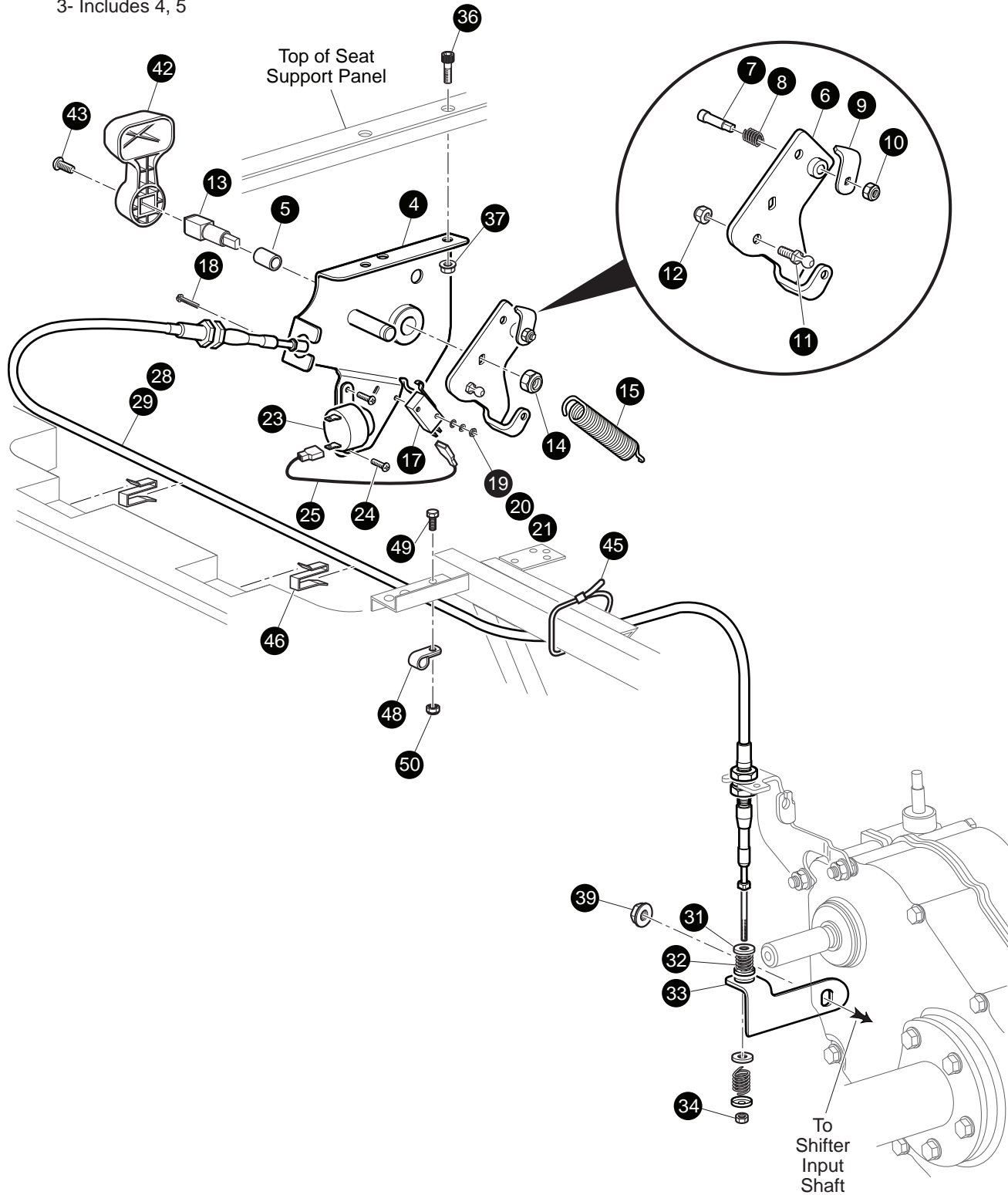
* Indicates a component that is not available as an individual part.

*** Indicates consult Customer Service Department for additional information.

ITEM	PART NO.	1 2 3 4 5	DESCRIPTION	QTY.
1	<u>623948</u>		PRIMARY TEAM CLUTCH (Includes items 2 - 10).....	1
2	<u>619333</u>		PRIMARY STARTER PULLY, 195 - SVC.....	1
3	<u>619334</u>		STATIONARY ASSEMBLY	1
4	<u>619335</u>		MOVEABLE PRIMARY ASSEMBLY	1
5	<u>624112</u>		SHIFT ROLLER ASSEMBLY.....	6
6	<u>619337</u>		SHIM, 39.5 X 31.75	1
7	619338		PRIMARY SPIDER ASSEMBLY	1
8	<u>619339</u>		PRIMARY DUST COVER ASSEMBLY.....	1
9				
10	<u>619332</u>		BOLT, 1/4 - 20 X.75	7
11	<u>618630</u>		DRIVE BELT	1
12	<u>623949</u>		SECONDARY TEAM CLUTCH (Includes items 13 - 20)	1
13	*		SECONDARY STATIONARY, 9.5.....	1
14	*		MOVEABLE SECONDARY, 9.5.....	1
15	<u>619327</u>		INNER RETAINER SPRING.....	1
16	<u>624111</u>		COMPRESSION SPRING, 2.70 OD.....	1
17	<u>619329</u>		OUTER SPRING RETAINER	1
18	<u>619330</u>		RETAINER RING.....	1
19	<u>619331</u>		THRUST WASHER, 1.530 x 1.830 x 1.....	1
20				
21	<u>606239</u>		CONICAL WASHER, M12	2
22	<u>00566G3</u>		SPRING TYPE LOCK WASHER	2
23	<u>606245</u>		HEX BOLT, M12 - 1.25 X 160	1
24	<u>606243</u>		HEX BOLT, M12 - 1.25 X 120	1
25	<u>606230</u>		CLUTCH WASHER.....	1

DIRECTION SELECTOR

- 1 - Includes Items 3 - 28, 31 - 34 (ST 350)
- 2 - Includes Items 3 - 25, 29 - 34 (ST SPORT)
- 3- Includes 4, 5



Ref Dsl 9

DIRECTION SELECTOR

When ordering parts, please specify the model and serial number of the product.

* Indicates a component that is not available as an individual part.

*** Indicates consult Customer Service Department for additional information.

ITEM	PART NO.	1 2 3 4 5	DESCRIPTION	QTY.
1	<u>72721-G06</u>		DIRECTION SELECTOR ASSY (INCLUDES ITEMS 3 - 28, 31 - 34) (ST 350)	1
2	<u>72721-G05</u>		DIRECTION SELECTOR ASSY (INCLUDES ITEMS 3 - 25, 29 - 34) (SPORT)	1
3	<u>74456-G02</u>		DIRECTION SELECTOR BRACKET (INCLUDES ITEMS 4, 5)	1
4	<u>606077</u>		WELDMENT	1
5	<u>25664-G2</u>		BUSHING	1
6	<u>603700</u>		DIRECTION SELECTOR CAM.....	1
7	<u>72724-G01</u>		NEUTRAL LOCK PIN	1
8	<u>72733-G01</u>		COMPRESSION SPRING, 3/8" X 5/8" LG	1
9	<u>72729-G01</u>		NEUTRAL LOCK LATCH.....	1
10	<u>00734-G2</u>		LOCK NUT, 1/4 - 28.....	1
11	<u>72732-G01</u>		BALL STUD	1
12	<u>00734-G5</u>		LOCK NUT, #10 - 32.....	1
13	<u>70233-G01</u>		DIRECTION SELECTOR SHAFT.....	1
14	<u>14390-G1</u>		LOCK NUT, 3/8 - 24.....	1
15	<u>28574-G01</u>		EXTENSION SPRING	1
16				
17	<u>72736-G01</u>		MICRO SWITCH	1
18	<u>01062-G01</u>		SCREW, #4 - 40 X 1" LG.....	2
19	<u>00559-G1</u>		WASHER, #4	2
20	<u>00565-G1</u>		LOCK WASHER, #4	2
21	<u>00526-G2</u>		NUT, #4 - 40	2
22				
23	<u>73290-G03</u>		REVERSE WARNING BUZZER.....	1
24	<u>01063-G01</u>		SCREW, #6 - 32 X 3/8" LG.....	2
25	<u>25978-G345</u>		18 GA WIRE (RED 7").....	1
26				
27				
28	<u>72734-G03</u>		SHIFTER CABLE (ST 350)	1
29	<u>602891</u>		SHIFTER CABLE (ST SPORT)	1
30				
31	<u>25727-G01</u>		CUP WASHER, 1/4"	4

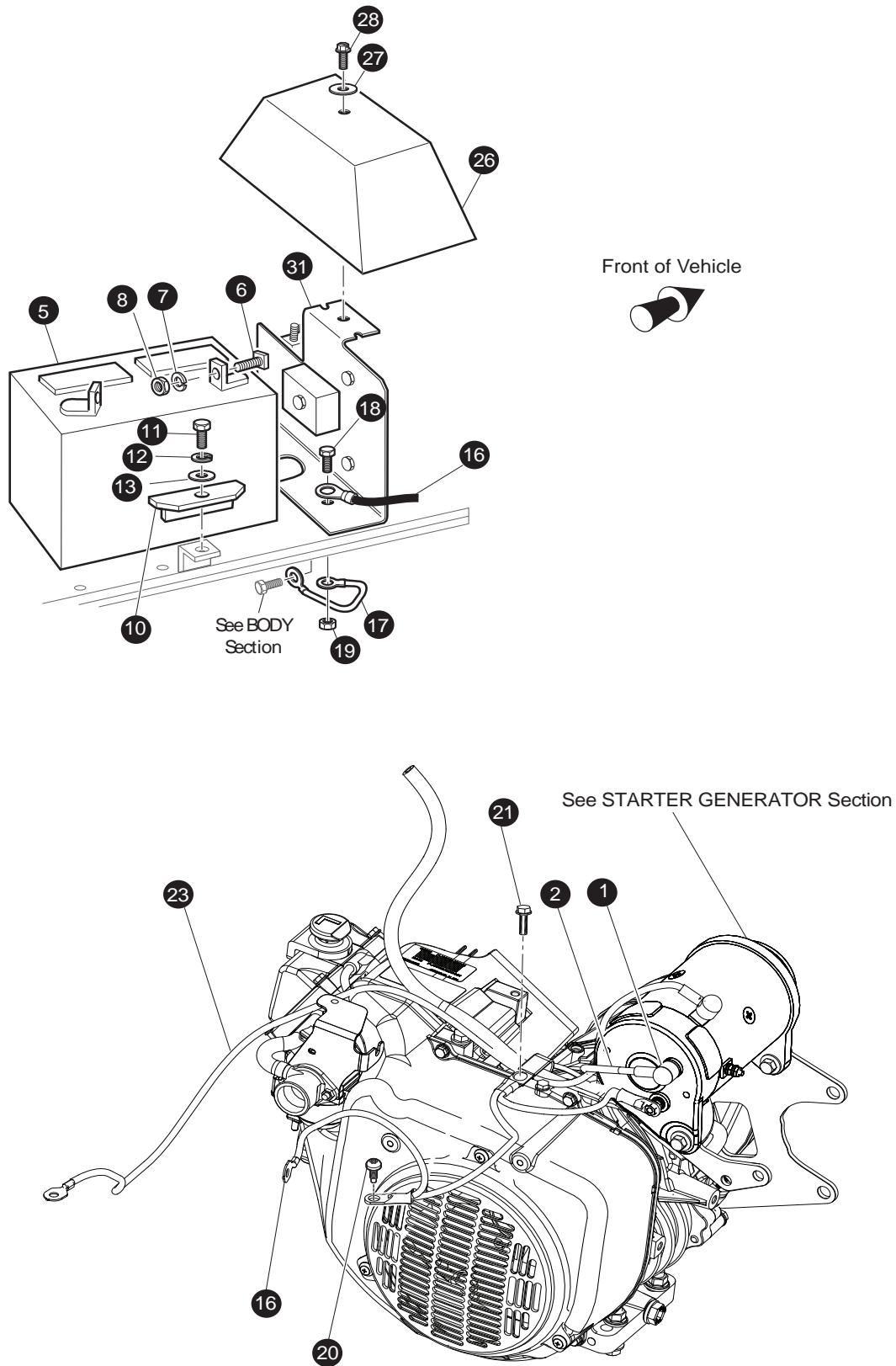
DIRECTION SELECTOR

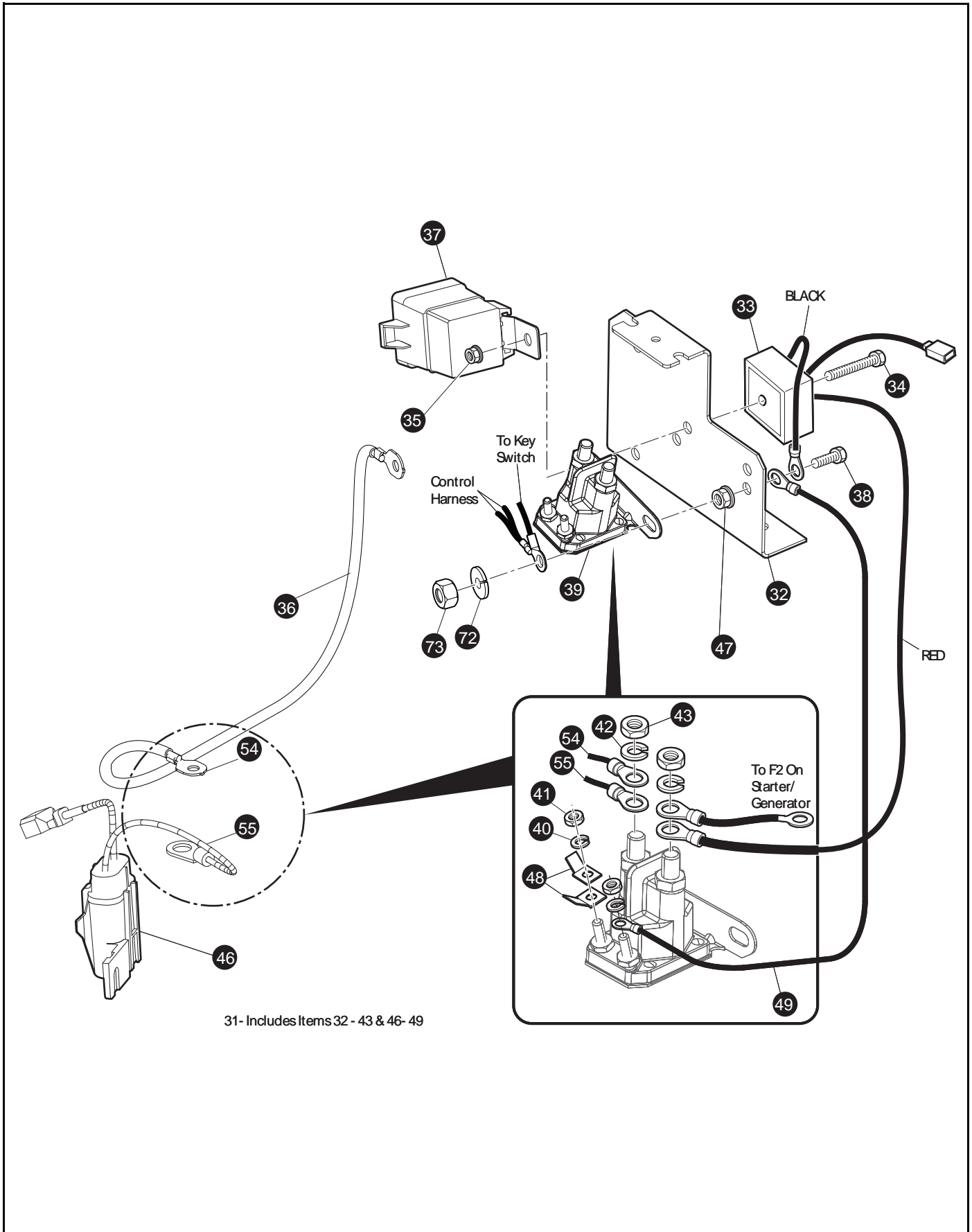
When ordering parts, please specify the model and serial number of the product.

* Indicates a component that is not available as an individual part.

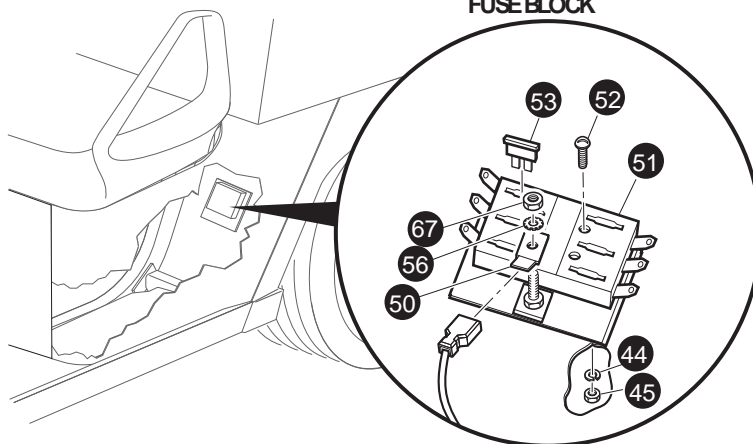
*** Indicates consult Customer Service Department for additional information.

ITEM	PART NO.	1 2 3 4 5	DESCRIPTION	QTY.
32	<u>72735-G01</u>		COMPRESSION SPRING, 19/32" X 1" LG	2
33	<u>74455-G01</u>		SHIFTER ARM WITH BUSHING	1
34	<u>00734-G5</u>		LOCK NUT, #10 - 32	1
35				
36	<u>70227-G01</u>		SCREW, 1/4 - 20 X 7/8" LG	2
37	<u>11027-G2</u>		LOCK NUT, 1/4 - 20	2
38				
39	26830-G01		LOCK NUT, M8 X 1.25 MM	1
40				
41				
42	<u>71205-G01</u>		DIRECTION SELECTOR HANDLE	1
43	<u>00740-G4</u>		SCREW, #10 - 32 X 1/2" LG (STAINLESS STEEL)	1
44				
45	<u>17618-G1</u>		WIRE TIE	1
46	<u>01072-G01</u>		CABLE CLIP	2
47				
48	<u>11845-G5</u>		CLIP, 3/8" (ST 350)	1
49	<u>00414-G6</u>		BOLT, 1/4 - 20 X 3/4" LG (ST 350)	1
50	<u>14390-G4</u>		LOCK NUT, 1/4 - 20 (ST 350)	1

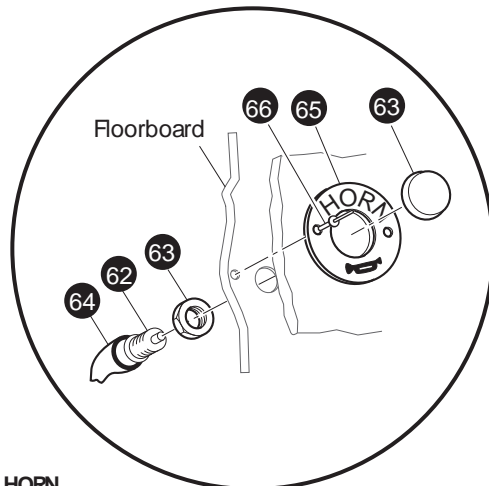




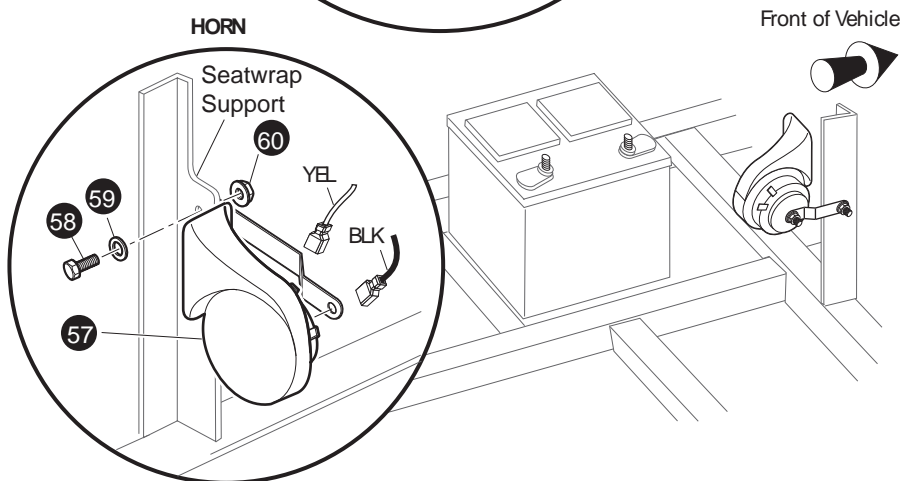
FUSEBLOCK

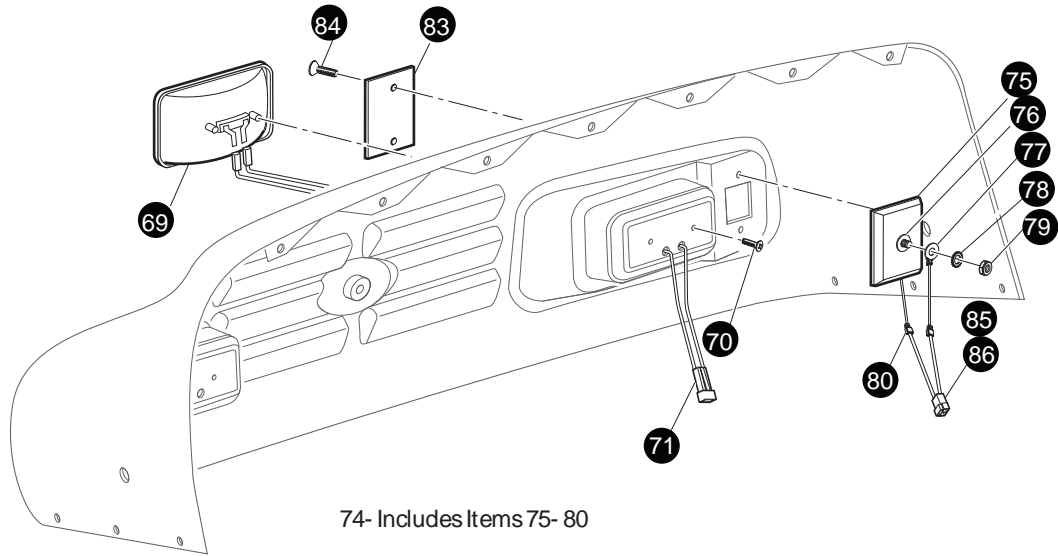


HORN BUTTON

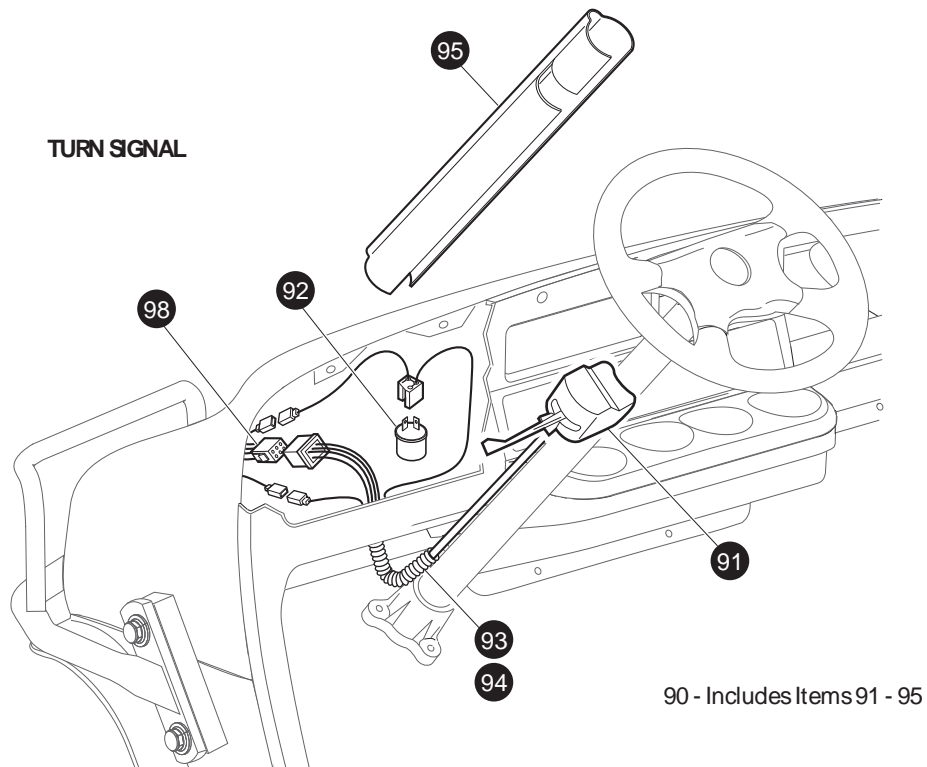
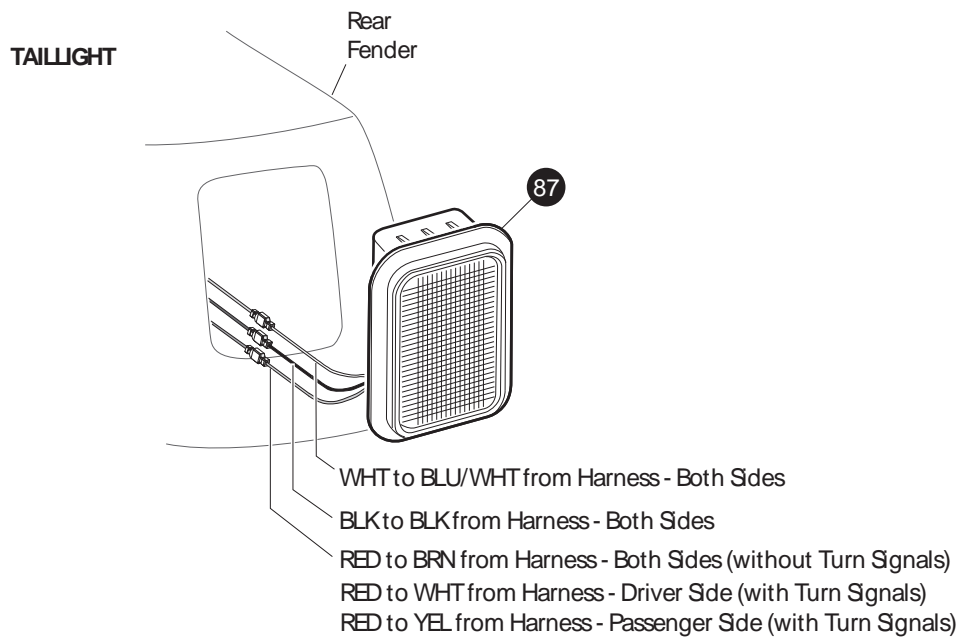


HORN



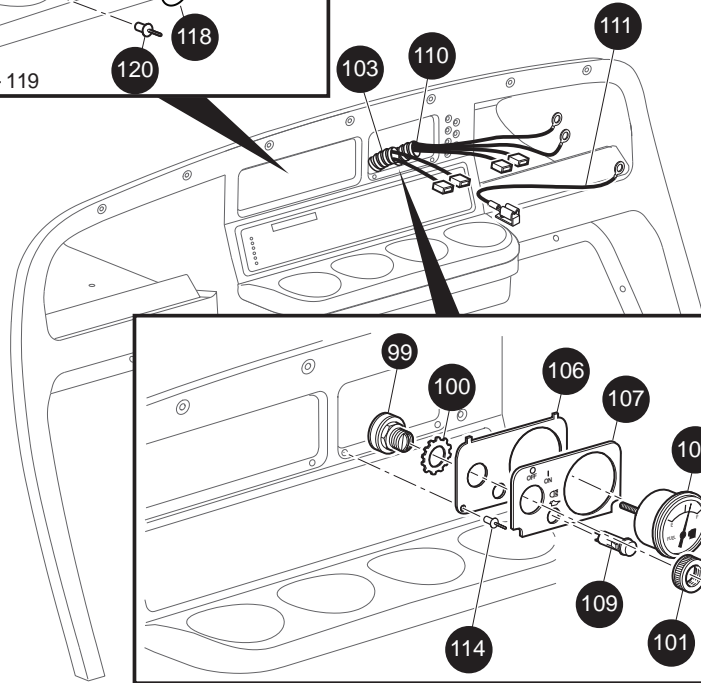
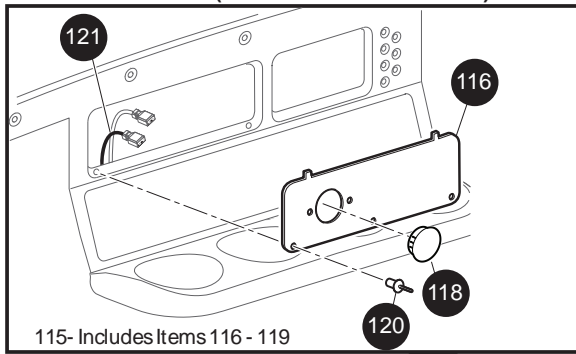


Ref Ele 11-4

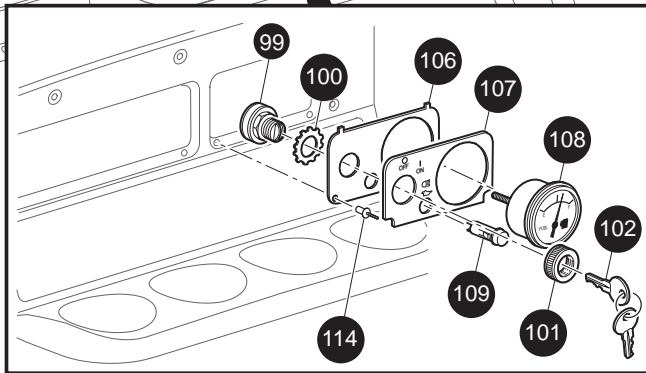


Ref Ele 11-5

CONSOLE INSERT PLATE (WITH POWER OUTLET SHOWN)

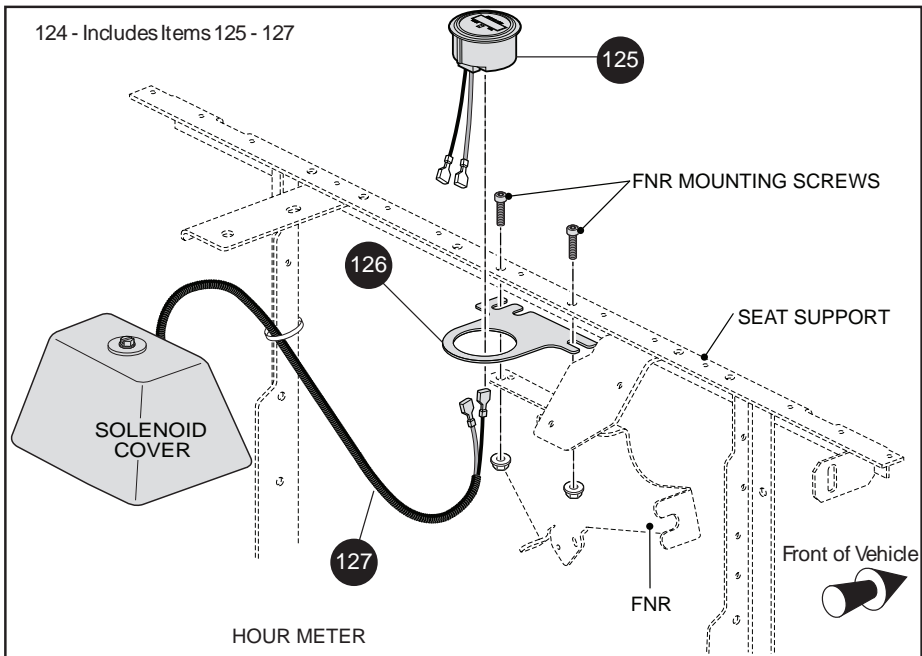


Front of Vehicle



KEY SWITCH, INDICATOR LIGHT(S), AND FUEL GAUGE

124 - Includes Items 125 - 127



Ref Ele 11-6

ELECTRICAL

When ordering parts, please specify the model and serial number of the product.

* Indicates a component that is not available as an individual part.

*** Indicates consult Customer Service Department for additional information.

ITEM	PART NO.	1 2 3 4 5	DESCRIPTION	QTY.
1	<u>607053</u>		6 GA WIRE (BLACK 6", F1 - A2).....	1
2	<u>25682G1</u>		TERMINAL COVER.....	3
3				
4				
5	24775G*		BATTERY, 12V	1
6	*		BOLT, 5/16 - 18 X 1 1/4" LG.....	2
7	*		LOCK WASHER, 5/16" (SILICON BRONZE).....	2
8	*		NUT, 5/16 - 18 (SILICON BRONZE)	2
9				
10	<u>72101G02</u>		BATTERY HOLD DOWN	1
11	00438G6		BOLT, 5/16 - 18 X 3/4" LG	3
12	<u>00565G8</u>		LOCK WASHER, 5/16"	1
13	<u>00571G2</u>		WASHER, 5/16" (STAINLESS STEEL)	1
14				
15				
16	<u>27044G03</u>		GROUND CABLE.....	1
17	<u>25976G19</u>		14 GA WIRE (BLACK 6").....	1
18	00438G6		BOLT, 5/16 - 18 X 3/4" LG	2
19	<u>11027G1</u>		LOCK NUT, 5/16 - 18.....	2
20	<u>26676G01</u>		FLANGED BOLT	1
21	<u>606264</u>		BOLT, M6-1 X 20	1
22				
23	<u>25972G85</u>		6 GA WIRE (BLACK 23", F2 - SOL).....	1
24	<u>605821</u>		WIRE HARNESS (CONTROL).....	1
25	<u>17618G1</u>		WIRE TIE (NOT ILLUSTRATED)	AR
26	<u>73049G01</u>		COVER FNR	1
27	<u>16469G1</u>		WASHER, 1/4".....	1
28	<u>00114G6</u>		SCREW, 1/4 - 14 X 3/4" LG.....	1
29				
30				
31	<u>605563</u>		ELECTRICAL PLATE ASSEMBLY (INCLUDES ITEMS 32 - 49)	1

When ordering parts, please specify the model and serial number of the product.

* Indicates a component that is not available as an individual part.

*** Indicates consult Customer Service Department for additional information.

ITEM	PART NO.	1 2 3 4 5	DESCRIPTION	QTY.
32	<u>73057G01</u>		BRACKET.....	1
33	<u>27739G01</u>		VOLTAGE REGULATOR.....	1
34	<u>00415G4</u>		BOLT, 1/4 - 20 X 1 1/4" LG.....	1
35	<u>11027G2</u>		LOCK NUT, 1/4 - 20.....	1
36	<u>25972G33</u>		WIRE ASSEMBLY 6 GA.....	1
37	<u>603282</u>		RELAY.....	1
38	<u>00661G08</u>		BOLT, 1/4 - 20 X 1" LG.....	1
39	<u>612813</u>		SOLENOID.....	1
40	*		LOCK WASHER, #10.....	2
41	*		NUT, #10 - 32.....	2
42	*		LOCK WASHER, 5/16".....	2
43	*		NUT, 5/16 - 24.....	2
44	<u>00559G5</u>		WASHER, # 10.....	2
45	<u>14390G10</u>		LOCKNUT, #10-24.....	2
46	<u>600418G01</u>		FUSE HOLDER ASSEMBLY.....	1
47	<u>11027G2</u>		LOCK NUT, 1/4 - 20.....	1
48	<u>73446G01</u>		FASTON TAB, 90°.....	2
49	<u>25978G56</u>		18 GA WIRE (BLACK 5 3/4").....	1
50	<u>12914G01</u>		PUSH ON MALE TERMINAL.....	1
51	<u>35211G01</u>		FUSE BLOCK.....	1
52	<u>00379G2</u>		RIVET, 1/8" X 13/16" LG.....	2
53	<u>35212G01</u>		15 AMP FUSE.....	3
54	<u>25972G33</u>		#6 GA WIRE ASSEMBLY.....	1
55	<u>20216G1</u>		16 GA WIRE (RED).....	1
56	<u>00567G5</u>		LOCK WASHER, #10.....	1
57	<u>32860G1</u>		HORN.....	1
58	<u>00414G5</u>		BOLT, 1/4 - 20 x 5/8" LG.....	1
59	<u>00559G7</u>		WASHER, 1/4" (STAINLESS STEEL).....	1
60	<u>14390G4</u>		LOCK NUT, 1/4 - 20.....	1
61				
62	<u>17318G1</u>		HORN SWITCH.....	1

ELECTRICAL

When ordering parts, please specify the model and serial number of the product.

* Indicates a component that is not available as an individual part.

*** Indicates consult Customer Service Department for additional information.

ITEM	PART NO.	1 2 3 4 5	DESCRIPTION	QTY.
63	<u>17318G2</u>		HORN SWITCH CAP AND NUT	1
64	<u>27068G01</u>		HORN SWITCH BOOT.....	1
65	19233G1		HORN SWITCH LABEL.....	1
66	<u>71055G01</u>		RIVET, 3/16" X 1" LG (ALUMINUM)	2
67	<u>00526G4</u>		NUT, #10-32	1
68				
69	22523G01		HEADLIGHT (INCLUDES ITEM 70).....	2
70	<u>01085G01</u>		SCREW, #10 - 24 X 2 - 1/7	4
71	<u>74337G01</u>		JUMPER WIRE (HEADLIGHT)	2
72				
73				
74	<u>20570G3</u>		TURN SIGNAL LIGHT ASSEMBLY (INCLUDES ITEMS 75 - 80).....	2
75	<u>20574G3</u>		TURN SIGNAL LIGHT	1
76	<u>00660G7</u>		WASHER, 1/4" (STAINLESS STEEL).....	1
77	<u>20606G1</u>		WIRE ASSEMBLY.....	1
78	<u>00567G7</u>		LOCK WASHER, 1/4"	1
79	<u>00532G1</u>		NUT, 1/4 - 20.....	1
80	<u>18995G1</u>		PUSH-ON TERMINAL (MALE).....	1
81				
82				
83	<u>20574G4</u>		LENS, AMBER	1
84	<u>00118G5</u>		SCREW, #6 - 18 X 5/8" LG.....	4
85	<u>74056G01</u>		TURN SIGNAL JUMPER, RED/BLACK (PASSENGER SIDE)	1
86	<u>74056G02</u>		TURN SIGNAL JUMPER, GREEN/BLACK (DRIVER SIDE).....	1
87	<u>32739G2</u>		TAILLIGHT ASSEMBLY (COMPLETE)	2
88				
89				
90	606887		TURN SIGNAL KIT (INCLUDES ITEMS 91 - 95).....	1
91	<u>17867G1</u>		TURN SIGNAL (WITH MOUNTING HARDWARE) (INCLUDES ITEM 106)	1
92	<u>21640G1</u>		TURN SIGNAL FLASHER.....	1
93	<u>32307G3</u>		FLEX LOOM, 3/8 X 8" LG	1

When ordering parts, please specify the model and serial number of the product.

* Indicates a component that is not available as an individual part.

*** Indicates consult Customer Service Department for additional information.

ITEM	PART NO.	1 2 3 4 5	DESCRIPTION	QTY.
94	<u>17618G1</u>		WIRE TIE.....	2
95	<u>20965G3</u>		STEERING COLUMN COVER.....	1
96				
97				
98	<u>606045</u>		WIRE HARNESS (ACCESSORY)	1
99	<u>18602G1</u>		IGNITION SWITCH (WITH LIGHTS, INDIVIDUALLY KEYED).....	1
100	<u>00568G6</u>		LOCK WASHER, 3/4"	1
101	<u>17137G1</u>		FACE NUT, 3/4 - 20.....	1
102	<u>17063G1</u>		IGNITION KEY	1
103	<u>605830</u>		WIRE HARNESS (KEY SWITCH).....	1
104				
105				
106	<u>73030G04</u>		PLATE (FUEL GAUGE AND OIL LIGHT)	1
107	<u>71131G01</u>		LABEL (OIL LIGHT AND FUEL GAUGE WITH HEADLIGHTS)	1
108	<u>21553G1</u>		FUEL GAUGE	1
109	<u>23474G1</u>		INDICATOR LIGHT	1
110	<u>74311G01</u>		HARNESS (OIL LIGHT/FUEL GAUGE).....	1
111	<u>25978G122</u>		18 GA WIRE (RED 6")	1
112				
113				
114	<u>33623G02</u>		DRIVE RIVET, 3/16" X 3/8" LG	2
115	<u>74693G01</u>		CONSOLE INSERT ASSEMBLY (INCLUDES ITEMS 116 - 119).....	1
116	<u>73522G03</u>		CONSOLE INSERT PLATE.....	1
117				
118	<u>20271G10</u>		HOLE PLUG	1
119				
120	<u>33623G02</u>		DRIVE RIVET, 3/16" X 3/8" LG	3
121				
122				
123				
124	<u>607285</u>		HOUR METER KIT (INCLUDES ITEMS 125 - 127).....	1

ELECTRICAL

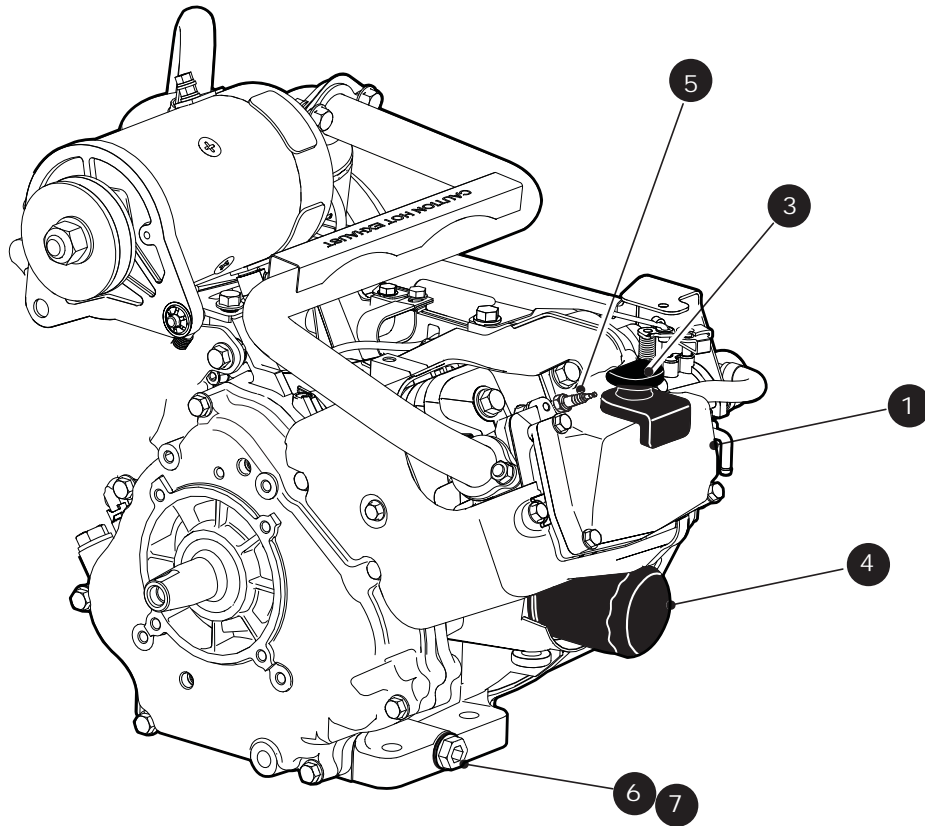
When ordering parts, please specify the model and serial number of the product.

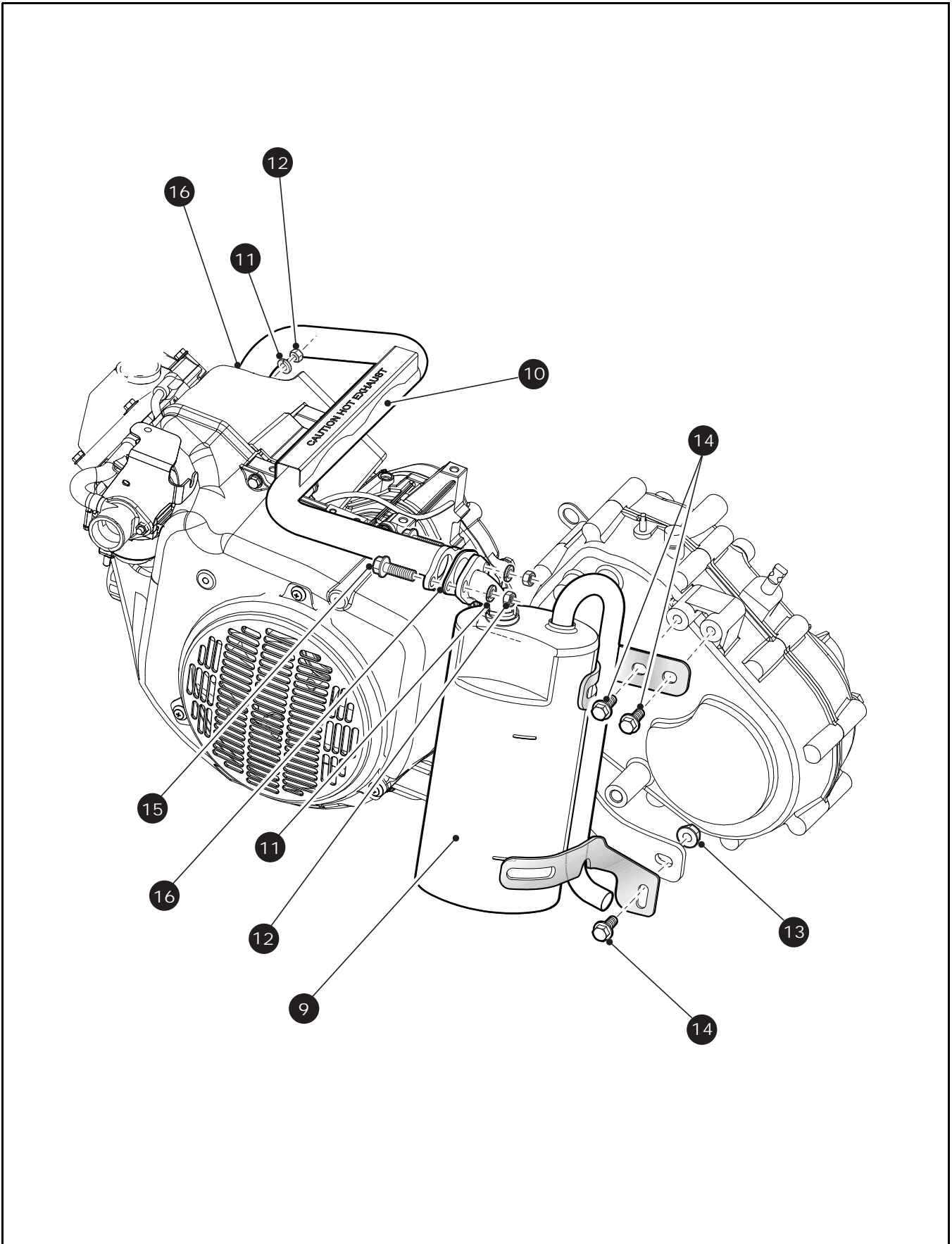
* Indicates a component that is not available as an individual part.

*** Indicates consult Customer Service Department for additional information.

ITEM	PART NO.	1	2	3	4	5	DESCRIPTION	QTY.
125	<u>617074</u>						HOUR METER.....	1
126	<u>603721</u>						HOUR METER BRACKET	1
127	<u>606254</u>						WIRE HARNESS (HOUR METER).....	1

ENGINE AND MUFFLER





ENGINE AND MUFFLER

Where applicable, THE USE OF NON UL PARTS WILL VOID ANY UL LISTING.

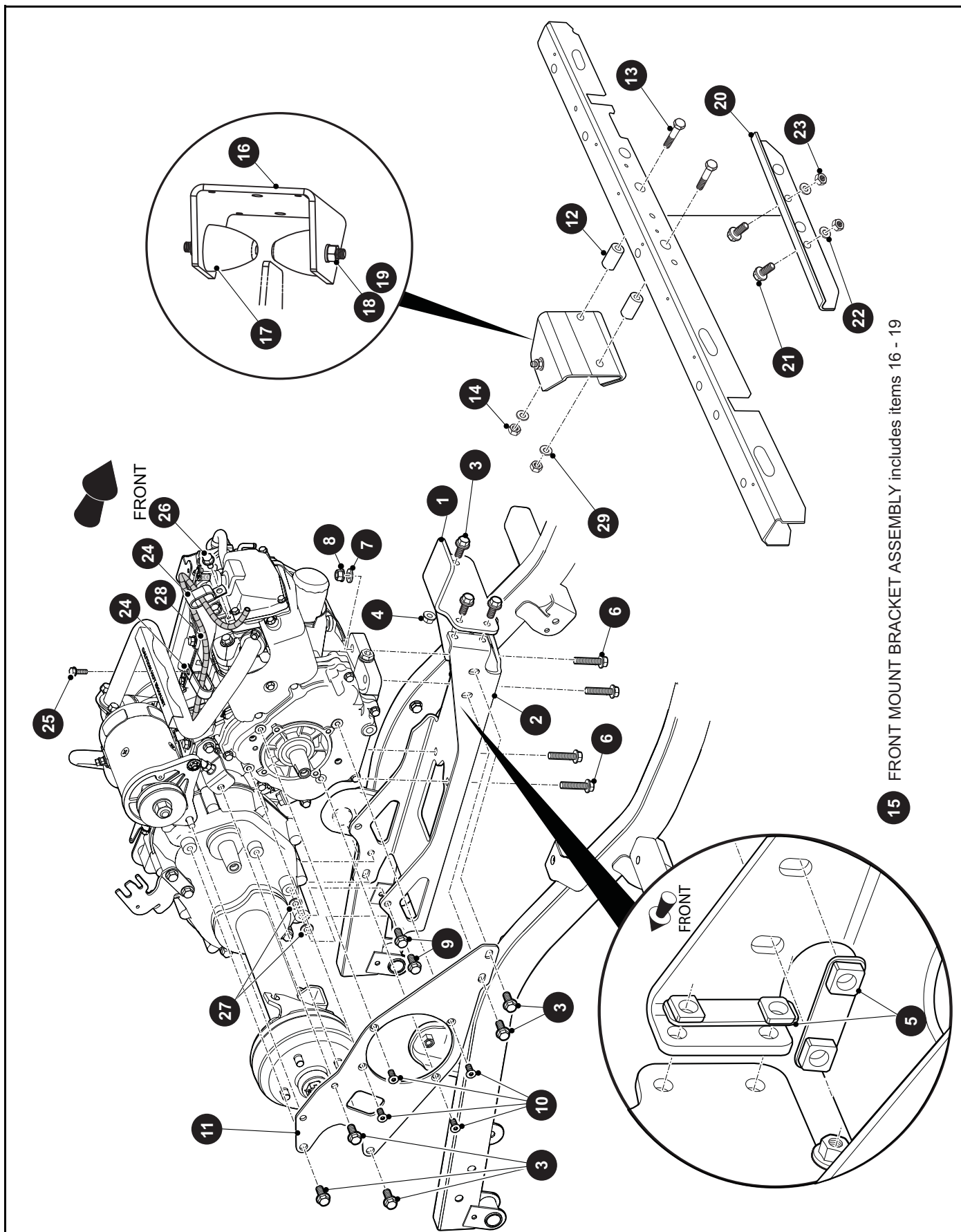
When ordering parts, please specify the model and serial number of the product.

* Indicates a component that is not available as an individual part.

G** Indicates consult Customer Service Department for additional information.

ITEM	PART NO.	1 2 3 4 5	DESCRIPTION	QTY.
1	<u>607154</u>		ENGINE, GAS, 13HP, NON-GOLF	1
2	<u>606390</u>		DIP STICK, LOW (ST SPORT II G CARB)	1
3	<u>606391</u>		DIP STICK, HIGH	1
4	<u>607454</u>		OIL FILTER	1
5	<u>607462</u>		SPARK PLUG (BPR2ES).....	1
6	<u>603557</u>		OIL DRAIN PLUG	1
7	<u>603562</u>		'O' RING, 16MM	1
8				
9	<u>612266</u>		MUFFLER	1
10	<u>606982</u>		EXHAUST PIPE	1
11	<u>606272</u>		WASHER, 8MM.....	4
12	<u>606267</u>		NUT, M8 X 1.25	4
13	<u>606279</u>		NUT, M10 - 1.25	1
14	<u>606256</u>		BOLT, M10 - 1.25 X 25	3
15	<u>602330</u>		BOLT, M8 - 1.25 X 30	2
16	<u>603599</u>		EXHAUST GASKET	2

ENGINE MOUNTING



ENGINE MOUNTING

When ordering parts, please specify the model and serial number of the product.

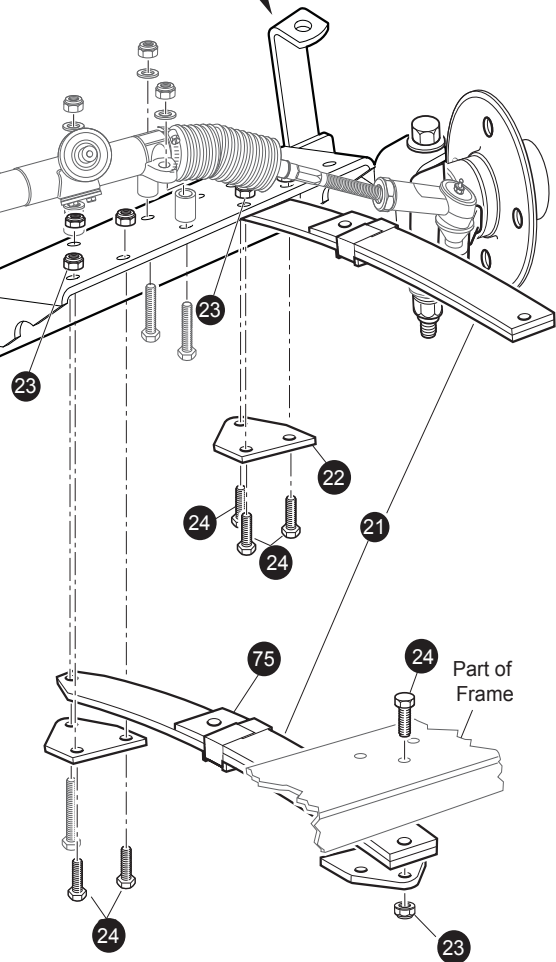
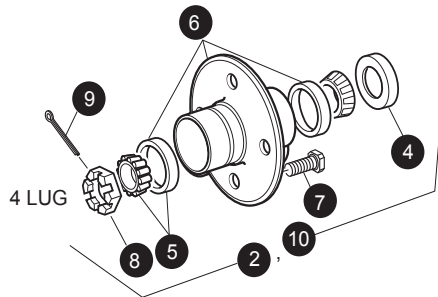
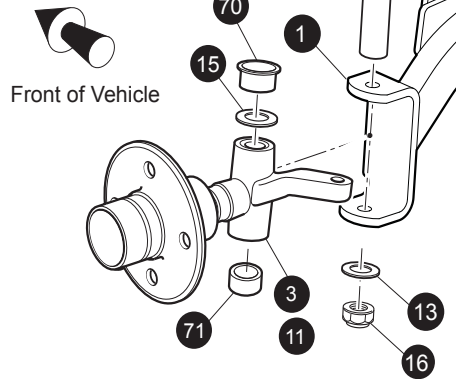
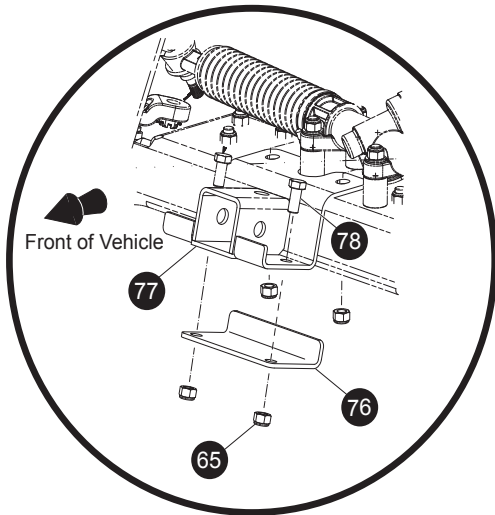
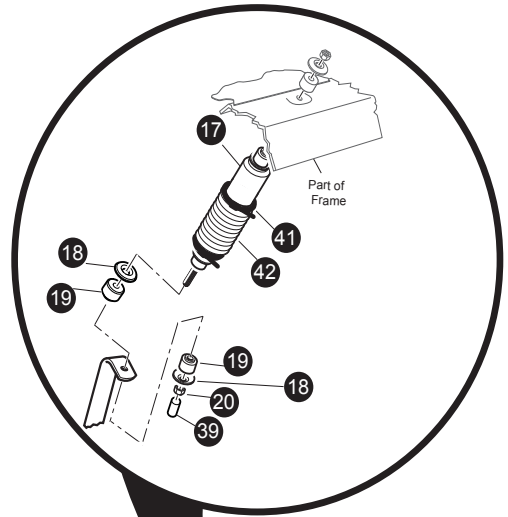
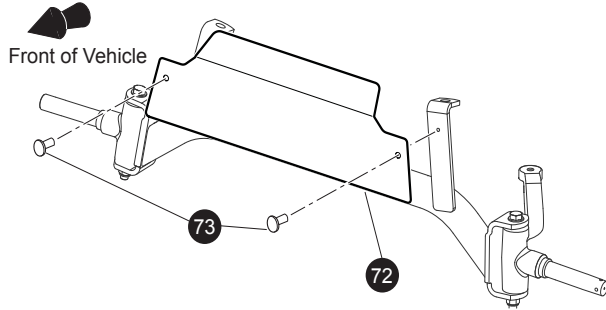
* Indicates a component that is not available as an individual part.

*** Indicates consult Customer Service Department for additional information.

ITEM	PART NO.	1 2 3 4 5	DESCRIPTION	QTY.
1	<u>606007</u>		FRONT ENGINE MOUNT.....	1
2	<u>603101</u>		ENGINE PAN MOUNT	1
3	<u>606256</u>		BOLT, M10 - 1.25 X 25.....	8
4	<u>606279</u>		NUT, M10 - 1.25.....	1
5	<u>606096</u>		NUT PLATE.....	2
6	<u>606259</u>		BOLT, M10 - 1.25 X 45.....	4
7	<u>603823</u>		FLAT WASHER, M10 X 22 - 2.5	4
8	<u>606279</u>		NUT, M10 - 1.25.....	4
9	<u>608020</u>		BOLT, M10 - 1.25 X 34.....	4
10	<u>606246</u>		FLAT HEAD SCREW, M6 - 1 X 12.....	4
11	<u>602146</u>		DIFFERENTIAL PLATE	1
12	<u>72016G01</u>		TUBE SPACER	2
13	<u>00428G8</u>		HEX HEAD 3/8 - 16, UNC X 2.75	2
14	<u>11098G5</u>		PLASTIC INSERT LOCK NUT, 3/8 -16.....	2
15	<u>627627</u>		FRONT MOUNT BRACKET ASSEMBLY (INCLUDES ITEMS 16 -19).....	1
16	<u>625345</u>		FRONT MOUNT BRACKET	1
17	<u>605757</u>		RUBBER BUMPER	2
18	<u>00974G01</u>		HEX NUT, M10 X 1.5.....	2
19	<u>608654</u>		SPLIT LOCK WASHER, 10MM	2
20	<u>70269G02</u>		CROSSMEMBER BRACE	1
21	<u>00438G7</u>		HEX HEAD BOLT, 5/16 - 18 x 7/8	2
22	<u>00559G8</u>		FLAT WASHER, 5/16.....	2
23	<u>01109G01</u>		PLASTIC INSERT LOCK NUT, 5/16 -18 UNC.....	2
24	<u>606962</u>		TUBE CLAMP, DBL - 0.72	2
25	<u>606264</u>		BOLT, HXFL M6 - 1 X 20.....	1
26	<u>606265</u>		BOLT, HXFL M6 - 1 X 12.....	1
27	<u>00560G2</u>		B TYPE NARROW FLAT WASHER, 7/16.....	2
28	<u>27184G12</u>		TUBE, (FUEL SYSTEM).....	1
29	<u>00643G1</u>		FLAT WASHER, 3/8 X 1.0 X .063	2

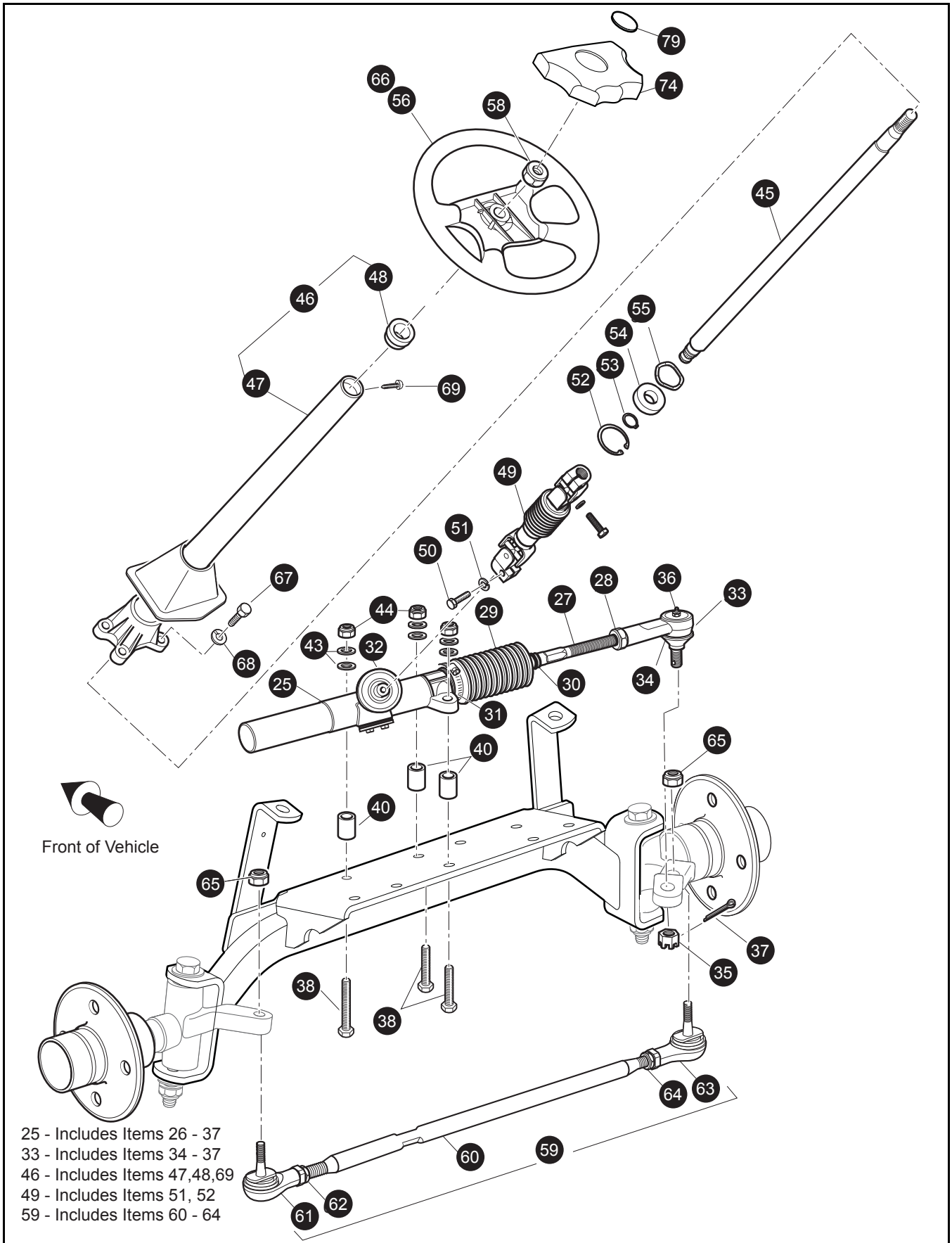
FRONT SUSPENSION / STEERING

- 2 - Includes Items 3 - 9
- 6 - Includes Item 7
- 10 - Includes Items 4 - 9, 11



*NOTE: Tie Rod Not Shown for Clarity

FRONT SUSPENSION / STEERING



FRONT SUSPENSION / STEERING

Where applicable, THE USE OF NON UL PARTS WILL VOID ANY UL LISTING.

When ordering parts, please specify the model and serial number of the product.

* Indicates a component that is not available as an individual part.

G** Indicates consult Customer Service Department for additional information.

ITEM	PART NO.	1 2 3 4 5	DESCRIPTION	QTY.
1	<u>606989</u>		FRONT AXLE	1
2	<u>70930-G01</u>		SPINDLE AND HUB ASSEMBLY, 4 LUG (PASSENGER SIDE) (INCLUDES ITEMS 3 - 9).....	1
3	<u>70802-G01</u>		SPINDLE ASSEMBLY (PASSENGER SIDE).....	1
4	<u>25146-G1</u>		GREASE SEAL.....	1
5	<u>11750-G2</u>		ROLLER BEARING AND RACE ASSEMBLY.....	2
6	<u>35886-G01</u>		WHEEL HUB ASSEMBLY WITH RACES, 4 LUG (INCLUDES ITEM 7)	1
7	<u>19862-G1</u>		LUG BOLT, 1/2 - 20 X 1 3/16" LG.....	4
8	<u>12093-G1</u>		CASTELLATED NUT, 1 - 14	1
9	<u>00798-G8</u>		COTTER PIN, 5/32" X 1 3/4" LG	1
10	<u>70931-G01</u>		SPINDLE AND HUB ASSEMBLY, 4 LUG (DRIVER SIDE) (INCLUDES ITEMS 4 - 9, 11).....	1
11	<u>70803-G01</u>		SPINDLE ASSEMBLY (DRIVER SIDE).....	1
12	<u>00407-G6</u>		BOLT, 1/2 - 13 X 6" LG	2
13	<u>00560-G3</u>		WASHER, 1/2"	4
14	<u>70745-G01</u>		KING PIN TUBE	2
15	<u>70754-G01</u>		THRUST WASHER, 1" (STAINLESS STEEL).....	2
16	<u>14390-G6</u>		LOCK NUT, 1/2 - 13	2
17	<u>76419-G01</u>		SHOCK ABSORBER.....	2
18	<u>10435-G1</u>		SHOCK ABSORBER WASHER.....	8
19	<u>10194-G1</u>		RUBBER BUSHING	8
20	<u>00532-G6</u>		NUT, 3/8 - 24	4
21	<u>70664-G03</u>		LEAF SPRING (HEAVY DUTY)	2
22	<u>70163-G03</u>		SPRING PLATE	4
23	<u>00734-G1</u>		LOCK NUT, 7/16 - 14	12
24	<u>00463-G11</u>		BOLT, 7/16 - 14 X 1 3/4" LG	12
25	<u>70964-G01</u>		RACK AND PINION UNIT (COMPLETE) (INCLUDES ITEMS 26 - 37)	1
26	*		STEERING BOX INSTALLATION TAG.....	1
27	<u>70694-G01</u>		RACK EXTENSION	1
28	*		JAM NUT, 1/2 - 20.....	1
29	<u>70961-G01</u>		RACK BOOT	1

FRONT SUSPENSION / STEERING

Where applicable, THE USE OF NON UL PARTS WILL VOID ANY UL LISTING.

When ordering parts, please specify the model and serial number of the product.

* Indicates a component that is not available as an individual part.

G** Indicates consult Customer Service Department for additional information.

ITEM	PART NO.	1 2 3 4 5	DESCRIPTION	QTY.
30	<u>12416-G2</u>		WIRE TIE	1
31	<u>11391-G8</u>		CLAMP, 1 13/16 - 2 3/8"	1
32	<u>70638-G01</u>		PINION SEAL	1
33	<u>70695-G01</u>		RACK BALL JOINT (INCLUDES ITEMS 34 -37)	1
34	<u>50641-G1</u>		RUBBER BOOT	1
35	<u>50209-G2</u>		CASTELLATED NUT, 7/16 - 20	1
36	<u>10387-G2</u>		GREASE FITTING, STRAIGHT	1
37	<u>10389-G3</u>		COTTER PIN, 3/32" X 1" LG	1
38	<u>00464-G6</u>		BOLT, 7/16 - 14 X 2 3/4" LG	3
39	<u>10044G01</u>		VINYL CAP	2
40	<u>70667-G02</u>		SPACER	3
41	<u>31539G1</u>		NYLON CLAMP	4
42	<u>70509G01</u>		SHOCK ABSORBER BOOT	2
43	<u>00560-G2</u>		FLAT WASHER, 7/16"	6
44	<u>00734-G1</u>		LOCK NUT, 7/16 - 14	3
45	<u>70607-G01</u>		STEERING SHAFT	1
46	<u>70758-G05</u>		STEERING COLUMN KIT (INCLUDES ITEMS 47,48 & 69)	1
47	<u>70610-G03</u>		STEERING COLUMN	1
48	<u>28569-G01</u>		STEERING COLUMN BUSHING	1
49	<u>70580-G01</u>		INTERMEDIATE SHAFT (INCLUDES ITEMS 50, 51)	1
50	<u>01055-G01</u>		BOLT, M8 X 1.25 - 05	1
51	<u>00565-G8</u>		LOCK WASHER, 5/16"	1
52	<u>70751-G01</u>		RETAINING RING (INTERNAL)	1
53	<u>70888-G01</u>		RETAINING RING (EXTERNAL)	1
54	<u>15112-G1</u>		BALL BEARING	1
55	<u>70887-G01</u>		WAVE WASHER	1
56	<u>602980</u>		STEERING WHEEL PREMIUM (OPTIONAL)	1
57				
58	<u>14390-G2</u>		LOCK NUT, 5/8 - 18	1
59	<u>70876-G02</u>		TIE ROD ASSEMBLY (INCLUDES ITEMS 60 - 64)	1

FRONT SUSPENSION / STEERING

Where applicable, THE USE OF NON UL PARTS WILL VOID ANY UL LISTING.
 When ordering parts, please specify the model and serial number of the product.
 * Indicates a component that is not available as an individual part.
 G** Indicates consult Customer Service Department for additional information.

ITEM	PART NO.	1 2 3 4 5	DESCRIPTION	QTY.
60	<u>70897-G02</u>		THREADED ROD (24" LG).....	1
61	<u>70902-G01</u>		TIE ROD END (LEFT HAND THREADS)	1
62	<u>01069-G01</u>		JAM NUT, M12 X 1.25 - 05 (LEFT HAND THREADS).....	1
63	<u>70902-G02</u>		TIE ROD END (RIGHT HAND THREADS).....	1
64	<u>01069-G02</u>		JAM NUT, M12 X 1.25 - 05 (RIGHT HAND THREADS)	1
65	<u>00734-G1</u>		LOCK NUT, 7/16 - 14	2
66	<u>602979</u>		STEERING WHEEL	1
67	<u>01006-G01</u>		BOLT, 3/8 - 16 x 1 1/4" LG.....	4
68	<u>00879 -G1</u>		LOCK WASHER, 3/8".....	4
69	<u>01022-G01</u>		SCREW #6 - 20 x 5/16" LG	1
70	<u>70648-G01</u>		FLANGED BEARING	1
71	<u>70749-G01</u>		BEARING	1
72	<u>605642</u>		STEERING RACK COVER	1
73	<u>15058-G1</u>		RIVET	2
74	<u>71147-G01</u>		STEERING WHEEL COVER	1
75	<u>70990-G03</u>		SPRING FRONT CANT LEAF	2
76	<u>604572</u>		PL, WINCH RECEIVER RETAINER.....	4
77	<u>604559</u>		WELDMENT, WINCH RECEIVER.....	3
78	<u>00462-G8</u>		SCREW, HEXAGON HEAD 7/16 - 14	4
79	<u>605435</u>		STEERING WHEEL DECAL	1

FUEL SYSTEM

When ordering parts, please specify the model and serial number of the product.

* Indicates a component that is not available as an individual part.

*** Indicates consult Customer Service Department for additional information.

ITEM	PART NO.	1 2 3 4 5	DESCRIPTION	QTY.
1	<u>620180</u>		CARB FUEL TANK ASSEMBLY (Includes items 3 - 10)	1
2	<u>620181</u>		CARB FUEL TANK ASSEMBLY (Use with sending unit) (Includes items 5 - 15)	1
3	<u>620179</u>		STANDARD FUEL TANK (CARB III) (Includes item 4).....	1
4	618668		FUEL TANK, W/O SENDER UNIT	1
5	<u>18287G3</u>		SIPHON TUBE ASSEMBLY	1
6	<u>606068</u>		ROLLOVER VALVE GROMMET	1
7	617886		EPA FUEL TANK LABEL	1
8	<u>606067</u>		ROLLOVER VALVE	1
9	617885		FUEL TANK CAP (RATCHET).....	1
10	<u>70988G01</u>		SIPHON TUBE GROMMET	1
11	<u>607479</u>		CARB FUEL TANK, FLOUR (W/SWITCH) (Includes item 12)	1
12	618669		FUEL TANK, W/ SENDER UNIT	1
13	<u>72230G01</u>		FLAT HEAD MACHINE SCREW	2
14	<u>20048G2</u>		FUEL LEVEL SENDER	1
15	72229G01		FUEL TANK ADAPTER	1
16	<u>606966</u>		LOW PRESSURE FUEL HOSE, 3/16 I.D. X 3/8 O.D. X 34.00 LONG (CARB)	1
17	<u>607546</u>		LOW PRESSURE FUEL HOSE, 3/16 I.D. X 3/8 O.D. X 17.00 LONG (CARB)	1
18	<u>32372G6</u>		BLACK TRIM, 6.25 LONG	1
19	<u>17618G1</u>		NYLON CLAMP	2
20				
21	<u>18292G1</u>		HOSE CLAMP,.50 DIAMETER	7
22	<u>00438G8</u>		HEX HEAD BOLT, 5/16 - 18 X 1	1
23	00559G8		FLAT WASHER, 5/16	4
24	11098G6		LOCK NUT, 5/16 - 18	3
25	<u>70483G01</u>		SPACER BOLT, 5/16 - 18.....	1
26	<u>615346</u>		HOSE REDUCER-ID 1/4 X 3/16.....	1
27	<u>611181</u>		FUEL SHUT-OFF VALVE	1
28				
29	<u>615350</u>		FUEL SYSTEM HOSE 2.00"	3
30	<u>72084G01</u>		FUEL LINE FILTER.....	1
31	<u>606969</u>		FUEL SYSTEM HOSE,.25 I.D. X.50 O.D. X 8.00 LONG	1

FUEL SYSTEM

When ordering parts, please specify the model and serial number of the product.

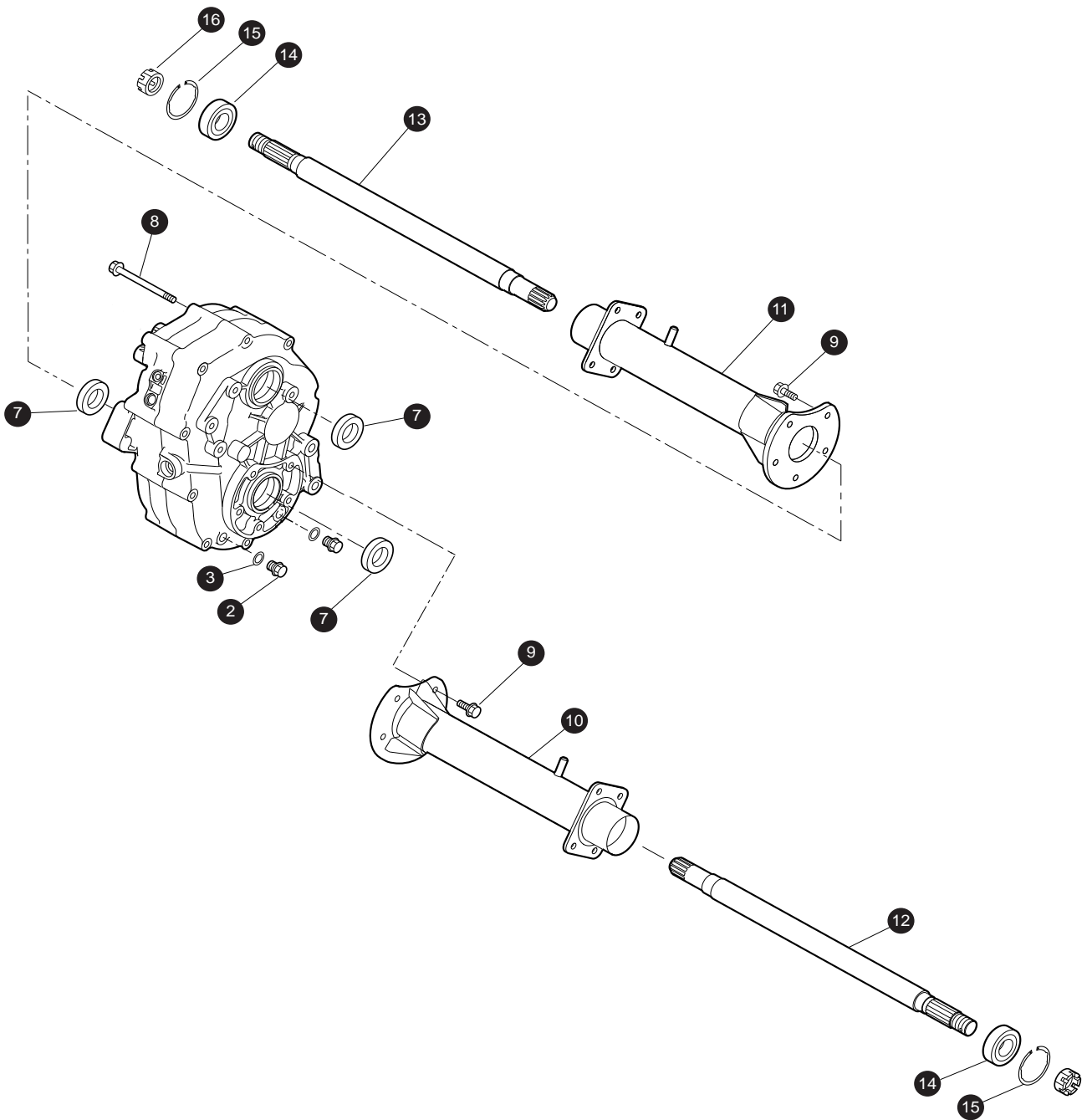
* Indicates a component that is not available as an individual part.

*** Indicates consult Customer Service Department for additional information.

ITEM	PART NO.	1	2	3	4	5	DESCRIPTION	QTY.
32								
33								
34	<u>11391G4</u>						HOSE CLAMP, .25 - .63 DIA	2
35	<u>604597</u>						CARB FUEL SYSTEM HOSE,.25 I.D. X.50 O.D. X 26.00 LONG	1
36								
37	<u>602061</u>						FUEL PUMP	1
38	<u>00114G6</u>						HEX WASHER HEAD SLOTTED TAPPING SCREW, 1/4 - 14 X .75.....	2
39								
40	<u>606310</u>						CARBON CANISTER MOUNTING BRACKET (CARB ONLY).....	1
41	<u>10570G11</u>						RIVET, 3/16 DIA X .70 (CARB ONLY)	2
42								
43								
44	<u>606071</u>						CARBON CANISTER (CARB ONLY)	1

REAR AXLE

1 - Includes Items 2 - 16



REAR AXLE

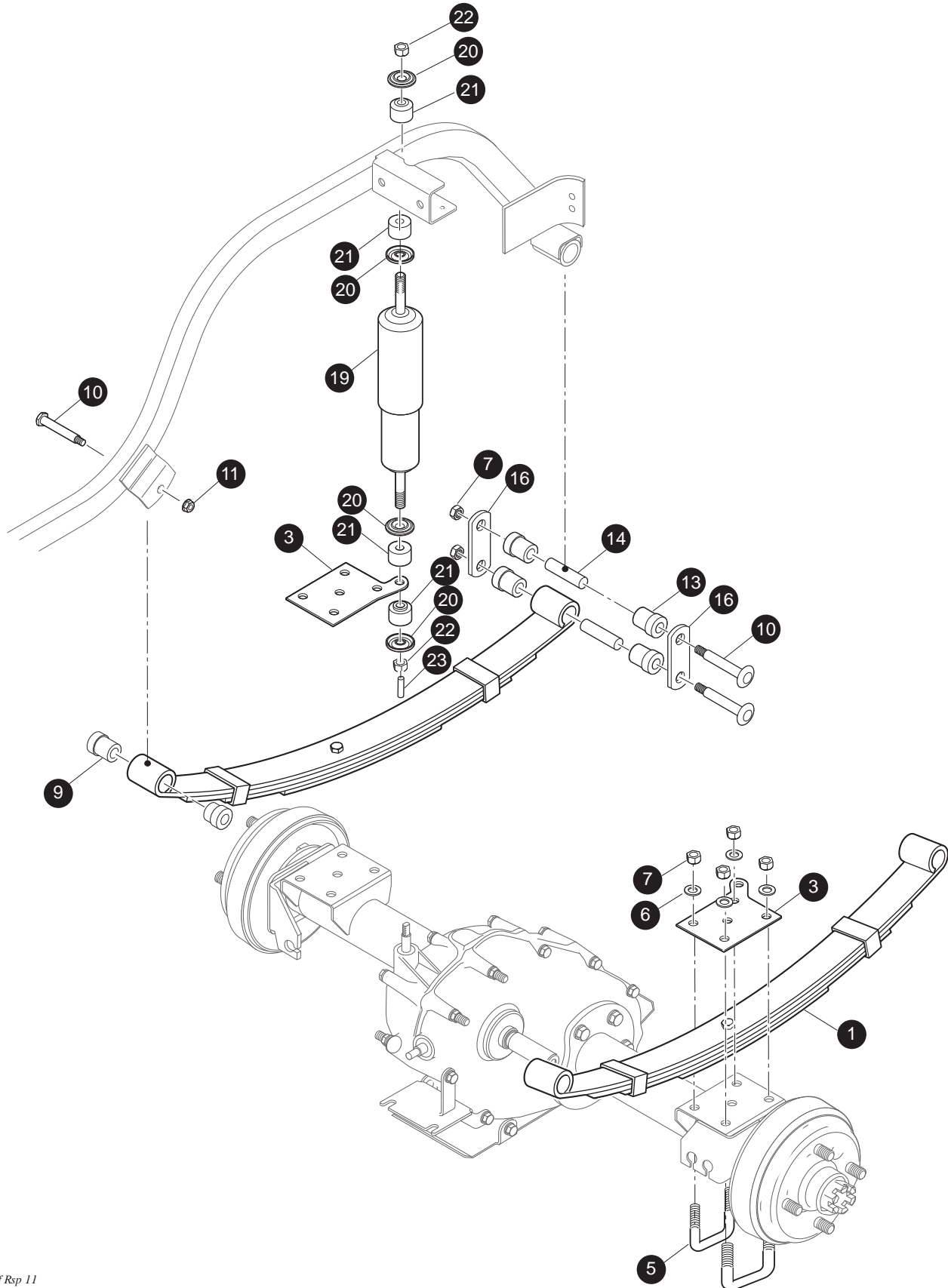
When ordering parts, please specify the model and serial number of the product.

* Indicates a component that is not available as an individual part.

*** Indicates consult Customer Service Department for additional information.

ITEM	PART NO.	1 2 3 4 5	DESCRIPTION	QTY.
1	605891		REAR AXLE	1
2	<u>26770-G01</u>		OIL DRAIN PLUG	2
3	<u>26771-G01</u>		GASKET	2
4				
5				
6				
7	<u>72259-G01</u>		OIL SEAL 28 X 47 X 9	3
8	<u>26823-G01</u>		FLANGE BOLT M8 X 1.25 X 100	10
9	<u>72260-G01</u>		FLANGE BOLT M10 X 1.5 X 23	10
10	<u>607940</u>		AXLE TUBE (PASSENGER SIDE)	1
11	<u>607939</u>		AXLE TUBE (DRIVER SIDE)	1
12	607988		AXLE SHAFT (PASSENGER SIDE)	1
13	607987		AXLE SHAFT (DRIVER SIDE)	1
14	<u>26811-G01</u>		BALL BEARING	2
15	26814-G01		SNAP RING	2
16	<u>606403</u>		SLOTTED NUT	2

REAR SUSPENSION



Ref Rsp 11

REAR SUSPENSION

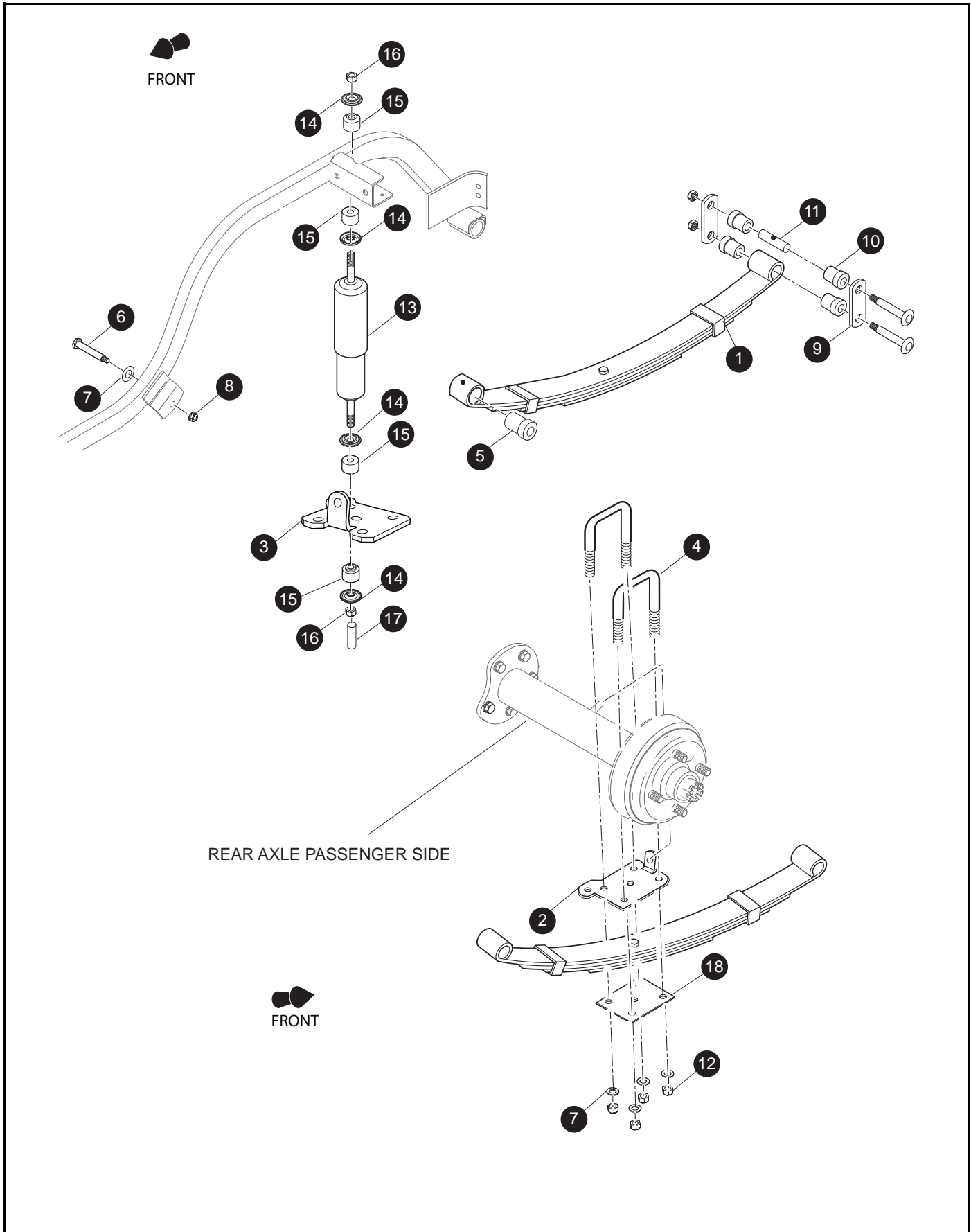
When ordering parts, please specify the model and serial number of the product.

* Indicates a component that is not available as an individual part.

*** Indicates consult Customer Service Department for additional information.

ITEM	PART NO.	1 2 3 4 5	DESCRIPTION	QTY.
1	<u>605721</u>		HEAVY DUTY LEAF SPRING.....	2
2				
3	<u>605977</u>		SPRING PLATE	2
4				
5	<u>32195G3</u>		'U' BOLT, 3/8 - 16 X 2" X 2 1/8" LG.....	4
6	<u>00643G1</u>		WASHER, 3/8"	10
7	<u>11098G5</u>		LOCK NUT, 3/8 - 16	12
8				
9	<u>605445</u>		FLANGED BUSHING.....	2
10	<u>00665G9</u>		SHOULDER BOLT, 3/8 - 16 X 3 1/4" LG.....	6
11	<u>12262G1</u>		LOCK NUT, 3/8 - 16	2
12				
13	<u>70291G01</u>		FLANGED BUSHING.....	8
14	<u>70289G02</u>		SPACER.....	4
15				
16	<u>70290G02</u>		SHACKLE PLATE	4
17				
18				
19	<u>70248G01</u>		SHOCK ABSORBER	2
20	<u>10435G1</u>		SHOCK ABSORBER WASHER.....	8
21	<u>10194G1</u>		RUBBER BUSHING.....	8
22	<u>00532G6</u>		NUT, 3/8 - 24	4
23	<u>10044G01</u>		VINYL CAP	2

REAR SUSPENSION



REAR SUSPENSION

When ordering parts, please specify the model and serial number of the product.

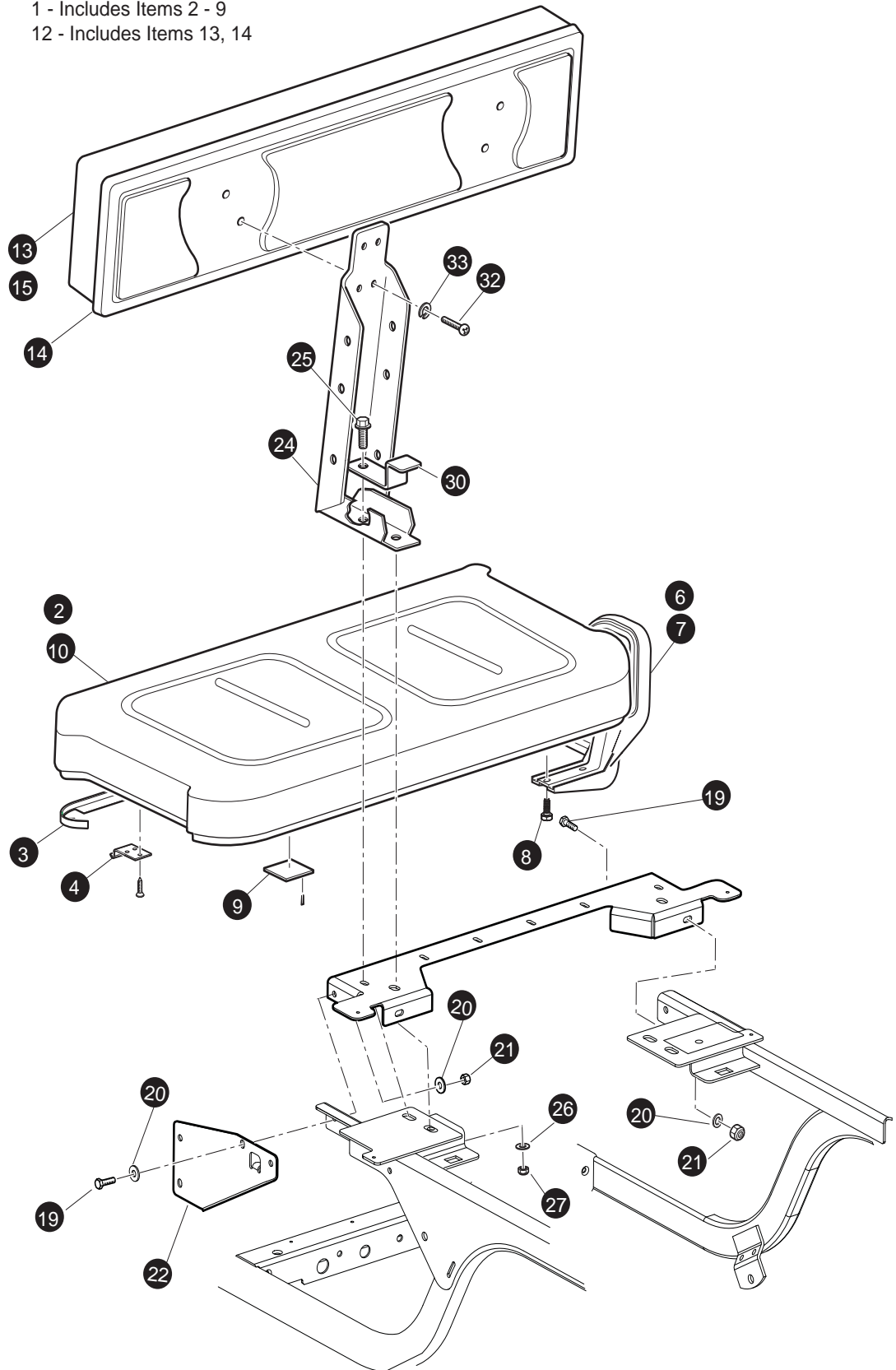
* Indicates a component that is not available as an individual part.

*** Indicates consult Customer Service Department for additional information.

ITEM	PART NO.	1 2 3 4 5	DESCRIPTION	QTY.
1	<u>605721</u>		HEAVY DUTY LEAF SPRING.....	1
2	<u>605958</u>		AXLE BRACKET PASSENGER SIDE	1
3	<u>605938</u>		AXLE BRACKET DRIVER SIDE	1
4	<u>32195G3</u>		'U' BOLT	4
5	<u>605445</u>		FRONT SPRING BUSH.....	2
6	<u>00665G9</u>		SHOULDER BOLT, 3/8 - 16	6
7	<u>00643G1</u>		FLAT WASHER B TYPE 3/8	10
8	<u>12262G1</u>		LOCK NUT, 3/8 - 16	2
9	<u>70290G02</u>		SHACKLE PLATE	4
10	<u>70291G01</u>		FLANGED BUSHING.....	8
11	<u>70289G02</u>		SPACER.....	4
12	<u>11098G5</u>		LOCK NUT, 3/8 - 16	12
13	<u>70248G01</u>		SHOCK ABSORBER	2
14	<u>10435G1</u>		SHOCK ABSORBER WASHER.....	8
15	<u>10194G1</u>		RUBBER BUSHING.....	8
16	<u>00532G6</u>		NUT, 3/8 - 24	4
17	<u>10044G01</u>		VINYL CAP	2
18	<u>605956</u>		REAR SUSPENSION PLATE	2

SEATING

1 - Includes Items 2 - 9
12 - Includes Items 13, 14



When ordering parts, please specify the model and serial number of the product.

* Indicates a component that is not available as an individual part.

*** Indicates consult Customer Service Department for additional information.

ITEM	PART NO.	1 2 3 4 5	DESCRIPTION	QTY.
1	71611G**		SEAT BOTTOM ASSEMBLY (INCLUDES ITEMS 2 - 9)..... 71611G01.....WHITE SEAT BOTTOM ASSEMBLY 71611G03.....GRAY SEAT BOTTOM ASSEMBLY 71611G16.....BROWN SEAT BOTTOM ASSEMBLY	1
2	71602G**		VINYL SEAT BOTTOM COVER 71602G01.....WHITE - VINYL SEAT BOTTOM COVER 71602G02.....GRAY - VINYL SEAT BOTTOM COVER 71602G07.....BROWN - VINYL SEAT BOTTOM COVER	1
3	<u>71012G01</u>		VINYL TRIM (SEAT BOTTOM).....	1
4	<u>71610G01</u>		SEAT HINGE	2
5	<u>00720G08</u>		SCREW, #12 - 14 X 1" LG (STAINLESS STEEL)	6
6	<u>71701G01</u>		HIP RESTRAINT (PASSENGER SIDE)	1
7	<u>71702G01</u>		HIP RESTRAINT (DRIVER SIDE)	1
8	71204G01		BOLT, 1/4 - 20 X 7/8" LG	8
9	<u>17074G1</u>		RUBBER PAD	2
10	604912G**		TWO TONE VINYL SEAT BOTTOM.....	1
11				
12	71274G**		SEAT BACK ASSEMBLY (INCLUDES ITEMS 13, 14) 71274G01.....WHITE SEAT BACK ASSEMBLY 71274G04.....GRAY SEAT BACK ASSEMBLY 71274G07.....BROWN SEAT BACK ASSEMBLY	1
13	18144G**		VINYL SEAT BACK COVER 18144G1.....WHITE SEAT BACK COVER 18144G4.....GRAY SEAT BACK COVER 18144G8.....BROWN SEAT BACK COVER	1
14	<u>74889G01</u>		PLASTIC SEAT BACK COVER (BLACK)	1
15	604916G**		TWO TONE VINYL SEAT BACK	1
16				
17	71446G02		SEAT BACK SUPPORT	1
18				
19	<u>00438G8</u>		BOLT, 5/16 - 18 X 1" LG.....	5
20	<u>00571G2</u>		WASHER, 5/16"	6

SEATING

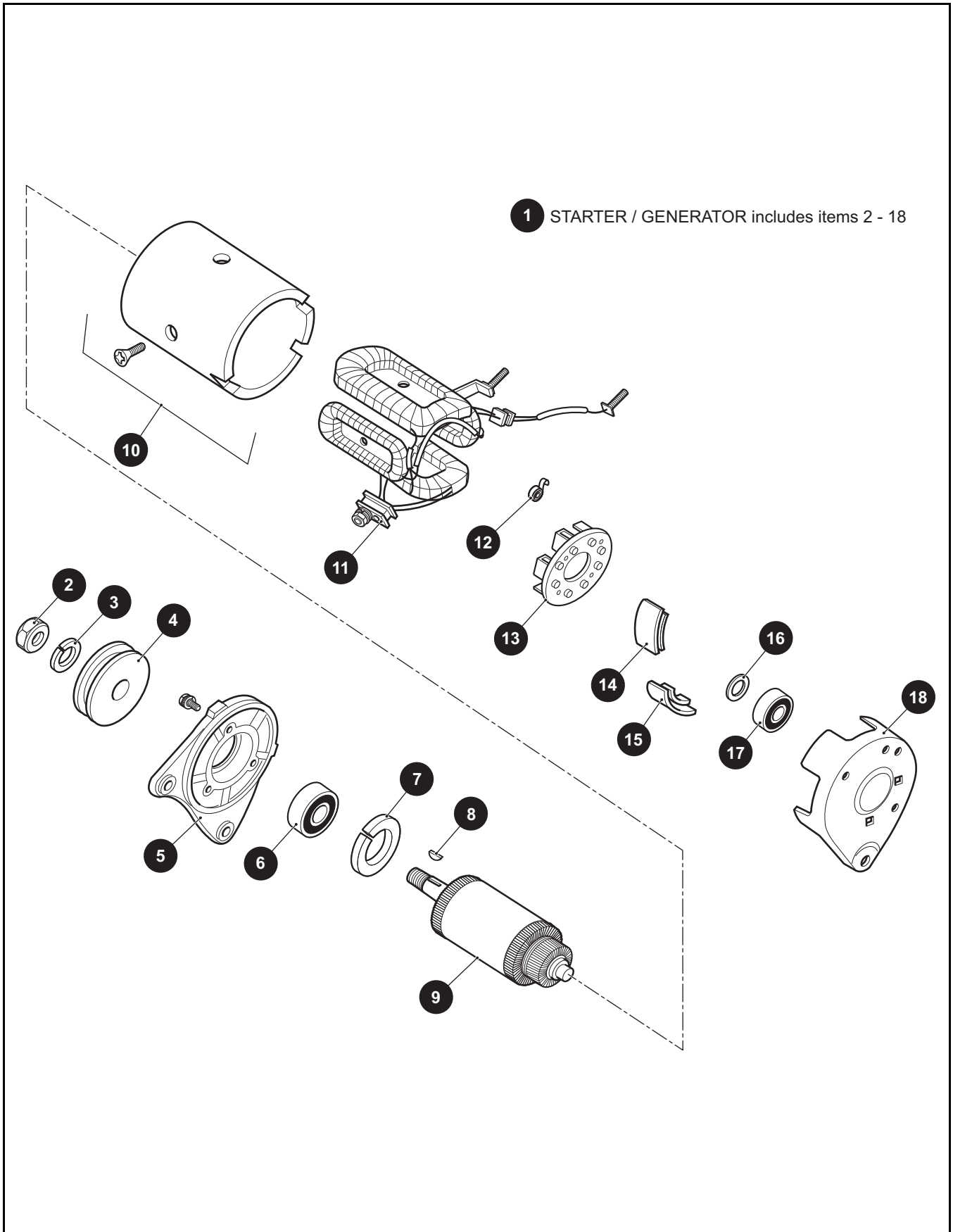
When ordering parts, please specify the model and serial number of the product.

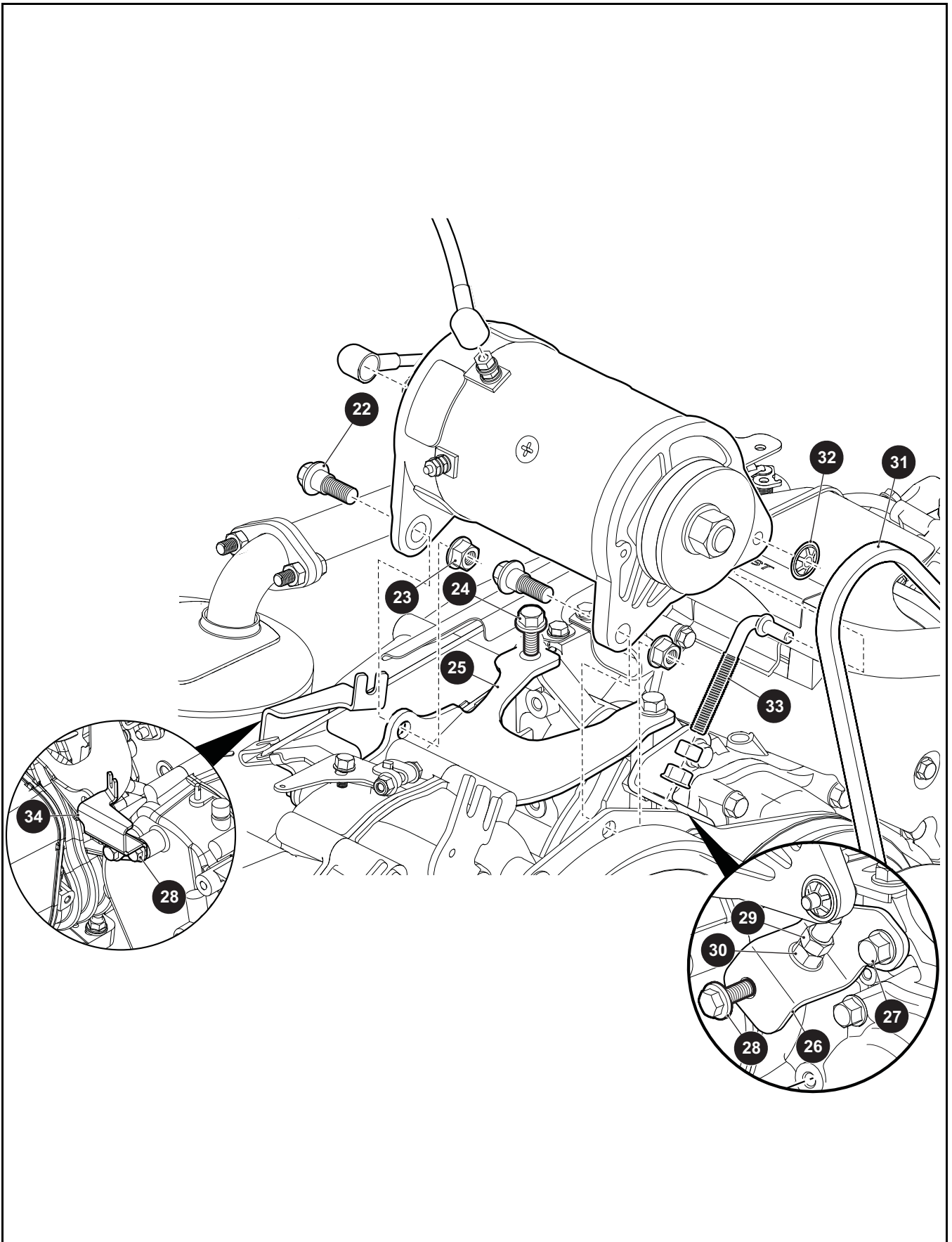
* Indicates a component that is not available as an individual part.

*** Indicates consult Customer Service Department for additional information.

ITEM	PART NO.	1 2 3 4 5	DESCRIPTION	QTY.
21	11098G6		LOCK NUT, 5/16 - 18 (STAINLESS STEEL)	5
22	<u>605776</u>		BRACKET	1
23				
24	<u>75900G02</u>		SEAT BACK SUPPORT BRACKET	2
25	<u>01006G01</u>		BOLT, 3/8 - 16 X 1 1/4" LG	4
26	<u>00560G1</u>		WASHER, 3/8"	4
27	<u>11098G5</u>		LOCK NUT, 3/8 - 16.....	4
28				
29				
30	<u>74947G01</u>		BED BUMPER BRACKET	2
31				
32	<u>605056</u>		SCREW, 1/4 - 20 X 1" LG (STAINLESS STEEL)	4
33	<u>00664G7</u>		LOCK WASHER, 1/4" (STAINLESS STEEL).....	4
34				

STARTER / GENERATOR





STARTER / GENERATOR

THE USE OF NON U.L. PARTS WILL VOID ANY U.L. LISTING.

When ordering parts, please specify the model and serial number of the product.

* Indicates a component that is not available as an individual part.

G** Indicates consult Customer Service Department for additional information.

ITEM	PART NO.	1 2 3 4 5	DESCRIPTION	QTY.
1	<u>625715</u>		STARTER / GENERATOR (INCLUDES ITEMS 2 - 18).....	1
2	<u>612029</u>		NUT.....	1
3	<u>612030</u>		LOCKWASHER	1
4	<u>625716</u>		PULLEY	1
5	<u>612032</u>		FRONT COVER.....	1
6	<u>612033</u>		BEARING.....	1
7	<u>612034</u>		RETAINING RING.....	1
8	<u>612035</u>		KEY.....	1
9	<u>612036</u>		ARMATURE ASSEMBLY	1
10	<u>612037</u>		FRAME & FIELD ASSEMBLY.....	1
11	<u>612038</u>		BRUSH LEAD & TERMINAL PKG.....	1
12	<u>612039</u>		BRUSH SPRING.....	4
13	<u>612040</u>		BRUSH BOX ASSEMBLY.....	1
14	<u>612041</u>		BRUSH 1 COVER.....	3
15	<u>612042</u>		BRUSH 2 COVER.....	2
16	<u>612043</u>		WAVY WASHER	1
17	<u>612044</u>		BEARING.....	1
18	<u>612045</u>		REAR COVER	1
19				
20				
21				
22	<u>606235</u>		BOLT, HXFL SHLDR - M10 - 1.25 X 20.....	2
23	<u>606279</u>		NUT, M10 - 1.25	2
24	<u>606261</u>		BOLT, M8 - 1.25 X 20	3
25	<u>602141</u>		STARTER / GENERATOR BRACKET.....	1
26	<u>602145</u>		TENSIONER BRACKET	1
27	<u>606261</u>		BOLT, M8 - 1.25 X 20	1
28	<u>606256</u>		BOLT, M10 - 1.25 X 25	9
29	<u>606255</u>		NUT, M10 - 1.25	1
30	<u>606274</u>		NUT, M10 - 1.25	1

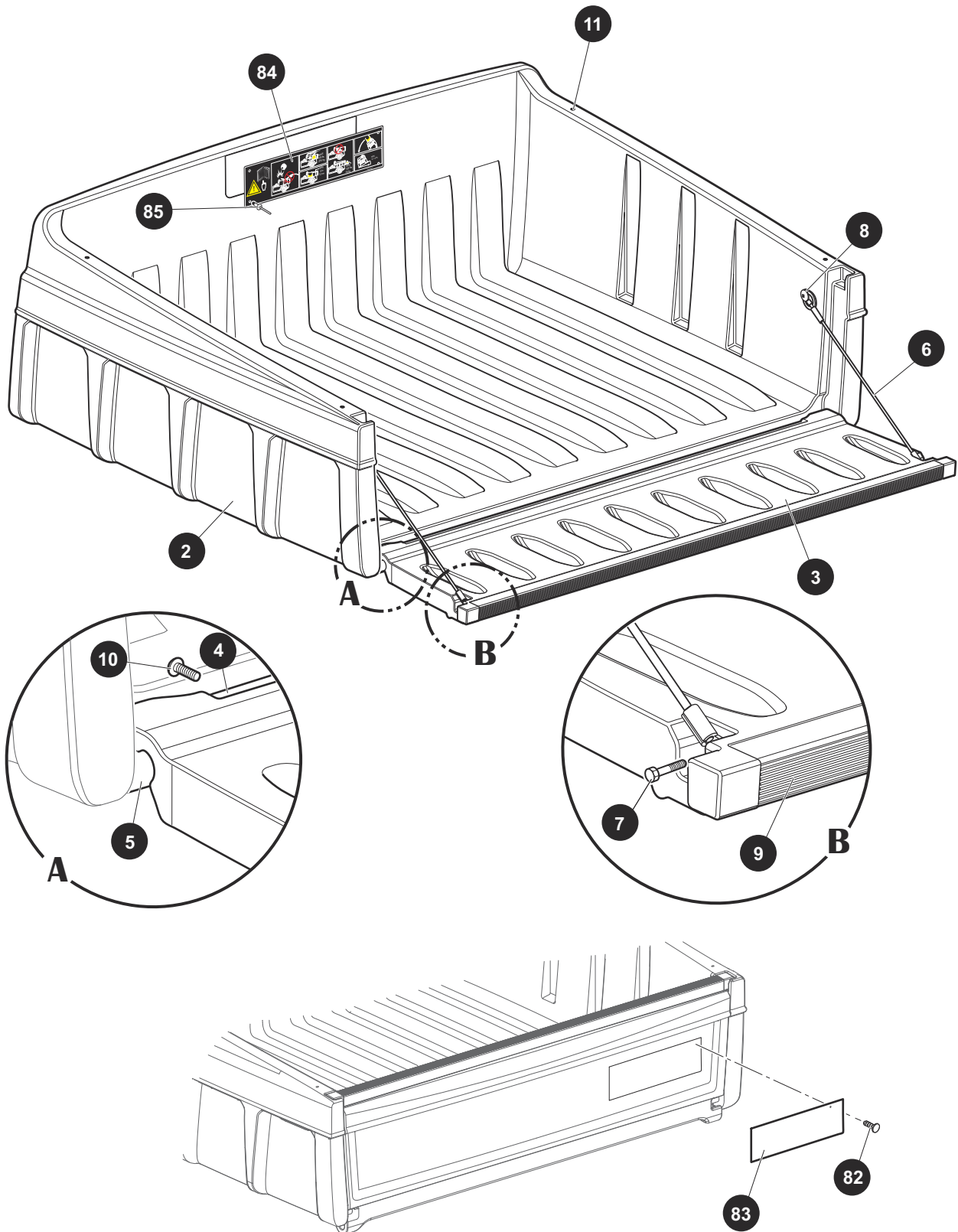
STARTER / GENERATOR

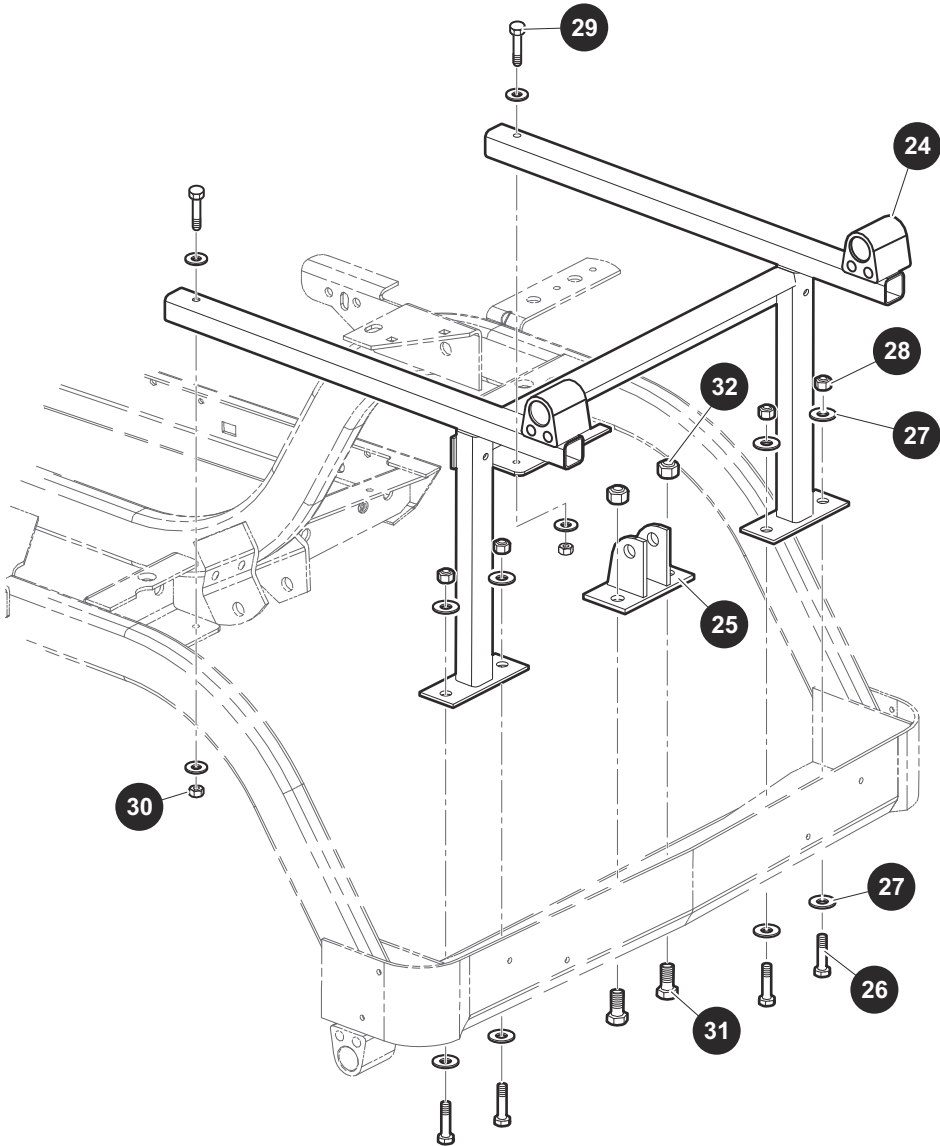
THE USE OF NON U.L. PARTS WILL VOID ANY U.L. LISTING.
 When ordering parts, please specify the model and serial number of the product.
 * Indicates a component that is not available as an individual part.
 G** Indicates consult Customer Service Department for additional information.

ITEM	PART NO.	1 2 3 4 5	DESCRIPTION	QTY.
31	<u>16548G1</u>		STARTER / GENERATOR BELT	1
32	<u>12064G6</u>		PUSH NUT, 5/16"	1
33	<u>625705</u>		TENSIONER BOLT	1
34	<u>603884</u>		CABLE GUIDE BRACKET	1

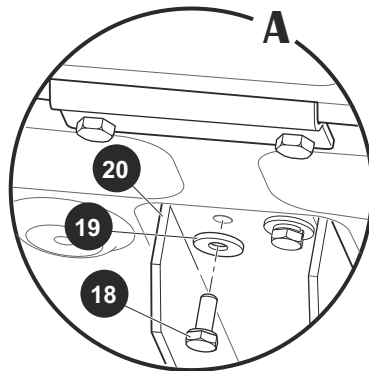
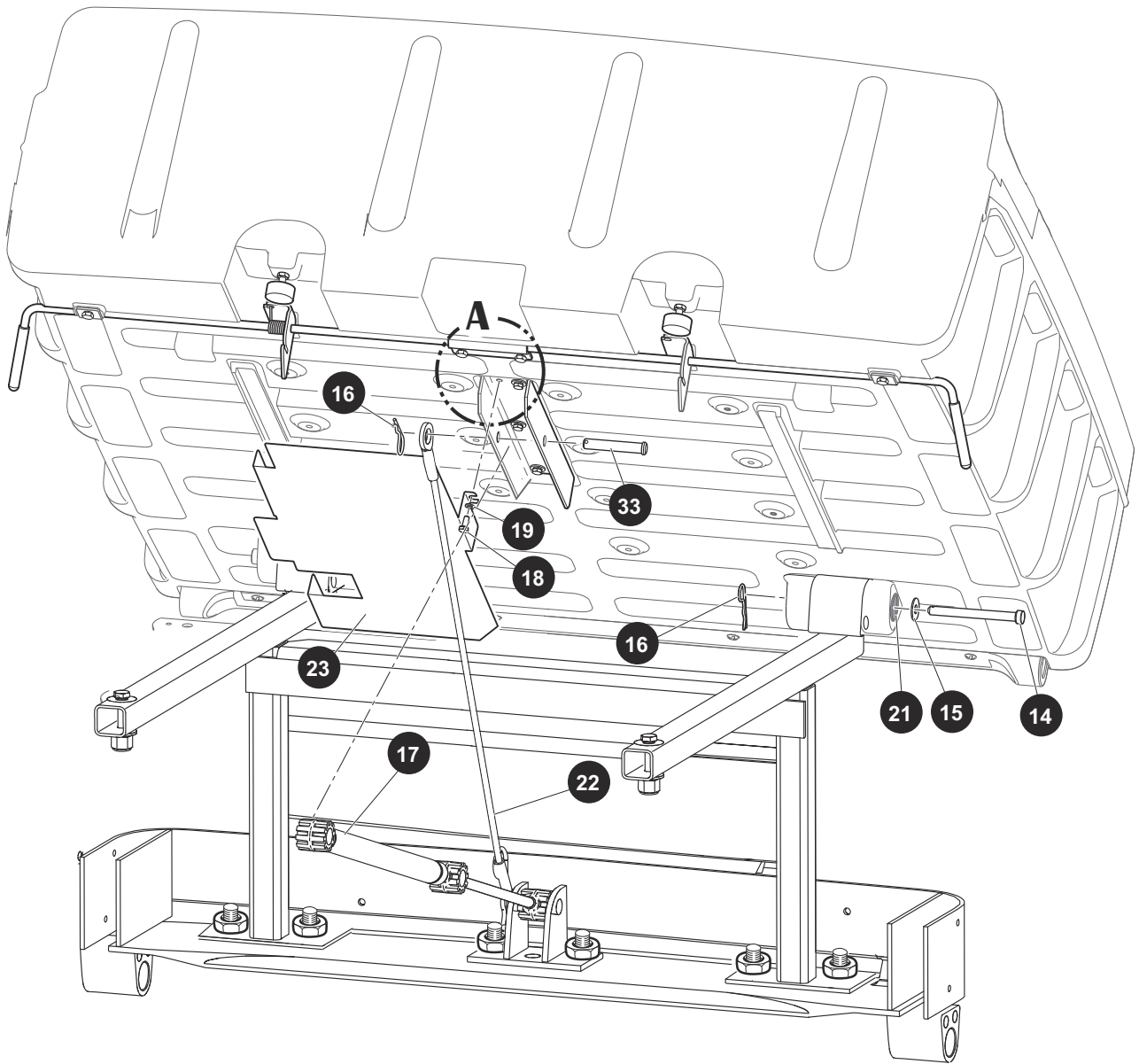
TRUCK BED - PLASTIC

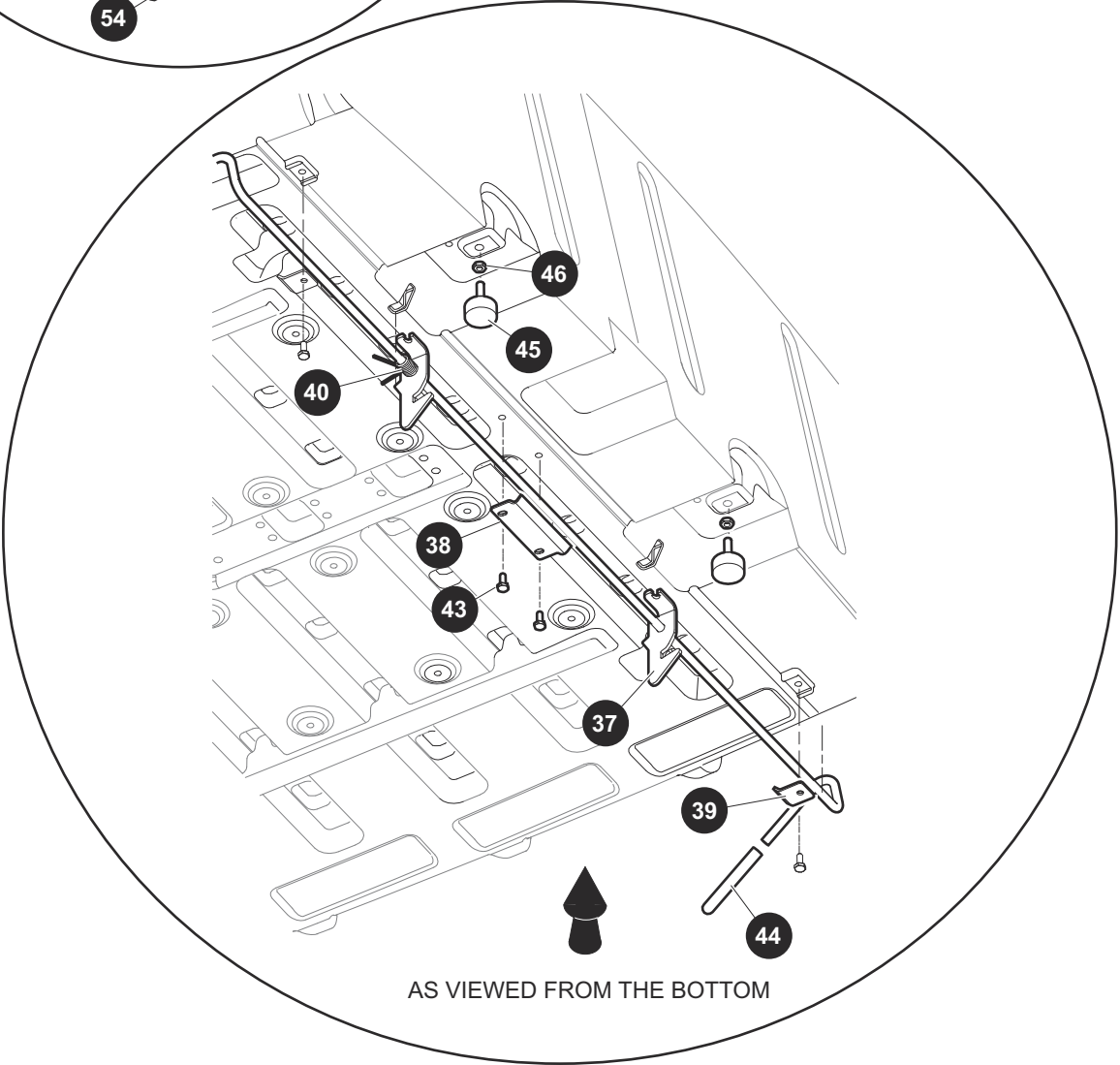
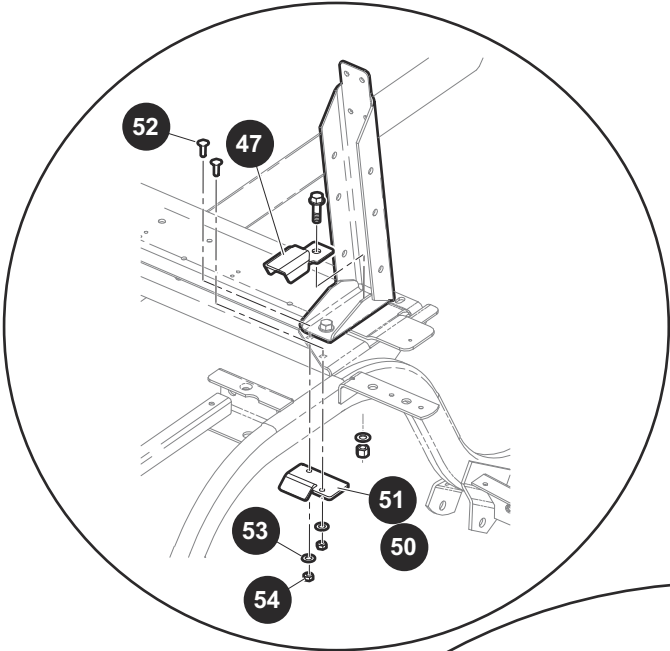
1 36" PLASTIC BED ASSEMBLY INCLUDES ITEMS 2-11





TRUCK BED - PLASTIC

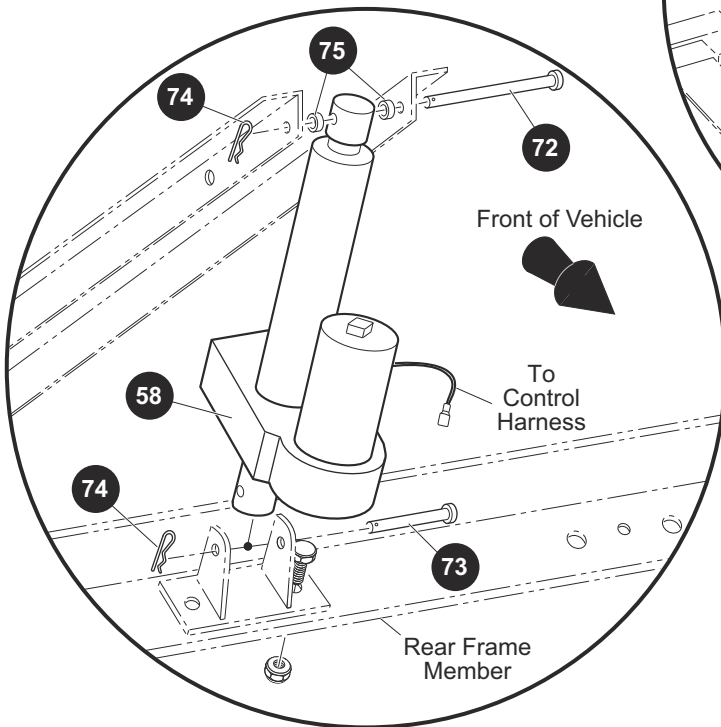
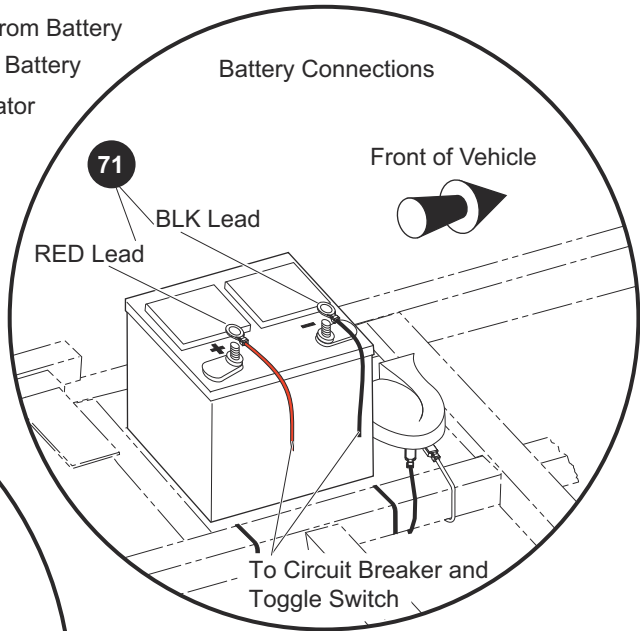
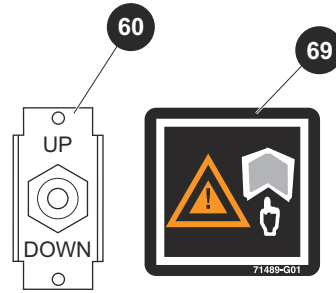
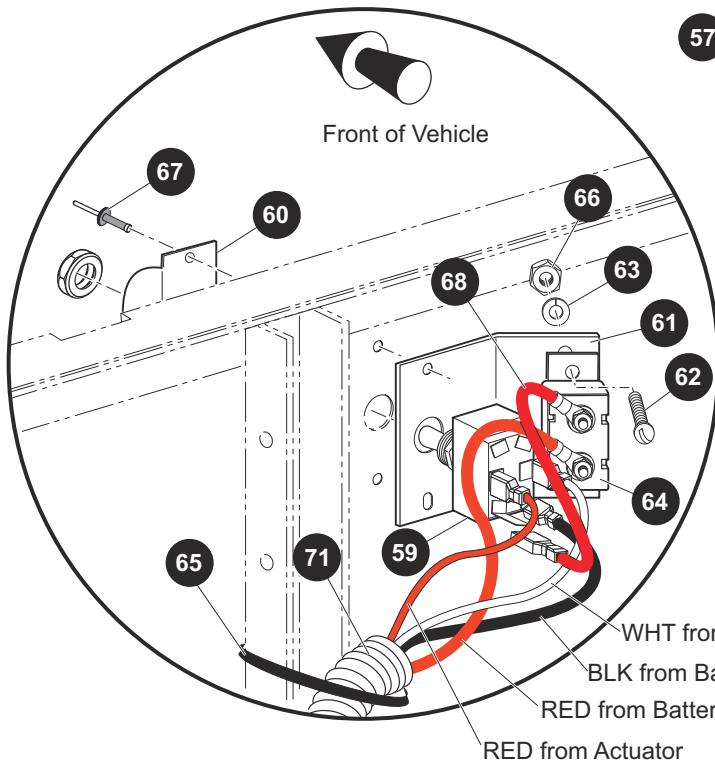


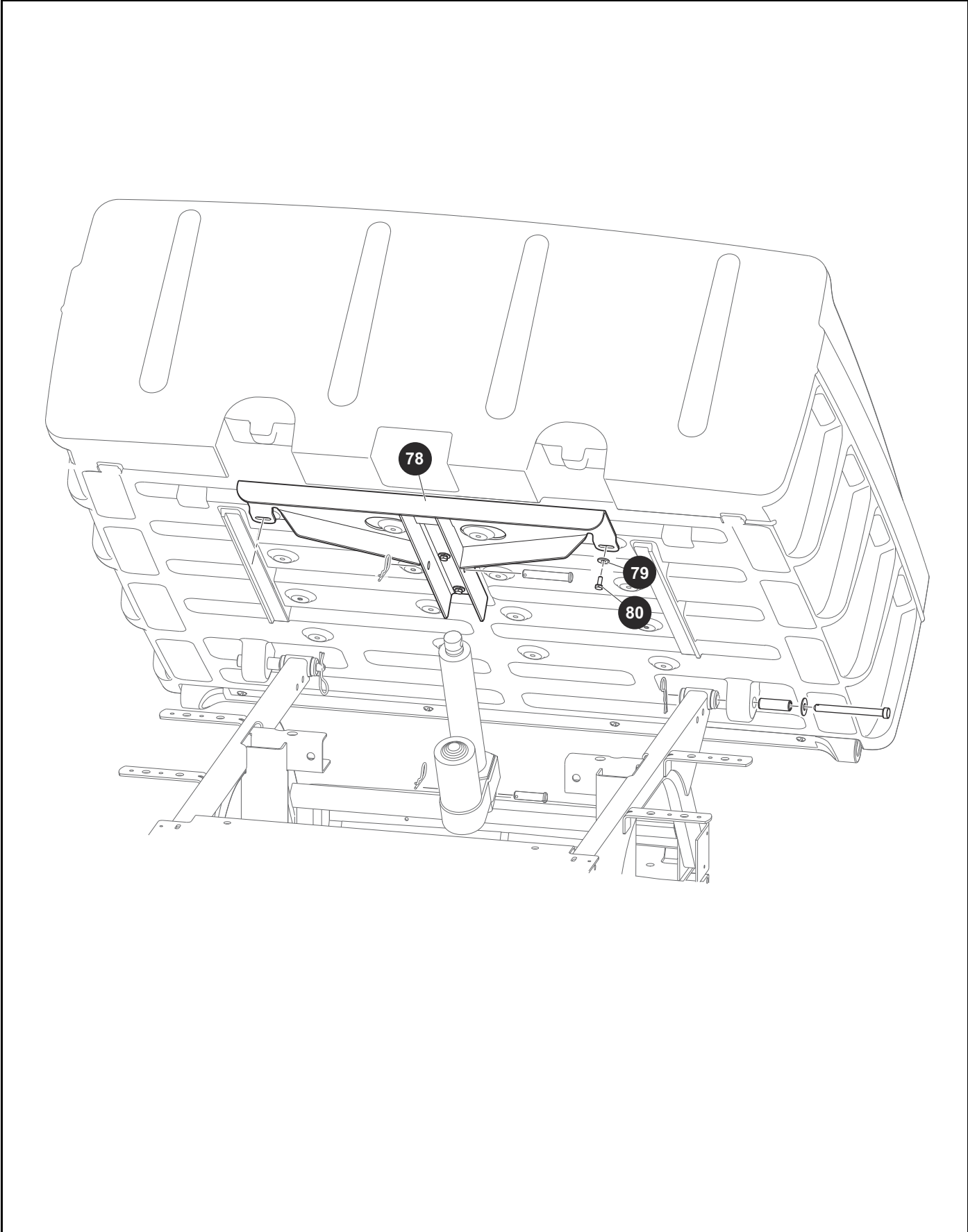


AS VIEWED FROM THE BOTTOM

TRUCK BED - PLASTIC

57 ELECTRIC DUMP KIT Includes Items 58 - 75





TRUCK BED - PLASTIC

When ordering parts, please specify the model and serial number of the product.

* Indicates a component that is not available as an individual part.

*** Indicates consult Customer Service Department for additional information.

ITEM	PART NO.	1 2 3 4 5	DESCRIPTION	QTY.
1	<u>72647-G01</u>		36" PLASTIC TRUCK BED ASSEMBLY (INCLUDES ITEMS 2 - 11).....	1
2	<u>72648-G01</u>		36" PLASTIC BED	1
3	<u>72649-G01</u>		36" PLASTIC TAILGATE	1
4	<u>73450-G01</u>		BOWED ANGLE	1
5	<u>73454-G01</u>		PIVOT SHAFT.....	2
6	<u>73455-G02</u>		TAILGATE CABLE ASSEMBLY	2
7	<u>00415-G2</u>		HEX HEAD BOLT, 1/4 - 20 X 1.25" LG	2
8	<u>73460-G01</u>		PHILLIPS SHOULDER SCREW, 1/4 - 20 X .75"	2
9	<u>73449-G01</u>		TAILGATE CAP	1
10	<u>16705-G2</u>		PAN HEAD PHILLIPS SCREW, 1/4 - 2 X .62" LG	4
11	<u>16816-G5</u>		RACHET FASTNER.....	4
12				
13				
14	<u>71571-G01</u>		CLEVIS PIN, .50 DIA X 5.25" LG	2
15	<u>00571-G5</u>		WIDE FLAT WASHER, 1/2".....	2
16	<u>21683-G1</u>		HAIRPIN COTTER	2
17	<u>71537-G02</u>		GAS SPRING	1
18	<u>01118-G01</u>		HEX HEAD BOLT W/PATCHLOCK, 1/4 - 20 X .62" LG.....	8
19	<u>00642-G7</u>		FLAT WASHER, 1/4"	8
20	<u>71569-G02</u>		GAS SPRING CHANNEL	1
21	<u>70291-G01</u>		FLANGED URETHANE BUSHING	4
22	<u>602904</u>		CABLE ASSEMBLY	1
23	<u>72339-G02</u>		PLASTIC BED HEAT SHIELD.....	1
24	<u>76423-G01</u>		TRUCK BED FRAME	1
25	<u>71283-G02</u>		ELECTRIC LIFT BRACKET	1
26	<u>00439-G2</u>		HEX HEAD BOLT, 5/16 - 18 X 1.25" LG	4
27	<u>00642-G8</u>		FLAT WASHER, 5/16"	8
28	<u>11098-G6</u>		LOCK NUT, 5/16 - 18.....	2
29	<u>00415-G6</u>		HEX HEAD BOLT, 1/4 - 20 X 1.75" LG	2
30	<u>00891-G2</u>		LOCK NUT, 1/4 - 20.....	2
31	<u>00462-G7</u>		HEX HEAD BOLT, 7/16 - 14 X .875" LG	2

TRUCK BED - PLASTIC

When ordering parts, please specify the model and serial number of the product.

* Indicates a component that is not available as an individual part.

*** Indicates consult Customer Service Department for additional information.

ITEM	PART NO.	1 2 3 4 5	DESCRIPTION	QTY.
32	<u>00734-G1</u>		NUT, 7/16 - 14	2
33	<u>14443-G10</u>		CLEVIS PIN, .50 DIA X 3" LG	1
34	<u>14443-G12</u>		CLEVIS PIN, .50 DIA X 2.2" LG	1
35				
36				
37	<u>74962-G01</u>		WELDMENT LATCH BED	1
38	<u>71477-G02</u>		BRACKET	1
39	<u>71099-G02</u>		LATCH PLATE	2
40	<u>71538-G01</u>		TORSION SPRING	1
41				
42				
43	<u>01118-G01</u>		SCREW, 1/4 - 2 X 5/8" LG	4
44	<u>71704-G01</u>		HANDLE GRIP	2
45	<u>70113-G01</u>		ADJUSTABLE BUMPER	2
46	<u>11027-G1</u>		LOCK NUT, 5/16 - 18	2
47	<u>74947-G01</u>		BUMPER BRACKET	2
48				
49				
50	<u>602977</u>		LATCH PLATE (DRIVER SIDE)	1
51	<u>602978</u>		LATCH PLATE (PASSENGER SIDE)	1
52	<u>01014-G03</u>		CARRIAGE BOLT, 1/4 - 20 X .75" LG	4
53	<u>00559-G7</u>		WASHER, 1/4"	4
54	<u>14390-G4</u>		LOCK NUT, 1/4 - 20	4
55				
56				
57	<u>74164-G04</u>		ELECTRIC DUMP KIT (INCLUDES ITEMS 58 - 75)	1
58	<u>27612-G02</u>		ELECTRIC ACTUATOR 36 V	1
59	<u>27680-G01</u>		TOGGLE SWITCH	1
60	<u>27447-G01</u>		TOGGLE GUARD	1
61	<u>74165-G02</u>		CIRCUIT BREAKER MOUNTING BRACKET	1
62	<u>00150-G4</u>		SCREW, 10 - 24 X .50" LG	2

TRUCK BED - PLASTIC

When ordering parts, please specify the model and serial number of the product.

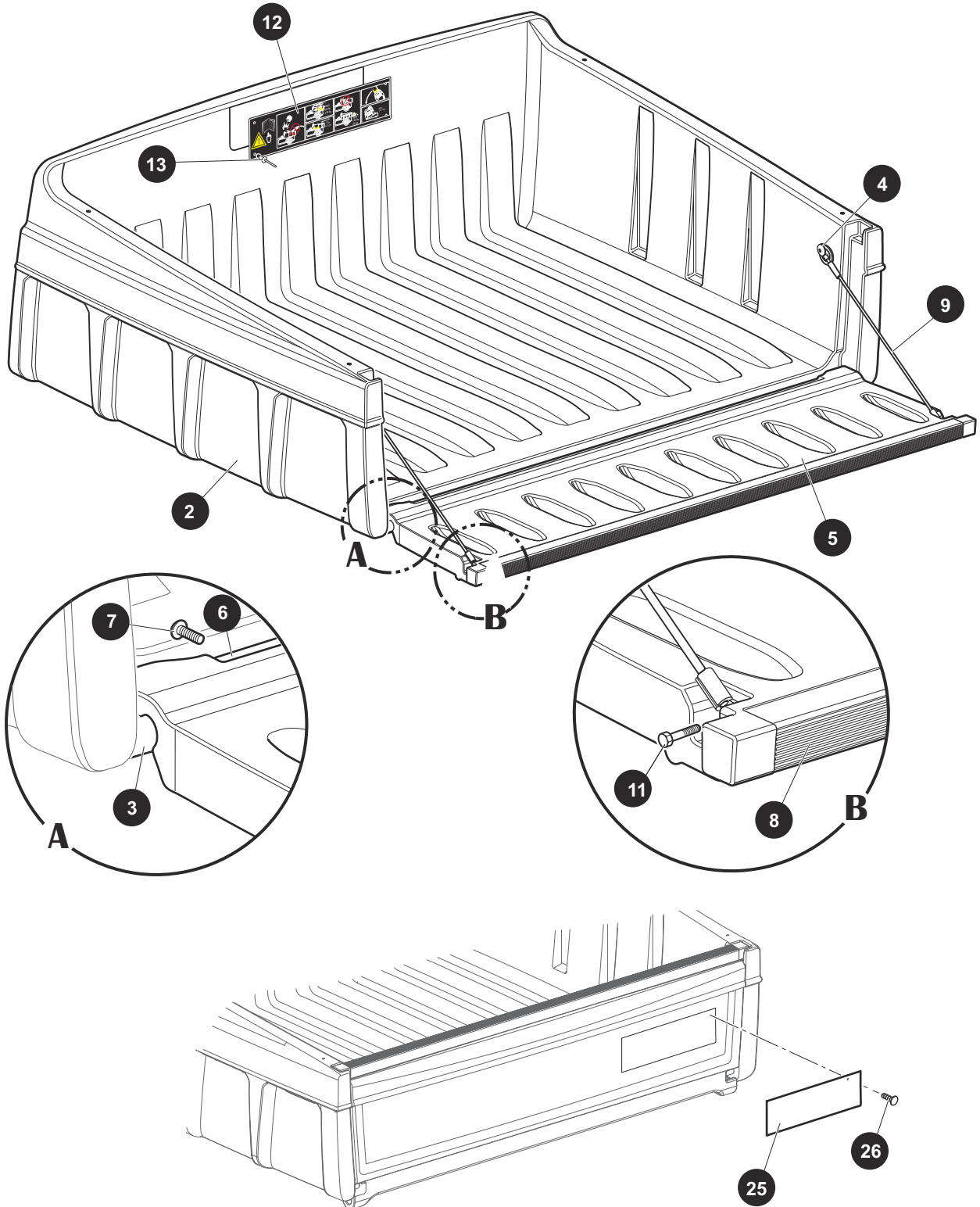
* Indicates a component that is not available as an individual part.

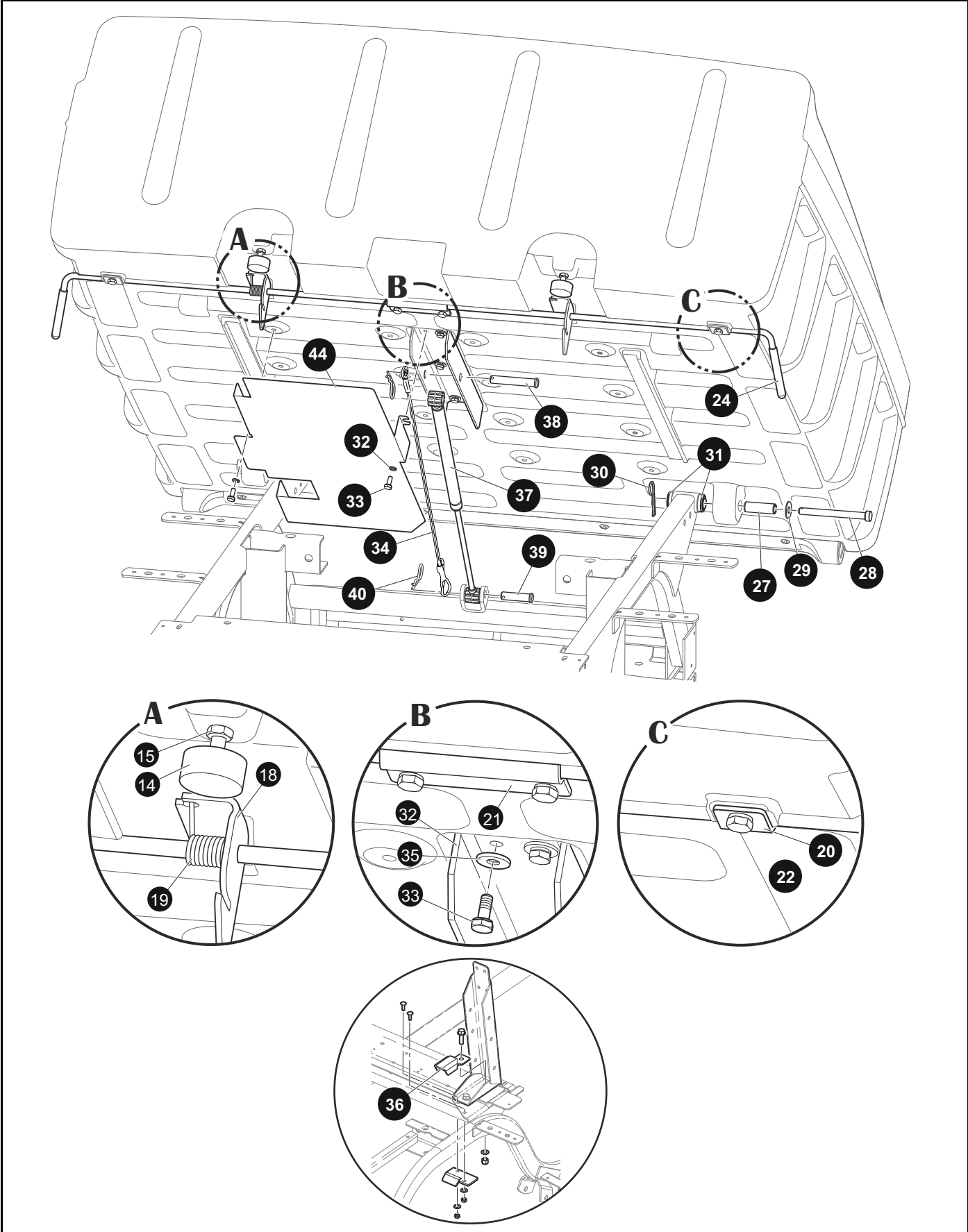
*** Indicates consult Customer Service Department for additional information.

ITEM	PART NO.	1	2	3	4	5	DESCRIPTION	QTY.
63	<u>00565-G5</u>						LOCK WASHER, #10.....	2
64	<u>21320-G3</u>						CIRCUIT BREAKER 15A 24V.....	1
65	<u>17618-G1</u>						WIRE TIE	8
66	<u>00526-G3</u>						NUT, #10 - 24.....	2
67	<u>10570-G9</u>						RIVET, 5/32 X .55.....	2
68	<u>25976-G14</u>						14 GA WIRE ASSEMBLY (RED 5").....	1
69	<u>71489G01</u>						READ INSTRUCTIONS DECAL	1
70								
71	<u>74163-G01</u>						WIRE HARNESS, ELECTRIC DUMP	1
72	<u>14443-G10</u>						CLEVIS PIN, .50" DIA X 2.88" LG.....	1
73	<u>14443-G11</u>						CLEVIS PIN, .50" DIA X 1.75" LG.....	1
74	<u>21683-G1</u>						COTTER PIN, 15/32" X 2 13/16" LG.....	2
75	<u>27613-G01</u>						SPACER.....	2
76								
77								
78	<u>71547-G02</u>						OUTRIGGER CHANNEL.....	1
79	<u>00642-G7</u>						WASHER, 1/4".....	8
80	<u>01118-G01</u>						HEX HEAD BOLT, 1/4 - 20 X .62" LG.....	8
81								
82	<u>16812-G2</u>						RATCHET FASTENER.....	2
83	<u>600821</u>						LABEL EZGO MPT.....	2
84	<u>74821-G05</u>						BED CAPACITY LABEL (250 LB)	1
85	<u>71055-G01</u>						RIVET, 3/16"	5

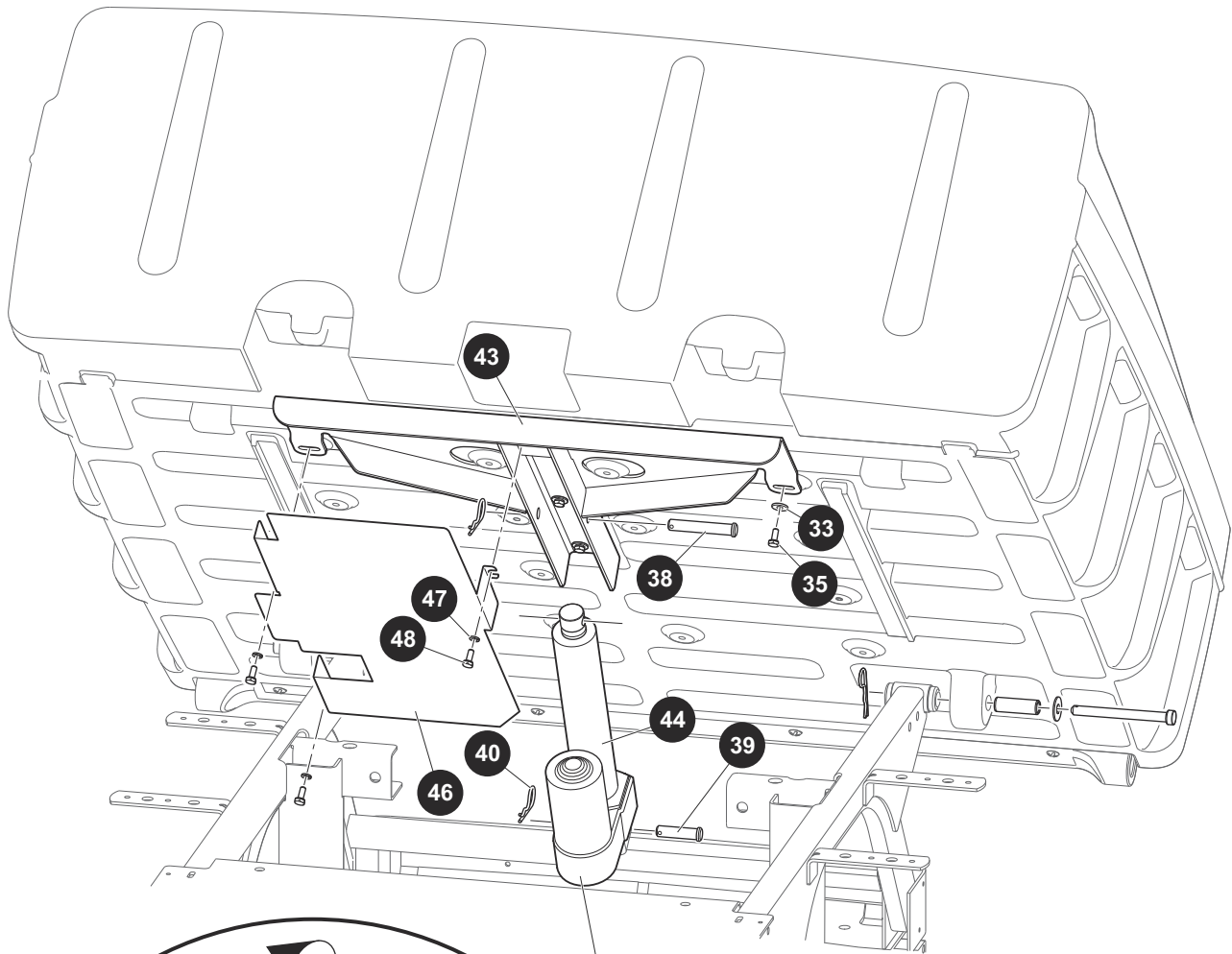
TRUCK BED - PLASTIC

1 40" PLASTIC BED ASSEMBLY INCLUDES ITEMS 2-11

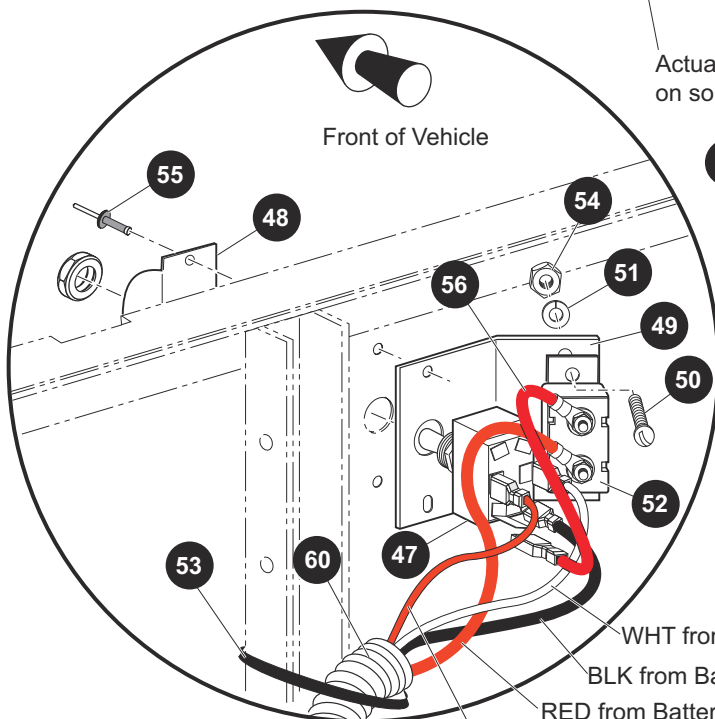




TRUCK BED - PLASTIC

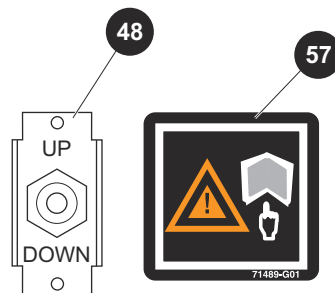


Actuator may be rotated 90° on some models



WHT from Actuator
 BLK from Battery
 RED from Battery
 RED from Actuator

45 ELECTRIC DUMP KIT Includes Items 58 - 75



TRUCK BED - PLASTIC

When ordering parts, please specify the model and serial number of the product.

* Indicates a component that is not available as an individual part.

*** Indicates consult Customer Service Department for additional information.

ITEM	PART NO.	1 2 3 4 5	DESCRIPTION	QTY.
1	<u>73451-G01</u>		BED ASSEMBLY, 40" (INCLUDES ITEMS 2 -11)	1
2	<u>73447-G01</u>		PLASTIC BED, 40"	1
3	<u>73454-G01</u>		PIVOT SHAFT	2
4	<u>73460-G01</u>		SHOULDER BOLT, 1/4 - 20 X 3/4" LG	2
5	<u>73455-G01</u>		TAILGATE CABLE	1
6	<u>73450-G01</u>		BOWED ANGLE	1
7	<u>16705-G2</u>		SCREW, 1/4 - 20 X 5/8" LG (STAINLESS STEEL)	4
8	<u>73449-G01</u>		EXTRUSION CHANNEL	1
9	<u>16818-G5</u>		RATCHET FASTENER	4
10				
11	<u>00415-G2</u>		SCREW, 1/4 - 20 X 5/8" LG	2
12	<u>74821-G01</u>		BED CAPACITY LABEL	1
13	<u>71055-G01</u>		RIVET, 3/16" X 1" LG (ALUMINUM).....	5
14	<u>70113-G01</u>		ADJUSTABLE RUBBER BUMPER.....	2
15	<u>11027-G1</u>		LOCK NUT, 5/16 - 18	2
16				
17				
18	<u>74962-G01</u>		BED LATCH	1
19	<u>71538-G01</u>		LATCH TORSION SPRING	1
20	<u>71099-G02</u>		PLATE, LATCH	2
21	<u>71477-G02</u>		RETAINER BRACKET	1
22	<u>01118-G01</u>		SCREW, 1/4 - 20 X 5/8" LG	4
23				
24	<u>71704-G01</u>		HANDLE GRIP	2
25	<u>600110-G01</u>		LABEL	1
26	<u>16816-G2</u>		RATCHET FASTNER.....	4
27	<u>71570-G01</u>		BUSHING.....	2
28	<u>71571-G01</u>		CLEVIS PIN	2
29	<u>00571-G5</u>		WASHER, 1 1/4 X 7/16	2
30	<u>21683-G1</u>		HAIR CLIP.....	2
31	<u>70291-G01</u>		BUSHING.....	4

TRUCK BED - PLASTIC

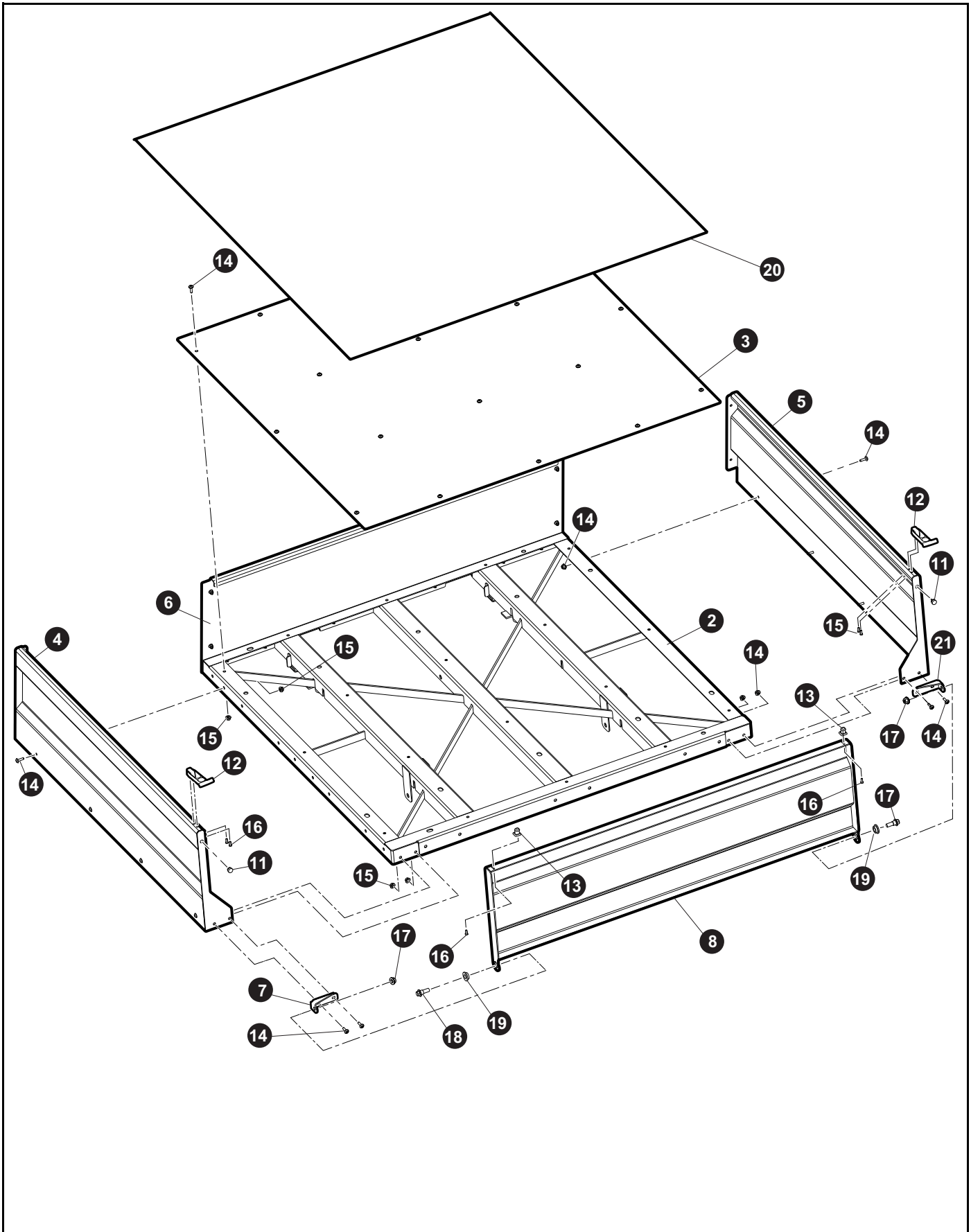
When ordering parts, please specify the model and serial number of the product.

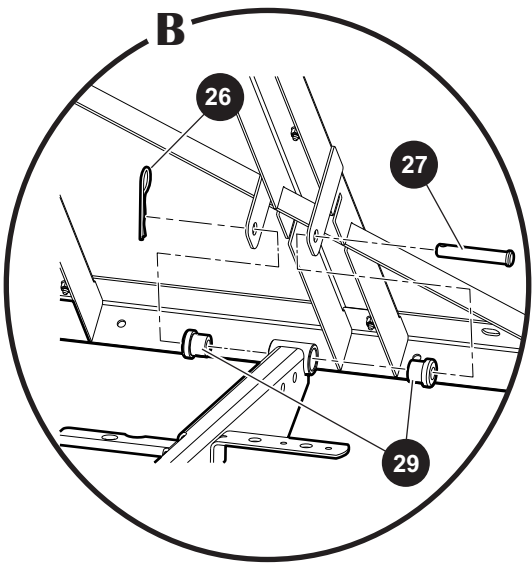
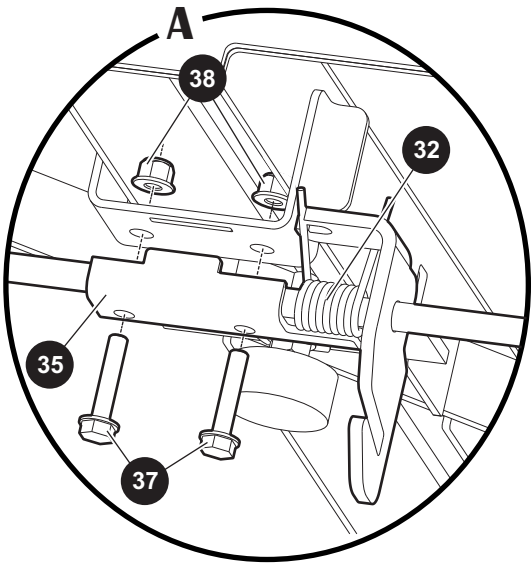
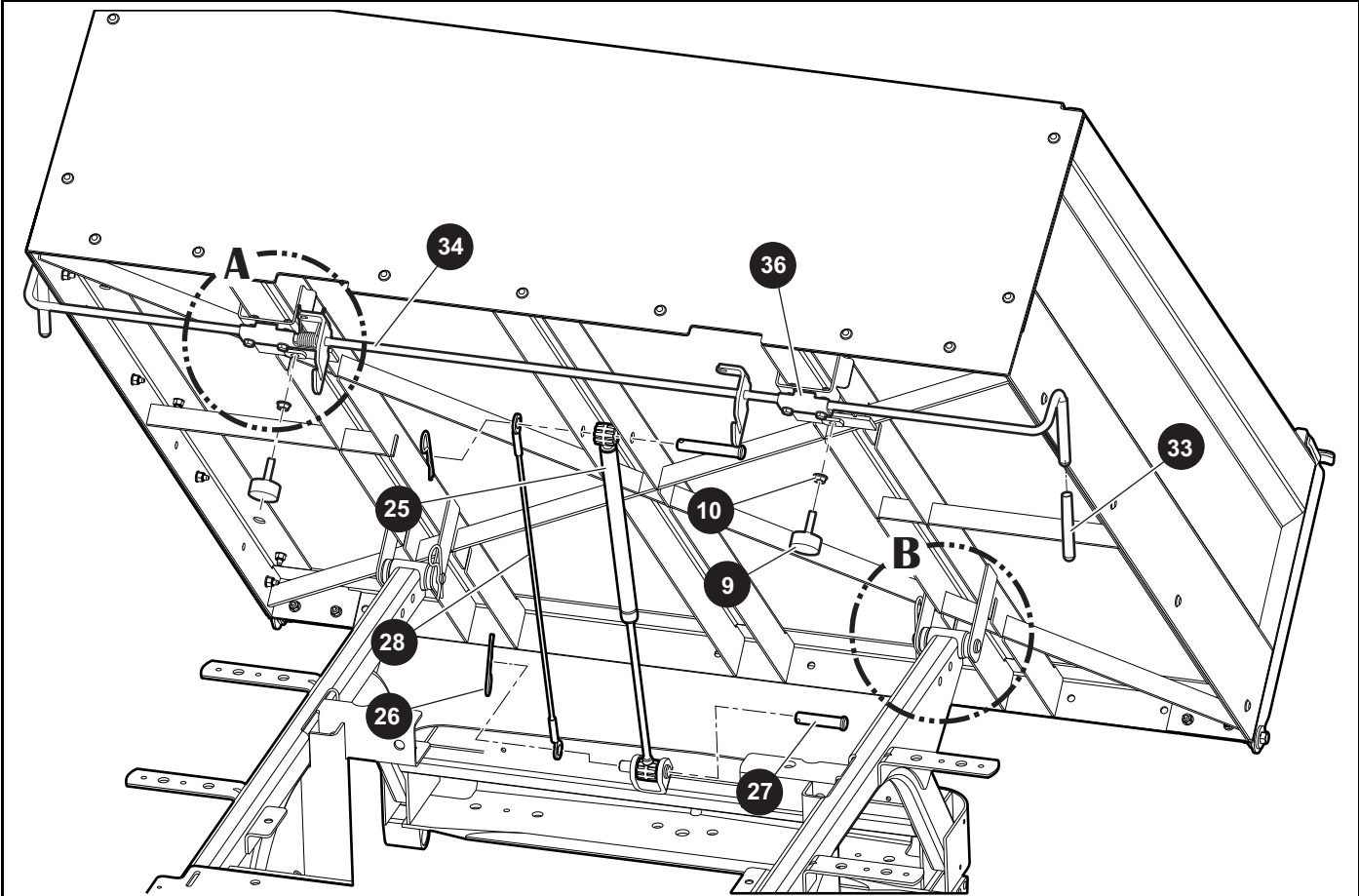
* Indicates a component that is not available as an individual part.

*** Indicates consult Customer Service Department for additional information.

ITEM	PART NO.	1 2 3 4 5	DESCRIPTION	QTY.
32	<u>71569-G02</u>		SPRING CHANNEL.....	1
33	<u>01118-G01</u>		SCREW, 1/4 - 20 X 5/8" LG.....	8
34	<u>602904</u>		BED TETHER CABLE	1
35	<u>00642-G7</u>		WASHER, 1/4".....	8
36	<u>74947-G01</u>		BRACKET, BUMPER.....	2
37	<u>71537-G02</u>		GAS SPRING	2
38	<u>14443-G10</u>		CLEVIS PIN, 1/2" X 2 27/32" LG	1
39	<u>14443-G12</u>		CLEVIS PIN, 1/2" X 1 3/4" LG	1
40	<u>21683-G1</u>		HAIR CLIP	2
41	<u>00642-G7</u>		WASHER, 1/4".....	8
42	<u>01118-G01</u>		SCREW, 1/4 - 20 X 5/8" LG.....	8
43	<u>71547-G02</u>		OUTRIGGER CHANNEL.....	1
44	<u>72339-G02</u>		PLASTIC BED HEAT SHIELD (GASLONE VEHICLES ONLY).....	1
45	<u>74164-G04</u>		ELECTRIC DUMP KIT (INCLUDES ITEMS 37 - 54).....	1
46	<u>27612-G02</u>		ELECTRIC ACTUATOR, 12 VOLT, 1500 LBS	1
47	<u>27680-G01</u>		TOGGLE SWITCH.....	1
48	<u>27447-G01</u>		TOGGLE GUARD	1
49	<u>74165-G02</u>		CIRCUIT BREAKER MOUNTING BRACKET.....	1
50	<u>00150-G4</u>		SCREW, 10 - 24 X 1/2" LG	2
51	<u>00565-G5</u>		LOCK WASHER, #10.....	2
52	<u>21320-G4</u>		CIRCUIT BREAKER 15A 24V.....	1
53	<u>17618-G1</u>		WIRE TIE	8
54	<u>00526-G3</u>		NUT, #10 - 24.....	2
55	<u>10570-G9</u>		RIVET, 5/32 X .55.....	2
56	<u>25976-G14</u>		14 GA WIRE (RED 5")	1
57				
58				
59	<u>27613-G01</u>		SPACER.....	2
60	<u>74613-G01</u>		HARNES.....	1

TRUCK BED - METAL





TRUCK BED - METAL

When ordering parts, please specify the model and serial number of the product.

* Indicates a component that is not available as an individual part.

*** Indicates consult Customer Service Department for additional information.

ITEM	PART NO.	1 2 3 4 5	DESCRIPTION	QTY.
1	615610		STEEL-ALLUMINIUM BED ASSEMBLY (INCLUDES ITEMS 1 -20)	1
2	614759		BED FRAME WELDMENT	1
3	615599		DECK PLATE STEEL BED	1
4	614799		SIDE PANEL LEFT HAND	1
5	614801		SIDE PANEL RIGHT HAND	1
6	620833		PANEL FRONT	1
7	614785		TAILGATE BRACKET LEFT HAND	1
8	614796		TAILGATE	1
9	<u>70113G01</u>		ADJUSTABLE RUBBER, BUMPER	2
10	<u>11027G1</u>		LOCK NUT FLANGED 5/16 -18	2
11	<u>28083G01</u>		BRAKE COMPENSATOR, BUMPER	2
12	<u>612976</u>		LATCH ASSEMBLY	2
13	<u>612977</u>		LATCH KEEPER	2
14	614781		SCREW M6 X 25	41
15	<u>601476</u>		LOCK NUT M6 - 1	41
16	<u>612957</u>		SCREW 10 - 24 X .500	6
17	<u>606279</u>		NUT M10 - 1.25	2
18	<u>606235</u>		BOLT M10 - 1.25 X 20	2
19	615048		BUSHING	2
20	615611		MAT	1
21	615092		TAILGATE BRACKET RIGHT HAND	1
22				
23				
24				
25	<u>71537G02</u>		GAS SPRING	1
26	<u>21683G1</u>		COTTER PIN	4
27	<u>14443G12</u>		CLEVIS PIN	4
28	<u>602904</u>		CABLE ASSEMBLY	1
29	<u>70291G01</u>		FLANGED BUSHING URETHANE	4
30				
31				

TRUCK BED - METAL

When ordering parts, please specify the model and serial number of the product.

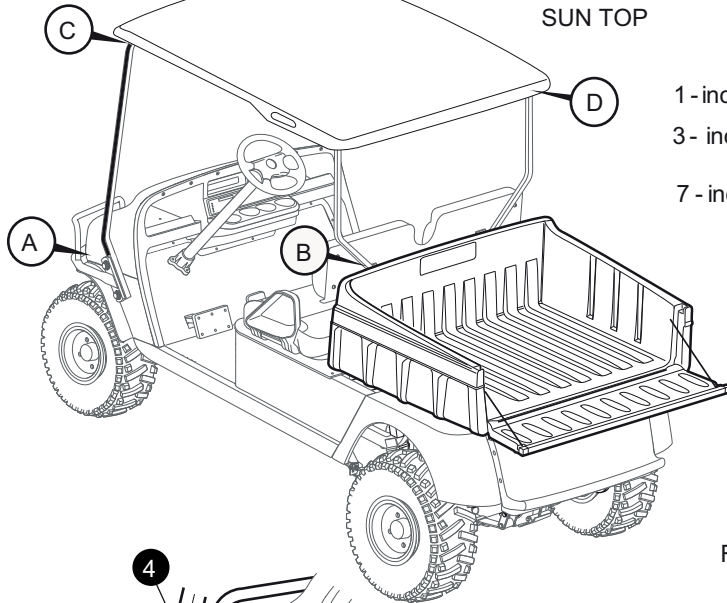
* Indicates a component that is not available as an individual part.

*** Indicates consult Customer Service Department for additional information.

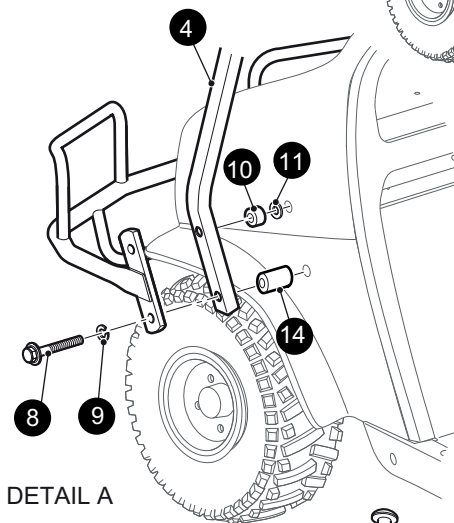
ITEM	PART NO.	1 2 3 4 5	DESCRIPTION	QTY.
32	<u>71538G01</u>		TORSION SPRING, BED LATCH	1
33	<u>71704G01</u>		HANDLE GRIP	2
34	<u>607072</u>		BED LATCH	1
35	614788		LATCH CLAMP RIGHT HAND	1
36	614789		LATCH CLAMP LEFT HAND	1
37	<u>606421</u>		BOLT M6 - 1 X 30	4
38	<u>601476</u>		LOCK NUT M6 - 1	4

WEATHER PROTECTION

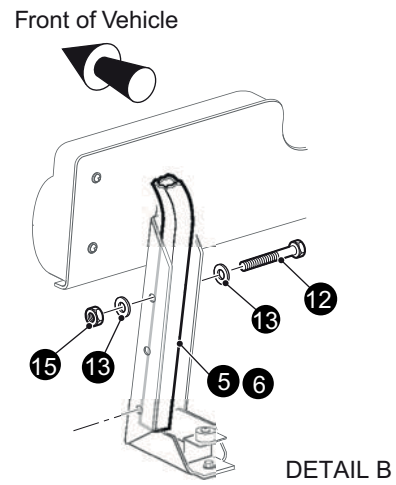
SUN TOP CAP (CAMO) SUN TOP



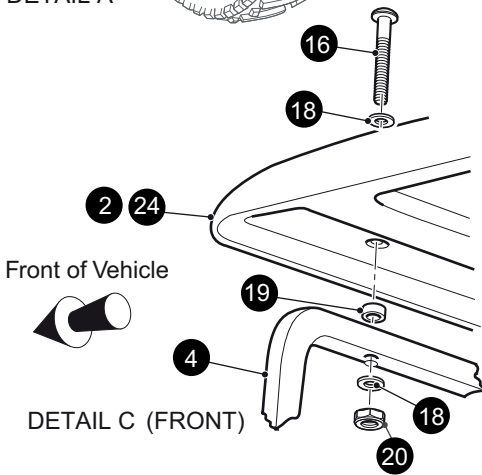
- 1 - includes items 2 - 21
- 3 - includes items 4 - 21
- 7 - includes items 8 - 21



DETAIL A

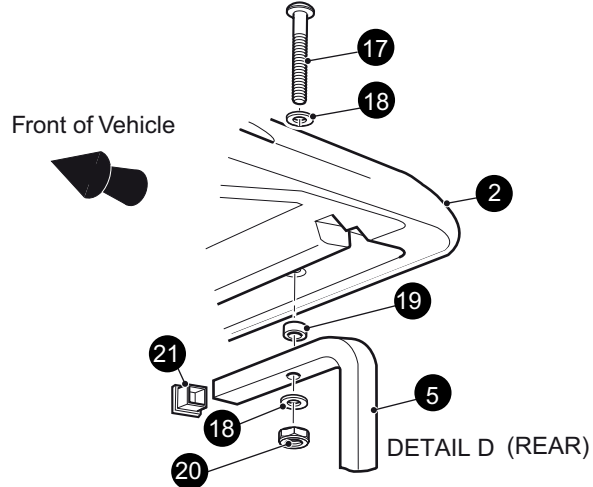


DETAIL B



Front of Vehicle

DETAIL C (FRONT)

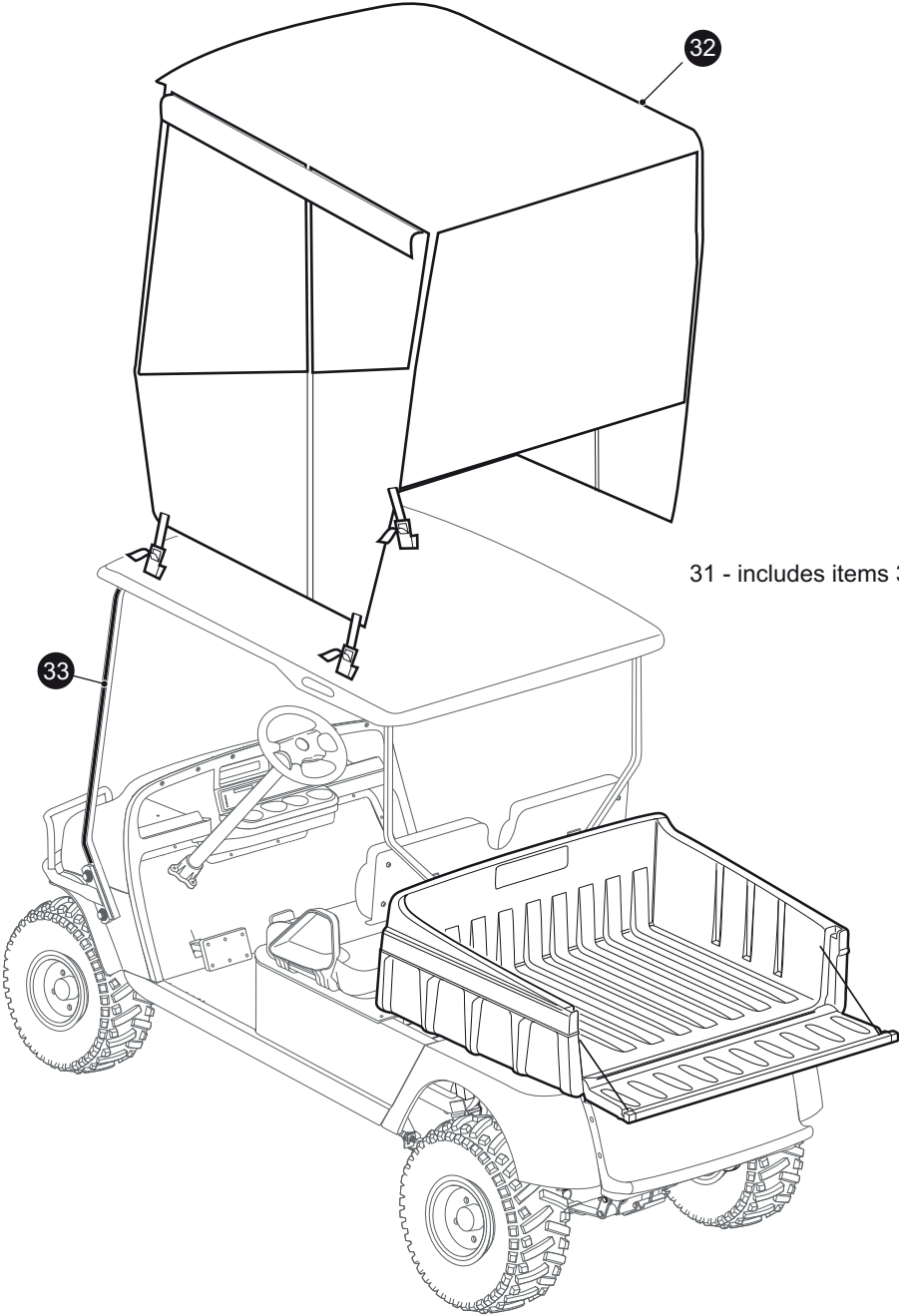
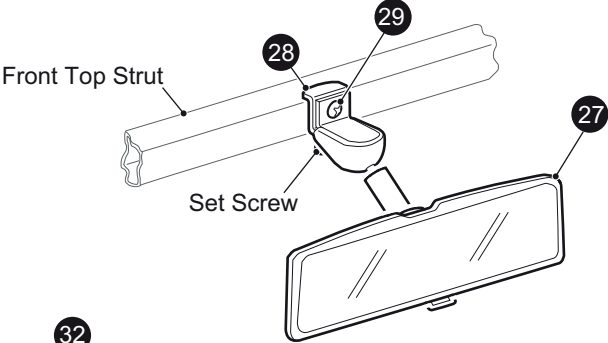


Front of Vehicle

DETAIL D (REAR)

REAR VIEW MIRROR KIT

26 - includes items 27 - 29



31 - includes items 32, 33

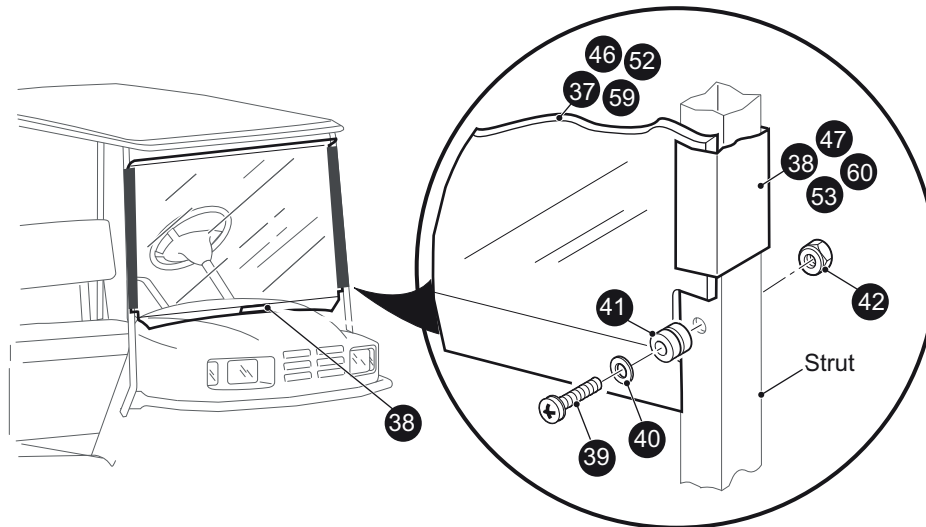
WEATHER PROTECTION

36 - includes items 37 - 43

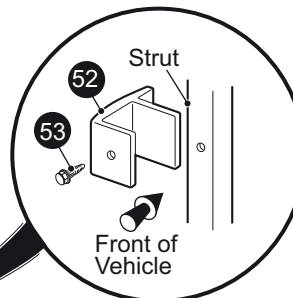
45 - includes items 46 - 47 and 39 - 43

51 - includes items 52 - 53 and 39 - 43

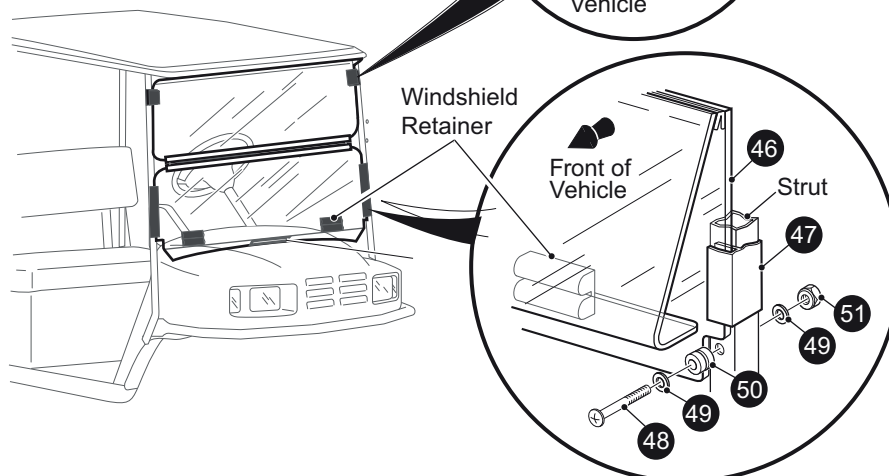
59 - includes items 59 - 60 and 39 - 43



Front of Vehicle



Front of Vehicle

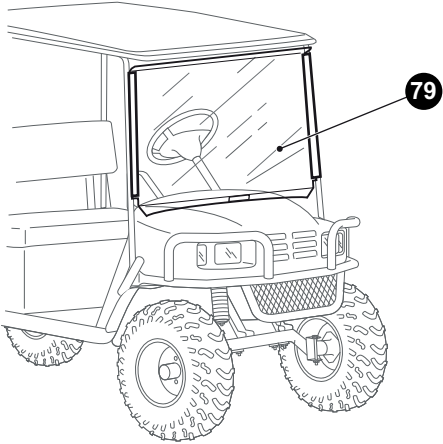
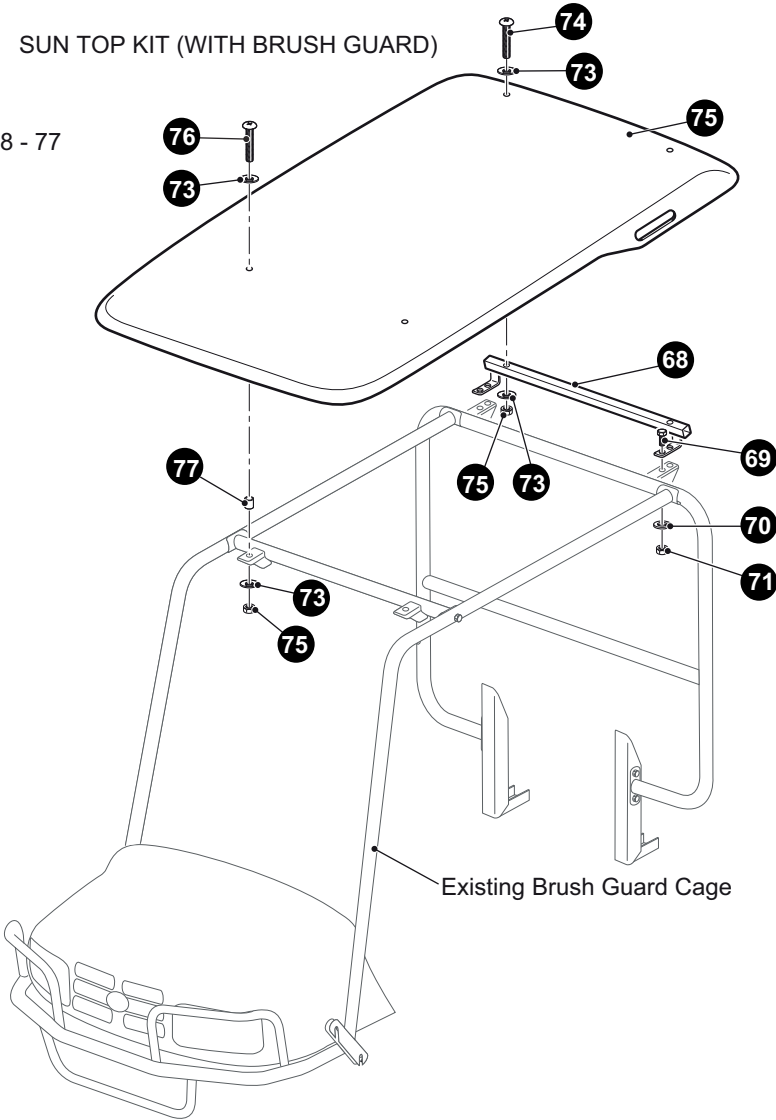


Front of Vehicle



SUN TOP KIT (WITH BRUSH GUARD)

67 - includes items 68 - 77



WEATHER PROTECTION

When ordering parts, please specify the model and serial number of the product.

* Indicates a component that is not available as an individual part.

*** Indicates consult Customer Service Department for additional information.

ITEM	PART NO.	1 2 3 4 5	DESCRIPTION	QTY.
1	75040G0*		SUN TOP KIT (INCLUDES ITEMS 2 -21)	1
2	27069G0*		SUN TOP	1
3	<u>75044G06</u>		HARDWARE KIT (INCLUDES ITEMS 4 - 21).....	1
4	<u>75045G05</u>		FRONT STRUT	1
5	<u>75838G03</u>		REAR STRUT (DRIVER SIDE)	1
6	<u>75838G04</u>		REAR STRUT (PASSENGER SIDE).....	1
7	<u>75465G01</u>		FASTENING HARDWARE KIT (INCLUDES ITEMS 8 - 21).....	1
8	<u>00440G2</u>		HEX HEAD BOLT, 5/16 - 18 X 2 1/4" LG	4
9	<u>00905G8</u>		LOCK WASHER, 5/16"	4
10	<u>75048G01</u>		SPACER, 1/2"	2
11	<u>00570G2</u>		FLAT WASHER, 5/16"	6
12	<u>00685G7</u>		HEX HEAD BOLT, 5/16 - 18 X 1 3/4" LG	4
13	<u>01110G03</u>		WASHER, 5/16" (STAINLESS STEEL).....	8
14	<u>75048G04</u>		SPACER.....	2
15	<u>01109G01</u>		LOCK NUT, 5/16 - 18 (STAINLESS STEEL).....	4
16	<u>00753G5</u>		MACHINE TRUSS HEAD PHILLIPSCREW, 1/4 - 20 X 2" LG	2
17	<u>00753G6</u>		MACHINE TRUSS HEAD PHILLIPSCREW, 1/4 - 20 X 2 1/4" LG	2
18	<u>01110G01</u>		FLAT WASHER, 1/4"	8
19	<u>75051G01</u>		PLASTIC SPACER.....	4
20	<u>00891G2</u>		LOCK NUT, 1/4 - 20 (STAINLESS STEEL).....	4
21	<u>19853G1</u>		END CAP, 1"	2
22				
23				
24				
25				
26	<u>19528G2</u>		REAR VIEW MIRROR KIT (INCLUDES ITEMS 27 - 29)	1
27	<u>19496G1</u>		REAR VIEW MIRROR	1
28	<u>19502G2</u>		SUPPORT BRACKET.....	1
29	<u>19527G1</u>		PAN HEAD SCREW, #8 - 32 X 5/8" LG	1
30				
31	75367G**		3 SIDED SOFT ENCLOSURE KIT (INCLUDES ITEMS 32 - 33)	1

WEATHER PROTECTION

When ordering parts, please specify the model and serial number of the product.

* Indicates a component that is not available as an individual part.

*** Indicates consult Customer Service Department for additional information.

ITEM	PART NO.	1 2 3 4 5	DESCRIPTION	QTY.
32	*		ENCLOSURE	1
33	*		VELCRO	AR
34				
35				
36	<u>71966G01</u>		WINDSHIELD KIT (FULL) (REQUIRES SUN TOP KIT) (INCLUDES ITEMS 37- 43).....	1
37	<u>71954G01</u>		WINDSHIELD (FULL) (LEXAN).....	1
38	<u>75528G01</u>		SASH, 26" LG.....	2
39	71956G03		SCREW, 1/4 - 20 X 1 3/4" LG (STAINLESS STEEL).....	2
40	71956G04		STAINLESS STEEL WASHER, 1/4".....	4
41	71956G06		RUBBER GROMMET	2
42	<u>71956G05</u>		LOCK NUT, 1/4 - 20 (STAINLESS STEEL)	2
43	EGWHL14		SAFETY LABEL (NOT ILLUSTRATED)	1
44				
45	<u>71966G02</u>		WINDSHIELD KIT (FOLD DOWN) (REQUIRES SUN TOP KIT) (INCLUDES ITEMS 46 - 47 AND 39 - 43).....	1
46	623903		FLIP WINDSHIELD (LEXAN)	1
47	<u>75528G02</u>		SASH, 12" LG.....	2
48				
49				
50				
51	<u>71966G03</u>		WINDSHIELD KIT (FULL) (REQUIRES SUN TOP KIT) (INCLUDES ITEMS 52 - 53 AND 39 - 43).....	1
52	<u>71960G01</u>		WINDSHIELD (FULL).....	1
53	<u>75528G01</u>		SASH, 26" LG.....	2
54				
55				
56				
57				
58	<u>71966G04</u>		WINDSHIELD KIT (FOLD DOWN)(REQUIRES SUN TOP KIT) (INCLUDES ITEMS 59 - 60 AND 39 - 43).....	1
59	<u>617544</u>		SPORT WINDSHIELD.....	1

WEATHER PROTECTION

When ordering parts, please specify the model and serial number of the product.

* Indicates a component that is not available as an individual part.

*** Indicates consult Customer Service Department for additional information.

ITEM	PART NO.	1	2	3	4	5	DESCRIPTION	QTY.
60	EGWHC10						SASH, 12" LG	2
61								
62								
63								
64								
65								
66								
67	74496G0*						SUN TOP KIT (WITH BRUSH GUARD) (INCLUDES ITEMS 68 - 77)	1
68	<u>74466G01</u>						MOUNTING BRACKET.....	1
69	00438G5						HEX HEAD BOLT, 5/16 - 18 X 5/8" LG	4
70	<u>00565G8</u>						LOCK WASHER, 5/16"	4
71	<u>00532G3</u>						HEX NUT, 5/16 - 18.....	4
72	74497G0*						SUN TOP	1
73	<u>00559G7</u>						FLAT WASHER, 1/4"	8
74	00753G6						MACHINE TRUSS HEAD PHILLIPSCREW, 1/4 - 20 X 2 1/4" LG	2
75	00891G2						LOCK NUT, 1/4 - 20 (STAINLESS STEEL).....	4
76	<u>00753G7</u>						MACHINE TRUSS HEAD PHILLIPSCREW, 1/4 - 20 X 2 1/2" LG	2
77	7446G01						SPACER.....	2
78								
79	<u>74542G01</u>						WINDSHIELD KIT (WITH BRUSH GUARD) (Replacement Parts available from Eagle Parts, 706-790-6687)	1

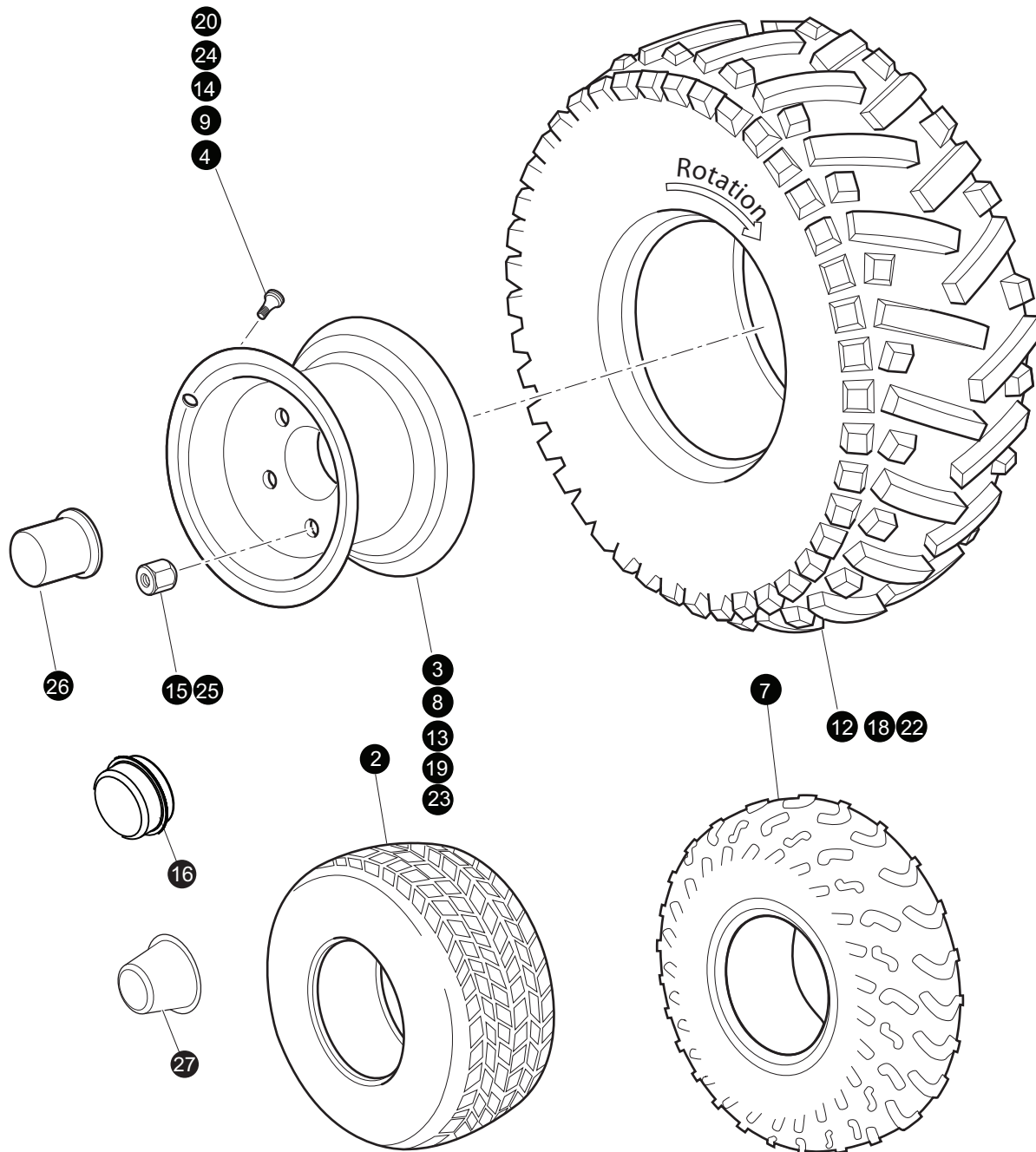
Notes:

A large grid of graph paper, consisting of 20 columns and 25 rows of small squares, intended for taking notes.

WHEELS AND TIRES

- 1 - Includes Items 2 - 4
- 5 - Includes Items 7 - 9
- 6 - Includes Items 7 - 9
- 10 - Includes Items 12 - 14
- 11 - Includes Items 12 - 14
- 17 - Includes Items 18 - 20
- 21 - Includes Items 22 - 24

(Style of tire may differ from tire shown)



WHEELS AND TIRES

When ordering parts, please specify the model and serial number of the product.

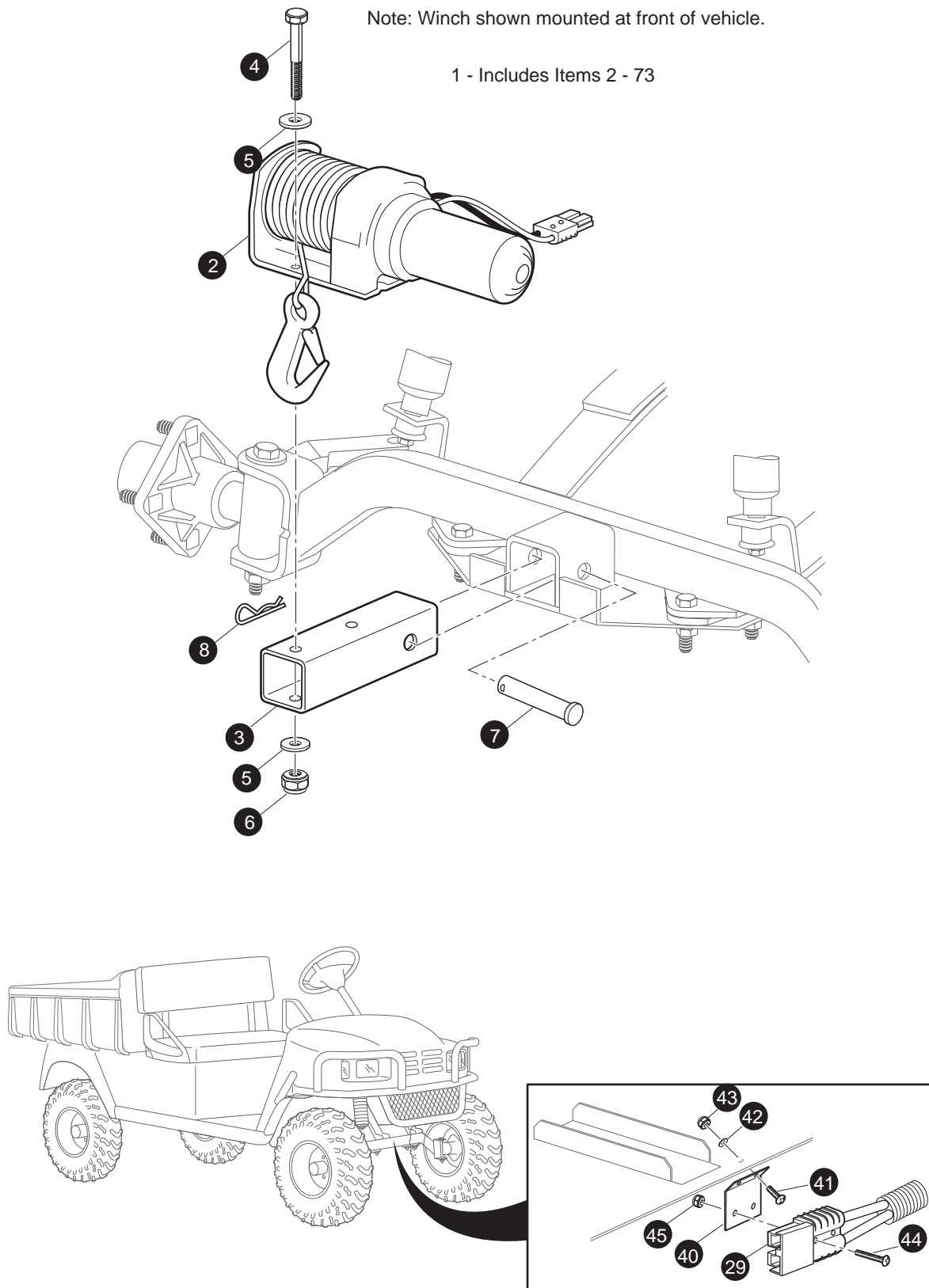
* Indicates a component that is not available as an individual part.

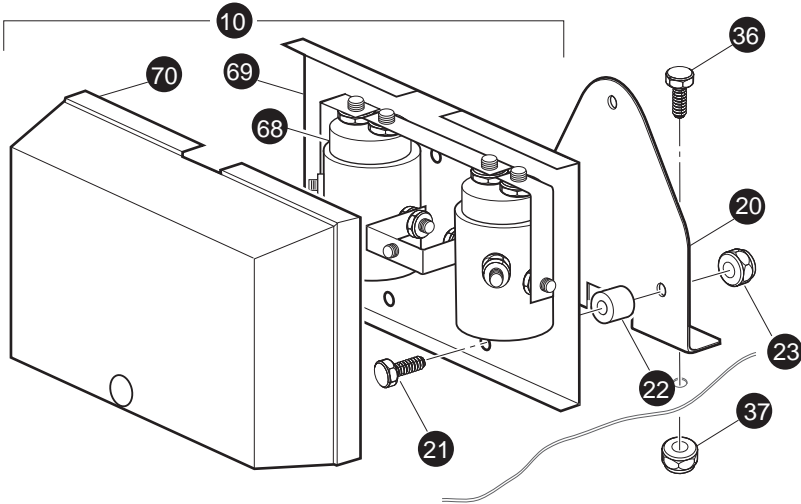
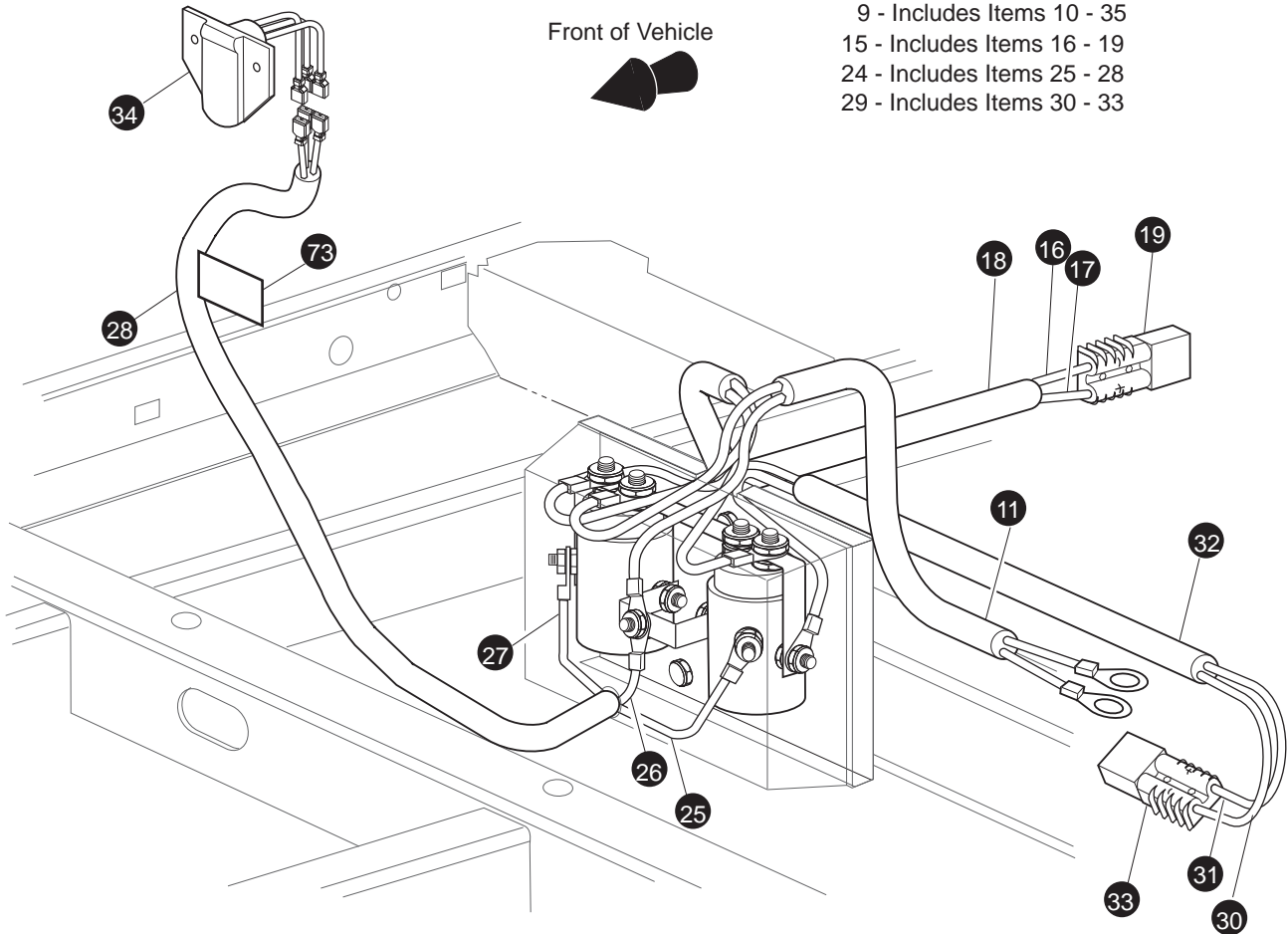
*** Indicates consult Customer Service Department for additional information.

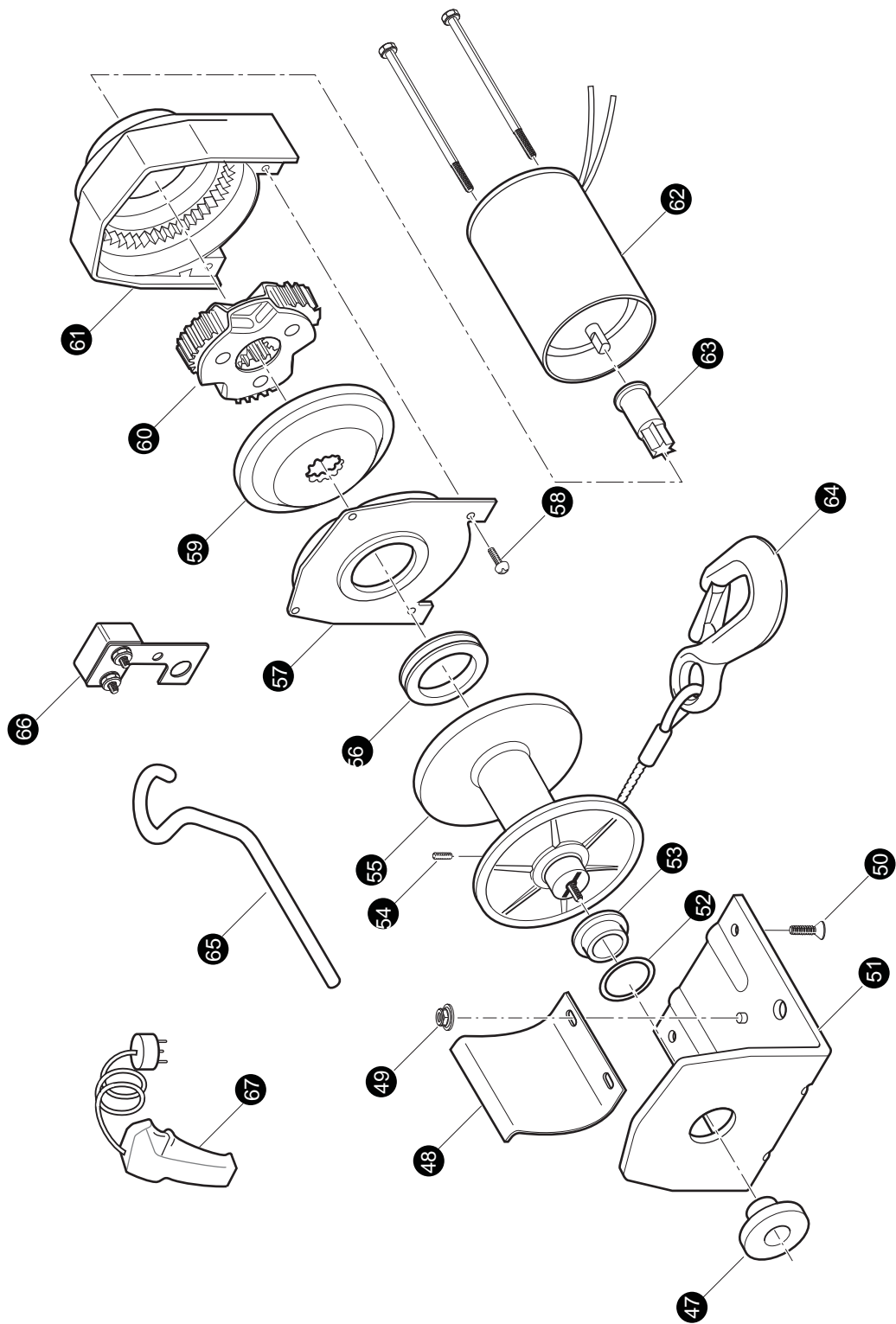
ITEM	PART NO.	1 2 3 4 5	DESCRIPTION	QTY.
1	28442G03		WHEEL AND TIRE ASSY, TURF SAVER (INCLUDES ITEMS 2 - 4)	1
2	28442G02		TIRE, 20 X 10 - 10 TURF SAVER	1
3	15172G02		WHEEL RIM (BLACK, 4 LUG).....	1
4	11657G1		VALVE STEM.....	1
5	74842G03		WHEEL AND TIRE ASSY (DRIVER SIDE) (INCLUDES ITEMS 7 - 9).....	1
6	74842G04		WHEEL AND TIRE ASSY (PASSENGER SIDE) (INCLUDES ITEMS 7 - 9) ..	1
7	74842G05		TIRE, 21 X 11 - 10 TRAIL WOLF.....	1
8	1015239014		WHEEL RIM (BLACK, 4 LUG).....	1
9	012007		VALVE STEM.....	1
10	28630G04		WHEEL AND TIRE ASSY (DRIVER SIDE) (INCLUDES ITEMS 12 - 14).....	1
11	28630G05		WHEEL AND TIRE ASSY (PASSENGER SIDE) (INCLUDES ITEMS 12 - 14)	1
12	28630G01		TIRE, 22 X 9 - 10 STRYKER.....	1
13	15172G02		WHEEL RIM (BLACK, 4 LUG).....	1
14	11657G1		VALVE STEM.....	1
15	14723G1		LUGNUT, 1/2 - 20.....	A/R
16	12091G2		SPINDLE CAP	2
17	606240		SPEEDRACER TIRE AND WHEEL, 10X7, DRIVER SIDE (INCLUDES 18-20) (MUST USE ITEM 25 LUG NUTS, ORDER SEPARATELY).....	2
18	606139		SPEED RACER, 10X7 DRIVER SIDE	1
19	606152		WHEEL, 10" DIAMOND FINISHED WHEEL	1
20	604915		VALVE STEM, CHROME.....	1
21	606179		SPEEDRACER TIRE AND WHEEL, 10X7, PASSENGER SIDE (INCLUDES 22-24) (MUST USE ITEM 25 LUG NUTS, ORDER SEPARATELY)	2
22	606139		SPEED RACER, 10X7 DRIVER SIDE	1
23	606152		WHEEL, 10 " DIAMOND FINISHED WHEEL	1
24	604915		VALVE STEM, CHROME.....	1
25	606925		DIAMOND LUG NUTS	4
26	608910		DIAMOND WHEEL CAP	1
27	74175G01		DUST CAP	2

Note: Winch shown mounted at front of vehicle.

1 - Includes Items 2 - 73







When ordering parts, please specify the model and serial number of the product.

* Indicates a component that is not available as an individual part.

*** Indicates consult Customer Service Department for additional information.

ITEM	PART NO.	1 2 3 4 5	DESCRIPTION	QTY.
1	74259-G02		WINCH KIT (INCLUDES ITEMS 2 - 73) (ST 350).....	1
2	600792		WINCH ASSEMBLY, T1500.....	1
3	<u>74271-G01</u>		WINCH MOUNTING TUBE	1
4	<u>00440-G6</u>		BOLT, 5/16 - 18 X 2 3/4" LG	2
5	<u>00571-G2</u>		WASHER, 5/16".....	4
6	<u>00891-G3</u>		LOCK NUT, 5/16 - 18.....	2
7	<u>21317-G1</u>		CLEVIS PIN, 5/8" x 3" LG.....	1
8	<u>21683-G1</u>		COTTER PIN, 15/32" X 2 13/16" LG	1
9	74286-G02		REMOTE SOLENOID (INCLUDES ITEMS 10 - 35).....	1
10	<u>74256-G02</u>		SOLENOID KIT	1
11	<u>72278-G01</u>		WIRE HARNESS (SOLENOID to BATTERY)	1
12				
13				
14				
15	600798		WIRE HARNESS (SOLENOID to REAR WINCH) (INCLUDES 16 - 19)	1
16	600794		8 GA WIRE (YELLOW 67")	1
17	600793		8 GA WIRE (BLUE 67")	1
18	<u>20436-G1</u>		FLEX LOOM (BULK) 49"	1
19	<u>73235-G01</u>		CONNECTOR.....	1
20	<u>74326-G01</u>		MOUNTING BRACKET.....	1
21	<u>00414-G6</u>		BOLT, 1/4 - 20 X 3/4" LG.....	3
22	<u>23726-G1</u>		SPACER, 1/4"	3
23	<u>14390-G4</u>		LOCK NUT, 1/4 - 20	3
24	600801		WIRE HARNESS (SOLENOID to RECEPTACLE) (INCLUDES 25-28).	1
25	<u>19077-G1</u>		16 GA WIRE (BLUE 14")	1
26	<u>20216-G1</u>		16 GA WIRE (WHITE 14")	1
27	<u>19080-G1</u>		16 GA WIRE (YELLOW 14")	1
28	<u>17313-G1</u>		FLEX LOOM (BULK), 4"	1
29	<u>600795</u>		WIRE HARNESS (SOLENOID to FRONT WINCH) (INCLUDES 30-33)	1
30	600794		8 GA WIRE (YELLOW 94")	1
31	600793		8 GA WIRE (BLUE 94")	1

When ordering parts, please specify the model and serial number of the product.

* Indicates a component that is not available as an individual part.

*** Indicates consult Customer Service Department for additional information.

ITEM	PART NO.	1	2	3	4	5	DESCRIPTION	QTY.
32	<u>20436-G1</u>						FLEX LOOM, 75 5/8" (BULK)	1
33	<u>73235-G01</u>						CONNECTOR	1
34	<u>600482</u>						RECEPTACLE WITH LEADS (GREEN, WHITE, BLACK)	1
35	*						CIRCUIT BREAKER WITH BRACKET.....	1
36	<u>00414-G5</u>						BOLT, 1/4 - 20 X 5/8" LG.....	2
37	<u>14390-G4</u>						LOCK NUT, 1/4 - 20	2
38								
39								
40	<u>74289-G01</u>						CONNECTOR MOUNT PLATE.....	1
41	<u>00740-G4</u>						SCREW, #10 - 32 X 1/2" LG (STAINLESS STEEL).....	2
42	<u>00559-G5</u>						WASHER, #10	2
43	<u>00921-G8</u>						LOCK NUT, #10 - 32	2
44	<u>00156-G8</u>						SCREW, #10 - 32 X 1" LG	2
45	<u>00526-G4</u>						NUT, #10 - 32.....	2
46								
<p>The following items are replacement components for the winch. For service or replacement parts, contact Superwinch, Inc., Winch Drive, Putnam, CT 06260 Phone: (860) 928-7787, FAX: (860) 928-1143</p> <p>Always provide the following information when requesting information or ordering replacement parts:</p> <p>Winch Part Number: T1500 Serial Number: (found on housing) Part Number and Description</p>								
47	87-10490						KNOB ASSEMBLY, T-SERIES F/W	1
48	87-22381						TENSION PLATE	1
49	87-23149-05						NUT, HEX, FLANGED, M5 X 0.8	2
50	89-22291-01						SCREW, ST HEX SKY FH, M6 X 1 X 20	2
51	87-22394						BASEPLATE ASSEMBLY, T-SERIES	1
52	AS REQ'D						WASHER, .020 OR .030 THICK	A/R
53	87-10466						BUSHING, T-SERIES.....	1
54	87-23309-01						SET SCREW, M5 X 0.8 X 6	1
55	87-22397						DRUM ASSEMBLY	1

When ordering parts, please specify the model and serial number of the product.

* Indicates a component that is not available as an individual part.

*** Indicates consult Customer Service Department for additional information.

ITEM	PART NO.	1	2	3	4	5	DESCRIPTION	QTY.
56	87-10470						DRUM SUPPORT BUSHING	1
57	87-33257						DRUM SUPPORT PLATE	1
58	87-23030-10						SCREW, ST PAN HEAD, M4 X 0.7 X 10	4
59	87-33251						ROTATOR GEAR, T-SERIES	1
60	87-22380						CARRIER ASSEMBLY, T-SERIES	1
61	87-22396						STATIONARY GEAR HOUSING ASSEMBLY, T-SERIES	1
62	87-33249						MOTOR, 12 VOLT	1
63	87-22401						MOTOR PINION GEAR	1
64	1535A						WIRE ROPE AND HOOK ASSEMBLY, 5/32" X 25 FEET	1
65	89-32300						HANSAVER BAR	1
66	90-22873-03						CIRCUIT BREAKER ASSEMBLY, 12 VOLT, T-SERIES	1
67	90-22117						REMOTE CONTROL ASSEMBLY	1
68	92-20172						SOLENOID, 12 VOLT	2
69	90-32070						SOLENOID BACK PLATE	1
70	90-31079						SOLENOID COVER	1
71								
72								
73	<u>71489-G01</u>						LABEL (READ INSTRUCTIONS)	1

SPECIALTY PRODUCTS

SPECIALTY PRODUCTS

SPECIAL TOOLS	PART NO.
HIGH RESISTANCE SPARK PLUG WIRE SET	26733G02
CLUTCH PULLER (DRIVE)	19779G2
FLYWHEEL PULLER	27111G01
CURRENT INDICATOR	16489G2
DIGITAL MULTI-METER	27481G01
TUBELESS TIRE REPAIR KIT	606009
TIRE PLUGGER REFILL PACK (50/BOX)	606831

TOUCH UP PAINT	PART NO.
PEN 3 OUNCE (89 ML) - HUNTER GREEN	28432G02
PEN 3 OUNCE (89 ML) - CHAMPAGNE BEIGE	28432G01
PEN 3 OUNCE (89 ML) - WHITE	28432G05
PEN 3 OUNCE (89 ML) - INDUSTRIAL YELLOW	28432G03
PEN 3 OUNCE (89 ML) - ORANGE	28432G04
PEN 3 OUNCE (89 ML) - STEEL BLUE PEARL	28432G24
PEN 3 OUNCE (89 ML) - CAMOUFLAGE PAINT (THREE PENS)	75831G01
AEROSOL 12 OUNCE (360 ML) - HUNTER GREEN	28140G09
AEROSOL 12 OUNCE (360 ML) - CHAMPAGNE BEIGE	28140G15
AEROSOL 12 OUNCE (360 ML) - INDUSTRIAL YELLOW	28140G14

MAINTENANCE PRODUCTS	PART NO.
PLEXUS® CLEANER, 13 OUNCE (380 ML) (FOR WINDSHIELDS)	28433G02
BATTERY PROTECTOR, 14 OUNCE (410 ML) SPRAY	27619G02
E-Z-GO ALL SURFACE CLEANER	606311
E-Z-GO FIBREGLASS/PLASTIC RESTORER	606313
WINDSHIELD AND PLASTIC PROTECTOR	606314
64 OZ HAND CLEANER	607636
4 OZ HAND CLEANER	607637

OPTIONS/ACCESSORIES

OPTIONS/ACCESSORIES

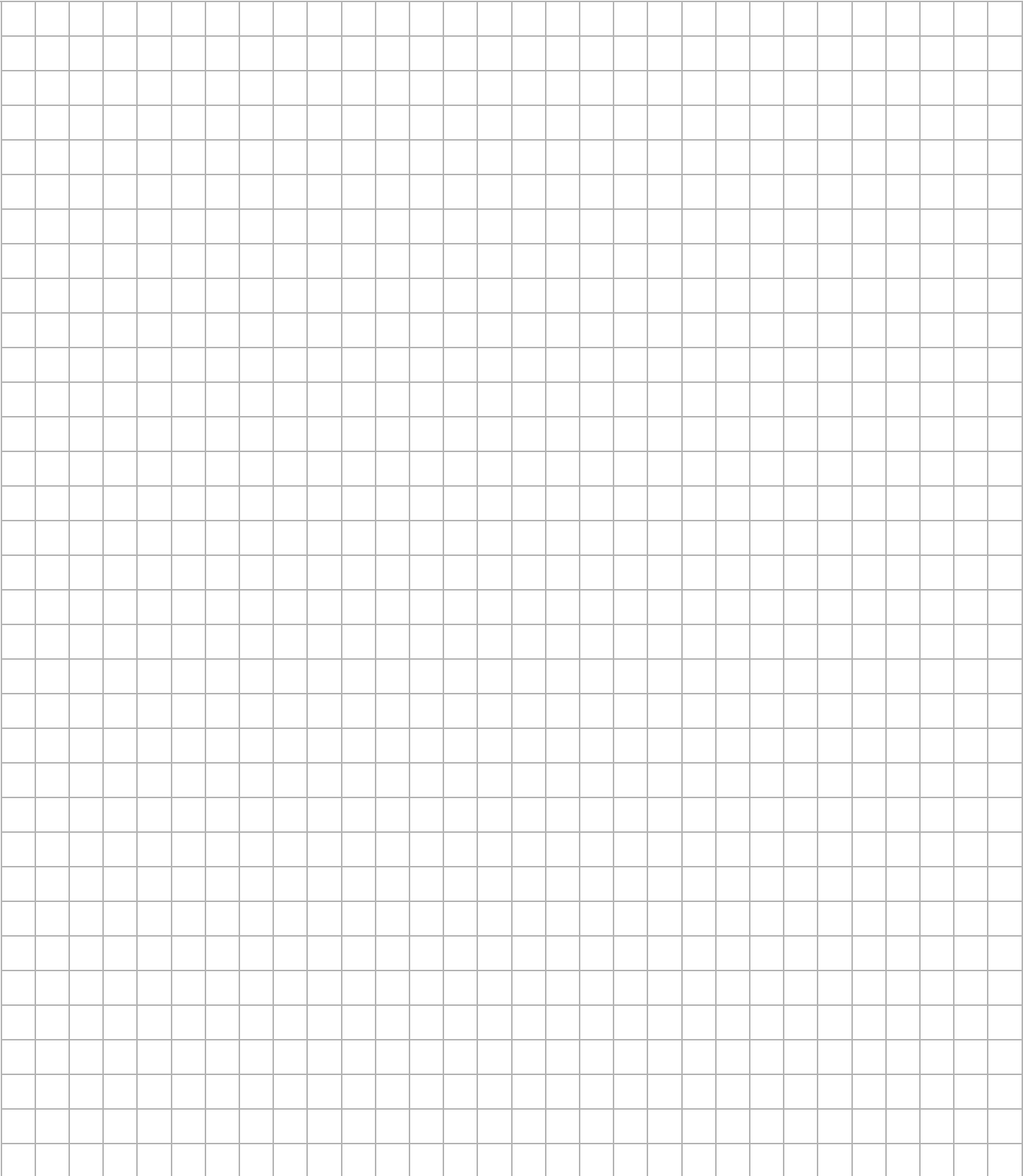
OPTIONS/ACCESSORIES

ITEM	KIT NO.	SECTION
ACCESSORIES LISTING		
ASHTRAY KIT	75109-G02	See BODY
BALL HITCH KIT	74491-G02	See BODY
CARGO BED COVER	73521-G01	
CARGO TRAILER (STEEL)	74486-G01	
CARGO TRAILER (POLY)	74487-G01	
CONSOLE POWER OUTLET	71079-G01	See ELECTRICAL SYSTEM
DEFROSTER/COOLING FAN	74248-G01	See CAB (FLAT WINDSHIELD)
DOME LIGHT	20495-G2	See CAB (FLAT WINDSHIELD)
DOOR SET (STEEL)	74301-G0*	See CAB (FLAT WINDSHIELD)
DOOR SET (STEEL)	75856-G0*	See CAB (CURVED WINDSHIELD)
DOOR SET (VINYL)	74242-G01	See CAB (FLAT WINDSHIELD)
DOOR SET (VINYL)	75855-G01	See CAB (CURVED WINDSHIELD)
GLOVE BOX DOOR	75456-G0*	See BODY
GUN HOLDER	74365-G01	
HITCH KITS	74492-G0*	See BODY
HOUR METER KIT	75114-G0*	See ELECTRICAL SYSTEM
RECTANGULAR SIDE MIRROR KIT	27924-G01	See CAB (FLAT WINDSHIELD)
INSTRUMENT/SWITCH PANEL	74250-G01	See CAB (FLAT WINDSHIELD)
LIGHT BAR	75354-G0*	See ELECTRICAL
REAR VIEW MIRROR KIT(REQUIRES SUN TOP KIT)	19528-G2	See WEATHER PROTECTION
SOFT ENCLOSURE (3 SIDED)	75367-G0*	See WEATHER PROTECTION
STEEL CAB, W/O DOORS	75854-G0*	See CAB (CURVED WINDSHIELD)
STROBE LIGHT	74245-G01	See CAB (FLAT WINDSHIELD)
SUN TOP KIT (ST SPORT)	75040-G0*	See WEATHER PROTECTION
TURN SIGNAL KIT	75107-G0*	See ELECTRICAL SYSTEM
WINCH	74259-G02	See WINCH (ST 350)
WINDSHIELD KIT (REQUIRES SUN TOP KIT)	71966-G0*	See WEATHER PROTECTION
FOLD DOWN WINDSHIELD KIT(REQUIRES SUN TOP KIT)	71966-G0*	See WEATHER PROTECTION
WINDSHIELD WIPER	74244-G01	See CAB (FLAT WINDSHIELD)
WORK LIGHTS	74247-G01	See CAB (FLAT WINDSHIELD)
TIRE DOMINATOR 20X11-10	605316	Wheels and Tires
PATHFINDER TIRE BRUSHED WHEEL LH	605355	Wheels and Tires
PATHFINDER TIRE BRUSHED WHEEL RH	605356	Wheels and Tires
PRO TOUR POLISHED WHEEL	605317	Wheels and Tires-ST Sport CARB / ST Sport
PRO TOUR TIRE 205/50-10	605315	Wheels and Tires-ST Sport CARB / ST Sport
V-STEM BRUSHED WHEEL	605351	Wheels and Tires
PRO-BRUSHED WHEEL	605318	Wheels and Tires-ST Sport CARB / ST Sport

OPTIONS/ACCESSORIES

ITEM	KIT NO.	SECTION
		Sport
DOMINATOR POLISHED WHEEL	605319	Wheels and Tires
DOMINATOR BRUSHED WHEEL	605320	Wheels and Tires
CHROME CENTER CAP-SPOKED WHEEL	604929	Wheels and Tires
NUT, LUG-CHROME	605310	Wheels and Tires
V-STEM-POLISHED SPOKED WHEEL	605311	Wheels and Tires
PATHFINDER TIRE 22X11-10	604928	Wheels and Tires
PATHFINDER TIRE POLISHED WHEEL LH.	604930	Wheels and Tires
PATHFINDER TIRE POLISHED WHEEL RH	605228	Wheels and Tires
WHEEL ASSEMBLY - TERRA TRAC	608915	Wheels and Tires - ST 400 / ST SPORT

Notes:





A Textron Company

E-Z-GO Division Of Textron, Inc.,
1451 Marvin Griffin Road, Augusta, Georgia USA 30906-3852

TO CONTACT US

North America:

Technical Assistance & Warranty Phone: 1-800-774-3946, FAX: 1-800-448-8124
Service Parts Phone: 1-888-GET-EZGO (1-888-438-3946), FAX: 1-800-752-6175

International:

Phone: 001-706-798-4311, FAX: 001-706-771-4609

Certified ISO 9001 / ISO 14001 by



Copyrighted Material
This manual may not be reproduced in whole or
in part without the express permission of
E-Z-GO Division of Textron, Inc.
Technical Communications Department