



A Textron Company

# RXV ELECTRIC SERVICE PARTS MANUAL



# 611105

ISSUED FEBRUARY 2009

REVISED JUNE 2009



# SERVICE PARTS MANUAL

## ELECTRIC POWERED FLEET & PERSONAL GOLF CARS

RXV GOLF CAR

RXV FREEDOM™

RXV SHUTTLE 2 + 2

**STARTING MID-MODEL YEAR 2009**

*(MANUFACTURED BEGINNING FEBRUARY 23, 2009)*

E-Z-GO Division of TEXTRON Inc. reserves the right to incorporate engineering and design changes to products in this Manual, without obligation to include these changes on units leased/sold previously.

The information contained in this Manual may be revised periodically by the E-Z-GO Division, and therefore is subject to change without notice.

The E-Z-GO Division **DISCLAIMS LIABILITY FOR ERRORS IN THIS MANUAL**, and the E-Z-GO Division **SPECIFICALLY DISCLAIMS LIABILITY FOR INCIDENTAL AND CONSEQUENTIAL DAMAGES** resulting from the use of the information and materials in this Manual.

### **TO CONTACT US**

#### **NORTH AMERICA:**

**TECHNICAL ASSISTANCE & WARRANTY PHONE: 1-800-774-3946, FAX: 1-800-448-8124**

**SERVICE PARTS PHONE: 1-888-GET-EZGO (1-888-438-3946), FAX: 1-800-752-6175**

#### **INTERNATIONAL:**

**SALES PHONE: 001-706-798-4311, FAX: 001-706-771-4609**

**E-Z-GO DIVISION OF TEXTRON INC., 1451 MARVIN GRIFFIN ROAD, AUGUSTA, GEORGIA USA 30906-3852**

## **NOTES**

To obtain a copy of the limited warranty applicable to the vehicle, call or write a local Distributor, authorized Branch or the Warranty Department with the vehicle serial number and the manufacturer code.

The use of non Original Equipment Manufacturer (OEM) approved parts may void the warranty.

Overfilling batteries may void the warranty.

### **BATTERY PROLONGED STORAGE**

All batteries will self discharge over time. The rate of self discharge varies depending on the ambient temperature and the age and condition of the batteries.

A fully charged battery will not freeze in winter temperatures unless the temperature falls below -75° F (-60° C).

As with all electric vehicles, the batteries must be checked and recharged as required or at a minimum of 30 day intervals.

# TABLE OF CONTENTS

SECTION	Page No.
<b>HOW TO USE THE SERVICE PARTS MANUAL</b> .....	Vii
<b>ACCELERATOR PEDAL ASSEMBLY</b> .....	A-1
• Accelerator Pedal Pad	
• Accelerator Pedal Assembly	
• Switches	
<b>BATTERY CHARGER</b> .....	B-1
• Charger	
• Charger Cords	
• Cover	
• Handle	
<b>BODY - FRONT</b> .....	C-1
• Front Bumper	
• Front Splash Shield	
• Cowl	
• Nameplate	
• Instrument Panel	
• Instrument Panel Trim	
• Cup Holder	
<b>BODY - MID SECTION</b> .....	C-5
• Pedal Cover	
• Floorboard	
• Floormat	
• Rocker Panels	
<b>BODY - REAR</b> .....	C-7
• Rear Body	
• Rear Splash Shields	
• Seat Support	
• Bagwell Liner	
• Access Panel	
• Scuff Guards	
• Rear Bumper	
<b>BODY - ACCESSORIES</b> .....	C-11
• Side Baskets	
• Sand Bottle	
• Cooler	
• Soft Swipe	
• Divot Repair	
• Club & Ball Washer	
• Four Bag Attachment	
<b>BRAKES - PEDAL</b> .....	D-1
• Brake Pedal Pad	
• Brake Pedal Assembly	
• Brake Pedal Return Spring	
• Switches	
<b>BRAKES - MOTOR BRAKE</b> .....	D - 3
• Motor Brake Assembly	
• Brake Handle	
• Handle Return Spring	

# TABLE OF CONTENTS

SECTION	Page No.
<b>ELECTRICAL SYSTEM - MAIN COMPONENTS</b> .....	<b>E-1</b>
• Main Harness	
• Solenoid	
• Reverse Warning Indicator	
• Run / Tow Switch	
• Run Plug	
• Controller Splash Shield	
• Key Switch	
• Charger Receptacle	
• Solenoid Wires	
<b>ELECTRICAL SYSTEM - BATTERIES</b> .....	<b>E - 5</b>
• Batteries	
• Battery Tray	
• Battery Hold Down	
• Battery Strap	
• Wires	
<b>ELECTRICAL ACCESSORIES</b> .....	<b>E-7</b>
• Horn Assembly	
• Horn Button	
• State of Charge Meter	
• Headlights	
• Tail Lights	
• Turn Signal Switch	
• Headlight Switch	
<b>ELECTRONIC SPEED CONTROL</b> .....	<b>F - 1</b>
• Controller Assembly	
• Resistor Assembly	
• Resistor Mounting Bracket	
• Sensor	
<b>FRONT SUSPENSION - STRUTS</b> .....	<b>G-1</b>
• Strut Assemblies	
• Spindles	
• A-Arm	
• Front Hub	
• Wheel Bolt	
<b>FRONT SUSPENSION - STEERING</b> .....	<b>G - 5</b>
• Steering Rack Assembly	
• Steering Column	
• Steering Wheel	
• Score Card Holder	
<b>MOTOR</b> .....	<b>H-1</b>
• AC Motor	
• Flexloom Sleeve	
<b>REAR AXLE</b> .....	<b>J - 1</b>
• Axle Assembly	
• Rear Hub	
• Wheel Bolt	
• Axle Shaft	

# TABLE OF CONTENTS

SECTION	Page No.
<b>REAR SUSPENSION</b> .....	<b>K - 1</b>
• Shocks	
• Leaf Spring	
• Shackles	
• Bushings	
<b>SEATING &amp; BASKET- FRONT SEAT</b> .....	<b>L - 1</b>
• Front Seat Bottom	
• Front Seat Back	
• Hip Restraints	
• Seat Back Support	
• Sweater Basket	
• Bag Strap	
• Bag Strap Clamp	
<b>SEATING - REAR SEAT 2 + 2</b> .....	<b>L - 5</b>
• Rear Seat Bottom	
• Rear Seat Back	
• Seat Back Support	
• Seat Hinge	
• Arm Rest	
• Rear Seat Floor Board Assembly	
<b>TOW BAR - PERMANENT TOWING VEHICLE</b> .....	<b>M - 1</b>
• Tow Bar	
• Latch	
• Retainer	
<b>TOW BAR - PERMANENT TOWED VEHICLE</b> .....	<b>M - 3</b>
• Steering Link	
• Front Casting	
• Spacer	
• Rod Ends	
<b>WEATHER PROTECTION - GOLF CAR SUN TOP</b> .....	<b>N - 1</b>
• Sun Top	
• Top Struts	
<b>WEATHER PROTECTION - SHUTTLE 2+2</b> .....	<b>N - 3</b>
• Sun Top	
• Top Struts	
<b>WEATHER PROTECTION - WINDSHIELD</b> .....	<b>N - 5</b>
• Windshield	
<b>WHEELS AND TIRES</b> .....	<b>P - 1</b>
• Tires	
• Wheels	
• Lug Nuts	
• Dust Cap	
• Wheel Cover	

**NOTES**

A large grid of graph paper for taking notes, consisting of 20 columns and 30 rows of small squares.



# HOW TO USE THE SERVICE PARTS MANUAL

This manual is divided into several sections:

## GENERAL INFORMATION

- TABLE OF CONTENTS
- HOW TO USE THE SERVICE PARTS MANUAL

## ILLUSTRATED PARTS BREAKDOWN

- Contains illustrations and parts lists for all systems of the vehicle.

## USE OF THE MANUAL

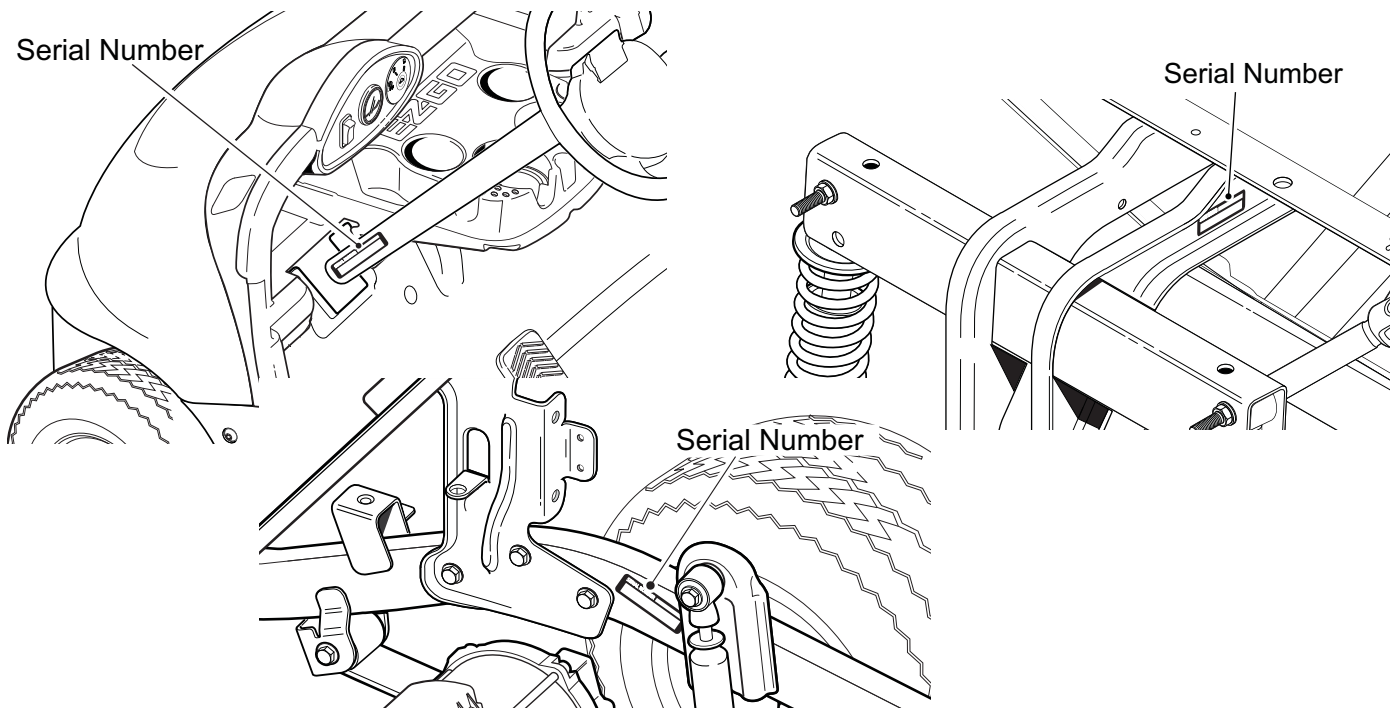
To use this manual, consult the TABLE OF CONTENTS (page iii) to locate the information or illustration required.

Introduction of some revisions varies due to supply of components; therefore, it is possible that various combinations of components may be found that are not directly reflected by each illustration. Consult the illustration that best suits your situation. Locate the serial number. It is important that the serial number of your vehicle and its model number be supplied to Service Parts when ordering any replacement components.

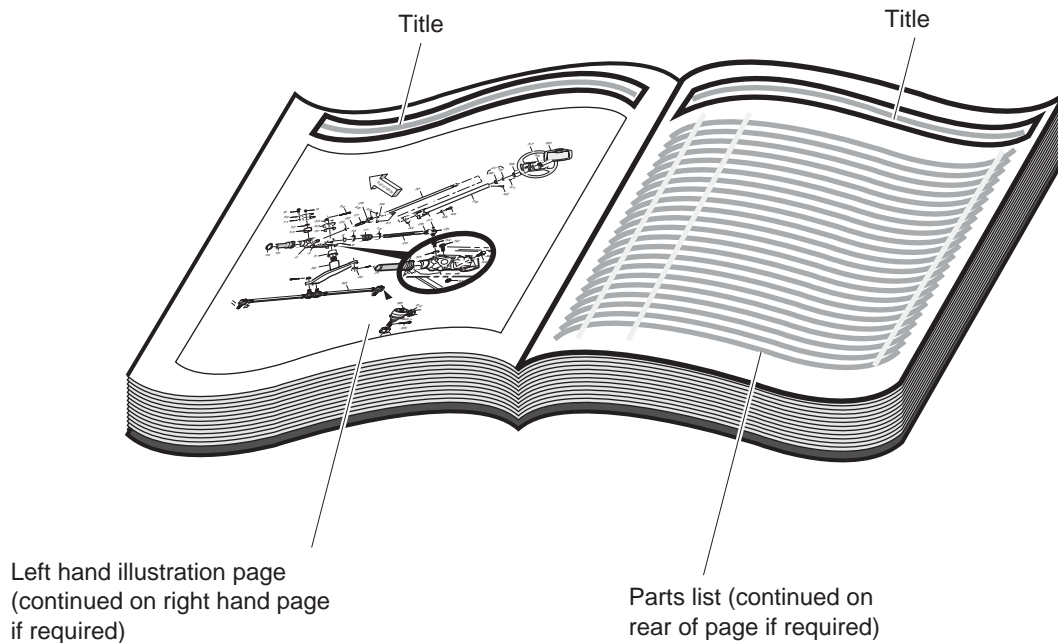
## SERIAL NUMBER LOCATION

Three serial number and manufacture date code labels are on the vehicle. One is placed on the steering column, the second is located on the frame member under the front splash shield on the driver side and the third is located on the passenger side frame rail at the rear of the vehicle.

In order to obtain correct components for the vehicle, the manufacture date code, serial number and vehicle model must be provided when ordering service parts.



# HOW TO USE THE SERVICE PARTS MANUAL



## 1. WHEN THE PART NUMBER IS NOT KNOWN

- Determine the function and application of the part required. Turn to the TABLE OF CONTENTS and select the most appropriate component description.
- Turn to the page number indicated and locate the part description in the parts list. Read the full accompanying description for specific information regarding the part that was not shown in the index.
- From the parts list, obtain the item number assigned to it and confirm that the part selected is correct by verifying it with the pictorial representation on the illustrated page.

Should an asterisk (\*) appear in the part number column on the parts list page, read upwards until a part number is found. The part number is the lowest assembly sold by Service Parts. The asterisk (\*) indicates that the part depicted is not available for purchase.

NOTE: Descriptions are indented under the assembly that they are used on. That assembly is, in turn listed under the assembly that it is used on. This process is repeated until the highest final assembly is reached.

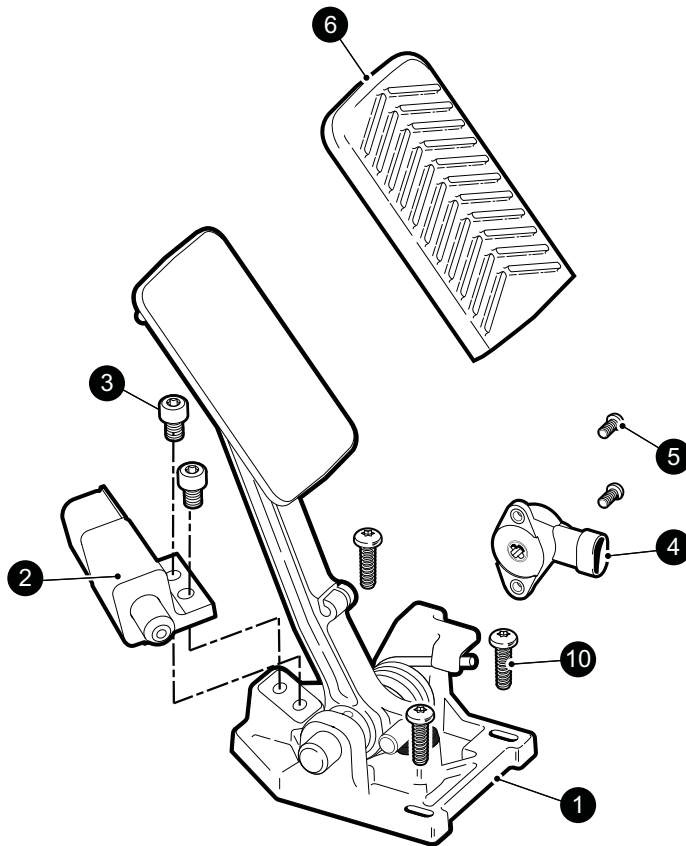
**To facilitate the maintenance and repair of the vehicle, a Technician's Repair and Service Manual is available from the Service Parts Department.**

# ILLUSTRATED PARTS BREAKDOWN

# ILLUSTRATED PARTS BREAKDOWN

# ACCELERATOR

1 Accelerator Pedal Assembly includes items 2 - 6



# ACCELERATOR

When ordering parts, please specify the model and serial number of the product.

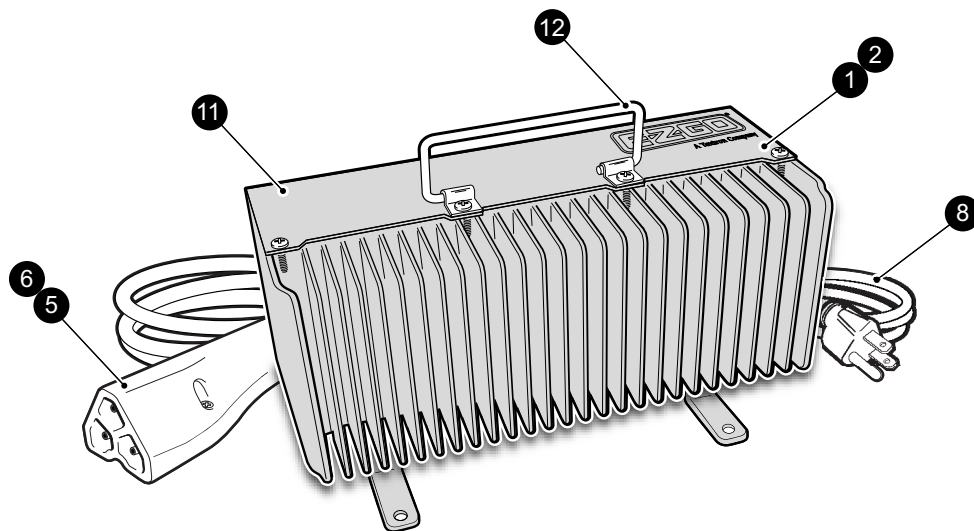
\* Indicates a component that is not available as an individual part.

\*\*\* Indicates consult Customer Service Department for additional information.

ITEM	PART NO.	1 2 3 4 5	DESCRIPTION	QTY.
1	610315		ACCELERATOR PEDAL ASSEMBLY (includes items 2-6) .....	1
2	<u>609697</u>		ACCELERATOR PEDAL SWITCH .....	1
3	<u>620030</u>		SOCKET HEAD CAP SCREW, M5 - 0.8 - 6g X 10 .....	2
4	<u>600019</u>		ROTARY POSITION SENSOR.....	1
5	<u>600543</u>		BUTTON HEAD TORX BOLT, M4 - 7 X 13.....	2
6	600255		ACCELERATOR PEDAL PAD .....	1
7				
8				
9				
10	<u>606277</u>		PAN HEAD TORX SCREW, M8 X 29 .....	3

# BATTERY CHARGER

- ① 48V Battery Charger with 3 meter Cord includes items 5,8,11,12 & 14
- ② 48V Battery Charger with 5.5 meter Cord includes items 6,8,11,12 & 14
- ⑭ Charger EMI Board Assembly (not shown)
- ⑱ Strain Relief Kit (not shown)



# BATTERY CHARGER

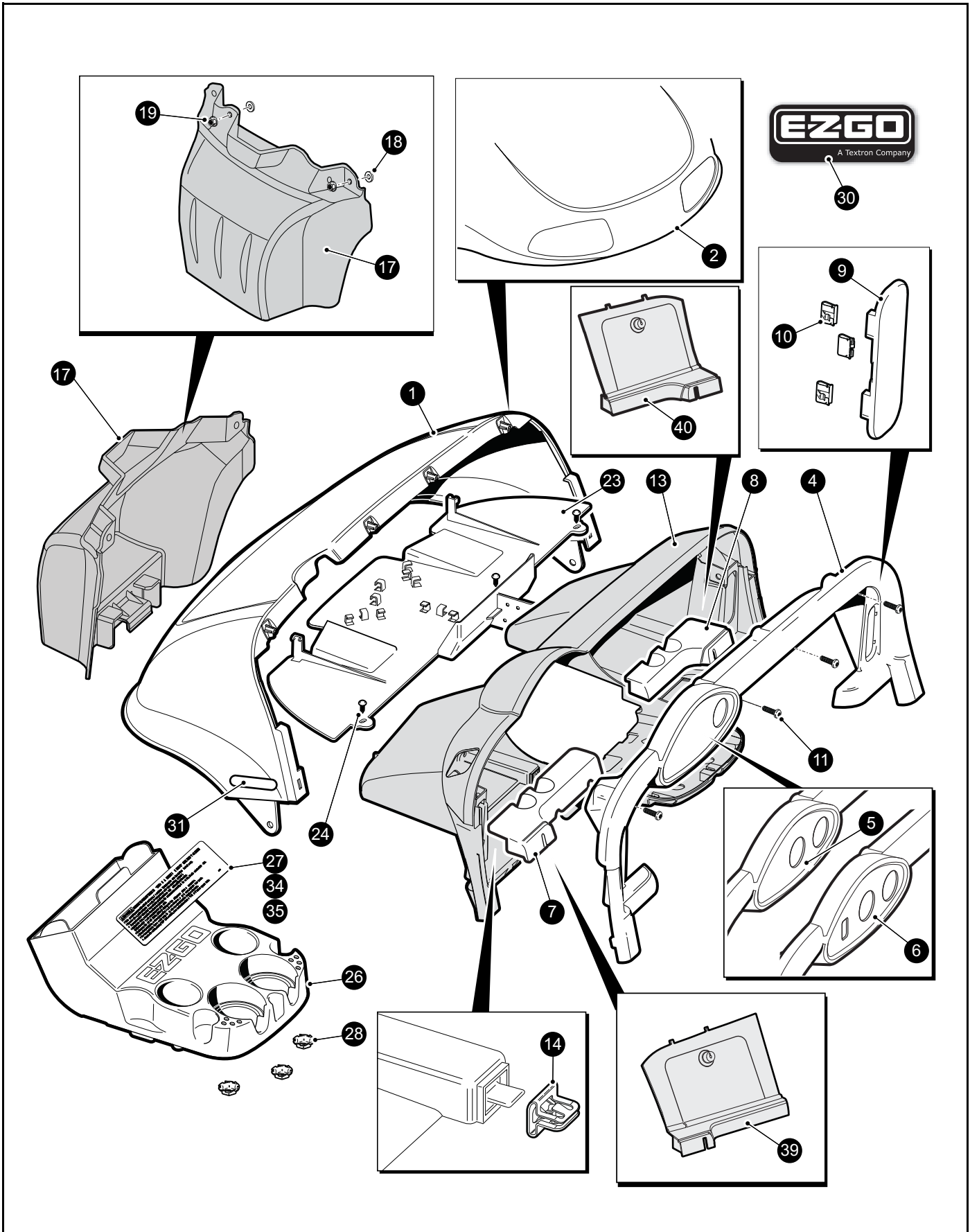
When ordering parts, please specify the model and serial number of the product.

\* Indicates a component that is not available as an individual part.

\*\*\* Indicates consult Customer Service Department for additional information.

ITEM	PART NO.	1 2 3 4 5	DESCRIPTION	QTY.
1	<u>602089</u>		48V BATTERY CHARGER , 3 meter CORD (includes items 5, 8,11, 12 & 14)	1
2	603080		48V BATTERY CHARGER, 5.5 meter CORD (includes items 6, 8, 11, 12 & 14)	1
3				
4				
5	604321		DC CORD, 3 meters.....	1
6	604322		DC CORD, 5.5 meters.....	1
7				
8	<u>604320</u>		AC CORD, DOMESTIC .....	1
9				
10				
11	605609		48V CHARGER COVER KIT (includes item 12) .....	1
12	<u>606296</u>		CHARGER HANDLE.....	1
13				
14	605607		CHARGER EMI BOARD ASSEMBLY .....	1
15				
16				
17				
18	608863		STRAIN RELIEF KIT.....	1

# BODY





When ordering parts, please specify the model and serial number of the product.

\* Indicates a component that is not available as an individual part.

\*\*\* Indicates consult Customer Service Department for additional information.

ITEM	PART NO.	1 2 3 4 5	DESCRIPTION	QTY.
1	6XXXXX***		FRONT COWL, WITHOUT HEADLIGH OPENING (see colors below) ..... 606953 .... IVORY 606954 .... FORREST GREEN 606955 .... PATRIOT BLUE 606956 .... BLACK 606957 .... MOLTEN RED 606958 .... BRIGHT WHITE 606959 .... FLAME RED 606960 .... STEEL BLUE 608476 .... PLATINUM 608477 .... ALMOND 608493 .... ELECTRIC BLUE 608494 .... INFERNO RED	1
2	6XXXXX***		FRONT COWL, WITH HEADLIGHT OPENING (see colors below) ..... 620227 .... IVORY 620228 .... FORREST GREEN 620229 .... PATRIOT BLUE 620230 .... BLACK 620231 .... MOLTEN RED 620232 .... BRIGHT WHITE 620233 .... FLAME RED 620234 .... STEEL BLUE 608478 .... PLATINUM 608479 .... ALMOND 608516 .... ELECTRIC BLUE 608517 .... INFERNO RED	1
3				
4	<u>600242</u>		INSTRUMENT PANEL TRIM, OPENING FOR KEY SWITCH ONLY .....	1
5	<u>608808</u>		INSTRUMENT PANEL TRIM, OPENING FOR KEY SWITCH & SOC .....	1
6	<u>608864</u>		INSTRUMENT PANEL TRIM, OPENING FOR KEY SW, SOC & LIGHT SW.	1
7	<u>600243</u>		BALL HOLDER INSERT, DRIVER SIDE.....	1
8	<u>600241</u>		BALL HOLDER INSERT, PASSENGER SIDE .....	1
9	<u>602388</u>		ACCESS COVER ASSEMBLY (includes item 10).....	1
10	<u>602100</u>		U-CLIP .....	3
11				

# BODY

When ordering parts, please specify the model and serial number of the product.

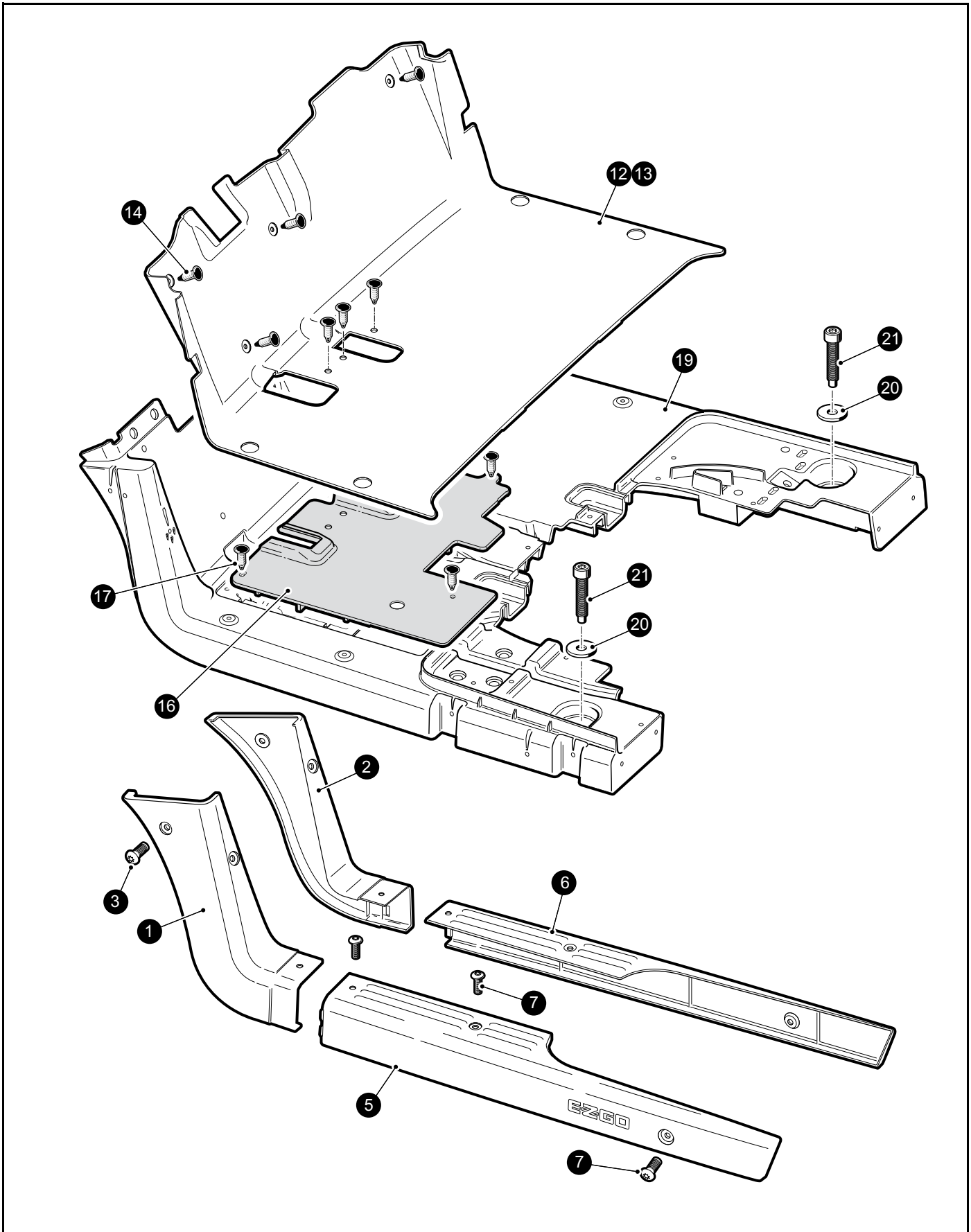
\* Indicates a component that is not available as an individual part.

\*\*\* Indicates consult Customer Service Department for additional information.

ITEM	PART NO.	1 2 3 4 5	DESCRIPTION	QTY.
12				
13	<u>602387</u>		INSTRUMENT PANEL (includes item 14) .....	1
14	<u>602184</u>		SPRING CLIP .....	4
15				
16				
17	<u>605935</u>		FRONT BUMPER.....	1
18	<u>604066</u>		FLAT WASHER, M10 (O.D. 30, I.D. 10.5, THK. 1.75).....	1
19	<u>600525</u>		FLANGED HEX NUT WITH PLASTIC INSERT, M10-1.5.....	1
20				
21				
22				
23	<u>601634</u>		FRONT SPLASH GUARD .....	1
24	<u>16816G2</u>		CHRISTMAS TREE RIVET (.25 x .88).....	3
25				
26	<u>602101</u>		CUPHOLDER ASSEMBLY (includes item 27) .....	1
27	<u>608522</u>		WARNING AND INSTRUCTION DECAL.....	1
28	<u>71597G01</u>		SELF THREADING NUT .....	3
29				
30	<u>606405</u>		E - Z - GO NAMEPLATE .....	1
31	<u>608991</u>		YELLOW REFLECTOR, FRONT .....	2
32				
33				
34	<u>608528</u>		WARNING AND INSTRUCTION DECAL (Freedom vehicles) .....	1
35	<u>608701</u>		WARNING AND INSTRUCTION DECAL, PICTOGRAMS (CE vehicles).....	1
36				
37				
38				
39	<u>607533</u>		GLOVE BOX, DRIVER SIDE.....	1
40	<u>607131</u>		GLOVE BOX, PASSENGER SIDE .....	1



# BODY



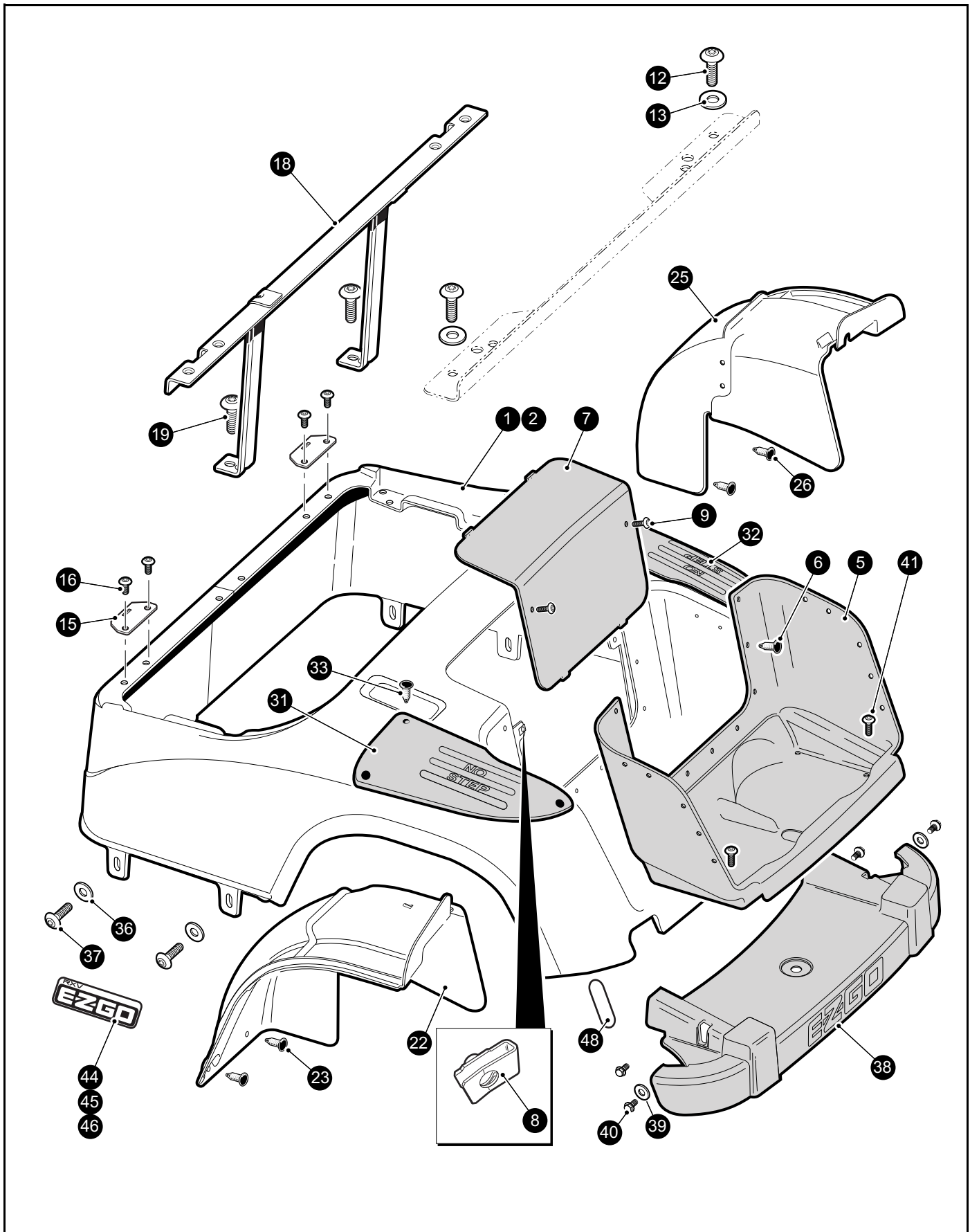
When ordering parts, please specify the model and serial number of the product.

\* Indicates a component that is not available as an individual part.

\*\*\* Indicates consult Customer Service Department for additional information.

ITEM	PART NO.	1 2 3 4 5	DESCRIPTION	QTY.
1	<u>601257</u>		UPPER ROCKER PANEL, DRIVER SIDE .....	1
2	<u>601258</u>		UPPER ROCKER PANEL, PASSENGER SIDE .....	1
3	<u>605957</u>		BUTTON HEAD TORX SCREW, THREAD FORMING, M8 .....	2
4				
5	<u>600253</u>		LOWER ROCKER PANEL, DRIVER SIDE .....	1
6	<u>600257</u>		LOWER ROCKER PANEL, PASSENGER SIDE .....	1
7	<u>605957</u>		BUTTON HEAD TORX SCREW, THREAD FORMING, M8 .....	3
8				
9				
10				
11				
12	<u>601118</u>		FLOORMAT WITHOUT HOLE FOR HORN.....	1
13	<u>603707</u>		FLOORMAT WITH HOLE FOR HORN .....	1
14	<u>16816G2</u>		CHRISTMAS TREE RIVET (.25 X .88).....	5
15	<u>16816G1</u>		CHRISTMAS TREE RIVET (.25 X .68).....	2
16	<u>605277</u>		PEDAL COVER PLATE .....	1
17	<u>16816G2</u>		CHRISTMAS TREE RIVET (.25 X .88).....	4
18				
19	<u>603798</u>		FLOOR BOARD .....	1
20	<u>604066</u>		FLAT WASHER, M10 (O.D. 30, I.D. 10.5, THK. 1.75) .....	2
21	<u>602020</u>		TORX SOCKET HEAD CAP SCREW, M10 - 1.5 X 50 .....	2

# BODY



When ordering parts, please specify the model and serial number of the product.

\* Indicates a component that is not available as an individual part.

\*\*\* Indicates consult Customer Service Department for additional information.

ITEM	PART NO.	1 2 3 4 5	DESCRIPTION	QTY.
1	6XXXXX		REAR BODY ASSEMBLY WITHOUT LIGHT OPENINGS (includes items 5 - 9) (see colors below).....	1
			620243 .... IVORY	
			620244 .... FORREST GREEN	
			620245 .... PATRIOT BLUE	
			620246 .... BLACK	
			620247 .... MOLTEN RED	
			620248 .... BRIGHT WHITE	
			620249 .... FLAME RED	
			620250 .... STEEL BLUE	
			608549 .... PLATINUM	
			608550 .... ALMOND	
			608551 .... ELECTRIC BLUE	
			608552 .... INFERNO RED	
2	6XXXXX		REAR BODY ASSEMBLY WITH LIGHT OPENINGS (includes items 5-9) (see colors below).....	1
			620251 .... IVORY	
			620252 .... FORREST GREEN	
			620253 .... PATRIOT BLUE	
			620254 .... BLACK	
			620255 .... MOLTEN RED	
			620256 .... BRIGHT WHITE	
			620257 .... FLAME RED	
			620258 .... STEEL BLUE	
			608553 .... PLATINUM	
			608554 .... ALMOND	
			608555 .... ELECTRIC BLUE	
			608556 .... INFERNO RED	
3				
4				
5	<u>601679</u>		BAGWELL LINER INSERT.....	1
6	<u>16816G2</u>		CHRISTMAS TREE RIVET (.25 X .88) .....	20
7	<u>600249</u>		REAR BODY ACCESS PANEL .....	1
8	<u>602409</u>		BARREL CLIP, M6-1 .....	2
9	<u>601326</u>		BUTTON HEAD TORX BOLT, M6 - 1 X 20.....	2
10				

# BODY

When ordering parts, please specify the model and serial number of the product.

\* Indicates a component that is not available as an individual part.

\*\*\* Indicates consult Customer Service Department for additional information.

ITEM	PART NO.	1 2 3 4 5	DESCRIPTION	QTY.
11				
12	<u>602572</u>		PAN HEAD TORX BOLT, M10 - 1.5 X 25 .....	2
13	<u>604066</u>		FLAT WASHER, M10 (O.D. 30, I.D. 10.5, THK. 1.75).....	2
14				
15	<u>602558</u>		SEAT HINGE PLATE .....	1
16	<u>602572</u>		PAN HEAD TORX BOLT, M10 - 1.5 X 25 .....	2
17				
18	<u>601921</u>		FRONT SEAT SUPPORT ASSEMBLY.....	1
19	<u>602572</u>		PAN HEAD TORX BOLT, M10 - 1.5 X 25 .....	2
20				
21				
22	<u>601621</u>		REAR SPLASH GUARD, DRIVER SIDE .....	1
23	<u>16816G2</u>		CHRISTMAS TREE RIVET (.25 X .88) .....	4
24				
25	<u>601622</u>		REAR SPLASH GUARD, PASSENGER SIDE .....	1
26	<u>16816G2</u>		CHRISTMAS TREE RIVET (.25 X .88) .....	4
27				
28				
29				
30				
31	<u>601865</u>		SCUFF GUARD, DRIVER SIDE.....	1
32	<u>601864</u>		SCUFF GUARD, PASSENGER SIDE .....	1
33	<u>16816G2</u>		CHRISTMAS TREE RIVET (.25 X .88) .....	6
34				
35				
36	<u>604066</u>		FLAT WASHER, (O.D. 30, I.D. 10.5, THK. 1.75).....	4
37	<u>605957</u>		BUTTON HEAD TORX SCREW, THREAD FORMING, M8 .....	4
38	603819		REAR BUMPER .....	1
39	<u>604266</u>		FLAT WASHER, M10 (O.D. 30, I.D. 10.5, THK. 1.75).....	2
40	<u>603799</u>		HEX HEAD FLANGED BOLT, M10 - 1.5 X 25.....	4
41	<u>608313</u>		BUTTON HEAD TORX BOLT, M10 - 1.5 X 25.....	2

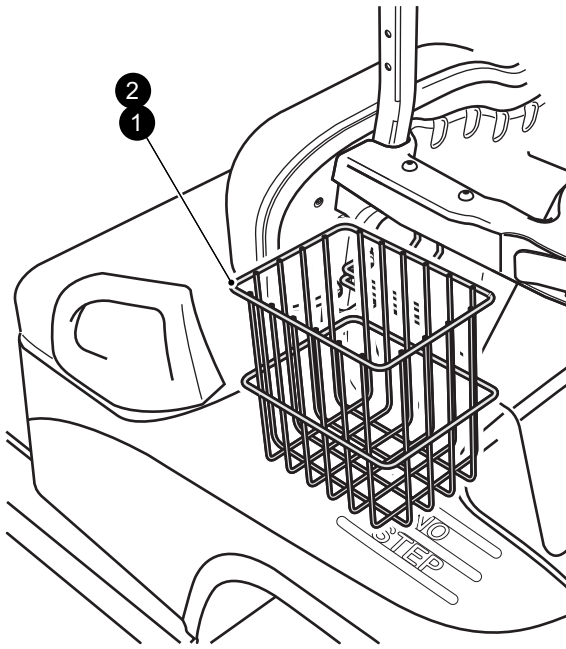


When ordering parts, please specify the model and serial number of the product.

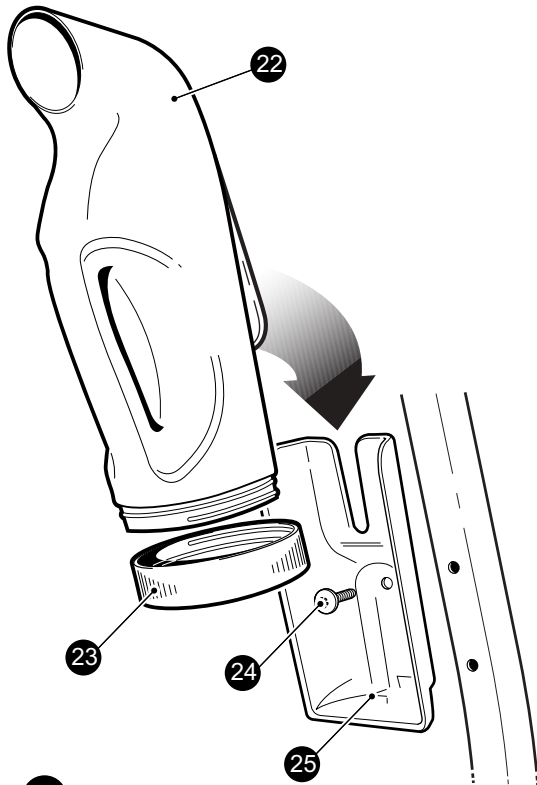
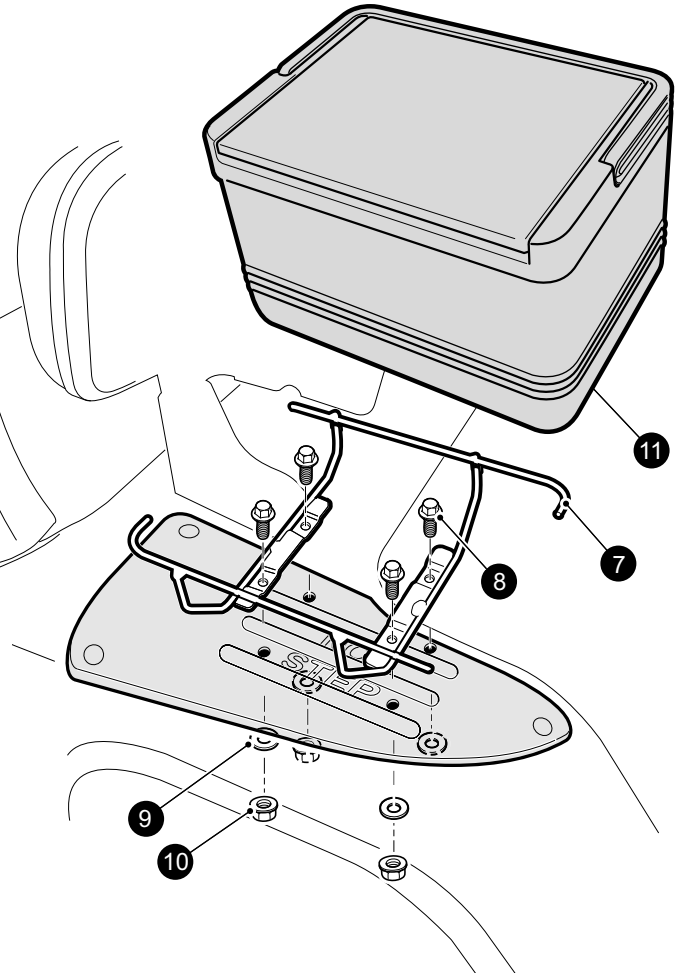
\* Indicates a component that is not available as an individual part.

\*\*\* Indicates consult Customer Service Department for additional information.

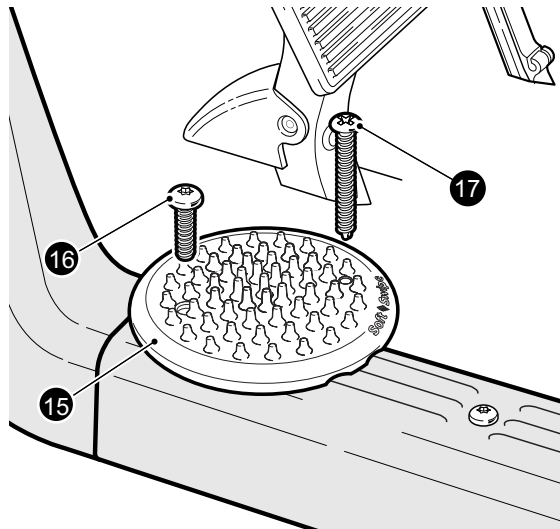
ITEM	PART NO.	1 2 3 4 5	DESCRIPTION	QTY.
42				
43				
44	<u>607859</u>		RXV DECAL.....	2
45	<u>610521</u>		E - Z - GO FREEDOM DECAL.....	2
46	<u>607863</u>		E - Z - GO 2 + 2 SHUTTLE DECAL .....	2
47				
48	<u>608993</u>		RED SIDE REFLECTOR, DRIVER SIDE .....	1
49	<u>608996</u>		RED SIDE REFLECTOR, PASSENGER SIDE .....	1
50				
51				
52	<u>608992</u>		RED REAR REFLECTOR, DRIVER SIDE.....	1
53	<u>608998</u>		RED REAR REFLECTOR, PASSENGER SIDE .....	1



- 5 Beverage Cooler Kit, Driver Side includes items 7 - 11
- 6 Beverage Cooler Kit, Passenger Side includes items 8 - 12



- 20 Sand Bottle Kit includes items 21- 26
- 21 Sand Bottle Assembly includes items 22 & 23



When ordering parts, please specify the model and serial number of the product.

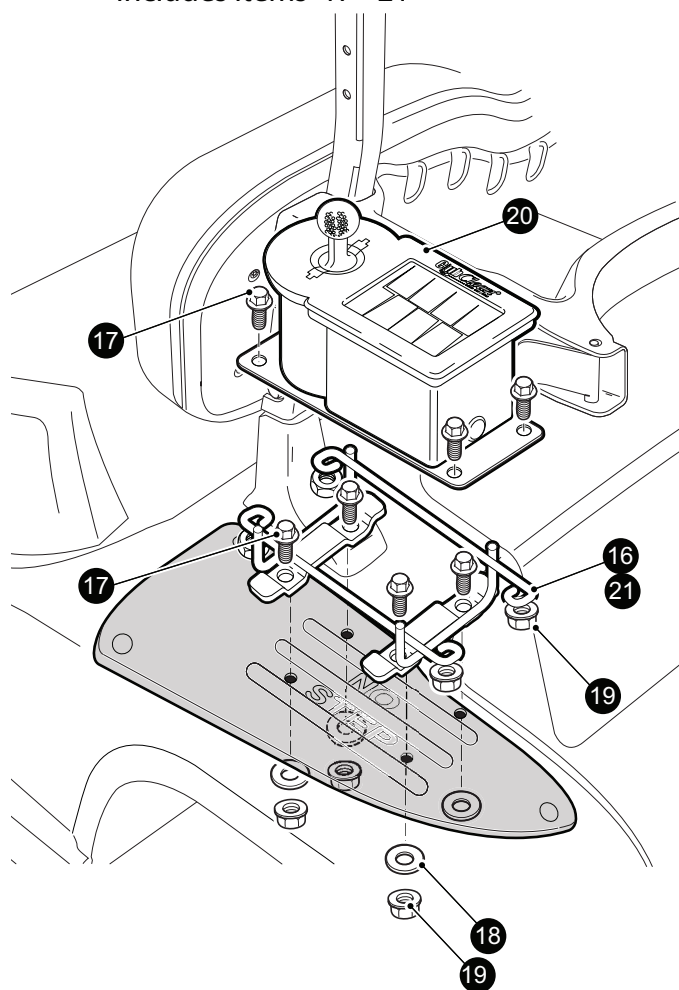
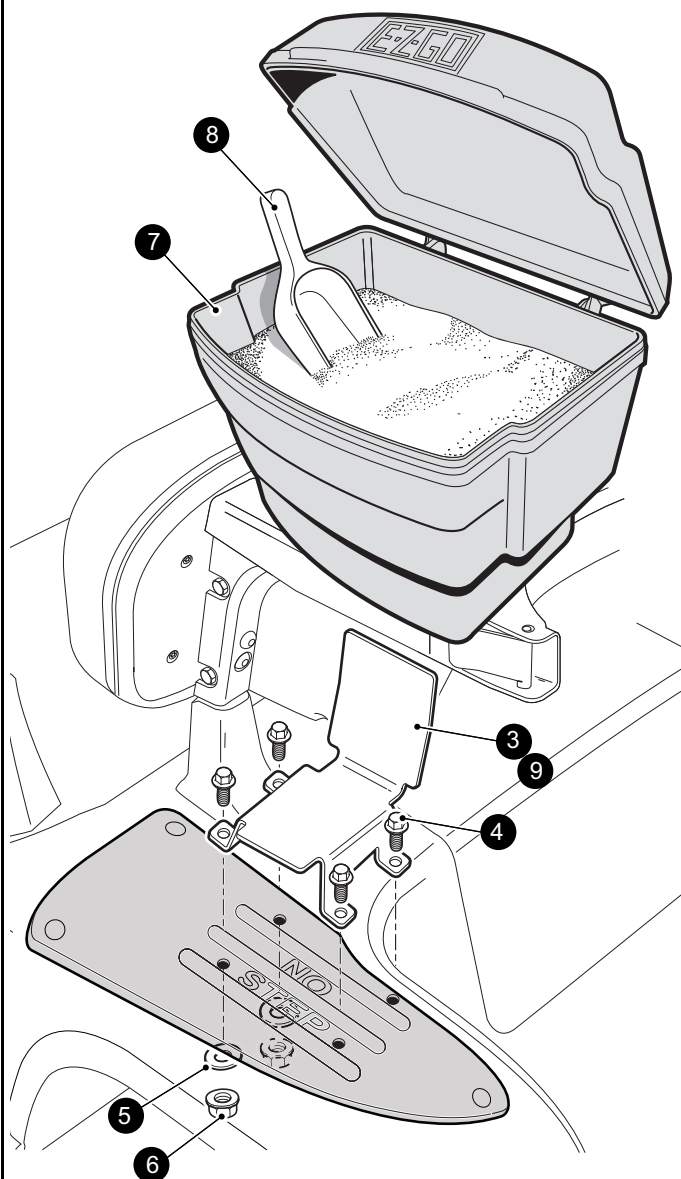
\* Indicates a component that is not available as an individual part.

\*\*\* Indicates consult Customer Service Department for additional information.

ITEM	PART NO.	1 2 3 4 5	DESCRIPTION	QTY.
1	<u>603846</u>		SIDE BASKET, DRIVER SIDE (use existing hardware).....	1
2	<u>603702</u>		SIDE BASKET, PASSENGER SIDE (use existing hardware).....	1
3				
4				
5	<u>603733</u>		BEVERAGE COOLER KIT, DRIVER SIDE (includes items 7 - 11 .....	1
6	<u>604215</u>		BEVERAGE COOLER KIT, PASSENGER SIDE (includes items 8 - 12) .....	1
7	<u>603706</u>		MOUNTING BRACKET, DRIVER SIDE .....	1
8	<u>606256</u>		FLANGED HEX HEAD BOLT, M10 - 1.5 X 34 .....	4
9	<u>608520</u>		POLYPROPYLENE WASHER.....	4
10	<u>606274</u>		FLANGED HEX NUT, M10 - 1.25 .....	4
11	<u>601366</u>		BEVERAGE COOLER.....	1
12	<u>603777</u>		MOUNTING BRACKET, PASSENGER SIDE (not shown in illustration) ..	1
13				
14				
15	604360		SOFTSWIPE.....	1
16	<u>605957</u>		BUTTON HEAD TORX SCREW, THREAD FORMING, M8 .....	1
17	620209		PAN HEAD PHILLIPS SCREW, #10 X 2" .....	1
18				
19				
20	<u>607104</u>		SAND BOTTLE KIT (includes items 21 - 25) .....	1
21	<u>607102</u>		SAND BOTTLE ASSEMBLY (includes items 22 & 23).....	1
22	<u>605961</u>		SAND BOTTLE .....	1
23	<u>605962</u>		SAND BOTTLE CAP .....	1
24	<u>602572</u>		PAN HEAD TORX SCREW, TAPTITE M10 - 1.5 X 25 .....	1
25	<u>606085</u>		SAND BOTTLE MOUNTING BRACKET .....	1

- 1 Divot Repair Kit, Driver Side  
includes items 3 - 8
- 2 Divot Repair Kit, Passenger Side  
includes items 4 - 9

- 14 Club & Ball Washer Kit, Driver Side  
includes items 16 - 20
- 15 Club & Ball Washer Kit, Passenger Side  
includes items 17 - 21

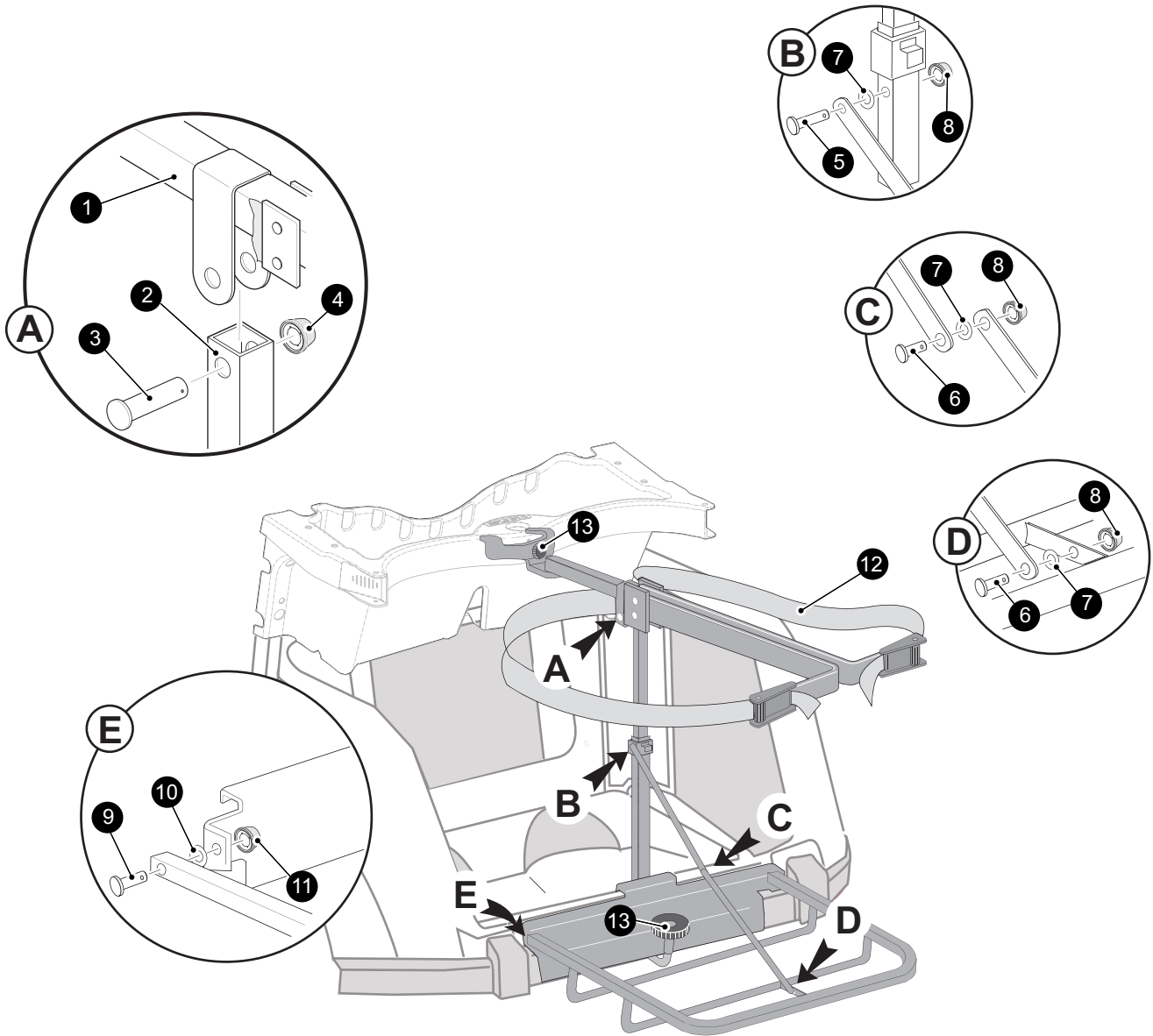


When ordering parts, please specify the model and serial number of the product.

\* Indicates a component that is not available as an individual part.

\*\*\* Indicates consult Customer Service Department for additional information.

ITEM	PART NO.	1 2 3 4 5	DESCRIPTION	QTY.
1	<u>604214</u>		DIVOT REPAIR KIT, DRIVER SIDE (includes items 3 - 8) .....	1
2	<u>603250</u>		DIVOT REPAIR KIT, PASSENGER SIDE (includes items 4 - 9).....	1
3	<u>603825</u>		MOUNTING BRACKET, DRIVER SIDE .....	1
4	<u>606256</u>		FLANGED HEX HEAD BOLT, M10 - 1.5 X 34.....	4
5	<u>608520</u>		POLYPROPYLENE WASHER.....	4
6	<u>606274</u>		FLANGED HEX NUT, M10 - 1.25 .....	4
7	601365		DIVOT REPAIR BUCKET .....	1
8	604642		SCOOP.....	1
9	<u>603824</u>		MOUNTING BRACKET, PASSENGER SIDE .....	1
10				
11				
12				
13				
14	<u>604216</u>		CLUB & BALL WASHER KIT, DRIVER SIDE (includes items 16 - 20) .....	1
15	<u>603252</u>		CLUB & BALL WASHER KIT, PASSENGER SIDE (includes items 17 - 21)...	1
16	<u>604576</u>		MOUNTING BRACKET, DRIVER SIDE .....	1
17	<u>606256</u>		FLANGED HEX HEAD BOLT, M10 - 1.5 X 25.....	4
18	<u>608520</u>		POLYPROPYLENE WASHER.....	4
19	<u>606274</u>		FLANGED HEX NUT, M10 - 1.25 .....	8
20	<u>603836</u>		CLUB & BALL WASHER .....	1
21	<u>604577</u>		MOUNTING BRACKET, PASSENGER SIDE .....	1
22	<u>608020</u>		HEX HEAD BOLT, M10 - 1.25 X 34 .....	4



When ordering parts, please specify the model and serial number of the product.

\* Indicates a component that is not available as an individual part.

\*\*\* Indicates consult Customer Service Department for additional information.

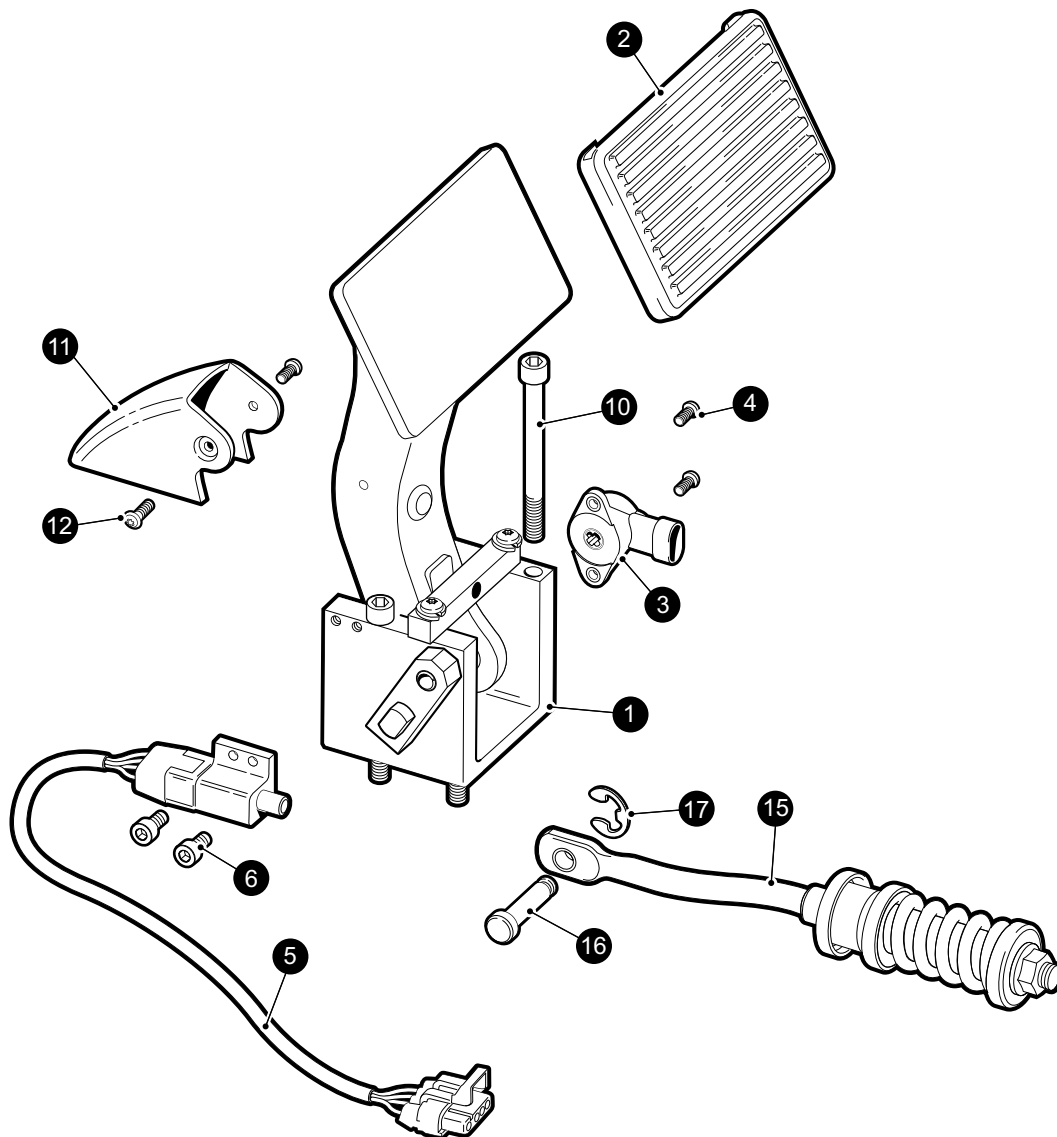
ITEM	PART NO.	1 2 3 4 5	DESCRIPTION	QTY.
1	<u>608949</u>		TOP RACK ASSEMBLY .....	1
2	<u>608956</u>		BOTTOM RACK ASSEMBLY .....	1
3	<u>17651G2</u>		CLEVIS PIN 5/16" X 1.250" .....	1
4	<u>28129G01</u>		CAP NUT 5/16" PLASTIC .....	1
5	<u>17651G2</u>		CLEVIS PIN 5/16" X 1.250" .....	1
6	<u>17651G3</u>		CLEVIS PIN 5/16" X 0.625" .....	2
7	00559G8		FLAT WASHER 5/16" .....	3
8	<u>28129G01</u>		CAP NUT 5/16" BLACK .....	3
9	<u>17651G1</u>		CLEVIS PIN 3/8" X 1.250" .....	2
10	<u>00560G1</u>		FLAT WASHER .....	2
11	28128G02		CAP NUT 3/8" BLACK .....	2
12	<u>17641G1</u>		STRAP .....	2
13	<u>75337G01</u>		KNOB 5/16 - 18 THRU HOLE .....	2







1 Brake Pedal Assembly includes items 2 - 7

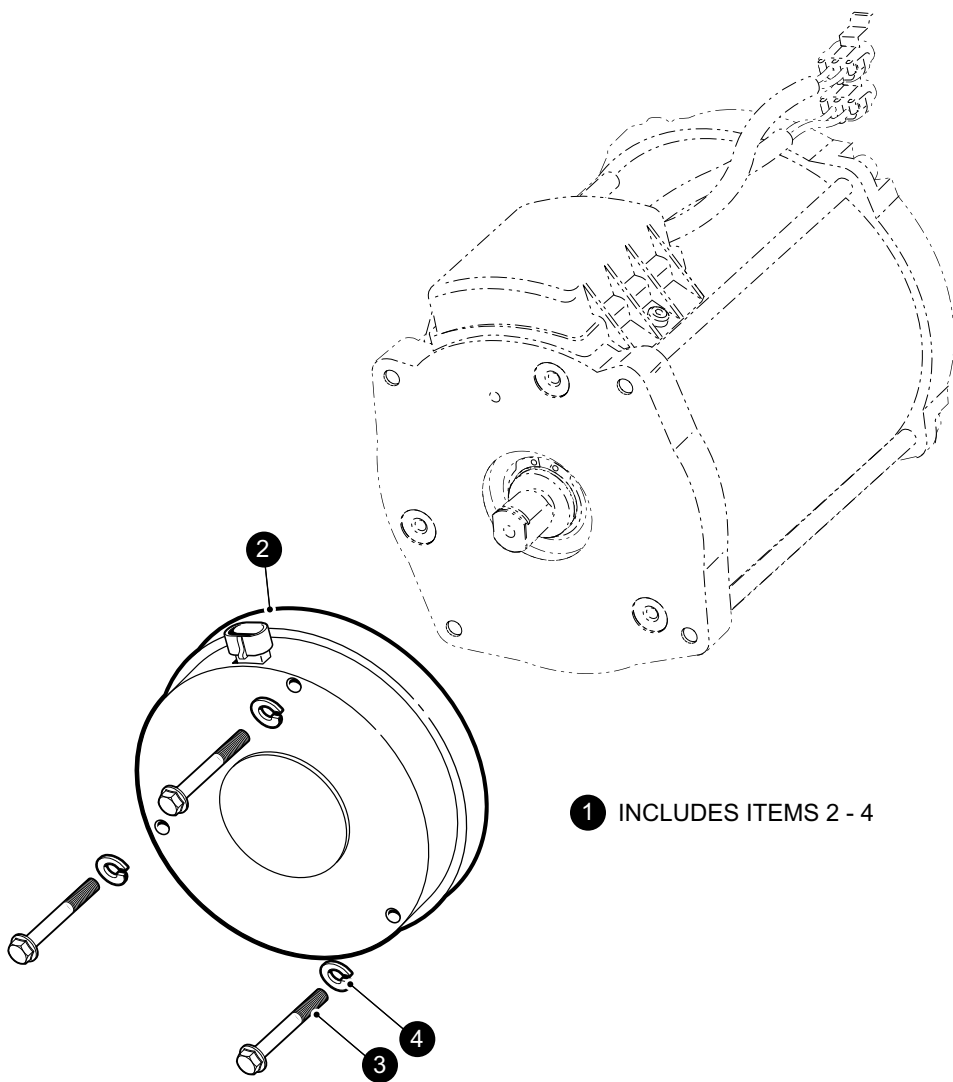


When ordering parts, please specify the model and serial number of the product.

\* Indicates a component that is not available as an individual part.

\*\*\* Indicates consult Customer Service Department for additional information.

ITEM	PART NO.	1 2 3 4 5	DESCRIPTION	QTY.
1	<u>610675</u>		BRAKE PEDAL ASSEMBLY (electric), (includes items 2 - 7) .....	1
2	<u>610471</u>		BRAKE PEDAL PAD .....	1
3	<u>600019</u>		ROTARY POSITION SENSOR.....	1
4	<u>600543</u>		BUTTON HEAD TORX BOLT, M4 - 7 X 13.....	2
5	<u>607605</u>		BRAKE PEDAL SWITCH .....	1
6	<u>620030</u>		SOCKET HEAD CAP SCREW, M5 - 0.8 -6g X 10 .....	2
7				
8				
9				
10	<u>605254</u>		SOCKET HEAD CAP SCREW M8 - 1.25 X 90 .....	4
11	<u>605688</u>		BRAKE PEDAL COVER .....	1
12	<u>600543</u>		BUTTON HEAD TORX BOLT, M4 - 0.7 X 12 .....	2
13				
14				
15	<u>605266</u>		BRAKE PEDAL RETURN SPRING .....	1
16	<u>601894</u>		CLEVIS PIN .....	1
17	<u>601835</u>		E-RING, 8mm .....	1



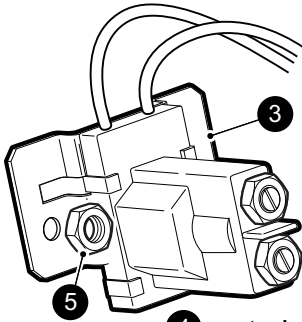
When ordering parts, please specify the model and serial number of the product.

\* Indicates a component that is not available as an individual part.

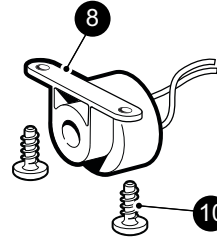
\*\*\* Indicates consult Customer Service Department for additional information.

ITEM	PART NO.	1 2 3 4 5	DESCRIPTION	QTY.
1	<u>610065</u>		6" MOTOR BRAKE ASSEMBLY (includes items 2 - 4).....	1
2	<u>610065</u>		6" MOTOR BRAKE.....	1
3	<u>73715G01</u>		FLANGED HEX HEAD SCREW, M6 - 1 X 60 .....	3
4	<u>00664-G7</u>		LOCK WASHER, STAINLESS STEEL, 1/4".....	3

- 1** Main Electrical Harness (not shown)  
(includes items 3, 8, 13, 15 & 18)



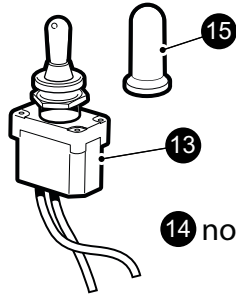
**4** not shown



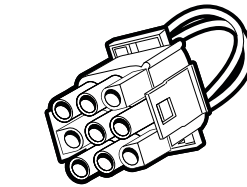
**9** not shown

- 2** Solenoid Replacement Kit  
(includes items 3 & 4)

- 7** Reverse Warning Indicator Replacement Kit  
(includes items 8, 9 & 10)



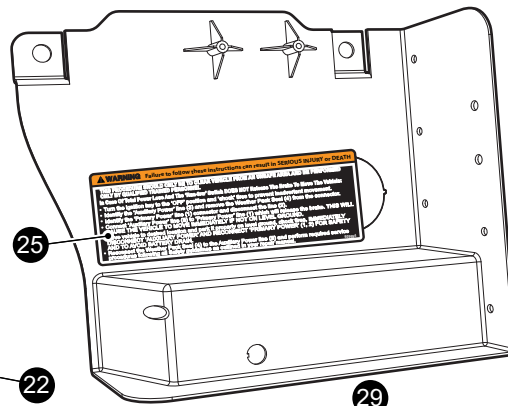
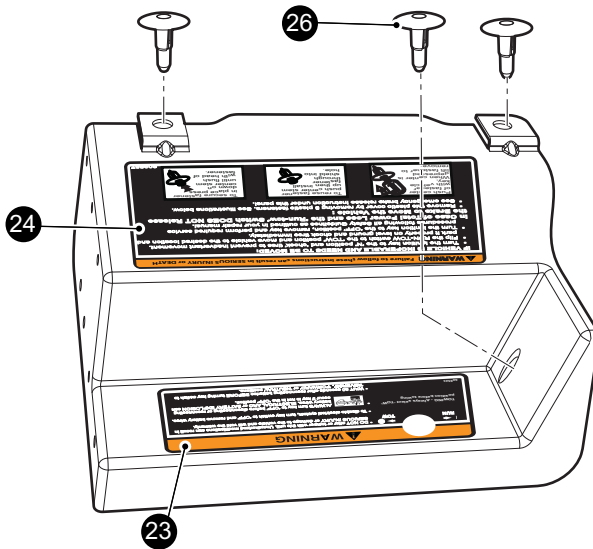
**14** not shown



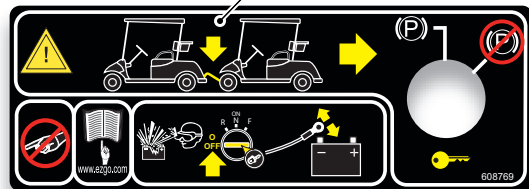
**18** Run Plug

- 12** Run Tow Switch Replacement Kit  
(includes items 13 - 15)

- 28** CE Run Tow Switch with Key



- 21** Controller Splash Shield Assembly  
(includes items 22 - 25)

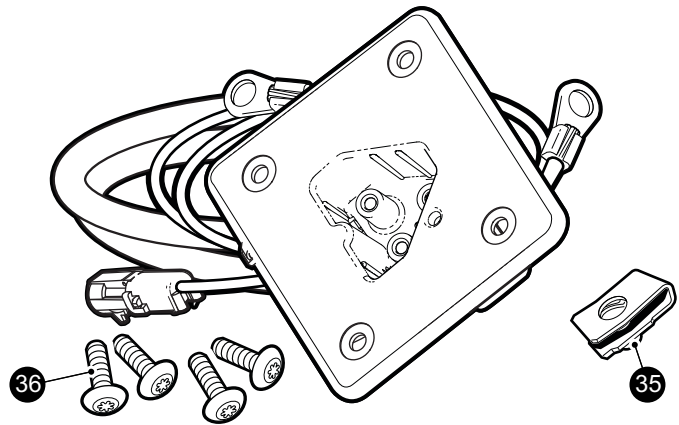
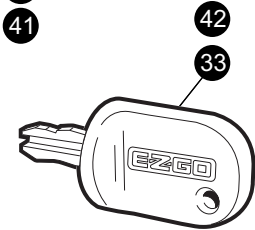
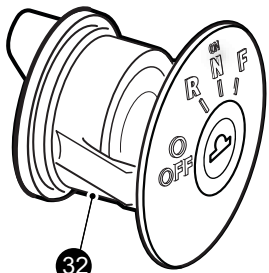


When ordering parts, please specify the model and serial number of the product.

\* Indicates a component that is not available as an individual part.

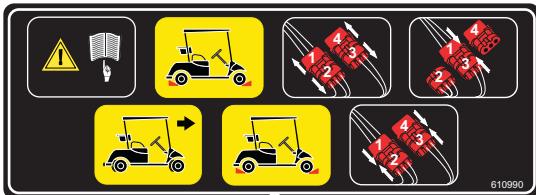
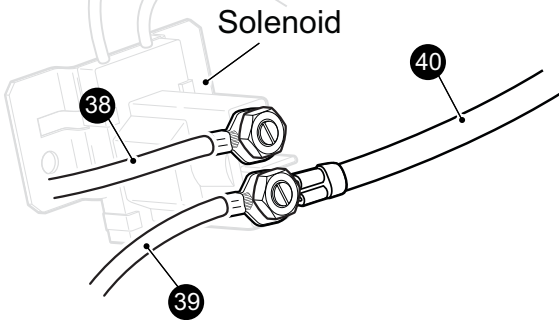
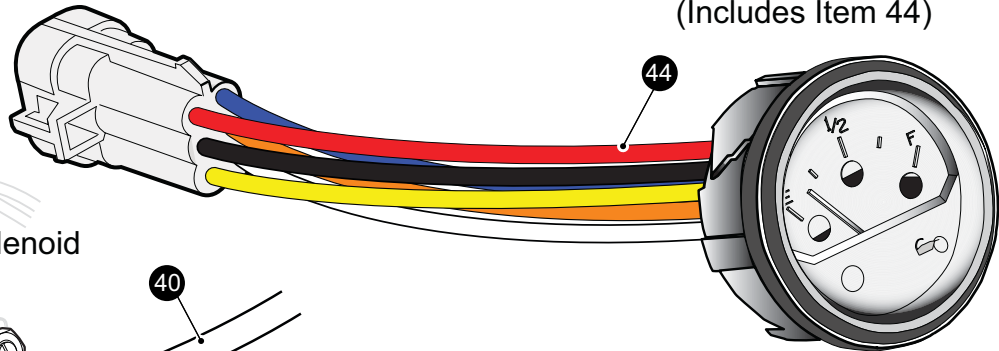
\*\*\* Indicates consult Customer Service Department for additional information.

ITEM	PART NO.	1 2 3 4 5	DESCRIPTION	QTY.
1	609197		MAIN ELECTRICAL HARNESS, 48V (includes items 3, 8 , 13, 15 & 18).....	1
2	<u>608897</u>		SOLENOID REPLACEMENT KIT (includes items 3 & 4).....	1
3	606971		SOLENOID.....	1
4	<u>608896</u>		WATERPROOF BUTT SPLICE.....	2
5	<u>601476</u>		LOCK NUT, M6 - 1 .....	2
6				
7	<u>608899</u>		REVERSE WARNING INDICATOR REPLACEMENT KIT (inc items 8 - 10)	1
8	<u>608882</u>		REVERSE WARNING INDICATOR .....	1
9	<u>608896</u>		WATERPROOF BUTT SPLICE.....	2
10	01051-G1		PAN HEAD PHILLIPS SCREW, #8 - 16.....	2
11				
12	<u>608900</u>		RUN/TOW SWITCH REPLACEMENT KIT (includes items 13 - 15) .....	1
13	<u>606980</u>		RUN TOW SWITCH.....	1
14	<u>608896</u>		WATERPROOF BUTT SPLICE.....	2
15	<u>605969</u>		RUBBER BOOT .....	1
16				
17				
18	<u>608039</u>		RUN PLUG .....	1
19				
20				
21	609766		CONTROLLER SPLASH SHIELD ASSEMBLY (includes items 22 - 25).....	1
22	609730		SPLASH SHIELD CONTROLLER.....	1
23	<u>608523</u>		RUN/TOW SWITCH DECAL .....	1
24	<u>609987</u>		MAINTENANCE/TOWING DECAL.....	1
25	<u>609694</u>		TOWING INSTRUCTION NOTICE DECAL.....	1
26	<u>610487</u>		PLASTIC RIVET.....	3
27				
28	<u>608810</u>		CE RUN TOW SWITCH WITH KEY .....	1
29	<u>608769</u>		CE RUN/TOW WARNING DECAL.....	1
30				
31				



34 Charger Receptacle

43 State of Charge Meter Kit  
(Includes Item 44)



47



46

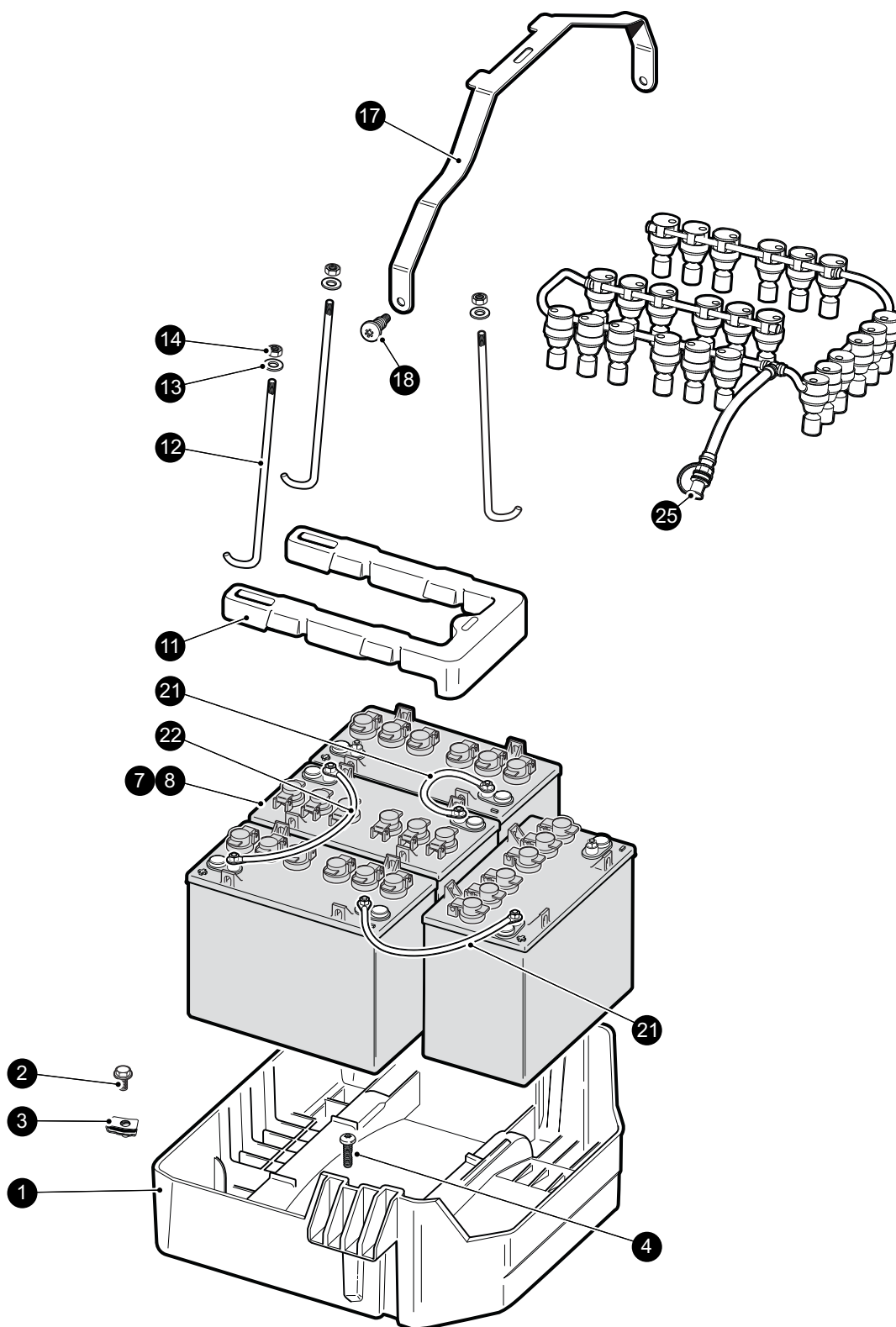


When ordering parts, please specify the model and serial number of the product.

\* Indicates a component that is not available as an individual part.

\*\*\* Indicates consult Customer Service Department for additional information.

ITEM	PART NO.	1 2 3 4 5	DESCRIPTION	QTY.
32	605637		KEY SWITCH, R-N-F .....	1
33	605946		KEY .....	1
34	<u>602529</u>		CHARGER RECEPTACLE, 48V DELTA-Q .....	1
35	<u>602409</u>		BARREL CLIP, M6 - 1 .....	1
36	<u>601326</u>		BUTTON HEAD TORX BOLT, M6-1 X 20 .....	4
37				
38	<u>603022</u>		RED WIRE ASSEMBLY, 6 AWG X 687mm.....	1
39	<u>603021</u>		RED WIRE ASSEMBLY, 6 AWG X 220mm.....	1
40	<u>607707</u>		WHITE WIRE ASSEMBLY, 10 AWG X 250mm.....	1
41	609682		KEY SWITCH, R-N-F .....	1
42	609680		KEY .....	1
43	<u>610583</u>		STATE OF CHARGE METER KIT (INCLUDES ITEM 44) .....	1
44	<u>612314</u>		STATE OF CHARGE METER.....	1
45				
46	610991		CE SPALSH SHEILD WARNING .....	1
47	610990		CE BRAKE RELEASE DECAL .....	1

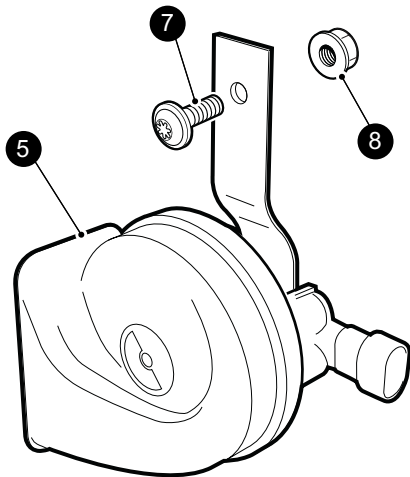


When ordering parts, please specify the model and serial number of the product.

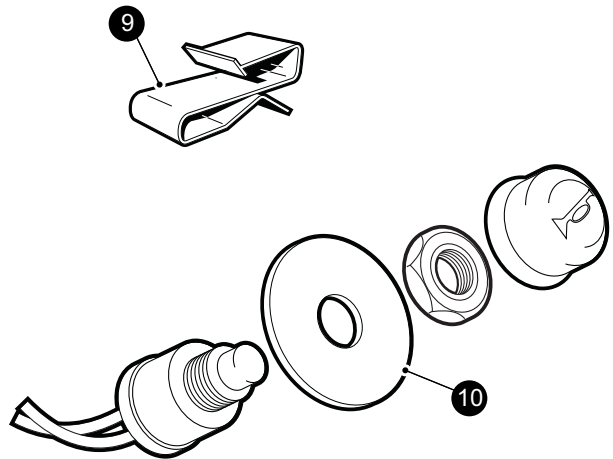
\* Indicates a component that is not available as an individual part.

\*\*\* Indicates consult Customer Service Department for additional information.

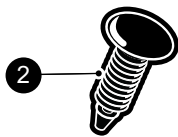
ITEM	PART NO.	1 2 3 4 5	DESCRIPTION	QTY.
1	<u>603064</u>		PLASTIC BATTERY TRAY.....	1
2	<u>603799</u>		FLANGED HEX HEAD BOLT, M10 - 1.5 X 25 .....	2
3	<u>603818</u>		BARREL CLIP, M10 - 1.5 .....	2
4	<u>602572</u>		PAN HEAD TORX BOLT, M10 - 1.5 X 25.....	2
5				
6				
7	<u>602523</u>		12V 140AMP TROJAN BATTERY .....	1
8	<u>607906</u>		12V 175AMP TROJAN BATTERY .....	1
9				
10				
11	<u>601695</u>		BATTERY HOLD DOWN .....	1
12	<u>602896</u>		BATTERY HOLD DOWN ROD .....	3
13	<u>00571-G2</u>		FLAT WASHER, .38 I.D. X .88 O.D. X .08 THK.....	3
14	11098-G6		LOCK NUT, 5/16 - 18 .....	3
15				
16				
17	<u>608315</u>		BATTERY STRAP .....	1
18	<u>602572</u>		PAN HEAD TORX BOLT, M10 - 1.5 X 25.....	2
19				
20				
21	<u>602930</u>		BLUE WIRE ASSEMBLY, 6 GA X 261 mm .....	2
22	<u>607057</u>		BLUE WIRE ASSEMBLY, 6 GA X 325 mm .....	1
23				
24				
25	<u>609216</u>		BATTERY FILL SYSTEM.....	1
26	608813		NOZZLE GUN .....	1
27	<u>609540</u>		NOZZLE GUN ADAPTER (to adapt older fill systems to new gun) .....	1



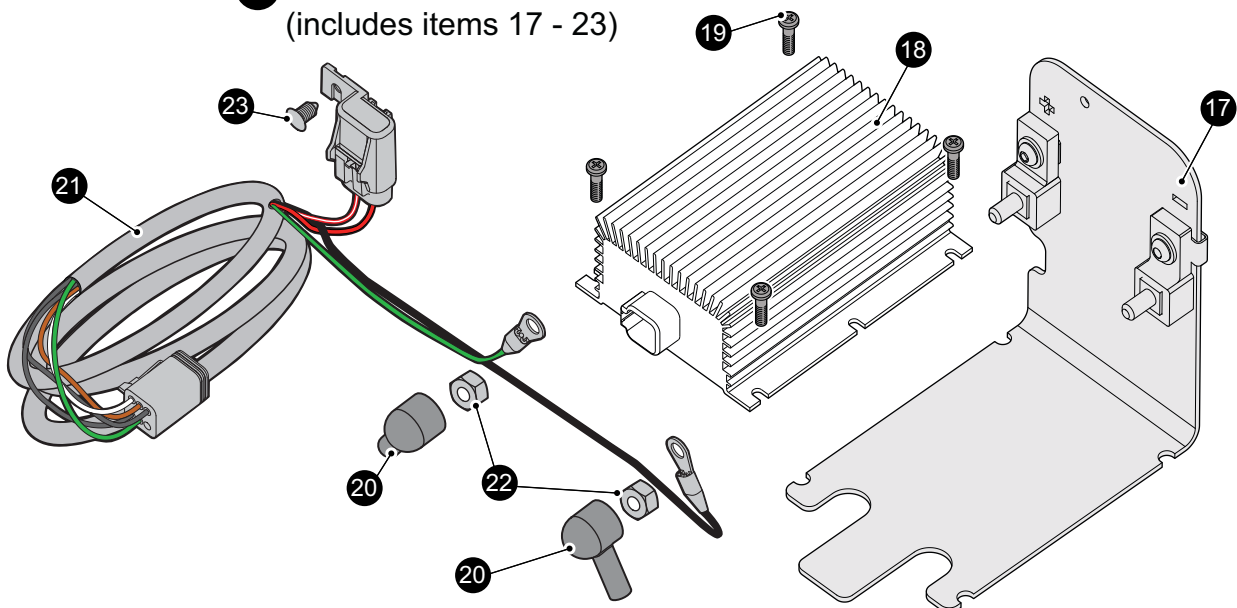
**4** Horn Assembly Kit  
(includes items 5 - 10)



**6** Horn Button Switch Assembly



**16** DC to DC Converter Kit  
(includes items 17 - 23)

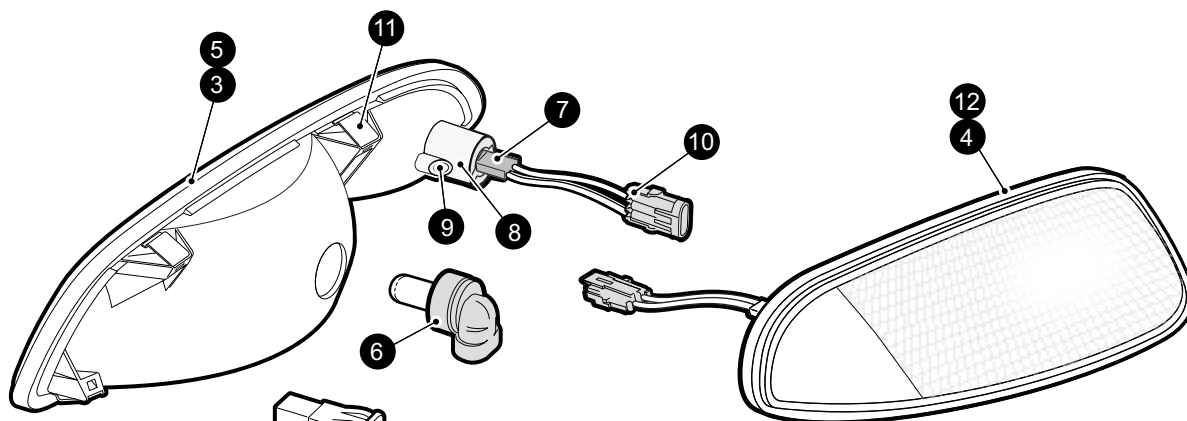


When ordering parts, please specify the model and serial number of the product.

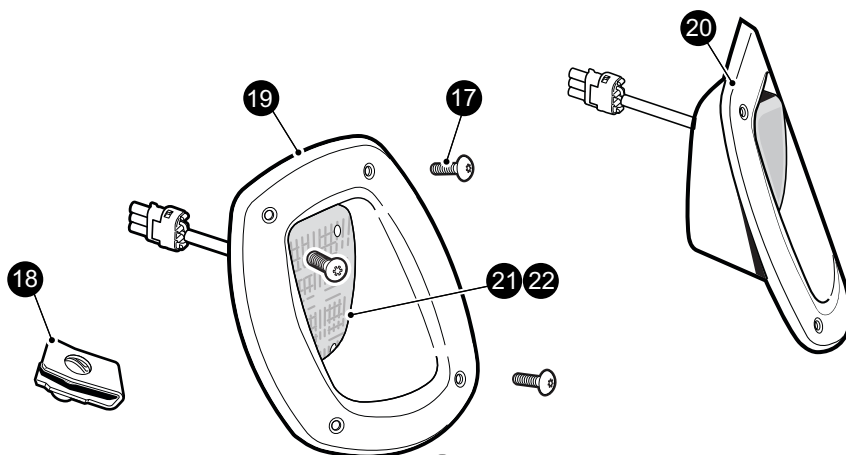
\* Indicates a component that is not available as an individual part.

\*\*\* Indicates consult Customer Service Department for additional information.

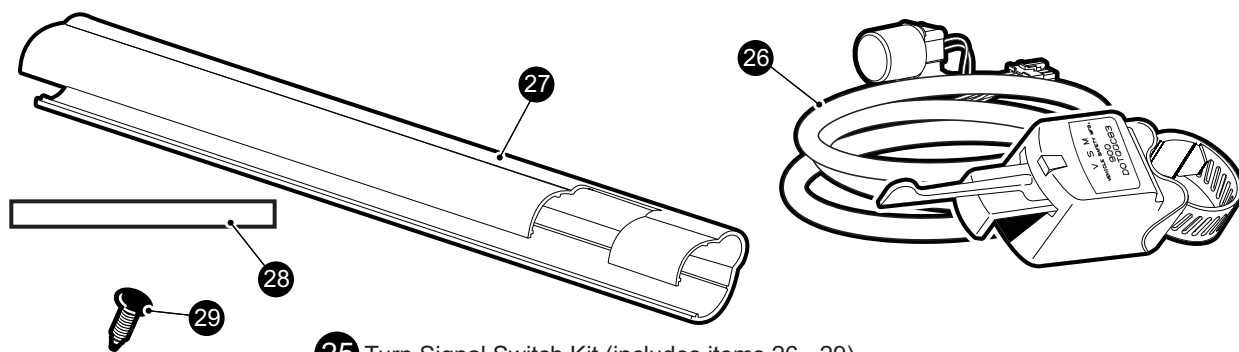
ITEM	PART NO.	1 2 3 4 5	DESCRIPTION	QTY.
1	609714		ACCESSORY HARNESS, ELECTRIC VEHICLE .....	1
2	<u>16816-G2</u>		CHRISTMAS TREE RIVET, .25 DIA X .88 .....	1
3				
4	<u>607528</u>		HORN ASSEMBLY KIT (includes items 5 -10) .....	1
5	<u>604196</u>		HORN ASSEMBLY .....	1
6	<u>604193</u>		HORN BUTTON SWITCH ASSEMBLY .....	1
7	<u>601326</u>		BUTTON HEAD TORX BOLT, M6 - 1 X 20.....	1
8	<u>601476</u>		LOCK NUT, M6 - 1.....	1
9	<u>01072-G01</u>		CABLE CLIP .....	3
10	<u>608397</u>		HORN PLATE .....	1
11				
12				
13				
14				
15				
16	<u>608788</u>		DC TO DC CONVERTER KIT (includes items 17 - 23) .....	1
17	<u>608199</u>		MOUNTING BRACKET .....	1
18	<u>604884</u>		DC TO DC CONVERTER.....	1
19	<u>608290</u>		PHILLIPS HEAD TAPPING SCREW, #10-16 X .75.....	4
20	<u>25682G01</u>		RUBBER BOOT .....	2
21	<u>608182</u>		DC TO DC WIRING HARNESS.....	1
22	<u>00702G2</u>		HEX NUT, 5/16-18 .....	2
23	<u>16816G5</u>		CHRISTMAS TREE RIVET, .187 DIA X .55 .....	1



- 1 Headlight Kit (includes items 2 - 12)
- 2 Headlight Assembly, Driver Side (includes items 4 - 11)
- 3 Headlight Assembly, Passenger Side (includes items 5 - 12)



- 15 Tail Light Kit (includes items 16 - 22)
- 16 Tail Light Hardware Kit (includes items 17 & 18)
- 19 Tail Light Assembly, Driver Side (includes items 21 & 22)
- 20 Tail Light Assembly, Passenger Side (includes items 21 & 22)



- 25 Turn Signal Switch Kit (includes items 26 - 29)

When ordering parts, please specify the model and serial number of the product.

\* Indicates a component that is not available as an individual part.

\*\*\* Indicates consult Customer Service Department for additional information.

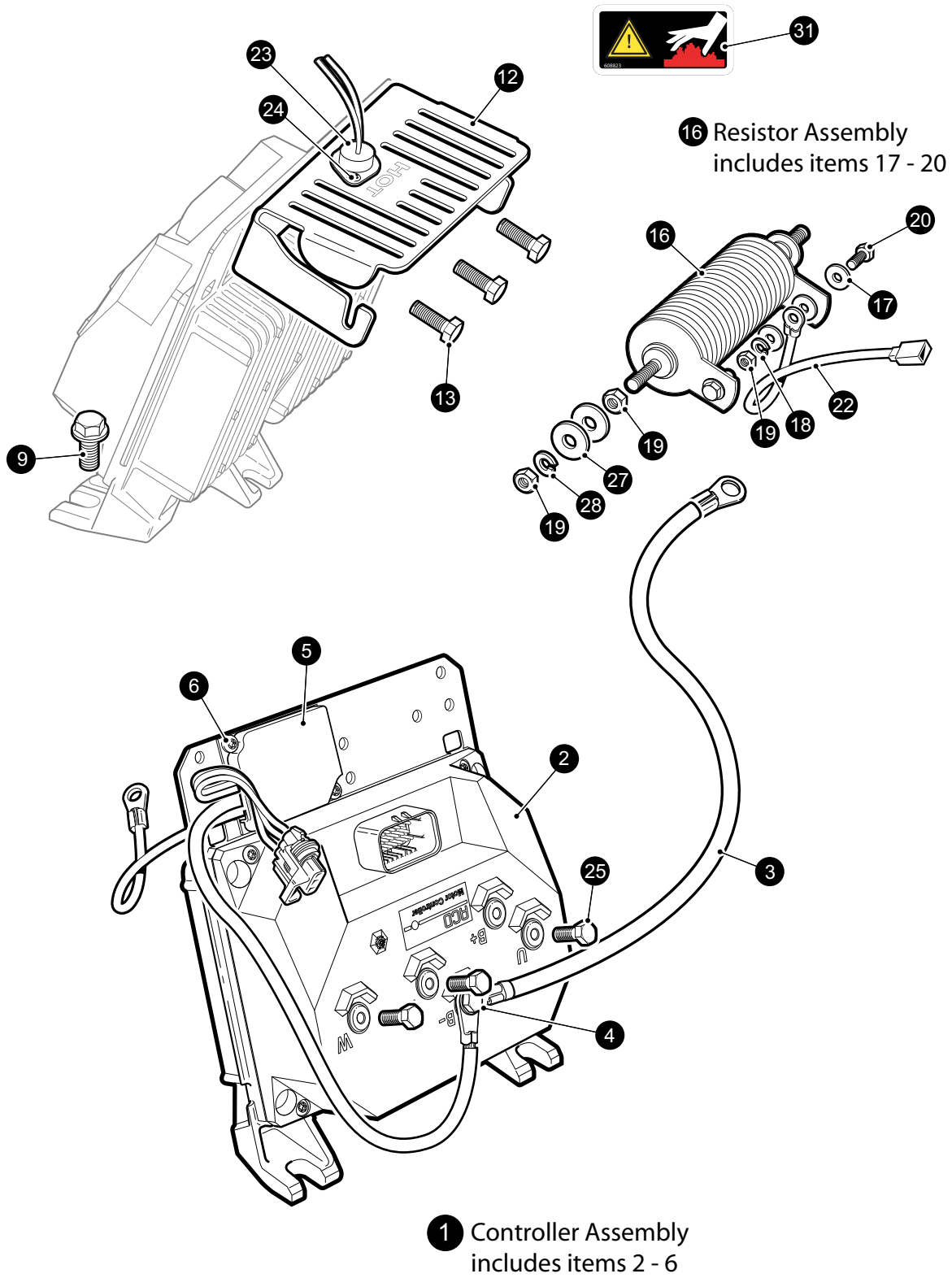
ITEM	PART NO.	1 2 3 4 5	DESCRIPTION	QTY.
1	<u>604019</u>		HEADLIGHT SWITCH .....	1
2	<u>607445</u>		HEADLIGHT KIT (includes items 2 - 12).....	1
3	<u>607439</u>		HEADLIGHT ASSEMBLY, DRIVER SIDE (includes items 5 - 11 .....	1
4	<u>607438</u>		HEADLIGHT ASSEMBLY, PASSENGER SIDE (includes items 6 - 12.....	1
5	604452		GASKET, DRIVER SIDE .....	1
6	<u>74004-G01</u>		HEADLIGHT BULB .....	1
7	<u>604539</u>		TURN SIGNAL BULB.....	1
8	608322		BULB RETAINER.....	1
9	<u>608328</u>		BUTTON HEAD TORX SCREW, PLASTITE .....	1
10	<u>607487</u>		TURN SIGNAL WIRE HARNESS .....	1
11	<u>607434</u>		HEADLIGHT RETAINING CLIP .....	4
12	<u>607437</u>		GASKET, PASSENGER SIDE .....	1
13				
14				
15	<u>607450</u>		TAIL LIGHT KIT (includes items 16 - 22) .....	1
16	<u>607474</u>		TAIL LIGHT HARDWARE KIT (INCLUDES ITEMS 17 & 18) .....	1
17	<u>601326</u>		BUTTON HEAD TORX BOLT, M6 - 1 X 20 .....	8
18	<u>602409</u>		BARRELL CLIP, M6 .....	8
19	<u>603325</u>		TAIL LIGHT ASSEMBLY, DRIVER SIDE (includes items 21 & 22.....	1
20	<u>603326</u>		TAIL LIGHT ASSEMBLY, PASSENGER SIDE (includes items 21 & 22)..	1
21	<u>604311</u>		TAIL LIGHT BULB.....	1
22	<u>604858</u>		TAIL LIGHT LENS.....	1
23				
24				
25	<u>607530</u>		TURN SIGNAL SWITCH KIT (includes items 26 & 29).....	1
26	<u>604511</u>		TURN SIGNAL SWITCH ASSEMBLY .....	1
27	60965-G3		STEERING COLUMN COVER.....	1
28	<u>608771</u>		RUBBER ISOLATION STRIP .....	1
29	<u>16816-G5</u>		CHRISTMAS TREE RIVET, .18 X .55 .....	2







# ELECTRONIC SPEED CONTROL



# ELECTRONIC SPEED CONTROL

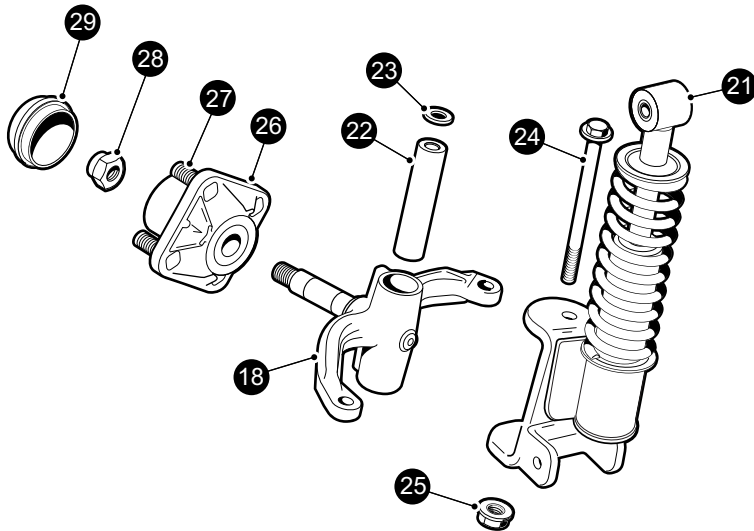
When ordering parts, please specify the model and serial number of the product.

\* Indicates a component that is not available as an individual part.

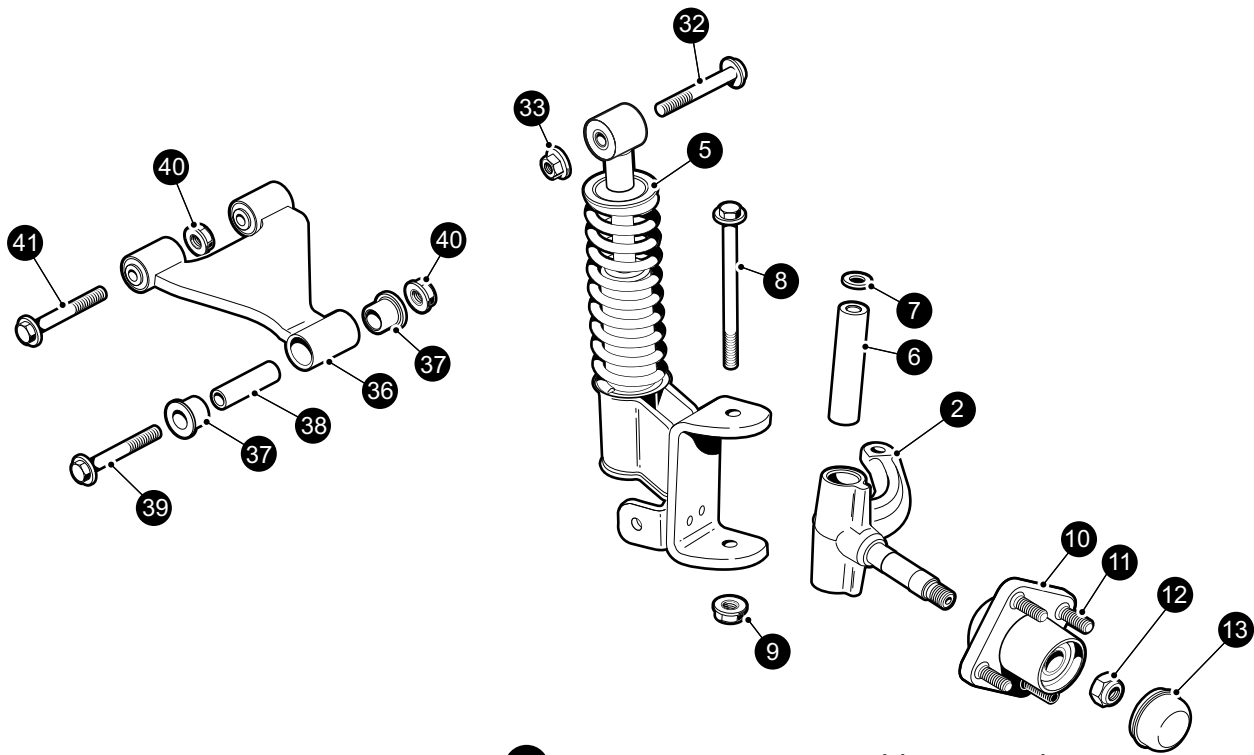
\*\*\* Indicates consult Customer Service Department for additional information.

ITEM	PART NO.	1 2 3 4 5	DESCRIPTION	QTY.
1	<u>600083</u>		CONTROLLER ASSEMBLY (includes items 2 - 6) .....	1
2	604125		CONTROLLER .....	1
3	<u>603104</u>		6 GA BLACK WIRE, 21.3 inches (541mm) .....	1
4	<u>610762</u>		HEX HEAD SCREW, M6 - 1 X 12 .....	1
5	<u>608148</u>		RESISTOR CONTROL.....	1
6	608171		PAN HEAD TORX SCREW, M4 X 12 .....	1
7				
8				
9	<u>603799</u>		HEX HEAD FLANGED BOLT, M10 1.5 X 23.....	3
10				
11				
12	<u>607930</u>		RESISTOR MOUNTING BRACKET .....	1
13	<u>606421</u>		HEX HEAD FLANGED BOLT, M6 - 1 X 30 .....	3
14				
15				
16	<u>607701</u>		RESISTOR, 42 OHM ASSEMBLY (includes items 17 - 20).....	1
17	<u>00571-G2</u>		FLAT WASHER, 5/16 .....	4
18	<u>00565-G8</u>		LOCK WASHER, 5/16 .....	2
19	<u>00532-G3</u>		HEX NUT, 5/16 - 18.....	6
20	<u>00438-G8</u>		HEX HEAD BOLT, 5/16 - 18 X 1.00 .....	2
21				
22	<u>608168</u>		18 GA GRAY RESISTOR WIRE ASSEMBLY .....	1
23	<u>609688</u>		BI-METAL SWITCH KIT .....	1
24	<u>00614-G4</u>		PAN HEAD PHILLIPS SELF DRILLING SCREW .....	2
25	<u>610762</u>		HEX HEAD SCREW, M6 - 1 X 12 .....	3
26				
27	<u>00571-G2</u>		FLAT WASHER, 5/16 .....	4
28	<u>00565-G8</u>		LOCK WASHER, 5/16.....	2
29				
30				
31	<u>608823</u>		HOT SURFACE WARNING LABEL, CE .....	1

# FRONT SUSPENSION



**17** Front Suspension Assembly Passenger Side includes items 18, 21 - 29



**1** Front Suspension Assembly Driver Side includes items 2, 5 - 13

# FRONT SUSPENSION

When ordering parts, please specify the model and serial number of the product.

\* Indicates a component that is not available as an individual part.

\*\*\* Indicates consult Customer Service Department for additional information.

ITEM	PART NO.	1 2 3 4 5	DESCRIPTION	QTY.
1	609605		SHOCK ABSORBER ASSEMBLY, DRIVER SIDE (includes items 2 - 13) .....	1
2	<u>607413</u>		SPINDLE ASSEMBLY, DRIVER SIDE.....	1
3				
4				
5	<u>601246</u>		STRUT ASSEMBLY, DRIVER SIDE .....	1
6	601707		KINGPIN TUBE .....	1
7	<u>601920</u>		THRUST WASHER .....	1
8	<u>620380</u>		KINGPIN, HEX HEAD FLANGED BOLT, M12 - 1.25 X 145 .....	1
9	<u>600549</u>		HEX NUT, FLANGED, M12 - 1.25 .....	1
10	<u>609603</u>		HUB ASSEMBLY (includes item 11).....	1
11	<u>19862G1</u>		WHEEL STUD.....	4
12	<u>601709</u>		LOCKING HEX NUT, M16 - 2.....	1
13	<u>12091G2</u>		SPINDLE CAP.....	1
14				
15				
16				
17	610845		SHOCK ABSORBER ASSEMBLY, PASSENGER SIDE (inc items 18 - 29) ...	1
18	<u>611271</u>		SPINDLE ASSEMBLY, PASSENGER SIDE .....	1
19				
20				
21	<u>603024</u>		STRUT ASSEMBLY, PASSENGER SIDE .....	1
22	601707		KINGPIN TUBE .....	1
23	<u>601920</u>		THRUST WASHER .....	1
24	<u>620380</u>		KINGPIN, HEX HEAD FLANGED BOLT, M12 - 1.25 X 145 .....	1
25	<u>600549</u>		HEX NUT, FLANGED, M12 - 1.25 .....	1
26	<u>609603</u>		HUB ASSEMBLY (includes item 27).....	1
27	<u>19862G1</u>		WHEEL STUD.....	4
28	<u>601709</u>		LOCKING HEX NUT, M16 - 2.....	1
29	<u>12091G2</u>		SPINDLE CAP.....	1
30				
31				

# FRONT SUSPENSION

When ordering parts, please specify the model and serial number of the product.

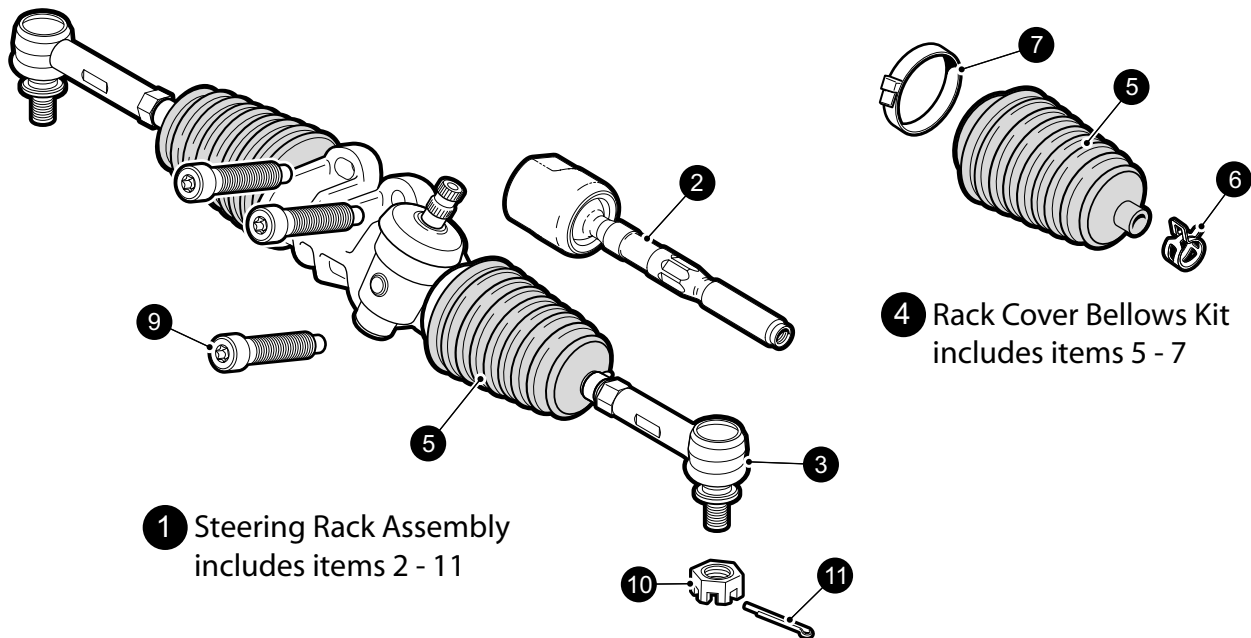
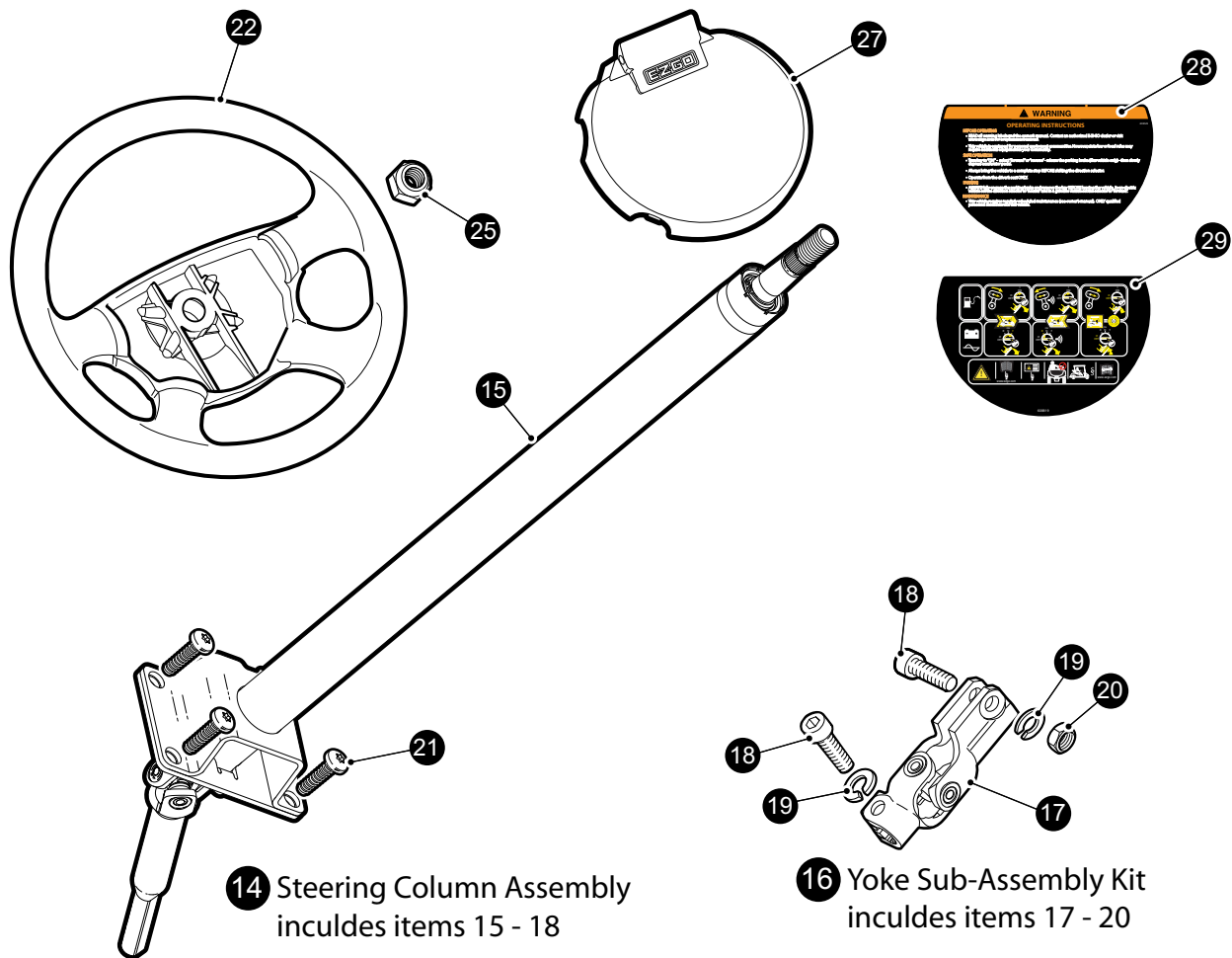
\* Indicates a component that is not available as an individual part.

\*\*\* Indicates consult Customer Service Department for additional information.

ITEM	PART NO.	1 2 3 4 5	DESCRIPTION	QTY.
32	<u>602415</u>		HEX HEAD FLANGED BOLT, M10 - 1.5 X 80.....	2
33	<u>600525</u>		HEX NUT, FLANGED LOCK, M10 - 1.5 .....	2
34				
35				
36	<u>608089</u>		A-ARM ASSEMBLY .....	2
37	<u>601340</u>		A-ARM BUSHING.....	4
38	<u>602085</u>		A-ARM CARRIER TUBE .....	2
39	<u>601754</u>		HEX HEAD FLANGED BOLT, M10 - 1.5 X 90.....	2
40	<u>600525</u>		HEX NUT, FLANGED LOCK, M10 - 1.5 .....	6
41	<u>602415</u>		HEX HEAD FLANGED BOLT, M10 - 1.5 X 80.....	4



# FRONT SUSPENSION





# FRONT SUSPENSION

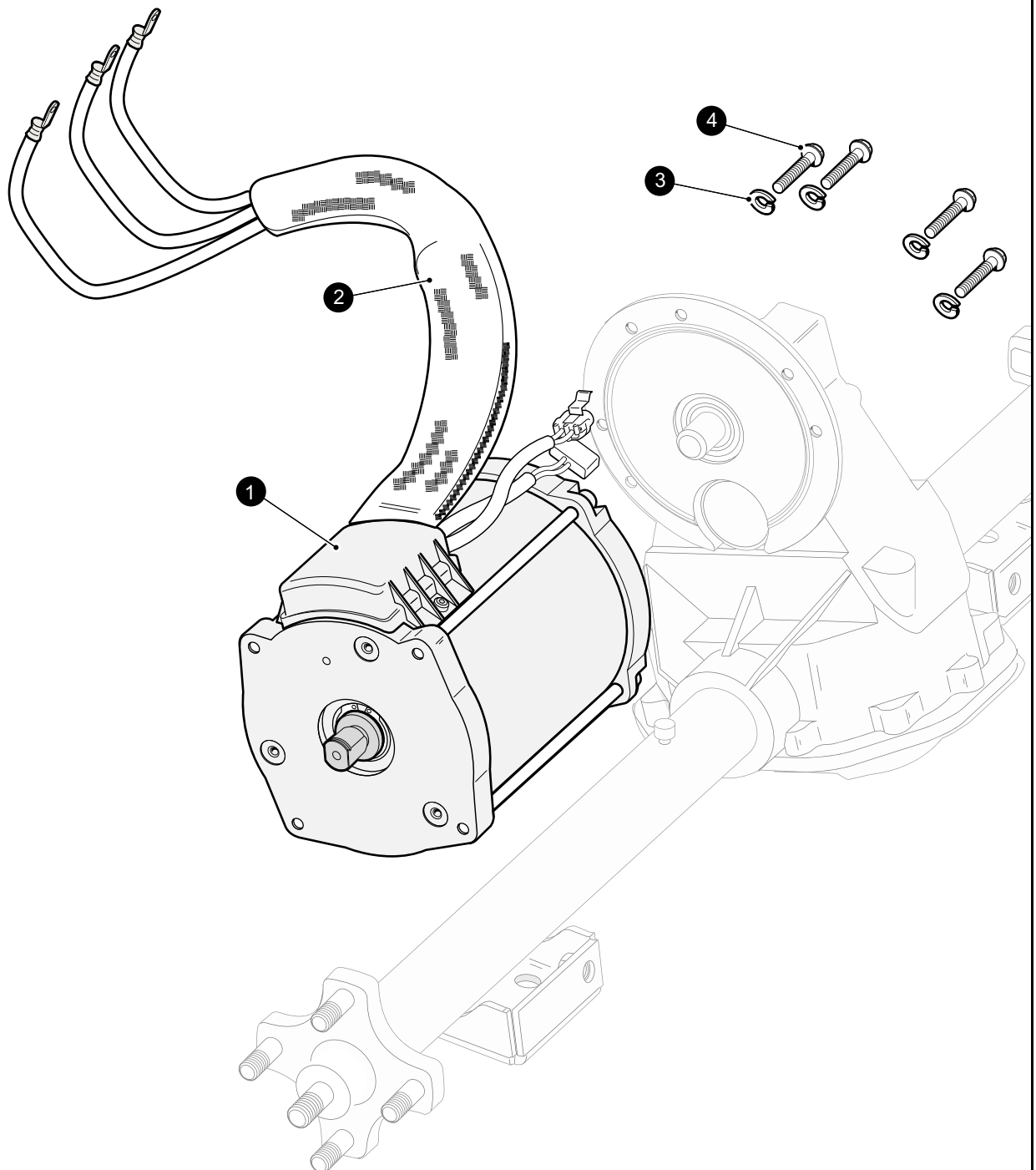
When ordering parts, please specify the model and serial number of the product.

\* Indicates a component that is not available as an individual part.

\*\*\* Indicates consult Customer Service Department for additional information.

ITEM	PART NO.	1 2 3 4 5	DESCRIPTION	QTY.
1	<u>601500</u>		STEERING RACK ASSEMBLY (includes items 2 - 4) .....	1
2	<u>603865</u>		STEERING ROD .....	2
3	<u>604614</u>		ROD END .....	2
4	<u>604615</u>		RACK COVER BELLOWS KIT (includes items 5 - 7) .....	2
5	608112		BELLOWS.....	1
6	608108		BELLOWS CLAMP (small end).....	1
7	608109		BELLOWS CLIP (large end) .....	1
8				
9	<u>602020</u>		TORX SOCKET HEAD CAP SCREW, M10 - 1.5 X 80.....	3
10	<u>608005</u>		CASTLE HEX NUT, M12 - 1.25 .....	2
11	<u>10387-G2</u>		COTTER PIN.....	2
12				
13				
14	<u>600333</u>		STEERING COLUMN ASSEMBLY (includes items 15 - 18).....	1
15	<u>608117</u>		STEERING COLUMN SUB ASSEMBLY .....	1
16	<u>604613</u>		YOKE SUB ASSEMBLY KIT (includes items 17 & 18).....	1
17	<u>608114</u>		STEERING YOKE.....	1
18	<u>608653</u>		SOCKET HEAD BOLT, M10 - 1.5 X 35 .....	2
19	<u>608654</u>		LOCK WASHER, M10.5.....	2
20	<u>608655</u>		HEX NUT, M10 - 1.5.....	1
21	<u>602572</u>		PAN HEAD TORX SCREW, TAPTITE M10 - 1.5 X 25.....	4
22	<u>602980</u>		STEERING WHEEL .....	1
23				
24				
25	<u>601709</u>		LOCK NUT, M16 - 2 .....	1
26				
27	<u>607925</u>		SCORECARD HOLDER ASSEMBLY .....	1
28	<u>608529</u>		STEERING WHEEL WARNING LABEL .....	1
29	<u>608819</u>		STEERING WHEEL WARNING LABEL, CE .....	1

# MOTOR



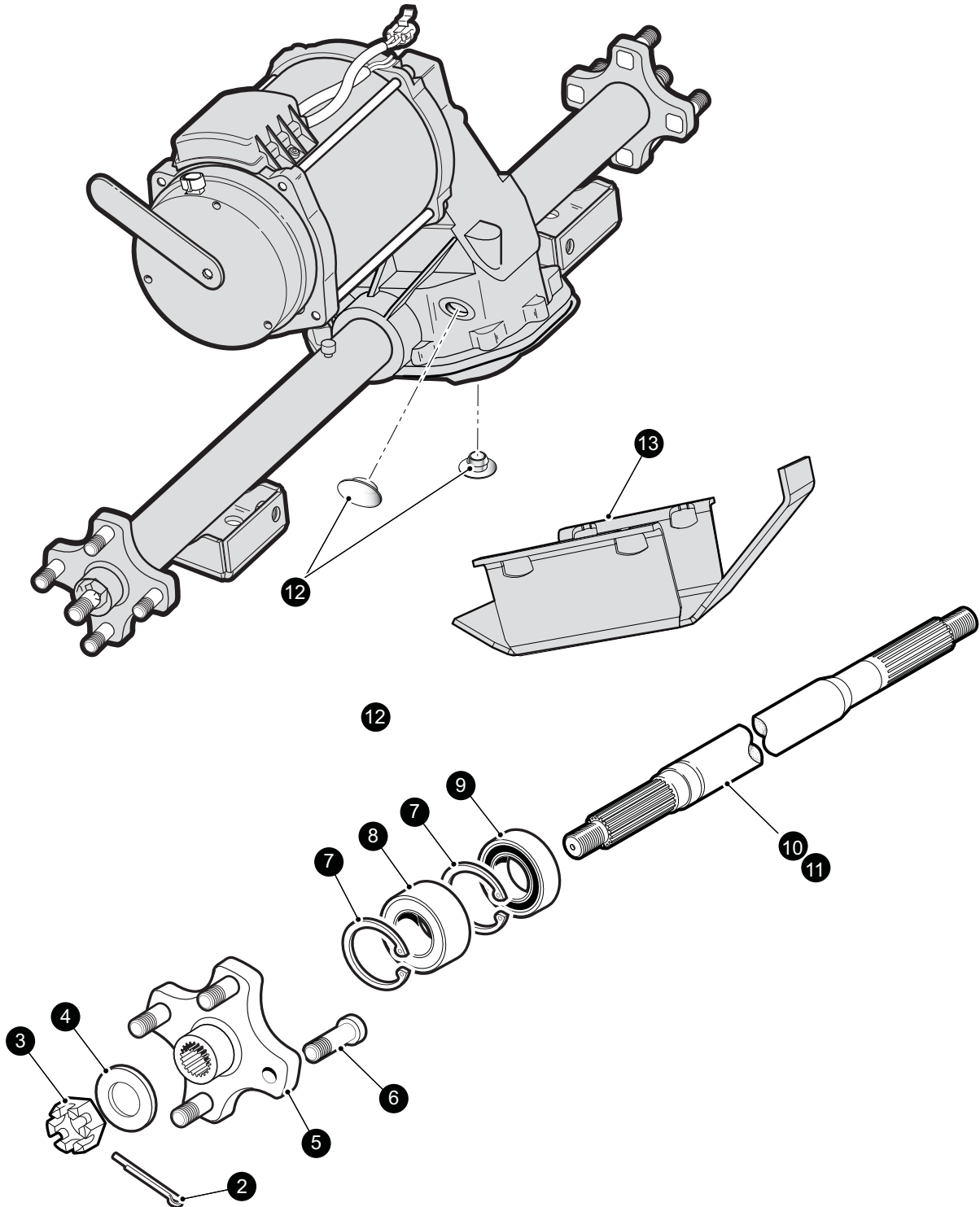
When ordering parts, please specify the model and serial number of the product.

\* Indicates a component that is not available as an individual part.

\*\*\* Indicates consult Customer Service Department for additional information.

ITEM	PART NO.	1 2 3 4 5	DESCRIPTION	QTY.
1	601882		48V AC ELECTRIC MOTOR.....	1
2	<u>605714</u>		FLEXLOOM SLEEVE.....	1
3	<u>601327</u>		LOCK WASHER, M6.....	6
4	<u>605741</u>		HEX HEAD BOLT, M6 - 1 X 25 (grade 10.9).....	6

## 1 Light Duty Electric Axle Assembly



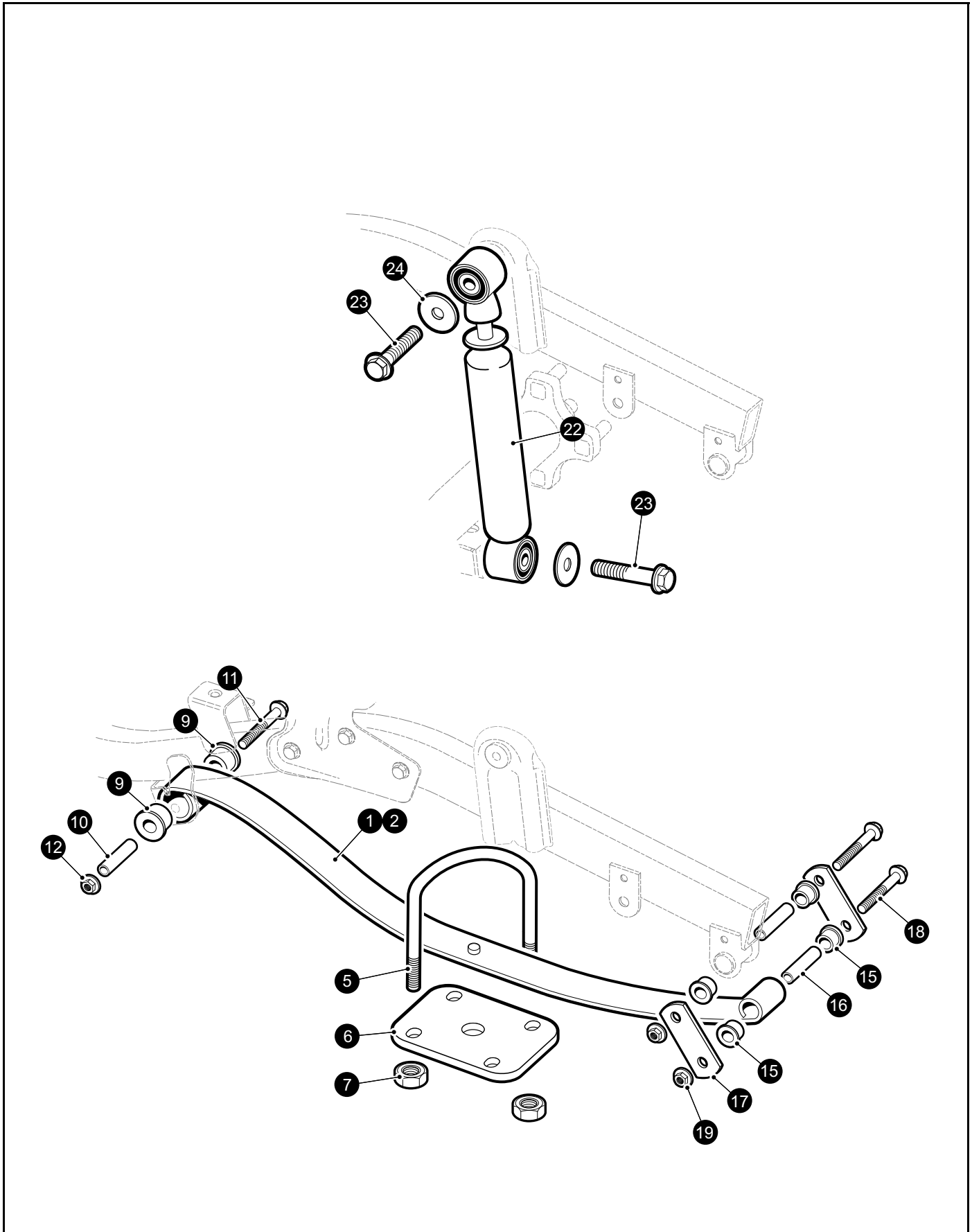
When ordering parts, please specify the model and serial number of the product.

\* Indicates a component that is not available as an individual part.

\*\*\* Indicates consult Customer Service Department for additional information.

ITEM	PART NO.	1 2 3 4 5	DESCRIPTION	QTY.
1	600357		LIGHT DUTY REAR AXLE ASSEMBLY 16.99:1 (includes items 2 - 11) .....	1
2	<u>10387G1</u>		COTTER PIN, .12 DIA X 1.25 .....	2
3	<u>15483G1</u>		CASTLE HEX NUT, 5/8 - 16 UNF .....	2
4	<u>15487G1</u>		FLAT WASHER, .65 X 1.38 X .12 .....	2
5	604112		HUB .....	2
6	<u>19862G2</u>		WHEEL BOLT, 1/2 - 20 1.72 .....	8
7	620342		RETAINING RING .....	4
8	620343		BALL BEARING .....	2
9	620344		OIL SEAL .....	2
10	620337		AXLE SHAFT, DRIVER SIDE (long) .....	1
11	620341		AXLE SHAFT, PASSENGER SIDE (short) .....	1
12	<u>620347</u>		RUBBER PLUG .....	2
13	72763G02		SCUFF GUARD .....	1

# REAR SUSPENSION



# REAR SUSPENSION

When ordering parts, please specify the model and serial number of the product.

\* Indicates a component that is not available as an individual part.

\*\*\* Indicates consult Customer Service Department for additional information.

ITEM	PART NO.	1 2 3 4 5	DESCRIPTION	QTY.
1	603498		TAPERED LEAF SPRING.....	2
2	<u>604494</u>		HEAVY DUT TAPERED LEAF SPRING .....	2
3				
4				
5	<u>603415</u>		U-BOLT .....	2
6	603495		LEAF SPRING PLATE .....	2
7	<u>600525</u>		LOCK NUT, M10 - 1.5 .....	4
8				
9	<u>620160</u>		FLANGED URETHANE BUSHING (large).....	4
10	<u>620161</u>		SPLIT STEEL SPACER .....	2
11	<u>601754</u>		FLANGED HEX HEAD BOLT, M10 - 1.5.....	2
12	<u>600525</u>		LOCK NUT, M10 - 1.5 .....	2
13				
14				
15	<u>70291-G01</u>		FLANGED URETHANE BUSHING (small).....	8
16	<u>620161</u>		SPLIT STEEL SPACER .....	4
17	<u>603648</u>		SHACKLE PLATE .....	4
18	<u>601754</u>		FLANGED HEX HEAD BOLT, M10 - 1.5 X 100 .....	4
19	<u>600525</u>		LOCK NUT, M10 - 1.5 .....	4
20				
21				
22	<u>603637</u>		SHOCK ABSORBER .....	2
23	<u>601414</u>		FLANGED HEX HEAD BOLT, M10 - 1.5 X 65 .....	4
24	<u>604066</u>		FLAT WASHER, 10.5 X 30 X 2.5 .....	4





# SEATING & BASKET

When ordering parts, please specify the model and serial number of the product.

\* Indicates a component that is not available as an individual part.

\*\*\* Indicates consult Customer Service Department for additional information.

ITEM	PART NO.	1 2 3 4 5	DESCRIPTION	QTY.
1	6XXXXX		SEAT BOTTOM ASSEMBLY (select color below), (includes items 2 - 7) ..... 605551 .... STONE BEIGE SEAT BOTTOM 608013 .... OYSTER SEAT BOTTOM	1
2	6XXXXX		SEAT BOTTOM VINYL COVER (select color below) ..... 600221 .... STONE BEIGE SEAT BOTTOM VINYL COVER 608007 .... OYSTER SEAT BOTTOM VINYL COVER	1
3	600503		SEAT BOTTOM FOAM.....	1
4	600502		SEAT BOTTOM WOODEN BASE ASSEMBLY.....	1
5	<u>602551</u>		SEAT BOTTOM COVER PLATE .....	1
6	<u>16816-G2</u>		CHRISTMAS TREE RIVET .....	4
7	<u>71610-G01</u>		SEAT HINGE .....	2
8	<u>00720-G08</u>		FLAT HEAD PHILLIPS TAPPING SCREW, #12 - 14 X 1.00 .....	6
9	<u>607532</u>		HIP RESTRAINT, DRIVER SIDE.....	1
10	<u>607653</u>		HIP RESTRAINT, PASSENGER SIDE .....	1
11	<u>600530</u>		BUTTON HEAD TORX BOLT, M10 - 1.5 X 25.....	8
12				
13				
14	<u>602413</u>		SEAT BACK SUPPORT STRUT .....	2
15	<u>603800</u>		FLANGED HEX HEAD BOLT, M10 - 1.5 X 50 .....	4
16	<u>600525</u>		LOCK NUT, M10 - 1.5 .....	4
17				
18	<u>602112</u>		SEAT BACK SUPPORT STRUT COVER.....	2
19				
20				
21	6XXXXX		SEAT BACK ASSEMBLY (select color below), (includes items 22 - 26)..... 605548 .... STONE BEIGE SEAT BACK ASSEMBLY 608012 .... OYSTER SEAT BACK ASSEMBLY	1
22	6XXXXX		SEAT BACK VINYL COVER (select color below)..... 605537 .... STONE BEIGE SEAT BACK VINYL COVER 608006 .... OYSTER SEAT BACK VINYL COVER	1
23	<u>71754-G01</u>		SEAT BACK FOAM .....	1
24	<u>605550</u>		SEAT BACK WOODEN BASE ASSEMBLY .....	1

# SEATING & BASKET

When ordering parts, please specify the model and serial number of the product.

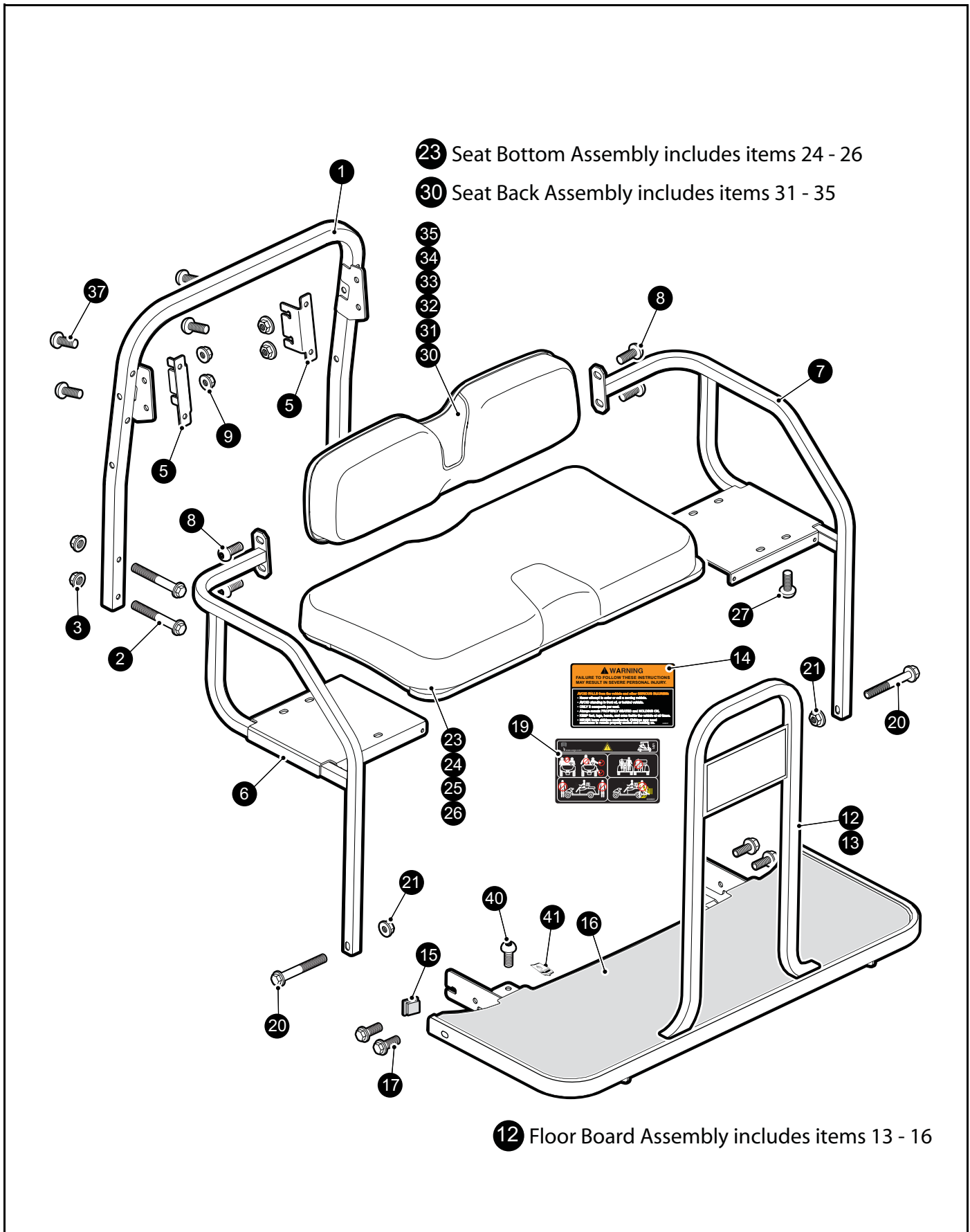
\* Indicates a component that is not available as an individual part.

\*\*\* Indicates consult Customer Service Department for additional information.

ITEM	PART NO.	1	2	3	4	5	DESCRIPTION	QTY.
25	<u>605529</u>						SEAT BACK BLACK PLASTIC COVER.....	1
26	603000						BUTTON HEAD TORX SCREW, PLASTITE THREAD FORMING, M6 - 1	4
27								
28	<u>600527</u>						BUTTON HEAD TORX BOLT, M10 - 1.5 X 60.....	4
29								
30								
31								
32	<u>602742</u>						SWEATER BASKET ASSEMBLY (includes items 33 - 36) .....	1
33	610607						SWEATER BASKET .....	1
34	<u>608051</u>						BAG STRAP CLAMP .....	2
35	<u>16816-G1</u>						CHRISTMAS TREE RIVET.....	2
36	604102						BAG STRAP.....	1
37								
38	<u>600530</u>						BUTTON HEAD TORX BOLT, M10 - 1.5 X 25.....	2
39	<u>600527</u>						BUTTON HEAD TORX BOLT, M10 - 1.5 X 60.....	4
40	<u>600525</u>						LOCK NUT, M10 - 1.5.....	4



# SEATING & BASKET



# SEATING & BASKET

When ordering parts, please specify the model and serial number of the product.

\* Indicates a component that is not available as an individual part.

\*\*\* Indicates consult Customer Service Department for additional information.

ITEM	PART NO.	1 2 3 4 5	DESCRIPTION	QTY.
1	<u>604473</u>		SEAT BACK SUPPORT, 2 + 2 SEAT .....	1
2	<u>603800</u>		HEX HEAD FLANGED BOLT, M10 - 1.5 X 50 .....	4
3	<u>600525</u>		LOCK NUT, M10 - 1.5 .....	4
4				
5	<u>606286</u>		REAR SEAT BACK MOUNTING BRACKET.....	2
6	<u>604723</u>		ARM REST, DRIVER SIDE .....	1
7	<u>604725</u>		ARM REST, PASSENGER SIDE .....	1
8	<u>600530</u>		BUTTON HEAD TORX BOLT, M10 - 1.5 X 25 .....	4
9	<u>600525</u>		LOCK NUT, M10 - 1.5 .....	4
10				
11				
12	<u>604457</u>		REAR FACING SEAT FLOORBOARD ASSEMBLY (includes items 7 - 10)...	1
13	604398		FOOTREST WELDMENT .....	1
14	<u>74074-G01</u>		2 + 2 WARNING DECAL .....	1
15	<u>19853-G1</u>		END CAP.....	2
16	<u>604407</u>		RUBBER FLOORMAT .....	1
17	<u>603799</u>		HEX HEAD FLANGED BOLT, M10 - 1.5 X 25 .....	4
18				
19	<u>608820</u>		2 + 2 WARNING DECAL, CE.....	1
20	<u>602415</u>		HEX HEAD FLANGED BOLT, M10 - 1.5 X 80 .....	2
21	<u>600525</u>		LOCK NUT, M10 - 1.5 .....	2
22				
23	6XXXX		SEAT BOTTOM ASSEMBLY (select color below) (includes items 24 - 26) .... 605501 .... STONE BEIGE SEAT BOTTOM ASSEMBLY 608010 .... OYSTER SEAT BOTTOM ASSEMBLY	1
24	6XXXXX		SEAT BOTTOM VINYL COVER (select color below)..... 600221 .... STONE BEIGE SEAT BOTTOM VINYL COVER 608007 .... OYSTER SEAT BOTTOM VINYL COVER	1
25	<u>605503</u>		SEAT BOTTOM FOAM.....	1
26	<u>605502</u>		SEAT BOTTOM WOODEN BASE ASSEMBLY.....	1
27	<u>603799</u>		HEX HEAD FLANGED BOLT, M10 - 1.5 X 25 .....	4

# SEATING & BASKET

When ordering parts, please specify the model and serial number of the product.

\* Indicates a component that is not available as an individual part.

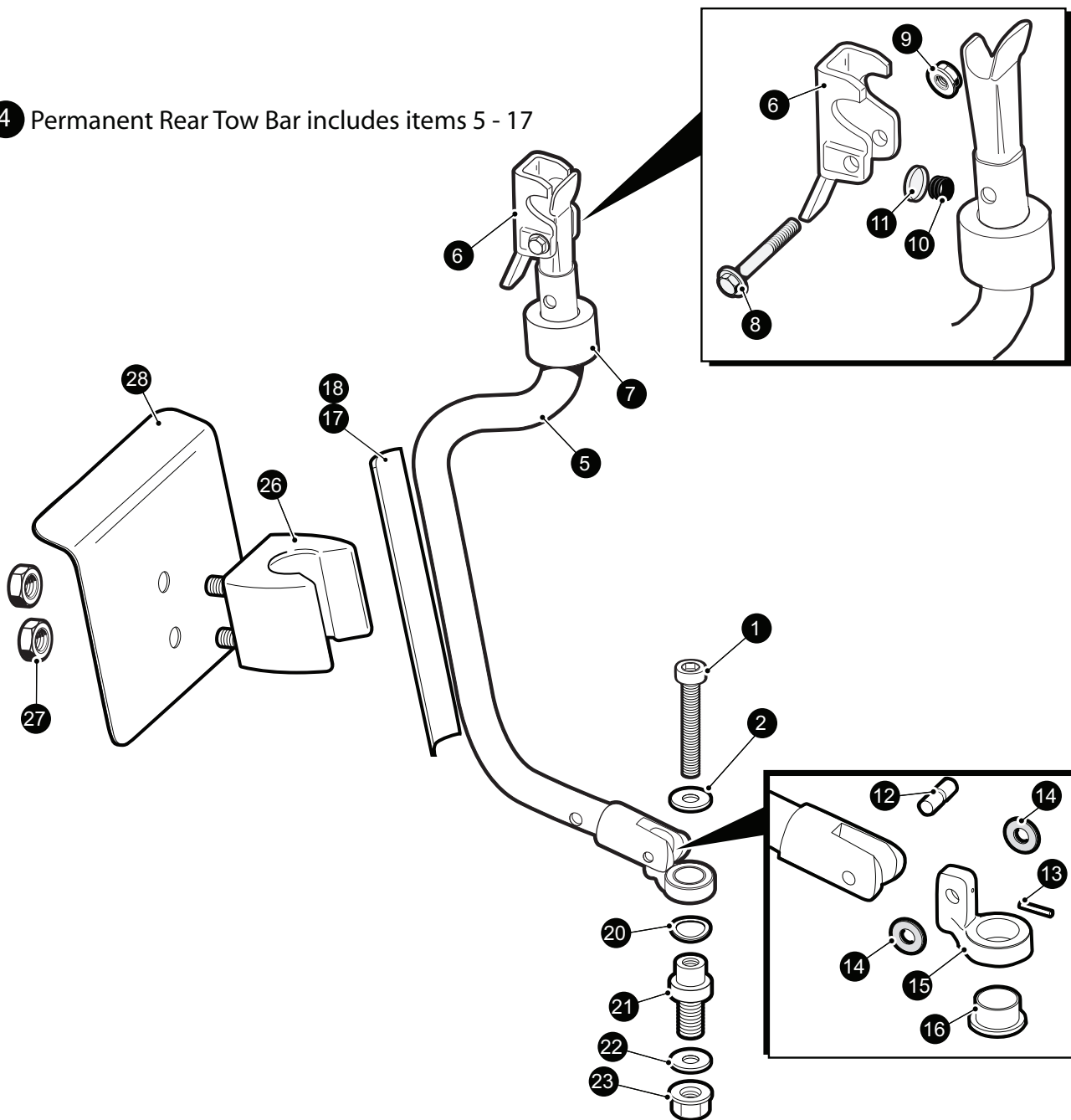
\*\*\* Indicates consult Customer Service Department for additional information.

ITEM	PART NO.	1	2	3	4	5	DESCRIPTION	QTY.
28								
29								
30	6XXXX						SEAT BACK ASSEMBLY (select color below).....	1
							605548..... STONE BEIGE SEAT BACK ASSEMBLY	
							608012..... OYSTER SEAT BACK ASSEMBLY	
31	6XXXXX						SEAT BACK VINYL COVER (select color below) .....	1
							605537..... STONE BEIGE SEAT BACK VINYL COVER	
							608006..... OYSTER SEAT BACK VINYL COVER	
32	<u>71754-G01</u>						SEAT BACK FOAM.....	1
33	<u>605550</u>						SEAT BACK WOODEN BASE ASSEMBLY .....	1
34	<u>605529</u>						SEAT BACK BLACK PLASTIC COVER.....	1
35	603000						BUTTON HEAD TORX SCREW, PLASTITE THREAD FORMING, M6 - 1	4
36								
37	<u>600530</u>						BUTTON HEAD TORX BOLT, M101 - 1.5 X 25.....	2
38								
39								
40	<u>600530</u>						BUTTON HEAD TORX BOLT, M10 - 1.5 X 25.....	2
41	<u>603818</u>						BARREL CLIP, M10 - 1.5 .....	2



# TOW BAR

4 Permanent Rear Tow Bar includes items 5 - 17





When ordering parts, please specify the model and serial number of the product.

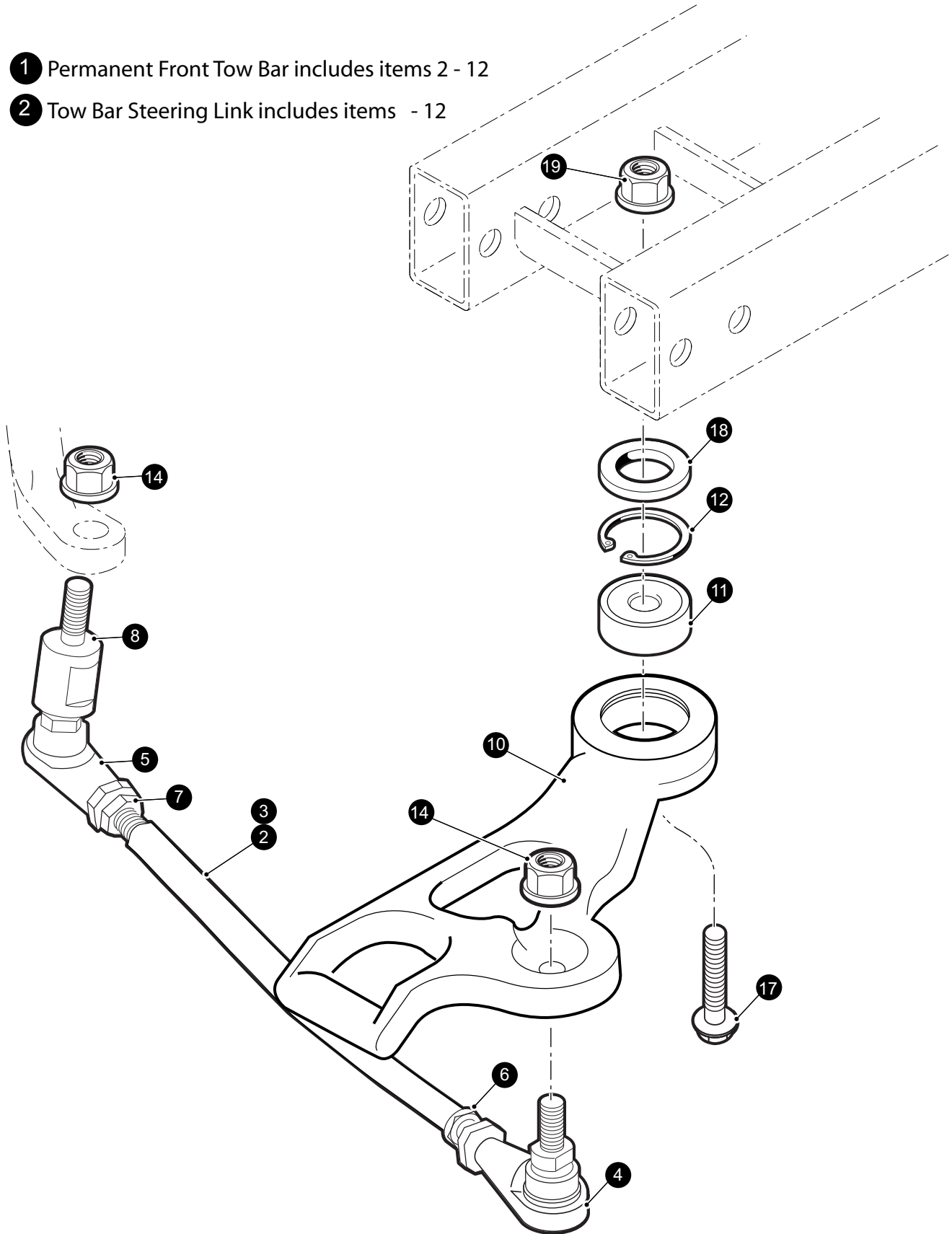
\* Indicates a component that is not available as an individual part.

\*\*\* Indicates consult Customer Service Department for additional information.

ITEM	PART NO.	1 2 3 4 5	DESCRIPTION	QTY.
1	<u>603384</u>		SOCKET HEAD CAP SCREW, M12 - 1.25 X 100 .....	1
2	<u>603182</u>		FLAT WASHER, M12, 13.5 X 32 X 3 .....	1
3				
4	<u>603476</u>		PERMANENT TOW BAR (towing vehicle), (includes items 5 - 17) .....	1
5	<u>603316</u>		TOW BAR .....	1
6	<u>603236</u>		LATCH .....	1
7	<u>75362-G01</u>		LATCH STOP .....	1
8	<u>601414</u>		HEX HEAD FLANGED BOLT, M10 - 1.5 X 65 .....	1
9	<u>600525</u>		FLANGED LOCK NUT, M10 - 1.5 .....	1
10	<u>20852-G2</u>		COMPRESSION SPRING .....	1
11	<u>25661-G02</u>		CUP WASHER .....	1
12	<u>603494</u>		PIVOT PIN .....	1
13	<u>608793</u>		SPRING PIN .....	1
14	<u>75340-G01</u>		DELFIN WASHER .....	2
15	<u>602988</u>		TOW BAR SWIVEL .....	1
16	<u>70648-G01</u>		FLANGED BUSHING .....	1
17	608525		TOW BAR WARNING DECAL .....	1
18	608525		TOW BAR WARNING DECAL, CE .....	1
19				
20	<u>603341</u>		WAVE SPRING WASHER, 32mm .....	1
21	<u>602990</u>		TOW BAR PIVOT .....	1
22	<u>603182</u>		FLAT WASHER, M12, 13.5 X 32 X 3 .....	1
23	<u>600549</u>		FLANGED HEX NUT, M12 - 1.25 .....	1
24				
25				
26	<u>603020</u>		REAR TOW BAR RETAINER .....	1
27	<u>600525</u>		FLANGED HEX NUT, M10 - 1.5 .....	2
28	<u>608757</u>		RETAINER BACKING PLATE .....	1

# TOW BAR

- 1 Permanent Front Tow Bar includes items 2 - 12
- 2 Tow Bar Steering Link includes items - 12



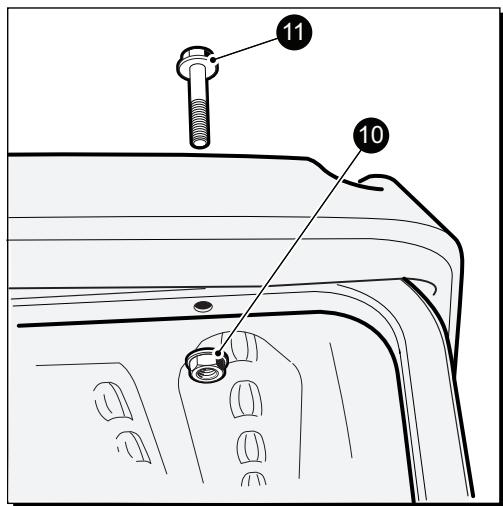
When ordering parts, please specify the model and serial number of the product.

\* Indicates a component that is not available as an individual part.

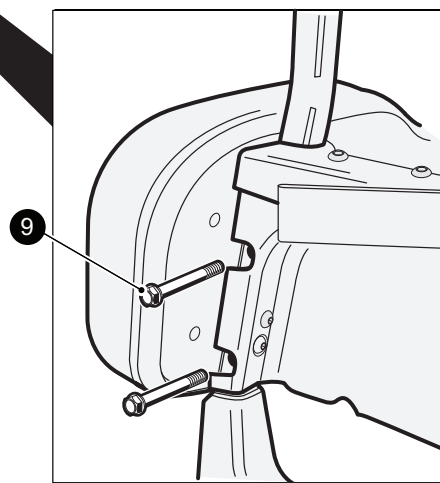
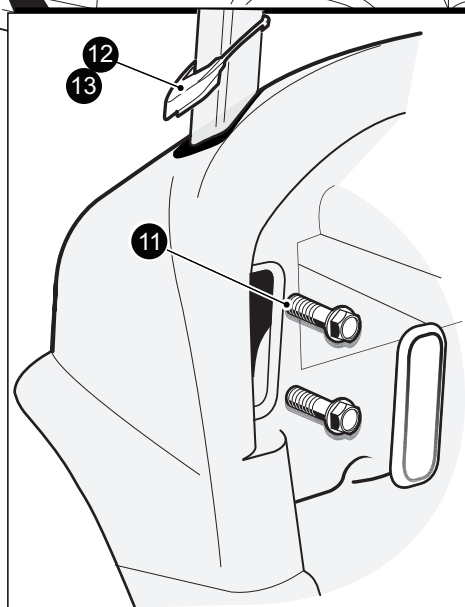
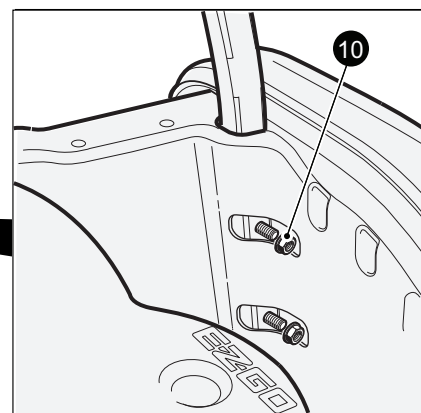
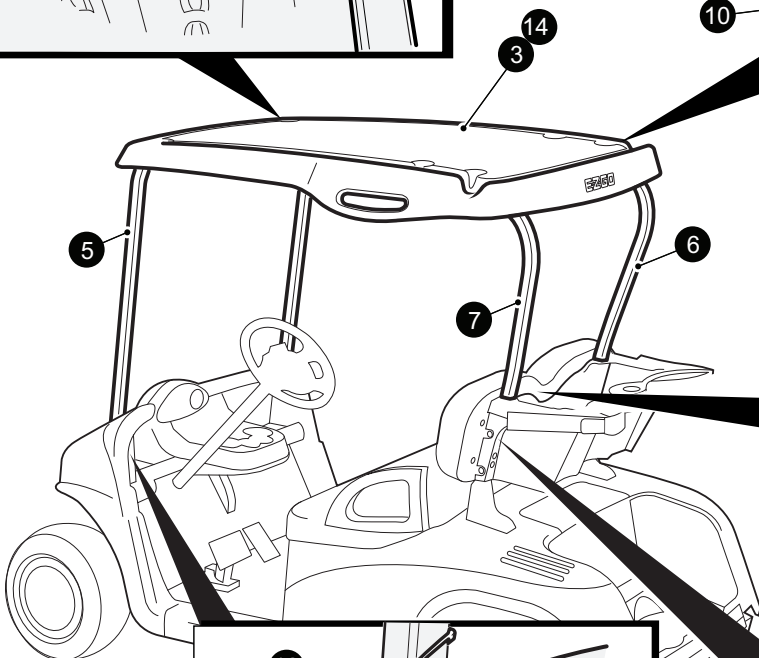
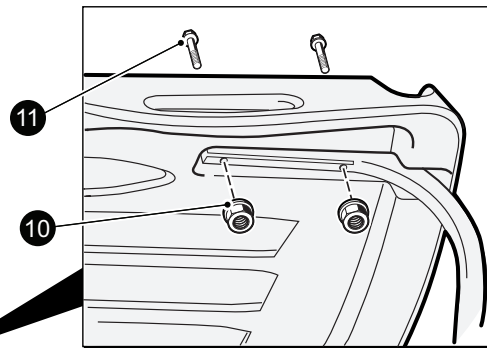
\*\*\* Indicates consult Customer Service Department for additional information.

ITEM	PART NO.	1 2 3 4 5	DESCRIPTION	QTY.
1	603475		PERMANENT TOW BAR (towed vehicle) (includes items 2 - 12) .....	1
2	<u>601624</u>		TOW BAR STEERING LINK (includes items 3 - 8) .....	1
3	<u>603297</u>		TOW BAR TIE ROD .....	1
4	<u>603322</u>		LEFT HAND TIE ROD END .....	1
5	<u>601266</u>		RIGHT HAND TIE ROD END .....	1
6	<u>603487</u>		JAM NUT, M12 - 1.25 LH .....	1
7	<u>603488</u>		JAM NUT, M12 - 1.25 RH .....	1
8	<u>608739</u>		SPACER .....	1
9				
10	<u>601389</u>		FRONT TOW BAR CASTING .....	1
11	<u>606073</u>		BEARING .....	1
12	<u>607322</u>		INTERNAL SNAP RING .....	1
13				
14	<u>600549</u>		FLANGED HEX NUT, M12 - 1.25 .....	2
15				
16				
17	<u>607365</u>		HEX HEAD FLANGED BOLT, M16 - 2 X 70 .....	1
18	<u>606293</u>		FRONT TOW BAR SPACER .....	1
19	<u>601709</u>		LOCKING HEX NUT, M16 - 2 .....	1

# WEATHER PROTECTION



- 1 Stone Beige Sun Top Kit includes items 3 & 4
- 2 Oyster Sun Top Kit includes items 4 & 14
- 4 Strut Kit includes items 5 - 8
- 8 Sun Top Hardware Kit includes items 9 - 13



# WEATHER PROTECTION

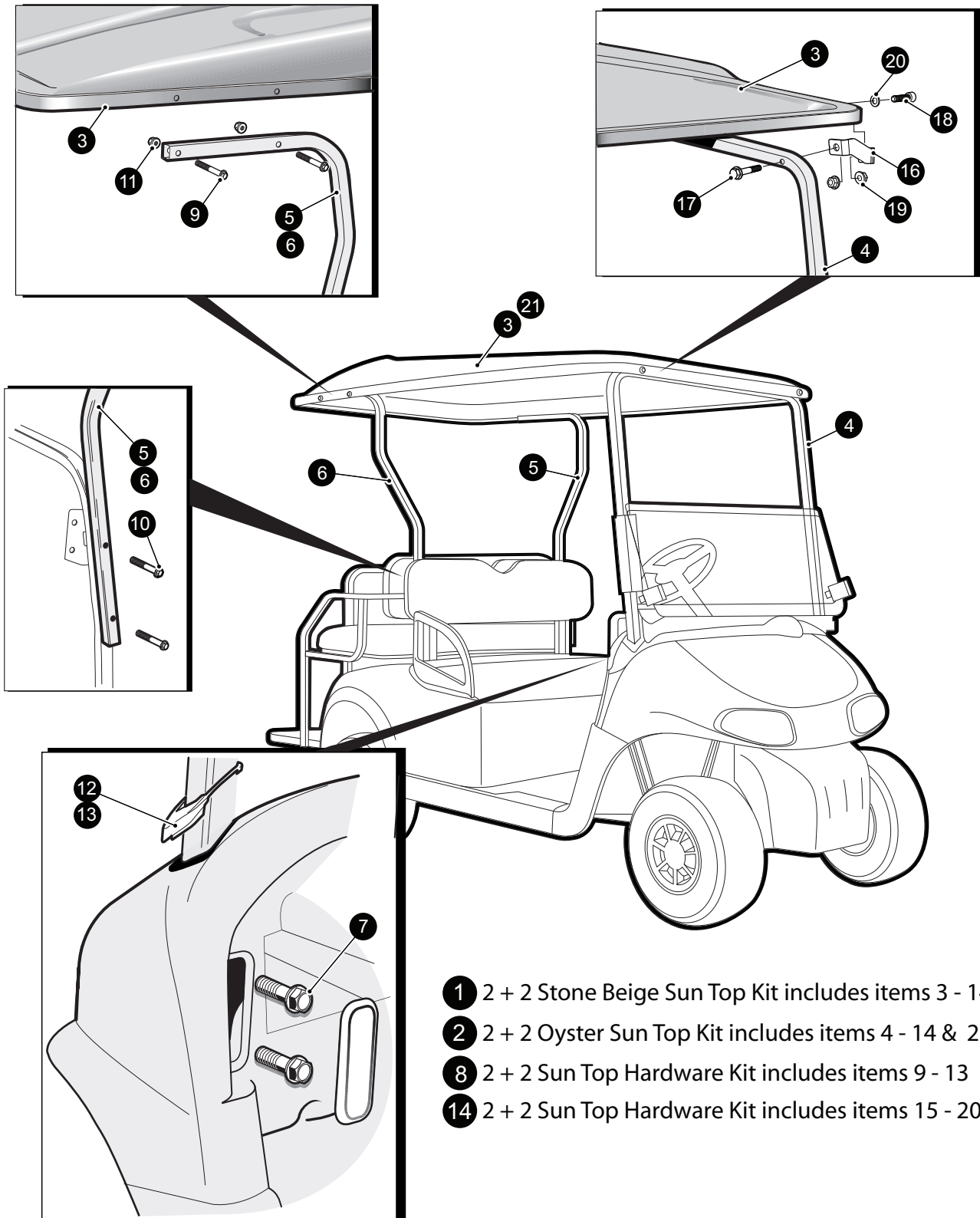
When ordering parts, please specify the model and serial number of the product.

\* Indicates a component that is not available as an individual part.

\*\*\* Indicates consult Customer Service Department for additional information.

ITEM	PART NO.	1 2 3 4 5	DESCRIPTION	QTY.
1	606354		SUN TOP KIT, STONE BEIGE (includes items 3 & 4) .....	1
2	608695		SUN TOP KIT, OYSTER (includes items 4 & 14).....	1
3	<u>608198</u>		SUN TOP, STONE BEIGE .....	1
4	608677		SUN TOP STRUT KIT (includes items 5 - 8.....	1
5	<u>603203</u>		FRONT STRUT .....	1
6	<u>603370</u>		REAR STRUT, PASSENGER SIDE .....	1
7	603369		REAR STRUT, DRIVER SIDE.....	1
8	<u>607013</u>		SUN TOP HARDWARE KIT (includes items 9 - 13) .....	1
9	<u>602415</u>		HEX HEAD FLANGED BOLT, M10 - 1.5 X 80 .....	4
10	<u>600525</u>		FLANGED LOCK NUT, M10 - 1.5.....	10
11	<u>603800</u>		HEX HEAD FLANGED BOLT, M10 - 1.5 X 50 .....	10
12	<u>602770</u>		GROMMET, DRIVER SIDE .....	1
13	<u>602992</u>		GROMMET, PASSENGER SIDE.....	1
14	<u>608015</u>		SUN TOP, OYSTER .....	1

# WEATHER PROTECTION



# WEATHER PROTECTION

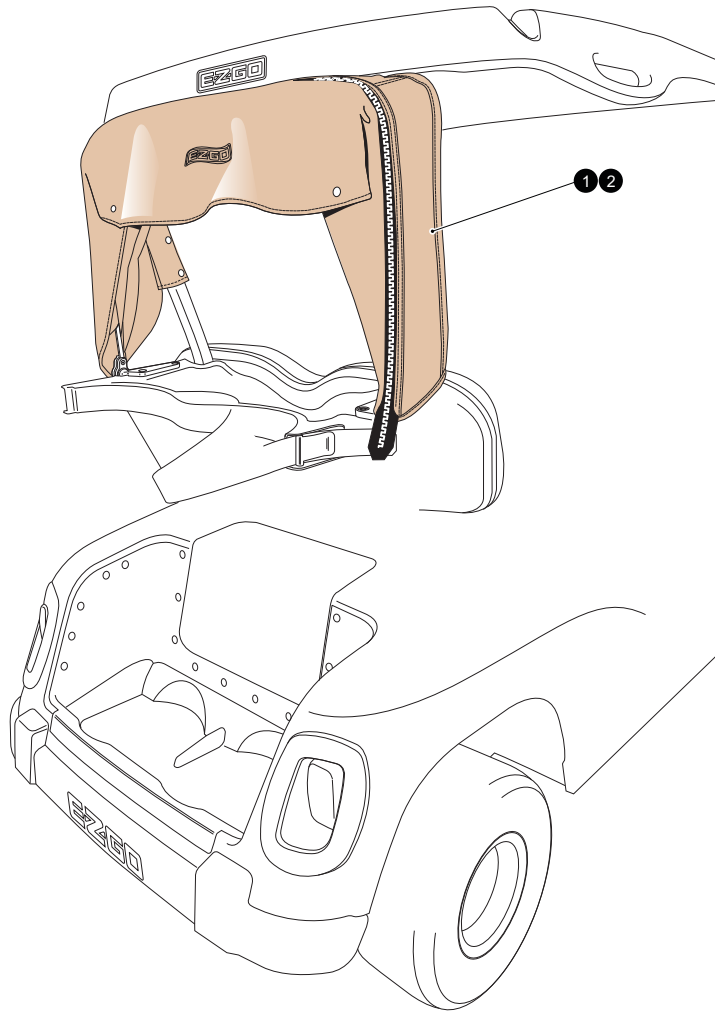
When ordering parts, please specify the model and serial number of the product.

\* Indicates a component that is not available as an individual part.

\*\*\* Indicates consult Customer Service Department for additional information.

ITEM	PART NO.	1 2 3 4 5	DESCRIPTION	QTY.
1	<u>610461</u>		2 + 2 SUN TOP KIT, STONE BEIGE (includes items 3 - 14) .....	1
2	<u>610462</u>		2 + 2 SUN TOP KIT, OYSTER (includes items 4 -14 & 21)	
3	<u>610434</u>		2 + 2 SUN TOP, STONE BEIGE .....	1
4	<u>603203</u>		FRONT STRUT .....	1
5	<u>604423</u>		2 + 2 REAR STRUT, DRIVER SIDE .....	1
6	<u>604424</u>		2 + 2 REAR STRUT, PASSENGER SIDE .....	1
7	<u>603800</u>		HEX HEAD FLANGED BOLT, M10 - 1.5 X 50 .....	1
8	<u>610468</u>		2 + 2 SUN TOP HARDWARE KIT (includes items 9 - 13).....	1
9	<u>601414</u>		HEX HEAD FLANGED BOLT, M10 - 1.5 X 65 .....	4
10	<u>602415</u>		HEX HEAD FLANGED BOLT, M10 - 1.5 X 80 .....	4
11	<u>600525</u>		FLANGED LOCK NUT, M10 - 1.5 .....	4
12	<u>602770</u>		STRUT GROMMET, DRIVER SIDE .....	1
13	<u>602992</u>		STRUT GROMMET, PASSENGER SIDE .....	1
14	<u>610472</u>		2 + 2 SUN TOP HARDWARE KIT (includes items 15-20).....	1
15	<u>610424</u>		BRACKET, DRIVER SIDE (NOT SHOWN).....	1
16	<u>610425</u>		BRACKET, PASSENGER SIDE .....	1
17	<u>603800</u>		HEX HEAD FLANGED BOLT, M10 - 1.5 X 50 .....	2
18	<u>608653</u>		SOCKET HEAD SCREW, M10 - 1.5 X 35.....	2
19	<u>600525</u>		FLANGED LOCK NUT, M10 - 1.5 .....	4
20	<u>00560G1</u>		FLAT WASHER .....	2
21	<u>610433</u>		2 + 2 SUN TOP, OYSTER .....	1

# WEATHER PROTECTION





# WEATHER PROTECTION

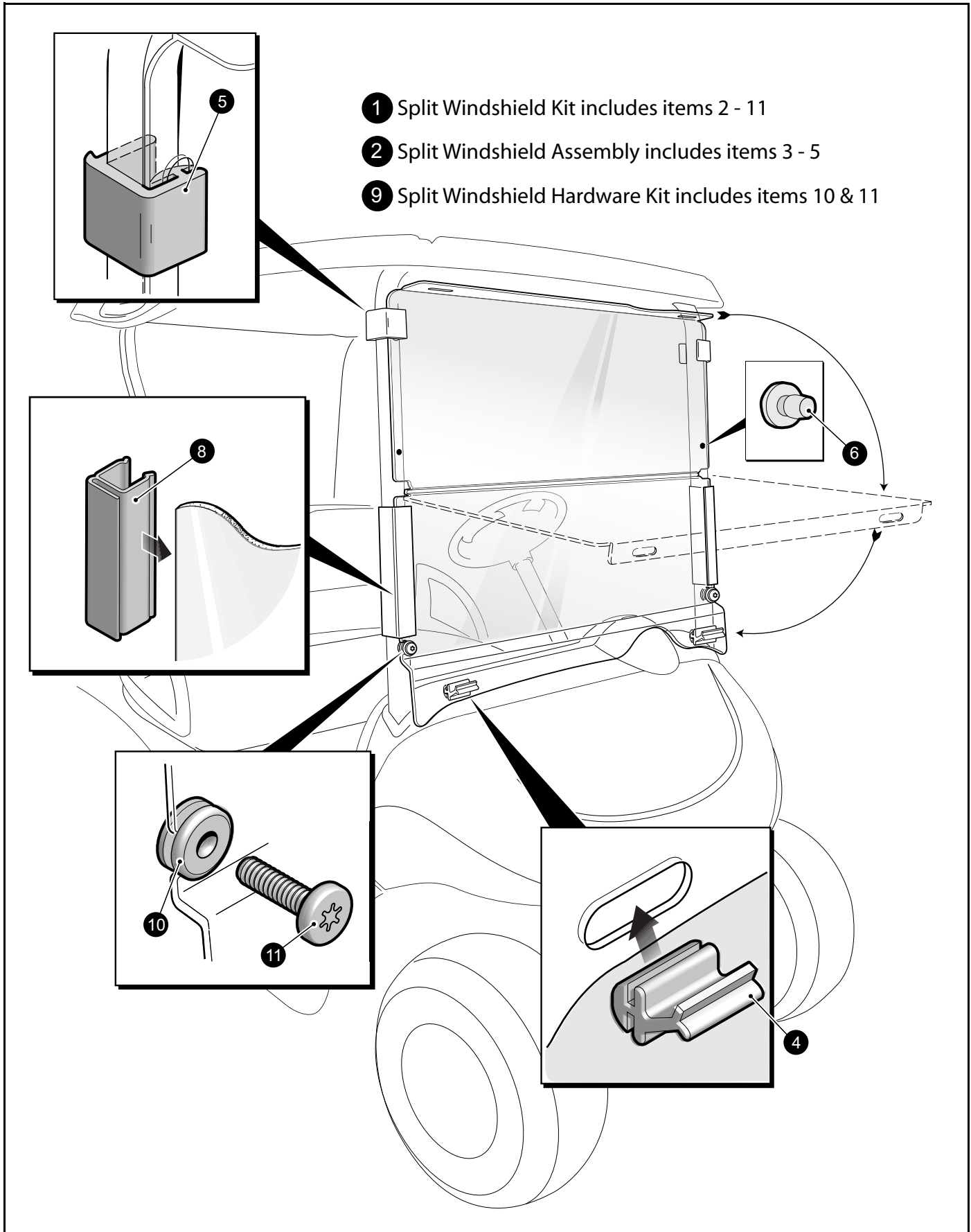
When ordering parts, please specify the model and serial number of the product.

\* Indicates a component that is not available as an individual part.

\*\*\* Indicates consult Customer Service Department for additional information.

ITEM	PART NO.	1 2 3 4 5	DESCRIPTION	QTY.
1	604666		BAG COVER KIT,STONE BEIGE .....	1
2	620604		BAG COVER KIT, OYSTER.....	1

# WEATHER PROTECTION



- 1 Split Windshield Kit includes items 2 - 11
- 2 Split Windshield Assembly includes items 3 - 5
- 9 Split Windshield Hardware Kit includes items 10 & 11

# WEATHER PROTECTION

When ordering parts, please specify the model and serial number of the product.

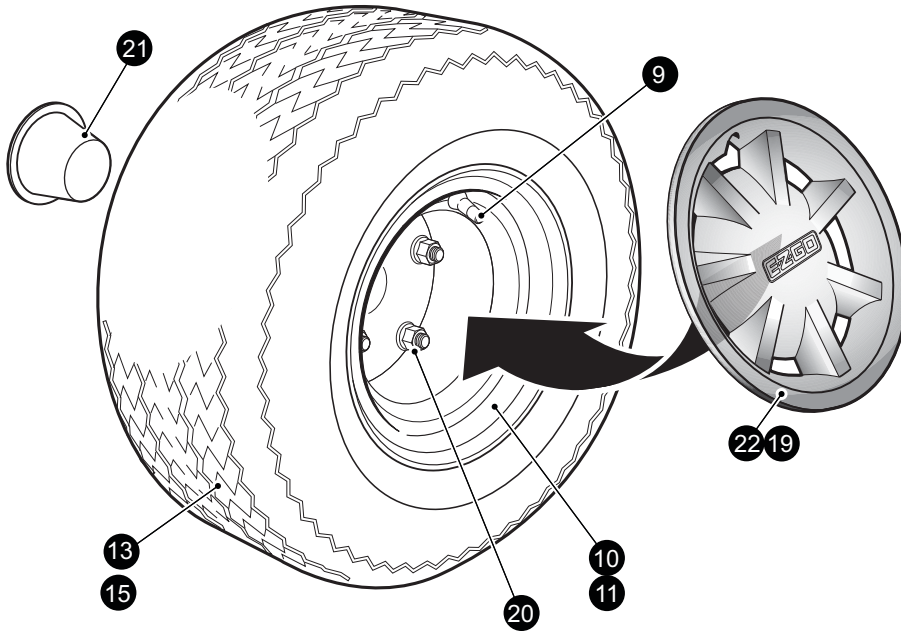
\* Indicates a component that is not available as an individual part.

\*\*\* Indicates consult Customer Service Department for additional information.

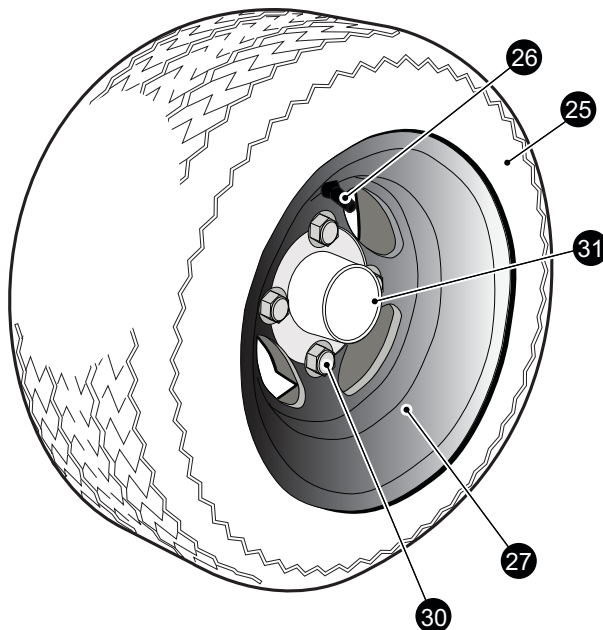
ITEM	PART NO.	1 2 3 4 5	DESCRIPTION	QTY.
1	<u>606584</u>		SPLIT WINDSHIELD KIT (includes items 2 - 11).....	1
2	<u>606623</u>		SPLIT WINDSHIELD ASSEMBLY (includes items 3 - 5).....	1
3	<u>603738</u>		SPLIT WINDSHIELD.....	1
4	<u>603201</u>		LOWER WINDSHIELD LATCH.....	2
5	<u>603198</u>		UPPER WINDSHIELD LATCH.....	2
6	<u>604115</u>		WINDSHIELD ISOLATOR.....	2
7				
8	603852		WINDSHIELD ATTACHMENT SASH.....	2
9	607014		SPLIT WINDSHIELD HARDWARE KIT (includes items 10 & 11) .....	1
10	<u>604116</u>		GROMMET .....	2
11	<u>602572</u>		PAN HEAD TORX BOLT, M10 - 1.5 X 25.....	2

# WHEELS AND TIRES

- 1 LINKS STONE BEIGE WHEEL & TIRE ASSEMBLY (includes items 9, 10 & 13)
- 2 LINKS WHITE WHEEL & TIRE ASSEMBLY (includes items 9, 11 & 13)
- 5 USA STONE BEIGE WHEEL& TIRE ASSEMBLY (includes items 9, 10 & 15)
- 6 USA WHITE WHEEL& TIRE ASSEMBLY (includes items 9, 11 & 15)



- 24 ALLOY WHEEL AND TIRE ASSEMBLY (includes items 25 - 27)



# WHEELS AND TIRES

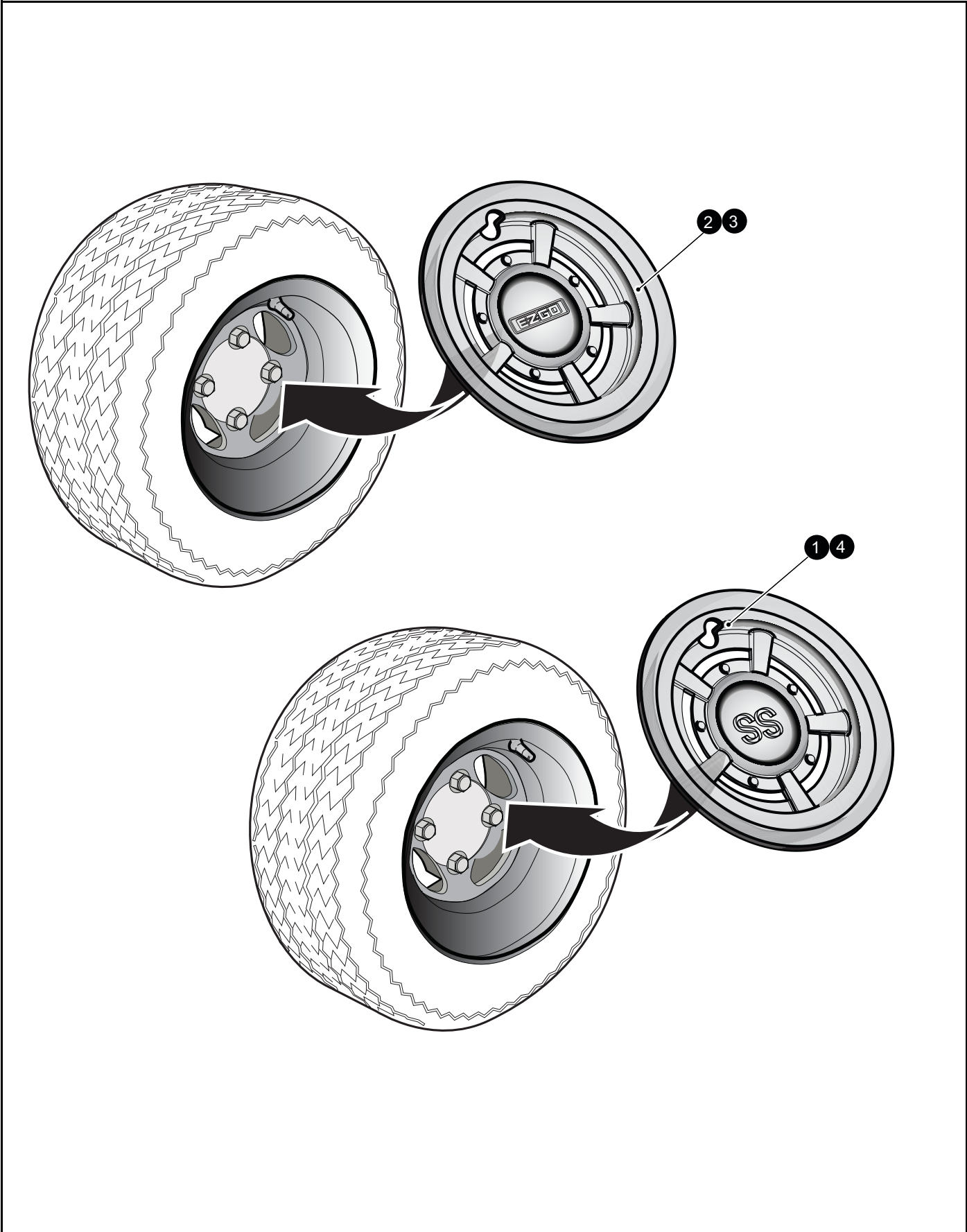
When ordering parts, please specify the model and serial number of the product.

\* Indicates a component that is not available as an individual part.

\*\*\* Indicates consult Customer Service Department for additional information.

ITEM	PART NO.	1 2 3 4 5	DESCRIPTION	QTY.
1	603173		LINKS STONE BEIGE WHEEL & TIRE ASSEMBLY (includes items 9, 10 & 13)	1
2	<u>28757G01</u>		LINKS WHITE WHEEL & TIRE ASSEMBLY (includes items 9, 11 & 13) .....	1
3				
4				
5	<u>603216</u>		USA STONE BEIGE WHEEL& TIRE ASSEMBLY (includes items 9, 10 & 15)	1
6	<u>28842G01</u>		USA WHITE WHEEL& TIRE ASSEMBLY (includes items 9, 11 & 15) .....	1
7				
8				
9	<u>11657G2</u>		VALVE STEM.....	1
10	<u>603172</u>		STONE BEIGE WHEEL.....	1
11	<u>28759G01</u>		WHITE WHEEL .....	1
12				
13	<u>28764G01</u>		CARLISLE LINKS TIRE, 18 X 8.5 - 8.....	1
14				
15	<u>28764-G08</u>		CARLISLE USA TRAIL TIRE 18.5 X 8.5 - 8.....	1
16				
17				
18				
19	607096		HUB CAP, SILVER .....	4
20	<u>14723-G1</u>		LUG NUT, 1/2 - 20 UNF .....	4
21	<u>74175-G01</u>		DUST CAP .....	1
22	603785		HUB CAP, GOLD .....	4
23				
24	<u>600599</u>		ALLOY WHEEL AND TIRE ASSEMBLY (includes items 25 - 27) .....	1
25	<u>601768</u>		TOUR MAX TIRE, 205 / 50 - 10 .....	1
26	<u>601767</u>		VALVE STEM.....	1
27	<u>601766</u>		ITP ALLOY WHEEL.....	1
28				
29				
30	<u>605310</u>		CHROME LUG NUT, 1/20-020 UNF .....	4
31	<u>601353</u>		ALLOY WHEEL CAP .....	1

# WHEELS AND TIRES



# WHEELS AND TIRES

When ordering parts, please specify the model and serial number of the product.

\* Indicates a component that is not available as an individual part.

\*\*\* Indicates consult Customer Service Department for additional information.

ITEM	PART NO.	1 2 3 4 5	DESCRIPTION	QTY.
1	620942		WHEEL COVER, CHROME SS, 8" .....	4
2	620943		WHEEL COVER, CHROME E-Z-GO, 8" .....	4
3	620944		WHEEL COVER, CHROME SILVER E-Z-GO, 8" .....	4
4	620945		WHEEL COVER, CHROME SILVER SS, 8" .....	4









A Textron Company

**E-Z-GO Division of Textron Inc.,**  
1451 Marvin Griffin Road, Augusta, Georgia 30906 - 3852 USA

TO CONTACT US...

North America:

**Technical Assistance & Warranty  
Service Parts**

Phone: 1-800-774-3946, FAX: 1-800-448-8124

Phone: 1-888-GET-E-Z-GO (1-888-438-3946), FAX: 1-800-752-6175

International:

Phone: 001-706-798-4311, FAX: 001-706-771-4609

ISO 9001  
ISO 14001

**BUREAU VERITAS**  
Certification



Copyrighted Material  
This manual may not be reproduced in whole or  
in part without the express permission of  
E-Z-GO Division of Textron, Inc.  
Technical Communications Department