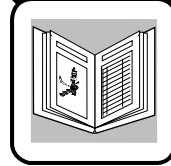


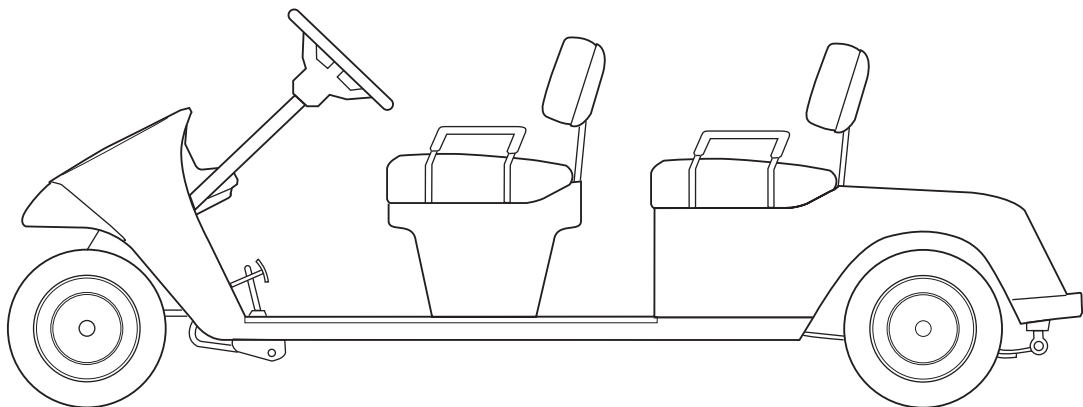
620272



A Textron Company



SERVICE PARTS MANUAL



**ELECTRIC POWERED PERSONNEL
CARRIERS AND GOLF CAR**

ISSUED DATE APRIL 2007

SERVICE PARTS MANUAL

ELECTRIC POWERED PERSONNEL CARRIERS AND GOLF CARS

TXT 5E

STARTING MODEL YEAR 2007

E-Z-GO Division of Textron, Inc. reserves the right to make design changes without obligation to make these changes on units previously sold and the information contained in this manual is subject to change without notice.

E-Z-GO Division of Textron, Inc. is not liable for errors in this manual or for incidental or consequential damages that result from the use of the material in this manual.

CUSTOMER SERVICE DEPARTMENT IN USA PHONE: 1-800-241-5855 FAX: 1-800-448-8124

OUTSIDE USA PHONE: 001-706-798-4311, FAX: 001-706-771-4609

E-Z-GO DIVISION OF TEXTRON, INC., 1451 MARVIN GRIFFIN RD., AUGUSTA, GEORGIA USA 30906

NOTES

To obtain a copy of the limited warranty applicable to the vehicle, call or write a local Distributor, authorized Branch or the Warranty Department with vehicle serial number and manufacturer code.

The use of non Original Equipment Manufacturer (OEM) parts may void the warranty.

Overfilling of batteries may void the warranty.

BATTERY PROLONGED STORAGE

All batteries will self discharge over time. The rate of self discharge varies depending on the ambient temperature and the age and condition of the batteries.

A fully charged battery will not freeze in winter temperatures unless the temperature falls below -75° F (-60° C).

As with all electric vehicles, the batteries must be checked and recharged as required or at a minimum of 30 day intervals.

TABLE OF CONTENTS

SECTION	Page No.
HOW TO USE THE SERVICE PARTS MANUAL	v
ILLUSTRATED PARTS BREAKDOWN	vii
ACCELERATOR	A-1
BATTERY CHARGER (PORTABLE).....	B-1
BODY.....	C-1
BRAKES	D-1
BRAKES - FRONT DISC	E-1
ELECTRICAL.....	F-1
ELECTRONIC SPEED CONTROL - PDS	G-1
FRONT SUSPENSION / STEERING.....	H-1
MOTOR	J-1
REAR AXLE.....	K-1
REAR SUSPENSION	L-1
SEATING	M-1
WEATHER PROTECTION	N-1
WHEELS AND TIRES	P-1
SPECIALTY PRODUCTS	APPENDIX A-1

HOW TO USE THE SERVICE PARTS MANUAL

This manual is divided into several sections:

- GENERAL INFORMATION
- ILLUSTRATED PARTS BREAKDOWN
- APPENDIX

The first section, GENERAL INFORMATION, contains the following information:

- WARRANTY INFORMATION
- GENERAL INDEX
- HOW TO USE THE SERVICE PARTS MANUAL

The second section, ILLUSTRATED PARTS BREAKDOWN, contains illustrations and parts lists for all systems of your vehicle.

The third section, APPENDIX, contains a listing of specialty products and accessories.

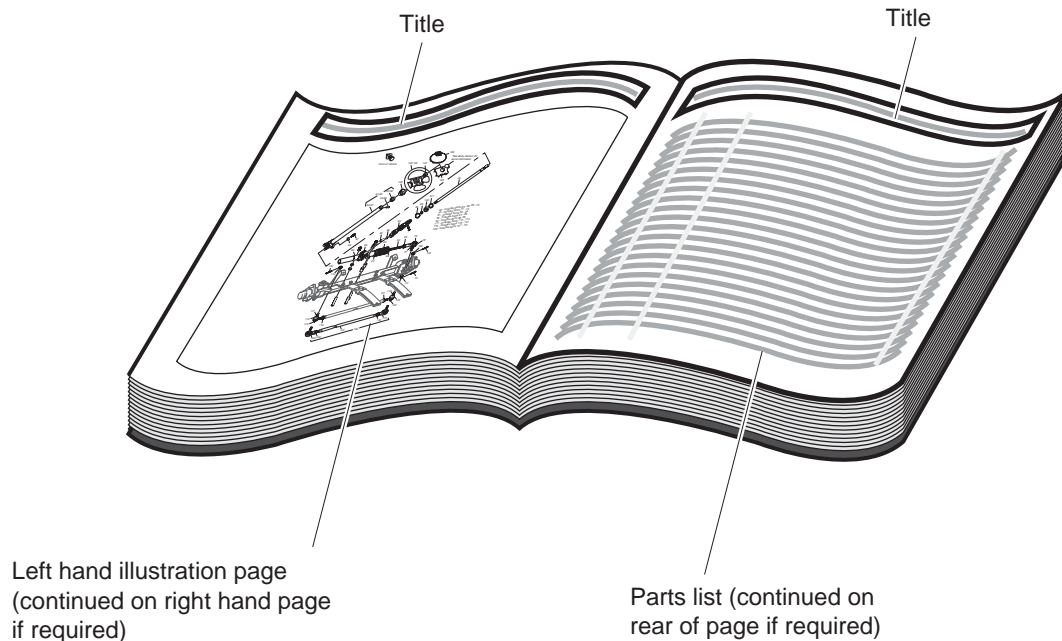
USE OF THE MANUAL

To use this manual, consult the GENERAL INDEX to locate the information or illustration required.

Introduction of some revisions varies due to supply of components; therefore, it is possible that various combinations of components may be found that are not directly reflected by each illustration. Consult the illustration that best suits your situation and then contact the Service Parts Department. It is important that the serial number of your vehicle and its model number be supplied to Service Parts when ordering any replacement components.

Locate the serial number plate (see BODY located in the Illustrated Parts Breakdown section of this manual for its location) and note the complete number shown on the plate.

HOW TO USE THE SERVICE PARTS MANUAL



1. WHEN THE PART NUMBER IS NOT KNOWN

- Determine the function and application of the part required. Turn to the General Index and select the most appropriate title.
- Turn to the page number indicated and locate the desired part on the illustration.
- From the illustration, obtain the item number assigned to the desired part. Refer to the accompanying description for specific information regarding the part.

2. IF YOU KNOW THE PART NUMBER

- Locate the part number or description in the appropriate column on the parts list page.

NOTE: It is suggested that you confirm that the part selected is correct by verifying it with the pictorial representation on the illustrated page.

Should an asterisk (*) appear in the part number column on the parts list page, read upwards until a part number is found. The part number is the lowest assembly sold by Service Parts and the asterisk (*) indicates that the part depicted is not available for purchase.

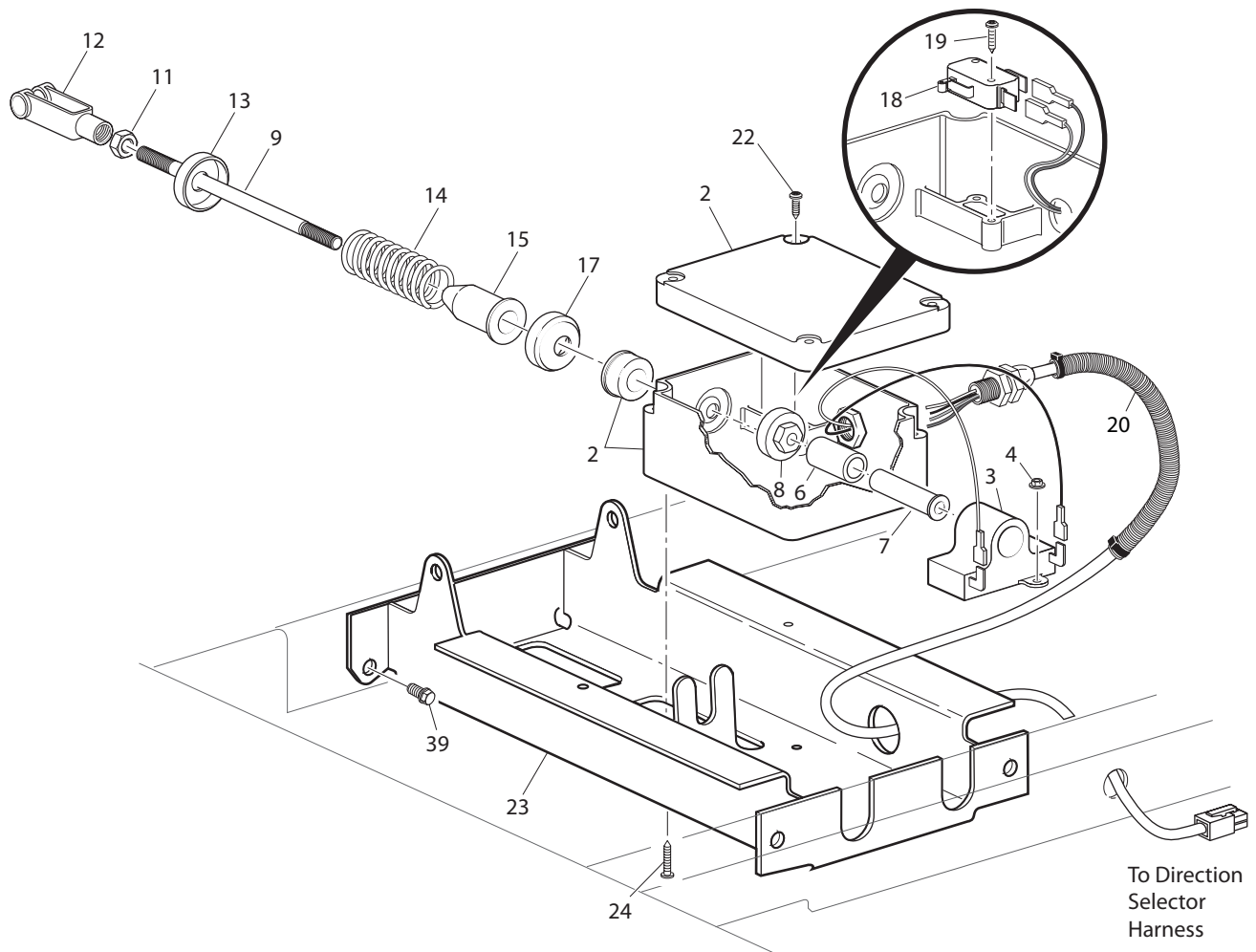
NOTE: Descriptions are indented under the assembly that they are used on. That assembly is, in turn listed under the assembly that it is used on. This process is repeated until the highest final assembly is reached.

To facilitate the maintenance and repair of the vehicle, a Technician's Repair and Service Manual is available from the Service Parts Department.

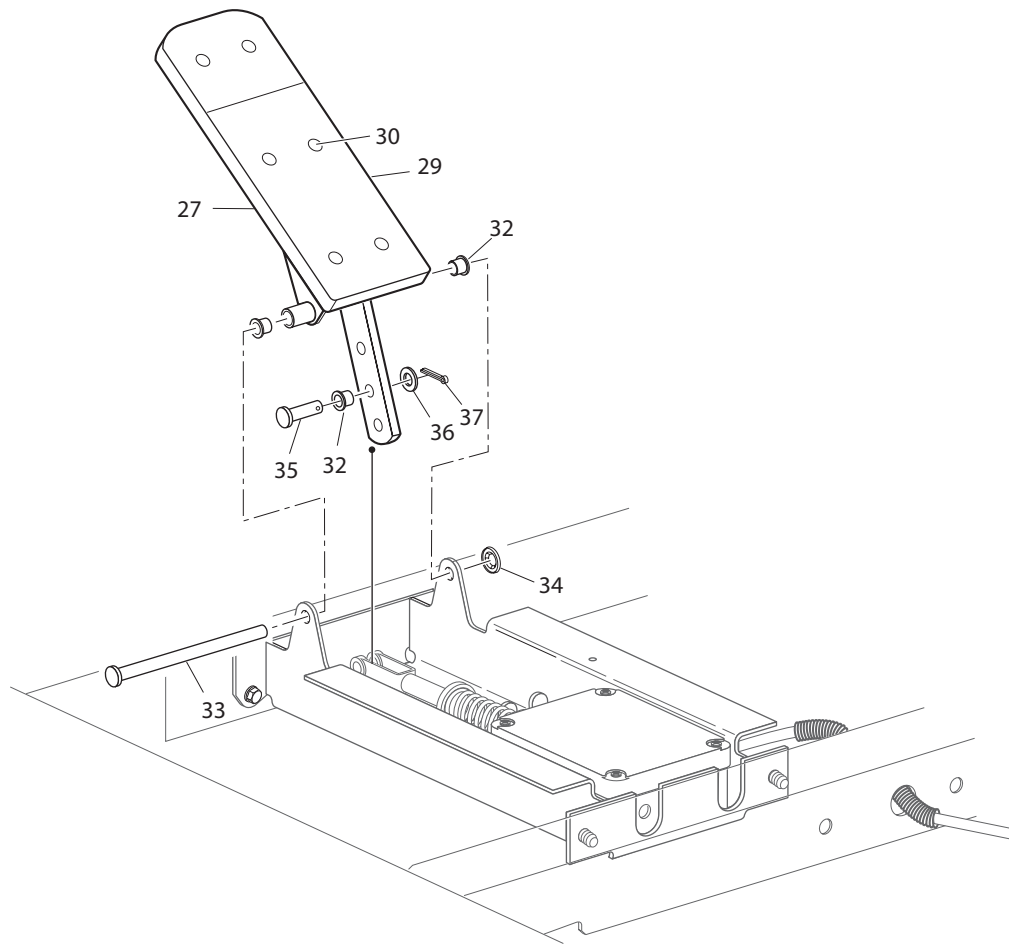
ILLUSTRATED PARTS BREAKDOWN

ACCELERATOR

- 1 - Includes Items 2 - 37
- 26 - Includes Items 27 - 30
- 28 - Includes Items 29, 30



Ref Acl 7-1



Ref Acl 7-2

ACCELERATOR

When ordering parts, please specify the model and serial number of the product.

* Indicates a component that is not available as an individual part.

G** Indicates consult Customer Service Department for additional information.

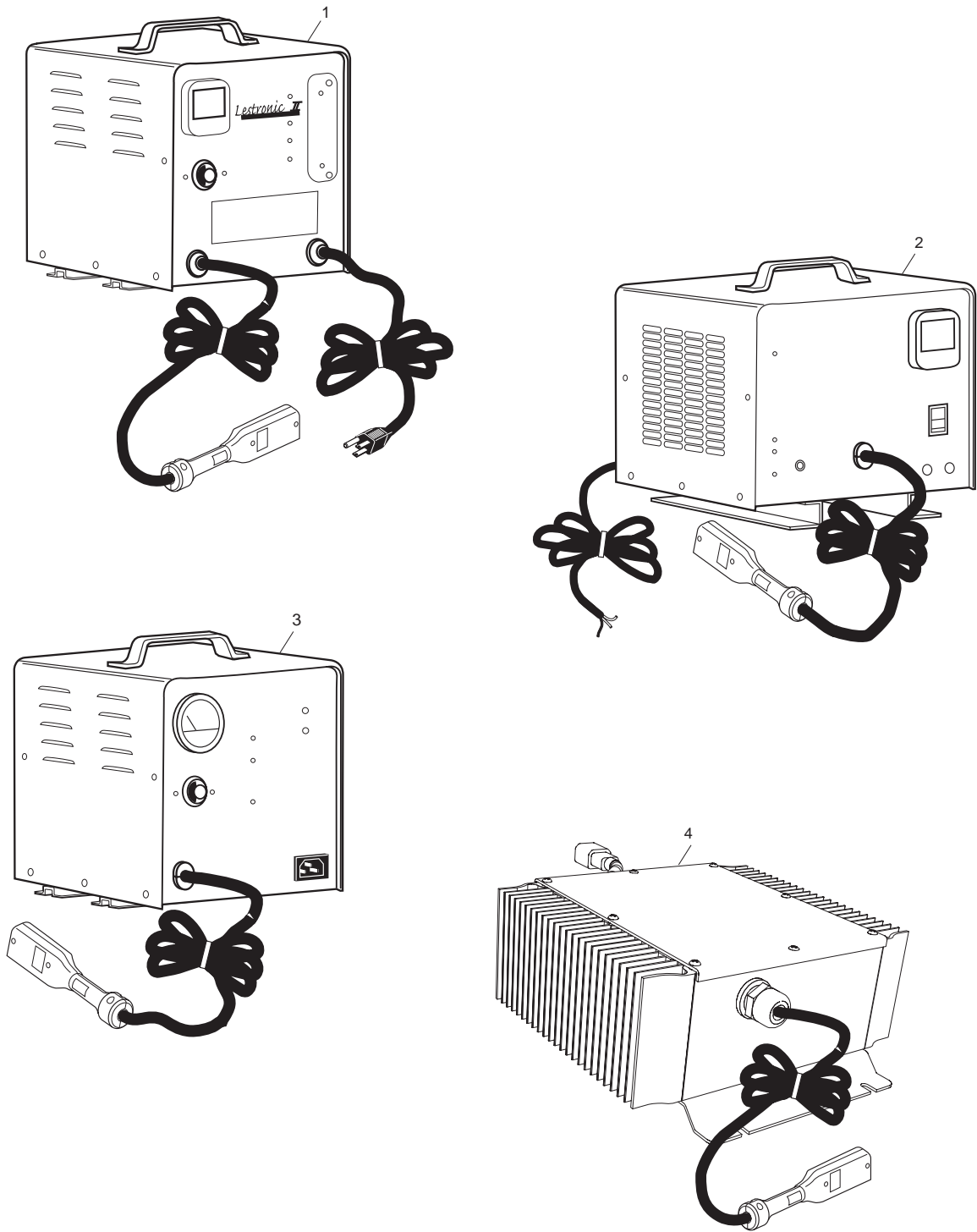
ITEM	PART NO.	1 2 3 4 5	DESCRIPTION	QTY.
1	<u>73333-G07</u>		PEDAL BOX ASSEMBLY, PDS MODEL ONLY (INCLUDES ITEMS 2 - 37).....	1
2	<u>25853-G01</u>		PEDAL BOX AND COVER (SEAL AND BEARING).....	1
3	<u>25854-G01</u>		INDUCTIVE THROTTLE SENSOR	1
4	<u>00983-G01</u>		SELF THREADING NUT, 3/16"	2
5				
6	<u>25857-G01</u>		PLUNGER SLEEVE.....	1
7	<u>28443-G01</u>		PLUNGER.....	1
8	<u>28444-G01</u>		PLUNGER CAM.....	1
9	<u>73332-G01</u>		ACCELERATOR ROD	1
10				
11	<u>00532-G4</u>		LOCK NUT, 5/16 - 24	1
12	<u>10385-G4</u>		YOKE (ADJUSTABLE).....	1
13	<u>17677-G2</u>		SPRING RETAINER, 3/8"	1
14	<u>73046-G01</u>		COMPRESSION SPRING	1
15	<u>17979-G1</u>		ACCELERATOR ROD BUSHING	1
16				
17	<u>17677-G1</u>		SPRING RETAINER, 1/2"	1
18	<u>25861-G02</u>		MICRO SWITCH (PDS MODEL ONLY).....	1
19	<u>01050-G01</u>		SCREW, #4 - 20 X 5/8" LG	2
20	<u>25879-G06</u>		WIRING HARNESS (PEDAL BOX ASSEMBLY) (PDS MODEL ONLY)	1
21				
22	<u>00684-G6</u>		SCREW, #8 - 32 X 3/4" LG	2
23	<u>70116-G02</u>		ACCELERATOR PEDAL BRACKET.....	1
24	<u>01051-G01</u>		SCREW, #8 - 16 X 1/2" LG	4
25				
26	<u>25799-G03</u>		ACCELERATOR PEDAL ASSEMBLY (INCLUDES ITEMS 27 - 30).....	1
27	*		ACCELERATOR PEDAL	1
28	<u>27844-G01</u>		ACCELERATOR PEDAL PAD KIT (INCLUDES ITEMS 29, 30).....	1
29	<u>27512-G01</u>		ACCELERATOR PEDAL PAD	1

ACCELERATOR

When ordering parts, please specify the model and serial number of the product.
 * Indicates a component that is not available as an individual part.
 G** Indicates consult Customer Service Department for additional information.

ITEM	PART NO.	1	2	3	4	5	DESCRIPTION	QTY.
30	<u>15766-G1</u>						OVAL RIVET 3/16" X 7/16" LG	6
31								
32	<u>17838-G1</u>						BUSHING.....	3
33	<u>74432-G01</u>						PEDAL PIVOT PIN	1
34	<u>12064-G6</u>						PUSHNUT, 9/32" I.D.	1
35	<u>10386-G3</u>						CLEVIS PIN, 5/16" X 13/16" LG	1
36	<u>17255-G1</u>						TEFLON WASHER, 5/16"	1
37	<u>10387-G3</u>						COTTER PIN, 3/32" X 3/4" LG	1
38								
39	<u>00715-G2</u>						BOLT, 5/16 - 18 X 13/16" LG.	4

BATTERY CHARGER (PORTABLE)



Ref Bcp 1

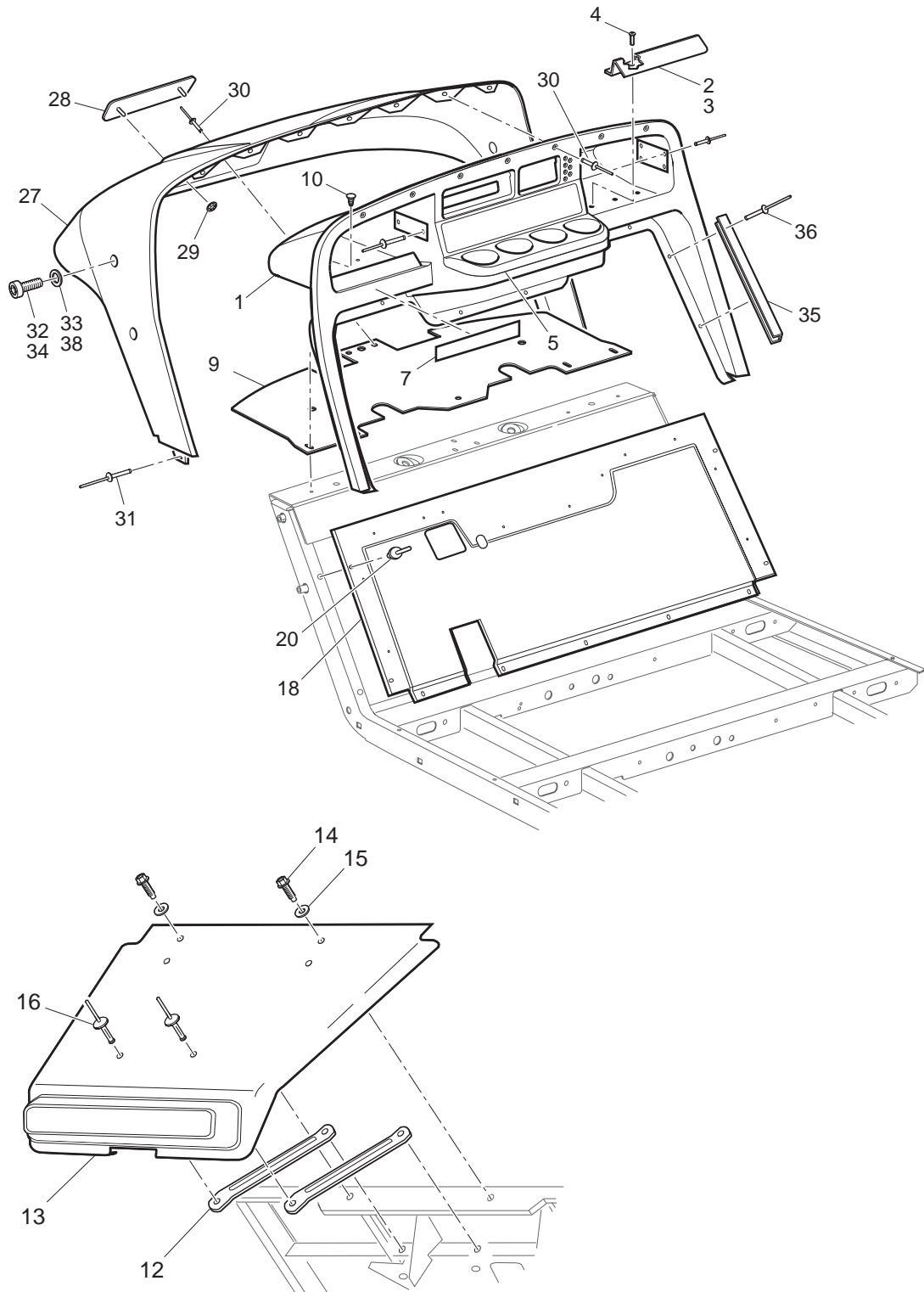
BATTERY CHARGER (PORTABLE)

THE USE OF NON U.L. PARTS WILL VOID ANY U.L. LISTING.
 When ordering parts, please specify the model and serial number of the product.
 * Indicates a component that is not available as an individual part.
 G** Indicates consult Customer Service Department for additional information.

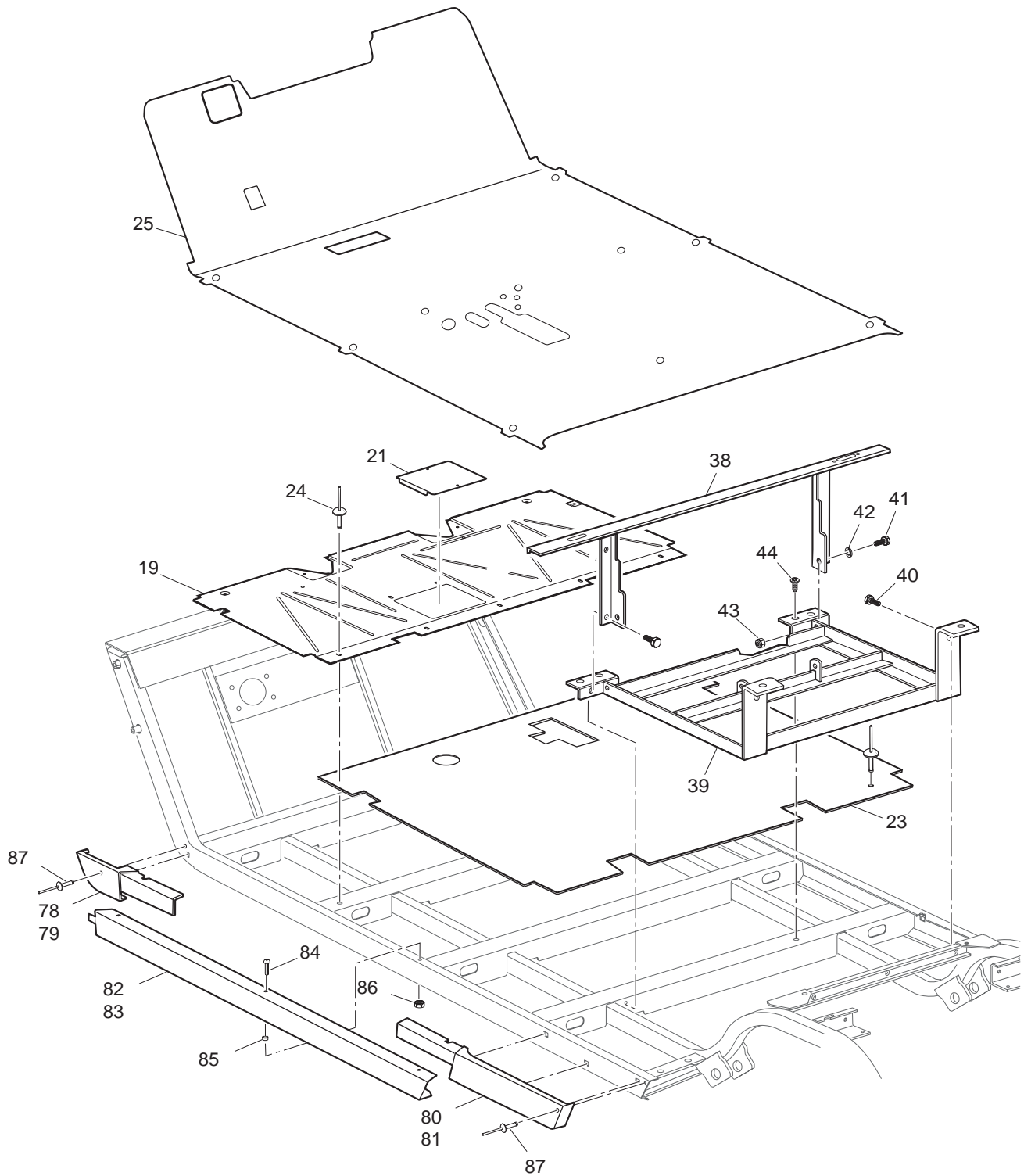
ITEM	PART NO.	1	2	3	4	5	DESCRIPTION	QTY.
1	<u>28435-G03</u>						48V LESTER BATTERY CHARGER.....	1
2	<u>28435-G01</u>						48V LESTER BATTERY CHARGER WITH SWITCHABLE INPUT	1
3	<u>28435-G05</u>						48V LESTER BATTERY CHARGER CE APPROVED.....	1
							For service or replacement parts, contact: Lester Electrical 625 West "A" Street Lincoln, NE 68522 Phone: (402) 477-8988, FAX: (402) 474-1769 Always provide the following information when requesting information or ordering replacement parts: Model Number: Serial Number: (stamped into housing)	
4	<u>600341-G03</u>						48V DELTA-Q BATTERY CHARGER WITH 10' DC CORD (INCLUDES ITEMS 5-7)	1
5	<u>600340-G02</u>						48V DELTA-Q CHARGER	1
6	<u>600463-G02</u>						48V DC CABLE ASSEMBLY	1
7	<u>600462-G01</u>						AC POWER CORD (NOT SHOWN).....	1

BODY

1 - Includes Items 2 - 5

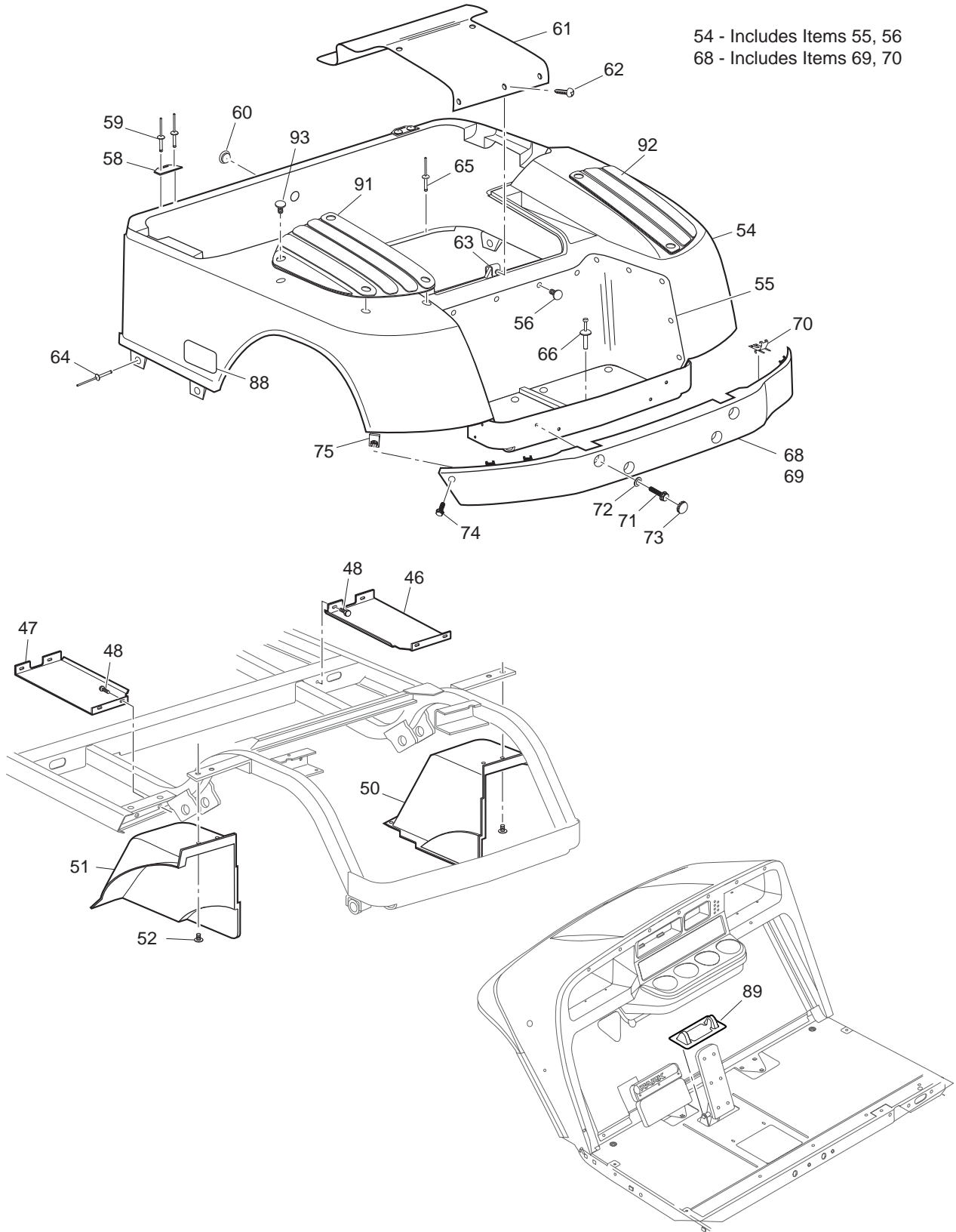


Ref Bod 7-1



Ref Bod 7-2

BODY



Ref Bod 7-3

THE USE OF NON U.L. PARTS WILL VOID ANY U.L. LISTING.
 When ordering parts, please specify the model and serial number of the product.
 * Indicates a component that is not available as an individual part.
 G** Indicates consult Customer Service Department for additional information.

ITEM	PART NO.	1 2 3 4 5	DESCRIPTION	QTY.
1	<u>71151-G01</u>		INSTRUMENT PANEL ASSEMBLY (INCLUDES ITEMS 2 - 5)	1
2	<u>71153-G01</u>		DEFLECTOR (PASSENGER SIDE)	1
3	<u>71154-G01</u>		DEFLECTOR (DRIVER SIDE).....	1
4	<u>00614-G5</u>		SCREW, #8 - 18 X 5/8" LG	6
5	<u>71158-G01</u>		INSTRUMENT PANEL INSERT (4 CUP HOLDER).....	1
6				
7	<u>74443-G01</u>		LABEL (ANTI-ROLLBACK)	1
8				
9	<u>71413-G01</u>		SPLASH PANEL.....	1
10	<u>16816-G2</u>		RATCHET FASTENER, 1/4" X 3/4" LG	5
11				
12	<u>70725-G01</u>		FRONT SHIELD BRACE.....	2
13	<u>27166-G04</u>		FRONT SHIELD	1
14	<u>01038-G01</u>		BOLT, 1/4 - 20 X 11/16" LG	2
15	<u>16469-G1</u>		WASHER, 1/4"	2
16	<u>01057-G01</u>		RIVET, KTR, 1/4" X 3/4" LG	2
17				
18	<u>70662-G01</u>		UPPER FLOORPAN.....	1
19	<u>70451-G01</u>		LOWER FLOORPAN.....	1
20	<u>14601-G11</u>		RIVET, 3/16" X 9/16" LG (ALUMINUM).....	16
21	<u>70452-G01</u>		ACCESS COVER.....	1
22				
23	<u>70823-G01</u>		REAR FLOORPAN.....	1
24	<u>10570-G10</u>		RIVET, 5/32" X 9/16" LG (STAINLESS STEEL)	5
25	<u>70668-G0*</u>		FLOORMAT.....	1
26				
27	<u>71051-G**</u>		COWL.....	1
28	<u>71037-G02</u>		E-Z-GO NAMEPLATE (GOLD).....	1
29	<u>71597-G01</u>		PUSHNUT, 3/16"	2
30	<u>71055-G01</u>		RIVET, 3/16" X 1" LG	9

BODY

THE USE OF NON U.L. PARTS WILL VOID ANY U.L. LISTING.
 When ordering parts, please specify the model and serial number of the product.
 * Indicates a component that is not available as an individual part.
 G** Indicates consult Customer Service Department for additional information.

ITEM	PART NO.	1 2 3 4 5	DESCRIPTION	QTY.
31	<u>10570-G11</u>		RIVET, 3/16" X 3/4" LG (STAINLESS STEEL)	2
32	<u>71056-G01</u>		BOLT, 5/16 - 18 X 5/8" LG (WITHOUT SUN TOP)	4
33	<u>00570-G2</u>		WASHER, 5/16 (WITHOUT SUN TOP)	4
34	00438-G6		BOLT, 5/16 - 18 x 5/8 LG (WITHOUT SUN TOP)	2
35	<u>71115-G01</u>		VINYL TRIM	2
36	<u>71055-G01</u>		RIVET, 3/16" X 1" LG	10
37	<u>00571-G2</u>		WASHER, 5/16 (WITHOUT SUN TOP)	2
38	<u>70441-G01</u>		SEAT FRAME	1
39	<u>70046-G02</u>		BATTERY RACK	1
40	<u>00715-G2</u>		BOLT, 5/16 - 18 X 13/16" LG	4
41	00438-G6		BOLT, 5/16 - 18 X 3/4" LG	2
42	00559-G8		WASHER, 5/16"	2
43	11098-G6		LOCK NUT, 5/16 - 18	2
44	<u>70200-G01</u>		SCREW, 3/8 - 16 X 3/4" LG	2
45				
46	<u>70385-G01</u>		SPLASH PAN (PASSENGER SIDE)	1
47	<u>70385-G02</u>		SPLASH PAN (DRIVER SIDE)	1
48	<u>00715-G2</u>		BOLT, 5/16 - 18 X 13/16" LG	8
49				
50	<u>71812-G01</u>		FENDER LINER (PASSENGER SIDE)	1
51	<u>71812-G02</u>		FENDER LINER (DRIVER SIDE)	1
52	<u>16816-G2</u>		RATCHET FASTENER, 1/4" X 3/4" LG	8
53				
54	71912-G**		REAR BODY ASSEMBLY (W/OUT TAILLIGHTS) (INCLUDES ITEMS 55, 56) ..	1
55	71318-G01		BAGWELL LINER	1
56	<u>16816-G1</u>		RATCHET FASTENER, 1/4" X 9/16" LG	20
57				
58	<u>71609-G01</u>		HINGE PLATE	2
59	<u>10570-G11</u>		RIVET, 3/16" X 3/4" LG (STAINLESS STEEL)	4
60	<u>71316-G01</u>		PLUG	1

THE USE OF NON U.L. PARTS WILL VOID ANY U.L. LISTING.
 When ordering parts, please specify the model and serial number of the product.
 * Indicates a component that is not available as an individual part.
 G** Indicates consult Customer Service Department for additional information.

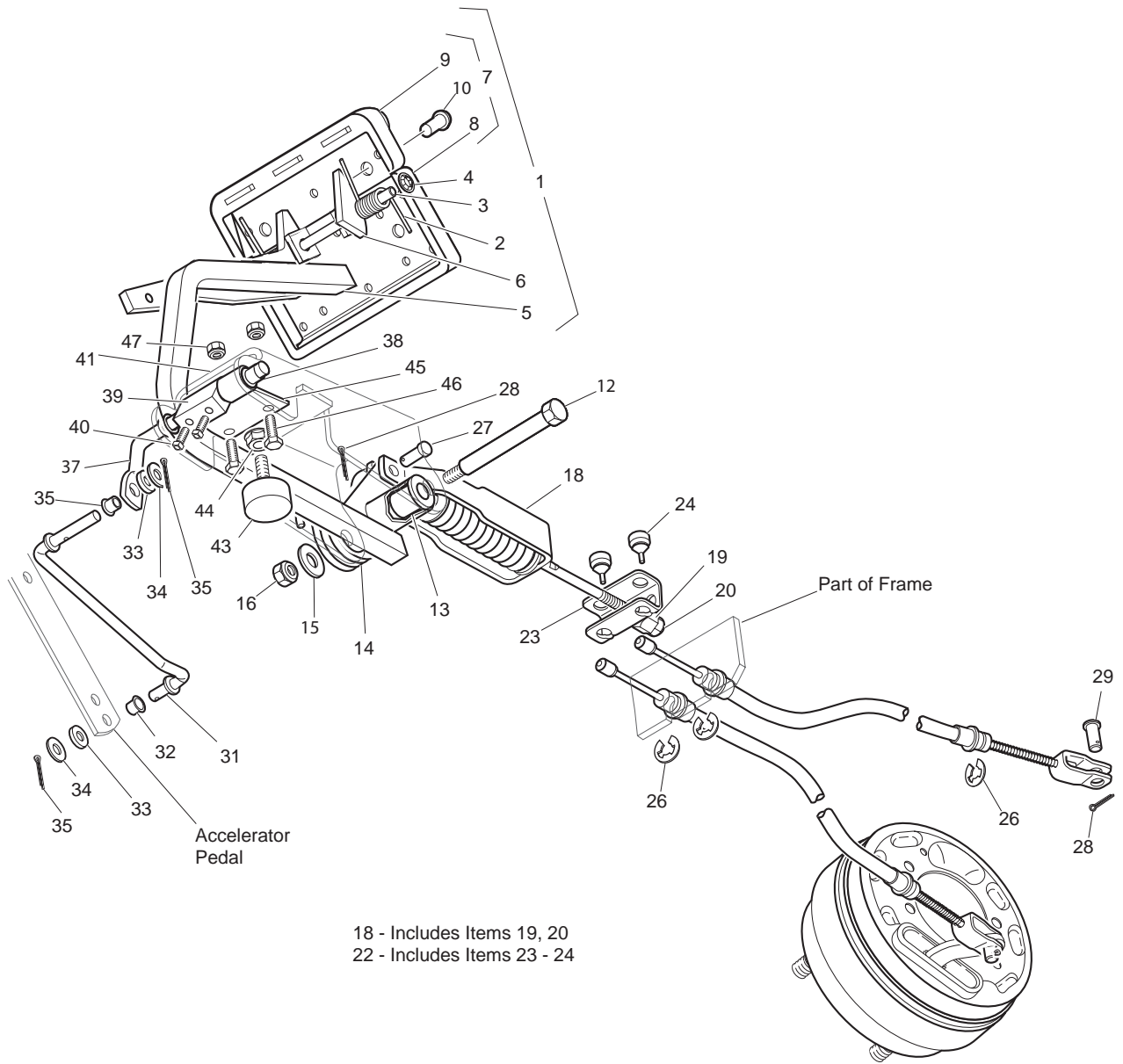
ITEM	PART NO.	1 2 3 4 5	DESCRIPTION	QTY.
61	<u>71320-G01</u>		ACCESS PANEL	1
62	<u>01107-G01</u>		SCREW, #8 X 5/8" LG.....	5
63	<u>71364-G02</u>		'J' CLIP	1
64	10570-G12		RIVET, 1/4" X 9/16" LG (ALUMINUM).....	4
65	<u>10570-G10</u>		RIVET, 5/32" X 9/16" LG (STAINLESS STEEL)	6
66	<u>18436-G1</u>		PLASTIC DRIVE RIVET, 1/4" X 9/16" LG	2
67				
68	<u>71451-G02</u>		REAR BUMPER ASSEMBLY (INCLUDES ITEMS 69 & 70).....	1
69	71451-G01		REAR BUMPER.....	1
70	<u>71457-G01</u>		STAY	4
71	71398-G01		BOLT, 1/4 - 20 X 1 1/4" LG	4
72	<u>00571-G2</u>		WASHER, 5/16"	4
73	<u>71455-G01</u>		BUMPER PLUG	4
74	<u>71102-G03</u>		BOLT, 1/4 - 20 x 11/16" LG.....	2
75	<u>71554-G01</u>		J-TYPE NUT RETAINER, 1/4 - 20.....	2
76				
77				
78	<u>71642-G01</u>		ROCKER PANEL (FRONT, DRIVER SIDE)	1
79	<u>71642-G02</u>		ROCKER PANEL (FRONT, PASSENGER SIDE).....	1
80	<u>71643-G01</u>		ROCKER PANEL (REAR, DRIVER SIDE)	1
81	<u>71643-G02</u>		ROCKER PANEL (REAR, PASSENGER SIDE).....	1
82	<u>71641-G01</u>		SILL PLATE (PASSENGER SIDE).....	1
83	<u>71641-G02</u>		SILL PLATE (DRIVER SIDE).....	1
84	<u>16705-G1</u>		SCREW, 1/4 - 20 X 1" LG (STAINLESS STEEL)	6
85	<u>23726-G4</u>		SPACER, 5/16".....	6
86	<u>00891-G2</u>		LOCK NUT, 1/4 - 20	6
87	<u>15058-G6</u>		RIVET, 3/16" X 15/16" LG (ALUMINUM).....	4
88	600815		LABEL	2
89	<u>70135-G01</u>		PEDAL PIVOT COVER.....	1
90				

BODY

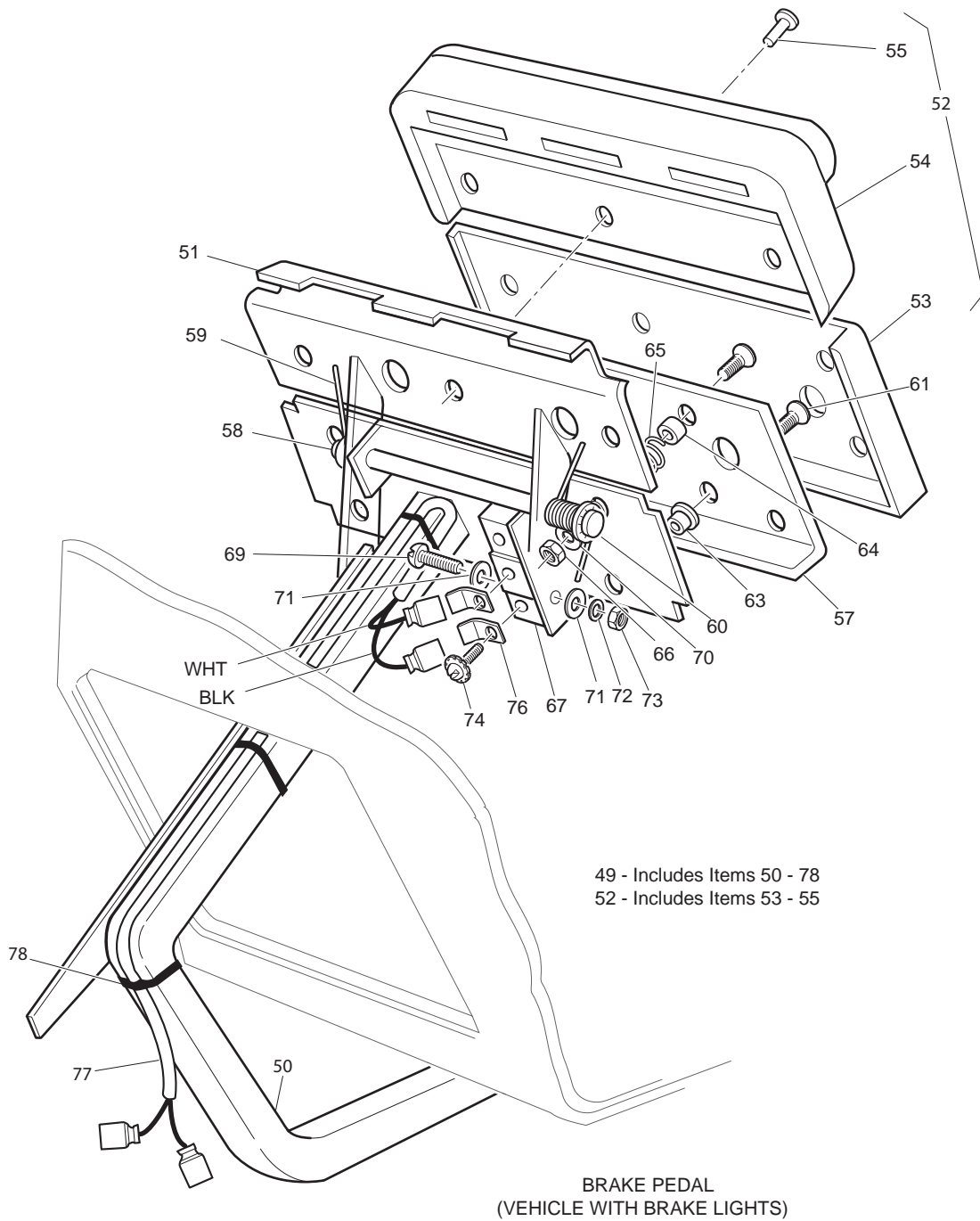
THE USE OF NON U.L. PARTS WILL VOID ANY U.L. LISTING.
 When ordering parts, please specify the model and serial number of the product.
 * Indicates a component that is not available as an individual part.
 G** Indicates consult Customer Service Department for additional information.

ITEM	PART NO.	1 2 3 4 5	DESCRIPTION	QTY.
91	<u>75126-G01</u>		FENDER SCUFFGUARD (DRIVER SIDE)	1
92	<u>75126-G02</u>		FENDER SCUFFGUARD (PASSENGER SIDE).....	1
93	<u>16816-G2</u>		RATCHET FASTENER, 1/4" x 3/4 " LG.....	8

BRAKES - MECHANICAL

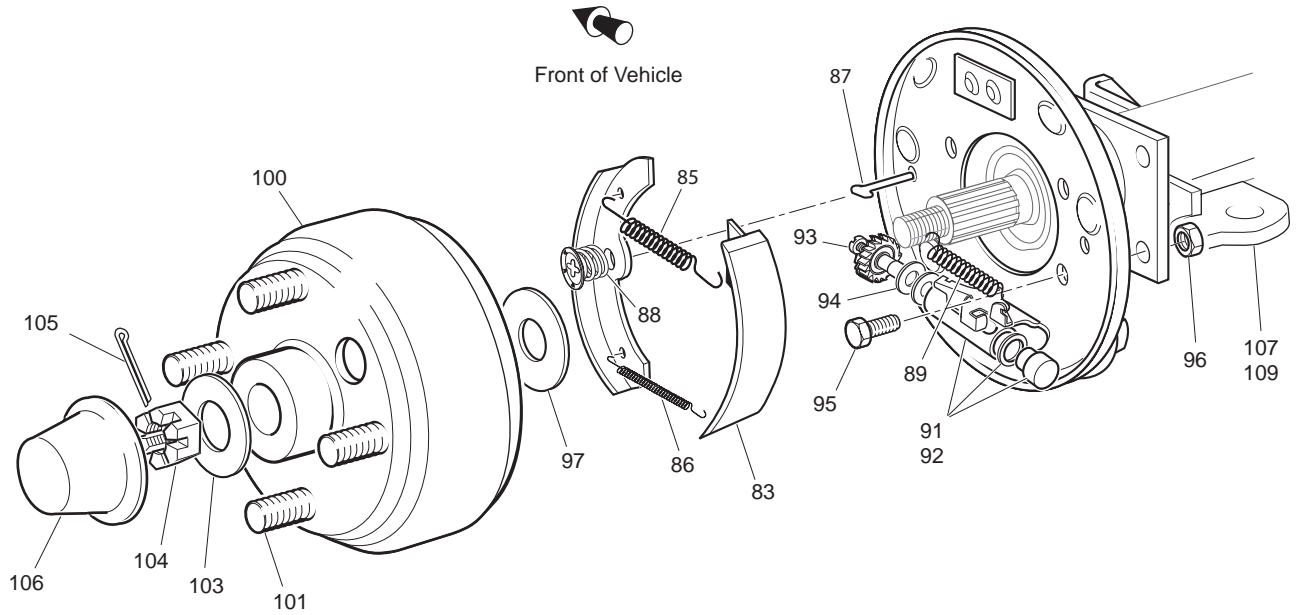


Ref Brm 8-1



Ref Brm 8-2

BRAKES - MECHANICAL



- 80 - Includes Items 82 - 91, 93, 94
- 81 - Includes Items 82 - 89, 92 - 94
- 82 - Includes Items 83
- 84 - Includes Items 85 - 89
- 91 - Includes Items 93, 94
- 92 - Includes Items 93, 94
- 99 - Includes Items 100, 101

Ref Brm 8-3

BRAKES - MECHANICAL

THE USE OF NON U.L. PARTS WILL VOID ANY U.L. LISTING.

When ordering parts, please specify the model and serial number of the product.

* Indicates a component that is not available as an individual part.

G** Indicates consult Customer Service Department for additional information.

ITEM	PART NO.	1 2 3 4 5	DESCRIPTION	QTY.
1	<u>70612-G02</u>		BRAKE PEDAL ASSEMBLY (WITHOUT BRAKE LIGHTS) (INCLUDES ITEMS 2 - 10).....	1
2	<u>70681-G01</u>		TORSION SPRING.....	2
3	<u>70682-G01</u>		PIVOT PIN.....	1
4	<u>01071-G01</u>		PUSHNUT, 5/16".....	2
5	*		BRAKE PEDAL.....	1
6	<u>70611-G02</u>		PARK BRAKE PEDAL.....	1
7	<u>70274-G01</u>		BRAKE/PARK BRAKE PEDAL PAD KIT (INCLUDES ITEMS 8 - 10).....	1
8	*		SERVICE BRAKE PAD.....	1
9	*		PARK BRAKE PEDAL PAD.....	1
10	<u>15766-G1</u>		OVAL RIVET, 3/16" X 7/16" LG.....	9
11				
12	<u>70582-G01</u>		SHOULDER BOLT, 3/8 - 16 X 4" LG (STAINLESS STEEL).....	1
13	<u>70581-G01</u>		FLANGED BUSHING.....	2
14	<u>70676-G01</u>		TORSION SPRING.....	1
15	<u>00643-G1</u>		WASHER, 3/8".....	1
16	<u>11098-G5</u>		LOCK NUT, 3/8 - 16.....	1
17				
18	<u>70272-G04</u>		COMPENSATOR ASSEMBLY (INCLUDES ITEMS 19, 20).....	1
19	<u>00963-G01</u>		SPHERICAL NUT, 5/16 - 24.....	1
20	<u>11098-G9</u>		LOCK NUT, 5/16 - 24.....	1
21				
22	<u>70969-G06</u>		EQUALIZER AND BRAKE CABLE ASSEMBLY (INCLUDES ITEMS 23-24).....	1
23	<u>28082-G01</u>		EQUALIZER BRACKET.....	1
24	<u>28083-G01</u>		BRAKE COMPENSATOR BUMPER.....	2
25				
26	<u>01111-G01</u>		RETAINING RING, 13/32" (STAINLESS STEEL).....	4
27	<u>10386-G3</u>		CLEVIS PIN, 5/16" X 13/16" LG.....	1
28	<u>10387-G3</u>		COTTER PIN, 3/32" X 3/4" LG.....	3
29	<u>14443-G2</u>		CLEVIS PIN, 5/16" X 5/8" LG.....	2

BRAKES - MECHANICAL

THE USE OF NON U.L. PARTS WILL VOID ANY U.L. LISTING.

When ordering parts, please specify the model and serial number of the product.

* Indicates a component that is not available as an individual part.

G** Indicates consult Customer Service Department for additional information.

ITEM	PART NO.	1 2 3 4 5	DESCRIPTION	QTY.
30				
31	<u>70601-G01</u>		KICK-OFF LINK.....	1
32	<u>17838-G1</u>		NYLON BUSHING.....	2
33	<u>20835-G1</u>		TEFLON WASHER, 3/8"	2
34	00559-G8		WASHER, 5/16"	2
35	<u>10387-G3</u>		COTTER PIN, 3/32" X 3/4" LG.....	2
36				
37	<u>70098-G01</u>		KICK-OFF CAM PIVOT.....	1
38	<u>10097-G6</u>		FLANGED BEARING	2
39	<u>70587-G01</u>		KICK-OFF CAM.....	1
40	<u>71215-G01</u>		SETSCREW, 1/4 - 20 X 1/2" LG.....	2
41	<u>14134-G4</u>		SPACER	1
42				
43	<u>70113-G01</u>		ADJUSTABLE BUMPER	1
44	<u>11027-G1</u>		LOCK NUT, 5/16 - 18	1
45	<u>70080-G02</u>		CATCH BRACKET	1
46	<u>00414-G6</u>		BOLT, 1/4 - 20 X 3/4" LG	2
47	<u>14390-G4</u>		LOCK NUT, 1/4 - 20 (STAINLESS STEEL).....	2
48				
49	<u>74874-G01</u>		BRAKE PEDAL ASSEMBLY (WITH BRAKE LIGHTS) (INCLUDES ITEMS 50 - 78).....	1
50	*		BRAKE PEDAL.....	1
51	74724-G01		PARK BRAKE PEDAL	1
52	70274-G01		BRAKE/PARK BRAKE PEDAL PAD KIT (INCLUDES ITEMS 53 - 55).....	1
53	*		SERVICE BRAKE PAD	1
54	*		PARK BRAKE PAD.....	1
55	<u>15766-G1</u>		OVAL RIVET, 3/16" x 7/16" LG.....	9
56				
57	<u>70258-G03</u>		BRAKE PEDAL PLATE	1
58	<u>70682-G01</u>		PIVOT PIN	1

BRAKES - MECHANICAL

THE USE OF NON U.L. PARTS WILL VOID ANY U.L. LISTING.

When ordering parts, please specify the model and serial number of the product.

* Indicates a component that is not available as an individual part.

G** Indicates consult Customer Service Department for additional information.

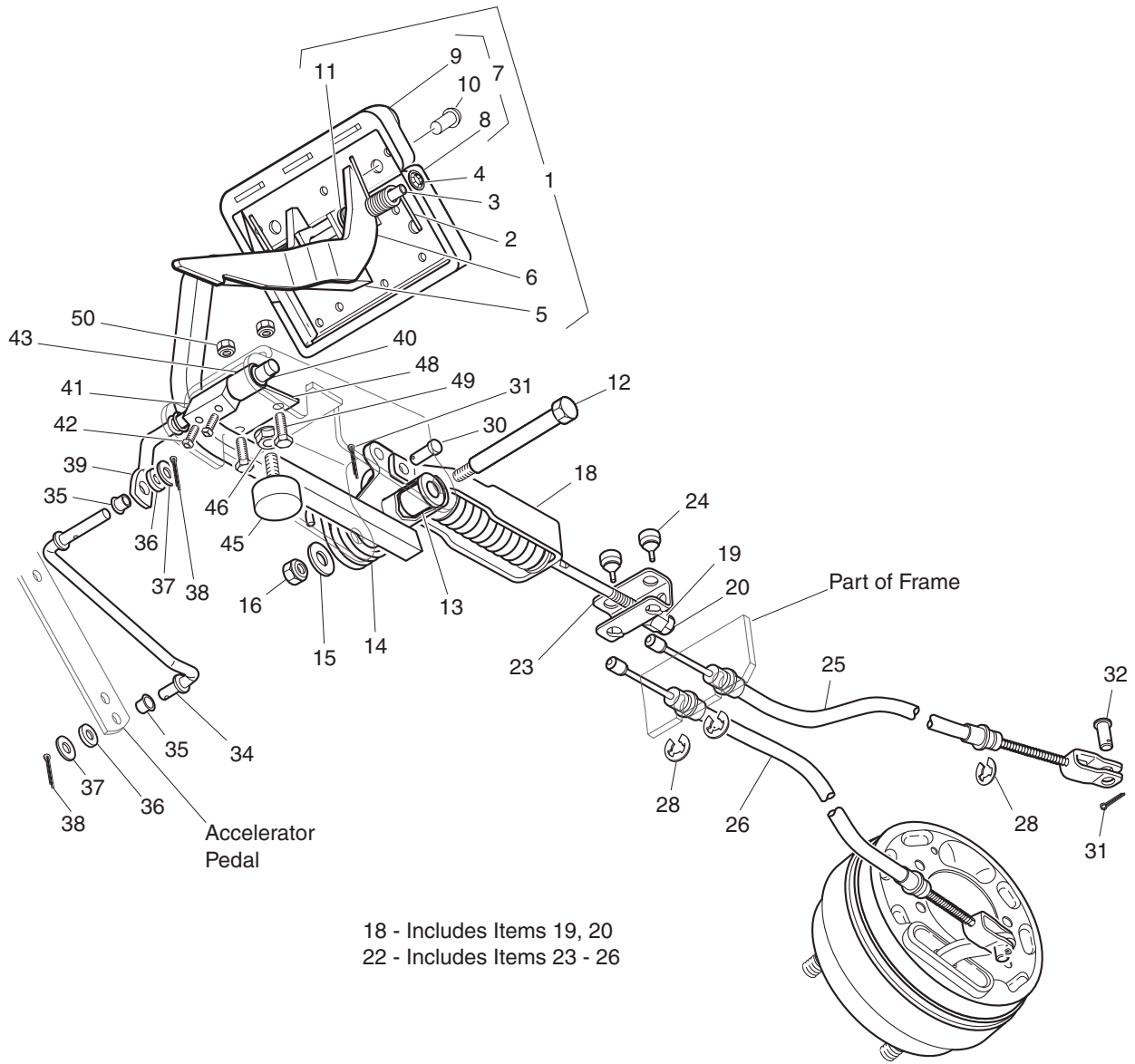
ITEM	PART NO.	1	2	3	4	5	DESCRIPTION	QTY.
59	<u>70681-G01</u>						TORSION SPRING	2
60	<u>01071-G01</u>						PUSHNUT, 5/16"	1
61	<u>00737-G8</u>						SCREW, #10 - 24 X 7/8" LG	4
62								
63	<u>00739-G1</u>						RUBBER NUT, #10 - 24.....	2
64	<u>74535-G01</u>						BRAKE PEDAL STANDOFF	2
65	<u>27137-G01</u>						CONICAL SPRING	2
66	<u>14390-G10</u>						LOCK NUT, #10 - 24	2
67	10606-G8						MICRO SWITCH.....	1
68								
69	<u>00957-G1</u>						BOLT, #6 - 32 X 1 1/4" LG.....	2
70	<u>00559-G5</u>						WASHER, #10	2
71	<u>00559-G3</u>						WASHER, #6	4
72	<u>00565-G3</u>						LOCK WASHER, #6	2
73	<u>00525-G5</u>						NUT, #6 - 32.....	2
74	<u>13514-G1</u>						SCREW AND LOCK WASHER, #6.....	2
75								
76	<u>14628-G1</u>						FASTON TAB.....	2
77	<u>24605-G1</u>						WIRE HARNESS (BRAKE LIGHT)	1
78	<u>17618-G1</u>						WIRE TIE.....	3
79								
80	<u>70998-G01</u>						BRAKE ASSEMBLY (DRIVER SIDE) (INCLUDES ITEMS 82 - 91, 93, 94).....	1
81	<u>70998-G02</u>						BRAKE ASSEMBLY (PASSENGER SIDE) (INCLUDES ITEMS 82 - 89, 92 - 94)	1
82	70794-G01						BRAKE SHOE KIT (INCLUDES ITEM 83).....	2
83	*						BRAKE SHOE	2
84	<u>27944-G01</u>						BRAKE SPRING KIT (INCLUDES ITEMS 85 - 89).....	2
85	*						UPPER SPRING	1
86	*						LOWER SPRING	1
87	*						PIN	2

BRAKES - MECHANICAL

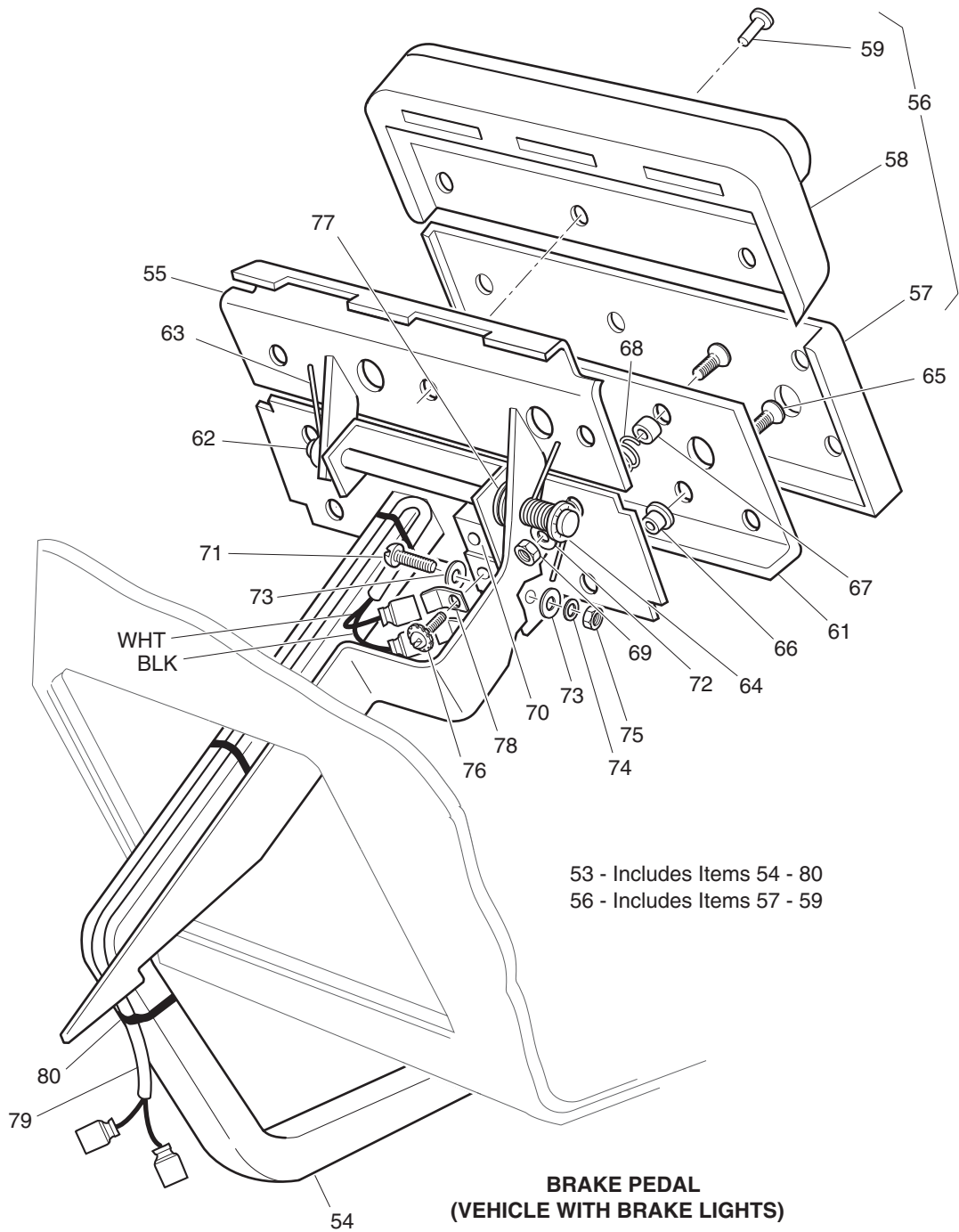
THE USE OF NON U.L. PARTS WILL VOID ANY U.L. LISTING.
 When ordering parts, please specify the model and serial number of the product.
 * Indicates a component that is not available as an individual part.
 G** Indicates consult Customer Service Department for additional information.

ITEM	PART NO.	1	2	3	4	5	DESCRIPTION	QTY.
88	*						CUP AND SPRING	2
89	*						ADJUSTER SPRING.....	1
90								
91	<u>72582-G01</u>						BRAKE ADJUSTER KIT (DRIVER SIDE) (INCLUDES ITEMS 93, 94)	1
92	<u>72582-G02</u>						BRAKE ADJUSTER KIT (PASSENGER SIDE) (INCL. ITEMS 93, 94).....	1
93	*						ADJUSTER	1
94	*						TEFLON WASHER.....	2
95	<u>17083-G2</u>						BOLT, 5/16 - 24 X 1" LG	8
96	<u>15126-G1</u>						LOCK NUT, 5/16 - 24	8
97	<u>21809-G1</u>						INNER BRAKE DRUM WASHER, 1 5/16" OD X 1" ID X 1/32"	2
98								
99	<u>21807-G1</u>						BRAKE DRUM ASSEMBLY (INCLUDES ITEMS 100 - 101).....	2
100	*						BRAKE DRUM	1
101	<u>19862-G1</u>						LUG BOLT, 1/2 - 20 X 1 3/16" LG	4
102								
103	<u>21830-G1</u>						OUTER BRAKE DRUM WASHER	2
104	<u>00518-G8</u>						SLOTTED NUT, 3/4 - 16.....	2
105	<u>10387-G1</u>						COTTER PIN, 1/8" X 1 1/2" LG	2
106	<u>74175-G01</u>						SPINDLE CAP	2
107	<u>72036-G03</u>						BRAKE CABLE BRACKET (PASSENGER SIDE).....	1
108	<u>72036-G04</u>						BRAKE CABLE BRACKET (DRIVER SIDE)	1

BRAKES - FRONT DISC

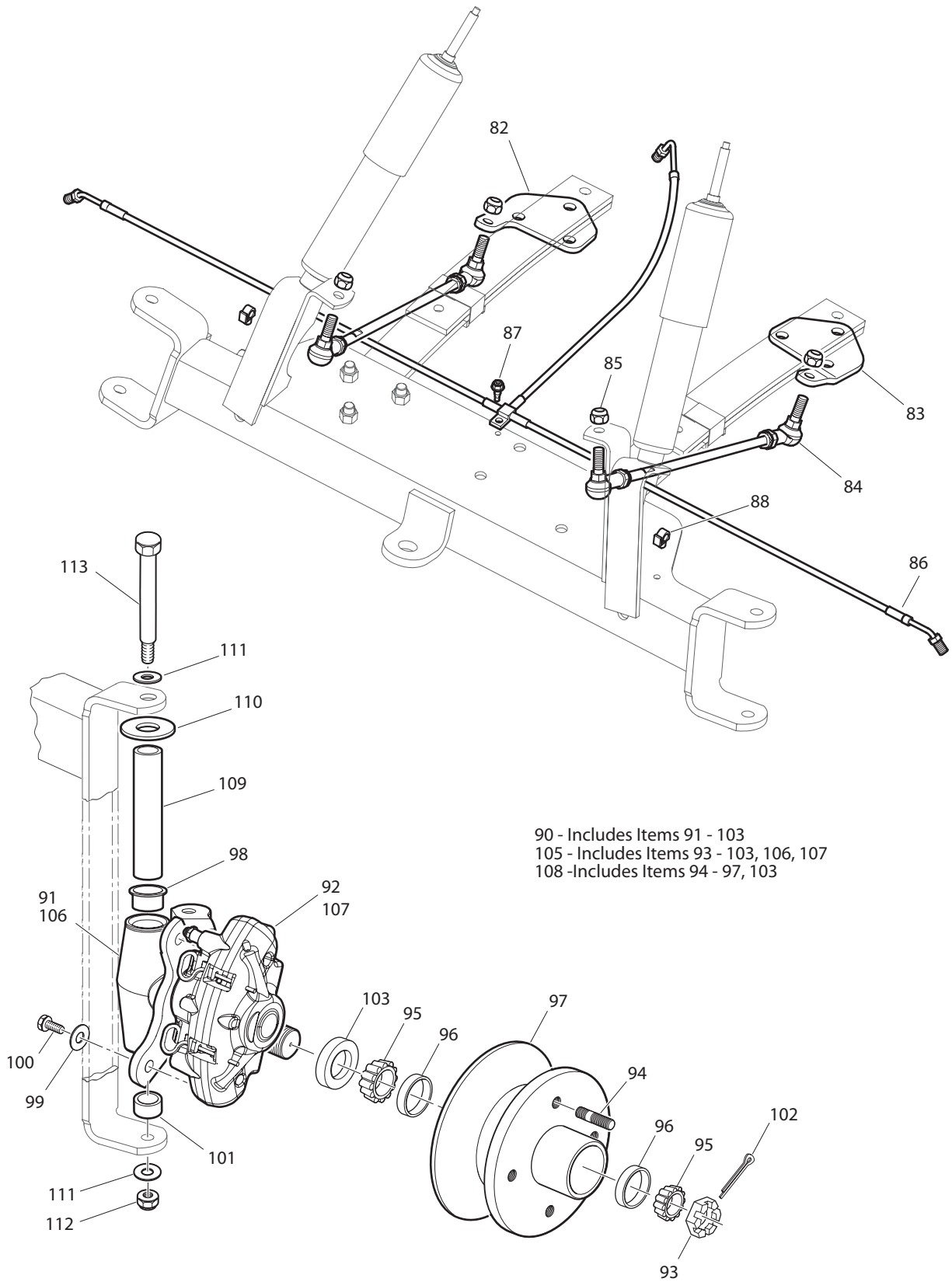


Ref Brh 21-1



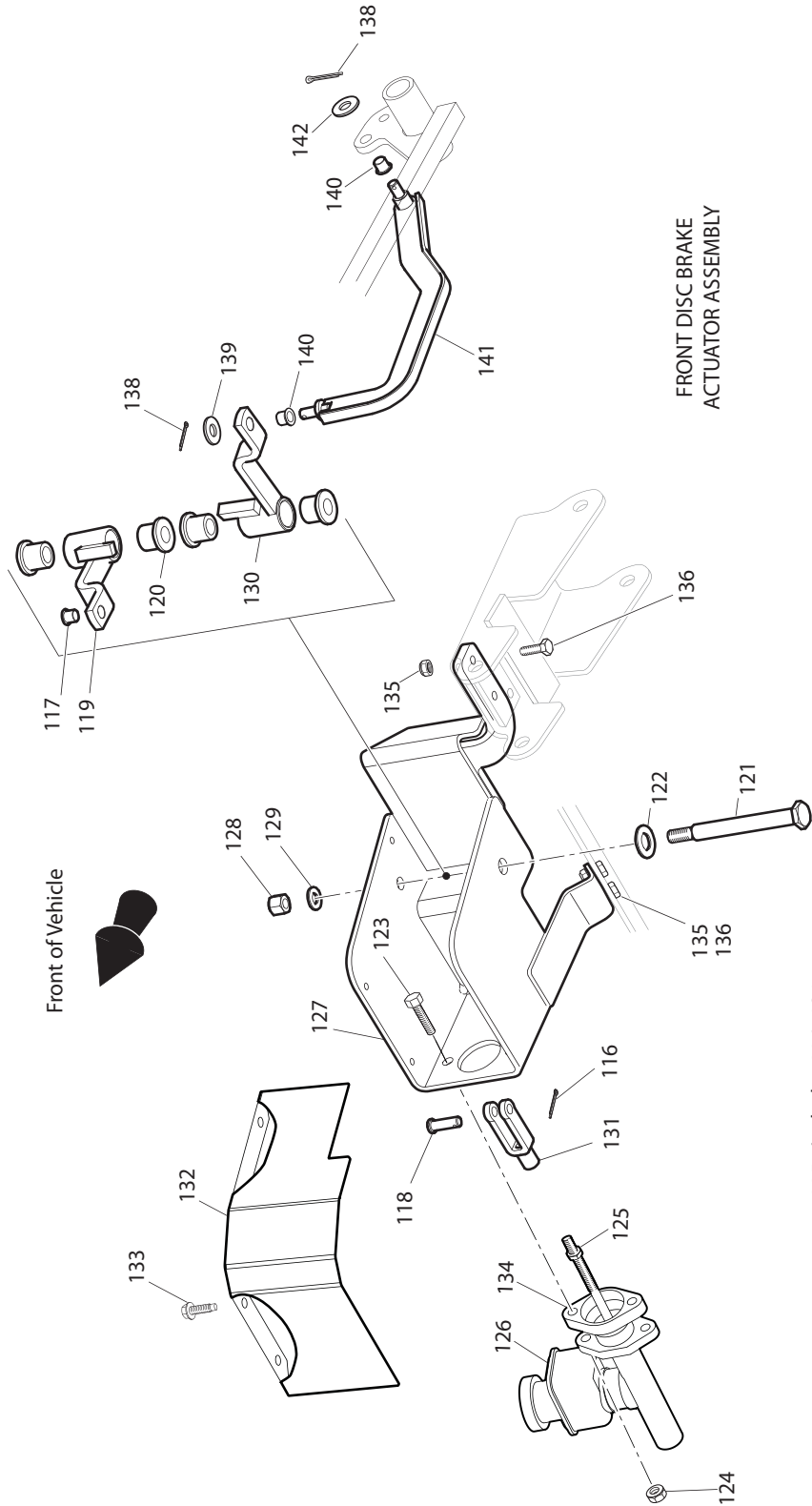
Ref Brh 21-2

BRAKES - FRONT DISC



Ref Brh 21-3

BRAKES - FRONT DISC



FRONT DISC BRAKE
ACTUATOR ASSEMBLY

115 - Includes 116 - 134

BRAKES - FRONT DISC

THE USE OF NON U.L. PARTS WILL VOID ANY U.L. LISTING.

When ordering parts, please specify the model and serial number of the product.

* Indicates a component that is not available as an individual part.

G** Indicates consult Customer Service Department for additional information.

ITEM	PART NO.	1 2 3 4 5	DESCRIPTION	QTY.
1	<u>70612-G01</u>		BRAKE PEDAL ASSEMBLY (WITHOUT BRAKE LIGHTS) (INCLUDES ITEMS 2 - 11).....	1
2	<u>70681-G01</u>		TORSION SPRING.....	2
3	<u>70682-G01</u>		PIVOT PIN.....	1
4	<u>01071-G01</u>		PUSHNUT, 5/16".....	1
5	*		BRAKE PEDAL.....	1
6	74724-G01		PARK BRAKE PEDAL.....	1
7	70274-G01		BRAKE/PARK BRAKE PEDAL PAD KIT (INCLUDES ITEMS 8 - 10).....	1
8	*		SERVICE BRAKE PAD.....	1
9	*		PARK BRAKE PEDAL PAD.....	1
10	<u>16409-G1</u>		OVAL RIVET, 3/16" X 15/32" LG.....	9
11	<u>20835-G1</u>		WASHER, TEFLON, 3/8".....	2
12	<u>70582-G01</u>		SHOULDER BOLT, 3/8 - 16 X 4" LG.....	1
13	<u>70581-G01</u>		FLANGED BUSHING.....	2
14	<u>70676-G01</u>		TORSION SPRING.....	1
15	<u>00643-G1</u>		WASHER, 3/8".....	1
16	<u>11098-G5</u>		LOCK NUT, 3/8 - 16.....	1
17				
18	70272-G04		COMPENSATOR ASSEMBLY (INCLUDES ITEMS 19, 20).....	1
19	<u>00963-G01</u>		SPHERICAL NUT, 5/16 - 24.....	1
20	<u>11098-G9</u>		LOCK NUT, 5/16 - 24.....	1
21				
22	<u>70969-G05</u>		EQUALIZER AND BRAKE CABLE ASSEMBLY (INCLUDES ITEMS 23 - 26)....	1
23	<u>28082-G01</u>		EQUALIZER BRACKET.....	1
24	<u>28083-G01</u>		BRAKE COMPENSATOR BUMPER.....	2
25	*		BRAKE CABLE (DRIVER SIDE).....	1
26	*		BRAKE CABLE (PASSENGER SIDE).....	1
27				
28	<u>01111-G01</u>		RETAINING RING, S.S.....	4
29				

BRAKES - FRONT DISC

THE USE OF NON U.L. PARTS WILL VOID ANY U.L. LISTING.

When ordering parts, please specify the model and serial number of the product.

* Indicates a component that is not available as an individual part.

G** Indicates consult Customer Service Department for additional information.

ITEM	PART NO.	1 2 3 4 5	DESCRIPTION	QTY.
30	<u>10386-G3</u>		CLEVIS PIN, 5/16" X 1" LG	1
31	<u>10387-G3</u>		COTTER PIN, 3/32" X 3/4" LG	3
32	<u>14443-G2</u>		CLEVIS PIN, 5/16" X 3/4" LG	2
33				
34	<u>70601-G01</u>		KICK-OFF LINK.....	1
35	<u>17838-G1</u>		NYLON BUSHING.....	2
36	<u>20835-G1</u>		TEFLON WASHER, 3/8"	2
37	00559-G8		WASHER, 5/16"	2
38	<u>10387-G3</u>		COTTER PIN, 3/32" X 3/4" LG	2
39	<u>70098-G01</u>		KICK-OFF CAM PIVOT.....	1
40	<u>10097-G6</u>		FLANGED BEARING	2
41	<u>70587-G01</u>		KICK-OFF CAM.....	1
42	<u>71215-G01</u>		SETSCREW, 1/4 - 20 X 1/2" LG.....	2
43	<u>14134-G4</u>		SPACER	1
44				
45	<u>70113-G01</u>		ADJUSTABLE BUMPER	1
46	<u>11027-G1</u>		LOCK NUT, 5/16 - 18	1
47				
48	<u>70080-G01</u>		CATCH BRACKET	1
49	<u>00414-G6</u>		BOLT, 1/4 - 20 X 3/4" LG	2
50	<u>14390-G4</u>		LOCK NUT, 1/4 - 20	2
51				
52				
53	<u>74874-G01</u>		BRAKE PEDAL ASSEMBLY (WITH BRAKE LIGHTS) (INCLUDES ITEMS 54 - 80).....	1
54	*		BRAKE PEDAL.....	1
55	74724-G01		PARK BRAKE PEDAL	1
56	70274-G01		BRAKE/PARK BRAKE PEDAL PAD KIT (INCLUDES ITEMS 57 - 59).....	1
57	*		SERVICE BRAKE PAD	1
58	*		PARK BRAKE PAD.....	1

BRAKES - FRONT DISC

THE USE OF NON U.L. PARTS WILL VOID ANY U.L. LISTING.

When ordering parts, please specify the model and serial number of the product.

* Indicates a component that is not available as an individual part.

G** Indicates consult Customer Service Department for additional information.

ITEM	PART NO.	1	2	3	4	5	DESCRIPTION	QTY.
59	<u>16409-G1</u>						OVAL RIVET, 3/16" X 15/32" LG	9
60								
61	<u>70258-G03</u>						BRAKE PEDAL PLATE	1
62	<u>70682-G01</u>						PIVOT PIN	1
63	<u>70681-G01</u>						TORSION SPRING	2
64	<u>01071-G01</u>						PUSHNUT, 5/16"	1
65	<u>00737-G8</u>						SCREW, #10 - 24 X 1" LG	4
66	<u>00739-G1</u>						RUBBER NUT, #10 - 24	2
67	<u>74535-G01</u>						BRAKE PEDAL STANDOFF	2
68	<u>27137-G01</u>						CONICAL SPRING	2
69	<u>14390-G10</u>						LOCK NUT, #10 - 24	2
70	10606-G8						MICRO SWITCH	1
71	<u>00957-G1</u>						SCREW, #6 - 32 X 1 1/4" LG	2
72	<u>00559-G5</u>						WASHER, #10	2
73	<u>00559-G3</u>						WASHER, #6	4
74	<u>00565-G3</u>						LOCK WASHER, #6	2
75	<u>00525-G5</u>						NUT, #6 - 32	2
76	<u>13514-G1</u>						SCREW AND LOCK WASHER, #6	2
77	<u>20835-G1</u>						WASHER, TEFLON, 3/8"	2
78	<u>14628-G1</u>						FASTON TAB	2
79	<u>24605-G1</u>						WIRE HARNESS (BRAKE LIGHT)	1
80	<u>17618-G1</u>						WIRE TIE	3
81								
82	<u>74731-G02</u>						SPRING PLATE (PASSENGER SIDE)	1
83	<u>74731-G01</u>						SPRING PLATE (DRIVER SIDE)	1
84	74730-G01						FOUR LINK ROD	2
85	<u>01084-G01</u>						LOCK NUT, M10-1.25	4
86	<u>74736-G01</u>						BRAKE LINE	1
87	<u>01038-G01</u>						SCREW, 1/4 - 20 X 4444" LG	1
88	<u>74875-G01</u>						WIRE RETAINER	2

BRAKES - FRONT DISC

THE USE OF NON U.L. PARTS WILL VOID ANY U.L. LISTING.
 When ordering parts, please specify the model and serial number of the product.
 * Indicates a component that is not available as an individual part.
 G** Indicates consult Customer Service Department for additional information.

ITEM	PART NO.	1 2 3 4 5	DESCRIPTION	QTY.
89				
90	<u>602281</u>		SPINDLE, CALIPER AND DISC HUB ASSEMBLY (DRIVER SIDE) (INCLUDES ITEMS 91, 93 - 103).....	1
91	<u>602176</u>		DISC BRAKE SPINDLE (DRIVER SIDE)	1
92	<u>74733-G02</u>		CALIPER (DRIVER SIDE)	1
93	<u>12093-G1</u>		SLOTTED NUT	1
94	<u>74864-G01</u>		DRIVE FLANGE STUD.....	4
95	<u>11750-G2</u>		ROLLER BEARING	2
96	<u>51141-G1</u>		BEARING RACE.....	2
97	<u>74995-G01</u>		DISC BRAKE HUB.....	1
98	<u>70648-G01</u>		FLANGED BEARING.....	1
99	<u>00566-G1</u>		WASHER, 3/8"	2
100	<u>00426-G6</u>		BOLT, 3/8 - 16 X 1.....	2
101	<u>70749-G01</u>		BEARING.....	1
102	<u>00798-G8</u>		COTTER PIN	1
103	<u>25146-G1</u>		GREASE SEAL.....	1
104				
105	<u>602288</u>		SPINDLE, CALIPER AND DISC HUB ASSEMBLY (PASSENGER SIDE) (INCLUDES ITEMS 93 - 103, 107).....	1
106	<u>602158</u>		DISC BRAKE SPINDLE (PASSENGER SIDE).....	1
107	<u>74733-G01</u>		CALIPER (PASSENGER SIDE).....	1
108	<u>74948-G01</u>		DISC BRAKE SERVICE HUB (INCLUDES ITEMS 94 - 97, 103).....	1
109	<u>70745-G01</u>		KINGPIN TUBE	2
110	<u>70754-G01</u>		THRUST WASHER	2
111	<u>00560-G3</u>		WASHER, 1/2"	4
112	<u>14390-G6</u>		LOCKNUT, 1/2 - 13	2
113	<u>00407-G6</u>		CAPSCREW, 1/2 - 13 X 6" LG	2
114				
115	<u>74702-G02</u>		FRONT DISC BRAKE BRAKE ACTUATOR ASSEMBLY (INCLUDES ITEMS 116 - 134).....	1
116	<u>10387-G3</u>		COTTER PIN, 3/32 X 3/4" LG.....	1

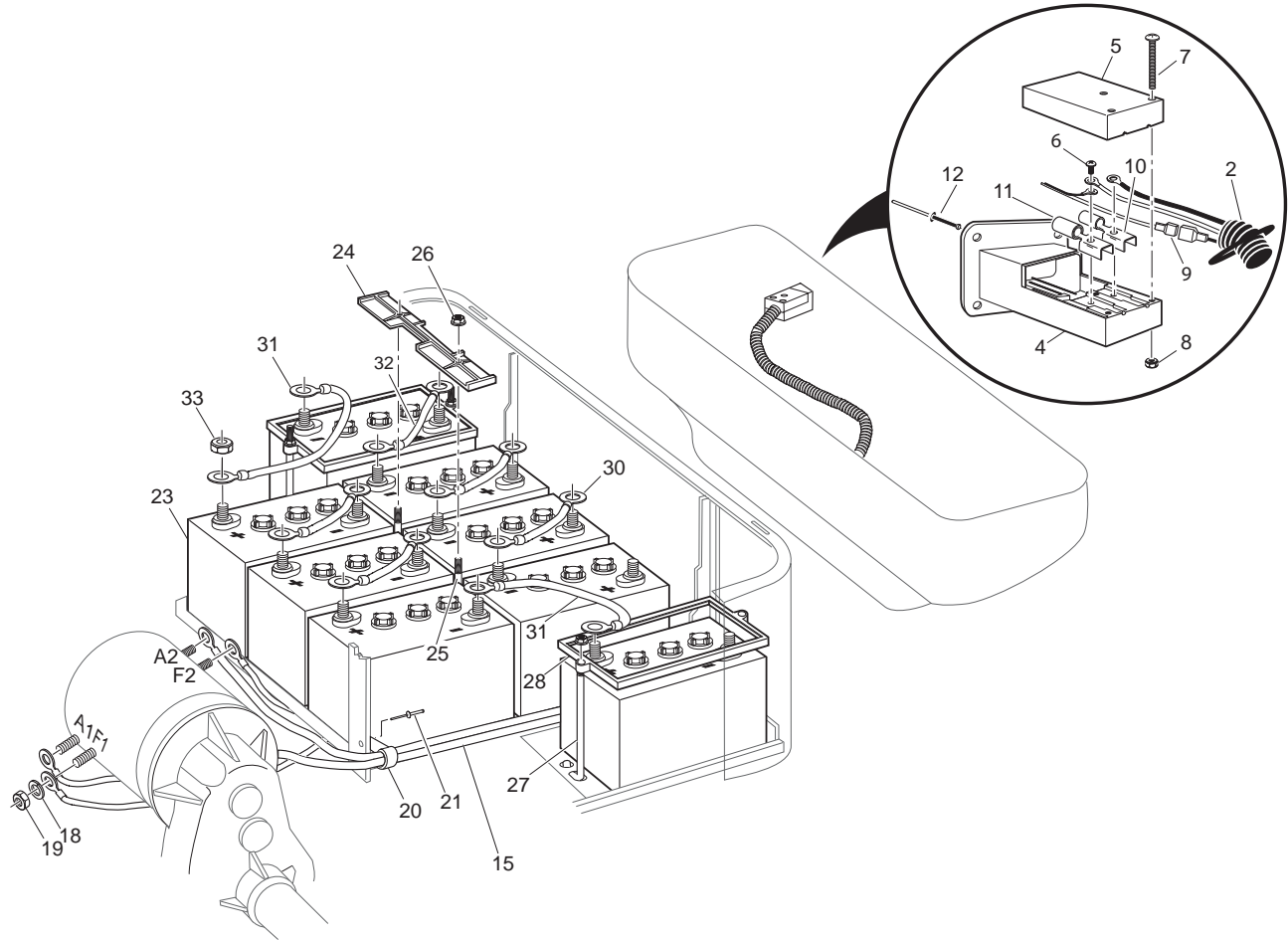
BRAKES - FRONT DISC

THE USE OF NON U.L. PARTS WILL VOID ANY U.L. LISTING.
 When ordering parts, please specify the model and serial number of the product.
 * Indicates a component that is not available as an individual part.
 G** Indicates consult Customer Service Department for additional information.

ITEM	PART NO.	1	2	3	4	5	DESCRIPTION	QTY.
117	<u>17838-G1</u>						NYLON BUSHING	1
118	<u>10386-G3</u>						CLEVIS PIN, 5/16 X 1" LG.....	1
119	<u>74753-G01</u>						UPPER ACTUATOR PIVOT	1
120	<u>70581-G02</u>						ACETAL BUSHING	4
121	<u>74711-G01</u>						SHOULDER BOLT	1
122	<u>00560-G3</u>						WASHER, 1/2"	1
123	<u>00439-G4</u>						BOLT, 1/2 - 13 X 6" LG.....	2
124	11098-G6						FLANDED LOCK NUT, 5/16 - 18	2
125	<u>00544-G4</u>						JAM NUT	1
126	<u>604804</u>						MASTER CYLINDER.....	1
127	<u>74703-G01</u>						BRAKE ACTUATOR ASSEMBLY HOUSING	1
128	<u>11098-G5</u>						LOCKNUT, 3/8 - 16.....	1
129	<u>00679-G1</u>						WASHER, 3/8" STAINLESS	1
130	<u>74707-G01</u>						LOWER ACTUATOR PIVOT.....	1
131	10385-G4						CLEVIS YOKE	1
132	<u>605778</u>						BRAKE ACTUATOR ASSEMBLY COVER	1
133	<u>01038-G01</u>						SCREW, 1/4 - 20 SWAGEFORM.....	3
134	<u>604565</u>						MASTER CYLINDER SPACER	1
135	00414-G8						BOLT, 1/4 - 20 X 1 1/4" LG	4
136	<u>00891-G2</u>						LOCKNUT, 1/4 - 20	4
137								
138	<u>10387-G3</u>						COTTER PIN, 3/32 X 3/4	2
139	<u>20835-G1</u>						WASHER, NYLON	1
140	<u>17838-G1</u>						NYLON BUSHING.....	2
141	<u>74865-G01</u>						ACTUATOR LINKAGE	1
142	<u>00771-G5</u>						WASHER, 3/8"	1
143	<u>74917-G01</u>						DISC BRAKE PAD AND PIN KIT (SERVICES ONE CORNER) (INCLUDES ITEMS 144 - 145).....	1
144	*						BRAKE PADS	2
145	*						BRAKE PAD RETAINER PINS	2

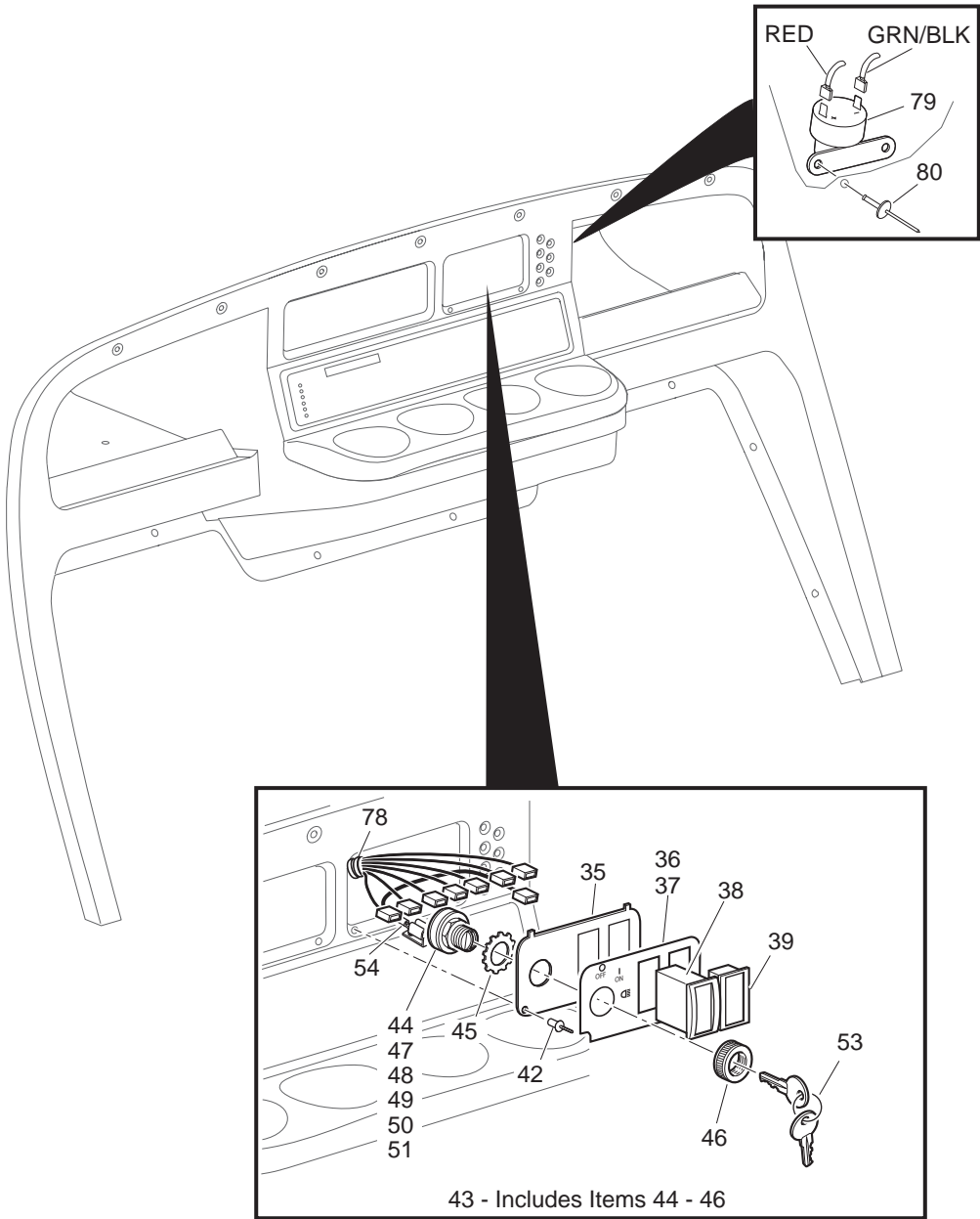
ELECTRICAL SYSTEM

1 - Includes Items 2 - 11
3 - Includes Items 4 - 11



Ref Ele 7-1

ELECTRICAL SYSTEM

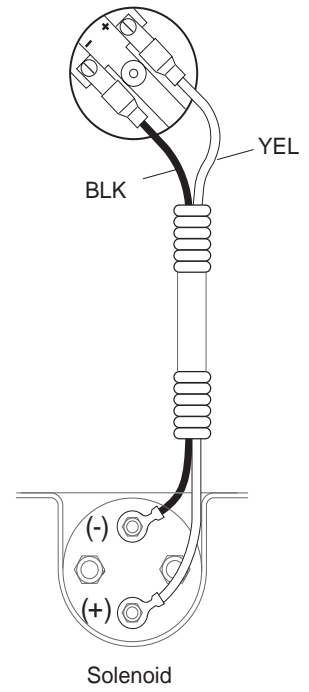
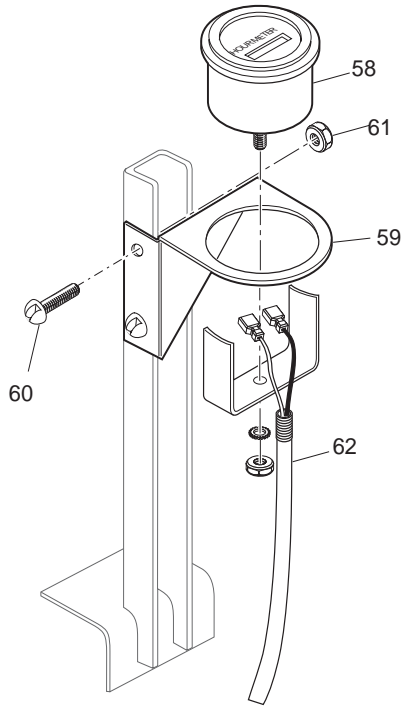


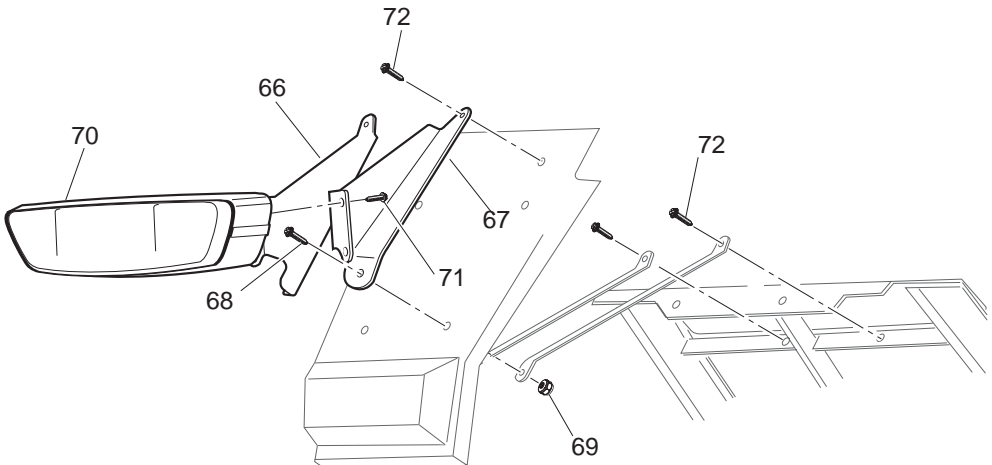
Ref Ele 7-2

ELECTRICAL SYSTEM

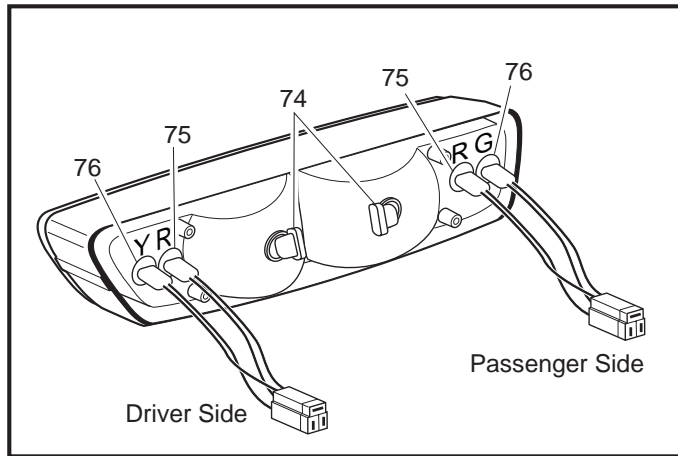
HOUR METER

57 - Includes Items 58 - 62





HEADLIGHT



Ref Ele 7-4

ELECTRICAL SYSTEM

THE USE OF NON U.L. PARTS WILL VOID ANY U.L. LISTING.

When ordering parts, please specify the model and serial number of the product.

* Indicates a component that is not available as an individual part.

G** Indicates consult Customer Service Department for additional information.

ITEM	PART NO.	1 2 3 4 5	DESCRIPTION	QTY.
1	<u>73311-G03</u>		CHARGER HARNESS / RECEPTACLE (INCLUDES ITEMS 2 - 11)	1
2	<u>602822</u>		CHARGER HARNESS.....	1
3	<u>73051-G30</u>		CHARGER HARNESS RECEPTACLE (INCLUDES ITEMS 4 - 11)	1
4	<u>73051-G22</u>		RECEPTACLE BOTTOM	1
5	<u>73051-G21</u>		RECEPTACLE COVER	1
6	<u>73051-G08</u>		SCREW, #10 - 32 X 1/2" LG.....	2
7	<u>73051-G09</u>		SCREW, #6 - 32 X 1 3/4" LG.....	3
8	<u>73051-G10</u>		LOCK NUT, #6 - 32	3
9	<u>25978-G25</u>		WIRE, RED JUMPER, 18 GA.	1
10	<u>73051-G23</u>		FEMALE CONTACT	1
11	<u>73051-G24</u>		FEMALE CONTACT, INSULATED	1
12	<u>71055-G01</u>		RIVET, 3/16" X 1" LG	4
13				
14				
15	<u>73349-G01</u>		POWER HARNESS	1
16				
17				
18	<u>00993-G01</u>		LOCK WASHER, 5/16"	4
19	<u>28418-G01</u>		NUT, 5/16 - 18	4
20	<u>27327-G02</u>		CLAMP	1
21	<u>10570-G11</u>		RIVET, 3/16" X 3/4" LG (STAINLESS STEEL)	1
22				
23	XXXXX-G**		6 VOLT BATTERY	8
24	<u>70045-G01</u>		BATTERY RETAINER	1
25	<u>01101-G01</u>		HOLD DOWN BOLT	2
26	<u>11027-G1</u>		LOCK NUT, 5/16 - 18	6
27	<u>70386-G01</u>		HOLD DOWN BOLT	4
28	<u>70387-G01</u>		BATTERY RETAINER	2
29				
30	<u>25971-G18</u>		4 GA WIRE (BLK 6")	4

ELECTRICAL SYSTEM

THE USE OF NON U.L. PARTS WILL VOID ANY U.L. LISTING.

When ordering parts, please specify the model and serial number of the product.

* Indicates a component that is not available as an individual part.

G** Indicates consult Customer Service Department for additional information.

ITEM	PART NO.	1	2	3	4	5	DESCRIPTION	QTY.
31	<u>25971-G13</u>						4 GA WIRE (BLK 10 1/2")	2
32	<u>25971-G16</u>						4 GA WIRE (BLK 19")	1
33	<u>00702-G2</u>						NUT, 5/16 - 18	16
34								
35	<u>73030-G02</u>						CONSOLE INSERT PLATE.....	1
36	<u>74320-G01</u>						LABEL, DIRECTION SELECTOR AND STATE OF CHARGE METER	1
37	<u>74322-G01</u>						LABEL, LIGHTS, DIRECTION SELECTOR & STATE OF CHARGE METER.....	1
38	<u>74323-G01</u>						DIRECTION SELECTOR SWITCH	1
39	<u>33636-G05</u>						STATE OF CHARGE METER (VERTICAL)	1
40								
41								
42	<u>33623-G02</u>						RIVET, 3/16" X 3/8" LG	2
43	<u>17421-G1</u>						IGNITION SWITCH KIT (INCLUDES ITEMS 44 - 46).....	1
44	<u>18602-G1</u>						IGNITION SWITCH (WITHOUT LIGHTS, STANDARD KEY).....	1
45	<u>00568-G6</u>						LOCK WASHER, 3/4"	1
46	<u>17137-G1</u>						FACE NUT	1
47	<u>17955-G1</u>						IGNITION SWITCH (WITHOUT LIGHTS, NON-STANDARD KEY)	1
48	<u>18027-G1</u>						IGNITION SWITCH (WITHOUT LIGHTS, INDIVIDUALLY KEYED).....	1
49	<u>33639-G01</u>						IGNITION SWITCH (WITH LIGHTS, STANDARD KEY)	1
50	<u>33639-G02</u>						IGNITION SWITCH (WITH LIGHTS, NON-STANDARD KEY).....	1
51	<u>33639-G03</u>						IGNITION SWITCH (WITH LIGHTS, INDIVIDUALLY KEYED)	1
52								
53	<u>17618-G1</u>						WIRE TIE	1
54	<u>25978-G18</u>						18 GA WIRE (RED 6").....	1
55								
56								
57	<u>75113-G06</u>						HOUR METER KIT (INCLUDES ITEMS 58 - 62).....	1
58	<u>21573-G1</u>						HOUR METER ASSEMBLY.....	1
59	<u>74019-G02</u>						HOUR METER BRACKET.....	1
60	<u>00379-G4</u>						SCREW, #10 - 24 X 1/2" LG	2

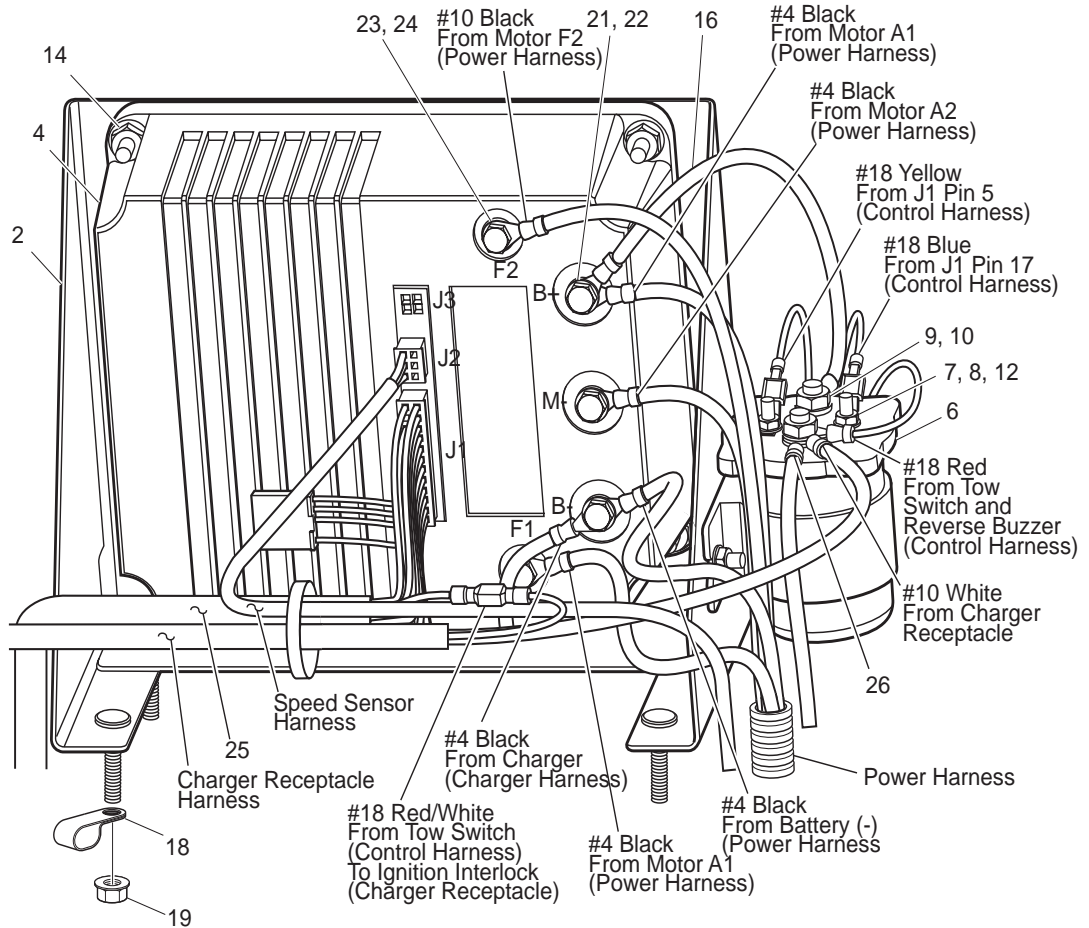
ELECTRICAL SYSTEM

THE USE OF NON U.L. PARTS WILL VOID ANY U.L. LISTING.
 When ordering parts, please specify the model and serial number of the product.
 * Indicates a component that is not available as an individual part.
 G** Indicates consult Customer Service Department for additional information.

ITEM	PART NO.	1 2 3 4 5	DESCRIPTION	QTY.
61	<u>14390-G10</u>		LOCK NUT, #10 - 24	2
62	<u>75117-G04</u>		WIRE HARNESS (HOUR METER).....	1
63				
64				
65				
66	<u>74236-G03</u>		HEADLIGHT MOUNT BRACKET (PASSENGER SIDE).....	1
67	<u>74236-G04</u>		HEADLIGHT MOUNT BRACKET (DRIVER SIDE)	1
68	<u>00414-G6</u>		BOLT, 1/4 - 20 X 3/4" LG	2
69	<u>11027-G2</u>		LOCK NUT, 1/4 - 20	2
70	<u>74001-G01</u>		HEADLIGHT AND TURN SIGNAL LIGHT BAR	1
71	<u>00114-G6</u>		SCREW, 1/4 - 20 X 3/4" LG	4
72	<u>01038-G01</u>		BOLT, 1/4 - 20 X 11/16" LG	4
73				
74	<u>74004-G01</u>		HEADLIGHT BULB	2
75	<u>74005-G01</u>		MARKER LIGHT BULB	2
76	<u>74006-G01</u>		TURN SIGNAL BULB.....	2
77				
78	<u>73334-G01</u>		HARNESS (CONTROL)	1
79	<u>73290-G02</u>		BUZZER	1
80	<u>01041-G01</u>		RIVET, 5/32"	2

ELECTRONIC SPEED CONTROL - PDS

1 - Includes 2 - 16



30

Diagnostic Fault Code	Symptoms	Corrective Action
1.1 BATTERY CHARGE	Vehicle will not start	Check battery voltage, battery condition, and connections. Check and/or replace as needed.
1.2 FUSE/BLIND FUSE1	Vehicle will not start	Check fuses for correct rating, condition, and location. Replace as needed.
1.3 SPEED SENSOR FAULT	Vehicle runs poorly	Check speed sensor wiring, air intake, and sensor operation. Replace as needed.
1.4 CPU	Vehicle runs poorly	Check software version, which will vary with software version.
1.5 AIR/FUEL RATIO	Vehicle runs poorly	Check air filter, replace as needed.
1.6 LOW BATTERY VOLTAGE	Vehicle performance reduced	Check battery, replace as needed.
1.7 AIR/FUEL RATIO	Vehicle performance reduced	Check fuel system, replace as needed.
1.8 VEHICLE STOPPED	Vehicle performance reduced	Check throttle cable, replace as needed.
1.9 FUEL INJECTION	Vehicle performance reduced	Check fuel system, replace as needed.
1.10 FUEL INJECTION	Vehicle will not start	Replace injector.
1.11 FUEL INJECTION	Vehicle will not start	Check fuel system, replace as needed.
1.12 FUEL INJECTION	Vehicle will not start	Check fuel system, replace as needed.
1.13 FUEL INJECTION	Vehicle will not start	Check fuel system, replace as needed.
1.14 FUEL INJECTION	Vehicle will not start	Check fuel system, replace as needed.
1.15 FUEL INJECTION	Vehicle will not start	Check fuel system, replace as needed.
1.16 FUEL INJECTION	Vehicle will not start	Check fuel system, replace as needed.
1.17 FUEL INJECTION	Vehicle will not start	Check fuel system, replace as needed.
1.18 FUEL INJECTION	Vehicle will not start	Check fuel system, replace as needed.
1.19 FUEL INJECTION	Vehicle will not start	Check fuel system, replace as needed.
1.20 FUEL INJECTION	Vehicle will not start	Check fuel system, replace as needed.
1.21 FUEL INJECTION	Vehicle will not start	Check fuel system, replace as needed.
1.22 FUEL INJECTION	Vehicle will not start	Check fuel system, replace as needed.
1.23 FUEL INJECTION	Vehicle will not start	Check fuel system, replace as needed.
1.24 FUEL INJECTION	Vehicle will not start	Check fuel system, replace as needed.
1.25 FUEL INJECTION	Vehicle will not start	Check fuel system, replace as needed.
1.26 FUEL INJECTION	Vehicle will not start	Check fuel system, replace as needed.
1.27 FUEL INJECTION	Vehicle will not start	Check fuel system, replace as needed.
1.28 FUEL INJECTION	Vehicle will not start	Check fuel system, replace as needed.
1.29 FUEL INJECTION	Vehicle will not start	Check fuel system, replace as needed.
1.30 FUEL INJECTION	Vehicle will not start	Check fuel system, replace as needed.
1.31 FUEL INJECTION	Vehicle will not start	Check fuel system, replace as needed.
1.32 FUEL INJECTION	Vehicle will not start	Check fuel system, replace as needed.
1.33 FUEL INJECTION	Vehicle will not start	Check fuel system, replace as needed.
1.34 FUEL INJECTION	Vehicle will not start	Check fuel system, replace as needed.
1.35 FUEL INJECTION	Vehicle will not start	Check fuel system, replace as needed.
1.36 FUEL INJECTION	Vehicle will not start	Check fuel system, replace as needed.
1.37 FUEL INJECTION	Vehicle will not start	Check fuel system, replace as needed.
1.38 FUEL INJECTION	Vehicle will not start	Check fuel system, replace as needed.
1.39 FUEL INJECTION	Vehicle will not start	Check fuel system, replace as needed.
1.40 FUEL INJECTION	Vehicle will not start	Check fuel system, replace as needed.
1.41 FUEL INJECTION	Vehicle will not start	Check fuel system, replace as needed.
1.42 FUEL INJECTION	Vehicle will not start	Check fuel system, replace as needed.
1.43 FUEL INJECTION	Vehicle will not start	Check fuel system, replace as needed.
1.44 FUEL INJECTION	Vehicle will not start	Check fuel system, replace as needed.
1.45 FUEL INJECTION	Vehicle will not start	Check fuel system, replace as needed.
1.46 FUEL INJECTION	Vehicle will not start	Check fuel system, replace as needed.
1.47 FUEL INJECTION	Vehicle will not start	Check fuel system, replace as needed.
1.48 FUEL INJECTION	Vehicle will not start	Check fuel system, replace as needed.
1.49 FUEL INJECTION	Vehicle will not start	Check fuel system, replace as needed.
1.50 FUEL INJECTION	Vehicle will not start	Check fuel system, replace as needed.
1.51 FUEL INJECTION	Vehicle will not start	Check fuel system, replace as needed.
1.52 FUEL INJECTION	Vehicle will not start	Check fuel system, replace as needed.
1.53 FUEL INJECTION	Vehicle will not start	Check fuel system, replace as needed.
1.54 FUEL INJECTION	Vehicle will not start	Check fuel system, replace as needed.
1.55 FUEL INJECTION	Vehicle will not start	Check fuel system, replace as needed.
1.56 FUEL INJECTION	Vehicle will not start	Check fuel system, replace as needed.
1.57 FUEL INJECTION	Vehicle will not start	Check fuel system, replace as needed.
1.58 FUEL INJECTION	Vehicle will not start	Check fuel system, replace as needed.
1.59 FUEL INJECTION	Vehicle will not start	Check fuel system, replace as needed.
1.60 FUEL INJECTION	Vehicle will not start	Check fuel system, replace as needed.
1.61 FUEL INJECTION	Vehicle will not start	Check fuel system, replace as needed.
1.62 FUEL INJECTION	Vehicle will not start	Check fuel system, replace as needed.
1.63 FUEL INJECTION	Vehicle will not start	Check fuel system, replace as needed.
1.64 FUEL INJECTION	Vehicle will not start	Check fuel system, replace as needed.
1.65 FUEL INJECTION	Vehicle will not start	Check fuel system, replace as needed.
1.66 FUEL INJECTION	Vehicle will not start	Check fuel system, replace as needed.
1.67 FUEL INJECTION	Vehicle will not start	Check fuel system, replace as needed.
1.68 FUEL INJECTION	Vehicle will not start	Check fuel system, replace as needed.
1.69 FUEL INJECTION	Vehicle will not start	Check fuel system, replace as needed.
1.70 FUEL INJECTION	Vehicle will not start	Check fuel system, replace as needed.
1.71 FUEL INJECTION	Vehicle will not start	Check fuel system, replace as needed.
1.72 FUEL INJECTION	Vehicle will not start	Check fuel system, replace as needed.
1.73 FUEL INJECTION	Vehicle will not start	Check fuel system, replace as needed.
1.74 FUEL INJECTION	Vehicle will not start	Check fuel system, replace as needed.
1.75 FUEL INJECTION	Vehicle will not start	Check fuel system, replace as needed.
1.76 FUEL INJECTION	Vehicle will not start	Check fuel system, replace as needed.
1.77 FUEL INJECTION	Vehicle will not start	Check fuel system, replace as needed.
1.78 FUEL INJECTION	Vehicle will not start	Check fuel system, replace as needed.
1.79 FUEL INJECTION	Vehicle will not start	Check fuel system, replace as needed.
1.80 FUEL INJECTION	Vehicle will not start	Check fuel system, replace as needed.
1.81 FUEL INJECTION	Vehicle will not start	Check fuel system, replace as needed.
1.82 FUEL INJECTION	Vehicle will not start	Check fuel system, replace as needed.
1.83 FUEL INJECTION	Vehicle will not start	Check fuel system, replace as needed.
1.84 FUEL INJECTION	Vehicle will not start	Check fuel system, replace as needed.
1.85 FUEL INJECTION	Vehicle will not start	Check fuel system, replace as needed.
1.86 FUEL INJECTION	Vehicle will not start	Check fuel system, replace as needed.
1.87 FUEL INJECTION	Vehicle will not start	Check fuel system, replace as needed.
1.88 FUEL INJECTION	Vehicle will not start	Check fuel system, replace as needed.
1.89 FUEL INJECTION	Vehicle will not start	Check fuel system, replace as needed.
1.90 FUEL INJECTION	Vehicle will not start	Check fuel system, replace as needed.
1.91 FUEL INJECTION	Vehicle will not start	Check fuel system, replace as needed.
1.92 FUEL INJECTION	Vehicle will not start	Check fuel system, replace as needed.
1.93 FUEL INJECTION	Vehicle will not start	Check fuel system, replace as needed.
1.94 FUEL INJECTION	Vehicle will not start	Check fuel system, replace as needed.
1.95 FUEL INJECTION	Vehicle will not start	Check fuel system, replace as needed.
1.96 FUEL INJECTION	Vehicle will not start	Check fuel system, replace as needed.
1.97 FUEL INJECTION	Vehicle will not start	Check fuel system, replace as needed.
1.98 FUEL INJECTION	Vehicle will not start	Check fuel system, replace as needed.
1.99 FUEL INJECTION	Vehicle will not start	Check fuel system, replace as needed.
2.00 FUEL INJECTION	Vehicle will not start	Check fuel system, replace as needed.

Abbreviations: AUX (Auxiliary), CONT (Connector, Solenoid), DMC (Did Not Cross), SPD (High Pedal Disabling), SW (Switch), ITS (Inductive Throttle Sensor), M (Collector of Controller), WSC (Wash Street Control), WSP (Power Supply Fault)

DIAGNOSTIC FAULT CODES

- The LED will flash a diagnostic fault code when a fault is detected.
- Some faults may only be detected by operating the vehicle with the rear of the vehicle raised and supported on safety stands.
- Above the "TOY" (TOY/MAINTENANCE) switch located in the battery compartment is the "TOY/MAINTENANCE" switch located in the battery compartment.
- Select "TOY" before returning the vehicle to service.

ELECTRONIC SPEED CONTROL - PDS

THE USE OF NON U.L. PARTS WILL VOID ANY U.L. LISTING.

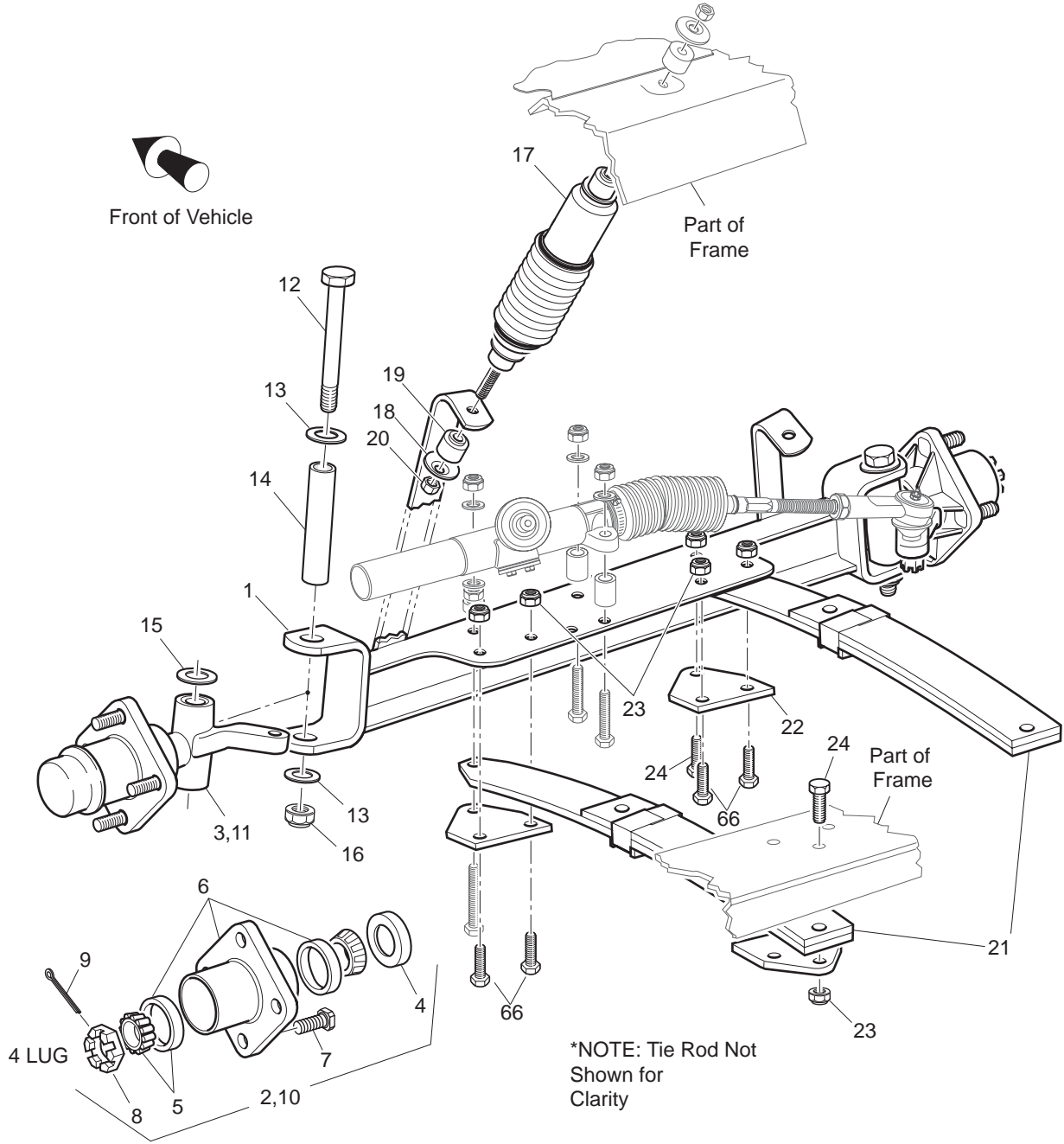
When ordering parts, please specify the model and serial number of the product.

* Indicates a component that is not available as an individual part.

G** Indicates consult Customer Service Department for additional information.

ITEM	PART NO.	1 2 3 4 5	DESCRIPTION	QTY.
1	<u>73348-G04</u>		ELECTRONIC SPEED CONTROL ASSEMBLY (INCLUDES ITEMS 2 - 16).....	1
2	<u>73351-G00</u>		CONTROLLER MOUNT	1
3				
4	<u>73098-G04</u>		ELECTRONIC SPEED CONTROLLER	1
5				
6	<u>73231-G01</u>		48 VOLT SOLENOID (INCLUDES ITEMS 7 - 10)	1
7	*		LOCK WASHER, #10	2
8	*		NUT, #10 - 32	2
9	*		LOCK WASHER, 5/16"	2
10	*		JAM NUT, 5/16 - 24	2
11				
12	<u>73446-G01</u>		FASTON TAB	4
13				
14	<u>11027-G2</u>		LOCK NUT, 1/4 - 20	6
15				
16	<u>25971-G17</u>		4 GA WIRE (BLK 9")	1
17				
18	<u>73053-G01</u>		DOUBLE TUBE CLAMP	1
19	<u>11027-G2</u>		LOCK NUT, 1/4 - 20	4
20				
21	<u>73296-G01</u>		BOLT, 8MM X 16MM LG	3
22	<u>00993-G01</u>		LOCK WASHER, 5/16"	3
23	<u>73346-G01</u>		BOLT, 6MM X 1 X 12MM LG	2
24	<u>00993-G02</u>		LOCK WASHER, 1/4"	2
25	<u>73334-G01</u>		CONTROL HARNESS	1
26	<u>25971-G06</u>		4 GA WIRE (BLK 59 1/2") (SOL - BATTERY +)	1
27				
28				
29	<u>71055-G01</u>		RIVET, 5/32" X 3/4" LG	2
30	<u>73398-G01</u>		DIAGNOSTIC LABEL (FAULT CODE)	1

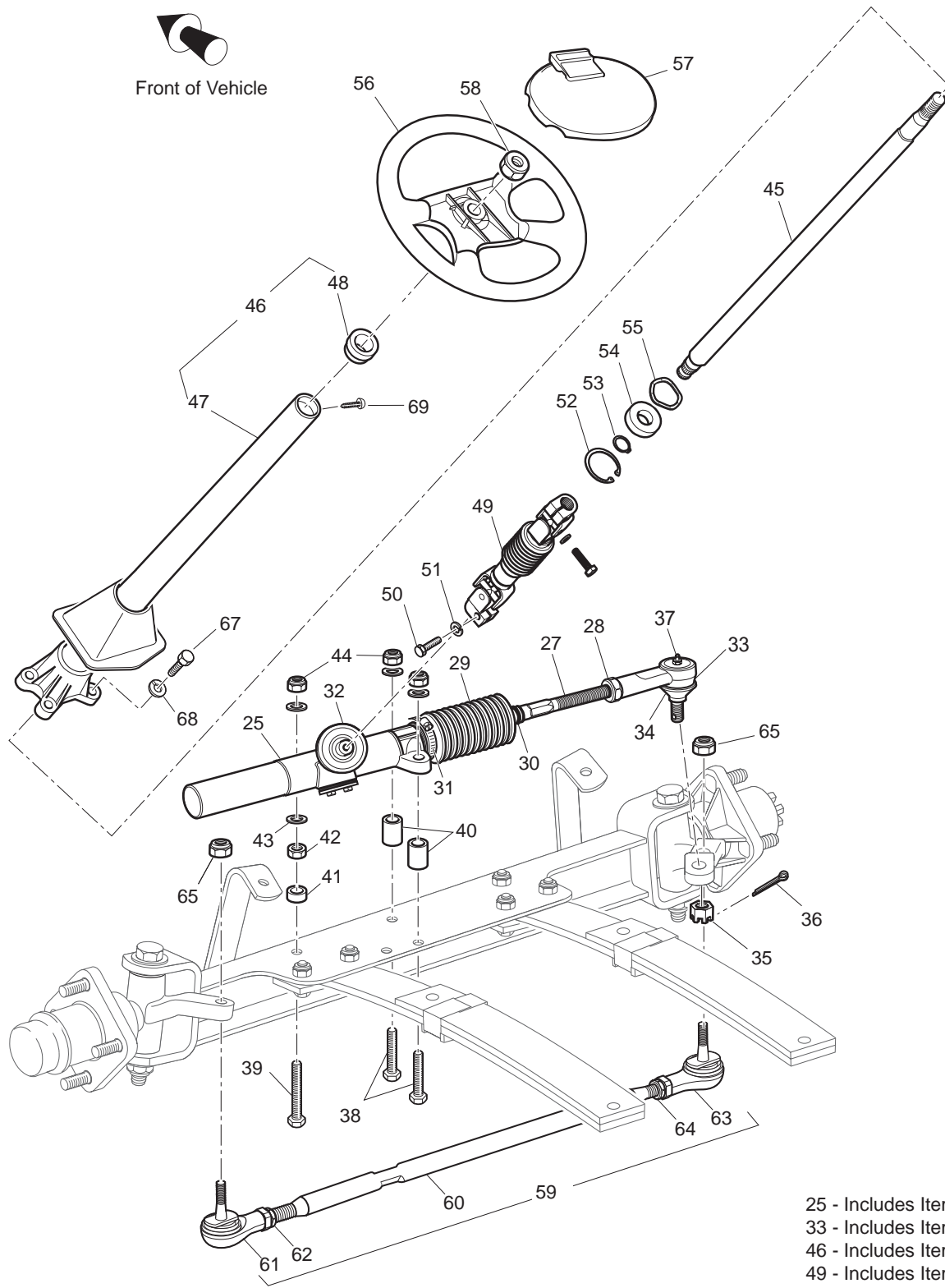
FRONT SUSPENSION/STEERING



- 2 - Includes Items 3 - 9
- 6 - Includes Item 7
- 10 - Includes Items 4 - 9, 11

Ref Fss 1-1

FRONT SUSPENSION/STEERING



Ref Fss 1-2

FRONT SUSPENSION/STEERING

Where applicable, THE USE OF NON UL PARTS WILL VOID ANY UL LISTING.

When ordering parts, please specify the model and serial number of the product.

* Indicates a component that is not available as an individual part.

G** Indicates consult Customer Service Department for additional information.

ITEM	PART NO.	1 2 3 4 5	DESCRIPTION	QTY.
1	<u>602513</u>		FRONT AXLE	1
2	<u>70942-G03</u>		SPINDLE AND HUB ASSEMBLY, 4 LUG (PASSENGER SIDE) (INCLUDES ITEMS 3 - 9).....	1
3	70940-G02		SPINDLE ASSEMBLY (PASSENGER SIDE).....	1
4	<u>25146-G1</u>		GREASE SEAL.....	1
5	<u>50892-G1</u>		ROLLER BEARING AND RACE ASSEMBLY.....	2
6	<u>70895-G01</u>		WHEEL HUB ASSEMBLY WITH RACES, 4 LUG (INCLUDES ITEM 7)	1
7	<u>19862-G1</u>		LUG BOLT, 1/2 - 20 X 1 3/16" LG.....	4
8	12093-G1		CASTELLATED NUT, 1 - 14	1
9	<u>00798-G8</u>		COTTER PIN, 5/32" X 1 3/4" LG	1
10	<u>70673-G03</u>		SPINDLE AND HUB ASSEMBLY, 4 LUG (DRIVER SIDE) (INCLUDES ITEMS 4 - 9, 11).....	1
11	<u>70742-G02</u>		SPINDLE ASSEMBLY (DRIVER SIDE)	1
12	<u>00407-G6</u>		BOLT, 1/2 - 13 X 6" LG	2
13	<u>00560-G3</u>		WASHER, 1/2"	4
14	<u>70745-G01</u>		KING PIN TUBE	2
15	<u>70754-G01</u>		THRUST WASHER, 1" (STAINLESS STEEL).....	2
16	<u>14390-G6</u>		LOCK NUT, 1/2 - 13	2
17	<u>76419-G01</u>		SHOCK ABSORBER.....	2
18	<u>10435-G1</u>		SHOCK ABSORBER WASHER	8
19	<u>10194-G1</u>		RUBBER BUSHING	8
20	<u>00532-G6</u>		NUT, 3/8 - 24	4
21	<u>70664-G03</u>		LEAF SPRING (HEAVY DUTY)	2
22	<u>70163-G03</u>		SPRING PLATE	4
23	<u>00734-G1</u>		LOCK NUT, 7/16 - 14	11
24	<u>00463-G6</u>		BOLT, 7/16 - 14 X 1 3/4" LG	7
25	<u>70964-G01</u>		RACK AND PINION UNIT (COMPLETE) (INCLUDES ITEMS 26 - 37)	1
26	*		STEERING BOX INSTALLATION TAG.....	1
27	<u>70694-G01</u>		RACK EXTENSION	1
28	*		JAM NUT, 1/2 - 20.....	1
29	<u>70961-G01</u>		RACK BOOT	1

FRONT SUSPENSION/STEERING

Where applicable, THE USE OF NON UL PARTS WILL VOID ANY UL LISTING.

When ordering parts, please specify the model and serial number of the product.

* Indicates a component that is not available as an individual part.

G** Indicates consult Customer Service Department for additional information.

ITEM	PART NO.	1 2 3 4 5	DESCRIPTION	QTY.
30	<u>12416-G2</u>		WIRE TIE	1
31	<u>11391-G8</u>		CLAMP, 1 13/16 - 2 3/8"	1
32	<u>70638-G01</u>		PINION SEAL	1
33	<u>70695-G01</u>		RACK BALL JOINT (INCLUDES ITEMS 34 -37)	1
34	<u>50641-G1</u>		RUBBER BOOT	1
35	<u>50209-G2</u>		CASTELLATED NUT, 7/16 - 20	1
36	<u>10387-G2</u>		COTTER PIN, 3/32" X 1" LG	1
37	<u>10389-G3</u>		GREASE FITTING, STRAIGHT	1
38	<u>00464-G6</u>		BOLT, 7/16 - 14 X 2 3/4" LG	2
39	<u>01068-G01</u>		BOLT, 7/16 - 14 X 3 1/2" LG	1
40	<u>70667-G02</u>		SPACER	2
41	<u>70667-G03</u>		SPACER (SHORT)	1
42	<u>00532-G7</u>		NUT, 7/16 - 14	1
43	<u>00560-G2</u>		FLAT WASHER, 7/16"	7
44	<u>00734-G1</u>		LOCK NUT, 7/16 - 14	3
45	<u>70607-G01</u>		STEERING SHAFT	1
46	<u>70758-G05</u>		STEERING COLUMN KIT (INCLUDES ITEMS 47,48 & 69)	1
47	<u>70610-G03</u>		STEERING COLUMN	1
48	<u>28569-G01</u>		STEERING COLUMN BUSHING	1
49	<u>70580-G01</u>		INTERMEDIATE SHAFT (INCLUDES ITEMS 50, 51)	1
50	<u>01055-G01</u>		BOLT, M8 X 1.25 - 05	2
51	<u>00565-G8</u>		LOCK WASHER, 5/16"	2
52	<u>70751-G01</u>		RETAINING RING (INTERNAL)	1
53	<u>70888-G01</u>		RETAINING RING (EXTERNAL)	1
54	<u>15112-G1</u>		BALL BEARING	1
55	<u>70887-G01</u>		WAVE WASHER	1
56	<u>602978</u>		STEERING WHEEL	1
57	<u>71950-G01</u>		CLIPBOARD	1
58	<u>14390-G2</u>		LOCK NUT, 5/8 - 18	1
59	<u>70876-G02</u>		TIE ROD ASSEMBLY (INCLUDES ITEMS 60 - 64)	1

FRONT SUSPENSION/STEERING

Where applicable, THE USE OF NON UL PARTS WILL VOID ANY UL LISTING.

When ordering parts, please specify the model and serial number of the product.

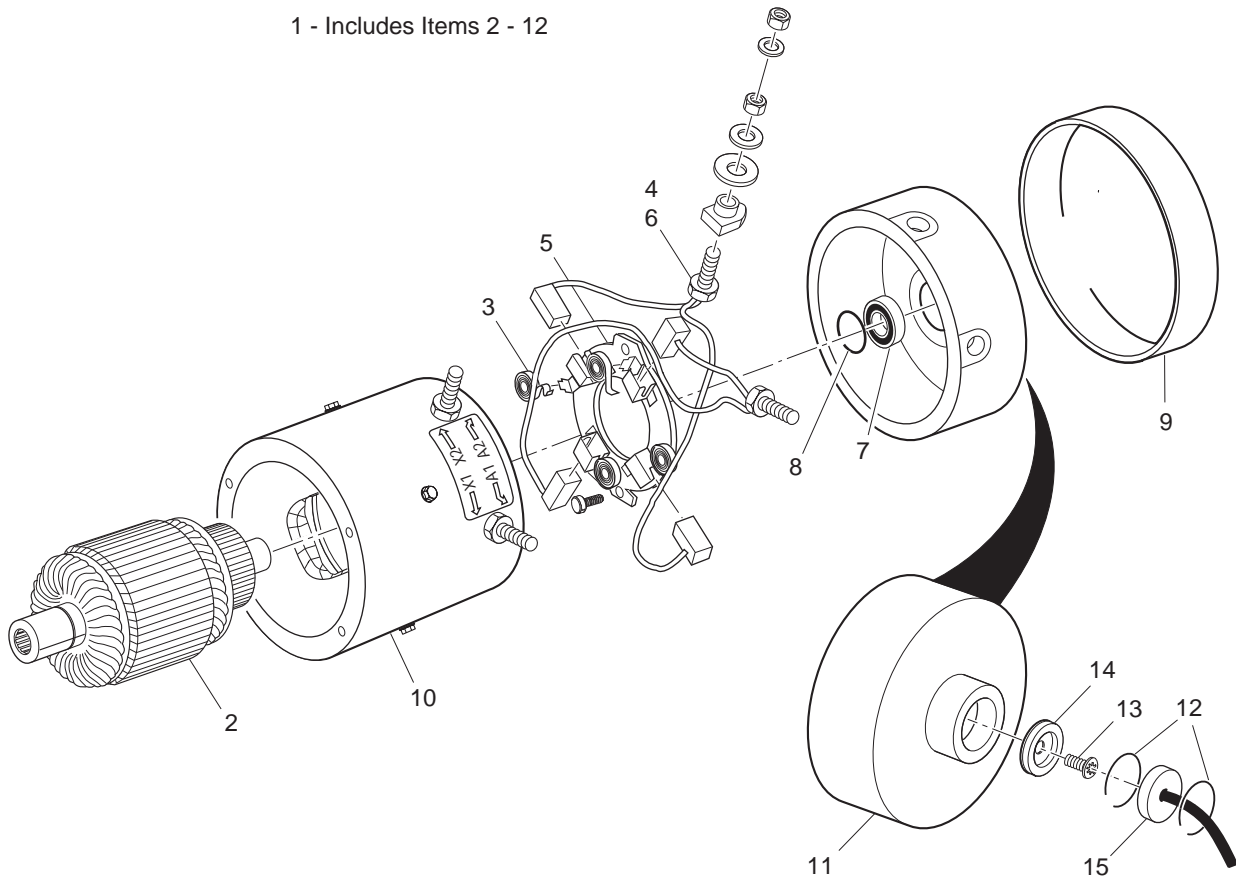
* Indicates a component that is not available as an individual part.

G** Indicates consult Customer Service Department for additional information.

ITEM	PART NO.	1 2 3 4 5	DESCRIPTION	QTY.
60	<u>70897-G02</u>		THREADED ROD (24" LG).....	1
61	<u>70902-G01</u>		TIE ROD END (LEFT HAND THREADS)	1
62	<u>01069-G01</u>		JAM NUT, M12 X 1.25 - 05 (LEFT HAND THREADS).....	1
63	<u>70902-G02</u>		TIE ROD END (RIGHT HAND THREADS).....	1
64	<u>01069-G02</u>		JAM NUT, M12 X 1.25 - 05 (RIGHT HAND THREADS)	1
65	<u>00734-G1</u>		LOCK NUT, 7/16 - 14	2
66	<u>00463-G4</u>		BOLT, 7/16 - 14 x 1 1/2 " LG.....	4
67	<u>01006-G01</u>		BOLT, 3/8 - 16 x 1 1/4" LG.....	4
68	00879 -G1		LOCK WASHER, 3/8".....	4
69	<u>01022-G01</u>		SCREW #6 - 20 x 5/16" LG	1

MOTOR

1 - Includes Items 2 - 12



MOTOR

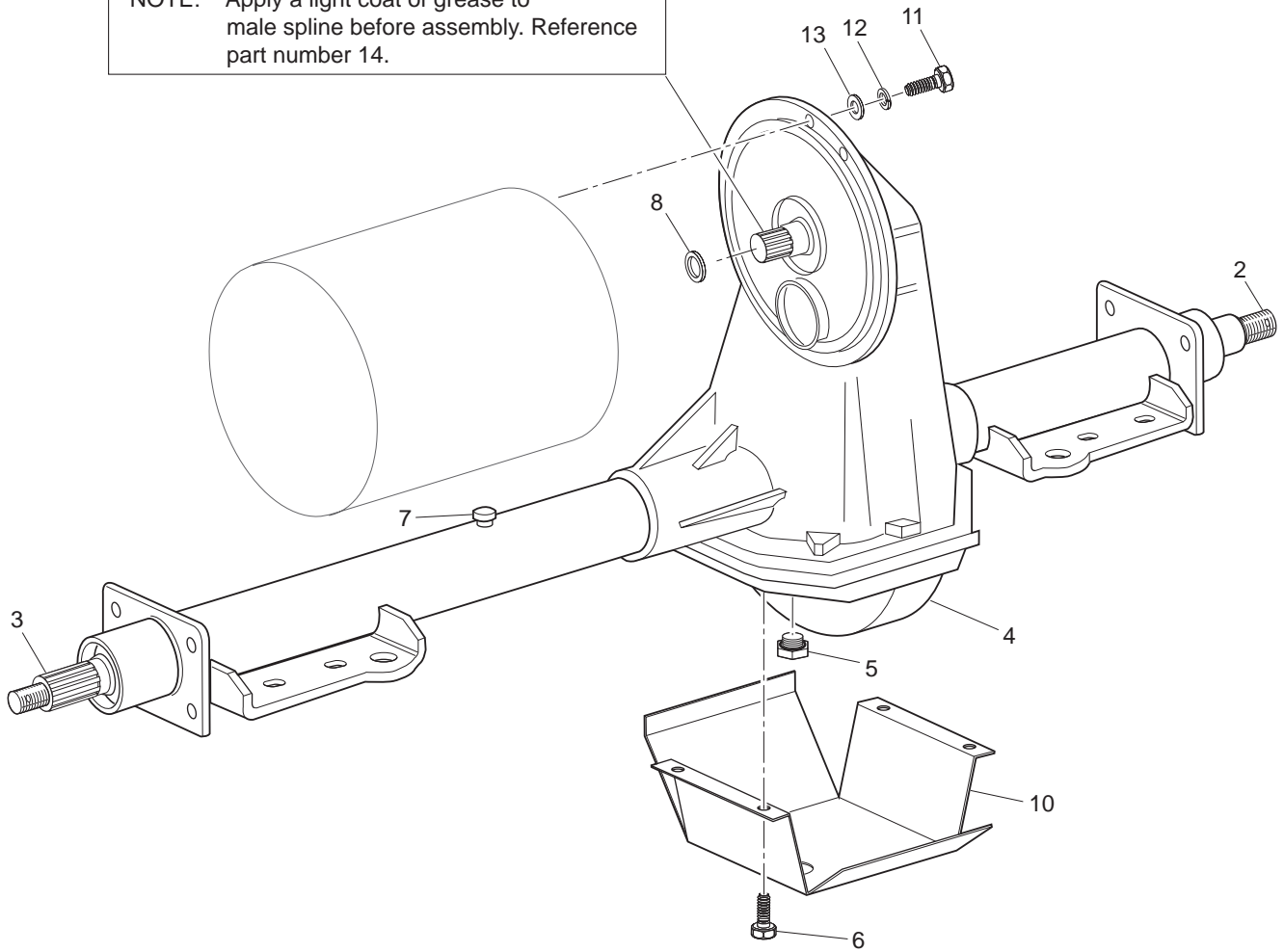
THE USE OF NON U.L. PARTS WILL VOID ANY U.L. LISTING.
 When ordering parts, please specify the model and serial number of the product.
 * Indicates a component that is not available as an individual part.
 G** Indicates consult Customer Service Department for additional information.

ITEM	PART NO.	1	2	3	4	5	DESCRIPTION	QTY.
1	<u>73291-G04</u>						MOTOR (SEPARATELY EXCITED) (PDS) (INCLUDES ITEMS 2-12).....	1
2	<u>73120-G36</u>						ARMATURE	1
3	<u>73120-G38</u>						BRUSH SPRING.....	4
4	<u>73120-G39</u>						BRUSH	4
5	<u>73120-G40</u>						BRUSH BOX.....	1
6	<u>73120-G41</u>						BRUSH REPLACEMENT KIT (INCLUDES HARDWARE)	2
7	<u>73120-G07</u>						BEARING	1
8	<u>73120-G06</u>						SNAP RING	1
9	<u>73120-G43</u>						HEADBAND	1
10	<u>73120-G37</u>						FRAME AND FIELD COIL (INCLUDES HARDWARE).....	1
11	<u>73120-G42</u>						COVER COMMUTATOR END	1
12	<u>73277-G01</u>						RETAINING RING.....	1
13	<u>01037-G02</u>						SCREW, #10 - 32 X 1/2" LG.....	1
14	<u>73328-G01</u>						MAGNET	1
15	<u>73327-G02</u>						SPEED SENSOR.....	1

REAR AXLE

1 - Includes Items 2 - 8

NOTE: Apply a light coat of grease to male spline before assembly. Reference part number 14.

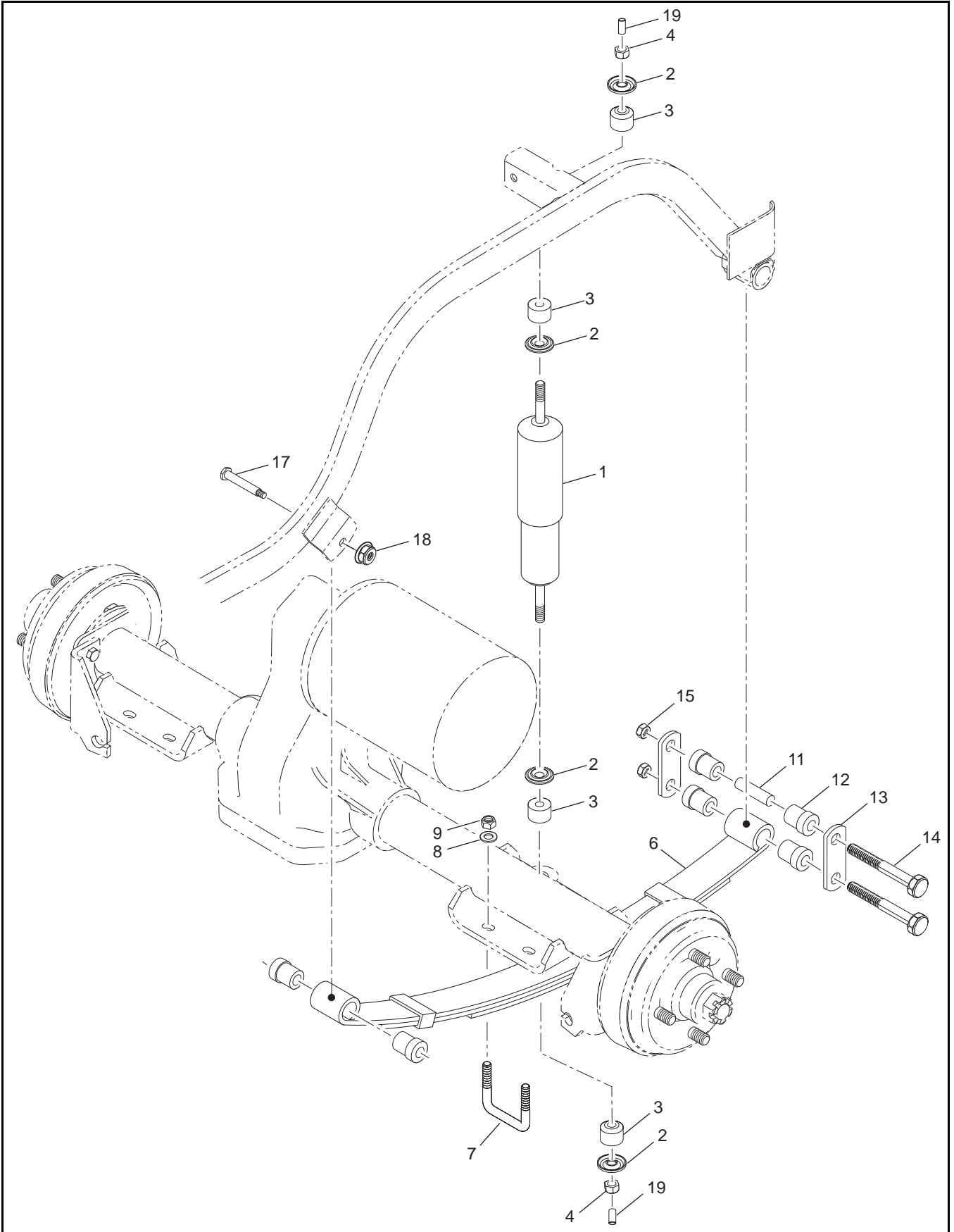


REAR AXLE

Where applicable, THE USE OF NON UL PARTS WILL VOID ANY UL LISTING.
 When ordering parts, please specify the model and serial number of the product.
 * Indicates a component that is not available as an individual part.
 G** Indicates consult Customer Service Department for additional information.

ITEM	PART NO.	1 2 3 4 5	DESCRIPTION	QTY.
1	<u>74612-G01</u>		REAR AXLE ASSEMBLY 14.76:1 (INCLUDES ITEMS 2 - 8)	1
2	<u>20377-G12</u>		AXLE SHAFT (PASSENGER SIDE)	1
3	<u>20377-G11</u>		AXLE SHAFT (DRIVER SIDE).....	1
4	*		DIFFERENTIAL COVER.....	1
5	<u>28610-G01</u>		FILL PLUG WITH 'O' RING.....	1
6	<u>15558-G1</u>		BOLT, 5/16 - 18 X 3/4" LG.....	10
7	<u>73050-G01</u>		VENT	1
8	73356-P01		O-RING INPUT SHAFT	1
9				
10	<u>72764-G02</u>		SCUFF GUARD	1
11	<u>00797-G2</u>		BOLT, 1/4 - 20 X 1 1/4" LG	3
12	<u>00565-G7</u>		LOCK WASHER, 1/4" (STAINLESS STEEL)	3
13	<u>00559-G7</u>		WASHER, 1/4" (STAINLESS STEEL)	3
14	27023-G01		GREASE.	AR

REAR SUSPENSION



REAR SUSPENSION

THE USE OF NON U.L. PARTS WILL VOID ANY U.L. LISTING.

When ordering parts, please specify the model and serial number of the product.

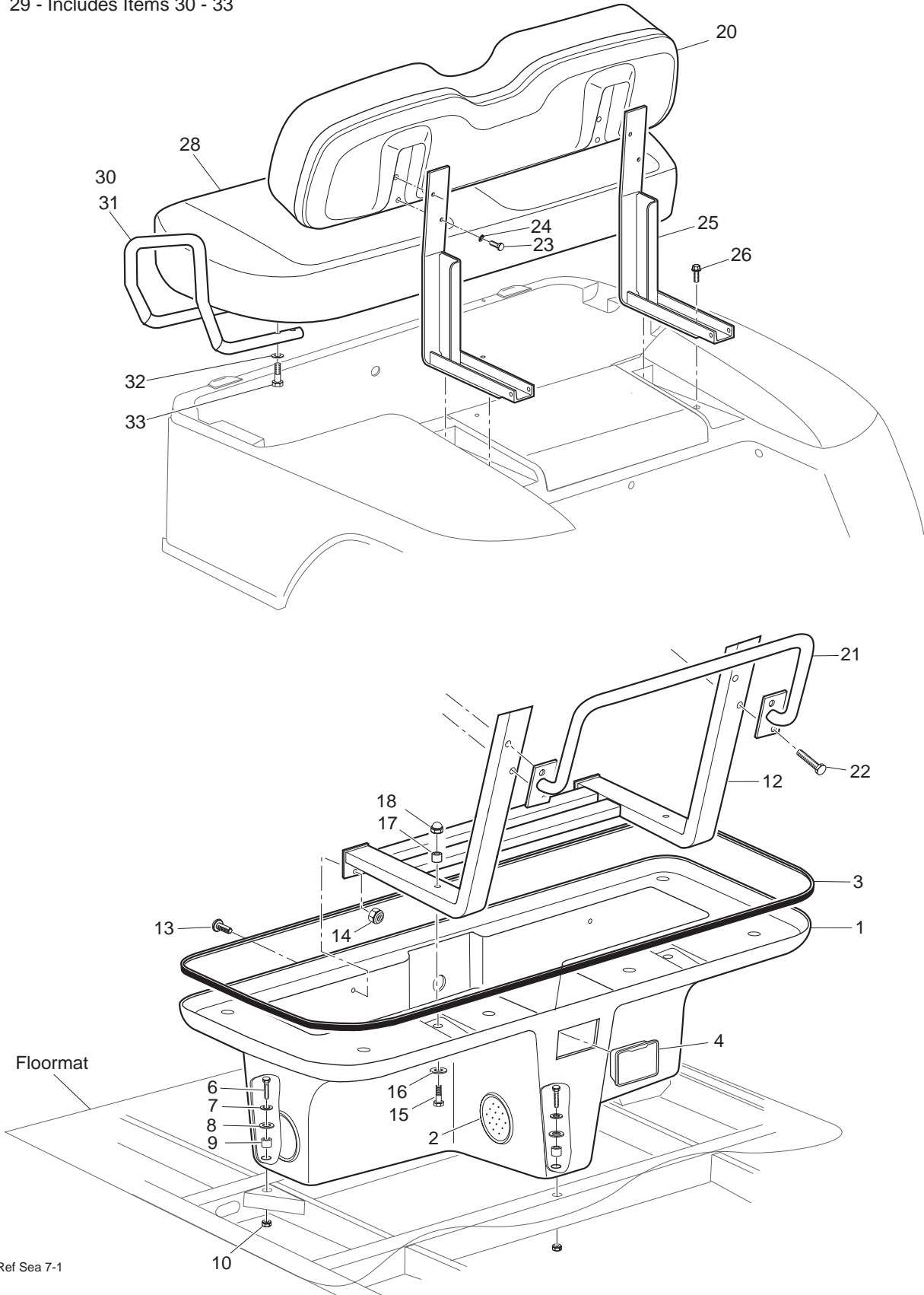
* Indicates a component that is not available as an individual part.

G** Indicates consult Customer Service Department for additional information.

ITEM	PART NO.	1 2 3 4 5	DESCRIPTION	QTY.
1	<u>76418-G01</u>		SHOCK ABSORBER.....	2
2	<u>10435-G1</u>		SHOCK ABSORBER WASHER.....	8
3	<u>10194-G1</u>		RUBBER SHOCK ABSORBER BUSHING.....	8
4	<u>00532-G6</u>		NUT, 3/8 - 24.....	4
5				
6	<u>74207-G03</u>		LEAF SPRING (HEAVY DUTY).....	2
7	<u>72618-G01</u>		"U" BOLT, 3/8 - 16 X 2" X 2 1/2" LG.....	4
8	<u>00560-G1</u>		WASHER, 3/8".....	8
9	<u>11098-G5</u>		LOCK NUT, 3/8 - 16.....	8
10				
11	<u>70289-G02</u>		SPACER.....	4
12	<u>70291-G01</u>		RUBBER BUSHING.....	12
13	<u>70290-G02</u>		SHACKLE PLATE.....	4
14	<u>00665-G9</u>		BOLT, 3/8 - 16 X 3 1/2" LG (STAINLESS STEEL).....	4
15	<u>11098-G5</u>		LOCK NUT, 3/8 - 16.....	4
16				
17	<u>14158-G1</u>		SHOULDER BOLT, 3/8 - 16 X 3 1/4" LG.....	2
18	<u>12262-G1</u>		LOCK NUT, 3/8 - 16.....	2
19	<u>10044-G01</u>		VINYL CAP.....	4

SEATING

29 - Includes Items 30 - 33



SEATING

THE USE OF NON U.L. PARTS WILL VOID ANY U.L. LISTING.

When ordering parts, please specify the model and serial number of the product.

* Indicates a component that is not available as an individual part.

G** Indicates consult Customer Service Department for additional information.

ITEM	PART NO.	1 2 3 4 5	DESCRIPTION	QTY.
1	70836-G00*		SEAT POD	1
2	<u>71599-G01</u>		VENT PLUG	4
3	<u>32805-G6</u>		TRIM, BLACK.....	1
4	27731-G01		ASHTRAY	1
5				
6	00439-G8		BOLT, 5/16 - 18 X 2" LG	3
7	<u>00675-G1</u>		WASHER, 1 1/4" X 3/8".....	3
8	<u>71883-G01</u>		RUBBER WASHER, 5/8"	3
9	<u>23726-G9</u>		SPACER, 3/4".....	3
10	11098-G6		LOCK NUT, 5/16 - 18	3
11				
12	71868 -G01		SEAT BACK SUPPORT	1
13	<u>00976-G06</u>		SCREW, 5/16 - 18 X 3/4" LG.....	2
14	11098-G6		LOCK NUT, 5/16 - 18	2
15	<u>00427-G8</u>		BOLT, 3/8 - 16 X 2" LG	2
16	<u>00675-G1</u>		WASHER, 1 1/4" X 3/8".....	2
17	<u>23726-G4</u>		SPACER, 5/16".....	2
18	<u>15717-G5</u>		ACORN NUT, 3/8 - 16	2
19				
20	71751-G**		SEAT BACK ASSEMBLY	1
21	<u>71632-G01</u>		HAND GRIP	1
22	<u>71204-G02</u>		BOLT, 1/4 - 20 X 2" LG	4
23	00414-G8		BOLT, 1/4 - 20 X 1" LG	4
24	<u>00565-G7</u>		LOCK WASHER, 1/4".....	4
25	<u>74137-G01</u>		SEAT BACK SUPPORT	2
26	<u>01006-G02</u>		BOLT, 3/8 - 16 X 1 1/4" LG	4
27				
28	71651-G**		SEAT BOTTOM	1
29	<u>71646-G01</u>		HAND HOLD KIT (INCLUDES ITEMS 30 - 33)	1
30	<u>71876-G02</u>		HIP RESTRAINT, REAR SEAT (DRIVER SIDE)	1

SEATING

THE USE OF NON U.L. PARTS WILL VOID ANY U.L. LISTING.

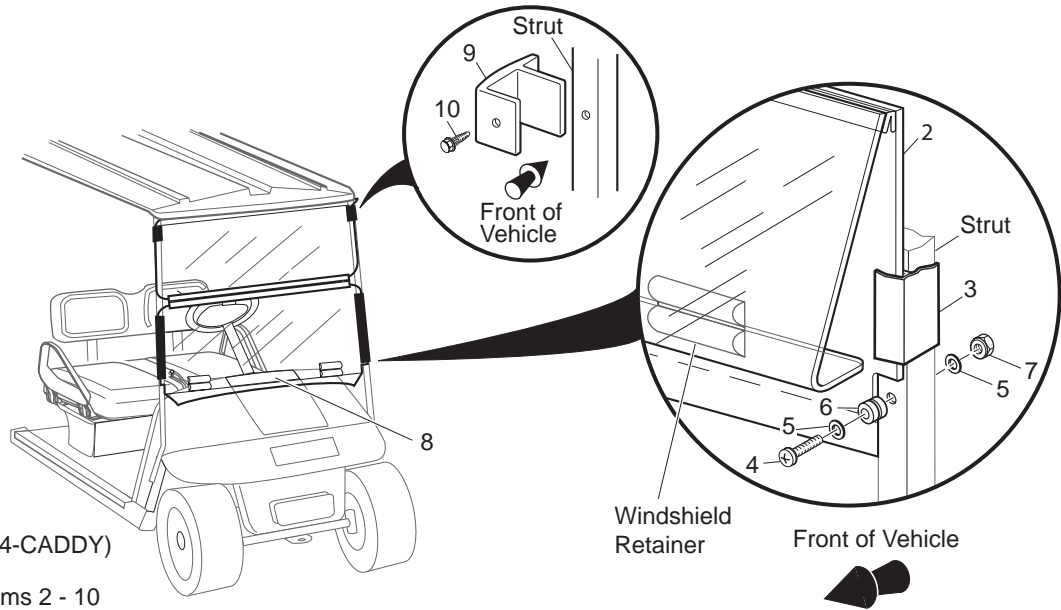
When ordering parts, please specify the model and serial number of the product.

* Indicates a component that is not available as an individual part.

G** Indicates consult Customer Service Department for additional information.

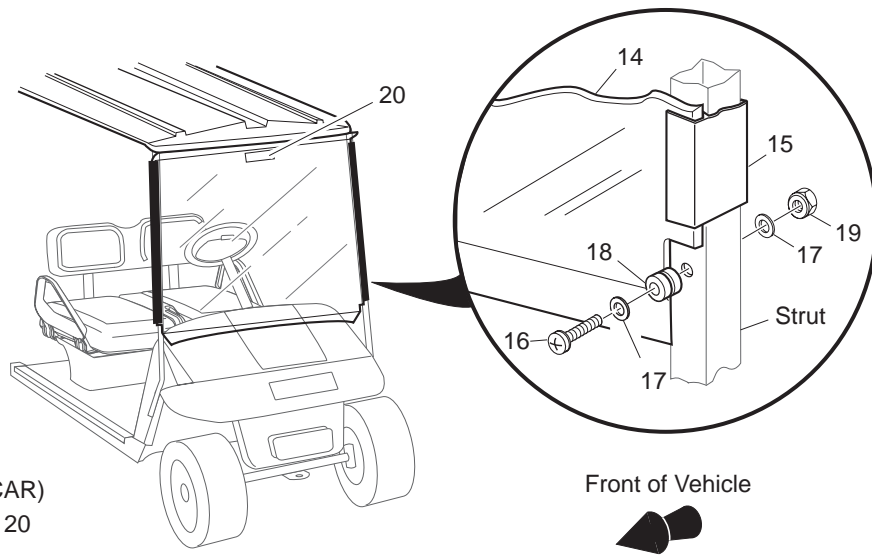
ITEM	PART NO.	1	2	3	4	5	DESCRIPTION	QTY.
31	<u>71876-G01</u>						HIP RESTRAINT, REAR SEAT (PASSENGER SIDE).....	1
32	<u>00559-G7</u>						WASHER, 1/4"	8
33	<u>00415-G2</u>						BOLT, 1/4 - 20 X 1 1/4" LG.....	8

WEATHER PROTECTION



WINDSHIELD (4-CADDY)

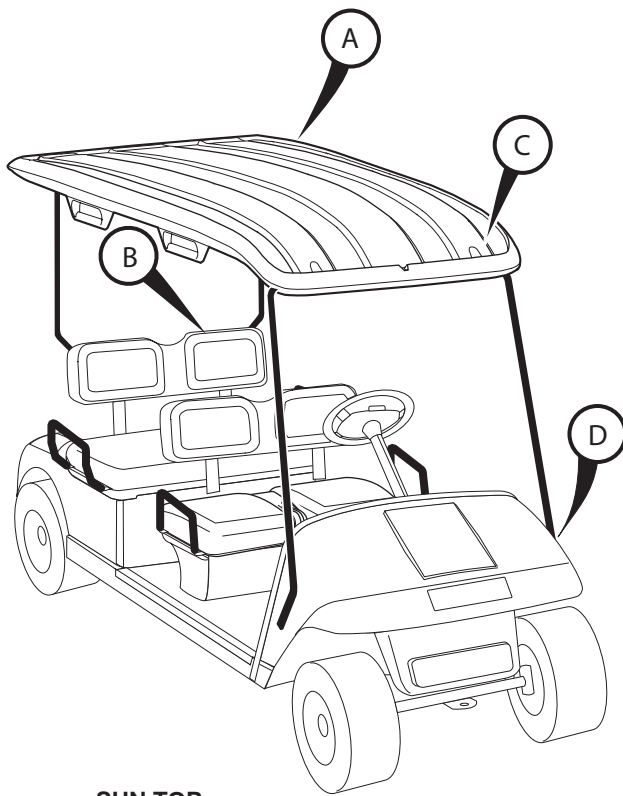
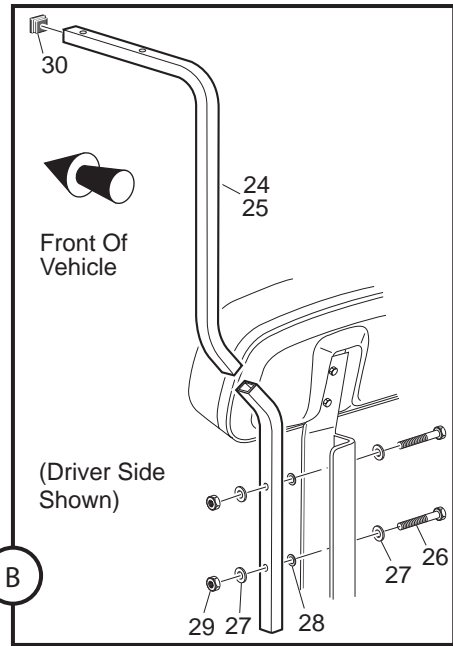
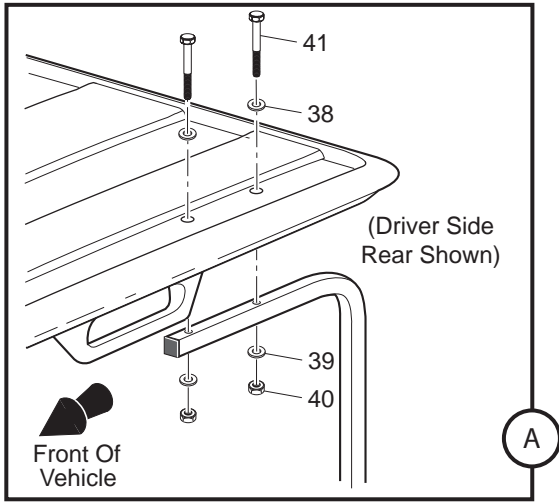
1 - Includes Items 2 - 10



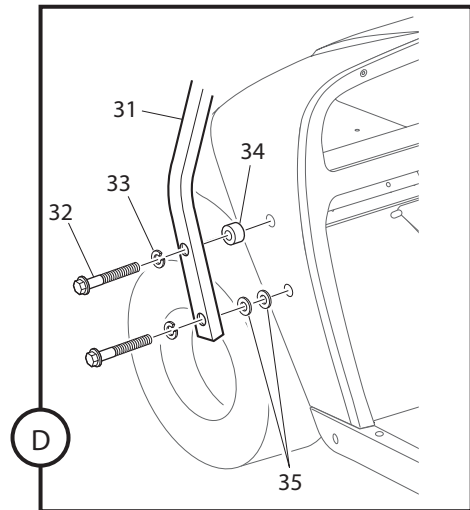
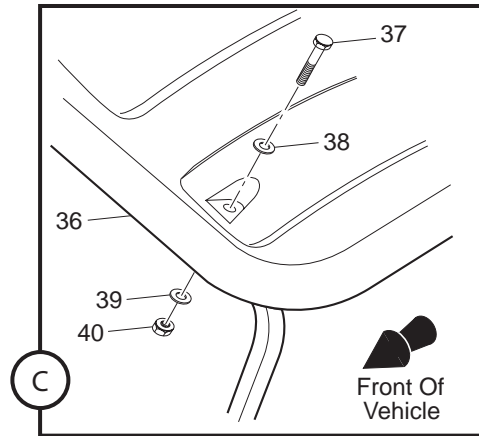
WINDSHIELD (GOLF CAR)

13 - Includes Items 14 - 20

WEATHER PROTECTION



SUN TOP
23 - Includes Items 24 - 41



WEATHER PROTECTION

THE USE OF NON U.L. PARTS WILL VOID ANY U.L. LISTING.

When ordering parts, please specify the model and serial number of the product.

* Indicates a component that is not available as an individual part.

G** Indicates consult Customer Service Department for additional information.

ITEM	PART NO.	1 2 3 4 5	DESCRIPTION	QTY.
1	75525G02		WINDSHIELD KIT, SPLIT,CLEAR, 4-CADDY (INCLUDES ITEMS 2 - 10)	1
2	E4WSX03		WINDSHIELD (4-CADDY)	1
3	EGWHC10		SASH, 12"	2
4	EGWHS12		SCREW, 1/4 - 20 X 1 3/4" LG (STAINLESS STEEL).....	2
5	EGWHW12		WASHER, 1/4" (STAINLESS STEEL).....	4
6	EGWHG13		RUBBER GROMMET	2
7	EGWHN12		LOCK NUT, 1/4 - 20 (STAINLESS STEEL).....	2
8	EGWHL14		SAFETY LABEL.....	1
9	137-011		TOP GRIP, 1" X 2"	2
10	136-008		TOP GRIP FASTENER	2
11				
12				
13	<u>75524G01</u>		WINDSHIELD KIT, FLAT - CLIP ON CLEAR (INCLUDES ITEMS 14 - 20).....	1
14	EGWFX03		WINDSHIELD (GOLF CAR).....	1
15	EGWHC12		SASH, 26" LG	2
16	EGWHS12		SCREW, 1/4 - 20 X 1 3/4" LG (STAINLESS STEEL).....	2
17	EGWHW12		WASHER, 1/4" (STAINLESS STEEL).....	4
18	EGWHG13		RUBBER GROMMET	2
19	EGWHN12		LOCK NUT, 1/4 - 20 (STAINLESS STEEL).....	2
20	EGWHL14		SAFETY LABEL.....	1
21				
22				
23	<u>75485-G01</u>		SUN TOP KIT (INCLUDES ITEMS 24 - 41)	1
24	<u>75487-G02</u>		REAR SUPPORT (DRIVER SIDE)	2
25	<u>75487-G01</u>		REAR SUPPORT (PASSENGER SIDE).....	2
26	<u>00665-G5</u>		BOLT, 3/8 - 16 X 1 3/4" LG (STAINLESS STEEL)	4
27	<u>00679-G1</u>		WASHER, 3/8" (STAINLESS STEEL).....	8
28	<u>00771-G5</u>		NYLON WASHER, 3/8".....	4
29	<u>00891-G5</u>		LOCK NUT, 3/8 - 16.....	4
30	<u>19853-G1</u>		END CAP, 1"	2

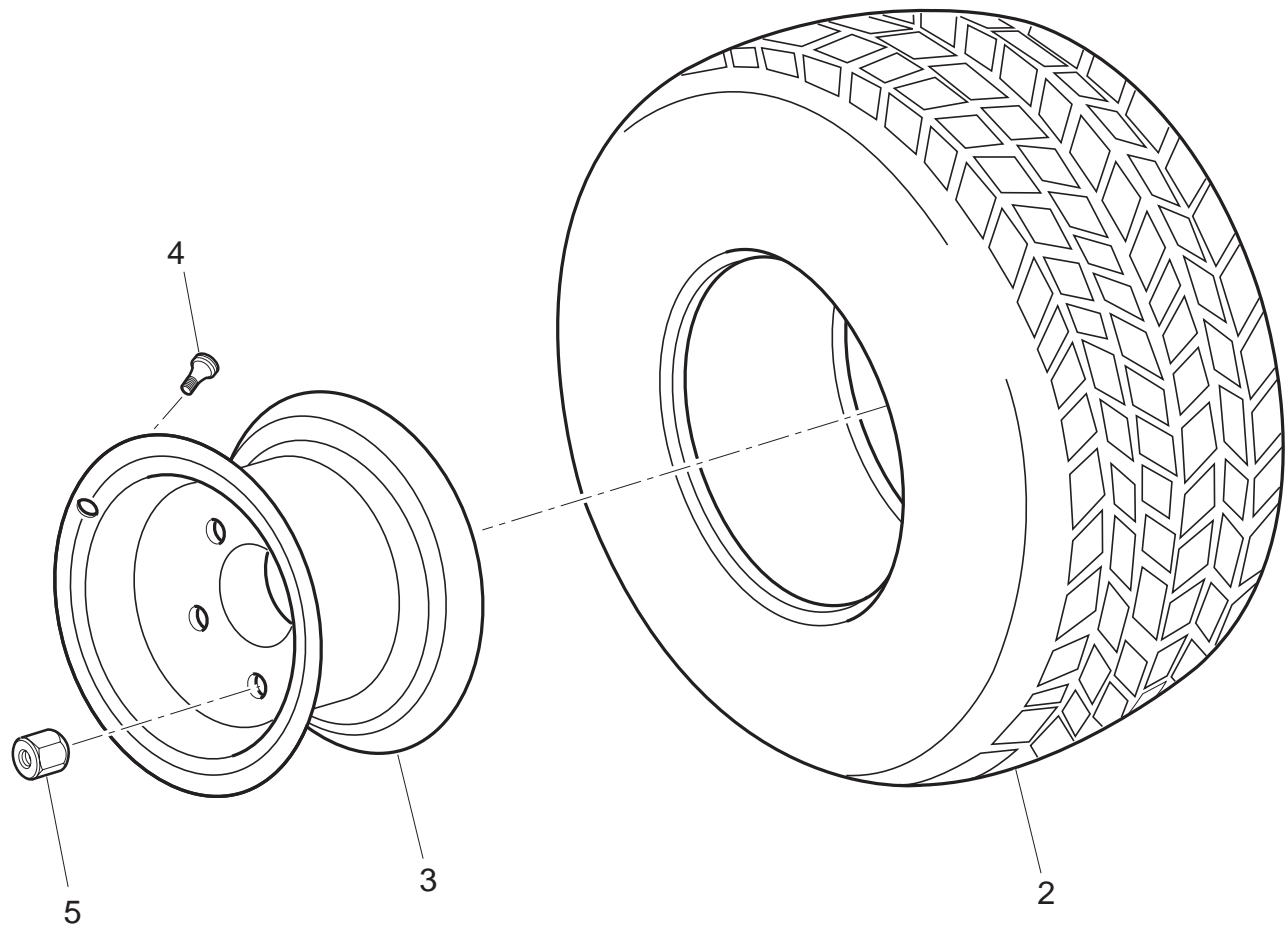
WEATHER PROTECTION

THE USE OF NON U.L. PARTS WILL VOID ANY U.L. LISTING.
 When ordering parts, please specify the model and serial number of the product.
 * Indicates a component that is not available as an individual part.
 G** Indicates consult Customer Service Department for additional information.

ITEM	PART NO.	1 2 3 4 5	DESCRIPTION	QTY.
31	<u>75488-G01</u>		FRONT SUPPORT	2
32	00440-G02		BOLT, 5/16 - 18 X 2 1/4" LG.....	4
33	<u>00905-G8</u>		LOCK WASHER, 5/16"	4
34	<u>75048-G01</u>		SPACER, 1/2"	2
35	<u>00879-G1</u>		LOCK WASHER, 3/8"	4
36	<u>74374-G01</u>		SUN TOP	1
37	<u>00685-G10</u>		BOLT, 5/16 - 18 X 2 3/4" LG (STAINLESS STEEL)	2
38	<u>00907-G2</u>		WASHER, 5/16" (STAINLESS STEEL).....	6
39	<u>00660-G8</u>		WASHER, 5/16" (STAINLESS STEEL).....	6
40	11098-G6		LOCK NUT, 5/16 - 18 (STAINLESS STEEL).....	6
41	<u>00685-G11</u>		BOLT, 5/16 - 18 X 3 1/4" LG (STAINLESS STEEL)	4

WHEELS AND TIRES

1 - Includes Items 2, 3, 4



(Style of tire may differ from tire shown)

WHEELS AND TIRES

Where applicable, THE USE OF NON UL PARTS WILL VOID ANY UL LISTING.
 When ordering parts, please specify the model and serial number of the product.
 * Indicates a component that is not available as an individual part.
 G** Indicates consult Customer Service Department for additional information.

ITEM	PART NO.	1	2	3	4	5	DESCRIPTION	QTY.
1	<u>28757-G01</u>						TIRE AND WHEEL ASSEMBLY (INCLUDES ITEMS 2, 3, 4).....	AR
2	<u>28764-G01</u>						TIRE, 18 X 8.50 - 8 LINKS®	1
3	<u>28759-G01</u>						WHEEL RIM.....	1
4	<u>11657-G2</u>						VALVE STEM.....	1
5	<u>14723-G1</u>						LUG NUT, 1/2 - 20.....	AR

SPECIALTY PRODUCTS

SPECIALTY PRODUCTS

SPECIALTY PRODUCTS

SPECIAL TOOLS	PART NO.
BATTERY MAINTENANCE KIT	25587-G01
BATTERY SET DISCHARGER, 36 VOLT, 75 AMP	28251-G01
DIGITAL MULTI-METER	27481-G01
E-Z-GO RESTORER FIBERGLASS & PLASTIC	606313
E-Z-GO W/SHIELD AND PLASTIC PROTECTOR.....	606314

TOUCH UP PAINT	PART NO.
PEN 3 OUNCE (89 ML) - HUNTER GREEN	28432-G02
PEN 3 OUNCE (89 ML) - CHAMPAGNE BEIGE	28432-G01
PEN 3 OUNCE (89 ML) - WHITE	28432-G05
PEN 3 OUNCE (89 ML) - INDUSTRIAL YELLOW.....	28432-G03
PEN 3 OUNCE (89 ML) - ORANGE	28432-G04
PEN 3 OUNCE (89 ML) - STEEL BLUE PEARL	28432-G**
PEN 3 OUNCE (89 ML) - CAMOUFLAGE PAINT (THREE PENS)	75831-G01
AEROSOL 12 OUNCE (360 ML) - HUNTER GREEN	28140-G09
AEROSOL 12 OUNCE (360 ML) - CHAMPAGNE BEIGE	28140-G15
AEROSOL 12 OUNCE (360 ML) - INDUSTRIAL YELLOW.....	28140-G14
AEROSOL 12 OUNCE (360 ML) - STEEL BLUE PEARL	28140-G**

MAINTENANCE PRODUCTS	PART NO.
FORMULA 40 VINYL-COAT® - WHITE	28166-G01
PLEXUS® CLEANER, 7 OUNCE (210 ML) (FOR WINDSHIELDS)	28433-G01
PLEXUS® CLEANER, 13 OUNCE (380 ML) (FOR WINDSHIELDS)	28433-G02
BATTERY PROTECTOR, 14 OUNCE (410 ML) SPRAY	75500-G01
WHITE LITHIUM GREASE, 14 OUNCE (410 ML) SPRAY.....	75502-G01
PENETRANT/LUBRICANT, 15 OUNCE (440 ML) SPRAY	75503-G01
MULTI-PURPOSE CLEANER & DEGREASER, 14 OUNCE (410 ML) SPRAY	75504-G01
MULTI-PURPOSE HAND CLEANER, 32 OUNCE (950 ML) LIQUID	75505-G01
BATTERY CLEANER, 32 OUNCE (950 ML) WITH TRIGGER SPRAYER.....	75506-G01
E-Z-GO ALL SURFACE CLEANER	606311
E-Z-GO BATTERY TERMINAL PROTECTOR	606312
TUBELESS TIRE REPAIR KIT	606009
TIRE PLUGGER REFILL PACK (50/BOX)	606831

SPECIALTY PRODUCTS

BIO-DEGRADABLE CLEANER, 32 OUNCE (950 ML) WITH TRIGGER SPRAYER.....	75507-G01
MULTI-PURPOSE VALUE PACK.....	75508-G01
• BATTERY PROTECTOR, 4 OUNCE (120 ML) SPRAY	
• PENETRANT/LUBRICANT, 4 OUNCE (120 ML) SPRAY	
• WHITE LITHIUM GREASE, 4 OUNCE (120 ML) SPRAY	
• CARBURETOR & CHOKE CLEANER, 4 OUNCE (120 ML) SPRAY	

SPECIALTY PRODUCTS

Notes: _____



A Textron Company

E-Z-GO Division Of Textron, Inc.,
1451 Marvin Griffin Road, Augusta, Georgia USA 30906-3852

TO CONTACT US

North America:

Technical Assistance & Warranty Phone: 1-800-774-3946, FAX: 1-800-448-8124
Service Parts Phone: 1-888-GET-EZGO (1-888-438-3946), FAX: 1-800-752-6175

International:

Phone: 010-1-706-798-4311, FAX: 010-1-706-771-4609

Certified ISO 9001 / ISO 14001 by



Copyrighted Material
This manual may not be reproduced in whole or
in part without the express permission of
E-Z-GO Division of Textron, Inc.
Technical Communications Department