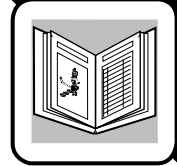


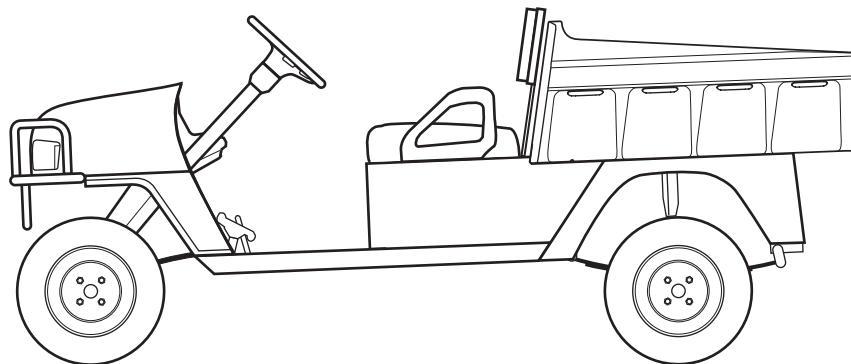
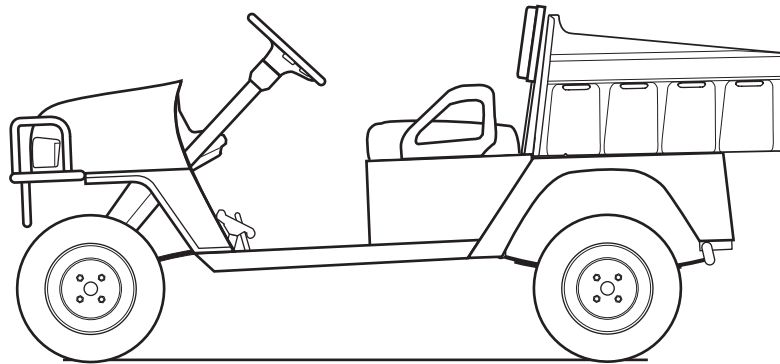
605232



A Textron Company



# SERVICE PARTS MANUAL



## GASOLINE POWERED UTILITY VEHICLE

ISSUED DATE MAY 2006    REVISED DATE JANUARY 2007



# **SERVICE PARTS MANUAL**

## **GASOLINE POWERED UTILITY VEHICLES**

**ST 350**

**ST 350 CARB**

**ST SPORT**

**ST SPORT CARB**

**JAC 3500**

**STARTING MODEL YEAR 2006+**

E-Z-GO Division of TEXTRON, Inc. reserves the right to make design changes without obligation to make these changes on units previously sold and the information contained in this manual is subject to change without notice.

E-Z-GO Division of TEXTRON, Inc. is not liable for errors in this manual or for incidental or consequential damages that result from the use of the material in this manual.

**CUSTOMER SERVICE DEPARTMENT IN USA PHONE: 1-800-241-5855 FAX: 1-800-448-8124**

**OUTSIDE USA PHONE: 001-706-798-4311, FAX: 001-706-771-4609**

**E-Z-GO DIVISION OF TEXTRON, INC., P.O.BOX 388, AUGUSTA, GEORGIA USA 30906-3852**

## NOTES

To obtain a copy of the limited warranty applicable to the vehicle, call or write a local Distributor, authorized Branch or the Warranty Department with vehicle serial number and manufacturer code.

The use of non Original Equipment Manufacturer (OEM) parts may void the warranty.

Tampering with or adjusting the governor to permit vehicle to operate at above factory specifications will void the vehicle warranty.

When servicing engines, all adjustments and replacement components must be per original vehicle specifications in order to maintain the United States of America Federal and State emission certification applicable at the time of manufacture.

### BATTERY PROLONGED STORAGE

All batteries will self discharge over time. The rate of self discharge varies depending on the ambient temperature and the age and condition of the batteries.

A fully charged battery will not freeze in winter temperatures unless the temperature falls below -75° F (-60° C).

# TABLE OF CONTENTS

<b>SECTION</b>	<b>Page No.</b>
HOW TO USE THE SERVICE PARTS MANUAL .....	v
ILLUSTRATED PARTS BREAKDOWN .....	vii
ACCELERATOR .....	A-1
AIR CLEANER .....	B-1
BODY .....	C-1
BRAKES .....	D-1
CAB .....	E-1
CARBURETOR AND CHOKE .....	F-1
CLUTCH .....	G-1
DIRECTION SELECTOR .....	H-1
ELECTRICAL .....	J-1
ENGINE AND MUFFLER .....	K-1
ENGINE MOUNTING .....	L-1
FRONT SUSPENSION .....	M-1
FUEL SYSTEM .....	N-1
REAR AXLE .....	P-1
REAR SUSPENSION .....	Q-1
SEATING .....	R-1
STARTER / GENERATOR .....	S-1
STEERING .....	T-1
TRUCK BED, ST SPORT .....	U-1
TRUCK BED ST 350 .....	U-11
WINCH .....	V-1
WEATHER PROTECTION .....	W-1
WHEELS AND TIRES .....	X-1
OPTIONS/ACCESSORIES .....	APPENDIX B-1
SPECIALTY PRODUCTS .....	APPENDIX A-1

# TABLE OF CONTENTS

**SECTION**

**Page No.**

# HOW TO USE THE SERVICE PARTS MANUAL

This manual is divided into several sections:

## **GENERAL INFORMATION**

- TABLE OF CONTENTS
- HOW TO USE THE SERVICE PARTS MANUAL

## **ILLUSTRATED PARTS BREAKDOWN**

- Contains illustrations and parts lists for all systems of the vehicle

## **APPENDIX**

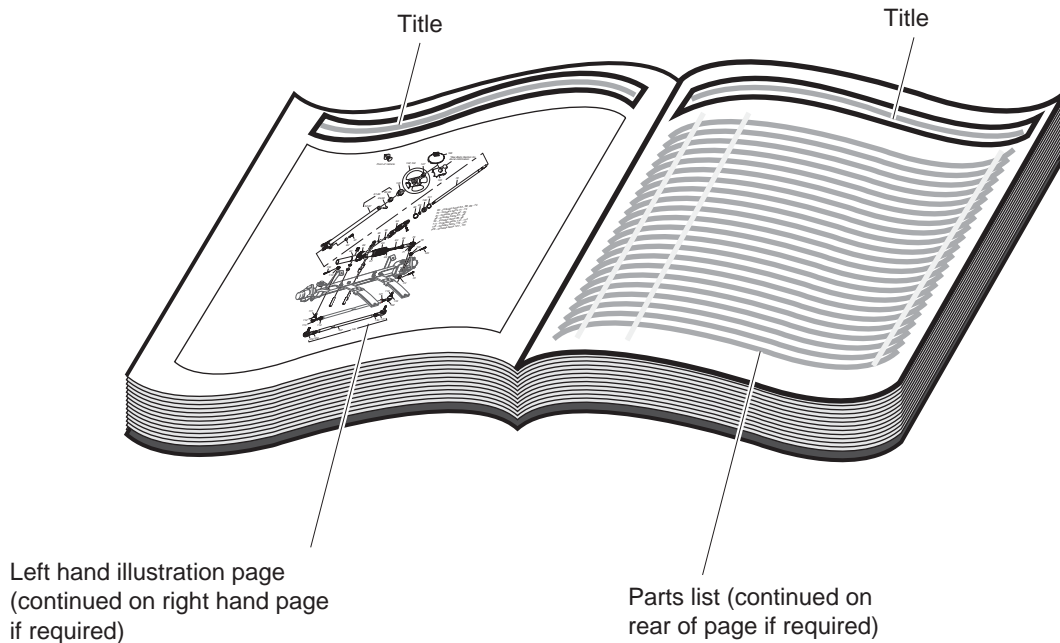
- Contains a listing of specialty products and options/accessories

## **USE OF THE MANUAL**

To use this manual, consult the TABLE OF CONTENTS (page iii) to locate the information or illustration required.

Introduction of some revisions varies due to supply of components; therefore, it is possible that various combinations of components may be found that are not directly reflected by each illustration. Consult the illustration that best suits your situation. Locate the serial number plate (see BODY located in the Illustrated Parts Breakdown section of this manual for its location) and note the complete number shown on the plate. It is important that the serial number of your vehicle and its model number be supplied to Service Parts when ordering any replacement components.

# HOW TO USE THE SERVICE PARTS MANUAL



## 1. WHEN THE PART NUMBER IS NOT KNOWN

- Determine the function and application of the part required. Turn to the INDEX OF MAJOR COMPONENTS and select the most appropriate component description.
- Turn to the page number indicated and locate the part description in the parts list. Read the full accompanying description for specific information regarding the part that was not shown in the index.
- From the parts list, obtain the item number assigned to it and confirm that the part selected is correct by verifying it with the pictorial representation on the illustrated page.

## 2. IF YOU KNOW THE PART NUMBER

- Use the INDEX OF MAJOR COMPONENTS to find the page(s) the part number appears on.
- Turn to the page number indicated and locate the part number in the parts list. Refer to the accompanying description for specific information regarding the part.
- From the parts list, obtain the item number assigned to it and confirm that the part selected is correct by verifying it with the pictorial representation on the illustrated page.

Should an asterisk (\*) appear in the part number column on the parts list page, read upwards until a part number is found. The part number is the lowest assembly sold by Service Parts. The asterisk (\*) indicates that the part depicted is not available for purchase.

NOTE: Descriptions are indented under the assembly that they are used on. That assembly is, in turn listed under the assembly that it is used on. This process is repeated until the highest final assembly is reached.

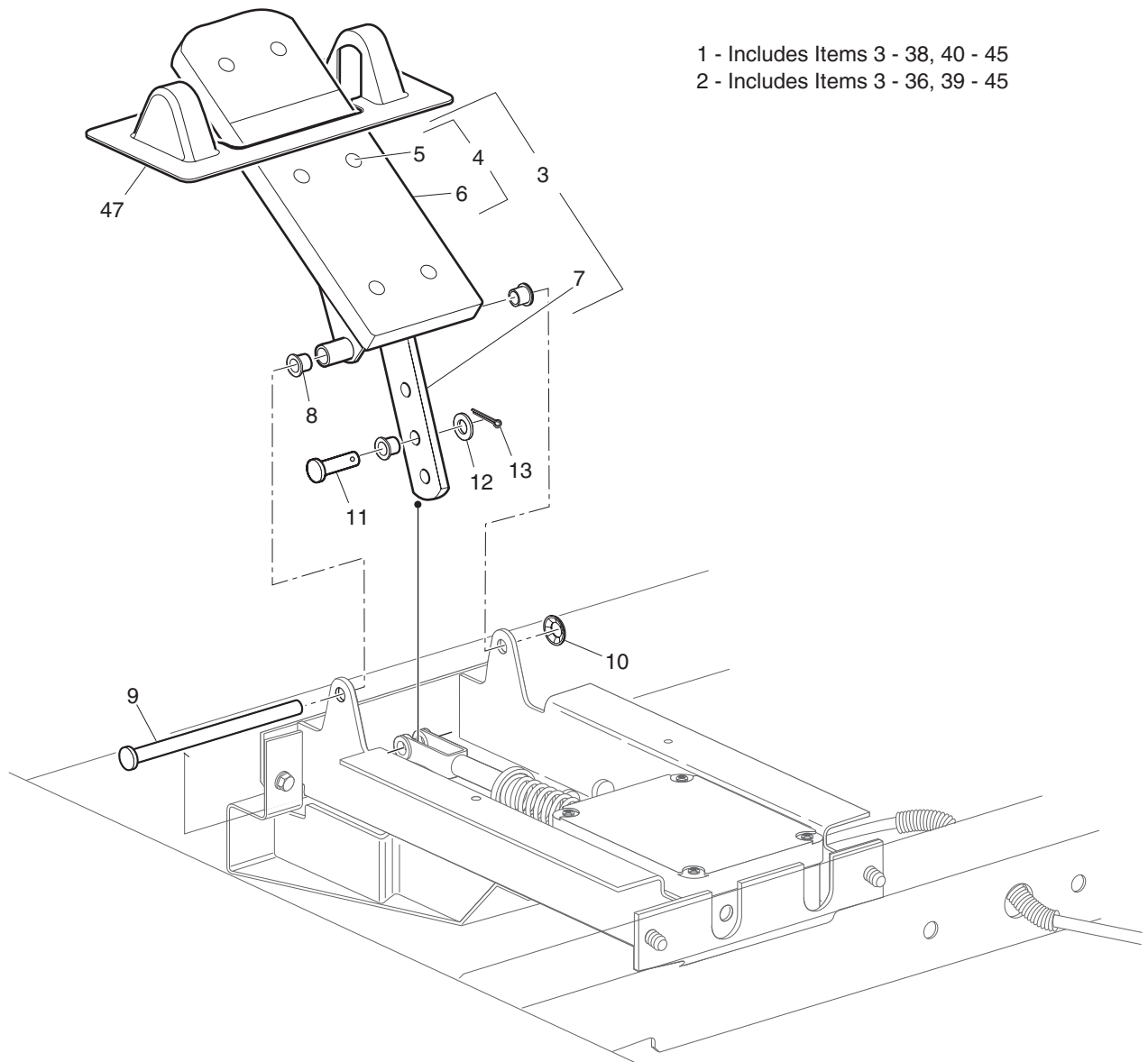
**To facilitate the maintenance and repair of the vehicle, a Technician's Repair and Service Manual is available from the Service Parts Department.**



**ILLUSTRATED PARTS BREAKDOWN**

**ILLUSTRATED PARTS BREAKDOWN**

# ACCELERATOR

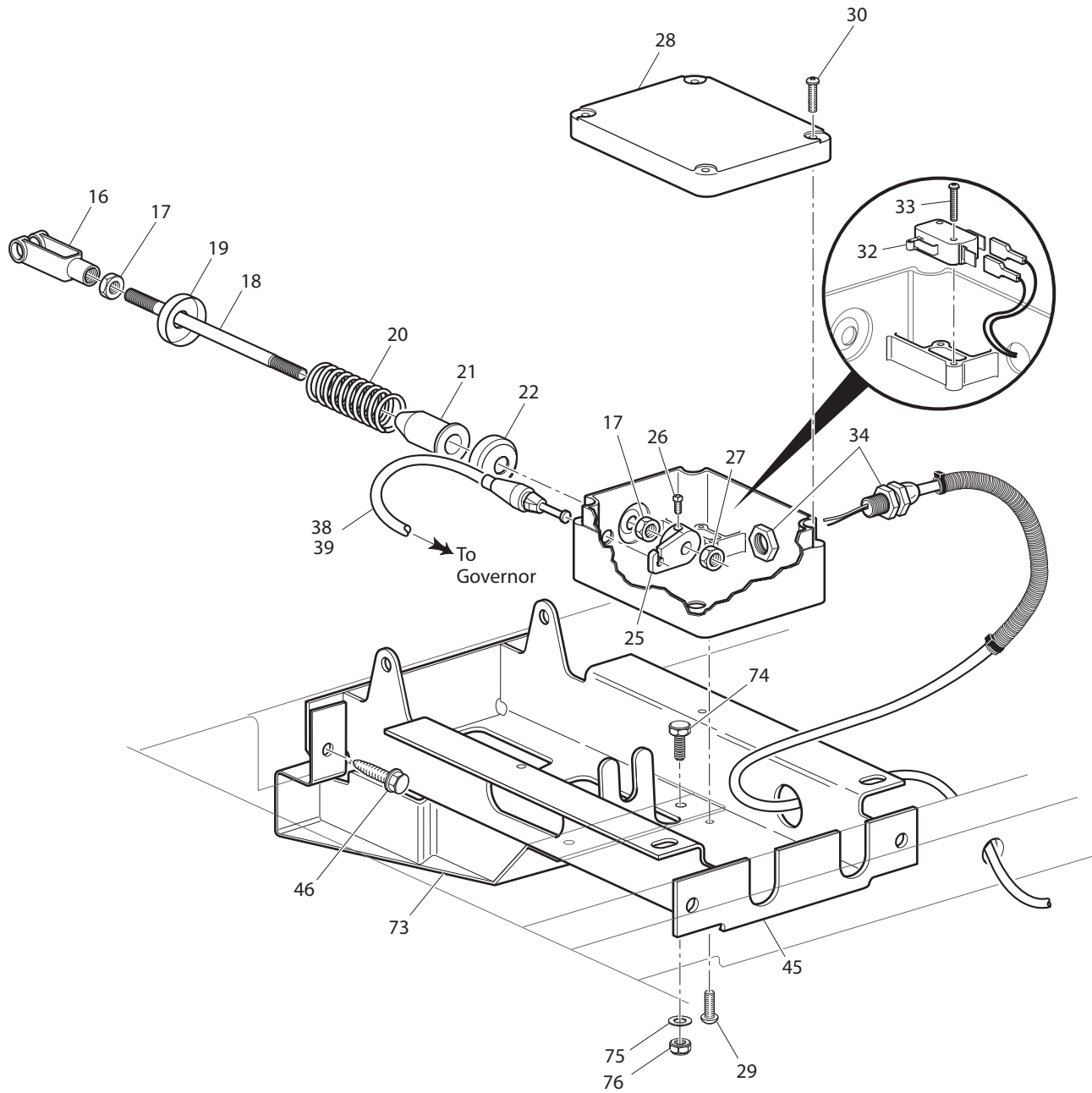


1 - Includes Items 3 - 38, 40 - 45

2 - Includes Items 3 - 36, 39 - 45

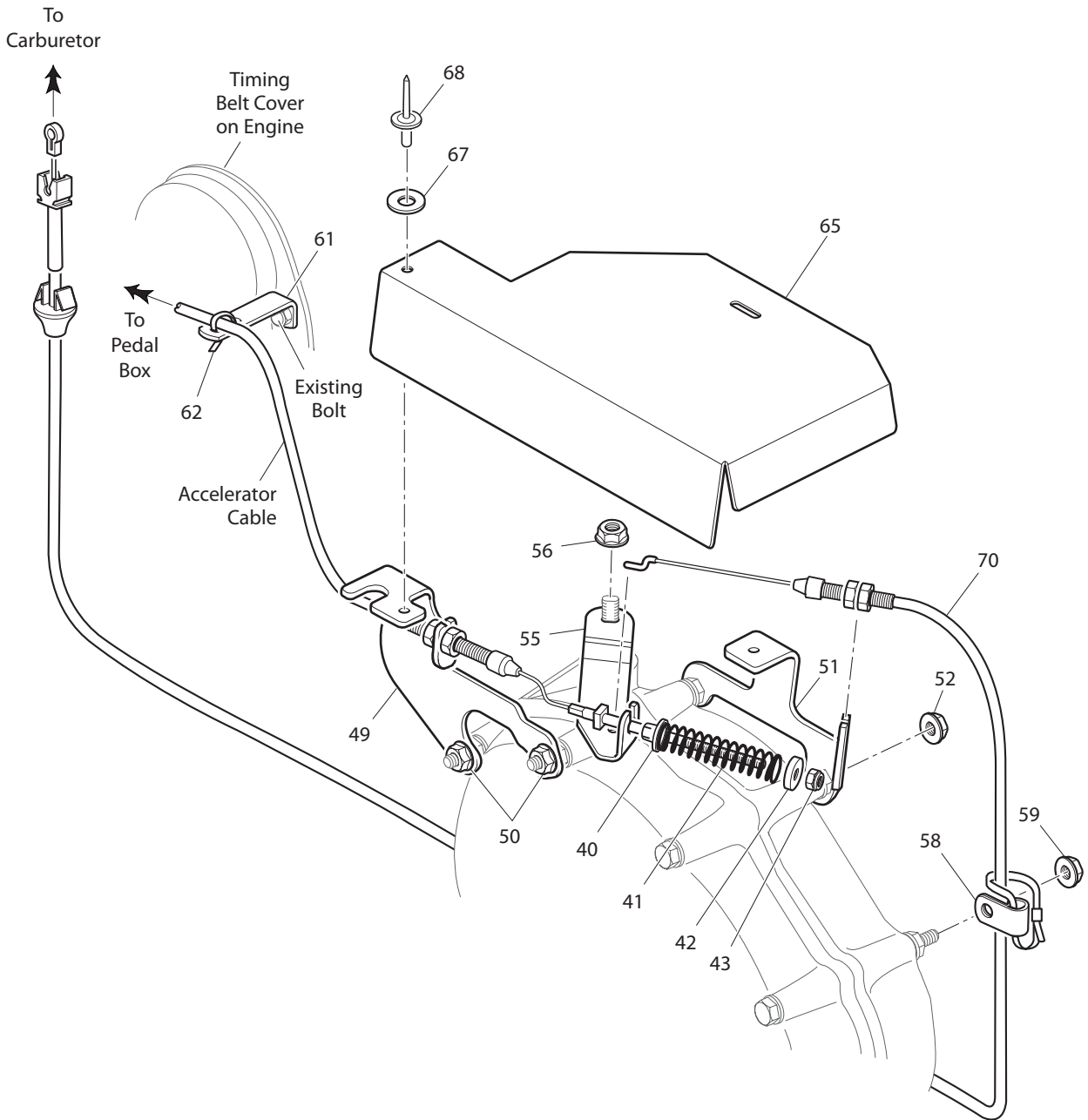
Ref Acc 9-1

# ACCELERATOR



Ref Acc 9-2

# ACCELERATOR



Ref Acc 9-3

# ACCELERATOR

Where applicable, THE USE OF NON UL PARTS WILL VOID ANY UL LISTING.

When ordering parts, please specify the model and serial number of the product.

\* Indicates a component that is not available as an individual part.

G\*\* Indicates consult Customer Service Department for additional information.

ITEM	PART NO.	1 2 3 4 5	DESCRIPTION	QTY.
1	<u>72717-G06</u>		PEDAL BOX ASSEMBLY (INCLUDES ITEMS 3 - 38, 40 - 45) (ST SPORT).....	1
2	<u>72717-G05</u>		PEDAL BOX ASSEMBLY (INCLUDES ITEMS 3 - 36, 39 - 45) (ST 350).....	1
3	<u>25799-G03</u>		ACCELERATOR PEDAL ASSEMBLY (INCLUDES ITEMS 4 - 7).....	1
4	<u>27844-G01</u>		ACCELERATOR PEDAL PAD KIT (INCLUDES ITEMS 5 - 6).....	1
5	<u>15766-G1</u>		OVAL RIVET, 3/16" X 7/16" LG.....	6
6	<u>27512-G01</u>		ACCELERATOR PEDAL PAD .....	1
7	*		ACCELERATOR PEDAL .....	1
8	<u>17838-G1</u>		NYLON BUSHING .....	3
9	<u>74432-G01</u>		PEDAL PIVOT PIN .....	1
10	<u>12064-G6</u>		PUSH NUT, 9/32".....	1
11	<u>10386-G3</u>		CLEVIS PIN, 5/16" X 13/16" LG .....	1
12	<u>17255-G1</u>		TEFLON WASHER, 5/16".....	1
13	<u>10387-G3</u>		COTTER PIN, 3/32" X 3/4" LG .....	1
14				
15				
16	<u>10385-G4</u>		CLEVIS YOKE (ADJUSTABLE).....	1
17	<u>00532-G4</u>		NUT, 5/16 - 24.....	2
18	<u>72072-G01</u>		ACCELERATOR ROD .....	1
19	<u>17677-G2</u>		SPRING RETAINER .....	1
20	<u>73046-G01</u>		COMPRESSION SPRING .....	1
21	<u>17979-G1</u>		ACCELERATOR ROD BUSHING .....	1
22	<u>17677-G1</u>		SPRING RETAINER .....	1
23				
24				
25	<u>72716-G1</u>		MICRO SWITCH CAM.....	1
26	<u>00487-G3</u>		SETSCREW, 1/4 - 20 X 3/8" LG .....	1
27	<u>15126-G1</u>		LOCK NUT, 5/16 - 24.....	1
28	<u>25853-G03</u>		PEDAL BOX AND COVER .....	1
29	<u>01051-G01</u>		SCREW, #8 - 16 X 1/2" LG .....	4
30	<u>00684-G6</u>		SCREW, #8 - 32 X 3/4" LG (STAINLESS STEEL).....	4

# ACCELERATOR

Where applicable, THE USE OF NON UL PARTS WILL VOID ANY UL LISTING.

When ordering parts, please specify the model and serial number of the product.

\* Indicates a component that is not available as an individual part.

G\*\* Indicates consult Customer Service Department for additional information.

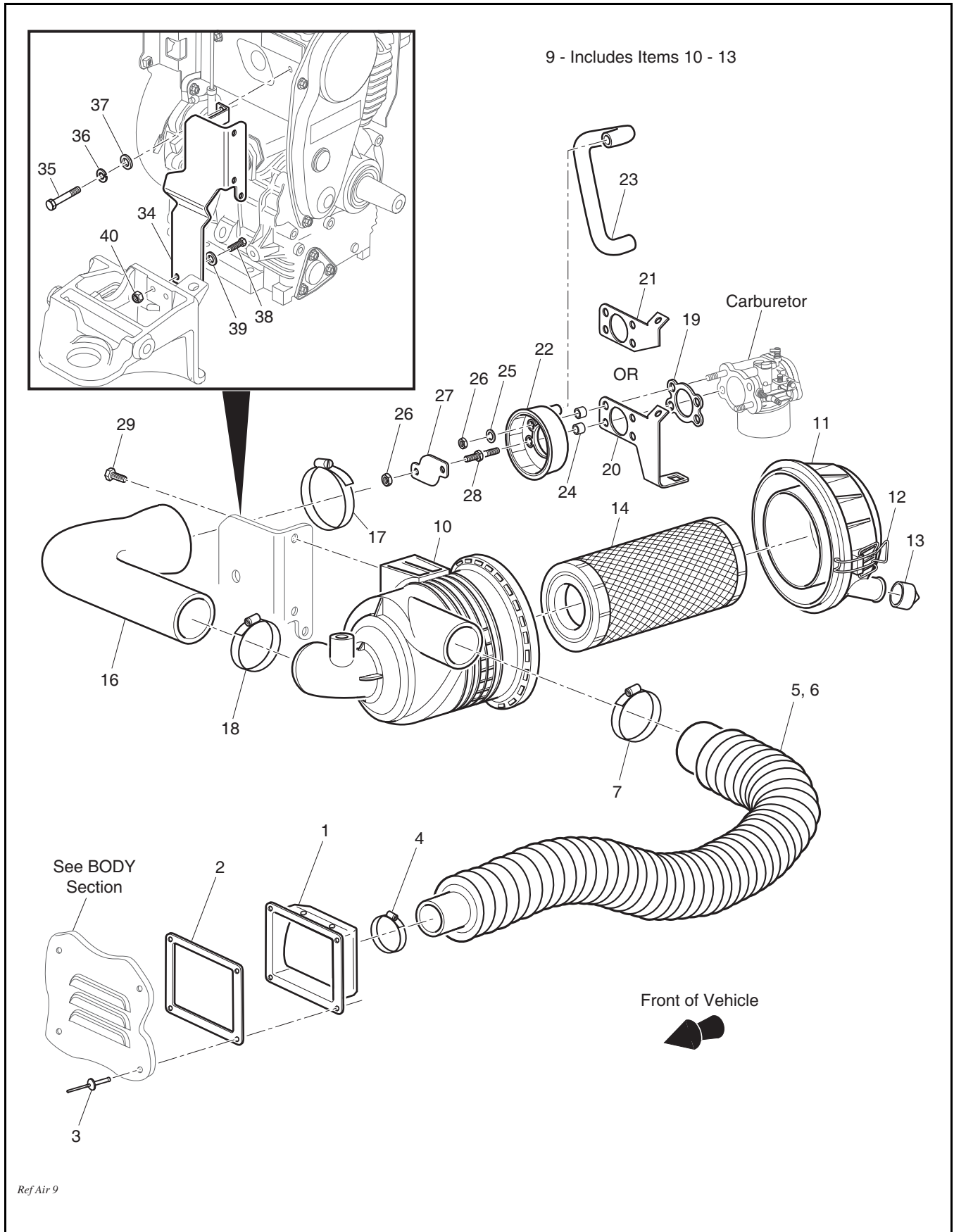
ITEM	PART NO.	1	2	3	4	5	DESCRIPTION	QTY.
31								
32	<u>25861-G01</u>						MICRO SWITCH.....	1
33	<u>01050-G01</u>						SCREW, #4 - 20 X 5/8" LG .....	2
34	<u>72201-G04</u>						WIRE HARNESS (PEDAL BOX) .....	1
35								
36								
37								
38	<u>72713-G01</u>						ACCELERATOR CABLE (ST SPORT) .....	1
39	<u>72713-G02</u>						ACCELERATOR CABLE (ST 350).....	1
40	<u>72706-G01</u>						ACCELERATOR CABLE BUSHING .....	1
41	<u>72809-G01</u>						COMPRESSION SPRING .....	1
42	<u>25727-G02</u>						CUP WASHER, 1/5" .....	1
43	<u>00734-G5</u>						LOCK NUT, #10 - 32.....	1
44								
45	70116-G02						ACCELERATOR PEDAL BRACKET.....	1
46	<u>00715-G2</u>						BOLT, 5/16 - 18 X 4/5" LG .....	4
47	<u>70135-G01</u>						PEDAL PIVOT COVER .....	1
48								
49	<u>72701-G02</u>						ACCELERATOR CABLE MOUNTING BRACKET .....	1
50	26830-G01						LOCK NUT, M8 X 1.25 MM .....	2
51	<u>72703-G02</u>						THROTTLE CABLE MOUNTING BRACKET .....	1
52	26830-G01						LOCK NUT, M8 X 1.25MM .....	2
53								
54								
55	<u>72708-G01</u>						GOVERNOR ARM .....	1
56	26830-G01						LOCK NUT, M8 X 1.25 MM .....	1
57								
58	11845-G3						CLAMP .....	1
59	26830-G01						FLANGED NUT, M8 X 1 1/4".....	1
60								

# ACCELERATOR

Where applicable, THE USE OF NON UL PARTS WILL VOID ANY UL LISTING.  
 When ordering parts, please specify the model and serial number of the product.  
 \* Indicates a component that is not available as an individual part.  
 G\*\* Indicates consult Customer Service Department for additional information.

ITEM	PART NO.	1 2 3 4 5	DESCRIPTION	QTY.
61	<u>72055-G01</u>		ACCELERATOR CABLE BRACKET .....	1
62	<u>17618-G1</u>		WIRE TIE .....	1
63				
64				
65	72705-G1		GOVERNOR COVER.....	1
66				
67	<u>00915-G1</u>		BONDED WASHER, 1/4" .....	2
68	<u>14601-G11</u>		RIVET, 3/16" X 9/16" LG (ALUMINUM) .....	2
69				
70	<u>72714-G01</u>		THROTTLE CABLE.....	1
71				
72				
73	<u>75757-G01</u>		PEDAL GUARD.....	1
74	<u>00414-G6</u>		BOLT, 1/4 - 20 X 3/4" LG .....	2
75	<u>01110-G01</u>		WASHER, 1/4" (STAINLESS STEEL) .....	2
76	<u>00654-G2</u>		LOCK NUT, 1/4 - 20 (STAINLESS STEEL) .....	2

# AIR CLEANER





# AIR CLEANER

THE USE OF NON U.L. PARTS WILL VOID ANY U.L. LISTING.

When ordering parts, please specify the model and serial number of the product.

\* Indicates a component that is not available as an individual part.

G\*\* Indicates consult Customer Service Department for additional information.

ITEM	PART NO.	1	2	3	4	5	DESCRIPTION	QTY.
1	<u>72416-G01</u>						INLET ADAPTER .....	1
2	<u>72415-G01</u>						GASKET .....	1
3	<u>71055-G01</u>						RIVET, 3/16" X 1" LG (ALUMINUM) .....	4
4	<u>11391-G2</u>						HOSE CLAMP, 2 1/16" .....	1
5	<u>72637-G02</u>						HOSE (CONVOLUTED) (ST 350) .....	1
6	<u>72637-G01</u>						HOSE (CONVOLUTED) (ST SPORT).....	1
7	<u>11391-G1</u>						HOSE CLAMP, 1 5/16" .....	1
8								
9	<u>72607-G01</u>						AIR CLEANER CANISTER ASSEMBLY (INCLUDES ITEMS 10 - 13) .....	1
10	<u>72598-G01</u>						AIR CLEANER CANISTER.....	1
11	<u>72599-G01</u>						AIR CLEANER COVER .....	1
12	<u>72604-G01</u>						AIR CLEANER LATCH .....	2
13	<u>28462-G01</u>						AIR CLEANER DUST COLLECTOR .....	1
14	<u>28463-G01</u>						AIR CLEANER ELEMENT .....	1
15								
16	<u>72592-G01</u>						HOSE (AIR FILTER TO CARBURETOR).....	1
17	<u>11391-G6</u>						HOSE CLAMP, 2 1/8" .....	1
18	<u>11391-G7</u>						HOSE CLAMP, 1 9/16" .....	1
19	<u>26727-G01</u>						CARBURETOR GASKET .....	1
20	<u>74498-G02</u>						CHOKE / THROTTLE BRACKET.....	1
21	<u>26728-G01</u>						CHOKE BRACKET .....	1
22	<u>72591-G01</u>						CARBURETOR ADAPTER .....	1
23	<u>72151-G01</u>						PCV HOSE .....	1
24	<u>23726-G11</u>						SPACER .....	4
25	<u>00664-G7</u>						LOCK WASHER, 1/4" (STAINLESS STEEL) .....	4
26	<u>13632-G1</u>						NUT, M6 X 1 .....	4
27	<u>72605-G01</u>						CARBURETOR BAFFLE.....	1
28	<u>72514-G01</u>						STUD.....	2
29	<u>25532-G1</u>						BOLT AND WASHER, M8 X 1.25 X 20 MM .....	2
30								

# AIR CLEANER

THE USE OF NON U.L. PARTS WILL VOID ANY U.L. LISTING.

When ordering parts, please specify the model and serial number of the product.

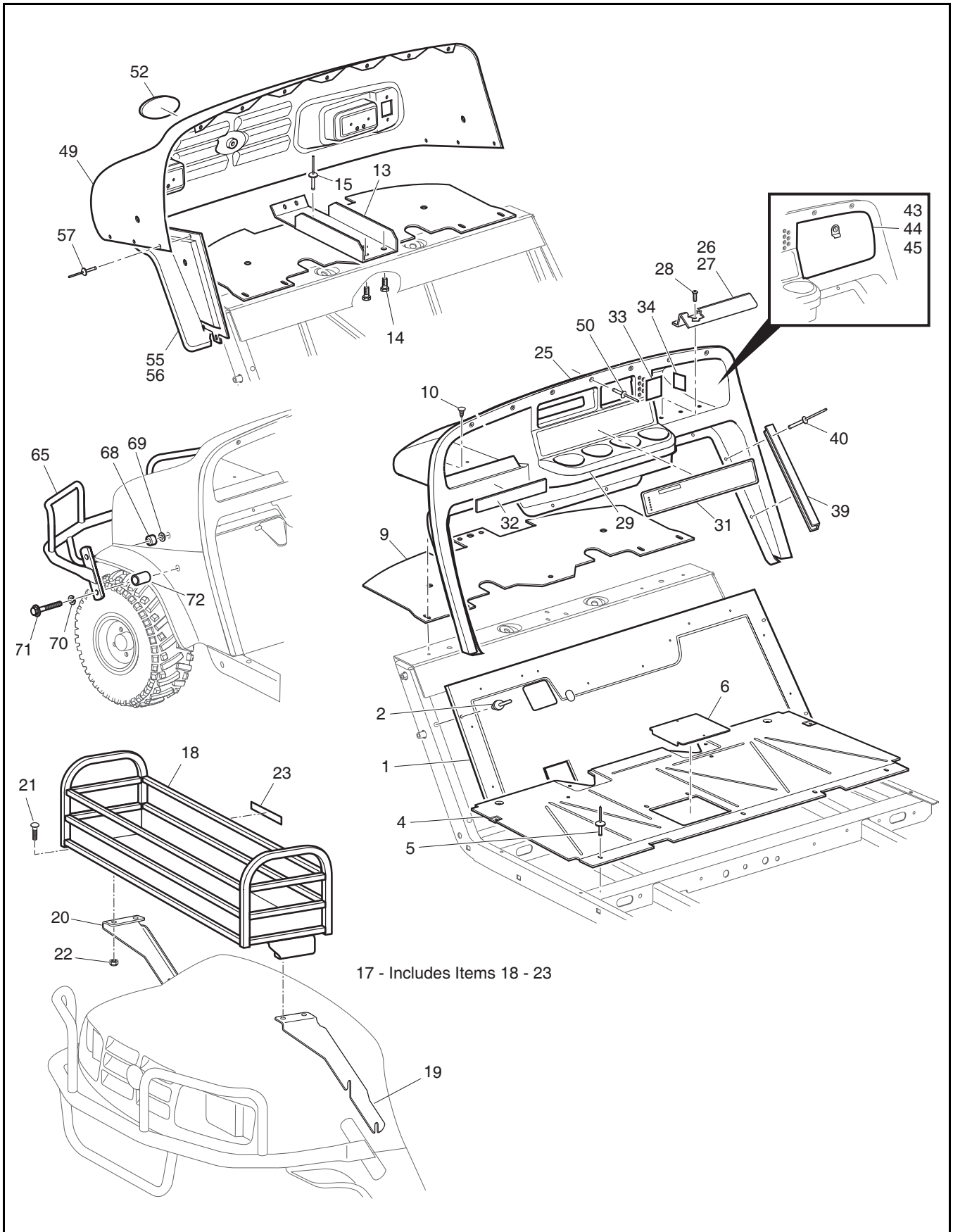
\* Indicates a component that is not available as an individual part.

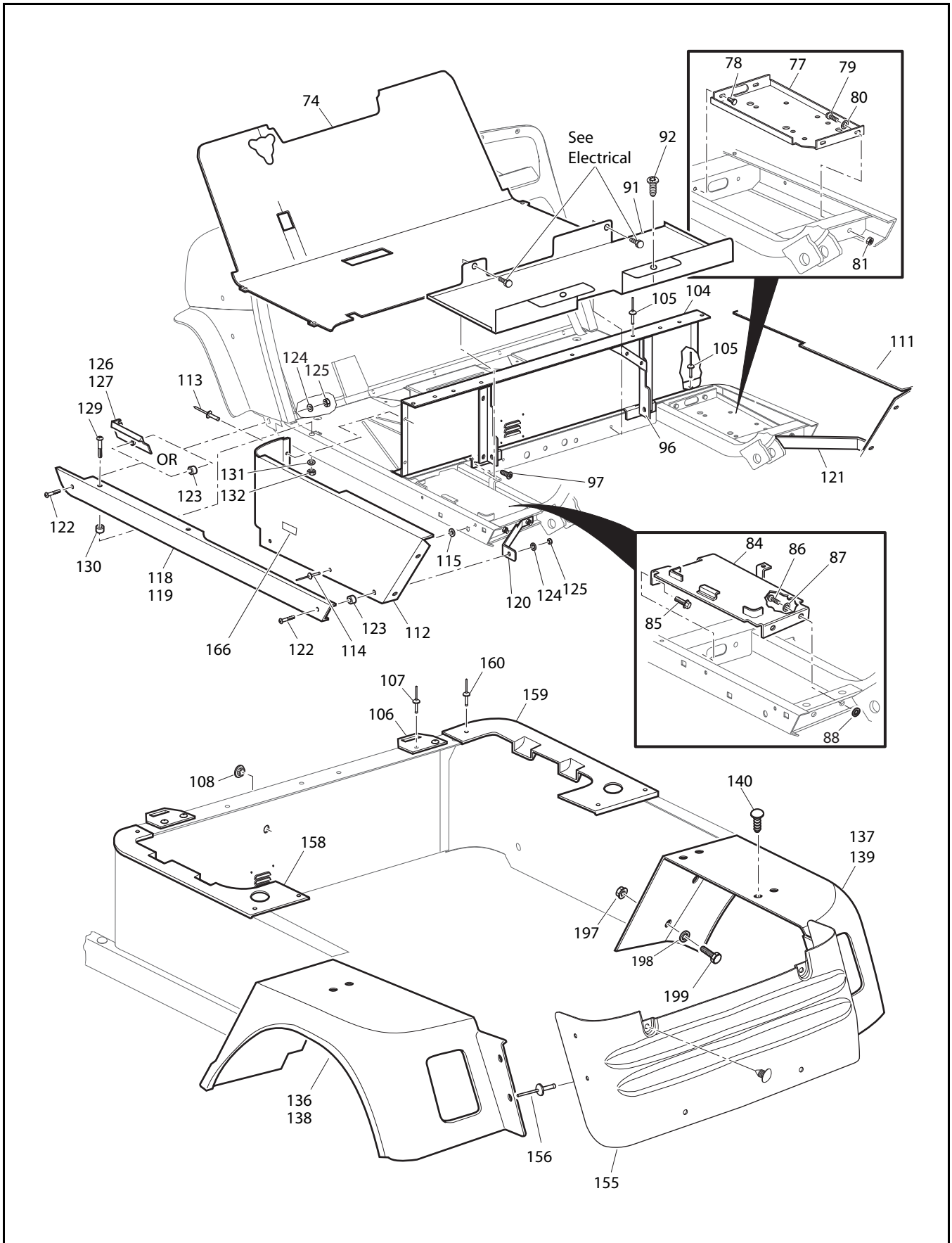
G\*\* Indicates consult Customer Service Department for additional information.

ITEM	PART NO.	1	2	3	4	5	DESCRIPTION	QTY.
31								
32								
33								
34	<u>75878-G02</u>						AIR FILTER BRACKET (CABLE ACTUATED CARBURETOR).....	1
35	<u>12547-G3</u>						BOLT, M6 X 1 X 20MM LG .....	1
36	<u>00664-G7</u>						LOCK WASHER, 1/4" (STAINLESS STEEL) .....	1
37	<u>01110-G01</u>						WASHER, 1/4" (STAINLESS STEEL) .....	1
38	<u>00415-G2</u>						BOLT, 1/4 - 20 X 1 1/4" LG .....	2
39	<u>00559-G7</u>						WASHER, 1/4" .....	2
40	<u>14390-G4</u>						LOCK NUT, 1/4 - 20 .....	2



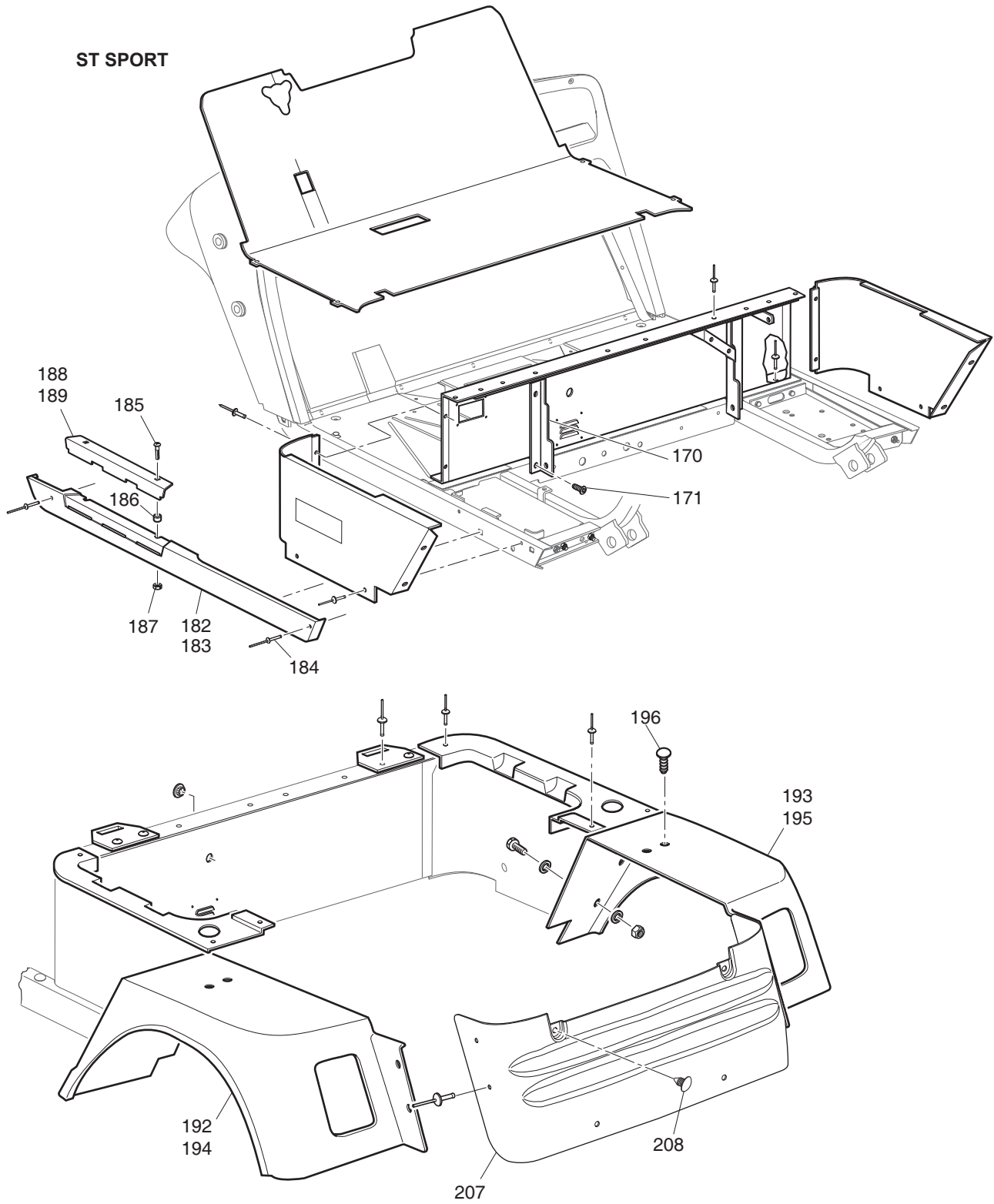
# BODY





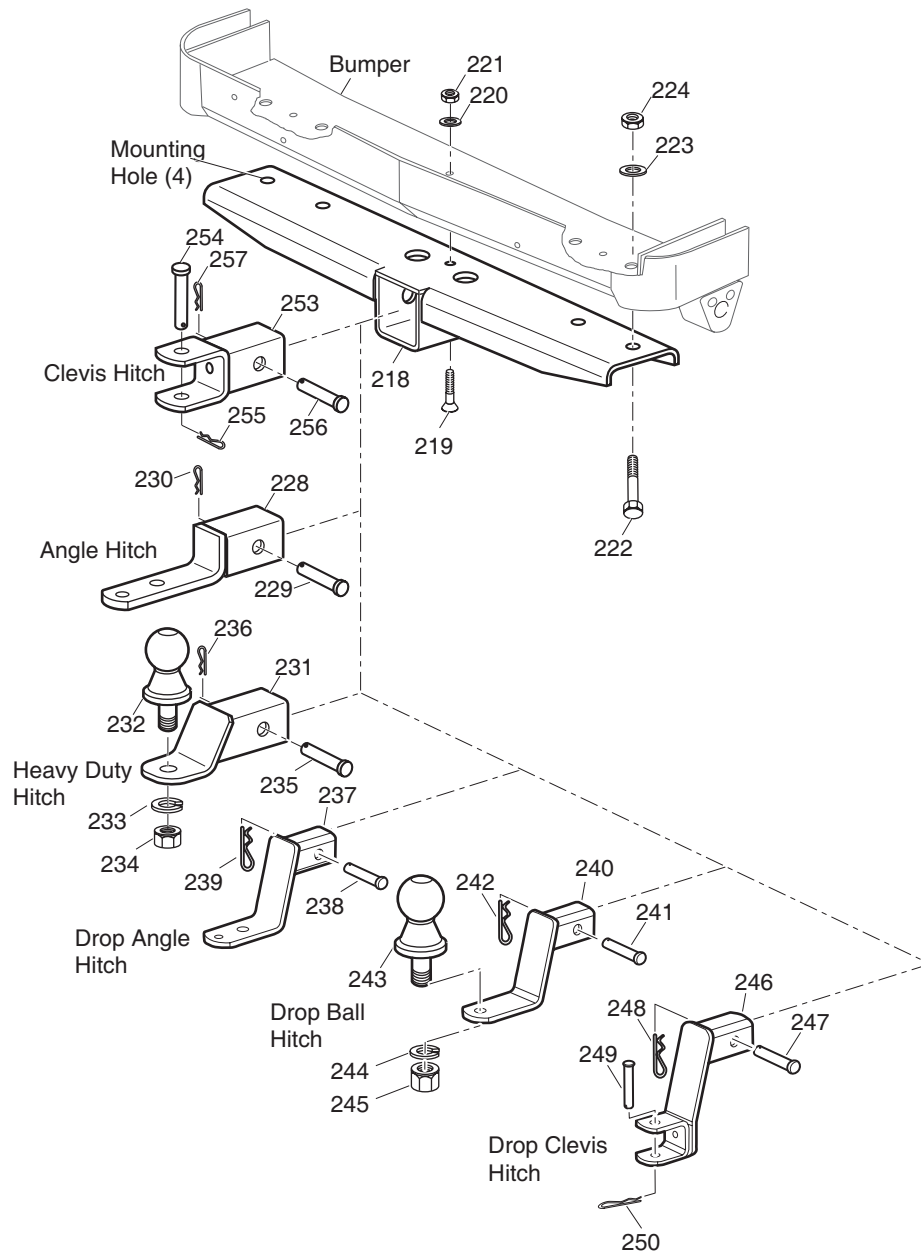
# BODY

ST SPORT



Ref Bod 9-3

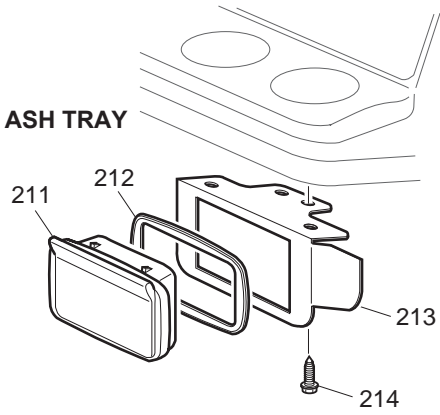
**HITCHES**



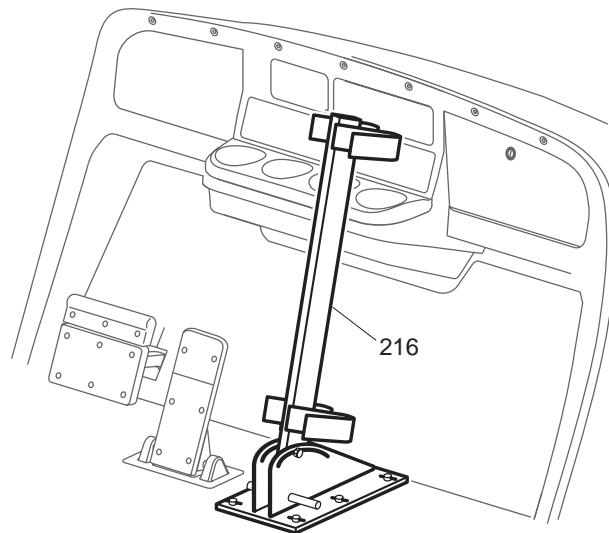
Ref Bod 21-3

# BODY

## ASH TRAY



## FLOOR MOUNT GUN HOLDER





THE USE OF NON U.L. PARTS WILL VOID ANY U.L. LISTING.  
 When ordering parts, please specify the model and serial number of the product.  
 \* Indicates a component that is not available as an individual part.  
 G\*\* Indicates consult Customer Service Department for additional information.

ITEM	PART NO.	1 2 3 4 5	DESCRIPTION	QTY.
1	<u>71510-G01</u>		UPPER FLOORPAN.....	1
2	<u>14601-G11</u>		RIVET, 3/16" X 9/16" LG (ALUMINUM).....	9
3				
4	<u>70451-G01</u>		LOWER FLOORPAN.....	1
5	<u>14601-G11</u>		RIVET, 3/16" X 9/16" LG (ALUMINUM).....	7
6	<u>70452-G01</u>		ACCESS COVER.....	1
7				
8				
9	<u>71413-G01</u>		SPLASH PANEL.....	1
10	<u>16816-G2</u>		RATCHET FASTENER, 1/4" X 3/4" LG.....	4
11				
12				
13	<u>71101-G02</u>		COWL SUPPORT BRACKET.....	1
14	<u>71102-G01</u>		SELF TAPPING SCREW, 1/4 - 20 X 1/2" LG.....	3
15	<u>71055-G02</u>		RIVET, 3/16" X 1 1/8" LG (ALUMINUM).....	1
16				
17	<u>74521-G02</u>		FRONT BASKET ASSEMBLY (INCLUDES ITEMS 18 - 23).....	1
18	<u>74523-G01</u>		FRONT BASKET.....	1
19	<u>74522-G01</u>		BASKET MOUNTING BRACKET (DRIVER SIDE).....	1
20	<u>74522-G02</u>		BASKET MOUNTING BRACKET (PASSENGER SIDE).....	1
21	<u>00725-G1</u>		CARRIAGE BOLT, 3/8 - 16 X 1" LG (STAINLESS STEEL).....	4
22	<u>00891-G1</u>		LOCK NUT, 3/8 - 16.....	4
23	<u>71931-G01</u>		LABEL, FRONT BASKET (WARNING).....	1
24				
25	<u>71151-G03</u>		INSTRUMENT PANEL ASSEMBLY (INCLUDES ITEMS 26 - 29).....	1
26	<u>71153-G01</u>		DEFLECTOR (PASSENGER SIDE).....	1
27	<u>71154-G01</u>		DEFLECTOR (DRIVER SIDE).....	1
28	<u>00614-G5</u>		SCREW, #8 - 18 X 5/8" LG.....	6
29	<u>71158-G01</u>		INSTRUMENT PANEL INSERT (FOUR CUP).....	1
30				

# BODY

THE USE OF NON U.L. PARTS WILL VOID ANY U.L. LISTING.

When ordering parts, please specify the model and serial number of the product.

\* Indicates a component that is not available as an individual part.

G\*\* Indicates consult Customer Service Department for additional information.

ITEM	PART NO.	1 2 3 4 5	DESCRIPTION	QTY.
31	<u>35962-G01</u>		LABEL (SAFETY).....	1
32	<u>74443-G01</u>		LABEL (ANTI-ROLL BACK) .....	1
33	<u>35968-G01</u>		LABEL (T-HOLDER COVER).....	1
34	*		SERIAL NUMBER PLATE .....	1
35				
36				
37				
38				
39	<u>71115-G01</u>		VINYL TRIM .....	2
40	<u>71055-G01</u>		RIVET, 3/16" X 1" LG (ALUMINUM).....	10
41				
42				
43	<u>75456-G01</u>		GLOVE BOX DOORS (BOTH SIDES) .....	1
44	<u>75456-G02</u>		GLOVE BOX DOOR (DRIVER SIDE) .....	1
45	<u>75456-G03</u>		GLOVE BOX DOOR (PASSENGER SIDE).....	1
46				
47				
48				
49	71468-G0**		COWL.....	1
50	<u>71055-G01</u>		RIVET, 3/16" X 1" LG (ALUMINUM).....	7
51				
52	<u>74813-G01</u>		NAMEPLATE (E-Z-GO) (OVAL) .....	1
53				
54				
55	<u>71338-G01</u>		FENDER FLARE (DRIVER SIDE).....	1
56	<u>71338-G02</u>		FENDER FLARE (PASSENGER SIDE) .....	1
57	<u>71055-G01</u>		RIVET, 3/16" X 1" LG (ALUMINUM).....	6
58				
59				
60				

THE USE OF NON U.L. PARTS WILL VOID ANY U.L. LISTING.  
 When ordering parts, please specify the model and serial number of the product.  
 \* Indicates a component that is not available as an individual part.  
 G\*\* Indicates consult Customer Service Department for additional information.

ITEM	PART NO.	1 2 3 4 5	DESCRIPTION	QTY.
61				
62				
63				
64				
65	<u>74265-G02</u>		BUMPER .....	1
66				
67				
68	<u>75048-G04</u>		SPACER, 1/2" .....	2
69	<u>00570-G2</u>		WASHER, 5/16" .....	2
70	<u>00905-G8</u>		LOCK WASHER, 5/16" .....	4
71	<u>01035-G02</u>		BOLT, 5/16 - 18 X 2 1/2" LG .....	4
72	<u>75048-G04</u>		SPACER .....	2
73				
74	<u>70048-G06</u>		FLOORMAT .....	1
75				
76				
77	<u>70244-G03</u>		SPLASH PANEL .....	1
78	<u>00715-G2</u>		BOLT, 5/16 - 18 X 4/5" LG .....	4
79	<u>00438-G8</u>		BOLT, 5/16 - 18 X 1" LG (ST 350) .....	2
80	00559-G8		WASHER, 5/16" (ST 350) .....	2
81	11098-G6		LOCK NUT, 5/16 - 18 (STAINLESS STEEL) (ST 350) .....	2
82				
83				
84	<u>600496</u>		BATTERY TRAY .....	1
85	<u>00715-G2</u>		BOLT, 5/16 - 18 X 4/5" LG .....	AR
86	00438-G6		BOLT, 5/16 - 18 X 3/4" LG .....	3
87	<u>00571-G2</u>		WASHER, 5/16" .....	1
88	<u>00565-G8</u>		LOCK WASHER, 5/16" .....	1
89				
90				

# BODY

THE USE OF NON U.L. PARTS WILL VOID ANY U.L. LISTING.  
 When ordering parts, please specify the model and serial number of the product.  
 \* Indicates a component that is not available as an individual part.  
 G\*\* Indicates consult Customer Service Department for additional information.

ITEM	PART NO.	1 2 3 4 5	DESCRIPTION	QTY.
91	<u>70629-G01</u>		SPLASH PANEL.....	1
92	<u>00106-G6</u>		SELF THREADING SCREW, #12 - 24 X 3/4" LG .....	2
93				
94				
95				
96	<u>70440-G04</u>		SEAT FRAME (ST 350) (SINGLE CABLE DIRECTION SELECTOR) .....	1
97	<u>00715-G2</u>		BOLT, 5/16 - 18 X 4/5" LG .....	2
98				
99				
100				
101				
102				
103				
104	71977-G**		SEAT WRAP PANEL WITH LOUVERS.....	1
105	<u>10570-G10</u>		RIVET, 5/32" X 9/16" LG (STAINLESS STEEL) .....	8
106	<u>71609-G01</u>		SEAT HINGE PLATE .....	2
107	<u>10570-G11</u>		RIVET, 3/16" X 3/4" LG (STAINLESS STEEL) .....	4
108	<u>20271-G9</u>		HOLE PLUG .....	1
109				
110				
111	71674-G**		SIDE PANEL (DRIVER SIDE) (ST 350) .....	1
112	71674-G**		SIDE PANEL (PASSENGER SIDE) (ST 350).....	1
113	<u>10570-G10</u>		RIVET, 5/32" X 9/16" LG (STAINLESS STEEL) .....	4
114	10570-G12		RIVET, 1/4" X 9/16" LG (ALUMINUM) .....	4
115	<u>16469-G1</u>		WASHER, 1/4" .....	4
116				
117				
118	71439-G01		ROCKER PANEL (DRIVER SIDE) (ST 350) .....	1
119	71439-G02		ROCKER PANEL (PASSENGER SIDE) (ST 350).....	1
120	<u>71440-G03</u>		BRACE (DRIVER SIDE).....	1

THE USE OF NON U.L. PARTS WILL VOID ANY U.L. LISTING.  
 When ordering parts, please specify the model and serial number of the product.  
 \* Indicates a component that is not available as an individual part.  
 G\*\* Indicates consult Customer Service Department for additional information.

ITEM	PART NO.	1 2 3 4 5	DESCRIPTION	QTY.
121	<u>71440-G04</u>		BRACE (PASSENGER SIDE) .....	1
122	<u>00789-G2</u>		SCREW, #10 - 24 X 1 1/4" LG.....	4
123	<u>23726-G2</u>		SPACER, 1/4".....	4
124	<u>00660-G5</u>		WASHER, #10 (STAINLESS STEEL) .....	4
125	<u>14390-G10</u>		LOCK NUT, #10 - 24 .....	4
126	<u>71424-G01</u>		SPACER (DRIVER SIDE).....	1
127	<u>71424-G02</u>		SPACER (PASSENGER SIDE) .....	1
128				
129	<u>16705-G1</u>		SCREW, 1/4 - 20 X 1" LG (STAINLESS STEEL) .....	4
130	<u>23726-G2</u>		SPACER, 1/4".....	4
131	<u>00559-G7</u>		WASHER , 1/4" .....	4
132	<u>14390-G4</u>		LOCK NUT, 1/4 - 20 .....	4
133				
134				
135				
136	<u>74893-G01</u>		FENDER (DRIVER SIDE) (ST 350) .....	1
137	<u>74893-G02</u>		FENDER (PASSENGER SIDE) (ST 350).....	1
138	<u>74893-G03</u>		FENDER WITH TAILLIGHT (DRIVER SIDE) (ST 350) .....	1
139	<u>74893-G04</u>		FENDER WITH TAILLIGHT (PASSENGER SIDE) (ST 350).....	1
140	<u>16816-G2</u>		RATCHET FASTENER, 1/4" X 3/4" LG .....	10
141				
142				
143				
144				
145				
146				
147				
148				
149				
150				

# BODY

THE USE OF NON U.L. PARTS WILL VOID ANY U.L. LISTING.  
 When ordering parts, please specify the model and serial number of the product.  
 \* Indicates a component that is not available as an individual part.  
 G\*\* Indicates consult Customer Service Department for additional information.

ITEM	PART NO.	1	2	3	4	5	DESCRIPTION	QTY.
151								
152								
153								
154								
155	<u>74890-G01</u>						REAR PANEL (ST 350).....	1
156	<u>71055-G01</u>						RIVET, 3/16" X 1" LG (ALUMINUM).....	4
157								
158	<u>74891-G01</u>						SEAT FILLER PANEL (DRIVER SIDE) .....	1
159	<u>74891-G02</u>						SEAT FILLER PANEL (PASSENGER SIDE).....	1
160	<u>10570-G10</u>						RIVET, 5/32" X 9/16" LG (STAINLESS STEEL) .....	6
161								
162								
163								
164								
165								
166	<u>600821</u>						LABEL (ST 350) .....	2
167								
168								
169								
170	<u>70440-G04</u>						SEAT FRAME (ST SPORT) .....	1
171	<u>00715-G2</u>						BOLT, 5/16 - 18 X 4/5" LG .....	2
172								
173								
174								
175								
176								
177								
178								
179								
180								

THE USE OF NON U.L. PARTS WILL VOID ANY U.L. LISTING.  
 When ordering parts, please specify the model and serial number of the product.  
 \* Indicates a component that is not available as an individual part.  
 G\*\* Indicates consult Customer Service Department for additional information.

ITEM	PART NO.	1 2 3 4 5	DESCRIPTION	QTY.
181				
182	<u>71502-G01</u>		ROCKER PANEL (DRIVER SIDE) (ST SPORT).....	1
183	<u>71501-G01</u>		ROCKER PANEL (PASSENGER SIDE) (ST SPORT) .....	1
184	<u>15058-G6</u>		RIVET, 3/16" X 15/16" LG (ALUMINUM).....	4
185	<u>16705-G1</u>		SCREW, 1/4 - 20 X 1" LG (STAINLESS STEEL) .....	4
186	<u>23726-G4</u>		SPACER, 5/16".....	4
187	<u>14390-G4</u>		LOCK NUT, 1/4 - 20 .....	4
188	600112		SILL PLATE (DRIVER SIDE).....	1
189	600111		SILL PLATE (PASSENGER SIDE).....	1
190				
191				
192	<u>74892-G01</u>		FENDER (DRIVER SIDE) (ST SPORT).....	1
193	<u>74892-G02</u>		FENDER (PASSENGER SIDE) (ST SPORT) .....	1
194	<u>74892-G03</u>		FENDER WITH TAILLIGHT (DRIVER SIDE) (ST SPORT).....	1
195	<u>74892-G04</u>		FENDER WITH TAILLIGHT (PASSENGER SIDE) (ST SPORT) .....	1
196	<u>16816-G2</u>		RATCHET FASTENER, 1/4" X 3/4" LG .....	10
197	<u>14390-G4</u>		LOCK NUT, 1/4 - 20 .....	4
198	<u>00642-G7</u>		WASHER, 1/4" .....	8
199	<u>00414-G6</u>		BOLT, 1/4 - 20 X 3/4" LG .....	4
200				
201				
202				
203				
204				
205				
206				
207				
208	<u>74890-G01</u>		REAR PANEL (ST SPORT).....	1
209	<u>16816-G2</u>		RATCHET FASTENER, 1/4" X 3/4" LG .....	8
210				

# BODY

THE USE OF NON U.L. PARTS WILL VOID ANY U.L. LISTING.  
 When ordering parts, please specify the model and serial number of the product.  
 \* Indicates a component that is not available as an individual part.  
 G\*\* Indicates consult Customer Service Department for additional information.

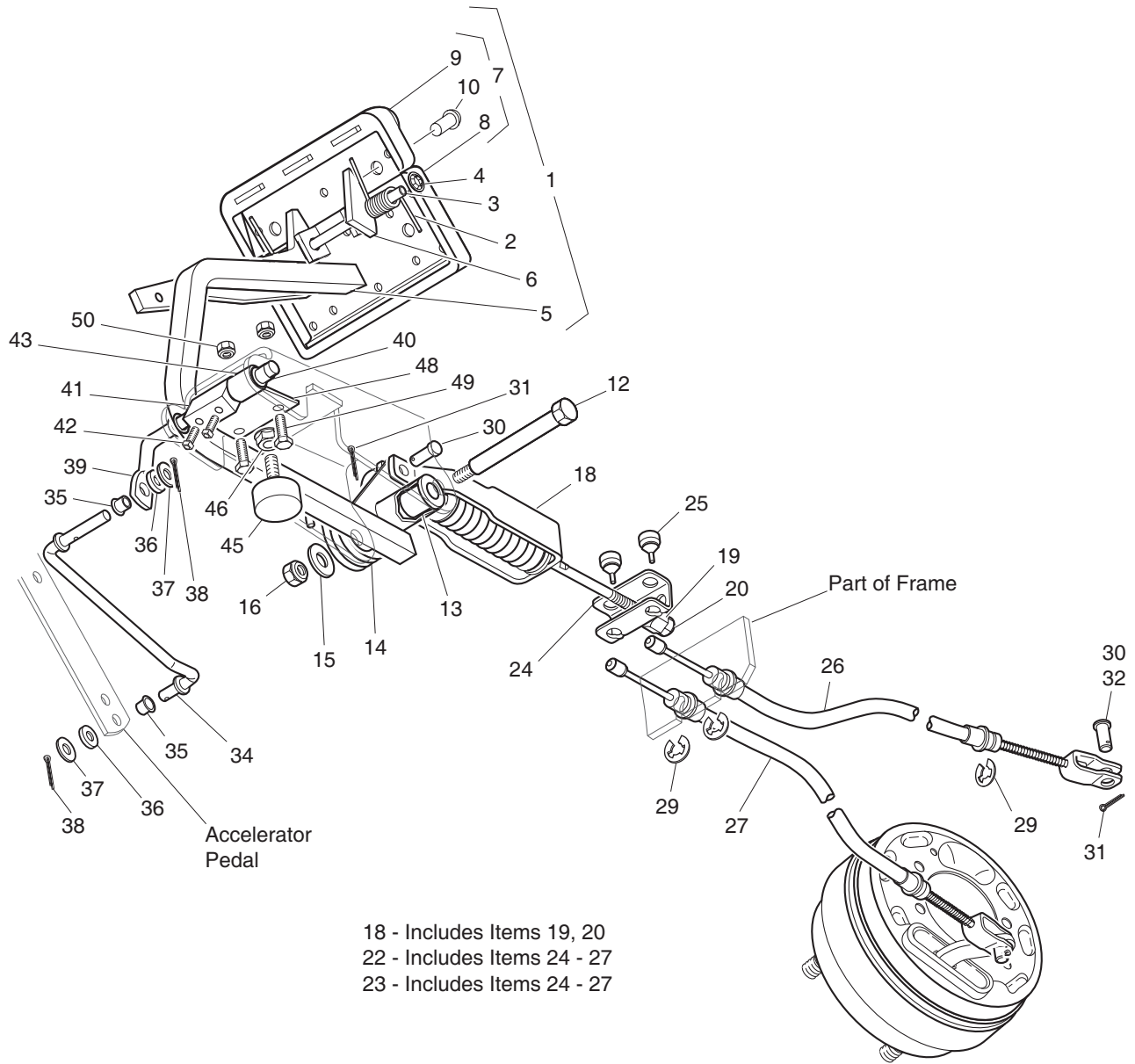
ITEM	PART NO.	1 2 3 4 5	DESCRIPTION	QTY.
211				
212	27731-G01		ASH TRAY.....	1
213	27736-G01		GASKET.....	1
214	<u>75108-G02</u>		BRACKET.....	1
215	<u>00100-G4</u>		SCREW, #10 - 16 X 1/2" LG.....	4
216				
217	<u>74365-G01</u>		GUN HOLDER.....	1
218				
219	<u>74348-G02</u>		HITCH RECEIVER.....	1
220	<u>00198-G8</u>		BOLT, 5/16 - 18 X 1" LG.....	1
221	00559-G8		WASHER, 5/16".....	1
222	11098-G6		LOCK NUT, 5/16 - 18 (STAINLESS STEEL).....	1
223	<u>00463-G4</u>		BOLT, 7/16 - 14 X 1 1/2" LG.....	4
224	<u>00922-G3</u>		WASHER, 7/16".....	4
225	<u>00734-G1</u>		LOCK NUT, 7/16 - 14.....	4
226				
227				
228				
229	<u>74339-G02</u>		ANGLE HITCH.....	1
230	21317-G01		CLEVIS PIN, 5/8" X 3" LG.....	1
231	<u>21683-G1</u>		COTTER PIN, 15/32" X 2 11/16" LG.....	1
232	<u>74351-G02</u>		HEAVY DUTY HITCH.....	1
233	<u>31757-G1</u>		HITCH BALL, 1 7/8".....	1
234	<u>00566-G6</u>		LOCK WASHER, 3/4".....	1
235	00702-G11		NUT, 3/4 - 16.....	1
236	21317-G01		CLEVIS PIN, 5/8" X 3" LG.....	1
237	<u>21683-G1</u>		COTTER PIN, 15/32" X 2 11/16" LG.....	1
238	<u>74489-G02</u>		DROP ANGLE HITCH.....	1
239	21317-G01		CLEVIS PIN, 5/8" X 2 11/16" LG.....	1
240	<u>21683-G1</u>		COTTER PIN, 15/32" X 2 11/16" LG.....	1



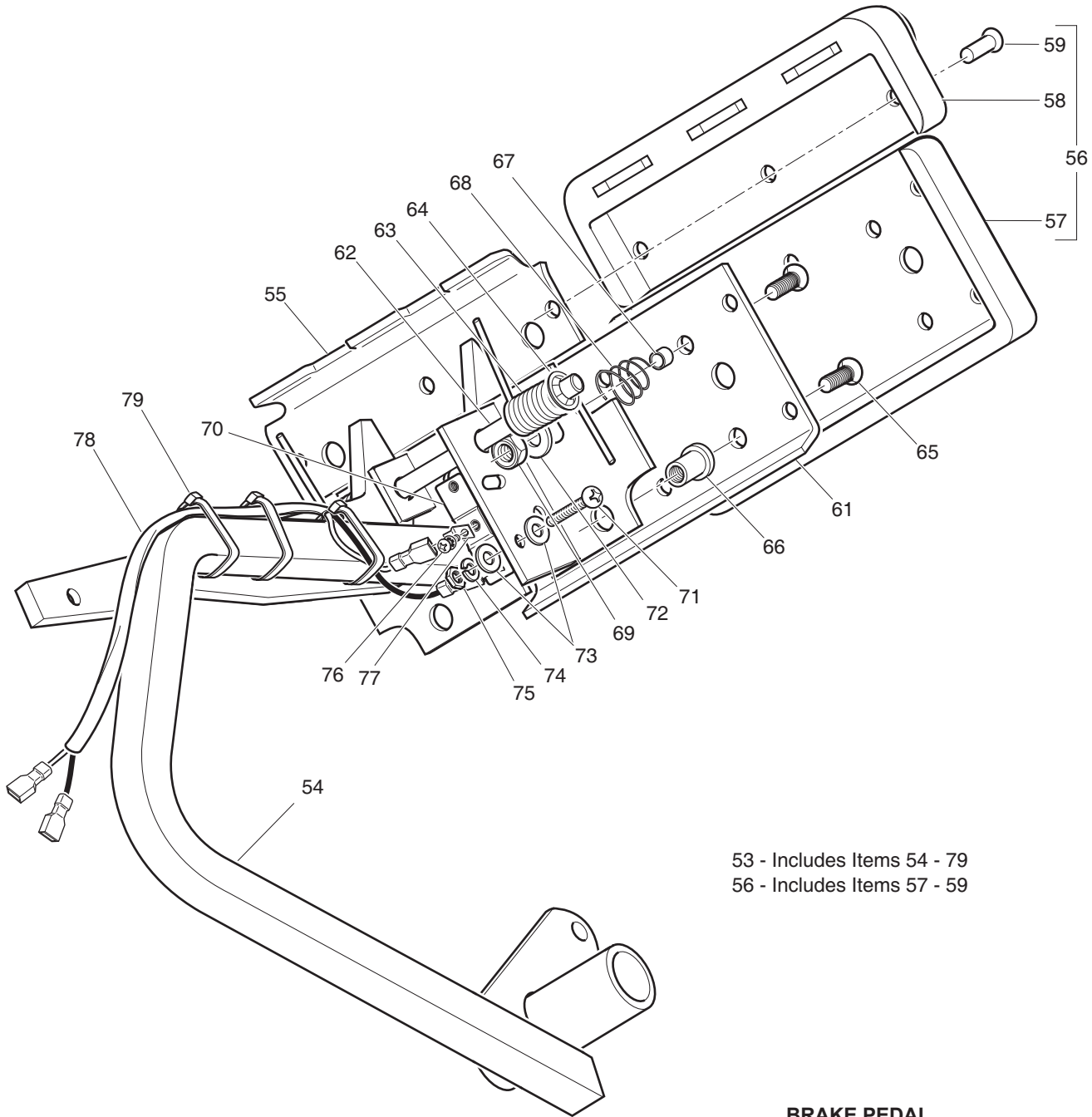
THE USE OF NON U.L. PARTS WILL VOID ANY U.L. LISTING.  
 When ordering parts, please specify the model and serial number of the product.  
 \* Indicates a component that is not available as an individual part.  
 G\*\* Indicates consult Customer Service Department for additional information.

ITEM	PART NO.	1 2 3 4 5	DESCRIPTION	QTY.
241	<u>74491-G02</u>		DROP BALL HITCH .....	1
242	21317-G01		CLEVIS PIN, 5/8" X 3" LG .....	1
243	<u>21683-G1</u>		COTTER PIN, 15/32" X 2 11/16" LG .....	1
244	<u>31757-G1</u>		HITCH BALL, 1 7/8" .....	1
245	<u>00566-G6</u>		LOCK WASHER, 3/4" .....	1
246	00702-G11		NUT, 3/4 - 16 .....	1
247	<u>74495-G02</u>		DROP CLEVIS HITCH .....	1
248	21317-G01		CLEVIS PIN, 5/8" X 3" LG .....	1
249	<u>21683-G1</u>		COTTER PIN, 15/32" X 2 11/16" LG .....	1
250	<u>14443-G7</u>		CLEVIS PIN, 1/2" X 2 1/2" LG .....	1
251	<u>19314-G1</u>		COTTER PIN, 2 1/2" LG.....	1
252				
253				
254	<u>74338-G02</u>		CLEVIS HITCH.....	1
255	<u>14443-G7</u>		CLEVIS PIN, 1/2" X 2 1/2" LG .....	1
256	<u>19314-G1</u>		COTTER PIN, 2 1/2" LG.....	1
257	21317-G01		CLEVIS PIN, 5/8" X 3" LG .....	1
258	<u>21683-G1</u>		COTTER PIN, 15/32" X 2 11/16" LG .....	1

# BRAKES



Ref Brk 9-1

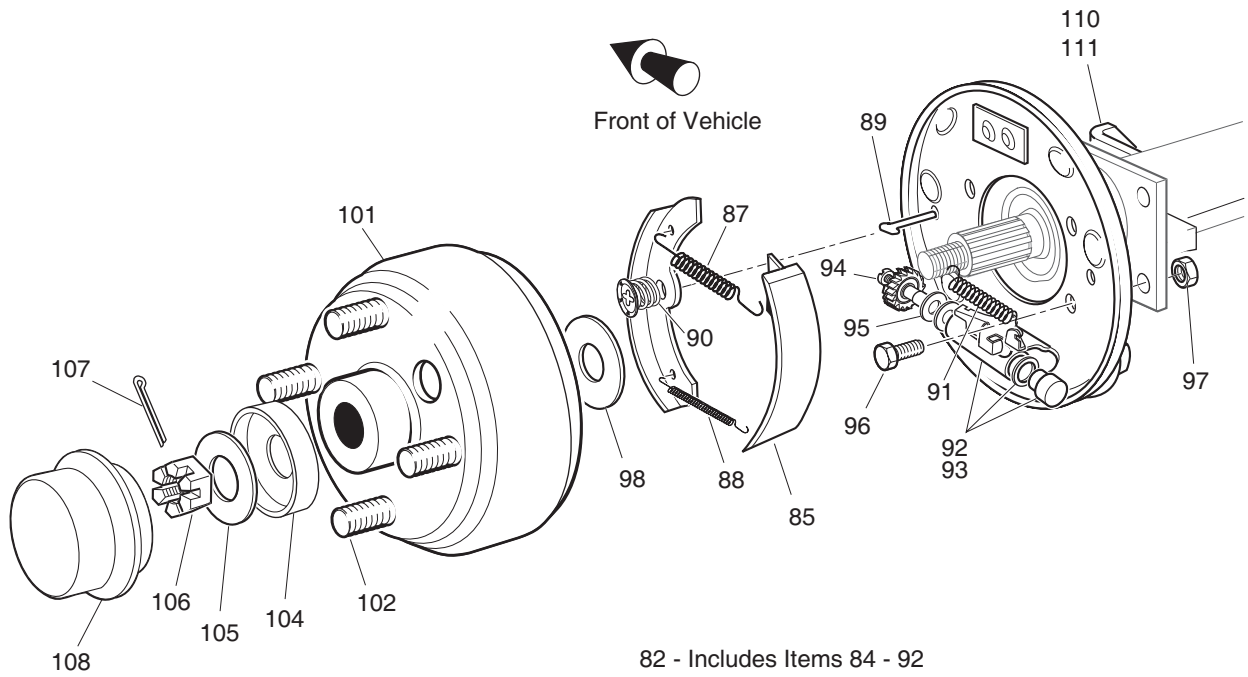


53 - Includes Items 54 - 79  
56 - Includes Items 57 - 59

**BRAKE PEDAL  
(VEHICLE WITH BRAKE LIGHTS)**

Ref Brk 9-2

# BRAKES



- 82 - Includes Items 84 - 92
- 83 - Includes Items 84 - 91, 93
- 84 - Includes Items 85
- 86 - Includes Items 87 - 91
- 92 - Includes Items 94, 95
- 93 - Includes Items 94, 95
- 100 - Includes Items 101, 102

Ref Brk 9-3

# BRAKES

THE USE OF NON U.L. PARTS WILL VOID ANY U.L. LISTING.

When ordering parts, please specify the model and serial number of the product.

\* Indicates a component that is not available as an individual part.

G\*\* Indicates consult Customer Service Department for additional information.

ITEM	PART NO.	1 2 3 4 5	DESCRIPTION	QTY.
1	<u>70612-G02</u>		BRAKE PEDAL ASSEMBLY (WITHOUT BRAKE LIGHTS) (INCLUDES ITEMS 2 - 10).....	1
2	<u>70681-G01</u>		TORSION SPRING.....	2
3	<u>70682-G01</u>		PIVOT PIN.....	1
4	<u>01071-G01</u>		PUSHNUT, 5/16".....	1
5	*		BRAKE PEDAL.....	1
6	<u>70611-G02</u>		PARK BRAKE PEDAL.....	1
7	70274-G01		BRAKE/PARK BRAKE PEDAL PAD KIT (INCLUDES ITEMS 8 - 10).....	1
8	*		SERVICE BRAKE PAD.....	1
9	*		PARK BRAKE PEDAL PAD.....	1
10	<u>15766-G1</u>		OVAL RIVET, 3/16" X 7/16" LG.....	9
11				
12	<u>70582-G01</u>		SHOULDER BOLT, 3/8 - 16 X 4" LG (STAINLESS STEEL).....	1
13	<u>70581-G01</u>		FLANGED BUSHING.....	2
14	<u>70676-G01</u>		TORSION SPRING.....	1
15	<u>00643-G1</u>		WASHER, 3/8".....	1
16	<u>11098-G5</u>		LOCK NUT, 3/8 - 16.....	1
17				
18	70272-G04		COMPENSATOR ASSEMBLY (INCLUDES ITEMS 19, 20).....	1
19	<u>00963-G01</u>		SPHERICAL NUT, 5/16 - 24.....	1
20	<u>11098-G9</u>		LOCK NUT, 5/16 - 24.....	1
21				
22	<u>70969-G05</u>		EQUALIZER & BRAKE CABLE ASSEMBLY (INCL ITEMS 24 - 27) (ST 350)....	1
23	<u>70969-G03</u>		EQUALIZER & BRAKE CABLE ASSEMBLY (INCL ITEMS 24 - 27) (SPORT)...	1
24	<u>28082-G01</u>		EQUALIZER BRACKET.....	1
25	<u>28083-G01</u>		BRAKE COMPENSATOR BUMPER.....	2
26	*		BRAKE CABLE (DRIVER SIDE).....	1
27	*		BRAKE CABLE (PASSENGER SIDE).....	1
28				
29	<u>01111-G01</u>		RETAINING RING, 13/32" (STAINLESS STEEL).....	4

# BRAKES

THE USE OF NON U.L. PARTS WILL VOID ANY U.L. LISTING.

When ordering parts, please specify the model and serial number of the product.

\* Indicates a component that is not available as an individual part.

G\*\* Indicates consult Customer Service Department for additional information.

ITEM	PART NO.	1 2 3 4 5	DESCRIPTION	QTY.
30	<u>10386-G3</u>		CLEVIS PIN, 5/16" X 13/16" LG .....	3
31	<u>10387-G3</u>		COTTER PIN, 3/32" X 3/4" LG .....	3
32	<u>14443-G2</u>		CLEVIS PIN, 5/16" X 5/8" LG (ST SPORT).....	2
33				
34	<u>70601-G01</u>		KICK-OFF LINK.....	1
35	<u>17838-G1</u>		NYLON BUSHING.....	2
36	<u>20835-G1</u>		TEFLON WASHER, 3/8" .....	2
37	00559-G8		WASHER, 5/16" .....	2
38	<u>10387-G3</u>		COTTER PIN, 3/32" X 3/4" LG .....	2
39	<u>70098-G01</u>		KICK-OFF CAM PIVOT.....	1
40	<u>10097-G6</u>		FLANGED BEARING .....	2
41	<u>70587-G01</u>		KICK-OFF CAM.....	1
42	<u>71215-G01</u>		SETSCREW, 1/4 - 20 X 1/2" LG.....	2
43	<u>14134-G4</u>		SPACER .....	1
44				
45	<u>70113-G01</u>		ADJUSTABLE BUMPER .....	1
46	<u>11027-G1</u>		LOCK NUT, 5/16 - 18 .....	1
47				
48	<u>70080-G02</u>		CATCH BRACKET .....	1
49	<u>00414-G6</u>		BOLT, 1/4 - 20 X 3/4" LG .....	2
50	<u>14390-G4</u>		LOCK NUT, 1/4 - 20 .....	2
51				
52				
53	70690-G02		BRAKE PEDAL ASSEMBLY (WITH BRAKE LIGHTS) (INCLUDES ITEMS 54 - 79).....	1
54	*		BRAKE PEDAL.....	1
55	<u>70611-G02</u>		PARK BRAKE PEDAL .....	1
56	70274-G01		BRAKE/PARK BRAKE PEDAL PAD KIT (INCLUDES ITEMS 57 - 59).....	1
57	*		SERVICE BRAKE PAD .....	1
58	*		PARK BRAKE PAD.....	1

# BRAKES

THE USE OF NON U.L. PARTS WILL VOID ANY U.L. LISTING.

When ordering parts, please specify the model and serial number of the product.

\* Indicates a component that is not available as an individual part.

G\*\* Indicates consult Customer Service Department for additional information.

ITEM	PART NO.	1	2	3	4	5	DESCRIPTION	QTY.
59	<u>15766-G1</u>						OVAL RIVET, 3/16" x 7/16" LG.....	9
60								
61	<u>70258-G03</u>						BRAKE PEDAL PLATE.....	1
62	<u>70682-G01</u>						PIVOT PIN.....	1
63	<u>70681-G01</u>						TORSION SPRING.....	2
64	<u>01071-G01</u>						PUSHNUT, 5/16".....	1
65	<u>00737-G8</u>						SCREW, #10 - 24 X 7/8" LG.....	4
66	<u>00739-G1</u>						RUBBER NUT, #10 - 24.....	2
67	<u>74535-G01</u>						BRAKE PEDAL STANDOFF.....	2
68	<u>27137-G01</u>						CONICAL SPRING.....	2
69	<u>14390-G10</u>						LOCK NUT, #10 - 24.....	2
70	10606-G8						MICRO SWITCH.....	1
71	<u>00957-G1</u>						BOLT, #6 - 32 X 1 1/4" LG.....	2
72	<u>00559-G5</u>						WASHER, #10.....	2
73	<u>00559-G3</u>						WASHER, #6.....	4
74	<u>00565-G3</u>						LOCK WASHER, #6.....	2
75	<u>00525-G5</u>						NUT, #6 - 32.....	2
76	<u>13514-G1</u>						SCREW AND LOCK WASHER, #6.....	2
77	<u>14628-G1</u>						FASTON TAB.....	2
78	<u>24605-G1</u>						WIRE HARNESS (BRAKE LIGHT).....	1
79	<u>17618-G1</u>						WIRE TIE.....	3
80								
81								
82	<u>70998-G01</u>						BRAKE ASSEMBLY (DRIVER SIDE) (INCLUDES ITEMS 84 - 92).....	1
83	<u>70998-G02</u>						BRAKE ASSEMBLY (PASSENGER SIDE) (INCL. ITEMS 84 - 91, 93).....	1
84	70794-G01						BRAKE SHOE KIT (INCLUDES ITEM 85).....	2
85	*						BRAKE SHOE.....	2
86	<u>27944-G01</u>						BRAKE SPRING KIT (INCLUDES ITEMS 87 - 91).....	2
87	*						UPPER SPRING.....	1
88	*						LOWER SPRING.....	1

# BRAKES

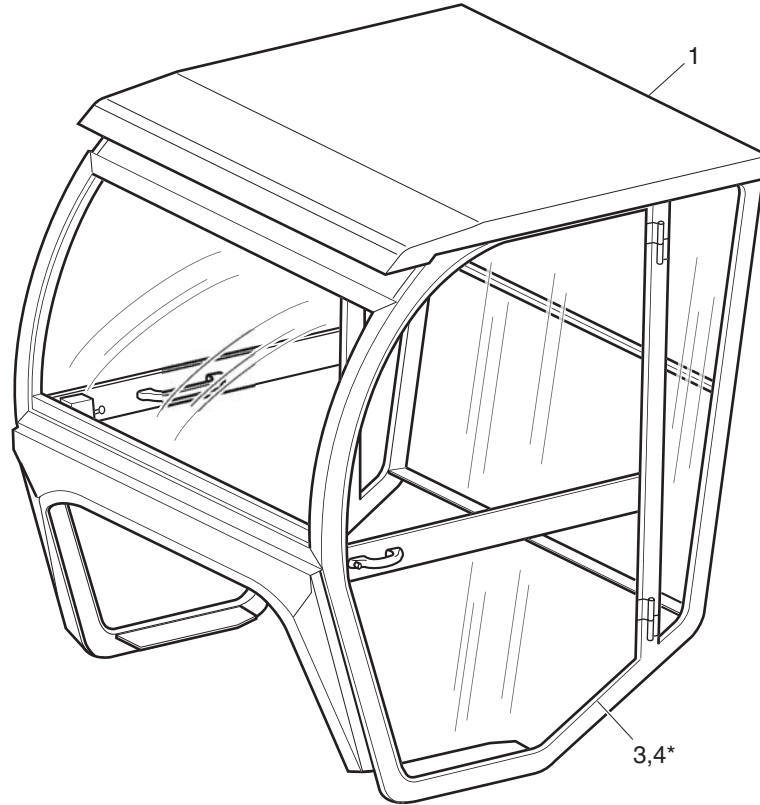
THE USE OF NON U.L. PARTS WILL VOID ANY U.L. LISTING.  
 When ordering parts, please specify the model and serial number of the product.  
 \* Indicates a component that is not available as an individual part.  
 G\*\* Indicates consult Customer Service Department for additional information.

ITEM	PART NO.	1	2	3	4	5	DESCRIPTION	QTY.
89	*						PIN .....	2
90	*						CUP AND SPRING .....	2
91	*						ADJUSTER SPRING.....	1
92	<u>72582-G01</u>						BRAKE ADJUSTER KIT (DRIVER SIDE) (INCLUDES ITEMS 94, 95) .....	1
93	<u>72582-G02</u>						BRAKE ADJUSTER KIT (PASSENGER SIDE) (INCL ITEMS 94, 95).....	1
94	*						ADJUSTER .....	1
95	*						TEFLON WASHER.....	2
96	<u>17083-G2</u>						BOLT, 5/16 - 24 X 1" LG .....	8
97	<u>15126-G1</u>						LOCK NUT, 5/16 - 24 .....	8
98	<u>21809-G1</u>						INNER BRAKE DRUM WASHER, 1 5/16" OD X 1" ID X 1/32" .....	2
99								
100	<u>21807-G2</u>						BRAKE DRUM ASSEMBLY (INCLUDES ITEMS 101 - 102).....	2
101	*						BRAKE DRUM.....	1
102	<u>19862-G2</u>						LUG BOLT, 1/2 - 20 X 1 11/16" LG .....	4
103								
104	<u>24939-G2</u>						SPINDLE CAP ADAPTER.....	1
105	<u>21830-G1</u>						OUTER BRAKE DRUM WASHER .....	2
106	<u>00518-G8</u>						SLOTTED NUT, 3/4 - 16.....	2
107	<u>10387-G1</u>						COTTER PIN, 1/8" X 1 1/2" LG.....	2
108	12091-G1						SPINDLE CAP.....	2
109								
110	<u>75870-G04</u>						BRAKE CABLE BRACKET (PASSENGER SIDE).....	1
111	<u>75870-G03</u>						BRAKE CABLE BRACKET (DRIVER SIDE) .....	1





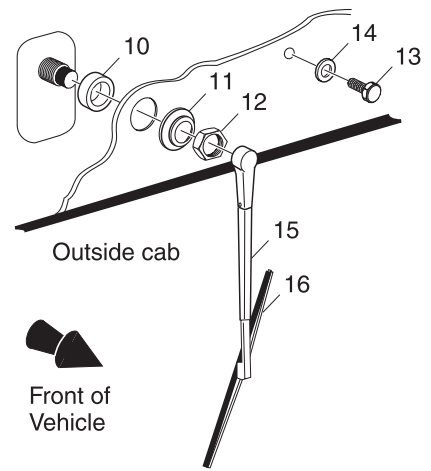
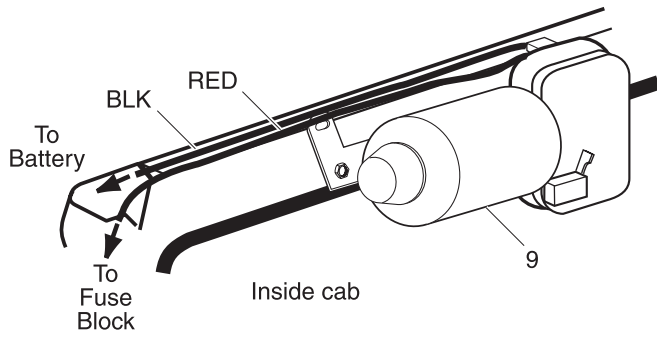
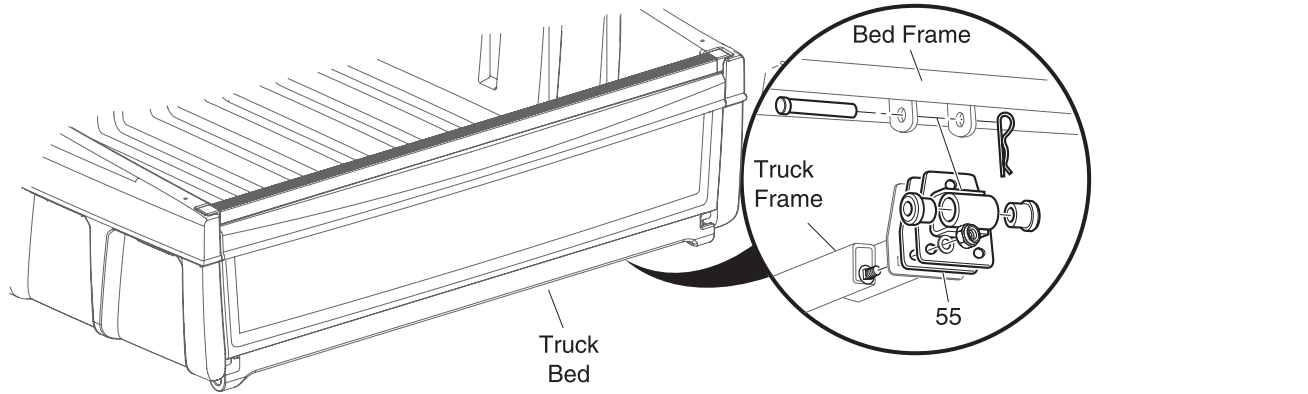
ST 350



\*Steel Doors Shown

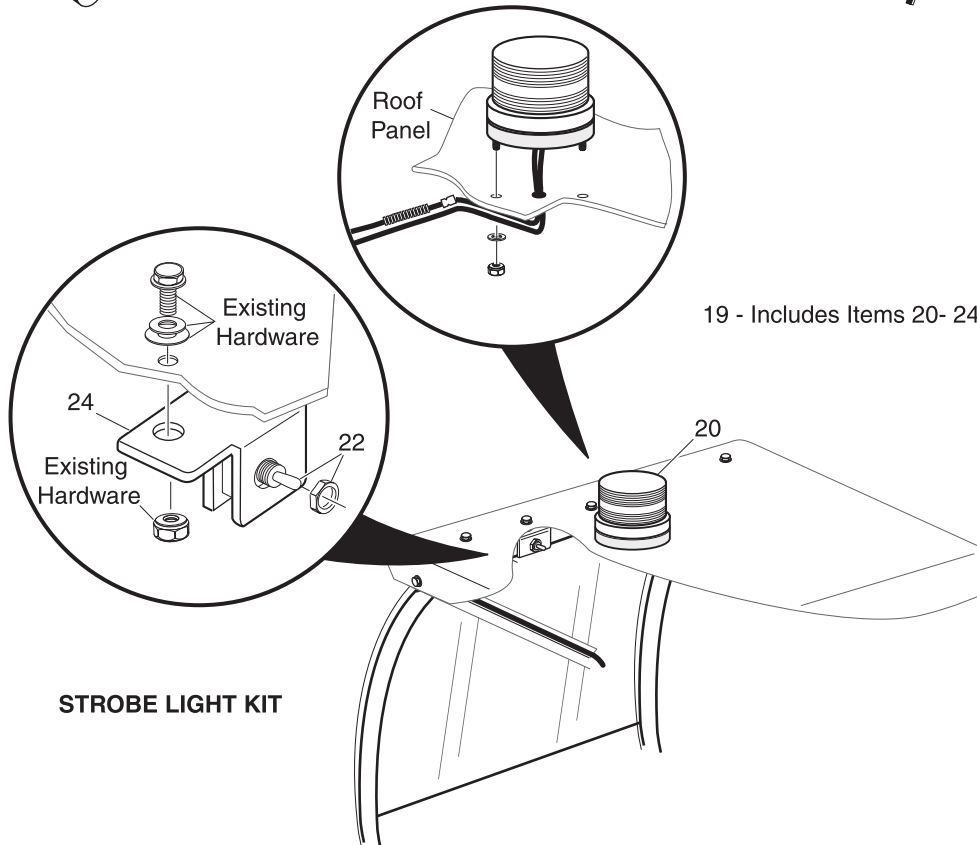
For Cab Accessories, See ACCESSORIES LISTING in Appendix B

*Ref Cab 9*



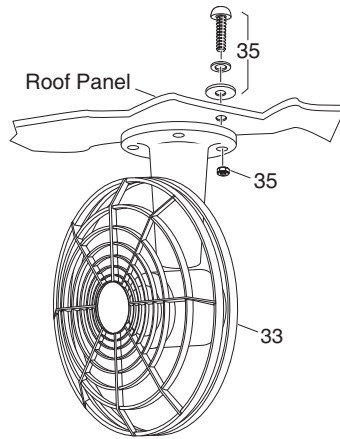
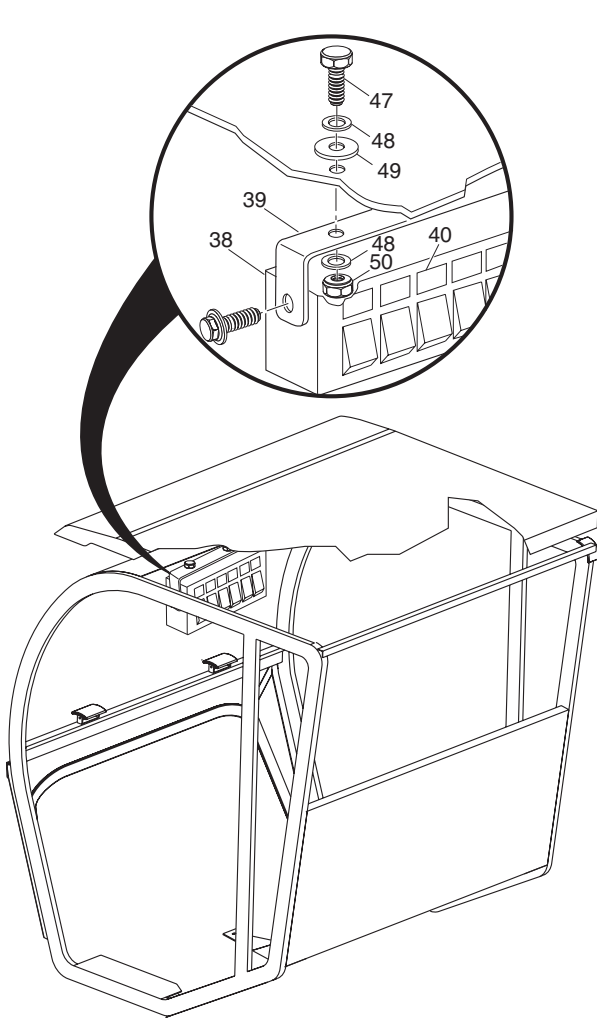
**WINDSHIELD WIPER COMPONENTS**

8- Includes Items 9 -17



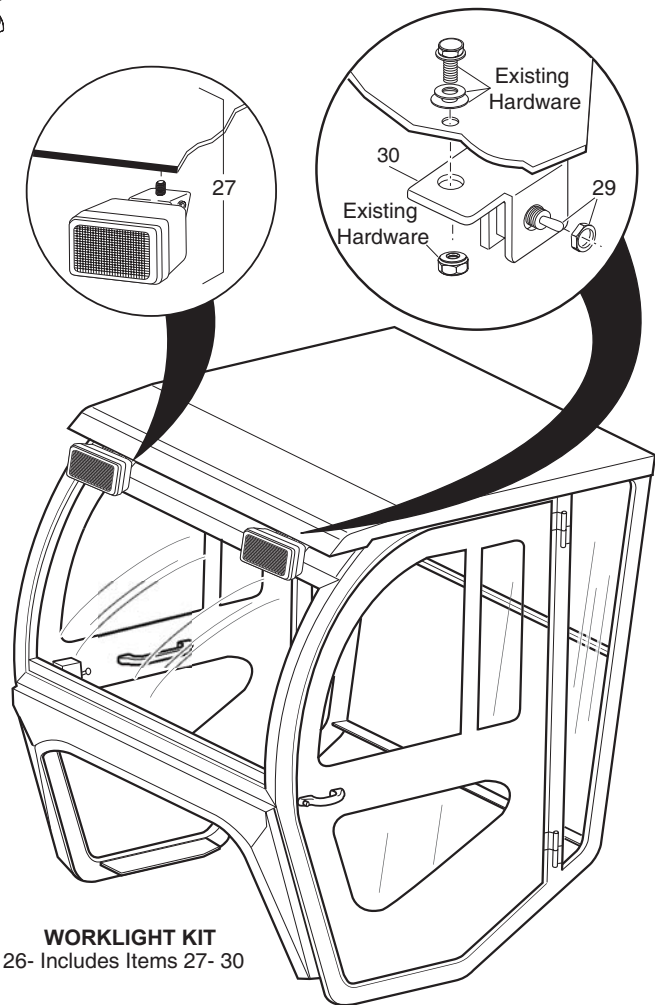
**SWITCH PANEL KIT**

37 - Includes Items 38 - 52



**DEFROSTER / COOLING FAN KIT**

32- Includes Items 33- 35



**WORKLIGHT KIT**

26- Includes Items 27- 30

THE USE OF NON U.L. PARTS WILL VOID ANY U.L. LISTING.  
 When ordering parts, please specify the model and serial number of the product.  
 \* Indicates a component that is not available as an individual part.  
 G\*\* Indicates consult Customer Service Department for additional information.

ITEM	PART NO.	1 2 3 4 5	DESCRIPTION	QTY.
1	72684-G**		STEEL CAB (WITHOUT DOORS) REPACEMENT PARTS AND ACCESSORIES MAY BE OBTAINED FROM CURTIS CAB, INC.) (ST 350) .....	1
2				
3	<u>75855-G01</u>		VINYL DOOR KIT.....	1
4	75856-G**		STEEL DOOR KIT.....	1
5				
6				
7				
8	<u>74244-G01</u>		WINDSHIELD WIPER KIT (INCLUDES ITEMS 9 -17).....	1
9	9PWM85		WIPER MOTOR (INCLUDES ITEMS 10 - 14).....	1
10	*		SPACER.....	1
11	*		SHAFT COVER (SEAL).....	1
12	*		NUT.....	1
13	*		BOLT.....	1
14	*		WASHER.....	1
15	9PWA		WIPER ARM.....	1
16	9PWB		WINDSHIELD WIPER BLADE.....	1
17	9E003		ELECTRICAL HARDWARE KIT (NOT ILLUSTRATED).....	1
18				
19	<u>74245-G01</u>		STROBE LIGHT KIT (INCLUDES ITEMS 20 - 24).....	1
20	9PSLRL		STROBE LENS.....	1
21	9E001		ELECTRICAL HARDWARE KIT (NOT ILLUSTRATED).....	1
22	9E002		TOGGLE SWITCH.....	1
23	9PSLRB		REPLACEMENT BULB (NOT ILLUSTRATED).....	1
24	9PB001		BRACKET.....	1
25				
26	<u>74247-G01</u>		WORK LIGHT KIT (INCLUDES ITEMS 27 - 30).....	1
27	9LW1A		WORK LIGHT (INCLUDES HARDWARE).....	2
28	9E001		ELECTRICAL HARDWARE KIT (NOT ILLUSTRATED).....	1
29	9E002		TOGGLE SWITCH.....	1

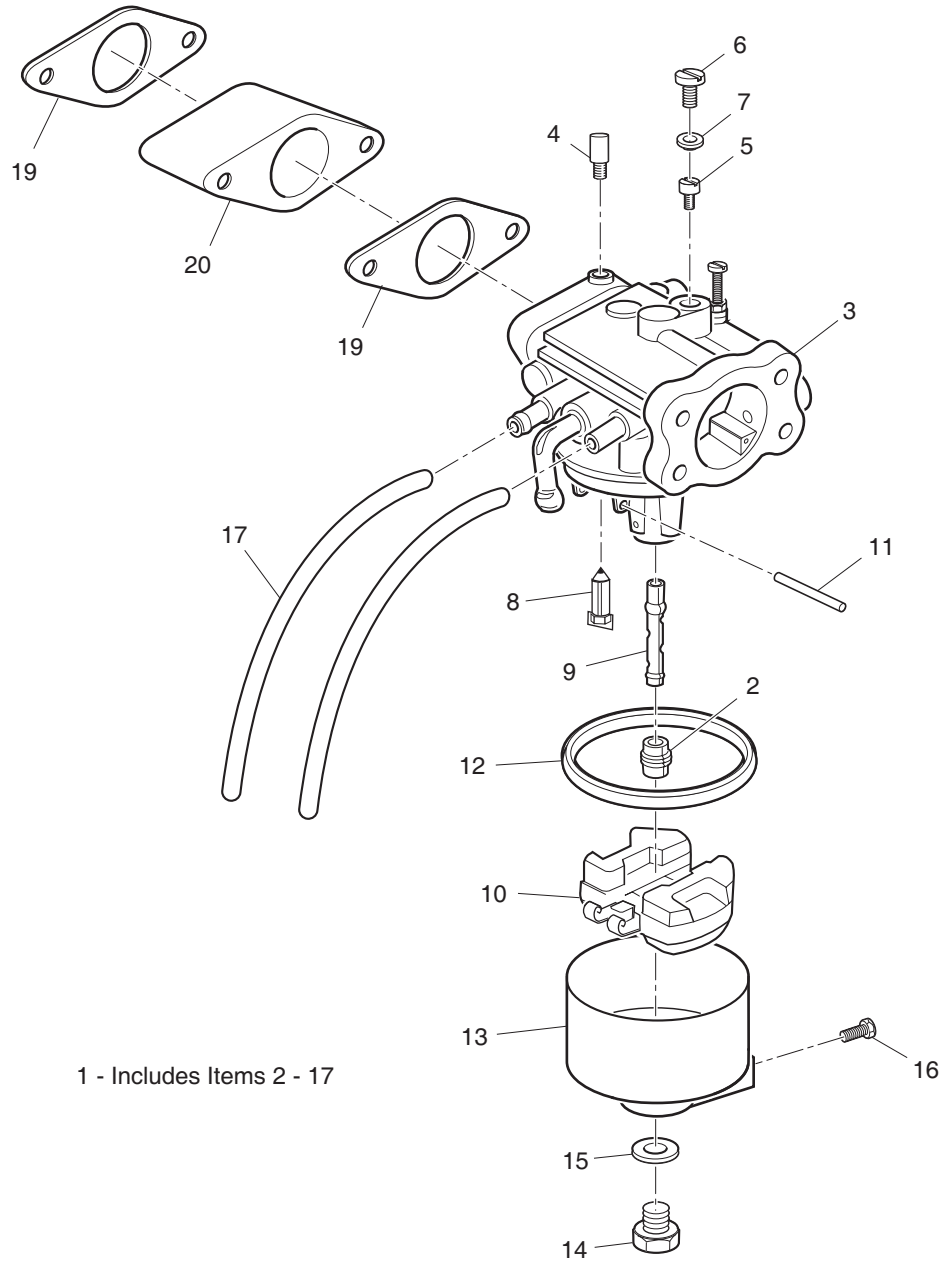
# CAB

THE USE OF NON U.L. PARTS WILL VOID ANY U.L. LISTING.  
 When ordering parts, please specify the model and serial number of the product.  
 \* Indicates a component that is not available as an individual part.  
 G\*\* Indicates consult Customer Service Department for additional information.

ITEM	PART NO.	1	2	3	4	5	DESCRIPTION	QTY.
30	9PB001						BRACKET .....	1
31								
32	<u>74248-G01</u>						DEFROSTER / COOLING FAN KIT (INCLUDES ITEMS 33 - 35) .....	1
33	9PDF						FAN .....	1
34	9E001						ELECTRICAL HARDWARE KIT (NOT ILLUSTRATED) .....	1
35	9PFHK						HARDWARE KIT .....	1
36								
37	<u>74250-G01</u>						SWITCH PANEL KIT (INCLUDES ITEMS 38 - 52) .....	1
38	9PSF1-001						SWITCH PANEL .....	1
39	9PSF1-002						MOUNTING BRACKET AND HARDWARE .....	1
40	9PSF1-003						ADHESIVE LABELS .....	1
41	9PSF1-004						3 AMP FUSE (NOT ILLUSTRATED) .....	2
42	9PSF1-005						5 AMP FUSE (NOT ILLUSTRATED) .....	3
43	9PSF1-006						7.5 AMP FUSE (NOT ILLUSTRATED) .....	1
44	9PSF1-007						FLEX LOOM, 5/8" X 10 FT LG (NOT ILLUSTRATED) .....	1
45	9PSF1-008						4-WAY BASE TIE (NOT ILLUSTRATED).....	6
46	9PSF1-009						WIRE TIE (NOT ILLUSTRATED).....	14
47	9PSF1-010						BOLT, 1/4 - 20 X 7/8" LG.....	2
48	9PSF1-011						WASHER, 1/4" .....	4
49	9PSF1-012						NYLON WASHER, 1/4".....	2
50	9PSF1-013						LOCK NUT, 1/4 - 20.....	2
51	9PSF1-014						10 GA WIRE (RED 8") (NOT ILLUSTRATED).....	1
52	9PSF1-015						10 GA WIRE (BLACK 8") (NOT ILLUSTRATED).....	1
53								
54								
55	6E03T						BED SPACER .....	2
56								



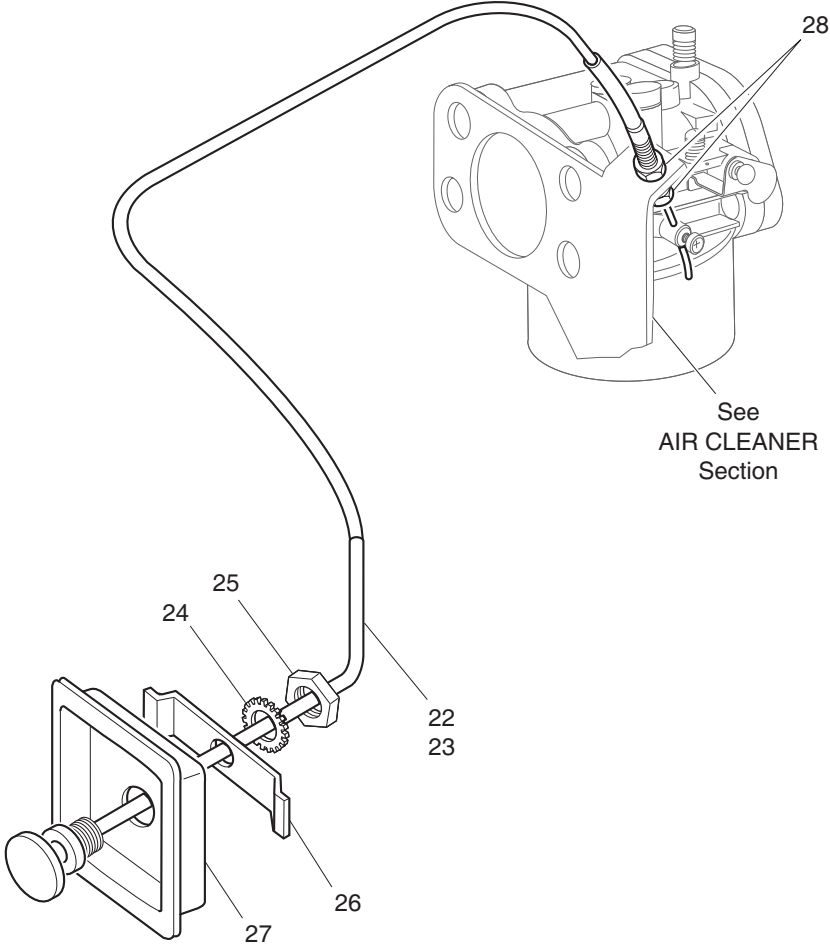
# CARBURETOR AND CHOKE



Ref Cac 9-1



# CARBURETOR AND CHOKE



Ref Cac 9-2

# CARBURETOR AND CHOKE

THE USE OF NON U.L. PARTS WILL VOID ANY U.L. LISTING.

When ordering parts, please specify the model and serial number of the product.

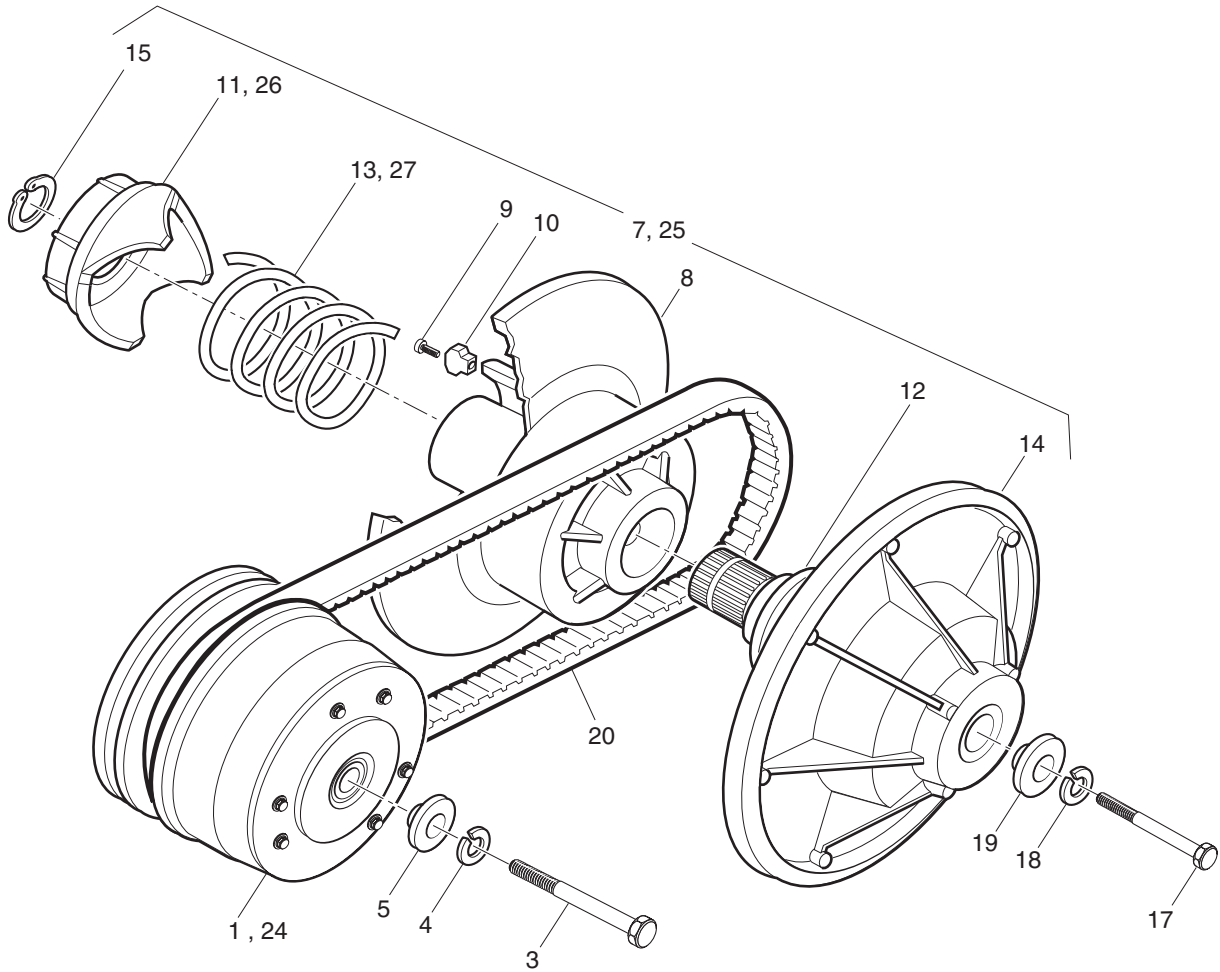
\* Indicates a component that is not available as an individual part.

G\*\* Indicates consult Customer Service Department for additional information.

ITEM	PART NO.	1 2 3 4 5	DESCRIPTION	QTY.
1	<u>72558-G05</u>		CARBURETOR ASSEMBLY (FOR FUJI ENGINE P/N EH35CPG5033) (INCLUDES ITEMS 2 - 17).....	1
2	<u>26646-G07</u>		MAIN JET (#90) .....	1
3	*		CARBURETOR BODY.....	1
4	*		PILOT SCREW .....	1
5	<u>26649-G05</u>		PILOT JET (#46).....	1
6	<u>26841-G01</u>		PLUG .....	1
7	<u>72306-G01</u>		GASKET .....	1
8	<u>72578-G01</u>		NEEDLE VALVE .....	1
9	*		MAIN NOZZLE .....	1
10	<u>26648-G01</u>		FLOAT.....	1
11	<u>26840-G01</u>		FLOAT PIN.....	1
12	<u>26843-G01</u>		FLOAT BOWL GASKET .....	1
13	<u>26844-G01</u>		FLOAT CHAMBER.....	1
14	<u>26839-G01</u>		BOWL SCREW .....	1
15	<u>26838-G01</u>		BOWL GASKET.....	1
16	*		DRAIN SCREW .....	1
17	<u>26650-G01</u>		VENT TUBE.....	2
18				
19	<u>26726-G01</u>		CARBURETOR MOUNT GASKET.....	2
20	<u>72311-G01</u>		CARBURETOR INSULATOR .....	1
21				
22	<u>72401-G02</u>		CHOKE CABLE (WITH NUTS) (ST 350) .....	1
23	<u>25693-G04</u>		CHOKE CABLE (WITH NUTS) (ST SPORT) .....	1
24	<u>00568-G4</u>		LOCK WASHER, 9/16".....	1
25	<u>00545-G4</u>		JAM NUT, 9/16 - 18 .....	1
26	<u>72155-G01</u>		RETAINER .....	1
27	<u>72154-G01</u>		CHOKE CABLE ADAPTER.....	1
28	<u>00544-G4</u>		JAM NUT, 5/16 - 24 .....	2



# CLUTCH



Ref Clt 9

# CLUTCH

THE USE OF NON U.L. PARTS WILL VOID ANY U.L. LISTING.

When ordering parts, please specify the model and serial number of the product.

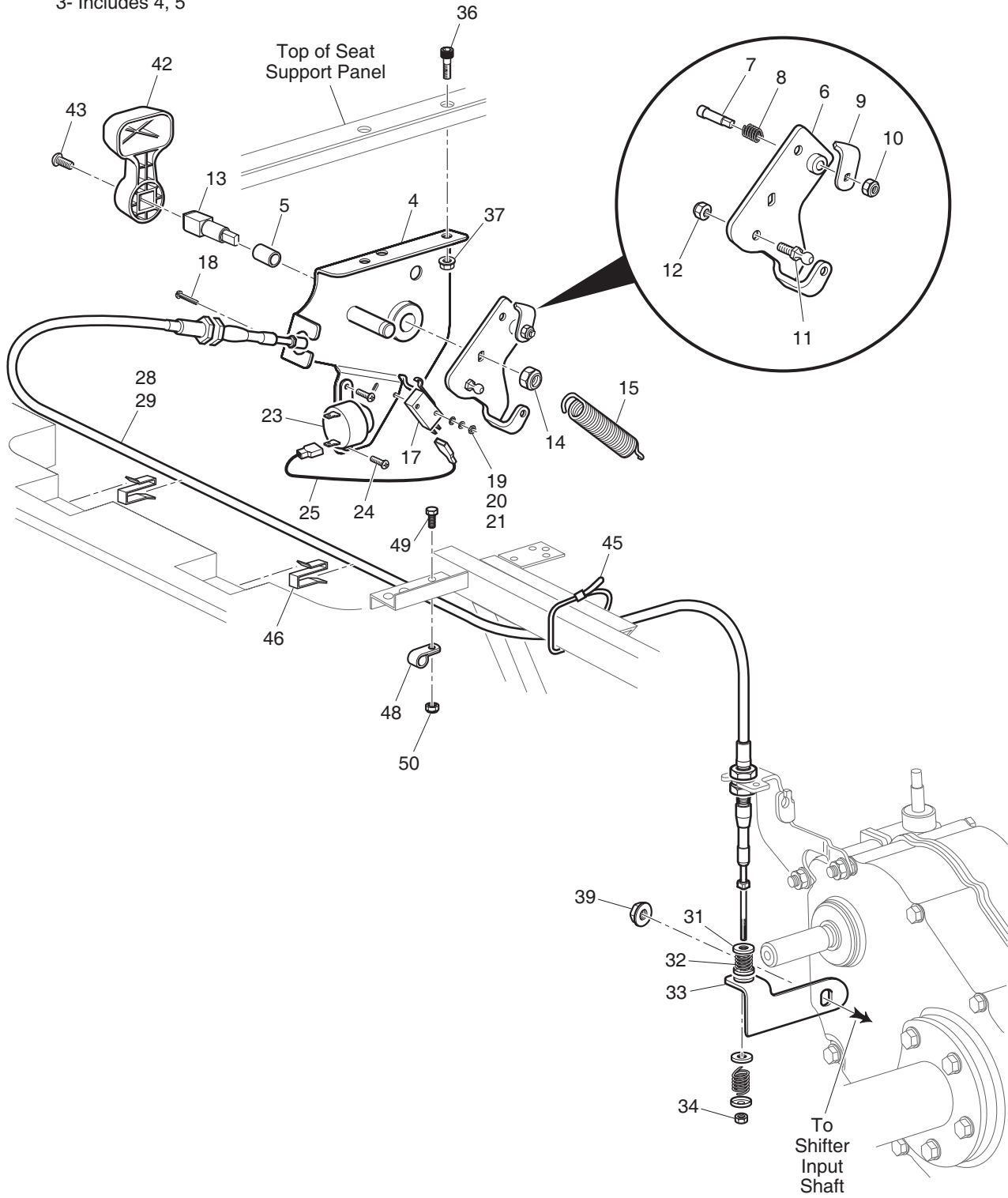
\* Indicates a component that is not available as an individual part.

G\*\* Indicates consult Customer Service Department for additional information.

ITEM	PART NO.	1 2 3 4 5	DESCRIPTION	QTY.
1	<u>26952-G01</u>		DRIVE CLUTCH .....	1
2				
3	<u>00473-G9</u>		BOLT, 7/16 - 20 X 6 1/2" LG .....	1
4	<u>00566-G2</u>		LOCK WASHER, 7/16" .....	1
5	<u>25757-G1</u>		PILOT WASHER .....	1
6				
7	<u>26301-G03</u>		DRIVEN CLUTCH ASSEMBLY (INCLUDES ITEMS 8 - 15) .....	1
8	*		MOVABLE SHEAVE (INCLUDES ITEMS 9 -10).....	1
9	<u>00979-G01</u>		SCREW, #10 - 24 X 7/8" LG.....	3
10	<u>72324-G01</u>		RAMP BUTTON .....	3
11	*		CAM.....	1
12	<u>24600-G1</u>		SPACER, 1 1/2" .....	1
13	<u>26304-G01</u>		COMPRESSION SPRING .....	1
14	*		SHEAVE AND POST .....	1
15	<u>27270-G01</u>		HEAVY DUTY RETAINING RING .....	1
16				
17	<u>00441-G8</u>		BOLT, 5/16 - 18 X 4" LG .....	1
18	<u>00565-G8</u>		LOCK WASHER, 5/16" .....	4
19	<u>25756-G1</u>		RETAINING WASHER .....	1
20	<u>72328-G01</u>		DRIVE BELT (SEVERE DUTY).....	1
21				
22				
23				
24	<u>26952-G02</u>		DRIVE CLUTCH (HIGH ALTITUDE) .....	1
25	<u>25632-G03</u>		DRIVEN CLUTCH (HIGH ALTITUDE) (INCLUDES ITEMS 8, 12, 14, 15, 26, 27).....	1
26	*		CAM.....	1
27	<u>25612-G1</u>		COMPRESSION SPRING .....	1

# DIRECTION SELECTOR

- 1 - Includes Items 3 - 28, 31 - 34 (ST 350)
- 2 - Includes Items 3 - 25, 29 - 34 (ST SPORT)
- 3- Includes 4, 5



Ref Dsl 9

# DIRECTION SELECTOR

THE USE OF NON U.L. PARTS WILL VOID ANY U.L. LISTING.  
 When ordering parts, please specify the model and serial number of the product.  
 \* Indicates a component that is not available as an individual part.  
 G\*\* Indicates consult Customer Service Department for additional information.

ITEM	PART NO.	1 2 3 4 5	DESCRIPTION	QTY.
1	<u>72721-G06</u>		DIRECTION SELECTOR ASSY (INCLUDES ITEMS 3 - 28, 31 - 34) (ST 350)...	1
2	<u>72721-G05</u>		DIRECTION SELECTOR ASSY (INCLUDES ITEMS 3 - 25, 29 - 34) (SPORT)...	1
3	74456-G02		DIRECTION SELECTOR BRACKET (INCLUDES ITEMS 4, 5).....	1
4	<u>72737-G02</u>		WELDMENT .....	1
5	<u>25664-G2</u>		BUSHING.....	1
6	<u>72738-G01</u>		DIRECTION SELECTOR CAM.....	1
7	<u>72724-G01</u>		NEUTRAL LOCK PIN .....	1
8	<u>72733-G01</u>		COMPRESSION SPRING, 3/8" X 5/8" LG.....	1
9	<u>72729-G01</u>		NEUTRAL LOCK LATCH.....	1
10	<u>00734-G2</u>		LOCK NUT, 1/4 - 28.....	1
11	<u>72732-G01</u>		BALL STUD .....	1
12	<u>00734-G5</u>		LOCK NUT, #10 - 32.....	1
13	<u>70233-G01</u>		DIRECTION SELECTOR SHAFT .....	1
14	<u>14390-G1</u>		LOCK NUT, 3/8 - 24.....	1
15	<u>28574-G01</u>		EXTENSION SPRING .....	1
16				
17	<u>72736-G01</u>		MICRO SWITCH.....	1
18	<u>01062-G01</u>		SCREW, #4 - 40 X 1" LG .....	2
19	<u>00559-G1</u>		WASHER, #4 .....	2
20	<u>00565-G1</u>		LOCK WASHER, #4 .....	2
21	<u>00526-G2</u>		NUT, #4 - 40.....	2
22				
23	<u>73290-G03</u>		REVERSE WARNING BUZZER .....	1
24	<u>01063-G01</u>		SCREW, #6 - 32 X 3/8" LG .....	2
25	<u>25978-G345</u>		18 GA WIRE (RED 7") .....	1
26				
27				
28	<u>72734-G03</u>		SHIFTER CABLE (ST 350).....	1
29	<u>602891</u>		SHIFTER CABLE (ST SPORT) .....	1
30				

# DIRECTION SELECTOR

THE USE OF NON U.L. PARTS WILL VOID ANY U.L. LISTING.  
 When ordering parts, please specify the model and serial number of the product.  
 \* Indicates a component that is not available as an individual part.  
 G\*\* Indicates consult Customer Service Department for additional information.

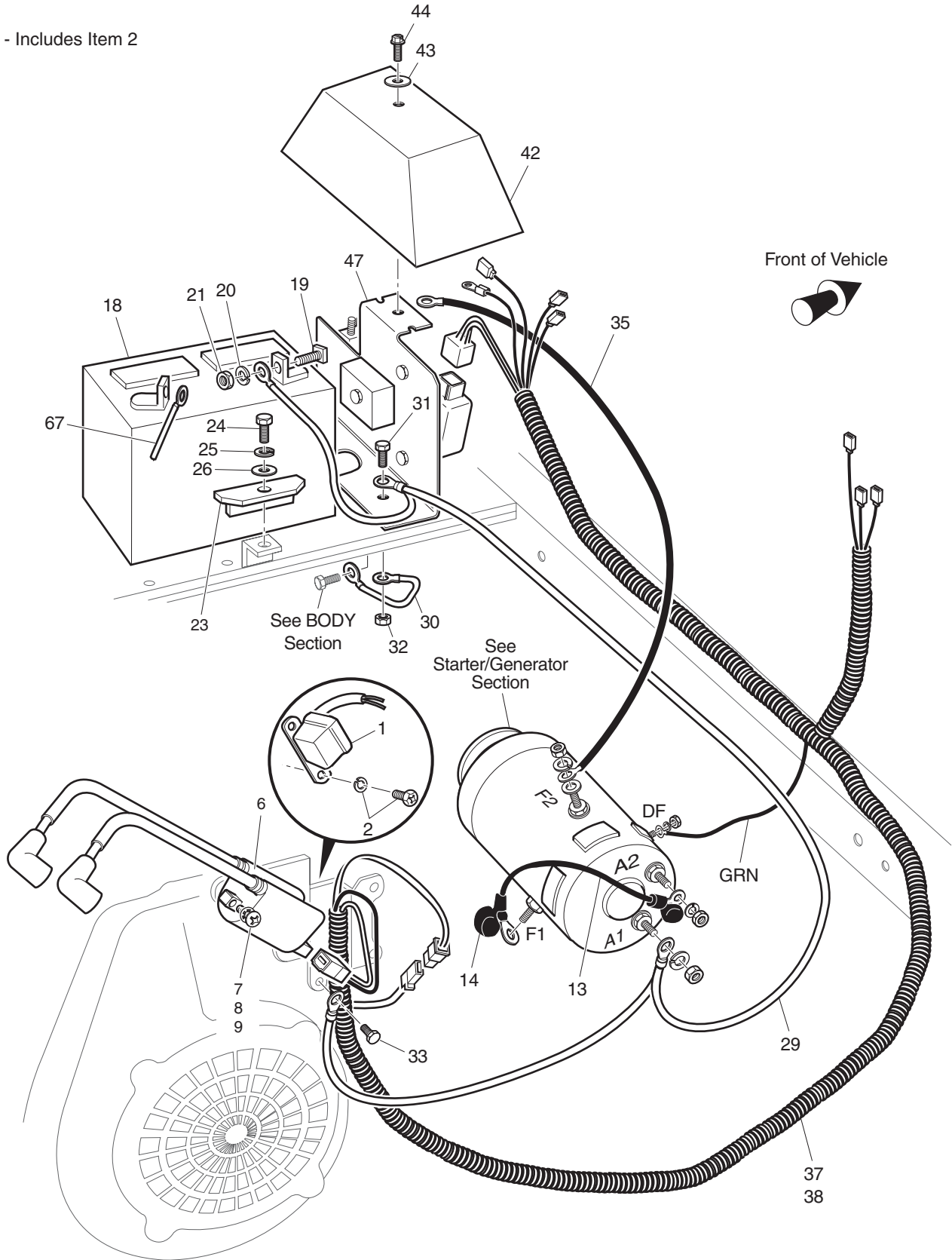
ITEM	PART NO.	1 2 3 4 5	DESCRIPTION	QTY.
31	<u>25727-G01</u>		CUP WASHER, 1/4" .....	4
32	<u>72735-G01</u>		COMPRESSION SPRING, 19/32" X 1" LG .....	2
33	<u>72730-G01</u>		SHIFTER ARM WITH BUSHING .....	1
34	<u>00734-G5</u>		LOCK NUT, #10 - 32 .....	1
35				
36	<u>70227-G01</u>		SCREW, 1/4 - 20 X 7/8" LG .....	2
37	<u>11027-G2</u>		LOCK NUT, 1/4 - 20 .....	2
38				
39	26830-G01		LOCK NUT, M8 X 1.25 MM .....	1
40				
41				
42	<u>71205-G01</u>		DIRECTION SELECTOR HANDLE .....	1
43	<u>00740-G4</u>		SCREW, #10 - 32 X 1/2" LG (STAINLESS STEEL) .....	1
44				
45	<u>31539-G1</u>		WIRE TIE .....	1
46	<u>01072-G01</u>		CABLE CLIP .....	2
47				
48	<u>11845-G5</u>		CLIP, 3/8" ( ST 350 ) .....	1
49	<u>00414-G6</u>		BOLT, 1/4 - 20 X 3/4" LG ( ST 350 ) .....	1
50	<u>14390-G4</u>		LOCK NUT, 1/4 - 20 ( ST 350 ) .....	1





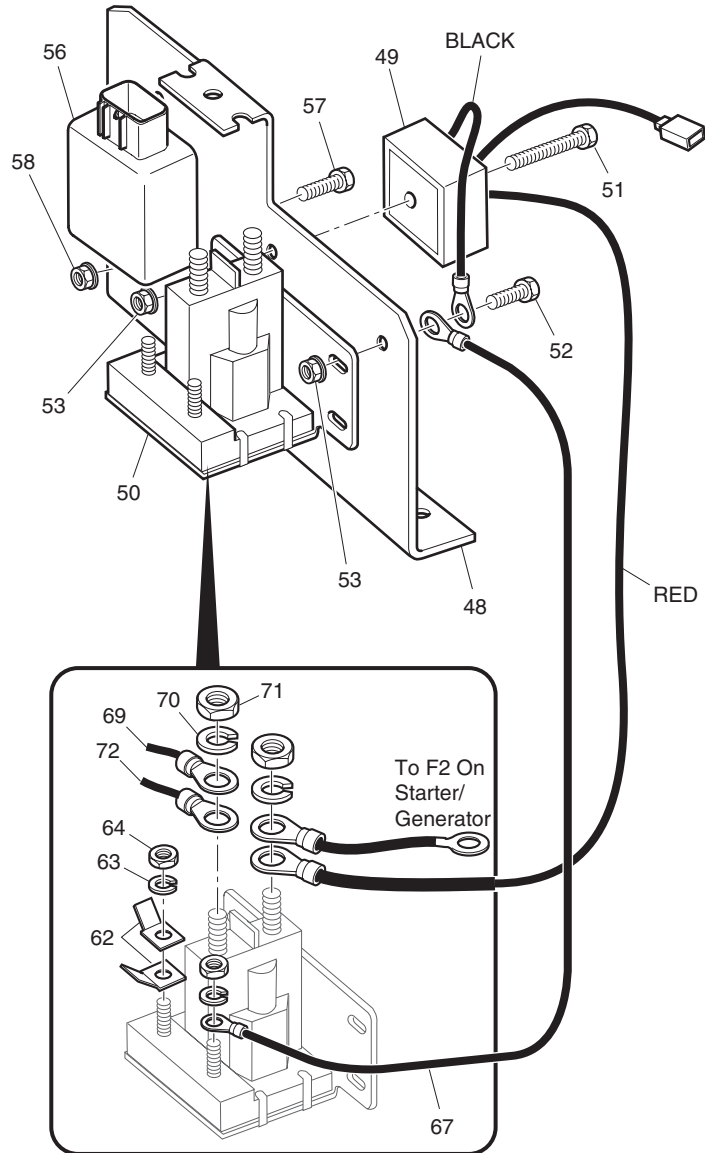
# ELECTRICAL

1 - Includes Item 2

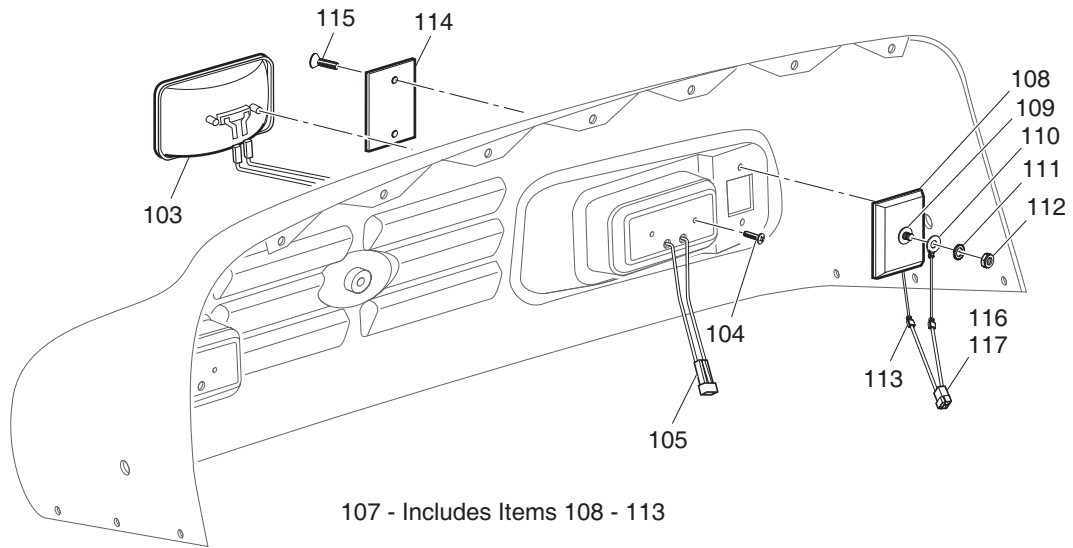


Ref Ele 2-1

47 - Includes Items 48 - 72

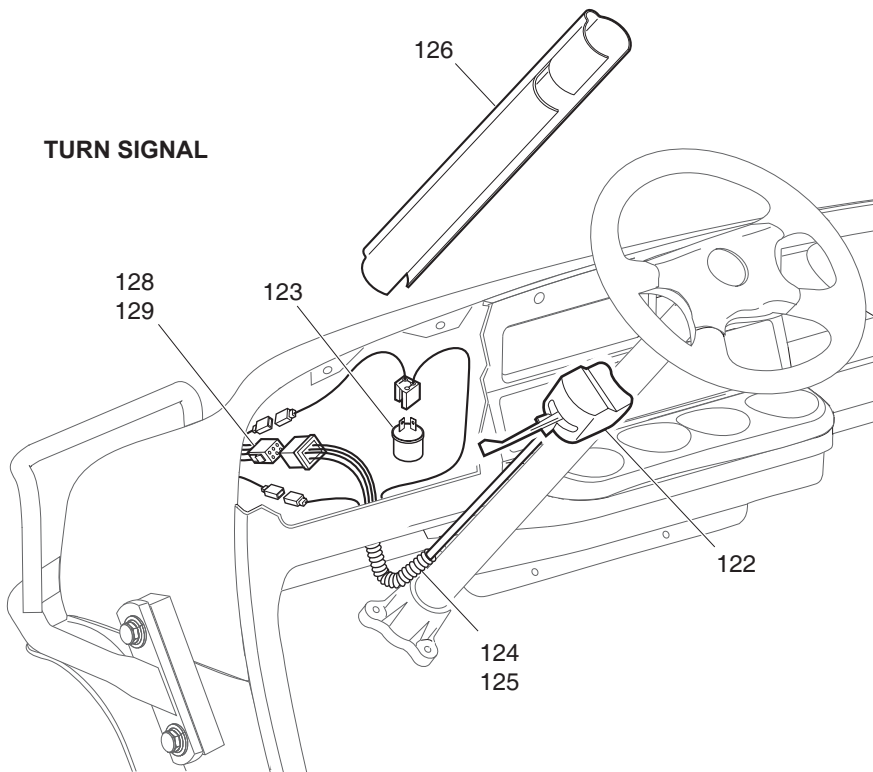
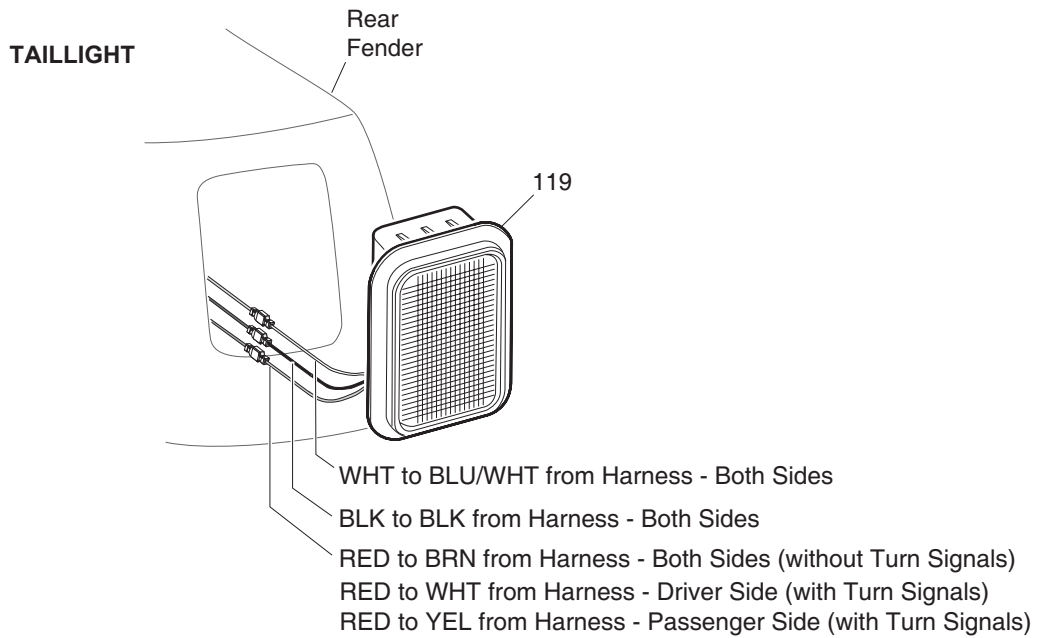






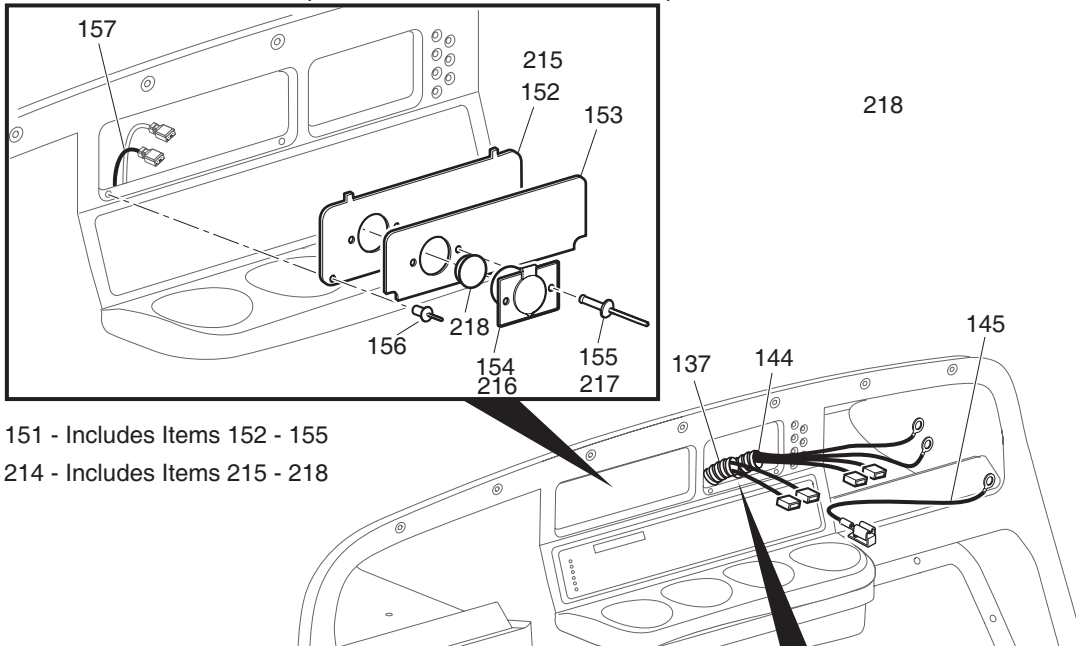
Ref Ele 9-4

# ELECTRICAL

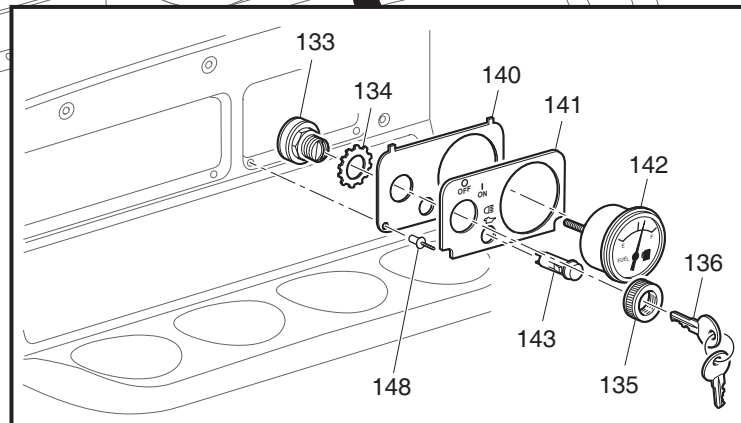


Ref Ele 9-5

## CONSOLE INSERT PLATE (WITH POWER OUTLET SHOWN)



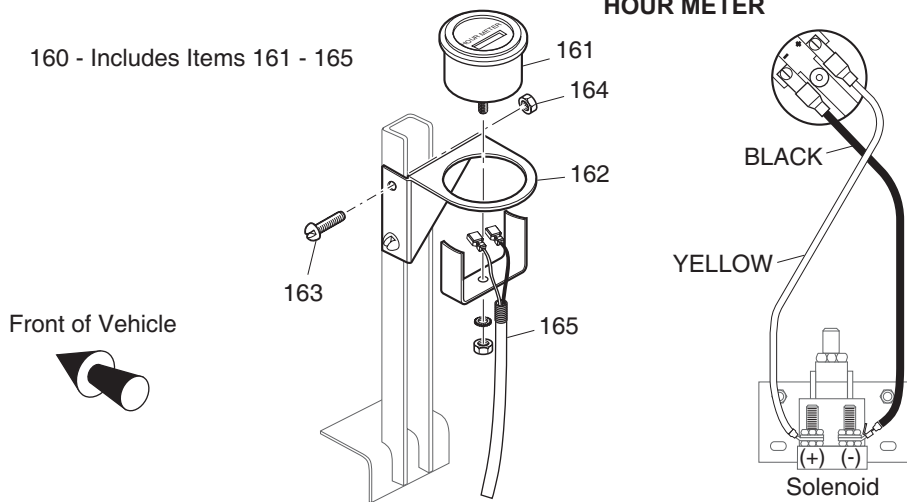
151 - Includes Items 152 - 155  
 214 - Includes Items 215 - 218



## KEY SWITCH, INDICATOR LIGHT(S), AND FUEL GAUGE

## HOUR METER

160 - Includes Items 161 - 165

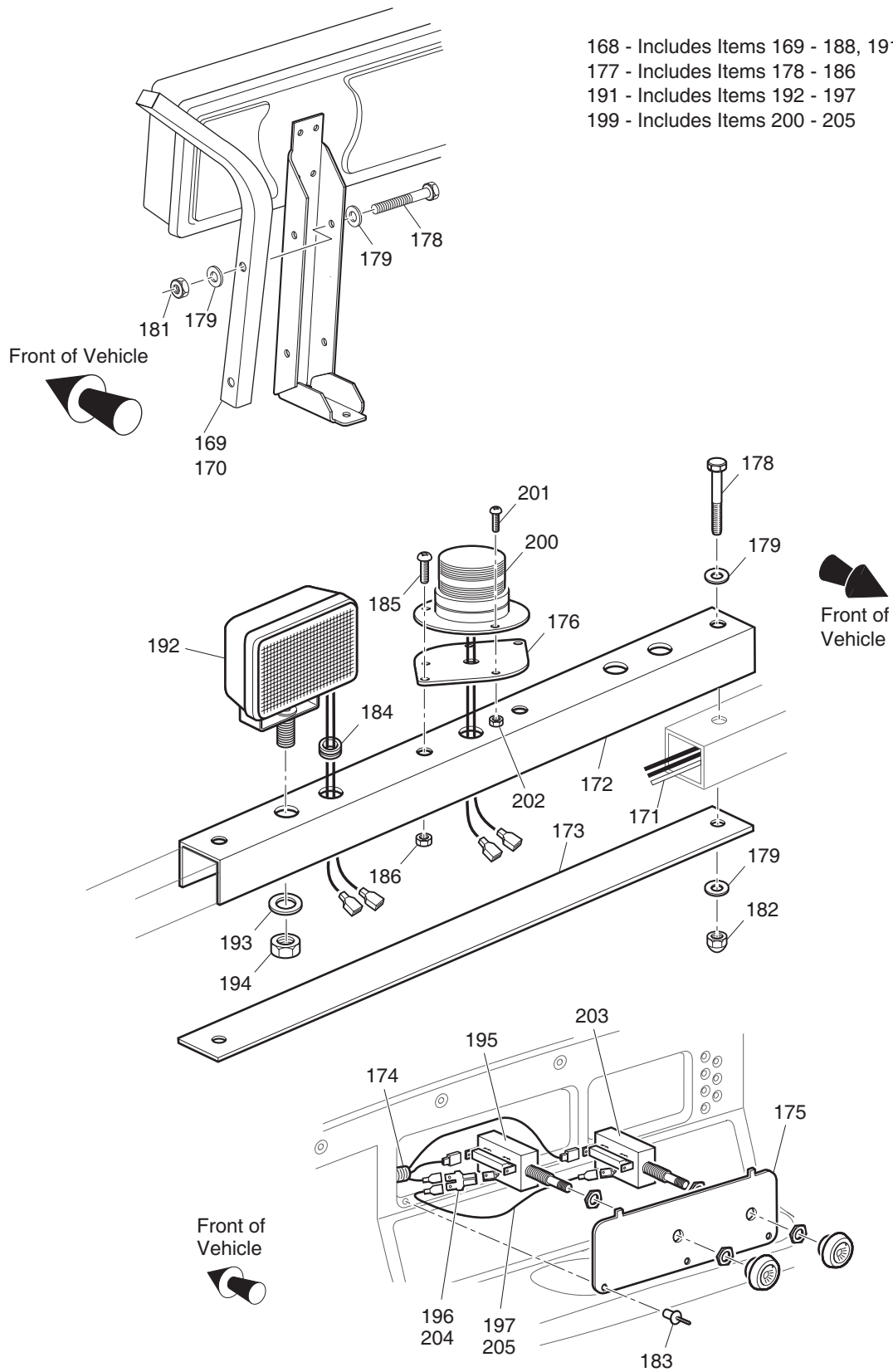


Front of Vehicle

Ref Ele 9-6

## WORK AND STROBE LIGHTS

- 168 - Includes Items 169 - 188, 191 and/or 199
- 177 - Includes Items 178 - 186
- 191 - Includes Items 192 - 197
- 199 - Includes Items 200 - 205



Ref Ele 9-7



# ELECTRICAL

THE USE OF NON U.L. PARTS WILL VOID ANY U.L. LISTING.

When ordering parts, please specify the model and serial number of the product.

\* Indicates a component that is not available as an individual part.

G\*\* Indicates consult Customer Service Department for additional information.

ITEM	PART NO.	1 2 3 4 5	DESCRIPTION	QTY.
1	<u>72865-G01</u>		PULSER COIL (EH292C & EH352C ENGINES) (INCLUDES ITEM 2) .....	1
2	<u>26707-G01</u>		BOLT AND WASHER ASSEMBLY, M5 X 0.8 X 10 MM LG .....	2
3				
4				
5				
6	<u>72866-G01</u>		IGNITION COIL (EH292C & EH352C ENGINES) (INCL. SPARK PLUG WIRES)	1
7	*		FLAT WASHER .....	2
8	*		LOCK WASHER .....	2
9	<u>72871-G01</u>		SCREW .....	2
10				
11				
12				
13	<u>25887-G01</u>		6 GA WIRE (BLACK, 6", F1 - A2).....	1
14	<u>25682-G1</u>		TERMINAL COVER .....	3
15				
16				
17				
18	24775-G*		BATTERY, 12V .....	1
19	<u>00962-G1</u>		BOLT, 5/16 - 18 X 1 1/4" LG .....	2
20	<u>00993-G01</u>		LOCK WASHER, 5/16" (SILICON BRONZE) .....	2
21	<u>00994-G01</u>		NUT, 5/16 - 18 (SILICON BRONZE) .....	2
22				
23	<u>72101-G02</u>		BATTERY HOLD DOWN .....	1
24	00438-G6		BOLT, 5/16 - 18 X 3/4" LG .....	1
25	<u>00565-G8</u>		LOCK WASHER, 5/16" .....	1
26	<u>00571-G2</u>		WASHER, 5/16" .....	1
27				
28				
29	<u>27044-G03</u>		GROUND CABLE .....	1
30	<u>25976-G19</u>		14 GA WIRE (BLACK, 6") .....	1

# ELECTRICAL

THE USE OF NON U.L. PARTS WILL VOID ANY U.L. LISTING.

When ordering parts, please specify the model and serial number of the product.

\* Indicates a component that is not available as an individual part.

G\*\* Indicates consult Customer Service Department for additional information.

ITEM	PART NO.	1 2 3 4 5	DESCRIPTION	QTY.
31	00438-G6		BOLT, 5/16 - 18 X 3/4" LG .....	2
32	<u>11027-G1</u>		LOCK NUT, 5/16 - 18 .....	2
33	<u>26676-G01</u>		FLANGED BOLT, M6 X 1 X 23 MM LG .....	1
34				
35	<u>25972-G58</u>		6 GA WIRE (BLACK 26", F2 - SOL).....	1
36				
37	<u>74935-G01</u>		WIRE HARNESS (CONTROL) ST350 .....	1
38	<u>74938-G01</u>		WIRE HARNESS (CONTROL) STSPORT .....	1
39				
40	<u>17618-G1</u>		WIRE TIE .....	AR
41				
42	<u>73049-G01</u>		COVER.....	1
43	<u>16469-G1</u>		WASHER, 1/4" .....	1
44	<u>00114-G6</u>		SCREW, 1/4 - 14 X 3/4" LG.....	1
45				
46				
47	<u>72909-G01</u>		ELEC. PLATE ASSY (EH292C & EH352C ENGINES) (INCL. ITEMS 48 - 72) ..	1
48	<u>73057-G01</u>		BRACKET .....	1
49	<u>27739-G01</u>		VOLTAGE REGULATOR .....	1
50	<u>27153-G01</u>		SOLENOID .....	1
51	<u>00415-G2</u>		BOLT, 1/4 - 20 X 1 1/4" LG.....	1
52	00414-G8		BOLT, 1/4 - 20 X 1" LG.....	1
53	<u>11027-G2</u>		LOCK NUT, 1/4 - 20.....	2
54				
55				
56	72872-G01		IGNITOR (EH292C & EH352C ENGINES).....	1
57	<u>00414-G5</u>		BOLT, 1/4 - 20 X 5/8" LG.....	1
58	<u>11027-G2</u>		LOCK NUT, 1/4 - 20.....	1
59				
60				

# ELECTRICAL

THE USE OF NON U.L. PARTS WILL VOID ANY U.L. LISTING.

When ordering parts, please specify the model and serial number of the product.

\* Indicates a component that is not available as an individual part.

G\*\* Indicates consult Customer Service Department for additional information.

ITEM	PART NO.	1	2	3	4	5	DESCRIPTION	QTY.
61								
62	<u>73446-G01</u>						FASTON TAB, 90° .....	2
63	<u>00565-G5</u>						LOCK WASHER, #10 .....	2
64	<u>00526-G4</u>						NUT, #10 - 32.....	2
65								
66								
67	<u>25978-G56</u>						18 GA WIRE (BLACK, 5 3/4").....	1
68								
69	600418						IN-LINE FUSE HOLDER.....	1
70	<u>00565-G8</u>						LOCK WASHER, 5/16" .....	2
71	<u>00544-G4</u>						JAM NUT, 5/16 - 24.....	2
72	<u>25972-G33</u>						6 GA WIRE (BLACK, 24", B+ - SOL) .....	1
73								
74								
75	<u>25974-G22</u>						10 GA WIRE (WHITE 34") (ST 350).....	1
76	<u>35211-G01</u>						FUSE BLOCK (ST 350).....	1
77	<u>12914-G1</u>						FASTON TAB .....	1
78	<u>00567-G5</u>						LOCK WASHER, # 10 .....	1
79	<u>00526-G4</u>						NUT, # 10 - 32 .....	1
80	<u>35212-G01</u>						FUSE, 15 AMP .....	1
81	<u>00379-G2</u>						SCREW, # 10 - 24 X 1 1/4" LG.....	2
82	<u>00559-G5</u>						WASHER, #10.....	2
83	<u>14390-G10</u>						LOCK NUT, # 10 - 24 .....	2
84								
85	<u>22674-G1</u>						FUSE BLOCK (ST SPORT) .....	1
86	<u>01041-G01</u>						RIVET, 5/32" X 3/8" LG .....	2
87	<u>18392-G1</u>						15 AMP FUSE .....	3
88								
89	<u>32860-G1</u>						HORN.....	1
90	<u>00414-G5</u>						BOLT, 1/4 - 20 X 5/8" LG .....	1

# ELECTRICAL

THE USE OF NON U.L. PARTS WILL VOID ANY U.L. LISTING.

When ordering parts, please specify the model and serial number of the product.

\* Indicates a component that is not available as an individual part.

G\*\* Indicates consult Customer Service Department for additional information.

ITEM	PART NO.	1 2 3 4 5	DESCRIPTION	QTY.
91	<u>00559-G7</u>		WASHER, 1/4" .....	1
92	<u>14390-G4</u>		LOCK NUT, 1/4 - 20 .....	1
93				
94	<u>17318-G1</u>		HORN SWITCH.....	1
95	<u>17318-G2</u>		HORN SWITCH CAP AND NUT .....	1
96	<u>27068-G01</u>		HORN SWITCH BOOT .....	1
97	<u>19233-G1</u>		HORN SWITCH LABEL .....	1
98	<u>71055-G01</u>		RIVET, 3/16" X 1" LG (ALUMINUM) .....	2
99				
100	<u>73214-G01</u>		HORN HARNESS (ST 350) .....	1
101	<u>25977-G40</u>		16 GA WIRE (BLACK 17") .....	1
102				
103	<u>22523-G1</u>		HEADLIGHT (INCLUDES ITEM 104).....	2
104	<u>00906-G6</u>		SCREW, #10 - 16 X 1" LG .....	2
105	<u>74337-G01</u>		HEADLIGHT JUMPER .....	2
106				
107	<u>20570-G3</u>		TURN SIGNAL LIGHT (INCLUDES ITEMS 126 - 131).....	2
108	<u>20574-G3</u>		TURN SIGNAL LIGHT .....	1
109	<u>00660-G7</u>		WASHER, 1/4" .....	1
110	<u>20606-G1</u>		WIRE ASSEMBLY .....	1
111	<u>00567-G7</u>		LOCK WASHER, 1/4" .....	1
112	<u>00532-G1</u>		NUT, 1/4 - 20.....	1
113	<u>18995-G1</u>		PUSH-ON MALE TERMINAL .....	1
114	<u>20574-G5</u>		LENS, AMBER .....	1
115	<u>00118-G5</u>		SCREW, #6 - 18 X 5/8" LG.....	2
116	<u>74056-G01</u>		TURN SIGNAL JUMPER, RED/BLACK (PASSENGER SIDE) .....	1
117	<u>74056-G02</u>		TURN SIGNAL JUMPER, GREEN/BLACK (DRIVER SIDE) .....	1
118				
119	<u>32739-G2</u>		TAILLIGHT ASSEMBLY (COMPLETE) .....	2
120				

# ELECTRICAL

THE USE OF NON U.L. PARTS WILL VOID ANY U.L. LISTING.

When ordering parts, please specify the model and serial number of the product.

\* Indicates a component that is not available as an individual part.

G\*\* Indicates consult Customer Service Department for additional information.

ITEM	PART NO.	1	2	3	4	5	DESCRIPTION	QTY.
121								
122	<u>17867-G1</u>						TURN SIGNAL (WITH MOUNTING HARDWARE) (INCL. ITEM 123) .....	1
123	<u>21640-G1</u>						TURN SIGNAL FLASHER .....	1
124	<u>32307-G3</u>						FLEX LOOM, 3/8 X 8" LG .....	1
125	<u>17618-G1</u>						WIRE TIE .....	2
126	<u>20965-G3</u>						STEERING COLUMN COVER.....	1
127								
128	72228-G01						WIRE HARNESS (ACCESSORY - ST SPORT).....	1
129	<u>74042-G01</u>						HARNESS (LIGHTS) (ST 350).....	1
130								
131								
132								
133	33639-G**						IGNITION SWITCH (WITH LIGHTS).....	1
134	<u>00568-G6</u>						LOCK WASHER, 3/4".....	1
135	17137-G1						FACE NUT, 3/4 - 20 .....	1
136	<u>17063-G1</u>						IGNITION KEY (SET).....	1
137	<u>73041-G01</u>						WIRE HARNESS (KEY SWITCH).....	1
138								
139								
140	73030-G04						PLATE (FUEL GAUGE AND OIL LIGHT).....	1
141	<u>71131-G01</u>						DECAL (OIL LIGHT AND FUEL GAUGE WITH HEADLIGHTS).....	1
142	<u>21553-G1</u>						FUEL GAUGE .....	1
143	<u>23474-G1</u>						INDICATOR LIGHT .....	1
144	<u>74311-G01</u>						HARNESS (OIL LIGHT/FUEL GAUGE) .....	1
145	<u>25978-G122</u>						18 GA WIRE (RED 6").....	1
146								
147								
148	33623-G02						DRIVE RIVET, 3/16" X 3/8" LG .....	2
149								
150								

# ELECTRICAL

THE USE OF NON U.L. PARTS WILL VOID ANY U.L. LISTING.

When ordering parts, please specify the model and serial number of the product.

\* Indicates a component that is not available as an individual part.

G\*\* Indicates consult Customer Service Department for additional information.

ITEM	PART NO.	1 2 3 4 5	DESCRIPTION	QTY.
151	74444-G**		CONSOLE INSERT ASSEMBLY (WITH OR W/O POWER OUTLET) (INCLUDES ITEMS 152 - 155).....	1
152	71077-G**		CONSOLE INSERT PLATE .....	1
153	35966-G**		DECAL (CONSOLE INSERT PLATE).....	1
154	<u>71078-G01</u>		POWER OUTLET (12 VOLT).....	1
155	<u>14601-G10</u>		RIVET, 5/32" X 7/16" LG .....	2
156	33623-G02		DRIVE RIVET, 5/32" X 5/16" LG .....	3
157	<u>71081-G01</u>		WIRE HARNESS (POWER OUTLET) .....	1
158	75114-G02		HOUR METER KIT (INCLUDES ITEMS 161 - 165).....	1
159	<u>21573-G1</u>		HOUR METER ASSEMBLY.....	1
160	<u>74019-G02</u>		HOUR METER BRACKET .....	1
161	<u>00379-G4</u>		SCREW, #10 - 24 X 1/2" LG .....	2
162	<u>14390-G10</u>		LOCK NUT, #10 - 24 .....	2
163	<u>75117-G01</u>		WIRE HARNESS (HOUR METER).....	1
164				
165				
166	71323-G**		WORK LIGHT BAR WITH LIGHTS AND/OR STROBE (INCLUDES ITEMS 169 - 188, 191 AND/OR 199).....	1
167	<u>75838-G03</u>		STRUT (DRIVER SIDE).....	1
168	<u>75838-G04</u>		STRUT (PASSENGER SIDE) .....	1
169	<u>75346-G01</u>		WIRE HARNESS (WORK LIGHT) .....	1
170	<u>71294-G02</u>		BRACE.....	1
171	<u>71293-G02</u>		COVER PLATE .....	1
172	<u>75430-G01</u>		SWITCH HARNESS .....	1
173	73522-G**		CONSOLE INSERT PLATE .....	1
174	<u>33201-G03</u>		STROBE LIGHT MOUNT (USED ONLY WITH STROBE LIGHT).....	1
175	<u>75365-G01</u>		HARDWARE KIT (INCLUDES ITEMS 207 - 215).....	1
176	<u>00685-G7</u>		BOLT, 5/16 - 18 X 1 3/4" LG .....	6
177	<u>00660-G8</u>		WASHER, 5/16" .....	12
178				
179	<u>01109-G01</u>		LOCK NUT, 5/16 - 18 .....	4

# ELECTRICAL

THE USE OF NON U.L. PARTS WILL VOID ANY U.L. LISTING.

When ordering parts, please specify the model and serial number of the product.

\* Indicates a component that is not available as an individual part.

G\*\* Indicates consult Customer Service Department for additional information.

ITEM	PART NO.	1	2	3	4	5	DESCRIPTION	QTY.
180	<u>00918-G3</u>						ACORN NUT, 5/16 - 18 .....	2
181	33623-G02						DRIVE RIVET, 3/16" X 3/8" LG.....	3
182	<u>20367-G1</u>						GROMMET .....	2
183	16705-G3						SCREW, 1/4 - 20 X 3/4" LG.....	2
184	<u>14390-G4</u>						LOCK NUT, 1/4 - 20 .....	2
185								
186								
187								
188								
189	<u>74247-G01</u>						WORK LIGHT (INCLUDES ITEMS 192 - 197).....	1
190	<u>20209-G2</u>						WORK LIGHT (RECTANGULAR).....	2
191	<u>00566-G3</u>						LOCK WASHER, 1/2" .....	2
192	<u>00533-G1</u>						NUT, 1/2 - 13.....	2
193	<u>17317-G1</u>						LIGHT SWITCH .....	1
194	<u>17902-G1</u>						TAB ADAPTER .....	1
195	<u>20053-G1</u>						16 GA WIRE (RED 5 3/8").....	1
196								
197	<u>74245-G01</u>						STROBE LIGHT KIT (INCLUDES ITEMS 200 - 205).....	1
198	<u>20394-G4</u>						STROBE LIGHT.....	1
199	<u>00379-G4</u>						SCREW, #10 - 24 X 1/2" LG .....	3
200	<u>14390-G10</u>						LOCK NUT, #10 - 24 .....	3
201	<u>17317-G1</u>						LIGHT SWITCH .....	1
202	<u>17902-G1</u>						TAB ADAPTER .....	1
203	<u>20053-G1</u>						16 GA WIRE (RED 5 3/8").....	1
204								
205								
206								
207								
208								
209								

# ELECTRICAL

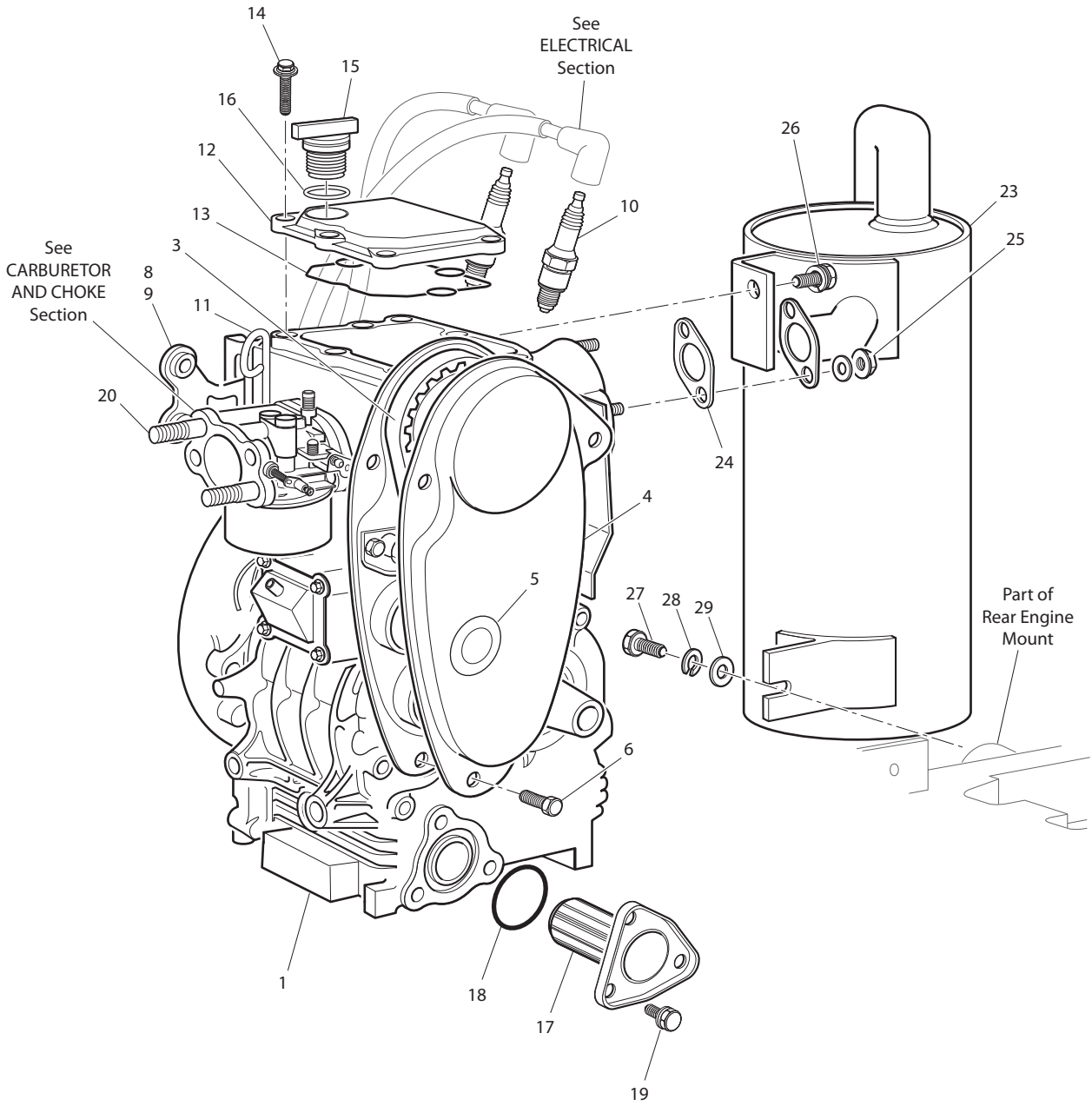
THE USE OF NON U.L. PARTS WILL VOID ANY U.L. LISTING.  
 When ordering parts, please specify the model and serial number of the product.  
 \* Indicates a component that is not available as an individual part.  
 G\*\* Indicates consult Customer Service Department for additional information.

ITEM	PART NO.	1	2	3	4	5	DESCRIPTION	QTY.
210								
211								
212	74693-G**						CONSOLE INSERT ASSEMBLY.....	1
213	<u>73522-G03</u>						CONSOLE PLATE .....	1
214	<u>71078-G01</u>						OUTLET, 12V POWER .....	1
215	<u>14601-G10</u>						RIVET, 5/32" X 7/16" LG (ALUMINUM) .....	2
216	<u>20271-G10</u>						HOLE PLUG .....	1





# ENGINE AND MUFFLER



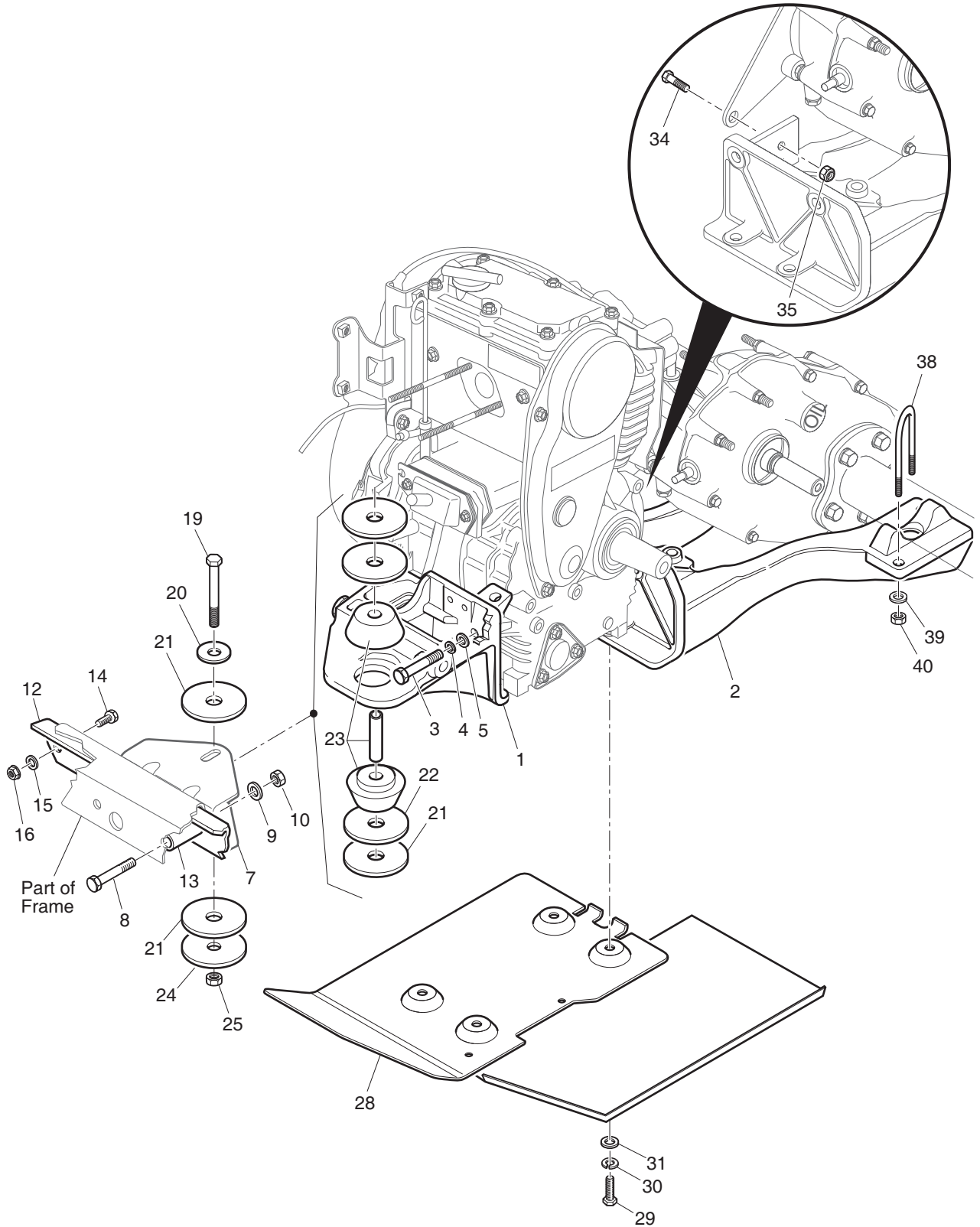
Ref Emf2

# ENGINE AND MUFFLER

Where applicable, THE USE OF NON UL PARTS WILL VOID ANY UL LISTING.  
 When ordering parts, please specify the model and serial number of the product.  
 \* Indicates a component that is not available as an individual part.  
 G\*\* Indicates consult Customer Service Department for additional information.

ITEM	PART NO.	1 2 3 4 5	DESCRIPTION	QTY.
1	<u>72846-G01</u>		ENGINE (FOR VEHICLES ORIGINALLY EQUIPPED WITH 350cc (EH35C) (INCLUDES ITEMS 3 - 6, 9 - 20) .....	1
2				
3	<u>26626-G01</u>		TIMING BELT.....	1
4	<u>72908-G01</u>		TIMING BELT COVER.....	1
5	<u>26631-G01</u>		TIMING BELT COVER GROMMET .....	1
6	<u>26678-G01</u>		BOLT, M6 X 1 X 12 MM LG.....	3
7				
8				
9	<u>72869-G01</u>		IGNITION COIL BRACKET.....	1
10	<u>25523-G5</u>		SPARK PLUG (NGK FR2A-D).....	2
11	<u>605910</u>		DIP STICK (10 DEGREES) .....	1
12	<u>72848-G01</u>		VALVE COVER .....	1
13	<u>72876-G01</u>		VALVE COVER GASKET .....	1
14	<u>26676-G01</u>		FLANGED BOLT, M6 X 1 X 23 MM LG.....	6
15	<u>26601-G01</u>		OIL FILLER CAP.....	1
16	<u>26720-G01</u>		OIL FILLER 'O' RING.....	1
17	<u>26591-G01</u>		OIL FILTER .....	1
18	<u>26710-G01</u>		OIL FILTER 'O' RING .....	1
19	<u>26680-G01</u>		BOLT AND WASHER, M6 X 1 X 12 MM LG .....	3
20	<u>72307-G01</u>		STUD, M6 X 1 X 115 MM LG.....	2
21				
22				
23	<u>74829-G01</u>		MUFFLER .....	1
24	<u>25531-G1</u>		EXHAUST GASKET .....	1
25	<u>72851-G01</u>		FLANGE NUT, M8 X 1.25 MM.....	2
26	<u>25532-G1</u>		BOLT AND WASHER, M8 X 1.25 X 18 MM LG .....	1
27	<u>00438-G8</u>		BOLT, 5/16 - 18 X 1" LG .....	1
28	<u>00565-G8</u>		LOCK WASHER, 5/16".....	1
29	<u>00642-G8</u>		WASHER, 5/16" .....	1

# ENGINE MOUNTING



Ref Emt 9

# ENGINE MOUNTING

THE USE OF NON U.L. PARTS WILL VOID ANY U.L. LISTING.

When ordering parts, please specify the model and serial number of the product.

\* Indicates a component that is not available as an individual part.

G\*\* Indicates consult Customer Service Department for additional information.

ITEM	PART NO.	1 2 3 4 5	DESCRIPTION	QTY.
1	<u>72010-G01</u>		FRONT ENGINE MOUNT .....	1
2	<u>72011-G01</u>		REAR ENGINE MOUNT .....	1
3	<u>00463-G4</u>		BOLT, 7/16 - 14 X 1 1/2" LG .....	4
4	<u>00566-G2</u>		LOCK WASHER, 7/16" .....	4
5	<u>00922-G3</u>		WASHER, 7/16" .....	4
6				
7	<u>72253-G02</u>		MOUNT BRACKET .....	1
8	<u>00428-G6</u>		BOLT, 3/8 - 16 X 2 3/4" LG .....	2
9	<u>00643-G1</u>		WASHER, 3/8" .....	2
10	<u>11098-G5</u>		LOCK NUT, 3/8 - 16 .....	2
11				
12	<u>70269-G01</u>		CROSSMEMBER BRACE .....	1
13	<u>72016-G01</u>		SPACER .....	2
14	<u>00438-G7</u>		BOLT, 5/16 - 18 X 7/8" LG .....	2
15	<u>01110-G03</u>		WASHER, 5/16" .....	2
16	<u>01109-G01</u>		LOCK NUT, 5/16 - 18 .....	2
17				
18				
19	<u>00430-G4</u>		BOLT, 3/8 - 16 X 4 1/2" LG .....	1
20	<u>15121-G1</u>		WASHER, 1 1/4" X 3/8" .....	1
21	<u>72050-G01</u>		PLASTIC WASHER, 2 1/2" x 5/8" .....	4
22	<u>72051-G01</u>		WASHER, 2 1/2" X 5/8" .....	2
23	<u>72015-G01</u>		ISOLATION MOUNT .....	1
24	<u>72051-G02</u>		WASHER, 2 1/2" X 11/32" .....	1
25	<u>11098-G5</u>		LOCK NUT, 3/8 - 16 .....	1
26				
27				
28	<u>70527-G02</u>		ENGINE GUARD .....	1
29	<u>00463-G4</u>		BOLT, 7/16 - 14 X 1 1/2" LG .....	4
30	<u>00566-G2</u>		LOCK WASHER, 7/16" .....	4

# ENGINE MOUNTING

THE USE OF NON U.L. PARTS WILL VOID ANY U.L. LISTING.

When ordering parts, please specify the model and serial number of the product.

\* Indicates a component that is not available as an individual part.

G\*\* Indicates consult Customer Service Department for additional information.

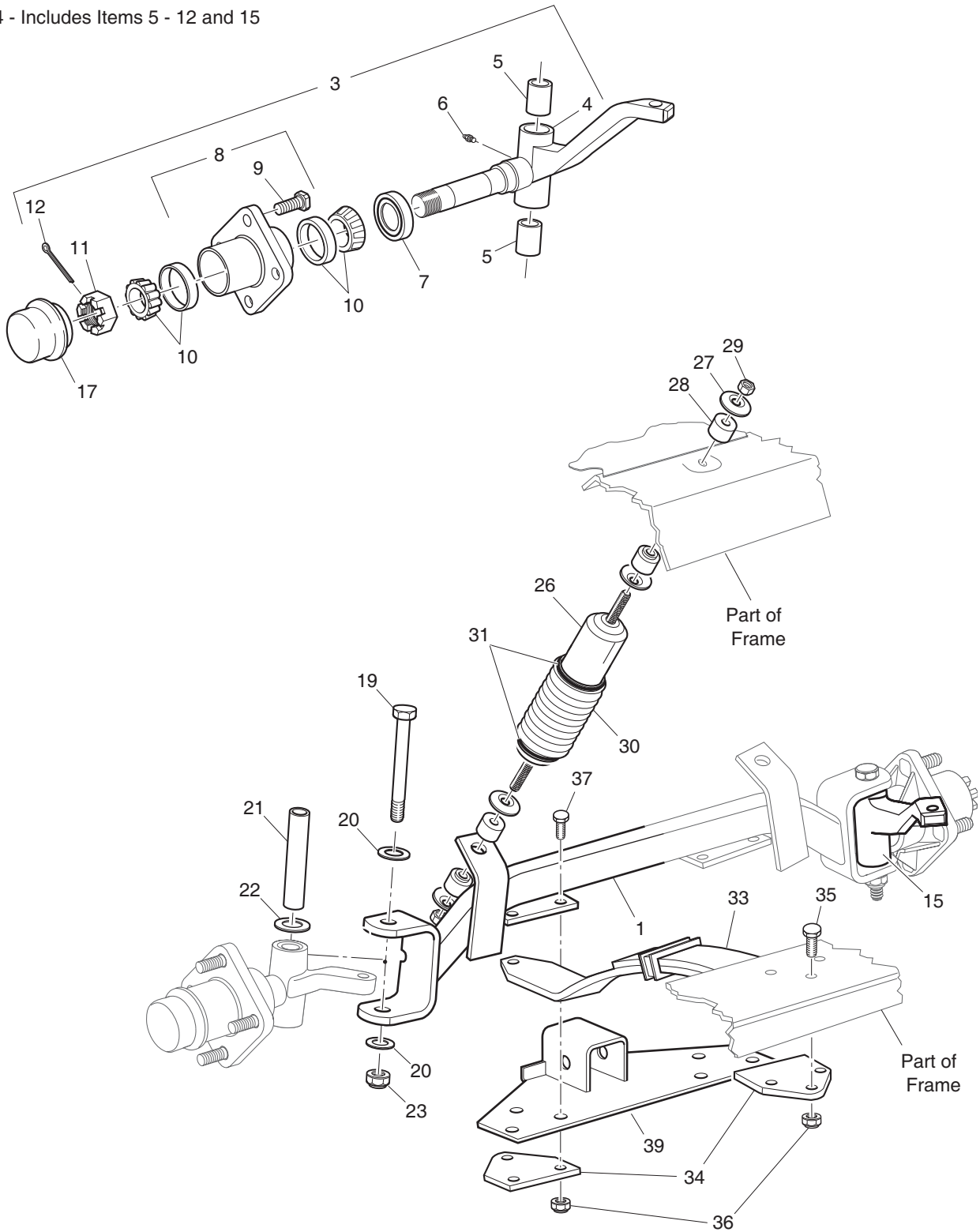
ITEM	PART NO.	1 2 3 4 5	DESCRIPTION	QTY.
31	<u>00922-G3</u>		WASHER, 7/16" .....	4
32				
33				
34	<u>00439-G2</u>		BOLT, 5/16 - 18 X 1 1/8" LG .....	1
35	<u>11098-G6</u>		LOCK NUT, 5/16 - 18 .....	1
36				
37				
38	<u>72035-G01</u>		'U' BOLT, 7/16 - 14 .....	2
39	<u>00922-G3</u>		WASHER, 7/16" .....	4
40	<u>00734-G1</u>		LOCK NUT, 7/16 - 14 .....	4



# FRONT SUSPENSION

3 - Includes Items 4 - 12

14 - Includes Items 5 - 12 and 15



Ref Fsp 9



# FRONT SUSPENSION

THE USE OF NON U.L. PARTS WILL VOID ANY U.L. LISTING.

When ordering parts, please specify the model and serial number of the product.

\* Indicates a component that is not available as an individual part.

G\*\* Indicates consult Customer Service Department for additional information.

ITEM	PART NO.	1 2 3 4 5	DESCRIPTION	QTY.
1	<u>70515-G01</u>		FRONT AXLE .....	1
2				
3	<u>70535-G03</u>		SPINDLE ASSEMBLY (DRIVER SIDE) (INCLUDES ITEMS 4 - 12).....	1
4	*		SPINDLE (DRIVER SIDE) .....	1
5	<u>16623-G1</u>		BEARING .....	2
6	<u>10389-G3</u>		GREASE FITTING, STRAIGHT .....	1
7	<u>25146-G1</u>		GREASE SEAL.....	1
8	<u>35886-G01</u>		WHEEL HUB ASSEMBLY WITH RACES (INCLUDES ITEMS 9) .....	1
9	<u>19862-G1</u>		LUG BOLT, 1/2 - 20 X 1 3/16" LG.....	4
10	<u>50892-G1</u>		BEARING AND RACE ASSEMBLY (COMPLETE) .....	2
11	12093-G1		SLOTTED NUT, 1 - 14 .....	1
12	<u>00798-G8</u>		COTTER PIN, 5/32" X 1 3/4" LG .....	1
13				
14	70534-G03		SPINDLE ASSEMBLY (PASSENGER SIDE) (INCL ITEMS 5 - 12, 15) .....	1
15	*		SPINDLE (PASSENGER SIDE).....	1
16				
17	<u>12091-G2</u>		SPINDLE CAP.....	2
18				
19	<u>01040-G01</u>		BOLT, 1/2 - 13 X 5" LG .....	2
20	<u>00571-G5</u>		WASHER, 1/2" .....	4
21	<u>70328-G01</u>		KING PIN TUBE .....	2
22	<u>16982-G1</u>		THRUST WASHER, 7/8" .....	2
23	<u>14390-G6</u>		LOCK NUT, 1/2 - 13 .....	2
24				
25				
26	<u>70630-G01</u>		SHOCK ABSORBER.....	2
27	<u>10435-G1</u>		SHOCK ABSORBER WASHER.....	8
28	<u>10194-G1</u>		RUBBER BUSHING .....	8
29	<u>00532-G6</u>		NUT, 3/8 - 24 .....	4
30	<u>70509-G01</u>		SHOCK ABSORBER BOOT .....	2

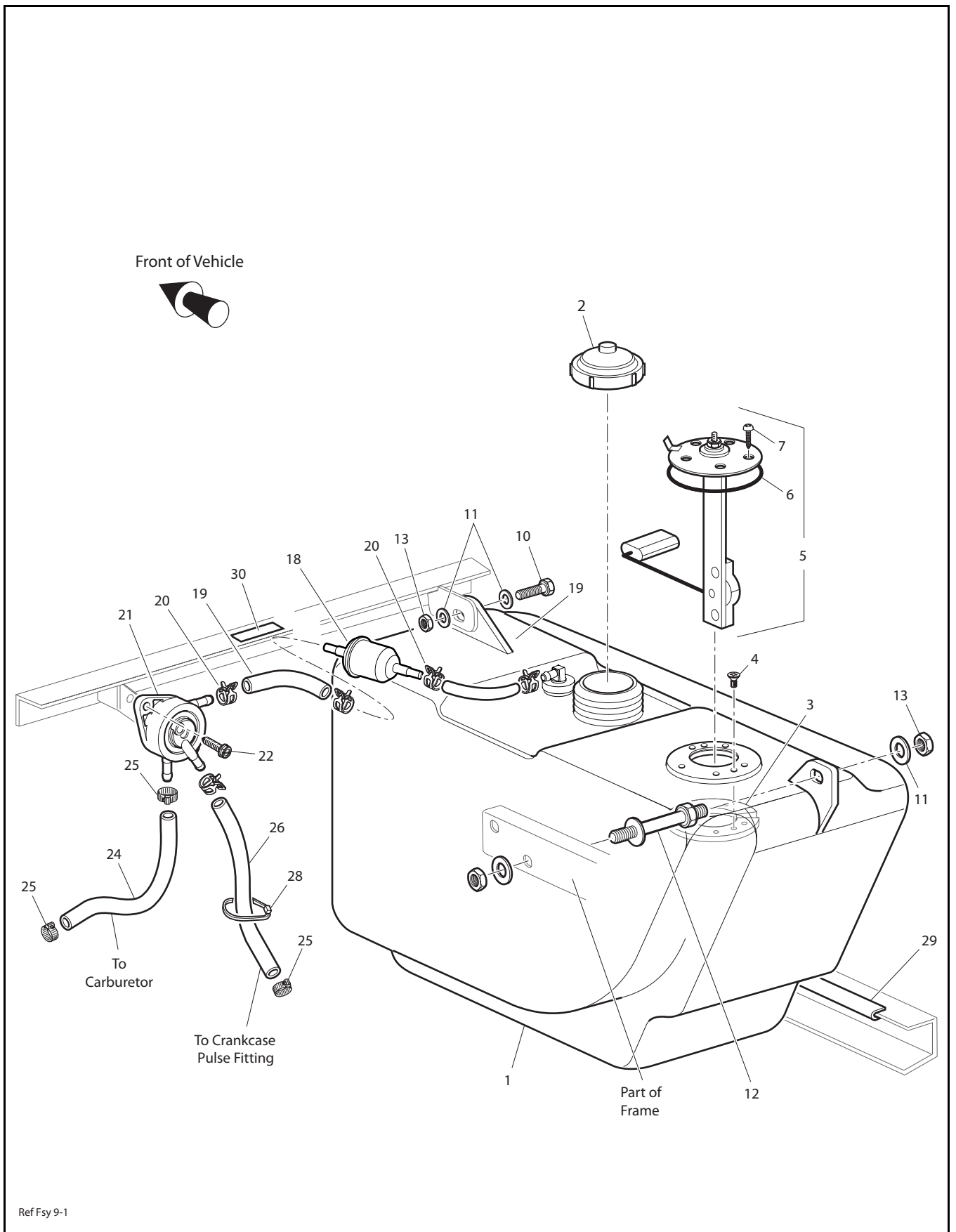
# FRONT SUSPENSION

THE USE OF NON U.L. PARTS WILL VOID ANY U.L. LISTING.  
 When ordering parts, please specify the model and serial number of the product.  
 \* Indicates a component that is not available as an individual part.  
 G\*\* Indicates consult Customer Service Department for additional information.

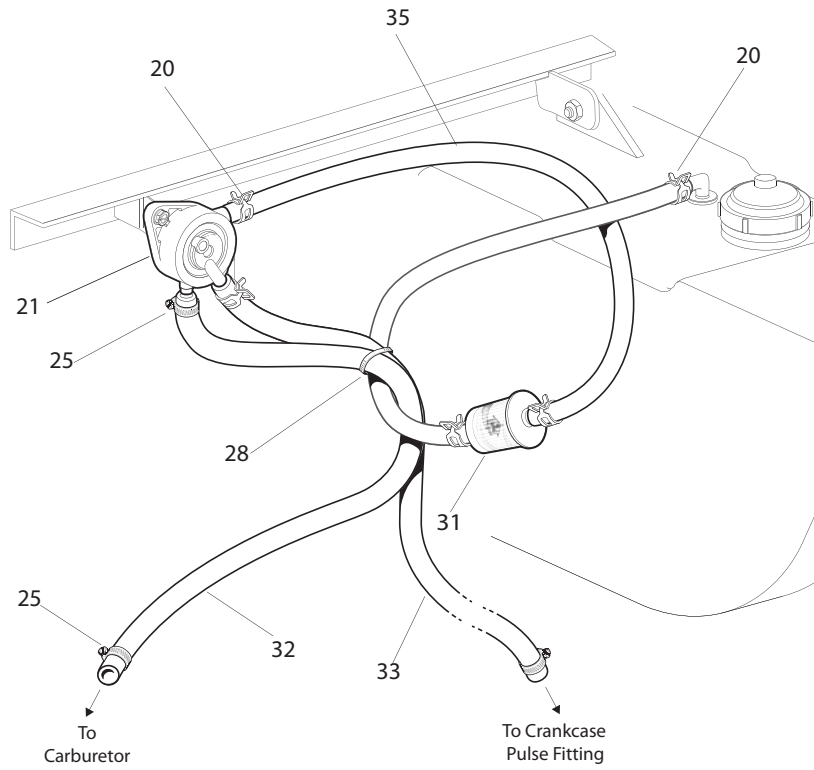
ITEM	PART NO.	1 2 3 4 5	DESCRIPTION	QTY.
31	<u>31539-G1</u>		WIRE TIE .....	4
32				
33	<u>70422-G01</u>		LEAF SPRING (HEAVY DUTY).....	2
34	<u>70163-G03</u>		SPRING PLATE .....	4
35	<u>00463-G6</u>		BOLT, 7/16 - 14 X 1 3/4" LG .....	6
36	<u>00734-G1</u>		LOCK NUT, 7/16 - 14 .....	12
37	<u>00463-G6</u>		BOLT, 7/16 - 14 X 1 3/4" LG .....	6
38				
39	<u>74255-G01</u>		WINCH RECEIVER.....	1



# FUEL SYSTEM



Ref Fsy 9-1



CALIFORNIA EMISSION REQUIREMENT

# FUEL SYSTEM

Where applicable, THE USE OF NON UL PARTS WILL VOID ANY UL LISTING.

When ordering parts, please specify the model and serial number of the product.

\* Indicates a component that is not available as an individual part.

G\*\* Indicates consult Customer Service Department for additional information.

ITEM	PART NO.	1 2 3 4 5	DESCRIPTION	QTY.
1	<u>605704</u>		FUEL TANK (FOR ELECTRIC FUEL GAUGE).....	1
2	<u>72282-G01</u>		FUEL TANK CAP .....	1
3	<u>72229-G01</u>		FUEL LEVEL SENDER ADAPTER.....	1
4	<u>72230-G01</u>		SCREW, #6 - 32 X 1/2" LG .....	2
5	<u>20048-G2</u>		FUEL LEVEL SENDER (ELEC. FUEL GAUGE) (INCLUDES ITEMS 6, 7).....	1
6	*		GASKET .....	1
7	<u>72232-G01</u>		SCREW, #10 - 32 x 3/4" LG .....	5
8				
9				
10	<u>00438-G8</u>		BOLT, 5/16 - 18 X 1" LG .....	1
11	<u>00559-G8</u>		WASHER, 5/16" .....	4
12	<u>70483-G01</u>		SPACER BOLT .....	1
13	<u>01109-G01</u>		LOCK NUT, 5/16 - 18 (STAINLESS STEEL) .....	3
14				
15				
16				
17				
18	<u>72084-G01</u>		FUEL FILTER.....	1
19	<u>17470-G1</u>		FUEL SYSTEM TUBING, 1/4" ID X 1/2" OD (BULK).....	3 1/4"
20	<u>18292-G1</u>		CLAMP .....	5
21	<u>72873-G01</u>		FUEL PUMP .....	1
22	<u>00114-G6</u>		SCREW, 1/4 - 14 X 3/4" LG .....	2
23				
24	<u>17470-G1</u>		FUEL SYSTEM TUBING, 1/4" ID X 1/2" OD (BULK).....	26"
25	<u>11391-G4</u>		HOSE CLAMP, 1/4" .....	3
26	<u>27183-G01</u>		TUBING, 1/4" I.D. X 1/2" O.D. (BULK) .....	26"
27				
28	<u>17618-G1</u>		WIRE TIE.....	3
29	<u>22280-G1</u>		VINYL TRIM - BLACK, (BULK) .....	6 1/4"
30	<u>26459-G01</u>		LABEL (UNLEADED GASOLINE ONLY) .....	1

# FUEL SYSTEM

Where applicable, THE USE OF NON UL PARTS WILL VOID ANY UL LISTING.

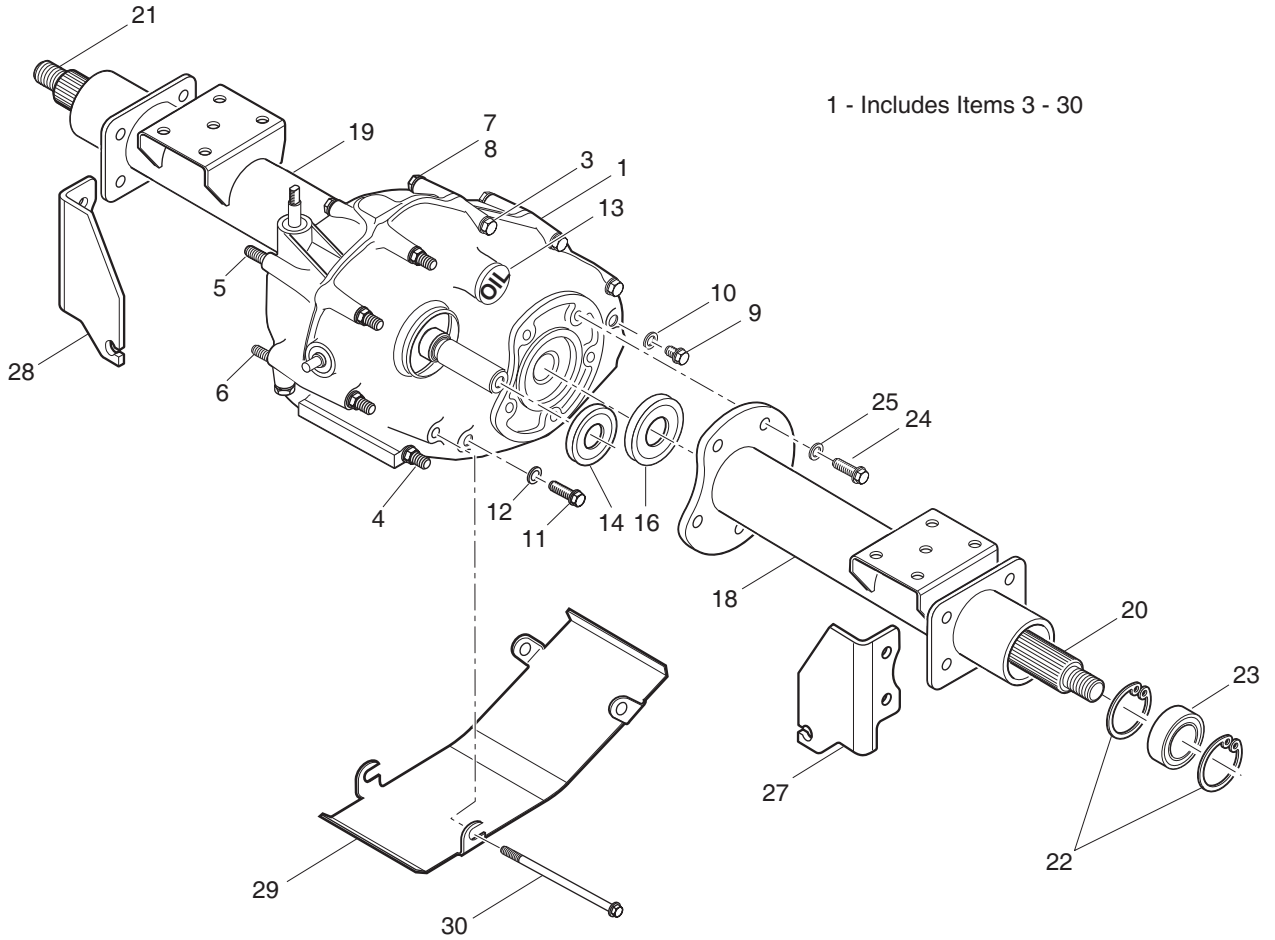
When ordering parts, please specify the model and serial number of the product.

\* Indicates a component that is not available as an individual part.

G\*\* Indicates consult Customer Service Department for additional information.

ITEM	PART NO.	1 2 3 4 5	DESCRIPTION	QTY.
31	<u>12902-G1</u>		FUEL FILTER-CARB.....	1
32	604596		FUEL SYSTEM TUBING, 26" LG, 1/4"ID X 1/2" OD (BULK) .....	AR
33	<u>27183-G01</u>		TUBING, 1/4" I.D. X 1/2" O.D. (BULK) .....	AR
34				
35	604596		FUEL SYSTEM TUBING, 14" LG, 1/4" ID X 1/2" OD (BULK) .....	AR
36				
37				
38	<u>604589</u>		LABEL, CARB EMISSION (TOP OF TIMING BELT COVER) .....	1

# REAR AXLE



Ref Rax 9



# REAR AXLE

Where applicable, THE USE OF NON UL PARTS WILL VOID ANY UL LISTING.

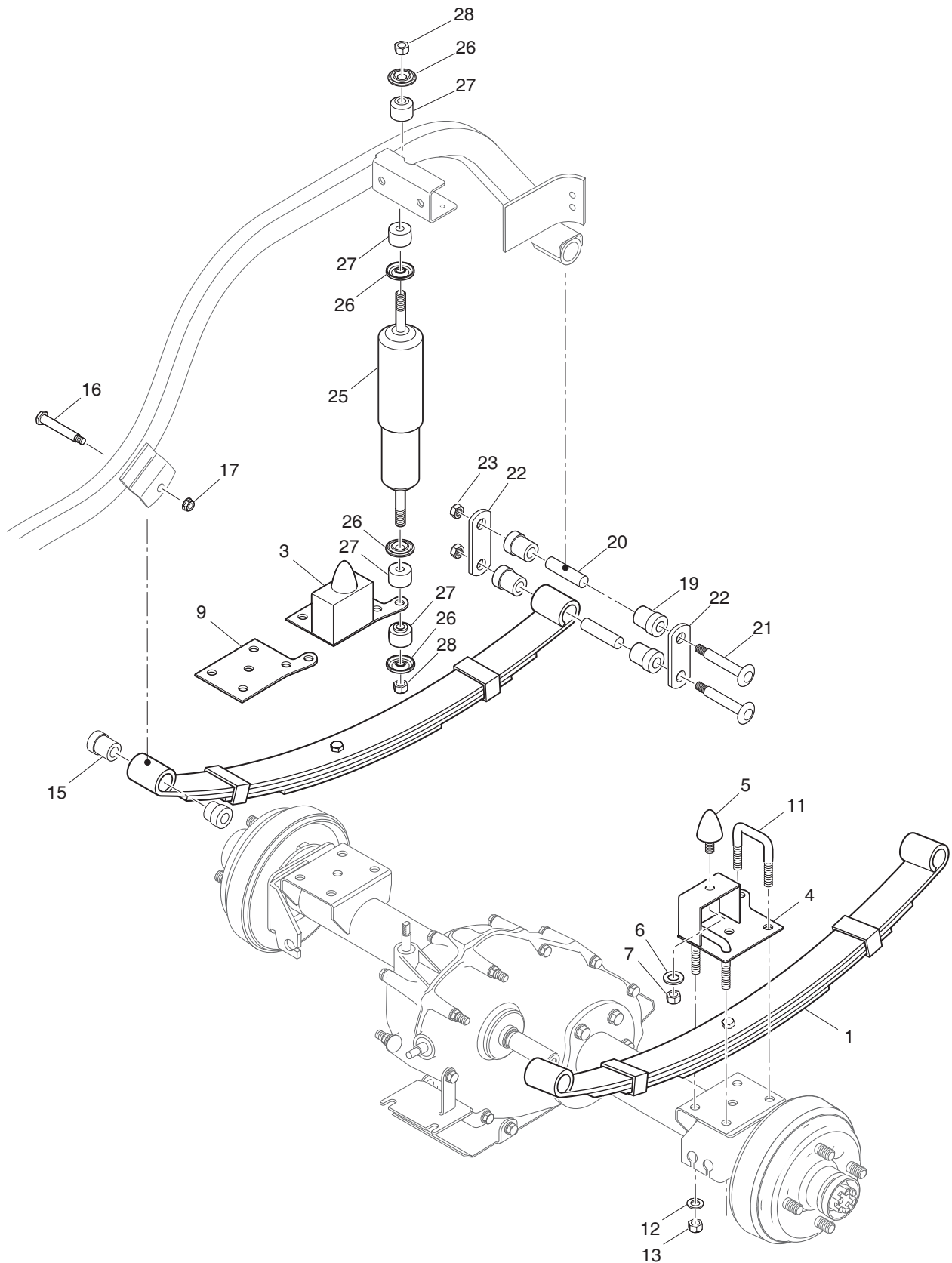
When ordering parts, please specify the model and serial number of the product.

\* Indicates a component that is not available as an individual part.

G\*\* Indicates consult Customer Service Department for additional information.

ITEM	PART NO.	1 2 3 4 5	DESCRIPTION	QTY.
1	<u>74544-G01</u>		REAR AXLE (13.32:1) (INCLUDES ITEMS 3 - 30) .....	1
2				
3	<u>26823-G01</u>		FLANGED BOLT, M8 X 1.25 X 100 MM LG.....	7
4	<u>26824-G01</u>		FLANGED BOLT, M8 X 1.25 X 110 MM LG .....	1
5	<u>72053-G01</u>		FLANGED BOLT, M8 X 1.25 X 120 MM LG.....	1
6	<u>72052-G01</u>		FLANGED BOLT, M8 X 1.25 X 130 MM LG.....	1
7	<u>26826-G01</u>		LOCK WASHER, 8 MM .....	4
8	<u>26827-G01</u>		NUT, M8 X 1.25 MM.....	4
9	<u>26768-G01</u>		OIL CHECK PLUG.....	1
10	<u>26769-G01</u>		GASKET, 8 MM.....	1
11	<u>26770-G01</u>		OIL DRAIN PLUG .....	1
12	<u>26771-G01</u>		GASKET, 14 MM.....	1
13	<u>26772-G01</u>		OIL FILLER PLUG .....	1
14	<u>26761-G01</u>		INPUT SHAFT SEAL .....	1
15	<u>26762-G01</u>		SHIFTER SHAFT SEAL.....	1
16	<u>26766-G01</u>		AXLE SHAFT SEAL.....	2
17				
18	<u>72058-G01</u>		AXLE TUBE (DRIVER SIDE).....	1
19	<u>72059-G01</u>		AXLE TUBE (PASSENGER SIDE) .....	1
20	<u>72056-G01</u>		AXLE SHAFT (DRIVER SIDE).....	1
21	<u>72057-G01</u>		AXLE SHAFT (PASSENGER SIDE) .....	1
22	<u>26814-G01</u>		RETAINING RING.....	4
23	<u>26811-G01</u>		BALL BEARING .....	2
24	<u>72260-G01</u>		FLANGED BOLT, M10 X 1.5 X 23 MM LG.....	10
25	<u>26828-G01</u>		WASHER, 10 MM .....	10
26				
27	<u>75870-G03</u>		BRAKE CABLE BRACKET (DRIVER SIDE).....	1
28	<u>75870-G04</u>		BRAKE CABLE BRACKET (PASSENGER SIDE) .....	1
29	<u>72349-G02</u>		DIFFERENTIAL SKID PLATE .....	1
30	<u>26824-G01</u>		FLANGED BOLT, M8 X 1.25 X 110 MM LG .....	2

# REAR SUSPENSION



Ref Rsp 9

# REAR SUSPENSION

Where applicable, THE USE OF NON UL PARTS WILL VOID ANY UL LISTING.

When ordering parts, please specify the model and serial number of the product.

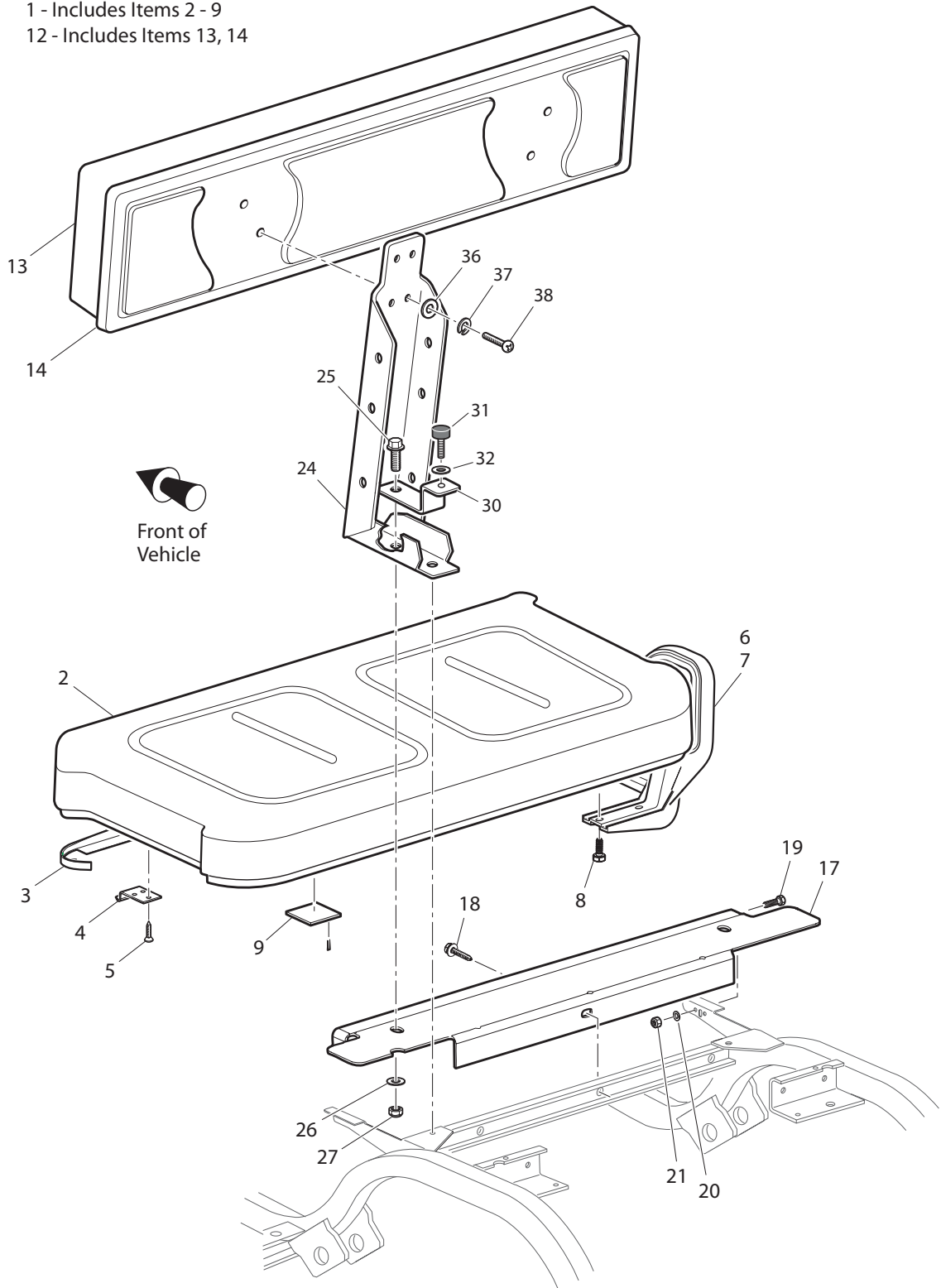
\* Indicates a component that is not available as an individual part.

G\*\* Indicates consult Customer Service Department for additional information.

ITEM	PART NO.	1 2 3 4 5	DESCRIPTION	QTY.
1	<u>74207-G01</u>		HEAVY DUTY LEAF SPRING .....	2
2				
3	<u>72360-G01</u>		SHOCK/STOP MOUNT (PASSENGER SIDE).....	1
4	<u>72360-G02</u>		SHOCK/STOP MOUNT (DRIVER SIDE) .....	1
5	<u>70492-G01</u>		RUBBER BUMPER .....	2
6	<u>00968-G01</u>		LOCK WASHER, 10 MM.....	2
7	<u>00974-G01</u>		NUT, M10 X 1.5 .....	2
8				
9	<u>72357-G02</u>		SPRING PLATE .....	2
10				
11	<u>72618-G01</u>		'U' BOLT, 3/8 - 16 X 2" X 2 1/8" LG .....	4
12	<u>00560-G1</u>		WASHER, 3/8" .....	8
13	<u>11098-G5</u>		LOCK NUT, 3/8 - 16 .....	8
14				
15	<u>70291-G01</u>		FLANGED BUSHING .....	4
16	<u>14158-G1</u>		SHOULDER BOLT, 3/8 - 16 X 3 1/4" LG .....	2
17	<u>12262-G1</u>		LOCK NUT, 3/8 - 16 .....	2
18				
19	<u>70291-G01</u>		FLANGED BUSHING .....	8
20	<u>70289-G02</u>		SPACER .....	4
21	<u>00665-G9</u>		BOLT, 3/8 - 16 X 3 1/2" LG (STAINLESS STEEL).....	4
22	<u>70290-G02</u>		SHACKLE PLATE .....	4
23	<u>11098-G5</u>		LOCK NUT, 3/8 - 16 .....	4
24				
25	<u>76418-G01</u>		SHOCK ABSORBER.....	2
26	<u>10435-G1</u>		SHOCK ABSORBER WASHER .....	8
27	<u>10194-G1</u>		RUBBER SHOCK ABSORBER BUSHING .....	8
28	<u>00532-G6</u>		NUT, 3/8 - 24 .....	4

# SEATING

1 - Includes Items 2 - 9  
12 - Includes Items 13, 14



Ref Sea 9-2

# SEATING

THE USE OF NON U.L. PARTS WILL VOID ANY U.L. LISTING.

When ordering parts, please specify the model and serial number of the product.

\* Indicates a component that is not available as an individual part.

G\*\* Indicates consult Customer Service Department for additional information.

ITEM	PART NO.	1 2 3 4 5	DESCRIPTION	QTY.
1	71611-G**		SEAT BOTTOM ASSEMBLY (INCLUDES ITEMS 2 - 9) .....	1
2	71602-G**		VINYL SEAT BOTTOM COVER .....	1
3	<u>71012-G01</u>		VINYL TRIM (SEAT BOTTOM) .....	1
4	<u>71610-G01</u>		SEAT HINGE .....	2
5	<u>00720-G08</u>		SCREW, #12 - 14 X 1" LG (STAINLESS STEEL) .....	6
6	<u>71701-G01</u>		HIP RESTRAINT (PASSENGER SIDE) .....	1
7	<u>71702-G01</u>		HIP RESTRAINT (DRIVER SIDE) .....	1
8	71204-G01		BOLT, 1/4 - 20 X 7/8" LG .....	8
9	<u>17074-G1</u>		RUBBER PAD .....	2
10				
11				
12	71274-G**		SEAT BACK ASSEMBLY (INCLUDES ITEMS 13, 14) .....	1
13	18144-G**		VINYL SEAT BACK COVER .....	1
14	18868-G4		PLASTIC SEAT BACK COVER (BLACK) .....	1
15				
16				
17	71446-G02		SEAT BACK SUPPORT .....	1
18	<u>00715-G2</u>		BOLT, 5/16 - 18 X 4/5" LG .....	1
19	<u>00438-G8</u>		BOLT, 5/16 - 18 X 1" LG .....	2
20	<u>00642-G8</u>		WASHER, 5/16" .....	2
21	11098-G6		LOCK NUT, 5/16 - 18 (STAINLESS STEEL) .....	2
22				
23				
24	<u>75900-G02</u>		SEAT BACK SUPPORT BRACKET .....	2
25	<u>01006-G01</u>		BOLT, 3/8 - 16 X 1 1/4" LG .....	4
26	<u>00560-G1</u>		WASHER, 3/8" .....	2
27	<u>11098-G5</u>		LOCK NUT, 3/8 - 16 .....	2
28				
29				
30	<u>71577-G01</u>		BED BUMPER BRACKET .....	2

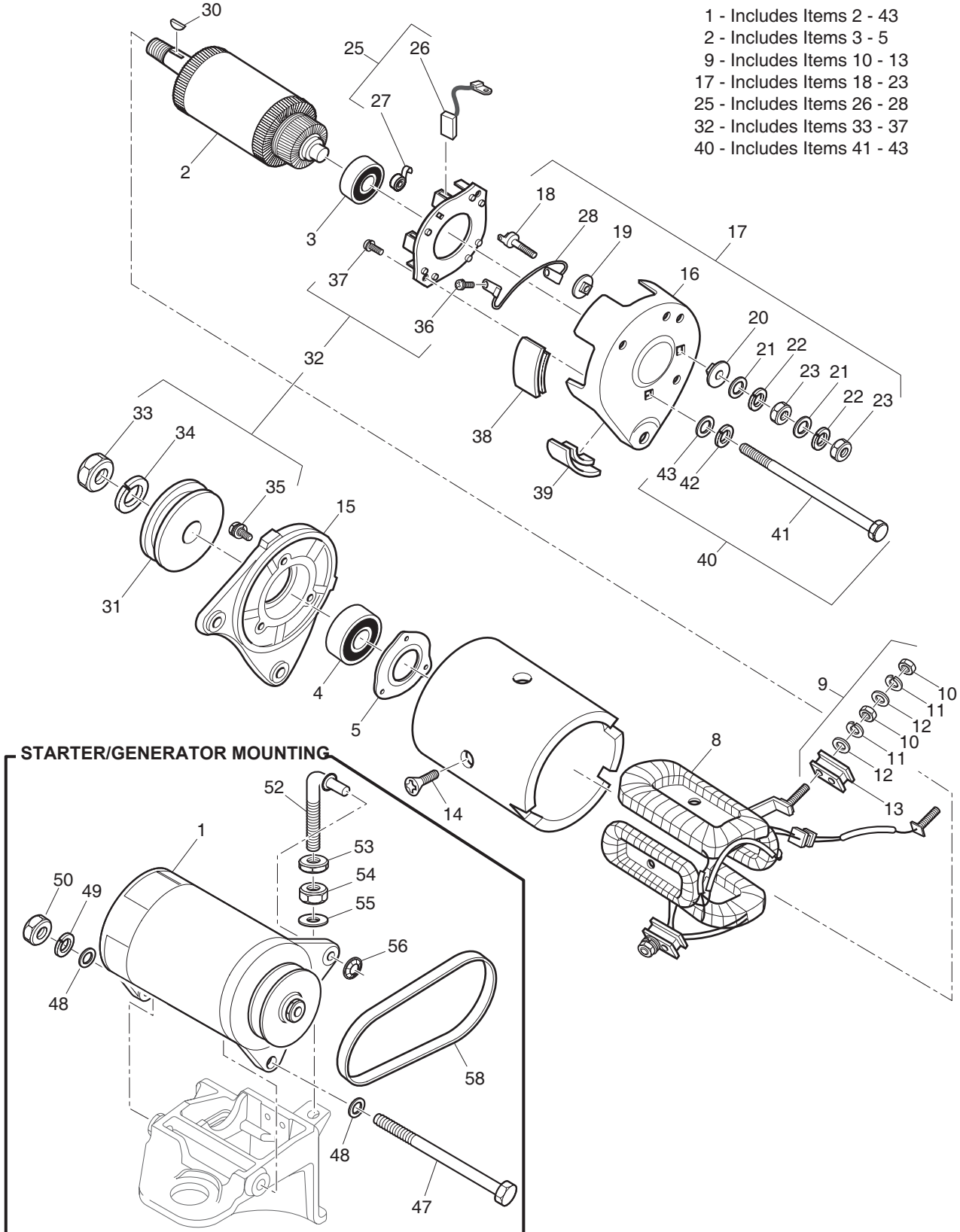
# SEATING

THE USE OF NON U.L. PARTS WILL VOID ANY U.L. LISTING.  
 When ordering parts, please specify the model and serial number of the product.  
 \* Indicates a component that is not available as an individual part.  
 G\*\* Indicates consult Customer Service Department for additional information.

ITEM	PART NO.	1 2 3 4 5	DESCRIPTION	QTY.
31	<u>70113-G01</u>		RUBBER BUMPER .....	2
32	<u>11027-G1</u>		WASHER, .....	2
33				
34				
35				
36	<u>16705-G12</u>		SCREW, 1/4 - 20 X 1" LG (STAINLESS STEEL) .....	4
37	<u>00565-G7</u>		LOCK WASHER, 1/4" (STAINLESS STEEL) .....	4
38	<u>01110-G01</u>		WASHER, 1/4" (STAINLESS STEEL) .....	4



# STARTER / GENERATOR



Ref Stg 9



# STARTER / GENERATOR

THE USE OF NON U.L. PARTS WILL VOID ANY U.L. LISTING.  
 When ordering parts, please specify the model and serial number of the product.  
 \* Indicates a component that is not available as an individual part.  
 G\*\* Indicates consult Customer Service Department for additional information.

ITEM	PART NO.	1	2	3	4	5	DESCRIPTION	QTY.
1	<u>27065-G01</u>						STARTER / GENERATOR (INCLUDES ITEMS 2 - 43).....	1
2	<u>26870-G01</u>						ARMATURE (INCLUDES ITEMS 3 - 5) .....	1
3	26871-G01						REAR BALL BEARING .....	1
4	<u>26872-G01</u>						FRONT BALL BEARING .....	1
5	<u>26873-G01</u>						BEARING HOLDER .....	1
6								
7								
8	<u>26875-G01</u>						FIELD COIL .....	1
9	<u>26876-G01</u>						INSULATING BRUSH ASSEMBLY ('F') (INCLUDES ITEMS 10 - 13).....	2
10	*						NUT .....	2
11	*						LOCK WASHER.....	2
12	*						WASHER.....	2
13	*						INSULATOR .....	1
14	26877-G01						POLE CORE SETSCREW.....	4
15	<u>26878-G01</u>						FRONT COVER.....	1
16	27879-G01						REAR COVER .....	1
17	<u>26880-G01</u>						TERMINAL ASSEMBLY ('A') (INCLUDES ITEMS 18 - 23).....	2
18	*						TERMINAL .....	2
19	*						INSULATOR .....	2
20	*						INSULATOR .....	2
21	*						WASHER.....	4
22	*						LOCK WASHER.....	4
23	*						NUT .....	4
24								
25	<u>26881-G01</u>						BRUSH HOLDER ASSEMBLY (INCLUDES ITEMS 26 - 28) .....	1
26	<u>26658-G01</u>						BRUSH.....	4
27	<u>26882-G01</u>						BRUSH SPRING .....	4
28	<u>26883-G01</u>						BRUSH CONNECTOR.....	2
29								
30	<u>26884-G01</u>						KEY.....	1

# STARTER / GENERATOR

THE USE OF NON U.L. PARTS WILL VOID ANY U.L. LISTING.

When ordering parts, please specify the model and serial number of the product.

\* Indicates a component that is not available as an individual part.

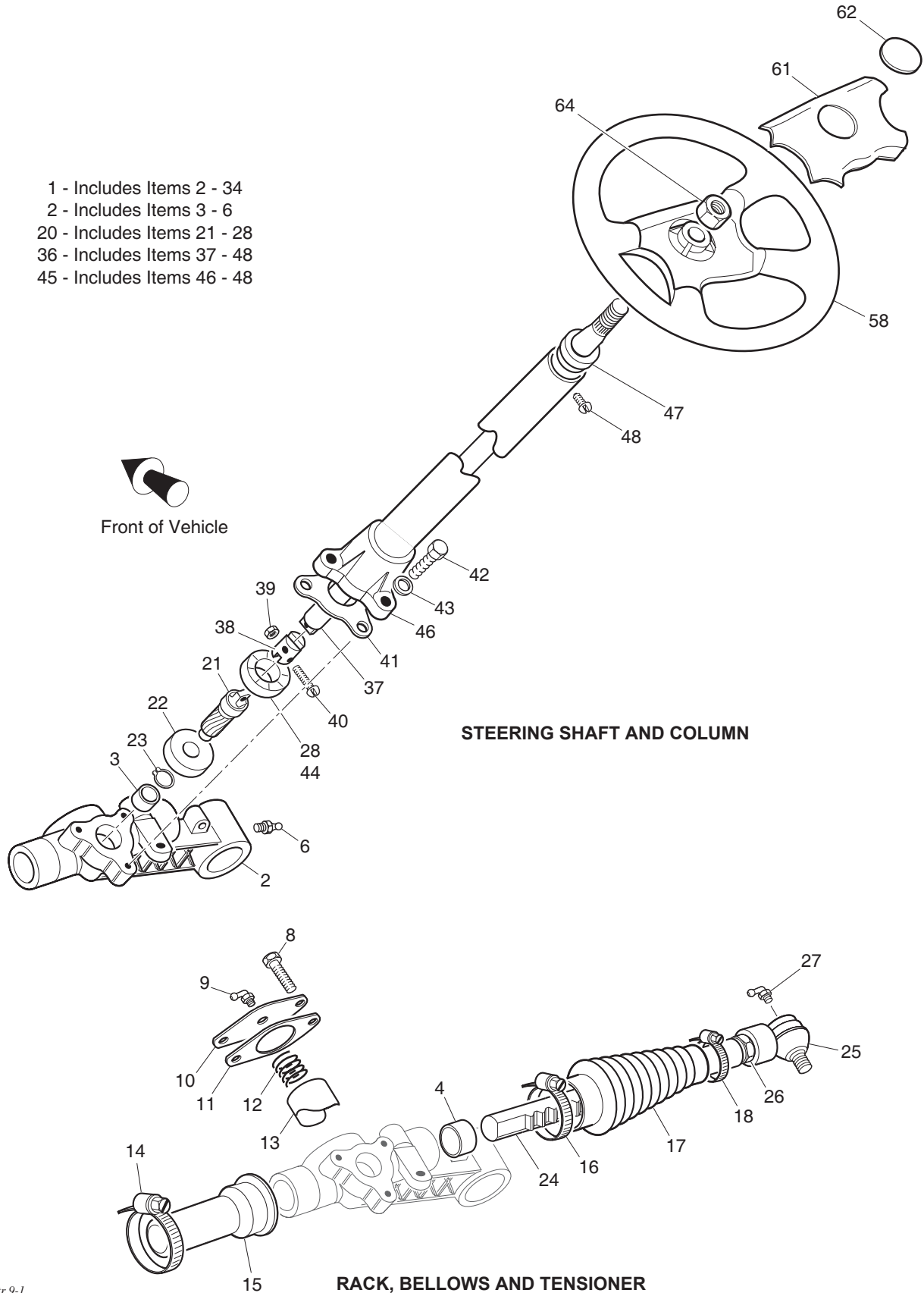
G\*\* Indicates consult Customer Service Department for additional information.

ITEM	PART NO.	1	2	3	4	5	DESCRIPTION	QTY.
31	*						PULLEY .....	1
32	<u>26886-G01</u>						BRUSH AND PULLEY HARDWARE KIT (INCLUDES ITEMS 33 - 37).....	1
33	*						NUT .....	1
34	*						LOCK WASHER .....	1
35	*						SCREW .....	3
36	*						SCREW .....	4
37	*						SCREW .....	2
38	<u>26887-G01</u>						BRUSH 1 COVER.....	3
39	<u>26888-G01</u>						BRUSH 2 COVER.....	2
40	<u>26889-G01</u>						HOUSING HARDWARE KIT (INCLUDES ITEMS 41 - 43) .....	2
41	*						BOLT .....	2
42	*						LOCK WASHER .....	2
43	*						WASHER.....	2
44								
45								
46								
47	<u>00938-G4</u>						BOLT, 1/2 - 13 X 8" LG .....	1
48	<u>00560-G3</u>						WASHER, 1/2" .....	2
49	<u>00566-G3</u>						LOCK WASHER, 1/2".....	1
50	<u>00533-G1</u>						NUT, 1/2 - 13 .....	1
51								
52	<u>28617-G01</u>						STARTER / GENERATOR ADJUSTER.....	1
53	<u>00544-G5</u>						JAM NUT, 3/8 - 16 .....	1
54	00532-G5						NUT, 3/8 - 16 .....	1
55	<u>00560-G1</u>						WASHER, 3/8" .....	1
56	12064-G4						PUSH NUT, 5/16" .....	1
57								
58	<u>26414-G01</u>						STARTER / GENERATOR BELT .....	1



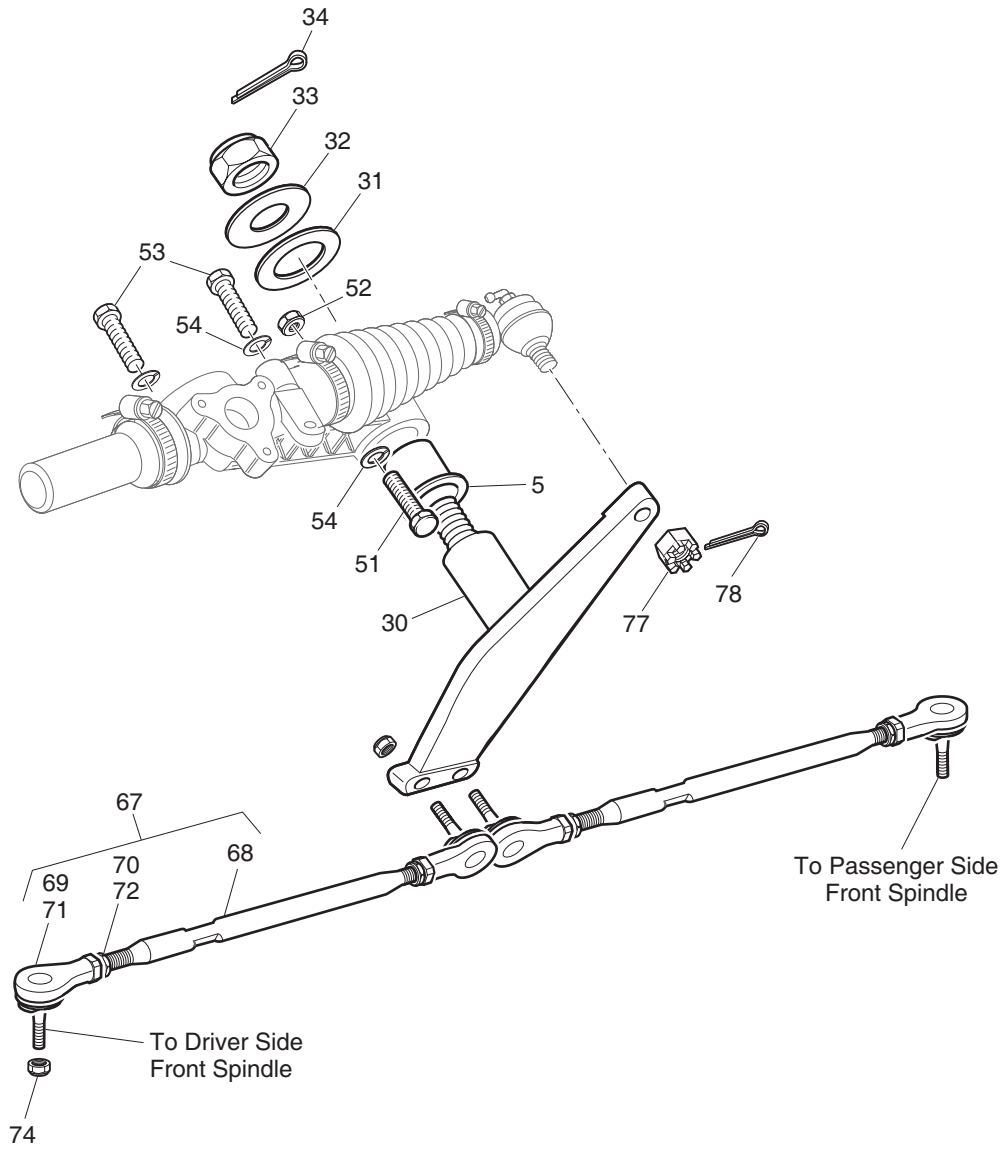
# STEERING

- 1 - Includes Items 2 - 34
- 2 - Includes Items 3 - 6
- 20 - Includes Items 21 - 28
- 36 - Includes Items 37 - 48
- 45 - Includes Items 46 - 48



Ref Str 9-1

**IDLER, TIE RODS AND MOUNTING**



# STEERING

THE USE OF NON U.L. PARTS WILL VOID ANY U.L. LISTING.

When ordering parts, please specify the model and serial number of the product.

\* Indicates a component that is not available as an individual part.

G\*\* Indicates consult Customer Service Department for additional information.

ITEM	PART NO.	1 2 3 4 5	DESCRIPTION	QTY.
1	<u>70723-G01</u>		STEERING BOX ASSEMBLY (COMPLETE) (INCLUDES ITEMS 2 - 34) .....	1
2	<u>70175-G01</u>		STEERING HOUSING (INCLUDES ITEMS 3 - 6) .....	1
3	*		SLEEVE BEARING .....	1
4	*		SLEEVE BEARING .....	1
5	*		FLANGED BEARING .....	1
6	<u>10389-G3</u>		GREASE FITTING, STRAIGHT .....	1
7				
8	<u>00426-G6</u>		BOLT, 3/8 - 16 X 3/4" LG.....	2
9	<u>18456-G1</u>		GREASE FITTING, 90° .....	1
10	<u>70177-G01</u>		RACK GUIDE COVER .....	1
11	<u>70225-G01</u>		GASKET .....	1
12	<u>70178-G01</u>		COMPRESSION SPRING .....	1
13	<u>70179-G01</u>		RACK GUIDE.....	1
14	<u>11391-G1</u>		HOSE CLAMP, 1 5/16" .....	1
15	<u>70041-G01</u>		RACK COVER .....	1
16	<u>11391-G1</u>		HOSE CLAMP, 1 5/16" .....	1
17	<u>70183-G01</u>		BELLOWS.....	1
18	<u>11391-G5</u>		HOSE CLAMP, 13/16" .....	1
19				
20	<u>70724-G01</u>		STEERING GEAR KIT (INCLUDES ITEMS 21 - 28) .....	1
21	<u>70717-G01</u>		GEAR PINION .....	1
22	<u>15112-G1</u>		BALL BEARING .....	1
23	<u>70190-G01</u>		EXTERNAL RETAINING RING .....	1
24	<u>70718-G01</u>		STEERING RACK .....	1
25	<u>70192-G01</u>		RACK BALL END .....	1
26	<u>00532-G8</u>		NUT, 7/16 - 20 .....	1
27	<u>18456-G1</u>		GREASE FITTING, 90° .....	1
28	<u>70466-G01</u>		RETAINER.....	1
29				
30	<u>70184-G01</u>		IDLER .....	1

# STEERING

THE USE OF NON U.L. PARTS WILL VOID ANY U.L. LISTING.

When ordering parts, please specify the model and serial number of the product.

\* Indicates a component that is not available as an individual part.

G\*\* Indicates consult Customer Service Department for additional information.

ITEM	PART NO.	1	2	3	4	5	DESCRIPTION	QTY.
31	<u>70216-G01</u>						THRUST WASHER, 1 1/2" .....	1
32	<u>70195-G01</u>						THRUST WASHER, 7/8" .....	1
33	<u>00734-G6</u>						LOCK NUT, 7/8 - 9 .....	1
34	<u>00798-G8</u>						COTTER PIN, 5/32" X 1 3/4" LG .....	1
35								
36	<u>70360-G01</u>						STEERING SHAFT/COLUMN KIT (INCLUDES ITEMS 37 - 48) .....	1
37	<u>14322-G6</u>						STEERING SHAFT .....	1
38	<u>70558-G01</u>						COUPLING .....	1
39	<u>00550-G1</u>						LOCK NUT, 1/4 - 20 .....	2
40	<u>70227-G01</u>						BOLT, 1/4 - 20 X 7/8" LG .....	2
41	<u>70223-G01</u>						GASKET .....	1
42	<u>01034-G01</u>						BOLT, 3/8 - 16 X 1 1/2" LG .....	3
43	<u>00878-G1</u>						LOCK WASHER, 3/8" .....	3
44	<u>70466-G01</u>						RETAINER .....	1
45	<u>28633-G01</u>						STEERING COLUMN KIT (INCLUDES ITEMS 46 - 48) .....	1
46	*						STEERING COLUMN .....	1
47	<u>28569-G01</u>						STEERING COLUMN BUSHING .....	1
48	<u>01022-G01</u>						SCREW, #6 - 20 X 5/16" LG .....	1
49								
50								
51	<u>00470-G4</u>						BOLT, 7/16 - 20 X 2 1/2" LG .....	1
52	<u>00734-G3</u>						LOCK NUT, 7/16 - 20 .....	1
53	<u>01033-G01</u>						BOLT, 7/16 - 14 X 1 1/4" LG WITH PATCHLOCK .....	2
54	<u>00566-G2</u>						LOCK WASHER, 7/16" .....	3
55								
56								
57								
58	<u>602980</u>						STEERING WHEEL .....	1
59								
60								

# STEERING

THE USE OF NON U.L. PARTS WILL VOID ANY U.L. LISTING.  
 When ordering parts, please specify the model and serial number of the product.  
 \* Indicates a component that is not available as an individual part.  
 G\*\* Indicates consult Customer Service Department for additional information.

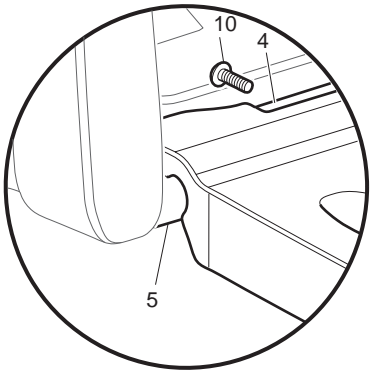
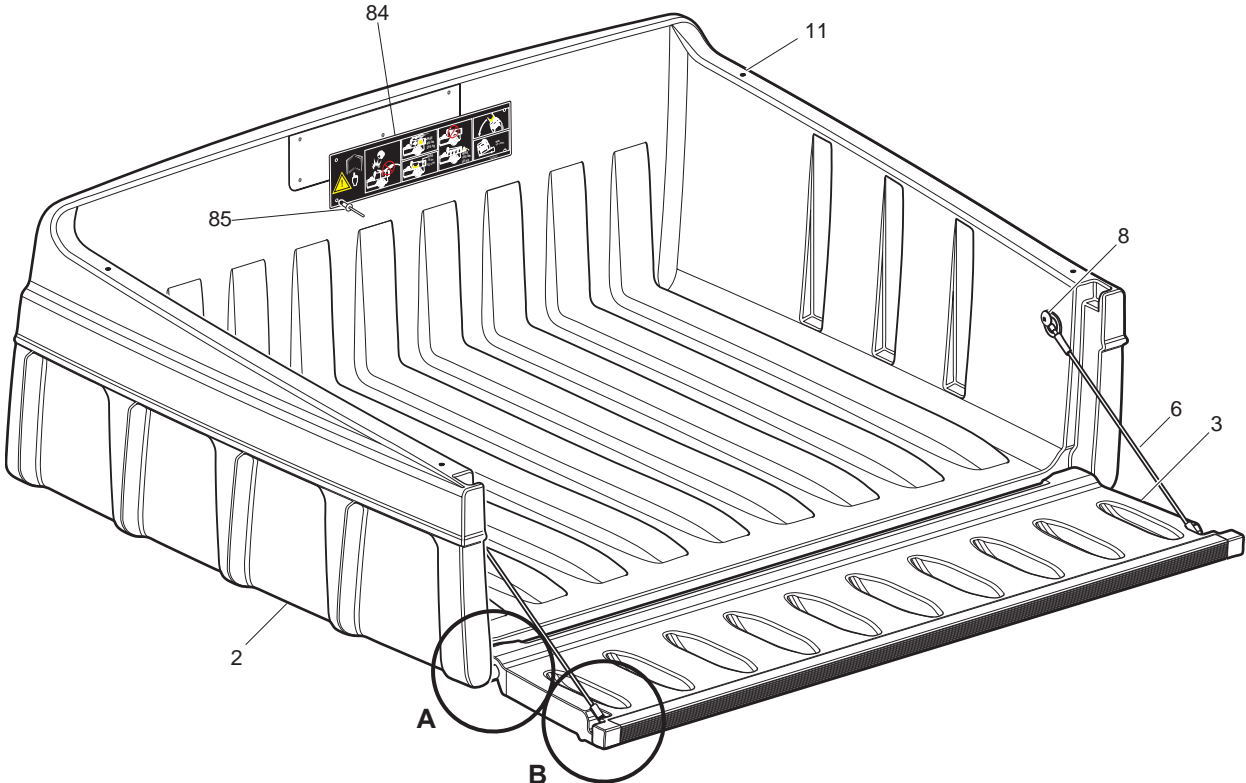
ITEM	PART NO.	1 2 3 4 5	DESCRIPTION	QTY.
61	<u>71147-G01</u>		STEERING WHEEL COVER .....	1
62	<u>71047-G01</u>		LABEL (E-Z-GO) .....	1
63				
64	<u>14390-G2</u>		LOCK NUT, 5/8 - 18 .....	1
65				
66				
67	<u>70904-G04</u>		TIE ROD ASSEMBLY (INCLUDES ITEMS 68 - 72).....	2
68	<u>70855-G03</u>		THREADED ROD (10 1/8" LG).....	1
69	<u>70902-G01</u>		TIE ROD END (LEFT HAND THREADS) .....	1
70	<u>01069-G01</u>		JAM NUT, M12 X 1.25-05 (LEFT HAND THREADS).....	1
71	<u>70902-G02</u>		TIE ROD END (RIGHT HAND THREADS).....	1
72	<u>01069-G02</u>		JAM NUT, M12 X 1.25-05 (RIGHT HAND THREADS) .....	1
73				
74	<u>00734-G1</u>		LOCK NUT, 7/16 - 14 .....	4
75				
76				
77	*		CASTELLATED NUT, 7/16 - 20 .....	1
78	<u>10387-G2</u>		COTTER PIN, 3/32" X 1" LG .....	1



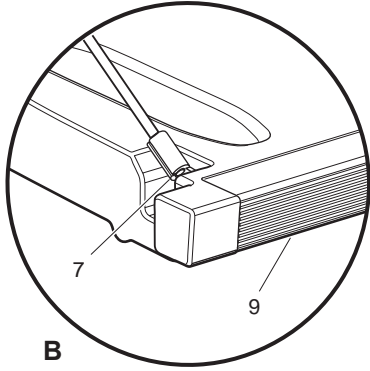


# TRUCK BED, ST SPORT

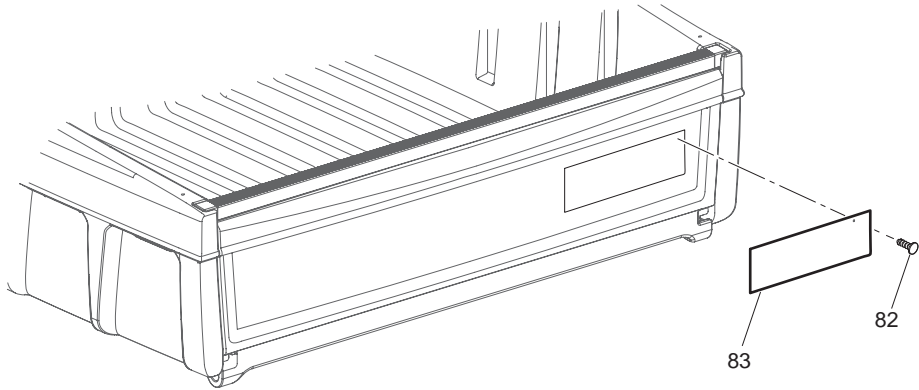
1 - INCLUDES ITEMS 2 - 11

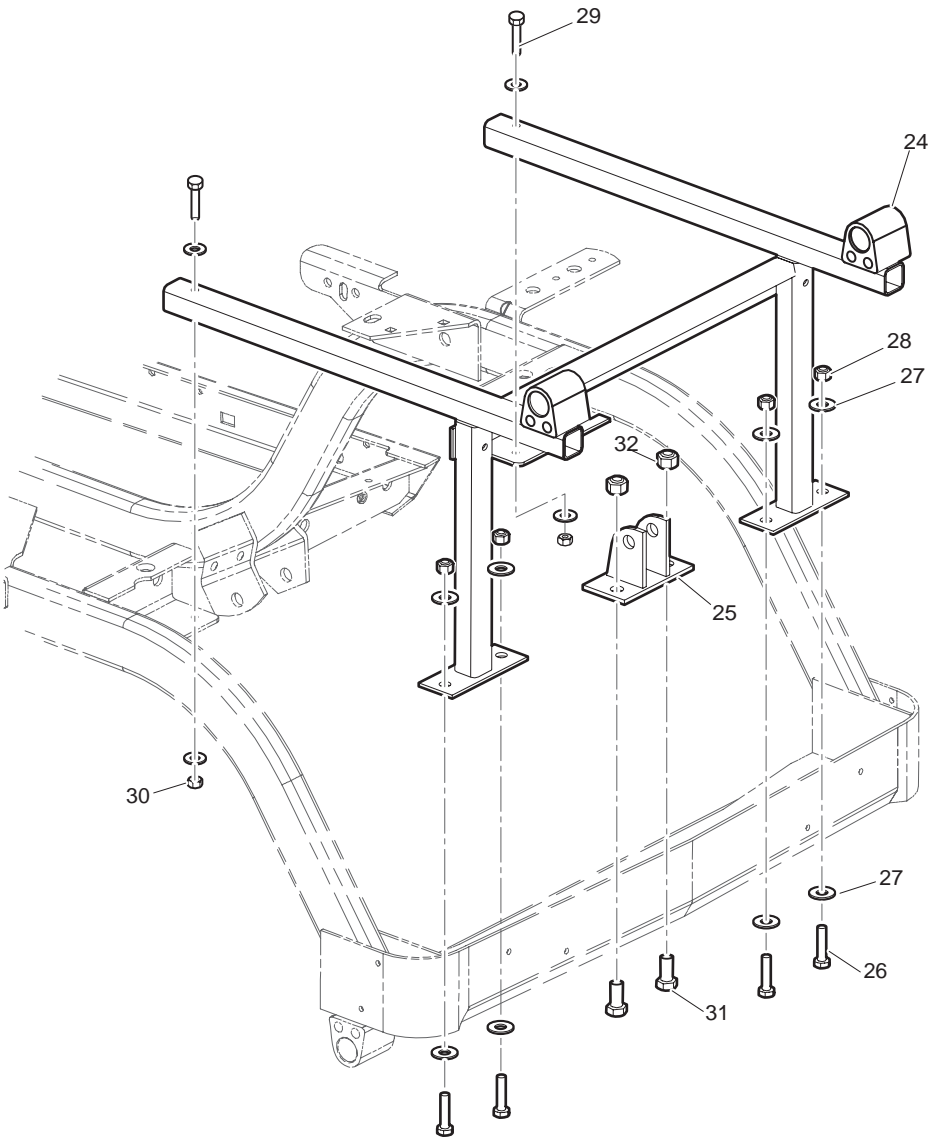


A

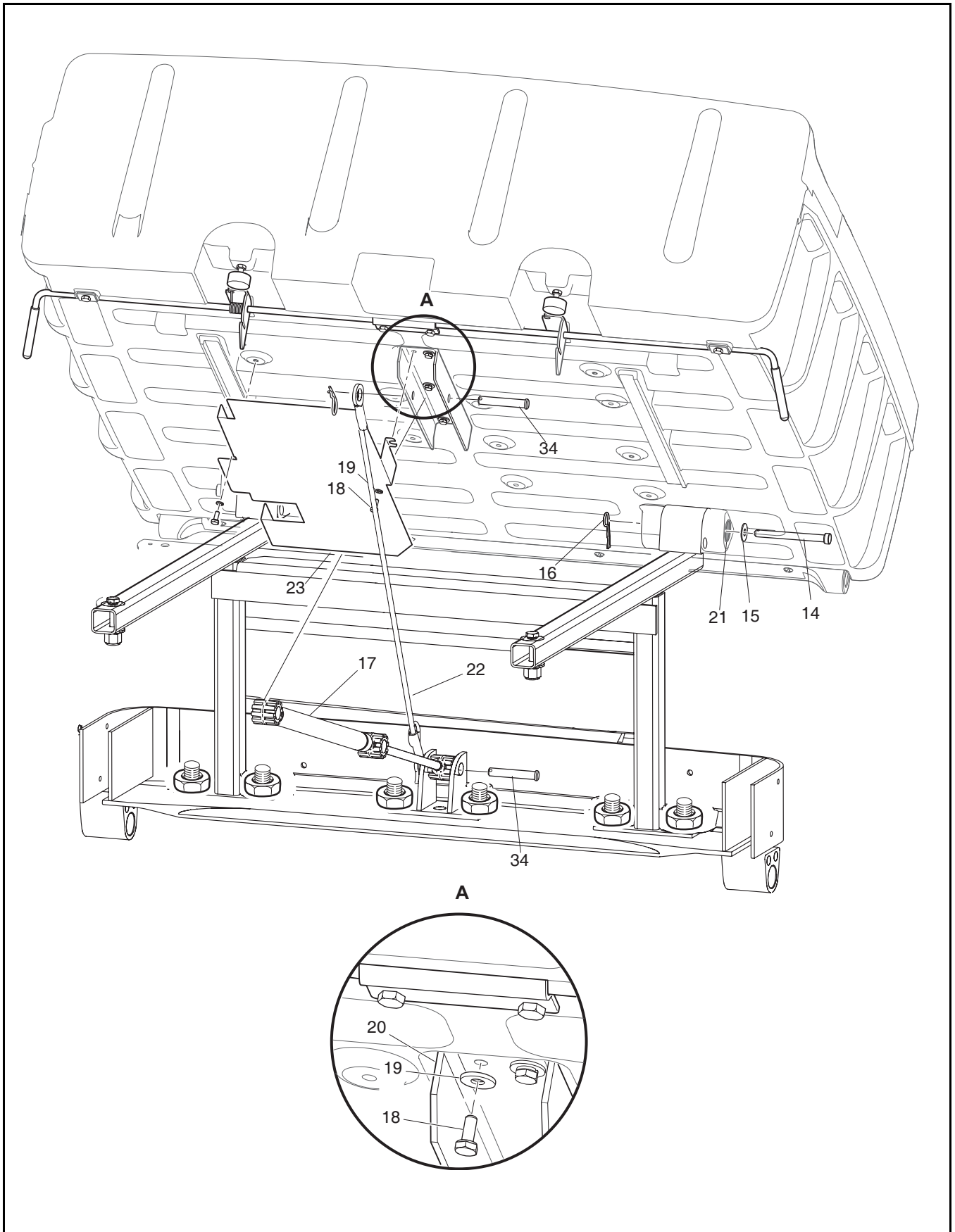


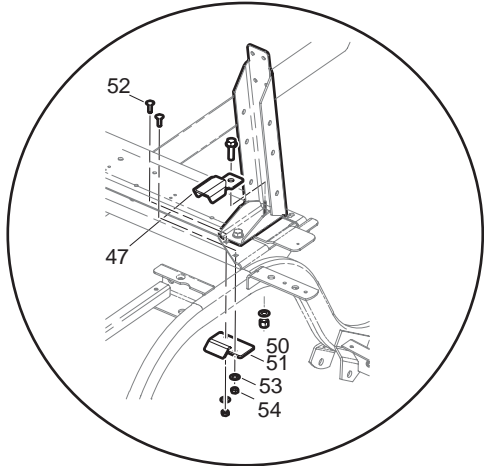
B



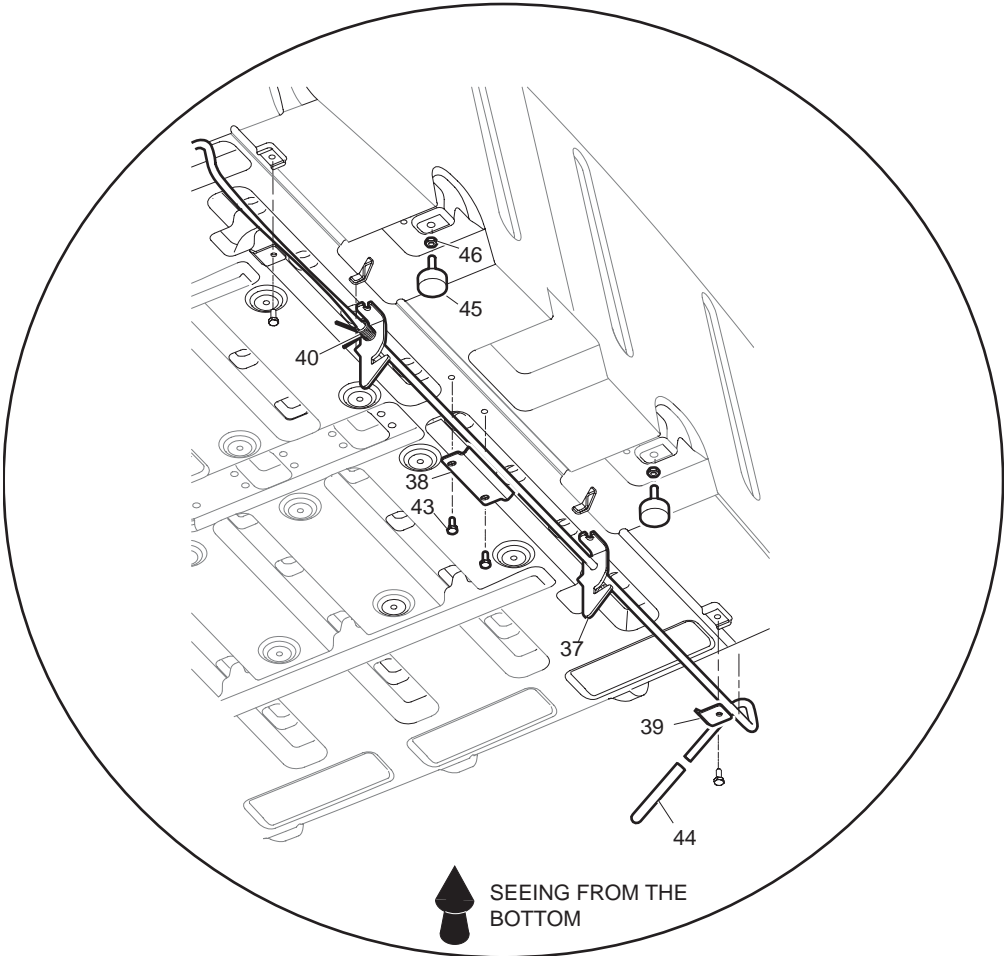


# TRUCK BED, ST SPORT

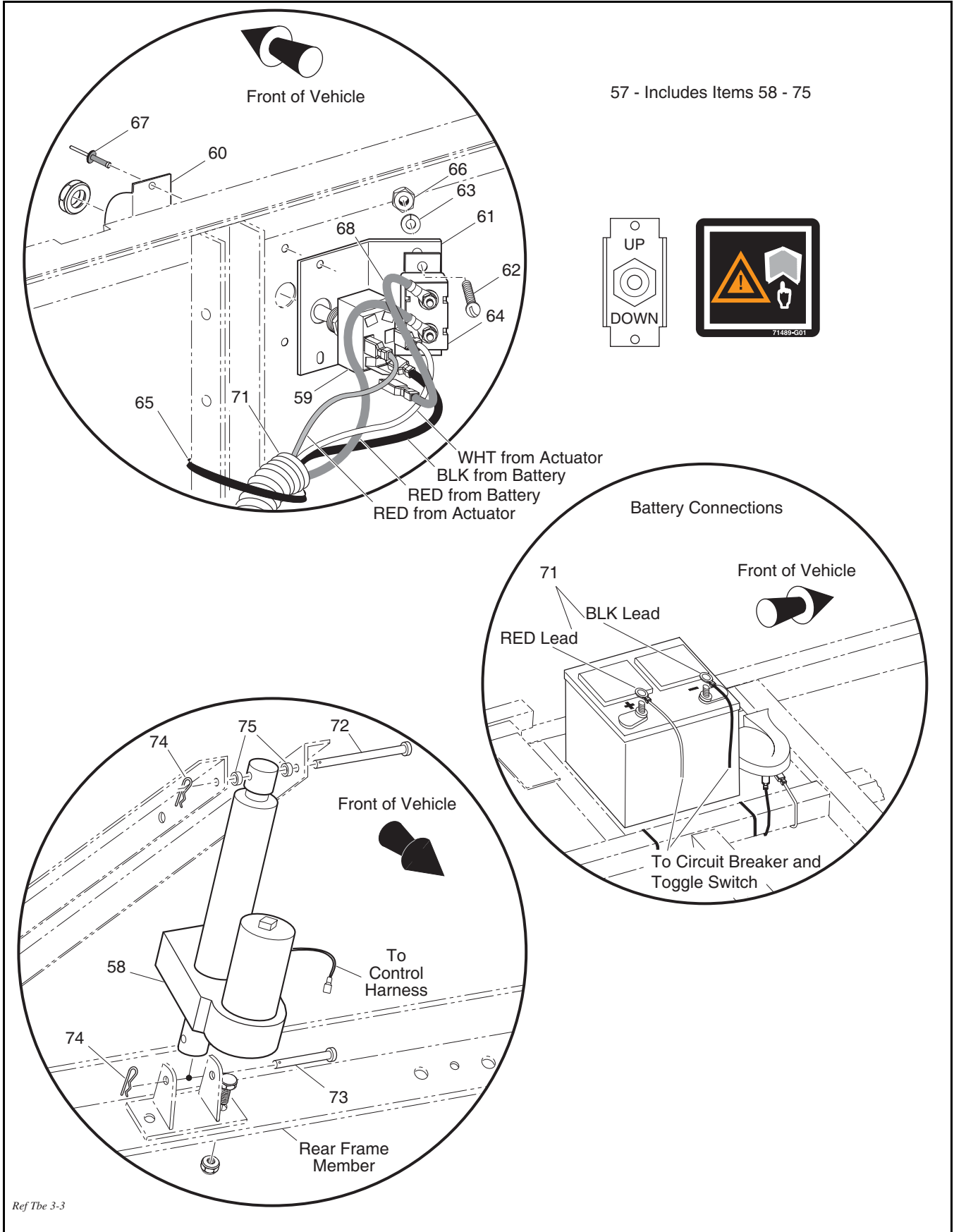


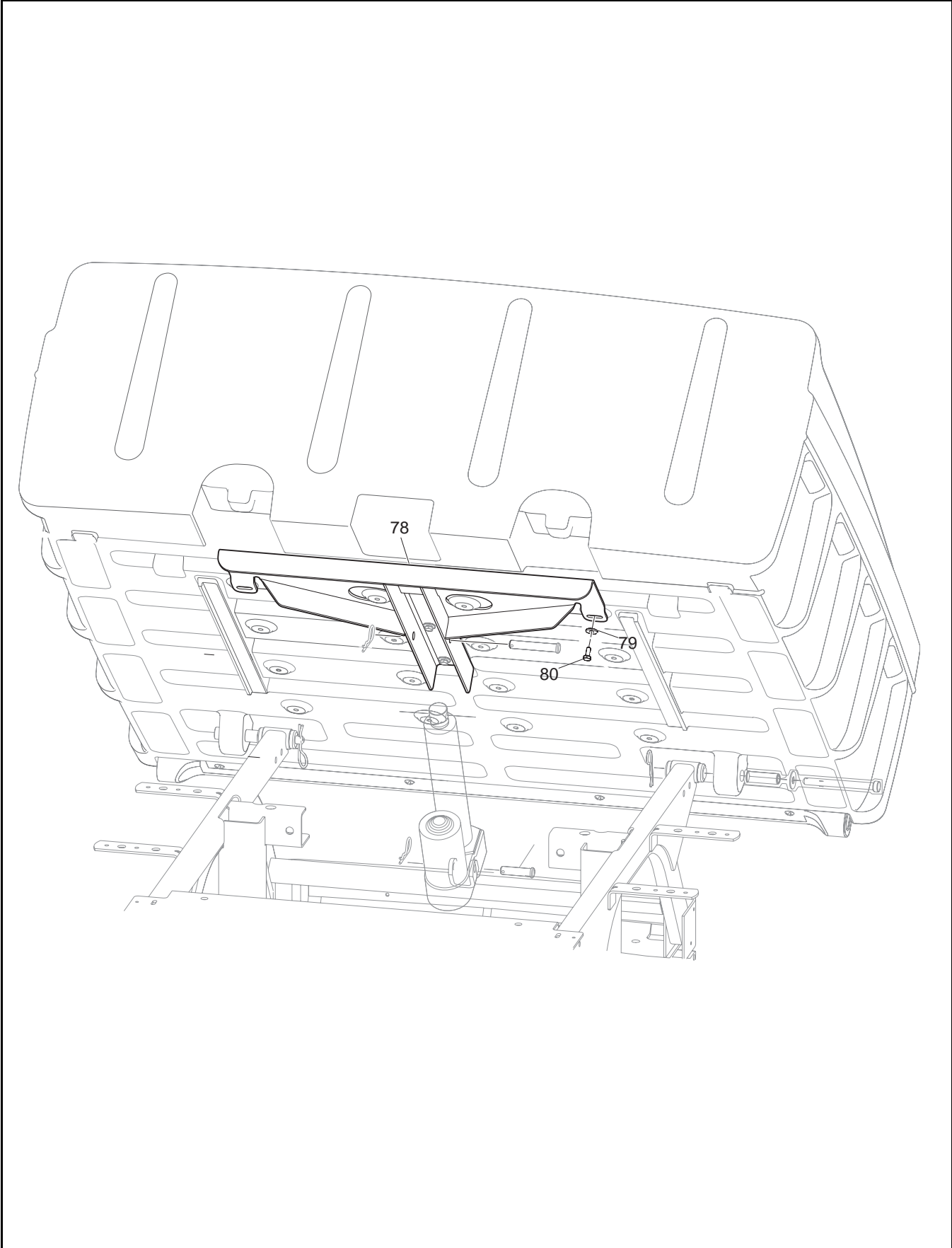


36 - INCLUDES ITEMS 37 - 54



# TRUCK BED, ST SPORT





# TRUCK BED, ST SPORT

Where applicable, THE USE OF NON UL PARTS WILL VOID ANY UL LISTING.

When ordering parts, please specify the model and serial number of the product.

\* Indicates a component that is not available as an individual part.

G\*\* Indicates consult Customer Service Department for additional information.

ITEM	PART NO.	1 2 3 4 5	DESCRIPTION	QTY.
1	<u>72647-G01</u>		ASSEMBLY PLASTIC BED ( INCLUDES ITEMS 2 - 11 ) .....	1
2	<u>72648-G01</u>		PLASTIC BED 36" .....	1
3	<u>72649-G01</u>		TAILGATE 36", PLASTIC .....	1
4	<u>73450-G01</u>		ANGLE, BOWED .....	1
5	<u>73454-G01</u>		SHAFT, PIVOT .....	2
6	<u>73455-G02</u>		CABLE ASSEMBLY, TAILGATE .....	2
7	<u>00415-G2</u>		SCREW, 1/4 - 20 X 1 1/4" LG .....	2
8	<u>73460-G01</u>		BOLT, SHOULDER .....	2
9	<u>73449-G01</u>		CHANNEL, EXTRUSION .....	1
10	<u>16705-G2</u>		SCREW, 1/4 - 2 X 5/8" LG .....	4
11	<u>16816-G5</u>		RACHET FASTNER.....	4
12				
13				
14	<u>71571-G01</u>		CLEVIS PIN.....	2
15	<u>00571-G5</u>		WASHER, 1/2" .....	2
16	<u>21683-G1</u>		COTTER PIN.....	2
17	<u>71537-G02</u>		GAS SPRING .....	1
18	<u>01118-G01</u>		SCREW, 1/4 - 20 X 5/8" LG.....	8
19	<u>00642-G7</u>		WASHER, 1/4" .....	8
20	<u>71569-G02</u>		CHANNEL GAS SPRING .....	1
21	<u>70291-G01</u>		FLANGED BUSHING .....	4
22	<u>602904</u>		CABLE ASSEMBLY .....	1
23	<u>72339-G02</u>		PLASTIC BED HEAT SHIELD (GASOLINE VEHICLES ONLY).....	1
24	<u>76423-G01</u>		BED FRAME .....	1
25	<u>71283-G02</u>		BRACKET ELECTRIC LIFT .....	1
26	<u>00439-G2</u>		SCREW, 5/16 - 18 X 1 1/4" LG.....	4
27	<u>00642-G8</u>		WASHER, 5/16" .....	8
28	<u>11098-G6</u>		LOCK NUT, 5/16 - 18 .....	2
29	<u>00415-G6</u>		SCREW, 4/4 - 20 X 1 3/4" LG.....	2
30	<u>00891-G2</u>		LOCK NUT, 1/4 - 20 .....	2



# TRUCK BED, ST SPORT

Where applicable, THE USE OF NON UL PARTS WILL VOID ANY UL LISTING.

When ordering parts, please specify the model and serial number of the product.

\* Indicates a component that is not available as an individual part.

G\*\* Indicates consult Customer Service Department for additional information.

ITEM	PART NO.	1 2 3 4 5	DESCRIPTION	QTY.
31	<u>00462-G7</u>		SCREW, 7/16 - 14 X .875" LG .....	2
32	<u>00734-G1</u>		NUT, 7/16 - 14 .....	2
33	<u>14443-G10</u>		CLEVIS PIN, 1/2 X 3" LG .....	1
34	<u>14443-G12</u>		CLEVIS PIN, 1/2 X 2.2" LG .....	1
35				
36	<u>71095-G02</u>		INSTALLATION LATCH ( INCLUDES ITEMS 37 - 54 ) .....	1
37	<u>74962-G01</u>		WELDMENT LATCH BED .....	1
38	<u>71477-G02</u>		BRACKET .....	1
39	<u>71099-G02</u>		LATCH PLATE .....	2
40	<u>71538-G01</u>		TORSION SPRING .....	1
41				
42				
43	<u>01118-G01</u>		SCREW, 1/4 - 2 X 5/8" LG .....	4
44	<u>71704-G01</u>		HANDLE GRIP .....	2
45	<u>70113-G01</u>		BUMPER.....	2
46	<u>11027-G1</u>		LOCK NUT, 5/16 - 18.....	2
47	<u>74947-G01</u>		BRACKET BUMPER.....	2
48				
49				
50	<u>602977</u>		LATCH PLATE (LEFT SIDE).....	1
51	<u>602978</u>		LATCH PLATE (RIGHT SIDE) .....	1
52	<u>01014-G03</u>		BOLT, 1/4 - 20 .....	4
53	<u>00559-G7</u>		WASHER, 1/4" .....	4
54	<u>14390-G4</u>		LOCK NUT, 1/4 - 20 .....	4
55				
56				
57	<u>74164-G03</u>		ELECTRIC DUMP KIT ( INCLUDES ITEMS 58 - 75 ).....	1
58	<u>27612-G02</u>		ELECTRIC ACTUATOR 36 V .....	1
59	<u>27680-G01</u>		TOGGLE SWITCH.....	1
60	<u>27447-G01</u>		TOGGLE GUARD .....	1

# TRUCK BED, ST SPORT

Where applicable, THE USE OF NON UL PARTS WILL VOID ANY UL LISTING.

When ordering parts, please specify the model and serial number of the product.

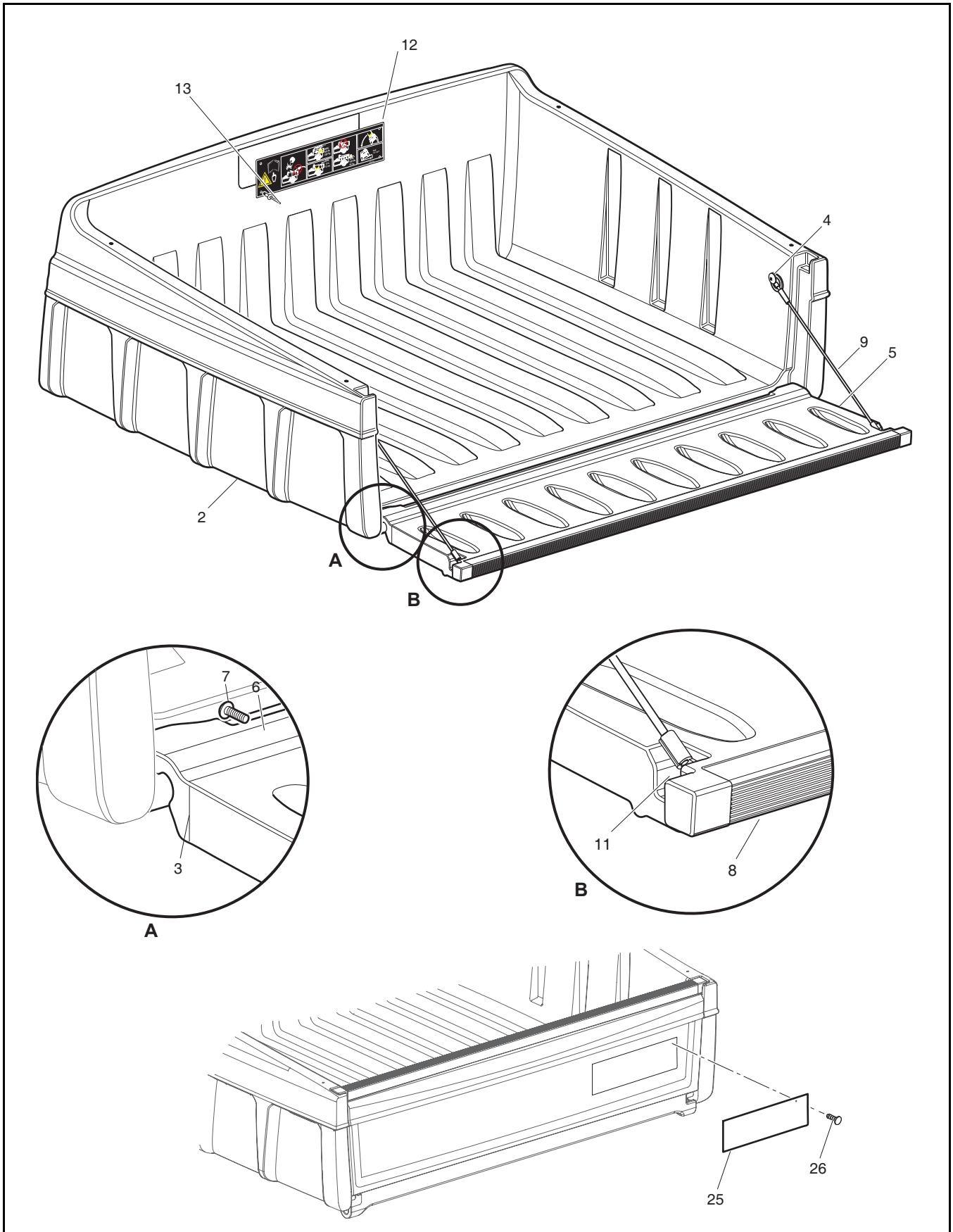
\* Indicates a component that is not available as an individual part.

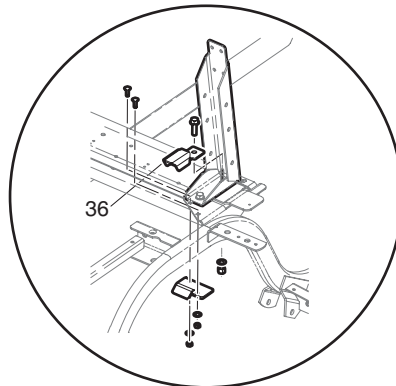
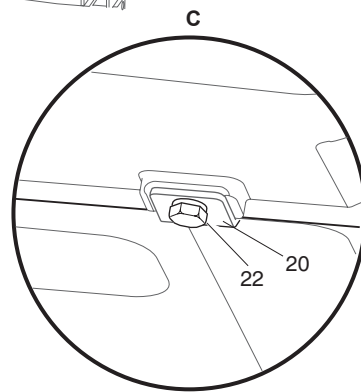
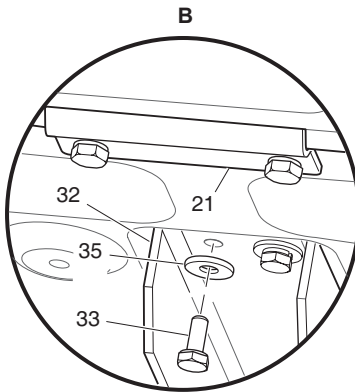
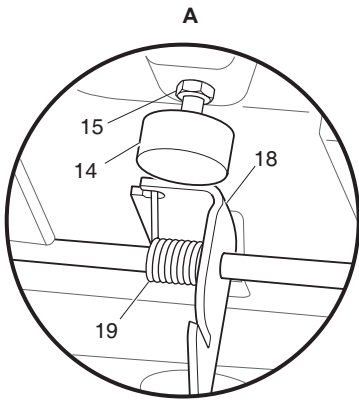
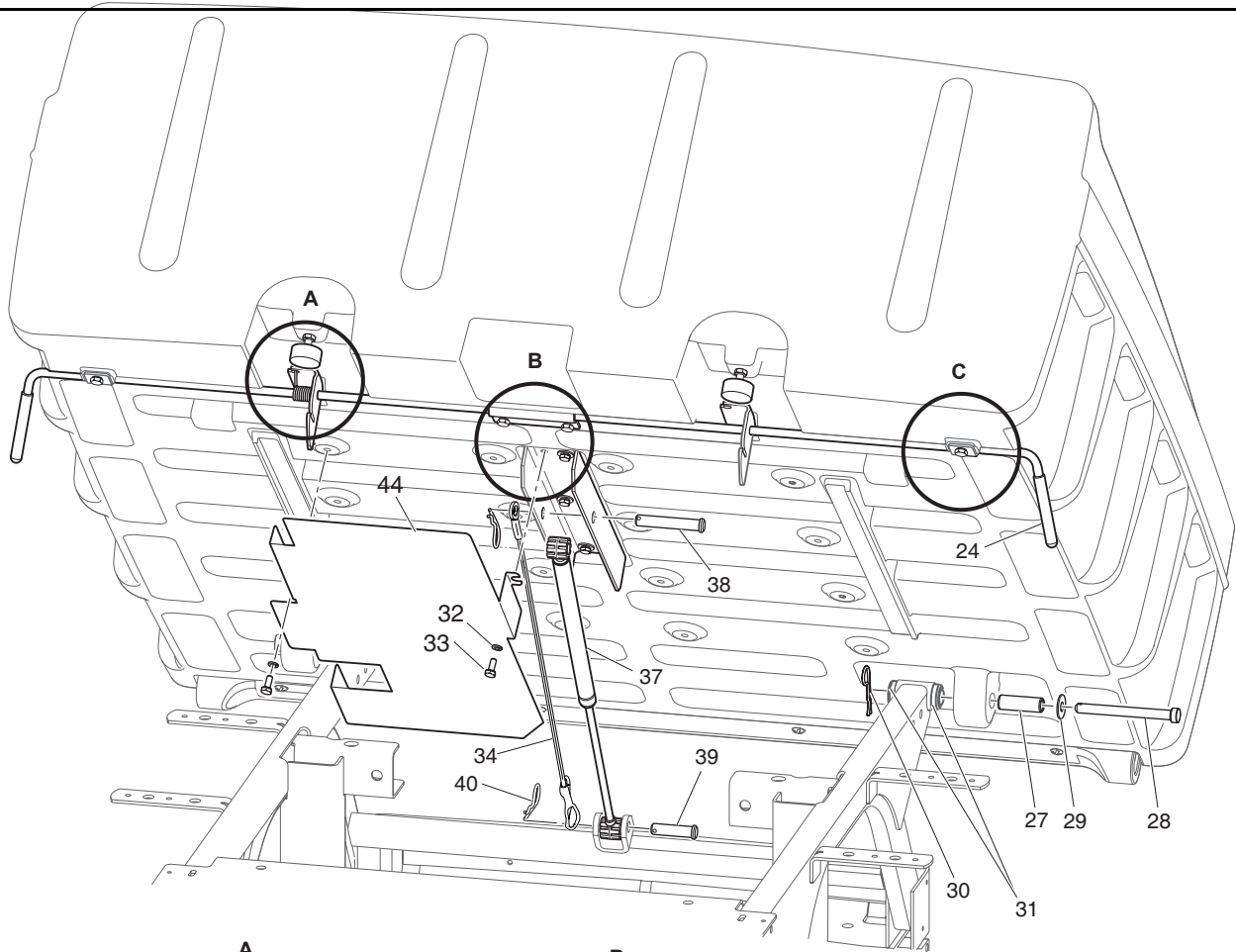
G\*\* Indicates consult Customer Service Department for additional information.

ITEM	PART NO.	1	2	3	4	5	DESCRIPTION	QTY.
61	<u>74165-G02</u>						CIRCUIT BREAKER MOUNTING BRACKET.....	1
62	<u>00150-G4</u>						SCREW, 10 - 24 X 1/2" LG .....	2
63	<u>00565-G5</u>						LOCK WASHER, #10 .....	2
64	<u>21320-G3</u>						CIRCUIT BREAKER 15A 24V .....	1
65	<u>17618-G1</u>						WIRE TIE .....	8
66	<u>00526-G3</u>						NUT, #10 - 24.....	2
67	<u>10570-G9</u>						RIVET, 5/32 X .55 .....	2
68	<u>25976-G14</u>						14 GA WIRE (RED 5") .....	1
69								
70								
71	<u>74163-G01</u>						WIRE HARNESS ( CONTROL ) .....	1
72	<u>14443-G10</u>						CLEVIS PIN, 1/2" X 2 7/8" LG .....	1
73	<u>14443-G11</u>						CLEVIS PIN, 1/2" X 1 3/4" LG .....	1
74	<u>21683-G1</u>						COTTER PIN, 15/32" X 2 13/16" LG .....	2
75	<u>27613-G01</u>						SPACER .....	2
76								
77								
78	<u>71547-G02</u>						OUTRIGGER CHANNEL .....	1
79	<u>00642-G7</u>						WASHER, 1/4" .....	8
80	<u>01118-G01</u>						SCREW, 1/4 - 20 X 5/8" LG.....	8
81								
82	<u>16812-G2</u>						RATCHET FASTENER.....	2
83	<u>600821</u>						LABEL EZGO MPT .....	2
84	<u>74821-G05</u>						BED CAPACITY LABEL (250 LB) .....	1
85	<u>71055-G01</u>						RIVET, 3/16" .....	5



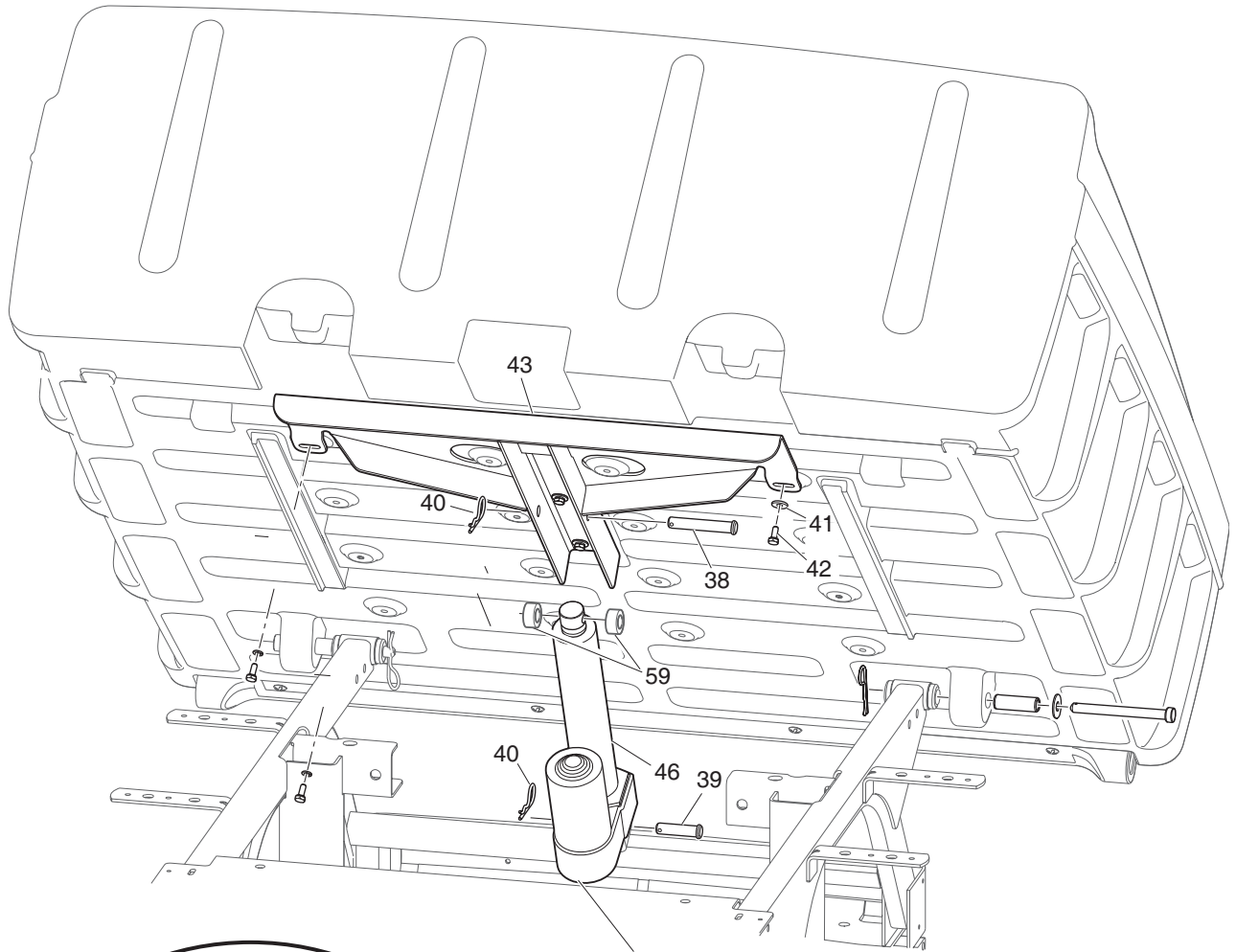
# TRUCK BED ST 350



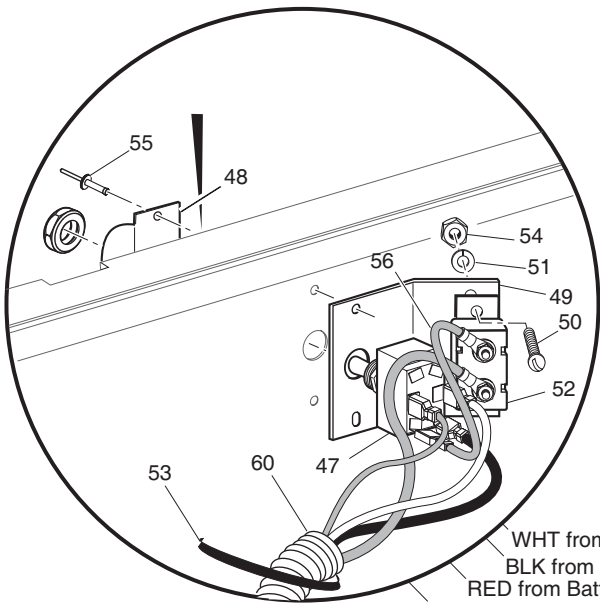


Ref Tbp 21-2

# TRUCK BED ST 350



Actuator may be rotated 90° on some models



WHT from Actuator  
 BLK from Battery  
 RED from Battery  
 RED from Actuator



# TRUCK BED ST 350

Where applicable, THE USE OF NON UL PARTS WILL VOID ANY UL LISTING.  
 When ordering parts, please specify the model and serial number of the product.  
 \* Indicates a component that is not available as an individual part.  
 G\*\* Indicates consult Customer Service Department for additional information.

ITEM	PART NO.	1 2 3 4 5	DESCRIPTION	QTY.
1	<u>73451-G01</u>		BED ASSEMBLY, 40" (INCLUDES ITEMS 2 -11).....	1
2	<u>73447-G01</u>		PLASTIC BED, 40" .....	1
3	<u>73454-G01</u>		PIVOT SHAFT .....	2
4	<u>73460-G01</u>		SHOULDER BOLT, 1/4 - 20 X 3/4" LG.....	2
5	<u>73455-G01</u>		TAILGATE CABLE .....	1
6	<u>73450-G01</u>		BOWED ANGLE .....	1
7	<u>16705-G2</u>		SCREW, 1/4 - 20 X 5/8" LG (STAINLESS STEEL).....	4
8	<u>73449-G01</u>		EXTRUSION CHANNEL.....	1
9	<u>16818-G5</u>		RATCHET FASTENER .....	4
10				
11	<u>00415-G2</u>		SCREW, 1/4 - 20 X 5/8" LG .....	2
12	<u>74821-G01</u>		BED CAPACITY LABEL .....	1
13	<u>71055-G01</u>		RIVET, 3/16" X 1" LG (ALUMINUM).....	5
14	<u>70113-G01</u>		ADJUSTABLE RUBBER BUMPER .....	2
15	<u>11027-G1</u>		LOCK NUT, 5/16 - 18 .....	2
16				
17				
18	<u>74962-G01</u>		BED LATCH .....	1
19	<u>71538-G01</u>		LATCH TORSION SPRING.....	1
20	<u>71099-G02</u>		PLATE, LATCH.....	2
21	<u>71477-G02</u>		RETAINER BRACKET.....	1
22	<u>01118-G01</u>		SCREW, 1/4 - 20 X 5/8" LG.....	4
23				
24	<u>71704-G01</u>		HANDLE GRIP .....	2
25	<u>600110-G01</u>		LABEL .....	1
26	<u>16816-G2</u>		RATCHET FASTNER .....	2
27	<u>71570-G01</u>		BUSHING .....	2
28	<u>71571-G01</u>		CLEVIS PIN.....	2
29	<u>00571-G5</u>		WASHER, 1 1/4 X 7/16 .....	2
30	<u>21683-G1</u>		HAIR CLIP .....	2

# TRUCK BED ST 350

Where applicable, THE USE OF NON UL PARTS WILL VOID ANY UL LISTING.  
 When ordering parts, please specify the model and serial number of the product.  
 \* Indicates a component that is not available as an individual part.  
 G\*\* Indicates consult Customer Service Department for additional information.

ITEM	PART NO.	1 2 3 4 5	DESCRIPTION	QTY.
31	<u>70291-G01</u>		BUSHING .....	4
32	<u>71569-G02</u>		SPRING CHANNEL .....	1
33	<u>01118-G01</u>		SCREW, 1/4 - 20 X 5/8" LG.....	8
34	<u>602904</u>		BED TETHER CABLE.....	1
35	<u>00642-G7</u>		WASHER, 1/4" .....	8
36	<u>74947-G01</u>		BRACKET, BUMPER .....	2
37	<u>71537-G02</u>		GAS SPRING .....	2
38	<u>14443-G10</u>		CLEVIS PIN, 1/2" X 2 27/32" LG.....	1
39	<u>14443-G12</u>		CLEVIS PIN, 1/2" X 1 3/4" LG.....	1
40	<u>21683-G1</u>		HAIR CLIP .....	2
41	<u>00642-G7</u>		WASHER, 1/4" .....	8
42	<u>01118-G01</u>		SCREW, 1/4 - 20 X 5/8" LG.....	8
43	<u>71547-G02</u>		OUTRIGGER CHANNEL .....	1
44	<u>72339-G02</u>		PLASTIC BED HEAT SHIELD (GASLONE VEHICLES ONLY).....	1
45	<u>74164-G04</u>		ELECTRIC DUMP KIT ( INCLUDES ITEMS 37 - 54 ).....	1
46	<u>27612-G02</u>		ELECTRIC ACTUATOR, 12 VOLT, 1500 LBS .....	1
47	<u>27680-G01</u>		TOGGLE SWITCH.....	1
48	<u>27447-G01</u>		TOGGLE GUARD .....	1
49	<u>74165-G02</u>		CIRCUIT BREAKER MOUNTING BRACKET.....	1
50	<u>00150-G4</u>		SCREW, 10 - 24 X 1/2" LG .....	2
51	<u>00565-G5</u>		LOCK WASHER, #10 .....	2
52	<u>21320-G4</u>		CIRCUIT BREAKER 15A 24V .....	1
53	<u>17618-G1</u>		WIRE TIE .....	8
54	<u>00526-G3</u>		NUT, #10 - 24.....	2
55	<u>10570-G9</u>		RIVET, 5/32 X .55 .....	2
56	<u>25976-G14</u>		14 GA WIRE (RED 5") .....	1
57				
58				
59	<u>27613-G01</u>		SPACER .....	2
60	<u>74613-G01</u>		HARNESS.....	1

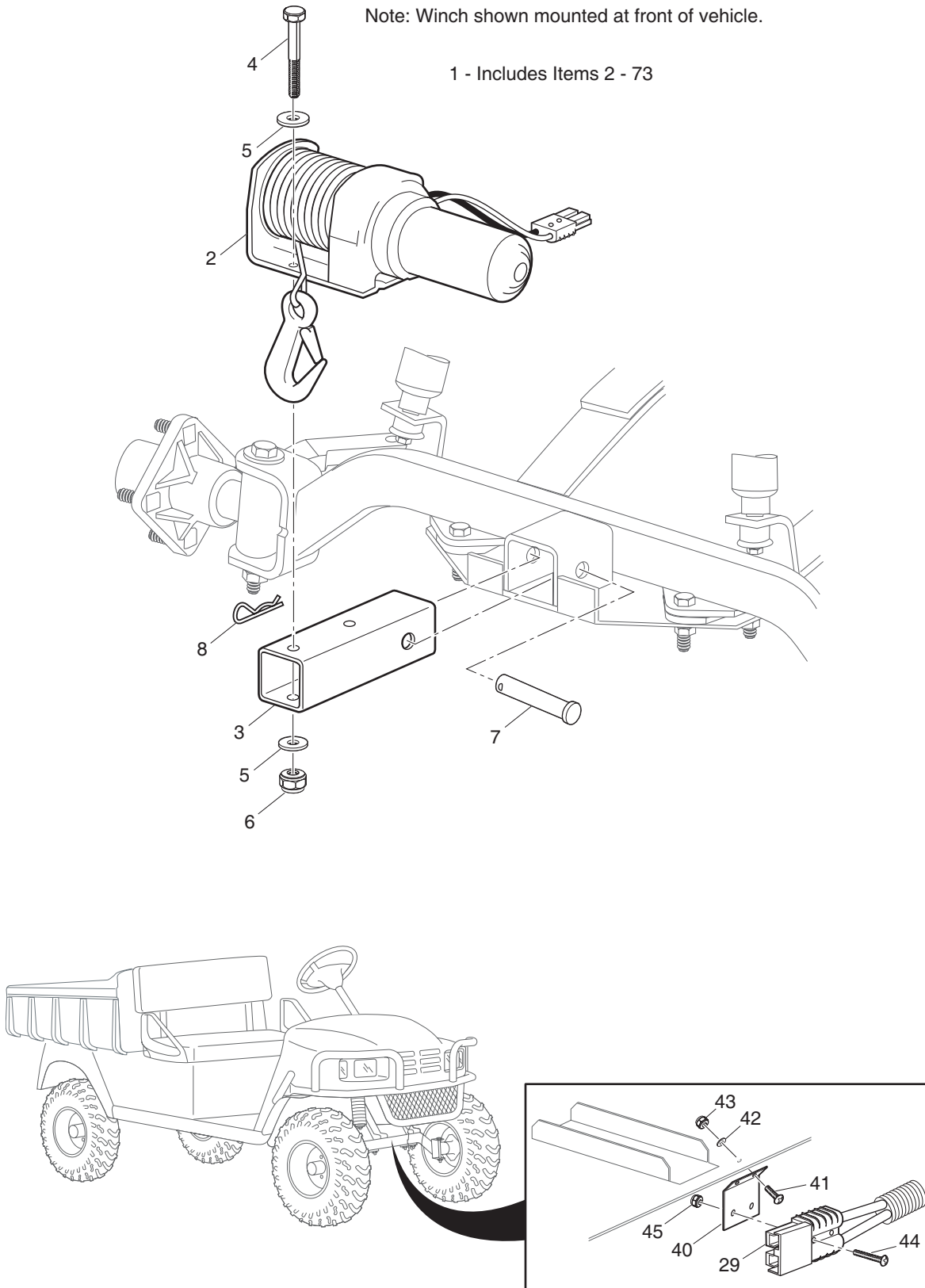


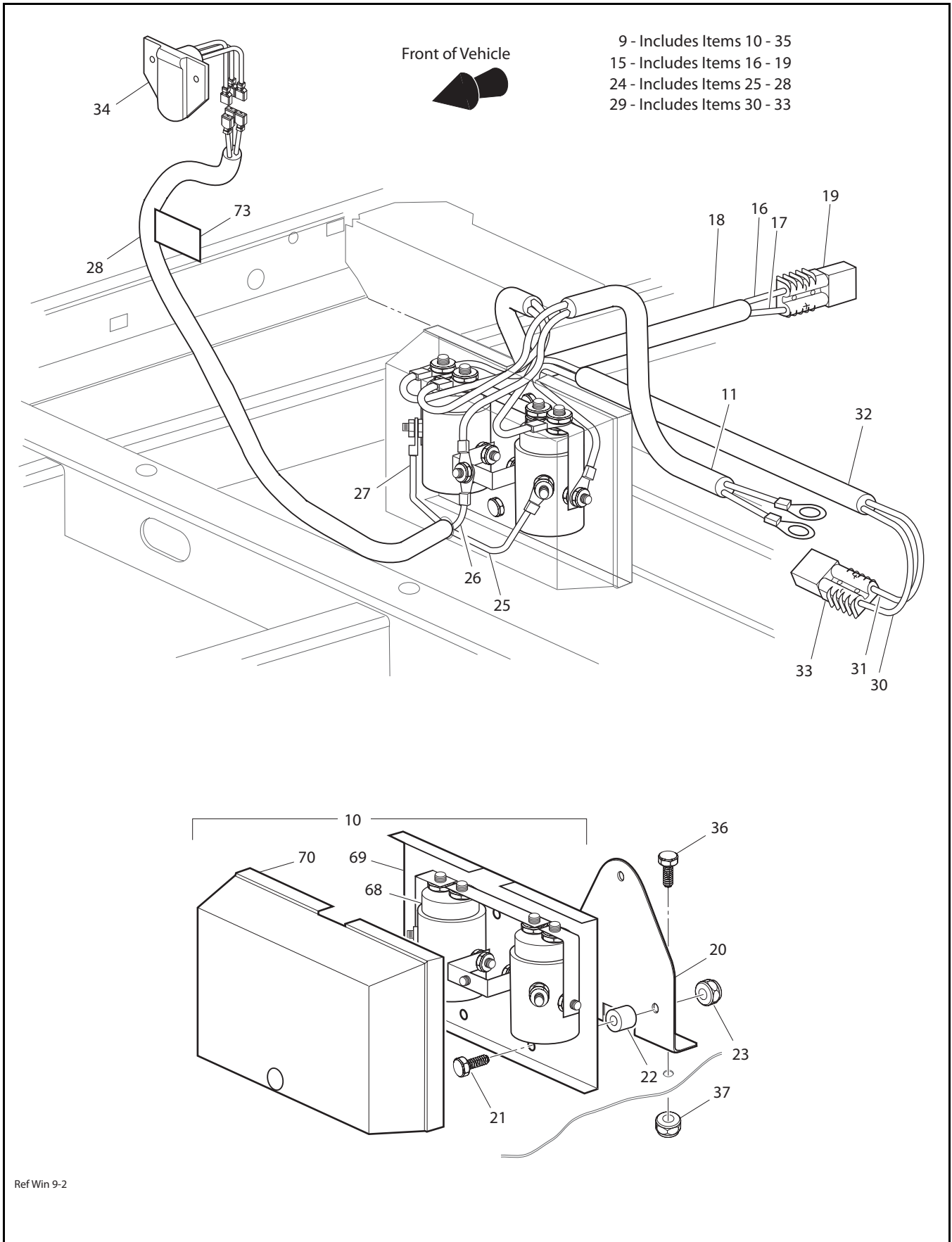


# WINCH - ST 350

Note: Winch shown mounted at front of vehicle.

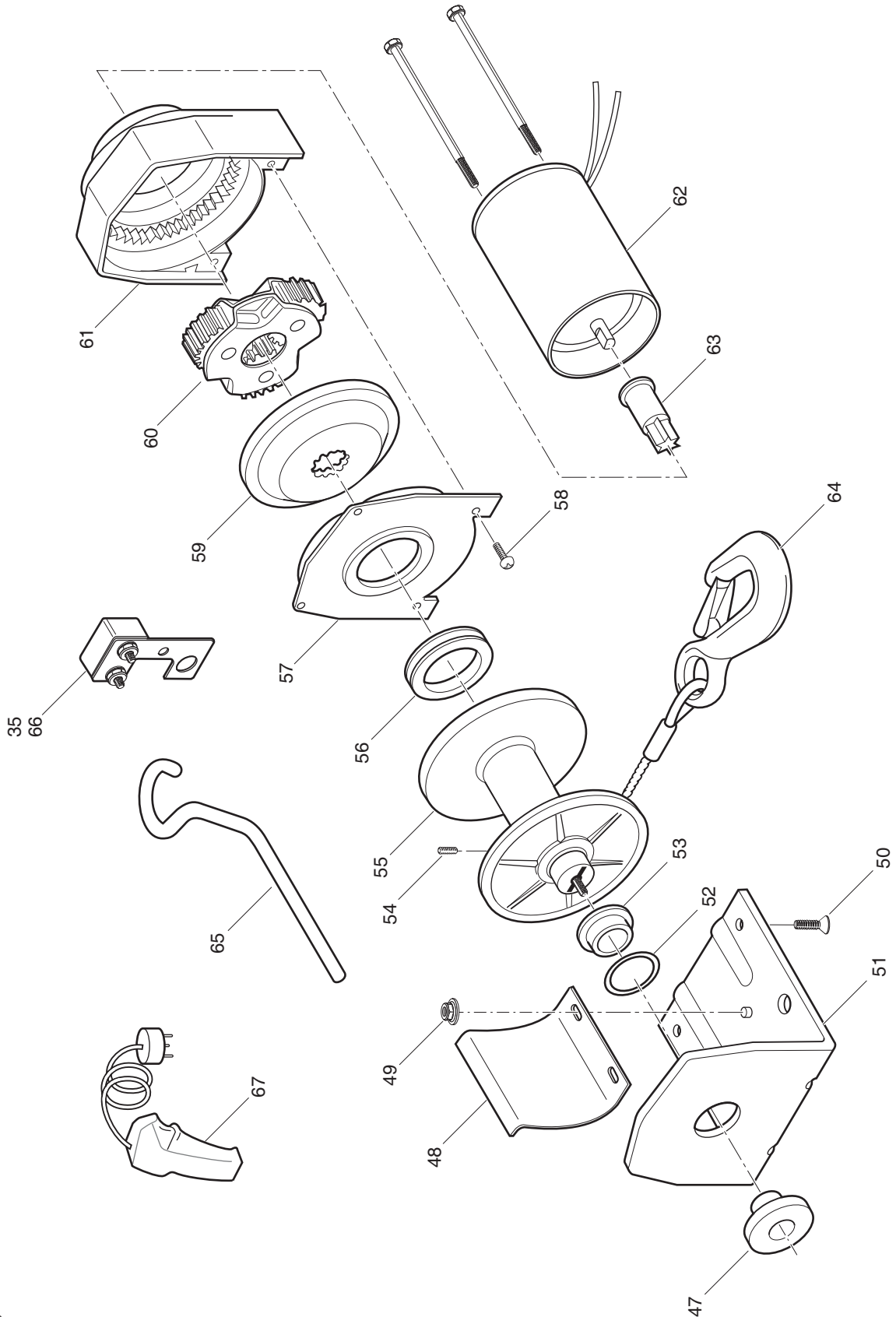
1 - Includes Items 2 - 73





Ref Win 9-2

# WINCH - ST 350



Ref Win 9-3

# WINCH - ST 350

Where applicable, THE USE OF NON UL PARTS WILL VOID ANY UL LISTING.

When ordering parts, please specify the model and serial number of the product.

\* Indicates a component that is not available as an individual part.

G\*\* Indicates consult Customer Service Department for additional information.

ITEM	PART NO.	1 2 3 4 5	DESCRIPTION	QTY.
1	74259-G02		WINCH KIT (INCLUDES ITEMS 2 - 73) (ST 350).....	1
2	600792		WINCH ASSEMBLY, T1500.....	1
3	<u>74271-G01</u>		WINCH MOUNTING TUBE.....	1
4	<u>00440-G6</u>		BOLT, 5/16 - 18 X 2 3/4" LG.....	2
5	<u>00571-G2</u>		WASHER, 5/16" .....	4
6	<u>00891-G3</u>		LOCK NUT, 5/16 - 18.....	2
7	<u>21317-G1</u>		CLEVIS PIN, 5/8" x 3" LG .....	1
8	<u>21683-G1</u>		COTTER PIN, 15/32" X 2 13/16" LG .....	1
9	74286-G02		REMOTE SOLENOID (INCLUDES ITEMS 10 - 35) .....	1
10	<u>74256-G02</u>		SOLENOID KIT .....	1
11	<u>72278-G01</u>		WIRE HARNESS (SOLENOID to BATTERY) .....	1
12				
13				
14				
15	600798		WIRE HARNESS (SOLENOID to REAR WINCH) (INCLUDES 16 - 19)	1
16	600794		8 GA WIRE ( YELLOW 67" ).....	1
17	600793		8 GA WIRE ( BLUE 67" ) .....	1
18	<u>20436-G1</u>		FLEX LOOM ( BULK ) 49" .....	1
19	<u>73235-G01</u>		CONNECTOR.....	1
20	<u>74326-G01</u>		MOUNTING BRACKET.....	1
21	<u>00414-G6</u>		BOLT, 1/4 - 20 X 3/4" LG .....	3
22	<u>23726-G1</u>		SPACER, 1/4" .....	3
23	<u>14390-G4</u>		LOCK NUT, 1/4 - 20 .....	3
24	600801		WIRE HARNESS (SOLENOID to RECEPTACLE) (INCLUDES 25-28) .	1
25	<u>19077-G1</u>		16 GA WIRE ( BLUE 14" ) .....	1
26	<u>20216-G1</u>		16 GA WIRE ( WHITE 14" ) .....	1
27	<u>19080-G1</u>		16 GA WIRE ( YELLOW 14" ).....	1
28	<u>17313-G1</u>		FLEX LOOM ( BULK ), 4" .....	1
29	<u>600795</u>		WIRE HARNESS (SOLENOID to FRONT WINCH) (INCLUDES 30-33)	1
30	600794		8 GA WIRE ( YELLOW 94" ).....	1

# WINCH - ST 350

Where applicable, THE USE OF NON UL PARTS WILL VOID ANY UL LISTING.

When ordering parts, please specify the model and serial number of the product.

\* Indicates a component that is not available as an individual part.

G\*\* Indicates consult Customer Service Department for additional information.

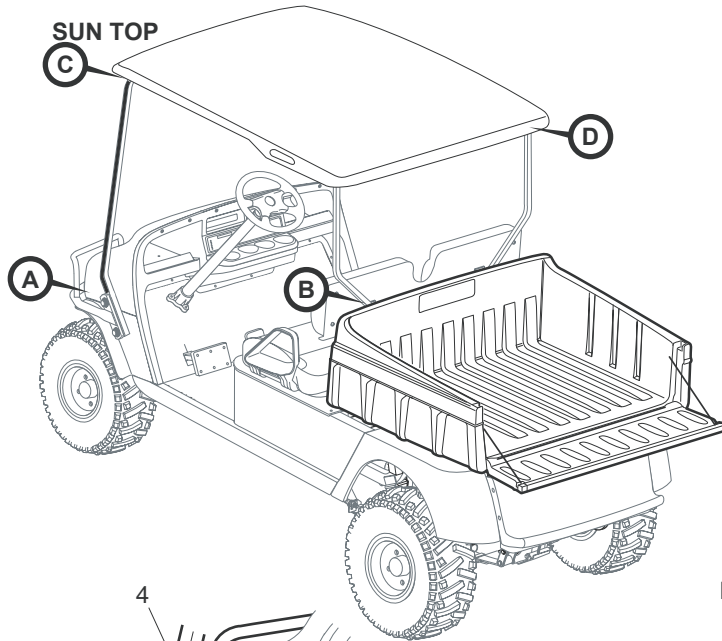
ITEM	PART NO.	1	2	3	4	5	DESCRIPTION	QTY.
31	600793						8 GA WIRE ( BLUE 94" ) .....	1
32	<u>20436-G1</u>						FLEX LOOM, 75 5/8" ( BULK ) .....	1
33	<u>73235-G01</u>						CONNECTOR .....	1
34	<u>600482</u>						RECEPTACLE WITH LEADS (GREEN, WHITE, BLACK) .....	1
35	*						CIRCUIT BREAKER WITH BRACKET .....	1
36	<u>00414-G5</u>						BOLT, 1/4 - 20 X 5/8" LG.....	2
37	<u>14390-G4</u>						LOCK NUT, 1/4 - 20 .....	2
38								
39								
40	<u>74289-G01</u>						CONNECTOR MOUNT PLATE.....	1
41	<u>00740-G4</u>						SCREW, #10 - 32 X 1/2" LG (STAINLESS STEEL).....	2
42	<u>00559-G5</u>						WASHER, #10 .....	2
43	<u>00921-G8</u>						LOCK NUT, #10 - 32 .....	2
44	<u>00156-G8</u>						SCREW, #10 - 32 X 1" LG .....	2
45	<u>00526-G4</u>						NUT, #10 - 32.....	2
46							The following items are replacement components for the winch. For service or replacement parts, contact Superwinch, Inc., Winch Drive, Putnam, CT 06260 Phone: (860) 928-7787, FAX: (860) 928-1143  Always provide the following information when requesting information or ordering replacement parts:  Winch Part Number: T1500 Serial Number: (found on housing) Part Number and Description	
47	87-10490						KNOB ASSEMBLY, T-SERIES F/W .....	1
48	87-22381						TENSION PLATE .....	1
49	87-23149-05						NUT, HEX, FLANGED, M5 X 0.8 .....	2
50	89-22291-01						SCREW, ST HEX SKY FH, M6 X 1 X 20 .....	2
51	87-22394						BASEPLATE ASSEMBLY, T-SERIES .....	1
52	AS REQ'D						WASHER, .020 OR .030 THICK .....	A/R
53	87-10466						BUSHING, T-SERIES.....	1

Where applicable, THE USE OF NON UL PARTS WILL VOID ANY UL LISTING.  
 When ordering parts, please specify the model and serial number of the product.  
 \* Indicates a component that is not available as an individual part.  
 G\*\* Indicates consult Customer Service Department for additional information.

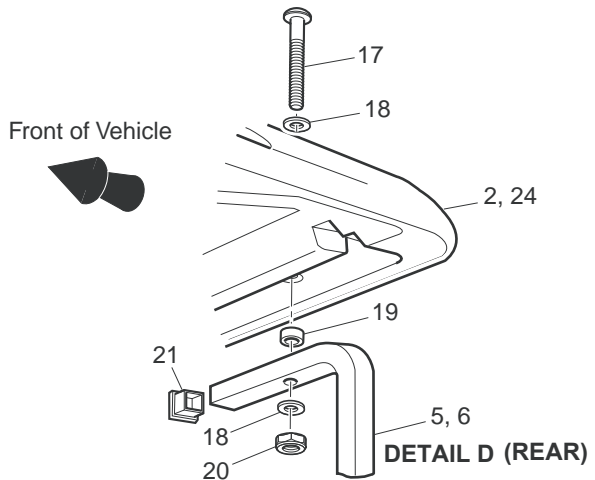
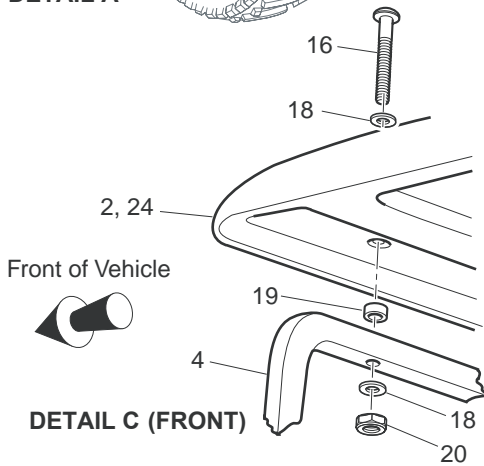
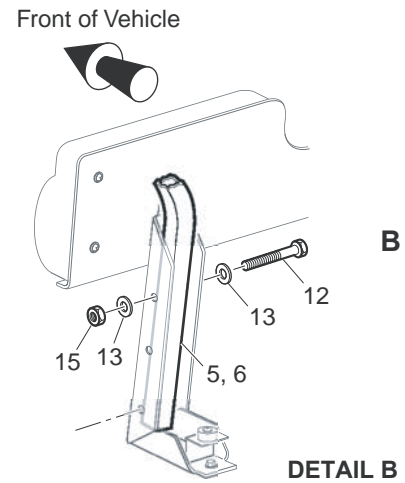
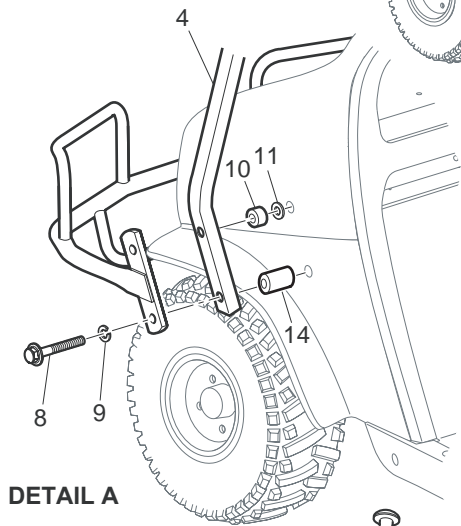
ITEM	PART NO.	1	2	3	4	5	DESCRIPTION	QTY.
54	87-23309-01						SET SCREW, M5 X 0.8 X 6 .....	1
55	87-22397						DRUM ASSEMBLY .....	1
56	87-10470						DRUM SUPPORT BUSHING .....	1
57	87-33257						DRUM SUPPORT PLATE.....	1
58	87-23030-10						SCREW, ST PAN HEAD, M4 X 0.7 X 10 .....	4
59	87-33251						ROTATOR GEAR, T-SERIES .....	1
60	87-22380						CARRIER ASSEMBLY, T-SERIES.....	1
61	87-22396						STATIONARY GEAR HOUSING ASSEMBLY, T-SERIES.....	1
62	87-33249						MOTOR, 12 VOLT .....	1
63	87-22401						MOTOR PINION GEAR .....	1
64	1535A						WIRE ROPE AND HOOK ASSEMBLY, 5/32" X 25 FEET.....	1
65	89-32300						HANSAVER BAR .....	1
66	90-22873-03						CIRCUIT BREAKER ASSEMBLY, 12 VOLT, T-SERIES .....	1
67	90-22117						REMOTE CONTROL ASSEMBLY .....	1
68	92-20172						SOLENOID, 12 VOLT .....	2
69	90-32070						SOLENOID BACK PLATE .....	1
70	90-31079						SOLENOID COVER.....	1
71								
72								
73	<u>71489-G01</u>						LABEL (READ INSTRUCTIONS) .....	1

# WEATHER PROTECTION

## SUN TOP CAP (CAMO)



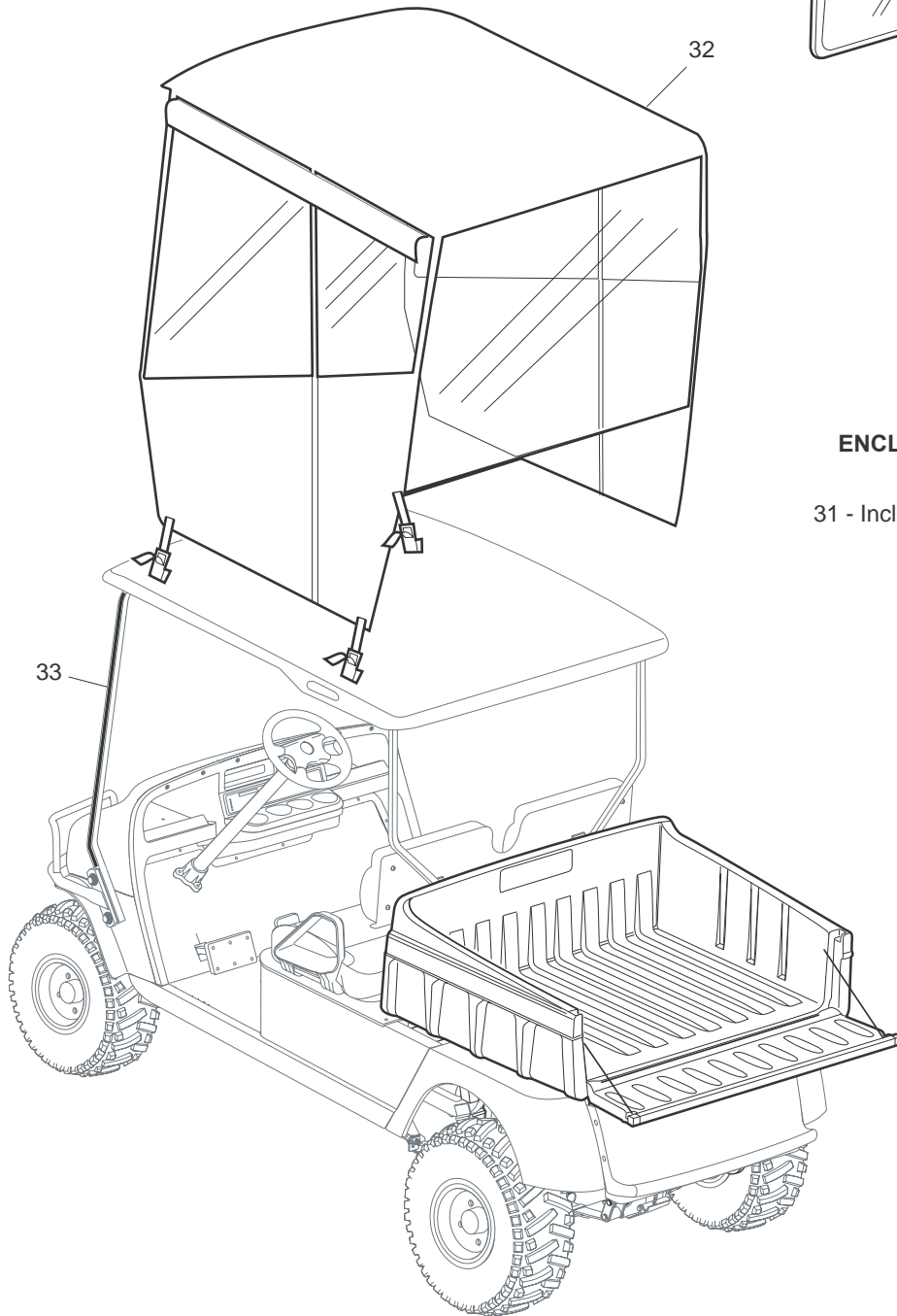
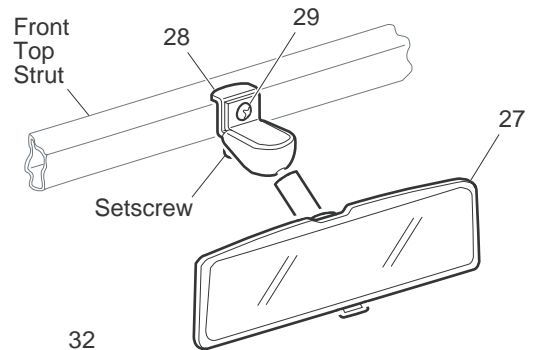
- 1 - Includes Items 2 - 21
- 3 - Includes Items 4 - 21
- 7 - Includes Items 8 - 21





## REAR VIEW MIRROR

26 - Includes Items 27 - 29



## ENCLOSURE

31 - Includes Items 32, 33

Ref Wea 10-2

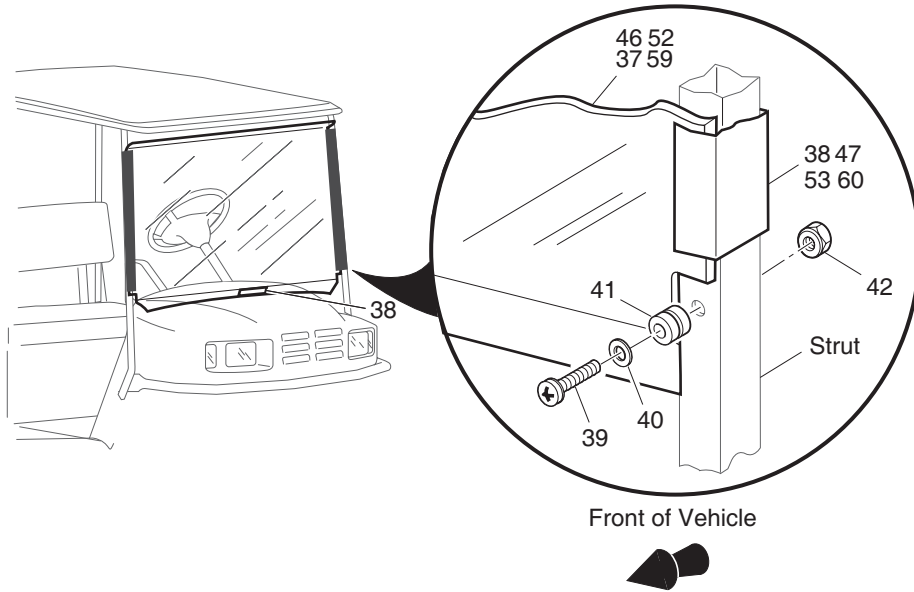
# WEATHER PROTECTION

36 - Includes 37 - 43

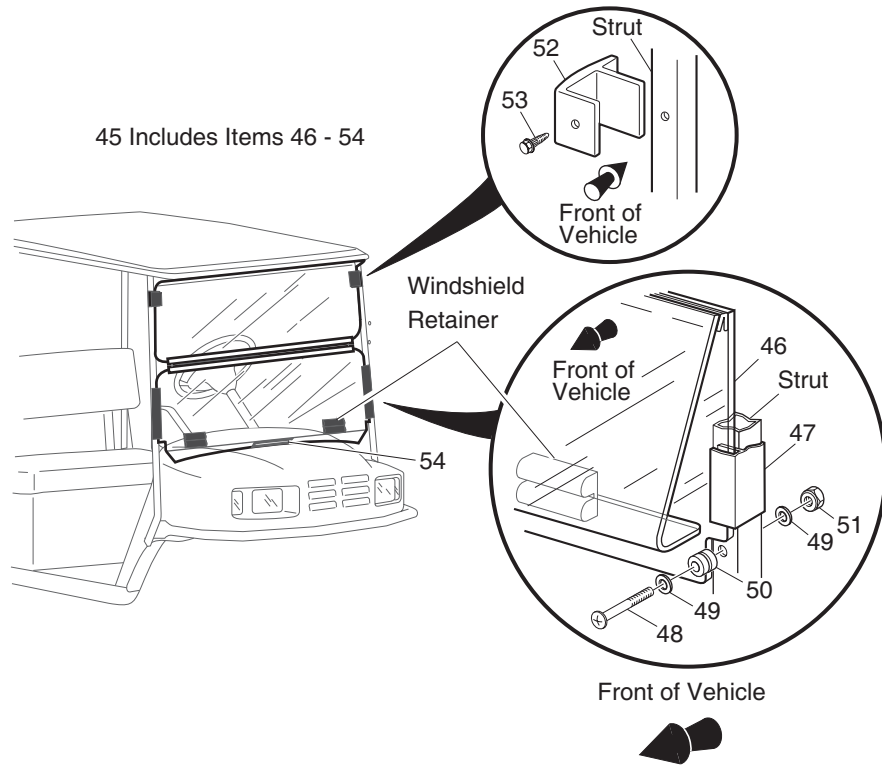
45 - Includes 46 - 47 and 39 - 43

51 - Includes 52 - 53 and 39 - 43

51 - Includes 59 - 60 and 39 - 43



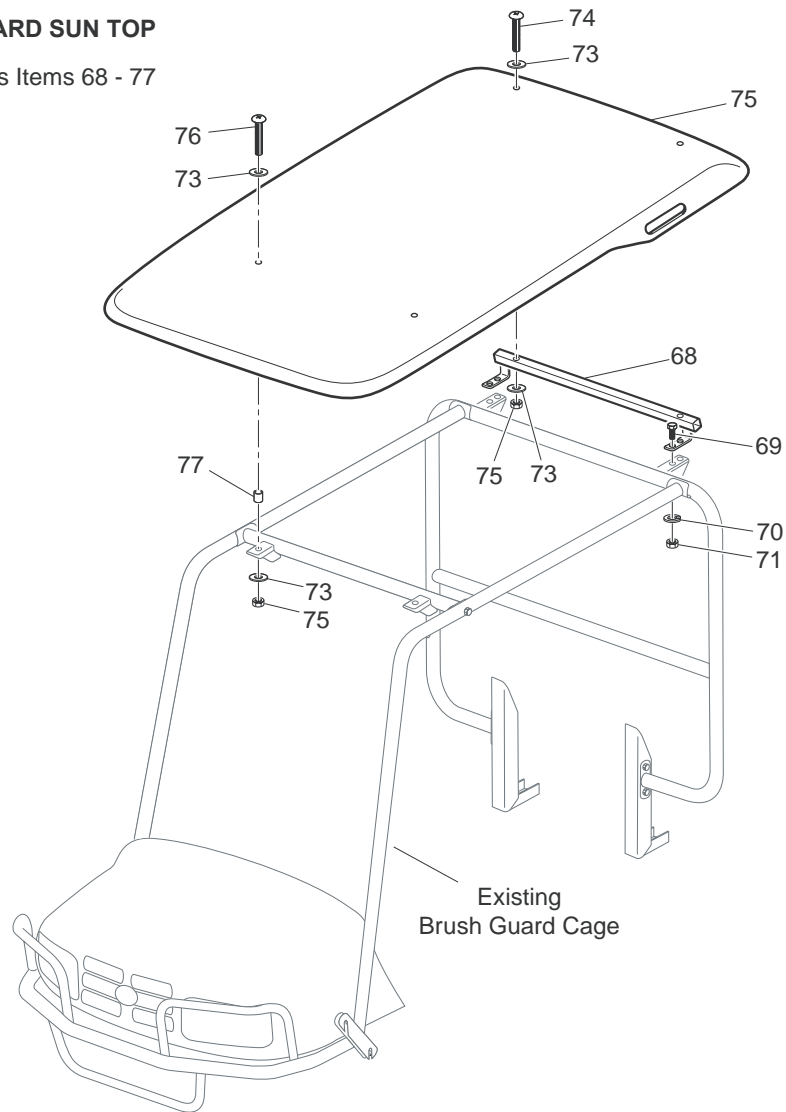
45 Includes Items 46 - 54



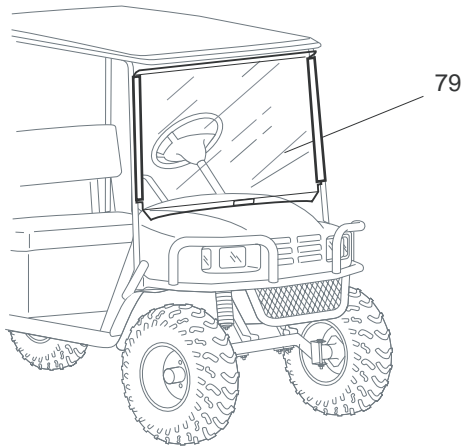
Ref Wea 9-3

## BRUSHGUARD SUN TOP

67 - Includes Items 68 - 77



## BRUSHGUARD WINDSHIELD



# WEATHER PROTECTION

THE USE OF NON U.L. PARTS WILL VOID ANY U.L. LISTING.

When ordering parts, please specify the model and serial number of the product.

\* Indicates a component that is not available as an individual part.

G\*\* Indicates consult Customer Service Department for additional information.

ITEM	PART NO.	1	2	3	4	5	DESCRIPTION	QTY.
1	75040-G0*	SUN TOP KIT (INCLUDES ITEMS 2 -21) .....						1
2	27069-G0*	SUN TOP .....						1
3	<u>75044-G06</u>	HARDWARE KIT (INCLUDES ITEMS 4 - 21).....						1
4	<u>75045-G05</u>	FRONT STRUT .....						1
5	<u>75838-G03</u>	REAR STRUT (DRIVER SIDE) .....						1
6	<u>75838-G04</u>	REAR STRUT (PASSENGER SIDE).....						1
7	<u>75465-G01</u>	FASTENING HARDWARE KIT (INCLUDES ITEMS 8 - 21).....						1
8	<u>00440-G2</u>	BOLT, 5/16 - 18 X 2 1/4" LG.....						4
9	<u>00905-G8</u>	LOCK WASHER, 5/16" .....						4
10	<u>75048-G01</u>	SPACER, 1/2" .....						2
11	<u>00570-G2</u>	WASHER, 5/16" .....						6
12	<u>00685-G7</u>	BOLT, 5/16 - 18 X 1 3/4" LG (STAINLESS STEEL) .....						4
13	<u>01110-G03</u>	WASHER, 5/16" (STAINLESS STEEL).....						8
14	<u>75048-G04</u>	SPACER .....						2
15	<u>01109-G01</u>	LOCK NUT, 5/16 - 18 (STAINLESS STEEL).....						4
16	<u>00753-G5</u>	SCREW, 1/4 - 20 X 2" LG (STAINLESS STEEL).....						2
17	00753-G6	SCREW, 1/4 - 20 X 2 1/4" LG (STAINLESS STEEL).....						2
18	<u>01110-G01</u>	WASHER, 1/4" (STAINLESS STEEL).....						8
19	<u>75051-G01</u>	PLASTIC SPACER .....						4
20	<u>00891-G2</u>	LOCK NUT, 1/4 - 20 (STAINLESS STEEL).....						4
21	<u>19853-G1</u>	END CAP, 1" .....						2
22								
23								
24								
25								
26	<u>19528-G2</u>	REAR VIEW MIRROR KIT (INCLUDES ITEMS 27 - 29) .....						1
27	<u>19496-G1</u>	REAR VIEW MIRROR .....						1
28	19502-G2	SUPPORT BRACKET.....						1
29	<u>19527-G1</u>	SCREW, #8 - 32 X 5/8" LG (STAINLESS STEEL).....						1
30								

# WEATHER PROTECTION

THE USE OF NON U.L. PARTS WILL VOID ANY U.L. LISTING.

When ordering parts, please specify the model and serial number of the product.

\* Indicates a component that is not available as an individual part.

G\*\* Indicates consult Customer Service Department for additional information.

ITEM	PART NO.	1	2	3	4	5	DESCRIPTION	QTY.	
31	75367-G**	3 SIDED SOFT ENCLOSURE KIT (INCLUDES ITEMS 32 - 33) .....							1
32	*	ENCLOSURE.....							1
33	*	VELCRO .....							AR
34									
35									
36	<u>71966-G01</u>	WINDSHIELD KIT (FULL)(REQUIRES SUN TOP KIT) (INCLUDES ITEMS 37-					431		
37	<u>71954-G01</u>	WINDSHIELD (FULL) (LEXAN) .....							1
38	EGWHC12	SASH, 26" LG .....							2
39	EGWHS12	SCREW, 1/4 - 20 X 1 3/4" LG (STAINLESS STEEL).....							2
40	EGWHG12	WASHER, 1/4" (STAINLESS STEEL).....							4
41	EGWHG13	RUBBER GROMMET .....							2
42	EGWHN12	LOCK NUT, 1/4 - 20 (STAINLESS STEEL).....							2
43	EGWHL14	SAFETY LABEL (NOT ILLUSTRATED).....							1
44									
45	<u>71966-G02</u>	WINDSHIELD KIT (FOLD DOWN) (REQUIRES SUN TOP KIT) (INCLUDES ITEMS 46 - 47 AND 39 - 43).....							1
46	<u>71955-G01</u>	WINDSHIELD (SPLIT) (LEXAN).....							1
47	EGWHC10	SASH, 12" LG .....							2
48									
49									
50									
51	<u>71966-G03</u>	WINDSHIELD KIT (FULL) (REQUIRES SUN TOP KIT) ( INCLUDES ITEMS 52 - 53 AND 39 - 43).....							1
52	<u>71960-G01</u>	WINDSHIELD (FULL) .....							1
53	EGWHC12	SASH, 26" LG .....							2
54									
55									
56									
57									
58	<u>71966-G04</u>	WINDSHIELD KIT (FOLD DOWN)(REQUIRES SUN TOP KIT) (INCLUDES ITEMS 59 - 60 AND 39 - 43).....							1

# WEATHER PROTECTION

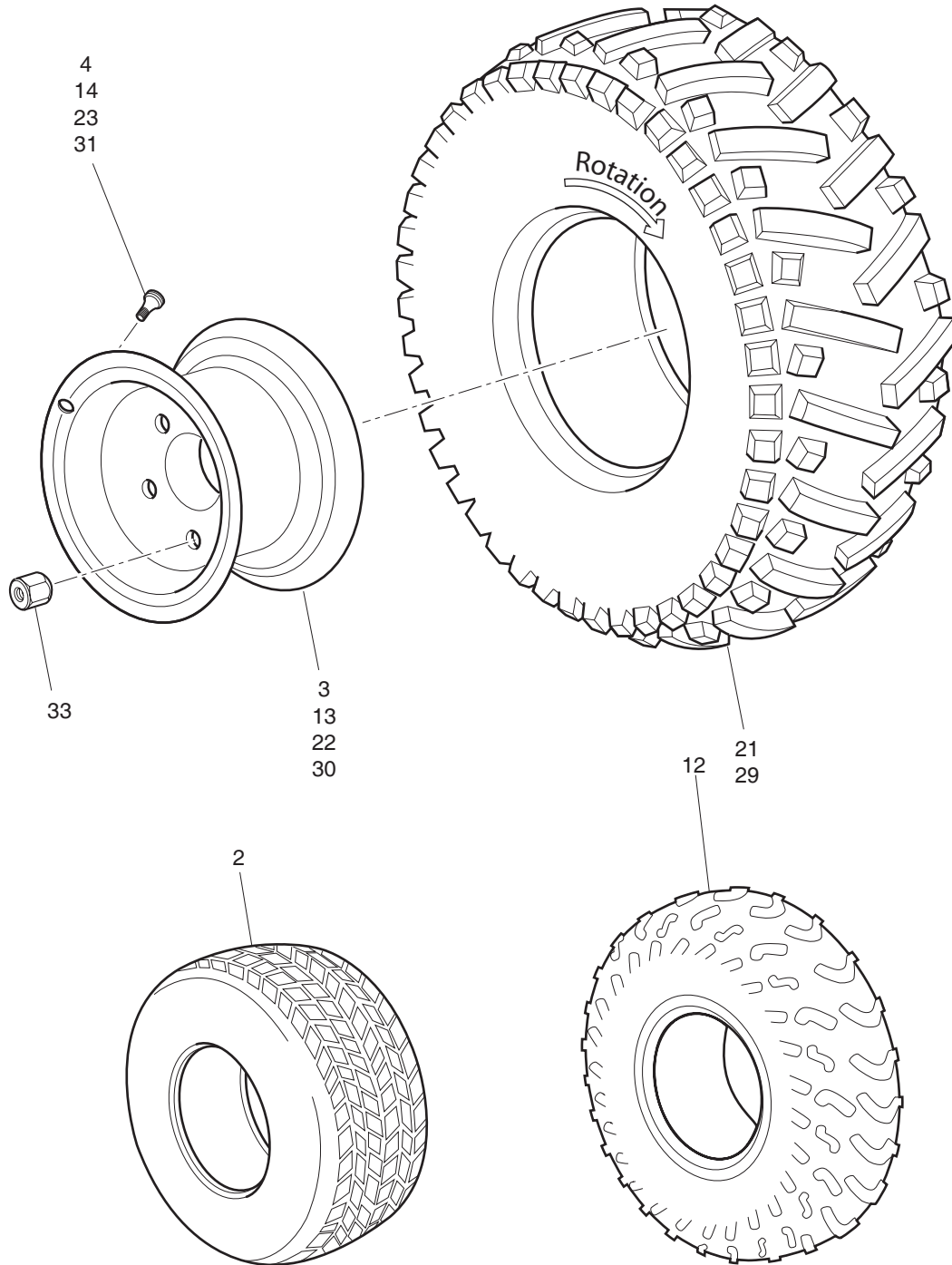
THE USE OF NON U.L. PARTS WILL VOID ANY U.L. LISTING.  
 When ordering parts, please specify the model and serial number of the product.  
 \* Indicates a component that is not available as an individual part.  
 G\*\* Indicates consult Customer Service Department for additional information.

ITEM	PART NO.	1	2	3	4	5	DESCRIPTION	QTY.
59	<u>71961-G01</u>						WINDSHIELD (SPLIT) .....	1
60	EGWHC10						SASH, 12" LG .....	2
61								
62								
63								
64								
65								
66								
67	74496-G0*						SUN TOP KIT (WITH BRUSH GUARD) (INCLUDES ITEMS 68 - 77) .....	1
68	<u>74466-G01</u>						MOUNTING BRACKET .....	1
69	00438-G5						BOLT, 5/16 - 18 X 5/8" LG.....	4
70	<u>00565-G8</u>						LOCK WASHER, 5/16" .....	4
71	<u>00532-G3</u>						NUT, 5/16 - 18.....	4
72	74497-G0*						SUN TOP .....	1
73	<u>00559-G7</u>						WASHER, 1/4" (STAINLESS STEEL).....	8
74	00753-G6						SCREW, 1/4 - 20 X 2 1/4" LG (STAINLESS STEEL).....	2
75	<u>00891-G2</u>						LOCK NUT, 1/4 - 20 (STAINLESS STEEL).....	4
76	<u>00753-G7</u>						SCREW, 1/4 - 20 X 2 1/2" LG (STAINLESS STEEL).....	2
77	<u>74469-G01</u>						SPACER .....	2
78								
79	<u>74542-G01</u>						WINDSHIELD KIT (WITH BRUSH GUARD) (INCLUDES ITEMS 80 - 85) (Replacement Parts available from Eagle Parts, 706-790-6687) .....	1



# WHEELS AND TIRES

- 1 - Includes Items 2 - 4
  - 11 - Includes Items 12 - 14
  - 20 - Includes Items 21 - 23
  - 28 - Includes Items 29 - 31
- (Style of tire may differ from tire shown)



Ref Whl 9



# WHEELS AND TIRES

Where applicable, THE USE OF NON UL PARTS WILL VOID ANY UL LISTING.  
 When ordering parts, please specify the model and serial number of the product.  
 \* Indicates a component that is not available as an individual part.  
 G\*\* Indicates consult Customer Service Department for additional information.

ITEM	PART NO.	1 2 3 4 5	DESCRIPTION	QTY.
1	<u>28442-G03</u>		WHEEL AND TIRE ASSEMBLY, TURF SAVER (INCLUDES ITEMS 2 - 4).....	1
2	<u>28442-G02</u>		TIRE, 20 X 10 - 10 TURF SAVER.....	1
3	<u>15172-G02</u>		WHEEL RIM (BLACK, 4 LUG).....	1
4	<u>11657-G1</u>		VALVE STEM.....	1
5				
6				
7				
8				
9				
10				
11	<u>74842-G04</u>		WHEEL AND TIRE ASSY (PASSENGER SIDE) (INCLUDES ITEMS 12 - 14)...	1
12	<u>74842-G05</u>		TIRE, 21 X 11 - 10 TRAIL WOLF .....	1
13	1015239014		WHEEL RIM (BLACK, 4 LUG).....	1
14	012007		VALVE STEM.....	1
15				
16				
17				
18				
19				
20	<u>28630-G04</u>		WHEEL AND TIRE ASSEMBLY (DRIVER SIDE) (INCLUDES ITEMS 21 - 23)..	1
21	<u>28630-G01</u>		TIRE, 22 X 9 - 10 STRYKER .....	1
22	<u>15172-G02</u>		WHEEL RIM (BLACK, 4 LUG).....	1
23	<u>11657-G1</u>		VALVE STEM.....	1
24				
25				
26				
27				
28	<u>28630-G05</u>		WHEEL AND TIRE ASSY (PASSENGER SIDE) (INCLUDES ITEMS 29 - 31)...	1
29	<u>28630-G01</u>		TIRE, 22 X 9 - 10 STRYKER .....	1
30	<u>15172-G02</u>		WHEEL RIM (BLACK, 4 LUG).....	1

# WHEELS AND TIRES

Where applicable, THE USE OF NON UL PARTS WILL VOID ANY UL LISTING.  
 When ordering parts, please specify the model and serial number of the product.  
 \* Indicates a component that is not available as an individual part.  
 G\*\* Indicates consult Customer Service Department for additional information.

ITEM	PART NO.	1	2	3	4	5	DESCRIPTION	QTY.
31	<u>11657-G1</u>						VALVE STEM.....	1
32								
33	<u>14723-G1</u>						LUG NUT, 1/2 - 20.....	AR

**OPTIONS/ACCESSORIES**

**OPTIONS/ACCESSORIES**

## OPTIONS/ACCESSORIES

ITEM	KIT NO.	COMMENTS
ASHTRAY KIT . . . . .	75109-G02 . . . . .	See BODY
BALL HITCH KIT . . . . .	74491-G02 . . . . .	See BODY
CARGO BED COVER . . . . .	73521-G01	
CARGO TRAILER (STEEL) . . . . .	74486-G01	
CARGO TRAILER (POLY) . . . . .	74487-G01	
CONSOLE POWER OUTLET . . . . .	71079-G01 . . . . .	See ELECTRICAL SYSTEM
DEFROSTER/COOLING FAN . . . . .	74248-G01 . . . . .	See CAB (FLAT WINDSHIELD)
DOME LIGHT . . . . .	20495-G2 . . . . .	See CAB (FLAT WINDSHIELD)
DOOR SET (STEEL) . . . . .	74301-G0* . . . . .	See CAB (FLAT WINDSHIELD)
DOOR SET (STEEL) . . . . .	75856-G0* . . . . .	See CAB (CURVED WINDSHIELD)
DOOR SET (VINYL) . . . . .	74242-G01 . . . . .	See CAB (FLAT WINDSHIELD)
DOOR SET (VINYL) . . . . .	75855-G01 . . . . .	See CAB (CURVED WINDSHIELD)
GLOVE BOX DOOR . . . . .	75456-G0* . . . . .	See BODY
GUN HOLDER . . . . .	74365-G01	
HITCH KITS . . . . .	74492-G0* . . . . .	See BODY
HOUR METER KIT . . . . .	75114-G0* . . . . .	See ELECTRICAL SYSTEM
RECTANGULAR SIDE MIRROR KIT . . . . .	27924-G01 . . . . .	See CAB (FLAT WINDSHIELD)
INSTRUMENT/SWITCH PANEL . . . . .	74250-G01 . . . . .	See CAB (FLAT WINDSHIELD)
LIGHT BAR . . . . .	75354-G0* . . . . .	See ELECTRICAL
REAR VIEW MIRROR KIT (REQUIRES SUN TOP KIT) . . . . .	19528-G2 . . . . .	See WEATHER PROTECTION
SOFT ENCLOSURE (3 SIDED) . . . . .	75367-G0* . . . . .	See WEATHER PROTECTION
STEEL CAB, W/O DOORS . . . . .	75854-G0* . . . . .	See CAB (CURVED WINDSHIELD)
STROBE LIGHT . . . . .	74245-G01 . . . . .	See CAB (FLAT WINDSHIELD)
SUN TOP KIT (ST SPORT) . . . . .	75040-G0* . . . . .	See WEATHER PROTECTION
TURN SIGNAL KIT . . . . .	75107-G0* . . . . .	See ELECTRICAL SYSTEM
WINCH . . . . .	74259-G02 . . . . .	See WINCH (ST 350)
WINDSHIELD KIT (REQUIRES SUN TOP KIT) . . . . .	71966-G0* . . . . .	See WEATHER PROTECTION
FOLD DOWN WINDSHIELD KIT (REQUIRES SUN TOP KIT) . . . . .	71966-G0* . . . . .	See WEATHER PROTECTION
WINDSHIELD WIPER . . . . .	74244-G01 . . . . .	See CAB (FLAT WINDSHIELD)
WORK LIGHTS . . . . .	74247-G01 . . . . .	See CAB (FLAT WINDSHIELD)

## **SPECIALTY PRODUCTS**

# **SPECIALTY PRODUCTS**

## SPECIALTY PRODUCTS

<b>SPECIAL TOOLS</b>	<b>PART NO.</b>
HIGH RESISTANCE SPARK PLUG WIRE SET .....	26733-G02
CLUTCH PULLER (DRIVE) .....	19779-G2
FLYWHEEL PULLER .....	27111-G01
CURRENT INDICATOR .....	16489-G2
DIGITAL MULTI-METER .....	27481-G01
SLIDE HAMMER (AXLE/HUB REMOVAL) .....	15947-G1
SLIDE HAMMER (AXLE REMOVAL ONLY) .....	18753-G1
COMPRESSION TESTER .....	72524-G01
FEELER GAUGE .....	72525-G01
TACHOMETER .....	72526-G01

<b>ENGINE OIL</b>	<b>PART NO.</b>
4 CYCLE ENGINE OIL, 5 GALLON (19 LITER) .....	25730-G03
4 CYCLE ENGINE OIL, 12 QUART CASE .....	25730-G04
4 CYCLE ENGINE OIL, 1 QUART BOTTLE (950 ML) .....	25730-G06

<b>TOUCH UP PAINT</b>	<b>PART NO.</b>
PEN 3 OUNCE (89 ML) - HUNTER GREEN .....	28432-G02
PEN 3 OUNCE (89 ML) - CHAMPAGNE BEIGE .....	28432-G01
PEN 3 OUNCE (89 ML) - WHITE .....	28432-G05
PEN 3 OUNCE (89 ML) - INDUSTRIAL YELLOW .....	28432-G03
PEN 3 OUNCE (89 ML) - ORANGE .....	28432-G04
PEN 3 OUNCE (89 ML) - STEEL BLUE PEARL .....	28432-G24
PEN 3 OUNCE (89 ML) - OLIVE GREEN .....	28432-G**
PEN 3 OUNCE (89 ML) - CAMOUFLAGE PAINT (THREE PENS) .....	75831-G01
AEROSOL 12 OUNCE (360 ML) - HUNTER GREEN .....	28140-G09
AEROSOL 12 OUNCE (360 ML) - CHAMPAGNE BEIGE .....	28140-G15
AEROSOL 12 OUNCE (360 ML) - WHITE .....	28140-G03
AEROSOL 12 OUNCE (360 ML) - INDUSTRIAL YELLOW .....	28140-G14
AEROSOL 12 OUNCE (360 ML) - ORANGE .....	28140-G13
AEROSOL 12 OUNCE (360 ML) - STEEL BLUE PEARL .....	28140-G**
AEROSOL 12 OUNCE (360 ML) - OLIVE GREEN .....	28140-G**

## SPECIALTY PRODUCTS

<b>MAINTENANCE PRODUCTS</b>	<b>PART NO.</b>
FORMULA 40 VINYL-COAT® - WHITE .....	28166-G01
PLEXUS® CLEANER, 7 OUNCE (210 ML) (FOR WINDSHIELDS) .....	28433-G01
PLEXUS® CLEANER, 13 OUNCE (380 ML) (FOR WINDSHIELDS) .....	28433-G02
BATTERY PROTECTOR, 14 OUNCE (410 ML) SPRAY .....	75500-G01
CARBURETOR & CHOKE CLEANER, 15 OUNCE (440 ML) SPRAY .....	75501-G01
WHITE LITHIUM GREASE, 14 OUNCE (410 ML) SPRAY .....	75502-G01
PENETRANT/LUBRICANT, 15 OUNCE (440 ML) SPRAY .....	75503-G01
MULTI-PURPOSE CLEANER & DEGREASER, 14 OUNCE (410 ML) SPRAY .....	75504-G01
MULTI-PURPOSE HAND CLEANER, 32 OUNCE (950 ML) LIQUID .....	75505-G01
BATTERY CLEANER, 32 OUNCE (950 ML) WITH TRIGGER SPRAYER .....	75506-G01
BIO-DEGRADABLE CLEANER, 32 OUNCE (950 ML) WITH TRIGGER SPRAYER .....	75507-G01
MULTI-PURPOSE VALUE PACK.....	75508-G01
• BATTERY PROTECTOR, 4 OUNCE (120 ML) SPRAY	
• PENETRANT/LUBRICANT, 4 OUNCE (120 ML) SPRAY	
• WHITE LITHIUM GREASE, 4 OUNCE (120 ML) SPRAY	
• CARBURETOR & CHOKE CLEANER, 4 OUNCE (120 ML) SPRAY	









A Textron Company

E-Z-GO Division Of Textron, Inc.,  
1451 Marvin Griffin Road, Augusta, Georgia USA 30906-3852

**TO CONTACT US**

North America:

Technical Assistance & Warranty Phone: 1-800-774-3946, FAX: 1-800-448-8124  
Service Parts Phone: 1-888-GET-EZGO (1-888-438-3946), FAX: 1-800-752-6175

International:

Phone: 001-706-798-4311, FAX: 001-706-771-4609

Certified ISO 9001 / ISO 14001 by



Copyrighted Material  
This manual may not be reproduced in whole or  
in part without the express permission of  
E-Z-GO Division of Textron, Inc.  
Technical Communications Department