

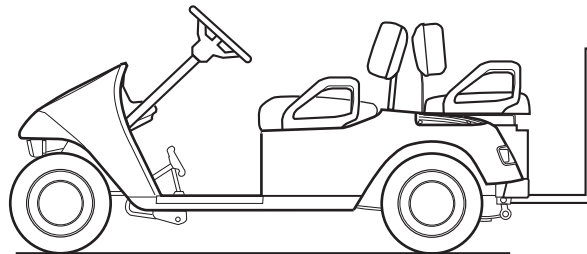
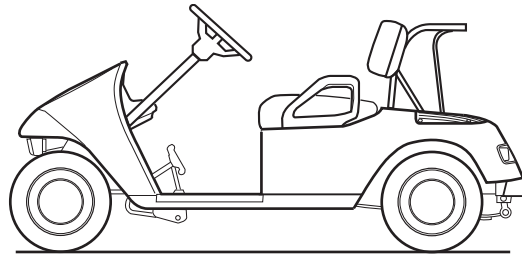
602907



A Textron Company



SERVICE PARTS MANUAL



Ref Fcv 1

ELECTRIC POWERED FLEET GOLF CARS & PERSONAL VEHICLES

ISSUED SEPTEMBER 2005 REVISED FEBRUARY 2011

SERVICE PARTS MANUAL

ELECTRIC POWERED FLEET GOLF CARS & PERSONAL VEHICLES

FLEET GOLF CAR

FLEET PDS GOLF CAR

FREEDOM SE

FREEDOM LE

FREEDOM SE PDS

FREEDOM LE PDS

SHUTTLE 2+2

STARTING MODEL YEAR: 2005

DISCLAIMER: The E-Z-GO Division of Textron Inc. reserves the right to incorporate engineering and design changes to products in this Manual, without obligation to include these changes on units leased/sold previously.

The information contained in this Manual may be revised periodically by the E-Z-GO Division, and therefore is subject to change without notice.

The E-Z-GO Division DISCLAIMS LIABILITY FOR ERRORS IN THIS MANUAL, and the E-Z-GO Division SPECIFICALLY DISCLAIMS LIABILITY FOR INCIDENTAL AND CONSEQUENTIAL DAMAGES resulting from the use of the information and materials in this Manual.

CUSTOMER SERVICE DEPARTMENT IN USA PHONE: 1-800-241-5855 FAX: 1-800-448-8124

OUTSIDE USA PHONE: 001-706-798-4311, FAX: 001-706-771-4609

E-Z-GO DIVISION OF TEXTRON, INC., 1451 MARVIN GRIFFIN RD., AUGUSTA, GEORGIA USA 30906

NOTES

To obtain a copy of the limited warranty applicable to the vehicle, call or write a local Distributor, authorized Branch or the Warranty Department with vehicle serial number and manufacturer code.

The use of non Original Equipment Manufacturer (OEM) parts may void the warranty.

Overfilling of batteries may void the warranty.

BATTERY PROLONGED STORAGE

All batteries will self discharge over time. The rate of self discharge varies depending on the ambient temperature and the age and condition of the batteries.

A fully charged battery will not freeze in winter temperatures unless the temperature falls below -75° F (-60° C).

As with all electric vehicles, the batteries must be checked and recharged as required or at a minimum of 30 day intervals.

TABLE OF CONTENTS

SECTION	Page No.
HOW TO USE THE SERVICE PARTS MANUAL	v
ILLUSTRATED PARTS BREAKDOWN	vii
ACCELERATOR	A-1
BATTERY CHARGER - PORTABLE 36 VOLT	B-1
BATTERY CHARGER - ON BOARD 36 VOLT	B-7
BATTERY CHARGER - EXPORT 36 VOLT	B-15
BODY - FRONT	C-1
BODY - MID SECTION	C-5
BODY - REAR	C-7
BODY - FOOTREST	C-11
BODY - ACCESSORIES	C-13
BRAKES	D-1
DIRECTION SELECTOR	E-1
ELECTRICAL SYSTEM - COMMON	F-1
ELECTRICAL SYSTEM - PDS	F-9
ELECTRICAL SYSTEM - SERIES	F-11
ELECTRONIC SPEED CONTROL - SERIES	G-1
ELECTRONIC SPEED CONTROL - PDS	G-3
ELECTRONIC SPEED CONTROL - HD	G-7
FRONT SUSPENSION/STEERING	H-1
MOTOR	J-1
REAR AXLE	K-1
REAR SUSPENSION	L-1
SEATING AND BAG HOLDER - GOLF CAR	M-1
SEATING - SHUTTLE 2+2	M-3
SEATING - CONVERTIBLE CARRIER	M-7
TOW BAR - PERMANENT	N-1
TOW BAR - CASUAL	N-5
WEATHER PROTECTION - GOLF CAR	P-1

TABLE OF CONTENTS

SECTION	Page No.
WEATHER PROTECTION - SHUTTLE 2+2	P-7
WHEELS AND TIRES	Q-1
SPECIALTY PRODUCTS	APPENDIX A-1
OPTIONS/ACCESSORIES	APPENDIX B-1

HOW TO USE THE SERVICE PARTS MANUAL

This manual is divided into several sections:

- GENERAL INFORMATION
- ILLUSTRATED PARTS BREAKDOWN
- APPENDIX

The first section, GENERAL INFORMATION, contains the following information:

- WARRANTY INFORMATION
- GENERAL INDEX
- HOW TO USE THE SERVICE PARTS MANUAL

The second section, ILLUSTRATED PARTS BREAKDOWN, contains:

- ILLUSTRATIONS AND PARTS LISTS FOR ALL SYSTEMS OF YOUR VEHICLE

The third section, APPENDIX, contains:

- A LISTING OF SPECIALTY PRODUCTS
- A LISTING OF OPTIONS/ACCESSORIES

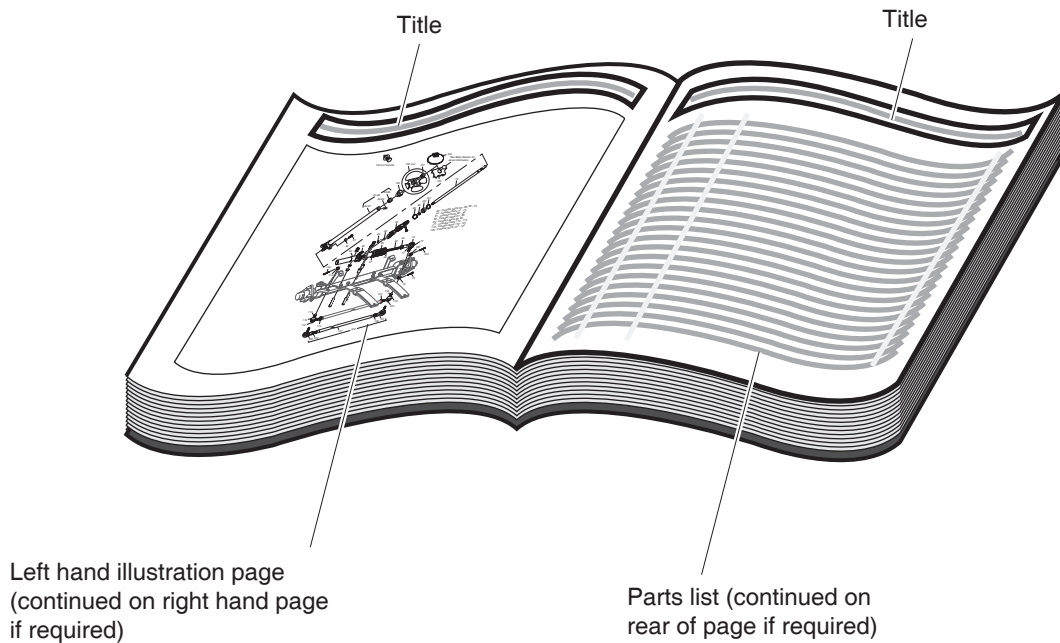
USE OF THE MANUAL

To use this manual, consult the GENERAL INDEX to locate the information or illustration required.

Introduction of some revisions varies due to supply of components; therefore, it is possible that various combinations of components may be found that are not directly reflected by each illustration. Consult the illustration that best suits your situation and then contact the Service Parts Department. It is important that the serial number of your vehicle and its model number be supplied to Service Parts when ordering any replacement components.

Locate the serial number plate (see BODY located in the Illustrated Parts Breakdown section of this manual for its location) and note the complete number shown on the plate.

HOW TO USE THE SERVICE PARTS MANUAL



1. WHEN THE PART NUMBER IS NOT KNOWN

- Determine the function and application of the part required. Turn to the General Index and select the most appropriate title.
- Turn to the page number indicated and locate the desired part on the illustration.
- From the illustration, obtain the item number assigned to the desired part. Refer to the accompanying description for specific information regarding the part.

2. IF YOU KNOW THE PART NUMBER

- Locate the part number or description in the appropriate column on the parts list page.

NOTE: It is suggested that you confirm that the part selected is correct by verifying it with the pictorial representation on the illustrated page.

Should an asterisk (*) appear in the part number column on the parts list page, read upwards until a part number is found. The part number is the lowest assembly sold by Service Parts and the asterisk (*) indicates that the part depicted is not available for purchase.

NOTE: Descriptions are indented under the assembly that they are used on. That assembly is, in turn listed under the assembly that it is used on. This process is repeated until the highest final assembly is reached.

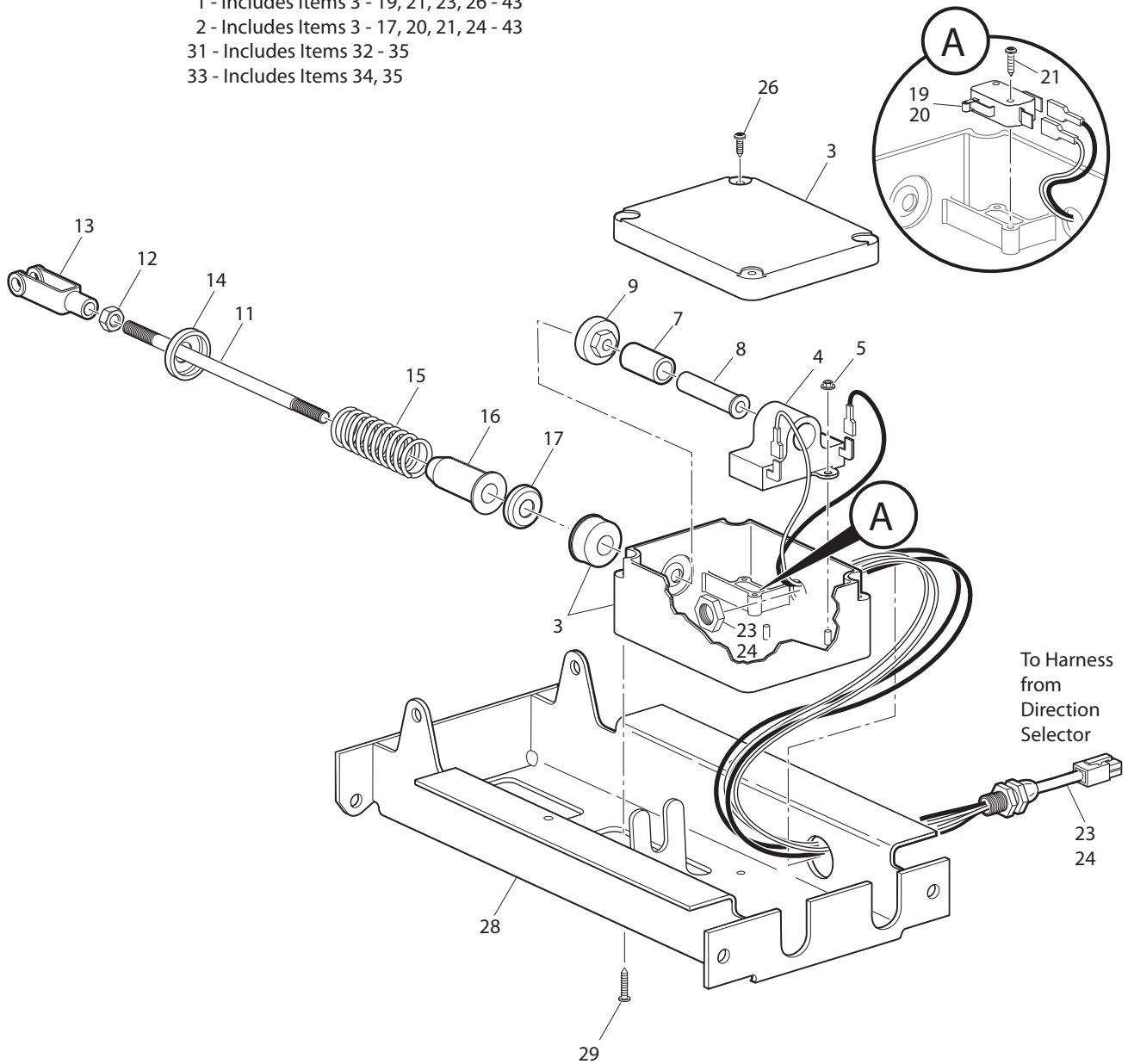
To facilitate the maintenance and repair of the vehicle, a Technician's Repair and Service Manual is available from the Service Parts Department.

ILLUSTRATED PARTS BREAKDOWN

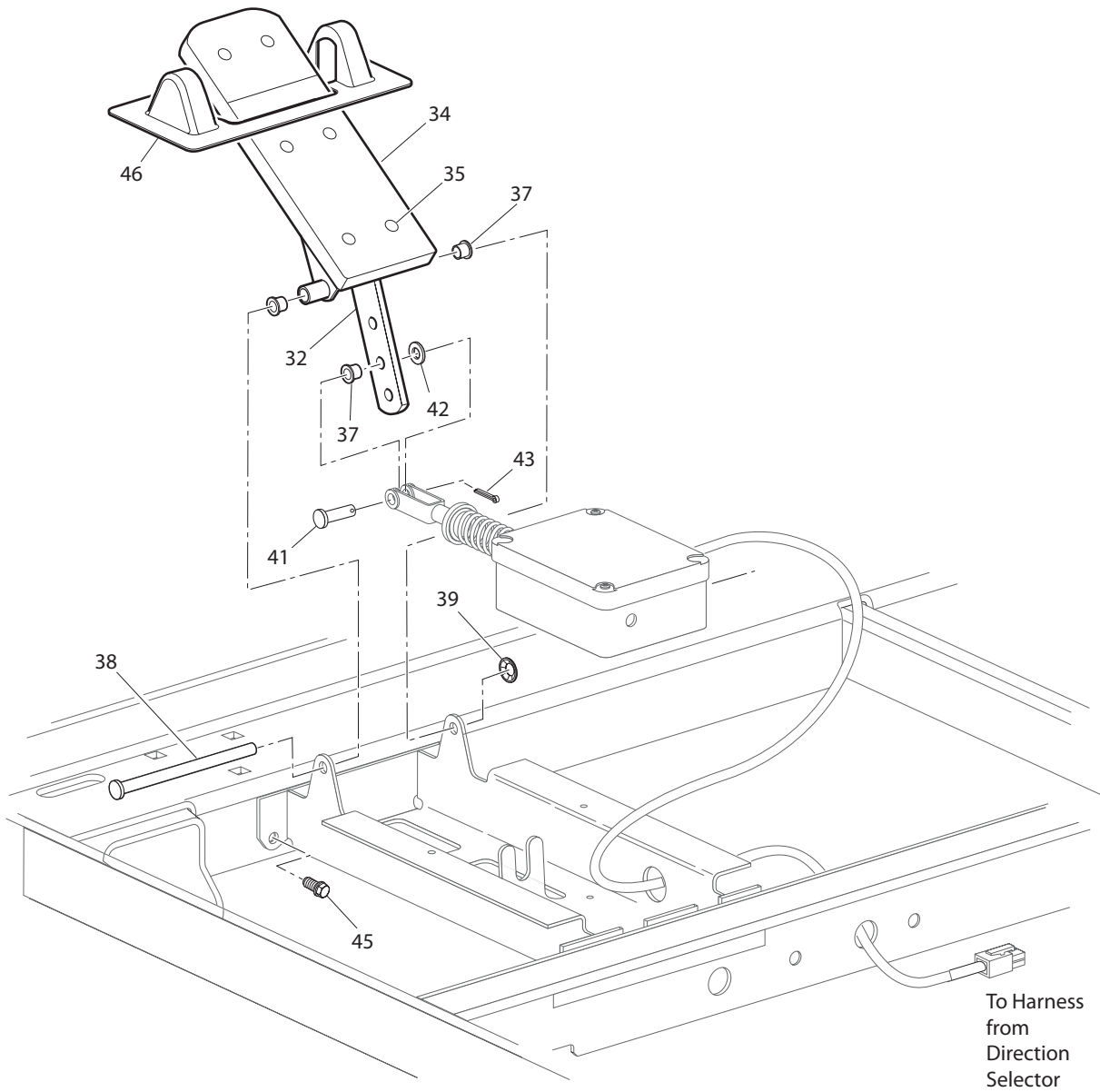
ILLUSTRATED PARTS BREAKDOWN

ACCELERATOR

- 1 - Includes Items 3 - 19, 21, 23, 26 - 43
- 2 - Includes Items 3 - 17, 20, 21, 24 - 43
- 31 - Includes Items 32 - 35
- 33 - Includes Items 34, 35



Ref Acl 1-1



Ref Acl 1-2

ACCELERATOR

Where applicable, THE USE OF NON UL PARTS WILL VOID ANY UL LISTING.

When ordering parts, please specify the model and serial number of the product.

* Indicates a component that is not available as an individual part.

G** Indicates consult Customer Service Department for additional information.

ITEM	PART NO.	1 2 3 4 5	DESCRIPTION	QTY.
1	<u>73333-G09</u>		PEDAL BOX ASSEMBLY (INCLUDES ITEMS 3 - 19, 21, 23, 26 - 43).....	1
2	<u>73333-G10</u>		PEDAL BOX ASSEMBLY, PDS MODEL ONLY (INCLUDES ITEMS 3 - 17, 20, 21, 24 - 43)	1
3	<u>25853-G01</u>		PEDAL BOX AND COVER (SEAL AND BEARING).....	1
4	<u>25854-G01</u>		INDUCTIVE THROTTLE SENSOR	1
5	<u>00983-G01</u>		SELF THREADING NUT, 3/16"	2
6				
7	<u>25857-G01</u>		PLUNGER SLEEVE.....	1
8	<u>28443-G01</u>		PLUNGER.....	1
9	<u>28444-G01</u>		PLUNGER CAM.....	1
10				
11	<u>73332-G01</u>		ACCELERATOR ROD	1
12	<u>00532-G4</u>		NUT, 5/16 - 24.....	1
13	<u>10385-G4</u>		CLEVIS YOKE (ADJUSTABLE).....	1
14	<u>17677-G2</u>		SPRING RETAINER, 3/8"	1
15	<u>73046-G01</u>		COMPRESSION SPRING	1
16	<u>17979-G1</u>		ACCELERATOR ROD BUSHING	1
17	<u>17677-G1</u>		SPRING RETAINER, 1/2"	1
18				
19	<u>25861-G01</u>		MICRO SWITCH.....	1
20	<u>25861-G02</u>		MICRO SWITCH (PDS MODEL ONLY).....	1
21	<u>01050-G01</u>		SCREW-PLASTITE, #4 - 20 X 5/8" LG.....	2
22				
23	<u>25879-G03</u>		WIRING HARNESS (PEDAL BOX ASSEMBLY)	1
24	<u>25879-G05</u>		WIRING HARNESS (PEDAL BOX ASSEMBLY) (PDS MODEL ONLY)	1
25				
26	<u>00684-G6</u>		SCREW, #8 - 32 X 3/4" LG (STAINLESS STEEL).....	2
27				
28	<u>70116-G02</u>		ACCELERATOR PEDAL BRACKET.....	1
29	<u>01051-G01</u>		SCREW, #8 - 16 X 1/2" LG	4

ACCELERATOR

Where applicable, THE USE OF NON UL PARTS WILL VOID ANY UL LISTING.

When ordering parts, please specify the model and serial number of the product.

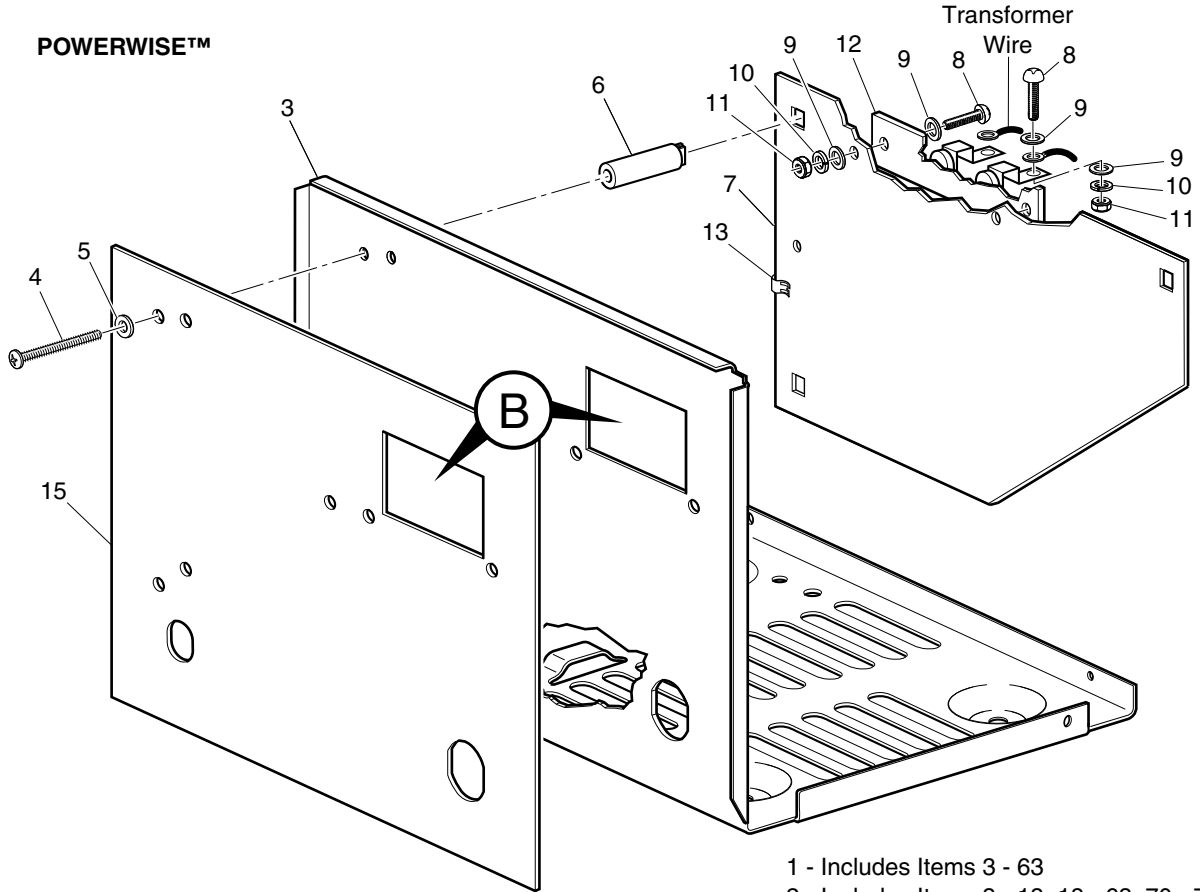
* Indicates a component that is not available as an individual part.

G** Indicates consult Customer Service Department for additional information.

ITEM	PART NO.	1	2	3	4	5	DESCRIPTION	QTY.
30								
31	<u>25799-G03</u>						ACCELERATOR PEDAL ASSEMBLY (INCLUDES ITEMS 32 - 35).....	1
32	*						ACCELERATOR PEDAL	1
33	<u>27844-G01</u>						ACCELERATOR PEDAL PAD KIT (INCLUDES ITEMS 34, 35).....	1
34	<u>27512-G01</u>						ACCELERATOR PEDAL PAD	1
35	<u>15766-G1</u>						OVAL RIVET 3/16" X 7/16" LG	6
36								
37	<u>17838-G1</u>						NYLON BUSHING	3
38	<u>74432-G01</u>						PEDAL PIVOT PIN	1
39	<u>12064-G6</u>						PUSHNUT, 9/32" I.D.	1
40								
41	<u>10386-G3</u>						CLEVIS PIN, 5/16" X 13/16" LG	1
42	<u>17255-G1</u>						TEFLON WASHER, 5/16"	1
43	<u>10387-G3</u>						COTTER PIN, 3/32" X 3/4" LG	1
44								
45	<u>00715-G2</u>						BOLT, 5/16 - 18 X 4/5" LG	4
46	<u>70135-G01</u>						PEDAL PIVOT COVER	1

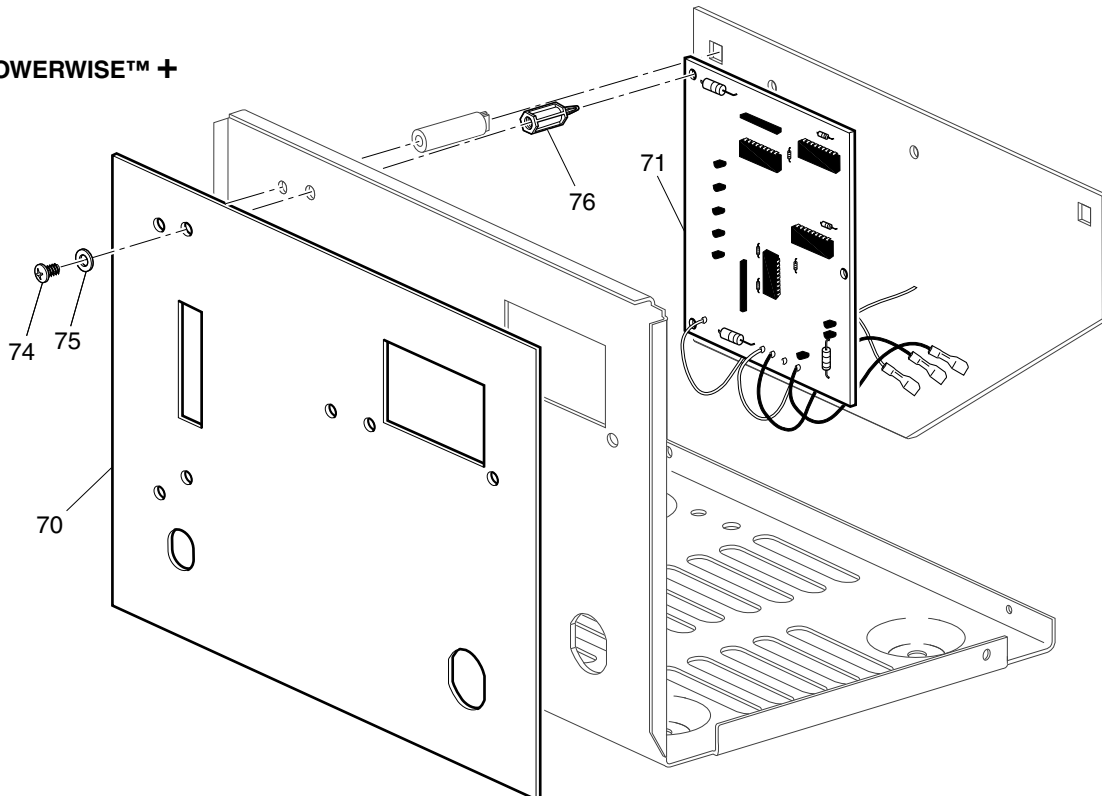
BATTERY CHARGER - PORTABLE 36 VOLT

POWERWISE™



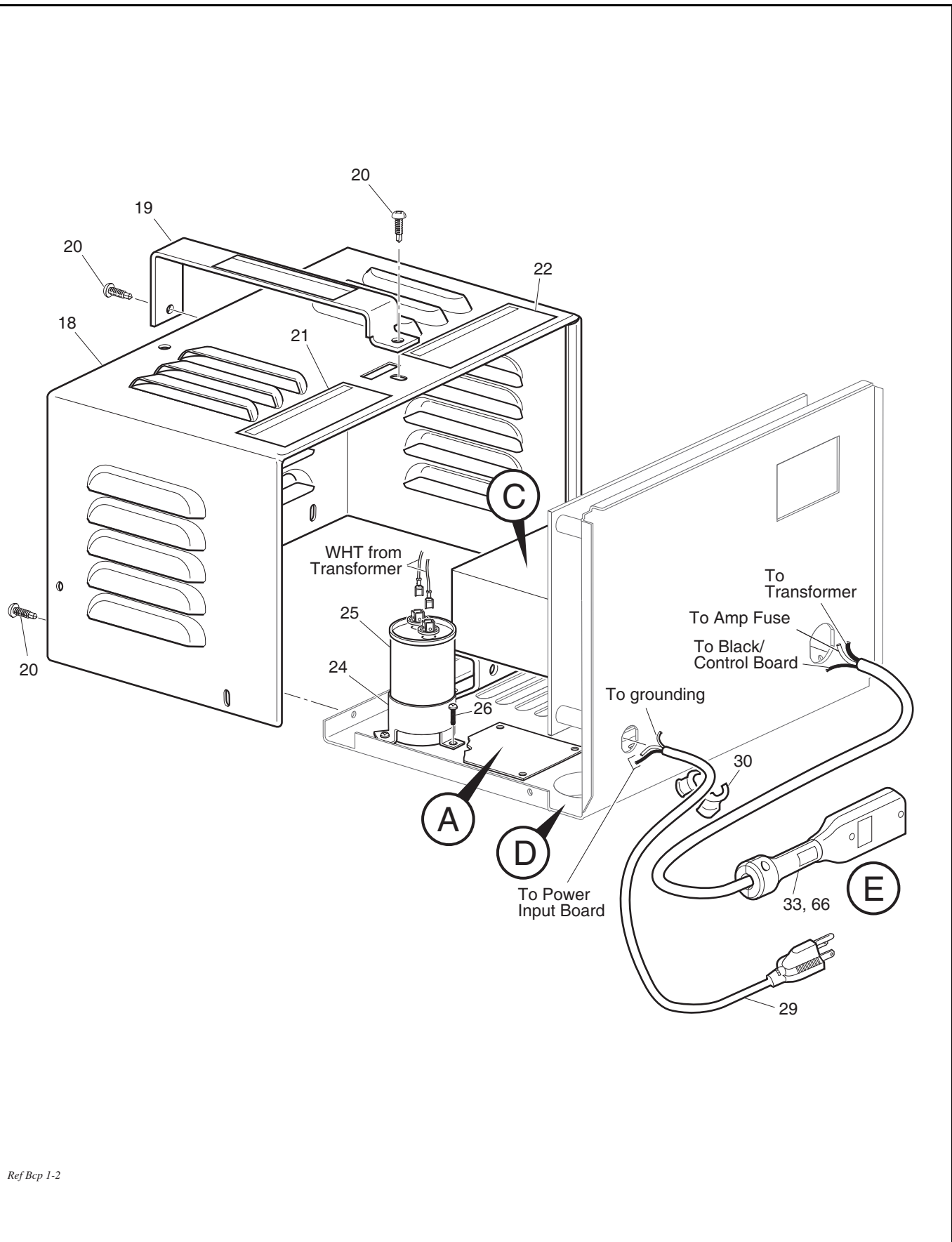
- 1 - Includes Items 3 - 63
- 2 - Includes Items 3 - 13, 18 - 63, 70 - 76

POWERWISE™ +



Ref Bcp 1-1

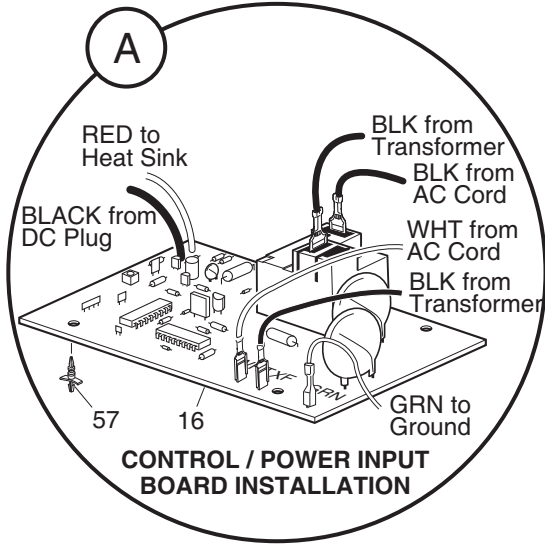
BATTERY CHARGER - PORTABLE 36 VOLT



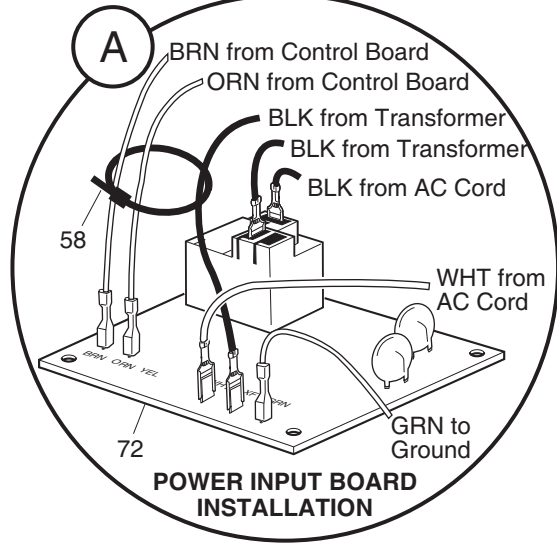
Ref Bcp 1-2

BATTERY CHARGER - PORTABLE 36 VOLT

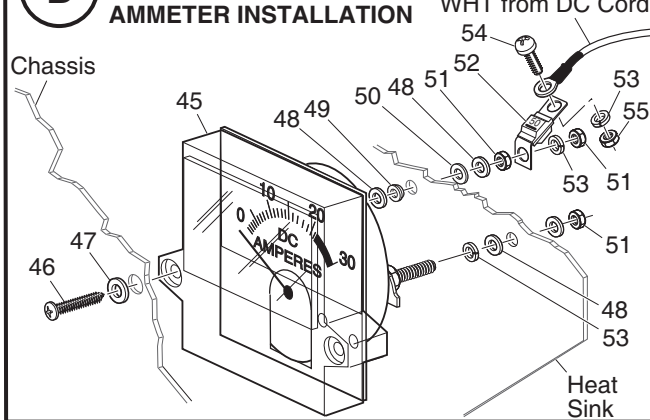
POWERWISE™



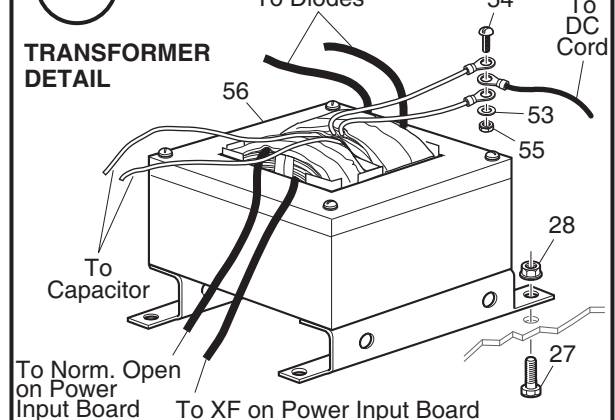
POWERWISE™ +



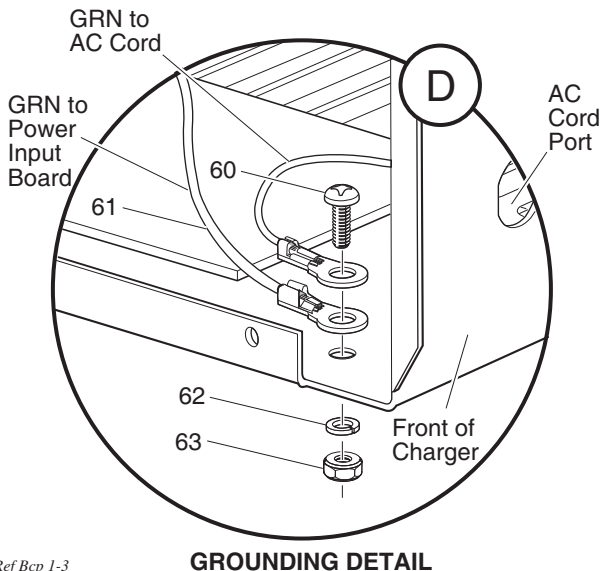
B



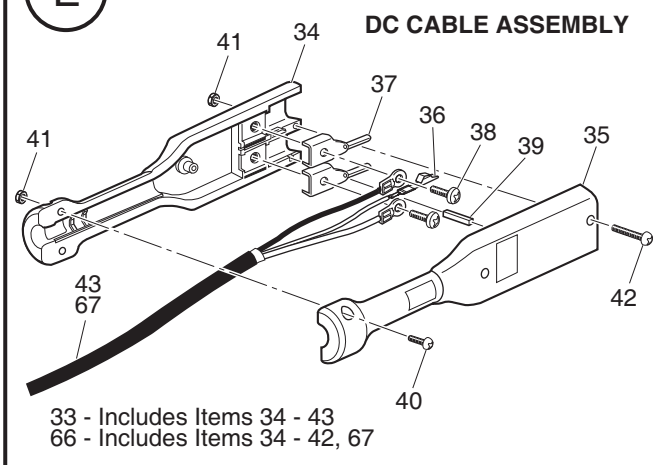
C



D

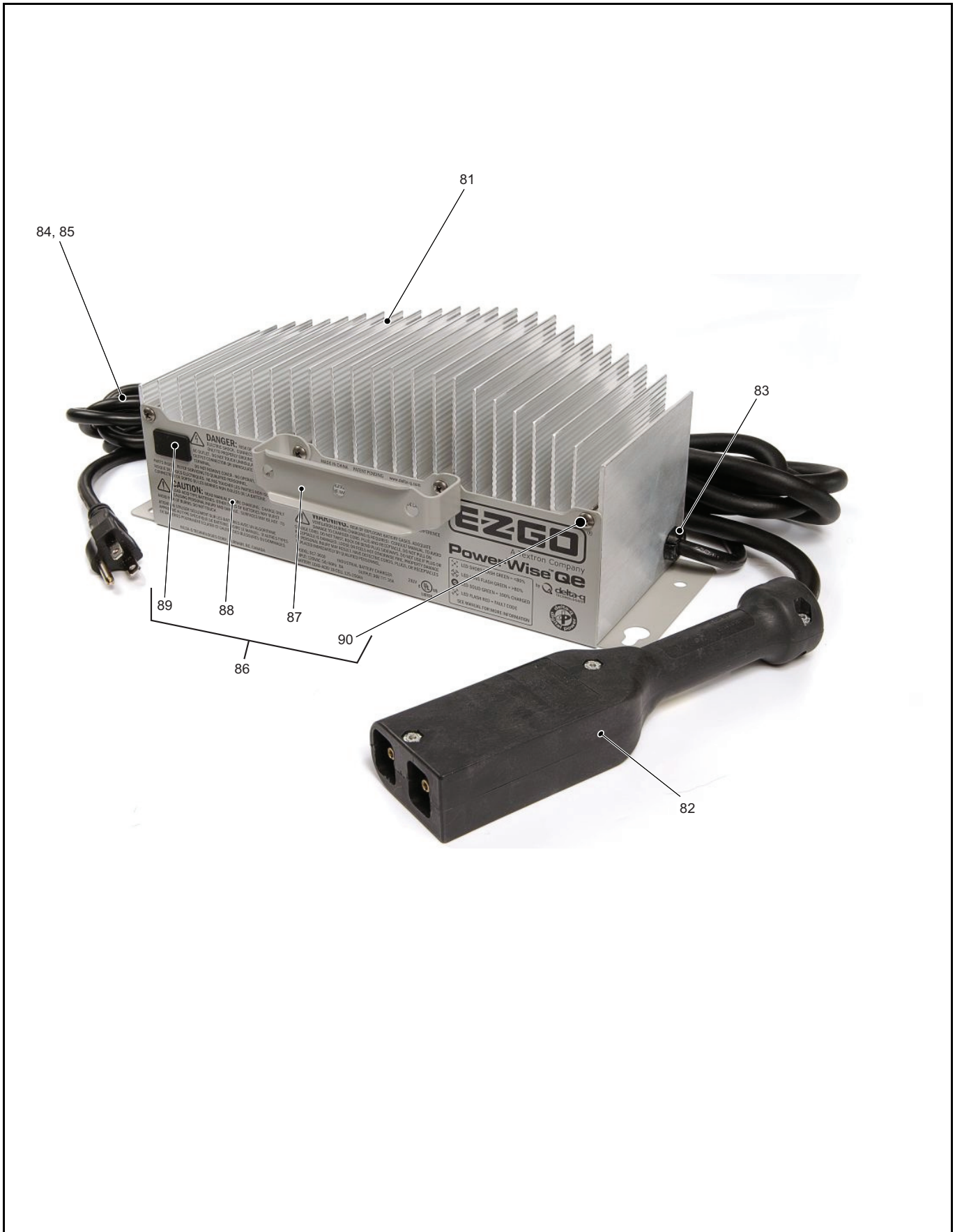


E



Ref Bcp 1-3

BATTERY CHARGER - PORTABLE 36 VOLT



BATTERY CHARGER - PORTABLE 36 VOLT

Where applicable, THE USE OF NON UL PARTS WILL VOID ANY UL LISTING.
 When ordering parts, please specify the model and serial number of the product.
 * Indicates a component that is not available as an individual part.
 G** Indicates consult Customer Service Department for additional information.

ITEM	PART NO.	1	2	3	4	5	DESCRIPTION	QTY.
1	28115-G01						POWERWISE™ CHARGER (10' CORD) (INCLUDES ITEMS 3 - 63).....	1
2	<u>28115-G02</u>						POWERWISE™ + CHARGER (PORTABLE, 10' CORD) (INCLUDES ITEMS 3 - 13, 18 - 63, 70 - 76).....	1
3	*						CHASSIS	1
4	<u>00513-G6</u>						SCREW, #8 - 18 X 1 3/4" LG	2
5	<u>00559-G4</u>						WASHER, #8	2
6	<u>11572-G3</u>						EXPANSION NUT	2
7	<u>28104-G01</u>						HEAT SINK	1
8	<u>00372-G4</u>						SCREW, #8 - 32 X 1/2" LG	4
9	<u>00559-G4</u>						WASHER, #8	4
10	<u>00565-G4</u>						LOCK WASHER, #8.....	4
11	<u>00526-G1</u>						NUT, #8 - 32	4
12	<u>28548-G01</u>						DIODE.....	1
13	<u>28110-G01</u>						ELECTRICAL CLIP	1
14								
15	*						LABEL (POWERWISE™)	1
16	<u>28667-G01</u>						CONTROL / POWER INPUT BOARD	1
17								
18	*						COVER	1
19	<u>28102-G01</u>						HANDLE	1
20	<u>00614-G4</u>						SCREW, #8 - 18 X 1/2" LG	6
21	<u>28136-G01</u>						LABEL (VENTILATION).....	1
22	<u>28136-G02</u>						LABEL (CORD CONDITION).....	1
23								
24	<u>26979-G01</u>						CAPACITOR BRACKET	1
25	<u>28109-G01</u>						CAPACITOR	1
26	<u>00969-G01</u>						SCREW, #8 - 32 X 3/8" LG	3
27	<u>00414-G5</u>						BOLT, 1/4 - 20 X 5/8" LG.....	3
28	<u>11027-G2</u>						LOCK NUT, 1/4 - 20	3
29	<u>19388-G4</u>						AC CORD	1

BATTERY CHARGER - PORTABLE 36 VOLT

Where applicable, THE USE OF NON UL PARTS WILL VOID ANY UL LISTING.
 When ordering parts, please specify the model and serial number of the product.
 * Indicates a component that is not available as an individual part.
 G** Indicates consult Customer Service Department for additional information.

ITEM	PART NO.	1	2	3	4	5	DESCRIPTION	QTY.
30	<u>13557-G2</u>						STRAIN RELIEF (AC).....	1
31								
32								
33	<u>73345-G01</u>						DC CORD AND HANDLE ASSEMBLY (INCLUDES ITEMS 34 - 43)	1
34	<u>73051-G11</u>						PLUG (TOP HALF).....	1
35	<u>73051-G12</u>						PLUG (BOTTOM HALF).....	1
36	<u>73051-G27</u>						AUXILIARY CONTACT.....	1
37	<u>73051-G14</u>						MALE PIN.....	2
38	<u>73051-G08</u>						SCREW, #10 - 32 X 1/2" LG (BRASS).....	2
39	<u>73051-G15</u>						MAGNET	1
40	<u>73051-G16</u>						SCREW, #6 - 32 X 1/2" LG (STAINLESS STEEL)	2
41	<u>73051-G10</u>						LOCK NUT, #6 - 32.....	4
42	<u>73051-G17</u>						SCREW, #6 - 32 X 1" LG (STAINLESS STEEL)	2
43	<u>73344-G01</u>						DC CORD, 10' LG	1
44								
45	<u>28105-G01</u>						AMMETER	1
46	<u>01051-G01</u>						SCREW, #8 - 16 X 1/2" LG	2
47	<u>00559-G4</u>						WASHER, #8	2
48	<u>01003-G01</u>						WASHER, #10 (BRASS).....	4
49	<u>22589-G2</u>						SHOULDER WASHER, #10	1
50	<u>00771-G6</u>						NYLON WASHER, 3/8".....	1
51	00528-G4						NUT, #10 - 32 (BRASS)	3
52	<u>28106-G01</u>						50 AMP FUSE.....	1
53	<u>00565-G5</u>						LOCK WASHER, #10.....	4
54	<u>00378-G4</u>						SCREW, #10 - 24 X 1/2" LG	2
55	<u>00526-G3</u>						NUT, #10 - 24	2
56	<u>28103-G01</u>						TRANSFORMER	1
57	<u>27877-G01</u>						SPACER SUPPORT	4
58	<u>17618-G1</u>						WIRE TIE	2
59								

BATTERY CHARGER - PORTABLE 36 VOLT

Where applicable, THE USE OF NON UL PARTS WILL VOID ANY UL LISTING.

When ordering parts, please specify the model and serial number of the product.

* Indicates a component that is not available as an individual part.

G** Indicates consult Customer Service Department for additional information.

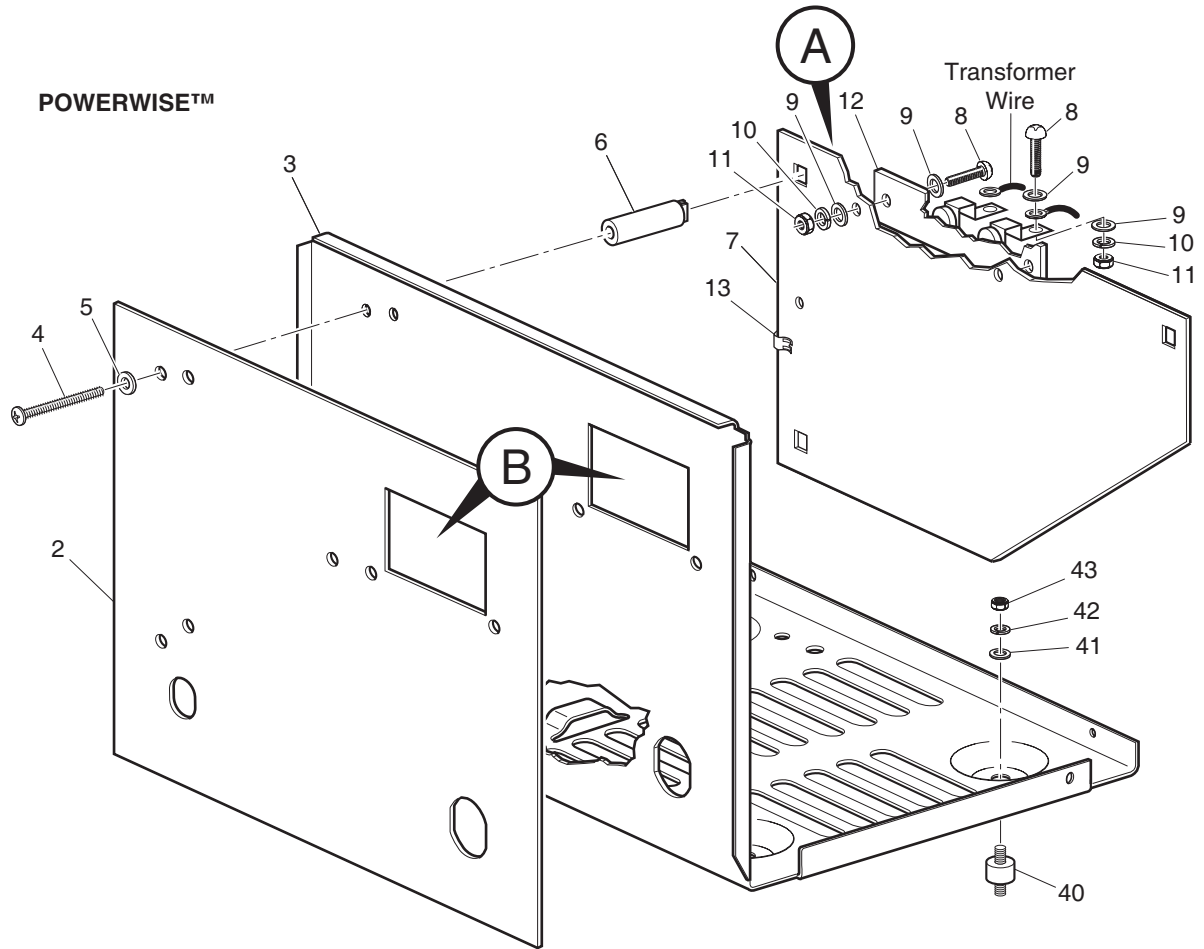
ITEM	PART NO.	1	2	3	4	5	DESCRIPTION	QTY.
60	<u>00372-G3</u>						SCREW, #8 - 32 X 3/8" LG.....	1
61	<u>25977-G32</u>						16 GA WIRE (GREEN 4").....	1
62	<u>00565-G4</u>						LOCK WASHER, #8	1
63	<u>00526-G1</u>						NUT, #8 - 32.....	1
64								
65	<u>28115-G07</u>						POWERWISE™ CHARGER (PORTABLE, 18' CORD) (INCLUDES ITEMS 3 - 31, 45 - 63, 66, 67).....	1
66	<u>73345-G03</u>						DC CORD AND HANDLE ASSEMBLY (INCLUDES ITEMS 34 - 42, 67)....	1
67	<u>73344-G03</u>						DC CORD, 18' LG	1
68								
69	28115-G08						POWERWISE™ + CHARGER (PORTABLE, 18' CORD) (INCLUDES ITEMS 3 - 13, 18 - 31, 45 - 63, 66, 67, 70 - 76)	1
70	*						LABEL (POWERWISE™ +)	1
71	<u>28667-G02</u>						CONTROL BOARD	1
72	<u>28667-G03</u>						POWER INPUT BOARD.....	1
73								
74	<u>01005-G01</u>						SCREW, #TEFLON-PLT-30-ZP #6-20 X 5/16"	3
75	<u>00559-G3</u>						WASHER, #6	3
76	<u>28111-G01</u>						SUPPORT SPACER.....	3
77								
78								
79								
80								
81	<u>611119</u>						POWERWISE QE BATTERY CHARGER, 36 VOLT, W/3 METER CORD.....	1
82	<u>611213</u>						3 METER CORD, 36 VOLT (INCLUDES STRAIN RELIEF).....	1
83	611937						DC STRAIN RELIEF SERVICE KIT (INCLUDES 5 STRAIN RELIEFS)	1
84	<u>611212</u>						AC CORD (INCLUDES STRAIN RELIEF)	1
85	611936						AC STRAIN RELIEF SERVICE KIT (INCLUDES 5 STRAIN RELIEFS)	1
86	611215						HANDLE AND COVER SERVICE KIT (INCLUDES ITEMS 87 - 90)	1
87	<u>611216</u>						HANDLE	1

BATTERY CHARGER - PORTABLE 36 VOLT

Where applicable, THE USE OF NON UL PARTS WILL VOID ANY UL LISTING.
 When ordering parts, please specify the model and serial number of the product.
 * Indicates a component that is not available as an individual part.
 G** Indicates consult Customer Service Department for additional information.

ITEM	PART NO.	1	2	3	4	5	DESCRIPTION	QTY.
88	*						COVER.....	1
89	*						RUBBER PLUG.....	1
90	*						SCREWS.....	1

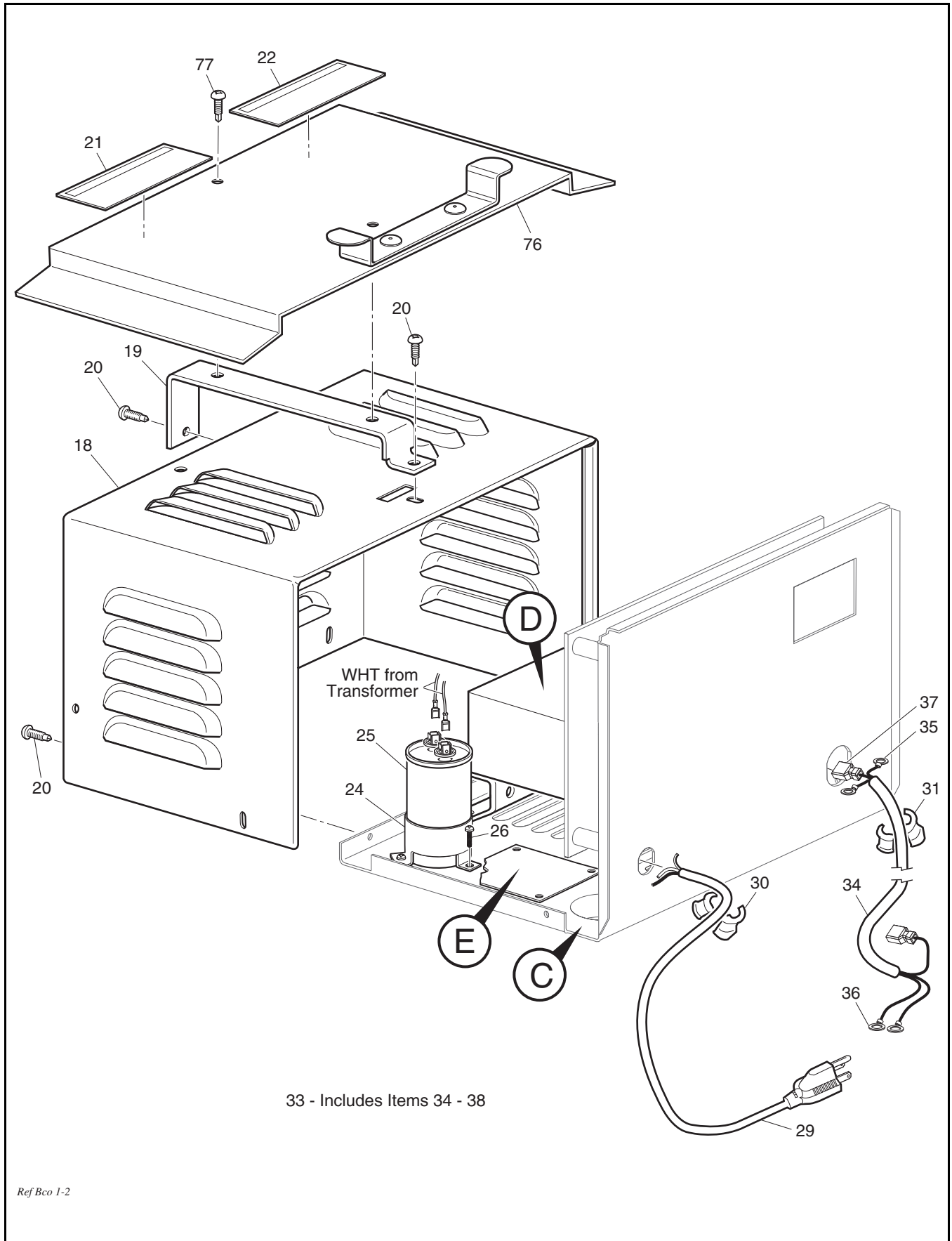
BATTERY CHARGER - ON BOARD 36 VOLT



1 - Includes Items 2 - 74

Ref Bco 1-1

BATTERY CHARGER - ON BOARD 36 VOLT

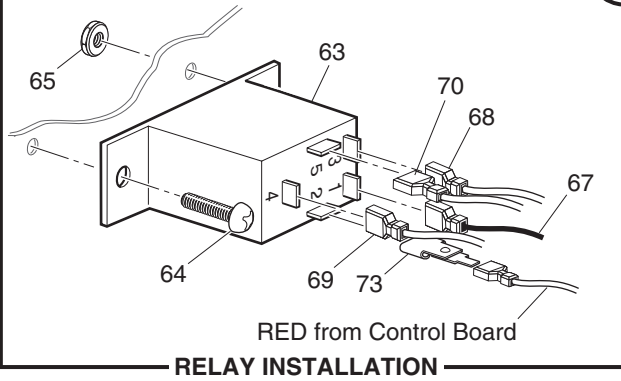


Ref Bco 1-2

BATTERY CHARGER - ON BOARD 36 VOLT

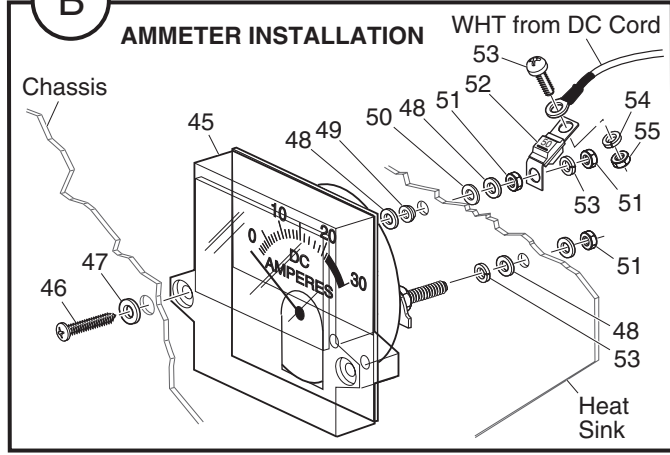
- Pin 1 - Wire 67 to Input Board "COM"
- Pin 2 - Tab Adapter 73, RED wire from Control Board
- Pin 3 - Wire 68 to Input Board "WHT"
- Pin 4 - Wire 69 to Heat Sink Clip
- Pin 5 - Wire 70 to DC Cord RED Wire

A

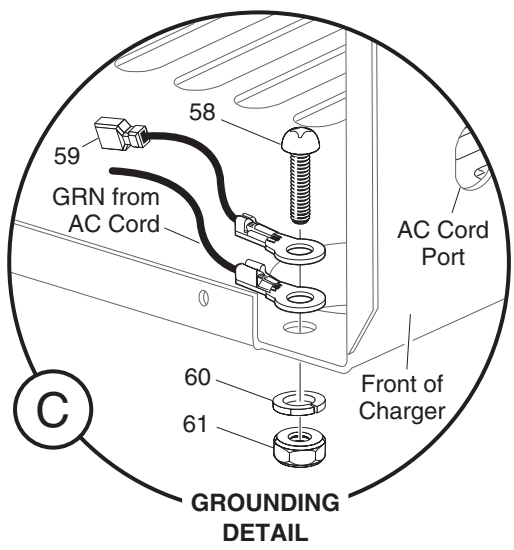


B

AMMETER INSTALLATION

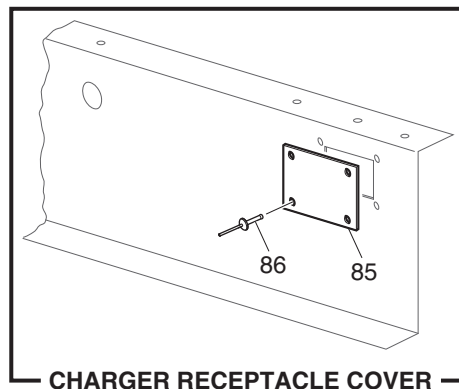
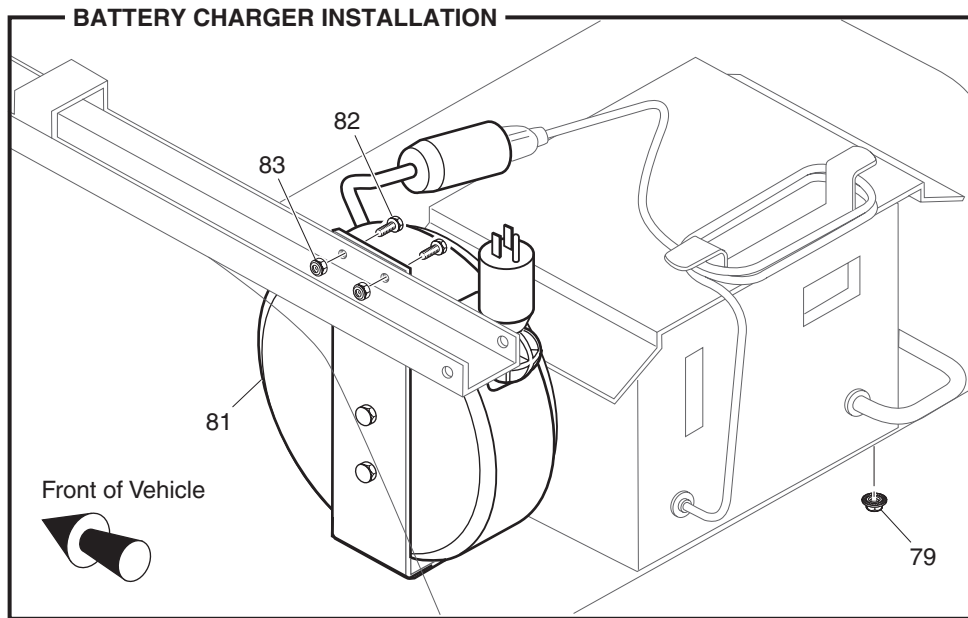
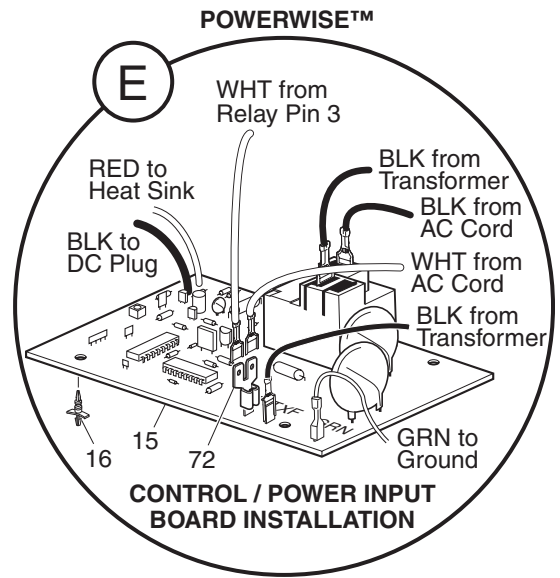
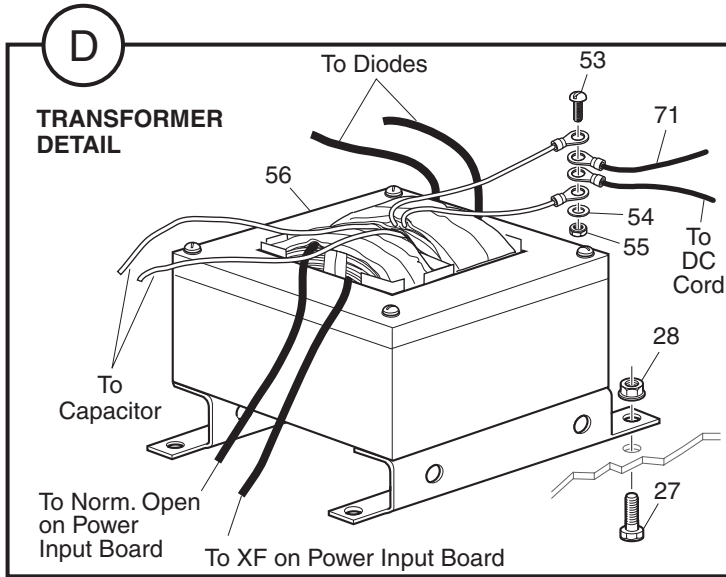


C



Ref Bco 1-3

BATTERY CHARGER - ON BOARD 36 VOLT



Ref Bco 1-4

BATTERY CHARGER - ON BOARD 36 VOLT

Where applicable, THE USE OF NON UL PARTS WILL VOID ANY UL LISTING.

When ordering parts, please specify the model and serial number of the product.

* Indicates a component that is not available as an individual part.

G** Indicates consult Customer Service Department for additional information.

ITEM	PART NO.	1	2	3	4	5	DESCRIPTION	QTY.
1	<u>28115-G11</u>						POWERWISE™ CHARGER (ON BOARD) (INCLUDES ITEMS 2 - 74).....	1
2	*						LABEL (POWERWISE™)	1
3	*						CHASSIS	1
4	<u>00513-G6</u>						SCREW, #8 - 18 X 1 3/4" LG	2
5	<u>00559-G4</u>						WASHER, #8	2
6	<u>11572-G3</u>						EXPANSION NUT	2
7	<u>28104-G01</u>						HEAT SINK	1
8	<u>00372-G4</u>						SCREW, #8 - 32 X 1/2" LG	4
9	<u>00559-G4</u>						WASHER, #8	6
10	<u>00565-G4</u>						LOCK WASHER, #8	4
11	<u>00526-G1</u>						NUT, #8 - 32.....	4
12	<u>28548-G01</u>						DIODE.....	1
13	<u>28110-G01</u>						ELECTRICAL CLIP	1
14								
15	<u>28667-G01</u>						CONTROL / POWER INPUT BOARD	1
16	<u>27877-G01</u>						SPACER SUPPORT	4
17								
18	*						COVER	1
19	<u>28102-G01</u>						HANDLE	1
20	<u>00614-G4</u>						SCREW, #8 - 18 X 1/2" LG	4
21	<u>28136-G01</u>						LABEL (VENTILATION).....	1
22	<u>28136-G02</u>						LABEL (CORD CONDITION).....	1
23								
24	<u>26979-G01</u>						CAPACITOR BRACKET	1
25	<u>28109-G01</u>						CAPACITOR	1
26	<u>00969-G01</u>						SCREW, #8 - 32 X 3/8" LG	3
27	<u>00414-G5</u>						BOLT, 1/4 - 20 X 5/8" LG.....	3
28	<u>11027-G2</u>						LOCK NUT, 1/4 - 20	3
29	<u>19388-G5</u>						AC CORD	1
30	<u>13557-G2</u>						STRAIN RELIEF (AC).....	1

BATTERY CHARGER - ON BOARD 36 VOLT

Where applicable, THE USE OF NON UL PARTS WILL VOID ANY UL LISTING.

When ordering parts, please specify the model and serial number of the product.

* Indicates a component that is not available as an individual part.

G** Indicates consult Customer Service Department for additional information.

ITEM	PART NO.	1	2	3	4	5	DESCRIPTION	QTY.
31	<u>13557-G3</u>						STRAIN RELIEF (DC).....	1
32								
33	<u>73344-G06</u>						DC CORD ASSEMBLY (INCLUDES ITEMS 34 - 38)	1
34	<u>28107-G01</u>						DC CORD.....	1
35	<u>11343-G3</u>						RING TERMINAL, 3/16"	2
36	<u>11343-G1</u>						RING TERMINAL, 5/16"	2
37	<u>17064-G2</u>						FEMALE TERMINAL.....	2
38	*						HEAT SHRINK TUBING	A/R
39								
40	<u>22009-G2</u>						ISOLATION MOUNT	4
41	<u>00559-G7</u>						WASHER, FL-A-N-CP 1/4.....	4
42	<u>00565-G7</u>						WASHER-LK-SP-CP-1/4	4
43	<u>00532-G1</u>						NUT, 1/4 - 20.....	4
44								
45	<u>28105-G01</u>						AMMETER.....	1
46	<u>01051-G01</u>						SCREW, #8 - 16 X 1/2" LG	2
47	<u>00559-G4</u>						WASHER, #8	2
48	<u>01003-G01</u>						WASHER, #10 (BRASS).....	4
49	<u>22589-G2</u>						SHOULDER WASHER, #10	1
50	<u>00771-G6</u>						NYLON WASHER, 3/8".....	1
51	<u>00528-G4</u>						NUT, #10 - 32 (BRASS)	3
52	<u>28106-G01</u>						50 AMP FUSE.....	1
53	<u>00378-G4</u>						SCREW, #10 - 24 X 1/2" LG	2
54	<u>00565-G5</u>						LOCK WASHER, #10	4
55	<u>00526-G3</u>						NUT, #10 - 24.....	2
56	<u>28103-G01</u>						TRANSFORMER	1
57								
58	<u>00372-G3</u>						SCREW, #8 - 32 X 3/8" LG	1
59	<u>25977-G32</u>						16 GA WIRE (GREEN 4").....	1
60	<u>00565-G4</u>						LOCK WASHER, #8	1

BATTERY CHARGER - ON BOARD 36 VOLT

Where applicable, THE USE OF NON UL PARTS WILL VOID ANY UL LISTING.

When ordering parts, please specify the model and serial number of the product.

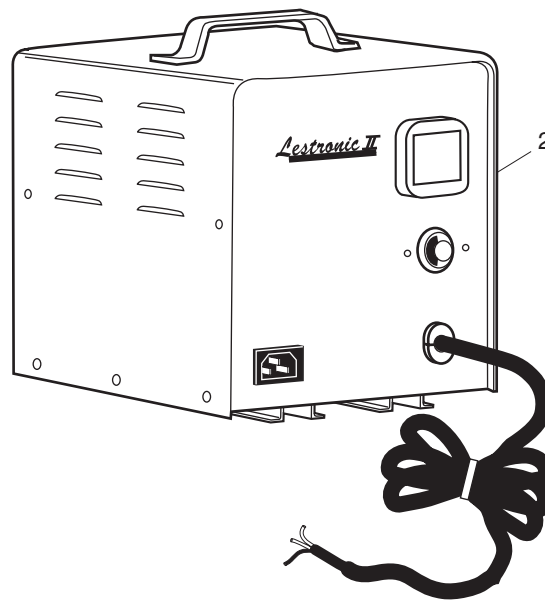
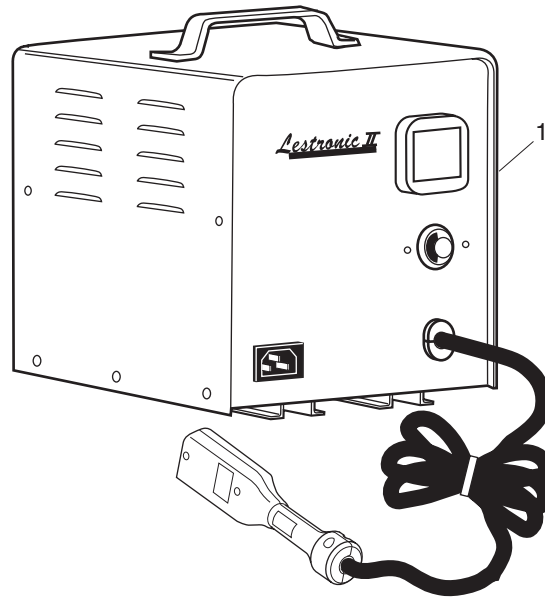
* Indicates a component that is not available as an individual part.

G** Indicates consult Customer Service Department for additional information.

ITEM	PART NO.	1	2	3	4	5	DESCRIPTION	QTY.
61	<u>00526-G1</u>						NUT, #8 - 32.....	1
62								
63	<u>21971-G4</u>						RELAY	1
64	<u>00138-G4</u>						SCREW, #6 - 32 X 1/2" LG	2
65	<u>14390-G9</u>						LOCK NUT, #6 - 32	2
66								
67	25977-G38						16 GA WIRE (BLACK 4").....	1
68	25977-G37						16 GA WIRE (WHITE 5").....	1
69	25978-G161						18 GA WIRE (BLUE 6")	1
70	25978-G162						18 GA WIRE (YELLOW 6").....	1
71	25978-G163						18 GA WIRE (BLACK 7").....	1
72	<u>17902-G1</u>						ADAPTER TAB	1
73	<u>28305-G01</u>						ADAPTER TERMINAL, 1/4" X 3/16".....	1
74								
75								
76	71968-G02						SHIELD	1
77	<u>00106-G6</u>						SCREW, #12 - 24 X 3/4" LG.....	2
78								
79	<u>11027-G2</u>						LOCK NUT, 1/4 - 20	2
80								
81	<u>73368-G01</u>						CORD REEL	1
82	00438-G6						BOLT, 5/16 - 18 X 3/4" LG	2
83	<u>11027-G1</u>						LOCK NUT, 5/16 - 18	2
84								
85	73173-G01						COVER PLATE	1
86	<u>14601-G10</u>						RIVET, 1/8" X 7/16" LG (ALUMINUM).....	4

BATTERY CHARGER - ON BOARD 36 VOLT

BATTERY CHARGER - EXPORT 36 VOLT



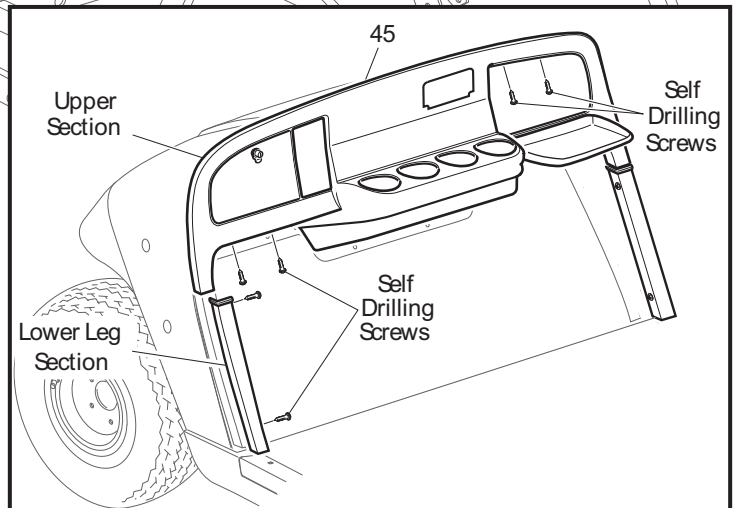
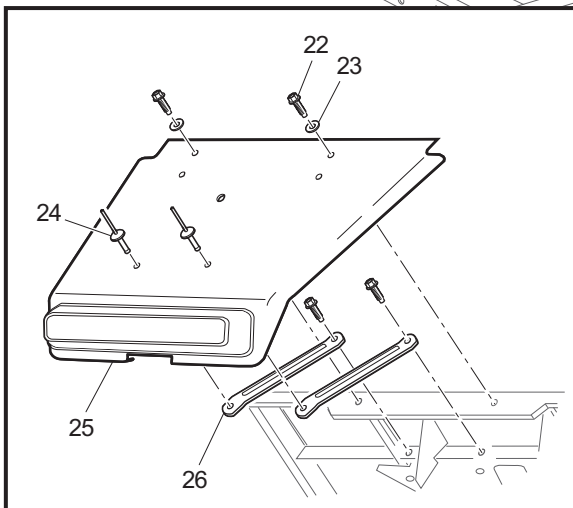
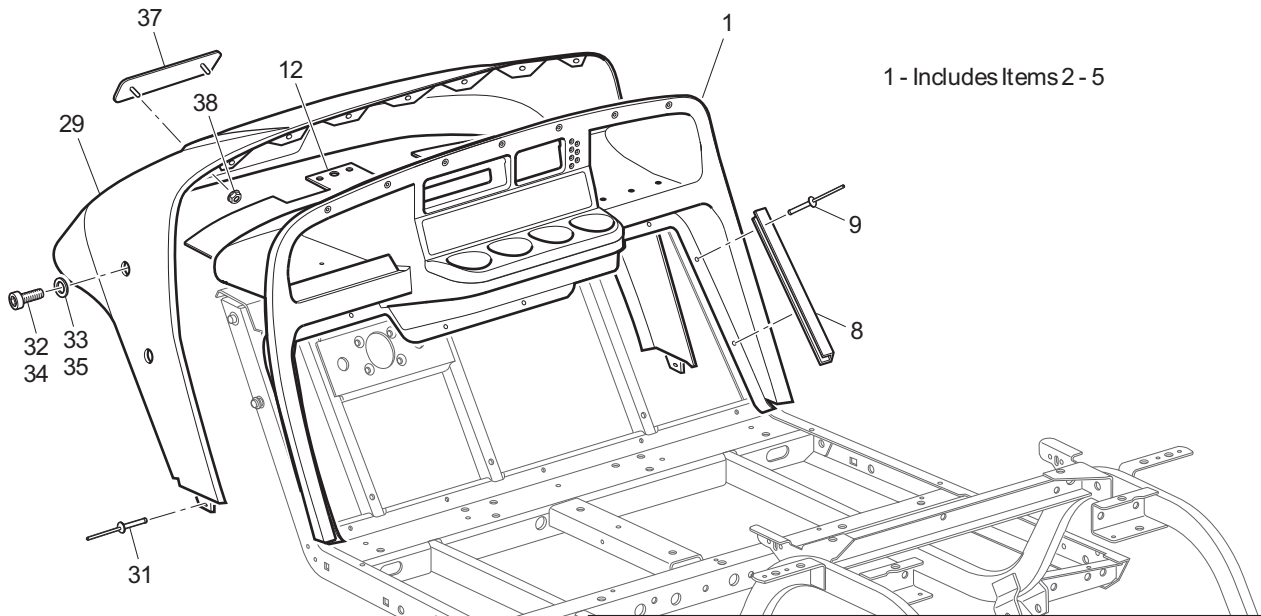
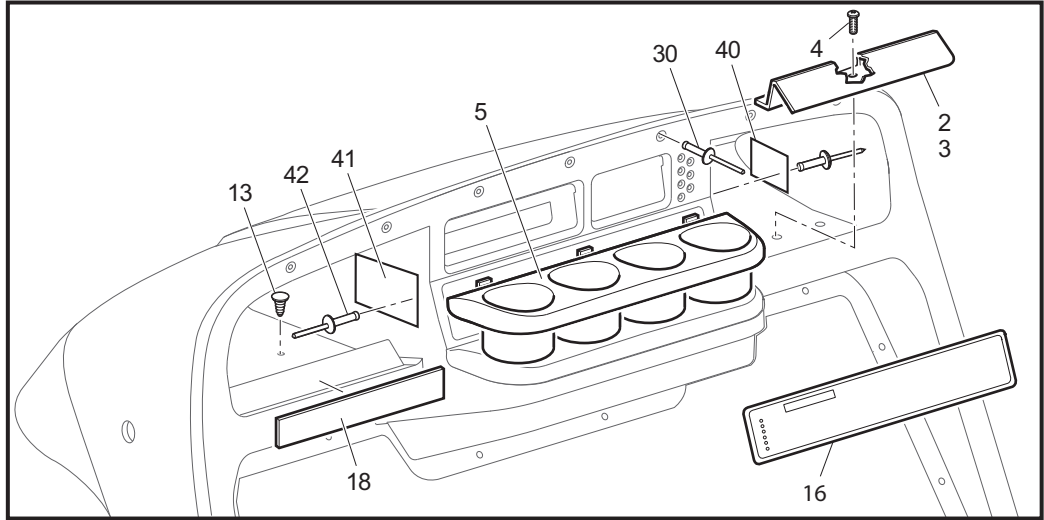
Ref Bcl 1

BATTERY CHARGER - EXPORT 36 VOLT

Where applicable, THE USE OF NON UL PARTS WILL VOID ANY UL LISTING.
 When ordering parts, please specify the model and serial number of the product.
 * Indicates a component that is not available as an individual part.
 G** Indicates consult Customer Service Department for additional information.

ITEM	PART NO.	1	2	3	4	5	DESCRIPTION	QTY.
1	<u>28516-G01</u>						BATTERY CHARGER, LESTER, 36 VOLT, PORTABLE WITH POWERWISE CONNECTOR, CE APPROVED (OPTIONAL)	
2	28516-G03						BATTERY CHARGER, LESTER, 36 VOLT, ON-BOARD, CE APPROVED (OPTIONAL) For service or replacement parts, contact: Lester Electrical 625 West "A" Street Lincoln, NE 68522 Phone: (402) 477-8988, FAX: (402) 474-1769 Always provide the following information when requesting information or ordering replacement parts: Model Number: Serial Number: (stamped into housing)	

BODY - FRONT



Ref Bod 1-1

BODY - FRONT

Where applicable, THE USE OF NON UL PARTS WILL VOID ANY UL LISTING.
 When ordering parts, please specify the model and serial number of the product.
 * Indicates a component that is not available as an individual part.
 G** Indicates consult Customer Service Department for additional information.

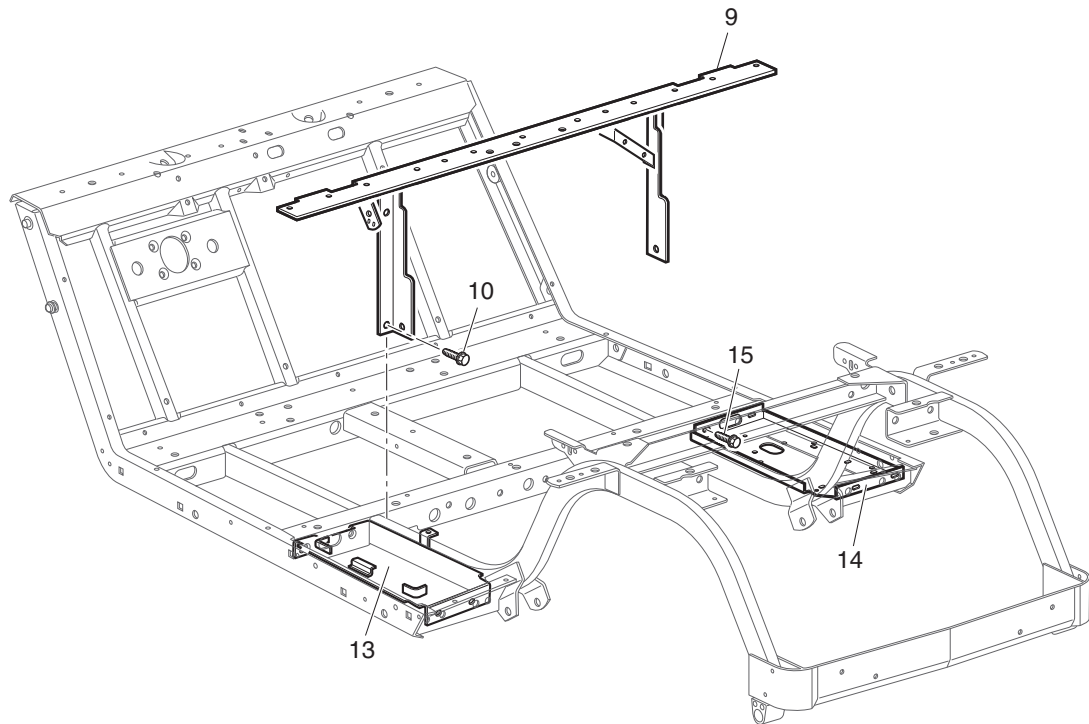
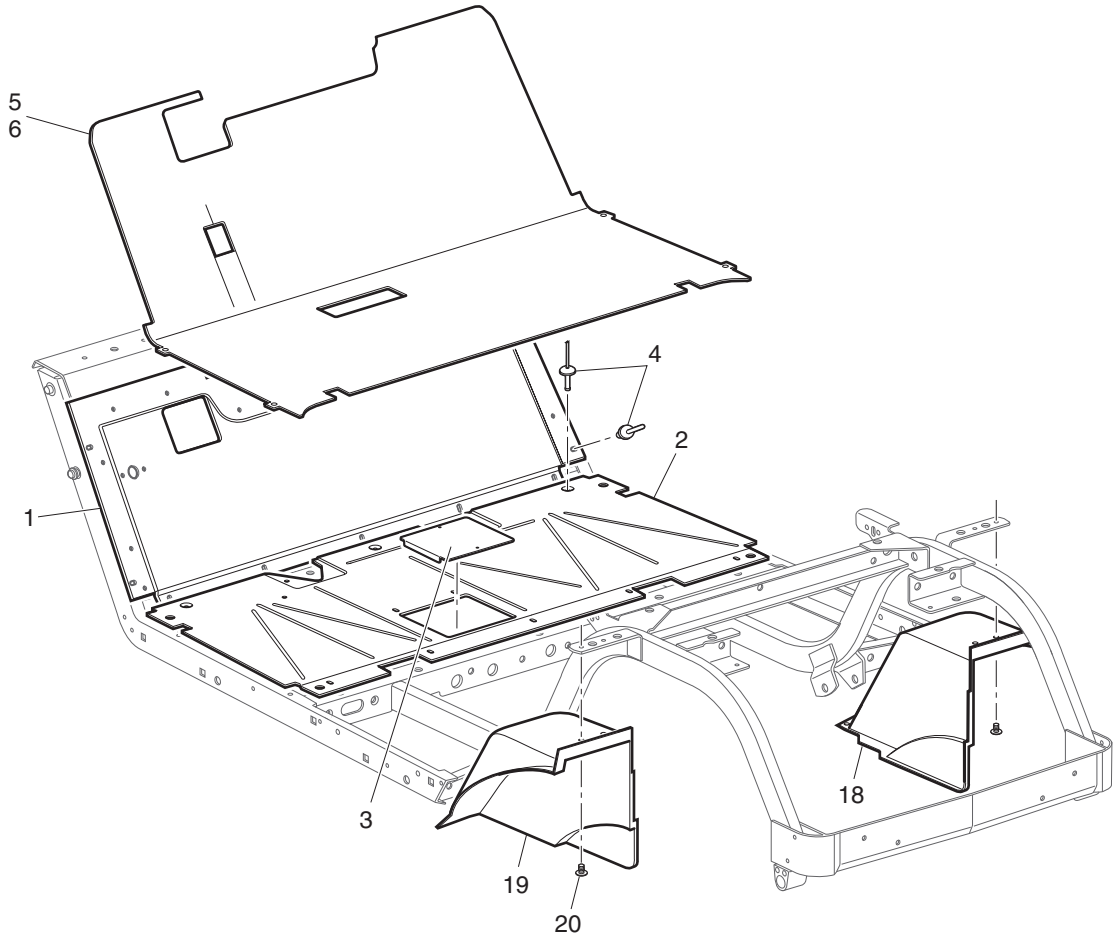
ITEM	PART NO.	1	2	3	4	5	DESCRIPTION	QTY.
1	<u>71151-G01</u>						INSTRUMENT PANEL ASSEMBLY (INCLUDES ITEMS 2 - 5)	1
2	<u>71153-G01</u>						DEFLECTOR (PASSENGER SIDE)	1
3	<u>71154-G01</u>						DEFLECTOR (DRIVER SIDE).....	1
4	<u>00614-G5</u>						SCREW, #8 - 18 X 5/8" LG	6
5	<u>71158-G01</u>						INSTRUMENT PANEL INSERT (4 CUP HOLDER).....	1
6								
7								
8	<u>71115-G01</u>						VINYL TRIM	2
9	<u>71055-G01</u>						RIVET, 3/16" X 1" LG (ALUMINUM).....	10
10								
11								
12	<u>71413-G01</u>						SPLASH PANEL.....	1
13	<u>16816-G2</u>						RATCHET FASTENER, 1/4" X 3/4" LG	5
14								
15								
16	<u>608465</u>						LABEL (SAFETY).....	1
17								
18	<u>74443-G01</u>						LABEL (ANTI-ROLLBACK)	1
19								
20								
21								
22	<u>01038-G01</u>						BOLT, 1/4 - 20 X 11/16" LG	4
23	<u>16469-G1</u>						WASHER, 1/4"	2
24	<u>01057-G01</u>						RIVET, 1/4" X 1" LG	2
25	<u>27166-G04</u>						FRONT SHIELD	1
26	<u>70725-G02</u>						FRONT SHIELD BRACE.....	2
27								
28								
29	<u>71051-G**</u>						COWL.....	1
30	<u>71055-G01</u>						RIVET, 3/16" X 1" LG (ALUMINUM).....	9

BODY - FRONT

Where applicable, THE USE OF NON UL PARTS WILL VOID ANY UL LISTING.
 When ordering parts, please specify the model and serial number of the product.
 * Indicates a component that is not available as an individual part.
 G** Indicates consult Customer Service Department for additional information.

ITEM	PART NO.	1 2 3 4 5	DESCRIPTION	QTY.
31	<u>10570-G11</u>		RIVET, 3/16" X 3/4" LG (STAINLESS STEEL)	2
32	<u>71056-G01</u>		BOLT, 5/16 - 18 X 5/8" LG	4
33	<u>00570-G2</u>		WASHER, 5/16.....	4
34	00438-G6		BOLT, 5/16 - 18 X 3/4" LG (WITH TOP)	2
35	<u>00571-G2</u>		WASHER, 5/16"	2
36				
37	<u>71037-G02</u>		E-Z-GO NAMEPLATE (GOLD).....	1
38	<u>71597-G01</u>		NUT, SELF-THREADING, 5MM STUD x 10MM HEX	2
39				
40				
41				
42				
43				
44				
45	74239-G01		INSTRUMENT PANEL WOODGRAIN APPLIQUE KIT	1

BODY - MID SECTION



Ref Bod 2-2

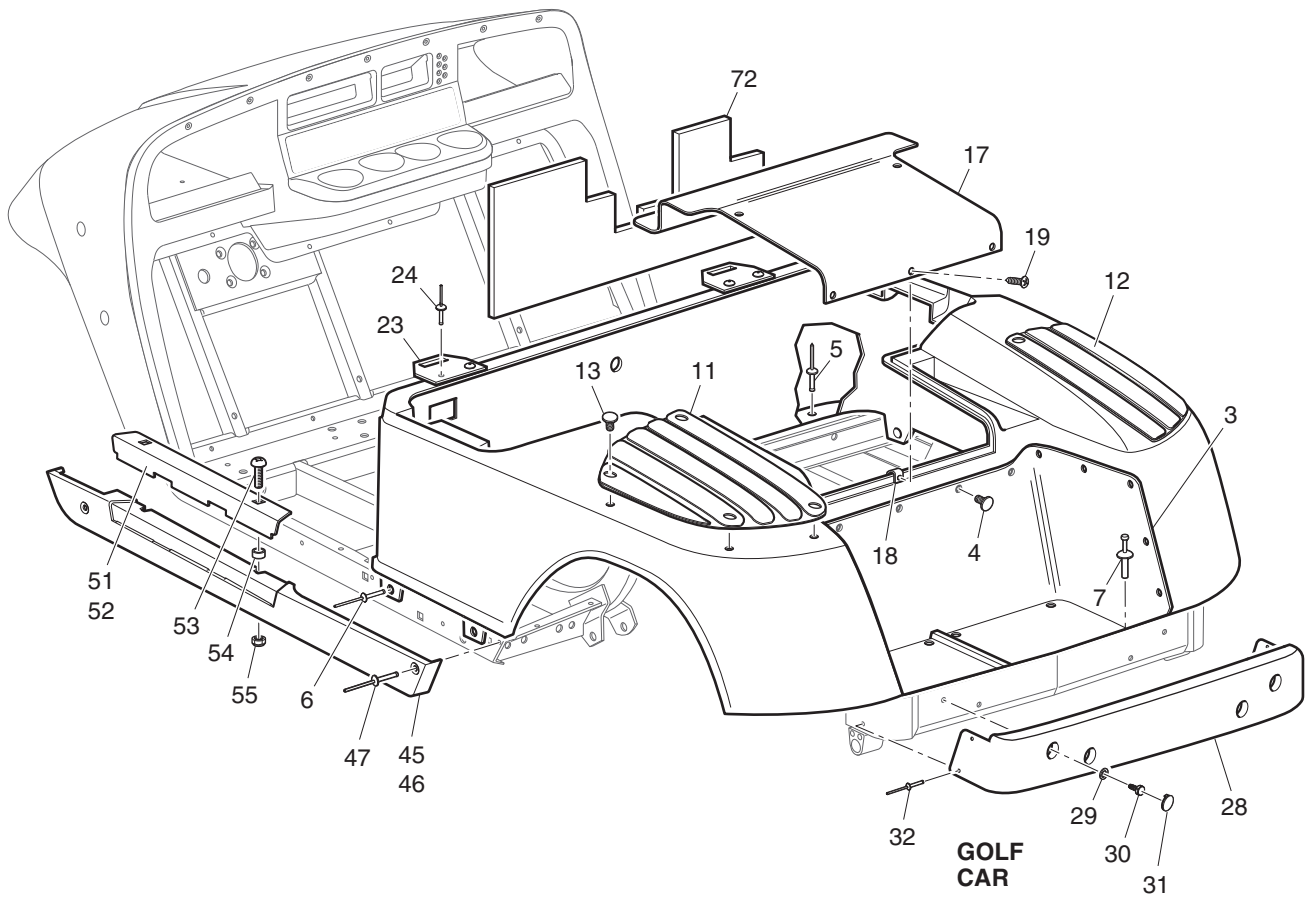
BODY - MID SECTION

Where applicable, THE USE OF NON UL PARTS WILL VOID ANY UL LISTING.
 When ordering parts, please specify the model and serial number of the product.
 * Indicates a component that is not available as an individual part.
 G** Indicates consult Customer Service Department for additional information.

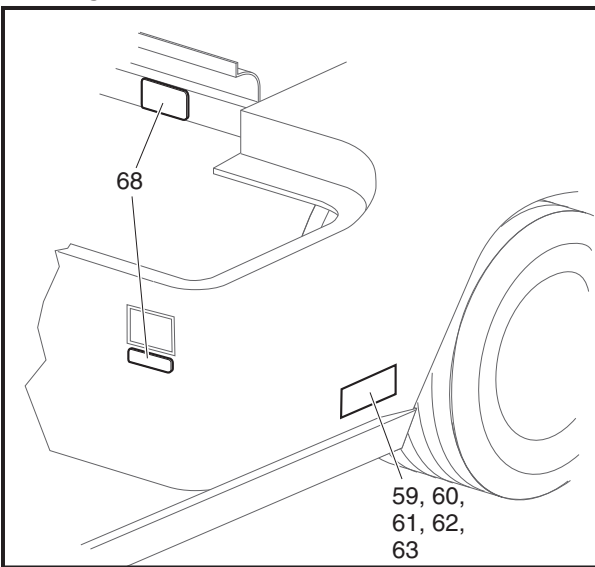
ITEM	PART NO.	1	2	3	4	5	DESCRIPTION	QTY.
1	70662-G01						UPPER FLOORPAN.....	1
2	<u>70451-G01</u>						LOWER FLOORPAN.....	1
3	<u>70452-G01</u>						ACCESS COVER.....	1
4	<u>14601-G11</u>						RIVET, 3/16" X 9/16" LG (ALUMINUM).....	16
5	<u>70995-G01</u>						FLOORMAT.....	1
6	<u>70995-G02</u>						FLOORMAT WITH HORN HOLE.....	1
7								
8								
9	<u>70440-G04</u>						SEAT FRAME.....	1
10	<u>00715-G2</u>						BOLT, 5/16 - 18 X 4/5" LG.....	2
11								
12								
13	<u>600496</u>						BATTERY TRAY.....	1
14	<u>70244-G03</u>						SPLASH PANEL.....	1
15	<u>00715-G2</u>						BOLT, 5/16 - 18 X 4/5" LG.....	4
16								
17								
18	<u>71812-G01</u>						FENDER LINER (PASSENGER SIDE).....	1
19	<u>71812-G02</u>						FENDER LINER (DRIVER SIDE).....	1
20	<u>16816-G2</u>						RATCHET FASTENER, 1/4" X 3/4" LG.....	8

BODY - REAR

- 1 - Includes Items 3, 4
- 2 - Includes Items 3, 4

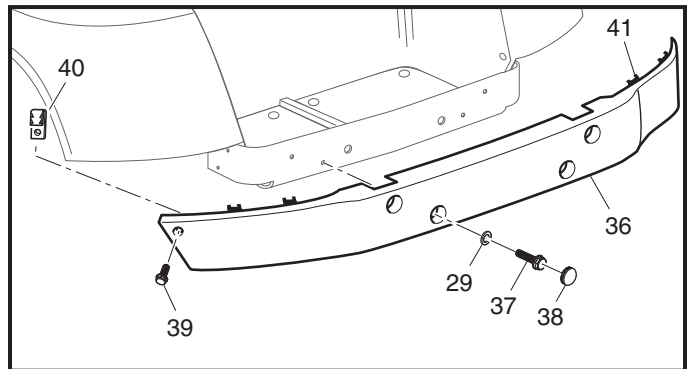


LABELS



Ref Bod 2-3

SHUTTLE 2+2 AND CONVERTIBLE CARRIER



BODY - REAR

Where applicable, THE USE OF NON UL PARTS WILL VOID ANY UL LISTING.
 When ordering parts, please specify the model and serial number of the product.
 * Indicates a component that is not available as an individual part.
 G** Indicates consult Customer Service Department for additional information.

ITEM	PART NO.	1	2	3	4	5	DESCRIPTION	QTY.
1	71912-G4**						REAR BODY (WITHOUT TAILLIGHTS) (INCLUDES ITEMS 3, 4)	1
2	71334-G0**						REAR BODY (WITH TAILLIGHTS) (INCLUDES ITEMS 3, 4).....	1
3	71318-G01						BAGWELL LINER.....	1
4	<u>16816-G1</u>						RATCHET FASTENER, 1/4" X 9/16" LG	26
5	<u>10570-G10</u>						RIVET, 5/32" X 9/16" LG (STAINLESS STEEL)	6
6	10570-G12						RIVET, 1/4" X 9/16" LG (ALUMINUM).....	4
7	<u>18436-G1</u>						RIVET, 1/4" X 3/4" LG	2
8								
9								
10								
11	<u>75126-G01</u>						FENDER SCUFFGUARD (DRIVER SIDE)	1
12	<u>75126-G02</u>						FENDER SCUFFGUARD (PASSENGER SIDE).....	1
13	<u>16816-G2</u>						RATCHET FASTENER, 1/4" X 3/4" LG	8
14								
15								
16								
17	<u>71320-G01</u>						ACCESS PANEL	1
18	<u>71364-G02</u>						'J' CLIP	1
19	<u>01107-G01</u>						SCREW, #8 X 5/8" LG (STAINLESS STEEL)	5
20								
21								
22								
23	<u>71609-G01</u>						SEAT HINGE PLATE.....	2
24	<u>10570-G11</u>						RIVET, 3/16" X 3/4" LG (STAINLESS STEEL)	4
25								
26								
27								
28	<u>71578-G01</u>						REAR BUMPER	1
29	<u>00571-G2</u>						WASHER, 5/16"	4
30	<u>71102-G01</u>						BOLT, 1/4 - 20 X 3/4" LG	4

BODY - REAR

Where applicable, THE USE OF NON UL PARTS WILL VOID ANY UL LISTING.

When ordering parts, please specify the model and serial number of the product.

* Indicates a component that is not available as an individual part.

G** Indicates consult Customer Service Department for additional information.

ITEM	PART NO.	1 2 3 4 5	DESCRIPTION	QTY.
31	<u>71514-G01</u>		BUMPER PLUG	4
32	14601-G17		RIVET, 3/16" X 9/16" LG (ALUMINUM).....	4
33				
34				
35				
36	<u>71456-G01</u>		REAR BUMPER (SHUTTLE 2+2)	1
37	71398-G01		BOLT, 1/4 - 20 X 1 1/4" LG	2
38	<u>71455-G01</u>		BUMPER PLUG	4
39	<u>71102-G01</u>		BOLT, 1/4 - 20 X 3/4" LG	2
40	<u>71554-G01</u>		'J' TYPE NUT RETAINER.....	2
41	<u>71455-G01</u>		BUMPER STAY	4
42				
43				
44				
45	<u>71501-G01</u>		ROCKER PANEL (PASSENGER SIDE).....	1
46	<u>71502-G01</u>		ROCKER PANEL (DRIVER SIDE)	1
47	<u>15058-G6</u>		RIVET, 3/16" X 15/16" LG (ALUMINUM).....	4
48				
49				
50				
51	71507-G01		SILL PLATE (PASSENGER SIDE).....	1
52	<u>71507-G02</u>		SILL PLATE (DRIVER SIDE).....	1
53	<u>16705-G1</u>		SCREW, 1/4 - 20 X 1" LG (STAINLESS STEEL)	4
54	<u>23726-G4</u>		SPACER, 5/16".....	4
55	<u>14390-G4</u>		LOCK NUT, 1/4 - 20	4
56				
57				
58				
59	75960-G01		LABEL (FREEDOM).....	2
60	<u>75962-G01</u>		LABEL (FREEDOM SE).....	2

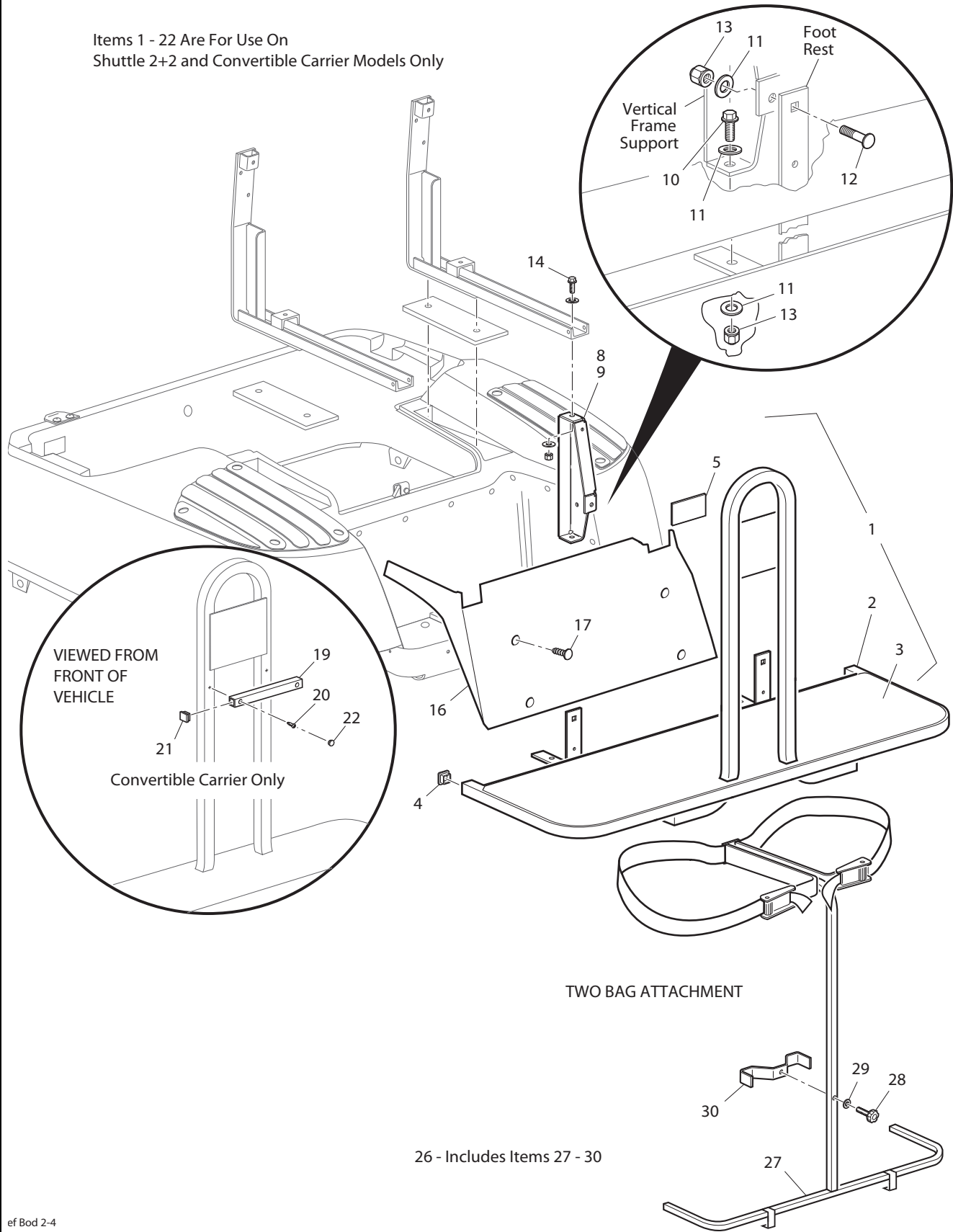
BODY - REAR

Where applicable, THE USE OF NON UL PARTS WILL VOID ANY UL LISTING.
 When ordering parts, please specify the model and serial number of the product.
 * Indicates a component that is not available as an individual part.
 G** Indicates consult Customer Service Department for additional information.

ITEM	PART NO.	1	2	3	4	5	DESCRIPTION	QTY.
61	<u>75964-G01</u>						LABEL (FREEDOM LE)	2
62	<u>35434-G01</u>						LABEL (SHUTTLE)	2
63	<u>35430-G19</u>						LABEL (TXT 2+2).....	2
64								
65								
66								
67								
68	*						LABEL (SERIAL NUMBER)	1
69								
70								
71								
72	<u>74024-G01</u>						SEAT WRAP MOUNTED NOISE SUPPRESSOR	1

BODY - FOOTREST

Items 1 - 22 Are For Use On Shuttle 2+2 and Convertible Carrier Models Only



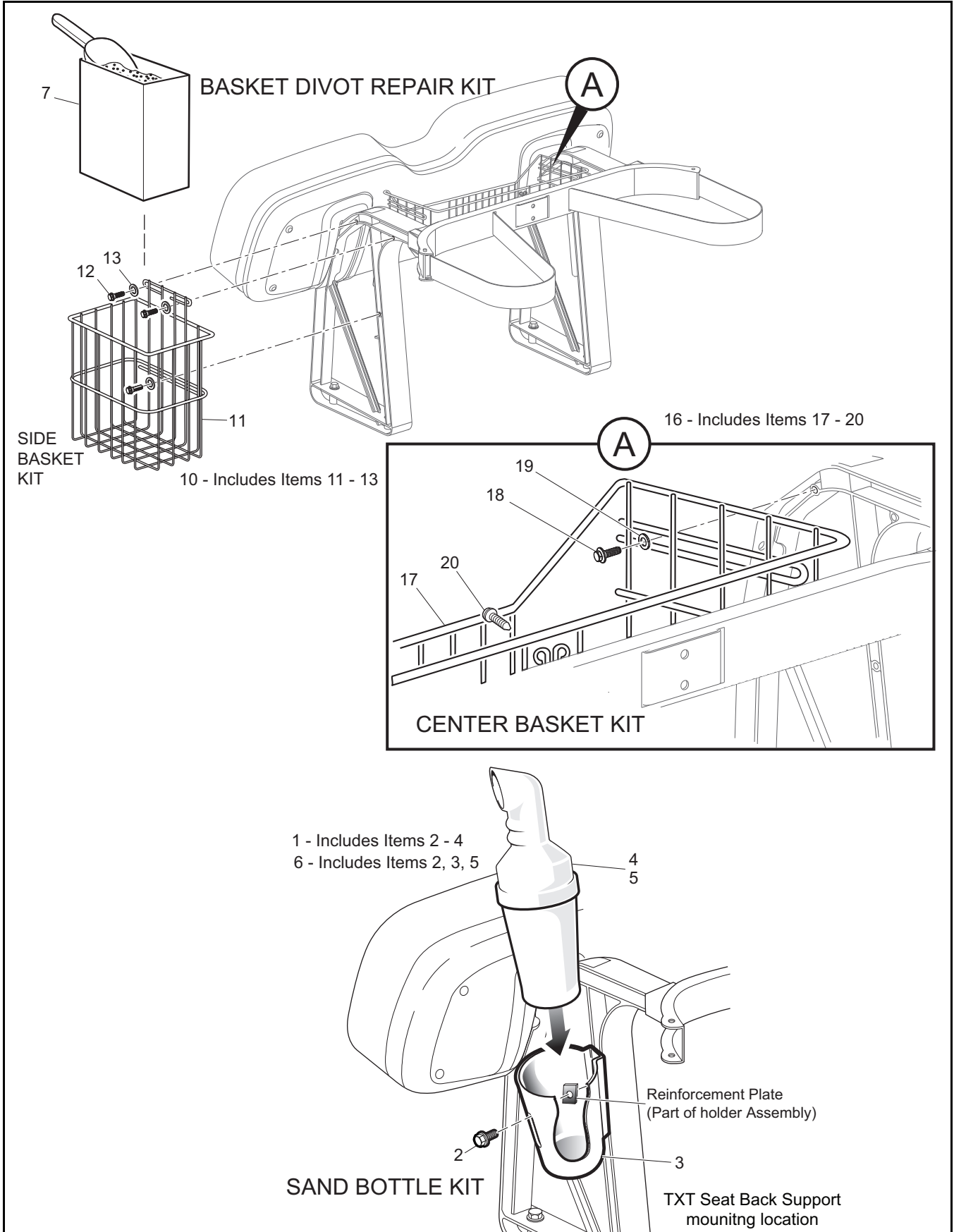
ef Bod 2-4

BODY - FOOTREST

Where applicable, THE USE OF NON UL PARTS WILL VOID ANY UL LISTING.
 When ordering parts, please specify the model and serial number of the product.
 * Indicates a component that is not available as an individual part.
 G** Indicates consult Customer Service Department for additional information.

ITEM	PART NO.	1	2	3	4	5	DESCRIPTION	QTY.
1	<u>70361-G01</u>						FOOTREST ASSEMBLY (INCLUDES ITEMS 2 - 5)	1
2	<u>70633-G01</u>						FOOTREST	1
3	<u>70362-G01</u>						FLOOR MAT	1
4	<u>19853-G1</u>						END CAP, 1"	2
5	<u>74074-G01</u>						LABEL (WARNING)	1
6								
7								
8	<u>74126-G01</u>						VERTICAL FRAME SUPPORT (PASSENGER SIDE)	1
9	<u>74126-G02</u>						VERTICAL FRAME SUPPORT (DRIVER SIDE).....	1
10	<u>00427-G6</u>						BOLT, 3/8 - 16 X 1 1/2" LG	2
11	<u>00560-G1</u>						WASHER, 3/8"	10
12	<u>00769-G2</u>						CARRIAGE BOLT, 3/8 - 16 X 1 1/4" LG	2
13	<u>11098-G5</u>						LOCK NUT, 3/8 - 16	10
14	<u>01006-G02</u>						BOLT, 3/8 - 16 X 1" LG	2
15								
16	<u>74149-G01</u>						VALANCE PANEL	1
17	<u>16816-G2</u>						RATCHET FASTENER, 1/4" X 3/4" LG	4
18								
19	<u>75268-G01</u>						SUPPORT	1
20	<u>606882</u>						SELF THREADING SCREW, #12 - 24 X 3/4" LG	2
21	<u>19859-G1</u>						END CAP, 3/4".....	2
22	<u>20271-G2</u>						HOLE PLUG, 1/2"	2
23								
24								
25								
26	<u>75183-G01</u>						TWO BAG ATTACHMENT KIT (INCLUDES ITEMS 27 - 30)	1
27	<u>75188-G01</u>						TWO BAG ATTACHMENT	1
28	<u>22238-G2</u>						KNOB, 3/8 - 16 X 1 1/2" LG	1
29	<u>17255-G1</u>						TEFLON WASHER, 5/16".....	1
30	<u>75187-G01</u>						SUPPORT BRACKET.....	1

BODY - ACCESSORIES

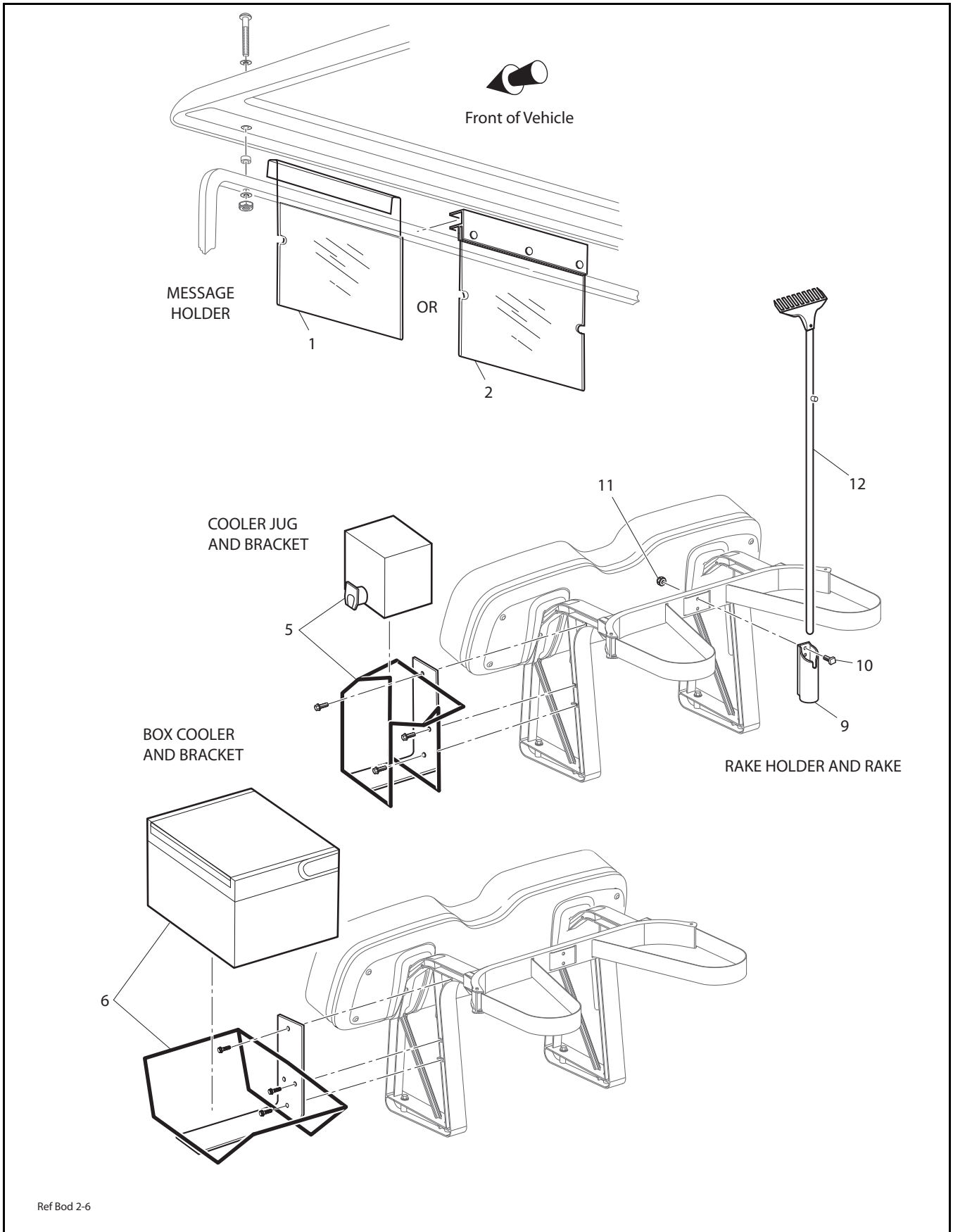


BODY - ACCESSORIES

Where applicable, THE USE OF NON UL PARTS WILL VOID ANY UL LISTING.
 When ordering parts, please specify the model and serial number of the product.
 * Indicates a component that is not available as an individual part.
 G** Indicates consult Customer Service Department for additional information.

ITEM	PART NO.	1	2	3	4	5	DESCRIPTION	QTY.
1	<u>614195</u>						TOP SCREW SAND BOTTLE KIT (INCLUDES ITEMS 2 - 4)	1
2	<u>71102-G01</u>						BOLT, 1/4 - 20 X 3/4" LG.....	1
3	<u>28660-G01</u>						SAND BOTTLE HOLDER.....	1
4	<u>28659-G01</u>						SAND BOTTLE	1
5	600612						SAND BOTTLE	1
6	<u>614179</u>						BOTTOM SCREW SAND BOTTLE KIT (INCLUDES ITEMS 2, 3 , 5).....	1
7	23300-G01						BASKET DIVOT REPAIR KIT (INCLUDES SCOOP).....	1
8								
9								
10	75007-G02						SIDE BASKET KIT (INCLUDES ITEMS 11 - 13).....	1
11	<u>75460-G01</u>						SIDE BASKET	1
12	<u>71102-G01</u>						BOLT, 1/4 - 20 X 3/4" LG.....	3
13	<u>00793-G2</u>						FLAT WASHER, 1/4" (STAINLESS STEEL)	3
14								
15								
16	<u>75003-G02</u>						CENTER BASKET KIT (INCLUDES ITEMS 17 - 20)	1
17	75461-G01						CENTER BASKET	1
18	<u>71102-G01</u>						BOLT, 1/4 - 20 X 3/4" LG.....	2
19	<u>00793-G2</u>						FLAT WASHER, 1/4" (STAINLESS STEEL)	2
20	<u>01105-G01</u>						SCREW, #10 X 5/8" LG (STAINLESS STEEL).....	2

BODY - ACCESSORIES CONTINUED



BODY - ACCESSORIES CONTINUED

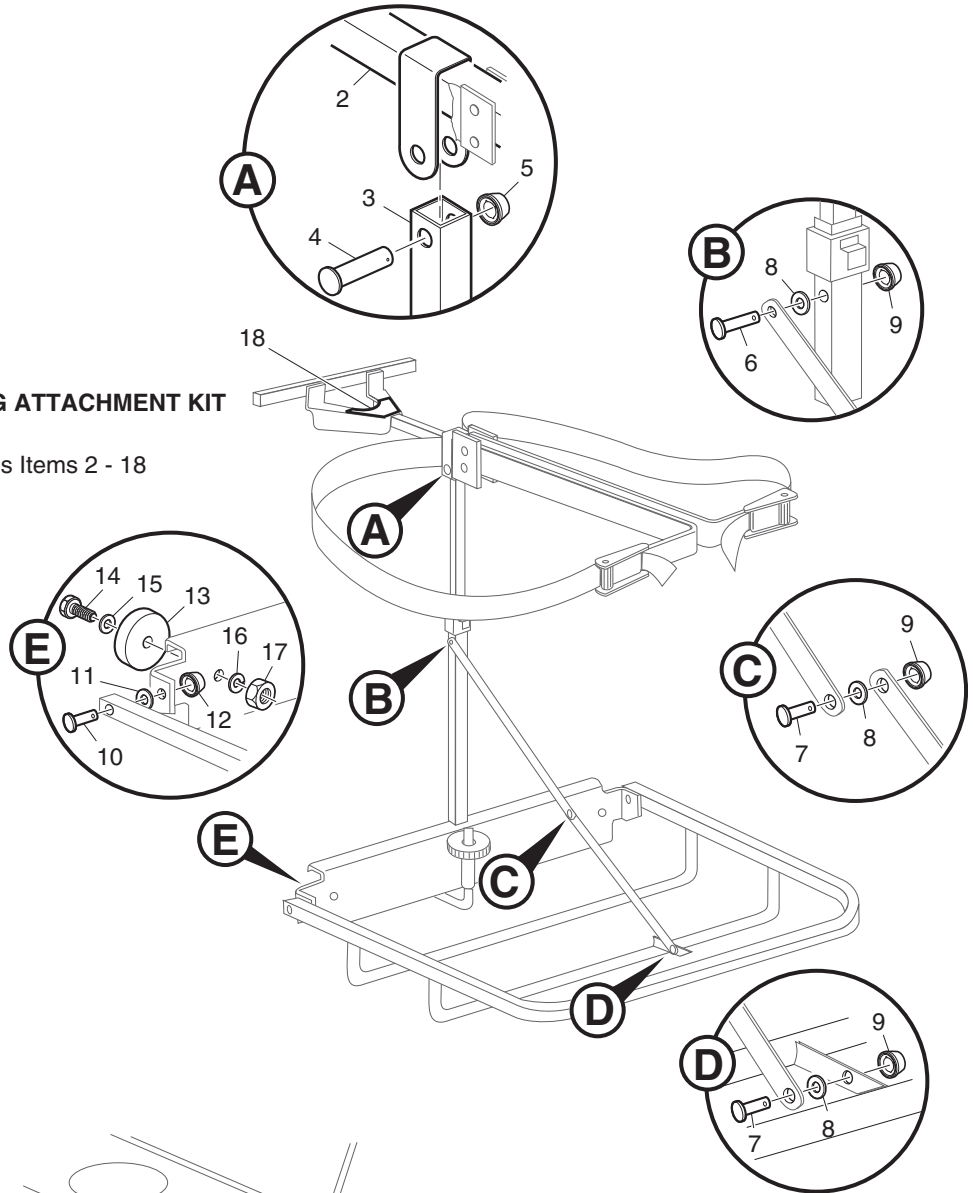
Where applicable, THE USE OF NON UL PARTS WILL VOID ANY UL LISTING.
 When ordering parts, please specify the model and serial number of the product.
 * Indicates a component that is not available as an individual part.
 G** Indicates consult Customer Service Department for additional information.

ITEM	PART NO.	1	2	3	4	5	DESCRIPTION	QTY.
1	75509-G01						MESSAGE HOLDER (ONE PIECE).....	1
2	75496-G01						MESSAGE HOLDER.....	1
3								
4								
5	<u>75495-G01</u>						COOLER JUG AND BRACKET KIT	1
6	<u>75344-G01</u>						BOX COOLER AND BRACKET KIT	1
7								
8								
9	<u>25885-G01</u>						RAKE HOLDER.....	1
10	<u>00989-G06</u>						SQUARE HEAD BOLT, 1/4 - 20 X 3/4" LG.....	2
11	<u>11027-G2</u>						LOCK NUT, 1/4 - 20	2
12	<u>14735-G1</u>						RAKE.....	1

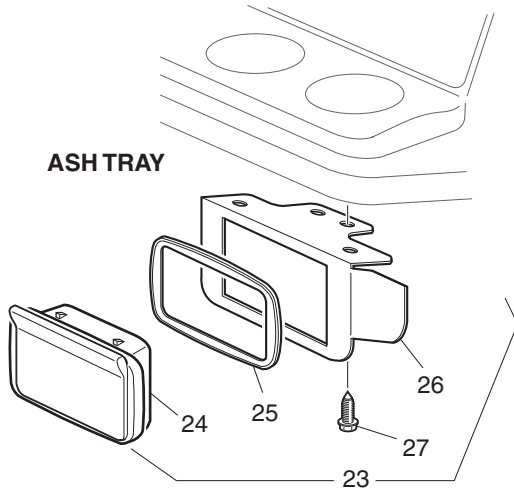
BODY - ACCESSORIES CONTINUED

FOUR BAG ATTACHMENT KIT

1 - Includes Items 2 - 18



ASH TRAY



Ref Bod 2-7

BODY - ACCESSORIES CONTINUED

Where applicable, THE USE OF NON UL PARTS WILL VOID ANY UL LISTING.

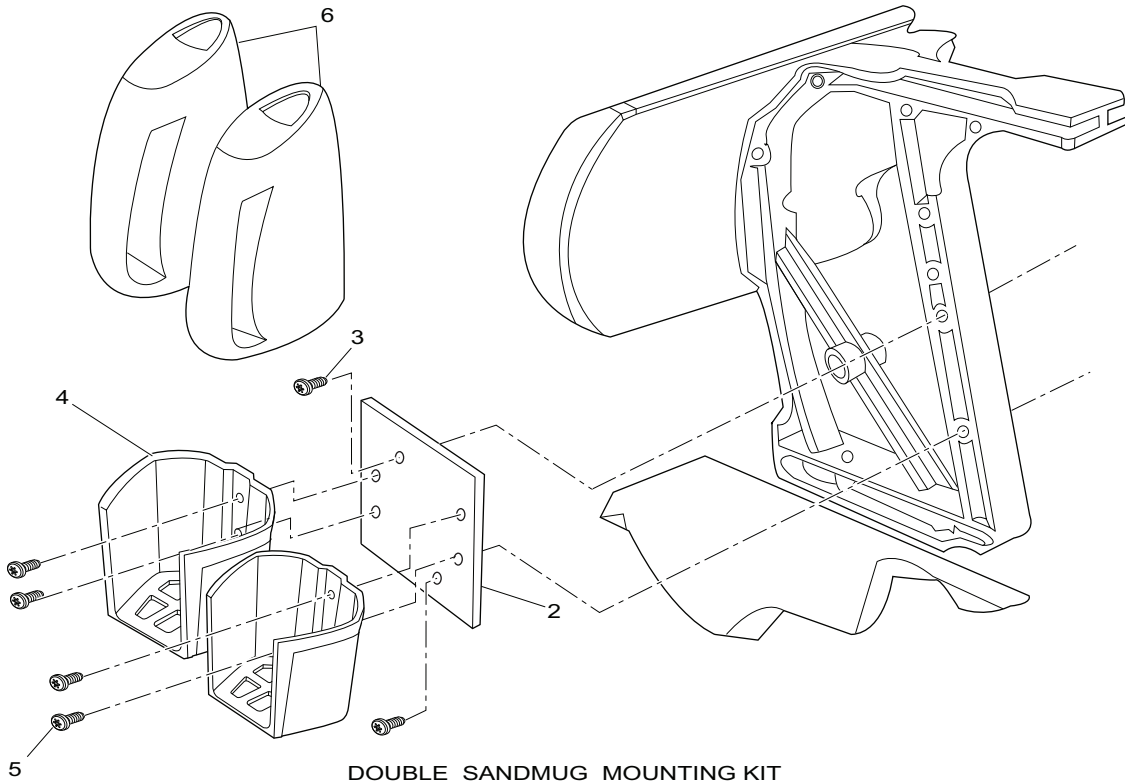
When ordering parts, please specify the model and serial number of the product.

* Indicates a component that is not available as an individual part.

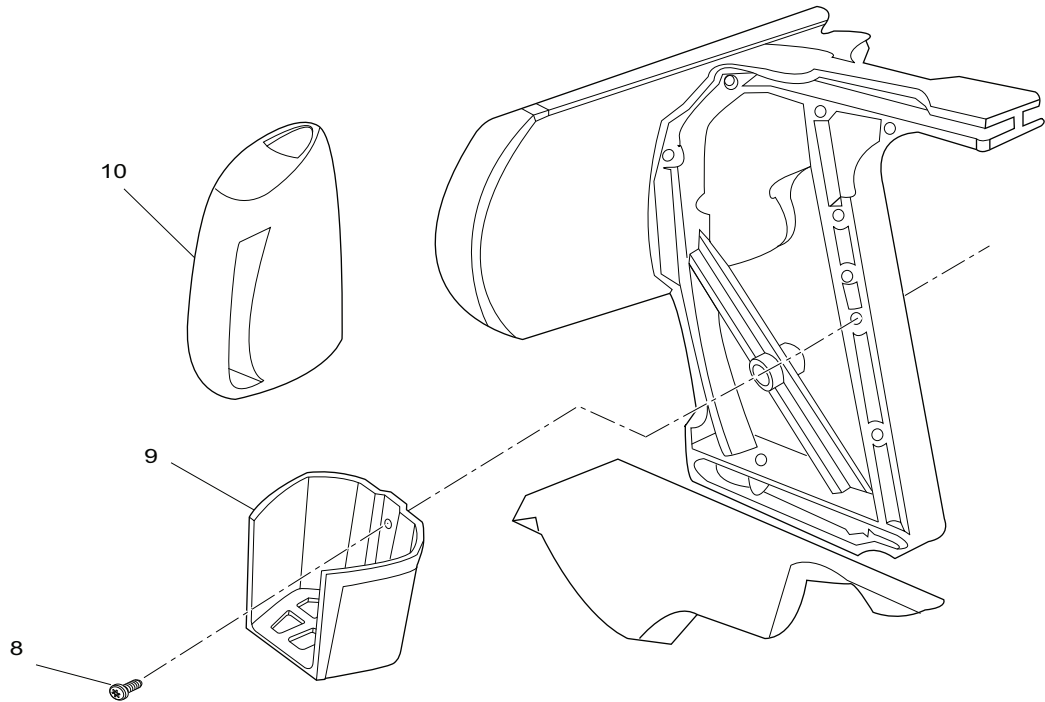
G** Indicates consult Customer Service Department for additional information.

ITEM	PART NO.	1	2	3	4	5	DESCRIPTION	QTY.
1	<u>75335-G01</u>						FOUR BAG ATTACHMENT KIT (INCLUDES ITEMS 2 - 18)	1
2	*						TOP ASSEMBLY	1
3	*						BOTTOM ASSEMBLY	1
4	<u>17651-G2</u>						CLEVIS PIN, 5/16 X 1 1/8" LG.....	1
5	<u>28129-G01</u>						PUSH NUT, 5/16".....	1
6	<u>17651-G2</u>						CLEVIS PIN, 5/16 X 1 1/8" LG.....	1
7	<u>17651-G3</u>						CLEVIS PIN, 5/16 X 1/2" LG.....	2
8	00559-G8						WASHER, 5/16"	3
9	<u>28129-G01</u>						PUSH NUT, 5/16".....	3
10	*						CLEVIS PIN 3/8 X 1 1/4" LG.....	2
11	<u>00560-G1</u>						WASHER, 3/8"	2
12	*						PUSH NUT, 3/8".....	2
13	<u>13728-G1</u>						RUBBER BUMPER.....	2
14	00150-G6						SCREW, #10 - 24 X 3/4" LG	2
15	<u>00559-G5</u>						WASHER, #10	2
16	<u>00565-G5</u>						LOCK WASHER, #10	2
17	<u>00526-G3</u>						NUT, #10 - 24.....	2
18	*						LABEL (WARNING).....	1
19								
20								
21								
22								
23	75109-G02						ASH TRAY KIT (INCLUDES ITEMS 24 - 27)	1
24	27731-G01						ASH TRAY	1
25	27736-G01						GASKET	1
26	<u>75108-G02</u>						BRACKET	1
27	<u>00100-G4</u>						SCREW, #10 - 16 X 1/2" LG	4

BODY - ACCESSORIES CONTINUED



DOUBLE SANDMUG MOUNTING KIT
ITEM 1 INCLUDES 2 TO 6



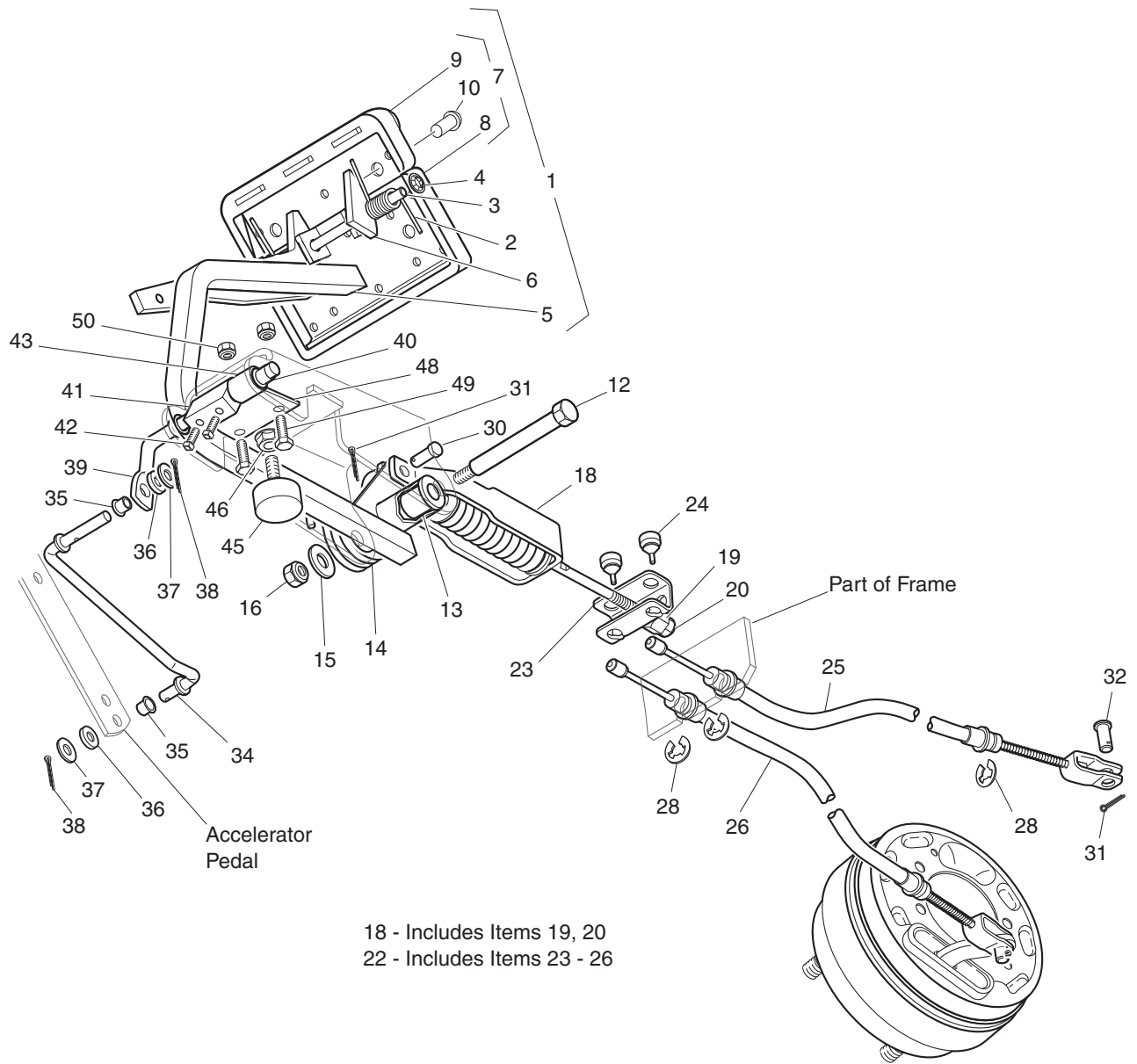
SINGLE SANDMUG MOUNTING KIT
ITEM 7 INCLUDES 8 TO 10

BODY - ACCESSORIES CONTINUED

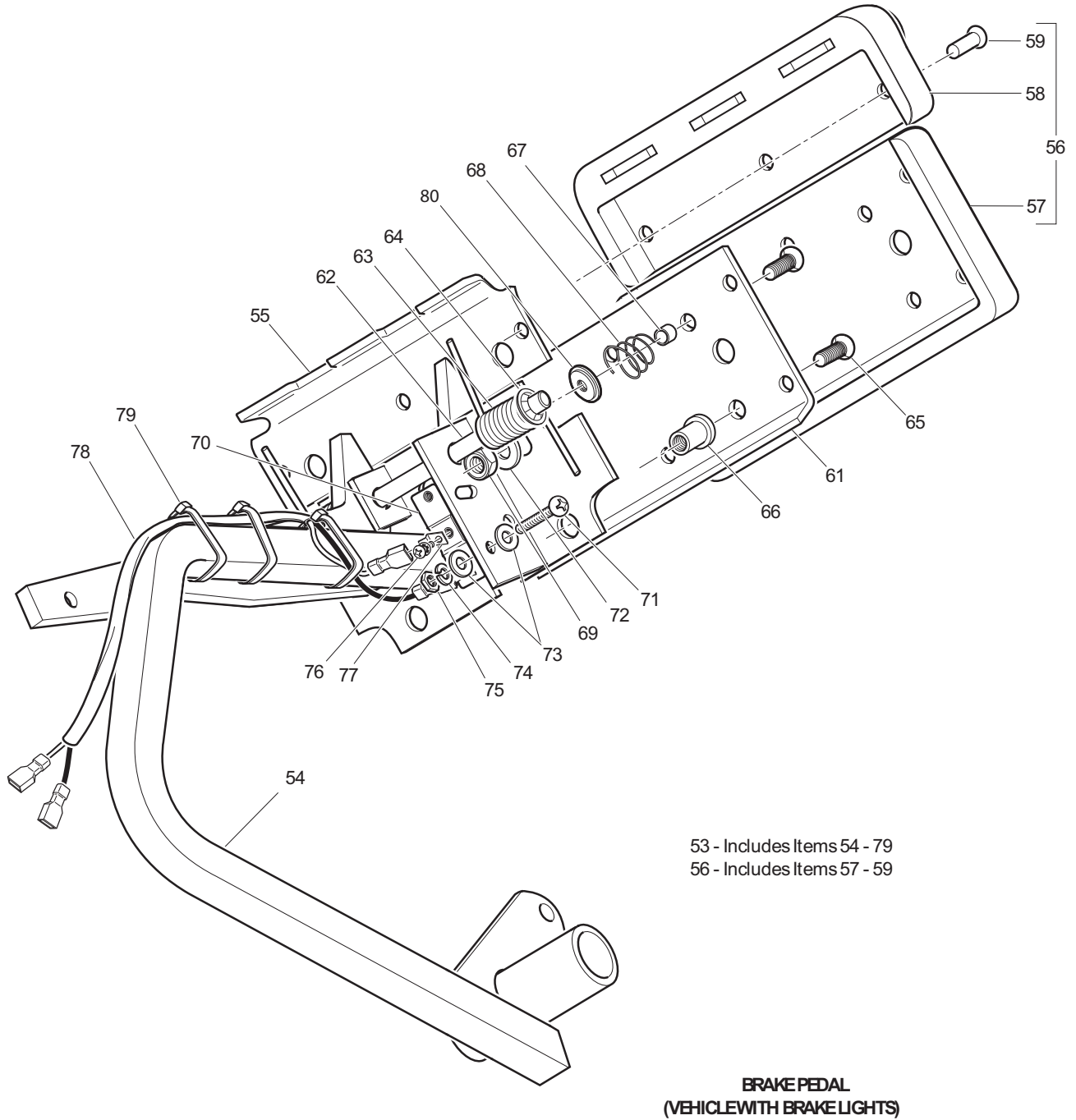
Where applicable, THE USE OF NON UL PARTS WILL VOID ANY UL LISTING.
 When ordering parts, please specify the model and serial number of the product.
 * Indicates a component that is not available as an individual part.
 G** Indicates consult Customer Service Department for additional information.

ITEM	PART NO.	1	2	3	4	5	DESCRIPTION	QTY.
1	<u>606986</u>						DOUBLE SANDMUG MOUNTING KIT (INCLUDES 2-6)	1
2	<u>606988</u>						MOUNTING PLATE, SAND MUG - HOLDER.....	1
3	<u>71102-G01</u>						BOLT 1/4 - 20 X 3/4	2
4	<u>606950</u>						SAND MUG HOLDER.....	2
5	*						BOLT 1/4 - 20 X 1/2	4
6	<u>606949</u>						SAND MUG.....	2
7	<u>606951</u>						SINGLE SANDMUG MOUNTING KIT (INCLUDES 8-10).....	1
8	<u>71102-G01</u>						BOLT 1/4 - 20 X 3/4	1
9	<u>606950</u>						SAND MUG HOLDER.....	1
10	<u>606949</u>						SAND MUG.....	1

BRAKES

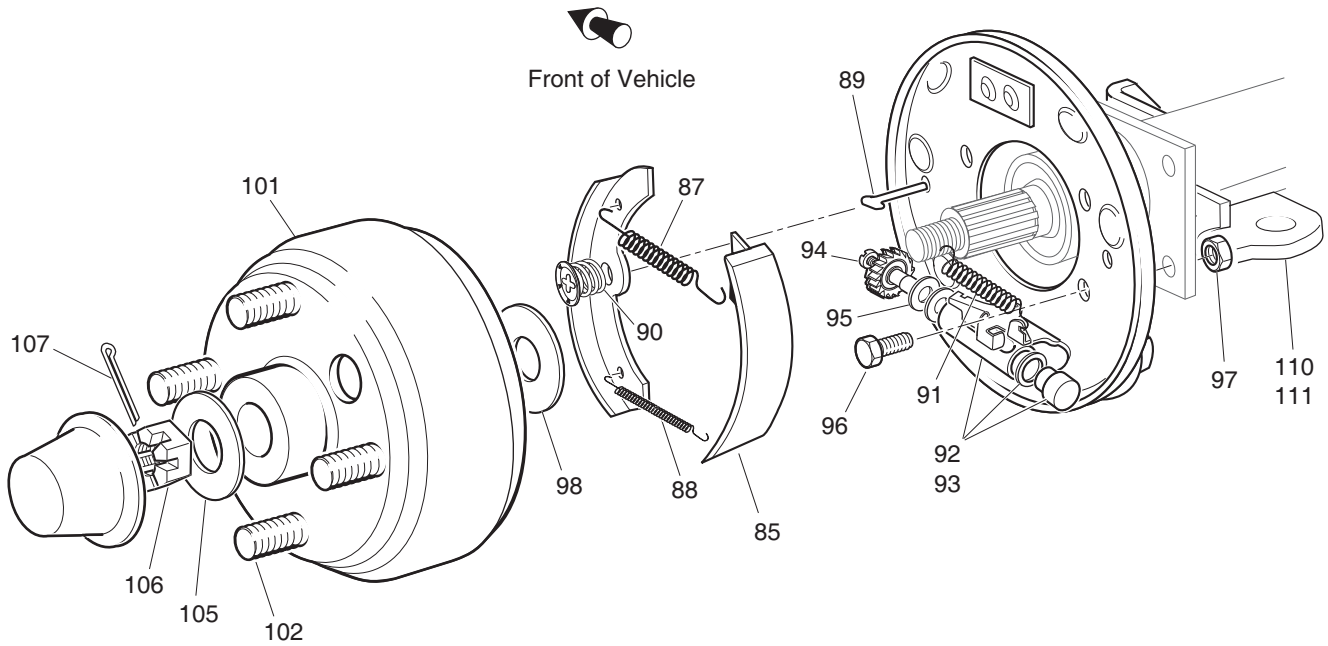


Ref Brk 1-1



Ref Bk 1-2

BRAKES



Ref Brk 1-3

BRAKES

Where applicable, THE USE OF NON UL PARTS WILL VOID ANY UL LISTING.

When ordering parts, please specify the model and serial number of the product.

* Indicates a component that is not available as an individual part.

G** Indicates consult Customer Service Department for additional information.

ITEM	PART NO.	1 2 3 4 5	DESCRIPTION	QTY.
1	<u>70612-G01</u>		BRAKE PEDAL ASSEMBLY (WITHOUT BRAKE LIGHTS) (INCLUDES ITEMS 2 - 10).....	1
2	<u>70681-G01</u>		TORSION SPRING.....	2
3	<u>70682-G01</u>		PIVOT PIN.....	1
4	<u>01071-G01</u>		PUSHNUT, 5/16".....	2
5	*		BRAKE PEDAL.....	1
6	<u>70611-G02</u>		PARK BRAKE PEDAL.....	1
7	<u>70274-G01</u>		BRAKE/PARK BRAKE PEDAL PAD KIT (INCLUDES ITEMS 8 - 10).....	1
8	*		SERVICE BRAKE PAD.....	1
9	*		PARK BRAKE PEDAL PAD.....	1
10	<u>15766-G1</u>		OVAL RIVET, 3/16" X 7/16" LG.....	9
11				
12	<u>70582-G01</u>		SHOULDER BOLT, 3/8 - 16 X 4" LG (STAINLESS STEEL).....	1
13	<u>70581-G01</u>		FLANGED BUSHING.....	2
14	<u>70676-G01</u>		TORSION SPRING.....	1
15	<u>00643-G1</u>		WASHER, 3/8".....	1
16	<u>11098-G5</u>		LOCK NUT, 3/8 - 16.....	1
17				
18	<u>70272-G04</u>		COMPENSATOR ASSEMBLY (INCLUDES ITEMS 19, 20).....	1
19	<u>00963-G01</u>		SPHERICAL NUT, 5/16 - 24.....	1
20	<u>11098-G9</u>		LOCK NUT, 5/16 - 24.....	1
21				
22	<u>70969-G03</u>		EQUALIZER AND BRAKE CABLE ASSEMBLY (INCLUDES ITEMS 23 - 26)....	1
23	<u>28082-G01</u>		EQUALIZER BRACKET.....	1
24	<u>28083-G01</u>		BRAKE COMPENSATOR BUMPER.....	2
25	*		BRAKE CABLE (DRIVER SIDE).....	1
26	*		BRAKE CABLE (PASSENGER SIDE).....	1
27				
28	<u>01111-G01</u>		RETAINING RING, 4/5" (STAINLESS STEEL).....	4
29				

BRAKES

Where applicable, THE USE OF NON UL PARTS WILL VOID ANY UL LISTING.

When ordering parts, please specify the model and serial number of the product.

* Indicates a component that is not available as an individual part.

G** Indicates consult Customer Service Department for additional information.

ITEM	PART NO.	1 2 3 4 5	DESCRIPTION	QTY.
30	<u>10386-G3</u>		CLEVIS PIN, 5/16" X 13/16" LG	1
31	<u>10387-G3</u>		COTTER PIN, 3/32" X 3/4" LG	3
32	<u>14443-G2</u>		CLEVIS PIN, 5/16" X 5/8" LG	2
33				
34	<u>70601-G01</u>		KICK-OFF LINK.....	1
35	<u>17838-G1</u>		NYLON BUSHING.....	2
36	<u>20835-G1</u>		TEFLON WASHER, 3/8"	2
37	00559-G8		WASHER, 5/16"	2
38	<u>10387-G3</u>		COTTER PIN, 3/32" X 3/4" LG	2
39	<u>70098-G01</u>		KICK-OFF CAM PIVOT	1
40	<u>10097-G6</u>		FLANGED BEARING	2
41	<u>70587-G01</u>		KICK-OFF CAM.....	1
42	<u>71215-G01</u>		SETSCREW, 1/4 - 20 X 1/2" LG.....	2
43	<u>14134-G4</u>		SPACER	1
44				
45	<u>70113-G01</u>		ADJUSTABLE BUMPER	1
46	<u>11027-G1</u>		LOCK NUT, 5/16 - 18	1
47				
48	<u>70080-G02</u>		CATCH BRACKET	1
49	<u>00414-G6</u>		BOLT, 1/4 - 20 X 3/4" LG	2
50	<u>00891-G2</u>		NUT, 1/4 - 20 NYLOCK	2
51				
52				
53	70690-G02		BRAKE PEDAL ASSEMBLY (WITH BRAKE LIGHTS) (INCLUDES ITEMS 54 - 79).....	1
54	*		BRAKE PEDAL	1
55	<u>70611-G02</u>		PARK BRAKE PEDAL	1
56	70274-G01		BRAKE/PARK BRAKE PEDAL PAD KIT (INCLUDES ITEMS 57 - 59).....	1
57	*		SERVICE BRAKE PAD	1
58	*		PARK BRAKE PAD.....	1

BRAKES

Where applicable, THE USE OF NON UL PARTS WILL VOID ANY UL LISTING.

When ordering parts, please specify the model and serial number of the product.

* Indicates a component that is not available as an individual part.

G** Indicates consult Customer Service Department for additional information.

ITEM	PART NO.	1	2	3	4	5	DESCRIPTION	QTY.
59	<u>15766-G1</u>						OVAL RIVET, 3/16" x 7/16" LG	9
60								
61	<u>70258-G03</u>						BRAKE PEDAL PLATE	1
62	<u>70682-G01</u>						PIVOT PIN	1
63	<u>70681-G01</u>						TORSION SPRING	2
64	<u>01071-G01</u>						PUSHNUT, CAP WASHER TYPE 5/16"	1
65	<u>00737-G8</u>						SCREW, #10 - 24 X 7/8" LG	4
66	<u>00739-G1</u>						RUBBER NUT, #10 - 24.....	2
67	<u>74535-G01</u>						BRAKE PEDAL STANDOFF	2
68	<u>27137-G01</u>						CONICAL SPRING	2
69	<u>14390-G10</u>						NUT, NYLOCK #10 - 24	2
70	10606-G8						MICRO SWITCH.....	1
71	<u>00645-G2</u>						SCREW, #6 - 32 X 1 1/4" LG	2
72	<u>00559-G5</u>						WASHER, #10	2
73	<u>00559-G3</u>						WASHER, #6	4
74	<u>00565-G3</u>						LOCK WASHER, #6	2
75	<u>00525-G5</u>						NUT, #6 - 32.....	2
76	<u>13514-G1</u>						SCREW AND LOCK WASHER, #6 - 32 X 1/4" (BRASS)	2
77	<u>14628-G1</u>						PUSH ON MALE TERMINAL.....	2
78	<u>24605-G1</u>						WIRE HARNESS (BRAKE LIGHT)	1
79	<u>17618-G1</u>						WIRE TIE	3
80	00642-G8						WASHER - 5/16	2
81								
82	<u>70998-G01</u>						BRAKE ASSEMBLY (DRIVER SIDE) (INCLUDES ITEMS 84 - 92, 94, 95)	1
83	<u>70998-G02</u>						BRAKE ASSEMBLY (PASSENGER SIDE) (INCLUDES ITEMS 84 - 91, 93 - 95)	1
84	70794-G01						BRAKE SHOE KIT (INCLUDES ITEM 85).....	2
85	*						BRAKE SHOE	2
86	<u>27944-G01</u>						BRAKE SPRING KIT (INCLUDES ITEMS 87 - 91).....	2
87	*						UPPER SPRING	1

BRAKES

Where applicable, THE USE OF NON UL PARTS WILL VOID ANY UL LISTING.

When ordering parts, please specify the model and serial number of the product.

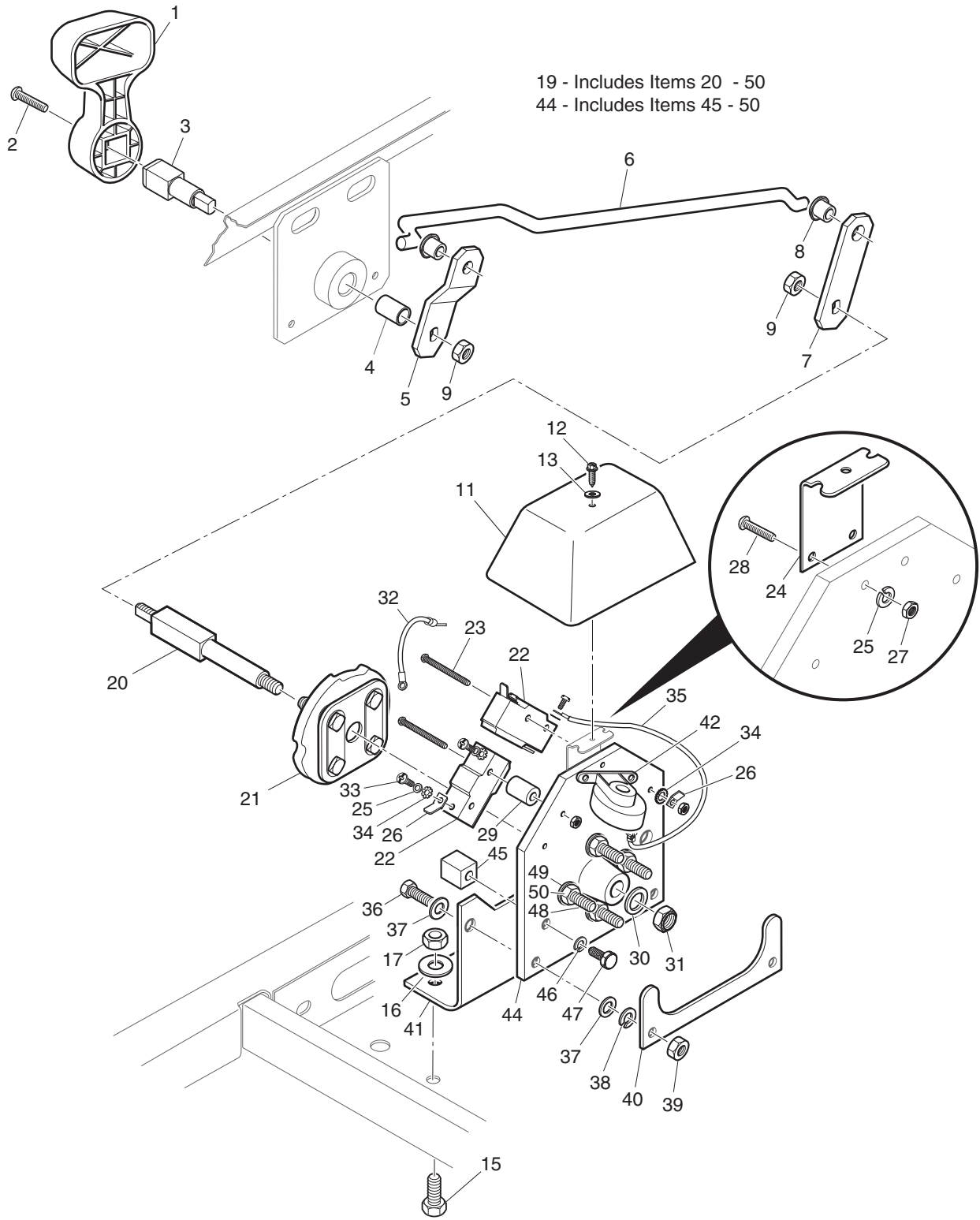
* Indicates a component that is not available as an individual part.

G** Indicates consult Customer Service Department for additional information.

ITEM	PART NO.	1	2	3	4	5	DESCRIPTION	QTY.
88	*						LOWER SPRING	1
89	*						PIN	2
90	*						CUP AND SPRING	2
91	*						ADJUSTER SPRING.....	1
92	<u>72582-G01</u>						BRAKE ADJUSTER KIT (DRIVER SIDE) (INCLUDES ITEMS 94, 95)	1
93	<u>72582-G02</u>						BRAKE ADJUSTER KIT (PASSENGER SIDE) (INCLUDES ITEMS 94, 95)	1
94	*						ADJUSTER	1
95	*						TEFLON WASHER.....	2
96	<u>17083-G2</u>						BOLT, 5/16 - 24 X 1" LG	8
97	<u>15126-G1</u>						LOCK NUT, 5/16 - 24	8
98	<u>15485-G1</u>						WASHER, 13/16"	2
99								
100	19186-G01						BRAKE DRUM ASSEMBLY (INCLUDES ITEMS 101 - 102).....	2
101	*						BRAKE DRUM	1
102	<u>19862-G1</u>						LUG BOLT, 1/2 - 20 X 1 3/16" LG	4
103								
104								
105	<u>15487-G1</u>						WASHER, 1 3/8" O.D. X 21/32"	2
106	<u>612928</u>						CASTELLATED NUT, 5/8 - 18.....	2
107	<u>10387-G1</u>						COTTER PIN, 1/8" X 1 1/2" LG	2
108								
109								
110	<u>72036-G03</u>						BRAKE CABLE BRACKET (PASSENGER SIDE).....	1
111	<u>72036-G04</u>						BRAKE CABLE BRACKET (DRIVER SIDE)	1

DIRECTION SELECTOR

*NOTE: For PDS Direction Selector See ELECTRICAL SYSTEM Section



Ref Dsl 1-1

DIRECTION SELECTOR

Where applicable, THE USE OF NON UL PARTS WILL VOID ANY UL LISTING.

When ordering parts, please specify the model and serial number of the product.

* Indicates a component that is not available as an individual part.

G** Indicates consult Customer Service Department for additional information.

ITEM	PART NO.	1 2 3 4 5	DESCRIPTION	QTY.
1	<u>71205-G01</u>		DIRECTION SELECTOR HANDLE.....	1
2	<u>00740-G4</u>		SCREW, #10 - 32 X 1/2" LG (STAINLESS STEEL).....	1
3	<u>70233-G01</u>		DIRECTION SELECTOR SHAFT	1
4	<u>25664-G2</u>		BUSHING	1
5	<u>70334-G01</u>		OFFSET SHIFT LINKAGE ARM	1
6	<u>70313-G01</u>		LINKAGE ROD.....	1
7	<u>70232-G03</u>		SHIFT LINKAGE ARM	1
8	<u>22754-G3</u>		BUSHING	2
9	<u>14390-G1</u>		LOCK NUT, 3/8 - 24	2
10				
11	<u>73049-G01</u>		DIRECTION SELECTOR COVER	1
12	<u>00114-G6</u>		SCREW, 1/4 - 14 X 3/4" LG	1
13	<u>16469-G1</u>		WASHER, 1/4"	1
14				
15	<u>00438-G6</u>		BOLT, 5/16 - 18 X 3/4" LG	2
16	<u>00571-G2</u>		WASHER FLAT, 5/16"	2
17	<u>11098-G6</u>		NUT, NYLOCK 5/16 - 18	2
18				
19	<u>70578-G02</u>		DIRECTION SELECTOR ASSEMBLY (INCLUDES ITEMS 20 - 50).....	1
20	<u>73027-G01</u>		DIRECTION SELECTOR SHAFT	1
21	<u>12835-G1</u>		CAM.....	1
22	<u>10606-G2</u>		MICRO SWITCH.....	2
23	<u>00645-G7</u>		SCREW, #6 - 32 X 2" LG	4
24	<u>73048-G01</u>		COVER BRACKET	1
25	<u>00565-G3</u>		LOCK WASHER, #6	6
26	<u>14628-G1</u>		PUSH ON MALE TERMINAL.....	3
27	<u>00525-G5</u>		NUT, #6 - 32	6
28	<u>00645-G5</u>		SCREW, #6 - 32 X 5/8" LG	2
29	<u>12806-G1</u>		SPACER	4
30	<u>00560-G1</u>		WASHER, 3/8"	1

DIRECTION SELECTOR

Where applicable, THE USE OF NON UL PARTS WILL VOID ANY UL LISTING.

When ordering parts, please specify the model and serial number of the product.

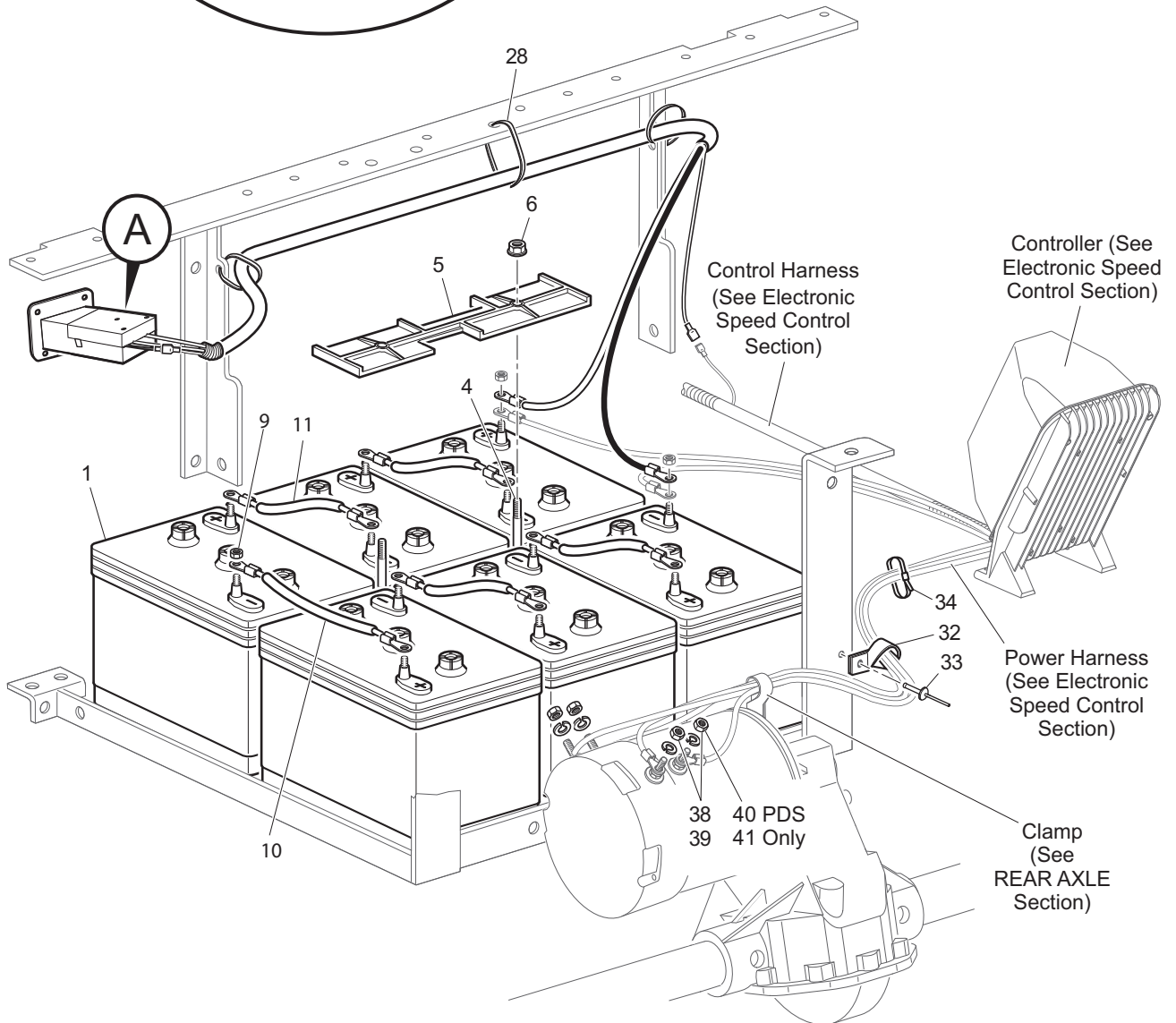
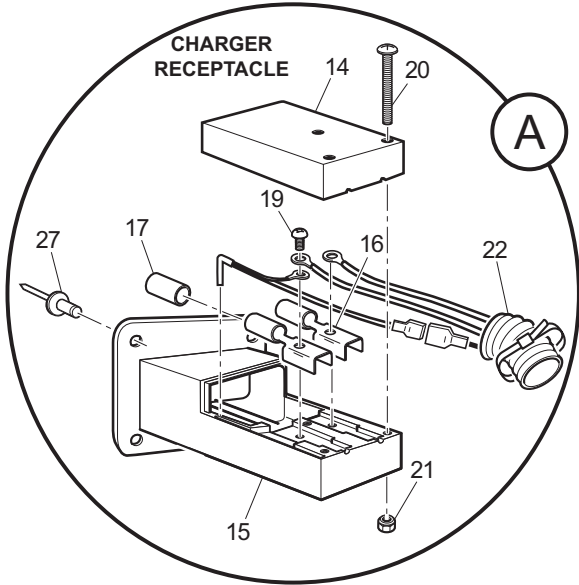
* Indicates a component that is not available as an individual part.

G** Indicates consult Customer Service Department for additional information.

ITEM	PART NO.	1	2	3	4	5	DESCRIPTION	QTY.
31	<u>14390-G1</u>						LOCK NUT, 3/8 - 24.....	1
32	<u>25978-G37</u>						18 GA WIRE (RED 4")	1
33	<u>13514-G1</u>						SCREW.....	4
34	<u>00567-G3</u>						LOCK WASHER, #6	4
35	<u>25978-G343</u>						18 GA WIRE (RED 6")	1
36	<u>00414-G8</u>						SCREW, 1/4-20X1" LG	2
37	<u>00559-G7</u>						WASHER, 1/4	4
38	<u>00565-G7</u>						LOCK WASHER, 1/4"	2
39	<u>00532-G1</u>						NUT, 1/4 - 20	2
40	<u>15461-G1</u>						SUPPORT BRACKET.....	1
41	<u>73031-G02</u>						DIRECTION SELECTOR MOUNTING BRACKET	1
42	<u>73290-G02</u>						REVERSE WARNING BUZZER (CONTINUOUS TONE)	1
43								
44	<u>14651-G1</u>						CONTACT BOARD ASSEMBLY (INCLUDES ITEMS 45 - 50).....	1
45	<u>24940-G1</u>						STOP.....	2
46	<u>00565-G7</u>						LOCK WASHER, 1/4" (STAINLESS STEEL)	2
47	<u>00414-G6</u>						BOLT, 1/4 - 20 X 3/4" LG	2
48	<u>18888-G1</u>						CONTACT STUD, 5/16 - 18	4
49	<u>00565-G8</u>						LOCK WASHER, 5/16".....	4
50	<u>00544-G3</u>						NUT, 5/16 - 18.....	4

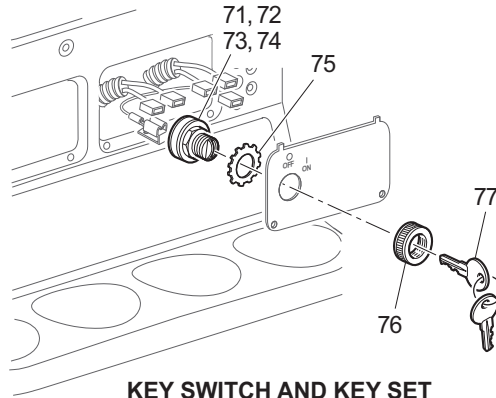
ELECTRICAL SYSTEM - COMMON

13 - Includes Items 14 - 22



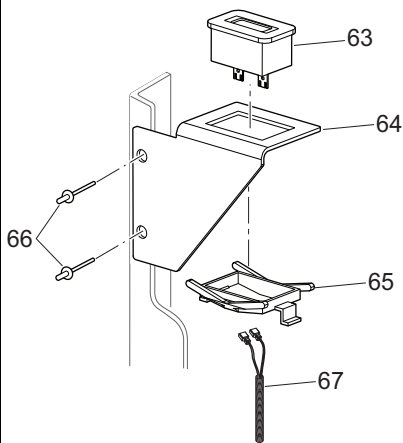
Ref Ele 1-1

ELECTRICAL SYSTEM - COMMON

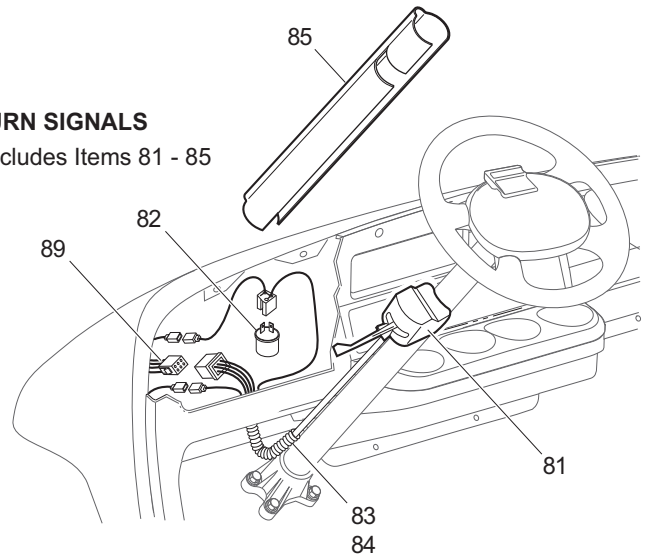


KEY SWITCH AND KEY SET

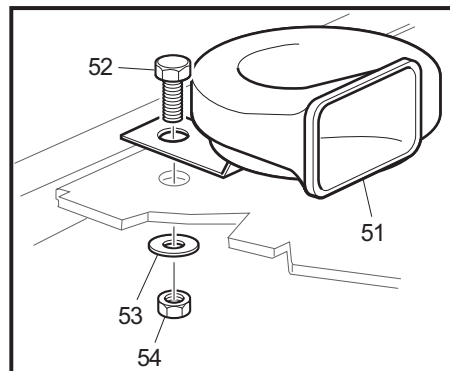
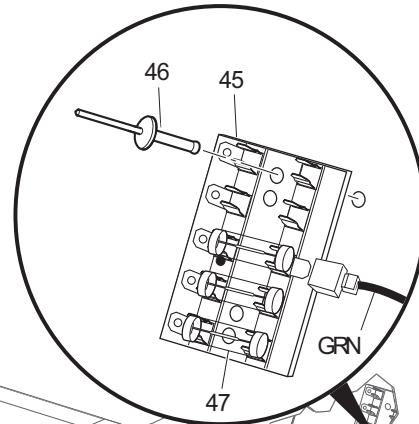
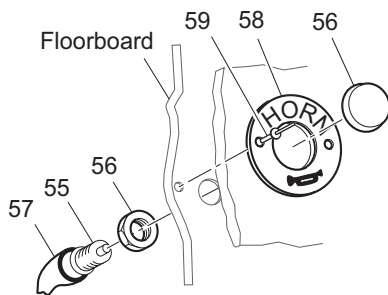
HOUR METER DETAIL
62 - Includes Items 63 - 67



TURN SIGNALS
80 - Includes Items 81 - 85

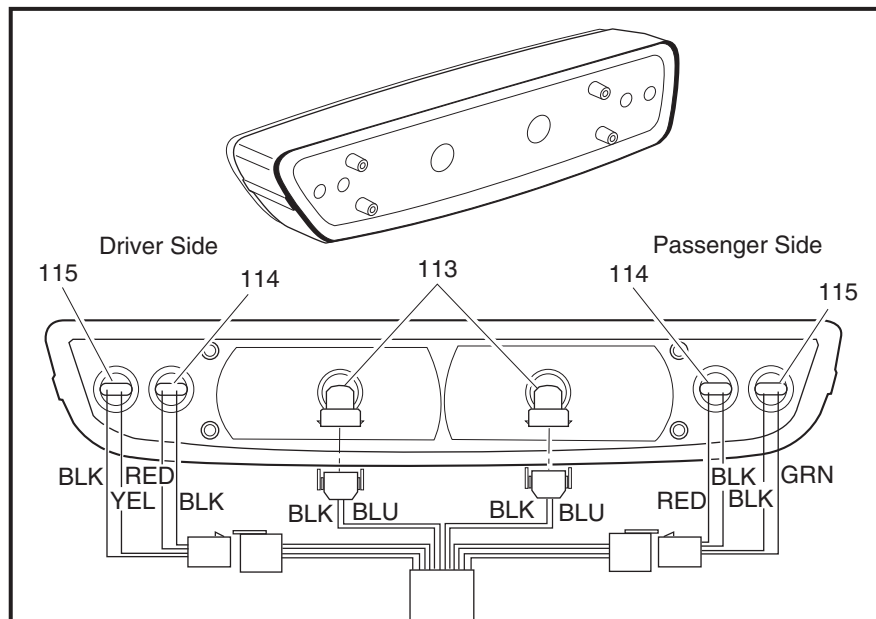
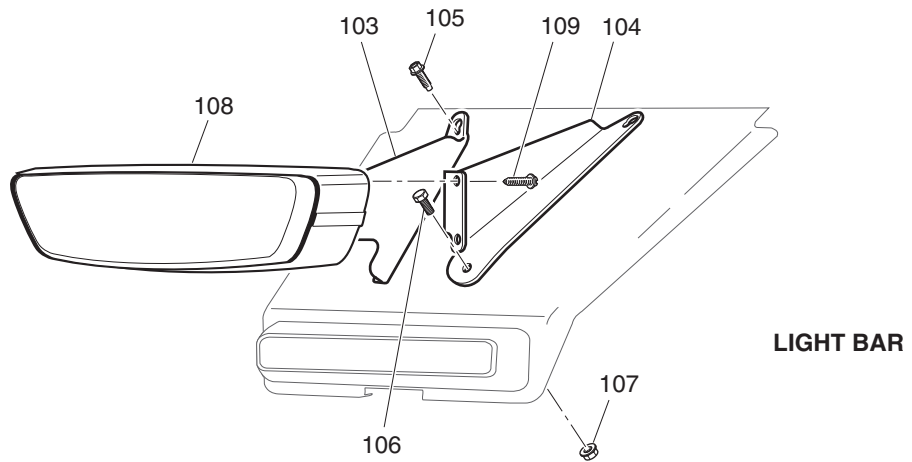
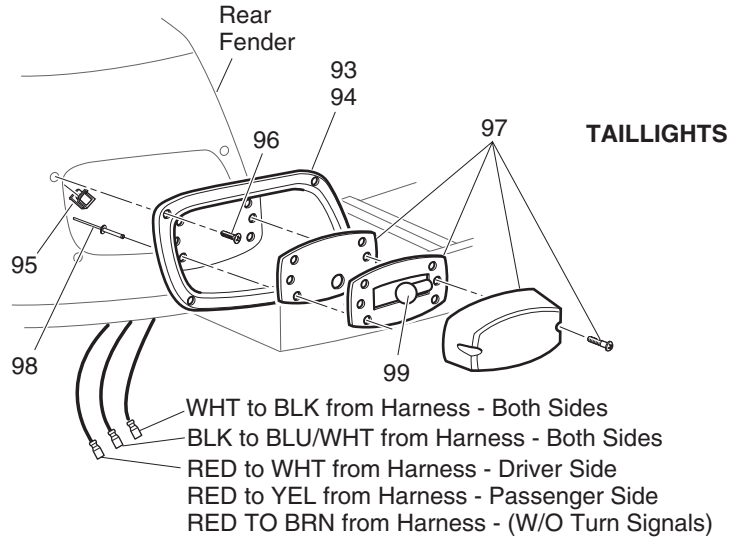


HORN BUTTON



Ref Ele 1-2

ELECTRICAL SYSTEM - COMMON



Ref Ele 1-3

ELECTRICAL SYSTEM - COMMON

Where applicable, THE USE OF NON UL PARTS WILL VOID ANY UL LISTING.

When ordering parts, please specify the model and serial number of the product.

* Indicates a component that is not available as an individual part.

G** Indicates consult Customer Service Department for additional information.

ITEM	PART NO.	1	2	3	4	5	DESCRIPTION	QTY.
1	XXXXX-GXX						6 VOLT BATTERY	6
2								
3								
4	<u>01101-G01</u>						HOLD DOWN BOLT (STAINLESS STEEL).....	2
5	<u>70045-G01</u>						BATTERY RETAINER	1
6	<u>11027-G1</u>						LOCK NUT, 5/16 - 18	2
7								
8								
9	<u>00702-G2</u>						NUT, 5/16 - 18	12
10	607651						4 GA WIRE, GREEN 10".....	1
11	<u>607590</u>						4 GA WIRE, GREEN 7"	5
12								
13	<u>73063-G01</u>						CHARGER RECEPTACLE ASSEMBLY (INCLUDES ITEMS 14 - 23).....	1
14	*						RECEPTACLE COVER	1
15	*						RECEPTACLE BOTTOM	1
16	<u>73051-G05</u>						FEMALE CONNECTOR	2
17	<u>73051-G06</u>						INSULATOR SLEEVE.....	1
18								
19	<u>73051-G08</u>						SCREW, #10 - 32 X 1/2" LG (BRASS)	2
20	<u>73051-G09</u>						SCREW, #6 - 32 X 1 3/4" LG (STAINLESS STEEL).....	3
21	<u>73051-G10</u>						LOCK NUT, #6 - 32	3
22	*						WIRE HARNESS (CHARGER).....	1
23								
24								
25								
26								
27	<u>71055-G01</u>						RIVET, 3/16" X 1" LG (ALUMINUM).....	4
28	<u>17618-G1</u>						WIRE TIE	3
29								
30								

ELECTRICAL SYSTEM - COMMON

Where applicable, THE USE OF NON UL PARTS WILL VOID ANY UL LISTING.

When ordering parts, please specify the model and serial number of the product.

* Indicates a component that is not available as an individual part.

G** Indicates consult Customer Service Department for additional information.

ITEM	PART NO.	1	2	3	4	5	DESCRIPTION	QTY.
31								
32	<u>27327-G01</u>						CABLE CLAMP	1
33	<u>10570-G11</u>						RIVET, 3/16" X 3/4" LG (STAINLESS STEEL)	1
34	<u>17618-G1</u>						WIRE TIE	11
35								
36								
37								
38	<u>00993-G01</u>						LOCK WASHER, 5/16" (SILICON BRONZE)	AR
39	<u>28418-G01</u>						NUT, 5/16 - 18 (BRASS).....	AR
40	<u>00993-G02</u>						LOCK WASHER, 1/4" (SILICON BRONZE)	2
41	<u>28418-G02</u>						NUT, 1/4 - 20 (BRASS).....	2
42								
43								
44								
45	<u>22674-G1</u>						FUSE BLOCK.....	1
46	<u>01041-G01</u>						RIVET, 1/8" X 13/16" LG	2
47	<u>18392-G1</u>						15 AMP FUSE	AR
48								
49								
50								
51	<u>32860-G1</u>						HORN	1
52	<u>00414-G5</u>						BOLT, 1/4 - 20 X 5/8" LG	1
53	<u>00559-G7</u>						WASHER, 1/4" FL	1
54	<u>14390-G4</u>						LOCK NUT, 1/4 - 20	1
55	<u>17318-G1</u>						HORN SWITCH.....	1
56	<u>17318-G2</u>						HORN SWITCH CAP AND NUT	1
57	<u>27068-G01</u>						HORN SWITCH BOOT	1
58	<u>19233-G1</u>						HORN SWITCH LABEL	1
59	<u>71055-G01</u>						RIVET, 3/16" X 1" LG (ALUMINUM).....	2
60								

ELECTRICAL SYSTEM - COMMON

Where applicable, THE USE OF NON UL PARTS WILL VOID ANY UL LISTING.
 When ordering parts, please specify the model and serial number of the product.
 * Indicates a component that is not available as an individual part.
 G** Indicates consult Customer Service Department for additional information.

ITEM	PART NO.	1	2	3	4	5	DESCRIPTION	QTY.
61								
62	<u>75113-G02</u>						HOUR METER KIT (INCLUDES ITEMS 63 - 67).....	1
63	<u>74665-G02</u>						HOUR METER.....	1
64	<u>74716-G01</u>						HOUR METER BRACKET.....	1
65	<u>74696-G01</u>						RETAINER CLIP.....	1
66	<u>10570-G11</u>						RIVET.....	2
67	<u>75117-G01</u>						WIRE HARNESS (HOUR METER).....	1
68								
69								
70								
71	<u>17421-G1</u>						KEY SWITCH KIT (W/O LIGHTS - STANDARD - WITH HARDWARE).....	1
72	<u>17955-G1</u>						KEY SWITCH (WITHOUT LIGHTS - NON STANDARD).....	1
73	<u>18027-G1</u>						KEY SWITCH (WITHOUT LIGHTS - INDIVIDUALLY KEYED).....	1
74	33639-G**						KEY SWITCH (WITH LIGHTS).....	1
75	<u>00568-G6</u>						LOCK WASHER, 3/4".....	1
76	17137-G1						FACE NUT, 3/4 - 20.....	1
77	<u>17063-G1</u>						KEY (SET).....	1
78								
79								
80	<u>75107-G02</u>						TURN SIGNAL KIT (INCLUDES ITEMS 81 - 85).....	1
81	<u>17867-G1</u>						TURN SIGNAL (WITH MOUNTING HARDWARE).....	1
82	<u>21640-G1</u>						TURN SIGNAL FLASHER.....	1
83	<u>32307-G3</u>						FLEX LOOM, 3/8" X 8" LG.....	1
84	<u>17618-G1</u>						WIRE TIE.....	2
85	<u>20965-G3</u>						STEERING COLUMN COVER.....	1
86								
87								
88								
89	73043-G01						WIRE HARNESS (ACCESSORY).....	1
90								

ELECTRICAL SYSTEM - COMMON

Where applicable, THE USE OF NON UL PARTS WILL VOID ANY UL LISTING.

When ordering parts, please specify the model and serial number of the product.

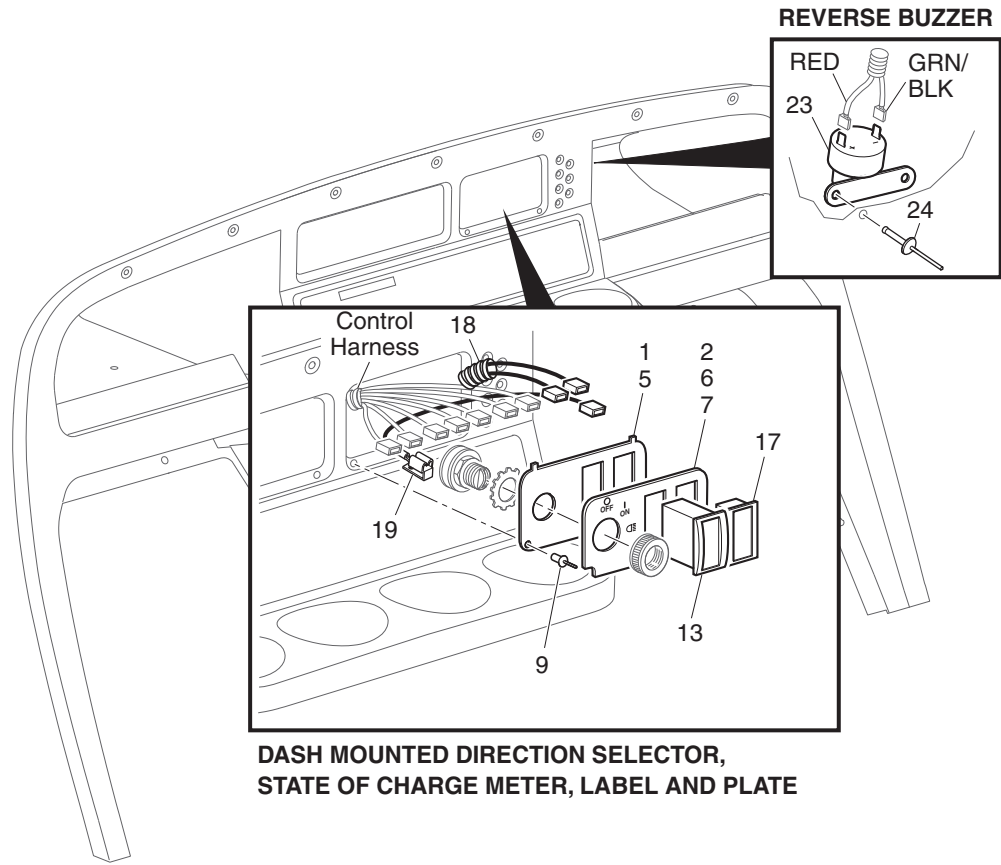
* Indicates a component that is not available as an individual part.

G** Indicates consult Customer Service Department for additional information.

ITEM	PART NO.	1	2	3	4	5	DESCRIPTION	QTY.
91								
92								
93	<u>74371-G01</u>						BEZEL (DRIVER SIDE).....	1
94	<u>74371-G02</u>						BEZEL (PASSENGER SIDE).....	1
95	<u>71364-G02</u>						'J' CLIP	8
96	<u>71425-G01</u>						COUNTERSUNK SCREW, #8	8
97	<u>22288-G2</u>						BRAKE / TAILLIGHT LAMP.....	1
98	<u>14601-G11</u>						RIVET, 3/16" X 9/16" LG (ALUMINUM).....	4
99	<u>21759-G1</u>						TAILLIGHT BULB	AR
100								
101								
102								
103	<u>74236-G03</u>						HEADLIGHT MOUNT BRACKET (PASSENGER SIDE).....	1
104	<u>74236-G04</u>						HEADLIGHT MOUNT BRACKET (DRIVER SIDE)	1
105	<u>01038-G01</u>						BOLT, 1/4 - 20 X 11/16" LG	2
106	<u>00414-G6</u>						BOLT, 1/4 - 20 X 3/4" LG	2
107	<u>11027-G2</u>						LOCK NUT, 1/4 - 20	2
108	<u>74001-G01</u>						HEADLIGHT AND TURN SIGNAL LIGHT	1
109	<u>00114-G6</u>						SCREW, 1/4 - 14 X 3/4" LG.....	4
110								
111								
112								
113	<u>74004-G01</u>						HEAD LIGHT BULB	AR
114	<u>74005-G01</u>						MARKER LIGHT BULB	AR
115	<u>74006-G01</u>						TURN SIGNAL BULB.....	AR

ELECTRICAL SYSTEM - COMMON

ELECTRICAL SYSTEM - PDS



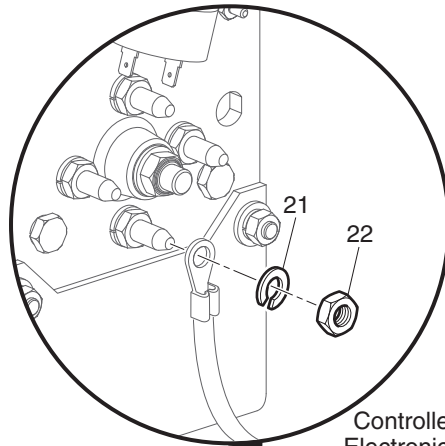
Ref Ele 1-4

ELECTRICAL SYSTEM - PDS

Where applicable, THE USE OF NON UL PARTS WILL VOID ANY UL LISTING.
 When ordering parts, please specify the model and serial number of the product.
 * Indicates a component that is not available as an individual part.
 G** Indicates consult Customer Service Department for additional information.

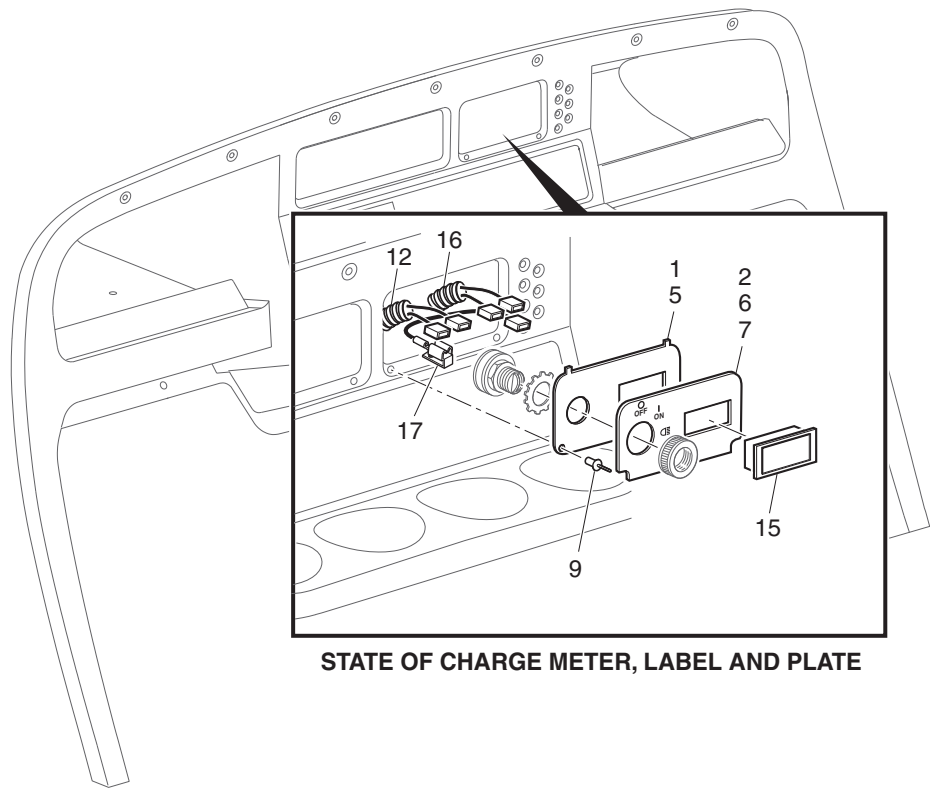
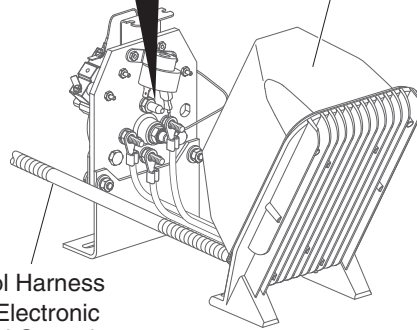
ITEM	PART NO.	1	2	3	4	5	DESCRIPTION	QTY.
1	73030-G05						PLATE (KEY SWITCH, DIRECTION SELECTOR)	1
2	<u>74316-G01</u>						LABEL (KEY SWITCH WITHOUT LIGHTS, DIRECTION SELECTOR).....	1
3								
4								
5	<u>73030-G06</u>						PLATE (KEY SWITCH, DIRECTION SELECTOR, CHARGE METER)	1
6	<u>74320-G01</u>						LABEL (KEY SWITCH WITHOUT LIGHTS, DIRECTION SELECTOR, CHARGE METER)	1
7	<u>74322-G01</u>						LABEL (KEY SWITCH WITH LIGHTS, DIRECTION SELECTOR, CHARGE METER)	1
8								
9	33623-G02						DRIVE RIVET, 3/16" X 3/8" LG	2
10								
11								
12								
13	<u>74323-G01</u>						DIRECTION SELECTOR SWITCH (DASH MOUNTED).....	1
14								
15								
16								
17	<u>33636-G04</u>						STATE OF CHARGE METER (VERTICAL)	1
18	<u>74018-G01</u>						WIRE HARNESS (STATE OF CHARGE METER)	1
19	<u>25978-G74</u>						18 GA WIRE (RED 6").....	1
20								
21								
22								
23	<u>73290-G02</u>						REVERSE WARNING BUZZER (CONTINUOUS TONE)	1
24	<u>01041-G01</u>						RIVET, 1/8" X 13/16" LG	2

ELECTRICAL SYSTEM - SERIES



Controller (See Electronic Speed Control Section)

Control Harness (See Electronic Speed Control Section)



STATE OF CHARGE METER, LABEL AND PLATE

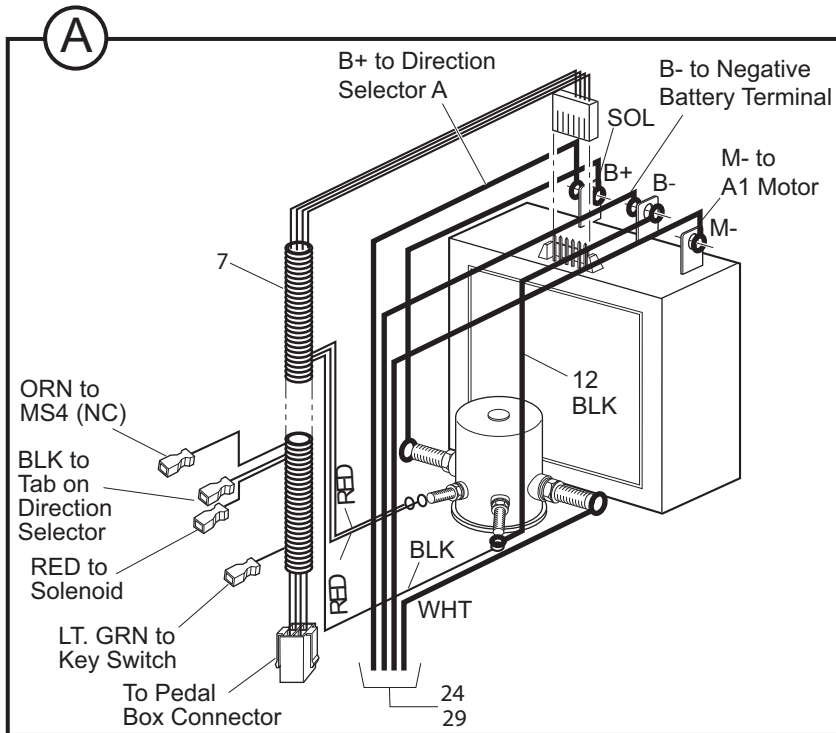
Ref Ele 1-5

ELECTRICAL SYSTEM - SERIES

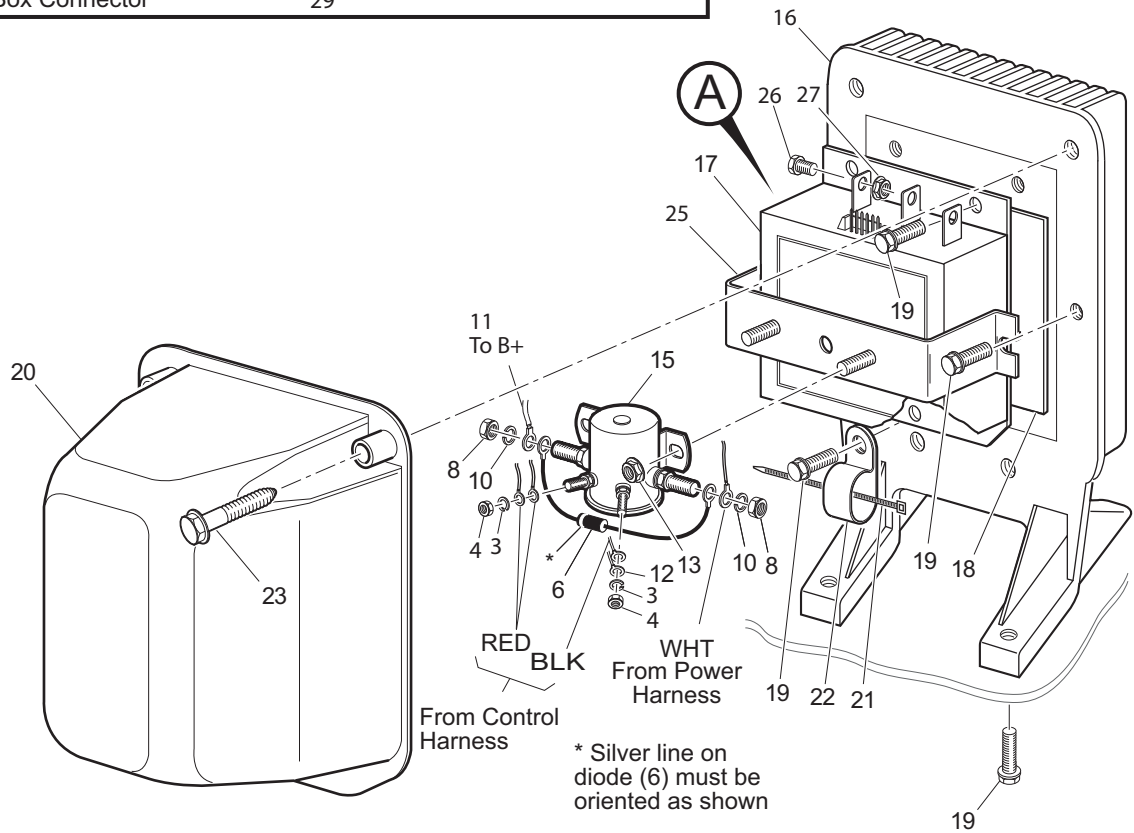
Where applicable, THE USE OF NON UL PARTS WILL VOID ANY UL LISTING.
 When ordering parts, please specify the model and serial number of the product.
 * Indicates a component that is not available as an individual part.
 G** Indicates consult Customer Service Department for additional information.

ITEM	PART NO.	1	2	3	4	5	DESCRIPTION	QTY.
1	<u>73030-G01</u>						PLATE (KEY SWITCH ONLY)	1
2	<u>71145-G01</u>						LABEL (KEY SWITCH ONLY)	1
3								
4								
5	73030-G02						PLATE (KEY SWITCH, STATE OF CHARGE METER)	1
6	<u>71123-G02</u>						LABEL (KEY SWITCH W/O LIGHTS, STATE OF CHARGE METER)	1
7	71129-G02						LABEL (KEY SWITCH W/ LIGHTS, STATE OF CHARGE METER)	1
8								
9	33623-G02						DRIVE RIVET, 3/16" X 3/8" LG	2
10								
11								
12	<u>73041-G01</u>						WIRE HARNESS (KEY SWITCH)	1
13								
14								
15	<u>33636-G01</u>						STATE OF CHARGE METER	1
16	<u>74018-G01</u>						WIRE HARNESS (STATE OF CHARGE METER)	1
17	<u>25978-G74</u>						18 GA WIRE (RED 6")	1
18								
19								
20								
21	<u>00565-G8</u>						LOCK WASHER, 5/16"	4
22	<u>00532-G3</u>						NUT, 5/16 - 18	4

ELECTRONIC SPEED CONTROL - SERIES



- 1 - Includes Items 3-27
- 2 - Includes Items 3-10 & 12-29



Ref Esc 1-1

ELECTRONIC SPEED CONTROL - SERIES

Where applicable, THE USE OF NON UL PARTS WILL VOID ANY UL LISTING.

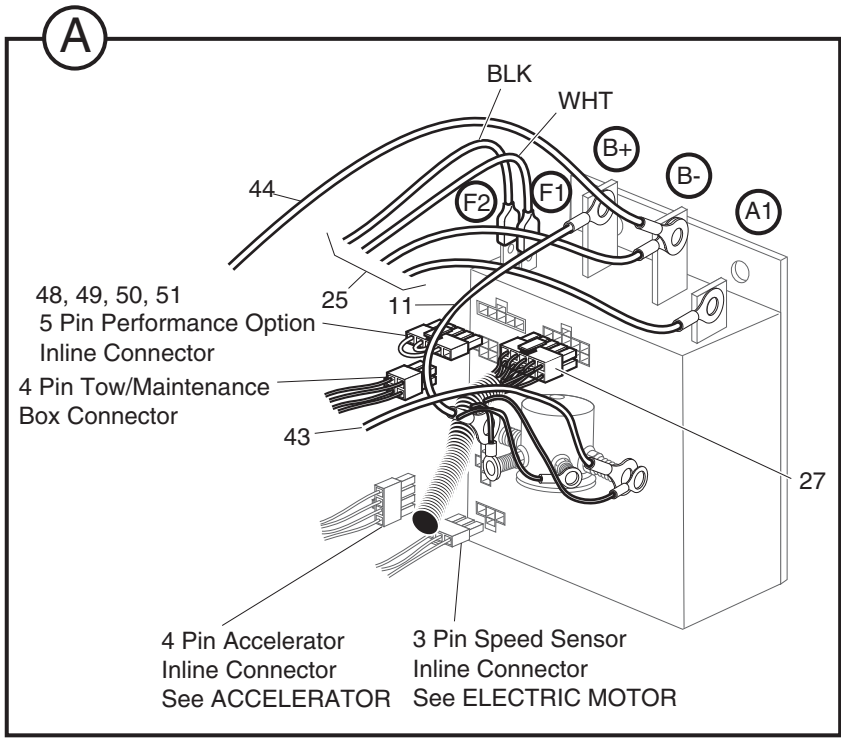
When ordering parts, please specify the model and serial number of the product.

* Indicates a component that is not available as an individual part.

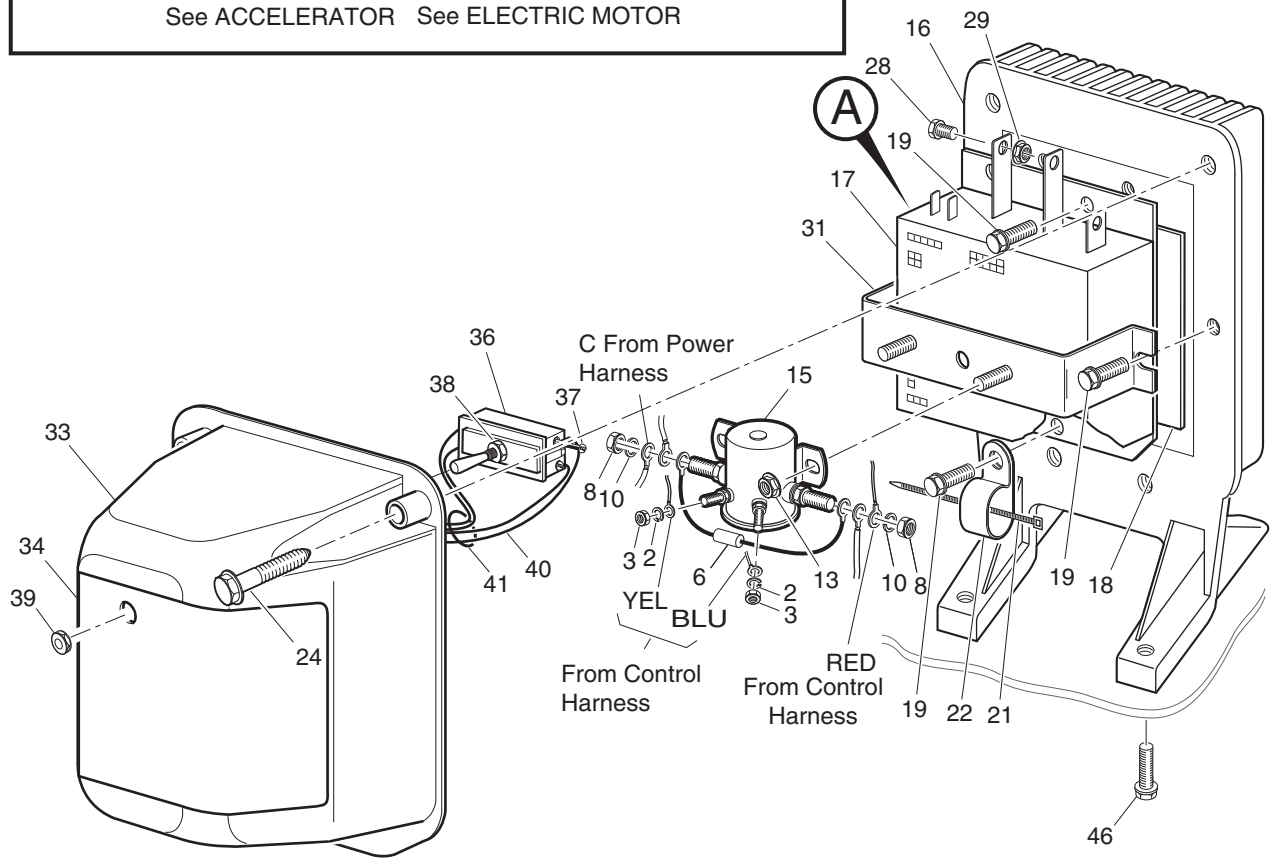
G** Indicates consult Customer Service Department for additional information.

ITEM	PART NO.	1	2	3	4	5	DESCRIPTION	QTY.
1	73056-G04						ELECTRONIC SPEED CONTROL ASSEMBLY (INCLUDES ITEMS 3-27)	1
2	73056-G06						ELECTRONIC SPEED CONTROL-II ASSY (INCLUDES ITEMS 3-10; 12-29).	1
3	*						LOCK WASHER, #10	2
4	*						NUT, 10 - 32	2
5	<u>30353-G1</u>						DIODE, 3 AMP	1
6	<u>21764-G1</u>						RESISTOR.....	1
7	<u>73103-G02</u>						WIRE HARNESS (CONTROL)	1
8	*						NUT, 5/16 - 24.....	2
9								
10	*						LOCK WASHER, 5/16"	2
11	<u>607591</u>						4 GA WIRE, GREEN, 11.5".....	1
12	<u>25978-G10</u>						18 GA WIRE (SOL - B-).....	1
13	<u>800706</u>						LOCK NUT, 1/4 - 20	2
14								
15	<u>27855-G01</u>						SOLENOID, 36 VOLT	1
16	<u>73471-G01</u>						HEATSINK	1
17	<u>25864-G09</u>						ELECTRONIC SPEED CONTROLLER.....	1
18	<u>73190-G01</u>						THERMAL MOUNTING PAD	1
19	<u>71102-G01</u>						BOLT, 1/4 - 20 X 3/4" LG.....	5
20	<u>73028-G01</u>						COVER	1
21	<u>31539-G1</u>						WIRE TIE	1
22	<u>73053-G01</u>						DOUBLE TUBE CLAMP	1
23	<u>71102-G03</u>						BOLT, 1/4 - 20 X 1 3/16" LG.....	3
24	<u>607656</u>						4 GA WIRING HARNESS, GREEN	1
25	25866-G01						SOLENOID BRACKET	1
26	<u>00270-G5</u>						BOLT, 5/16 - 18 X 5/8" LG.....	3
27	<u>11027-G1</u>						LOCK NUT, 5/16 - 18.....	3
28								
29	<u>607656</u>						4 GA WIRING HARNESS, GREEN	1

ELECTRONIC SPEED CONTROL - PDS



- 1 - Includes Items 2 - 44
- 32 - Includes Items 33 - 41
- 36 - Includes Items 37 - 39



Ref Esp 1-1

ELECTRONIC SPEED CONTROL - PDS

Where applicable, THE USE OF NON UL PARTS WILL VOID ANY UL LISTING.

When ordering parts, please specify the model and serial number of the product.

* Indicates a component that is not available as an individual part.

G** Indicates consult Customer Service Department for additional information.

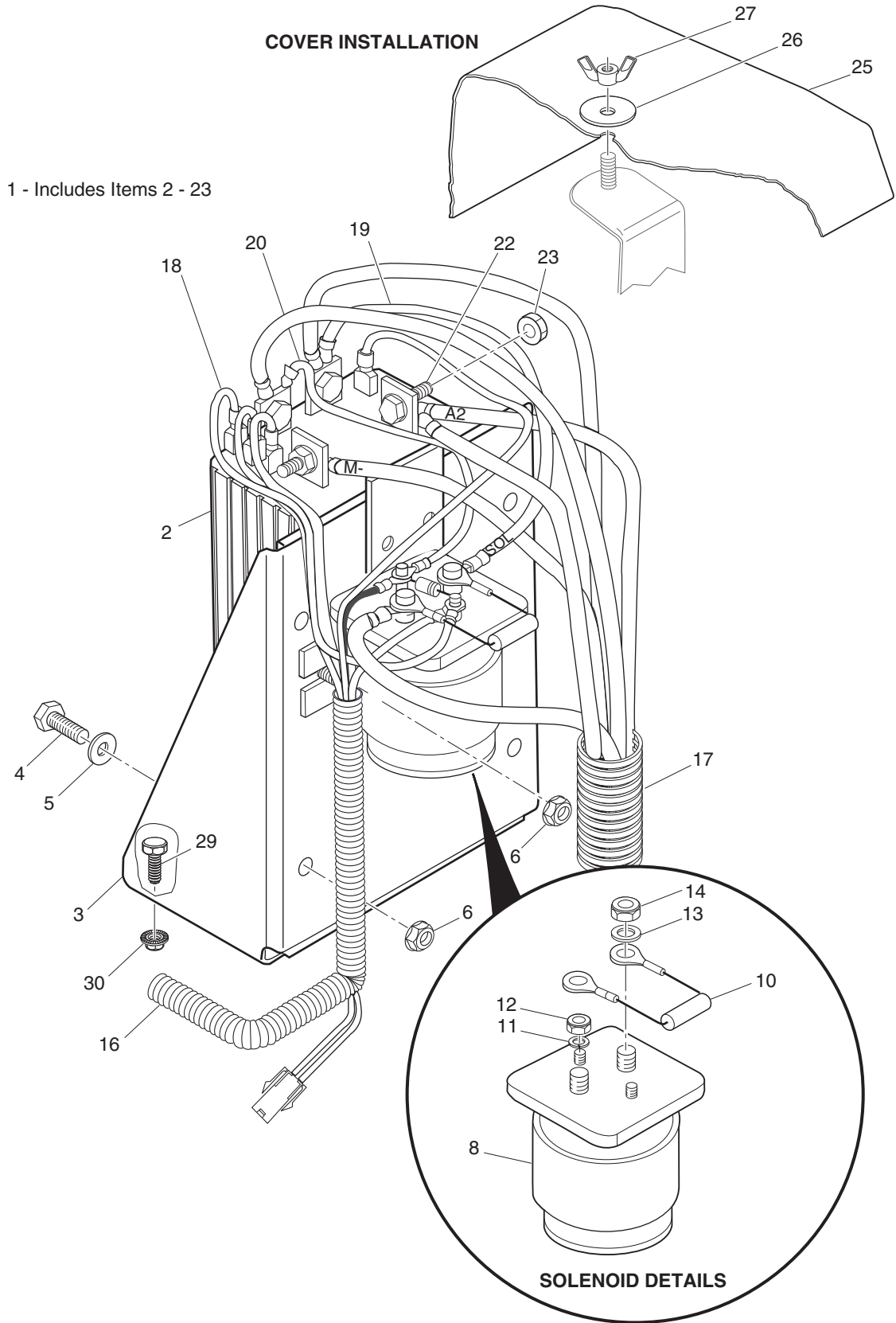
ITEM	PART NO.	1	2	3	4	5	DESCRIPTION	QTY.
1	<u>73276-G02</u>						ELECTRONIC SPEED CONTROL ASSEMBLY (INCLUDES ITEMS 2 - 44).....	1
2	*						LOCK WASHER, #10	2
3	*						NUT, 10 - 32.....	2
4								
5								
6	<u>21764-G1</u>						RESISTOR.....	1
7								
8	*						NUT, 5/16 - 24.....	2
9								
10	*						LOCK WASHER, 5/16"	2
11	<u>607591</u>						4 GA WIRE, GREEN 11.5"	1
12								
13	<u>800706</u>						LOCK NUT, 1/4 - 20	2
14								
15	<u>27855-G01</u>						SOLENOID, 36 VOLT	1
16	<u>73471-G01</u>						HEATSINK	1
17	<u>73326-G07</u>						ELECTRONIC SPEED CONTROLLER	1
18	<u>73190-G01</u>						THERMAL MOUNTING PAD	1
19	<u>71102-G01</u>						BOLT, 1/4 - 20 X 3/4" LG.....	5
20								
21	<u>31539-G1</u>						WIRE TIE	1
22	<u>73053-G01</u>						DOUBLE TUBE CLAMP	1
23								
24	<u>71102-G01</u>						BOLT, 1/4 - 20 X 3/4" LG.....	4
25	<u>73106-G01</u>						WIRE HARNESS (POWER)	1
26								
27	<u>74324-G02</u>						WIRE HARNESS (CONTROL)	1
28	<u>00270-G5</u>						BOLT, 5/16 - 18 X 5/8" LG.....	3
29	<u>11027-G1</u>						LOCK NUT, 5/16 - 18.....	3
30								

ELECTRONIC SPEED CONTROL - PDS

Where applicable, THE USE OF NON UL PARTS WILL VOID ANY UL LISTING.
 When ordering parts, please specify the model and serial number of the product.
 * Indicates a component that is not available as an individual part.
 G** Indicates consult Customer Service Department for additional information.

ITEM	PART NO.	1	2	3	4	5	DESCRIPTION	QTY.
31	25866-G01						SOLENOID BRACKET	1
32	<u>73089-G01</u>						COVER ASSEMBLY (INCLUDES ITEMS 33 - 41)	1
33	<u>73028-G02</u>						COVER (WITH GASKET)	1
34	73093-G01						LABEL (TOW SWITCH)	1
35								
36	73125-G01						TOGGLE SWITCH WITH SEAL (INCLUDES ITEMS 37 - 39)	1
37	*						SCREW, #5 - 40.....	4
38	*						NUT, 15/32 - 32.....	1
39	<u>73139-G01</u>						SEALED NUT, 15/32 - 32.....	1
40	73138-G02						WIRE HARNESS (TOW SWITCH).....	1
41	<u>17618-G1</u>						WIRE TIE	1
42								
43	<u>607592</u>						4 GA WIRE, GREEN 28"	1
44	<u>607593</u>						4 GA WIRE, GREEN 37"	1
45								
46	<u>71102-G01</u>						BOLT, 1/4 - 20 X 3/4" LG	4
47								
48	<u>73272-G01</u>						PERFORMANCE OPTION (FREEDOM) (NOT AVAILABLE FOR FLEET).....	1
49	<u>73272-G02</u>						PERFORMANCE OPTION (STEEP HILL)	1
50	<u>73272-G03</u>						PERFORMANCE OPTION (MILD HILL)	1
51	73272-G04						PERFORMANCE OPTION (ALL TERRAIN)	1

ELECTRONIC SPEED CONTROL - HD



Ref Esh 1

ELECTRONIC SPEED CONTROL - HD

Where applicable, THE USE OF NON UL PARTS WILL VOID ANY UL LISTING.

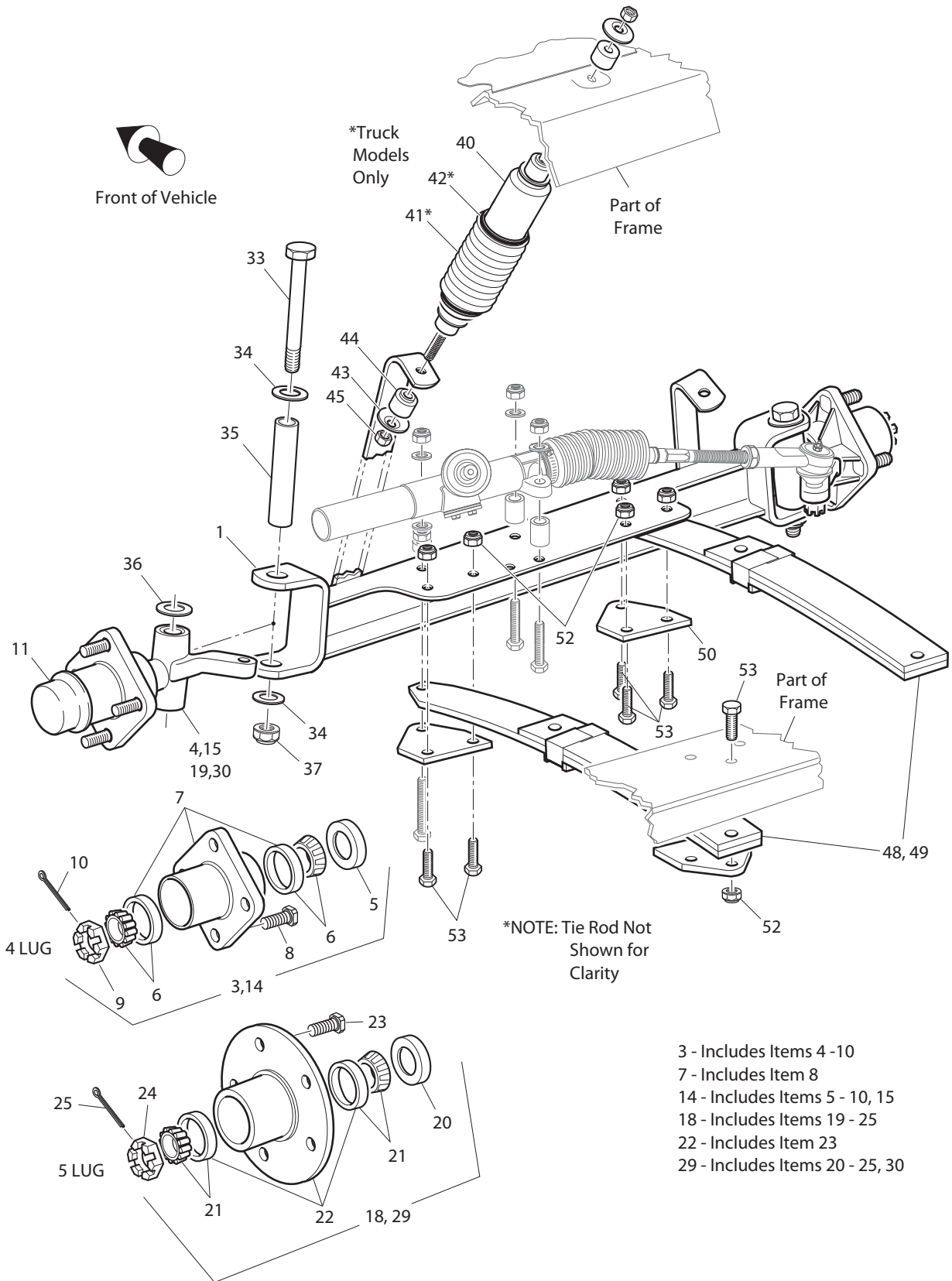
When ordering parts, please specify the model and serial number of the product.

* Indicates a component that is not available as an individual part.

G** Indicates consult Customer Service Department for additional information.

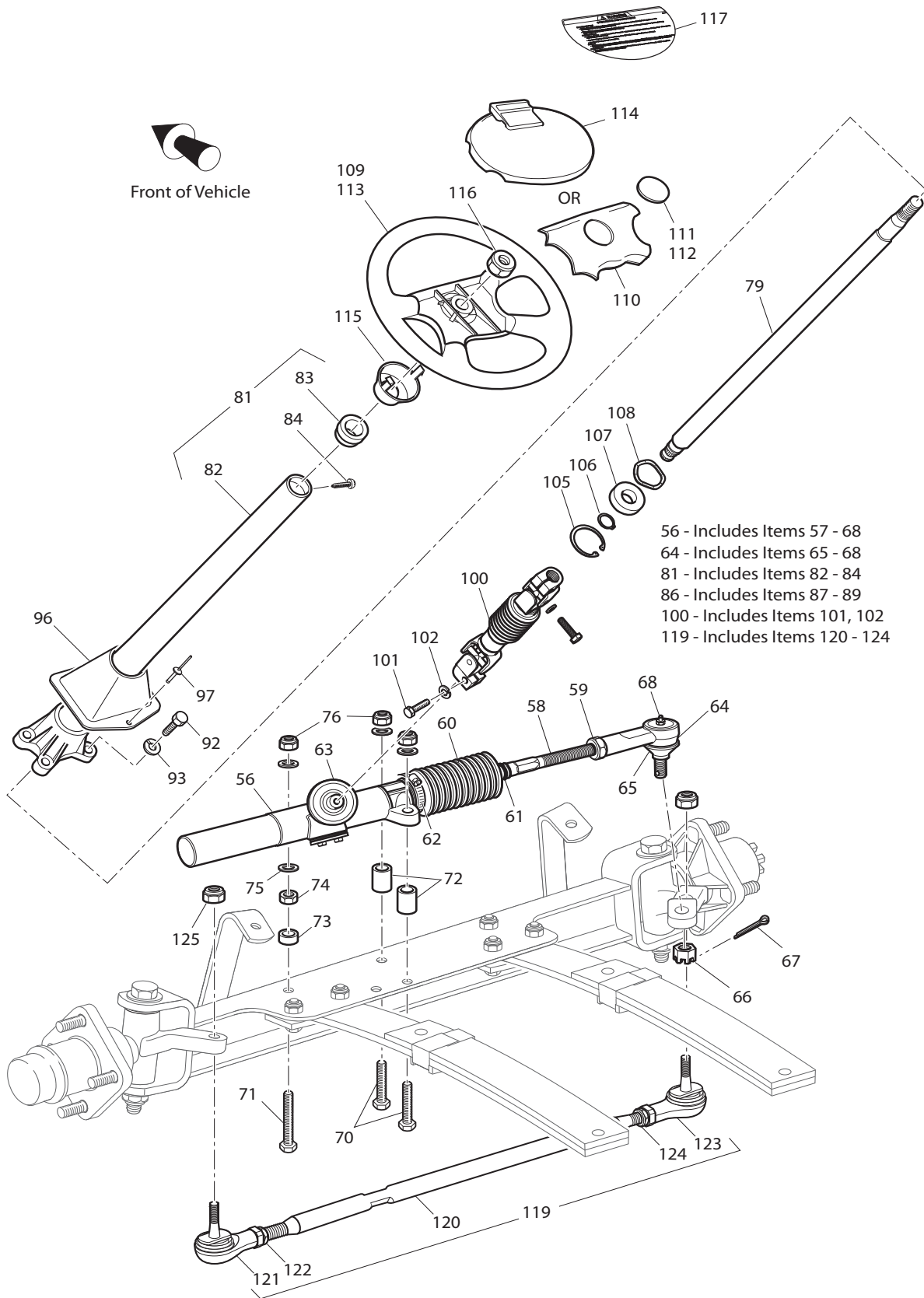
ITEM	PART NO.	1	2	3	4	5	DESCRIPTION	QTY.
1	<u>73055-G02</u>						ELECTRONIC SPEED CONTROL ASSEMBLY (INCLUDES ITEMS 2 - 23).....	1
2	73060-G05						ELECTRONIC SPEED CONTROLLER	1
3	<u>74014-G02</u>						CONTROLLER MOUNT	1
4	<u>00414-G5</u>						BOLT, 1/4 - 20 X 5/8" LG.....	4
5	<u>00559-G7</u>						WASHER, 1/4"	4
6	<u>11027-G2</u>						LOCK NUT, 1/4 - 20.....	6
7								
8	<u>20468-G1</u>						SOLENOID	1
9								
10	<u>21764-G1</u>						RESISTOR.....	1
11	*						LOCK WASHER, #10	2
12	*						NUT, #10 - 32.....	2
13	*						WASHER, 5/16"	2
14	*						NUT, 5/16 - 24.....	2
15								
16	73095-G04						WIRE HARNESS (CONTROL)	1
17	<u>28325-G01</u>						WIRE HARNESS (POWER)	1
18	<u>25978-G88</u>						18 GA WIRE (RED 9")	1
19	<u>607591</u>						4 GA WIRE, GREEN 11.5".....	1
20	<u>25978-G10</u>						18 GA WIRE(BLK 6", SOL - B-).....	1
21								
22	00438-G6						BOLT, 5/16 - 18 X 3/4" LG.....	4
23	<u>11027-G1</u>						LOCK NUT, 5/16 - 18.....	4
24								
25	<u>23723-G2</u>						COVER.....	1
26	<u>16469-G1</u>						WASHER, 1/4"	1
27	<u>14419-G1</u>						WING NUT, 1/4 - 20	1
28								
29	<u>00414-G5</u>						BOLT, 1/4 - 20 X 5/8" LG	4
30	<u>11027-G2</u>						LOCK NUT, 1/4 - 20	4

FRONT SUSPENSION/STEERING



Ref Fss 1-1

FRONT SUSPENSION/STEERING



Ref Fss 1-2

FRONT SUSPENSION/STEERING

Where applicable, THE USE OF NON UL PARTS WILL VOID ANY UL LISTING.
 When ordering parts, please specify the model and serial number of the product.
 * Indicates a component that is not available as an individual part.
 G** Indicates consult Customer Service Department for additional information.

ITEM	PART NO.	1 2 3 4 5	DESCRIPTION	QTY.
1	<u>602513</u>		FRONT AXLE.....	1
2				
3	<u>70942-G01</u>		SPINDLE AND HUB ASSEMBLY, 4 LUG (PASSENGER SIDE) (INCLUDES ITEMS 4 - 10)	1
4	<u>70942-G02</u>		SPINDLE ASSEMBLY (PASSENGER SIDE)	1
5	<u>25146-G1</u>		GREASE SEAL.....	1
6	<u>50892-G1</u>		ROLLER BEARING AND RACE ASSEMBLY	2
7	<u>70895-G01</u>		WHEEL HUB ASSEMBLY WITH RACES, 4 LUG (INCLUDES ITEM 8).....	1
8	<u>19862-G1</u>		LUG BOLT, 1/2 - 20 X 1 3/16" LG	4
9	<u>12093-G1</u>		CASTELLATED NUT, 1 - 14	1
10	<u>00798-G8</u>		COTTER PIN, 5/32" X 1 3/4" LG	1
11	<u>12091-G2</u>		SPINDLE CAP	2
12				
13				
14	<u>70673-G01</u>		SPINDLE AND HUB ASSEMBLY, 4 LUG (DRIVER SIDE) (INCLUDES ITEMS 5 - 10, 15)	1
15	<u>70673-G02</u>		SPINDLE ASSEMBLY (DRIVER SIDE).....	1
16				
17				
18	<u>70943-G01</u>		SPINDLE AND HUB ASSEMBLY, 5 LUG (PASSENGER SIDE) (INCLUDES ITEMS 19 - 25)	1
19	<u>70942-G02</u>		SPINDLE ASSEMBLY (PASSENGER SIDE)	1
20	<u>12092-G1</u>		GREASE SEAL.....	1
21	<u>50892-G1</u>		ROLLER BEARING AND RACE ASSEMBLY	2
22	<u>70772-G01</u>		WHEEL HUB ASSEMBLY WITH RACES, 5 LUG (INCLUDES ITEM 23)....	1
23	<u>30143-G1</u>		LUG BOLT, 1/2 - 20 X 1 7/32" LG	5
24	<u>12093-G1</u>		CASTELLATED NUT, 1 - 14	1
25	<u>00798-G8</u>		COTTER PIN, 5/32" X 1 3/4" LG	1
26				
27				
28				

FRONT SUSPENSION/STEERING

Where applicable, THE USE OF NON UL PARTS WILL VOID ANY UL LISTING.

When ordering parts, please specify the model and serial number of the product.

* Indicates a component that is not available as an individual part.

G** Indicates consult Customer Service Department for additional information.

ITEM	PART NO.	1 2 3 4 5	DESCRIPTION	QTY.
29	<u>70797-G01</u>		SPINDLE AND HUB ASSEMBLY, 5 LUG (DRIVER SIDE) (INCLUDES ITEMS 20 - 25, 30)	1
30	70673-G02		SPINDLE ASSEMBLY (DRIVER SIDE)	1
31				
32				
33	<u>00407-G6</u>		BOLT, 1/2 - 13 X 6" LG	2
34	<u>00560-G3</u>		WASHER, 1/2"	4
35	<u>70745-G01</u>		KING PIN TUBE	2
36	<u>70754-G01</u>		THRUST WASHER, 1" (STAINLESS STEEL)	2
37	<u>14390-G6</u>		LOCK NUT, 1/2 - 13	2
38				
39				
40	<u>76419-G01</u>		SHOCK ABSORBER	2
41	<u>70509-G01</u>		SHOCK ABSORBER BOOT	2
42	<u>31539-G1</u>		WIRE TIE	4
43	<u>10435-G1</u>		SHOCK ABSORBER WASHER	8
44	<u>10194-G1</u>		RUBBER BUSHING	8
45	<u>00532-G6</u>		NUT, 3/8 - 24	4
46				
47				
48	70990-G02		LEAF SPRING (SEE PART NUMBER ON SPRING)	2
49	<u>70989-G03</u>		LEAF SPRING (HEAVY DUTY) (SEE PART NUMBER ON SPRING)	2
50	<u>70163-G03</u>		SPRING PLATE	4
51				
52	<u>00734-G1</u>		LOCK NUT, 7/16 - 14	11
53	<u>00463-G11</u>		BOLT, 7/16 - 14 X 1 3/4" LG	11
54				
55				
56	<u>70964-G02</u>		RACK AND PINION UNIT (COMPLETE) (INCLUDES ITEMS 57 - 68)	1
57	*		STEERING BOX INSTALLATION TAG	1

FRONT SUSPENSION/STEERING

Where applicable, THE USE OF NON UL PARTS WILL VOID ANY UL LISTING.

When ordering parts, please specify the model and serial number of the product.

* Indicates a component that is not available as an individual part.

G** Indicates consult Customer Service Department for additional information.

ITEM	PART NO.	1 2 3 4 5	DESCRIPTION	QTY.
58	<u>70694-G01</u>		RACK EXTENSION	1
59	*		JAM NUT, 1/2 - 20.....	1
60	<u>70961-G01</u>		RACK BOOT	1
61	<u>12416-G2</u>		WIRE TIE	1
62	<u>11391-G8</u>		CLAMP, 1 13/16 - 2 3/8".....	1
63	<u>70638-G01</u>		PINION SEAL	1
64	<u>70695-G01</u>		RACK BALL JOINT (INCLUDES ITEMS 65 - 68).....	1
65	<u>50641-G1</u>		RUBBER BOOT	1
66	<u>50209-G2</u>		CASTELLATED NUT, 7/16 - 20	1
67	<u>10387-G2</u>		COTTER PIN, 3/32" X 1" LG	1
68	<u>10389-G3</u>		GREASE FITTING, STRAIGHT.....	1
69				
70	<u>00464-G6</u>		BOLT, 7/16 - 14 X 2 3/4" LG	2
71	<u>01068-G01</u>		BOLT, 7/16 - 14 X 3 1/2" LG	1
72	<u>70667-G02</u>		SPACER.....	2
73	<u>70667-G03</u>		SPACER (SHORT).....	1
74	<u>00532-G7</u>		NUT, 7/16 - 14	1
75	<u>00560-G2</u>		FLAT WASHER, 7/16"	4
76	<u>00734-G1</u>		LOCK NUT, 7/16 - 14	3
77				
78				
79	<u>70607-G01</u>		STEERING SHAFT	1
80				
81	<u>70758-G05</u>		STEERING COLUMN KIT (INCLUDES ITEMS 82 - 84).....	1
82	<u>70610-G03</u>		STEERING COLUMN	1
83	<u>28569-G01</u>		STEERING COLUMN BUSHING.....	1
84	<u>01022-G01</u>		SCREW, #6 - 20 X 5/16" LG	1
85				
86				
87				

FRONT SUSPENSION/STEERING

Where applicable, THE USE OF NON UL PARTS WILL VOID ANY UL LISTING.

When ordering parts, please specify the model and serial number of the product.

* Indicates a component that is not available as an individual part.

G** Indicates consult Customer Service Department for additional information.

ITEM	PART NO.	1	2	3	4	5	DESCRIPTION	QTY.
88								
89								
90								
91								
92	<u>01006-G01</u>						BOLT, 3/8 - 16 X 1 1/4" LG	4
93	<u>00879-G1</u>						LOCK WASHER, 3/8"	4
94								
95								
96	<u>70997-G01</u>						COVER.....	1
97	<u>71055-G01</u>						RIVET, 3/16" X 1" LG (ALUMINUM).....	1
98								
99								
100	<u>70580-G01</u>						INTERMEDIATE SHAFT (INCLUDES ITEMS 101, 102).....	1
101	<u>01055-G01</u>						BOLT, M8 X 1.25 - 05 LG	2
102	<u>00565-G8</u>						LOCK WASHER, 5/16"	2
103								
104								
105	<u>70751-G01</u>						RETAINING RING (INTERNAL).....	1
106	<u>70888-G01</u>						RETAINING RING (EXTERNAL).....	1
107	<u>15112-G1</u>						BALL BEARING	1
108	<u>70887-G01</u>						WAVE WASHER.....	1
109	<u>71146-G01</u>						STEERING WHEEL	1
110	<u>71147-G01</u>						STEERING WHEEL COVER	1
111	<u>71047-G01</u>						LABEL (E-Z-GO)	1
112	<u>74405-G01</u>						LABEL (CUSHMAN).....	1
113	<u>602979</u>						STEERING WHEEL	1
114	<u>607925</u>						CLIPBOARD.....	1
115	<u>71949-G01</u>						HUB COVER	1
116	<u>14390-G2</u>						LOCK NUT, 5/8 - 18	1
117	<u>608529</u>						WARNING LABEL	1

FRONT SUSPENSION/STEERING

Where applicable, THE USE OF NON UL PARTS WILL VOID ANY UL LISTING.

When ordering parts, please specify the model and serial number of the product.

* Indicates a component that is not available as an individual part.

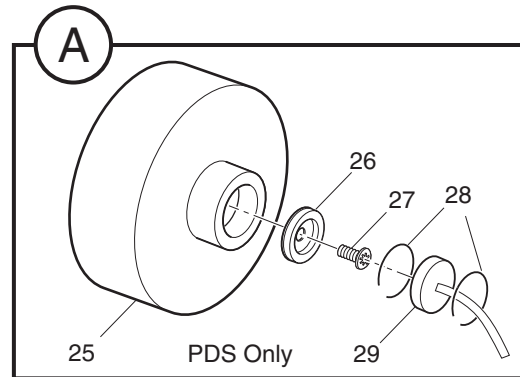
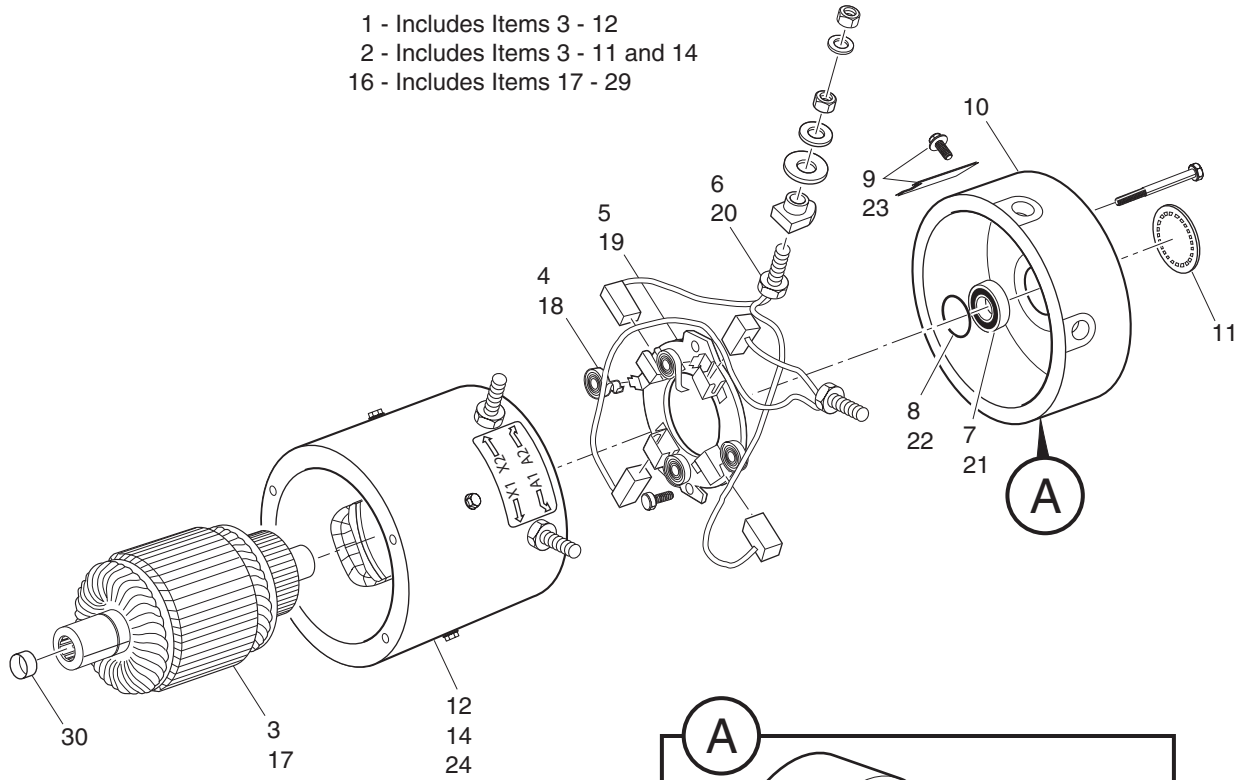
G** Indicates consult Customer Service Department for additional information.

ITEM	PART NO.	1 2 3 4 5	DESCRIPTION	QTY.
118				
119	<u>70876-G02</u>		TIE ROD ASSEMBLY (INCLUDES ITEMS 120 - 124).....	1
120	<u>70897-G02</u>		THREADED ROD (24" LG).....	1
121	<u>70902-G01</u>		TIE ROD END (LEFT HAND THREADS).....	1
122	<u>01069-G01</u>		JAM NUT, M12 X 1.25 - 05 (LEFT HAND THREADS).....	1
123	<u>70902-G02</u>		TIE ROD END (RIGHT HAND THREADS).....	1
124	<u>01069-G02</u>		JAM NUT, M12 X 1.25 - 05 (RIGHT HAND THREADS).....	1
125	<u>00734-G1</u>		LOCK NUT, 7/16 - 14	2

FRONT SUSPENSION/STEERING

MOTOR

- 1 - Includes Items 3 - 12
- 2 - Includes Items 3 - 11 and 14
- 16 - Includes Items 17 - 29



Ref Mtr 1

MOTOR

Where applicable, THE USE OF NON UL PARTS WILL VOID ANY UL LISTING.

When ordering parts, please specify the model and serial number of the product.

* Indicates a component that is not available as an individual part.

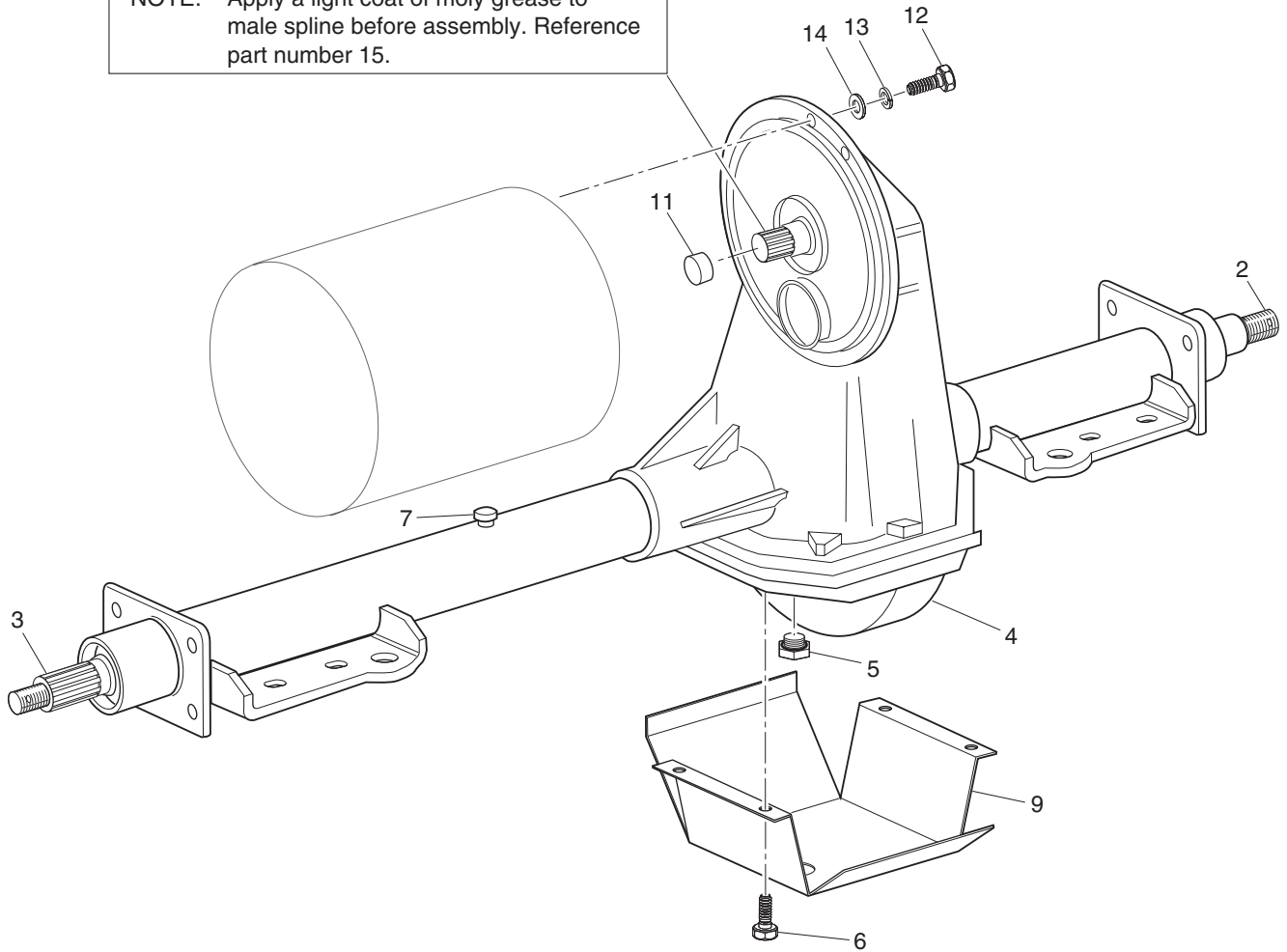
G** Indicates consult Customer Service Department for additional information.

ITEM	PART NO.	1	2	3	4	5	DESCRIPTION	QTY.
1	<u>73124-G02</u>						MOTOR (SERIES, FLEET SPEED) (INCLUDES ITEMS 3 - 12)	1
2	<u>73124-G03</u>						MOTOR (SERIES, HIGH SPEED) (INCLUDES ITEMS 3 - 11, 14)	1
3	<u>73120-G01</u>						ARMATURE	1
4	<u>73120-G03</u>						BRUSH SPRING.....	4
5	<u>73120-G15</u>						BRUSH PLATE AND BOX.....	1
6	<u>73120-G25</u>						BRUSH REPLACEMENT KIT (INCLUDES HARDWARE)	1
7	<u>73120-G07</u>						BEARING	1
8	<u>73120-G06</u>						SNAP RING	1
9	<u>73120-G09</u>						COVER PLATE AND SCREW.....	1
10	<u>73120-G08</u>						COMMUTATOR END HOUSING	1
11	<u>73120-G16</u>						CAP.....	1
12	<u>73120-G29</u>						FRAME AND FIELD COIL (G02 MOTOR) (INCLUDES HARDWARE)	1
13								
14	<u>73120-G30</u>						FRAME AND FIELD COIL (G03 MOTOR) (INCLUDES HARDWARE)	1
15								
16	<u>73124-G08</u>						MOTOR (SEPARATELY EXCITED) (PDS) (INCLUDES ITEMS 17 - 29)	1
17	<u>73120-G18</u>						ARMATURE.....	1
18	<u>73120-G03</u>						BRUSH SPRING.....	4
19	<u>73120-G15</u>						BRUSH PLATE AND BOX.....	1
20	<u>73120-G25</u>						BRUSH REPLACEMENT KIT (INCLUDES HARDWARE)	1
21	<u>73120-G07</u>						BEARING.....	1
22	<u>73120-G06</u>						SNAP RING	1
23	<u>73120-G09</u>						COVER PLATE AND SCREW.....	1
24	<u>73120-G31</u>						FRAME AND FIELD COIL (INCLUDES HARDWARE).....	1
25	<u>73120-G19</u>						COMMUTATOR END HOUSING	1
26	<u>73328-G01</u>						MAGNET.....	1
27	<u>01037-G02</u>						SCREW, #10 - 32 X 1/2" LG.....	1
28	<u>73277-G01</u>						RETAINING RING	2
29	<u>73327-G01</u>						SPEED SENSOR.....	1
30	<u>24261-G1</u>						SPLINE BUMPER	1

REAR AXLE

1 - Includes Items 2 - 7

NOTE: Apply a light coat of moly grease to male spline before assembly. Reference part number 15.



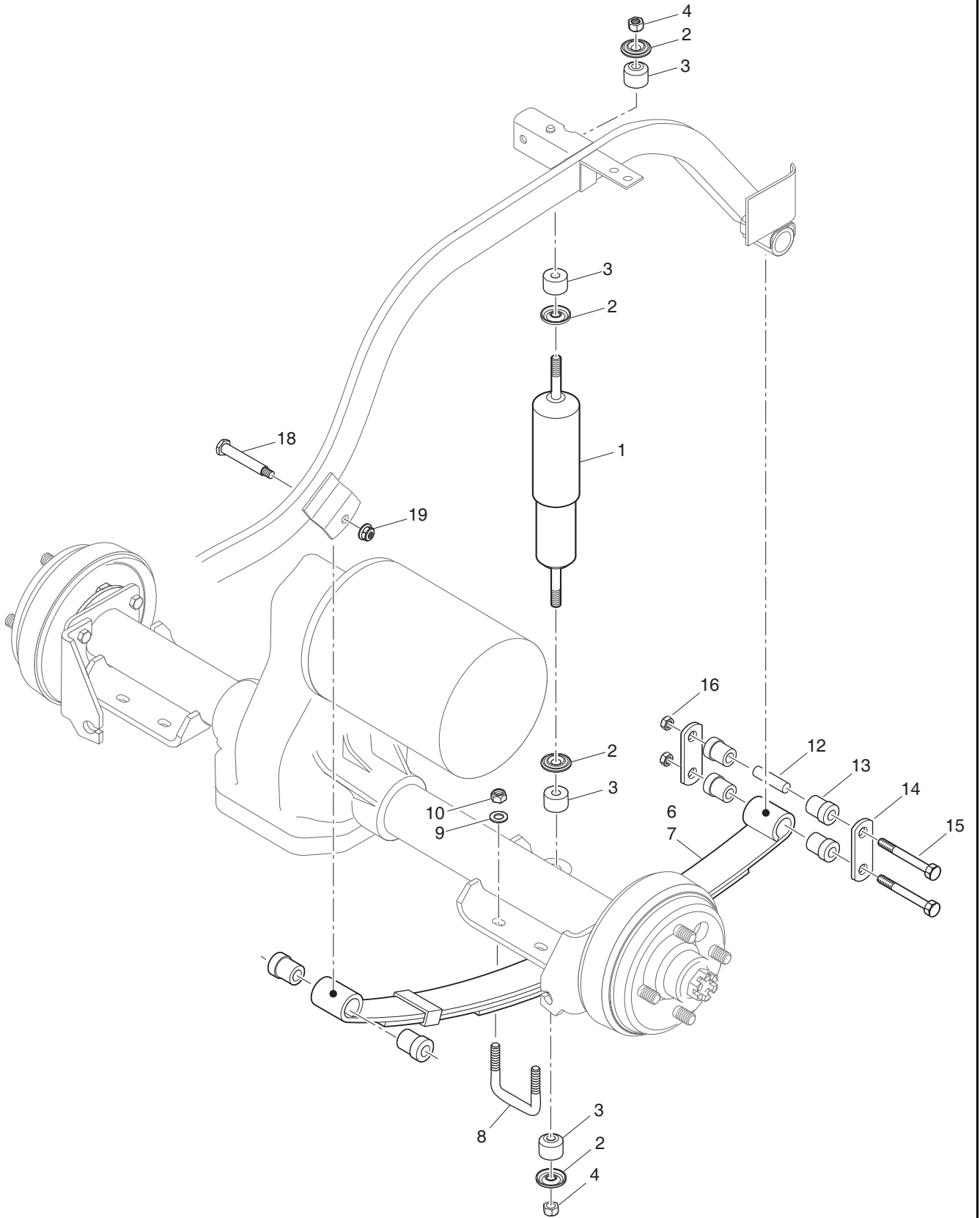
Ref Rax 1

REAR AXLE

Where applicable, THE USE OF NON UL PARTS WILL VOID ANY UL LISTING.
 When ordering parts, please specify the model and serial number of the product.
 * Indicates a component that is not available as an individual part.
 G** Indicates consult Customer Service Department for additional information.

ITEM	PART NO.	1 2 3 4 5	DESCRIPTION	QTY.
1	<u>73500-G01</u>		REAR AXLE ASSEMBLY (INCLUDES ITEMS 2 - 7)	1
2	<u>20377-G12</u>		AXLE SHAFT (PASSENGER SIDE).....	1
3	<u>20377-G11</u>		AXLE SHAFT (DRIVER SIDE).....	1
4	*		DIFFERENTIAL COVER.....	1
5	<u>28610-G01</u>		FILL PLUG WITH 'O' RING.....	1
6	<u>15558-G1</u>		BOLT, 5/16 - 18 X 3/4" LG.....	10
7	<u>73050-G01</u>		VENT	1
8				
9	<u>72763-G01</u>		SCUFF GUARD	1
10				
11	XXXXX-XXX		SPLINE BUMPER (SEE ELECTRIC MOTOR)	1
12	<u>00797-G2</u>		BOLT, 1/4 - 20 X 1 1/4" LG	3
13	<u>00565-G7</u>		LOCK WASHER, 1/4"	3
14	<u>00559-G7</u>		WASHER FLAT, 1/4"	3
15	<u>28095-G01</u>		MOLY LUBE, 2 OZ.....	AR

REAR SUSPENSION



Ref Rsp 1

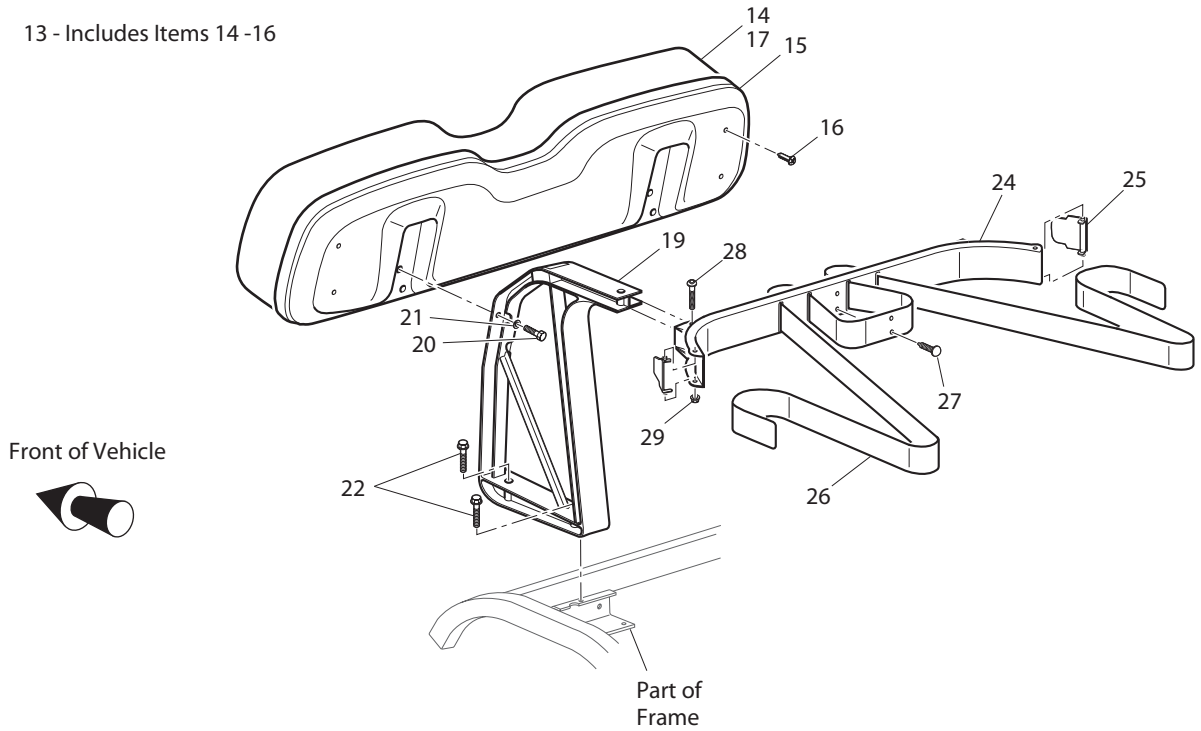
REAR SUSPENSION

Where applicable, THE USE OF NON UL PARTS WILL VOID ANY UL LISTING.
 When ordering parts, please specify the model and serial number of the product.
 * Indicates a component that is not available as an individual part.
 G** Indicates consult Customer Service Department for additional information.

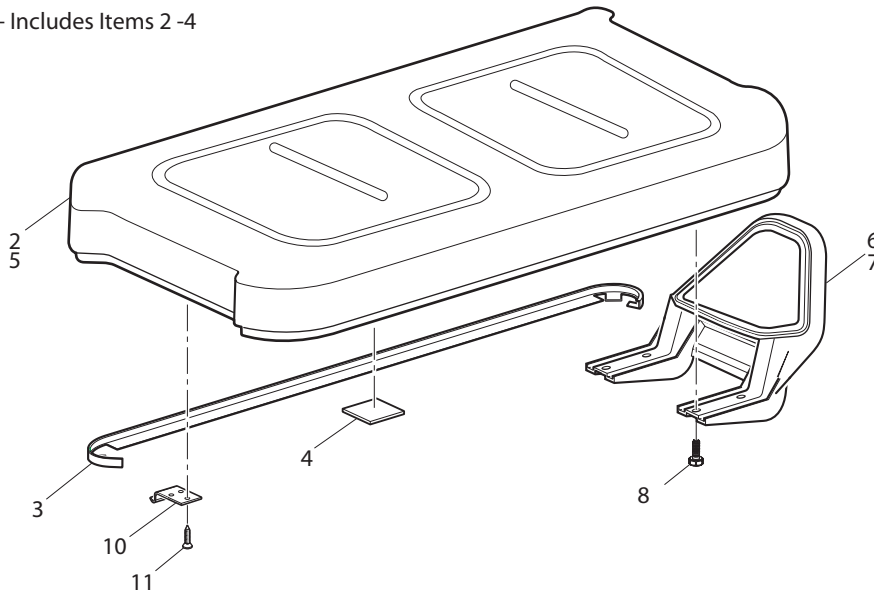
ITEM	PART NO.	1 2 3 4 5	DESCRIPTION	QTY.
1	<u>76418-G01</u>		SHOCK ABSORBER.....	2
2	<u>10435-G1</u>		SHOCK ABSORBER WASHER.....	8
3	<u>10194-G1</u>		RUBBER BUSHING.....	8
4	<u>00532-G6</u>		NUT, 3/8 - 24.....	4
5				
6	<u>603109</u>		REAR LEAF SPRINGS (REPLACE LEFT & RIGHT SPRINGS SIMULTANEOUSLY)	2
7	<u>74207-G01</u>		LEAF SPRING, 4 LEAF.....	2
8	<u>72618-G01</u>		'U' BOLT, 3/8 - 16 X 2" X 2 1/2" LG.....	4
9	<u>00560-G1</u>		WASHER, 3/8".....	8
10	<u>11098-G5</u>		LOCK NUT, 3/8 - 16.....	8
11				
12	<u>70289-G02</u>		SPACER.....	4
13	<u>70291-G01</u>		FLANGED BUSHING (LEAF SPRING).....	12
14	<u>70290-G02</u>		SHACKLE PLATE.....	4
15	<u>00665-G9</u>		BOLT, 3/8 - 16 X 3 1/2" LG (STAINLESS STEEL).....	4
16	<u>11098-G5</u>		LOCK NUT, 3/8 - 16.....	4
17				
18	<u>14158-G1</u>		SHOULDER BOLT, 3/8 - 16 X 3 1/4" LG.....	2
19	<u>12262-G1</u>		LOCK NUT, 3/8 - 16.....	2

SEATING AND BAG HOLDER - GOLF CAR

13 - Includes Items 14 -16



1 - Includes Items 2 -4



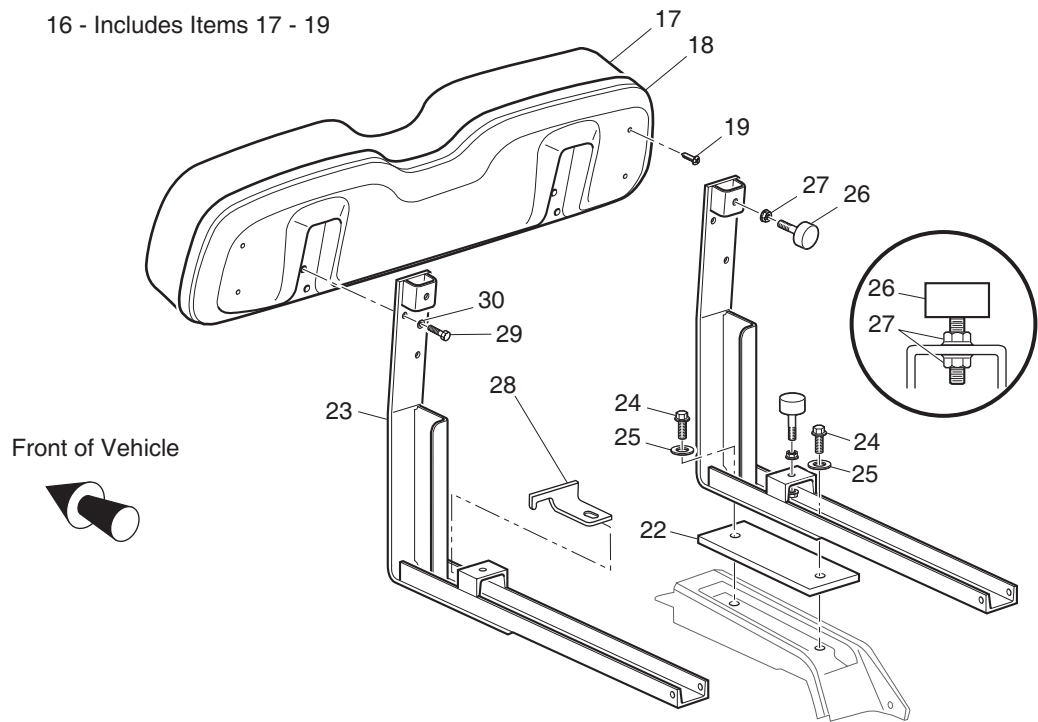
Ref Sgc 1

SEATING AND BAG HOLDER - GOLF CAR

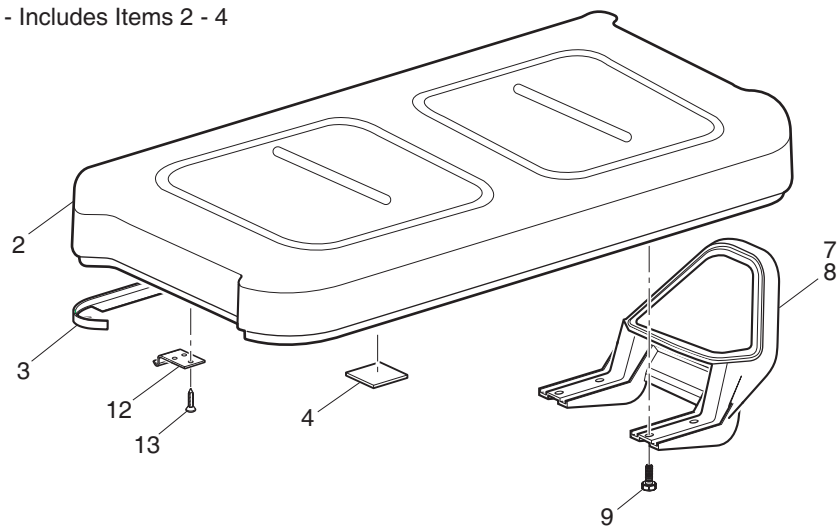
Where applicable, THE USE OF NON UL PARTS WILL VOID ANY UL LISTING.
 When ordering parts, please specify the model and serial number of the product.
 * Indicates a component that is not available as an individual part.
 G** Indicates consult Customer Service Department for additional information.

ITEM	PART NO.	1	2	3	4	5	DESCRIPTION	QTY.
1	71611-G**						SEAT BOTTOM ASSEMBLY (INCLUDES ITEMS 2 - 4)	1
2	71602-G**						VINYL SEAT BOTTOM COVER	1
3	<u>71012-G01</u>						VINYL TRIM (SEAT BOTTOM)	1
4	<u>17074-G1</u>						RUBBER PAD	2
5	604912-G**						TWO TONE VINYL SEAT BOTTOM	1
6	<u>71701-G01</u>						HIP RESTRAINT (PASSENGER SIDE)	1
7	<u>71702-G01</u>						HIP RESTRAINT (DRIVER SIDE)	1
8	71204-G01						BOLT, 1/4 - 20 X 7/8" LG	8
9								
10	<u>71610-G01</u>						SEAT HINGE	2
11	<u>00720-G08</u>						SCREW, #12 - 14 X 1" LG (STAINLESS STEEL)	4
12								
13	71751-G**						SEAT BACK ASSEMBLY (INCLUDES ITEMS 14 - 16)	1
14	71753-G**						VINYL SEAT BACK COVER	1
15	71752-G01						PLASTIC SEAT BACK COVER	1
16	<u>01107-G01</u>						SCREW, #8 X 5/8" LG (STAINLESS STEEL)	4
17	604916-G**						TWO TONE VINYL SEAT BACK	1
18								
19	<u>71811-G03</u>						SEAT SUPPORT BRACKET	2
20	<u>00661-G8</u>						BOLT, 1/4 - 20 X 1" LG (STAINLESS STEEL)	4
21	<u>00664-G7</u>						LOCK WASHER, 1/4" (STAINLESS STEEL)	4
22	<u>01075-G01</u>						SCREW, 3/8 - 16 X 2 1/2" LG	4
23								
24	<u>71851-G01</u>						BAG HOLDER BRACKET	1
25	<u>71856-G01</u>						BAG RETAINER CLAMP	2
26	<u>71853-G01</u>						BAG RETAINER STRAP	1
27	<u>16816-G1</u>						RATCHET FASTENER, 1/4" X 9/16" LG	2
28	<u>01102-G01</u>						CARRIAGE BOLT, 1/4 - 20 X 1 1/2" LG (STAINLESS STEEL)	2
29	<u>11027-G2</u>						LOCK NUT, 1/4 - 20	2

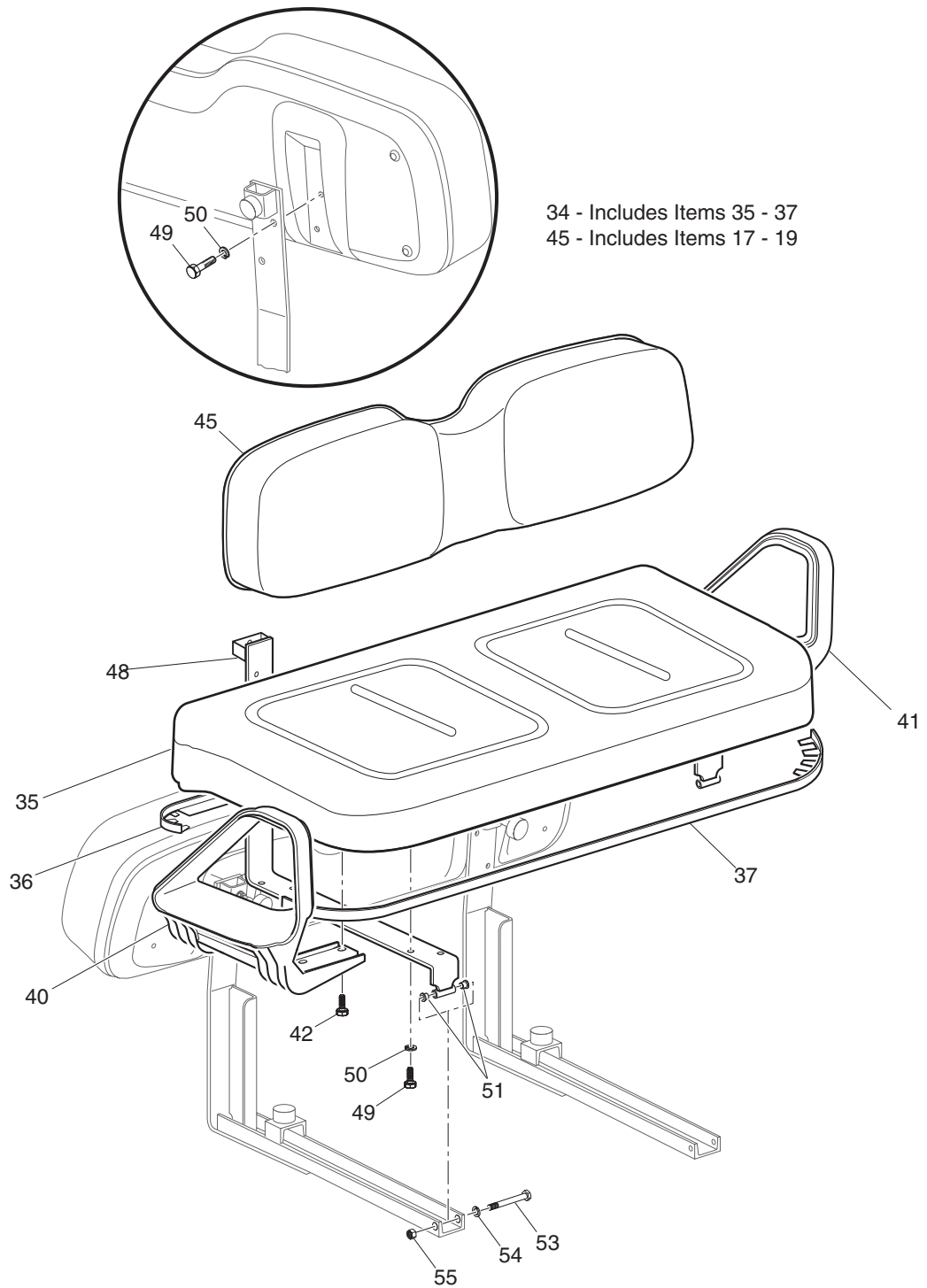
SEATING - SHUTTLE 2+2



1 - Includes Items 2 - 4



Ref Ssh 1-1



Ref Ssh 1-2

SEATING - SHUTTLE 2+2

Where applicable, THE USE OF NON UL PARTS WILL VOID ANY UL LISTING.

When ordering parts, please specify the model and serial number of the product.

* Indicates a component that is not available as an individual part.

G** Indicates consult Customer Service Department for additional information.

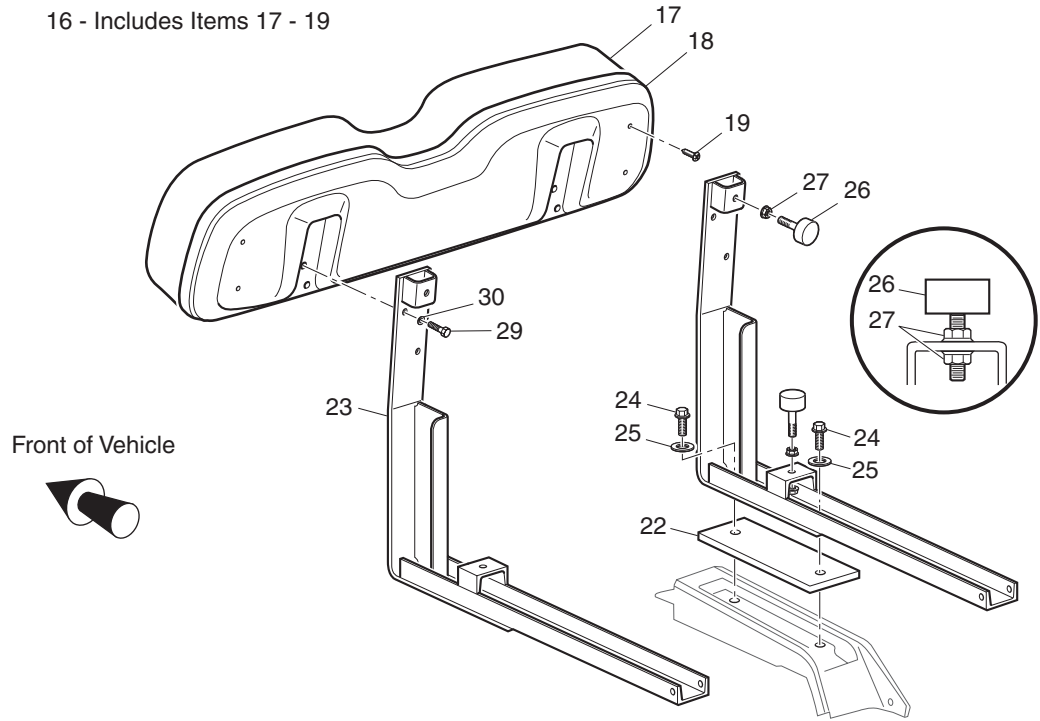
ITEM	PART NO.	1 2 3 4 5	DESCRIPTION	QTY.
1	71611-G**		SEAT BOTTOM ASSEMBLY (INCLUDES ITEMS 2 -4)	1
2	71602-G**		VINYL SEAT BOTTOM COVER	1
3	<u>71012-G01</u>		VINYL TRIM (SEAT BOTTOM).....	1
4	<u>17074-G1</u>		RUBBER PAD.....	2
5				
6				
7	<u>71701-G01</u>		HIP RESTRAINT (PASSENGER SIDE).....	1
8	<u>71702-G01</u>		HIP RESTRAINT (DRIVER SIDE).....	1
9	<u>00661-G8</u>		BOLT, 1/4 - 20 X 1" LG(STAINLESS STEEL).....	8
10				
11				
12	<u>71610-G01</u>		SEAT HINGE.....	2
13	<u>00720-G08</u>		SCREW, #12 - 14 X 1" LG (STAINLESS STEEL).....	6
14				
15				
16	71751-G**		SEAT BACK ASSEMBLY (INCLUDES ITEMS 17 - 19)	1
17	71753-G**		VINYL SEAT BACK COVER	1
18	71752-G01		PLASTIC SEAT BACK COVER	1
19	<u>01107-G01</u>		SCREW, #8 X 5/8" LG (STAINLESS STEEL)	4
20				
21				
22	<u>70364-G01</u>		SPACER.....	2
23	<u>74111-G01</u>		SEAT BACK SUPPORT	2
24	<u>01006-G02</u>		BOLT, 3/8 - 16 X 1 1/2" LG	4
25	<u>00560-G1</u>		WASHER, 3/8"	4
26	<u>70113-G01</u>		ADJUSTABLE BUMPER.....	4
27	<u>11027-G1</u>		LOCK NUT, 5/16 - 18.....	6
28	74508-G02		LATCH BRACKET - LEFT.....	1
29	<u>00661-G8</u>		BOLT, 1/4 - 20 X 1" LG (STAINLESS STEEL).....	4
30	<u>00664-G7</u>		LOCK WASHER, 1/4" (STAINLESS STEEL)	4

SEATING - SHUTTLE 2+2

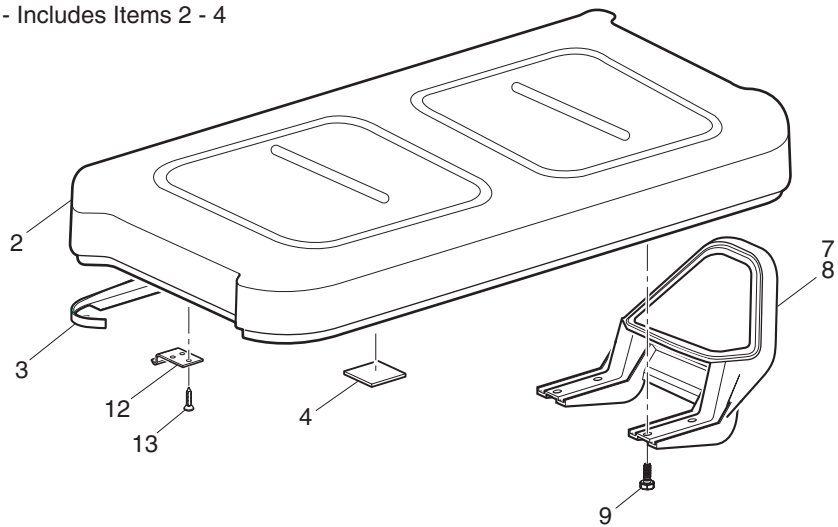
Where applicable, THE USE OF NON UL PARTS WILL VOID ANY UL LISTING.
 When ordering parts, please specify the model and serial number of the product.
 * Indicates a component that is not available as an individual part.
 G** Indicates consult Customer Service Department for additional information.

ITEM	PART NO.	1	2	3	4	5	DESCRIPTION	QTY.
31								
32								
33								
34	74139-G**						SEAT BOTTOM ASSEMBLY (INCLUDES ITEMS 42 - 44)	1
35	71602-G**						VINYL COVER (SEAT BOTTOM).....	1
36	<u>74140-G01</u>						TRIM	1
37	<u>71012-G01</u>						TRIM	1
38								
39								
40	<u>71702-G01</u>						HIP RESTRAINT (DRIVER SIDE).....	1
41	<u>71701-G01</u>						HIP RESTRAINT (PASSENGER SIDE).....	1
42	<u>00661-G8</u>						BOLT, 1/4 - 20 X 1" LG (STAINLESS STEEL).....	8
43								
44								
45	71751-G**						SEAT BACK ASSEMBLY (INCLUDES ITEMS 17 - 19)	1
46								
47								
48	74117-G01						SEAT SUPPORT BRACKET.....	2
49	<u>00661-G8</u>						BOLT, 1/4 - 20 X 1" LG (STAINLESS STEEL).....	12
50	<u>00664-G7</u>						LOCK WASHER, 1/4" (STAINLESS STEEL).....	12
51	<u>17838-G1</u>						NYLON BUSHING.....	4
52								
53	<u>00440-G4</u>						BOLT, 5/16 - 18 X 2 1/4" LG	2
54	00559-G8						WASHER, 5/16"	2
55	11098-G6						LOCK NUT, 5/16 - 18	2

SEATING - CONVERTIBLE CARRIER

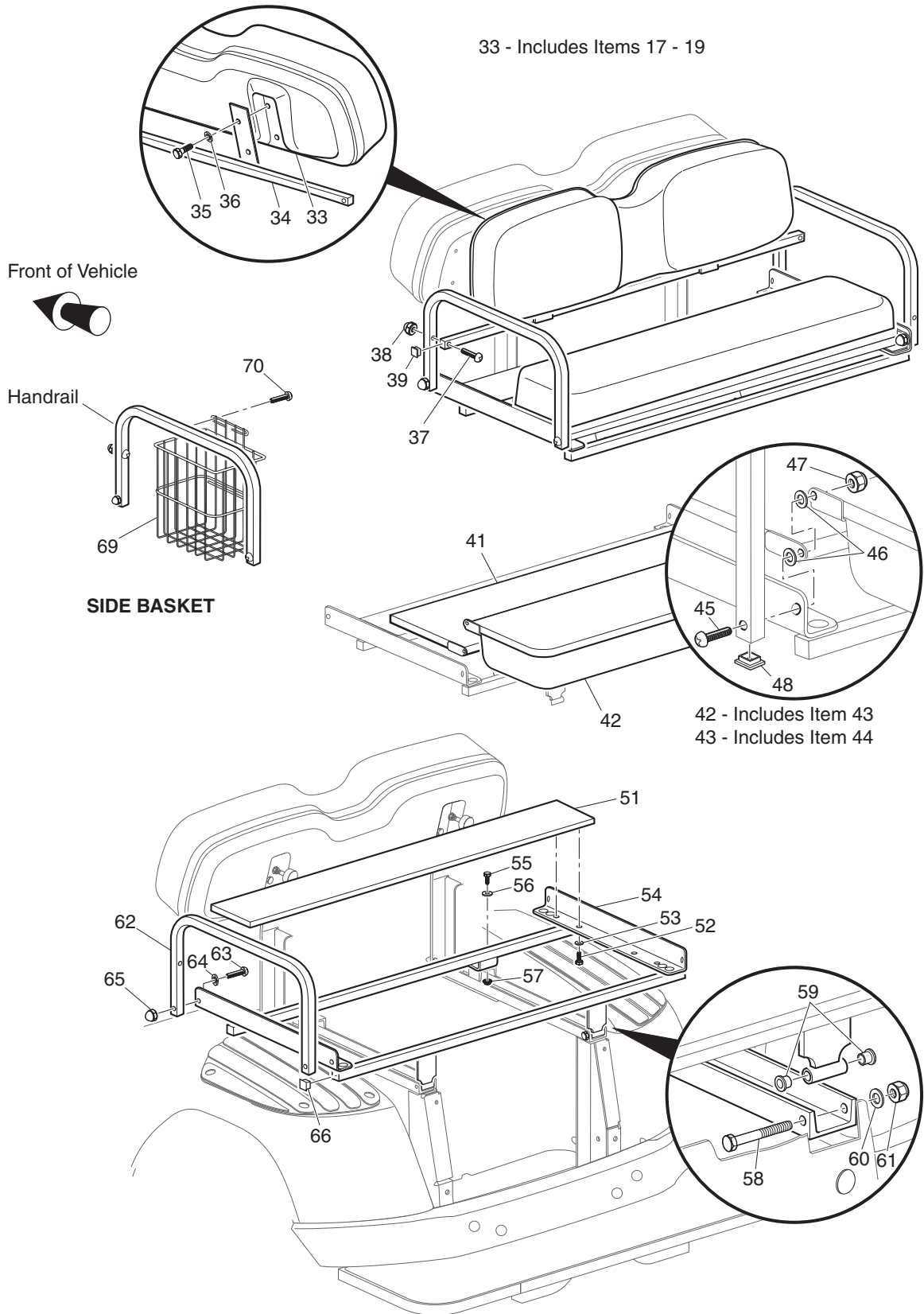


1 - Includes Items 2 - 4



Ref Sec 1-1

SEATING - CONVERTIBLE CARRIER



Ref Sec 1-2

SEATING - CONVERTIBLE CARRIER

Where applicable, THE USE OF NON UL PARTS WILL VOID ANY UL LISTING.

When ordering parts, please specify the model and serial number of the product.

* Indicates a component that is not available as an individual part.

G** Indicates consult Customer Service Department for additional information.

ITEM	PART NO.	1	2	3	4	5	DESCRIPTION	QTY.
1	71611-G**						SEAT BOTTOM ASSEMBLY (INCLUDES ITEMS 2 - 4)	1
2	71602-G**						VINYL SEAT BOTTOM COVER	1
3	<u>71012-G01</u>						VINYL TRIM (SEAT BOTTOM)	1
4	<u>17074-G1</u>						RUBBER PAD	2
5								
6								
7	<u>71701-G01</u>						HIP RESTRAINT (PASSENGER SIDE)	1
8	<u>71702-G01</u>						HIP RESTRAINT (DRIVER SIDE)	1
9	71204-G01						BOLT, 1/4 - 20 X 7/8" LG	8
10								
11								
12	<u>71610-G01</u>						SEAT HINGE	2
13	<u>00720-G08</u>						SCREW, #12 - 14 X 1" LG (STAINLESS STEEL)	4
14								
15								
16	71751-G**						SEAT BACK ASSEMBLY (INCLUDES ITEMS 17 - 19)	1
17	71753-G**						VINYL SEAT BACK COVER	1
18	71752-G01						PLASTIC SEAT BACK COVER	1
19	<u>01107-G01</u>						SCREW, #8 X 5/8" LG (STAINLESS STEEL)	4
20								
21								
22	<u>70364-G01</u>						SPACER	2
23	<u>74111-G01</u>						SEAT BACK SUPPORT	2
24	<u>01006-G02</u>						BOLT, 3/8 - 16 X 1 1/2" LG	4
25	<u>00560-G1</u>						WASHER, 3/8"	4
26	<u>70113-G01</u>						ADJUSTABLE BUMPER	2
27	<u>11027-G1</u>						LOCK NUT, 5/16 - 18	2
28								
29	<u>00661-G8</u>						BOLT, 1/4 - 20 X 1" LG (STAINLESS STEEL)	4
30	<u>00664-G7</u>						LOCK WASHER, 1/4" (STAINLESS STEEL)	4

SEATING - CONVERTIBLE CARRIER

Where applicable, THE USE OF NON UL PARTS WILL VOID ANY UL LISTING.

When ordering parts, please specify the model and serial number of the product.

* Indicates a component that is not available as an individual part.

G** Indicates consult Customer Service Department for additional information.

ITEM	PART NO.	1	2	3	4	5	DESCRIPTION	QTY.
31								
32								
33	71751-G**						SEAT BACK ASSEMBLY (INCLUDES ITEMS 17 - 19).....	1
34	<u>75258-G01</u>						SEAT BACK SUPPORT	1
35	<u>00661-G8</u>						BOLT, 1/4 - 20 X 0.75" LG (STAINLESS STEEL).....	4
36	<u>00664-G7</u>						LOCK WASHER, 1/4" (STAINLESS STEEL)	4
37	<u>16705-G6</u>						SCREW, 1/4 - 20 X 1 3/4" LG (STAINLESS STEEL)	2
38	<u>00520-G1</u>						ACORN NUT, 1/4 - 20 (STAINLESS STEEL).....	2
39	<u>75261-G01</u>						CAP-TUBE - 3/4 X 11 GA.....	2
40								
41	<u>71062-G01</u>						BED	1
42	71063-G**						SEAT BOTTOM ASSEMBLY (INCLUDES ITEM 43).....	1
43	75197-G**						SEAT BOTTOM (INCLUDES ITEM 44)	1
44	75252-G**						VINYL SEAT BOTTOM COVER.....	1
45	00762-G4						SCREW, 5/16 - 18 X 1 1/4" LG (STAINLESS STEEL)	2
46	17255-G01						WASHER, LK - SS - 5/16"	4
47	<u>00891-G3</u>						NUT - ACCORN - SS - 5/16 - 18	2
48	<u>19859-G1</u>						CAP-TUBE - 3/4 X 11 GA.....	4
49								
50								
51	<u>71060-G01</u>						BED FRONT (INCLUDES MAT).....	1
52	<u>00661-G6</u>						BOLT, 1/4 - 20 X 3/4" LG (STAINLESS STEEL).....	4
53	00559-G8						WASHER - LK - SP - SS - 1/4".....	4
54	<u>75193-G01</u>						SUPPORT FRAME.....	1
55	<u>00438-G8</u>						BOLT, 5/16 - 18 X 1" LG	2
56	00559-G8						WASHER, 5/16"	2
57	<u>11027-G1</u>						LOCK NUT, 5/16 - 18	2
58	<u>00440-G4</u>						BOLT, 5/16 - 18 X 2 1/2" LG	2
59	<u>17838-G1</u>						NYLON BUSHING.....	4
60	00559-G8						WASHER, 5/16"	2

SEATING - CONVERTIBLE CARRIER

Where applicable, THE USE OF NON UL PARTS WILL VOID ANY UL LISTING.

When ordering parts, please specify the model and serial number of the product.

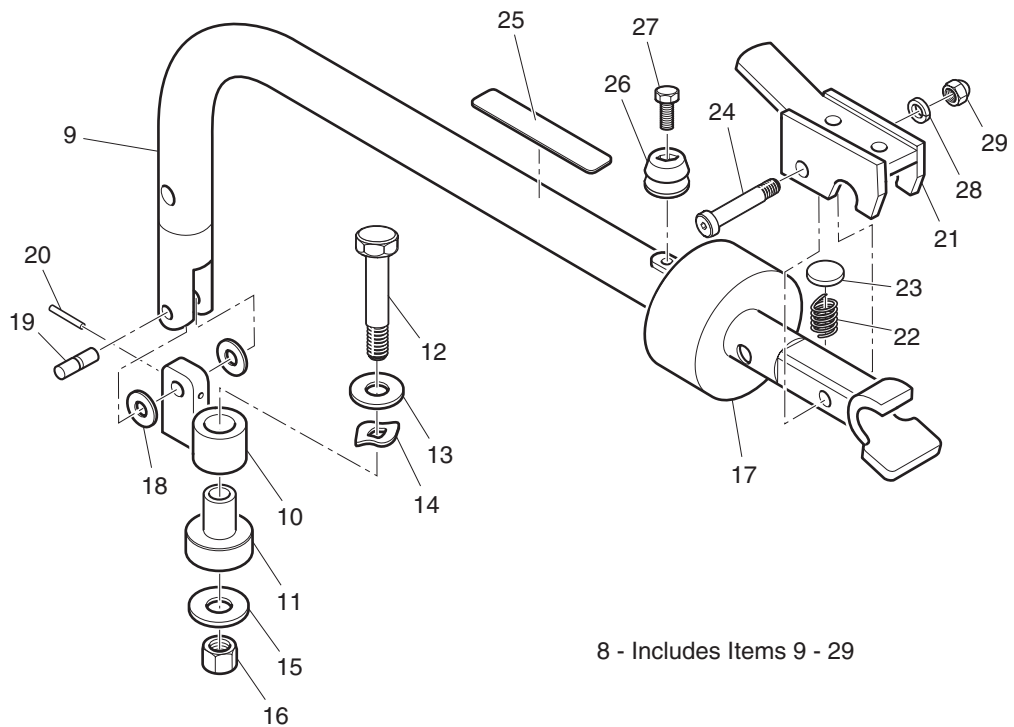
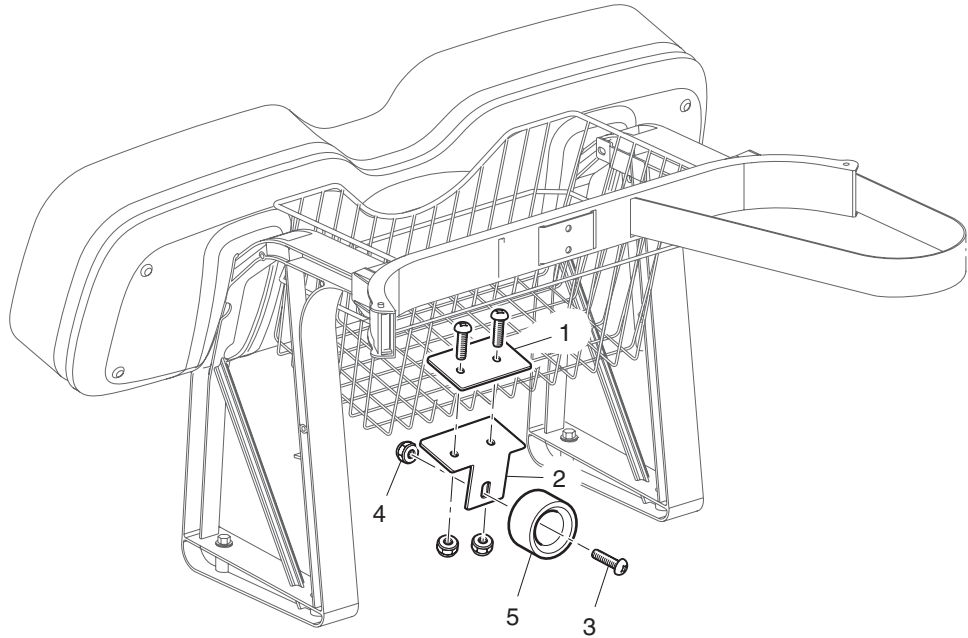
* Indicates a component that is not available as an individual part.

G** Indicates consult Customer Service Department for additional information.

ITEM	PART NO.	1 2 3 4 5	DESCRIPTION	QTY.
61	<u>00654-G3</u>		LOCK NUT, 5/16 - 18 (STAINLESS STEEL)	2
62	<u>75196-G01</u>		HANDRAIL	2
63	<u>00762-G2</u>		SCREW, 5/16 - 18 X 1 1/4" LG (STAINLESS STEEL)	2
64	<u>00664-G8</u>		LOCK WASHER, 5/16" (STAINLESS STEEL)	2
65	<u>00520-G3</u>		ACORN NUT, 5/16 - 18 (STAINLESS STEEL)	2
66	<u>75261-G02</u>		END CAP, 1"	4
67				
68				
69	<u>75007-G01</u>		SIDE BASKET (BLACK).....	2
70	<u>00106-G6</u>		SELF THREADING SCREW, #12 - 24 X 3/4" LG	4

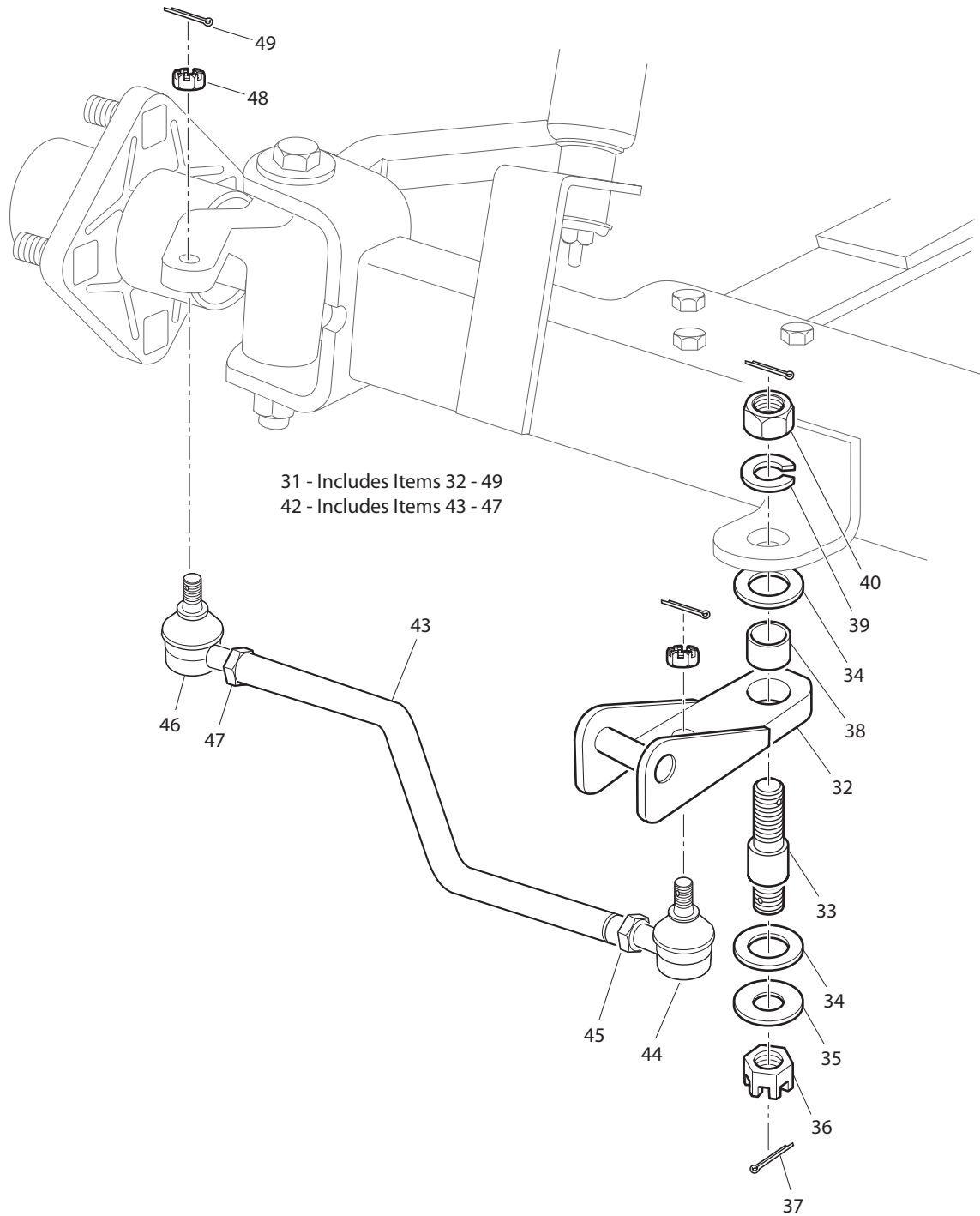
SEATING - CONVERTIBLE CARRIER

TOW BAR - PERMANENT



Ref Twb 1-1

TOW BAR - PERMANENT



Ref Twb 1-2

TOW BAR - PERMANENT

Where applicable, THE USE OF NON UL PARTS WILL VOID ANY UL LISTING.
 When ordering parts, please specify the model and serial number of the product.
 * Indicates a component that is not available as an individual part.
 G** Indicates consult Customer Service Department for additional information.

ITEM	PART NO.	1 2 3 4 5	DESCRIPTION	QTY.
1	<u>75318-G01</u>		MOUNTING PLATE.....	1
2	<u>75319-G01</u>		STOP MOUNT PLATE	1
3	<u>16705-G1</u>		SCREW, 1/4 - 20 X 1" LG (STAINLESS STEEL)	3
4	<u>00891-G2</u>		LOCK NUT, 1/4 - 20 (STAINLESS STEEL)	3
5	<u>75338-G02</u>		FEMALE STOP	1
6				
7				
8	<u>75304-G01</u>		TOW BAR ASSEMBLY (TOWING VEHICLE) (INCLUDES ITEMS 9 - 29)	1
9	<u>75299-G01</u>		TOW BAR	1
10	<u>75302-G01</u>		UPPER PIVOT	1
11	<u>75291-G01</u>		LOWER PIVOT	1
12	<u>00410-G8</u>		BOLT, 1/2 - 20 X 3" LG.	1
13	<u>00675-G3</u>		WASHER, 1/2" (STAINLESS STEEL).....	1
14	<u>75339-G01</u>		SPRING WASHER	1
15	<u>00571-G5</u>		WASHER, 1/2"	1
16	<u>11098-G8</u>		LOCK NUT, 1/2 - 20	1
17	<u>75362-G01</u>		LATCH STOP	1
18	<u>75340-G01</u>		WASHER, 3/8"	2
19	<u>75360-G01</u>		PIVOT PIN	1
20	<u>13571-G7</u>		SPRING PIN	1
21	<u>75303-G01</u>		LATCH	1
22	<u>20852-G2</u>		COMPRESSION SPRING	1
23	<u>25661-G02</u>		CUP WASHER.....	1
24	<u>13005-G4</u>		SHOULDER BOLT, 5/16 - 18 X 2" LG.....	1
25	<u>75370-G01</u>		LABEL (WARNING)	1
26	<u>75338-G03</u>		MALE STOP	1
27	<u>12547-G4</u>		BOLT, 6MM X 1 X 30 MM LG.....	1
28	<u>00565-G8</u>		LOCK WASHER, 5/16"	1
29	<u>00520-G3</u>		ACORN NUT, 5/16 - 18 (STAINLESS STEEL)	1
30				

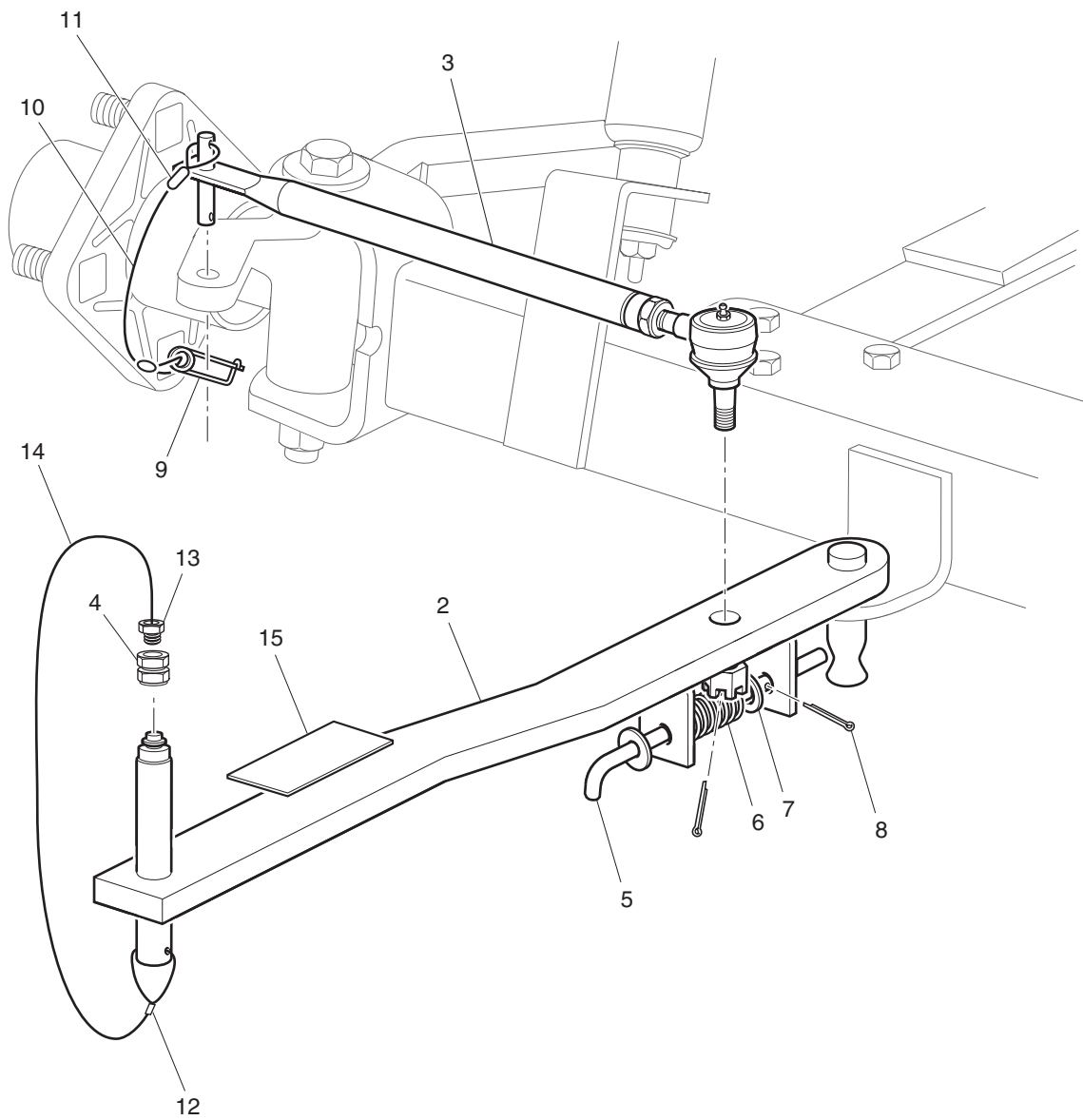
TOW BAR - PERMANENT

Where applicable, THE USE OF NON UL PARTS WILL VOID ANY UL LISTING.
 When ordering parts, please specify the model and serial number of the product.
 * Indicates a component that is not available as an individual part.
 G** Indicates consult Customer Service Department for additional information.

ITEM	PART NO.	1	2	3	4	5	DESCRIPTION	QTY.
31	<u>75308-G01</u>						TOW BAR HITCH ASSEMBLY (TOWED VEHICLE) (INCLUDES ITEMS 32 - 49).....	1
32	<u>75305-G01</u>						HITCH	1
33	<u>75292-G01</u>						PIVOT BOLT	1
34	<u>75309-G01</u>						THRUST WASHER.....	2
35	<u>75342-G01</u>						WASHER, 3/4"	1
36	<u>00518-G8</u>						CASTELLATED NUT, 3/4 - 16	1
37	<u>10387-G1</u>						COTTER PIN, 1/8" X 1 1/2" LG	2
38	<u>75307-G01</u>						BEARING.....	1
39	<u>00566-G6</u>						LOCK WASHER, 3/4"	1
40	<u>00533-G8</u>						NUT, 3/4 - 16.....	1
41								
42	<u>602981</u>						TIE ROD ASSEMBLY (INCLUDES ITEMS 43 - 47)	1
43	<u>603089</u>						THREADED ROD.....	1
44	<u>27205-G01</u>						TIE ROD END (LEFT HAND THREADS).....	1
45	<u>18434-G3</u>						JAM NUT, M12 X 1.25-05 (LEFT HAND THREADS).....	1
46	<u>27205G02</u>						TIE ROD END (RIGHT HAND THREADS)	1
47	<u>18434-G4</u>						JAM NUT, M12 X 1.25-05 (RIGHT HAND THREADS).....	1
48	<u>50209-G2</u>						CASTELLATED NUT, 7/16 - 20	2
49	<u>10387-G2</u>						COTTER PIN, 3/32" X 1" LG	2

TOW BAR - CASUAL

1 - Includes Items 2 - 15



Ref Tbc 1

TOW BAR - CASUAL

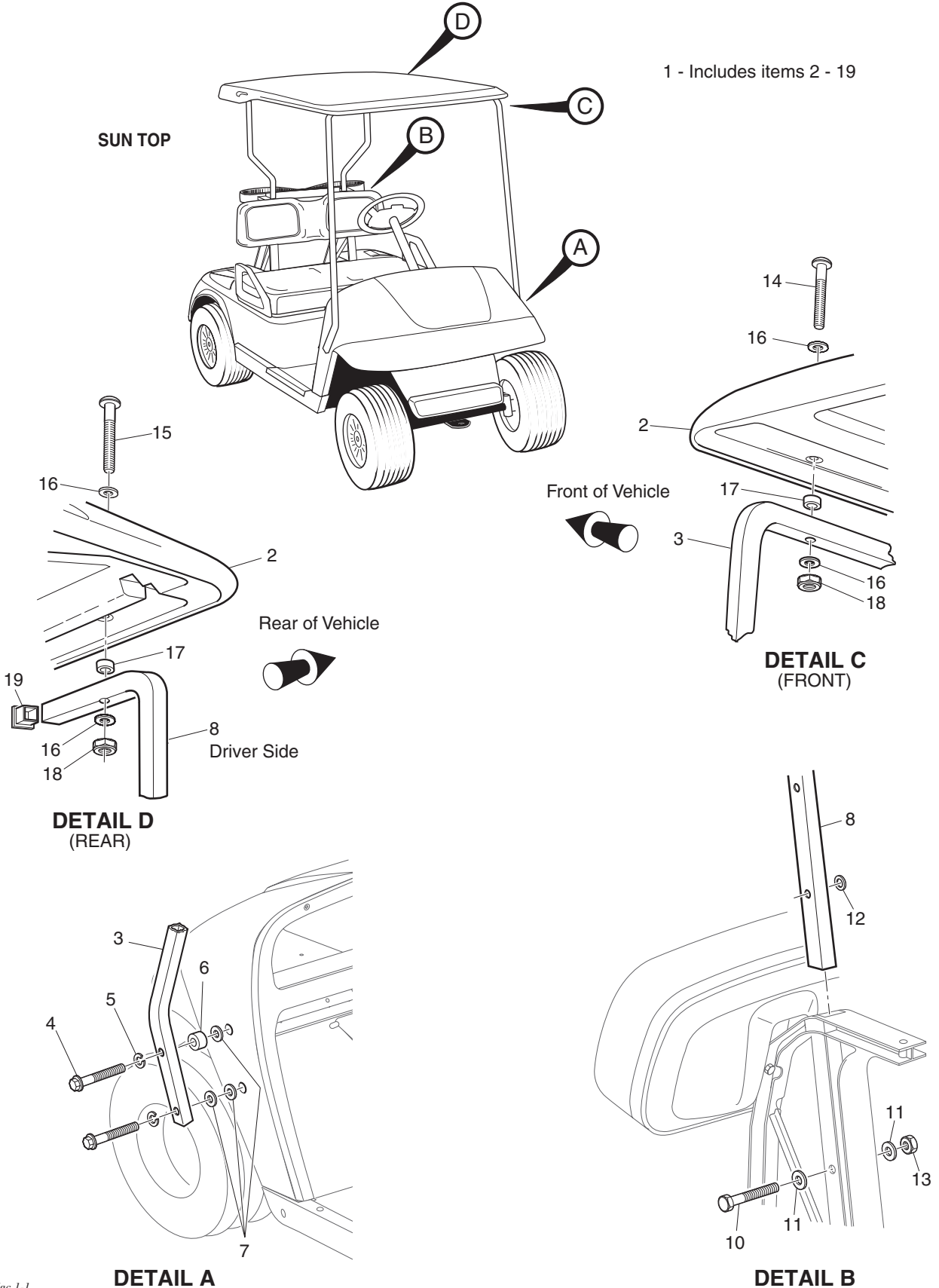
Where applicable, THE USE OF NON UL PARTS WILL VOID ANY UL LISTING.
 When ordering parts, please specify the model and serial number of the product.
 * Indicates a component that is not available as an individual part.
 G** Indicates consult Customer Service Department for additional information.

ITEM	PART NO.	1 2 3 4 5	DESCRIPTION	QTY.
1	<u>75033-G01</u>		CASUAL TOW BAR (INCLUDES ITEMS 2 - 15)	1
2	*		TOW BAR	1
3	<u>75034-G01</u>		TIE ROD (INCLUDES NUT AND COTTER PIN)	1
4	<u>75060-G01</u>		COUPLING	1
5	<u>75058-G01</u>		LOCK PIN	1
6	<u>75065-G01</u>		COMPRESSION SPRING	1
7	<u>00922-G2</u>		WASHER, 3/8"	1
8	<u>10387-G2</u>		COTTER PIN, 3/32" X 1" LG	1
9	<u>75068-G01</u>		SAFETY PIN	1
10	<u>14869-G5</u>		WIRE ROPE	1
11	<u>16783-G1</u>		FERRULE	3
12	<u>75067-G01</u>		FERRULE	1
13	<u>75035-G02</u>		HEX HEAD PLUG	1
14	<u>14869-G3</u>		WIRE ROPE	1
15	<u>75091-G01</u>		LABEL (WARNING)	1

WEATHER PROTECTION - GOLF CAR

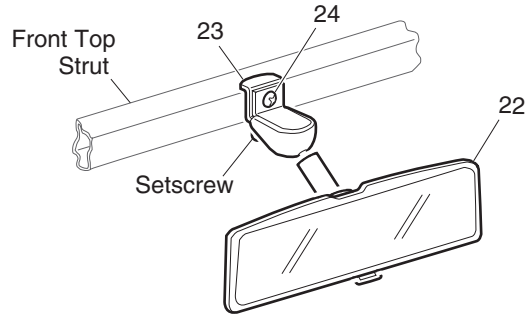
SUN TOP

1 - Includes items 2 - 19

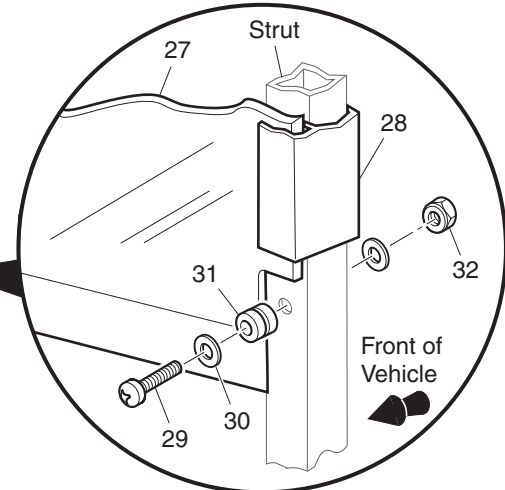
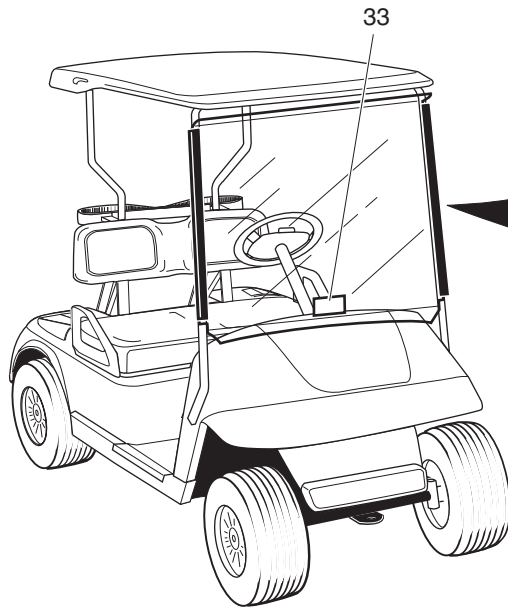


Ref Wgc 1-1

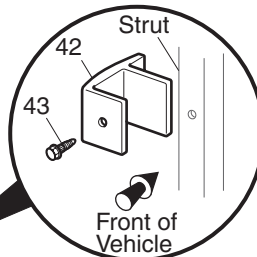
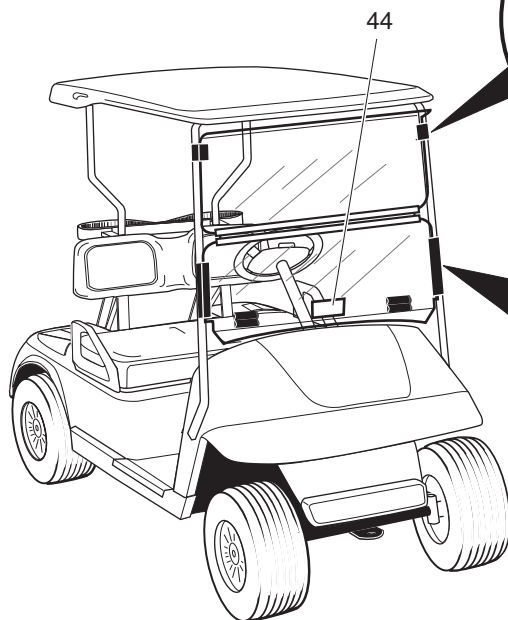
WEATHER PROTECTION - GOLF CAR



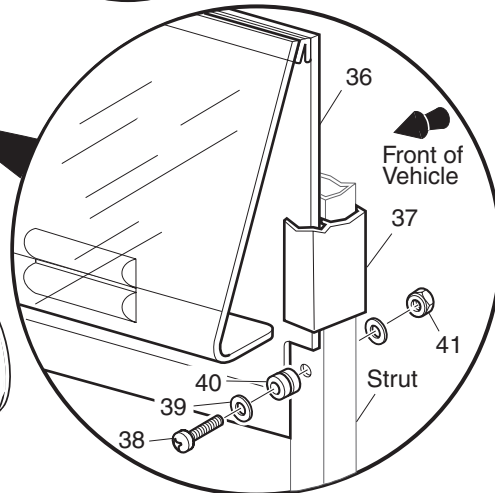
REAR VIEW MIRROR
21 - Includes Items 22 - 24



FULL WINDSHIELD
26 - Includes Items 27 - 33



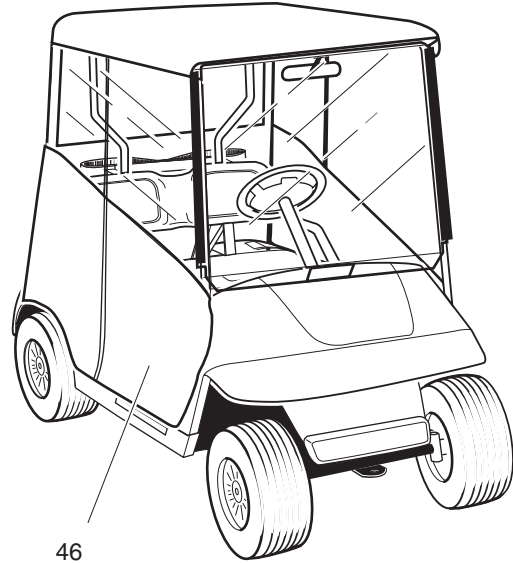
FOLD DOWN WINDSHIELD
35 - Includes Items 36 - 44



Ref Wgc 1-2

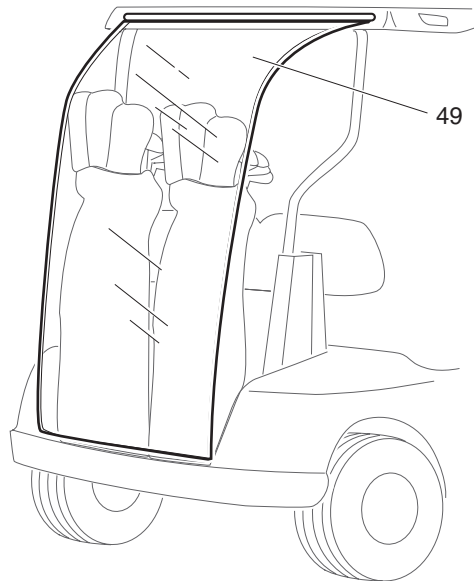
WEATHER PROTECTION - GOLF CAR

WEATHER ENCLOSURE



46
47

BAG AND RAIN CURTAIN



49

Ref Wgc 1-3

WEATHER PROTECTION - GOLF CAR

Where applicable, THE USE OF NON UL PARTS WILL VOID ANY UL LISTING.

When ordering parts, please specify the model and serial number of the product.

* Indicates a component that is not available as an individual part.

G** Indicates consult Customer Service Department for additional information.

ITEM	PART NO.	1	2	3	4	5	DESCRIPTION	QTY.
1	75040-G**						SUN TOP KIT (GOLF CAR) (INCLUDES ITEMS 2 - 19)	1
2	27069-G**						SUN TOP	1
3	<u>75045-G05</u>						FRONT STRUT	1
4	000440-G2						SCREW - CAP - 5/16 - 18 X 2 1/4"	4
5	00559-G8						WASHER - 5/16" FL - B - CP	4
6	<u>75048-G01</u>						SPACER, 1/2"	2
7	<u>00570-G2</u>						WASHER, 5/16"	6
8	75046-G02						REAR STRUT	2
9								
10	<u>00685-G7</u>						BOLT, 5/16 - 18 X 1 3/4" LG (STAINLESS STEEL)	4
11	<u>01110-G03</u>						WASHER, 5/16" (STAINLESS STEEL)	8
12	<u>17255-G1</u>						TEFLON WASHER, 5/16"	4
13	<u>01109-G01</u>						LOCK NUT, 5/16 - 18 (STAINLESS STEEL)	4
14	<u>00753-G5</u>						SCREW, 1/4 - 20 X 2" LG (STAINLESS STEEL)	2
15	00753-G6						SCREW, 1/4 - 20 X 2 1/4" LG (STAINLESS STEEL)	2
16	<u>01110-G01</u>						WASHER, 1/4" (STAINLESS STEEL)	8
17	<u>75051-G01</u>						SPACER	4
18	<u>00654-G2</u>						LOCK NUT, 1/4 - 20 (STAINLESS STEEL)	4
19	<u>19853-G1</u>						END CAP, 1"	2
20								
21	<u>19528-G2</u>						REAR VIEW MIRROR KIT (INCLUDES ITEMS 22 - 24)	1
22	<u>19496-G1</u>						REAR VIEW MIRROR	1
23	19502-G2						SUPPORT BRACKET	1
24	<u>19527-G1</u>						SCREW, #8 - 32 X 5/8" LG (STAINLESS STEEL)	1
25								
26	<u>75524-G01</u>						WINDSHIELD KIT (GOLF CAR) (INCLUDES ITEMS 27 - 33)	1
27	*						WINDSHIELD	1
28	EGWHC12						SASH, 26" LG	2
29	EGWHS12						SCREW, 1/4 - 20 X 1 3/4" LG (STAINLESS STEEL)	2
30	EGWHW12						WASHER, 1/4" (STAINLESS STEEL)	4

WEATHER PROTECTION - GOLF CAR

Where applicable, THE USE OF NON UL PARTS WILL VOID ANY UL LISTING.

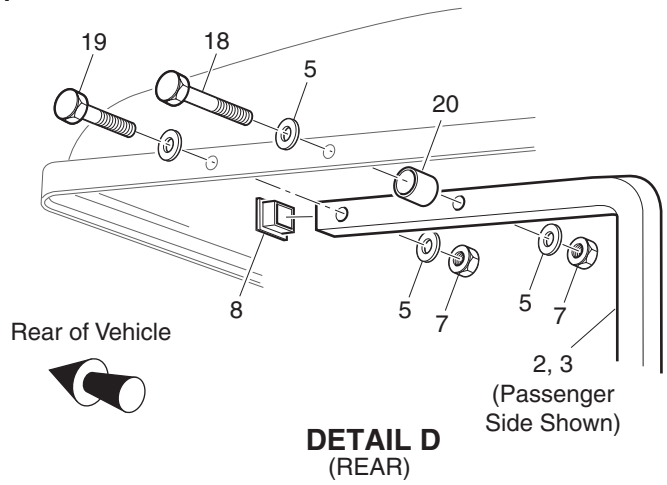
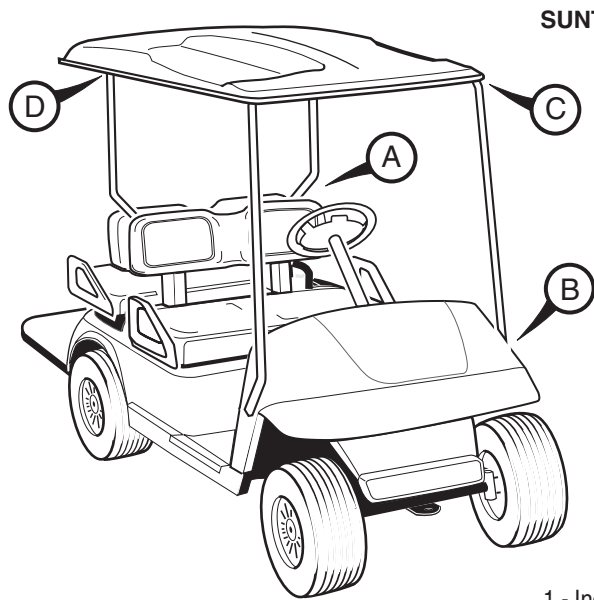
When ordering parts, please specify the model and serial number of the product.

* Indicates a component that is not available as an individual part.

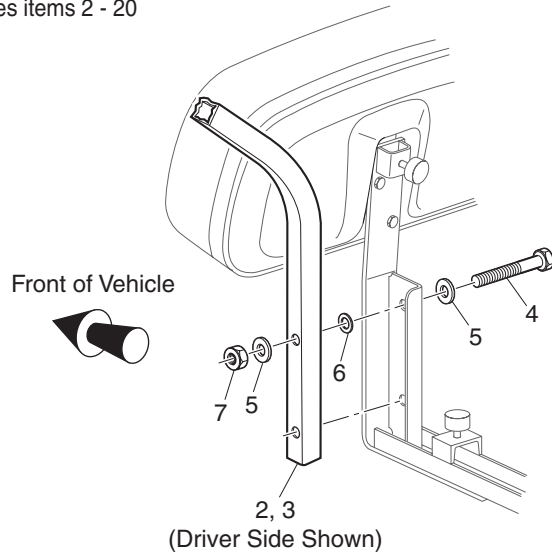
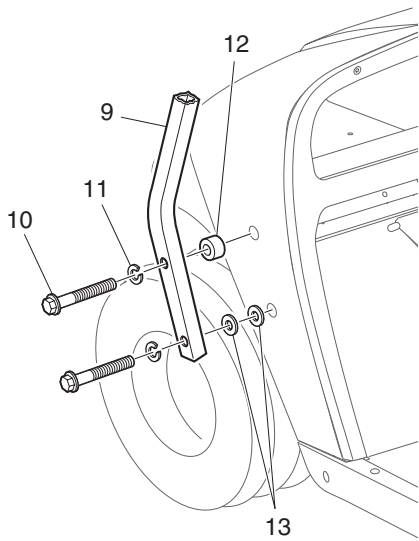
G** Indicates consult Customer Service Department for additional information.

ITEM	PART NO.	1	2	3	4	5	DESCRIPTION	QTY.
31	EGWHG13						RUBBER GROMMET	2
32	EGWHN12						LOCK NUT, 1/4 - 20 (STAINLESS STEEL)	2
33	EGWHL14						LABEL (SAFETY)	1
34								
35	75077-G01						FOLD DOWN WINDSHIELD KIT (GOLF CAR) (INCLUDES ITEMS 36 - 44).....	1
36	*						WINDSHIELD	1
37	EGWHC10						SASH, 12" LG	2
38	EGWHS12						SCREW, 1/4 - 20 X 1 3/4" LG (STAINLESS STEEL)	2
39	EGWHW12						WASHER, 1/4" (STAINLESS STEEL)	4
40	EGWHG13						RUBBER GROMMET	2
41	EGWHN12						LOCK NUT, 1/4 - 20 (STAINLESS STEEL)	2
42	137-010						TOP GRIP, 3/4" X 2"	2
43	136-008						TOP GRIP FASTENER.....	2
44	EGWHL14						LABEL (SAFETY)	1
45								
46	<u>75078-G01</u>						WEATHER ENCLOSURE (3 SIDED) RECOMMENDED FOR VEHICLES WITH WINDSHIELDS	1
47	<u>75079-G01</u>						WEATHER ENCLOSURE (4 SIDED) RECOMMENDED FOR VEHICLES WITHOUT WINDSHIELDS	1
48								
49	<u>75191-G01</u>						BAG COVER AND RAIN CURTAIN KIT	1
For service or replacement windshield parts, contact: Eagle Parts, Inc. 1411 Marvin Griffin Rd. Augusta, GA 30906 Telephone (706) 790-6687 or FAX (706) 790-6066								

WEATHER PROTECTION - SHUTTLE 2+2

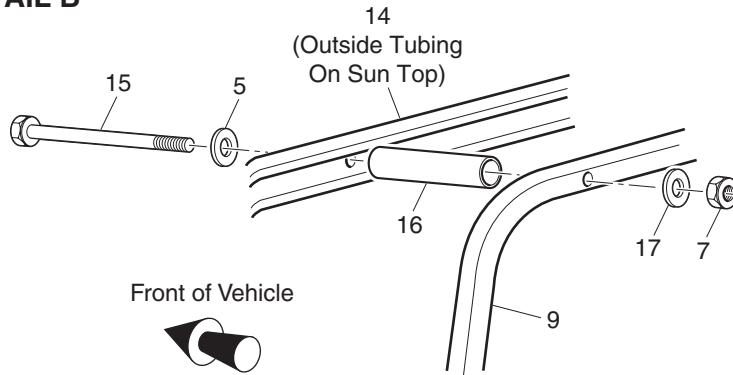


1 - Includes items 2 - 20



DETAIL B

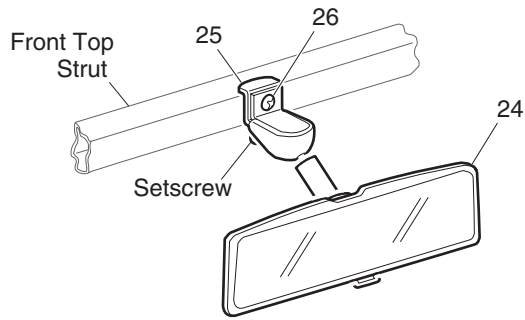
DETAIL A



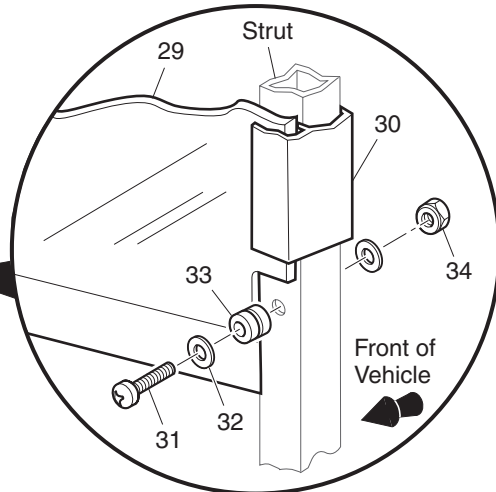
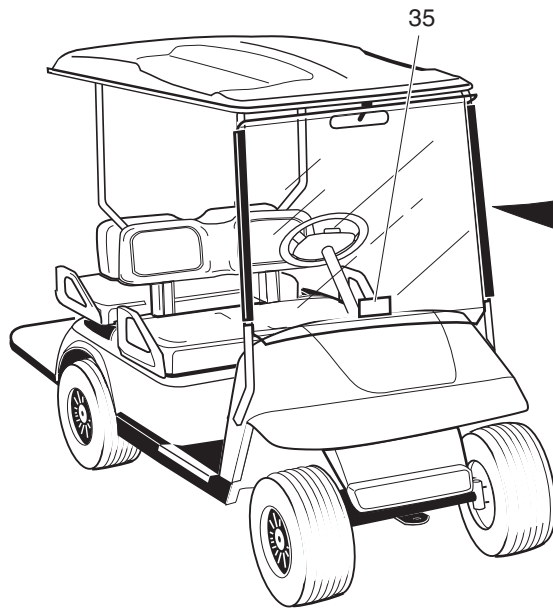
DETAIL C (FRONT)

Ref Wsh 1-1

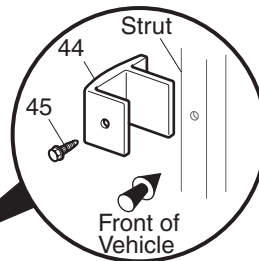
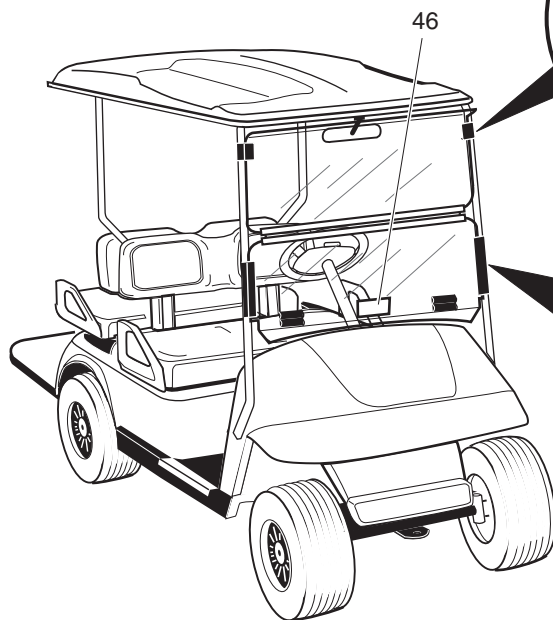
WEATHER PROTECTION - SHUTTLE 2+2



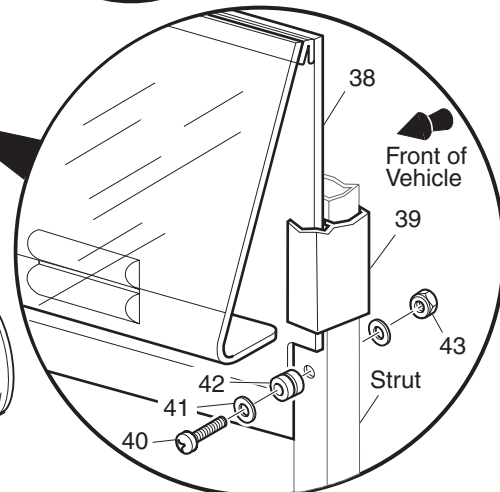
REAR VIEW MIRROR
23 - Includes Items 24 - 26



FULL WINDSHIELD
28 - Includes Items 29 - 35



FOLD DOWN WINDSHIELD
37 - Includes Items 38 - 46



Ref Wsh 1-2

WEATHER PROTECTION - SHUTTLE 2+2

Where applicable, THE USE OF NON UL PARTS WILL VOID ANY UL LISTING.

When ordering parts, please specify the model and serial number of the product.

* Indicates a component that is not available as an individual part.

G** Indicates consult Customer Service Department for additional information.

ITEM	PART NO.	1	2	3	4	5	DESCRIPTION	QTY.
1	<u>75123-G01</u>						SUN TOP (SHUTTLE 2+2) (INCLUDES ITEMS 2 - 20).....	1
2	<u>75074-G01</u>						REAR STRUT (DRIVER SIDE).....	1
3	<u>75074-G02</u>						REAR STRUT (PASSENGER SIDE).....	1
4	<u>00665-G5</u>						BOLT, 3/8 - 16 X 1 3/4" LG (STAINLESS STEEL)	4
5	<u>00679-G1</u>						WASHER, 3/8 (STAINLESS STEEL).....	18
6	<u>00771-G5</u>						WASHER, 3/8	4
7	<u>00891-G5</u>						LOCK NUT, 3/8 - 16.....	10
8	<u>19853-G1</u>						END CAP, 1".....	2
9	<u>75125-G01</u>						FRONT STRUT.....	1
10	<u>00440-G2</u>						SCREW - CAP - 5/16 - 18 X 2 1/4"	4
11	<u>00905-G8</u>						LOCK WASHER, 5/16"	4
12	<u>75048-G01</u>						SPACER, 1/2"	2
13	<u>00879-G1</u>						LOCK WASHER, 3/8"	4
14	<u>27604-G01</u>						SUN TOP	1
15	<u>00674-G8</u>						BOLT, 3/8 - 16 X 5" LG (STAINLESS STEEL)	2
16	<u>18716-G1</u>						SPACER	2
17	<u>00653-G1</u>						WASHER, 3/8" (STAINLESS STEEL)	2
18	<u>00665-G3</u>						BOLT, 3/8 - 16 X 2 1/2" LG (STAINLESS STEEL)	2
19	<u>00665-G6</u>						BOLT, 3/8 - 16 X 2" LG (STAINLESS STEEL)	2
20	<u>24647-G1</u>						SPACER, 1/4"	2
21								
22								
23	<u>19528-G2</u>						REAR VIEW MIRROR KIT (INCLUDES ITEMS 24 - 26)	1
24	<u>19496-G1</u>						REAR VIEW MIRROR	1
25	<u>19502-G2</u>						SUPPORT BRACKET.....	1
26	<u>19527-G1</u>						SCREW, #8 - 32 X 5/8" LG (STAINLESS STEEL)	1
27								
28	<u>75524-G02</u>						WINDSHIELD KIT (SHUTTLE 2+2) (INCLUDES ITEMS 29 - 35).....	1
29	*						WINDSHIELD	1
30	<u>EGWHC12</u>						SASH, 26" LG	2

WEATHER PROTECTION - SHUTTLE 2+2

Where applicable, THE USE OF NON UL PARTS WILL VOID ANY UL LISTING.

When ordering parts, please specify the model and serial number of the product.

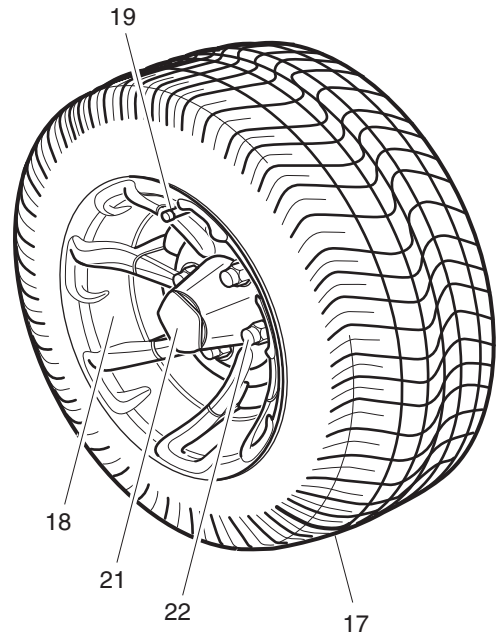
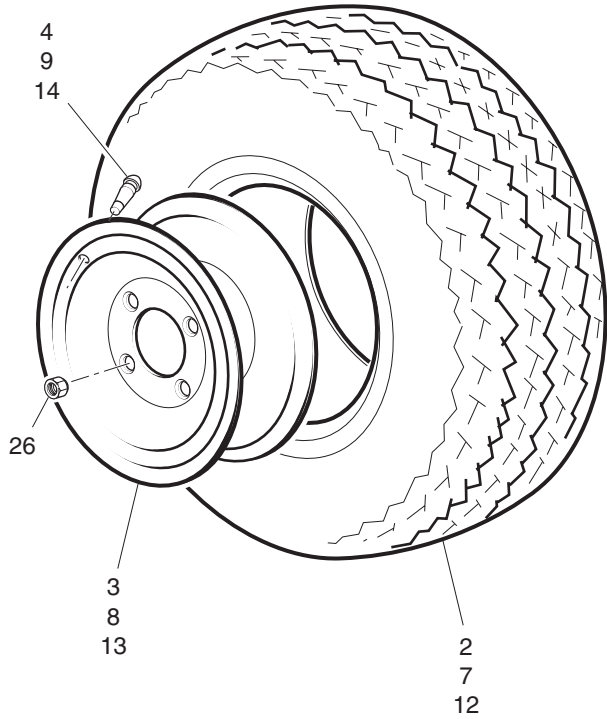
* Indicates a component that is not available as an individual part.

G** Indicates consult Customer Service Department for additional information.

ITEM	PART NO.	1	2	3	4	5	DESCRIPTION	QTY.
31	EGWHS12						SCREW, 1/4 - 20 X 1 3/4" LG (STAINLESS STEEL)	2
32	EGWHW12						WASHER, 1/4" (STAINLESS STEEL)	4
33	EGWHG13						RUBBER GROMMET	2
34	EGWHN12						LOCK NUT, 1/4 - 20 (STAINLESS STEEL)	2
35	EGWHL14						LABEL (SAFETY)	1
36								
37	<u>75525-G02</u>						FOLD DOWN WINDSHIELD KIT (SHUTTLE 2+2) (INCLUDES ITEMS 38 - 46).....	1
38	*						WINDSHIELD	1
39	EGWHC10						SASH, 12" LG	2
40	EGWHS12						SCREW, 1/4 - 20 X 1 3/4" LG (STAINLESS STEEL)	2
41	EGWHW12						WASHER, 1/4" (STAINLESS STEEL)	4
42	EGWHG13						RUBBER GROMMET	2
43	EGWHN12						LOCK NUT, 1/4 - 20 (STAINLESS STEEL)	2
44	137-010						TOP GRIP, 3/4" X 2"	2
45	136-008						TOP GRIP FASTENER.....	2
46	EGWHL14						LABEL (SAFETY)	1
<p>For service or replacement parts for windshields, contact: Eagle Parts, Inc. 1411 Marvin Griffin Rd. Augusta, GA 30906 Telephone (706) 790-6687 or FAX (706) 790-6066</p>								

WHEELS AND TIRES

- 1 - Includes Items 2 - 4
- 6 - Includes Items 7 - 9
- 11 - Includes Items 12 - 14
- 16 - Includes Items 17 - 19



6" CHROME HUBCAP
28



8" CHROME HUBCAP
30



SILVER / GOLD SPOKE HUBCAP
32, 34

WHEELS AND TIRES

Where applicable, THE USE OF NON UL PARTS WILL VOID ANY UL LISTING.
 When ordering parts, please specify the model and serial number of the product.
 * Indicates a component that is not available as an individual part.
 G** Indicates consult Customer Service Department for additional information.

ITEM	PART NO.	1	2	3	4	5	DESCRIPTION	QTY.
1	<u>28757-G01</u>						TIRE AND WHEEL ASSEMBLY (LINKS 18 X 8.5 - 8) (INCLUDES ITEMS 2 - 4).....	1
2	<u>28764-G01</u>						TIRE (LINKS 18 X 8.5 - 8)	1
3	<u>28759-G01</u>						WHEEL RIM (4 LUG).....	1
4	<u>11657-G2</u>						VALVE STEM.....	1
5								
6	<u>28757-G03</u>						WHEEL AND TIRE ASSEMBLY (TURF SAVER 18 X 8.5 - 8) (INCLUDES ITEMS 7 - 9).....	1
7	<u>28764-G03</u>						TIRE (TURF-SAVER 18 X 8.5 - 8)	1
8	<u>28759-G01</u>						WHEEL RIM (4 LUG).....	1
9	<u>11657-G2</u>						VALVE STEM.....	1
10								
11	<u>28842-G01</u>						WHEEL AND TIRE ASSEMBLY (SURE TRAIL 6-PLY 18.5 X 8.5 - 8) (INCLUDES ITEMS 12 - 14).....	1
12	<u>28764-G08</u>						TIRE (SURE TRAIL 18.5 X 8.5 - 8).....	1
13	<u>28759-G01</u>						WHEEL RIM (4 LUG).....	1
14	<u>11657-G2</u>						VALVE STEM.....	1
15								
16	<u>600599</u>						WHEEL AND TIRE ASSEMBLY (ALLOY WHEEL).....	1
17	<u>601768</u>						TIRE (TOUR MAX 205 X 50 - 10).....	1
18	<u>601766</u>						WHEEL ALLOY RIM.....	1
19	<u>601767</u>						VALVE STEM.....	1
20								
21	<u>601353</u>						WHEEL ALLOY CAP.....	1
22	<u>601354</u>						WHEEL ALLOY LUG NUT	4
23								
24								
25								
26	<u>14723-G1</u>						LUG NUT, 1/2 - 20.....	16
27								
28	<u>16042-G1</u>						6" CHROME HUBCAP	4

WHEELS AND TIRES

Where applicable, THE USE OF NON UL PARTS WILL VOID ANY UL LISTING.
 When ordering parts, please specify the model and serial number of the product.
 * Indicates a component that is not available as an individual part.
 G** Indicates consult Customer Service Department for additional information.

ITEM	PART NO.	1	2	3	4	5	DESCRIPTION	QTY.
29	16042-G2						6" CHROME HUBCAP (SET OF FOUR).....	1
30	<u>14913-G1</u>						8" CHROME HUBCAP	4
31	14913-G2						8" CHROME HUBCAP (SET OF FOUR).....	1
32	<u>19241-G2</u>						GOLD SPOKE HUBCAP	4
33	19241-G4						GOLD SPOKE HUBCAP (SET OF FOUR)	1
34	<u>19241-G1</u>						SILVER SPOKE HUBCAP	4
35	19241-G3						SILVER SPOKE HUBCAP (SET OF FOUR).....	1

SPECIALTY PRODUCTS

SPECIALTY PRODUCTS

SPECIAL TOOLS	PART NO.
BATTERY MAINTENANCE KIT	25587-G01
SEAL INSTALLATION TOOL (REAR AXLE SHAFT SEAL)	18739-G1
BATTERY SET DISCHARGER, 36 VOLT, 75 AMP	28251-G01
CURRENT INDICATOR	16489-G2
DIGITAL MULTI-METER	27481-G01
CRIMPING TOOL	27765-G01
TUBELESS TIRE REPAIR KIT	606009
TIRE PLUGGER REFILL PACK (50/BOX)	606831

TOUCH UP PAINT	PART NO.
PEN 3 OUNCE (89 ML) - HUNTER GREEN	28432-G02
PEN 3 OUNCE (89 ML) - CHAMPAGNE BEIGE	28432-G01
PEN 3 OUNCE (89 ML) - WHITE	28432-G05
PEN 3 OUNCE (89 ML) - INDUSTRIAL YELLOW	28432-G03
PEN 3 OUNCE (89 ML) - ORANGE	28432-G04
PEN 3 OUNCE (89 ML) - STEEL BLUE PEARL	28432-G**
PEN 3 OUNCE (89 ML) - CAMOUFLAGE PAINT (THREE PENS)	75831-G01

MAINTENANCE PRODUCTS	PART NO.
PLEXUS® CLEANER, 13 OUNCE (380 ML) (FOR WINDSHIELDS)	28433-G02
BATTERY PROTECTOR, 14 OUNCE (410 ML) SPRAY	27619-G02
E-Z-GO ALL SURFACE CLEANER	606311
E-Z-GO FIBREGLASS/PLASTIC RESTORER	606313
WINDSHIELD AND PLASTIC PROTECTOR	606314
64 OZ HANDCLEANER	607636
4 OZ HAND CLEANER	607637

OPTIONS/ACCESSORIES

OPTIONS/ACCESSORIES

ITEM	KIT NO.	COMMENTS
2 BAG ATTACHMENT	75183-G01	Body -Footrest
4 BAG ATTACHMENT	75335-G01	Body - Accessories Continued
8" CHROME HUBCAP	14913-G*	Wheels And Tires
6" CHROME HUBCAP	16042-G*	Wheels And Tires
GOLD SPOKE HUBCAP	19241-G*	Wheels And Tires
SILVER SPOKE HUBCAP	19241-G*	Wheels And Tires
ASHTRAY KIT	75109-G02	Body - Accessories Continued
CENTER BASKET	75003-G01	Body - Accessories
COOLER JUG AND BRACKET KIT	75495-G01	Body - Accessories Continued
COOLER BOX AND BRACKET KIT	75344-G01	Body - Accessories Continued
DIVOT REPAIR KIT	23300-G1	Body - Accessories
MESSAGE HOLDER KIT (REQUIRES SUN TOP)	75509-G01	Body - Accessories Continued
MESSAGE HOLDER KIT (REQUIRES SUN TOP)	75496-G01	Body - Accessories Continued
REAR VIEW MIRROR (REQUIRES SUN TOP)	19528-G2	Weather Protection - Golf Car
SAND BOTTLE KIT, BOTTOM SCREW	614179	Body - Accessories
SAND BOTTLE KIT, TOP SCREW	614195	Body - Accessories
SAND BOTTLE KIT, TOP SCREW, 30 PACK	614181	Body - Accessories
SAND BOTTLE KIT, BOTTOM SCREW, 30 PACK	614182	Body - Accessories
SAND RAKE	14735-G1	Body - Accessories Continued
SAND RAKE HOLDER	75006-G01	Body - Accessories Continued
SAND MUG - KIT, SINGLE	606951	Body - Accessories Continued
SAND MUG - KIT, DOUBLE	606986	Body - Accessories Continued
SIDE BASKET	75007-G**	Body - Accessories
SUN TOP KIT, GOLF CAR	75040-G**	Weather Protection - Golf Car
TOW BAR KIT (CASUAL)	75033-G01	Tow Bar - Casual
TOW BAR KIT (PERMANENT)	75304-G01	Tow Bar - Permanent
WINDSHIELD KIT, GOLF CAR	75524-G01	Weather Protection, Golf Car
WINDSHIELD KIT, FOLD DOWN, GOLF CAR	74910-G01	Weather Protection, Golf Car
TIRE DOMINATOR 20X11-10	605316	Wheels and Tires
PATHFINDER TIRE, BRUSHED WHEEL LH	605355	Wheels and Tires
PATHFINDER TIRE, BRUSHED WHEEL RH	605356	Wheels and Tires
PRO TOUR - POLISHED WHEEL	605317	Wheels and Tires

OPTIONS/ACCESSORIES

ITEM	KIT NO.	COMMENTS
PRO TOUR, TIRE 205/50-10	605315	Wheels and Tires
V-STEM-BRUSHED SPOKED WHEEL	605351	Wheels and Tires
PRO BRUSHED WHEEL	605318	Wheels and Tires
DOMINATOR - POLISHED WHEEL	605319	Wheels and Tires
DOMINATOR - BRUSHED WHEEL	605320	Wheels and Tires
CHROME CENTER CAP - SPOKED WHEEL	604929	Wheels and Tires
NUT, LUG-CHROME	605310	Wheels and Tires
V-STEM-POLISHED SPOKED WHEEL	605311	Wheels and Tires
PATHFINDER TIRE 22X11-10	604928	Wheels and Tires
PATHFINDER TIRE, POLISHED WHEEL LH	604930	Wheels and Tires
PATHFINDER TIRE, POLISHED WHEEL RH	605228	Wheels and Tires
JACK-UP KIT	74786-G02	Wheels and Tires
BFS INSTALLATION	607108	Electrical System
NOZZLE GUN - BFS-08	608813	Electrical System

OPTIONS/ACCESSORIES

ITEM

KIT NO.

COMMENTS



A Textron Company

E-Z-GO Division Of Textron, Inc.,
1451 Marvin Griffin Road, Augusta, Georgia USA 30906-3852

TO CONTACT US

North America:

Technical Assistance & Warranty Phone: 1-800-774-3946, FAX: 1-800-448-8124

Service Parts Phone: 1-888-GET-EZGO (1-888-438-3946), FAX: 1-800-752-6175

International:

Phone: 010-1-706-798-4311, FAX: 010-1-706-771-4609

Certified ISO 9001 / ISO 14001 by



Copyrighted Material
This manual may not be reproduced in whole or
in part without the express permission of
E-Z-GO Division of Textron, Inc.
Technical Communications Department