

601028



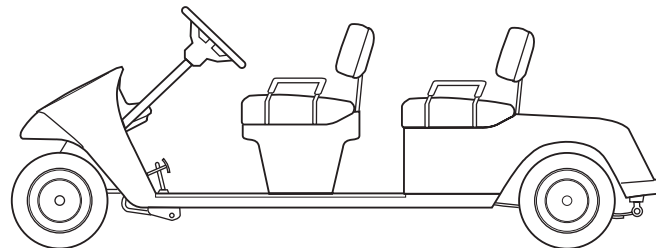
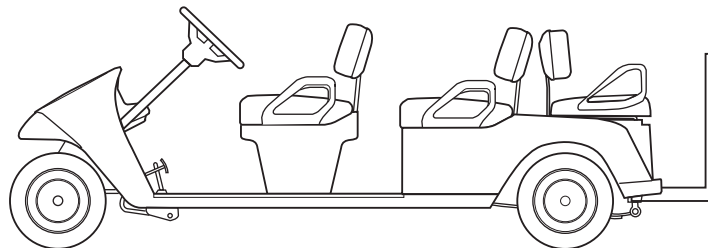
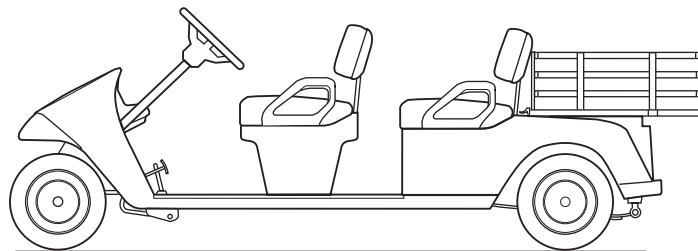
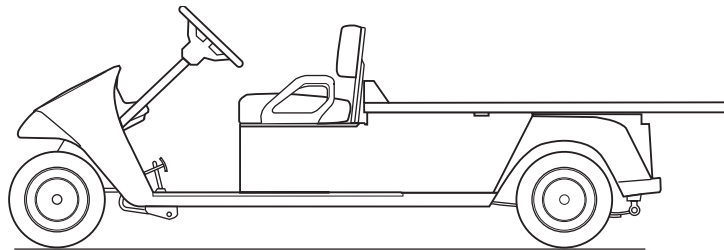
A Textron Company



A Textron Company



SERVICE PARTS MANUAL



GASOLINE POWERED PERSONNEL CARRIERS AND GOLF CAR

STARTING MODEL YEAR: 2005

SERVICE PARTS MANUAL

GASOLINE POWERED PERSONNEL CARRIERS AND GOLF CARS

SHUTTLE/BELLHOP 2

SHUTTLE/BELLHOP 4

SHUTTLE/BELLHOP 6

TG5

E-Z-GO Division of Textron, Inc. reserves the right to make design changes without obligation to make these changes on units previously sold and the information contained in this manual is subject to change without notice.

E-Z-GO Division of Textron, Inc. is not liable for errors in this manual or for incidental or consequential damages that result from the use of the material in this manual.

CUSTOMER SERVICE DEPARTMENT IN USA PHONE: 1-800-241-5855 FAX: 1-800-448-8124

OUTSIDE USA PHONE: 010-1-706-798-4311, FAX: 010-1-706-771-4609

E-Z-GO DIVISION OF TEXTRON, INC., MARVIN GRIFFIN RD., AUGUSTA, GEORGIA USA 30906

NOTES

To obtain a copy of the limited warranty applicable to the vehicle, call or write a local Distributor, authorized Branch or the Warranty Department with vehicle serial number and manufacturer code.

The use of non Original Equipment Manufacturer (OEM) parts may void the warranty.

Overfilling of batteries may void the warranty.

BATTERY PROLONGED STORAGE

All batteries will self discharge over time. The rate of self discharge varies depending on the ambient temperature and the age and condition of the batteries.

A fully charged battery will not freeze in winter temperatures unless the temperature falls below -75° F (-60° C).

As with all electric vehicles, the batteries must be checked and recharged as required or at a minimum of 30 day intervals.

TABLE OF CONTENTS

SECTION	Page No.
HOW TO USE THE SERVICE PARTS MANUAL	vii
ACCELERATOR	A-1
AIR FILTER	B-1
BODY	C-1
BRAKES	D-1
BRAKES - FRONT DISC	E-1
CARBURETOR AND CHOKE.....	F-1
CLUTCHES.....	G-1
DIRECTION SELECTOR	H-1
ELECTRICAL SYSTEM	J-1
ENGINE AND MUFFLER.....	K-1
ENGINE MOUNTING.....	L-1
FRONT SUSPENSION AND STEERING	M-1
FUEL SYSTEM	N-1
REAR AXLE	P-1
REAR SUSPENSION	Q-1
SEATING.....	R-1
STARTER/GENERATOR	S-1
WEATHER PROTECTION.....	T-1
WHEELS AND TIRES.....	U-1
SPECIALTY PRODUCTS	Appendix A
ACCESSORIES	Appendix B

HOW TO USE THE SERVICE PARTS MANUAL

This manual is divided into several sections:

- GENERAL INFORMATION
- ILLUSTRATED PARTS BREAKDOWN
- APPENDIX

The first section, GENERAL INFORMATION, contains the following information:

- WARRANTY INFORMATION
- GENERAL INDEX
- HOW TO USE THE SERVICE PARTS MANUAL

The second section, ILLUSTRATED PARTS BREAKDOWN, contains illustrations and parts lists for all systems of your vehicle.

The third section, APPENDIX, contains a listing of specialty products and accessories.

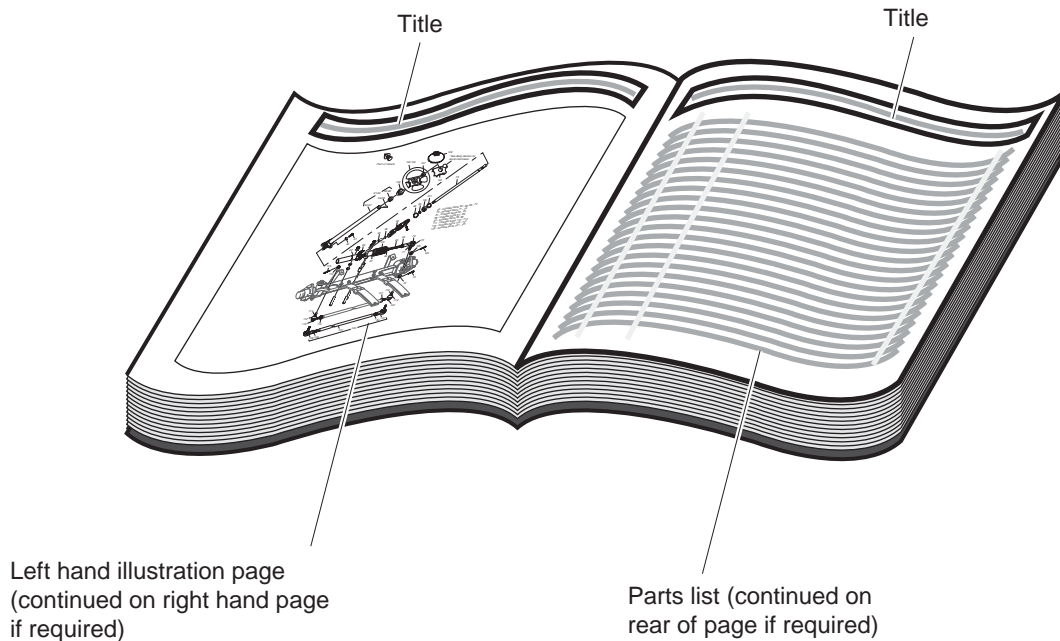
USE OF THE MANUAL

To use this manual, consult the GENERAL INDEX to locate the information or illustration required.

Introduction of some revisions varies due to supply of components; therefore, it is possible that various combinations of components may be found that are not directly reflected by each illustration. Consult the illustration that best suits your situation and then contact the Service Parts Department. It is important that the serial number of your vehicle and its model number be supplied to Service Parts when ordering any replacement components.

Locate the serial number plate (see BODY located in the Illustrated Parts Breakdown section of this manual for its location) and note the complete number shown on the plate.

HOW TO USE THE SERVICE PARTS MANUAL



1. WHEN THE PART NUMBER IS NOT KNOWN

- Determine the function and application of the part required. Turn to the General Index and select the most appropriate title.
- Turn to the page number indicated and locate the desired part on the illustration.
- From the illustration, obtain the item number assigned to the desired part. Refer to the accompanying description for specific information regarding the part.

2. IF YOU KNOW THE PART NUMBER

- Locate the part number or description in the appropriate column on the parts list page.

NOTE: It is suggested that you confirm that the part selected is correct by verifying it with the pictorial representation on the illustrated page.

Should an asterisk (*) appear in the part number column on the parts list page, read upwards until a part number is found. The part number is the lowest assembly sold by Service Parts and the asterisk (*) indicates that the part depicted is not available for purchase.

NOTE: Descriptions are indented under the assembly that they are used on. That assembly is, in turn listed under the assembly that it is used on. This process is repeated until the highest final assembly is reached.

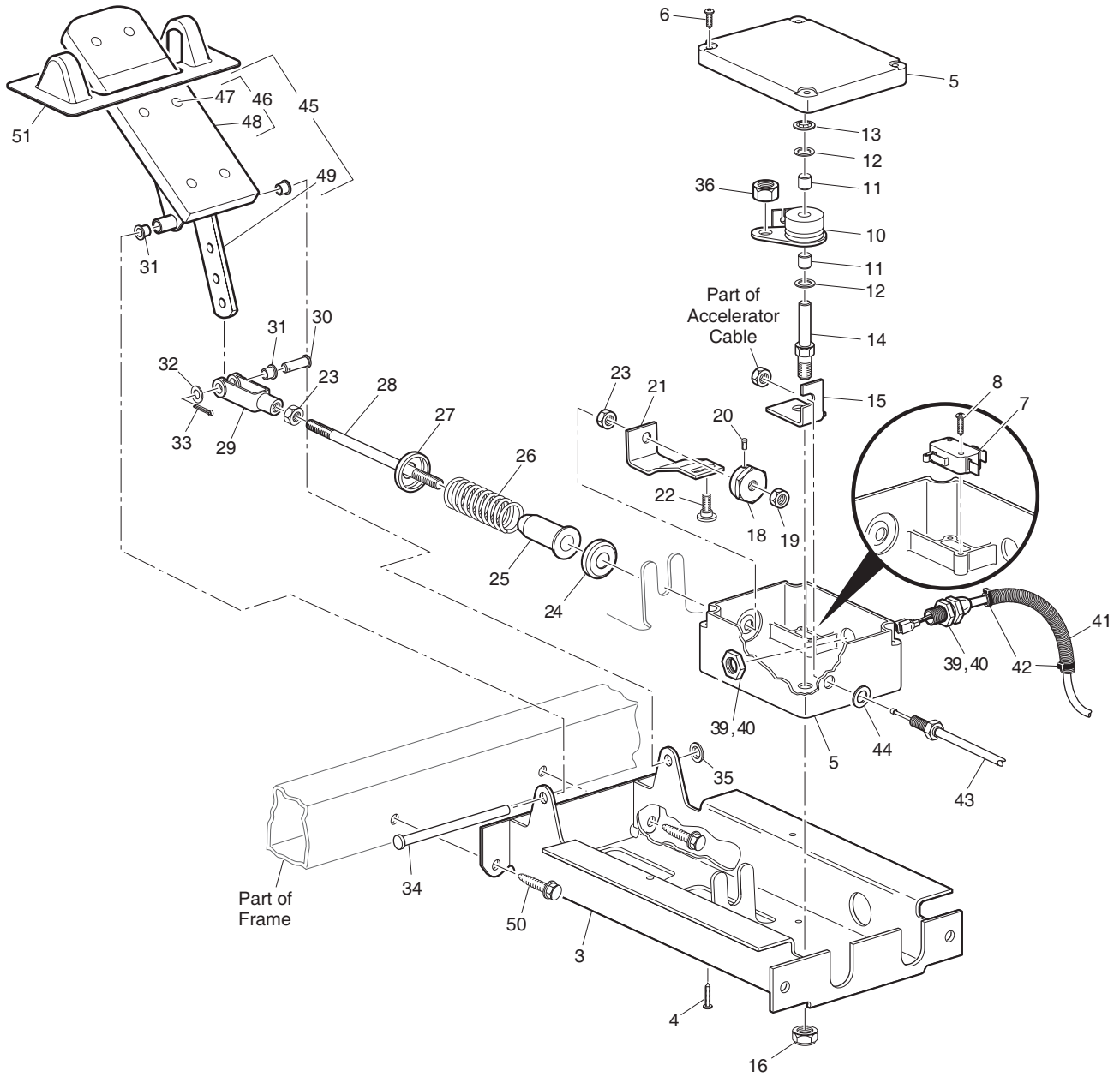
To facilitate the maintenance and repair of the vehicle, a Technician's Repair and Service Manual is available from the Service Parts Department.

ILLUSTRATED PARTS BREAKDOWN

ILLUSTRATED PARTS BREAKDOWN

ACCELERATOR

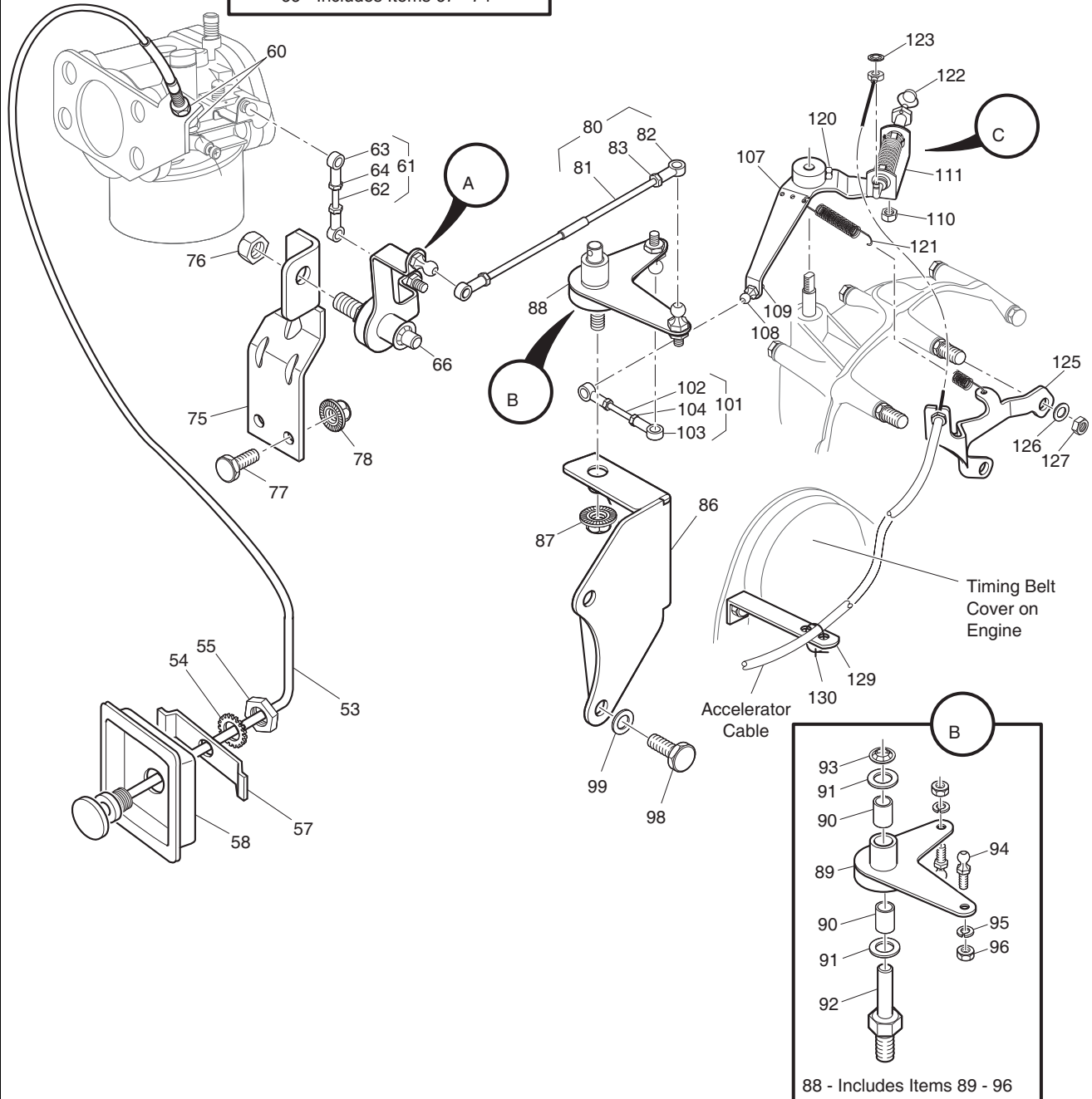
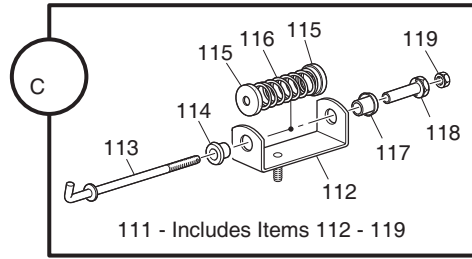
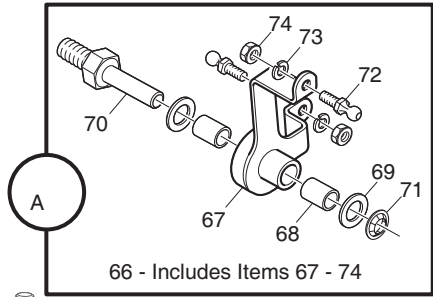
- 1 - Includes Items 3 - 39, 41 - 49
- 2 - Includes Items 3 - 37, 40 - 49 (TG5)



Ref Acl 8-1

ACCELERATOR

85 - Includes Items 86 - 96
 106 - Includes Items 107 - 119



Ref Acl 8-2

ACCELERATOR

When ordering parts, please specify the model and serial number of the product.

* Indicates a component that is not available as an individual part.

G** Indicates consult Customer Service Department for additional information.

ITEM	PART NO.	1 2 3 4 5	DESCRIPTION	QTY.
1	<u>72062-G02</u>		PEDAL BOX ASSEMBLY (INCLUDES ITEMS 3 - 39, 41 - 49).....	1
2	<u>72062-G06</u>		PEDAL BOX ASSEMBLY (INCLUDES ITEMS 3 - 37 , 40 - 49) (TG5).....	1
3	70116-G01		ACCELERATOR PEDAL BRACKET.....	1
4	<u>01051-G01</u>		SCREW, #8 - 16 X 1/2" LG	4
5	<u>25853-G02</u>		PEDAL BOX AND COVER	1
6	<u>00684-G6</u>		SCREW, #8 - 32 X 3/4" LG (STAINLESS STEEL).....	4
7	<u>25861-G01</u>		MICRO SWITCH.....	1
8	<u>01050-G01</u>		SCREW, #4 - 20 X 5/8" LG	2
9				
10	72066-G01		CONTROL ARM	1
11	23860-G10		BEARING.....	2
12	<u>24621-G1</u>		NYLON WASHER, 5/16".....	2
13	<u>12064-G1</u>		PUSH NUT, 5/16".....	1
14	25768-G01		PIVOT ROD	1
15	<u>72199-G01</u>		PIVOT BRACKET	1
16	<u>14390-G1</u>		LOCK NUT, 3/8-24.....	1
17				
18	<u>72198-G03</u>		MICRO SWITCH CAM.....	1
19	<u>15126-G1</u>		LOCK NUT, 5/16 - 24.....	1
20	<u>00487-G3</u>		SETSCREW, 1/4 - 20 X 3/8" LG	1
21	72074-G01		CONTROL ARM LINK	1
22	<u>72225-G01</u>		SHOULDER BOLT, #10 - 24 X 11/16" LG.....	1
23	<u>00532-G4</u>		NUT, 5/16 - 24.....	2
24	<u>17677-G1</u>		SPRING RETAINER	1
25	<u>17979-G1</u>		ACCELERATOR ROD BUSHING	1
26	<u>73046-G01</u>		COMPRESSION SPRING	1
27	<u>17677-G2</u>		SPRING RETAINER	1
28	72072-G01		ACCELERATOR ROD	1
29	10385-G4		CLEVIS YOKE (ADJUSTABLE).....	1
30	<u>10386-G3</u>		CLEVIS PIN, 5/16" X 13/16" LG	1

ACCELERATOR

When ordering parts, please specify the model and serial number of the product.

* Indicates a component that is not available as an individual part.

G** Indicates consult Customer Service Department for additional information.

ITEM	PART NO.	1	2	3	4	5	DESCRIPTION	QTY.
31	<u>17838-G1</u>						NYLON BUSHING	3
32	<u>17255-G1</u>						TEFLON WASHER, 5/16"	1
33	<u>10387-G3</u>						COTTER PIN, 3/32" X 3/4" LG	1
34	<u>74432-G01</u>						PEDAL PIVOT PIN	1
35	<u>12064-G6</u>						PUSH NUT, 9/32"	1
36	<u>14390-G10</u>						LOCK NUT, #10 - 24	1
37	<u>12730-G1</u>						WHEEL BEARING GREASE (NOT ILLUSTRATED)	A/R
38								
39	<u>72201-G02</u>						WIRE HARNESS (PEDAL BOX)	1
40	<u>72201-G03</u>						WIRE HARNESS (PEDAL BOX) (TG5)	1
41	<u>17313-G1</u>						FLEX LOOM (BULK)	AR
42	<u>17618-G1</u>						WIRE TIE	2
43	<u>72402-G01</u>						ACCELERATOR CABLE	1
44	<u>00559-G8</u>						WASHER, 5/16"	1
45	<u>25799-G02</u>						ACCELERATOR PEDAL ASSEMBLY (INCLUDES ITEMS 47 - 49)	1
46	<u>27844-G01</u>						ACCELERATOR PEDAL PAD KIT (INCLUDES ITEMS 47 - 48)	1
47	<u>15766-G1</u>						OVAL RIVET, 3/16" X 7/16" LG	6
48	<u>27512-G01</u>						ACCELERATOR PEDAL PAD	1
49	*						ACCELERATOR PEDAL	
50	<u>00715-G2</u>						BOLT, 5/16 - 18 X 4/5" LG	4
51	<u>70135-G01</u>						PEDAL PIVOT COVER	1
52								
53	<u>72401-G01</u>						CHOKE CABLE (WITH NUTS)	1
54	<u>00568-G4</u>						LOCK WASHER, 9/16"	1
55	<u>00545-G4</u>						JAM NUT, 9/16 - 18	1
56								
57	<u>72155-G01</u>						RETAINER	1
58	<u>72154-G01</u>						CHOKE CABLE ADAPTER	1
59								
60	<u>00544-G4</u>						JAM NUT, 5/16 - 24	2

ACCELERATOR

When ordering parts, please specify the model and serial number of the product.

* Indicates a component that is not available as an individual part.

G** Indicates consult Customer Service Department for additional information.

ITEM	PART NO.	1 2 3 4 5	DESCRIPTION	QTY.
61	<u>25737-G01</u>		CARBURETOR LINKAGE ROD (INCLUDES ITEMS 62 - 64)	1
62	<u>23722-G1</u>		ADJUSTING ROD (SHORT).....	1
63	<u>24465-G1</u>		BALL JOINT SOCKET	2
64	<u>00526-G4</u>		NUT, #10 - 32.....	2
65				
66	<u>25760-G01</u>		CARBURETOR LINKAGE BELLCRANK (INCLUDES ITEMS 67 - 74).....	1
67	<u>25759-G01</u>		CARBURETOR PIVOT	1
68	<u>23860-G1</u>		BEARING	2
69	<u>24621-G1</u>		NYLON WASHER, 5/16".....	2
70	<u>25768-G01</u>		PIVOT ROD	1
71	<u>12064-G1</u>		PUSH NUT, 5/16"	1
72	<u>24479-G1</u>		BALL JOINT BALL	2
73	<u>00565-G5</u>		LOCK WASHER, #10	2
74	<u>00526-G4</u>		NUT, #10 - 32.....	2
75	<u>72197-G01</u>		PIVOT BRACKET.....	1
76	<u>14390-G1</u>		LOCK NUT, 3/8 - 24	1
77	<u>00661-G8</u>		BOLT, 1/4 - 20 X 1" LG (STAINLESS STEEL).....	2
78	<u>14390-G4</u>		LOCK NUT, 1/4 - 20	2
79				
80	<u>72254-G01</u>		THROTTLE LINKAGE ROD ASSEMBLY (INCLUDES ITEMS 81 - 83).....	1
81	<u>72609-G01</u>		ADJUSTING ROD (LONG)	1
82	<u>24465-G1</u>		BALL JOINT SOCKET	2
83	<u>00526-G4</u>		NUT, #10 - 32.....	2
84				
85	<u>25702-G01</u>		GOVERNOR PIVOT BRACKET ASSEMBLY (INCLUDES ITEMS 86 - 96).....	1
86	<u>25655-G01</u>		BELLCRANK BRACKET.....	1
87	<u>14390-G1</u>		LOCK NUT, 3/8 - 24	1
88	<u>25763-G01</u>		GOVERNOR PIVOT ASSEMBLY (INCLUDES ITEMS 89 - 96)	1
89	<u>25762-G01</u>		GOVERNOR PIVOT.....	1
90	<u>23860-G1</u>		BEARING	2

ACCELERATOR

When ordering parts, please specify the model and serial number of the product.

* Indicates a component that is not available as an individual part.

G** Indicates consult Customer Service Department for additional information.

ITEM	PART NO.	1	2	3	4	5	DESCRIPTION	QTY.
91	<u>24621-G1</u>						NYLON WASHER, 5/16"	2
92	<u>25768-G01</u>						PIVOT ROD.....	1
93	<u>12064-G1</u>						PUSH NUT, 5/16"	1
94	<u>24479-G1</u>						BALL JOINT BALL	2
95	<u>00565-G5</u>						LOCK WASHER, #10	2
96	<u>00526-G4</u>						NUT, #10 - 32	2
97								
98	<u>00276-G6</u>						BOLT, 5/16 - 24 X 3/4" LG	2
99	<u>00565-G8</u>						LOCK WASHER, 5/16".....	2
100								
101	<u>25737-G03</u>						GOVERNOR LINKAGE ROD (INCLUDES ITEMS 102 - 104)	1
102	<u>23722-G1</u>						ADJUSTING ROD.....	1
103	<u>24465-G1</u>						BALL JOINT SOCKET	2
104	<u>00526-G4</u>						NUT, #10 - 32.....	2
105								
106	<u>25690-G01</u>						GOVERNOR BELLCRANK ASSEMBLY (INCLUDES ITEMS 107 - 119)	1
107	<u>25765-G01</u>						GOVERNOR BELLCRANK.....	1
108	<u>24479-G1</u>						BALL JOINT BALL	1
109	<u>00734-G5</u>						LOCK NUT, #10 - 32.....	1
110	<u>14390-G4</u>						LOCK NUT, 1/4 - 20.....	1
111	<u>22751-G2</u>						GOVERNOR BRACKET ASSEMBLY (INCLUDES ITEMS 112 - 119).....	1
112	<u>22752-G1</u>						GOVERNOR BRACKET	1
113	<u>25274-G1</u>						GOVERNOR ROD	1
114	<u>22754-G1</u>						BUSHING	1
115	<u>25661-G01</u>						CUP WASHER	2
116	<u>23578-G1</u>						COMPRESSION SPRING.....	1
117	<u>22754-G2</u>						BUSHING	1
118	<u>23859-G1</u>						GOVERNOR ADJUSTER	1
119	<u>00526-G4</u>						NUT, #10 - 32	1
120	<u>00491-G4</u>						SETSCREW, 1/4 - 20 X 1/2" LG.....	2

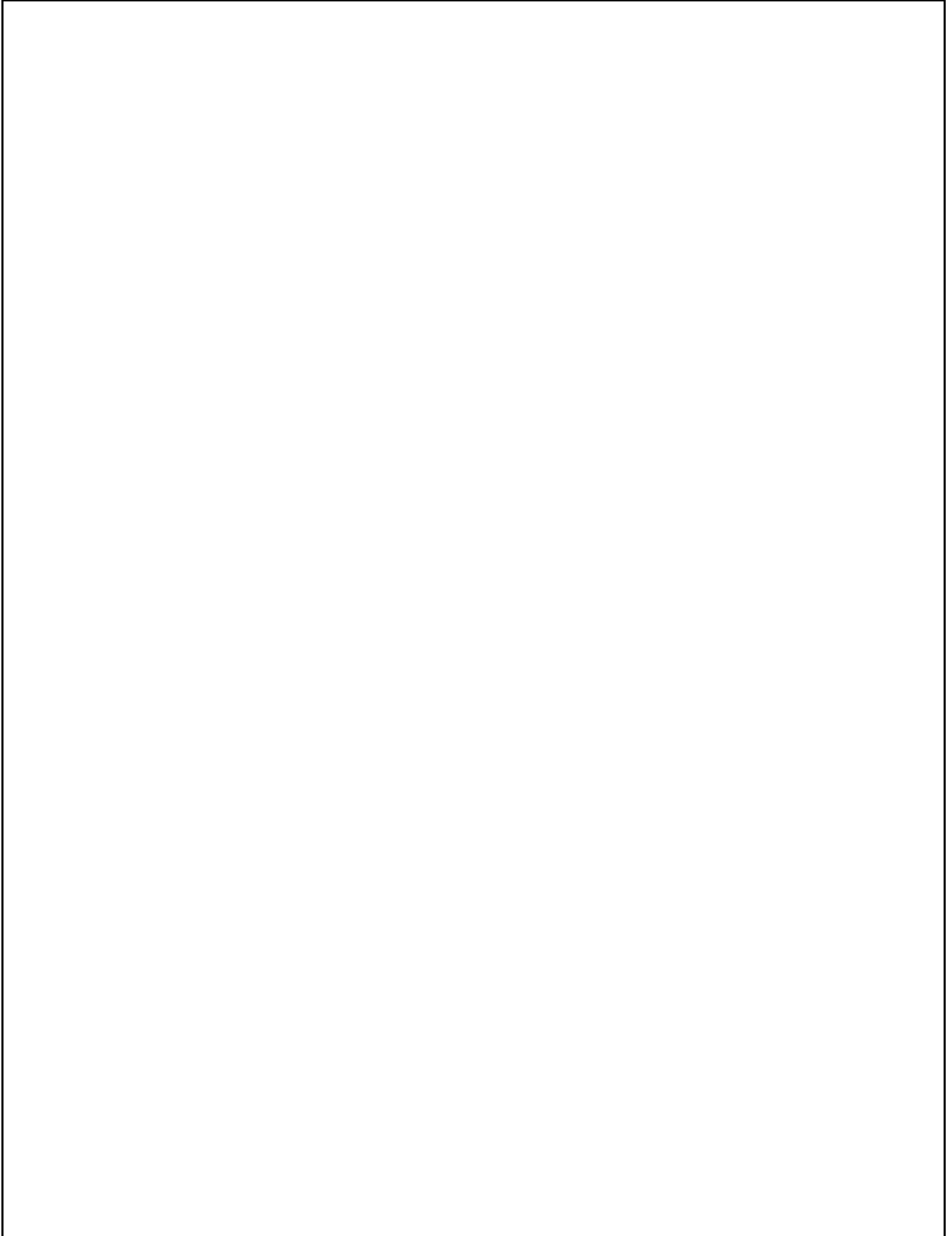
ACCELERATOR

When ordering parts, please specify the model and serial number of the product.

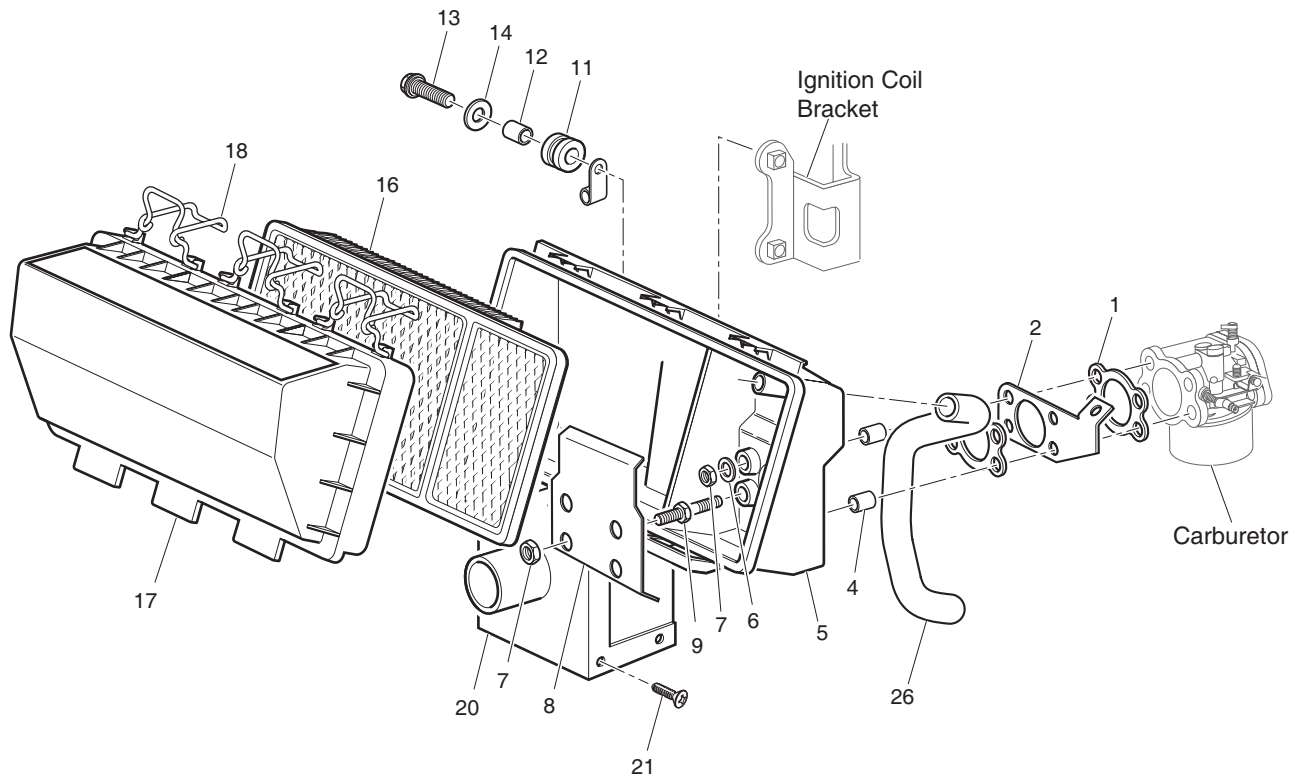
* Indicates a component that is not available as an individual part.

G** Indicates consult Customer Service Department for additional information.

ITEM	PART NO.	1 2 3 4 5	DESCRIPTION	QTY.
121	<u>25738-G01</u>		SPRING.....	1
122	<u>25286-G1</u>		SAFETY SEAL, 3/8"	1
123	<u>12064-G3</u>		PUSH NUT, 3/16"	1
124				
125	<u>25653-G01</u>		ACCELERATOR CABLE BRACKET	1
126	<u>26826-G01</u>		LOCK WASHER, 8 MM	2
127	<u>26827-G01</u>		NUT, M8 X 1.25 MM	2
128				
129	<u>72055-G01</u>		ACCELERATOR CABLE BRACKET	1
130	<u>17618-G1</u>		WIRE TIE	7



AIR CLEANER



Ref Air 8

AIR CLEANER

THE USE OF NON U.L. PARTS WILL VOID ANY U.L. LISTING.

When ordering parts, please specify the model and serial number of the product.

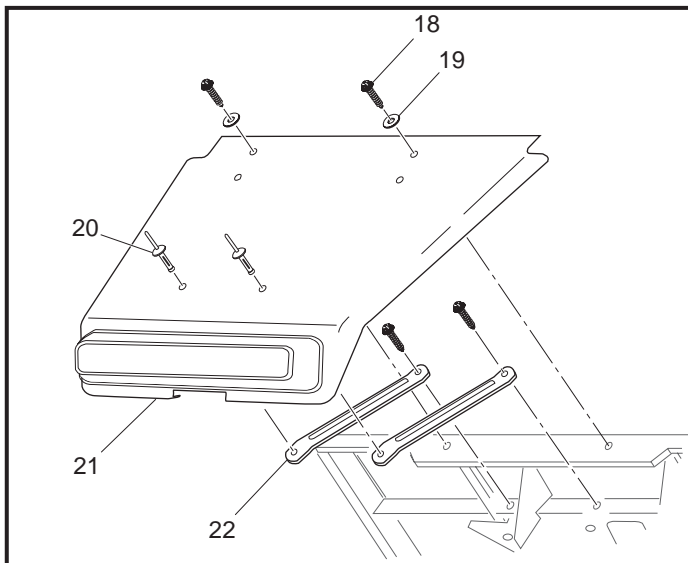
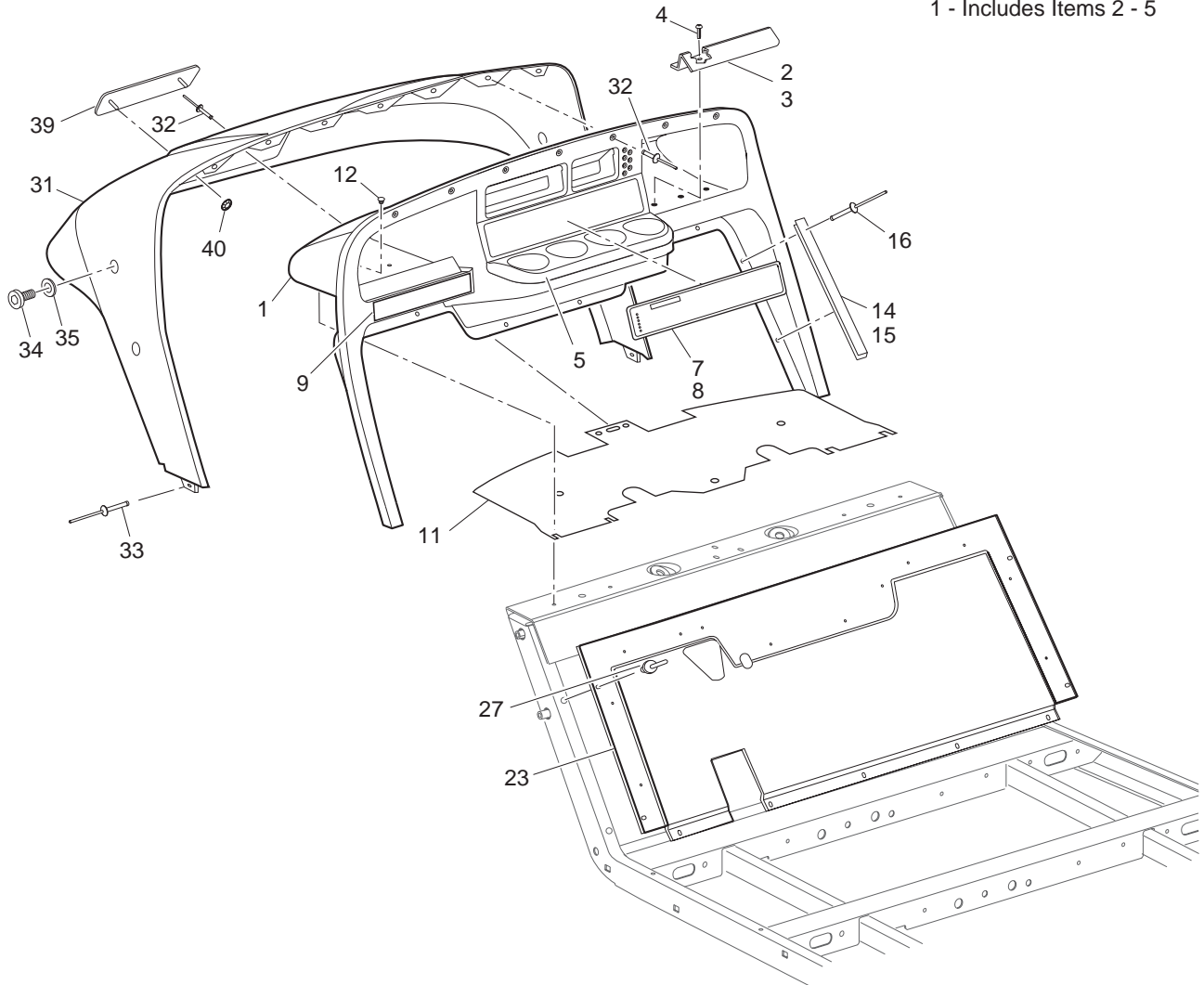
* Indicates a component that is not available as an individual part.

G** Indicates consult Customer Service Department for additional information.

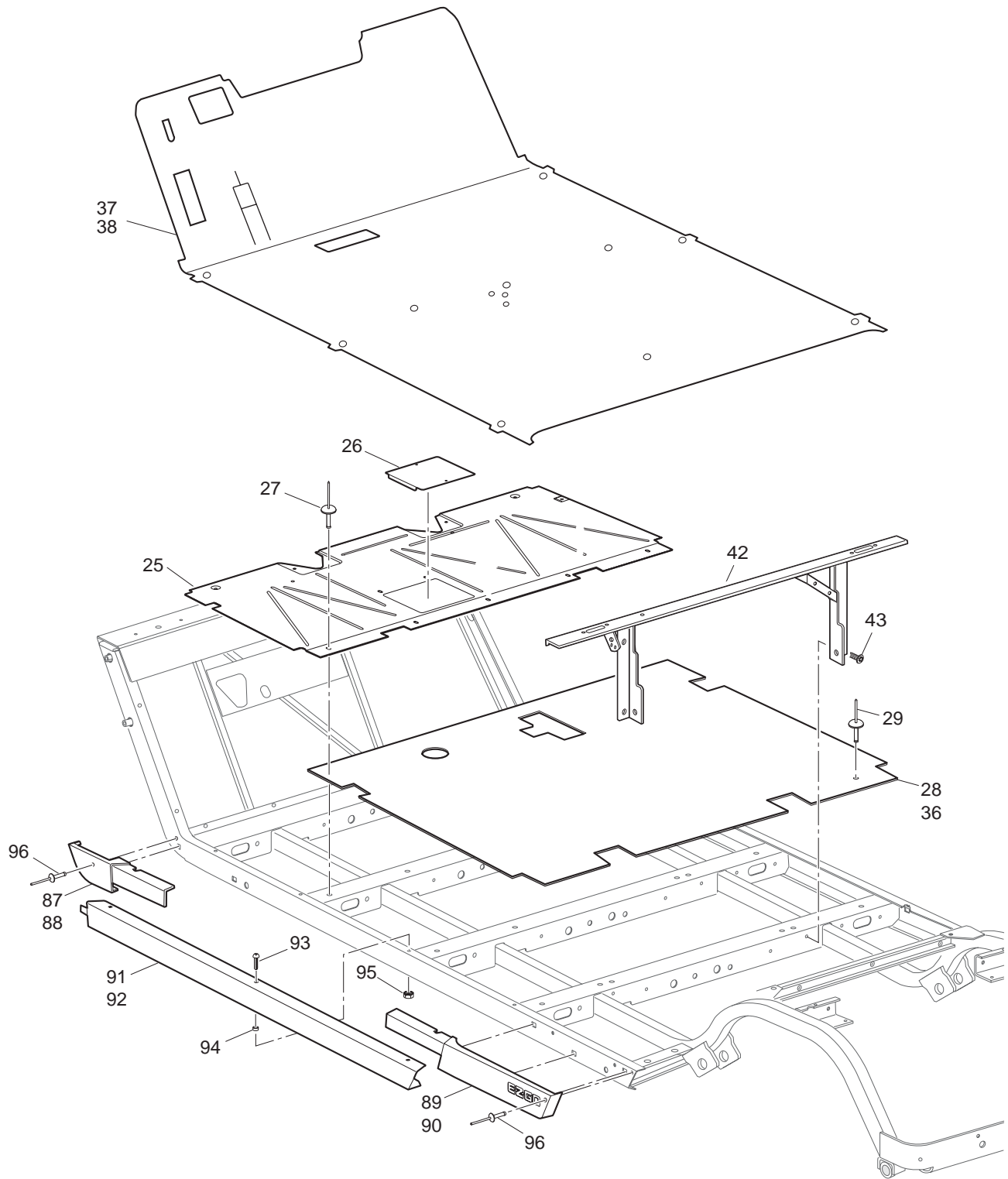
ITEM	PART NO.	1 2 3 4 5	DESCRIPTION	QTY.
1	72710-G01		CARBURETOR / AIR BOX GASKET	2
2	<u>26728-G01</u>		CHOKE BRACKET	1
3				
4	<u>23726-G6</u>		SPACER, 7/16"	4
5	<u>72178-G02</u>		HOUSING	1
6	<u>00664-G7</u>		LOCK WASHER, 1/4" (STAINLESS STEEL)	2
7	<u>13632-G1</u>		NUT, M6 X 1	4
8	<u>72529-G01</u>		BAFFLE	1
9	<u>72514-G01</u>		STUD, M6 X 1 X 39 MM LG	2
10				
11	72147-G01		RUBBER GROMMET	2
12	<u>23726-G7</u>		SPACER, 9/16"	2
13	26671-G01		BOLT AND WASHER, M6 X 1 X 30 MM LG	2
14	<u>26701-G01</u>		WASHER, 6.5 MM	2
15				
16	<u>72368-G01</u>		AIR FILTER ELEMENT	1
17	<u>72179-G02</u>		AIR FILTER COVER	1
18	<u>72145-G01</u>		LATCH	3
19				
20	<u>72146-G02</u>		INLET COVER	1
21	<u>00614-G5</u>		SCREW, #8 - 18 X 5/8" LG	6
22				
23				
24				
25				
26	<u>72151-G01</u>		PCV HOSE	1

BODY

1 - Includes Items 2 - 5

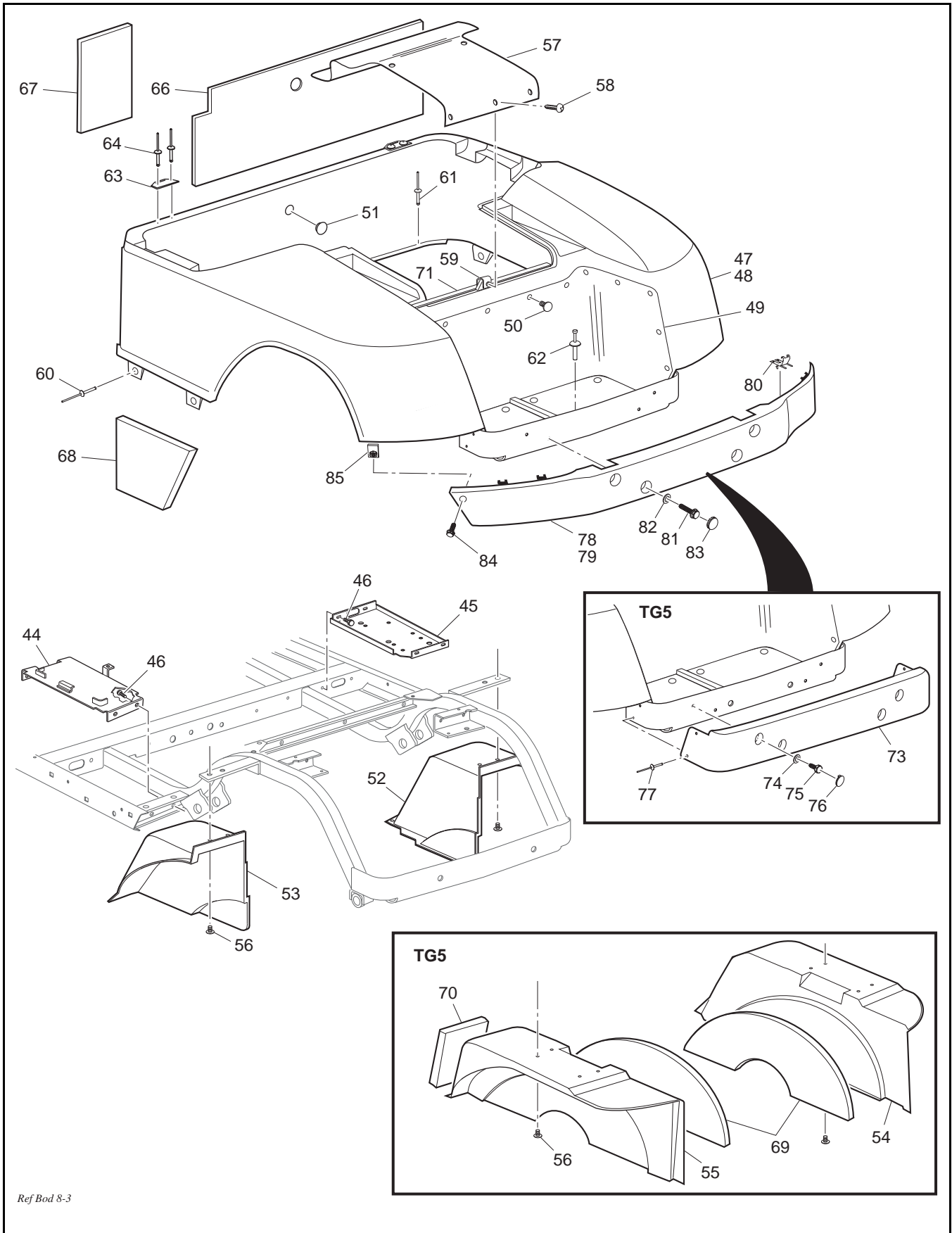


Ref Bod 8-1

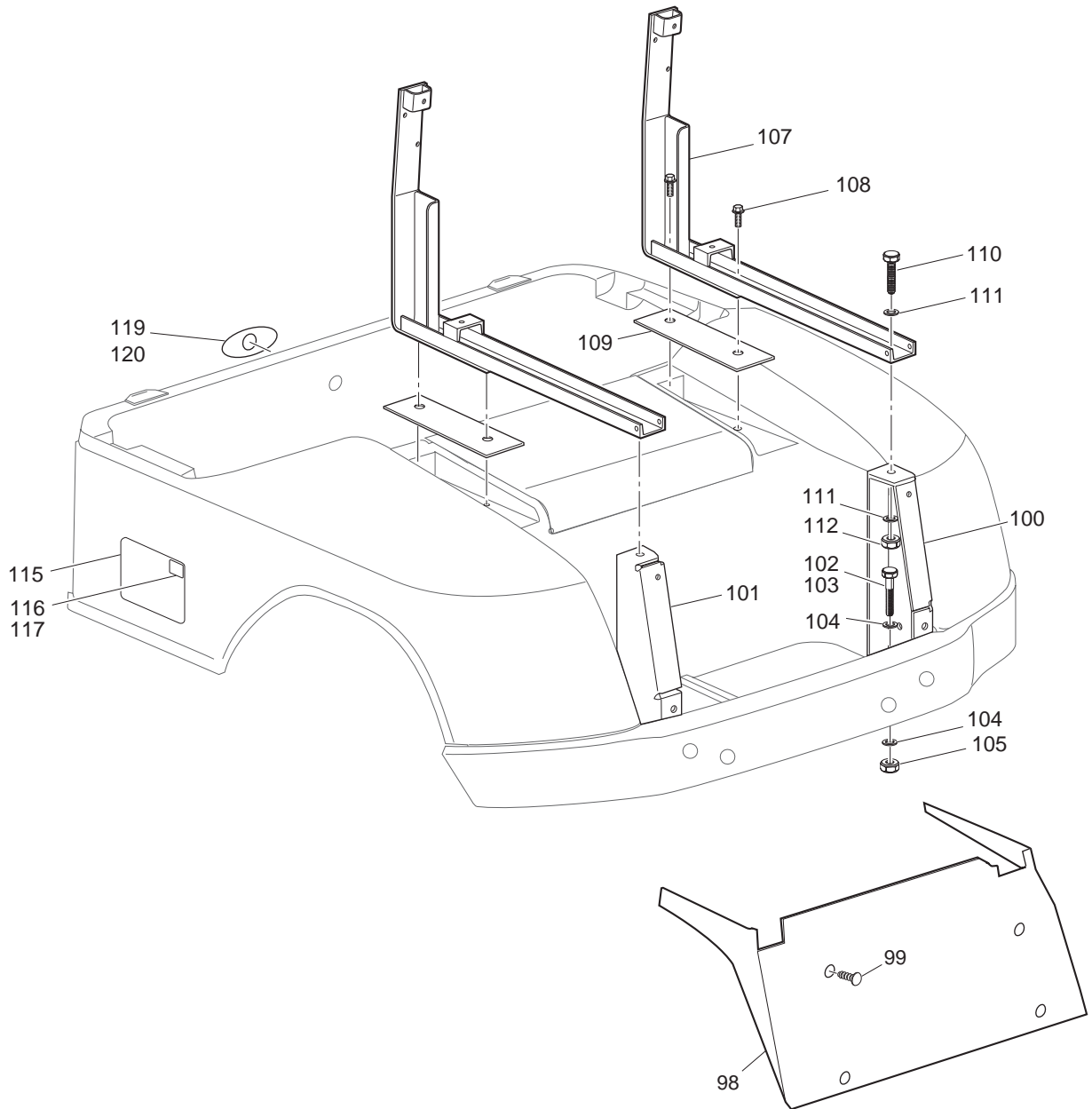


Ref Bod 8-2

BODY

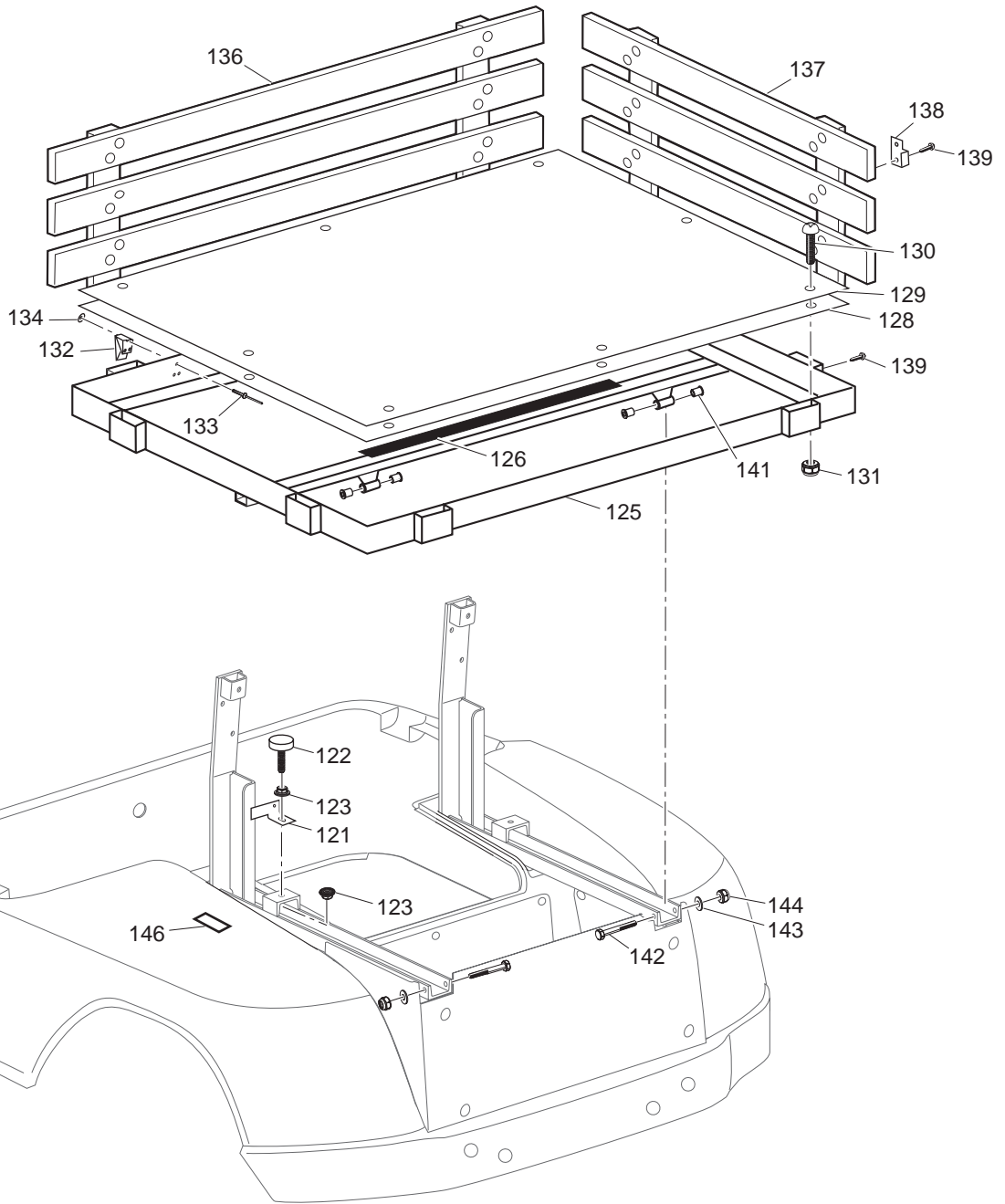


Ref Bod 8-3



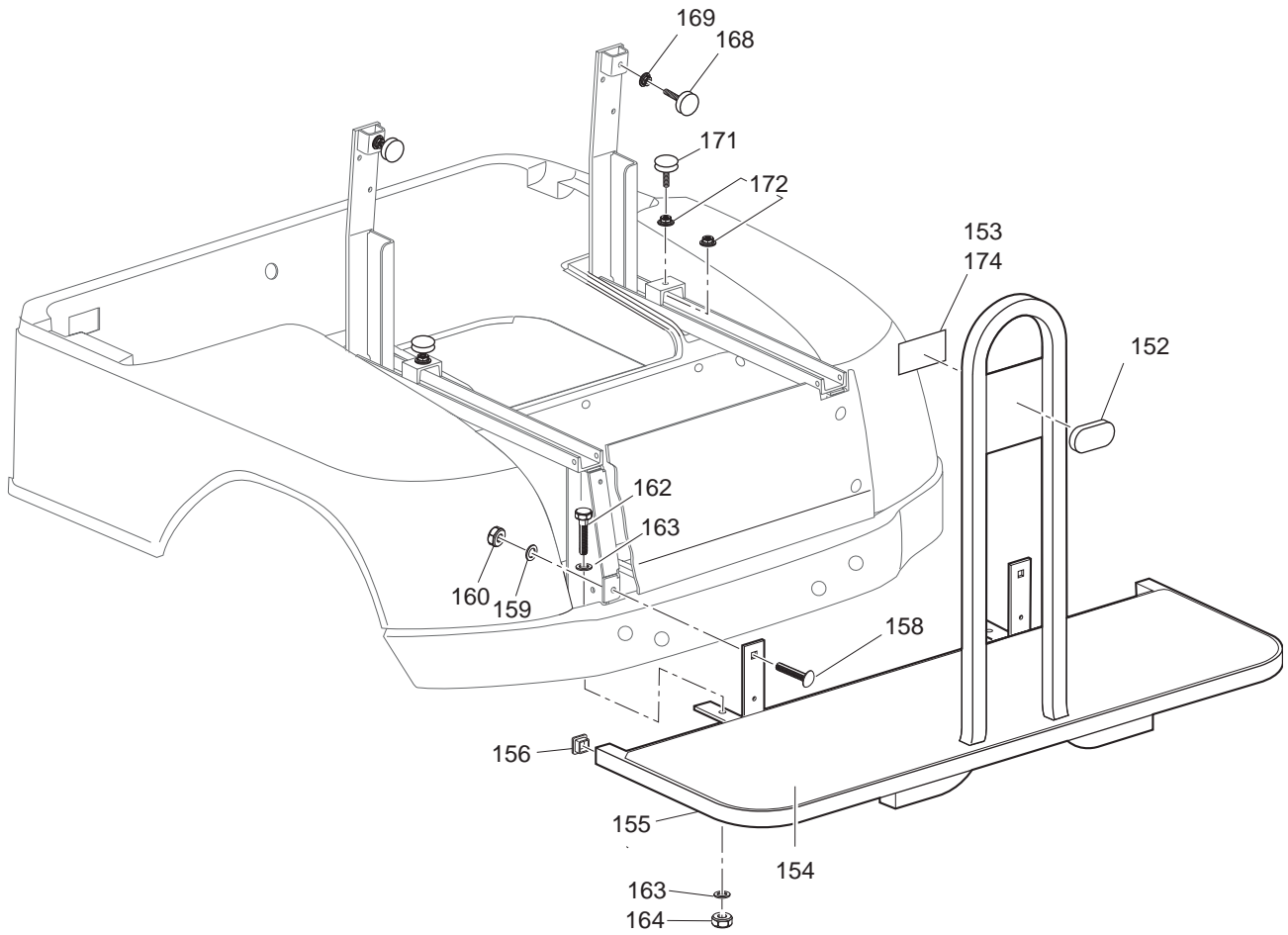
Ref Bod 8-4

BODY



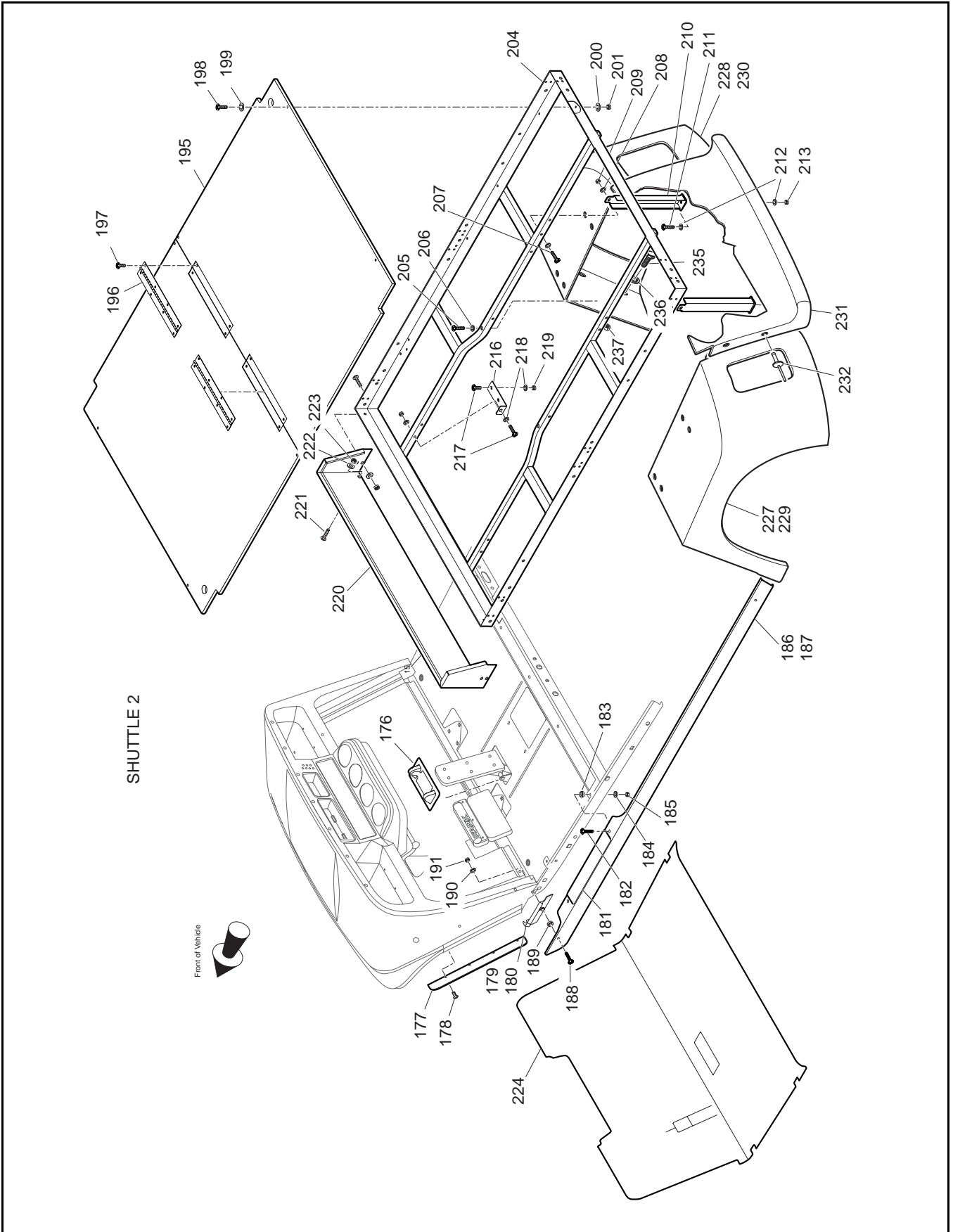
Ref Bod 8-5

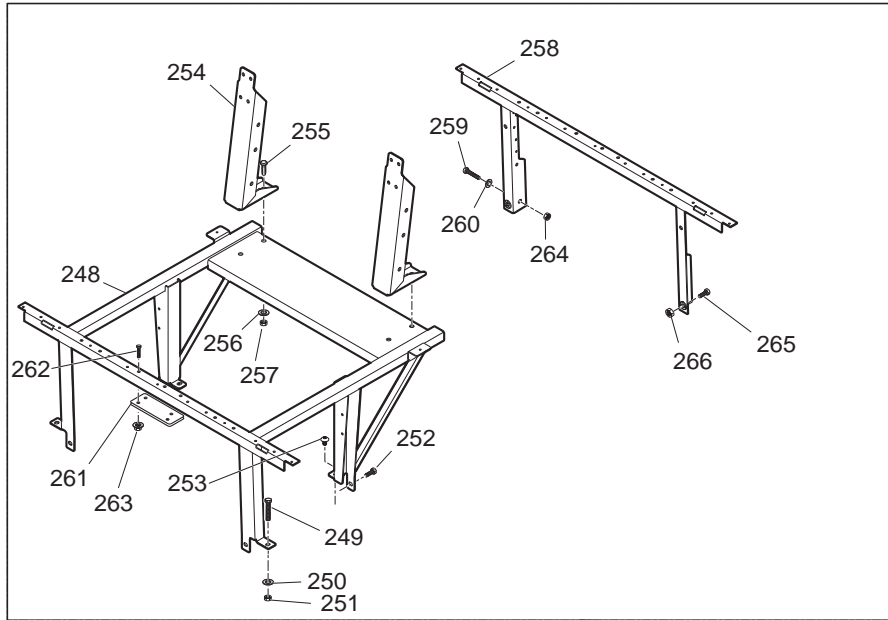
151 - Includes Items 152 - 155



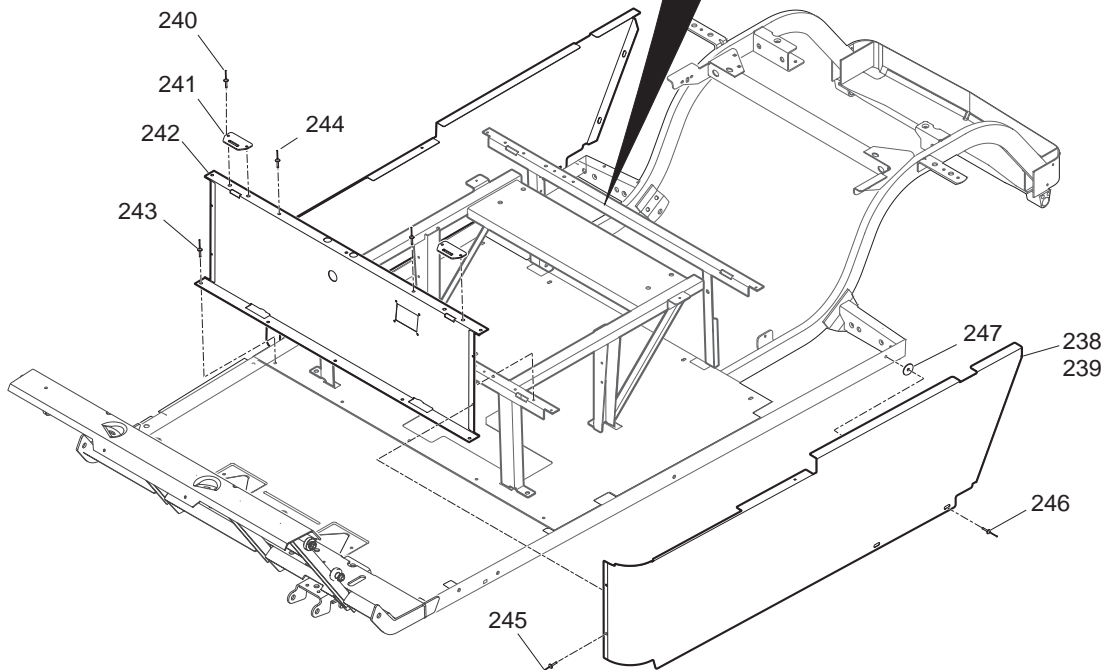
Ref Bod 8-6

BODY





SHUTTLE 2



BODY

THE USE OF NON U.L. PARTS WILL VOID ANY U.L. LISTING.

When ordering parts, please specify the model and serial number of the product.

* Indicates a component that is not available as an individual part.

G** Indicates consult Customer Service Department for additional information.

ITEM	PART NO.	1 2 3 4 5	DESCRIPTION	QTY.
1	<u>71151-G01</u>		INSTRUMENT PANEL ASSEMBLY (INCLUDES ITEMS 2 - 5)	1
2	<u>71153-G01</u>		BALL DEFLECTOR (PASSENGER SIDE).....	1
3	<u>71154-G01</u>		BALL DEFLECTOR (DRIVER SIDE).....	1
4	<u>00614-G5</u>		SCREW, #8 - 18 X 5/8" LG	6
5	<u>71158-G01</u>		INSTRUMENT PANEL INSERT (4 CUP HOLDER).....	1
6				
7	<u>74078-G01</u>		LABEL (SAFETY).....	1
8	<u>35345-G01</u>		LABEL (SAFETY) (EC)	1
9	<u>74443-G01</u>		LABEL (ANTI-ROLLBACK)	1
10				
11	<u>71413-G01</u>		SPLASH PANEL.....	1
12	<u>16816-G2</u>		RATCHET FASTENER, 1/4" X 3/4" LG	5
13				
14	<u>71115-G01</u>		VINYL TRIM (SHUTTLE - QTY 2) (TG5 - QTY 1).....	AR
15	<u>71115-G02</u>		VINYL TRIM DRIVER SIDE (TG5).....	1
16	<u>71055-G01</u>		RIVET, 3/16" X 1" LG (ALUMINUM).....	10
17				
18	<u>01038-G01</u>		BOLT, 1/4 - 20 X 11/16" LG	4
19	<u>16469-G1</u>		WASHER, 1/4"	2
20	<u>01057-G01</u>		RIVET, KTR, 1/4" X 3/4" LG	2
21	<u>27166-G04</u>		FRONT SHIELD	1
22	<u>70725-G01</u>		FRONT SHIELD BRACE.....	2
23	<u>70662-G01</u>		UPPER FLOORPAN.....	1
24				
25	<u>70451-G01</u>		LOWER FLOORPAN.....	1
26	<u>70452-G01</u>		ACCESS COVER.....	1
27	<u>14601-G11</u>		RIVET, 3/16" X 9/16" LG (ALUMINUM)	16
28	<u>70316-G01</u>		REAR FLOORPAN	1
29	<u>10570-G10</u>		RIVET, 5/32" X 9/16" LG (STAINLESS STEEL)	5
30				

THE USE OF NON U.L. PARTS WILL VOID ANY U.L. LISTING.
 When ordering parts, please specify the model and serial number of the product.
 * Indicates a component that is not available as an individual part.
 G** Indicates consult Customer Service Department for additional information.

ITEM	PART NO.	1 2 3 4 5	DESCRIPTION	QTY.
31	71051-G**		COWL.....	1
32	<u>71055-G01</u>		RIVET, 3/16" X 1" LG (ALUMINUM).....	9
33	<u>10570-G11</u>		RIVET, 3/16" X 3/4" LG (STAINLESS STEEL)	2
34	<u>71056-G01</u>		BOLT, 5/16 - 18 X 5/8" LG	4
35	<u>00570-G2</u>		WASHER, 5/16.....	4
36	<u>70823-G01</u>		REAR FLOORPAN (HAND PARK BRAKE).....	1
37	70668-G0*		FLOORMAT (HAND PARK BRAKE)	1
38	70663-G0*		FLOORMAT.....	1
39	<u>71037-G02</u>		E-Z-GO NAMEPLATE (GOLD).....	1
40	<u>71597-G01</u>		NUT, SELF THREADING	2
41				
42	70440-G03		SEAT FRAME.....	1
43	<u>00715-G2</u>		BOLT, 5/16 - 18 X 4/5" LG	2
44	70245-G01		BATTERY TRAY.....	1
45	<u>70244-G03</u>		SPLASH PAN	1
46	<u>00715-G2</u>		BOLT, 5/16 - 18 X 4/5" LG	8
47	71912-G6**		REAR BODY ASSEMBLY (W/OUT TAILLIGHTS) (INCLUDES ITEMS 49, 50)..	1
48	71332-G3**		REAR BODY ASSEMBLY (W/ TAILLIGHTS) (INCLUDES ITEMS 49, 50)	1
49	71318-G01		BAGWELL LINER	1
50	<u>16816-G1</u>		RATCHET FASTENER, 1/4" X 9/16" LG	12
51	<u>71316-G01</u>		PLUG.....	1
52	<u>71812-G01</u>		FENDER LINER (PASSENGER SIDE) (SHUTTLE)	1
53	<u>71812-G02</u>		FENDER LINER (DRIVER SIDE) (SHUTTLE).....	1
54	<u>71551-G05</u>		FENDER LINER (PASSENGER SIDE) (TG5).....	1
55	<u>71552-G05</u>		FENDER LINER (DRIVER SIDE) (TG5)	1
56	<u>16816-G2</u>		RATCHET FASTENER, 1/4" X 3/4" LG	8
57	<u>71320-G01</u>		ACCESS PANEL	1
58	<u>01107-G01</u>		SCREW, #8 X 3/8" LG (STAINLESS STEEL)	5
59	<u>71364-G02</u>		'J' CLIP	1
60	10570-G12		RIVET, 1/4" X 9/16" LG (ALUMINUM).....	4

BODY

THE USE OF NON U.L. PARTS WILL VOID ANY U.L. LISTING.

When ordering parts, please specify the model and serial number of the product.

* Indicates a component that is not available as an individual part.

G** Indicates consult Customer Service Department for additional information.

ITEM	PART NO.	1 2 3 4 5	DESCRIPTION	QTY.
61	<u>10570-G10</u>		RIVET, 5/32" X 9/16" LG (STAINLESS STEEL)	6
62	<u>18436-G1</u>		PLASTIC DRIVE RIVET, 1/4" X 3/4" LG	2
63	<u>71609-G01</u>		HINGE PLATE	2
64	<u>10570-G11</u>		RIVET, 3/16" X 3/4" LG (STAINLESS STEEL)	4
65				
66	<u>72112-G01</u>		SEATWRAP NOISE SUPPRESSOR (LARGE).....	1
67	<u>72549-G01</u>		SEATWRAP NOISE SUPPRESSOR (SMALL)	1
68	<u>72552-G01</u>		SEATWRAP NOISE SUPPRESSOR (DRIVER SIDE, SIDE).....	1
69	<u>72548-G01</u>		FENDER NOISE SUPPRESSOR	2
70	<u>72551-G01</u>		FENDER NOISE SUPPRESSOR (DRIVER SIDE, FRONT).....	1
71	<u>22744-G1</u>		BAGWELL NOISE SUPPRESSOR	1
72				
73	<u>71578-G01</u>		BUMPER (TG5).....	1
74	<u>00571-G2</u>		WASHER, 5/16"	4
75	<u>71102-G01</u>		BOLT, 1/4 - 20 X 5/8" LG	4
76	<u>71514-G01</u>		BUMPER PLUG	4
77	<u>14601-G17</u>		RIVET, 3/16" X 9/16" LG (ALUMINUM)	4
78	<u>71451-G02</u>		BUMPER (SHUTTLE 4)	1
79	<u>71456-G01</u>		BUMPER (SHUTTLE 6)	1
80	<u>71457-G01</u>		STAY	4
81	<u>71398-G01</u>		BOLT, 1/4 - 20 X 1 1/4" LG (SHUTTLE 4 - QTY 4) (SHUTTLE 6 - QTY 2)	AR
82	<u>00571-G2</u>		WASHER, 5/16" (SHUTTLE 4 - QTY 4) (SHUTTLE 6 - QTY 2).....	AR
83	<u>71455-G01</u>		BUMPER PLUG	4
84	<u>71102-G03</u>		BOLT, 1/4 - 20 x 11/16" LG	2
85	<u>71554-G01</u>		'J' TYPE NUT RETAINER, 1/4 - 20	2
86				
87	<u>71642-G02</u>		ROCKER PANEL (FRONT, PASSENGER SIDE).....	1
88	<u>71642-G01</u>		ROCKER PANEL (FRONT, DRIVER SIDE)	1
89	<u>71643-G02</u>		ROCKER PANEL (REAR, PASSENGER SIDE).....	1
90	<u>71643-G01</u>		ROCKER PANEL (REAR, DRIVER SIDE)	1

THE USE OF NON U.L. PARTS WILL VOID ANY U.L. LISTING.
 When ordering parts, please specify the model and serial number of the product.
 * Indicates a component that is not available as an individual part.
 G** Indicates consult Customer Service Department for additional information.

ITEM	PART NO.	1 2 3 4 5	DESCRIPTION	QTY.
91	<u>71641-G01</u>		SILL PLATE (PASSENGER SIDE)	1
92	<u>71641-G02</u>		SILL PLATE (DRIVER SIDE).....	1
93	<u>16705-G1</u>		SCREW, 1/4 - 20 X 1" LG (STAINLESS STEEL)	6
94	<u>23726-G4</u>		SPACER, 5/16".....	6
95	<u>00891-G2</u>		LOCK NUT, 1/4 - 20 (STAINLESS STEEL)	6
96	<u>15058-G6</u>		RIVET, 3/16" X 15/16" LG (ALUMINUM).....	4
97				
98	<u>74149-G01</u>		VALANCE PANEL	1
99	<u>16816-G2</u>		RATCHET FASTENER, 1/4" X 3/4" LG	4
100	<u>74126-G01</u>		VERTICAL FRAME SUPPORT (PASSENGER SIDE)	1
101	<u>74126-G02</u>		VERTICAL FRAME SUPPORT (DRIVER SIDE).....	1
102	<u>00427-G4</u>		BOLT, 3/8 - 16 X 1 1/2" LG (SHUTTLE 4)	2
103	<u>00427-G6</u>		BOLT, 3/8 - 16 X 1 3/4" LG (SHUTTLE 6)	2
104	<u>00560-G1</u>		WASHER, 3/8"	4
105	<u>11098-G5</u>		LOCK NUT, 3/8 - 16	2
106				
107	<u>74111-G01</u>		SEAT BACK SUPPORT	2
108	<u>01006-G02</u>		SELF TAPPING SCREW, 3/8 - 16 X 1 1/2" LG	4
109	<u>70364-G01</u>		SPACER	2
110	<u>00426-G8</u>		BOLT, 3/8 - 16 X 1" LG	2
111	<u>00560-G1</u>		WASHER, 3/8"	4
112	<u>11098-G5</u>		LOCK NUT, 3/8 - 16	2
113				
114				
115	<u>35434-G01</u>		LABEL (SHUTTLE)	2
116	<u>35430-G13</u>		LABEL (6).....	2
117	<u>35430-G14</u>		LABEL (4).....	2
118				
119	12109-G01		LABEL (F-R).....	1
120	<u>73317-G01</u>		LABEL (F-R) (EC)	1

BODY

THE USE OF NON U.L. PARTS WILL VOID ANY U.L. LISTING.

When ordering parts, please specify the model and serial number of the product.

* Indicates a component that is not available as an individual part.

G** Indicates consult Customer Service Department for additional information.

ITEM	PART NO.	1 2 3 4 5	DESCRIPTION	QTY.
121	<u>74086-G01</u>		HOLD DOWN BRACKET	1
122	<u>70113-G01</u>		ADJUSTABLE BUMPER	2
123	<u>11027-G1</u>		LOCK NUT, 5/16 - 18	4
124				
125	<u>74080-G01</u>		CARGO DECK	1
126	23052-G1		NOISE SUPPRESSOR	1
127				
128	<u>74082-G01</u>		STEEL DECK	1
129	<u>74097-G01</u>		CARGO BED MAT	1
130	16705-G3		SCREW, 1/4 - 20 X 3/4" LG (STAINLESS STEEL)	8
131	<u>14390-G4</u>		LOCK NUT, 1/4 - 20	8
132	72913-G01		LATCH	1
133	???????		RIVET, 5/32" X 9/16" LG (STAINLESS STEEL)	3
134	???????		WASHER, #8	1
135				
136	<u>34280-G02</u>		FRONT/REAR CARGO RACK	2
137	<u>34280-G01</u>		SIDE CARGO RACK	2
138	74079-G01		TAILGATE RETAINER BRACKET	2
139	00666-G6		SCREW, #10 - 12 X 3/4" LG (STAINLESS STEEL)	10
140				
141	<u>17838-G1</u>		BUSHING	4
142	<u>00440-G4</u>		BOLT, 5/16 - 18 X 2 1/2" LG	2
143	00559-G8		WASHER, 5/16"	2
144	<u>01109-G01</u>		LOCK NUT, 5/16 - 18 (STAINLESS STEEL)	2
145				
146	<u>74099-G01</u>		WARNING LABEL	1
147				
148				
149				
150				

THE USE OF NON U.L. PARTS WILL VOID ANY U.L. LISTING.
 When ordering parts, please specify the model and serial number of the product.
 * Indicates a component that is not available as an individual part.
 G** Indicates consult Customer Service Department for additional information.

ITEM	PART NO.	1 2 3 4 5	DESCRIPTION	QTY.
151	<u>70361-G02</u>		FOOT REST ASSEMBLY (INCLUDES ITEMS 152 - 155)	1
152	<u>74129-G01</u>		REFLECTOR	1
153	<u>74132-G01</u>		WARNING LABEL	1
154	<u>70362-G01</u>		FLOOR MAT	1
155	<u>70633-G01</u>		FOOT REST	1
156	<u>19853-G1</u>		END PLUG	2
157				
158	<u>00769-G2</u>		CARRIAGE BOLT, 3/8 - 16 X 1 1/4" LG	2
159	<u>00560-G1</u>		WASHER, 3/8"	2
160	<u>11098-G5</u>		LOCK NUT, 3/8 - 16	2
161				
162	<u>00427-G6</u>		BOLT, 3/8 - 16 X 1 3/4" LG	2
163	<u>00560-G1</u>		WASHER, 3/8"	4
164	<u>11098-G5</u>		LOCK NUT, 3/8 - 16	2
165				
166				
167				
168	<u>70113-G01</u>		ADJUSTABLE BUMPER	2
169	<u>11027-G1</u>		LOCK NUT, 5/16 - 18	2
170				
171	<u>70113-G01</u>		ADJUSTABLE BUMPER	2
172	<u>11027-G1</u>		LOCK NUT, 5/16 - 18	4
173				
174	<u>74074-G01</u>		LABEL, WARNING (EC).....	1
175				
176	<u>70135-G01</u>		PEDAL PIVOT COVER	1
177	<u>600776-G01</u>		FENDER FLAIR	2
178	<u>16816-G2</u>		RATCHET FASTENER, 1/4" X 3/4" LG	8
179	<u>71424-G01</u>		SPACER, DRIVER SIDE	1
180	<u>71424-G02</u>		SPACER, PASSENGER SIDE	1

BODY

THE USE OF NON U.L. PARTS WILL VOID ANY U.L. LISTING.

When ordering parts, please specify the model and serial number of the product.

* Indicates a component that is not available as an individual part.

G** Indicates consult Customer Service Department for additional information.

ITEM	PART NO.	1 2 3 4 5	DESCRIPTION	QTY.
181	<u>71764-G01</u>		SILL PLATE TREAD.....	2
182	<u>16705-G1</u>		SCREW, 1/4 - 20 X 1" LG (STAINLESS STEEL)	4
183	<u>23726-G2</u>		SPACER, 1/4"	4
184	<u>00559-G7</u>		WASHER, 1/4"	4
185	<u>14390-G4</u>		LOCK NUT, 1/4 - 20	4
186	<u>600035-G01</u>		ROCKER PANEL, DRIVER SIDE.....	1
187	<u>600035-G02</u>		ROCKER PANEL, PASSENGER SIDE	1
188	<u>00789-G2</u>		SCREW, #10 - 24 X 1 1/4 LG.....	4
189	<u>23726-G2</u>		SPACER, 1/4".....	4
190	<u>00660-G5</u>		WASHER, #10.....	4
191	11098-G7		LOCK NUT, #10-24"	4
192				
193				
194				
195	<u>72966-G01</u>		CARGO DECK	2
196	<u>33121-G01</u>		HINGE	2
197	16705-G3		SCREW, 1/4 - 20 X 3/4" LG (STAINLESS STEEL)	16
198	<u>16705-G9</u>		SCREW, 1/4 - 20 X 1 1/4" LG (STAINLESS STEEL)	4
199	<u>00559-G7</u>		WASHER, 1/4"	4
200	<u>00559-G7</u>		WASHER, 1/4"	4
201	<u>00891-G2</u>		LOCK NUT, 1/4 - 20	4
202				
203				
204	<u>72956-G01</u>		BED FRAME	1
205	<u>71802-G01</u>		SCREW, 3/8 - 16 X 2 3/4" LG.....	2
206	<u>00571-G3</u>		WASHER, 3/8.....	2
207	<u>00439-G6</u>		SCREW, 5/16 - 18 X 1 3/4" LG.....	4
208	00559-G8		WASHER, 5/16.....	8
209	11098-G6		LOCK NUT, 5/16 - 18	4
210	<u>72982-G01</u>		BRACKET	2

THE USE OF NON U.L. PARTS WILL VOID ANY U.L. LISTING.

When ordering parts, please specify the model and serial number of the product.

* Indicates a component that is not available as an individual part.

G** Indicates consult Customer Service Department for additional information.

ITEM	PART NO.	1 2 3 4 5	DESCRIPTION	QTY.
211	00438-G6		BOLT, 5/16 - 18 X 3/4" LG	2
212	00559-G8		WASHER, 5/16.....	4
213	11098-G6		LOCK NUT, 5/16 - 18	2
214				
215				
216	<u>72983-G01</u>		BED MOUNT BRACKET	2
217	16705-G3		SCREW, 1/4 - 20 X 3/4" LG (STAINLESS STEEL)	4
218	<u>00559-G7</u>		WASHER, 1/4"	4
219	<u>00891-G2</u>		LOCK NUT, 1/4 - 20	4
220	<u>72967-G01</u>		BULKHEAD	1
221	16705-G3		SCREW, 1/4 - 20 X 3/4" LG (STAINLESS STEEL)	4
222	<u>00559-G7</u>		WASHER, 1/4"	4
223	<u>00891-G2</u>		LOCK NUT, 1/4 - 20	4
224	<u>70663-G03</u>		FLOORMAT.....	1
225				
226				
227	71572-G01		FENDER (DRIVER SIDE)	1
228	71572-G02		FENDER (PASSENGER SIDE).....	1
229	<u>71572-G03</u>		FENDER WITH TAILLIGHT (DRIVER SIDE)	1
230	<u>71572-G04</u>		FENDER WITH TAILLIGHT (PASSENGER SIDE).....	1
231	<u>71587-G02</u>		REAR PANEL.....	1
232	<u>71055-G01</u>		RIVET, 3/16" X 1" LG	4
233	<u>11027-G2</u>		LOCK NUT, 1/4 - 20	12
234	<u>00559-G7</u>		WASHER, 1/4"	12
235	<u>00414-G7</u>		BOLT, 1/4 - 20 X 7/8" LG	12
236				
237				
238	<u>600037-G01</u>		SIDE PANEL, DRIVER SIDE.....	1
239	<u>600037-G02</u>		SIDE PANEL, PASSENGER SIDE	1
240	<u>10570-G11</u>		RIVET, 3/16" X 3/4" LG (STAINLESS STEEL)	4

THE USE OF NON U.L. PARTS WILL VOID ANY U.L. LISTING.

When ordering parts, please specify the model and serial number of the product.

* Indicates a component that is not available as an individual part.

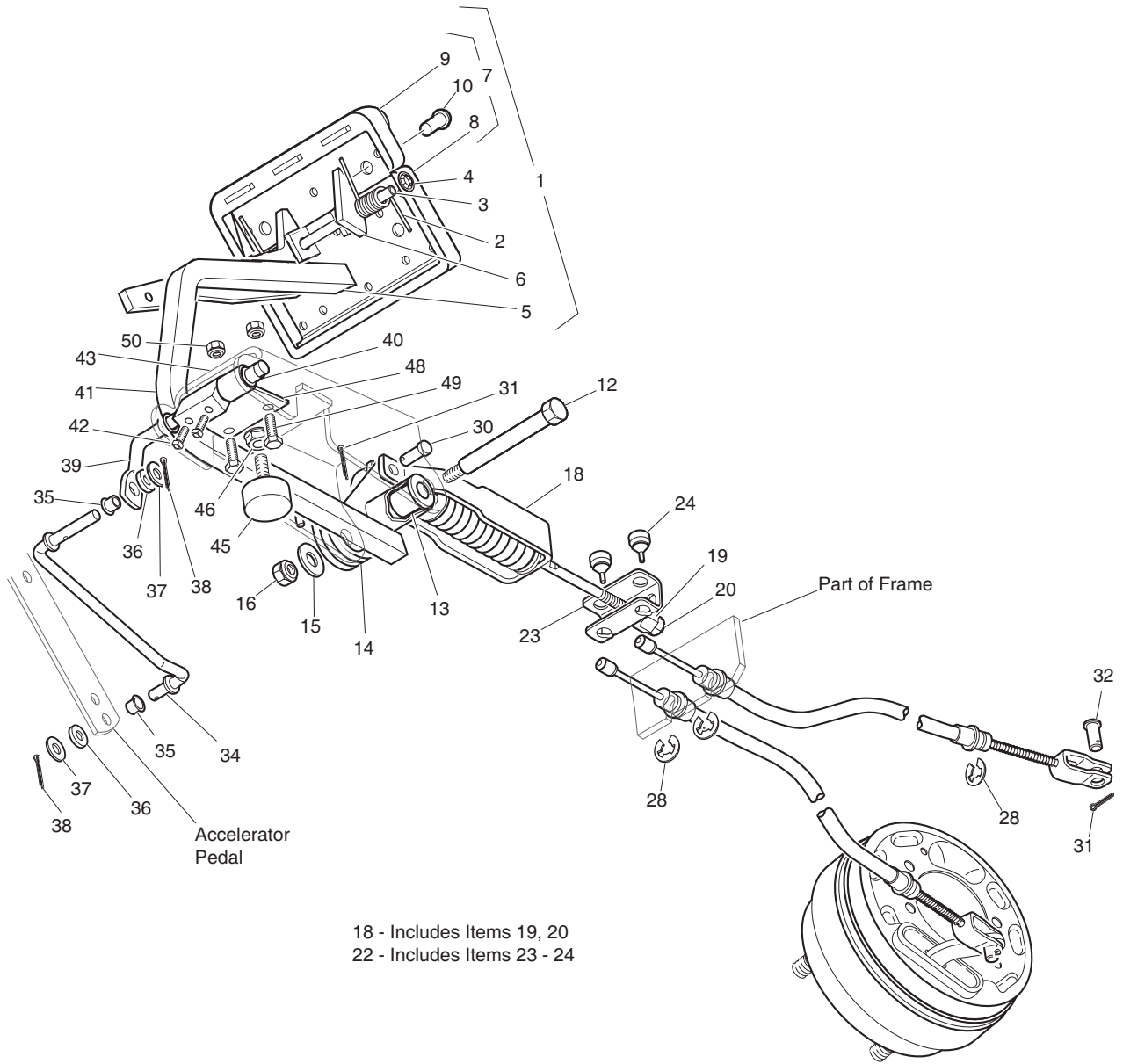
G** Indicates consult Customer Service Department for additional information.

ITEM	PART NO.	1 2 3 4 5	DESCRIPTION	QTY.
241	<u>71609-G01</u>		SEAT HINGE	2
242	<u>600034-G01</u>		SEAT WRAP PANEL	1
243	<u>10570-G10</u>		RIVET, 5/32" X 9/16" LG (STAINLESS STEEL)	5
244	<u>10570-G10</u>		RIVET, 5/32" X 9/16" LG (STAINLESS STEEL)	2
245	<u>10570-G10</u>		RIVET, 5/32" X 9/16" LG (STAINLESS STEEL)	4
246	10570-G12		RIVET, 1/4" X 9/16" LG	2
247	16469-G01		WASHER, 1/4"	4
248	<u>600038-G01</u>		SEAT FRAME WELDMENT	1
249	<u>00438-G8</u>		BOLT, 5/16 - 18 x 1"LG.....	2
250	00559-G8		WASHER, 5/16.....	2
251	11098-G6		LOCK NUT, 5/16 - 18	2
252	<u>00715-G2</u>		BOLT, 5/16 - 18 X 13/16" LG	4
253	<u>70200-G01</u>		BOLT, 3/8 - 16 X 3/4" LG	2
254	<u>75900-G02</u>		SEAT BACK BRACKET.....	2
255	<u>00426-G8</u>		BOLT, 3/8 - 16 X 1" LG	4
256	<u>00560-G1</u>		WASHER, 3/8"	4
257	<u>11098-G5</u>		LOCK NUT, 3/8 - 16	4
258	<u>70440-G04</u>		SEAT FRAME	1
259	<u>00438-G8</u>		BOLT, 5/16 - 18 x 1"LG.....	2
260	00559-G8		WASHER, 5/16.....	2
261	<u>600264-G01</u>		F&R BRACKET	1
262	<u>28272-G01</u>		SCREW, 1/4 - 20 X 1.....	2
263	<u>11027-G2</u>		LOCK NUT, 1/4 - 20	2
264	11098-G6		LOCK NUT, 5/16 - 18	2
265	<u>00715-G2</u>		BOLT, 5/16 - 18 X 13/16" LG	2
266	11098-G6		LOCK NUT, 5/16 - 18	2

THE USE OF NON U.L. PARTS WILL VOID ANY U.L. LISTING.
When ordering parts, please specify the model and serial number of the product.
* Indicates a component that is not available as an individual part.
G** Indicates consult Customer Service Department for additional information.

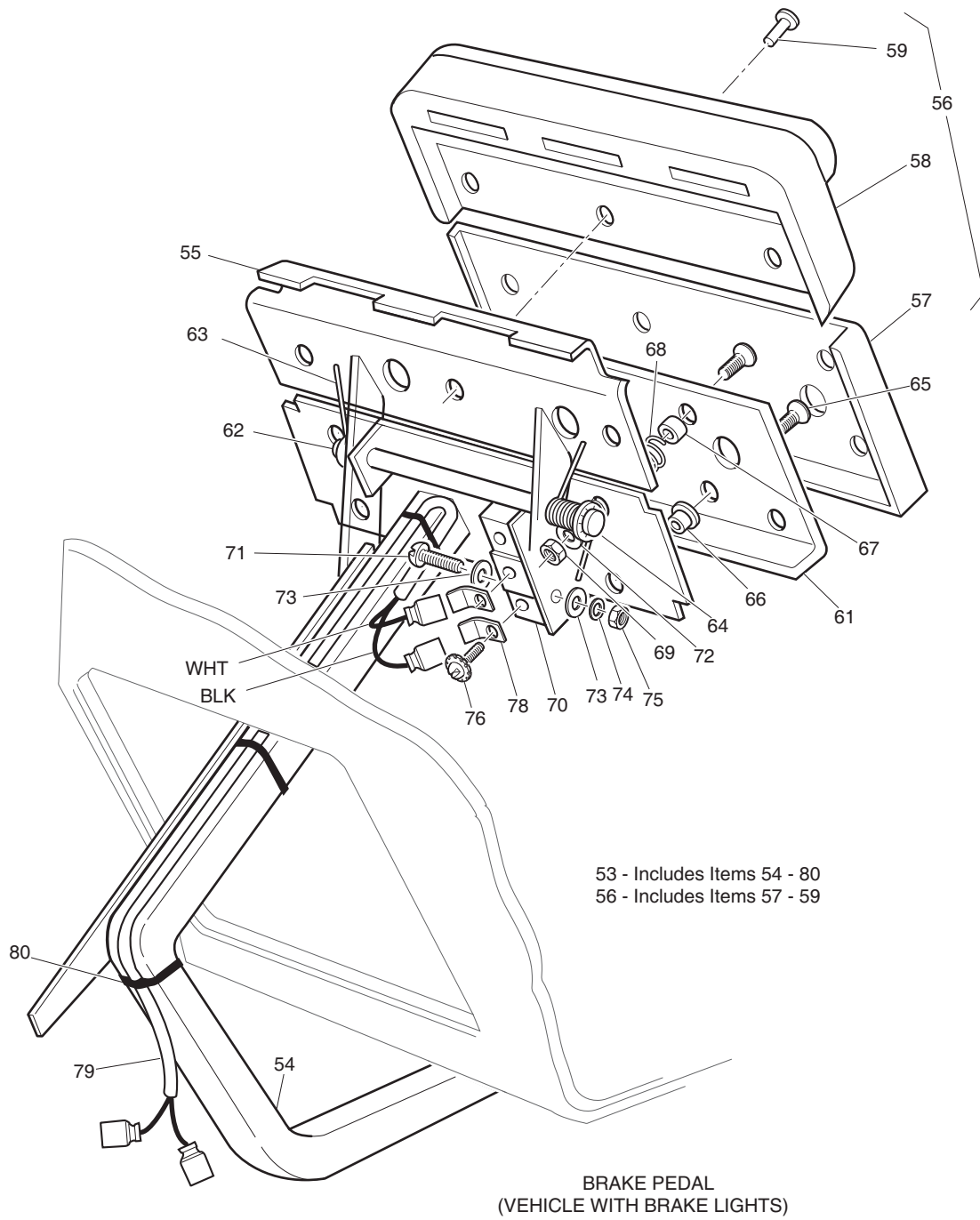
ITEM	PART NO.	1 2 3 4 5 DESCRIPTION	QTY.

BRAKES - MECHANICAL



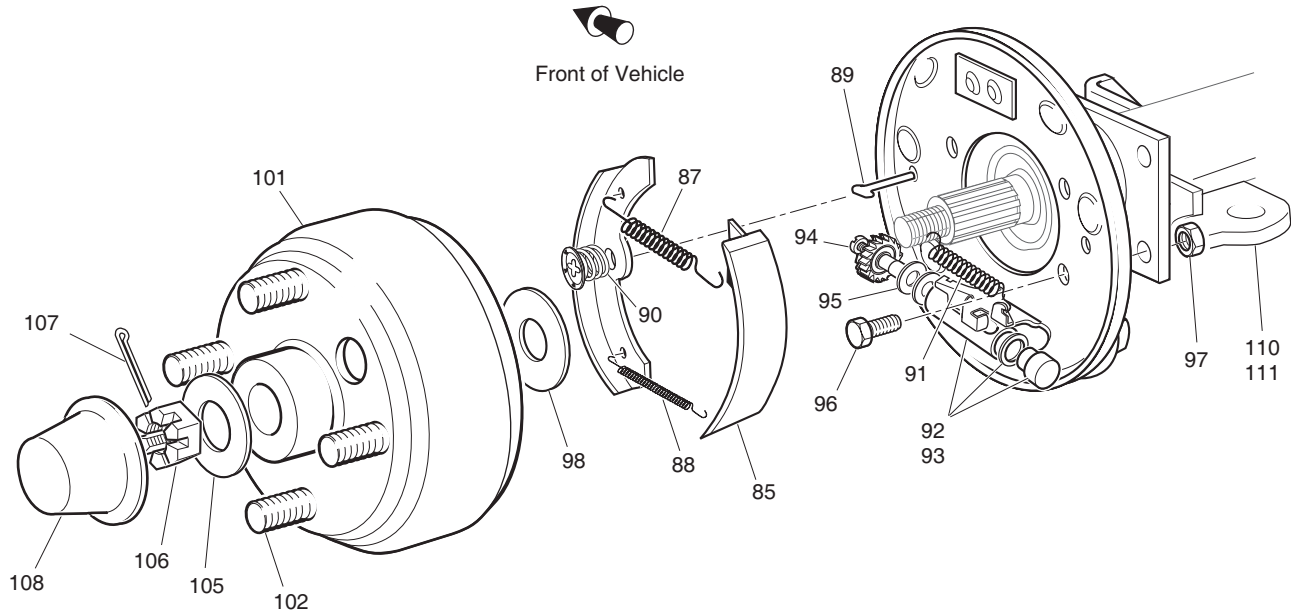
Ref Brm 8-1

BRAKES - MECHANICAL



Ref Brm 8-2

BRAKES - MECHANICAL



- 82 - Includes Items 84 - 92, 94, 95
- 83 - Includes Items 84 - 91, 93 - 95
- 84 - Includes Items 85
- 86 - Includes Items 87 - 91
- 92 - Includes Items 94, 95
- 93 - Includes Items 94, 95
- 100 - Includes Items 101, 102

Ref Brm 8-3

BRAKES - MECHANICAL

THE USE OF NON U.L. PARTS WILL VOID ANY U.L. LISTING.

When ordering parts, please specify the model and serial number of the product.

* Indicates a component that is not available as an individual part.

G** Indicates consult Customer Service Department for additional information.

ITEM	PART NO.	1 2 3 4 5	DESCRIPTION	QTY.
1	<u>70612-G01</u>		BRAKE PEDAL ASSEMBLY (WITHOUT BRAKE LIGHTS) (INCLUDES ITEMS 2 - 10).....	1
2	<u>70681-G01</u>		TORSION SPRING.....	2
3	<u>70682-G01</u>		PIVOT PIN.....	1
4	<u>01071-G01</u>		PUSHNUT, 5/16".....	2
5	*		BRAKE PEDAL.....	1
6	<u>70611-G01</u>		PARK BRAKE PEDAL.....	1
7	<u>70274-G01</u>		BRAKE/PARK BRAKE PEDAL PAD KIT (INCLUDES ITEMS 8 - 10).....	1
8	*		SERVICE BRAKE PAD.....	1
9	*		PARK BRAKE PEDAL PAD.....	1
10	<u>15766-G1</u>		OVAL RIVET, 3/16" X 7/16" LG.....	9
11				
12	<u>70582-G01</u>		SHOULDER BOLT, 3/8 - 16 X 4" LG (STAINLESS STEEL).....	1
13	<u>70581-G01</u>		FLANGED BUSHING.....	2
14	<u>70676-G01</u>		TORSION SPRING.....	1
15	<u>00643-G1</u>		WASHER, 3/8".....	1
16	<u>11098-G5</u>		LOCK NUT, 3/8 - 16.....	1
17				
18	<u>70272-G04</u>		COMPENSATOR ASSEMBLY (INCLUDES ITEMS 19, 20).....	1
19	<u>00963-G01</u>		SPHERICAL NUT, 5/16 - 24.....	1
20	<u>11098-G9</u>		LOCK NUT, 5/16 - 24.....	1
21				
22	<u>70969-G06</u>		EQUALIZER AND BRAKE CABLE ASSEMBLY (INCLUDES ITEMS 23-24).....	1
23	<u>28082-G01</u>		EQUALIZER BRACKET.....	1
24	<u>28083-G01</u>		BRAKE COMPENSATOR BUMPER.....	2
25				
26				
27				
28	<u>01111-G01</u>		RETAINING RING, 13/32" (STAINLESS STEEL).....	4
29				

BRAKES - MECHANICAL

THE USE OF NON U.L. PARTS WILL VOID ANY U.L. LISTING.

When ordering parts, please specify the model and serial number of the product.

* Indicates a component that is not available as an individual part.

G** Indicates consult Customer Service Department for additional information.

ITEM	PART NO.	1	2	3	4	5	DESCRIPTION	QTY.
30	<u>10386-G3</u>						CLEVIS PIN, 5/16" X 13/16" LG	1
31	<u>10387-G3</u>						COTTER PIN, 3/32" X 3/4" LG	3
32	<u>14443-G2</u>						CLEVIS PIN, 5/16" X 5/8" LG	2
33								
34	<u>70601-G01</u>						KICK-OFF LINK.....	1
35	<u>17838-G1</u>						NYLON BUSHING.....	2
36	<u>20835-G1</u>						TEFLON WASHER, 3/8"	2
37	00559-G8						WASHER, 5/16"	2
38	<u>10387-G3</u>						COTTER PIN, 3/32" X 3/4" LG	2
39	<u>70098-G01</u>						KICK-OFF CAM PIVOT	1
40	<u>10097-G6</u>						FLANGED BEARING	2
41	<u>70587-G01</u>						KICK-OFF CAM.....	1
42	<u>71215-G01</u>						SETSCREW, 1/4 - 20 X 1/2" LG.....	2
43	<u>14134-G4</u>						SPACER.....	1
44								
45	<u>70113-G01</u>						ADJUSTABLE BUMPER	1
46	<u>11027-G1</u>						LOCK NUT, 5/16 - 18	1
47								
48	<u>70080-G01</u>						CATCH BRACKET	1
49	<u>00414-G6</u>						BOLT, 1/4 - 20 X 3/4" LG	2
50	<u>00891-G2</u>						LOCK NUT, 1/4 - 20 (STAINLESS STEEL)	2
51								
52								
53	70690-G01						BRAKE PEDAL ASSEMBLY (WITH BRAKE LIGHTS) (INCLUDES ITEMS 54 - 80).....	1
54	*						BRAKE PEDAL.....	1
55	<u>70611-G01</u>						PARK BRAKE PEDAL	1
56	70274-G01						BRAKE/PARK BRAKE PEDAL PAD KIT (INCLUDES ITEMS 57 - 59).....	1
57	*						SERVICE BRAKE PAD	1
58	*						PARK BRAKE PAD.....	1

BRAKES - MECHANICAL

THE USE OF NON U.L. PARTS WILL VOID ANY U.L. LISTING.

When ordering parts, please specify the model and serial number of the product.

* Indicates a component that is not available as an individual part.

G** Indicates consult Customer Service Department for additional information.

ITEM	PART NO.	1	2	3	4	5	DESCRIPTION	QTY.
59	<u>15766-G1</u>						OVAL RIVET, 3/16" x 7/16" LG.....	9
60								
61	70258-G02						BRAKE PEDAL PLATE.....	1
62	<u>70682-G01</u>						PIVOT PIN.....	1
63	<u>70681-G01</u>						TORSION SPRING.....	2
64	<u>01071-G01</u>						PUSHNUT, 5/16".....	1
65	<u>00737-G8</u>						SCREW, #10 - 24 X 7/8" LG.....	4
66	<u>00739-G1</u>						RUBBER NUT, #10 - 24.....	2
67	74535-G03						BRAKE PEDAL STANDOFF.....	2
68	<u>27137-G01</u>						CONICAL SPRING.....	2
69	11098-G7						LOCK NUT, #10 - 24.....	2
70	10606-G8						MICRO SWITCH.....	1
71	<u>00957-G1</u>						BOLT, #6 - 32 X 1 1/4" LG.....	2
72	<u>00559-G5</u>						WASHER, #10.....	2
73	<u>00559-G3</u>						WASHER, #6.....	4
74	<u>00565-G3</u>						LOCK WASHER, #6.....	2
75	<u>00525-G5</u>						NUT, #6 - 32.....	2
76	<u>13514-G1</u>						SCREW AND LOCK WASHER, #6.....	2
77								
78	<u>14628-G1</u>						FASTON TAB.....	2
79	<u>24605-G1</u>						WIRE HARNESS (BRAKE LIGHT).....	1
80	<u>17618-G1</u>						WIRE TIE.....	3
81								
82	<u>70998-G01</u>						BRAKE ASSEMBLY (DRIVER SIDE) (INCLUDES ITEMS 84 - 92, 94, 95).....	1
83	<u>70998-G02</u>						BRAKE ASSEMBLY (PASSENGER SIDE) (INCLUDES ITEMS 84 - 91, 93 - 95).....	1
84	70794-G01						BRAKE SHOE KIT (INCLUDES ITEM 85).....	2
85	*						BRAKE SHOE.....	2
86	<u>27944-G01</u>						BRAKE SPRING KIT (INCLUDES ITEMS 87 - 91).....	2
87	*						UPPER SPRING.....	1

BRAKES - MECHANICAL

THE USE OF NON U.L. PARTS WILL VOID ANY U.L. LISTING.

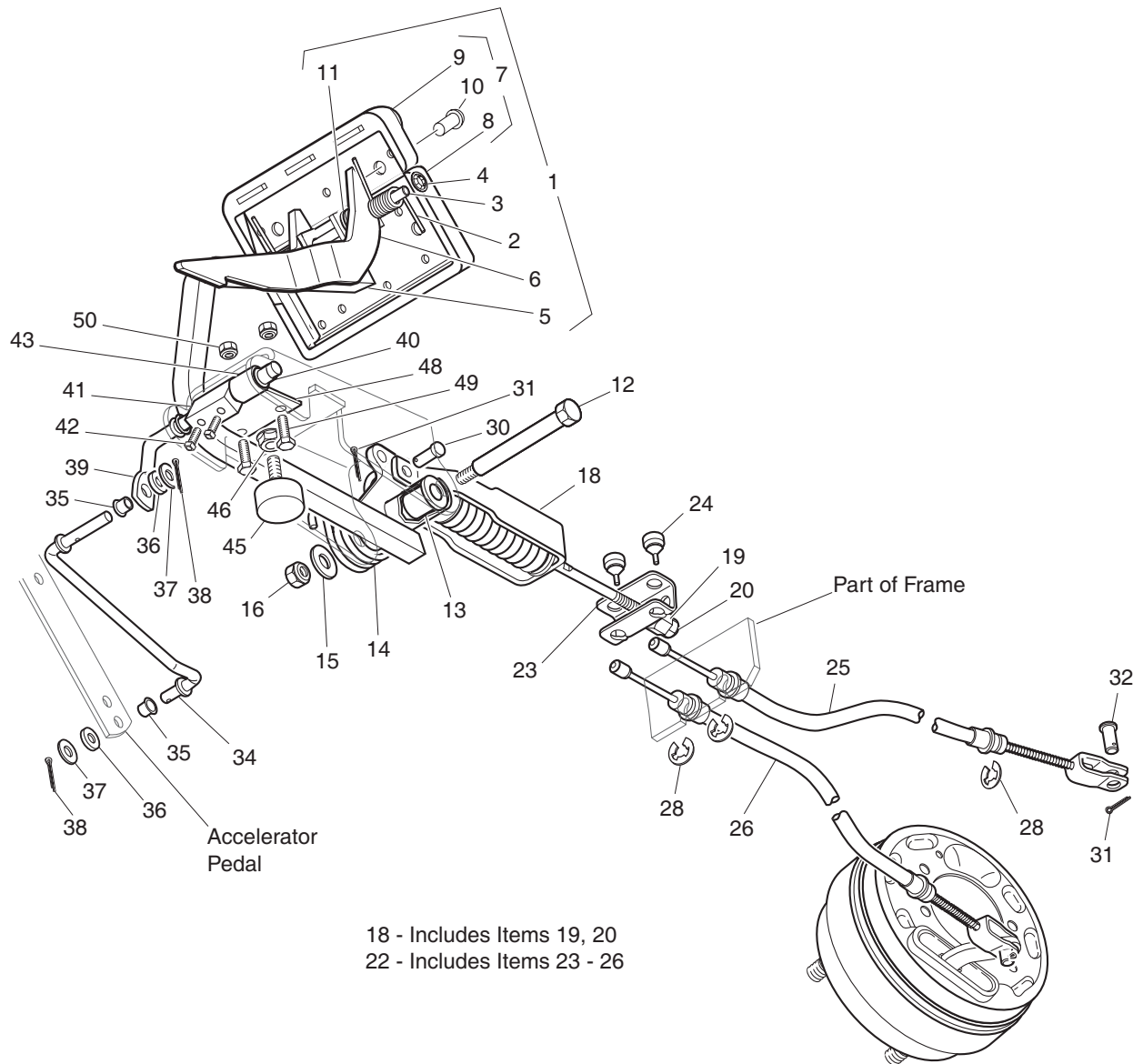
When ordering parts, please specify the model and serial number of the product.

* Indicates a component that is not available as an individual part.

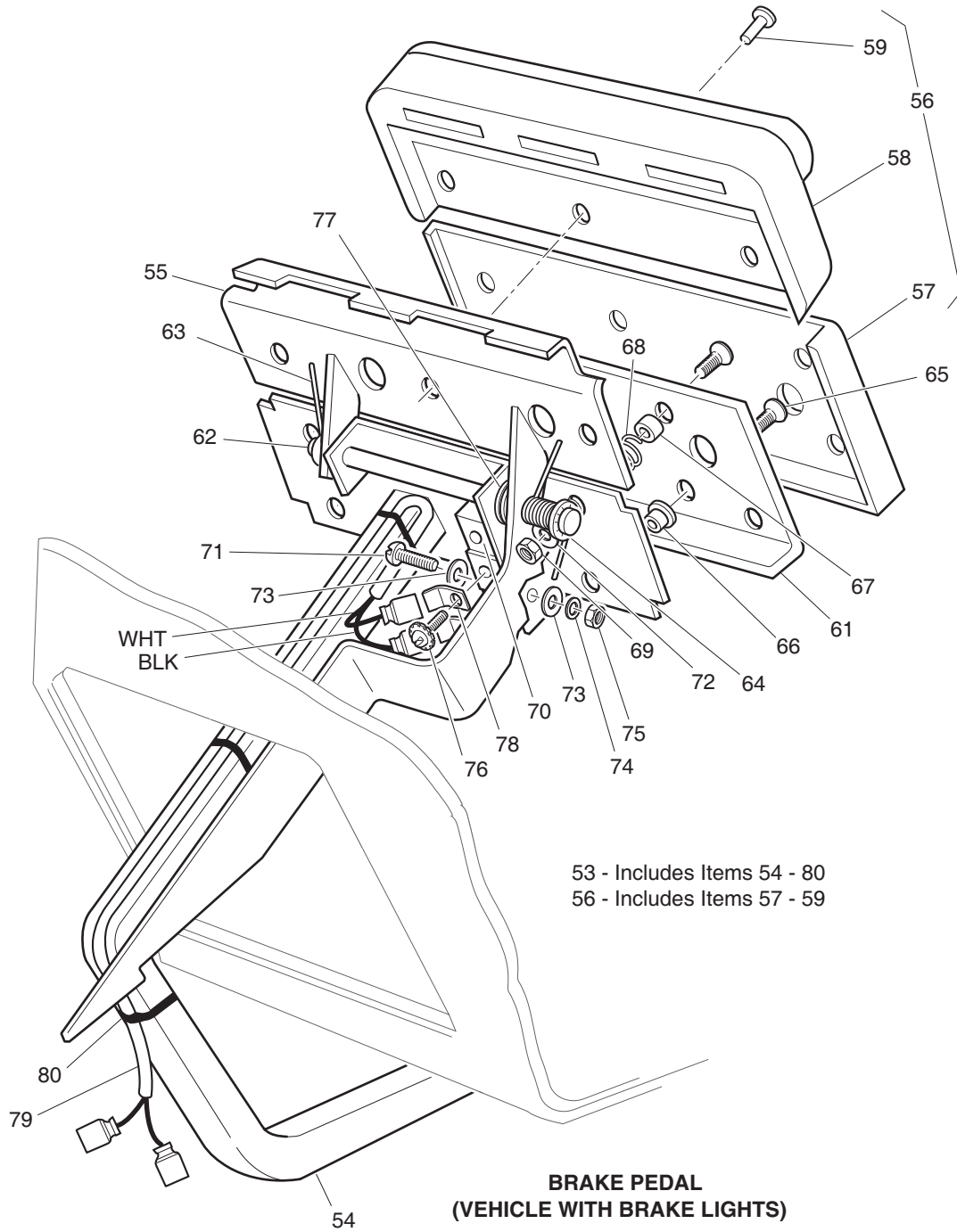
G** Indicates consult Customer Service Department for additional information.

ITEM	PART NO.	1	2	3	4	5	DESCRIPTION	QTY.
88	*						LOWER SPRING	1
89	*						PIN	2
90	*						CUP AND SPRING	2
91	*						ADJUSTER SPRING.....	1
92	<u>72582-G01</u>						BRAKE ADJUSTER KIT (DRIVER SIDE) (INCLUDES ITEMS 94, 95)	1
93	<u>72582-G02</u>						BRAKE ADJUSTER KIT (PASSENGER SIDE) (INCL. ITEMS 94, 95).....	1
94	*						ADJUSTER	1
95	*						TEFLON WASHER.....	2
96	<u>17083-G2</u>						BOLT, 5/16 - 24 X 1" LG	8
97	<u>15126-G1</u>						LOCK NUT, 5/16 - 24	8
98	<u>21809-G1</u>						INNER BRAKE DRUM WASHER, 1 5/16" OD X 1" ID X 1/32"	2
99								
100	<u>21807-G1</u>						BRAKE DRUM ASSEMBLY (INCLUDES ITEMS 101 - 102).....	2
101	*						BRAKE DRUM.....	1
102	<u>19862-G1</u>						LUG BOLT, 1/2 - 20 X 1 3/16" LG	4
103								
104								
105	<u>21830-G1</u>						OUTER BRAKE DRUM WASHER	2
106	<u>00518-G8</u>						SLOTTED NUT, 3/4 - 16.....	2
107	<u>10387-G1</u>						COTTER PIN, 1/8" X 1 1/2" LG	2
108	<u>74175-G01</u>						SPINDLE CAP.....	2
109								
110	<u>72036-G01</u>						BRAKE CABLE BRACKET (PASSENGER SIDE).....	1
111	<u>72036-G02</u>						BRAKE CABLE BRACKET (DRIVER SIDE)	1

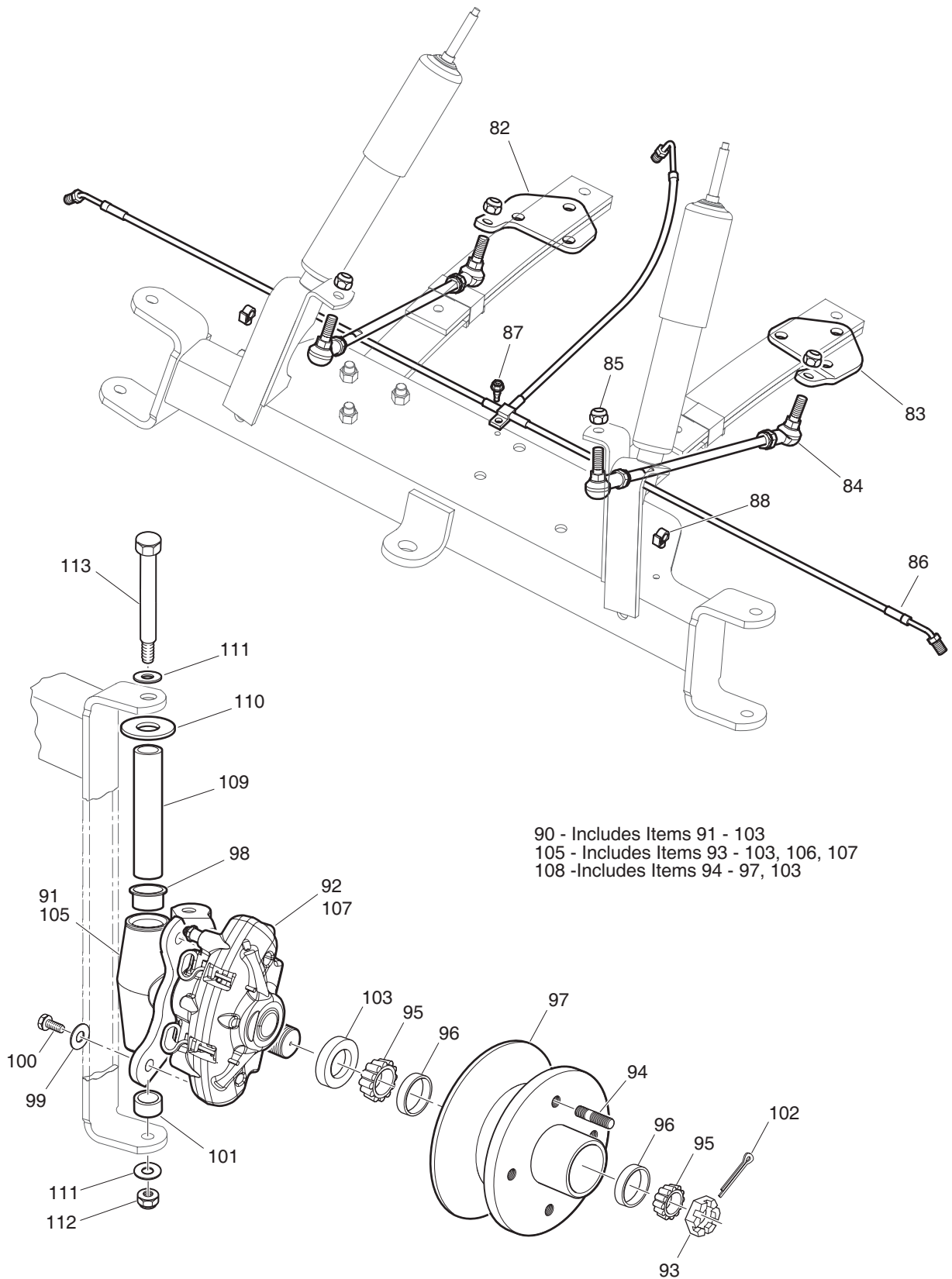
BRAKES - FRONT DISC



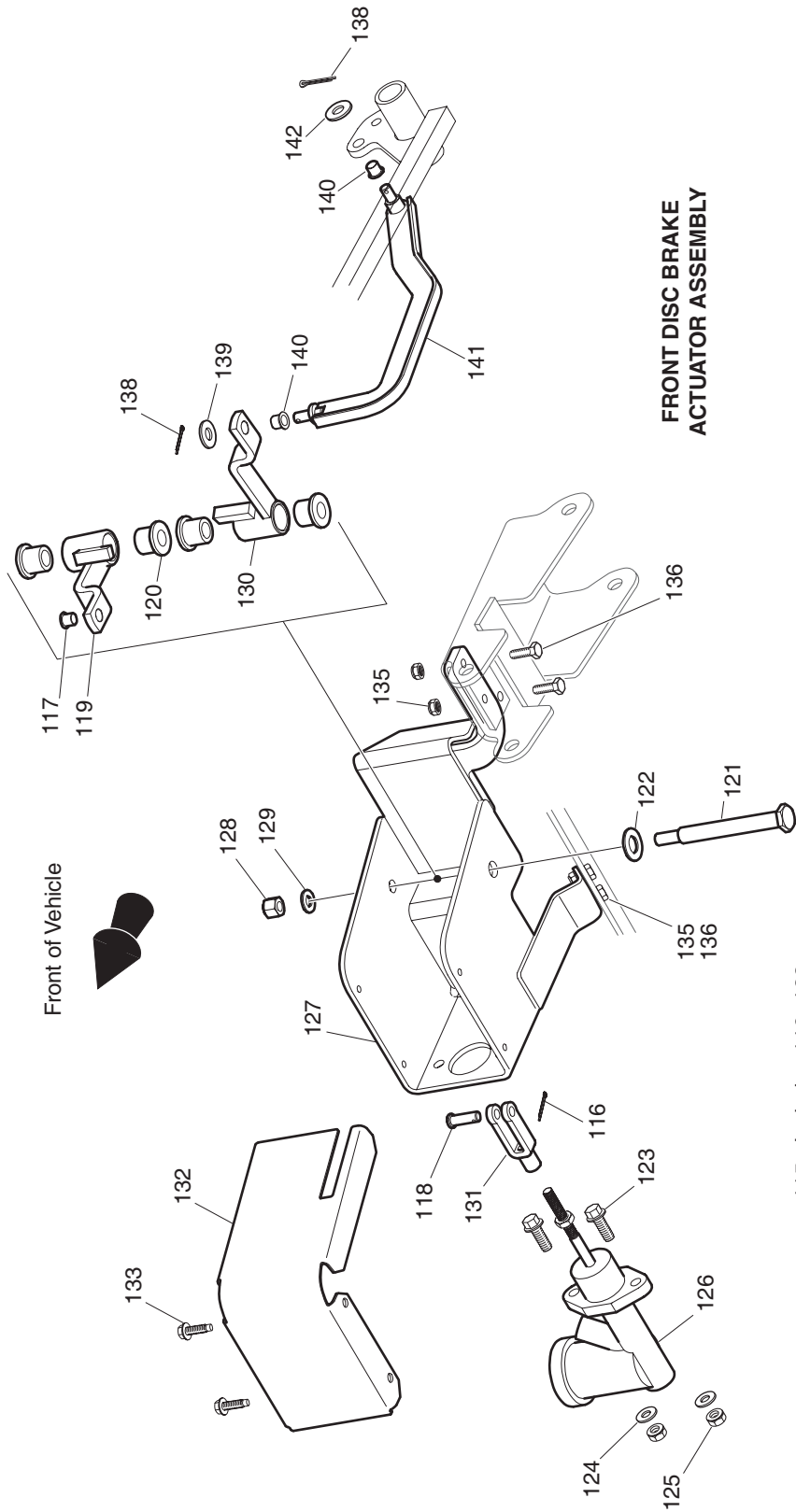
Ref Brh 21-1



BRAKES - FRONT DISC



Ref Brh 21-3



115 - Includes 116 -133

BRAKES - FRONT DISC

THE USE OF NON U.L. PARTS WILL VOID ANY U.L. LISTING.

When ordering parts, please specify the model and serial number of the product.

* Indicates a component that is not available as an individual part.

G** Indicates consult Customer Service Department for additional information.

ITEM	PART NO.	1 2 3 4 5	DESCRIPTION	QTY.
1	<u>74723-G01</u>		BRAKE PEDAL ASSEMBLY (WITHOUT BRAKE LIGHTS) (INCLUDES ITEMS 2 - 11)	1
2	<u>70681-G01</u>		TORSION SPRING	2
3	<u>70682-G01</u>		PIVOT PIN	1
4	<u>01071-G01</u>		PUSHNUT, 5/16"	1
5	*		BRAKE PEDAL	1
6	74724-G01		PARK BRAKE PEDAL	1
7	70274-G01		BRAKE/PARK BRAKE PEDAL PAD KIT (INCLUDES ITEMS 8 - 10)	1
8	*		SERVICE BRAKE PAD	1
9	*		PARK BRAKE PEDAL PAD	1
10	<u>16409-G1</u>		OVAL RIVET, 3/16" X 15/32" LG	9
11	<u>20835-G1</u>		WASHER, TEFLON, 3/8"	2
12	<u>70582-G01</u>		SHOULDER BOLT, 3/8 - 16 X 4" LG	1
13	<u>70581-G01</u>		FLANGED BUSHING	2
14	<u>70676-G01</u>		TORSION SPRING	1
15	<u>00643-G1</u>		WASHER, 3/8"	1
16	<u>11098-G5</u>		LOCK NUT, 3/8 - 16	1
17				
18	70272-G04		COMPENSATOR ASSEMBLY (INCLUDES ITEMS 19, 20)	1
19	<u>00963-G01</u>		SPHERICAL NUT, 5/16 - 24	1
20	<u>11098-G9</u>		LOCK NUT, 5/16 - 24	1
21				
22	<u>70969-G05</u>		EQUALIZER AND BRAKE CABLE ASSEMBLY (INCLUDES ITEMS 23 - 26)....	1
23	<u>28082-G01</u>		EQUALIZER BRACKET	1
24	<u>28083-G01</u>		BRAKE COMPENSATOR BUMPER.....	2
25	*		BRAKE CABLE (DRIVER SIDE).....	1
26	*		BRAKE CABLE (PASSENGER SIDE)	1
27				
28	<u>01111-G01</u>		RETAINING RING, S.S.....	4
29				

BRAKES - FRONT DISC

THE USE OF NON U.L. PARTS WILL VOID ANY U.L. LISTING.

When ordering parts, please specify the model and serial number of the product.

* Indicates a component that is not available as an individual part.

G** Indicates consult Customer Service Department for additional information.

ITEM	PART NO.	1 2 3 4 5	DESCRIPTION	QTY.
30	<u>10386-G3</u>		CLEVIS PIN, 5/16" X 1" LG	3
31	<u>10387-G3</u>		COTTER PIN, 3/32" X 3/4" LG	3
32	<u>14443-G2</u>		CLEVIS PIN, 5/16" X 3/4" LG	2
33				
34	<u>70601-G01</u>		KICK-OFF LINK.....	1
35	<u>17838-G1</u>		NYLON BUSHING.....	2
36	<u>20835-G1</u>		TEFLON WASHER, 3/8"	2
37	00559-G8		WASHER, 5/16"	2
38	<u>10387-G3</u>		COTTER PIN, 3/32" X 3/4" LG	2
39	<u>70098-G01</u>		KICK-OFF CAM PIVOT	1
40	<u>10097-G6</u>		FLANGED BEARING	2
41	<u>70587-G01</u>		KICK-OFF CAM.....	1
42	<u>71215-G01</u>		SETSCREW, 1/4 - 20 X 1/2" LG.....	2
43	<u>14134-G4</u>		SPACER.....	1
44				
45	<u>70113-G01</u>		ADJUSTABLE BUMPER	1
46	<u>11027-G1</u>		LOCK NUT, 5/16 - 18	1
47				
48	<u>70080-G01</u>		CATCH BRACKET	1
49	<u>00414-G6</u>		BOLT, 1/4 - 20 X 3/4" LG	2
50	<u>00891-G2</u>		LOCK NUT, 1/4 - 20	2
51				
52				
53	<u>74874-G01</u>		BRAKE PEDAL ASSEMBLY (WITH BRAKE LIGHTS) (INCLUDES ITEMS 54 - 80).....	1
54	*		BRAKE PEDAL.....	1
55	74724-G01		PARK BRAKE PEDAL	1
56	70274-G01		BRAKE/PARK BRAKE PEDAL PAD KIT (INCLUDES ITEMS 57 - 59).....	1
57	*		SERVICE BRAKE PAD	1
58	*		PARK BRAKE PAD.....	1

BRAKES - FRONT DISC

THE USE OF NON U.L. PARTS WILL VOID ANY U.L. LISTING.

When ordering parts, please specify the model and serial number of the product.

* Indicates a component that is not available as an individual part.

G** Indicates consult Customer Service Department for additional information.

ITEM	PART NO.	1	2	3	4	5	DESCRIPTION	QTY.
59	<u>16409-G1</u>						OVAL RIVET, 3/16" X 15/32" LG	9
60								
61	<u>70258-G02</u>						BRAKE PEDAL PLATE	1
62	<u>70682-G01</u>						PIVOT PIN	1
63	<u>70681-G01</u>						TORSION SPRING	2
64	<u>01071-G01</u>						PUSHNUT, 5/16"	1
65	<u>00737-G8</u>						SCREW, #10 - 24 X 1" LG	4
66	<u>00739-G1</u>						RUBBER NUT, #10 - 24.....	2
67	<u>22362-G3</u>						BRAKE PEDAL STANDOFF	2
68	<u>27137-G01</u>						CONICAL SPRING	2
69	<u>11098-G7</u>						LOCK NUT, #10 - 24.....	2
70	<u>10606-G8</u>						MICRO SWITCH.....	1
71	<u>00957-G1</u>						SCREW, #6 - 32 X 1 1/4" LG	2
72	<u>00559-G5</u>						WASHER, #10	2
73	<u>00559-G3</u>						WASHER, #6	4
74	<u>00565-G3</u>						LOCK WASHER, #6	2
75	<u>00525-G5</u>						NUT, #6 - 32.....	2
76	<u>13514-G1</u>						SCREW AND LOCK WASHER, #6.....	2
77	<u>20835-G1</u>						WASHER, TEFLON, 3/8"	2
78	<u>14628-G1</u>						FASTON TAB.....	2
79	<u>24605-G1</u>						WIRE HARNESS (BRAKE LIGHT)	1
80	<u>17618-G1</u>						WIRE TIE	3
81								
82	<u>74731-G02</u>						SPRING PLATE (PASSENGER SIDE)	1
83	<u>74731-G01</u>						SPRING PLATE (DRIVER SIDE).....	1
84	<u>74730-G01</u>						FOUR LINK ROD.....	2
85	<u>01084-G01</u>						LOCK NUT, M10-1.25	4
86	<u>74736-G01</u>						BRAKE LINE.....	1
87	<u>01038-G01</u>						SCREW, 1/4 - 20 X 4444" LG	1
88	<u>74875-G01</u>						WIRE RETAINER.....	2

BRAKES - FRONT DISC

THE USE OF NON U.L. PARTS WILL VOID ANY U.L. LISTING.

When ordering parts, please specify the model and serial number of the product.

* Indicates a component that is not available as an individual part.

G** Indicates consult Customer Service Department for additional information.

ITEM	PART NO.	1	2	3	4	5	DESCRIPTION	QTY.
89								
90	74677-G01						SPINDLE, CALIPER AND DISC HUB ASSEMBLY (DRIVER SIDE) (INCLUDES ITEMS 91 - 103).....	1
91	<u>74672-G01</u>						DISC BRAKE SPINDLE (DRIVER SIDE)	1
92	<u>74733-G02</u>						CALIPER (DRIVER SIDE)	1
93	12093-G1						SLOTTED NUT	1
94	<u>74864-G01</u>						DRIVE FLANGE STUD.....	4
95	<u>11750-G2</u>						ROLLER BEARING	2
96	<u>51141-G1</u>						BEARING RACE.....	2
97	<u>74673-G01</u>						DISC BRAKE HUB.....	1
98	<u>70648-G01</u>						FLANGED BEARING.....	1
99	<u>00565-G8</u>						WASHER, 3/8"	2
100	<u>00426-G8</u>						BOLT, 3/8 - 16 X 1.....	2
101	<u>70749-G01</u>						BEARING.....	1
102	<u>00798-G8</u>						COTTER PIN	1
103	<u>25146-G1</u>						GREASE SEAL.....	1
104								
105	74676-G01						SPINDLE, CALIPER AND DISC HUB ASSEMBLY (PASSENGER SIDE) (INCLUDES ITEMS 93 - 103, 106, 107).....	1
106	<u>74671-G01</u>						DISC BRAKE SPINDLE (PASSENGER SIDE).....	1
107	<u>74733-G01</u>						CALIPER (PASSENGER SIDE).....	1
108	<u>74948-G01</u>						DISC BRAKE SERVICE HUB (INCLUDES ITEMS 94 - 97, 103).....	1
109	<u>70745-G01</u>						KINGPIN TUBE	2
110	<u>70754-G01</u>						THRUST WASHER	2
111	<u>00560-G3</u>						WASHER, 1/2"	4
112	<u>14390-G6</u>						LOCKNUT, 1/2 - 13	2
113	<u>00407-G6</u>						CAPSCREW, 1/2 - 13 X 6" LG	2
114								
115	<u>74702-G01</u>						FRONT DISC BRAKE BRAKE ACTUATOR ASSEMBLY (INCLUDES ITEMS 116 - 133).....	1
116	<u>10387-G3</u>						COTTER PIN, 3/32 X 3/4" LG.....	1

BRAKES - FRONT DISC

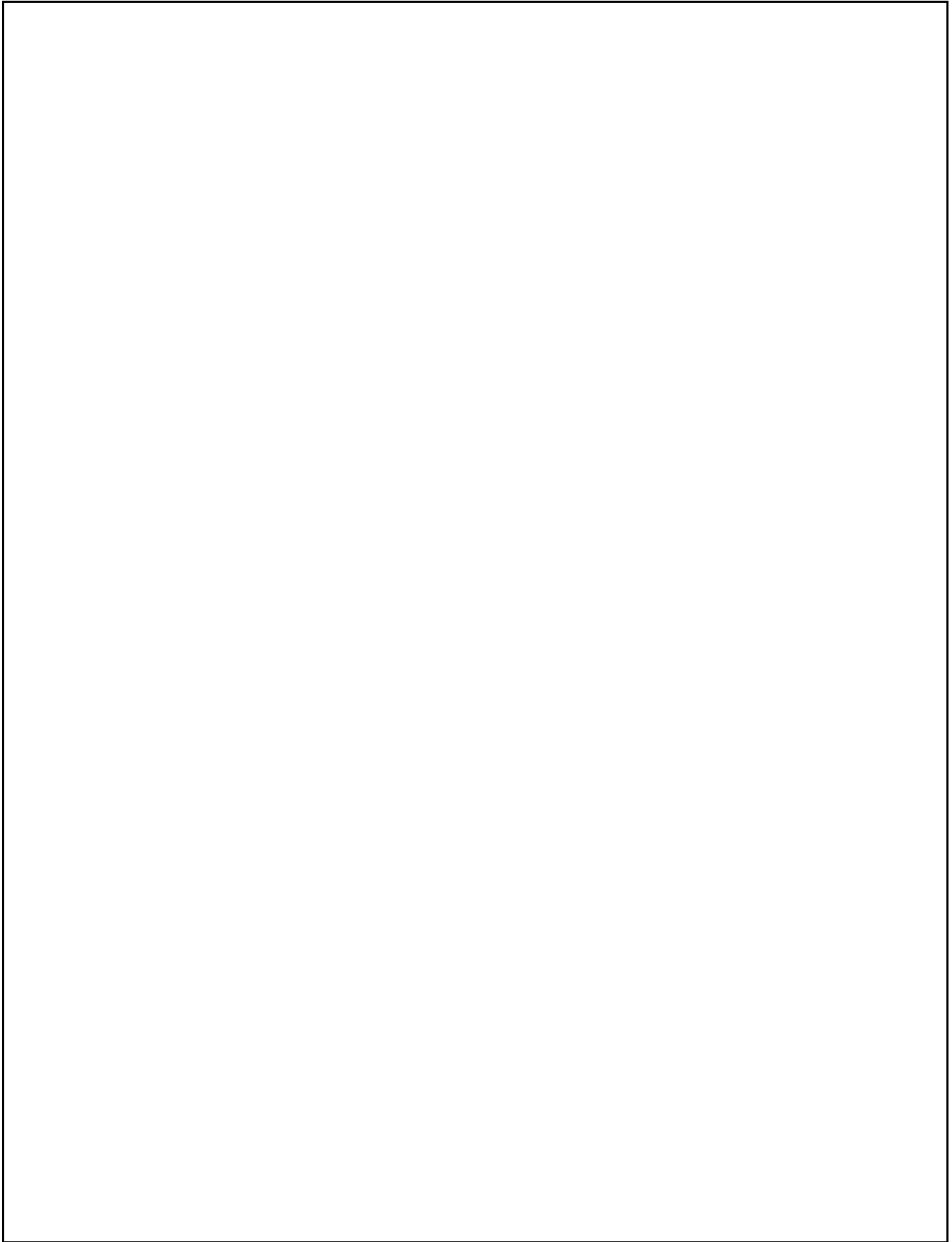
THE USE OF NON U.L. PARTS WILL VOID ANY U.L. LISTING.

When ordering parts, please specify the model and serial number of the product.

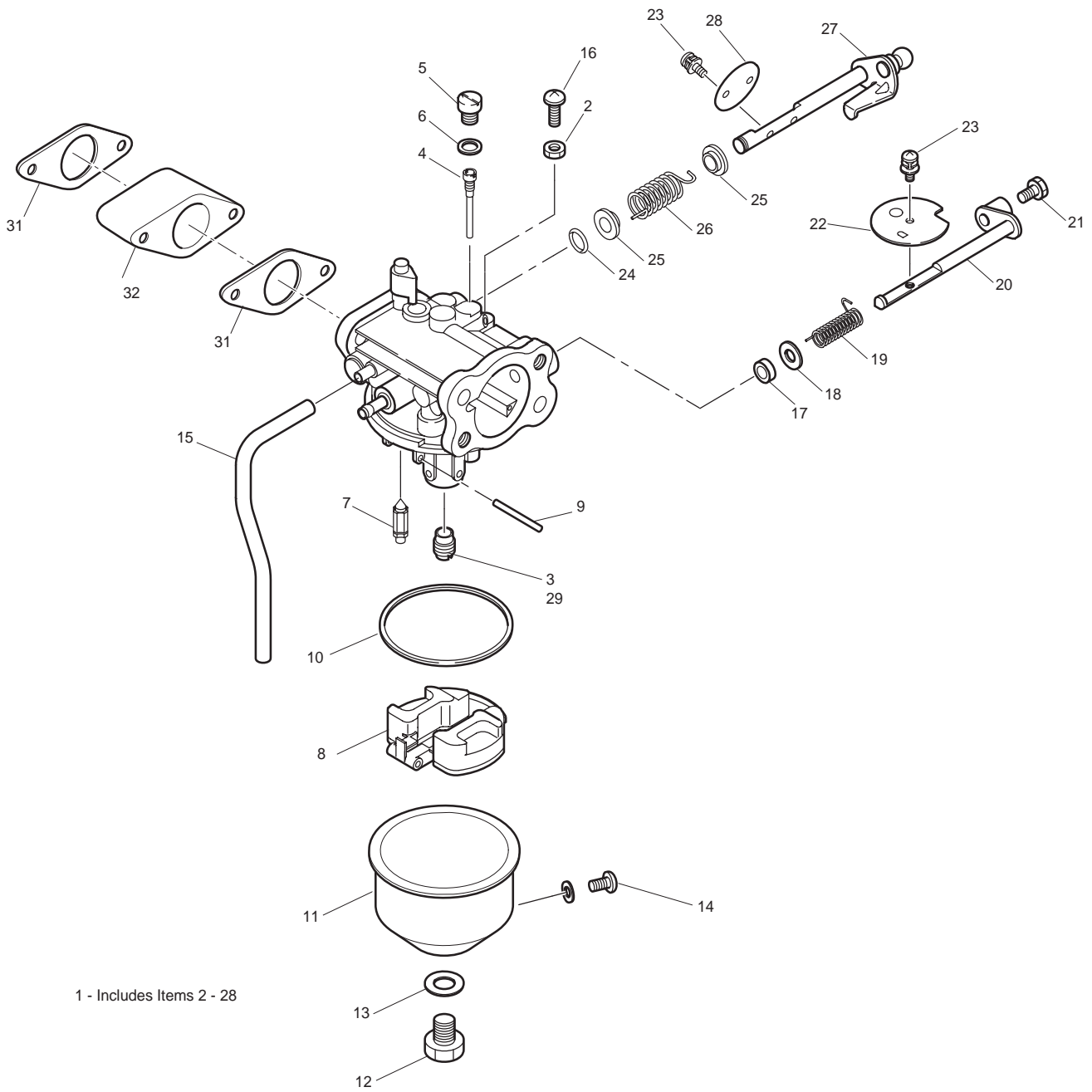
* Indicates a component that is not available as an individual part.

G** Indicates consult Customer Service Department for additional information.

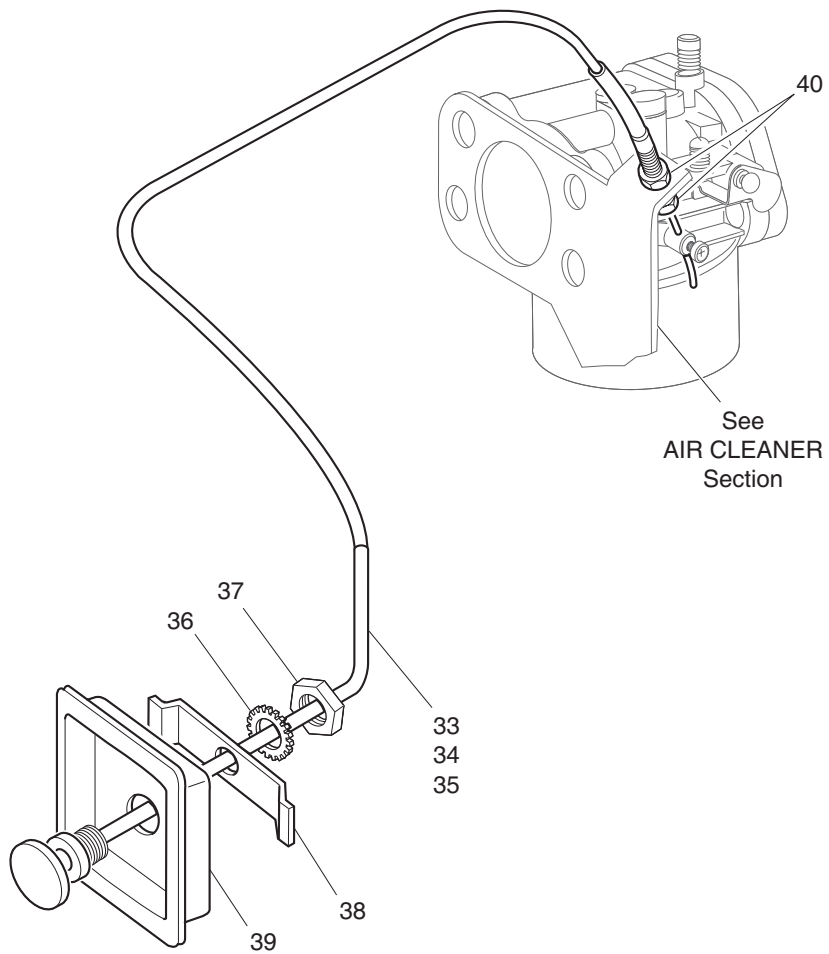
ITEM	PART NO.	1	2	3	4	5	DESCRIPTION	QTY.
117	<u>17838-G1</u>						NYLON BUSHING	1
118	<u>10386-G3</u>						CLEVIS PIN, 5/16 X 1" LG.....	1
119	<u>74753-G01</u>						UPPER ACTUATOR PIVOT	1
120	<u>70581-G02</u>						ACETAL BUSHING	4
121	<u>74711-G01</u>						SHOULDER BOLT	1
122	<u>00560-G3</u>						WASHER, 1/2"	1
123	<u>13437-G3</u>						BOLT, 1/2 - 13 X 6" LG.....	2
124	<u>00679-G2</u>						WASHER, 5/16" STAINLESS	2
125	<u>00654-G3</u>						LOCKNUT, 5/16 - 18.....	2
126	<u>74742-G01</u>						MASTER CYLINDER.....	1
127	<u>74703-G01</u>						BRAKE ACTUATOR ASSEMBLY HOUSING	1
128	<u>11098-G5</u>						LOCKNUT, 3/8 - 16.....	1
129	<u>00679-G1</u>						WASHER, 3/8" STAINLESS	1
130	<u>74707-G01</u>						LOWER ACTUATOR PIVOT.....	1
131	10385-G4						CLEVIS YOKE	1
132	<u>74873-G01</u>						BRAKE ACTUATOR ASSEMBLY COVER	1
133	<u>01038-G01</u>						SCREW, 1/4 -20 SWAGEFORM.....	4
134								
135	00414-G8						BOLT, 1/4 - 20 X 1 1/4" LG	4
136	<u>00891-G2</u>						LOCKNUT, 1/4 - 20	4
137								
138	<u>10387-G3</u>						COTTER PIN, 3/32 X 3/4	2
139	<u>20835-G1</u>						WASHER, NYLON	1
140	<u>17838-G1</u>						NYLON BUSHING.....	2
141	<u>74865-G01</u>						ACTUATOR LINKAGE	1
142	<u>00771-G5</u>						WASHER, 3/8"	1
143	<u>74917-G01</u>						DISC BRAKE PAD AND PIN KIT (SERVICES ONE CORNER) (INCLUDES ITEMS 144 - 145).....	1
144	*						BRAKE PADS	2
145	*						BRAKE PAD RETAINER PINS	2



CARBURETOR AND CHOKE



CARBURETOR AND CHOKE



Ref Cac 2-2

CARBURETOR AND CHOKE

Where applicable, THE USE OF NON UL PARTS WILL VOID ANY UL LISTING.

When ordering parts, please specify the model and serial number of the product.

* Indicates a component that is not available as an individual part.

G** Indicates consult Customer Service Department for additional information.

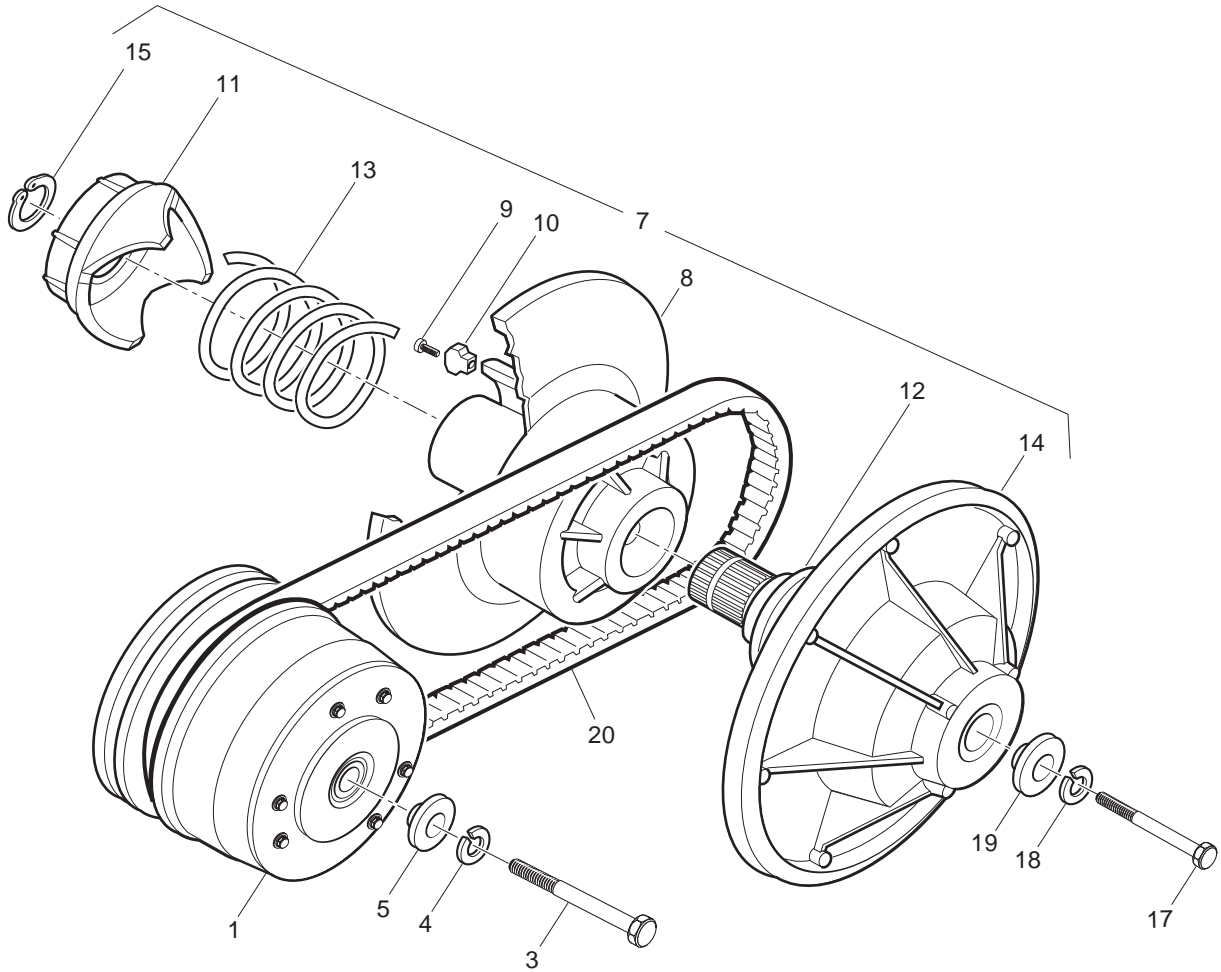
ITEM	PART NO.	1 2 3 4 5	DESCRIPTION	QTY.
1	<u>72840-G02</u>		CARBURETOR (FOR VEHICLES ORIGINALLY EQUIPPED WITH 350cc (EH35C)) (INCLUDES ITEMS 2 - 28)	1
2	<u>72310-G01</u>		NUT.....	1
3	<u>26646-G05</u>		MAIN JET (#82)	1
4	<u>26649-G05</u>		PILOT JET (#46).....	1
5	<u>26841-G01</u>		PLUG	1
6	<u>72306-G01</u>		GASKET	1
7	<u>72578-G01</u>		NEEDLE VALVE	1
8	<u>26648-G01</u>		FLOAT.....	1
9	<u>26840-G01</u>		FLOAT PIN.....	1
10	<u>26843-G01</u>		FLOAT BOWL GASKET	1
11	<u>26844-G01</u>		FLOAT CHAMBER.....	1
12	<u>26839-G01</u>		BOWL SCREW	1
13	<u>26838-G01</u>		BOWL GASKET	1
14	<u>72579-G01</u>		DRAIN SCREW	1
15	<u>26650-G01</u>		VENT TUBE.....	2
16	<u>72317-G01</u>		SCREW.....	1
17	<u>26755-G01</u>		BUSHING.....	1
18	<u>26756-G01</u>		COLLAR.....	1
19	<u>26757-G01</u>		SPRING, CHOKE RETURN.....	1
20	<u>72315-G01</u>		CHOKE SHAFT ASSY	1
21	<u>72314-G01</u>		SCREW.....	1
22	*		CHOKE VALVE	1
23	<u>72313-G01</u>		SCREW.....	3
24	<u>26750-G01</u>		OV RING.....	1
25	<u>26751-G01</u>		COLLAR.....	2
26	<u>26752-G01</u>		THROTTLE RETURN SPRING	1
27	<u>26753-G01</u>		THROTTLE SHAFT ASSY.....	1
28	<u>26748-G01</u>		THROTTLE VALVE.....	1
29	<u>26646-G04</u>		MAIN JET (#78) (FOR ELEVATIONS OF 5000 FT - 10000 FT).....	1

CARBURETOR AND CHOKE

Where applicable, THE USE OF NON UL PARTS WILL VOID ANY UL LISTING.
 When ordering parts, please specify the model and serial number of the product.
 * Indicates a component that is not available as an individual part.
 G** Indicates consult Customer Service Department for additional information.

ITEM	PART NO.	1 2 3 4 5	DESCRIPTION	QTY.
30				
31	<u>26726-G01</u>		CARBURETOR MOUNT GASKET.....	2
32	<u>72883-G01</u>		CARBURETOR INSULATOR (FOR FUJI ENGINE EH35C)	1
33	<u>25693-G04</u>		CHOKE CABLE (22 1/4" LG WITH NUTS)	1
34	72401-G01		CHOKE CABLE (60 1/4" LG WITH NUTS)	1
35	72401-G02		CHOKE CABLE (31 1/2" LG WITH NUTS)	1
36	<u>00568-G4</u>		LOCK WASHER, 9/16".....	1
37	<u>00545-G4</u>		JAM NUT, 9/16 - 18	1
38	<u>72155-G01</u>		RETAINER	1
39	<u>72154-G01</u>		CHOKE CABLE ADAPTER.....	1
40	<u>00544-G4</u>		JAM NUT, 5/16 - 24	2

CLUTCH



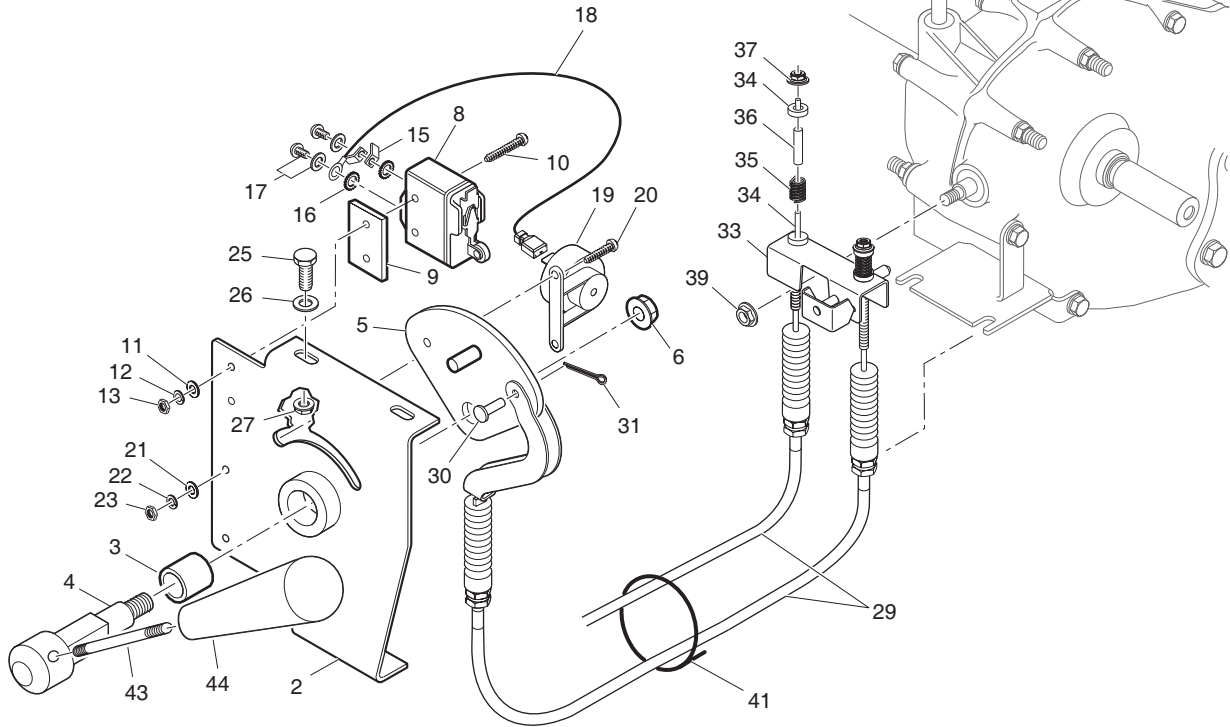
Ref Clt 8

CLUTCH

THE USE OF NON U.L. PARTS WILL VOID ANY U.L. LISTING.
 When ordering parts, please specify the model and serial number of the product.
 * Indicates a component that is not available as an individual part.
 G** Indicates consult Customer Service Department for additional information.

ITEM	PART NO.	1 2 3 4 5	DESCRIPTION	QTY.
1	<u>26952-G01</u>		DRIVE CLUTCH	1
2				
3	<u>00473-G9</u>		BOLT, 7/16 - 20 X 6 1/2" LG	1
4	<u>00566-G2</u>		LOCK WASHER, 7/16"	1
5	<u>25757-G1</u>		PILOT WASHER	1
6				
7	<u>26301-G**</u>		DRIVEN CLUTCH ASSEMBLY (INCLUDES ITEMS 8 - 15)	1
8	*		MOVABLE SHEAVE (INCLUDES ITEMS 9 -10).....	1
9	<u>00979-G01</u>		SCREW, #10 - 24 X 7/8" LG.....	3
10	<u>26479-G01</u>		RAMP BUTTON	3
11	*		CAM.....	1
12	<u>24600-G1</u>		SPACER, 1 1/2"	1
13	<u>26304-G01</u>		COMPRESSION SPRING	1
14	*		SHEAVE AND POST	1
15	<u>27270-G01</u>		HEAVY DUTY RETAINING RING	1
16				
17	<u>00441-G8</u>		BOLT, 5/16 - 18 X 4" LG	1
18	<u>00565-G8</u>		LOCK WASHER, 5/16"	4
19	<u>25756-G1</u>		RETAINING WASHER	1
20	<u>72054-G01</u>		DRIVE BELT.....	1

DIRECTION SELECTOR



1 - Includes Items 2 - 27

Ref Dsl 8

DIRECTION SELECTOR

THE USE OF NON U.L. PARTS WILL VOID ANY U.L. LISTING.

When ordering parts, please specify the model and serial number of the product.

* Indicates a component that is not available as an individual part.

G** Indicates consult Customer Service Department for additional information.

ITEM	PART NO.	1 2 3 4 5	DESCRIPTION	QTY.
1	<u>70594-G03</u>		DIRECTION SELECTOR ASSEMBLY (INCLUDES ITEMS 2 - 27)	1
2	<u>25684-G01</u>		DIRECTION SELECTOR BRACKET	1
3	<u>25664-G1</u>		BUSHING.....	1
4	<u>25677-G01</u>		DIRECTION SELECTOR SHAFT	1
5	<u>25745-G01</u>		DIRECTION SELECTOR CAM.....	1
6	<u>14390-G1</u>		LOCK NUT, 3/8 - 24.....	1
7				
8	<u>10606-G1</u>		MICRO SWITCH.....	1
9	<u>27151-G01</u>		MICRO SWITCH SPACER	1
10	<u>00645-G2</u>		SCREW, #6 - 32 X 1 1/4" LG	2
11	<u>00559-G3</u>		WASHER, #6	2
12	<u>00565-G3</u>		LOCK WASHER, #6	2
13	<u>00525-G5</u>		NUT, #6 - 32.....	2
14				
15	<u>14628-G1</u>		FASTON TAB.....	2
16	<u>00567-G3</u>		LOCK WASHER, #6	2
17	<u>13514-G1</u>		SCREW AND WASHER ASSEMBLY	2
18	<u>25978-G343</u>		18 GA WIRE (RED)	1
19	<u>73290-G01</u>		REVERSE WARNING BUZZER	1
20	<u>00138-G5</u>		SCREW, #6 - 32 X 5/8" LG	2
21	<u>00559-G3</u>		WASHER, #6	2
22	<u>00565-G3</u>		LOCK WASHER, #6	2
23	<u>00525-G5</u>		NUT, #6 - 32.....	2
24				
25	<u>00414-G6</u>		BOLT, 1/4 - 20 X 3/4" LG.....	2
26	<u>00559-G7</u>		WASHER, 1/4" (STAINLESS STEEL).....	2
27	<u>11027-G2</u>		LOCK NUT, 1/4 - 20.....	2
28				
29	<u>72400-G01</u>		SHIFTER CONTROL CABLE.....	2
30	<u>23176-G1</u>		CLEVIS PIN, 3/16" X 7/16" LG	2

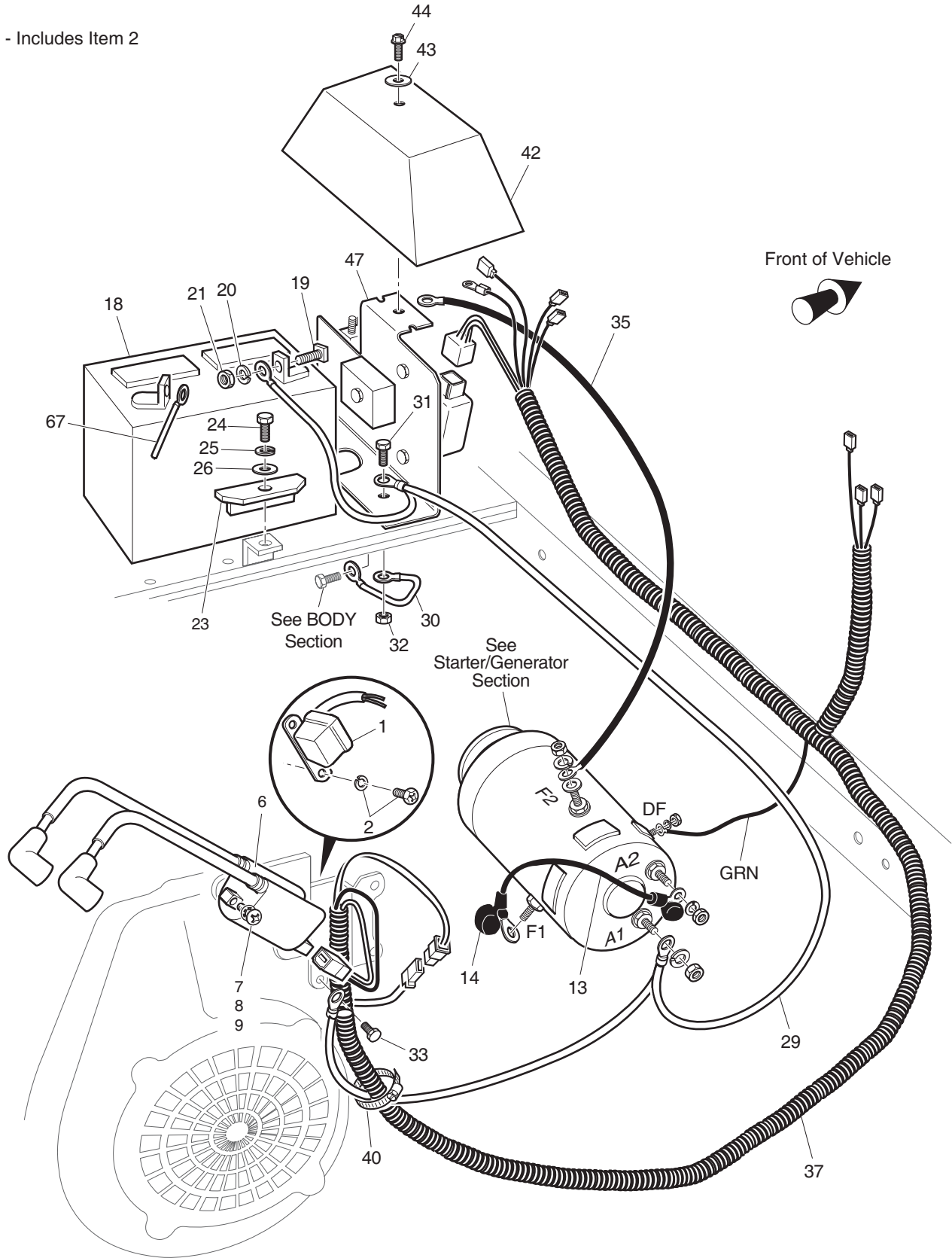
DIRECTION SELECTOR

THE USE OF NON U.L. PARTS WILL VOID ANY U.L. LISTING.
 When ordering parts, please specify the model and serial number of the product.
 * Indicates a component that is not available as an individual part.
 G** Indicates consult Customer Service Department for additional information.

ITEM	PART NO.	1 2 3 4 5	DESCRIPTION	QTY.
31	<u>10387-G8</u>		COTTER PIN, 1/16" X 3/4" LG	2
32				
33	<u>72619-G01</u>		PIVOT ARM.....	1
34	<u>25727-G01</u>		CUP WASHER, 1/4"	4
35	<u>27764-G01</u>		SPRING.....	2
36	<u>23726-G5</u>		SPACER, 1 1/8"	2
37	<u>11098-G7</u>		NUT, #10 - 24	2
38				
39	<u>26830-G01</u>		NUT, M8 X 1.25 MM	1
40				
41	<u>17618-G1</u>		WIRE TIE	1
42				
43	<u>25748-G01</u>		DIRECTION SELECTOR ROD	1
44	<u>11989-G1</u>		DIRECTION SELECTOR KNOB	1

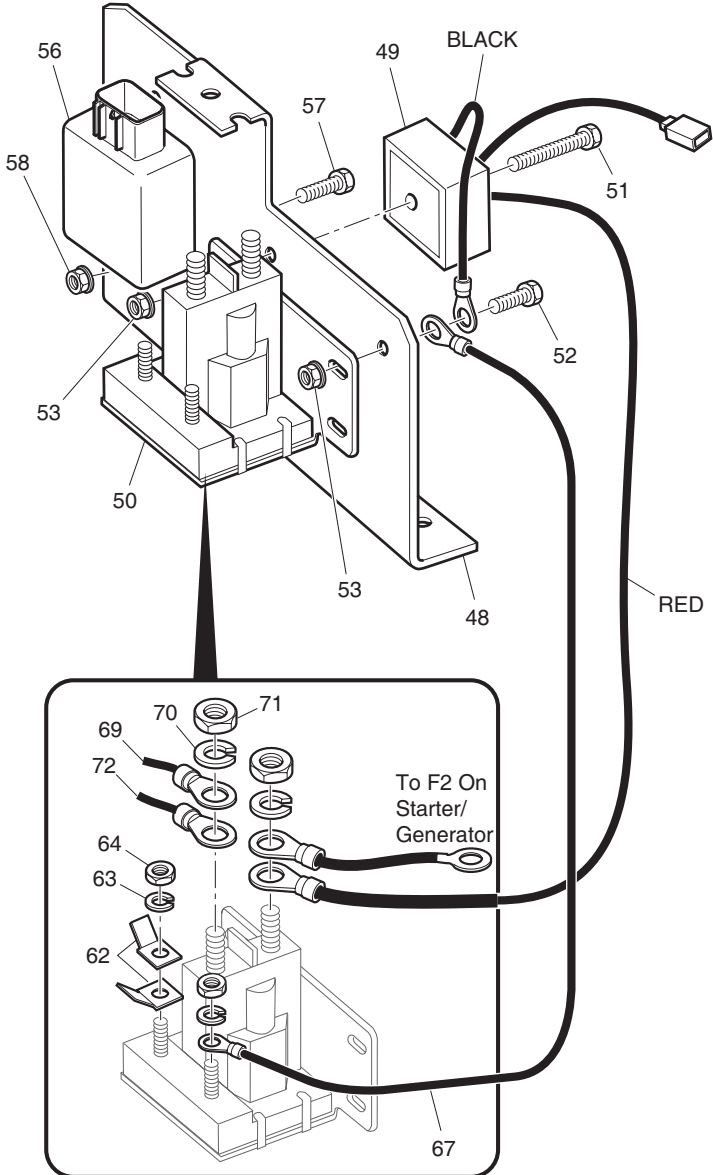
ELECTRICAL SYSTEM

1 - Includes Item 2



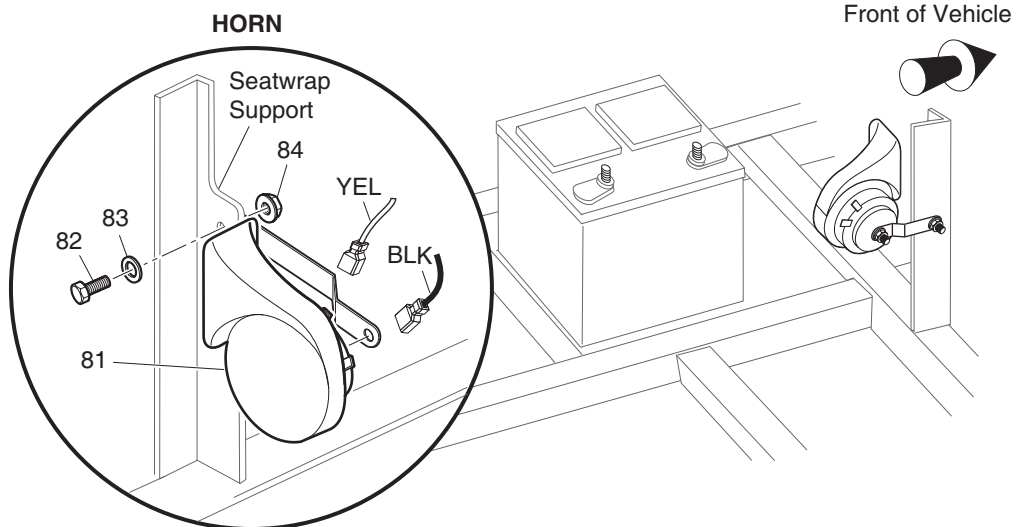
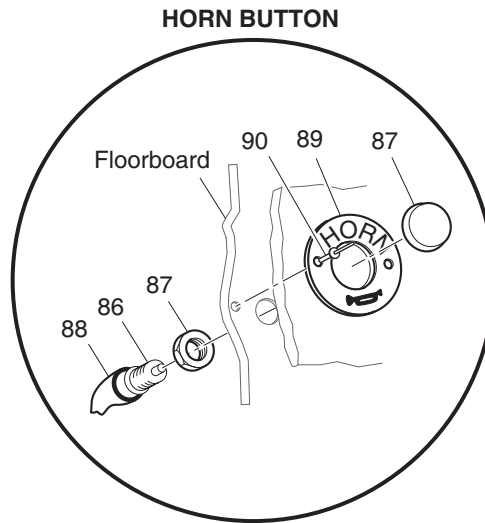
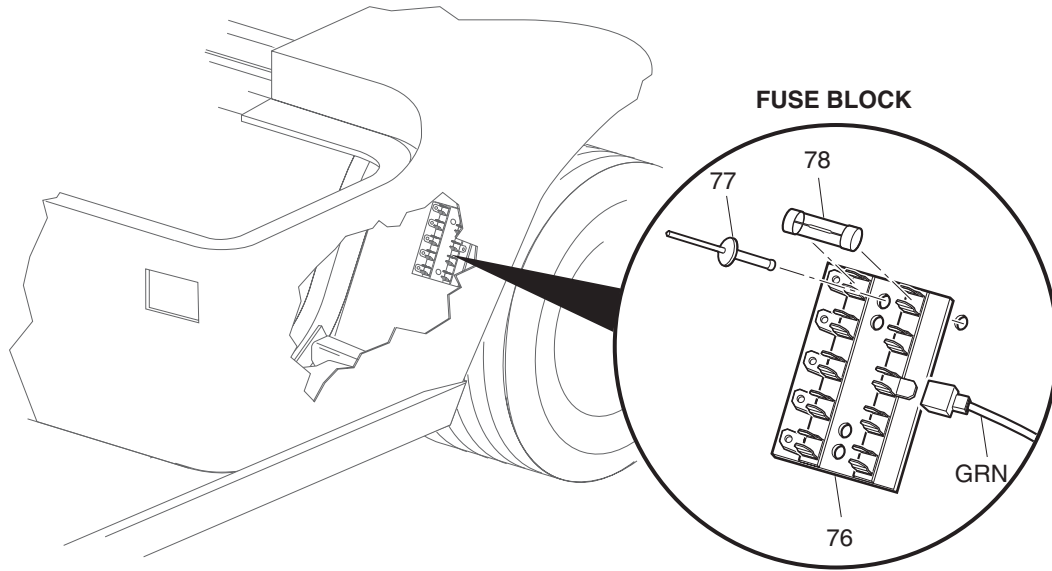
Ref Ele 2-1

47 - Includes Items 48 - 72



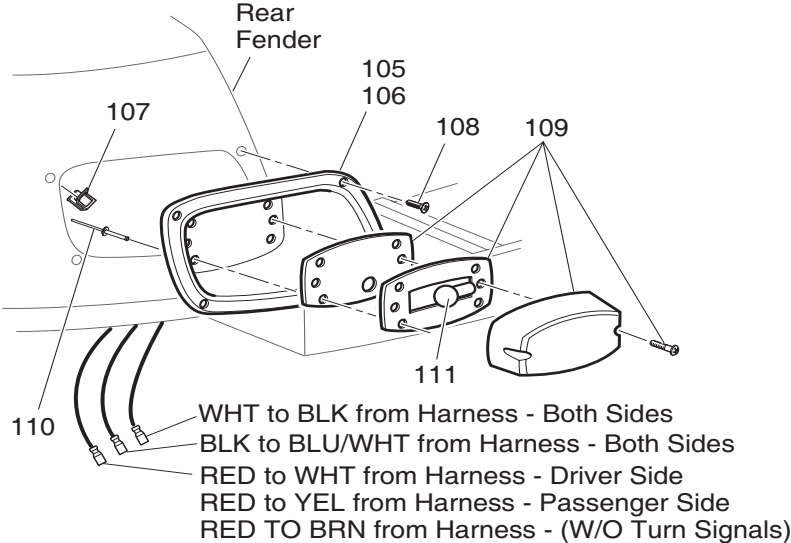
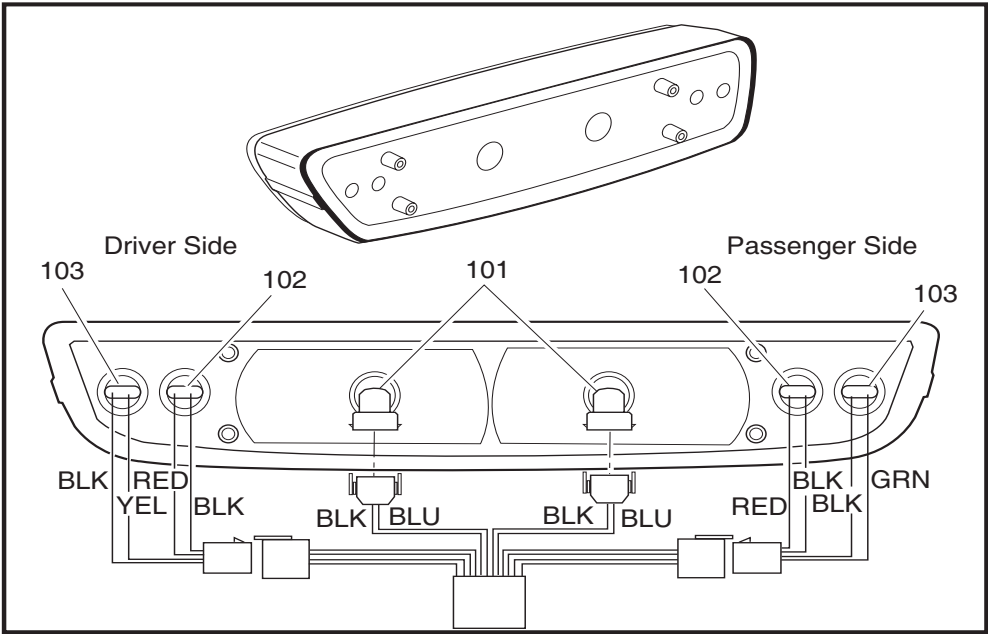
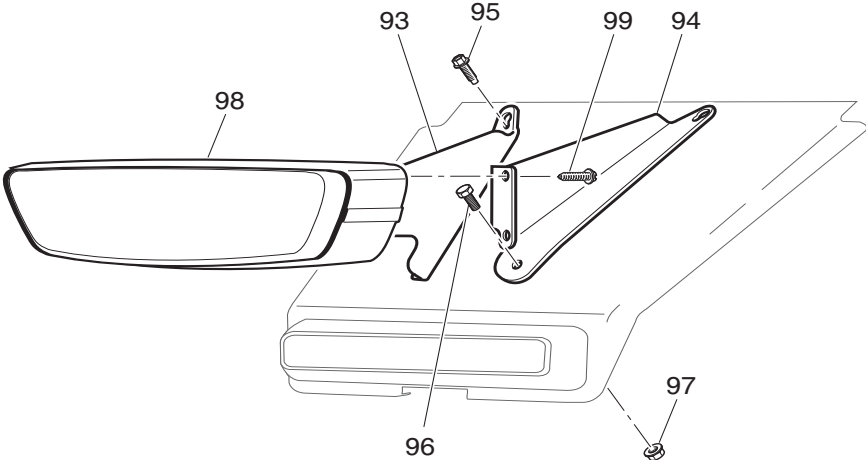
Ref Ele 2-2

ELECTRICAL SYSTEM



Ref Ele 8-3

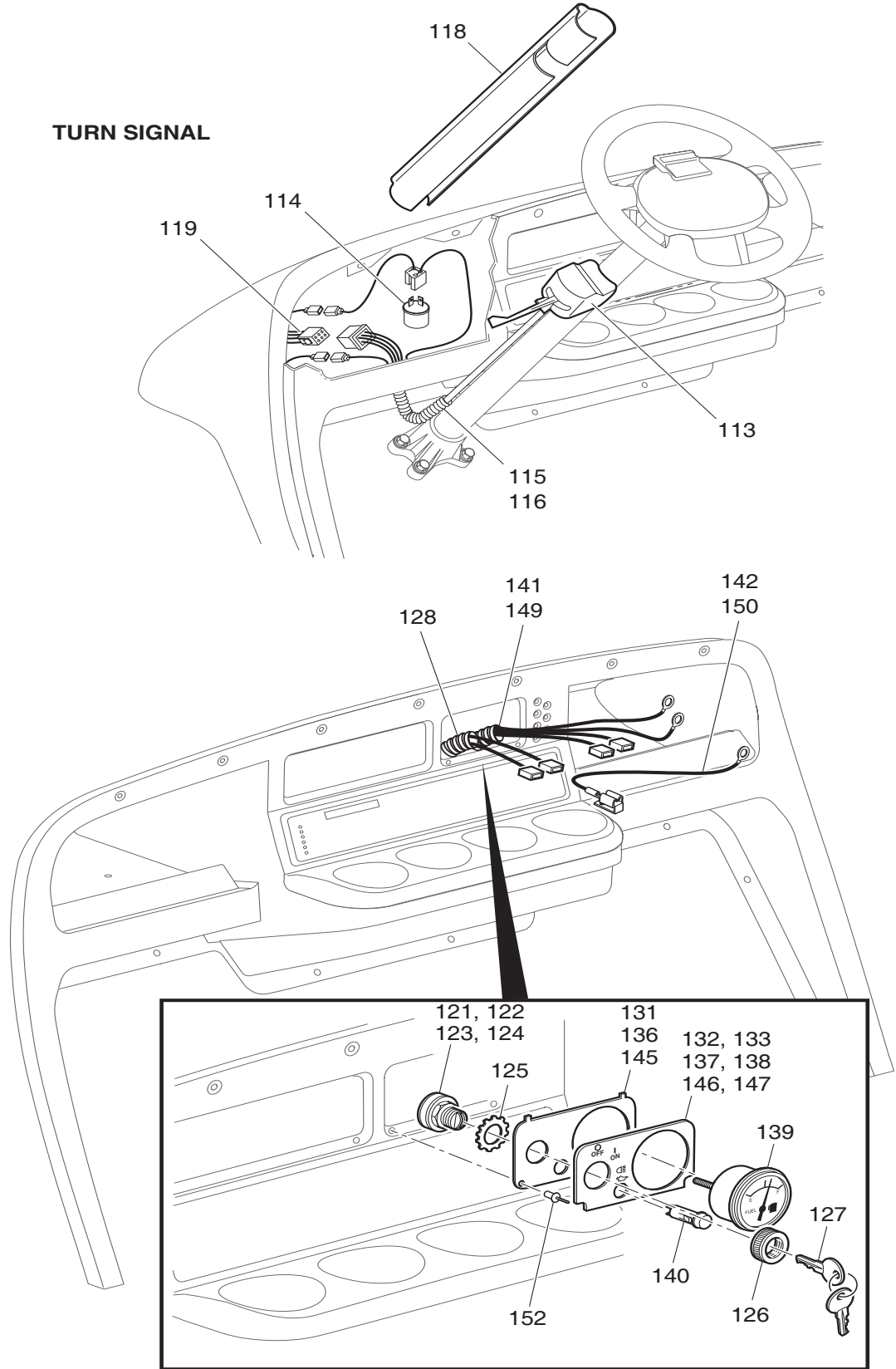
ELECTRICAL SYSTEM



Ref Ele 8-4

ELECTRICAL SYSTEM

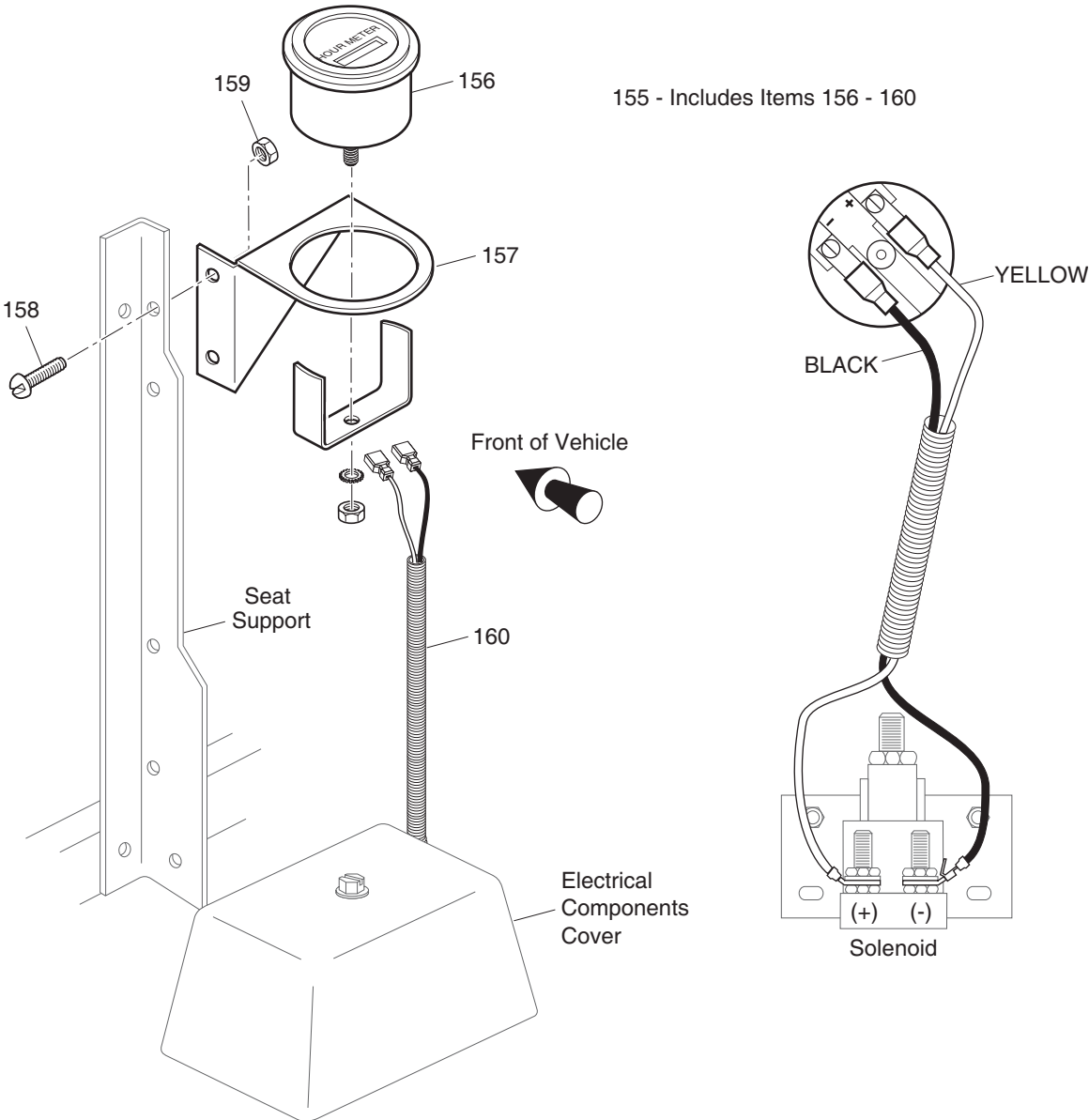
TURN SIGNAL



FUEL GAUGE, LOW OIL PRESSURE LIGHT, AND KEY SWITCH

Ref Ele 8-5

HOUR METER



Ref Ele 8-6

ELECTRICAL SYSTEM

THE USE OF NON U.L. PARTS WILL VOID ANY U.L. LISTING.

When ordering parts, please specify the model and serial number of the product.

* Indicates a component that is not available as an individual part.

G** Indicates consult Customer Service Department for additional information.

ITEM	PART NO.	1 2 3 4 5	DESCRIPTION	QTY.
1	<u>72865-G01</u>		IGNITION PICKUP ASSEMBLY (INCLUDES ITEM 2).....	1
2	<u>26707-G01</u>		BOLT AND WASHER ASSEMBLY, M5 X 0.8 X 10 MM LG	2
3				
4				
5				
6	<u>72866-G01</u>		IGNITION COIL ASSEMBLY (INCLUDES SPARK PLUG WIRES).....	1
7	*		FLAT WASHER	2
8	*		LOCK WASHER.....	2
9	<u>72871????</u>		SCREW.....	2
10				
11				
12				
13	<u>25887-G01</u>		6 GA WIRE (BLACK, 6", F1 - A2).....	1
14	<u>25682-G1</u>		TERMINAL COVER	3
15				
16				
17				
18	<u>24775-G*</u>		BATTERY, 12V	1
19	<u>00962-G1</u>		BOLT, 5/16 - 18 X 1 1/4" LG	2
20	<u>00993-G01</u>		LOCK WASHER, 5/16" (SILICON BRONZE).....	2
21	<u>00994-G01</u>		NUT, 5/16 - 18 (SILICON BRONZE)	2
22				
23	<u>72101-G01</u>		BATTERY HOLD DOWN.....	1
24	<u>00438-G6</u>		BOLT, 5/16 - 18 X 3/4" LG	1
25	<u>00565-G8</u>		LOCK WASHER, 5/16".....	1
26	<u>00571-G2</u>		WASHER, 5/16" (STAINLESS STEEL)	1
27				
28				
29	<u>27044-G03</u>		GROUND CABLE.....	1
30	<u>25976-G19</u>		14 GA WIRE (BLACK, 6")	1

ELECTRICAL SYSTEM

THE USE OF NON U.L. PARTS WILL VOID ANY U.L. LISTING.
 When ordering parts, please specify the model and serial number of the product.
 * Indicates a component that is not available as an individual part.
 G** Indicates consult Customer Service Department for additional information.

ITEM	PART NO.	1 2 3 4 5	DESCRIPTION	QTY.
31	00438-G6		BOLT, 5/16 - 18 X 3/4" LG	2
32	<u>11027-G1</u>		LOCK NUT, 5/16 - 18	2
33	<u>26676-G01</u>		FLANGED BOLT, M6 X 1 X 23 MM LG	1
34				
35	<u>25972-G85</u>		6 GA WIRE (BLACK 23", F2 - SOL).....	1
36				
37	<u>74937-G02</u>		WIRE HARNESS (CONTROL).....	1
38				
39				
40	<u>17618-G1</u>		WIRE TIE	AR
41				
42	<u>73049-G01</u>		COVER.....	1
43	<u>16469-G1</u>		WASHER, 1/4"	1
44	<u>00114-G6</u>		SCREW, 1/4 - 14 X 3/4" LG.....	1
45				
46				
47	<u>72909-G01</u>		ELECTRICAL PLATE ASSEMBLY (INCLUDES ITEMS 48 - 72)	1
48	<u>73057-G01</u>		BRACKET	1
49	<u>27739-G01</u>		VOLTAGE REGULATOR	1
50	<u>27153-G01</u>		SOLENOID	1
51	<u>00415-G2</u>		BOLT, 1/4 - 20 X 1 1/4" LG.....	1
52	00414-G8		BOLT, 1/4 - 20 X 1" LG.....	1
53	<u>11027-G2</u>		LOCK NUT, 1/4 - 20.....	2
54				
55				
56	72872-G01		IGNITOR	1
57	<u>00414-G5</u>		BOLT, 1/4 - 20 X 5/8" LG.....	1
58	<u>11027-G2</u>		LOCK NUT, 1/4 - 20.....	1
59				
60				

ELECTRICAL SYSTEM

THE USE OF NON U.L. PARTS WILL VOID ANY U.L. LISTING.

When ordering parts, please specify the model and serial number of the product.

* Indicates a component that is not available as an individual part.

G** Indicates consult Customer Service Department for additional information.

ITEM	PART NO.	1	2	3	4	5	DESCRIPTION	QTY.
61								
62	<u>73446-G01</u>						FASTON TAB, 90°	2
63	<u>00565-G5</u>						LOCK WASHER, #10	2
64	<u>00526-G4</u>						NUT, #10 - 32.....	2
65								
66								
67	<u>25978-G56</u>						18 GA WIRE (BLACK, 5 3/4").....	1
68								
69	<u>22585-G3</u>						IN-LINE FUSE HOLDER.....	1
70	<u>00565-G8</u>						LOCK WASHER, 5/16"	2
71	<u>00544-G4</u>						JAM NUT, 5/16 - 24.....	2
72	<u>25972-G33</u>						6 GA WIRE (BLACK, 24", B+ - SOL)	1
73								
74								
75								
76	<u>22674-G1</u>						FUSE BLOCK.....	1
77	<u>01041-G01</u>						RIVET, 1/8" X 13/16" LG	2
78	<u>18392-G1</u>						15 AMP FUSE	3
79								
80								
81	<u>32860-G1</u>						HORN.....	1
82	<u>00414-G5</u>						BOLT, 1/4 - 20 x 5/8" LG.....	1
83	<u>00559-G7</u>						WASHER, 1/4" (STAINLESS STEEL)	1
84	<u>00891-G2</u>						LOCK NUT, 1/4 - 20 (STAINLESS STEEL)	1
85								
86	<u>17318-G1</u>						HORN SWITCH.....	1
87	<u>17318-G2</u>						HORN SWITCH CAP AND NUT	1
88	<u>27068-G01</u>						HORN SWITCH BOOT	1
89	<u>19233-G1</u>						HORN SWITCH LABEL	1
90	<u>71055-G01</u>						RIVET, 3/16" X 1" LG (ALUMINUM)	2

ELECTRICAL SYSTEM

THE USE OF NON U.L. PARTS WILL VOID ANY U.L. LISTING.
 When ordering parts, please specify the model and serial number of the product.
 * Indicates a component that is not available as an individual part.
 G** Indicates consult Customer Service Department for additional information.

ITEM	PART NO.	1	2	3	4	5	DESCRIPTION	QTY.
91								
92								
93	<u>74236-G01</u>						HEADLIGHT MOUNT BRACKET (PASSENGER SIDE)	1
94	<u>74236-G02</u>						HEADLIGHT MOUNT BRACKET (DRIVER SIDE)	1
95	<u>01038-G01</u>						BOLT, 1/4 - 20 X 11/16" LG	2
96	<u>00414-G6</u>						BOLT, 1/4 - 20 X 3/4" LG	2
97	<u>11027-G2</u>						LOCK NUT, 1/4 - 20	2
98	<u>74001-G01</u>						HEADLIGHT AND TURN SIGNAL LIGHT	1
99	<u>00114-G6</u>						SCREW, 1/4 - 14 X 3/4" LG.....	4
100								
101	<u>74004-G01</u>						HEADLIGHT BULB	AR
102	<u>74005-G01</u>						MARKER LIGHT BULB	AR
103	<u>74006-G01</u>						TURN SIGNAL BULB	AR
104								
105	<u>74371-G01</u>						BEZEL (DRIVER SIDE).....	1
106	<u>74371-G02</u>						BEZEL (PASSENGER SIDE)	1
107	<u>71364-G02</u>						'J' CLIP	8
108	<u>71425-G01</u>						COUNTERSUNK SCREW, #8	8
109	<u>22288-G2</u>						BRAKE / TAILLIGHT LAMP.....	1
110	<u>14601-G11</u>						RIVET, 3/16" X 9/16" LG (ALUMINUM)	4
111	<u>21759-G1</u>						TAILLIGHT BULB	AR
112								
113	<u>75107-G02</u>						TURN SIGNAL KIT (INCLUDES ITEMS 114 - 118)	1
114	<u>17867-G1</u>						TURN SIGNAL (WITH MOUNTING HARDWARE) (INCLUDES ITEM 115).	1
115	<u>21640-G1</u>						TURN SIGNAL FLASHER.....	1
116	<u>32307-G3</u>						FLEX LOOM, 3/8 X 8" LG	1
117	<u>17618-G1</u>						WIRE TIE	2
118	<u>20965-G3</u>						STEERING COLUMN COVER	1
119								
120	<u>72228-G01</u>						WIRE HARNESS (ACCESSORY).....	1

ELECTRICAL SYSTEM

THE USE OF NON U.L. PARTS WILL VOID ANY U.L. LISTING.

When ordering parts, please specify the model and serial number of the product.

* Indicates a component that is not available as an individual part.

G** Indicates consult Customer Service Department for additional information.

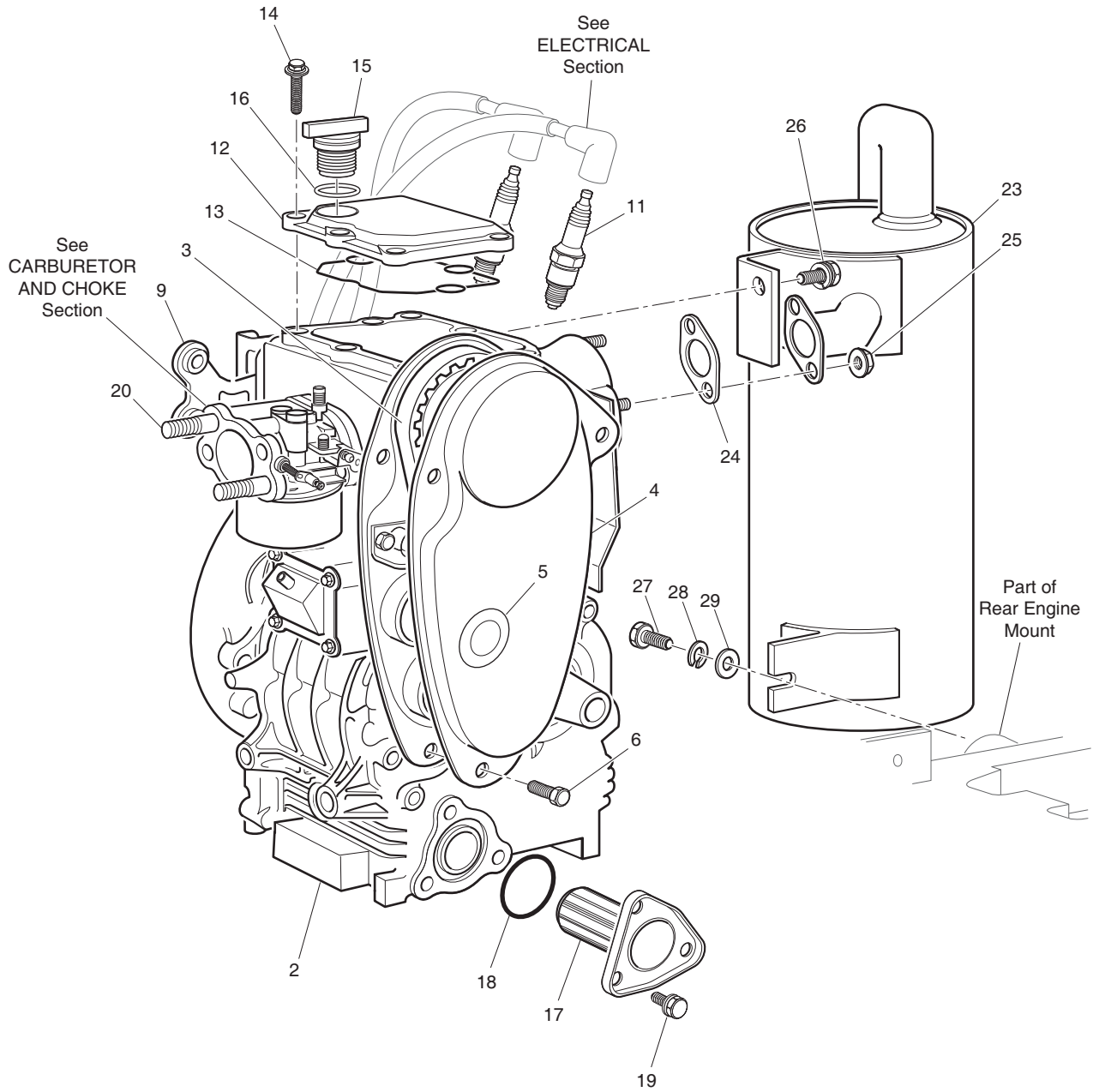
ITEM	PART NO.	1 2 3 4 5	DESCRIPTION	QTY.
121	<u>17421-G1</u>		KEY SWITCH KIT (W/O LIGHTS - STANDARD - WITH HARDWARE).....	1
122	<u>17955-G1</u>		KEY SWITCH (WITHOUT LIGHTS - NON STANDARD)	1
123	<u>18027-G1</u>		KEY SWITCH (WITHOUT LIGHTS - INDIVIDUALLY KEYED)	1
124	33639-G**		KEY SWITCH (WITH LIGHTS)	1
125	<u>00568-G6</u>		LOCK WASHER, 3/4"	1
126	17137-G1		FACE NUT, 3/4 - 20	1
127	<u>17063-G1</u>		KEY (SET).....	1
128	<u>73041-G01</u>		WIRE HARNESS (KEY SWITCH).....	1
129				
130				
131	<u>73030-G01</u>		PLATE (KEY SWITCH ONLY)	1
132	<u>71145-G01</u>		LABEL (KEY SWITCH ONLY) WITHOUT HEADLIGHTS	1
133	<u>71181-G01</u>		LABEL (KEY SWITCH ONLY) WITH HEADLIGHTS.....	1
134				
135				
136	73030-G04		PLATE (FUEL GAUGE AND OIL LIGHT).....	1
137	71127-G01		LABEL (OIL LIGHT AND FUEL GAUGE W/O HEADLIGHTS)	1
138	<u>71131-G01</u>		LABEL (OIL LIGHT AND FUEL GAUGE WITH HEADLIGHTS)	1
139	<u>21553-G1</u>		FUEL GAUGE	1
140	<u>23474-G1</u>		INDICATOR LIGHT	1
141	<u>74311-G01</u>		WIRE HARNESS (OIL LIGHT/FUEL GAUGE).....	1
142	<u>25978-G122</u>		18 GA WIRE (RED, 6" LG).....	1
143				
144				
145	73030-G03		PLATE (LOW FUEL AND OIL LIGHT INDICATOR)	1
146	<u>71125-G01</u>		LABEL (LOW FUEL AND OIL LIGHT W/O HEADLIGHTS)	1
147	<u>71183-G01</u>		LABEL (LOW FUEL AND OIL LIGHT WITH HEADLIGHTS)	1
148				
149	74309-G01		WIRE HARNESS (OIL LIGHT/FUEL LIGHT)	1
150	<u>25978-G74</u>		18 GA WIRE (RED, 6" LG).....	1

ELECTRICAL SYSTEM

THE USE OF NON U.L. PARTS WILL VOID ANY U.L. LISTING.
 When ordering parts, please specify the model and serial number of the product.
 * Indicates a component that is not available as an individual part.
 G** Indicates consult Customer Service Department for additional information.

ITEM	PART NO.	1 2 3 4 5	DESCRIPTION	QTY.
151				
152	33623-G02		DRIVE RIVET, 3/16" X 3/8" LG	2
153				
154				
155	75114-G02		HOUR METER KIT (INCLUDES ITEMS 156 - 160).....	1
156	<u>21573-G1</u>		HOUR METER.....	1
157	<u>74019-G02</u>		HOUR METER BRACKET	1
158	<u>00379-G4</u>		SCREW, #10 - 24 X 1/2" LG	2
159	11098-G7		LOCK NUT, #10 - 24.....	2
160	<u>75117-G01</u>		WIRE HARNESS (HOUR METER).....	1

ENGINE AND MUFFLER



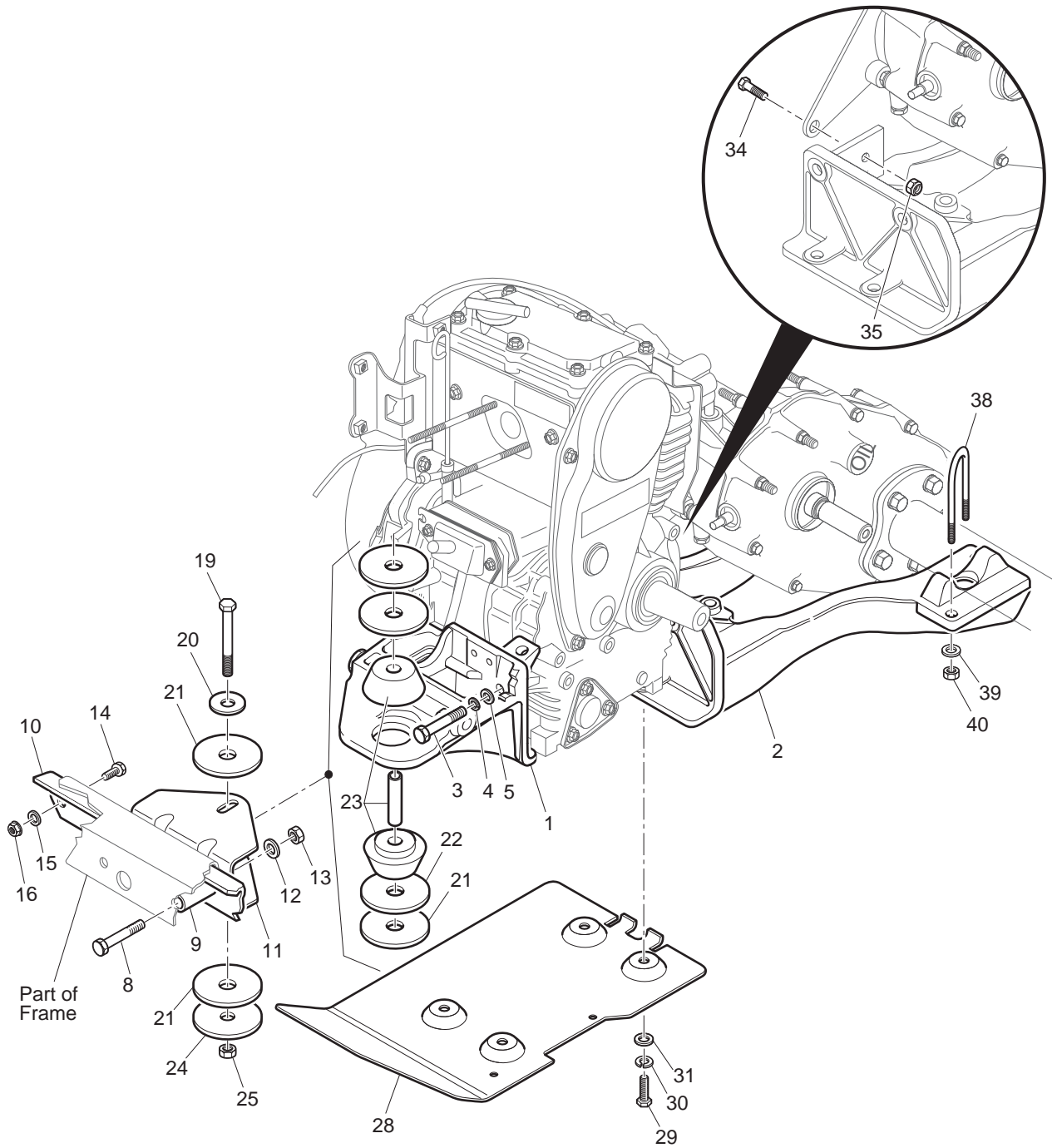
Ref Eng 2

ENGINE AND MUFFLER

Where applicable, THE USE OF NON UL PARTS WILL VOID ANY UL LISTING.
 When ordering parts, please specify the model and serial number of the product.
 * Indicates a component that is not available as an individual part.
 G** Indicates consult Customer Service Department for additional information.

ITEM	PART NO.	1	2	3	4	5	DESCRIPTION	QTY.
1								
2	<u>72846-G01</u>						ENGINE (FOR VEHICLES ORIGINALLY EQUIPPED WITH 350cc (EH35C) (INCLUDES ITEMS 3 - 20, 23).....	1
3	<u>26626-G01</u>						TIMING BELT.....	1
4	<u>72908-G01</u>						TIMING BELT COVER.....	1
5	<u>26631-G01</u>						TIMING BELT COVER GROMMET.....	1
6	<u>26678-G01</u>						BOLT, M6 X 1 X 12 MM LG.....	3
7								
8								
9	<u>72869-G01</u>						IGNITION COIL BRACKET (350cc).....	1
10								
11	<u>25523-G4</u>						SPARK PLUG (NGK BPR5ES - RESISTOR) (350cc).....	2
12	<u>72848-G01</u>						VALVE COVER.....	1
13	<u>72876-G01</u>						VALVE COVER GASKET.....	1
14	<u>26676-G01</u>						FLANGED BOLT, M6 X 1 X 23 MM LG.....	6
15	<u>26601-G01</u>						OIL FILLER CAP.....	1
16	<u>26720-G01</u>						OIL FILLER 'O' RING.....	1
17	<u>26591-G01</u>						OIL FILTER.....	1
18	<u>26710-G01</u>						OIL FILTER 'O' RING.....	1
19	<u>26680-G01</u>						BOLT AND WASHER, M6 X 1 X 12 MM LG.....	3
20	<u>72307-G01</u>						STUD, M6 X 1 X 115MM LG.....	2
21								
22								
23	<u>74829-G01</u>						MUFFLER.....	1
24	<u>25531-G1</u>						EXHAUST GASKET.....	1
25	<u>26706-G01</u>						NUT, M6 X 1.0.....	2
26	<u>25532-G1</u>						BOLT AND WASHER, M8 X 1.25 X 18 MM LG.....	1
27	<u>00438-G8</u>						BOLT, 5/16 - 18 X 1" LG.....	1
28	<u>00565-G8</u>						LOCK WASHER, 5/16".....	1
29	<u>00642-G8</u>						WASHER, 5/16".....	1

ENGINE MOUNTING



Ref Emt 8

ENGINE MOUNTING

THE USE OF NON U.L. PARTS WILL VOID ANY U.L. LISTING.

When ordering parts, please specify the model and serial number of the product.

* Indicates a component that is not available as an individual part.

G** Indicates consult Customer Service Department for additional information.

ITEM	PART NO.	1 2 3 4 5	DESCRIPTION	QTY.
1	<u>72010-G01</u>		FRONT ENGINE MOUNT	1
2	<u>72011-G01</u>		REAR ENGINE MOUNT	1
3	<u>00463-G4</u>		BOLT, 7/16 - 14 X 1 1/2" LG	4
4	<u>00566-G2</u>		LOCK WASHER, 7/16"	4
5	<u>00922-G3</u>		WASHER, 7/16"	4
6				
7				
8	<u>00428-G6</u>		BOLT, 3/8 - 16 X 2 3/4" LG	2
9	<u>72016-G01</u>		SPACER	2
10	<u>70269-G01</u>		CROSSMEMBER BRACE	1
11	<u>72044-G01</u>		MOUNT BRACKET	1
12	<u>00643-G1</u>		WASHER, 3/8"	2
13	<u>11098-G5</u>		LOCK NUT, 3/8 - 16	2
14	<u>00438-G7</u>		BOLT, 5/16 - 18 X 7/8" LG	2
15	<u>01110-G03</u>		WASHER, 5/16" (STAINLESS STEEL)	2
16	<u>01109-G01</u>		LOCK NUT, 5/16 - 18 (STAINLESS STEEL)	2
17				
18				
19	<u>00430-G4</u>		BOLT, 3/8 - 16 X 4 1/2" LG	1
20	<u>15121-G1</u>		WASHER, 1 1/4" X 3/8"	1
21	<u>72050-G01</u>		PLASTIC WASHER, 5/8" X 2 1/4"	4
22	<u>72051-G01</u>		WASHER, 2 1/2" X 5/8"	2
23	<u>72015-G01</u>		ISOLATION MOUNT	1
24	<u>72051-G02</u>		WASHER, 3/8"	1
25	<u>11098-G5</u>		LOCK NUT, 3/8 - 16	1
26				
27				
28	<u>72719-G03</u>		ENGINE GUARD	1
29	<u>00463-G4</u>		BOLT, 7/16 - 14 X 1 1/2" LG	4
30	<u>00566-G2</u>		LOCK WASHER, 7/16"	4

ENGINE MOUNTING

THE USE OF NON U.L. PARTS WILL VOID ANY U.L. LISTING.

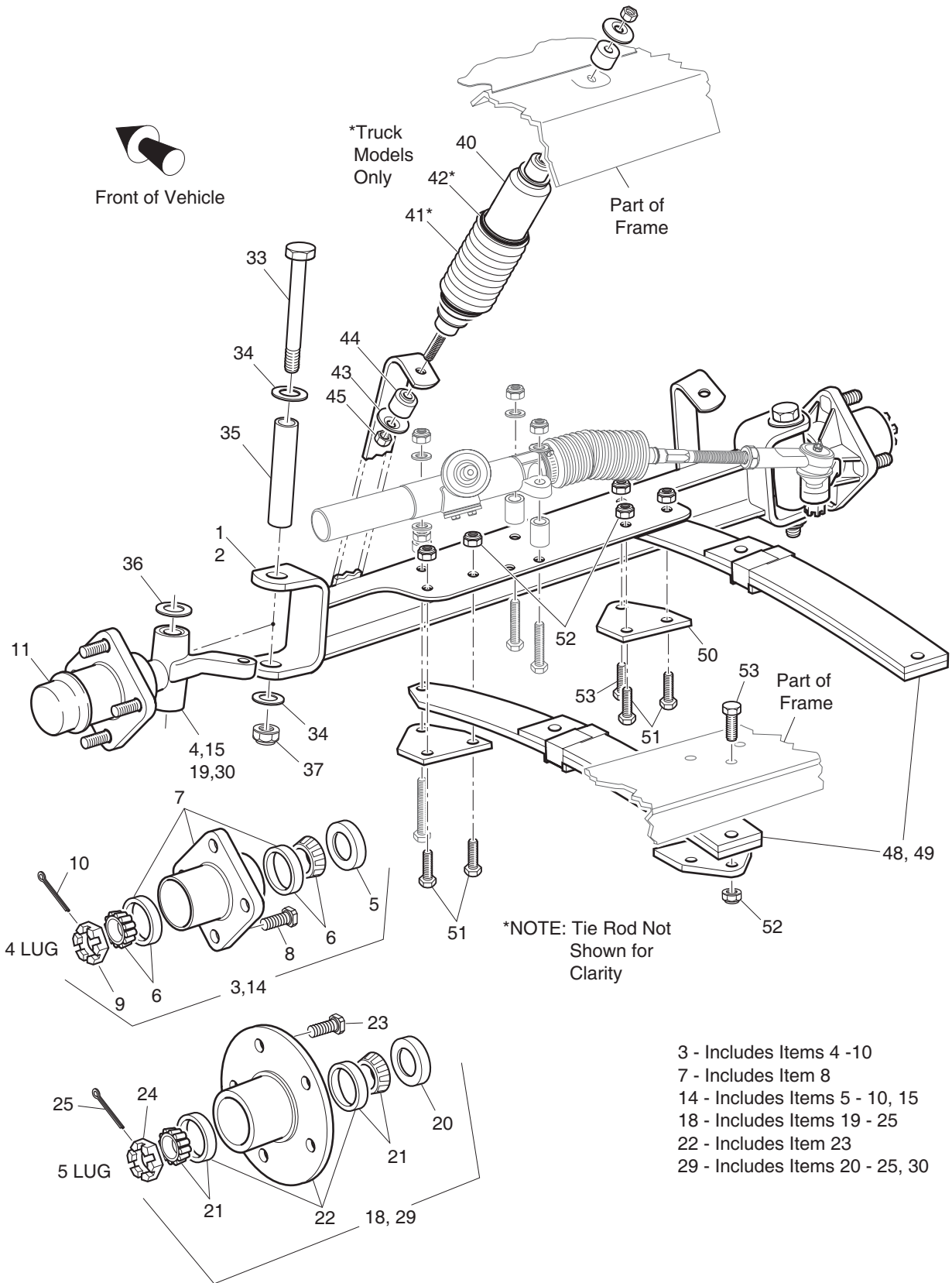
When ordering parts, please specify the model and serial number of the product.

* Indicates a component that is not available as an individual part.

G** Indicates consult Customer Service Department for additional information.

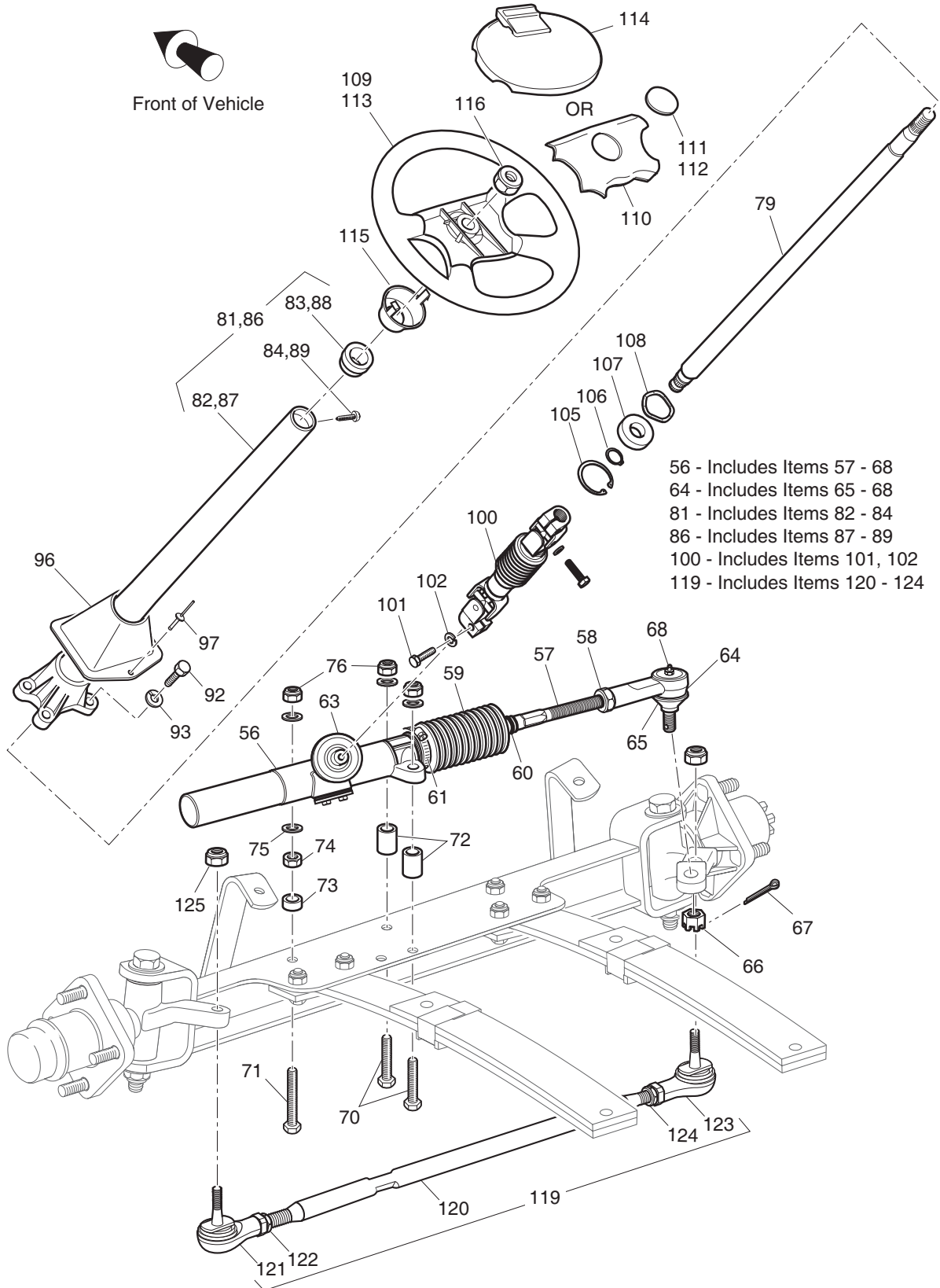
ITEM	PART NO.	1 2 3 4 5	DESCRIPTION	QTY.
31	<u>00922-G3</u>		WASHER, 7/16"	4
32				
33				
34	<u>00439-G1</u>		BOLT, 5/16 - 18 X 1 1/8" LG	1
35	<u>01109-G01</u>		LOCK NUT, 5/16 - 18 (STAINLESS STEEL)	1
36				
37				
38	<u>72035-G01</u>		'U' BOLT, 7/16 - 14 X 3 7/16" X 3 9/16" LG	2
39	<u>00922-G3</u>		WASHER, 7/16"	4
40	<u>00734-G1</u>		LOCK NUT, 7/16 - 14	4

FRONT SUSPENSION/STEERING



Ref Fss 1-1

FRONT SUSPENSION/STEERING



Ref Fss 1-2

FRONT SUSPENSION/STEERING

Where applicable, THE USE OF NON UL PARTS WILL VOID ANY UL LISTING.
 When ordering parts, please specify the model and serial number of the product.
 * Indicates a component that is not available as an individual part.
 G** Indicates consult Customer Service Department for additional information.

ITEM	PART NO.	1	2	3	4	5	DESCRIPTION	QTY.
1	70963-G01						FRONT AXLE	1
2	<u>600044G01</u>						FRONT AXLE WITH FRONT DISC BRAKES	1
3	<u>70942-G01</u>						SPINDLE AND HUB ASSEMBLY, 4 LUG (PASSENGER SIDE) (INCLUDES ITEMS 4 - 10).....	1
4	<u>70942-G02</u>						SPINDLE ASSEMBLY (PASSENGER SIDE).....	1
5	<u>25146-G1</u>						GREASE SEAL.....	1
6	<u>50892-G1</u>						ROLLER BEARING AND RACE ASSEMBLY.....	2
7	<u>70895-G01</u>						WHEEL HUB ASSEMBLY WITH RACES, 4 LUG (INCLUDES ITEM 8)	1
8	<u>19862-G1</u>						LUG BOLT, 1/2 - 20 X 1 3/16" LG.....	4
9	12093-G1						CASTELLATED NUT, 1 - 14	1
10	<u>00798-G8</u>						COTTER PIN, 5/32" X 1 3/4" LG	1
11	<u>12091-G2</u>						SPINDLE CAP.....	2
12								
13								
14	70673-G01						SPINDLE AND HUB ASSEMBLY, 4 LUG (DRIVER SIDE) (INCLUDES ITEMS 5 - 10, 15).....	1
15	70673-G02						SPINDLE ASSEMBLY (DRIVER SIDE)	1
16								
17								
18	<u>70943-G01</u>						SPINDLE AND HUB ASSEMBLY, 5 LUG (PASSENGER SIDE) (INCLUDES ITEMS 19 - 25).....	1
19	<u>70942-G02</u>						SPINDLE ASSEMBLY (PASSENGER SIDE).....	1
20	<u>12092-G1</u>						GREASE SEAL.....	1
21	<u>50892-G1</u>						ROLLER BEARING AND RACE ASSEMBLY.....	2
22	<u>70772-G01</u>						WHEEL HUB ASSEMBLY WITH RACES, 5 LUG (INCLUDES ITEM 23)	1
23	30143-G1						LUG BOLT, 1/2 - 20 X 1 7/32" LG.....	5
24	12093-G1						CASTELLATED NUT, 1 - 14	1
25	<u>00798-G8</u>						COTTER PIN, 5/32" X 1 3/4" LG	1
26								
27								
28								

FRONT SUSPENSION/STEERING

Where applicable, THE USE OF NON UL PARTS WILL VOID ANY UL LISTING.

When ordering parts, please specify the model and serial number of the product.

* Indicates a component that is not available as an individual part.

G** Indicates consult Customer Service Department for additional information.

ITEM	PART NO.	1	2	3	4	5	DESCRIPTION	QTY.
29	<u>70797-G01</u>						SPINDLE AND HUB ASSEMBLY, 5 LUG (DRIVER SIDE) (INCLUDES ITEMS 20 - 25, 30).....	1
30	70673-G02						SPINDLE ASSEMBLY (DRIVER SIDE)	1
31								
32								
33	<u>00407-G6</u>						BOLT, 1/2 - 13 X 6" LG	2
34	<u>00560-G3</u>						WASHER, 1/2"	4
35	<u>70745-G01</u>						KING PIN TUBE	2
36	<u>70754-G01</u>						THRUST WASHER, 1" (STAINLESS STEEL).....	2
37	<u>14390-G6</u>						LOCK NUT, 1/2 - 13	2
38								
39								
40	70928-G01						SHOCK ABSORBER.....	2
41	<u>70509-G01</u>						SHOCK ABSORBER BOOT	2
42	<u>31539-G1</u>						WIRE TIE	4
43	<u>10435-G1</u>						SHOCK ABSORBER WASHER	8
44	<u>10194-G1</u>						RUBBER BUSHING	8
45	<u>00532-G6</u>						NUT, 3/8 - 24	4
46								
47								
48	70990-G02						LEAF SPRING (SEE PART NUMBER ON SPRING)	2
49	<u>70664-G03</u>						LEAF SPRING (HEAVY DUTY) (SEE PART NUMBER ON SPRING).....	2
50	<u>70163-G03</u>						SPRING PLATE	4
51	<u>00463-G4</u>						BOLT, 7/16 - 14 X 1 1/2" LG	4
52	<u>00734-G1</u>						LOCK NUT, 7/16 - 14	11
53	<u>00463-G6</u>						BOLT, 7/16 - 14 X 1 3/4" LG	7
54								
55								
56	<u>70964-G01</u>						RACK AND PINION UNIT (COMPLETE) (INCLUDES ITEMS 57 - 68)	1
57	<u>70694-G01</u>						RACK EXTENSION	1

FRONT SUSPENSION/STEERING

Where applicable, THE USE OF NON UL PARTS WILL VOID ANY UL LISTING.

When ordering parts, please specify the model and serial number of the product.

* Indicates a component that is not available as an individual part.

G** Indicates consult Customer Service Department for additional information.

ITEM	PART NO.	1	2	3	4	5	DESCRIPTION	QTY.
58	*						JAM NUT, 1/2 - 20.....	1
59	<u>70961-G01</u>						RACK BOOT.....	1
60	<u>12416-G2</u>						WIRE TIE.....	1
61	<u>11391-G8</u>						CLAMP, 1 13/16 - 2 3/8".....	1
62								
63	<u>70638-G01</u>						PINION SEAL.....	1
64	<u>70695-G01</u>						RACK BALL JOINT (INCLUDES ITEMS 65 - 68).....	1
65	<u>50641-G1</u>						RUBBER BOOT.....	1
66	<u>50209-G2</u>						CASTELLATED NUT, 7/16 - 20.....	1
67	<u>10387-G2</u>						COTTER PIN, 3/32" X 1" LG.....	1
68	<u>10389-G3</u>						GREASE FITTING, STRAIGHT.....	1
69								
70	<u>00464-G6</u>						BOLT, 7/16 - 14 X 2 3/4" LG.....	2
71	<u>01068-G01</u>						BOLT, 7/16 - 14 X 3 1/2" LG.....	1
72	<u>70667-G02</u>						SPACER.....	2
73	<u>70667-G03</u>						SPACER (SHORT).....	1
74	<u>00532-G7</u>						NUT, 7/16 - 14.....	1
75	<u>00560-G2</u>						FLAT WASHER, 7/16".....	4
76	<u>00734-G1</u>						LOCK NUT, 7/16 - 14.....	3
77								
78								
79	<u>70607-G01</u>						STEERING SHAFT.....	1
80								
81	70758-G03						STEERING COLUMN KIT (INCLUDES ITEMS 82 - 84).....	1
82	<u>70610-G01</u>						STEERING COLUMN.....	1
83	<u>28569-G01</u>						STEERING COLUMN BUSHING.....	1
84	<u>01022-G01</u>						SCREW, #6 - 20 X 5/16" LG.....	1
85								
86	<u>70758-G04</u>						STEERING COLUMN KIT (HORN) (INCLUDES ITEMS 87 - 89).....	1
87	70610-G02						STEERING COLUMN.....	1

FRONT SUSPENSION/STEERING

Where applicable, THE USE OF NON UL PARTS WILL VOID ANY UL LISTING.

When ordering parts, please specify the model and serial number of the product.

* Indicates a component that is not available as an individual part.

G** Indicates consult Customer Service Department for additional information.

ITEM	PART NO.	1 2 3 4 5	DESCRIPTION	QTY.
88	<u>28569-G01</u>		STEERING COLUMN BUSHING.....	1
89	<u>01022-G01</u>		SCREW, #6 - 20 X 5/16" LG	1
90				
91				
92	<u>01006-G01</u>		BOLT, 3/8 - 16 X 1 1/4" LG	4
93	<u>00879-G1</u>		LOCK WASHER, 3/8"	4
94				
95				
96	<u>70997-G01</u>		COVER.....	1
97	<u>71055-G01</u>		RIVET, 3/16" X 1" LG (ALUMINUM).....	1
98				
99				
100	<u>70580-G01</u>		INTERMEDIATE SHAFT (INCLUDES ITEMS 101, 102).....	1
101	<u>01055-G01</u>		BOLT, M8 X 1.25 - 05.....	2
102	<u>00565-G8</u>		LOCK WASHER, 5/16"	2
103				
104				
105	<u>70751-G01</u>		RETAINING RING (INTERNAL).....	1
106	<u>70888-G01</u>		RETAINING RING (EXTERNAL).....	1
107	<u>15112-G1</u>		BALL BEARING	1
108	<u>70887-G01</u>		WAVE WASHER.....	1
109	<u>71146-G01</u>		STEERING WHEEL	1
110	<u>71147-G01</u>		STEERING WHEEL COVER	1
111	<u>71047-G01</u>		LABEL (E-Z-GO)	1
112	<u>74405-G01</u>		LABEL (CUSHMAN).....	1
113	<u>71948-G01</u>		STEERING WHEEL	1
114	<u>71950-G01</u>		CLIPBOARD.....	1
115	<u>71949-G01</u>		HUB COVER	1
116	<u>14390-G2</u>		LOCK NUT, 5/8 - 18	1
117				

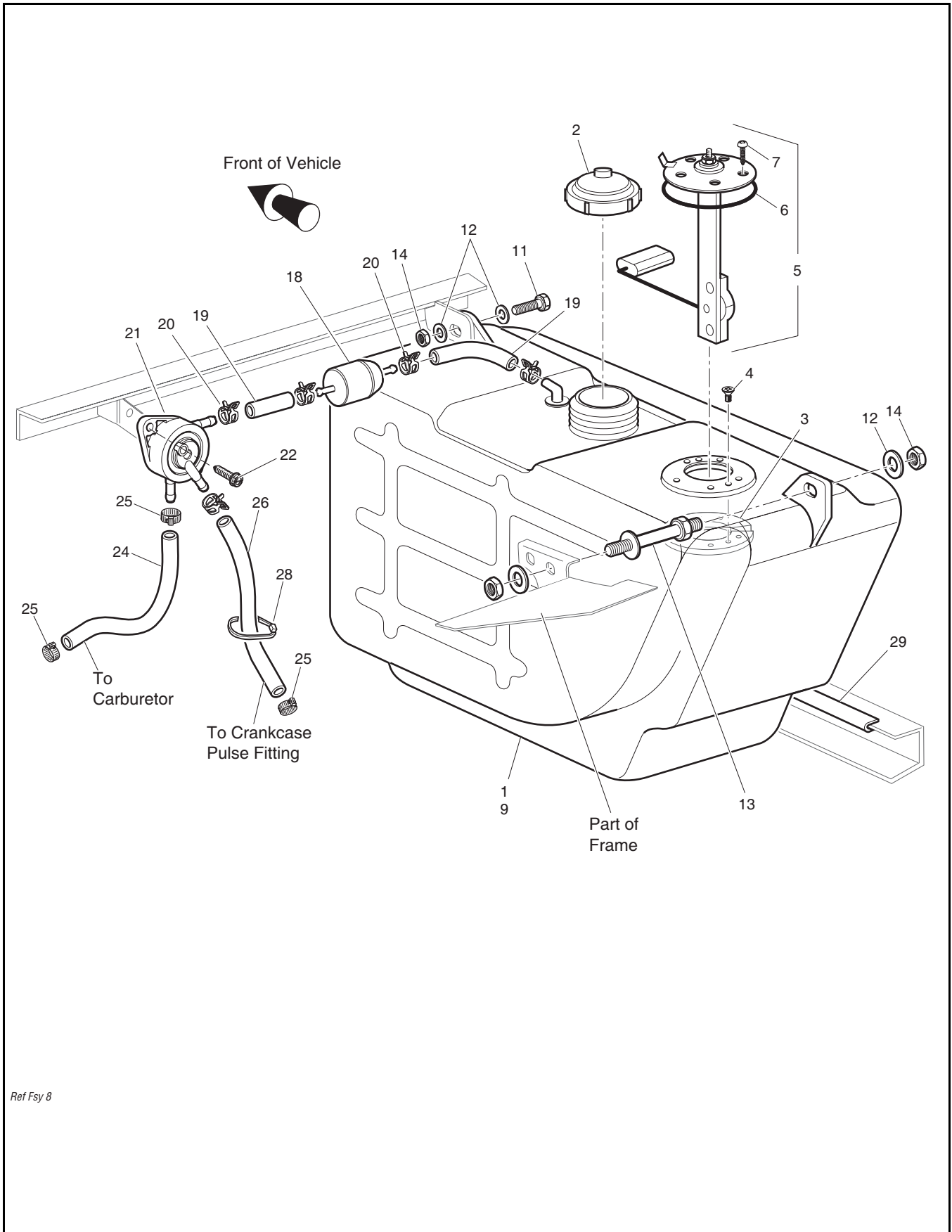
FRONT SUSPENSION/STEERING

Where applicable, THE USE OF NON UL PARTS WILL VOID ANY UL LISTING.
 When ordering parts, please specify the model and serial number of the product.
 * Indicates a component that is not available as an individual part.
 G** Indicates consult Customer Service Department for additional information.

ITEM	PART NO.	1	2	3	4	5	DESCRIPTION	QTY.
118								
119	<u>70876-G02</u>						TIE ROD ASSEMBLY (INCLUDES ITEMS 120 - 124).....	1
120	<u>70897-G02</u>						THREADED ROD (24" LG).....	1
121	<u>70902-G01</u>						TIE ROD END (LEFT HAND THREADS)	1
122	<u>01069-G01</u>						JAM NUT, M12 X 1.25 - 05 (LEFT HAND THREADS).....	1
123	<u>70902-G02</u>						TIE ROD END (RIGHT HAND THREADS).....	1
124	<u>01069-G02</u>						JAM NUT, M12 X 1.25 - 05 (RIGHT HAND THREADS)	1
125	<u>00734-G1</u>						LOCK NUT, 7/16 - 14	2

FRONT SUSPENSION/STEERING

FUEL SYSTEM



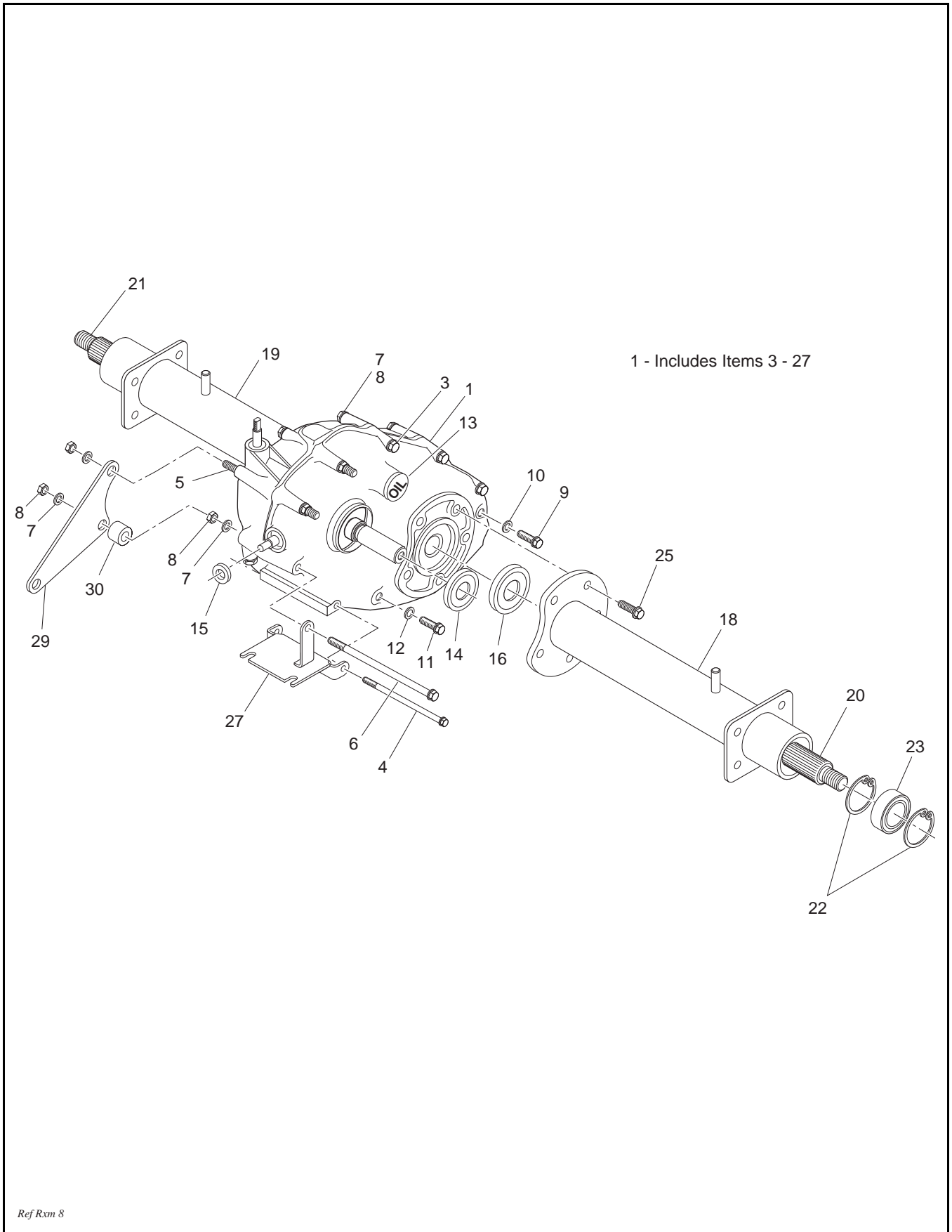
Ref Fsy 8

FUEL SYSTEM

THE USE OF NON U.L. PARTS WILL VOID ANY U.L. LISTING.
 When ordering parts, please specify the model and serial number of the product.
 * Indicates a component that is not available as an individual part.
 G** Indicates consult Customer Service Department for additional information.

ITEM	PART NO.	1 2 3 4 5	DESCRIPTION	QTY.
1	<u>72092-G02</u>		FUEL TANK (FOR ELECTRIC FUEL GAUGE)	1
2	<u>72282-G01</u>		FUEL TANK CAP.....	1
3	<u>72229-G01</u>		FUEL LEVEL SENDER ADAPTER	1
4	<u>72230-G01</u>		SCREW, #6 - 32 X 1/2" LG.....	2
5	<u>20048-G2</u>		FUEL LEVEL SENDER (ELEC. FUEL GAUGE) (INCLUDES ITEMS 6, 7)	1
6	*		GASKET	1
7	<u>72232-G01</u>		SCREW, #10 - 32 x 3/4" LG.....	5
8				
9	<u>72092-G01</u>		FUEL TANK (FOR VEHICLES WITHOUT GAUGE)	1
10				
11	<u>00438-G8</u>		BOLT, 5/16 - 18 X 1" LG	1
12	<u>00559-G8</u>		WASHER, 5/16"	4
13	<u>70483-G01</u>		SPACER.....	1
14	<u>11098-G6</u>		LOCK NUT, 5/16 - 18	3
15				
16				
17				
18	<u>72084-G01</u>		FUEL FILTER	1
19	<u>17470-G1</u>		TUBING, 1/4" ID X 1/2" OD (BULK), 3 1/4" LG	A/R
20	<u>18292-G1</u>		CLAMP	5
21	<u>72873-G01</u>		FUEL PUMP.....	1
22	<u>00114-G6</u>		SCREW, 1/4 - 14 X 3/4" LG.....	2
23				
24	<u>17470-G1</u>		TUBING, 16" LG (BULK)	A/R
25	<u>11391-G4</u>		HOSE CLAMP, 1/4"	3
26	<u>27183-G01</u>		PULSE TUBING, 16" LG (BULK).....	A/R
27				
28	<u>17618-G1</u>		WIRE TIE	3
29	<u>22280-G1</u>		VINYL TRIM, 6 1/4" LG (BULK)	A/R

REAR AXLE



REAR AXLE

THE USE OF NON U.L. PARTS WILL VOID ANY U.L. LISTING.

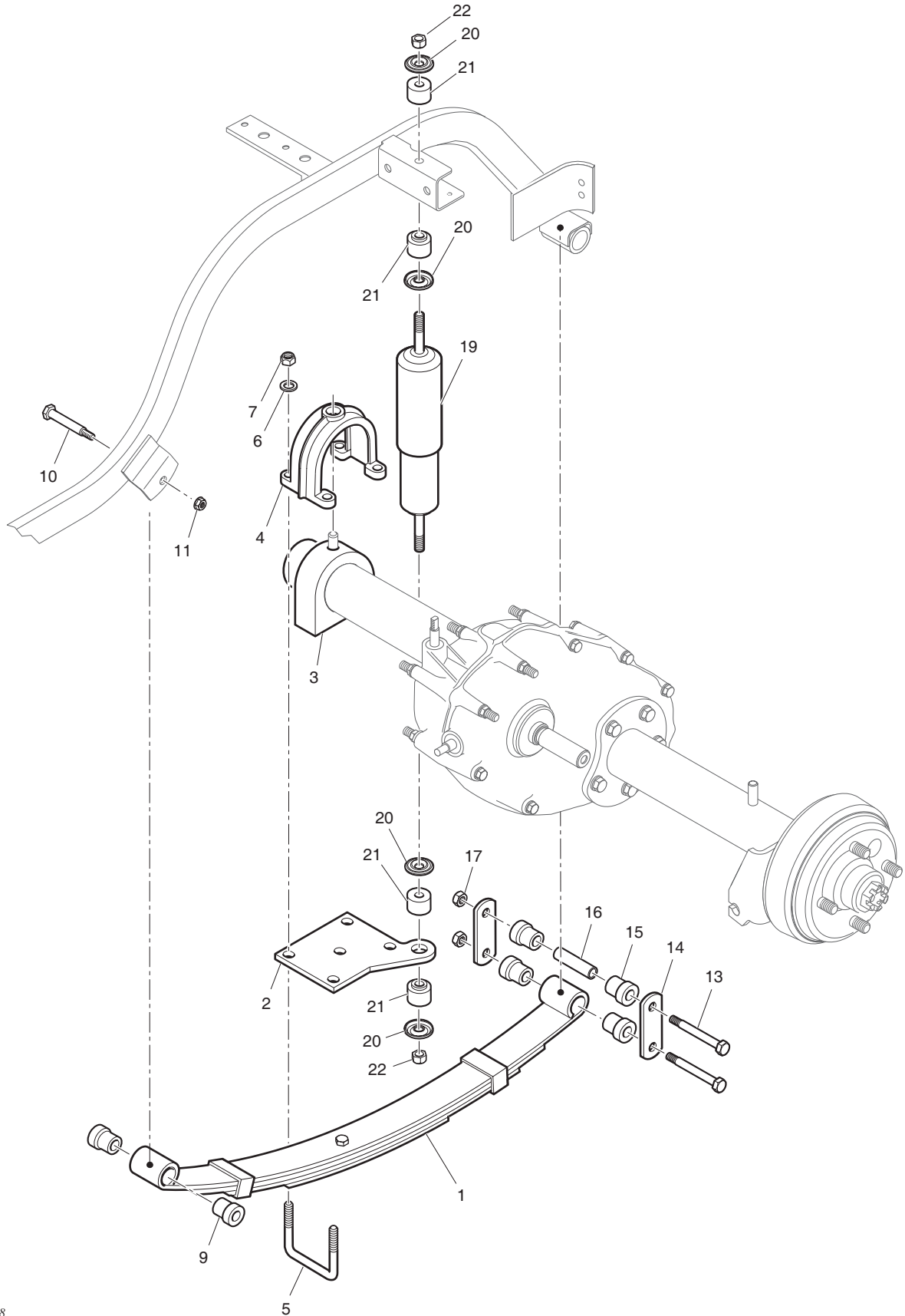
When ordering parts, please specify the model and serial number of the product.

* Indicates a component that is not available as an individual part.

G** Indicates consult Customer Service Department for additional information.

ITEM	PART NO.	1	2	3	4	5	DESCRIPTION	QTY.
1	72031-G01						REAR AXLE (13.32:1) (INCLUDES ITEMS 3 - 27)	1
2								
3	<u>26823-G01</u>						FLANGED BOLT, M8 X 1.25 X 100 MM LG.....	7
4	<u>26824-G01</u>						FLANGED BOLT, M8 X 1.25 X 110 MM LG	1
5	<u>72745-G01</u>						FLANGED BOLT, M8 X 1.25 X 146 MM LG.....	1
6	<u>72052-G01</u>						FLANGED BOLT, M8 X 1.25 X 130 MM LG.....	1
7	<u>26826-G01</u>						LOCK WASHER, M8	14
8	26827-G01						NUT, M8 X 1.25 MM.....	14
9	<u>26768-G01</u>						OIL CHECK PLUG.....	1
10	<u>26769-G01</u>						GASKET, 8 MM.....	1
11	<u>26770-G01</u>						OIL DRAIN PLUG	1
12	<u>26771-G01</u>						GASKET, 14 MM.....	1
13	<u>26772-G01</u>						OIL FILLER PLUG	1
14	<u>26761-G01</u>						INPUT SHAFT SEAL	1
15	<u>26762-G01</u>						SHIFTER SHAFT SEAL.....	1
16	26766-G01						AXLE SHAFT SEAL.....	2
17								
18	72058-G01						AXLE TUBE (DRIVER SIDE).....	1
19	<u>72059-G01</u>						AXLE TUBE (PASSENGER SIDE)	1
20	<u>72056-G01</u>						AXLE SHAFT (DRIVER SIDE).....	1
21	72057-G01						AXLE SHAFT (PASSENGER SIDE)	1
22	26814-G01						RETAINING RING.....	4
23	<u>26811-G01</u>						BALL BEARING	2
24								
25	<u>72260-G01</u>						FLANGED BOLT, M10 X 1.5 X 23 MM LG.....	10
26								
27	<u>26815-G01</u>						SHIFTER CABLE BRACKET.....	1
28								
29	72017-G01						AXLE BRACKET	1
30	<u>75048-G01</u>						SPACER, 1/2".....	1

REAR SUSPENSION



Ref Rsm 8

REAR SUSPENSION

THE USE OF NON U.L. PARTS WILL VOID ANY U.L. LISTING.

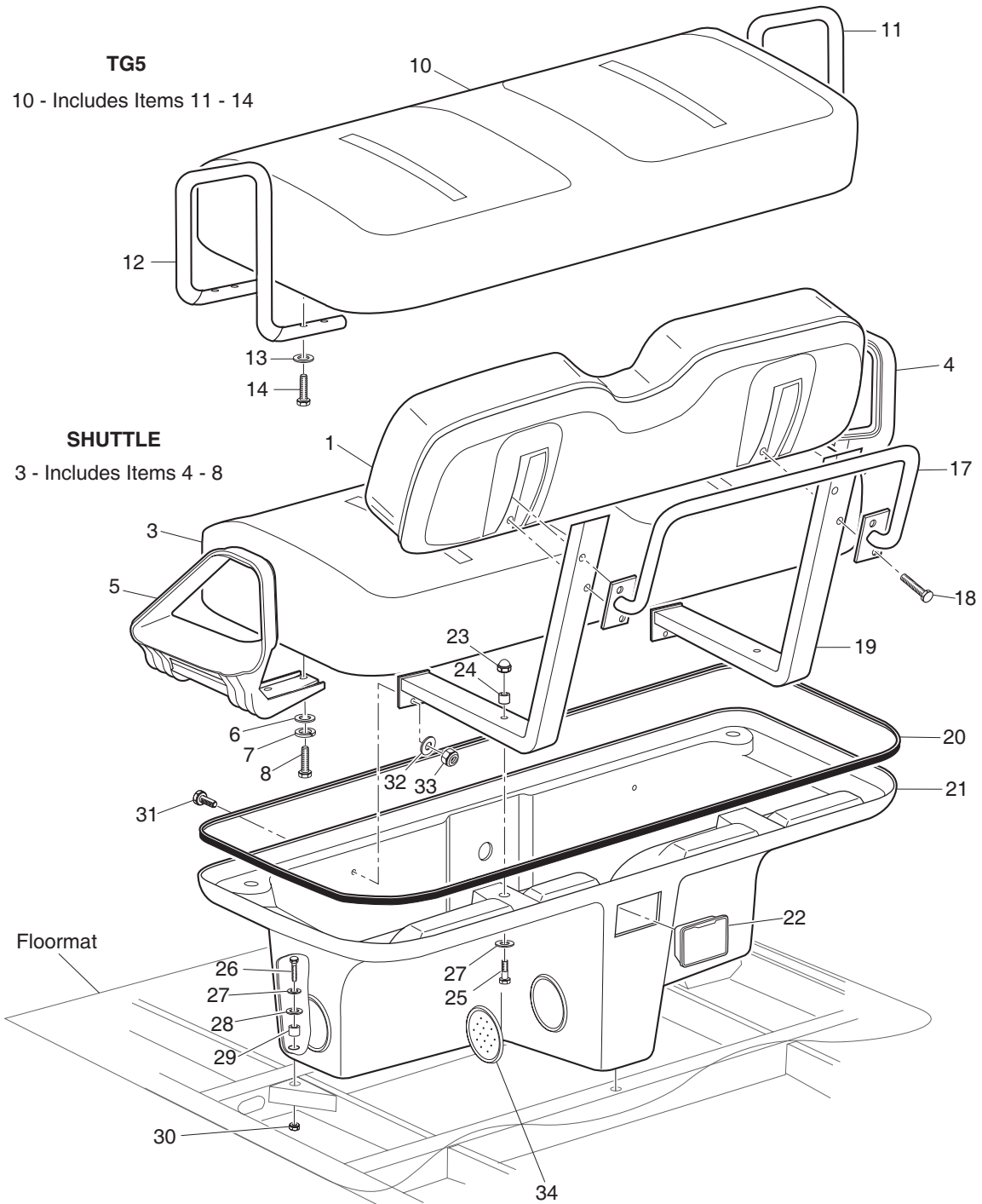
When ordering parts, please specify the model and serial number of the product.

* Indicates a component that is not available as an individual part.

G** Indicates Customer Service Department for additional information.

ITEM	PART NO.	1 2 3 4 5	DESCRIPTION	QTY.
1	<u>74207-G01</u>		HEAVY DUTY LEAF SPRING	1
2	<u>72028-G01</u>		ISOMOUNT BASE PLATE	2
3	<u>72117-G01</u>		ISOMOUNT BUSHING.....	2
4	<u>72037-G01</u>		ISOMOUNT CAP.....	2
5	<u>72618-G01</u>		'U' BOLT, 3/8 - 16 X 2" X 2 1/2" LG	4
6	<u>00560-G1</u>		WASHER, 3/8"	8
7	<u>11098-G5</u>		LOCK NUT, 3/8 - 16	8
8				
9	<u>70291-G01</u>		FLANGED BUSHING	4
10	<u>14158-G1</u>		SHOULDER BOLT, 3/8 - 16 x 3 1/4" LG.....	2
11	<u>12262-G1</u>		LOCK NUT, 3/8 - 16	2
12				
13	<u>00665-G9</u>		BOLT, 3/8 - 16 X 3 1/2" LG (STAINLESS STEEL).....	4
14	<u>70290-G01</u>		SHACKLE PLATE	4
15	<u>70291-G01</u>		FLANGED BUSHING	8
16	<u>70289-G02</u>		SPACER	4
17	<u>11098-G5</u>		LOCK NUT, 3/8 - 16	4
18				
19	<u>70324-G01</u>		SHOCK ABSORBER.....	2
20	<u>10435-G1</u>		SHOCK ABSORBER WASHER	8
21	<u>10194-G1</u>		RUBBER BUSHING	8
22	<u>00532-G6</u>		NUT, 3/8 - 24	4

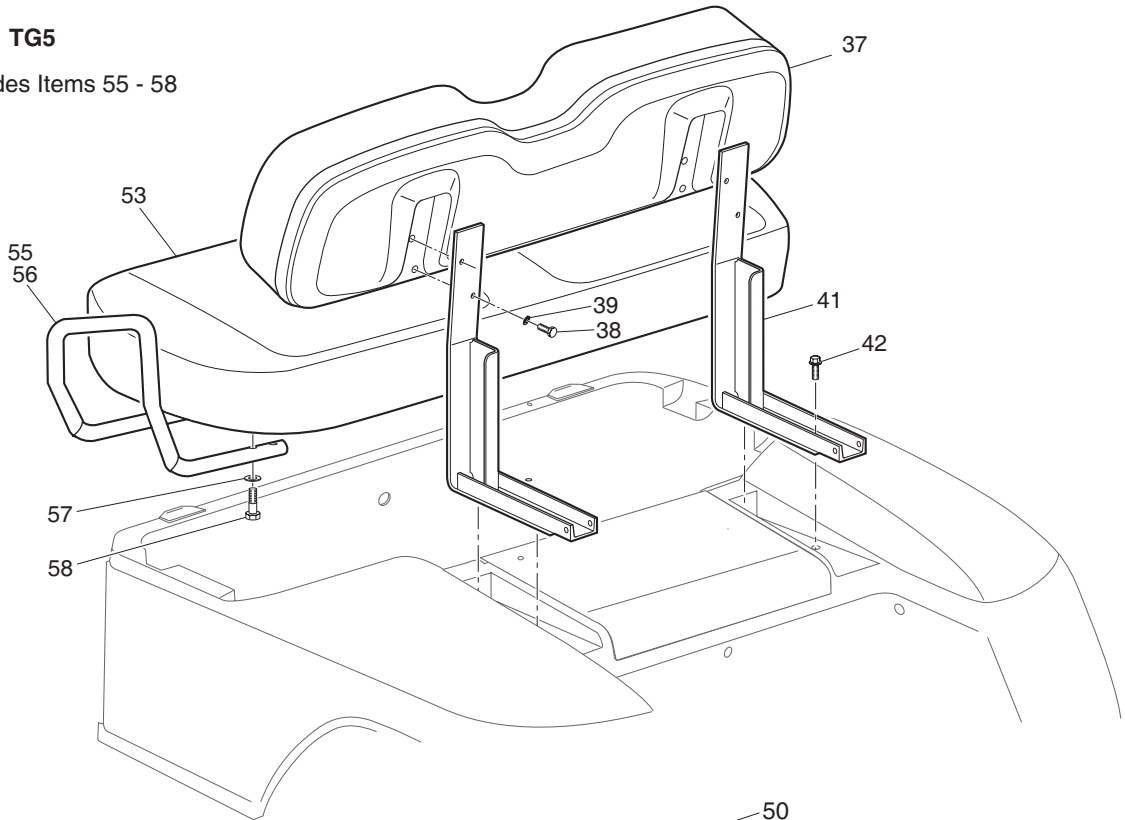
SEATING



Ref Sea 8-1

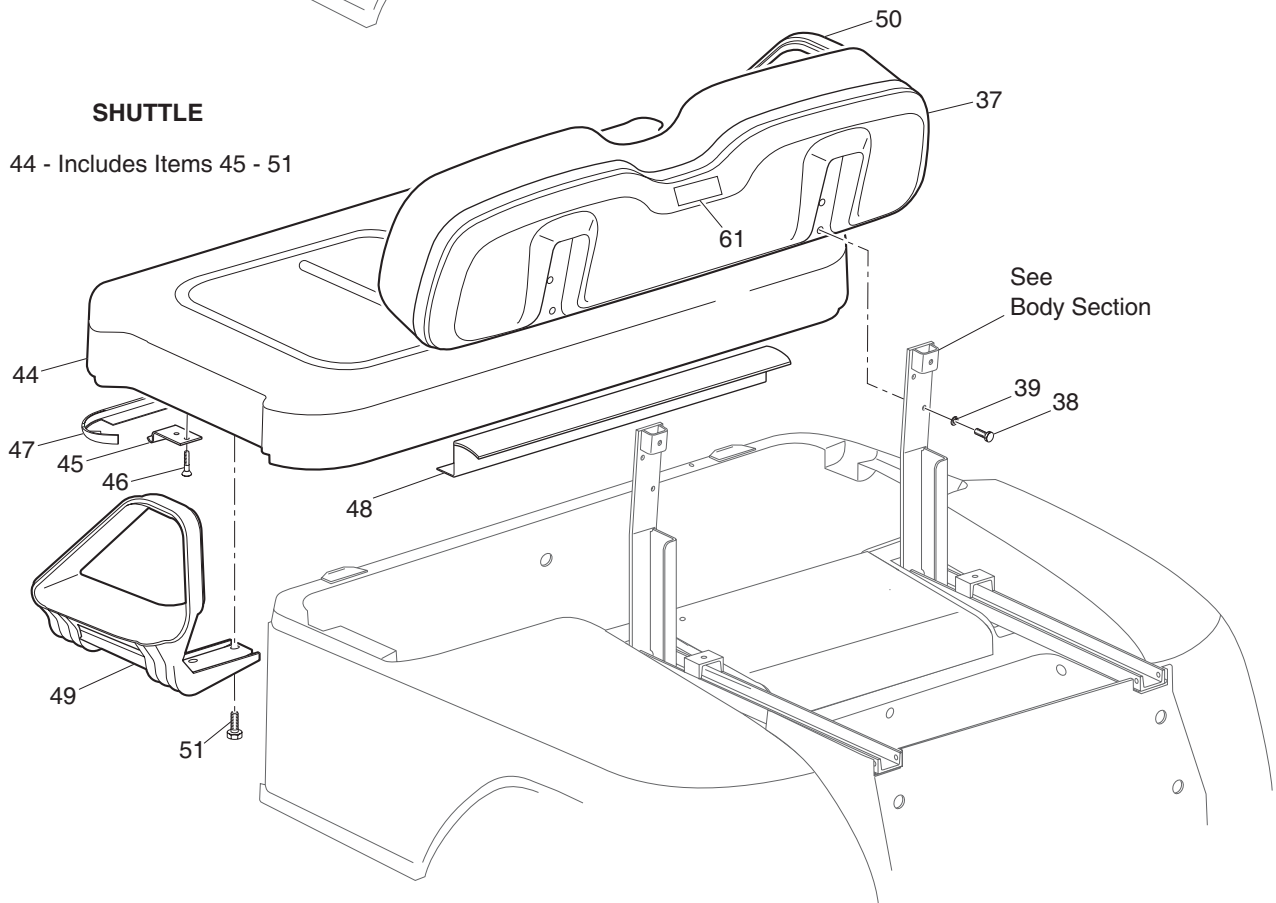
TG5

54 - Includes Items 55 - 58



SHUTTLE

44 - Includes Items 45 - 51



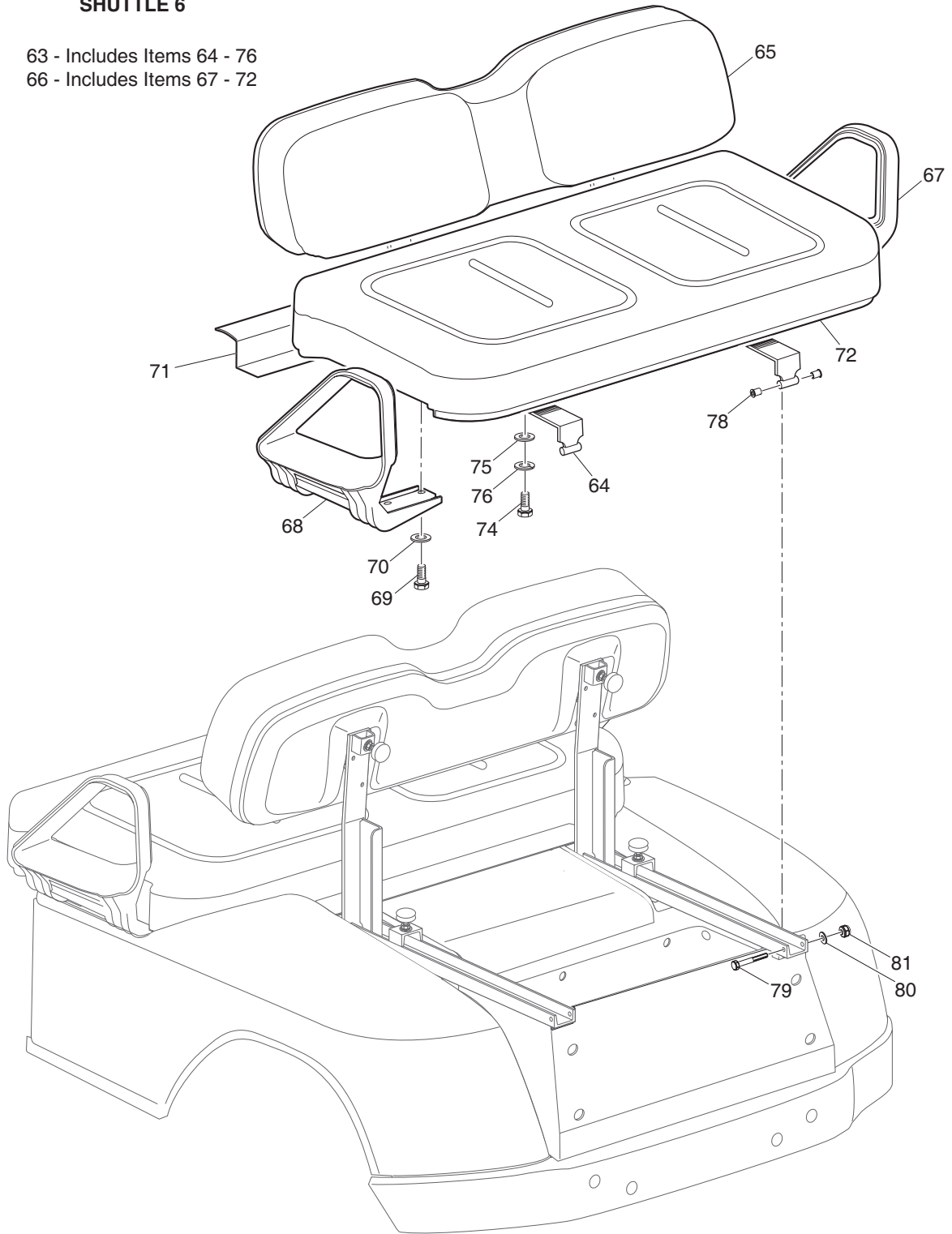
Ref Sea 8-2

SEATING

SHUTTLE 6

63 - Includes Items 64 - 76

66 - Includes Items 67 - 72



Ref Sea 8-3

SEATING

THE USE OF NON U.L. PARTS WILL VOID ANY U.L. LISTING.

When ordering parts, please specify the model and serial number of the product.

* Indicates a component that is not available as an individual part.

G** Indicates consult Customer Service Department for additional information.

ITEM	PART NO.	1 2 3 4 5	DESCRIPTION	QTY.
1	71751-G**		SEAT BACK ASSEMBLY	1
2				
3	71888-G**		SEAT BOTTOM (INCLUDES ITEMS 4 - 8) (SHUTTLE 4 & 6)	1
4	<u>71701-G01</u>		HIP RESTRAINT (PASSENGER SIDE).....	1
5	<u>71702-G01</u>		HIP RESTRAINT (DRIVER SIDE)	1
6	<u>01110-G01</u>		WASHER, 1/4" (STAINLESS STEEL).....	8
7	<u>00664-G7</u>		LOCKWASHER, 1/4" (STAINLESS STEEL).....	8
8	<u>00415-G2</u>		BOLT, 1/4 - 20 X 1 1/4" LG.....	8
9				
10	71875-G**		SEAT BOTTOM (INCLUDES ITEMS 11 - 14) (TG5)	1
11	<u>71877-G01</u>		HIP RESTRAINT (PASSENGER SIDE).....	1
12	<u>71877-G02</u>		HIP RESTRAINT (DRIVER SIDE)	1
13	<u>01110-G01</u>		WASHER, 1/4" (STAINLESS STEEL).....	8
14	<u>00415-G2</u>		BOLT, 1/4 - 20 X 1 1/4" LG.....	8
15				
16				
17	<u>71632-G01</u>		REAR HAND HOLD BAR	1
18	<u>71204-G02</u>		BOLT, 1/4 - 20 X 2" LG	4
19	<u>71868-G01</u>		SEAT BACK BRACKET	2
20	<u>32805-G6</u>		TRIM, BLACK.....	1
21	70836-G0**		SEAT POD	1
22	27731-G01		ASHTRAY	1
23	<u>15717-G5</u>		ACORN NUT, 3/8 - 16	2
24	<u>23726-G4</u>		SPACER, 5/16".....	2
25	<u>00427-G8</u>		BOLT, 3/8 - 16 X 2" LG	2
26	00439-G8		BOLT, 5/16 - 18 X 2" LG	3
27	<u>00675-G1</u>		WASHER, 3/8" (STAINLESS STEEL)	5
28	<u>71883-G01</u>		RUBBER WASHER, 5/8"	3
29	<u>23726-G9</u>		SPACER, 3/4"	3
30	11098-G6		LOCK NUT, 5/16 - 18 (STAINLESS STEEL).....	3

SEATING

THE USE OF NON U.L. PARTS WILL VOID ANY U.L. LISTING.

When ordering parts, please specify the model and serial number of the product.

* Indicates a component that is not available as an individual part.

G** Indicates consult Customer Service Department for additional information.

ITEM	PART NO.	1 2 3 4 5	DESCRIPTION	QTY.
31	<u>00976-G06</u>		SCREW, 5/16 - 18 X 3/4" LG (STAINLESS STEEL)	2
32	<u>01110-G01</u>		WASHER, 1/4" (STAINLESS STEEL)	2
33	11098-G6		LOCK NUT, 1/4 - 20 (STAINLESS STEEL)	2
34	<u>71599-G01</u>		VENT PLUG	4
35				
36				
37	71751-G**		SEAT BACK	1
38	<u>00661-G8</u>		BOLT, 1/4 - 20 X 1" LG (STAINLESS STEEL).....	4
39	<u>00664-G7</u>		LOCK WASHER, 1/4" (STAINLESS STEEL)	4
40				
41	<u>74137-G01</u>		SEAT BACK SUPPORT (TG5).....	2
42	<u>01006-G02</u>		BOLT, 3/8 - 16 X 1 1/4" LG (TG5).....	4
43				
44	71611-G**		SEAT BOTTOM (INCLUDES ITEMS 45 - 51) (SHUTTLE 4 & 6)	1
45	<u>71610-G01</u>		SEAT HINGE	2
46	<u>00720-G08</u>		SCREW, #12 - 14 X 1" LG (STAINLESS STEEL).....	6
47	<u>71012-G01</u>		FRONT EDGE TRIM.....	1
48	<u>71608-G01</u>		BACK EDGE TRIM	1
49	<u>71702-G01</u>		HIP RESTRAINT (DRIVER SIDE)	1
50	<u>71701-G01</u>		HIP RESTRAINT (PASSENGER SIDE).....	1
51	71204-G01		BOLT, 1/4 - 20 X 7/8" LG	8
52				
53	71651-G**		SEAT BOTTOM (TG5).....	1
54	<u>71646-G01</u>		HAND HOLD KIT (INCLUDES ITEMS 55 - 58)	1
55	<u>71876-G01</u>		HIP RESTRAINT, REAR SEAT (DRIVER SIDE)	1
56	<u>71876-G02</u>		HIP RESTRAINT, REAR SEAT (PASSENGER SIDE).....	1
57	<u>01110-G01</u>		WASHER, 1/4" (STAINLESS STEEL).....	8
58	<u>00415-G2</u>		BOLT, 1/4 - 20 X 1 1/4" LG	8
59				
60				

SEATING

THE USE OF NON U.L. PARTS WILL VOID ANY U.L. LISTING.

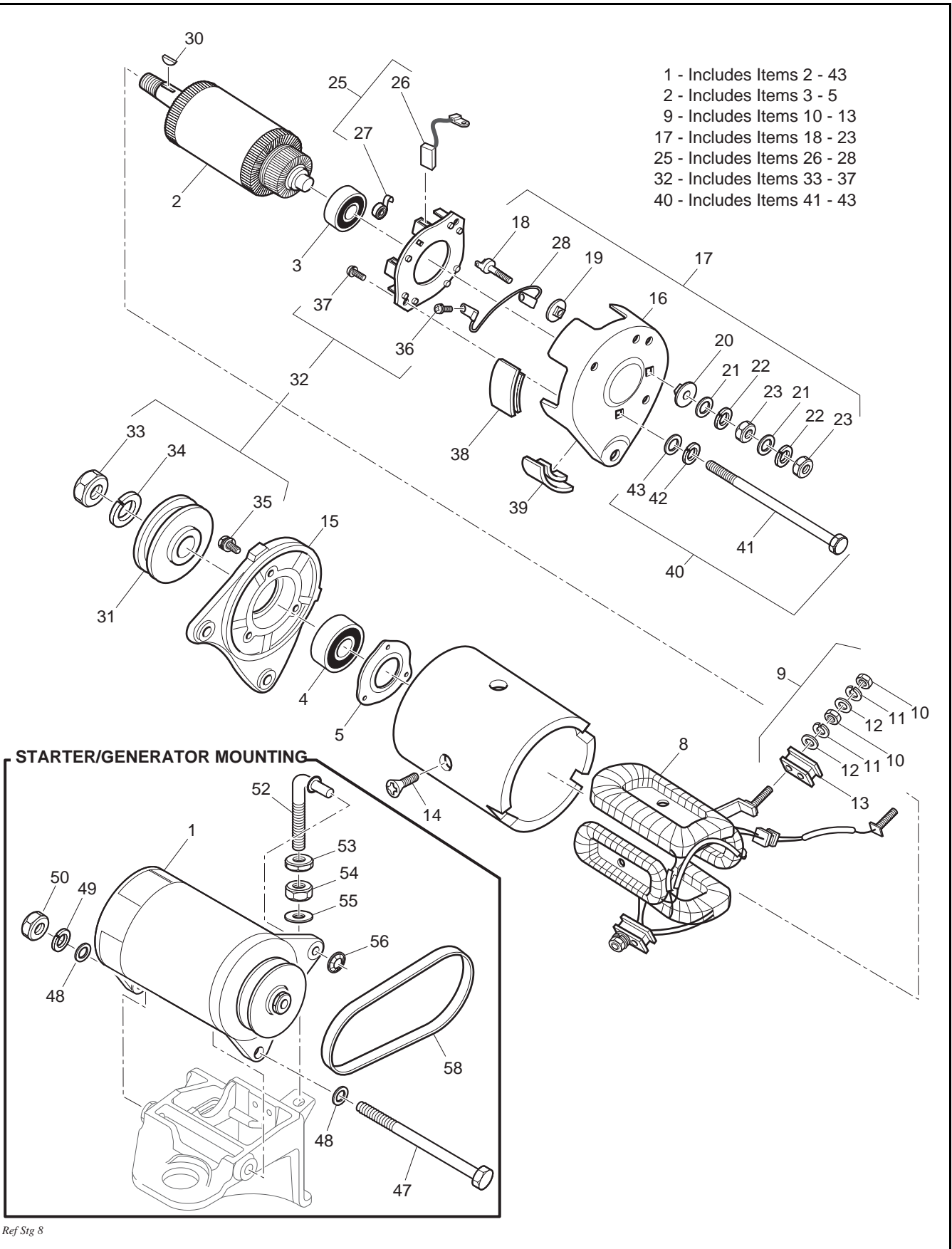
When ordering parts, please specify the model and serial number of the product.

* Indicates a component that is not available as an individual part.

G** Indicates consult Customer Service Department for additional information.

ITEM	PART NO.	1 2 3 4 5	DESCRIPTION	QTY.
61	<u>74095-G01</u>		LABEL (WARNING) (SHUTTLE 4).....	1
62				
63	74131-G**		SEAT ASSEMBLY (INCLUDES ITEMS 64 - 76) (SHUTTLE 6).....	1
64	<u>72918-G01</u>		SEAT SUPPORT BRACKET	2
65	71751-G**		SEAT BACK.....	1
66	74139-G**		SEAT BOTTOM (INCLUDES ITEMS 67 - 72).....	1
67	<u>71701-G01</u>		HIP RESTRAINT (PASSENGER SIDE)	1
68	<u>71702-G01</u>		HIP RESTRAINT (DRIVER SIDE).....	1
69	<u>00661-G8</u>		BOLT, 1/4 - 20 X 1" LG (STAINLESS STEEL).....	8
70	<u>01110-G01</u>		WASHER, 1/4" (STAINLESS STEEL)	8
71	<u>71012-G01</u>		SEAT TRIM (REAR)	1
72	<u>74140-G01</u>		SEAT TRIM (FRONT).....	1
73				
74	<u>00661-G8</u>		BOLT, 1/4 - 20 X 1" LG (STAINLESS STEEL)	12
75	<u>01110-G01</u>		WASHER, 1/4" (STAINLESS STEEL).....	12
76	<u>00565-G2</u>		LOCK WASHER, 1/4"	12
77				
78	<u>17838-G1</u>		NYLON BUSHING.....	4
79	<u>00440-G4</u>		BOLT, 5/16 - 18 X 2 1/2" LG	2
80	00559-G8		WASHER, 5/16"	2
81	11098-G6		LOCK NUT, 5/16 - 18 (STAINLESS STEEL)	2

STARTER / GENERATOR



STARTER / GENERATOR

THE USE OF NON U.L. PARTS WILL VOID ANY U.L. LISTING.
 When ordering parts, please specify the model and serial number of the product.
 * Indicates a component that is not available as an individual part.
 G** Indicates consult Customer Service Department for additional information.

ITEM	PART NO.	1 2 3 4 5	DESCRIPTION	QTY.
1	<u>27065-G01</u>		STARTER / GENERATOR (INCLUDES ITEMS 2 - 43).....	1
2	<u>26870-G01</u>		ARMATURE (INCLUDES ITEMS 3 - 5)	1
3	<u>26871-G01</u>		REAR BALL BEARING	1
4	<u>26872-G01</u>		FRONT BALL BEARING	1
5	<u>26873-G01</u>		BEARING HOLDER	1
6				
7				
8	<u>26875-G01</u>		FIELD COIL	1
9	<u>26876-G01</u>		INSULATING BRUSH ASSEMBLY ('F') (INCLUDES ITEMS 10 - 13).....	2
10	*		NUT	2
11	*		LOCK WASHER	2
12	*		WASHER	2
13	*		INSULATOR	1
14	<u>26877-G01</u>		POLE CORE SETSCREW.....	4
15	<u>26878-G01</u>		FRONT COVER.....	1
16	<u>27879-G01</u>		REAR COVER	1
17	<u>26880-G01</u>		TERMINAL ASSEMBLY ('A') (INCLUDES ITEMS 18 - 23).....	2
18	*		TERMINAL	2
19	*		INSULATOR	2
20	*		INSULATOR	2
21	*		WASHER.....	4
22	*		LOCK WASHER	4
23	*		NUT	4
24				
25	<u>26881-G01</u>		BRUSH HOLDER ASSEMBLY (INCLUDES ITEMS 26 - 28)	1
26	<u>26658-G01</u>		BRUSH.....	4
27	<u>26882-G01</u>		BRUSH SPRING	4
28	<u>26883-G01</u>		BRUSH CONNECTOR.....	2
29				
30	<u>26884-G01</u>		KEY.....	1

STARTER / GENERATOR

THE USE OF NON U.L. PARTS WILL VOID ANY U.L. LISTING.

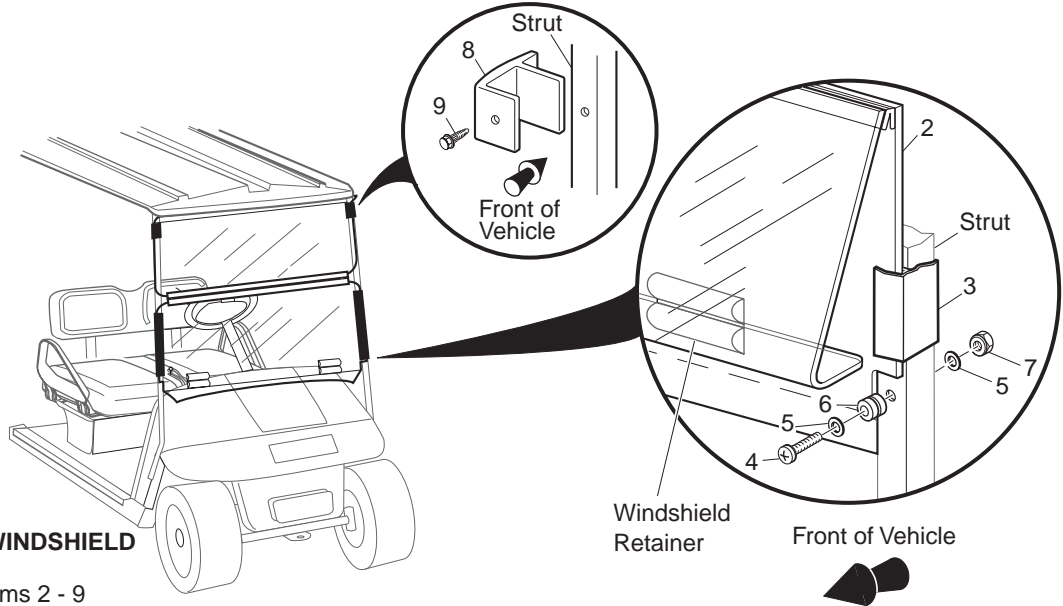
When ordering parts, please specify the model and serial number of the product.

* Indicates a component that is not available as an individual part.

G** Indicates consult Customer Service Department for additional information.

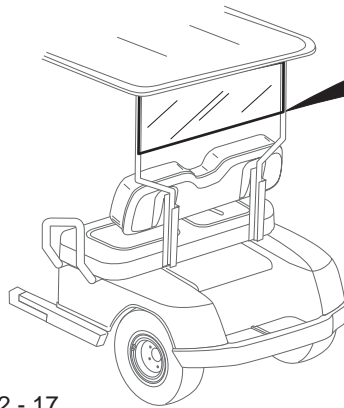
ITEM	PART NO.	1	2	3	4	5	DESCRIPTION	QTY.
31	<u>26885-G01</u>						PULLEY	1
32	<u>26886-G01</u>						NUT AND SCREW ASSEMBLY (INCLUDES ITEMS 33 - 37).....	1
33	*						NUT	1
34	*						LOCK WASHER	1
35	*						SCREW	3
36	*						SCREW	4
37	*						SCREW	2
38	<u>26887-G01</u>						BRUSH 1 COVER.....	3
39	<u>26888-G01</u>						BRUSH 2 COVER.....	1
40	<u>26889-G01</u>						BOLT AND WASHER ASSEMBLY (INCLUDES ITEMS 41 - 43).....	2
41	*						BOLT	2
42	*						LOCK WASHER	2
43	*						WASHER.....	2
44								
45								
46								
47	<u>00938-G4</u>						BOLT, 1/2 - 13 X 8" LG	1
48	<u>00560-G3</u>						WASHER, 1/2"	2
49	<u>00566-G3</u>						LOCK WASHER, 1/2"	1
50	<u>00533-G1</u>						NUT, 1/2 - 13	1
51								
52	<u>28617-G01</u>						STARTER / GENERATOR ADJUSTER.....	1
53	<u>00544-G5</u>						JAM NUT, 3/8 - 16	1
54	<u>00532-G5</u>						NUT, 3/8 - 16	1
55	<u>00560-G1</u>						WASHER, 3/8"	1
56	<u>12064-G4</u>						PUSH NUT, 5/16"	1
57								
58	<u>26414-G01</u>						STARTER / GENERATOR BELT	1

WEATHER PROTECTION



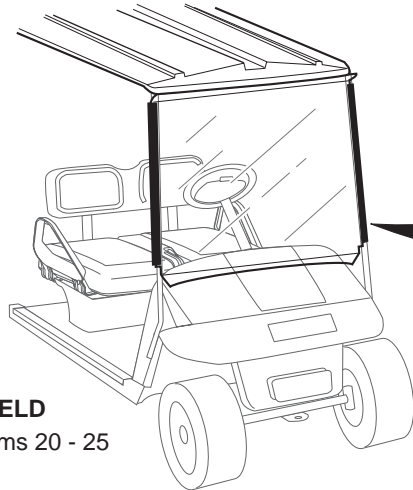
FOLD DOWN WINDSHIELD

1 - Includes Items 2 - 9



REAR WINDSHIELD

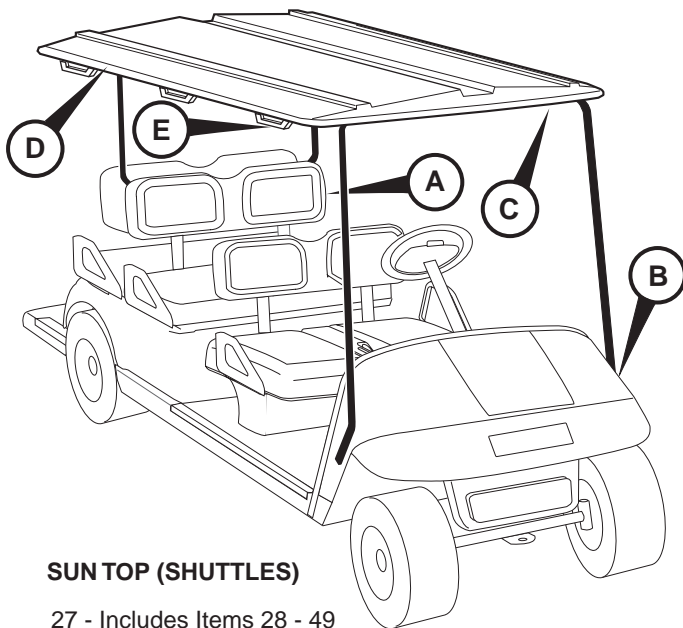
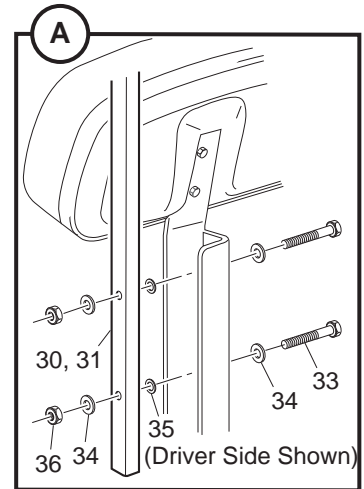
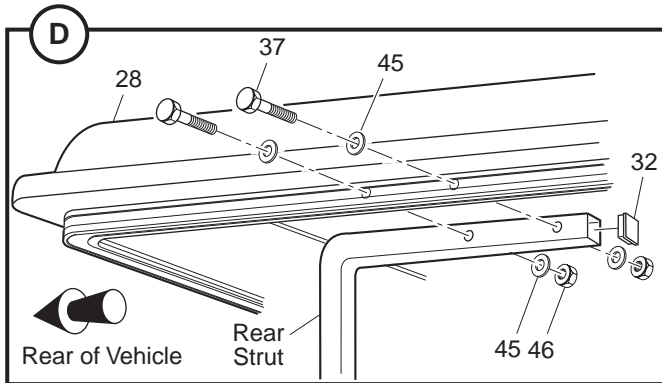
11 - Includes Items 12 - 17



FULL WINDSHIELD

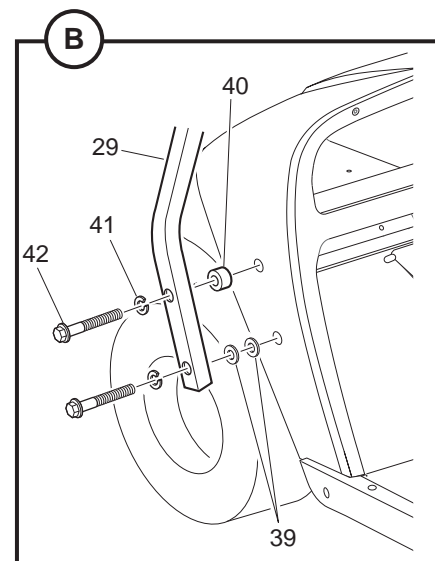
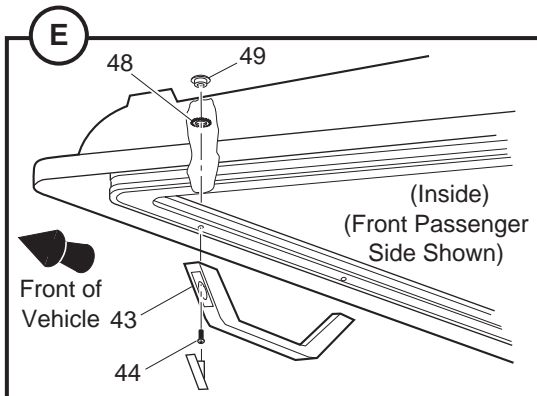
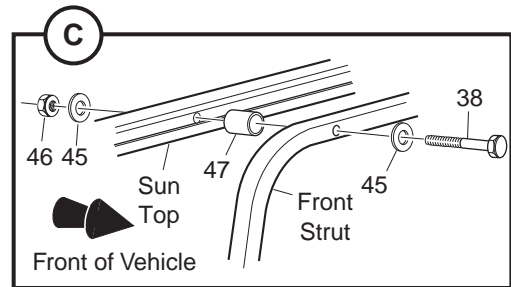
19 - Includes Items 20 - 25

Ref Wea 7-1



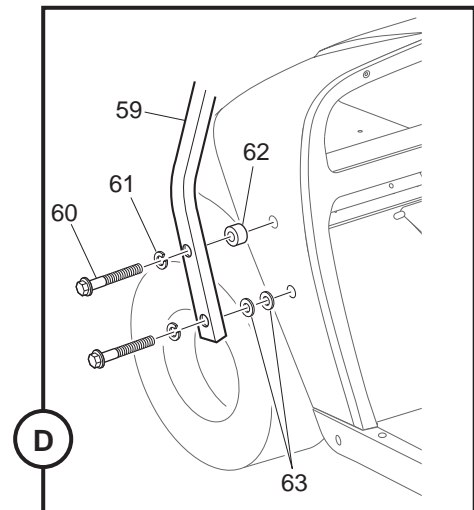
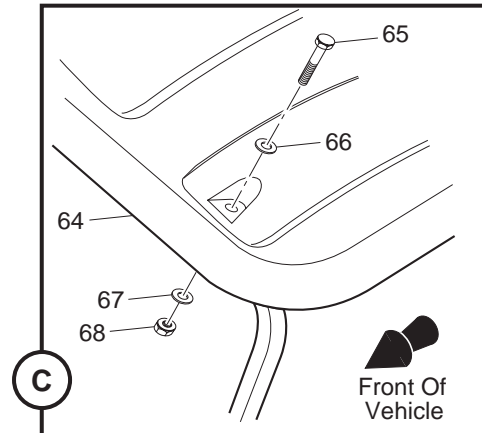
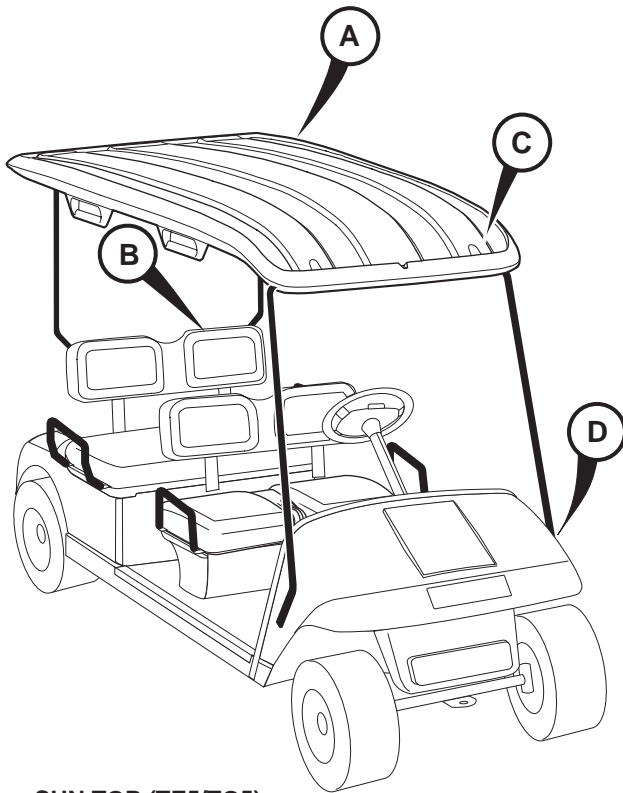
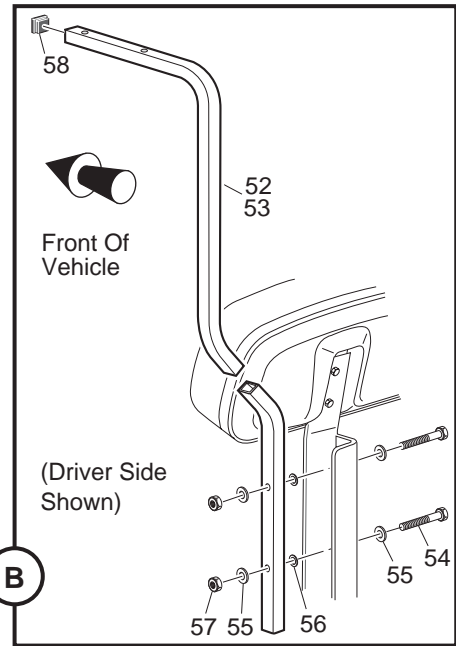
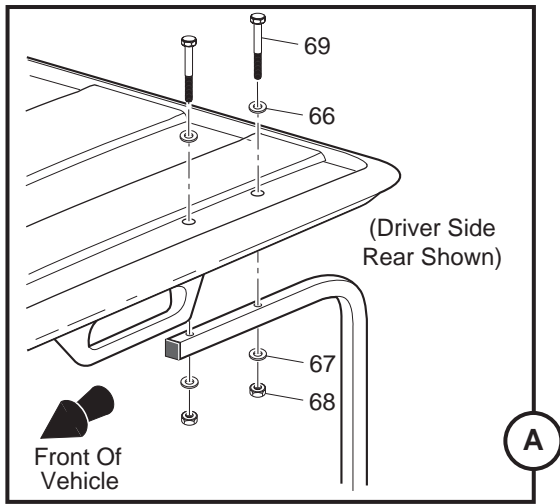
SUN TOP (SHUTTLES)

27 - Includes Items 28 - 49



Ref Wea 7-2

WEATHER PROTECTION



SUN TOP (TE5/TG5)

51 - Includes Items 52 - 69

WEATHER PROTECTION

THE USE OF NON U.L. PARTS WILL VOID ANY U.L. LISTING.

When ordering parts, please specify the model and serial number of the product.

* Indicates a component that is not available as an individual part.

G** Indicates consult Customer Service Department for additional information.

ITEM	PART NO.	1	2	3	4	5	DESCRIPTION	QTY.
1	<u>75534-G01</u>	WINDSHIELD KIT, FOLD DOWN (INCLUDES ITEMS 2 - 9).....					1	
2	E950WSB3	FOLD DOWN WINDSHIELD					1	
3	EGWHC24	SASH, 3/4" X 14" LG					2	
4	EGWHS12	SCREW, 1/4 - 20 X 1 3/4" LG (STAINLESS STEEL).....					2	
5	EGWHW12	WASHER, 1/4" (STAINLESS STEEL).....					4	
6	EGWHG13	RUBBER GROMMET					2	
7	EGWHN12	LOCK NUT, 1/4 - 20 (STAINLESS STEEL).....					2	
8	137-010	TOP GRIP					2	
9	136-008	FASTENER					2	
10								
11	<u>75535-G01</u>	WINDSHIELD KIT, REAR (INCLUDES ITEMS 12 - 17).....					1	
12	EIRWFB3	REAR WINDSHIELD					1	
13	EGWHC14	SASH, 1" X 15 9/16" LG					2	
14	EGWHS14	SCREW, 1/4 - 20 X 2" LG (STAINLESS STEEL).....					2	
15	EGWHW13	WASHER, 1/4" (STAINLESS STEEL).....					6	
16	EGWHG13	RUBBER GROMMET					2	
17	EGWHN13	LOCK NUT, 1/4 - 20 (STAINLESS STEEL).....					2	
18								
19	<u>75536-G01</u>	WINDSHIELD KIT, FULL (INCLUDES ITEMS 20 - 25).....					1	
20	EISWFB3	FULL, WINDSHIELD.....					1	
21	EGWHC13	SASH, 3/4" X 22 7/16" LG					2	
22	EGWHS13	SCREW, 1/4 - 20 X 1 3/4" LG (STAINLESS STEEL).....					2	
23	EGWHW13	WASHER, 1/4" (STAINLESS STEEL).....					4	
24	EGWHG13	RUBBER GROMMET					2	
25	EGWHN13	LOCK NUT, 1/4 - 20 (STAINLESS STEEL).....					2	
26								
27	75282-G0*	SUN TOP KIT (SHUTTLE) (INCLUDES ITEMS 28 - 49)					1	
28	75271-G0*	SUN TOP					1	
29	<u>75045-G03</u>	FRONT STRUT.....					1	
30	<u>75274-G01</u>	REAR STRUT (DRIVER SIDE).....					1	

WEATHER PROTECTION

THE USE OF NON U.L. PARTS WILL VOID ANY U.L. LISTING.

When ordering parts, please specify the model and serial number of the product.

* Indicates a component that is not available as an individual part.

G** Indicates consult Customer Service Department for additional information.

ITEM	PART NO.	1	2	3	4	5	DESCRIPTION	QTY.
31	<u>75274-G02</u>						REAR STRUT (PASSENGER SIDE)	1
32	<u>19853-G1</u>						END CAP, 1"	2
33	<u>00665-G5</u>						BOLT, 3/8 - 16 X 1 3/4" LG (STAINLESS STEEL)	4
34	<u>00679-G1</u>						WASHER, 3/8" (STAINLESS STEEL).....	8
35	<u>00771-G5</u>						NYLON WASHER, 3/8".....	4
36	<u>00891-G5</u>						LOCK NUT, 3/8 - 16.....	4
37	<u>00440-G4</u>						BOLT, 5/16 - 18 X 2 1/2" LG.....	4
38	<u>00441-G2</u>						BOLT, 5/16 - 18 X 3 1/4" LG.....	2
39	<u>00879-G1</u>						WASHER, 3/8"	4
40	<u>75048-G01</u>						SPACER, 1/2"	2
41	<u>00905-G8</u>						LOCK WASHER, 5/16"	4
42	01035-G01						BOLT, 5/16 - 18 X 2 1/4" LG.....	4
43	<u>75240-G01</u>						HANDLE	5
44	00163-G2						SCREW, 1/4 - 20 X 1 1/4" LG	10
45	<u>00642-G8</u>						WASHER, 5/16"	12
46	11098-G6						LOCK NUT, 5/16 - 18 (STAINLESS STEEL).....	6
47	<u>18716-G2</u>						SPACER, 1"	2
48	<u>00567-G8</u>						LOCK WASHER, 5/16"	10
49	<u>01010-G01</u>						TEE NUT, 1/4 - 20.....	10
50								
51	<u>75485-G01</u>						SUN TOP KIT (TE5/TG5) (INCLUDES ITEMS 52 - 69)	1
52	<u>75487-G02</u>						REAR SUPPORT (DRIVER SIDE)	2
53	<u>75487-G01</u>						REAR SUPPORT (PASSENGER SIDE).....	2
54	<u>00665-G5</u>						BOLT, 3/8 - 16 X 1 3/4" LG (STAINLESS STEEL)	4
55	<u>00679-G1</u>						WASHER, 3/8" (STAINLESS STEEL).....	8
56	<u>00771-G5</u>						NYLON WASHER, 3/8".....	4
57	<u>00891-G5</u>						LOCK NUT, 3/8 - 16.....	4
58	<u>19853-G1</u>						END CAP, 1"	2
59	<u>75488-G01</u>						FRONT SUPPORT	2
60	01035-G01						BOLT, 5/16 - 18 X 2 1/4" LG.....	4

WEATHER PROTECTION

THE USE OF NON U.L. PARTS WILL VOID ANY U.L. LISTING.

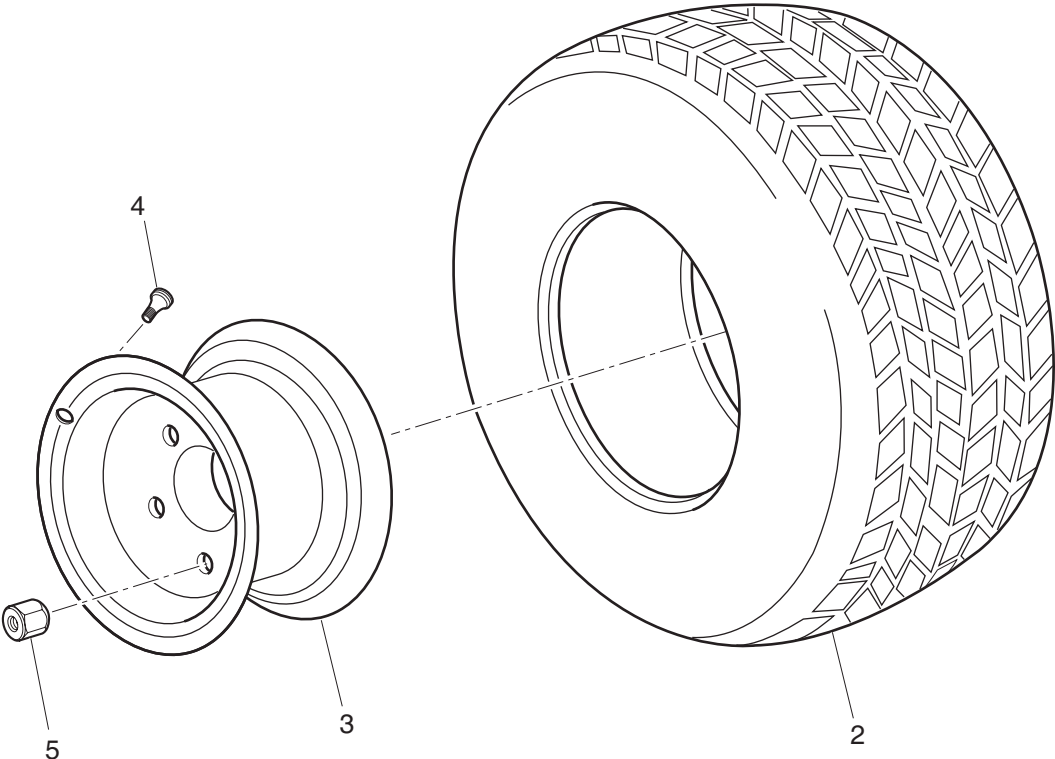
When ordering parts, please specify the model and serial number of the product.

* Indicates a component that is not available as an individual part.

G** Indicates consult Customer Service Department for additional information.

ITEM	PART NO.	1	2	3	4	5	DESCRIPTION	QTY.
61	<u>00905-G8</u>						LOCK WASHER, 5/16"	4
62	<u>75048-G01</u>						SPACER, 1/2"	2
63	<u>00879-G1</u>						LOCK WASHER, 3/8"	4
64	<u>74374-G01</u>						SUN TOP	1
65	<u>00685-G10</u>						BOLT, 5/16 - 18 X 2 3/4" LG (STAINLESS STEEL)	2
66	<u>00907-G2</u>						WASHER, 5/16" (STAINLESS STEEL).....	6
67	<u>00660-G8</u>						WASHER, 5/16" (STAINLESS STEEL).....	6
68	11098-G6						LOCK NUT, 5/16 - 18 (STAINLESS STEEL).....	6
69	<u>00685-G11</u>						BOLT, 5/16 - 18 X 3 1/4" LG (STAINLESS STEEL)	4

1 - Includes Items 2, 3, 4



(Style of tire may differ from tire shown)

WHEELS AND TIRES

Where applicable, THE USE OF NON UL PARTS WILL VOID ANY UL LISTING.
 When ordering parts, please specify the model and serial number of the product.
 * Indicates a component that is not available as an individual part.
 G** Indicates consult Customer Service Department for additional information.

ITEM	PART NO.	1	2	3	4	5	DESCRIPTION	QTY.
1	<u>28757-G01</u>						TIRE AND WHEEL ASSEMBLY (INCLUDES ITEMS 2, 3, 4).....	AR
2	<u>28764-G01</u>						TIRE, 18 X 8.50 - 8 LINKS®	1
3	<u>28759-G01</u>						WHEEL RIM.....	1
4	<u>11657-G2</u>						VALVE STEM.....	1
5	<u>14723-G1</u>						LUG NUT, 1/2 - 20.....	AR

SPECIALTY PRODUCTS

SPECIALTY PRODUCTS

SPECIALTY PRODUCTS

SPECIAL TOOLS	PART NO.
HIGH RESISTANCE SPARK PLUG WIRE SET	26733-G02
CLUTCH PULLER (DRIVE)	19779-G2
FLYWHEEL PULLER	27111-G01
CURRENT INDICATOR	16489-G2
DIGITAL MULTI-METER	27481-G01
SLIDE HAMMER (AXLE/HUB REMOVAL)	15947-G1
SLIDE HAMMER (AXLE REMOVAL ONLY)	18753-G1
COMPRESSION TESTER	72524-G01
FEELER GAUGE	72525-G01
TACHOMETER	72526-G01

ENGINE OIL	PART NO.
4 CYCLE ENGINE OIL, 5 GALLON (19 LITER)	25730-G03
4 CYCLE ENGINE OIL, 12 QUART CASE	25730-G04
4 CYCLE ENGINE OIL, 1 QUART BOTTLE (950 ML)	25730-G06

TOUCH UP PAINT	PART NO.
PEN 3 OUNCE (89 ML) - HUNTER GREEN	28432-G02
PEN 3 OUNCE (89 ML) - CHAMPAGNE BEIGE	28432-G01
PEN 3 OUNCE (89 ML) - WHITE	28432-G05
PEN 3 OUNCE (89 ML) - INDUSTRIAL YELLOW	28432-G03
PEN 3 OUNCE (89 ML) - ORANGE	28432-G04
PEN 3 OUNCE (89 ML) - STEEL BLUE PEARL	28432-G24
PEN 3 OUNCE (89 ML) - OLIVE GREEN	28432-G**
PEN 3 OUNCE (89 ML) - CAMOUFLAGE PAINT (THREE PENS)	75831-G01
AEROSOL 12 OUNCE (360 ML) - HUNTER GREEN	28140-G09
AEROSOL 12 OUNCE (360 ML) - CHAMPAGNE BEIGE	28140-G15
AEROSOL 12 OUNCE (360 ML) - WHITE	28140-G03
AEROSOL 12 OUNCE (360 ML) - INDUSTRIAL YELLOW	28140-G14
AEROSOL 12 OUNCE (360 ML) - ORANGE	28140-G13
AEROSOL 12 OUNCE (360 ML) - STEEL BLUE PEARL	28140-G**
AEROSOL 12 OUNCE (360 ML) - OLIVE GREEN	28140-G**

SPECIALTY PRODUCTS

MAINTENANCE PRODUCTS	PART NO.
FORMULA 40 VINYL-COAT® - WHITE	28166-G01
PLEXUS® CLEANER, 7 OUNCE (210 ML) (FOR WINDSHIELDS)	28433-G01
PLEXUS® CLEANER, 13 OUNCE (380 ML) (FOR WINDSHIELDS)	28433-G02
BATTERY PROTECTOR, 14 OUNCE (410 ML) SPRAY	75500-G01
CARBURETOR & CHOKE CLEANER, 15 OUNCE (440 ML) SPRAY	75501-G01
WHITE LITHIUM GREASE, 14 OUNCE (410 ML) SPRAY	75502-G01
PENETRANT/LUBRICANT, 15 OUNCE (440 ML) SPRAY	75503-G01
MULTI-PURPOSE CLEANER & DEGREASER, 14 OUNCE (410 ML) SPRAY	75504-G01
MULTI-PURPOSE HAND CLEANER, 32 OUNCE (950 ML) LIQUID	75505-G01
BATTERY CLEANER, 32 OUNCE (950 ML) WITH TRIGGER SPRAYER	75506-G01
BIO-DEGRADABLE CLEANER, 32 OUNCE (950 ML) WITH TRIGGER SPRAYER	75507-G01
MULTI-PURPOSE VALUE PACK	75508-G01
• BATTERY PROTECTOR, 4 OUNCE (120 ML) SPRAY	
• PENETRANT/LUBRICANT, 4 OUNCE (120 ML) SPRAY	
• WHITE LITHIUM GREASE, 4 OUNCE (120 ML) SPRAY	
• CARBURETOR & CHOKE CLEANER, 4 OUNCE (120 ML) SPRAY	

SPECIALTY PRODUCTS



A Textron Company

E-Z-GO Division of Textron, Inc.
1451 Marvin Griffin Rd., Augusta, Georgia 30906 USA
Inside USA Phone: 1-800-241-5855, FAX: 1-800-448-8124
Outside USA Phone: 010-1-706-798-4311, FAX: 010-1-706-771-4609

Copyrighted Material
This manual may not be reproduced in whole or
in part without the express permission of
E-Z-GO Division of Textron, Inc.
Technical Communications Department