

28813-G01



A Textron Company

**CUSHMAN**<sup>®</sup>

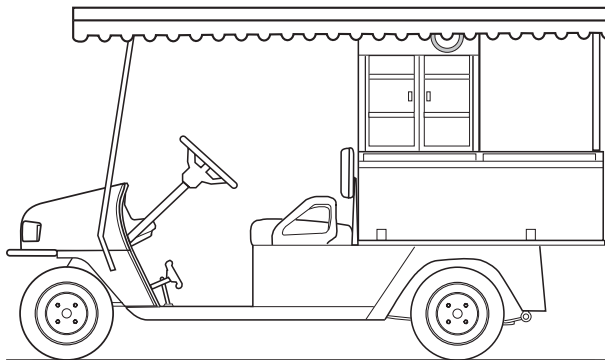
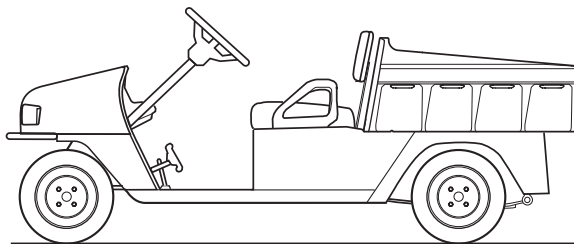
A Textron Company

**JACOBSEN**<sup>®</sup>

A Textron Company



# SERVICE PARTS MANUAL



*Ref Fcv 21*

## **GASOLINE POWERED UTILITY VEHICLES**

STARTING MODEL YEAR: 2004

REVISED: 3/1/04

# SERVICE PARTS MANUAL

## GASOLINE POWERED UTILITY VEHICLES

**MPT™ 1200**

**COMMANDER™ 2200**

**HAULER™ 1200**

**REFRESHER® 1200**

E-Z-GO Division of TEXTRON, Inc. reserves the right to make design changes without obligation to make these changes on units previously sold and the information contained in this manual is subject to change without notice.

E-Z-GO Division of TEXTRON, Inc. is not liable for errors in this manual or for incidental or consequential damages that result from the use of the material in this manual.

**CUSTOMER SERVICE DEPARTMENT IN USA PHONE: 1-800-241-5855 FAX: 1-800-448-8124**

**OUTSIDE USA PHONE: 010-1-706-798-4311, FAX: 010-1-706-771-4609**

**E-Z-GO DIVISION OF TEXTRON, INC., P.O.BOX 388, AUGUSTA, GEORGIA USA 30903-0388**

## **NOTES**

To obtain a copy of the limited warranty applicable to the vehicle, call or write a local Distributor, authorized Branch or the Warranty Department with vehicle serial number and manufacturer code.

The use of non Original Equipment Manufacturer (OEM) parts may void the warranty.

Tampering with or adjusting the governor to permit vehicle to operate at above factory specifications will void the vehicle warranty.

When servicing engines, all adjustments and replacement components must be per original vehicle specifications in order to maintain the United States of America Federal and State emission certification applicable at the time of manufacture.

### **BATTERY PROLONGED STORAGE**

All batteries will self discharge over time. The rate of self discharge varies depending on the ambient temperature and the age and condition of the batteries.

A fully charged battery will not freeze in winter temperatures unless the temperature falls below -75° F (-60° C).

# TABLE OF CONTENTS

<b>SECTION</b>	<b>Page No.</b>
HOW TO USE THE SERVICE PARTS MANUAL . . . . .	v
ILLUSTRATED PARTS BREAKDOWN . . . . .	vii
ACCELERATOR . . . . .	A-1
AIR FILTER . . . . .	B-1
BODY . . . . .	C-1
BRAKES . . . . .	D-1
BRAKES - FRONT DISC . . . . .	E-1
CAB . . . . .	F-1
CARBURETOR AND CHOKE . . . . .	G-1
CLUTCH . . . . .	H-1
DIRECTION SELECTOR . . . . .	I-1
ELECTRICAL . . . . .	J-1
ENGINE AND MUFFLER . . . . .	K-1
ENGINE MOUNTING . . . . .	L-1
FRONT SUSPENSION/STEERING . . . . .	M-1
FUEL SYSTEM . . . . .	N-1
REAR AXLE . . . . .	O-1
REAR SUSPENSION . . . . .	P-1
REFRESHER UNIT . . . . .	Q-1
SEATING . . . . .	R-1
STARTER / GENERATOR . . . . .	S-1
TRUCK BED, PLASTIC . . . . .	T-1
WEATHER PROTECTION . . . . .	U-1
WHEELS AND TIRES . . . . .	V-1
SPECIALTY PRODUCTS . . . . .	APPENDIX A-1
OPTIONS/ACCESSORIES . . . . .	APPENDIX B-1

# TABLE OF CONTENTS

Notes: \_\_\_\_\_  
\_\_\_\_\_  
\_\_\_\_\_  
\_\_\_\_\_  
\_\_\_\_\_  
\_\_\_\_\_  
\_\_\_\_\_  
\_\_\_\_\_  
\_\_\_\_\_  
\_\_\_\_\_  
\_\_\_\_\_  
\_\_\_\_\_  
\_\_\_\_\_  
\_\_\_\_\_  
\_\_\_\_\_  
\_\_\_\_\_  
\_\_\_\_\_  
\_\_\_\_\_  
\_\_\_\_\_  
\_\_\_\_\_  
\_\_\_\_\_  
\_\_\_\_\_  
\_\_\_\_\_  
\_\_\_\_\_  
\_\_\_\_\_  
\_\_\_\_\_  
\_\_\_\_\_  
\_\_\_\_\_  
\_\_\_\_\_  
\_\_\_\_\_  
\_\_\_\_\_  
\_\_\_\_\_  
\_\_\_\_\_  
\_\_\_\_\_  
\_\_\_\_\_  
\_\_\_\_\_  
\_\_\_\_\_  
\_\_\_\_\_  
\_\_\_\_\_  
\_\_\_\_\_

# HOW TO USE THE SERVICE PARTS MANUAL

This manual is divided into several sections:

## GENERAL INFORMATION

- TABLE OF CONTENTS
- HOW TO USE THE SERVICE PARTS MANUAL

## ILLUSTRATED PARTS BREAKDOWN

- Contains illustrations and parts lists for all systems of the vehicle

## APPENDIX

- Contains a listing of specialty products and options/accessories

## INDEX OF MAJOR COMPONENTS

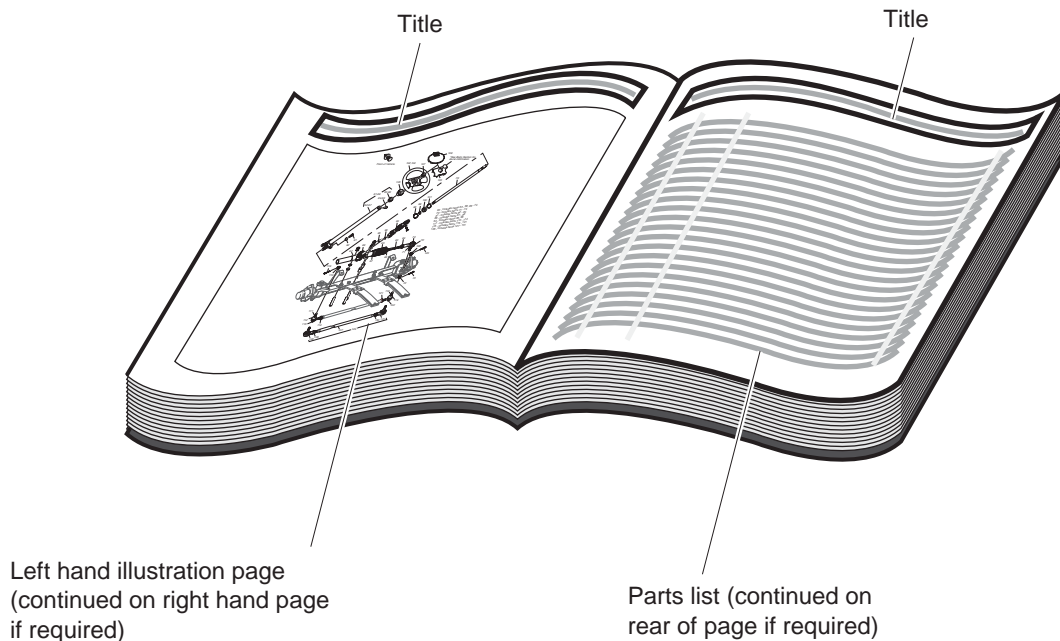
- Contains a listing of parts (excluding hardware) grouped by part number and description and indicates on which page(s) they can be found

## USE OF THE MANUAL

To use this manual, consult the TABLE OF CONTENTS (page iii) or the INDEX OF MAJOR COMPONENTS (located at rear of this manual) to locate the information or illustration required.

Introduction of some revisions varies due to supply of components; therefore, it is possible that various combinations of components may be found that are not directly reflected by each illustration. Consult the illustration that best suits your situation. Locate the serial number plate (see BODY located in the Illustrated Parts Breakdown section of this manual for its location) and note the complete number shown on the plate. It is important that the serial number of your vehicle and its model number be supplied to Service Parts when ordering any replacement components.

# HOW TO USE THE SERVICE PARTS MANUAL



## 1. WHEN THE PART NUMBER IS NOT KNOWN

- Determine the function and application of the part required. Turn to the INDEX OF MAJOR COMPONENTS and select the most appropriate component description.
- Turn to the page number indicated and locate the part description in the parts list. Read the full accompanying description for specific information regarding the part that was not shown in the index.
- From the parts list, obtain the item number assigned to it and confirm that the part selected is correct by verifying it with the pictorial representation on the illustrated page.

## 2. IF YOU KNOW THE PART NUMBER

- Use the INDEX OF MAJOR COMPONENTS to find the page(s) the part number appears on.
- Turn to the page number indicated and locate the part number in the parts list. Refer to the accompanying description for specific information regarding the part.
- From the parts list, obtain the item number assigned to it and confirm that the part selected is correct by verifying it with the pictorial representation on the illustrated page.

Should an asterisk (\*) appear in the part number column on the parts list page, read upwards until a part number is found. The part number is the lowest assembly sold by Service Parts. The asterisk (\*) indicates that the part depicted is not available for purchase.

NOTE: Descriptions are indented under the assembly that they are used on. That assembly is, in turn listed under the assembly that it is used on. This process is repeated until the highest final assembly is reached.

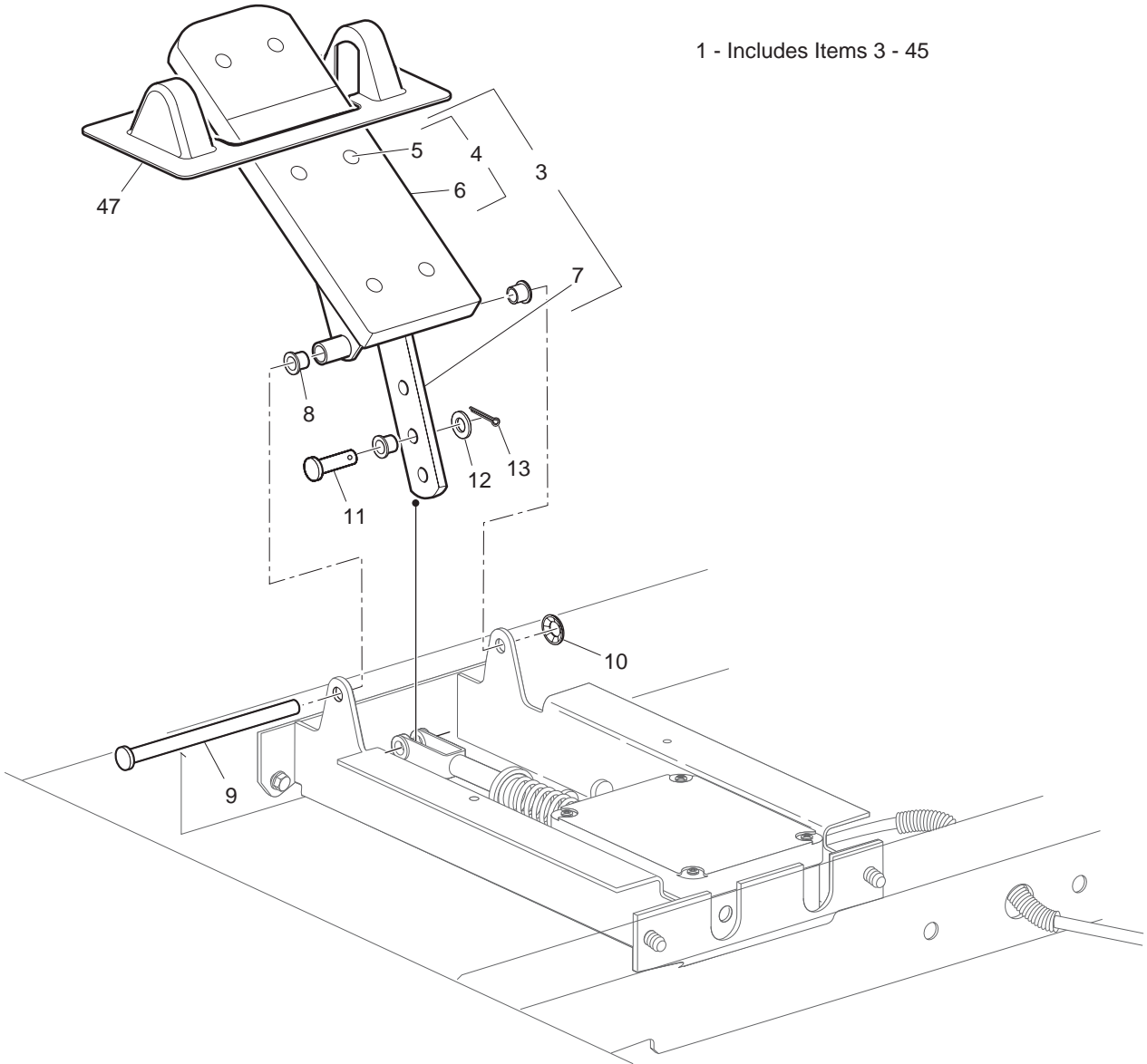
**To facilitate the maintenance and repair of the vehicle, a Technician's Repair and Service Manual is available from the Service Parts Department.**

# **ILLUSTRATED PARTS BREAKDOWN**

# **ILLUSTRATED PARTS BREAKDOWN**

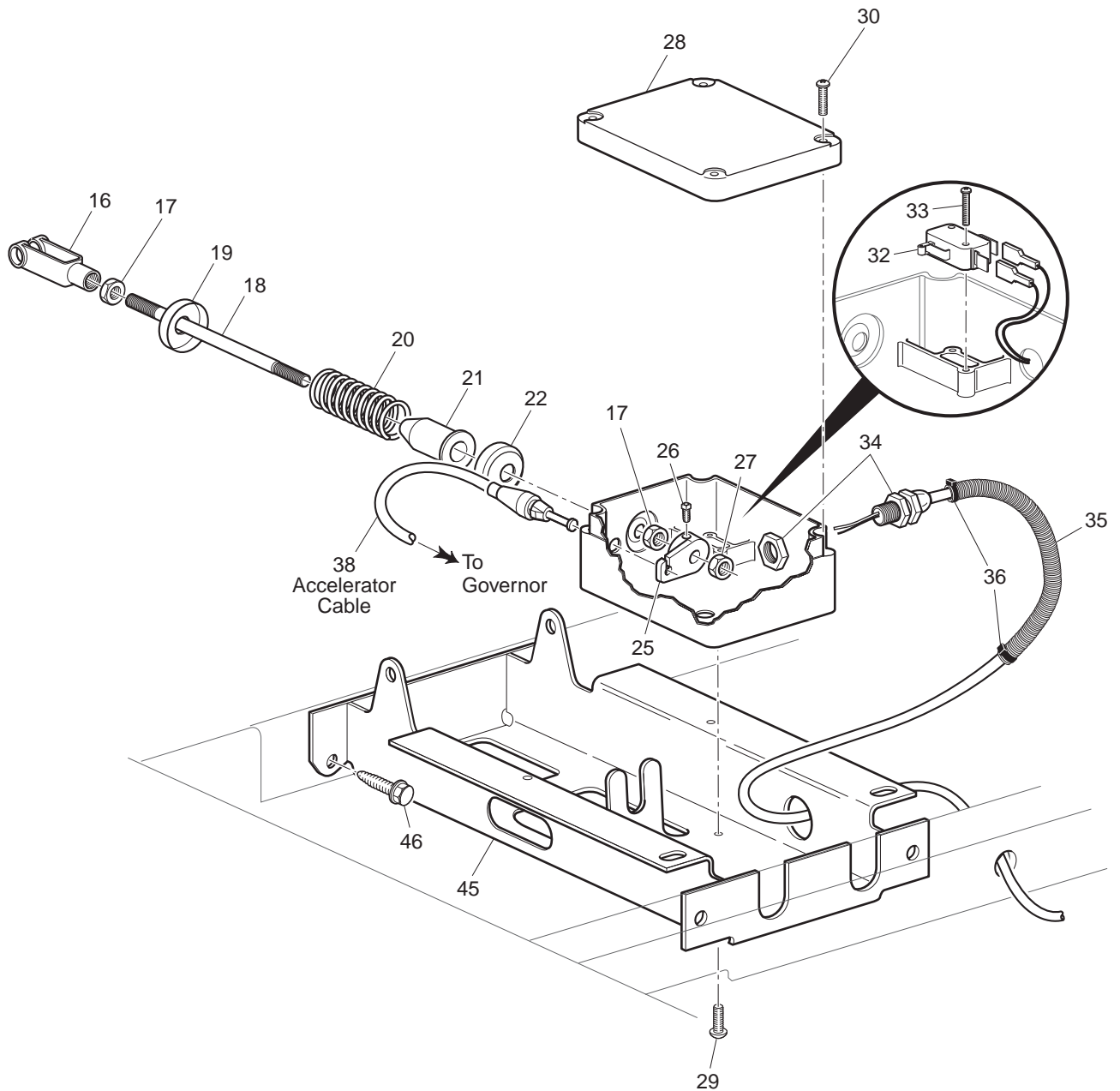


# ACCELERATOR



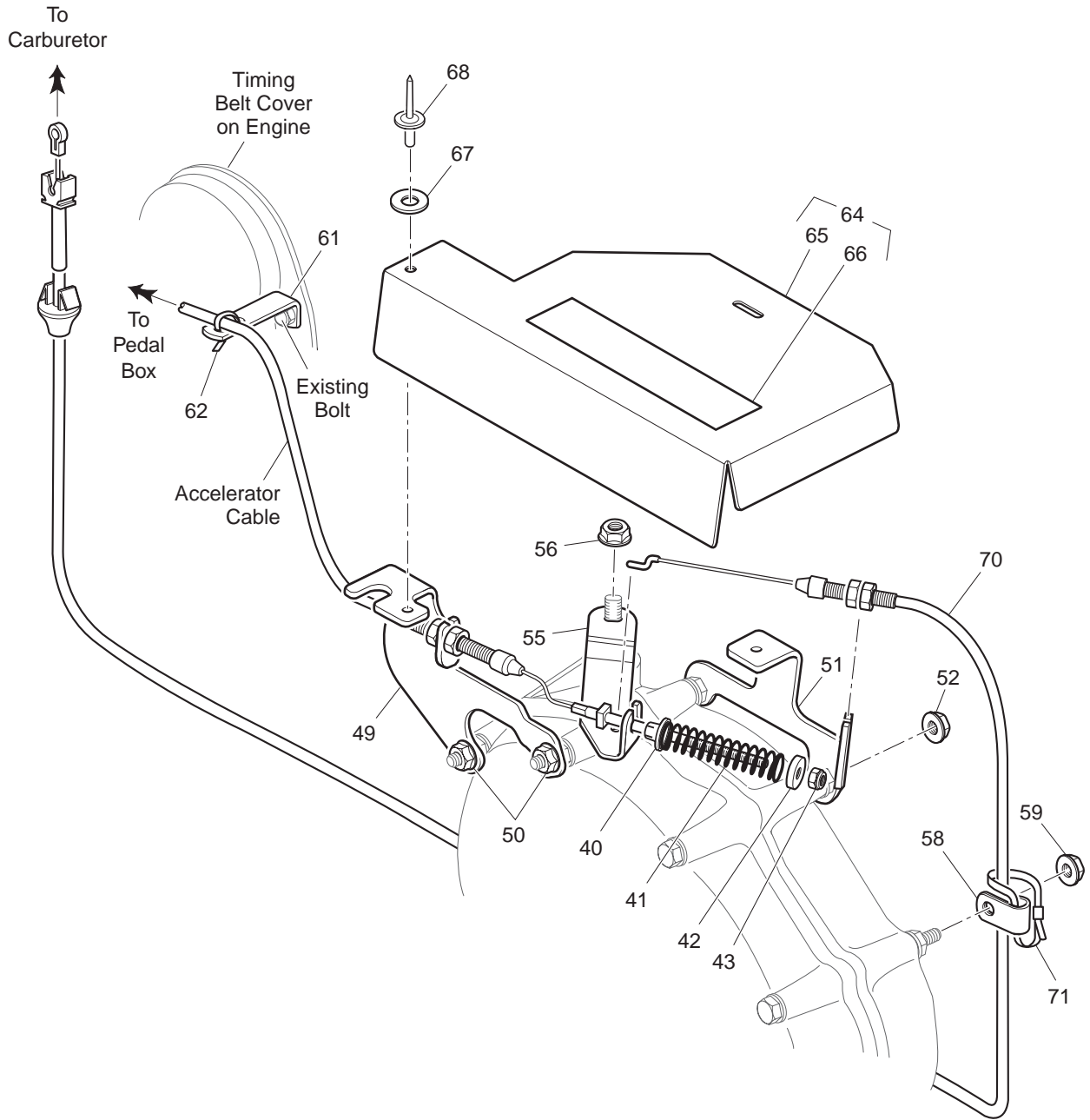
Ref Acl 6-1

# ACCELERATOR



Ref Acc 21-2

# ACCELERATOR



Ref Acl 6-3

# ACCELERATOR

When ordering parts, please specify the model and serial number of the product.

\* Indicates a component that is not available as an individual part.

G\*\* Indicates consult Customer Service Department for additional information.

ITEM	PART NO.	1 2 3 4 5	DESCRIPTION	QTY.
1	<u>72717-G05</u>		PEDAL BOX ASSEMBLY (INCLUDES ITEMS 3 - 45) .....	1
2				
3	<u>25799-G03</u>		ACCELERATOR PEDAL ASSEMBLY (INCLUDES ITEMS 4 - 7).....	1
4	<u>27844-G01</u>		ACCELERATOR PEDAL PAD KIT (INCLUDES ITEMS 5 - 6).....	1
5	<u>15766-G1</u>		OVAL RIVET, 3/16" X 3/8" LG.....	6
6	<u>27512-G01</u>		ACCELERATOR PEDAL PAD .....	1
7	*		ACCELERATOR PEDAL .....	1
8	<u>17838-G1</u>		NYLON BUSHING .....	3
9	<u>74432-G01</u>		PEDAL PIVOT PIN .....	1
10	<u>12064-G6</u>		PUSH NUT, 9/32" .....	1
11	<u>10386-G3</u>		CLEVIS PIN, 5/16" X 1" LG .....	1
12	<u>17255-G1</u>		TEFLON WASHER, 5/16" .....	1
13	<u>10387-G3</u>		COTTER PIN, 3/32" X 3/4" LG .....	1
14				
15				
16	<u>10385-G4</u>		CLEVIS YOKE (ADJUSTABLE).....	1
17	<u>00532-G4</u>		LOCK NUT, 5/16 - 24 .....	2
18	<u>72072-G01</u>		ACCELERATOR ROD .....	1
19	<u>17677-G2</u>		SPRING RETAINER .....	1
20	<u>73046-G01</u>		COMPRESSION SPRING .....	1
21	<u>17979-G1</u>		ACCELERATOR ROD BUSHING .....	1
22	<u>17677-G1</u>		SPRING RETAINER .....	1
23				
24				
25	<u>72716-G01</u>		MICRO SWITCH CAM.....	1
26	<u>00487-G3</u>		SETSCREW, 1/4 - 20 X 3/8" LG. ....	1
27	<u>15126-G1</u>		LOCK NUT, 5/16 - 24 .....	1
28	<u>25853-G03</u>		PEDAL BOX AND COVER .....	1
29	<u>01051-G01</u>		SCREW, #8 - 16 X 1/2" LG. ....	4
30	<u>00684-G6</u>		SCREW, #8 - 32 X 3/4" LG. ....	4

# ACCELERATOR

When ordering parts, please specify the model and serial number of the product.

\* Indicates a component that is not available as an individual part.

G\*\* Indicates consult Customer Service Department for additional information.

ITEM	PART NO.	1	2	3	4	5	DESCRIPTION	QTY.
31								
32	<u>25861-G01</u>						MICRO SWITCH.....	1
33	<u>01050-G01</u>						SCREW, #4 - 20 X 5/8" LG .....	2
34	<u>72201-G04</u>						WIRE HARNESS (PEDAL BOX) .....	1
35	<u>17313-G1</u>						LOOM FLEX (BULK).....	AR
36	<u>17618-G1</u>						WIRE TIE .....	2
37								
38	<u>72713-G02</u>						ACCELERATOR CABLE .....	1
39								
40	<u>72706-G01</u>						ACCELERATOR CABLE BUSHING .....	1
41	<u>72707-G01</u>						COMPRESSION SPRING .....	1
42	<u>25727-G02</u>						CUP WASHER.....	1
43	<u>00734-G5</u>						LOCK NUT, #10 - 32.....	1
44								
45	70116-G02						ACCELERATOR PEDAL BRACKET.....	1
46	<u>00715-G2</u>						BOLT, 5/16 - 18 X 13/16" LG .....	4
47	<u>70135-G01</u>						PEDAL PIVOT COVER .....	1
48								
49	72701-G01						ACCELERATOR CABLE MOUNTING BRACKET .....	1
50	26830-G01						LOCK NUT, M8 X 1.25 MM .....	2
51	72703-G01						THROTTLE CABLE MOUNTING BRACKET .....	1
52	26830-G01						LOCK NUT, M8 X 1.25 MM .....	2
53								
54								
55	<u>72708-G01</u>						GOVERNOR ARM .....	1
56	26830-G01						LOCK NUT, M8 X 1.25 MM .....	1
57								
58	11845-G3						CLAMP .....	1
59	26830-G01						LOCK NUT, M8 X 1.25 MM .....	1
60								

# ACCELERATOR

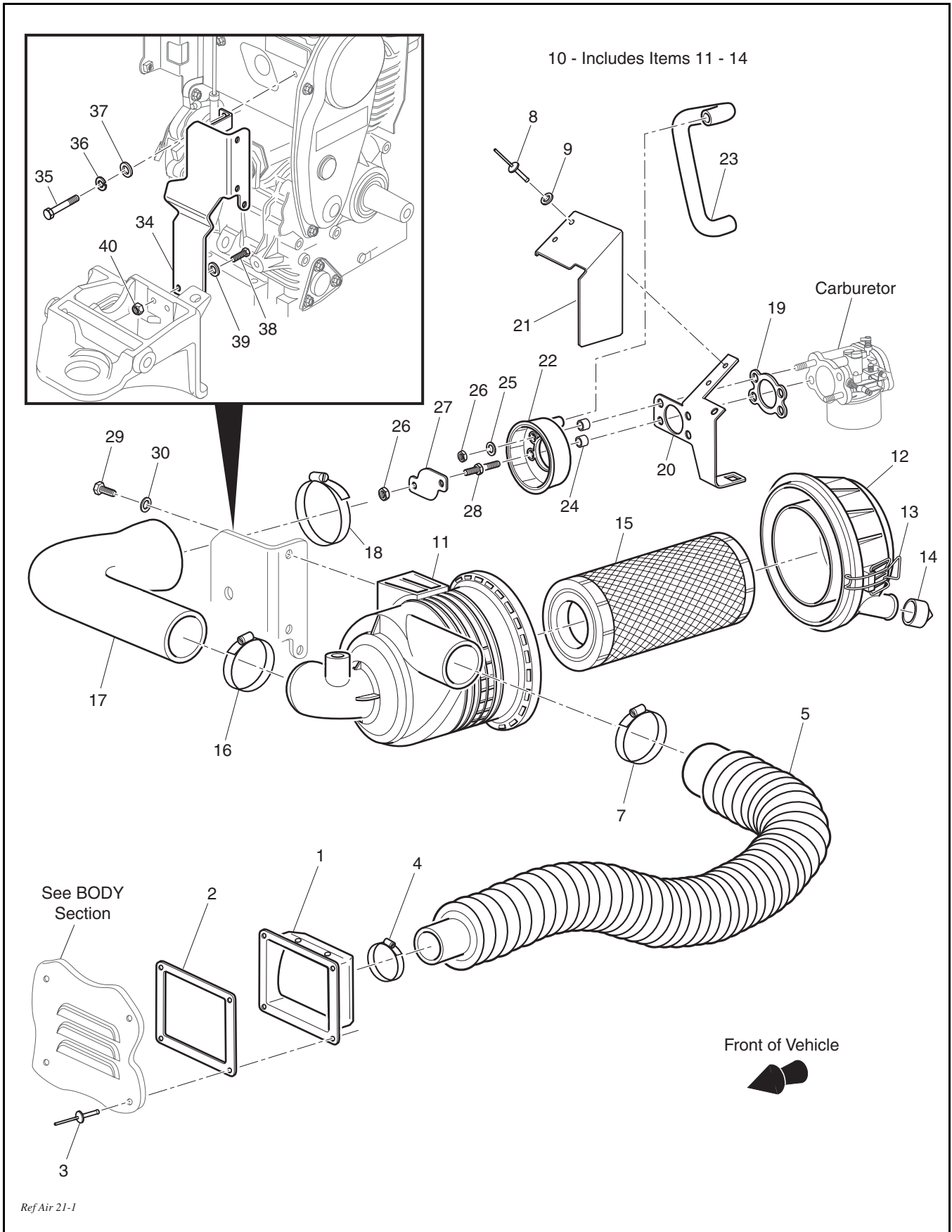
When ordering parts, please specify the model and serial number of the product.

\* Indicates a component that is not available as an individual part.

G\*\* Indicates consult Customer Service Department for additional information.

ITEM	PART NO.	1 2 3 4 5	DESCRIPTION	QTY.
61	<u>72055-G01</u>		ACCELERATOR CABLE BRACKET .....	1
62	<u>17618-G1</u>		WIRE TIE .....	1
63				
64	<u>74457-G01</u>		GOVERNOR COVER/DECAL ASSEMBLY (INCLUDES ITEMS 65, 66) .....	1
65	<u>72705-G01</u>		GOVERNOR COVER .....	1
66	<u>24880-G01</u>		DECAL (WARNING - GOVERNOR) .....	1
67	<u>00915-G1</u>		BONDED WASHER, 1/4" .....	2
68	<u>14601-G11</u>		RIVET, 3/16" X 9/16" LG .....	2
69				
70	<u>72714-G01</u>		THROTTLE CABLE.....	1
71	<u>17618-G1</u>		WIRE TIE .....	1

# AIR FILTER



# AIR FILTER

Where applicable, THE USE OF NON UL PARTS WILL VOID ANY UL LISTING.

When ordering parts, please specify the model and serial number of the product.

\* Indicates a component that is not available as an individual part.

G\*\* Indicates consult Customer Service Department for additional information.

ITEM	PART NO.	1 2 3 4 5	DESCRIPTION	QTY.
1	<u>72416-G01</u>		INLET ADAPTER .....	1
2	<u>72415-G01</u>		GASKET .....	1
3	<u>71055-G01</u>		RIVET, 3/16" X 3/8" LG .....	4
4	<u>11391-G2</u>		CLAMP .....	1
5	<u>72637-G02</u>		HOSE (CONVOLUTED).....	1
6				
7	<u>11391-G1</u>		HOSE CLAMP .....	1
8	<u>14601-G11</u>		RIVET, 3/16" X 9/16" LG .....	2
9	<u>00915-G1</u>		WASHER, #14 ID .....	2
10	<u>72607-G01</u>		AIR CLEANER CANISTER ASSEMBLY (INCLUDES ITEMS 11 - 14).....	1
11	<u>72598-G01</u>		AIR CLEANER CANISTER.....	1
12	<u>72599-G01</u>		AIR CLEANER COVER .....	1
13	<u>72604-G01</u>		AIR CLEANER LATCH .....	2
14	<u>28462-G01</u>		AIR CLEANER DUST COLLECTOR .....	1
15	<u>28463-G01</u>		AIR CLEANER ELEMENT .....	1
16	<u>11391-G7</u>		HOSE CLAMP .....	1
17	<u>72592-G01</u>		HOSE (AIR FILTER TO CARBURETOR).....	1
18	<u>11391-G6</u>		HOSE CLAMP .....	1
19	<u>26727-G01</u>		CARBURETOR GASKET .....	2
20	<u>74498-G02</u>		CHOKE / THROTTLE BRACKET.....	1
21	<u>74499-G02</u>		CHOKE THROTTLE COVER.....	1
22	<u>72591-G01</u>		CARBURETOR ADAPTER .....	1
23	<u>72151-G01</u>		PCV HOSE .....	1
24	<u>23726-G11</u>		CARBURETOR MOUNTING SPACER .....	4
25	<u>00664-G7</u>		WASHER, 1/4" .....	2
26	<u>13632-G1</u>		NUT, M6 X 1 .....	4
27	<u>72605-G01</u>		CARBURETOR BAFFLE.....	1
28	<u>72514-G01</u>		STUD.....	2
29	<u>26639-G01</u>		BOLT, M8 X 1.25 X 20 MM.....	2
30	<u>00565-G8</u>		LOCK WASHER, 5/16".....	2



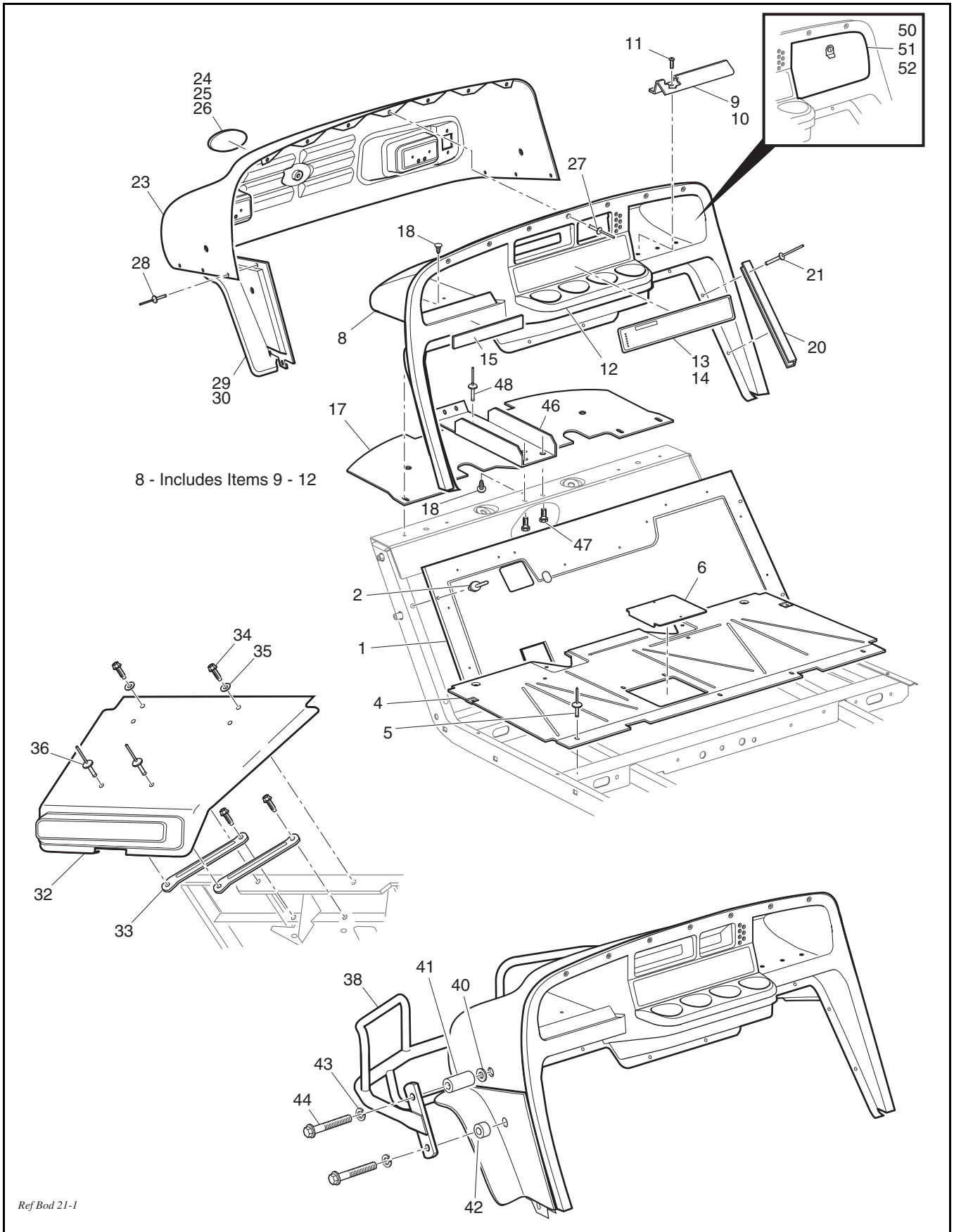
# AIR FILTER

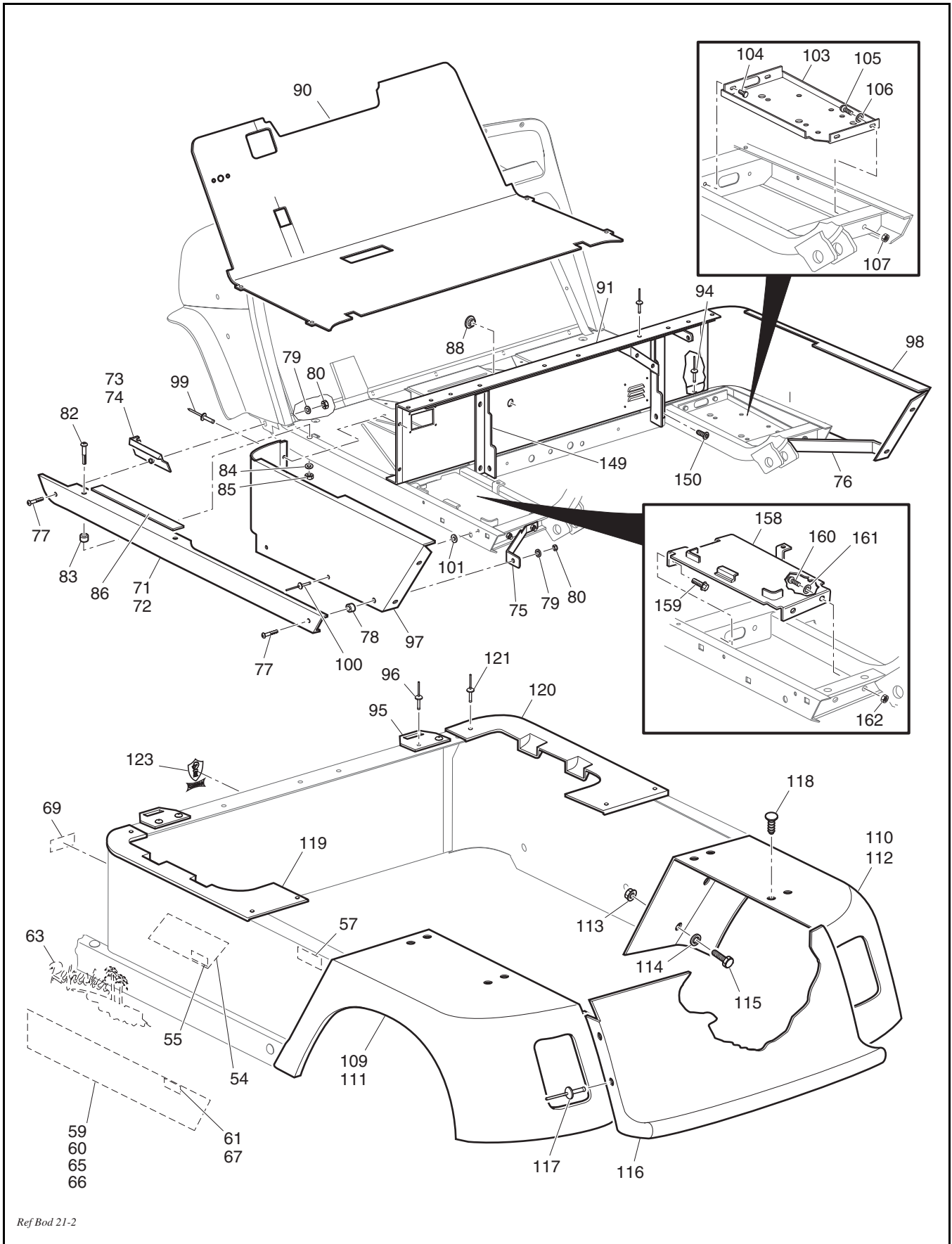
Where applicable, THE USE OF NON UL PARTS WILL VOID ANY UL LISTING.  
 When ordering parts, please specify the model and serial number of the product.  
 \* Indicates a component that is not available as an individual part.  
 G\*\* Indicates consult Customer Service Department for additional information.

ITEM	PART NO.	1	2	3	4	5	DESCRIPTION	QTY.
31								
32								
33								
34	<u>75878-G02</u>						AIR FILTER BRACKET (CABLE ACTUATED CARBURETOR).....	1
35	<u>12547-G3</u>						BOLT, M6 X 1MM X 20MM LG .....	1
36	<u>00664-G7</u>						LOCK WASHER, 1/4" .....	1
37	<u>00559-G7</u>						WASHER, 1/4" .....	1
38	<u>00415-G2</u>						BOLT, 1/4 - 20 X 1 1/4" LG .....	2
39	<u>00559-G7</u>						WASHER, 1/4" .....	2
40	<u>14390-G4</u>						LOCK NUT, 1/4 - 20 .....	2



# BODY



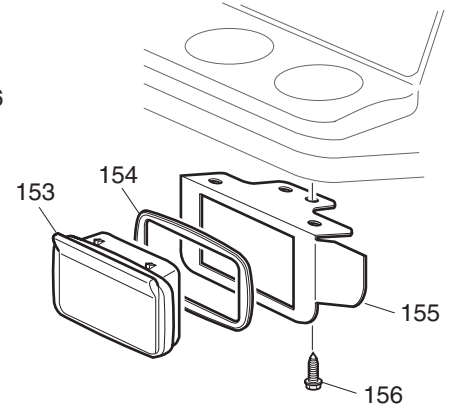


Ref Bod 21-2

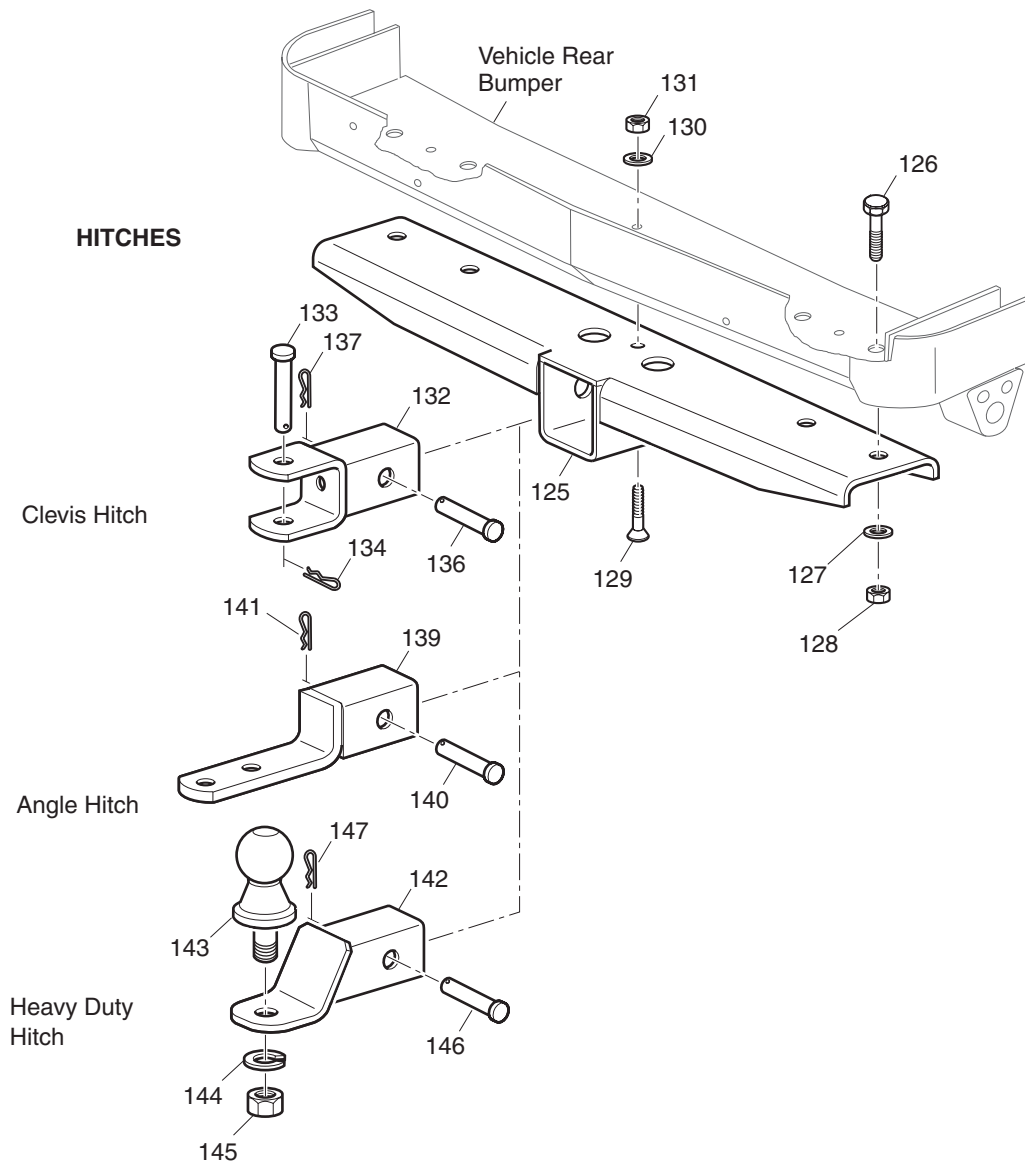
# BODY

## ASHTRAY

152 - Includes Items 153 - 156



## HITCHES



Ref Bod 21-3

Where applicable, THE USE OF NON UL PARTS WILL VOID ANY UL LISTING.

When ordering parts, please specify the model and serial number of the product.

\* Indicates a component that is not available as an individual part.

G\*\* Indicates consult Customer Service Department for additional information.

ITEM	PART NO.	1 2 3 4 5	DESCRIPTION	QTY.
1	70662-G01		UPPER FLOORPAN (AXLE MOUNTED STEERING) .....	1
2	<u>14601-G11</u>		RIVET, 3/16" X 9/16" LG .....	9
3				
4	<u>70451-G01</u>		LOWER FLOORPAN.....	1
5	<u>14601-G11</u>		RIVET, 3/16" X 9/16" LG .....	7
6	<u>70452-G01</u>		ACCESS COVER.....	1
7				
8	<u>71151-G01</u>		INSTRUMENT PANEL ASSEMBLY (INCLUDES ITEMS 9 - 12) .....	1
9	<u>71153-G01</u>		DEFLECTOR (PASSENGER SIDE) .....	1
10	<u>71154-G01</u>		DEFLECTOR (DRIVER SIDE).....	1
11	<u>00614-G5</u>		SCREW, #8 - 18 X 5/8" LG .....	6
12	<u>71158-G01</u>		INSTRUMENT PANEL INSERT (FOUR CUP).....	1
13	71177-G01		LABEL (SAFETY) (TEXT) .....	1
14	74409-G01		LABEL (SAFETY) (PICTOGRAPH).....	1
15	<u>74443-G01</u>		LABEL (ANTI-ROLLBACK) .....	1
16				
17	<u>71413-G01</u>		SPLASH PANEL.....	1
18	<u>16816-G2</u>		RATCHET FASTENER, 1/4" X 3/4" LG .....	5
19				
20	<u>71115-G01</u>		VINYL TRIM .....	2
21	<u>71055-G01</u>		RIVET, 3/16" X 1" LG .....	10
22				
23	71468-G**		COWL (LX/SE) .....	1
24	<u>71289-G01</u>		NAMEPLATE (E-Z-GO) (OVAL) .....	1
25	<u>28907-G01</u>		NAMEPLATE (JACOBSEN) (OVAL) .....	1
26	74401-G01		NAMEPLATE (CUSHMAN) (OVAL).....	1
27	<u>71055-G01</u>		RIVET, 3/16" X 1" LG .....	9
28	<u>71055-G01</u>		RIVET, 3/16" X 1" LG .....	6
29	<u>71338-G01</u>		FENDER FLARE (DRIVER SIDE).....	1
30	<u>71338-G02</u>		FENDER FLARE (PASSENGER SIDE) .....	1

# BODY

Where applicable, THE USE OF NON UL PARTS WILL VOID ANY UL LISTING.  
 When ordering parts, please specify the model and serial number of the product.  
 \* Indicates a component that is not available as an individual part.  
 G\*\* Indicates consult Customer Service Department for additional information.

ITEM	PART NO.	1 2 3 4 5	DESCRIPTION	QTY.
31				
32	27166-G02		FRONT SHIELD .....	1
33	<u>70725-G01</u>		FRONT SHIELD BRACE .....	2
34	<u>01038-G01</u>		SCREW, 1/4 - 20 X 1/2" LG .....	4
35	<u>16469-G1</u>		WASHER, 1/4" .....	2
36	<u>01057-G01</u>		RIVET, KTR, 1/4" X 1" LG .....	2
37				
38	<u>74265-G02</u>		BUMPER .....	1
39				
40	<u>00570-G2</u>		WASHER, 5/16" .....	2
41	<u>75048-G04</u>		SPACER, 1" .....	2
42	<u>75048-G01</u>		SPACER, 1/2" .....	2
43	<u>00905-G8</u>		LOCK WASHER, 5/16" .....	4
44	<u>01035-G02</u>		BOLT, 5/16 - 18 X 2 1/2" LG .....	4
45				
46	71101-G01		COWL SUPPORT BRACKET .....	1
47	<u>71102-G02</u>		SELF TAPPING SCREW, 1/4 - 20 X 1/2" LG .....	3
48	<u>71055-G02</u>		RIVET, 3/16" X 1 1/8" LG .....	1
49				
50	<u>75459-G01</u>		GLOVE BOX DOORS (BOTH SIDES) .....	1
51	<u>75459-G02</u>		GLOVE BOX DOOR (DRIVER SIDE) .....	1
52	<u>75459-G03</u>		GLOVE BOX DOOR (PASSENGER SIDE) .....	1
53				
54	<u>74801-G01</u>		LABEL (MPT™) .....	2
55	<u>74807-G01</u>		LABEL (1200) .....	2
56				
57	<u>74099-G01</u>		LABEL, TILT WARNING PICTOGRAPH .....	2
58				
59	<u>28915-G01</u>		LABEL (JACOBSEN HAULER™) (DRIVER SIDE) .....	1
60	<u>28915-G02</u>		LABEL (JACOBSEN HAULER™) (PASSENGER SIDE) .....	1

Where applicable, THE USE OF NON UL PARTS WILL VOID ANY UL LISTING.

When ordering parts, please specify the model and serial number of the product.

\* Indicates a component that is not available as an individual part.

G\*\* Indicates consult Customer Service Department for additional information.

ITEM	PART NO.	1 2 3 4 5	DESCRIPTION	QTY.
61	<u>74807-G01</u>		LABEL (1200).....	2
62				
63	<u>75743-G01</u>		LABEL (REFRESHER).....	2
64				
65	<u>28952-G01</u>		LABEL (CUSHMAN COMMANDER™) (DRIVER SIDE).....	1
66	<u>28952-G02</u>		LABEL (CUSHMAN COMMANDER™) (PASSENGER SIDE) .....	1
67	<u>28968-G01</u>		LABEL (2200).....	2
68				
69	*		SERIAL NUMBER PLATE .....	1
70				
71	<u>71439-G03</u>		ROCKER PANEL (DRIVER SIDE) .....	1
72	<u>71439-G04</u>		ROCKER PANEL (PASSENGER SIDE).....	1
73	<u>71424-G01</u>		FENDER SPACER (DRIVER SIDE).....	1
74	<u>71424-G02</u>		FENDER SPACER (PASSENGER SIDE) .....	1
75	<u>71440-G03</u>		BRACE (DRIVER SIDE).....	1
76	<u>71440-G04</u>		BRACE (PASSENGER SIDE) .....	1
77	<u>00789-G2</u>		SCREW, #10 - 24 X 1 1/4" LG.....	4
78	<u>23726-G2</u>		SPACER, 1/4" .....	2
79	<u>00660-G5</u>		WASHER, #10.....	4
80	11098-G7		LOCK NUT, #10 - 24 .....	4
81				
82	<u>16705-G1</u>		SCREW, 1/4 - 20 X 1" LG.....	4
83	<u>23726-G2</u>		SPACER, 1/4" .....	4
84	<u>00559-G7</u>		WASHER, 1/4" .....	4
85	<u>14390-G4</u>		LOCK NUT, 1/4 - 20 .....	4
86	<u>71764-G01</u>		SILL PLATE TREAD.....	2
87				
88	<u>20271-G9</u>		HOLE PLUG, 1/2" .....	1
89				
90	<u>70663-G04</u>		FLOORMAT (AXLE MOUNTED STEERING).....	1



# BODY

Where applicable, THE USE OF NON UL PARTS WILL VOID ANY UL LISTING.  
 When ordering parts, please specify the model and serial number of the product.  
 \* Indicates a component that is not available as an individual part.  
 G\*\* Indicates consult Customer Service Department for additional information.

ITEM	PART NO.	1 2 3 4 5	DESCRIPTION	QTY.
91	71977-G**		SEAT SUPPORT PANEL (W/DRIVER SIDE LOUVERS) .....	1
92				
93				
94	<u>10570-G10</u>		RIVET, 5/32" X 9/16" LG .....	8
95	<u>71609-G01</u>		SEAT HINGE PLATE .....	2
96	<u>10570-G11</u>		RIVET, 3/16" X 3/4" LG .....	4
97	71674-G01		SIDE PANEL (DRIVER SIDE) .....	1
98	71674-G02		SIDE PANEL (PASSENGER SIDE).....	1
99	<u>10570-G10</u>		RIVET, 5/32" X 9/16" LG .....	4
100	10570-G12		RIVET, 1/4" X 1/2" LG .....	4
101	<u>16469-G7</u>		WASHER, 1/4" .....	4
102				
103	<u>70244-G03</u>		SPLASH PANEL.....	1
104	<u>00715-G2</u>		BOLT, 5/16 - 18 X 13/16" LG .....	2
105	<u>00438-G8</u>		BOLT, 5/16 - 18 X 1" LG .....	2
106	00559-G8		WASHER, 5/16" .....	2
107	11098-G6		LOCK NUT, 5/16 - 18 .....	2
108				
109	71572-G01		FENDER (DRIVER SIDE) .....	1
110	71572-G02		FENDER (PASSENGER SIDE).....	1
111	<u>71572-G03</u>		FENDER WITH TAILLIGHT (DRIVER SIDE) .....	1
112	<u>71572-G04</u>		FENDER WITH TAILLIGHT (PASSENGER SIDE).....	1
113	<u>11027-G2</u>		LOCK NUT, 1/4 - 20 .....	12
114	<u>00559-G7</u>		WASHER, 1/4" .....	12
115	<u>00414-G7</u>		BOLT, 1/4 - 20 X 7/8" LG .....	12
116	<u>71587-G02</u>		REAR PANEL .....	1
117	<u>71055-G01</u>		RIVET, 3/16" X 1" LG .....	4
118	<u>16816-G2</u>		RATCHET FASTENER, 1/4" X 3/4" LG .....	
119	75971-G01		SEAT FILLER PANEL (DRIVER SIDE) .....	1
120	75971-G02		SEAT FILLER PANEL (PASSENGER SIDE).....	1

Where applicable, THE USE OF NON UL PARTS WILL VOID ANY UL LISTING.

When ordering parts, please specify the model and serial number of the product.

\* Indicates a component that is not available as an individual part.

G\*\* Indicates consult Customer Service Department for additional information.

ITEM	PART NO.	1 2 3 4 5	DESCRIPTION	QTY.
121	<u>10570-G10</u>		RIVET, 5/32" X 9/16" LG .....	6
122				
123	<u>74755-G01</u>		LABEL (E-SHIELD™).....	1
124				
125	<u>74348-G02</u>		HITCH RECEIVER .....	1
126	<u>00463-G4</u>		BOLT, 7/16 - 14 X 1 1/2" LG .....	4
127	<u>00922-G3</u>		WASHER, 7/16" .....	4
128	<u>00734-G1</u>		LOCK NUT, 7/16 - 14 .....	4
129	<u>00198-G8</u>		SCREW, 5/16 - 18 X 1" LG.....	1
130	<u>00559-G8</u>		WASHER, 5/16" .....	1
131	<u>11098-G6</u>		LOCK NUT, 5/16 - 18 .....	1
132	<u>74338-G02</u>		CLEVIS HITCH.....	1
133	<u>14443-G7</u>		CLEVIS PIN, 1/2" X 2 1/2" LG .....	1
134	<u>19314-G1</u>		COTTER PIN, 2 1/2" LG.....	1
135				
136	<u>21317-G01</u>		CLEVIS PIN, 5/8" X 3" LG .....	1
137	<u>21683-G1</u>		COTTER PIN, 15/32" X 2 11/16" LG .....	1
138				
139	<u>74339-G02</u>		ANGLE HITCH .....	1
140	<u>21317-G01</u>		CLEVIS PIN, 5/8" X 3" LG .....	1
141	<u>21683-G1</u>		COTTER PIN, 15/32" X 2 11/16" LG .....	1
142	<u>74351-G02</u>		HEAVY DUTY HITCH.....	1
143	<u>31757-G1</u>		HITCH BALL, 1 7/8" .....	1
144	<u>00566-G6</u>		LOCK WASHER, 3/4" .....	1
145	<u>00702-G11</u>		NUT, 3/4 - 16 .....	1
146	<u>21317-G01</u>		CLEVIS PIN, 5/8" X 3" LG .....	1
147	<u>21683-G1</u>		COTTER PIN, 15/32" X 2 11/16" LG .....	1
148				
149	<u>70440-G04</u>		SEAT FRAME .....	1
150	<u>00715-G2</u>		SCREW, 3/8 - 16 X 1/4" LG.....	2

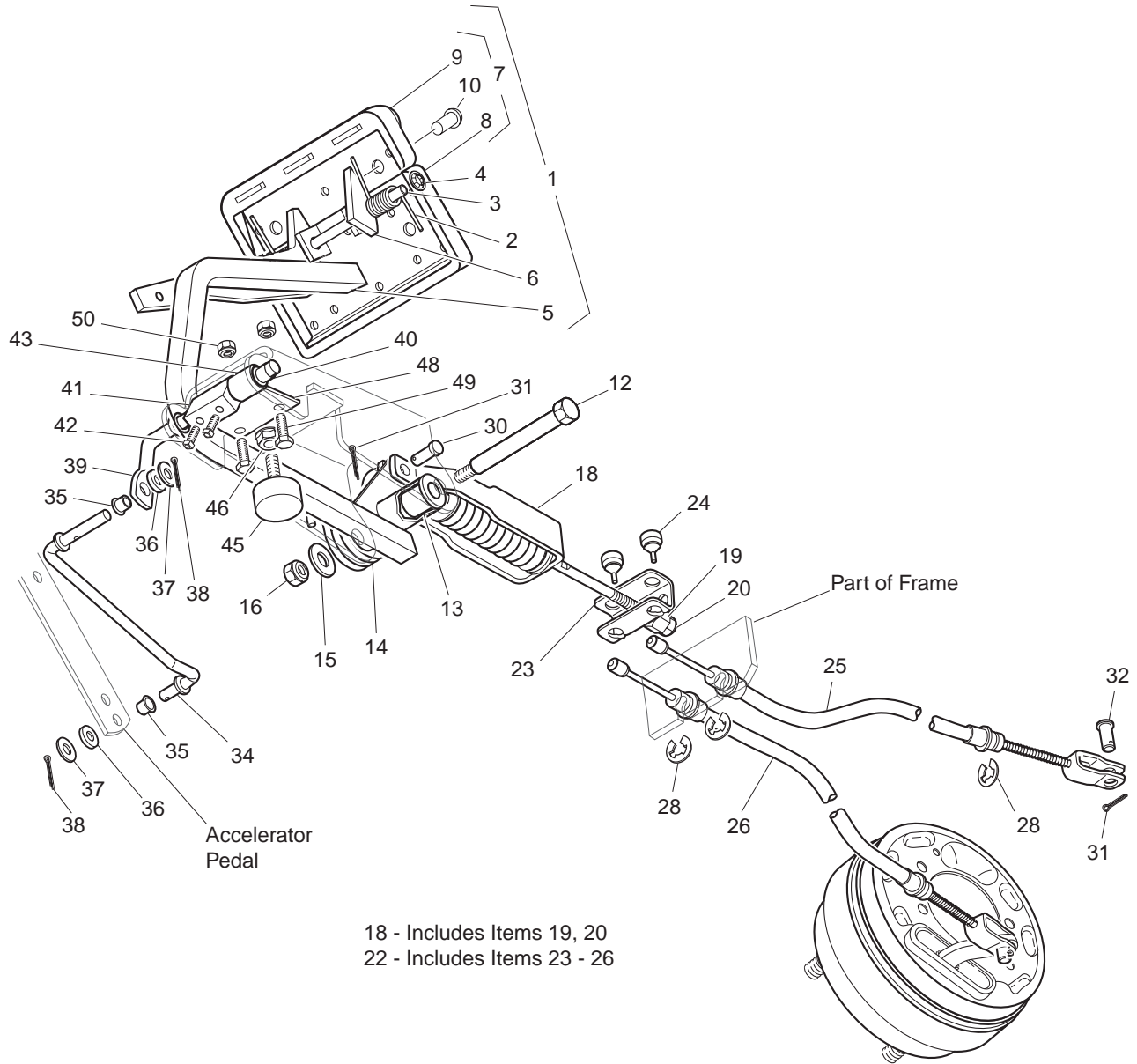
# BODY

Where applicable, THE USE OF NON UL PARTS WILL VOID ANY UL LISTING.  
 When ordering parts, please specify the model and serial number of the product.  
 \* Indicates a component that is not available as an individual part.  
 G\*\* Indicates consult Customer Service Department for additional information.

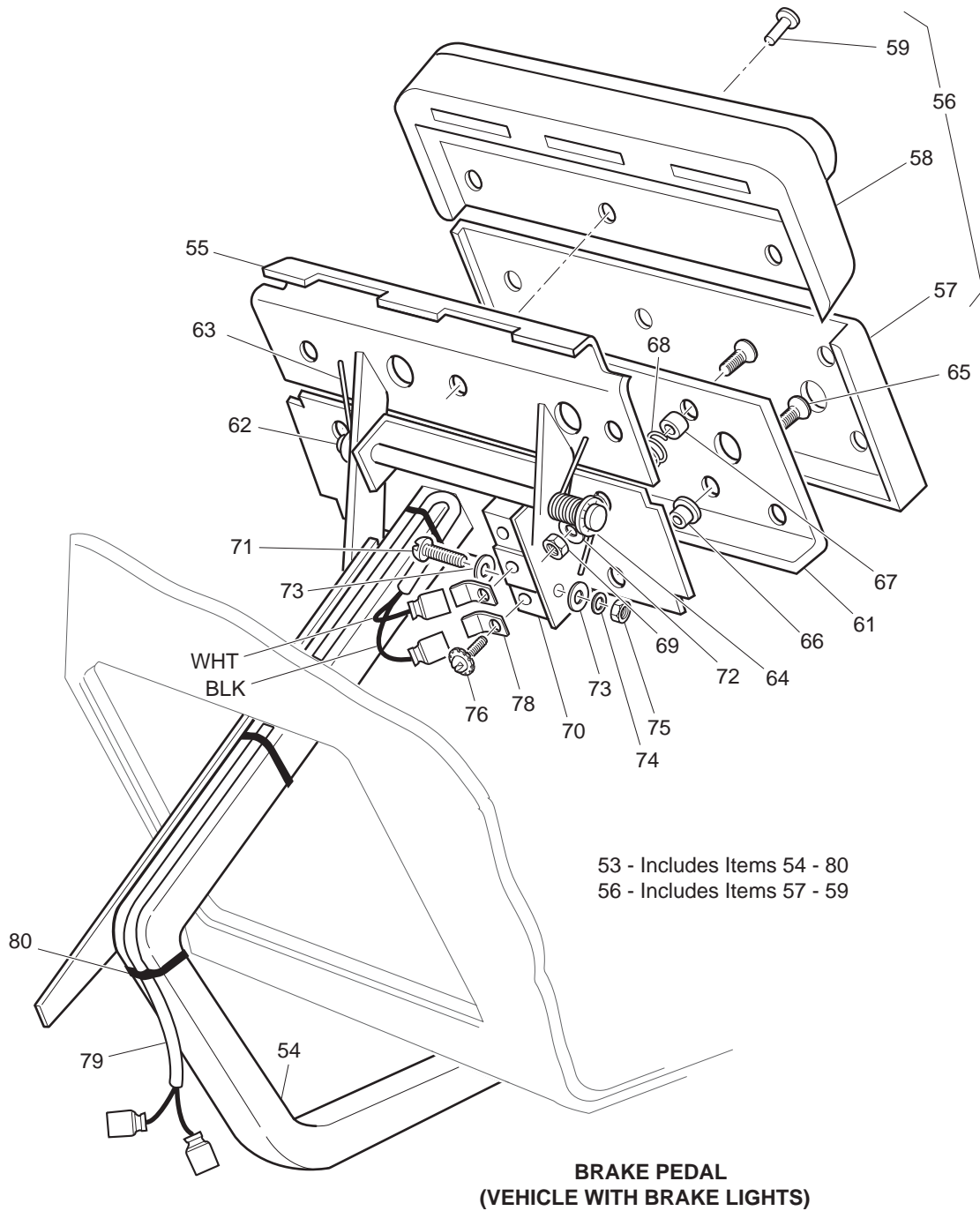
ITEM	PART NO.	1 2 3 4 5	DESCRIPTION	QTY.
151				
152	<u>75109-G04</u>		ASH TRAY KIT (INCLUDES ITEMS 153 - 156) .....	1
153	<u>27731-G01</u>		ASH TRAY .....	1
154	<u>27736-G01</u>		GASKET .....	1
155	<u>75108-G02</u>		BRACKET .....	1
156	<u>00100-G4</u>		SCREW, #10 - 16 X 1/2" LG .....	4
157				
158	<u>70245-G01</u>		BATTERY TRAY .....	1
159	<u>00715-G2</u>		BOLT, 5/16 - 18 X 13/16" LG .....	2
160	<u>00438-G8</u>		BOLT, 5/16 - 18 X 1" LG .....	2
161	<u>00571-G2</u>		WASHER, 5/16" .....	2
162	<u>11098-G6</u>		LOCK NUT, 5/16 - 18 .....	2



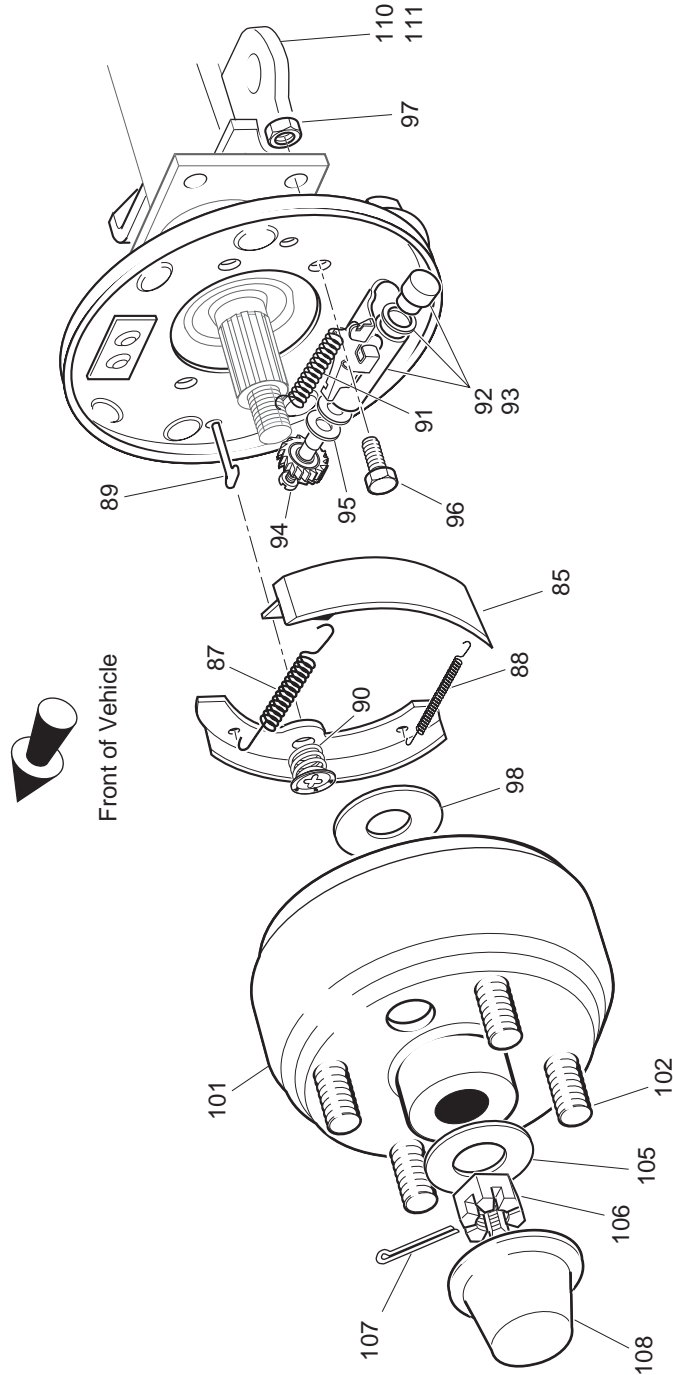
# BRAKES



Ref Brk 6-1



# BRAKES



- 82 - Includes Items 84 - 92
- 83 - Includes Items 84 - 93
- 84 - Includes Items 85
- 86 - Includes Items 87 - 91
- 92 - Includes Items 94, 95
- 93 - Includes Items 94, 95
- 100 - Includes Items 101, 102

Ref Brk 6-3

# BRAKES

THE USE OF NON U.L. PARTS WILL VOID ANY U.L. LISTING.

When ordering parts, please specify the model and serial number of the product.

\* Indicates a component that is not available as an individual part.

G\*\* Indicates consult Customer Service Department for additional information.

ITEM	PART NO.	1 2 3 4 5	DESCRIPTION	QTY.
1	<u>70612-G02</u>		BRAKE PEDAL ASSEMBLY (WITHOUT BRAKE LIGHTS) (INCLUDES ITEMS 2 - 10).....	1
2	<u>70681-G01</u>		TORSION SPRING.....	2
3	<u>70682-G01</u>		PIVOT PIN.....	1
4	<u>01071-G01</u>		PUSHNUT, 5/16".....	1
5	*		BRAKE PEDAL.....	1
6	<u>70611-G02</u>		PARK BRAKE PEDAL.....	1
7	<u>70274-G01</u>		BRAKE/PARK BRAKE PEDAL PAD KIT (INCLUDES ITEMS 8 - 10).....	1
8	*		SERVICE BRAKE PAD.....	1
9	*		PARK BRAKE PEDAL PAD.....	1
10	<u>15766-G1</u>		OVAL RIVET, 3/16" X 3/8" LG.....	9
11				
12	<u>70582-G01</u>		SHOULDER BOLT, 3/8 - 16 X 4" LG.....	1
13	<u>70581-G01</u>		FLANGED BUSHING.....	2
14	<u>70676-G01</u>		TORSION SPRING.....	1
15	<u>00643-G1</u>		WASHER, 3/8".....	1
16	<u>11098-G5</u>		LOCK NUT, 3/8 - 16.....	1
17				
18	<u>70272-G04</u>		COMPENSATOR ASSEMBLY (INCLUDES ITEMS 19, 20).....	1
19	<u>00963-G01</u>		SPHERICAL NUT, 5/16 - 24.....	1
20	<u>11098-G9</u>		LOCK NUT, 5/16 - 24.....	1
21				
22	<u>70969-G05</u>		EQUALIZER AND BRAKE CABLE ASSEMBLY (INCLUDES ITEMS 23 - 26)....	1
23	<u>28082-G01</u>		EQUALIZER BRACKET.....	1
24	<u>28083-G01</u>		BRAKE COMPENSATOR BUMPER.....	2
25	*		BRAKE CABLE (DRIVER SIDE).....	1
26	*		BRAKE CABLE (PASSENGER SIDE).....	1
27				
28	<u>01111-G01</u>		RETAINING RING, S.S.....	4
29				



# BRAKES

THE USE OF NON U.L. PARTS WILL VOID ANY U.L. LISTING.

When ordering parts, please specify the model and serial number of the product.

\* Indicates a component that is not available as an individual part.

G\*\* Indicates consult Customer Service Department for additional information.

ITEM	PART NO.	1 2 3 4 5	DESCRIPTION	QTY.
30	<u>10386-G3</u>		CLEVIS PIN, 5/16" X 1" LG .....	3
31	<u>10387-G3</u>		COTTER PIN, 3/32" X 3/4" LG .....	3
32	<u>14443-G2</u>		CLEVIS PIN, 5/16" X 3/4" LG .....	2
33				
34	<u>70601-G01</u>		KICK-OFF LINK.....	1
35	<u>17838-G1</u>		NYLON BUSHING.....	2
36	<u>20835-G1</u>		TEFLON WASHER, 3/8" .....	2
37	00559-G8		WASHER, 5/16" .....	2
38	<u>10387-G3</u>		COTTER PIN, 3/32" X 3/4" LG .....	2
39	<u>70098-G01</u>		KICK-OFF CAM PIVOT .....	1
40	<u>10097-G6</u>		FLANGED BEARING .....	2
41	<u>70587-G01</u>		KICK-OFF CAM.....	1
42	<u>71215-G01</u>		SETSCREW, 1/4 - 20 X 1/2" LG.....	2
43	<u>14134-G4</u>		SPACER.....	1
44				
45	<u>70113-G01</u>		ADJUSTABLE BUMPER .....	1
46	<u>11027-G1</u>		LOCK NUT, 5/16 - 18 .....	1
47				
48	<u>70080-G02</u>		CATCH BRACKET .....	1
49	<u>00414-G6</u>		BOLT, 1/4 - 20 X 3/4" LG .....	2
50	<u>00891-G2</u>		LOCK NUT, 1/4 - 20 .....	2
51				
52				
53	70690-G02		BRAKE PEDAL ASSEMBLY (WITH BRAKE LIGHTS) (INCLUDES ITEMS 54 - 80).....	1
54	*		BRAKE PEDAL.....	1
55	<u>70611-G02</u>		PARK BRAKE PEDAL .....	1
56	70274-G01		BRAKE/PARK BRAKE PEDAL PAD KIT (INCLUDES ITEMS 57 - 59).....	1
57	*		SERVICE BRAKE PAD .....	1
58	*		PARK BRAKE PAD.....	1

# BRAKES

THE USE OF NON U.L. PARTS WILL VOID ANY U.L. LISTING.

When ordering parts, please specify the model and serial number of the product.

\* Indicates a component that is not available as an individual part.

G\*\* Indicates consult Customer Service Department for additional information.

ITEM	PART NO.	1	2	3	4	5	DESCRIPTION	QTY.
59	<u>15766-G1</u>						OVAL RIVET, 3/16" x 3/8" LG.....	9
60								
61	<u>70258-G03</u>						BRAKE PEDAL PLATE.....	1
62	<u>70682-G01</u>						PIVOT PIN.....	1
63	<u>70681-G01</u>						TORSION SPRING.....	2
64	<u>01071-G01</u>						PUSHNUT, 5/16".....	1
65	<u>00737-G8</u>						SCREW, #10 - 24 X 1" LG.....	4
66	<u>00739-G1</u>						RUBBER NUT, #10 - 24.....	2
67	22362-G3						BRAKE PEDAL STANDOFF.....	2
68	<u>27137-G01</u>						CONICAL SPRING.....	2
69	11098-G7						LOCK NUT, #10 - 24.....	2
70	10606-G8						MICRO SWITCH.....	1
71	<u>00957-G1</u>						SCREW, #6 - 32 X 1 1/4" LG.....	2
72	<u>00559-G5</u>						WASHER, #10.....	2
73	<u>00559-G3</u>						WASHER, #6.....	4
74	<u>00565-G3</u>						LOCK WASHER, #6.....	2
75	<u>00525-G5</u>						NUT, #6 - 32.....	2
76	<u>13514-G1</u>						SCREW AND LOCK WASHER, #6.....	2
77								
78	<u>14628-G1</u>						FASTON TAB.....	2
79	<u>24605-G1</u>						WIRE HARNESS (BRAKE LIGHT).....	1
80	<u>17618-G1</u>						WIRE TIE.....	3
81								
82	<u>70998-G01</u>						BRAKE ASSEMBLY (DRIVER SIDE) (INCLUDES ITEMS 84 - 92).....	1
83	<u>70998-G02</u>						BRAKE ASSEMBLY (PASSENGER SIDE) (INCL. ITEMS 84 - 91, 93).....	1
84	70794-G01						BRAKE SHOE KIT (INCLUDES ITEM 85).....	2
85	*						BRAKE SHOE.....	2
86	<u>27944-G01</u>						BRAKE SPRING KIT (INCLUDES ITEMS 87 - 91).....	2
87	*						UPPER SPRING.....	1
88	*						LOWER SPRING.....	1

# BRAKES

THE USE OF NON U.L. PARTS WILL VOID ANY U.L. LISTING.

When ordering parts, please specify the model and serial number of the product.

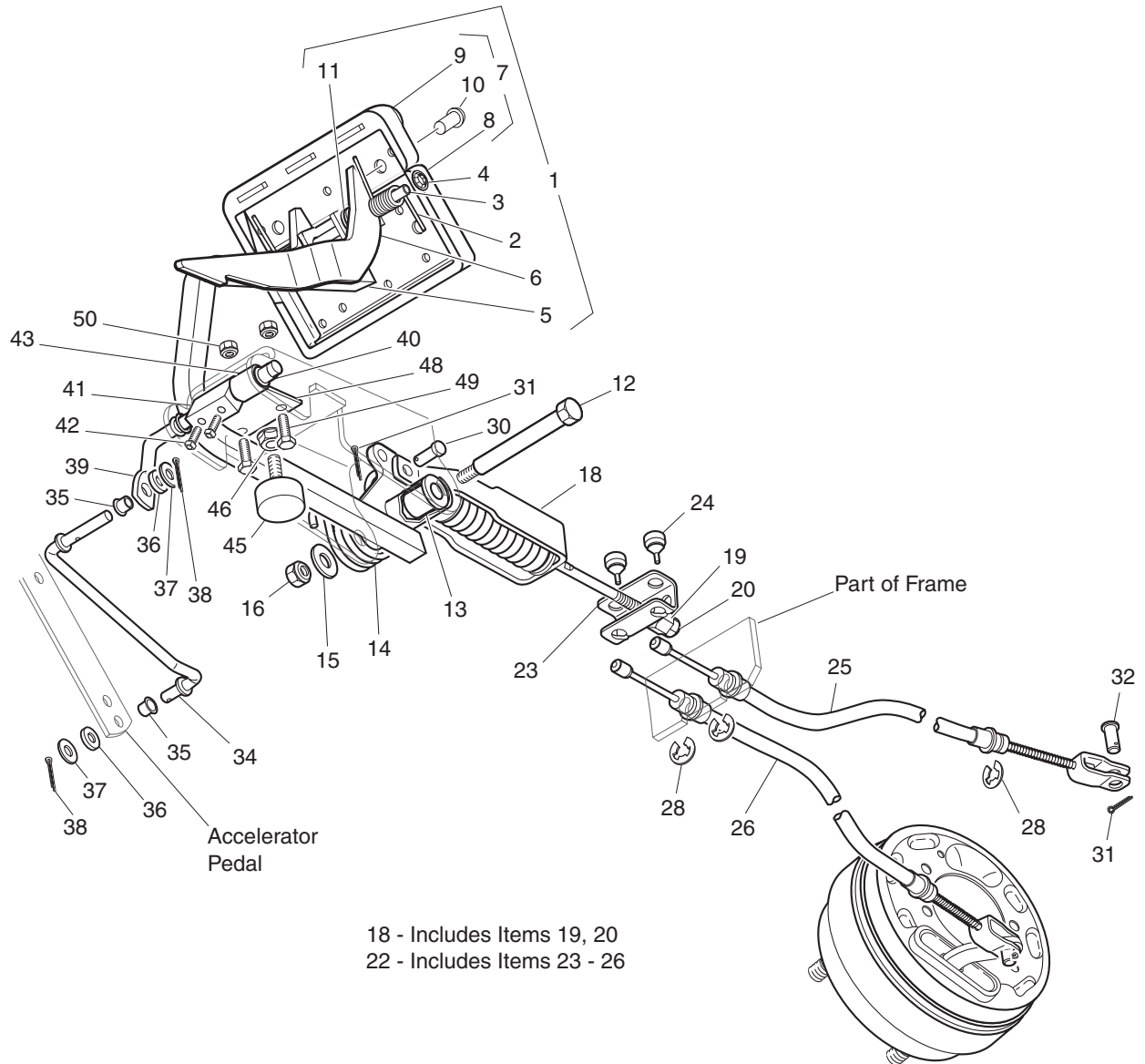
\* Indicates a component that is not available as an individual part.

G\*\* Indicates consult Customer Service Department for additional information.

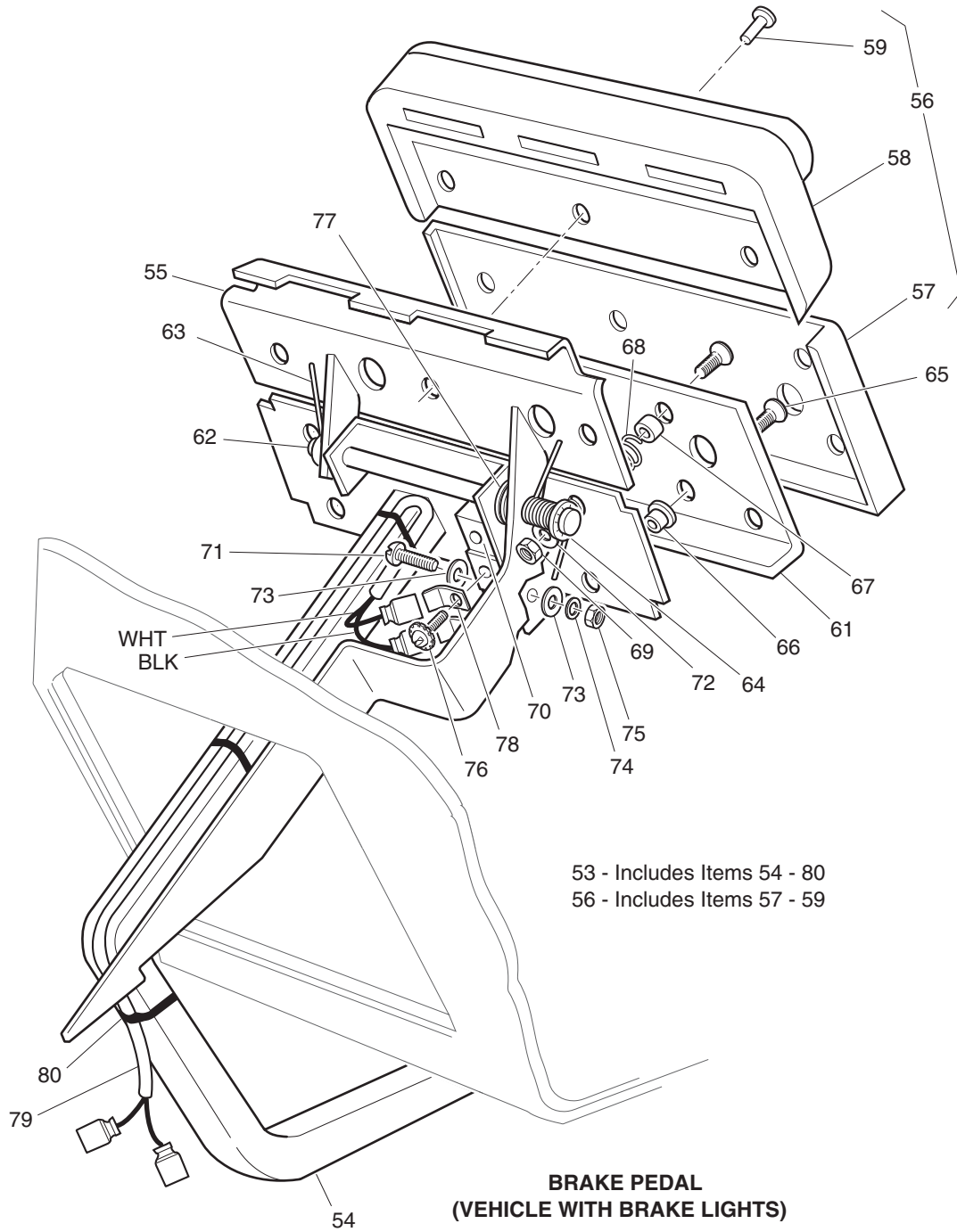
ITEM	PART NO.	1	2	3	4	5	DESCRIPTION	QTY.
89	*						PIN .....	2
90	*						CUP AND SPRING .....	2
91	*						ADJUSTER SPRING.....	1
92	<u>72582-G01</u>						BRAKE ADJUSTER KIT (DRIVER SIDE) (INCLUDES ITEMS 94, 95) .....	1
93	<u>72582-G02</u>						BRAKE ADJUSTER KIT (PASSENGER SIDE) (INCL ITEMS 94, 95).....	1
94	*						ADJUSTER .....	1
95	*						TEFLON WASHER.....	2
96	<u>17083-G2</u>						BOLT, 5/16 - 24 X 1" LG .....	8
97	<u>15126-G1</u>						LOCK NUT, 5/16 - 24 .....	8
98	<u>21809-G1</u>						INNER BRAKE DRUM WASHER, 1 5/16" OD X 1" ID X 1/32" .....	2
99								
100	<u>21807-G1</u>						BRAKE DRUM ASSEMBLY (INCLUDES ITEMS 101 - 102).....	2
101	*						BRAKE DRUM.....	1
102	<u>19862-G1</u>						LUG BOLT, 1/2 - 20.....	4
103								
104								
105	<u>21830-G1</u>						OUTER BRAKE DRUM WASHER .....	2
106	<u>00518-G8</u>						SLOTTED NUT, 3/4 - 16.....	2
107	<u>10387-G1</u>						COTTER PIN, 1/8" X 1 1/2" LG .....	2
108	<u>74175-G01</u>						SPINDLE CAP.....	2
109								
110	<u>72036-G03</u>						BRAKE CABLE BRACKET (PASSENGER SIDE).....	1
111	<u>72036-G04</u>						BRAKE CABLE BRACKET (DRIVER SIDE) .....	1



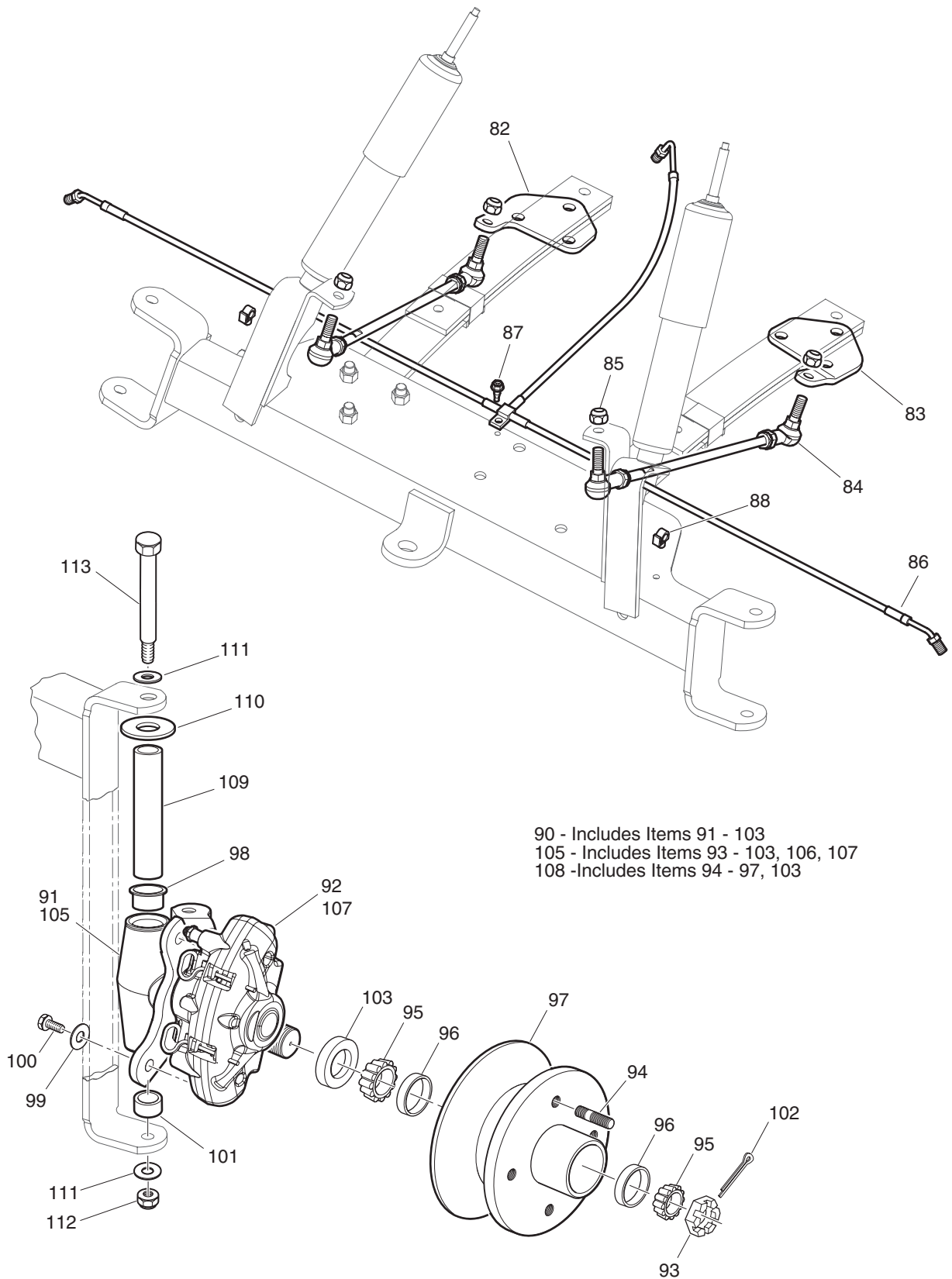
# BRAKES - FRONT DISC



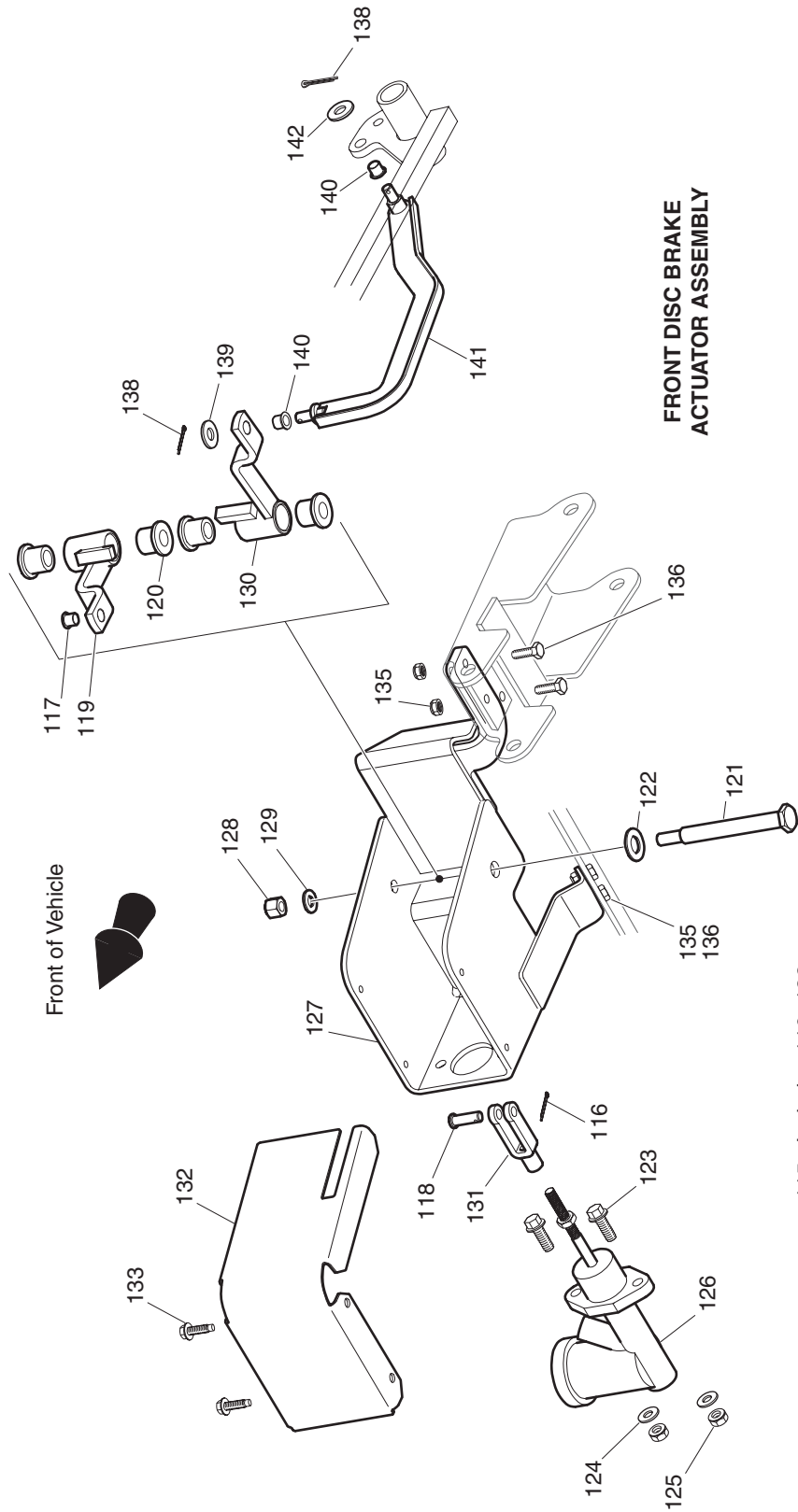
Ref Brh 21-1



# BRAKES - FRONT DISC



Ref Brh 21-3



115 - Includes 116 -133



# BRAKES - FRONT DISC

THE USE OF NON U.L. PARTS WILL VOID ANY U.L. LISTING.

When ordering parts, please specify the model and serial number of the product.

\* Indicates a component that is not available as an individual part.

G\*\* Indicates consult Customer Service Department for additional information.

ITEM	PART NO.	1 2 3 4 5	DESCRIPTION	QTY.
1	<u>74723-G01</u>		BRAKE PEDAL ASSEMBLY (WITHOUT BRAKE LIGHTS) (INCLUDES ITEMS 2 - 11) .....	1
2	<u>70681-G01</u>		TORSION SPRING .....	2
3	<u>70682-G01</u>		PIVOT PIN .....	1
4	<u>01071-G01</u>		PUSHNUT, 5/16" .....	1
5	*		BRAKE PEDAL .....	1
6	74724-G01		PARK BRAKE PEDAL .....	1
7	70274-G01		BRAKE/PARK BRAKE PEDAL PAD KIT (INCLUDES ITEMS 8 - 10) .....	1
8	*		SERVICE BRAKE PAD .....	1
9	*		PARK BRAKE PEDAL PAD .....	1
10	<u>16409-G1</u>		OVAL RIVET, 3/16" X 15/32" LG .....	9
11	<u>20835-G1</u>		WASHER, TEFLON, 3/8" .....	2
12	<u>70582-G01</u>		SHOULDER BOLT, 3/8 - 16 X 4" LG .....	1
13	<u>70581-G01</u>		FLANGED BUSHING .....	2
14	<u>70676-G01</u>		TORSION SPRING .....	1
15	<u>00643-G1</u>		WASHER, 3/8" .....	1
16	<u>11098-G5</u>		LOCK NUT, 3/8 - 16 .....	1
17				
18	70272-G04		COMPENSATOR ASSEMBLY (INCLUDES ITEMS 19, 20) .....	1
19	<u>00963-G01</u>		SPHERICAL NUT, 5/16 - 24 .....	1
20	<u>11098-G9</u>		LOCK NUT, 5/16 - 24 .....	1
21				
22	<u>70969-G05</u>		EQUALIZER AND BRAKE CABLE ASSEMBLY (INCLUDES ITEMS 23 - 26)....	1
23	<u>28082-G01</u>		EQUALIZER BRACKET .....	1
24	<u>28083-G01</u>		BRAKE COMPENSATOR BUMPER.....	2
25	*		BRAKE CABLE (DRIVER SIDE).....	1
26	*		BRAKE CABLE (PASSENGER SIDE) .....	1
27				
28	<u>01111-G01</u>		RETAINING RING, S.S.....	4
29				

## BRAKES - FRONT DISC

THE USE OF NON U.L. PARTS WILL VOID ANY U.L. LISTING.

When ordering parts, please specify the model and serial number of the product.

\* Indicates a component that is not available as an individual part.

G\*\* Indicates consult Customer Service Department for additional information.

ITEM	PART NO.	1 2 3 4 5	DESCRIPTION	QTY.
30	<u>10386-G3</u>		CLEVIS PIN, 5/16" X 1" LG .....	3
31	<u>10387-G3</u>		COTTER PIN, 3/32" X 3/4" LG .....	3
32	<u>14443-G2</u>		CLEVIS PIN, 5/16" X 3/4" LG .....	2
33				
34	<u>70601-G01</u>		KICK-OFF LINK.....	1
35	<u>17838-G1</u>		NYLON BUSHING.....	2
36	<u>20835-G1</u>		TEFLON WASHER, 3/8" .....	2
37	00559-G8		WASHER, 5/16" .....	2
38	<u>10387-G3</u>		COTTER PIN, 3/32" X 3/4" LG .....	2
39	<u>70098-G01</u>		KICK-OFF CAM PIVOT .....	1
40	<u>10097-G6</u>		FLANGED BEARING .....	2
41	<u>70587-G01</u>		KICK-OFF CAM.....	1
42	<u>71215-G01</u>		SETSCREW, 1/4 - 20 X 1/2" LG.....	2
43	<u>14134-G4</u>		SPACER.....	1
44				
45	<u>70113-G01</u>		ADJUSTABLE BUMPER .....	1
46	<u>11027-G1</u>		LOCK NUT, 5/16 - 18 .....	1
47				
48	<u>70080-G01</u>		CATCH BRACKET .....	1
49	<u>00414-G6</u>		BOLT, 1/4 - 20 X 3/4" LG .....	2
50	<u>00891-G2</u>		LOCK NUT, 1/4 - 20 .....	2
51				
52				
53	<u>74874-G01</u>		BRAKE PEDAL ASSEMBLY (WITH BRAKE LIGHTS) (INCLUDES ITEMS 54 - 80).....	1
54	*		BRAKE PEDAL.....	1
55	74724-G01		PARK BRAKE PEDAL .....	1
56	70274-G01		BRAKE/PARK BRAKE PEDAL PAD KIT (INCLUDES ITEMS 57 - 59).....	1
57	*		SERVICE BRAKE PAD .....	1
58	*		PARK BRAKE PAD.....	1

# BRAKES - FRONT DISC

THE USE OF NON U.L. PARTS WILL VOID ANY U.L. LISTING.

When ordering parts, please specify the model and serial number of the product.

\* Indicates a component that is not available as an individual part.

G\*\* Indicates consult Customer Service Department for additional information.

ITEM	PART NO.	1	2	3	4	5	DESCRIPTION	QTY.
59	<u>16409-G1</u>						OVAL RIVET, 3/16" X 15/32" LG .....	9
60								
61	<u>70258-G02</u>						BRAKE PEDAL PLATE .....	1
62	<u>70682-G01</u>						PIVOT PIN .....	1
63	<u>70681-G01</u>						TORSION SPRING .....	2
64	<u>01071-G01</u>						PUSHNUT, 5/16" .....	1
65	<u>00737-G8</u>						SCREW, #10 - 24 X 1" LG .....	4
66	<u>00739-G1</u>						RUBBER NUT, #10 - 24.....	2
67	<u>22362-G3</u>						BRAKE PEDAL STANDOFF .....	2
68	<u>27137-G01</u>						CONICAL SPRING .....	2
69	<u>11098-G7</u>						LOCK NUT, #10 - 24.....	2
70	<u>10606-G8</u>						MICRO SWITCH.....	1
71	<u>00957-G1</u>						SCREW, #6 - 32 X 1 1/4" LG .....	2
72	<u>00559-G5</u>						WASHER, #10 .....	2
73	<u>00559-G3</u>						WASHER, #6 .....	4
74	<u>00565-G3</u>						LOCK WASHER, #6 .....	2
75	<u>00525-G5</u>						NUT, #6 - 32.....	2
76	<u>13514-G1</u>						SCREW AND LOCK WASHER, #6.....	2
77	<u>20835-G1</u>						WASHER, TEFLON, 3/8" .....	2
78	<u>14628-G1</u>						FASTON TAB.....	2
79	<u>24605-G1</u>						WIRE HARNESS (BRAKE LIGHT) .....	1
80	<u>17618-G1</u>						WIRE TIE .....	3
81								
82	<u>74731-G02</u>						SPRING PLATE (PASSENGER SIDE) .....	1
83	<u>74731-G01</u>						SPRING PLATE (DRIVER SIDE).....	1
84	<u>74730-G01</u>						FOUR LINK ROD.....	2
85	<u>01084-G01</u>						LOCK NUT, M10-1.25 .....	4
86	<u>74736-G01</u>						BRAKE LINE.....	1
87	<u>01038-G01</u>						SCREW, 1/4 - 20 X 4444" LG .....	1
88	<u>74875-G01</u>						WIRE RETAINER.....	2

# BRAKES - FRONT DISC

THE USE OF NON U.L. PARTS WILL VOID ANY U.L. LISTING.

When ordering parts, please specify the model and serial number of the product.

\* Indicates a component that is not available as an individual part.

G\*\* Indicates consult Customer Service Department for additional information.

ITEM	PART NO.	1 2 3 4 5	DESCRIPTION	QTY.
89				
90	74677-G01		SPINDLE, CALIPER AND DISC HUB ASSEMBLY (DRIVER SIDE) (INCLUDES ITEMS 91 - 103).....	1
91	<u>74672-G01</u>		DISC BRAKE SPINDLE (DRIVER SIDE) .....	1
92	<u>74733-G02</u>		CALIPER (DRIVER SIDE) .....	1
93	12093-G1		SLOTTED NUT .....	1
94	<u>74864-G01</u>		DRIVE FLANGE STUD.....	4
95	<u>11750-G2</u>		ROLLER BEARING .....	2
96	<u>51141-G1</u>		BEARING RACE.....	2
97	<u>74673-G01</u>		DISC BRAKE HUB.....	1
98	<u>70648-G01</u>		FLANGED BEARING.....	1
99	<u>00565-G8</u>		WASHER, 3/8" .....	2
100	<u>00426-G8</u>		BOLT, 3/8 - 16 X 1.....	2
101	<u>70749-G01</u>		BEARING.....	1
102	<u>00798-G8</u>		COTTER PIN .....	1
103	<u>25146-G1</u>		GREASE SEAL.....	1
104				
105	74676-G01		SPINDLE, CALIPER AND DISC HUB ASSEMBLY (PASSENGER SIDE) (INCLUDES ITEMS 93 - 103, 106, 107).....	1
106	<u>74671-G01</u>		DISC BRAKE SPINDLE (PASSENGER SIDE).....	1
107	<u>74733-G01</u>		CALIPER (PASSENGER SIDE).....	1
108	<u>74948-G01</u>		DISC BRAKE SERVICE HUB (INCLUDES ITEMS 94 - 97, 103).....	1
109	<u>70745-G01</u>		KINGPIN TUBE .....	2
110	<u>70754-G01</u>		THRUST WASHER .....	2
111	<u>00560-G3</u>		WASHER, 1/2" .....	4
112	<u>14390-G6</u>		LOCKNUT, 1/2 - 13 .....	2
113	<u>00407-G6</u>		CAPSCREW, 1/2 - 13 X 6" LG .....	2
114				
115	<u>74702-G01</u>		FRONT DISC BRAKE BRAKE ACTUATOR ASSEMBLY (INCLUDES ITEMS 116 - 133).....	1
116	<u>10387-G3</u>		COTTER PIN, 3/32 X 3/4" LG.....	1

# BRAKES - FRONT DISC

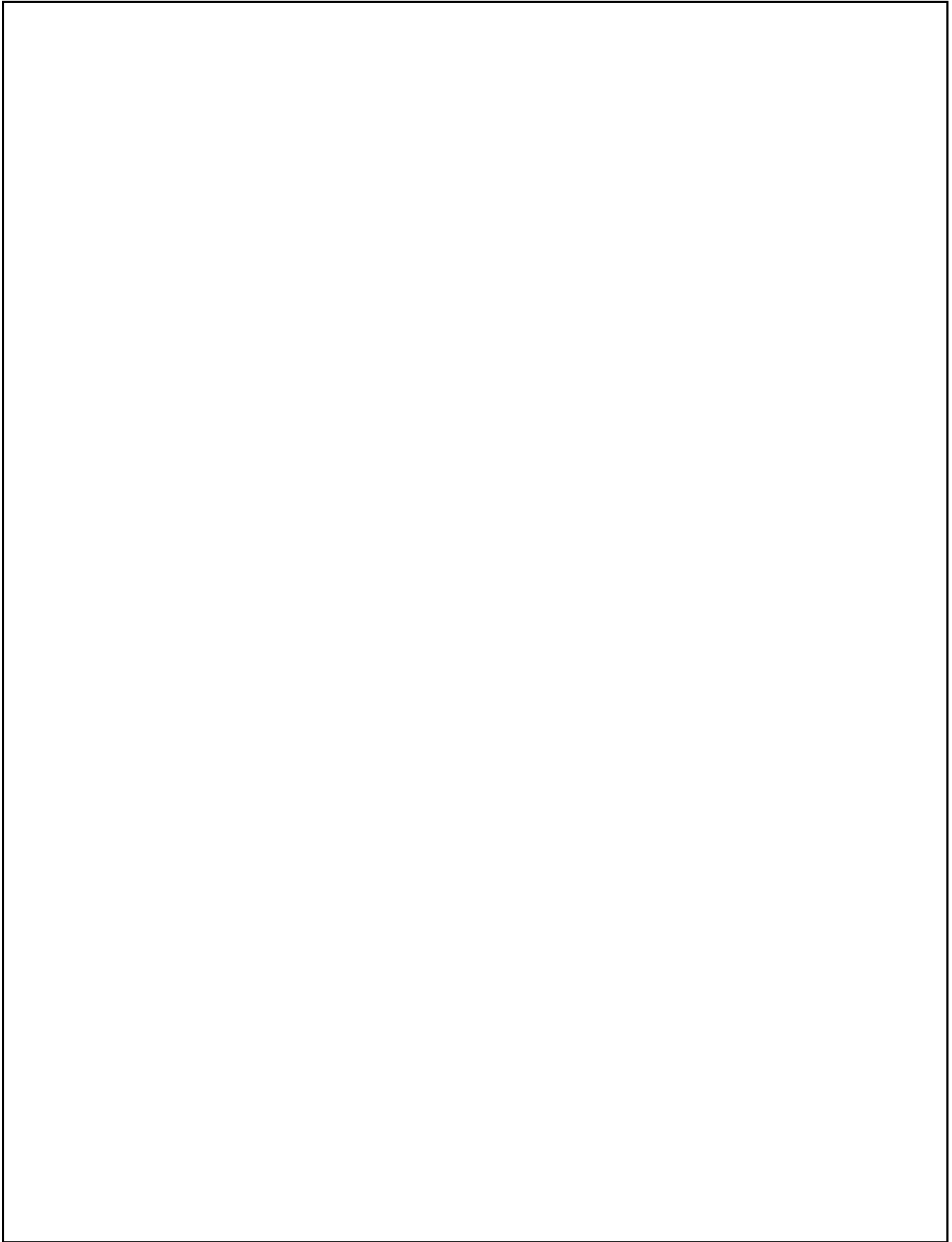
THE USE OF NON U.L. PARTS WILL VOID ANY U.L. LISTING.

When ordering parts, please specify the model and serial number of the product.

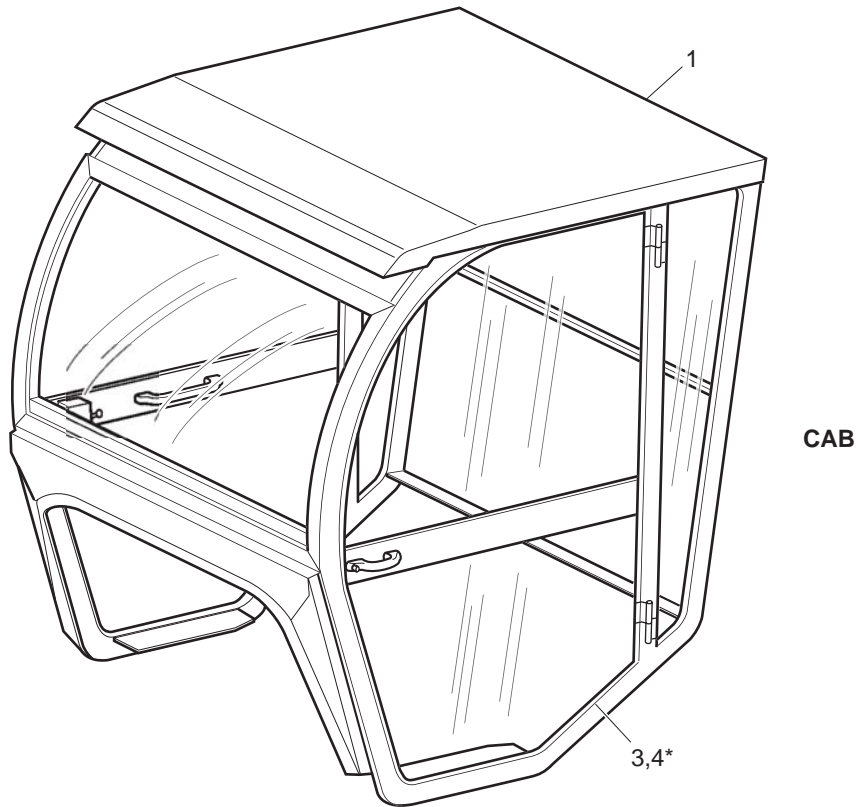
\* Indicates a component that is not available as an individual part.

G\*\* Indicates consult Customer Service Department for additional information.

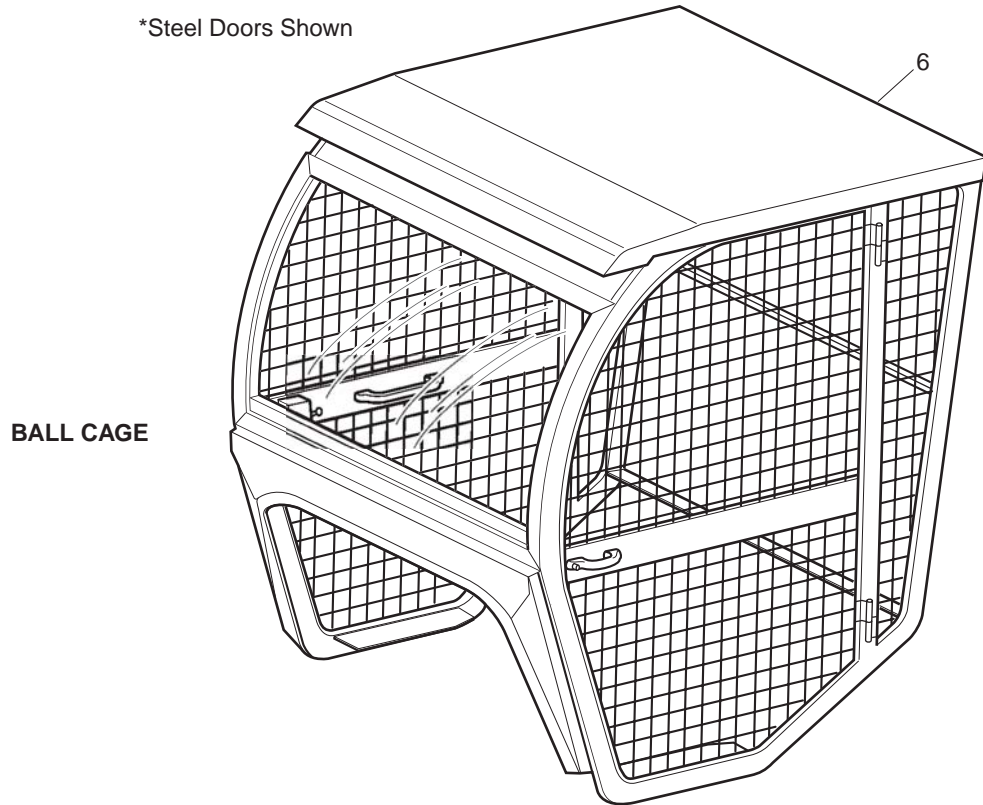
ITEM	PART NO.	1	2	3	4	5	DESCRIPTION	QTY.
117	<u>17838-G1</u>						NYLON BUSHING .....	1
118	<u>10386-G3</u>						CLEVIS PIN, 5/16 X 1" LG.....	1
119	<u>74753-G01</u>						UPPER ACTUATOR PIVOT .....	1
120	<u>70581-G02</u>						ACETAL BUSHING .....	4
121	<u>74711-G01</u>						SHOULDER BOLT .....	1
122	<u>00560-G3</u>						WASHER, 1/2" .....	1
123	<u>13437-G3</u>						BOLT, 1/2 - 13 X 6" LG.....	2
124	<u>00679-G2</u>						WASHER, 5/16" STAINLESS .....	2
125	<u>00654-G3</u>						LOCKNUT, 5/16 - 18.....	2
126	<u>74742-G01</u>						MASTER CYLINDER.....	1
127	<u>74703-G01</u>						BRAKE ACTUATOR ASSEMBLY HOUSING .....	1
128	<u>11098-G5</u>						LOCKNUT, 3/8 - 16.....	1
129	<u>00679-G1</u>						WASHER, 3/8" STAINLESS .....	1
130	<u>74707-G01</u>						LOWER ACTUATOR PIVOT.....	1
131	10385-G4						CLEVIS YOKE .....	1
132	<u>74873-G01</u>						BRAKE ACTUATOR ASSEMBLY COVER .....	1
133	<u>01038-G01</u>						SCREW, 1/4 -20 SWAGEFORM.....	4
134								
135	00414-G8						BOLT, 1/4 - 20 X 1 1/4" LG .....	4
136	<u>00891-G2</u>						LOCKNUT, 1/4 - 20 .....	4
137								
138	<u>10387-G3</u>						COTTER PIN, 3/32 X 3/4 .....	2
139	<u>20835-G1</u>						WASHER, NYLON .....	1
140	<u>17838-G1</u>						NYLON BUSHING.....	2
141	<u>74865-G01</u>						ACTUATOR LINKAGE .....	1
142	<u>00771-G5</u>						WASHER, 3/8" .....	1
143	<u>74917-G01</u>						DISC BRAKE PAD AND PIN KIT (SERVICES ONE CORNER) (INCLUDES ITEMS 144 - 145).....	1
144	*						BRAKE PADS .....	2
145	*						BRAKE PAD RETAINER PINS .....	2



# CAB



\*Steel Doors Shown



Ref Cab 6-1

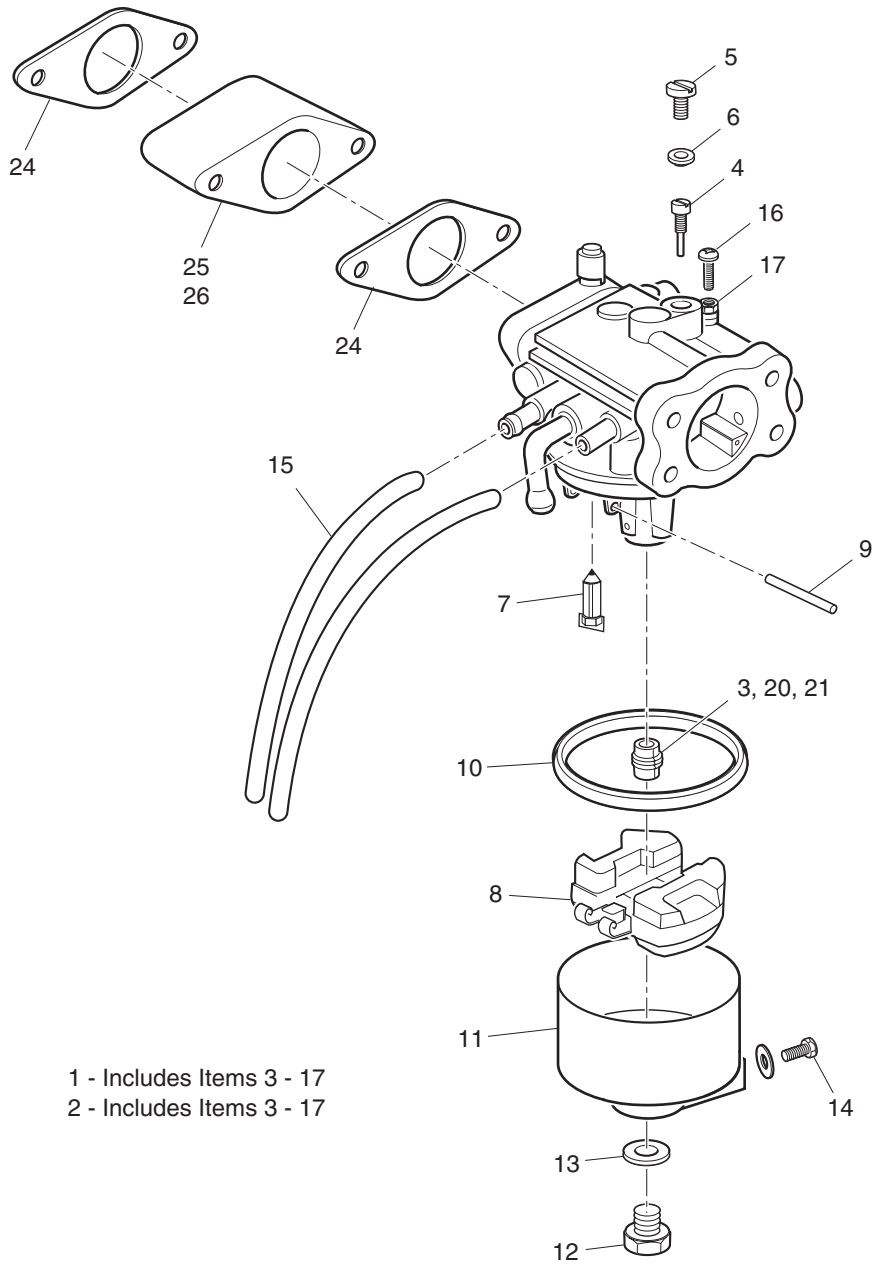
For Cab Accessories, See ACCESSORIES LISTING in Appendix B

THE USE OF NON U.L. PARTS WILL VOID ANY U.L. LISTING.  
 When ordering parts, please specify the model and serial number of the product.  
 \* Indicates a component that is not available as an individual part.  
 G\*\* Indicates consult Customer Service Department for additional information.

ITEM	PART NO.	1 2 3 4 5	DESCRIPTION	QTY.
1	72684-G**		STEEL CAB (WITHOUT DOORS) REPAACEMENT PARTS AND ACCESSORIES MAY BE OBTAINED FROM CURTIS CAB, INC. ....	1
2				
3	<u>75855-G01</u>		VINYL DOOR KIT.....	1
4	75856-G**		STEEL DOOR KIT.....	1
5				
6	<u>72685-G01</u>		BALL CAGE .....	1
<p>For Cab replacement parts and accessories, contact Curtis Cab at:                      Curtis Cab, Inc. 111 Higgins Street, Worcester, Massachusetts, 01606.                      Tel.: 508-853-2200. Toll free: 800-343-7676.                      www.curtiscab.com</p>				

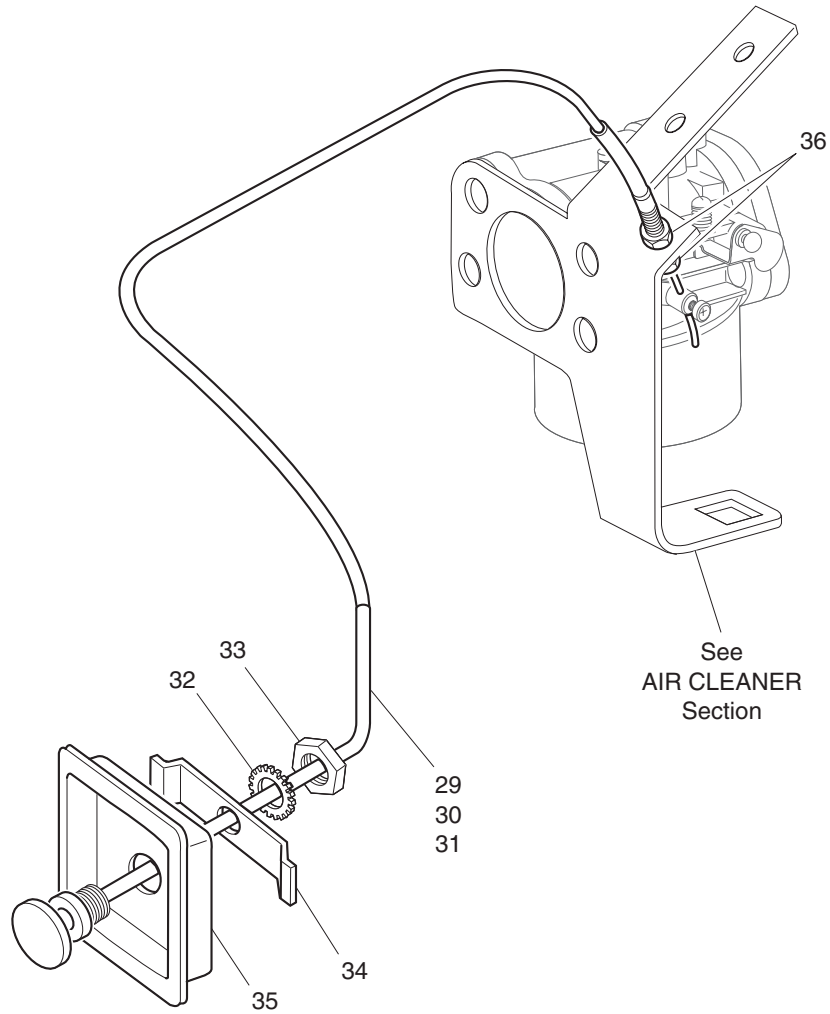


# CARBURETOR AND CHOKE



1 - Includes Items 3 - 17  
 2 - Includes Items 3 - 17

# CARBURETOR AND CHOKE



# CARBURETOR AND CHOKE

Where applicable, THE USE OF NON UL PARTS WILL VOID ANY UL LISTING.

When ordering parts, please specify the model and serial number of the product.

\* Indicates a component that is not available as an individual part.

G\*\* Indicates consult Customer Service Department for additional information.

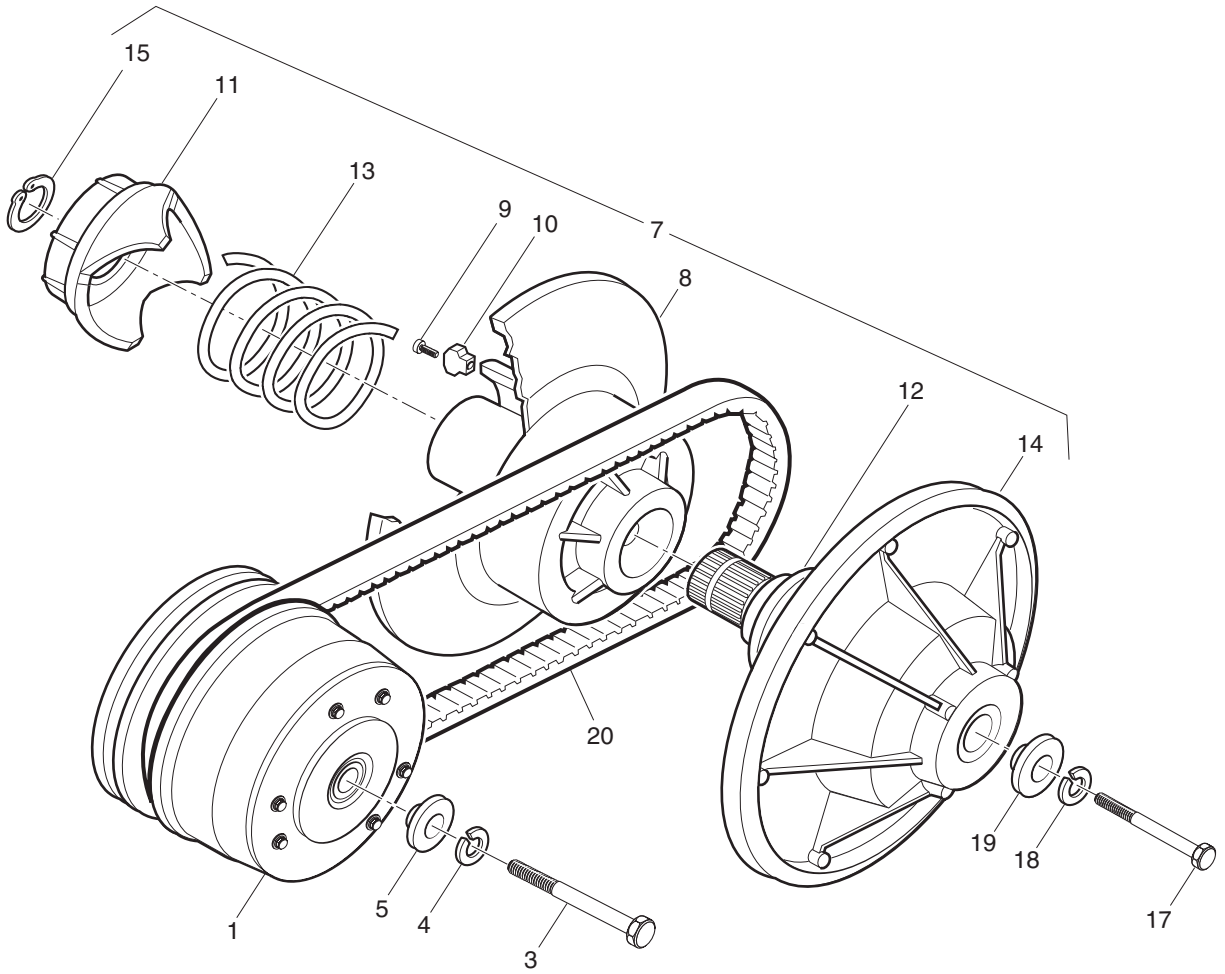
ITEM	PART NO.	1 2 3 4 5	DESCRIPTION	QTY.
1	<u>72840-G01</u>		CARBURETOR (FOR VEHICLES ORIGINALLY EQUIPPED WITH 295cc (EH29C)) (INCLUDES ITEMS 3 - 17).....	1
2	<u>72840-G02</u>		CARBURETOR (FOR VEHICLES ORIGINALLY EQUIPPED WITH 350cc (EH35C)) (INCLUDES ITEMS 3 - 17).....	1
3	<u>26646-G08</u>		MAIN JET (#86) .....	1
4	<u>26649-G05</u>		PILOT JET (#46).....	1
5	<u>26841-G01</u>		PLUG .....	1
6	<u>72306-G01</u>		GASKET .....	1
7	<u>72578-G01</u>		NEEDLE VALVE .....	1
8	<u>26648-G01</u>		FLOAT.....	1
9	<u>26840-G01</u>		FLOAT PIN.....	1
10	<u>26843-G01</u>		FLOAT BOWL GASKET .....	1
11	<u>26844-G01</u>		FLOAT CHAMBER.....	1
12	<u>26839-G01</u>		BOWL SCREW .....	1
13	<u>26838-G01</u>		BOWL GASKET .....	1
14	<u>72579-G01</u>		DRAIN SCREW .....	1
15	<u>26650-G01</u>		VENT TUBE.....	2
16	<u>72317-G01</u>		SCREW.....	1
17	<u>72310-G01</u>		NUT.....	1
18				
19				
20	<u>26646-G**</u>		MAIN JET (***) (FOR ELEVATIONS OF 3000 FT - 6000 FT).....	1
21	<u>26646-G**</u>		MAIN JET (***) (FOR ELEVATIONS OF 6000 FT - 10000 FT).....	1
22				
23				
24	<u>26726-G01</u>		CARBURETOR MOUNT GASKET.....	2
25	<u>72883-G01</u>		CARBURETOR INSULATOR (FOR FUJI ENGINE EH29C) .....	1
26	<u>72854-G01</u>		CARBURETOR INSULATOR (FOR FUJI ENGINE EH35C) .....	1
27				
28				
29	<u>25693-G04</u>		CHOKE CABLE (22 1/4" LG WITH NUTS) .....	1

# CARBURETOR AND CHOKE

Where applicable, THE USE OF NON UL PARTS WILL VOID ANY UL LISTING.  
 When ordering parts, please specify the model and serial number of the product.  
 \* Indicates a component that is not available as an individual part.  
 G\*\* Indicates consult Customer Service Department for additional information.

ITEM	PART NO.	1 2 3 4 5	DESCRIPTION	QTY.
30	72401-G01		CHOKE CABLE (60 1/4" LG WITH NUTS) .....	1
31	72401-G02		CHOKE CABLE (31 1/2" LG WITH NUTS) .....	1
32	<u>00568-G4</u>		LOCK WASHER, 9/16" .....	1
33	<u>00545-G4</u>		JAM NUT, 9/16 - 18 .....	1
34	<u>72155-G01</u>		RETAINER .....	1
35	<u>72154-G01</u>		CHOKE CABLE ADAPTER .....	1
36	<u>00544-G4</u>		JAM NUT, 5/16 - 24 .....	2

# CLUTCH



Ref Clt 21-1

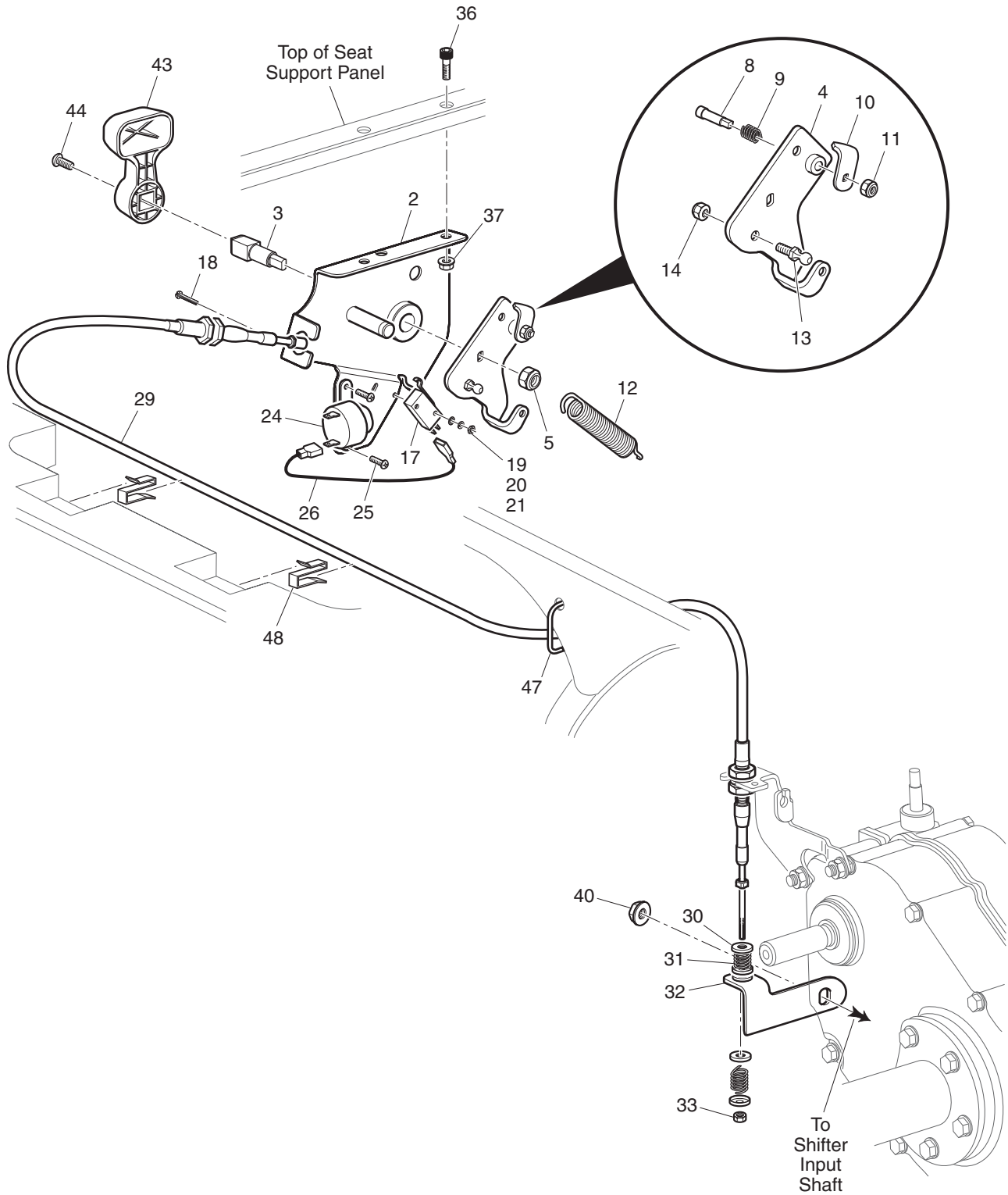
# CLUTCH

THE USE OF NON U.L. PARTS WILL VOID ANY U.L. LISTING.  
 When ordering parts, please specify the model and serial number of the product.  
 \* Indicates a component that is not available as an individual part.  
 G\*\* Indicates consult Customer Service Department for additional information.

ITEM	PART NO.	1 2 3 4 5	DESCRIPTION	QTY.
1	<u>74626-G01</u>		DRIVE CLUTCH .....	1
2				
3	<u>00473-G9</u>		BOLT, 7/16 - 20 X 6 1/2" LG .....	1
4	<u>00566-G2</u>		LOCK WASHER, 7/16" .....	1
5	<u>25757-G1</u>		PILOT WASHER .....	1
6				
7	<u>26301-G03</u>		DRIVEN CLUTCH ASSEMBLY (INCLUDES ITEMS 8 - 15) .....	1
8	*		MOVABLE SHEAVE (INCLUDES ITEMS 9 -10).....	1
9	<u>00979-G01</u>		SCREW, #10 - 24 X 7/8" LG.....	3
10	<u>72324-G01</u>		RAMP BUTTON .....	3
11	*		CAM.....	1
12	<u>24600-G1</u>		SPACER .....	1
13	<u>26304-G01</u>		COMPRESSION SPRING .....	1
14	*		SHEAVE AND POST .....	1
15	<u>27270-G01</u>		HEAVY DUTY RETAINING RING .....	1
16				
17	<u>00441-G8</u>		BOLT, 5/16 - 18 X 4" LG .....	1
18	<u>00565-G8</u>		LOCK WASHER, 5/16" .....	4
19	<u>25756-G1</u>		RETAINING WASHER .....	1
20	<u>72328-G01</u>		DRIVE BELT (SEVERE DUTY) .....	1

# DIRECTION SELECTOR

1 - Includes Items 2 - 33



Ref Dsl 21-1

# DIRECTION SELECTOR

THE USE OF NON U.L. PARTS WILL VOID ANY U.L. LISTING.

When ordering parts, please specify the model and serial number of the product.

\* Indicates a component that is not available as an individual part.

G\*\* Indicates consult Customer Service Department for additional information.

ITEM	PART NO.	1 2 3 4 5	DESCRIPTION	QTY.
1	<u>72721-G06</u>		DIRECTION SELECTOR ASSEMBLY E-COAT (INCLUDES ITEMS 2 - 33) .....	1
2	<u>72737-G02</u>		DIRECTION SELECTOR BRACKET .....	1
3	<u>70233-G01</u>		DIRECTION SELECTOR SHAFT .....	1
4	<u>72738-G01</u>		DIRECTION SELECTOR CAM .....	1
5	<u>14390-G1</u>		LOCK NUT, 3/8 - 24 .....	1
6				
7				
8	<u>72724-G01</u>		NEUTRAL LOCK PIN .....	1
9	<u>72733-G01</u>		COMPRESSION SPRING, 3/8" X 5/8" LG .....	1
10	<u>72729-G01</u>		NEUTRAL LOCK LATCH .....	1
11	<u>00734-G2</u>		LOCK NUT, 1/4 - 28 .....	1
12	<u>28574-G01</u>		EXTENSION SPRING .....	1
13	<u>72732-G01</u>		BALL STUD .....	1
14	<u>00734-G5</u>		LOCK NUT, #10 - 32 .....	1
15				
16				
17	<u>72736-G01</u>		MICRO SWITCH .....	1
18	<u>01062-G01</u>		SCREW, #4 - 40 X 1" LG .....	2
19	<u>00559-G1</u>		WASHER, #4 .....	2
20	<u>00565-G1</u>		LOCK WASHER, #4 .....	2
21	<u>00526-G2</u>		NUT, #4 - 40 .....	2
22				
23				
24	<u>73290-G03</u>		REVERSE WARNING BUZZER .....	1
25	<u>01063-G01</u>		SCREW, #6 - 32 X 3/8" LG .....	2
26	<u>25978-G345</u>		18 GA WIRE (RED 7") .....	1
27				
28				
29	<u>72734-G03</u>		SHIFTER CABLE .....	1
30	<u>25727-G01</u>		CUP WASHER .....	4



# DIRECTION SELECTOR

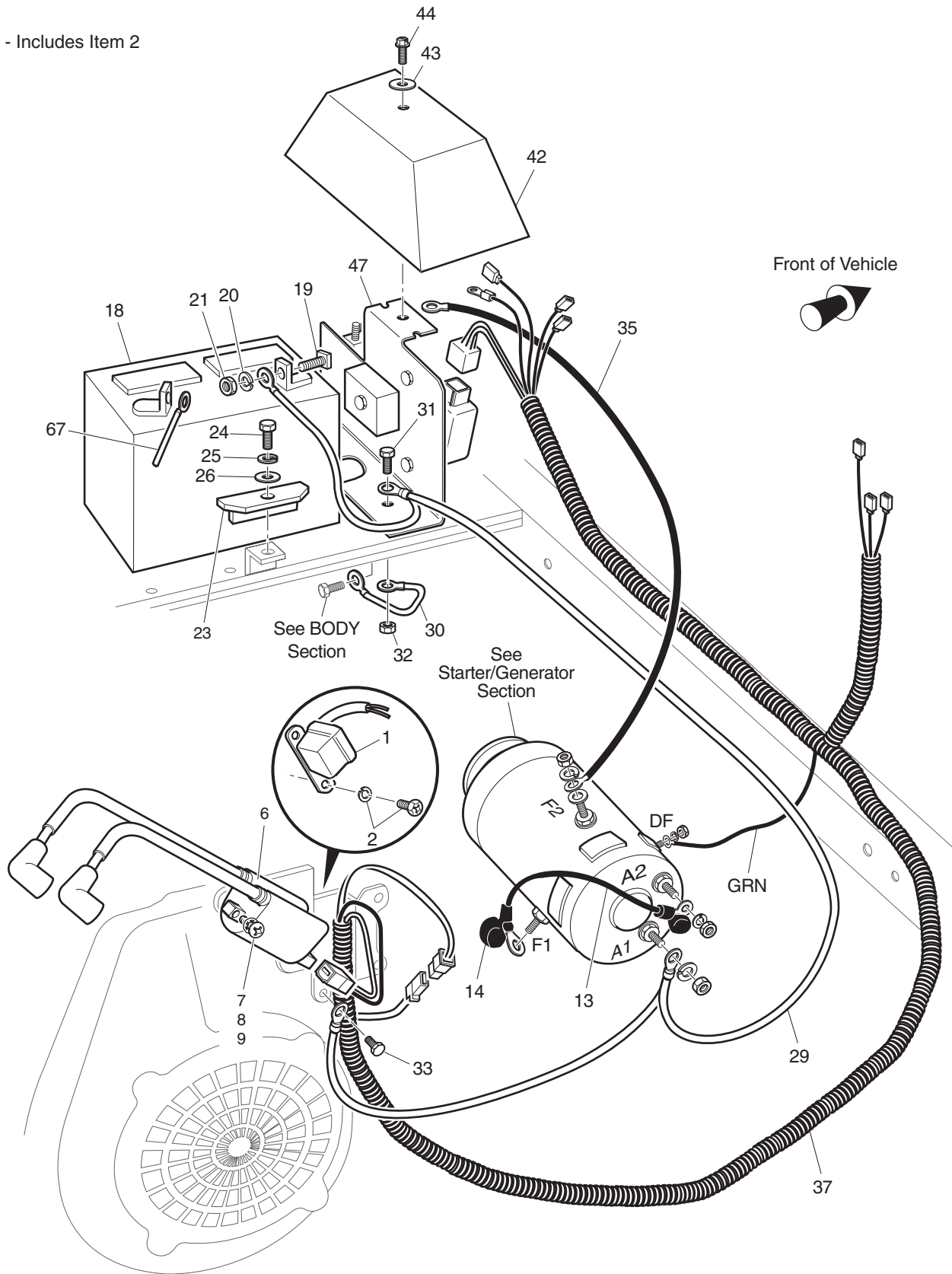
THE USE OF NON U.L. PARTS WILL VOID ANY U.L. LISTING.  
 When ordering parts, please specify the model and serial number of the product.  
 \* Indicates a component that is not available as an individual part.  
 G\*\* Indicates consult Customer Service Department for additional information.

ITEM	PART NO.	1 2 3 4 5	DESCRIPTION	QTY.
31	<u>72735-G01</u>		COMPRESSION SPRING, 19/32" X 1" LG .....	2
32	<u>72730-G01</u>		SHIFTER ARM.....	1
33	<u>00734-G5</u>		LOCK NUT, #10 - 32.....	1
34				
35				
36	<u>70227-G01</u>		SCREW, 1/4 - 20 X 7/8" LG.....	2
37	<u>11027-G2</u>		LOCK NUT, 1/4 - 20 .....	2
38				
39				
40	26830-G01		LOCK NUT, M8 X 1.25 MM .....	1
41				
42				
43	<u>71205-G01</u>		DIRECTION SELECTOR HANDLE.....	1
44	<u>00740-G4</u>		SCREW, #10 - 32 X 1/2" LG (STAINLESS STEEL) .....	1
45				
46				
47	<u>31539-G1</u>		WIRE TIE .....	1
48	<u>01072-G01</u>		CABLE CLIP.....	2
49	<u>11845-G5</u>		CLIP, 3/8".....	1
50	<u>00414-G6</u>		BOLT, 1/4 - 20 X 3/4" LG .....	1
51	<u>14390-G4</u>		LOCK NUT, 1/4 - 20 .....	1



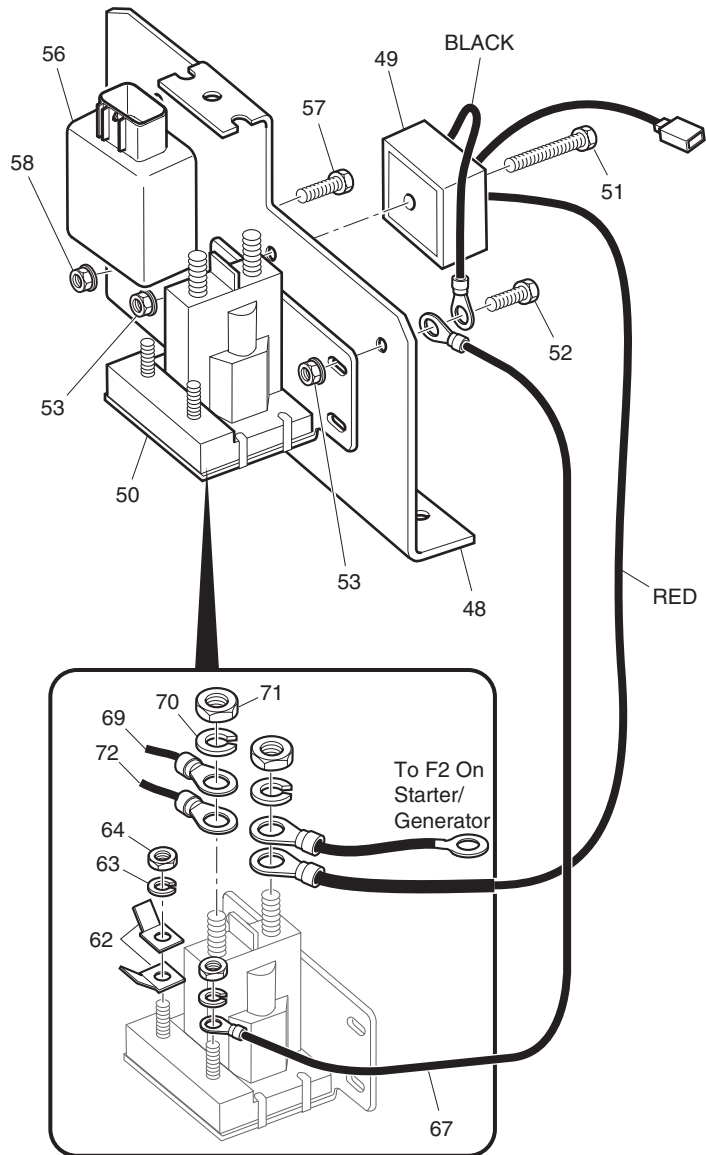
# ELECTRICAL

1 - Includes Item 2

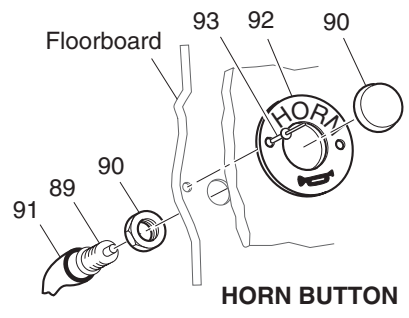
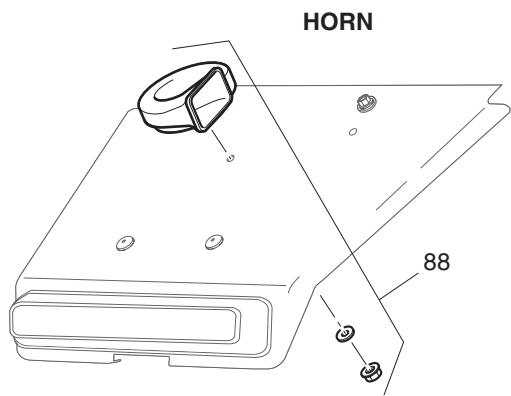
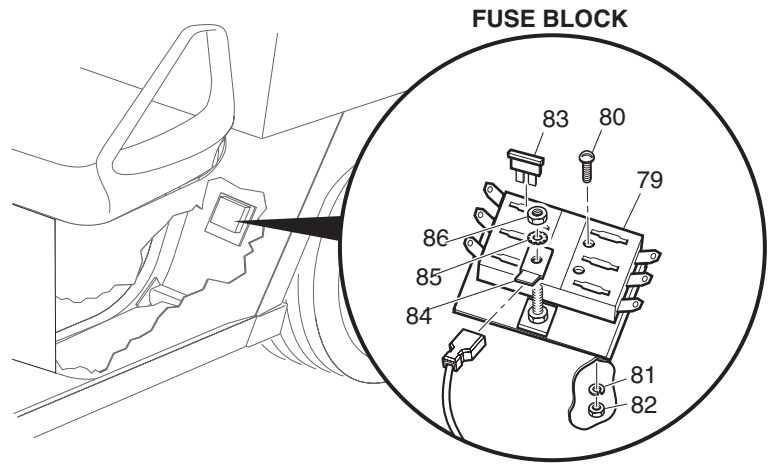


Ref Ele 2-1

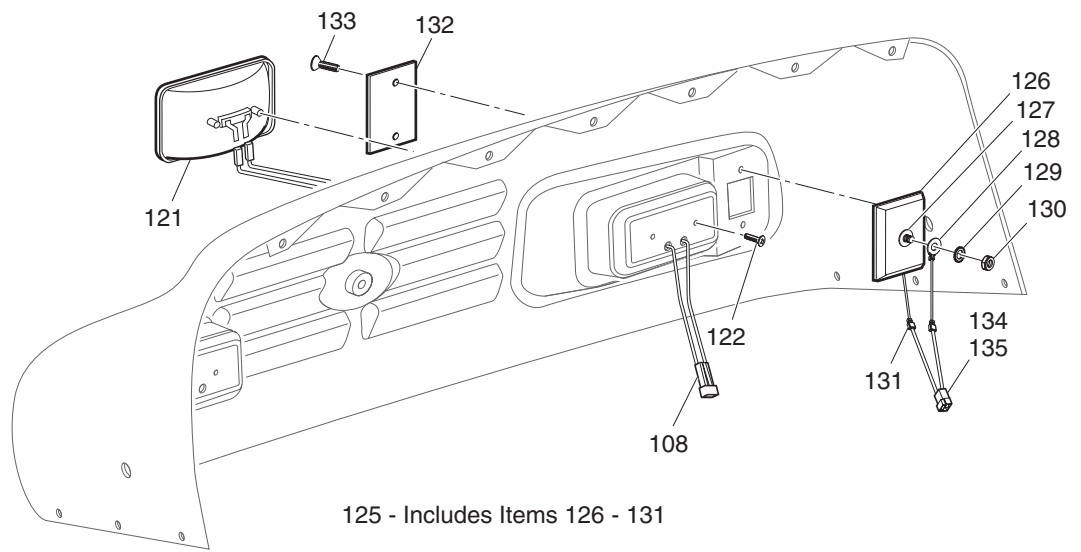
47 - Includes Items 48 - 72



# ELECTRICAL

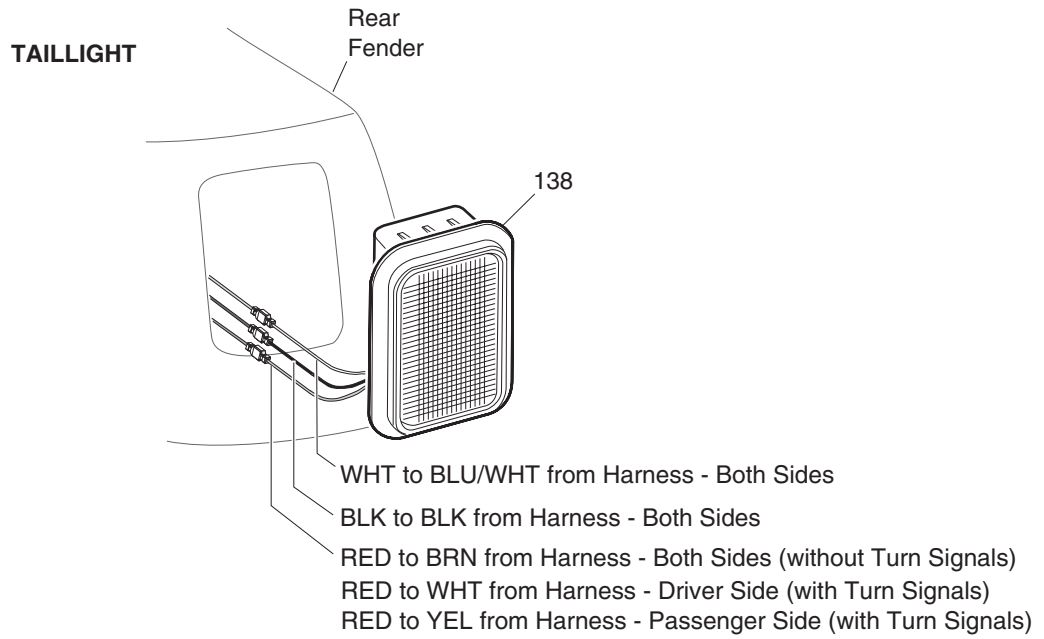


Ref Ele 21-3

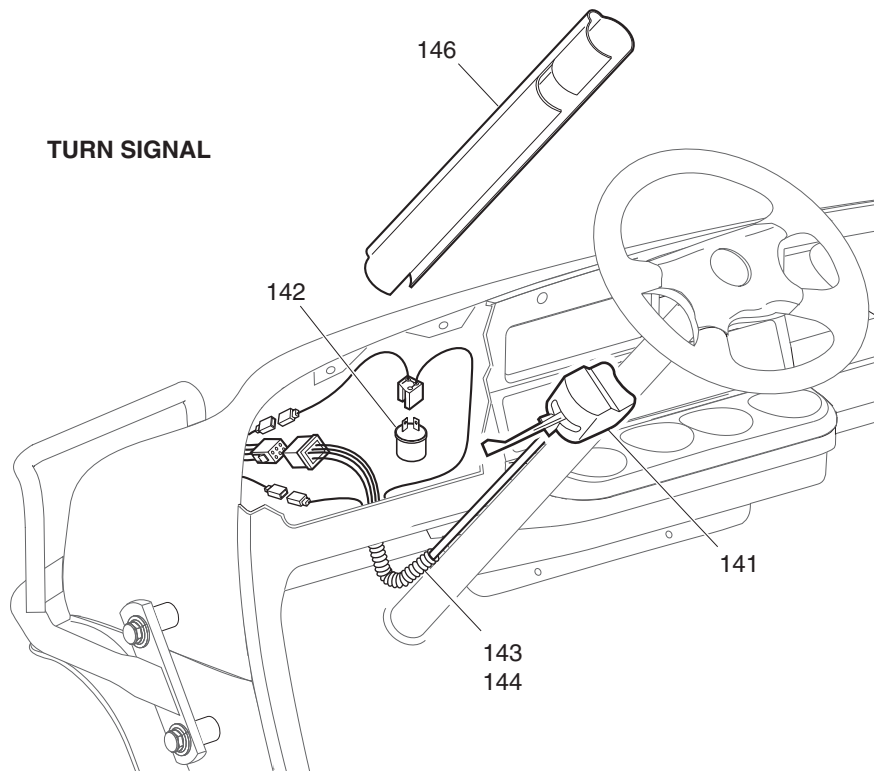


Ref Ele 21-4

# ELECTRICAL

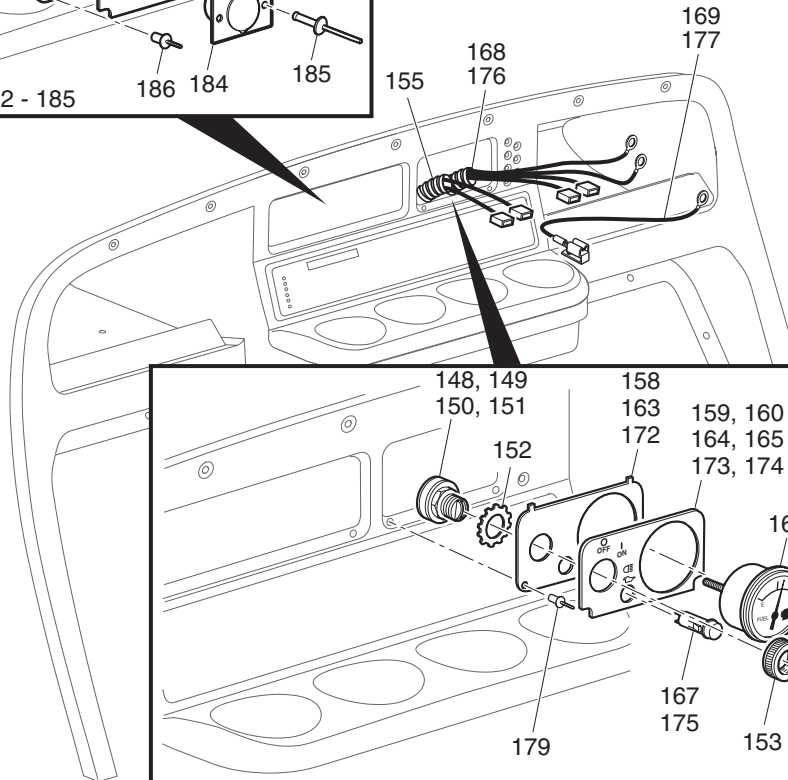
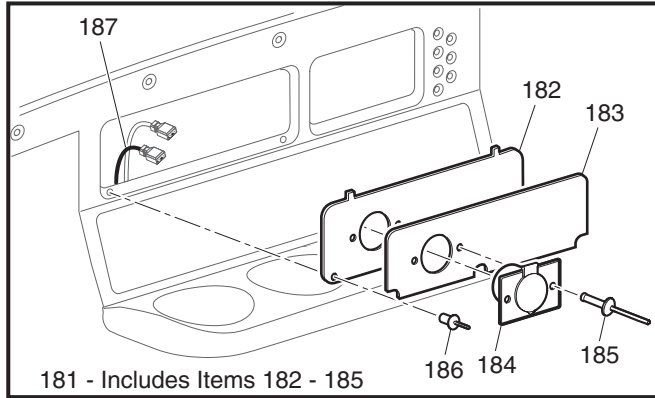


**TURN SIGNAL**



Ref Ele 6-5

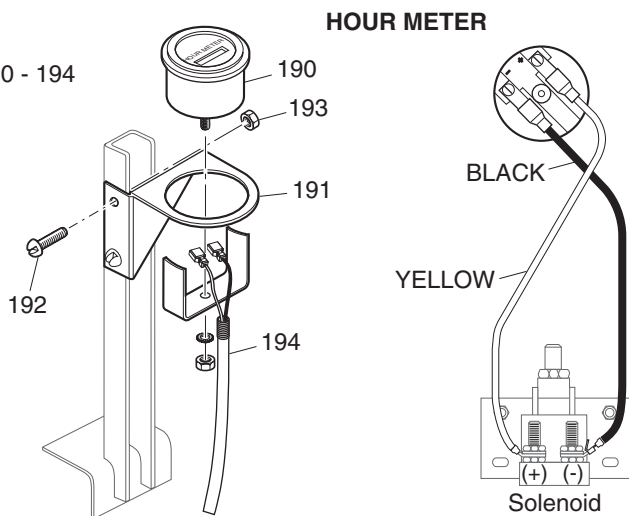
## CONSOLE INSERT PLATE (WITH POWER OUTLET SHOWN)



## KEY SWITCH, INDICATOR LIGHT(S), AND FUEL GAUGE

189 - Includes Items 190 - 194

Front of Vehicle

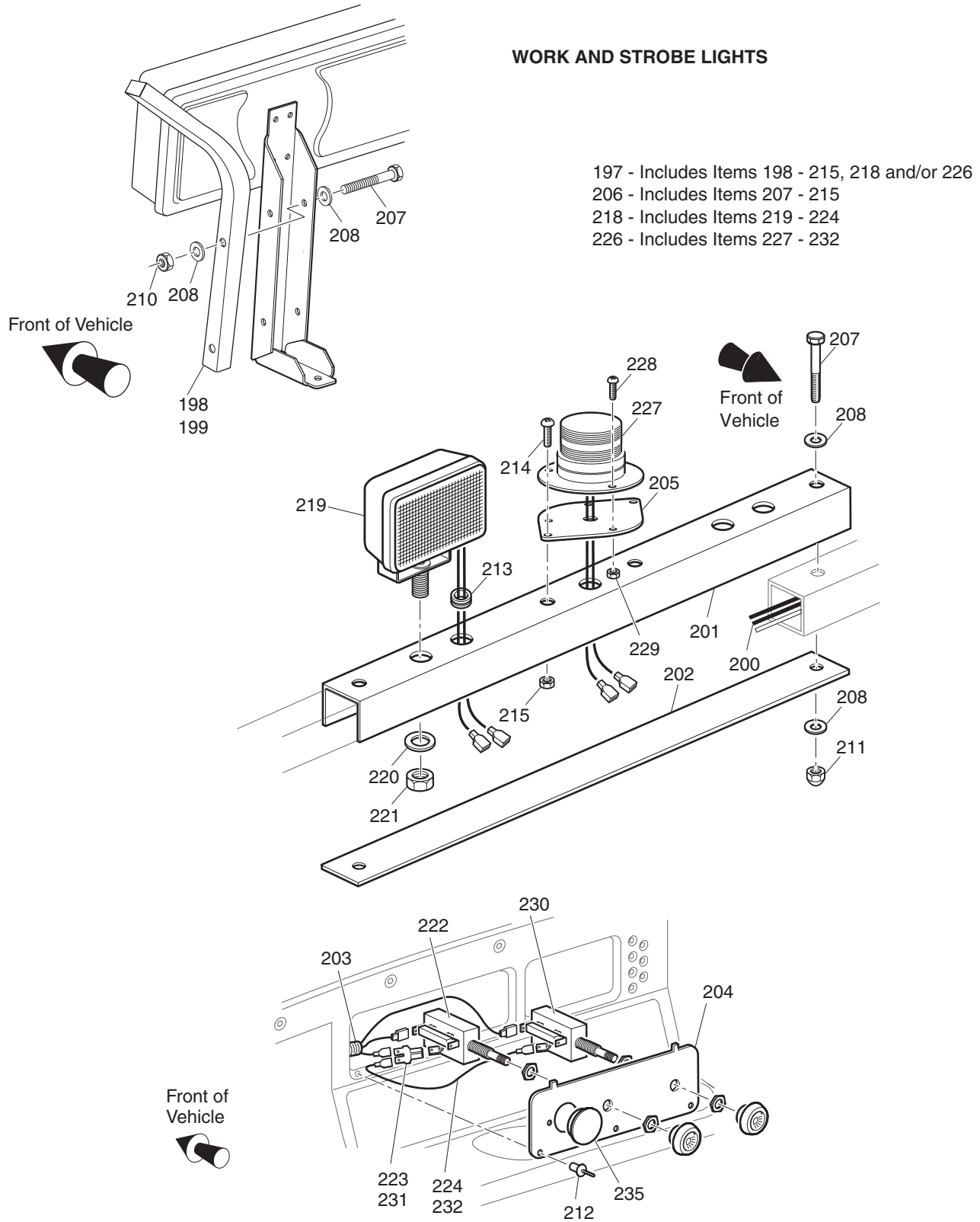


Ref Ele 6-6



# ELECTRICAL

## WORK AND STROBE LIGHTS



Ref Ele 23-7

# ELECTRICAL

Where applicable, THE USE OF NON UL PARTS WILL VOID ANY UL LISTING.

When ordering parts, please specify the model and serial number of the product.

\* Indicates a component that is not available as an individual part.

G\*\* Indicates consult Customer Service Department for additional information.

ITEM	PART NO.	1 2 3 4 5	DESCRIPTION	QTY.
1	<u>72865-G01</u>		IGNITION PICKUP ASSEMBLY (INCLUDES ITEM 2).....	1
2	<u>26707-G01</u>		BOLT AND WASHER ASSEMBLY, M5 X 0.8 X 10 MM LG .....	2
3				
4				
5				
6	<u>72866-G01</u>		IGNITION COIL ASSEMBLY (INCLUDES SPARK PLUG WIRES).....	1
7	*		FLAT WASHER .....	2
8	*		LOCK WASHER.....	2
9	<u>72871-G01</u>		SCREW.....	2
10				
11				
12				
13	<u>25887-G01</u>		6 GA WIRE (BLACK, 6", F1 - A2).....	1
14	<u>25682-G1</u>		TERMINAL COVER .....	3
15				
16				
17				
18	24775-G*		BATTERY, 12V .....	1
19	<u>00962-G1</u>		BOLT, 5/16 - 18 X 1 1/4" LG .....	2
20	<u>00993-G01</u>		LOCK WASHER, 5/16" (SILICON BRONZE).....	2
21	<u>00994-G01</u>		NUT, 5/16 - 18 (SILICON BRONZE) .....	2
22				
23	<u>72101-G02</u>		BATTERY HOLD DOWN.....	1
24	00438-G6		BOLT, 5/16 - 18 X 3/4" LG .....	1
25	<u>00565-G8</u>		LOCK WASHER, 5/16".....	1
26	<u>01110-G03</u>		WASHER, 5/16" (STAINLESS STEEL) .....	1
27				
28				
29	<u>27044-G03</u>		GROUND CABLE.....	1
30	<u>25976-G19</u>		14 GA WIRE (BLACK, 6") .....	1

# ELECTRICAL

Where applicable, THE USE OF NON UL PARTS WILL VOID ANY UL LISTING.

When ordering parts, please specify the model and serial number of the product.

\* Indicates a component that is not available as an individual part.

G\*\* Indicates consult Customer Service Department for additional information.

ITEM	PART NO.	1 2 3 4 5	DESCRIPTION	QTY.
31	00438-G6		BOLT, 5/16 - 18 X 3/4" LG .....	2
32	<u>11027-G1</u>		LOCK NUT, 5/16 - 18 .....	2
33	<u>26676-G01</u>		FLANGED BOLT, M6 X 1 X 23 MM LG .....	1
34				
35	<u>25972-G58</u>		6 GA WIRE (BLACK 26", F2 - SOL).....	1
36				
37	<u>74935-G01</u>		WIRE HARNESS (CONTROL).....	1
38				
39				
40	<u>17618-G1</u>		WIRE TIE .....	AR
41				
42	<u>73049-G01</u>		COVER.....	1
43	<u>16469-G1</u>		WASHER, 1/4" .....	1
44	<u>00114-G6</u>		SCREW, 1/4 - 14 X 3/4" LG.....	1
45				
46				
47	<u>72909-G01</u>		ELECTRICAL PLATE ASSEMBLY (INCLUDES ITEMS 48 - 72) .....	1
48	<u>73057-G01</u>		BRACKET .....	1
49	<u>27739-G01</u>		VOLTAGE REGULATOR .....	1
50	<u>27153-G01</u>		SOLENOID .....	1
51	<u>00415-G2</u>		BOLT, 1/4 - 20 X 1 1/4" LG.....	1
52	00414-G8		BOLT, 1/4 - 20 X 1" LG.....	1
53	<u>11027-G2</u>		LOCK NUT, 1/4 - 20.....	2
54				
55				
56	72872-G01		IGNITOR .....	1
57	<u>00414-G5</u>		BOLT, 1/4 - 20 X 5/8" LG.....	1
58	<u>11027-G2</u>		LOCK NUT, 1/4 - 20.....	1
59				
60				

# ELECTRICAL

Where applicable, THE USE OF NON UL PARTS WILL VOID ANY UL LISTING.  
 When ordering parts, please specify the model and serial number of the product.  
 \* Indicates a component that is not available as an individual part.  
 G\*\* Indicates consult Customer Service Department for additional information.

ITEM	PART NO.	1	2	3	4	5	DESCRIPTION	QTY.
61								
62	<u>73446-G01</u>						FASTON TAB, 90° .....	2
63	<u>00565-G5</u>						LOCK WASHER, #10 .....	2
64	<u>00526-G4</u>						NUT, #10 - 32.....	2
65								
66								
67	<u>25978-G56</u>						18 GA WIRE (BLACK, 5 3/4").....	1
68								
69	<u>22585-G3</u>						IN-LINE FUSE HOLDER.....	1
70	<u>00565-G8</u>						LOCK WASHER, 5/16" .....	2
71	<u>00544-G4</u>						JAM NUT, 5/16 - 24.....	2
72	<u>25972-G33</u>						6 GA WIRE (BLACK, 24", B+ - SOL) .....	1
73								
74								
75								
76								
77								
78								
79	<u>35211-G01</u>						FUSE BLOCK (6 POSITION) .....	1
80	<u>00379-G2</u>						SCREW, #10 - 24 X 1 1/4" LG.....	2
81	<u>00559-G5</u>						WASHER, #10.....	2
82	<u>14390-G10</u>						LOCK NUT, #10 - 24 .....	2
83	<u>35212-G01</u>						FUSE, 15 AMP .....	AR
84	<u>12914-G1</u>						PUSH ON MALE TERMINAL .....	1
85	<u>00567-G5</u>						LOCK WASHER, #10 .....	1
86	<u>00526-G4</u>						NUT, #10 - 32 .....	1
87								
88	<u>32860-G2</u>						HORN.....	1
89	<u>17318-G1</u>						HORN SWITCH.....	1
90	<u>17318-G2</u>						HORN SWITCH CAP AND NUT .....	1

# ELECTRICAL

Where applicable, THE USE OF NON UL PARTS WILL VOID ANY UL LISTING.

When ordering parts, please specify the model and serial number of the product.

\* Indicates a component that is not available as an individual part.

G\*\* Indicates consult Customer Service Department for additional information.

ITEM	PART NO.	1 2 3 4 5	DESCRIPTION	QTY.
91	<u>27068-G01</u>		HORN SWITCH BOOT .....	1
92	19233-G1		HORN SWITCH LABEL .....	1
93	<u>71055-G01</u>		RIVET, 3/16" X 1" LG (ALUMINUM) .....	2
94				
95				
96				
97				
98				
99				
100				
101				
102				
103				
104				
105				
106				
107				
108				
109				
110				
111				
112				
113				
114				
115				
116				
117				
118				
119				
120				

# ELECTRICAL

Where applicable, THE USE OF NON UL PARTS WILL VOID ANY UL LISTING.  
 When ordering parts, please specify the model and serial number of the product.  
 \* Indicates a component that is not available as an individual part.  
 G\*\* Indicates consult Customer Service Department for additional information.

ITEM	PART NO.	1 2 3 4 5	DESCRIPTION	QTY.
121	<u>20209-G3</u>		HEADLIGHT (INCLUDES ITEM 122) (LX / SE) .....	2
122	<u>00906-G6</u>		SCREW, #10 - 16 X 1" LG .....	2
123	<u>74337-G01</u>		JUMPER WIRE (HEADLIGHT) .....	2
124				
125	<u>20570-G3</u>		TURN SIGNAL LIGHT (INCLUDES ITEMS 126 - 131).....	2
126	<u>20574-G3</u>		TURN SIGNAL LIGHT .....	1
127	<u>00660-G7</u>		WASHER, 1/4" .....	1
128	<u>20606-G1</u>		WIRE ASSEMBLY .....	1
129	<u>00567-G7</u>		LOCK WASHER, 1/4" .....	1
130	<u>00532-G1</u>		NUT, 1/4 - 20.....	1
131	<u>18995-G1</u>		PUSH-ON MALE TERMINAL .....	1
132	<u>20574-G5</u>		LENS, AMBER .....	1
133	<u>00118-G5</u>		SCREW, #6 - 18 X 5/8" LG.....	2
134	<u>74056-G01</u>		TURN SIGNAL JUMPER, RED/BLACK (PASSENGER SIDE) .....	1
135	<u>74056-G02</u>		TURN SIGNAL JUMPER, GREEN/BLACK (DRIVER SIDE) .....	1
136				
137				
138	<u>32739-G2</u>		TAILLIGHT ASSEMBLY (COMPLETE) .....	2
139				
140				
141	<u>17867-G1</u>		TURN SIGNAL (WITH MOUNTING HARDWARE) (INCL. ITEM 142).....	1
142	<u>21640-G1</u>		TURN SIGNAL FLASHER .....	1
143	<u>32307-G3</u>		FLEX LOOM, 3/8 X 8" LG .....	1
144	<u>17618-G1</u>		WIRE TIE .....	2
145	<u>20965-G3</u>		STEERING COLUMN COVER.....	1
146				
147				
148	<u>17421-G1</u>		IGNITION SWITCH KIT (W/O LIGHTS - STANDARD - WITH HARDWARE) .....	1
149	<u>17955-G1</u>		IGNITION SWITCH (WITHOUT LIGHTS - NON STANDARD) .....	1
150	<u>18027-G1</u>		IGNITION SWITCH (WITHOUT LIGHTS - INDIVIDUALLY KEYED) .....	1

# ELECTRICAL

Where applicable, THE USE OF NON UL PARTS WILL VOID ANY UL LISTING.

When ordering parts, please specify the model and serial number of the product.

\* Indicates a component that is not available as an individual part.

G\*\* Indicates consult Customer Service Department for additional information.

ITEM	PART NO.	1 2 3 4 5	DESCRIPTION	QTY.
151	33639-G**		IGNITION SWITCH (WITH LIGHTS).....	1
152	<u>00568-G6</u>		LOCK WASHER, 3/4".....	1
153	17137-G1		FACE NUT, 3/4 - 20.....	1
154	<u>17063-G1</u>		IGNITION KEY (SET).....	1
155	<u>73041-G01</u>		WIRE HARNESS (KEY SWITCH).....	1
156				
157				
158	<u>73030-G01</u>		PLATE (IGNITION SWITCH ONLY).....	1
159	<u>71181-G02</u>		DECAL (IGNITION SWITCH ONLY) WITHOUT HEADLIGHTS.....	1
160	<u>71181-G01</u>		DECAL (IGNITION SWITCH ONLY) WITH HEADLIGHTS.....	1
161				
162				
163	73030-G04		PLATE (FUEL GAUGE AND OIL LIGHT).....	1
164	71127-G01		DECAL (OIL LIGHT AND FUEL GAUGE W/O HEADLIGHTS).....	1
165	<u>71131-G01</u>		DECAL (OIL LIGHT AND FUEL GAUGE WITH HEADLIGHTS).....	1
166	<u>21553-G1</u>		FUEL GAUGE.....	1
167	<u>23474-G1</u>		INDICATOR LIGHT.....	1
168	<u>74311-G01</u>		HARNESS (OIL LIGHT/FUEL GAUGE).....	1
169	<u>25978-G122</u>		18 GA WIRE (RED 6").....	1
170				
171				
172	73030-G03		PLATE (LOW FUEL AND OIL LIGHT INDICATOR).....	1
173	<u>71125-G01</u>		DECAL (LOW FUEL AND LOW OIL W/O HEADLIGHTS).....	1
174	<u>71183-G01</u>		DECAL (OIL AND FUEL LIGHTS WITH HEADLIGHTS).....	1
175	<u>23474-G1</u>		INDICATOR LIGHT.....	2
176	74309-G01		HARNESS (OIL LIGHT/FUEL LIGHT).....	1
177	<u>25978-G74</u>		18 GA WIRE (RED 6").....	1
178				
179	33623-G02		DRIVE RIVET, 3/16" X 3/8" LG.....	2
180				

# ELECTRICAL

Where applicable, THE USE OF NON UL PARTS WILL VOID ANY UL LISTING.  
 When ordering parts, please specify the model and serial number of the product.  
 \* Indicates a component that is not available as an individual part.  
 G\*\* Indicates consult Customer Service Department for additional information.

ITEM	PART NO.	1 2 3 4 5	DESCRIPTION	QTY.
181	74444-G**		CONSOLE INSERT ASSEMBLY (WITH OR W/O POWER OUTLET) (INCLUDES ITEMS 182 - 185).....	1
182	71077-G**		CONSOLE INSERT PLATE .....	1
183	35966-G**		DECAL (CONSOLE INSERT PLATE).....	1
184	<u>71078-G01</u>		POWER OUTLET (12 VOLT).....	1
185	<u>14601-G10</u>		RIVET, 5/32" X 7/16" LG .....	2
186	<u>33623-G01</u>		DRIVE RIVET, 5/32" X 5/16" LG .....	3
187	<u>71081-G01</u>		WIRE HARNESS (POWER OUTLET) .....	1
188				
189	75114-G02		HOUR METER KIT (INCLUDES ITEMS 190 - 194).....	1
190	<u>21573-G1</u>		HOUR METER ASSEMBLY.....	1
191	74019-G01		HOUR METER BRACKET .....	1
192	<u>00150-G4</u>		SCREW, #10 - 24 X 1/2" LG .....	2
193	11098-G7		LOCK NUT, #10 - 24.....	2
194	<u>75117-G01</u>		WIRE HARNESS (HOUR METER).....	1
195				
196				
197	71323-G**		WORK LIGHT BAR WITH LIGHTS AND/OR STROBE (INCLUDES ITEMS 198 - 215, 218 AND/OR 226).....	1
198	<u>75838-G03</u>		STRUT (DRIVER SIDE).....	1
199	<u>75838-G04</u>		STRUT (PASSENGER SIDE) .....	1
200	<u>75346-G01</u>		WIRE HARNESS (WORK LIGHT) .....	1
201	<u>71294-G02</u>		BRACE.....	1
202	<u>71293-G02</u>		COVER PLATE .....	1
203	<u>75430-G01</u>		SWITCH HARNESS .....	1
204	73522-G**		CONSOLE INSERT PLATE .....	1
205	<u>33201-G03</u>		STROBE LIGHT MOUNT (USED ONLY WITH STROBE LIGHT).....	1
206	<u>75365-G01</u>		HARDWARE KIT (INCLUDES ITEMS 207 - 215).....	1
207	<u>00685-G7</u>		BOLT, 5/16 - 18 X 1 3/4" LG .....	6
208	<u>00660-G8</u>		WASHER, 5/16".....	12
209	<u>15121-G1</u>		WASHER, 3/8" X 1 1/4" .....	2



# ELECTRICAL

Where applicable, THE USE OF NON UL PARTS WILL VOID ANY UL LISTING.

When ordering parts, please specify the model and serial number of the product.

\* Indicates a component that is not available as an individual part.

G\*\* Indicates consult Customer Service Department for additional information.

ITEM	PART NO.	1	2	3	4	5	DESCRIPTION	QTY.
210	<u>01109-G01</u>						LOCK NUT, 5/16 - 18 .....	4
211	<u>00918-G3</u>						ACORN NUT, 5/16 - 18 .....	2
212	<u>33623-G02</u>						DRIVE RIVET, 3/16" X 3/8" LG.....	3
213	<u>20367-G1</u>						GROMMET .....	2
214	<u>16705-G3</u>						SCREW, 1/4 - 20 X 3/4" LG.....	2
215	<u>14390-G4</u>						LOCK NUT, 1/4 - 20 .....	2
216								
217								
218	<u>20383-G2</u>						WORK LIGHT KIT (INCLUDES ITEMS 219 - 224).....	1
219	<u>20209-G2</u>						WORK LIGHT (RECTANGULAR) .....	2
220	<u>00566-G3</u>						LOCK WASHER, 1/2" .....	2
221	<u>00533-G1</u>						NUT, 1/2 - 13 .....	2
222	<u>17317-G1</u>						LIGHT SWITCH.....	1
223	<u>17902-G1</u>						TAB ADAPTER.....	1
224	<u>20053-G1</u>						16 GA WIRE (RED 5 3/8").....	1
225								
226	<u>20385-G3</u>						STROBE LIGHT KIT (INCLUDES ITEMS 227 - 232) .....	1
227	<u>20394-G4</u>						STROBE LIGHT .....	1
228	<u>00379-G4</u>						SCREW, #10 - 24 x 1/2" LG .....	3
229	<u>11098-G7</u>						LOCK NUT, #10 - 24 .....	3
230	<u>17317-G1</u>						LIGHT SWITCH.....	1
231	<u>17902-G1</u>						TAB ADAPTER.....	1
232	<u>20053-G1</u>						16 GA WIRE (RED 5 3/8").....	1
233								
234								
235	<u>20271-G10</u>						HOLE PLUG .....	1



# ELECTRICAL

Where applicable, THE USE OF NON UL PARTS WILL VOID ANY UL LISTING.

When ordering parts, please specify the model and serial number of the product.

\* Indicates a component that is not available as an individual part.

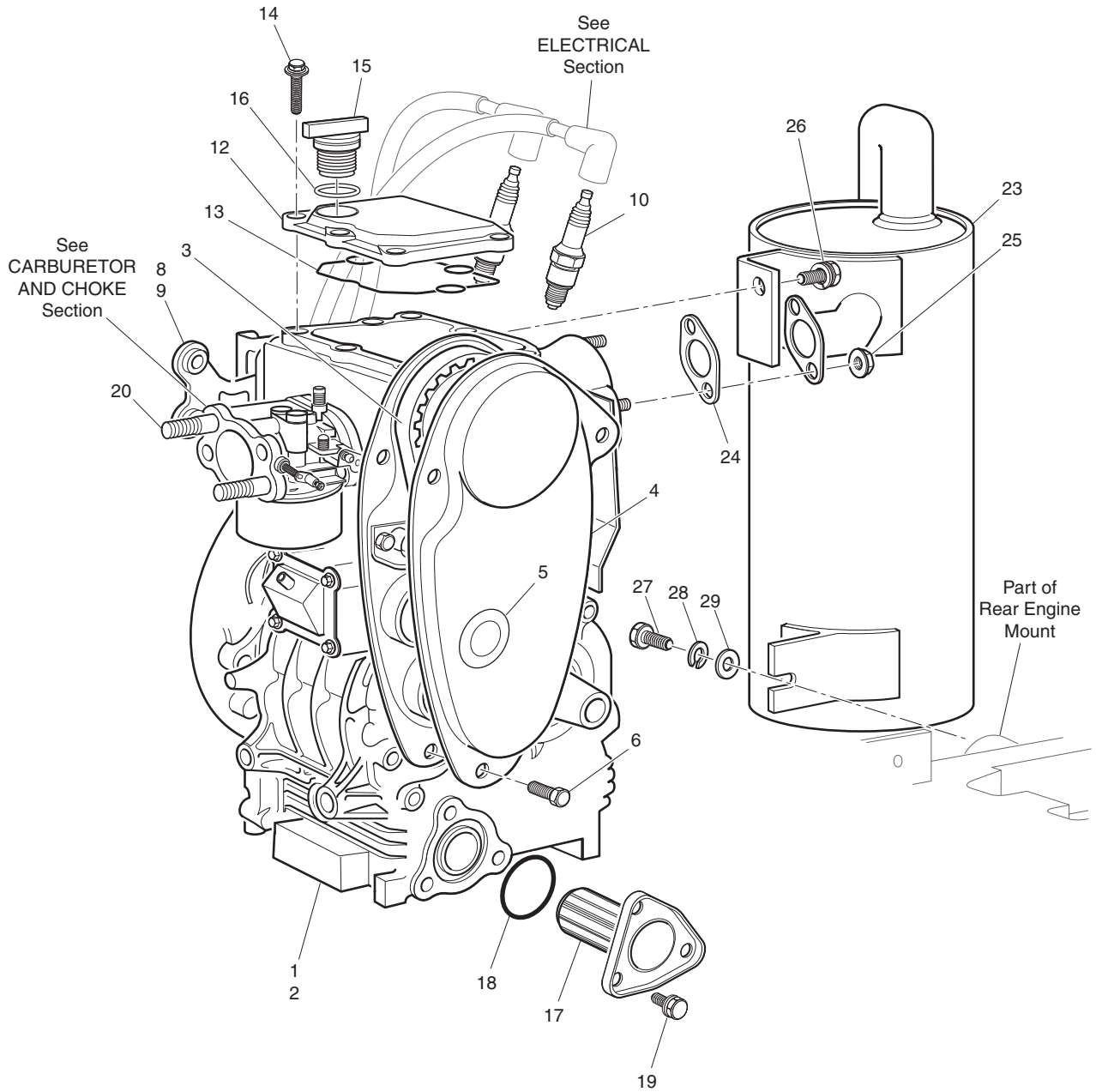
G\*\* Indicates consult Customer Service Department for additional information.

ITEM	PART NO.	1 2 3 4 5	DESCRIPTION	QTY.
1				

Where applicable, THE USE OF NON UL PARTS WILL VOID ANY UL LISTING.  
When ordering parts, please specify the model and serial number of the product.  
\* Indicates a component that is not available as an individual part.  
G\*\* Indicates consult Customer Service Department for additional information.

ITEM	PART NO.	1	2	3	4	5	DESCRIPTION	QTY.

# ENGINE AND MUFFLER



Ref Emf 2

## ENGINE AND MUFFLER

Where applicable, THE USE OF NON UL PARTS WILL VOID ANY UL LISTING.

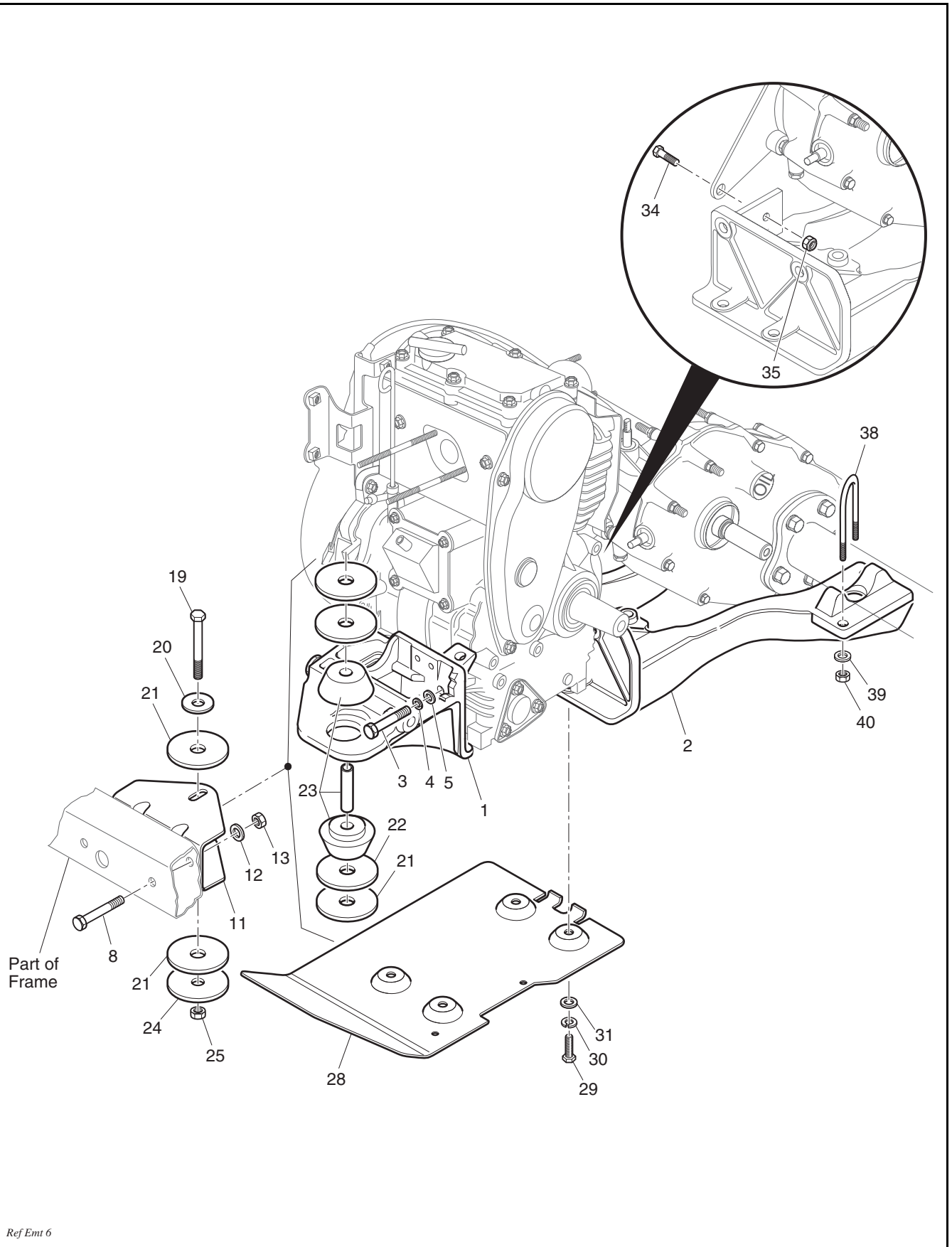
When ordering parts, please specify the model and serial number of the product.

\* Indicates a component that is not available as an individual part.

G\*\* Indicates consult Customer Service Department for additional information.

ITEM	PART NO.	1 2 3 4 5	DESCRIPTION	QTY.
1	72845-G01		ENGINE (FOR VEHICLES ORIGINALLY EQUIPPED WITH 295cc (EH29C) (INCLUDES ITEMS 3 - 8, 10 - 20) .....	1
2	<u>72846-G01</u>		ENGINE (FOR VEHICLES ORIGINALLY EQUIPPED WITH 350cc (EH35C) (INCLUDES ITEMS 3 - 6, 9 - 20) .....	1
3	<u>26626-G01</u>		TIMING BELT .....	1
4	<u>72908-G01</u>		TIMING BELT COVER .....	1
5	<u>26631-G01</u>		TIMING BELT COVER GROMMET .....	1
6	<u>26678-G01</u>		BOLT, M6 X 1 X 12 MM LG.....	3
7				
8	72885-G01		IGNITION COIL BRACKET (295cc).....	1
9	<u>72869-G01</u>		IGNITION COIL BRACKET (350cc).....	1
10	<u>25523-G3</u>		SPARK PLUG (NGK BPR4ES - RESISTOR) .....	2
11				
12	<u>72848-G01</u>		VALVE COVER .....	1
13	<u>72876-G01</u>		VALVE COVER GASKET .....	1
14	<u>26676-G01</u>		FLANGED BOLT, M6 X 1 X 23 MM LG.....	6
15	<u>26601-G01</u>		OIL FILLER CAP.....	1
16	26720-G01		OIL FILLER 'O' RING.....	1
17	<u>26591-G01</u>		OIL FILTER .....	1
18	<u>26710-G01</u>		OIL FILTER 'O' RING .....	1
19	<u>26680-G01</u>		BOLT AND WASHER, M6 X 1 X 12 MM LG .....	3
20	<u>72307-G01</u>		STUD, M6 X 1 X 115MM LG.....	2
21				
22				
23	<u>74829-G01</u>		MUFFLER .....	1
24	<u>25531-G1</u>		EXHAUST GASKET .....	1
25	26827-G01		NUT, M8 X 1.25MM .....	2
26	<u>25532-G1</u>		BOLT AND WASHER, M8 X 1.25 X 18 MM LG .....	1
27	<u>00438-G8</u>		BOLT, 5/16 - 18 X 1" LG .....	1
28	<u>00565-G8</u>		LOCK WASHER, 5/16" .....	1
29	<u>00642-G8</u>		WASHER, 5/16" .....	1

# ENGINE MOUNTING



Ref Emt 6

# ENGINE MOUNTING

Where applicable, THE USE OF NON UL PARTS WILL VOID ANY UL LISTING.

When ordering parts, please specify the model and serial number of the product.

\* Indicates a component that is not available as an individual part.

G\*\* Indicates consult Customer Service Department for additional information.

ITEM	PART NO.	1 2 3 4 5	DESCRIPTION	QTY.
1	<u>72010-G01</u>		FRONT ENGINE MOUNT .....	1
2	<u>72011-G01</u>		REAR ENGINE MOUNT .....	1
3	<u>00463-G4</u>		BOLT, 7/16 - 14 X 1 1/2" LG .....	4
4	<u>00566-G2</u>		LOCK WASHER, 7/16" .....	4
5	<u>00922-G3</u>		WASHER, 7/16" .....	4
6				
7				
8	<u>00428-G6</u>		BOLT, 3/8 - 16 X 2 3/4" LG .....	2
9				
10				
11	<u>72044-G01</u>		MOUNT BRACKET .....	1
12	<u>00643-G1</u>		WASHER, 3/8" .....	2
13	<u>11098-G5</u>		LOCK NUT, 3/8 - 16 .....	2
14				
15				
16				
17				
18				
19	<u>00430-G4</u>		BOLT, 3/8 - 16 X 4 1/2" LG .....	1
20	<u>15121-G1</u>		WASHER, 1 1/4" X 3/8" .....	1
21	<u>72050-G01</u>		PLASTIC WASHER, 2 1/2" x 5/8" .....	4
22	<u>72051-G01</u>		WASHER, 2 1/2" X 5/8" .....	2
23	<u>72015-G01</u>		ISOLATION MOUNT .....	1
24	<u>72051-G02</u>		WASHER, 2 1/2" X 11/32" .....	1
25	<u>11098-G5</u>		LOCK NUT, 3/8 - 16 .....	1
26				
27				
28	<u>72719-G01</u>		ENGINE GUARD.....	1
29	<u>00463-G4</u>		BOLT, 7/16 - 14 X 1 1/2" LG .....	4
30	<u>00566-G2</u>		LOCK WASHER, 7/16" .....	4



# ENGINE MOUNTING

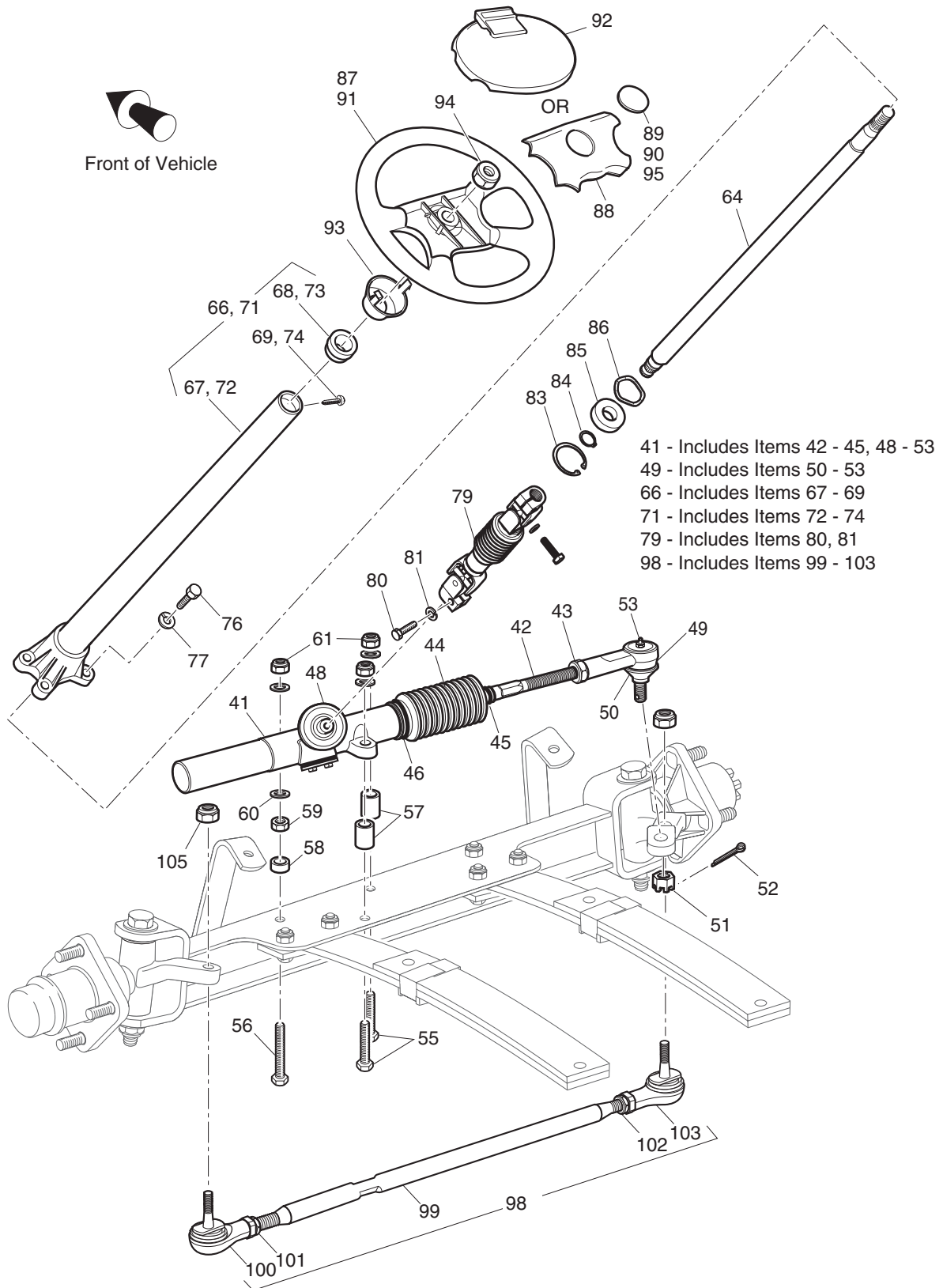
Where applicable, THE USE OF NON UL PARTS WILL VOID ANY UL LISTING.  
 When ordering parts, please specify the model and serial number of the product.  
 \* Indicates a component that is not available as an individual part.  
 G\*\* Indicates consult Customer Service Department for additional information.

ITEM	PART NO.	1 2 3 4 5	DESCRIPTION	QTY.
31	<u>00922-G3</u>		WASHER, 7/16" .....	4
32				
33				
34	<u>00439-G1</u>		BOLT, 5/16 - 18 X 1 1/8" LG .....	1
35	11098-G6		LOCK NUT, 5/16 - 18 .....	1
36				
37				
38	<u>72035-G01</u>		'U' BOLT, 7/16 - 14 .....	2
39	<u>00922-G3</u>		WASHER, 7/16" .....	4
40	<u>00734-G1</u>		LOCK NUT, 7/16 - 14 .....	4





# FRONT SUSPENSION/STEERING



Ref Fss 21-2

# FRONT SUSPENSION/STEERING

THE USE OF NON U.L. PARTS WILL VOID ANY U.L. LISTING.

When ordering parts, please specify the model and serial number of the product.

\* Indicates a component that is not available as an individual part.

G\*\* Indicates consult Customer Service Department for additional information.

ITEM	PART NO.	1 2 3 4 5	DESCRIPTION	QTY.
1	<u>74600-G02</u>		FRONT AXLE .....	1
2				
3	<u>70942-G03</u>		SPINDLE AND HUB ASSEMBLY, 4 LUG (PASSENGER SIDE) (INCLUDES ITEMS 4 - 10).....	1
4	<u>70942-G02</u>		SPINDLE ASSEMBLY (PASSENGER SIDE).....	1
5	<u>25146-G1</u>		GREASE SEAL.....	1
6	<u>50892-G1</u>		ROLLER BEARING AND RACE ASSEMBLY.....	2
7	<u>70895-G01</u>		WHEEL HUB ASSEMBLY WITH RACES, 4 LUG (INCLUDES ITEM 8) .....	1
8	<u>19862-G1</u>		LUG BOLT, 1/2 - 20 X 1 7/32" LG.....	4
9	<u>12093-G1</u>		SLOTTED NUT, 1 - 14 .....	1
10	<u>00798-G8</u>		COTTER PIN, 5/32" X 1 3/4" LG .....	1
11	<u>12091-G2</u>		SPINDLE CAP.....	2
12				
13				
14	<u>70673-G03</u>		SPINDLE AND HUB ASSEMBLY, 4 LUG (DRIVER SIDE) (INCLUDES ITEMS 5 - 10, 15).....	1
15	<u>70673-G02</u>		SPINDLE ASSEMBLY (DRIVER SIDE) .....	1
16				
17				
18	<u>00407-G6</u>		BOLT, 1/2 - 13 X 6" LG .....	2
19	<u>00560-G3</u>		WASHER, 1/2" .....	4
20	<u>70745-G01</u>		KING PIN TUBE .....	2
21	<u>70754-G01</u>		THRUST WASHER (STAINLESS STEEL).....	2
22	<u>14390-G6</u>		LOCK NUT, 1/2 - 13 .....	2
23				
24				
25	<u>70928-G01</u>		SHOCK ABSORBER.....	2
26	<u>70509-G01</u>		SHOCK ABSORBER BOOT .....	2
27	<u>31539-G1</u>		WIRE TIE .....	4
28	<u>10435-G1</u>		SHOCK ABSORBER WASHER.....	8
29	<u>10194-G1</u>		RUBBER SHOCK ABSORBER BUSHING .....	8

## FRONT SUSPENSION/STEERING

THE USE OF NON U.L. PARTS WILL VOID ANY U.L. LISTING.

When ordering parts, please specify the model and serial number of the product.

\* Indicates a component that is not available as an individual part.

G\*\* Indicates consult Customer Service Department for additional information.

ITEM	PART NO.	1 2 3 4 5	DESCRIPTION	QTY.
30	<u>00532-G6</u>		NUT, 3/8 - 24 .....	4
31	<u>10044-G01</u>		VINYL CAP .....	4
32				
33				
34	<u>70664-G03</u>		LEAF SPRING (HEAVY DUTY) (SEE PART NUMBER ON SPRING) .....	2
35	<u>70163-G03</u>		SPRING PLATE .....	4
36	<u>00463-G4</u>		BOLT, 7/16 - 14 X 1 1/2" LG .....	2
37	<u>00734-G1</u>		LOCK NUT, 7/16 - 14 .....	9
38	<u>00463-G6</u>		BOLT, 7/16 - 14 X 1 3/4" LG .....	9
39				
40				
41	<u>74605-G01</u>		RACK AND PINION UNIT (COMPLETE) (INCLUDES ITEMS 42 - 45, 48 - 53) .....	1
42	<u>74602-G01</u>		RACK EXTENSION .....	1
43	*		JAM NUT, 1/2 - 20 .....	1
44	<u>70675-G01</u>		RACK BOOT .....	1
45	<u>17618-G1</u>		WIRE TIE .....	1
46	<u>12416-G2</u>		WIRE TIE .....	1
47				
48	<u>70638-G01</u>		PINION SEAL .....	1
49	<u>70695-G01</u>		RACK BALL JOINT (INCLUDES ITEMS 50 - 53) .....	1
50	<u>50641-G1</u>		RUBBER BOOT .....	1
51	<u>50209-G2</u>		SLOTTED NUT, 7/16 - 20 .....	1
52	<u>10387-G2</u>		COTTER PIN, 3/32" X 1" LG .....	1
53	<u>10389-G3</u>		GREASE FITTING, STRAIGHT .....	1
54				
55	<u>00464-G6</u>		BOLT, 7/16 - 14 X 2 3/4" LG .....	2
56	<u>01068-G01</u>		BOLT, 7/16 - 14 X 3 1/2" LG .....	1
57	<u>70667-G03</u>		SPACER .....	2
58	<u>70667-G03</u>		SPACER (SHORT) .....	1
59	<u>00532-G7</u>		NUT, 7/16 - 14 .....	1

# FRONT SUSPENSION/STEERING

THE USE OF NON U.L. PARTS WILL VOID ANY U.L. LISTING.

When ordering parts, please specify the model and serial number of the product.

\* Indicates a component that is not available as an individual part.

G\*\* Indicates consult Customer Service Department for additional information.

ITEM	PART NO.	1	2	3	4	5	DESCRIPTION	QTY.
60	<u>00560-G2</u>						FLAT WASHER, 7/16" .....	4
61	<u>00734-G1</u>						LOCK NUT, 7/16 - 14 .....	3
62								
63								
64	<u>70607-G01</u>						STEERING SHAFT .....	1
65								
66	<u>70758-G05</u>						STEERING COLUMN KIT (INCLUDES ITEMS 67 - 69) .....	1
67	<u>70610-G01</u>						STEERING COLUMN .....	1
68	<u>28569-G01</u>						STEERING COLUMN BUSHING .....	1
69	<u>01022-G01</u>						SCREW, #6 - 20 X 5/16" LG .....	1
70								
71	<u>70758-G04</u>						STEERING COLUMN KIT (HORN) (INCLUDES ITEMS 72 - 74) .....	1
72	<u>70610-G02</u>						STEERING COLUMN .....	1
73	<u>28569-G01</u>						STEERING COLUMN BUSHING .....	1
74	<u>01022-G01</u>						SCREW, #6 - 20 X 5/16" LG .....	1
75								
76	<u>01006-G01</u>						BOLT, 3/8 - 16 X 1 1/4" LG WITH PATCHLOCK .....	4
77	<u>00879-G1</u>						LOCK WASHER, 3/8" .....	4
78								
79	<u>70580-G01</u>						INTERMEDIATE SHAFT (INCLUDES ITEMS 80, 81) .....	1
80	<u>01055-G01</u>						BOLT, M8 X 1 1/4" LG .....	2
81	<u>00565-G8</u>						LOCK WASHER, 5/16" .....	2
82								
83	<u>70751-G01</u>						RETAINING RING (INTERNAL) .....	1
84	<u>70888-G01</u>						RETAINING RING (EXTERNAL) .....	1
85	<u>15112-G1</u>						BALL BEARING .....	1
86	<u>70887-G01</u>						WAVE WASHER .....	1
87	<u>71146-G01</u>						STEERING WHEEL .....	1
88	<u>71147-G01</u>						STEERING WHEEL COVER .....	1
89	<u>74815-G01</u>						LABEL (E-Z-GO) .....	1

## FRONT SUSPENSION/STEERING

THE USE OF NON U.L. PARTS WILL VOID ANY U.L. LISTING.

When ordering parts, please specify the model and serial number of the product.

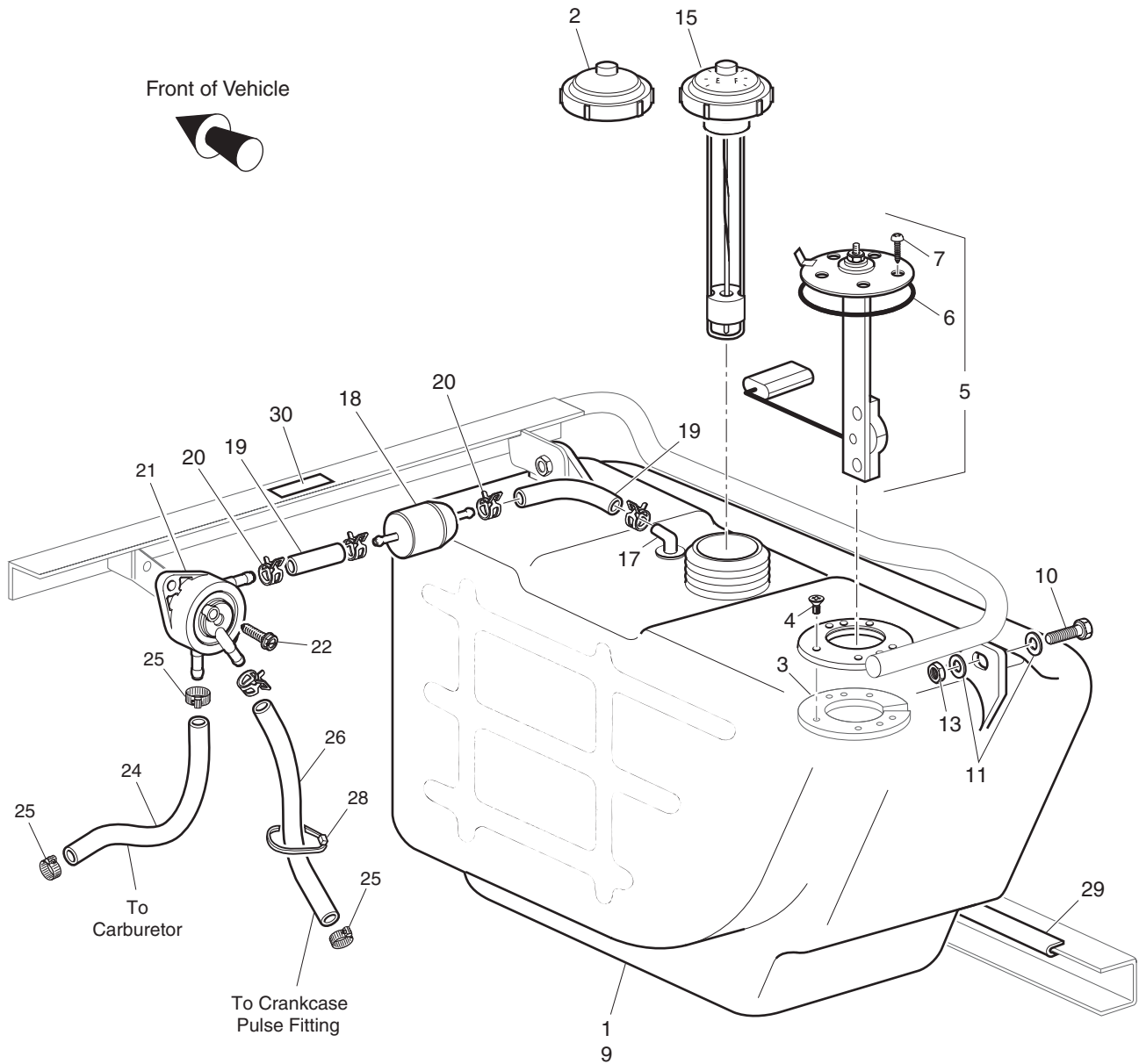
\* Indicates a component that is not available as an individual part.

G\*\* Indicates consult Customer Service Department for additional information.

ITEM	PART NO.	1	2	3	4	5	DESCRIPTION	QTY.
90	<u>74954-G01</u>						LABEL (CUSHMAN).....	1
91	<u>71948-G01</u>						STEERING WHEEL .....	1
92	<u>71950-G01</u>						CLIPBOARD.....	1
93	<u>71949-G01</u>						HUB COVER .....	1
94	<u>14390-G2</u>						LOCK NUT, 5/8 - 18 .....	1
95	<u>28909-G01</u>						LABEL (JACOBSEN) .....	1
96								
97								
98	<u>74604-G01</u>						TIE ROD ASSEMBLY (INCLUDES ITEMS 127 - 131).....	1
99	<u>70897-G02</u>						THREADED ROD (24" LG).....	1
100	<u>70902-G01</u>						TIE ROD END (LEFT HAND THREADS) .....	1
101	<u>01069-G01</u>						JAM NUT, M12 X 1.25-05 (LEFT HAND THREADS).....	1
102	<u>70902-G02</u>						TIE ROD END (RIGHT HAND THREADS).....	1
103	<u>01069-G02</u>						JAM NUT, M12 X 1.25-05 (RIGHT HAND THREADS) .....	1
104								
105	<u>00734-G1</u>						LOCK NUT, 7/16 - 14 .....	2



# FUEL SYSTEM



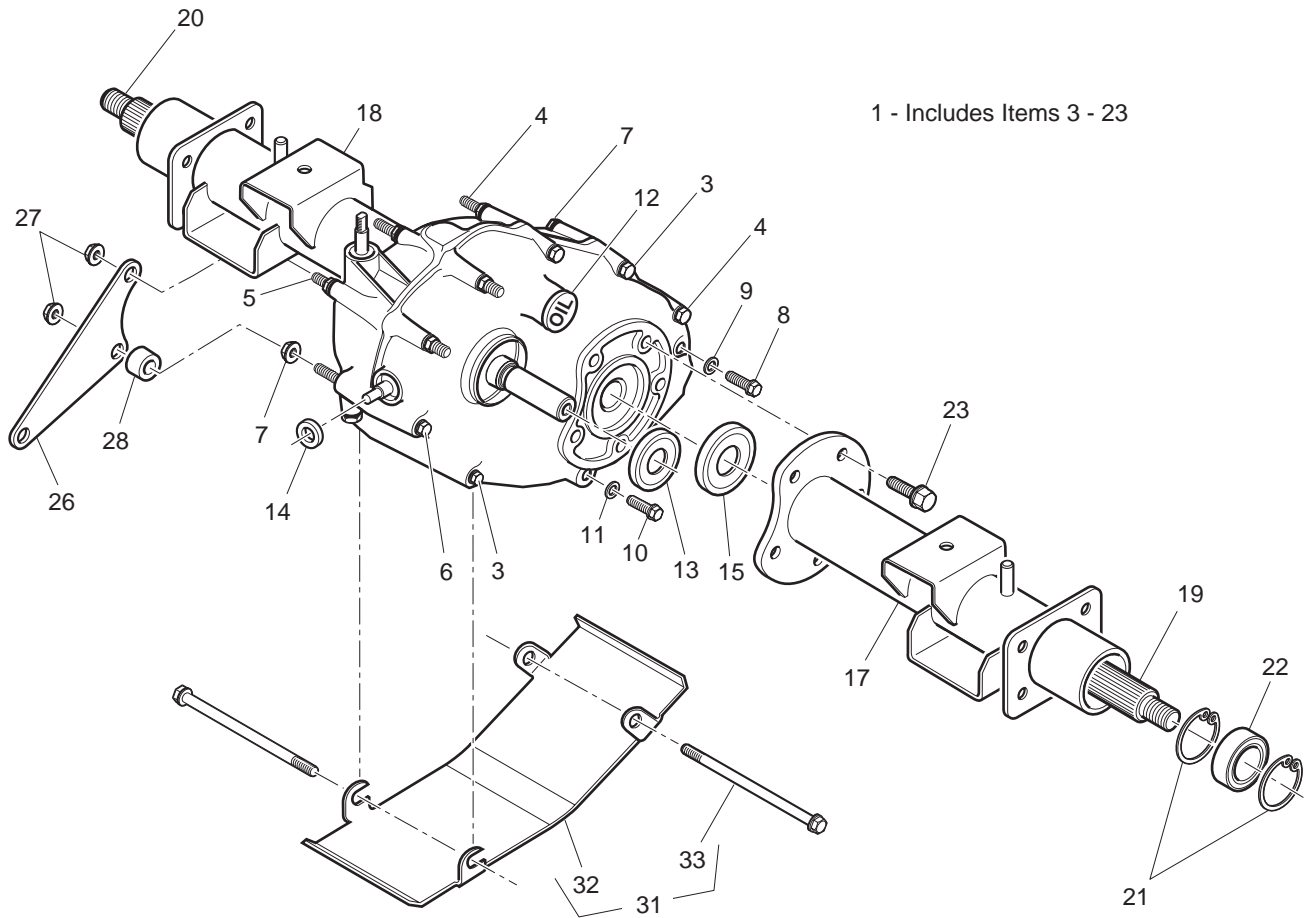
Ref Fsy 6-1

# FUEL SYSTEM

Where applicable, THE USE OF NON UL PARTS WILL VOID ANY UL LISTING.  
 When ordering parts, please specify the model and serial number of the product.  
 \* Indicates a component that is not available as an individual part.  
 G\*\* Indicates consult Customer Service Department for additional information.

ITEM	PART NO.	1 2 3 4 5	DESCRIPTION	QTY.
1	<u>72092-G01</u>		FUEL TANK (FOR VEHICLES WITHOUT GAUGE) .....	1
2	<u>72282-G01</u>		FUEL TANK CAP.....	1
3	<u>72229-G01</u>		FUEL LEVEL SENDER ADAPTER .....	1
4	<u>72230-G01</u>		SCREW, #6 - 32 X 1/2" LG.....	2
5	<u>20048-G2</u>		FUEL LEVEL SENDER (ELEC. FUEL GAUGE) (INCLUDES ITEMS 6, 7) .....	1
6	*		GASKET .....	1
7	<u>72232-G01</u>		SCREW, #10 - 32 x 3/4" LG.....	5
8				
9	<u>72092-G02</u>		FUEL TANK (FOR ELECTRIC FUEL GAUGE).....	1
10	00438-G1		BOLT, 5/16 - 18 X 1 1/8" LG .....	2
11	00559-G8		WASHER, 5/16" .....	4
12				
13	11098-G6		LOCK NUT, 5/16 - 18 .....	3
14				
15	<u>14099-G2</u>		FUEL TANK CAP WITH GAUGE	
16				
17	<u>18287-G1</u>		FUEL PICK UP TUBE .....	1
18	<u>72084-G01</u>		FUEL FILTER .....	1
19	<u>17470-G1</u>		FUEL SYSTEM TUBING, 1/4" ID X 1/2" OD (BULK).....	A/R
20	<u>18292-G1</u>		CLAMP .....	5
21	<u>72873-G01</u>		FUEL PUMP .....	1
22	<u>00114-G6</u>		SCREW, 1/4 - 14 X 3/4" LG.....	2
23				
24	<u>17470-G1</u>		FUEL SYSTEM TUBING, 1/4" ID X 1/2" OD (BULK).....	A/R
25	<u>11391-G4</u>		HOSE CLAMP, 1/4" .....	3
26	<u>27183-G01</u>		TUBING, 1/4" I.D. X 1/2" O.D. (BULK) .....	A/R
27				
28	<u>17618-G1</u>		WIRE TIE .....	3
29	<u>22280-G1</u>		VINYL TRIM - BLACK, (BULK) .....	A/R
30	<u>26459-G01</u>		LABEL (UNLEADED GASOLINE ONLY) .....	1

# REAR AXLE



Ref Rax 6-1

# REAR AXLE

THE USE OF NON U.L. PARTS WILL VOID ANY U.L. LISTING.

When ordering parts, please specify the model and serial number of the product.

\* Indicates a component that is not available as an individual part.

G\*\* Indicates consult Customer Service Department for additional information.

ITEM	PART NO.	1	2	3	4	5	DESCRIPTION	QTY.	
1	<u>74520-G01</u>	REAR AXLE (13.32:1) (INCLUDES ITEMS 3 - 23) .....							1
2									
3	<u>26823-G01</u>	FLANGED BOLT, M8 X 1.25 X 100 MM LG.....							5
4	<u>26824-G01</u>	FLANGED BOLT, M8 X 1.25 X 110 MM LG .....							2
5	*	BOLT, M8 X 1.25 X 146 MM LG.....							2
6	<u>72052-G01</u>	FLANGED BOLT, M8 X 1.25 X 130 MM LG.....							1
7	<u>72269-G01</u>	FLANGE NUT, M8 X 1.25 MM .....							12
8	<u>26768-G01</u>	OIL CHECK PLUG.....							1
9	<u>26769-G01</u>	GASKET, 8 MM.....							1
10	<u>26770-G01</u>	OIL DRAIN PLUG .....							1
11	<u>26771-G01</u>	GASKET, 14 MM.....							1
12	<u>26772-G01</u>	OIL FILLER PLUG .....							1
13	<u>26761-G01</u>	INPUT SHAFT SEAL .....							1
14	<u>26762-G01</u>	SHIFTER SHAFT SEAL.....							1
15	<u>72259-G01</u>	AXLE SHAFT SEAL.....							2
16									
17	<u>72249-G01</u>	AXLE TUBE (DRIVER SIDE).....							1
18	<u>72248-G01</u>	AXLE TUBE (PASSENGER SIDE) .....							1
19	<u>72056-G01</u>	AXLE SHAFT (DRIVER SIDE).....							1
20	<u>72057-G01</u>	AXLE SHAFT (PASSENGER SIDE) .....							1
21	<u>26814-G01</u>	RETAINING RING.....							4
22	<u>26811-G01</u>	BALL BEARING .....							2
23	<u>72260-G01</u>	FLANGED BOLT, M10 X 1.5 X 23 MM LG.....							10
24									
25									
26	<u>72017-G01</u>	AXLE BRACKET .....							1
27	<u>26830-G01</u>	LOCK NUT, M8 X 1.25 MM .....							2
28	<u>75048-G01</u>	SPACER, 1/2".....							1
29									
30									

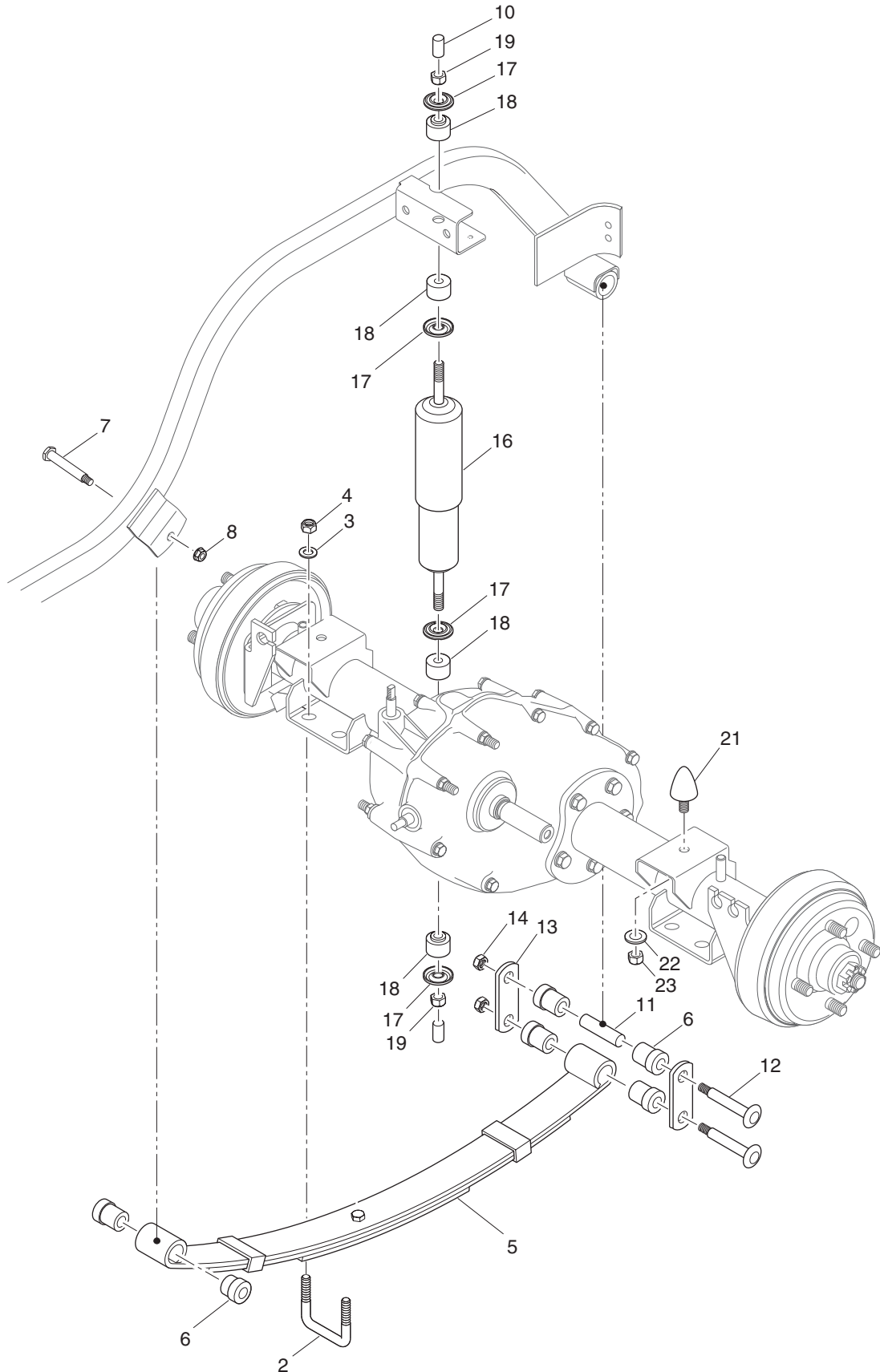
# REAR AXLE

THE USE OF NON U.L. PARTS WILL VOID ANY U.L. LISTING.  
 When ordering parts, please specify the model and serial number of the product.  
 \* Indicates a component that is not available as an individual part.  
 G\*\* Indicates consult Customer Service Department for additional information.

ITEM	PART NO.	1	2	3	4	5	DESCRIPTION	QTY.
31	<u>72347-G01</u>						DIFFERENTIAL SCUFF GUARD KIT (INCLUDES ITEMS 32 - 33) .....	1
32	72349-G01						DIFFERENTIAL SKID PLATE .....	1
33	<u>26824-G01</u>						FLANGED BOLT, M8 X 1.25 X 110 MM LG .....	2



# REAR SUSPENSION



Ref Rsp 21

# REAR SUSPENSION

THE USE OF NON U.L. PARTS WILL VOID ANY U.L. LISTING.

When ordering parts, please specify the model and serial number of the product.

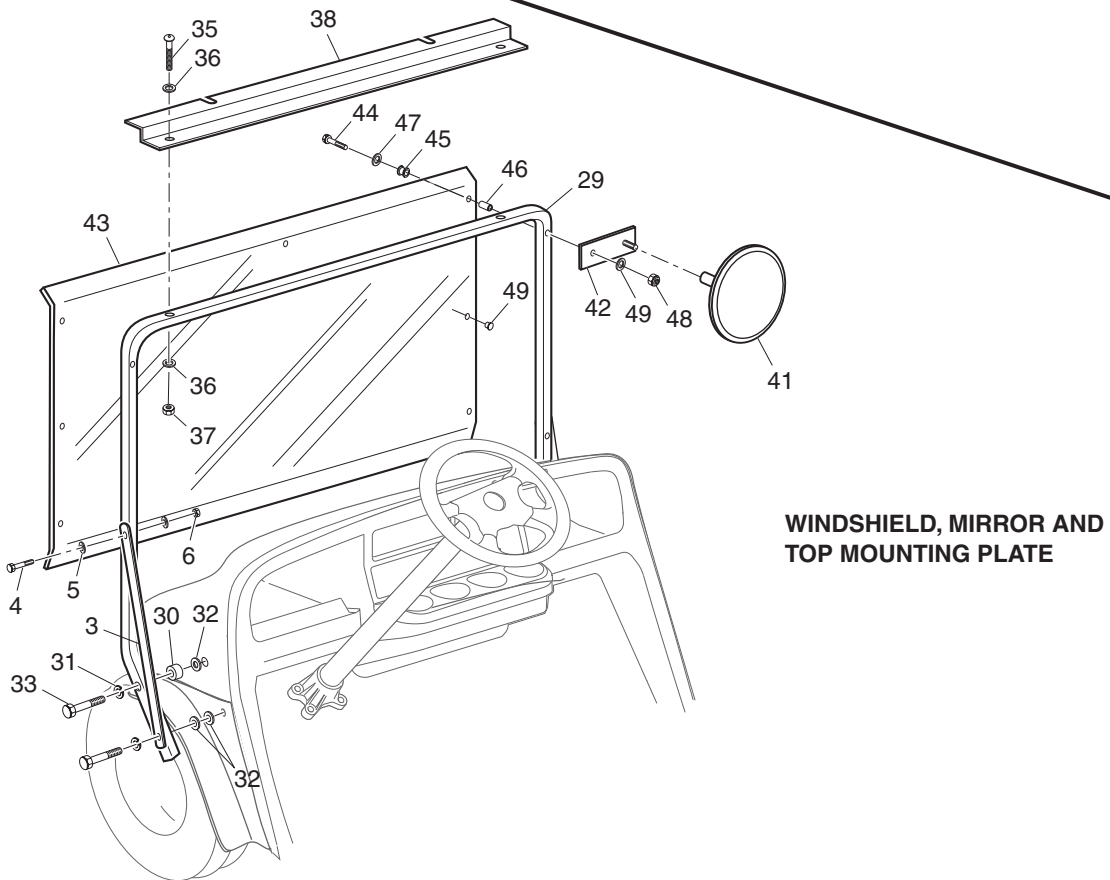
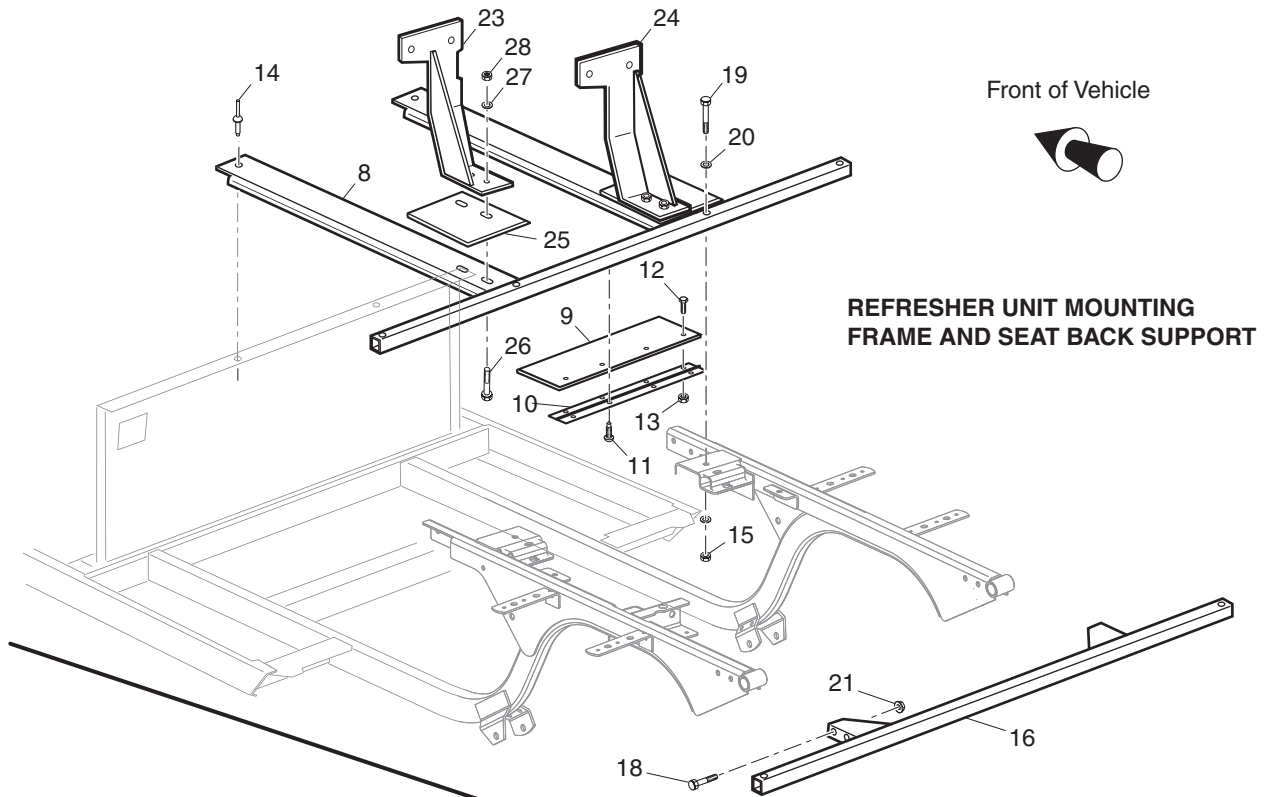
\* Indicates a component that is not available as an individual part.

G\*\* Indicates consult Customer Service Department for additional information.

ITEM	PART NO.	1 2 3 4 5	DESCRIPTION	QTY.
1				
2	<u>72618-G02</u>		'U' BOLT, 3/8 - 16 .....	4
3	<u>00560-G1</u>		WASHER, 3/8" .....	8
4	<u>11098-G5</u>		LOCK NUT, 3/8 - 16 .....	8
5	<u>74345-G03</u>		LEAF SPRING SET (REFRESHER) .....	2
6	<u>70291-G01</u>		FLANGED BUSHING .....	12
7	<u>14158-G1</u>		SHOULDER BOLT, 3/8 - 16 x 3 1/4" LG .....	2
8	<u>12262-G1</u>		LOCK NUT, 3/8 - 16 .....	2
9				
10	<u>10044-G01</u>		VINYL CAP .....	4
11	<u>70289-G02</u>		SPACER .....	4
12	<u>00665-G9</u>		BOLT, 3/8 - 16 X 3 1/2" LG .....	4
13	<u>70290-G02</u>		SHACKLE PLATE .....	4
14	<u>11098-G5</u>		LOCK NUT, 3/8 - 16 .....	1
15				
16	<u>70248-G01</u>		SHOCK ABSORBER .....	2
17	<u>10435-G1</u>		WASHER (SHOCK ABSORBER) .....	8
18	<u>10194-G1</u>		RUBBER BUSHING .....	8
19	<u>00532-G6</u>		NUT, 3/8 - 24 .....	4
20				
21	<u>70492-G01</u>		RUBBER BUMPER .....	2
22	<u>00968-G01</u>		LOCK WASHER, 10 MM .....	2
23	<u>00974-G01</u>		NUT, M10 X 1.5 .....	2

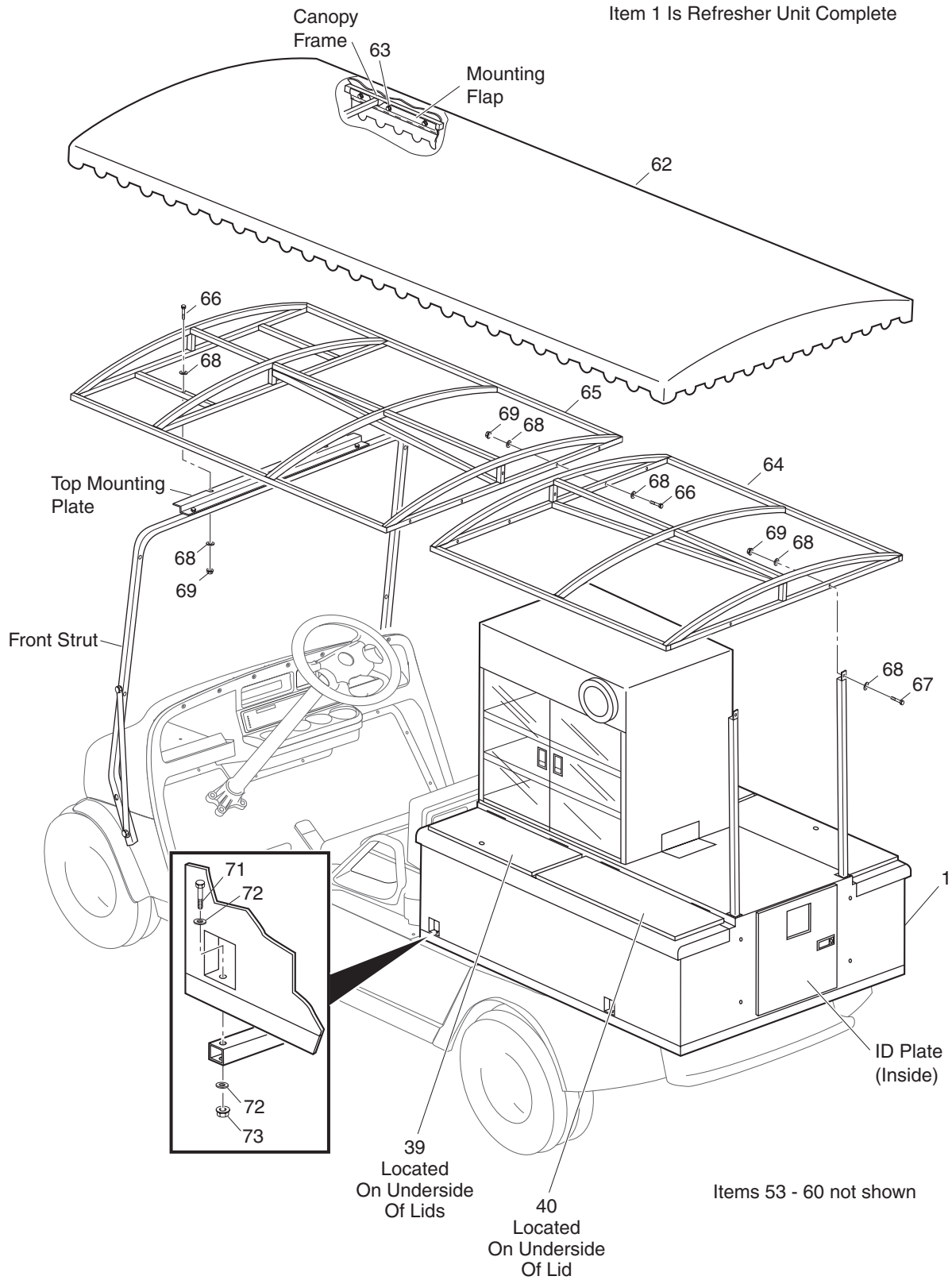


# REFRESHER UNIT



Ref Rfi 21-1

# REFRESHER UNIT



Ref Rji 21-2

# REFRESHER UNIT

THE USE OF NON U.L. PARTS WILL VOID ANY U.L. LISTING.

When ordering parts, please specify the model and serial number of the product.

\* Indicates a component that is not available as an individual part.

G\*\* Indicates consult Customer Service Department for additional information.

ITEM	PART NO.	1 2 3 4 5	DESCRIPTION	QTY.
1	74434-G01		REFRESHER UNIT (COMPLETE) (INCLUDES ITEMS 3 - 49).....	1
2				
3	<u>35790-G01</u>		BRACE.....	2
4	<u>00440-G2</u>		BOLT, 5/16 - 18 X 2 1/4" LG.....	4
5	<u>00905-G8</u>		LOCK WASHER, 5/16" (BLACK).....	4
6	11098-G6		LOCK NUT, 5/16 - 18.....	2
7				
8	<u>74421-G01</u>		REFRESHER UNIT MOUNTING FRAME (FRONT) .....	1
9	<u>74392-G01</u>		ENGINE ACCESS DOOR.....	1
10	<u>33121-G01</u>		ACCESS DOOR HINGE .....	1
11	<u>00106-G6</u>		SCREW, 12 - 24 X 3/4" LG .....	4
12	<u>00414-G5</u>		BOLT, 1/4 - 20 X 1/2" LG.....	4
13	<u>00891-G2</u>		LOCK NUT, 1/4 - 20.....	4
14	<u>10570-G10</u>		RIVET, 5/32" (STAINLESS STEEL) .....	2
15	11098-G6		LOCK NUT, 5/16 - 18.....	2
16	<u>71545-G01</u>		REFRESHER UNIT MOUNTING FRAME (REAR).....	1
17	74389-G01		SPACER .....	2
18	<u>00427-G8</u>		BOLT, 3/8 - 16 X 2" LG.....	4
19	00439-G8		BOLT, 5/16 - 18 X 2" LG.....	2
20	00559-G8		WASHER, 5/16" .....	4
21	11098-G6		LOCK NUT, 5/16 - 18.....	4
22				
23	74387-G01		SEAT BACK SUPPORT (DRIVER SIDE) .....	1
24	74387-G02		SEAT BACK SUPPORT (PASSENGER SIDE).....	1
25	<u>74433-G01</u>		SIDE COVER.....	2
26	<u>00438-G8</u>		BOLT, 5/16 - 18 X 1" LG.....	4
27	00559-G8		WASHER, 5/16" .....	4
28	11098-G6		LOCK NUT, 5/16 - 18.....	4
29	75045-G04		FRONT STRUT.....	1
30	<u>75048-G01</u>		SPACER .....	2

# REFRESHER UNIT

THE USE OF NON U.L. PARTS WILL VOID ANY U.L. LISTING.

When ordering parts, please specify the model and serial number of the product.

\* Indicates a component that is not available as an individual part.

G\*\* Indicates consult Customer Service Department for additional information.

ITEM	PART NO.	1	2	3	4	5	DESCRIPTION	QTY.
31	<u>00905-G8</u>						LOCK WASHER, 5/16" (BLACK) .....	4
32	<u>00879-G1</u>						WASHER, 3/8" X 1" .....	6
33	<u>01035-G02</u>						BOLT, 5/16 - 18 X 2 1/2" LG.....	4
34								
35	<u>16705-G5</u>						BOLT, 1/4 - 20 X 1 1/2" LG.....	2
36	<u>00559-G7</u>						WASHER, 1/4" .....	4
37	<u>00891-G2</u>						LOCK NUT, 1/4 - 20 .....	2
38	74191-G01						TOP MOUNTING PLATE .....	1
39	36002-G01						DECAL (WARNING) .....	3
40	<u>35991-G01</u>						DECAL (WARNING) .....	1
41	<u>74202-G01</u>						MIRROR, 6" .....	2
42	74203-G01						MIRROR MOUNTING BRACKET .....	2
43	<u>75021-G03</u>						WINDSHIELD .....	1
44	<u>16705-G6</u>						BOLT, 1/4 - 20 X 1 3/4" LG.....	4
45	72147-G01						RUBBER GROMMET .....	4
46	23726-G7						SPACER .....	4
47	<u>00660-G7</u>						WASHER, 1/4" .....	8
48	<u>00891-G2</u>						LOCK NUT, 1/4 - 20 .....	4
49	<u>75124-G01</u>						BUMPER.....	2
50								
51								
52		<b>ITEMS 53 - 60 NOT SHOWN</b>						
53	<u>74346-G01</u>						SIGN BOARD .....	2
54	<u>75793-G01</u>						CONDIMENT TRAY .....	1
55	<u>75794-G01</u>						BOTTLE CADDY .....	1
56	<u>75795-G01</u>						CASH DRAWER.....	1
57	<u>75796-G01</u>						MINI BOTTLE CARRIER.....	1
58	<u>75797-G01</u>						HUMIDOR .....	1
59	<u>75798-G01</u>						CREDIT CARD MACHINE MOUNT .....	1
60	<u>75891-G01</u>						FOOD WARMER.....	1

# REFRESHER UNIT

THE USE OF NON U.L. PARTS WILL VOID ANY U.L. LISTING.

When ordering parts, please specify the model and serial number of the product.

\* Indicates a component that is not available as an individual part.

G\*\* Indicates consult Customer Service Department for additional information.

ITEM	PART NO.	1 2 3 4 5	DESCRIPTION	QTY.
61			<b>THE FOLLOWING SERVICE PARTS AND ACCESORIES ARE AVAILABLE FROM 19TH HOLE MARKETING, INC, 400 E. COMSTOCK DRIVE, CHANDLER, AZ 85225, PHONE: (480) 497 - 8280</b>	
62	EZRAM10064		CANOPY .....	1
63	H1092		SELF TAPPING SCREW, 10MM X 1/2" LG .....	40
64	EZRAM10060		CANOPY FRAME (REAR) .....	1
65	EZRAM10061		CANOPY FRAME (FRONT).....	1
66	H1075		BOLT, 1/4 - 20 X 2" .....	7
67	H1077		BOLT, 1/4 - 20 X 1 1/4" LG .....	2
68	H1079		WASHER, 1/4" .....	18
69	H1078		LOCK NUT, 1/4 - 20 .....	9
70				
71	H1083		BOLT, 5/16 - 18 X 1 1/4" LG .....	4
72	H1019		WASHER, 5/16" .....	8
73	H1017		LOCK NUT, 5/16 - 18 .....	4
74			<b>ITEMS 75 - 106 NOT SHOWN</b>	
75	EZRAM10033		COLD STORAGE DOOR, FRONT.....	1
76	EZRAM10037		COLD STORAGE DOOR, REAR .....	1
77	EZRAM10041		CONSUMABLE ICE DOOR .....	1
78	EZRAM10022		CANOPY UPRIGHT .....	1
79	EZRAM10069		HOSE MOUNTING BRACKET.....	1
80	H4007		COMPRESSION HINGE .....	1
81	EZRAM10075		TRASH DOOR HINGE .....	1
82	B6001		TRASH BIN .....	1
83	H4008		TRASH DOOR LATCH.....	1
84	EZRAM10045		TRASH DOOR COMPARTMENT.....	1
85	M6003		DOOR SEAL GASKET .....	1
86	H2006		LOCK (COLD STORAGE DOOR).....	1
87				
88	EZRAM10069		HOSE MOUNTING BRACKET.....	2
89	H5012		SPIGOT VALVE.....	2

# REFRESHER UNIT

THE USE OF NON U.L. PARTS WILL VOID ANY U.L. LISTING.

When ordering parts, please specify the model and serial number of the product.

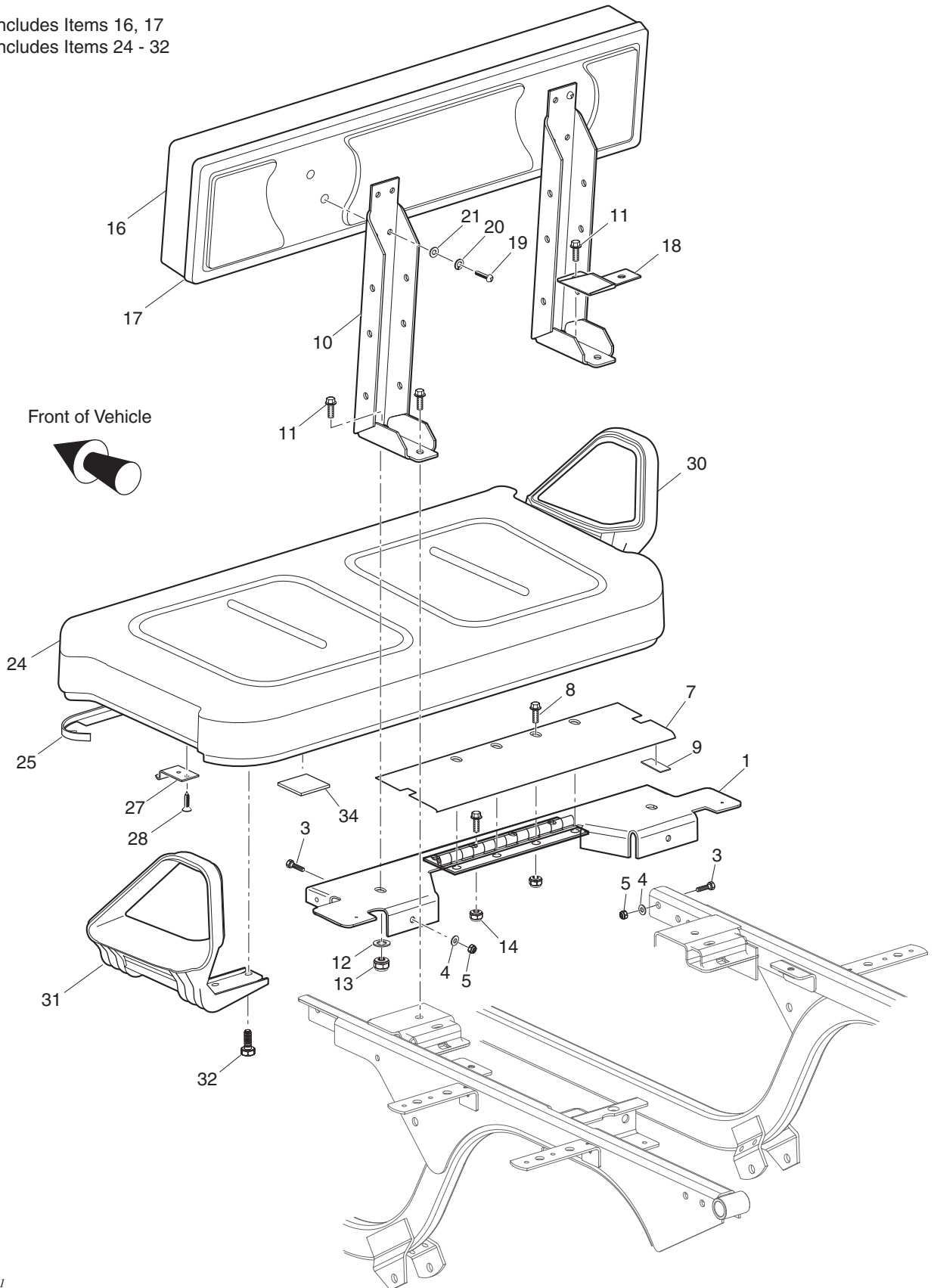
\* Indicates a component that is not available as an individual part.

G\*\* Indicates consult Customer Service Department for additional information.

ITEM	PART NO.	1	2	3	4	5	DESCRIPTION	QTY.
90	H5000						DRAIN HOSE, 36" LG .....	1
91	H5007						HOSE ADAPTER, 3/4" X 1/2" .....	2
92	H5006						COMBINATION ELBOW .....	3
93	H5005						COMBINATION TEE .....	1
94	H1070						HOSE CLAMP .....	1
95								
96	B10000						TOUCH UP PAINT REPAIR KIT .....	1
97	EZRAM100010						DOOR ACCESSORY MODULE (LEFT).....	1
98	EZRAM100012						DOOR ACCESSORY MODULE (RIGHT) .....	1
99	H4009						LOCKING LATCH.....	1
100	B9001						CUP DISPENSER .....	1
101	B9002						CUP DISPENSOR COVER RING .....	1
102	B9003						CUP DISPENSOR COVER SPRING .....	1
103	B6011						AIRPOT, 3.75 LITER (STAINLESS STEEL) .....	1
104	EZRAM100020						AIRPOT RACK ASSEMBLY .....	1
105	H600						DOOR HINGE (STAINLESS STEEL).....	1
106	M1002						CUSHIONING ADHESIVE TAPE .....	1

# SEATING

15 - Includes Items 16, 17  
23 - Includes Items 24 - 32



Ref Sea 21-1

# SEATING

THE USE OF NON U.L. PARTS WILL VOID ANY U.L. LISTING.

When ordering parts, please specify the model and serial number of the product.

\* Indicates a component that is not available as an individual part.

G\*\* Indicates consult Customer Service Department for additional information.

ITEM	PART NO.	1 2 3 4 5	DESCRIPTION	QTY.
1	<u>71446-G02</u>		SEAT BACK SUPPORT .....	1
2	<u>00715-G2</u>		BOLT, 5/16 - 18 X 13/16" LG .....	1
3	<u>00438-G8</u>		BOLT, 5/16 - 18 X 1" LG .....	4
4	<u>00642-G8</u>		WASHER, 5/16" .....	4
5	11098-G6		LOCK NUT, 5/16 - 18 .....	4
6	<u>33121-G01</u>		HINGE .....	1
7	<u>71558-G02</u>		ACCESS COVER.....	1
8	<u>00414-G5</u>		BOLT, 1/4 - 20 X 1/2" LG .....	8
9	<u>14382-G7</u>		NOISE SUPPRESSOR .....	2
10	<u>75900-G02</u>		SEAT BACK SUPPORT BRACKET .....	2
11	01006-G1		BOLT, 3/8 - 16 X 1 1/4" LG .....	4
12	<u>00560-G1</u>		WASHER, 3/8" .....	4
13	<u>11098-G5</u>		LOCK NUT, 3/8 - 16 .....	4
14	<u>00891-G2</u>		LOCK NUT, 1/4 - 20 .....	8
15	71274-G**		SEAT BACK ASSEMBLY (INCLUDES ITEMS 16, 17).....	1
16	18144-G**		VINYL SEAT BACK COVER .....	1
17	18868-G4		PLASTIC SEAT BACK COVER (BLACK) .....	1
18	<u>71577-G01</u>		BED BUMPER BRACKET.....	2
19	<u>16705-G1</u>		SCREW, 1/4 - 20 X 1" LG.....	4
20	<u>00664-G7</u>		LOCK WASHER, 1/4" .....	4
21	01110-G7		WASHER, 1/4" .....	4
22				
23	71611-G**		SEAT BOTTOM ASSEMBLY (INCLUDES ITEMS 24 - 32) .....	1
24	71602-G**		VINYL SEAT BOTTOM COVER .....	1
25	<u>71012-G01</u>		VINYL TRIM (SEAT BOTTOM).....	1
26				
27	<u>71610-G01</u>		SEAT HINGE .....	2
28	<u>00720-G08</u>		SCREW, #12 - 14 X 1" LG. ....	6
29				
30	<u>71701-G01</u>		HIP RESTRAINT (PASSENGER SIDE).....	1



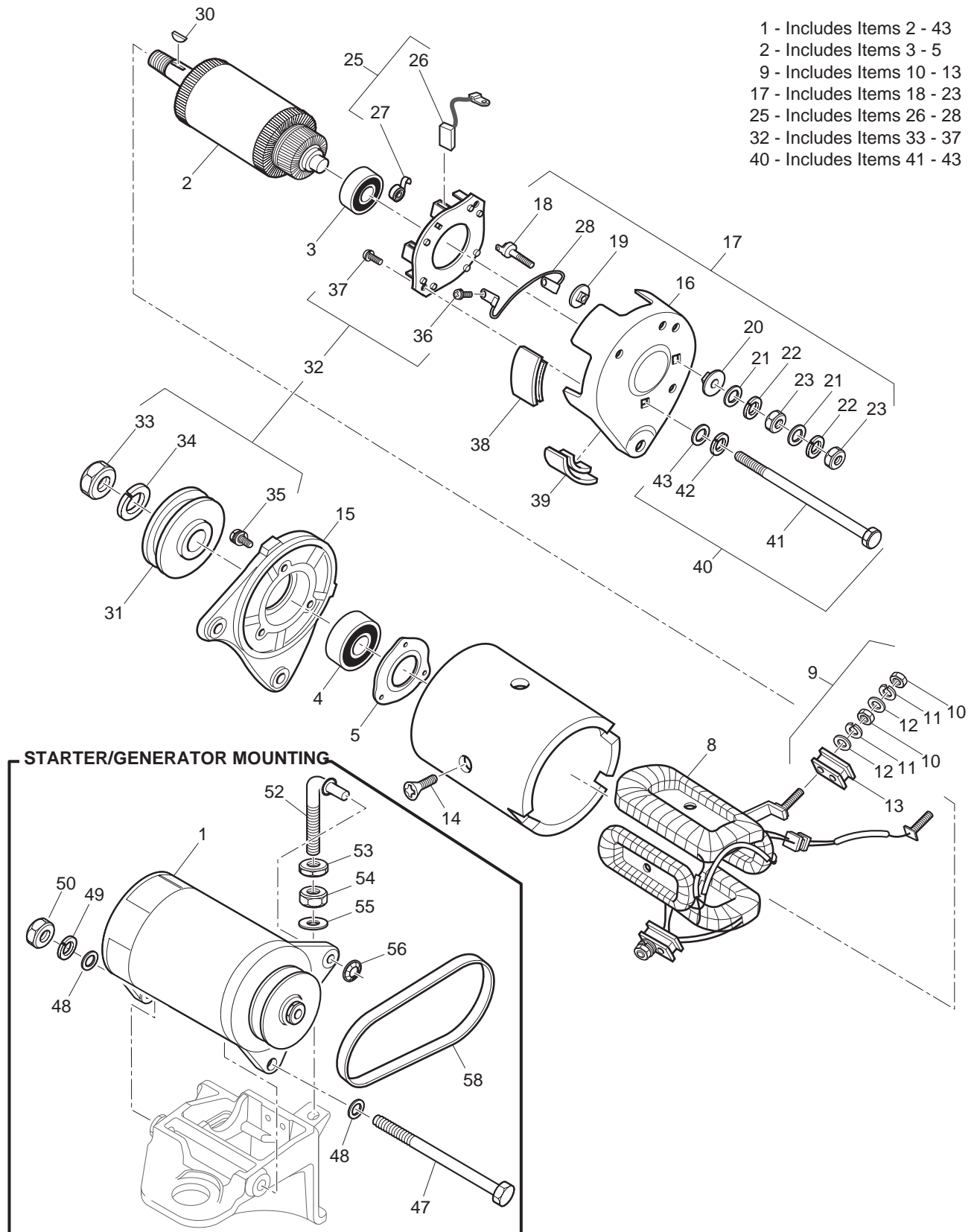
# SEATING

THE USE OF NON U.L. PARTS WILL VOID ANY U.L. LISTING.  
 When ordering parts, please specify the model and serial number of the product.  
 \* Indicates a component that is not available as an individual part.  
 G\*\* Indicates consult Customer Service Department for additional information.

ITEM	PART NO.	1	2	3	4	5	DESCRIPTION	QTY.
31	<u>71702-G01</u>						HIP RESTRAINT (DRIVER SIDE) .....	1
32	71204-G01						BOLT, 1/4 - 20 X 7/8" LG. ....	8
33								
34	<u>17074-G1</u>						BUMPER .....	2



# STARTER / GENERATOR



Ref Stg 6-1

# STARTER / GENERATOR

THE USE OF NON U.L. PARTS WILL VOID ANY U.L. LISTING.  
 When ordering parts, please specify the model and serial number of the product.  
 \* Indicates a component that is not available as an individual part.  
 G\*\* Indicates consult Customer Service Department for additional information.

ITEM	PART NO.	1 2 3 4 5	DESCRIPTION	QTY.
1	<u>27065-G01</u>		STARTER / GENERATOR (INCLUDES ITEMS 2 - 43).....	1
2	<u>26870-G01</u>		ARMATURE (INCLUDES ITEMS 3 - 5) .....	1
3	<u>26871-G01</u>		REAR BALL BEARING .....	1
4	<u>26872-G01</u>		FRONT BALL BEARING .....	1
5	<u>26873-G01</u>		BEARING HOLDER .....	1
6				
7				
8	<u>26875-G01</u>		FIELD COIL .....	1
9	<u>26876-G01</u>		INSULATING BRUSH ASSEMBLY ('F') (INCLUDES ITEMS 10 - 13).....	2
10	*		NUT .....	2
11	*		LOCK WASHER .....	2
12	*		WASHER .....	2
13	*		INSULATOR .....	1
14	<u>26877-G01</u>		POLE CORE SETSCREW.....	4
15	<u>26878-G01</u>		FRONT COVER.....	1
16	<u>27879-G01</u>		REAR COVER .....	1
17	<u>26880-G01</u>		TERMINAL ASSEMBLY ('A') (INCLUDES ITEMS 18 - 23).....	2
18	*		TERMINAL .....	2
19	*		INSULATOR .....	2
20	*		INSULATOR .....	2
21	*		WASHER.....	4
22	*		LOCK WASHER .....	4
23	*		NUT .....	4
24				
25	<u>26881-G01</u>		BRUSH HOLDER ASSEMBLY (INCLUDES ITEMS 26 - 28) .....	1
26	<u>26658-G01</u>		BRUSH.....	4
27	<u>26882-G01</u>		BRUSH SPRING .....	4
28	<u>26883-G01</u>		BRUSH CONNECTOR.....	2
29				
30	<u>26884-G01</u>		KEY.....	1

# STARTER / GENERATOR

THE USE OF NON U.L. PARTS WILL VOID ANY U.L. LISTING.

When ordering parts, please specify the model and serial number of the product.

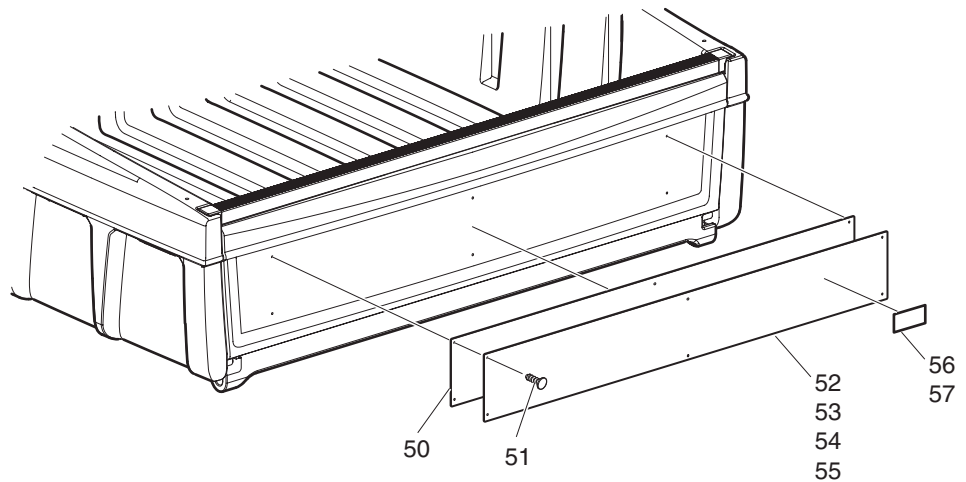
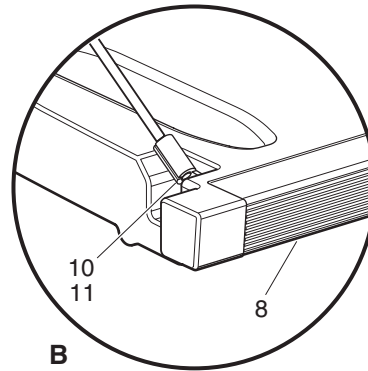
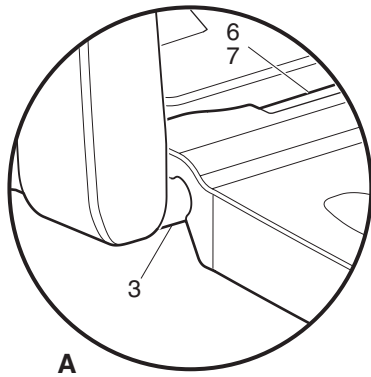
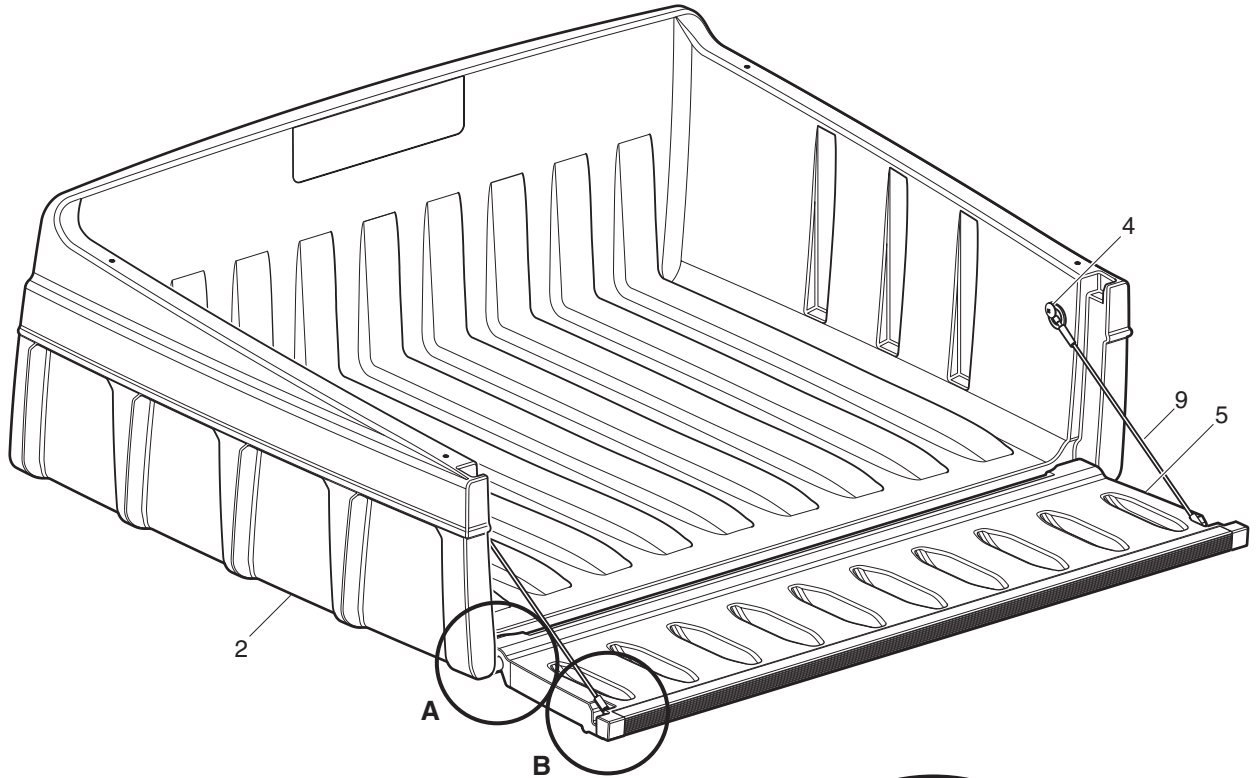
\* Indicates a component that is not available as an individual part.

G\*\* Indicates consult Customer Service Department for additional information.

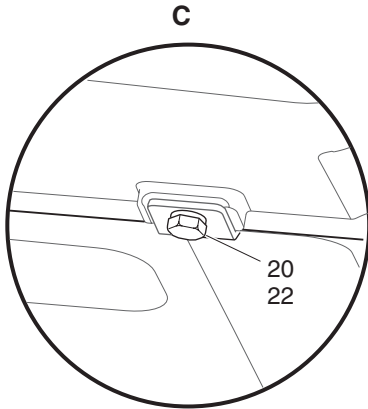
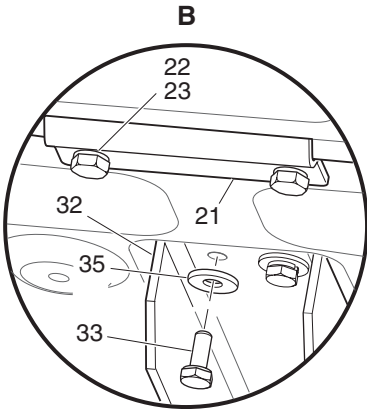
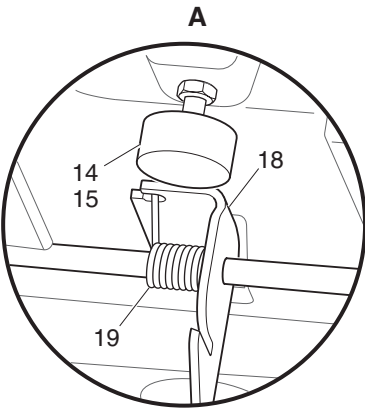
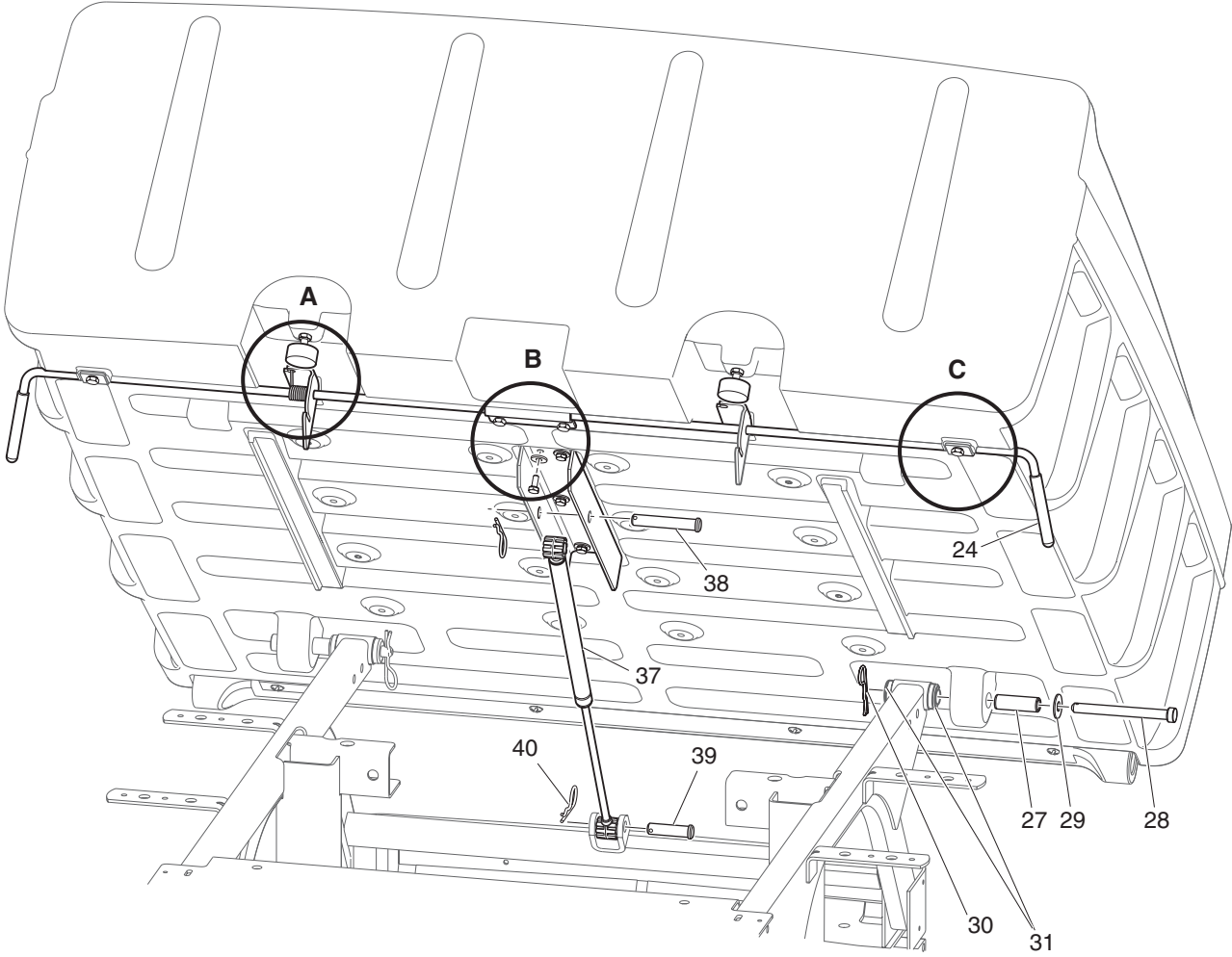
ITEM	PART NO.	1	2	3	4	5	DESCRIPTION	QTY.
31	<u>26885-G01</u>						PULLEY .....	1
32	<u>26886-G01</u>						BRUSH AND PULLEY HARDWARE KIT (INCLUDES ITEMS 33 - 37).....	1
33	*						NUT .....	1
34	*						LOCK WASHER .....	1
35	*						SCREW .....	3
36	*						SCREW .....	4
37	*						SCREW .....	2
38	<u>26887-G01</u>						BRUSH 1 COVER.....	3
39	<u>26888-G01</u>						BRUSH 2 COVER.....	2
40	<u>26889-G01</u>						HOUSING HARDWARE KIT (INCLUDES ITEMS 41 - 43).....	2
41	*						BOLT .....	2
42	*						LOCK WASHER .....	2
43	*						WASHER.....	2
44								
45								
46								
47	<u>00938-G4</u>						BOLT, 1/2 - 13 X 8" LG .....	1
48	<u>00560-G3</u>						WASHER, 1/2" .....	2
49	<u>00566-G3</u>						LOCK WASHER, 1/2" .....	1
50	<u>00533-G1</u>						NUT, 1/2 - 13 .....	1
51								
52	<u>28617-G01</u>						STARTER / GENERATOR ADJUSTER.....	1
53	<u>00544-G5</u>						JAM NUT, 3/8 - 16 .....	1
54	00532-G5						NUT, 3/8 - 16 .....	1
55	<u>00560-G1</u>						WASHER, 3/8" .....	1
56	12064-G4						PUSH NUT, 5/16" .....	1
57								
58	<u>26414-G01</u>						STARTER / GENERATOR BELT .....	1



# TRUCK BED, PLASTIC



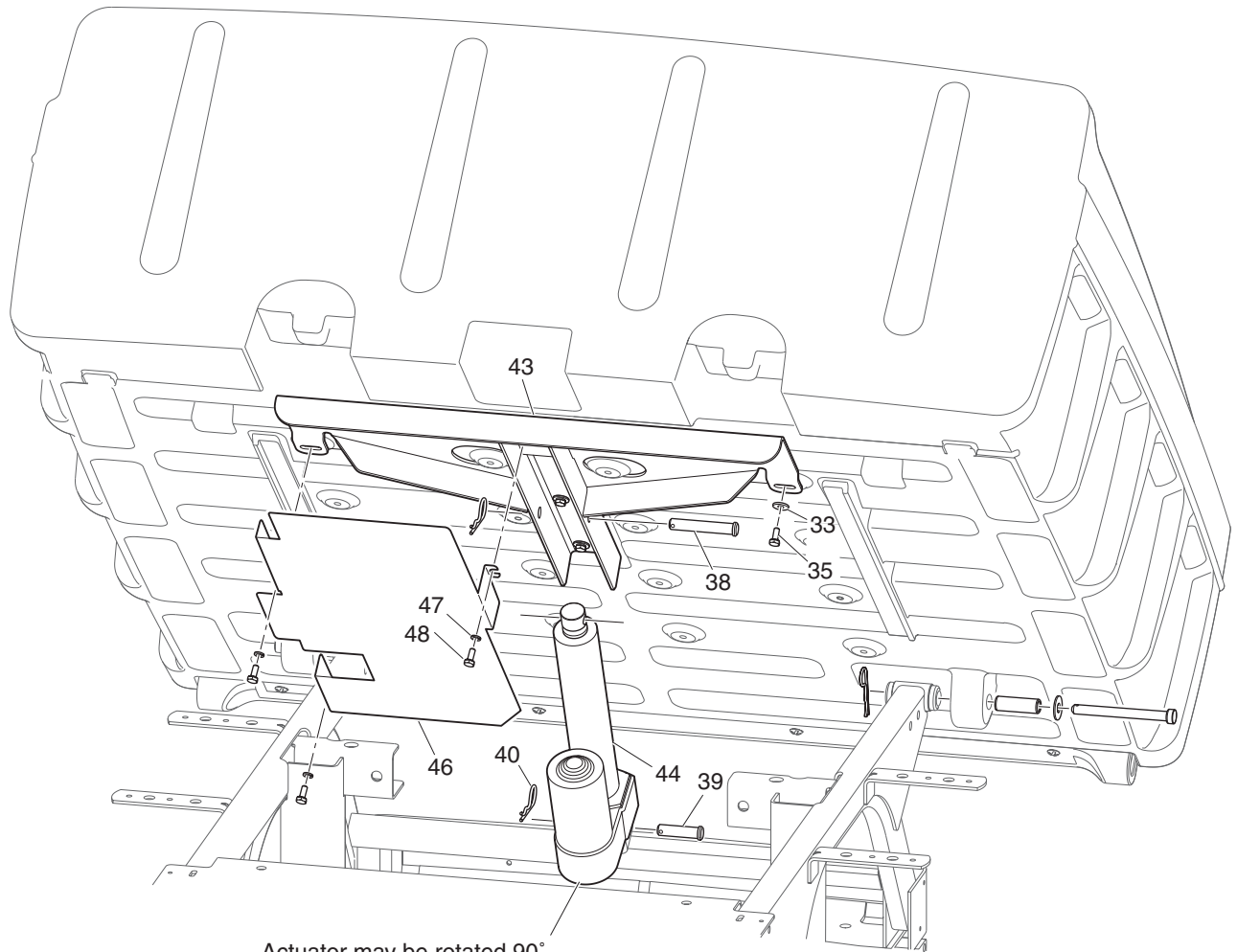
Ref Tbp 21-1



Ref Tbp 21-2



# TRUCK BED, PLASTIC



Actuator may be rotated 90°  
on some models

# TRUCK BED, PLASTIC

Where applicable, THE USE OF NON UL PARTS WILL VOID ANY UL LISTING.  
 When ordering parts, please specify the model and serial number of the product.  
 \* Indicates a component that is not available as an individual part.  
 G\*\* Indicates consult Customer Service Department for additional information.

ITEM	PART NO.	1 2 3 4 5	DESCRIPTION	QTY.
1	<u>73451-G01</u>		BED ASSEMBLY, 40" (INCLUDES ITEMS 2 -11).....	1
2	<u>73447-G01</u>		PLASTIC BED, 40" .....	1
3	<u>73454-G01</u>		PIVOT SHAFT .....	2
4	<u>73460-G01</u>		SHOULDER BOLT, 1/4 - 20 X 3/4" LG.....	2
5	<u>73448-G01</u>		TAILGATE .....	1
6	<u>73450-G01</u>		BOWED ANGLE .....	1
7	<u>16705-G2</u>		SCREW, 1/4 - 20 X 5/8" LG (STAINLESS STEEL).....	4
8	<u>73449-G01</u>		EXTRUSION CHANNEL.....	1
9	<u>73455-G01</u>		TAILGATE CABLE .....	1
10	<u>71541-G01</u>		TAILGATE CABLE SPACER.....	2
11	<u>16705-G2</u>		SCREW, 1/4 - 20 X 5/8" LG (STAINLESS STEEL).....	2
12				
13				
14	<u>70113-G01</u>		ADJUSTABLE RUBBER BUMPER .....	2
15	<u>00544-G3</u>		JAM NUT, 5/16 - 18 .....	2
16				
17				
18	<u>71096-G01</u>		BED LATCH .....	1
19	<u>71538-G01</u>		LATCH TORSION SPRING.....	1
20	<u>71099-G02</u>		KEEPER PLATE.....	2
21	<u>71477-G02</u>		RETAINER BRACKET.....	1
22	<u>01118-G01</u>		SCREW, 1/4 - 20 X 5/8" LG.....	4
23				
24	<u>71704-G01</u>		HANDLE GRIP .....	2
25				
26				
27	<u>71570-G01</u>		BUSHING .....	2
28	<u>71571-G01</u>		CLEVIS PIN.....	2
29	<u>15121-G2</u>		WASHER, 1 1/4 X 7/16 .....	2
30	<u>21683-G1</u>		COTTER PIN.....	2

# TRUCK BED, PLASTIC

Where applicable, THE USE OF NON UL PARTS WILL VOID ANY UL LISTING.

When ordering parts, please specify the model and serial number of the product.

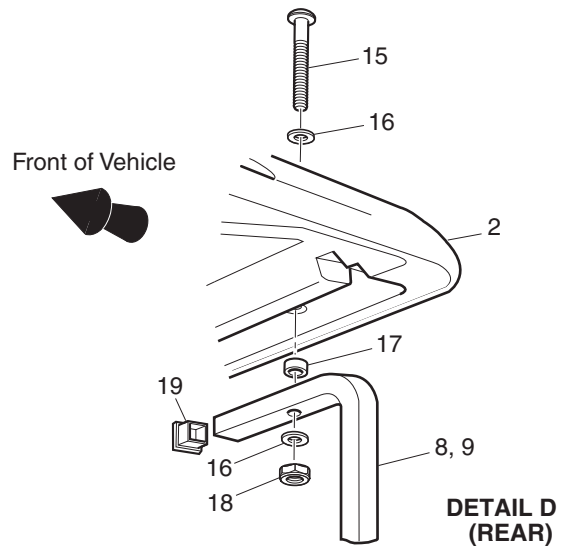
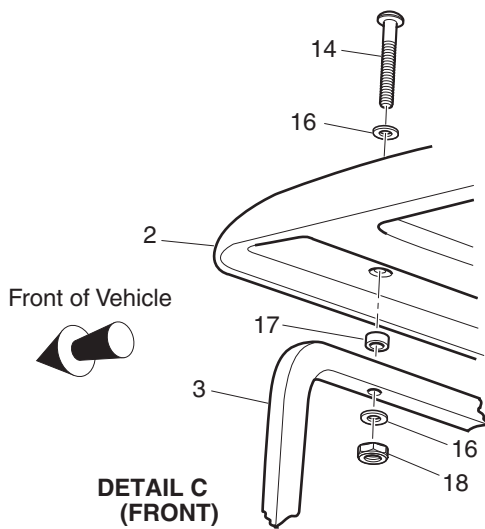
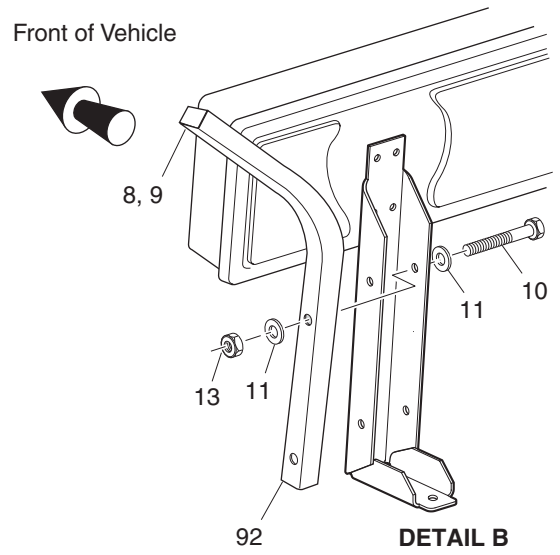
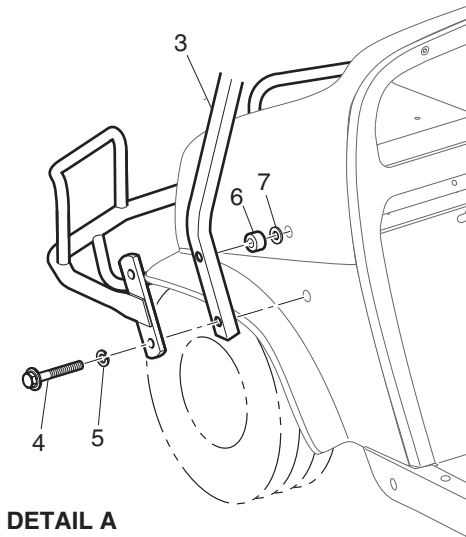
\* Indicates a component that is not available as an individual part.

G\*\* Indicates consult Customer Service Department for additional information.

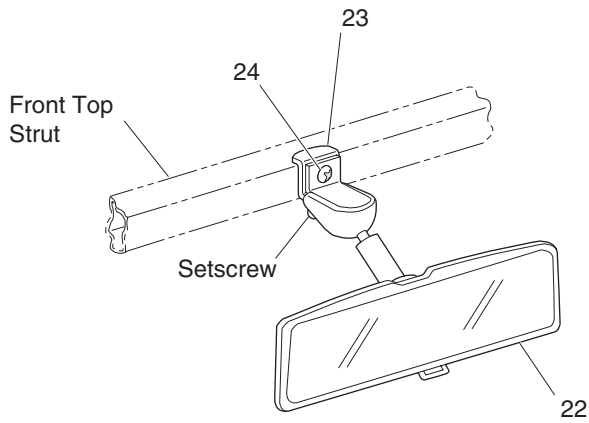
ITEM	PART NO.	1 2 3 4 5	DESCRIPTION	QTY.
31	<u>70291-G01</u>		BUSHING .....	4
32	<u>71569-G02</u>		SPRING CHANNEL .....	1
33	<u>01118-G01</u>		SCREW, 1/4 - 20 X 5/8" LG.....	8
34				
35	<u>00642-G7</u>		WASHER, 1/4" .....	8
36				
37	<u>71537-G02</u>		GAS SPRING .....	2
38	<u>14443-G10</u>		CLEVIS PIN, 1/2" X 2 27/32" LG.....	1
39	<u>14443-G11</u>		CLEVIS PIN, 1/2" X 1 3/4" LG.....	1
40	<u>21683-G1</u>		COTTER PIN, .....	2
41				
42				
43	<u>71547-G02</u>		OUTRIGGER CHANNEL .....	1
44	<u>27612-G02</u>		ELECTRIC ACTUATOR, 12 VOLT, 1500 LBS.....	1
45	<u>27612-G02</u>		ELECTRIC ACTUATOR, 48 VOLT, 1500 LBS.....	1
46	<u>72339-G02</u>		PLASTIC BED HEAT SHIELD (GASOLINE VEHICLE ONLY).....	1
47	<u>00642-G7</u>		WASHER, 1/4" .....	2
48	<u>01118-G01</u>		SCREW, 1/4-20 X 5/8" .....	2
49				
50	<u>74925-G01</u>		PLATE .....	1
51	<u>16816-G2</u>		RIVET.....	6
52	<u>74811-G01</u>		LABEL, (E-Z-GO - MPT).....	1
53	28958-G01		LABEL, (E-Z-GO - IND).....	1
54	28960-G01		LABEL, (COMMANDER).....	1
55	<u>74823-G01</u>		LABEL, (JACOBSEN HAULER).....	1
56	<u>74807-G01</u>		LABEL, (1200).....	1
57	<u>28968-G01</u>		LABEL, (2200).....	1
58	<u>74805-G01</u>		LABEL, (1000).....	1
59	28966-G01		LABEL, (2100).....	1



# WEATHER PROTECTION



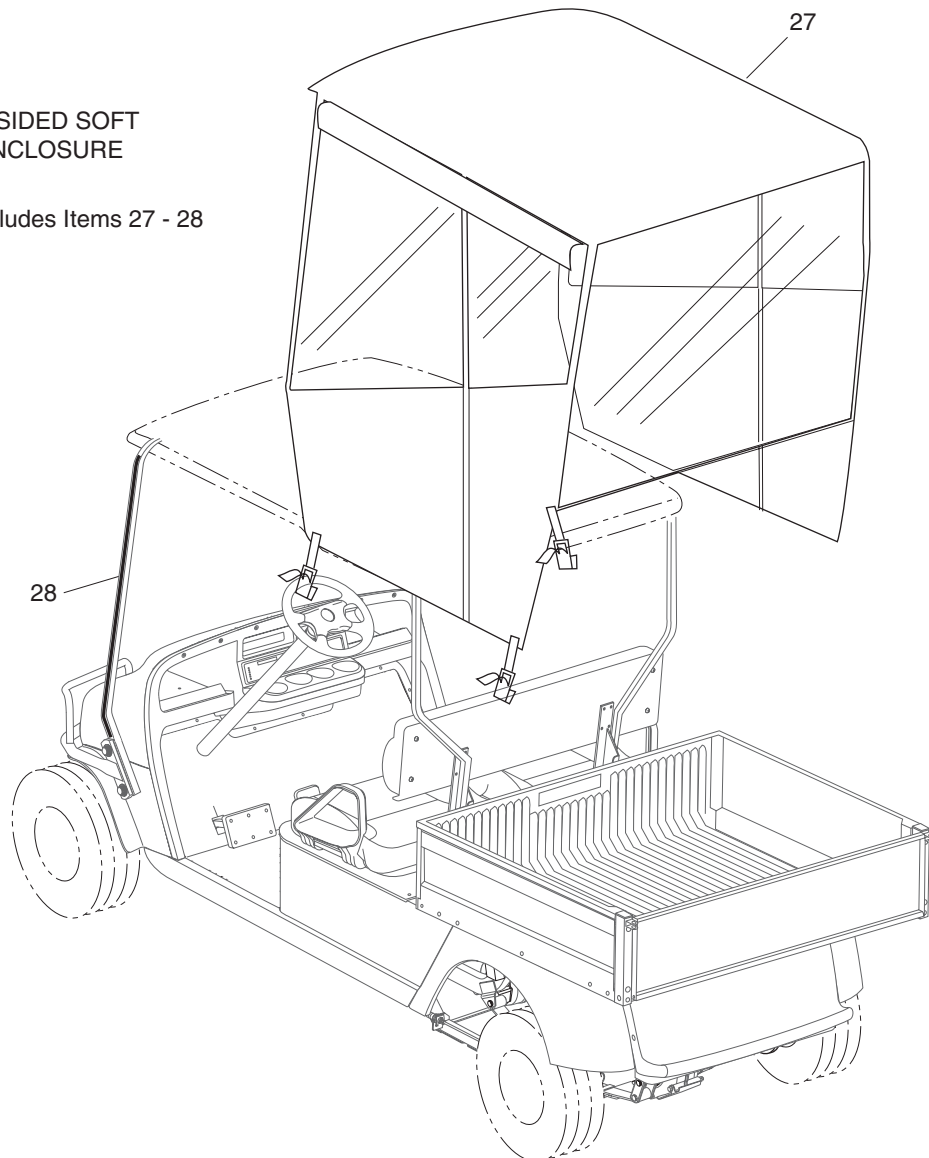
Ref Wea 20-1



## REAR VIEW MIRROR

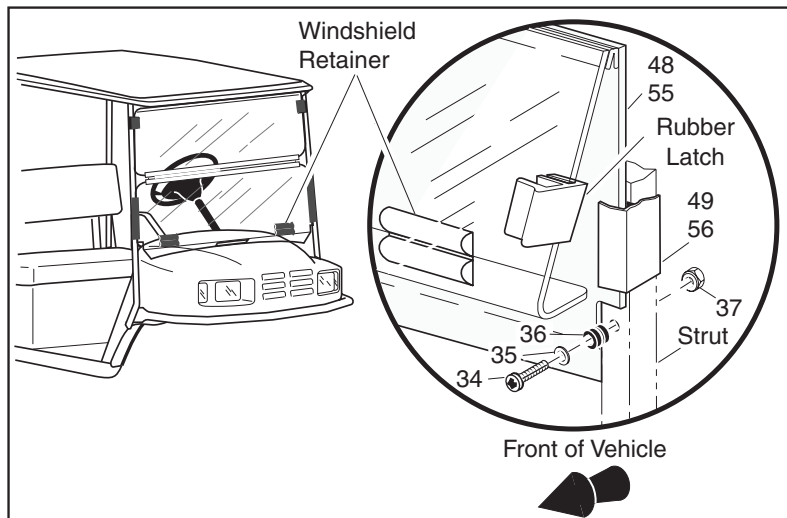
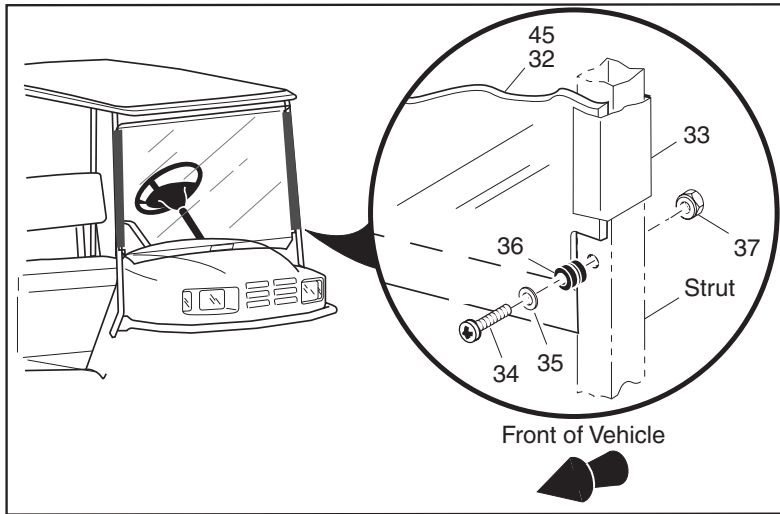
21 - Includes Items 22 - 24

3-SIDED SOFT ENCLOSURE  
26 - Includes Items 27 - 28



Ref Wea 20-2

# WEATHER PROTECTION



RefWea 20-3

# WEATHER PROTECTION

Where applicable, THE USE OF NON UL PARTS WILL VOID ANY UL LISTING.  
 When ordering parts, please specify the model and serial number of the product.  
 \* Indicates a component that is not available as an individual part.  
 G\*\* Indicates consult Customer Service Department for additional information.

ITEM	PART NO.	1 2 3 4 5	DESCRIPTION	QTY.
1	75040-G**		SUN TOP KIT (INCLUDES ITEMS 2 - 19) .....	1
2	<u>27069-G01</u>		SUN TOP .....	1
3	<u>75045-G05</u>		FRONT STRUT .....	1
4	01035-G01		BOLT, 5/16 - 18 X 2 1/4" LG.....	4
5	<u>00905-G8</u>		LOCK WASHER, 5/16" .....	4
6	<u>75048-G01</u>		SPACER, 1/2" .....	2
7	<u>00570-G2</u>		WASHER, 5/16" .....	6
8	<u>75838-G04</u>		REAR STRUT (PASSENGER SIDE) .....	1
9	<u>75838-G03</u>		REAR STRUT (DRIVER SIDE).....	1
10	<u>00685-G7</u>		BOLT, 5/16 - 18 X 1 3/4" LG.....	4
11	<u>00660-G8</u>		WASHER, 5/16" .....	8
12				
13	11098-G6		LOCK NUT, 5/16 - 18 .....	4
14	<u>00753-G5</u>		SCREW, 1/4 - 20 X 2" LG (STAINLESS STEEL).....	2
15	00753-G6		SCREW, 1/4 - 20 X 2 1/4" LG (STAINLESS STEEL).....	2
16	<u>01110-G01</u>		WASHER, 1/4" (STAINLESS STEEL).....	8
17	<u>75051-G01</u>		SPACER .....	4
18	<u>00654-G2</u>		LOCK NUT, 1/4 - 20 .....	4
19	<u>19853-G1</u>		END CAP, 1" .....	2
20				
21	<u>19528-G2</u>		REAR VIEW MIRROR KIT (REQUIRES SUN TOP) (INCLUDES ITEMS 22 - 24).....	1
22	<u>19496-G1</u>		REAR VIEW MIRROR .....	1
23	19502-G2		SUPPORT BRACKET.....	1
24	<u>19527-G1</u>		SCREW, #8 - 32 X 5/8" LG (STAINLESS STEEL).....	1
25				
26	75367-G**		3-SIDED SOFT ENCLOSURE (REQUIRES SUN TOP) (INCL ITEMS 27 - 28) .....	1
27	*		ENCLOSURE.....	1
28	*		VELCRO .....	AR
29				



# WEATHER PROTECTION

Replacement parts for the windshield may be obtained from Eagle Parts, Inc. 1411 Marvin Griffin Rd. Augusta, GA 30906. Telephone (706) 790-6687.

\* Indicates a component that is not available as an individual part.

G\*\* Indicates consult Customer Service Department for additional information.

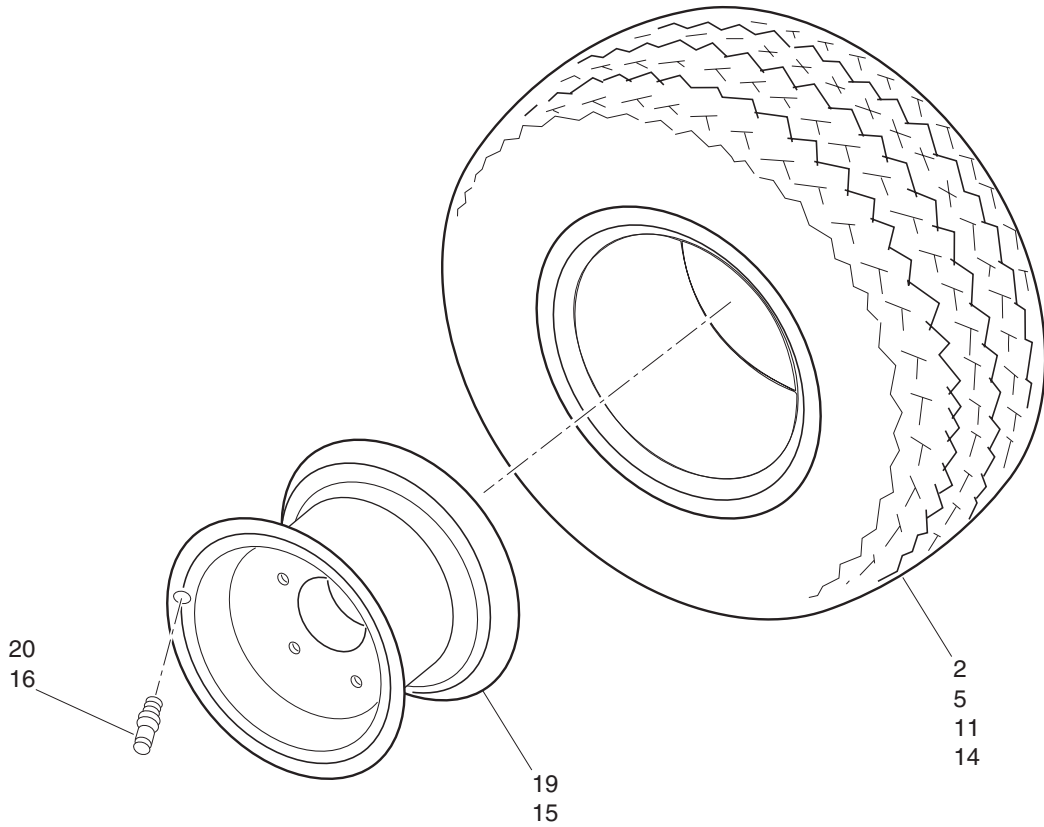
ITEM	PART NO.	1	2	3	4	5	DESCRIPTION	QTY.
30								
31	<u>71966-G01</u>						WINDSHIELD KIT (FULL) (INCLUDES ITEMS 32 - 38) .....	1
32	<u>71954-G01</u>						WINDSHIELD (FULL) (LEXAN) .....	1
33	EGWHC12						SASH, 26" LG. ....	2
34	EGWHS12						BOLT, 1/4 - 20 X 1 3/4" LG. (STAINLESS STEEL) .....	2
35	EGWHG12						WASHER, 1/4" (STAINLESS STEEL) .....	4
36	EGWHG13						RUBBER GROMMET .....	2
37	EGWHN12						LOCK NUT, 1/4 - 20 (STAINLESS STEEL) .....	2
38	EGWHL14						SAFETY LABEL.....	1
39								
40								
41								
42								
43								
44	<u>71966-G03</u>						WINDSHIELD KIT (FULL) (INCLUDES ITEMS 45, 33 - 37) .....	1
45	<u>71960-G01</u>						WINDSHIELD (FULL) .....	1
46								
47	<u>71966-G04</u>						WINDSHIELD KIT (SPLIT) (INCLUDES ITEMS 48, 49, 34 - 37) .....	1
48	<u>71961-G01</u>						WINDSHIELD (SPLIT).....	1
49	EGWHC10						SASH, 12" LG. ....	2
50								
51								
52								
53								
54	<u>71966-G02</u>						WINDSHIELD KIT (SPLIT) (INCLUDES ITEMS 55, 56, 34 - 37) .....	1
55	<u>71955-G01</u>						WINDSHIELD (SPLIT) (LEXAN).....	1
56	EGWHC10						SASH, 12" LG. ....	2



# WHEELS AND TIRES

- 1 - Includes Items 2, 19, 20
- 4 - Includes Items 5, 19, 20
- 10 - Includes Items 11, 19, 20
- 13 - Includes Items 14, 15, 16

Tire design may vary by Part Number



Ref Whl 20-1



GOLD / SILVER SPOKE HUBCAP  
22, 23

*Ref Whl 20-2*

# WHEELS AND TIRES

When ordering parts, please specify the model and serial number of the product.

\* Indicates a component that is not available as an individual part.

G\*\* Indicates consult Customer Service Department for additional information.

ITEM	PART NO.	1 2 3 4 5	DESCRIPTION	QTY.
1	<u>28757-G01</u>		TIRE AND WHEEL ASSEMBLY (LINKS 18 X 8.5 - 8) (INCLUDES ITEMS 2, 19, 20).....	A/R
2	<u>28764-G01</u>		TIRE (LINKS 18 X 8.5 - 8) .....	A/R
3				
4	<u>28757-G03</u>		WHEEL AND TIRE ASSEMBLY (TURF SAVER 18 X 8.5 - 8) (INCLUDES ITEMS 5, 19, 20).....	A/R
5	<u>28764-G03</u>		TIRE (TURF-SAVER 18 X 8.5 - 8) .....	A/R
6				
7				
8				
9				
10	<u>28758-G01</u>		WHEEL AND TIRE ASSEMBLY (USA TRAIL 6-PLY 18.5 X 8.5 - 8) (INCLUDES ITEMS 11, 19, 20) .....	A/R
11	<u>28764-G06</u>		TIRE (USA TRAIL 18.5 X 8.5 - 8) .....	A/R
12				
13	<u>27784-G02</u>		WHEEL AND TIRE ASSEMBLY, USA TRAIL (INCLUDES ITEMS 14, 15 16)....	A/R
14	<u>27784-G04</u>		CARLISLE TIRE (USA TRAIL 5.70 X 8).....	A/R
15	<u>33678-G01</u>		WHEEL RIM (4 LUG).....	A/R
16	<u>26482-G01</u>		VALVE STEM.....	A/R
17				
18				
19	<u>28759-G01</u>		WHEEL RIM (4 LUG).....	A/R
20	<u>11657-G2</u>		VALVE STEM.....	A/R
21				
22	19241-G*		GOLD SPOKE HUBCAP (OPTIONAL) .....	A/R
23	19241-G*		SILVER SPOKE HUBCAP (OPTIONAL) .....	A/R

## **SPECIALTY PRODUCTS**

# **SPECIALTY PRODUCTS**

## SPECIALTY PRODUCTS

<b>SPECIAL TOOLS</b>	<b>PART NO.</b>
HIGH RESISTANCE SPARK PLUG WIRE SET .....	26733-G02
CLUTCH PULLER (DRIVE) .....	19779-G2
FLYWHEEL PULLER .....	27111-G01
CURRENT INDICATOR .....	16489-G2
DIGITAL MULTI-METER .....	27481-G01
SLIDE HAMMER (AXLE/HUB REMOVAL) .....	15947-G1
SLIDE HAMMER (AXLE REMOVAL ONLY) .....	18753-G1
COMPRESSION TESTER .....	72524-G01
FEELER GAUGE .....	72525-G01
TACHOMETER .....	72526-G01

<b>ENGINE OIL</b>	<b>PART NO.</b>
4 CYCLE ENGINE OIL, 5 GALLON (19 LITER) .....	25730-G03
4 CYCLE ENGINE OIL, 12 QUART CASE .....	25730-G04
4 CYCLE ENGINE OIL, 1 QUART BOTTLE (950 ML) .....	25730-G06

<b>TOUCH UP PAINT</b>	<b>PART NO.</b>
PEN 3 OUNCE (89 ML) - HUNTER GREEN .....	28432-G02
PEN 3 OUNCE (89 ML) - CHAMPAGNE BEIGE .....	28432-G01
PEN 3 OUNCE (89 ML) - WHITE .....	28432-G05
PEN 3 OUNCE (89 ML) - INDUSTRIAL YELLOW .....	28432-G03
PEN 3 OUNCE (89 ML) - ORANGE .....	28432-G04
PEN 3 OUNCE (89 ML) - STEEL BLUE PEARL .....	28432-G24
PEN 3 OUNCE (89 ML) - OLIVE GREEN .....	28432-G**
PEN 3 OUNCE (89 ML) - CAMOUFLAGE PAINT (THREE PENS) .....	75831-G01
AEROSOL 12 OUNCE (360 ML) - HUNTER GREEN .....	28140-G09
AEROSOL 12 OUNCE (360 ML) - CHAMPAGNE BEIGE .....	28140-G15
AEROSOL 12 OUNCE (360 ML) - WHITE .....	28140-G03
AEROSOL 12 OUNCE (360 ML) - INDUSTRIAL YELLOW .....	28140-G14
AEROSOL 12 OUNCE (360 ML) - ORANGE .....	28140-G13
AEROSOL 12 OUNCE (360 ML) - STEEL BLUE PEARL .....	28140-G**
AEROSOL 12 OUNCE (360 ML) - OLIVE GREEN .....	28140-G**

## SPECIALTY PRODUCTS

<b>MAINTENANCE PRODUCTS</b>	<b>PART NO.</b>
FORMULA 40 VINYL-COAT® - WHITE .....	28166-G01
PLEXUS® CLEANER, 7 OUNCE (210 ML) (FOR WINDSHIELDS) .....	28433-G01
PLEXUS® CLEANER, 13 OUNCE (380 ML) (FOR WINDSHIELDS) .....	28433-G02
BATTERY PROTECTOR, 14 OUNCE (410 ML) SPRAY .....	75500-G01
CARBURETOR & CHOKE CLEANER, 15 OUNCE (440 ML) SPRAY .....	75501-G01
WHITE LITHIUM GREASE, 14 OUNCE (410 ML) SPRAY .....	75502-G01
PENETRANT/LUBRICANT, 15 OUNCE (440 ML) SPRAY .....	75503-G01
MULTI-PURPOSE CLEANER & DEGREASER, 14 OUNCE (410 ML) SPRAY .....	75504-G01
MULTI-PURPOSE HAND CLEANER, 32 OUNCE (950 ML) LIQUID .....	75505-G01
BATTERY CLEANER, 32 OUNCE (950 ML) WITH TRIGGER SPRAYER .....	75506-G01
BIO-DEGRADABLE CLEANER, 32 OUNCE (950 ML) WITH TRIGGER SPRAYER .....	75507-G01
MULTI-PURPOSE VALUE PACK .....	75508-G01
<ul style="list-style-type: none"><li>• BATTERY PROTECTOR, 4 OUNCE (120 ML) SPRAY</li><li>• PENETRANT/LUBRICANT, 4 OUNCE (120 ML) SPRAY</li><li>• WHITE LITHIUM GREASE, 4 OUNCE (120 ML) SPRAY</li><li>• CARBURETOR &amp; CHOKE CLEANER, 4 OUNCE (120 ML) SPRAY</li></ul>	



## **SPECIALTY PRODUCTS**

## **OPTIONS/ACCESSORIES**

# **OPTIONS/ACCESSORIES**

## OPTIONS/ACCESSORIES

ITEM	KIT NO.	COMMENTS
ASHTRAY KIT . . . . .	75109-G04 . . . . .	See BODY
BALL HITCH KIT . . . . .	74492-G0* . . . . .	See BODY
CAB (BALL CAGE) . . . . .	75853-G0* . . . . .	See CAB
CAB DOOR SET . . . . .	75856-G0* . . . . .	See CAB
CAB DOOR SET (VINYL) . . . . .	75855-G01 . . . . .	See CAB
CAB . . . . .	75854-G0* . . . . .	See CAB
CAB SWITCH PANEL . . . . .	74250-G01 . . . . .	See CAB
CLEVIS HITCH KIT . . . . .	74492-G0* . . . . .	See BODY
DEFROSTER/COOLING FAN . . . . .	74248-G01 . . . . .	See CAB
ELECTRIC DUMP KIT . . . . .	74658-G04 . . . . .	See TRUCK BED
GLOVE BOX DOOR . . . . .	75456-G0* . . . . .	See BODY
HOUR METER KIT . . . . .	75114-G02 . . . . .	See ELECTRICAL SYSTEM
INSIDE REAR VIEW MIRROR (CAB) . . . . .	27924-G01 . . . . .	See WEATHER PROTECTION
REAR VIEW MIRROR KIT . . . . .	19528-G2 . . . . .	See WEATHER PROTECTION
SOFT ENCLOSURE . . . . .	75367-G0* . . . . .	See WEATHER PROTECTION
STROBE LIGHT . . . . .	74245-G01 . . . . .	See CAB
SUN TOP KIT . . . . .	75040-G0* . . . . .	See WEATHER PROTECTION
TURN SIGNAL KIT . . . . .	75107-G02 . . . . .	See ELECTRICAL SYSTEM
WHEEL COVERS (GOLD SPOKE) . . . . .	19241-G* . . . . .	See WHEELS AND TIRES
WHEEL COVERS (SILVER SPOKE) . . . . .	19241-G* . . . . .	See WHEELS AND TIRES
WINDSHIELD (FULL) (LEXAN-POLYCARBONATE) . . . . .	71966-G01 . . . . .	See WEATHER PROTECTION
WINDSHIELD (SPLIT) (LEXAN-POLYCARBONATE) . . . . .	71966-G02 . . . . .	See WEATHER PROTECTION
WINDSHIELD (FULL) (PLEXIGLAS) . . . . .	71966-G03 . . . . .	See WEATHER PROTECTION
WINDSHIELD (SPLIT) (PLEXIGLAS) . . . . .	71966-G04 . . . . .	See WEATHER PROTECTION
WINDSHIELD WIPER . . . . .	74244-G01 . . . . .	See CAB
WORK LIGHTS . . . . .	74247-G01 . . . . .	See CAB
WORK LIGHT BAR WITH LIGHTS . . . . .	71323-G01 . . . . .	See ELECTRICAL SYSTEM
WORK LIGHT BAR WITH STROBE . . . . .	71323-G02 . . . . .	See ELECTRICAL SYSTEM
WORK LIGHT BAR WITH LIGHTS AND STROBE . . . . .	71323-G03 . . . . .	See ELECTRICAL SYSTEM



A Textron Company

E-Z-GO Division of Textron, Inc.  
1451 Marvin Griffin Road, Augusta, Georgia 30906 - 3852 USA  
Inside USA Phone: 1-800-241-5855, FAX: 1-800-448-8124  
Outside USA Phone: 010-1-706-798-4311, FAX: 010-1-706-771-4609

Copyrighted Material  
This manual may not be reproduced in whole or  
in part without the express permission of  
E-Z-GO Division of Textron, Inc.  
Technical Communications Department