



A Textron Company

Service Parts Manual

ELECTRIC POWERED VEHICLE



634464-BE

ISSUED AUGUST 2013

REVISED SEPTEMBER 2019

SERVICE PARTS MANUAL

48V ELECTRIC POWERED GOLF CARS

TXT FLEET

TXT FREEDOM

TXT SHUTTLE 2+2

STARTING MODEL YEAR 2014

DISCLAIMER: The E-Z-GO Division of Textron Inc. (E-Z-GO) reserves the right to incorporate engineering and design changes to products in this Manual, without obligation to include these changes on units leased/sold previously.

The information contained in this Manual may be revised periodically E-Z-GO, and therefore is subject to change without notice.

E-Z-GO DISCLAIMS LIABILITY FOR ERRORS IN THIS MANUAL, and E-Z-GO SPECIFICALLY DISCLAIMS LIABILITY FOR INCIDENTAL AND CONSEQUENTIAL DAMAGES RESULTING FROM THE USE OF THE INFORMATION AND MATERIALS IN THIS MANUAL.

TO CONTACT US

NORTH AMERICA:

TECHNICAL ASSISTANCE & WARRANTY PHONE: 1-800-774-3946, FAX: 1-800-448-8124

SERVICE PARTS PHONE: 1-888-GET-EZGO (1-888-438-3946), FAX: 1-800-752-6175

INTERNATIONAL: PHONE: 001-706-798-4311, FAX: 001-706-771-4609

E-Z-GO DIVISION OF TEXTRON INC., 1451 MARVIN GRIFFIN RD., AUGUSTA, GEORGIA USA 30906-3852

GENERAL INFORMATION

To obtain a copy of the limited warranty applicable to the vehicle, call or write a local Distributor, authorized Branch or the Warranty Department with vehicle serial number and manufacturer code.

The use of non Original Equipment Manufacturer (OEM) parts may void the warranty.

Overfilling of batteries may void the warranty.

BATTERY PROLONGED STORAGE

All batteries will self discharge over time. The rate of self discharge varies depending on the ambient temperature and the age and condition of the batteries.

A fully charged battery will not freeze in winter temperatures unless the temperature falls below -75° F (-60° C).

As with all electric vehicles, the batteries must be checked and recharged as required or at a minimum of 30 day intervals.

BATTERY DISPOSAL

Lead-acid batteries are recyclable. Return whole scrap batteries to distributor, manufacturer or lead smelter for recycling. For neutralized spills, place residue in acid-resistant containers with absorbent material, sand or earth and dispose of in accordance with local, state and federal regulations for acid and lead compounds. Contact local and/or state environmental officials regarding disposal information.

TABLE OF CONTENTS

SECTION	Page No.
HOW TO USE THE SERVICE PARTS MANUAL	v
ACCELERATOR	A
BATTERY CHARGER	B
BODY	C
BODY - FRONT	C - 1
BODY - MID SECTION	C - 5
BODY - REAR	C - 7
BODY - ACCESSORIES	C - 11
BRAKES	D
ELECTRICAL	E
ELECTRONIC SPEED CONTROL	F
FRONT SUSPENSION AND STEERING	G
MOTOR	H
REAR AXLE	J
REAR SUSPENSION	K
SEATING	L
SEATING - CONVERTIBLE CARRIER	L - 1
SEATING AND BAG HOLDER - GOLF CAR	L - 11
TOW BAR	M
PERMANENT	M - 1
CASUAL	M - 5
WEATHER PROTECTION	N
WHEELS AND TIRES	P

NOTES

A large grid of graph paper for taking notes, consisting of 20 columns and 30 rows of small squares.

HOW TO USE THE SERVICE PARTS MANUAL

This manual is divided into several sections:

- GENERAL INFORMATION
- ILLUSTRATED PARTS BREAKDOWN
- APPENDIX

The first section, GENERAL INFORMATION, contains the following information:

- WARRANTY INFORMATION
- GENERAL INDEX
- HOW TO USE THE SERVICE PARTS MANUAL

The second section, ILLUSTRATED PARTS BREAKDOWN, contains illustrations and parts lists for all systems of your vehicle.

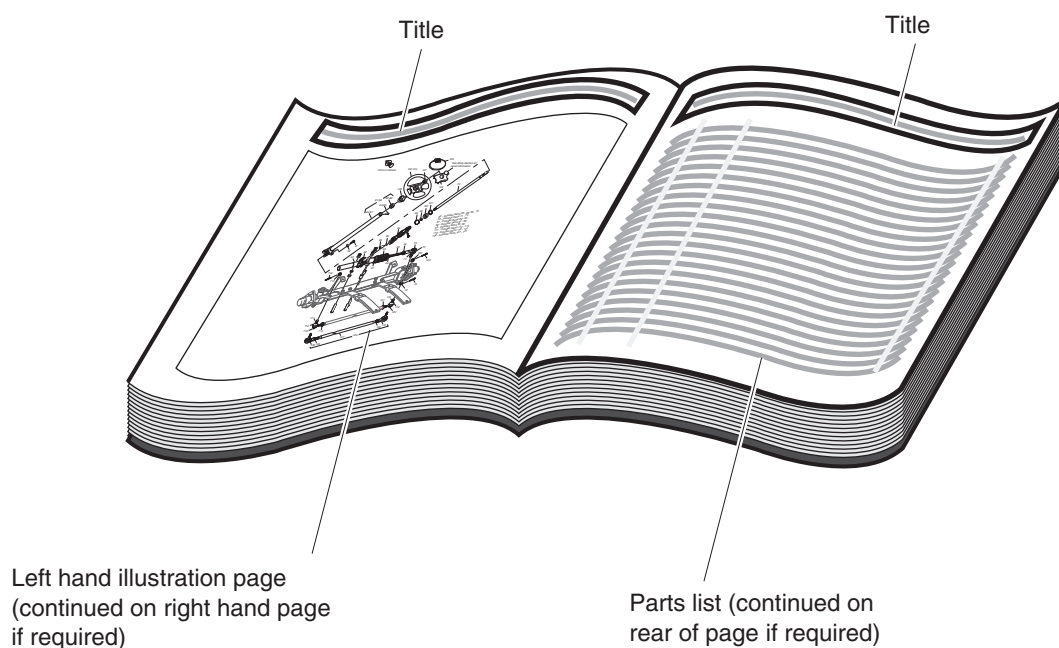
The third section, APPENDIX, contains a listing of specialty products and accessories.

USE OF THE MANUAL

To use this manual, consult the GENERAL INDEX to locate the information or illustration required.

Introduction of some revisions varies due to supply of components; therefore, it is possible that various combinations of components may be found that are not directly reflected by each illustration. Consult the illustration that best suits your situation and then contact the Service Parts Department. It is important that the serial number of your vehicle and its model number be supplied to Service Parts when ordering any replacement components.

Locate the serial number plate (see BODY located in the Illustrated Parts Breakdown section of this manual for its location) and note the complete number shown on the plate.



HOW TO USE THE SERVICE PARTS MANUAL

1. WHEN THE PART NUMBER IS NOT KNOWN

- Determine the function and application of the part required. Turn to the General Index and select the most appropriate title.
- Turn to the page number indicated and locate the desired part on the illustration.
- From the illustration, obtain the item number assigned to the desired part. Refer to the accompanying description for specific information regarding the part.

2. IF YOU KNOW THE PART NUMBER

- Locate the part number or description in the appropriate column on the parts list page.

NOTE: It is suggested that you confirm that the part selected is correct by verifying it with the pictorial representation on the illustrated page.

Should an asterisk (*) appear in the part number column on the parts list page, read upwards until a part number is found. The part number is the lowest assembly sold by Service Parts and the asterisk (*) indicates that the part depicted is not available for purchase.

NOTE: Descriptions are indented under the assembly that they are used on. That assembly is, in turn listed under the assembly that it is used on. This process is repeated until the highest final assembly is reached.

To facilitate the maintenance and repair of the vehicle, a Technician's Repair and Service Manual is available from the Service Parts Department.

HOW TO USE THE SERVICE PARTS MANUAL

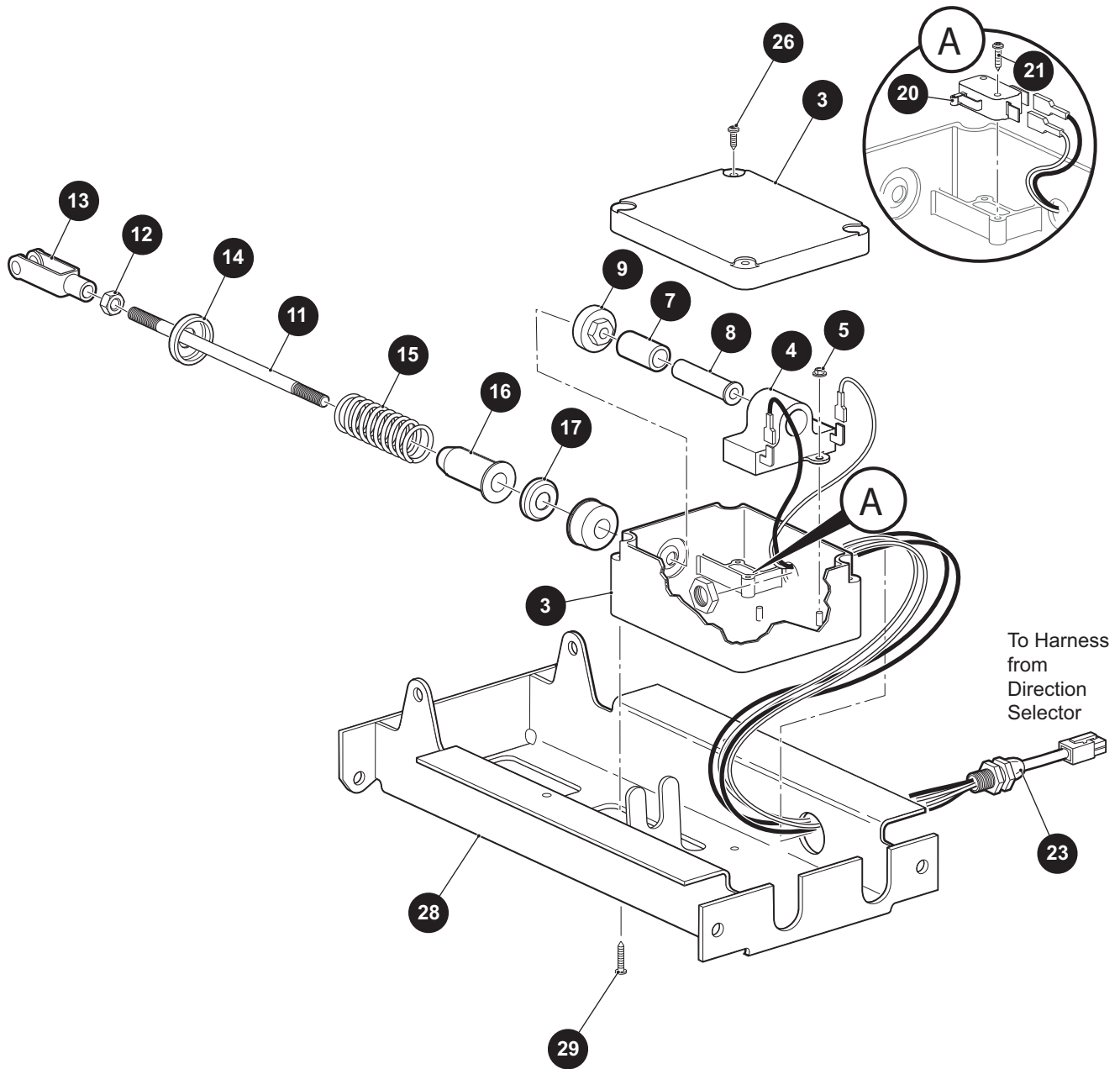
3. COLOR CODE FOR BODY COMPONENTS

The last two digits of the part number for the body part will denote the color code. Locate the part number for the cowl, rear body, seat pod, side panel or seat wrap then locate your color in the list below. Replace the last ** or XX with the two digit color code.

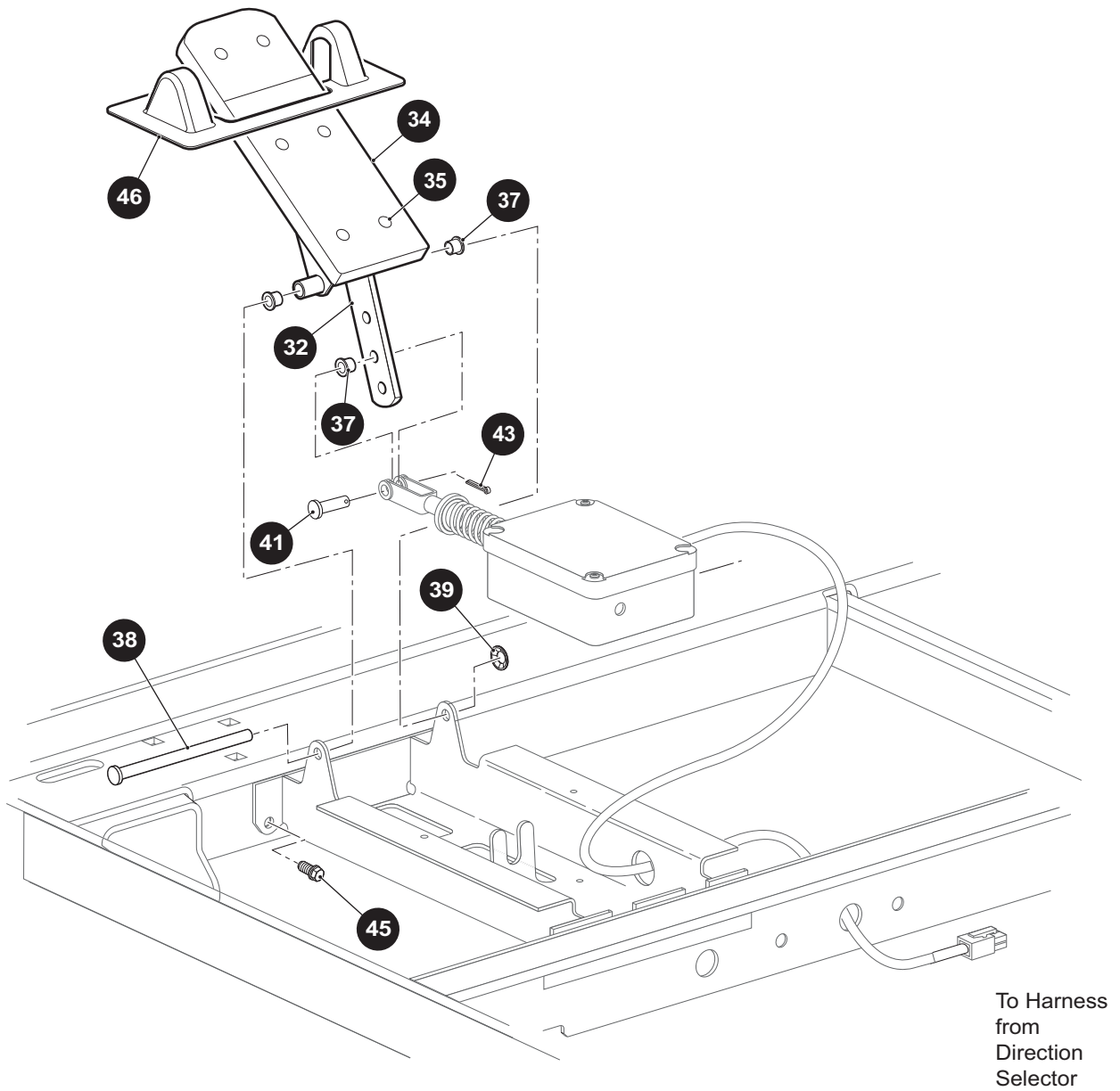
<u>CODE #</u>	<u>DESCRIPTION</u>	<u>CODE #</u>	<u>DESCRIPTION</u>
05	JACOBSEN ORANGE	105	JACOBSEN ORANGE (WITH LIGHTS)
11	BLACK	111	BLACK (WITH LIGHTS)
17	LIGHT BEIGE	119	PATRIOT BLUE PEARL (WITH LIGHTS)
18	MUSHROOM	120	INFERNO RED METALLIC (WITH LIGHTS)
19	PATRIOT BLUE PEARL	126	STEEL BLUE PEARL (WITH LIGHTS)
20	INFERNO RED METALLIC	131	METALLIC CHARCOAL (WITH LIGHTS)
26	STEEL BLUE PEARL	135	SAFETY YELLOW (WITH LIGHTS)
31	METALLIC CHARCOAL	136	IVORY (WITH LIGHTS)
35	SAFETY YELLOW	137	FOREST GREEN (WITH LIGHTS)
36	IVORY	138	BRIGHT WHITE (WITH LIGHTS)
37	FOREST GREEN	139	FLAME RED (WITH LIGHTS)
38	BRIGHT WHITE	141	ELECTRIC BLUE (WITH LIGHTS)
39	FLAME RED	142	PLATINUM (WITH LIGHTS)
41	ELECTRIC BLUE	143	BURGUNDY (WITH LIGHTS)
42	PLATINUM	144	ALMOND (WITH LIGHTS)
43	BURGUNDY	151	SUNBURST ORANGE (WITH LIGHTS)
44	ALMOND	152	BRITISH RACING GREEN (WITH LIGHTS)
51	SUNBURST ORANGE	174	BARLEY GOLD (WITH LIGHTS)
52	BRITISH RACING GREEN	175	OASIS GREEN (WITH LIGHTS)
74	BARLEY GOLD	176	JAVA BROWN (WITH LIGHTS)
75	OASIS GREEN		
76	JAVA BROWN		
A5	OCEAN GRAY		

ACCELERATOR

1 PEDAL BOX ASSEMBLY includes items 3 - 43



31 ACCELERATOR PEDAL ASSEMBLY includes items 32 - 35



ACCELERATOR

When ordering parts, please specify the model and serial number of the product.

* Indicates a component that is not available as an individual part.

*** Indicates consult Customer Service Department for additional information.

ITEM	PART NO.	1 2 3 4 5	DESCRIPTION	QTY.
1	<u>613163</u>		PEDAL BOX ASSEMBLY (INCLUDES ITEMS 3 - 43).....	1
2				
3	<u>25853G01</u>		PEDAL BOX AND COVER.....	1
4	<u>25854G01</u>		INDUCTIVE THROTTLE SENSOR.....	1
5	<u>00983G01</u>		SELF THREADING NUT, 3/16".....	2
6				
7	<u>25857G01</u>		PLUNGER SLEEVE.....	1
8	<u>28443G01</u>		PLUNGER.....	1
9	<u>28444G01</u>		PLUNGER CAM.....	1
10				
11	<u>73332G01</u>		ACCELERATOR ROD.....	1
12	<u>00532G4</u>		HEX NUT, 5/16" - 24.....	1
13	10385G4		CLEVIS YOKE (ADJUSTABLE).....	1
14	<u>17677G2</u>		SPRING RETAINER, 3/8".....	1
15	<u>73046G01</u>		COMPRESSION SPRING.....	1
16	<u>17979G1</u>		ACCELERATOR ROD BUSHING.....	1
17	<u>17677G1</u>		SPRING RETAINER, 1/2".....	1
18				
19				
20	<u>25861G02</u>		MICRO SWITCH.....	1
21	<u>01050G01</u>		TORX PAN HEAD PLASTITE SCREW, #4 - 20 X 5/8" LG.....	2
22				
23	<u>620418</u>		WIRING HARNESS (PEDAL BOX ASSEMBLY).....	1
24				
25				
26	<u>00684G6</u>		PHILLIPS TRUSS HEAD MACHINE SCREW (SS), #8 - 32 X 3/4" LG....	2
27				
28	<u>652241G03</u>		ACCELERATOR PEDAL BRACKET.....	1
29	<u>01051G01</u>		PHILLIPS PAN HEAD SCREW, #8 - 16 X 1/2" LG.....	4
30				

ACCELERATOR

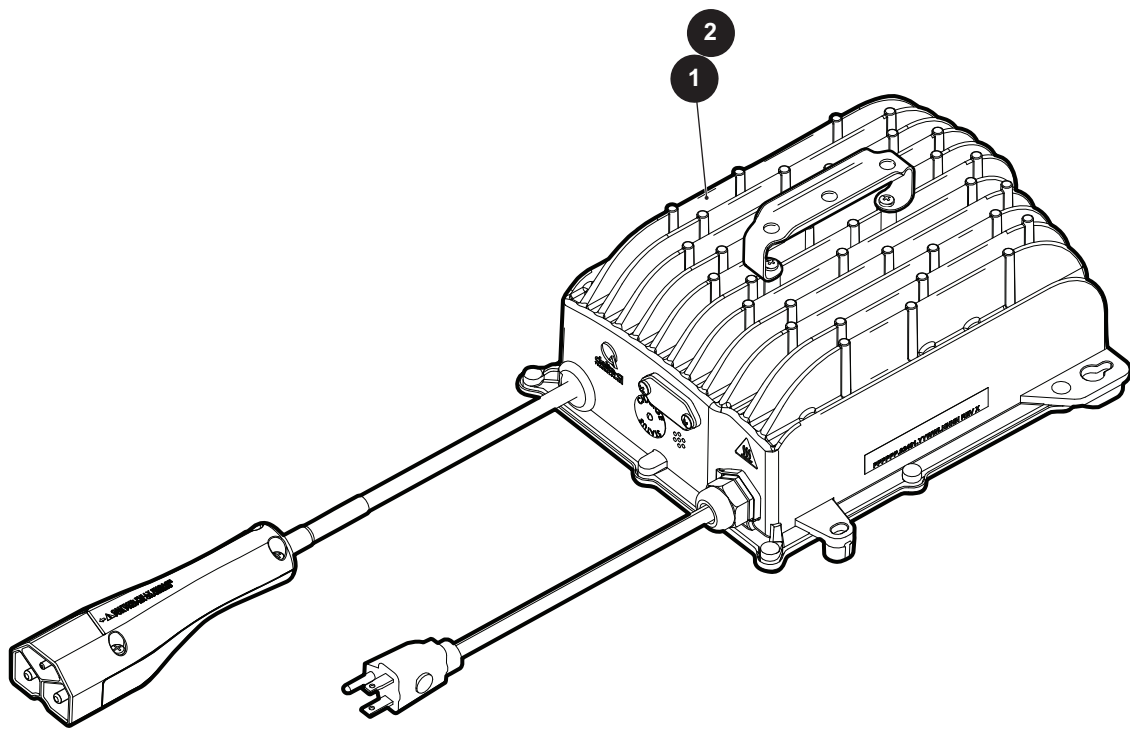
When ordering parts, please specify the model and serial number of the product.

* Indicates a component that is not available as an individual part.

*** Indicates consult Customer Service Department for additional information.

ITEM	PART NO.	1 2 3 4 5	DESCRIPTION	QTY.
31	<u>25799G03</u>		ACCELERATOR PEDAL ASSEMBLY (INCLUDES ITEMS 32 - 35).....	1
32	652824		ACCELERATOR PEDAL.....	1
33				
34	<u>27512G01</u>		ACCELERATOR PEDAL PAD.....	1
35	<u>16409G1</u>		OVAL RIVET, 3/8" X 15/32" LG	6
36				
37	<u>17838G1</u>		NYLON BUSHING	3
38	<u>74432G01</u>		PEDAL PIVOT PIN, 4.87" LG	1
39	<u>12064G6</u>		PUSH NUT, 9/32" I.D.....	1
40				
41	<u>10386G3</u>		CLEVIS PIN, 5/16" X 13/16" LG	1
42				
43	<u>10387G3</u>		COTTER PIN, 3/32" X 3/4" LG	1
44				
45	<u>00715G2</u>		HEX HEAD FLANGE BOLT, 5/16" - 18 X .8" LG.....	4
46	<u>70135G01</u>		PEDAL PIVOT COVER.....	1

BATTERY CHARGER



BATTERY CHARGER

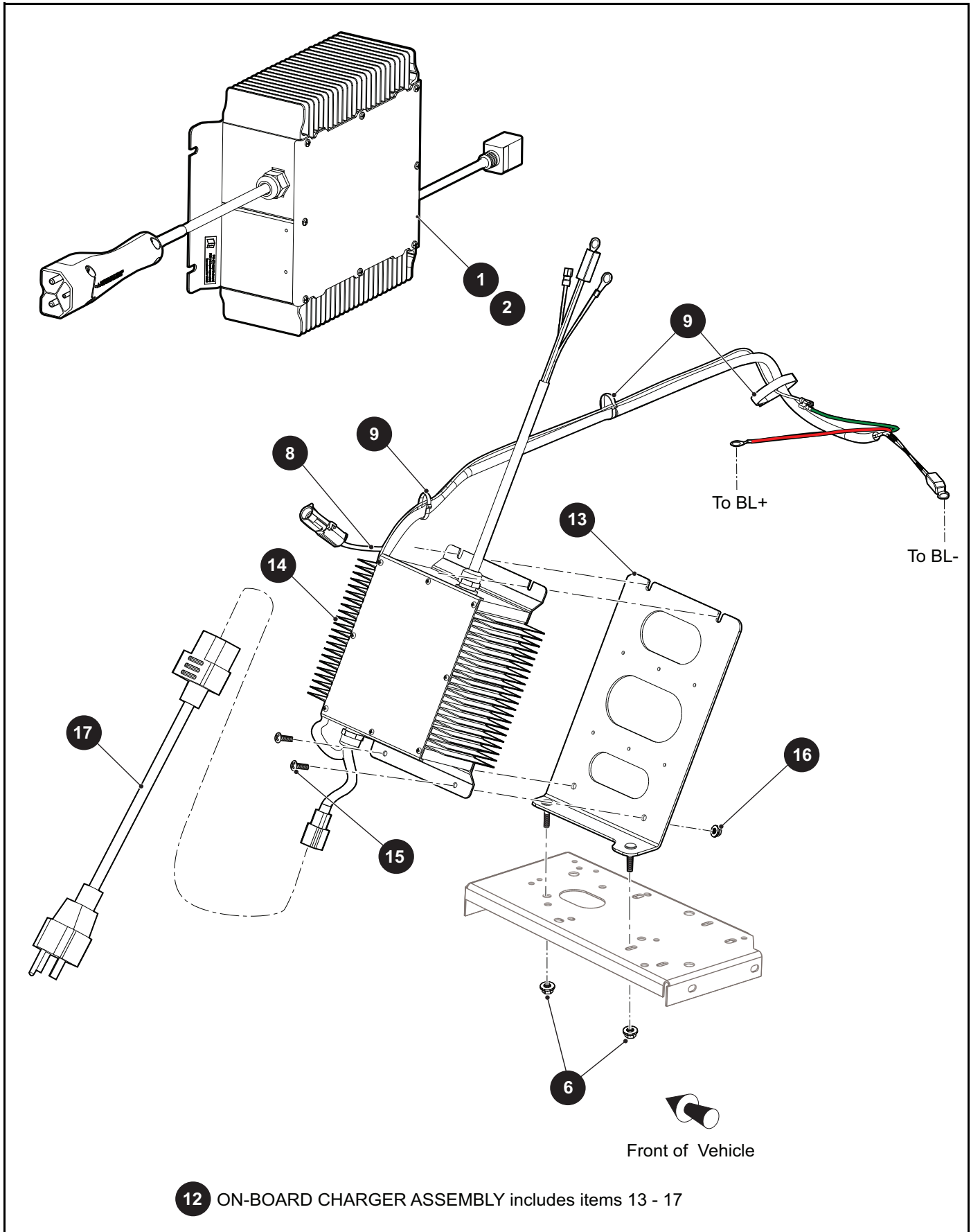
When ordering parts, please specify the model and serial number of the product.

* Indicates a component that is not available as an individual part.

*** Indicates consult Customer Service Department for additional information.

ITEM	PART NO.	1 2 3 4 5	DESCRIPTION	QTY.
1	<u>635669</u>		48V BATTERY CHARGER, 3 METER CORD	1
2	<u>635670</u>		48V BATTERY CHARGER, 5.5 METER CORD	1
3	<u>605834</u>		NYLON CLAMP, 36" (NOT ILLUSTRATED)	1

BATTERY CHARGER



BATTERY CHARGER

When ordering parts, please specify the model and serial number of the product.

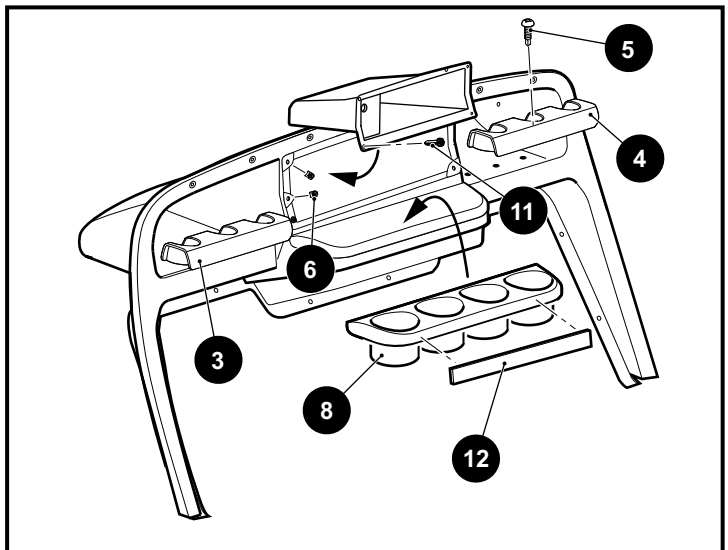
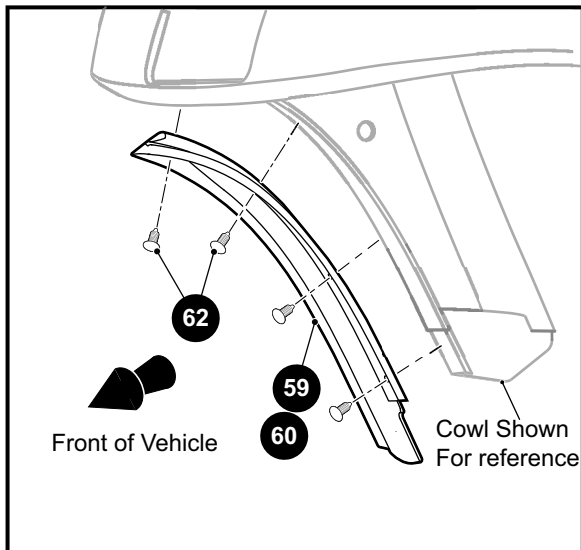
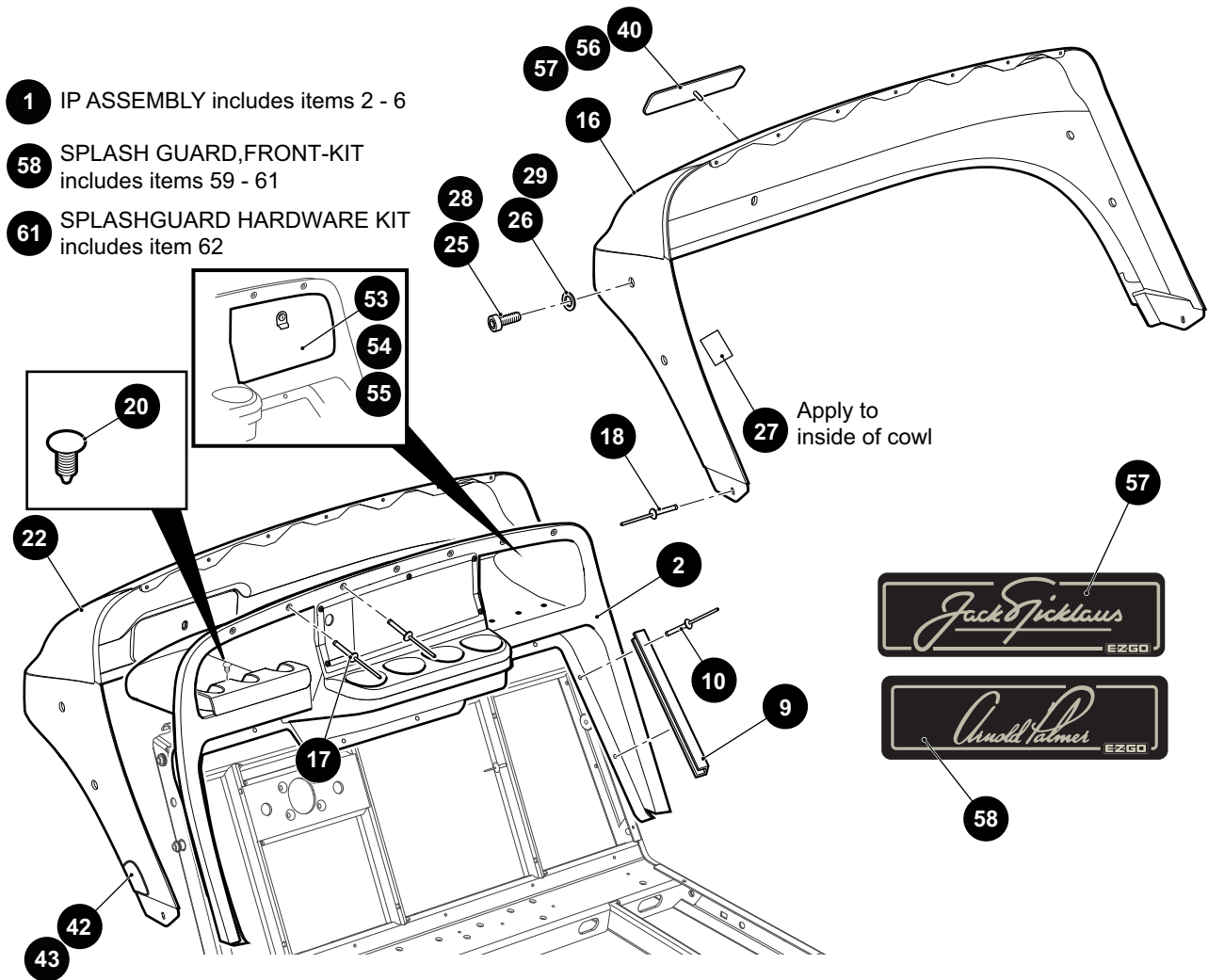
* Indicates a component that is not available as an individual part.

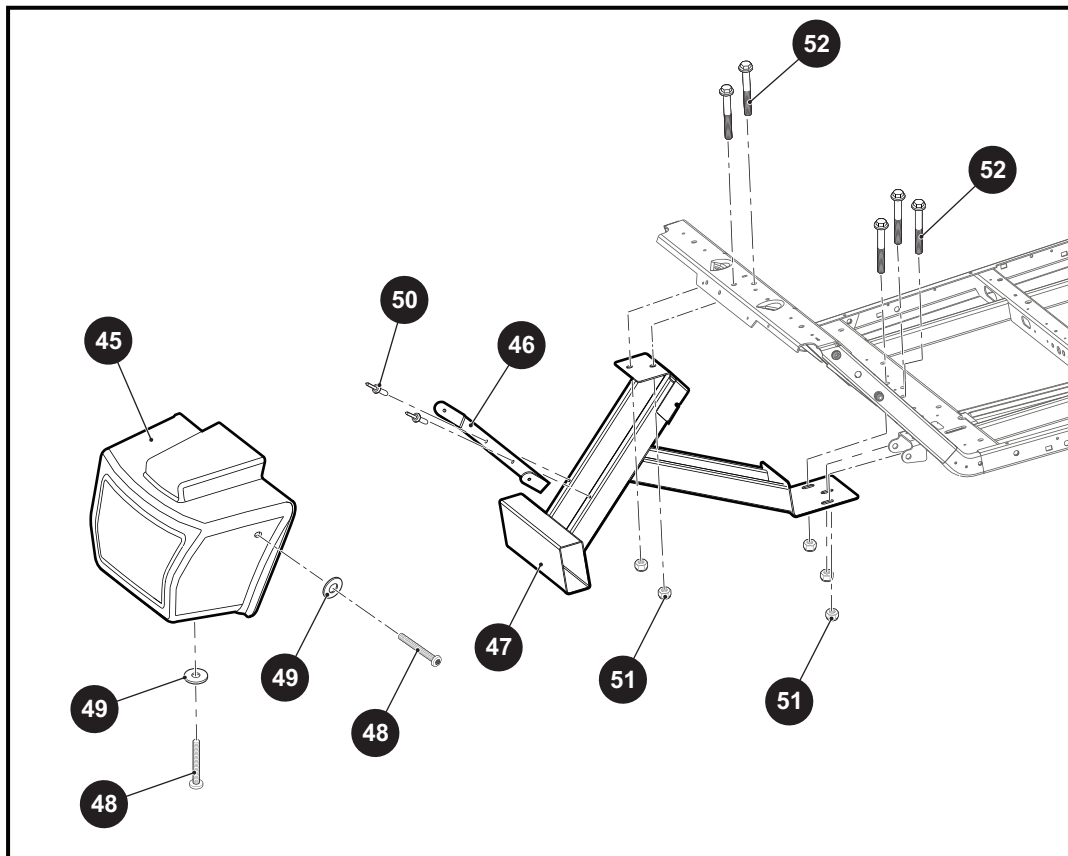
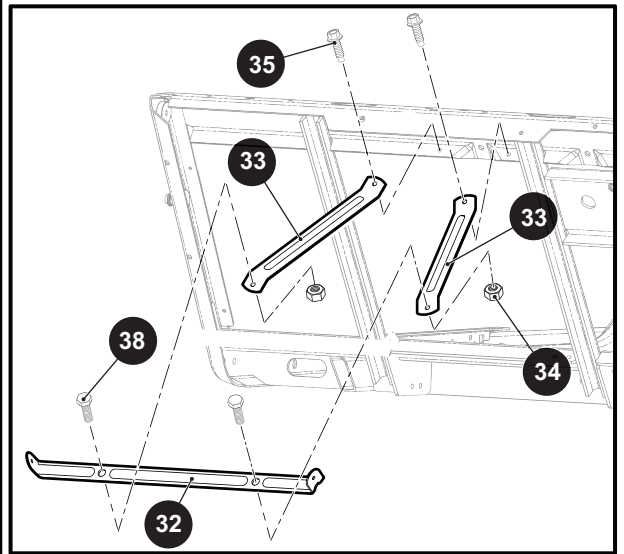
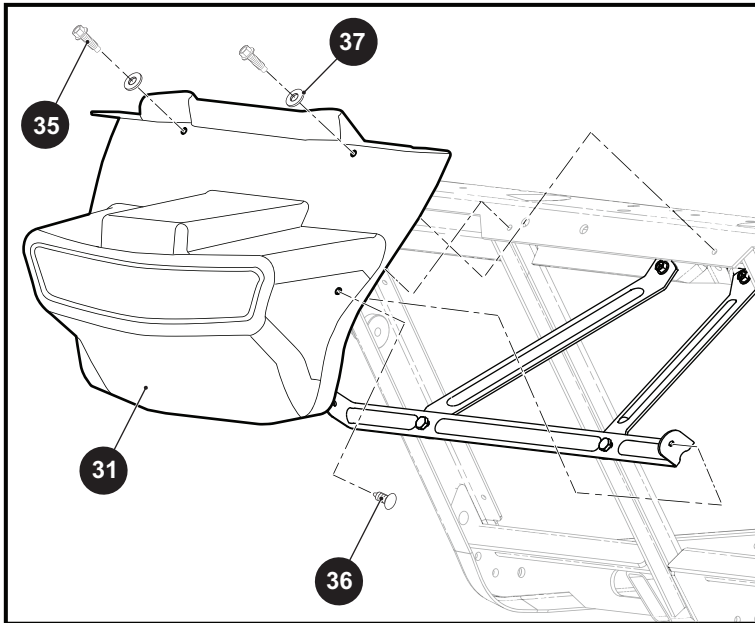
*** Indicates consult Customer Service Department for additional information.

ITEM	PART NO.	1 2 3 4 5	DESCRIPTION	QTY.
1	<u>622419</u>		WORLD CHARGER, 48V, 3 METER CORD	1
2	<u>622667</u>		WORLD CHARGER, 48V, 5.5 METER CORD	1
3	<u>605834</u>		NYLON CLAMP, 36" (NOT ILLUSTRATED)	2
4				
5				
6	<u>800706</u>		FLANGED LOCK NUT, 1/4" - 20	2
7				
8	<u>631543</u>		CHARGER INTERLOCK JUMPER	1
9	<u>17618G1</u>		NYLON CLAMP	3
10				
11				
12	<u>638578</u>		ON-BOARD CHARGER ASSEMBLY (INCLUDES ITEMS 13 - 17)	1
13	<u>637104</u>		CHARGER BRACKET	1
14	<u>632744</u>		ON-BOARD CHARGER, 48V	1
15	16705G3		TRUSS HEAD MACHINE SCREW (SS), 1/4" - 20 X 3/4" LG	4
16	<u>11027G2</u>		FLANGED LOCK NUT, 1/4" - 20	4
17	<u>600462G03</u>		AC CORD, SHIELDED, 6' 7" LG	1

BODY - FRONT

- 1 IP ASSEMBLY includes items 2 - 6
- 58 SPLASH GUARD, FRONT-KIT includes items 59 - 61
- 61 SPLASHGUARD HARDWARE KIT includes item 62





BODY - FRONT

When ordering parts, please specify the model and serial number of the product.

* Indicates a component that is not available as an individual part.

*** Indicates consult Customer Service Department for additional information.

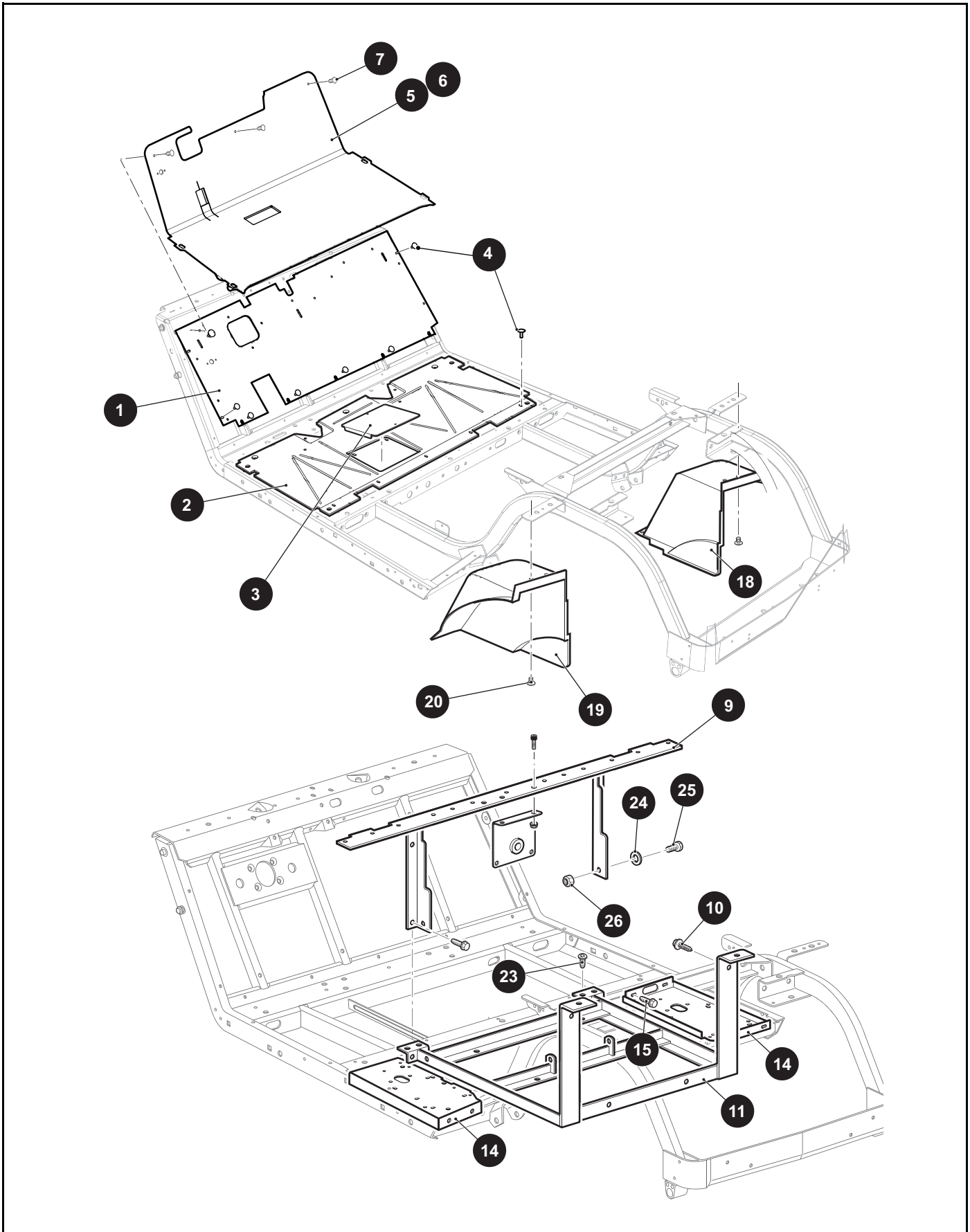
ITEM	PART NO.	1 2 3 4 5	DESCRIPTION	QTY.
1	<u>628017</u>		IP ASSEMBLY (INCLUDES ITEMS 2 - 6).....	1
2	<u>628010</u>		IP ASSEMBLY WITH COMPARTMENT	1
3	<u>641632G01</u>		BALL HOLDER (DRIVER SIDE)	1
4	<u>641632G02</u>		BALL HOLDER (PASSENGER SIDE).....	1
5	00614G3		PAN HEAD PHILLIPS TAPPING SCREW, #8 - 15 X 3/8" LG	4
6	<u>71364G02</u>		'J' TYPE SPEED NUT, #8 - 15 X .198" LG.....	5
7				
8	<u>628023</u>		CUP HOLDER	1
9	<u>71115G01</u>		TRIM.....	2
10	<u>71055G01</u>		RIVET, 3/16" X .985" DIA.....	11
11	<u>608290</u>		PAN HEAD PHILLIPS TAPPING SCREW, #10 - 16 X 3/4" LG	5
12	<u>625240</u>		SAFETY LABEL.....	1
13				
14				
15				
16	619730G0XX		COWL (see COLOR CODES in HOW TO USE section)	1
17	<u>71055G01</u>		RIVET, 3/16" X .985" DIA.....	7
18	<u>10570G11</u>		RIVET (SS), 3/16" X .70"	2
19				
20	<u>16816G2</u>		RATCHET RIVET, .25" X .887"	2
21				
22	619730G1XX		COWL WITH OPENINGS FOR LIGHTS (see COLOR CODES in HOW TO USE section).....	1
23				
24				
25	00438G6		HEX HEAD BOLT (WITH TOP), 5/16" - 18 X 3/4" LG	2
26	<u>00571G2</u>		FLAT WASHER, 5/16"	2
27	<u>71781G02</u>		VINYL TAPE	2
28	<u>71056G01</u>		TRUSS HEAD MACHINE SCREW (WITHOUT TOP), 5/16" - 18 X .62" LG ...	4
29	<u>00570G2</u>		FLAT WASHER, 5/16"	4
30				
31	<u>624607</u>		FRONT SHIELD	1

When ordering parts, please specify the model and serial number of the product.

* Indicates a component that is not available as an individual part.

*** Indicates consult Customer Service Department for additional information.

ITEM	PART NO.	1 2 3 4 5	DESCRIPTION	QTY.
32	<u>627769</u>		SHIELD BRACKET	1
33	<u>70725G02</u>		FRONT SHIELD BRACE	2
34	<u>14390G4</u>		LOCK NUT, 1/4" - 20	2
35	<u>01038G01</u>		HEX WASHER HEAD SCREW, 1/4" - 20 X 11/16" LG	4
36	<u>15058G1</u>		RIVET, 3/16" X .45" LG	2
37	<u>16469G1</u>		FLAT WASHER, 1/4"	2
38	<u>00414G6</u>		HEX HEAD BOLT, 1/4" - 20 X 3/4" LG	2
39				
40	<u>606405</u>		E-Z-GO NAMEPLATE	1
41				
42	<u>627561</u>		REFLECTOR (DRIVER SIDE) (FREEDOM & 2+2)	1
43	<u>627562</u>		REFLECTOR (PASSENGER SIDE) (FREEDOM & 2+2).....	1
44				
45	<u>634329</u>		BUMPER ASSEMBLY	1
46	<u>625208</u>		BUMPER BRACE	1
47	<u>625202</u>		BUMPER SUPPORT WELDMENT	1
48	<u>627568</u>		SOCKET HEAD TAPPING SCREW.....	3
49	<u>627565</u>		FLAT WASHER (SS), 1/4"	3
50	<u>71055G01</u>		RIVET, 3/16" X .985" DIA	2
51	<u>00734G1</u>		LOCK NUT, 7/16" - 14	5
52	<u>00463G11</u>		HEX HEAD BOLT, 7/16" - 14 X 1 5/8" LG	5
53	<u>75459G01</u>		GLOVE BOX (DRIVER/PASSENGER SIDE).....	1
54	<u>75459G02</u>		GLOVE BOX (DRIVER SIDE).....	1
55	<u>75459G03</u>		GLOVE BOX (PASSENGER SIDE)	1
56	634299		JACK NICKLAUS NAMEPLATE	1
57	<u>634297</u>		ARNOLD PALMER NAMEPLATE	1
58	<u>656538</u>		SPLASHGUARD FRONT-KIT (INCLUDES ITEMS 59 - 61)	1
59	<u>651127G01</u>		SPLASH GUARD (DRIVER SIDE)	1
60	<u>651127G02</u>		SPLASH GUARD (PASSENGER SIDE)	1
61	<u>656649</u>		SPLASHGUARD HARDWARE KIT (INCLUDES ITEM 62).....	1
62	<u>16816G1</u>		RATCHET RIVET, .25" X .680"	4



When ordering parts, please specify the model and serial number of the product.

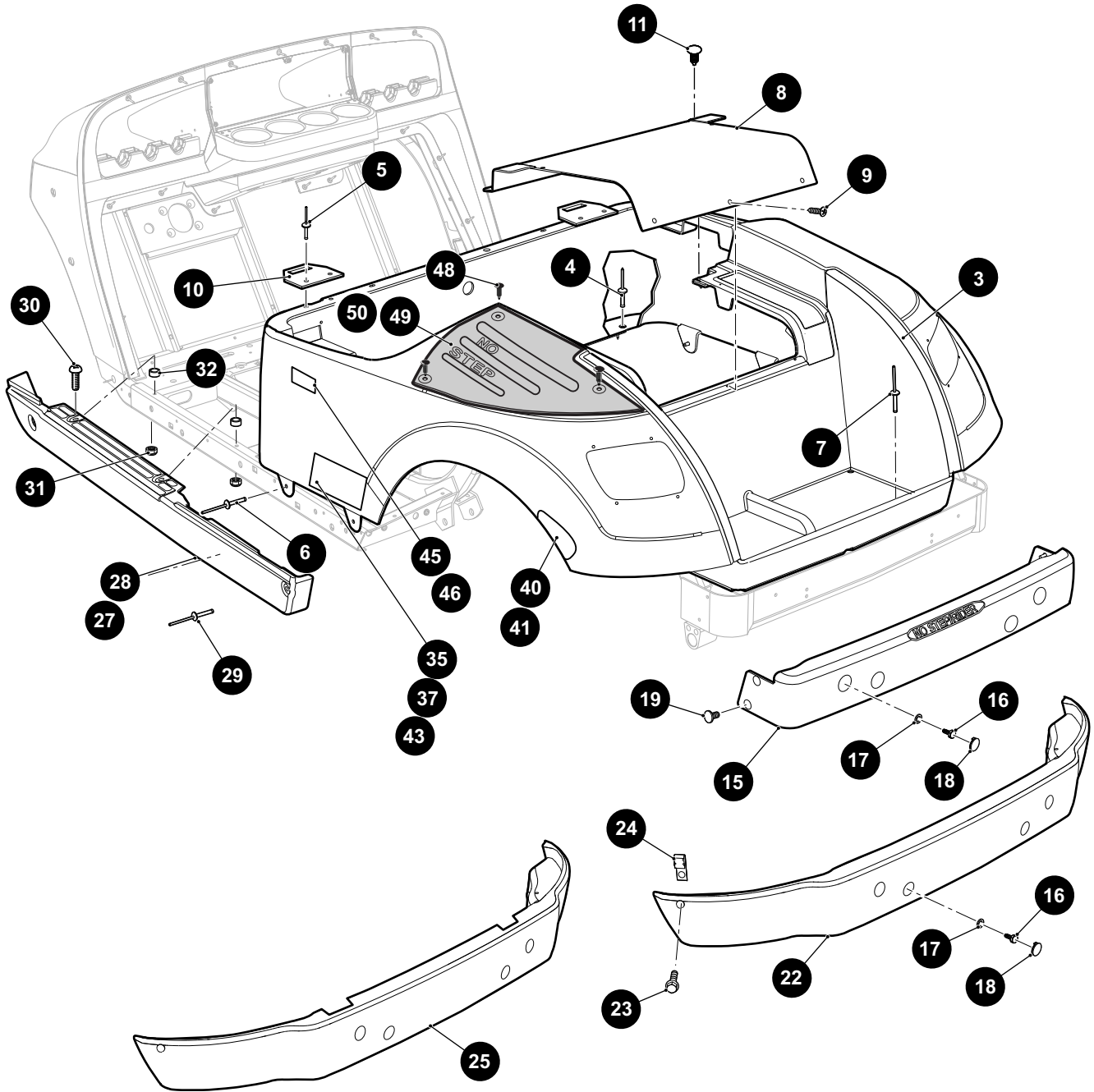
* Indicates a component that is not available as an individual part.

*** Indicates consult Customer Service Department for additional information.

ITEM	PART NO.	1 2 3 4 5	DESCRIPTION	QTY.
1	<u>641260</u>		UPPER FLOORPAN	1
2	<u>70451G01</u>		LOWER FLOORPAN	1
3	<u>70452G01</u>		ACCESS COVER.....	1
4	<u>14601G11</u>		RIVET (ALUMINUM), 3/16" X 9/16" LG	16
5	<u>637535G01</u>		FLOORMAT	1
6	<u>637535G02</u>		FLOORMAT WITH HORN HOLE (FREEDOM & 2+2)	1
7	<u>16816G1</u>		RATCHET RIVET, .25" X .680"	3
8				
9	<u>70441G01</u>		SEAT FRAME	1
10	<u>00715G2</u>		HEX HEAD FLANGE BOLT, 5/16" - 18 X 4/5" LG.....	4
11	<u>652254G03</u>		BATTERY RACK WELDMENT	1
12				
13				
14	<u>70244G05</u>		SPLASH PANEL.....	2
15	<u>00715G2</u>		HEX HEAD FLANGE BOLT, 5/16" - 18 X 4/5" LG.....	8
16	<u>72910G01</u>		CORROSION PATCH (NOT ILLUSTRATED)	2
17				
18	<u>635054G02</u>		FENDER LINER (PASSENGER SIDE).....	1
19	<u>635054G01</u>		FENDER LINER (DRIVER SIDE)	1
20	<u>16816G2</u>		RATCHET FASTENER, 1/4" X 3/4" LG.....	8
21				
22				
23	<u>70200G01</u>		TRUSS HEAD TORX SCREW, 3/8" - 16 X .75" LG.....	2
24	00559G8		FLAT WASHER, 5/8"	2
25	00438G6		HEX HEAD BOLT, 5/16" - 18 X 3/4" LG	2
26	11098G6		LOCK NUT, 5/16" - 18.....	2

BODY - REAR

- 1 REAR BODY (WITHOUT TAILLIGHTS) includes item 3
- 2 REAR BODY (WITH TAILLIGHTS) includes item 3



When ordering parts, please specify the model and serial number of the product.

* Indicates a component that is not available as an individual part.

*** Indicates consult Customer Service Department for additional information.

ITEM	PART NO.	1 2 3 4 5	DESCRIPTION	QTY.
1	625272G0XX		REAR BODY (WITHOUT TAILLIGHTS) (INCLUDES ITEM 3) (see COLOR CODES in HOW TO USE section)	1
2	625272G1XX		REAR BODY (WITH TAILLIGHTS) (INCLUDES ITEM 3) (see COLOR CODES in HOW TO USE section)	1
3	<u>624374</u>		BAGWELL LINER.....	1
4	<u>10570G10</u>		RIVET (SS), 5/32" X 9/16" LG.....	5
5	<u>10570G11</u>		RIVET (SS), 3/16" X .70" LG.....	4
6	10570G12		RIVET (SS), 1/4" X 9/16" LG.....	2
7	<u>633917</u>		PLASTIC RIVET, 1/4" X 1" LG	2
8	<u>71320G01</u>		ACCESS COVER.....	1
9	<u>01107G01</u>		PAN HEAD TORX SCREW, #8 X .63" LG	5
10	<u>71609G01</u>		SEAT HINGE PLATE.....	2
11	<u>16816G2</u>		RATCHET FASTENER, 1/4" X 3/4" LG.....	2
12				
13				
14				
15	695282		REAR BUMPER.....	1
16	<u>71102G01</u>		HEX HEAD BOLT, 1/4" - 20 X 3/4" LG	4
17	<u>00571G2</u>		FLAT WASHER, 5/16".....	4
18	<u>71455G01</u>		BUMPER PLUG	4
19	14601G17		RIVET (ALUMINUM), 3/16" X 9/16" LG	4
20				
21				
22	71456G01		REAR BUMPER (2+2)	1
23	<u>71102G01</u>		HEX HEAD BOLT, 1/4" - 20 X 3/4" LG	2
24	<u>71554G01</u>		'J' TYPE NUT RETAINER, 1/4" - 20.....	2
25	<u>71451G02</u>		REAR BUMPER (2+2)	1
26				
27	<u>615239</u>		ROCKER PANEL WITH SILL PLATE (DRIVER SIDE)	1
28	<u>617333</u>		ROCKER PANEL WITH SILL PLATE (PASSENGER SIDE).....	1
29	<u>15058G6</u>		BLACK RIVET (ALUMINUM), 3/16"	4
30	<u>634161</u>		HEXALOBULAR FLANGE BOLT, M6 - 1 X 34.5MM LG	4

BODY - REAR

When ordering parts, please specify the model and serial number of the product.

* Indicates a component that is not available as an individual part.

*** Indicates consult Customer Service Department for additional information.

ITEM	PART NO.	1 2 3 4 5	DESCRIPTION	QTY.
31	<u>601476</u>		LOCK NUT, M6 - 1.....	4
32	<u>23726G4</u>		SPACER, 5/16".....	4
33				
34				
35	<u>613478</u>		DECAL (FLEET).....	2
36				
37	<u>614386</u>		DECAL (FREEDOM).....	2
38	<u>625244</u>		REAR REFLECTORS (DRIVER SIDE) (FREEDOM & 2+2) (NOT ILLUSTRATED).....	1
39	<u>625246</u>		REAR REFLECTORS (PASSENGER SIDE) (FREEDOM & 2+2) (NOT ILLUSTRATED).....	1
40	<u>627563</u>		SIDE REFLECTORS (DRIVER SIDE) (FREEDOM & 2+2).....	1
41	<u>627564</u>		SIDE REFLECTORS (PASSENGER SIDE) (FREEDOM & 2+2).....	1
42				
43	<u>614453</u>		DECAL, 2+2.....	2
44				
45	<u>604847</u>		GOLDEN BEAR DECAL.....	2
46	<u>604850</u>		UMBRELLA DECAL.....	2
47				
48	<u>16816G2</u>		RATCHET RIVET, .25" X .887".....	6
49	<u>625210</u>		REAR SCUFF PAD (DRIVER SIDE).....	1
50	<u>625211</u>		REAR SCUFF PAD (PASSENGER SIDE).....	1

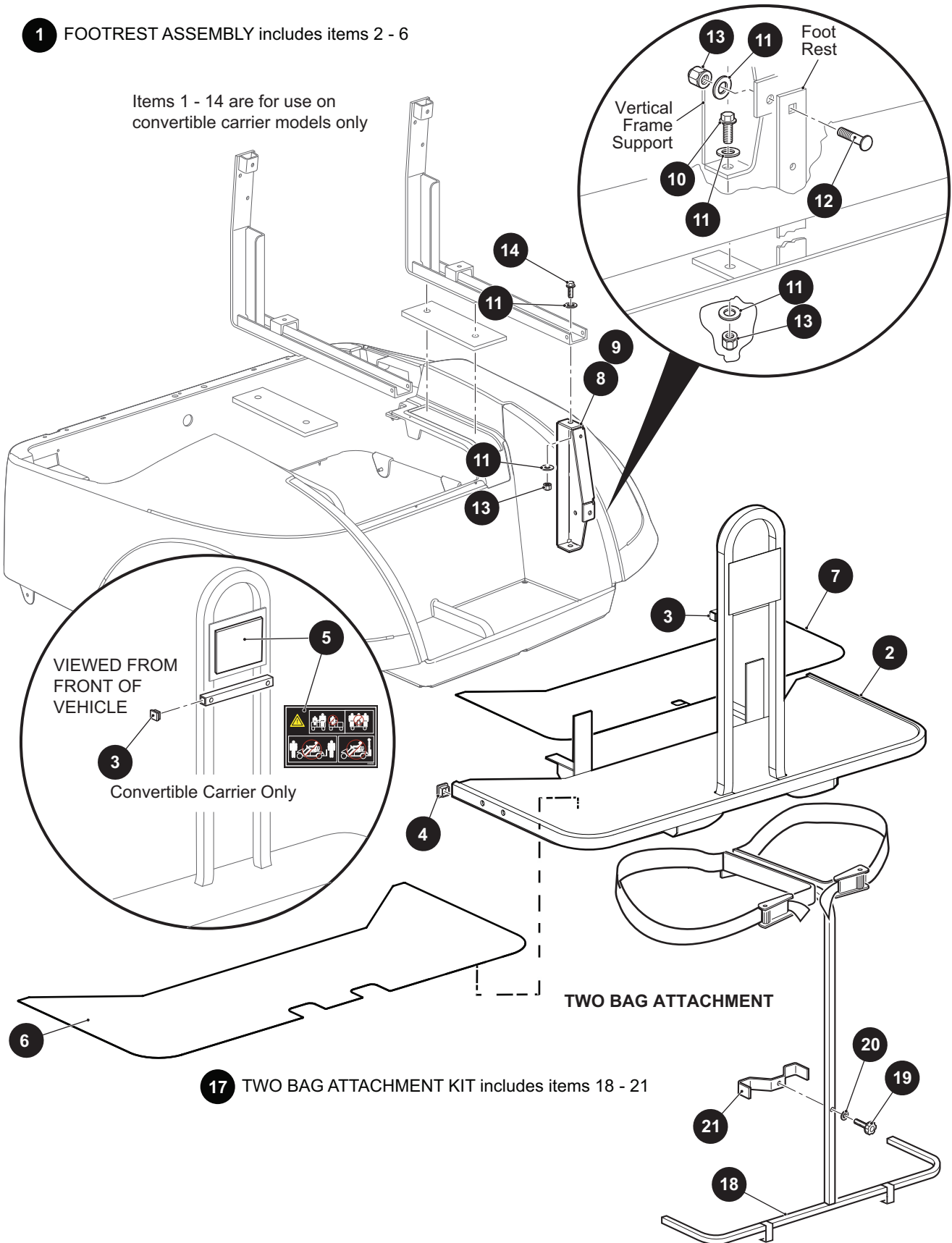
Notes:

A large rectangular area filled with a grid of small squares, intended for handwritten notes. The grid consists of approximately 30 columns and 30 rows.

BODY - ACCESSORIES

1 FOOTREST ASSEMBLY includes items 2 - 6

Items 1 - 14 are for use on convertible carrier models only



BODY - ACCESSORIES

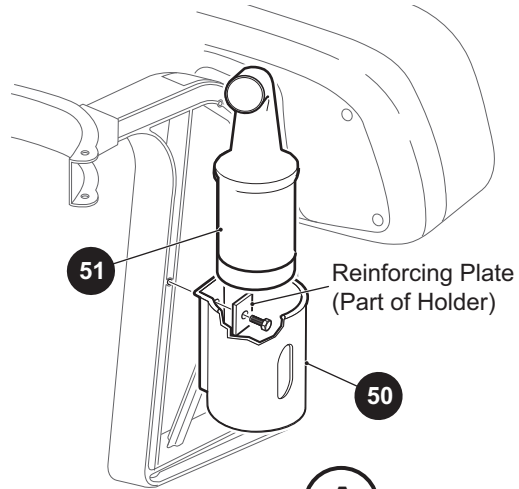
When ordering parts, please specify the model and serial number of the product.

* Indicates a component that is not available as an individual part.

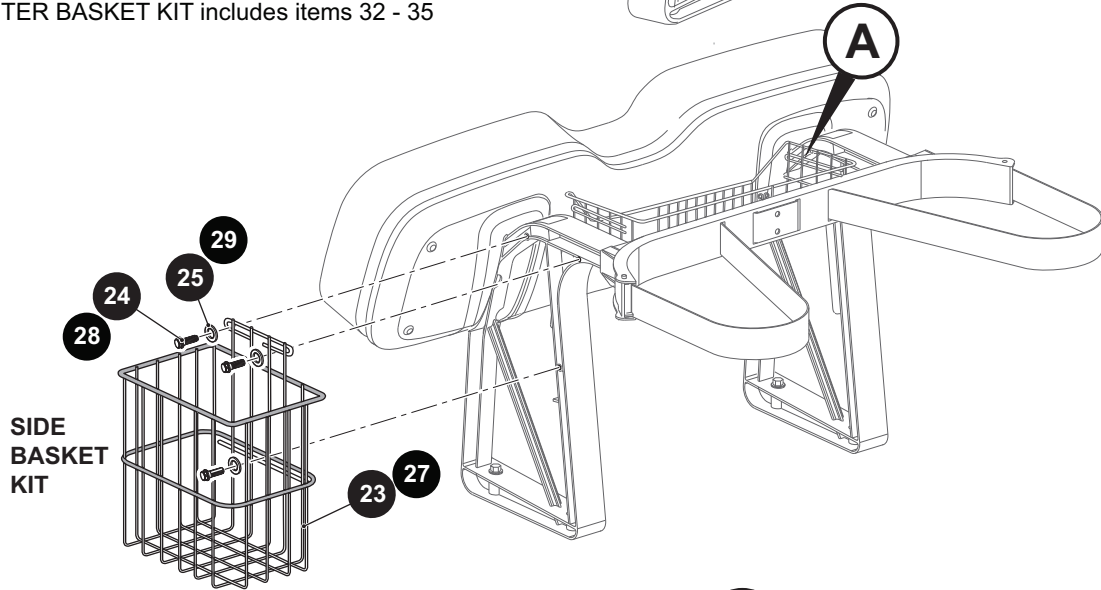
*** Indicates consult Customer Service Department for additional information.

ITEM	PART NO.	1 2 3 4 5	DESCRIPTION	QTY.
1	<u>70361G01</u>		FOOTREST ASSEMBLY (INCLUDES ITEMS 2 - 6)	1
2	<u>70633G01</u>		FOOTREST	1
3	<u>19859G1</u>		END CAP, 3/4"	2
4	<u>19853G1</u>		END CAP, 1"	2
5	<u>610630</u>		WARNING LABEL	1
6	<u>640652</u>		FOOTREST GRIPTAPE	1
7	<u>70362G01</u>		RUBBER FLOOR MAT	1
8	<u>74126G01</u>		VERTICAL FRAME SUPPORT (DRIVER SIDE)	1
9	<u>74126G02</u>		VERTICAL FRAME SUPPORT (PASSENGER SIDE)	1
10	<u>00427G6</u>		HEX HEAD BOLT, 3/8" - 16 X 1 1/4" LG	2
11	<u>00560G1</u>		FLAT WASHER, 3/8"	10
12	<u>00769G2</u>		CARRIAGE BOLT, 3/8" - 16 X 1 1/4" LG	2
13	<u>11098G5</u>		LOCK NUT, 3/8" - 16	6
14	<u>00426G8</u>		HEX HEAD BOLT, 3/8" - 16 X 1" LG	2
15				
16				
17	<u>75183G01</u>		TWO BAG ATTACHMENT KIT (INCLUDES ITEMS 18 - 21)	1
18	<u>75188G01</u>		TWO BAG ATTACHMENT	1
19	<u>22238G2</u>		KNOB, 3/8" - 16 X 1 1/2" LG	1
20	<u>17255G1</u>		TEFLON WASHER, 5/16"	1
21	<u>75187G01</u>		SUPPORT BRACKET	1

SAND BOTTLE DIVOT REPAIR KIT

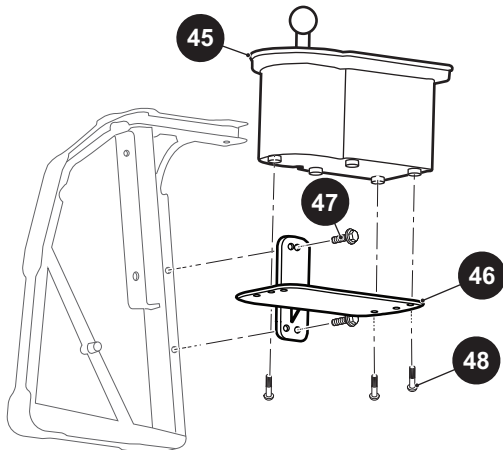


- 22 SIDE BASKET KIT (ONE) includes items 23 - 25
- 26 SIDE BASKET KIT (TWO) includes items 27 - 29
- 31 CENTER BASKET KIT includes items 32 - 35

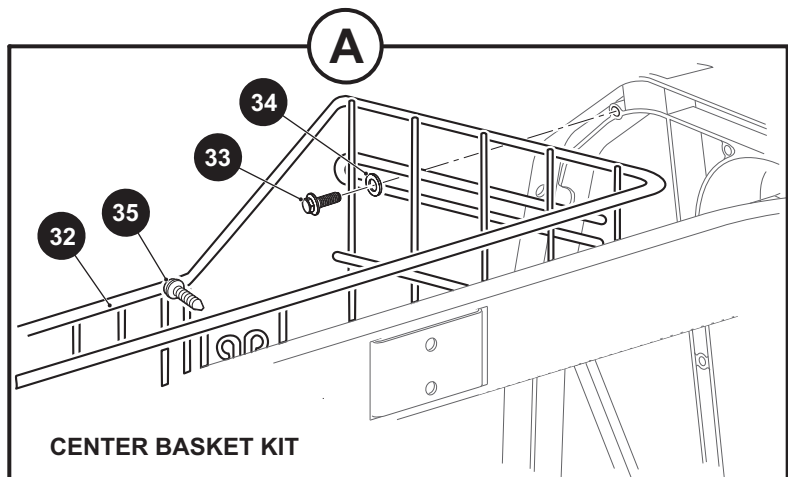


SIDE BASKET KIT

CLUB & BALL WASHER KIT



- 44 CLUB & BALL WASHER KIT includes items 45 - 48



CENTER BASKET KIT

BODY - ACCESSORIES

When ordering parts, please specify the model and serial number of the product.

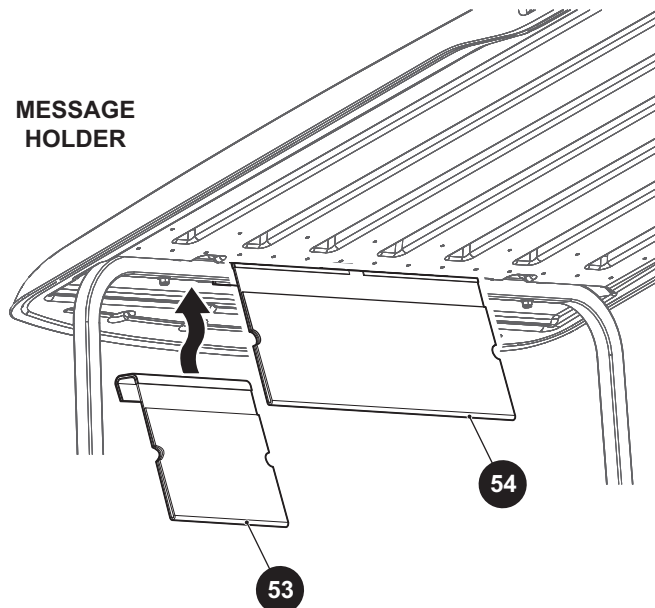
* Indicates a component that is not available as an individual part.

*** Indicates consult Customer Service Department for additional information.

ITEM	PART NO.	1 2 3 4 5	DESCRIPTION	QTY.
22	<u>75007G01</u>		SIDE BASKET KIT WITH ONE BASKET (INCLUDES ITEMS 23 - 25)	1
23	<u>75460G01</u>		SIDE BASKET	1
24	<u>71102G01</u>		HEX HEAD BOLT, 1/4" - 20 X 3/4" LG.....	3
25	<u>00793G2</u>		FLAT WASHER (SS), 1/4"	3
26	<u>75007G03</u>		SIDE BASKET KIT WITH TWO BASKET (INCLUDES ITEMS 27 - 29).....	1
27	<u>75460G01</u>		SIDE BASKET	2
28	<u>71102G01</u>		HEX HEAD BOLT, 1/4" - 20 X 3/4" LG.....	6
29	<u>00793G2</u>		FLAT WASHER (SS), 1/4"	6
30				
31	<u>75003G02</u>		CENTER BASKET KIT (INCLUDES ITEMS 32 - 35).....	1
32	<u>75461G01</u>		CENTER BASKET	1
33	<u>71102G01</u>		HEX HEAD BOLT, 1/4" - 20 X 3/4" LG.....	2
34	<u>00793G2</u>		FLAT WASHER (SS), 1/4"	2
35	<u>01105G01</u>		TORX SCREW (SS), #10 - 14 X 5/8" LG	2
36				
37				
38				
39				
40				
41				
42				
43				
44	<u>627900</u>		CLUB & BALL WASHER KIT (INCLUDES ITEMS 45 - 48)	1
45	*		CLUB & BALL WASHER	1
46	*		CLUB & BALL WASHER WELDMENT	1
47	*		HEX HEAD BOLT, 1/4" - 20 X 3/4" LG.....	2
48	*		PAN HEAD PHILLIPS SELF TAPPING SCREW, #8 - 18 X 1" LG	3
49				
50	<u>28660G01</u>		SAND BOTTLE HOLDER	1
51	600612		SAND BOTTLE	1
52	<u>614191</u>		SAND BOTTLE HARDWARE KIT (NOT ILLUSTRATED).....	1

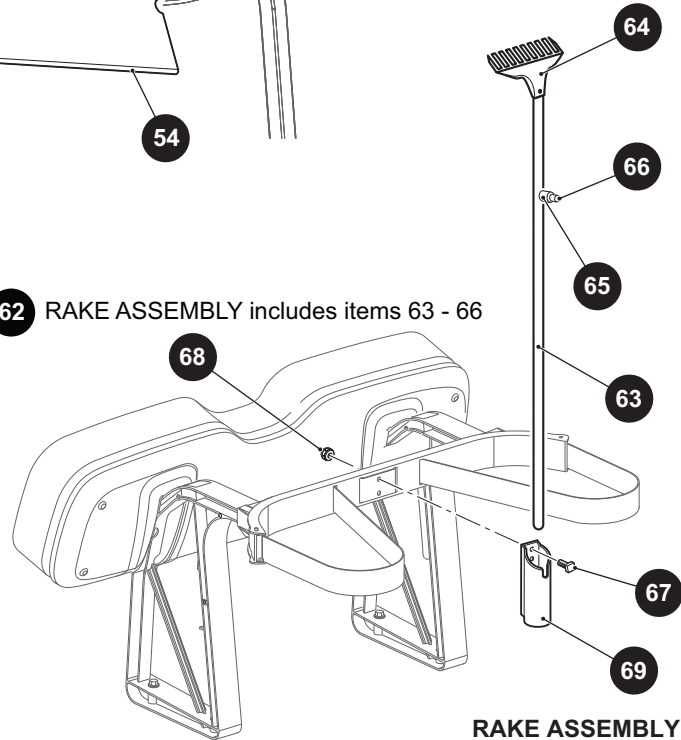
BODY - ACCESSORIES

MESSAGE HOLDER



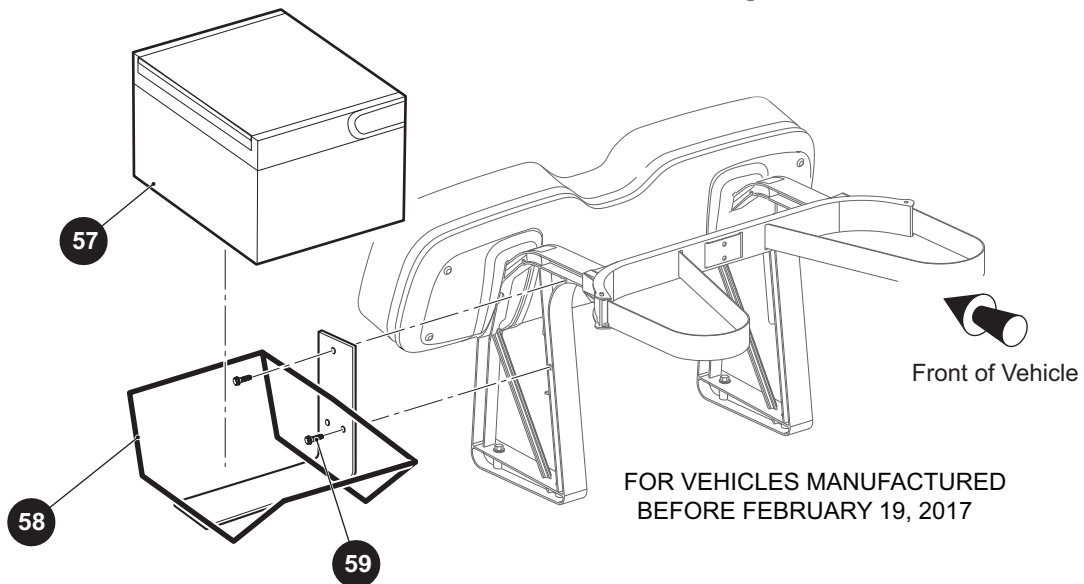
Front of Vehicle

62 RAKE ASSEMBLY includes items 63 - 66



BOX COOLER AND BRACKET

56 COOLER KIT includes items 57 - 59



FOR VEHICLES MANUFACTURED BEFORE FEBRUARY 19, 2017

BODY - ACCESSORIES

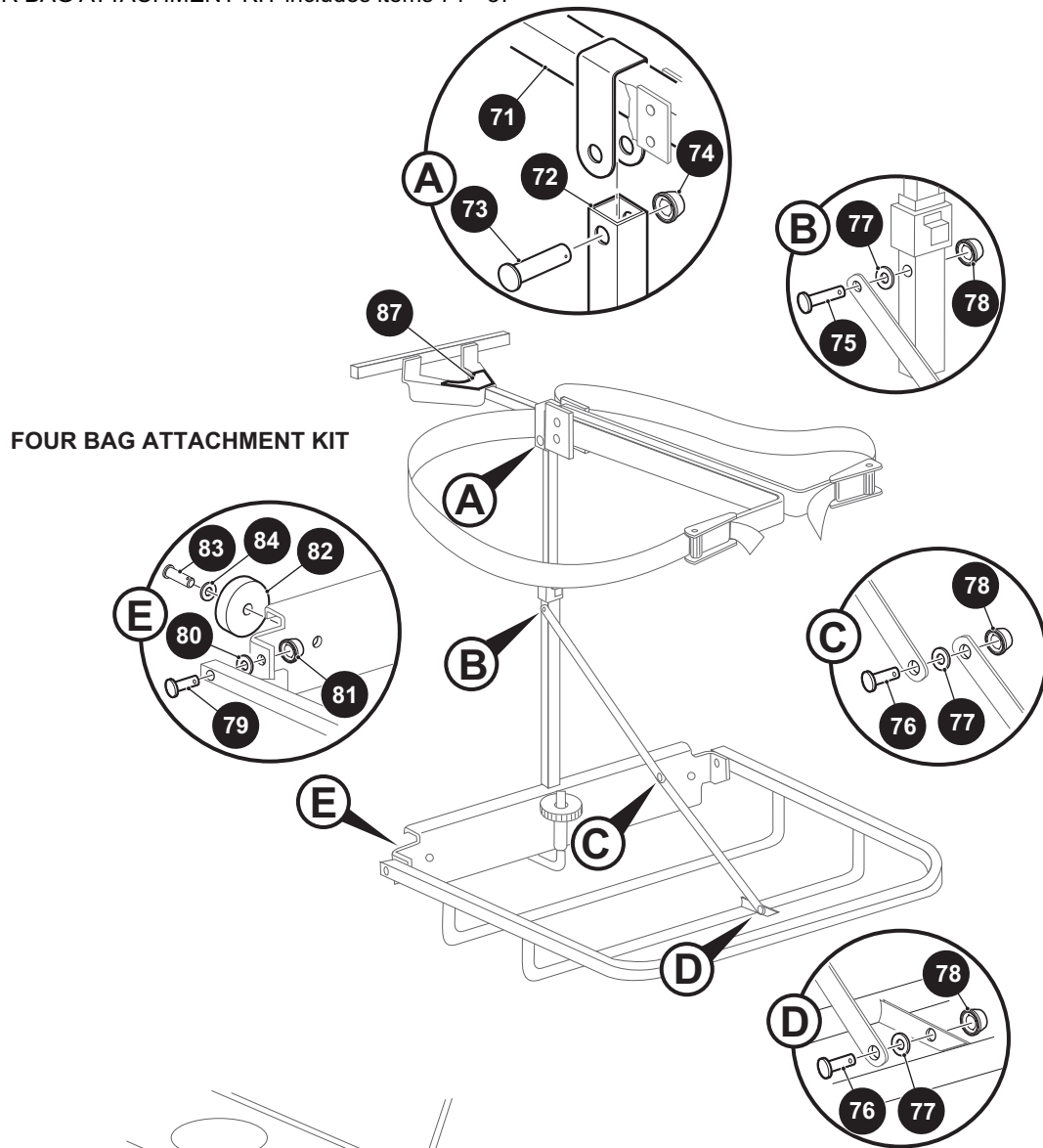
When ordering parts, please specify the model and serial number of the product.

* Indicates a component that is not available as an individual part.

*** Indicates consult Customer Service Department for additional information.

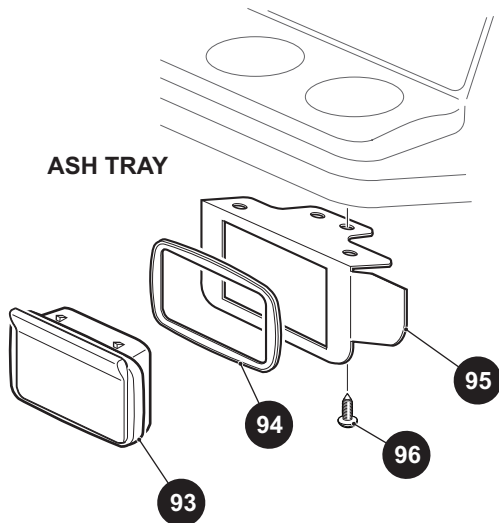
ITEM	PART NO.	1 2 3 4 5	DESCRIPTION	QTY.
53	<u>609308</u>		MESSAGE HOLDER	1
54	<u>617613</u>		MESSAGE HOLDER, DOUBLE.....	1
55				
56	<u>634319</u>		COOLER KIT (INCLUDES ITEMS 57 - 59) (FOR VEHICLES MANUFACTURED BEFORE FEBRUARY 19, 2017)	1
57	<u>601366</u>		BEVERAGE COOLER.....	1
58	<u>634154</u>		COOLER BRACKET.....	1
59	<u>71102G01</u>		HEX HEAD BOLT, 1/4" - 20 X 3/4" LG.....	3
60				
61				
62	<u>14735G1</u>		RAKE ASSEMBLY (INCLUDES ITEMS 63 - 66).....	1
63	<u>14736G2</u>		RAKE HANDLE	1
64	<u>14737G1</u>		RAKE	1
65	<u>14934G1</u>		SPACER	1
66	<u>00130G8</u>		ROUND HEAD PHILLIPS WOOD SCREW, #10 - 13 X 1" LG	1
67	00989G06		SQUARE HEAD BOLT, 1/4" - 20 X 3/4" LG	2
68	11027G2		LOCK NUT, 1/4" - 20	2
69	25885G01		RAKE HOLDER	1

70 FOUR BAG ATTACHMENT KIT includes items 71 - 87



FOUR BAG ATTACHMENT KIT

ASH TRAY



92 ASH TRAY KIT includes items 93 - 96

BODY - ACCESSORIES

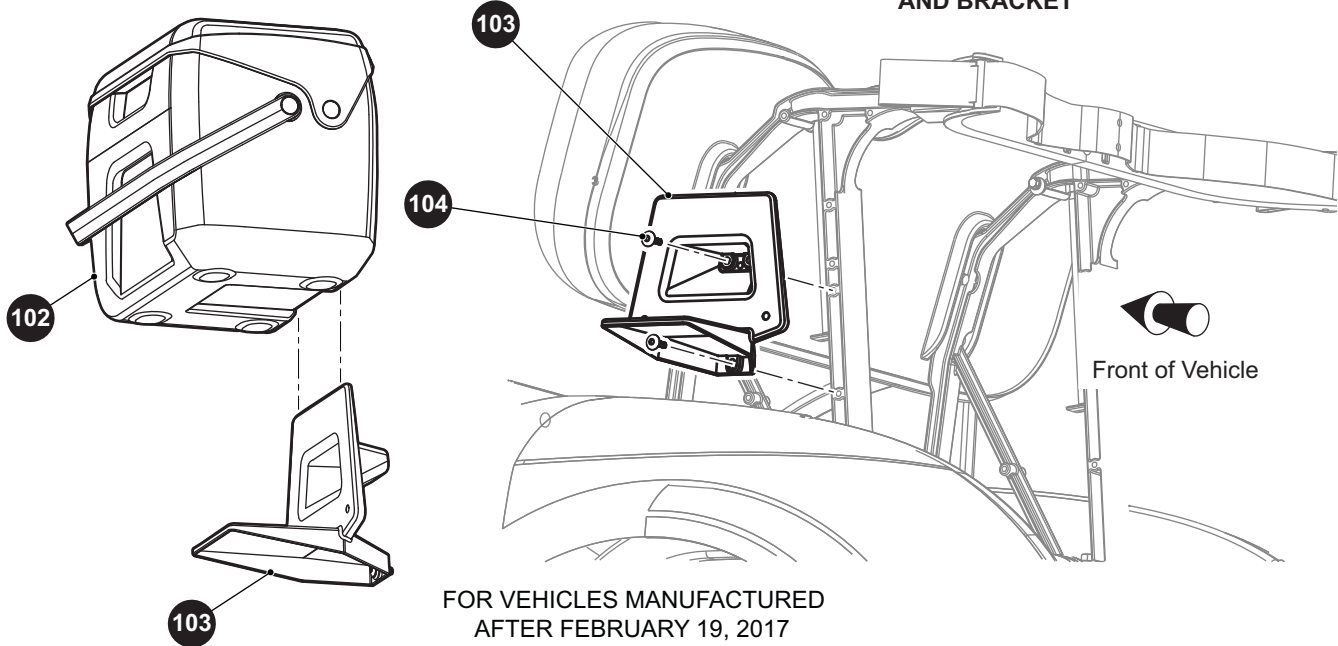
When ordering parts, please specify the model and serial number of the product.

* Indicates a component that is not available as an individual part.

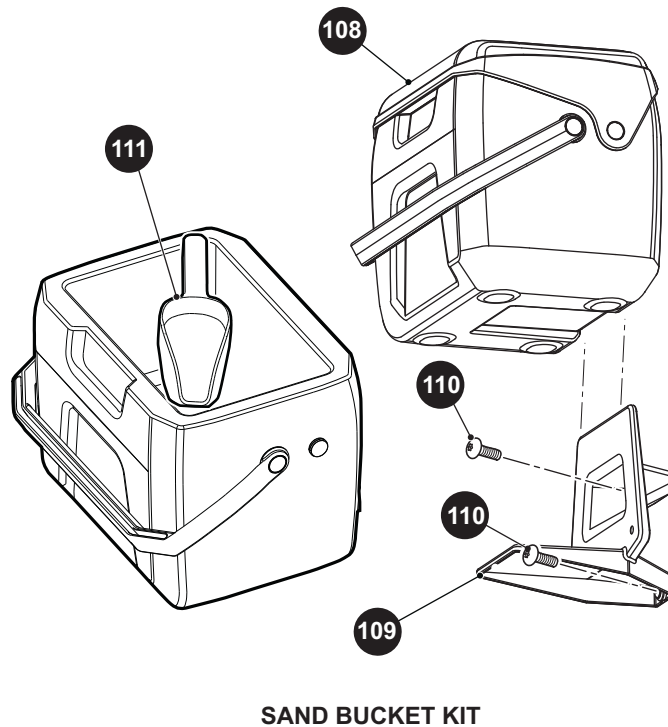
*** Indicates consult Customer Service Department for additional information.

ITEM	PART NO.	1 2 3 4 5	DESCRIPTION	QTY.
70	<u>75335G01</u>		FOUR BAG ATTACHMENT KIT (INCLUDES ITEMS 71 - 87)	1
71	*		TOP ASSEMBLY	1
72	*		BOTTOM ASSEMBLY	1
73	<u>17651G2</u>		CLEVIS PIN, 5/16" X 1 1/8" LG	1
74	<u>28129G01</u>		PUSH NUT, 5/16"	1
75	<u>17651G2</u>		CLEVIS PIN, 5/16" X 1 1/8" LG	1
76	<u>17651G3</u>		CLEVIS PIN, 5/16" X 1/2" LG	2
77	00559G8		FLAT WASHER, 5/16"	3
78	<u>28129G01</u>		PUSH NUT, 5/16"	3
79	<u>17651G1</u>		CLEVIS PIN, 3/8" X 1 1/4" LG	2
80	<u>00560G1</u>		FLAT WASHER, 3/8"	2
81	<u>28129G02</u>		PUSH NUT, 3/8"	2
82	<u>13728G1</u>		RUBBER BUMPER	2
83	<u>14601G1</u>		RIVET, 3/16"	2
84	<u>00559G5</u>		FLAT WASHER, #10	2
85				
86				
87	75130G01		WARNING LABEL	1
88				
89				
90				
91				
92	<u>75109G03</u>		ASH TRAY KIT (INCLUDES ITEMS 93 - 96)	1
93	27731G01		ASH TRAY	1
94	27736G01		GASKET	1
95	<u>75108G02</u>		BRACKET	1
96	<u>00106G6</u>		PAN HEAD PHILLIPS SCREW, #12 - 14 X .75" LG	4
97	<u>625920</u>		SOLAR PANEL CONTROLLER (NOT ILLUSTRATED)	1
98	<u>625921</u>		SOLAR PANEL HARNESS (NOT ILLUSTRATED)	1
99	<u>625922</u>		SOLAR PANEL BATTERY HARNESS (NOT ILLUSTRATED)	1
100	<u>625926</u>		SOLAR PANEL (NOT ILLUSTRATED)	1

101 COOLER KIT includes items 102 - 104



107 SAND BUCKET KIT includes items 108 - 111



SAND BUCKET KIT

BODY - ACCESSORIES

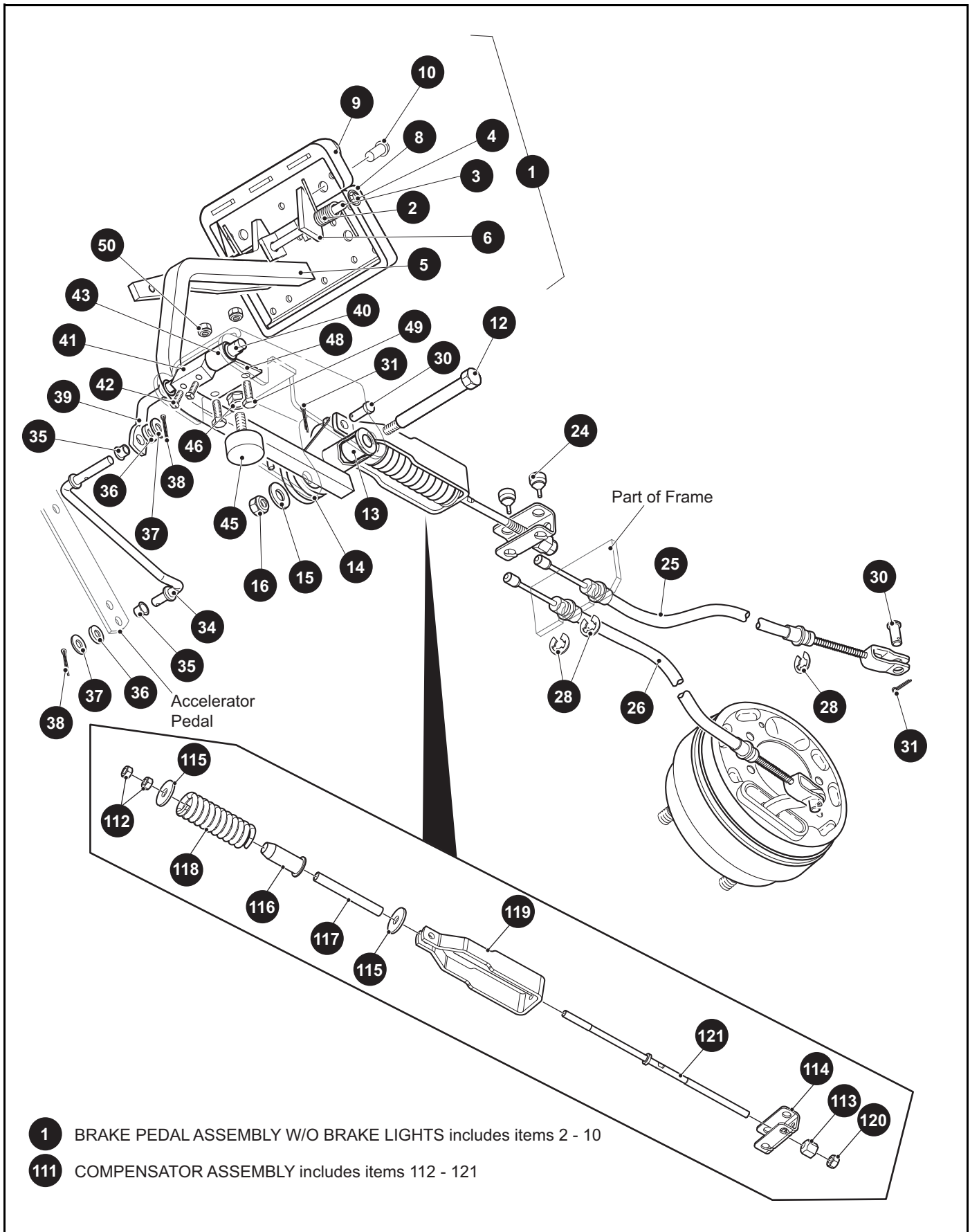
When ordering parts, please specify the model and serial number of the product.

* Indicates a component that is not available as an individual part.

*** Indicates consult Customer Service Department for additional information.

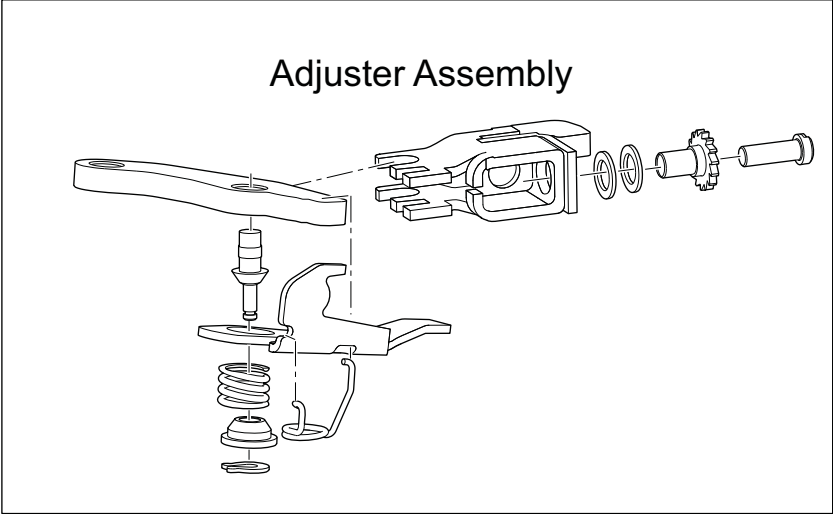
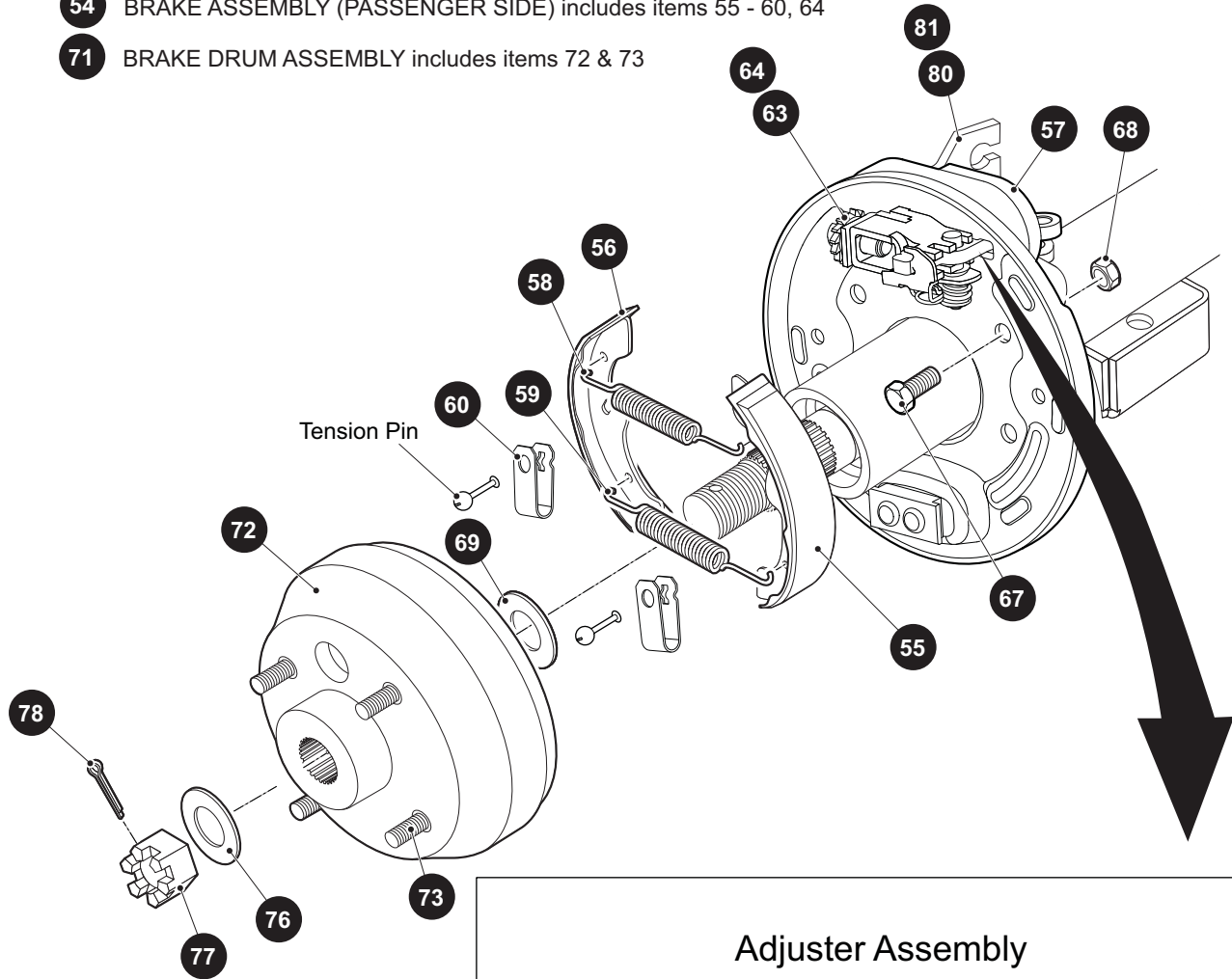
ITEM	PART NO.	1 2 3 4 5	DESCRIPTION	QTY.
101	<u>658509</u>		COOLER KIT (INCLUDES ITEMS 102 - 104) (FOR VEHICLES MANUFACTURED AFTER FEBRUARY 19, 2017)	1
102	<u>658503</u>		BEVERAGE COOLER.....	1
103	<u>658506</u>		COOLER BRACKET.....	1
104	<u>659155</u>		HEX HEAD BOLT, 1/4" - 20 X 3/4" LG.....	2
105				
106				
107	<u>664402</u>		SAND BUCKET KIT (INCLUDES ITEMS 108 - 111) (FLEET & FREEDOM)	1
108	<u>662248</u>		SAND BUCKET	1
109	<u>658506</u>		BRACKET.....	1
110	<u>659155</u>		TRUSS HEAD TORX SCREW, 1/4" - 20 X 3/4" LG	2
111	<u>74848G01</u>		SCOOP.....	1

BRAKES



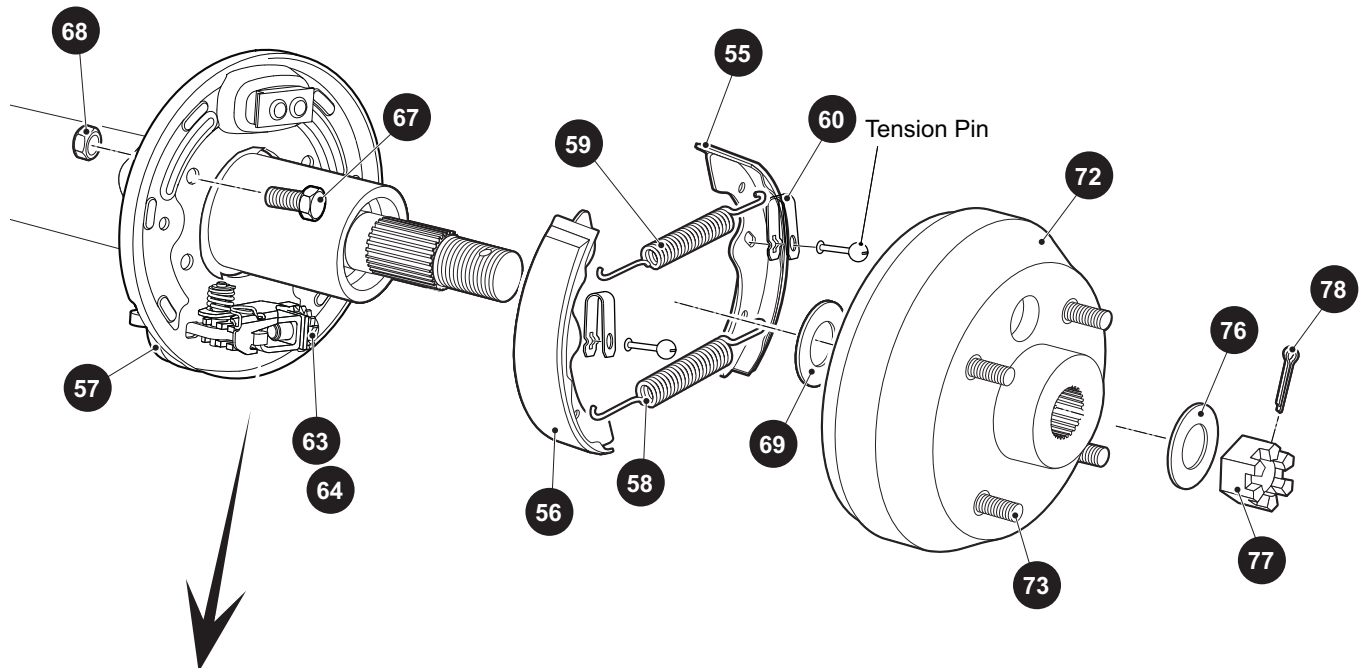
TOP PULL

- 53** BRAKE ASSEMBLY (DRIVER SIDE) includes items 55 - 60, 63
- 54** BRAKE ASSEMBLY (PASSENGER SIDE) includes items 55 - 60, 64
- 71** BRAKE DRUM ASSEMBLY includes items 72 & 73

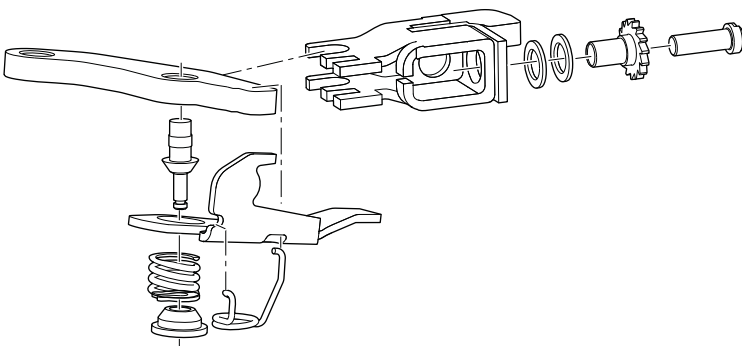


BOTTOM PULL

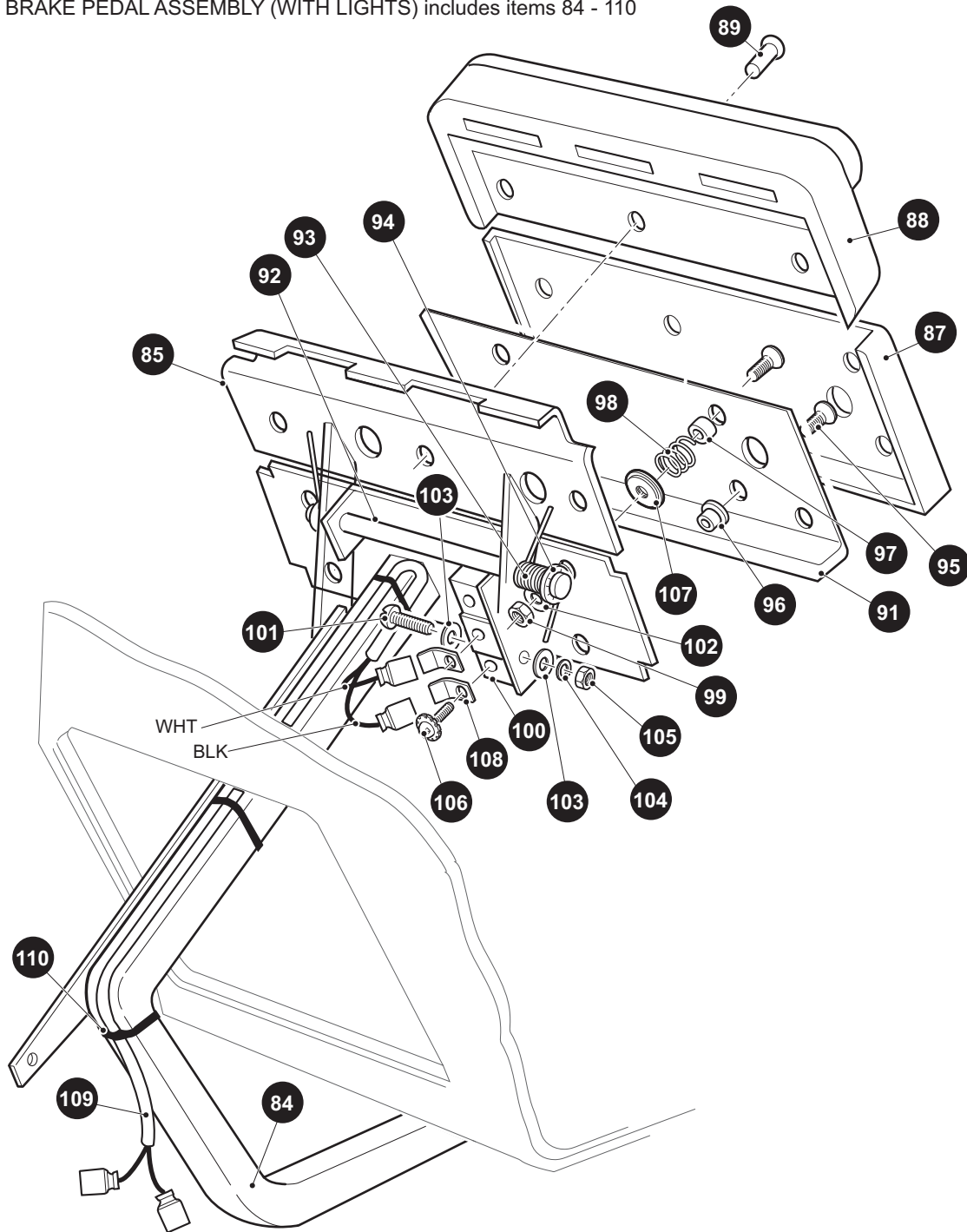
- 53 BRAKE ASSEMBLY (DRIVER SIDE) includes items 55 - 60, 63
- 54 BRAKE ASSEMBLY (PASSENGER SIDE) includes items 55 - 60, 64
- 71 BRAKE DRUM ASSEMBLY includes items 72 & 73



Adjuster Assembly



83 BRAKE PEDAL ASSEMBLY (WITH LIGHTS) includes items 84 - 110



BRAKES

When ordering parts, please specify the model and serial number of the product.

* Indicates a component that is not available as an individual part.

*** Indicates consult Customer Service Department for additional information.

ITEM	PART NO.	1 2 3 4 5	DESCRIPTION	QTY.
1	<u>70612G02</u>		BRAKE PEDAL ASSEMBLY (WITHOUT BRAKE LIGHTS) (INCLUDES ITEMS 2 - 10).....	1
2	<u>70681G01</u>		TORSION SPRING	2
3	<u>70682G01</u>		PIVOT PIN	1
4	<u>658825</u>		PUSHNUT, 5/16"	2
5	<u>652251G03</u>		BRAKE PEDAL	1
6	<u>652253G03</u>		PARK BRAKE PEDAL.....	1
7				
8	<u>70257G01</u>		SERVICE BRAKE PAD	1
9	<u>70256G01</u>		PARK BRAKE PEDAL PAD.....	1
10	<u>16409G1</u>		OVAL RIVET, 3/16" X 7/16" LG	9
11				
12	<u>70582G01</u>		SHOULDER BOLT (SS), 3/8" - 16 X 4" LG	1
13	<u>70581G01</u>		ACETAL FLANGED BUSHING.....	2
14	<u>70676G01</u>		TORSION SPRING	1
15	<u>00643G1</u>		FLAT WASHER, 3/8"	1
16	<u>11098G5</u>		LOCK NUT, 3/8" - 16	1
17				
18	<u>01038G01</u>		SWAGEFORM SCREW, 1/4" - 20 (NOT ILLUSTRATED)	1
19				
20	<u>12416G2</u>		NYLON WEDGE LOCK CLAMP, 10" (NOT ILLUSTRATED).....	AR
21				
22				
23				
24	<u>28083G01</u>		BRAKE COMPENSATOR BUMPER	2
25	<u>624690</u>		BRAKE CABLE (DRIVER SIDE), 37.06"	1
26	<u>624691</u>		BRAKE CABLE (PASSENGER SIDE), 46.81"	1
27				
28	<u>01111G01</u>		RETAINING RING (SS), 13/32"	4
29				
30	<u>10386G3</u>		CLEVIS PIN, 5/16" X 13/16" LG	3
31	<u>10387G3</u>		COTTER PIN, 3/32" X 3/4" LG	3

When ordering parts, please specify the model and serial number of the product.

* Indicates a component that is not available as an individual part.

*** Indicates consult Customer Service Department for additional information.

ITEM	PART NO.	1 2 3 4 5	DESCRIPTION	QTY.
32				
33				
34	<u>70601G01</u>		KICK-OFF LINK	1
35	<u>17838G1</u>		NYLON BUSHING	2
36	<u>20835G1</u>		TEFLON WASHER, 3/8"	2
37	00559G8		FLAT WASHER, 5/16"	2
38	<u>10387G3</u>		COTTER PIN, 3/32" X 3/4" LG.....	2
39	<u>70098G01</u>		KICK-OFF CAM PIVOT.....	1
40	<u>10097G6</u>		FLANGED BEARING	2
41	<u>70587G01</u>		KICK-OFF CAM, PARK BRAKE.....	1
42	<u>71215G01</u>		SETSCREW, 1/4" - 20 X 1/2" LG	2
43	<u>14134G4</u>		SPACER, 1.25" LG	1
44				
45	<u>70113G01</u>		ADJUSTABLE BUMPER.....	1
46	<u>11027G1</u>		LOCK NUT, 5/16" - 18.....	1
47				
48	<u>70080G02</u>		CATCH BRACKET	1
49	<u>00414G6</u>		HEX HEAD BOLT, 1/4" - 20 X 3/4" LG	2
50	<u>14390G4</u>		LOCK NUT (SS), 1/4" - 20	2
51				
52				
53	<u>612211</u>		BRAKE ASSEMBLY (DRIVER SIDE) (INCLUDES ITEMS 55 - 60, 63).....	1
54	<u>612189</u>		BRAKE ASSEMBLY (PASSENGER SIDE) (INCLUDES ITEMS 55 - 60, 64) .	1
55	<u>612411</u>		BRAKE SHOE, LEADING	2
56	<u>612412</u>		BRAKE SHOE, TRAILING.....	2
57	<u>612413</u>		DUST COVER	1
58	<u>612415</u>		BRAKE SPRING, BOTTOM	1
59	<u>612414</u>		BRAKE SPRING, TOP	1
60	<u>612416</u>		SHOE CLAMP	2
61				
62				

BRAKES

When ordering parts, please specify the model and serial number of the product.

* Indicates a component that is not available as an individual part.

*** Indicates consult Customer Service Department for additional information.

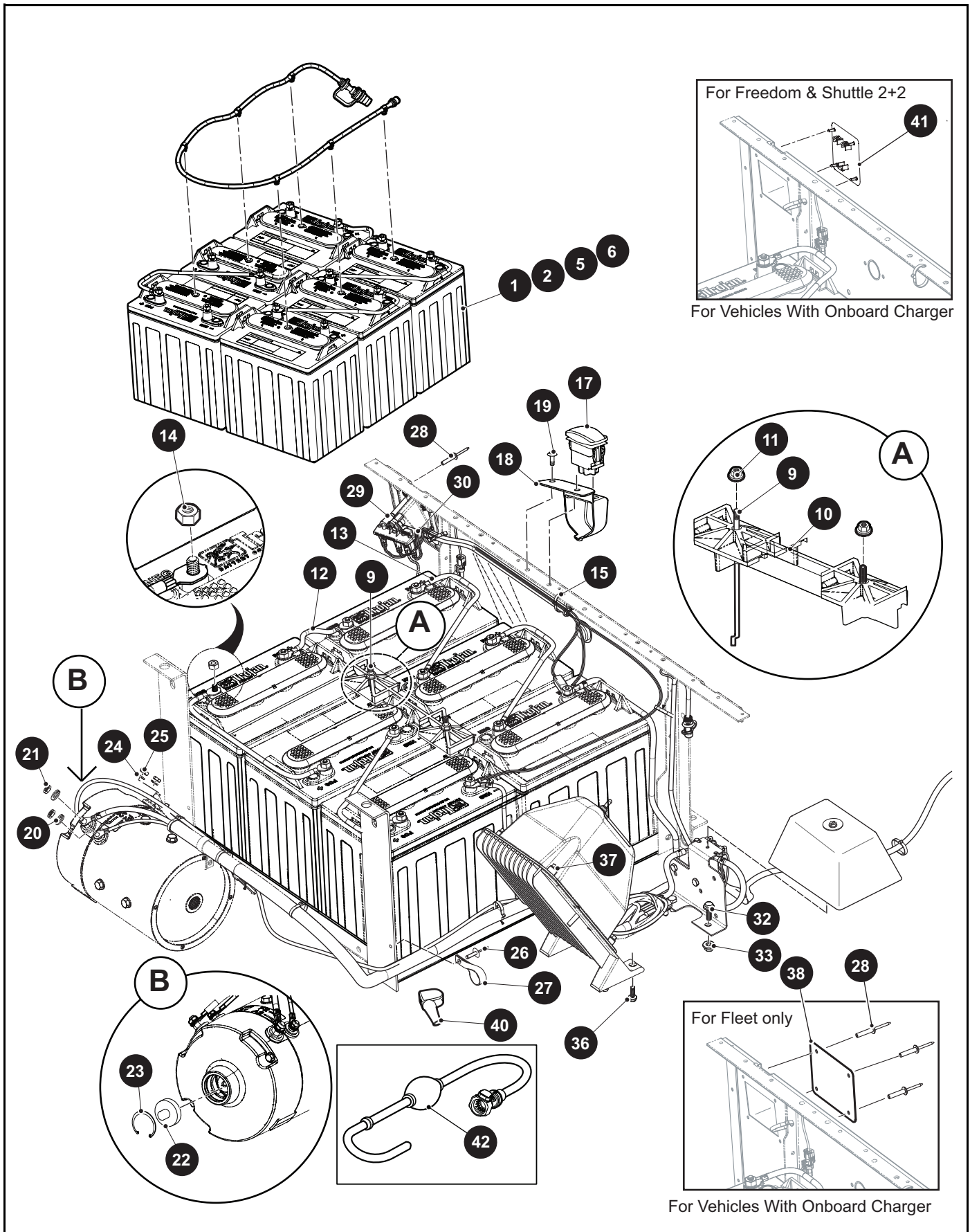
ITEM	PART NO.	1	2	3	4	5	DESCRIPTION	QTY.
63	<u>612418</u>						GEAR ADJUSTER (DRIVER SIDE).....	1
64	<u>612417</u>						GEAR ADJUSTER (PASSENGER SIDE)	1
65								
66								
67	<u>17083G2</u>						HEX HEAD BOLT, 5/16" - 24 X 1" LG.....	8
68	<u>15126G1</u>						LOCK NUT, 5/16" - 24	8
69	<u>15485G1</u>						FLAT WASHER, 1/4"	2
70								
71	<u>19186G1</u>						BRAKE DRUM ASSEMBLY (INCLUDES ITEMS 72 & 73).....	2
72	<u>18500G2</u>						BRAKE DRUM	1
73	<u>19862G1</u>						LUG BOLT, 1/2" - 20 X 1 3/16" LG	4
74								
75								
76	<u>15487G1</u>						FLAT WASHER, 1 3/8" O.D.....	2
77	<u>612928</u>						CASTELLATED NUT, 5/8" - 18.....	2
78	<u>10387G1</u>						COTTER PIN, 1/8" X 1 1/2" LG	2
79								
80	<u>652248</u>						BRAKE CABLE BRACKET (PASSENGER SIDE).....	1
81	<u>652249</u>						BRAKE CABLE BRACKET (DRIVER SIDE)	1
82								
83	70690G02						BRAKE PEDAL ASSEMBLY (WITH BRAKE LIGHTS) (INCLUDES ITEMS 84 - 110)	1
84	<u>652791G03</u>						BRAKE PEDAL	1
85	<u>652253G03</u>						PARK BRAKE PEDAL.....	1
86								
87	<u>70257G01</u>						SERVICE BRAKE PAD	1
88	<u>70256G01</u>						PARK BRAKE PAD	1
89	<u>16409G1</u>						OVAL RIVET, 3/16" X 7/16" LG	9
90								
91	<u>652820</u>						SERVICE BRAKE PEDAL PLATE	1
92	<u>70682G01</u>						PIVOT PIN	1
93	<u>70681G01</u>						TORSION SPRING	2

When ordering parts, please specify the model and serial number of the product.

* Indicates a component that is not available as an individual part.

*** Indicates consult Customer Service Department for additional information.

ITEM	PART NO.	1 2 3 4 5	DESCRIPTION	QTY.
94	<u>658825</u>		PUSHNUT, 5/16"	2
95	<u>00737G8</u>		PHILLIPS FLAT HEAD SCREW, #10 - 24 X 1" LG.....	4
96	<u>00739G1</u>		RUBBER NUT, #10 - 24	2
97	<u>652355</u>		BRAKE PEDAL SPACER	2
98	<u>27137G01</u>		CONICAL SPRING	2
99	<u>14390G10</u>		LOCK NUT, #10 - 24.....	2
100	10606G8		MICRO SWITCH	1
101	<u>00645G2</u>		PHILLIPS PAN HEAD SCREW, #6 - 32 X 1 1/4" LG.....	2
102	<u>00559G5</u>		FLAT WASHER, #10	2
103	<u>00559G3</u>		FLAT WASHER, #6	4
104	<u>00565G3</u>		LOCK WASHER, #6	2
105	<u>00525G5</u>		HEX NUT, #6 - 32	2
106	<u>13514G1</u>		PHILLIPS PAN HEAD SCREW WITH LOCK WASHER, #6.....	2
107	<u>00642G8</u>		FLAT WASHER, 5/16"	2
108	<u>14628G1</u>		FASTON TAB.....	2
109	<u>24605G1</u>		WIRE HARNESS, BRAKE LIGHT	1
110	<u>17618G1</u>		NYLON CLAMP.....	2
111	<u>612558</u>		COMPENSATOR ASSEMBLY (INCLUDES ITEMS 112 - 121).....	1
112	<u>00532G4</u>		HEX NUT, 1/4" -20.....	2
113	<u>629486</u>		HEX NUT, 5/16" - 24.....	1
114	<u>28082G01</u>		EQUALIZER BRACKET	1
115	<u>15121G1</u>		FLAT WASHER, 5/16"	2
116	<u>17979G1</u>		ACCELERATOR ROD BUSHING, 2" LG.....	1
117	<u>23061G2</u>		TUBE	1
118	<u>23463G1</u>		COMPRESSION SPRING	1
119	<u>652256</u>		BRAKE YOKE	1
120	<u>11098G9</u>		HEX LOCK NUT, 5/16" - 24.....	1
121	<u>612557</u>		COMPENSATOR ROD LINK.....	1



When ordering parts, please specify the model and serial number of the product.

* Indicates a component that is not available as an individual part.

*** Indicates consult Customer Service Department for additional information.

ITEM	PART NO.	1 2 3 4 5	DESCRIPTION	QTY.
1	618594		BATTERY, 8V	6
2	618595		BATTERY, 8V (HYDROLINK).....	6
3				
4				
5	614381		BATTERY, 8V - T890 (HYDROLINK)	6
6	614015		BATTERY, 8V - T890.....	6
7				
8				
9	<u>01101G01</u>		TIE DOWN BOLT	2
10	<u>612867</u>		BATTERY RETAINER	1
11	<u>11027G1</u>		LOCK NUT, 5/16" - 18.....	2
12	<u>613236</u>		6 AWG WIRE, BLUE, 380MM (15")	4
13	<u>613237</u>		6 AWG WIRE, BLUE, 150MM (5.90")	1
14	<u>00702G2</u>		HEX NUT, 5/16" - 18	12
15	<u>17618G1</u>		NYLON CLAMP	A/R
16				
17	<u>624514G01</u>		F-N-R SWITCH	1
18	<u>628027</u>		F-N-R SWITCH HOLDER	1
19	<u>18436G1</u>		RIVET (PLASTIC)	2
20	<u>00993G01</u>		LOCK WASHER, SILICON BRONZE, 5/16"	2
21	<u>28418G01</u>		HEX NUT (BRASS), 5/16" - 18	2
22	<u>620422</u>		SPEED SENSOR, 48V	1
23	<u>73277G01</u>		RETAINING RING.....	1
24	<u>00993G02</u>		LOCK WASHER (SILICON BRONZE), 1/4".....	2
25	<u>28418G02</u>		FLANGED LOCK NUT, 1/4" - 20.....	2
26	<u>10570G11</u>		RIVET (SS), 3/16" X .70"	1
27	<u>27327G02</u>		TWISTED CABLE CLAMP	1
28	<u>71055G01</u>		RIVET (ALUMINUM), 3/16" (FOR TXT FLEET ONLY).....	4
29	<u>613304</u>		CHARGER RECEPTACLE, DELTA - Q, 48V	1
30	*		CHARGER HARNESS	1

ELECTRICAL

When ordering parts, please specify the model and serial number of the product.

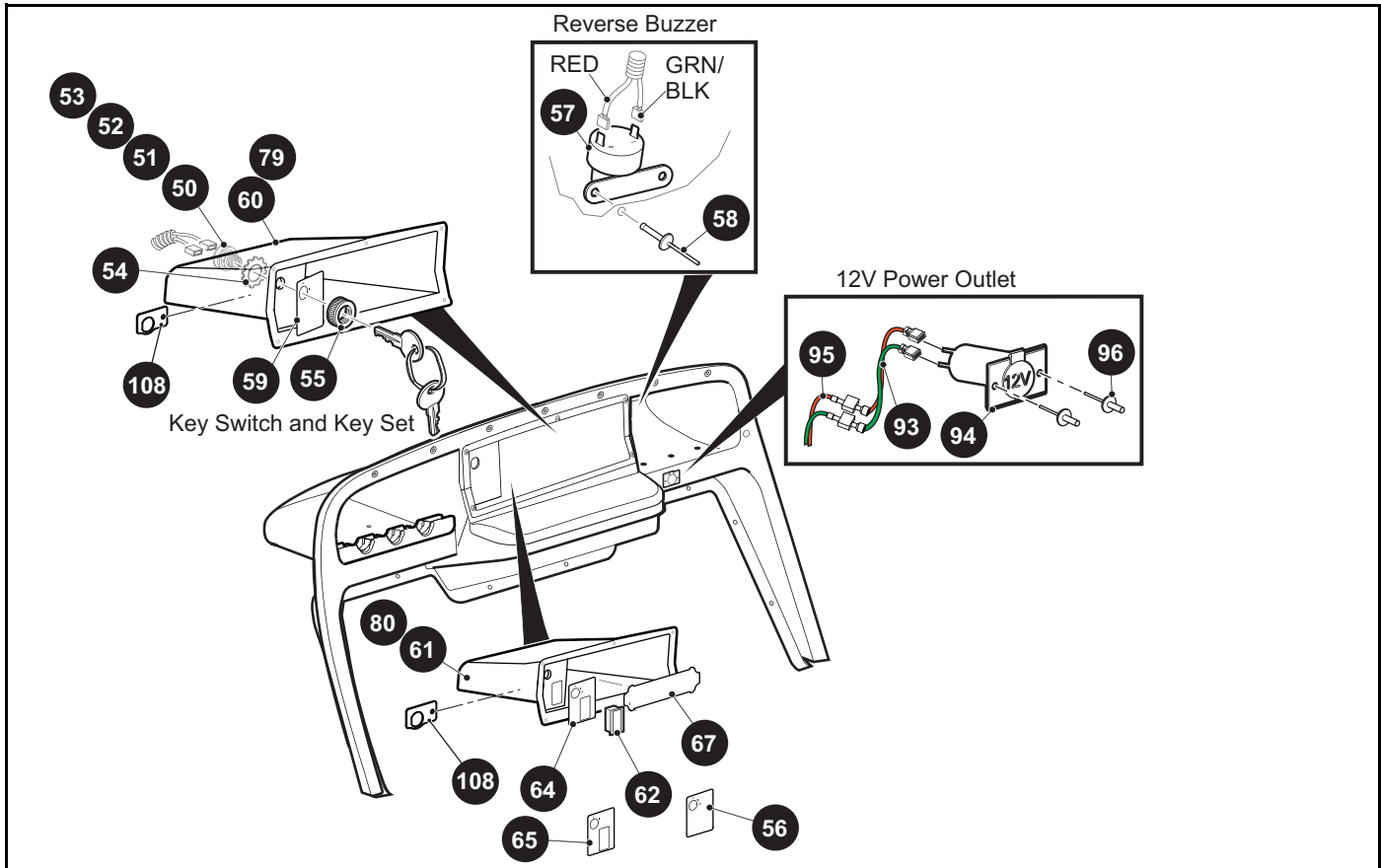
* Indicates a component that is not available as an individual part.

*** Indicates consult Customer Service Department for additional information.

ITEM	PART NO.	1 2 3 4 5	DESCRIPTION	QTY.
31				
32	00438G6		HEX HEAD BOLT, 5/16" - 18 X 3/4" LG.....	2
33	<u>11027G1</u>		FLANGED HEX NUT, 5/16" - 18.....	2
34				
35				
36	<u>71102G01</u>		HEX HEAD BOLT, 1/4" - 20 X 3/4" LG.....	4
37	<u>71102G03</u>		HEX HEAD BOLT, 1/4" - 20 X .90" LG.....	4
38	<u>73173G02</u>		COVER PLATE (FOR TXT FLEET ONLY)	1
39				
40	<u>606947</u>		BATTERY TERMINAL COVER.....	6
41	<u>666066</u>		RECEPTACLE COVER (FOR TXT FREEDOM & SHUTTLE 2+2)	1
42	<u>676122</u>		TROJAN HAND PUMP KIT	1

Notes:

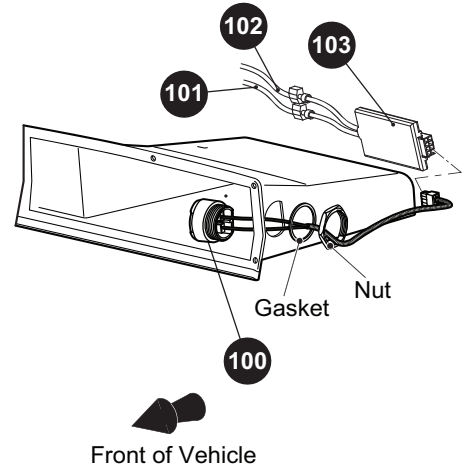
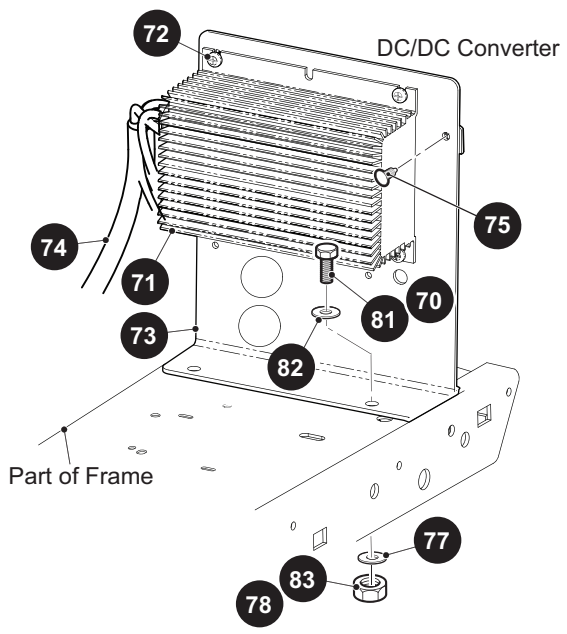
A large grid of graph paper for taking notes. The grid consists of 20 columns and 30 rows of small squares, providing a structured area for handwritten notes or diagrams.



⚠ WARNING Failure to follow these instructions can result in SERIOUS INJURY or DEATH

Except when PERMITTED BY LAW, NEVER drive on public roads. Drivers must possess a valid drivers license in accordance with local state law. **AVOID FALLS** from the vehicle. Do not start moving until all occupants are PROPERLY SEATED and BELTED IN. • KEEP entire body INSIDE VEHICLE while moving. **Reduce the RISK OF ACCIDENTS:** Always DRIVE SLOWLY in congested areas, on wet or loose terrain, and when backing up. • DRIVE SLOWLY when turning and AVOID sudden stops. • ALWAYS drive straight up and down slopes. • Do not coast. This vehicle is NOT A TOY. Drive responsibly. • NEVER have children unattended. • Never allow children to play on the vehicle. • NEVER leave the key in the vehicle when parked. DO NOT OVERLOAD this vehicle. NEVER drive this vehicle in excess of its load capacity. • Do not exceed vehicle WEIGHT CAPACITY (see Owner's Guide). DC NOT MODIFY this vehicle. NEVER alter this vehicle to increase or decrease drive battery specifications. • ONLY authorized E-Z-GO dealers should alter the vehicle using approved parts. • Alterations not approved or tested by E-Z-GO can create unsafe conditions and increase your chance of having an accident.

68



69 DC/DC CONVERTER KIT includes items 70 - 78

When ordering parts, please specify the model and serial number of the product.

* Indicates a component that is not available as an individual part.

*** Indicates consult Customer Service Department for additional information.

ITEM	PART NO.	1 2 3 4 5	DESCRIPTION	QTY.
50	<u>18027G1</u>		KEY SWITCH (WITHOUT LIGHTS - INDIVIDUALLY KEYED)	1
51	33639GXX		KEY SWITCH (WITH LIGHTS)	1
52	<u>18602G1</u>		KEY SWITCH.....	1
53	<u>17955G1</u>		KEY SWITCH (GROUP KEYS).....	1
54	<u>00568G6</u>		LOCK WASHER, 3/4"	1
55	17137G1		FACE NUT, 3/4" - 20	1
56	<u>625242</u>		DECAL (CENTER COMPARTMENT WITH LIGHTS)	1
57	<u>613271</u>		REVERSE WARNING BUZZER (CONTINUOUS TONE).....	1
58	<u>01041G01</u>		RIVET, 5/32" DIA.....	2
59	<u>625267</u>		DECAL (CENTER COMPARTMENT, KEY SWITCH, ON - OFF)	1
60	<u>628022</u>		CENTER COMPARTMENT.....	1
61	<u>631104</u>		CENTER COMPARTMENT WITH SOC.....	1
62	<u>33636G05</u>		STATE OF CHARGE METER (SOC).....	1
63	<u>25978G74</u>		WIRE ASSEMBLY, RED, #18 (NOT ILLUSTRATED).....	1
64	<u>625243</u>		DECAL (CENTER COMPARTMENT WITH LIGHTS AND SOC).....	1
65	<u>625268</u>		DECAL (CENTER COMPARTMENT, ON - OFF AND SOC).....	1
66	<u>74018G01</u>		SOC HARNESS (NOT ILLUSTRATED)	1
67	<u>625224</u>		CENTER COMPARTMENT DIVIDER	1
68	<u>628019</u>		SAFETY LABEL (PVT CONSOLE)	1
69	<u>605967</u>		DC/DC CONVERTER KIT (INCLUDES ITEMS 70 - 78).....	1
70	00438G6		HEX HEAD BOLT, 5/16" -18 X 3/4" LG.....	2
71	<u>632185</u>		DC/DC CONVERTER.....	1
72	<u>632372</u>		TAPPING SCREW, #10 - 32 X 3/4" LG	4
73	<u>633303</u>		DC/DC CONVERTER BRACKET	1
74	<u>605888</u>		DC/DC CONVERTER HARNESS	1
75	<u>16816G5</u>		RATCHET RIVET, .187" X .550	1
76	<u>17618G1</u>		NYLON CLAMP	3
77	<u>01110G01</u>		FLAT WASHER, 1/4"	2
78	11098G6		LOCK NUT, 5/16" - 18	2
79	<u>658058</u>		CENTER COMPARTMENT WITH USB	1
80	658062		CENTER COMPARTMENT WITH SOC AND USB.....	1

ELECTRICAL

When ordering parts, please specify the model and serial number of the product.

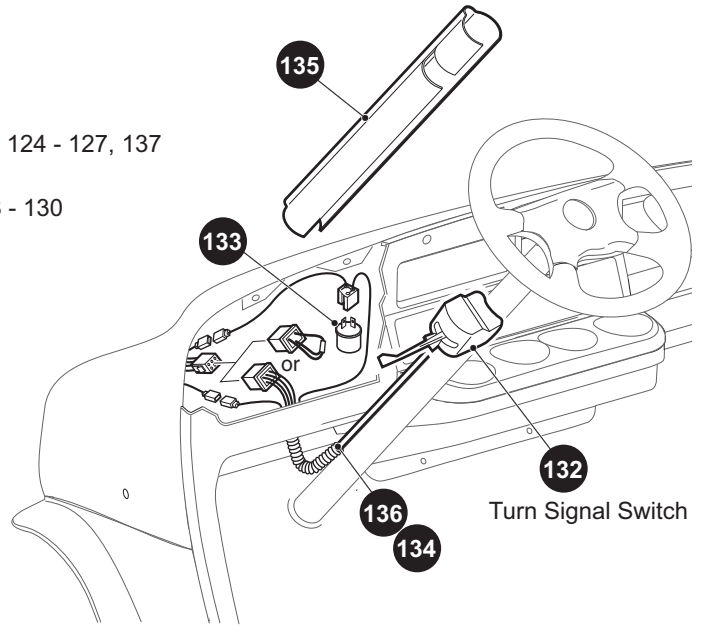
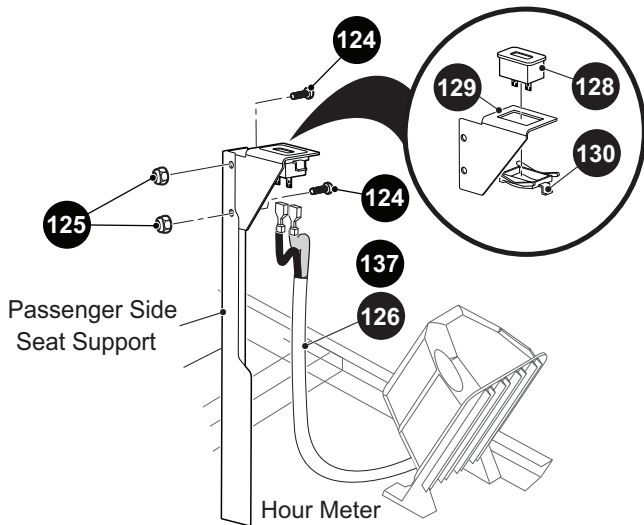
* Indicates a component that is not available as an individual part.

*** Indicates consult Customer Service Department for additional information.

ITEM	PART NO.	1 2 3 4 5	DESCRIPTION	QTY.
81	<u>00414G6</u>		HEX HEAD BOLT, 1/4" - 20 X 3/4" LG.....	2
82	<u>00559G7</u>		FLAT WASHER, 1/4"	2
83	<u>14390G4</u>		LOCK NUT, 1/4" - 20	2
84				
85				
86	<u>31539G1</u>		NYLON CLAMP (NOT ILLUSTRATED)	A/R
87	<u>657599</u>		ACCESSORY HARNESS (NOT ILLUSTRATED).....	1
88	<u>634271</u>		SOC JUMPER HARNESS (NOT ILLUSTRATED).....	1
89	<u>634272</u>		REVERSE BUZZER JUMPER HARNESS (NOT ILLUSTRATED).....	1
90				
91				
92				
93	<u>634277</u>		JUMPER HARNESS, 12V POWER OUTLET	1
94	<u>71078G01</u>		12V POWER OUTLET	1
95	<u>633988</u>		HARNESS, 12V POWER OUTLET	1
96	<u>71055G01</u>		RIVET, 3/16" DIA	2
97				
98				
99				
100	<u>639384</u>		USB PORT	1
101	<u>635865</u>		USB HARNESS.....	1
102	<u>637381</u>		JUMPER (YELLOW)	1
103	<u>638233</u>		ELECTRONICS BOX	1
104	<u>670675G01</u>		GPS DISPLAY UNIT, 7" (NOT ILLUSTRATED).....	1
105	<u>670675G02</u>		GPS DISPLAY UNIT, 10" (NOT ILLUSTRATED).....	1
106	<u>664519G01</u>		GPS DISPLAY UNIT, 7" (NOT ILLUSTRATED).....	1
107	<u>664519G02</u>		GPS DISPLAY UNIT, 10" (NOT ILLUSTRATED).....	1
108	<u>637081G01</u>		KEYSWITCH PLATE	1
109				

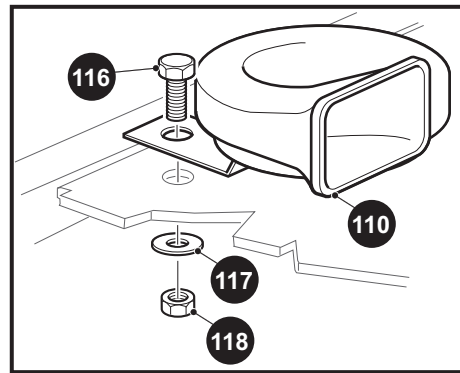
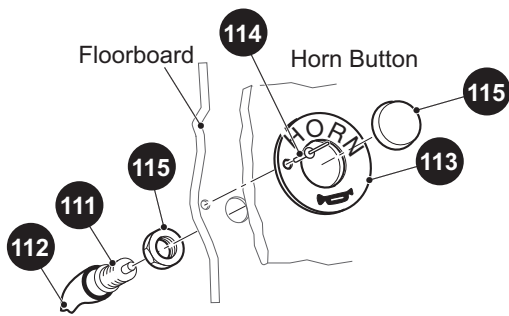
123 HOUR METER ASSEMBLY KIT includes items 124 - 127, 137

127 HOUR METER ASSEMBLY includes items 128 - 130

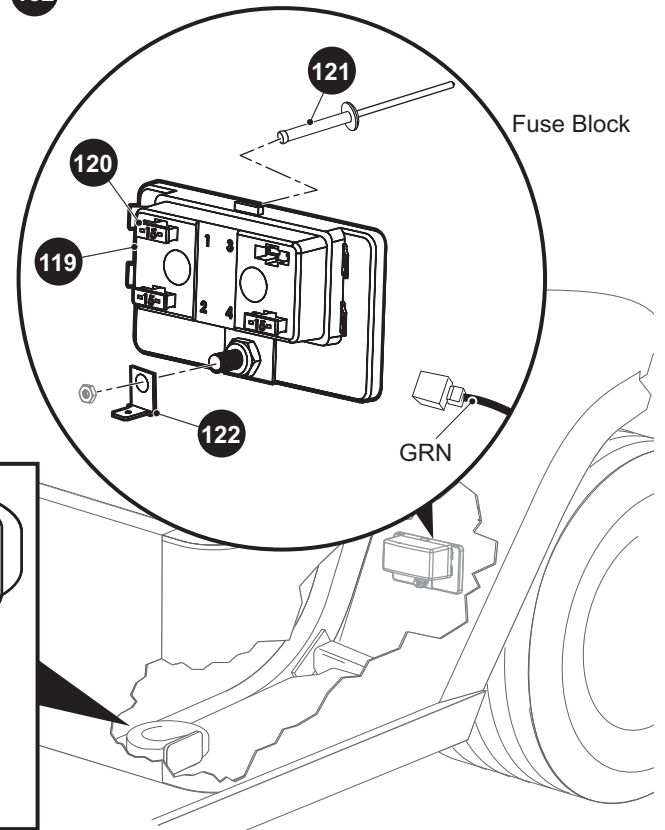


131 TURN SIGNAL SWITCH KIT includes items 132 - 136

132 TURN SIGNAL SWITCH ASSEMBLY includes item 133



Horn



119 FUSE BLOCK includes item 120

When ordering parts, please specify the model and serial number of the product.

* Indicates a component that is not available as an individual part.

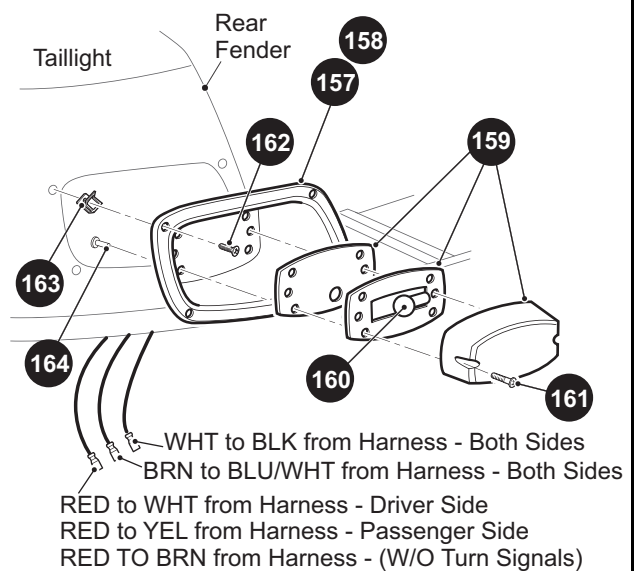
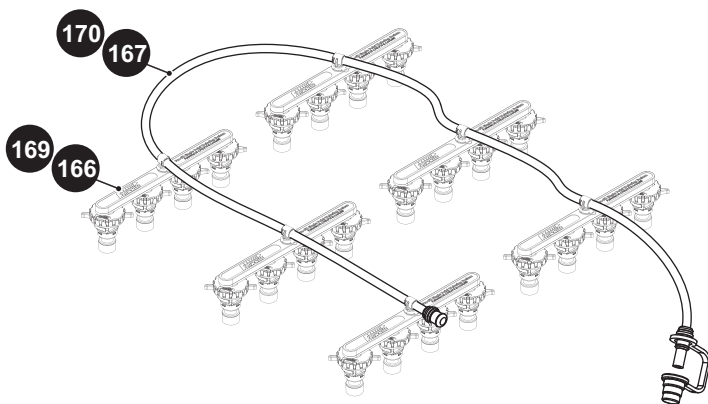
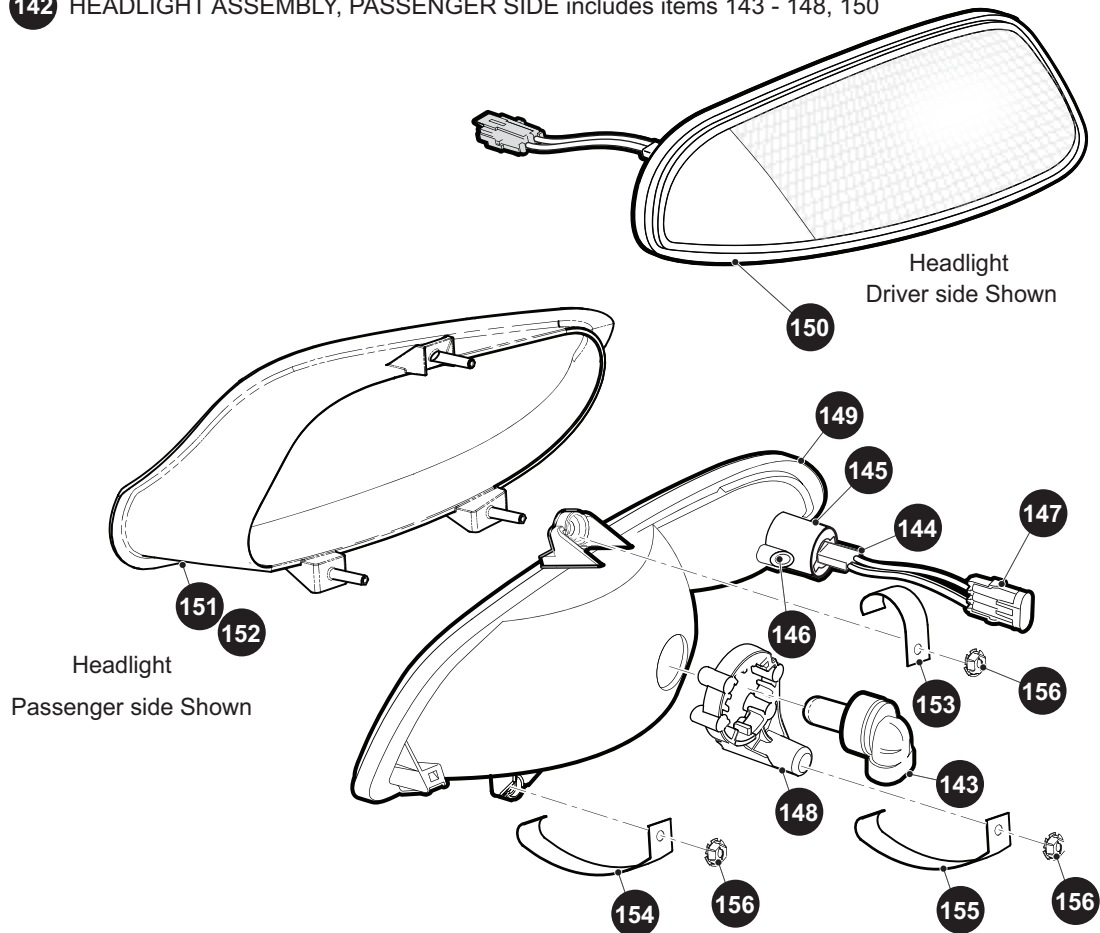
*** Indicates consult Customer Service Department for additional information.

ITEM	PART NO.	1 2 3 4 5	DESCRIPTION	QTY.
110	<u>32860G1</u>		HORN.....	1
111	<u>17318G1</u>		HORN MOMENTARY SWITCH	1
112	<u>27068G01</u>		HORN SWITCH BOOT	1
113	<u>608397</u>		HORN PLATE	1
114	<u>71055G01</u>		RIVET (ALUMINUM), 3/16" X 1"	2
115	<u>17318G2</u>		HORN SWITCH CAP AND NUT	1
116	<u>00414G5</u>		HEX HEAD BOLT, 1/4" - 20 X 5/8" LG	1
117	<u>00559G7</u>		FLAT WASHER, 1/4"	1
118	<u>14390G4</u>		LOCK NUT, 1/4" - 20	1
119	<u>676066G01</u>		FUSE BLOCK, 4WAY, 15 A (INCLUDES ITEMS 120)	1
120	<u>636455G23</u>		FUSE, 15A.....	1
121	<u>15058G6</u>		RIVET (ALUMINUM BLACK)	2
122	<u>73446G01</u>		FASTON TAB, 90 DEG	1
123	<u>75113G02</u>		HOUR METER ASSEMBLY KIT (INCLUDES ITEMS 124 - 127, 137).....	1
124	<u>00379G4</u>		PAN HEAD PHILLIPS SCREW,#10 - 24 X 1/2" LG	2
125	<u>14390G10</u>		LOCK NUT, #10 - 24.....	2
126	<u>75117G01</u>		HOUR METER HARNESS (FOR VEHICLES MANUFACTURED BEFORE OCTOBER 29, 2018)	1
127	<u>74720G01</u>		HOUR METER ASSEMBLY (INCLUDES ITEMS 128 - 130).....	1
128	<u>620133</u>		HOUR METER	1
129	<u>74716G01</u>		BRACKET	1
130	<u>74696G01</u>		RETAINER CLIP	1
131	<u>75107G02</u>		TURN SIGNAL SWITCH KIT (INCLUDES ITEMS 132 - 136).....	1
132	<u>611810</u>		TURN SIGNAL SWITCH ASSEMBLY (INCLUDES ITEMS 133).....	1
133	<u>21640G1</u>		FLASHER UNIT	1
134	<u>17618G1</u>		NYLON CLAMP	2
135	<u>20965G3</u>		STEERING COLUMN COVER.....	1
136	<u>32307G3</u>		FLEX LOOM, 3/8" X 8"	1
137	<u>664689</u>		HOUR METER HARNESS (FOR VEHICLES MANUFACTURED AFTER OCTOBER 29, 2018).....	1

ELECTRICAL

141 HEADLIGHT ASSEMBLY, DRIVER SIDE includes items 143 - 149

142 HEADLIGHT ASSEMBLY, PASSENGER SIDE includes items 143 - 148, 150



165 BATTERY FILL SYSTEM (TROJAN) includes items 166 - 167

168 BATTERY FILL SYSTEM (US BAT) includes items 169 - 170

159 TAILLIGHT ASSEMBLY includes item 160

When ordering parts, please specify the model and serial number of the product.

* Indicates a component that is not available as an individual part.

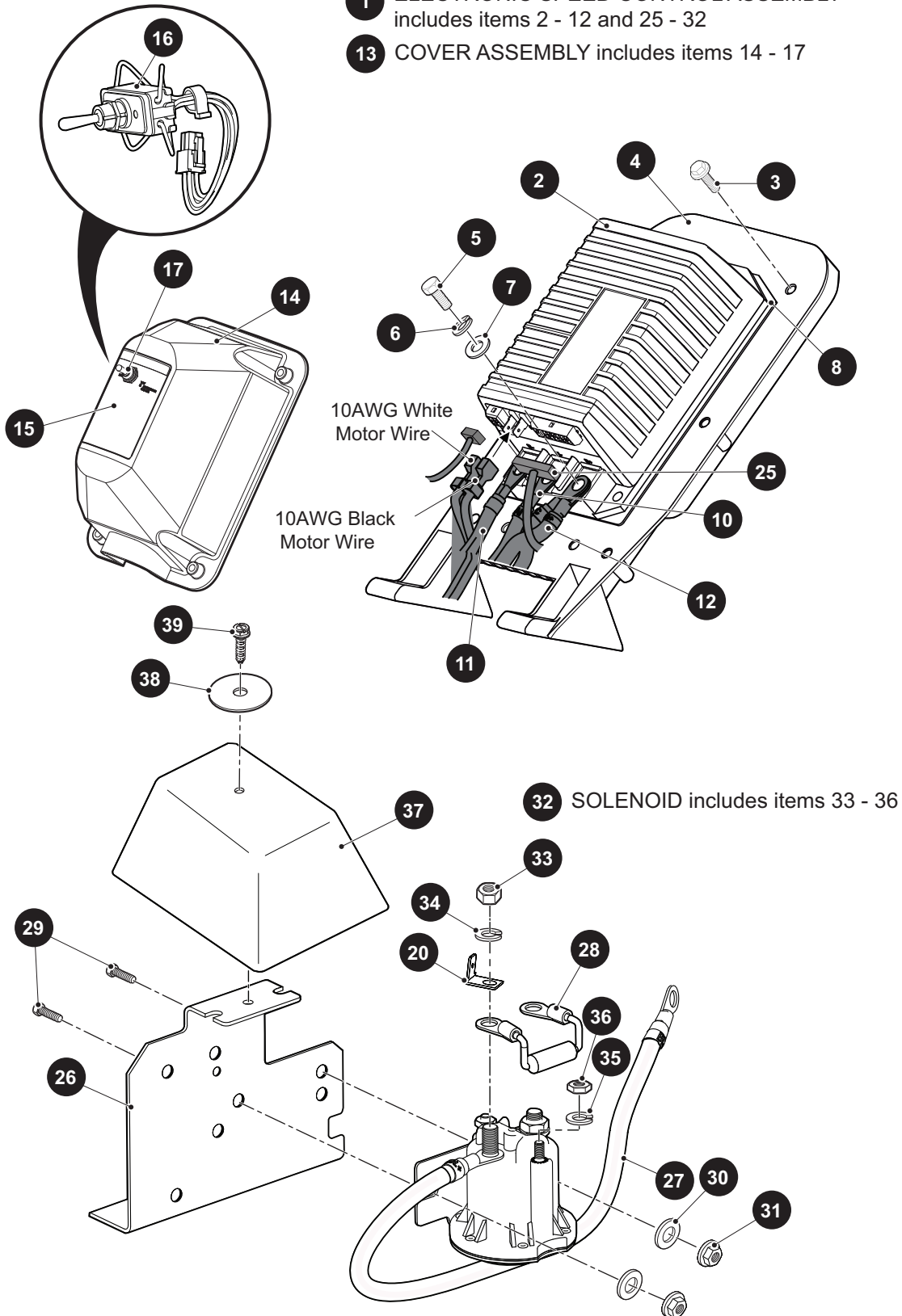
*** Indicates consult Customer Service Department for additional information.

ITEM	PART NO.	1 2 3 4 5	DESCRIPTION	QTY.
141	<u>602928</u>		HEADLIGHT ASSEMBLY (DRIVER SIDE) (INCLUDES ITEMS 143 - 149)	1
142	<u>603328</u>		HEADLIGHT ASSEMBLY (PASSENGER SIDE) (INCLUDES ITEMS 143 - 148, 150)	1
143	<u>74004G02</u>		HEADLIGHT BULB.....	1
144	<u>676687</u>		TURN SIGNAL BULB	1
145	608322		BULB RETAINER	1
146	<u>608328</u>		BUTTON HEAD TORX SCREW, M3 - 1.3 X 14MM LG	1
147	<u>607487</u>		TURN SIGNAL WIRE HARNESS.....	1
148	<u>615459</u>		COLLAR	1
149	604607		HEADLAMP W/O BULBS (DRIVER SIDE).....	1
150	604609		HEADLAMP W/O BULBS (PASSENGER SIDE)	1
151	<u>625280</u>		HEADLAMP BEZEL (DRIVER SIDE).....	1
152	<u>625281</u>		HEADLAMP BEZEL (PASSENGER SIDE)	1
153	<u>626275</u>		CLIP	2
154	<u>626276</u>		CLIP	2
155	<u>626277</u>		CLIP	2
156	<u>71597G01</u>		SELF THREADING NUT, 5 X 10 X 15MM	6
157	<u>625251</u>		TAILLIGHT BEZEL (DRIVER SIDE).....	1
158	<u>625252</u>		TAILLIGHT BEZEL (PASSENGER SIDE)	1
159	<u>22288G1</u>		TAILLIGHT ASSEMBLY (INCLUDES ITEM 160)	2
160	<u>21759G1</u>		TAILLIGHT BULB	1
161	<u>00513G4</u>		PAN HEAD PHILLIPS SCREW, #8 X 1 1/2" LG.....	4
162	<u>71425G01</u>		TAPPING SCREW, #8 - 18 X .75" LG.....	8
163	<u>71364G02</u>		"J" SPEED NUT, #8.....	8
164	<u>14601G11</u>		RIVET, 3/16" X 9/16" LG	4
165	<u>632275</u>		BATTERY FILL SYSTEM (TROJAN) (INCLUDES ITEMS 166 - 167)	1
166	<u>632278</u>		MANIFOLD, 8V, TWIST-IN	6
167	<u>614457</u>		SNAKE, HYDROLINK	1
168	<u>632276</u>		BATTERY FILL SYSTEM (US BAT) (INCLUDES ITEMS 169 - 170)	1
169	<u>632277</u>		MANIFOLD, 8V, TWIST-IN	6
170	<u>614457</u>		SNAKE, HYDROLINK	1

ELECTRONIC SPEED CONTROL

1 ELECTRONIC SPEED CONTROL ASSEMBLY includes items 2 - 12 and 25 - 32

13 COVER ASSEMBLY includes items 14 - 17



ELECTRONIC SPEED CONTROL

When ordering parts, please specify the model and serial number of the product.

* Indicates a component that is not available as an individual part.

*** Indicates consult Customer Service Department for additional information.

ITEM	PART NO.	1 2 3 4 5	DESCRIPTION	QTY.
1	654737		ELECTRONIC SPEED CONTROL ASSEMBLY, 48V (INCLUDES ITEMS 2 - 12 AND 25 - 32).....	1
2	<u>612632</u>		CONTROLLER, 48V.....	1
3	<u>71102G01</u>		HEX WASHER HEAD BOLT, 1/4" - 20 X 3/4" LG.....	3
4	<u>73471G01</u>		HEAT SINK.....	1
5	<u>73296G01</u>		HEX HEAD BOLT, M8 - 1.25 X 16MM LG.....	3
6	<u>00565G8</u>		LOCK WASHER, 5/16".....	3
7	00559G8		FLAT WASHER, 5/16".....	3
8	<u>73190G01</u>		THERMAL MOUNTING PAD.....	1
9	<u>31539G1</u>		NYLON CLAMP, 15.5" LG (NOT ILLUSTRATED).....	1
10	<u>617612</u>		POWER WIRE HARNESS, DC.....	1
11	<u>620437</u>		6 AWG WIRE (BLUE), 675MM.....	1
12	<u>620432</u>		6 AWG WIRE (GREEN), 400MM.....	1
13	<u>612753</u>		COVER ASSEMBLY (INCLUDES ITEMS 14 - 17).....	1
14	<u>73482G01</u>		COVER (WITH GASKET).....	1
15	<u>613048</u>		LABEL (TOW SWITCH).....	1
16	<u>633114</u>		TOGGLE SWITCH.....	1
17	<u>73139G01</u>		SEALED NUT, 15/32" - 32.....	1
18				
19				
20	<u>73446G01</u>		FASTON TAB.....	2
21				
22				
23				
24				
25	<u>625805</u>		MAIN HARNESS, 48V.....	1
26	<u>73057G02</u>		BRACKET.....	1
27	<u>607592</u>		4AWG GREEN WIRE ASSEMBLY, 28" LG.....	1
28	<u>620430</u>		RESISTOR ASSEMBLY, 500 OHM.....	1
29	<u>00414G5</u>		HEX HEAD BOLT, 1/4" - 20 X 5/8" LG.....	2
30	<u>01110G01</u>		FLAT WASHER, 1/4".....	2

ELECTRONIC SPEED CONTROL

When ordering parts, please specify the model and serial number of the product.

* Indicates a component that is not available as an individual part.

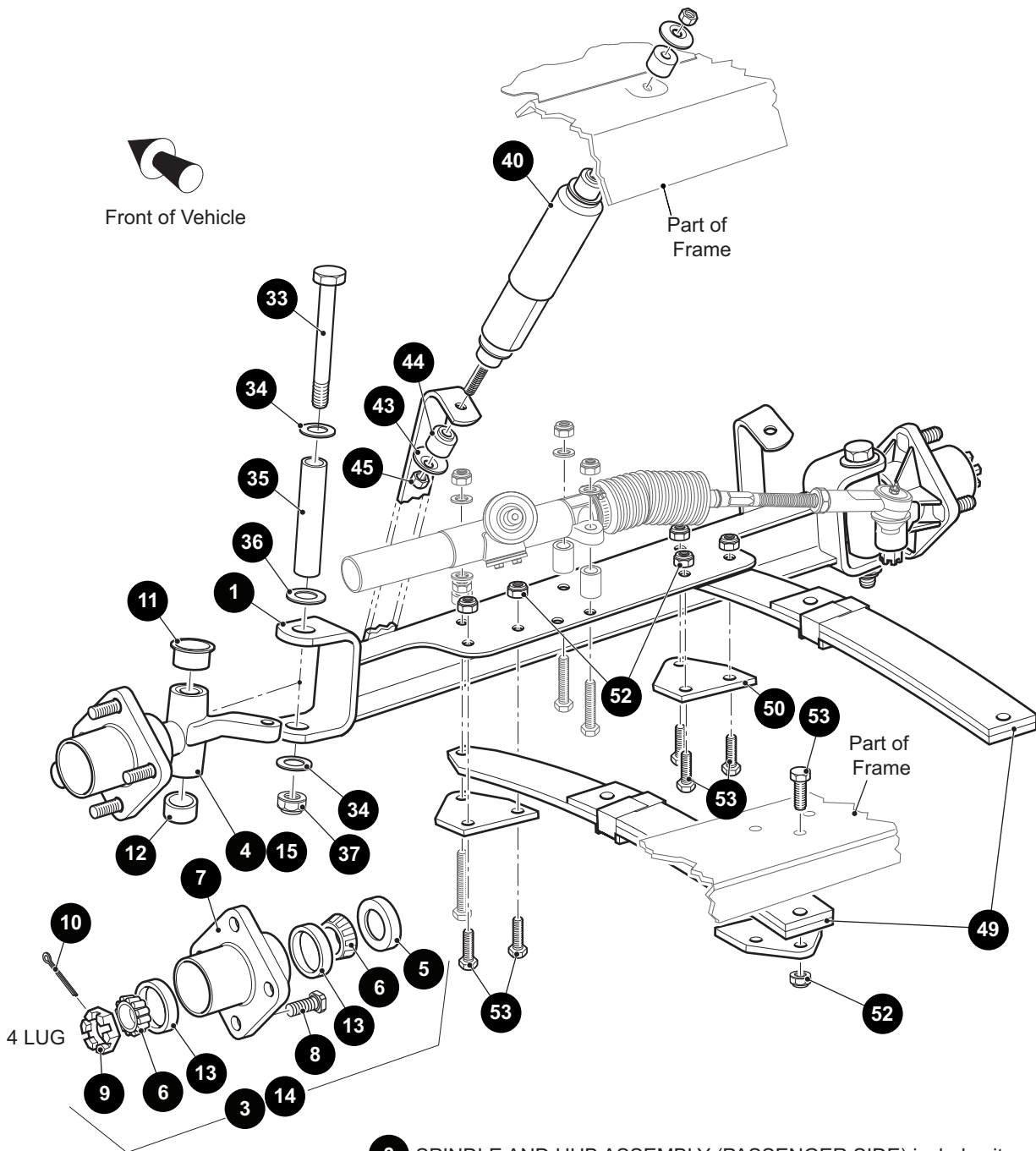
*** Indicates consult Customer Service Department for additional information.

ITEM	PART NO.	1	2	3	4	5	DESCRIPTION	QTY.
31	<u>11027G2</u>						FLANGED NUT, 1/4" - 20.....	2
32	<u>612711</u>						SOLENOID, 48V (INCLUDES ITEMS 33 - 36)	1
33	<u>00544G4</u>						LOCK NUT, 5/16" - 24	2
34	<u>00565G8</u>						LOCK WASHER, 5/16"	2
35	<u>00565G5</u>						LOCK WASHER, #10	2
36	<u>00526G4</u>						LOCK NUT, #10 - 32.....	2
37	<u>73049G01</u>						COVER.....	1
38	<u>16469G1</u>						FLAT FENDER WASHER, 1/4"	1
39	<u>00114G6</u>						HEX WASHER HEAD BOLT, 1/4" - 14 X 3/4" LG	1

Notes:

A large rectangular area filled with a light gray grid pattern, intended for handwritten notes. The grid consists of approximately 20 columns and 30 rows of small squares.

FRONT SUSPENSION AND STEERING

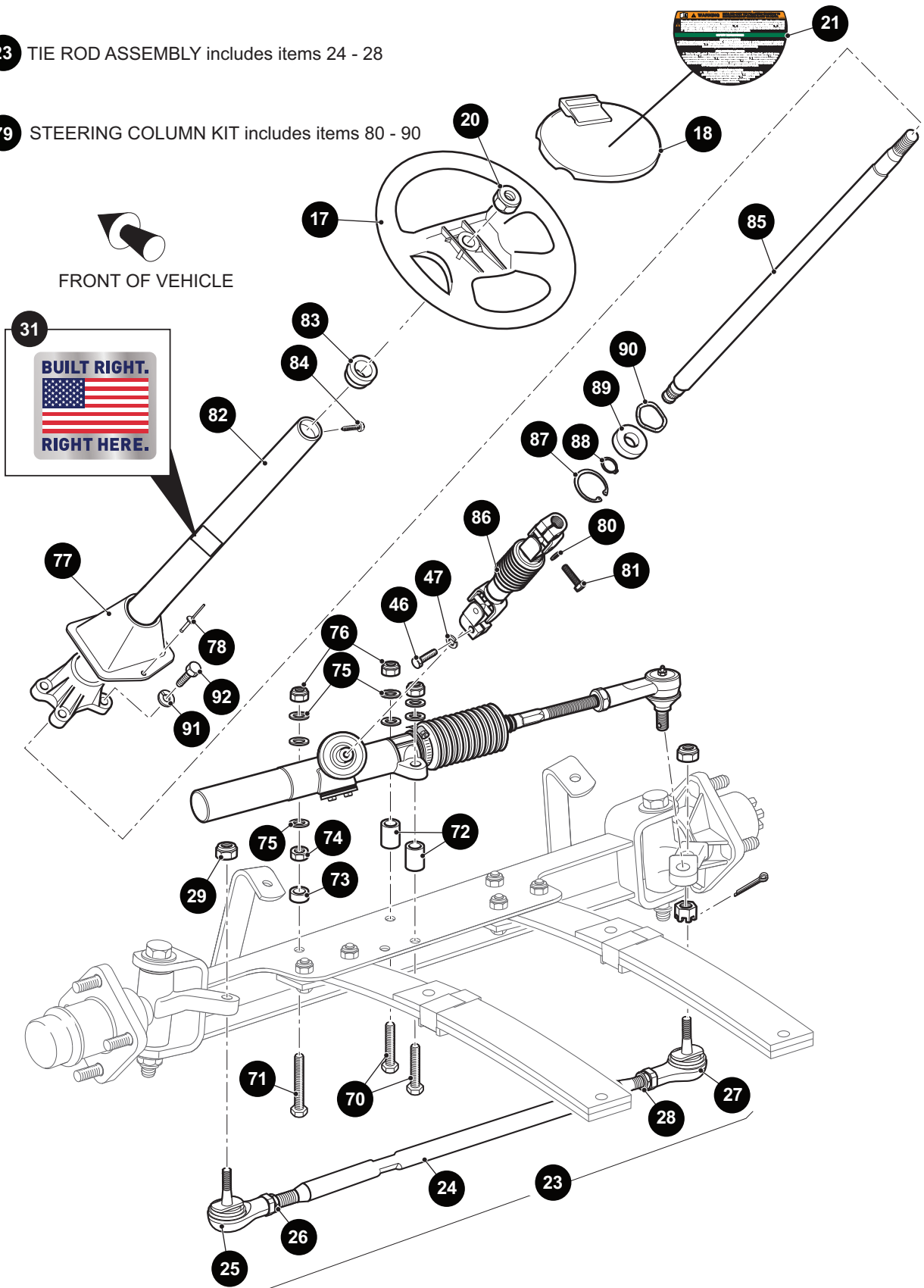


- 3** SPINDLE AND HUB ASSEMBLY (PASSENGER SIDE) includes items 4 - 13
- 14** SPINDLE AND HUB ASSEMBLY (DRIVER SIDE) includes items 5 - 13, 15

FRONT SUSPENSION AND STEERING

23 TIE ROD ASSEMBLY includes items 24 - 28

79 STEERING COLUMN KIT includes items 80 - 90



FRONT SUSPENSION AND STEERING

When ordering parts, please specify the model and serial number of the product.

* Indicates a component that is not available as an individual part.

*** Indicates consult Customer Service Department for additional information.

ITEM	PART NO.	1 2 3 4 5	DESCRIPTION	QTY.
1	652822		FRONT AXLE	1
2				
3	<u>70942G03</u>		SPINDLE AND HUB ASSEMBLY, 4 LUG (PASSENGER SIDE) (INCLUDES ITEMS 4 - 13)	1
4	70940G02		SPINDLE ASSEMBLY (PASSENGER SIDE)	1
5	<u>25146G1</u>		GREASE SEAL	1
6	<u>11750G2</u>		ROLLER BEARING	2
7	<u>70589G01</u>		WHEEL HUB	1
8	<u>19862G1</u>		LUG BOLT, 1/2" - 20 X 1 3/16" LG	4
9	12093G1		CASTELLATED NUT, 1" - 14	1
10	<u>00798G8</u>		COTTER PIN, 5/32" X 1 3/4" LG	1
11	<u>70648G01</u>		FLANGED BEARING	1
12	<u>70749G01</u>		BEARING	1
13	<u>51141G1</u>		RACE BEARING	2
14	<u>70673G03</u>		SPINDLE AND HUB ASSEMBLY, 4 LUG (DRIVER SIDE) (INCLUDES ITEMS 5 - 13, 15)	1
15	<u>70742G02</u>		SPINDLE ASSEMBLY (DRIVER SIDE)	1
16				
17	<u>602979</u>		STEERING WHEEL	1
18	<u>607925</u>		CLIPBOARD	1
19				
20	<u>14390G2</u>		LOCK NUT, 5/8" - 18	1
21	664789		WARNING LABEL (STEERING WHEEL)	1
22				
23	<u>70876G02</u>		TIE ROD ASSEMBLY (INCLUDES ITEMS 24 - 28)	1
24	<u>70897G02</u>		THREADED ROD, 24" LG	1
25	<u>70902G01</u>		TIE ROD END (LEFT HAND THREADS)	1
26	<u>01069G01</u>		JAM NUT, M12 X 1.25 (LEFT HAND THREADS)	1
27	<u>70902G02</u>		TIE ROD END (RIGHT HAND THREADS)	1
28	<u>01069G02</u>		JAM NUT, M12 X 1.25 (RIGHT HAND THREADS)	1
29	<u>00734G1</u>		LOCK NUT, 7/16" - 14	2
30				

FRONT SUSPENSION AND STEERING

When ordering parts, please specify the model and serial number of the product.

* Indicates a component that is not available as an individual part.

*** Indicates consult Customer Service Department for additional information.

ITEM	PART NO.	1 2 3 4 5	DESCRIPTION	QTY.
31	685698		DECAL, MADE IN USA.....	1
32				
33	<u>00407G6</u>		HEX HEAD BOLT 1/2" - 13 X 6" LG.....	2
34	<u>00560G3</u>		WASHER, 1/2".....	4
35	<u>70745G01</u>		KING PIN TUBE.....	2
36	<u>70754G01</u>		THRUST WASHER (SS), 1".....	2
37	<u>14390G6</u>		LOCK NUT, 1/2" - 13.....	2
38				
39				
40	<u>76419G01</u>		SHOCK ABSORBER.....	2
41				
42				
43	<u>10435G1</u>		SHOCK ABSORBER WASHER.....	8
44	<u>10194G1</u>		RUBBER BUSHING.....	8
45	<u>00532G6</u>		HEX NUT, 3/8" - 24.....	4
46	<u>01055G01</u>		HEX HEAD SCREW, M8 X 1.25 LG.....	1
47	<u>00565G8</u>		LOCK WASHER, 5/16".....	1
48				
49	<u>70990G03</u>		LEAF SPRING (SEE PART NUMBER ON SPRING).....	2
50	<u>652258</u>		SPRING PLATE.....	4
51				
52	<u>00734G1</u>		LOCK NUT, 7/16" - 14.....	11
53	<u>00463G11</u>		HEX HEAD BOLT, 7/16" - 14 X 1 3/4" LG.....	11
54				
55				
56				
57				
58				
59				
60				
61				

FRONT SUSPENSION AND STEERING

When ordering parts, please specify the model and serial number of the product.

* Indicates a component that is not available as an individual part.

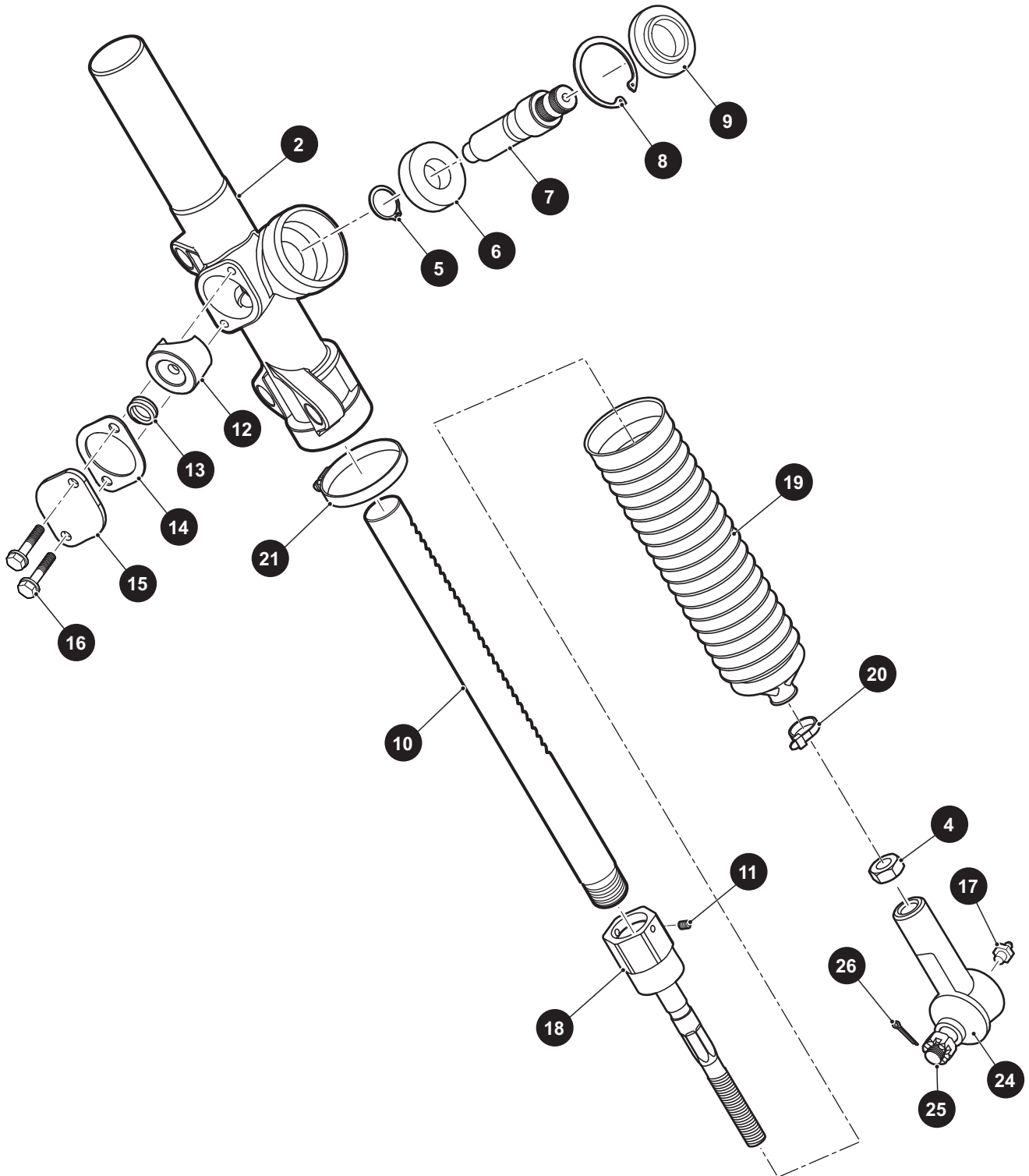
*** Indicates consult Customer Service Department for additional information.

ITEM	PART NO.	1	2	3	4	5	DESCRIPTION	QTY.
62								
63								
64								
65								
66								
67								
68								
69								
70	<u>00464G6</u>						HEX HEAD BOLT, 7/16" - 14 X 2 3/4" LG.....	2
71	<u>01068G01</u>						HEX HEAD BOLT, 7/16" - 14 X 3 1/2" LG.....	1
72	<u>70667G02</u>						SPACER, 1.21"	2
73	<u>70667G04</u>						SPACER (SHORT), 0.69"	1
74	<u>00532G7</u>						HEX NUT, 7/16" - 14.....	1
75	<u>00560G2</u>						FLAT WASHER, 7/16"	7
76	<u>00734G1</u>						LOCK NUT, 7/16" - 14	3
77	<u>70997G01</u>						COVER.....	1
78	<u>71055G01</u>						RIVET, 3/16" X 1" LG (ALUMINUM)	1
79	<u>70758G05</u>						STEERING COLUMN KIT (INCLUDES ITEMS 80 - 90)	1
80	<u>00565G8</u>						LOCK WASHER, 5/16"	1
81	<u>01055G01</u>						HEX HEAD SCREW, M8 X 1.25 LG	1
82	<u>70610G03</u>						STEERING COLUMN	1
83	<u>28569G01</u>						STEERING COLUMN BUSHING.....	1
84	<u>01022G01</u>						SCREW, #6 - 20 X 5/16" LG	1
85	<u>70607G01</u>						STEERING SHAFT	1
86	<u>70580G01</u>						INTERMEDIATE SHAFT	1
87	<u>70751G01</u>						RETAINING RING (INTERNAL).....	1
88	<u>70888G01</u>						RETAINING RING (EXTERNAL)	1
89	<u>15112G1</u>						BALL BEARING	1
90	<u>70887G01</u>						WAVE WASHER	1
91	<u>00879G1</u>						LOCK WASHER, 3/8"	4
92	<u>01006G01</u>						HEX HEAD BOLT, 3/8" - 16 X 1 1/4" LG.....	4

FRONT SUSPENSION AND STEERING

1 RACK AND PINION UNIT includes items 2 - 23

23 RACK BALL JOINT includes items 24 - 25



FRONT SUSPENSION AND STEERING

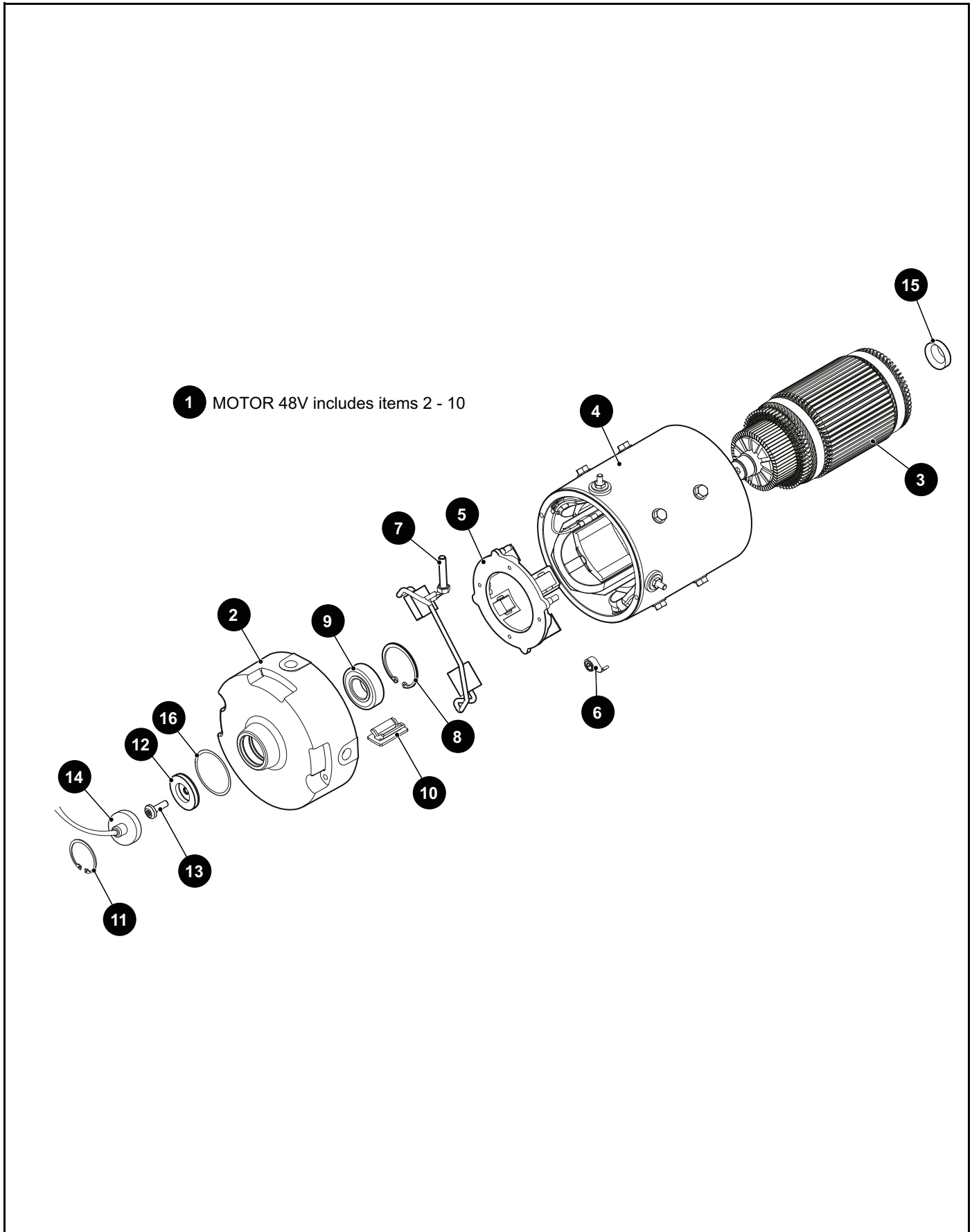
When ordering parts, please specify the model and serial number of the product.

* Indicates a component that is not available as an individual part.

*** Indicates consult Customer Service Department for additional information.

ITEM	PART NO.	1 2 3 4 5	DESCRIPTION	QTY.
1	<u>70964G01</u>		RACK AND PINION UNIT (INCLUDES ITEMS 2 - 23)	1
2	<u>70965G01</u>		STEERING RACK COVER & BEARING	1
3				
4	*		JAM NUT, 1/2" - 20	1
5	<u>70750G01</u>		RETAINING RING (EXTERNAL)	1
6	<u>15112G1</u>		BALL BEARING	1
7	<u>70603G01</u>		PINION	1
8	<u>70751G01</u>		RETAINING RING (INTERNAL)	1
9	<u>70638G01</u>		SEAL (PINION)	1
10	<u>70604G01</u>		STEERING RACK	1
11	*		SET SCREW, #10 - 32 X .25" LG	1
12	<u>70590G01</u>		RACK LOADER	1
13	<u>70666G01</u>		COMPRESSION SPRING	1
14	<u>70645G01</u>		GASKET (RACK LOADER COVER)	1
15	<u>652259</u>		COVER (RACK LOADER)	1
16	<u>71102G01</u>		HEX WASHER HEAD BOLT, 1/4" - 20 X 11/16" LG	2
17	<u>10389G3</u>		GREASE FITTING (STRAIGHT)	1
18	<u>74694G01</u>		ROD END (INNER)	1
19	<u>70961G01</u>		RACK BOOT	1
20	<u>12416G2</u>		NYLON CLAMP, 10"	1
21	<u>11391G8</u>		HOSE CLAMP, 1.81"	1
22				
23	<u>70695G01</u>		TIE ROD END (OUTER) (INCLUDES ITEMS 24 - 25)	1
24	<u>50641G1</u>		GROMMET	1
25	<u>50209G2</u>		HEX SLOTTED NUT, 7/16" - 20	1
26	<u>10387G2</u>		COTTER PIN, 3/32" X 1"	1

MOTOR



When ordering parts, please specify the model and serial number of the product.

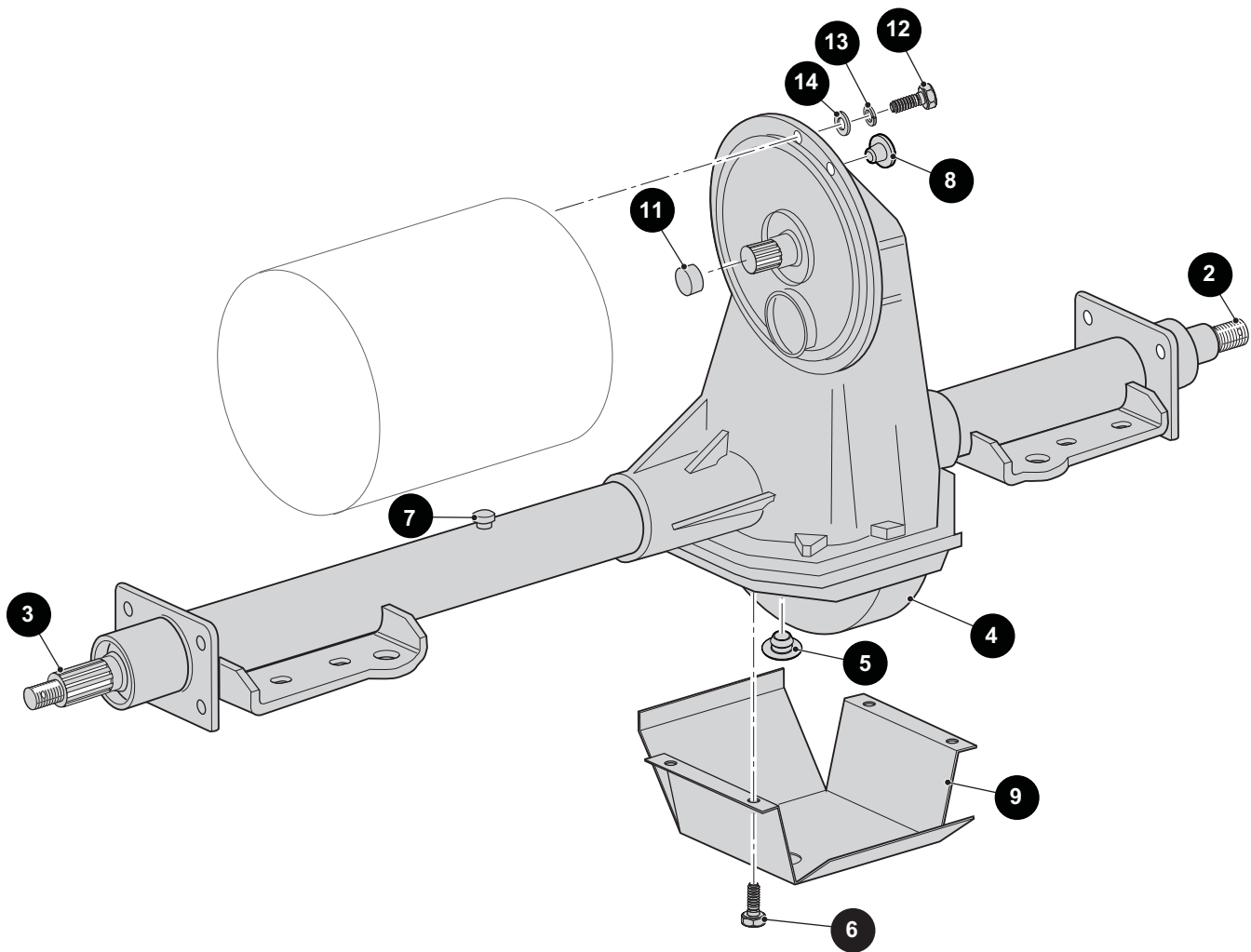
* Indicates a component that is not available as an individual part.

*** Indicates consult Customer Service Department for additional information.

ITEM	PART NO.	1 2 3 4 5	DESCRIPTION	QTY.
1	<u>624105</u>		MOTOR 48V (INCLUDES ITEMS 2 - 10).....	1
2	<u>625886</u>		COMMUTATOR END HEAD	1
3	<u>626171</u>		ARMATURE.....	1
4	<u>626172</u>		FRAME AND FIELD ASSEMBLY	1
5	<u>625884</u>		BRUSH BOX ASSEMBLY	1
6	<u>73120G03</u>		BRUSH SPRING	4
7	<u>73120G25</u>		BRUSH AND TERMINAL SERVICE KIT	1
8	<u>73120G06</u>		RETAINING RING	1
9	<u>73120G07</u>		BEARING	1
10	<u>625885</u>		COVER.....	1
11	<u>73277G01</u>		RETAINING RING, 1.66"	1
12	<u>73328G01</u>		SPEED SENSOR MAGNET	1
13	<u>01037G02</u>		PAN HEAD TORX SCREW, #10-32 X 1/2" LG	1
14	<u>620422</u>		SPEED SENSOR HARNESS	1
15	<u>24261G1</u>		BUMPER SPLINE	1
16	<u>624109</u>		O-RING, 1 1/2" O.D X 1 3/8" I.D.....	1

REAR AXLE

1 REAR AXLE ASSEMBLY includes items 2 - 7



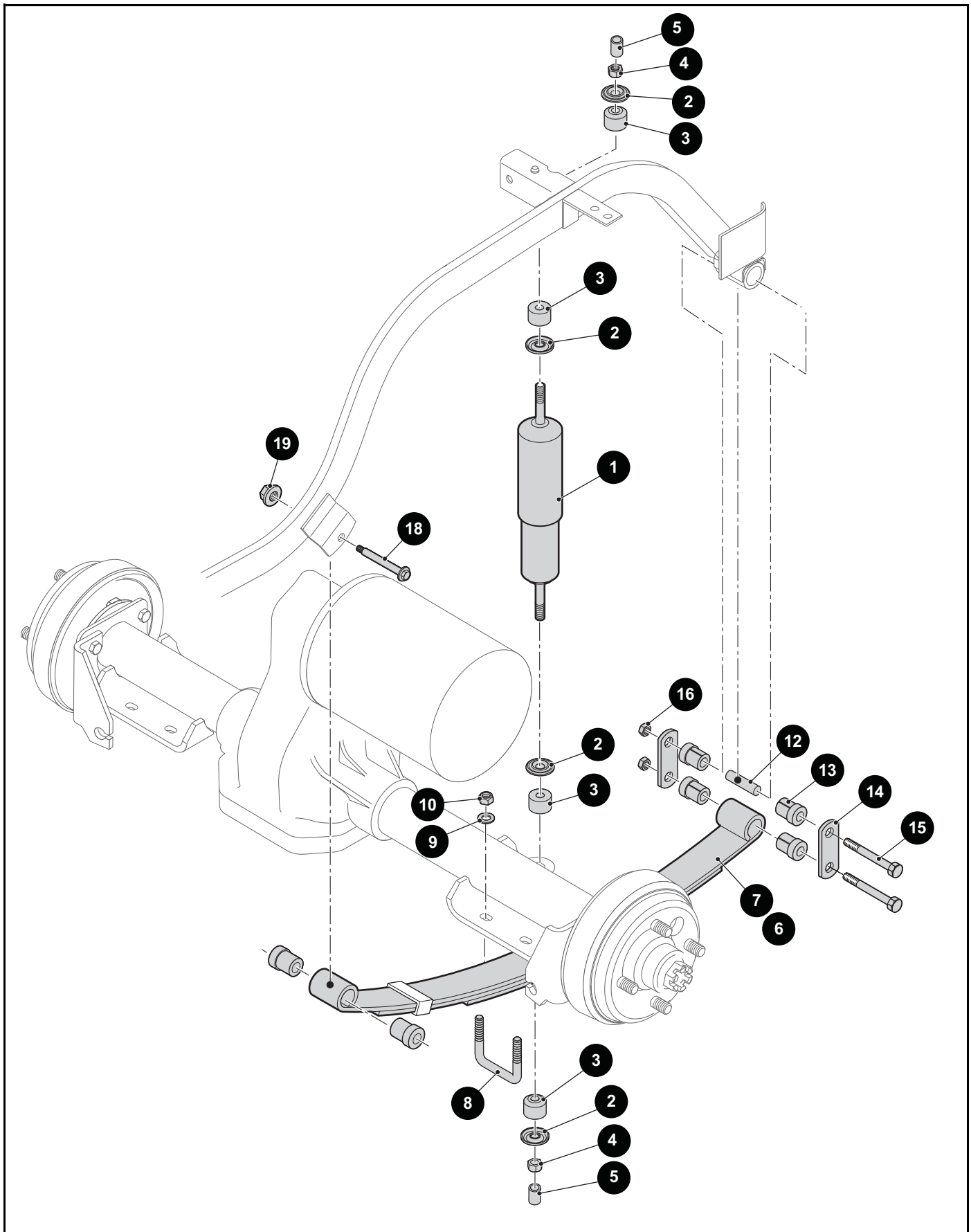
When ordering parts, please specify the model and serial number of the product.

* Indicates a component that is not available as an individual part.

*** Indicates consult Customer Service Department for additional information.

ITEM	PART NO.	1 2 3 4 5	DESCRIPTION	QTY.
1	<u>73500G01</u>		REAR AXLE ASSEMBLY (INCLUDES ITEMS 2 - 7)	1
2	<u>614209</u>		AXLE SHAFT (PASSENGER SIDE).....	1
3	<u>614208</u>		AXLE SHAFT (DRIVER SIDE)	1
4	<u>620348</u>		DIFFERENTIAL COVER	1
5	<u>620347</u>		RUBBER PLUG	1
6	<u>15558G1</u>		FLANGED BOLT, 5/16" - 18 X 3/4" LG	10
7	<u>73050G01</u>		VENT	1
8	<u>624110</u>		PLUG	3
9	<u>72763G02</u>		SCUFF GUARD	1
10				
11	<u>24261G1</u>		SPLINE BUMPER (SEE ELECTRIC MOTOR)	1
12	<u>00797G2</u>		HEX HEAD BOLT, 1/4" - 20 X 1 1/4" LG	3
13	<u>00664G7</u>		LOCK WASHER, 1/4"	3
14	<u>01110G01</u>		FLAT WASHER 1/4"	3

REAR SUSPENSION



REAR SUSPENSION

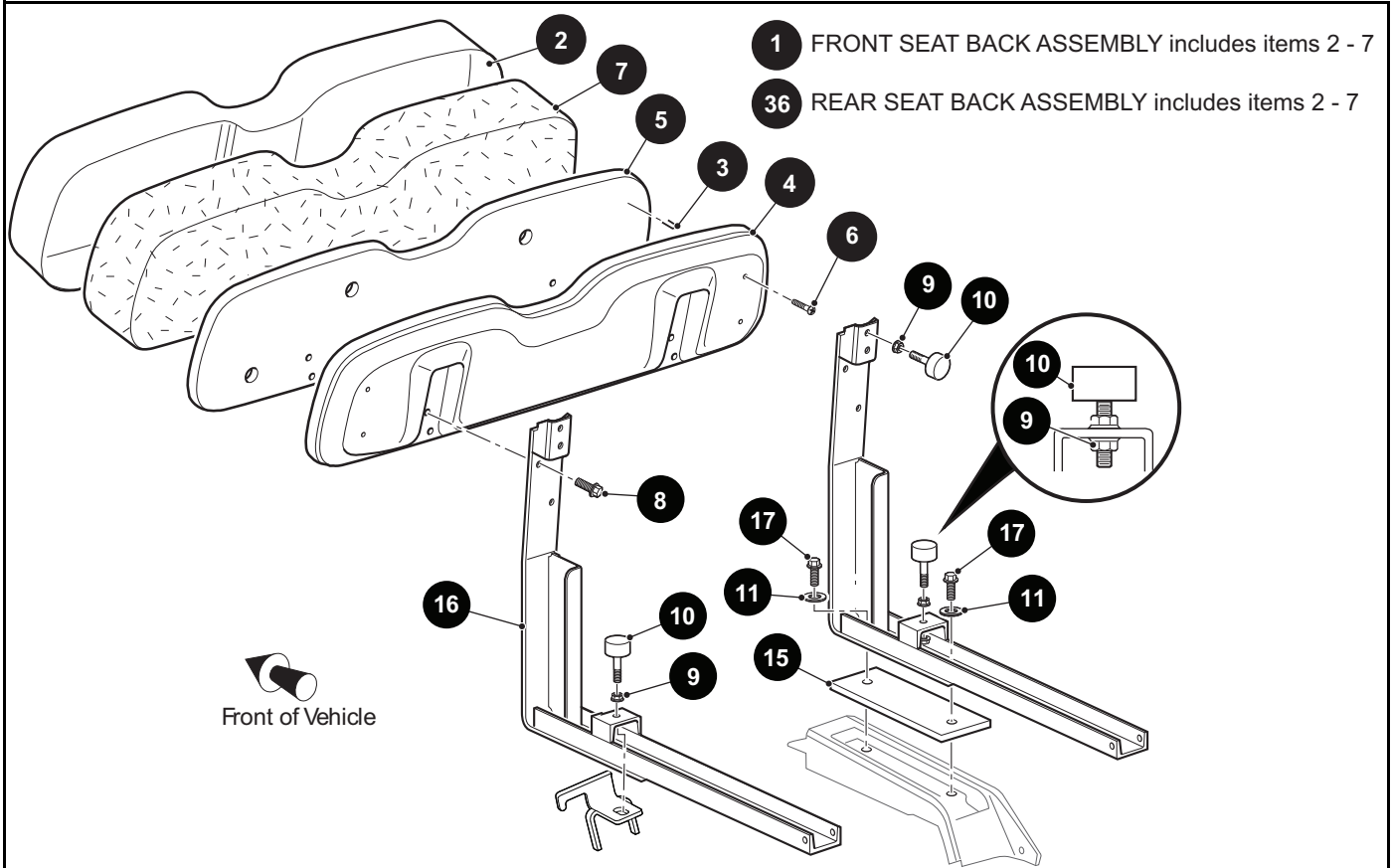
When ordering parts, please specify the model and serial number of the product.

* Indicates a component that is not available as an individual part.

*** Indicates consult Customer Service Department for additional information.

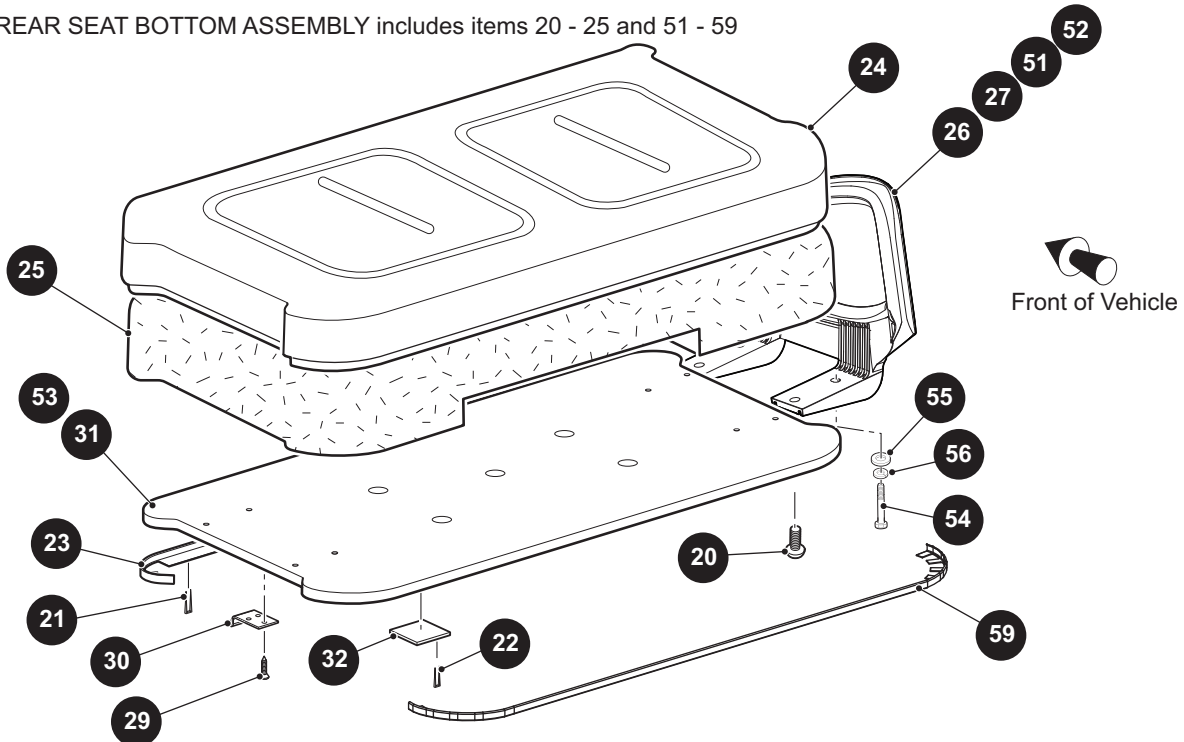
ITEM	PART NO.	1 2 3 4 5	DESCRIPTION	QTY.
1	<u>76418G01</u>		SHOCK ABSORBER.....	2
2	<u>10435G1</u>		SHOCK ABSORBER WASHER.....	8
3	<u>10194G1</u>		RUBBER BUSHING, 1".....	8
4	<u>00532G6</u>		HEX JAM NUT, 3/8" - 24.....	4
5	<u>10044G01</u>		VINYL CAP.....	4
6	<u>603109</u>		REAR LEAF SPRINGS (REPLACE LEFT & RIGHT SPRINGS SIMULTANEOUSLY).....	2
7	<u>74207G03</u>		HEAVY DUTY LEAF SPRING.....	2
8	<u>72618G01</u>		'U' BOLT, 3/8" - 16 X 2" X 2 1/2" LG.....	4
9	<u>00560G1</u>		FLAT WASHER, 3/8".....	8
10	<u>11098G5</u>		LOCK NUT, 3/8" - 16.....	8
11				
12	<u>70289G02</u>		SPLIT STEEL SPACER.....	4
13	<u>624030</u>		FLANGED BUSHING, 21.5MM.....	12
14	<u>652245</u>		SHACKLE PLATE.....	4
15	<u>00665G9</u>		HEX HEAD BOLT (SS), 3/8" - 16 X 3 1/2" LG.....	4
16	<u>11098G5</u>		LOCK NUT, 3/8" - 16.....	4
17				
18	<u>14158G1</u>		SHOULDER BOLT, 3/8" - 16 X 3 1/4" LG.....	2
19	<u>12262G1</u>		LOCK NUT, 3/8" - 16.....	2

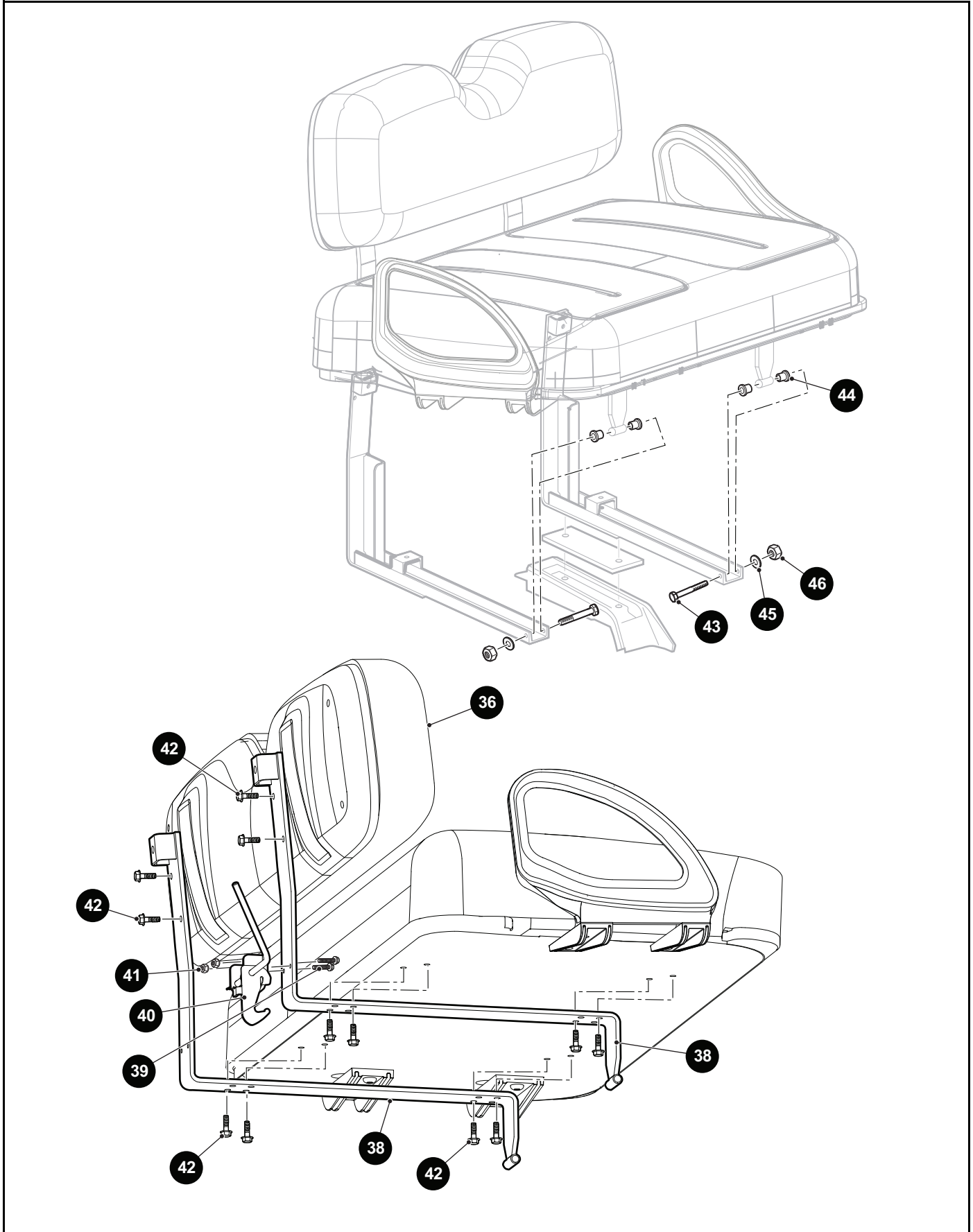
SEATING - CONVERTIBLE CARRIER



19 FRONT SEAT BOTTOM ASSEMBLY includes items 20 - 32

50 REAR SEAT BOTTOM ASSEMBLY includes items 20 - 25 and 51 - 59





SEATING - CONVERTIBLE CARRIER

When ordering parts, please specify the model and serial number of the product.

* Indicates a component that is not available as an individual part.

*** Indicates consult Customer Service Department for additional information.

ITEM	PART NO.	1 2 3 4 5	DESCRIPTION	QTY.
1	***		FRONT SEAT BACK ASSEMBLY (INCLUDES ITEMS 2 - 7)..... 71751G03 OYSTER 71751G02 GREY 71751G04 TAN 71751G05 SPECIAL	1
2	***		VINYL SEAT BACK COVER 71753G03 OYSTER 71753G02 GREY 71753G04 TAN 71753G05 SPECIAL	1
3	*		FLAT STAPLE	A/R
4	71752G01		PLASTIC SEAT BACK COVER	1
5	<u>645021</u>		SEAT BACK BASE	1
6	<u>01107G01</u>		PAN HEAD TORX SCREW (SS), #8 X 5/8" LG	4
7	<u>71754G01</u>		FOAM PADDING (SEAT BACK)	1
8	71204G01		HEX HEAD BOLT, 1/4" - 20 X 7/8" LG.....	4
9	<u>11027G1</u>		LOCK NUT, 5/16" - 18	6
10	<u>70113G01</u>		ADJUSTABLE BUMPER	4
11	<u>00560G1</u>		FLAT WASHER, 3/8"	4
12				
13				
14				
15	<u>70364G01</u>		SPACER, 8.45" X 2"	2
16	<u>625525</u>		SEAT BACK SUPPORT	2
17	<u>00427G2</u>		HEX HEAD BOLT, 3/8" - 16 X 1" LG.....	4
18				
19	***		FRONT SEAT BOTTOM ASSEMBLY (INCLUDES ITEMS 20 - 32) 629269G0101 OYSTER 629269G0103 TAN 629269G0104 GREY 629269G0108 CUSTOM SOLID	1
20	<u>615417</u>		BUTTON HEAD TORX BOLT, M10 - 1.5 X 25MM LG	8
21	*		FLAT STAPLE (SS), 3/8".....	A/R
22	*		FLAT STAPLE	A/R
23	<u>71012G01</u>		VINYL TRIM (SEAT BOTTOM)	1

SEATING - CONVERTIBLE CARRIER

When ordering parts, please specify the model and serial number of the product.

* Indicates a component that is not available as an individual part.

*** Indicates consult Customer Service Department for additional information.

ITEM	PART NO.	1 2 3 4 5	DESCRIPTION	QTY.
24	***		VINYL SEAT BOTTOM COVER 71602G03 OYSTER 71602G02 GREY 71602G04 TAN 71602G05 CUSTOM SOLID	1
25	<u>71603G02</u>		FOAM PADDING (SEAT BOTTOM)	1
26	<u>617645</u>		HIP RESTRAINT (DRIVER SIDE)	1
27	<u>617644</u>		HIP RESTRAINT (PASSENGER SIDE)	1
28	<u>17618G1</u>		NYLON CLAMP (NOT ILLUSTRATED)	1
29	<u>00720G08</u>		PHILLIPS HEAD TAPPING SCREW, #12 - 14 X 1" LG.....	6
30	<u>71610G01</u>		SEAT HINGE	2
31	<u>645492</u>		SEAT BOTTOM (WOOD)	1
32	<u>17074G1</u>		SOILING SLAB	2
33				
34				
35				
36	***		REAR SEAT BACK ASSEMBLY (INCLUDES ITEMS 2 - 7)..... 71751G03 OYSTER 71751G02 GREY 71751G04 TAN 71751G05 SPECIAL	1
37				
38	<u>625526</u>		REAR SEAT SUPPORT WELDMENT	2
39	<u>628906</u>		HEX HEAD FLANGE BOLT, #10 - 24 X 3/4" LG	2
40	<u>72917G01</u>		BED LATCH ASSEMBLY	1
41	<u>14390G10</u>		LOCK NUT, #10 - 24	2
42	<u>71204G01</u>		HEX HEAD BOLT, 1/4" - 20 X 7/8" LG	12
43	<u>00440G4</u>		HEX HEAD BOLT, 5/16" - 18 X 2.5" LG	2
44	<u>17838G1</u>		NYLINER BUSHING, .5"	4
45	<u>00559G8</u>		FLAT WASHER, 5/16"	2
46	<u>11098G6</u>		LOCK NUT, 5/16" - 18	2
47				
48				
49				

SEATING - CONVERTIBLE CARRIER

When ordering parts, please specify the model and serial number of the product.

* Indicates a component that is not available as an individual part.

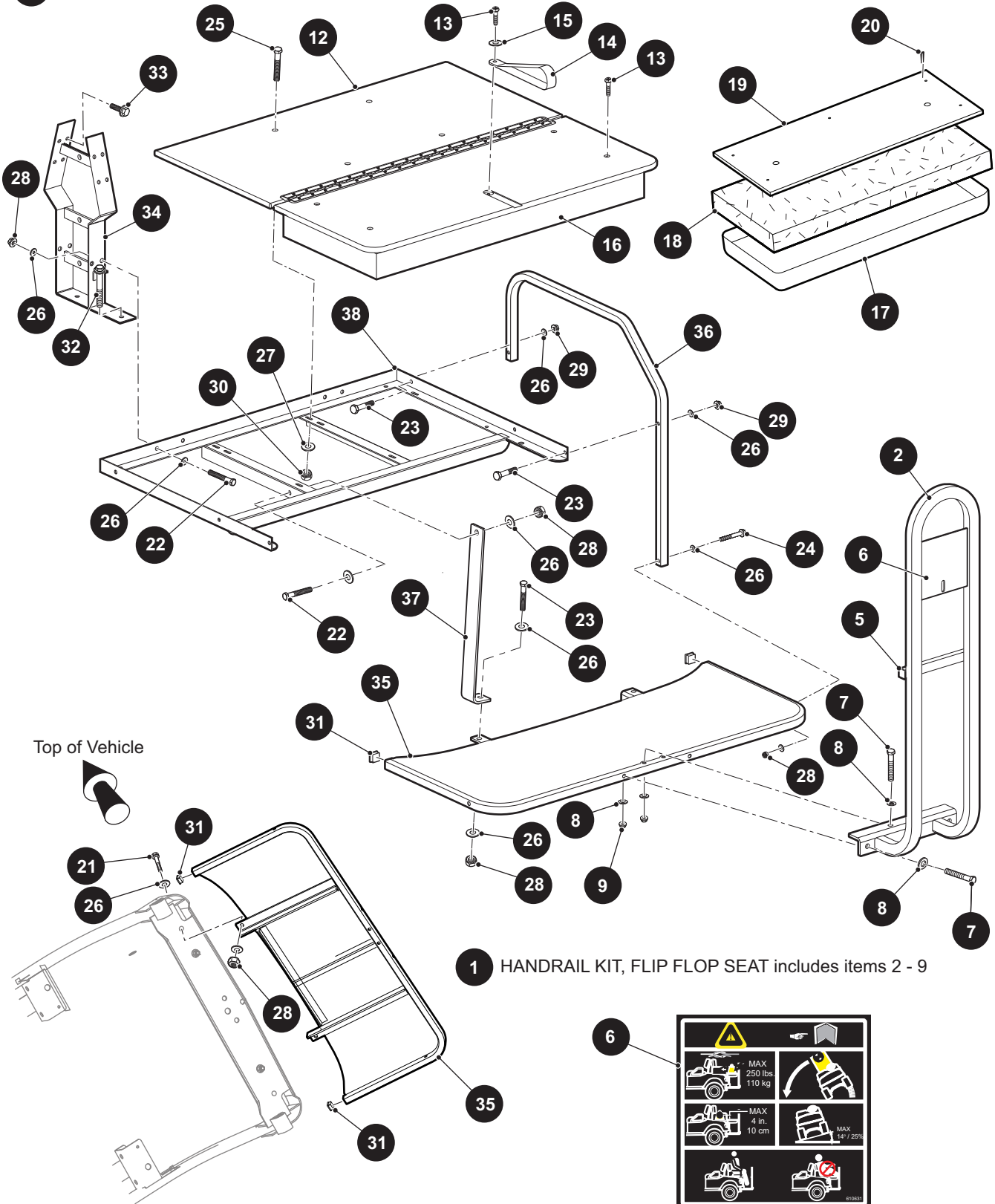
*** Indicates consult Customer Service Department for additional information.

ITEM	PART NO.	1	2	3	4	5	DESCRIPTION	QTY.
50	***						REAR SEAT BOTTOM ASSEMBLY (INCLUDES ITEMS 20 - 25 AND 51 - 59)	1
							74139G03 OYSTER	
							74139G04 TAN	
							74139G02 GREY	
							74139G05 SPECIAL	
51	<u>71702G01</u>						HIP RESTRAINT (DRIVER SIDE)	1
52	<u>71701G01</u>						HIP RESTRAINT (PASSENGER SIDE)	1
53	76417G01						SEAT BOTTOM (WOOD).....	1
54	<u>00661G8</u>						HEX HEAD BOLT, 1/4" - 20 X 1" LG	8
55	<u>01110G01</u>						FLAT WASHER, 1/4"	8
56	<u>00664G7</u>						LOCK WASHER, 1/4"	8
57	<u>17618G1</u>						NYLON CLAMP (NOT ILLUSTRATED)	1
58								
59	<u>74140G01</u>						VINYL TRIM (SEAT BOTTOM)	1

SEATING - CONVERTIBLE CARRIER

11 FLIP FLOP SEAT BOTTOM includes items 12 - 16

16 SEAT BOTTOM ASSEMBLY includes items 17 - 20



SEATING - CONVERTIBLE CARRIER

When ordering parts, please specify the model and serial number of the product.

* Indicates a component that is not available as an individual part.

*** Indicates consult Customer Service Department for additional information.

ITEM	PART NO.	1 2 3 4 5	DESCRIPTION	QTY.
1	<u>634184</u>		HANDRAIL KIT, FLIP-FLOP SEAT (INCLUDES ITEMS 2 - 9).....	1
2	<u>634185</u>		FOOTREST HANDLE WELDMENT	1
3				
4				
5	<u>19859G1</u>		SQUARE CAP TUBE, 3/4"	2
6	<u>610631</u>		DECAL.....	1
7	<u>00427G8</u>		HEX HEAD BOLT, 3/8" - 16 X 2" LG.....	4
8	<u>614221</u>		FLAT WASHER, 3/8"	8
9	<u>11098G5</u>		LOCK NUT (PLASTIC), 3/8" - 16.....	4
10				
11	***		FLIP FLOP SEAT BOTTOM (INCLUDES ITEMS 12 - 16)..... 628058G01 OYSTER 628058G03 TAN 628058G04 GREY	1
12	<u>634190</u>		DECK BOARD ASSEMBLY	1
13	<u>16705G1</u>		TRUSS HEAD PHILLIPS SCREW (SS), 1/4" - 20 X 1" LG	5
14	<u>617402</u>		SEAT STRAP.....	1
15	<u>00559G7</u>		FLAT WASHER, 1/4"	1
16	***		SEAT BOTTOM ASSEMBLY (INCLUDES ITEMS 17 - 20)..... 632837G01 OYSTER 632837G03 TAN 632837G04 GREY	1
17	***		VINYL SEAT BOTTOM	1
			615646 OYSTER 615647 TAN 617892 GREY	
18	<u>617401</u>		FOAM PADDING (SEAT BOTTOM).....	1
19	<u>617400</u>		SEAT BOTTOM (WOOD).....	1
20	*		FLAT STAPLE (SS), 3/8".....	A/R
21	<u>00427G6</u>		HEX HEAD BOLT, 3/8" - 16 X 1.75" LG	2
22	<u>00427G2</u>		HEX HEAD BOLT, 3/8" - 16 X 1.25" LG	4
23	<u>00427G4</u>		HEX HEAD BOLT, 3/8" - 16 X 1.5" LG	6
24	<u>00428G8</u>		HEX HEAD BOLT, 3/8" - 16 X 3.25" LG	2
25	<u>16705G9</u>		TRUSS HEAD PHILLIPS SCREW (SS), 1/4" - 20 X 1.25" LG.....	4

SEATING - CONVERTIBLE CARRIER

When ordering parts, please specify the model and serial number of the product.

* Indicates a component that is not available as an individual part.

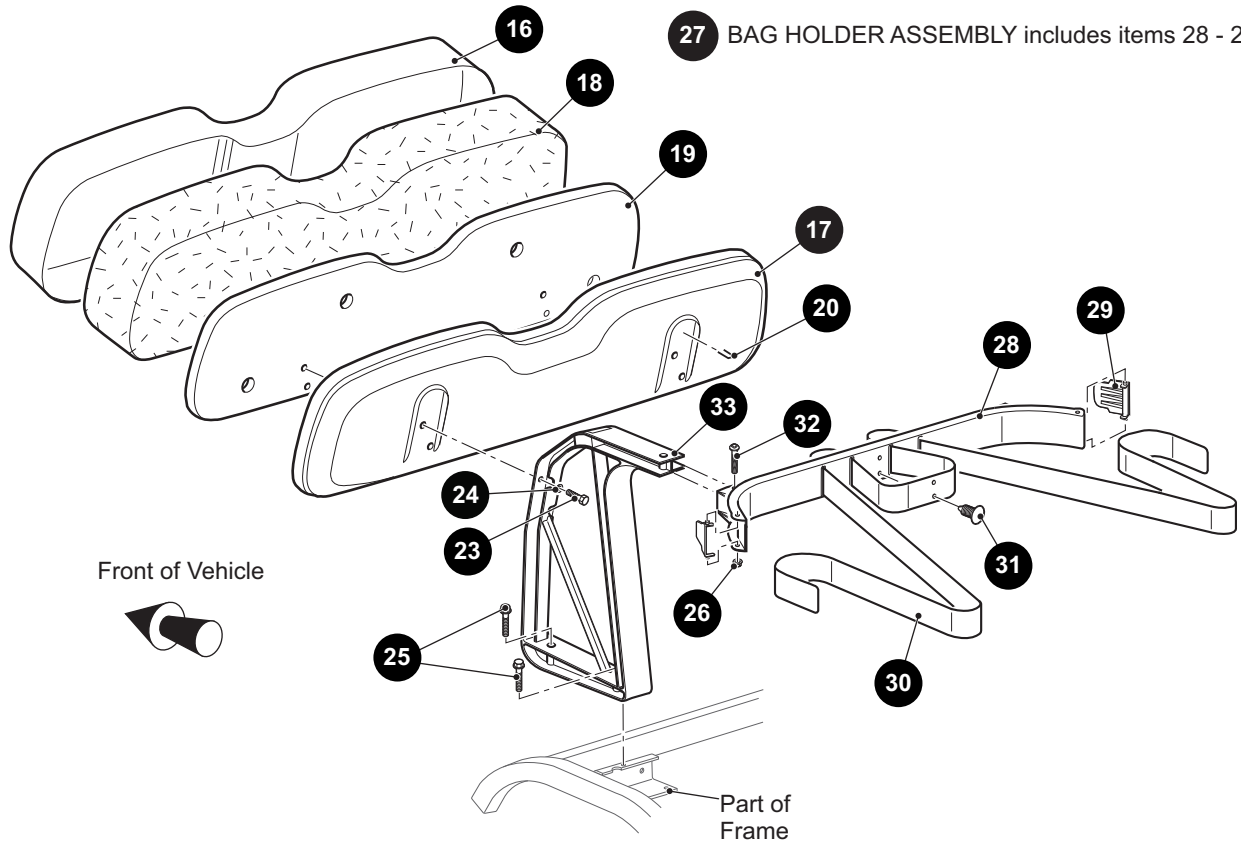
*** Indicates consult Customer Service Department for additional information.

ITEM	PART NO.	1 2 3 4 5	DESCRIPTION	QTY.
26	<u>614221</u>		FLAT WASHER, 3/8"	24
27	<u>00559G7</u>		FLAT WASHER, 1/4"	4
28	<u>11098G5</u>		LOCK NUT (PLASTIC), 3/8" - 16.....	10
29	<u>11027G5</u>		FLANGED LOCK NUT, 3/8" - 16	4
30	<u>14390G4</u>		LOCK NUT (PLASTIC), 1/4" - 20.....	4
31	<u>19853G1</u>		SQUARE CAP TUBE, 1"	2
32	<u>01006G01</u>		HEX HEAD BOLT, 3/8" - 16 X 1.25" LG.....	4
33	71204G01		HEX HEAD BOLT, 1/4" - 20 X 7/8" LG.....	8
34	<u>634178</u>		SEAT BACK SUPPORT	1
35	<u>634179</u>		FOOTREST WELDMENT.....	1
36	<u>634175</u>		ARMREST (REAR SEAT).....	2
37	<u>634174</u>		SEAT FRAME SUPPORT.....	2
38	<u>634180</u>		SEAT FRAME WELDMENT	1

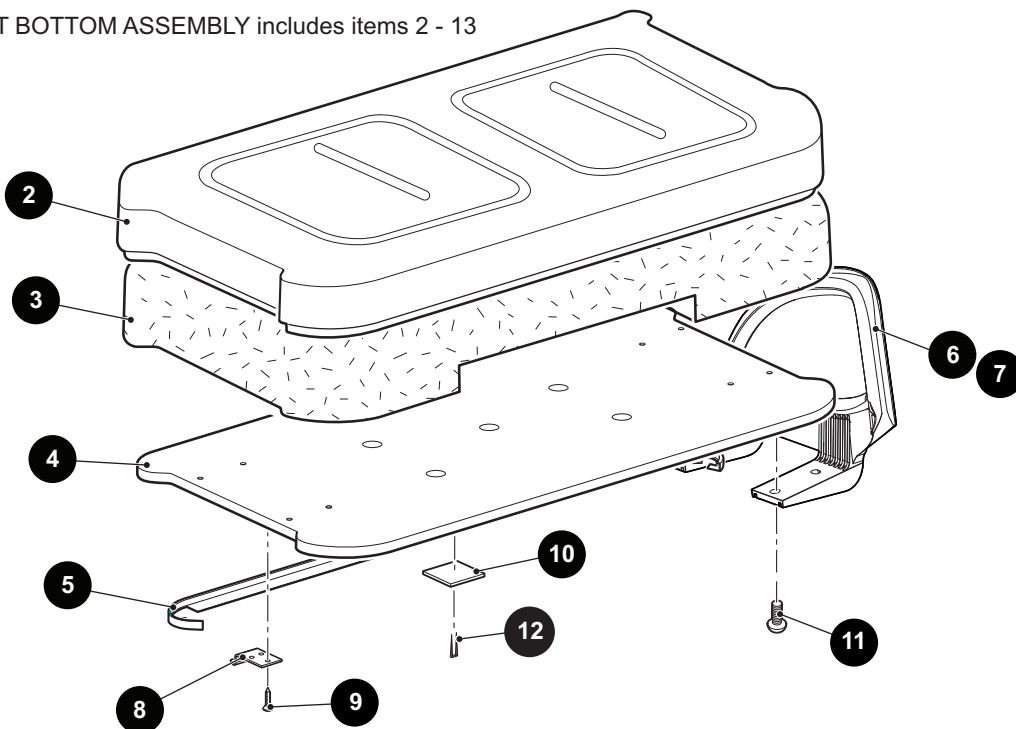
SEATING AND BAG HOLDER - GOLF CAR

15 SEAT BACK ASSEMBLY includes items 16 - 21

27 BAG HOLDER ASSEMBLY includes items 28 - 29



1 SEAT BOTTOM ASSEMBLY includes items 2 - 13



SEATING AND BAG HOLDER - GOLF CAR

When ordering parts, please specify the model and serial number of the product.

* Indicates a component that is not available as an individual part.

*** Indicates consult Customer Service Department for additional information.

ITEM	PART NO.	1 2 3 4 5	DESCRIPTION	QTY.
1	***		SEAT BOTTOM ASSEMBLY (INCLUDES ITEMS 2 - 13) 629269G0101 OYSTER 629269G0103 TAN 629269G0104 GREY 629269G0108 CUSTOM SOLID	1
2	***		SEAT BOTTOM COVER 71602G03 OYSTER 71602G02 GREY 71602G04 TAN 71602G05 CUSTOM SOLID	1
3	<u>71603G02</u>		FOAM PADDING (SEAT BOTTOM)	1
4	<u>645492</u>		SEAT BOTTOM	1
5	<u>71012G01</u>		VINYL TRIM (SEAT BOTTOM).....	1
6	<u>617644</u>		HIP RESTRAINT (PASSENGER SIDE)	1
7	<u>617645</u>		HIP RESTRAINT (DRIVER SIDE).....	1
8	<u>71610G01</u>		SEAT HINGE	2
9	<u>00720G08</u>		PHILLIPS HEAD TAPPING SCREW, #12 -14 X 1" LG.....	6
10	<u>17074G1</u>		SOILING SLAB	2
11	<u>615417</u>		BUTTON HEAD TORX BOLT, M10 - 1.5 X 25MM LG	8
12	*		FLAT STAPLE.....	A/R
13	<u>17618G1</u>		NYLON CLAMP (NOT ILLUSTRATED).....	1
14				
15	***		SEAT BACK ASSEMBLY (INCLUDES ITEMS 16 - 21)..... 625229G0101 OYSTER 625229G0103 TAN 625229G0104 GREY 625229G0108 CUSTOM SOLID	1
16	***		VINYL SEAT BACK COVER 625234G01 OYSTER 625234G03 TAN 625234G04 GREY 625234G08 CUSTOM SOLID	1
17	<u>625239</u>		PLASTIC SEAT BACK COVER.....	1
18	<u>625233</u>		FOAM PADDING (SEAT BACK).....	1
19	<u>644266</u>		SEAT BACK BASE	1
20	*		FLAT STAPLE.....	A/R
21	<u>17618G1</u>		NYLON CLAMP (NOT ILLUSTRATED).....	1

SEATING AND BAG HOLDER - GOLF CAR

When ordering parts, please specify the model and serial number of the product.

* Indicates a component that is not available as an individual part.

*** Indicates consult Customer Service Department for additional information.

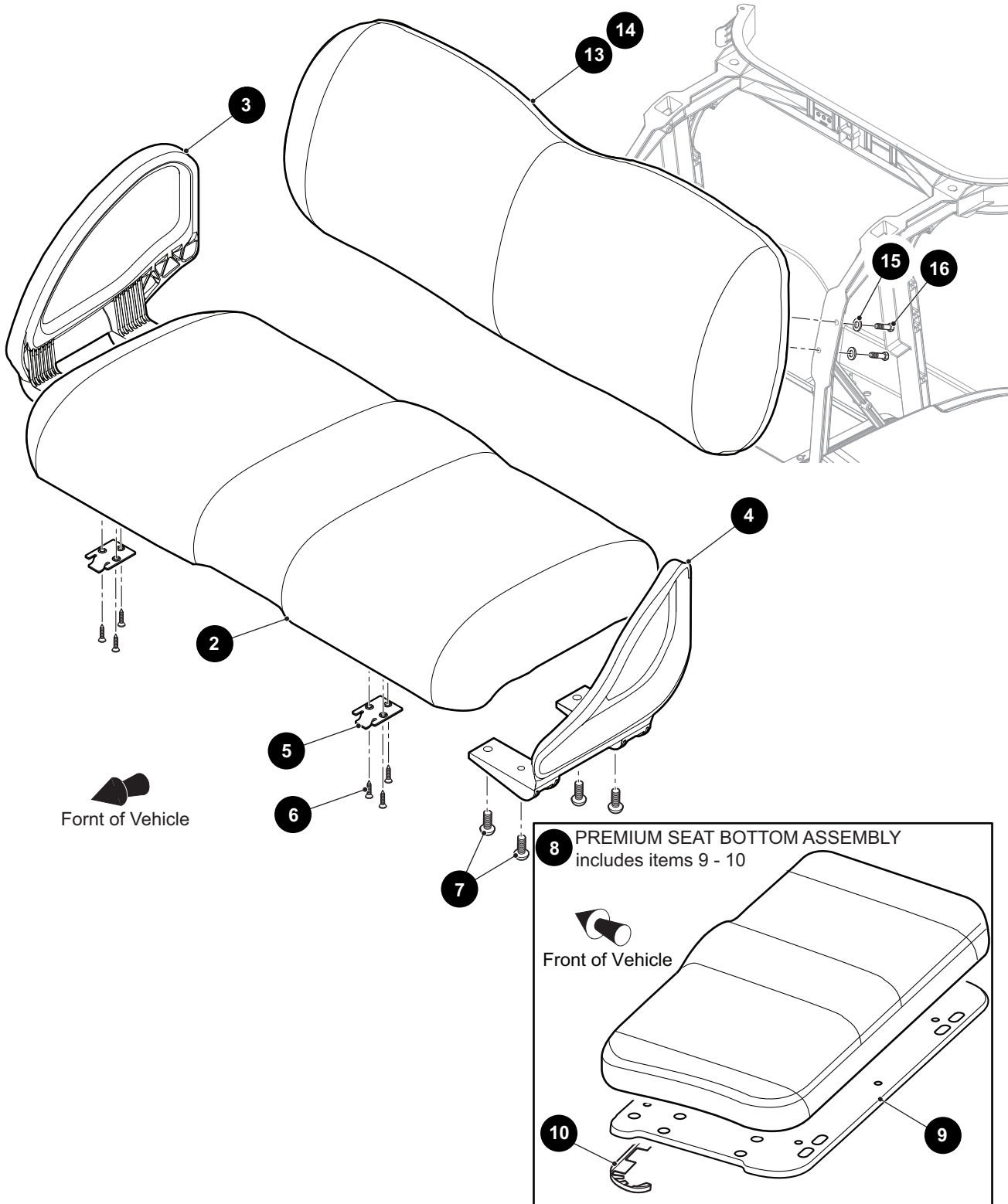
ITEM	PART NO.	1	2	3	4	5	DESCRIPTION	QTY.
22								
23	<u>605056</u>						HEX HEAD BOLT (SS), 1/4" - 20 X 1" LG	4
24	<u>00664G7</u>						LOCK WASHER (SS), 1/4"	4
25	<u>01075G01</u>						HEX HEAD BOLT, 3/8" - 16 X 2 1/2" LG.....	4
26	<u>11027G2</u>						LOCK NUT, 1/4" - 20	2
27	<u>618206</u>						BAG HOLDER ASSEMBLY (INCLUDES ITEMS 28 - 29)	1
28	<u>610642</u>						BAG HOLDER BRACKET.....	1
29	<u>608051</u>						BAG RETAINER CLAMP	2
30	<u>71853G01</u>						BAG RETAINER STRAP	1
31	<u>16816G1</u>						RATCHET FASTENER, 1/4" X 9/16" LG	2
32	<u>01102G01</u>						CARRIAGE BOLT (SS), 1/4" - 20 X 1 1/2" LG.....	2
33	<u>71811G03</u>						SEAT SUPPORT BRACKET	2

SEATING AND BAG HOLDER - GOLF CAR

FOR FLEET AND FREEDOM VEHICLES WITH PREMIUM SEAT OPTION

1 PREMIUM SEAT BOTTOM ASSEMBLY includes items 2 - 7

12 PREMIUM SEAT BOTTOM ASSEMBLY includes items 3 - 8



SEATING AND BAG HOLDER - GOLF CAR

When ordering parts, please specify the model and serial number of the product.

* Indicates a component that is not available as an individual part.

*** Indicates consult Customer Service Department for additional information.

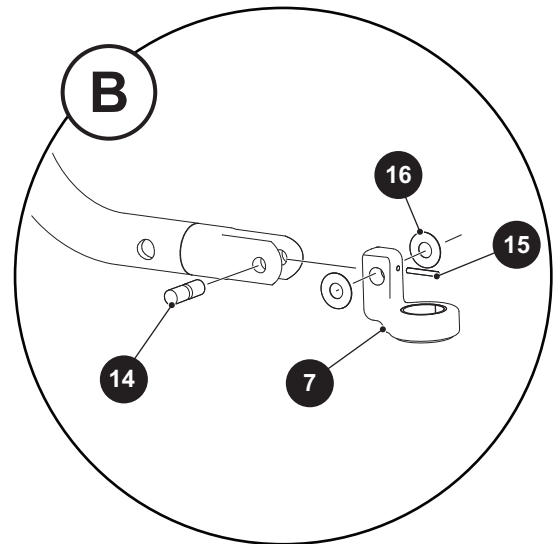
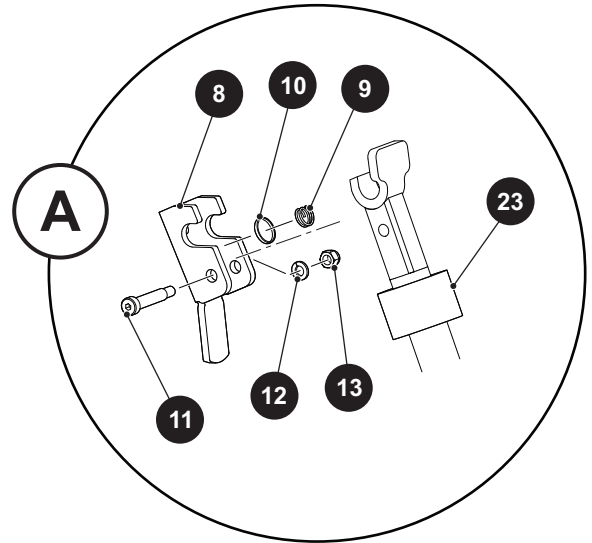
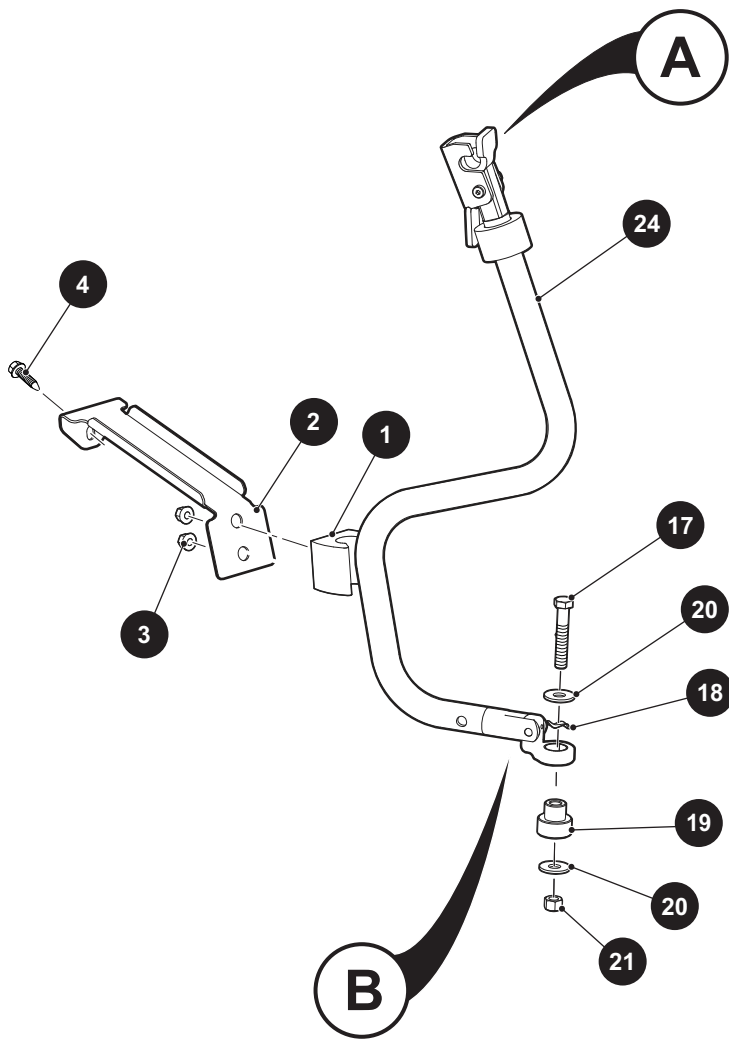
ITEM	PART NO.	1 2 3 4 5	DESCRIPTION	QTY.
1	***		PREMIUM SEAT BOTTOM ASSEMBLY (INCLUDES ITEMS 2 - 7) 629269G1917 LIGHT BEIGE	1
2	***		PREMIUM SEAT BOTTOM COVER 654085G17 LIGHT BEIGE	1
3	<u>617644</u>		HIP RESTRAINT (PASSENGER SIDE)	1
4	<u>617645</u>		HIP RESTRAINT (DRIVER SIDE)	1
5	<u>71610G01</u>		SEAT HINGE	2
6	<u>00720G08</u>		PHILLIPS HEAD TAPPING SCREW, #12 -14 X 1" LG.....	6
7	<u>615417</u>		BUTTON HEAD TORX BOLT, M10 - 1.5 X 25MM LG	8
8	***		PREMIUM SEAT BOTTOM (INCLUDES ITEMS 9 - 10)..... 686151G18 MUSHROOM 686151G19 PREMIUM GRAY 686151G20 PREMIUM CUSTOM	1
9	645492		SEAT BOTTOM.....	1
10	<u>71012G01</u>		VINYL TRIM (SEAT BOTTOM)	2
11				
12	***		PREMIUM SEAT BOTTOM ASSEMBLY (INCLUDES ITEMS 3 - 8) 629269G1918 MUSHROOM 629269G1919 GRAY 629269G1920 CUSTOM	1
13	***		PREMIUM SEAT BACK ASSEMBLY 654084G17 LIGHT BEIGE	1
14	***		PREMIUM SEAT BACK ASSEMBLY 686150G18 MUSHROOM 686150G19 GRAY 686150G20 CUSTOM	1
15	<u>00664G7</u>		LOCK WASHER (SS), 1/4"	4
16	<u>605056</u>		HEX HEAD BOLT (SS), 1/4" - 20 X 1" LG	4

Notes:

A large rectangular area filled with a grid of small squares, intended for handwritten notes or sketches. The grid is approximately 30 squares wide and 35 squares high.

TOW BAR - PERMANENT

6 TOW BAR ASSEMBLY includes items 7 - 24



TOW BAR - PERMANENT

When ordering parts, please specify the model and serial number of the product.

* Indicates a component that is not available as an individual part.

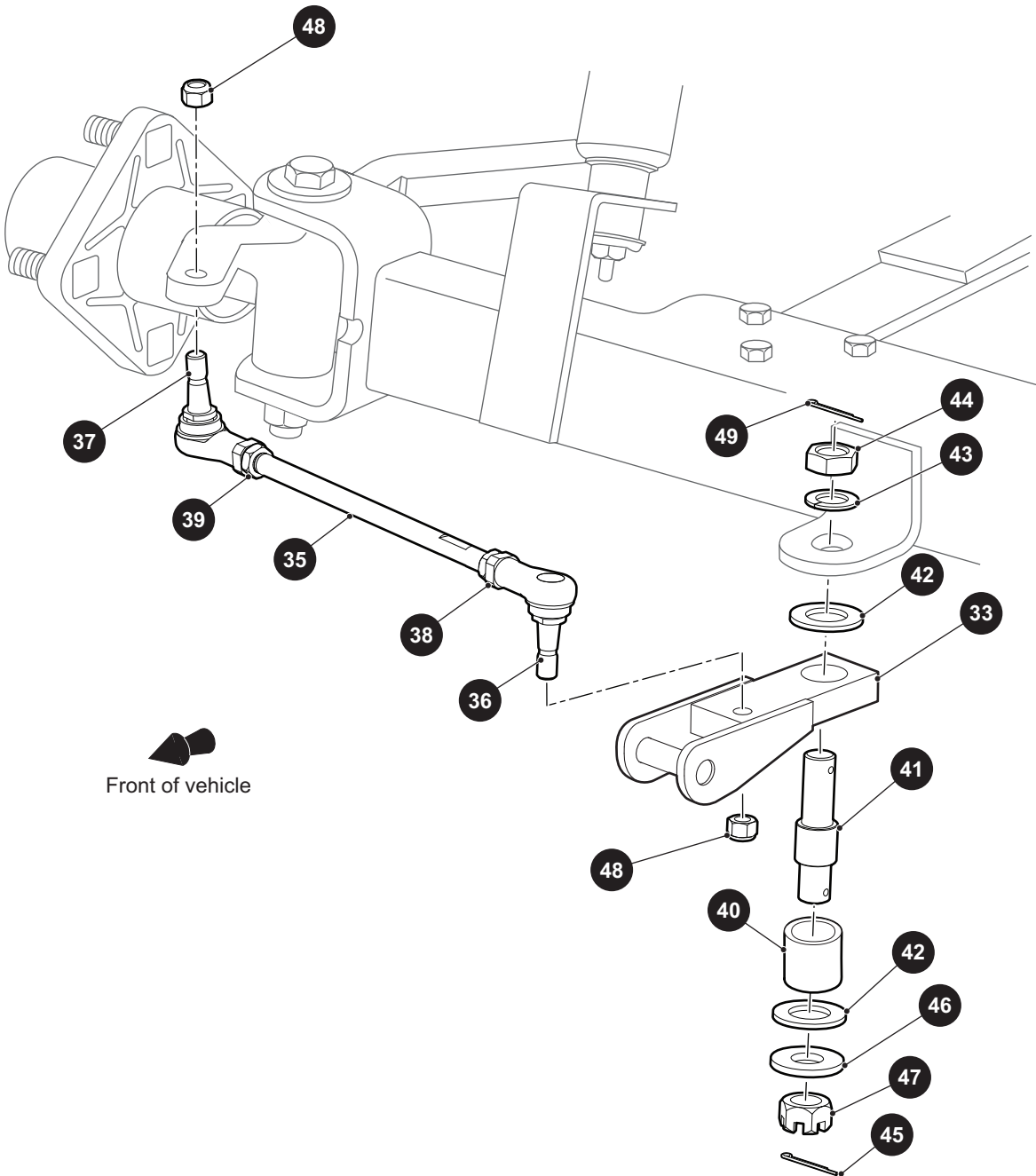
*** Indicates consult Customer Service Department for additional information.

ITEM	PART NO.	1 2 3 4 5	DESCRIPTION	QTY.
1	<u>603020</u>		TOW BAR RETAINER	1
2	<u>637479</u>		TOW BAR RETAINER BRACKET.....	1
3	<u>600525</u>		LOCK NUT, M10 - 1.50	2
4	<u>00715G2</u>		HEX HEAD BOLT, 5/16" - 18 X .875" LG	1
5				
6	<u>625813</u>		TOW BAR ASSEMBLY (TOWING VEHICLE) (INCLUDES ITEMS 7 - 24)	1
7	<u>625458</u>		TOW BAR SWIVEL	1
8	<u>617147</u>		TOW BAR LATCH	1
9	<u>20852G2</u>		COMPRESSION SPRING (SS).....	1
10	<u>25661G02</u>		CUP WASHER, .84" O.D. X .20" I.D.	1
11	<u>13005G4</u>		SOCKET HEAD SHOULDER BOLT, 5/16" - 18 X .406" LG	1
12	<u>00565G8</u>		LOCK WASHER, 5/16"	1
13	<u>00520G3</u>		ACORN NUT, 5/16" - 18	1
14	<u>75360G01</u>		PIVOT PIN	1
15	<u>608793</u>		SPIROL PIN, 3MM X 22MM	1
16	<u>75340G01</u>		FLAT WASHER, M10.....	2
17	<u>00410G8</u>		HEX HEAD BOLT, 1/2" - 20 X 3" LG.....	1
18	<u>75339G01</u>		SPRING WASHER	1
19	<u>625582</u>		TOW BAR PIVOT	1
20	<u>00571G5</u>		FLAT WASHER, 5/16"	2
21	<u>11098G8</u>		LOCK NUT, 1 3/8" - 12	1
22	<u>625819</u>		WARNING DECAL (NOT ILLUSTRATED)	1
23	<u>75362G01</u>		LATCH STOP	1
24	<u>625814</u>		TOW BAR WELDMENT	1
25				
26				
27				
28				
29				
30				
31				

TOW BAR - PERMANENT

32 TOW BAR HITCH ASSEMBLY (TOWED VEHICLE) includes items 33 - 48

34 TIE ROD ASSEMBLY includes items 35 - 39



TOW BAR - PERMANENT

When ordering parts, please specify the model and serial number of the product.

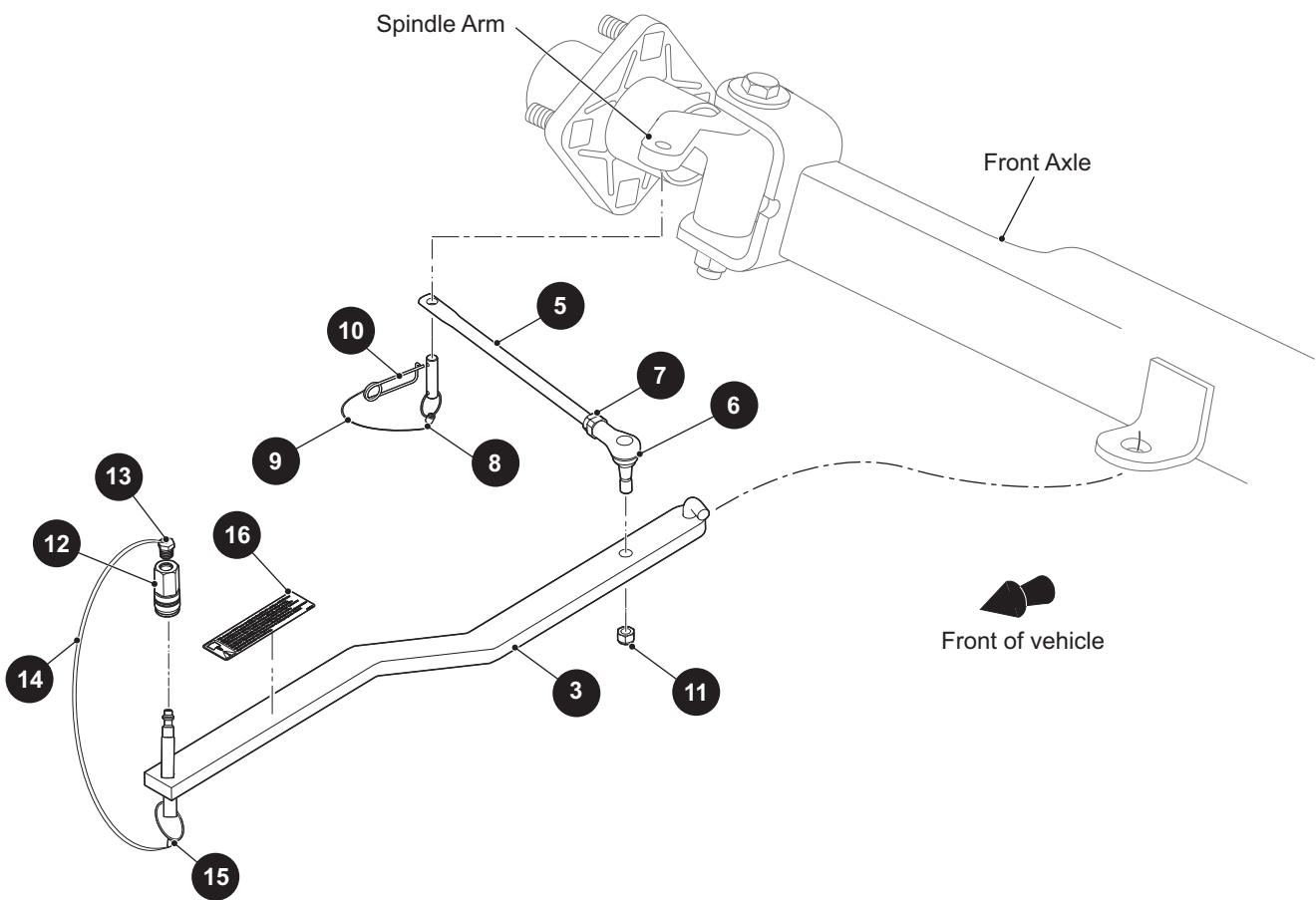
* Indicates a component that is not available as an individual part.

*** Indicates consult Customer Service Department for additional information.

ITEM	PART NO.	1 2 3 4 5	DESCRIPTION	QTY.
32	<u>625812</u>		TOW BAR HITCH ASSEMBLY (TOWED VEHICLE) (INCLUDES ITEMS 33 - 48)	1
33	<u>640431</u>		TOW BAR HITCH	1
34	<u>625811</u>		TIE ROD ASSEMBLY (INCLUDES ITEMS 35 - 39)	1
35	<u>625646</u>		TIE ROD LINK.....	1
36	<u>70902G01</u>		TIE ROD END (DRIVER SIDE).....	1
37	<u>70902G02</u>		TIE ROD END (PASSENGER SIDE)	1
38	<u>01069G01</u>		JAM NUT, M12 X 1.25 - 05 (DRIVER SIDE)	1
39	<u>01069G02</u>		JAM NUT, M12 X 1.25 - 05 (PASSENGER SIDE)	1
40	<u>75307G01</u>		BEARING	1
41	<u>75292G01</u>		PIVOT BOLT	1
42	<u>75309G01</u>		THRUST BEARING	2
43	<u>00566G6</u>		SPRING LOCK WASHER, 3/4"	1
44	<u>00533G8</u>		HEX NUT, 1/2" - 13.....	1
45	<u>10387G1</u>		COTTER PIN, .125" X 1.50"	1
46	<u>75342G01</u>		FLAT WASHER, 1.75" O.D X 0.781" I.D.....	1
47	<u>00518G8</u>		CASTLE NUT, 3/4" - 16	1
48	<u>00734G1</u>		LOCK NUT, 7/16" - 14	2
49	<u>10387G1</u>		COTTER PIN, .125" X 1.50"	1

TOW BAR - CASUAL

- 1 CASUAL TOW BAR KIT includes item 2
- 2 CASUAL TOW BAR ASSEMBLY includes items 3 - 16
- 4 TIE ROD ASSEMBLY includes items 5 - 7



TOW BAR - CASUAL

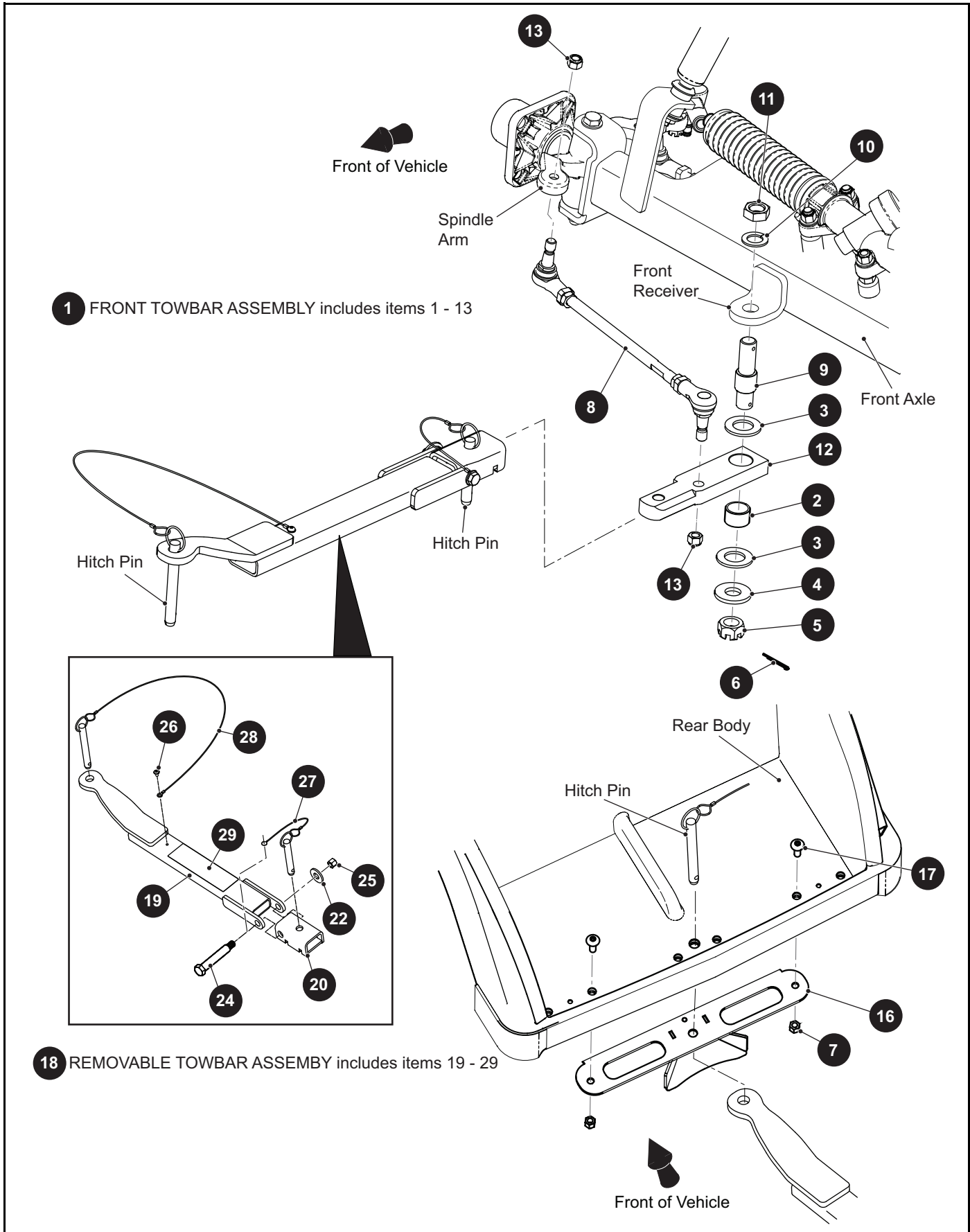
When ordering parts, please specify the model and serial number of the product.

* Indicates a component that is not available as an individual part.

*** Indicates consult Customer Service Department for additional information.

ITEM	PART NO.	1 2 3 4 5	DESCRIPTION	QTY.
1	<u>625284</u>		CASUAL TOW BAR KIT (INCLUDES ITEM 2)	1
2	<u>625282</u>		CASUAL TOW BAR ASSEMBLY (INCLUDES ITEMS 3 -16)	1
3	625327		TOW BAR WELDMENT	1
4	625328		TIE ROD ASSEMBLY (INCLUDES ITEMS 5 - 7).....	1
5	<u>625329</u>		TIE ROD WELDMENT.....	1
6	<u>70902G01</u>		TIE ROD END (DRIVER SIDE)	1
7	<u>01069G01</u>		JAM NUT, M12 - 1.25	1
8	<u>16783G1</u>		FERRULE	1
9	14869G5		WIRE ROPE, 6" LG	1
10	<u>75068G01</u>		SAFETY PIN	1
11	<u>00734G1</u>		LOCK NUT, 7/16" - 14	1
12	<u>75060G01</u>		COUPLING	1
13	<u>75035G02</u>		HEX HEAD PLUG WITH HOLE, 1/4" - 18	1
14	14869G3		WIRE ROPE, 20" LG	1
15	<u>75067G01</u>		FERRULE	1
16	<u>625820</u>		WARNING DECAL	1

TOW BAR



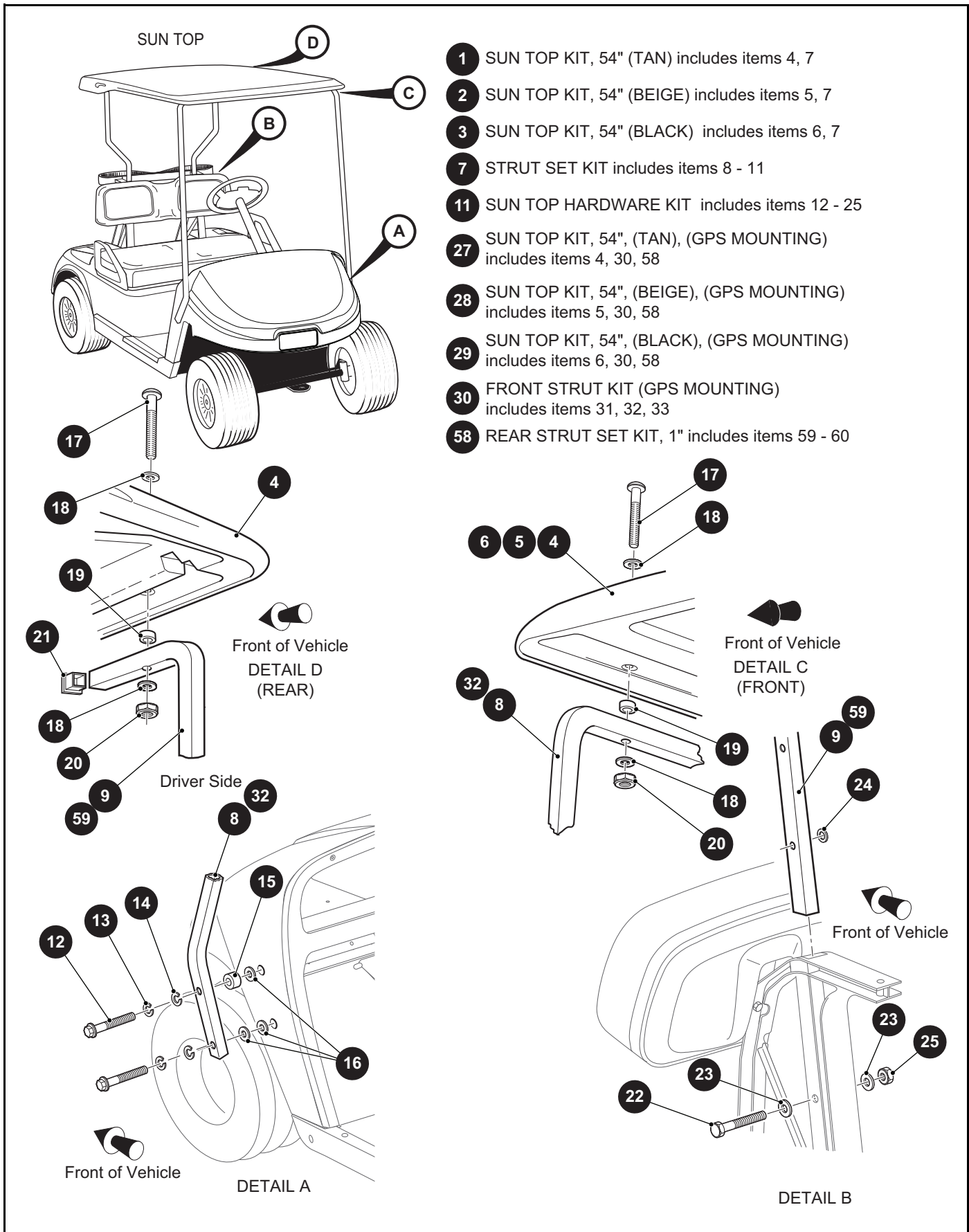
When ordering parts, please specify the model and serial number of the product.

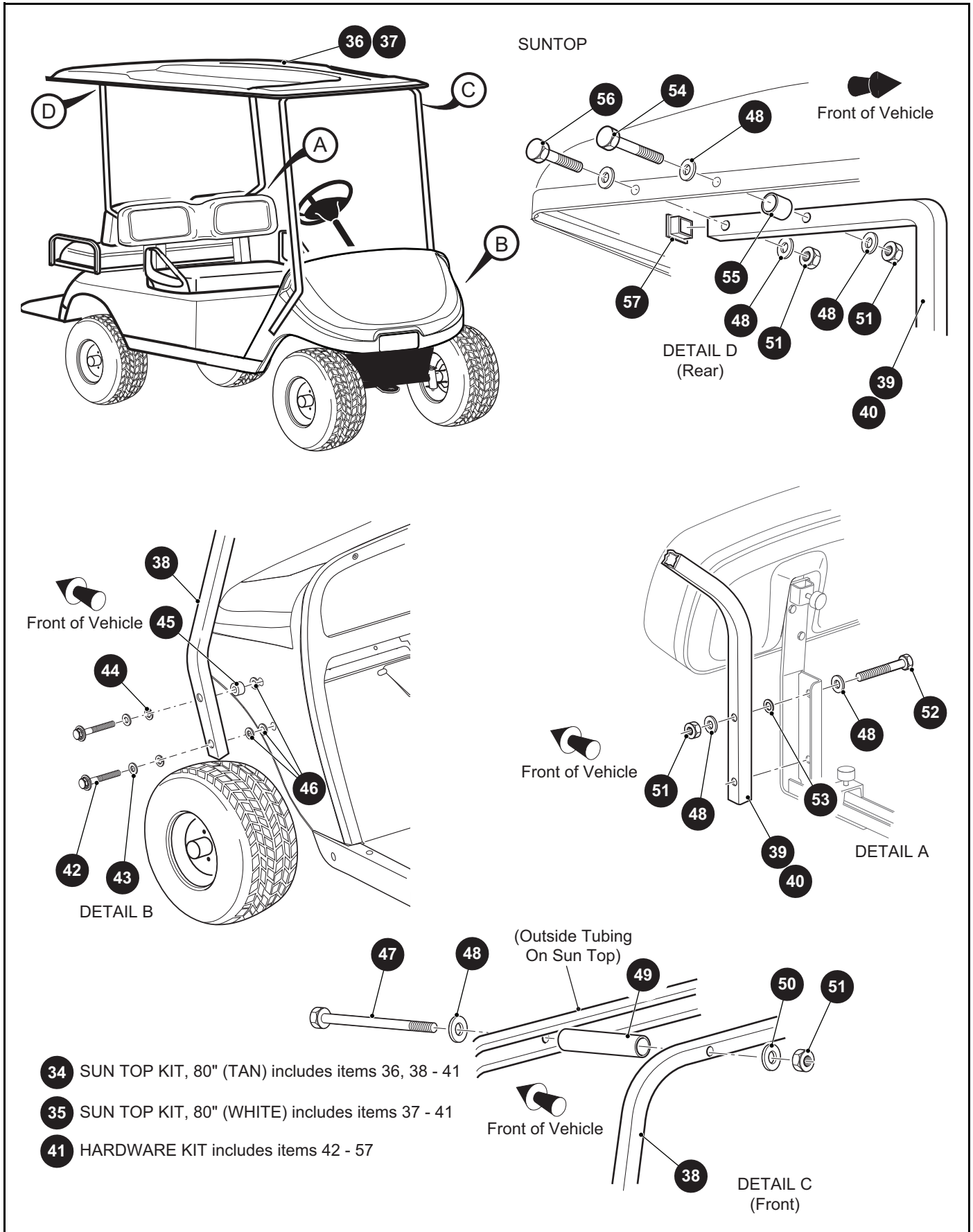
* Indicates a component that is not available as an individual part.

*** Indicates consult Customer Service Department for additional information.

ITEM	PART NO.	1 2 3 4 5	DESCRIPTION	QTY.
1	<u>637319</u>		FRONT TOWBAR ASSEMBLY (INCLUDES ITEMS 1 - 13)	1
2	<u>75307G01</u>		BEARING	1
3	<u>75309G01</u>		THRUST BEARING	2
4	<u>75342G01</u>		FLAT WASHER, 1.7" O.D. X .781" I.D.	1
5	<u>00518G8</u>		CASTLE NUT, 3/4" - 16	1
6	<u>10387G1</u>		COTTER PIN, .125" X 1.50" LG	1
7	<u>11098G5</u>		LOCK NUT, 3/8" - 16	2
8	<u>625811</u>		TIE ROD ASSEMBLY	1
9	<u>75292G01</u>		PIVOT BOLT, 3/4" - 16 X 3.71" LG	1
10	<u>00566G6</u>		LOCK WASHER, 3/4"	1
11	<u>00533G8</u>		HEX NUT, 1/2" - 13	1
12	<u>635632</u>		FRONT PIVOT BAR	1
13	<u>00734G1</u>		LOCK NUT, 7/16" - 14	2
14	<u>31539G1</u>		NYLON CLAMP (NOT ILLUSTRATED)	2
15				
16	<u>635620</u>		REAR TOWBAR RECEIVER	1
17	<u>73653G01</u>		TRUSS HEAD TORX SCREW, 3/8" - 16 X 1.5" LG	2
18	<u>635736</u>		REMOVABLE TOWBAR ASSEMBY (INCLUDES ITEMS 19 - 29)	1
19	<u>635428</u>		TOWBAR TONGUE WELDMENT	1
20	<u>635461</u>		TOWBAR COUPLING WELDMENT	1
21				
22	<u>00571G5</u>		FLAT WASHER (SS), 1/4"	1
23				
24	<u>14158G1</u>		SHOULDER BOLT, 3/8" - 16 X 2.75" LG	1
25	<u>11098G5</u>		LOCK NUT, 3/8" - 16	1
26	<u>637563</u>		SELF TAPPING SCREW, M4 - 1 X 14/12MM LG	1
27	<u>685471</u>		HITCH PIN ASSEMBLY (SHORT)	1
28	<u>641171</u>		HITCH PIN ASSEMBLY (LONG)	1
29	<u>635906</u>		TOWBAR WARNING LABEL	1

WEATHER PROTECTION





WEATHER PROTECTION

When ordering parts, please specify the model and serial number of the product.

* Indicates a component that is not available as an individual part.

*** Indicates consult Customer Service Department for additional information.

ITEM	PART NO.	1 2 3 4 5	DESCRIPTION	QTY.
1	<u>625299G01</u>		SUN TOP KIT, 54" (TAN) (INCLUDES ITEMS 4, 7) (For Fleet & Freedom)....	1
2	<u>625299G02</u>		SUN TOP KIT, 54" (BEIGE) (INCLUDES ITEMS 5, 7) (For Fleet & Freedom)	1
3	<u>625299G03</u>		SUN TOP KIT, 54" (BLACK) (INCLUDES ITEMS 6, 7) (For Fleet & Freedom)	1
4	<u>625290</u>		SUN TOP (TAN)	1
5	<u>625291</u>		SUN TOP (BEIGE)	1
6	<u>625292</u>		SUN TOP (BLACK)	1
7	<u>635005</u>		STRUT SET KIT (INCLUDES ITEM 8 - 11).....	1
8	<u>625294G01</u>		FRONT STRUT	1
9	<u>75046G01</u>		REAR STRUT.....	2
10				
11	<u>625296</u>		SUN TOP HARDWARE KIT (INCLUDES ITEMS 12 - 25).....	1
12	*		HEX HEAD BOLT, 5/16" - 18 X 2 1/4" LG	4
13	*		FLAT WASHER, 5/16"	4
14	*		LOCK WASHER, 5/16"	4
15	*		SPACER, .328" I.D. X .75" O.D. X 0.5" LG	2
16	*		FLAT WASHER, 5/16"	6
17	*		HEX HEAD BOLT, 1/4" - 20 X 2 1/2" LG	4
18	*		FLAT WASHER (SS), 1/4"	8
19	*		SPACER (PLASTIC), 0.28" I.D. X .56" O.D. X 0.74" LG	4
20	*		LOCK NUT (SS), 1/4" - 20	4
21	*		END CAP, 1" SQ	2
22	*		HEX HEAD BOLT (SS), 5/16" - 18 X 1 3/4" LG.....	4
23	*		FLAT WASHER (SS), 5/16"	8
24	*		TEFLON WASHER, 5/16"	4
25	*		LOCK NUT (SS), 5/16" - 18	4
26				
27	<u>625299G07</u>		SUN TOP KIT, 54", (TAN), (GPS MOUNTING) (INCLUDES ITEMS 4, 30, 58)	1
28	<u>625299G08</u>		SUN TOP KIT, 54", (BEIGE), (GPS MOUNTING) (INCLUDES ITEMS 5, 30, 58)	1
29	<u>625299G09</u>		SUN TOP KIT, 54", (BLACK), (GPS MOUNTING) (INCLUDES ITEMS 6, 30, 58)	1

WEATHER PROTECTION

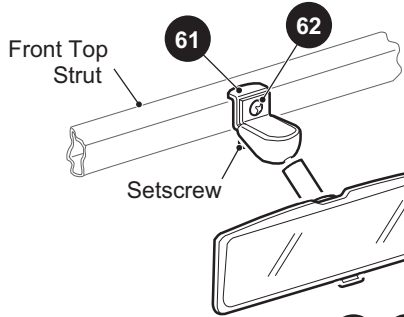
When ordering parts, please specify the model and serial number of the product.

* Indicates a component that is not available as an individual part.

*** Indicates consult Customer Service Department for additional information.

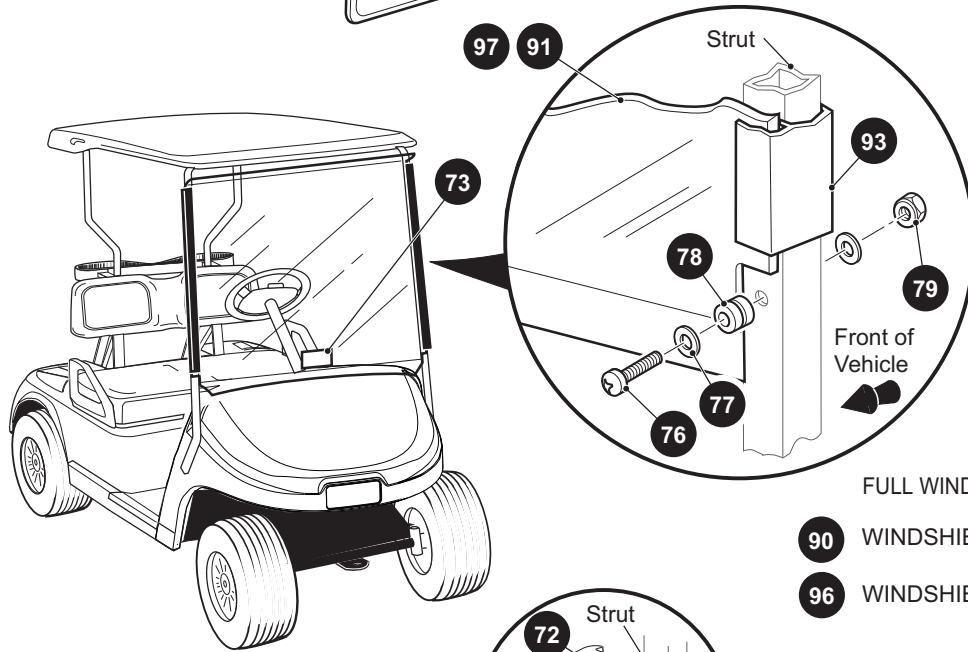
ITEM	PART NO.	1 2 3 4 5	DESCRIPTION	QTY.
30	<u>647670</u>		FRONT STRUT KIT (GPS MOUNTING) (INCLUDES ITEMS 31, 32, 33)	1
31	<u>643882G03</u>		GPS MOUNTING SYSTEM (NOT ILLUSTRATED)	1
32	<u>625294G01</u>		FRONT STRUT	1
33	<u>664522G06</u>		GPS MOUNTING SYSTEM (NOT ILLUSTRATED)	1
34	<u>634553G01</u>		SUN TOP KIT, 80" (TAN) (INCLUDES ITEMS 36, 38 - 41) (For Freedom 2+2)	1
35	<u>634553G02</u>		SUN TOP KIT, 80" (WHITE) (INCLUDES ITEMS 37 - 41) (For Freedom 2+2)	1
36	<u>602672</u>		SUN TOP (TAN), 80"	1
37	<u>27604G01</u>		SUN TOP (WHITE), 80" LG	1
38	<u>634791</u>		FRONT STRUT	1
39	<u>602743</u>		REAR STRUT (DRIVER SIDE)	1
40	<u>602741</u>		REAR STRUT (PASSENGER SIDE)	1
41	<u>634554</u>		HARDWARE KIT (INCLUDES ITEMS 42 - 57)	1
42	<u>634806</u>		HEX HEAD BOLT, 5/16" - 18 X 2 1/4" LG	4
43	<u>634811</u>		FLAT WASHER, 5/16"	4
44	<u>634810</u>		LOCK WASHER, 5/16"	4
45	<u>634807</u>		SPACER, .328" I.D. X .75" O.D. X 1/2" LG	2
46	<u>634808</u>		FLAT WASHER, 5/16"	6
47	00674G8		HEX HEAD BOLT (SS), 3/8" - 16 X 5" LG	2
48	<u>00679G1</u>		FLAT WASHER (SS), 3/8"	16
49	<u>18716G1</u>		SPACER, .75" O.D. X 2.88" LG	2
50	<u>00653G1</u>		FLAT WASHER (SS), 3/8"	2
51	<u>00891G5</u>		LOCK NUT, 3/8" - 16	10
52	<u>00665G5</u>		HEX HEAD BOLT (SS), 3/8" - 16 X 1 3/4" LG	4
53	<u>00771G5</u>		NYLON WASHER, 3/8"	4
54	00665G3		HEX HEAD BOLT (SS), 3/8" - 16 X 2 1/2" LG	2
55	24647G1		SPACER, .39" I.D. X .75" O.D. X .29" LG	2
56	<u>00665G6</u>		HEX HEAD BOLT (SS), 3/8" - 16 X 2" LG	2
57	<u>19853G1</u>		END CAP, 1" SQ	2
58	<u>647636</u>		REAR STRUT SET KIT, 1" (INCLUDES ITEMS 59 - 60)	1
59	<u>75046G01</u>		REAR STRUT	2
60	<u>625296</u>		HARDWARE KIT	1

WEATHER PROTECTION



REAR VIEW MIRROR

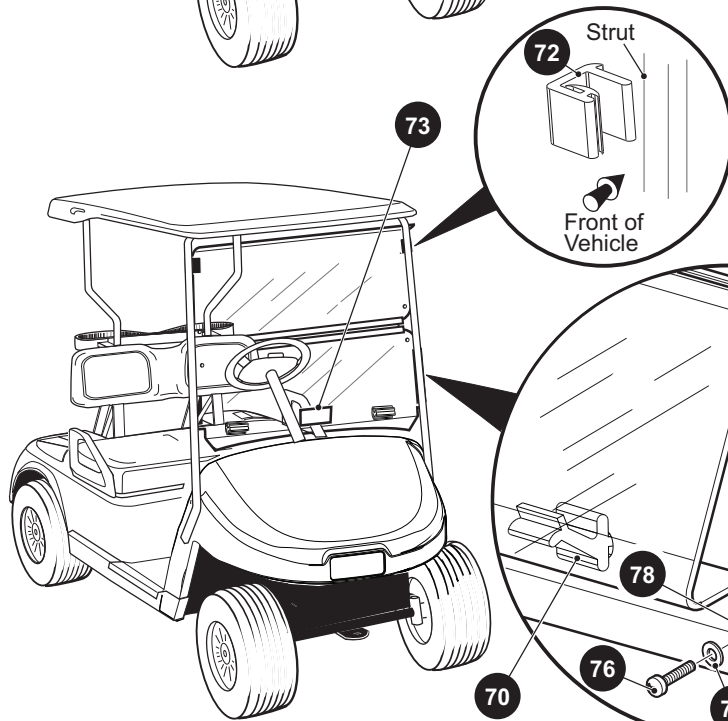
59 REAR VIEW MIRROR KIT includes items 60 - 62



FULL WINDSHIELD

90 WINDSHIELD KIT includes items 75, 91 - 93

96 WINDSHIELD KIT (2+2) includes items 75, 93, 97



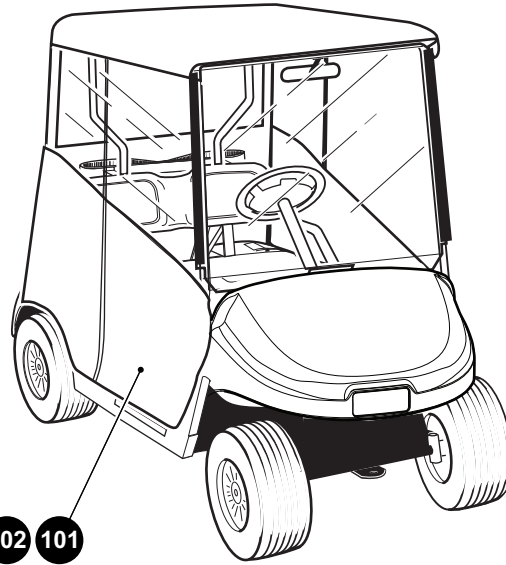
SPLIT WINDSHIELD

64 WINDSHIELD KIT, SPLIT includes items 70 - 75

82 WINDSHIELD KIT, SPLIT (2+2) includes items 70 - 75

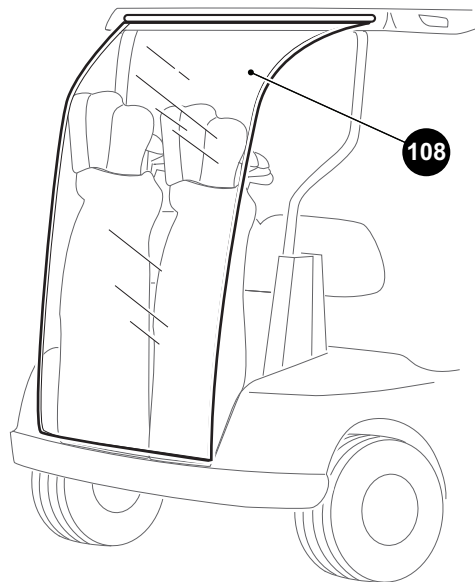
WEATHER ENCLOSURE

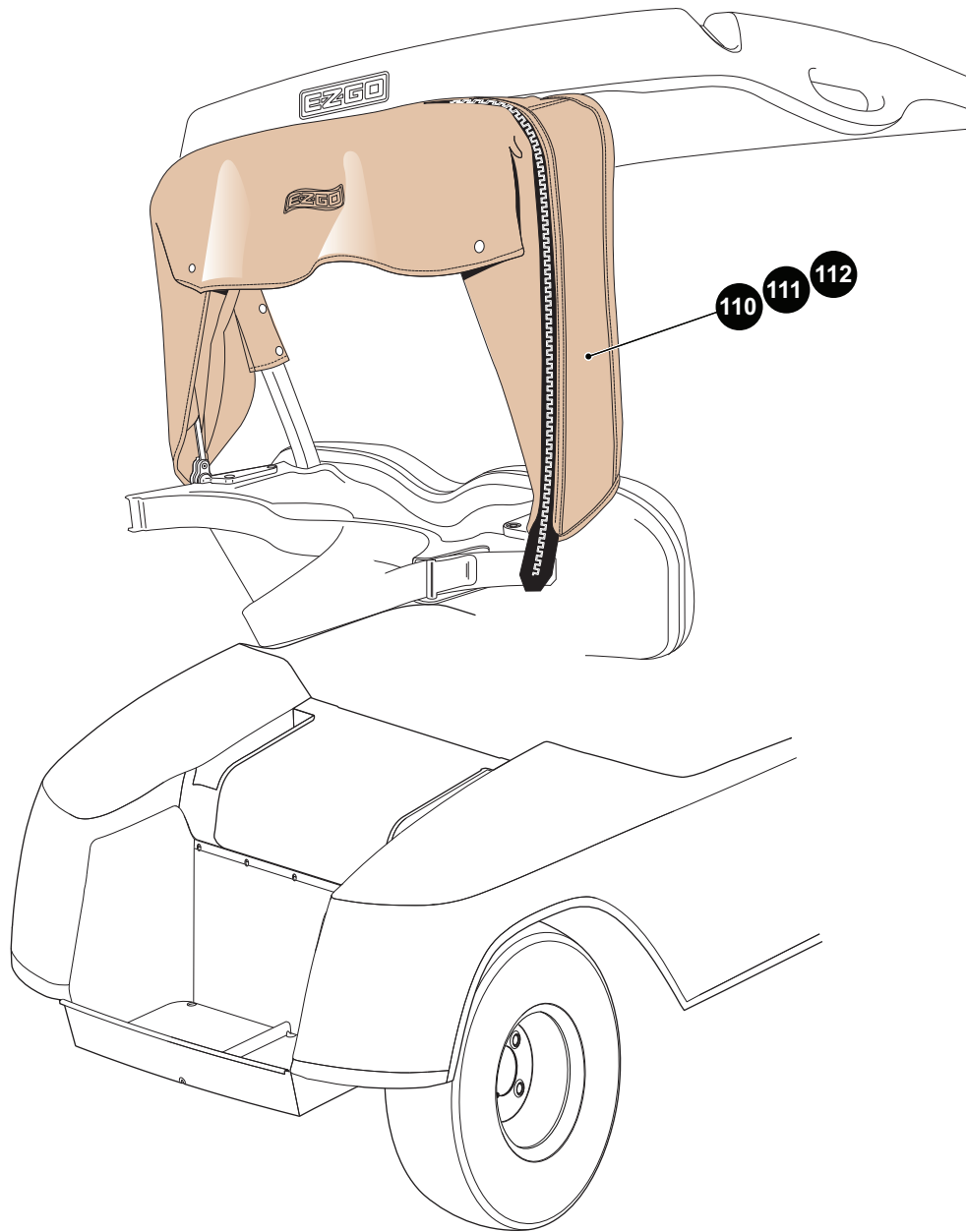
- 106
- 105
- 104
- 103
- 102
- 101



BAG AND RAIN CURTAIN

- 108





WEATHER PROTECTION

When ordering parts, please specify the model and serial number of the product.

* Indicates a component that is not available as an individual part.

*** Indicates consult Customer Service Department for additional information.

ITEM	PART NO.	1 2 3 4 5	DESCRIPTION	QTY.
59	<u>19528G2</u>		REAR VIEW MIRROR KIT (INCLUDES ITEMS 60 - 62)	1
60	<u>19496G1</u>		REAR VIEW MIRROR.....	1
61	<u>19502G2</u>		SUPPORT BRACKET	1
62	<u>19527G1</u>		PAN HEAD SCREW (SS), #8 - 32 X 5/8" LG	1
63				
64	<u>625279G01</u>		WINDSHIELD KIT, SPLIT (INCLUDES ITEMS 70 - 75).....	1
65				
66				
67				
68				
69				
70	<u>603201</u>		LOWER LATCH.....	2
71	<u>604115</u>		GROMMET	4
72	<u>625230</u>		UPPER LATCH.....	2
73	<u>71963G01</u>		WARNING DECAL.....	1
74	<u>625228</u>		SASH, 10" LG.....	2
75	<u>625271</u>		HARDWARE KIT (INCLUDES ITEMS 76 - 79)	1
76	<u>00753G5</u>		TRUSS HEAD PHILLIPS SCREW, 1/4" - 20 X 2" LG	2
77	<u>01110G01</u>		FLAT WASHER (SS), 1/4".....	4
78	<u>625278</u>		RUBBER GROMMET	2
79	<u>00654G2</u>		LOCK NUT (SS), 1/4" - 20	2
80				
81				
82	<u>625279G02</u>		WINDSHIELD KIT, SPLIT (2+2) (INCLUDES ITEMS 70 - 75)	1
83				
84				
85				
86				
87				
88				
89				

WEATHER PROTECTION

When ordering parts, please specify the model and serial number of the product.

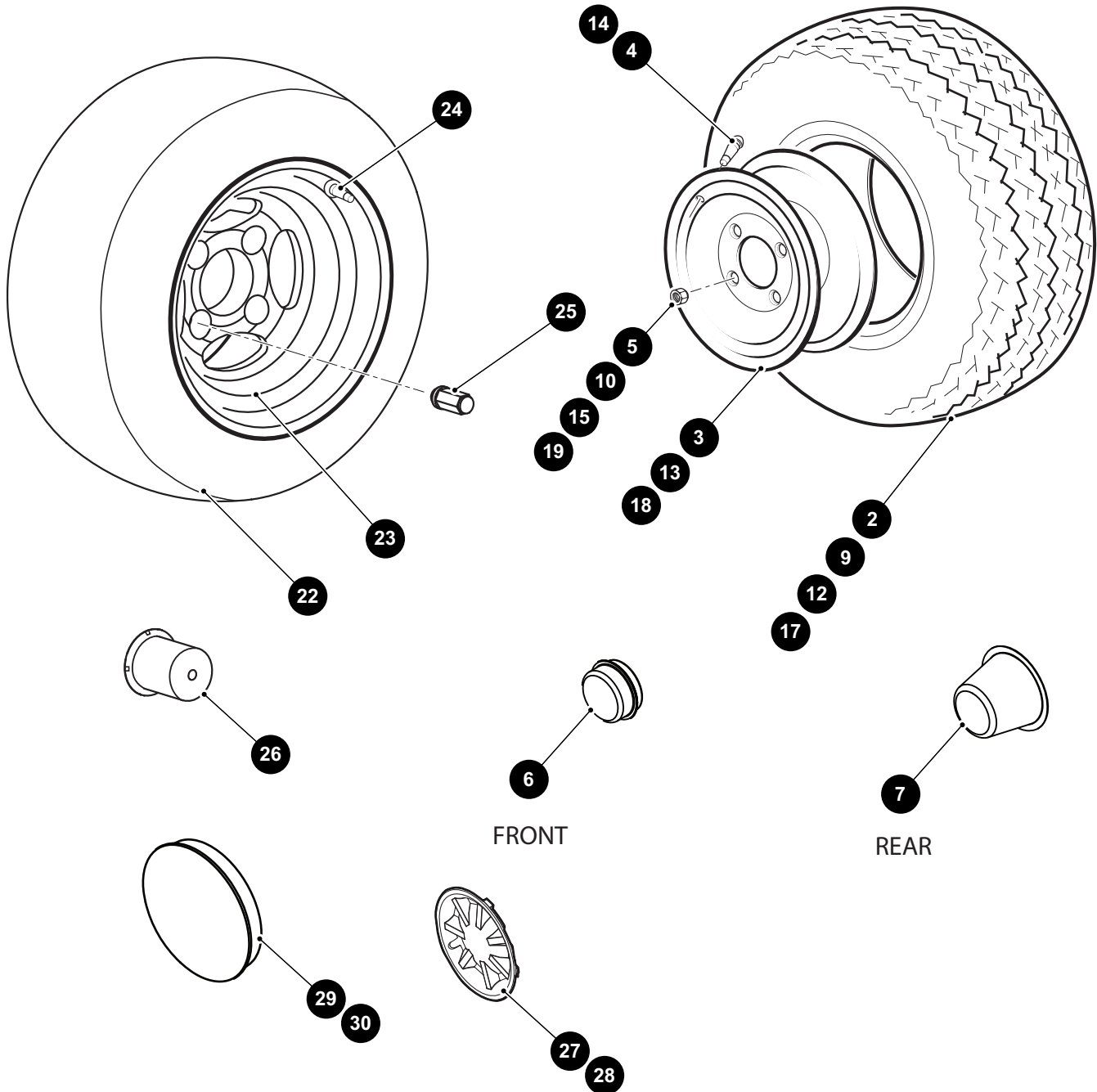
* Indicates a component that is not available as an individual part.

*** Indicates consult Customer Service Department for additional information.

ITEM	PART NO.	1	2	3	4	5	DESCRIPTION	QTY.
90	<u>625279G03</u>						WINDSHIELD KIT, FULL (INCLUDES ITEMS 75, 91 - 93)	1
91	*						WINDSHIELD ASSEMBLY, FULL (INCLUDES ITEMS 73, 92).....	1
92	*						WINDSHIELD FULL	1
93	<u>625227</u>						SASH, 26" LG	2
94								
95								
96	<u>625279G04</u>						WINDSHIELD KIT, FULL (2+2) (INCLUDES ITEMS 75, 93, 97)	1
97	*						WINDSHIELD ASSEMBLY, FULL (2+2) (INCLUDES ITEMS 73, 98)	1
98	*						WINDSHIELD, FULL (2+2).....	1
99								
100								
101	<u>634541</u>						WEATHER ENCLOSURE (3 SIDED) (TAN) RECOMMENDED FOR VEHICLES WITH WINDSHIELDS	1
102	<u>634542</u>						WEATHER ENCLOSURE (3 SIDED) (OYSTER) RECOMMENDED FOR VEHICLES WITH WINDSHIELDS	1
103	<u>634543</u>						WEATHER ENCLOSURE (3 SIDED) (HUNTER GREEN) RECOMMENDED FOR VEHICLES WITH WINDSHIELDS	1
104	<u>634544</u>						WEATHER ENCLOSURE (4 SIDED) (TAN) RECOMMENDED FOR VEHICLES WITHOUT WINDSHIELDS.....	1
105	<u>634545</u>						WEATHER ENCLOSURE (4 SIDED) (OYSTER) RECOMMENDED FOR VEHICLES WITHOUT WINDSHIELDS.....	1
106	<u>634546</u>						WEATHER ENCLOSURE (4 SIDED) (HUNTER GREEN) RECOMMENDED FOR VEHICLES WITHOUT WINDSHIELDS.....	1
107								
108	<u>75191G01</u>						BAG COVER AND RAIN CURTAIN KIT	1
109								
110	<u>625581</u>						BAG COVER KIT (OYSTER)	1
111	<u>625583</u>						BAG COVER KIT (TAN)	1
112	<u>625585</u>						BAG COVER KIT (GREEN)	1

WHEELS AND TIRES

- 1** WHEEL AND TIRE ASSEMBLY, LINKS includes items 2 - 4
- 8** WHEEL AND TIRE ASSEMBLY, USA TRAIL includes items 3 - 4, 9
- 11** WHEEL AND TIRE ASSEMBLY, KENDA includes items 12 - 14
- 16** WHEEL AND TIRE ASSEMBLY, HOLE - N - ONE includes items 4, 17, 18
- 21** ALLOY WHEEL AND TIRE ASSEMBLY includes items 22 - 24



WHEELS AND TIRES

When ordering parts, please specify the model and serial number of the product.

* Indicates a component that is not available as an individual part.

*** Indicates consult Customer Service Department for additional information.

ITEM	PART NO.	1 2 3 4 5	DESCRIPTION	QTY.
1	<u>28757G01</u>		WHEEL AND TIRE ASSEMBLY, LINKS 18 X 8.5 - 8 (INCLUDES ITEMS 2 - 4)	4
2	<u>28764G01</u>		TIRE, CARLISLE LINKS	1
3	<u>28759G01</u>		WHEEL RIM (4 LUG)	1
4	<u>11657G2</u>		VALVE STEM	1
5	<u>14723G1</u>		LUG NUT, 1/2" - 20	16
6	<u>12091G2</u>		SPINDLE CAP	2
7	<u>74175G01</u>		MOLDED DUST CAP	2
8	<u>28842G01</u>		WHEEL AND TIRE ASSEMBLY, USA TRAIL (INCLUDES ITEMS 3 - 4, 9)	2
9	<u>28764G06</u>		TIRE, USA TRAIL	1
10	<u>14723G1</u>		LUG NUT, 1/2" - 20	8
11	<u>652255</u>		WHEEL AND TIRE ASSEMBLY, KENDA (INCLUDES ITEMS 12 - 14)	2
12	<u>652989</u>		TIRE, 18 X 8.5 - 8, 6PLY (KENDA)	1
13	<u>614621</u>		WHEEL, 8 X 7	1
14	<u>643948</u>		VALVE STEM	1
15	<u>14723G1</u>		LUG NUT, 1/2" - 20	8
16	<u>612772</u>		WHEEL AND TIRE ASSEMBLY, HOLE - N - ONE 18 X 8.5 - 8 (INCLUDES ITEMS 4, 17, 18)	2
17	<u>612771</u>		KENDA TIRE, HOLE - N - ONE	1
18	<u>612770</u>		WHEEL, MONITOR 8"	1
19	<u>14723G1</u>		LUG NUT, 1/2" - 20	8
20				
21	<u>635726</u>		ALLOY WHEEL AND TIRE ASSEMBLY (INCLUDES ITEMS 22 - 24)	4
22	<u>601768</u>		TIRE, TOUR MAX, 205 / 50 - 10	1
23	<u>635727</u>		ALLOY WHEEL	1
24	<u>601767</u>		VALVE STEM	1
25	<u>605310</u>		ALLOY WHEEL LUG NUT, 1/2" - 20	16
26	<u>601353</u>		ALLOY WHEEL CAP	4
27	<u>615617</u>		HUBCAP (GOLD) (FOR VEHICLES MANUFACTURED BEFORE JANUARY 8, 2018)	4
28	<u>615618</u>		HUBCAP (SILVER) (FOR VEHICLES MANUFACTURED BEFORE JANUARY 8, 2018)	4
29	<u>665149</u>		WHEEL COVER (METALLIC GOLD) (FOR VEHICLES MANUFACTURED AFTER JANUARY 8, 2018)	4
30	<u>665144</u>		WHEEL COVER (METALLIC GOLD) (FOR VEHICLES MANUFACTURED AFTER JANUARY 8, 2018)	4

Notes:

Grid area for notes



A Textron Company

E-Z-GO Division of Textron Inc.,
1451 Marvin Griffin Road, Augusta, Georgia 30906 - 3852 USA

TO CONTACT US...

North America:

Technical Assistance & Warranty Phone: 1-800-774-3946, FAX: 1-800-448-8124

Service Parts Phone: 1-888-GET-E-Z-GO (1-888-438-3946), FAX: 1-800-752-6175

International: Phone: 001-706-798-4311, FAX: 001-706-771-4609

Service Parts Manuals, as well as Repair and Service Manuals
are available from a local Distributor, an authorized Branch,
Genuine E-Z-GO Parts & Accessories Department or at www.shopezgo.com.

Copyrighted Material
This manual may not be reproduced in whole or
in part without the express permission of
E-Z-GO Division of Textron Inc.
Technical Communications Department