

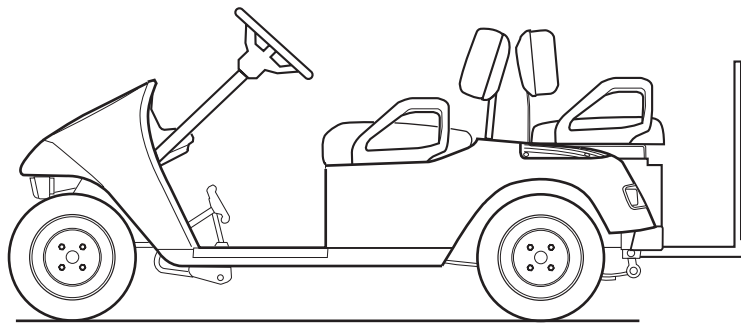
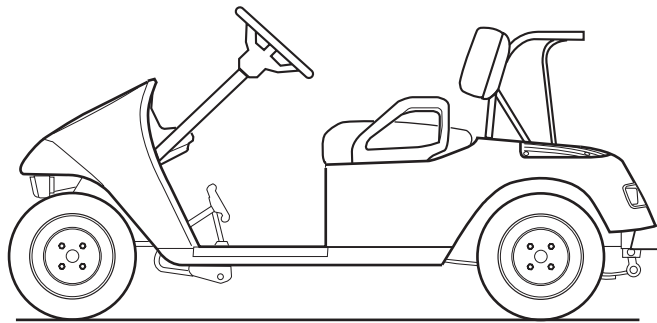
28789-G01



A Textron Company



# SERVICE PARTS MANUAL



*Ref Fcv 1*

## ELECTRIC POWERED FLEET GOLF CARS & PERSONAL VEHICLES

STARTING MODEL YEAR: 2003



# **SERVICE PARTS MANUAL**

## **ELECTRIC POWERED FLEET GOLF CARS & PERSONAL VEHICLES**

**FLEET GOLF CAR**

**FLEET PDS GOLF CAR**

**FREEDOM™**

**FREEDOM™ SE**

**FREEDOM™ LE**

**PDS FREEDOM™**

**PDS FREEDOM™ SE**

**PDS FREEDOM™ LE**

**SHUTTLE™ 2+2**

TEXTRON Golf, Turf & Specialty Products reserves the right to make design changes without obligation to make these changes on units previously sold and the information contained in this manual is subject to change without notice.

TEXTRON Golf, Turf & Specialty Products is not liable for errors in this manual or for incidental or consequential damages that result from the use of the material in this manual.

**CUSTOMER SERVICE DEPARTMENT IN USA PHONE: 1-800-241-5855 FAX: 1-800-448-8124**

**OUTSIDE USA PHONE: 010-1-706-798-4311, FAX: 010-1-706-771-4609**

**TEXTRON GOLF, TURF & SPECIALTY PRODUCTS, P.O.BOX 388, AUGUSTA, GEORGIA USA 30903-0388**

## GENERAL INFORMATION

**To obtain a copy of the limited warranty applicable to the vehicle, call or write a local Distributor, authorized Branch or the Warranty Department with vehicle serial number and manufacture date code.**

**The use of non Original Equipment Manufacturer (OEM) parts may void the warranty.**

## TABLE OF CONTENTS

<b>SECTION</b>	<b>Page No.</b>
HOW TO USE THE SERVICE PARTS MANUAL .....	v
ILLUSTRATED PARTS BREAKDOWN .....	vii
ACCELERATOR .....	A-1
BATTERY CHARGER - PORTABLE 36 VOLT .....	B-1
BATTERY CHARGER - ON BOARD 36 VOLT .....	B-7
BATTERY CHARGER - EXPORT 36 VOLT .....	B-15
BODY - FRONT .....	C-1
BODY - MID SECTION .....	C-5
BODY - REAR .....	C-7
BODY - FOOTREST .....	C-11
BODY - ACCESSORIES .....	C-13
BODY - ACCESSORIES CONTINUED .....	C-15
BODY - ACCESSORIES CONTINUED .....	C-17
BRAKES .....	D-1
DIRECTION SELECTOR .....	E-1
ELECTRICAL SYSTEM - COMMON .....	F-1
ELECTRICAL SYSTEM - PDS .....	F-9
ELECTRICAL SYSTEM - SERIES .....	F-11
ELECTRONIC SPEED CONTROL - SERIES .....	G-1
ELECTRONIC SPEED CONTROL - PDS .....	G-3
ELECTRONIC SPEED CONTROL - HD .....	G-7
FRONT SUSPENSION/STEERING .....	H-1
MOTOR .....	I-1
REAR AXLE .....	J-1
REAR SUSPENSION .....	K-1
SEATING AND BAG HOLDER - GOLF CAR .....	L-1
SEATING - SHUTTLE 2+2 .....	L-3
SEATING - CONVERTIBLE CARRIER .....	L-7
TOW BAR - PERMANENT .....	M-1

## TABLE OF CONTENTS

TOW BAR - CASUAL.....	M-5
WEATHER PROTECTION - GOLF CAR.....	N-1
WEATHER PROTECTION - SHUTTLE 2+2.....	N-7
WHEELS AND TIRES.....	O-1
SPECIALTY PRODUCTS.....	APPENDIX A-1
OPTIONS/ACCESSORIES.....	APPENDIX B-1
INDEX OF MAJOR COMPONENTS.....	INDEX-1

# HOW TO USE THE SERVICE PARTS MANUAL

This manual is divided into several sections:

## **GENERAL INFORMATION**

- TABLE OF CONTENTS
- HOW TO USE THE SERVICE PARTS MANUAL

## **ILLUSTRATED PARTS BREAKDOWN**

- Contains illustrations and parts lists for all systems of the vehicle

## **APPENDIX**

- Contains a listing of specialty products and options/accessories

## **INDEX OF MAJOR COMPONENTS**

- Contains a listing of parts (excluding hardware) grouped by part number and description and indicates on which page(s) they can be found

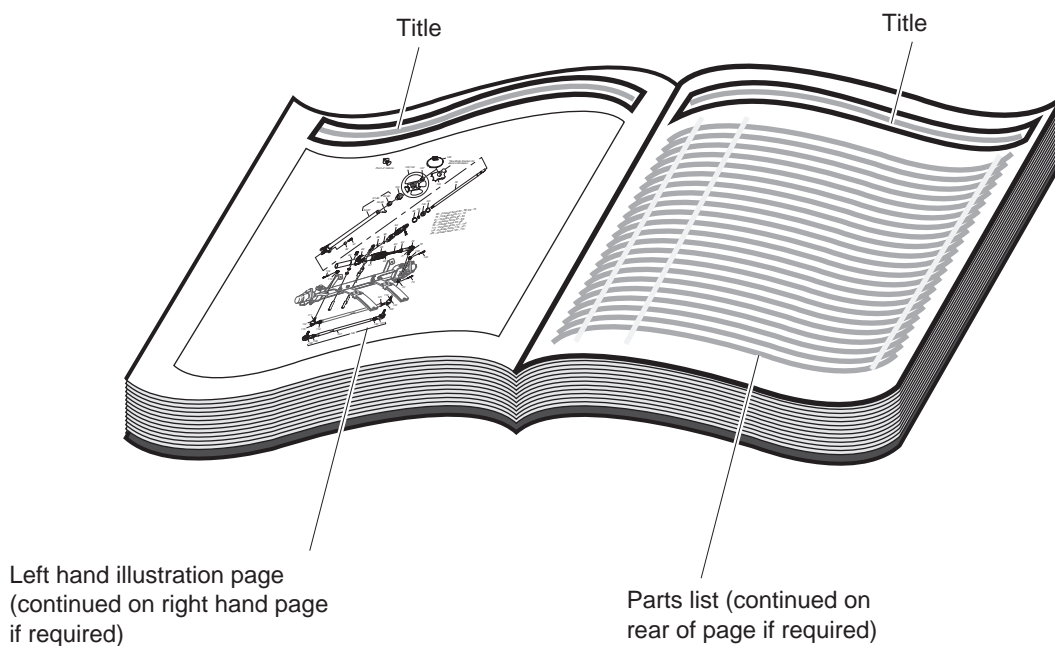
## **USE OF THE MANUAL**

To use this manual, consult the TABLE OF CONTENTS (page iii) or the INDEX OF MAJOR COMPONENTS (located at rear of this manual) to locate the information or illustration required.

Introduction of some revisions varies due to supply of components; therefore, it is possible that various combinations of components may be found that are not directly reflected by each illustration. Consult the illustration that best suits your situation. Locate the serial number plate (see BODY located in the Illustrated Parts Breakdown section of this manual for its location) and note the complete number shown on the plate. It is important that the serial number of your vehicle and its model number be supplied to Service Parts when ordering any replacement components.

Locate the serial number plate (see BODY located in the Illustrated Parts Breakdown section of this manual for its location) and note the complete number shown on the plate.

# HOW TO USE THE SERVICE PARTS MANUAL



## 1. WHEN THE PART NUMBER IS NOT KNOWN

- Determine the function and application of the part required. Turn to the INDEX OF MAJOR COMPONENTS and select the most appropriate component description.
- Turn to the page number indicated and locate the part description in the parts list. Read the full accompanying description for specific information regarding the part that was not shown in the index.
- From the parts list, obtain the item number assigned to it and confirm that the part selected is correct by verifying it with the pictorial representation on the illustrated page.

## 2. IF YOU KNOW THE PART NUMBER

- Use the INDEX OF MAJOR COMPONENTS to find the page(s) the part number appears on.
- Turn to the page number indicated and locate the part number in the parts list. Refer to the accompanying description for specific information regarding the part.
- From the parts list, obtain the item number assigned to it and confirm that the part selected is correct by verifying it with the pictorial representation on the illustrated page.

Should an asterisk (\*) appear in the part number column on the parts list page, read upwards until a part number is found. The part number is the lowest assembly sold by Service Parts. The asterisk (\*) indicates that the part depicted is not available for purchase.

NOTE: Descriptions are indented under the assembly that they are used on. That assembly is, in turn listed under the assembly that it is used on. This process is repeated until the highest final assembly is reached.

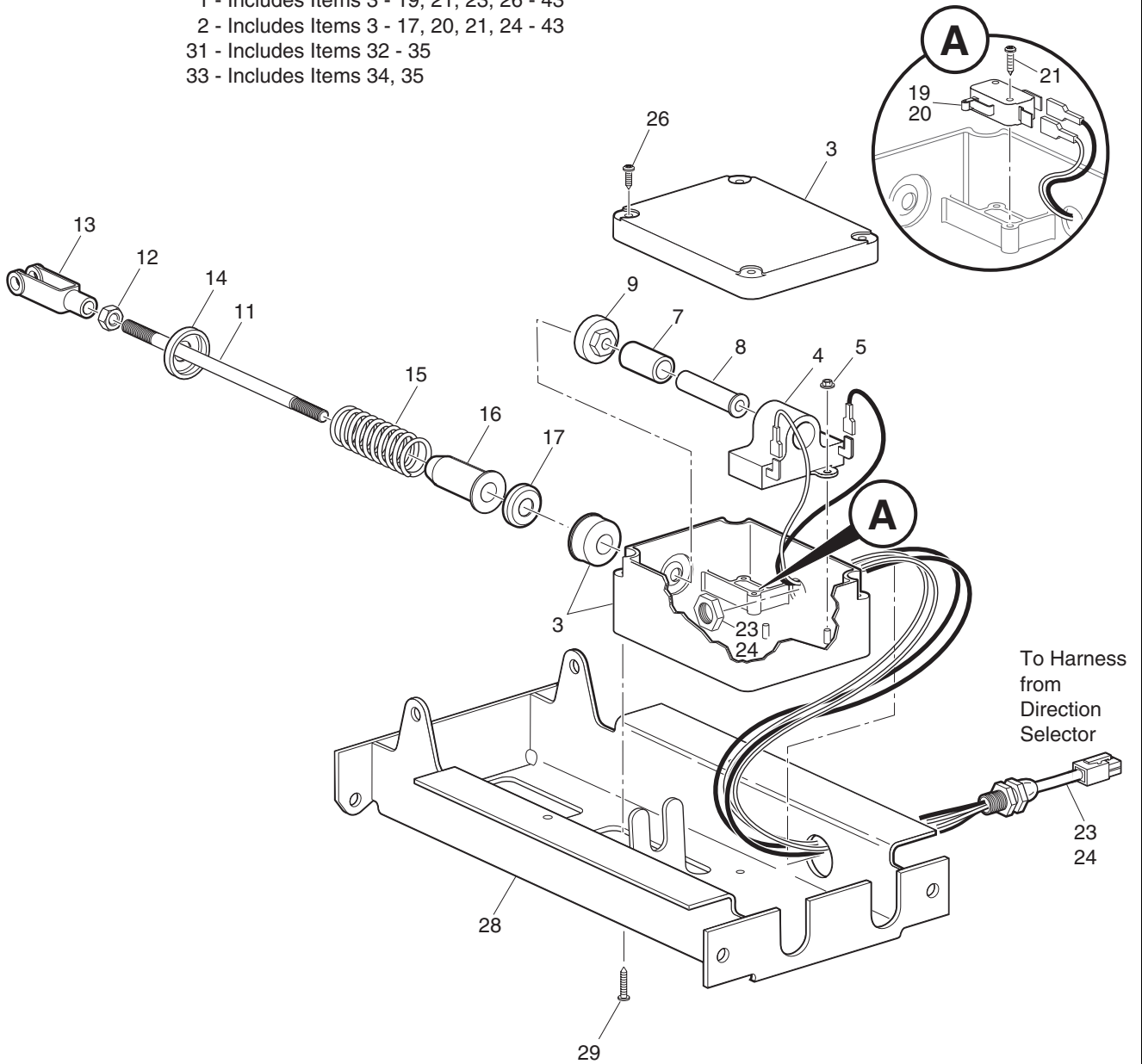
**To facilitate the maintenance and repair of the vehicle, a Technician's Repair and Service Manual is available from the Service Parts Department.**



# ILLUSTRATED PARTS BREAKDOWN

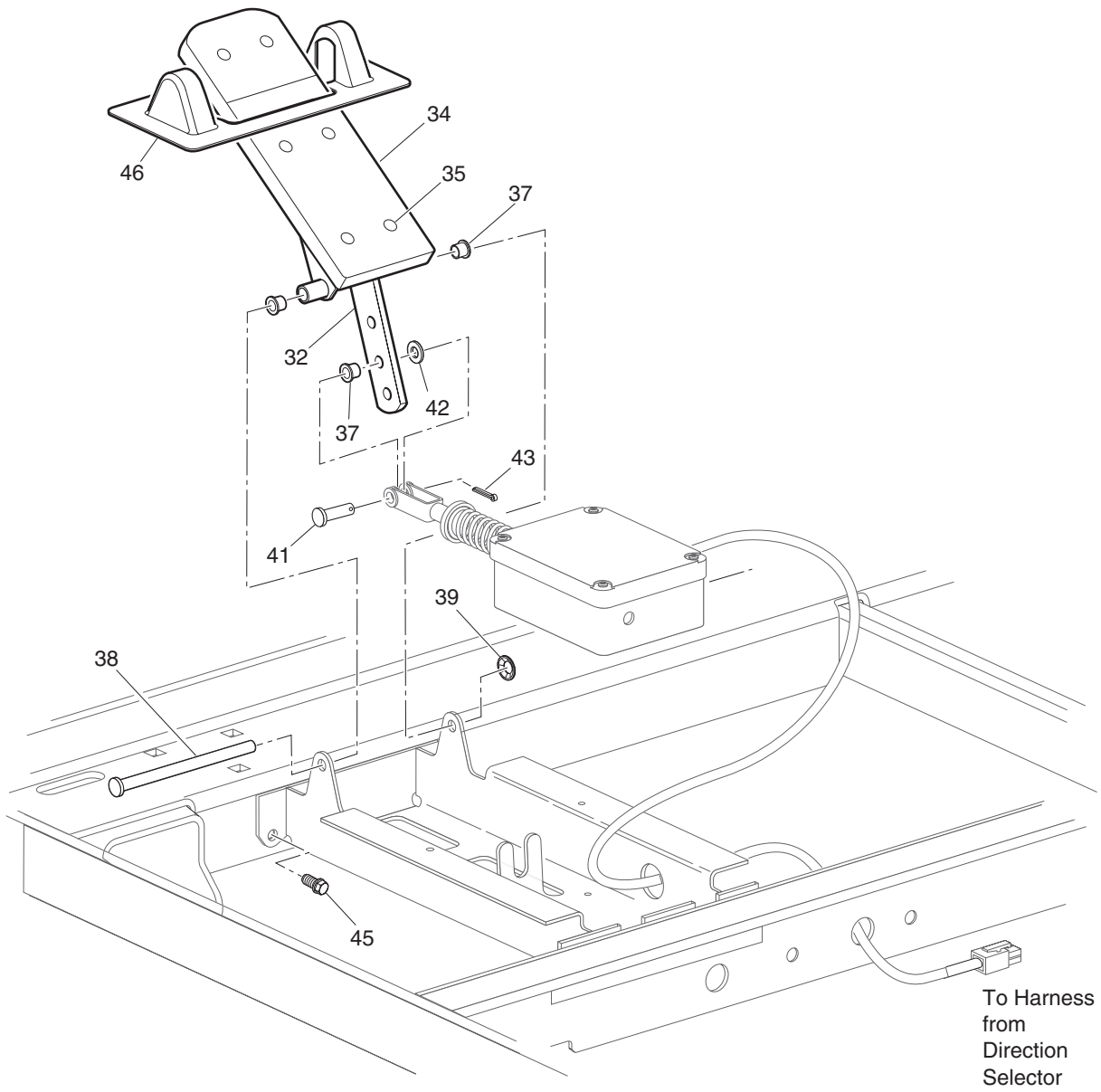
# ACCELERATOR

- 1 - Includes Items 3 - 19, 21, 23, 26 - 43
- 2 - Includes Items 3 - 17, 20, 21, 24 - 43
- 31 - Includes Items 32 - 35
- 33 - Includes Items 34, 35



Ref Acl 1-1

# ACCELERATOR



Ref Acl 1-2

# ACCELERATOR

Where applicable, THE USE OF NON UL PARTS WILL VOID ANY UL LISTING.

When ordering parts, please specify the model and serial number of the product.

\* Indicates a component that is not available as an individual part.

G\*\* Indicates consult Customer Service Department for additional information.

ITEM	PART NO.	1 2 3 4 5	DESCRIPTION	QTY.
1	<u>73333-G01</u>		PEDAL BOX ASSEMBLY (INCLUDES ITEMS 3 - 19, 21, 23, 26 - 43).....	1
2	<u>73333-G05</u>		PEDAL BOX ASSEMBLY, PDS MODEL ONLY (INCLUDES ITEMS 3 - 17, 20, 21, 24 - 43) .....	1
3	<u>25853-G01</u>		PEDAL BOX AND COVER (SEAL AND BEARING).....	1
4	<u>25854-G01</u>		INDUCTIVE THROTTLE SENSOR .....	1
5	<u>00983-G01</u>		SELF THREADING NUT, 3/16" .....	2
6				
7	<u>25857-G01</u>		PLUNGER SLEEVE.....	1
8	<u>28443-G01</u>		PLUNGER.....	1
9	<u>28444-G01</u>		PLUNGER CAM.....	1
10				
11	<u>73332-G01</u>		ACCELERATOR ROD .....	1
12	<u>00532-G4</u>		NUT, 5/16 - 24.....	1
13	<u>10385-G4</u>		CLEVIS YOKE (ADJUSTABLE).....	1
14	<u>17677-G2</u>		SPRING RETAINER, 3/8" .....	1
15	<u>73046-G01</u>		COMPRESSION SPRING .....	1
16	<u>17979-G1</u>		ACCELERATOR ROD BUSHING .....	1
17	<u>17677-G1</u>		SPRING RETAINER, 1/2" .....	1
18				
19	<u>25861-G01</u>		MICRO SWITCH.....	1
20	<u>25861-G02</u>		MICRO SWITCH (PDS MODEL ONLY).....	1
21	<u>00982-G01</u>		SCREW, #4 - 14 X 5/8" LG .....	2
22				
23	<u>25879-G03</u>		WIRING HARNESS (PEDAL BOX ASSEMBLY) .....	1
24	<u>25879-G05</u>		WIRING HARNESS (PEDAL BOX ASSEMBLY) (PDS MODEL ONLY) .....	1
25				
26	<u>00684-G6</u>		SCREW, #8 - 32 X 3/4" LG (STAINLESS STEEL).....	4
27				
28	<u>70116-G01</u>		ACCELERATOR PEDAL BRACKET.....	1
29	<u>01051-G01</u>		SCREW, #8 - 16 X 1/2" LG .....	4

# ACCELERATOR

Where applicable, THE USE OF NON UL PARTS WILL VOID ANY UL LISTING.

When ordering parts, please specify the model and serial number of the product.

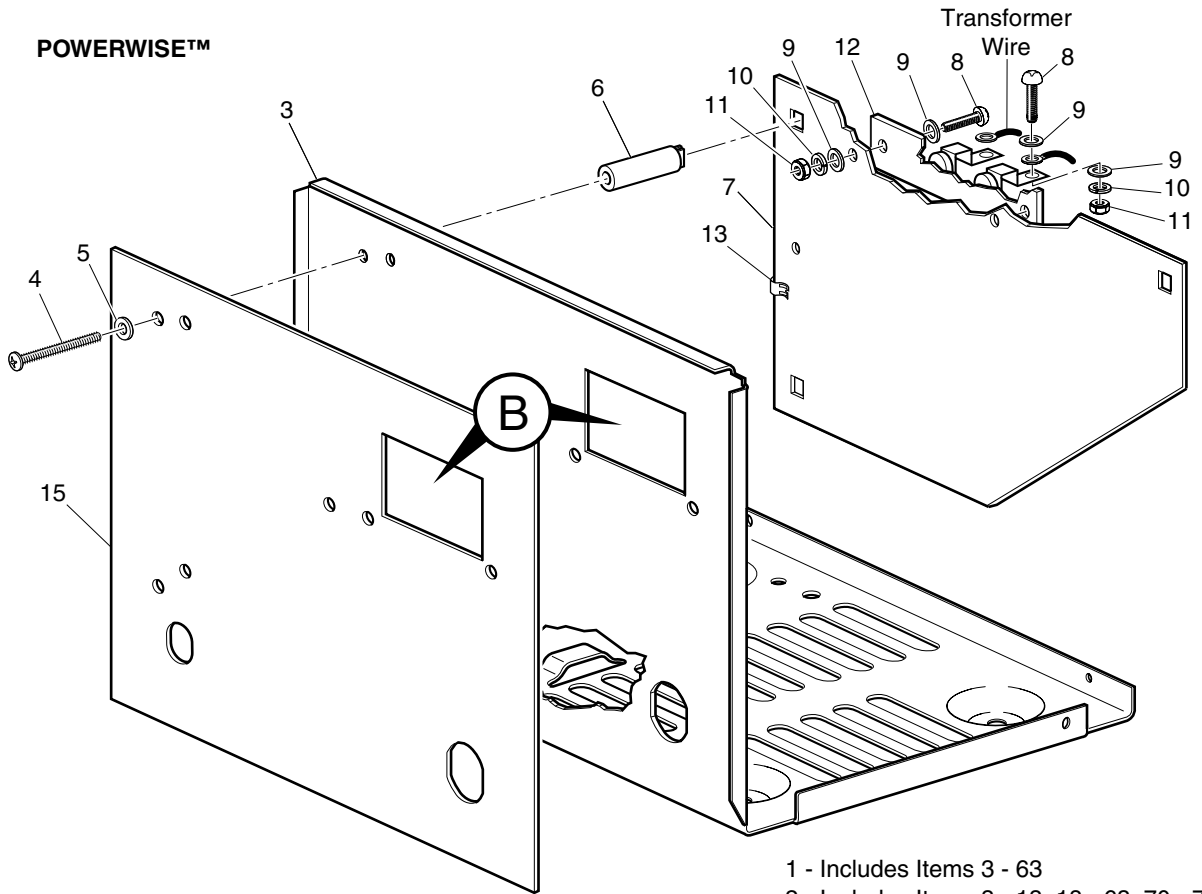
\* Indicates a component that is not available as an individual part.

G\*\* Indicates consult Customer Service Department for additional information.

ITEM	PART NO.	1	2	3	4	5	DESCRIPTION	QTY.
30								
31	25799-G01						ACCELERATOR PEDAL ASSEMBLY (INCLUDES ITEMS 32 - 35).....	1
32	*						ACCELERATOR PEDAL.....	1
33	<u>27844-G01</u>						ACCELERATOR PEDAL PAD KIT (INCLUDES ITEMS 34, 35).....	1
34	<u>27512-G01</u>						ACCELERATOR PEDAL PAD .....	1
35	<u>15766-G1</u>						OVAL RIVET 3/16" X 7/16" LG .....	6
36								
37	<u>17838-G1</u>						NYLON BUSHING .....	3
38	<u>74432-G01</u>						PEDAL PIVOT PIN .....	1
39	<u>12064-G6</u>						PUSHNUT, 9/32" I.D. ....	1
40								
41	<u>10386-G3</u>						CLEVIS PIN, 5/16" X 13/16" LG .....	1
42	<u>17255-G1</u>						TEFLON WASHER, 5/16" .....	1
43	<u>10387-G3</u>						COTTER PIN, 3/32" X 3/4" LG .....	1
44								
45	<u>00715-G2</u>						BOLT, 5/16 - 18 X 4/5" LG .....	4
46	<u>70135-G01</u>						PEDAL PIVOT COVER.....	1

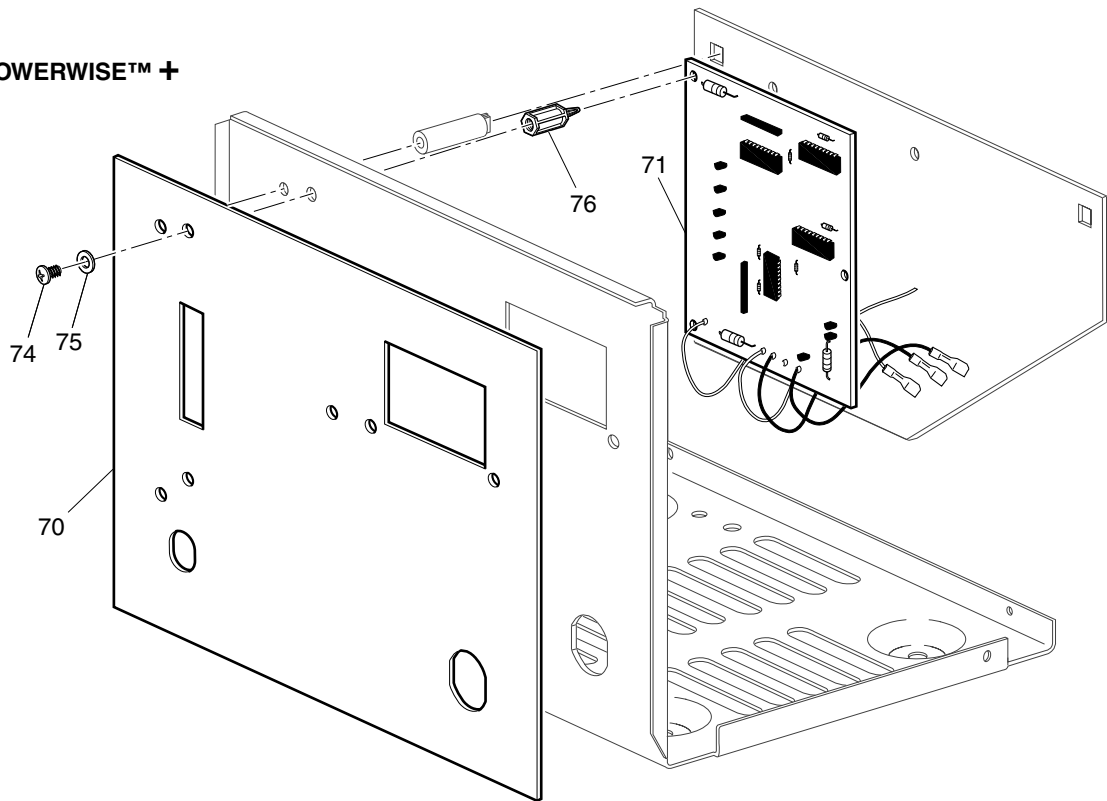
# BATTERY CHARGER - PORTABLE 36 VOLT

**POWERWISE™**



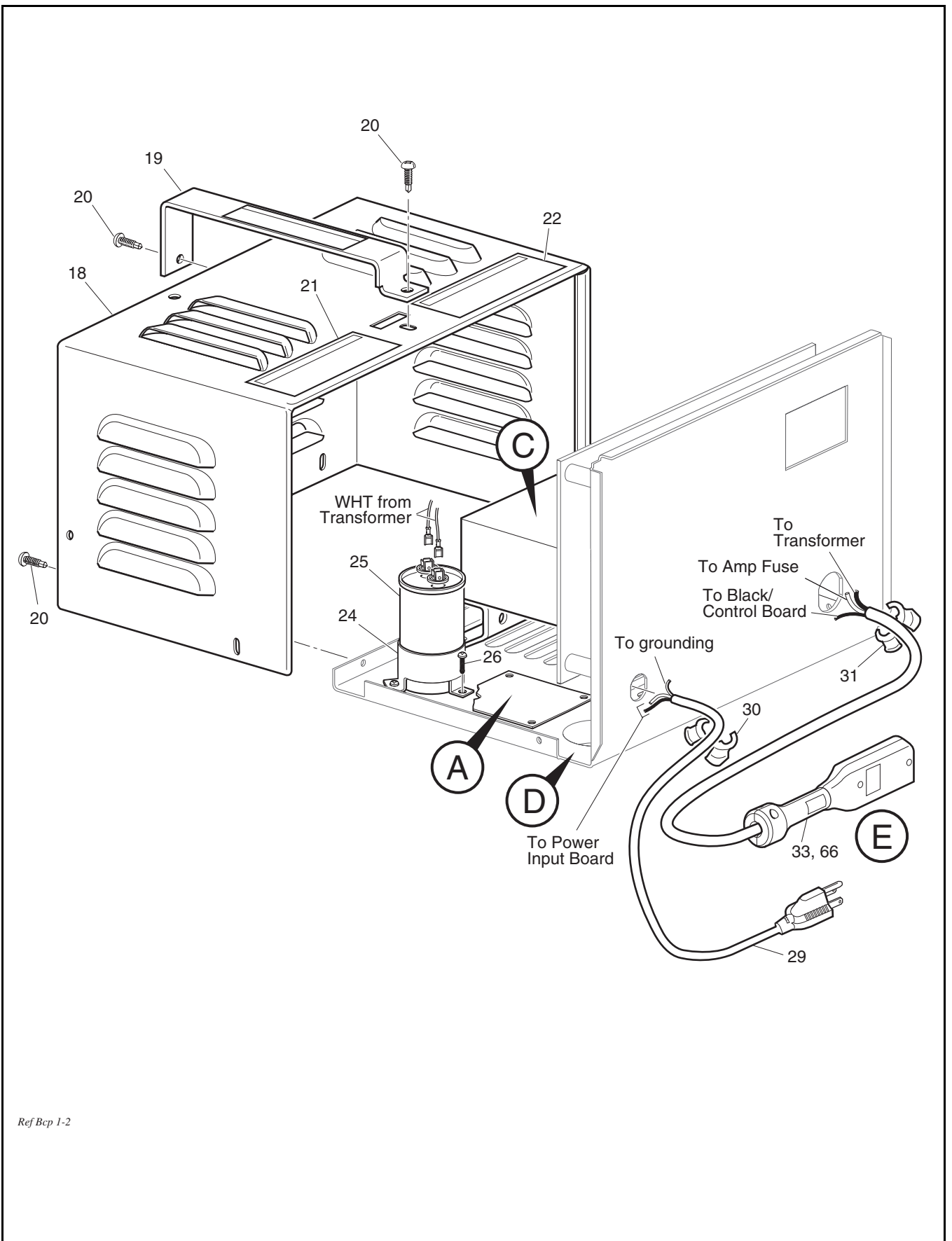
- 1 - Includes Items 3 - 63
- 2 - Includes Items 3 - 13, 18 - 63, 70 - 76

**POWERWISE™ +**



Ref Bcp 1-1

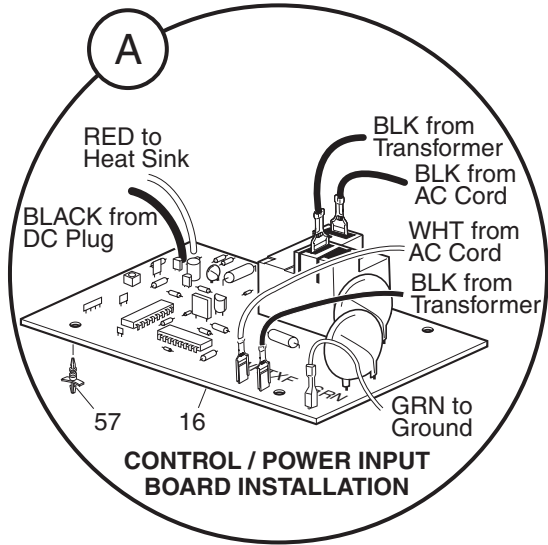
# BATTERY CHARGER - PORTABLE 36 VOLT



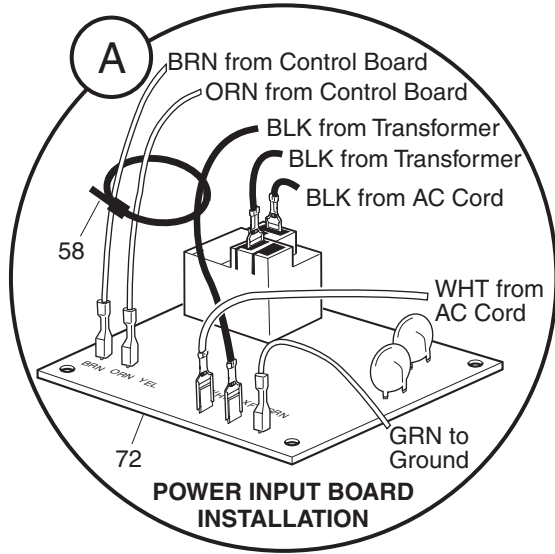
Ref Bep 1-2

# BATTERY CHARGER - PORTABLE 36 VOLT

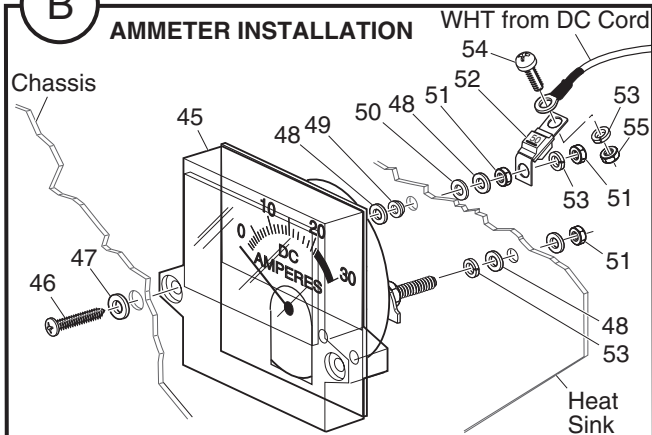
POWERWISE™



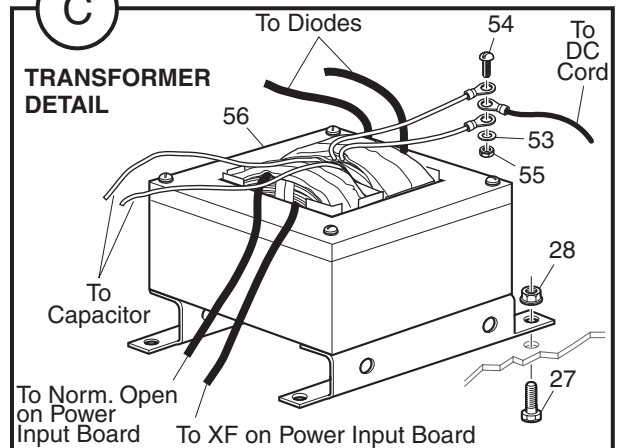
POWERWISE™ +



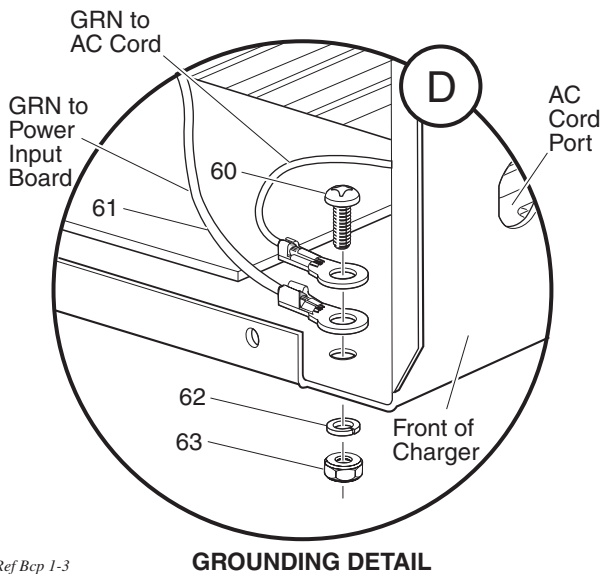
**B**



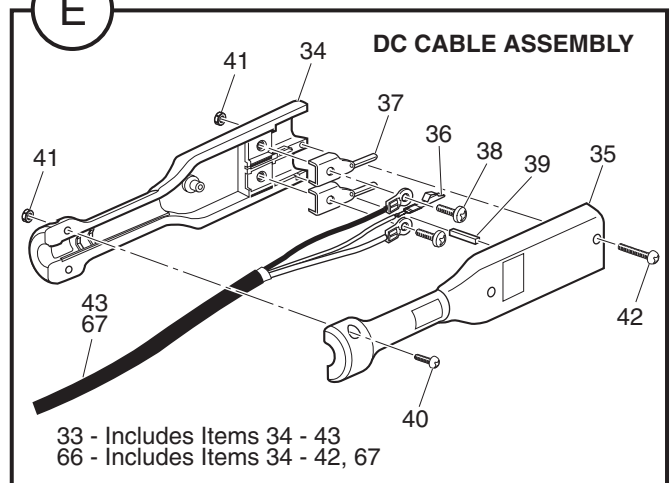
**C**



**D**



**E**



Ref Bcp 1-3



## BATTERY CHARGER - PORTABLE 36 VOLT

Where applicable, THE USE OF NON UL PARTS WILL VOID ANY UL LISTING.

When ordering parts, please specify the model and serial number of the product.

\* Indicates a component that is not available as an individual part.

G\*\* Indicates consult Customer Service Department for additional information.

ITEM	PART NO.	1	2	3	4	5	DESCRIPTION	QTY.
1	28115-G01						POWERWISE™ CHARGER (10' CORD) (INCLUDES ITEMS 3 - 63).....	1
2	<u>28115-G02</u>						POWERWISE™ + CHARGER (PORTABLE, 10' CORD) (INCLUDES ITEMS 3 - 13, 18 - 63, 70 - 76).....	1
3	*						CHASSIS .....	1
4	<u>00513-G6</u>						SCREW, #8 - 18 X 1 3/4" LG .....	2
5	<u>00559-G4</u>						WASHER, #8 .....	2
6	<u>11572-G3</u>						EXPANSION NUT .....	2
7	<u>28104-G01</u>						HEAT SINK .....	1
8	<u>00372-G4</u>						SCREW, #8 - 32 X 1/2" LG .....	4
9	<u>00559-G4</u>						WASHER, #8 .....	4
10	<u>00565-G4</u>						LOCK WASHER, #8 .....	4
11	<u>00526-G1</u>						NUT, #8 - 32.....	4
12	<u>28548-G01</u>						DIODE.....	1
13	<u>28110-G01</u>						ELECTRICAL CLIP .....	1
14								
15	*						LABEL (POWERWISE™) .....	1
16	<u>28667-G01</u>						CONTROL / POWER INPUT BOARD .....	1
17								
18	*						COVER .....	1
19	<u>28102-G01</u>						HANDLE .....	1
20	<u>00614-G4</u>						SCREW, #8 - 18 X 1/2" LG .....	6
21	<u>28136-G01</u>						LABEL (VENTILATION) .....	1
22	<u>28136-G02</u>						LABEL (CORD CONDITION).....	1
23								
24	<u>26979-G01</u>						CAPACITOR BRACKET .....	1
25	<u>28109-G01</u>						CAPACITOR .....	1
26	<u>00969-G01</u>						SCREW, #8 - 32 X 3/8" LG .....	3
27	<u>00414-G5</u>						BOLT, 1/4 - 20 X 5/8" LG.....	3
28	<u>11027-G2</u>						LOCK NUT, 1/4 - 20.....	3
29	<u>19388-G4</u>						AC CORD .....	1

## BATTERY CHARGER - PORTABLE 36 VOLT

Where applicable, THE USE OF NON UL PARTS WILL VOID ANY UL LISTING.

When ordering parts, please specify the model and serial number of the product.

\* Indicates a component that is not available as an individual part.

G\*\* Indicates consult Customer Service Department for additional information.

ITEM	PART NO.	1	2	3	4	5	DESCRIPTION	QTY.
30	<u>13557-G2</u>						STRAIN RELIEF (AC).....	1
31	<u>13557-G3</u>						STRAIN RELIEF (DC).....	1
32								
33	<u>73345-G01</u>						DC CORD AND HANDLE ASSEMBLY (INCLUDES ITEMS 34 - 43) .....	1
34	<u>73051-G11</u>						PLUG (TOP HALF).....	1
35	<u>73051-G12</u>						PLUG (BOTTOM HALF).....	1
36	<u>73051-G27</u>						AUXILIARY CONTACT.....	1
37	<u>73051-G14</u>						MALE PIN.....	2
38	<u>73051-G08</u>						SCREW, #10 - 32 X 1/2" LG (BRASS) .....	2
39	<u>73051-G15</u>						MAGNET .....	1
40	<u>73051-G16</u>						SCREW, #6 - 32 X 1/2" LG (STAINLESS STEEL) .....	2
41	<u>73051-G10</u>						LOCK NUT, #6 - 32 .....	4
42	<u>73051-G17</u>						SCREW, #6 - 32 X 1" LG (STAINLESS STEEL) .....	2
43	<u>73344-G01</u>						DC CORD, 10' LG .....	1
44								
45	<u>28105-G01</u>						AMMETER .....	1
46	<u>01051-G01</u>						SCREW, #8 - 16 X 1/2" LG .....	2
47	<u>00559-G4</u>						WASHER, #8 .....	2
48	<u>01003-G01</u>						WASHER, #10 (BRASS).....	4
49	<u>22589-G2</u>						SHOULDER WASHER, #10 .....	1
50	<u>00771-G6</u>						NYLON WASHER, 3/8".....	1
51	<u>00528-G4</u>						NUT, #10 - 32 (BRASS) .....	3
52	<u>28106-G01</u>						50 AMP FUSE.....	1
53	<u>00565-G5</u>						LOCK WASHER, #10 .....	4
54	<u>00378-G4</u>						SCREW, #10 - 24 X 1/2" LG .....	2
55	<u>00526-G3</u>						NUT, #10 - 24.....	2
56	<u>28103-G01</u>						TRANSFORMER .....	1
57	<u>27877-G01</u>						SPACER SUPPORT .....	4
58	<u>17618-G1</u>						WIRE TIE.....	2
59								

## BATTERY CHARGER - PORTABLE 36 VOLT

Where applicable, THE USE OF NON UL PARTS WILL VOID ANY UL LISTING.

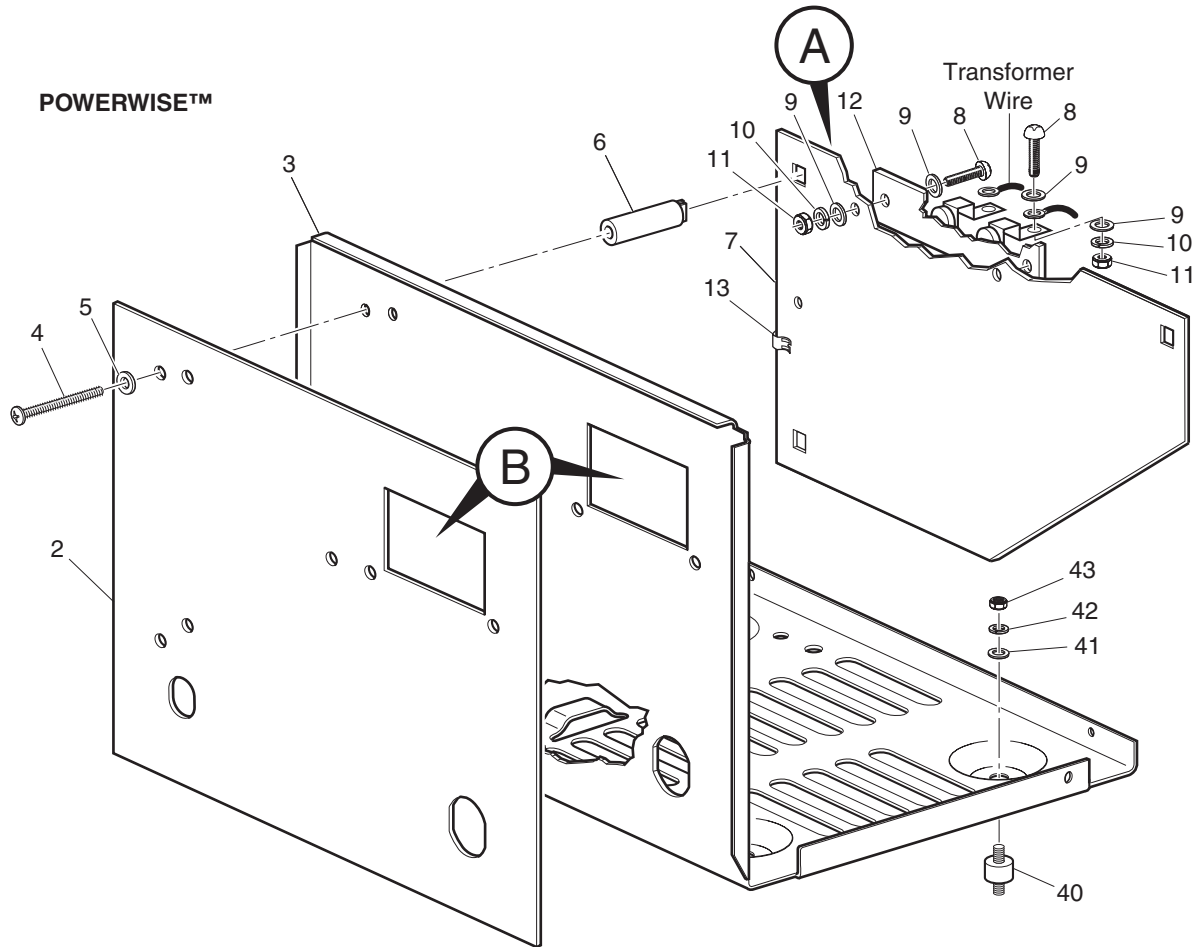
When ordering parts, please specify the model and serial number of the product.

\* Indicates a component that is not available as an individual part.

G\*\* Indicates consult Customer Service Department for additional information.

ITEM	PART NO.	1	2	3	4	5	DESCRIPTION	QTY.
60	<u>00372-G3</u>						SCREW, #8 - 32 X 3/8" LG .....	1
61	<u>25977-G32</u>						16 GA WIRE (GREEN 4") .....	1
62	<u>00565-G4</u>						LOCK WASHER, #8 .....	1
63	<u>00526-G1</u>						NUT, #8 - 32.....	1
64								
65	<u>28115-G07</u>						POWERWISE™ CHARGER (PORTABLE, 18' CORD) (INCLUDES ITEMS 3 - 31, 45 - 63, 66, 67) .....	1
66	<u>73345-G03</u>						DC CORD AND HANDLE ASSEMBLY (INCLUDES ITEMS 34 - 42, 67) .....	1
67	<u>73344-G03</u>						DC CORD, 18' LG .....	1
68								
69	28115-G08						POWERWISE™ + CHARGER (PORTABLE, 18' CORD) (INCLUDES ITEMS 3 - 13, 18 - 31, 45 - 63, 66, 67, 70 - 76) .....	1
70	*						LABEL (POWERWISE™ +) .....	1
71	<u>28667-G02</u>						CONTROL BOARD.....	1
72	<u>28667-G03</u>						POWER INPUT BOARD.....	1
73								
74	01995-G01						SCREW, #6 - 19 X 5/16" LG .....	3
75	<u>00559-G3</u>						WASHER, #6 .....	3
76	<u>28111-G01</u>						SUPPORT SPACER.....	3

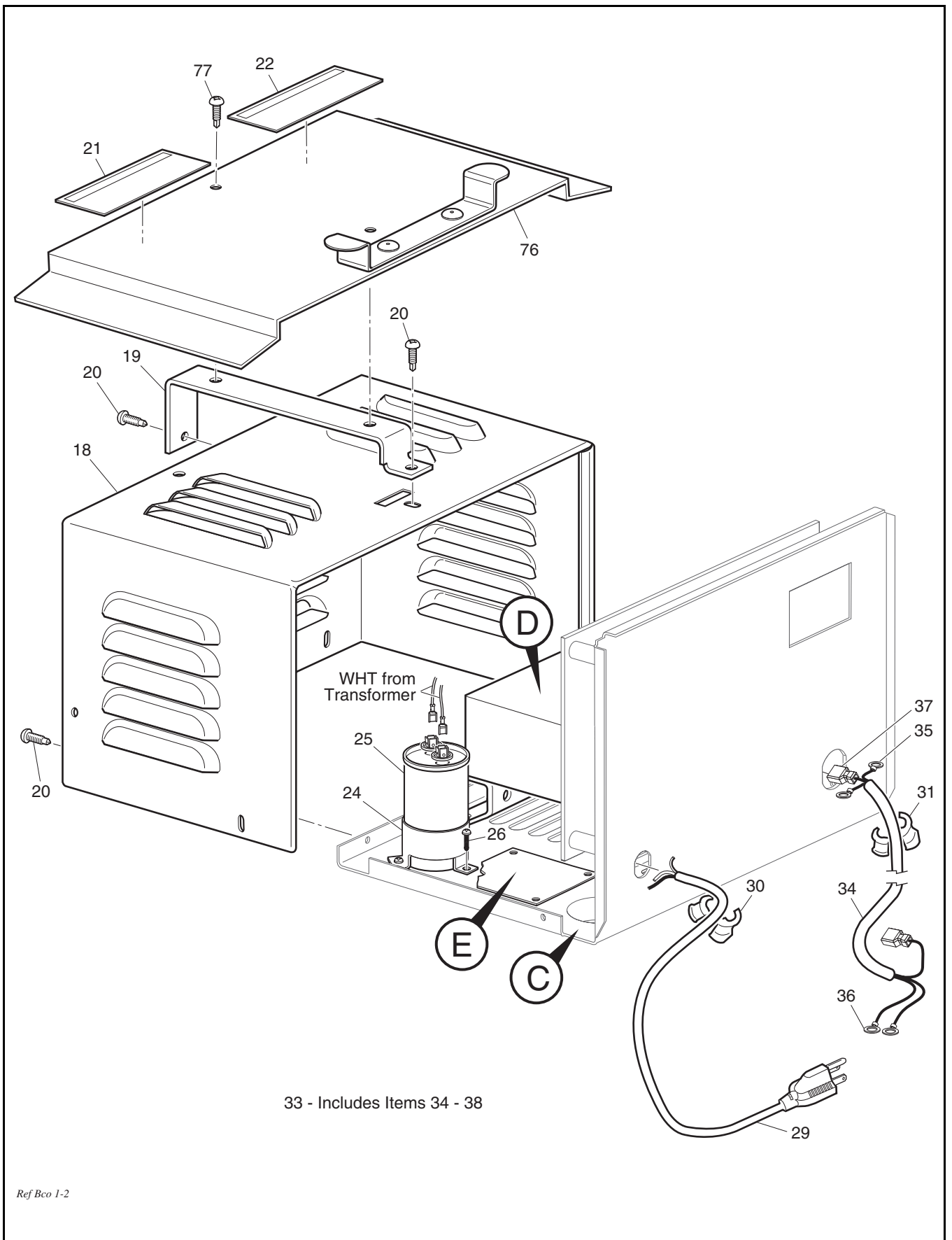
# BATTERY CHARGER - ON BOARD 36 VOLT



1 - Includes Items 2 - 74

Ref Bco 1-1

# BATTERY CHARGER - ON BOARD 36 VOLT

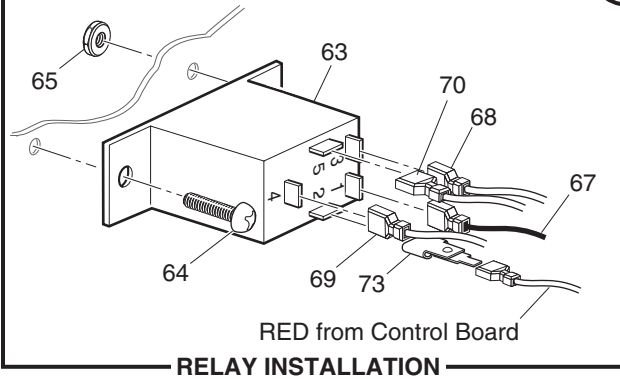


Ref Bco 1-2

# BATTERY CHARGER - ON BOARD 36 VOLT

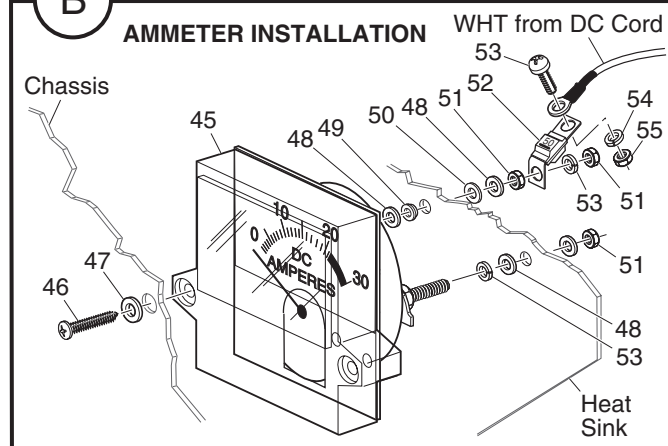
- Pin 1 - Wire 67 to Input Board "COM"
- Pin 2 - Tab Adapter 73, RED wire from Control Board
- Pin 3 - Wire 68 to Input Board "WHT"
- Pin 4 - Wire 69 to Heat Sink Clip
- Pin 5 - Wire 70 to DC Cord RED Wire

**A**

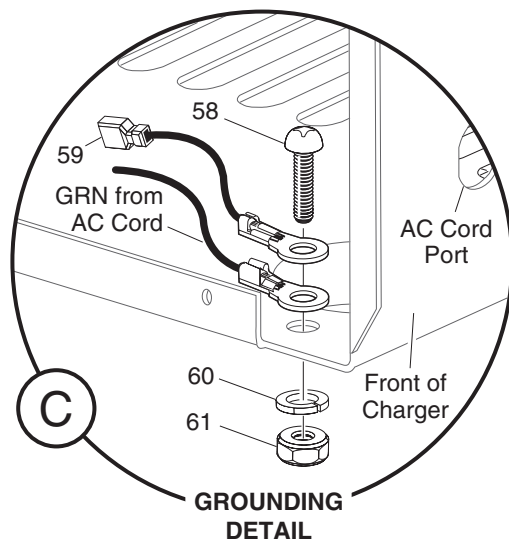


**B**

## AMMETER INSTALLATION

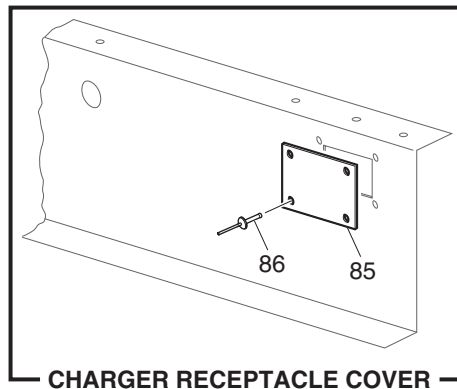
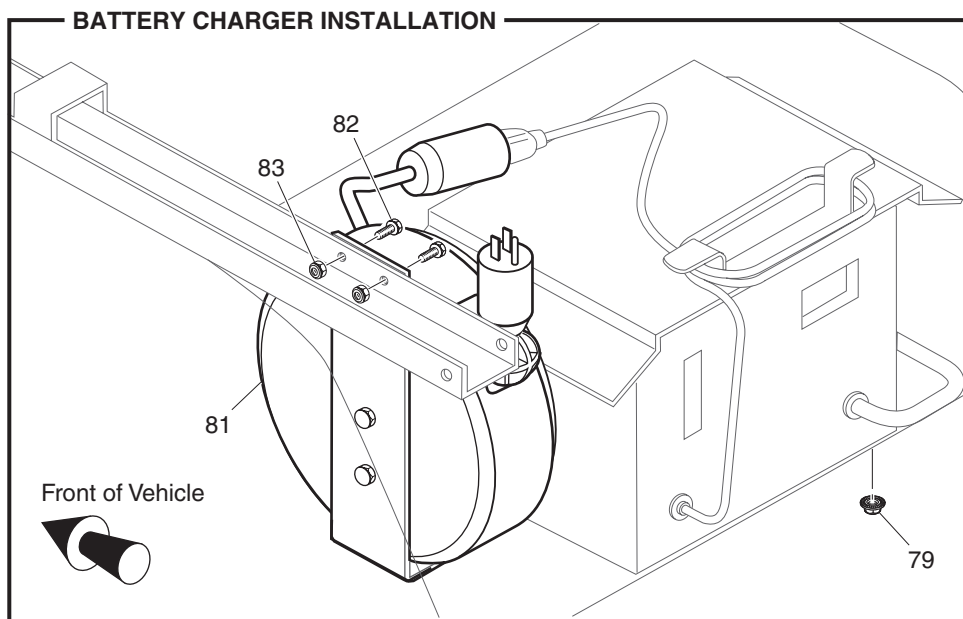
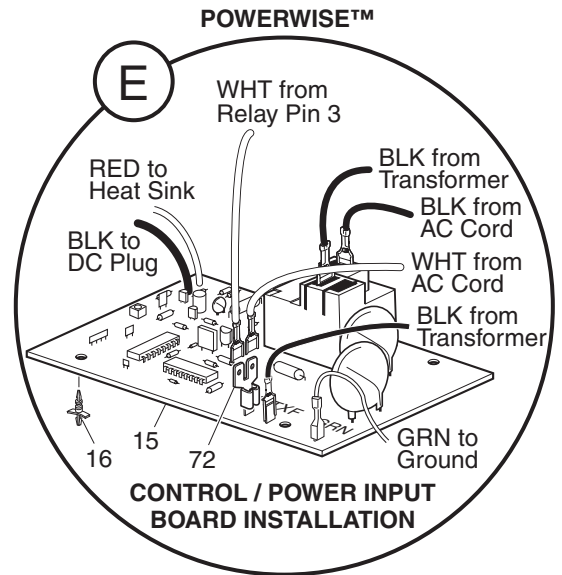
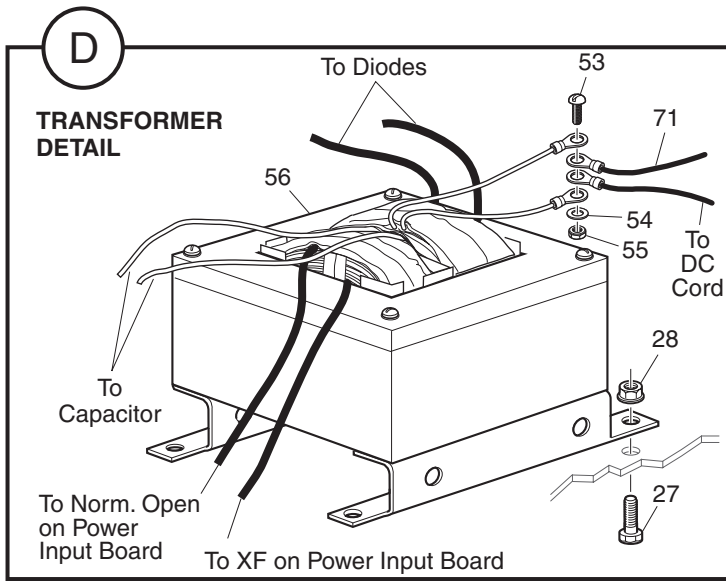


**C**



Ref Bco 1-3

# BATTERY CHARGER - ON BOARD 36 VOLT



Ref Bco 1-4

## BATTERY CHARGER - ON BOARD 36 VOLT

Where applicable, THE USE OF NON UL PARTS WILL VOID ANY UL LISTING.

When ordering parts, please specify the model and serial number of the product.

\* Indicates a component that is not available as an individual part.

G\*\* Indicates consult Customer Service Department for additional information.

ITEM	PART NO.	1	2	3	4	5	DESCRIPTION	QTY.
1	<u>28115-G11</u>						POWERWISE™ CHARGER (ON BOARD) (INCLUDES ITEMS 2 - 74).....	1
2	*						LABEL (POWERWISE™) .....	1
3	*						CHASSIS .....	1
4	<u>00513-G6</u>						SCREW, #8 - 18 X 1 3/4" LG .....	2
5	<u>00559-G4</u>						WASHER, #8 .....	2
6	<u>11572-G3</u>						EXPANSION NUT .....	2
7	<u>28104-G01</u>						HEAT SINK .....	1
8	<u>00372-G4</u>						SCREW, #8 - 32 X 1/2" LG .....	4
9	<u>00559-G4</u>						WASHER, #8 .....	6
10	<u>00565-G4</u>						LOCK WASHER, #8 .....	4
11	<u>00526-G1</u>						NUT, #8 - 32.....	4
12	<u>28548-G01</u>						DIODE.....	1
13	<u>28110-G01</u>						ELECTRICAL CLIP .....	1
14								
15	<u>28667-G01</u>						CONTROL / POWER INPUT BOARD .....	1
16	<u>27877-G01</u>						SPACER SUPPORT .....	4
17								
18	*						COVER .....	1
19	<u>28102-G01</u>						HANDLE .....	1
20	<u>00614-G4</u>						SCREW, #8 - 18 X 1/2" LG .....	4
21	<u>28136-G01</u>						LABEL (VENTILATION) .....	1
22	<u>28136-G02</u>						LABEL (CORD CONDITION).....	1
23								
24	<u>26979-G01</u>						CAPACITOR BRACKET .....	1
25	<u>28109-G01</u>						CAPACITOR .....	1
26	<u>00969-G01</u>						SCREW, #8 - 32 X 3/8" LG .....	3
27	<u>00414-G5</u>						BOLT, 1/4 - 20 X 5/8" LG.....	3
28	<u>11027-G2</u>						LOCK NUT, 1/4 - 20 .....	3
29	<u>19388-G4</u>						AC CORD .....	1
30	<u>13557-G2</u>						STRAIN RELIEF (AC).....	1



## BATTERY CHARGER - ON BOARD 36 VOLT

Where applicable, THE USE OF NON UL PARTS WILL VOID ANY UL LISTING.

When ordering parts, please specify the model and serial number of the product.

\* Indicates a component that is not available as an individual part.

G\*\* Indicates consult Customer Service Department for additional information.

ITEM	PART NO.	1	2	3	4	5	DESCRIPTION	QTY.
31	<u>13557-G3</u>						STRAIN RELIEF (DC).....	1
32								
33	<u>73344-G06</u>						DC CORD ASSEMBLY (INCLUDES ITEMS 34 - 38) .....	1
34	28108-G01						DC CORD.....	1
35	<u>11343-G3</u>						RING TERMINAL, 3/16" .....	2
36	11343-G1						RING TERMINAL, 5/16" .....	2
37	<u>17064-G1</u>						FEMALE TERMINAL.....	2
38	22476-G1						HEAT SHRINK TUBING .....	A/R
39								
40	<u>22009-G2</u>						ISOLATION MOUNT.....	4
41	<u>01110-G01</u>						WASHER, 1/4" (STAINLESS STEEL).....	4
42	<u>00664-G7</u>						LOCK WASHER, 1/4" (STAINLESS STEEL).....	4
43	<u>00532-G1</u>						NUT, 1/4 - 20.....	4
44								
45	<u>28105-G01</u>						AMMETER.....	1
46	<u>01051-G01</u>						SCREW, #8 - 16 X 1/2" LG .....	2
47	<u>00559-G4</u>						WASHER, #8 .....	2
48	<u>01003-G01</u>						WASHER, #10 (BRASS).....	4
49	<u>22589-G2</u>						SHOULDER WASHER, #10 .....	1
50	<u>00771-G6</u>						NYLON WASHER, 3/8".....	1
51	00528-G4						NUT, #10 - 32 (BRASS) .....	3
52	<u>28106-G01</u>						50 AMP FUSE.....	1
53	<u>00378-G4</u>						SCREW, #10 - 24 X 1/2" LG .....	2
54	<u>00565-G5</u>						LOCK WASHER, #10 .....	4
55	<u>00526-G3</u>						NUT, #10 - 24.....	2
56	<u>28103-G01</u>						TRANSFORMER .....	1
57								
58	<u>00372-G3</u>						SCREW, #8 - 32 X 3/8" LG .....	1
59	<u>25977-G32</u>						16 GA WIRE (GREEN 4").....	1
60	<u>00565-G4</u>						LOCK WASHER, #8 .....	1

## BATTERY CHARGER - ON BOARD 36 VOLT

Where applicable, THE USE OF NON UL PARTS WILL VOID ANY UL LISTING.

When ordering parts, please specify the model and serial number of the product.

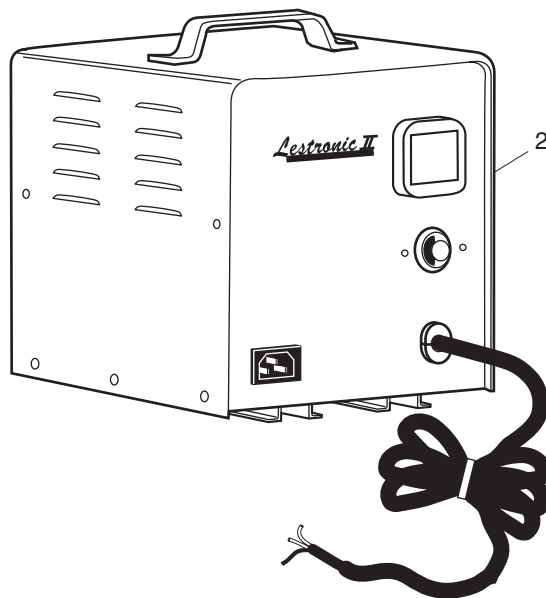
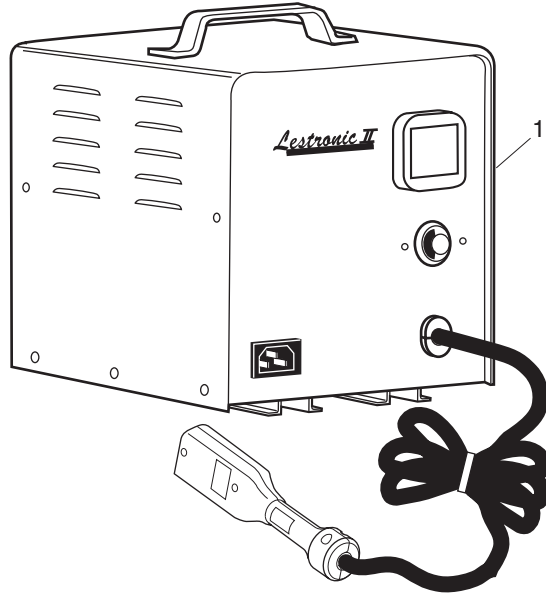
\* Indicates a component that is not available as an individual part.

G\*\* Indicates consult Customer Service Department for additional information.

ITEM	PART NO.	1	2	3	4	5	DESCRIPTION	QTY.
61	<u>00526-G1</u>						NUT, #8 - 32.....	1
62								
63	<u>21971-G4</u>						RELAY .....	1
64	<u>00138-G4</u>						SCREW, #6 - 32 X 1/2" LG .....	2
65	<u>14390-G9</u>						LOCK NUT, #6 - 32 .....	2
66								
67	25977-G38						16 GA WIRE (BLACK 4") .....	1
68	25977-G37						16 GA WIRE (WHITE 5") .....	1
69	25978-G161						18 GA WIRE (BLUE 6") .....	1
70	25978-G162						18 GA WIRE (YELLOW 6").....	1
71	25978-G163						18 GA WIRE (BLACK 7") .....	1
72	<u>17902-G1</u>						ADAPTER TAB .....	1
73	<u>28305-G01</u>						ADAPTER TERMINAL, 1/4" X 3/16" .....	1
74	<u>27285-G01</u>						ADAPTER TERMINAL, 1/4" (1 FEMALE, 3 MALE).....	1
75								
76	<u>71968-G01</u>						SHIELD .....	1
77	<u>00106-G6</u>						SCREW, #12 - 24 X 3/4" LG.....	2
78								
79	<u>11027-G1</u>						LOCK NUT, 5/16 - 18 .....	2
80								
81	<u>73368-G01</u>						CORD REEL .....	1
82	00438-G6						BOLT, 5/16 - 18 X 3/4" LG .....	2
83	<u>11027-G1</u>						LOCK NUT, 5/16 - 18 .....	2
84								
85	73173-G01						COVER PLATE .....	1
86	<u>14601-G10</u>						RIVET, 1/8" X 7/16" LG (ALUMINUM).....	4

**BATTERY CHARGER - ON BOARD 36 VOLT**

# BATTERY CHARGER - EXPORT 36 VOLT



Ref Bcl 1

## BATTERY CHARGER - EXPORT 36 VOLT

Where applicable, THE USE OF NON UL PARTS WILL VOID ANY UL LISTING.

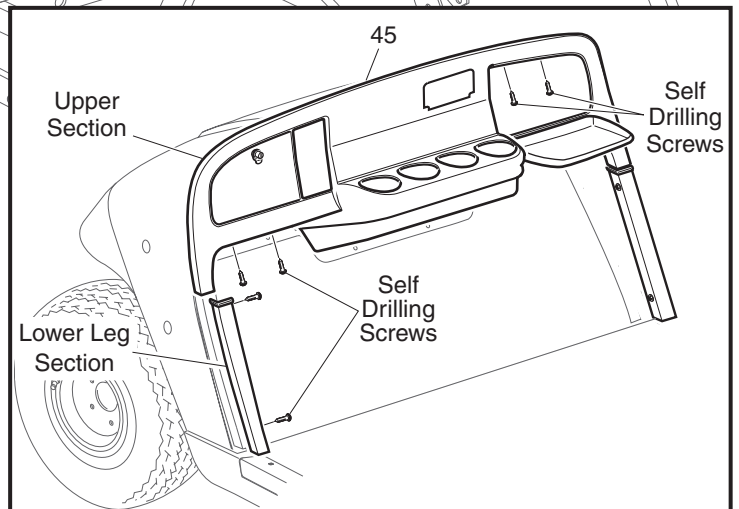
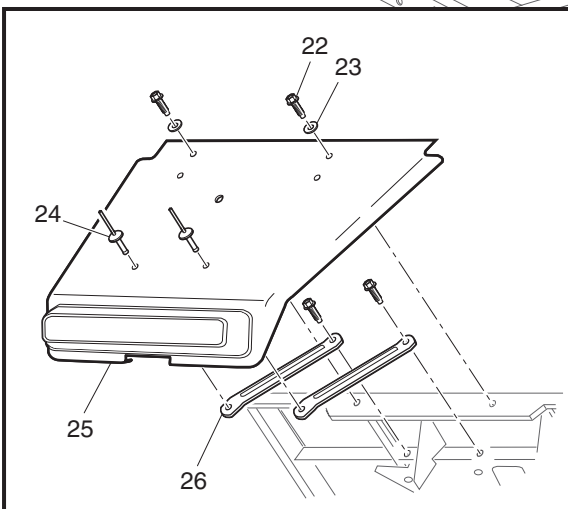
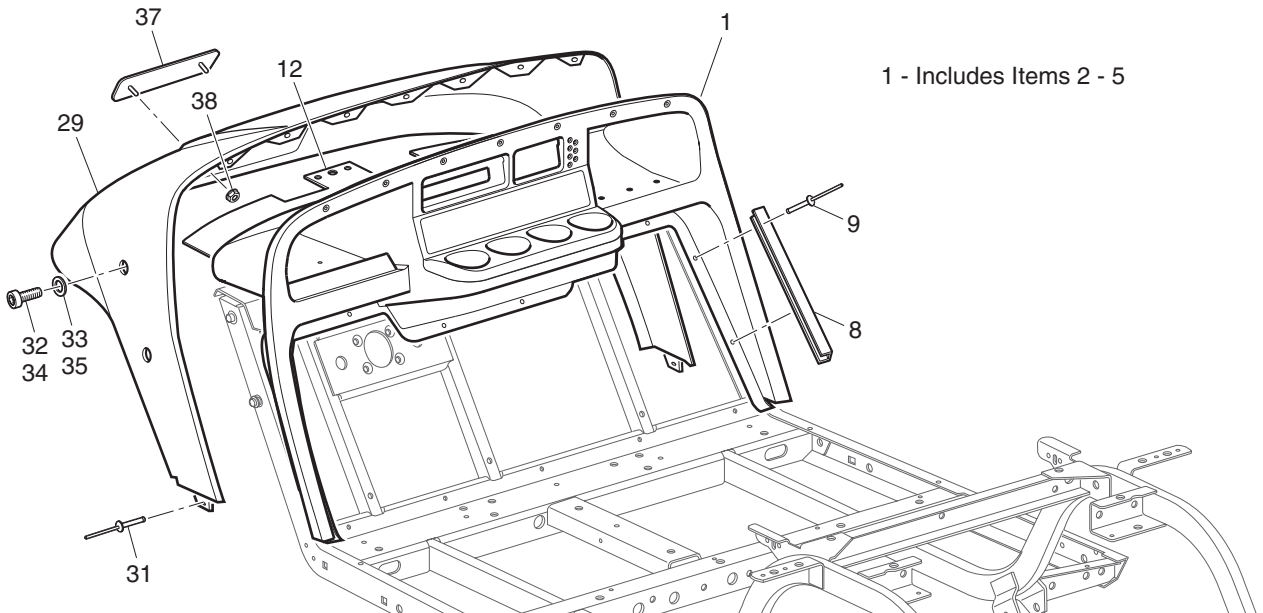
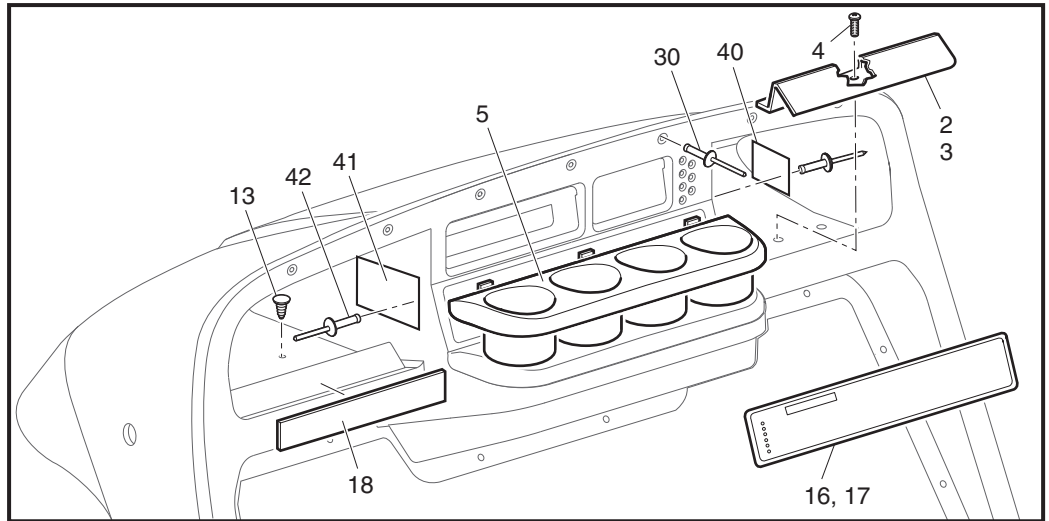
When ordering parts, please specify the model and serial number of the product.

\* Indicates a component that is not available as an individual part.

G\*\* Indicates consult Customer Service Department for additional information.

ITEM	PART NO.	1	2	3	4	5	DESCRIPTION	QTY.
1	<u>28516-G01</u>						BATTERY CHARGER, LESTER, 36 VOLT, PORTABLE WITH POWERWISE CONNECTOR, CE APPROVED (OPTIONAL)	
2	28516-G03						BATTERY CHARGER, LESTER, 36 VOLT, ON-BOARD, CE APPROVED (OPTIONAL)  For service or replacement parts, contact: Lester Electrical 625 West "A" Street Lincoln, NE 68522  Phone: (402) 477-8988, FAX: (402) 474-1769  Always provide the following information when requesting information or ordering replacement parts:  Model Number: Serial Number: (stamped into housing)	

# BODY - FRONT



Ref Bod 1-1

## BODY - FRONT

Where applicable, THE USE OF NON UL PARTS WILL VOID ANY UL LISTING.

When ordering parts, please specify the model and serial number of the product.

\* Indicates a component that is not available as an individual part.

G\*\* Indicates consult Customer Service Department for additional information.

ITEM	PART NO.	1 2 3 4 5	DESCRIPTION	QTY.
1	<u>71151-G01</u>		INSTRUMENT PANEL ASSEMBLY (INCLUDES ITEMS 2 - 5) .....	1
2	<u>71153-G01</u>		BALL DEFLECTOR (PASSENGER SIDE).....	1
3	<u>71154-G01</u>		BALL DEFLECTOR (DRIVER SIDE) .....	1
4	<u>00614-G5</u>		SCREW, #8 - 18 X 5/8" LG .....	6
5	<u>71158-G01</u>		INSTRUMENT PANEL INSERT (4 CUP HOLDER).....	1
6				
7				
8	<u>71115-G01</u>		VINYL TRIM .....	2
9	<u>71055-G01</u>		RIVET, 3/16" X 1" LG (ALUMINUM).....	10
10				
11				
12	<u>71413-G01</u>		SPLASH PANEL.....	1
13	<u>16816-G2</u>		RIVET, 1/4" X 3/4" LG .....	5
14				
15				
16	<u>27647-G01</u>		LABEL (SAFETY).....	1
17	<u>35345-G01</u>		LABEL (SAFETY - EC).....	1
18	<u>74443-G01</u>		LABEL (ANTI-ROLLBACK) .....	1
19				
20				
21				
22	<u>01038-G01</u>		BOLT, 1/4 - 20 X 11/16" LG .....	4
23	<u>16469-G1</u>		WASHER, 1/4" .....	2
24	<u>01057-G01</u>		RIVET, 1/4" X 1" LG .....	2
25	<u>27166-G02</u>		FRONT SHIELD .....	1
26	<u>70725-G01</u>		FRONT SHIELD BRACE.....	2
27				
28				
29	<u>71051-G**</u>		COWL.....	1
30	<u>71055-G01</u>		RIVET, 3/16" X 1" LG (ALUMINUM).....	9

## BODY - FRONT

Where applicable, THE USE OF NON UL PARTS WILL VOID ANY UL LISTING.

When ordering parts, please specify the model and serial number of the product.

\* Indicates a component that is not available as an individual part.

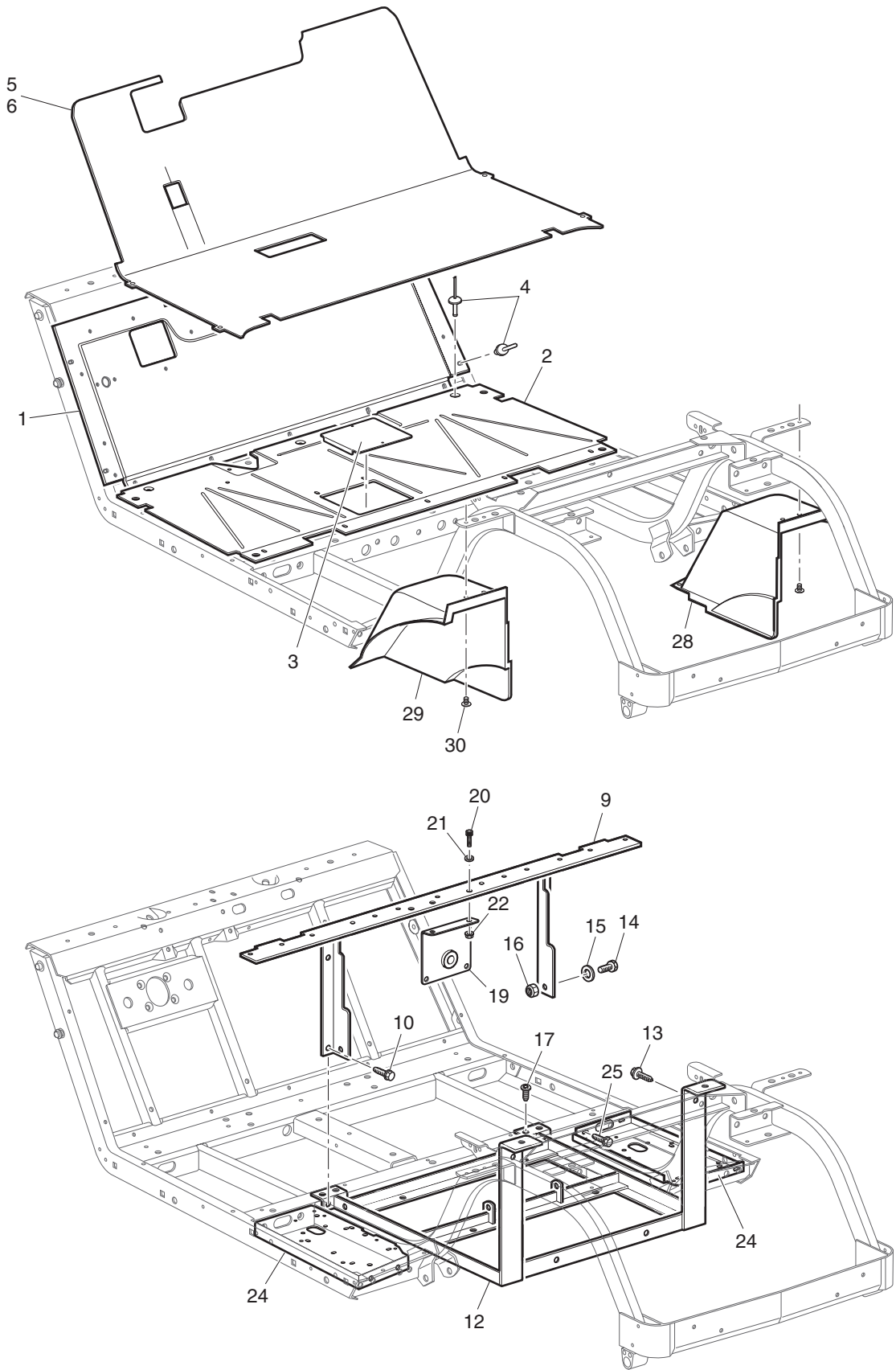
G\*\* Indicates consult Customer Service Department for additional information.

ITEM	PART NO.	1 2 3 4 5	DESCRIPTION	QTY.
31	<u>10570-G11</u>		RIVET, 3/16" X 3/4" LG (STAINLESS STEEL) .....	2
32	<u>71056-G01</u>		BOLT, 5/16 - 18 X 5/8" LG .....	4
33	<u>00570-G2</u>		WASHER, 5/16.....	4
34	00438-G6		BOLT, 5/16 - 18 X 3/4" LG (WITH TOP) .....	2
35	<u>01110-G03</u>		WASHER, 5/16" (STAINLESS STEEL) (WITH TOP) .....	2
36				
37	<u>71037-G02</u>		E-Z-GO NAMEPLATE (GOLD).....	1
38	<u>71597-G01</u>		NUT, SELF-THREADING, 5MM STUD x 10MM HEX .....	2
39				
40	*		SERIAL NUMBER PLATE (EARLY PRODUCTION).....	1
41	*		EC PLATE (EARLY PRODUCTION) .....	1
42	<u>01041-G01</u>		RIVET, 1/8" X 13/16" LG .....	4
43				
44				
45	74239-G01		INSTRUMENT PANEL WOODGRAIN APPLIQUE KIT .....	1





# BODY - MID SECTION



Ref Bod 1-2

## BODY - MID SECTION

Where applicable, THE USE OF NON UL PARTS WILL VOID ANY UL LISTING.

When ordering parts, please specify the model and serial number of the product.

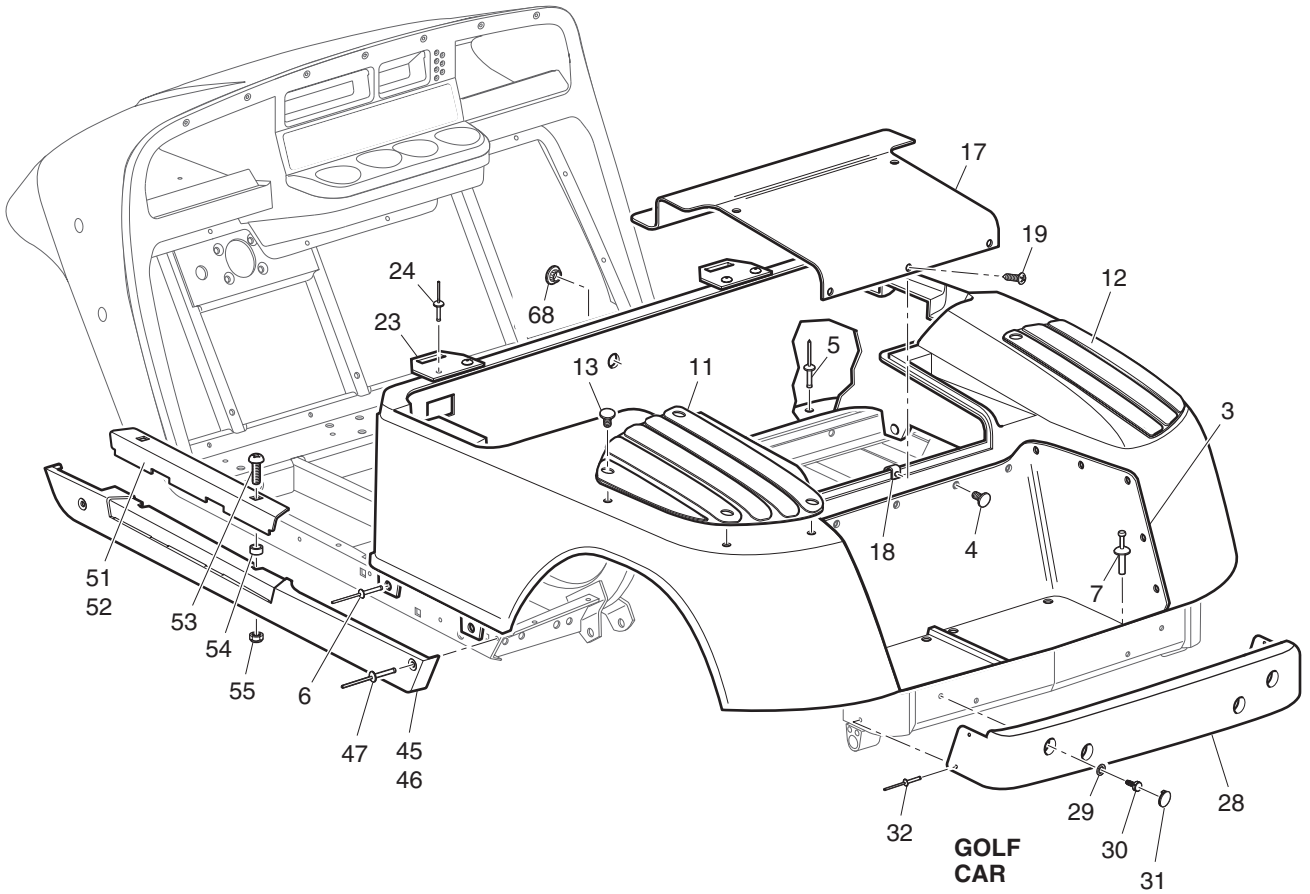
\* Indicates a component that is not available as an individual part.

G\*\* Indicates consult Customer Service Department for additional information.

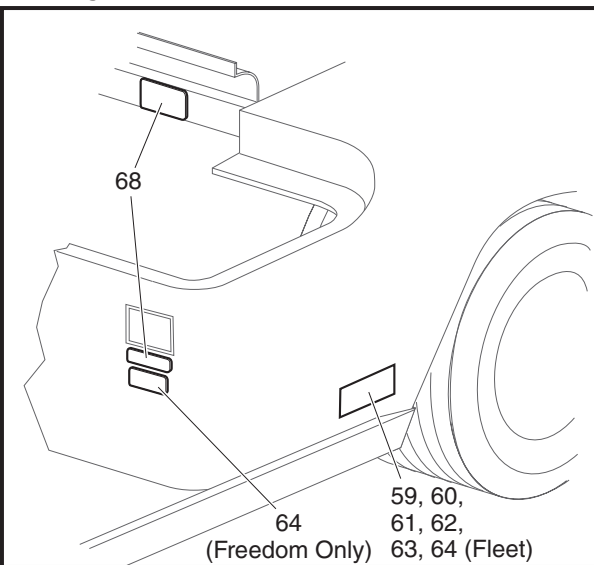
ITEM	PART NO.	1	2	3	4	5	DESCRIPTION	QTY.
1	70662-G01						UPPER FLOORPAN.....	1
2	<u>70451-G01</u>						LOWER FLOORPAN.....	1
3	<u>70452-G01</u>						ACCESS COVER.....	1
4	<u>14601-G11</u>						RIVET, 3/16" X 9/16" LG (ALUMINUM).....	16
5	<u>70995-G01</u>						FLOORMAT.....	1
6	<u>70995-G02</u>						FLOORMAT WITH HORN HOLES.....	1
7								
8								
9	<u>70441-G01</u>						SEAT FRAME.....	1
10	<u>00715-G2</u>						BOLT, 5/16 - 18 X 13/16" LG.....	2
11								
12	70046-G01						BATTERY RACK.....	1
13	<u>00715-G2</u>						BOLT, 5/16 - 18 X 13/16" LG.....	2
14	00438-G6						BOLT, 5/16 - 18 X 3/4" LG.....	2
15	00559-G8						WASHER, 5/16".....	2
16	<u>01109-G01</u>						LOCK NUT, 5/16 - 18 (STAINLESS STEEL).....	2
17	<u>70200-G01</u>						SCREW, 3/8 - 16 X 3/4" LG.....	2
18								
19	70444-G01						BRACKET.....	1
20	<u>28272-G01</u>						BOLT, 1/4 - 20 X 5/8" LG.....	2
21	<u>01110-G01</u>						WASHER, 1/4" (STAINLESS STEEL).....	2
22	<u>11027-G2</u>						LOCK NUT, 1/4 - 20.....	2
23								
24	70244-G02						SPLASH PANEL.....	2
25	<u>00715-G2</u>						BOLT, 5/16 - 18 X 13/16" LG.....	8
26								
27								
28	<u>71812-G01</u>						FENDER LINER (PASSENGER SIDE).....	1
29	<u>71812-G02</u>						FENDER LINER (DRIVER SIDE).....	1
30	<u>16816-G2</u>						RIVET, 1/4" X 3/4" LG.....	8

# BODY - REAR

- 1 - Includes Items 3, 4
- 2 - Includes Items 3, 4

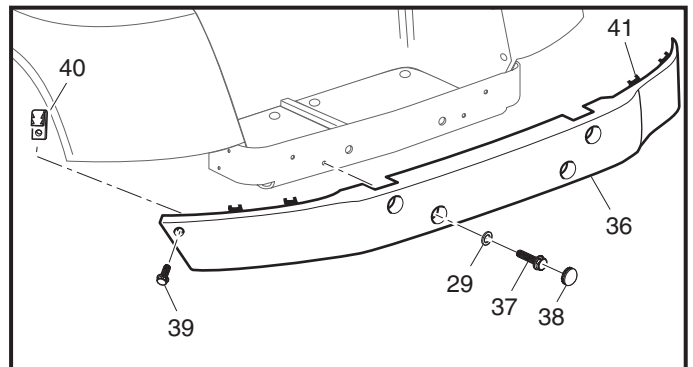


## LABELS



Ref Bod 1-3

## SHUTTLE 2+2 AND CONVERTIBLE CARRIER



## BODY - REAR

Where applicable, THE USE OF NON UL PARTS WILL VOID ANY UL LISTING.

When ordering parts, please specify the model and serial number of the product.

\* Indicates a component that is not available as an individual part.

G\*\* Indicates consult Customer Service Department for additional information.

ITEM	PART NO.	1 2 3 4 5	DESCRIPTION	QTY.
1	71912-G0**		REAR BODY (WITHOUT TAILLIGHTS) (INCLUDES ITEMS 3, 4) .....	1
2	71334-G0**		REAR BODY (WITH TAILLIGHTS) (INCLUDES ITEMS 3, 4).....	1
3	71318-G01		BAGWELL LINER .....	1
4	<u>16816-G1</u>		RATCHET FASTENER, 1/4" X 9/16" LG .....	26
5	<u>10570-G10</u>		RIVET, 5/32" X 9/16" LG (STAINLESS STEEL) .....	6
6	10570-G12		RIVET, 1/4" X 9/16" LG (ALUMINUM) .....	4
7	<u>18436-G1</u>		RIVET, 1/4" X 3/4" LG .....	2
8				
9				
10				
11	<u>75126-G01</u>		FENDER SCUFFGUARD (DRIVER SIDE) .....	1
12	<u>75126-G02</u>		FENDER SCUFFGUARD (PASSENGER SIDE).....	1
13	<u>16816-G2</u>		RIVET, 1/4" X 3/4" LG .....	8
14				
15				
16				
17	<u>71320-G01</u>		ACCESS PANEL .....	1
18	<u>71364-G02</u>		'J' CLIP .....	1
19	<u>01107-G01</u>		SCREW, #8 X 5/8" LG (STAINLESS STEEL) .....	5
20				
21				
22				
23	<u>71609-G01</u>		SEAT HINGE PLATE .....	2
24	<u>10570-G11</u>		RIVET, 3/16" X 3/4" LG (STAINLESS STEEL) .....	4
25				
26				
27				
28	<u>71578-G01</u>		REAR BUMPER .....	1
29	<u>00571-G2</u>		WASHER, 5/16" .....	4
30	<u>71102-G01</u>		BOLT, 1/4 - 20 X 3/4" LG .....	4

## BODY - REAR

Where applicable, THE USE OF NON UL PARTS WILL VOID ANY UL LISTING.

When ordering parts, please specify the model and serial number of the product.

\* Indicates a component that is not available as an individual part.

G\*\* Indicates consult Customer Service Department for additional information.

ITEM	PART NO.	1 2 3 4 5	DESCRIPTION	QTY.
31	<u>71514-G01</u>		BUMPER PLUG .....	4
32	14601-G17		RIVET, 3/16" X 9/16" LG (ALUMINUM) .....	4
33				
34				
35				
36	<u>71456-G01</u>		REAR BUMPER (SHUTTLE 2+2) .....	1
37	71398-G01		BOLT, 1/4 - 20 X 1 1/4" LG .....	2
38	<u>71455-G01</u>		BUMPER PLUG .....	4
39	<u>71102-G01</u>		BOLT, 1/4 - 20 X 3/4" LG .....	2
40	<u>71554-G01</u>		'J' TYPE NUT RETAINER.....	2
41	<u>71457-G01</u>		BUMPER STAY .....	4
42				
43				
44				
45	<u>71501-G01</u>		ROCKER PANEL (PASSENGER SIDE).....	1
46	<u>71502-G01</u>		ROCKER PANEL (DRIVER SIDE) .....	1
47	<u>15058-G6</u>		RIVET, 3/16" X 15/16" LG (ALUMINUM) .....	4
48				
49				
50				
51	71507-G01		SILL PLATE (PASSENGER SIDE).....	1
52	<u>71507-G02</u>		SILL PLATE (DRIVER SIDE).....	1
53	<u>16705-G1</u>		SCREW, 1/4 - 20 X 1" LG (STAINLESS STEEL) .....	4
54	<u>23726-G4</u>		SPACER, 5/16".....	4
55	<u>00654-G2</u>		LOCK NUT, 1/4 - 20 (STAINLESS STEEL) .....	4
56				
57				
58				
59	75960-G01		LABEL (FREEDOM).....	2
60	<u>75962-G01</u>		LABEL (FREEDOM SE) .....	2

## BODY - REAR

Where applicable, THE USE OF NON UL PARTS WILL VOID ANY UL LISTING.

When ordering parts, please specify the model and serial number of the product.

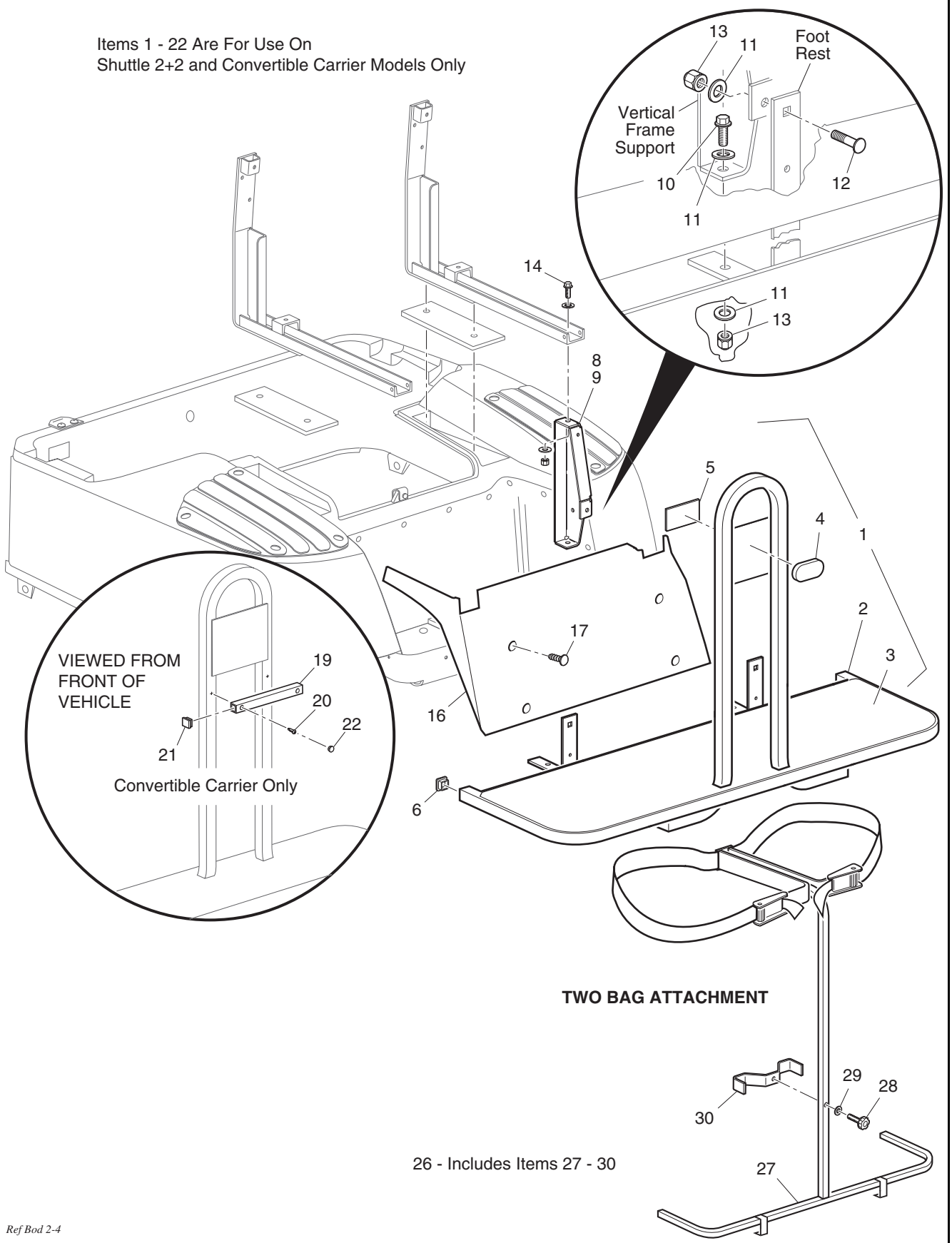
\* Indicates a component that is not available as an individual part.

G\*\* Indicates consult Customer Service Department for additional information.

ITEM	PART NO.	1	2	3	4	5	DESCRIPTION	QTY.
61	<u>75964-G01</u>						LABEL (FREEDOM LE) .....	2
62	<u>35434-G01</u>						LABEL (SHUTTLE) .....	2
63	<u>35430-G19</u>						LABEL (TXT 2+2).....	2
64	<u>73330-G01</u>						LABEL (PRECISION DRIVE SYSTEM™).....	AR
65								
66								
67								
68	*						LABEL (SERIAL NUMBER) .....	1
69								
70								
71								
72	<u>71316-G01</u>						HOLE PLUG (DASH MOUNTED DIRECTION SELECTOR SWITCH ONLY) ....	1

# BODY - FOOTREST

Items 1 - 22 Are For Use On Shuttle 2+2 and Convertible Carrier Models Only



Ref Bod 2-4



## BODY - FOOTREST

Where applicable, THE USE OF NON UL PARTS WILL VOID ANY UL LISTING.

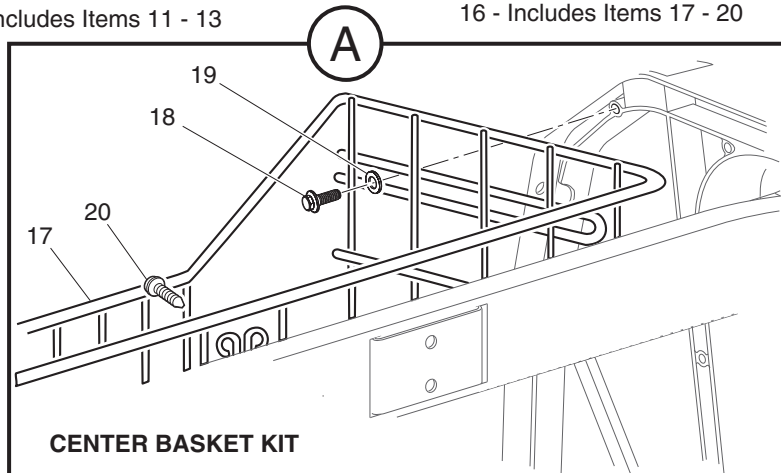
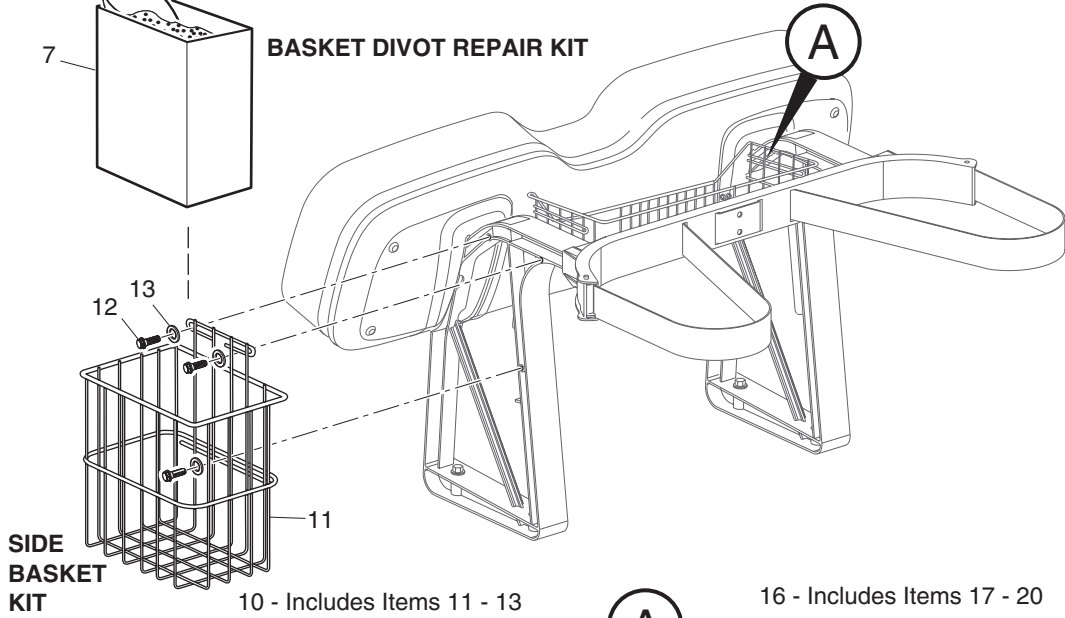
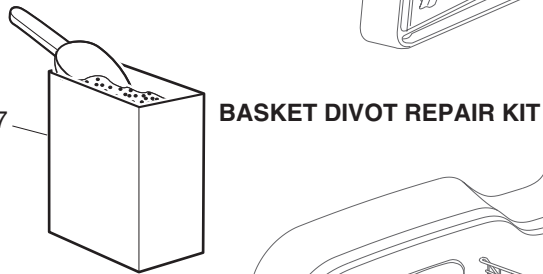
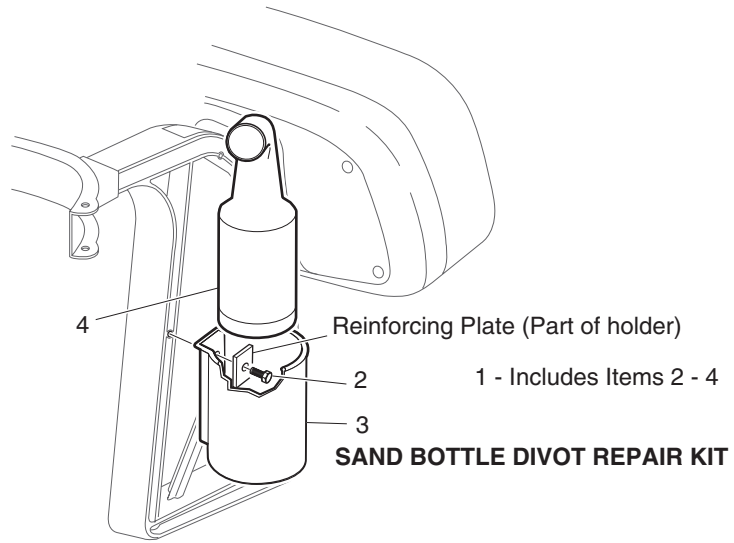
When ordering parts, please specify the model and serial number of the product.

\* Indicates a component that is not available as an individual part.

G\*\* Indicates consult Customer Service Department for additional information.

ITEM	PART NO.	1	2	3	4	5	DESCRIPTION	QTY.
1	<u>70361-G01</u>						FOOTREST ASSEMBLY (INCLUDES ITEMS 2 - 5).....	1
2	<u>70350-G01</u>						FOOTREST .....	1
3	<u>70362-G01</u>						FLOOR MAT .....	1
4	<u>74129-G01</u>						REFLECTOR .....	1
5	<u>74132-G01</u>						LABEL (WARNING) .....	1
6	<u>19853-G1</u>						END CAP, 1".....	2
7								
8	<u>74126-G01</u>						VERTICAL FRAME SUPPORT (PASSENGER SIDE) .....	1
9	<u>74126-G02</u>						VERTICAL FRAME SUPPORT (DRIVER SIDE).....	1
10	<u>00427-G4</u>						BOLT, 3/8 - 16 X 1 1/2" LG .....	2
11	<u>00560-G1</u>						WASHER, 3/8" .....	10
12	<u>00769-G2</u>						CARRIAGE BOLT, 3/8 - 16 X 1 1/4" LG .....	2
13	<u>11098-G5</u>						LOCK NUT, 3/8 - 16 .....	10
14	<u>00426-G8</u>						BOLT, 3/8 - 16 X 1" LG .....	2
15								
16	<u>74149-G01</u>						VALANCE PANEL .....	1
17	<u>16816-G2</u>						RIVET, 1/4" X 3/4" LG .....	4
18								
19	<u>75268-G01</u>						SUPPORT TUBE.....	1
20	<u>00106-G6</u>						SELF THREADING SCREW, #12 - 24 X 3/4" LG .....	2
21	<u>19859-G1</u>						END CAP, 3/4".....	2
22	<u>20271-G2</u>						HOLE PLUG, 1/2" .....	2
23								
24								
25								
26	<u>75183-G01</u>						TWO BAG ATTACHMENT KIT (INCLUDES ITEMS 27 - 30).....	1
27	<u>75188-G01</u>						TWO BAG ATTACHMENT .....	1
28	<u>22238-G2</u>						KNOB, 3/8 - 16 X 1 1/2" LG .....	1
29	<u>17255-G1</u>						TEFLON WASHER, 5/16" .....	1
30	<u>75187-G01</u>						SUPPORT BRACKET.....	1

# BODY - ACCESSORIES



Ref Bod 2-5

## BODY - ACCESSORIES

Where applicable, THE USE OF NON UL PARTS WILL VOID ANY UL LISTING.

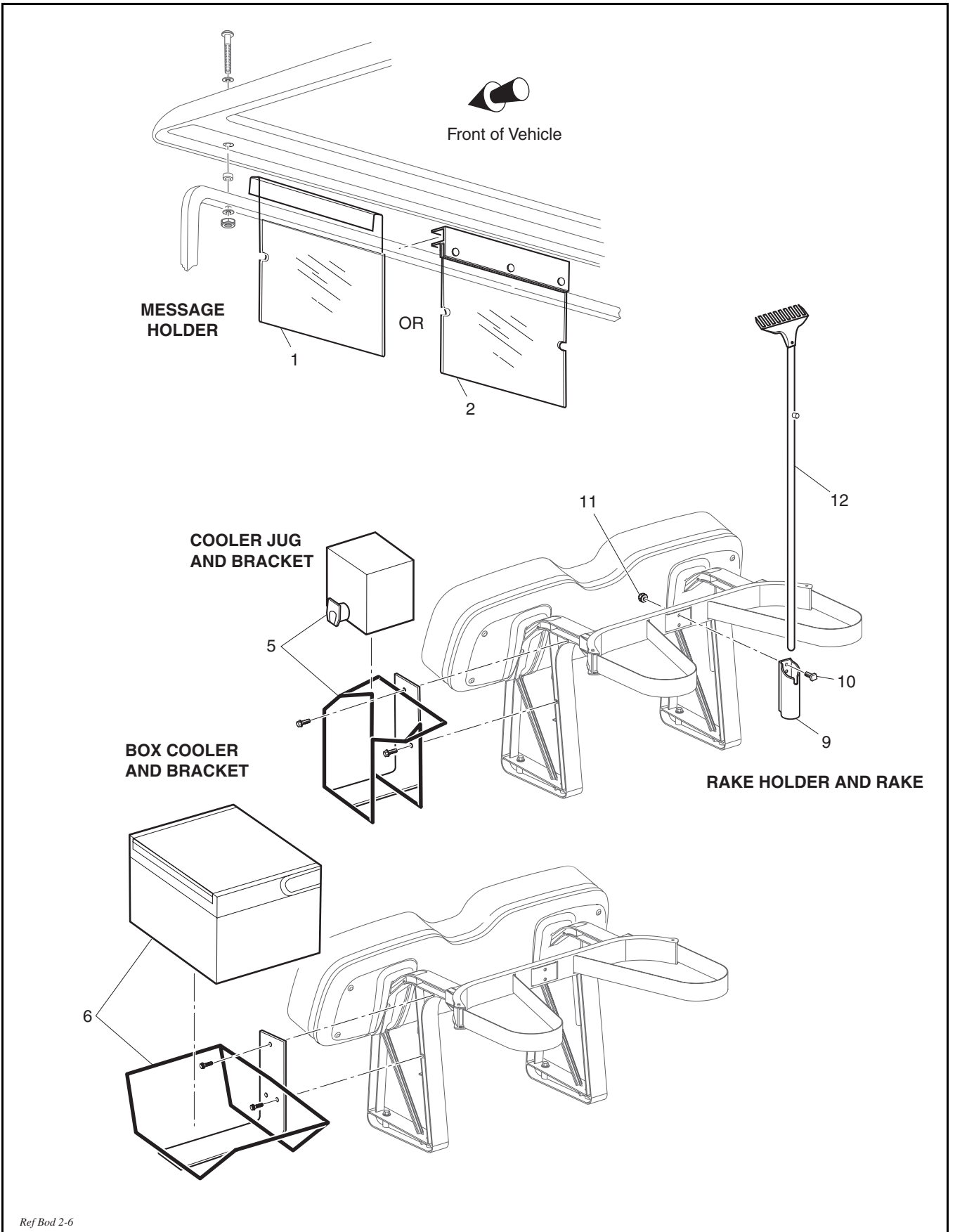
When ordering parts, please specify the model and serial number of the product.

\* Indicates a component that is not available as an individual part.

G\*\* Indicates consult Customer Service Department for additional information.

ITEM	PART NO.	1	2	3	4	5	DESCRIPTION	QTY.
1	<u>28661-G01</u>						SAND BOTTLE DIVOT REPAIR KIT (INCLUDES ITEMS 2 - 4).....	1
2	<u>71102-G01</u>						BOLT, 1/4 - 20 X 3/4" LG.....	1
3	<u>28660-G01</u>						SAND BOTTLE HOLDER.....	1
4	<u>28659-G01</u>						SAND BOTTLE.....	1
5								
6								
7	23300-G01						BASKET DIVOT REPAIR KIT (INCLUDES SCOOP).....	1
8								
9								
10	75007-G02						SIDE BASKET KIT (INCLUDES ITEMS 11 - 13).....	1
11	<u>75460-G01</u>						SIDE BASKET.....	1
12	<u>71102-G01</u>						BOLT, 1/4 - 20 X 3/4" LG.....	3
13	<u>00793-G2</u>						FLAT WASHER, 1/4" (STAINLESS STEEL).....	3
14								
15								
16	<u>75003-G02</u>						CENTER BASKET KIT (INCLUDES ITEMS 17 - 20).....	1
17	75461-G01						CENTER BASKET.....	1
18	<u>71102-G01</u>						BOLT, 1/4 - 20 X 3/4" LG.....	2
19	<u>00793-G2</u>						FLAT WASHER, 1/4" (STAINLESS STEEL).....	2
20	<u>01105-G01</u>						SCREW, #10 X 5/8" LG (STAINLESS STEEL).....	2

# BODY - ACCESSORIES CONTINUED



Ref Bod 2-6

## BODY - ACCESSORIES CONTINUED

Where applicable, THE USE OF NON UL PARTS WILL VOID ANY UL LISTING.

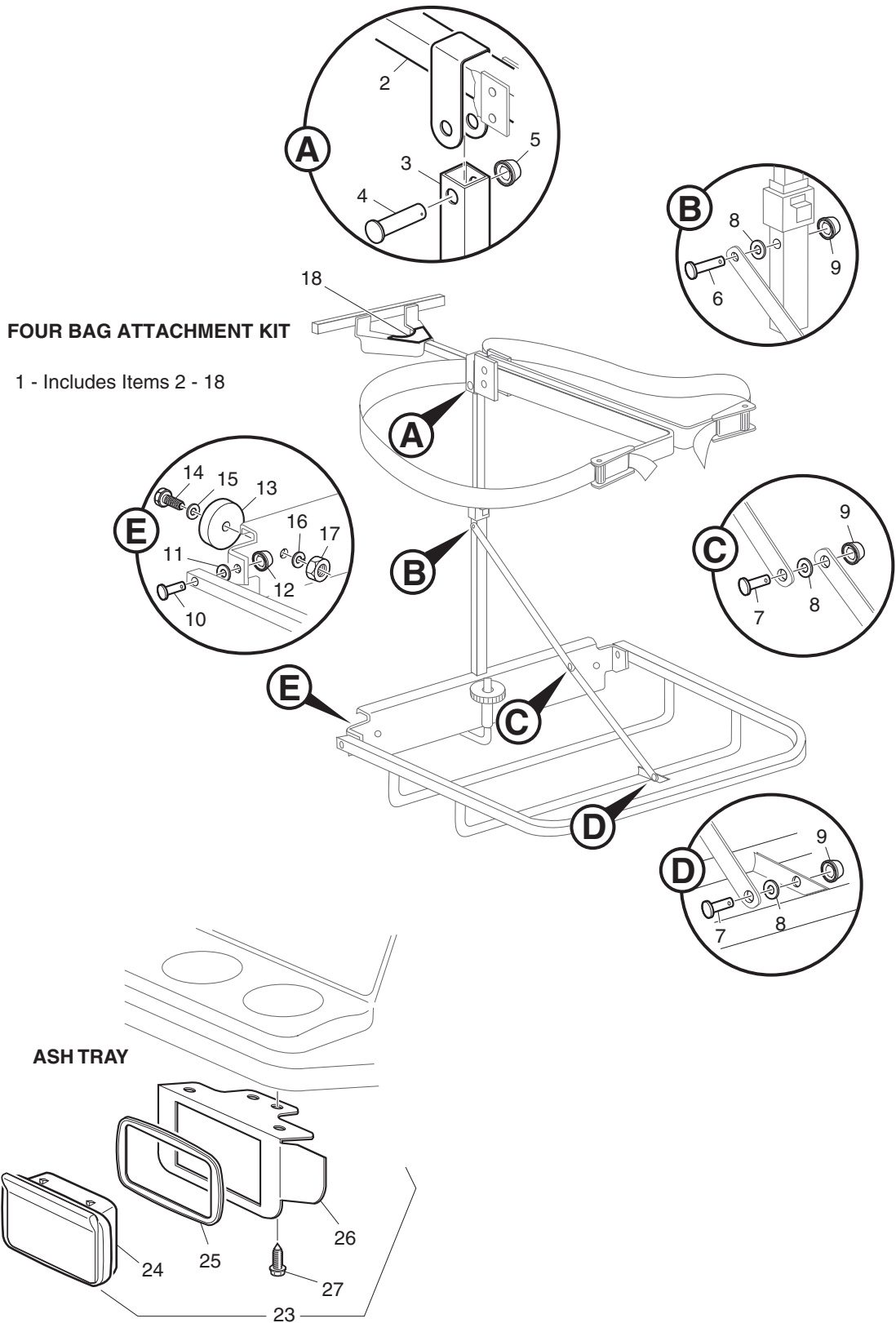
When ordering parts, please specify the model and serial number of the product.

\* Indicates a component that is not available as an individual part.

G\*\* Indicates consult Customer Service Department for additional information.

ITEM	PART NO.	1	2	3	4	5	DESCRIPTION	QTY.
1	75509-G01						MESSAGE HOLDER (ONE PIECE).....	1
2	75496-G01						MESSAGE HOLDER.....	1
3								
4								
5	<u>75495-G01</u>						COOLER JUG AND BRACKET KIT.....	1
6	<u>75344-G01</u>						BOX COOLER AND BRACKET KIT.....	1
7								
8								
9	<u>25885-G01</u>						RAKE HOLDER.....	1
10	00989-G6						SQUARE HEAD BOLT, 1/4 - 20 X 3/4" LG.....	2
11	<u>11027-G2</u>						LOCK NUT, 1/4 - 20.....	2
12	<u>14735-G1</u>						RAKE.....	1

# BODY - ACCESSORIES CONTINUED



Ref Bod 2-7

## BODY - ACCESSORIES CONTINUED

Where applicable, THE USE OF NON UL PARTS WILL VOID ANY UL LISTING.

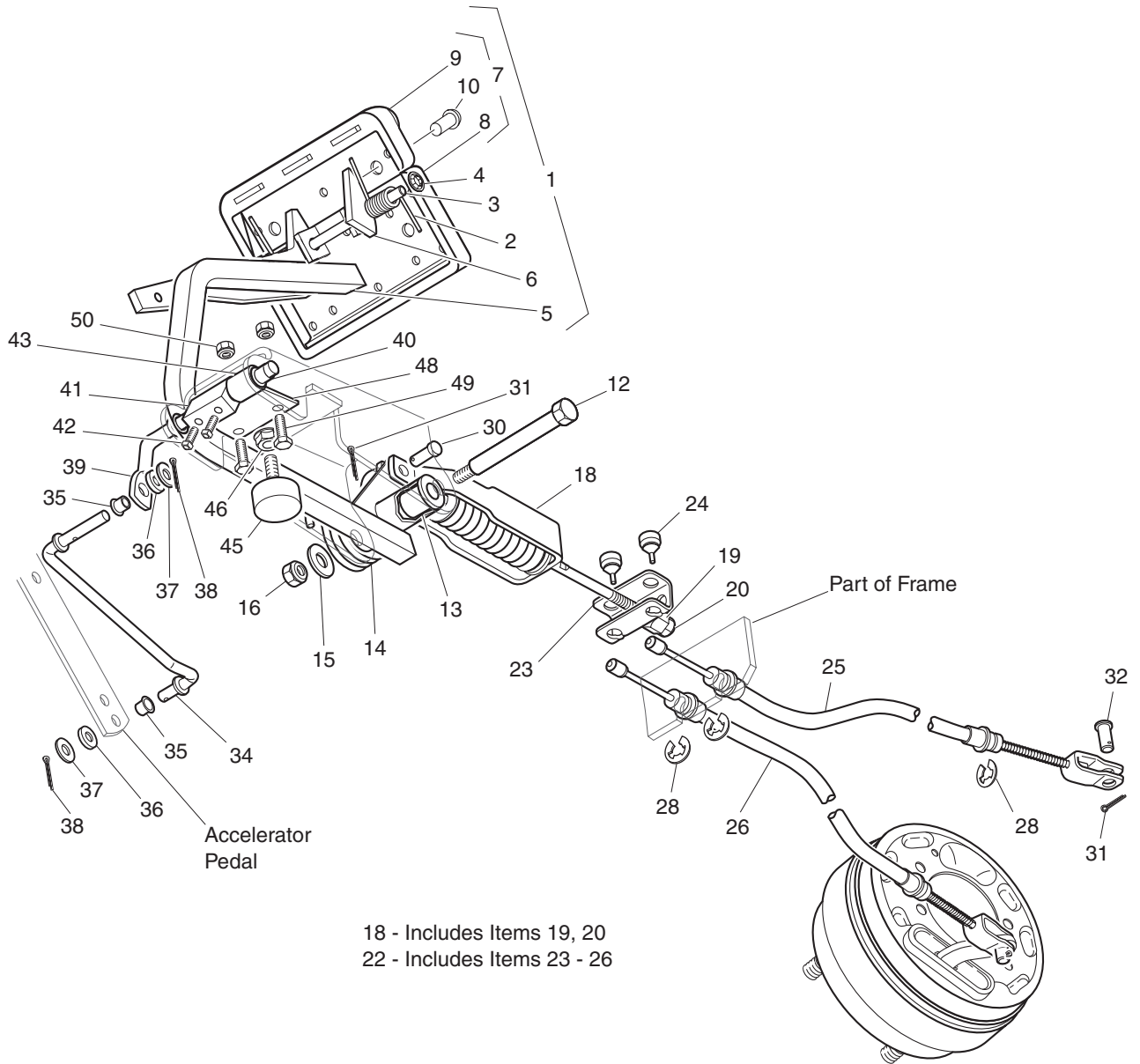
When ordering parts, please specify the model and serial number of the product.

\* Indicates a component that is not available as an individual part.

G\*\* Indicates consult Customer Service Department for additional information.

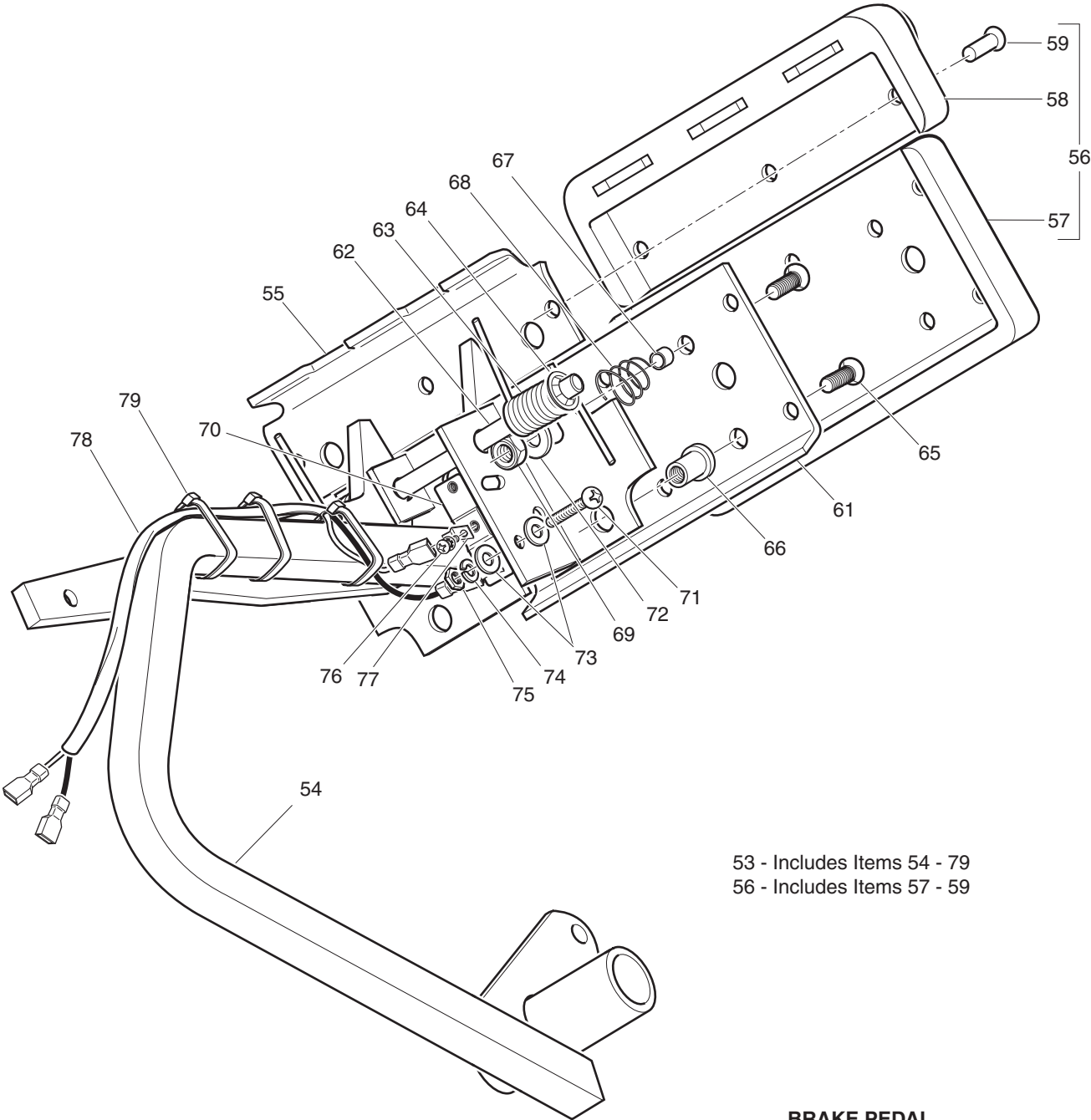
ITEM	PART NO.	1	2	3	4	5	DESCRIPTION	QTY.
1	75355-G01						FOUR BAG ATTACHMENT KIT (INCLUDES ITEMS 2 - 18) .....	1
2	*						TOP ASSEMBLY .....	1
3	*						BOTTOM ASSEMBLY .....	1
4	<u>17651-G2</u>						CLEVIS PIN, 5/16 X 1 1/8" LG.....	1
5	<u>28129-G01</u>						PUSH NUT, 5/16".....	1
6	<u>17651-G2</u>						CLEVIS PIN, 5/16 X 1 1/8" LG.....	1
7	<u>17651-G3</u>						CLEVIS PIN, 5/16 X 1/2" LG.....	2
8	00559-G8						WASHER, 5/16" .....	3
9	<u>28129-G01</u>						PUSH NUT, 5/16".....	3
10	*						CLEVIS PIN 3/8 X 1 1/4" LG.....	2
11	<u>00560-G1</u>						WASHER, 3/8" .....	2
12	*						PUSH NUT, 3/8".....	2
13	<u>13728-G1</u>						RUBBER BUMPER.....	2
14	00150-G6						SCREW, #10 - 24 X 3/4" LG .....	2
15	<u>00559-G5</u>						WASHER, #10 .....	2
16	<u>00565-G5</u>						LOCK WASHER, #10 .....	2
17	<u>00526-G3</u>						NUT, #10 - 24.....	2
18	*						LABEL (WARNING) .....	1
19								
20								
21								
22								
23	75109-G02						ASH TRAY KIT (INCLUDES ITEMS 24 - 27) .....	1
24	27731-G01						ASH TRAY .....	1
25	27736-G01						GASKET .....	1
26	75108-G01						BRACKET .....	1
27	<u>00100-G4</u>						SCREW, #10 - 16 X 1/2" LG .....	4

# BRAKES



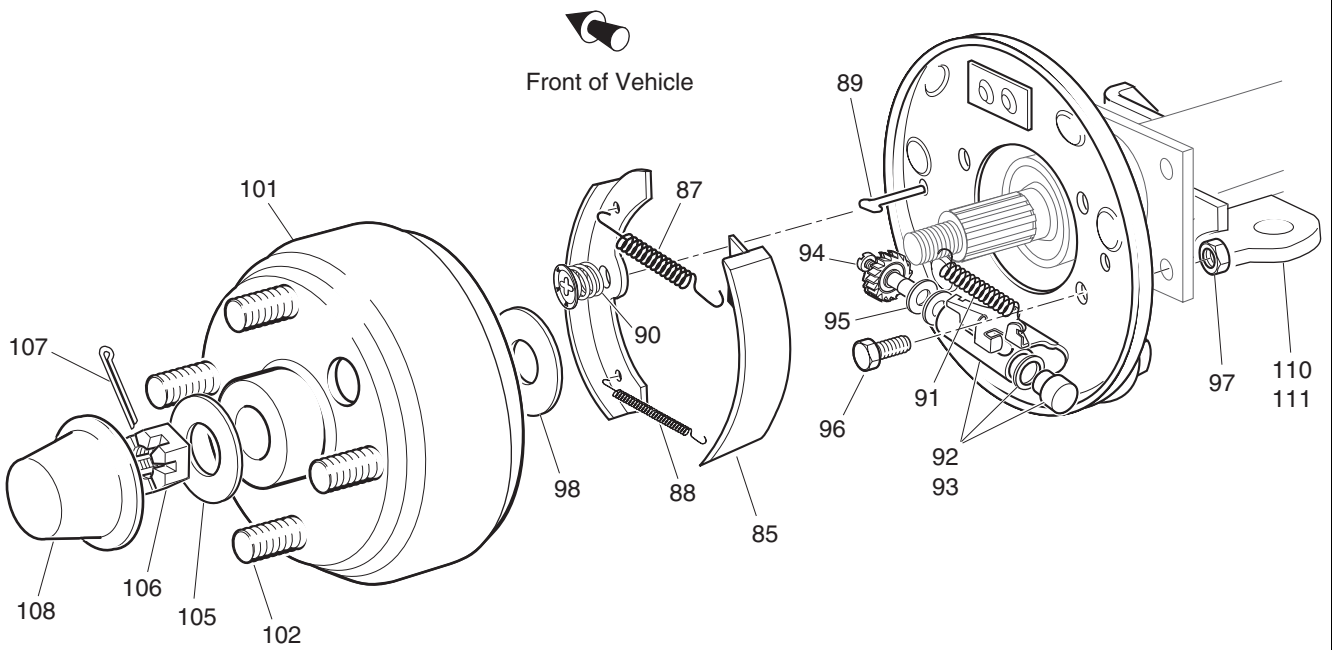
Ref Brk 1-1





Ref Brk 1-2

# BRAKES



- 82 - Includes Items 84 - 92, 94, 95
- 83 - Includes Items 84 - 91, 93 - 95
- 84 - Includes Items 85
- 86 - Includes Items 87 - 91
- 92 - Includes Items 94, 95
- 93 - Includes Items 94, 95
- 100 - Includes Items 101, 102

Ref Brk 1-3

# BRAKES

Where applicable, THE USE OF NON UL PARTS WILL VOID ANY UL LISTING.

When ordering parts, please specify the model and serial number of the product.

\* Indicates a component that is not available as an individual part.

G\*\* Indicates consult Customer Service Department for additional information.

ITEM	PART NO.	1 2 3 4 5	DESCRIPTION	QTY.
1	<u>70612-G01</u>		BRAKE PEDAL ASSEMBLY (WITHOUT BRAKE LIGHTS) (INCLUDES ITEMS 2 - 10).....	1
2	<u>70681-G01</u>		TORSION SPRING.....	2
3	<u>70682-G01</u>		PIVOT PIN.....	1
4	<u>01071-G01</u>		PUSHNUT, 5/16".....	2
5	*		BRAKE PEDAL.....	1
6	<u>70611-G01</u>		PARK BRAKE PEDAL.....	1
7	70274-G01		BRAKE/PARK BRAKE PEDAL PAD KIT (INCLUDES ITEMS 8 - 10).....	1
8	*		SERVICE BRAKE PAD.....	1
9	*		PARK BRAKE PEDAL PAD.....	1
10	<u>15766-G1</u>		OVAL RIVET, 3/16" X 7/16" LG.....	9
11				
12	<u>70582-G01</u>		SHOULDER BOLT, 3/8 - 16 X 4" LG (STAINLESS STEEL).....	1
13	<u>70581-G01</u>		FLANGED BUSHING.....	2
14	<u>70676-G01</u>		TORSION SPRING.....	1
15	<u>00643-G1</u>		WASHER, 3/8".....	1
16	<u>11098-G5</u>		LOCK NUT, 3/8 - 16.....	1
17				
18	70272-G04		COMPENSATOR ASSEMBLY (INCLUDES ITEMS 19, 20).....	1
19	<u>00963-G01</u>		SPHERICAL NUT, 5/16 - 24.....	1
20	<u>11098-G9</u>		LOCK NUT, 5/16 - 24.....	1
21				
22	<u>70969-G03</u>		EQUALIZER AND BRAKE CABLE ASSEMBLY (INCLUDES ITEMS 23 - 26)....	1
23	<u>28082-G01</u>		EQUALIZER BRACKET.....	1
24	<u>28083-G01</u>		BRAKE COMPENSATOR BUMPER.....	2
25	*		BRAKE CABLE (DRIVER SIDE).....	1
26	*		BRAKE CABLE (PASSENGER SIDE).....	1
27				
28	<u>01111-G01</u>		RETAINING RING, 4/5" (STAINLESS STEEL).....	4
29				

# BRAKES

Where applicable, THE USE OF NON UL PARTS WILL VOID ANY UL LISTING.

When ordering parts, please specify the model and serial number of the product.

\* Indicates a component that is not available as an individual part.

G\*\* Indicates consult Customer Service Department for additional information.

ITEM	PART NO.	1 2 3 4 5	DESCRIPTION	QTY.
30	<u>10386-G3</u>		CLEVIS PIN, 5/16" X 13/16" LG .....	1
31	<u>10387-G3</u>		COTTER PIN, 3/32" X 3/4" LG .....	3
32	<u>14443-G2</u>		CLEVIS PIN, 5/16" X 5/8" LG .....	2
33				
34	<u>70601-G01</u>		KICK-OFF LINK.....	1
35	<u>17838-G1</u>		NYLON BUSHING.....	2
36	<u>20835-G1</u>		TEFLON WASHER, 3/8" .....	2
37	<u>00559-G8</u>		WASHER, 5/16" .....	2
38	<u>10387-G3</u>		COTTER PIN, 3/32" X 3/4" LG .....	2
39	<u>70098-G01</u>		KICK-OFF CAM PIVOT.....	1
40	<u>10097-G6</u>		FLANGED BEARING .....	2
41	<u>70587-G01</u>		KICK-OFF CAM.....	1
42	<u>71215-G01</u>		SETSCREW, 1/4 - 20 X 1/2" LG.....	2
43	<u>14134-G4</u>		SPACER.....	1
44				
45	<u>70113-G01</u>		ADJUSTABLE BUMPER .....	1
46	<u>11027-G1</u>		LOCK NUT, 5/16 - 18 .....	1
47				
48	<u>70080-G01</u>		CATCH BRACKET .....	1
49	<u>00414-G6</u>		BOLT, 1/4 - 20 X 3/4" LG .....	2
50	<u>00654-G2</u>		LOCK NUT, 1/4 - 20 (STAINLESS STEEL) .....	2
51				
52				
53	<u>70690-G01</u>		BRAKE PEDAL ASSEMBLY (WITH BRAKE LIGHTS) (INCLUDES ITEMS 54 - 79).....	1
54	*		BRAKE PEDAL.....	1
55	<u>70611-G01</u>		PARK BRAKE PEDAL .....	1
56	<u>70274-G01</u>		BRAKE/PARK BRAKE PEDAL PAD KIT (INCLUDES ITEMS 57 - 59).....	1
57	*		SERVICE BRAKE PAD .....	1
58	*		PARK BRAKE PAD.....	1

# BRAKES

Where applicable, THE USE OF NON UL PARTS WILL VOID ANY UL LISTING.

When ordering parts, please specify the model and serial number of the product.

\* Indicates a component that is not available as an individual part.

G\*\* Indicates consult Customer Service Department for additional information.

ITEM	PART NO.	1	2	3	4	5	DESCRIPTION	QTY.
59	<u>15766-G1</u>						OVAL RIVET, 3/16" x 7/16" LG .....	9
60								
61	70258-G02						BRAKE PEDAL PLATE .....	1
62	<u>70682-G01</u>						PIVOT PIN .....	1
63	<u>70681-G01</u>						TORSION SPRING .....	2
64	<u>12064-G1</u>						PUSHNUT, 5/16" .....	1
65	<u>00737-G8</u>						SCREW, #10 - 24 X 7/8" LG .....	4
66	<u>00739-G1</u>						RUBBER NUT, #10 - 24.....	2
67	22362-G3						BRAKE PEDAL STANDOFF .....	2
68	<u>27137-G01</u>						CONICAL SPRING .....	2
69	11098-G7						LOCK NUT, #10 - 24.....	2
70	10606-G8						MICRO SWITCH.....	1
71	<u>00957-G1</u>						BOLT, #6 - 32 X 1 1/4" LG.....	2
72	<u>00559-G5</u>						WASHER, #10 .....	2
73	<u>00559-G3</u>						WASHER, #6 .....	4
74	<u>00565-G3</u>						LOCK WASHER, #6 .....	2
75	<u>00525-G5</u>						NUT, #6 - 32.....	2
76	<u>13514-G1</u>						SCREW AND LOCK WASHER, #6 - 32 X 1/4" (BRASS) .....	2
77	<u>14628-G1</u>						PUSH ON MALE TERMINAL.....	2
78	<u>24605-G1</u>						WIRE HARNESS (BRAKE LIGHT) .....	1
79	<u>17618-G1</u>						WIRE TIE .....	3
80								
81								
82	<u>70998-G01</u>						BRAKE ASSEMBLY (DRIVER SIDE) (INCLUDES ITEMS 84 - 92, 94, 95) .....	1
83	<u>70998-G02</u>						BRAKE ASSEMBLY (PASSENGER SIDE) (INCLUDES ITEMS 84 - 91, 93 - 95) .....	1
84	70794-G01						BRAKE SHOE KIT (INCLUDES ITEM 85).....	2
85	*						BRAKE SHOE .....	2
86	<u>27944-G01</u>						BRAKE SPRING KIT (INCLUDES ITEMS 87 - 91).....	2
87	*						UPPER SPRING .....	1

# BRAKES

Where applicable, THE USE OF NON UL PARTS WILL VOID ANY UL LISTING.

When ordering parts, please specify the model and serial number of the product.

\* Indicates a component that is not available as an individual part.

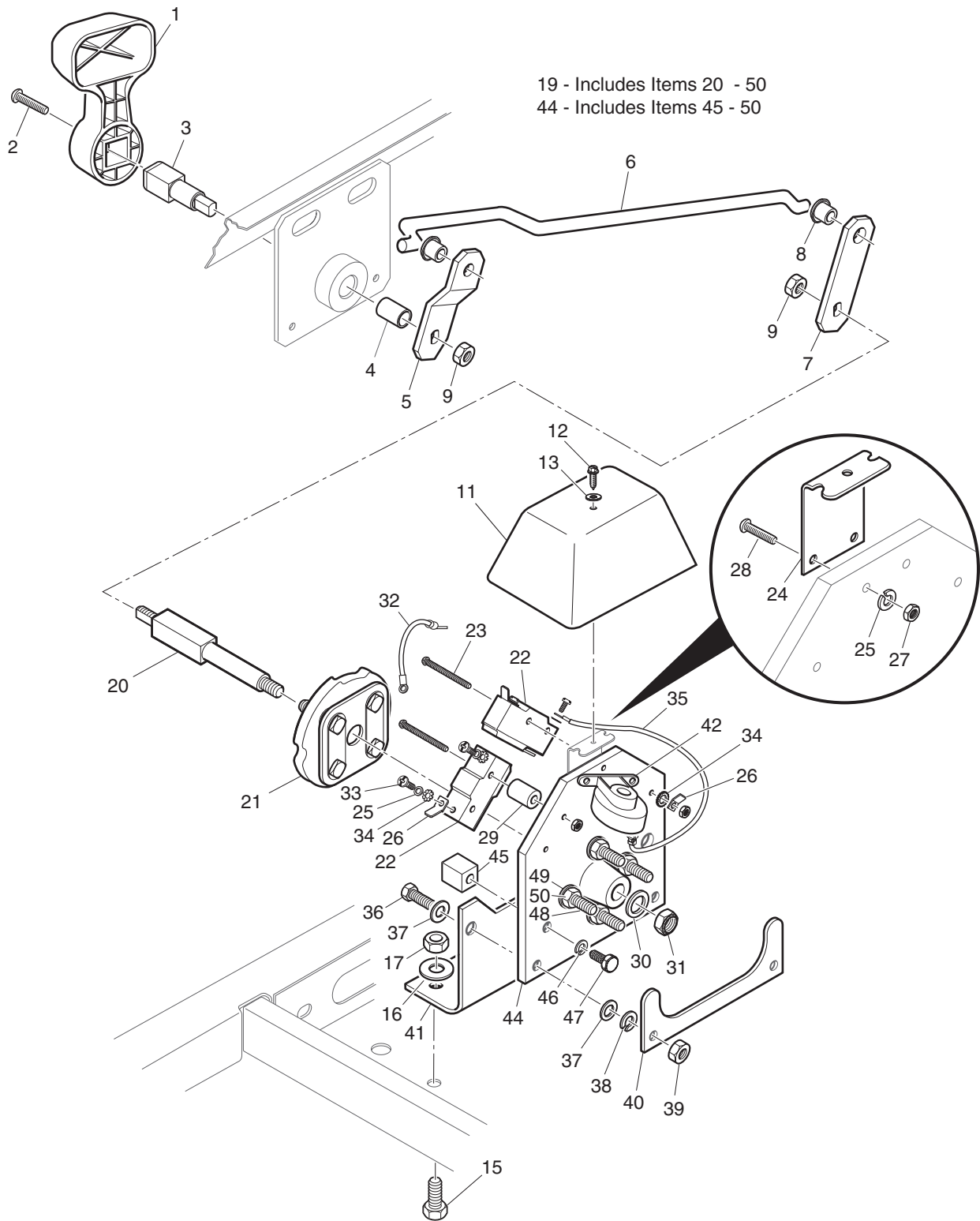
G\*\* Indicates consult Customer Service Department for additional information.

ITEM	PART NO.	1	2	3	4	5	DESCRIPTION	QTY.
88	*						LOWER SPRING .....	1
89	*						PIN .....	2
90	*						CUP AND SPRING .....	2
91	*						ADJUSTER SPRING.....	1
92	<u>72582-G01</u>						BRAKE ADJUSTER KIT (DRIVER SIDE) (INCLUDES ITEMS 94, 95) .....	1
93	<u>72582-G02</u>						BRAKE ADJUSTER KIT (PASSENGER SIDE) (INCLUDES ITEMS 94, 95)	1
94	*						ADJUSTER .....	1
95	*						TEFLON WASHER.....	2
96	<u>17083-G2</u>						BOLT, 5/16 - 24 X 1" LG .....	8
97	<u>15126-G1</u>						LOCK NUT, 5/16 - 24 .....	8
98	<u>15485-G1</u>						WASHER, 13/16" .....	2
99								
100	<u>19186-G1</u>						BRAKE DRUM ASSEMBLY (INCLUDES ITEMS 101 - 102).....	2
101	*						BRAKE DRUM .....	1
102	<u>19862-G1</u>						LUG BOLT, 1/2 - 20 X 1 3/16" LG .....	4
103								
104								
105	<u>15487-G1</u>						WASHER, 1 3/8" O.D. X 21/32" .....	2
106	<u>15483-G1</u>						CASTELLATED NUT, 5/8 - 18.....	2
107	<u>10387-G1</u>						COTTER PIN, 1/8" X 1 1/2" LG.....	2
108	<u>74175-G01</u>						SPINDLE CAP.....	2
109								
110	<u>72036-G01</u>						BRAKE CABLE BRACKET (PASSENGER SIDE).....	1
111	<u>72036-G02</u>						BRAKE CABLE BRACKET (DRIVER SIDE) .....	1



# DIRECTION SELECTOR

\*NOTE: For PDS Direction Selector See ELECTRICAL SYSTEM Section



Ref Dsl 1-1



## DIRECTION SELECTOR

Where applicable, THE USE OF NON UL PARTS WILL VOID ANY UL LISTING.

When ordering parts, please specify the model and serial number of the product.

\* Indicates a component that is not available as an individual part.

G\*\* Indicates consult Customer Service Department for additional information.

ITEM	PART NO.	1 2 3 4 5	DESCRIPTION	QTY.
1	<u>71205-G01</u>		DIRECTION SELECTOR HANDLE.....	1
2	<u>00740-G4</u>		SCREW, #10 - 32 X 1/2" LG (STAINLESS STEEL) .....	1
3	<u>70233-G01</u>		DIRECTION SELECTOR SHAFT.....	1
4	<u>25664-G2</u>		BUSHING .....	1
5	<u>70334-G01</u>		OFFSET SHIFT LINKAGE ARM .....	1
6	<u>70313-G01</u>		LINKAGE ROD.....	1
7	<u>70232-G03</u>		SHIFT LINKAGE ARM .....	1
8	<u>22754-G3</u>		BUSHING .....	2
9	<u>14390-G1</u>		LOCK NUT, 3/8 - 24 .....	2
10				
11	<u>73049-G01</u>		DIRECTION SELECTOR COVER.....	1
12	<u>00114-G6</u>		SCREW, 1/4 - 14 X 3/4" LG.....	1
13	<u>16469-G7</u>		WASHER, 1/4" .....	1
14				
15	<u>00438-G6</u>		BOLT, 5/16 - 18 X 3/4" LG .....	2
16	<u>01110-G03</u>		WASHER, 5/16" (STAINLESS STEEL) .....	2
17	<u>01109-G01</u>		LOCK NUT, 5/16 - 18 (STAINLESS STEEL) .....	2
18				
19	<u>70578-G01</u>		DIRECTION SELECTOR ASSEMBLY (INCLUDES ITEMS 20 - 50) .....	1
20	<u>73027-G01</u>		DIRECTION SELECTOR SHAFT .....	1
21	<u>12835-G1</u>		CAM.....	1
22	<u>10606-G2</u>		MICRO SWITCH.....	2
23	<u>00645-G7</u>		SCREW, #6 - 32 X 2" LG .....	4
24	<u>73048-G01</u>		COVER BRACKET .....	1
25	<u>00565-G3</u>		LOCK WASHER, #6 .....	6
26	<u>14628-G1</u>		PUSH ON MALE TERMINAL.....	3
27	<u>00525-G5</u>		NUT, #6 - 32.....	6
28	<u>00645-G5</u>		SCREW, #6 - 32 X 5/8" LG .....	2
29	<u>12806-G1</u>		SPACER .....	4
30	<u>00560-G1</u>		WASHER, 3/8" .....	1

## DIRECTION SELECTOR

Where applicable, THE USE OF NON UL PARTS WILL VOID ANY UL LISTING.

When ordering parts, please specify the model and serial number of the product.

\* Indicates a component that is not available as an individual part.

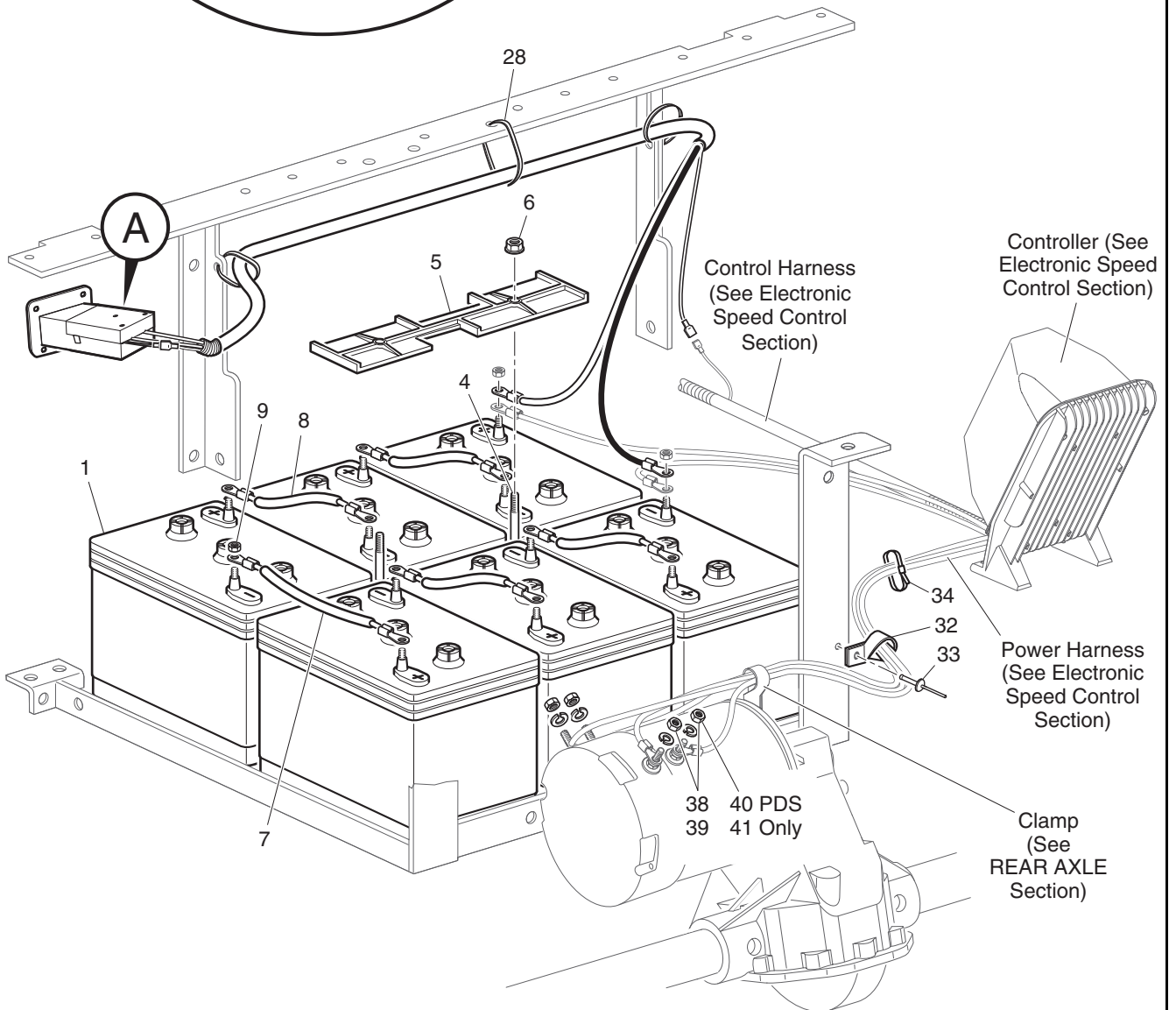
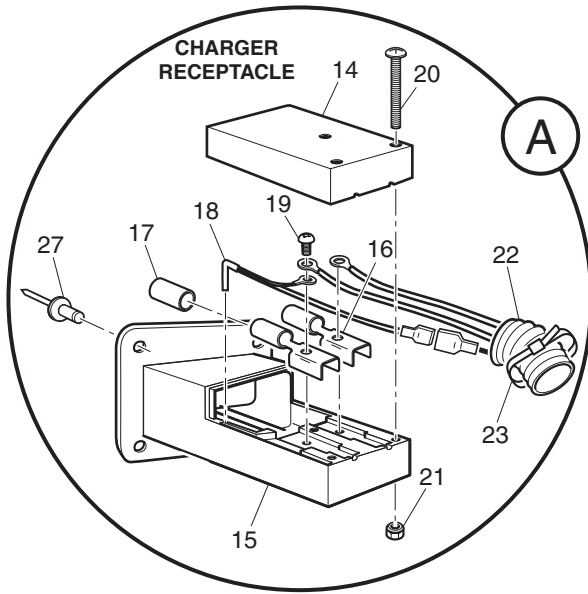
G\*\* Indicates consult Customer Service Department for additional information.

ITEM	PART NO.	1	2	3	4	5	DESCRIPTION	QTY.
31	<u>14390-G1</u>						LOCK NUT, 3/8 - 24 .....	1
32	<u>25978-G37</u>						18 GA WIRE (RED 4") .....	1
33	<u>13514-G1</u>						SCREW.....	4
34	<u>00567-G3</u>						LOCK WASHER, #6 .....	4
35	<u>25978-G343</u>						18 GA WIRE (RED 6") .....	1
36	<u>00661-G8</u>						BOLT, 1/4 - 20 X 1" LG (STAINLESS STEEL) .....	2
37	<u>01110-G01</u>						WASHER, 1/4" (STAINLESS STEEL).....	4
38	<u>00664-G7</u>						LOCK WASHER, 1/4" (STAINLESS STEEL).....	2
39	<u>00532-G1</u>						NUT, 1/4 - 20.....	2
40	<u>15461-G1</u>						SUPPORT BRACKET.....	1
41	73031-G01						DIRECTION SELECTOR MOUNTING BRACKET .....	1
42	<u>73290-G02</u>						REVERSE WARNING BUZZER (CONTINUOUS TONE).....	1
43								
44	<u>14651-G1</u>						CONTACT BOARD ASSEMBLY (INCLUDES ITEMS 45 - 50) .....	1
45	<u>24940-G1</u>						STOP.....	2
46	<u>00664-G7</u>						LOCK WASHER, 1/4" (STAINLESS STEEL) .....	2
47	<u>00414-G6</u>						BOLT, 1/4 - 20 X 3/4" LG .....	2
48	<u>18888-G1</u>						CONTACT STUD, 5/16 - 18 .....	4
49	<u>00565-G8</u>						LOCK WASHER, 5/16".....	4
50	<u>00544-G3</u>						NUT, 5/16 - 18 .....	4

**DIRECTION SELECTOR**

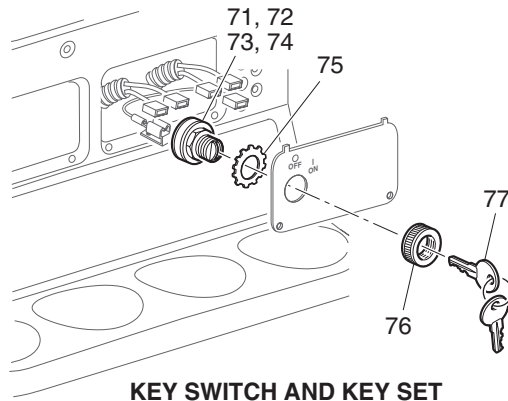
# ELECTRICAL SYSTEM - COMMON

13 - Includes Items 14 - 23



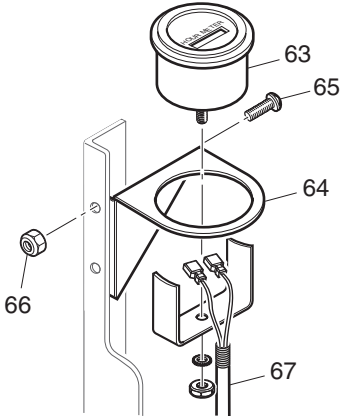
Ref Ele 1-1

# ELECTRICAL SYSTEM - COMMON

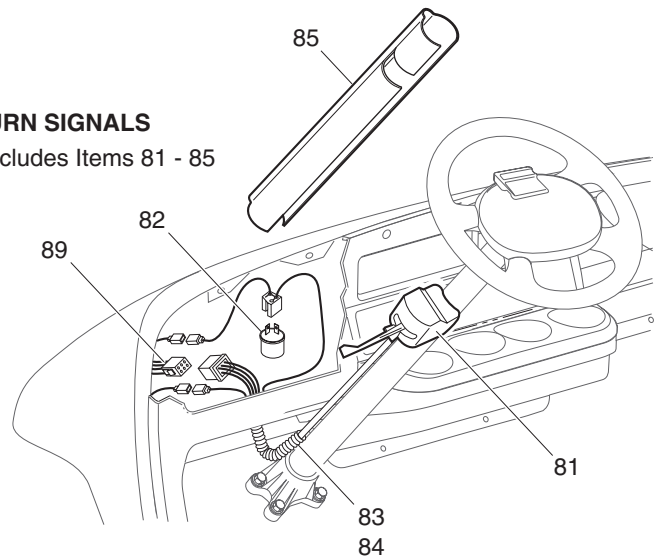


**KEY SWITCH AND KEY SET**

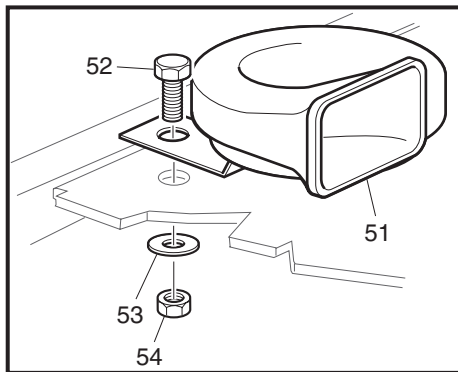
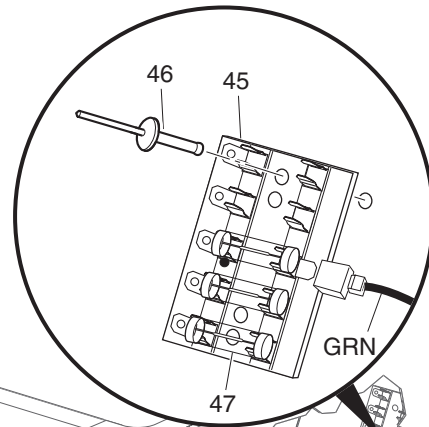
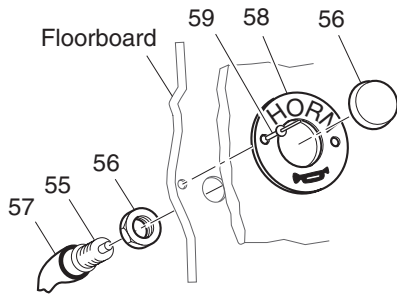
**HOUR METER DETAIL**  
62 - Includes Items 63 - 67



**TURN SIGNALS**  
80 - Includes Items 81 - 85

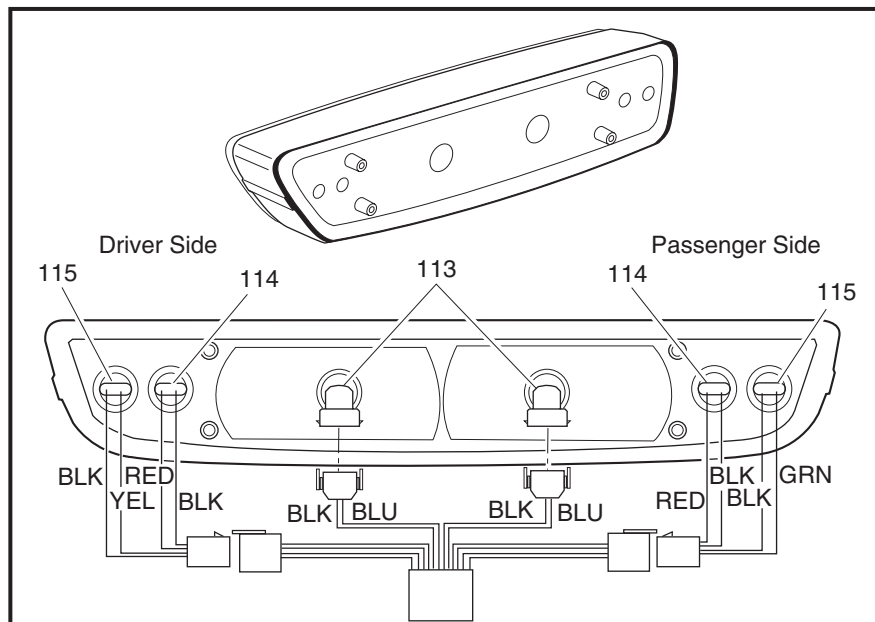
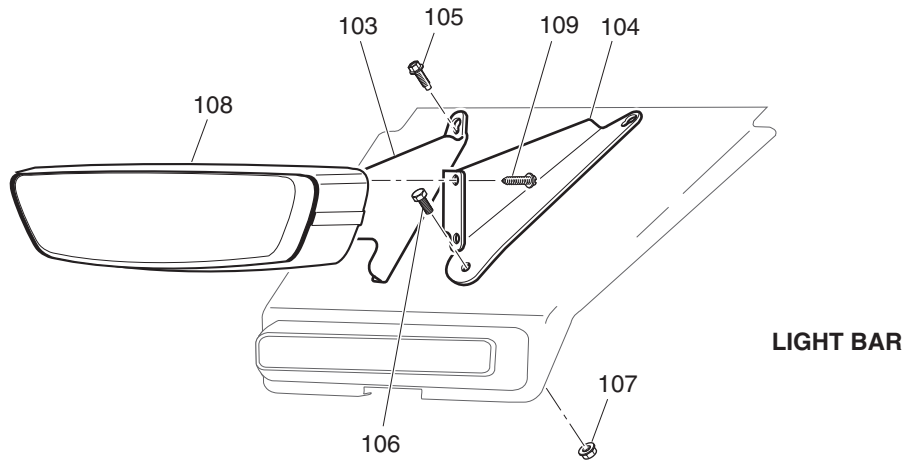
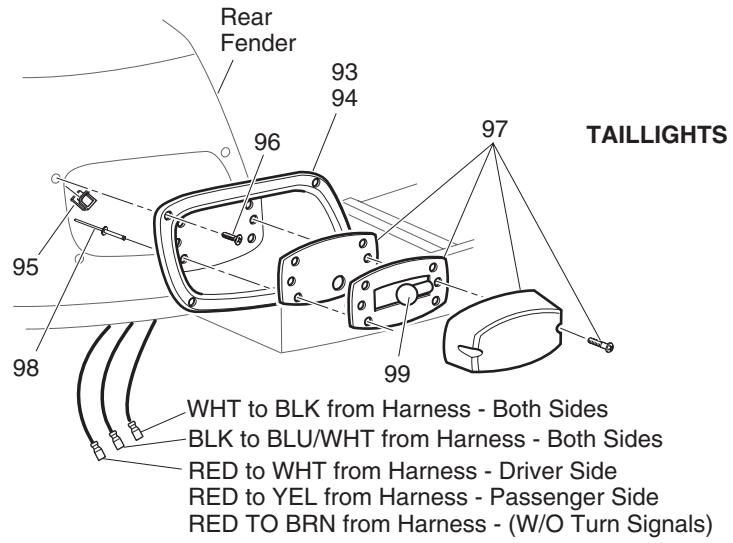


**HORN BUTTON**



Ref Ele 1-2

# ELECTRICAL SYSTEM - COMMON



Ref Ele 1-3

## ELECTRICAL SYSTEM - COMMON

Where applicable, THE USE OF NON UL PARTS WILL VOID ANY UL LISTING.

When ordering parts, please specify the model and serial number of the product.

\* Indicates a component that is not available as an individual part.

G\*\* Indicates consult Customer Service Department for additional information.

ITEM	PART NO.	1	2	3	4	5	DESCRIPTION	QTY.
1	XXXXX-GXX						6 VOLT BATTERY .....	6
2								
3								
4	<u>01101-G01</u>						HOLD DOWN BOLT (STAINLESS STEEL).....	2
5	<u>70045-G01</u>						BATTERY RETAINER .....	1
6	<u>11027-G1</u>						LOCK NUT, 5/16 - 18 .....	2
7	<u>25972-G32</u>						6 GA WIRE (BATTERY INTERCONNECT, BLACK, 10 1/2") .....	1
8	<u>25972-G40</u>						6 GA WIRE (BATTERY INTERCONNECT, 6").....	4
9	<u>00702-G2</u>						NUT, 5/16 - 18 .....	12
10								
11								
12								
13	<u>73063-G01</u>						CHARGER RECEPTACLE ASSEMBLY (INCLUDES ITEMS 14 - 23).....	1
14	*						RECEPTACLE COVER .....	1
15	*						RECEPTACLE BOTTOM .....	1
16	<u>73051-G05</u>						FEMALE CONNECTOR .....	2
17	<u>73051-G06</u>						INSULATOR SLEEVE.....	1
18	73051-G28						REED SWITCH.....	1
19	<u>73051-G08</u>						SCREW, #10 - 32 X 1/2" LG (BRASS) .....	2
20	<u>73051-G09</u>						SCREW, #6 - 32 X 1 3/4" LG (STAINLESS STEEL).....	3
21	<u>73051-G10</u>						LOCK NUT, #6 - 32.....	3
22	*						WIRE HARNESS (CHARGER).....	1
23	<u>17618-G1</u>						WIRE TIE .....	2
24								
25								
26								
27	<u>71055-G01</u>						RIVET, 3/16" X 1" LG (ALUMINUM).....	4
28	<u>17618-G1</u>						WIRE TIE .....	3
29								
30								

## ELECTRICAL SYSTEM - COMMON

Where applicable, THE USE OF NON UL PARTS WILL VOID ANY UL LISTING.

When ordering parts, please specify the model and serial number of the product.

\* Indicates a component that is not available as an individual part.

G\*\* Indicates consult Customer Service Department for additional information.

ITEM	PART NO.	1	2	3	4	5	DESCRIPTION	QTY.
31								
32	<u>27327-G02</u>						CABLE CLAMP .....	1
33	<u>10570-G11</u>						RIVET, 3/16" X 3/4" LG (STAINLESS STEEL) .....	1
34	<u>17618-G1</u>						WIRE TIE .....	8
35								
36								
37								
38	<u>00993-G01</u>						LOCK WASHER, 5/16" (SILICON BRONZE) .....	AR
39	<u>28418-G01</u>						NUT, 5/16 - 18 (BRASS).....	AR
40	<u>00993-G02</u>						LOCK WASHER, 1/4" (SILICON BRONZE) .....	2
41	<u>28418-G02</u>						NUT, 1/4 - 20 (BRASS).....	2
42								
43								
44								
45	<u>22674-G1</u>						FUSE BLOCK.....	1
46	<u>01041-G01</u>						RIVET, 1/8" X 13/16" LG .....	2
47	<u>18392-G1</u>						15 AMP FUSE .....	AR
48								
49								
50								
51	<u>32860-G1</u>						HORN.....	1
52	<u>00414-G5</u>						BOLT, 1/4 - 20 X 5/8" LG .....	1
53	<u>01110-G01</u>						WASHER, 1/4" (STAINLESS STEEL) .....	1
54	<u>00654-G2</u>						LOCK NUT, 1/4 - 20 (STAINLESS STEEL) .....	1
55	<u>17318-G1</u>						HORN SWITCH.....	1
56	<u>17318-G2</u>						HORN SWITCH CAP AND NUT .....	1
57	<u>27068-G01</u>						HORN SWITCH BOOT .....	1
58	<u>19233-G1</u>						HORN SWITCH LABEL .....	1
59	<u>71055-G01</u>						RIVET, 3/16" X 1" LG (ALUMINUM).....	2
60								



## ELECTRICAL SYSTEM - COMMON

Where applicable, THE USE OF NON UL PARTS WILL VOID ANY UL LISTING.

When ordering parts, please specify the model and serial number of the product.

\* Indicates a component that is not available as an individual part.

G\*\* Indicates consult Customer Service Department for additional information.

ITEM	PART NO.	1	2	3	4	5	DESCRIPTION	QTY.
61								
62	75113-G02						HOUR METER KIT (INCLUDES ITEMS 63 - 67) .....	1
63	<u>21573-G1</u>						HOUR METER.....	1
64	74019-G01						HOUR METER BRACKET .....	1
65	<u>00150-G4</u>						SCREW, #10 - 24 X 1/2" LG .....	2
66	11098-G7						LOCK NUT, #10 - 24 .....	2
67	<u>75117-G02</u>						WIRE HARNESS (HOUR METER).....	1
68								
69								
70								
71	<u>17421-G1</u>						KEY SWITCH KIT (W/O LIGHTS - STANDARD - WITH HARDWARE) .....	1
72	<u>17955-G1</u>						KEY SWITCH (WITHOUT LIGHTS - NON STANDARD) .....	1
73	<u>18027-G1</u>						KEY SWITCH (WITHOUT LIGHTS - INDIVIDUALLY KEYED) .....	1
74	33639-G**						KEY SWITCH (WITH LIGHTS) .....	1
75	<u>00568-G6</u>						LOCK WASHER, 3/4" .....	1
76	17137-G1						FACE NUT, 3/4 - 20 .....	1
77	<u>17063-G1</u>						KEY (SET) .....	1
78								
79								
80	<u>75107-G02</u>						TURN SIGNAL KIT (INCLUDES ITEMS 81 - 85) .....	1
81	<u>17867-G1</u>						TURN SIGNAL (WITH MOUNTING HARDWARE).....	1
82	<u>21640-G1</u>						TURN SIGNAL FLASHER.....	1
83	<u>32307-G3</u>						FLEX LOOM, 3/8" X 8" LG.....	1
84	<u>17618-G1</u>						WIRE TIE .....	2
85	<u>20965-G3</u>						STEERING COLUMN COVER .....	1
86								
87								
88								
89	73043-G01						WIRE HARNESS (ACCESSORY).....	1
90								

## ELECTRICAL SYSTEM - COMMON

Where applicable, THE USE OF NON UL PARTS WILL VOID ANY UL LISTING.

When ordering parts, please specify the model and serial number of the product.

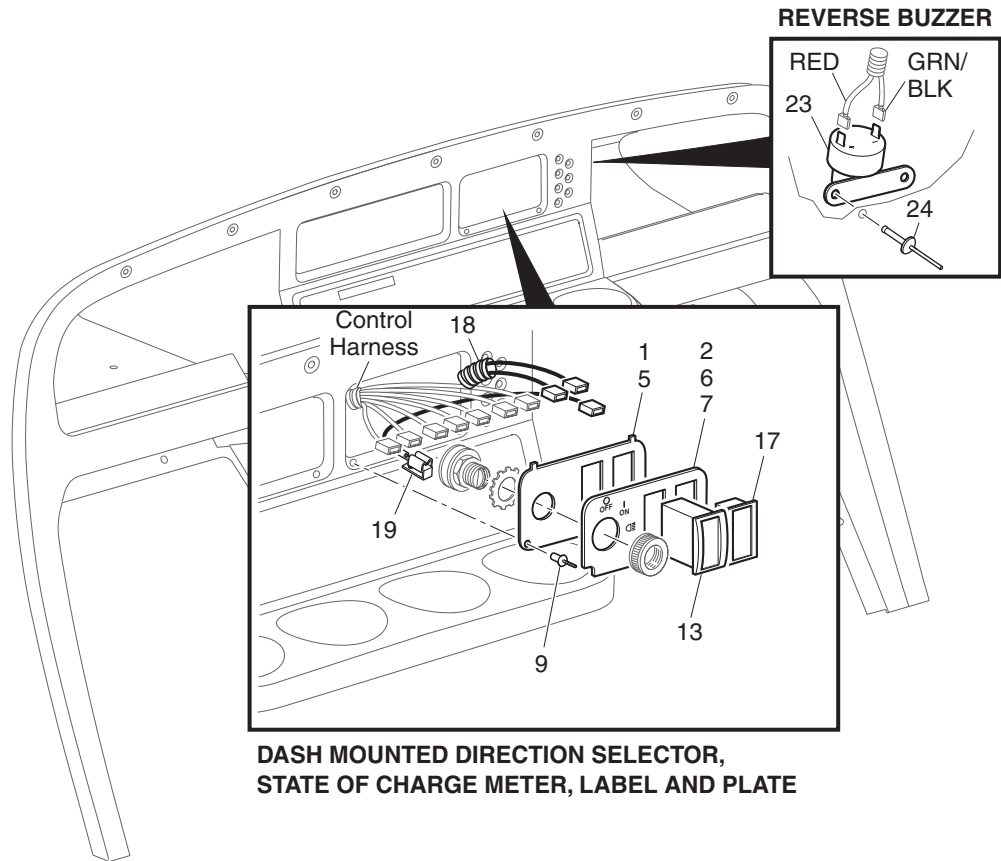
\* Indicates a component that is not available as an individual part.

G\*\* Indicates consult Customer Service Department for additional information.

ITEM	PART NO.	1	2	3	4	5	DESCRIPTION	QTY.
91								
92								
93	<u>74371-G01</u>						BEZEL (DRIVER SIDE).....	1
94	<u>74371-G02</u>						BEZEL (PASSENGER SIDE) .....	1
95	<u>71364-G02</u>						'J' CLIP .....	8
96	<u>71425-G01</u>						COUNTERSUNK SCREW, #8 .....	8
97	<u>22288-G2</u>						BRAKE / TAILLIGHT LAMP.....	1
98	<u>14601-G11</u>						RIVET, 3/16" X 9/16" LG (ALUMINUM).....	4
99	<u>21759-G1</u>						TAILLIGHT BULB .....	AR
100								
101								
102								
103	<u>74236-G01</u>						HEADLIGHT MOUNT BRACKET (PASSENGER SIDE).....	1
104	<u>74236-G02</u>						HEADLIGHT MOUNT BRACKET (DRIVER SIDE) .....	1
105	<u>01038-G01</u>						BOLT, 1/4 - 20 X 11/16" LG .....	2
106	<u>00414-G6</u>						BOLT, 1/4 - 20 X 3/4" LG .....	2
107	<u>11027-G2</u>						LOCK NUT, 1/4 - 20 .....	2
108	<u>74001-G01</u>						HEADLIGHT AND TURN SIGNAL LIGHT .....	1
109	<u>00114-G6</u>						SCREW, 1/4 - 14 X 3/4" LG.....	4
110								
111								
112								
113	<u>74004-G01</u>						HEAD LIGHT BULB .....	AR
114	<u>74005-G01</u>						MARKER LIGHT BULB .....	AR
115	<u>74006-G01</u>						TURN SIGNAL BULB.....	AR

## ELECTRICAL SYSTEM - COMMON

# ELECTRICAL SYSTEM - PDS



Ref Ele 1-4

## ELECTRICAL SYSTEM - PDS

Where applicable, THE USE OF NON UL PARTS WILL VOID ANY UL LISTING.

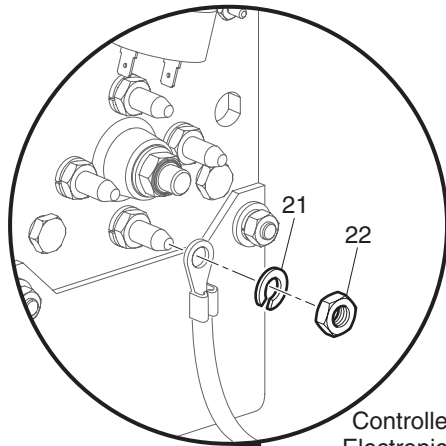
When ordering parts, please specify the model and serial number of the product.

\* Indicates a component that is not available as an individual part.

G\*\* Indicates consult Customer Service Department for additional information.

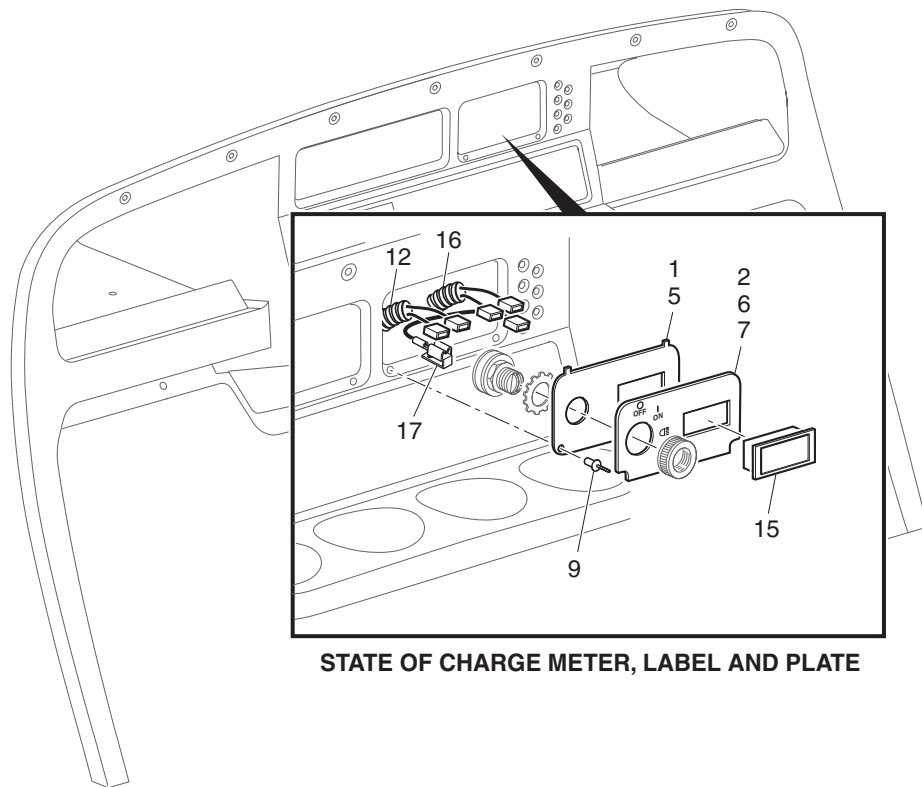
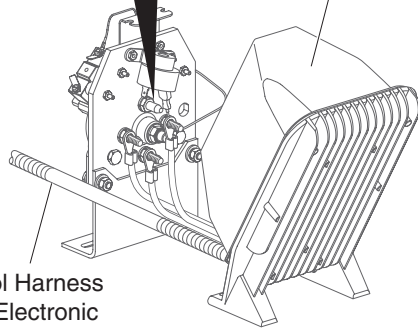
ITEM	PART NO.	1	2	3	4	5	DESCRIPTION	QTY.
1	73030-G05						PLATE (KEY SWITCH, DIRECTION SELECTOR) .....	1
2	<u>74316-G01</u>						LABEL (KEY SWITCH WITHOUT LIGHTS, DIRECTION SELECTOR).....	1
3								
4								
5	<u>73030-G06</u>						PLATE (KEY SWITCH, DIRECTION SELECTOR, CHARGE METER) .....	1
6	<u>74320-G01</u>						LABEL (KEY SWITCH WITHOUT LIGHTS, DIRECTION SELECTOR, CHARGE METER) .....	1
7	<u>74322-G01</u>						LABEL (KEY SWITCH WITH LIGHTS, DIRECTION SELECTOR, CHARGE METER) .....	1
8								
9	33623-G02						DRIVE RIVET, 3/16" X 3/8" LG .....	2
10								
11								
12								
13	<u>74323-G01</u>						DIRECTION SELECTOR SWITCH (DASH MOUNTED).....	1
14								
15								
16								
17	<u>33636-G04</u>						STATE OF CHARGE METER (VERTICAL) .....	1
18	<u>74018-G01</u>						WIRE HARNESS (STATE OF CHARGE METER) .....	1
19	<u>25978-G74</u>						18 GA WIRE (RED 6").....	1
20								
21								
22								
23	<u>73290-G02</u>						REVERSE WARNING BUZZER (CONTINUOUS TONE) .....	1
24	<u>01041-G01</u>						RIVET, 1/8" X 13/16" LG .....	2

# ELECTRICAL SYSTEM - SERIES



Controller (See Electronic Speed Control Section)

Control Harness (See Electronic Speed Control Section)



STATE OF CHARGE METER, LABEL AND PLATE

Ref Ele 1-5

## ELECTRICAL SYSTEM - SERIES

Where applicable, THE USE OF NON UL PARTS WILL VOID ANY UL LISTING.

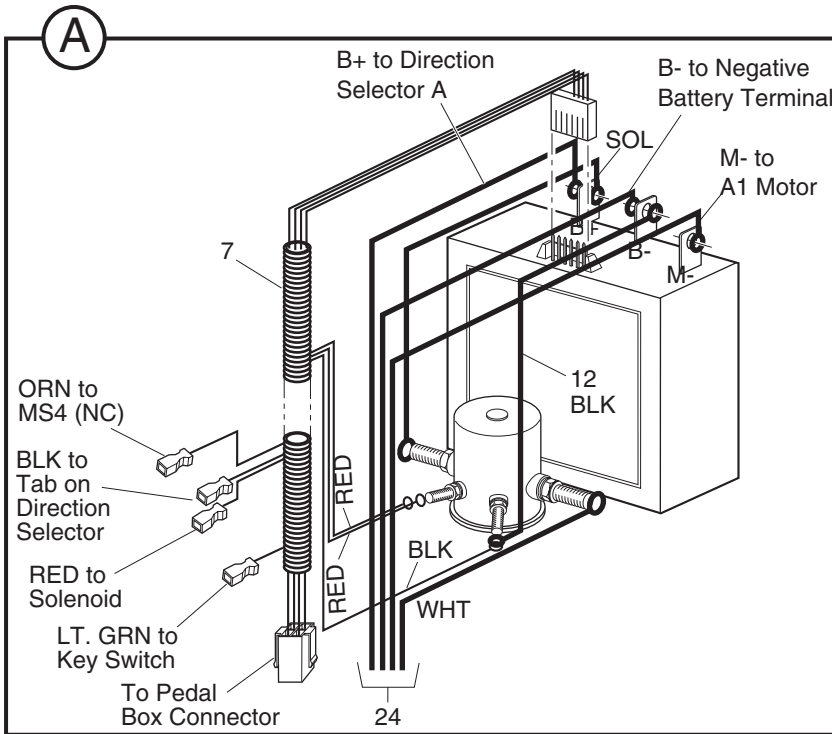
When ordering parts, please specify the model and serial number of the product.

\* Indicates a component that is not available as an individual part.

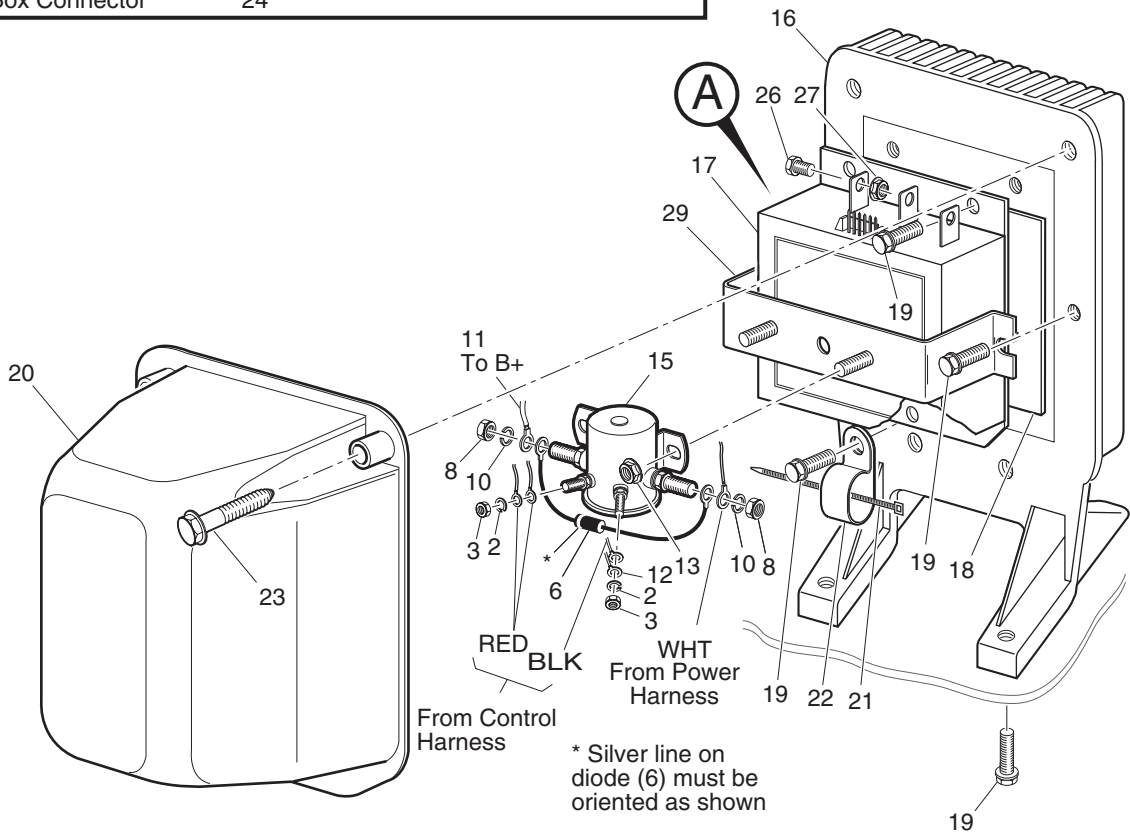
G\*\* Indicates consult Customer Service Department for additional information.

ITEM	PART NO.	1	2	3	4	5	DESCRIPTION	QTY.
1	<u>73030-G01</u>						PLATE (KEY SWITCH ONLY) .....	1
2	<u>71145-G01</u>						LABEL (KEY SWITCH ONLY) .....	1
3								
4								
5	73030-G02						PLATE (KEY SWITCH, STATE OF CHARGE METER) .....	1
6	<u>71123-G02</u>						LABEL (KEY SWITCH W/O LIGHTS, STATE OF CHARGE METER) .....	1
7	71129-G02						LABEL (KEY SWITCH W/ LIGHTS, STATE OF CHARGE METER) .....	1
8								
9	33623-G02						DRIVE RIVET, 3/16" X 3/8" LG .....	2
10								
11								
12	<u>73041-G01</u>						WIRE HARNESS (KEY SWITCH) .....	1
13								
14								
15	<u>33636-G01</u>						STATE OF CHARGE METER .....	1
16	<u>74018-G01</u>						WIRE HARNESS (STATE OF CHARGE METER) .....	1
17	<u>25978-G74</u>						18 GA WIRE (RED 6") .....	1
18								
19								
20								
21	<u>00565-G8</u>						LOCK WASHER, 5/16" .....	4
22	<u>00532-G3</u>						NUT, 5/16 - 18 .....	4

# ELECTRONIC SPEED CONTROL - SERIES



1 - Includes Items 2 - 29



Ref Esc 1-1



## ELECTRONIC SPEED CONTROL - SERIES

Where applicable, THE USE OF NON UL PARTS WILL VOID ANY UL LISTING.

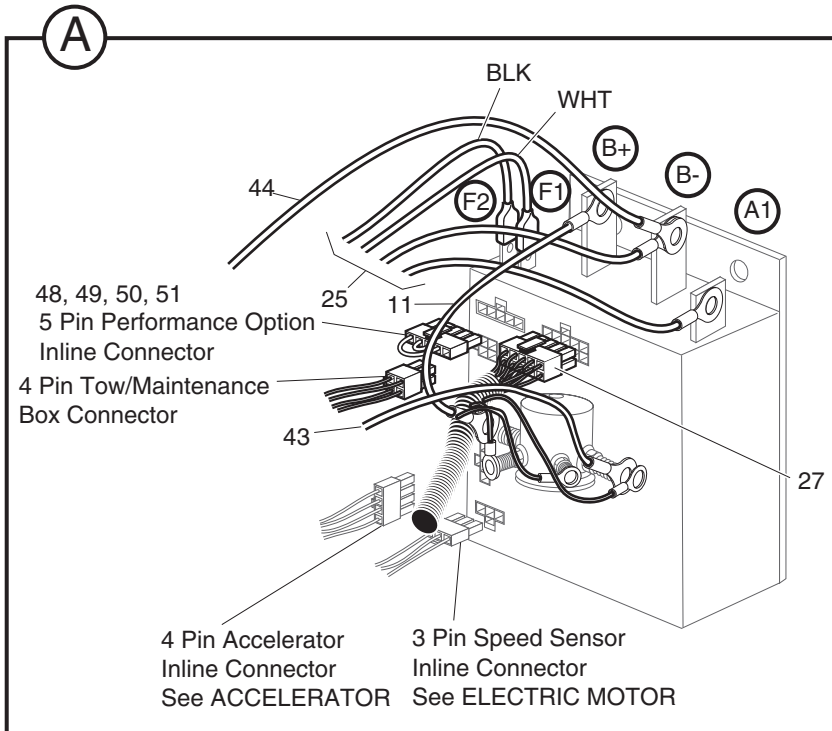
When ordering parts, please specify the model and serial number of the product.

\* Indicates a component that is not available as an individual part.

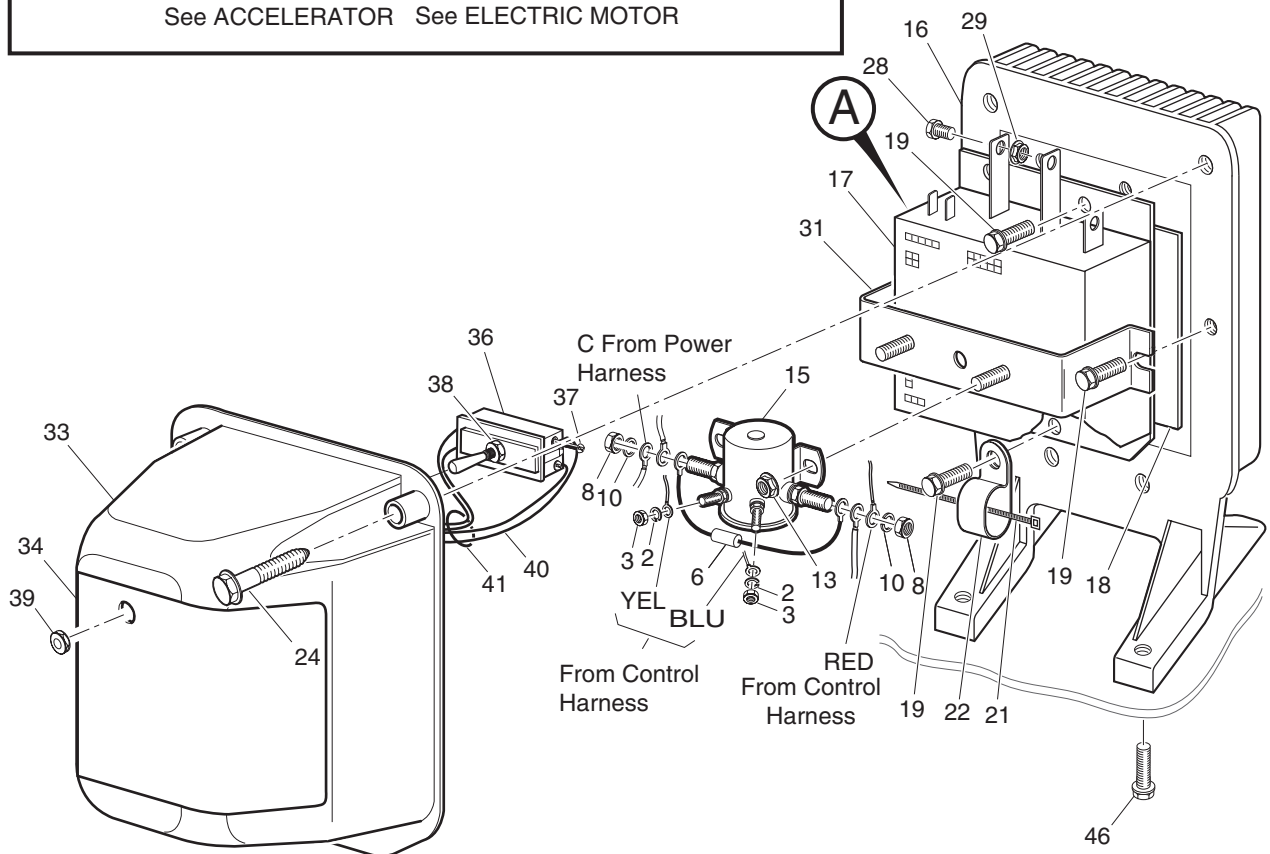
G\*\* Indicates consult Customer Service Department for additional information.

ITEM	PART NO.	1	2	3	4	5	DESCRIPTION	QTY.
1	<u>73056-G04</u>						ELECTRONIC SPEED CONTROL ASSEMBLY (INCLUDES ITEMS 2 - 31).....	1
2	*						LOCK WASHER, #10 .....	2
3	*						NUT, 10 - 32.....	2
4								
5	<u>30353-G1</u>						DIODE, 3 AMP.....	1
6	<u>21764-G1</u>						RESISTOR.....	1
7	<u>73103-G02</u>						WIRE HARNESS (CONTROL) .....	1
8	*						NUT, 5/16 - 24.....	2
9								
10	*						LOCK WASHER, 5/16" .....	2
11	<u>25972-G02</u>						6 GA WIRE (SOL - B+) .....	1
12	<u>25978-G10</u>						18 GA WIRE (SOL - B-) .....	1
13	<u>11027-G2</u>						LOCK NUT, 1/4 - 20 .....	2
14								
15	<u>27855-G01</u>						SOLENOID, 36 VOLT .....	1
16	<u>73083-G01</u>						HEATSINK .....	1
17	<u>25864-G05</u>						ELECTRONIC SPEED CONTROLLER .....	1
18	<u>73190-G01</u>						THERMAL MOUNTING PAD .....	1
19	<u>71102-G01</u>						BOLT, 1/4 - 20 X 3/4" LG.....	9
20	<u>73028-G01</u>						COVER .....	1
21	<u>31539-G1</u>						WIRE TIE .....	1
22	<u>73053-G01</u>						DOUBLE TUBE CLAMP .....	1
23	<u>71102-G03</u>						BOLT, 1/4 - 20 X 1 3/16" LG.....	3
24	<u>73039-G02</u>						WIRE HARNESS (POWER) .....	1
25								
26	<u>00270-G5</u>						BOLT, 5/16 - 18 X 5/8" LG.....	3
27	<u>11027-G1</u>						LOCK NUT, 5/16 - 18.....	3
28								
29	<u>25866-G01</u>						SOLENOID BRACKET .....	1

# ELECTRONIC SPEED CONTROL - PDS



- 1 - Includes Items 2 - 44
- 32 - Includes Items 33 - 41
- 36 - Includes Items 37 - 39



Ref Esp 1-1

## ELECTRONIC SPEED CONTROL - PDS

Where applicable, THE USE OF NON UL PARTS WILL VOID ANY UL LISTING.

When ordering parts, please specify the model and serial number of the product.

\* Indicates a component that is not available as an individual part.

G\*\* Indicates consult Customer Service Department for additional information.

ITEM	PART NO.	1	2	3	4	5	DESCRIPTION	QTY.
1	<u>73276-G02</u>						ELECTRONIC SPEED CONTROL ASSEMBLY (INCLUDES ITEMS 2 - 44).....	1
2	*						LOCK WASHER, #10 .....	2
3	*						NUT, 10 - 32.....	2
4								
5								
6	<u>21764-G1</u>						RESISTOR.....	1
7								
8	*						NUT, 5/16 - 24.....	2
9								
10	*						LOCK WASHER, 5/16" .....	2
11	25972-G56						6 GA WIRE (BLACK 6", C - B+).....	1
12								
13	<u>11027-G2</u>						LOCK NUT, 1/4 - 20 .....	2
14								
15	<u>27855-G01</u>						SOLENOID, 36 VOLT .....	1
16	<u>73083-G01</u>						HEATSINK .....	1
17	73326-G02						ELECTRONIC SPEED CONTROLLER .....	1
18	<u>73190-G01</u>						THERMAL MOUNTING PAD .....	1
19	<u>71102-G01</u>						BOLT, 1/4 - 20 X 3/4" LG.....	5
20								
21	<u>31539-G1</u>						WIRE TIE .....	1
22	<u>73053-G01</u>						DOUBLE TUBE CLAMP .....	1
23								
24	<u>71102-G03</u>						BOLT, 1/4 - 20 X 1 3/16" LG.....	4
25	<u>73106-G01</u>						WIRE HARNESS (POWER) .....	1
26								
27	<u>74324-G01</u>						WIRE HARNESS (CONTROL) .....	1
28	<u>00270-G5</u>						BOLT, 5/16 - 18 X 5/8" LG.....	3
29	<u>11027-G1</u>						LOCK NUT, 5/16 - 18.....	3
30								

## ELECTRONIC SPEED CONTROL - PDS

Where applicable, THE USE OF NON UL PARTS WILL VOID ANY UL LISTING.

When ordering parts, please specify the model and serial number of the product.

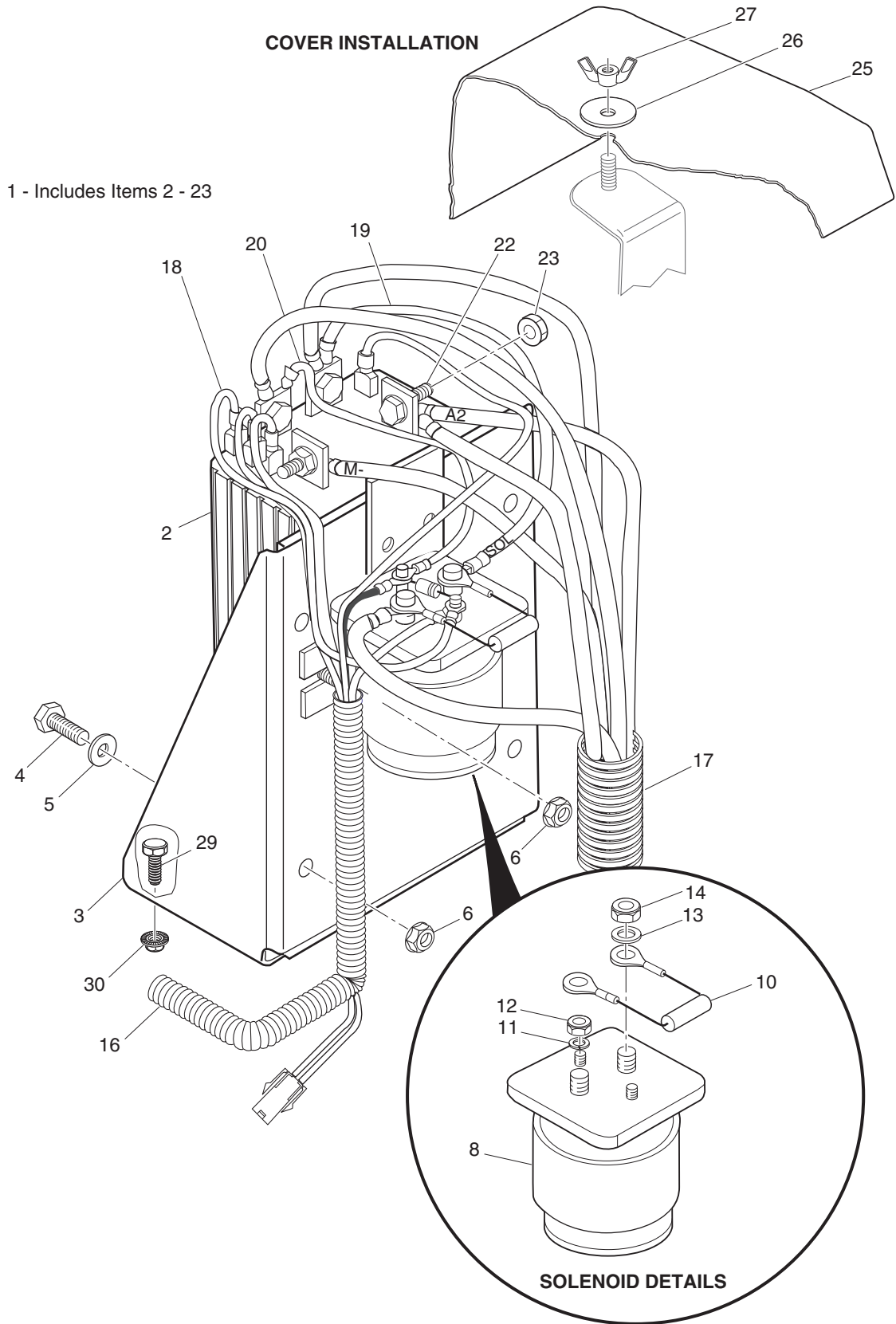
\* Indicates a component that is not available as an individual part.

G\*\* Indicates consult Customer Service Department for additional information.

ITEM	PART NO.	1	2	3	4	5	DESCRIPTION	QTY.
31	25866-G01						SOLENOID BRACKET .....	1
32	<u>73089-G01</u>						COVER ASSEMBLY (INCLUDES ITEMS 33 - 41) .....	1
33	<u>73028-G02</u>						COVER (WITH GASKET) .....	1
34	73093-G01						LABEL (TOW SWITCH) .....	1
35								
36	73125-G01						TOGGLE SWITCH WITH SEAL (INCLUDES ITEMS 37 - 39) .....	1
37	*						SCREW, #5 - 40.....	4
38	*						NUT, 15/32 - 32.....	1
39	<u>73139-G01</u>						SEALED NUT, 15/32 - 32.....	1
40	73138-G02						WIRE HARNESS (TOW SWITCH).....	1
41	<u>17618-G1</u>						WIRE TIE .....	1
42								
43	<u>25972-G22</u>						6 GA WIRE (BLACK 27", BL+ TO SOL) .....	1
44	<u>25972-G32</u>						6 GA WIRE (BLACK 36", BL- TO B-).....	1
45								
46	<u>71102-G01</u>						BOLT, 1/4 - 20 X 3/4" LG .....	4
47								
48	<u>73272-G01</u>						PERFORMANCE OPTION (FREEDOM) (NOT AVAILABLE FOR FLEET).....	1
49	<u>73272-G02</u>						PERFORMANCE OPTION (STEEP HILL).....	1
50	<u>73272-G03</u>						PERFORMANCE OPTION (MILD HILL) .....	1
51	73272-G04						PERFORMANCE OPTION (ALL TERRAIN) .....	1

# ELECTRONIC SPEED CONTROL - PDS

# ELECTRONIC SPEED CONTROL - HD



Ref Esh 1

## ELECTRONIC SPEED CONTROL - HD

Where applicable, THE USE OF NON UL PARTS WILL VOID ANY UL LISTING.

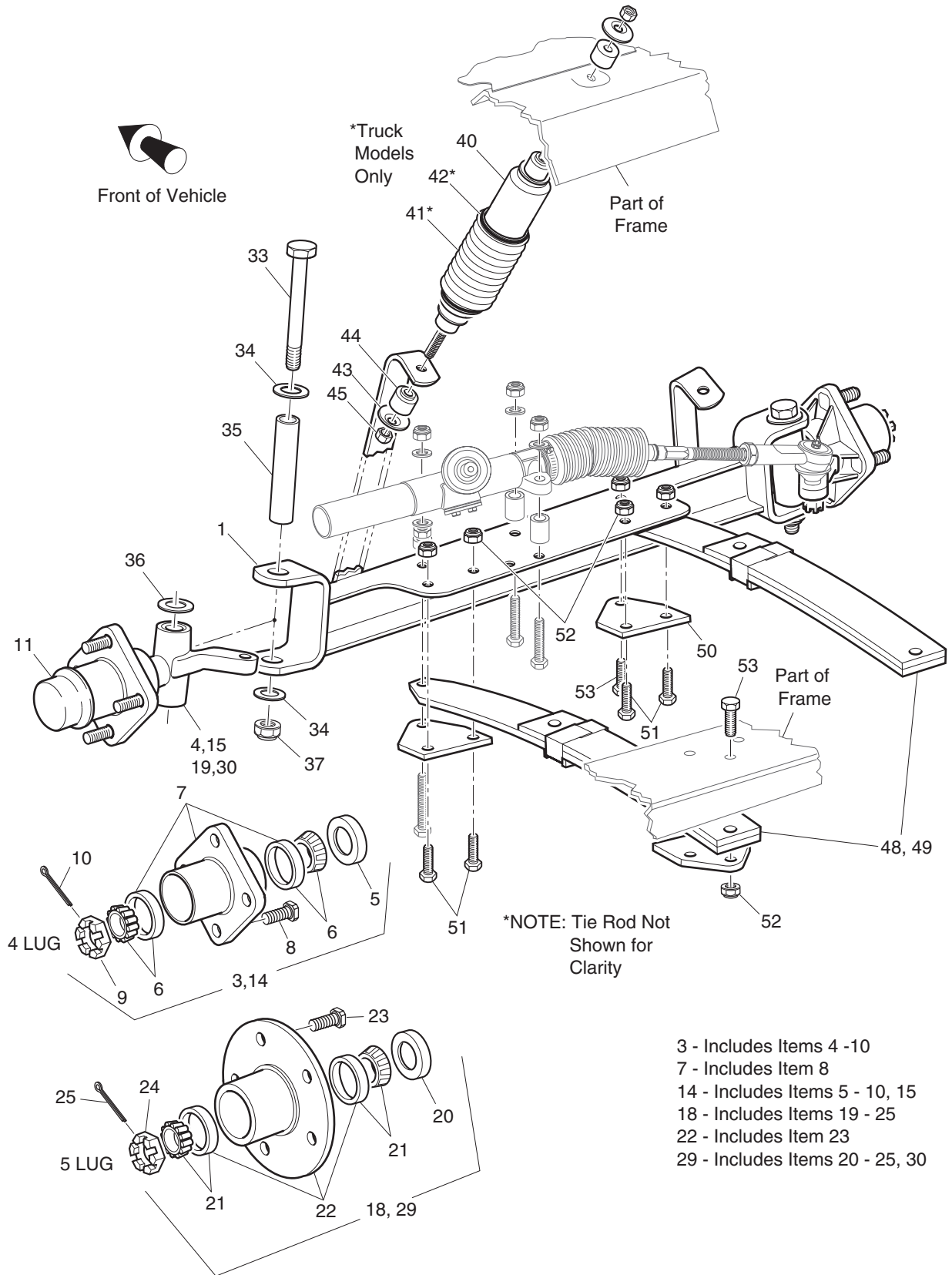
When ordering parts, please specify the model and serial number of the product.

\* Indicates a component that is not available as an individual part.

G\*\* Indicates consult Customer Service Department for additional information.

ITEM	PART NO.	1	2	3	4	5	DESCRIPTION	QTY.
1	<u>73055-G02</u>						ELECTRONIC SPEED CONTROL ASSEMBLY (INCLUDES ITEMS 2 - 23).....	1
2	73060-G01						ELECTRONIC SPEED CONTROLLER .....	1
3	74014-G01						CONTROLLER MOUNT .....	1
4	<u>00414-G5</u>						BOLT, 1/4 - 20 X 5/8" LG.....	4
5	<u>01110-G01</u>						WASHER, 1/4" (STAINLESS STEEL).....	2
6	<u>11027-G2</u>						LOCK NUT, 1/4 - 20.....	6
7								
8	<u>28562-G01</u>						SOLENOID .....	1
9								
10	<u>21764-G1</u>						RESISTOR.....	1
11	*						LOCK WASHER, #10 .....	2
12	*						NUT, #10 - 32.....	2
13	*						WASHER, 5/16" .....	2
14	*						NUT, 5/16 - 24.....	2
15								
16	<u>73095-G02</u>						WIRE HARNESS (CONTROL) .....	1
17	<u>28325-G01</u>						WIRE HARNESS (POWER) .....	1
18	<u>25978-G88</u>						18 GA WIRE (RED 9") .....	1
19	25972-G02						6 GA WIRE (BLK 6", SOL - B+) .....	1
20	<u>25978-G10</u>						18 GA WIRE(BLK 6", SOL - B-).....	1
21								
22	00438-G6						BOLT, 5/16 - 18 X 3/4" LG.....	4
23	<u>11027-G1</u>						LOCK NUT, 5/16 - 18.....	4
24								
25	<u>23723-G2</u>						COVER.....	1
26	<u>16469-G1</u>						WASHER, 1/4" .....	1
27	<u>14419-G1</u>						WING NUT, 1/4 - 20 .....	1
28								
29	<u>00414-G5</u>						BOLT, 1/4 - 20 X 5/8" LG .....	4
30	<u>11027-G2</u>						LOCK NUT, 1/4 - 20 .....	4

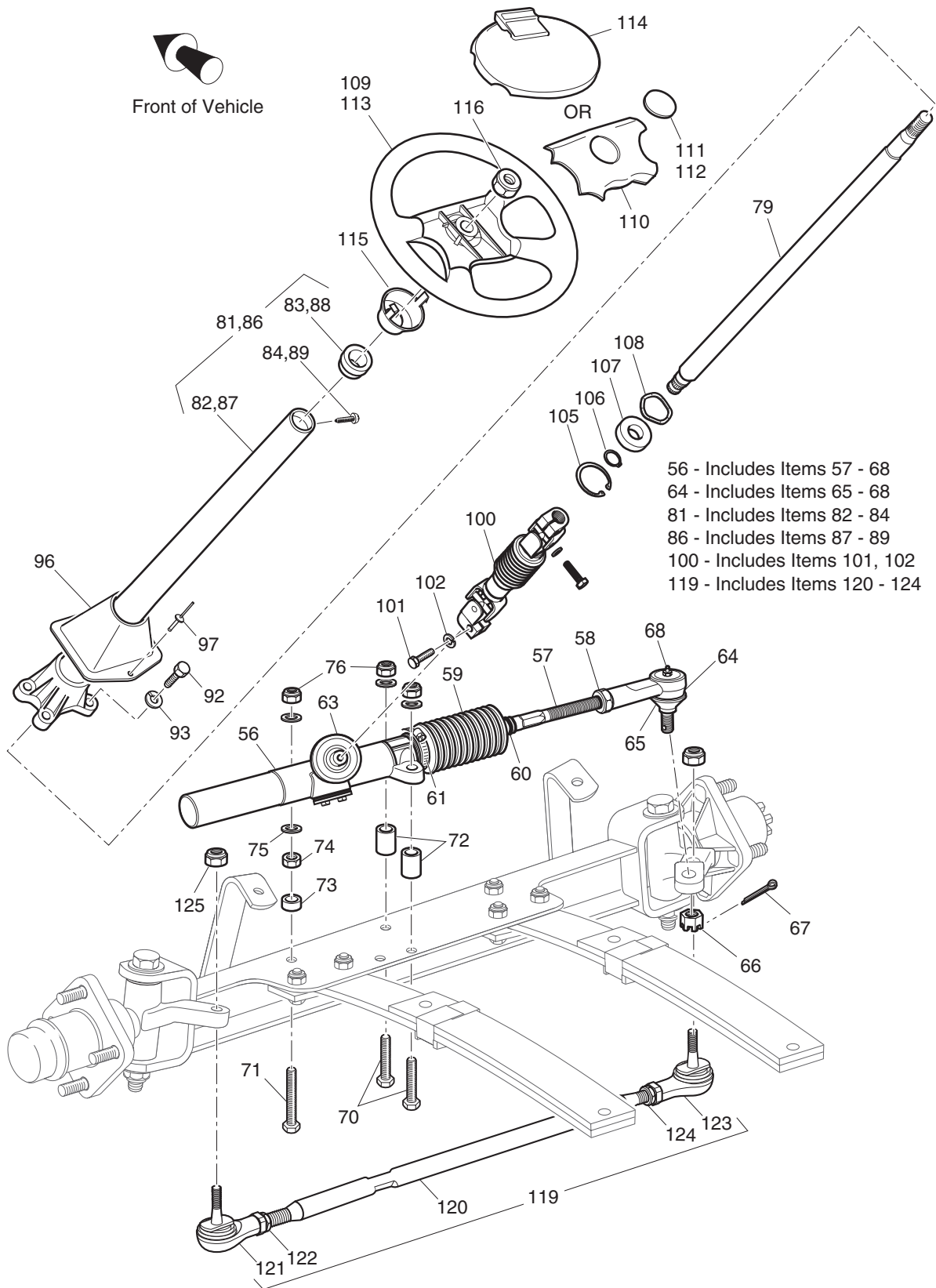
# FRONT SUSPENSION/STEERING



Ref Fss 1-1



# FRONT SUSPENSION/STEERING



Ref Fss 1-2

## FRONT SUSPENSION/STEERING

Where applicable, THE USE OF NON UL PARTS WILL VOID ANY UL LISTING.

When ordering parts, please specify the model and serial number of the product.

\* Indicates a component that is not available as an individual part.

G\*\* Indicates consult Customer Service Department for additional information.

ITEM	PART NO.	1	2	3	4	5	DESCRIPTION	QTY.
1	70963-G01						FRONT AXLE .....	1
2								
3	<u>70942-G01</u>						SPINDLE AND HUB ASSEMBLY, 4 LUG (PASSENGER SIDE) (INCLUDES ITEMS 4 - 10).....	1
4	<u>70942-G02</u>						SPINDLE ASSEMBLY (PASSENGER SIDE).....	1
5	<u>25146-G1</u>						GREASE SEAL.....	1
6	<u>50892-G1</u>						ROLLER BEARING AND RACE ASSEMBLY.....	2
7	<u>70895-G01</u>						WHEEL HUB ASSEMBLY WITH RACES, 4 LUG (INCLUDES ITEM 8) .....	1
8	<u>19862-G1</u>						LUG BOLT, 1/2 - 20 X 1 3/16" LG.....	4
9	12093-G1						CASTELLATED NUT, 1 - 14 .....	1
10	<u>00798-G8</u>						COTTER PIN, 5/32" X 1 3/4" LG .....	1
11	<u>12091-G2</u>						SPINDLE CAP.....	2
12								
13								
14	70673-G01						SPINDLE AND HUB ASSEMBLY, 4 LUG (DRIVER SIDE) (INCLUDES ITEMS 5 - 10, 15).....	1
15	70673-G02						SPINDLE ASSEMBLY (DRIVER SIDE) .....	1
16								
17								
18	<u>70943-G01</u>						SPINDLE AND HUB ASSEMBLY, 5 LUG (PASSENGER SIDE) (INCLUDES ITEMS 19 - 25).....	1
19	<u>70942-G02</u>						SPINDLE ASSEMBLY (PASSENGER SIDE).....	1
20	<u>12092-G1</u>						GREASE SEAL.....	1
21	<u>50892-G1</u>						ROLLER BEARING AND RACE ASSEMBLY.....	2
22	<u>70772-G01</u>						WHEEL HUB ASSEMBLY WITH RACES, 5 LUG (INCLUDES ITEM 23) .....	1
23	30143-G1						LUG BOLT, 1/2 - 20 X 1 7/32" LG.....	5
24	12093-G1						CASTELLATED NUT, 1 - 14 .....	1
25	<u>00798-G8</u>						COTTER PIN, 5/32" X 1 3/4" LG .....	1
26								
27								
28								

## FRONT SUSPENSION/STEERING

Where applicable, THE USE OF NON UL PARTS WILL VOID ANY UL LISTING.

When ordering parts, please specify the model and serial number of the product.

\* Indicates a component that is not available as an individual part.

G\*\* Indicates consult Customer Service Department for additional information.

ITEM	PART NO.	1	2	3	4	5	DESCRIPTION	QTY.
29	<u>70797-G01</u>						SPINDLE AND HUB ASSEMBLY, 5 LUG (DRIVER SIDE) (INCLUDES ITEMS 20 - 25, 30).....	1
30	70673-G02						SPINDLE ASSEMBLY (DRIVER SIDE) .....	1
31								
32								
33	<u>00407-G6</u>						BOLT, 1/2 - 13 X 6" LG .....	2
34	<u>00560-G3</u>						WASHER, 1/2" .....	4
35	<u>70745-G01</u>						KING PIN TUBE .....	2
36	<u>70754-G01</u>						THRUST WASHER, 1" (STAINLESS STEEL).....	2
37	<u>14390-G6</u>						LOCK NUT, 1/2 - 13 .....	2
38								
39								
40	70928-G01						SHOCK ABSORBER.....	2
41	<u>70509-G01</u>						SHOCK ABSORBER BOOT .....	2
42	<u>31539-G1</u>						WIRE TIE .....	4
43	<u>10435-G1</u>						SHOCK ABSORBER WASHER .....	8
44	<u>10194-G1</u>						RUBBER BUSHING .....	8
45	<u>00532-G6</u>						NUT, 3/8 - 24 .....	4
46								
47								
48	70990-G02						LEAF SPRING (SEE PART NUMBER ON SPRING).....	2
49	70989-G02						LEAF SPRING (HEAVY DUTY) (SEE PART NUMBER ON SPRING).....	2
50	<u>70163-G02</u>						SPRING PLATE .....	4
51	<u>00463-G4</u>						BOLT, 7/16 - 14 X 1 1/2" LG .....	4
52	<u>00734-G1</u>						LOCK NUT, 7/16 - 14 .....	11
53	<u>00463-G6</u>						BOLT, 7/16 - 14 X 1 3/4" LG .....	7
54								
55								
56	<u>70964-G01</u>						RACK AND PINION UNIT (COMPLETE) (INCLUDES ITEMS 57 - 68).....	1
57	<u>70694-G01</u>						RACK EXTENSION .....	1

## FRONT SUSPENSION/STEERING

Where applicable, THE USE OF NON UL PARTS WILL VOID ANY UL LISTING.

When ordering parts, please specify the model and serial number of the product.

\* Indicates a component that is not available as an individual part.

G\*\* Indicates consult Customer Service Department for additional information.

ITEM	PART NO.	1	2	3	4	5	DESCRIPTION	QTY.
58	*						JAM NUT, 1/2 - 20.....	1
59	<u>70961-G01</u>						RACK BOOT.....	1
60	<u>12416-G2</u>						WIRE TIE.....	1
61	<u>11391-G8</u>						CLAMP, 1 13/16 - 2 3/8".....	1
62								
63	<u>70638-G01</u>						PINION SEAL.....	1
64	<u>70695-G01</u>						RACK BALL JOINT (INCLUDES ITEMS 65 - 68).....	1
65	<u>50641-G1</u>						RUBBER BOOT.....	1
66	<u>50209-G2</u>						CASTELLATED NUT, 7/16 - 20.....	1
67	<u>10387-G2</u>						COTTER PIN, 3/32" X 1" LG.....	1
68	<u>10389-G3</u>						GREASE FITTING, STRAIGHT.....	1
69								
70	<u>00464-G6</u>						BOLT, 7/16 - 14 X 2 3/4" LG.....	2
71	<u>01068-G01</u>						BOLT, 7/16 - 14 X 3 1/2" LG.....	1
72	<u>70667-G02</u>						SPACER.....	2
73	<u>70667-G03</u>						SPACER (SHORT).....	1
74	<u>00532-G7</u>						NUT, 7/16 - 14.....	1
75	<u>00560-G2</u>						FLAT WASHER, 7/16".....	4
76	<u>00734-G1</u>						LOCK NUT, 7/16 - 14.....	3
77								
78								
79	<u>70607-G01</u>						STEERING SHAFT.....	1
80								
81	70758-G03						STEERING COLUMN KIT (INCLUDES ITEMS 82 - 84).....	1
82	<u>70610-G01</u>						STEERING COLUMN.....	1
83	<u>28569-G01</u>						STEERING COLUMN BUSHING.....	1
84	<u>01022-G01</u>						SCREW, #6 - 20 X 5/16" LG.....	1
85								
86	<u>70758-G04</u>						STEERING COLUMN KIT (HORN) (INCLUDES ITEMS 87 - 89).....	1
87	70610-G02						STEERING COLUMN.....	1

## FRONT SUSPENSION/STEERING

Where applicable, THE USE OF NON UL PARTS WILL VOID ANY UL LISTING.

When ordering parts, please specify the model and serial number of the product.

\* Indicates a component that is not available as an individual part.

G\*\* Indicates consult Customer Service Department for additional information.

ITEM	PART NO.	1	2	3	4	5	DESCRIPTION	QTY.
88	<u>28569-G01</u>						STEERING COLUMN BUSHING.....	1
89	<u>01022-G01</u>						SCREW, #6 - 20 X 5/16" LG .....	1
90								
91								
92	<u>01006-G01</u>						BOLT, 3/8 - 16 X 1 1/4" LG .....	4
93	<u>00879-G1</u>						LOCK WASHER, 3/8".....	4
94								
95								
96	<u>70997-G01</u>						COVER.....	1
97	<u>71055-G01</u>						RIVET, 3/16" X 1" LG (ALUMINUM).....	1
98								
99								
100	<u>70580-G01</u>						INTERMEDIATE SHAFT (INCLUDES ITEMS 101, 102).....	1
101	<u>01055-G01</u>						BOLT, M8 X 1.25 - 05.....	2
102	<u>00565-G8</u>						LOCK WASHER, 5/16" .....	2
103								
104								
105	<u>70751-G01</u>						RETAINING RING (INTERNAL).....	1
106	<u>70888-G01</u>						RETAINING RING (EXTERNAL).....	1
107	<u>15112-G1</u>						BALL BEARING .....	1
108	<u>70887-G01</u>						WAVE WASHER.....	1
109	<u>71146-G01</u>						STEERING WHEEL .....	1
110	<u>71147-G01</u>						STEERING WHEEL COVER .....	1
111	<u>71047-G01</u>						LABEL (E-Z-GO) .....	1
112	<u>74405-G01</u>						LABEL (CUSHMAN).....	1
113	<u>71948-G01</u>						STEERING WHEEL .....	1
114	<u>71950-G01</u>						CLIPBOARD.....	1
115	<u>71949-G01</u>						HUB COVER .....	1
116	<u>14390-G2</u>						LOCK NUT, 5/8 - 18 .....	1
117								

## FRONT SUSPENSION/STEERING

Where applicable, THE USE OF NON UL PARTS WILL VOID ANY UL LISTING.

When ordering parts, please specify the model and serial number of the product.

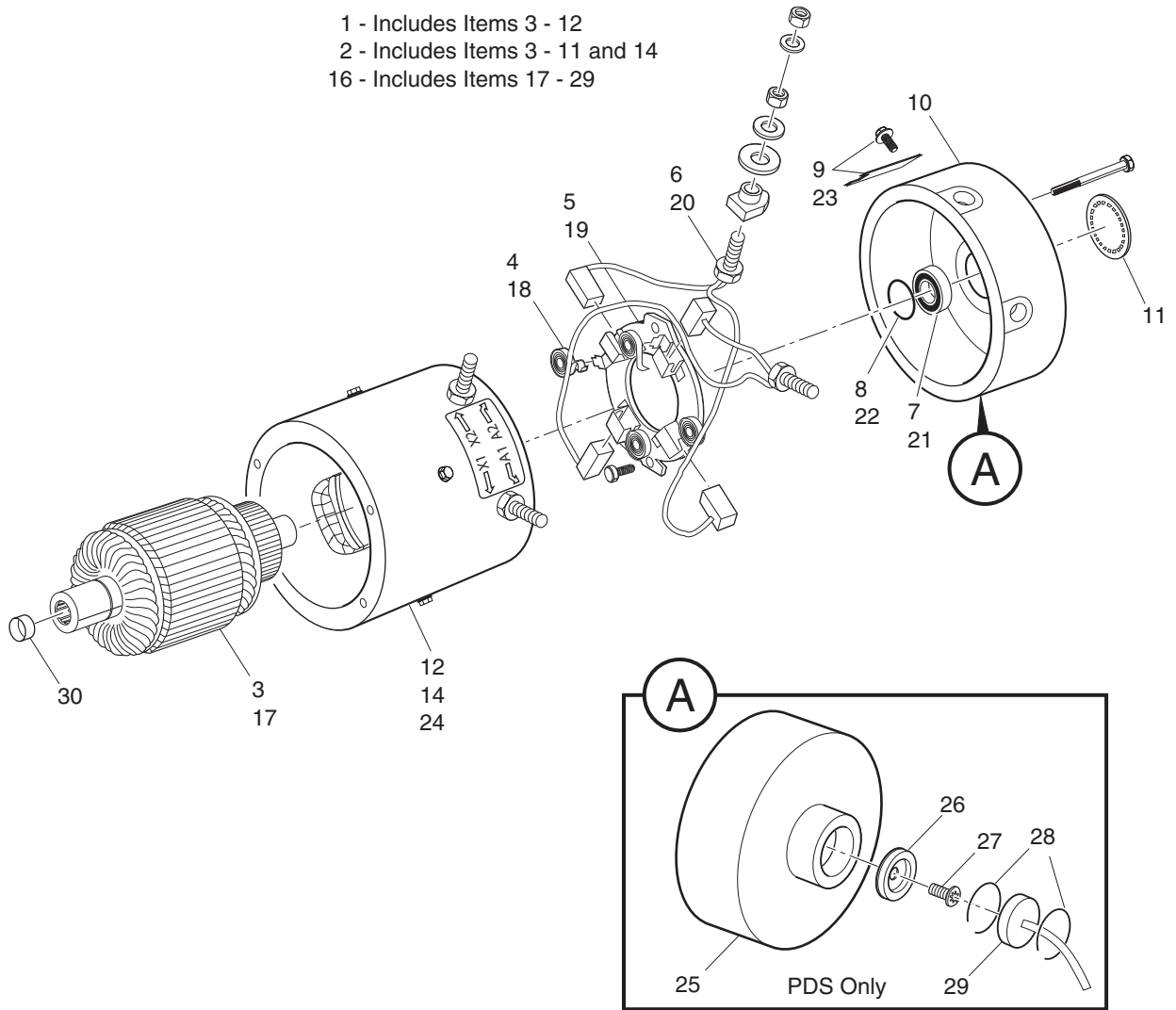
\* Indicates a component that is not available as an individual part.

G\*\* Indicates consult Customer Service Department for additional information.

ITEM	PART NO.	1 2 3 4 5	DESCRIPTION	QTY.
118				
119	<u>70876-G02</u>		TIE ROD ASSEMBLY (INCLUDES ITEMS 120 - 124).....	1
120	<u>70897-G02</u>		THREADED ROD (24" LG).....	1
121	<u>70902-G01</u>		TIE ROD END (LEFT HAND THREADS) .....	1
122	<u>01069-G01</u>		JAM NUT, M12 X 1.25 - 05 (LEFT HAND THREADS).....	1
123	<u>70902-G02</u>		TIE ROD END (RIGHT HAND THREADS).....	1
124	<u>01069-G02</u>		JAM NUT, M12 X 1.25 - 05 (RIGHT HAND THREADS) .....	1
125	<u>00734-G1</u>		LOCK NUT, 7/16 - 14 .....	2

## FRONT SUSPENSION/STEERING

# MOTOR



Ref Mtr 1



# MOTOR

Where applicable, THE USE OF NON UL PARTS WILL VOID ANY UL LISTING.

When ordering parts, please specify the model and serial number of the product.

\* Indicates a component that is not available as an individual part.

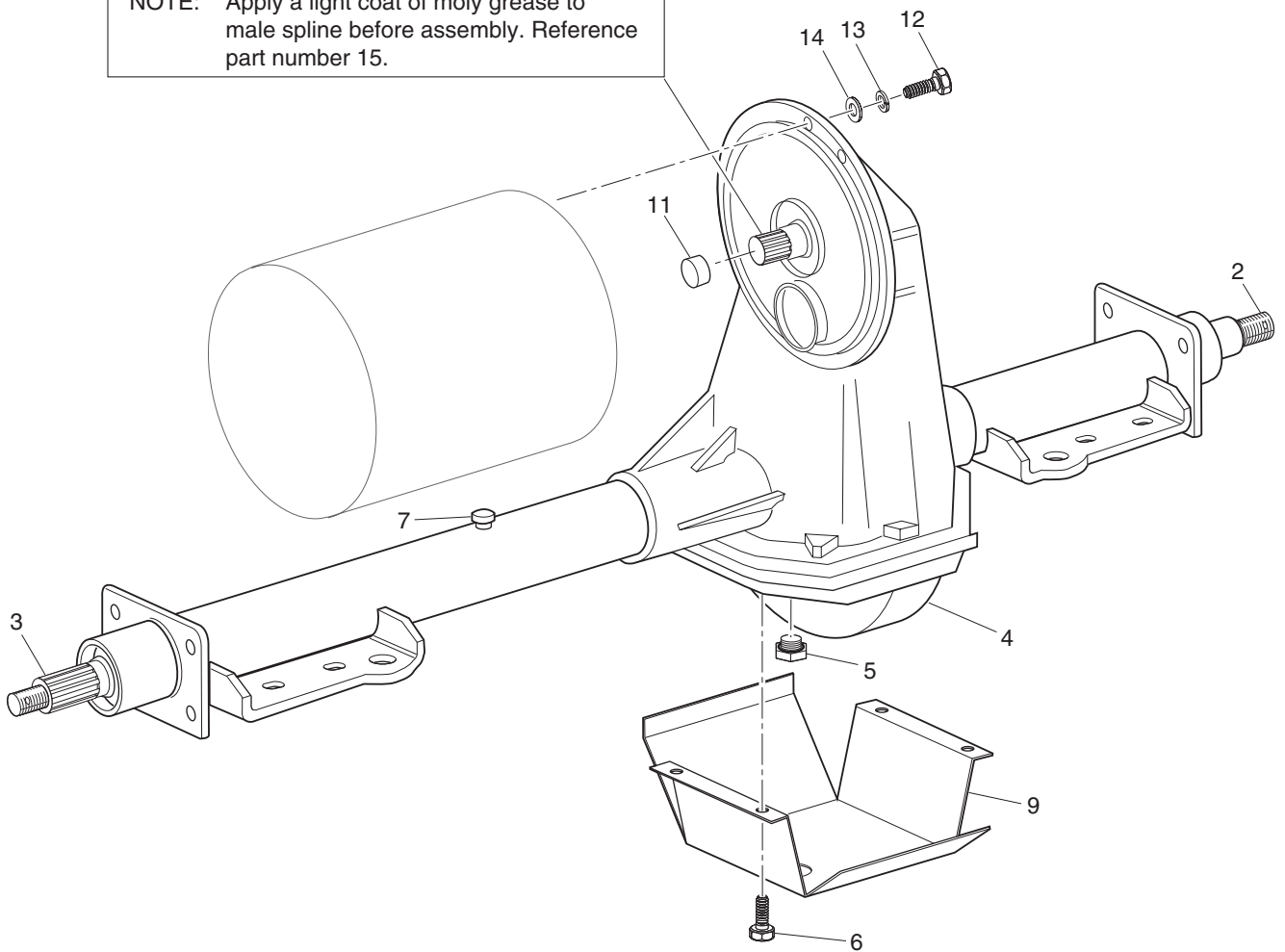
G\*\* Indicates consult Customer Service Department for additional information.

ITEM	PART NO.	1	2	3	4	5	DESCRIPTION	QTY.
1	<u>73124-G02</u>						MOTOR (SERIES, FLEET SPEED) (INCLUDES ITEMS 3 - 12) .....	1
2	<u>73124-G03</u>						MOTOR (SERIES, HIGH SPEED) (INCLUDES ITEMS 3 - 11, 14).....	1
3	<u>73120-G01</u>						ARMATURE .....	1
4	<u>73120-G03</u>						BRUSH SPRING.....	4
5	<u>73120-G15</u>						BRUSH PLATE AND BOX .....	1
6	<u>73120-G25</u>						BRUSH REPLACEMENT KIT (INCLUDES HARDWARE) .....	1
7	<u>73120-G07</u>						BEARING .....	1
8	<u>73120-G06</u>						SNAP RING .....	1
9	<u>73120-G09</u>						COVER PLATE AND SCREW .....	1
10	<u>73120-G08</u>						COMMUTATOR END HOUSING .....	1
11	<u>73120-G16</u>						CAP.....	1
12	<u>73120-G29</u>						FRAME AND FIELD COIL (G02 MOTOR) (INCLUDES HARDWARE) .....	1
13								
14	<u>73120-G30</u>						FRAME AND FIELD COIL (G03 MOTOR) (INCLUDES HARDWARE) .....	1
15								
16	<u>73124-G08</u>						MOTOR (SEPARATELY EXCITED) (PDS) (INCLUDES ITEMS 17 - 29).....	1
17	<u>73120-G18</u>						ARMATURE .....	1
18	<u>73120-G03</u>						BRUSH SPRING.....	4
19	<u>73120-G15</u>						BRUSH PLATE AND BOX .....	1
20	<u>73120-G25</u>						BRUSH REPLACEMENT KIT (INCLUDES HARDWARE) .....	1
21	<u>73120-G07</u>						BEARING.....	1
22	<u>73120-G06</u>						SNAP RING .....	1
23	<u>73120-G09</u>						COVER PLATE AND SCREW .....	1
24	<u>73120-G31</u>						FRAME AND FIELD COIL (INCLUDES HARDWARE).....	1
25	<u>73120-G19</u>						COMMUTATOR END HOUSING .....	1
26	<u>73328-G01</u>						MAGNET.....	1
27	<u>01037-G02</u>						SCREW, #10 - 32 X 1/2" LG .....	1
28	<u>73277-G01</u>						RETAINING RING.....	2
29	<u>73327-G01</u>						SPEED SENSOR.....	1
30	<u>24261-G1</u>						SPLINE BUMPER .....	1

# REAR AXLE

1 - Includes Items 2 - 7

NOTE: Apply a light coat of moly grease to male spline before assembly. Reference part number 15.



Ref Rax 1

## REAR AXLE

Where applicable, THE USE OF NON UL PARTS WILL VOID ANY UL LISTING.

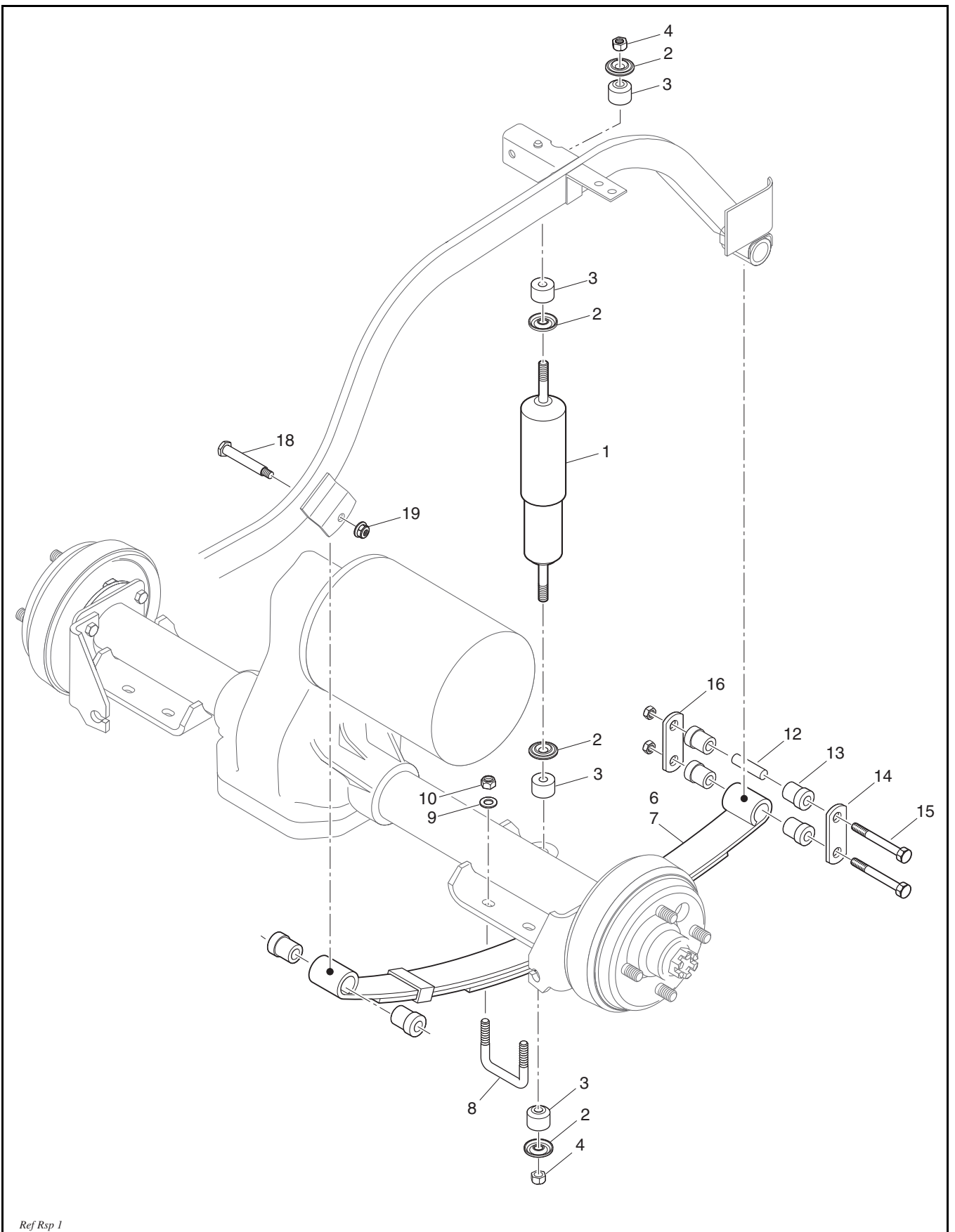
When ordering parts, please specify the model and serial number of the product.

\* Indicates a component that is not available as an individual part.

G\*\* Indicates consult Customer Service Department for additional information.

ITEM	PART NO.	1 2 3 4 5	DESCRIPTION	QTY.
1	<u>73500-G01</u>		REAR AXLE ASSEMBLY (INCLUDES ITEMS 2 - 7) .....	1
2	<u>20377-G12</u>		AXLE SHAFT (PASSENGER SIDE) .....	1
3	<u>20377-G11</u>		AXLE SHAFT (DRIVER SIDE).....	1
4	*		DIFFERENTIAL COVER.....	1
5	<u>28610-G01</u>		FILL PLUG WITH 'O' RING.....	1
6	<u>15558-G1</u>		BOLT, 5/16 - 18 X 3/4" LG.....	10
7	<u>73050-G01</u>		VENT .....	1
8				
9	72763-G01		SCUFF GUARD .....	1
10				
11	XXXXX-XXX		SPLINE BUMPER (SEE ELECTRIC MOTOR).....	1
12	<u>00797-G2</u>		BOLT, 1/4 - 20 X 1 1/4" LG .....	3
13	<u>00664-G7</u>		LOCK WASHER, 1/4" (STAINLESS STEEL) .....	3
14	<u>01110-G01</u>		WASHER, 1/4" (STAINLESS STEEL) .....	3
15	28095-G01		MOLY LUBE, 2 OZ. ....	AR

# REAR SUSPENSION



Ref Rsp 1

## REAR SUSPENSION

Where applicable, THE USE OF NON UL PARTS WILL VOID ANY UL LISTING.

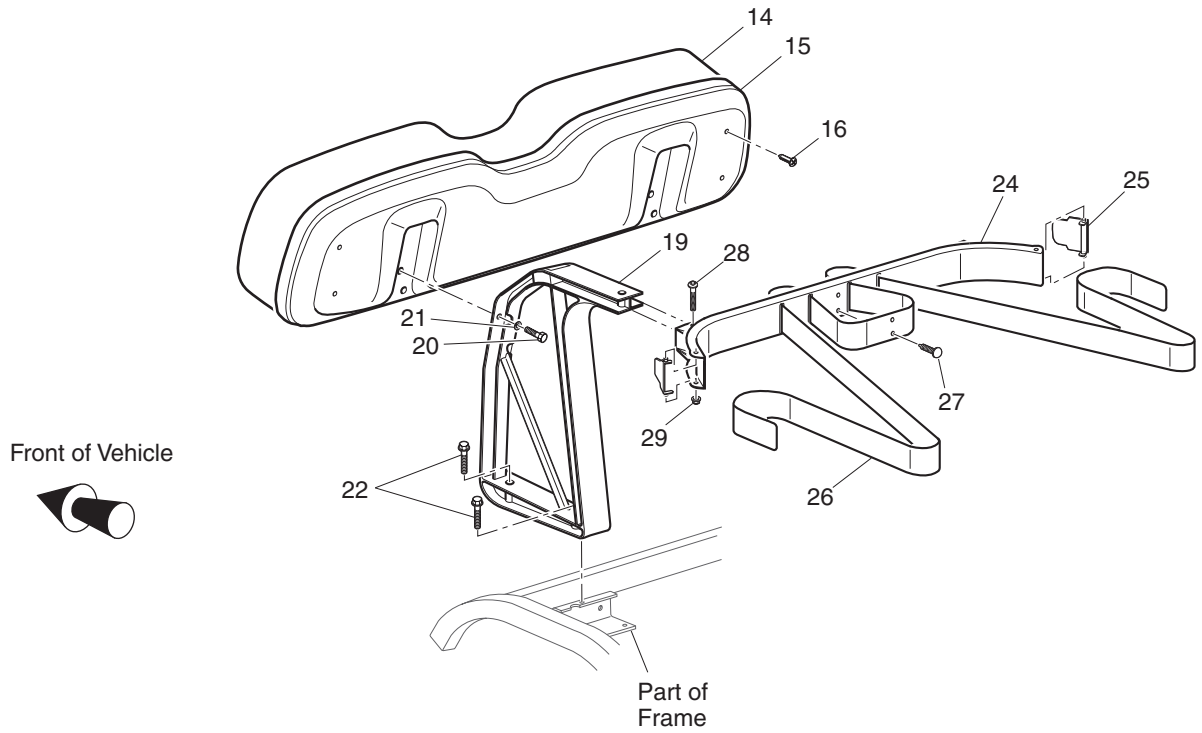
When ordering parts, please specify the model and serial number of the product.

\* Indicates a component that is not available as an individual part.

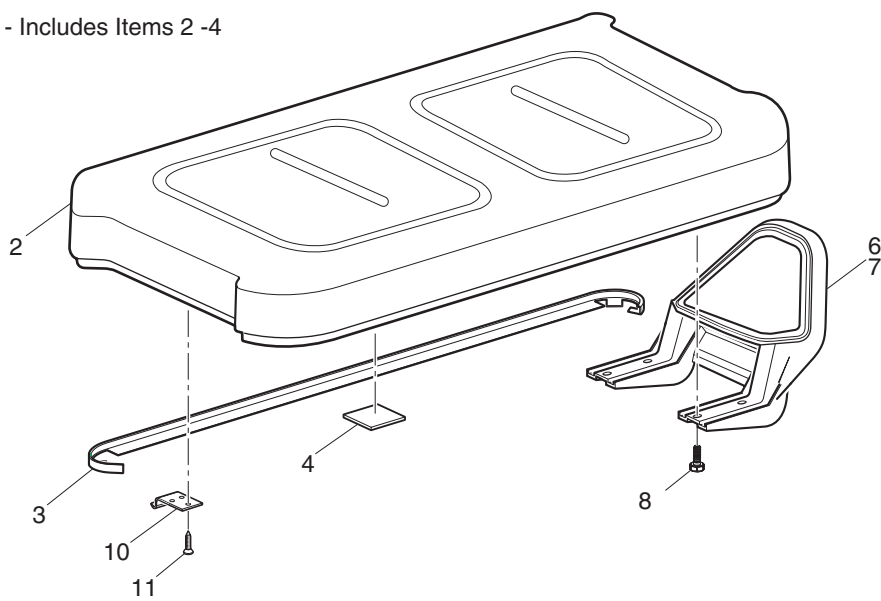
G\*\* Indicates consult Customer Service Department for additional information.

ITEM	PART NO.	1 2 3 4 5	DESCRIPTION	QTY.
1	70324-G01		SHOCK ABSORBER.....	2
2	<u>10435-G1</u>		SHOCK ABSORBER WASHER .....	8
3	<u>10194-G1</u>		RUBBER BUSHING .....	8
4	<u>00532-G6</u>		NUT, 3/8 - 24 .....	4
5				
6	70474-G01		LEAF SPRING, 2 LEAF .....	2
7	<u>74207-G01</u>		LEAF SPRING, 4 LEAF .....	2
8	<u>72618-G01</u>		'U' BOLT, 3/8 - 16 X 2" X 2 1/2" LG .....	4
9	<u>00560-G1</u>		WASHER, 3/8" .....	8
10	<u>11098-G5</u>		LOCK NUT, 3/8 - 16 .....	8
11				
12	<u>70289-G02</u>		SPACER.....	4
13	<u>70291-G01</u>		FLANGED BUSHING (LEAF SPRING).....	12
14	<u>70290-G01</u>		SHACKLE PLATE .....	4
15	<u>00665-G9</u>		BOLT, 3/8 - 16 X 3 1/2" LG (STAINLESS STEEL).....	4
16	<u>11098-G5</u>		LOCK NUT, 3/8 - 16 .....	4
17				
18	<u>14158-G1</u>		SHOULDER BOLT, 3/8 - 16 X 3 1/4" LG .....	2
19	<u>12262-G1</u>		LOCK NUT, 3/8 - 16 .....	2

# SEATING AND BAG HOLDER - GOLF CAR



1 - Includes Items 2 -4



Ref Sgc 1

## SEATING AND BAG HOLDER - GOLF CAR

Where applicable, THE USE OF NON UL PARTS WILL VOID ANY UL LISTING.

When ordering parts, please specify the model and serial number of the product.

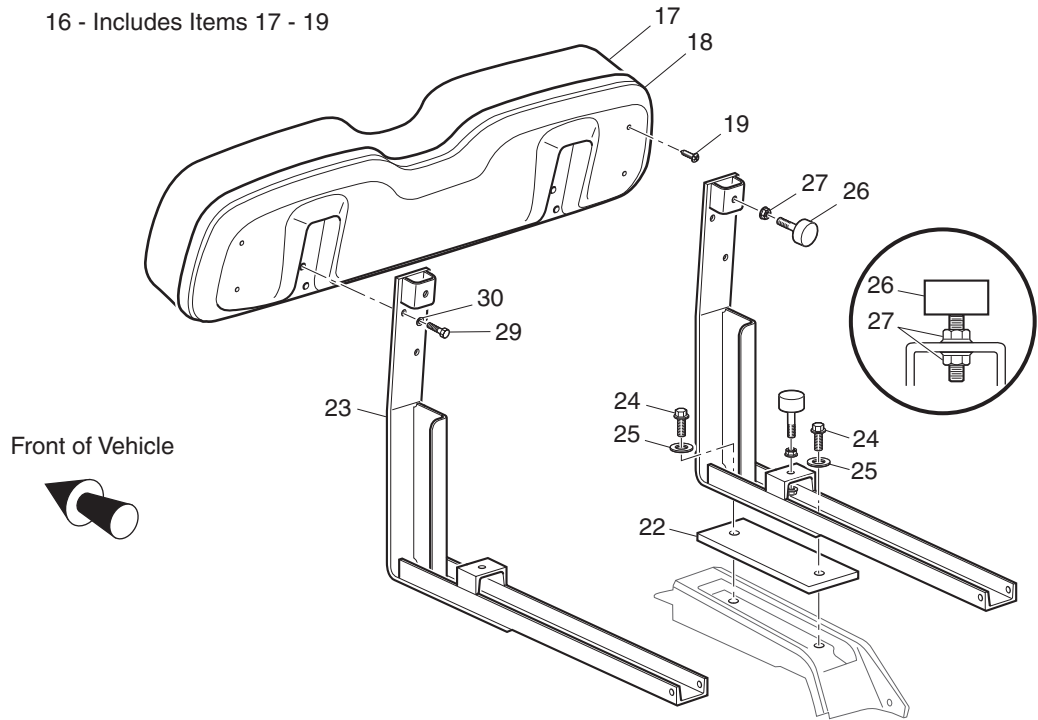
\* Indicates a component that is not available as an individual part.

G\*\* Indicates consult Customer Service Department for additional information.

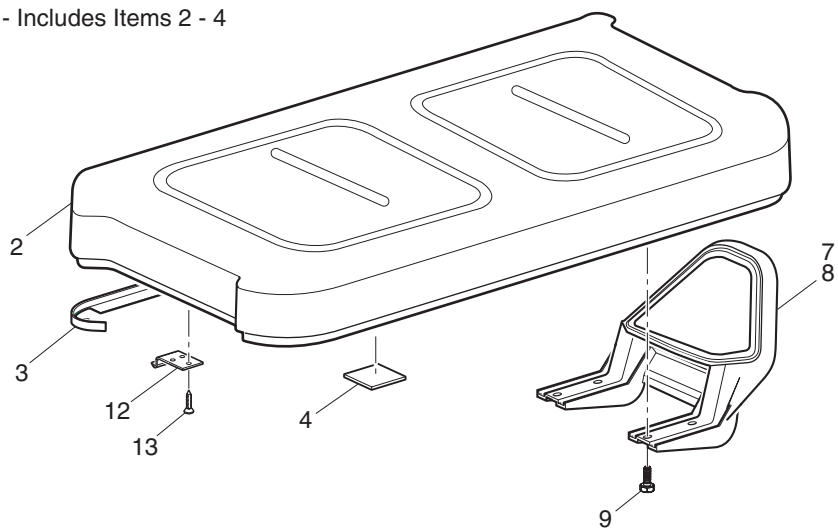
ITEM	PART NO.	1	2	3	4	5	DESCRIPTION	QTY.
1	71611-G**						SEAT BOTTOM ASSEMBLY (INCLUDES ITEMS 2 - 4) .....	1
2	71602-G**						VINYL SEAT BOTTOM COVER .....	1
3	<u>71012-G01</u>						VINYL TRIM (SEAT BOTTOM) .....	1
4	<u>17074-G1</u>						RUBBER PAD .....	2
5								
6	<u>71701-G01</u>						HIP RESTRAINT (PASSENGER SIDE) .....	1
7	<u>71702-G01</u>						HIP RESTRAINT (DRIVER SIDE) .....	1
8	71204-G01						BOLT, 1/4 - 20 X 7/8" LG .....	8
9								
10	<u>71610-G01</u>						SEAT HINGE .....	2
11	<u>00720-G08</u>						SCREW, #12 - 14 X 1" LG (STAINLESS STEEL) .....	4
12								
13	71751-G**						SEAT BACK ASSEMBLY (INCLUDES ITEMS 14 - 16) .....	1
14	71753-G**						VINYL SEAT BACK COVER .....	1
15	71752-G01						PLASTIC SEAT BACK COVER .....	1
16	<u>01107-G01</u>						SCREW, #8 X 5/8" LG (STAINLESS STEEL) .....	4
17								
18								
19	<u>71811-G02</u>						SEAT SUPPORT BRACKET .....	2
20	<u>00661-G8</u>						BOLT, 1/4 - 20 X 1" LG (STAINLESS STEEL) .....	4
21	<u>00664-G7</u>						LOCK WASHER, 1/4" (STAINLESS STEEL) .....	4
22	<u>71802-G01</u>						BOLT, 3/8 - 16 X 2 3/4" LG .....	4
23								
24	<u>71851-G01</u>						BAG HOLDER BRACKET .....	1
25	<u>71856-G01</u>						BAG RETAINER CLAMP .....	2
26	<u>71853-G01</u>						BAG RETAINER STRAP .....	1
27	<u>16816-G1</u>						RATCHET FASTENER, 1/4" X 9/16" LG .....	2
28	<u>01102-G01</u>						CARRIAGE BOLT, 1/4 - 20 X 1 1/2" LG (STAINLESS STEEL) .....	2
29	<u>11027-G2</u>						LOCK NUT, 1/4 - 20 .....	2

# SEATING - SHUTTLE 2+2

16 - Includes Items 17 - 19



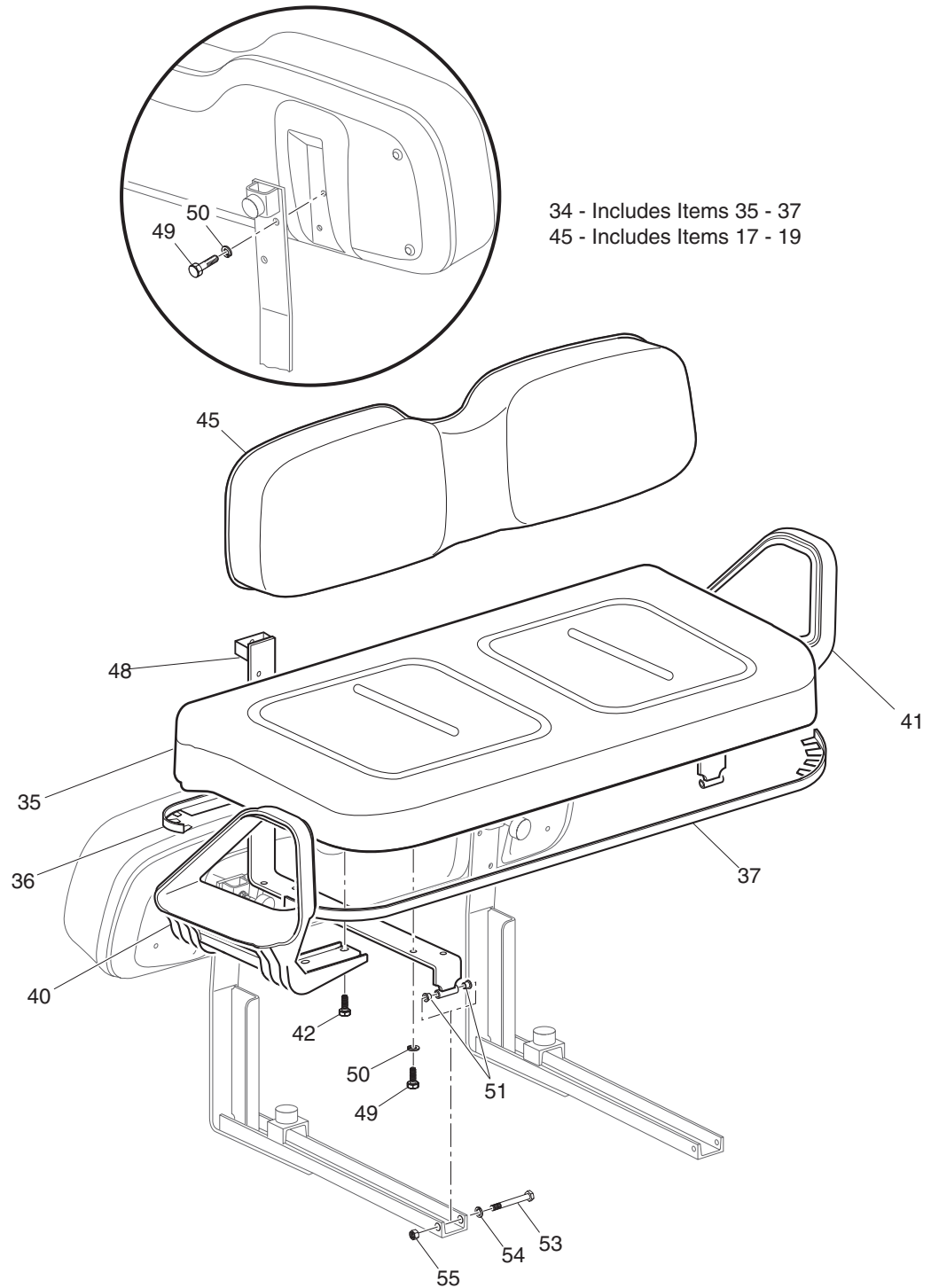
1 - Includes Items 2 - 4



Ref Ssh 1-1



# SEATING - SHUTTLE 2+2



Ref Ssh 1-2

## SEATING - SHUTTLE 2+2

Where applicable, THE USE OF NON UL PARTS WILL VOID ANY UL LISTING.

When ordering parts, please specify the model and serial number of the product.

\* Indicates a component that is not available as an individual part.

G\*\* Indicates consult Customer Service Department for additional information.

ITEM	PART NO.	1 2 3 4 5	DESCRIPTION	QTY.
1	71611-G**		SEAT BOTTOM ASSEMBLY (INCLUDES ITEMS 2 -4) .....	1
2	71602-G**		VINYL SEAT BOTTOM COVER .....	1
3	<u>71012-G01</u>		VINYL TRIM (SEAT BOTTOM) .....	1
4	<u>17074-G1</u>		RUBBER PAD .....	2
5				
6				
7	<u>71701-G01</u>		HIP RESTRAINT (PASSENGER SIDE) .....	1
8	<u>71702-G01</u>		HIP RESTRAINT (DRIVER SIDE) .....	1
9	71204-G01		BOLT, 1/4 - 20 X 7/8" LG .....	8
10				
11				
12	<u>71610-G01</u>		SEAT HINGE .....	2
13	<u>00720-G08</u>		SCREW, #12 - 14 X 1" LG (STAINLESS STEEL) .....	6
14				
15				
16	71751-G**		SEAT BACK ASSEMBLY (INCLUDES ITEMS 17 - 19) .....	1
17	71753-G**		VINYL SEAT BACK COVER .....	1
18	71752-G01		PLASTIC SEAT BACK COVER .....	1
19	<u>01107-G01</u>		SCREW, #8 X 5/8" LG (STAINLESS STEEL) .....	4
20				
21				
22	<u>70364-G01</u>		SPACER .....	2
23	<u>74111-G01</u>		SEAT BACK SUPPORT .....	2
24	<u>01006-G02</u>		BOLT, 3/8 - 16 X 1 1/2" LG .....	4
25	<u>00560-G1</u>		WASHER, 3/8" .....	4
26	<u>70113-G01</u>		ADJUSTABLE BUMPER .....	4
27	<u>11027-G1</u>		LOCK NUT, 5/16 - 18 .....	6
28				
29	<u>00661-G8</u>		BOLT, 1/4 - 20 X 1" LG (STAINLESS STEEL) .....	4
30	<u>00664-G7</u>		LOCK WASHER, 1/4" (STAINLESS STEEL) .....	4

## SEATING - SHUTTLE 2+2

Where applicable, THE USE OF NON UL PARTS WILL VOID ANY UL LISTING.

When ordering parts, please specify the model and serial number of the product.

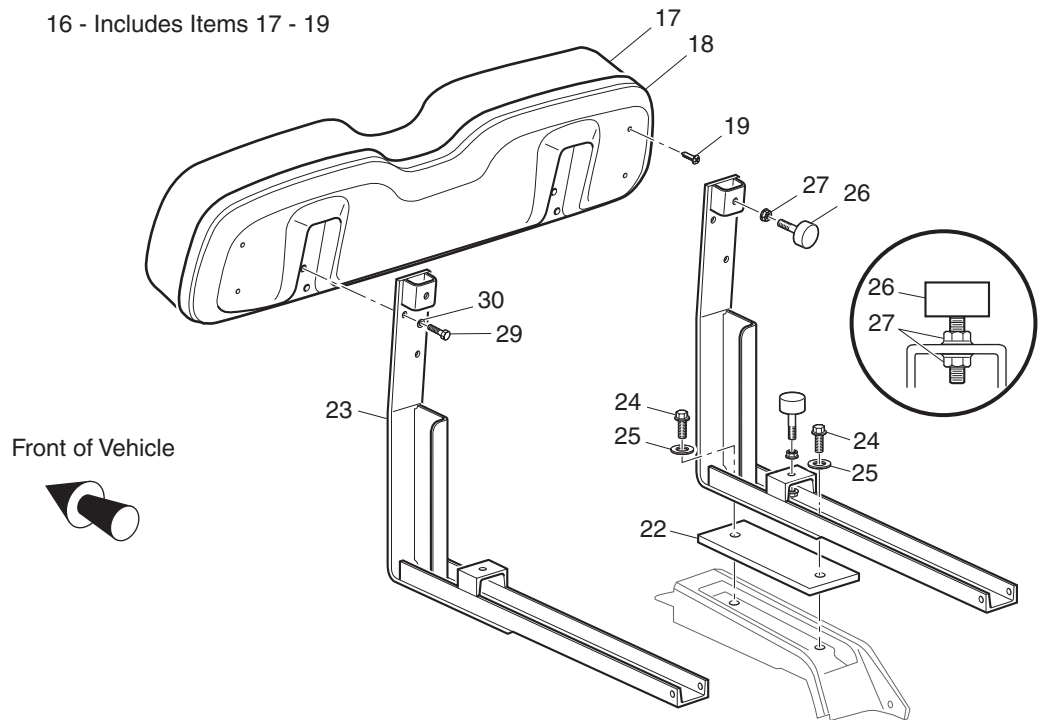
\* Indicates a component that is not available as an individual part.

G\*\* Indicates consult Customer Service Department for additional information.

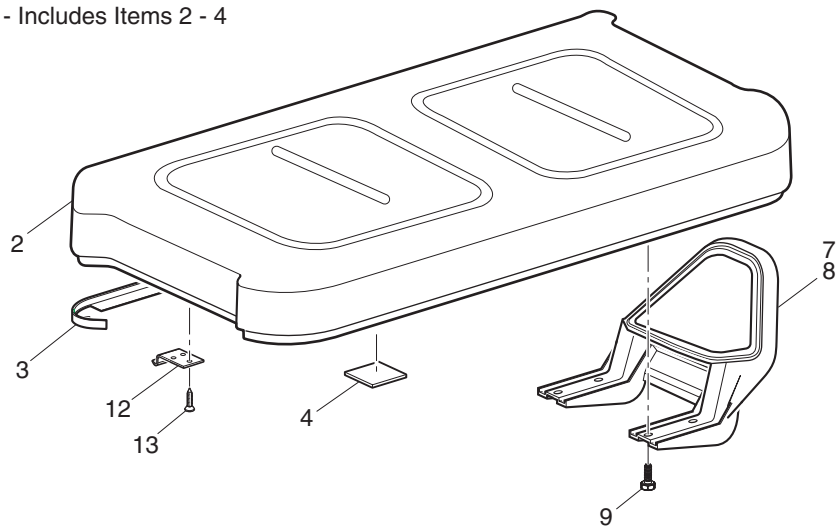
ITEM	PART NO.	1	2	3	4	5	DESCRIPTION	QTY.
31								
32								
33								
34	74139-G**						SEAT BOTTOM ASSEMBLY (INCLUDES ITEMS 42 - 44) .....	1
35	71602-G**						VINYL COVER (SEAT BOTTOM) .....	1
36	<u>74140-G01</u>						TRIM .....	1
37	<u>71012-G01</u>						TRIM .....	1
38								
39								
40	<u>71702-G01</u>						HIP RESTRAINT (DRIVER SIDE).....	1
41	<u>71701-G01</u>						HIP RESTRAINT (PASSENGER SIDE) .....	1
42	<u>00661-G8</u>						BOLT, 1/4 - 20 X 1" LG (STAINLESS STEEL).....	8
43								
44								
45	71751-G**						SEAT BACK ASSEMBLY (INCLUDES ITEMS 17 - 19).....	1
46								
47								
48	74117-G01						SEAT SUPPORT BRACKET .....	2
49	<u>00661-G8</u>						BOLT, 1/4 - 20 X 1" LG (STAINLESS STEEL).....	12
50	<u>00664-G7</u>						LOCK WASHER, 1/4" (STAINLESS STEEL) .....	12
51	<u>17838-G1</u>						NYLON BUSHING.....	4
52								
53	<u>00440-G4</u>						BOLT, 5/16 - 18 X 2 1/4" LG .....	2
54	<u>00571-G2</u>						WASHER, 5/16" .....	2
55	11098-G6						LOCK NUT, 5/16 - 18 .....	2

# SEATING - CONVERTIBLE CARRIER

16 - Includes Items 17 - 19

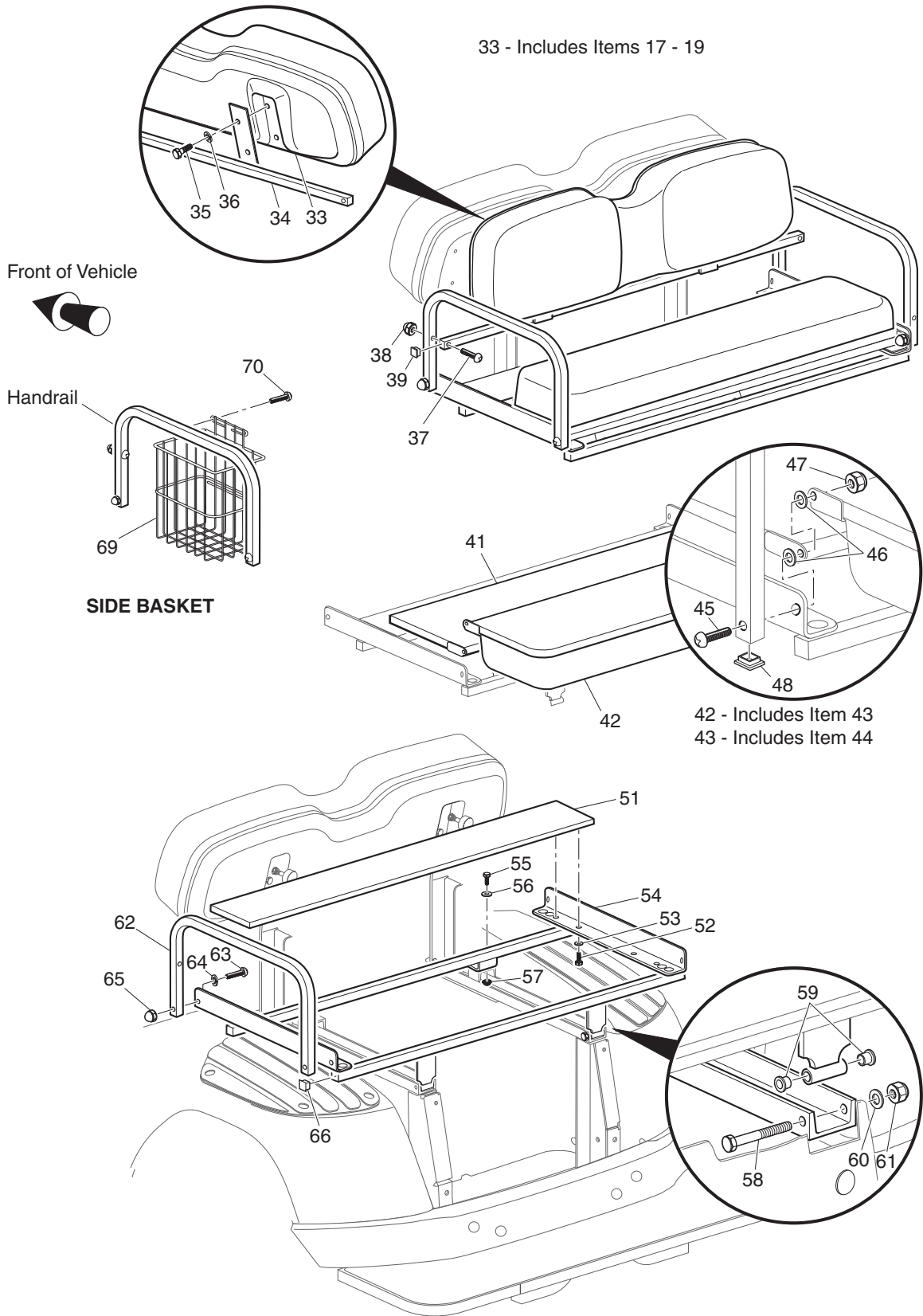


1 - Includes Items 2 - 4



Ref Scc 1-1

# SEATING - CONVERTIBLE CARRIER



Ref Scc 1-2

## SEATING - CONVERTIBLE CARRIER

Where applicable, THE USE OF NON UL PARTS WILL VOID ANY UL LISTING.

When ordering parts, please specify the model and serial number of the product.

\* Indicates a component that is not available as an individual part.

G\*\* Indicates consult Customer Service Department for additional information.

ITEM	PART NO.	1	2	3	4	5	DESCRIPTION	QTY.
1	71611-G**						SEAT BOTTOM ASSEMBLY (INCLUDES ITEMS 2 - 4) .....	1
2	71602-G**						VINYL SEAT BOTTOM COVER .....	1
3	<u>71012-G01</u>						VINYL TRIM (SEAT BOTTOM) .....	1
4	<u>17074-G1</u>						RUBBER PAD .....	2
5								
6								
7	<u>71701-G01</u>						HIP RESTRAINT (PASSENGER SIDE) .....	1
8	<u>71702-G01</u>						HIP RESTRAINT (DRIVER SIDE) .....	1
9	<u>00661-G8</u>						BOLT, 1/4 - 20 X 1" LG (STAINLESS STEEL) .....	8
10								
11								
12	<u>71610-G01</u>						SEAT HINGE .....	2
13	<u>00720-G08</u>						SCREW, #12 - 14 X 1" LG (STAINLESS STEEL) .....	4
14								
15								
16	71751-G**						SEAT BACK ASSEMBLY (INCLUDES ITEMS 17 - 19) .....	1
17	71753-G**						VINYL SEAT BACK COVER .....	1
18	71752-G01						PLASTIC SEAT BACK COVER .....	1
19	<u>01107-G01</u>						SCREW, #8 X 5/8" LG (STAINLESS STEEL) .....	4
20								
21								
22	<u>70364-G01</u>						SPACER .....	2
23	<u>74111-G01</u>						SEAT BACK SUPPORT .....	2
24	<u>01006-G02</u>						BOLT, 3/8 - 16 X 1 1/2" LG .....	4
25	<u>00560-G1</u>						WASHER, 3/8" .....	4
26	<u>70113-G01</u>						ADJUSTABLE BUMPER .....	2
27	<u>11027-G1</u>						LOCK NUT, 5/16 - 18 .....	2
28								
29	<u>00661-G8</u>						BOLT, 1/4 - 20 X 1" LG (STAINLESS STEEL) .....	4
30	<u>00664-G7</u>						LOCK WASHER, 1/4" (STAINLESS STEEL) .....	4

## SEATING - CONVERTIBLE CARRIER

Where applicable, THE USE OF NON UL PARTS WILL VOID ANY UL LISTING.

When ordering parts, please specify the model and serial number of the product.

\* Indicates a component that is not available as an individual part.

G\*\* Indicates consult Customer Service Department for additional information.

ITEM	PART NO.	1	2	3	4	5	DESCRIPTION	QTY.
31								
32								
33	71751-G**						SEAT BACK ASSEMBLY (INCLUDES ITEMS 17 - 19).....	1
34	<u>75258-G01</u>						SEAT BACK SUPPORT .....	1
35	<u>00661-G8</u>						BOLT, 1/4 - 20 X 1" LG (STAINLESS STEEL).....	4
36	<u>00664-G7</u>						LOCK WASHER, 1/4" (STAINLESS STEEL) .....	4
37	<u>16705-G6</u>						SCREW, 1/4 - 20 X 1 3/4" LG (STAINLESS STEEL) .....	2
38	<u>00520-G1</u>						ACORN NUT, 1/4 - 20 (STAINLESS STEEL) .....	2
39	<u>19859-G1</u>						END PLUG, 3/4" .....	2
40								
41	75229-G01						BED .....	1
42	75263-G**						SEAT BOTTOM ASSEMBLY (INCLUDES ITEM 43).....	1
43	75197-G**						SEAT BOTTOM (INCLUDES ITEM 44) .....	1
44	75252-G**						VINYL SEAT BOTTOM COVER .....	1
45	00762-G4						SCREW, 5/16 - 18 X 1 1/2" LG (STAINLESS STEEL) .....	2
46	<u>17255-G1</u>						TEFLON WASHER, 5/16" .....	4
47	<u>00654-G3</u>						LOCK NUT, 5/16 - 18 (STAINLESS STEEL) .....	2
48	<u>19859-G1</u>						END CAP, 3/4" .....	4
49								
50								
51	75273-G01						BED FRONT (INCLUDES MAT).....	1
52	<u>00661-G6</u>						BOLT, 1/4 - 20 X 3/4" LG (STAINLESS STEEL).....	4
53	00559-G8						WASHER, 5/16" .....	4
54	<u>75193-G01</u>						SUPPORT FRAME.....	1
55	<u>00438-G8</u>						BOLT, 5/16 - 18 X 1" LG .....	2
56	00559-G8						WASHER, 5/16" .....	2
57	<u>11027-G1</u>						LOCK NUT, 5/16 - 18 .....	2
58	<u>00440-G4</u>						BOLT, 5/16 - 18 X 2 1/2" LG .....	2
59	<u>17838-G1</u>						NYLON BUSHING.....	4
60	00559-G8						WASHER, 5/16" .....	2

## SEATING - CONVERTIBLE CARRIER

Where applicable, THE USE OF NON UL PARTS WILL VOID ANY UL LISTING.

When ordering parts, please specify the model and serial number of the product.

\* Indicates a component that is not available as an individual part.

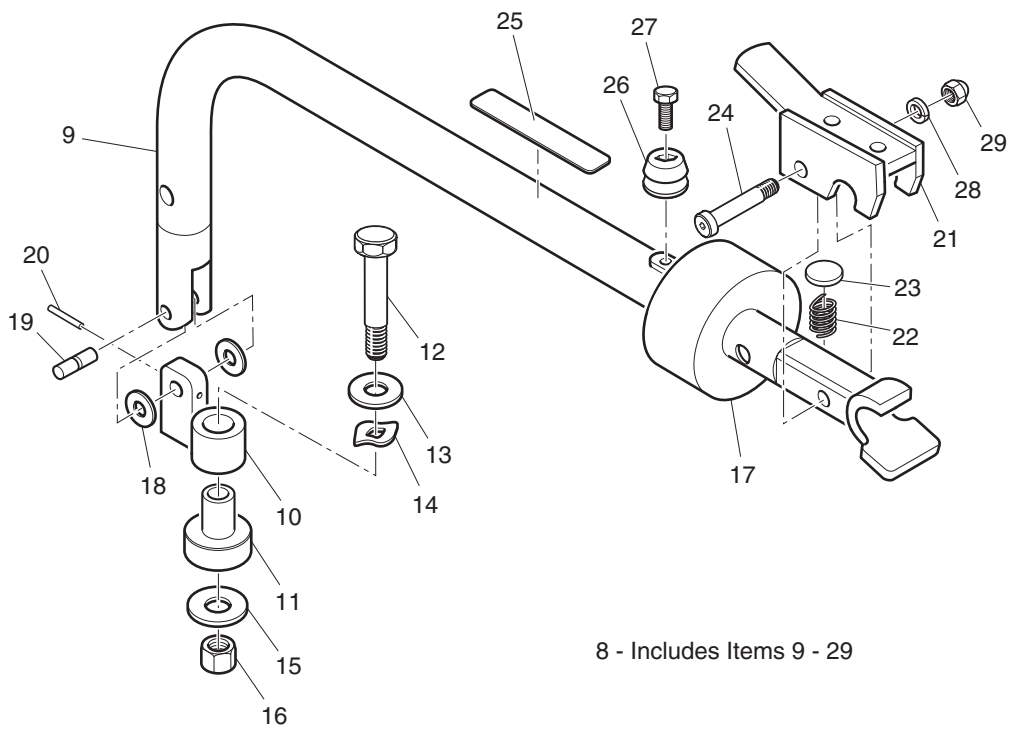
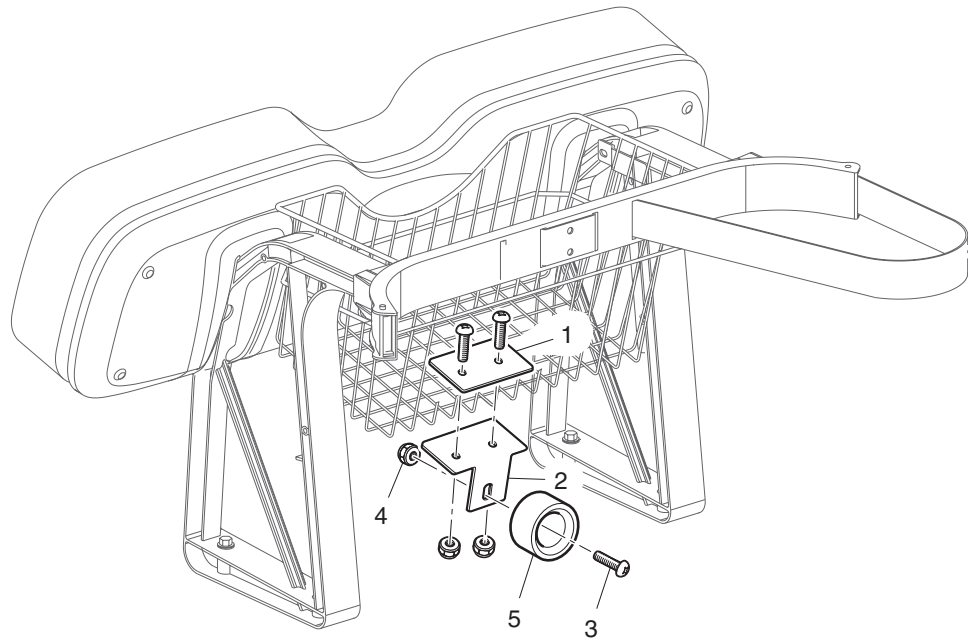
G\*\* Indicates consult Customer Service Department for additional information.

ITEM	PART NO.	1	2	3	4	5	DESCRIPTION	QTY.
61	<u>00654-G3</u>						LOCK NUT, 5/16 - 18 (STAINLESS STEEL) .....	2
62	<u>75196-G01</u>						HANDRAIL .....	2
63	<u>00762-G2</u>						SCREW, 5/16 - 18 X 1 1/4" LG (STAINLESS STEEL) .....	2
64	<u>00664-G8</u>						LOCK WASHER, 5/16" (STAINLESS STEEL) .....	2
65	<u>00520-G3</u>						ACORN NUT, 5/16 - 18 (STAINLESS STEEL) .....	2
66	<u>75261-G02</u>						END CAP, 1" .....	4
67								
68								
69	<u>75460-G01</u>						SIDE BASKET (BLACK).....	2
70	<u>00106-G6</u>						SELF THREADING SCREW, #12 - 24 X 3/4" LG .....	4



## SEATING - CONVERTIBLE CARRIER

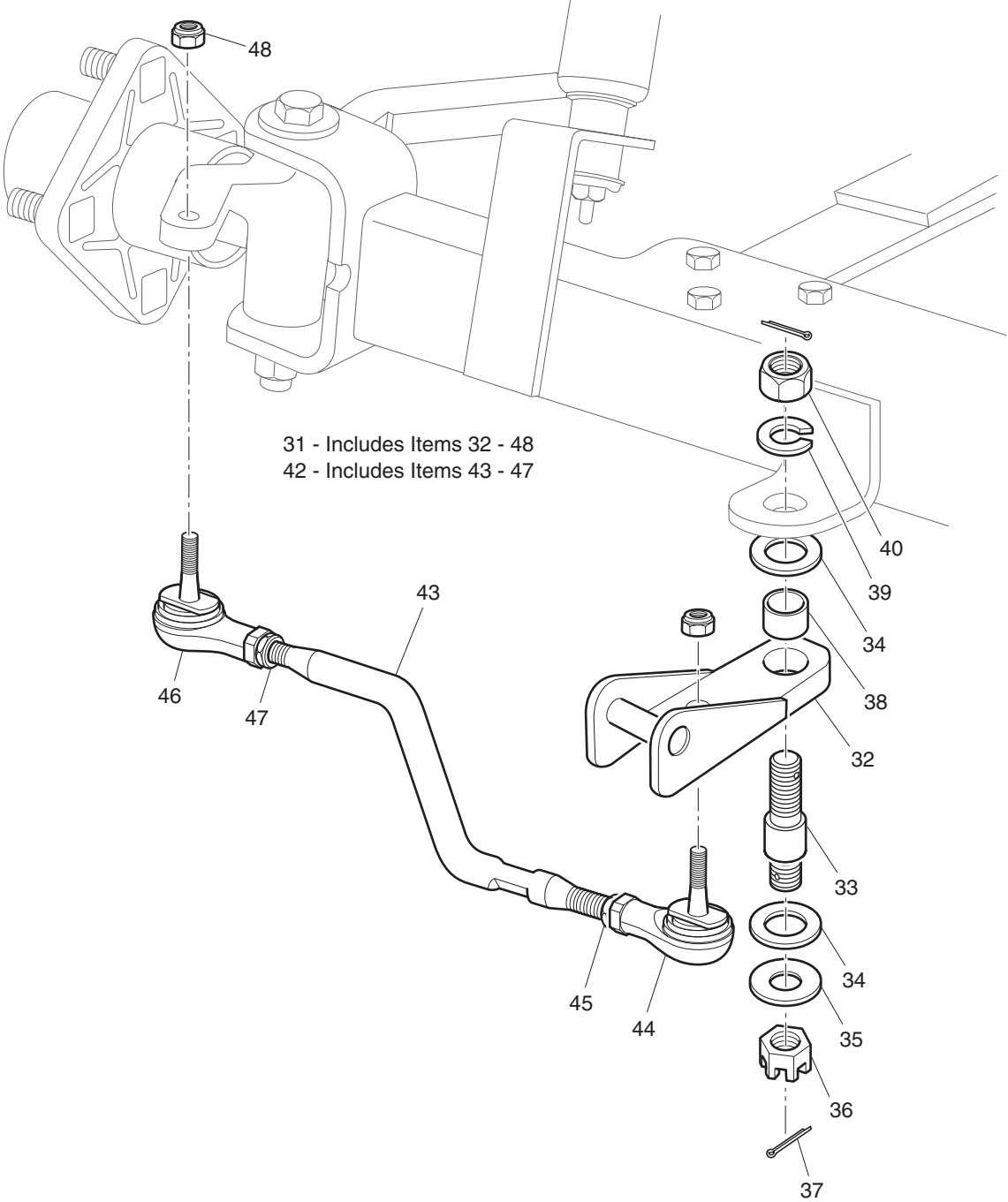
# TOW BAR - PERMANENT



8 - Includes Items 9 - 29

Ref Twb 1-1

# TOW BAR - PERMANENT



Ref Twb 1-2

## TOW BAR - PERMANENT

Where applicable, THE USE OF NON UL PARTS WILL VOID ANY UL LISTING.

When ordering parts, please specify the model and serial number of the product.

\* Indicates a component that is not available as an individual part.

G\*\* Indicates consult Customer Service Department for additional information.

ITEM	PART NO.	1 2 3 4 5	DESCRIPTION	QTY.
1	<u>75318-G01</u>		MOUNTING PLATE.....	1
2	<u>75319-G01</u>		STOP MOUNT PLATE .....	1
3	<u>16705-G1</u>		SCREW, 1/4 - 20 X 1" LG (STAINLESS STEEL) .....	3
4	<u>00654-G2</u>		LOCK NUT, 1/4 - 20 (STAINLESS STEEL) .....	3
5	<u>75338-G02</u>		FEMALE STOP .....	1
6				
7				
8	<u>75304-G01</u>		TOW BAR ASSEMBLY (TOWING VEHICLE) (INCLUDES ITEMS 9 - 29) .....	1
9	<u>75299-G01</u>		TOW BAR .....	1
10	<u>75302-G01</u>		UPPER PIVOT .....	1
11	<u>75291-G01</u>		LOWER PIVOT .....	1
12	<u>00410-G8</u>		BOLT, 1/2 - 20 X 3" LG.....	1
13	<u>00675-G3</u>		WASHER, 1/2" (STAINLESS STEEL).....	1
14	<u>75339-G01</u>		SPRING WASHER .....	1
15	<u>00571-G5</u>		WASHER, 1/2" .....	1
16	<u>11098-G8</u>		LOCK NUT, 1/2 - 20.....	1
17	<u>75362-G01</u>		LATCH STOP.....	1
18	<u>75340-G01</u>		WASHER, 3/8" .....	2
19	<u>75360-G01</u>		PIVOT PIN .....	1
20	<u>13571-G7</u>		SPRING PIN .....	1
21	<u>75303-G01</u>		LATCH .....	1
22	<u>20852-G2</u>		COMPRESSION SPRING .....	1
23	<u>25661-G02</u>		CUP WASHER.....	1
24	<u>13005-G4</u>		SHOULDER BOLT, 5/16 - 18 X 2" LG.....	1
25	<u>75370-G01</u>		LABEL (WARNING) .....	1
26	<u>75338-G03</u>		MALE STOP .....	1
27	<u>12547-G4</u>		BOLT, 6MM X 1 X 30 MM LG.....	1
28	<u>00565-G8</u>		LOCK WASHER, 5/16" .....	1
29	<u>00520-G3</u>		ACORN NUT, 5/16 - 18 (STAINLESS STEEL) .....	1
30				

## TOW BAR - PERMANENT

Where applicable, THE USE OF NON UL PARTS WILL VOID ANY UL LISTING.

When ordering parts, please specify the model and serial number of the product.

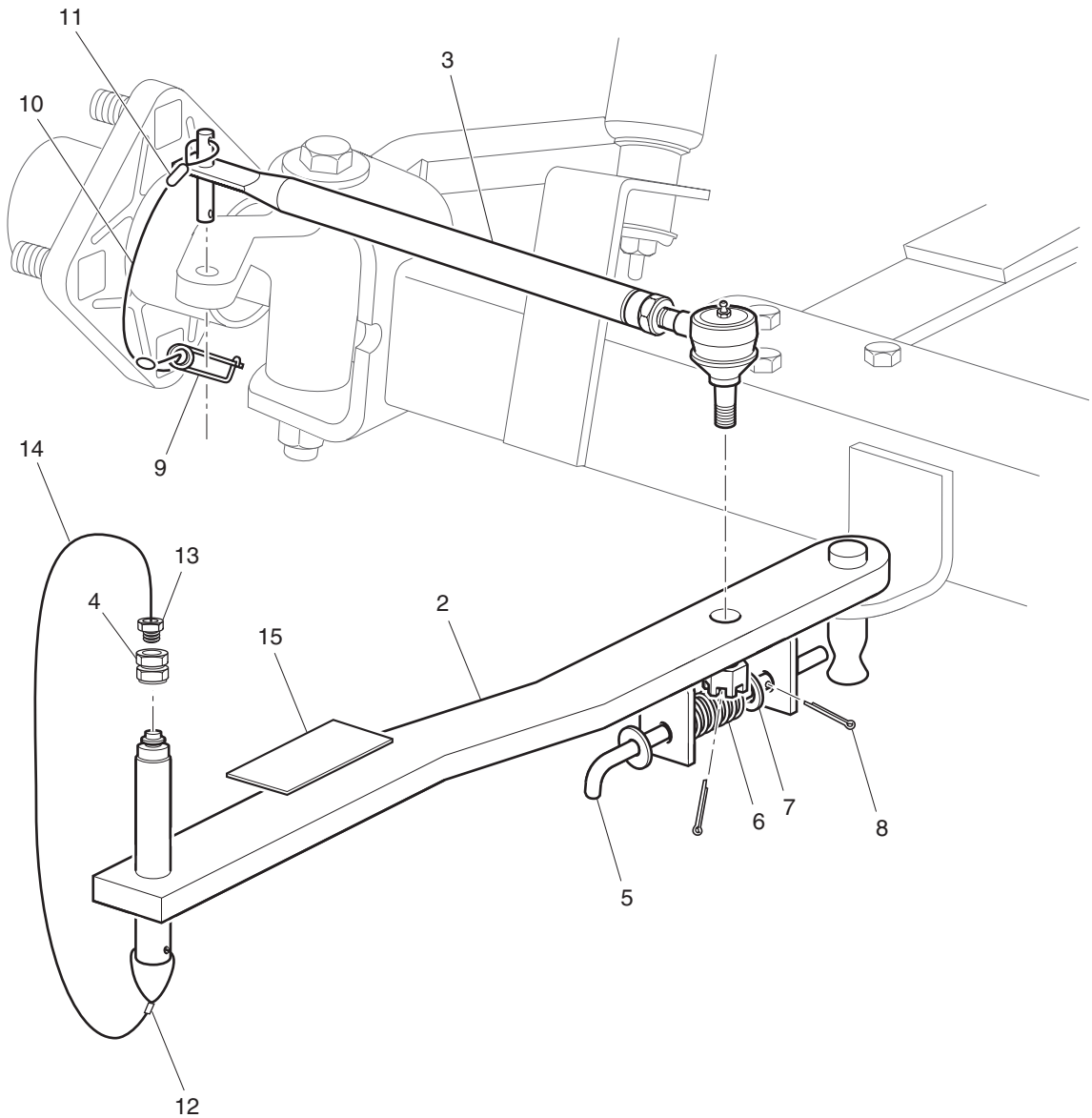
\* Indicates a component that is not available as an individual part.

G\*\* Indicates consult Customer Service Department for additional information.

ITEM	PART NO.	1	2	3	4	5	DESCRIPTION	QTY.
31	<u>75308-G01</u>						TOW BAR HITCH ASSEMBLY (TOWED VEHICLE) (INCLUDES ITEMS 32 - 48).....	1
32	<u>75305-G01</u>						HITCH.....	1
33	<u>75292-G01</u>						PIVOT BOLT.....	1
34	<u>75309-G01</u>						THRUST WASHER.....	2
35	<u>75342-G01</u>						WASHER, 3/4".....	1
36	<u>00518-G8</u>						CASTELLATED NUT, 3/4 - 16.....	1
37	<u>10387-G1</u>						COTTER PIN, 1/8" X 1 1/2" LG.....	2
38	<u>75307-G01</u>						BEARING.....	1
39	<u>00566-G6</u>						LOCK WASHER, 3/4".....	1
40	<u>00533-G8</u>						NUT, 3/4 - 16.....	1
41								
42	<u>70905-G01</u>						TIE ROD ASSEMBLY (INCLUDES ITEMS 43 - 47).....	1
43	<u>70903-G01</u>						THREADED ROD.....	1
44	<u>70902-G01</u>						TIE ROD END (LEFT HAND THREADS).....	1
45	<u>01069-G01</u>						JAM NUT, M12 X 1.25-05 (LEFT HAND THREADS).....	1
46	<u>70902-G02</u>						TIE ROD END (RIGHT HAND THREADS).....	1
47	<u>01069-G02</u>						JAM NUT, M12 X 1.25-05 (RIGHT HAND THREADS).....	1
48	<u>00734-G1</u>						LOCK NUT, 7/16 - 14.....	2

# TOW BAR - CASUAL

1 - Includes Items 2 - 15



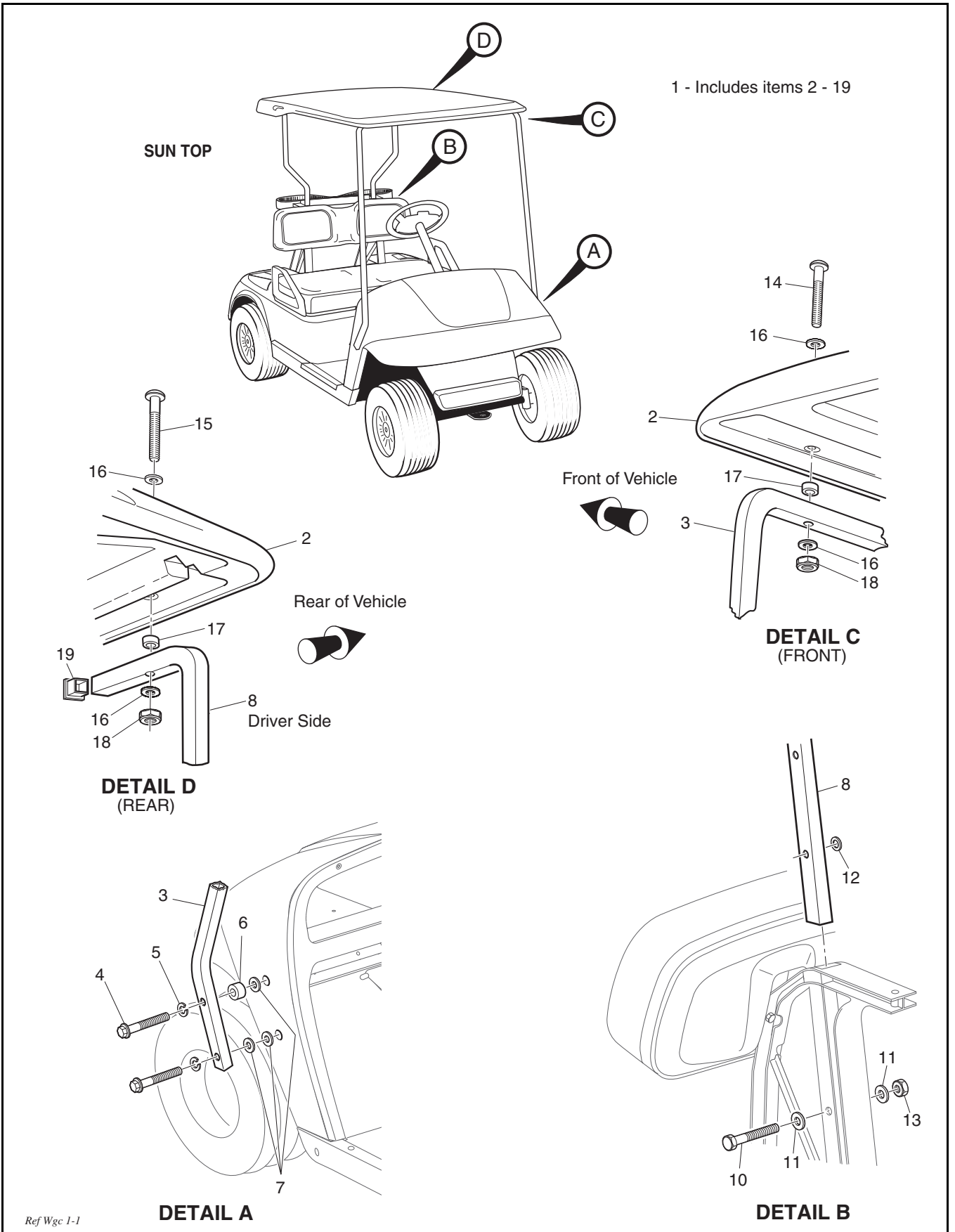
Ref Tbc 1

# TOW BAR - CASUAL

Where applicable, THE USE OF NON UL PARTS WILL VOID ANY UL LISTING.  
 When ordering parts, please specify the model and serial number of the product.  
 \* Indicates a component that is not available as an individual part.  
 G\*\* Indicates consult Customer Service Department for additional information.

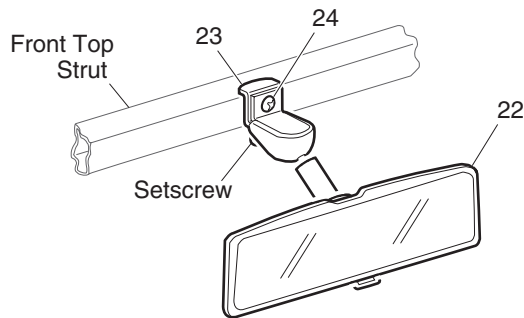
ITEM	PART NO.	1	2	3	4	5	DESCRIPTION	QTY.
1	<u>75033-G01</u>						CASUAL TOW BAR (INCLUDES ITEMS 2 - 15).....	1
2	*						TOW BAR .....	1
3	<u>75034-G01</u>						TIE ROD (INCLUDES NUT AND COTTER PIN) .....	1
4	<u>75060-G01</u>						COUPLING .....	1
5	*						LOCK PIN .....	1
6	<u>75065-G01</u>						COMPRESSION SPRING .....	1
7	<u>00922-G2</u>						WASHER, 3/8" .....	1
8	<u>10387-G2</u>						COTTER PIN, 3/32" X 1" LG .....	1
9	<u>75068-G01</u>						SAFETY PIN .....	1
10	14869-G5						WIRE ROPE .....	1
11	<u>16783-G1</u>						FERRULE .....	3
12	<u>75067-G01</u>						FERRULE .....	1
13	<u>75035-G02</u>						HEX HEAD PLUG .....	1
14	14869-G3						WIRE ROPE .....	1
15	<u>75091-G01</u>						LABEL (WARNING) .....	1

# WEATHER PROTECTION - GOLF CAR

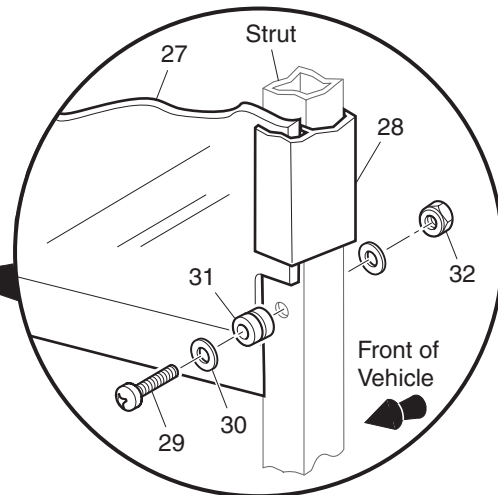
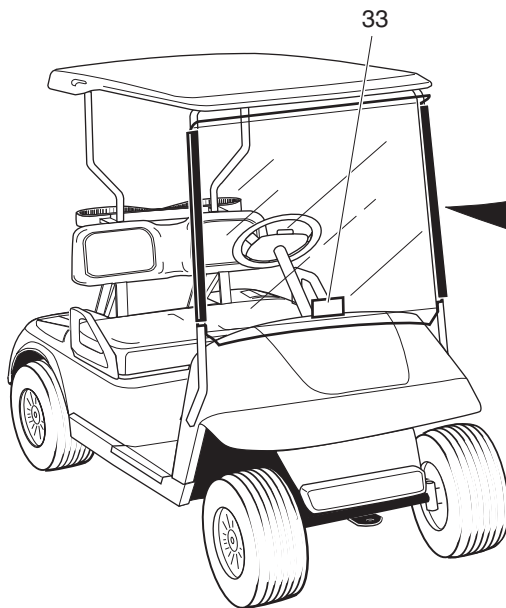




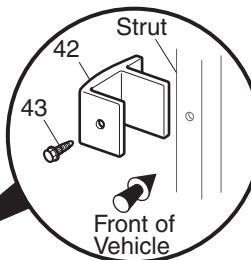
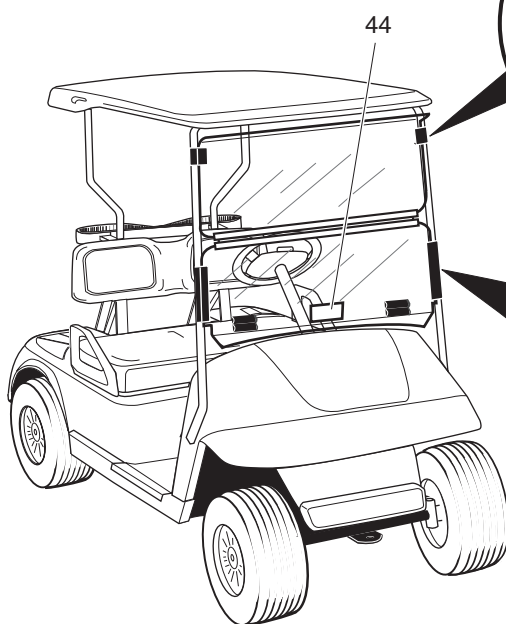
# WEATHER PROTECTION - GOLF CAR



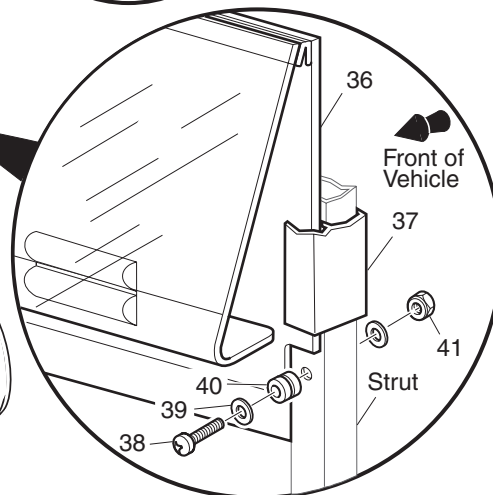
**REAR VIEW MIRROR**  
21 - Includes Items 22 - 24



**FULL WINDSHIELD**  
26 - Includes Items 27 - 33



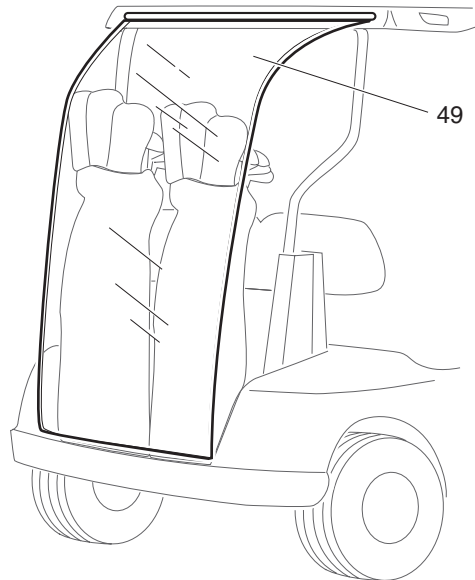
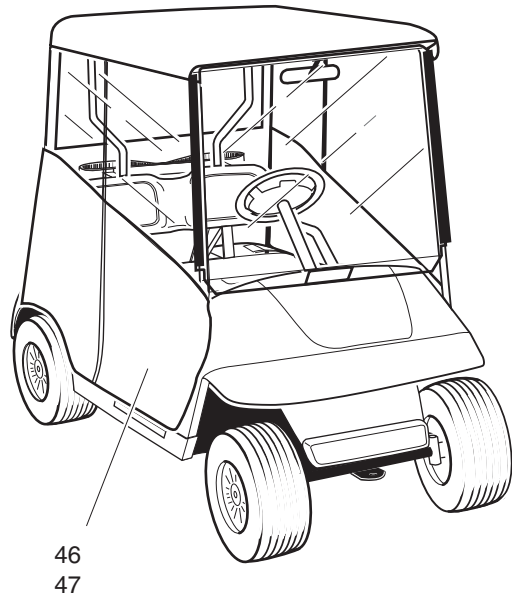
**FOLD DOWN WINDSHIELD**  
35 - Includes Items 36 - 44



Ref Wgc 1-2

# WEATHER PROTECTION - GOLF CAR

WEATHER ENCLOSURE



BAG AND RAIN CURTAIN

Ref Wgc 1-3

## WEATHER PROTECTION - GOLF CAR

Where applicable, THE USE OF NON UL PARTS WILL VOID ANY UL LISTING.

When ordering parts, please specify the model and serial number of the product.

\* Indicates a component that is not available as an individual part.

G\*\* Indicates consult Customer Service Department for additional information.

ITEM	PART NO.	1	2	3	4	5	DESCRIPTION	QTY.
		For service or replacement parts, contact: Eagle Parts, Inc. 1411 Marvin Griffin Rd. Augusta, GA 30906 Telephone (706) 790-6687 or FAX (706) 790-6066						
1	75040-G**	SUN TOP KIT (GOLF CAR) (INCLUDES ITEMS 2 - 19) .....						1
2	27069-G**	SUN TOP .....						1
3	<u>75045-G01</u>	FRONT STRUT .....						1
4	01035-G01	BOLT, 5/16 - 18 X 2 1/4" LG .....						4
5	<u>00905-G8</u>	LOCK WASHER, 5/16" .....						4
6	<u>75048-G01</u>	SPACER, 1/2" .....						2
7	<u>00570-G2</u>	WASHER, 5/16" .....						6
8	<u>75046-G01</u>	REAR STRUT .....						2
9								
10	<u>00685-G7</u>	BOLT, 5/16 - 18 X 1 3/4" LG (STAINLESS STEEL) .....						4
11	<u>01110-G03</u>	WASHER, 5/16" (STAINLESS STEEL) .....						8
12	<u>17255-G1</u>	TEFLON WASHER, 5/16" .....						4
13	<u>01109-G01</u>	LOCK NUT, 5/16 - 18 (STAINLESS STEEL) .....						4
14	<u>00753-G5</u>	SCREW, 1/4 - 20 X 2" LG (STAINLESS STEEL) .....						2
15	00753-G6	SCREW, 1/4 - 20 X 2 1/4" LG (STAINLESS STEEL) .....						2
16	<u>01110-G01</u>	WASHER, 1/4" (STAINLESS STEEL) .....						8
17	<u>75051-G01</u>	SPACER .....						4
18	<u>00654-G2</u>	LOCK NUT, 1/4 - 20 (STAINLESS STEEL) .....						4
19	<u>19853-G1</u>	END CAP, 1" .....						2
20								
21	<u>19528-G2</u>	REAR VIEW MIRROR KIT (INCLUDES ITEMS 22 - 24) .....						1
22	<u>19496-G1</u>	REAR VIEW MIRROR .....						1
23	19502-G2	SUPPORT BRACKET .....						1
24	<u>19527-G1</u>	SCREW, #8 - 32 X 5/8" LG (STAINLESS STEEL) .....						1
25								

## WEATHER PROTECTION - GOLF CAR

Where applicable, THE USE OF NON UL PARTS WILL VOID ANY UL LISTING.

When ordering parts, please specify the model and serial number of the product.

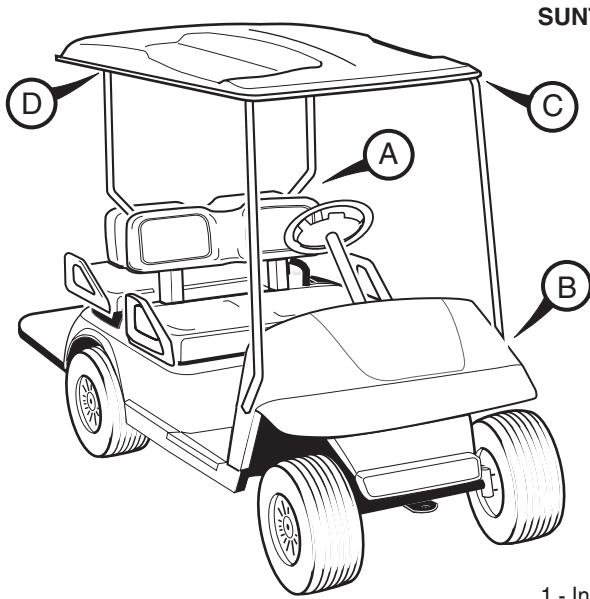
\* Indicates a component that is not available as an individual part.

G\*\* Indicates consult Customer Service Department for additional information.

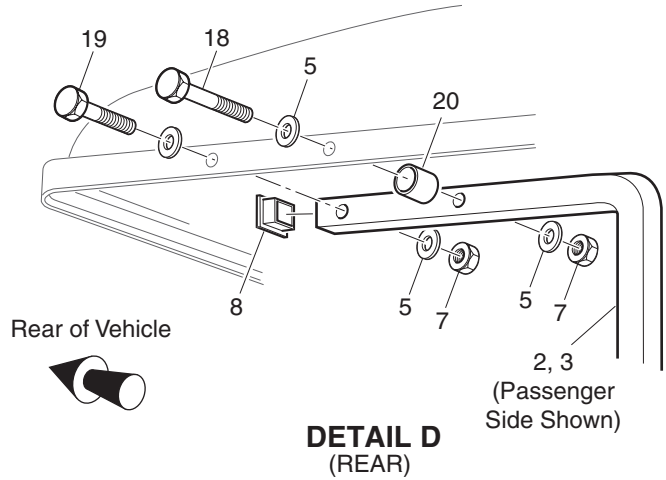
ITEM	PART NO.	1	2	3	4	5	DESCRIPTION	QTY.
26	<u>75524-G01</u>						WINDSHIELD KIT (GOLF CAR) (INCLUDES ITEMS 27 - 33).....	1
27	*						WINDSHIELD .....	1
28	EGWHC12						SASH, 26" LG .....	2
29	EGWHS12						SCREW, 1/4 - 20 X 1 3/4" LG (STAINLESS STEEL).....	2
30	EGWHW12						WASHER, 1/4" (STAINLESS STEEL).....	4
31	EGWHG13						RUBBER GROMMET .....	2
32	EGWHN12						LOCK NUT, 1/4 - 20 (STAINLESS STEEL).....	2
33	EGWHL14						LABEL (SAFETY) .....	1
34								
35	<u>75525-G01</u>						FOLD DOWN WINDSHIELD KIT (GOLF CAR) (INCLUDES ITEMS 36 - 44).....	1
36	*						WINDSHIELD .....	1
37	EGWHC10						SASH, 12" LG .....	2
38	EGWHS12						SCREW, 1/4 - 20 X 1 3/4" LG (STAINLESS STEEL).....	2
39	EGWHW12						WASHER, 1/4" (STAINLESS STEEL).....	4
40	EGWHG13						RUBBER GROMMET .....	2
41	EGWHN12						LOCK NUT, 1/4 - 20 (STAINLESS STEEL).....	2
42	137-010						TOP GRIP, 3/4" X 2" .....	2
43	136-008						TOP GRIP FASTENER.....	2
44	EGWHL14						LABEL (SAFETY) .....	1
45								
46	<u>75078-G01</u>						WEATHER ENCLOSURE (3 SIDED) RECOMMENDED FOR VEHICLES WITH WINDSHIELDS .....	1
47	<u>75079-G01</u>						WEATHER ENCLOSURE (4 SIDED) RECOMMENDED FOR VEHICLES WITHOUT WINDSHIELDS .....	1
48								
49	<u>75191-G01</u>						BAG COVER AND RAIN CURTAIN KIT.....	1

**WEATHER PROTECTION - GOLF CAR**

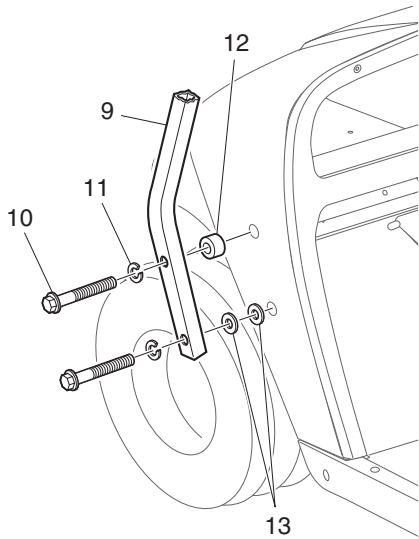
# WEATHER PROTECTION - SHUTTLE 2+2



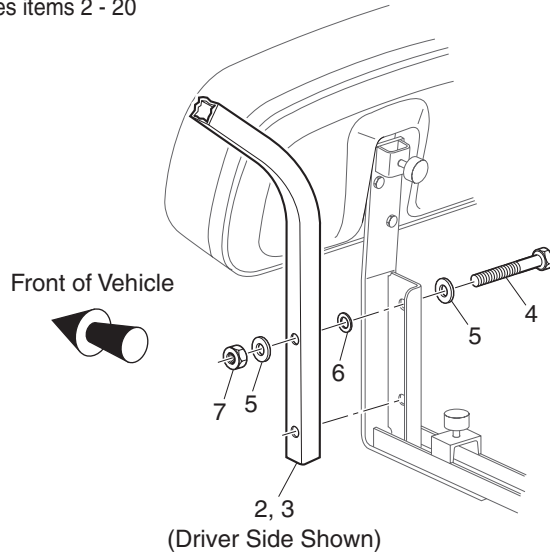
SUNTOP



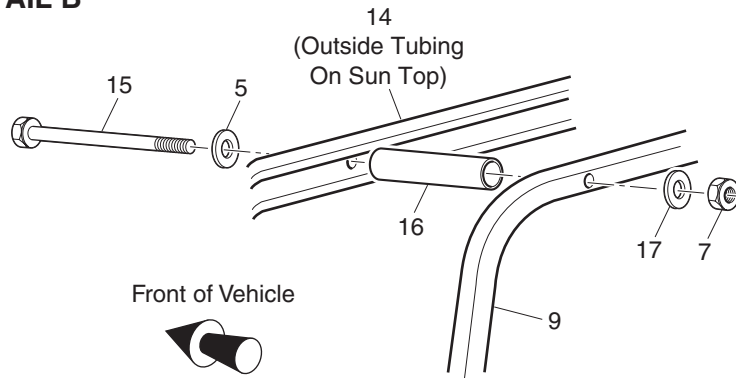
1 - Includes items 2 - 20



DETAIL B



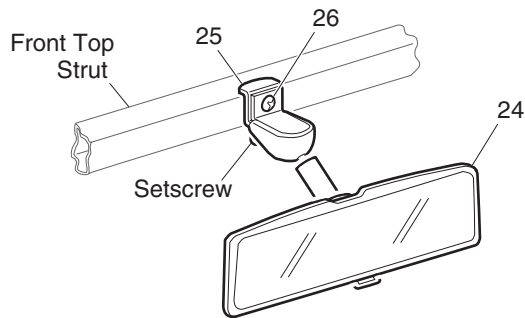
DETAIL A



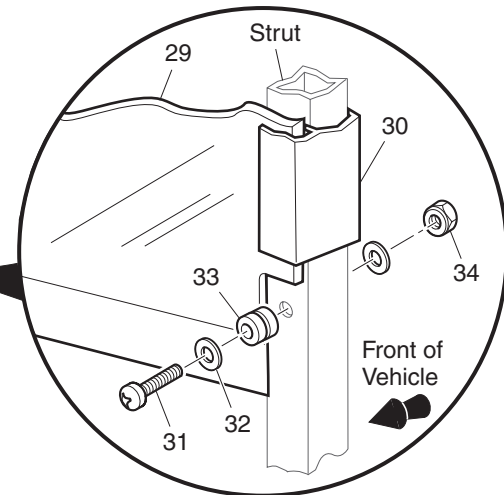
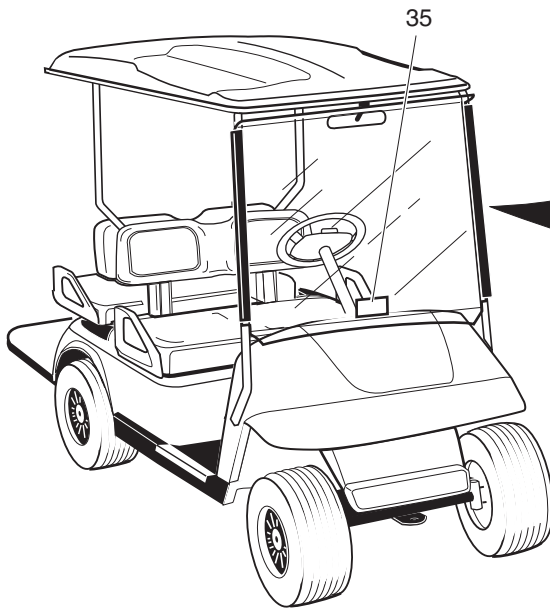
DETAIL C  
(FRONT)

Ref Wsh 1-1

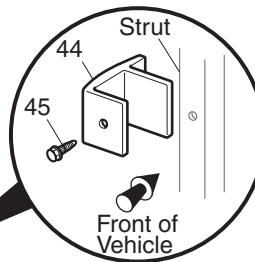
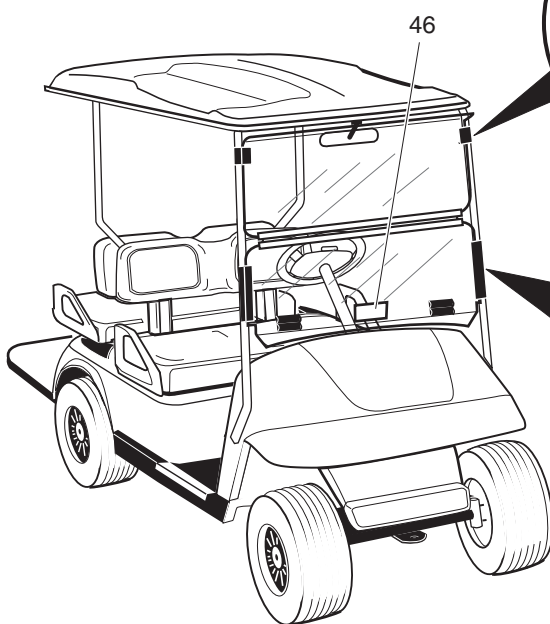
# WEATHER PROTECTION - SHUTTLE 2+2



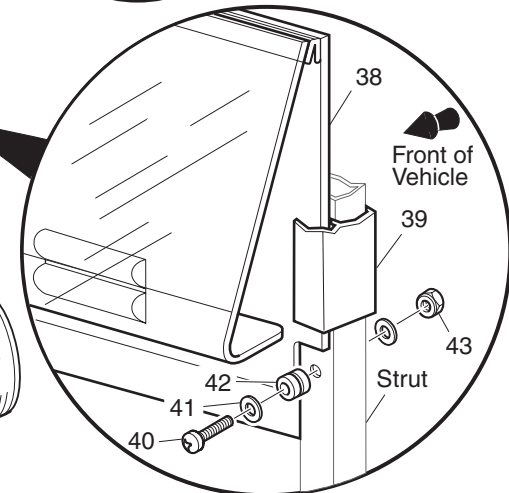
**REAR VIEW MIRROR**  
23 - Includes Items 24 - 26



**FULL WINDSHIELD**  
28 - Includes Items 29 - 35



**FOLD DOWN WINDSHIELD**  
37 - Includes Items 38 - 46



Ref Wsh 1-2

## WEATHER PROTECTION - SHUTTLE 2+2

Where applicable, THE USE OF NON UL PARTS WILL VOID ANY UL LISTING.

When ordering parts, please specify the model and serial number of the product.

\* Indicates a component that is not available as an individual part.

G\*\* Indicates consult Customer Service Department for additional information.

ITEM	PART NO.	1	2	3	4	5	DESCRIPTION	QTY.
		For service or replacement parts, contact: Eagle Parts, Inc. 1411 Marvin Griffin Rd. Augusta, GA 30906 Telephone (706) 790-6687 or FAX (706) 790-6066						
1	<u>75123-G01</u>	SUN TOP (SHUTTLE 2+2) (INCLUDES ITEMS 2 - 20).....						1
2	<u>75074-G01</u>	REAR STRUT (DRIVER SIDE).....						1
3	<u>75074-G02</u>	REAR STRUT (PASSENGER SIDE).....						1
4	<u>00665-G5</u>	BOLT, 3/8 - 16 X 1 3/4" LG (STAINLESS STEEL).....						4
5	<u>00679-G1</u>	WASHER, 3/8 (STAINLESS STEEL).....						18
6	<u>00771-G5</u>	WASHER, 3/8.....						4
7	<u>00891-G5</u>	LOCK NUT, 3/8 - 16.....						10
8	<u>19853-G1</u>	END CAP, 1".....						2
9	<u>75125-G01</u>	FRONT STRUT.....						1
10	<u>01035-G01</u>	BOLT, 5/16 - 18 X 2 1/4" LG.....						4
11	<u>00905-G8</u>	LOCK WASHER, 5/16".....						4
12	<u>75048-G01</u>	SPACER, 1/2".....						2
13	<u>00879-G1</u>	LOCK WASHER, 3/8".....						4
14	<u>27604-G01</u>	SUN TOP.....						1
15	<u>00674-G8</u>	BOLT, 3/8 - 16 X 5" LG (STAINLESS STEEL).....						2
16	<u>18716-G1</u>	SPACER.....						2
17	<u>00653-G1</u>	WASHER, 3/8" (STAINLESS STEEL).....						2
18	<u>00665-G3</u>	BOLT, 3/8 - 16 X 2 1/2" LG (STAINLESS STEEL).....						2
19	<u>00665-G6</u>	BOLT, 3/8 - 16 X 2" LG (STAINLESS STEEL).....						2
20	<u>24647-G1</u>	SPACER, 1/4".....						2
21								
22								
23	<u>19528-G2</u>	REAR VIEW MIRROR KIT (INCLUDES ITEMS 24 - 26).....						1
24	<u>19496-G1</u>	REAR VIEW MIRROR.....						1
25	<u>19502-G2</u>	SUPPORT BRACKET.....						1
26	<u>19527-G1</u>	SCREW, #8 - 32 X 5/8" LG (STAINLESS STEEL).....						1



## WEATHER PROTECTION - SHUTTLE 2+2

Where applicable, THE USE OF NON UL PARTS WILL VOID ANY UL LISTING.

When ordering parts, please specify the model and serial number of the product.

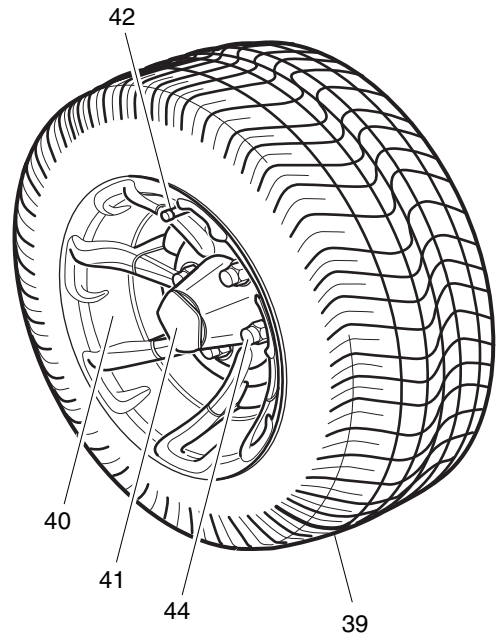
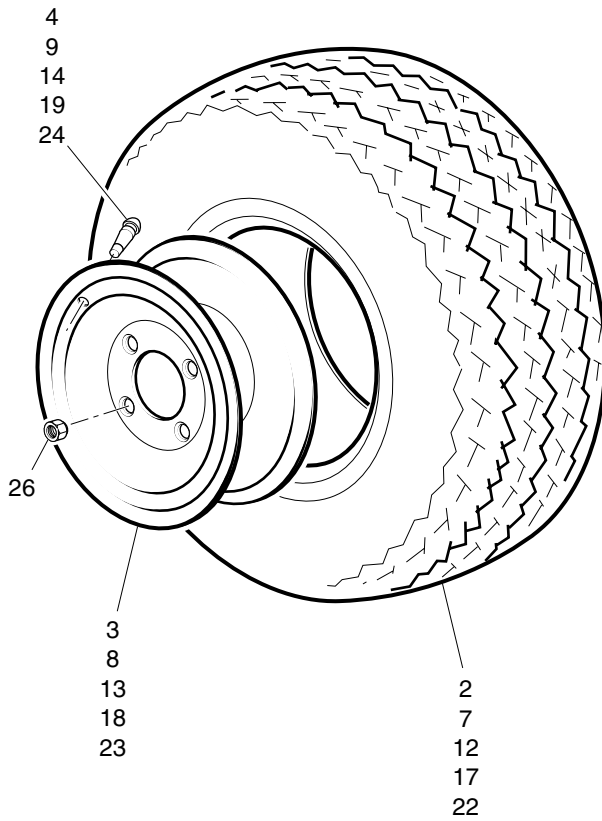
\* Indicates a component that is not available as an individual part.

G\*\* Indicates consult Customer Service Department for additional information.

ITEM	PART NO.	1	2	3	4	5	DESCRIPTION	QTY.
27								
28	<u>75524-G02</u>						WINDSHIELD KIT (SHUTTLE 2+2) (INCLUDES ITEMS 29 - 35).....	1
29	*						WINDSHIELD .....	1
30	EGWHC12						SASH, 26" LG .....	2
31	EGWHS12						SCREW, 1/4 - 20 X 1 3/4" LG (STAINLESS STEEL).....	2
32	EGWHW12						WASHER, 1/4" (STAINLESS STEEL).....	4
33	EGWHG13						RUBBER GROMMET .....	2
34	EGWHN12						LOCK NUT, 1/4 - 20 (STAINLESS STEEL).....	2
35	EGWHL14						LABEL (SAFETY) .....	1
36								
37	<u>75525-G02</u>						FOLD DOWN WINDSHIELD KIT (SHUTTLE 2+2) (INCLUDES ITEMS 38 - 46).....	1
38	*						WINDSHIELD .....	1
39	EGWHC10						SASH, 12" LG .....	2
40	EGWHS12						SCREW, 1/4 - 20 X 1 3/4" LG (STAINLESS STEEL).....	2
41	EGWHW12						WASHER, 1/4" (STAINLESS STEEL).....	4
42	EGWHG13						RUBBER GROMMET .....	2
43	EGWHN12						LOCK NUT, 1/4 - 20 (STAINLESS STEEL).....	2
44	137-010						TOP GRIP, 3/4" X 2" .....	2
45	136-008						TOP GRIP FASTENER.....	2
46	EGWHL14						LABEL (SAFETY) .....	1

# WHEELS AND TIRES

- 1 - Includes Items 2 - 4
- 6 - Includes Items 7 - 9
- 11 - Includes Items 12 - 14
- 16 - Includes Items 17 - 19
- 21 - Includes Items 22 - 24
- 38 - Includes Items 39 - 42



6" CHROME HUBCAP  
28



8" CHROME HUBCAP  
29



SILVER / GOLD SPOKE HUBCAP  
30, 31

Ref Whl 1

## WHEELS AND TIRES

Where applicable, THE USE OF NON UL PARTS WILL VOID ANY UL LISTING.

When ordering parts, please specify the model and serial number of the product.

\* Indicates a component that is not available as an individual part.

G\*\* Indicates consult Customer Service Department for additional information.

ITEM	PART NO.	1 2 3 4 5	DESCRIPTION	QTY.
1	27772-G09		TIRE AND WHEEL ASSEMBLY (LINKS 1 18 X 8.5 - 8) (INCLUDES ITEMS 2 - 4).....	4
2	27772-G10		LINKS 1 CARLISLE TIRE, 18 X 8.5 - 8 .....	1
3	15169-G1		WHEEL RIM (4 LUG).....	1
4	<u>11657-G1</u>		VALVE STEM.....	1
5				
6	27772-G03		WHEEL AND TIRE ASSEMBLY (TURF SAVER 18 X 8.5 - 8) (INCLUDES ITEMS 7 - 9).....	4
7	27772-G07		CARLISLE TIRE (TURF SAVER 18 X 8.5 - 8).....	1
8	15169-G1		WHEEL RIM (4 LUG).....	1
9	<u>11657-G1</u>		VALVE STEM.....	1
10				
11	27775-G01		WHEEL AND TIRE ASSEMBLY (USA TRAIL 6-PLY 18.5 X 8.5 - 8) (INCLUDES ITEMS 12 - 14).....	4
12	27775-G02		CARLISLE TIRE (USA TRAIL, 6 PLY 18 X 8.5 - 8) .....	1
13	15169-G1		WHEEL RIM (4 LUG).....	1
14	<u>11657-G1</u>		VALVE STEM.....	1
15				
16	27772-G02		WHEEL AND TIRE ASSEMBLY (TURF GLIDE 18 X 8.5 - 8) (INCLUDES ITEMS 17 - 19).....	4
17	27772-G06		CARLISLE TIRE (TURF GLIDE 18 X 8.5 - 8) .....	1
18	15169-G1		WHEEL RIM (4 LUG).....	1
19	<u>11657-G1</u>		VALVE STEM.....	1
20				
21	27772-G04		WHEEL AND TIRE ASSEMBLY (FAIRWAY 18 X 8.5 - 8) (INCLUDES ITEMS 22 - 24).....	4
22	27772-G08		CARLISLE TIRE (FAIRWAY 18 X 8.5 - 8).....	1
23	15169-G1		WHEEL RIM (4 LUG).....	1
24	<u>11657-G1</u>		VALVE STEM.....	1
25				
26	<u>14723-G1</u>		LUG NUT, 1/2 - 20.....	16
27				

# WHEELS AND TIRES

Where applicable, THE USE OF NON UL PARTS WILL VOID ANY UL LISTING.

When ordering parts, please specify the model and serial number of the product.

\* Indicates a component that is not available as an individual part.

G\*\* Indicates consult Customer Service Department for additional information.

ITEM	PART NO.	1 2 3 4 5	DESCRIPTION	QTY.
28	16042-G01		6" CHROME HUBCAP .....	4
29	16042-G02		6" CHROME HUBCAP (SET OF FOUR).....	1
30	14913-G01		8" CHROME HUBCAP .....	4
31	14913-G02		8" CHROME HUBCAP (SET OF FOUR).....	1
32	19241-G02		GOLD SPOKE HUBCAP .....	4
33	19241-G04		GOLD SPOKE HUBCAP (SET OF FOUR) .....	1
34	19241-G01		SILVER SPOKE HUBCAP.....	4
35	19241-G03		SILVER SPOKE HUBCAP (SET OF FOUR).....	1
36				
37				
38	<u>28780-G01</u>		ALLOY WHEEL AND TIRE ASSEMBLY (PRO TOUR 18 X 8.00 - 10) (INCLUDES ITEMS 39 - 42).....	4
39	74825-G01		KENDA TIRE (PRO TOUR, 18 X 8.00 - 10) .....	1
40	74828-G01		ALLOY WHEEL.....	1
41	<u>28781-G01</u>		ALLOY WHEEL CAP .....	1
42	74826-G01		VALVE STEM (CHROME).....	1
43				
44	28782-G01		ALLOY WHEEL LUG NUT .....	16

SPECIALTY PRODUCTS

**SPECIALTY PRODUCTS**

## SPECIALTY PRODUCTS

<b>SPECIAL TOOLS</b>	<b>PART NO.</b>
BATTERY MAINTENANCE KIT .....	25587-G01
SEAL INSTALLATION TOOL (REAR AXLE SHAFT SEAL) .....	18739-G1
BATTERY SET DISCHARGER, 36 VOLT, 75 AMP .....	28251-G01
CURRENT INDICATOR .....	16489-G2
DIGITAL MULTI-METER .....	27481-G01
CRIMPING TOOL .....	27765-G01
SLIDE HAMMER (AXLE/HUB REMOVAL) .....	15947-G1
SLIDE HAMMER (AXLE REMOVAL ONLY) .....	18753-G1

<b>TOUCH UP PAINT</b>	<b>PART NO.</b>
PEN 3 OUNCE (89 ML) - HUNTER GREEN .....	28432-G02
PEN 3 OUNCE (89 ML) - CHAMPAGNE BEIGE .....	28432-G01
PEN 3 OUNCE (89 ML) - WHITE .....	28432-G05
PEN 3 OUNCE (89 ML) - INDUSTRIAL YELLOW.....	28432-G03
PEN 3 OUNCE (89 ML) - ORANGE .....	28432-G04
PEN 3 OUNCE (89 ML) - STEEL BLUE PEARL .....	28432-G**
PEN 3 OUNCE (89 ML) - CAMOUFLAGE PAINT (THREE PENS) .....	75831-G01
AEROSOL 12 OUNCE (360 ML) - HUNTER GREEN .....	28140-G09
AEROSOL 12 OUNCE (360 ML) - CHAMPAGNE BEIGE .....	28140-G15
AEROSOL 12 OUNCE (360 ML) - WHITE .....	28140-G03
AEROSOL 12 OUNCE (360 ML) - INDUSTRIAL YELLOW.....	28140-G14
AEROSOL 12 OUNCE (360 ML) - ORANGE .....	28140-G13
AEROSOL 12 OUNCE (360 ML) - STEEL BLUE PEARL .....	28140-G**

<b>MAINTENANCE PRODUCTS</b>	<b>PART NO.</b>
FORMULA 40 VINYL-COAT® - WHITE .....	28166-G01
PLEXUS® CLEANER, 7 OUNCE (210 ML) (FOR WINDSHIELDS) .....	28433-G01
PLEXUS® CLEANER, 13 OUNCE (380 ML) (FOR WINDSHIELDS) .....	28433-G02
BATTERY PROTECTOR, 14 OUNCE (410 ML) SPRAY .....	75500-G01
WHITE LITHIUM GREASE, 14 OUNCE (410 ML) SPRAY.....	75502-G01
PENETRANT/LUBRICANT, 15 OUNCE (440 ML) SPRAY .....	75503-G01
MULTI-PURPOSE CLEANER & DEGREASER, 14 OUNCE (410 ML) SPRAY .....	75504-G01
MULTI-PURPOSE HAND CLEANER, 32 OUNCE (950 ML) LIQUID .....	75505-G01

**SPECIALTY PRODUCTS**

BATTERY CLEANER, 32 OUNCE (950 ML) WITH TRIGGER SPRAYER ..... 75506-G01

BIO-DEGRADABLE CLEANER, 32 OUNCE (950 ML) WITH TRIGGER SPRAYER..... 75507-G01

MULTI-PURPOSE VALUE PACK..... 75508-G01

- BATTERY PROTECTOR, 4 OUNCE (120 ML) SPRAY
- PENETRANT/LUBRICANT, 4 OUNCE (120 ML) SPRAY
- WHITE LITHIUM GREASE, 4 OUNCE (120 ML) SPRAY
- CARBURETOR & CHOKE CLEANER, 4 OUNCE (120 ML) SPRAY





OPTIONS/ACCESSORIES

# OPTIONS/ACCESSORIES

## OPTIONS/ACCESSORIES

ITEM	KIT NO.	SECTION
2 BAG ATTACHMENT . . . . .	75183-G01 . . . . .	Body -Footrest
4 BAG ATTACHMENT . . . . .	75335-G01 . . . . .	Body - Accessories Continued
ALLOY WHEEL AND TIRE ASSEMBLY . . . . .	28780-G01 . . . . .	Wheels And Tires
ALLOY WHEEL CAP . . . . .	28781-G01 . . . . .	Wheels And Tires
ALLOY WHEEL LUG NUT . . . . .	28782-G01 . . . . .	Wheels And Tires
8" CHROME HUBCAP . . . . .	14913-G* . . . . .	Wheels And Tires
6" CHROME HUBCAP . . . . .	16042-G* . . . . .	Wheels And Tires
GOLD SPOKE HUBCAP . . . . .	19241-G* . . . . .	Wheels And Tires
SILVER SPOKE HUBCAP . . . . .	19241-G* . . . . .	Wheels And Tires
ASHTRAY KIT . . . . .	75109-G02 . . . . .	Body - Accessories Continued
BAG COVER / RAIN CURTAIN KIT . . . . .	75191-G01 . . . . .	Weather Protection - Golf Car
CONVERTIBLE CARRIER KIT . . . . .	75179-G* . . . . .	Body, Seating - Convertible Carrier
CENTER BASKET . . . . .	75003-G02 . . . . .	Body - Accessories
COOLER JUG AND BRACKET KIT . . . . .	75495-G01 . . . . .	Body - Accessories Continued
COOLER BOX AND BRACKET KIT . . . . .	75344-G01 . . . . .	Body - Accessories Continued
DIVOT REPAIR KIT . . . . .	23300-G01 . . . . .	Body - Accessories
HOUR METER . . . . .	75113-G02 . . . . .	Electrical System - Common
MESSAGE HOLDER KIT (REQUIRES SUN TOP) . . . . .	75509-G01 . . . . .	Body - Accessories Continued
MESSAGE HOLDER KIT (REQUIRES SUN TOP) . . . . .	75496-G01 . . . . .	Body - Accessories Continued
REAR VIEW MIRROR (REQUIRES SUN TOP) . . . . .	19528-G2 . . . . .	Weather Protection - Golf Car
SAND BOTTLE . . . . .	28661-G01 . . . . .	Body - Accessories
SAND RAKE . . . . .	14735-G1 . . . . .	Body - Accessories Continued
SAND RAKE HOLDER . . . . .	75006-G01 . . . . .	Body - Accessories Continued
SHUTTLE 2+2 KIT . . . . .	74150-G** . . . . .	Body, Seating - Shuttle 2+2
SIDE BASKET . . . . .	75007-G** . . . . .	Body - Accessories
SUN TOP KIT, GOLF CAR . . . . .	75040-G** . . . . .	Weather Protection - Golf Car
SUN TOP KIT, SHUTTLE 2+2 . . . . .	75123-G01 . . . . .	Weather Protection - Shuttle 2+2
TOW BAR KIT (CASUAL) . . . . .	75033-G01 . . . . .	Tow Bar - Casual
TOW BAR KIT (PERMANENT) . . . . .	75310-G01 . . . . .	Tow Bar - Permanent
TURN SIGNAL KIT . . . . .	75107-G02 . . . . .	Electrical System - Common
WEATHER ENCLOSURE (3 SIDED) . . . . .	75078-G01 . . . . .	Weather Protection - Golf Car
WEATHER ENCLOSURE (3 SIDED) . . . . .	75492-G01 . . . . .	Weather Protection - Shuttle 2+2

## OPTIONS/ACCESSORIES

<b>ITEM</b>	<b>KIT NO.</b>	<b>SECTION</b>
WEATHER ENCLOSURE (4 SIDED).....	75079-G01.....	Weather Protection, Golf Car
WINDSHIELD KIT, GOLF CAR .....	75524-G01.....	Weather Protection, Golf Car
WINDSHIELD KIT, SHUTTLE 2+2.....	75524-G02.....	Weather Protection, Shuttle 2+2
WINDSHIELD KIT, FOLD DOWN, GOLF CAR .....	75525-G01.....	Weather Protection, Golf Car
WINDSHIELD KIT, FOLD DOWN, SHUTTLE 2+2.....	75525-G02.....	Weather Protection, Shuttle 2+2

## OPTIONS/ACCESSORIES

# INDEX OF MAJOR COMPONENTS

# INDEX OF MAJOR COMPONENTS

## BY PART DESCRIPTION

### A

ACCELERATOR PEDAL .....	A-4
ALLOY WHEEL .....	O-3
ASH TRAY .....	C-18
AXLE SHAFT .....	J-2

### B

BAG COVER .....	N-5
BATTERY .....	F-4
BATTERY CHARGER, LESTER .....	B-16
BATTERY RACK .....	C-6
BEARING AND RACE .....	H-3
BED .....	L-10
BOX COOLER .....	C-16
BRAKE .....	F-7
BRAKE ADJUSTER .....	D-7
BRAKE ASSEMBLY .....	D-6
BRAKE CABLE .....	D-4
BRAKE DRUM .....	D-7
BRAKE PEDAL PAD .....	D-4
BRAKE SHOE .....	D-6
BRAKE SPRING KIT .....	D-6
BUMPER PLUG .....	C-9

### C

CATCH BRACKET .....	D-5
CENTER BASKET .....	C-14
CHARGER RECEPTACLE .....	F-4
COMPENSATOR ASSEMBLY .....	D-4
CONTACT BOARD .....	E-3
COOLER JUG .....	C-16
COWL .....	C-2

### D

DIRECTION SELECTOR .....	E-2
DIRECTION SELECTOR HANDLE .....	E-2
DIRECTION SELECTOR SWITCH (DASH MOUNTED) .....	F-10
DIVOT REPAIR KIT .....	C-14

### E

ELECTRONIC SPEED CONTROLLER .....	G-2, G-4, G-8
EQUALIZER .....	D-4

# INDEX OF MAJOR COMPONENTS

## F

FAIRWAY 18 X 8.5 - 8.....	O-2
FEMALE STOP.....	M-3
FENDER SCUFFGUARD.....	C-8
FLOORMAT.....	C-6
FLOORMAT WITH HORN HOLE.....	C-6
FLOORPAN.....	C-6
FOOTREST.....	C-12
FOUR BAG ATTACHMENT KIT.....	C-18
FRONT AXLE.....	H-3
FRONT SHIELD.....	C-2
FRONT STRUT.....	N-4, N-9
FUSE BLOCK.....	F-5

## H

HEAD LIGHT.....	F-7
HIP RESTRAINT.....	L-2
HORN.....	F-5
HORN SWITCH.....	F-5
HOUR METER.....	F-6
HUB.....	H-3
HUBCAP.....	O-3

## I

INSTRUMENT PANEL.....	C-2
INSTRUMENT PANEL WOODGRAIN APPLIQUE KIT.....	C-3
INTERMEDIATE SHAFT.....	H-6

## K

KEY SWITCH.....	F-6
KICK-OFF.....	D-5

## L

LEAF SPRING.....	H-4, K-2
LEAF SPRING (HEAVY DUTY).....	H-4
LINKS 1 18 X 8.5 - 8.....	O-2
LUG NUT.....	O-2, O-3

## M

MALE STOP.....	M-3
MESSAGE HOLDER.....	C-16
MICRO SWITCH.....	D-6, E-2
MOTOR (SEPARATELY EXCITED) (PDS).....	I-2
MOTOR (SERIES, FLEET SPEED).....	I-2
MOTOR (SERIES, HIGH SPEED).....	I-2

# INDEX OF MAJOR COMPONENTS

## P

PEDAL BOX ASSEMBLY .....	A-3
PEDAL BOX ASSEMBLY, PDS MODEL .....	A-3
PINION SEAL .....	H-5
POWERWISE™ + CHARGER .....	B-4
POWERWISE™ CHARGER .....	B-4
POWERWISE™ CHARGER (ON BOARD) .....	B-11
PRO TOUR 18 X 8.00 - 10 .....	O-3

## R

RACK AND PINION UNIT .....	H-4
RACK BALL JOINT .....	H-5
RACK BOOT .....	H-5
RAIN CURTAIN .....	N-5
RAKE .....	C-16
REAR AXLE .....	J-2
REAR BODY (WITH TAILLIGHTS) .....	C-8
REAR BODY (WITHOUT TAILLIGHTS) .....	C-8
REAR BUMPER .....	C-8
REAR BUMPER (SHUTTLE 2+2) .....	C-9
REAR STRUT .....	N-4
REAR STRUT (DRIVER SIDE) .....	N-9
REAR STRUT (PASSENGER SIDE) .....	N-9
REAR VIEW MIRROR .....	N-4
REVERSE WARNING BUZZER .....	E-3, F-10
ROCKER PANEL .....	C-9

## S

SAND BOTTLE .....	C-14
SCUFF GUARD .....	J-2
SEAT .....	L-2, L-5, L-9
SEAT BACK MOUNT .....	L-10
SEAT BACK SUPPORT .....	L-5, L-9
SEAT HINGE .....	L-2
SEAT SUPPORT BRACKET .....	L-2, L-6
SHOCK ABSORBER .....	H-4, K-2
SHOCK ABSORBER BOOT .....	H-4
SIDE BASKET .....	C-14
SILL PLATE .....	C-9
SOLENOID .....	G-8
SOLENOID, 36 VOLT .....	G-2, G-4
SPINDLE .....	H-3
STATE OF CHARGE METER .....	F-12
STATE OF CHARGE METER (VERTICAL) .....	F-10
STEERING COLUMN .....	H-5
STEERING SHAFT .....	H-5
STEERING WHEEL .....	H-6
SUN TOP .....	N-4
SUN TOP (SHUTTLE 2+2) .....	N-9



# INDEX OF MAJOR COMPONENTS

## T

TIE ROD .....	H-7, M-4, M-6
TOW BAR .....	M-3, M-6
TOW BAR HITCH .....	M-4
TURF GLIDE 18 X 8.5 - 8.....	O-2
TURF SAVER 18 X 8.5 - 8.....	O-2
TURN SIGNAL.....	F-6
TWO BAG ATTACHMENT KIT.....	C-12

## U

USA TRAIL 6-PLY 18.5 X 8.5 - 8.....	O-2
-------------------------------------	-----

## V

VALANCE PANEL .....	C-12
---------------------	------

## W

WEATHER ENCLOSURE (3 SIDED) .....	N-5
WEATHER ENCLOSURE (4 SIDED) .....	N-5
WINDSHIELD .....	N-5, N-10
WIRE HARNESS (BRAKE LIGHT).....	D-6

## BY PART NUMBER

10606-G2 MICRO SWITCH.....	E-2
10606-G8 MICRO SWITCH.....	D-6
14651-G1 CONTACT BOARD ASSEMBLY .....	E-3
14735-G1 RAKE .....	C-16
14913-G** 8" CHROME HUBCAP .....	O-3
16042-G** 6" CHROME HUBCAP .....	O-3
17318-G1 HORN SWITCH .....	F-5
17867-G1 TURN SIGNAL.....	F-6
19241-G** GOLD SPOKE HUBCAP.....	O-3
19241-G** SILVER SPOKE HUBCAP .....	O-3
21573-G1 HOUR METER.....	F-6
21807-G1 BRAKE DRUM .....	D-7
22674-G1 FUSE BLOCK .....	F-5
23300-G01 BASKET DIVOT REPAIR KIT.....	C-14
24605-G1 WIRE HARNESS (BRAKE LIGHT).....	D-6
25799-G01 ACCELERATOR PEDAL .....	A-4
25864-G05 ELECTRONIC SPEED CONTROLLER .....	G-2
27166-G02 FRONT SHIELD.....	C-2
27855-G01 SOLENOID, 36 VOLT.....	G-2, G-4
27944-G01 BRAKE SPRING KIT .....	D-6
28115-G01 POWERWISE™ CHARGER.....	B-4
28115-G02 POWERWISE™ + CHARGER .....	B-4
28115-G11 POWERWISE™ CHARGER (ON BOARD).....	B-11
28380-G02 BATTERY CHARGER, LESTER .....	B-16
28516-G01 BATTERY CHARGER, LESTER .....	B-16
28562-G01 SOLENOID .....	G-8

## INDEX OF MAJOR COMPONENTS

28659-G01 SAND BOTTLE.....	C-14
32860-G1 HORN.....	F-5
33636-G01 STATE OF CHARGE METER.....	F-12
33636-G04 STATE OF CHARGE METER (VERTICAL).....	F-10
70046-G01 BATTERY RACK.....	C-6
70080-G01 CATCH BRACKET.....	D-5
70272-G04 COMPENSATOR ASSEMBLY.....	D-4
70274-G01 BRAKE/PARK BRAKE PEDAL PAD KIT.....	D-4
70324-G01 SHOCK ABSORBER.....	K-2
70451-G01 LOWER FLOORPAN.....	C-6
70578-G01 DIRECTION SELECTOR ASSEMBLY.....	E-2
70597-G02 LEAF SPRING.....	H-4
70662-G01 UPPER FLOORPAN.....	C-6
70663-G01 FLOORMAT.....	C-6
70663-G02 FLOORMAT WITH HORN HOLE.....	C-6
70664-G02 LEAF SPRING (HEAVY DUTY).....	H-4
70794-G01 BRAKE SHOE KIT.....	D-6
70928-G01 SHOCK ABSORBER.....	H-4
70963-G01 FRONT AXLE.....	H-3
70964-G01 RACK AND PINION UNIT (COMPLETE).....	H-4
70969-G03 EQUALIZER AND BRAKE CABLE ASSEMBLY.....	D-4
70998-G01 BRAKE ASSEMBLY (DRIVER SIDE).....	D-6
70998-G02 BRAKE ASSEMBLY (PASSENGER SIDE).....	D-6
71051-G** COWL.....	C-2
71151-G01 INSTRUMENT PANEL.....	C-2
71205-G01 DIRECTION SELECTOR HANDLE.....	E-2
71334-G** REAR BODY (WITH TAILLIGHTS).....	C-8
71456-G01 NOTCHED REAR BUMPER.....	C-9
71578-G01 REAR BUMPER.....	C-8
71912-G** REAR BODY (WITHOUT TAILLIGHTS).....	C-8
72582-G01 BRAKE ADJUSTER KIT (DRIVER SIDE).....	D-7
72582-G02 BRAKE ADJUSTER KIT (PASSENGER SIDE).....	D-7
72763-G01 SCUFF GUARD.....	J-2
73060-G01 ELECTRONIC SPEED CONTROLLER.....	G-8
73063-G01 CHARGER RECEPTACLE.....	F-4
73124-G02 MOTOR (SERIES, FLEET SPEED).....	I-2
73124-G03 MOTOR (SERIES, HIGH SPEED).....	I-2
73124-G08 MOTOR (SEPARATELY EXCITED) (PDS).....	I-2
73290-G02 REVERSE WARNING BUZZER.....	E-3, F-10
73326-G02 ELECTRONIC SPEED CONTROLLER.....	G-4
73333-G01 PEDAL BOX ASSEMBLY.....	A-3
73333-G05 PEDAL BOX ASSEMBLY, PDS MODEL.....	A-3
73500-G01 REAR AXLE.....	J-2
74001-G01 LIGHT BAR.....	F-7
74239-G01 INSTRUMENT PANEL WOODGRAIN APPLIQUE KIT.....	C-3
74323-G01 DIRECTION SELECTOR SWITCH (DASH MOUNTED).....	F-10
75003-G02 CENTER BASKET KIT.....	C-14
75007-G02 SIDE BASKET KIT.....	C-14
75040-G** SUN TOP KIT.....	N-4
75045-G01 FRONT STRUT.....	N-4
75046-G01 REAR STRUT.....	N-4
75074-G01 REAR STRUT (DRIVER SIDE).....	N-9
75074-G02 REAR STRUT (PASSENGER SIDE).....	N-9
75109-G02 ASH TRAY KIT.....	C-18
75123-G01 SUN TOP (SHUTTLE 2+2).....	N-9
75125-G01 FRONT STRUT.....	N-9

## INDEX OF MAJOR COMPONENTS

75183-G01 TWO BAG ATTACHMENT KIT .....	C-12
75344-G01 BOX COOLER AND BRACKET KIT .....	C-16
75355-G01 FOUR BAG ATTACHMENT KIT .....	C-18
75495-G01 COOLER JUG AND BRACKET KIT .....	C-16

# INDEX OF MAJOR COMPONENTS





A Textron Company

E-Z-GO Division of Textron, Inc.  
P.O. Box 388 Augusta, Georgia 30903-0388 USA  
Inside USA Phone: 1-800-241-5855, FAX: 1-800-448-8124  
Outside USA Phone: 010-1-706-798-4311, FAX: 010-1-706-771-4609

Copyrighted Material  
This manual may not be reproduced in whole or  
in part without the express permission of  
E-Z-GO Division of Textron, Inc.  
Technical Communications Department