

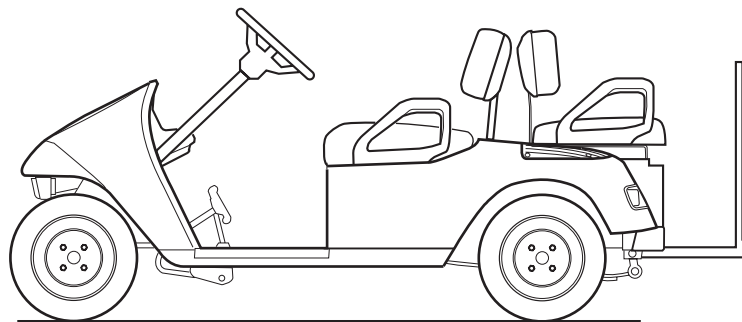
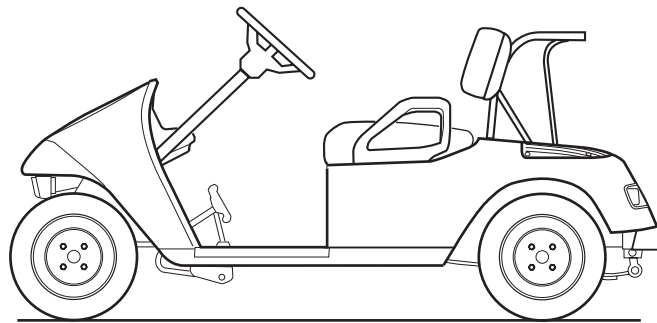
28790-G01-GB



A Textron Company



# SERVICE PARTS MANUAL



*Ref Fcv 1*

## GASOLINE POWERED FLEET GOLF CARS & PERSONAL VEHICLES

STARTING MODEL YEAR: 2003



# **SERVICE PARTS MANUAL**

## **GASOLINE POWERED FLEET GOLF CARS & PERSONAL VEHICLES**

**FLEET GOLF CAR**

**FREEDOM™**

**FREEDOM™ SE**

**FREEDOM™ LE**

**FREEDOM™ HP**

**FREEDOM™ HP SE**

**FREEDOM™ HP LE**

**SHUTTLE™ 2+2**

TEXTRON Golf, Turf & Specialty Products reserves the right to make design changes without obligation to make these changes on units previously sold and the information contained in this manual is subject to change without notice.

TEXTRON Golf, Turf & Specialty Products is not liable for errors in this manual or for incidental or consequential damages that result from the use of the material in this manual.

**CUSTOMER SERVICE DEPARTMENT IN USA PHONE: 1-800-241-5855 FAX: 1-800-448-8124**

**OUTSIDE USA PHONE: 010-1-706-798-4311, FAX: 010-1-706-771-4609**

**TEXTRON GOLF, TURF & SPECIALTY PRODUCTS, P.O.BOX 388, AUGUSTA, GEORGIA USA 30903-0388**

## GENERAL INFORMATION

To obtain a copy of the limited warranty applicable to the vehicle, call or write a local Distributor, authorized Branch or the Warranty Department with vehicle serial number and manufacture date code.

The use of non Original Equipment Manufacturer (OEM) parts may void the warranty.

When servicing engines, all adjustments and replacement components must be per original vehicle specifications in order to maintain the United States of America Federal and State emission certification applicable at the time of manufacture.

## TABLE OF CONTENTS

<b>SECTION</b>	<b>Page No.</b>
HOW TO USE THE SERVICE PARTS MANUAL .....	v
ILLUSTRATED PARTS BREAKDOWN .....	vii
ACCELERATOR .....	A-1
AIR CLEANER .....	B-1
BODY - FRONT .....	C-1
BODY - MID SECTION .....	C-5
BODY - REAR .....	C-7
BODY - FOOTREST .....	C-11
BODY - ACCESSORIES .....	C-13
BODY - ACCESSORIES CONTINUED .....	C-15
BODY - ACCESSORIES CONTINUED .....	C-17
BRAKES .....	D-1
CARBURETOR AND CHOKE .....	E-1
CLUTCHES .....	F-1
DIRECTION SELECTOR .....	G-1
ELECTRICAL SYSTEM .....	H-1
ENGINE AND MUFFLER .....	I-1
ENGINE MOUNTING .....	J-1
FRONT SUSPENSION/STEERING .....	K-1
FUEL SYSTEM .....	L-1
REAR AXLE .....	M-1
REAR SUSPENSION .....	N-1
SEATING AND BAG HOLDER - GOLF CAR .....	O-1
SEATING - SHUTTLE 2+2 .....	O-3
SEATING - CONVERTIBLE CARRIER .....	O-7
STARTER / GENERATOR .....	P-1
TOW BAR - PERMANENT .....	Q-1
TOW BAR - CASUAL .....	Q-5
WEATHER PROTECTION - GOLF CAR .....	R-1

## TABLE OF CONTENTS

WEATHER PROTECTION - SHUTTLE 2+2 .....	R-7
WHEELS AND TIRES .....	S-1
SPECIALTY PRODUCTS .....	APPENDIX A-1
OPTIONS/ACCESSORIES .....	APPENDIX B-1
INDEX OF MAJOR COMPONENTS .....	INDEX-1

# HOW TO USE THE SERVICE PARTS MANUAL

This manual is divided into several sections:

## **GENERAL INFORMATION**

- TABLE OF CONTENTS
- HOW TO USE THE SERVICE PARTS MANUAL

## **ILLUSTRATED PARTS BREAKDOWN**

- Contains illustrations and parts lists for all systems of the vehicle

## **APPENDIX**

- Contains a listing of specialty products and options/accessories

## **INDEX OF MAJOR COMPONENTS**

- Contains a listing of parts (excluding hardware) grouped by part number and description and indicates on which page(s) they can be found

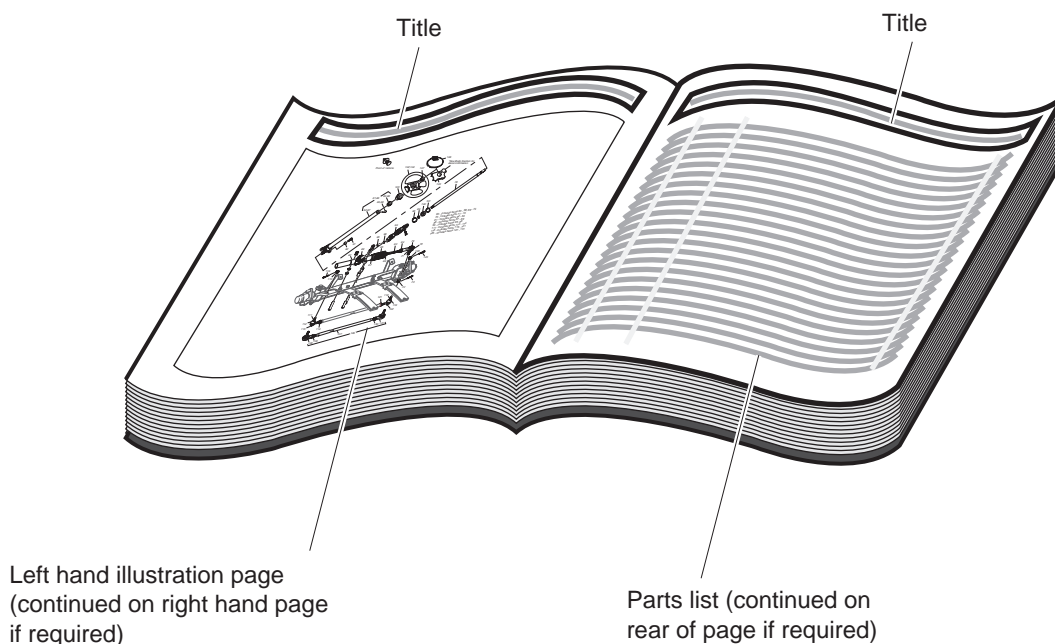
## **USE OF THE MANUAL**

To use this manual, consult the TABLE OF CONTENTS (page iii) or the INDEX OF MAJOR COMPONENTS (located at rear of this manual) to locate the information or illustration required.

Introduction of some revisions varies due to supply of components; therefore, it is possible that various combinations of components may be found that are not directly reflected by each illustration. Consult the illustration that best suits your situation. Locate the serial number plate (see BODY located in the Illustrated Parts Breakdown section of this manual for its location) and note the complete number shown on the plate. It is important that the serial number of your vehicle and its model number be supplied to Service Parts when ordering any replacement components.

Locate the serial number plate (see BODY located in the Illustrated Parts Breakdown section of this manual for its location) and note the complete number shown on the plate.

## HOW TO USE THE SERVICE PARTS MANUAL



### 1. WHEN THE PART NUMBER IS NOT KNOWN

- Determine the function and application of the part required. Turn to the INDEX OF MAJOR COMPONENTS and select the most appropriate component description.
- Turn to the page number indicated and locate the part description in the parts list. Read the full accompanying description for specific information regarding the part that was not shown in the index.
- From the parts list, obtain the item number assigned to it and confirm that the part selected is correct by verifying it with the pictorial representation on the illustrated page.

### 2. IF YOU KNOW THE PART NUMBER

- Use the INDEX OF MAJOR COMPONENTS to find the page(s) the part number appears on.
- Turn to the page number indicated and locate the part number in the parts list. Refer to the accompanying description for specific information regarding the part.
- From the parts list, obtain the item number assigned to it and confirm that the part selected is correct by verifying it with the pictorial representation on the illustrated page.

Should an asterisk (\*) appear in the part number column on the parts list page, read upwards until a part number is found. The part number is the lowest assembly sold by Service Parts. The asterisk (\*) indicates that the part depicted is not available for purchase.

NOTE: Descriptions are indented under the assembly that they are used on. That assembly is, in turn listed under the assembly that it is used on. This process is repeated until the highest final assembly is reached.

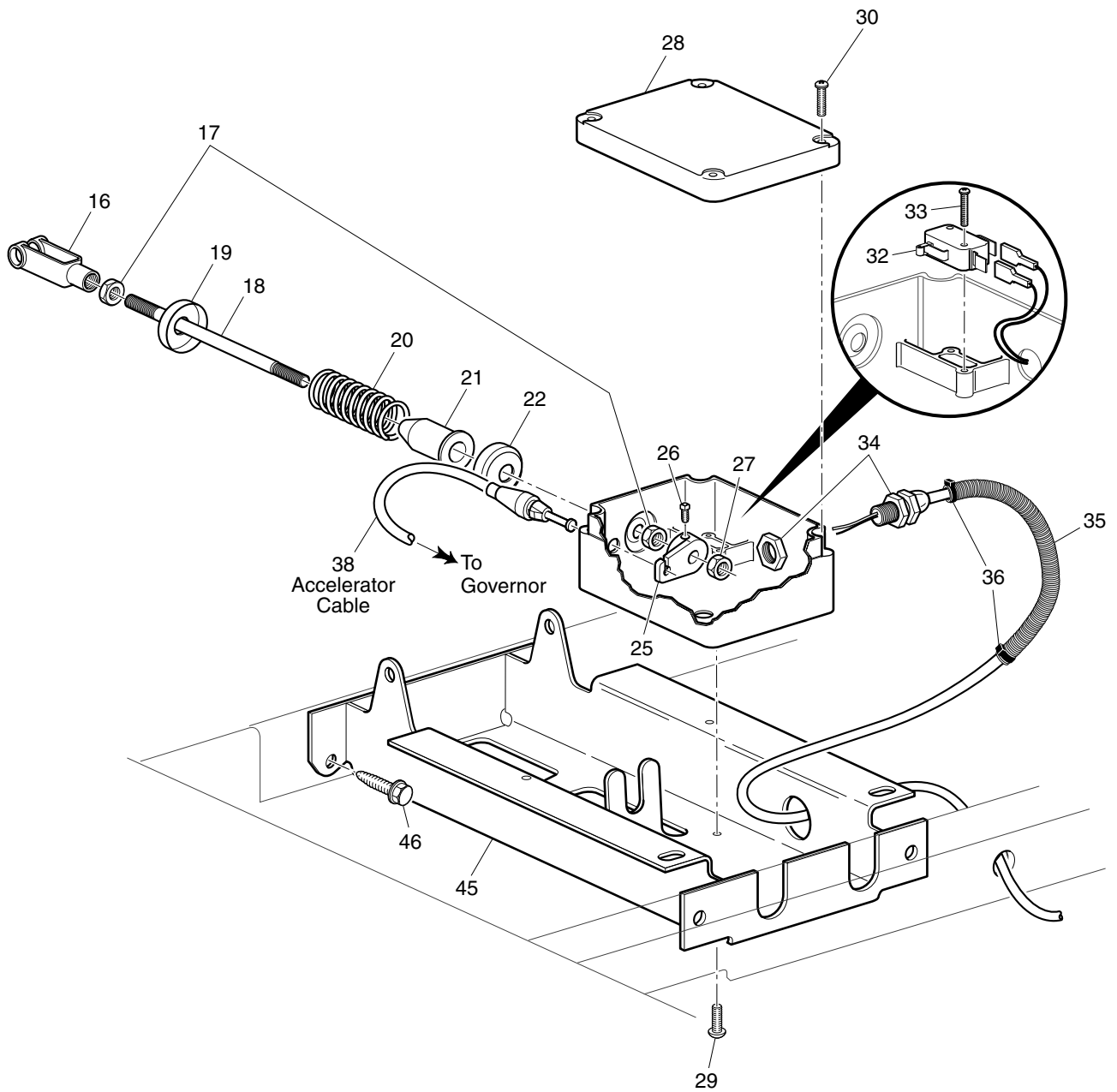
**To facilitate the maintenance and repair of the vehicle, a Technician's Repair and Service Manual is available from the Service Parts Department.**



ILLUSTRATED PARTS BREAKDOWN

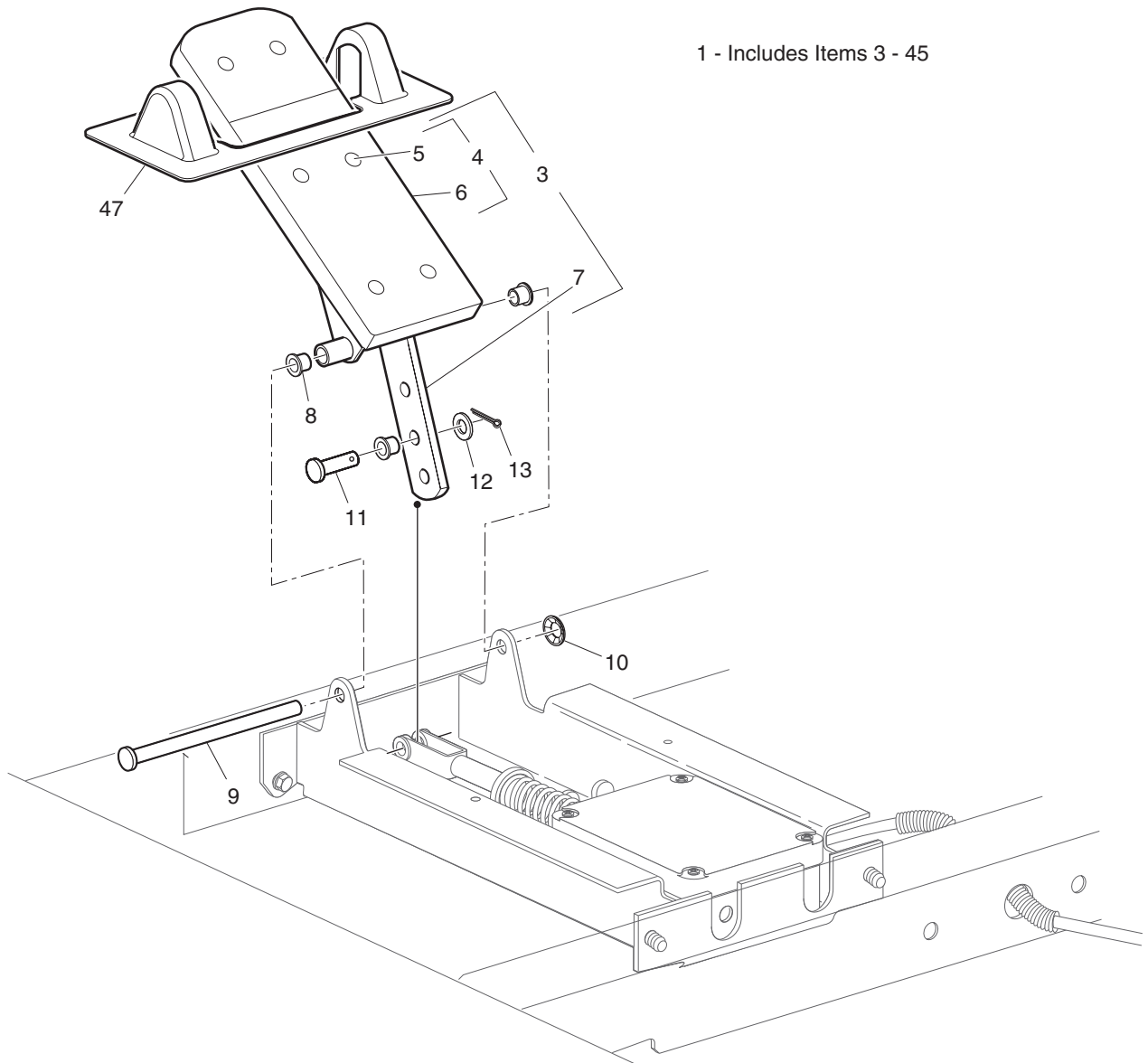
**ILLUSTRATED PARTS BREAKDOWN**

# ACCELERATOR



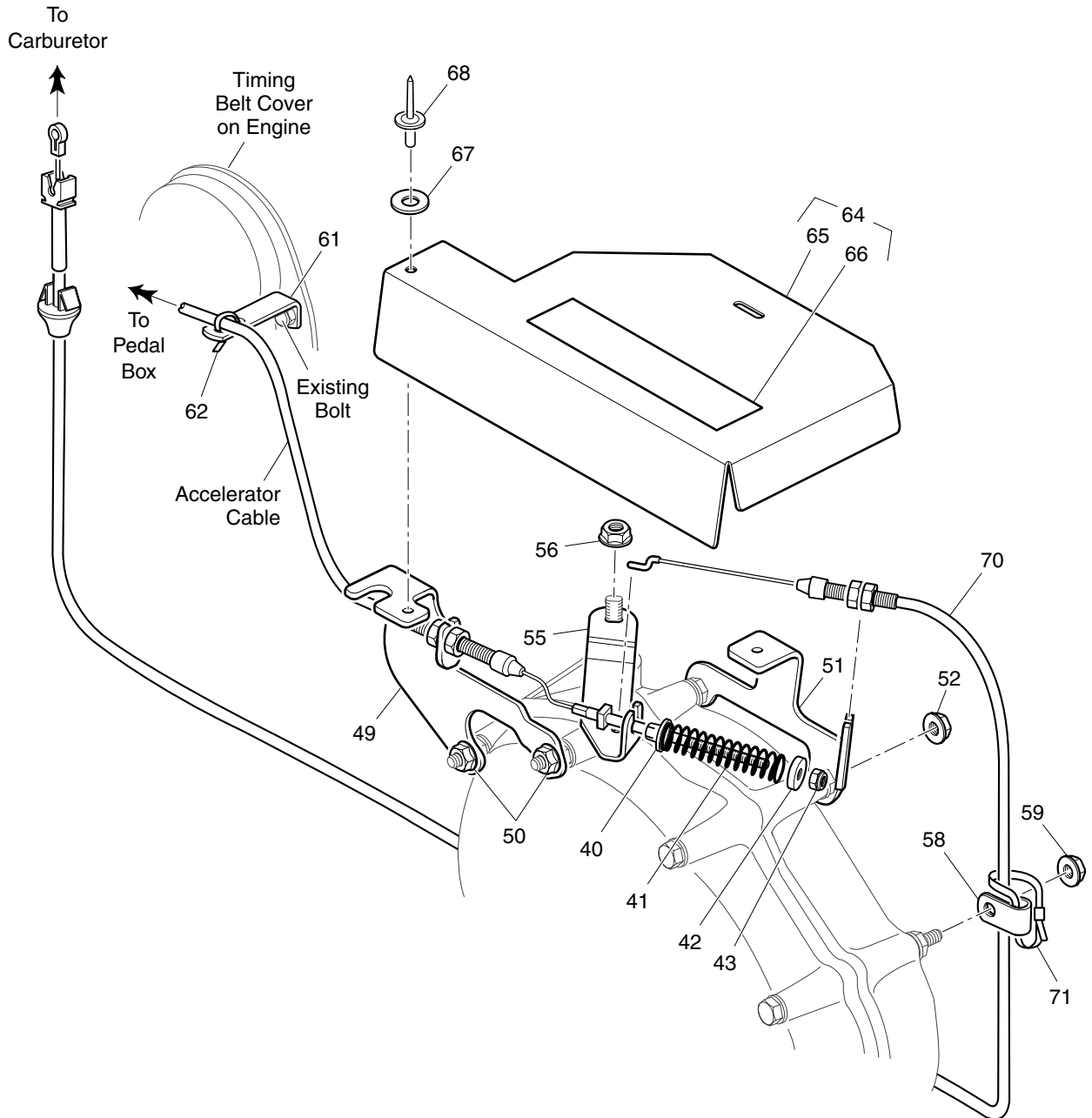
Ref Acl 2-1

# ACCELERATOR



Ref Acl 2-2

# ACCELERATOR



Ref Acl 2-3

# ACCELERATOR

Where applicable, THE USE OF NON UL PARTS WILL VOID ANY UL LISTING.

When ordering parts, please specify the model and serial number of the product.

\* Indicates a component that is not available as an individual part.

G\*\* Indicates consult Customer Service Department for additional information.

ITEM	PART NO.	1 2 3 4 5	DESCRIPTION	QTY.
1	<u>72717-G01</u>		PEDAL BOX ASSEMBLY (INCLUDES ITEMS 3 - 45) .....	1
2				
3	<u>25799-G01</u>		ACCELERATOR PEDAL ASSEMBLY (INCLUDES ITEMS 4 - 7).....	1
4	<u>27844-G01</u>		ACCELERATOR PEDAL PAD KIT (INCLUDES ITEMS 5 - 6).....	1
5	<u>15766-G1</u>		OVAL RIVET, 3/16" X 7/16" LG .....	6
6	<u>27512-G01</u>		ACCELERATOR PEDAL PAD .....	1
7	*		ACCELERATOR PEDAL .....	1
8	<u>17838-G1</u>		NYLON BUSHING .....	3
9	<u>74432-G01</u>		PEDAL PIVOT PIN .....	1
10	<u>12064-G6</u>		PUSH NUT, 9/32" .....	1
11	<u>10386-G3</u>		CLEVIS PIN, 5/16" X 13/16" LG .....	1
12	<u>17255-G1</u>		TEFLON WASHER, 5/16" .....	1
13	<u>10387-G3</u>		COTTER PIN, 3/32" X 3/4" LG .....	1
14				
15				
16	<u>10385-G4</u>		CLEVIS YOKE (ADJUSTABLE).....	1
17	<u>00532-G4</u>		NUT, 5/16 - 24.....	2
18	<u>72072-G01</u>		ACCELERATOR ROD .....	1
19	<u>17677-G2</u>		SPRING RETAINER, 3/8" .....	1
20	<u>73046-G01</u>		COMPRESSION SPRING .....	1
21	<u>17979-G1</u>		ACCELERATOR ROD BUSHING .....	1
22	<u>17677-G1</u>		SPRING RETAINER, 1/2" .....	1
23				
24				
25	<u>72716-G01</u>		MICRO SWITCH CAM.....	1
26	<u>00487-G3</u>		SETSCREW, 1/4 - 20 X 3/8" LG .....	1
27	<u>00550-G4</u>		LOCK NUT, 5/16 - 24 .....	1
28	<u>25853-G03</u>		PEDAL BOX AND COVER .....	1
29	<u>01051-G01</u>		SCREW, #8 - 16 X 1/2" LG .....	4
30	<u>00684-G6</u>		SCREW, #8 - 32 X 3/4" LG (STAINLESS STEEL).....	4

# ACCELERATOR

Where applicable, THE USE OF NON UL PARTS WILL VOID ANY UL LISTING.

When ordering parts, please specify the model and serial number of the product.

\* Indicates a component that is not available as an individual part.

G\*\* Indicates consult Customer Service Department for additional information.

ITEM	PART NO.	1	2	3	4	5	DESCRIPTION	QTY.
31								
32	<u>25861-G01</u>						MICRO SWITCH.....	1
33	<u>01050-G01</u>						SCREW, #4 - 20 X 5/8" LG .....	2
34	<u>72201-G04</u>						WIRE HARNESS (PEDAL BOX) .....	1
35	<u>17313-G1</u>						FLEX LOOM (BULK).....	AR
36	<u>17618-G1</u>						WIRE TIE .....	2
37								
38	<u>72713-G01</u>						ACCELERATOR CABLE .....	1
39								
40	<u>72706-G01</u>						ACCELERATOR CABLE BUSHING .....	1
41	<u>72707-G01</u>						COMPRESSION SPRING .....	1
42	<u>25727-G02</u>						CUP WASHER, 3/16" .....	1
43	<u>00734-G5</u>						LOCK NUT, #10 - 32.....	1
44								
45	70116-G01						ACCELERATOR PEDAL BRACKET.....	1
46	<u>00715-G2</u>						BOLT, 5/16 - 18 X 13/16" LG .....	4
47	<u>70135-G01</u>						PEDAL PIVOT COVER.....	1
48								
49	72701-G01						ACCELERATOR CABLE MOUNTING BRACKET .....	1
50	26830-G01						LOCK NUT, M8 X 1.25 MM .....	2
51	72703-G01						THROTTLE CABLE MOUNTING BRACKET .....	1
52	26830-G01						LOCK NUT, M8 X 1.25 MM .....	2
53								
54								
55	<u>72708-G01</u>						GOVERNOR ARM .....	1
56	26830-G01						LOCK NUT, M8 X 1.25 MM .....	1
57								
58	11845-G3						INSULATED CABLE CLAMP, 11/16".....	1
59	26830-G01						LOCK NUT, M8 X 1.25 MM .....	1
60								

# ACCELERATOR

Where applicable, THE USE OF NON UL PARTS WILL VOID ANY UL LISTING.

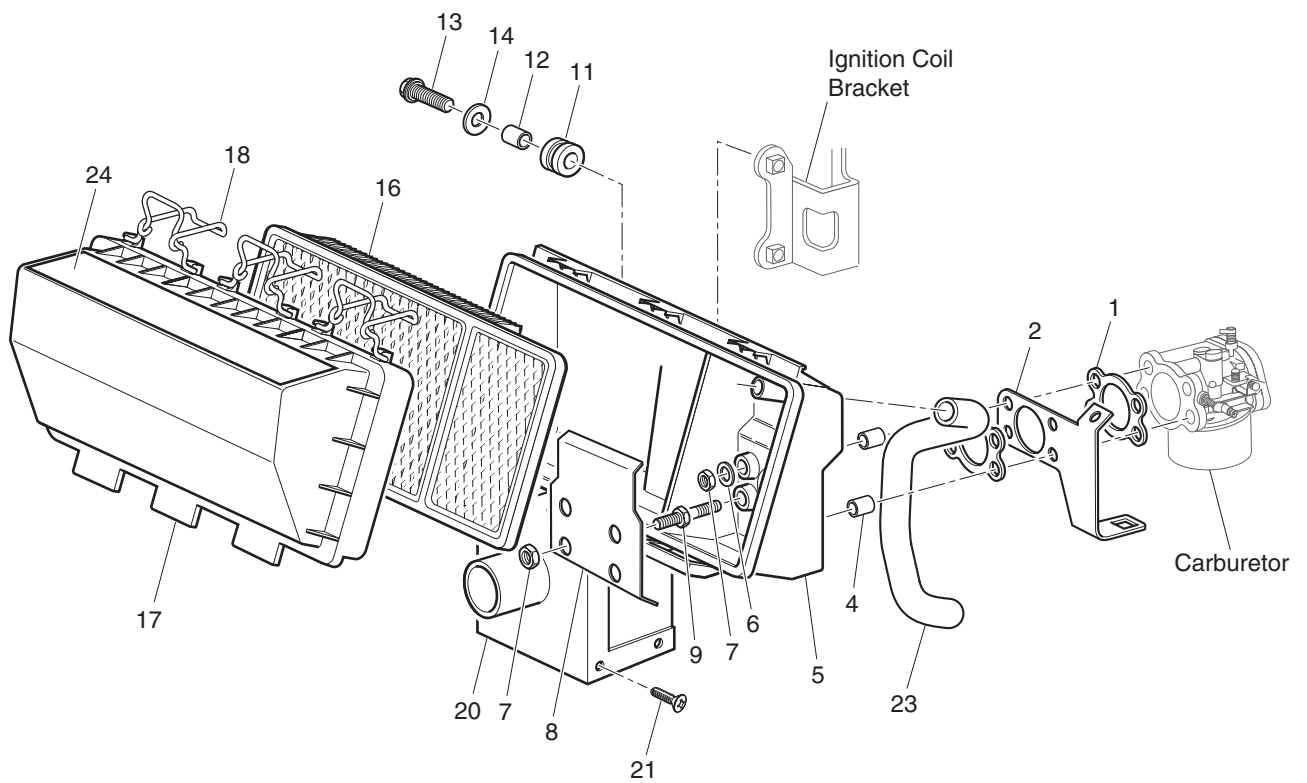
When ordering parts, please specify the model and serial number of the product.

\* Indicates a component that is not available as an individual part.

G\*\* Indicates consult Customer Service Department for additional information.

ITEM	PART NO.	1 2 3 4 5	DESCRIPTION	QTY.
61	<u>72055-G01</u>		ACCELERATOR CABLE BRACKET .....	1
62	<u>17618-G1</u>		WIRE TIE .....	1
63				
64	<u>74457-G01</u>		GOVERNOR COVER/LABEL ASSEMBLY (INCLUDES ITEMS 65, 66).....	1
65	<u>72705-G01</u>		GOVERNOR COVER .....	1
66	<u>24880-G01</u>		LABEL (WARNING - GOVERNOR) .....	1
67	<u>00915-G1</u>		BONDED WASHER, 1/4" .....	2
68	<u>14601-G11</u>		RIVET, 3/16" X 9/16" LG (ALUMINUM) .....	2
69				
70	<u>72714-G01</u>		THROTTLE CABLE.....	1
71	<u>17618-G1</u>		WIRE TIE .....	1

# AIR CLEANER



Ref Air 2



# AIR CLEANER

Where applicable, THE USE OF NON UL PARTS WILL VOID ANY UL LISTING.

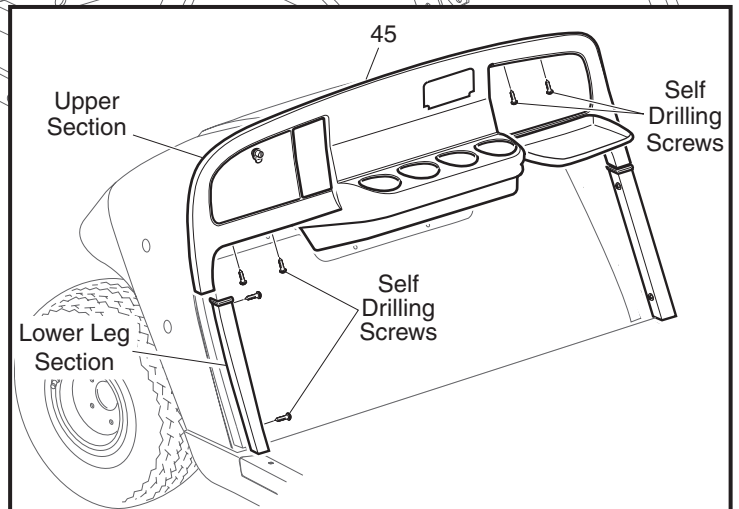
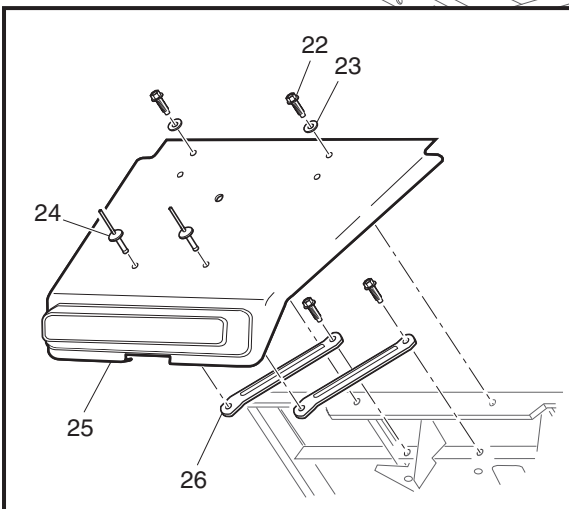
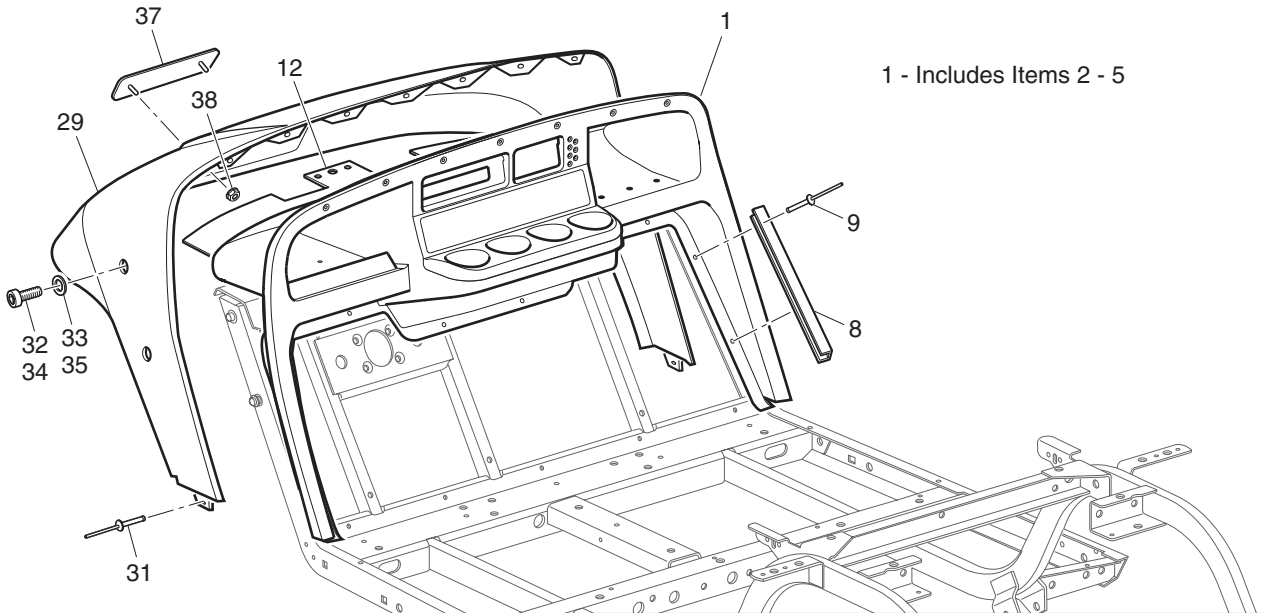
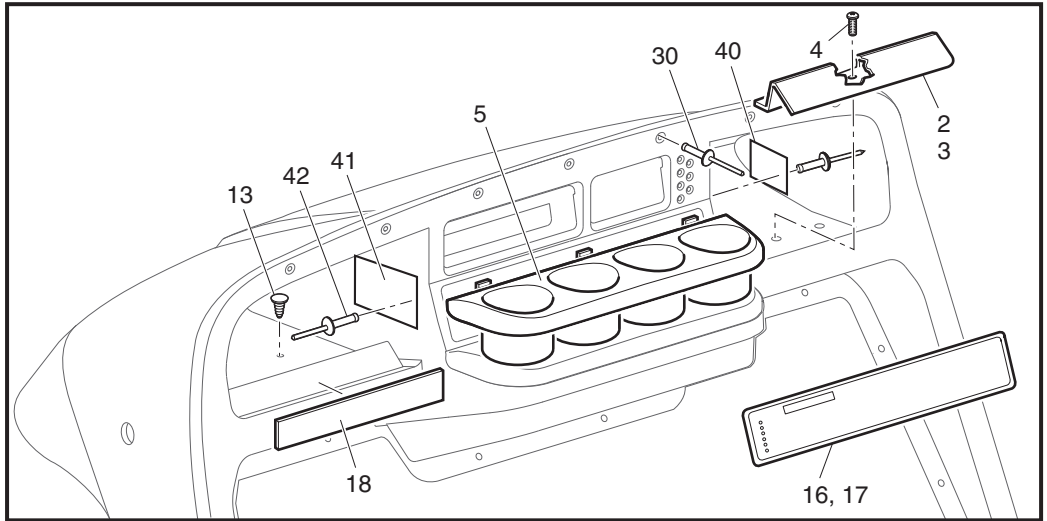
When ordering parts, please specify the model and serial number of the product.

\* Indicates a component that is not available as an individual part.

G\*\* Indicates consult Customer Service Department for additional information.

ITEM	PART NO.	1 2 3 4 5	DESCRIPTION	QTY.
1	72710-G01		CARBURETOR / AIR BOX GASKET .....	2
2	72739-G01		CHOKE / THROTTLE BRACKET.....	1
3				
4	<u>23726-G6</u>		SPACER, 7/16".....	4
5	<u>72178-G01</u>		HOUSING.....	1
6	<u>00664-G7</u>		LOCK WASHER, 1/4" (STAINLESS STEEL) .....	2
7	<u>13632-G1</u>		NUT, M6 X 1 .....	4
8	<u>72529-G01</u>		BAFFLE.....	1
9	<u>72514-G01</u>		STUD, M6 X 1 X 39 MM LG .....	2
10				
11	72147-G01		RUBBER GROMMET.....	2
12	23726-G7		SPACER, 9/16".....	2
13	26671-G01		BOLT AND WASHER, M6 X 1 X 30 MM LG .....	2
14	<u>26701-G01</u>		WASHER, 6.5 MM.....	2
15				
16	<u>72368-G01</u>		AIR FILTER ELEMENT .....	1
17	<u>72179-G01</u>		AIR FILTER COVER.....	1
18	<u>72145-G01</u>		LATCH.....	3
19				
20	<u>72146-G01</u>		INLET COVER .....	1
21	<u>00614-G5</u>		SCREW, #8 - 18 X 5/8" LG.....	6
22				
23	<u>72151-G01</u>		PCV HOSE .....	1
24	<u>74093-G01</u>		LABEL (WARNING).....	1

# BODY - FRONT



Ref Bod 2-1

## BODY - FRONT

Where applicable, THE USE OF NON UL PARTS WILL VOID ANY UL LISTING.

When ordering parts, please specify the model and serial number of the product.

\* Indicates a component that is not available as an individual part.

G\*\* Indicates consult Customer Service Department for additional information.

ITEM	PART NO.	1 2 3 4 5	DESCRIPTION	QTY.
1	<u>71151-G01</u>		INSTRUMENT PANEL ASSEMBLY (INCLUDES ITEMS 2 - 5) .....	1
2	<u>71153-G01</u>		DEFLECTOR (PASSENGER SIDE) .....	1
3	<u>71154-G01</u>		DEFLECTOR (DRIVER SIDE).....	1
4	<u>00614-G5</u>		SCREW, #8 - 18 X 5/8" LG .....	6
5	<u>71158-G01</u>		INSTRUMENT PANEL INSERT (4 CUP HOLDER).....	1
6				
7				
8	<u>71115-G01</u>		VINYL TRIM .....	2
9	<u>71055-G01</u>		RIVET, 3/16" X 1" LG (ALUMINUM).....	10
10				
11				
12	<u>71413-G01</u>		SPLASH PANEL.....	1
13	<u>16816-G2</u>		RATCHET FASTENER, 1/4" X 3/4" LG .....	5
14				
15				
16	<u>27826-G01</u>		LABEL (SAFETY).....	1
17	<u>35345-G01</u>		LABEL (SAFETY - EC).....	1
18	<u>74443-G01</u>		LABEL (ANTI-ROLLBACK) .....	1
19				
20				
21				
22	<u>01038-G01</u>		BOLT, 1/4 - 20 X 11/16" LG .....	4
23	<u>16469-G1</u>		WASHER, 1/4" .....	2
24	<u>01057-G01</u>		RIVET, 1/4" X 1" LG .....	2
25	<u>27166-G02</u>		FRONT SHIELD .....	1
26	<u>70725-G01</u>		FRONT SHIELD BRACE.....	2
27				
28				
29	<u>71051-G**</u>		COWL.....	1
30	<u>71055-G01</u>		RIVET, 3/16" X 1" LG (ALUMINUM).....	9

## BODY - FRONT

Where applicable, THE USE OF NON UL PARTS WILL VOID ANY UL LISTING.

When ordering parts, please specify the model and serial number of the product.

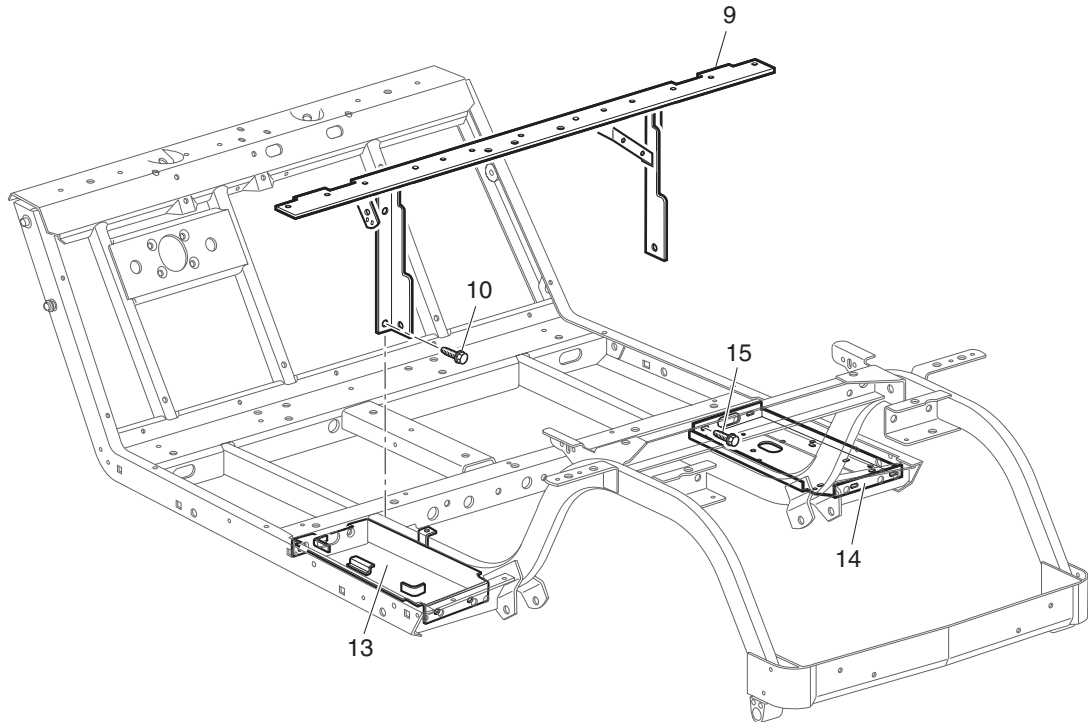
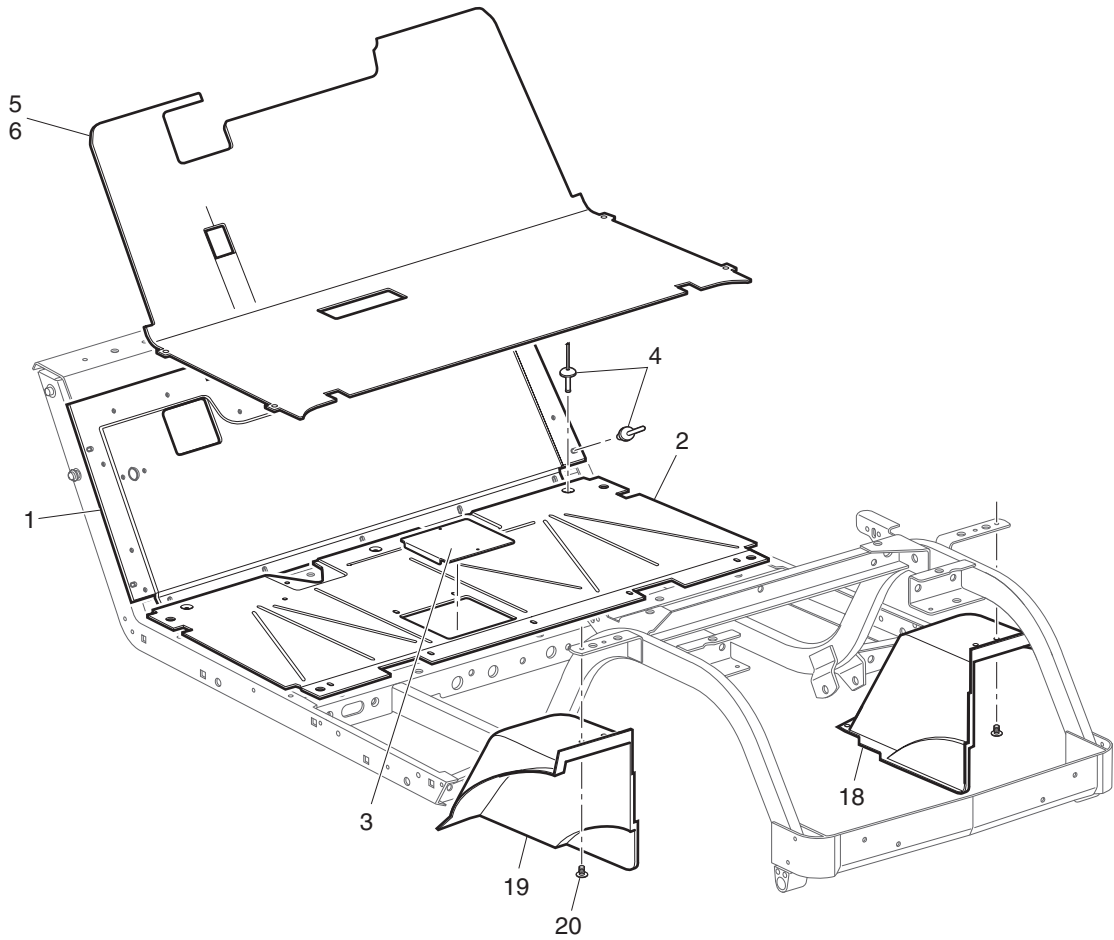
\* Indicates a component that is not available as an individual part.

G\*\* Indicates consult Customer Service Department for additional information.

ITEM	PART NO.	1 2 3 4 5	DESCRIPTION	QTY.
31	<u>10570-G11</u>		RIVET, 3/16" X 3/4" LG (STAINLESS STEEL) .....	2
32	<u>71056-G01</u>		BOLT, 5/16 - 18 X 5/8" LG .....	4
33	<u>00570-G2</u>		WASHER, 5/16.....	4
34	00438-G6		BOLT, 5/16 - 18 X 3/4" LG (WITH TOP) .....	2
35	<u>01110-G03</u>		WASHER, 5/16" (STAINLESS STEEL) (WITH TOP) .....	2
36				
37	<u>71037-G02</u>		E-Z-GO NAMEPLATE (GOLD).....	1
38	<u>71597-G01</u>		NUT, SELF-THREADING, 5MM STUD x 10MM HEX .....	2
39				
40	*		SERIAL NUMBER PLATE (EARLY PRODUCTION).....	1
41	*		EC PLATE (EARLY PRODUCTION) .....	1
42	<u>01041-G01</u>		RIVET, 1/8" X 13/16" LG .....	4
43				
44				
45	74239-G01		INSTRUMENT PANEL WOODGRAIN APPLIQUE KIT .....	1



# BODY - MID SECTION



Ref Bod 2-2

## BODY - MID SECTION

Where applicable, THE USE OF NON UL PARTS WILL VOID ANY UL LISTING.

When ordering parts, please specify the model and serial number of the product.

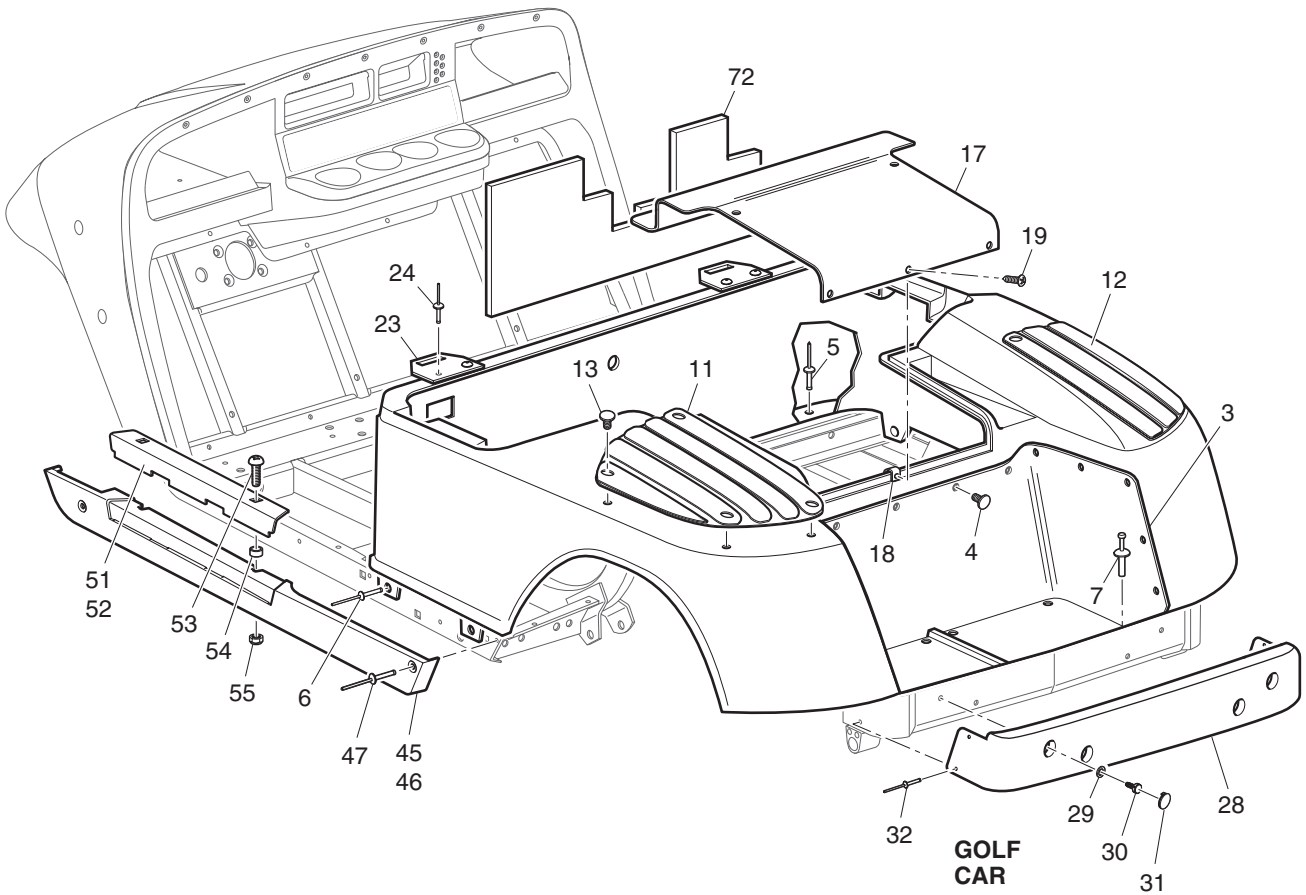
\* Indicates a component that is not available as an individual part.

G\*\* Indicates consult Customer Service Department for additional information.

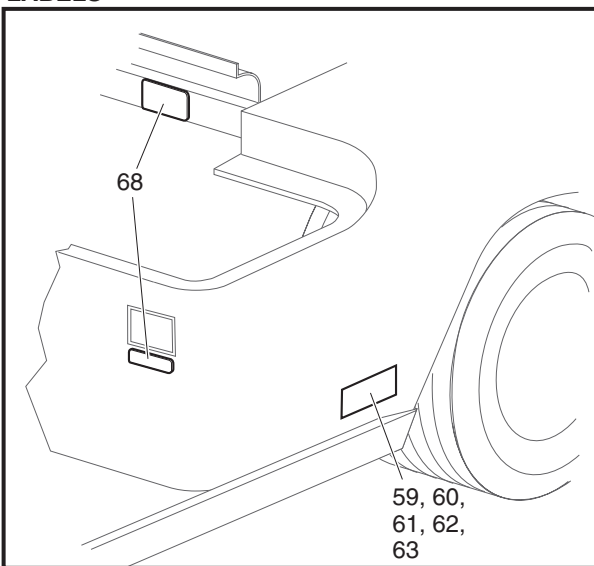
ITEM	PART NO.	1	2	3	4	5	DESCRIPTION	QTY.
1	70662-G01						UPPER FLOORPAN.....	1
2	<u>70451-G01</u>						LOWER FLOORPAN.....	1
3	<u>70452-G01</u>						ACCESS COVER.....	1
4	<u>14601-G11</u>						RIVET, 3/16" X 9/16" LG (ALUMINUM).....	16
5	<u>70995-G01</u>						FLOORMAT.....	1
6	<u>70995-G02</u>						FLOORMAT WITH HORN HOLE.....	1
7								
8								
9	70440-G03						SEAT FRAME.....	1
10	<u>00715-G2</u>						BOLT, 5/16 - 18 X 4/5" LG.....	2
11								
12								
13	70245-G01						BATTERY TRAY.....	1
14	70244-G02						SPLASH PANEL.....	1
15	<u>00715-G2</u>						BOLT, 5/16 - 18 X 4/5" LG.....	8
16								
17								
18	<u>71812-G01</u>						FENDER LINER (PASSENGER SIDE).....	1
19	<u>71812-G02</u>						FENDER LINER (DRIVER SIDE).....	1
20	<u>16816-G2</u>						RATCHET FASTENER, 1/4" X 3/4" LG.....	8

# BODY - REAR

1 - Includes Items 3, 4  
 2 - Includes Items 3, 4

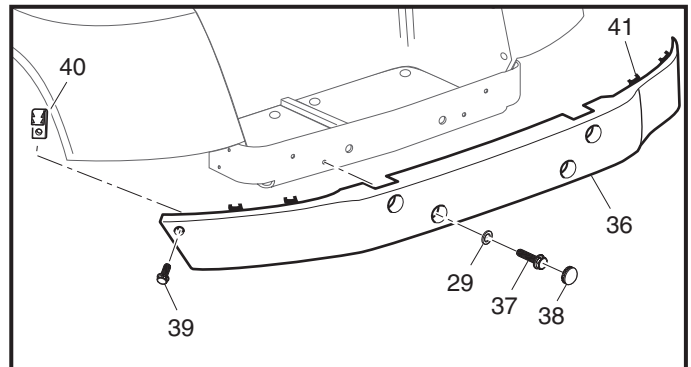


## LABELS



Ref Bod 2-3

## SHUTTLE 2+2 AND CONVERTIBLE CARRIER





## BODY - REAR

Where applicable, THE USE OF NON UL PARTS WILL VOID ANY UL LISTING.

When ordering parts, please specify the model and serial number of the product.

\* Indicates a component that is not available as an individual part.

G\*\* Indicates consult Customer Service Department for additional information.

ITEM	PART NO.	1 2 3 4 5	DESCRIPTION	QTY.
1	71912-G0**		REAR BODY (WITHOUT TAILLIGHTS) (INCLUDES ITEMS 3, 4) .....	1
2	71334-G0**		REAR BODY (WITH TAILLIGHTS) (INCLUDES ITEMS 3, 4).....	1
3	71318-G01		BAGWELL LINER .....	1
4	<u>16816-G1</u>		RATCHET FASTENER, 1/4" X 9/16" LG .....	26
5	<u>10570-G10</u>		RIVET, 5/32" X 9/16" LG (STAINLESS STEEL) .....	6
6	10570-G12		RIVET, 1/4" X 9/16" LG (ALUMINUM) .....	4
7	<u>18436-G1</u>		RIVET, 1/4" X 3/4" LG .....	2
8				
9				
10				
11	<u>75126-G01</u>		FENDER SCUFFGUARD (DRIVER SIDE) .....	1
12	<u>75126-G02</u>		FENDER SCUFFGUARD (PASSENGER SIDE).....	1
13	<u>16816-G2</u>		RATCHET FASTENER, 1/4" X 3/4" LG .....	8
14				
15				
16				
17	<u>71320-G01</u>		ACCESS PANEL .....	1
18	<u>71364-G02</u>		'J' CLIP .....	1
19	<u>01107-G01</u>		SCREW, #8 X 5/8" LG (STAINLESS STEEL) .....	5
20				
21				
22				
23	<u>71609-G01</u>		SEAT HINGE PLATE .....	2
24	<u>10570-G11</u>		RIVET, 3/16" X 3/4" LG (STAINLESS STEEL) .....	4
25				
26				
27				
28	<u>71578-G01</u>		REAR BUMPER .....	1
29	<u>00571-G2</u>		WASHER, 5/16" .....	4
30	<u>71102-G01</u>		BOLT, 1/4 - 20 X 3/4" LG .....	4

## BODY - REAR

Where applicable, THE USE OF NON UL PARTS WILL VOID ANY UL LISTING.

When ordering parts, please specify the model and serial number of the product.

\* Indicates a component that is not available as an individual part.

G\*\* Indicates consult Customer Service Department for additional information.

ITEM	PART NO.	1 2 3 4 5	DESCRIPTION	QTY.
31	<u>71514-G01</u>		BUMPER PLUG .....	4
32	14601-G17		RIVET, 3/16" X 9/16" LG (ALUMINUM) .....	4
33				
34				
35				
36	<u>71456-G01</u>		REAR BUMPER (SHUTTLE 2+2) .....	1
37	71398-G01		BOLT, 1/4 - 20 X 1 1/4" LG .....	2
38	<u>71455-G01</u>		BUMPER PLUG .....	4
39	<u>71102-G01</u>		BOLT, 1/4 - 20 X 3/4" LG .....	2
40	<u>71554-G01</u>		'J' TYPE NUT RETAINER.....	2
41	<u>71457-G01</u>		BUMPER STAY .....	4
42				
43				
44				
45	<u>71501-G01</u>		ROCKER PANEL (PASSENGER SIDE).....	1
46	<u>71502-G01</u>		ROCKER PANEL (DRIVER SIDE) .....	1
47	<u>15058-G6</u>		RIVET, 3/16" X 15/16" LG (ALUMINUM) .....	4
48				
49				
50				
51	71507-G01		SILL PLATE (PASSENGER SIDE).....	1
52	<u>71507-G02</u>		SILL PLATE (DRIVER SIDE).....	1
53	<u>16705-G1</u>		SCREW, 1/4 - 20 X 1" LG (STAINLESS STEEL) .....	4
54	<u>23726-G4</u>		SPACER, 5/16".....	4
55	<u>00654-G2</u>		LOCK NUT, 1/4 - 20 (STAINLESS STEEL) .....	4
56				
57				
58				
59	75960-G01		LABEL (FREEDOM).....	2
60	<u>75962-G01</u>		LABEL (FREEDOM SE) .....	2

## BODY - REAR

Where applicable, THE USE OF NON UL PARTS WILL VOID ANY UL LISTING.

When ordering parts, please specify the model and serial number of the product.

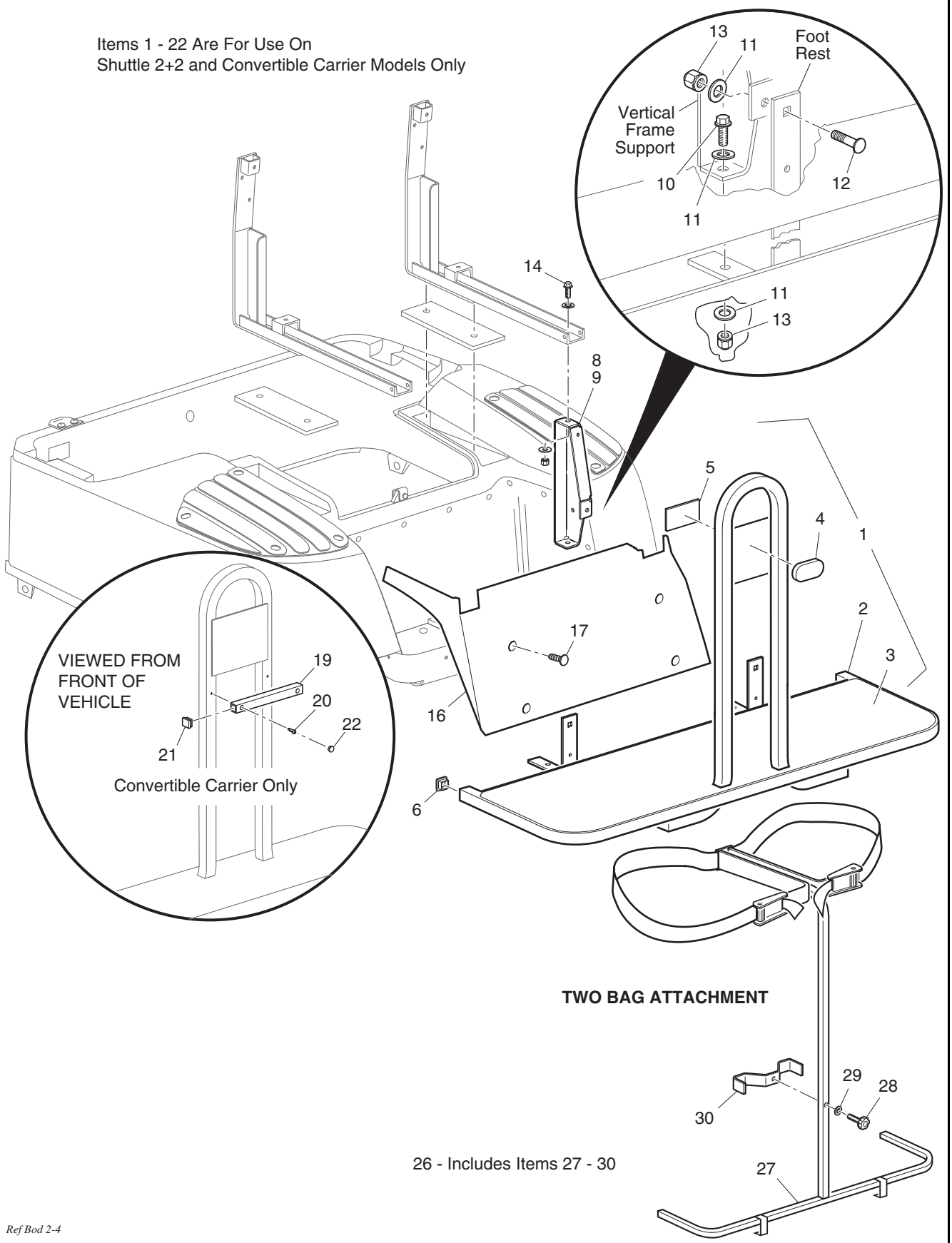
\* Indicates a component that is not available as an individual part.

G\*\* Indicates consult Customer Service Department for additional information.

ITEM	PART NO.	1 2 3 4 5	DESCRIPTION	QTY.
61	<u>75964-G01</u>		LABEL (FREEDOM LE) .....	2
62	<u>35434-G01</u>		LABEL (SHUTTLE) .....	2
63	<u>35430-G19</u>		LABEL (TXT 2+2).....	2
64				
65				
66				
67				
68	*		LABEL (SERIAL NUMBER) .....	1
69				
70				
71				
72	<u>74024-G01</u>		SEAT WRAP MOUNTED NOISE SUPPRESSOR .....	1

# BODY - FOOTREST

Items 1 - 22 Are For Use On Shuttle 2+2 and Convertible Carrier Models Only



Ref Bod 2-4

## BODY - FOOTREST

Where applicable, THE USE OF NON UL PARTS WILL VOID ANY UL LISTING.

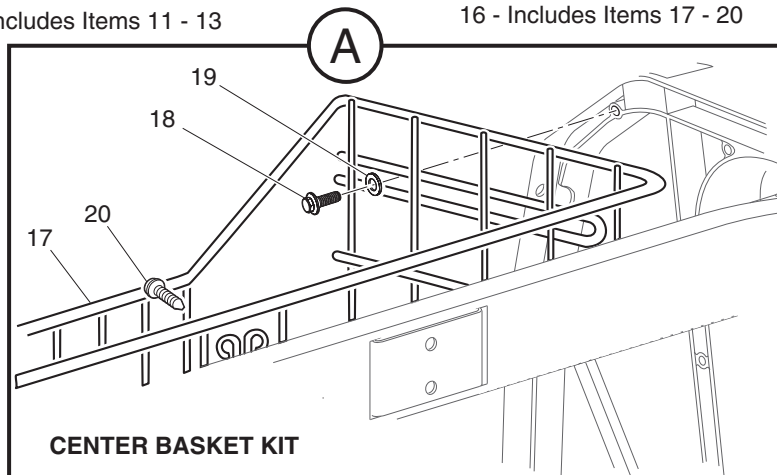
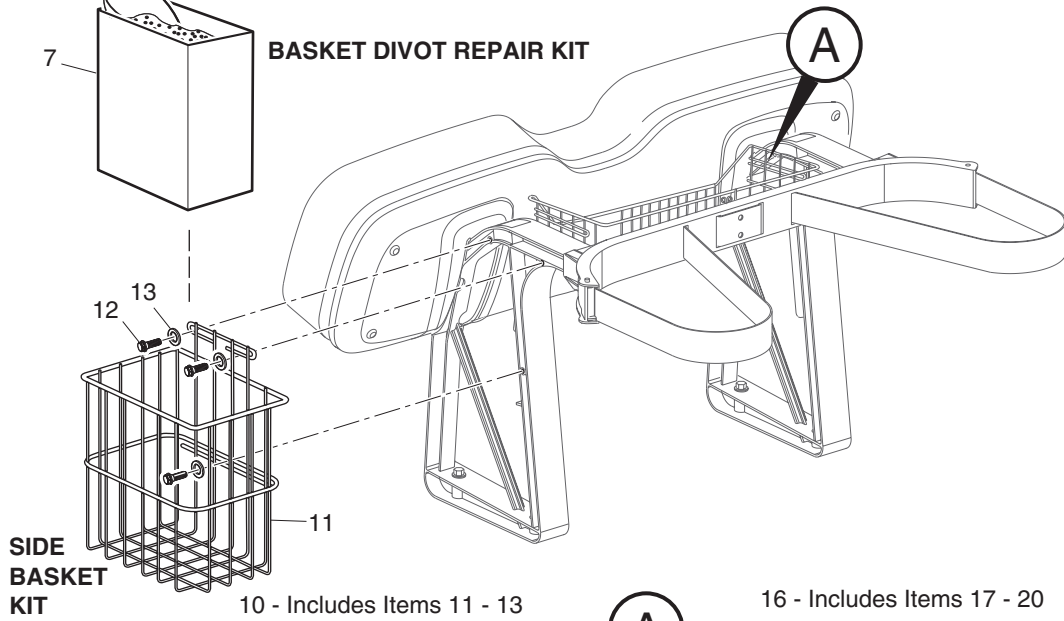
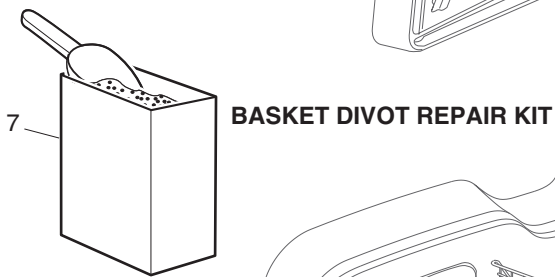
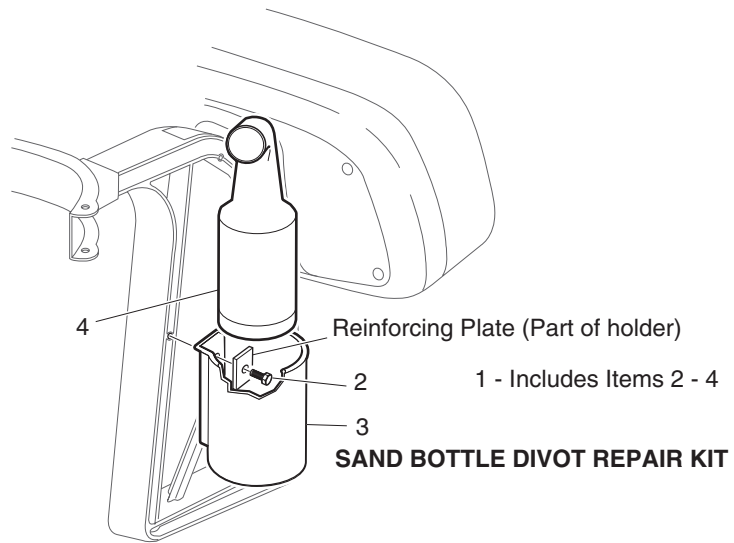
When ordering parts, please specify the model and serial number of the product.

\* Indicates a component that is not available as an individual part.

G\*\* Indicates consult Customer Service Department for additional information.

ITEM	PART NO.	1 2 3 4 5	DESCRIPTION	QTY.
1	<u>70361-G01</u>		FOOTREST ASSEMBLY (INCLUDES ITEMS 2 - 5).....	1
2	<u>70350-G01</u>		FOOTREST .....	1
3	<u>70362-G01</u>		FLOOR MAT .....	1
4	<u>74129-G01</u>		REFLECTOR .....	1
5	<u>74132-G01</u>		LABEL (WARNING) .....	1
6	<u>19853-G1</u>		END CAP, 1".....	2
7				
8	<u>74126-G01</u>		VERTICAL FRAME SUPPORT (PASSENGER SIDE).....	1
9	<u>74126-G02</u>		VERTICAL FRAME SUPPORT (DRIVER SIDE).....	1
10	<u>00427-G4</u>		BOLT, 3/8 - 16 X 1 1/2" LG .....	2
11	<u>00560-G1</u>		WASHER, 3/8" .....	10
12	<u>00769-G2</u>		CARRIAGE BOLT, 3/8 - 16 X 1 1/4" LG .....	2
13	<u>11098-G5</u>		LOCK NUT, 3/8 - 16 .....	10
14	<u>00426-G8</u>		BOLT, 3/8 - 16 X 1" LG .....	2
15				
16	<u>74149-G01</u>		VALANCE PANEL .....	1
17	<u>16816-G2</u>		RATCHET FASTENER, 1/4" X 3/4" LG .....	4
18				
19	<u>75268-G01</u>		SUPPORT .....	1
20	<u>00106-G6</u>		SELF THREADING SCREW, #12 - 24 X 3/4" LG .....	2
21	<u>19859-G1</u>		END CAP, 3/4".....	2
22	<u>20271-G2</u>		HOLE PLUG, 1/2" .....	2
23				
24				
25				
26	<u>75183-G01</u>		TWO BAG ATTACHMENT KIT (INCLUDES ITEMS 27 - 30).....	1
27	<u>75188-G01</u>		TWO BAG ATTACHMENT .....	1
28	<u>22238-G2</u>		KNOB, 3/8 - 16 X 1 1/2" LG .....	1
29	<u>17255-G1</u>		TEFLON WASHER, 5/16" .....	1
30	<u>75187-G01</u>		SUPPORT BRACKET.....	1

# BODY - ACCESSORIES



Ref Bod 2-5

## BODY - ACCESSORIES

Where applicable, THE USE OF NON UL PARTS WILL VOID ANY UL LISTING.

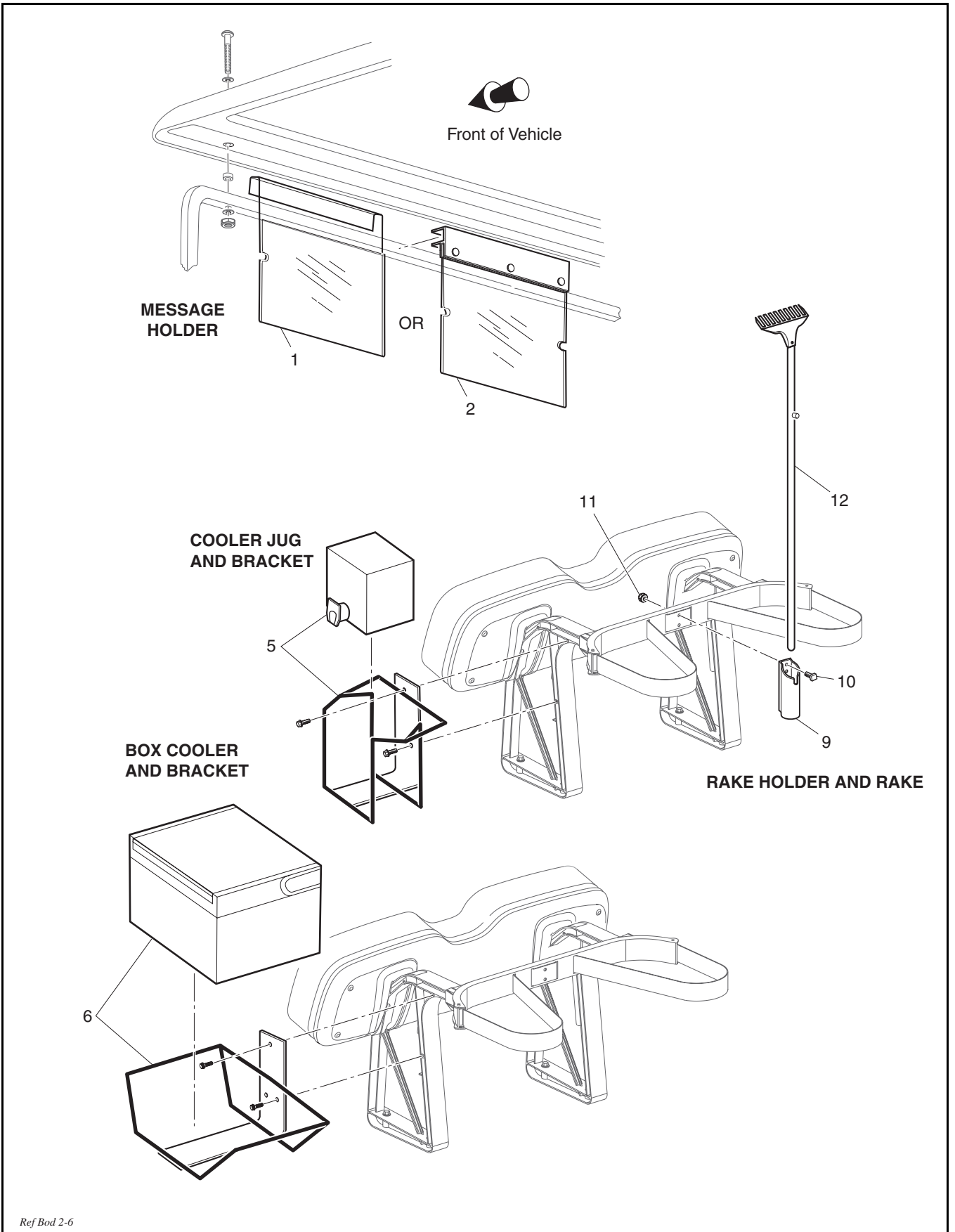
When ordering parts, please specify the model and serial number of the product.

\* Indicates a component that is not available as an individual part.

G\*\* Indicates consult Customer Service Department for additional information.

ITEM	PART NO.	1	2	3	4	5	DESCRIPTION	QTY.
1	<u>28661-G01</u>						SAND BOTTLE DIVOT REPAIR KIT (INCLUDES ITEMS 2 - 4).....	1
2	<u>71102-G01</u>						BOLT, 1/4 - 20 X 3/4" LG.....	1
3	<u>28660-G01</u>						SAND BOTTLE HOLDER.....	1
4	<u>28659-G01</u>						SAND BOTTLE.....	1
5								
6								
7	23300-G01						BASKET DIVOT REPAIR KIT (INCLUDES SCOOP).....	1
8								
9								
10	75007-G02						SIDE BASKET KIT (INCLUDES ITEMS 11 - 13).....	1
11	<u>75460-G01</u>						SIDE BASKET.....	1
12	<u>71102-G01</u>						BOLT, 1/4 - 20 X 3/4" LG.....	3
13	<u>00793-G2</u>						FLAT WASHER, 1/4" (STAINLESS STEEL).....	3
14								
15								
16	<u>75003-G02</u>						CENTER BASKET KIT (INCLUDES ITEMS 17 - 20).....	1
17	75461-G01						CENTER BASKET.....	1
18	<u>71102-G01</u>						BOLT, 1/4 - 20 X 3/4" LG.....	2
19	<u>00793-G2</u>						FLAT WASHER, 1/4" (STAINLESS STEEL).....	2
20	<u>01105-G01</u>						SCREW, #10 X 5/8" LG (STAINLESS STEEL).....	2

# BODY - ACCESSORIES CONTINUED



Ref Bod 2-6



## BODY - ACCESSORIES CONTINUED

Where applicable, THE USE OF NON UL PARTS WILL VOID ANY UL LISTING.

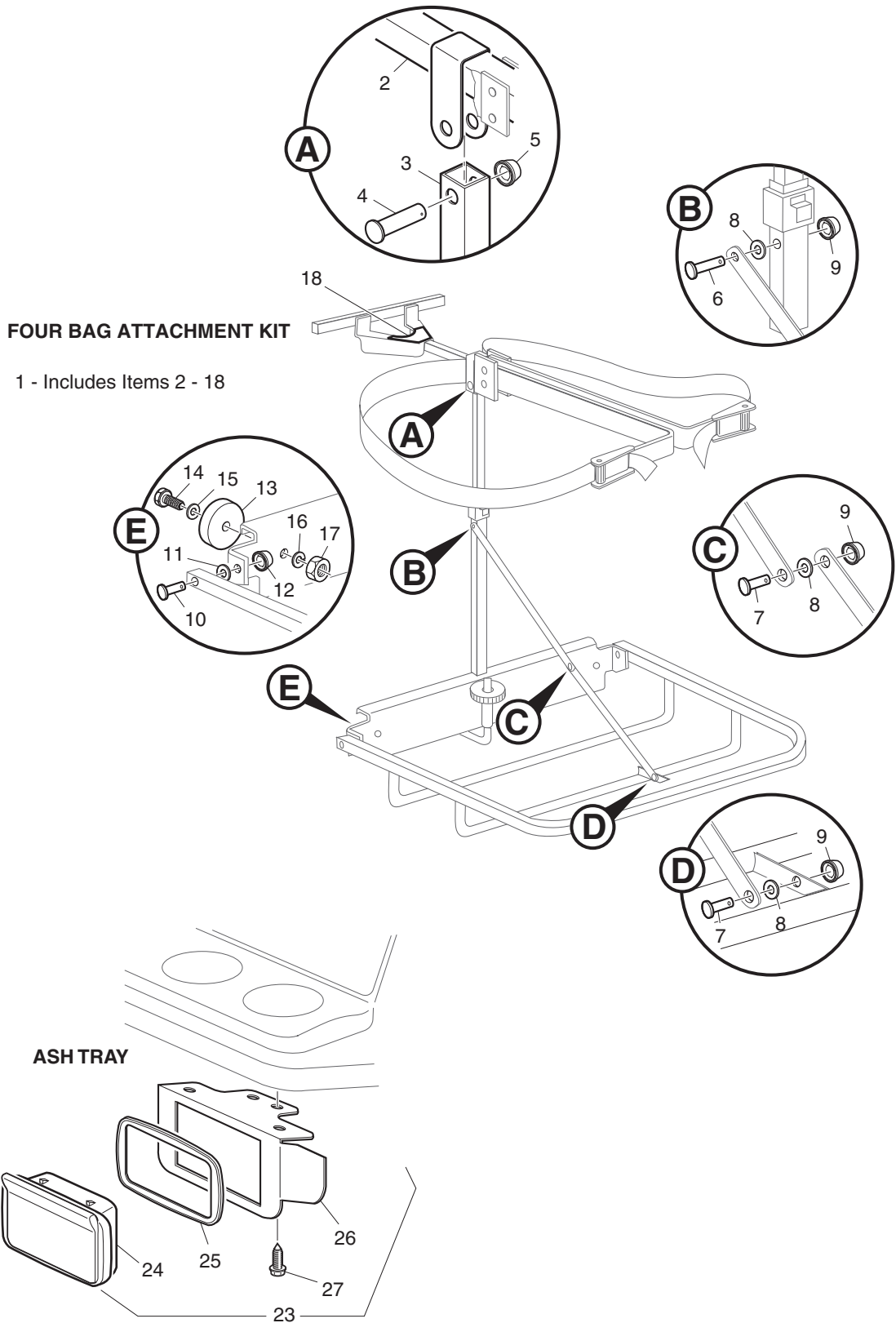
When ordering parts, please specify the model and serial number of the product.

\* Indicates a component that is not available as an individual part.

G\*\* Indicates consult Customer Service Department for additional information.

ITEM	PART NO.	1	2	3	4	5	DESCRIPTION	QTY.
1	75509-G01						MESSAGE HOLDER (ONE PIECE).....	1
2	75496-G01						MESSAGE HOLDER.....	1
3								
4								
5	<u>75495-G01</u>						COOLER JUG AND BRACKET KIT.....	1
6	<u>75344-G01</u>						BOX COOLER AND BRACKET KIT.....	1
7								
8								
9	<u>25885-G01</u>						RAKE HOLDER.....	1
10	00989-G6						SQUARE HEAD BOLT, 1/4 - 20 X 3/4" LG.....	2
11	<u>11027-G2</u>						LOCK NUT, 1/4 - 20.....	2
12	<u>14735-G1</u>						RAKE.....	1

# BODY - ACCESSORIES CONTINUED



Ref Bod 2-7

## BODY - ACCESSORIES CONTINUED

Where applicable, THE USE OF NON UL PARTS WILL VOID ANY UL LISTING.

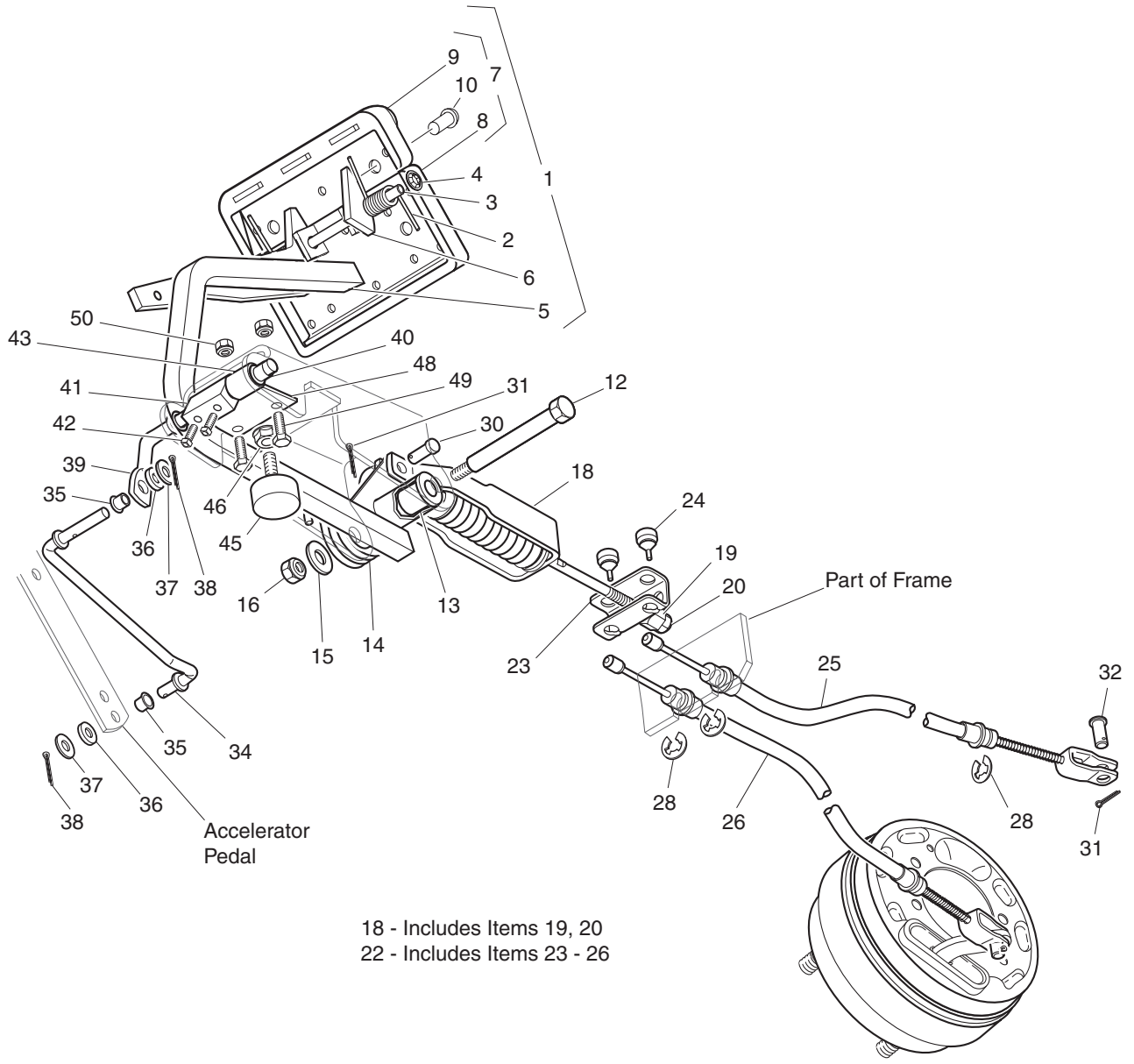
When ordering parts, please specify the model and serial number of the product.

\* Indicates a component that is not available as an individual part.

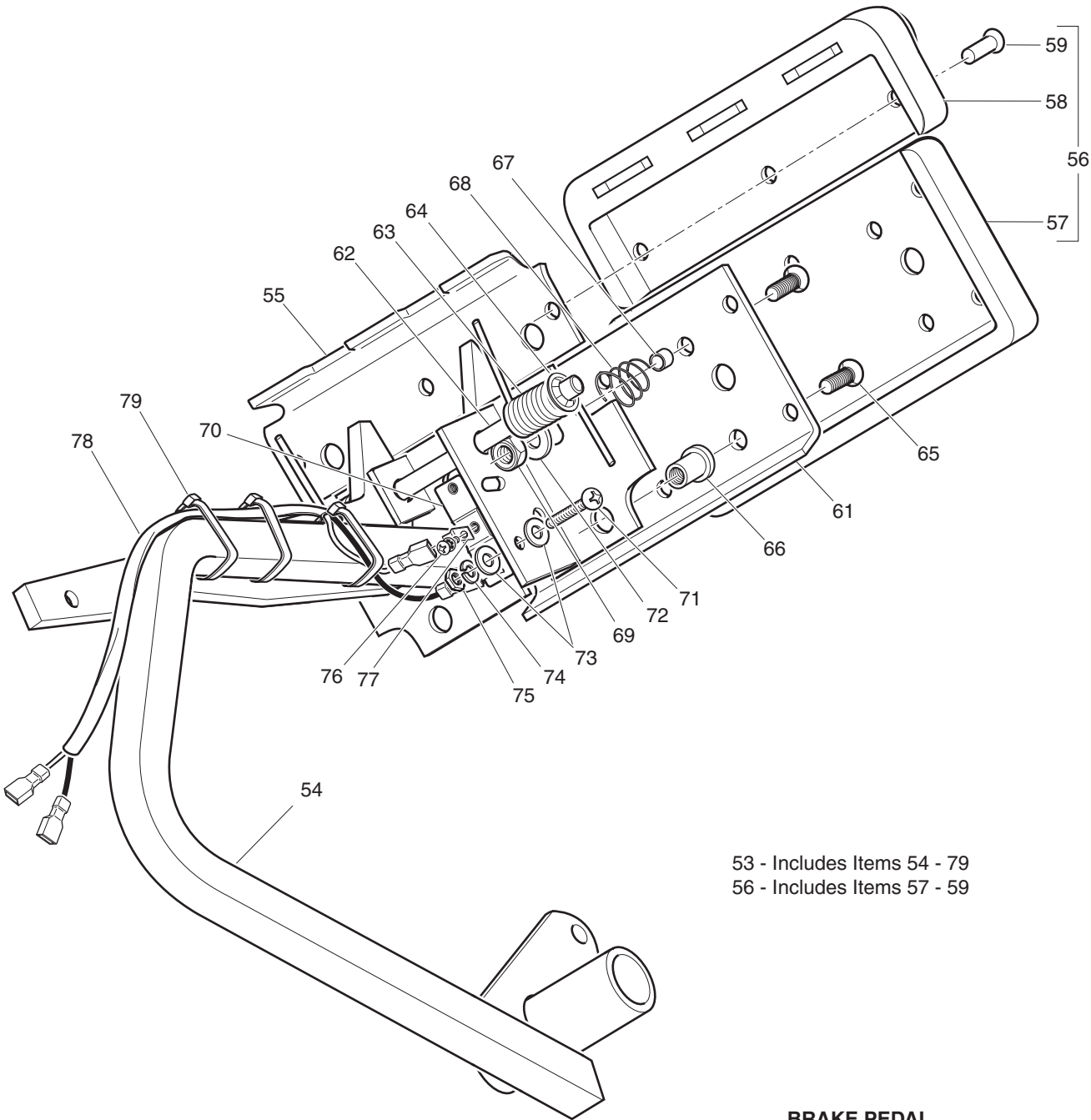
G\*\* Indicates consult Customer Service Department for additional information.

ITEM	PART NO.	1	2	3	4	5	DESCRIPTION	QTY.
1	75355-G01						FOUR BAG ATTACHMENT KIT (INCLUDES ITEMS 2 - 18) .....	1
2	*						TOP ASSEMBLY .....	1
3	*						BOTTOM ASSEMBLY .....	1
4	<u>17651-G2</u>						CLEVIS PIN, 5/16 X 1 1/8" LG.....	1
5	<u>28129-G01</u>						PUSH NUT, 5/16".....	1
6	<u>17651-G2</u>						CLEVIS PIN, 5/16 X 1 1/8" LG.....	1
7	<u>17651-G3</u>						CLEVIS PIN, 5/16 X 1/2" LG.....	2
8	00559-G8						WASHER, 5/16" .....	3
9	<u>28129-G01</u>						PUSH NUT, 5/16".....	3
10	*						CLEVIS PIN 3/8 X 1 1/4" LG.....	2
11	<u>00560-G1</u>						WASHER, 3/8" .....	2
12	*						PUSH NUT, 3/8".....	2
13	<u>13728-G1</u>						RUBBER BUMPER.....	2
14	00150-G6						SCREW, #10 - 24 X 3/4" LG .....	2
15	<u>00559-G5</u>						WASHER, #10 .....	2
16	<u>00565-G5</u>						LOCK WASHER, #10 .....	2
17	<u>00526-G3</u>						NUT, #10 - 24.....	2
18	*						LABEL (WARNING) .....	1
19								
20								
21								
22								
23	75109-G02						ASH TRAY KIT (INCLUDES ITEMS 24 - 27) .....	1
24	27731-G01						ASH TRAY .....	1
25	27736-G01						GASKET .....	1
26	75108-G01						BRACKET .....	1
27	<u>00100-G4</u>						SCREW, #10 - 16 X 1/2" LG .....	4

# BRAKES



Ref Brk 2-1

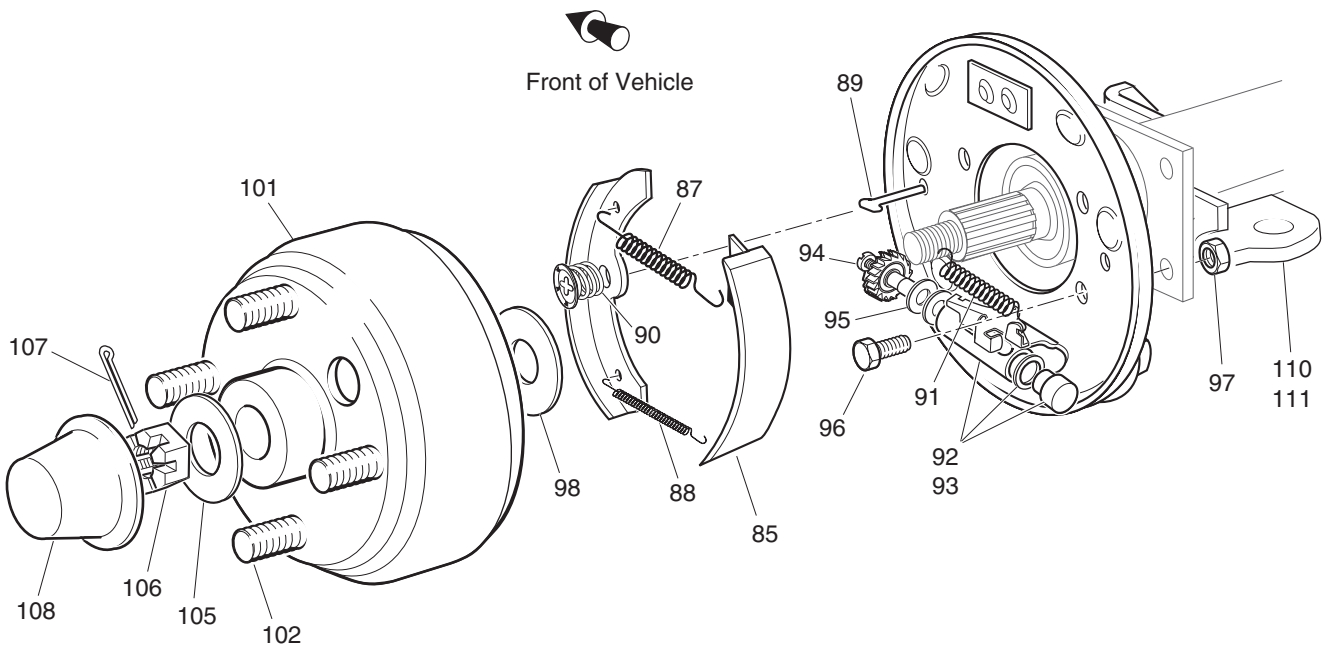


53 - Includes Items 54 - 79  
56 - Includes Items 57 - 59

**BRAKE PEDAL  
(VEHICLE WITH BRAKE LIGHTS)**

Ref Brk 2-2

# BRAKES



- 82 - Includes Items 84 - 92, 94, 95
- 83 - Includes Items 84 - 91, 93 - 95
- 84 - Includes Items 85
- 86 - Includes Items 87 - 91
- 92 - Includes Items 94, 95
- 93 - Includes Items 94, 95
- 100 - Includes Items 101, 102

Ref Brk 2-3

# BRAKES

Where applicable, THE USE OF NON UL PARTS WILL VOID ANY UL LISTING.

When ordering parts, please specify the model and serial number of the product.

\* Indicates a component that is not available as an individual part.

G\*\* Indicates consult Customer Service Department for additional information.

ITEM	PART NO.	1 2 3 4 5	DESCRIPTION	QTY.
1	<u>70612-G01</u>		BRAKE PEDAL ASSEMBLY (WITHOUT BRAKE LIGHTS) (INCLUDES ITEMS 2 - 10).....	1
2	<u>70681-G01</u>		TORSION SPRING.....	2
3	<u>70682-G01</u>		PIVOT PIN.....	1
4	<u>01071-G01</u>		PUSHNUT, 5/16".....	2
5	*		BRAKE PEDAL.....	1
6	<u>70611-G01</u>		PARK BRAKE PEDAL.....	1
7	70274-G01		BRAKE/PARK BRAKE PEDAL PAD KIT (INCLUDES ITEMS 8 - 10).....	1
8	*		SERVICE BRAKE PAD.....	1
9	*		PARK BRAKE PEDAL PAD.....	1
10	<u>15766-G1</u>		OVAL RIVET, 3/16" X 7/16" LG.....	9
11				
12	<u>70582-G01</u>		SHOULDER BOLT, 3/8 - 16 X 4" LG (STAINLESS STEEL).....	1
13	<u>70581-G01</u>		FLANGED BUSHING.....	2
14	<u>70676-G01</u>		TORSION SPRING.....	1
15	<u>00643-G1</u>		WASHER, 3/8".....	1
16	<u>11098-G5</u>		LOCK NUT, 3/8 - 16.....	1
17				
18	70272-G04		COMPENSATOR ASSEMBLY (INCLUDES ITEMS 19, 20).....	1
19	<u>00963-G01</u>		SPHERICAL NUT, 5/16 - 24.....	1
20	<u>11098-G9</u>		LOCK NUT, 5/16 - 24.....	1
21				
22	<u>70969-G03</u>		EQUALIZER AND BRAKE CABLE ASSEMBLY (INCLUDES ITEMS 23 - 26)....	1
23	<u>28082-G01</u>		EQUALIZER BRACKET.....	1
24	<u>28083-G01</u>		BRAKE COMPENSATOR BUMPER.....	2
25	*		BRAKE CABLE (DRIVER SIDE).....	1
26	*		BRAKE CABLE (PASSENGER SIDE).....	1
27				
28	<u>01111-G01</u>		RETAINING RING, 4/5" (STAINLESS STEEL).....	4
29				

# BRAKES

Where applicable, THE USE OF NON UL PARTS WILL VOID ANY UL LISTING.

When ordering parts, please specify the model and serial number of the product.

\* Indicates a component that is not available as an individual part.

G\*\* Indicates consult Customer Service Department for additional information.

ITEM	PART NO.	1 2 3 4 5	DESCRIPTION	QTY.
30	<u>10386-G3</u>		CLEVIS PIN, 5/16" X 13/16" LG .....	1
31	<u>10387-G3</u>		COTTER PIN, 3/32" X 3/4" LG .....	3
32	<u>14443-G2</u>		CLEVIS PIN, 5/16" X 5/8" LG .....	2
33				
34	<u>70601-G01</u>		KICK-OFF LINK.....	1
35	<u>17838-G1</u>		NYLON BUSHING.....	2
36	<u>20835-G1</u>		TEFLON WASHER, 3/8" .....	2
37	<u>00559-G8</u>		WASHER, 5/16" .....	2
38	<u>10387-G3</u>		COTTER PIN, 3/32" X 3/4" LG .....	2
39	<u>70098-G01</u>		KICK-OFF CAM PIVOT.....	1
40	<u>10097-G6</u>		FLANGED BEARING .....	2
41	<u>70587-G01</u>		KICK-OFF CAM.....	1
42	<u>71215-G01</u>		SETSCREW, 1/4 - 20 X 1/2" LG.....	2
43	<u>14134-G4</u>		SPACER.....	1
44				
45	<u>70113-G01</u>		ADJUSTABLE BUMPER .....	1
46	<u>11027-G1</u>		LOCK NUT, 5/16 - 18 .....	1
47				
48	<u>70080-G01</u>		CATCH BRACKET .....	1
49	<u>00414-G6</u>		BOLT, 1/4 - 20 X 3/4" LG .....	2
50	<u>00654-G2</u>		LOCK NUT, 1/4 - 20 (STAINLESS STEEL) .....	2
51				
52				
53	<u>70690-G01</u>		BRAKE PEDAL ASSEMBLY (WITH BRAKE LIGHTS) (INCLUDES ITEMS 54 - 79).....	1
54	*		BRAKE PEDAL.....	1
55	<u>70611-G01</u>		PARK BRAKE PEDAL .....	1
56	<u>70274-G01</u>		BRAKE/PARK BRAKE PEDAL PAD KIT (INCLUDES ITEMS 57 - 59).....	1
57	*		SERVICE BRAKE PAD .....	1
58	*		PARK BRAKE PAD.....	1



# BRAKES

Where applicable, THE USE OF NON UL PARTS WILL VOID ANY UL LISTING.

When ordering parts, please specify the model and serial number of the product.

\* Indicates a component that is not available as an individual part.

G\*\* Indicates consult Customer Service Department for additional information.

ITEM	PART NO.	1 2 3 4 5	DESCRIPTION	QTY.
59	<u>15766-G1</u>		OVAL RIVET, 3/16" x 7/16" LG .....	9
60				
61	70258-G02		BRAKE PEDAL PLATE .....	1
62	<u>70682-G01</u>		PIVOT PIN .....	1
63	<u>70681-G01</u>		TORSION SPRING .....	2
64	<u>12064-G1</u>		PUSHNUT, 5/16" .....	1
65	<u>00737-G8</u>		SCREW, #10 - 24 X 7/8" LG .....	4
66	<u>00739-G1</u>		RUBBER NUT, #10 - 24.....	2
67	22362-G3		BRAKE PEDAL STANDOFF .....	2
68	<u>27137-G01</u>		CONICAL SPRING .....	2
69	11098-G7		LOCK NUT, #10 - 24.....	2
70	10606-G8		MICRO SWITCH.....	1
71	<u>00957-G1</u>		BOLT, #6 - 32 X 1 1/4" LG.....	2
72	<u>00559-G5</u>		WASHER, #10 .....	2
73	<u>00559-G3</u>		WASHER, #6 .....	4
74	<u>00565-G3</u>		LOCK WASHER, #6 .....	2
75	<u>00525-G5</u>		NUT, #6 - 32.....	2
76	<u>13514-G1</u>		SCREW AND LOCK WASHER, #6 - 32 X 1/4" LG (BRASS) .....	2
77	<u>14628-G1</u>		PUSH ON MALE TERMINAL.....	2
78	<u>24605-G1</u>		WIRE HARNESS (BRAKE LIGHT) .....	1
79	<u>17618-G1</u>		WIRE TIE .....	3
80				
81				
82	<u>70998-G01</u>		BRAKE ASSEMBLY (DRIVER SIDE) (INCLUDES ITEMS 84 - 92, 94, 95) .....	1
83	<u>70998-G02</u>		BRAKE ASSEMBLY (PASSENGER SIDE) (INCLUDES ITEMS 84 - 91, 93 - 95) .....	1
84	70794-G01		BRAKE SHOE KIT (INCLUDES ITEM 85).....	2
85	*		BRAKE SHOE .....	2
86	<u>27944-G01</u>		BRAKE SPRING KIT (INCLUDES ITEMS 87 - 91).....	2
87	*		UPPER SPRING .....	1

# BRAKES

Where applicable, THE USE OF NON UL PARTS WILL VOID ANY UL LISTING.

When ordering parts, please specify the model and serial number of the product.

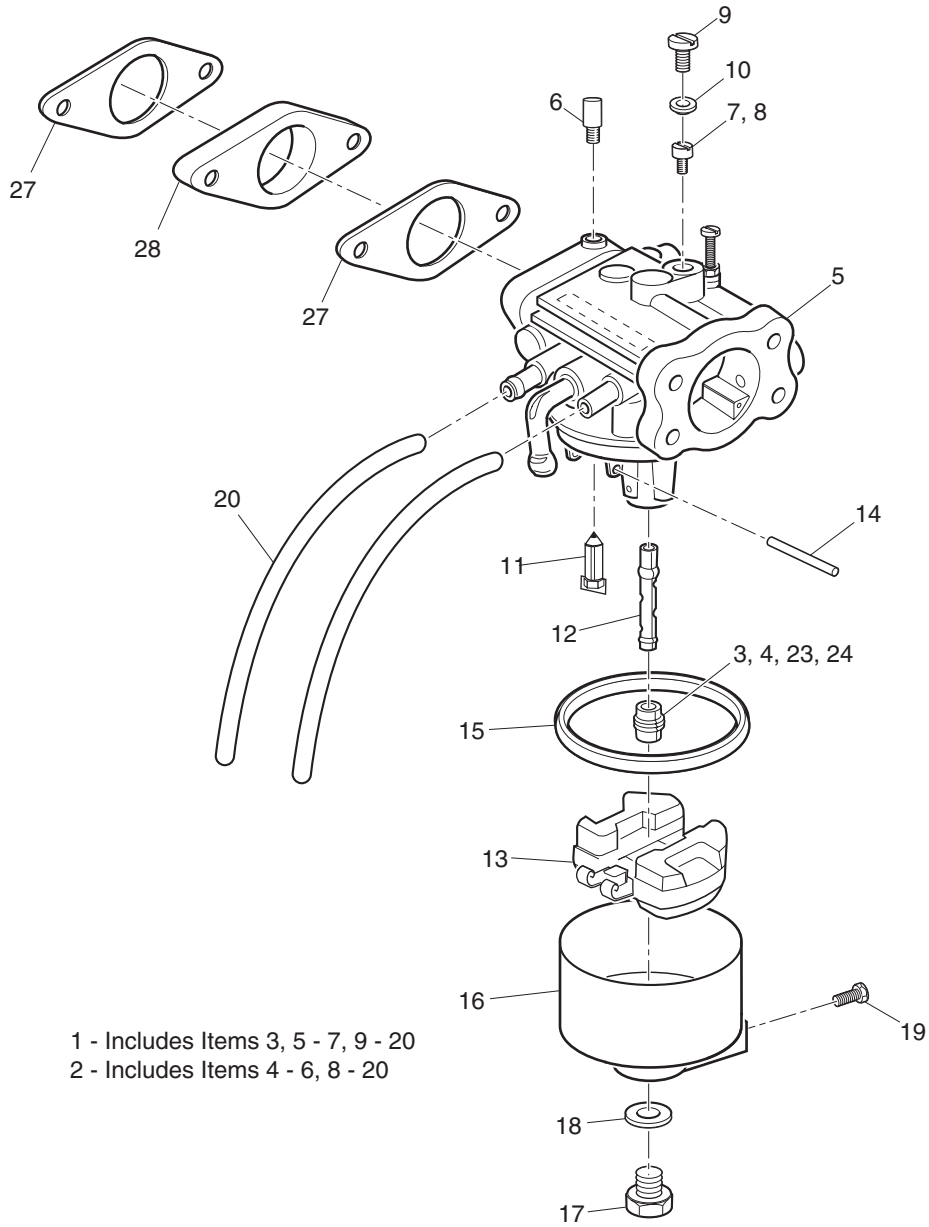
\* Indicates a component that is not available as an individual part.

G\*\* Indicates consult Customer Service Department for additional information.

ITEM	PART NO.	1	2	3	4	5	DESCRIPTION	QTY.
88	*						LOWER SPRING .....	1
89	*						PIN .....	2
90	*						CUP AND SPRING .....	2
91	*						ADJUSTER SPRING.....	1
92	<u>72582-G01</u>						BRAKE ADJUSTER KIT (DRIVER SIDE) (INCLUDES ITEMS 94, 95) .....	1
93	<u>72582-G02</u>						BRAKE ADJUSTER KIT (PASSENGER SIDE) (INCLUDES ITEMS 94, 95)	1
94	*						ADJUSTER .....	1
95	*						TEFLON WASHER.....	2
96	<u>17083-G2</u>						BOLT, 5/16 - 24 X 1" LG .....	8
97	<u>15126-G1</u>						LOCK NUT, 5/16 - 24 .....	8
98	<u>21809-G1</u>						INNER BRAKE DRUM WASHER, 1 5/16" O.D. X 1" I.D. X 1/32" .....	2
99								
100	<u>21807-G1</u>						BRAKE DRUM ASSEMBLY (INCLUDES ITEMS 101 - 102).....	2
101	*						BRAKE DRUM .....	1
102	<u>19862-G1</u>						LUG BOLT, 1/2 - 20 X 1 3/16" LG .....	4
103								
104								
105	<u>21830-G1</u>						OUTER BRAKE DRUM WASHER .....	2
106	<u>00518-G8</u>						CASTELLATED NUT, 3/4 - 16 .....	2
107	<u>10387-G1</u>						COTTER PIN, 1/8" X 1 1/2" LG .....	2
108	<u>74175-G01</u>						SPINDLE CAP .....	2
109								
110	<u>72036-G01</u>						BRAKE CABLE BRACKET (PASSENGER SIDE).....	1
111	<u>72036-G02</u>						BRAKE CABLE BRACKET (DRIVER SIDE) .....	1

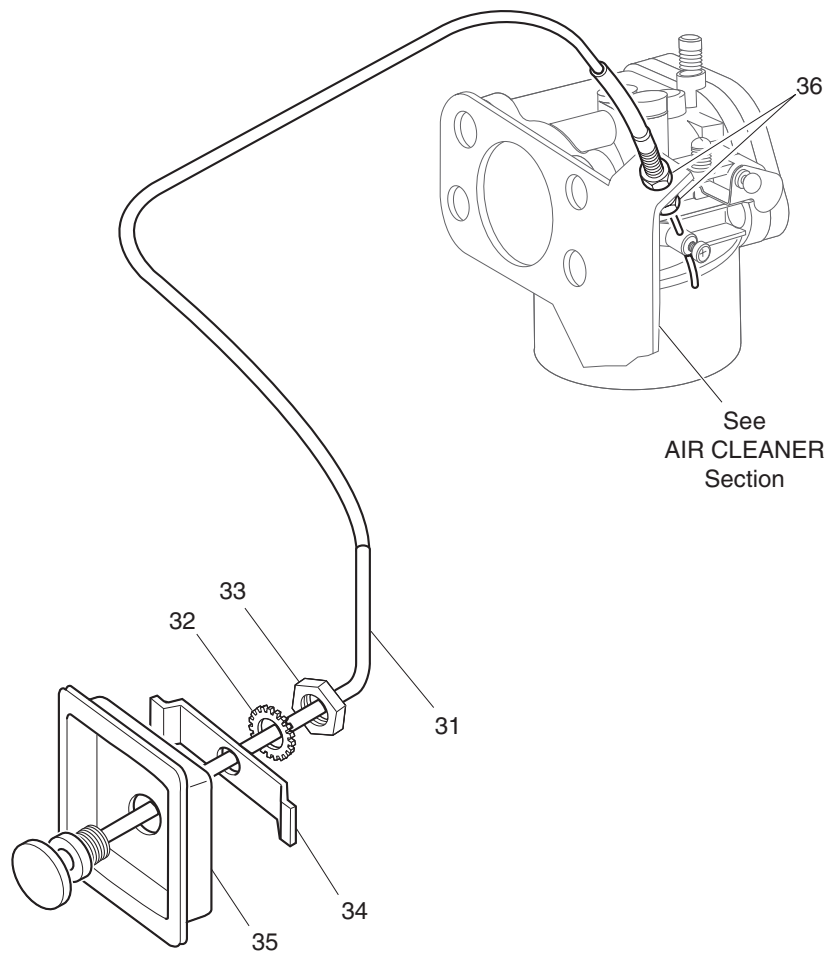


# CARBURETOR AND CHOKE



Ref Cac 2-1

# CARBURETOR AND CHOKE



Ref Cac 2-2

# CARBURETOR AND CHOKE

Where applicable, THE USE OF NON UL PARTS WILL VOID ANY UL LISTING.

When ordering parts, please specify the model and serial number of the product.

\* Indicates a component that is not available as an individual part.

G\*\* Indicates consult Customer Service Department for additional information.

ITEM	PART NO.	1	2	3	4	5	DESCRIPTION	QTY.
1	72558-G02						CARBURETOR ASSEMBLY (FOR FUJI ENGINE P/N EH29CPG5011) (INCLUDES ITEMS 3, 5 - 7, 9 - 20) .....	1
2	72558-G04						CARBURETOR ASSEMBLY (FOR FUJI ENGINE P/N EH29CPG5012) (INCLUDES ITEMS 4 - 6, 8 - 20) .....	1
3	<u>26646-G07</u>						MAIN JET (#90) .....	1
4	<u>26646-G01</u>						MAIN JET (#88) .....	1
5	*						CARBURETOR BODY .....	1
6	*						PILOT SCREW .....	1
7	<u>26649-G05</u>						PILOT JET (#46) .....	1
8	26649-G09						PILOT JET (#44) .....	1
9	<u>26841-G01</u>						PLUG .....	1
10	<u>72306-G01</u>						GASKET .....	1
11	<u>72578-G01</u>						NEEDLE VALVE .....	1
12	*						MAIN NOZZLE .....	1
13	26648-G01						FLOAT .....	1
14	<u>26840-G01</u>						FLOAT PIN .....	1
15	<u>26843-G01</u>						FLOAT BOWL GASKET .....	1
16	<u>26844-G01</u>						FLOAT CHAMBER .....	1
17	<u>26839-G01</u>						BOWL SCREW .....	1
18	26838-G01						BOWL GASKET .....	1
19	*						DRAIN SCREW .....	1
20	<u>26650-G01</u>						VENT TUBE .....	2
21								
22								
23	<u>26646-G08</u>						MAIN JET (#86) (FOR ELEVATIONS OF 3000 FT - 6000 FT) .....	1
24	<u>26646-G02</u>						MAIN JET (#84) (FOR ELEVATIONS OF 6000 FT - 10000 FT) .....	1
25								
26								
27	<u>26726-G01</u>						CARBURETOR MOUNT GASKET .....	2
28	<u>26637-G01</u>						CARBURETOR INSULATOR .....	1
29								

## CARBURETOR AND CHOKE

Where applicable, THE USE OF NON UL PARTS WILL VOID ANY UL LISTING.

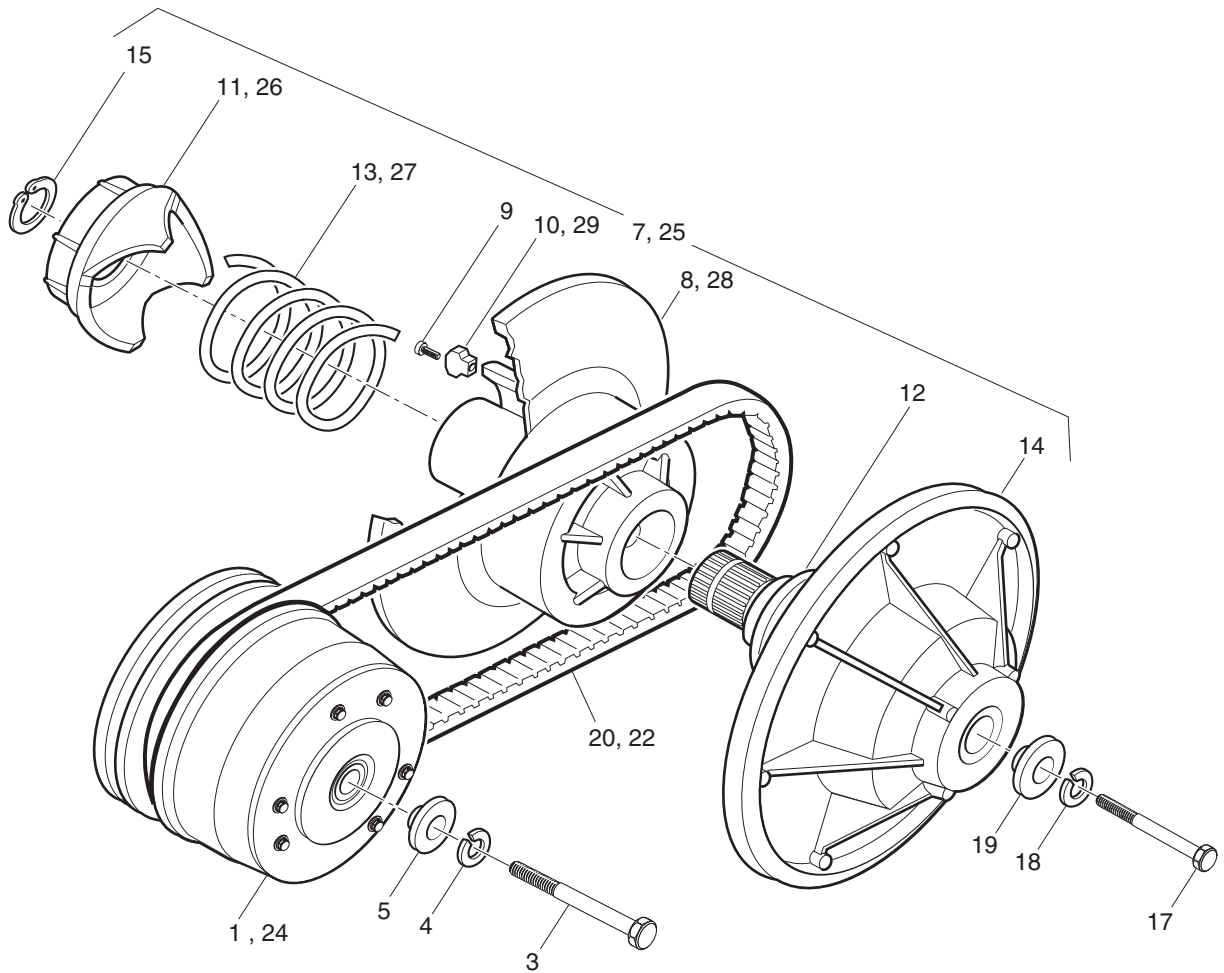
When ordering parts, please specify the model and serial number of the product.

\* Indicates a component that is not available as an individual part.

G\*\* Indicates consult Customer Service Department for additional information.

ITEM	PART NO.	1	2	3	4	5	DESCRIPTION	QTY.
30								
31	<u>25693-G04</u>						CHOKE CABLE (WITH NUTS) .....	1
32	<u>00568-G4</u>						LOCK WASHER, 9/16" .....	1
33	<u>00545-G4</u>						JAM NUT, 9/16 - 18 .....	1
34	<u>72155-G01</u>						RETAINER .....	1
35	<u>72154-G01</u>						CHOKE CABLE ADAPTER .....	1
36	<u>00544-G4</u>						JAM NUT, 5/16 - 24 .....	2

# CLUTCHES



Ref Clt 2



# CLUTCHES

Where applicable, THE USE OF NON UL PARTS WILL VOID ANY UL LISTING.

When ordering parts, please specify the model and serial number of the product.

\* Indicates a component that is not available as an individual part.

G\*\* Indicates consult Customer Service Department for additional information.

ITEM	PART NO.	1 2 3 4 5	DESCRIPTION	QTY.
1	<u>26952-G01</u>		DRIVE CLUTCH .....	1
2				
3	<u>00473-G9</u>		BOLT, 7/16 - 20 X 6 1/2" LG .....	1
4	<u>00566-G2</u>		LOCK WASHER, 7/16" .....	1
5	<u>25757-G1</u>		PILOT WASHER .....	1
6				
7	<u>26301-G02</u>		DRIVEN CLUTCH ASSEMBLY (INCLUDES ITEMS 8 - 15) .....	1
8	*		MOVABLE SHEAVE (INCLUDES ITEMS 9 -10).....	1
9	<u>00979-G01</u>		SCREW, #10 - 24 X 7/8" LG.....	3
10	<u>26479-G01</u>		RAMP BUTTON .....	3
11	*		CAM .....	1
12	<u>24600-G1</u>		SPACER, 1 1/2" .....	1
13	<u>26304-G01</u>		COMPRESSION SPRING .....	1
14	*		SHEAVE AND POST .....	1
15	<u>27270-G01</u>		HEAVY DUTY RETAINING RING .....	1
16				
17	<u>00441-G8</u>		BOLT, 5/16 - 18 X 4" LG .....	1
18	<u>00565-G8</u>		LOCK WASHER, 5/16" .....	4
19	<u>25756-G1</u>		RETAINING WASHER .....	1
20	<u>72054-G01</u>		DRIVE BELT.....	1
21				
22	<u>72328-G01</u>		DRIVE BELT (HIGH ALTITUDE) .....	1
23				
24	<u>26952-G01</u>		DRIVE CLUTCH (HIGH ALTITUDE) .....	1
25	<u>26301-G03</u>		DRIVEN CLUTCH ASSEMBLY (HIGH ALTITUDE) (INCLUDES ITEMS 12, 14, 15, 26, 27, 28, 29).....	1
26	*		CAM .....	1
27	<u>26304-G01</u>		COMPRESSION SPRING .....	1
28	*		MOVABLE SHEAVE (INCLUDES ITEMS 9, 29).....	1
29	<u>72324-G01</u>		RAMP BUTTON, 4 CYCLE .....	3



# DIRECTION SELECTOR

Where applicable, THE USE OF NON UL PARTS WILL VOID ANY UL LISTING.

When ordering parts, please specify the model and serial number of the product.

\* Indicates a component that is not available as an individual part.

G\*\* Indicates consult Customer Service Department for additional information.

ITEM	PART NO.	1	2	3	4	5	DESCRIPTION	QTY.
1	<u>72721-G01</u>						DIRECTION SELECTOR ASSEMBLY (INCLUDES ITEMS 2 - 33) .....	1
2	<u>74456-G01</u>						DIRECTION SELECTOR BRACKET WITH BUSHING .....	1
3	<u>70233-G01</u>						DIRECTION SELECTOR SHAFT .....	1
4	<u>72738-G01</u>						DIRECTION SELECTOR CAM .....	1
5	<u>14390-G1</u>						LOCK NUT, 3/8 - 24 .....	1
6								
7								
8	<u>72724-G01</u>						NEUTRAL LOCK PIN .....	1
9	<u>72733-G01</u>						COMPRESSION SPRING, 3/8" X 5/8" LG .....	1
10	<u>72729-G01</u>						NEUTRAL LOCK BRACKET .....	1
11	<u>00734-G2</u>						LOCK NUT, 1/4 - 28 .....	1
12	<u>28574-G01</u>						EXTENSION SPRING .....	1
13	<u>72732-G01</u>						BALL STUD, 1/4" .....	1
14	<u>00734-G5</u>						LOCK NUT, #10 - 32 .....	1
15								
16								
17	<u>72736-G01</u>						MICRO SWITCH .....	1
18	<u>01062-G01</u>						SCREW, #4 - 40 X 1" LG .....	2
19	<u>00559-G1</u>						WASHER, #4 .....	2
20	<u>00565-G1</u>						LOCK WASHER, #4 .....	2
21	<u>00526-G2</u>						NUT, #4 - 40 .....	2
22								
23								
24	<u>73290-G03</u>						REVERSE WARNING BUZZER .....	1
25	<u>01063-G01</u>						SCREW, #6 - 32 X 3/8" LG .....	2
26	<u>25978-G345</u>						18 GA WIRE (RED 7") .....	1
27								
28								
29	<u>72734-G01</u>						PUSH / PULL SHIFTER CABLE .....	1
30	<u>25727-G01</u>						CUP WASHER, 1/4" .....	4

# DIRECTION SELECTOR

Where applicable, THE USE OF NON UL PARTS WILL VOID ANY UL LISTING.

When ordering parts, please specify the model and serial number of the product.

\* Indicates a component that is not available as an individual part.

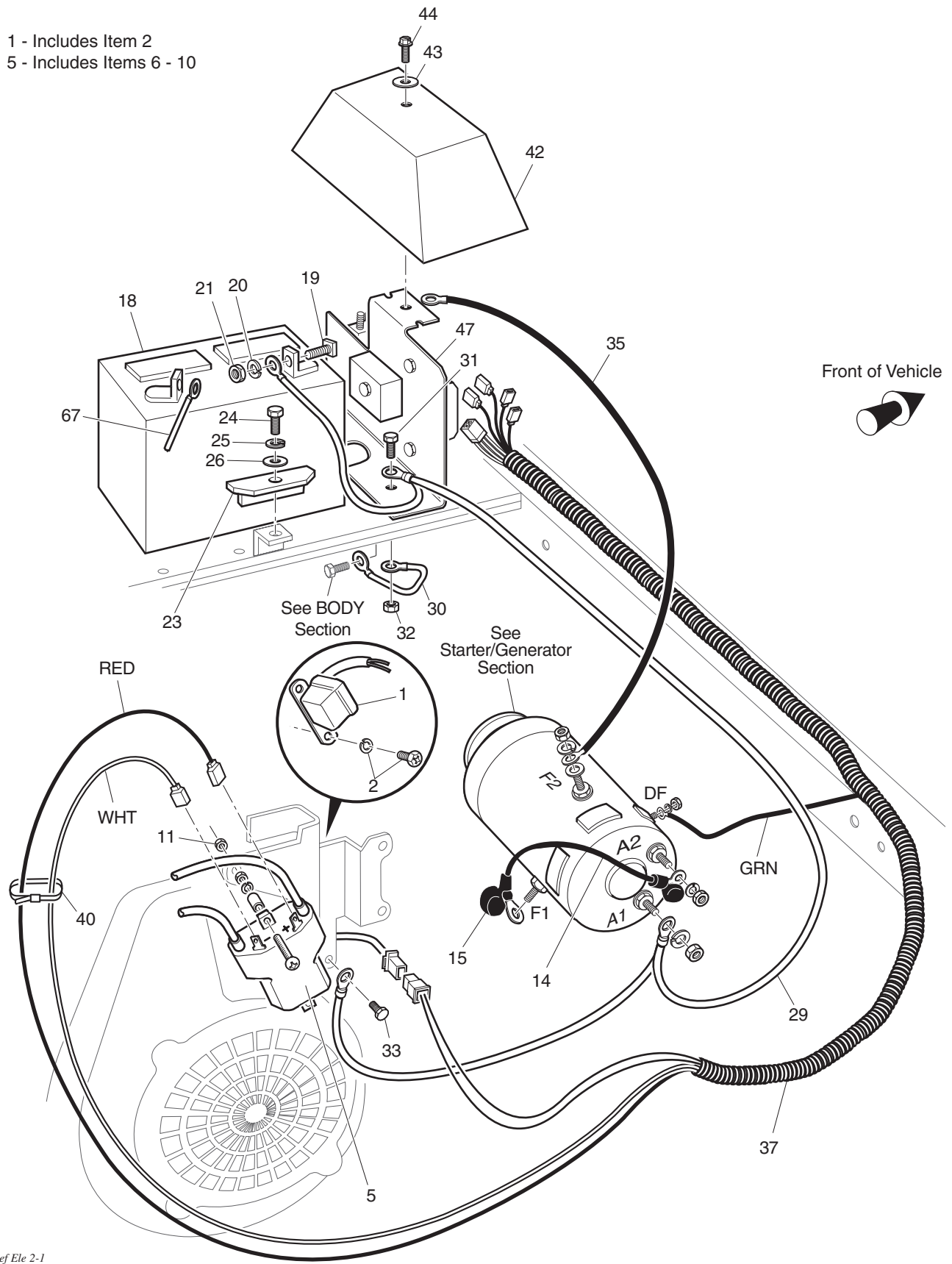
G\*\* Indicates consult Customer Service Department for additional information.

ITEM	PART NO.	1 2 3 4 5	DESCRIPTION	QTY.
31	<u>72735-G01</u>		COMPRESSION SPRING, 19/32" X 1" LG.....	2
32	<u>74455-G01</u>		SHIFTER BRACKET WITH BUSHING.....	1
33	<u>00734-G5</u>		LOCK NUT, #10 - 32.....	1
34				
35				
36	<u>70227-G01</u>		SCREW, 1/4 - 20 X 7/8" LG.....	2
37	<u>11027-G2</u>		LOCK NUT, 1/4 - 20.....	2
38				
39				
40	26830-G01		LOCK NUT, M8 X 1.25 MM.....	1
41				
42				
43	<u>71205-G01</u>		DIRECTION SELECTOR HANDLE.....	1
44	<u>00740-G4</u>		SCREW, #10 - 32 X 1/2" LG (STAINLESS STEEL).....	1
45				
46				
47	<u>17618-G1</u>		WIRE TIE.....	1
48	<u>01072-G01</u>		CABLE CLIP.....	2

**DIRECTION SELECTOR**

# ELECTRICAL SYSTEM

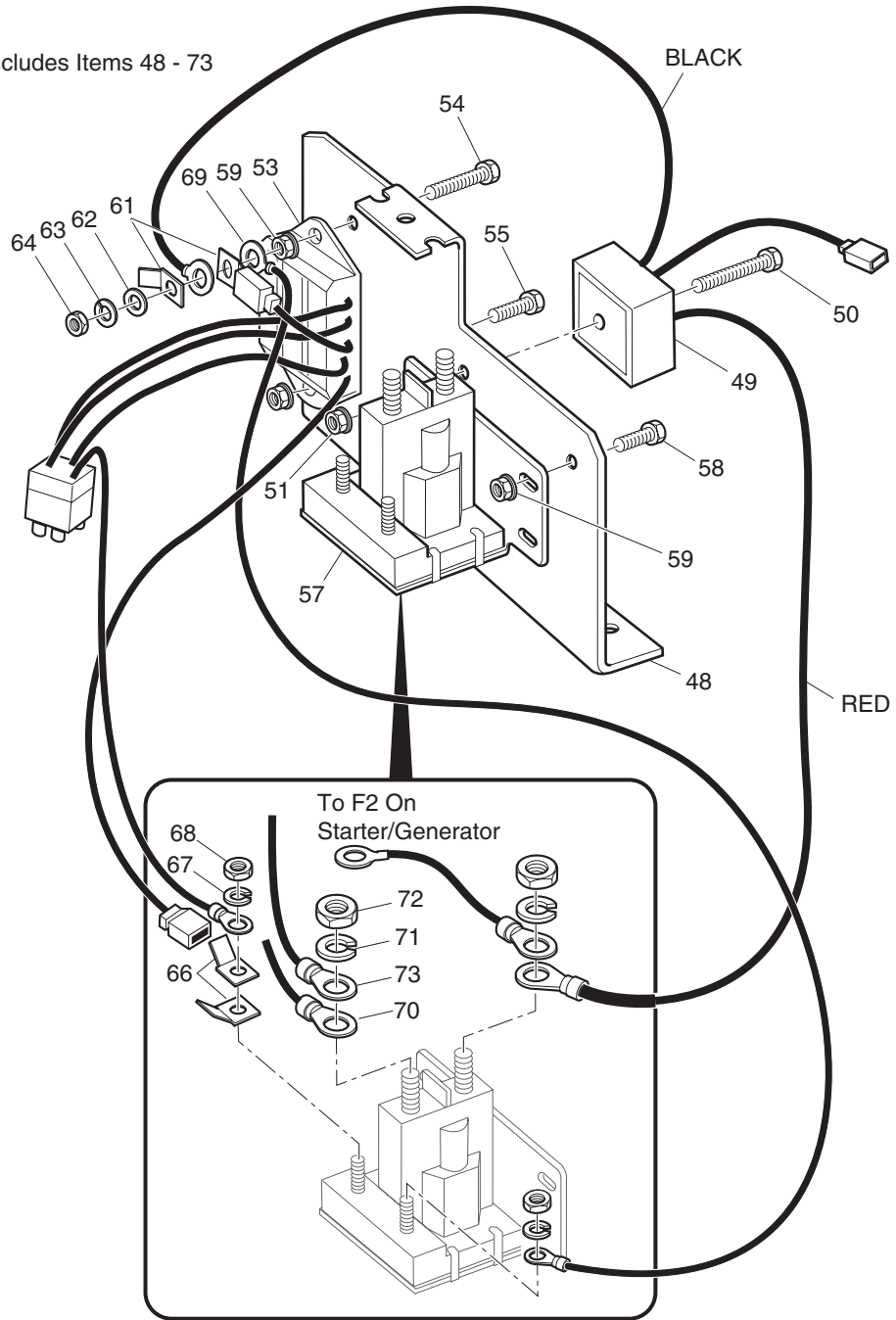
- 1 - Includes Item 2
- 5 - Includes Items 6 - 10



Ref Ele 2-1

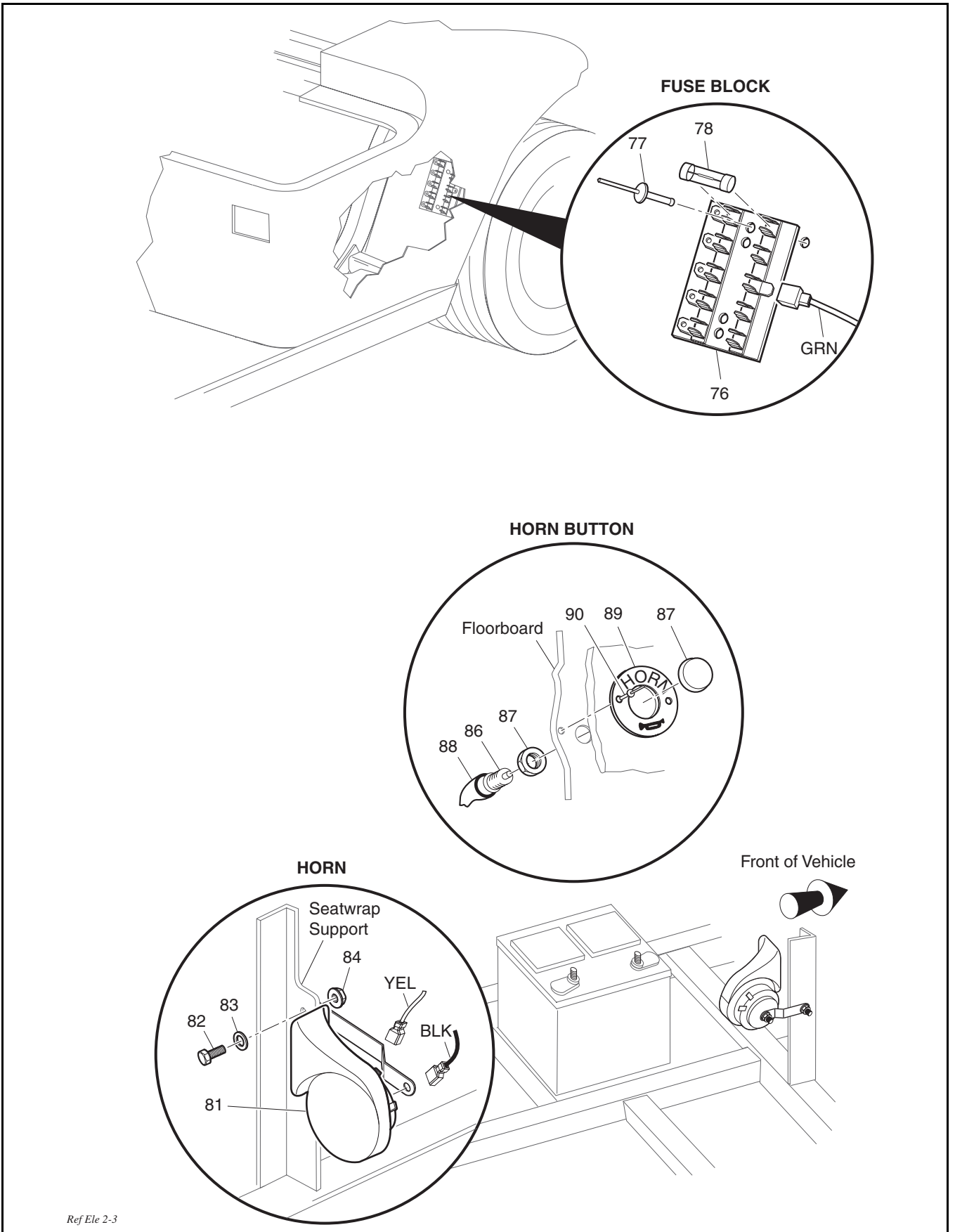
# ELECTRICAL SYSTEM

47 - Includes Items 48 - 73



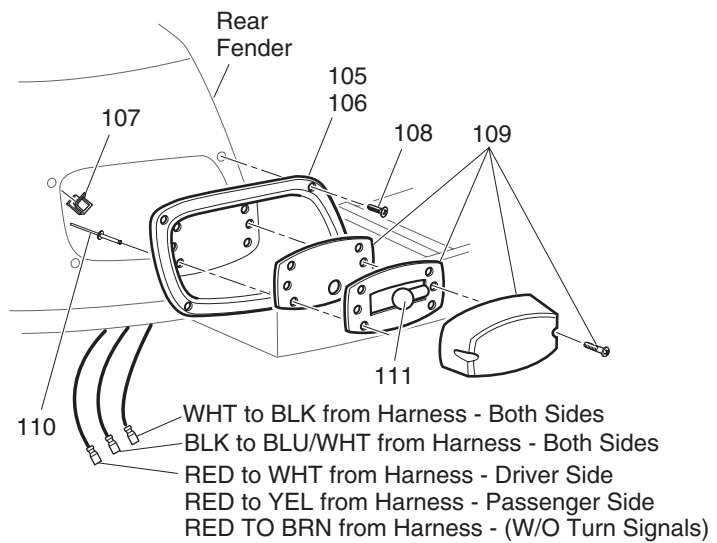
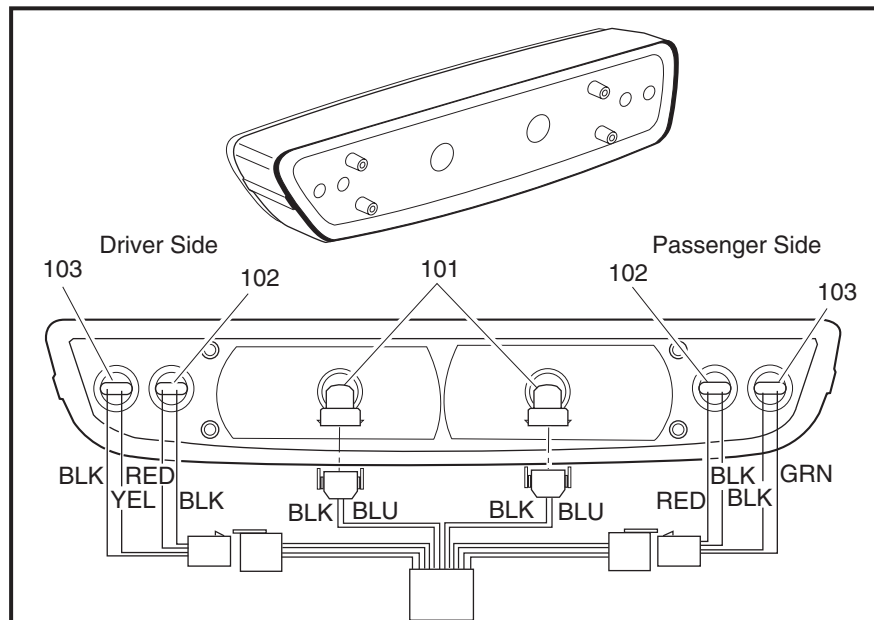
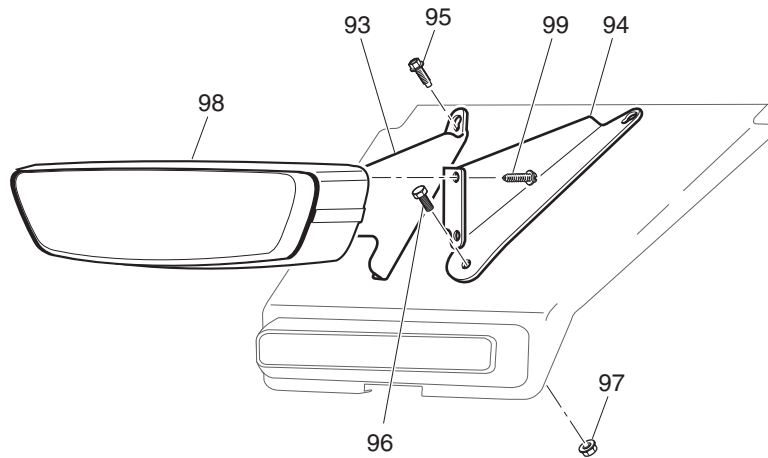
Ref Ele 2-2

# ELECTRICAL SYSTEM





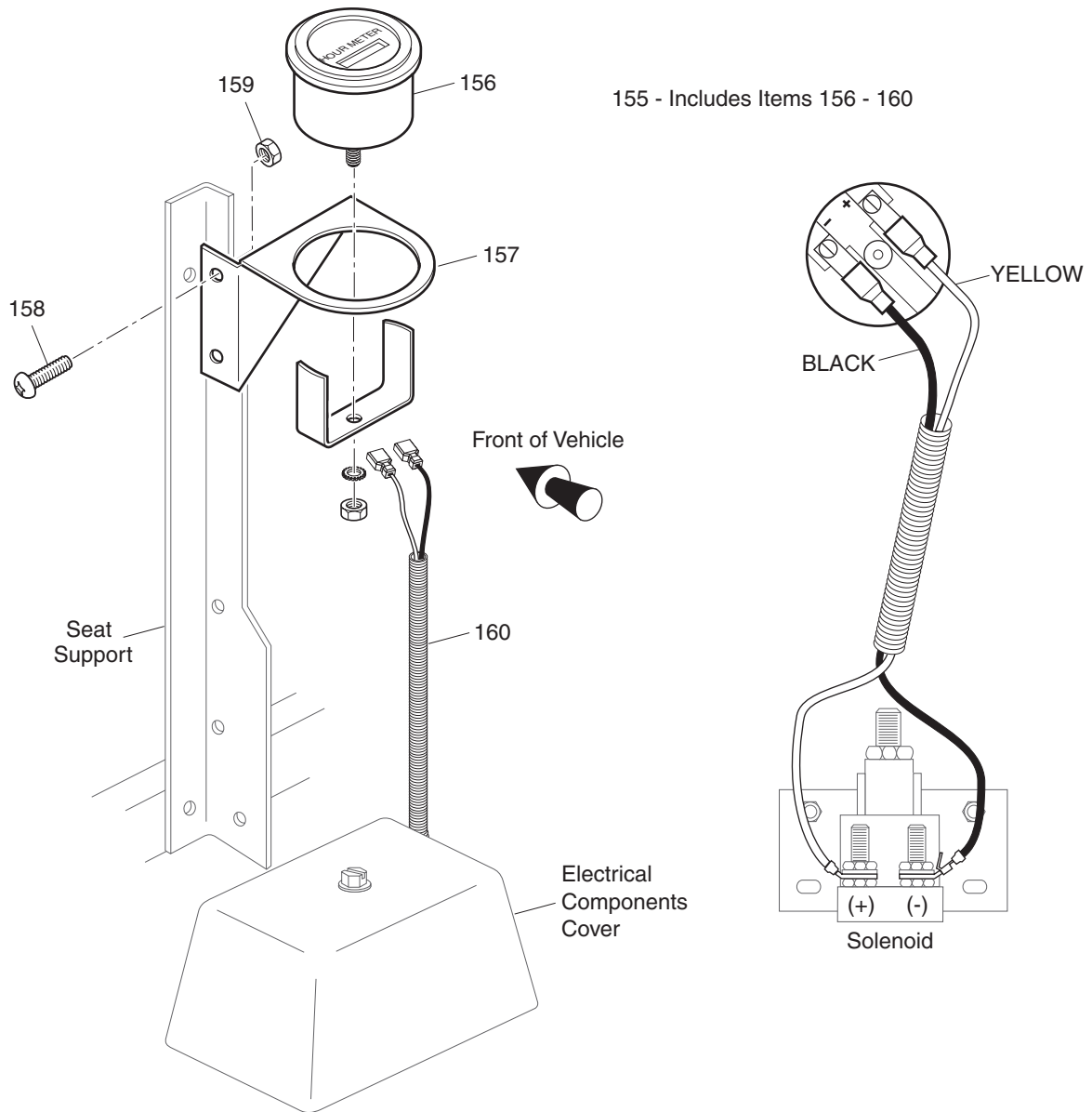
# ELECTRICAL SYSTEM



Ref Ele 2-4



## HOUR METER



Ref Ele 2-6

# ELECTRICAL SYSTEM

Where applicable, THE USE OF NON UL PARTS WILL VOID ANY UL LISTING.

When ordering parts, please specify the model and serial number of the product.

\* Indicates a component that is not available as an individual part.

G\*\* Indicates consult Customer Service Department for additional information.

ITEM	PART NO.	1 2 3 4 5	DESCRIPTION	QTY.
1	<u>26651-G02</u>		IGNITION PICKUP ASSEMBLY (INCLUDES ITEM 2).....	1
2	<u>26707-G01</u>		BOLT AND WASHER ASSEMBLY, M5 X 0.8 X 10 MM LG .....	1
3				
4				
5	<u>26652-G01</u>		IGNITION COIL ASSEMBLY (INCLUDES ITEMS 6 - 10) .....	1
6	*		IGNITION COIL.....	1
7	*		SPACER .....	1
8	*		LOCK WASHER .....	1
9	*		NUT.....	1
10	*		SCREW.....	1
11	<u>13632-G1</u>		NUT, M6 X 1 .....	2
12				
13				
14	<u>25887-G01</u>		6 GA WIRE (BLACK, 6", F1 - A2).....	1
15	<u>25682-G1</u>		TERMINAL COVER .....	3
16				
17				
18	24775-G*		BATTERY, 12V .....	1
19	<u>00962-G1</u>		BOLT, 5/16 - 18 X 1 1/4" LG .....	2
20	<u>00993-G01</u>		LOCK WASHER, 5/16" (SILICON BRONZE) .....	2
21	<u>00994-G01</u>		NUT, 5/16 - 18 (SILICON BRONZE) .....	2
22				
23	<u>72101-G01</u>		BATTERY HOLD DOWN.....	1
24	00438-G6		BOLT, 5/16 - 18 X 3/4" LG .....	1
25	<u>00565-G8</u>		LOCK WASHER, 5/16".....	1
26	<u>01110-G03</u>		WASHER, 5/16" (STAINLESS STEEL) .....	1
27				
28				
29	<u>27044-G03</u>		GROUND CABLE.....	1
30	<u>25976-G19</u>		14 GA WIRE (BLACK, 6") .....	1

# ELECTRICAL SYSTEM

Where applicable, THE USE OF NON UL PARTS WILL VOID ANY UL LISTING.

When ordering parts, please specify the model and serial number of the product.

\* Indicates a component that is not available as an individual part.

G\*\* Indicates consult Customer Service Department for additional information.

ITEM	PART NO.	1	2	3	4	5	DESCRIPTION	QTY.
31	00438-G6						BOLT, 5/16 - 18 X 3/4" LG .....	2
32	<u>11027-G1</u>						LOCK NUT, 5/16 - 18 .....	2
33	<u>26676-G01</u>						FLANGED BOLT, M6 X 1 X 23 MM LG .....	1
34								
35	<u>25972-G85</u>						6 GA WIRE (BLACK 23", F2 - SOL).....	1
36								
37	70899-G01						WIRE HARNESS (CONTROL).....	1
38								
39								
40	<u>17618-G1</u>						WIRE TIE .....	AR
41								
42	<u>73049-G01</u>						COVER.....	1
43	<u>16469-G1</u>						WASHER, 1/4" .....	1
44	<u>00114-G6</u>						SCREW, 1/4 - 14 X 3/4" LG.....	1
45								
46								
47	<u>73059-G01</u>						ELECTRICAL PLATE ASSEMBLY (INCLUDES ITEMS 48 - 73) .....	1
48	<u>73057-G01</u>						BRACKET .....	1
49	<u>27739-G01</u>						VOLTAGE REGULATOR .....	1
50	<u>00415-G2</u>						BOLT, 1/4 - 20 X 1 1/4" LG.....	1
51	<u>11027-G2</u>						LOCK NUT, 1/4 - 20 .....	1
52								
53	<u>27746-G01</u>						IGNITOR .....	1
54	<u>00661-G8</u>						BOLT, 1/4 - 20 X 1" LG (STAINLESS STEEL) .....	1
55	<u>00414-G5</u>						BOLT, 1/4 - 20 X 5/8" LG.....	1
56								
57	<u>27153-G01</u>						SOLENOID .....	1
58	<u>00414-G5</u>						BOLT, 1/4 - 20 X 5/8" LG.....	1
59	<u>11027-G2</u>						LOCK NUT, 1/4 - 20 .....	3
60								

# ELECTRICAL SYSTEM

Where applicable, THE USE OF NON UL PARTS WILL VOID ANY UL LISTING.

When ordering parts, please specify the model and serial number of the product.

\* Indicates a component that is not available as an individual part.

G\*\* Indicates consult Customer Service Department for additional information.

ITEM	PART NO.	1 2 3 4 5	DESCRIPTION	QTY.
61	<u>12914-G2</u>		PUSH ON MALE TERMINAL.....	2
62	<u>00650-G7</u>		WASHER, 1/4" .....	1
63	<u>00664-G7</u>		LOCK WASHER, 1/4" (STAINLESS STEEL) .....	1
64	<u>00532-G1</u>		NUT, 1/4 - 20.....	1
65				
66	<u>12914-G1</u>		PUSH ON MALE TERMINAL.....	2
67	<u>00565-G5</u>		LOCK WASHER, #10 .....	2
68	<u>00526-G4</u>		NUT, #10 - 32.....	2
69	<u>25978-G56</u>		18 GA WIRE (BLACK, 5 3/4").....	1
70	<u>22585-G3</u>		IN-LINE FUSE HOLDER .....	1
71	<u>00565-G8</u>		LOCK WASHER, 5/16" .....	2
72	<u>00544-G4</u>		JAM NUT, 5/16 - 24.....	2
73	<u>25972-G33</u>		6 GA WIRE (BLACK, 24", B+ - SOL).....	1
74				
75				
76	<u>22674-G1</u>		FUSE BLOCK.....	1
77	<u>01041-G01</u>		RIVET, 1/8" X 13/16" LG .....	2
78	<u>18392-G1</u>		15 AMP FUSE .....	3
79				
80				
81	<u>32860-G1</u>		HORN.....	1
82	<u>00414-G5</u>		BOLT, 1/4 - 20 x 5/8" LG.....	1
83	<u>01110-G01</u>		WASHER, 1/4" (STAINLESS STEEL) .....	1
84	<u>00654-G2</u>		LOCK NUT, 1/4 - 20 (STAINLESS STEEL) .....	1
85				
86	<u>17318-G1</u>		HORN SWITCH.....	1
87	<u>17318-G2</u>		HORN SWITCH CAP AND NUT .....	1
88	<u>27068-G01</u>		HORN SWITCH BOOT .....	1
89	<u>19233-G1</u>		HORN SWITCH LABEL .....	1
90	<u>71055-G01</u>		RIVET, 3/16" X 1" LG (ALUMINUM) .....	2

# ELECTRICAL SYSTEM

Where applicable, THE USE OF NON UL PARTS WILL VOID ANY UL LISTING.

When ordering parts, please specify the model and serial number of the product.

\* Indicates a component that is not available as an individual part.

G\*\* Indicates consult Customer Service Department for additional information.

ITEM	PART NO.	1	2	3	4	5	DESCRIPTION	QTY.
91								
92								
93	<u>74236-G01</u>						HEADLIGHT MOUNT BRACKET (PASSENGER SIDE).....	1
94	<u>74236-G02</u>						HEADLIGHT MOUNT BRACKET (DRIVER SIDE) .....	1
95	<u>01038-G01</u>						BOLT, 1/4 - 20 X 11/16" LG .....	2
96	<u>00414-G6</u>						BOLT, 1/4 - 20 X 3/4" LG .....	2
97	<u>11027-G2</u>						LOCK NUT, 1/4 - 20 .....	2
98	<u>74001-G01</u>						HEADLIGHT AND TURN SIGNAL LIGHT .....	1
99	<u>00114-G6</u>						SCREW, 1/4 - 14 X 3/4" LG.....	4
100								
101	<u>74004-G01</u>						HEADLIGHT BULB .....	AR
102	<u>74005-G01</u>						MARKER LIGHT BULB .....	AR
103	<u>74006-G01</u>						TURN SIGNAL BULB .....	AR
104								
105	<u>74371-G01</u>						BEZEL (DRIVER SIDE).....	1
106	<u>74371-G02</u>						BEZEL (PASSENGER SIDE) .....	1
107	<u>71364-G02</u>						'J' CLIP .....	8
108	<u>71425-G01</u>						COUNTERSUNK SCREW, #8 .....	8
109	<u>22288-G2</u>						BRAKE / TAILLIGHT LAMP.....	1
110	<u>14601-G11</u>						RIVET, 3/16" X 9/16" LG (ALUMINUM).....	4
111	<u>21759-G1</u>						TAILLIGHT BULB .....	AR
112								
113	<u>75107-G02</u>						TURN SIGNAL KIT (INCLUDES ITEMS 114 - 118) .....	1
114	<u>17867-G1</u>						TURN SIGNAL (WITH MOUNTING HARDWARE) (INCLUDES ITEM 115).	1
115	<u>21640-G1</u>						TURN SIGNAL FLASHER.....	1
116	<u>32307-G3</u>						FLEX LOOM, 3/8 X 8" LG .....	1
117	<u>17618-G1</u>						WIRE TIE .....	2
118	<u>20965-G3</u>						STEERING COLUMN COVER .....	1
119								
120	<u>72228-G01</u>						WIRE HARNESS (ACCESSORY).....	1

# ELECTRICAL SYSTEM

Where applicable, THE USE OF NON UL PARTS WILL VOID ANY UL LISTING.

When ordering parts, please specify the model and serial number of the product.

\* Indicates a component that is not available as an individual part.

G\*\* Indicates consult Customer Service Department for additional information.

ITEM	PART NO.	1 2 3 4 5	DESCRIPTION	QTY.
121	<u>17421-G1</u>		KEY SWITCH KIT (W/O LIGHTS - STANDARD - WITH HARDWARE).....	1
122	<u>17955-G1</u>		KEY SWITCH (WITHOUT LIGHTS - NON STANDARD) .....	1
123	<u>18027-G1</u>		KEY SWITCH (WITHOUT LIGHTS - INDIVIDUALLY KEYED) .....	1
124	33639-G**		KEY SWITCH (WITH LIGHTS) .....	1
125	<u>00568-G6</u>		LOCK WASHER, 3/4".....	1
126	17137-G1		FACE NUT, 3/4 - 20.....	1
127	<u>17063-G1</u>		KEY (SET).....	1
128	<u>73041-G01</u>		WIRE HARNESS (KEY SWITCH).....	1
129				
130				
131	<u>73030-G01</u>		PLATE (KEY SWITCH ONLY) .....	1
132	<u>71145-G01</u>		LABEL (KEY SWITCH ONLY) WITHOUT HEADLIGHTS .....	1
133	<u>71181-G01</u>		LABEL (KEY SWITCH ONLY) WITH HEADLIGHTS.....	1
134				
135				
136	73030-G04		PLATE (FUEL GAUGE AND OIL LIGHT).....	1
137	71127-G01		LABEL (OIL LIGHT AND FUEL GAUGE W/O HEADLIGHTS) .....	1
138	<u>71131-G01</u>		LABEL (OIL LIGHT AND FUEL GAUGE WITH HEADLIGHTS) .....	1
139	<u>21553-G1</u>		FUEL GAUGE .....	1
140	<u>23474-G1</u>		INDICATOR LIGHT .....	1
141	<u>74311-G01</u>		WIRE HARNESS (OIL LIGHT/FUEL GAUGE).....	1
142	<u>25978-G122</u>		18 GA WIRE (RED, 6" LG).....	1
143				
144				
145	73030-G03		PLATE (LOW FUEL AND OIL LIGHT INDICATOR) .....	1
146	<u>71125-G01</u>		LABEL (LOW FUEL AND OIL LIGHT W/O HEADLIGHTS) .....	1
147	<u>71183-G01</u>		LABEL (LOW FUEL AND OIL LIGHT WITH HEADLIGHTS) .....	1
148	<u>23474-G1</u>		INDICATOR LIGHT .....	2
149	74309-G01		WIRE HARNESS (OIL LIGHT/FUEL LIGHT) .....	1
150	<u>25978-G74</u>		18 GA WIRE (RED, 6" LG).....	1

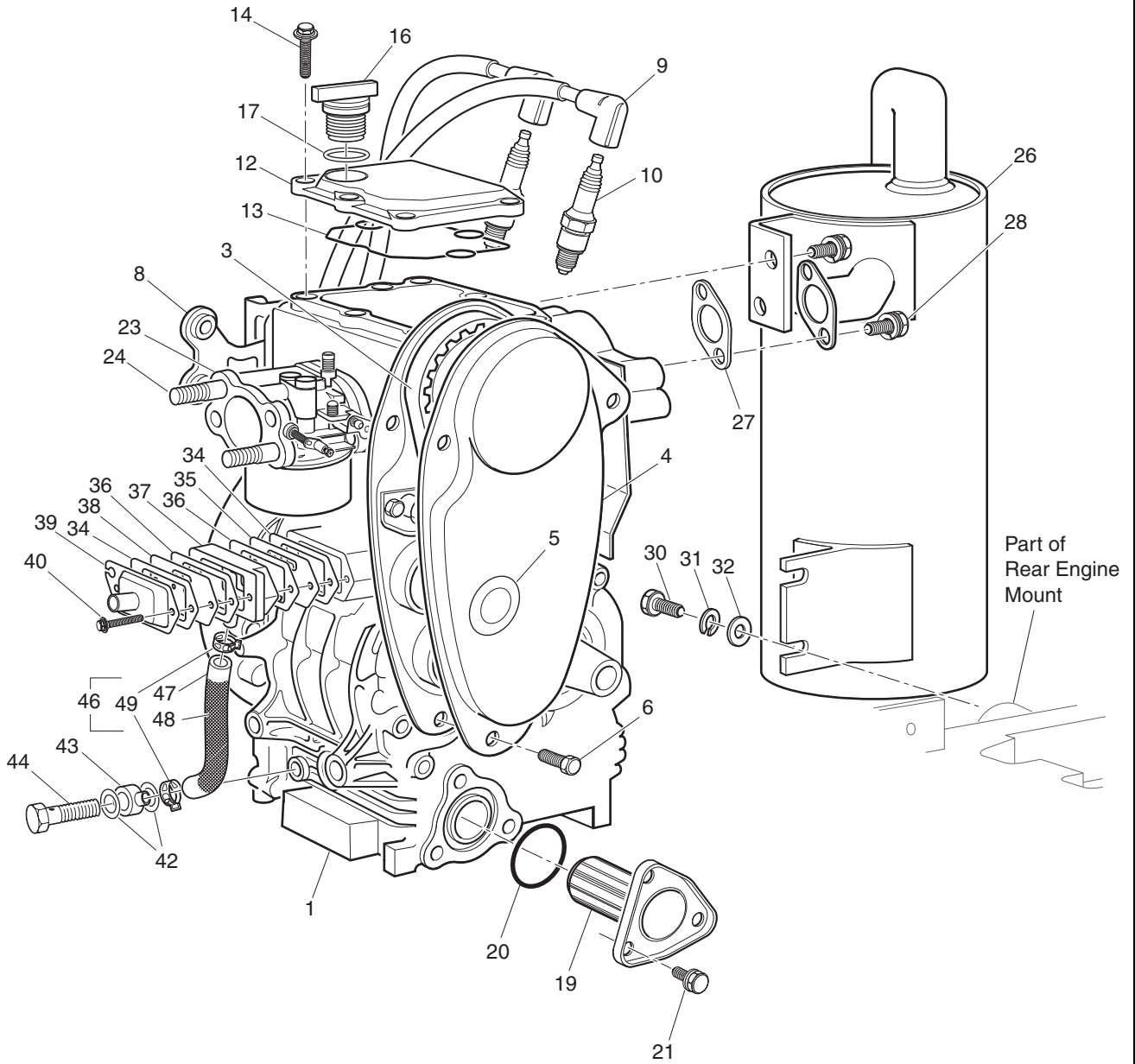


# ELECTRICAL SYSTEM

Where applicable, THE USE OF NON UL PARTS WILL VOID ANY UL LISTING.  
 When ordering parts, please specify the model and serial number of the product.  
 \* Indicates a component that is not available as an individual part.  
 G\*\* Indicates consult Customer Service Department for additional information.

ITEM	PART NO.	1	2	3	4	5	DESCRIPTION	QTY.
151								
152	33623-G02						DRIVE RIVET, 3/16" X 3/8" LG .....	2
153								
154								
155	75114-G02						HOUR METER KIT (INCLUDES ITEMS 156 - 160).....	1
156	<u>21573-G1</u>						HOUR METER.....	1
157	74019-G01						HOUR METER BRACKET .....	1
158	<u>00379-G4</u>						SCREW, #10 - 24 X 1/2" LG .....	2
159	11098-G7						LOCK NUT, #10 - 24 .....	2
160	<u>75117-G01</u>						WIRE HARNESS (HOUR METER).....	1

# ENGINE AND MUFFLER



Ref Emf 2

## ENGINE AND MUFFLER

Where applicable, THE USE OF NON UL PARTS WILL VOID ANY UL LISTING.

When ordering parts, please specify the model and serial number of the product.

\* Indicates a component that is not available as an individual part.

G\*\* Indicates consult Customer Service Department for additional information.

ITEM	PART NO.	1	2	3	4	5	DESCRIPTION	QTY.
1	28590-G02						ENGINE, 295cc .....	1
2								
3	<u>26626-G01</u>						TIMING BELT .....	1
4	26630-G01						TIMING BELT COVER .....	1
5	<u>26631-G01</u>						TIMING BELT COVER GROMMET.....	1
6	<u>26678-G01</u>						BOLT, M6 X 1 X 12 MM LG .....	3
7								
8	<u>26657-G01</u>						IGNITION COIL BRACKET .....	1
9	<u>26733-G01</u>						SPARK PLUG WIRE SET (2 WITH BOOTS) .....	1
10	<u>25523-G3</u>						SPARK PLUG (NGK BPR4ES - RESISTOR).....	2
11								
12	<u>26600-G01</u>						VALVE COVER.....	1
13	<u>26719-G01</u>						VALVE COVER GASKET .....	1
14	<u>26676-G01</u>						FLANGED BOLT, M6 X 1 X 23 MM LG .....	6
15								
16	<u>26601-G01</u>						OIL FILLER CAP .....	1
17	26720-G01						OIL FILLER 'O' RING .....	1
18								
19	<u>26591-G01</u>						OIL FILTER .....	1
20	<u>26710-G01</u>						OIL FILTER 'O' RING .....	1
21	<u>26680-G01</u>						BOLT AND WASHER, M6 X 1 X 12 MM LG .....	3
22								
23	XXXXX-XX						CARBURETOR (SEE CARBURETOR SECTION).....	X
24	<u>26667-G01</u>						STUD, M6 X 1 X 105MM LG .....	2
25								
26	72019-G01						MUFFLER .....	1
27	25531-G1						EXHAUST GASKET .....	1
28	<u>25532-G1</u>						BOLT AND WASHER, M8 X 1.25 X 18 MM LG .....	4
29								
30	<u>00438-G8</u>						BOLT, 5/16 - 18 X 1" LG .....	1

## ENGINE AND MUFFLER

Where applicable, THE USE OF NON UL PARTS WILL VOID ANY UL LISTING.

When ordering parts, please specify the model and serial number of the product.

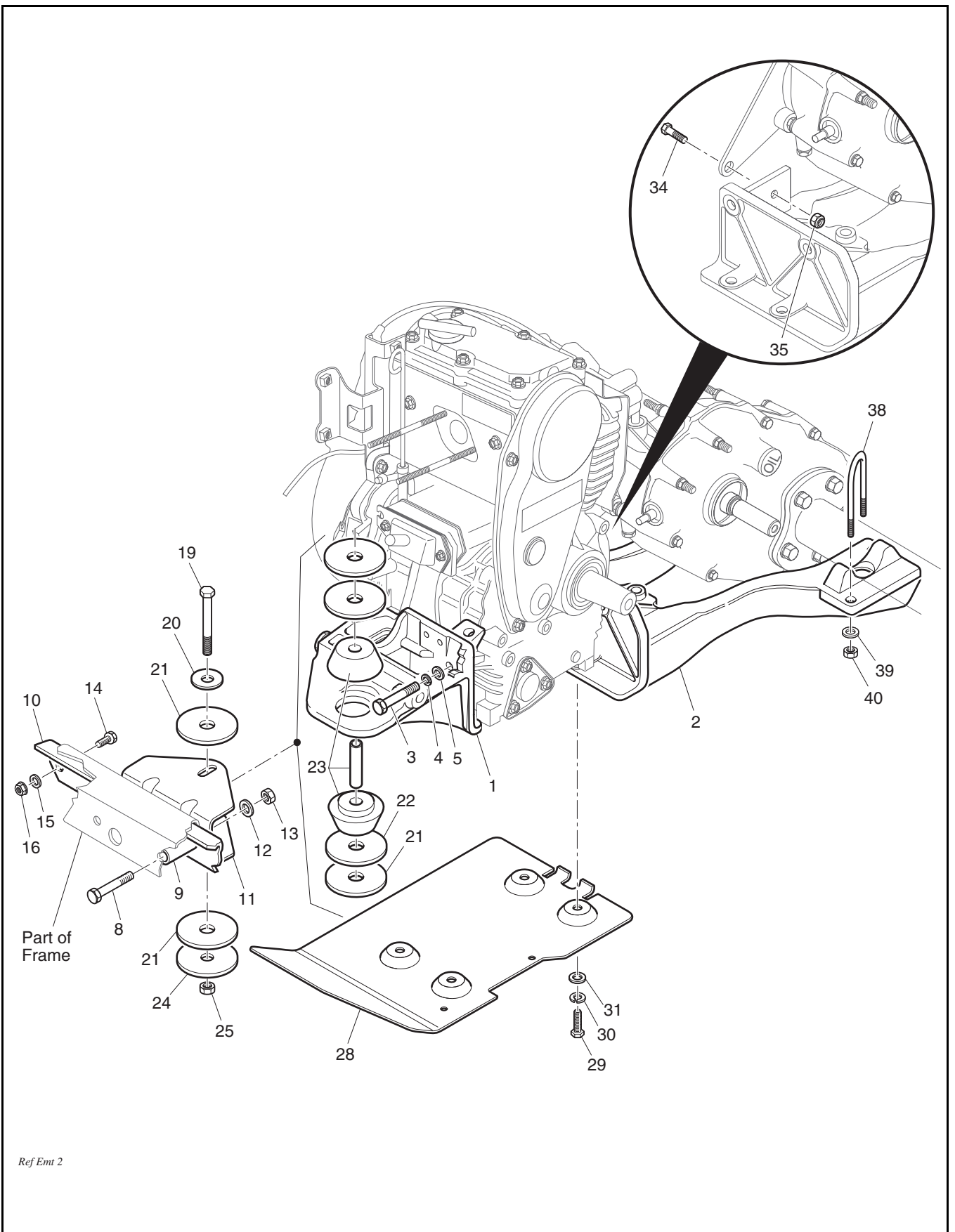
\* Indicates a component that is not available as an individual part.

G\*\* Indicates consult Customer Service Department for additional information.

ITEM	PART NO.	1 2 3 4 5	DESCRIPTION	QTY.
31	<u>00565-G8</u>		LOCK WASHER, 5/16" .....	1
32	<u>00642-G8</u>		WASHER, 5/16" .....	1
33				
34	72555-G01		BREATHER COVER GASKET (THICK).....	2
35	<u>72657-G01</u>		INNER BREATHER PLATE (LONG SLOT).....	1
36	72554-G01		BREATHER COVER GASKET (THIN).....	2
37	<u>72658-G01</u>		BREATHER BOX.....	1
38	<u>72676-G01</u>		OUTER BREATHER PLATE (SHORT SLOT) .....	1
39	72659-G01		BREATHER COVER .....	1
40	<u>72680-G01</u>		FLANGED BOLT, M6 X 1 X 70 MM LG .....	2
41				
42	<u>72656-G01</u>		ALUMINUM GASKET.....	2
43	72655-G01		BANJO UNION.....	1
44	72654-G01		BANJO BOLT .....	1
45				
46	72653-G01		RUBBER RETURN HOSE (INCLUDES ITEMS 47 - 49) .....	1
47	<u>72677-G01</u>		RUBBER HOSE, 6 MM ID X 12 MM OD X 145 MM LG .....	1
48	72678-G01		MESH PROTECTIVE COVER.....	1
49	72679-G01		HOSE CLAMP .....	2



# ENGINE MOUNTING



Ref Emt 2

## ENGINE MOUNTING

Where applicable, THE USE OF NON UL PARTS WILL VOID ANY UL LISTING.

When ordering parts, please specify the model and serial number of the product.

\* Indicates a component that is not available as an individual part.

G\*\* Indicates consult Customer Service Department for additional information.

ITEM	PART NO.	1	2	3	4	5	DESCRIPTION	QTY.
1	<u>72010-G01</u>						FRONT ENGINE MOUNT .....	1
2	<u>72011-G01</u>						REAR ENGINE MOUNT .....	1
3	<u>00463-G4</u>						BOLT, 7/16 - 14 X 1 1/2" LG .....	4
4	<u>00566-G2</u>						LOCK WASHER, 7/16" .....	4
5	<u>00922-G3</u>						WASHER, 7/16" .....	4
6								
7								
8	<u>00428-G6</u>						BOLT, 3/8 - 16 X 2 3/4" LG .....	2
9	<u>72016-G01</u>						SPACER .....	2
10	70269-G01						CROSSMEMBER BRACE .....	1
11	72044-G01						MOUNT BRACKET .....	1
12	<u>00643-G1</u>						WASHER, 3/8" .....	2
13	<u>11098-G5</u>						LOCK NUT, 3/8 - 16 .....	2
14	<u>00438-G7</u>						BOLT, 5/16 - 18 X 7/8" LG .....	2
15	<u>01110-G03</u>						WASHER, 5/16" (STAINLESS STEEL) .....	2
16	<u>01109-G01</u>						LOCK NUT, 5/16 - 18 (STAINLESS STEEL) .....	2
17								
18								
19	<u>00430-G4</u>						BOLT, 3/8 - 16 X 4 1/2" LG .....	1
20	<u>15121-G1</u>						WASHER, 3/8" .....	1
21	<u>72050-G01</u>						PLASTIC WASHER, 2 1/4" OD X 5/8" ID X 1/8" .....	4
22	<u>72051-G01</u>						WASHER, 2 1/2" OD X 5/8" ID X 1/8" .....	2
23	<u>72015-G01</u>						ISOLATION MOUNT .....	1
24	<u>72051-G02</u>						WASHER, 3/8" .....	1
25	<u>11098-G5</u>						LOCK NUT, 3/8 - 16 .....	1
26								
27								
28	<u>72719-G01</u>						ENGINE GUARD.....	1
29	<u>00463-G4</u>						BOLT, 7/16 - 14 X 1 1/2" LG .....	4
30	<u>00566-G2</u>						LOCK WASHER, 7/16" .....	4

# ENGINE MOUNTING

Where applicable, THE USE OF NON UL PARTS WILL VOID ANY UL LISTING.

When ordering parts, please specify the model and serial number of the product.

\* Indicates a component that is not available as an individual part.

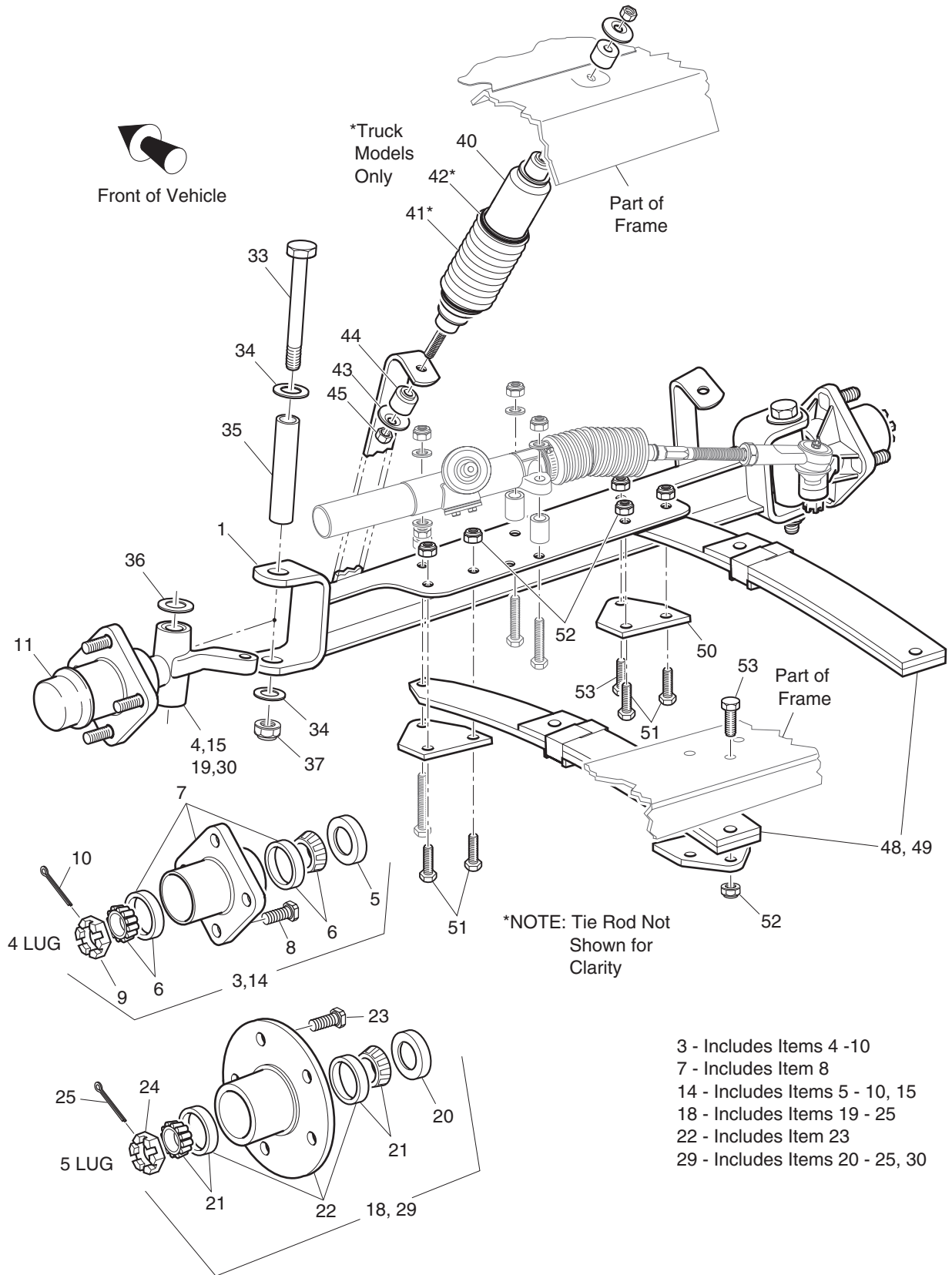
G\*\* Indicates consult Customer Service Department for additional information.

ITEM	PART NO.	1 2 3 4 5	DESCRIPTION	QTY.
31	<u>00922-G3</u>		WASHER, 7/16" .....	4
32				
33				
34	<u>00439-G1</u>		BOLT, 5/16 - 18 X 1 1/8" LG .....	1
35	<u>01109-G01</u>		LOCK NUT, 5/16 - 18 (STAINLESS STEEL) .....	1
36				
37				
38	<u>72035-G01</u>		'U' BOLT, 7/16 - 14 X 3 7/16" X 3 9/16" LG .....	2
39	<u>00922-G3</u>		WASHER, 7/16" .....	4
40	<u>00734-G1</u>		LOCK NUT, 7/16 - 14 .....	4



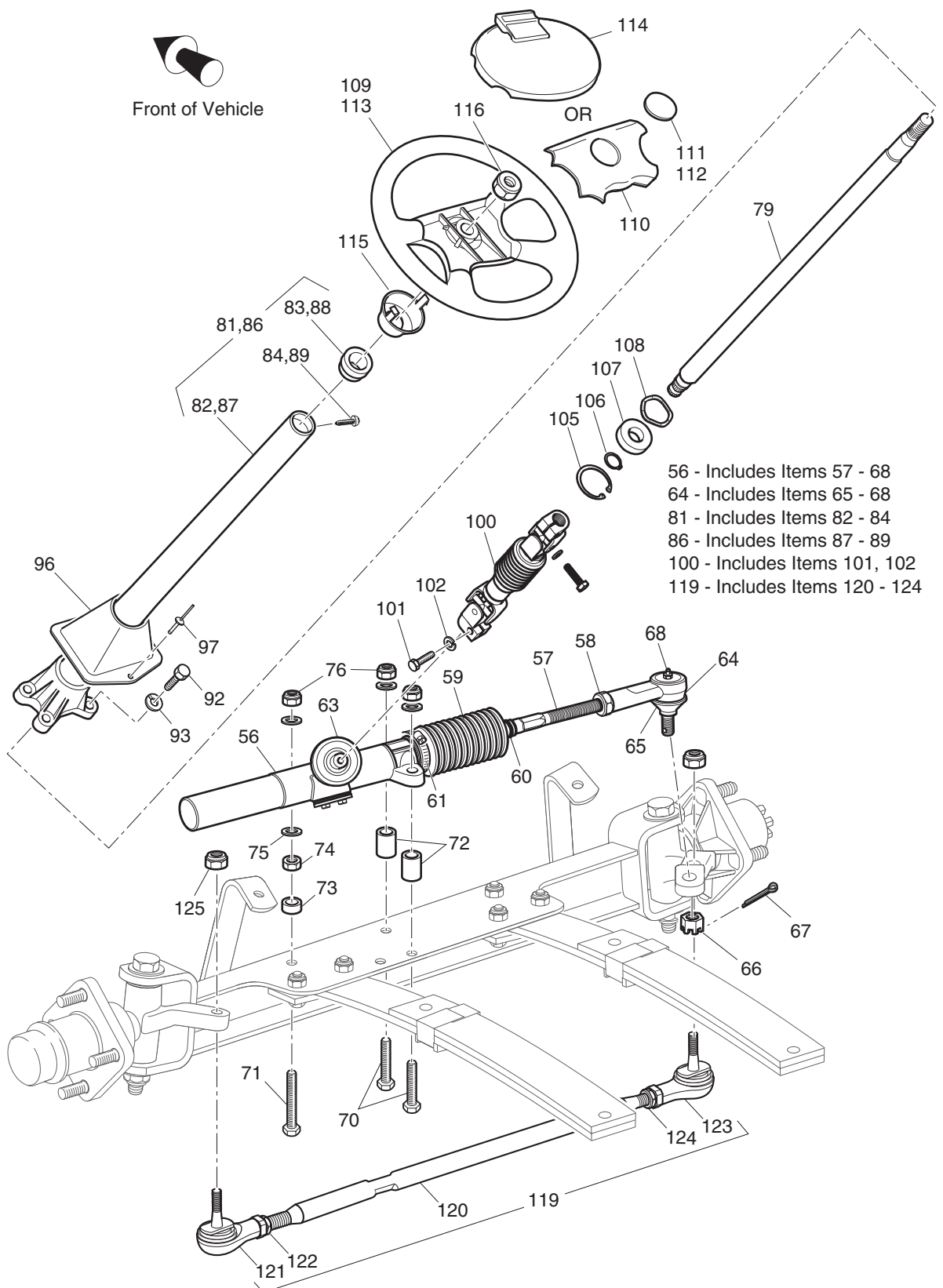


# FRONT SUSPENSION/STEERING



Ref Fss 1-1

# FRONT SUSPENSION/STEERING



Ref Fss 1-2

## FRONT SUSPENSION/STEERING

Where applicable, THE USE OF NON UL PARTS WILL VOID ANY UL LISTING.

When ordering parts, please specify the model and serial number of the product.

\* Indicates a component that is not available as an individual part.

G\*\* Indicates consult Customer Service Department for additional information.

ITEM	PART NO.	1	2	3	4	5	DESCRIPTION	QTY.
1	70963-G01						FRONT AXLE .....	1
2								
3	<u>70942-G01</u>						SPINDLE AND HUB ASSEMBLY, 4 LUG (PASSENGER SIDE) (INCLUDES ITEMS 4 - 10).....	1
4	<u>70942-G02</u>						SPINDLE ASSEMBLY (PASSENGER SIDE).....	1
5	<u>25146-G1</u>						GREASE SEAL.....	1
6	<u>50892-G1</u>						ROLLER BEARING AND RACE ASSEMBLY.....	2
7	<u>70895-G01</u>						WHEEL HUB ASSEMBLY WITH RACES, 4 LUG (INCLUDES ITEM 8) .....	1
8	<u>19862-G1</u>						LUG BOLT, 1/2 - 20 X 1 3/16" LG.....	4
9	12093-G1						CASTELLATED NUT, 1 - 14 .....	1
10	<u>00798-G8</u>						COTTER PIN, 5/32" X 1 3/4" LG .....	1
11	<u>12091-G2</u>						SPINDLE CAP.....	2
12								
13								
14	70673-G01						SPINDLE AND HUB ASSEMBLY, 4 LUG (DRIVER SIDE) (INCLUDES ITEMS 5 - 10, 15).....	1
15	70673-G02						SPINDLE ASSEMBLY (DRIVER SIDE) .....	1
16								
17								
18	<u>70943-G01</u>						SPINDLE AND HUB ASSEMBLY, 5 LUG (PASSENGER SIDE) (INCLUDES ITEMS 19 - 25).....	1
19	<u>70942-G02</u>						SPINDLE ASSEMBLY (PASSENGER SIDE).....	1
20	<u>12092-G1</u>						GREASE SEAL.....	1
21	<u>50892-G1</u>						ROLLER BEARING AND RACE ASSEMBLY.....	2
22	<u>70772-G01</u>						WHEEL HUB ASSEMBLY WITH RACES, 5 LUG (INCLUDES ITEM 23) ....	1
23	30143-G1						LUG BOLT, 1/2 - 20 X 1 7/32" LG.....	5
24	12093-G1						CASTELLATED NUT, 1 - 14 .....	1
25	<u>00798-G8</u>						COTTER PIN, 5/32" X 1 3/4" LG .....	1
26								
27								
28								

## FRONT SUSPENSION/STEERING

Where applicable, THE USE OF NON UL PARTS WILL VOID ANY UL LISTING.

When ordering parts, please specify the model and serial number of the product.

\* Indicates a component that is not available as an individual part.

G\*\* Indicates consult Customer Service Department for additional information.

ITEM	PART NO.	1	2	3	4	5	DESCRIPTION	QTY.
29	<u>70797-G01</u>						SPINDLE AND HUB ASSEMBLY, 5 LUG (DRIVER SIDE) (INCLUDES ITEMS 20 - 25, 30).....	1
30	70673-G02						SPINDLE ASSEMBLY (DRIVER SIDE) .....	1
31								
32								
33	<u>00407-G6</u>						BOLT, 1/2 - 13 X 6" LG .....	2
34	<u>00560-G3</u>						WASHER, 1/2" .....	4
35	<u>70745-G01</u>						KING PIN TUBE .....	2
36	<u>70754-G01</u>						THRUST WASHER, 1" (STAINLESS STEEL).....	2
37	<u>14390-G6</u>						LOCK NUT, 1/2 - 13 .....	2
38								
39								
40	70928-G01						SHOCK ABSORBER.....	2
41	<u>70509-G01</u>						SHOCK ABSORBER BOOT .....	2
42	<u>31539-G1</u>						WIRE TIE .....	4
43	<u>10435-G1</u>						SHOCK ABSORBER WASHER .....	8
44	<u>10194-G1</u>						RUBBER BUSHING .....	8
45	<u>00532-G6</u>						NUT, 3/8 - 24 .....	4
46								
47								
48	70990-G02						LEAF SPRING (SEE PART NUMBER ON SPRING).....	2
49	70989-G02						LEAF SPRING (HEAVY DUTY) (SEE PART NUMBER ON SPRING).....	2
50	<u>70163-G02</u>						SPRING PLATE .....	4
51	<u>00463-G4</u>						BOLT, 7/16 - 14 X 1 1/2" LG .....	4
52	<u>00734-G1</u>						LOCK NUT, 7/16 - 14 .....	11
53	<u>00463-G6</u>						BOLT, 7/16 - 14 X 1 3/4" LG .....	7
54								
55								
56	<u>70964-G01</u>						RACK AND PINION UNIT (COMPLETE) (INCLUDES ITEMS 57 - 68).....	1
57	<u>70694-G01</u>						RACK EXTENSION .....	1

## FRONT SUSPENSION/STEERING

Where applicable, THE USE OF NON UL PARTS WILL VOID ANY UL LISTING.

When ordering parts, please specify the model and serial number of the product.

\* Indicates a component that is not available as an individual part.

G\*\* Indicates consult Customer Service Department for additional information.

ITEM	PART NO.	1	2	3	4	5	DESCRIPTION	QTY.
58	*						JAM NUT, 1/2 - 20.....	1
59	<u>70961-G01</u>						RACK BOOT.....	1
60	<u>12416-G2</u>						WIRE TIE.....	1
61	<u>11391-G8</u>						CLAMP, 1 13/16 - 2 3/8".....	1
62								
63	<u>70638-G01</u>						PINION SEAL.....	1
64	<u>70695-G01</u>						RACK BALL JOINT (INCLUDES ITEMS 65 - 68).....	1
65	<u>50641-G1</u>						RUBBER BOOT.....	1
66	<u>50209-G2</u>						CASTELLATED NUT, 7/16 - 20.....	1
67	<u>10387-G2</u>						COTTER PIN, 3/32" X 1" LG.....	1
68	<u>10389-G3</u>						GREASE FITTING, STRAIGHT.....	1
69								
70	<u>00464-G6</u>						BOLT, 7/16 - 14 X 2 3/4" LG.....	2
71	<u>01068-G01</u>						BOLT, 7/16 - 14 X 3 1/2" LG.....	1
72	<u>70667-G02</u>						SPACER.....	2
73	<u>70667-G03</u>						SPACER (SHORT).....	1
74	<u>00532-G7</u>						NUT, 7/16 - 14.....	1
75	<u>00560-G2</u>						FLAT WASHER, 7/16".....	4
76	<u>00734-G1</u>						LOCK NUT, 7/16 - 14.....	3
77								
78								
79	<u>70607-G01</u>						STEERING SHAFT.....	1
80								
81	70758-G03						STEERING COLUMN KIT (INCLUDES ITEMS 82 - 84).....	1
82	<u>70610-G01</u>						STEERING COLUMN.....	1
83	<u>28569-G01</u>						STEERING COLUMN BUSHING.....	1
84	<u>01022-G01</u>						SCREW, #6 - 20 X 5/16" LG.....	1
85								
86	<u>70758-G04</u>						STEERING COLUMN KIT (HORN) (INCLUDES ITEMS 87 - 89).....	1
87	70610-G02						STEERING COLUMN.....	1

## FRONT SUSPENSION/STEERING

Where applicable, THE USE OF NON UL PARTS WILL VOID ANY UL LISTING.

When ordering parts, please specify the model and serial number of the product.

\* Indicates a component that is not available as an individual part.

G\*\* Indicates consult Customer Service Department for additional information.

ITEM	PART NO.	1	2	3	4	5	DESCRIPTION	QTY.
88	<u>28569-G01</u>						STEERING COLUMN BUSHING.....	1
89	<u>01022-G01</u>						SCREW, #6 - 20 X 5/16" LG .....	1
90								
91								
92	<u>01006-G01</u>						BOLT, 3/8 - 16 X 1 1/4" LG .....	4
93	<u>00879-G1</u>						LOCK WASHER, 3/8".....	4
94								
95								
96	<u>70997-G01</u>						COVER.....	1
97	<u>71055-G01</u>						RIVET, 3/16" X 1" LG (ALUMINUM).....	1
98								
99								
100	<u>70580-G01</u>						INTERMEDIATE SHAFT (INCLUDES ITEMS 101, 102).....	1
101	<u>01055-G01</u>						BOLT, M8 X 1.25 - 05.....	2
102	<u>00565-G8</u>						LOCK WASHER, 5/16" .....	2
103								
104								
105	<u>70751-G01</u>						RETAINING RING (INTERNAL).....	1
106	<u>70888-G01</u>						RETAINING RING (EXTERNAL).....	1
107	<u>15112-G1</u>						BALL BEARING .....	1
108	<u>70887-G01</u>						WAVE WASHER.....	1
109	<u>71146-G01</u>						STEERING WHEEL .....	1
110	<u>71147-G01</u>						STEERING WHEEL COVER .....	1
111	<u>71047-G01</u>						LABEL (E-Z-GO) .....	1
112	<u>74405-G01</u>						LABEL (CUSHMAN).....	1
113	<u>71948-G01</u>						STEERING WHEEL .....	1
114	<u>71950-G01</u>						CLIPBOARD.....	1
115	<u>71949-G01</u>						HUB COVER .....	1
116	<u>14390-G2</u>						LOCK NUT, 5/8 - 18 .....	1
117								

## FRONT SUSPENSION/STEERING

Where applicable, THE USE OF NON UL PARTS WILL VOID ANY UL LISTING.

When ordering parts, please specify the model and serial number of the product.

\* Indicates a component that is not available as an individual part.

G\*\* Indicates consult Customer Service Department for additional information.

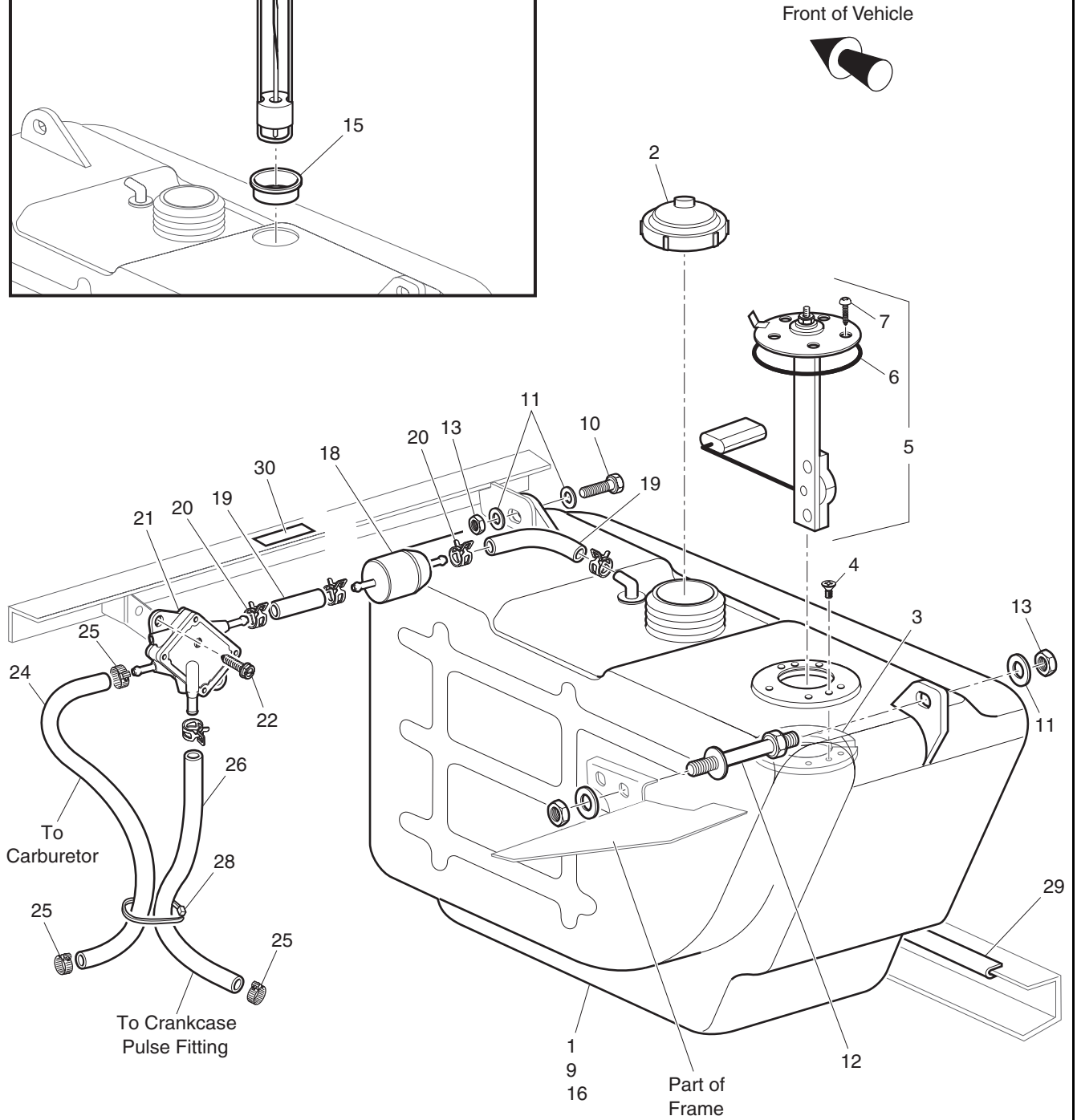
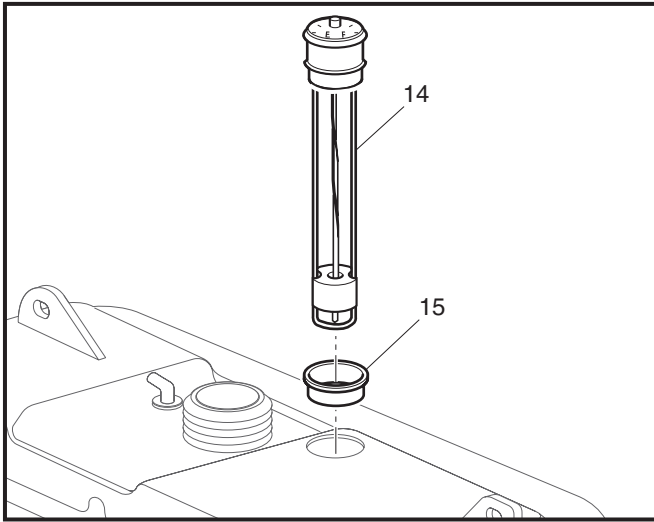
ITEM	PART NO.	1 2 3 4 5	DESCRIPTION	QTY.
118				
119	<u>70876-G02</u>		TIE ROD ASSEMBLY (INCLUDES ITEMS 120 - 124).....	1
120	<u>70897-G02</u>		THREADED ROD (24" LG).....	1
121	<u>70902-G01</u>		TIE ROD END (LEFT HAND THREADS) .....	1
122	<u>01069-G01</u>		JAM NUT, M12 X 1.25 - 05 (LEFT HAND THREADS).....	1
123	<u>70902-G02</u>		TIE ROD END (RIGHT HAND THREADS).....	1
124	<u>01069-G02</u>		JAM NUT, M12 X 1.25 - 05 (RIGHT HAND THREADS) .....	1
125	<u>00734-G1</u>		LOCK NUT, 7/16 - 14 .....	2



## FRONT SUSPENSION/STEERING

# FUEL SYSTEM

## MECHANICAL GAUGE



Ref Fsy 2

# FUEL SYSTEM

Where applicable, THE USE OF NON UL PARTS WILL VOID ANY UL LISTING.

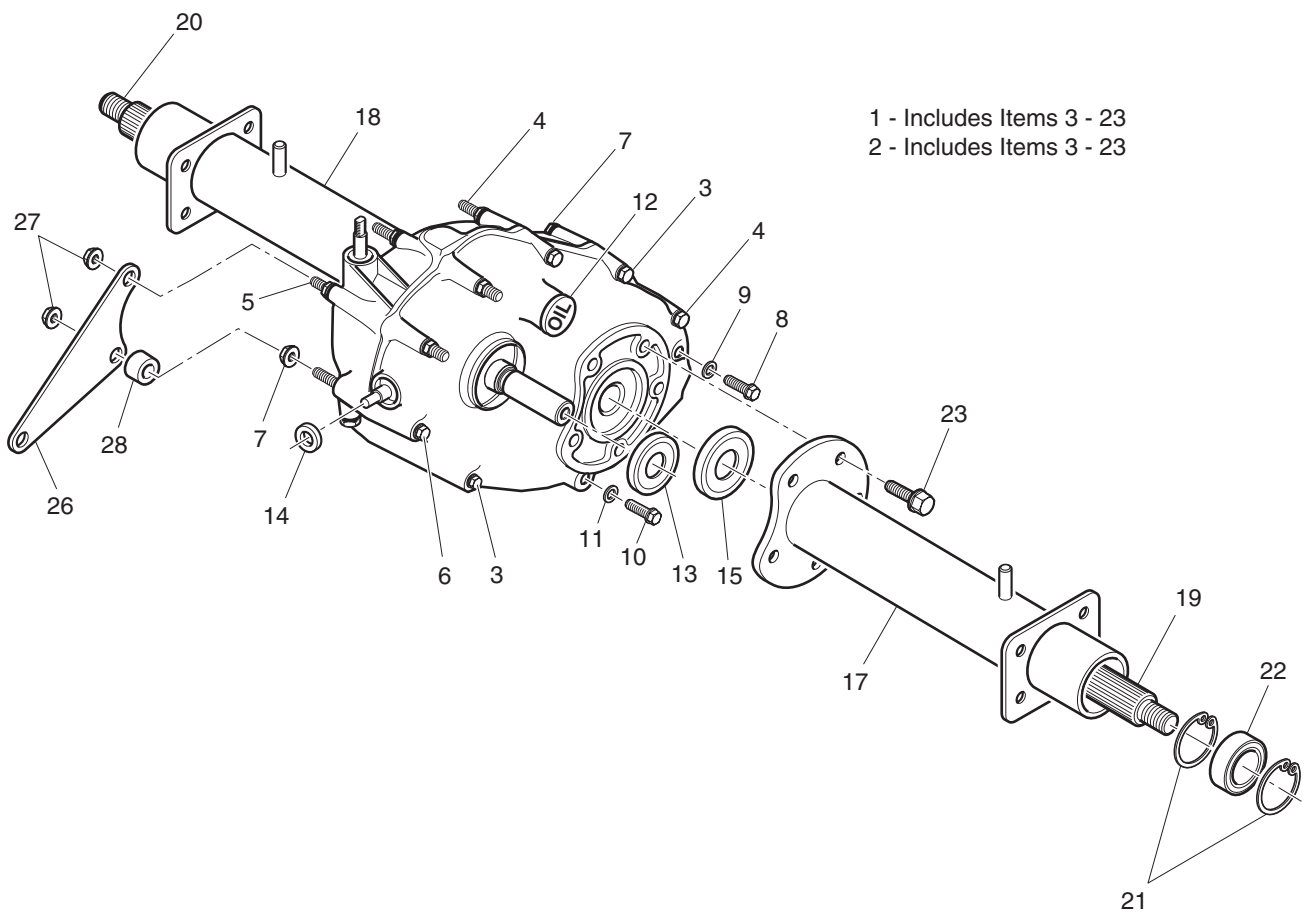
When ordering parts, please specify the model and serial number of the product.

\* Indicates a component that is not available as an individual part.

G\*\* Indicates consult Customer Service Department for additional information.

ITEM	PART NO.	1 2 3 4 5	DESCRIPTION	QTY.
1	<u>72092-G01</u>		FUEL TANK (FOR VEHICLES WITHOUT GAUGE) .....	1
2	<u>72282-G01</u>		FUEL TANK CAP.....	1
3	<u>72229-G01</u>		FUEL LEVEL SENDER ADAPTER .....	1
4	<u>72230-G01</u>		SCREW, #6 - 32 X 1/2" LG.....	2
5	<u>20048-G2</u>		FUEL LEVEL SENDER (ELEC. FUEL GAUGE) (INCLUDES ITEMS 6, 7) .....	1
6	*		GASKET .....	1
7	<u>72232-G01</u>		SCREW, #10 - 32 x 3/4" LG.....	5
8				
9	<u>72092-G02</u>		FUEL TANK (FOR ELECTRIC FUEL GAUGE).....	1
10	<u>00438-G8</u>		BOLT, 5/16 - 18 X 1" LG .....	1
11	<u>00559-G8</u>		WASHER, 5/16" .....	4
12	<u>70483-G01</u>		SPACER.....	1
13	<u>01109-G01</u>		LOCK NUT, 5/16 - 18 (STAINLESS STEEL) .....	3
14	<u>72281-G01</u>		FUEL GAUGE (MECHANICAL) .....	1
15	<u>72280-G01</u>		GROMMET.....	1
16	<u>72092-G04</u>		FUEL TANK (FOR MECHANICAL GAUGE) .....	1
17				
18	<u>72084-G01</u>		FUEL FILTER .....	1
19	<u>17470-G1</u>		FUEL SYSTEM TUBING, 1/4" ID X 1/2" OD X 3 1/4" LG (BULK).....	2
20	<u>18292-G1</u>		CLAMP .....	5
21	<u>72021-G01</u>		FUEL PUMP.....	1
22	<u>00114-G6</u>		SCREW, 1/4 - 14 X 3/4" LG.....	2
23				
24	<u>17470-G1</u>		FUEL SYSTEM TUBING, 1/4" ID X 1/2" OD X 16" LG (BULK) .....	A/R
25	<u>11391-G4</u>		HOSE CLAMP, 1/4" .....	3
26	<u>27183-G01</u>		TUBING, 1/4" ID X 1/2" OD X 16" LG (BULK).....	A/R
27				
28	<u>17618-G1</u>		WIRE TIE .....	3
29	<u>22280-G1</u>		VINYL TRIM, 6 1/4" LG (BULK) .....	A/R
30	<u>26459-G01</u>		LABEL (UNLEADED GASOLINE ONLY) .....	1

# REAR AXLE



Ref Rax 2

## REAR AXLE

Where applicable, THE USE OF NON UL PARTS WILL VOID ANY UL LISTING.

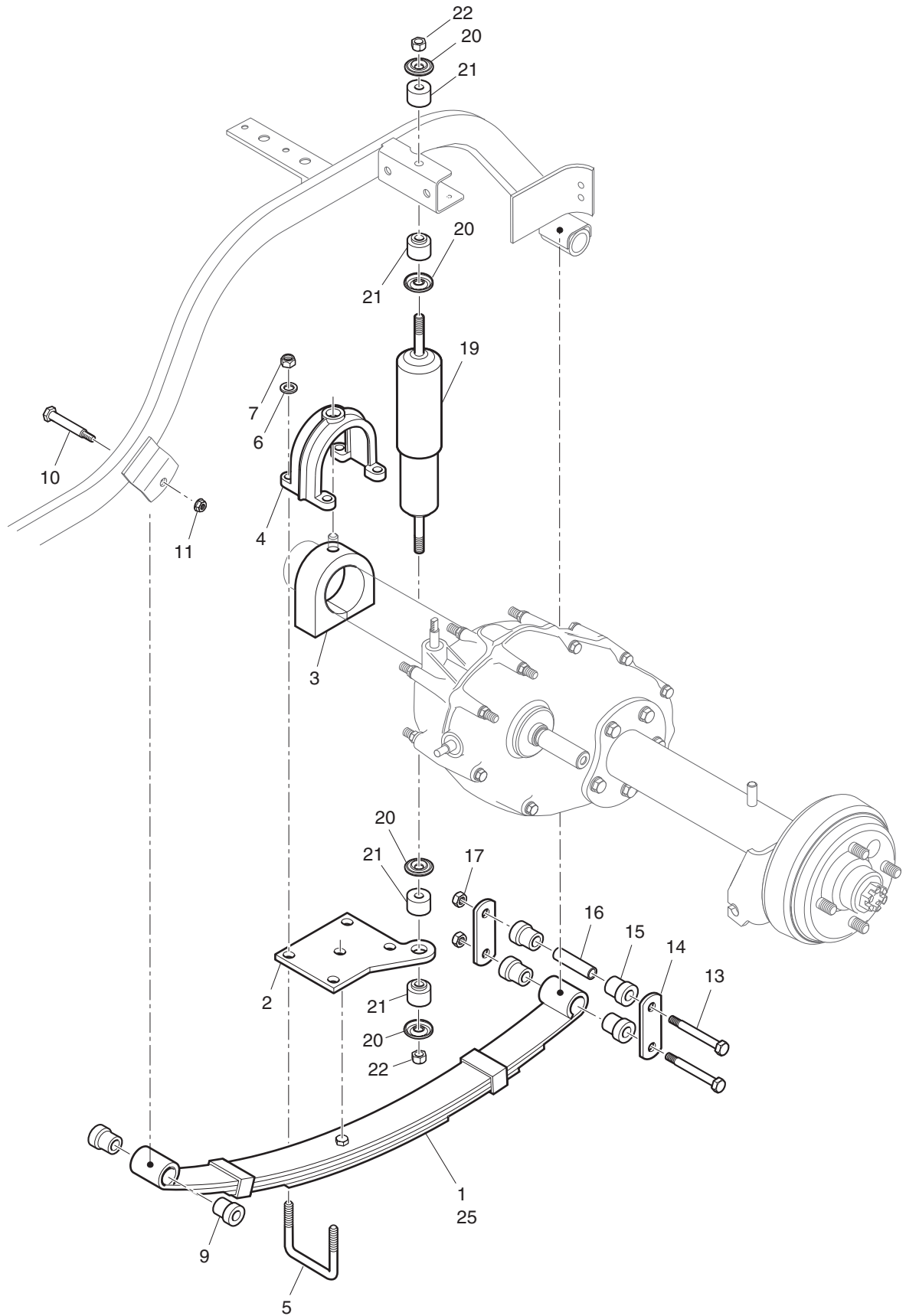
When ordering parts, please specify the model and serial number of the product.

\* Indicates a component that is not available as an individual part.

G\*\* Indicates consult Customer Service Department for additional information.

ITEM	PART NO.	1 2 3 4 5	DESCRIPTION	QTY.
1	<u>72715-G01</u>		REAR AXLE (13.32:1) (INCLUDES ITEMS 3 - 23) .....	1
2	<u>72715-G02</u>		REAR AXLE, FREEDOM HP (10.67:1) (INCLUDES ITEMS 3 - 23) .....	1
3	<u>26823-G01</u>		FLANGED BOLT, M8 X 1.25 X 100 MM LG.....	5
4	<u>26824-G01</u>		FLANGED BOLT, M8 X 1.25 X 110 MM LG.....	2
5	*		BOLT, M8 X 1.25 X 146 MM LG.....	2
6	<u>72052-G01</u>		FLANGED BOLT, M8 X 1.25 X 130 MM LG.....	1
7	<u>72269-G01</u>		FLANGE NUT, M8 X 1.25 MM .....	12
8	<u>26768-G01</u>		OIL CHECK PLUG.....	1
9	<u>26769-G01</u>		GASKET, 8 MM.....	1
10	<u>26770-G01</u>		OIL DRAIN PLUG .....	1
11	<u>26771-G01</u>		GASKET, 14 MM.....	1
12	<u>26772-G01</u>		OIL FILLER PLUG .....	1
13	<u>26761-G01</u>		INPUT SHAFT SEAL .....	1
14	<u>26762-G01</u>		SHIFTER SHAFT SEAL.....	1
15	<u>72259-G01</u>		AXLE SHAFT SEAL.....	2
16				
17	<u>72115-G01</u>		AXLE TUBE (DRIVER SIDE).....	1
18	<u>72116-G01</u>		AXLE TUBE (PASSENGER SIDE) .....	1
19	<u>72056-G01</u>		AXLE SHAFT (DRIVER SIDE).....	1
20	<u>72057-G01</u>		AXLE SHAFT (PASSENGER SIDE) .....	1
21	<u>26814-G01</u>		RETAINING RING.....	4
22	<u>26811-G01</u>		BALL BEARING .....	2
23	<u>72260-G01</u>		FLANGED BOLT, M10 X 1.5 X 23 MM LG.....	10
24				
25				
26	<u>72017-G01</u>		AXLE BRACKET .....	1
27	<u>26830-G01</u>		LOCK NUT, M8 X 1.25 MM .....	2
28	<u>75048-G01</u>		SPACER, 1/2".....	1

# REAR SUSPENSION



Ref Rsp 2

## REAR SUSPENSION

Where applicable, THE USE OF NON UL PARTS WILL VOID ANY UL LISTING.

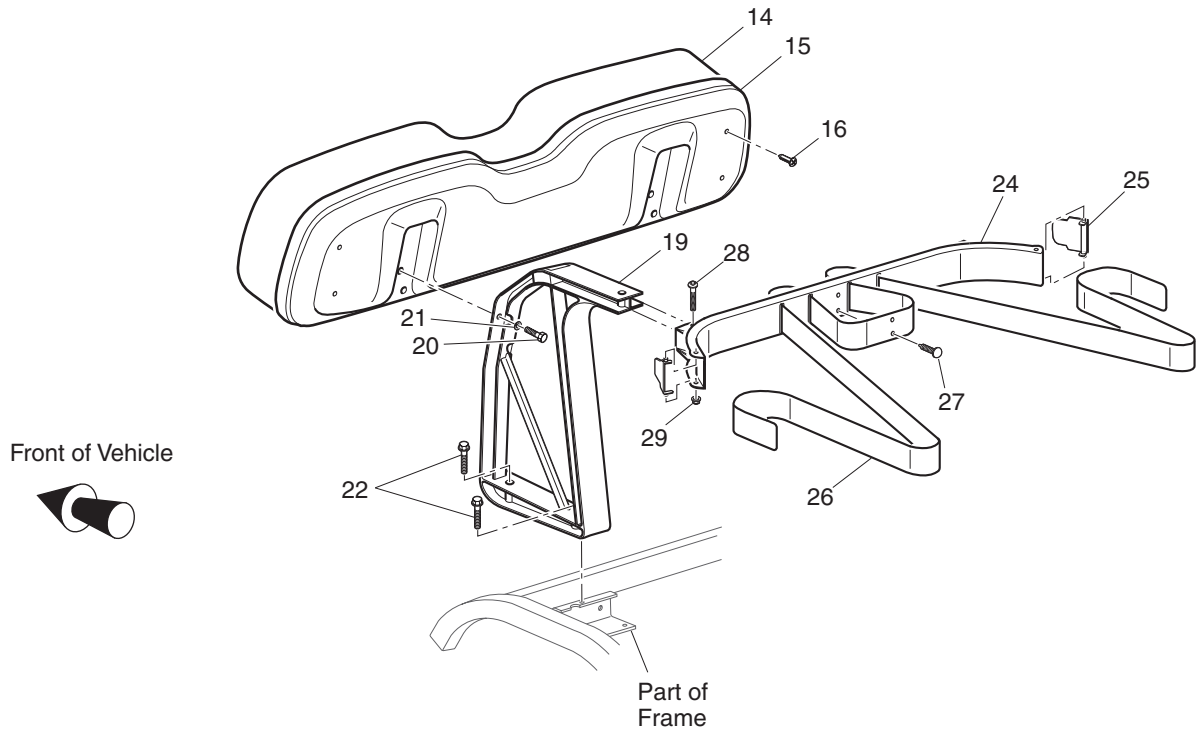
When ordering parts, please specify the model and serial number of the product.

\* Indicates a component that is not available as an individual part.

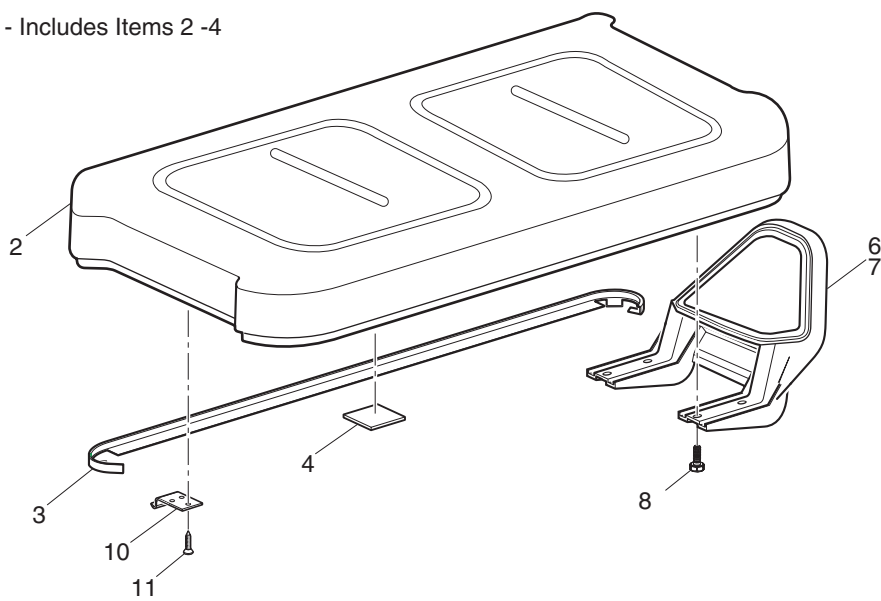
G\*\* Indicates consult Customer Service Department for additional information.

ITEM	PART NO.	1 2 3 4 5	DESCRIPTION	QTY.
1	<u>70505-G01</u>		LEAF SPRING SET (CONTAINS 2 SPRINGS).....	1
2	<u>72028-G01</u>		ISOMOUNT BASE PLATE .....	2
3	<u>72117-G01</u>		ISOMOUNT BUSHING.....	2
4	<u>72037-G01</u>		ISOMOUNT CAP.....	2
5	<u>72618-G01</u>		'U' BOLT, 3/8 - 16 X 2" X 2 1/2" LG .....	4
6	<u>00560-G1</u>		WASHER, 3/8" .....	8
7	<u>11098-G5</u>		LOCK NUT, 3/8 - 16 .....	8
8				
9	<u>70291-G01</u>		FLANGED BUSHING .....	4
10	<u>14158-G1</u>		SHOULDER BOLT, 3/8 - 16 x 3 1/4" LG.....	2
11	<u>12262-G1</u>		LOCK NUT, 3/8 - 16 .....	2
12				
13	<u>00665-G9</u>		BOLT, 3/8 - 16 X 3 1/2" LG (STAINLESS STEEL).....	4
14	<u>70290-G01</u>		SHACKLE PLATE .....	4
15	<u>70291-G01</u>		FLANGED BUSHING .....	8
16	<u>70289-G02</u>		SPACER.....	4
17	<u>11098-G5</u>		LOCK NUT, 3/8 - 16 .....	4
18				
19	<u>70324-G01</u>		SHOCK ABSORBER.....	2
20	<u>10435-G1</u>		SHOCK ABSORBER WASHER .....	8
21	<u>10194-G1</u>		RUBBER BUSHING .....	8
22	<u>00532-G6</u>		NUT, 3/8 - 24 .....	4
23				
24				
25	<u>70506-G01</u>		LEAF SPRING SET, (USE ON SHUTTLE 2+2 AND CONVERTIBLE CARRIER ONLY) (CONTAINS 2 SPRINGS).....	1

# SEATING AND BAG HOLDER - GOLF CAR



1 - Includes Items 2 -4



Ref Sgc 1



## SEATING AND BAG HOLDER - GOLF CAR

Where applicable, THE USE OF NON UL PARTS WILL VOID ANY UL LISTING.

When ordering parts, please specify the model and serial number of the product.

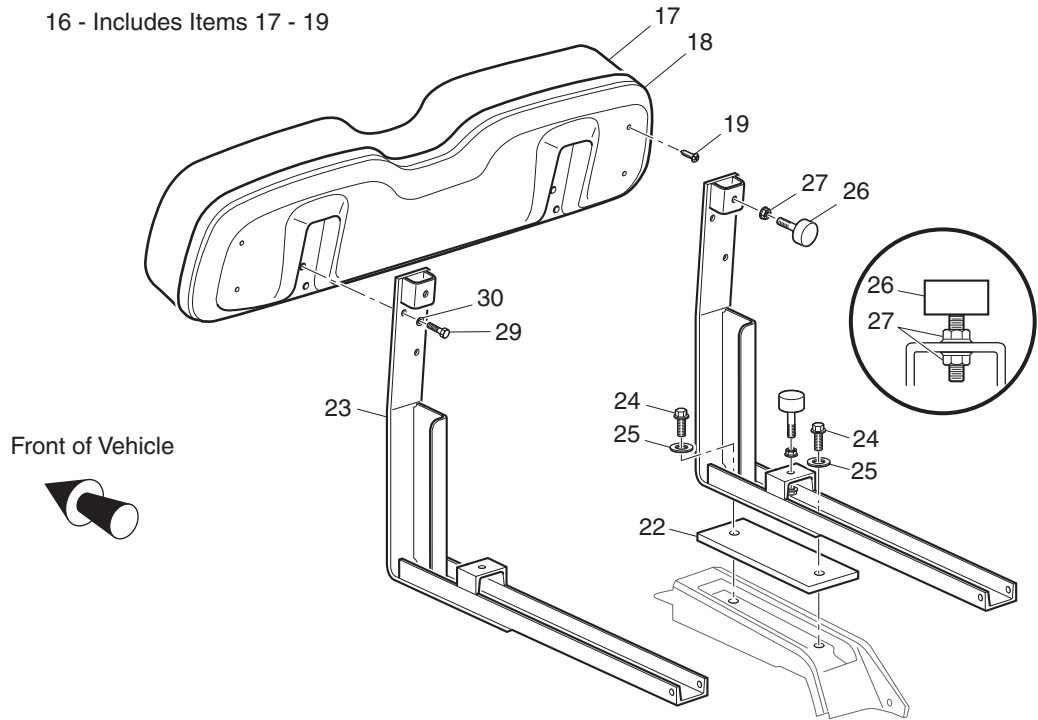
\* Indicates a component that is not available as an individual part.

G\*\* Indicates consult Customer Service Department for additional information.

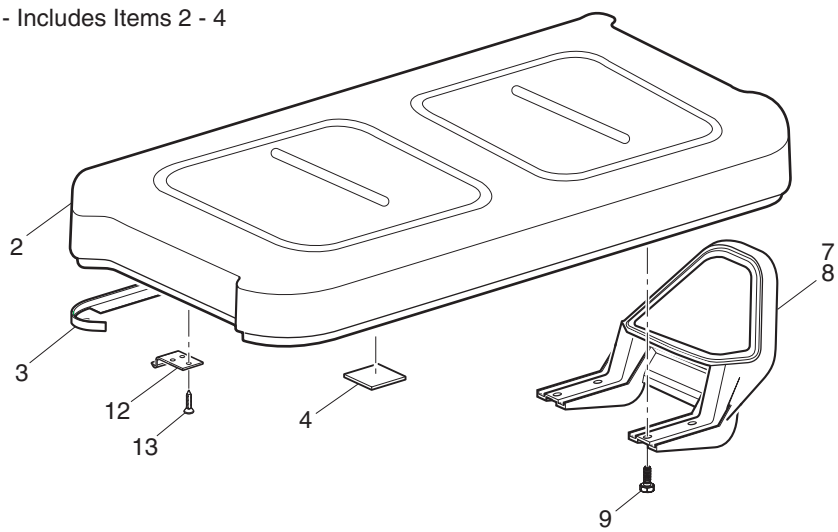
ITEM	PART NO.	1	2	3	4	5	DESCRIPTION	QTY.
1	71611-G**						SEAT BOTTOM ASSEMBLY (INCLUDES ITEMS 2 - 4) .....	1
2	71602-G**						VINYL SEAT BOTTOM COVER .....	1
3	<u>71012-G01</u>						VINYL TRIM (SEAT BOTTOM) .....	1
4	<u>17074-G1</u>						RUBBER PAD .....	2
5								
6	<u>71701-G01</u>						HIP RESTRAINT (PASSENGER SIDE) .....	1
7	<u>71702-G01</u>						HIP RESTRAINT (DRIVER SIDE) .....	1
8	71204-G01						BOLT, 1/4 - 20 X 7/8" LG .....	8
9								
10	<u>71610-G01</u>						SEAT HINGE .....	2
11	<u>00720-G08</u>						SCREW, #12 - 14 X 1" LG (STAINLESS STEEL) .....	4
12								
13	71751-G**						SEAT BACK ASSEMBLY (INCLUDES ITEMS 14 - 16) .....	1
14	71753-G**						VINYL SEAT BACK COVER .....	1
15	71752-G01						PLASTIC SEAT BACK COVER .....	1
16	<u>01107-G01</u>						SCREW, #8 X 5/8" LG (STAINLESS STEEL) .....	4
17								
18								
19	<u>71811-G02</u>						SEAT SUPPORT BRACKET .....	2
20	<u>00661-G8</u>						BOLT, 1/4 - 20 X 1" LG (STAINLESS STEEL) .....	4
21	<u>00664-G7</u>						LOCK WASHER, 1/4" (STAINLESS STEEL) .....	4
22	<u>71802-G01</u>						BOLT, 3/8 - 16 X 2 3/4" LG .....	4
23								
24	<u>71851-G01</u>						BAG HOLDER BRACKET .....	1
25	<u>71856-G01</u>						BAG RETAINER CLAMP .....	2
26	<u>71853-G01</u>						BAG RETAINER STRAP .....	1
27	<u>16816-G1</u>						RATCHET FASTENER, 1/4" X 9/16" LG .....	2
28	<u>01102-G01</u>						CARRIAGE BOLT, 1/4 - 20 X 1 1/2" LG (STAINLESS STEEL) .....	2
29	<u>11027-G2</u>						LOCK NUT, 1/4 - 20 .....	2

# SEATING - SHUTTLE 2+2

16 - Includes Items 17 - 19

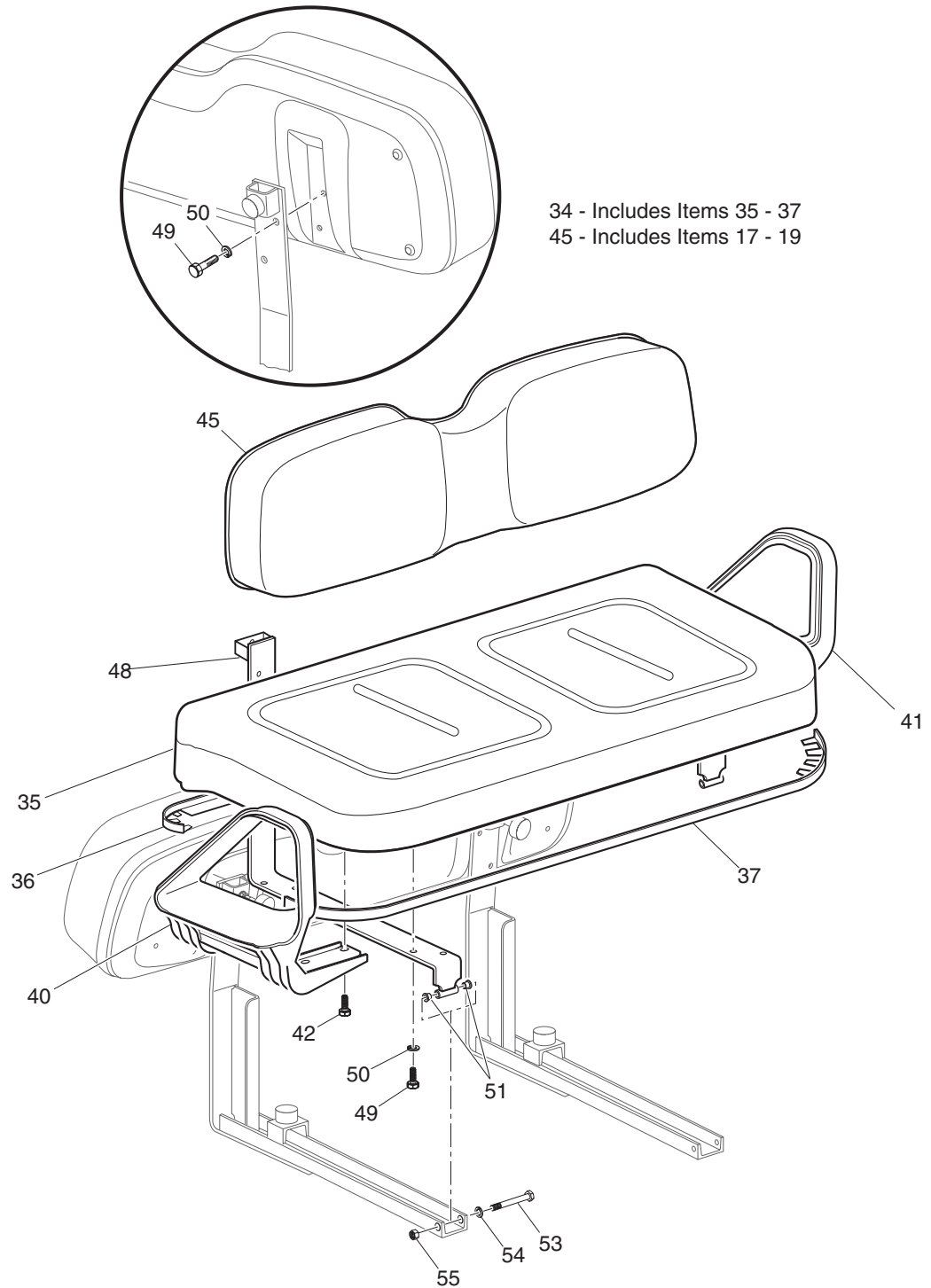


1 - Includes Items 2 - 4



Ref Ssh 1-1

# SEATING - SHUTTLE 2+2



Ref Ssh 1-2

## SEATING - SHUTTLE 2+2

Where applicable, THE USE OF NON UL PARTS WILL VOID ANY UL LISTING.

When ordering parts, please specify the model and serial number of the product.

\* Indicates a component that is not available as an individual part.

G\*\* Indicates consult Customer Service Department for additional information.

ITEM	PART NO.	1 2 3 4 5	DESCRIPTION	QTY.
1	71611-G**		SEAT BOTTOM ASSEMBLY (INCLUDES ITEMS 2 -4) .....	1
2	71602-G**		VINYL SEAT BOTTOM COVER .....	1
3	<u>71012-G01</u>		VINYL TRIM (SEAT BOTTOM) .....	1
4	<u>17074-G1</u>		RUBBER PAD .....	2
5				
6				
7	<u>71701-G01</u>		HIP RESTRAINT (PASSENGER SIDE) .....	1
8	<u>71702-G01</u>		HIP RESTRAINT (DRIVER SIDE) .....	1
9	71204-G01		BOLT, 1/4 - 20 X 7/8" LG .....	8
10				
11				
12	<u>71610-G01</u>		SEAT HINGE .....	2
13	<u>00720-G08</u>		SCREW, #12 - 14 X 1" LG (STAINLESS STEEL) .....	6
14				
15				
16	71751-G**		SEAT BACK ASSEMBLY (INCLUDES ITEMS 17 - 19) .....	1
17	71753-G**		VINYL SEAT BACK COVER .....	1
18	71752-G01		PLASTIC SEAT BACK COVER .....	1
19	<u>01107-G01</u>		SCREW, #8 X 5/8" LG (STAINLESS STEEL) .....	4
20				
21				
22	<u>70364-G01</u>		SPACER .....	2
23	<u>74111-G01</u>		SEAT BACK SUPPORT .....	2
24	<u>01006-G02</u>		BOLT, 3/8 - 16 X 1 1/2" LG .....	4
25	<u>00560-G1</u>		WASHER, 3/8" .....	4
26	<u>70113-G01</u>		ADJUSTABLE BUMPER .....	4
27	<u>11027-G1</u>		LOCK NUT, 5/16 - 18 .....	6
28				
29	<u>00661-G8</u>		BOLT, 1/4 - 20 X 1" LG (STAINLESS STEEL) .....	4
30	<u>00664-G7</u>		LOCK WASHER, 1/4" (STAINLESS STEEL) .....	4

## SEATING - SHUTTLE 2+2

Where applicable, THE USE OF NON UL PARTS WILL VOID ANY UL LISTING.

When ordering parts, please specify the model and serial number of the product.

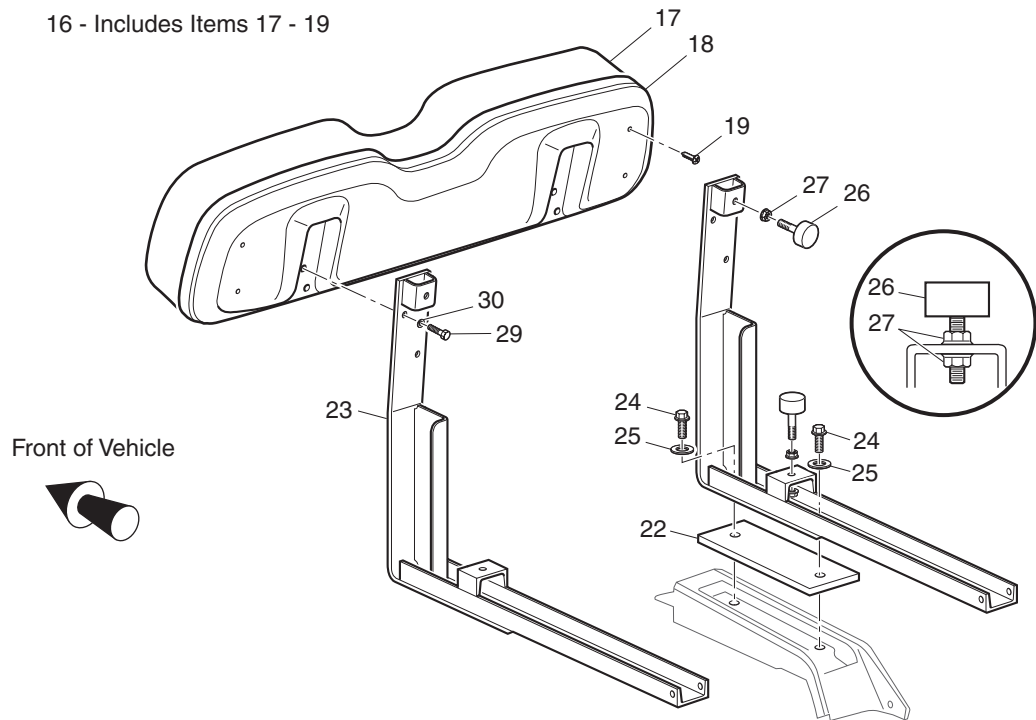
\* Indicates a component that is not available as an individual part.

G\*\* Indicates consult Customer Service Department for additional information.

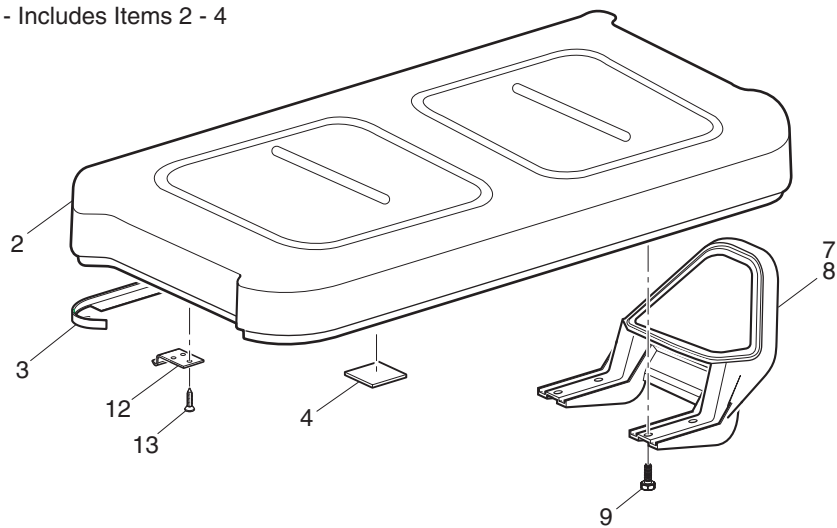
ITEM	PART NO.	1	2	3	4	5	DESCRIPTION	QTY.
31								
32								
33								
34	74139-G**						SEAT BOTTOM ASSEMBLY (INCLUDES ITEMS 42 - 44) .....	1
35	71602-G**						VINYL COVER (SEAT BOTTOM) .....	1
36	<u>74140-G01</u>						TRIM .....	1
37	<u>71012-G01</u>						TRIM .....	1
38								
39								
40	<u>71702-G01</u>						HIP RESTRAINT (DRIVER SIDE).....	1
41	<u>71701-G01</u>						HIP RESTRAINT (PASSENGER SIDE) .....	1
42	<u>00661-G8</u>						BOLT, 1/4 - 20 X 1" LG (STAINLESS STEEL).....	8
43								
44								
45	71751-G**						SEAT BACK ASSEMBLY (INCLUDES ITEMS 17 - 19).....	1
46								
47								
48	74117-G01						SEAT SUPPORT BRACKET .....	2
49	<u>00661-G8</u>						BOLT, 1/4 - 20 X 1" LG (STAINLESS STEEL).....	12
50	<u>00664-G7</u>						LOCK WASHER, 1/4" (STAINLESS STEEL) .....	12
51	<u>17838-G1</u>						NYLON BUSHING.....	4
52								
53	<u>00440-G4</u>						BOLT, 5/16 - 18 X 2 1/4" LG .....	2
54	<u>00571-G2</u>						WASHER, 5/16" .....	2
55	11098-G6						LOCK NUT, 5/16 - 18 .....	2

# SEATING - CONVERTIBLE CARRIER

16 - Includes Items 17 - 19

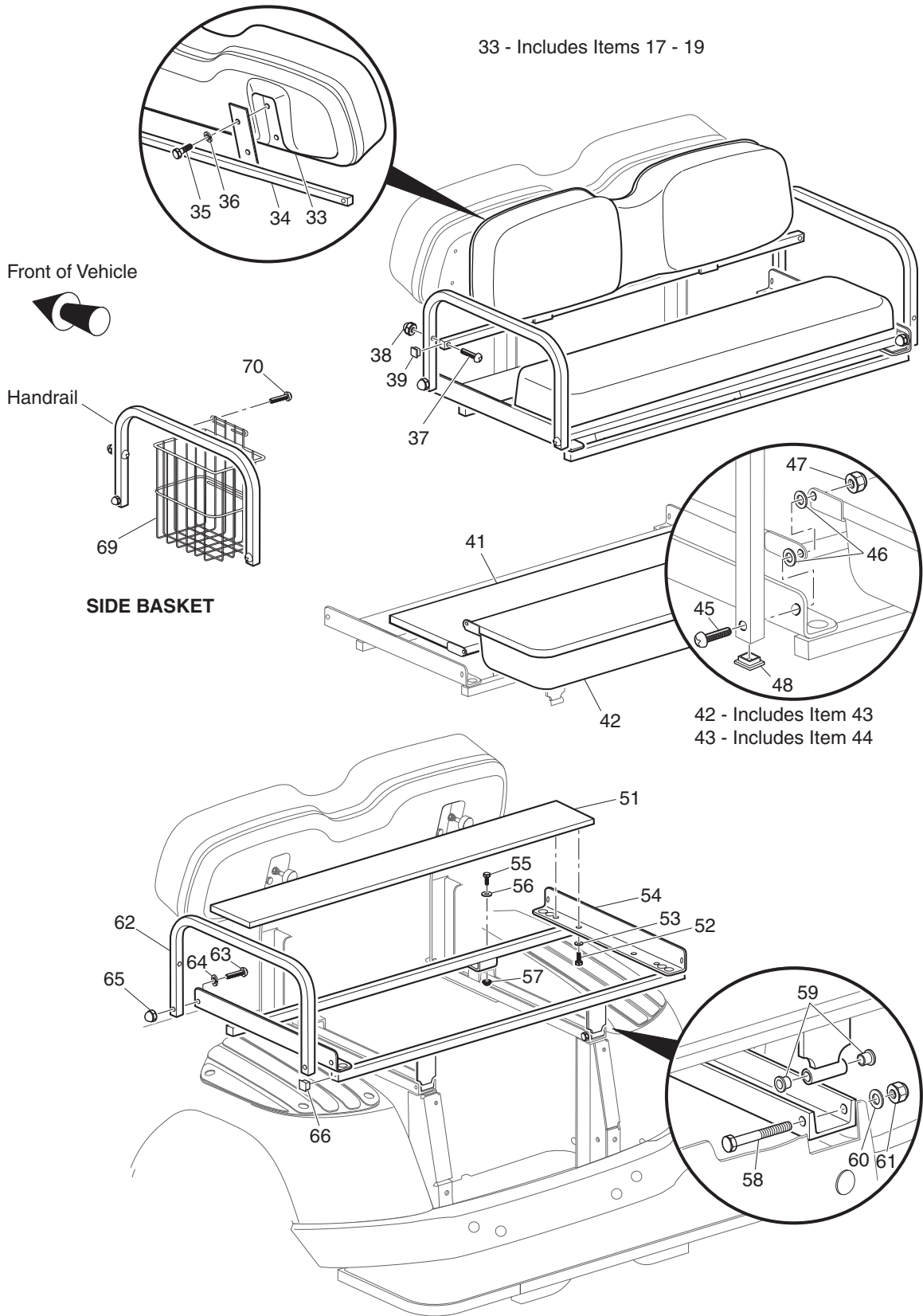


1 - Includes Items 2 - 4



Ref Scc 1-1

# SEATING - CONVERTIBLE CARRIER



Ref Scc 1-2

## SEATING - CONVERTIBLE CARRIER

Where applicable, THE USE OF NON UL PARTS WILL VOID ANY UL LISTING.

When ordering parts, please specify the model and serial number of the product.

\* Indicates a component that is not available as an individual part.

G\*\* Indicates consult Customer Service Department for additional information.

ITEM	PART NO.	1	2	3	4	5	DESCRIPTION	QTY.
1	71611-G**						SEAT BOTTOM ASSEMBLY (INCLUDES ITEMS 2 - 4) .....	1
2	71602-G**						VINYL SEAT BOTTOM COVER .....	1
3	<u>71012-G01</u>						VINYL TRIM (SEAT BOTTOM) .....	1
4	<u>17074-G1</u>						RUBBER PAD .....	2
5								
6								
7	<u>71701-G01</u>						HIP RESTRAINT (PASSENGER SIDE) .....	1
8	<u>71702-G01</u>						HIP RESTRAINT (DRIVER SIDE) .....	1
9	<u>00661-G8</u>						BOLT, 1/4 - 20 X 1" LG (STAINLESS STEEL) .....	8
10								
11								
12	<u>71610-G01</u>						SEAT HINGE .....	2
13	<u>00720-G08</u>						SCREW, #12 - 14 X 1" LG (STAINLESS STEEL) .....	4
14								
15								
16	71751-G**						SEAT BACK ASSEMBLY (INCLUDES ITEMS 17 - 19) .....	1
17	71753-G**						VINYL SEAT BACK COVER .....	1
18	71752-G01						PLASTIC SEAT BACK COVER .....	1
19	<u>01107-G01</u>						SCREW, #8 X 5/8" LG (STAINLESS STEEL) .....	4
20								
21								
22	<u>70364-G01</u>						SPACER .....	2
23	<u>74111-G01</u>						SEAT BACK SUPPORT .....	2
24	<u>01006-G02</u>						BOLT, 3/8 - 16 X 1 1/2" LG .....	4
25	<u>00560-G1</u>						WASHER, 3/8" .....	4
26	<u>70113-G01</u>						ADJUSTABLE BUMPER .....	2
27	<u>11027-G1</u>						LOCK NUT, 5/16 - 18 .....	2
28								
29	<u>00661-G8</u>						BOLT, 1/4 - 20 X 1" LG (STAINLESS STEEL) .....	4
30	<u>00664-G7</u>						LOCK WASHER, 1/4" (STAINLESS STEEL) .....	4



## SEATING - CONVERTIBLE CARRIER

Where applicable, THE USE OF NON UL PARTS WILL VOID ANY UL LISTING.

When ordering parts, please specify the model and serial number of the product.

\* Indicates a component that is not available as an individual part.

G\*\* Indicates consult Customer Service Department for additional information.

ITEM	PART NO.	1	2	3	4	5	DESCRIPTION	QTY.
31								
32								
33	71751-G**						SEAT BACK ASSEMBLY (INCLUDES ITEMS 17 - 19).....	1
34	<u>75258-G01</u>						SEAT BACK SUPPORT .....	1
35	<u>00661-G8</u>						BOLT, 1/4 - 20 X 1" LG (STAINLESS STEEL).....	4
36	<u>00664-G7</u>						LOCK WASHER, 1/4" (STAINLESS STEEL) .....	4
37	<u>16705-G6</u>						SCREW, 1/4 - 20 X 1 3/4" LG (STAINLESS STEEL) .....	2
38	<u>00520-G1</u>						ACORN NUT, 1/4 - 20 (STAINLESS STEEL) .....	2
39	<u>19859-G1</u>						END PLUG, 3/4" .....	2
40								
41	75229-G01						BED .....	1
42	75263-G**						SEAT BOTTOM ASSEMBLY (INCLUDES ITEM 43).....	1
43	75197-G**						SEAT BOTTOM (INCLUDES ITEM 44) .....	1
44	75252-G**						VINYL SEAT BOTTOM COVER .....	1
45	00762-G4						SCREW, 5/16 - 18 X 1 1/2" LG (STAINLESS STEEL) .....	2
46	<u>17255-G1</u>						TEFLON WASHER, 5/16" .....	4
47	<u>00654-G3</u>						LOCK NUT, 5/16 - 18 (STAINLESS STEEL) .....	2
48	<u>19859-G1</u>						END CAP, 3/4" .....	4
49								
50								
51	75273-G01						BED FRONT (INCLUDES MAT).....	1
52	<u>00661-G6</u>						BOLT, 1/4 - 20 X 3/4" LG (STAINLESS STEEL).....	4
53	00559-G8						WASHER, 5/16" .....	4
54	<u>75193-G01</u>						SUPPORT FRAME.....	1
55	<u>00438-G8</u>						BOLT, 5/16 - 18 X 1" LG .....	2
56	00559-G8						WASHER, 5/16" .....	2
57	<u>11027-G1</u>						LOCK NUT, 5/16 - 18 .....	2
58	<u>00440-G4</u>						BOLT, 5/16 - 18 X 2 1/2" LG .....	2
59	<u>17838-G1</u>						NYLON BUSHING.....	4
60	00559-G8						WASHER, 5/16" .....	2

## SEATING - CONVERTIBLE CARRIER

Where applicable, THE USE OF NON UL PARTS WILL VOID ANY UL LISTING.

When ordering parts, please specify the model and serial number of the product.

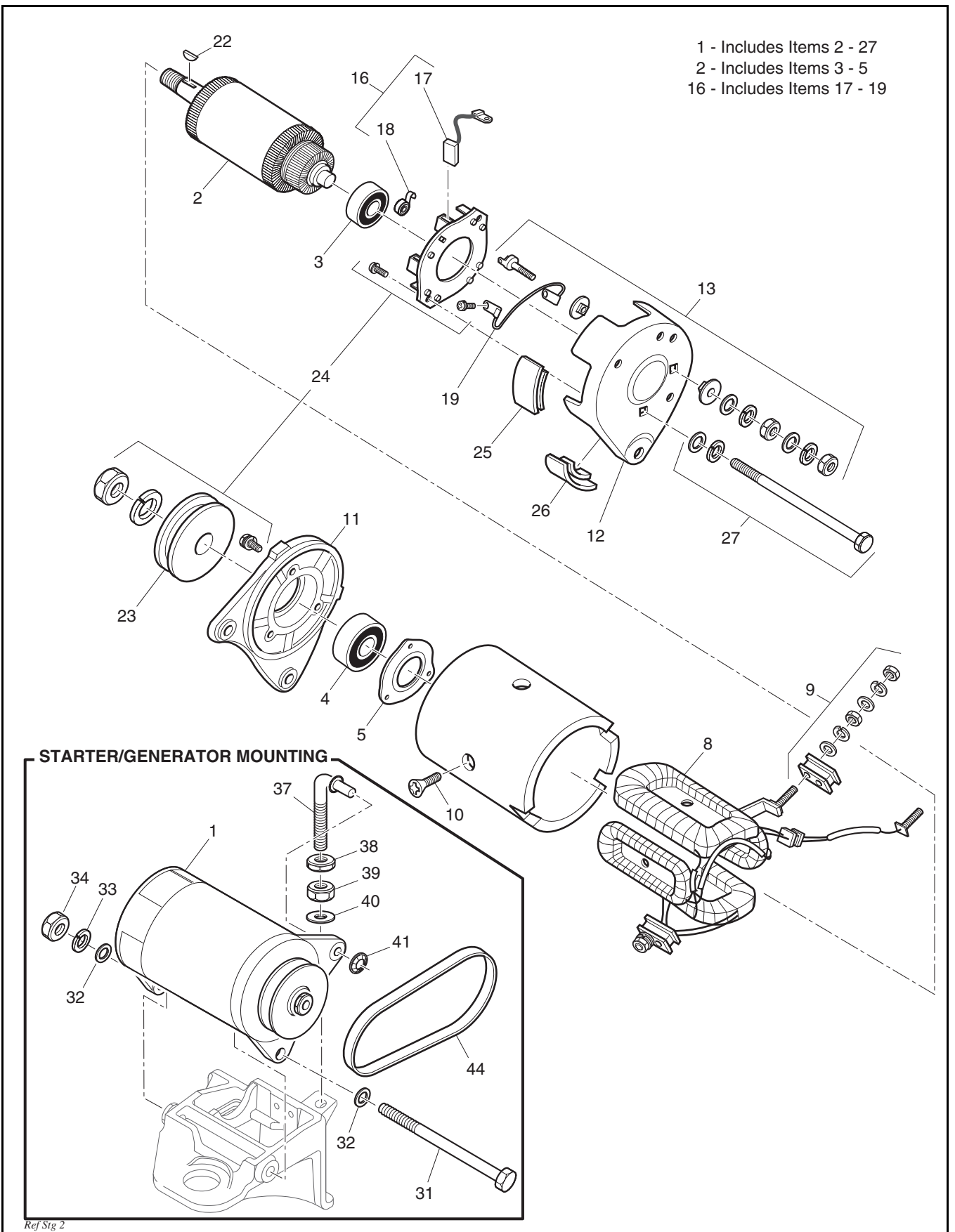
\* Indicates a component that is not available as an individual part.

G\*\* Indicates consult Customer Service Department for additional information.

ITEM	PART NO.	1	2	3	4	5	DESCRIPTION	QTY.
61	<u>00654-G3</u>						LOCK NUT, 5/16 - 18 (STAINLESS STEEL) .....	2
62	<u>75196-G01</u>						HANDRAIL .....	2
63	<u>00762-G2</u>						SCREW, 5/16 - 18 X 1 1/4" LG (STAINLESS STEEL) .....	2
64	<u>00664-G8</u>						LOCK WASHER, 5/16" (STAINLESS STEEL) .....	2
65	<u>00520-G3</u>						ACORN NUT, 5/16 - 18 (STAINLESS STEEL) .....	2
66	<u>75261-G02</u>						END CAP, 1" .....	4
67								
68								
69	<u>75460-G01</u>						SIDE BASKET (BLACK).....	2
70	<u>00106-G6</u>						SELF THREADING SCREW, #12 - 24 X 3/4" LG .....	4

## SEATING - CONVERTIBLE CARRIER

# STARTER / GENERATOR



## STARTER / GENERATOR

Where applicable, THE USE OF NON UL PARTS WILL VOID ANY UL LISTING.

When ordering parts, please specify the model and serial number of the product.

\* Indicates a component that is not available as an individual part.

G\*\* Indicates consult Customer Service Department for additional information.

ITEM	PART NO.	1	2	3	4	5	DESCRIPTION	QTY.
1	<u>27065-G01</u>						STARTER / GENERATOR (INCLUDES ITEMS 2 - 27).....	1
2	<u>26870-G01</u>						ARMATURE (INCLUDES ITEMS 3 - 5) .....	1
3	<u>26871-G01</u>						REAR BALL BEARING .....	1
4	<u>26872-G01</u>						FRONT BALL BEARING .....	1
5	<u>26873-G01</u>						BEARING HOLDER .....	1
6								
7								
8	<u>26875-G01</u>						FIELD COIL .....	1
9	<u>26876-G01</u>						INSULATING BRUSH ASSEMBLY ('F').....	2
10	<u>26877-G01</u>						POLE CORE SETSCREW.....	4
11	<u>26878-G01</u>						FRONT COVER.....	1
12	<u>27879-G01</u>						REAR COVER .....	1
13	<u>26880-G01</u>						TERMINAL ASSEMBLY ('A').....	2
14								
15								
16	<u>26881-G01</u>						BRUSH HOLDER ASSEMBLY (INCLUDES ITEMS 17 - 19) .....	1
17	<u>26658-G01</u>						BRUSH.....	4
18	<u>26882-G01</u>						BRUSH SPRING .....	4
19	<u>26883-G01</u>						BRUSH CONNECTOR.....	2
20								
21								
22	<u>26884-G01</u>						KEY.....	1
23	GSB107-35011						PULLEY .....	1
24	<u>26886-G01</u>						BRUSH AND PULLEY HARDWARE KIT.....	1
25	<u>26887-G01</u>						BRUSH 1 COVER.....	3
26	<u>26888-G01</u>						BRUSH 2 COVER.....	2
27	<u>26889-G01</u>						HOUSING HARDWARE KIT .....	2
28								
29								
30								

# STARTER / GENERATOR

Where applicable, THE USE OF NON UL PARTS WILL VOID ANY UL LISTING.

When ordering parts, please specify the model and serial number of the product.

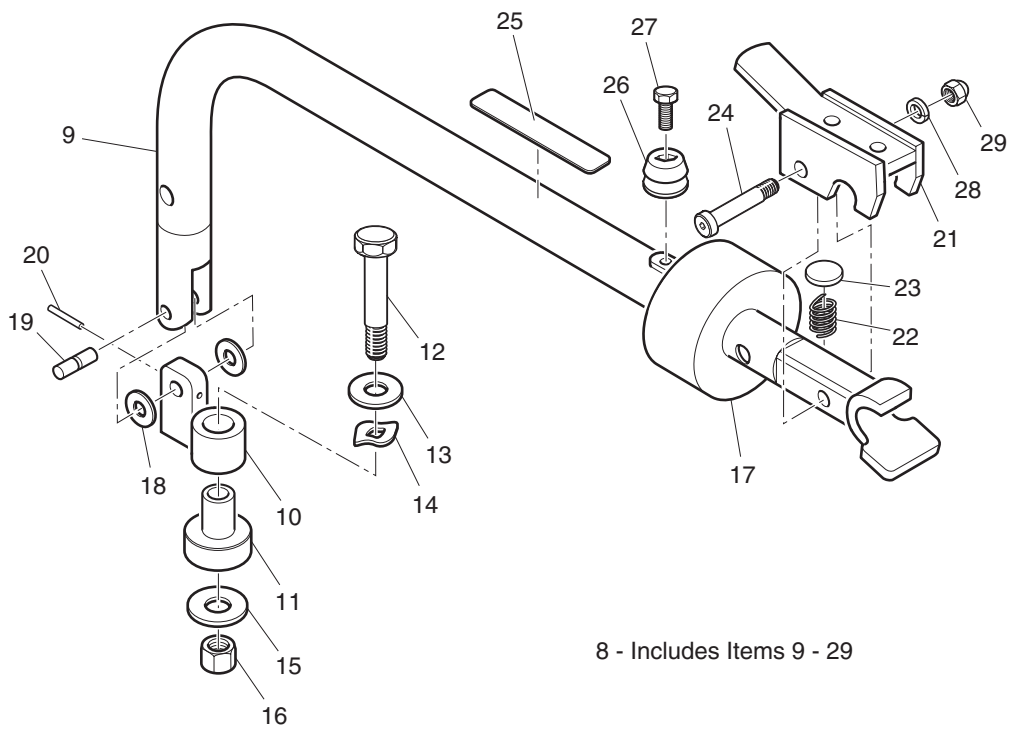
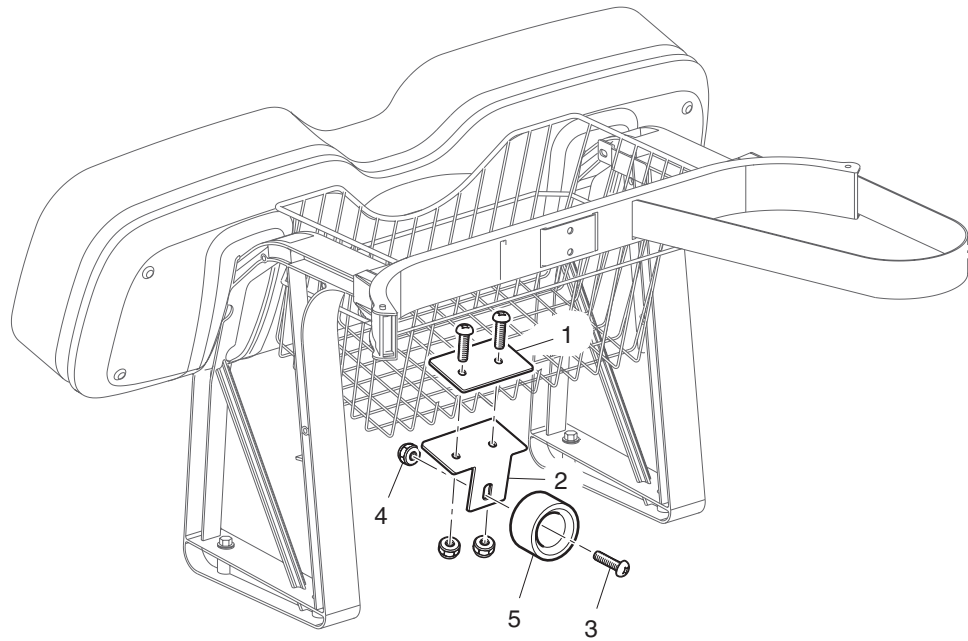
\* Indicates a component that is not available as an individual part.

G\*\* Indicates consult Customer Service Department for additional information.

ITEM	PART NO.	1 2 3 4 5	DESCRIPTION	QTY.
31	<u>00938-G4</u>		BOLT, 1/2 - 13 X 8" LG .....	1
32	<u>00560-G3</u>		WASHER, 1/2" .....	2
33	<u>00566-G3</u>		LOCK WASHER, 1/2".....	1
34	<u>00533-G1</u>		NUT, 1/2 - 13 .....	1
35				
36				
37	<u>28617-G01</u>		STARTER / GENERATOR ADJUSTER.....	1
38	<u>00544-G5</u>		JAM NUT, 3/8 - 16 .....	1
39	00532-G5		NUT, 3/8 - 16 .....	1
40	<u>00560-G1</u>		WASHER, 3/8" .....	1
41	12064-G4		PUSH NUT, 5/16" .....	1
42				
43				
44	<u>26414-G01</u>		STARTER / GENERATOR BELT .....	1



# TOW BAR - PERMANENT

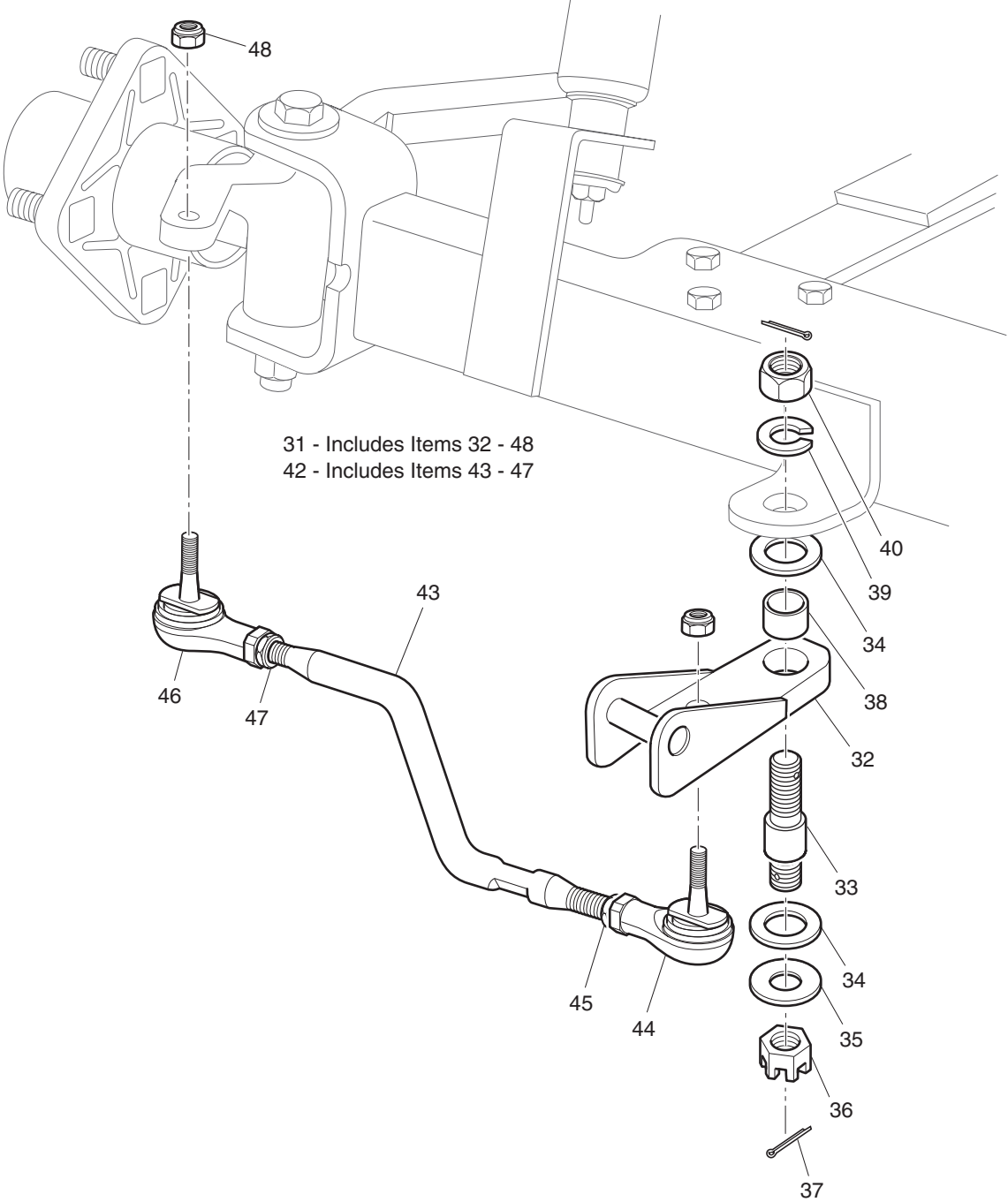


8 - Includes Items 9 - 29

Ref Twb 1-1



# TOW BAR - PERMANENT



Ref Twb 1-2

## TOW BAR - PERMANENT

Where applicable, THE USE OF NON UL PARTS WILL VOID ANY UL LISTING.

When ordering parts, please specify the model and serial number of the product.

\* Indicates a component that is not available as an individual part.

G\*\* Indicates consult Customer Service Department for additional information.

ITEM	PART NO.	1 2 3 4 5	DESCRIPTION	QTY.
1	<u>75318-G01</u>		MOUNTING PLATE.....	1
2	<u>75319-G01</u>		STOP MOUNT PLATE .....	1
3	<u>16705-G1</u>		SCREW, 1/4 - 20 X 1" LG (STAINLESS STEEL) .....	3
4	<u>00654-G2</u>		LOCK NUT, 1/4 - 20 (STAINLESS STEEL) .....	3
5	<u>75338-G02</u>		FEMALE STOP .....	1
6				
7				
8	<u>75304-G01</u>		TOW BAR ASSEMBLY (TOWING VEHICLE) (INCLUDES ITEMS 9 - 29) .....	1
9	<u>75299-G01</u>		TOW BAR .....	1
10	<u>75302-G01</u>		UPPER PIVOT .....	1
11	<u>75291-G01</u>		LOWER PIVOT .....	1
12	<u>00410-G8</u>		BOLT, 1/2 - 20 X 3" LG.....	1
13	<u>00675-G3</u>		WASHER, 1/2" (STAINLESS STEEL).....	1
14	<u>75339-G01</u>		SPRING WASHER .....	1
15	<u>00571-G5</u>		WASHER, 1/2" .....	1
16	<u>11098-G8</u>		LOCK NUT, 1/2 - 20.....	1
17	<u>75362-G01</u>		LATCH STOP.....	1
18	<u>75340-G01</u>		WASHER, 3/8" .....	2
19	<u>75360-G01</u>		PIVOT PIN .....	1
20	<u>13571-G7</u>		SPRING PIN .....	1
21	<u>75303-G01</u>		LATCH .....	1
22	<u>20852-G2</u>		COMPRESSION SPRING .....	1
23	<u>25661-G02</u>		CUP WASHER.....	1
24	<u>13005-G4</u>		SHOULDER BOLT, 5/16 - 18 X 2" LG.....	1
25	<u>75370-G01</u>		LABEL (WARNING) .....	1
26	<u>75338-G03</u>		MALE STOP .....	1
27	<u>12547-G4</u>		BOLT, 6MM X 1 X 30 MM LG.....	1
28	<u>00565-G8</u>		LOCK WASHER, 5/16" .....	1
29	<u>00520-G3</u>		ACORN NUT, 5/16 - 18 (STAINLESS STEEL) .....	1
30				

## TOW BAR - PERMANENT

Where applicable, THE USE OF NON UL PARTS WILL VOID ANY UL LISTING.

When ordering parts, please specify the model and serial number of the product.

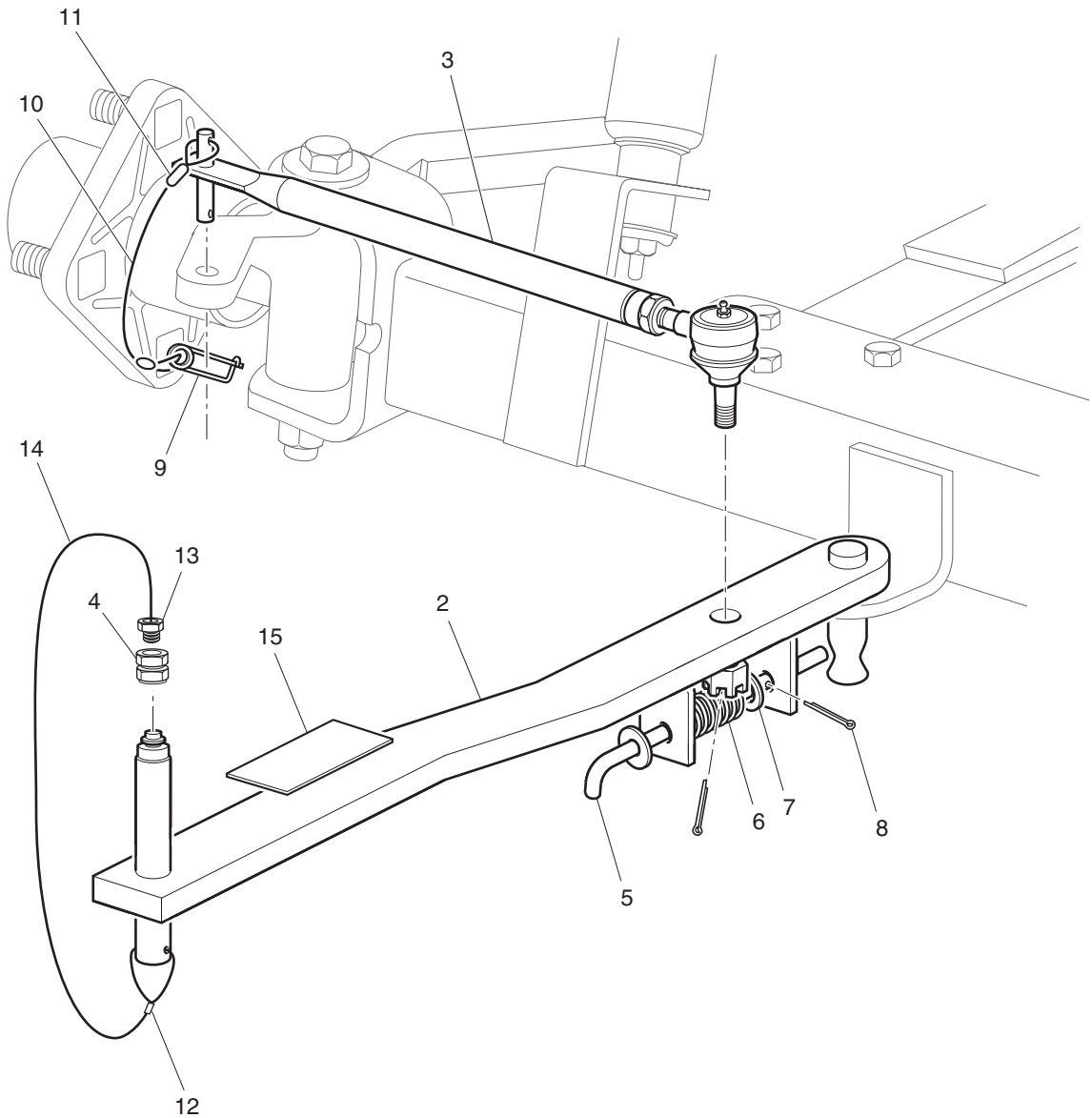
\* Indicates a component that is not available as an individual part.

G\*\* Indicates consult Customer Service Department for additional information.

ITEM	PART NO.	1	2	3	4	5	DESCRIPTION	QTY.
31	<u>75308-G01</u>						TOW BAR HITCH ASSEMBLY (TOWED VEHICLE) (INCLUDES ITEMS 32 - 48).....	1
32	<u>75305-G01</u>						HITCH.....	1
33	<u>75292-G01</u>						PIVOT BOLT.....	1
34	<u>75309-G01</u>						THRUST WASHER.....	2
35	<u>75342-G01</u>						WASHER, 3/4".....	1
36	<u>00518-G8</u>						CASTELLATED NUT, 3/4 - 16.....	1
37	<u>10387-G1</u>						COTTER PIN, 1/8" X 1 1/2" LG.....	2
38	<u>75307-G01</u>						BEARING.....	1
39	<u>00566-G6</u>						LOCK WASHER, 3/4".....	1
40	<u>00533-G8</u>						NUT, 3/4 - 16.....	1
41								
42	<u>70905-G01</u>						TIE ROD ASSEMBLY (INCLUDES ITEMS 43 - 47).....	1
43	<u>70903-G01</u>						THREADED ROD.....	1
44	<u>70902-G01</u>						TIE ROD END (LEFT HAND THREADS).....	1
45	<u>01069-G01</u>						JAM NUT, M12 X 1.25-05 (LEFT HAND THREADS).....	1
46	<u>70902-G02</u>						TIE ROD END (RIGHT HAND THREADS).....	1
47	<u>01069-G02</u>						JAM NUT, M12 X 1.25-05 (RIGHT HAND THREADS).....	1
48	<u>00734-G1</u>						LOCK NUT, 7/16 - 14.....	2

# TOW BAR - CASUAL

1 - Includes Items 2 - 15



Ref Tbc 1

## TOW BAR - CASUAL

Where applicable, THE USE OF NON UL PARTS WILL VOID ANY UL LISTING.

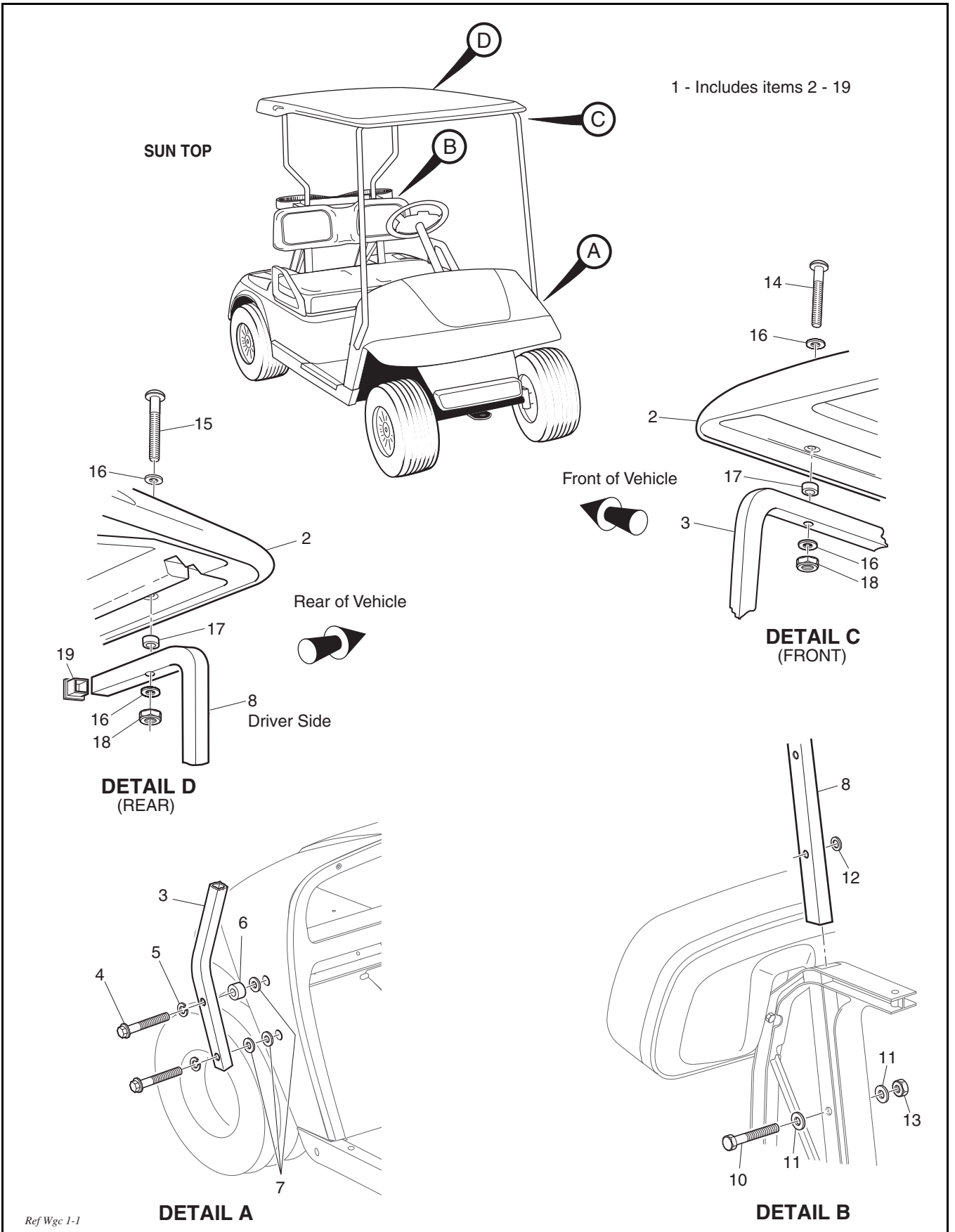
When ordering parts, please specify the model and serial number of the product.

\* Indicates a component that is not available as an individual part.

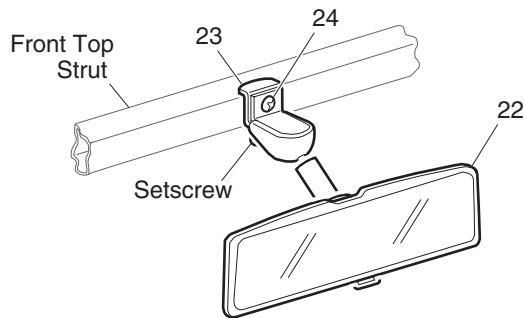
G\*\* Indicates consult Customer Service Department for additional information.

ITEM	PART NO.	1	2	3	4	5	DESCRIPTION	QTY.
1	<u>75033-G01</u>						CASUAL TOW BAR (INCLUDES ITEMS 2 - 15).....	1
2	*						TOW BAR .....	1
3	<u>75034-G01</u>						TIE ROD (INCLUDES NUT AND COTTER PIN) .....	1
4	<u>75060-G01</u>						COUPLING .....	1
5	*						LOCK PIN .....	1
6	<u>75065-G01</u>						COMPRESSION SPRING .....	1
7	<u>00922-G2</u>						WASHER, 3/8" .....	1
8	<u>10387-G2</u>						COTTER PIN, 3/32" X 1" LG .....	1
9	<u>75068-G01</u>						SAFETY PIN .....	1
10	14869-G5						WIRE ROPE .....	1
11	<u>16783-G1</u>						FERRULE .....	3
12	<u>75067-G01</u>						FERRULE .....	1
13	<u>75035-G02</u>						HEX HEAD PLUG .....	1
14	14869-G3						WIRE ROPE .....	1
15	<u>75091-G01</u>						LABEL (WARNING) .....	1

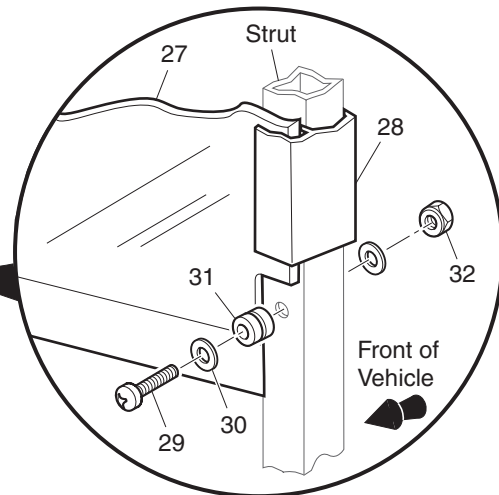
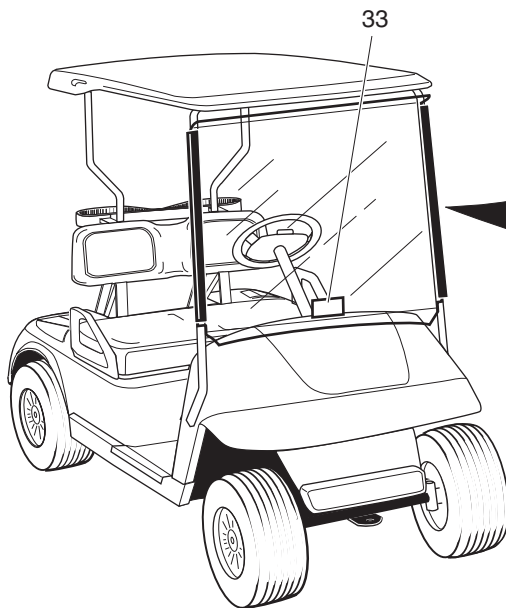
# WEATHER PROTECTION - GOLF CAR



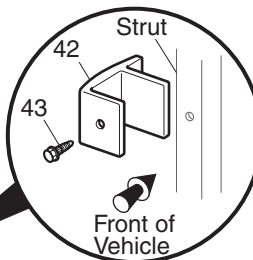
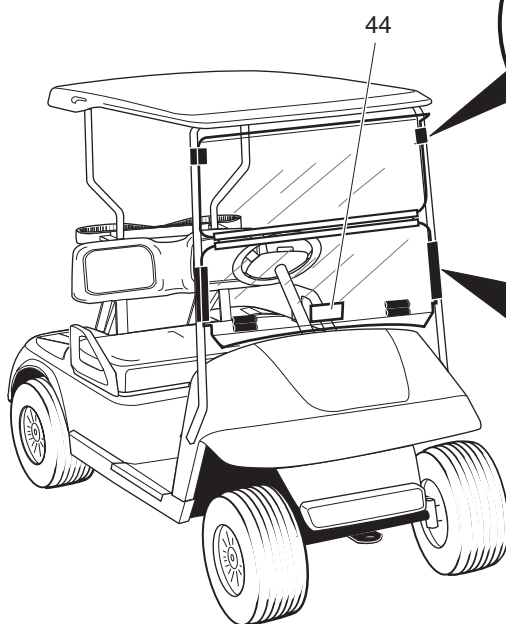
# WEATHER PROTECTION - GOLF CAR



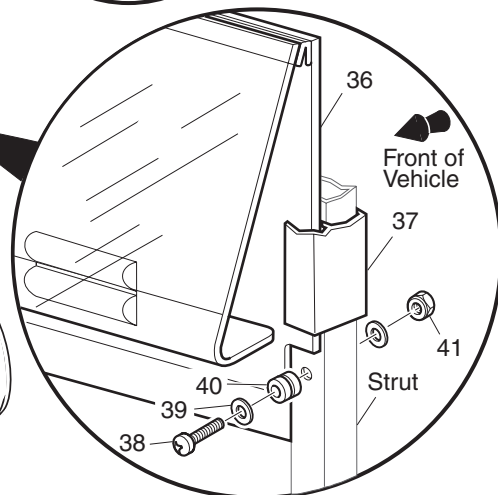
**REAR VIEW MIRROR**  
21 - Includes Items 22 - 24



**FULL WINDSHIELD**  
26 - Includes Items 27 - 33



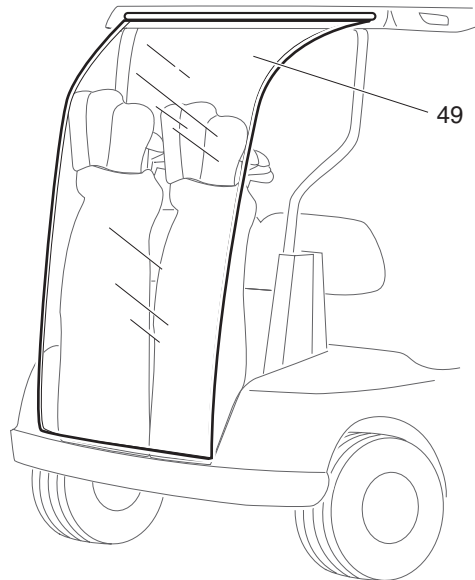
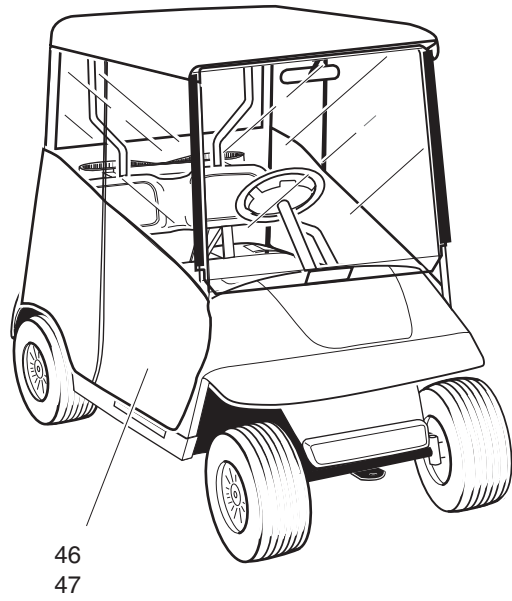
**FOLD DOWN WINDSHIELD**  
35 - Includes Items 36 - 44



Ref Wgc 1-2

# WEATHER PROTECTION - GOLF CAR

WEATHER ENCLOSURE



BAG AND RAIN CURTAIN

Ref Wgc 1-3



## WEATHER PROTECTION - GOLF CAR

Where applicable, THE USE OF NON UL PARTS WILL VOID ANY UL LISTING.

When ordering parts, please specify the model and serial number of the product.

\* Indicates a component that is not available as an individual part.

G\*\* Indicates consult Customer Service Department for additional information.

ITEM	PART NO.	1	2	3	4	5	DESCRIPTION	QTY.
		For service or replacement parts, contact: Eagle Parts, Inc. 1411 Marvin Griffin Rd. Augusta, GA 30906 Telephone (706) 790-6687 or FAX (706) 790-6066						
1	75040-G**	SUN TOP KIT (GOLF CAR) (INCLUDES ITEMS 2 - 19) .....						1
2	27069-G**	SUN TOP .....						1
3	<u>75045-G01</u>	FRONT STRUT .....						1
4	01035-G01	BOLT, 5/16 - 18 X 2 1/4" LG .....						4
5	<u>00905-G8</u>	LOCK WASHER, 5/16" .....						4
6	<u>75048-G01</u>	SPACER, 1/2" .....						2
7	<u>00570-G2</u>	WASHER, 5/16" .....						6
8	<u>75046-G01</u>	REAR STRUT .....						2
9								
10	<u>00685-G7</u>	BOLT, 5/16 - 18 X 1 3/4" LG (STAINLESS STEEL) .....						4
11	<u>01110-G03</u>	WASHER, 5/16" (STAINLESS STEEL) .....						8
12	<u>17255-G1</u>	TEFLON WASHER, 5/16" .....						4
13	<u>01109-G01</u>	LOCK NUT, 5/16 - 18 (STAINLESS STEEL) .....						4
14	<u>00753-G5</u>	SCREW, 1/4 - 20 X 2" LG (STAINLESS STEEL) .....						2
15	00753-G6	SCREW, 1/4 - 20 X 2 1/4" LG (STAINLESS STEEL) .....						2
16	<u>01110-G01</u>	WASHER, 1/4" (STAINLESS STEEL) .....						8
17	<u>75051-G01</u>	SPACER .....						4
18	<u>00654-G2</u>	LOCK NUT, 1/4 - 20 (STAINLESS STEEL) .....						4
19	<u>19853-G1</u>	END CAP, 1" .....						2
20								
21	<u>19528-G2</u>	REAR VIEW MIRROR KIT (INCLUDES ITEMS 22 - 24) .....						1
22	<u>19496-G1</u>	REAR VIEW MIRROR .....						1
23	19502-G2	SUPPORT BRACKET .....						1
24	<u>19527-G1</u>	SCREW, #8 - 32 X 5/8" LG (STAINLESS STEEL) .....						1
25								

## WEATHER PROTECTION - GOLF CAR

Where applicable, THE USE OF NON UL PARTS WILL VOID ANY UL LISTING.

When ordering parts, please specify the model and serial number of the product.

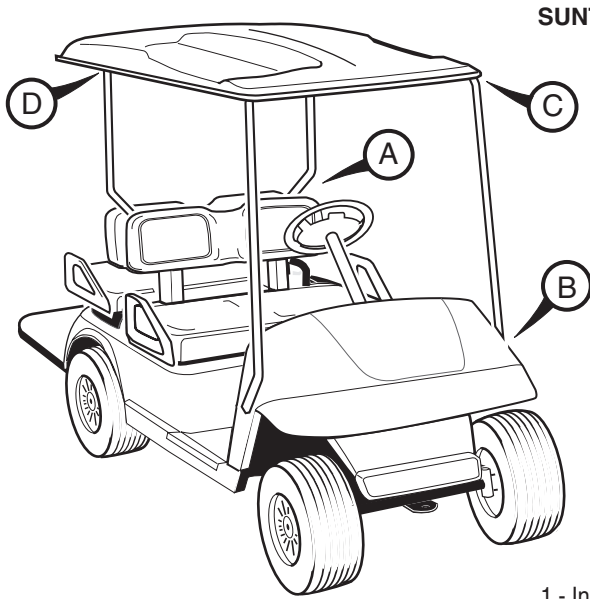
\* Indicates a component that is not available as an individual part.

G\*\* Indicates consult Customer Service Department for additional information.

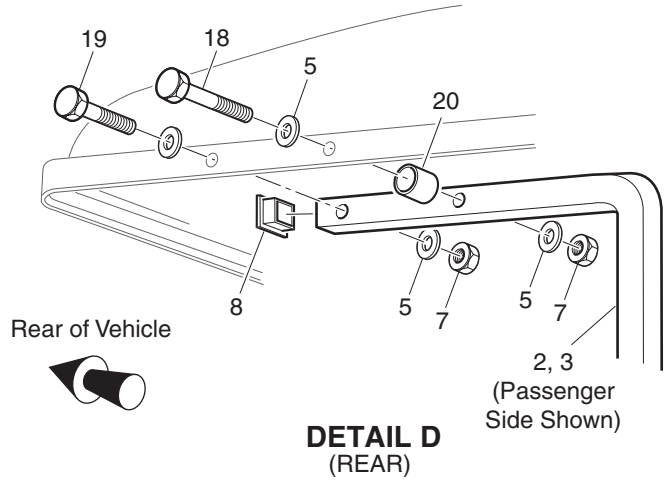
ITEM	PART NO.	1	2	3	4	5	DESCRIPTION	QTY.
26	<u>75524-G01</u>						WINDSHIELD KIT (GOLF CAR) (INCLUDES ITEMS 27 - 33).....	1
27	*						WINDSHIELD .....	1
28	EGWHC12						SASH, 26" LG .....	2
29	EGWHS12						SCREW, 1/4 - 20 X 1 3/4" LG (STAINLESS STEEL).....	2
30	EGWHW12						WASHER, 1/4" (STAINLESS STEEL).....	4
31	EGWHG13						RUBBER GROMMET .....	2
32	EGWHN12						LOCK NUT, 1/4 - 20 (STAINLESS STEEL).....	2
33	EGWHL14						LABEL (SAFETY) .....	1
34								
35	<u>75525-G01</u>						FOLD DOWN WINDSHIELD KIT (GOLF CAR) (INCLUDES ITEMS 36 - 44).....	1
36	*						WINDSHIELD .....	1
37	EGWHC10						SASH, 12" LG .....	2
38	EGWHS12						SCREW, 1/4 - 20 X 1 3/4" LG (STAINLESS STEEL).....	2
39	EGWHW12						WASHER, 1/4" (STAINLESS STEEL).....	4
40	EGWHG13						RUBBER GROMMET .....	2
41	EGWHN12						LOCK NUT, 1/4 - 20 (STAINLESS STEEL).....	2
42	137-010						TOP GRIP, 3/4" X 2" .....	2
43	136-008						TOP GRIP FASTENER.....	2
44	EGWHL14						LABEL (SAFETY) .....	1
45								
46	<u>75078-G01</u>						WEATHER ENCLOSURE (3 SIDED) RECOMMENDED FOR VEHICLES WITH WINDSHIELDS .....	1
47	<u>75079-G01</u>						WEATHER ENCLOSURE (4 SIDED) RECOMMENDED FOR VEHICLES WITHOUT WINDSHIELDS .....	1
48								
49	<u>75191-G01</u>						BAG COVER AND RAIN CURTAIN KIT.....	1

**WEATHER PROTECTION - GOLF CAR**

# WEATHER PROTECTION - SHUTTLE 2+2

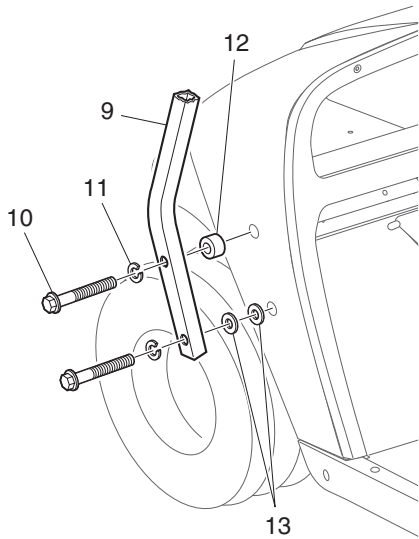


SUNTOP

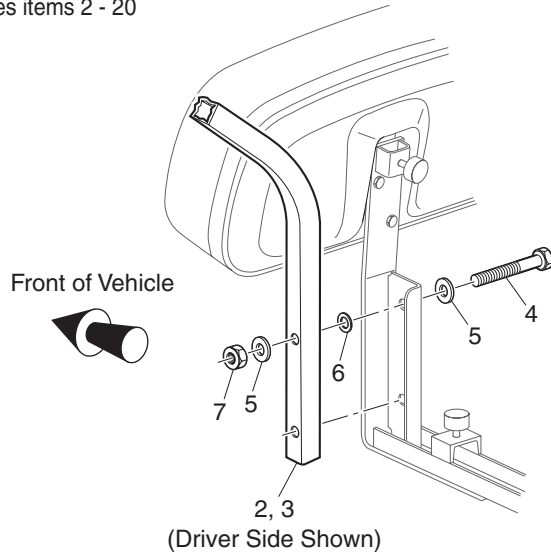


**DETAIL D**  
(REAR)

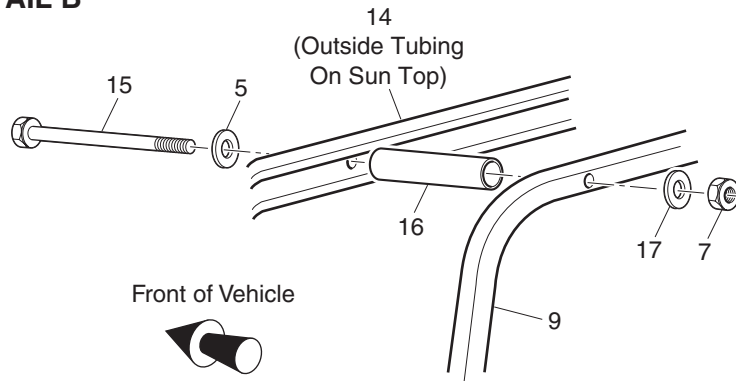
1 - Includes items 2 - 20



**DETAIL B**



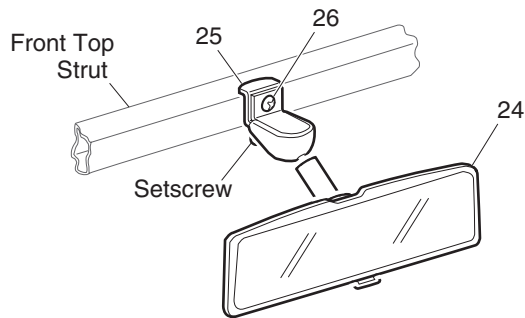
**DETAIL A**



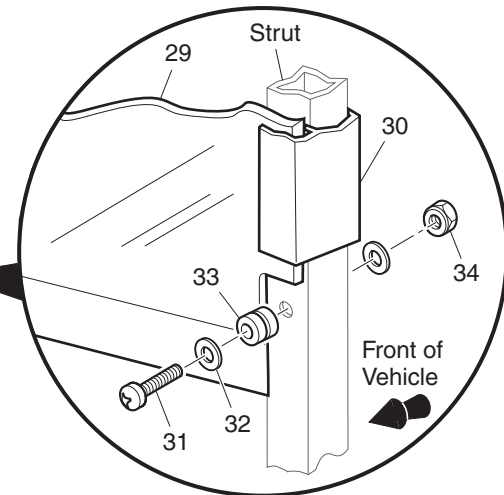
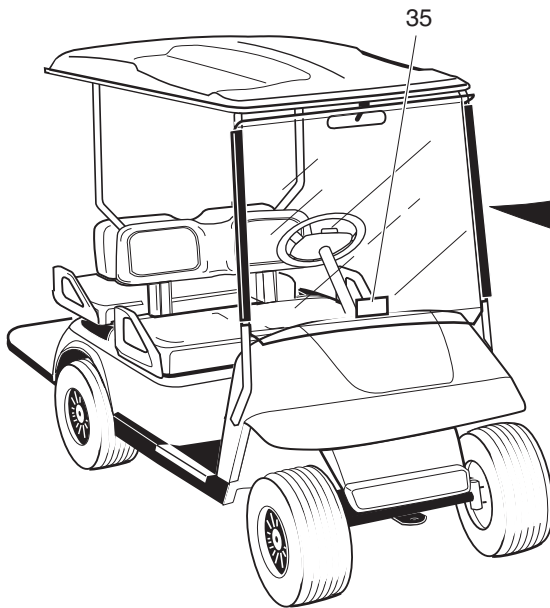
**DETAIL C**  
(FRONT)

Ref Wsh 1-1

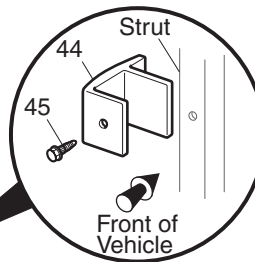
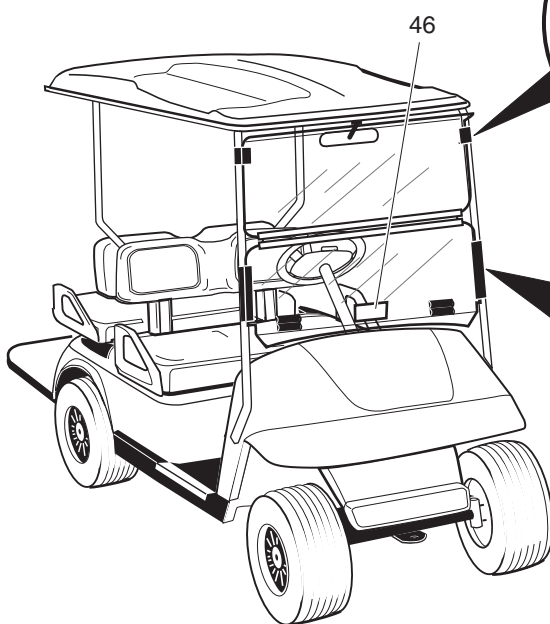
# WEATHER PROTECTION - SHUTTLE 2+2



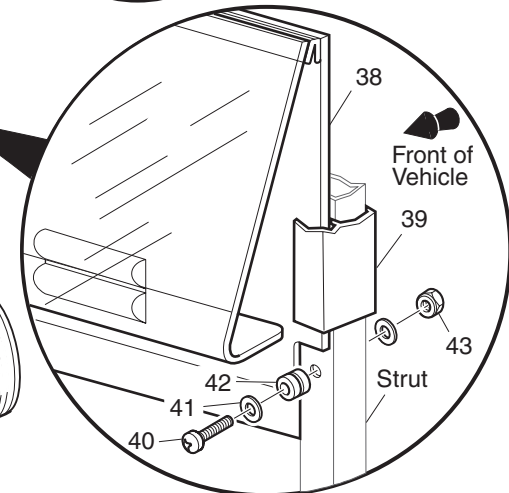
**REAR VIEW MIRROR**  
23 - Includes Items 24 - 26



**FULL WINDSHIELD**  
28 - Includes Items 29 - 35



**FOLD DOWN WINDSHIELD**  
37 - Includes Items 38 - 46



Ref Wsh 1-2

## WEATHER PROTECTION - SHUTTLE 2+2

Where applicable, THE USE OF NON UL PARTS WILL VOID ANY UL LISTING.

When ordering parts, please specify the model and serial number of the product.

\* Indicates a component that is not available as an individual part.

G\*\* Indicates consult Customer Service Department for additional information.

ITEM	PART NO.	1	2	3	4	5	DESCRIPTION	QTY.
		For service or replacement parts, contact: Eagle Parts, Inc. 1411 Marvin Griffin Rd. Augusta, GA 30906 Telephone (706) 790-6687 or FAX (706) 790-6066						
1	<u>75123-G01</u>	SUN TOP (SHUTTLE 2+2) (INCLUDES ITEMS 2 - 20).....						1
2	<u>75074-G01</u>	REAR STRUT (DRIVER SIDE).....						1
3	<u>75074-G02</u>	REAR STRUT (PASSENGER SIDE).....						1
4	<u>00665-G5</u>	BOLT, 3/8 - 16 X 1 3/4" LG (STAINLESS STEEL).....						4
5	<u>00679-G1</u>	WASHER, 3/8 (STAINLESS STEEL).....						18
6	<u>00771-G5</u>	WASHER, 3/8.....						4
7	<u>00891-G5</u>	LOCK NUT, 3/8 - 16.....						10
8	<u>19853-G1</u>	END CAP, 1".....						2
9	<u>75125-G01</u>	FRONT STRUT.....						1
10	<u>01035-G01</u>	BOLT, 5/16 - 18 X 2 1/4" LG.....						4
11	<u>00905-G8</u>	LOCK WASHER, 5/16".....						4
12	<u>75048-G01</u>	SPACER, 1/2".....						2
13	<u>00879-G1</u>	LOCK WASHER, 3/8".....						4
14	<u>27604-G01</u>	SUN TOP.....						1
15	<u>00674-G8</u>	BOLT, 3/8 - 16 X 5" LG (STAINLESS STEEL).....						2
16	<u>18716-G1</u>	SPACER.....						2
17	<u>00653-G1</u>	WASHER, 3/8" (STAINLESS STEEL).....						2
18	<u>00665-G3</u>	BOLT, 3/8 - 16 X 2 1/2" LG (STAINLESS STEEL).....						2
19	<u>00665-G6</u>	BOLT, 3/8 - 16 X 2" LG (STAINLESS STEEL).....						2
20	<u>24647-G1</u>	SPACER, 1/4".....						2
21								
22								
23	<u>19528-G2</u>	REAR VIEW MIRROR KIT (INCLUDES ITEMS 24 - 26).....						1
24	<u>19496-G1</u>	REAR VIEW MIRROR.....						1
25	<u>19502-G2</u>	SUPPORT BRACKET.....						1
26	<u>19527-G1</u>	SCREW, #8 - 32 X 5/8" LG (STAINLESS STEEL).....						1

## WEATHER PROTECTION - SHUTTLE 2+2

Where applicable, THE USE OF NON UL PARTS WILL VOID ANY UL LISTING.

When ordering parts, please specify the model and serial number of the product.

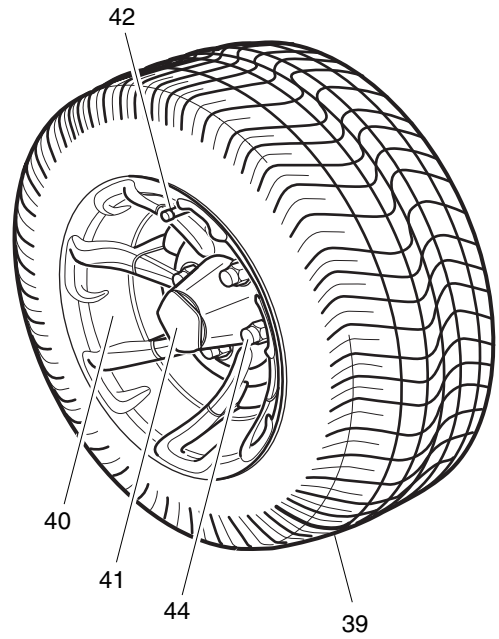
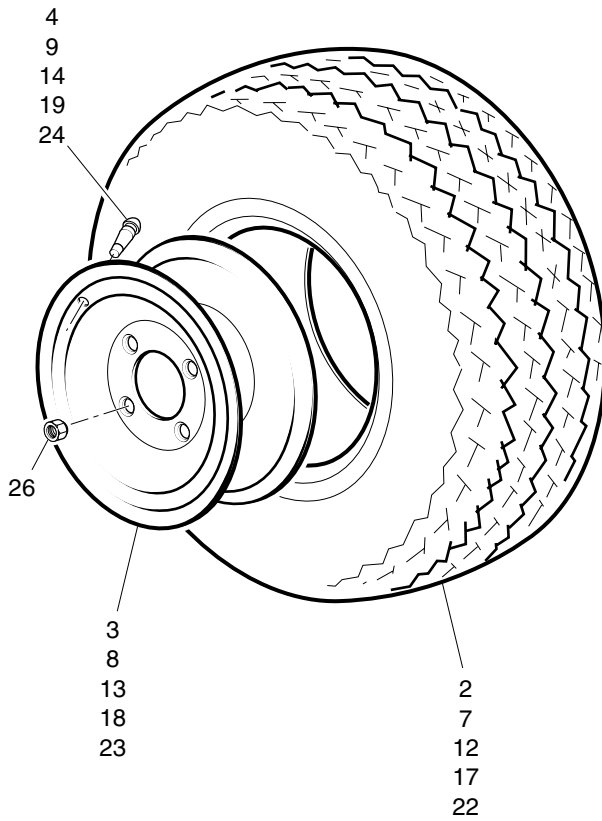
\* Indicates a component that is not available as an individual part.

G\*\* Indicates consult Customer Service Department for additional information.

ITEM	PART NO.	1	2	3	4	5	DESCRIPTION	QTY.
27								
28	<u>75524-G02</u>						WINDSHIELD KIT (SHUTTLE 2+2) (INCLUDES ITEMS 29 - 35).....	1
29	*						WINDSHIELD .....	1
30	EGWHC12						SASH, 26" LG .....	2
31	EGWHS12						SCREW, 1/4 - 20 X 1 3/4" LG (STAINLESS STEEL).....	2
32	EGWHW12						WASHER, 1/4" (STAINLESS STEEL).....	4
33	EGWHG13						RUBBER GROMMET .....	2
34	EGWHN12						LOCK NUT, 1/4 - 20 (STAINLESS STEEL).....	2
35	EGWHL14						LABEL (SAFETY) .....	1
36								
37	<u>75525-G02</u>						FOLD DOWN WINDSHIELD KIT (SHUTTLE 2+2) (INCLUDES ITEMS 38 - 46).....	1
38	*						WINDSHIELD .....	1
39	EGWHC10						SASH, 12" LG .....	2
40	EGWHS12						SCREW, 1/4 - 20 X 1 3/4" LG (STAINLESS STEEL).....	2
41	EGWHW12						WASHER, 1/4" (STAINLESS STEEL).....	4
42	EGWHG13						RUBBER GROMMET .....	2
43	EGWHN12						LOCK NUT, 1/4 - 20 (STAINLESS STEEL).....	2
44	137-010						TOP GRIP, 3/4" X 2" .....	2
45	136-008						TOP GRIP FASTENER.....	2
46	EGWHL14						LABEL (SAFETY) .....	1

# WHEELS AND TIRES

- 1 - Includes Items 2 - 4
- 6 - Includes Items 7 - 9
- 11 - Includes Items 12 - 14
- 16 - Includes Items 17 - 19
- 21 - Includes Items 22 - 24
- 38 - Includes Items 39 - 42



6" CHROME HUBCAP  
28



8" CHROME HUBCAP  
29



SILVER / GOLD SPOKE HUBCAP  
30, 31

Ref Whl 1



## WHEELS AND TIRES

Where applicable, THE USE OF NON UL PARTS WILL VOID ANY UL LISTING.

When ordering parts, please specify the model and serial number of the product.

\* Indicates a component that is not available as an individual part.

G\*\* Indicates consult Customer Service Department for additional information.

ITEM	PART NO.	1 2 3 4 5	DESCRIPTION	QTY.
1	27772-G09		TIRE AND WHEEL ASSEMBLY (LINKS 1 18 X 8.5 - 8) (INCLUDES ITEMS 2 - 4).....	4
2	27772-G10		LINKS 1 CARLISLE TIRE, 18 X 8.5 - 8 .....	1
3	15169-G1		WHEEL RIM (4 LUG).....	1
4	<u>11657-G1</u>		VALVE STEM.....	1
5				
6	27772-G03		WHEEL AND TIRE ASSEMBLY (TURF SAVER 18 X 8.5 - 8) (INCLUDES ITEMS 7 - 9).....	4
7	27772-G07		CARLISLE TIRE (TURF SAVER 18 X 8.5 - 8).....	1
8	15169-G1		WHEEL RIM (4 LUG).....	1
9	<u>11657-G1</u>		VALVE STEM.....	1
10				
11	27775-G01		WHEEL AND TIRE ASSEMBLY (USA TRAIL 6-PLY 18.5 X 8.5 - 8) (INCLUDES ITEMS 12 - 14).....	4
12	27775-G02		CARLISLE TIRE (USA TRAIL, 6 PLY 18 X 8.5 - 8) .....	1
13	15169-G1		WHEEL RIM (4 LUG).....	1
14	<u>11657-G1</u>		VALVE STEM.....	1
15				
16	27772-G02		WHEEL AND TIRE ASSEMBLY (TURF GLIDE 18 X 8.5 - 8) (INCLUDES ITEMS 17 - 19).....	4
17	27772-G06		CARLISLE TIRE (TURF GLIDE 18 X 8.5 - 8) .....	1
18	15169-G1		WHEEL RIM (4 LUG).....	1
19	<u>11657-G1</u>		VALVE STEM.....	1
20				
21	27772-G04		WHEEL AND TIRE ASSEMBLY (FAIRWAY 18 X 8.5 - 8) (INCLUDES ITEMS 22 - 24).....	4
22	27772-G08		CARLISLE TIRE (FAIRWAY 18 X 8.5 - 8).....	1
23	15169-G1		WHEEL RIM (4 LUG).....	1
24	<u>11657-G1</u>		VALVE STEM.....	1
25				
26	<u>14723-G1</u>		LUG NUT, 1/2 - 20.....	16
27				

# WHEELS AND TIRES

Where applicable, THE USE OF NON UL PARTS WILL VOID ANY UL LISTING.

When ordering parts, please specify the model and serial number of the product.

\* Indicates a component that is not available as an individual part.

G\*\* Indicates consult Customer Service Department for additional information.

ITEM	PART NO.	1 2 3 4 5	DESCRIPTION	QTY.
28	16042-G01		6" CHROME HUBCAP .....	4
29	16042-G02		6" CHROME HUBCAP (SET OF FOUR).....	1
30	14913-G01		8" CHROME HUBCAP .....	4
31	14913-G02		8" CHROME HUBCAP (SET OF FOUR).....	1
32	19241-G02		GOLD SPOKE HUBCAP .....	4
33	19241-G04		GOLD SPOKE HUBCAP (SET OF FOUR) .....	1
34	19241-G01		SILVER SPOKE HUBCAP.....	4
35	19241-G03		SILVER SPOKE HUBCAP (SET OF FOUR).....	1
36				
37				
38	<u>28780-G01</u>		ALLOY WHEEL AND TIRE ASSEMBLY (PRO TOUR 18 X 8.00 - 10) (INCLUDES ITEMS 39 - 42).....	4
39	74825-G01		KENDA TIRE (PRO TOUR, 18 X 8.00 - 10) .....	1
40	74828-G01		ALLOY WHEEL.....	1
41	<u>28781-G01</u>		ALLOY WHEEL CAP .....	1
42	74826-G01		VALVE STEM (CHROME).....	1
43				
44	28782-G01		ALLOY WHEEL LUG NUT .....	16

SPECIALTY PRODUCTS

**SPECIALTY PRODUCTS**

## SPECIALTY PRODUCTS

<b>SPECIAL TOOLS</b>	<b>PART NO.</b>
HIGH RESISTANCE SPARK PLUG WIRE SET .....	26733-G02
CLUTCH PULLER (DRIVE) .....	19779-G2
FLYWHEEL PULLER .....	27111-G01
CURRENT INDICATOR .....	16489-G2
DIGITAL MULTI-METER .....	27481-G01
SLIDE HAMMER (AXLE/HUB REMOVAL) .....	15947-G1
SLIDE HAMMER (AXLE REMOVAL ONLY) .....	18753-G1
COMPRESSION TESTER .....	72524-G01
FEELER GAUGE .....	72525-G01
TACHOMETER .....	72526-G01

<b>ENGINE OIL</b>	<b>PART NO.</b>
4 CYCLE ENGINE OIL, 5 GALLON (19 LITER) .....	25730-G03
4 CYCLE ENGINE OIL, 12 QUART CASE .....	25730-G04
4 CYCLE ENGINE OIL, 1 QUART BOTTLE (950 ML) .....	25730-G06

<b>TOUCH UP PAINT</b>	<b>PART NO.</b>
PEN 3 OUNCE (89 ML) - HUNTER GREEN .....	28432-G02
PEN 3 OUNCE (89 ML) - CHAMPAGNE BEIGE .....	28432-G01
PEN 3 OUNCE (89 ML) - WHITE .....	28432-G05
PEN 3 OUNCE (89 ML) - INDUSTRIAL YELLOW .....	28432-G03
PEN 3 OUNCE (89 ML) - ORANGE .....	28432-G04
PEN 3 OUNCE (89 ML) - STEEL BLUE PEARL .....	28432-G**
PEN 3 OUNCE (89 ML) - CAMOUFLAGE PAINT (THREE PENS) .....	75831-G01
AEROSOL 12 OUNCE (360 ML) - HUNTER GREEN .....	28140-G09
AEROSOL 12 OUNCE (360 ML) - CHAMPAGNE BEIGE .....	28140-G15
AEROSOL 12 OUNCE (360 ML) - WHITE .....	28140-G03
AEROSOL 12 OUNCE (360 ML) - INDUSTRIAL YELLOW .....	28140-G14
AEROSOL 12 OUNCE (360 ML) - ORANGE .....	28140-G13
AEROSOL 12 OUNCE (360 ML) - STEEL BLUE PEARL .....	28140-G**

## SPECIALTY PRODUCTS

<b>MAINTENANCE PRODUCTS</b>	<b>PART NO.</b>
FORMULA 40 VINYL-COAT® - WHITE .....	28166-G01
PLEXUS® CLEANER, 7 OUNCE (210 ML) (FOR WINDSHIELDS) .....	28433-G01
PLEXUS® CLEANER, 13 OUNCE (380 ML) (FOR WINDSHIELDS) .....	28433-G02
BATTERY PROTECTOR, 14 OUNCE (410 ML) SPRAY .....	75500-G01
CARBURETOR & CHOKE CLEANER, 15 OUNCE (440 ML) SPRAY .....	75501-G01
WHITE LITHIUM GREASE, 14 OUNCE (410 ML) SPRAY .....	75502-G01
PENETRANT/LUBRICANT, 15 OUNCE (440 ML) SPRAY .....	75503-G01
MULTI-PURPOSE CLEANER & DEGREASER, 14 OUNCE (410 ML) SPRAY .....	75504-G01
MULTI-PURPOSE HAND CLEANER, 32 OUNCE (950 ML) LIQUID .....	75505-G01
BATTERY CLEANER, 32 OUNCE (950 ML) WITH TRIGGER SPRAYER .....	75506-G01
BIO-DEGRADABLE CLEANER, 32 OUNCE (950 ML) WITH TRIGGER SPRAYER .....	75507-G01
MULTI-PURPOSE VALUE PACK.....	75508-G01
• BATTERY PROTECTOR, 4 OUNCE (120 ML) SPRAY	
• PENETRANT/LUBRICANT, 4 OUNCE (120 ML) SPRAY	
• WHITE LITHIUM GREASE, 4 OUNCE (120 ML) SPRAY	
• CARBURETOR & CHOKE CLEANER, 4 OUNCE (120 ML) SPRAY	

## SPECIALTY PRODUCTS

OPTIONS/ACCESSORIES

# OPTIONS/ACCESSORIES

## OPTIONS/ACCESSORIES

ITEM	KIT NO.	SECTION
2 BAG ATTACHMENT . . . . .	75183-G01 . . . . .	Body - Footrest
4 BAG ATTACHMENT . . . . .	75335-G01 . . . . .	Body - Accessories Continued
ALLOY WHEEL AND TIRE ASSEMBLY . . . . .	28780-G01 . . . . .	Wheels And Tires
ALLOY WHEEL CAP . . . . .	28781-G01 . . . . .	Wheels And Tires
ALLOY WHEEL LUG NUT . . . . .	28782-G01 . . . . .	Wheels And Tires
8" CHROME HUBCAP . . . . .	14913-G* . . . . .	Wheels And Tires
6" CHROME HUBCAP . . . . .	16042-G* . . . . .	Wheels And Tires
GOLD SPOKE HUBCAP . . . . .	19241-G* . . . . .	Wheels And Tires
SILVER SPOKE HUBCAP . . . . .	19241-G* . . . . .	Wheels And Tires
ASHTRAY KIT . . . . .	75109-G02 . . . . .	Body - Accessories Continued
BAG COVER / RAIN CURTAIN KIT . . . . .	75191-G01 . . . . .	Weather Protection - Golf Car
CONVERTIBLE CARRIER KIT . . . . .	75179-G* . . . . .	Body, Seating - Convertible Carrier
CENTER BASKET . . . . .	75003-G02 . . . . .	Body - Accessories
COOLER JUG AND BRACKET KIT . . . . .	75495-G01 . . . . .	Body - Accessories Continued
COOLER BOX AND BRACKET KIT . . . . .	75344-G01 . . . . .	Body - Accessories Continued
DIVOT REPAIR KIT . . . . .	23300-G01 . . . . .	Body - Accessories
HIGH ALTITUDE CONVERSION KIT (3-6K FEET) . . . . .	72754-G02 . . . . .	Carburetor and Choke
HIGH ALTITUDE CONVERSION KIT (6-10K FEET) . . . . .	72754-G01 . . . . .	Carburetor and Choke
HOUR METER . . . . .	75114-G02 . . . . .	Electrical System
MESSAGE HOLDER KIT (REQUIRES SUN TOP) . . . . .	75509-G01 . . . . .	Body - Accessories Continued
MESSAGE HOLDER KIT (REQUIRES SUN TOP) . . . . .	75496-G01 . . . . .	Body - Accessories Continued
REAR VIEW MIRROR (REQUIRES SUN TOP) . . . . .	19528-G2 . . . . .	Weather Protection - Golf Car
SAND BOTTLE . . . . .	28661-G01 . . . . .	Body - Accessories
SAND RAKE . . . . .	14735-G1 . . . . .	Body - Accessories Continued
SAND RAKE HOLDER . . . . .	75006-G01 . . . . .	Body - Accessories Continued
SHUTTLE 2+2 KIT . . . . .	74150-G** . . . . .	Body, Seating - Shuttle 2+2
SIDE BASKET . . . . .	75007-G** . . . . .	Body - Accessories
SUN TOP KIT, GOLF CAR . . . . .	75040-G** . . . . .	Weather Protection - Golf Car
SUN TOP KIT, SHUTTLE 2+2 . . . . .	75123-G01 . . . . .	Weather Protection - Shuttle 2+2
TOW BAR KIT (CASUAL) . . . . .	75033-G01 . . . . .	Tow Bar - Casual
TOW BAR KIT (PERMANENT) . . . . .	75310-G01 . . . . .	Tow Bar - Permanent
TURN SIGNAL KIT . . . . .	75107-G02 . . . . .	Electrical System



## OPTIONS/ACCESSORIES

<b>ITEM</b>	<b>KIT NO.</b>	<b>SECTION</b>
WEATHER ENCLOSURE (3 SIDED).....	75078-G01.....	Weather Protection - Golf Car
WEATHER ENCLOSURE (3 SIDED).....	75492-G01.....	Weather Protection - Shuttle 2+2
WEATHER ENCLOSURE (4 SIDED).....	75079-G01.....	Weather Protection - Golf Car
WINDSHIELD KIT, GOLF CAR.....	75524-G01.....	Weather Protection - Golf Car
WINDSHIELD KIT, SHUTTLE 2+2.....	75524-G02.....	Weather Protection - Shuttle 2+2
WINDSHIELD KIT, FOLD DOWN, GOLF CAR.....	75525-G01.....	Weather Protection - Golf Car
WINDSHIELD KIT, FOLD DOWN, SHUTTLE 2+2.....	75525-G02.....	Weather Protection - Shuttle 2+2

## OPTIONS/ACCESSORIES

# INDEX OF MAJOR COMPONENTS

# INDEX OF MAJOR COMPONENTS

## BY PART DESCRIPTION

### A

ACCELERATOR CABLE .....	A-5
AIR FILTER ELEMENT .....	B-2
ALLOY WHEEL .....	S-3
ARMATURE.....	P-2
ASH TRAY.....	C-18
AXLE SHAFT.....	M-2
AXLE SHAFT SEAL.....	M-2
AXLE TUBE.....	M-2

### B

BAG COVER .....	R-5
BALL BEARING.....	M-2
BATTERY .....	H-7
BEARING AND RACE.....	K-3
BED .....	O-10
BOX COOLER.....	C-16
BRAKE ADJUSTER.....	D-7
BRAKE ASSEMBLY .....	D-6
BRAKE CABLE.....	D-4
BRAKE DRUM.....	D-7
BRAKE PEDAL PAD .....	D-4
BRAKE SHOE .....	D-6
BRAKE SPRING KIT .....	D-6
BREATHER .....	I-3
BRUSH ASSEMBLY.....	P-2
BUMPER PLUG.....	C-9
BUZZER .....	G-2

### C

CARBURETOR.....	E-3
CATCH BRACKET .....	D-5
CENTER BASKET.....	C-14
CHOKE CABLE .....	E-4
COMPENSATOR ASSEMBLY .....	D-4
COOLER JUG .....	C-16
COWL.....	C-2

### D

DIRECTION SELECTOR HANDLE .....	G-3
DIVOT REPAIR KIT.....	C-14
DRIVE BELT.....	F-2
DRIVE CLUTCH .....	F-2
DRIVEN CLUTCH.....	F-2

# INDEX OF MAJOR COMPONENTS

## E

ENGINE .....	I-2
ENGINE GUARD .....	J-2
ENGINE MOUNT .....	J-2
EQUALIZER .....	D-4
EXHAUST GASKET .....	I-2

## F

FAIRWAY 18 X 8.5 - 8 .....	S-2
FEMALE STOP .....	Q-3
FENDER SCUFFGUARD .....	C-8
FIELD COIL .....	P-2
FLOAT .....	E-3
FLOORMAT .....	C-6
FLOORMAT WITH HORN HOLE .....	C-6
FOOTREST .....	C-12
FOUR BAG ATTACHMENT KIT .....	C-18
FRONT AXLE .....	K-3
FRONT SHIELD .....	C-2
FRONT STRUT .....	R-4, R-9
FUEL FILTER .....	L-2
FUEL GAUGE .....	H-11
FUEL GAUGE (MECHANICAL) .....	L-2
FUEL PUMP .....	L-2
FUEL TANK .....	L-2
FUSE BLOCK .....	H-9

## G

GOVERNOR ARM .....	A-5
--------------------	-----

## H

HEADLIGHT .....	H-10
HEADLIGHT BULB .....	H-10
HIP RESTRAINT .....	O-2
HORN SWITCH .....	H-9
HOUR METER .....	H-12
HUB .....	K-3
HUBCAP .....	S-3

## I

IGNITION COIL .....	H-7
IGNITION PICKUP .....	H-7
IGNITOR .....	H-8
INDICATOR LIGHT .....	H-11
IN-LINE FUSE HOLDER .....	H-9
INPUT SHAFT SEAL .....	M-2
INSTRUMENT PANEL WOODGRAIN APPLIQUE KIT .....	C-3
INTERMEDIATE SHAFT .....	K-6

# INDEX OF MAJOR COMPONENTS

ISOLATION MOUNT ..... J-2

## K

KEY SWITCH ..... H-11  
 KICK-OFF ..... D-5

## L

LEAF SPRING ..... K-4, N-2  
 LEAF SPRING (HEAVY DUTY) ..... K-4  
 LINKS 1 18 X 8.5 - 8 ..... S-2  
 LUG NUT ..... S-2, S-3

## M

MAIN JET ..... E-3  
 MALE STOP ..... Q-3  
 MARKER LIGHT BULB ..... H-10  
 MESSAGE HOLDER ..... C-16  
 MICRO SWITCH ..... A-5, D-6, G-2  
 MUFFLER ..... I-2

## N

NEEDLE VALVE ..... E-3

## O

OIL FILLER CAP ..... I-2  
 OIL FILTER ..... I-2  
 OIL FILTER 'O' RING ..... I-2

## P

PEDAL BOX ASSEMBLY ..... A-4  
 PEDAL PIVOT COVER ..... A-5  
 PILOT JET ..... E-3  
 PINION SEAL ..... K-5  
 PRO TOUR 18 X 8.00 - 10 ..... S-3  
 PULLEY ..... P-2

## R

RACK AND PINION UNIT ..... K-4  
 RACK BALL JOINT ..... K-5  
 RACK BOOT ..... K-5  
 RAIN CURTAIN ..... R-5  
 RAKE ..... C-16  
 REAR AXLE ..... M-2

## INDEX OF MAJOR COMPONENTS

REAR BODY (WITH TAILLIGHTS).....	C-8
REAR BODY (WITHOUT TAILLIGHTS) .....	C-8
REAR BUMPER.....	C-8
REAR STRUT .....	R-4
REAR STRUT (DRIVER SIDE).....	R-9
REAR STRUT (PASSENGER SIDE).....	R-9
REAR VIEW MIRROR .....	R-4
REVERSE WARNING BUZZER .....	G-2
ROCKER PANEL.....	C-9

### S

SAND BOTTLE .....	C-14
SEAT .....	O-2, O-5, O-9
SEAT BACK MOUNT.....	O-10
SEAT BACK SUPPORT .....	O-5, O-9
SEAT HINGE .....	O-2
SEAT SUPPORT BRACKET .....	O-2, O-6
SHIFTER CABLE.....	G-2
SHIFTER SHAFT SEAL.....	M-2
SHOCK ABSORBER .....	K-4, N-2
SHOCK ABSORBER BOOT .....	K-4
SIDE BASKET .....	C-14
SILL PLATE .....	C-9
SOLENOID .....	H-8
SPARK PLUG.....	I-2
SPARK PLUG WIRE SET.....	I-2
SPINDLE .....	K-3
STARTER / GENERATOR ADJUSTER .....	P-3
STARTER / GENERATOR BELT .....	P-3
STEERING COLUMN.....	K-5
STEERING SHAFT.....	K-5
STEERING WHEEL.....	K-6
SUN TOP .....	R-4
SUN TOP (SHUTTLE 2+2).....	R-9

### T

TAILLIGHT BULB .....	H-10
THROTTLE CABLE .....	A-6
TIE ROD .....	K-7, Q-4, Q-6
TIMING BELT .....	I-2
TOW BAR .....	Q-3, Q-6
TOW BAR HITCH .....	Q-4
TUBING .....	L-2
TURF GLIDE 18 X 8.5 - 8.....	S-2
TURF SAVER 18 X 8.5 - 8.....	S-2
TURN SIGNAL.....	H-10
TURN SIGNAL BULB .....	H-10
TWO BAG ATTACHMENT KIT.....	C-12

### U

USA TRAIL 6-PLY 18.5 X 8.5 - 8.....	S-2
-------------------------------------	-----

# INDEX OF MAJOR COMPONENTS

## V

VALANCE PANEL .....	C-12
VALVE COVER GASKET .....	I-2
VOLTAGE REGULATOR .....	H-8

## W

WEATHER ENCLOSURE (3 SIDED) .....	R-5
WEATHER ENCLOSURE (4 SIDED) .....	R-5
WINDSHIELD .....	R-5, R-10
WIRE HARNESS (ACCESSORY) .....	H-10
WIRE HARNESS (BRAKE LIGHT) .....	D-6
WIRE HARNESS (CONTROL) .....	H-8
WIRE HARNESS (HOUR METER) .....	H-12
WIRE HARNESS (KEY SWITCH) .....	H-11
WIRE HARNESS (OIL LIGHT/FUEL GAUGE) .....	H-11
WIRE HARNESS (OIL LIGHT/FUEL LIGHT) .....	H-11
WIRE HARNESS (PEDAL BOX) .....	A-5

## BY PART NUMBER

10606-G8 MICRO SWITCH .....	D-6
14735-G1 RAKE .....	C-16
14913-G** 8" CHROME HUBCAP .....	S-3
15 AMP FUSE .....	H-9
16042-G** 6" CHROME HUBCAP .....	S-3
17318-G1 HORN SWITCH .....	H-9
18392-G1 15 AMP FUSE .....	H-9
19241-G** GOLD SPOKE HUBCAP .....	S-3
19241-G** SILVER SPOKE HUBCAP .....	S-3
21553-G1 FUEL GAUGE .....	H-11
21759-G1 TAILLIGHT BULB .....	H-10
21807-G1 BRAKE DRUM .....	D-7
22674-G1 FUSE BLOCK .....	H-9
23300-G01 BASKET DIVOT REPAIR KIT .....	C-14
23474-G1 INDICATOR LIGHT .....	H-11
24605-G1 WIRE HARNESS (BRAKE LIGHT) .....	D-6
25523-G3 SPARK PLUG .....	I-2
25693-G04 CHOKE CABLE (WITH NUTS) .....	E-4
25861-G01 MICRO SWITCH .....	A-5
26301-G02 DRIVEN CLUTCH .....	F-2
26301-G03 DRIVEN CLUTCH ASSEMBLY (HIGH ALTITUDE) .....	F-2
26414-G01 STARTER / GENERATOR BELT .....	P-3
26591-G01 OIL FILTER .....	I-2
26626-G01 TIMING BELT .....	I-2
26651-G02 IGNITION PICKUP .....	H-7
26652-G01 IGNITION COIL .....	H-7
26710-G01 OIL FILTER 'O' RING .....	I-2
26733-G01 SPARK PLUG WIRE SET .....	I-2
26952-G01 DRIVE CLUTCH .....	F-2
27153-G01 SOLENOID .....	H-8
27166-G02 FRONT SHIELD .....	C-2
27739-G01 VOLTAGE REGULATOR .....	H-8



## INDEX OF MAJOR COMPONENTS

27746-G01 IGNITOR.....	H-8
27944-G01 BRAKE SPRING KIT .....	D-6
28590-G02 ENGINE, 295cc.....	I-2
28659-G01 SAND BOTTLE.....	C-14
70080-G01 CATCH BRACKET.....	D-5
70135-G01 PEDAL PIVOT COVER.....	A-5
70272-G04 COMPENSATOR ASSEMBLY .....	D-4
70274-G01 BRAKE/PARK BRAKE PEDAL PAD KIT .....	D-4
70324-G01 SHOCK ABSORBER .....	N-2
70597-G02 LEAF SPRING .....	K-4
70664-G02 LEAF SPRING (HEAVY DUTY).....	K-4
70794-G01 BRAKE SHOE KIT .....	D-6
70899-G01 WIRE HARNESS (CONTROL) .....	H-8
70928-G01 SHOCK ABSORBER .....	K-4
70963-G01 FRONT AXLE .....	K-3
70964-G01 RACK AND PINION UNIT (COMPLETE) .....	K-4
70969-G03 EQUALIZER AND BRAKE CABLE ASSEMBLY.....	D-4
70995-G01 FLOORMAT .....	C-6
70995-G02 FLOORMAT WITH HORN HOLE .....	C-6
70998-G01 BRAKE ASSEMBLY (DRIVER SIDE).....	D-6
70998-G02 BRAKE ASSEMBLY (PASSENGER SIDE) .....	D-6
71051-G** COWL .....	C-2
71205-G01 DIRECTION SELECTOR HANDLE .....	G-3
71334-G** REAR BODY (WITH TAILLIGHTS).....	C-8
71456-G01 NOTCHED REAR BUMPER.....	C-9
71578-G01 REAR BUMPER.....	C-8
71912-G** REAR BODY (WITHOUT TAILLIGHTS) .....	C-8
72019-G01 MUFFLER.....	I-2
72021-G01 FUEL PUMP .....	L-2
72084-G01 FUEL FILTER .....	L-2
72201-G04 WIRE HARNESS (PEDAL BOX) .....	A-5
72228-G01 WIRE HARNESS (ACCESSORY) .....	H-10
72368-G01 AIR FILTER ELEMENT.....	B-2
72582-G01 BRAKE ADJUSTER KIT (DRIVER SIDE).....	D-7
72582-G02 BRAKE ADJUSTER KIT (PASSENGER SIDE).....	D-7
72708-G01 GOVERNOR ARM.....	A-5
72713-G01 ACCELERATOR CABLE .....	A-5
72714-G01 THROTTLE CABLE .....	A-6
72717-G01 PEDAL BOX ASSEMBLY .....	A-4
72734-G01 PUSH / PULL SHIFTER CABLE .....	G-2
72736-G01 MICRO SWITCH.....	G-2
73041-G01 WIRE HARNESS (KEY SWITCH) .....	H-11
73290-G03 REVERSE WARNING BUZZER .....	G-2
74001-G01 HEADLIGHT AND TURN SIGNAL LIGHT .....	H-10
74004-G01 HEADLIGHT BULB .....	H-10
74005-G01 MARKER LIGHT BULB.....	H-10
74006-G01 TURN SIGNAL BULB .....	H-10
74239-G01 INSTRUMENT PANEL WOODGRAIN APPLIQUE KIT .....	C-3
74309-G01 WIRE HARNESS (OIL LIGHT/FUEL LIGHT).....	H-11
74311-G01 WIRE HARNESS (OIL LIGHT/FUEL GAUGE) .....	H-11
75003-G02 CENTER BASKET KIT .....	C-14
75007-G02 SIDE BASKET KIT.....	C-14
75040-G** SUN TOP KIT.....	R-4
75045-G01 FRONT STRUT.....	R-4
75046-G01 REAR STRUT .....	R-4
75074-G01 REAR STRUT (DRIVER SIDE).....	R-9

## INDEX OF MAJOR COMPONENTS

75074-G02 REAR STRUT (PASSENGER SIDE).....	R-9
75109-G02 ASH TRAY KIT .....	C-18
75114-G02 HOUR METER KIT .....	H-12
75117-G01 WIRE HARNESS (HOUR METER) .....	H-12
75123-G01 SUN TOP (SHUTTLE 2+2).....	R-9
75125-G01 FRONT STRUT .....	R-9
75183-G01 TWO BAG ATTACHMENT KIT.....	C-12
75344-G01 BOX COOLER AND BRACKET KIT .....	C-16
75355-G01 FOUR BAG ATTACHMENT KIT .....	C-18
75495-G01 COOLER JUG AND BRACKET KIT .....	C-16





A Textron Company

E-Z-GO Division of Textron, Inc.  
P.O. Box 388 Augusta, Georgia 30903-0388 USA  
Inside USA Phone: 1-800-241-5855, FAX: 1-800-448-8124  
Outside USA Phone: 010-1-706-798-4311, FAX: 010-1-706-771-4609

Copyrighted Material  
This manual may not be reproduced in whole or  
in part without the express permission of  
E-Z-GO Division of Textron, Inc.  
Technical Communications Department