

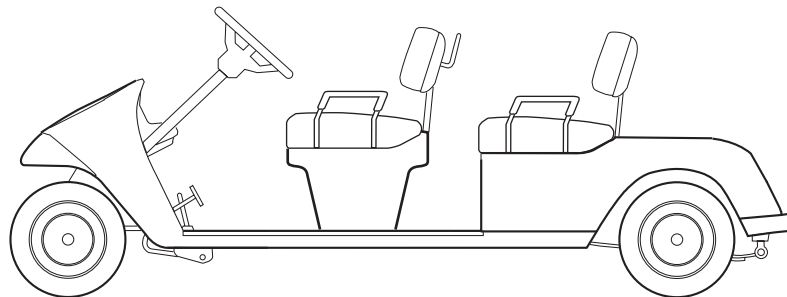
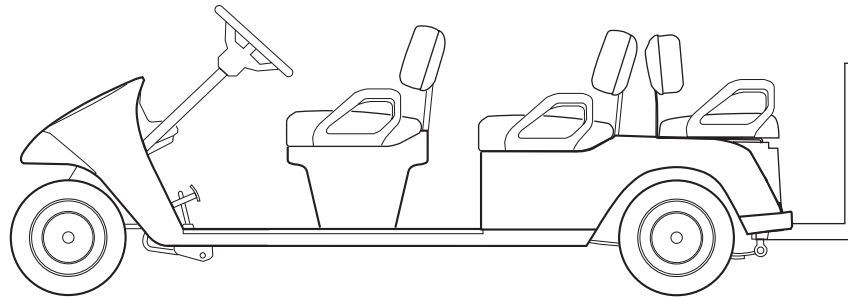
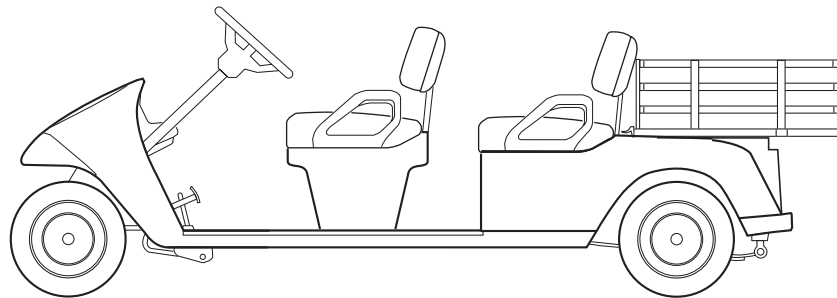
28736-G01



A Textron Company



SERVICE PARTS MANUAL



Ref Fcv 7

ELECTRIC & PRECISION DRIVE SYSTEM™ PERSONNEL CARRIERS AND 5 PASSENGER GOLF CAR

STARTING MODEL YEAR: 2002

REVISED: 12/2002

SERVICE PARTS MANUAL

ELECTRIC AND PRECISION DRIVE SYSTEM™ PERSONNEL CARRIERS AND 5 PASSENGER GOLF CAR

VEHICLES

SHUTTLE™ 4

SHUTTLE™ 6

TE5

TE5 PDS

Textron Golf, Turf & Specialty Products reserves the right to make design changes without obligation to make these changes on units previously sold and the information contained in this manual is subject to change without notice.

Textron Golf, Turf & Specialty Products is not liable for errors in this manual or for incidental or consequential damages that result from the use of the material in this manual.

CUSTOMER SERVICE DEPARTMENT IN USA PHONE: 1-800-241-5855 FAX: 1-800-448-8124

OUTSIDE USA PHONE: 010-1-706-798-4311, FAX: 010-1-706-771-4609

TEXTRON GOLF, TURF & SPECIALTY PRODUCTS, P.O.BOX 388, AUGUSTA, GEORGIA USA 30903-0388

NOTES

To obtain a copy of the limited warranty applicable to the vehicle, call or write a local distributor, authorized Branch or the Warranty Department with vehicle serial number and manufacturer code.

The use of non Original Equipment Manufacturer (OEM) parts may void the warranty.

Overfilling of batteries may void the warranty.

BATTERY PROLONGED STORAGE

All batteries will self discharge over time. The rate of self discharge varies depending on the ambient temperature and the age and condition of the batteries.

A fully charged battery will not freeze in winter temperatures unless the temperature falls below -75° F (-60° C).

As with all electric vehicles, the batteries must be checked and recharged as required or at a minimum of 30 day intervals.

TABLE OF CONTENTS

SECTION	Page No.
HOW TO USE THE SERVICE PARTS MANUAL	v
ILLUSTRATED PARTS BREAKDOWN	vii
ACCELERATOR	A-1
BATTERY CHARGER (PORTABLE).....	B-1
BATTERY CHARGER (ON BOARD).....	B-3
BODY	C-1
BRAKES - HYDRAULIC	D-1
DIRECTION SELECTOR	E-1
ELECTRICAL SYSTEM	F-1
ELECTRONIC SPEED CONTROL	G-1
ELECTRONIC SPEED CONTROL - PDS	G-3
FRONT SUSPENSION/STEERING.....	H-1
ELECTRIC MOTOR.....	J-1
REAR AXLE - HYDRAULIC	K-1
REAR SUSPENSION	L-1
SEATING	M-1
WEATHER PROTECTION	N-1
WHEELS AND TIRES	P-1
SPECIALTY PRODUCTS	APPENDIX A-1
OPTIONS/ACCESSORIES	APPENDIX B-1
INDEX OF MAJOR COMPONENTS	INDEX-1

HOW TO USE THE SERVICE PARTS MANUAL

This manual is divided into several sections:

GENERAL INFORMATION

- TABLE OF CONTENTS
- HOW TO USE THE SERVICE PARTS MANUAL

ILLUSTRATED PARTS BREAKDOWN

- Contains illustrations and parts lists for all systems of the vehicle

APPENDIX

- Contains a listing of specialty products and options/accessories

INDEX OF MAJOR COMPONENTS

- Contains a listing of parts (excluding hardware) grouped by part number and description and indicates on which page(s) they can be found

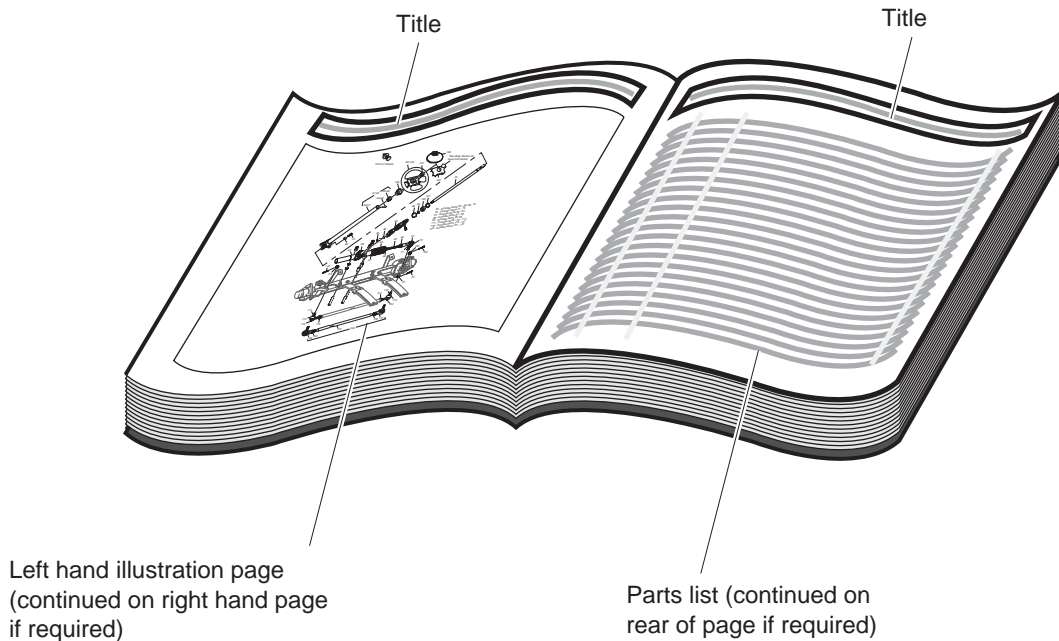
USE OF THE MANUAL

To use this manual, consult the TABLE OF CONTENTS (page iii) or the INDEX OF MAJOR COMPONENTS (located at rear of this manual) to locate the information or illustration required.

Introduction of some revisions varies due to supply of components; therefore, it is possible that various combinations of components may be found that are not directly reflected by each illustration. Consult the illustration that best suits your situation. Locate the serial number plate (see BODY located in the Illustrated Parts Breakdown section of this manual for its location) and note the complete number shown on the plate. It is important that the serial number of your vehicle and its model number be supplied to Service Parts when ordering any replacement components.

Locate the serial number plate (see BODY located in the Illustrated Parts Breakdown section of this manual for its location) and note the complete number shown on the plate.

HOW TO USE THE SERVICE PARTS MANUAL



1. WHEN THE PART NUMBER IS NOT KNOWN

- Determine the function and application of the part required. Turn to the INDEX OF MAJOR COMPONENTS and select the most appropriate component description.
- Turn to the page number indicated and locate the part description in the parts list. Read the full accompanying description for specific information regarding the part that was not shown in the index.
- From the parts list, obtain the item number assigned to it and confirm that the part selected is correct by verifying it with the pictorial representation on the illustrated page.

2. IF YOU KNOW THE PART NUMBER

- Use the INDEX OF MAJOR COMPONENTS to find the page(s) the part number appears on.
- Turn to the page number indicated and locate the part number in the parts list. Refer to the accompanying description for specific information regarding the part.
- From the parts list, obtain the item number assigned to it and confirm that the part selected is correct by verifying it with the pictorial representation on the illustrated page.

Should an asterisk (*) appear in the part number column on the parts list page, read upwards until a part number is found. The part number is the lowest assembly sold by Service Parts. The asterisk (*) indicates that the part depicted is not available for purchase.

NOTE: Descriptions are indented under the assembly that they are used on. That assembly is, in turn listed under the assembly that it is used on. This process is repeated until the highest final assembly is reached.

To facilitate the maintenance and repair of the vehicle, a Technician's Repair and Service Manual is available from the Service Parts Department.

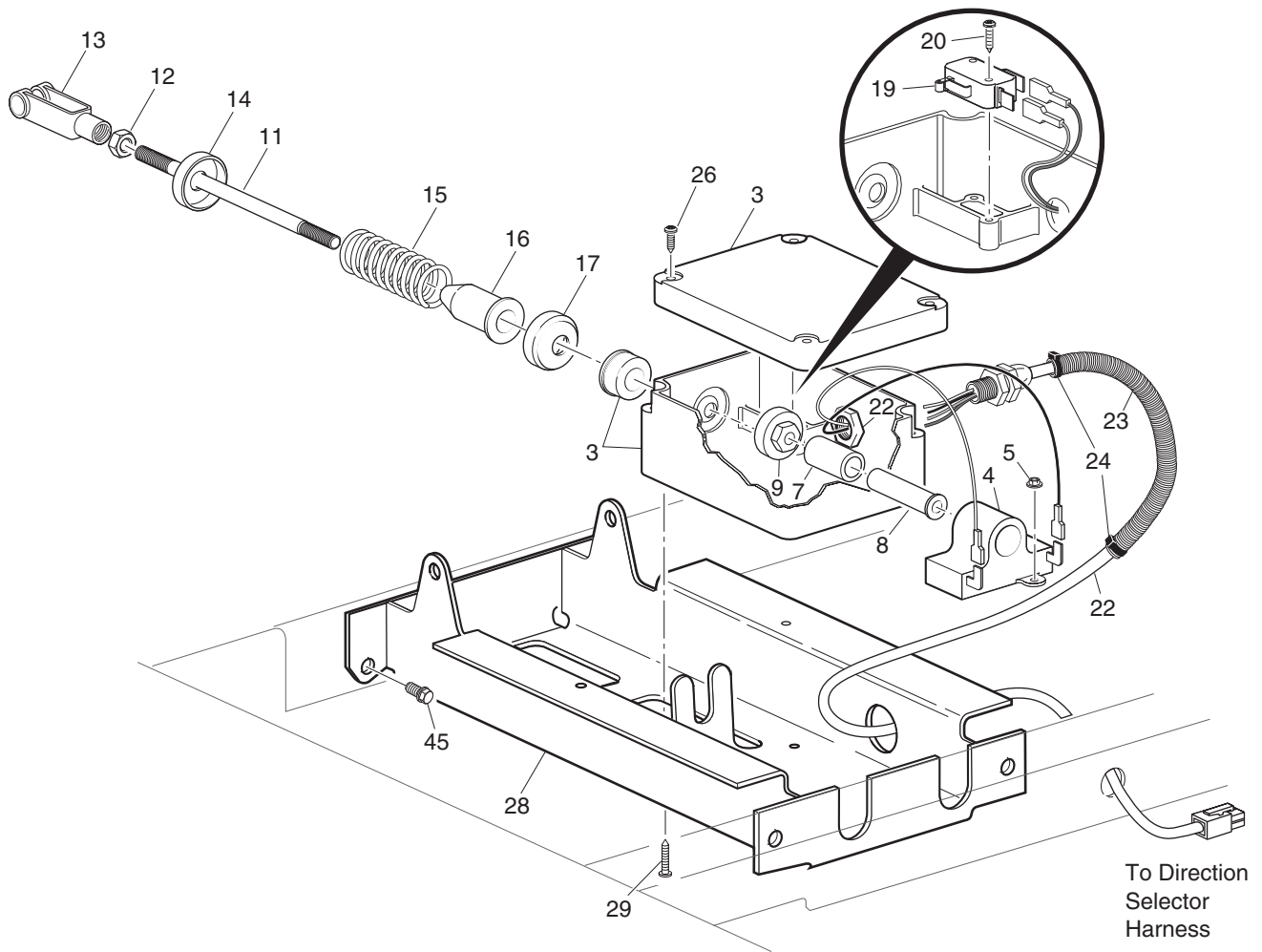
ILLUSTRATED PARTS BREAKDOWN

HOW TO USE THE SERVICE PARTS MANUAL

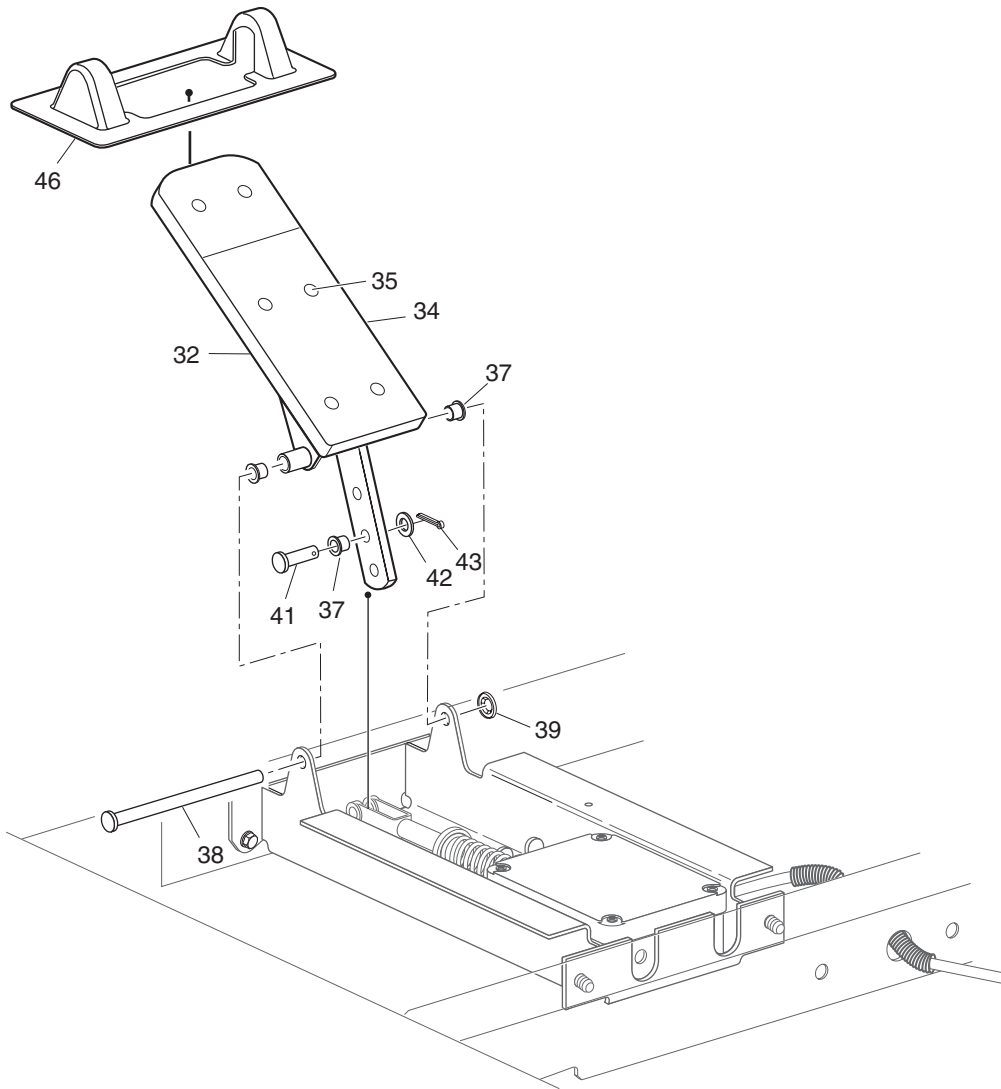


ACCELERATOR

- 1 - Includes Items 3 - 43
- 31 - Includes Items 32 - 35
- 33 - Includes Items 34, 35



Ref Acl 7-1



ACCELERATOR

When ordering parts, please specify the model and serial number of the product.

* Indicates a component that is not available as an individual part.

G** Indicates consult Customer Service Department for additional information.

ITEM	PART NO.	1 2 3 4 5	DESCRIPTION	QTY.
1	<u>73333-G08</u>		PEDAL BOX ASSEMBLY (INCLUDES ITEMS 3 - 19, 21, 23, 26 - 43)	1
2	<u>73333-G07</u>		PEDAL BOX ASSEMBLY, PDS MODEL ONLY (INCLUDES ITEMS 3 - 17, 20, 21, 24 - 43)	1
3	<u>25853-G01</u>		PEDAL BOX AND COVER (SEAL AND BEARING)	1
4	<u>25854-G01</u>		INDUCTIVE THROTTLE SENSOR	1
5	<u>00983-G01</u>		SELF THREADING NUT, 3/16"	2
6				
7	<u>25857-G01</u>		PLUNGER SLEEVE.....	1
8	<u>28443-G01</u>		PLUNGER.....	1
9	<u>28444-G01</u>		PLUNGER CAM.....	1
10				
11	<u>73332-G01</u>		ACCELERATOR ROD	1
12	<u>00532-G4</u>		LOCK NUT, 5/16 - 24	1
13	10385-G4		YOKE (ADJUSTABLE).....	1
14	<u>17677-G2</u>		SPRING RETAINER, 3/8"	1
15	<u>73046-G01</u>		COMPRESSION SPRING	1
16	<u>17979-G1</u>		ACCELERATOR ROD BUSHING	1
17	<u>17677-G1</u>		SPRING RETAINER, 1/2"	1
18				
19	<u>25861-G01</u>		MICRO SWITCH.....	1
20	<u>25861-G02</u>		MICRO SWITCH (PDS MODEL ONLY).....	1
21	<u>01050-G01</u>		SCREW, #4 - 20 X 5/8" LG	2
22				
23	<u>25879-G07</u>		WIRING HARNESS (PEDAL BOX ASSEMBLY)	1
24	<u>25879-G06</u>		WIRING HARNESS (PEDAL BOX ASSEMBLY) (PDS MODEL ONLY)	1
25				
26	<u>00684-G6</u>		SCREW, #8 - 32 X 3/4" LG	4
27				
28	70116-G01		ACCELERATOR PEDAL BRACKET.....	1
29	<u>01051-G01</u>		SCREW, #8 - 16 X 1/2" LG	4

ACCELERATOR

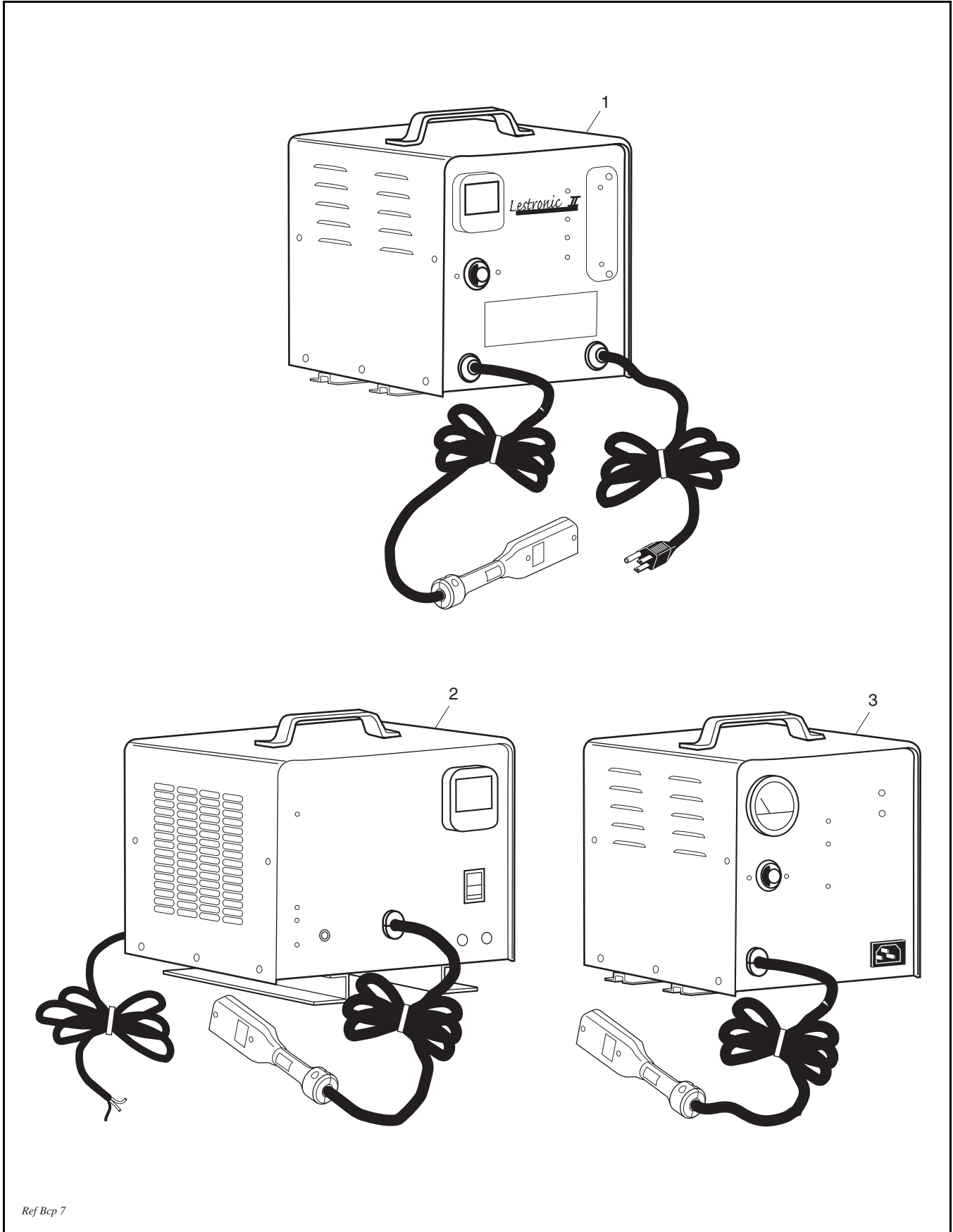
When ordering parts, please specify the model and serial number of the product.

* Indicates a component that is not available as an individual part.

G** Indicates consult Customer Service Department for additional information.

ITEM	PART NO.	1	2	3	4	5	DESCRIPTION	QTY.
30								
31	25799-G01						ACCELERATOR PEDAL ASSEMBLY (INCLUDES ITEMS 32 - 35).....	1
32	*						ACCELERATOR PEDAL	1
33	<u>27844-G01</u>						ACCELERATOR PEDAL PAD KIT (INCLUDES ITEMS 34, 35).....	1
34	<u>27512-G01</u>						ACCELERATOR PEDAL PAD	1
35	<u>15766-G1</u>						OVAL RIVET 3/16" X 7/16" LG	6
36								
37	<u>17838-G1</u>						BUSHING.....	3
38	<u>74432-G01</u>						PEDAL PIVOT PIN	1
39	<u>12064-G6</u>						PUSHNUT, 9/32" I.D.	1
40								
41	<u>10386-G3</u>						CLEVIS PIN, 5/16" X 13/16" LG	1
42	<u>17255-G1</u>						TEFLON WASHER, 5/16"	1
43	<u>10387-G3</u>						COTTER PIN, 3/32" X 3/4" LG	1
44								
45	<u>00715-G2</u>						BOLT, 5/16 - 18 X 13/16" LG.	4
46	<u>70135-G01</u>						PEDAL PIVOT COVER	1

BATTERY CHARGER (PORTABLE)

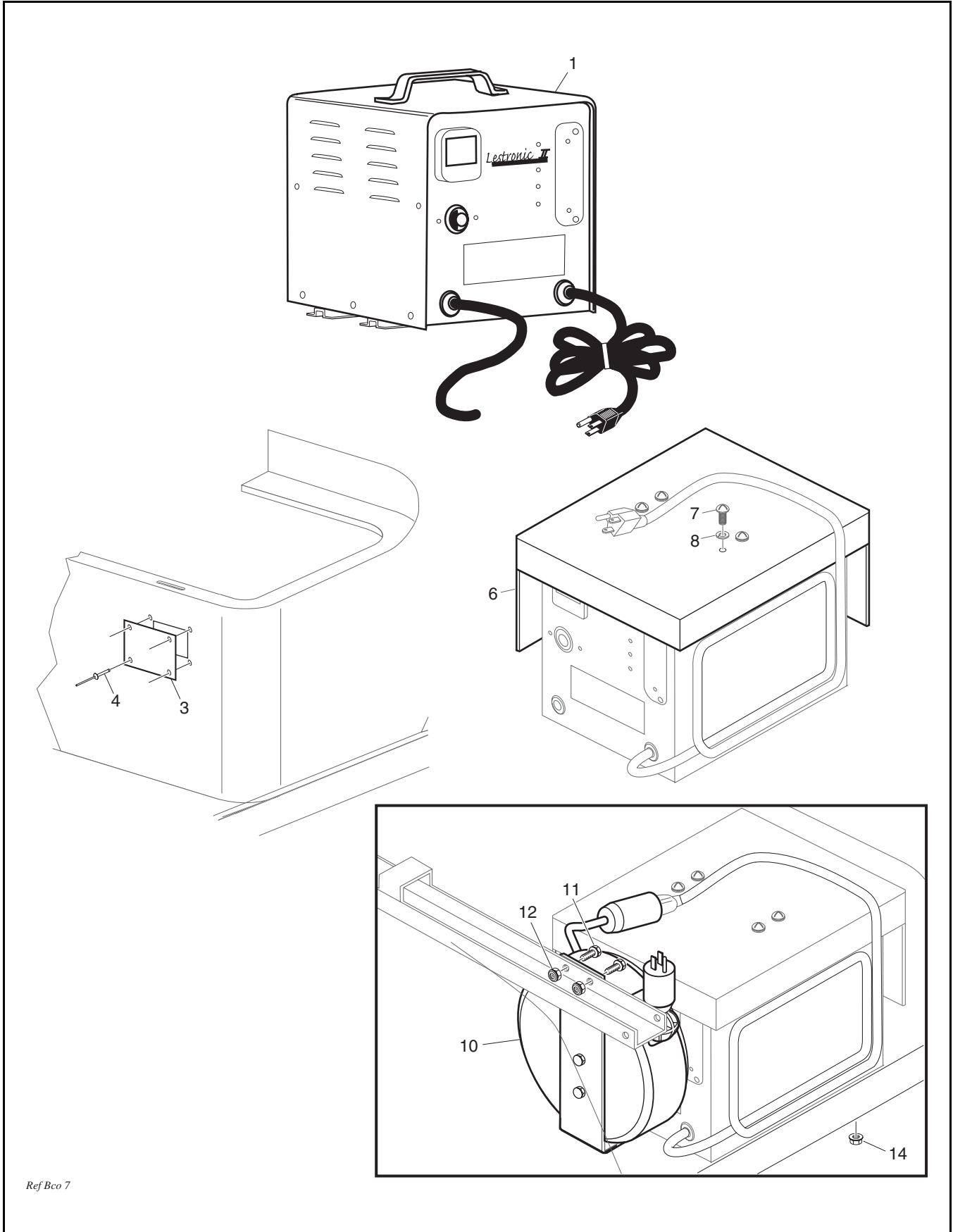


BATTERY CHARGER (PORTABLE)

THE USE OF NON U.L. PARTS WILL VOID ANY U.L. LISTING.
 When ordering parts, please specify the model and serial number of the product.
 * Indicates a component that is not available as an individual part.
 G** Indicates consult Customer Service Department for additional information.

ITEM	PART NO.	1	2	3	4	5	DESCRIPTION	QTY.
1	<u>28435-G03</u>						48V LESTER BATTERY CHARGER.....	1
2	<u>28435-G01</u>						48V LESTER BATTERY CHARGER WITH SWITCHABLE INPUT	1
3	<u>28435-G05</u>						48V LESTER BATTERY CHARGER CE APPROVED.....	1
<p>For service or replacement parts, contact: Lester Electrical 625 West "A" Street Lincoln, NE 68522</p> <p>Phone: (402) 477-8988, FAX: (402) 474-1769</p> <p>Always provide the following information when requesting information or ordering replacement parts:</p> <p>Model Number: Serial Number: (stamped into housing)</p>								

BATTERY CHARGER (ON BOARD)



Ref Bco 7

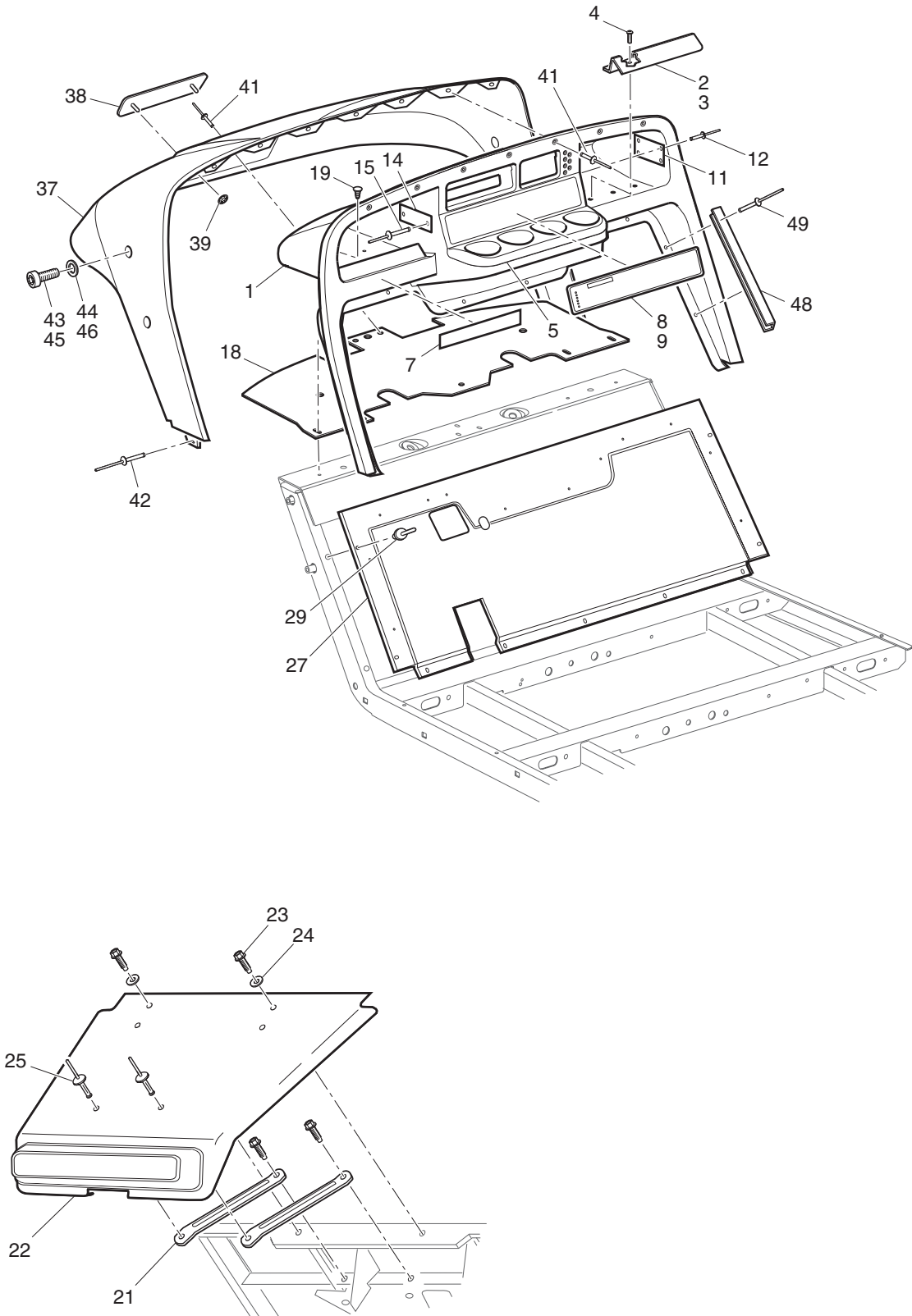
BATTERY CHARGER (ON BOARD)

THE USE OF NON U.L. PARTS WILL VOID ANY U.L. LISTING.
 When ordering parts, please specify the model and serial number of the product.
 * Indicates a component that is not available as an individual part.
 G** Indicates consult Customer Service Department for additional information.

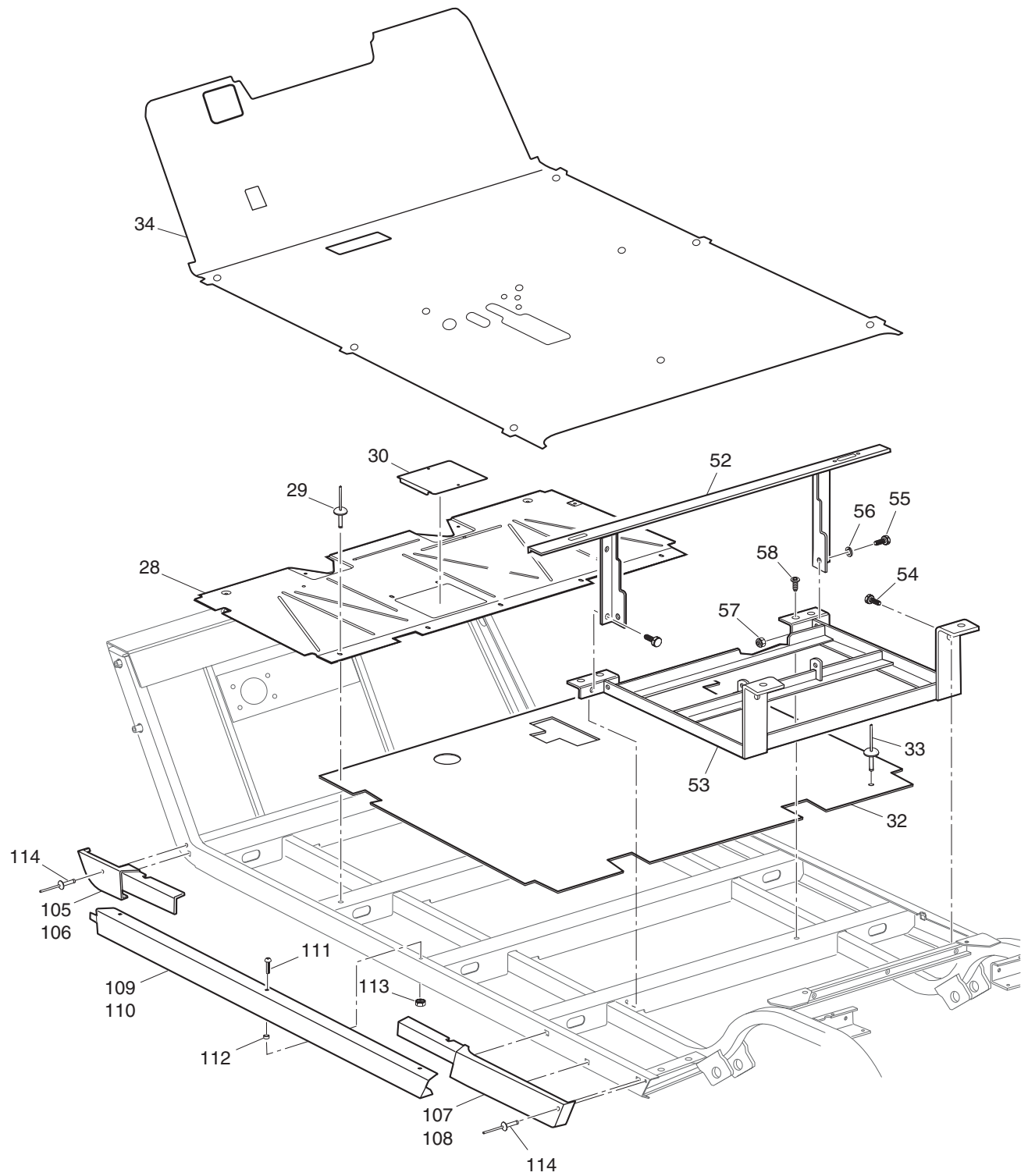
ITEM	PART NO.	1	2	3	4	5	DESCRIPTION	QTY.
1	<u>28435-G07</u>						48V LESTER BATTERY CHARGER.....	1
2								
3	73173-G01						CHARGER RECEPTACLE COVER PLATE.....	1
4	<u>14601-G10</u>						RIVET, 1/8" X 7/16" LG (ALUMINUM).....	4
5								
6	<u>73371-G01</u>						COVER.....	1
7	<u>00740-G4</u>						SCREW, #10 - 32 X 1/2" LG.....	4
8	<u>00565-G5</u>						LOCK WASHER, #10.....	4
9								
10	<u>73368-G01</u>						CORD REEL	1
11	00438-G6						BOLT, 5/16 - 18 X 3/4" LG	2
12	<u>11027-G1</u>						LOCK NUT, 5/16 - 18	2
13								
14	<u>11027-G2</u>						LOCK NUT, 1/4 - 20	4
<p>For charger service or replacement parts, contact: Lester Electrical 625 West "A" Street Lincoln, NE 68522</p> <p>Phone: (402) 477-8988, FAX: (402) 474-1769</p> <p>Always provide the following information when requesting information or ordering replacement parts:</p> <p>Model Number: Serial Number: (stamped into housing)</p>								

BODY

1 - Includes Items 2 - 5

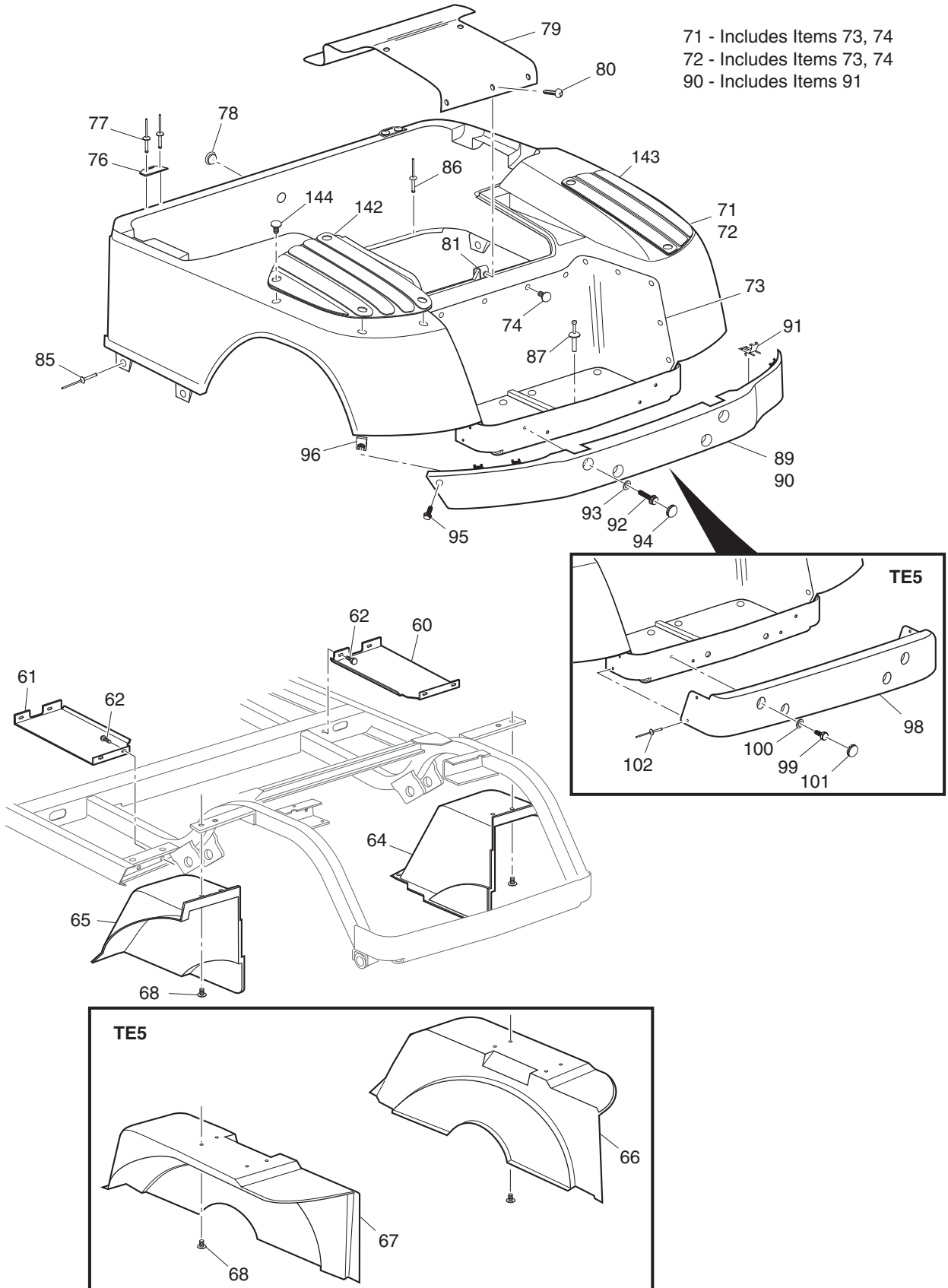


Ref Bod 7-1

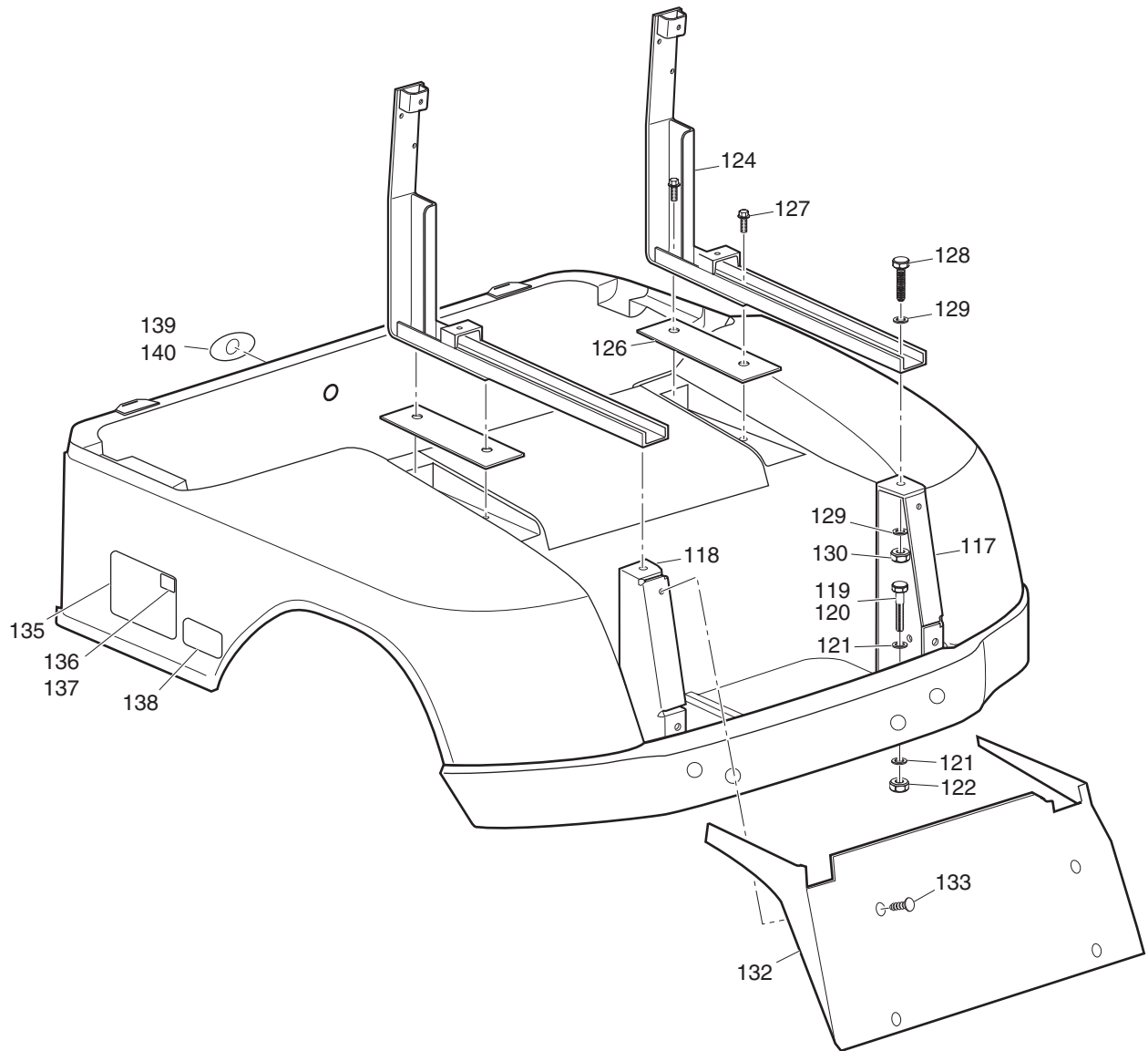


Ref Bod 7-2

BODY

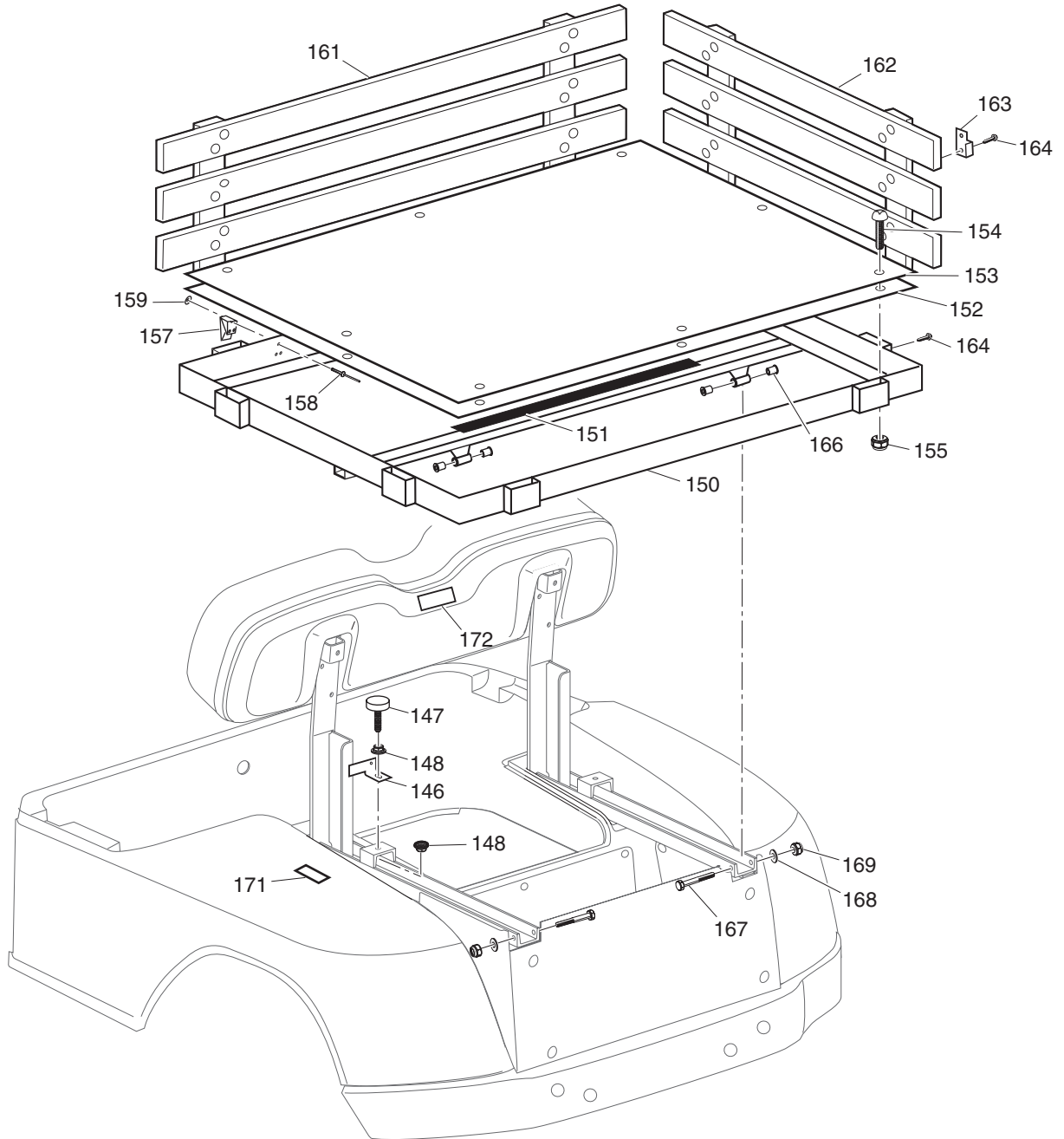


Ref Bod 7-3



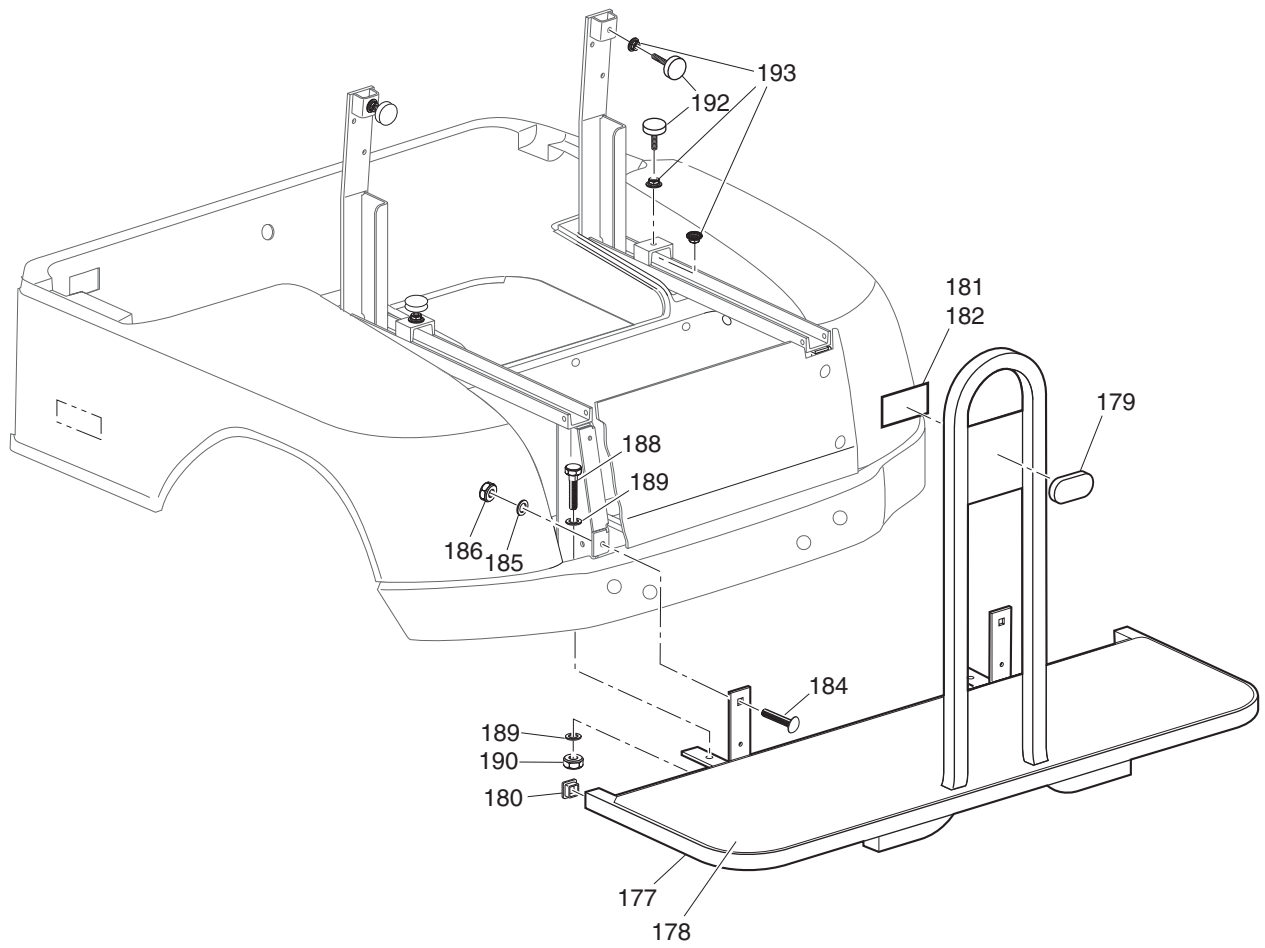
Ref Bod 7-4

BODY



Ref Bod 7-5

176 - Includes Items 177 - 179



BODY

THE USE OF NON U.L. PARTS WILL VOID ANY U.L. LISTING.

When ordering parts, please specify the model and serial number of the product.

* Indicates a component that is not available as an individual part.

G** Indicates consult Customer Service Department for additional information.

ITEM	PART NO.	1 2 3 4 5	DESCRIPTION	QTY.
1	<u>71151-G01</u>		INSTRUMENT PANEL ASSEMBLY (INCLUDES ITEMS 2 - 5)	1
2	<u>71153-G01</u>		DEFLECTOR (PASSENGER SIDE)	1
3	<u>71154-G01</u>		DEFLECTOR (DRIVER SIDE)	1
4	<u>00614-G5</u>		SCREW, #8 - 18 X 5/8" LG	6
5	<u>71158-G01</u>		INSTRUMENT PANEL INSERT (4 CUP HOLDER)	1
6				
7	<u>74443-G01</u>		LABEL (ANTI-ROLLBACK)	1
8	<u>70878-G01</u>		LABEL (SAFETY) (SHUTTLE)	1
9	<u>70880-G01</u>		LABEL (SAFETY) (TE5)	1
10				
11	*		SERIAL NUMBER PLATE	1
12	<u>01041-G01</u>		RIVET, 1/8" X 13/16" LG	4
13				
14	<u>71175-G01</u>		CAPACITY PLATE (SHUTTLE)	1
15	<u>01041-G01</u>		RIVET, 1/8" X 13/16" LG	2
16				
17				
18	<u>71413-G01</u>		SPLASH PANEL	1
19	<u>16816-G2</u>		RATCHET FASTENER, 1/4" X 3/4" LG	5
20				
21	<u>70725-G01</u>		FRONT SHIELD BRACE	2
22	<u>27166-G02</u>		FRONT SHIELD	1
23	<u>01038-G01</u>		BOLT, 1/4 - 20 X 11/16" LG	4
24	<u>16469-G1</u>		WASHER, 1/4"	2
25	<u>01057-G01</u>		RIVET, KTR, 1/4" X 3/4" LG	2
26				
27	<u>70662-G01</u>		UPPER FLOORPAN	1
28	<u>70451-G01</u>		LOWER FLOORPAN	1
29	<u>14601-G11</u>		RIVET, 3/16" X 9/16" LG (ALUMINUM)	16
30	<u>70452-G01</u>		ACCESS COVER	1

THE USE OF NON U.L. PARTS WILL VOID ANY U.L. LISTING.
 When ordering parts, please specify the model and serial number of the product.
 * Indicates a component that is not available as an individual part.
 G** Indicates consult Customer Service Department for additional information.

ITEM	PART NO.	1 2 3 4 5	DESCRIPTION	QTY.
31				
32	<u>70823-G01</u>		REAR FLOORPAN	1
33	<u>10570-G10</u>		RIVET, 5/32" X 9/16" LG (STAINLESS STEEL)	5
34	70668-G0*		FLOORMAT	1
35				
36				
37	71051-G**		COWL.....	1
38	<u>71037-G02</u>		E-Z-GO NAMEPLATE (GOLD).....	1
39	<u>12064-G3</u>		PUSHNUT, 3/16"	2
40				
41	<u>71055-G01</u>		RIVET, 3/16" X 1" LG	9
42	<u>10570-G11</u>		RIVET, 3/16" X 3/4" LG (STAINLESS STEEL)	2
43	<u>71056-G01</u>		BOLT, 5/16 - 18 X 5/8" LG (WITHOUT SUN TOP).....	4
44	<u>00570-G2</u>		WASHER, 5/16 (WITHOUT SUN TOP).....	4
45	00438-G6		BOLT, 5/16 - 18 X 5/8" LG (WITHOUT SUN TOP).....	4
46	<u>00571-G2</u>		WASHER, 5/16 (WITHOUT SUN TOP).....	4
47				
48	<u>71115-G01</u>		VINYL TRIM	2
49	<u>71055-G01</u>		RIVET, 3/16" X 1" LG	10
50				
51				
52	<u>70441-G01</u>		SEAT FRAME	1
53	70046-G01		BATTERY RACK	1
54	<u>00715-G2</u>		BOLT, 5/16 - 18 X 13/16" LG	4
55	00438-G6		BOLT, 5/16 - 18 X 3/4" LG	2
56	00559-G8		WASHER, 5/16"	2
57	11098-G6		LOCK NUT, 5/16 - 18	2
58	<u>70200-G01</u>		SCREW, 3/8 - 16 X 3/4" LG.....	2
59				
60	<u>70385-G01</u>		SPLASH PAN (PASSENGER SIDE)	1

BODY

THE USE OF NON U.L. PARTS WILL VOID ANY U.L. LISTING.

When ordering parts, please specify the model and serial number of the product.

* Indicates a component that is not available as an individual part.

G** Indicates consult Customer Service Department for additional information.

ITEM	PART NO.	1 2 3 4 5	DESCRIPTION	QTY.
61	<u>70385-G02</u>		SPLASH PAN (DRIVER SIDE).....	1
62	<u>00715-G2</u>		BOLT, 5/16 - 18 X 13/16" LG	8
63				
64	<u>71812-G01</u>		FENDER LINER (PASSENGER SIDE) (SHUTTLE)	1
65	<u>71812-G02</u>		FENDER LINER (DRIVER SIDE) (SHUTTLE).....	1
66	<u>71551-G05</u>		FENDER LINER, EXTENDED (PASSENGER SIDE) (TE5).....	1
67	<u>71552-G05</u>		FENDER LINER, EXTENDED (DRIVER SIDE) (TE5).....	1
68	<u>16816-G2</u>		RATCHET FASTENER, 1/4" X 3/4" LG (SHUTTLE - QTY 4) (TE5 - QTY 8)	AR
69				
70				
71	71332-G3**		REAR BODY ASSEMBLY (WITH TAILLIGHTS) (INCLUDES ITEMS 73, 74).....	1
72	71912-G6**		REAR BODY ASSEMBLY (W/OUT TAILLIGHTS) (INCLUDES ITEMS 73, 74) ..	1
73	71318-G01		BAGWELL LINER	1
74	<u>16816-G1</u>		RATCHET FASTENER, 1/4" X 9/16" LG	12
75				
76	<u>71609-G01</u>		HINGE PLATE	2
77	<u>10570-G11</u>		RIVET, 3/16" X 3/4" LG (STAINLESS STEEL)	4
78				
79	<u>71316-G01</u>		PLUG.....	1
80				
81	<u>71320-G01</u>		ACCESS PANEL	1
82	71002-G01		SCREW, #8 X 5/8" LG	5
83	<u>71364-G02</u>		'J' CLIP	1
84				
85	10570-G12		RIVET, 1/4" X 9/16" LG (ALUMINUM).....	4
86	<u>10570-G10</u>		RIVET, 5/32" X 9/16" LG (STAINLESS STEEL)	6
87	<u>18436-G1</u>		PLASTIC DRIVE RIVET, 1/4" X 9/16" LG	2
88				
89	<u>71451-G02</u>		REAR BUMPER (SHUTTLE 4, TE5 PDS)	1
90	<u>71456-G01</u>		REAR BUMPER (SHUTTLE 6) (INCLUDES ITEM 91)	1

THE USE OF NON U.L. PARTS WILL VOID ANY U.L. LISTING.
 When ordering parts, please specify the model and serial number of the product.
 * Indicates a component that is not available as an individual part.
 G** Indicates consult Customer Service Department for additional information.

ITEM	PART NO.	1 2 3 4 5	DESCRIPTION	QTY.
91	<u>71457-G01</u>		STAY	4
92	71398-G01		BOLT, 1/4 - 20 X 1 1/4" LG (SHUTTLE 4 - QTY 4) (SHUTTLE 6 - QTY 2)	AR
93	00559-G8		WASHER, 5/16" (SHUTTLE 4 - QTY 4) (SHUTTLE 6 - QTY 2).....	AR
94	<u>71455-G01</u>		BUMPER PLUG	4
95	<u>01038-G01</u>		BOLT, 1/4 - 20 x 11/16" LG	2
96	<u>01042-G01</u>		J-TYPE NUT RETAINER, 1/4 - 20.....	2
97				
98	70939-G01		REAR BUMPER (TE5)	1
99	<u>01039-G01</u>		BOLT, 1/4 - 20 X 5/8" LG	4
100	00559-G8		WASHER, 5/16"	4
101	<u>71514-G01</u>		BUMPER PLUG	4
102	14601-G17		RIVET, 3/16" X 9/16" LG (ALUMINUM)	4
103				
104				
105	<u>71642-G01</u>		ROCKER PANEL (FRONT, DRIVER SIDE)	1
106	<u>71642-G02</u>		ROCKER PANEL (FRONT, PASSENGER SIDE).....	1
107	<u>71643-G01</u>		ROCKER PANEL (REAR, DRIVER SIDE)	1
108	<u>71643-G02</u>		ROCKER PANEL (REAR, PASSENGER SIDE).....	1
109	<u>71641-G01</u>		SILL PLATE (PASSENGER SIDE)	1
110	<u>71641-G02</u>		SILL PLATE (DRIVER SIDE).....	1
111	<u>16705-G1</u>		SCREW, 1/4 - 20 X 1" LG (STAINLESS STEEL)	6
112	<u>23726-G4</u>		SPACER, 5/16"	6
113	<u>00891-G2</u>		LOCK NUT, 1/4 - 20	6
114	<u>15058-G6</u>		RIVET, 3/16" X 15/16" LG (ALUMINUM)	4
115				
116				
117	<u>74126-G01</u>		VERTICAL FRAME SUPPORT (PASSENGER SIDE)	1
118	<u>74126-G02</u>		VERTICAL FRAME SUPPORT (DRIVER SIDE).....	1
119	<u>00427-G4</u>		BOLT, 3/8 - 16 X 1 1/2" LG (SHUTTLE 4)	2
120	<u>00427-G6</u>		BOLT, 3/8 - 16 X 1 3/4" LG (SHUTTLE 6)	2

BODY

THE USE OF NON U.L. PARTS WILL VOID ANY U.L. LISTING.

When ordering parts, please specify the model and serial number of the product.

* Indicates a component that is not available as an individual part.

G** Indicates consult Customer Service Department for additional information.

ITEM	PART NO.	1 2 3 4 5	DESCRIPTION	QTY.
121	<u>00560-G1</u>		WASHER, 3/8"	4
122	<u>11098-G5</u>		LOCK NUT, 3/8 - 16	2
123				
124	<u>74111-G01</u>		SEAT BACK SUPPORT (SHUTTLE)	2
125				
126	<u>70364-G01</u>		SPACER (TE5 & SHUTTLE 6)	2
127	<u>01006-G01</u>		BOLT, 3/8 - 16 X 1 1/4" LG	4
128	<u>00426-G8</u>		BOLT, 3/8 - 16 X 1" LG	2
129	<u>00560-G1</u>		WASHER, 3/8"	4
130	<u>11098-G5</u>		LOCK NUT, 3/8 - 16	2
131				
132	<u>74149-G01</u>		VALANCE PANEL	1
133	<u>16816-G2</u>		RATCHET FASTENER, 1/4" X 3/4" LG	4
134				
135	<u>35434-G01</u>		LABEL (SHUTTLE)	2
136	<u>35430-G13</u>		LABEL (6)	2
137	<u>35430-G14</u>		LABEL (4)	2
138	<u>73330-G01</u>		LABEL (PRECISION DRIVE™ SYSTEM) (TE5).....	2
139	12109-G01		LABEL (F-R)	1
140	<u>73317-G01</u>		LABEL (F-R) (EC)	1
141				
142	<u>75126-G01</u>		FENDER SCUFFGUARD (DRIVER SIDE) (TE5)	1
143	<u>75126-G02</u>		FENDER SCUFFGUARD (PASSENGER SIDE) (TE5).....	1
144	<u>16816-G2</u>		RATCHET FASTENER, 1/4" X 3/4" LG	8
145				
146	<u>74086-G01</u>		HOLD DOWN BRACKET	1
147	<u>70113-G01</u>		ADJUSTABLE BUMPER	2
148	<u>11027-G1</u>		LOCK NUT, 5/16 - 18	4
149				
150	<u>74080-G01</u>		CARGO DECK	1

THE USE OF NON U.L. PARTS WILL VOID ANY U.L. LISTING.
 When ordering parts, please specify the model and serial number of the product.
 * Indicates a component that is not available as an individual part.
 G** Indicates consult Customer Service Department for additional information.

ITEM	PART NO.	1 2 3 4 5	DESCRIPTION	QTY.
151	23052-G1		NOISE SUPPRESSOR	1
152	<u>74082-G01</u>		STEEL DECK	1
153	<u>74097-G01</u>		CARGO BED MAT.....	1
154	16705-G3		SCREW, 1/4 - 20 X 3/4" LG (STAINLESS STEEL)	8
155	<u>14390-G4</u>		LOCK NUT, 1/4 - 20	8
156				
157	<u>74089-G01</u>		LATCH.....	1
158	<u>10570-G10</u>		RIVET, 5/32" X 9/16" LG (STAINLESS STEEL)	3
159	<u>00559-G4</u>		WASHER, #8.....	1
160				
161	<u>34280-G02</u>		FRONT/REAR CARGO RACK.....	2
162	<u>34280-G01</u>		SIDE CARGO RACK.....	2
163	74079-G01		TAILGATE RETAINER BRACKET.....	2
164	00666-G6		SCREW, #10 - 12 X 3/4" LG.....	10
165				
166	<u>17838-G1</u>		BUSHING	4
167	<u>00440-G4</u>		BOLT, 5/16 - 18 X 2 1/2" LG	2
168	00559-G8		WASHER, 5/16"	2
169	11098-G6		LOCK NUT, 5/16 - 18	2
170				
171	<u>74099-G01</u>		LABEL (WARNING) (BED LATCH - SHUTTLE 4).....	1
172	<u>74095-G01</u>		LABEL (WARNING) (LOAD BED - SHUTTLE 4)	1
173				
174				
175				
176	<u>70361-G02</u>		FOOT REST ASSEMBLY (INCLUDES ITEMS 177 - 179).....	1
177	<u>70633-G01</u>		FOOT REST	1
178	<u>70362-G01</u>		FLOOR MAT	1
179	74129-G01		REFLECTOR	1
180	<u>19853-G1</u>		END CAP	2

BODY

THE USE OF NON U.L. PARTS WILL VOID ANY U.L. LISTING.

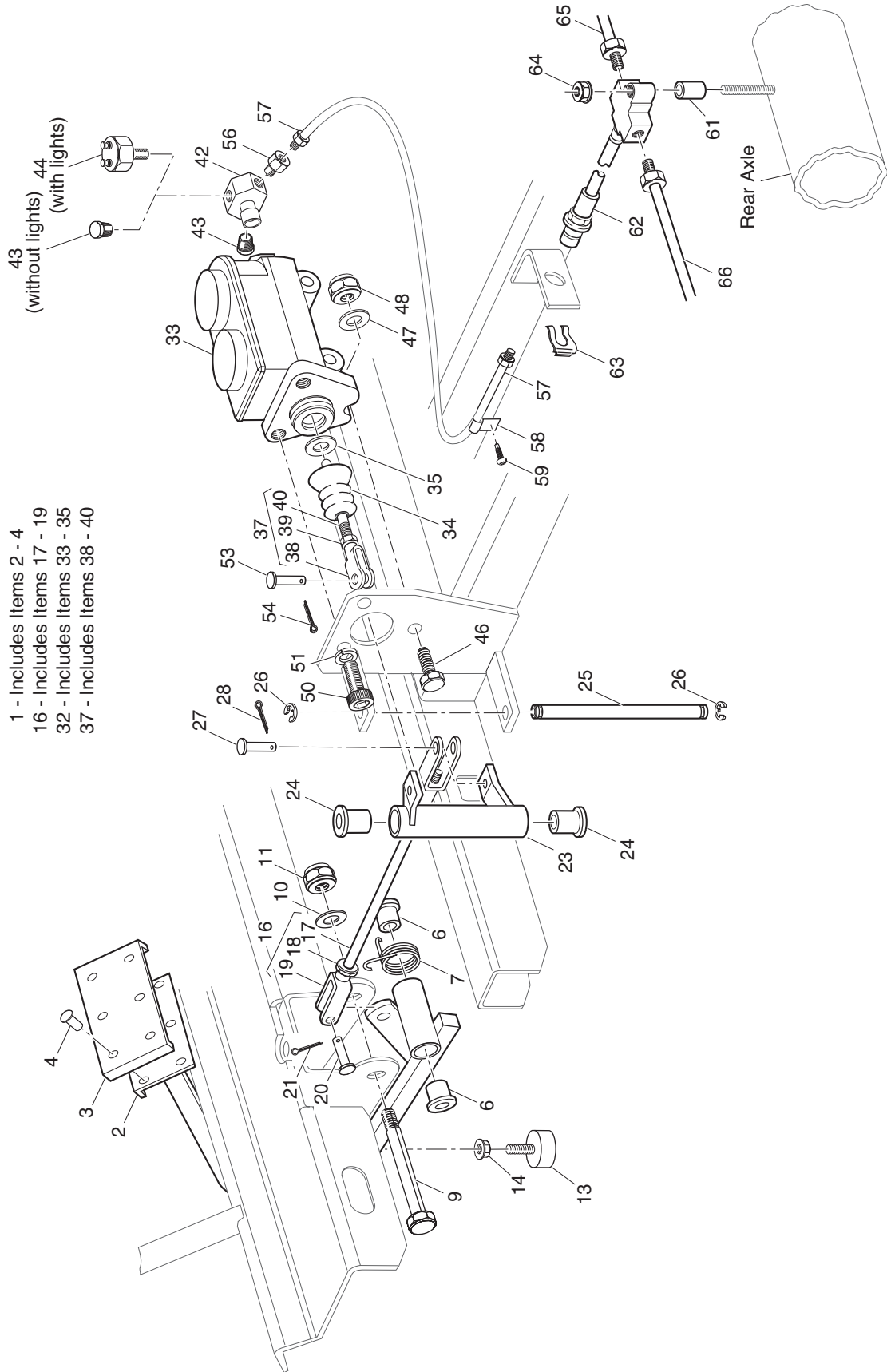
When ordering parts, please specify the model and serial number of the product.

* Indicates a component that is not available as an individual part.

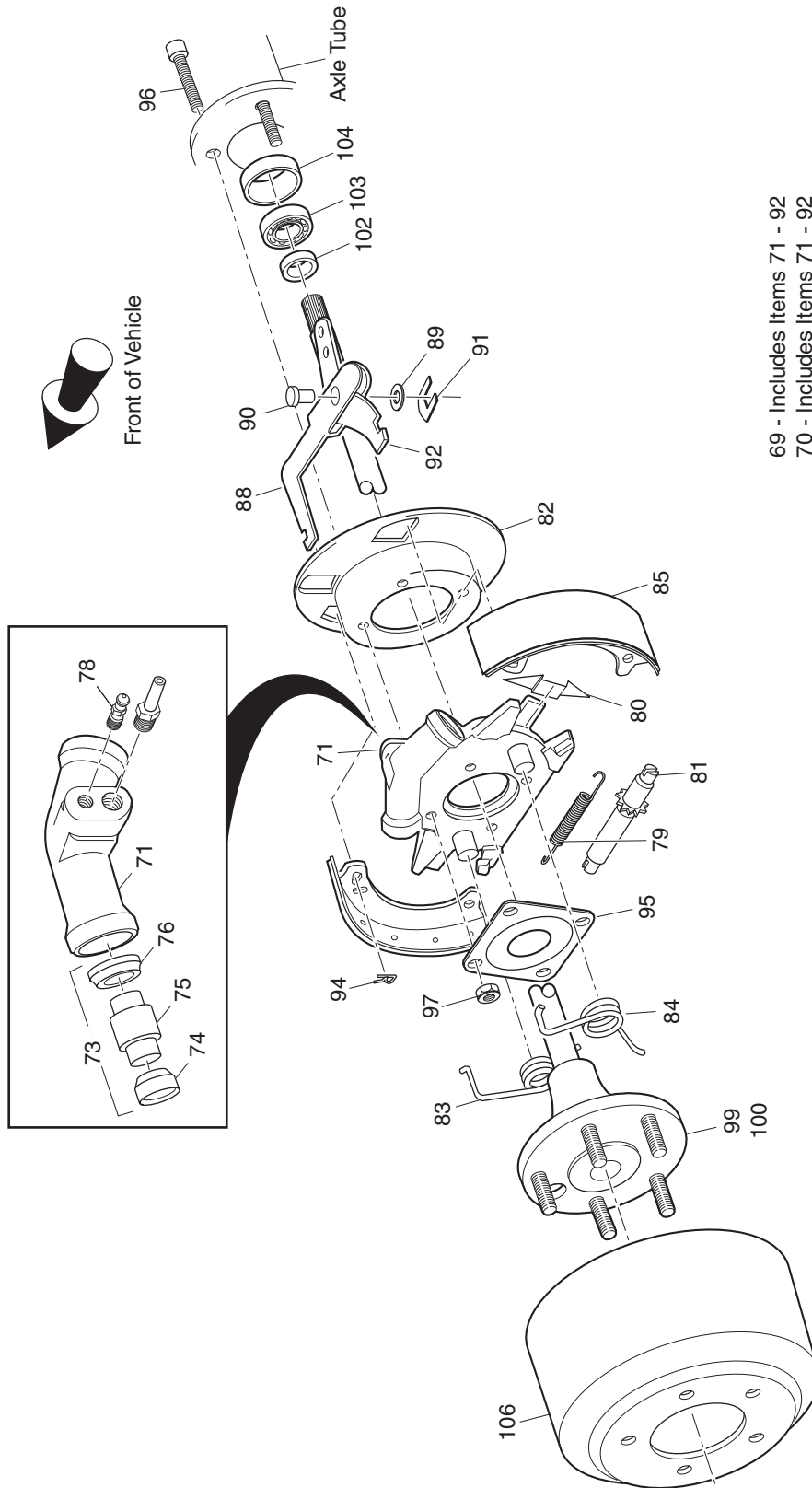
G** Indicates consult Customer Service Department for additional information.

ITEM	PART NO.	1 2 3 4 5	DESCRIPTION	QTY.
181	<u>74132-G01</u>		LABEL (WARNING).....	1
182	<u>74074-G01</u>		LABEL (WARNING) (EC)	1
183				
184	<u>00769-G2</u>		CARRIAGE BOLT, 3/8 - 16 X 1 1/4" LG	2
185	<u>00560-G1</u>		WASHER, 3/8"	2
186	<u>11098-G5</u>		LOCK NUT, 3/8 - 16	2
187				
188	<u>00427-G6</u>		BOLT, 3/8 - 16 X 1 3/4" LG	2
189	<u>00560-G1</u>		WASHER, 3/8"	4
190	<u>11098-G5</u>		LOCK NUT, 3/8 - 16	2
191				
192	<u>70113-G01</u>		ADJUSTABLE BUMPER	4
193	<u>11027-G1</u>		LOCK NUT, 5/16 - 18	6

BRAKES - HYDRAULIC

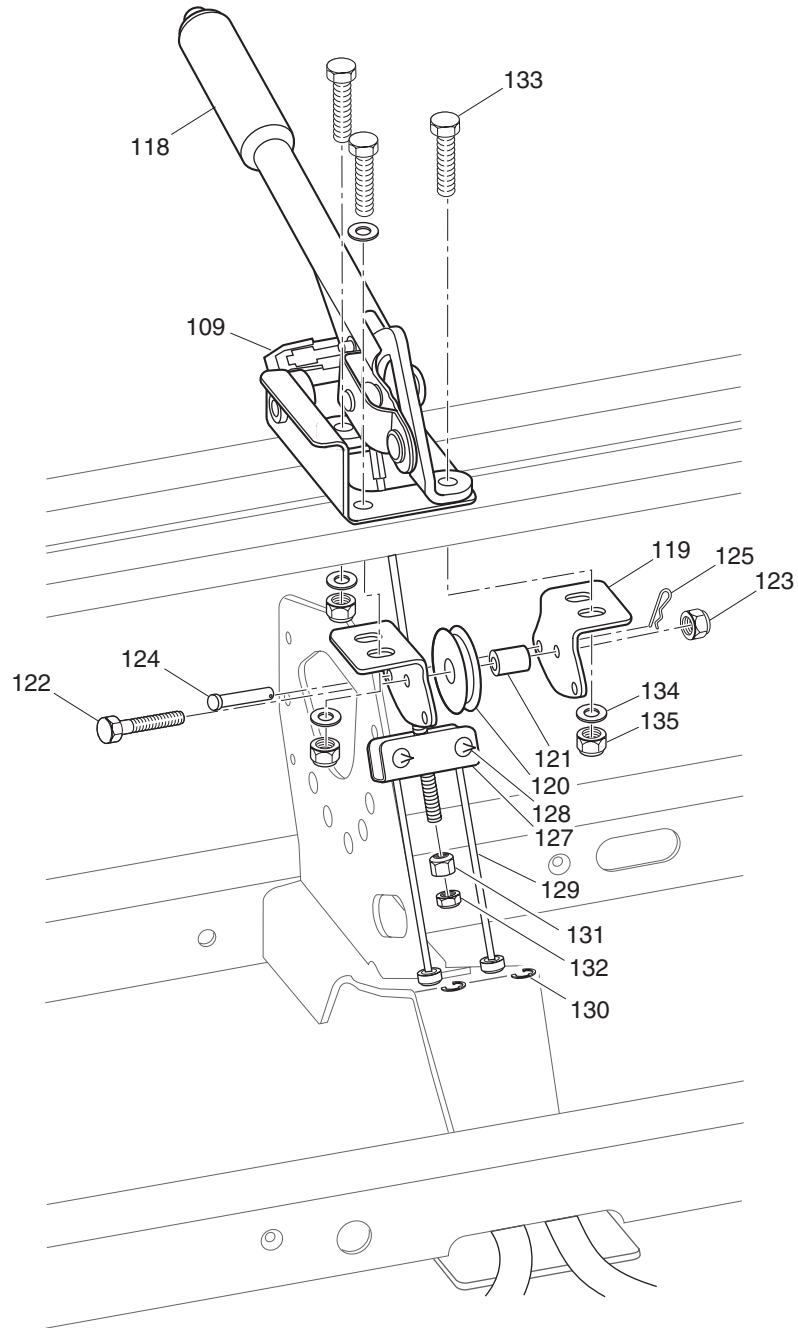


Ref Brh 7-1



BRAKES - HYDRAULIC

109 - Includes Items 110 - 116



Ref Brh 7-3

BRAKES - HYDRAULIC

THE USE OF NON U.L. PARTS WILL VOID ANY U.L. LISTING.
 When ordering parts, please specify the model and serial number of the product.
 * Indicates a component that is not available as an individual part.
 G** Indicates consult Customer Service Department for additional information.

ITEM	PART NO.	1 2 3 4 5	DESCRIPTION	QTY.
1	<u>70886-G01</u>		BRAKE PEDAL (INCLUDES ITEMS 2 - 4).....	1
2	70883-G01		PEDAL	1
3	<u>70257-G01</u>		PAD.....	1
4	<u>16409-G1</u>		OVAL RIVET, 1/8" X 15/32" LG.....	6
5				
6	<u>70581-G01</u>		FLANGED BUSHING	2
7	<u>70676-G01</u>		TORSION SPRING	1
8				
9	<u>70582-G01</u>		SHOULDER BOLT, 3/8 - 16 X 4" LG (STAINLESS STEEL).....	1
10	<u>00643-G1</u>		WASHER, 3/8"	1
11	<u>11098-G5</u>		LOCK NUT, 3/8 - 16	1
12				
13	<u>70113-G01</u>		ADJUSTABLE RUBBER BUMPER	1
14	<u>11027-G1</u>		LOCK NUT, 5/16 - 18	1
15				
16	<u>30295-G8</u>		LINKAGE ROD ASSEMBLY (INCLUDES ITEMS 17 - 19).....	1
17	30297-G8		THREADED ROD	1
18	10385-G4		CLEVIS YOKE ADJUSTABLE	2
19	<u>00544-G4</u>		JAM NUT, 5/16 - 24.....	2
20	<u>10386-G3</u>		CLEVIS PIN, 5/16" X 13/16" LG	1
21	<u>10387-G3</u>		COTTER PIN, 3/32" X 3/4" LG	1
22				
23	<u>70415-G01</u>		BRAKE BELLCRANK.....	1
24	<u>70581-G01</u>		FLANGED BUSHING	2
25	<u>70410-G01</u>		BELLCRANK SHAFT	1
26	<u>12305-G1</u>		RETAINING RING, 13/32" ID.....	2
27	<u>10386-G3</u>		CLEVIS PIN, 5/16" X 13/16" LG	1
28	<u>10387-G3</u>		COTTER PIN, 3/32" X 3/4" LG	1
29				
30				

BRAKES - HYDRAULIC

THE USE OF NON U.L. PARTS WILL VOID ANY U.L. LISTING.

When ordering parts, please specify the model and serial number of the product.

* Indicates a component that is not available as an individual part.

G** Indicates consult Customer Service Department for additional information.

ITEM	PART NO.	1 2 3 4 5	DESCRIPTION	QTY.
31	28066-G02		MASTER CYLINDER REPAIR KIT (NOT SHOWN).....	AR
32	<u>70643-G03</u>		MASTER CYLINDER SERVICE KIT (INCLUDES ITEMS 33 - 35)	1
33	*		MASTER CYLINDER.....	1
34	<u>32768-G1</u>		BOOT	1
35	<u>00675-G1</u>		WASHER, 3/8"	1
36				
37	<u>30298-G2</u>		PUSH ROD ASSEMBLY (INCLUDES ITEMS 38 - 40).....	1
38	<u>30293-G2</u>		PUSH ROD, 3 1/8" LG	1
39	<u>21508-G1</u>		CLEVIS YOKE	1
40	<u>00544-G6</u>		JAM NUT, 3/8 - 24.....	1
41				
42	<u>26469-G01</u>		TEE BRANCH (MALE)	1
43	<u>21503-G1</u>		PIPE PLUG	A/R
44	<u>21510-G1</u>		STOPLIGHT SWITCH (IF EQUIPPED WITH BRAKE LIGHTS)	1
45				
46	<u>00427-G4</u>		BOLT, 3/8 - 16 X 1 1/2" LG	2
47	<u>00560-G1</u>		WASHER, 3/8"	1
48	<u>11098-G5</u>		LOCK NUT, 3/8 - 16	2
49				
50	01020-G01		SCREW, 3/8 - 16 X 1" LG.....	1
51	<u>00566-G1</u>		LOCK WASHER, 3/8".....	1
52				
53	<u>14443-G3</u>		CLEVIS PIN, 5/16" X 1 " LG	1
54	<u>10387-G3</u>		COTTER PIN, 3/32" X 3/4" LG	1
55				
56	<u>33724-G01</u>		INVERTED FLARE FITTING.....	1
57	<u>21104-G11</u>		BRAKE LINE WITH NUTS, 60" LG	1
58	<u>11845-G5</u>		INSULATED CABLE CLAMP, 3/8"	1
59	<u>00100-G6</u>		SELF THREADING SCREW, #10 X 3/4" LG.....	1
60				

BRAKES - HYDRAULIC

THE USE OF NON U.L. PARTS WILL VOID ANY U.L. LISTING.
 When ordering parts, please specify the model and serial number of the product.
 * Indicates a component that is not available as an individual part.
 G** Indicates consult Customer Service Department for additional information.

ITEM	PART NO.	1 2 3 4 5	DESCRIPTION	QTY.
61	73266-G01		SPACER.....	1
62	<u>33534-G01</u>		HYDRAULIC HOSE - 10 1/2" LG.....	1
63	<u>11456-G1</u>		FLEX HOSE CLIP.....	1
64	11098-G6		LOCK NUT, 5/16 - 18.....	1
65	<u>21104-G9</u>		BRAKE LINE WITH NUTS - 30" LG.....	1
66	<u>21104-G6</u>		BRAKE LINE WITH NUTS - 8" LG.....	1
67				
68				
69	<u>33725-G02</u>		BRAKE ASSEMBLY (DRIVER SIDE) (INCLUDES ITEMS 71 - 92).....	1
70	<u>33725-G01</u>		BRAKE ASSEMBLY (PASSENGER SIDE) (INCLUDES ITEMS 71 - 92).....	1
71	<u>21086-G1</u>		TORQUE SPIDER.....	1
72				
73	<u>70771-G01</u>		WHEEL CYLINDER REPAIR KIT (INCLUDES ITEMS 74 - 76).....	1
74	<u>21087-G1</u>		WHEEL CYLINDER PISTON.....	2
75	21088-G1		HYDRAULIC CUP.....	2
76	<u>21089-G1</u>		SEAL.....	2
77				
78	<u>21094-G1</u>		BLEEDER VALVE.....	1
79	21095-G1		LOWER SPRING.....	1
80	<u>21096-G1</u>		SHOE HOLD DOWN.....	1
81	<u>21097-G1</u>		ADJUSTER.....	1
82	<u>21908-G1</u>		DUST SHIELD.....	1
83	<u>70670-G01</u>		SPRING (YELLOW).....	1
84	<u>70669-G01</u>		SPRING (BLUE).....	1
85	33726-G01		BRAKE SHOE.....	1
86				
87	*		PARKING BRAKE LEVER ASSEMBLY (INCLUDES ITEMS 88 - 92).....	1
88	<u>13460-G1</u>		CURVED LEVER.....	1
89	<u>13463-G1</u>		SPRING WASHER.....	1
90	<u>13462-G1</u>		CLEVIS PIN.....	1

BRAKES - HYDRAULIC

THE USE OF NON U.L. PARTS WILL VOID ANY U.L. LISTING.
 When ordering parts, please specify the model and serial number of the product.
 * Indicates a component that is not available as an individual part.
 G** Indicates consult Customer Service Department for additional information.

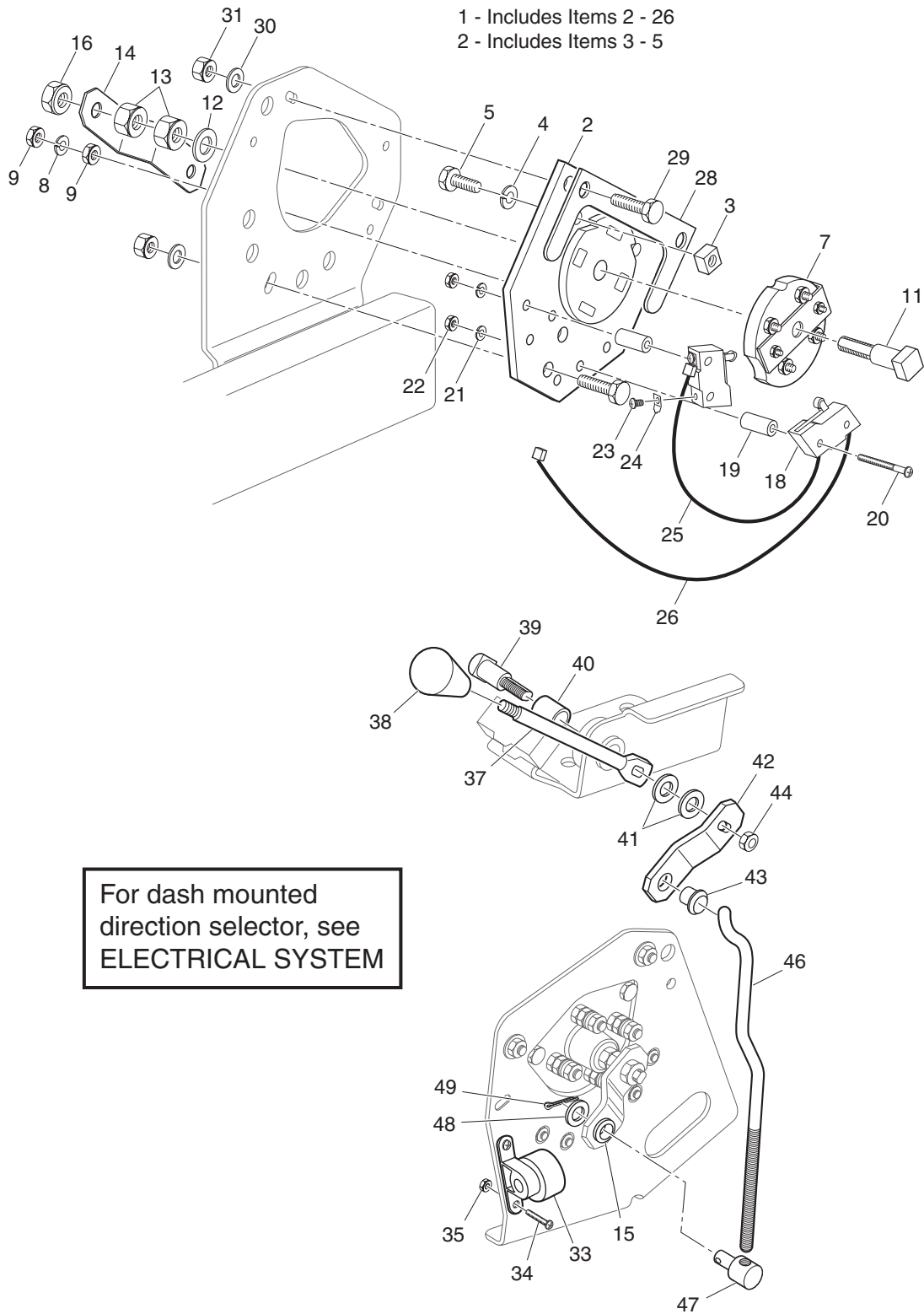
ITEM	PART NO.	1	2	3	4	5	DESCRIPTION	QTY.
91	<u>13464-G1</u>						CLEVIS PIN RETAINER.....	1
92	<u>22604-G1</u>						STRAIGHT LEVER	2
93								
94	<u>13468-G1</u>						CLIP	2
95	21559-G1						WIPER SEAL	1
96	33662-G01						STUD, 5/16 - 24 X 1 5/8" LG	4
97	<u>21562-G1</u>						NUT, 5/16 - 24	4
98								
99	XXXXX-XX						AXLE SHAFT (DRIVER SIDE) (SEE REAR AXLE SECTION FOR P/N).....	1
100	XXXXX-XX						AXLE SHAFT (PASSENGER SIDE) (SEE REAR AXLE SECTION FOR P/N) ...	1
101								
102	XXXXX-XX						BEARING RETAINER RING (SEE REAR AXLE SECTION FOR P/N)	1
103	XXXXX-XX						WHEEL BEARING (SEE REAR AXLE SECTION FOR P/N)	1
104	XXXXX-XX						INNER OIL SEAL (SEE REAR AXLE SECTION FOR P/N).....	1
105								
106	<u>17953-G2</u>						BRAKE DRUM	2
107								
108								
109	<u>70866-G01</u>						SHIFT BRACKET AND SWITCH (INCLUDES ITEMS 110 - 116)	1
110	70821-G01						BRACKET	1
111	<u>70889-G01</u>						LIMIT SWITCH.....	1
112	<u>00645-G2</u>						SCREW, #6 - 32 X 1 1/4" LG	2
113	<u>00559-G3</u>						WASHER, #6	2
114	<u>00565-G3</u>						LOCK WASHER, #6	2
115	<u>00525-G5</u>						NUT, #6 - 32.....	2
116	<u>12914-G1</u>						FASTON TAB, 9/32" X 11/32"	2
117								
118	<u>75791-G02</u>						BRAKE LEVER WITH CABLE	1
119	<u>70926-G01</u>						PULLY BRACKET	2
120	<u>70841-G01</u>						PULLY, 2"	1

BRAKES - HYDRAULIC

THE USE OF NON U.L. PARTS WILL VOID ANY U.L. LISTING.
 When ordering parts, please specify the model and serial number of the product.
 * Indicates a component that is not available as an individual part.
 G** Indicates consult Customer Service Department for additional information.

ITEM	PART NO.	1 2 3 4 5	DESCRIPTION	QTY.
121	<u>23726-G9</u>		SPACER, 3/4"	1
122	<u>00439-G4</u>		BOLT, 5/16 - 18 X 1 1/2" LG	1
123	11098-G6		LOCK NUT, 5/16 - 18	1
124	<u>14443-G3</u>		CLEVIS PIN, 5/16" X 1".....	1
125	<u>01076-G01</u>		COTTER PIN, 1 3/16"	1
126				
127	<u>28082-G01</u>		BRAKE CABLE EQUALIZER	1
128	<u>28083-G01</u>		EQUALIZER BUMPER.....	2
129	70700-G12		BRAKE CABLE	2
130	<u>12305-G1</u>		RETAINING RING	2
131	00963-G1		SPHERICAL NUT, 5/16 - 24.....	1
132	<u>11098-G9</u>		LOCK NUT, 5/16 - 24	1
133	<u>00427-G8</u>		BOLT, 3/8 - 16 X 2" LG	3
134	<u>00560-G1</u>		WASHER, 3/8"	4
135	<u>00891-G1</u>		LOCK NUT, 3/8 - 16	3

DIRECTION SELECTOR



Ref Dsl 7

DIRECTION SELECTOR

THE USE OF NON U.L. PARTS WILL VOID ANY U.L. LISTING.

When ordering parts, please specify the model and serial number of the product.

* Indicates a component that is not available as an individual part.

G** Indicates consult Customer Service Department for additional information.

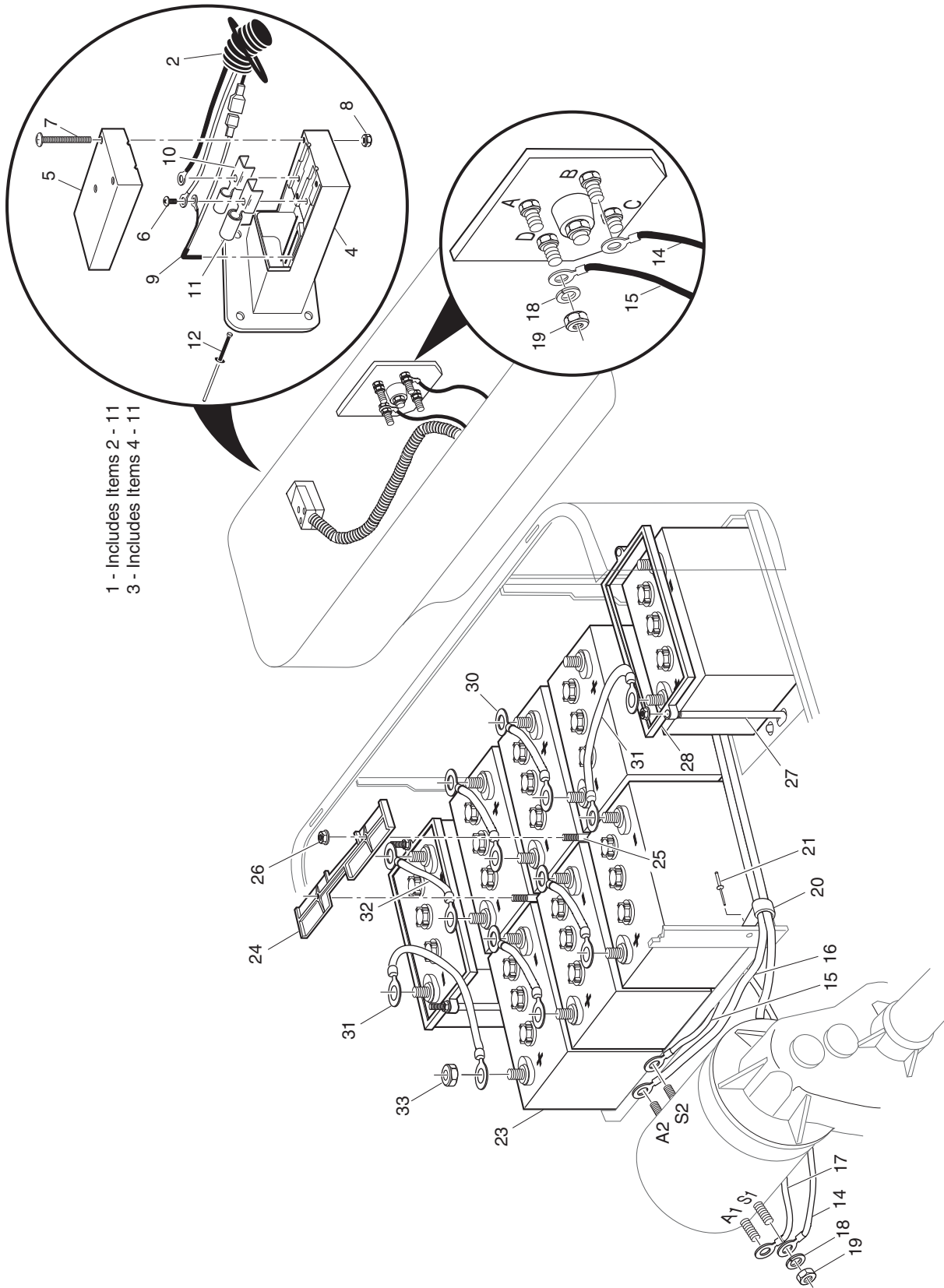
ITEM	PART NO.	1	2	3	4	5	DESCRIPTION	QTY.
1	<u>70830-G01</u>						DIRECTION SELECTOR ASSEMBLY (INCLUDES ITEMS 2 - 26)	1
2	<u>14651-G1</u>						CONTACT BOARD ASSEMBLY (INCLUDES ITEMS 3 - 5)	1
3	<u>24940-G1</u>						STOP	2
4	<u>00565-G7</u>						LOCK WASHER, 1/4"	2
5	<u>00414-G6</u>						BOLT, 1/4 - 20 X 3/4" LG	2
6								
7	<u>12835-G1</u>						CAM	1
8	<u>00565-G8</u>						LOCK WASHER, 5/16"	4
9	<u>00544-G3</u>						NUT, 5/16 - 18	8
10								
11	<u>34169-G01</u>						SHAFT	1
12	<u>00560-G1</u>						WASHER, 3/8"	1
13	<u>00532-G6</u>						NUT, 3/8 - 24	2
14	<u>70817-G01</u>						SHIFT ARM	1
15	<u>22754-G3</u>						BUSHING	1
16	<u>14390-G1</u>						LOCK NUT, 3/8 - 24	1
17								
18	10606-G2						MICRO SWITCH (HEAVY DUTY)	2
19	<u>12806-G1</u>						SPACER	4
20	<u>00645-G6</u>						SCREW, #6 - 32 X 1 3/4" LG	4
21	<u>00565-G3</u>						LOCK WASHER, #6	4
22	<u>00525-G5</u>						NUT, #6 - 32	4
23	<u>13514-G1</u>						SCREW #6 - 32 X 1/4" LG (BRASS)	3
24	<u>14628-G1</u>						FASTON TAB	4
25	25974-G19						10 GA WIRE (RED 5")	1
26	25978-G234						18 GA WIRE (RED 6")	1
27								
28	<u>15461-G1</u>						PLATE	1
29	00414-G8						SCREW, 1/4 - 20 X 1" LG	3
30	<u>00559-G7</u>						WASHER, 1/4"	4

DIRECTION SELECTOR

THE USE OF NON U.L. PARTS WILL VOID ANY U.L. LISTING.
 When ordering parts, please specify the model and serial number of the product.
 * Indicates a component that is not available as an individual part.
 G** Indicates consult Customer Service Department for additional information.

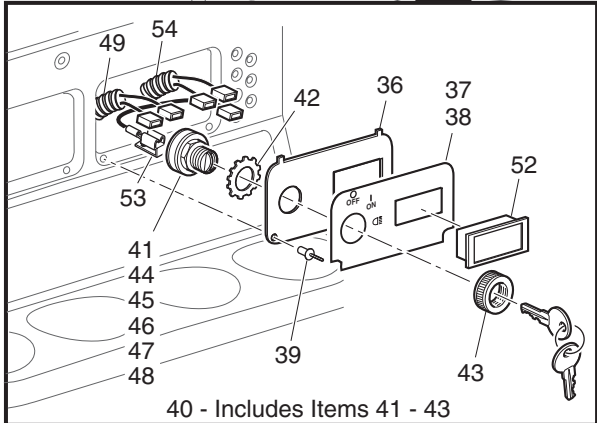
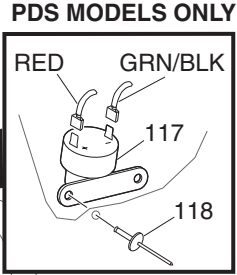
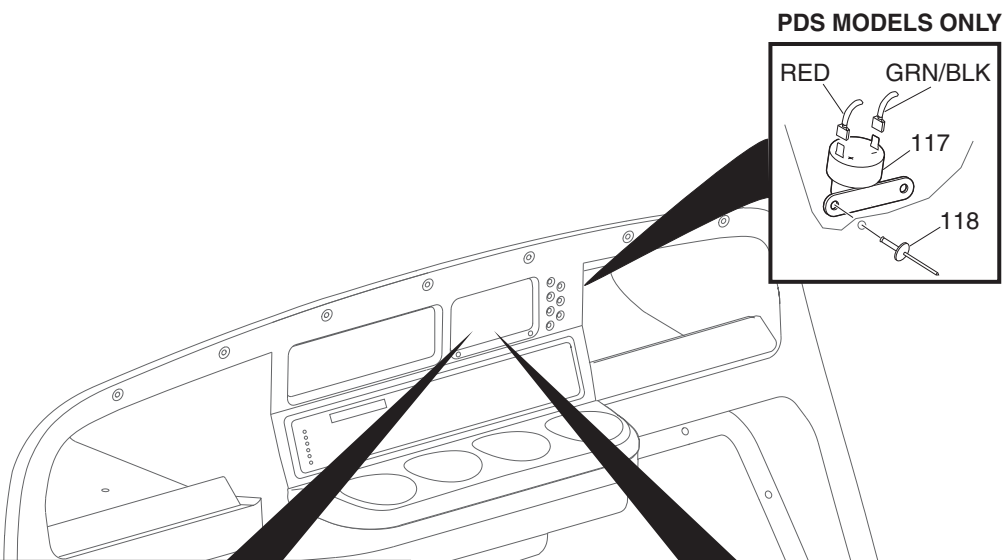
ITEM	PART NO.	1 2 3 4 5	DESCRIPTION	QTY.
31	<u>14390-G4</u>		LOCK NUT, 1/4 - 20	3
32				
33	<u>73290-G02</u>		REVERSE WARNING BUZZER.....	1
34	<u>00645-G4</u>		SCREW, #6 - 32 X 1/2" LG.....	2
35	<u>14390-G9</u>		LOCK NUT, #6 - 32	2
36				
37	<u>34168-G01</u>		SHIFTER HANDLE	1
38	<u>11989-G1</u>		SHIFT KNOB.....	1
39	<u>70824-G01</u>		SHAFT.....	1
40	<u>25664-G2</u>		BEARING, DU	1
41	<u>00560-G1</u>		WASHER, 3/8"	2
42	<u>70825-G01</u>		SHIFT ARM.....	1
43	<u>22754-G3</u>		BUSHING	1
44	<u>14390-G1</u>		LOCK NUT, 3/8 - 24	1
45				
46	<u>70816-G01</u>		SHIFT LINK.....	1
47	<u>70815-G01</u>		TRUNNION	1
48	<u>00571-G2</u>		WASHER, 5/16"	1
49	<u>10387-G3</u>		COTTER PIN, 3/32" X 3/4" LG	1

ELECTRICAL SYSTEM

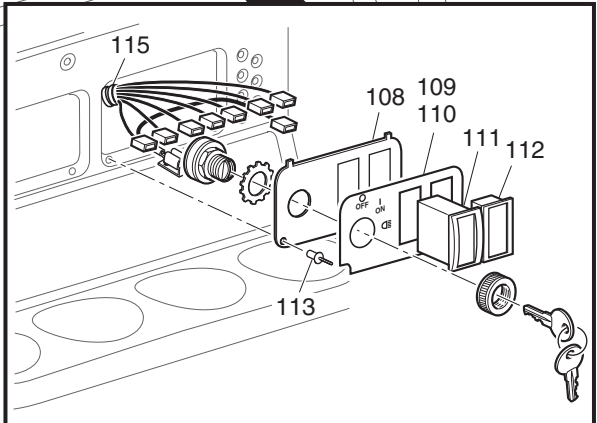


1 - Includes Items 2 - 11
3 - Includes Items 4 - 11

Ref Ele 7-1



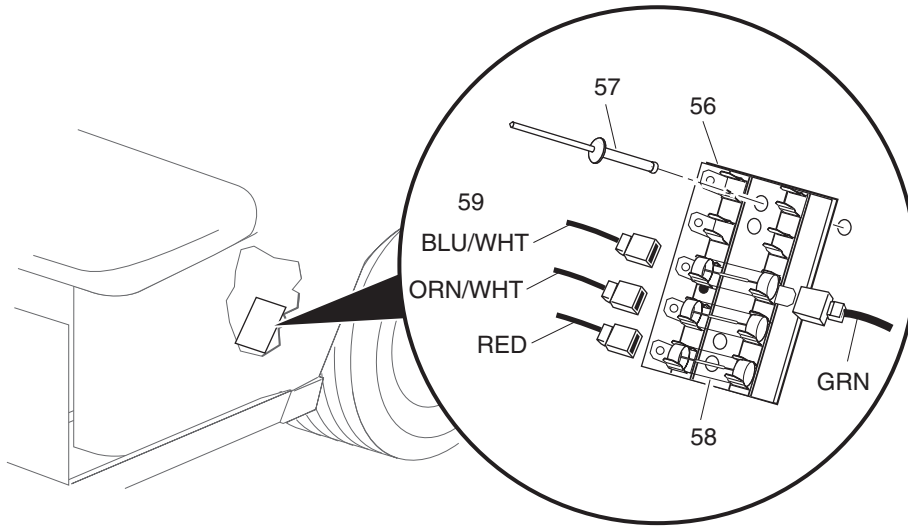
STATE OF CHARGE METER AND KEY SWITCH



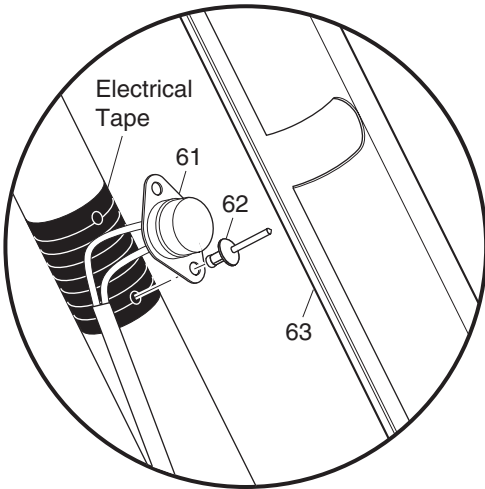
**PDS MODELS ONLY:
DASH MOUNTED DIRECTION SELECTOR,
STATE OF CHARGE METER AND KEY SWITCH**

Ref Ele 7-2

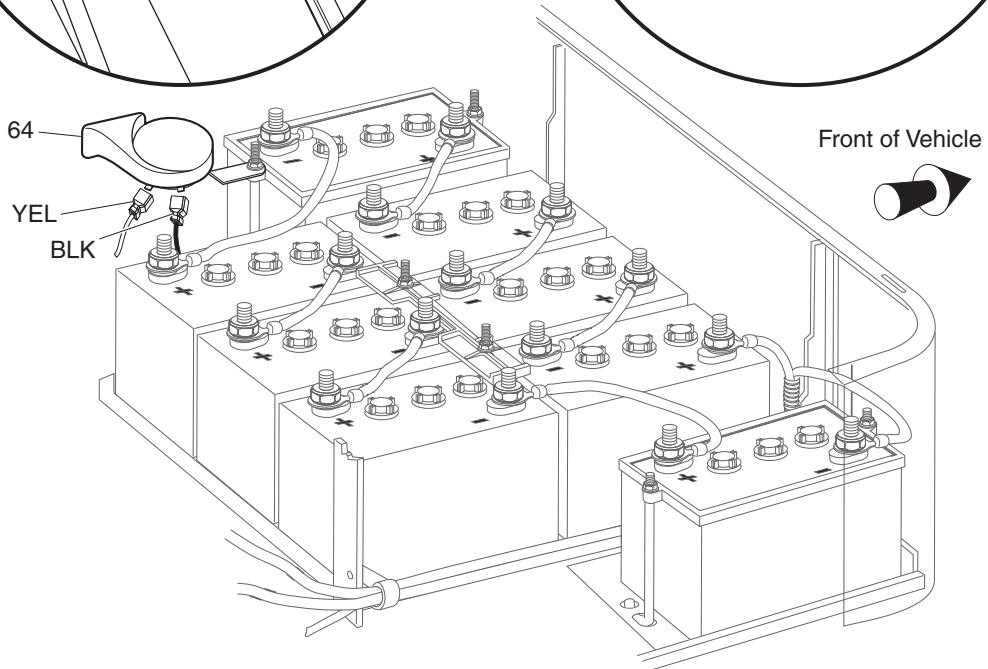
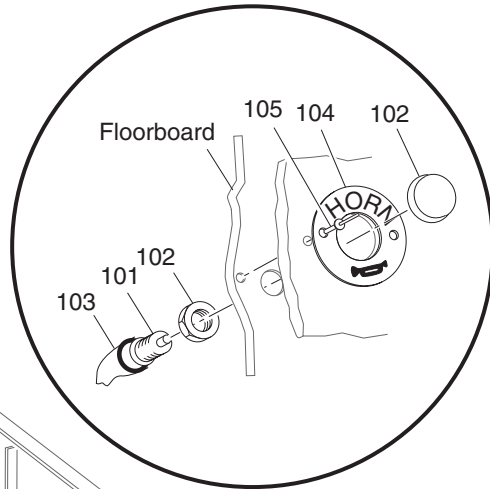
ELECTRICAL SYSTEM



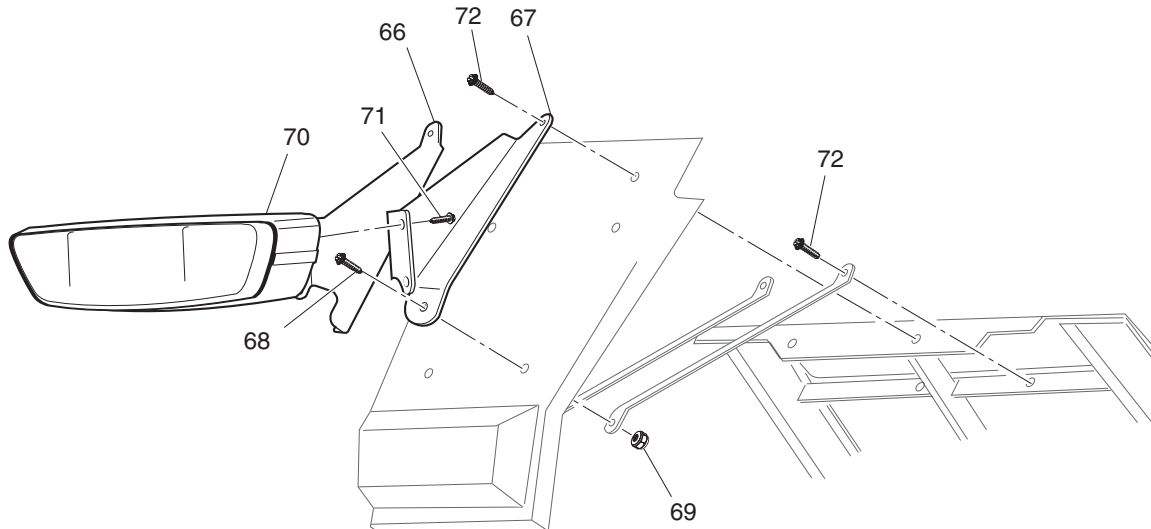
COLUMN MOUNTED HORN BUTTON



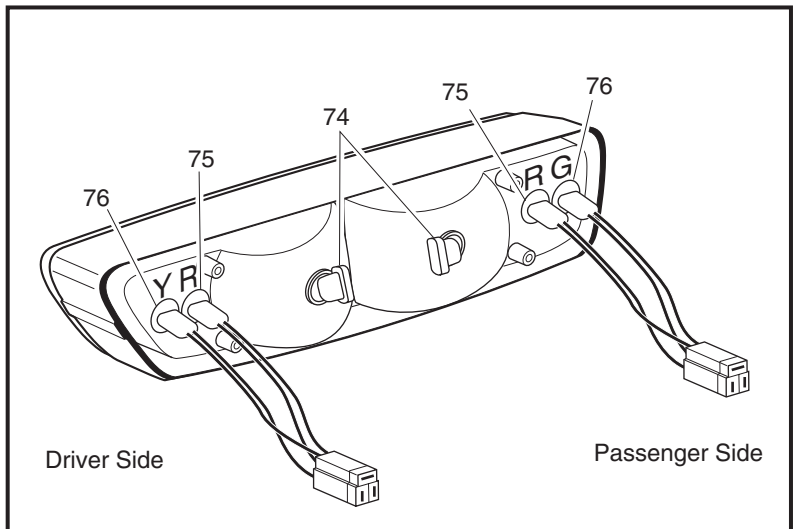
FLOOR MOUNTED HORN BUTTON



Ref Ele 7-3

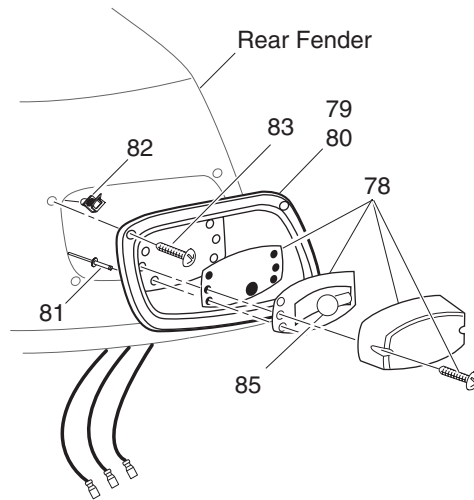


HEADLIGHT

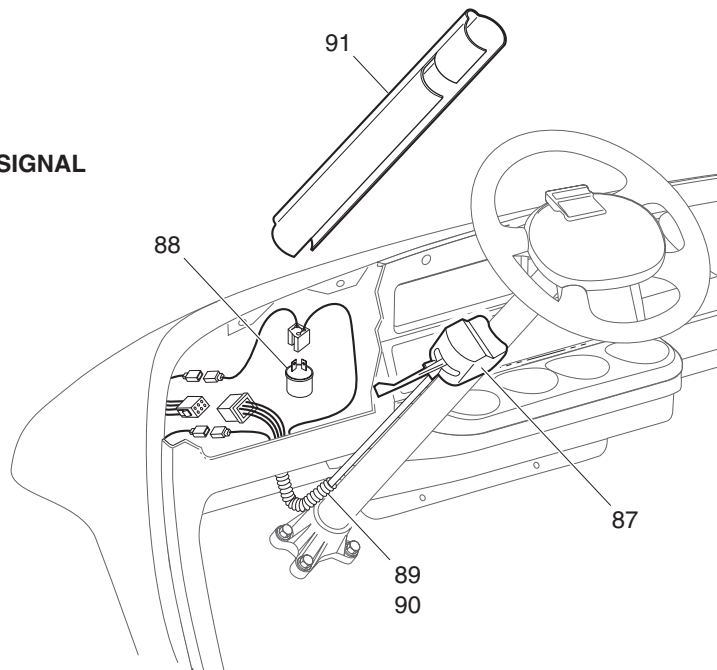


Ref Ele 7-4

ELECTRICAL SYSTEM



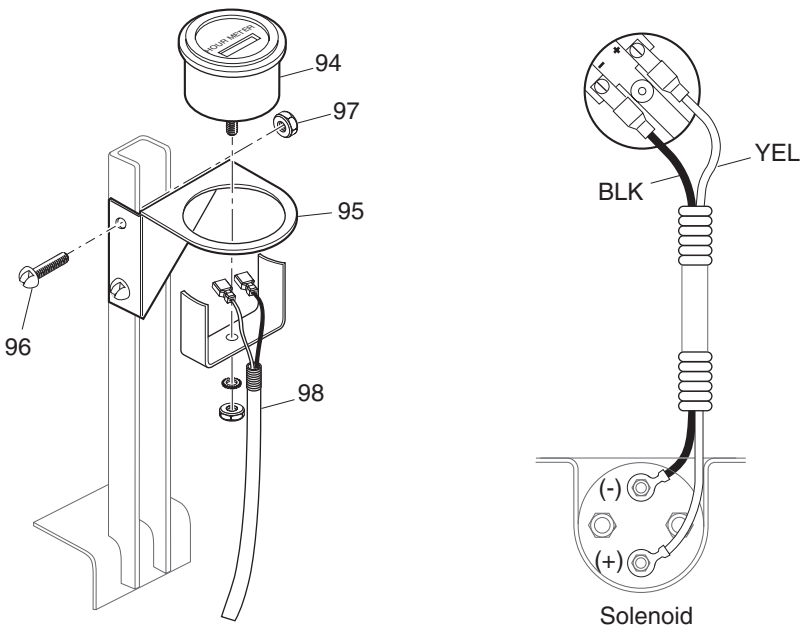
TURN SIGNAL



Ref Ele 7-5

HOUR METER

93 - Includes Items 94 - 98



Ref Ele 7-6

ELECTRICAL SYSTEM

THE USE OF NON U.L. PARTS WILL VOID ANY U.L. LISTING.
 When ordering parts, please specify the model and serial number of the product.
 * Indicates a component that is not available as an individual part.
 G** Indicates consult Customer Service Department for additional information.

ITEM	PART NO.	1 2 3 4 5	DESCRIPTION	QTY.
1	73311-G0*		CHARGER HARNESS / RECEPTACLE (INCLUDES ITEMS 2 - 11)	1
2	73312-G0*		CHARGER HARNESS.....	1
3	<u>73051-G30</u>		CHARGER HARNESS RECEPTACLE (INCLUDES ITEMS 4 - 11)	1
4	73051-G22		RECEPTACLE BOTTOM	1
5	73051-G21		RECEPTACLE COVER	1
6	<u>73051-G08</u>		SCREW, #10 - 32 X 1/2" LG.....	2
7	<u>73051-G09</u>		SCREW, #6 - 32 X 1 3/4" LG.....	3
8	<u>73051-G10</u>		LOCK NUT, #6 - 32	3
9	73051-G28		REED SWITCH, ENCAPSULATED.....	1
10	73051-G23		FEMALE CONTACT	1
11	<u>73051-G24</u>		FEMALE CONTACT, INSULATED	1
12	<u>71055-G01</u>		RIVET, 3/16" X 1" LG	4
13				
14	<u>25971-G08</u>		4 GA WIRE (BLK 95") (DIRECTION SELECTOR - MOTOR: B - S1)	1
15	<u>25971-G07</u>		4 GA WIRE (BLK 90") (DIRECTION SELECTOR - MOTOR: D - S2)	1
16	<u>25971-G09</u>		4 GA WIRE (BLK 88") (ESC - MOTOR: A2 - A2)	1
17	<u>25971-G10</u>		4 GA WIRE (BLK 92 1/2") (ESC - MOTOR: B+ - A1)	1
18	<u>00567-G8</u>		LOCK WASHER, 5/16"	8
19	<u>00532-G3</u>		NUT, 5/16 - 18	8
20	27327-G0*		CLAMP	1
21	<u>10570-G11</u>		RIVET, 3/16" X 3/4" LG (STAINLESS STEEL)	1
22				
23	XXXXX-G**		6 VOLT BATTERY	8
24	<u>70045-G01</u>		BATTERY RETAINER	1
25	<u>70121-G01</u>		HOLD DOWN BOLT	2
26	<u>11027-G1</u>		LOCK NUT, 5/16 - 18	6
27	<u>70386-G01</u>		HOLD DOWN BOLT	4
28	70387-G01		BATTERY RETAINER	2
29				
30	<u>25972-G40</u>		6 GA WIRE (BLK 6")	4

ELECTRICAL SYSTEM

THE USE OF NON U.L. PARTS WILL VOID ANY U.L. LISTING.
 When ordering parts, please specify the model and serial number of the product.
 * Indicates a component that is not available as an individual part.
 G** Indicates consult Customer Service Department for additional information.

ITEM	PART NO.	1	2	3	4	5	DESCRIPTION	QTY.
31	<u>23540-G1</u>						6 GA WIRE (BLK 21")	2
32	<u>11893-G1</u>						6 GA WIRE (BLK 8 1/2")	1
33	<u>00702-G2</u>						NUT, 5/16 - 18	16
34								
35								
36	<u>73030-G02</u>						CONSOLE INSERT PLATE	1
37	<u>71123-G02</u>						LABEL, CONSOLE INSERT PLATE (WITHOUT LIGHTS)	1
38	<u>71129-G01</u>						LABEL, CONSOLE INSERT PLATE (WITH LIGHTS)	1
39	<u>33623-G02</u>						RIVET, 3/16" X 3/8" LG	2
40	<u>17421-G1</u>						IGNITION SWITCH KIT (INCLUDES ITEMS 41 - 43)	1
41	<u>18602-G1</u>						IGNITION SWITCH (WITHOUT LIGHTS, STANDARD KEY)	1
42	<u>00568-G6</u>						LOCK WASHER, 3/4"	1
43	<u>17137-G1</u>						FACE NUT	1
44	<u>17955-G1</u>						IGNITION SWITCH (WITHOUT LIGHTS, NON-STANDARD KEY)	1
45	<u>18027-G1</u>						IGNITION SWITCH (WITHOUT LIGHTS, INDIVIDUALLY KEYED)	1
46	<u>33639-G01</u>						IGNITION SWITCH (WITH LIGHTS, STANDARD KEY)	1
47	<u>33639-G02</u>						IGNITION SWITCH (WITH LIGHTS, NON-STANDARD KEY)	1
48	<u>33639-G03</u>						IGNITION SWITCH (WITH LIGHTS, INDIVIDUALLY KEYED)	1
49	<u>70828-G01</u>						WIRE HARNESS (KEY SWITCH)	1
50	<u>17618-G1</u>						WIRE TIE	6
51								
52	<u>33636-G03</u>						STATE OF CHARGE METER	1
53	<u>25978-G74</u>						18 GA WIRE (RED 6")	1
54	<u>74018-G02</u>						WIRE HARNESS (STATE OF CHARGE METER)	1
55								
56	<u>22674-G1</u>						FUSE BLOCK	1
57	<u>71010-G01</u>						RIVET, 5/32" X 3/8" LG	2
58	<u>18392-G1</u>						FUSE, 15 AMP	3
59	<u>73073-G01</u>						WIRE HARNESS (ACCESSORY)	1
60								

ELECTRICAL SYSTEM

THE USE OF NON U.L. PARTS WILL VOID ANY U.L. LISTING.

When ordering parts, please specify the model and serial number of the product.

* Indicates a component that is not available as an individual part.

G** Indicates consult Customer Service Department for additional information.

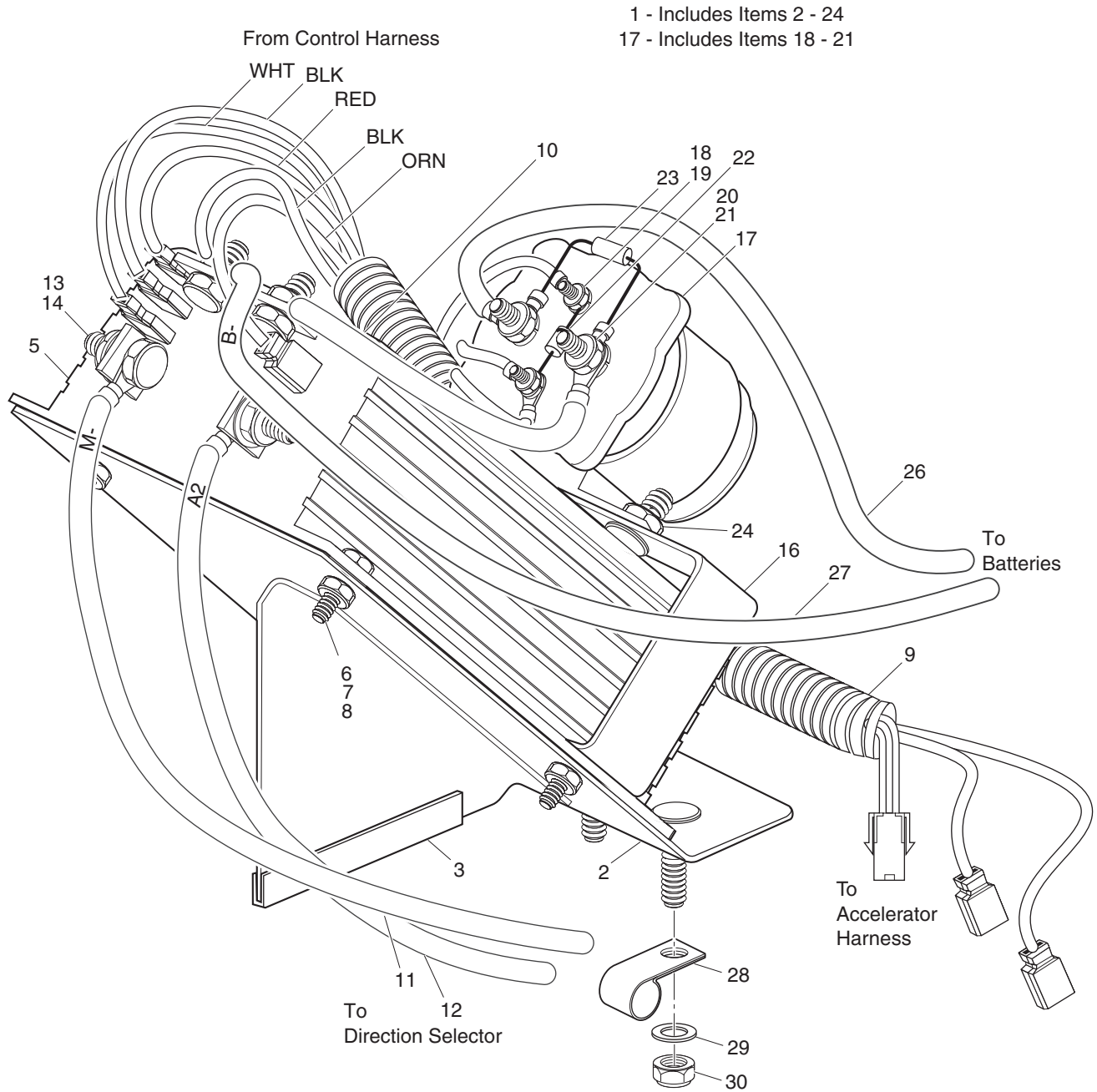
ITEM	PART NO.	1 2 3 4 5	DESCRIPTION	QTY.
61	28363-G01		HORN SWITCH.....	1
62	<u>14601-G8</u>		RIVET, 3/16" X 7/16" LG (ALUMINUM).....	2
63	<u>20961-G3</u>		STEERING COLUMN COVER.....	1
64	<u>32860-G1</u>		HORN.....	1
65				
66	<u>74236-G01</u>		HEADLIGHT MOUNT BRACKET (PASSENGER SIDE).....	1
67	<u>74236-G02</u>		HEADLIGHT MOUNT BRACKET (DRIVER SIDE).....	1
68	<u>00414-G6</u>		BOLT, 1/4 - 20 X 3/4" LG.....	2
69	<u>11027-G2</u>		LOCK NUT, 1/4 - 20.....	2
70	<u>74001-G01</u>		HEADLIGHT AND TURN SIGNAL LIGHT BAR.....	1
71	<u>00114-G6</u>		SCREW, 1/4 - 20 X 3/4" LG.....	4
72	XXXXX-XX		SEE BODY SECTION	
73				
74	<u>74004-G01</u>		HEADLIGHT BULB.....	2
75	<u>74005-G01</u>		MARKER LIGHT BULB.....	2
76	<u>74006-G01</u>		TURN SIGNAL BULB.....	2
77				
78	22260-G2		TAILLIGHT ASSEMBLY.....	2
79	<u>74371-G01</u>		BEZEL (DRIVER SIDE).....	1
80	<u>74371-G02</u>		BEZEL (PASSENGER SIDE).....	1
81	<u>14601-G11</u>		RIVET, 3/16" X 9/16" LG (ALUMINUM).....	4
82	<u>71364-G02</u>		'J' CLIP.....	8
83	<u>71425-G01</u>		COUNTERSUNK SCREW, #3 - 18 X 3/4" LG.....	8
84				
85	<u>21759-G1</u>		TAILLIGHT BULB.....	2
86				
87	<u>17867-G1</u>		TURN SIGNAL (WITH MOUNTING HARDWARE) (INCLUDES ITEM 88).....	1
88	<u>21640-G1</u>		TURN SIGNAL FLASHER.....	1
89	<u>32307-G3</u>		FLEX LOOM, 3/8" X 8" LG.....	1
90	<u>17618-G1</u>		WIRE TIE.....	2

ELECTRICAL SYSTEM

THE USE OF NON U.L. PARTS WILL VOID ANY U.L. LISTING.
 When ordering parts, please specify the model and serial number of the product.
 * Indicates a component that is not available as an individual part.
 G** Indicates consult Customer Service Department for additional information.

ITEM	PART NO.	1	2	3	4	5	DESCRIPTION	QTY.
91	<u>20965-G3</u>						STEERING COLUMN COVER.....	1
92								
93	<u>75113-G06</u>						HOUR METER KIT (INCLUDES ITEMS 94 - 98).....	1
94	<u>21573-G1</u>						HOUR METER ASSEMBLY.....	1
95	74019-G01						HOUR METER BRACKET.....	1
96	<u>00150-G4</u>						SCREW, #10 - 24 X 1/2" LG.....	2
97	11098-G7						LOCK NUT, #10 - 24.....	2
98	<u>75117-G04</u>						WIRE HARNESS (HOUR METER).....	1
99								
100								
101	<u>17318-G1</u>						HORN SWITCH.....	1
102	<u>17318-G2</u>						HORN SWITCH CAP AND NUT.....	1
103	<u>27068-G01</u>						HORN SWITCH BOOT.....	1
104	19233-G1						HORN SWITCH LABEL.....	1
105	<u>71055-G01</u>						RIVET, 3/16" X 1" LG.....	2
106								
107								
108	<u>73030-G06</u>						CONSOLE INSERT PLATE.....	1
109	<u>74320-G01</u>						LABEL, DIRECTION SELECTOR AND STATE OF CHARGE METER.....	1
110	<u>74322-G01</u>						LABEL, LIGHTS, DIRECTION SELECTOR & STATE OF CHARGE METER.....	1
111	<u>74323-G01</u>						DIRECTION SELECTOR SWITCH.....	1
112	33638-G05						STATE OF CHARGE METER (VERTICAL).....	1
113	33623-G02						RIVET, 3/16" X 3/8" LG.....	2
114								
115	<u>73334-G01</u>						HARNESS (CONTROL).....	1
116								
117	<u>73290-G02</u>						BUZZER.....	1
118	<u>71045-G01</u>						RIVET, 5/32" X 3/4" LG.....	2

ELECTRONIC SPEED CONTROL



Ref Esc 7

ELECTRONIC SPEED CONTROL

THE USE OF NON U.L. PARTS WILL VOID ANY U.L. LISTING.

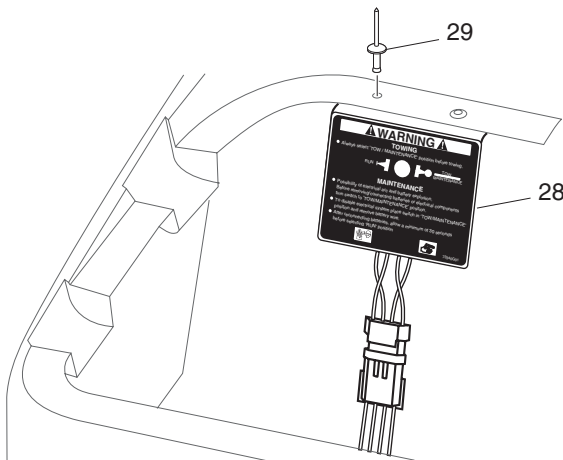
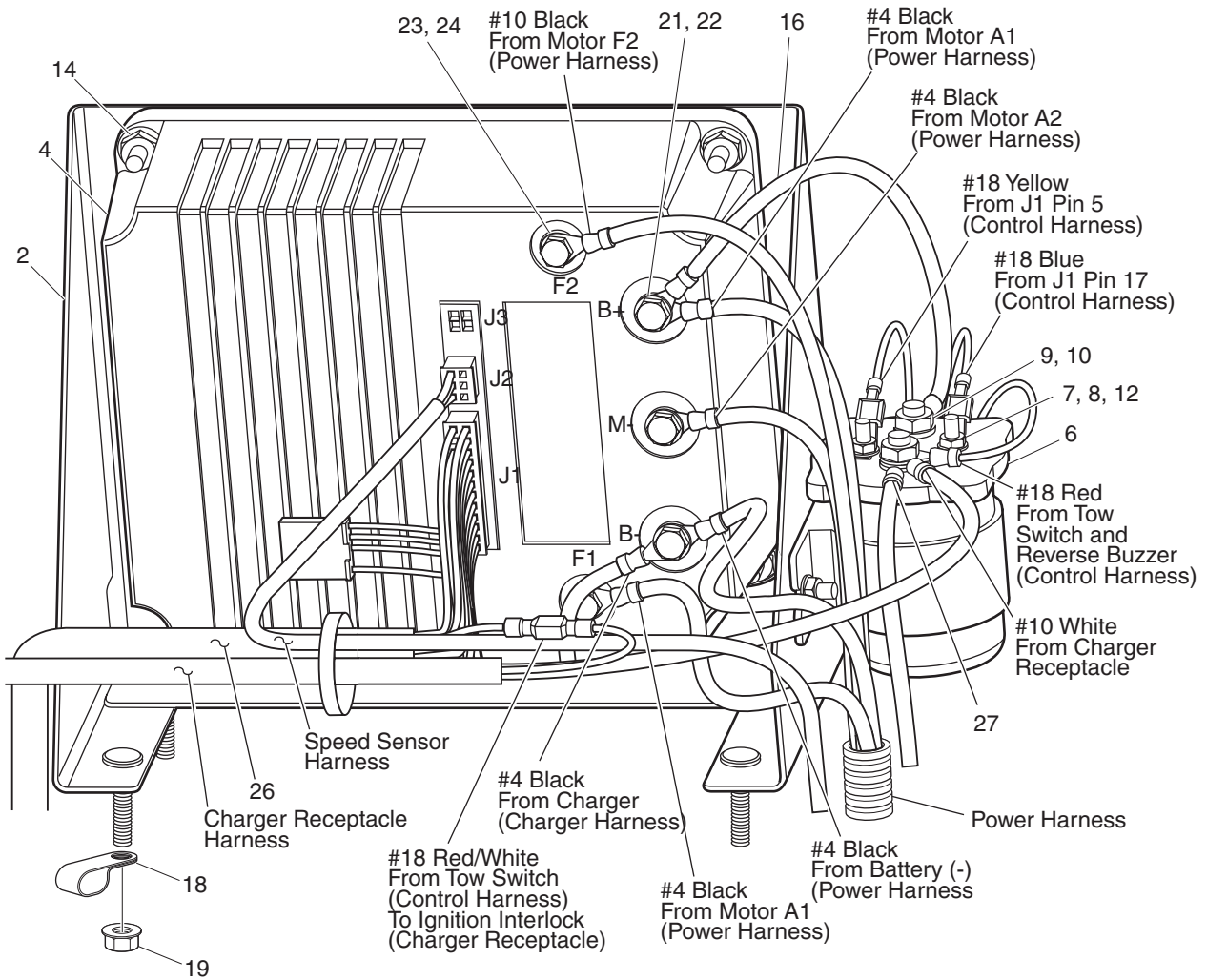
When ordering parts, please specify the model and serial number of the product.

* Indicates a component that is not available as an individual part.

G** Indicates consult Customer Service Department for additional information.

ITEM	PART NO.	1	2	3	4	5	DESCRIPTION	QTY.	
1	73068-G05							ELECTRONIC SPEED CONTROL ASSEMBLY (INCLUDES ITEMS 2 - 24).....	1
2	<u>73225-G01</u>							CONTROLLER MOUNT	1
3	32617-G1							TRIM	1
4									
5	<u>73233-G01</u>							ELECTRONIC SPEED CONTROLLER	1
6	<u>00414-G5</u>							BOLT, 1/4 - 20 X 5/8" LG.....	4
7	<u>00559-G7</u>							WASHER, 1/4"	4
8	<u>11027-G2</u>							LOCK NUT, 1/4 - 20.....	4
9	<u>73071-G05</u>							WIRE HARNESS (CONTROL)	1
10	<u>25972-G83</u>							6 GA WIRE (BLK 9") (CONTROLLER B+ - SOL)	1
11	<u>25972-G80</u>							6 GA WIRE (BLK 19") (CONTROLLER A2 - DIRECTION SELECTOR A)...	1
12	<u>25972-G84</u>							6 GA WIRE (BLK 26") (CONTROLLER M- - DIRECTION SELECTOR C)...	1
13	00438-G6							BOLT, 5/16 - 18 X 3/4" LG.....	4
14	<u>11027-G1</u>							FLANGED NUT, 5/16 - 18.....	4
15									
16	<u>73229-G01</u>							SOLENOID BRACKET	1
17	<u>73231-G01</u>							48 VOLT SOLENOID (INCLUDES ITEMS 18 - 21)	1
18	*							LOCK WASHER, #10	2
19	*							NUT, #10 - 32	2
20	*							LOCK WASHER, 5/16	2
21	*							JAM NUT, 5/16 - 24	2
22	<u>30353-G1</u>							DIODE.....	1
23	<u>21764-G1</u>							RESISTOR.....	1
24	<u>11027-G2</u>							LOCK NUT, 1/4 - 20.....	2
25									
26	25971-G06							4 GA WIRE (BLK 59 1/2") (SOL - BATTERY +)	1
27	25971-G05							4 GA WIRE (BLK 56") (CONTROLLER B- - BATTERY -)	1
28	<u>11845-G6</u>							INSULATED CABLE CLAMP, 1"	1
29	<u>00559-G7</u>							WASHER, 1/4"	3
30	<u>14390-G4</u>							LOCK NUT, 1/4 - 20	3

ELECTRONIC SPEED CONTROL - PDS



Code	Fault Code	Symptoms	Corrective Action
01	HW FAILURE	Vehicle will not run	Check motor wiring, replace controller
10	THROTTLE FAULT 1	Vehicle will not run	Check throttle potentiometer, gaspedal, replace IFS
11	SPEED SENSOR FAULT	Vehicle runs slowly	Check sensor wiring, connections, and wiring, replace sensor if required
14	HPD	Vehicle will not run	Check pedal box, linkage, switch and key switch, correct mechanical linkage
15	MOTOR STALL	Vehicle stopped	Check wiring, replace power harness and motor if required
21	LOW BATTERY VOLTAGE	Vehicle performance reduced	Charge batteries, replace bad batteries
22	CIRCUIT OPEN	Charge performance reduced	Check for battery polarity, all terminals are correct
23	THROTTLE OUTSTAGE	Vehicle performance reduced	Allow controller to cool
24	Wiring Short to GND	Vehicle runs slowly	Remove ground fault, replace controller
25	VDD FAULT	Vehicle will not run	Replace controller
26	IGNITION FAILURE	Vehicle runs slowly	Verify interlock switch, replace interlock
27	PROXIMITY FAULT	Vehicle will not run	Check for proximity detection, adjust to 1/2, replace controller
28	FIELD MISSING	Stalled engine, vehicle will not run	Check wiring, replace power harness and motor if required
34	FIELD DISCONNECT	Field wiring or power harness incorrect	Verify, replace motor if necessary, replace controller
41	CONTROLLER DRIVE FAULT	Vehicle will not run	Verify, replace motor if necessary, replace controller
42	IM FAULT	Vehicle will not run	Check IM wiring and repair, replace controller
43	WIRELESS COMM	Vehicle will not run	Replace controller
44	WIRELESS AUX COMM	Vehicle runs slowly	Replace controller
51	EPROM FAILURE	Vehicle will not run	Replace controller
52	MAIN CPU OVER	Vehicle will not run	Check all internal wiring, replace controller if necessary
53	MAIN CONT DMC	Vehicle will not run	Check all internal wiring, replace controller if necessary
54	MISSING CONTACTOR	Vehicle stops	Check all internal wiring, replace controller if necessary

Abbreviations: AUX (Auxiliary), CONT (Contactor, Solenoid), DMC (Did Not Close), HPD (High Pedal Disable), HW (Hardware), IFS (Inductive Throttle Sensor), M- (Connection at Controller), VDC (Volts Direct Current), VDD (Power Supply) Fault

DIAGNOSTIC FAULT CODES

- The LED will flash a diagnostic fault code when a fault is detected
- Some faults may only be detected by operating the vehicle with the rear of the vehicle raised and supported on safety stands
- Always turn the 'RUN/MAINTENANCE' switch (located in the battery compartment) to the 'TOW/MAINTENANCE' position before performing any repairs or maintenance to the vehicle
- Select 'RUN' before returning the vehicle to service

Ref Esp 7

ELECTRONIC SPEED CONTROL - PDS

THE USE OF NON U.L. PARTS WILL VOID ANY U.L. LISTING.

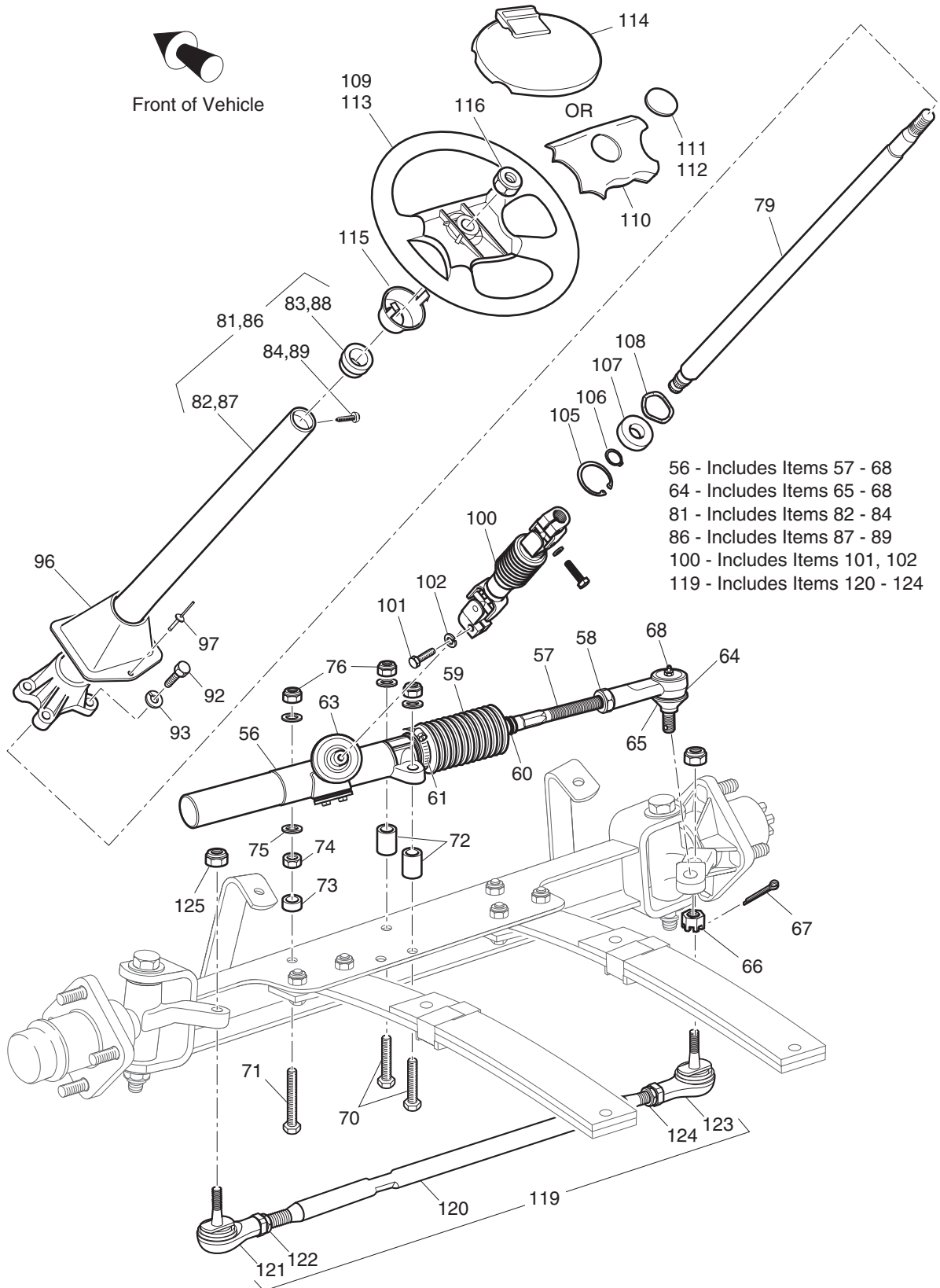
When ordering parts, please specify the model and serial number of the product.

* Indicates a component that is not available as an individual part.

G** Indicates consult Customer Service Department for additional information.

ITEM	PART NO.	1	2	3	4	5	DESCRIPTION	QTY.
1	<u>73348-G01</u>						ELECTRONIC SPEED CONTROL ASSEMBLY (INCLUDES ITEMS 2 - 16).....	1
2	<u>73351-G01</u>						CONTROLLER MOUNT	1
3								
4	<u>73098-G01</u>						ELECTRONIC SPEED CONTROLLER	1
5								
6	<u>73231-G01</u>						48 VOLT SOLENOID (INCLUDES ITEMS 7 - 10)	1
7	*						LOCK WASHER, #10	2
8	*						NUT, #10 - 32	2
9	*						LOCK WASHER, 5/16"	2
10	*						JAM NUT, 5/16 - 24	2
11								
12	<u>12914-G1</u>						FASTON TAB	2
13								
14	<u>11027-G2</u>						LOCK NUT, 1/4 - 20	6
15								
16	<u>25972-G83</u>						6 GA WIRE (BLK 9")	1
17								
18	<u>73053-G01</u>						DOUBLE TUBE CLAMP	1
19	<u>11027-G2</u>						LOCK NUT, 1/4 - 20	4
20								
21	<u>73296-G01</u>						BOLT, 8MM X 16MM LG	3
22	<u>00993-G01</u>						LOCK WASHER, 5/16"	3
23	<u>73346-G01</u>						BOLT, 6MM X 1 X 12MM LG	2
24	<u>00993-G02</u>						LOCK WASHER, 1/4"	2
25								
26	<u>73334-G01</u>						CONTROL HARNESS	1
27	<u>25971-G06</u>						4 GA WIRE (BLK 59 1/2") (SOL - BATTERY +)	1
28	<u>73347-G01</u>						TOW-MAINTENANCE SWITCH.....	1
29	<u>71045-G01</u>						RIVET, 5/32" X 3/4" LG	2
30	<u>73398-G01</u>						DIAGNOSTIC LABEL (FAULT CODE)	1

FRONT SUSPENSION/STEERING



Ref Fss 1-2

FRONT SUSPENSION/STEERING

Where applicable, THE USE OF NON UL PARTS WILL VOID ANY UL LISTING.
 When ordering parts, please specify the model and serial number of the product.
 * Indicates a component that is not available as an individual part.
 G** Indicates consult Customer Service Department for additional information.

ITEM	PART NO.	1 2 3 4 5	DESCRIPTION	QTY.
1	70963-G01		FRONT AXLE	1
2				
3	<u>70942-G01</u>		SPINDLE AND HUB ASSEMBLY, 4 LUG (PASSENGER SIDE) (INCLUDES ITEMS 4 - 10).....	1
4	<u>70942-G02</u>		SPINDLE ASSEMBLY (PASSENGER SIDE).....	1
5	<u>25146-G1</u>		GREASE SEAL.....	1
6	<u>50892-G1</u>		ROLLER BEARING AND RACE ASSEMBLY	2
7	<u>70895-G01</u>		WHEEL HUB ASSEMBLY WITH RACES, 4 LUG (INCLUDES ITEM 8)	1
8	<u>19862-G1</u>		LUG BOLT, 1/2 - 20 X 1 3/16" LG.....	4
9	12093-G1		CASTELLATED NUT, 1 - 14	1
10	<u>00798-G8</u>		COTTER PIN, 5/32" X 1 3/4" LG	1
11	<u>12091-G2</u>		SPINDLE CAP.....	2
12				
13				
14	70673-G01		SPINDLE AND HUB ASSEMBLY, 4 LUG (DRIVER SIDE) (INCLUDES ITEMS 5 - 10, 15).....	1
15	70673-G02		SPINDLE ASSEMBLY (DRIVER SIDE)	1
16				
17				
18	<u>70943-G01</u>		SPINDLE AND HUB ASSEMBLY, 5 LUG (PASSENGER SIDE) (INCLUDES ITEMS 19 - 25).....	1
19	<u>70942-G02</u>		SPINDLE ASSEMBLY (PASSENGER SIDE).....	1
20	<u>12092-G1</u>		GREASE SEAL.....	1
21	<u>50892-G1</u>		ROLLER BEARING AND RACE ASSEMBLY	2
22	<u>70772-G01</u>		WHEEL HUB ASSEMBLY WITH RACES, 5 LUG (INCLUDES ITEM 23)	1
23	30143-G1		LUG BOLT, 1/2 - 20 X 1 7/32" LG.....	5
24	12093-G1		CASTELLATED NUT, 1 - 14	1
25	<u>00798-G8</u>		COTTER PIN, 5/32" X 1 3/4" LG	1
26				
27				
28				

FRONT SUSPENSION/STEERING

Where applicable, THE USE OF NON UL PARTS WILL VOID ANY UL LISTING.

When ordering parts, please specify the model and serial number of the product.

* Indicates a component that is not available as an individual part.

G** Indicates consult Customer Service Department for additional information.

ITEM	PART NO.	1	2	3	4	5	DESCRIPTION	QTY.
29	<u>70797-G01</u>						SPINDLE AND HUB ASSEMBLY, 5 LUG (DRIVER SIDE) (INCLUDES ITEMS 20 - 25, 30).....	1
30	70673-G02						SPINDLE ASSEMBLY (DRIVER SIDE)	1
31								
32								
33	<u>00407-G6</u>						BOLT, 1/2 - 13 X 6" LG	2
34	<u>00560-G3</u>						WASHER, 1/2"	4
35	<u>70745-G01</u>						KING PIN TUBE	2
36	<u>70754-G01</u>						THRUST WASHER, 1" (STAINLESS STEEL).....	2
37	<u>14390-G6</u>						LOCK NUT, 1/2 - 13	2
38								
39								
40	70928-G01						SHOCK ABSORBER.....	2
41	<u>70509-G01</u>						SHOCK ABSORBER BOOT	2
42	<u>31539-G1</u>						WIRE TIE	4
43	<u>10435-G1</u>						SHOCK ABSORBER WASHER	8
44	<u>10194-G1</u>						RUBBER BUSHING	8
45	<u>00532-G6</u>						NUT, 3/8 - 24	4
46								
47								
48	70990-G02						LEAF SPRING (SEE PART NUMBER ON SPRING).....	2
49	70989-G02						LEAF SPRING (HEAVY DUTY) (SEE PART NUMBER ON SPRING).....	2
50	<u>70163-G02</u>						SPRING PLATE	4
51	<u>00463-G4</u>						BOLT, 7/16 - 14 X 1 1/2" LG	4
52	<u>00734-G1</u>						LOCK NUT, 7/16 - 14	11
53	<u>00463-G6</u>						BOLT, 7/16 - 14 X 1 3/4" LG	7
54								
55								
56	<u>70964-G01</u>						RACK AND PINION UNIT (COMPLETE) (INCLUDES ITEMS 57 - 68)	1
57	<u>70694-G01</u>						RACK EXTENSION	1

FRONT SUSPENSION/STEERING

Where applicable, THE USE OF NON UL PARTS WILL VOID ANY UL LISTING.
 When ordering parts, please specify the model and serial number of the product.
 * Indicates a component that is not available as an individual part.
 G** Indicates consult Customer Service Department for additional information.

ITEM	PART NO.	1	2	3	4	5	DESCRIPTION	QTY.
58	*						JAM NUT, 1/2 - 20.....	1
59	<u>70961-G01</u>						RACK BOOT.....	1
60	<u>12416-G2</u>						WIRE TIE.....	1
61	<u>11391-G8</u>						CLAMP, 1 13/16 - 2 3/8".....	1
62								
63	<u>70638-G01</u>						PINION SEAL.....	1
64	<u>70695-G01</u>						RACK BALL JOINT (INCLUDES ITEMS 65 - 68).....	1
65	<u>50641-G1</u>						RUBBER BOOT.....	1
66	<u>50209-G2</u>						CASTELLATED NUT, 7/16 - 20.....	1
67	<u>10387-G2</u>						COTTER PIN, 3/32" X 1" LG.....	1
68	<u>10389-G3</u>						GREASE FITTING, STRAIGHT.....	1
69								
70	<u>00464-G6</u>						BOLT, 7/16 - 14 X 2 3/4" LG.....	2
71	<u>01068-G01</u>						BOLT, 7/16 - 14 X 3 1/2" LG.....	1
72	<u>70667-G02</u>						SPACER.....	2
73	<u>70667-G03</u>						SPACER (SHORT).....	1
74	<u>00532-G7</u>						NUT, 7/16 - 14.....	1
75	<u>00560-G2</u>						FLAT WASHER, 7/16".....	4
76	<u>00734-G1</u>						LOCK NUT, 7/16 - 14.....	3
77								
78								
79	<u>70607-G01</u>						STEERING SHAFT.....	1
80								
81	<u>70758-G03</u>						STEERING COLUMN KIT (INCLUDES ITEMS 82 - 84).....	1
82	<u>70610-G01</u>						STEERING COLUMN.....	1
83	<u>28569-G01</u>						STEERING COLUMN BUSHING.....	1
84	<u>01022-G01</u>						SCREW, #6 - 20 X 5/16" LG.....	1
85								
86	<u>70758-G04</u>						STEERING COLUMN KIT (HORN) (INCLUDES ITEMS 87 - 89).....	1
87	<u>70610-G02</u>						STEERING COLUMN.....	1

FRONT SUSPENSION/STEERING

Where applicable, THE USE OF NON UL PARTS WILL VOID ANY UL LISTING.

When ordering parts, please specify the model and serial number of the product.

* Indicates a component that is not available as an individual part.

G** Indicates consult Customer Service Department for additional information.

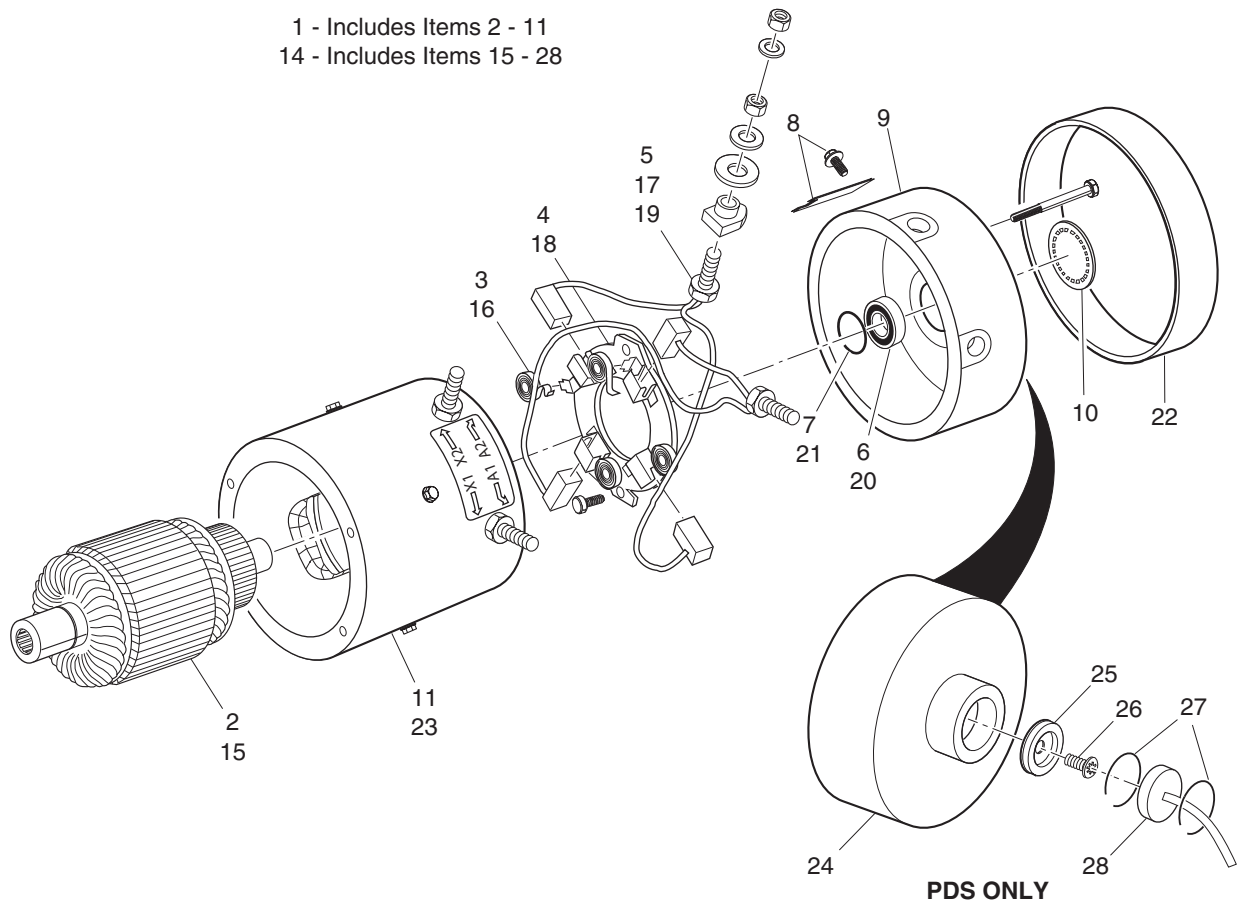
ITEM	PART NO.	1 2 3 4 5	DESCRIPTION	QTY.
88	<u>28569-G01</u>		STEERING COLUMN BUSHING.....	1
89	<u>01022-G01</u>		SCREW, #6 - 20 X 5/16" LG	1
90				
91				
92	<u>01006-G01</u>		BOLT, 3/8 - 16 X 1 1/4" LG	4
93	<u>00879-G1</u>		LOCK WASHER, 3/8"	4
94				
95				
96	<u>70997-G01</u>		COVER.....	1
97	<u>71055-G01</u>		RIVET, 3/16" X 1" LG (ALUMINUM).....	1
98				
99				
100	<u>70580-G01</u>		INTERMEDIATE SHAFT (INCLUDES ITEMS 101, 102).....	1
101	<u>01055-G01</u>		BOLT, M8 X 1.25 - 05.....	2
102	<u>00565-G8</u>		LOCK WASHER, 5/16"	2
103				
104				
105	<u>70751-G01</u>		RETAINING RING (INTERNAL).....	1
106	<u>70888-G01</u>		RETAINING RING (EXTERNAL).....	1
107	<u>15112-G1</u>		BALL BEARING	1
108	<u>70887-G01</u>		WAVE WASHER.....	1
109	<u>71146-G01</u>		STEERING WHEEL	1
110	<u>71147-G01</u>		STEERING WHEEL COVER	1
111	<u>71047-G01</u>		LABEL (E-Z-GO)	1
112	<u>74405-G01</u>		LABEL (CUSHMAN).....	1
113	<u>71948-G01</u>		STEERING WHEEL	1
114	<u>71950-G01</u>		CLIPBOARD.....	1
115	<u>71949-G01</u>		HUB COVER	1
116	<u>14390-G2</u>		LOCK NUT, 5/8 - 18	1
117				

FRONT SUSPENSION/STEERING

Where applicable, THE USE OF NON UL PARTS WILL VOID ANY UL LISTING.
 When ordering parts, please specify the model and serial number of the product.
 * Indicates a component that is not available as an individual part.
 G** Indicates consult Customer Service Department for additional information.

ITEM	PART NO.	1 2 3 4 5	DESCRIPTION	QTY.
118				
119	<u>70876-G02</u>		TIE ROD ASSEMBLY (INCLUDES ITEMS 120 - 124).....	1
120	<u>70897-G02</u>		THREADED ROD (24" LG).....	1
121	<u>70902-G01</u>		TIE ROD END (LEFT HAND THREADS)	1
122	<u>01069-G01</u>		JAM NUT, M12 X 1.25 - 05 (LEFT HAND THREADS).....	1
123	<u>70902-G02</u>		TIE ROD END (RIGHT HAND THREADS).....	1
124	<u>01069-G02</u>		JAM NUT, M12 X 1.25 - 05 (RIGHT HAND THREADS)	1
125	<u>00734-G1</u>		LOCK NUT, 7/16 - 14	2

ELECTRIC MOTOR



Ref Mtr 7

ELECTRIC MOTOR

THE USE OF NON U.L. PARTS WILL VOID ANY U.L. LISTING.

When ordering parts, please specify the model and serial number of the product.

* Indicates a component that is not available as an individual part.

G** Indicates consult Customer Service Department for additional information.

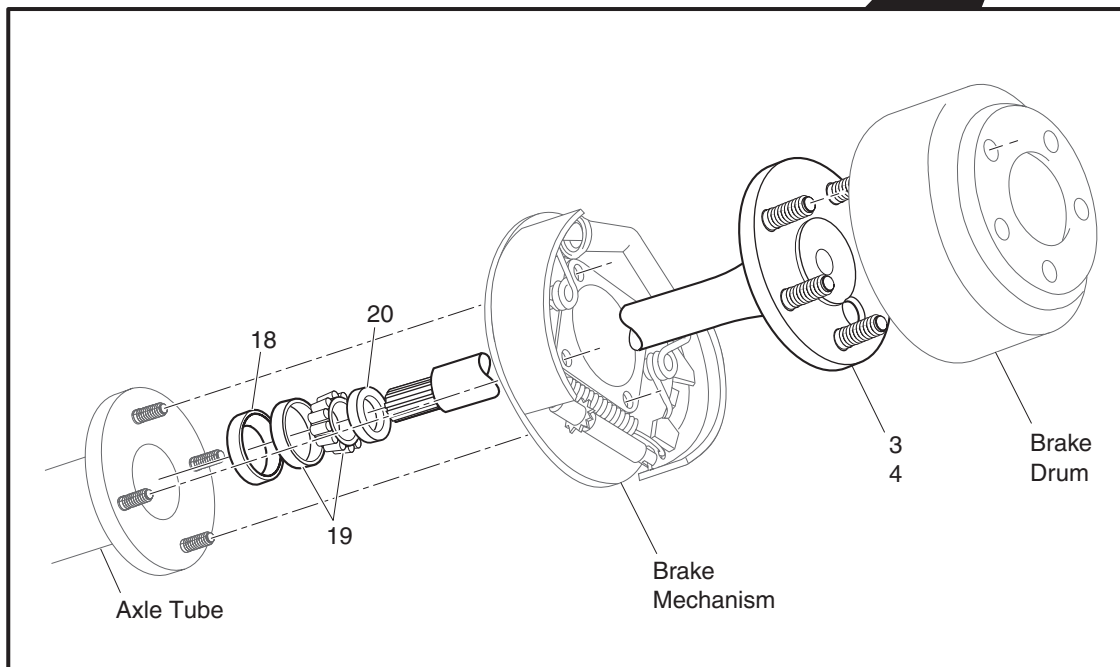
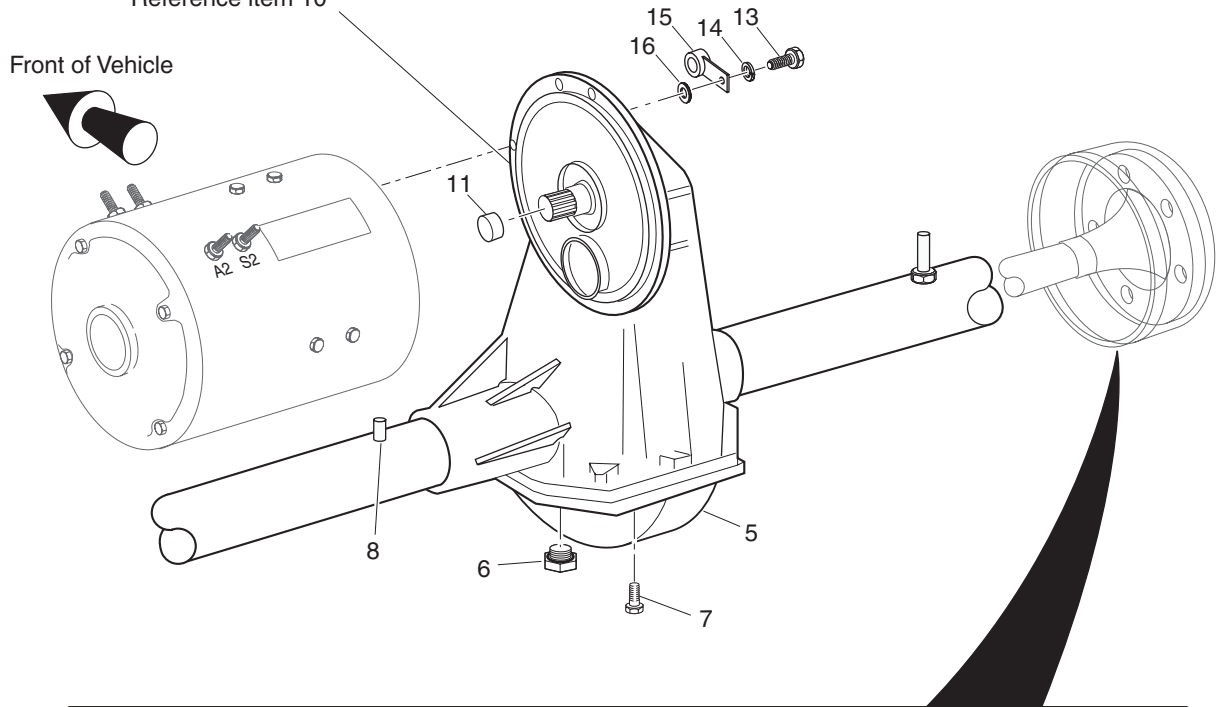
ITEM	PART NO.	1	2	3	4	5	DESCRIPTION	QTY.
1	<u>73124-G02</u>						MOTOR, FLEET SPEED, NON-VENTED (INCLUDES ITEMS 2 - 11)	1
2	<u>73120-G01</u>						ARMATURE	1
3	<u>73120-G03</u>						BRUSH SPRING.....	4
4	<u>73120-G15</u>						BRUSH PLATE AND BOX	1
5	<u>73120-G25</u>						BRUSH REPLACEMENT KIT (INCLUDES HARDWARE)	1
6	<u>73120-G07</u>						BEARING	1
7	<u>73120-G06</u>						SNAP RING	1
8	<u>73120-G09</u>						COVER PLATE AND SCREW	1
9	<u>73120-G08</u>						COVER COMMUTATOR END	1
10	<u>73120-G16</u>						CAP.....	1
11	73120-G29						FRAME AND FIELD COIL (INCLUDES HARDWARE).....	1
12								
13								
14	<u>73291-G04</u>						MOTOR (SEPARATELY EXCITED) (PDS) (INCLUDES ITEMS 15 - 28).....	1
15	73120-G32						ARMATURE	1
16	73120-G35						BRUSH SPRING.....	8
17	<u>73120-G34</u>						BRUSH	8
18	<u>73120-G36</u>						BRUSH BOX.....	1
19	<u>73120-G37</u>						BRUSH REPLACEMENT KIT (INCLUDES HARDWARE)	1
20	<u>73120-G07</u>						BEARING	1
21	<u>73120-G06</u>						SNAP RING	1
22	<u>73120-G39</u>						HEADBAND	1
23	73120-G33						FRAME AND FIELD COIL (INCLUDES HARDWARE).....	1
24	<u>73120-G38</u>						COVER COMMUTATOR END	1
25	<u>73328-G01</u>						MAGNET.....	1
26	<u>01037-G02</u>						SCREW, #10 - 32 X 1/2" LG	1
27	<u>73277-G01</u>						RETAINING RING.....	2
28	<u>73327-G01</u>						SPEED SENSOR.....	1

REAR AXLE - HYDRAULIC

NOTE: Apply a light coat of moly grease to male spline before assembly. Reference item 10

1 - Includes Items 3 - 8

2 - Includes Items 3 - 8



Ref Rax 7

REAR AXLE - HYDRAULIC

THE USE OF NON U.L. PARTS WILL VOID ANY U.L. LISTING.

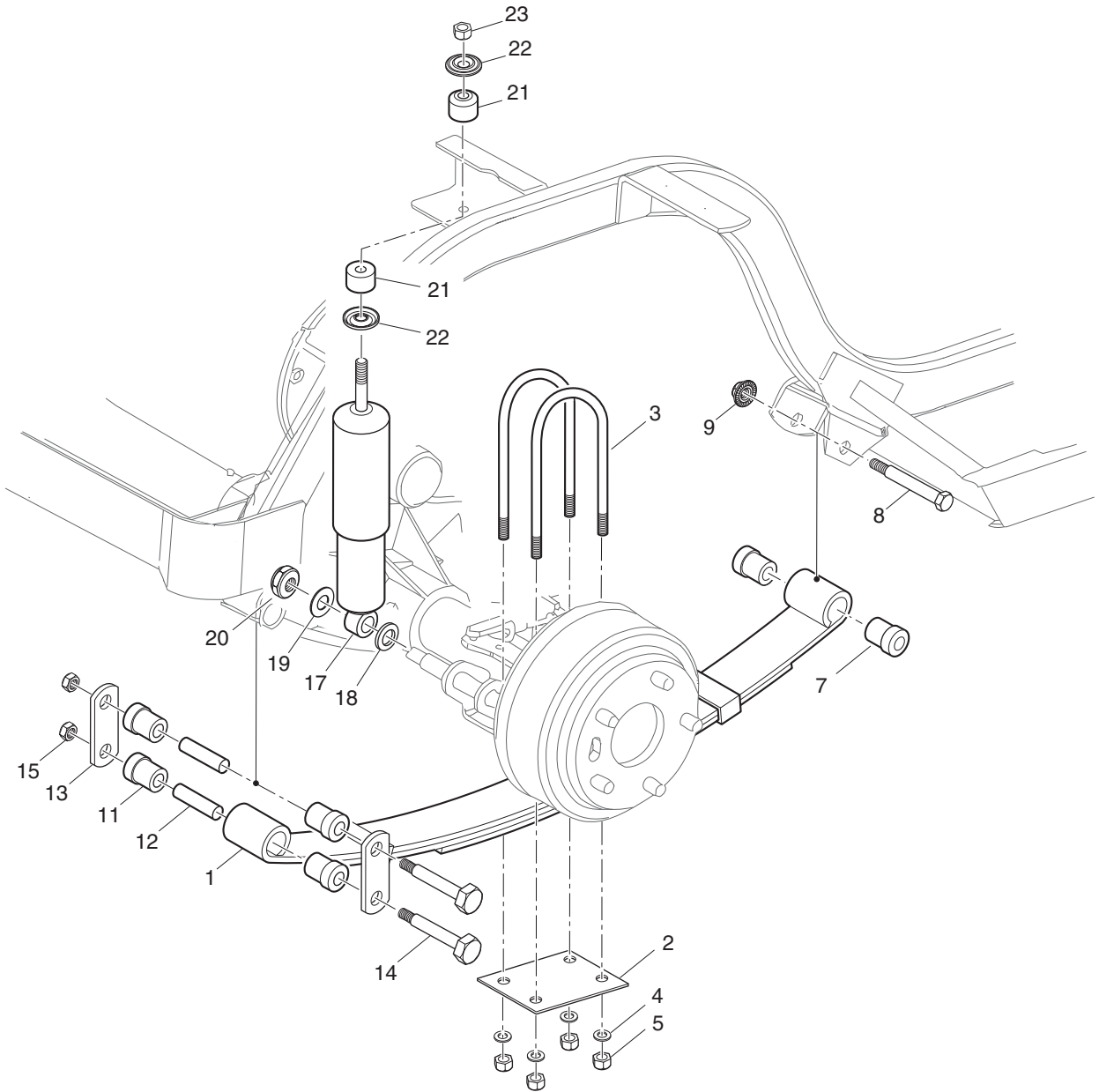
When ordering parts, please specify the model and serial number of the product.

* Indicates a component that is not available as an individual part.

G** Indicates consult Customer Service Department for additional information.

ITEM	PART NO.	1 2 3 4 5	DESCRIPTION	QTY.
1	73504-G02		REAR AXLE AND BRAKE ASSEMBLY (INCLUDES ITEMS 3 - 8).....	1
2	<u>73504-G03</u>		REAR AXLE AND BRAKE ASSEMBLY, PDS (INCLUDES ITEMS 3 - 8).....	1
3			AXLE SHAFT (DRIVER SIDE).....	1
4			AXLE SHAFT (PASSENGER SIDE).....	1
5	<u>28776-G01</u>		DIFFERENTIAL COVER.....	1
6	<u>28610-G01</u>		FILL/CHECK PLUG WITH O-RING	1
7	<u>15558-G1</u>		BOLT, 5/16 - 18 X 3/4" LG.....	10
8	<u>73050-G01</u>		VENT	1
9				
10	28095-G01		MOLY LUBE, 2 OZ	AR
11	<u>24261-G1</u>		BUMPER SPLINE	1
12				
13	<u>00797-G2</u>		BOLT, 1/4 - 20 X 1 1/4" LG	3
14	<u>00565-G7</u>		LOCK WASHER, 1/4"	3
15	<u>27327-G02</u>		CABLE CLAMP	1
16	<u>00559-G7</u>		WASHER, 1/4"	3
17				
18	14585-G1		INNER OIL SEAL	2
19	<u>13084-G1</u>		WHEEL BEARING ASSEMBLY	2
20	14584-G1		BEARING RETAINER RING	2

REAR SUSPENSION



Ref Rsp 7

REAR SUSPENSION

THE USE OF NON U.L. PARTS WILL VOID ANY U.L. LISTING.

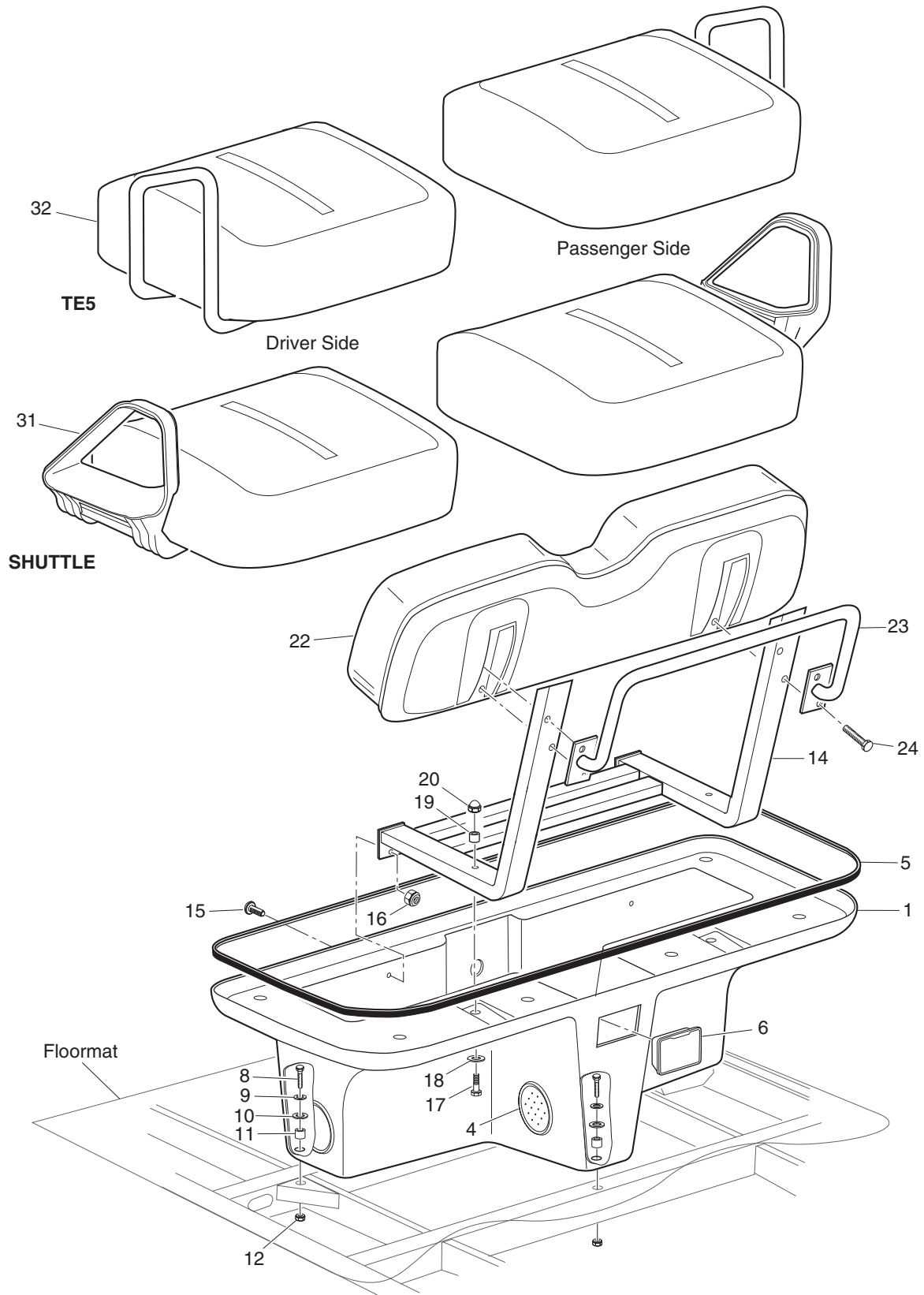
When ordering parts, please specify the model and serial number of the product.

* Indicates a component that is not available as an individual part.

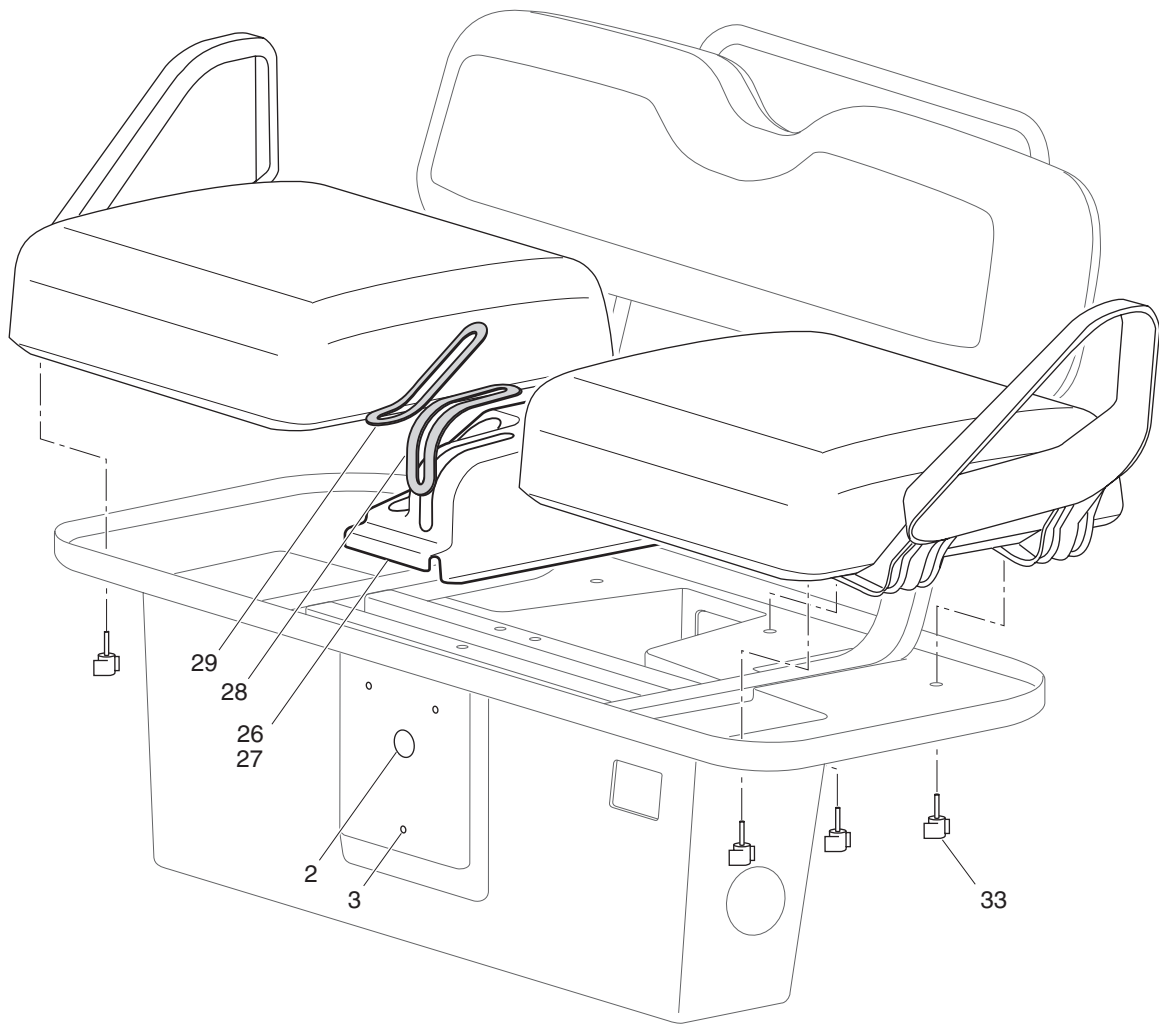
G** Indicates consult Customer Service Department for additional information.

ITEM	PART NO.	1 2 3 4 5	DESCRIPTION	QTY.
1	<u>74207-G01</u>		LEAF SPRING.....	2
2	<u>73217-G01</u>		PLATE	2
3	<u>30553-G1</u>		'U' BOLT, 3/8 - 16 X 2 1/8" X 5" LG	4
4	<u>00560-G1</u>		WASHER, 3/8"	8
5	<u>11098-G5</u>		LOCK NUT, 3/8 - 16	8
6				
7	<u>70291-G01</u>		FLANGED BUSHING	4
8	<u>14158-G1</u>		SHOULDER BOLT, 3/8 - 16 X 3 1/4" LG	2
9	<u>12262-G1</u>		LOCK NUT, 3/8 - 16	2
10				
11	<u>70291-G01</u>		FLANGED BUSHING	8
12	<u>70289-G02</u>		SPACER	4
13	<u>70290-G01</u>		SHACKLE PLATE	4
14	<u>00429-G4</u>		BOLT, 3/8 - 16 X 3 1/2" LG	4
15	<u>11098-G5</u>		LOCK NUT, 3/8 - 16	4
16				
17	<u>70469-G01</u>		SHOCK ABSORBER.....	2
18	<u>70472-G01</u>		SPACER, SHOCK ABSORBER	2
19	<u>00560-G3</u>		WASHER, 1/2"	2
20	<u>00551-G1</u>		LOCK NUT, 1/2 - 13	2
21	<u>10194-G1</u>		RUBBER BUSHING	4
22	<u>10435-G1</u>		WASHER, SHOCK ABSORBER	4
23	<u>00532-G6</u>		NUT, 3/8 - 24	2

SEATING



Ref Sea 7-1

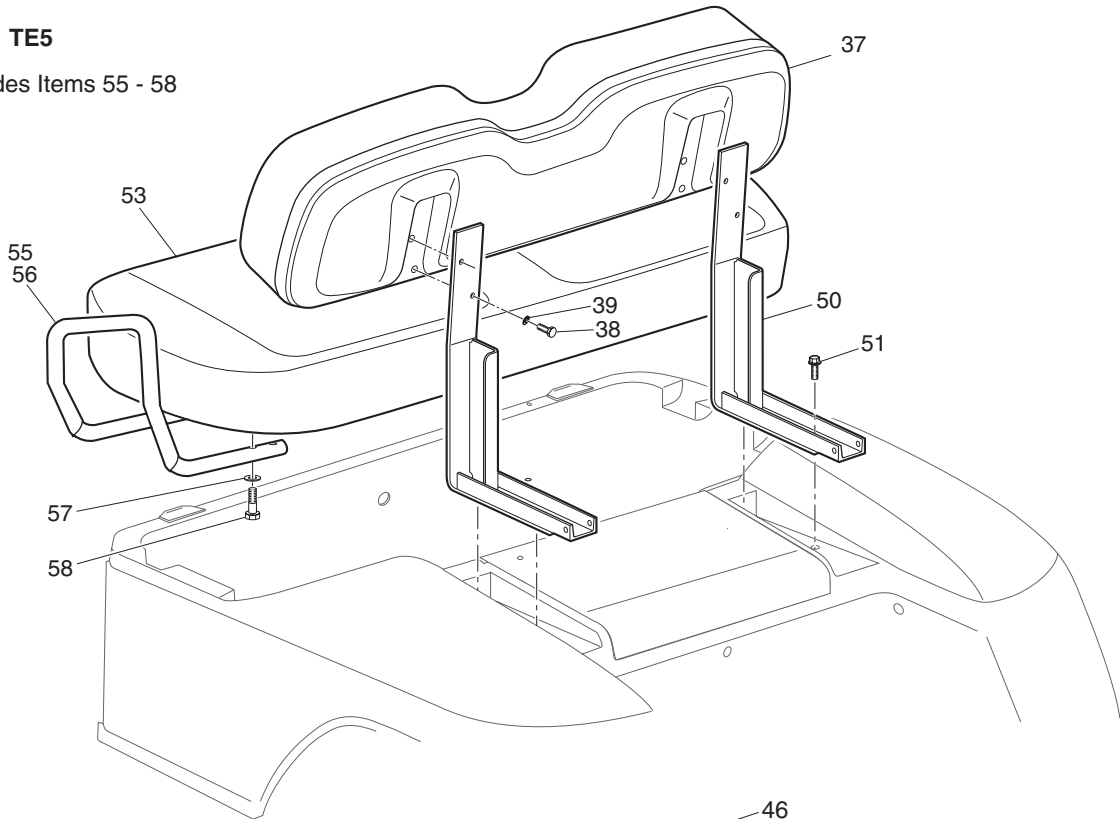


Ref Sea 7-2

SEATING

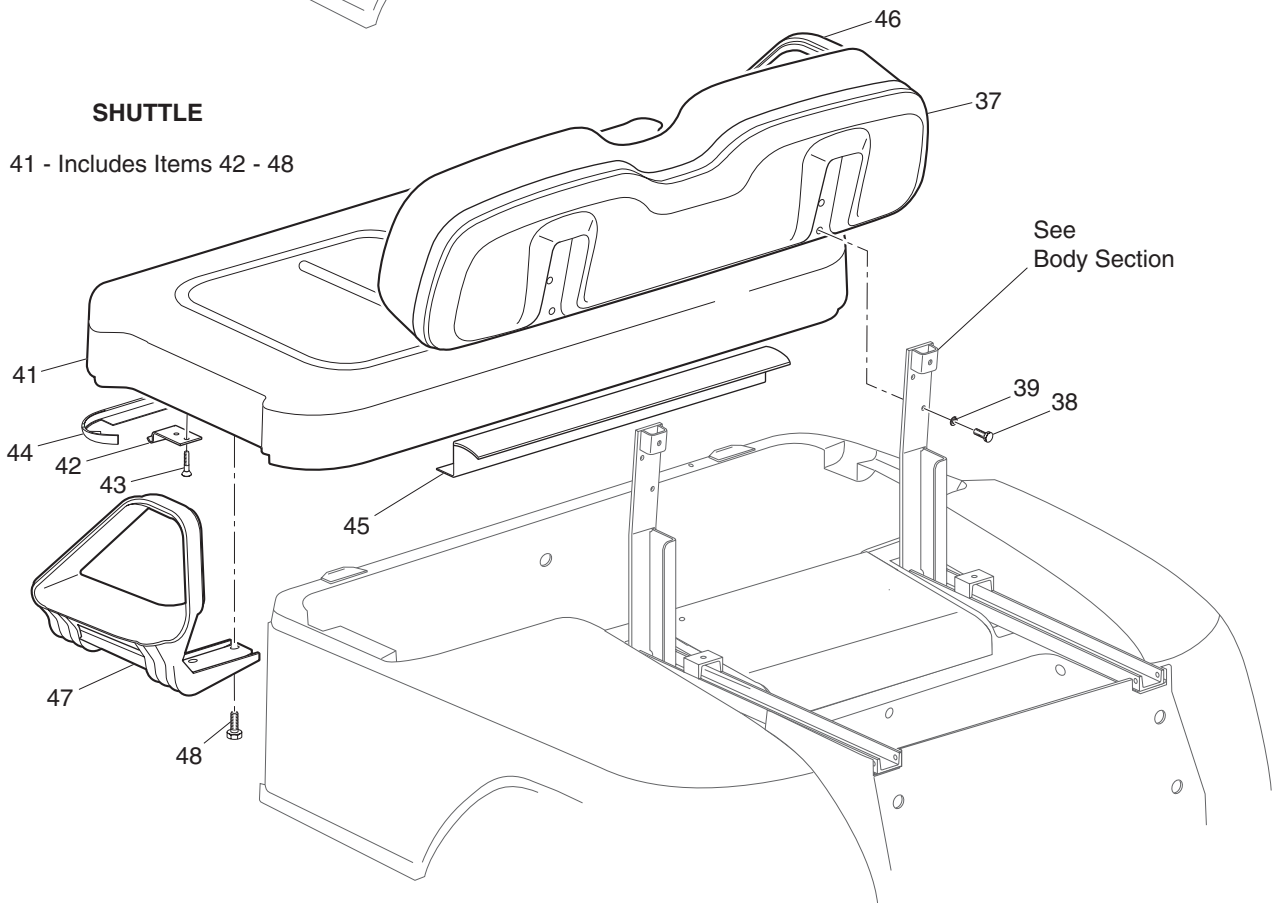
TE5

54 - Includes Items 55 - 58



SHUTTLE

41 - Includes Items 42 - 48



Ref Sea 7-3

SEATING

THE USE OF NON U.L. PARTS WILL VOID ANY U.L. LISTING.
 When ordering parts, please specify the model and serial number of the product.
 * Indicates a component that is not available as an individual part.
 G** Indicates consult Customer Service Department for additional information.

ITEM	PART NO.	1 2 3 4 5	DESCRIPTION	QTY.
1	70836-G00*		SEAT POD	1
2	<u>71316-G01</u>		PLUG, 1 1/8"	1
3	<u>71055-G01</u>		RIVET, 3/16" X 1" LG	3
4	<u>71599-G01</u>		VENT PLUG	4
5	<u>32805-G6</u>		TRIM, BLACK.....	1
6	27731-G01		ASHTRAY	1
7				
8	00439-G8		BOLT, 5/16 - 18 X 2" LG	3
9	<u>00675-G1</u>		WASHER, 1 1/4" X 3/8"	3
10	<u>71883-G01</u>		RUBBER WASHER, 5/8"	3
11	<u>23726-G9</u>		SPACER, 3/4"	3
12	11098-G6		LOCK NUT, 5/16 - 18	3
13				
14	<u>70820-G01</u>		SEAT BACK SUPPORT	1
15	<u>00976-G06</u>		SCREW, 5/16 - 18 X 3/4" LG.....	2
16	11098-G6		LOCK NUT, 5/16 - 18	2
17	<u>00427-G8</u>		BOLT, 3/8 - 16 X 2" LG	2
18	<u>00675-G1</u>		WASHER, 1 1/4" X 3/8"	2
19	<u>23726-G4</u>		SPACER, 5/16"	2
20	<u>15717-G5</u>		ACORN NUT, 3/8 - 16	2
21				
22	71751-G**		SEAT BACK ASSEMBLY	1
23	<u>71632-G01</u>		HAND GRIP	1
24	<u>71204-G02</u>		BOLT, 1/4 - 20 X 2" LG	4
25				
26	70845-G01		CONSOLE COVER (WITHOUT DIRECTION SELECTOR).....	1
27	70845-G02		CONSOLE COVER (WITH DIRECTION SELECTOR)	1
28	<u>70846-G01</u>		SEAL (DIRECTION SELECTOR).....	1
29	70847-G01		SEAL (BRAKE LEVER).....	1
30				

SEATING

THE USE OF NON U.L. PARTS WILL VOID ANY U.L. LISTING.

When ordering parts, please specify the model and serial number of the product.

* Indicates a component that is not available as an individual part.

G** Indicates consult Customer Service Department for additional information.

ITEM	PART NO.	1 2 3 4 5	DESCRIPTION	QTY.
31	70853-G**		SEAT BOTTOM (SHUTTLE)	2
32	70835-G**		SEAT BOTTOM (TE5)	2
33	70864-G01		'T' KNOB	6
34				
35				
36				
37	71751-G**		SEAT BACK	1
38	00414-G8		BOLT, 1/4 - 20 X 1" LG	4
39	<u>00565-G7</u>		LOCK WASHER, 1/4"	4
40				
41	71611-G**		SEAT BOTTOM (INCLUDES ITEMS 42 - 48) (SHUTTLE 4 & 6)	1
42	<u>71610-G01</u>		SEAT HINGE	2
43	<u>00720-G08</u>		SCREW, #12 - 14 X 1" LG	6
44	<u>71012-G01</u>		FRONT EDGE TRIM.....	1
45	<u>71608-G01</u>		BACK EDGE TRIM	1
46	<u>71701-G01</u>		HIP RESTRAINT (PASSENGER SIDE)	1
47	<u>71702-G01</u>		HIP RESTRAINT (DRIVER SIDE)	1
48	71204-G01		BOLT, 1/4 - 20 X 7/8" LG.....	8
49				
50	<u>74137-G01</u>		SEAT BACK SUPPORT (TE5)	2
51	<u>01006-G01</u>		BOLT, 3/8 - 16 X 1 1/4" LG (TE5)	4
52				
53	71651-G**		SEAT BOTTOM (TE5)	1
54	<u>71646-G01</u>		HAND HOLD KIT (INCLUDES ITEMS 55 - 58)	1
55	<u>71876-G01</u>		HIP RESTRAINT, REAR SEAT (DRIVER SIDE)	1
56	<u>71876-G02</u>		HIP RESTRAINT, REAR SEAT (PASSENGER SIDE).....	1
57	<u>00559-G7</u>		WASHER, 1/4"	8
58	<u>00415-G2</u>		BOLT, 1/4 - 20 X 1 1/4" LG.....	8
59				
60				

SEATING

THE USE OF NON U.L. PARTS WILL VOID ANY U.L. LISTING.

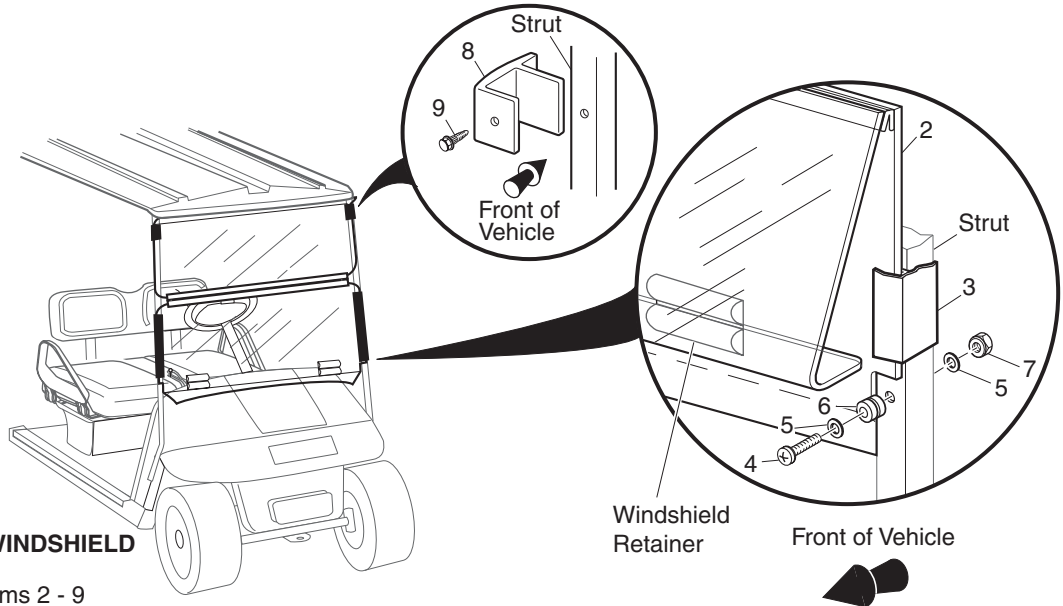
When ordering parts, please specify the model and serial number of the product.

* Indicates a component that is not available as an individual part.

G** Indicates consult Customer Service Department for additional information.

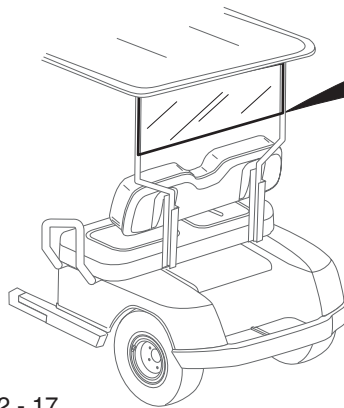
ITEM	PART NO.	1 2 3 4 5	DESCRIPTION	QTY.
61	74131-G**		SEAT ASSEMBLY (INCLUDES ITEMS 62 - 73) (SHUTTLE 6).....	1
62	74117-G01		SEAT SUPPORT BRACKET	2
63	71751-G**		SEAT BACK.....	1
64	74139-G**		SEAT BOTTOM (INCLUDES ITEMS 65 - 71).....	1
65	<u>71701-G01</u>		HIP RESTRAINT (PASSENGER SIDE)	1
66	<u>71702-G01</u>		HIP RESTRAINT (DRIVER SIDE).....	1
67	00414-G8		BOLT, 1/4 - 20 X 1" LG	8
68	<u>00565-G7</u>		LOCK WASHER, 1/4".....	8
69	<u>00559-G7</u>		WASHER, 1/4".....	8
70	<u>71012-G01</u>		SEAT TRIM (REAR)	1
71	<u>74140-G01</u>		SEAT TRIM (FRONT).....	1
72				
73	71204-G01		BOLT, 1/4 - 20 X 7/8" LG.....	12
74				
75	<u>17838-G1</u>		NYLON BUSHING.....	4
76	<u>00440-G4</u>		BOLT, 5/16 - 18 X 2 1/2" LG	2
77	00559-G8		WASHER, 5/16"	2
78	11098-G6		LOCK NUT, 5/16 - 18	2

WEATHER PROTECTION



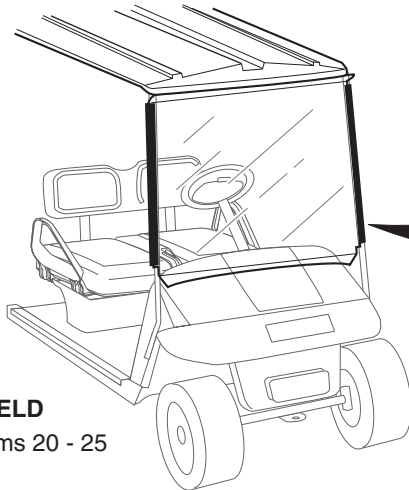
FOLD DOWN WINDSHIELD

1 - Includes Items 2 - 9



REAR WINDSHIELD

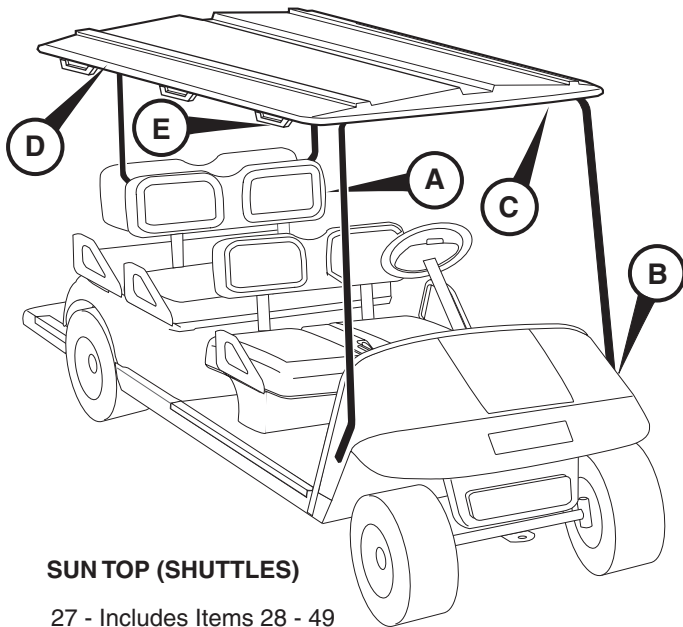
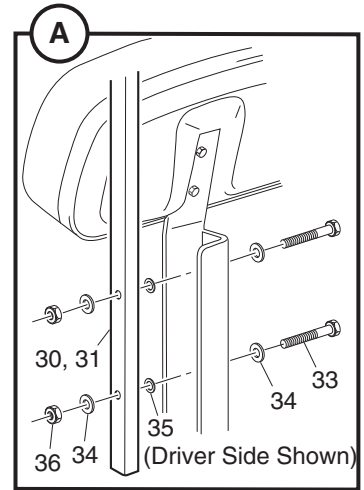
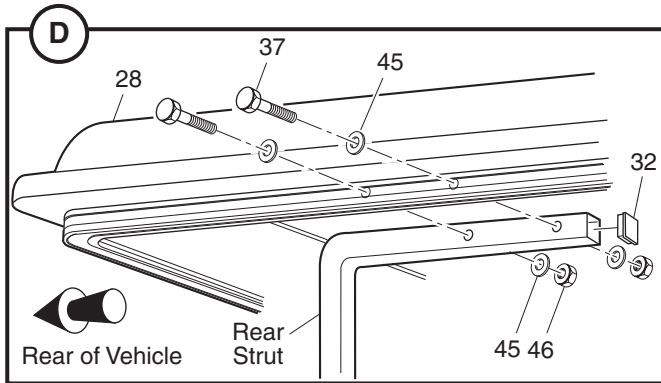
11 - Includes Items 12 - 17



FULL WINDSHIELD

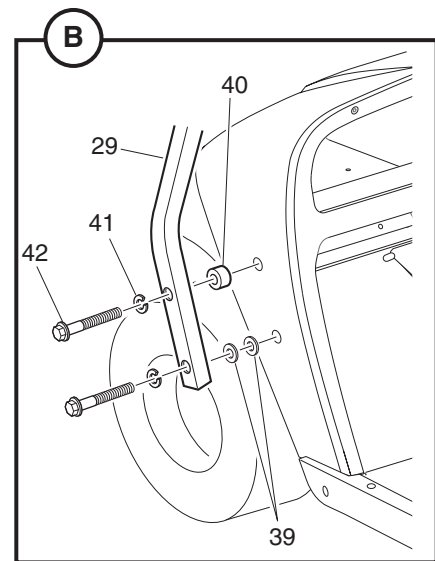
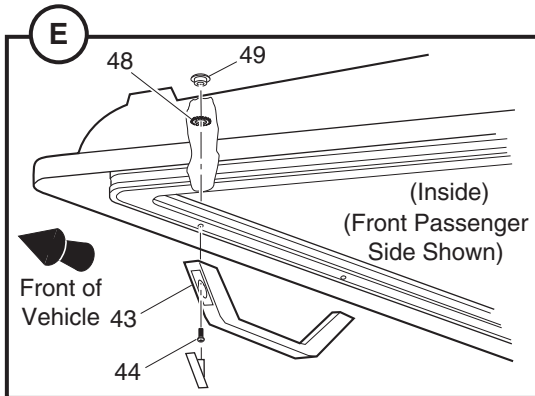
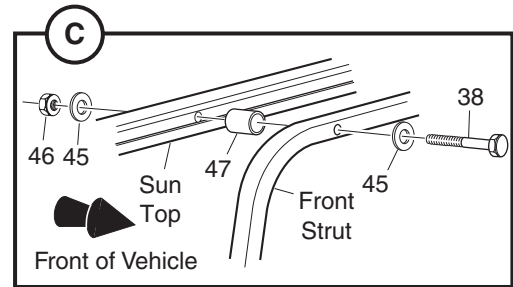
19 - Includes Items 20 - 25

Ref Wea 7-1



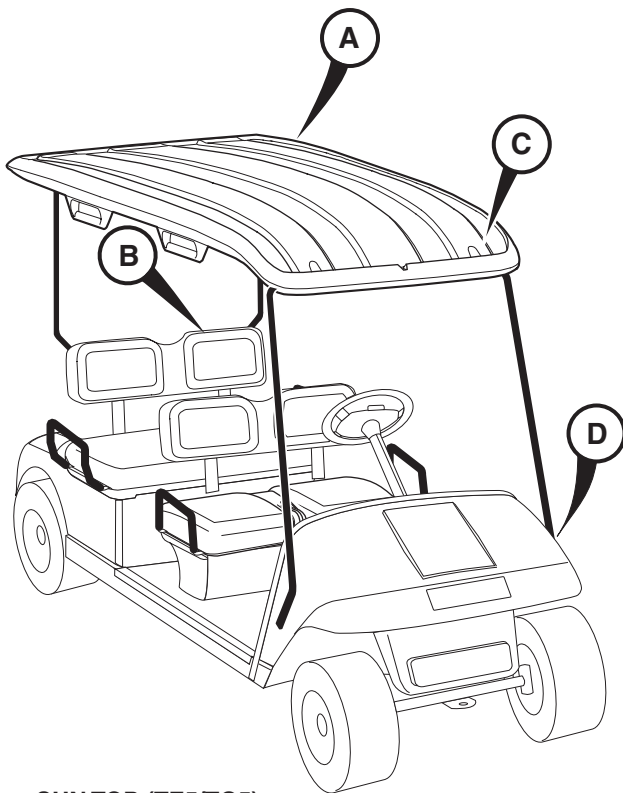
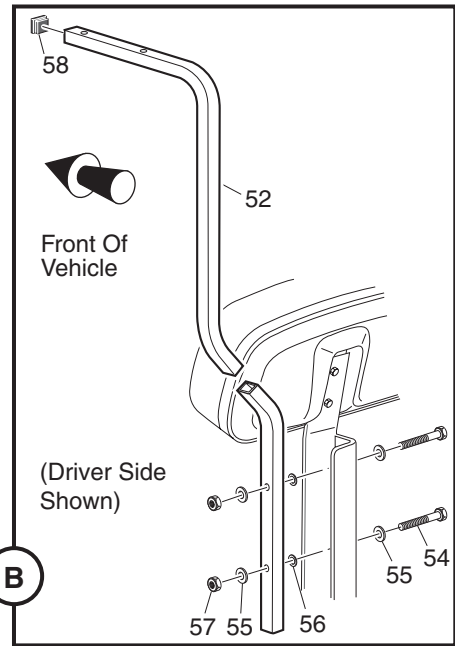
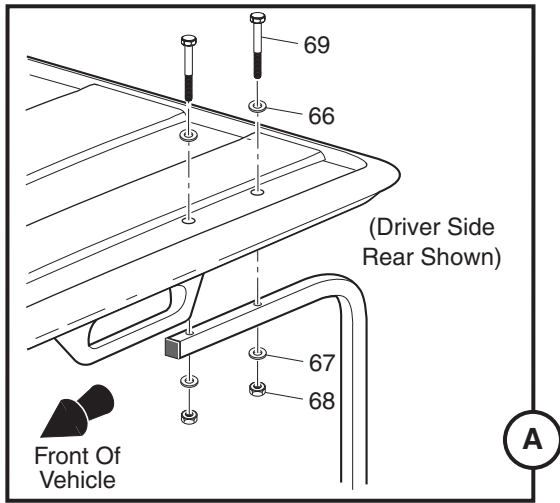
SUN TOP (SHUTTLES)

27 - Includes Items 28 - 49



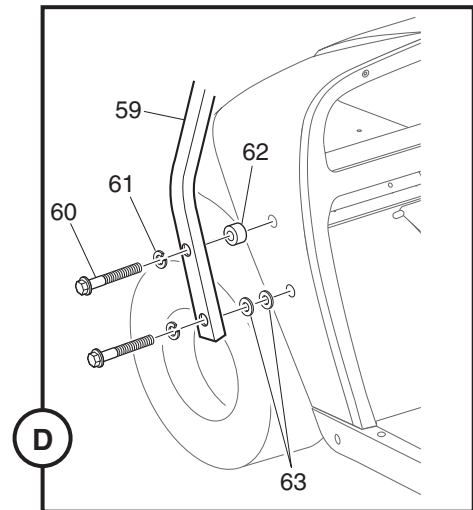
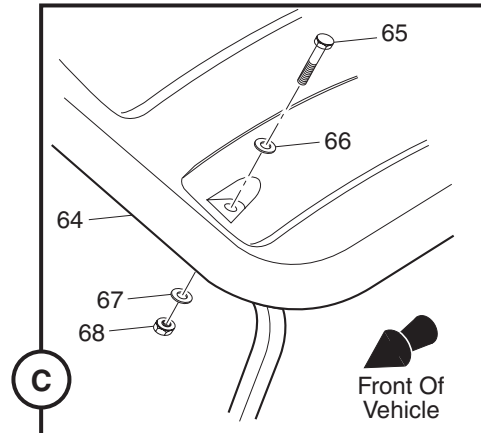
Ref Wea 7-2

WEATHER PROTECTION



SUN TOP (TE5/TG5)

51 - Includes Items 52 - 69



Ref Wea 7-3

WEATHER PROTECTION

THE USE OF NON U.L. PARTS WILL VOID ANY U.L. LISTING.

When ordering parts, please specify the model and serial number of the product.

* Indicates a component that is not available as an individual part.

G** Indicates consult Customer Service Department for additional information.

ITEM	PART NO.	1 2 3 4 5	DESCRIPTION	QTY.
1	<u>75534-G01</u>		WINDSHIELD KIT, FOLD DOWN (INCLUDES ITEMS 2 - 9).....	1
2	E950WSB3		FOLD DOWN WINDSHIELD	1
3	EGWHC24		SASH, 3/4" X 14" LG	2
4	EGWHS12		SCREW, 1/4 - 20 X 1 3/4" LG (STAINLESS STEEL).....	2
5	EGWHW12		WASHER, 1/4" (STAINLESS STEEL).....	4
6	EGWHG13		RUBBER GROMMET	2
7	EGWHN12		LOCK NUT, 1/4 - 20 (STAINLESS STEEL).....	2
8	137-010		TOP GRIP	2
9	136-008		FASTENER	2
10				
11	<u>75535-G01</u>		WINDSHIELD KIT, REAR (INCLUDES ITEMS 12 - 17).....	1
12	EIRWFB3		REAR WINDSHIELD	1
13	EGWHC14		SASH, 1" X 15 9/16" LG	2
14	EGWHS14		SCREW, 1/4 - 20 X 2" LG (STAINLESS STEEL).....	2
15	EGWHW13		WASHER, 1/4" (STAINLESS STEEL).....	6
16	EGWHG13		RUBBER GROMMET	2
17	EGWHN13		LOCK NUT, 1/4 - 20 (STAINLESS STEEL).....	2
18				
19	<u>75536-G01</u>		WINDSHIELD KIT, FULL (INCLUDES ITEMS 20 - 25).....	1
20	EISWFB3		FULL, WINDSHIELD.....	1
21	EGWHC13		SASH, 3/4" X 22 7/16" LG	2
22	EGWHS13		SCREW, 1/4 - 20 X 1 3/4" LG (STAINLESS STEEL).....	2
23	EGWHW13		WASHER, 1/4" (STAINLESS STEEL).....	4
24	EGWHG13		RUBBER GROMMET	2
25	EGWHN13		LOCK NUT, 1/4 - 20 (STAINLESS STEEL).....	2
26				
27	75282-G0*		SUN TOP KIT (SHUTTLE) (INCLUDES ITEMS 28 - 49)	1
28	75271-G0*		SUN TOP	1
29	<u>75045-G03</u>		FRONT STRUT.....	1
30	<u>75274-G01</u>		REAR STRUT (DRIVER SIDE).....	1

WEATHER PROTECTION

THE USE OF NON U.L. PARTS WILL VOID ANY U.L. LISTING.

When ordering parts, please specify the model and serial number of the product.

* Indicates a component that is not available as an individual part.

G** Indicates consult Customer Service Department for additional information.

ITEM	PART NO.	1	2	3	4	5	DESCRIPTION	QTY.
31	<u>75274-G02</u>						REAR STRUT (PASSENGER SIDE)	1
32	<u>19853-G1</u>						END CAP, 1"	2
33	<u>00665-G5</u>						BOLT, 3/8 - 16 X 1 3/4" LG (STAINLESS STEEL)	4
34	<u>00679-G1</u>						WASHER, 3/8" (STAINLESS STEEL).....	8
35	<u>00771-G5</u>						NYLON WASHER, 3/8"	4
36	<u>00891-G5</u>						LOCK NUT, 3/8 - 16	4
37	<u>00440-G4</u>						BOLT, 5/16 - 18 X 2 1/2" LG.....	4
38	<u>00441-G2</u>						BOLT, 5/16 - 18 X 3 1/4" LG.....	2
39	<u>00879-G1</u>						WASHER, 3/8"	4
40	<u>75048-G01</u>						SPACER, 1/2"	2
41	<u>00905-G8</u>						LOCK WASHER, 5/16"	4
42	01035-G01						BOLT, 5/16 - 18 X 2 1/4" LG.....	4
43	<u>75240-G01</u>						HANDLE	5
44	00163-G2						SCREW, 1/4 - 20 X 1 1/4" LG	10
45	<u>00642-G8</u>						WASHER, 5/16"	12
46	<u>01109-G01</u>						LOCK NUT, 5/16 - 18 (STAINLESS STEEL).....	6
47	<u>18716-G2</u>						SPACER, 1"	2
48	<u>00567-G8</u>						LOCK WASHER, 5/16"	10
49	<u>01010-G01</u>						TEE NUT, 1/4 - 20.....	10
50								
51	<u>75485-G01</u>						SUN TOP KIT (TE5/TG5) (INCLUDES ITEMS 52 - 69)	1
52	<u>75487-G02</u>						REAR SUPPORT (DRIVER SIDE)	1
53	<u>75487-G01</u>						REAR SUPPORT (PASSENGER SIDE).....	1
54	<u>00665-G5</u>						BOLT, 3/8 - 16 X 1 3/4" LG (STAINLESS STEEL)	4
55	<u>00679-G1</u>						WASHER, 3/8" (STAINLESS STEEL).....	8
56	<u>00771-G5</u>						NYLON WASHER, 3/8"	4
57	<u>00891-G5</u>						LOCK NUT, 3/8 - 16	4
58	<u>19853-G1</u>						END CAP, 1"	2
59	<u>75488-G01</u>						FRONT SUPPORT	1
60	01035-G01						BOLT, 5/16 - 18 X 2 1/4" LG.....	4

WEATHER PROTECTION

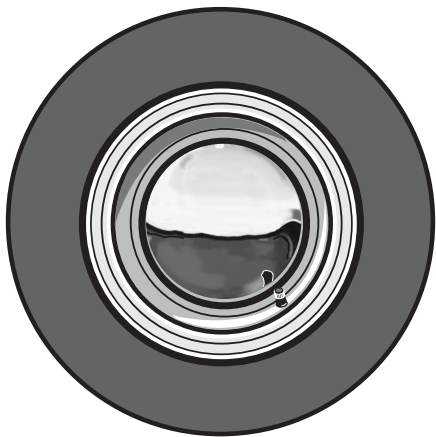
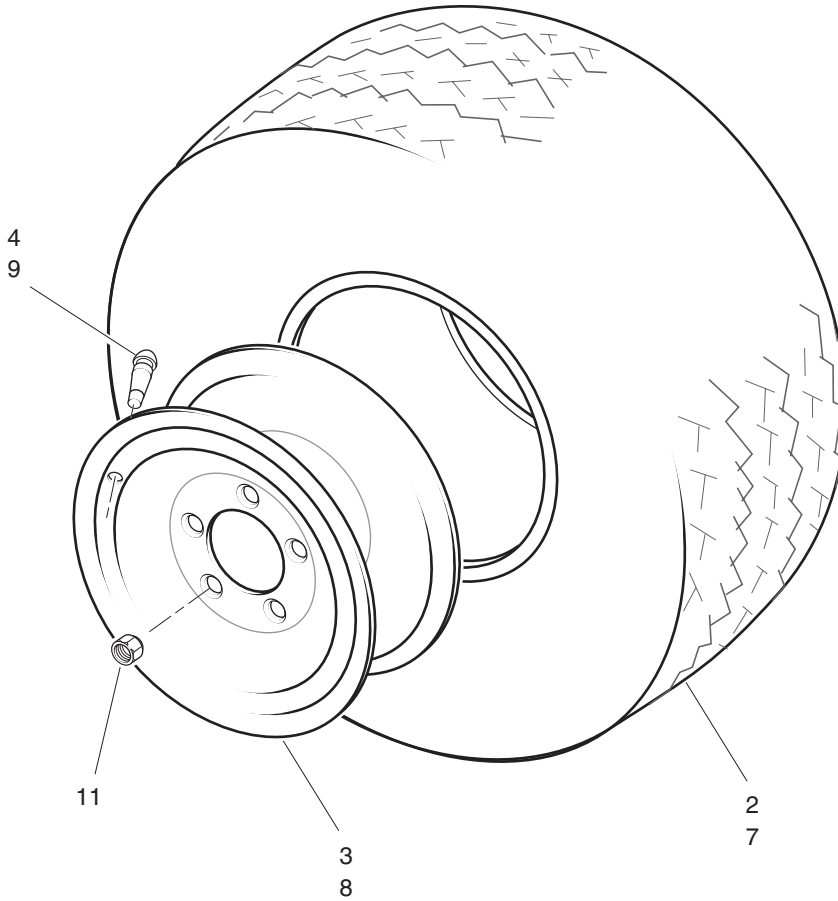
THE USE OF NON U.L. PARTS WILL VOID ANY U.L. LISTING.
 When ordering parts, please specify the model and serial number of the product.
 * Indicates a component that is not available as an individual part.
 G** Indicates consult Customer Service Department for additional information.

ITEM	PART NO.	1	2	3	4	5	DESCRIPTION	QTY.
61	<u>00905-G8</u>						LOCK WASHER, 5/16"	4
62	<u>75048-G01</u>						SPACER, 1/2"	2
63	<u>00879-G1</u>						LOCK WASHER, 3/8"	4
64	<u>74374-G01</u>						SUN TOP	1
65	<u>00685-G10</u>						BOLT, 5/16 - 18 X 2 3/4" LG (STAINLESS STEEL)	2
66	<u>00907-G2</u>						WASHER, 5/16" (STAINLESS STEEL).....	6
67	<u>00660-G8</u>						WASHER, 5/16" (STAINLESS STEEL).....	6
68	<u>01109-G01</u>						LOCK NUT, 5/16 - 18 (STAINLESS STEEL).....	6
69	<u>00685-G11</u>						BOLT, 5/16 - 18 X 3 1/4" LG (STAINLESS STEEL)	4

WHEELS AND TIRES

1 - Includes Items 2 - 4

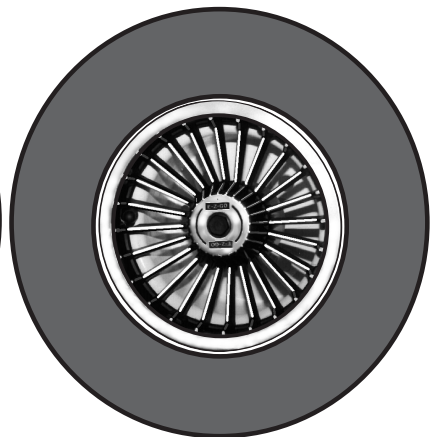
6 - Includes Items 7 - 9



6" CHROME HUBCAP
13



8" CHROME HUBCAP
14



SILVER / GOLD SPOKE HUBCAP
15, 16

Ref Whl 7

WHEELS AND TIRES

When ordering parts, please specify the model and serial number of the product.

* Indicates a component that is not available as an individual part.

G** Indicates consult Customer Service Department for additional information.

ITEM	PART NO.	1	2	3	4	5	DESCRIPTION	QTY.
1	27772-G11						TIRE AND WHEEL, 18.5 X 8.5 - 8, 4 PLY RATING (INCLUDES ITEMS 2 - 4).....	AR
2	27772-G10						18.5 X 8.5 - 8 CARLISLE TIRE (LINKS 1).....	AR
3	10641-G1						WHEEL RIM, 5 LUG	AR
4	<u>11657-G2</u>						VALVE STEM.....	AR
5								
6	<u>32028-G2</u>						TIRE AND WHEEL, 18.5 X 8.5 - 8, 6 PLY RATING (OPTIONAL) (INCLUDES ITEMS 7 - 9).....	AR
7	27775-G02						18.5 X 8.5 - 8 CARLISLE TIRE (LINKS).....	AR
8	<u>10641-G2</u>						WHEEL RIM, 5 LUG	AR
9	<u>11657-G2</u>						VALVE STEM.....	AR
10								
11	<u>14723-G1</u>						LUG NUT, 1/2 - 20.....	AR
12								
13	16042-G*						6" CHROME WHEEL CAP	AR
14	14913-G*						8" CHROME WHEEL COVER.....	AR
15	19241-G*						SILVER SPOKE WHEEL COVER	AR
16	19241-G*						GOLD SPOKE WHEEL COVER	AR

WHEELS AND TIRES

SPECIALTY PRODUCTS

SPECIALTY PRODUCTS

SPECIAL TOOLS	PART NO.
BATTERY MAINTENANCE KIT	25587-G01
SEAL INSTALLATION TOOL (REAR AXLE SHAFT SEAL)	18739-G1
BATTERY SET DISCHARGER, 36 VOLT, 75 AMP	28251-G01
CURRENT INDICATOR	16489-G2
DIGITAL MULTI-METER	27481-G01
CRIMPING TOOL	27765-G01
SLIDE HAMMER (AXLE/HUB REMOVAL)	15947-G1
SLIDE HAMMER (AXLE REMOVAL ONLY)	18753-G1

TOUCH UP PAINT	PART NO.
PEN 3 OUNCE (89 ML) - HUNTER GREEN	28432-G02
PEN 3 OUNCE (89 ML) - CHAMPAGNE BEIGE	28432-G01
PEN 3 OUNCE (89 ML) - WHITE	28432-G05
PEN 3 OUNCE (89 ML) - INDUSTRIAL YELLOW.....	28432-G03
PEN 3 OUNCE (89 ML) - ORANGE	28432-G04
PEN 3 OUNCE (89 ML) - STEEL BLUE PEARL	28432-G**
PEN 3 OUNCE (89 ML) - CAMOUFLAGE PAINT (THREE PENS)	75831-G01
AEROSOL 12 OUNCE (360 ML) - HUNTER GREEN	28140-G09
AEROSOL 12 OUNCE (360 ML) - CHAMPAGNE BEIGE	28140-G15
AEROSOL 12 OUNCE (360 ML) - WHITE	28140-G03
AEROSOL 12 OUNCE (360 ML) - INDUSTRIAL YELLOW.....	28140-G14
AEROSOL 12 OUNCE (360 ML) - ORANGE	28140-G13
AEROSOL 12 OUNCE (360 ML) - STEEL BLUE PEARL	28140-G**

MAINTENANCE PRODUCTS	PART NO.
FORMULA 40 VINYL-COAT® - WHITE	28166-G01
PLEXUS® CLEANER, 7 OUNCE (210 ML) (FOR WINDSHIELDS)	28433-G01
PLEXUS® CLEANER, 13 OUNCE (380 ML) (FOR WINDSHIELDS)	28433-G02
BATTERY PROTECTOR, 14 OUNCE (410 ML) SPRAY	75500-G01
WHITE LITHIUM GREASE, 14 OUNCE (410 ML) SPRAY.....	75502-G01
PENETRANT/LUBRICANT, 15 OUNCE (440 ML) SPRAY	75503-G01
MULTI-PURPOSE CLEANER & DEGREASER, 14 OUNCE (410 ML) SPRAY	75504-G01
MULTI-PURPOSE HAND CLEANER, 32 OUNCE (950 ML) LIQUID	75505-G01

SPECIALTY PRODUCTS

BATTERY CLEANER, 32 OUNCE (950 ML) WITH TRIGGER SPRAYER	75506-G01
BIO-DEGRADABLE CLEANER, 32 OUNCE (950 ML) WITH TRIGGER SPRAYER.....	75507-G01
MULTI-PURPOSE VALUE PACK.....	75508-G01
• BATTERY PROTECTOR, 4 OUNCE (120 ML) SPRAY	
• PENETRANT/LUBRICANT, 4 OUNCE (120 ML) SPRAY	
• WHITE LITHIUM GREASE, 4 OUNCE (120 ML) SPRAY	
• CARBURETOR & CHOKE CLEANER, 4 OUNCE (120 ML) SPRAY	

OPTIONS/ACCESSORIES

OPTIONS/ACCESSORIES

ITEM	KIT NO.	COMMENTS
ACCESSORIES LISTING	KIT NO.	SECTION
CHROME HUB CAP 8"	14913-G1	WHEELS AND TIRES
CHROME HUB CAP 6"	16042-G1	WHEELS AND TIRES
SILVER SPOKE WHEEL COVERS	19241-G1	WHEELS AND TIRES
GOLD SPOKE WHEEL COVERS	19241-G2	WHEELS AND TIRES
HOUR METER	75113-G06	ELECTRICAL
WINDSHIELD, FOLD DOWN (REQUIRES SUN TOP)	75534-G01	WEATHER PROTECTION
WINDSHIELD, REAR (REQUIRES SUN TOP)	75535-G01	WEATHER PROTECTION
WINDSHIELD, FLAT (REQUIRES SUN TOP)	75536-G01	WEATHER PROTECTION
 SHUTTLES		
SUN TOP, 118", WHITE (INCLUDES HANDLES)	75282-G01	WEATHER PROTECTION
SUN TOP, 118", CHAMPAGNE (INCLUDES HANDLES)	75282-G02	WEATHER PROTECTION
TURN SIGNAL	75107-G02	ELECTRICAL
ASH TRAY	75109-G02	SEATING
CONVERTIBLE CARRIER	75278-G0*	BODY
 TE5		
CENTER BASKET	75003-G02	
SUN TOP	75485-G01	WEATHER PROTECTION

INDEX OF MAJOR COMPONENTS

INDEX OF MAJOR COMPONENTS

BY PART DESCRIPTION

B

BATTERY RACK.....	C-8	BRAKE ASSEMBLY (PASSENGER SIDE)	D-6
BEARING AND RACE	H-3	BRAKE DRUM	D-7
BRAKE ASSEMBLY (DRIVER SIDE).....	D-6	BRAKE PEDAL	D-4

C

CARGO DECK.....	C-11	COWL	C-8
CHARGER HARNESS / RECEPTACLE	F-7		

D

DIRECTION SELECTOR ASSEMBLY	E-2
-----------------------------------	-----

E

ELECTRONIC SPEED CONTROL ASSEMBLY	G-2, G-4
---	----------

F

FOOT REST ASSEMBLY.....	C-12	FUSE BLOCK	F-8
FRONT AXLE	H-3		

H

HAND HOLD KIT	M-6	HOUR METER KIT	F-10
HEADLIGHT AND TURN SIGNAL LIGHT BAR	F-9	HUB.....	H-3
HORN SWITCH.....	F-9		

I

IGNITION SWITCH KIT	F-8	INTERMEDIATE SHAFT	H-6
INSTRUMENT PANEL ASSEMBLY	C-7		

L

LEAF SPRING	H-4, L-2	LINKAGE ROD ASSEMBLY	D-4
LEAF SPRING (HEAVY DUTY).....	H-4		

M

MASTER CYLINDER REPAIR KIT.....	D-5
MASTER CYLINDER SERVICE KIT	D-5
MOTOR (SEPARATELY EXCITED) (PDS).....	J-2
MOTOR, FLEET SPEED, NON-VENTED	J-2

INDEX OF MAJOR COMPONENTS

P

PEDAL BOX ASSEMBLY	A-3	PINION SEAL.....	H-5
PEDAL BOX ASSEMBLY, PDS MODEL ONLY	A-3	PUSH ROD ASSEMBLY	D-5

R

RACK AND PINION UNIT.....	H-4	REAR AXLE AND BRAKE ASSEMBLY, PDS	K-2
RACK BALL JOINT.....	H-5	REAR BODY ASSEMBLY.....	C-9
RACK BOOT.....	H-5	REVERSE WARNING BUZZER	E-3
REAR AXLE AND BRAKE ASSEMBLY.....	K-2		

S

SEAT ASSEMBLY	M-7	SHOCK ABSORBER	H-4, L-2
SEAT BACK.....	M-6	SHOCK ABSORBER BOOT	H-4
SEAT BACK ASSEMBLY	M-5	SPINDLE	H-3
SEAT BOTTOM	M-6	STATE OF CHARGE METER.....	F-8
SEAT BOTTOM (SHUTTLE)	M-6	STEERING COLUMN	H-5
SEAT BOTTOM (TE5)	M-6	STEERING SHAFT	H-5
SEAT FRAME	C-8	STEERING WHEEL	H-6
SEAT POD.....	M-5	SUN TOP KIT (SHUTTLE).....	N-4
SHIFT BRACKET AND SWITCH.....	D-7	SUN TOP KIT (TE5).....	N-5

T

TAILLIGHT ASSEMBLY	F-9	TIRE AND WHEEL, 18.5 X 8.5 - 8, 6 PLY RATING.....	P-2
TIE ROD	H-7	TURN SIGNAL	F-9
TIRE AND WHEEL, 18.5 X 8.5 - 8, 4 PLY RATING	P-2		

W

WINDSHIELD KIT, FOLD DOWN.....	N-4	WINDSHIELD KIT, REAR	N-4
WINDSHIELD KIT, FULL	N-4		

BY PART NUMBER

17421-G1 IGNITION SWITCH KIT	F-8	30295-G8 LINKAGE ROD ASSEMBLY	D-4
17867-G1 TURN SIGNAL (WITH MOUNTING HARDWARE)...	F-9	30298-G2 PUSH ROD ASSEMBLY	D-5
17953-G2 BRAKE DRUM.....	D-7	32028-G2 TIRE AND WHEEL, 18.5 X 8.5 - 8, 6 PLY RATING.	P-2
22260-G2 TAILLIGHT ASSEMBLY	F-9	33636-G03 STATE OF CHARGE METER.....	F-8
22674-G1 FUSE BLOCK	F-8	33725-G01 BRAKE ASSEMBLY (PASSENGER SIDE)	D-6
27772-G11 TIRE AND WHEEL, 18.5 X 8.5 - 8, 4 PLY RATING	P-2	33725-G02 BRAKE ASSEMBLY (DRIVER SIDE)	D-6
28066-G02 MASTER CYLINDER REPAIR KIT.....	D-5	48V LESTER BATTERY CHARGER	B-2, B-4
28363-G01 HORN SWITCH	F-9	48V LESTER BATTERY CHARGER CE APPROVED	B-2
28435-G01 48V LESTER BATTERY CHARGER WITH SWITCHABLE INPUT.....	B-2	48V LESTER BATTERY CHARGER WITH SWITCHABLE INPUT	B-2
28435-G03 48V LESTER BATTERY CHARGER	B-2	70046-G01 BATTERY RACK.....	C-8
28435-G05 48V LESTER BATTERY CHARGER CE APPROVED.....	B-2	70361-G02 FOOT REST ASSEMBLY	C-12
28435-G07 48V LESTER BATTERY CHARGER	B-4	70441-G01 SEAT FRAME	C-8
		70469-G01 SHOCK ABSORBER	L-2
		70597-G02 LEAF SPRING	H-4

INDEX OF MAJOR COMPONENTS

70643-G03 MASTER CYLINDER SERVICE KIT	D-5
70664-G02 LEAF SPRING (HEAVY DUTY).....	H-4
70830-G01 DIRECTION SELECTOR ASSEMBLY	E-2
70835-G** SEAT BOTTOM (TE5)	M-6
70836-G00* SEAT POD	M-5
70853-G** SEAT BOTTOM (SHUTTLE)	M-6
70866-G01 SHIFT BRACKET AND SWITCH.....	D-7
70886-G01 BRAKE PEDAL.....	D-4
70928-G01 SHOCK ABSORBER.....	H-4
70963-G01 FRONT AXLE	H-3
70964-G01 RACK AND PINION UNIT (COMPLETE)	H-4
71051-G** COWL	C-8
71151-G01 INSTRUMENT PANEL ASSEMBLY	C-7
71332-G3** REAR BODY ASSEMBLY (WITH TAILLIGHTS) ...	C-9
71611-G** SEAT BOTTOM	M-6
71646-G01 HAND HOLD KIT	M-6
71751-G** SEAT BACK.....	M-6
71751-G** SEAT BACK ASSEMBLY	M-5
71912-G6** REAR BODY ASSEMBLY (W/OUT TAILLIGHTS)	C-9
73068-G05 ELECTRONIC SPEED CONTROL ASSEMBLY G-	2
73124-G02 MOTOR, FLEET SPEED, NON-VENTED	J-2
73290-G02 REVERSE WARNING BUZZER.....	E-3
73291-G04 MOTOR (SEPARATELY EXCITED) (PDS).....	J-2
73311-G0* CHARGER HARNESS / RECEPTACLE	F-7
73333-G07 PEDAL BOX ASSEMBLY, PDS MODEL.....	A-3
73333-G08 PEDAL BOX ASSEMBLY	A-3
73348-G01 ELECTRONIC SPEED CONTROL ASSEMBLY G-	4
73504-G02 REAR AXLE AND BRAKE ASSEMBLY	K-2
73504-G03 REAR AXLE AND BRAKE ASSEMBLY, PDS. K-2	
74001-G01 HEADLIGHT AND TURN SIGNAL LIGHT BAR F-9	
74080-G01 CARGO DECK.....	C-11
74131-G** SEAT ASSEMBLY	M-7
74207-G01 LEAF SPRING	L-2
75113-G06 HOUR METER KIT	F-10
75282-G0* SUN TOP KIT (SHUTTLE).....	N-4
75485-G01 SUN TOP KIT (TE5)	N-5
75534-G01 WINDSHIELD KIT, FOLD DOWN.....	N-4
75535-G01 WINDSHIELD KIT, REAR.....	N-4
75536-G01 WINDSHIELD KIT, FULL.....	N-4



A Textron Company

E-Z-GO Division of Textron, Inc.
P.O. Box 388 Augusta, Georgia 30903-0388 USA
Inside USA Phone: 1-800-241-5855, FAX: 1-800-448-8124
Outside USA Phone: 010-1-706-798-4311, FAX: 010-1-706-771-4609

Copyrighted Material
This manual may not be reproduced in whole or
in part without the express permission of
E-Z-GO Division of Textron, Inc.
Technical Communications Department