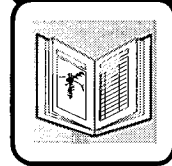


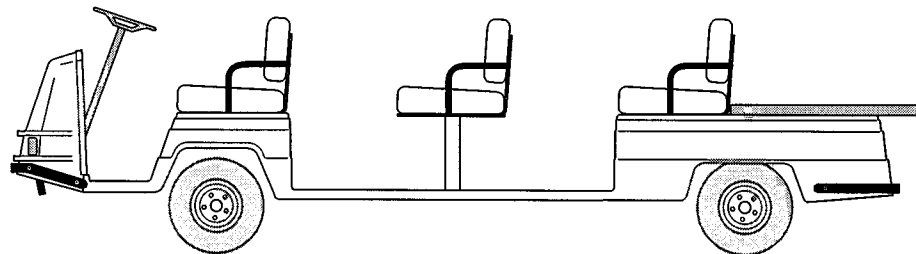
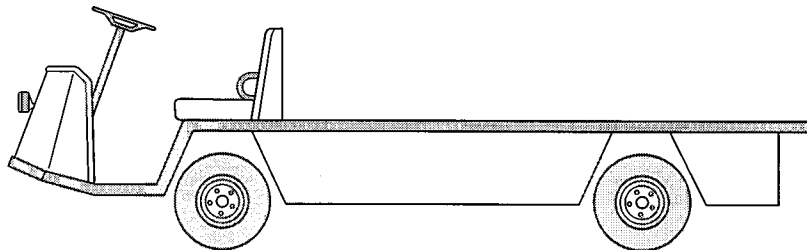
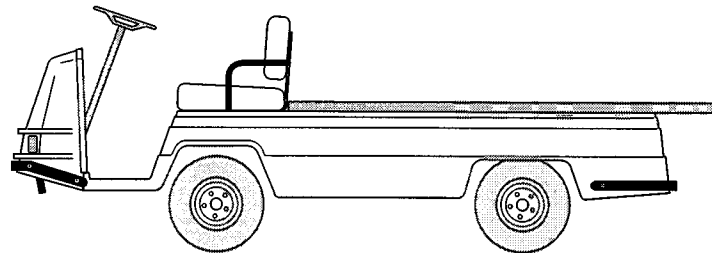
35112-G01



a **TEXTRON** Company



# SERVICE PARTS MANUAL



## **ELECTRIC POWERED CARGO AND PERSONNEL CARRIERS**

STARTING MODEL YEAR: 1994

REVISED: 4/99

# **SERVICE PARTS MANUAL**

## **ELECTRIC POWERED CARGO AND PERSONNEL CARRIERS**

### **CARGO CARRIERS**

\*XI - 775

XI - 875

XI - 881

### **PERSONNEL CARRIERS**

PCX - 952

PCX - 954

PCX - 955

PCX - 956

PCX - 957

### **CARGO/PERSONNEL CARRIER**

XI - 875P

### **BEVERAGE CARRIER**

BCX - 960

\* NOT AVAILABLE FOR 1995 MODEL YEAR

**CUSTOMER SERVICE DEPARTMENT PHONE 1-800-227-7029 FAX 1-800-752-6175**  
E-Z-GO DIVISION OF TEXTRON, INC., P.O. BOX 388, AUGUSTA, GEORGIA 30903-0388, 1-800-241-5855

## LIMITED WARRANTY

# WARRANTY

TO OBTAIN A COPY OF THE LIMITED WARRANTY THAT IS APPLICABLE TO THE VEHICLE, CALL OR WRITE THE LOCAL DISTRIBUTOR, BRANCH OR E-Z-GO WARRANTY DEPARTMENT WITH VEHICLE SERIAL NUMBER AND MANUFACTURE CODE.

THE USE OF NON E-Z-GO PARTS MAY VOID THE WARRANTY.

OVERFILLING OF BATTERIES MAY VOID THE WARRANTY.

# GENERAL INDEX

## SECTIONS .....Page No.

How to use the **E-Z-GO** Service Manual .....vii

### ILLUSTRATED PARTS BREAKDOWN:

ACCELERATOR PEDAL ASSEMBLY .....A-1

- Accelerator Pedal
- Accelerator Rod
- Potentiometer

BATTERY CHARGER, TOTAL CHARGE® III, 36 VOLT (UL) CSA, ONBOARD .....B-1

- Heatsink
- Diode
- Electronic Module

BATTERY CHARGER, TOTAL CHARGE® III, 36 VOLT (UL) CSA, PORTABLE ..... C-1

- Heatsink
- Diode
- Electronic Module

BRAKES, HYDRAULIC, FRONT ..... D-1

- Brake Shoes
- Hub and Drum

BRAKES, HYDRAULIC, REAR .....E-1

- Brake Linkage
- Brake Pedal
- Master Cylinder

BRAKES, MECHANICAL .....F-1

- Brake Linkage
- Brake Pedal
- Brake Yoke

DIRECTION SELECTOR ..... G-1

- Contact Board
- Handle Kit
- Reverse Warning Buzzer

ELECTRICAL ..... H-1

- Charger Wire Harness
- Receptacle Holder
- Headlamp and Turn signal
- State of Charge Meter
- Horn Switch
- Ignition Switch and Key

# GENERAL INDEX

<b>Illustrated Parts Breakdown: .....</b>	<b>Page No.</b>
<b>ELECTRONIC SPEED CONTROL .....</b>	<b>J-1</b>
• Speed Controller	
• Solenoid	
<b>FRONT SUSPENSION .....</b>	<b>K-1</b>
• Front Axle	
• Leaf Spring	
<b>HINGED LOAD DECK (XI - 875, XI - 875P AND XI - 881) .....</b>	<b>L-1</b>
• Deck	
• Support Rod	
<b>HINGED LOAD DECK (XI - 775) .....</b>	<b>L-7</b>
• Deck	
• Support Rod	
<b>MODEL DETAILS.....</b>	<b>M-1</b>
• Cowl	
• Instrument Panel	
• Deck Frame	
• Bar Assembly	
• Front Seat	
• 4-Cup Console	
• Bolt on Body Panels	
<b>MOTOR.....</b>	<b>N-1</b>
• Armature	
• Bearings	
• Brush	
<b>REAR AXLE, HYDRAULIC BRAKES.....</b>	<b>P-1</b>
• Rear Axle	
• Axle Shaft	
<b>REAR AXLE, MECHANICAL BRAKES.....</b>	<b>P-4</b>
• Rear Axle	
• Axle Shaft	
<b>REAR SUSPENSION .....</b>	<b>Q-1</b>
• Leaf Spring	
• Shock Absorber	
<b>SEATING, BENCH .....</b>	<b>R-1</b>
• Seat	
• Hinge	

# GENERAL INDEX

## Illustrated Parts Breakdown: ..... Page No.

SEATING, CONVERTIBLE ..... R-3

- Seat
- Hinge

SEATING, FRONT (PCX - 952, PCX - 954, PCX - 955, PCX - 956, PCX - 957 AND BCX - 960)..... R-5

- Seat
- Hinge

SEATING, FRONT (XI - 775, XI - 875, XI - 875P AND XI - 881)..... R-7

- Seat Bottom
- Seat Back

SEATING, PEDESTAL ..... R-11

- Seat
- Hinge

STEERING..... S-1

- Rack and Rod
- Steering Wheel
- Tie Rod

WHEELS AND TIRES..... T-1

- Tire and Wheel
- Valve Stem
- Wheel Rim

**SPECIAL TOOLS LISTING**..... Appendix-A

**VEHICLE SPECIFICATIONS** ..... Appendix-B

# GENERAL INDEX

# HOW TO USE THE E-Z-GO SERVICE PARTS MANUAL

This manual is divided into several sections:

- GENERAL INFORMATION
- ILLUSTRATED PARTS BREAKDOWN FOR ELECTRIC POWERED CARGO AND PERSONNEL CARRIERS
- APPENDIX

The first section, GENERAL INFORMATION, contains the following information:

- WARRANTY INFORMATION
- GENERAL INDEX
- HOW TO USE THE E-Z-GO SERVICE PARTS MANUAL

The second section, ILLUSTRATED PARTS BREAKDOWN (IPB) FOR THE ELECTRIC POWERED CARGO AND PERSONNEL CARRIERS, contains illustrations and parts lists for all systems of the vehicle.

The third section, SERVICE ACCESSORIES AND SPECIAL TOOLS, contains a listing of E-Z-GO service accessories and special tools and that may be purchased from the company to aid in the servicing of the vehicle.

## USE OF THE MANUAL

To use this manual, consult the GENERAL INDEX to locate the information or illustration required.

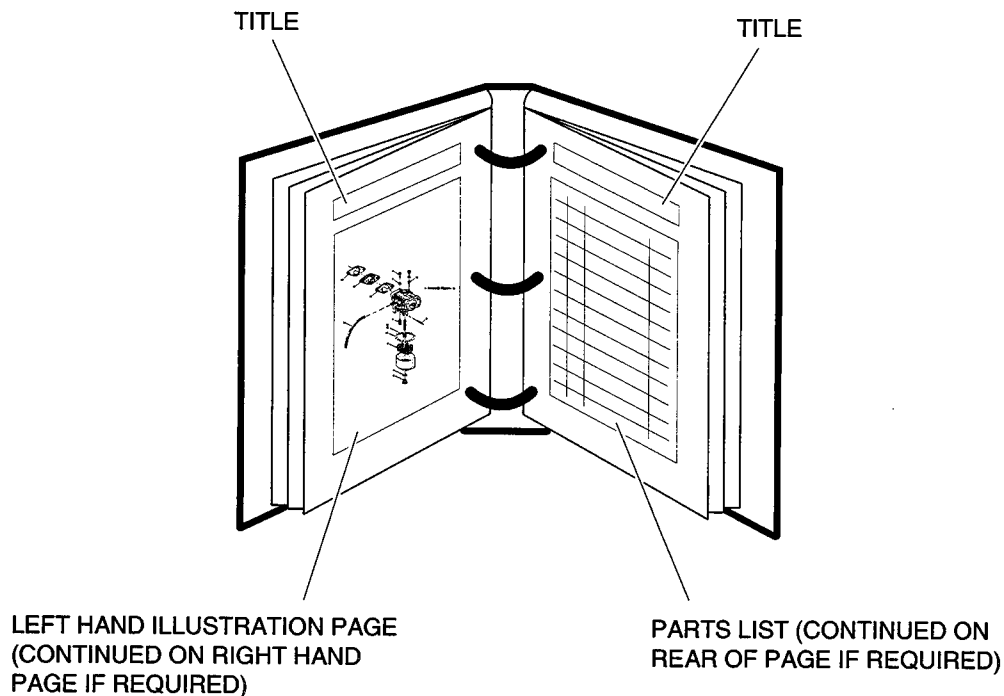
Introduction of some revisions varies due to supply of components; therefore, it is possible that various combinations of components may be found that are not directly reflected by each illustration. Consult the illustration that best suits your situation and then contact the Service Parts Department. It is important that the serial number of your vehicle and its model number be supplied to Service Parts when ordering any replacement components.

Locate the serial number plate (see Model Details located in the IPB section of this manual for its location) and note the complete vehicle serial number and manufacture code shown on the plate.

All relevant systems are listed in the General Index and has an alphabetical prefix. The illustration always appears first and is followed by its related parts list. Additional illustrations and parts lists with the same prefix indicate significant changes that have taken place since the last issue.



# HOW TO USE THE E-Z-GO SERVICE PARTS MANUAL



## 1. WHEN THE PART NUMBER IS NOT KNOWN

- Determine the function and application of the part required. Turn to the General Index and select the most appropriate title.
- Turn to the page number indicated and locate the desired part on the illustration.
- From the illustration, obtain the item number assigned to the desired part. Refer to the accompanying description for specific information regarding the part.

## 2. IF YOU KNOW THE PART NUMBER

- Locate the part number or description in the appropriate column on the parts list page.

**NOTE:** It is suggested that you confirm that the part selected is correct by verifying it with the pictorial representation on the illustrated page.

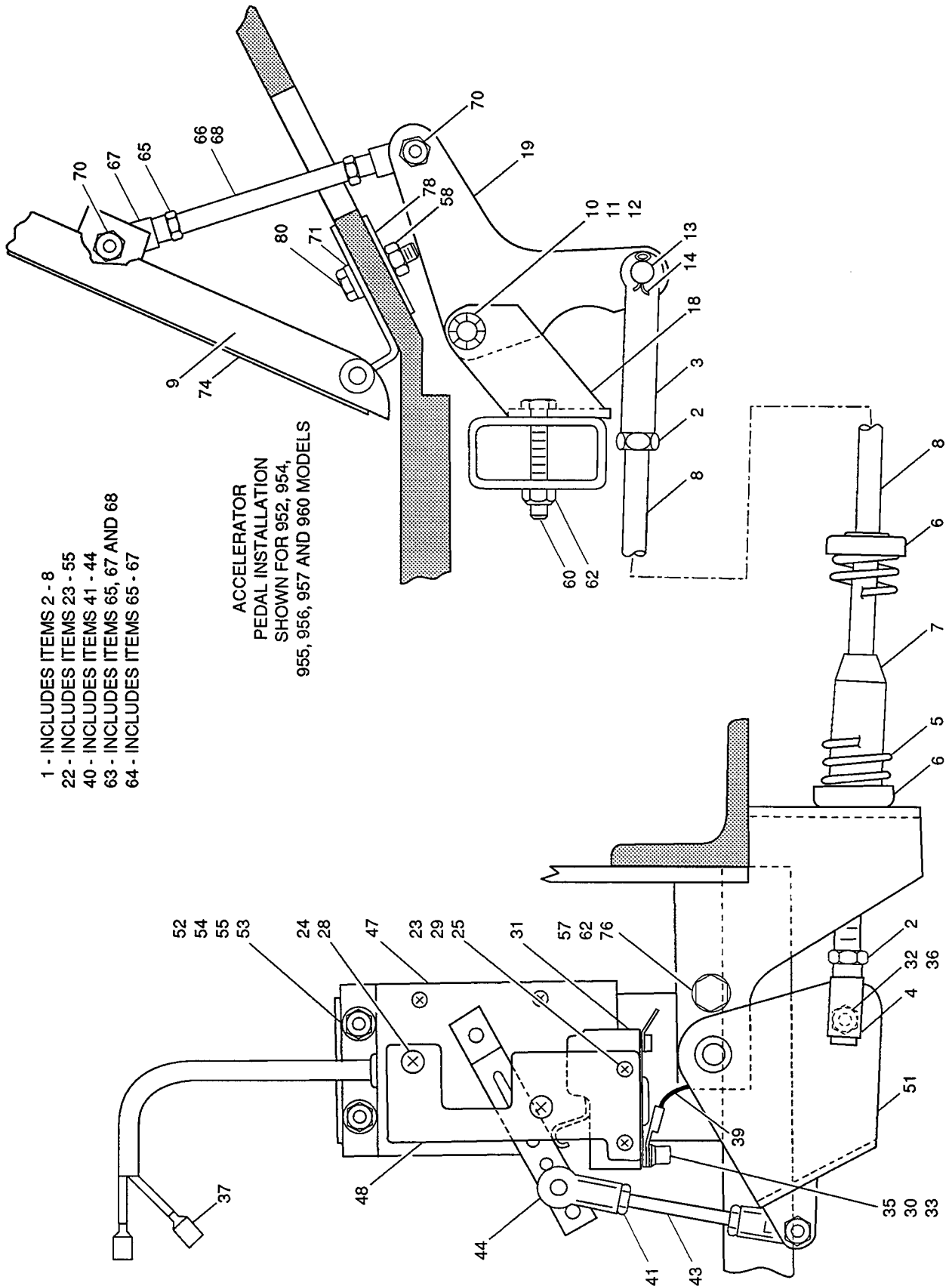
Should an asterisk (\*) appear in the part number column on the parts list page, read upwards until a part number is found. The part number is the *lowest* assembly sold by E-Z-GO and the asterisk (\*) indicates that the part depicted is not available for sale by E-Z-GO.

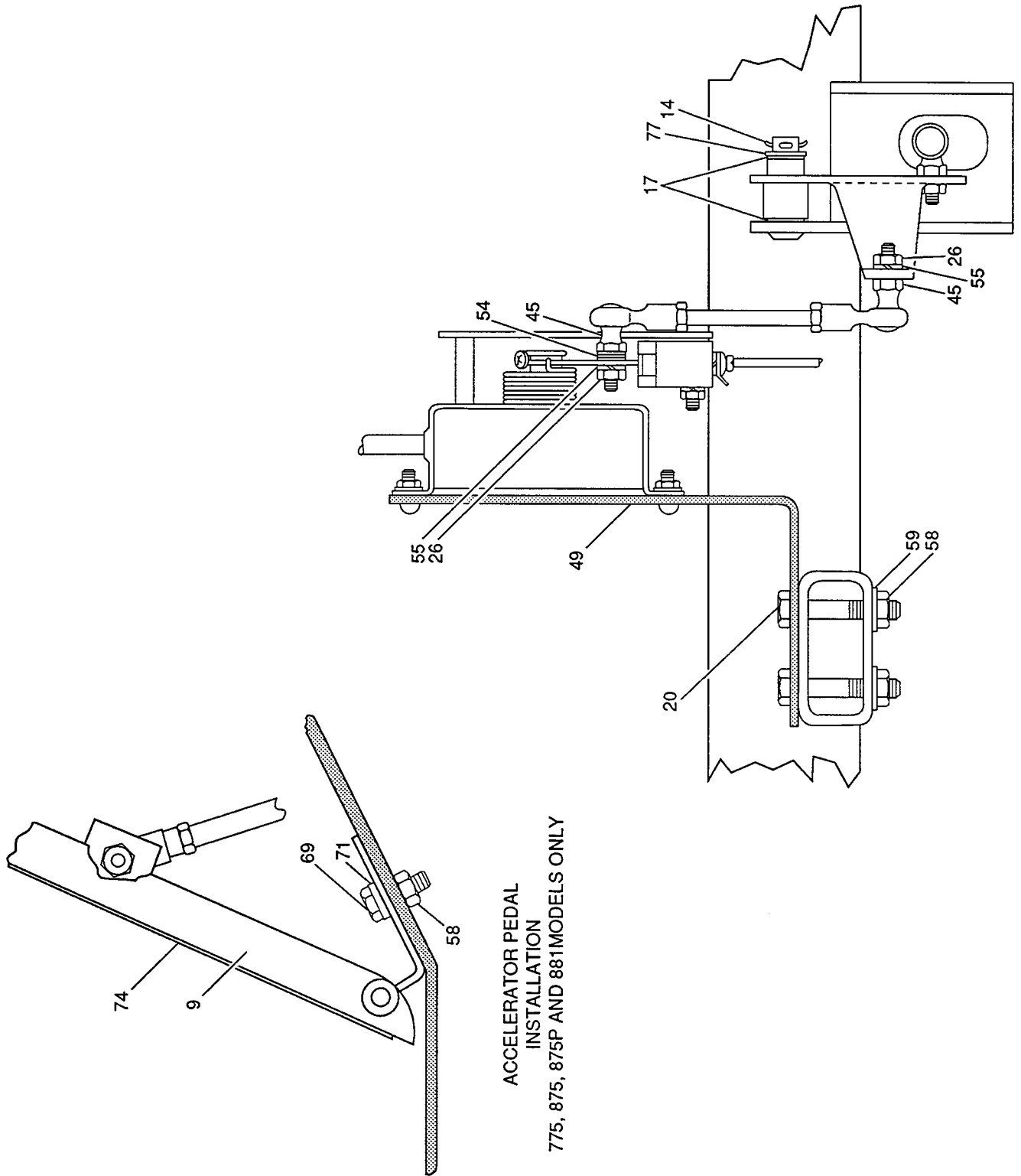
**NOTE:** Descriptions are *indented* under the assembly that they are used on. That assembly is, in turn listed under the assembly that it is used on. This process is repeated until the highest *final assembly* is reached.

**To facilitate the maintenance and repair of the vehicle, a Technician's Repair and Service Manual (E-Z-GO p/n 28184-G01) is available from the E-Z-GO Service Parts Department.**



# ILLUSTRATED PARTS BREAKDOWN





ACCELERATOR PEDAL  
INSTALLATION  
775, 875, 875P AND 881 MODELS ONLY

# ACCELERATOR PEDAL ASSEMBLY

Electric Vehicle

THE USE OF NON U.L. PARTS WILL VOID ANY U.L.LISTING.

When ordering parts, please specify the model and serial number of the product.

\* Indicates a component that is not available as a individual part.

G\*\* Indicates consult Customer Service Department for additional information.

MODEL
ALL MODELS UNLESS SPECIFIED

ITEM	PART NO.	1	2	3	4	5	DESCRIPTION	QTY.	
1	33289-G01						ACCELERATOR ROD ASSEMBLY (INCLUDES ITEMS 2 - 8) .....	1	
2	00544-G4						NUT, 5/16 - 24.....	2	
3	10385-G4						YOKE, CLEVIS (ADJUSTABLE ENDS).....	1	
4	14444-G3						BALL JOINT, SOCKET, 5/16 - 24.....	1	
5	17675-G1						SPRING, COMPRESSION .....	1	
6	17677-G1						RETAINER, SPRING .....	2	
7	17979-G1						BUSHING, ACCELERATOR ROD .....	1	
8	32262-G1						ROD, ACCELERATOR .....	1	
9	33509-G01						PEDAL, ACCELERATOR .....	1	
10	32440-G2						PIN, ACCELERATOR PEDAL .....	1	
11	17838-G4						BUSHING, PEDAL .....	2	
12	12064-G2						PUSHNUT, 1/4 .....	1	
13	10386-G3						PIN, CLEVIS, 5/16 X 3/4 LG. ....	1	
14	10387-G3						PIN, COTTER, 3/32 X 3/4 LG. ....	2	
15									
16									
17	17838-G1						BUSHING .....	2	
18	33259-G01						SUPPORT, ACCELERATOR PIVOT .....	1	
19	33512-G01						BELLCRANK, ACCELERATOR.....	1	
20	00415-G4						SCREW, 1/4 - 20 X 1 1/2 LG. ....	2	
21									
22	32979-G1						POTENTIOMETER ASSEMBLY (INCLUDES ITEMS 23 - 55).....	1	
23	00645-G1						SCREW, #6 - 32 X 1 LG. ....	2	
24	00372-G2						SCREW, #8 - 32 X 1/4 LG. ....	1	
25	00525-G5						NUT, #6 - 32.....	2	
26	00526-G4						NUT, #10 - 32.....	2	
27									
28	00559-G4						WASHER, #8 .....	2	
29	00565-G3						WASHER, LOCK, #6 .....	2	
30	00567-G3						WASHER, LOCK, #6 .....	2	

THE USE OF NON U.L. PARTS WILL VOID ANY U.L. LISTING.  
 When ordering parts, please specify the model and serial number of the product.  
 \* Indicates a component that is not available as an individual part.  
 G\*\* Indicates consult Customer Service Department for additional information.

**MODEL**  
 ALL MODELS  
 UNLESS SPECIFIED

ITEM	PART NO.	1	2	3	4	5	DESCRIPTION	QTY.		
31	10606-G5						MICRO SWITCH.....		1	
32	11098-G9						NUT, LOCK, 5/16 - 24.....		1	
33	*						SCREW .....		2	
34										
35	14628-G1						TAB, FASTON.....		2	
36	15944-G3						BALL, BALL JOINT .....		1	
37	17064-G1						TERMINAL, PUSHON .....		2	
38										
39	20930-G5						WIRE .....		1	
40	22587-G7						ASSEMBLY, ADJUSTING ROD (INCLUDES ITEMS 41 - 44) .....		1	
41	00526-G4						NUT, #10 - 32 .....		2	
42										
43	22602-G6						ROD, ADJUSTING .....		1	
44	24465-G1						SOCKET .....		2	
45	24479-G1						BALL, STUD .....		2	
46										
47	25460-G1						POTENTIOMETER.....		1	
48	26937-G01						POTENTIOMETER MICRO SWITCH BRACKET.....		1	
49	32438-G1						BRACKET, SUPPORT.....		1	
50										
51	33532-G01						PIVOT ARM .....		1	
52	00379-G4						SCREW, #10 - 24 X 1/2 LG. ....		3	
53	00526-G3						NUT, #10 - 24.....		3	
54	00559-G5						WASHER, #10 .....		3	
55	00565-G5						WASHER, LOCK, #10 .....		3	
56										
57	00559-G8						WASHER, 5/16.....		1	
58	14390-G4						NUT, LOCK, 1/4 - 20 .....		6	
59	00559-G7						WASHER, 1/4.....		2	

# ACCELERATOR PEDAL ASSEMBLY

Electric Vehicle

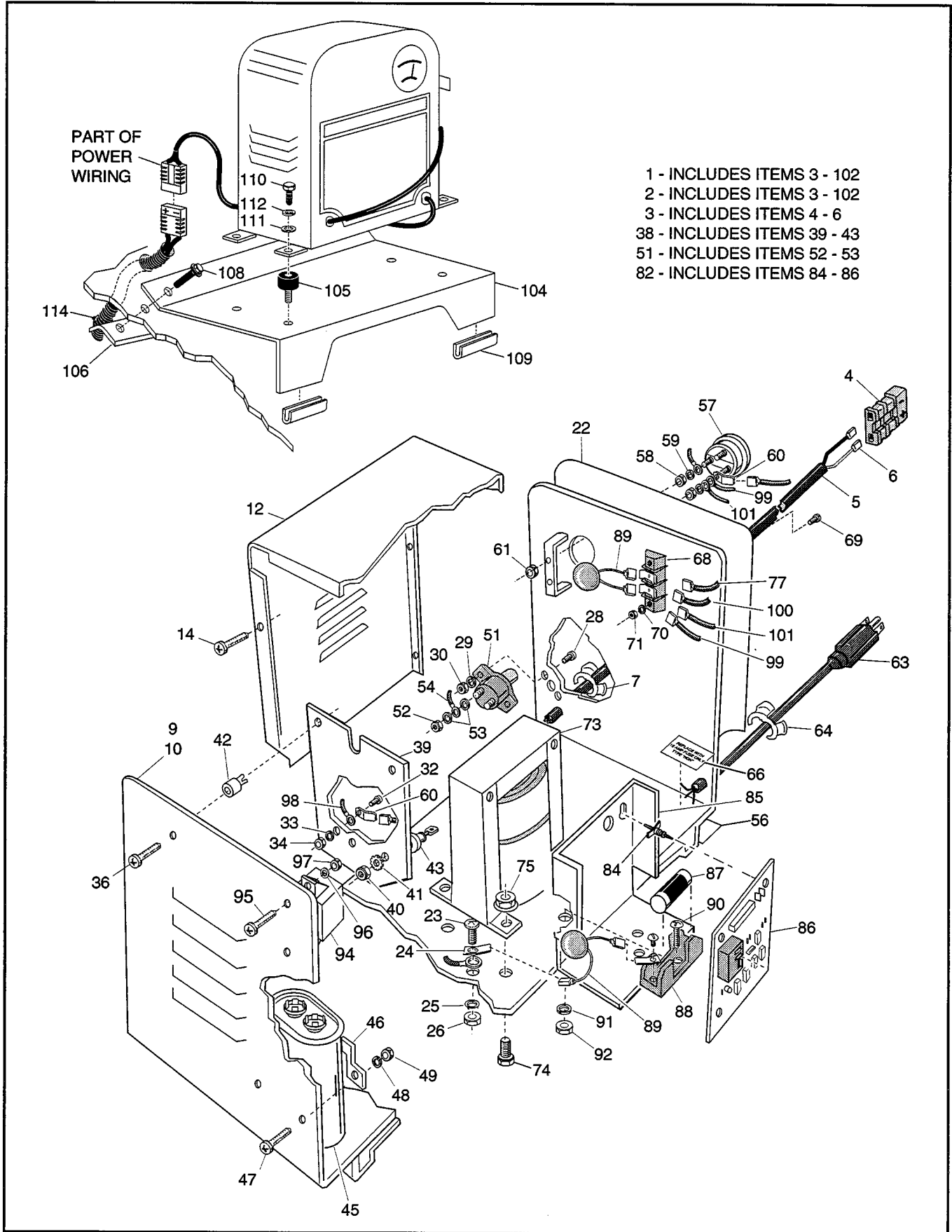
THE USE OF NON U.L. PARTS WILL VOID ANY U.L.LISTING.  
 When ordering parts, please specify the model and serial number of the product.  
 \* Indicates a component that is not available as a individual part.  
 G\*\* Indicates consult Customer Service Department for additional information.

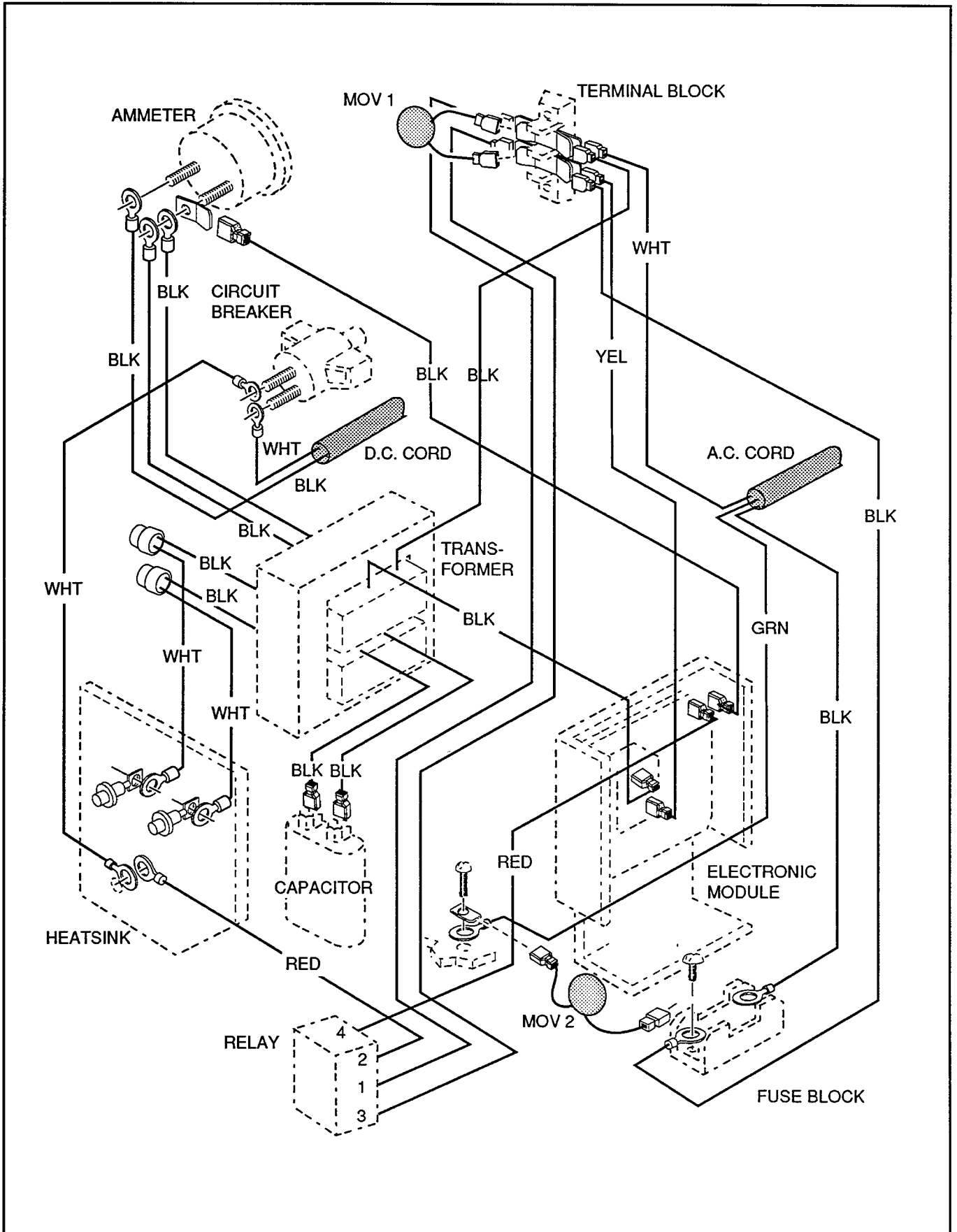
**MODEL**  
 ALL MODELS  
 UNLESS SPECIFIED

ITEM	PART NO.	1	2	3	4	5	DESCRIPTION	QTY.	
60	00439-G6						SCREW, 5/16 - 18 X 1 3/4 LG.....	1	
61									
62	11098-G6						NUT, LOCK, 5/16 - 18 .....	2	
63	33517-G01						PEDAL LINK ASSEMBLY (FOR USE ON 775, 875, 875P AND 881 MODELS ONLY) INCLUDES ITEMS 65, 67 AND 68 .....	1	
64	33517-G02						PEDAL LINK ASSEMBLY (FOR USE ON 952, 954, 955, 956, 957 AND 960 MODELS ONLY) INCLUDES ITEMS 65 - 67.....	1	
65	00544-G2						NUT, 1/4 - 28.....	2	
66	33514-G02						ROD, LINK.....	1	
67	10089-G2						BALL JOINT (COMPLETE).....	2	
68	33514-G01						ROD, LINK.....	1	
69	00661-G5						SCREW, STAINLESS STEEL, 1/4 - 20 X 5/8 LG. (METAL BODIED VEHICLES ONLY) .....	2	
70	00734-G2						NUT, LOCK, 1/4 - 28 .....	2	
71	00660-G7						WASHER, STAINLESS STEEL, 1/4.....	2	
72									
73									
74	21531-G1						STRIP, ABRASIVE .....	1	
75									
76	21122-G1						SPACER.....	1	
77	17255-G1						WASHER, TEFLON.....	1	
78	33519-G01						PLATE, BACKING (FIBERGLASS BODIED VEHICLES ONLY) .....	1	
79									
80	00661-G8						SCREW, STAINLESS STEEL, 1/4 - 20 X 1 LG. (FIBERGLASS BODIED VEHICLES ONLY) .....	2	









# BATTERY CHARGER, ONBOARD

# Electric Vehicle

THE USE OF NON U.L. PARTS WILL VOID ANY U.L.LISTING.

When ordering parts, please specify the model and serial number of the product.

\* Indicates a component that is not available as a individual part.

G\*\* Indicates consult Customer Service Department for additional information.

MODEL		
775	952	956
875/P	954	957
881	955	960

ITEM	PART NO.	1	2	3	4	5	DESCRIPTION	QTY.		
1	26988-G01						BATTERY CHARGER, 36 V, TOTAL CHARGE III, ONBOARD (INCLUDES ITEMS 3 - 102).....	1	-	-
2	26989-G01						BATTERY CHARGER, 36 V, TOTAL CHARGE III, ONBOARD (INCLUDES ITEMS 3 - 102).....	-	1	1
3	22052-G1						D.C. CORD ASSEMBLY (INCLUDES ITEMS 4 - 6) .....	1	1	1
4	18782-G1						CONNECTOR, BLACK.....	1	1	1
5	*						D.C.CORD.....	1	1	1
6	27815-G01						CONTACT, CHARGER CONNECTOR.....	2	2	2
7	13557-G3						STRAIN RELIEF (D.C. CORD).....	1	1	1
8										
9	24920-G1						CHASSIS (SIDE MOUNT) .....	1	-	-
10	32830-G1						CHASSIS (FRONT MOUNT) .....	-	1	1
11										
12	19092-G2						TOP.....	1	1	1
13										
14	00614-G4						SCREW, #8 - 18 X LG. ....	10	10	10
15										
16										
17										
18										
19										
20										
21										
22	*						LABEL, OPERATING INSTRUCTIONS (SERIALIZED) .....	1	1	1
23	00372-G3						SCREW, #8 - 32 X 3/8 LG. ....	1	1	1
24	12914-G1						TAB, FASTON.....	1	1	1
25	00565-G4						WASHER, LOCK, #8 .....	1	1	1
26	00526-G1						NUT, #8 - 32.....	1	1	1
27										
28	00372-G6						SCREW, #8 - 32 X 3/4 LG. ....	2	2	2
29	00565-G4						WASHER, LOCK, #8 .....	2	2	2

THE USE OF NON U.L. PARTS WILL VOID ANY U.L. LISTING.

When ordering parts, please specify the model and serial number of the product.

\* Indicates a component that is not available as an individual part.

G\*\* Indicates consult Customer Service Department for additional information.

MODEL		
775	952	956
875/P	954	957
881	955	960

ITEM	PART NO.	1	2	3	4	5	DESCRIPTION	QTY.		
30	00526-G1						NUT, #8 - 32.....	2	2	2
31										
32	00378-G4						SCREW, #10 - 24 X 1/2 LG. ....	1	1	1
33	00565-G5						WASHER, LOCK, #10 .....	1	1	1
34	00526-G3						NUT, #10 - 24.....	1	1	1
35										
36	00512-G7						SCREW, #8 - 18 X 7/8 LG. ....	3	3	3
37										
38	18768-G1						HEAT SINK ASSEMBLY (INCLUDES ITEMS 39 - 43) .....	1	1	1
39	18489-G1						HEAT SINK.....	1	1	1
40	00532-G2						NUT, 1/4 - 28 .....	2	2	2
41	00567-G7						WASHER, LOCK, #12.....	2	2	2
42	11572-G2						NUT, LOCK .....	3	3	3
43	18488-G1						DIODE, SILICON RECTIFIER .....	2	2	2
44										
45	17077-G1						CAPACITOR.....	1	1	1
46	11559-G1						BRACKET, CAPACITOR .....	1	1	1
47	00372-G4						SCREW, #8 - 32 X 1/2 LG. ....	2	2	2
48	00565-G4						WASHER, LOCK, #8 .....	2	2	2
49	00526-G1						NUT, #8 - 32.....	2	2	2
50										
51	19362-G1						CIRCUIT BREAKER (INCLUDES ITEMS 52 - 53) .....	1	1	1
52	00526-G4						NUT, #10 - 32 .....	2	2	2
53	00559-G5						WASHER, #10.....	4	4	4
54	19441-G1						WIRE .....	1	1	1
55										
56	25772-G01						LABEL, CHARGER WARNING .....	1	1	1
57	24243-G1						AMMETER (INCLUDES BRACKET) .....	1	1	1
58	00526-G4						NUT, #10 - 32.....	2	2	2
59	00565-G5						WASHER, LOCK, #10 .....	2	2	2

# BATTERY CHARGER, ONBOARD

Electric Vehicle

THE USE OF NON U.L. PARTS WILL VOID ANY U.L.LISTING.  
 When ordering parts, please specify the model and serial number of the product.  
 \* Indicates a component that is not available as a individual part.  
 G\*\* Indicates consult Customer Service Department for additional information.

MODEL		
775	952	956
875/P	954	957
881	955	960

ITEM	PART NO.	1	2	3	4	5	DESCRIPTION	QTY.		
60	12914-G1						TAB, FASTON.....	2	2	2
61	00525-G5						NUT, #6 - 32.....	2	2	2
62										
63	19388-G3						A.C. CORD .....	1	1	1
64	13557-G2						STRAIN RELIEF (A.C. CORD) .....	1	1	1
65										
66	19434-G1						LABEL, FUSE I.D.....	1	1	1
67										
68	26962-G01						BLOCK, TERMINAL.....	1	1	1
69	00987-G06						SCREW, #6 - 32 X 3/4 LG. ....	2	2	2
70	00565-G3						WASHER, LOCK, #6 .....	2	2	2
71	00525-G5						NUT, #6 - 32.....	2	2	2
72										
73	19928-G1						TRANSFORMER .....	1	1	1
74	00414-G5						SCREW, 1/4 - 20 X 5/8 LG. ....	4	4	4
75	11027-G2						NUT, LOCK, 1/4 - 20 .....	4	4	4
76										
77	19402-G1						WIRE.....	1	1	1
78										
79										
80										
81										
82	19950-G1						ELECTRONIC MODULE ASSEMBLY (INCLUDES ITEMS 84 - 86) .....	1	1	1
83										
84	27877-G01						SPACER, SUPPORT.....	4	4	4
85	19459-G1						BRACKET .....	1	1	1
86	27417-G01						ELECTRONIC MODULE.....	1	1	1
87	19361-G1						FUSE .....	1	1	1
88	19363-G1						FUSE BLOCK .....	1	1	1

THE USE OF NON U.L. PARTS WILL VOID ANY U.L. LISTING.

When ordering parts, please specify the model and serial number of the product.

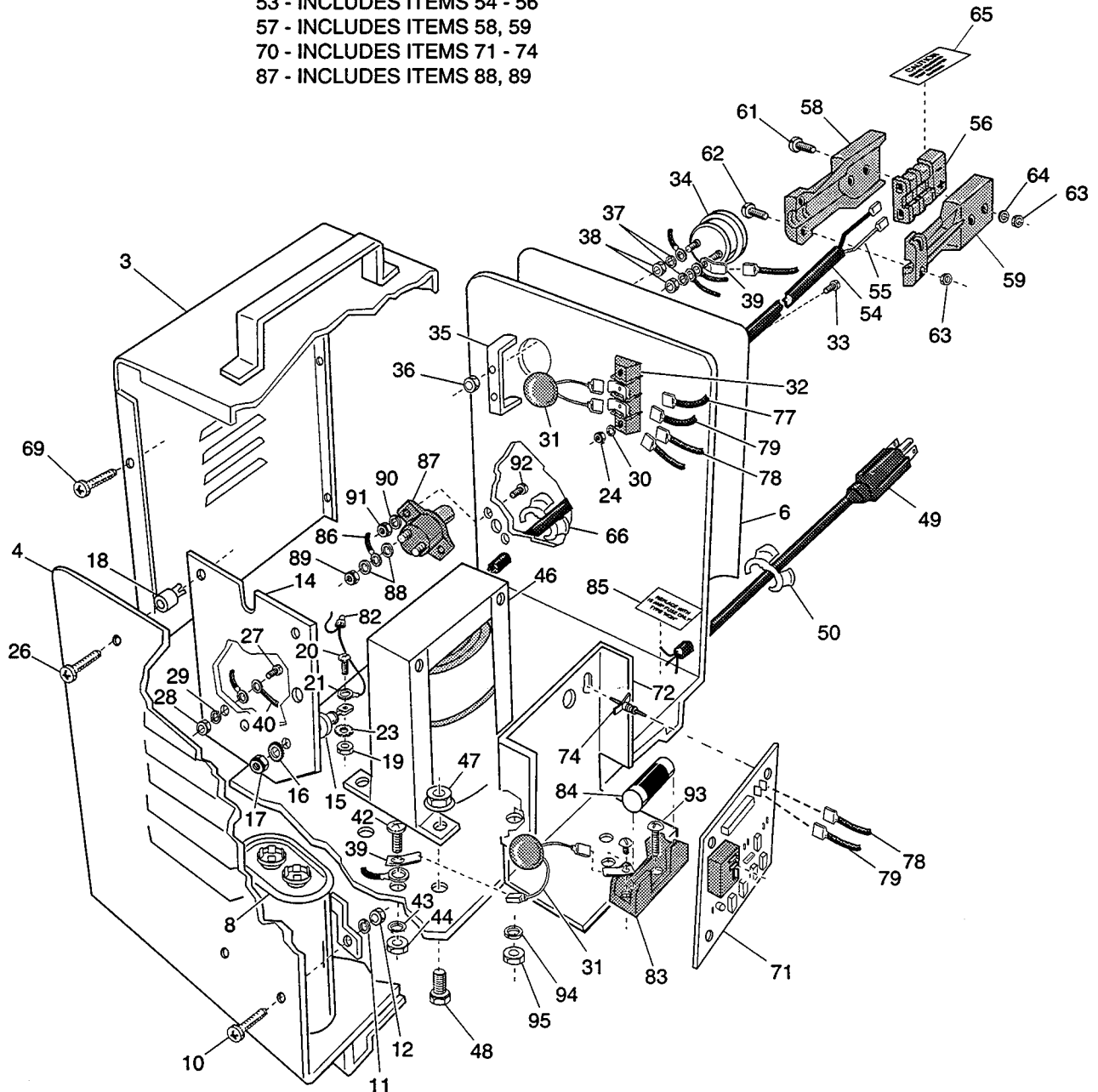
\* Indicates a component that is not available as an individual part.

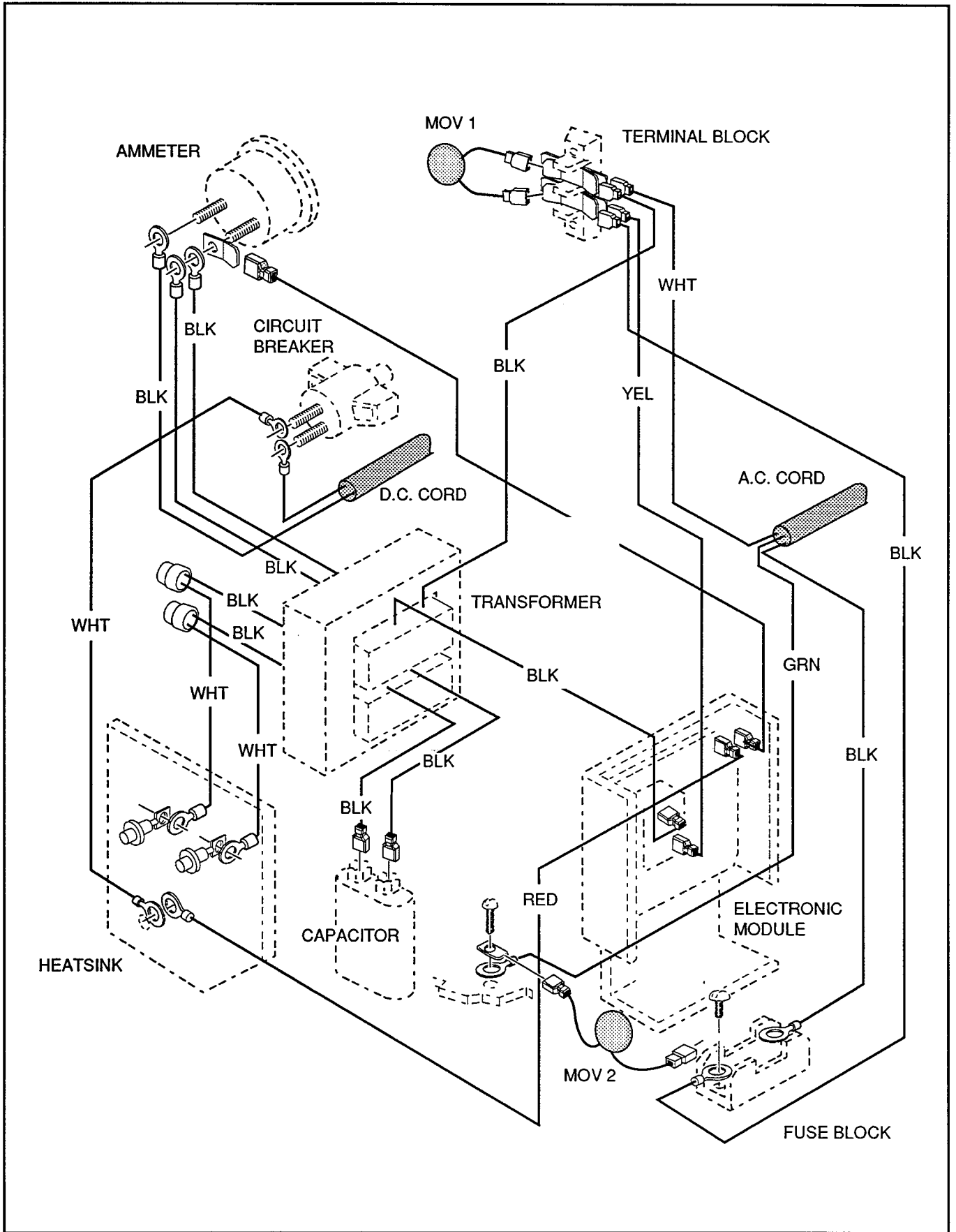
G\*\* Indicates consult Customer Service Department for additional information.

MODEL		
775	952	956
875/P	954	957
881	955	960

ITEM	PART NO.	1	2	3	4	5	DESCRIPTION	QTY.		
89	26320-G01						VARISTOR, MOV .....	2	2	2
90	00372-G5						SCREW, #8 - 32 X 5/8 LG. ....	2	2	2
91	00565-G4						WASHER, LOCK, #8 .....	2	2	2
92	00526-G4						NUT, #8 - 32.....	2	2	2
93										
94	21971-G1						RELAY .....	1	1	1
95	00138-G5						SCREW, #6 - 32 X 5/8 LG. ....	2	2	2
96	00565-G3						WASHER, LOCK, #6 .....	2	2	2
97	00525-G5						NUT, #6 - 32.....	2	2	2
98	*						WIRE .....	1	1	1
99	*						WIRE .....	1	1	1
100	22992-G1						WIRE .....	1	1	1
101	25977-G07						WIRE .....	1	1	1
102	26340-G01						WIRE .....	1	1	1
103										
104	30470-G1						CHARGER SUPPORT .....	1	1	1
105	32478-G1						MOUNT, ISOLATION .....	4	4	4
106	30468-G1						REINFORCEMENT .....	1	1	1
107										
108	13437-G4						SCREW, LOCK, 3/8 - 16 X 1 LG. ....	2	2	2
109	22281-G3						TRIM, 1 1/2 LG.....	2	2	2
110	16705-G4						SCREW, STAINLESS STEEL .....	4	4	4
111	00660-G7						WASHER, STAINLESS STEEL, 1/4.....	4	4	4
112	00565-G7						WASHER, LOCK, 1/4.....	4	4	4
113										
114	17618-G1						CLAMP, NYLON .....	1	1	1

- 1 - INCLUDES ITEMS 3 - 95
- 34 - INCLUDES ITEM 35
- 53 - INCLUDES ITEMS 54 - 56
- 57 - INCLUDES ITEMS 58, 59
- 70 - INCLUDES ITEMS 71 - 74
- 87 - INCLUDES ITEMS 88, 89







# BATTERY CHARGER, PORTABLE

# Electric Vehicle

THE USE OF NON U.L. PARTS WILL VOID ANY U.L.LISTING.  
 When ordering parts, please specify the model and serial number of the product.  
 \* Indicates a component that is not available as a individual part.  
 G\*\* Indicates consult Customer Service Department for additional information.

MODEL
IF APPLICABLE

ITEM	PART NO.	1	2	3	4	5	DESCRIPTION	QTY.		
1	26984-G01						BATTERY CHARGER ASSEMBLY, TOTAL CHARGE® III, PORTABLE 36V, 10 FT. D.C. CORD (INCLUDES ITEMS 3 - 95) .....	1	1	1
2										
3	19096-G1						TOP COVER.....	1	1	1
4	24919-G1						CHASSIS .....	1	1	1
5										
6	*						LABEL, OPERATING INSTRUCTIONS (SERIALIZED) .....	1	1	1
7										
8	17077-G1						CAPACITOR (WITH MOUNTING BRACKET) .....	1	1	1
9										
10	00372-G4						SCREW, #8 - 32 X 1/2 LG. ....	2	2	2
11	00565-G4						WASHER, LOCK, #8 .....	2	2	2
12	00526-G1						NUT, #8 - 32.....	2	2	2
13										
14	18768-G1						HEATSINK .....	1	1	1
15	18488-G1						DIODE, SILICON RECTIFIER .....	2	2	2
16	00567-G7						WASHER, LOCK, 1/4 .....	2	2	2
17	00532-G2						NUT, 1/4 - 28.....	2	2	2
18	11572-G2						NUT, PLASTIC .....	3	3	3
19	00525-G5						NUT, #6 - 32.....	2	2	2
20	00138-G3						SCREW, #6 - 32 X 3/8 LG. ....	2	2	2
21										
22										
23	00567-G3						WASHER, LOCK, #6 .....	2	2	2
24	00525-G5						NUT, #6 - 32.....	2	2	2
25										
26	00512-G7						SCREW, SELF DRILL AND TAP, #8 X 7/8 LG.....	3	3	3
27	00378-G4						SCREW, #10 - 24 X 1/2 LG. ....	1	1	1
28	00526-G3						NUT, #10 - 24.....	1	1	1
29	00565-G5						WASHER, LOCK, #10 .....	1	1	1

THE USE OF NON U.L. PARTS WILL VOID ANY U.L. LISTING.  
 When ordering parts, please specify the model and serial number of the product.  
 \* Indicates a component that is not available as an individual part.  
 G\*\* Indicates consult Customer Service Department for additional information.

MODEL
IF APPLICABLE

ITEM	PART NO.	1	2	3	4	5	DESCRIPTION	QTY.		
30	00565-G3						WASHER, #6 - 32.....	2	2	2
31	26320-G01						VARISTOR, MOV.....	2	2	2
32	26962-G01						TERMINAL BLOCK.....	1	1	1
33	00987-G06						SCREW, #6 - 32 X 3/4 LG.....	2	2	2
34	24243-G1						AMMETER (INCLUDES ITEM 35).....	1	1	1
35	*						BRACKET, AMMETER.....	1	1	1
36	00525-G5						NUT, #6 - 32.....	2	2	2
37	00565-G5						WASHER, LOCK, #10.....	2	2	2
38	00526-G4						NUT, #10 - 32.....	2	2	2
39										
40	19952-G1						WIRE.....	1	1	1
41										
42	00372-G3						SCREW, #8 - 32 X 3/8 LG.....	1	1	1
43	00565-G4						WASHER, LOCK, #8.....	1	1	1
44	00526-G1						NUT, #8 - 32.....	1	1	1
45										
46	19372-G9						TRANSFORMER.....	1	1	1
47	11027-G2						NUT, LOCK, 1/4 - 20.....	4	4	4
48	00414-G5						BOLT, 1/4 - 20 X 5/8 LG.....	4	4	4
49	19388-G1						A.C. CORD.....	1	1	1
50	13557-G2						STRAIN RELIEF (A.C. CORD).....	1	1	1
51										
52										
53	18747-G1						D.C. CORD ASSEMBLY (INCLUDES ITEMS 54 - 56).....	1	1	1
54	*						D.C. CORD.....	1	1	1
55	28030-G01						CONNECTOR, CONTACT KIT.....	2	2	2
56	27815-G01						CONNECTOR.....	1	1	1
57	18972-G1						CHARGER RECEPTACLE HANDLE KIT (INCLUDES ITEMS 58, 59).....	1	1	1
58	*						HANDLE, HALF, L.H.....	1	1	1

# BATTERY CHARGER, PORTABLE

# Electric Vehicle

THE USE OF NON U.L. PARTS WILL VOID ANY U.L.LISTING.

When ordering parts, please specify the model and serial number of the product.

\* Indicates a component that is not available as a individual part.

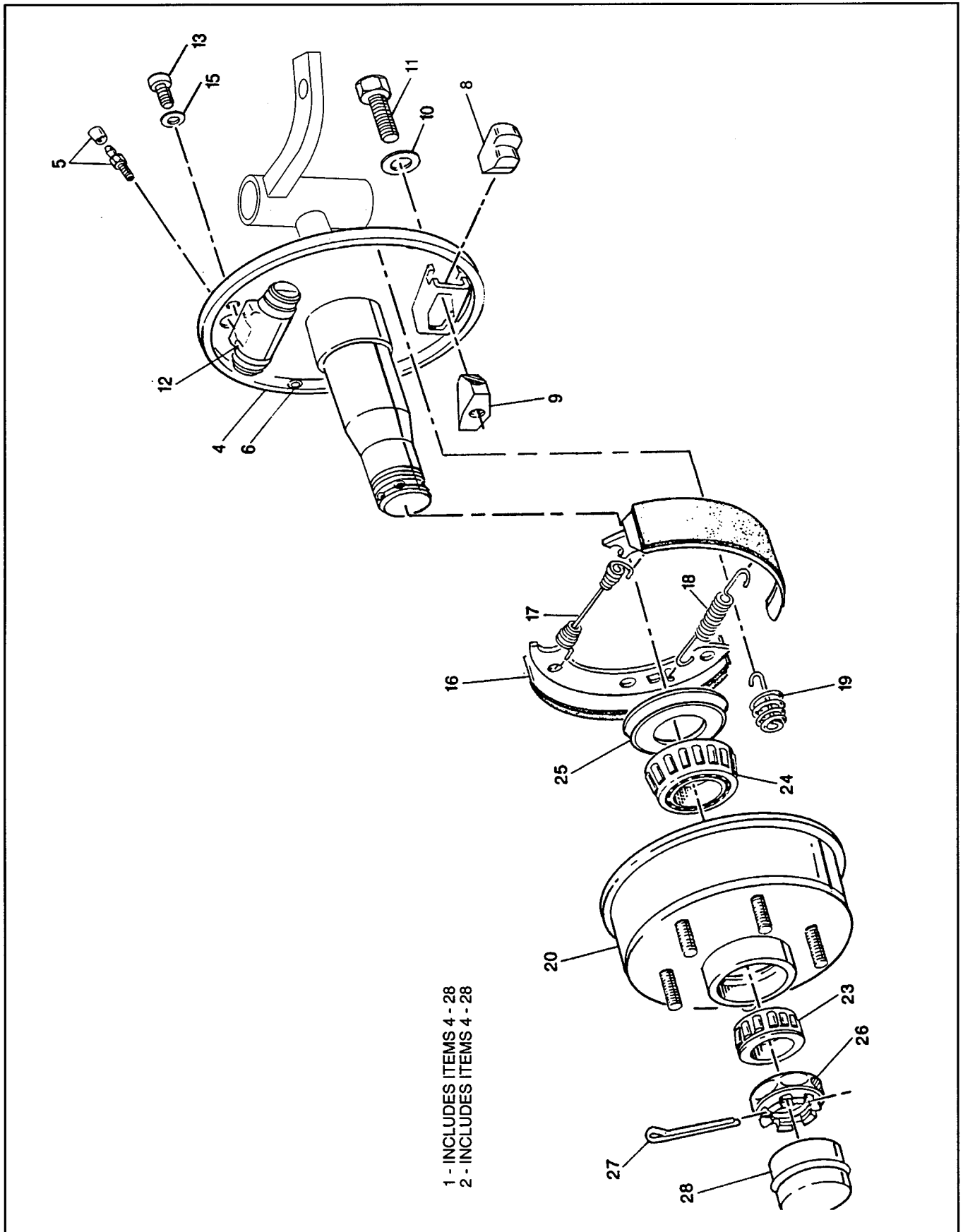
G\*\* Indicates consult Customer Service Department for additional information.

ITEM	PART NO.	1	2	3	4	5	DESCRIPTION	MODEL		
								IF APPLICABLE		
								QTY.		
59	*						HANDLE, HALF, R.H. ....	1	1	1
60										
61	00647-G8						SCREW, STAINLESS STEEL, #6 - 32 X 29/32 LG. ....	2	2	2
62	00647-G3						SCREW, STAINLESS STEEL, #6 - 32 X 3/8 LG. ....	2	2	2
63	13521-G5						NUT, LOCK, #6 - 32 .....	4	4	4
64	00650-G2						WASHER, #5 .....	2	2	2
65	20628-G1						LABEL, CAUTION.....	1	1	1
66	13557-G3						STRAIN RELIEF (D.C. CORD) .....	1	1	1
67										
68										
69	00614-G4						SCREW, SELF DRILL AND TAP, #8 - 18 X 1/2 LG.....	10	10	10
70	19950-G1						ELECTRONIC MODULE ASSEMBLY (INCLUDES ITEMS 71 - 74) .....	1	1	1
71	27417-G01						MODULE .....	1	1	1
72	19459-G1						BRACKET .....	1	1	1
73										
74	27877-G01						SPACER, SUPPORT.....	4	4	4
75										
76										
77										
78										
79										
80										
81										
82	19360-G1						SPLICE, WIRE, CLOSED END .....	2	2	2
83	19363-G1						FUSE BLOCK .....	1	1	1
84	19361-G1						FUSE, 15 AMP .....	1	1	1
85	19434-G1						LABEL, IDENTIFICATION .....	1	1	1
86	19441-G1						WIRE.....	1	1	1
87	19362-G1						CIRCUIT BREAKER, 50 AMP (INCLUDES ITEMS 88, 89) .....	2	2	2

THE USE OF NON U.L. PARTS WILL VOID ANY U.L. LISTING.  
 When ordering parts, please specify the model and serial number of the product.  
 \* Indicates a component that is not available as an individual part.  
 G\*\* Indicates consult Customer Service Department for additional information.

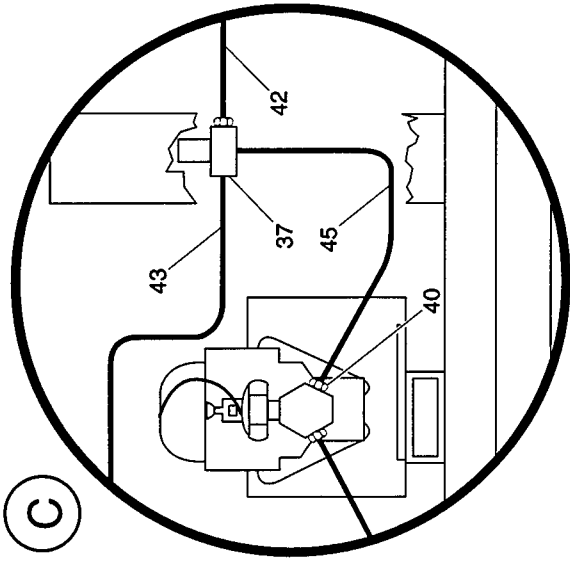
<b>MODEL</b>
<b>IF APPLICABLE</b>

ITEM	PART NO.	1	2	3	4	5	DESCRIPTION	QTY.		
88	00559-G5						WASHER, #10.....	4	4	4
89	00526-G4						NUT, #10 - 32.....	2	2	2
90	00565-G4						WASHER, LOCK, #8.....	2	2	2
91	00526-G1						NUT, #8 - 32.....	2	2	2
92	00372-G6						SCREW, #8 - 32 X 3/4 LG.....	2	2	2
93	00372-G5						SCREW, #8 - 32 X 5/8 LG.....	2	2	2
94	00565-G4						WASHER, #8.....	2	2	2
95	00526-G1						NUT, #8 - 32.....	2	2	2



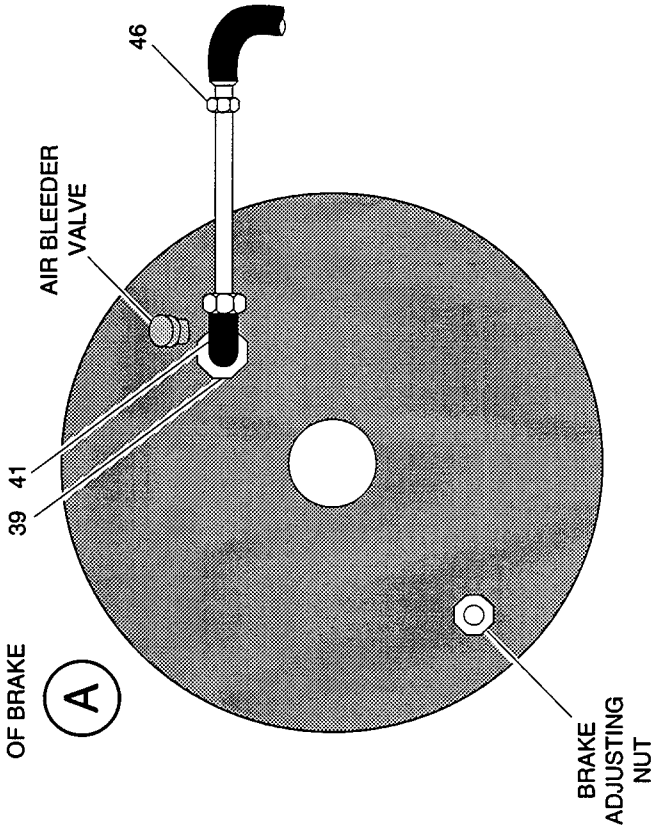


FRONT DETAIL OF  
MASTER CYLINDER



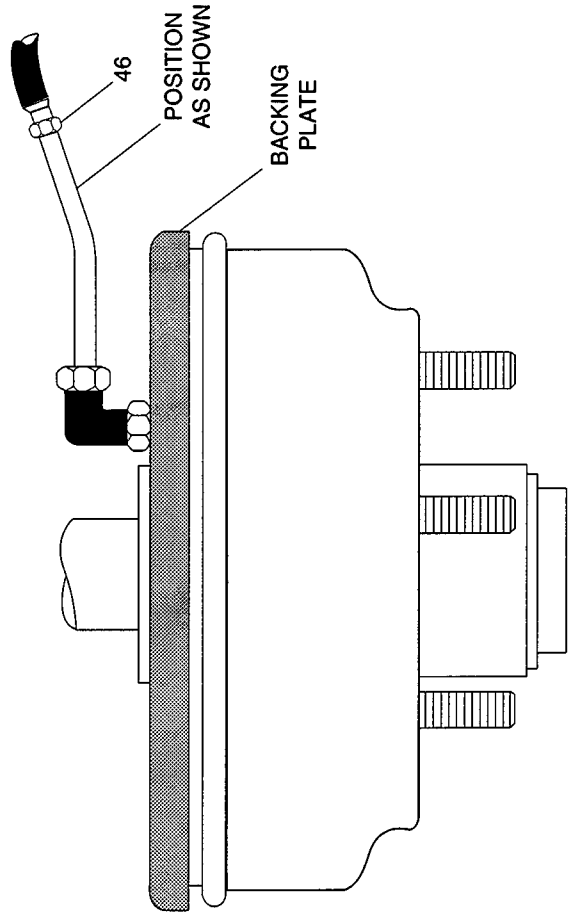
**C**

BACK DETAIL  
OF BRAKE



**A**

TOP DETAIL  
OF BRAKE



**B**

THE USE OF NON U.L. PARTS WILL VOID ANY U.L. LISTING.  
 When ordering parts, please specify the model and serial number of the product.  
 \* Indicates a component that is not available as an individual part.  
 G\*\* Indicates consult Customer Service Department for additional information.

<b>MODEL</b>
<b>IF APPLICABLE</b>

ITEM	PART NO.	1 2 3 4 5	DESCRIPTION	QTY.		
1	33300-G01		KNUCKLE, BRAKE AND STEERING, PASSENGER SIDE (INCLUDES ITEMS 4 - 28) .....		1	
2	33301-G01		KNUCKLE, BRAKE AND STEERING, DRIVER' S SIDE (INCLUDES ITEMS 4 - 28) .....		1	
3						
4	32817-G1		STUD WITH BACKING PLATE .....		1	
5	*		BLEEDER VALVE WITH COVER.....		1	
6	*		PLUG, PLASTIC.....		2	
7						
8	32819-G1		BLOCK, ADJUSTING .....		2	
9	32820-G1		WEDGE .....		1	
10	*		WASHER .....		1	
11	32821-G1		BOLT, M10 X 33 LG.....		1	
12	32998-G01		WHEEL CYLINDER.....		1	
13	32747-G1		SCREW, SOCKET HEAD, M6 X 15 LG.....		2	
14						
15	32748-G1		WASHER, LOCK, M6 .....		2	
16	32822-G1		SHOE ASSEMBLY.....		2	
17	32750-G1		SPRING, RETURN.....		1	
18	32751-G1		SPRING, RETURN.....		1	
19	32823-G1		SPRING, HOLD DOWN.....		2	
20	32824-G1		HUB AND DRUM.....		1	
21						
22						
23	32755-G1		BEARING, TAPERED.....		1	
24	32756-G1		BEARING, TAPERED.....		1	
25	32757-G1		PLATE, SEAR.....		1	
26	32758-G1		NUT, CASTLE, M20 X 1.5 .....		1	
27	32579-G1		PIN, COTTER, 4 X 40 LG.....		1	
28	32760-G1		CAP, DUST .....		1	
29						



# BRAKES, HYDRAULIC, FRONT

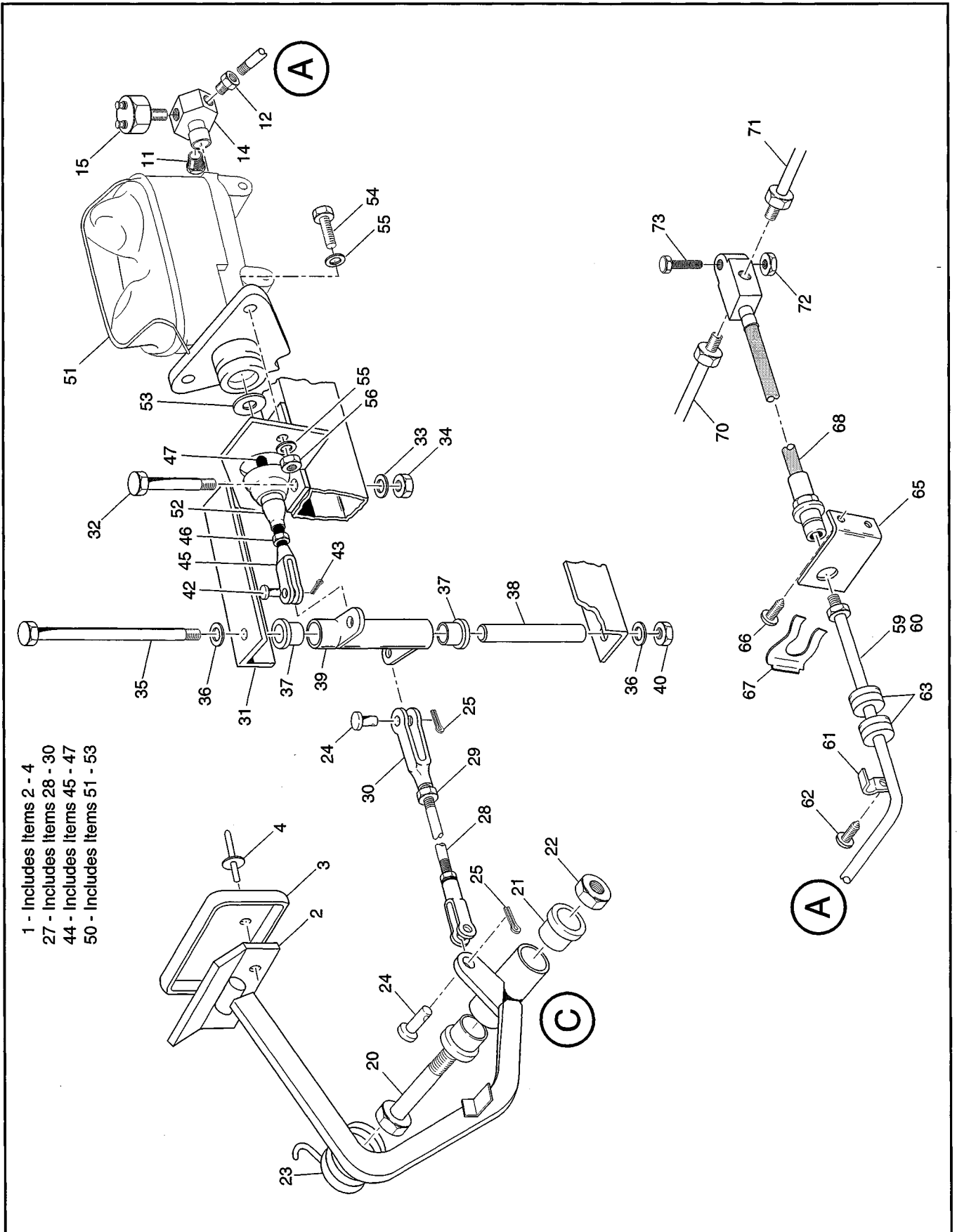
Electric Vehicle

THE USE OF NON U.L. PARTS WILL VOID ANY U.L.LISTING.  
 When ordering parts, please specify the model and serial number of the product.  
 \* Indicates a component that is not available as a individual part.  
 G\*\* Indicates consult Customer Service Department for additional information.

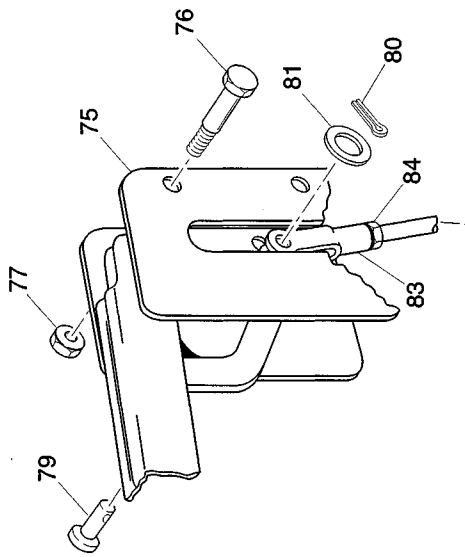
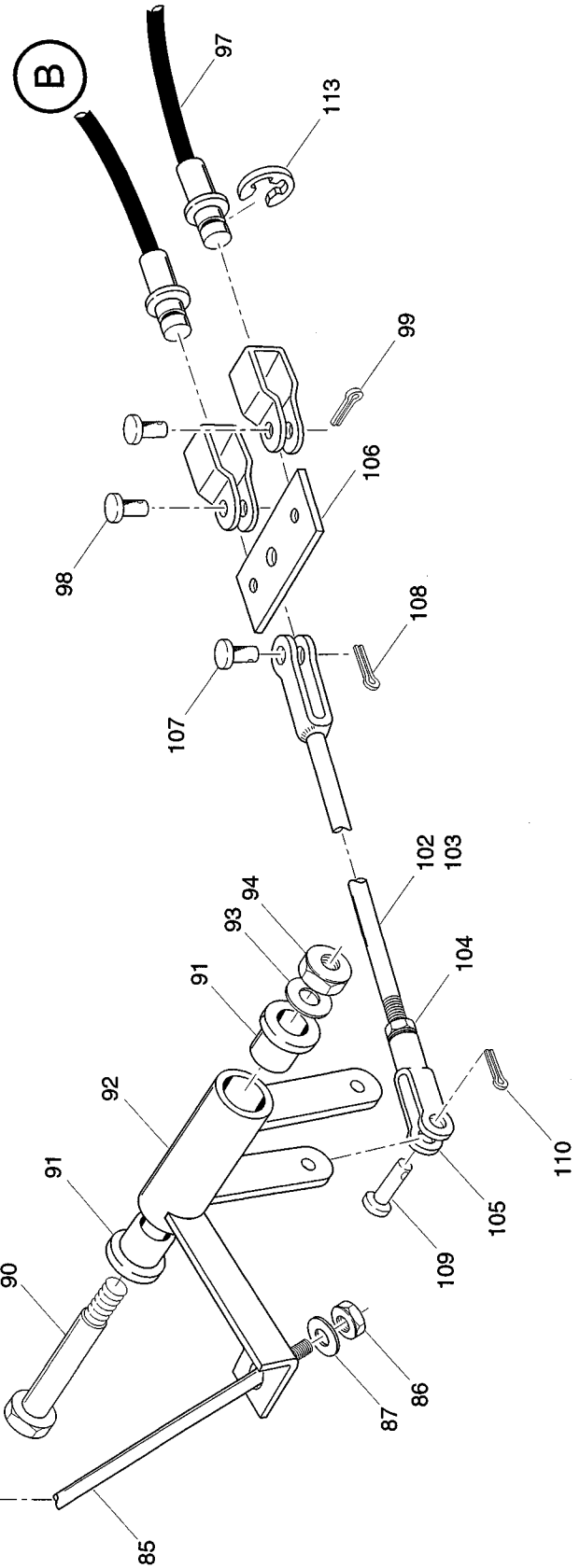
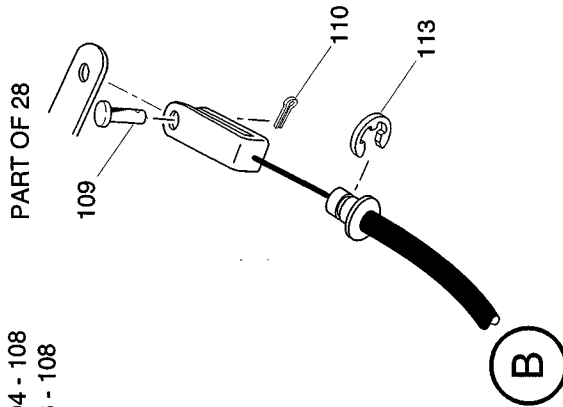
**MODEL**  
**IF**  
**APPLICABLE**

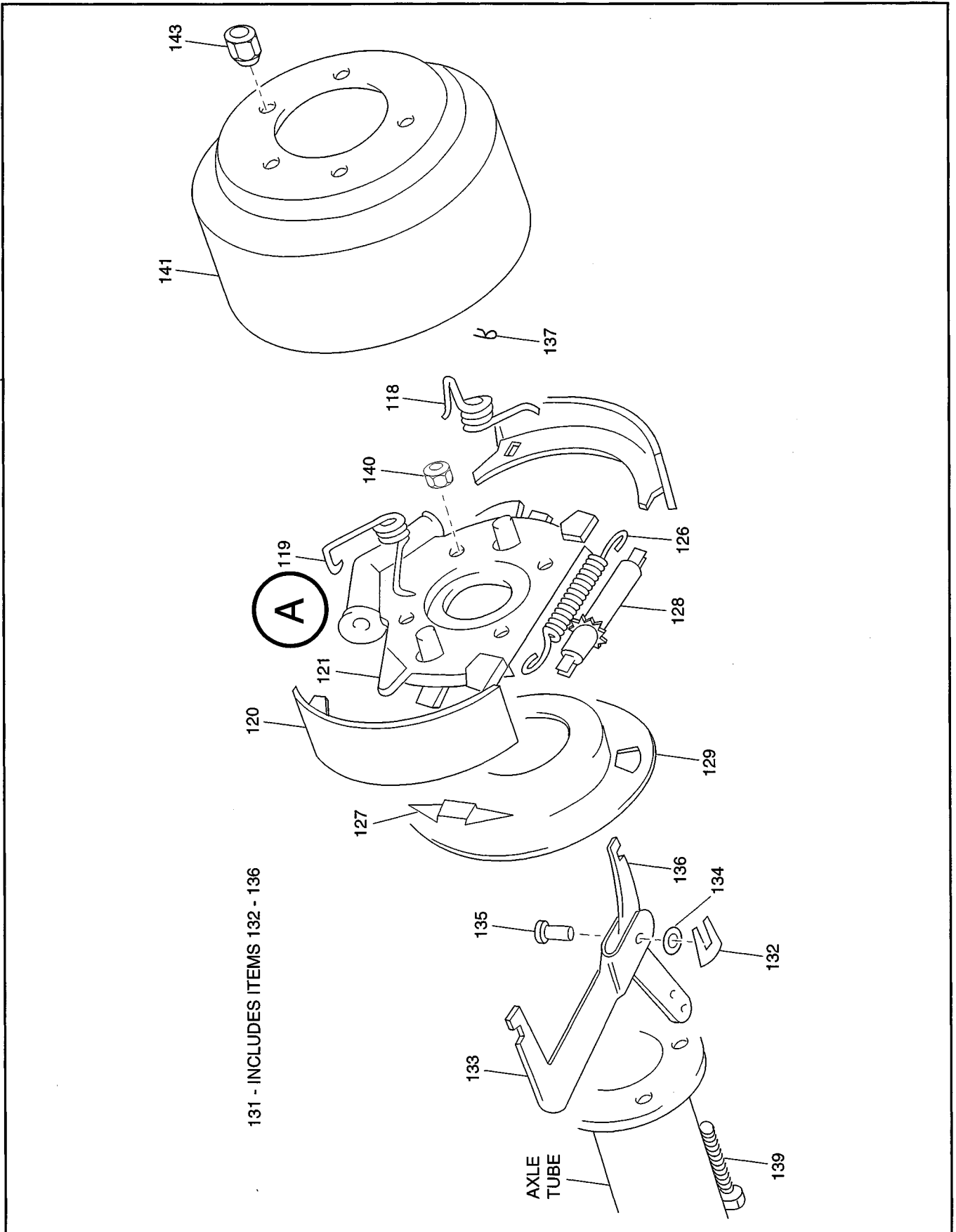
ITEM	PART NO.	1 2 3 4 5	DESCRIPTION	QTY.	
30	00106-G6		SCREW, #12 - 24 X 3/4 LG.....	4	
31	00414-G6		SCREW, 1/4 - 20 X 3/4 LG.....	1	
32					
33	11332-G2		BRACKET, TUBE FASTENER .....	2	
34	11456-G1		CLIP, HOSE.....	2	
35					
36	14390-G4		NUT, 1/4 - 20 .....	1	
37	21103-G1		FRAME TEE.....	1	
38					
39	30383-G1		MALE CONNECTOR .....	2	
40	21505-G1		NIPPLE, MALE CONNECTOR.....	1	
41	33428-G01		FITTING, SWIVEL NUT.....	2	
42	33469-G01		BRAKE LINE WITH NUTS, PASSENGER SIDE.....	1	
43	33469-G02		BRAKE LINE WITH NUTS, DRIVER'S SIDE .....	1	
44					
45	33473-G01		BRAKE LINE WITH NUTS .....	1	
46	33668-G01		HOSE .....	2	
47					
48					
49	32825-G1		MASTER CYLINDER REPAIR KIT .....	AR	
50	32746-G1		WHEEL CYLINDER, COMPLETE.....	1	



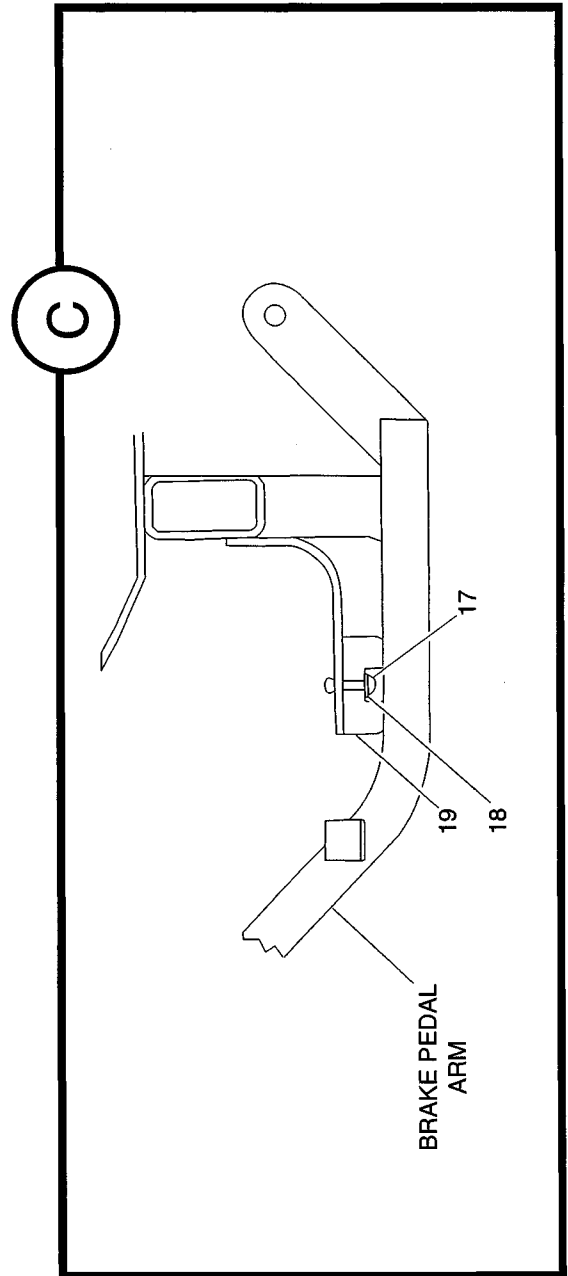
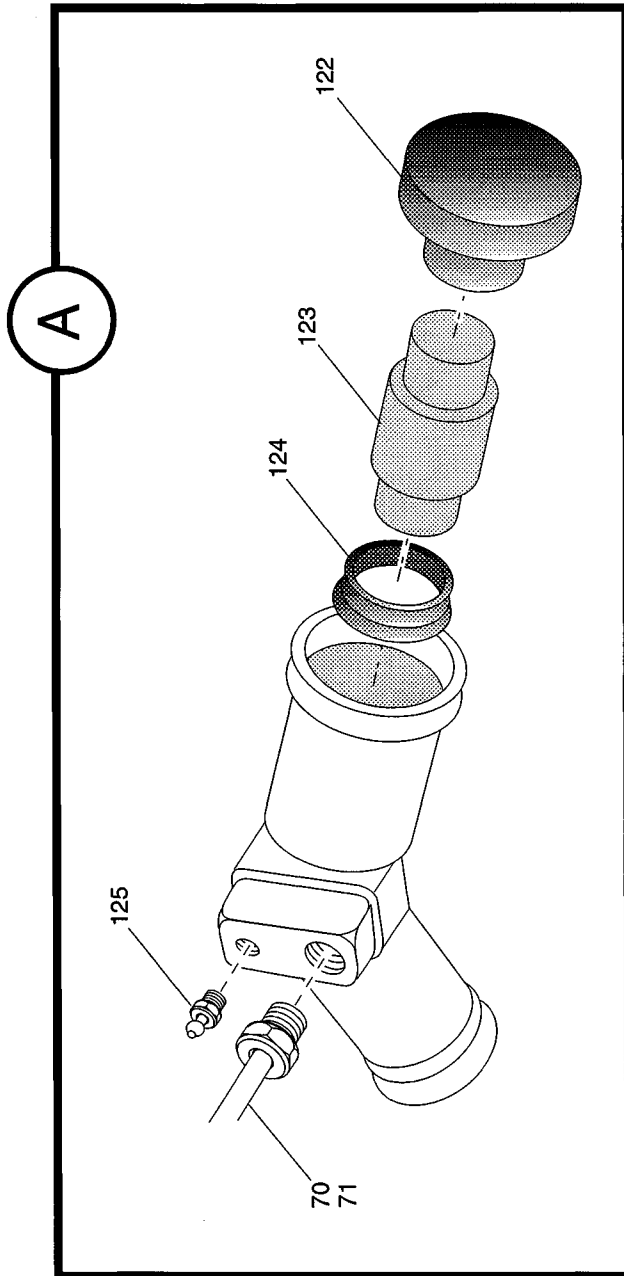


- 82 - INCLUDES ITEMS 83 - 85
- 95 - INCLUDES ITEMS 97 - 100, 102, 104 - 108
- 96 - INCLUDES ITEMS 97 - 99, 101, 103 - 108
- 100 - INCLUDES ITEMS 102, 104 - 108
- 101 - INCLUDES ITEMS 103 - 108
- 102 - INCLUDES ITEMS 104, 105
- 103 - INCLUDES ITEMS 104, 105





131 - INCLUDES ITEMS 132 - 136



# BRAKES, HYDRAULIC, REAR

Electric Vehicle

THE USE OF NON U.L. PARTS WILL VOID ANY U.L.LISTING.  
 When ordering parts, please specify the model and serial number of the product.  
 \* Indicates a component that is not available as a individual part.  
 G\*\* Indicates consult Customer Service Department for additional information.

MODEL		
881		
955	875	
957	875P	

ITEM	PART NO.	1	2	3	4	5	DESCRIPTION	QTY.		
1	33228-G01						BRAKE PEDAL ASSEMBLY (INCLUDES ITEMS 2 - 4).....	1	1	
2	33227-G01						PEDAL, BRAKE.....	1	1	
3	11039-G1						PAD, BRAKE PEDAL.....	1	1	
4	14269-G1						RIVET, 3/16 X 17/32" LG. ....	2	2	
5										
6										
7										
8										
9										
10										
11	21503-G1						PLUG, PIPE .....	1	1	
12	21505-G1						NIPPLE, MALE CONNECTOR.....	1	1	
13										
14	26469-G01						TEE, MALE BRANCH .....	1	1	
15	21510-G1						SWITCH, STOP LIGHT .....	1	1	
16										
17	14601-G1						RIVET, 3/16 X 7/8" LG.....	1	1	
18	00559-G5						WASHER, #4.....	1	1	
19	13728-G1						RUBBER BUMPER .....	1	1	
20	14158-G1						BOLT, SHOULDER, 1/2 X 2 3/4" LG. ....	1	1	
21	11079-G1						BUSHING, FLANGED .....	2	2	
22	13521-G4						NUT, LOCK, 3/8 - 16 .....	1	1	
23	13197-G1						SPRING, TORSION .....	1	1	
24	10386-G3						PIN, CLEVIS, 5/16 X 3/4" LG. ....	2	2	
25	10387-G3						PIN, COTTER, 3/32 X 3/4" LG. ....	2	2	
26										
27	30295-G1						LINKAGE ROD ASSEMBLY (INCLUDES ITEMS 28 - 30) .....	1	1	
28	30297-G1						ROD, LINKAGE .....	1	1	
29	00544-G4						NUT, 5/16 - 24.....	2	2	
30	10385-G4						YOKE .....	2	2	

THE USE OF NON U.L. PARTS WILL VOID ANY U.L. LISTING.  
 When ordering parts, please specify the model and serial number of the product.  
 \* Indicates a component that is not available as an individual part.  
 G\*\* Indicates consult Customer Service Department for additional information.

MODEL		
881		
955	875	
957	875P	

ITEM	PART NO.	1	2	3	4	5	DESCRIPTION	QTY.		
31	32769-G1						BRACKET, MASTER CYLINDER/PIVOT.....	1	1	
32	00427-G8						BOLT, 3/8 - 16 X 2" LG.....	2	2	
33	00560-G1						WASHER, 3/8.....	2	2	
34	11098-G5						NUT, LOCK, 3/8 - 16.....	2	2	
35	00733-G9						BOLT, 3/8 - 16 X 7 1/2" LG.....	1	1	
36	00560-G1						WASHER, 3/8.....	2	2	
37	11079-G2						FLANGED NYLON BUSHING, 1/2 - 3/4 X 5/8" LG.....	2	2	
38	30292-G2						SLEEVE, PIVOT.....	1	1	
39	32772-G1						PIVOT.....	1	1	
40	13521-G4						NUT, LOCK, 3/8 - 16.....	1	1	
41										
42	14443-G3						CLEVIS, 5/16 X 1 1/8" LG.....	1	1	
43	10387-G3						PIN, COTTER, 3/32 X 3/4" LG.....	1	1	
44	30298-G2						PUSH ROD ASSEMBLY (INCLUDES ITEMS 45 - 47).....	1	1	
45	21508-G1						YOKE.....	1	1	
46	00544-G6						NUT, 3/8 - 24.....	1	1	
47	30293-G2						PUSH ROD, 3 1/8" LG.....	1	1	
48										
49										
50	70643-G01						MASTER CYLINDER SERVICE KIT (INCLUDES ITEMS 51 - 53).....	1	1	
51	*						MASTER CYLINDER.....	1	1	
52	32768-G1						MASTER CYLINDER BOOT.....	1	1	
53	00675-G1						WASHER, 3/8".....	1	1	
54	00427-G4						SCREW, 3/8-16 X 1 1/2" LG.....	3	3	
55	00560-G1						WASHER, 3/8".....	6	6	
56	11098-G5						NUT, LOCK, 3/8 - 16.....	3	3	
57										
58										
59	21104-G8						BRAKE LINE, 68" LG. (EXTENDED LENGTH).....	1	-	
60	21104-G5						BRAKE LINE, 40" LG. (STANDARD LENGTH).....	-	1	



# BRAKES, HYDRAULIC, REAR

Electric Vehicle

THE USE OF NON U.L. PARTS WILL VOID ANY U.L.LISTING.

When ordering parts, please specify the model and serial number of the product.

\* Indicates a component that is not available as a individual part.

G\*\* Indicates consult Customer Service Department for additional information.

MODEL		
881		
955	875	
957	875P	

ITEM	PART NO.	1 2 3 4 5	DESCRIPTION	QTY.	
61	11845-G5		CLIP, CABLE, INSULATED .....	2	3
62	00100-G6		SCREW, SELF TAPPING, #10 X 3/4" LG. ....	2	3
63	20367-G1		GROMMET.....	2	2
64					
65	11332-G2		BRACKET, TUBE FASTENER .....	1	1
66	00100-G6		SCREW, SELF TAPPING, #10 X 3/4" LG. ....	2	2
67	11456-G1		CLIP, HOSE.....	1	1
68	33534-G01		HOSE, FLEXIBLE .....	1	1
69					
70	33145-G01		BRAKE LINE, 12" LG. ....	1	1
71	33143-G01		BRAKE LINE, 20" LG. ....	1	1
72	11098-G6		NUT, LOCK, 5/16 - 13 .....	1	1
73					
74					
75	30197-G1		LEVER, BRAKE .....	1	1
76	00439-G6		SCREW, 5/16 - 18 X 3/4" LG.....	2	2
77	11098-G6		NUT, LOCK, 5/16 - 18 .....	2	2
78					
79	14443-G1		PIN, CLEVIS, 5/16 X 1 3/8" LG. ....	1	1
80	10387-G9		PIN, COTTER, 1/16 X 1/2" LG. ....	1	1
81	00559-G8		WASHER, 5/16.....	1	1
82	30195-G1		LINK ASSEMBLY (INCLUDES ITEMS 83 - 85).....	1	1
83	10385-G6		YOKE .....	1	1
84	00544-G4		NUT, 5/16 - 24.....	1	1
85	30196-G1		LINK.....	1	1
86	11098-G9		NUT, LOCK, 5/16 - 24 .....	1	1
87	00559-G8		WASHER, 5/16.....	1	1
88					
89					
90	14158-G1		BOLT, SHOULDER, 3/8 - 16 X 2 3/4" LG. ....	1	1

THE USE OF NON U.L. PARTS WILL VOID ANY U.L. LISTING.

When ordering parts, please specify the model and serial number of the product.

\* Indicates a component that is not available as an individual part.

G\*\* Indicates consult Customer Service Department for additional information.

MODEL		
881		
955	875	
957	875P	

ITEM	PART NO.	1	2	3	4	5	DESCRIPTION	QTY.	
91	11079-G1						BUSHING, FLANGED .....	2	2
92	30221-G1						PIVOT .....	1	1
93	00560-G3						WASHER, 3/8.....	2	2
94	11098-G5						NUT, LOCK, 3/8 - 16 .....	1	1
95	30241-G2						BRAKE LINKAGE ASSEMBLY (INCLUDES ITEMS 97 - 100, 102, 104 - 108) EXTENDED LENGTH.....	1	-
96	30241-G3						BRAKE LINKAGE ASSEMBLY (INCLUDES ITEMS 97 - 99, 101, 103 - 108) STANDARD LENGTH.....	-	1
97	19038-G1						BRAKE CABLE.....	1	1
98	10386-G3						PIN, CLEVIS, 5/16 X 3/4" LG. ....	2	2
99	10387-G3						PIN, COTTER, 3/32 X 3/4" LG. ....	2	2
100	30222-G3						EQUALIZER/LINKAGE ROD ASSEMBLY (INCLUDES ITEMS 102, 104 - 108) EXTENDED LENGTH.....	1	-
101	30222-G2						EQUALIZER/LINKAGE ROD ASSEMBLY (INCLUDES ITEMS 103 - 108) STANDARD LENGTH.....	-	1
102	30295-G4						LINKAGE ROD (INCLUDES ITEMS 104, 105) EXTENDED LENGTH .....	1	-
103	30295-G3						LINKAGE ROD (INCLUDES ITEMS 104, 105) STANDARD LENGTH .....	-	1
104	00544-G4						NUT, 5/16 - 24.....	1	1
105	10385-G4						YOKE.....	1	1
106	13659-G1						BAR, EQUALIZER .....	1	1
107	10386-G3						PIN, CLEVIS, 5/16 X 3/4" LG.....	1	1
108	10387-G3						PIN, COTTER, 3/32 X 3/4" LG.....	1	1
109	10387-G3						PIN, CLEVIS, 5/16 X 3/4" LG.....	3	3
110	10387-G3						PIN, COTTER, 3/32 X 3/4" LG.....	3	3
111									
112									
113	12305-G1						RING, RETAINER .....	4	4
114	27291-G02						BRAKE ASSEMBLY, PASSENGER SIDE (INCLUDES ITEMS 118 - 136).....	1	1
115	27291-G01						BRAKE ASSEMBLY, DRIVER'S SIDE (INCLUDES ITEMS 118 - 136).....	1	1

# BRAKES, HYDRAULIC, REAR

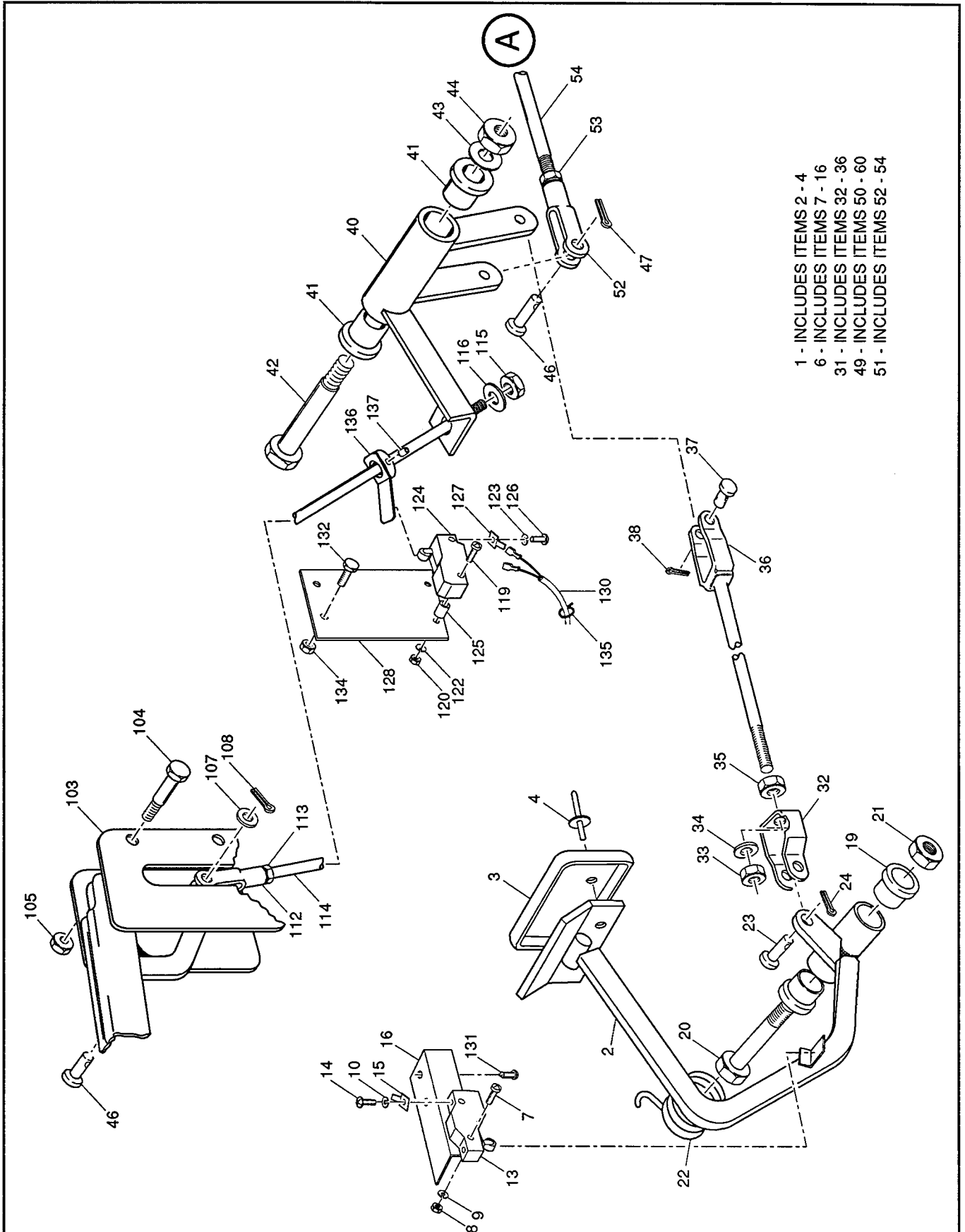
Electric Vehicle

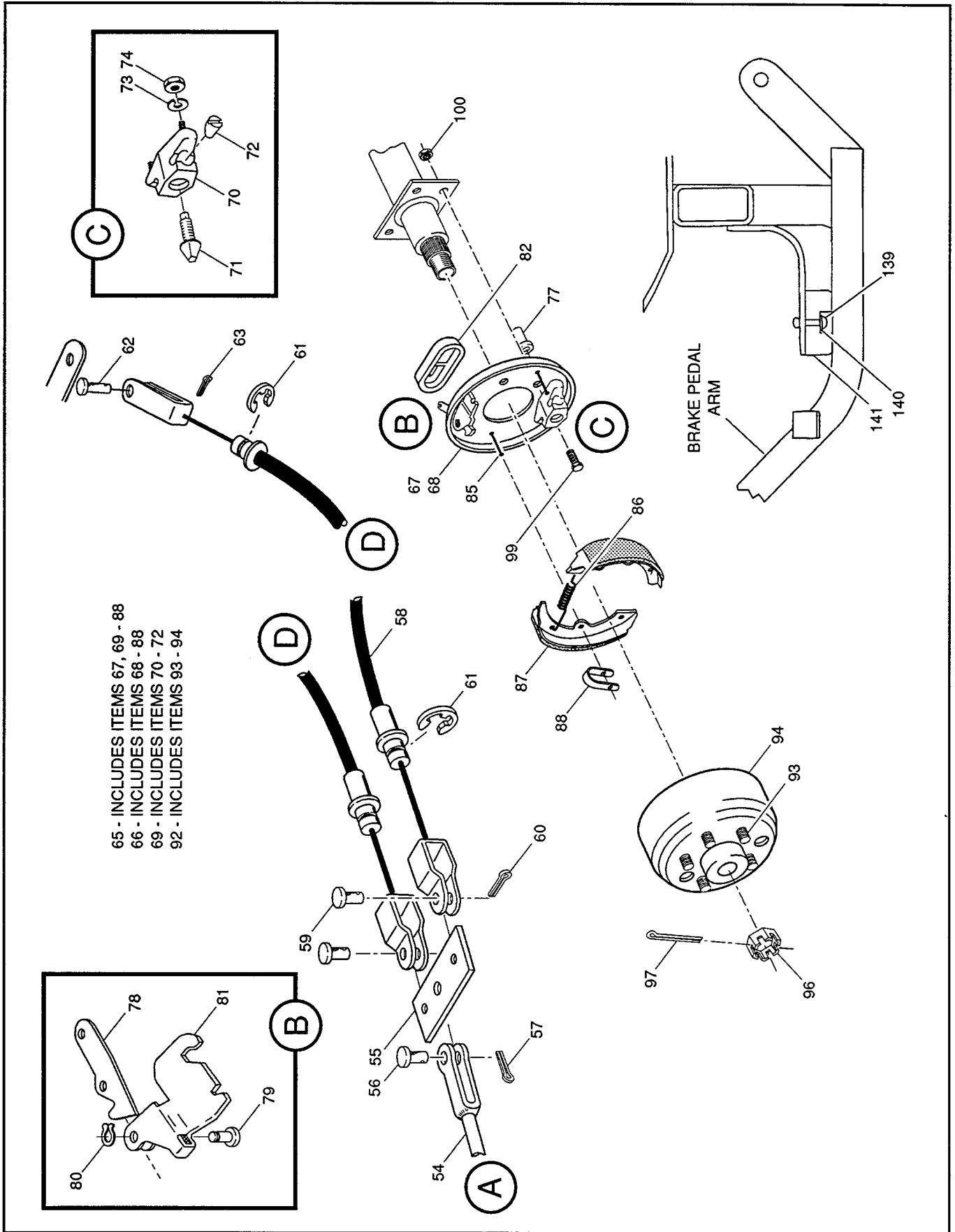
THE USE OF NON U.L. PARTS WILL VOID ANY U.L.LISTING.  
 When ordering parts, please specify the model and serial number of the product.  
 \* Indicates a component that is not available as a individual part.  
 G\*\* Indicates consult Customer Service Department for additional information.

MODEL		
881		
955	875	
957	875P	

ITEM	PART NO.	1	2	3	4	5	DESCRIPTION	QTY.		
116										
117										
118	13465-G1						SPRING, GREEN .....	1	1	
119	13465-G2						SPRING, RED.....	1	1	
120	27290-G01						SHOES, LINED (SET OF 2) .....	1	1	
121	21086-G1						SPIDER, TORQUE .....	1	1	
122	21088-G1						CUP, HYDRAULIC .....	2	2	
123	21087-G1						PISTON, WHEEL CYLINDER.....	2	2	
124	21089-G1						SEAL.....	2	2	
125	21094-G1						VALVE, BLEEDER .....	1	1	
126	21095-G1						SPRING, LOWER.....	1	1	
127	21096-G1						SPRING, UPPER.....	2	2	
128	21097-G1						ADJUSTER.....	1	1	
129	21098-G1						SHIELD, DUST .....	1	1	
130										
131	21909-G1						PARKING BRAKE LEVER ASSEMBLY (INCLUDES ITEMS 132 - 136) .....	1	1	
132	13464-G1						RETAINER, CLEVIS PIN.....	1	1	
133	13460-G1						LEVER, CURVED.....	1	1	
134	13463-G1						WASHER, SPRING .....	1	1	
135	13462-G1						PIN, CLEVIS.....	1	1	
136	22604-G1						LEVER, STRAIGHT .....	2	2	
137	13468-G1						CLIP .....	2	2	
138										
139	14195-G1						BOLT .....	8	8	
140	21562-G1						NUT, 5/16 - 24 .....	8	8	
141	17953-G2						DRUM, REAR, BRAKE, 1/2" STUDS .....	2	2	
142										
143	14723-G1						NUT, LUG, 1/2 - 20.....	10	10	
144	15200-G1						WHEEL CYLINDER REBUILD KIT .....	AR	AR	







- 65 - INCLUDES ITEMS 67, 69 - 88
- 66 - INCLUDES ITEMS 68 - 88
- 69 - INCLUDES ITEMS 70 - 72
- 92 - INCLUDES ITEMS 93 - 94

# BRAKES, MECHANICAL

# Electric Vehicle

THE USE OF NON U.L. PARTS WILL VOID ANY U.L.LISTING.

When ordering parts, please specify the model and serial number of the product.

\* Indicates a component that is not available as a individual part.

G\*\* Indicates consult Customer Service Department for additional information.

MODEL		
775		
952	956	
954	960	

ITEM	PART NO.	1	2	3	4	5	DESCRIPTION	QTY.		
1	33228-G01						BRAKE PEDAL ASSEMBLY (INCLUDES ITEMS 2 - 4).....	1	1	
2	33227-G01						PEDAL, BRAKE.....	1	1	
3	11039-G1						PAD, BRAKE PEDAL.....	1	1	
4	14269-G1						RIVET, 3/16 X 17/32 LG.....	2	2	
5										
6	33555-G01						BRAKE SWITCH ASSEMBLY (INCLUDES ITEMS 7 - 16) .....	1	1	
7	00645-G1						SCREW, #6 - 32 X 1 LG. ....	2	2	
8	00525-G5						NUT, #6 - 32.....	2	2	
9	00565-G3						WASHER, LOCK, #6 .....	2	2	
10	00567-G3						WASHER, LOCK, #6 .....	2	2	
11										
12										
13	10606-G8						MICRO SWITCH.....	1	1	
14	*						SCREW.....	2	2	
15	14628-G1						TAB, FASTON.....	2	2	
16	33539-G01						SUPPORT, BRAKE SWITCH.....	1	1	
17										
18										
19	11079-G1						BUSHING, FLANGED .....	2	2	
20	14158-G1						BOLT, SHOULDER, 1/2 X 2 3/4 LG. ....	1	1	
21	13521-G4						NUT, LOCK, 3/8 - 16 .....	1	1	
22	13197-G1						SPRING, TORSION .....	1	1	
23	14443-G2						PIN, CLEVIS, 5/16 X 3/4 LG. ....	1	1	
24	10387-G3						PIN, COTTER, 3/32 X 3/4 LG. ....	1	1	
25										
26										
27	14601-G1						RIVET, 3/16 X 7/8 LG.....	1	1	
28	00559-G5						WASHER, #10.....	1	1	
29	13728-G1						BUMPER, RUBBER.....	1	1	
30										

THE USE OF NON U.L. PARTS WILL VOID ANY U.L. LISTING.

When ordering parts, please specify the model and serial number of the product.

\* Indicates a component that is not available as an individual part.

G\*\* Indicates consult Customer Service Department for additional information.

MODEL		
775		
952	956	
954	960	

ITEM	PART NO.	1	2	3	4	5	DESCRIPTION	QTY.		
31	30225-G1						BRAKE YOKE ASSEMBLY (INCLUDES ITEMS 32 - 36) .....	1	1	
32	19852-G1						YOKE, BRAKE.....	1	1	
33	11098-G6						NUT, LOCK, 5/16 - 18.....	1	1	
34	00559-G8						WASHER, 5/16 .....	1	1	
35	00532-G3						NUT, 5/16 - 18.....	1	1	
36	19957-G3						JAW, TURNBUCKLE .....	1	1	
37	10386-G3						PIN, CLEVIS, 7/16 X 15/16 LG. ....	1	1	
38	10387-G3						PIN, COTTER, 3/32 X 3/4 LG. ....	1	1	
39										
40	30221-G1						BELLCRANK.....	1	1	
41	11079-G1						BUSHING.....	2	2	
42	14158-G1						BOLT, SHOULDER, 1/2 X 2 3/4 LG. ....	1	1	
43	00560-G3						WASHER, 3/8.....	2	2	
44	11098-G5						NUT, LOCK, 3/8 - 16 .....	1	1	
45										
46	10386-G3						PIN, CLEVIS, 5/16 X 3/4 LG. ....	1	1	
47	10387-G4						PIN, COTTER, 3/32 X 3/4 LG. ....	1	1	
48										
49	30241-G1						BRAKE LINKAGE ASSEMBLY (INCLUDES ITEMS 50 - 60).....	1	1	
50										
51	30295-G2						LINKAGE ROD ASSEMBLY (INCLUDES ITEMS 52 - 54) .....	1	1	
52	10385-G4						YOKE .....	1	1	
53	00544-G4						NUT, 5/16 - 24 .....	1	1	
54	30297-G2						ROD, LINKAGE, 13 3/8 LG.....	1	1	
55	13659-G1						BAR, EQUALIZER .....	1	1	
56	10386-G3						PIN, CLEVIS, 5/16 X 3/4 LG.....	1	1	
57	10387-G3						PIN, COTTER, 3/32 X 3/4 LG.....	1	1	
58	19038-G1						CABLE, BRAKE.....	2	2	
59	10386-G3						PIN, CLEVIS, 5//16 X 3/4 LG.....	2	2	
60	10387-G3						PIN, COTTER, 3/32 X 3/4 LG.....	2	2	



# BRAKES, MECHANICAL

# Electric Vehicle

THE USE OF NON U.L. PARTS WILL VOID ANY U.L.LISTING.

When ordering parts, please specify the model and serial number of the product.

\* Indicates a component that is not available as a individual part.

G\*\* Indicates consult Customer Service Department for additional information.

MODEL		
775		
952	956	
954	960	

ITEM	PART NO.	1	2	3	4	5	DESCRIPTION	QTY.		
61	12305-G1						RING, RETAINING .....	4	4	
62	10386-G3						PIN, CLEVIS, 5/16 X 3/4 LG. ....	2	2	
63	10387-G3						PIN, COTTER, 3/32 X 3/4 LG. ....	2	2	
64										
65	20938-G1						BRAKE ASSEMBLY, PASSENGER SIDE (INCLUDES ITEMS 67, 69 - 88).....	1	1	
66	20938-G2						BRAKE ASSEMBLY, DRIVER'S SIDE (INCLUDES ITEMS 68 - 88).....	1	1	
67	22519-G1						BACKING PLATE, PASSENGER SIDE .....	1	1	
68	22518-G1						BACKING PLATE, DRIVER'S SIDE .....	1	1	
69	22516-G1						ADJUSTER ASSEMBLY (INCLUDES ITEMS 70 - 72) .....	1	1	
70	22520-G1						ADJUSTER BODY .....	1	1	
71	17287-G1						ADJUSTING BOLT .....	1	1	
72	17289-G1						ANCHOR, PISTON.....	2	2	
73	00565-G7						WASHER, LOCK, 1/4 .....	2	2	
74	13632-G1						NUT, 6MM.....	2	2	
75										
76										
77	17294-G1						CAP, ADJUSTING BOLT.....	1	1	
78	22512-G1						LEVER .....	1	1	
79	22513-G1						PIN, LEVER .....	1	1	
80	22514-G1						RING, RETAINING.....	1	1	
81	22515-G1						BLOCK, SLIDING .....	1	1	
82	22511-G1						COVER, DUST .....	1	1	
83										
84										
85	17292-G1						PIN, TENSION .....	2	2	
86	17290-G1						SPRING, BRAKE.....	2	2	
87	23398-G1						BRAKE SHOE (SET OF 2) .....	1	1	
88	17291-G1						SPRING, SHOE, CLAMP.....	2	2	
89										

THE USE OF NON U.L. PARTS WILL VOID ANY U.L. LISTING.  
 When ordering parts, please specify the model and serial number of the product.  
 \* Indicates a component that is not available as an individual part.  
 G\*\* Indicates consult Customer Service Department for additional information.

MODEL		
775		
952	956	
954	960	

ITEM	PART NO.	1	2	3	4	5	DESCRIPTION	QTY.		
90										
91										
92	32813-G1						BRAKE DRUM ASSEMBLY (INCLUDES ITEMS 93 - 94).....	1	1	
93	19862-G1						BOLT, WHEEL .....	5	5	
94	*						DRUM, BRAKE.....	1	1	
95										
96	XXXXX-XX						NUT, SLOTTED (SEE REAR AXLE SECTION FOR PART NUMBER AND QUANTITY).....	X	X	
97	XXXXX-XX						PIN, COTTER (SEE REAR AXLE SECTION FOR PART NUMBER AND QUANTITY).....	X	X	
98										
99	17083-G1						BOLT, 5/16 - 24 X 3/4 LG. ....	4	4	
100	15126-G1						NUT, LOCK, 3/16 - 24 .....	4	4	
101										
102										
103	30197-G1						LEVER, BRAKE .....	1	1	
104	00439-G6						SCREW, 5/16 - 18 X 3/4 LG.....	2	2	
105	11098-G6						NUT, LOCK, 5/16 - 18 .....	2	2	
106										
107	00559-G8						WASHER, 5/16.....	1	1	
108	10387-G3						PIN, COTTER, 3/32 X 3/4 LG. ....	1	1	
109										
110										
111	30195-G1						LINK ASSEMBLY (INCLUDES ITEMS 112 - 114) .....	1	1	
112	10385-G4						YOKE, CLEVIS.....	1	1	
113	00554-G4						NUT, 5/16 - 24.....	1	1	
114	30196-G1						LINK, PARKING BRAKE.....	1	1	
115	11098-G9						NUT, LOCK, 5/16 - 24 .....	1	1	
116	00559-G8						WASHER, 5/16.....	1	1	
117	33554-G01						ASSEMBLY, HAND BRAKE SWITCH (INCLUDES ITEMS 119 - 128) .....	1	1	

# BRAKES, MECHANICAL

# Electric Vehicle

THE USE OF NON U.L. PARTS WILL VOID ANY U.L.LISTING.

When ordering parts, please specify the model and serial number of the product.

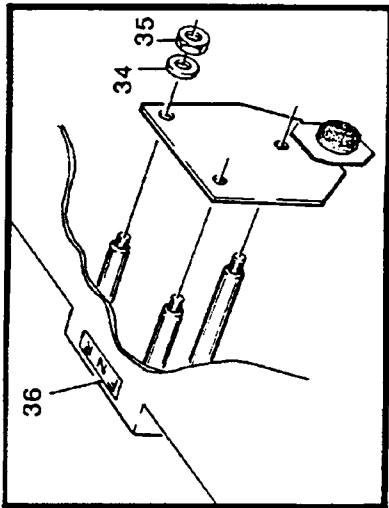
\* Indicates a component that is not available as a individual part.

G\*\* Indicates consult Customer Service Department for additional information.

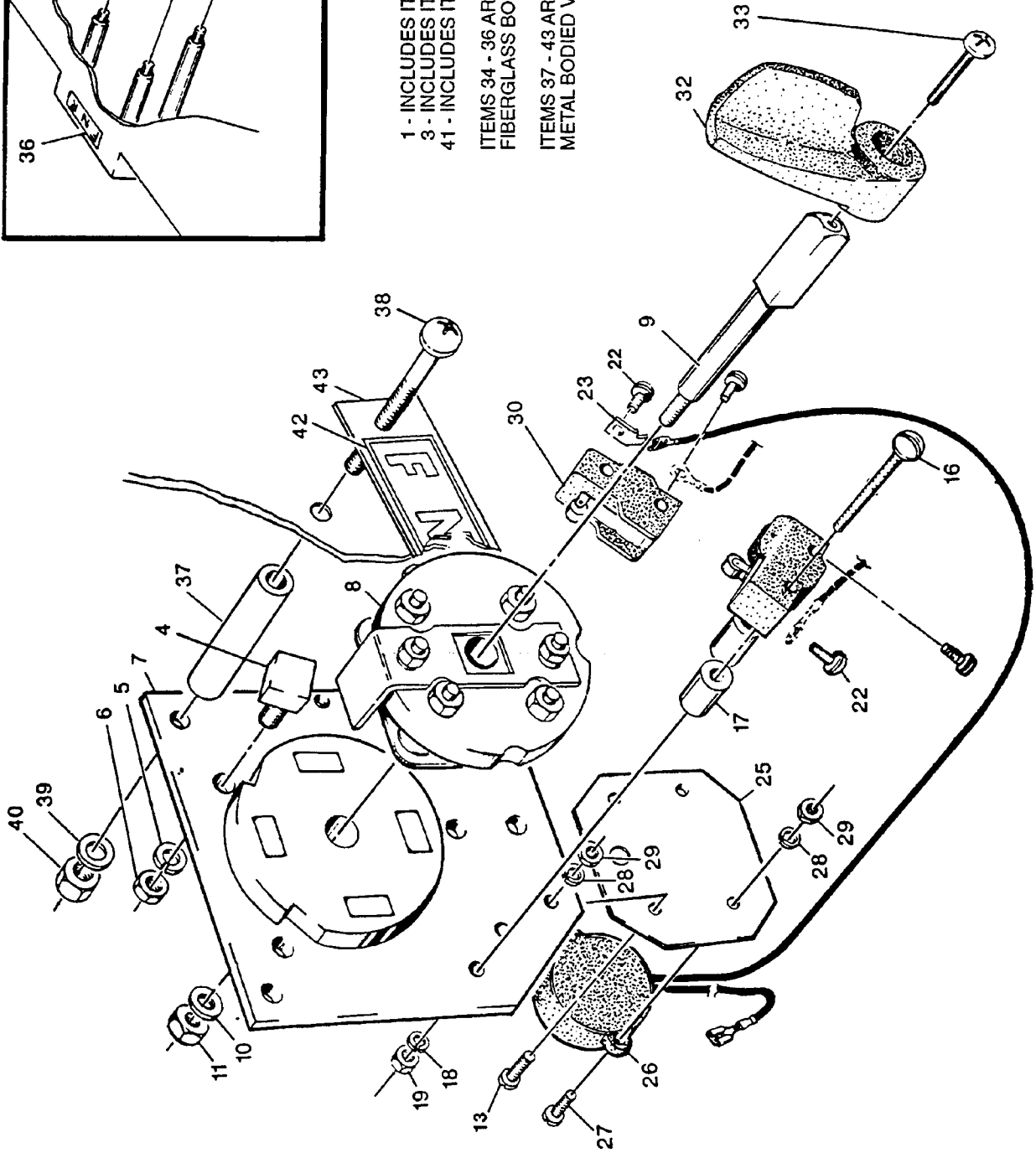
MODEL		
775		
952	956	
954	960	

ITEM	PART NO.	1	2	3	4	5	DESCRIPTION	QTY.		
118										
119	00139-G6						SCREW, #6 - 32 X 1 3/4 LG. ....	2	2	
120	00525-G5						NUT, #6 - 32.....	2	2	
121										
122	00565-G3						WASHER, LOCK, #6.....	2	2	
123	00567-G3						WASHER, LOCK, #6.....	2	2	
124	10606-G8						MICRO SWITCH.....	1	1	
125	12806-G1						SPACER.....	2	2	
126	*						SCREW.....	2	2	
127	14628-G1						TAB, FASTON .....	2	2	
128	33541-G01						PLATE, SWITCH.....	1	1	
129										
130	33560-G01						WIRE HARNESS, BRAKE SWITCH .....	1	1	
131	00106-G6						SCREW, #12 - 24 X 3/4 LG.....	2	2	
132	00414-G6						SCREW, 1/4 - 20 X 3/4 LG.....	2	2	
133										
134	14390-G4						NUT, 1/4 - 20 .....	2	2	
135	17618-G1						CLAMP, NYLON .....	6	6	
136	33543-G01						ACTUATOR, PARKING BRAKE SWITCH .....	1	1	
137	00487-G3						SCREW, 1/4 - 20 X 3/8 LG.....	2	2	
138										
139	14601-G1						RIVET, 3/16 .....	1	1	
140	00559-G5						WASHER, #4.....	1	1	
141	13728-G1						BUMPER, RUBBER .....	1	1	





- 1 - INCLUDES ITEMS 3 - 30
  - 3 - INCLUDES ITEMS 4 - 7
  - 41 - INCLUDES ITEMS 42, 43
- ITEMS 34 - 36 ARE FOR USE WITH FIBERGLASS BODIED VEHICLES ONLY
- ITEMS 37 - 43 ARE FOR USE WITH METAL BODIED VEHICLES ONLY



THE USE OF NON U.L. PARTS WILL VOID ANY U.L. LISTING.  
 When ordering parts, please specify the model and serial number of the product.  
 \* Indicates a component that is not available as an individual part.  
 G\*\* Indicates consult Customer Service Department for additional information.

<b>MODEL</b>
<b>ALL MODELS</b>

ITEM	PART NO.	1	2	3	4	5	DESCRIPTION	QTY.	
1	32911-G1						DIRECTION SELECTOR (INCLUDES ITEMS 3 - 30) .....	1	
2									
3	14651-G1						CONTACT BOARD ASSEMBLY (INCLUDES ITEMS 4 - 7) .....	1	
4	24940-G1						STOP.....	1	
5	00565-G7						WASHER, LOCK, 1/4.....	2	
6	00414-G6						NUT, 1/4 - 20 .....	2	
7	*						BOARD AND CONTACT, MACHINED .....	1	
8	12835-G1						CAM.....	1	
9	19470-G1						SHAFT .....	1	
10	00560-G1						WASHER, 3/8 .....	1	
11	14390-G1						NUT, LOCK, 3/8 - 24.....	1	
12									
13	00138-G5						SCREW, #6 - 32 X 5/8 LG. ....	2	
14									
15									
16	00139-G6						SCREW, #6 - 32 X 1 3/4 LG. ....	4	
17	12806-G1						SPACER, MICRO SWITCH .....	4	
18	00565-G3						WASHER, LOCK, #6 .....	4	
19	00525-G5						NUT, #6 - 32.....	4	
20									
21									
22	*						SCREW, BRASS .....	4	
23									
24									
25	30278-G1						BRACKET, BUZZER.....	1	
26	17940-G1						BUZZER, REVERSE WARNING .....	1	
27	00138-G4						SCREW, #6 - 32 X 1/2 LG. ....	4	
28	00567-G3						WASHER, LOCK, #6 .....	4	
29	00525-G5						NUT, #6 - 32.....	4	
30	10606-G4						MICRO SWITCH, HEAVY DUTY .....	2	

# DIRECTION SELECTOR

# Electric Vehicle

THE USE OF NON U.L. PARTS WILL VOID ANY U.L.LISTING.

When ordering parts, please specify the model and serial number of the product.

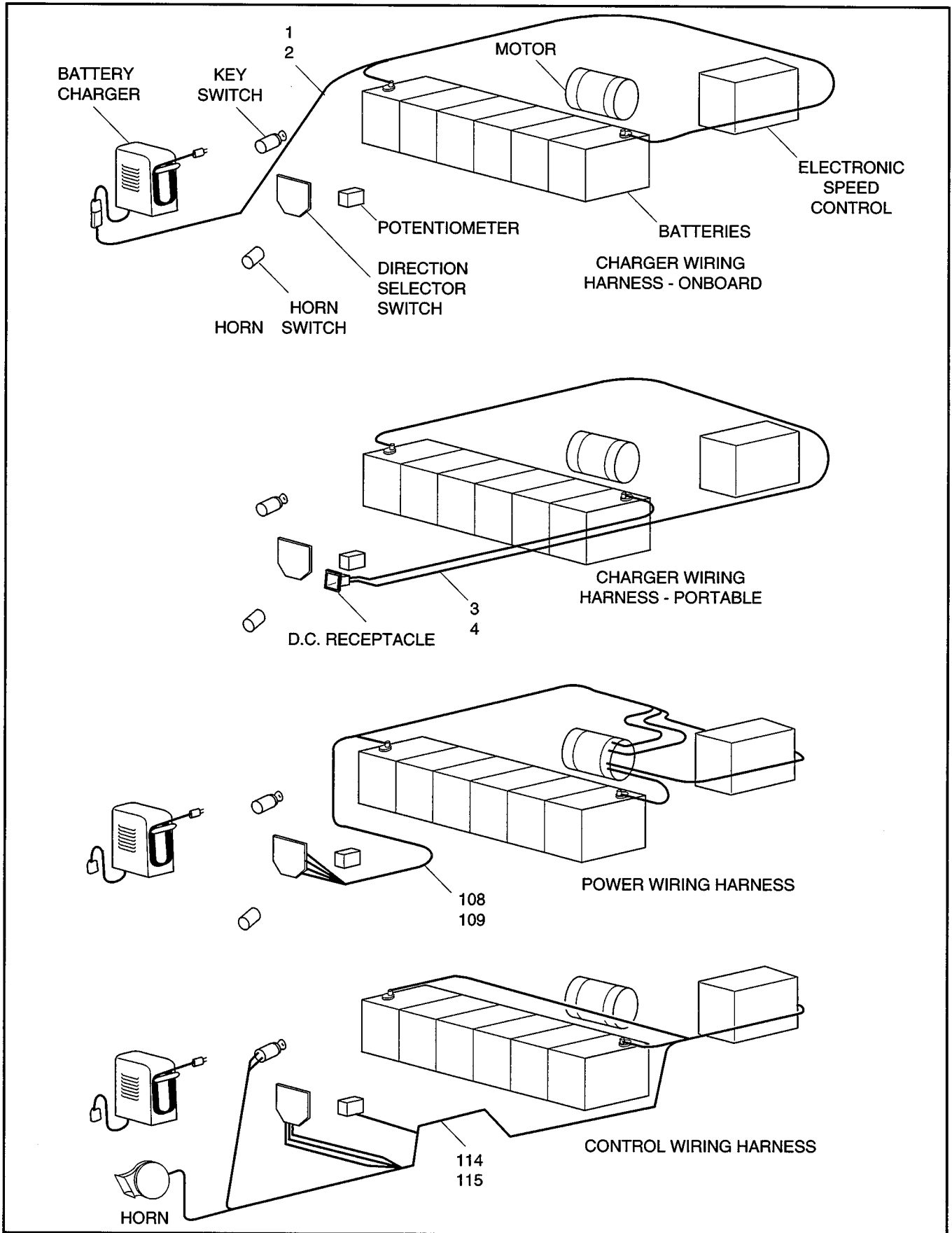
\* Indicates a component that is not available as a individual part.

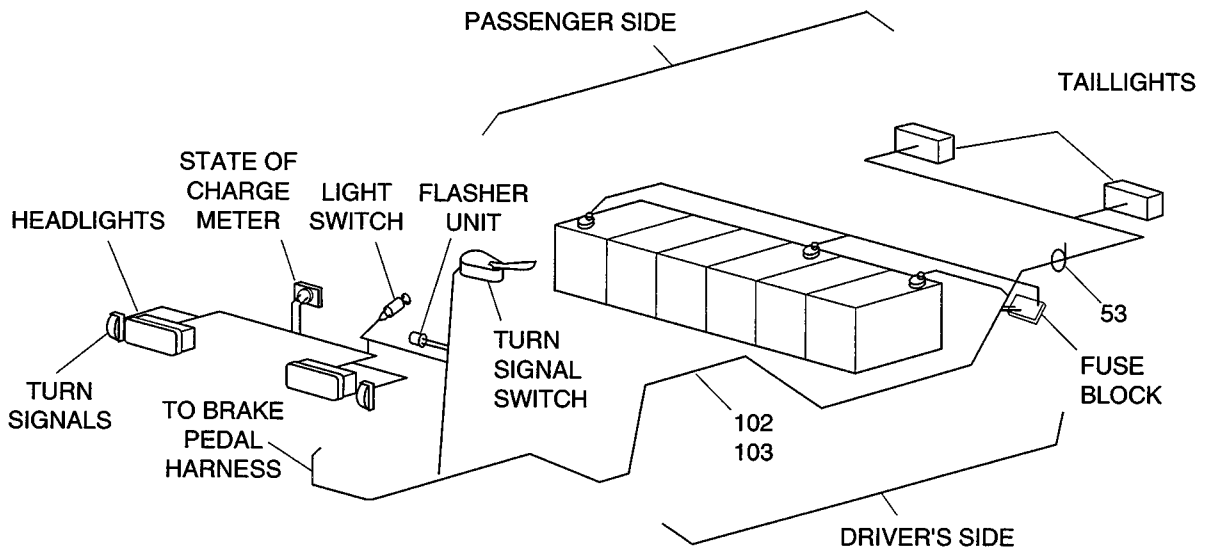
G\*\* Indicates consult Customer Service Department for additional information.

ITEM	PART NO.	1	2	3	4	5	DESCRIPTION	MODEL		
								ALL MODELS		
								QTY.		
31										
32	19886-G1						HANDLE, DIRECTION SELECTOR.....		1	
33	00740-G4						SCREW, #10 - 32 X 1/2 LG. ....		1	
34	00559-G7						WASHER, 1/4 (ITEMS 34 - 36 ARE FOR USE ON 952, 954, 955, 956 AND 960 MODELS ONLY) .....		3	
35	14390-G4						NUT, LOCK, 1/4 - 20 .....		3	
36	21976-G1						LABEL, DIRECTION SELECTOR (FOR USE ON 952, 954, 955, 956, 957 AND 960 MODELS ONLY) .....		1	
37	30318-G2						SPACER (ITEMS 37 - 43 ARE FOR USE ON 775, 875, 875P AND 881 MODELS ONLY) .....		3	
38	00774-G1						SCREW, 1/4 - 20 X 3 LG. ....		3	
39	00559-G7						WASHER, 1/4.....		3	
40	14390-G4						NUT, LOCK, 1/4.....		3	
41	30393-G1						PLATE AND LABEL ASSEMBLY (INCLUDES ITEMS 42 - 43) FOR USE ON 775, 875, 875P AND 881 MODELS ONLY.....		1	
42	21976-G1						LABEL, DIRECTION SELECTOR.....		1	
43	*						PLATE, LABEL.....		1	



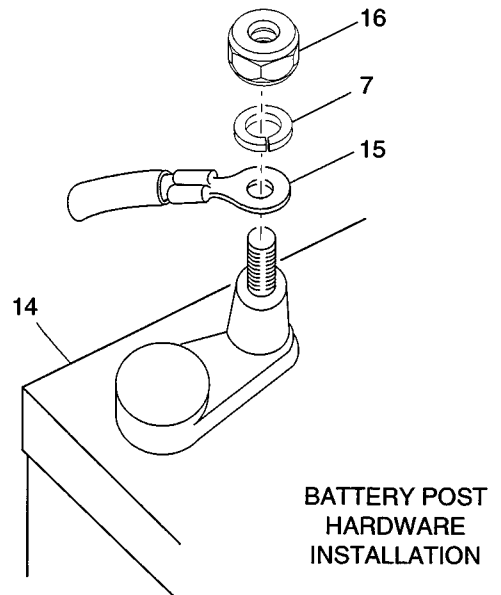
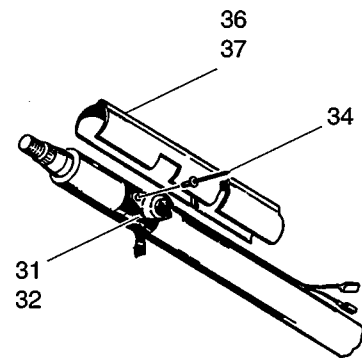
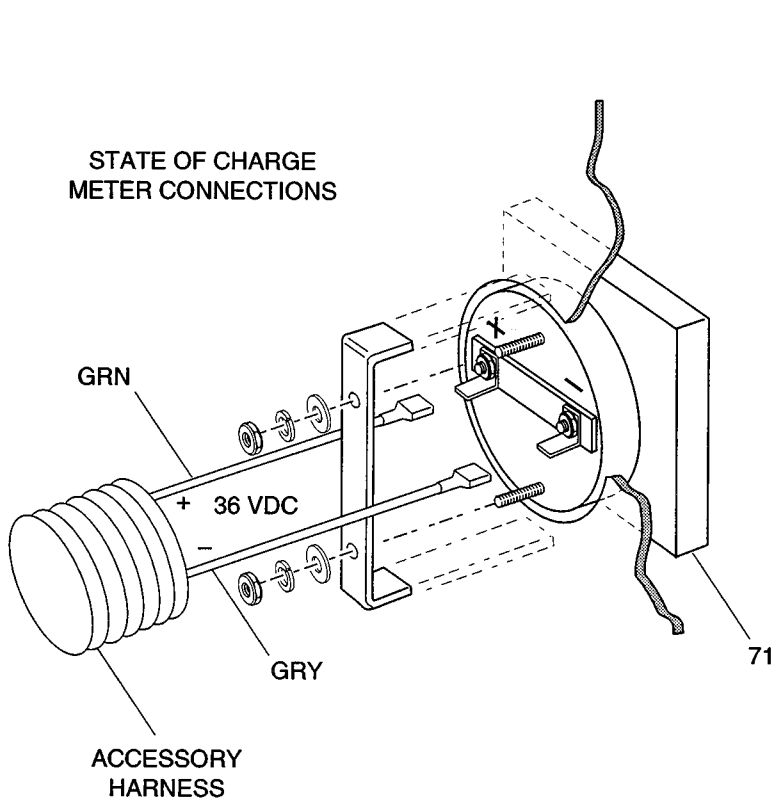


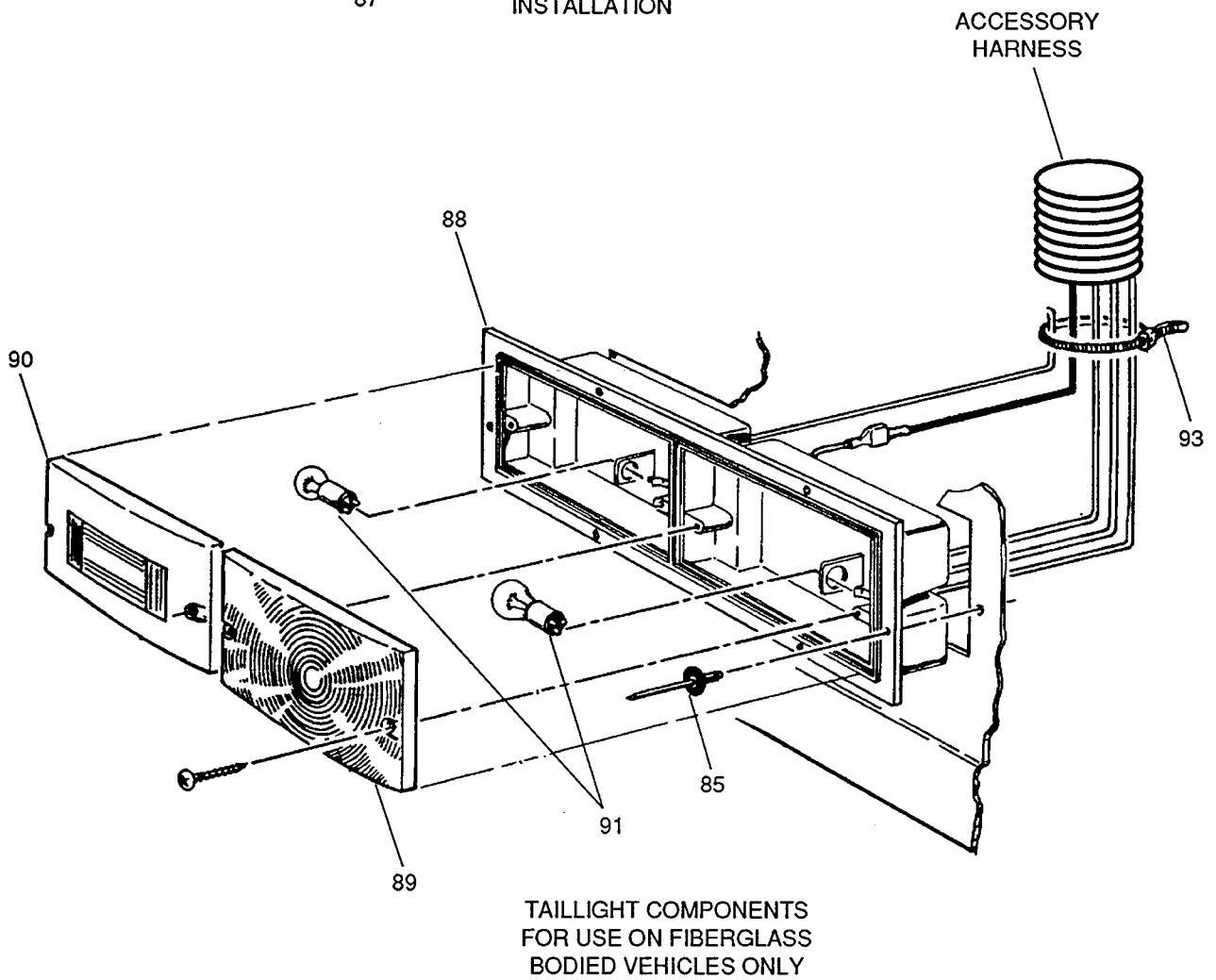
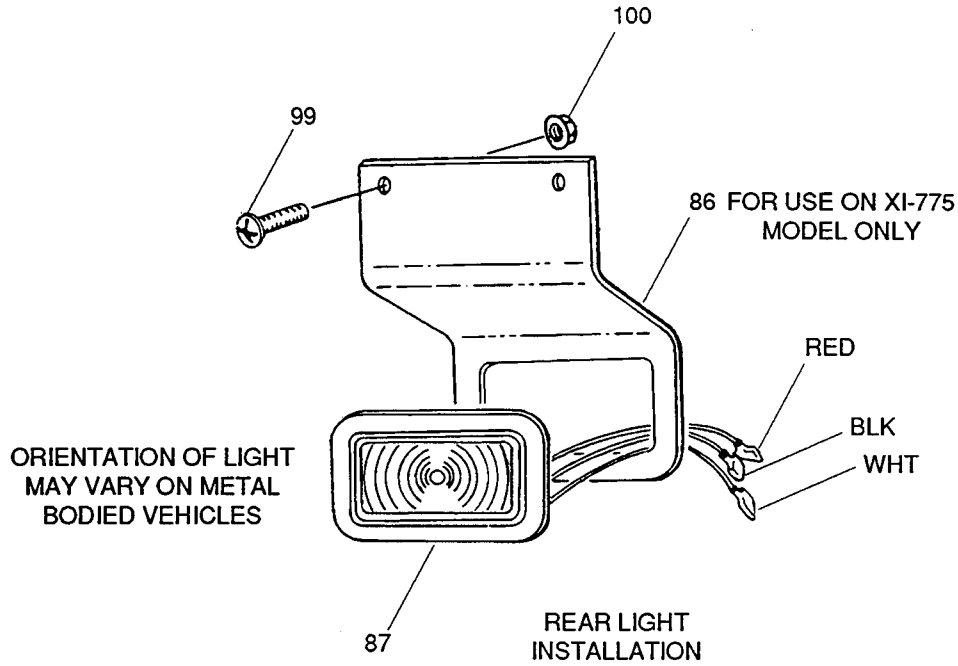


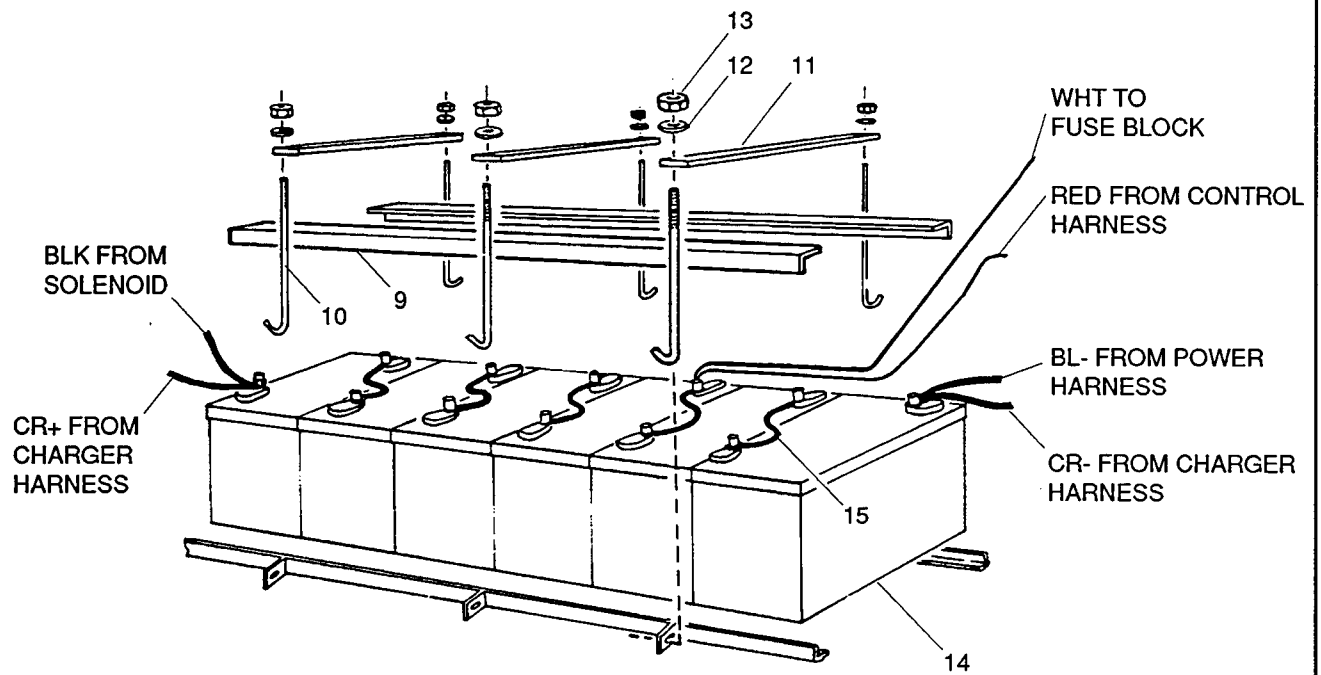


ACCESSORY WIRING HARNESS

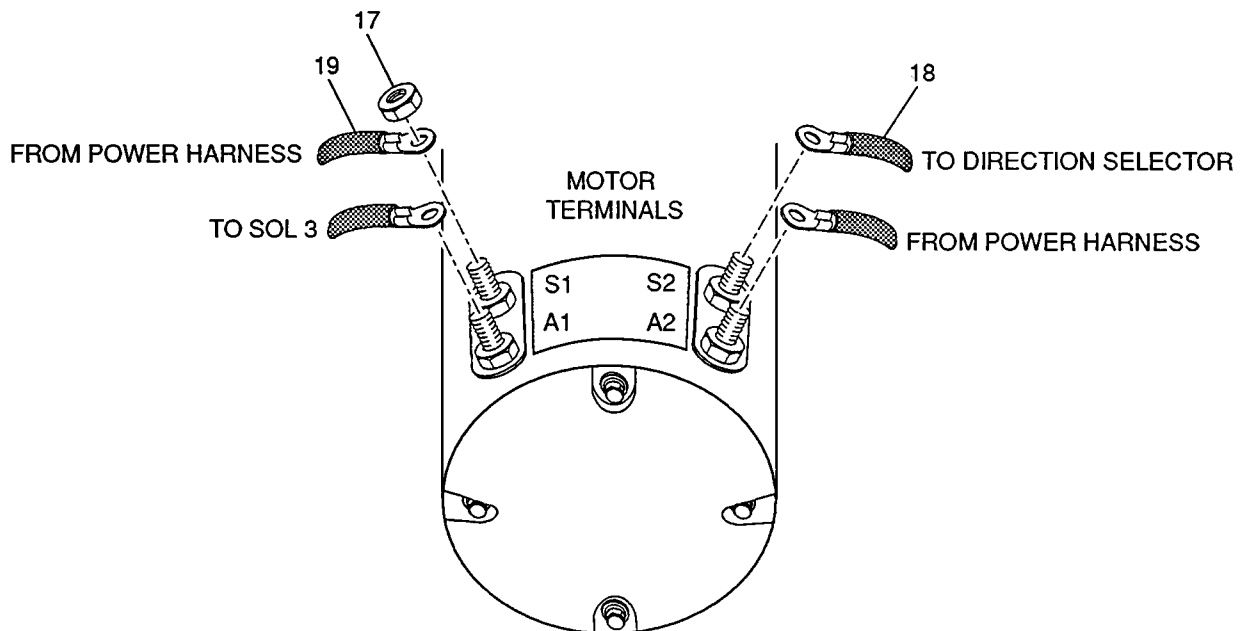
STATE OF CHARGE METER CONNECTIONS

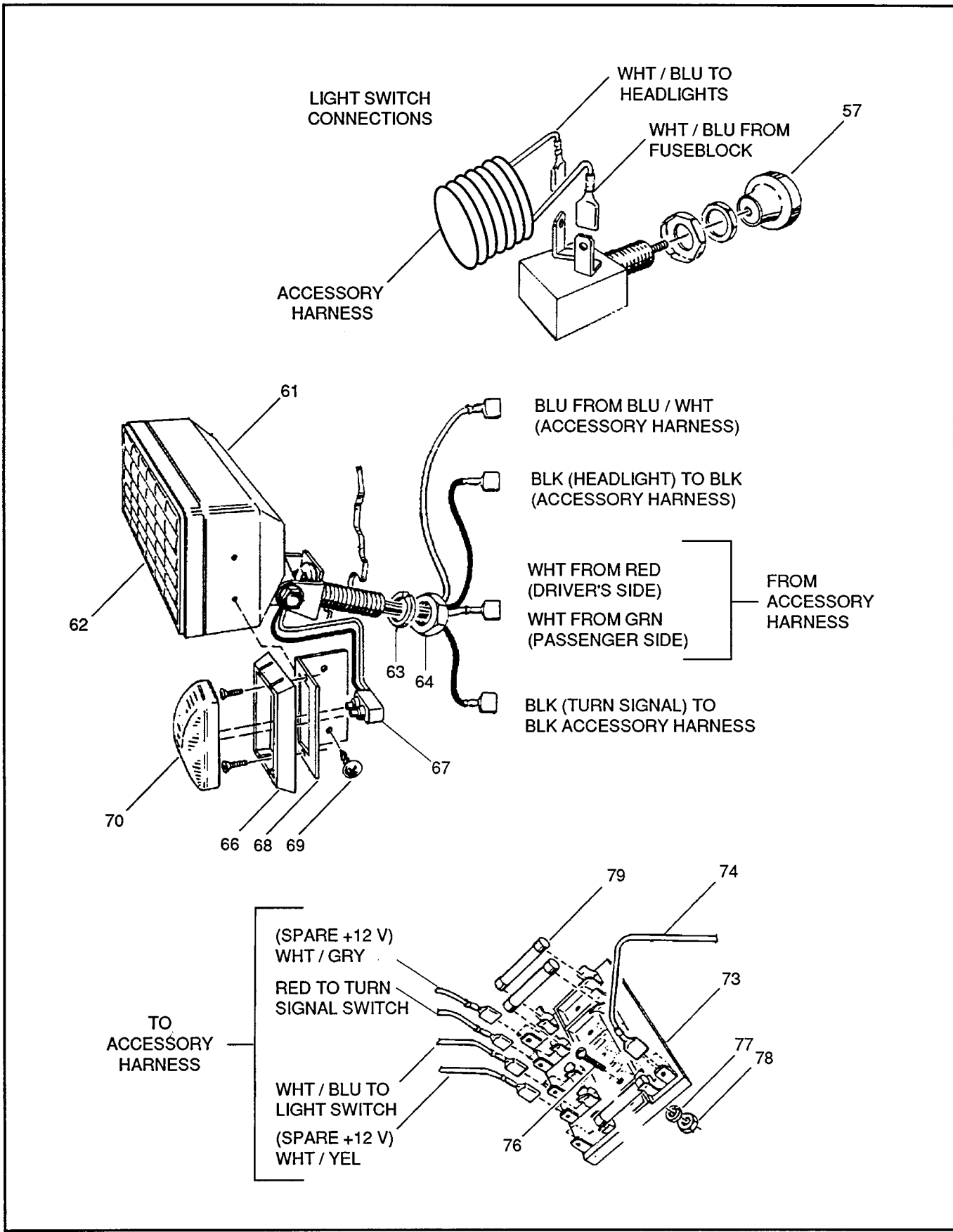


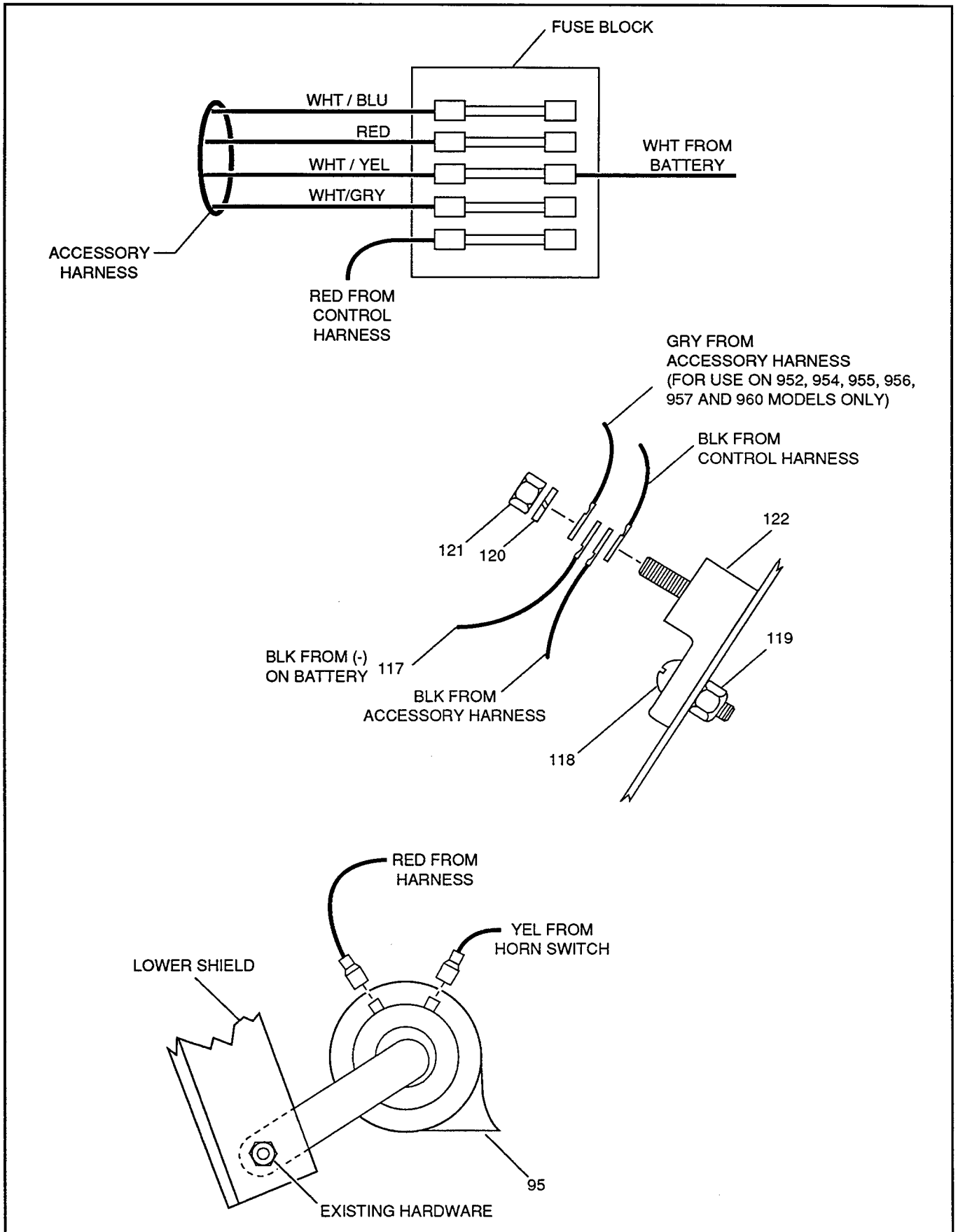


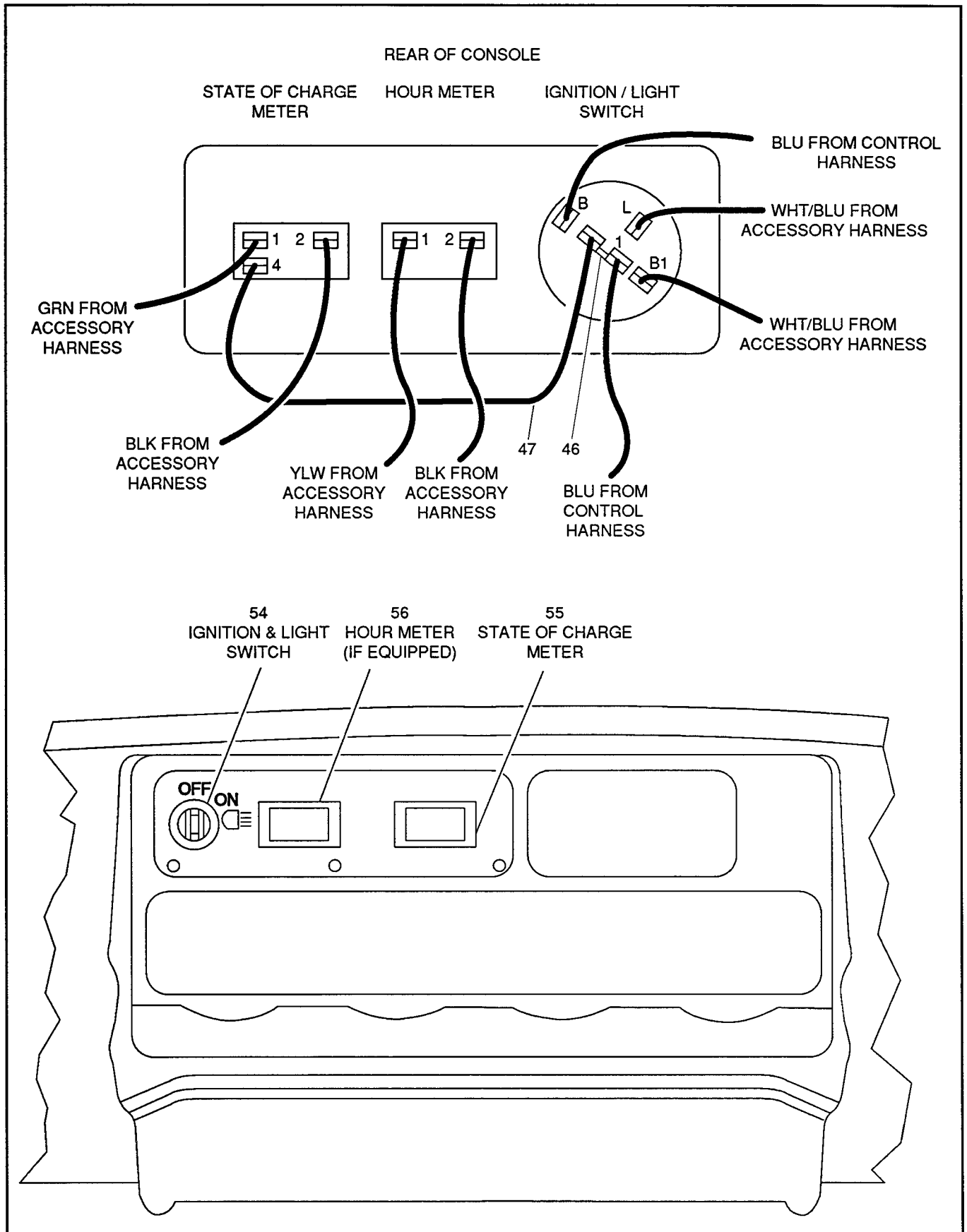


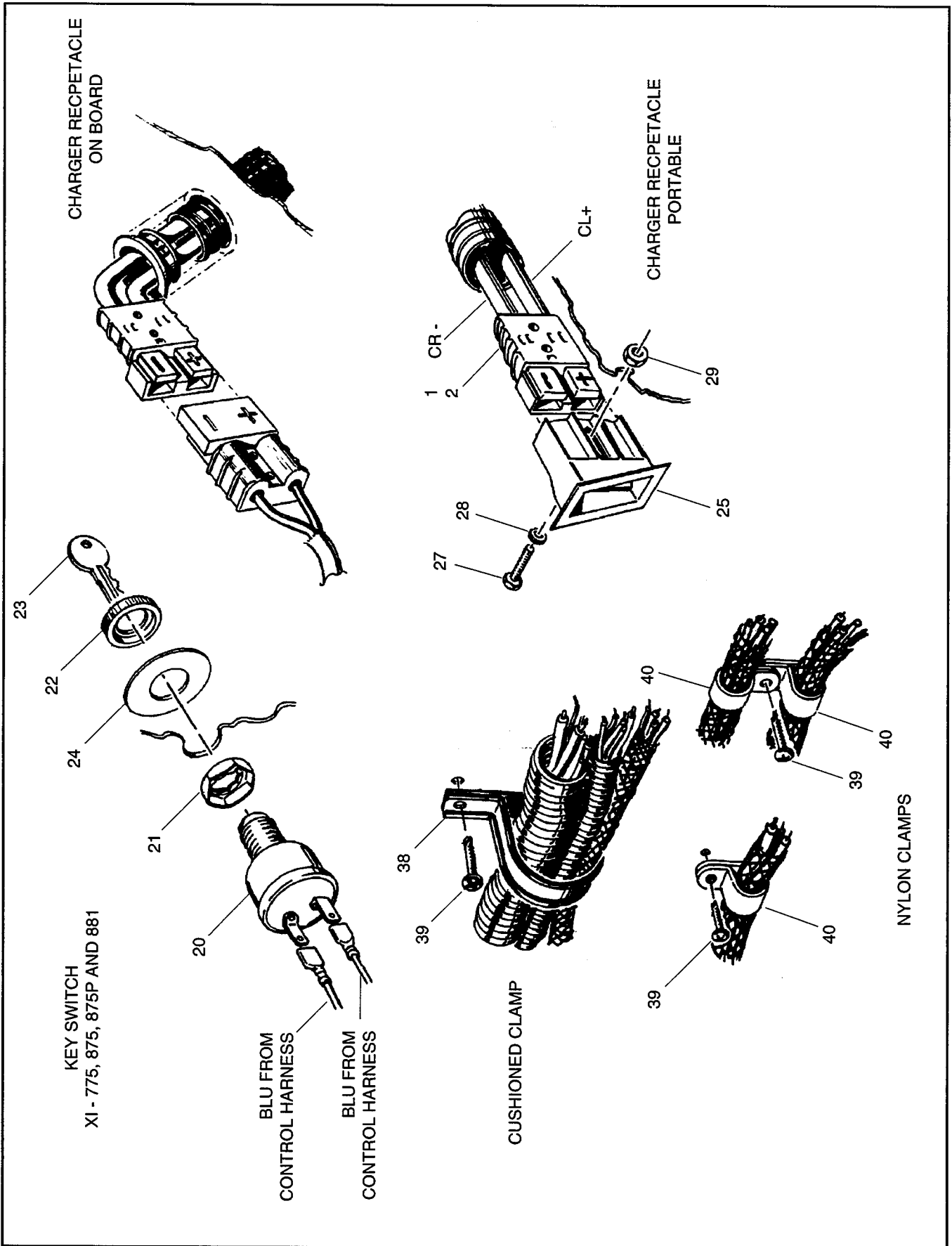
BATTERY CONNECTIONS



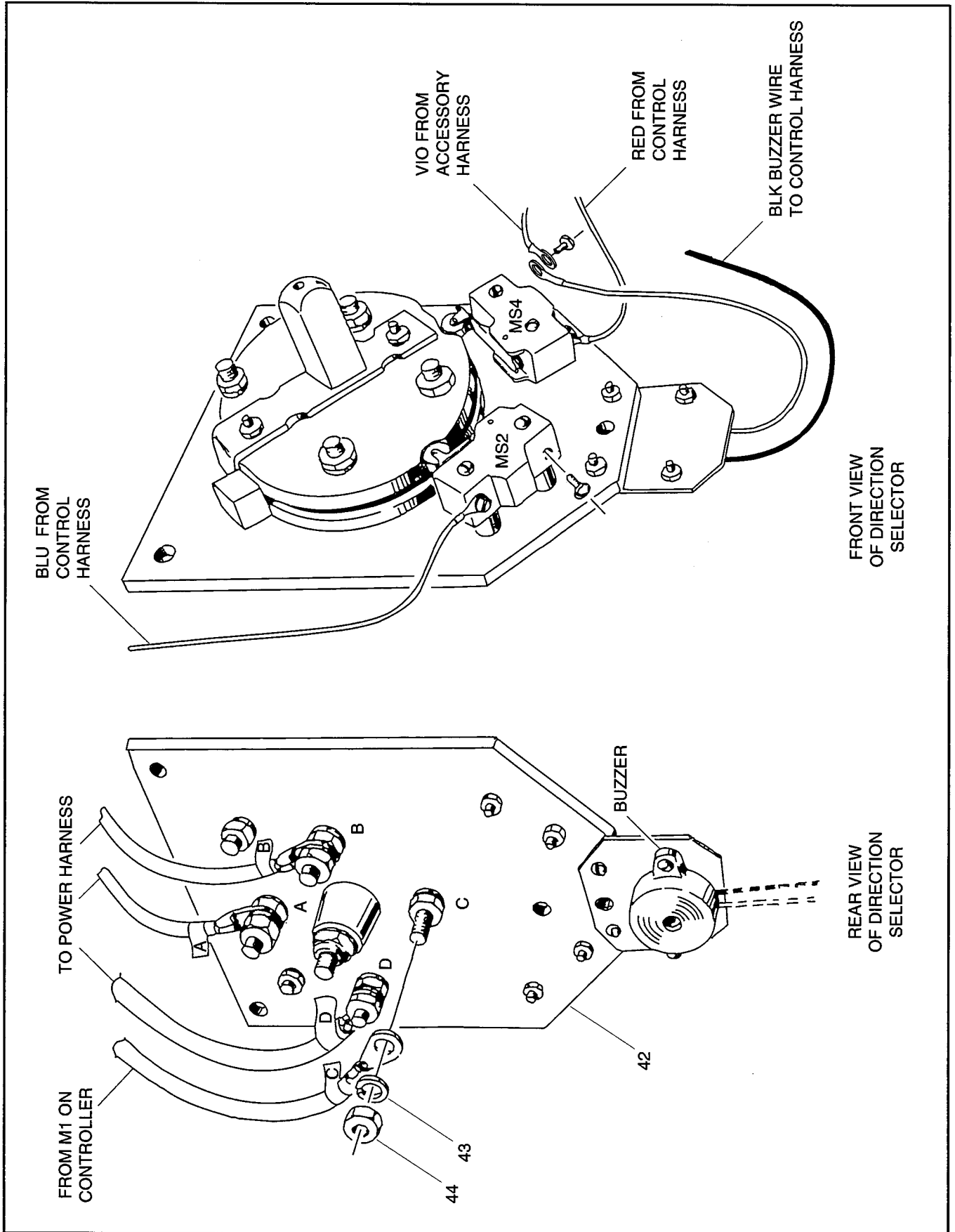




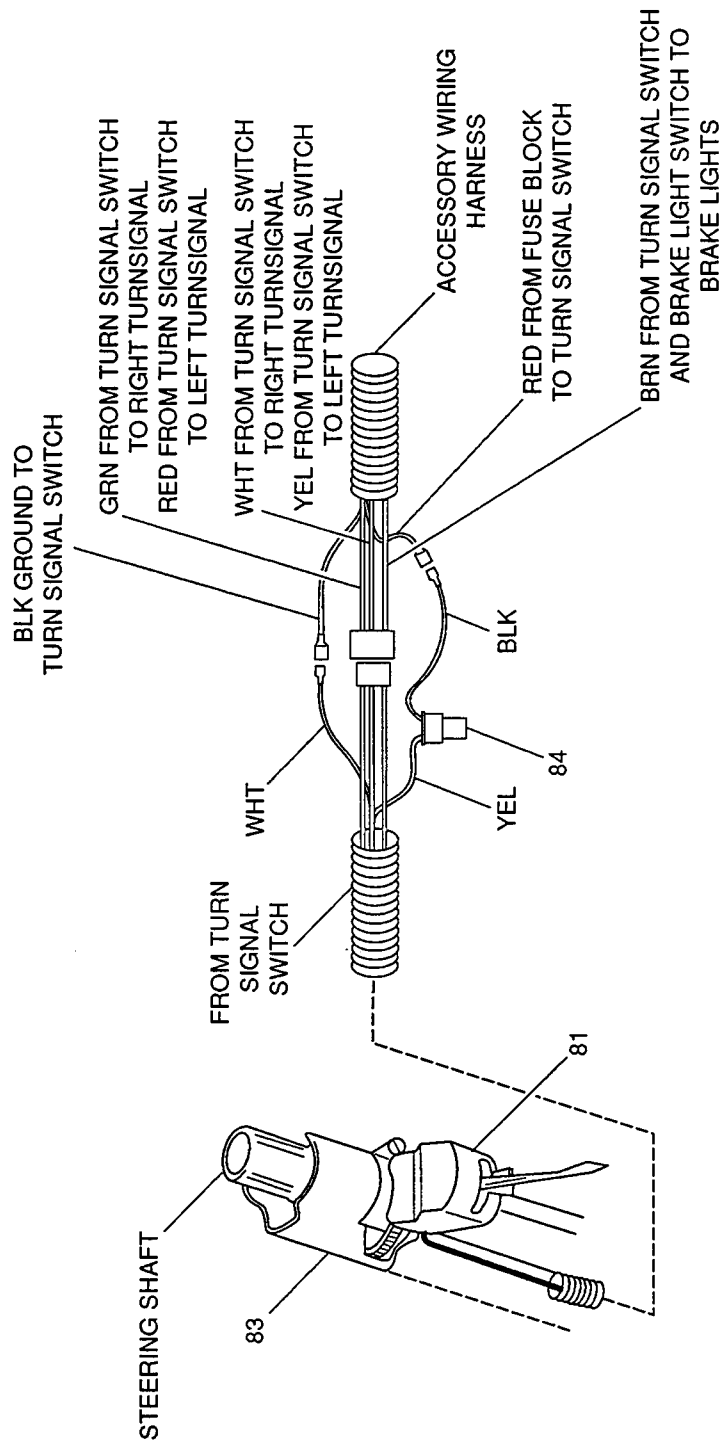


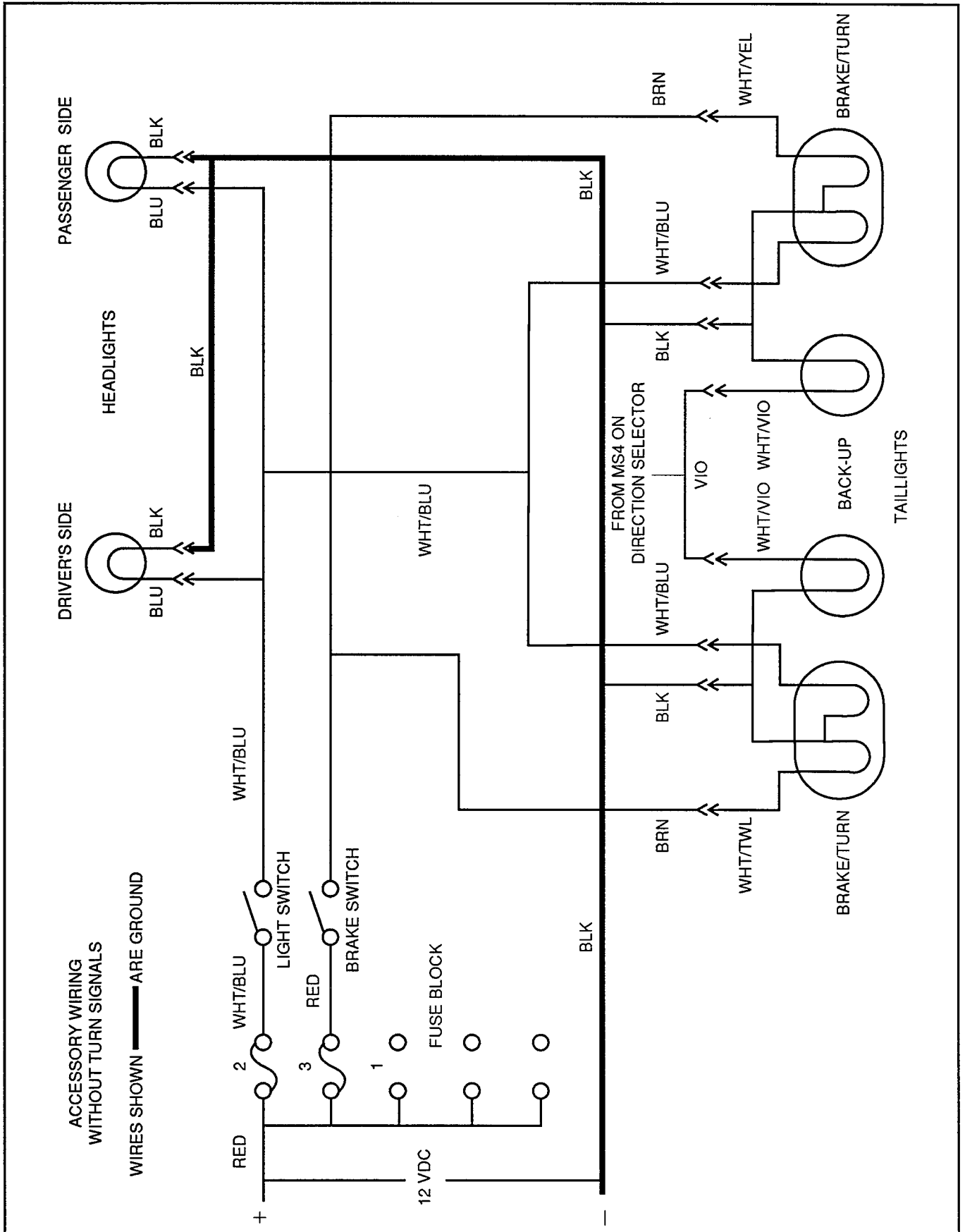


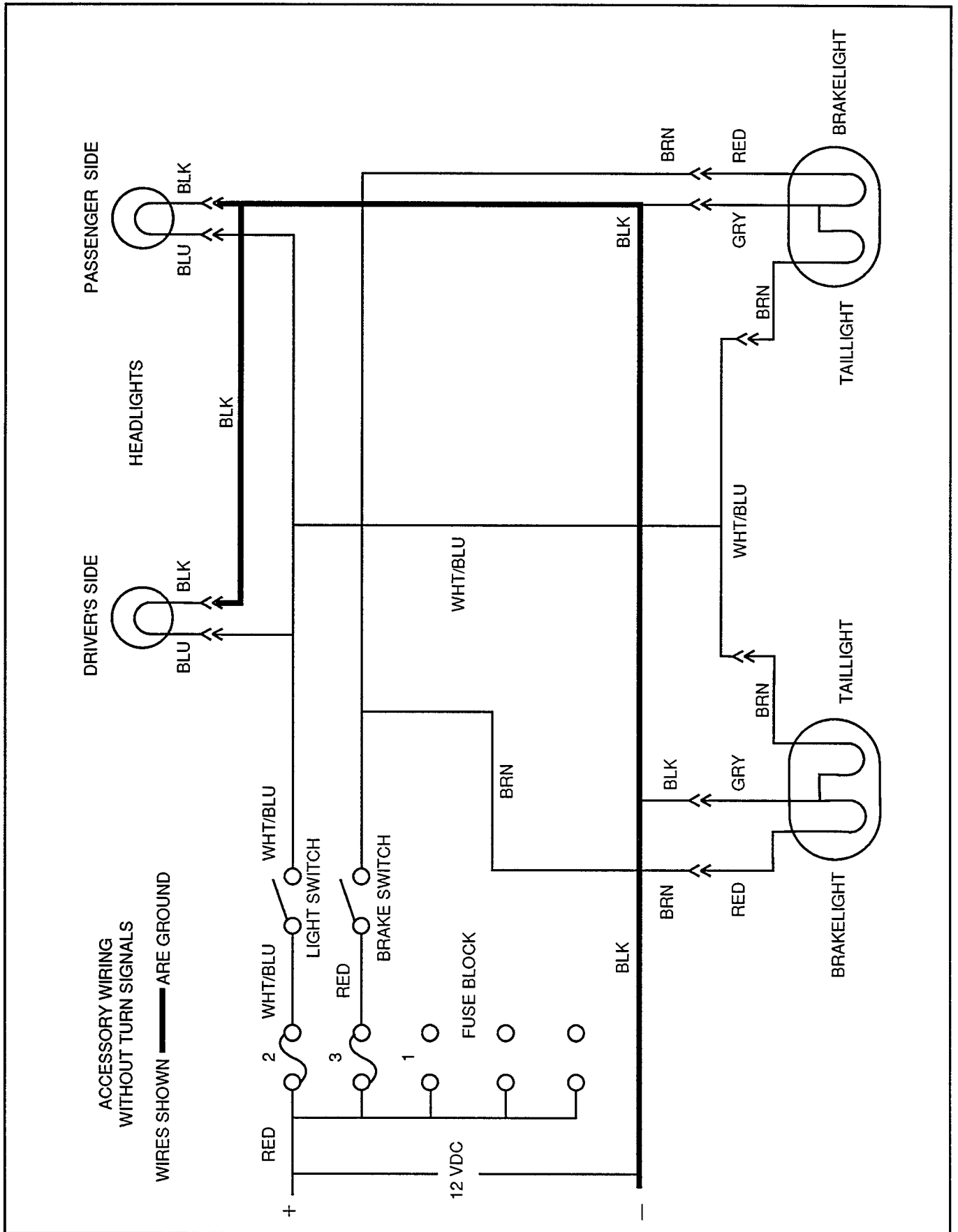


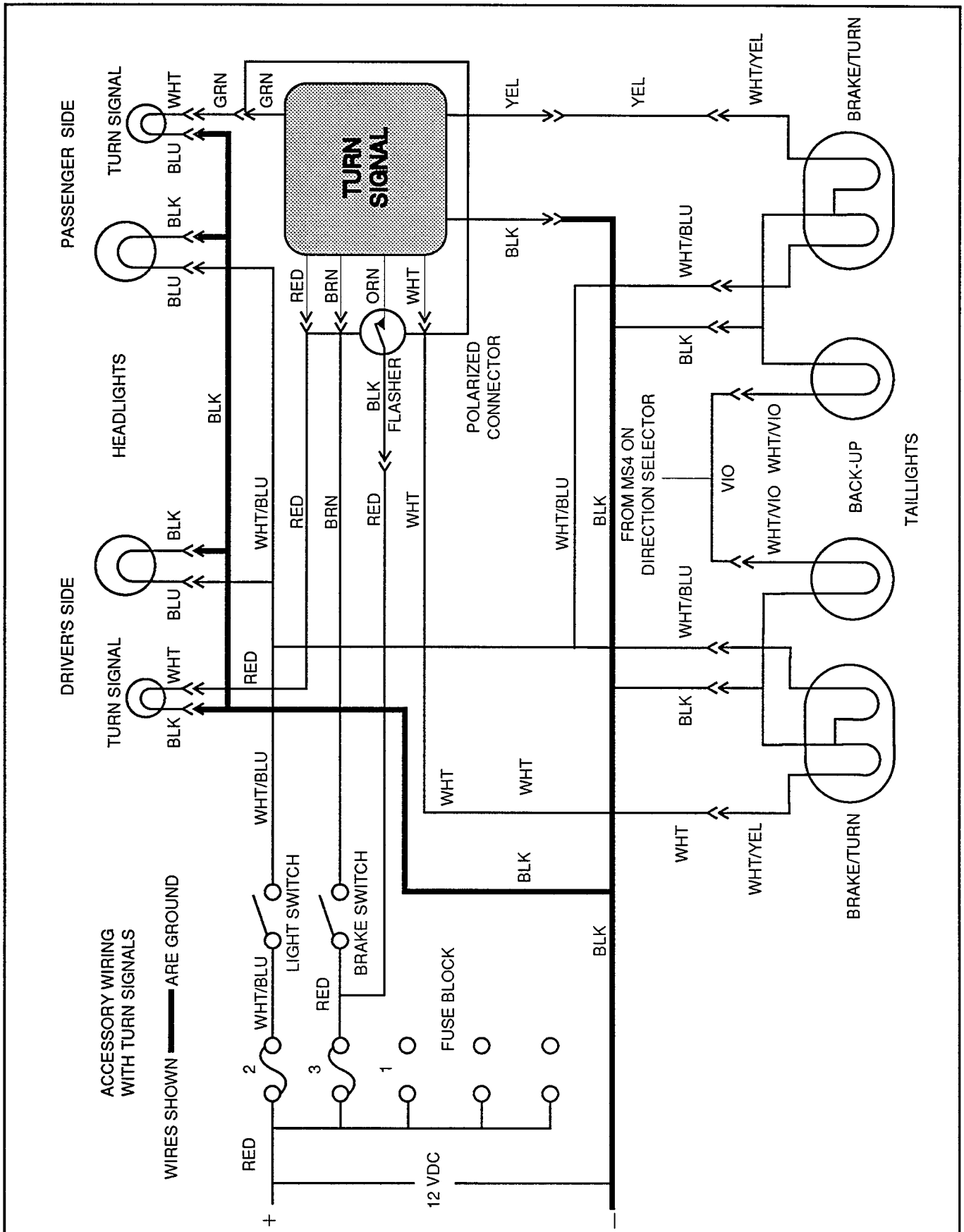


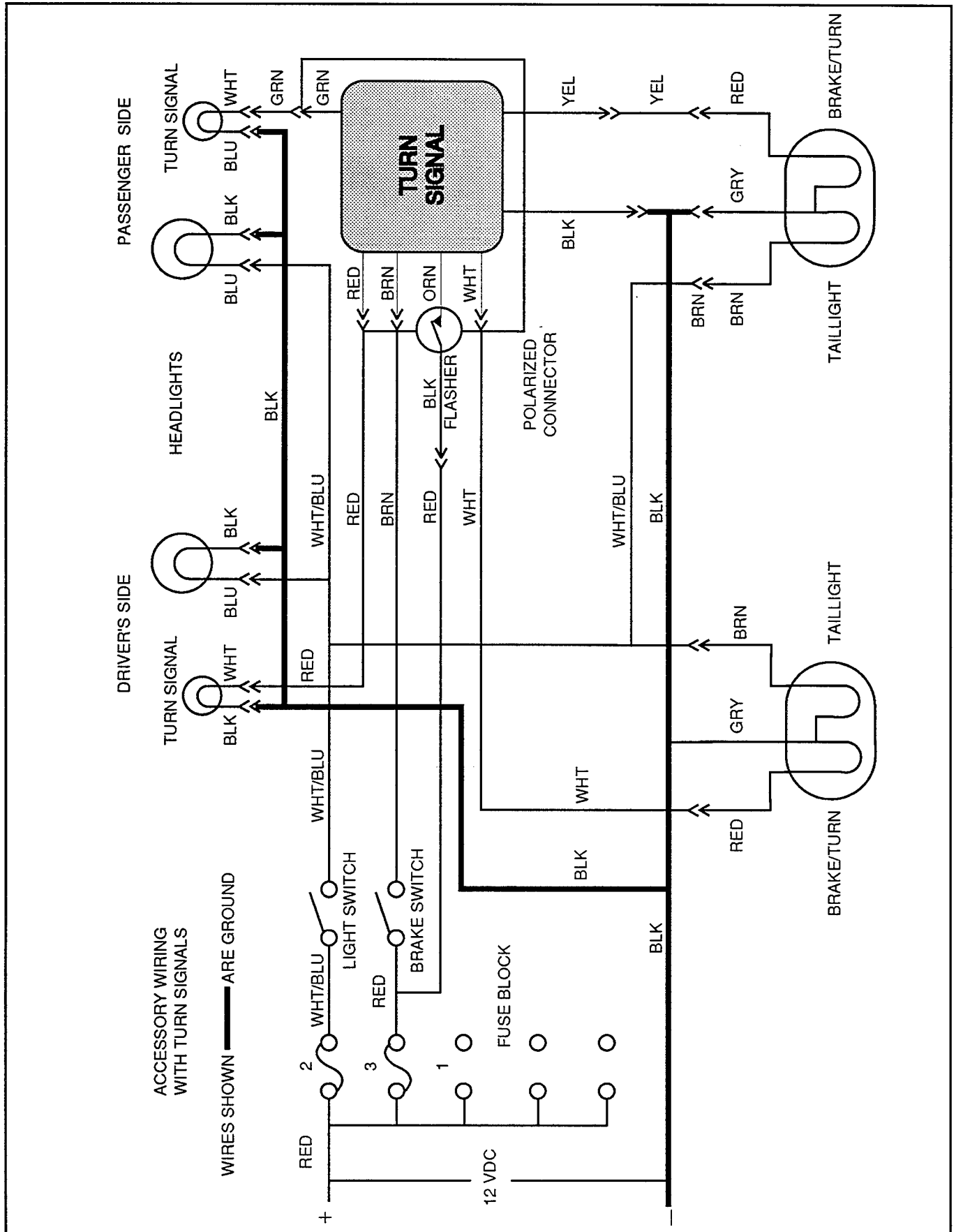
TURN SIGNAL SWITCH CONNECTIONS

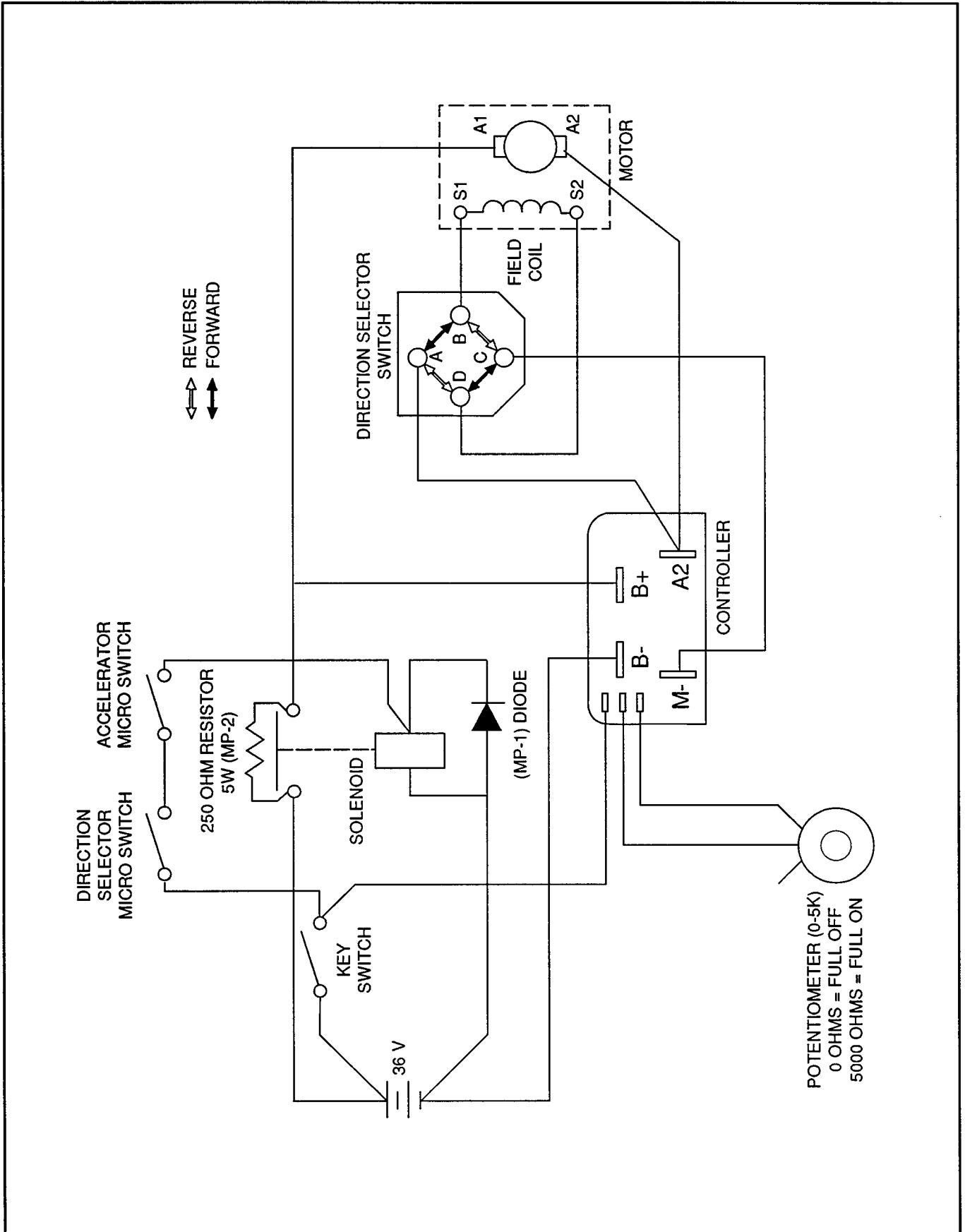


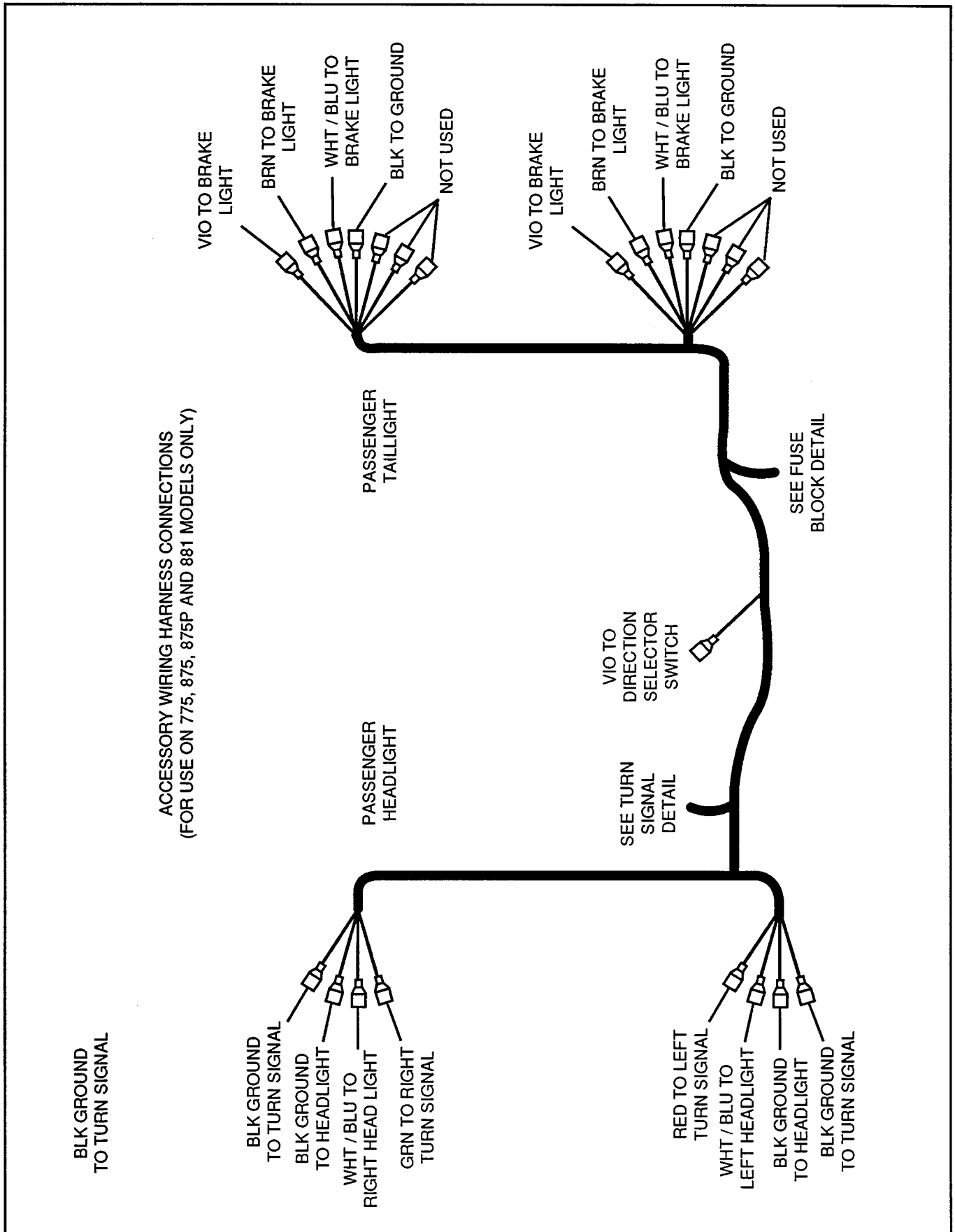






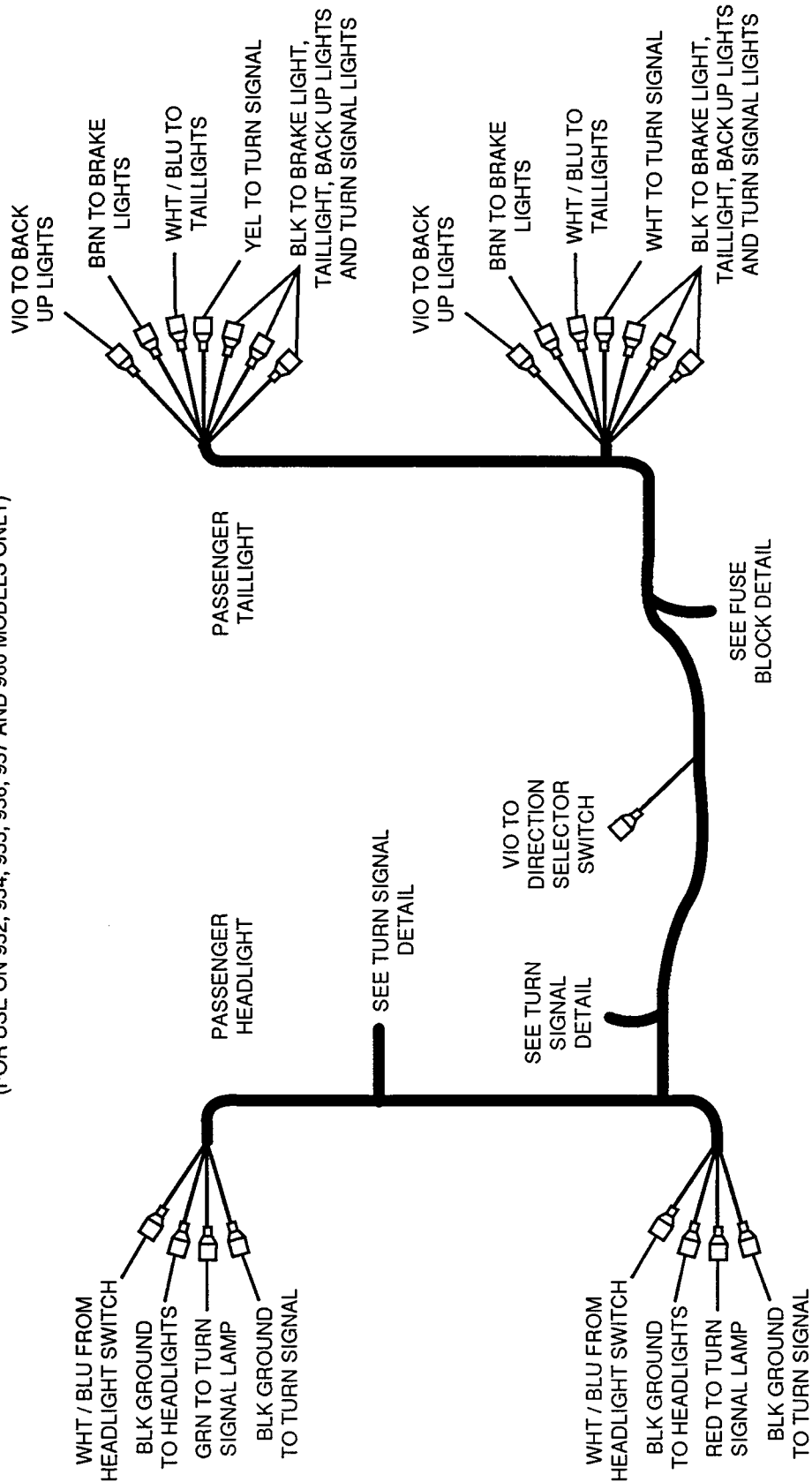


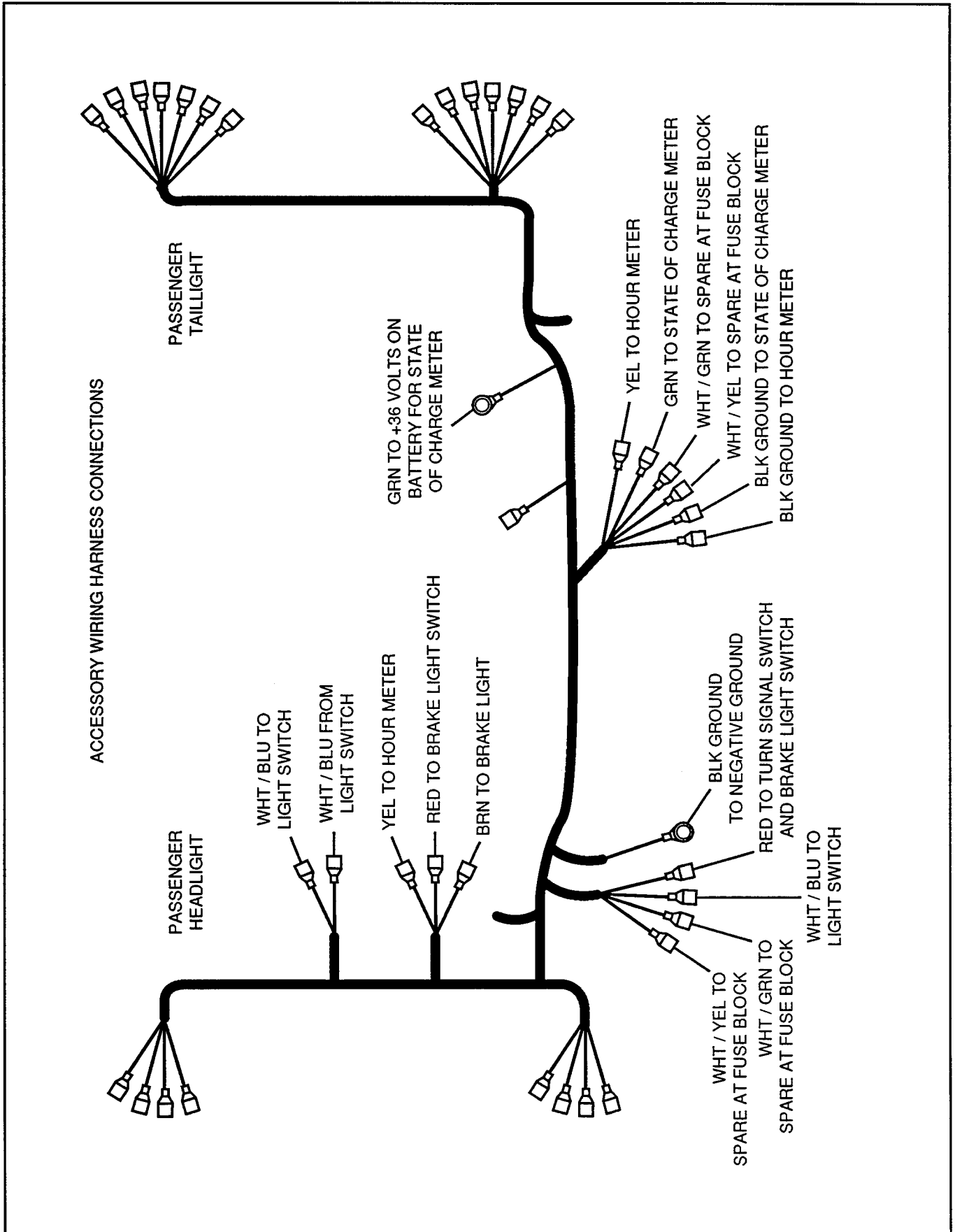






ACCESSORY WIRING HARNESS CONNECTIONS  
(FOR USE ON 952, 954, 955, 956, 957 AND 960 MODELS ONLY)





THE USE OF NON U.L. PARTS WILL VOID ANY U.L.LISTING.  
 When ordering parts, please specify the model and serial number of the product.  
 \* Indicates a component that is not available as a individual part.  
 G\*\* Indicates consult Customer Service Department for additional information.

MODEL
ALL MODELS UNLESS SPECIFIED

ITEM	PART NO.	1 2 3 4 5	DESCRIPTION	QTY.		
1	30466-G1		CHARGER WIRE HARNESS - FOR USE ON 775, 875, 875P WITH ONBOARD CHARGER AND 952, 954, 955, 956 AND 960 MODELS WITH OPTIONAL ONBOARD CHARGER.....	1	1	1
2	30466-G3		CHARGER WIRE HARNESS - 881 WITH ONBOARD CHARGER AND 957 WITH OPTIONAL ONBOARD CHARGER.....	1	-	1
3	30301-G1		CHARGER WIRE HARNESS - 952, 954, 956, AND 960 WITH PORTABLE CHARGER AND 775, 875, 875P WITH OPTIONAL PORTABLE CHARGER .....	1	1	1
4	30347-G1		CHARGER WIRE HARNESS - 955, 957 WITH PORTABLE CHARGER AND 881 WITH OPTIONAL PORTABLE CHARGER.....	1	1	1
5						
6						
7	00565-G8		WASHER, LOCK, 5/16.....	12	12	12
8						
9	11841-G3		ANGLE, BATTERY HOLD DOWN.....	2	2	2
10	30429-G1		ROD, BATTERY HOLD DOWN.....	6	6	6
11	30430-G1		STRAP, BATTERY HOLD DOWN .....	3	3	3
12	00559-G8		WASHER, 5/16.....	6	6	6
13	11098-G6		NUT, LOCK, 5/16 - 18 .....	6	6	6
14	XXXXX-G**		BATTERY .....	6	6	6
15	11893-G1		WIRE .....	5	5	5
16	00702-G2		NUT, HEAVY, 5/16 - 18.....	12	12	12
17	00532-G3		NUT, HEAVY, 5/16 - 18.....	4	4	4
18	32076-G1		WIRE .....	1	1	1
19	32076-G2		WIRE .....	1	1	1
20	17421-G1		SWITCH, IGNITION (INCLUDES ITEMS 21 - 23) FOR USE ON 775, 875, 875P AND 881 MODELS ONLY.....	1	-	-
21	*		NUT.....	1	-	-
22	*		BEZEL.....	1	-	-
23	17063-G1		KEY.....	2	-	-
24	30533-G1		LABEL, ON/OFF.....	1	-	-
25	18724-G1		HOLDER, RECEPTACLE (FOR USE ON 952, 954, 955, 956, 957 AND 960 MODELS ONLY) .....	-	1	1

THE USE OF NON U.L. PARTS WILL VOID ANY U.L. LISTING.  
 When ordering parts, please specify the model and serial number of the product.  
 \* Indicates a component that is not available as an individual part.  
 G\*\* Indicates consult Customer Service Department for additional information.

**MODEL**  
 ALL MODELS  
 UNLESS SPECIFIED

ITEM	PART NO.	1	2	3	4	5	DESCRIPTION	QTY.		
26										
27	00645-G2						SCREW, #6 - 32 X 1 1/4 LG.....	-	2	2
28	00559-G3						WASHER, #6.....	-	2	2
29	14390-G9						NUT, LOCK, #6 - 32 .....	-	2	2
30										
31	32673-G1						HORN SWITCH (FOR USE ON 775, 875, 875P AND 881 MODELS ONLY) .....	1	-	-
32	32673-G2						HORN SWITCH (FOR USE ON 952, 954, 955, 956, 957 AND 960 MODELS ONLY).....	-	1	1
33										
34	14601-G8						RIVET, 3/16 .....	2	2	2
35										
36	32674-G1						COVER, STEERING COLUMN (FOR USE ON 775, 875, 875P AND 881 MODELS ONLY).....	1	-	-
37	32674-G2						COVER, STEERING COLUMN (FOR USE ON 952, 954, 955, 956, 957 AND 960 MODEL SONLY) .....	-	1	1
38	31430-G1						CLAMP, CABLE CUSHIONED .....	AR	AR	AR
39	00722-G4						SCREW, #8 X 1/2 LG.....	AR	AR	AR
40	17181-G1						CLAMP, NYLON.....	AR	AR	AR
41										
42	XXXXX-XX						DIRECTION SELECTOR (SEE SEPARATE SECTION FOR PART NUMBER AND QUANTITY).....	1	1	1
43	00565-G8						WASHER, 5/16.....	4	4	4
44	00702-G2						NUT, 5/16 - 18 .....	4	4	4
45										
46	17902-G1						TAB, ADAPTER (FOR USE ON 952, 954, 955, 956, 957 AND 960 MODELS EQUIPPED WITH STATE OF CHARGE METER) .....	-	1	1
47	25978-G62						WIRE (FOR USE ON 952, 954, 955, 956, 957 AND 960 MODELS EQUIPPED WITH STATE OF CHARGE METER) .....	-	1	1
48										
49										

# ELECTRICAL

# Electric Vehicle

THE USE OF NON U.L. PARTS WILL VOID ANY U.L.LISTING.

When ordering parts, please specify the model and serial number of the product.

\* Indicates a component that is not available as a individual part.

G\*\* Indicates consult Customer Service Department for additional information.

### MODEL

ALL MODELS  
UNLESS SPECIFIED

ITEM	PART NO.	1	2	3	4	5	DESCRIPTION	QTY.		
50										
51										
52										
53	17618-G1						CLAMP, NYLON .....	AR	AR	AR
54	33639-G01						SWITCH, IGNITION AND LIGHTS (FOR USE ON 952, 954, 955, 956, 957 AND 960 MODELS ONLY) .....	-	1	1
55	33636-G01						METER, STATE OF CHARGE (FOR USE ON 952, 954, 955, 956, 957 AND 960 MODELS ONLY) .....	-	1	1
56	33633-G01						METER, HOUR (FOR USE ON 952, 954, 955, 956, 957 AND 960 MODELS ONLY) .....	-	1	1
57	18431-G1						SWITCH, LIGHT - INCLUDES KNOB AND HARDWARE (FOR USE ON 775, 875, 875P AND 881 MODELS ONLY) .....	1	-	-
58										
59	30395-G1						HEADLIGHT AND TURN SIGNAL, DRIVER'S SIDE (INCLUDES ITEMS 61 - 70) IF EQUIPPED .....	1	1	1
60	30395-G2						HEADLIGHT AND TURN SIGNAL, PASSENGER SIDE (INCLUDES ITEMS 61 - 70) IF EQUIPPED .....	1	1	1
61	30394-G1						HEADLIGHT .....	1	-	-
62	22523-G1						BULB (REPLACEMENT) .....	AR	-	-
63	00562-G3						WASHER, 1/2 .....	1	-	-
64	00551-G1						NUT, 1/2 - 13 .....	1	-	-
65										
66	18927-G1						ADAPTER KIT (INCLUDES MOUNTING SCREWS) .....	1	-	-
67	18927-G8						PLUG AND HARNESS .....	1	-	-
68	21806-G1						BRACKET, TURN SIGNAL .....	1	-	-
69	00598-G4						SCREW, SELF TAPPING, #10 - 16 X 1/2 LG. ....	2	-	-
70	19180-G2						BULB, YELLOW (REPLACEMENT) .....	AR	-	-
71	31390-G1						STATE OF CHARGE METER, ANALOG (FOR USE ON 775, 875, 875P AND 881 MODELS ONLY) .....	1	-	-
72										
73	22674-G1						FUSE BLOCK .....	1	1	1
74	30371-G1						WIRE .....	1	1	1
75										

THE USE OF NON U.L. PARTS WILL VOID ANY U.L. LISTING.  
 When ordering parts, please specify the model and serial number of the product.  
 \* Indicates a component that is not available as an individual part.  
 G\*\* Indicates consult Customer Service Department for additional information.

MODEL
ALL MODELS UNLESS SPECIFIED

ITEM	PART NO.	1	2	3	4	5	DESCRIPTION	QTY.		
76	00138-G4						SCREW, #6 - 32 X 1/2 LG.....	2	2	2
77	00565-G3						WASHER, #6.....	2	2	2
78	00525-G5						NUT, #6 - 32 .....	2	2	2
79	18392-G2						FUSE, 20 AMP .....	3	3	3
80										
81	17867-G1						SWITCH, TURN SIGNAL .....	1	1	1
82										
83	32675-G2						COVER, STEERING COLUMN (VEHICLES EQUIPPED WITH TURN SIGNALS) .....	1	1	1
84	21640-G1						FLASHER.....	1	1	1
85	14601-G1						RIVET, 3/16 (ITEMS 85 AND 88 ARE FOR USE ON 952, 954, 955, 956, 957, 960 MODELS ONLY) .....	-	4	4
86	32740-G1						BRACKET, TAILLIGHT (FOR USE ON 775 MODEL ONLY) .....	4	-	-
87	32739-G2						LAMP, STOP/TAIL .....	1	-	-
88	30509-G1						TAILLIGHT ASSEMBLY (INCLUDES ITEMS 89 - 91) .....	-	2	2
89	30530-G1						LENS, TAILLIGHT/STOP LIGHT .....	-	1	1
90	30531-G1						LENS, BACKUP LIGHT .....	-	1	1
91	21759-G1						BULB, TAILLIGHT (REPLACEMENT) .....	-	AR	AR
92										
93	14607-G1						CLAMP, NYLON .....	AR	AR	AR
94										
95	32860-G1						HORN (INCLUDES ITEMS 96 - 98) .....	1	1	1
96										
97										
98										
99	00414-G6						SCREW, 1/4 - 20 X 3/4 LG. (FOR USE ON 775 MODEL ONLY).....	4	-	-
100	00891-G2						NUT, LOCK, 1/4 - 20 (FOR USE ON 775 MODEL ONLY) .....	4	-	-
101										
102	30308-G1						WIRE HARNES, ACCESSORY (FOR USE ON 775, 875, 875P, 881, 952, 954, 956 AND 960 MODELS ONLY) .....	1	1	1
103	30308-G2						WIRE HARNESS, ACCESSORY (FOR USE ON 881, 955, 957) .....	1	1	1

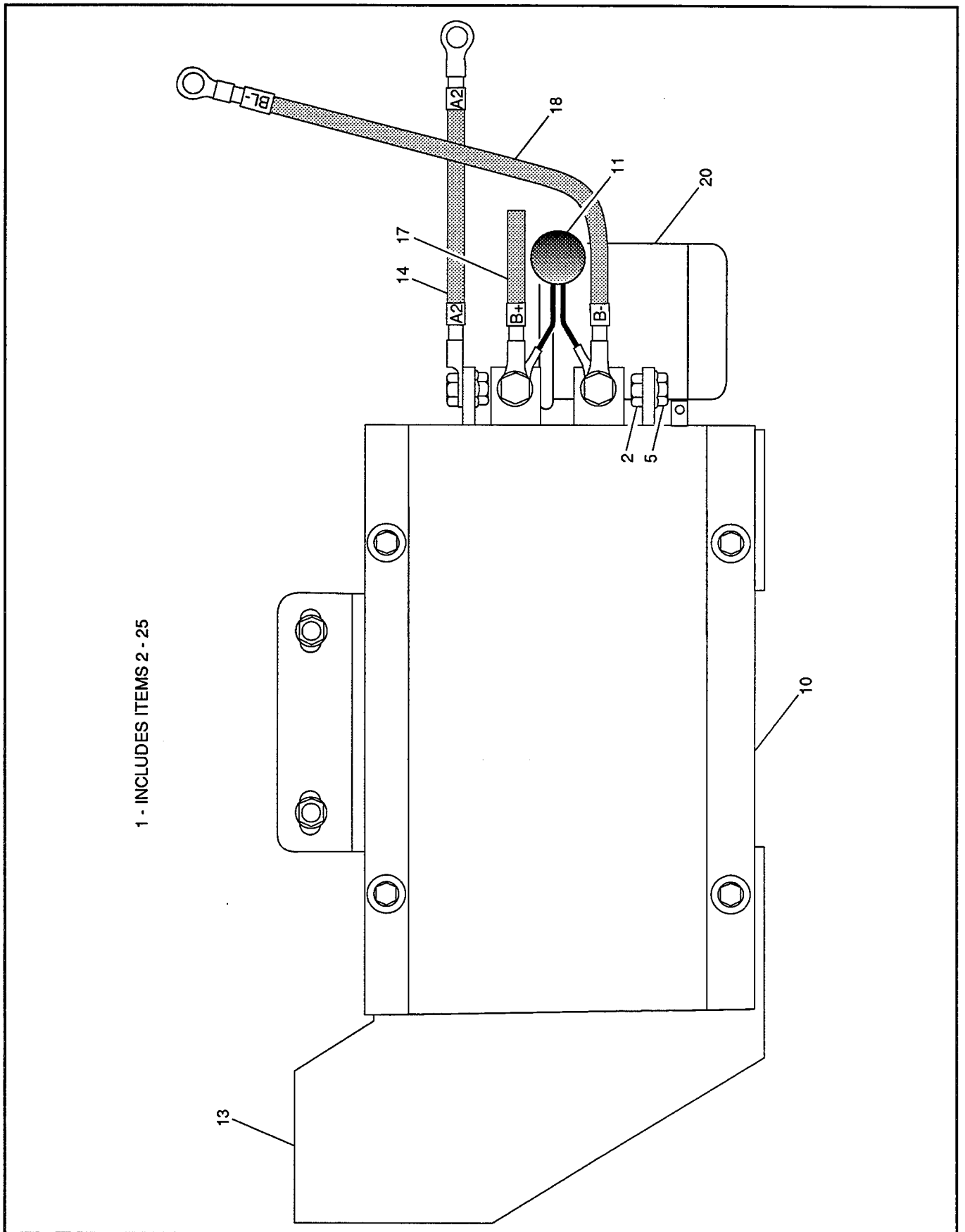
THE USE OF NON U.L. PARTS WILL VOID ANY U.L.LISTING.  
 When ordering parts, please specify the model and serial number of the product.  
 \* Indicates a component that is not available as a individual part.  
 G\*\* Indicates consult Customer Service Department for additional information.

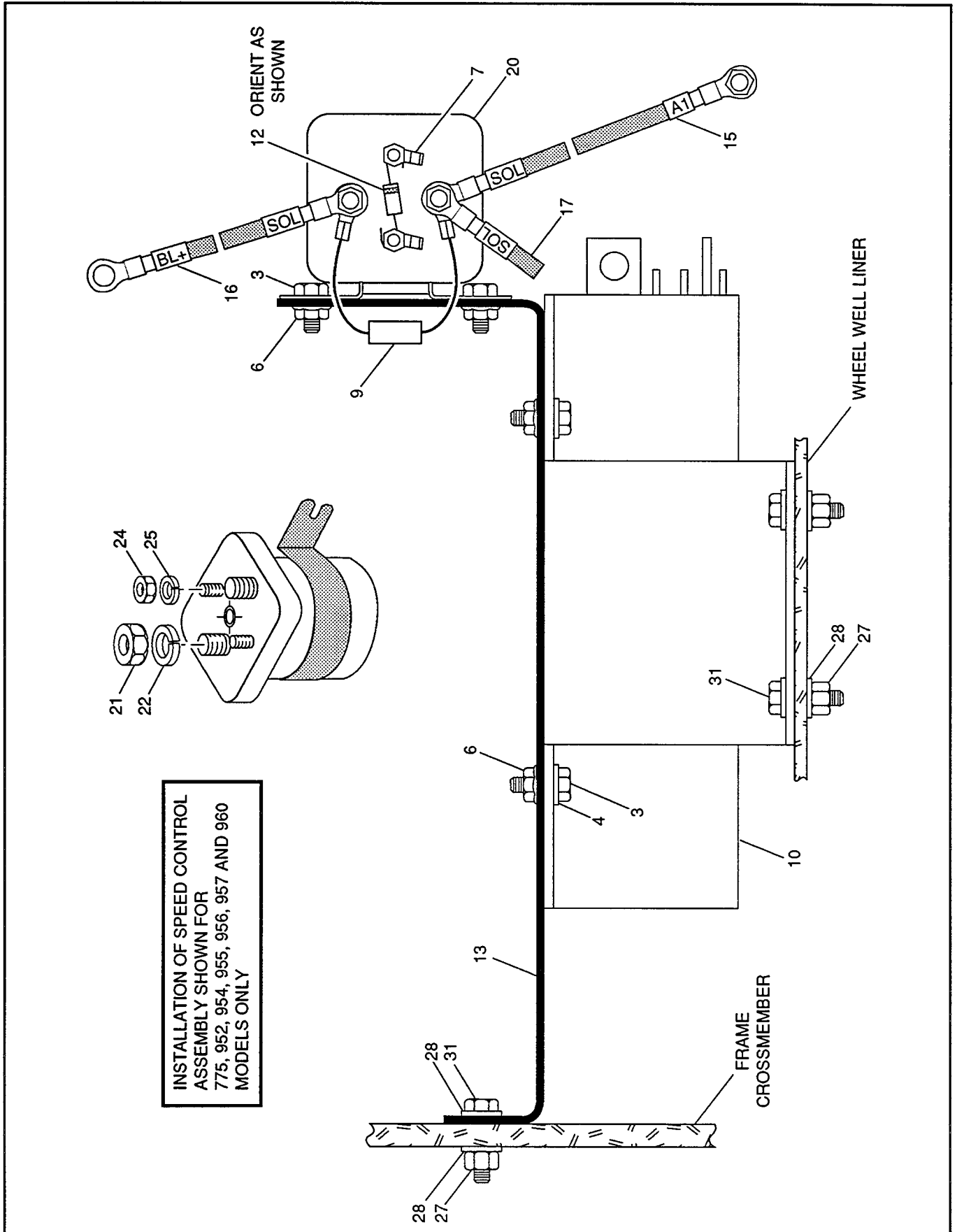
<b>MODEL</b>
<b>ALL MODELS UNLESS SPECIFIED</b>

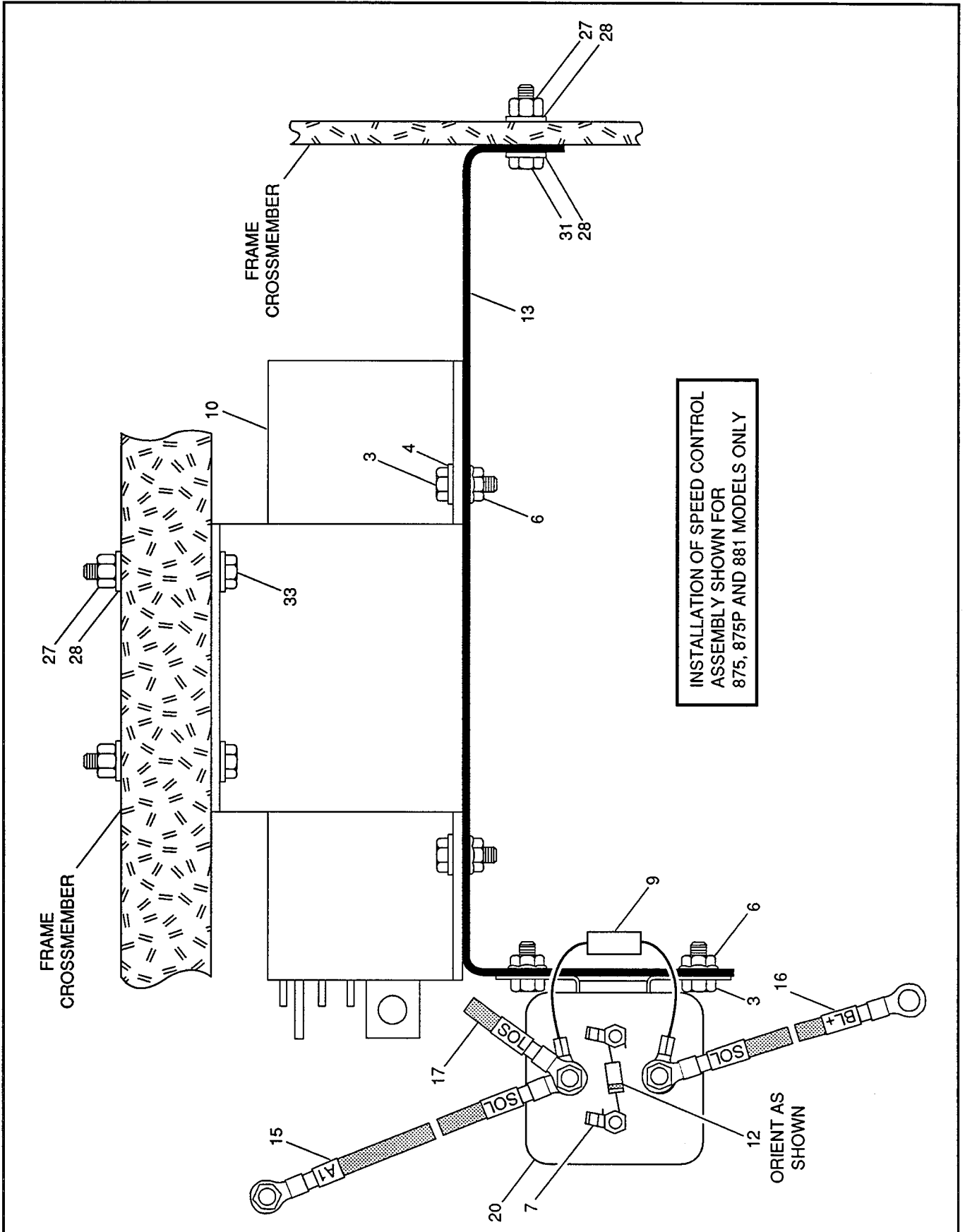
ITEM	PART NO.	1	2	3	4	5	DESCRIPTION	QTY.		
104										
105										
106										
107										
108	32475-G1						WIRE HARNESS, POWER WIRING (FOR USE ON 775, 875, 875P, 881, 952, 954, 956 AND 960) .....	1	1	1
109	32475-G2						WIRE HARNESS, POWER WIRING (FOR USE ON 881, 955 AND 957 MODELS ONLY) .....	1	1	1
110										
111										
112										
113										
114	32442-G1						WIRE HARNESS, CONTROL (FOR USE ON 775, 875, 875P, 952, 954, 956 AND 960) .....	1	1	1
115	32442-G2						WIRE HARNESS, CONTROL (FOR USE ON 881, 955, 957 MODELS ONLY) .....	1	1	1
116										
117	11893-G1						WIRE .....	1	1	1
118	16705-G3						SCREW, STAINLESS-STEEL, 1/4 - 20 X 3/4 LG. ....	1	1	1
119	14390-G4						NUT, LOCK, 1/4 - 20 .....	1	1	1
120	00565-G8						WASHER, LOCK, 5/16 .....	1	1	1
121	00532-G3						NUT, 5/16 - 18 .....	1	1	1
122	33343-G01						TERMINAL BLOCK .....	1	1	1



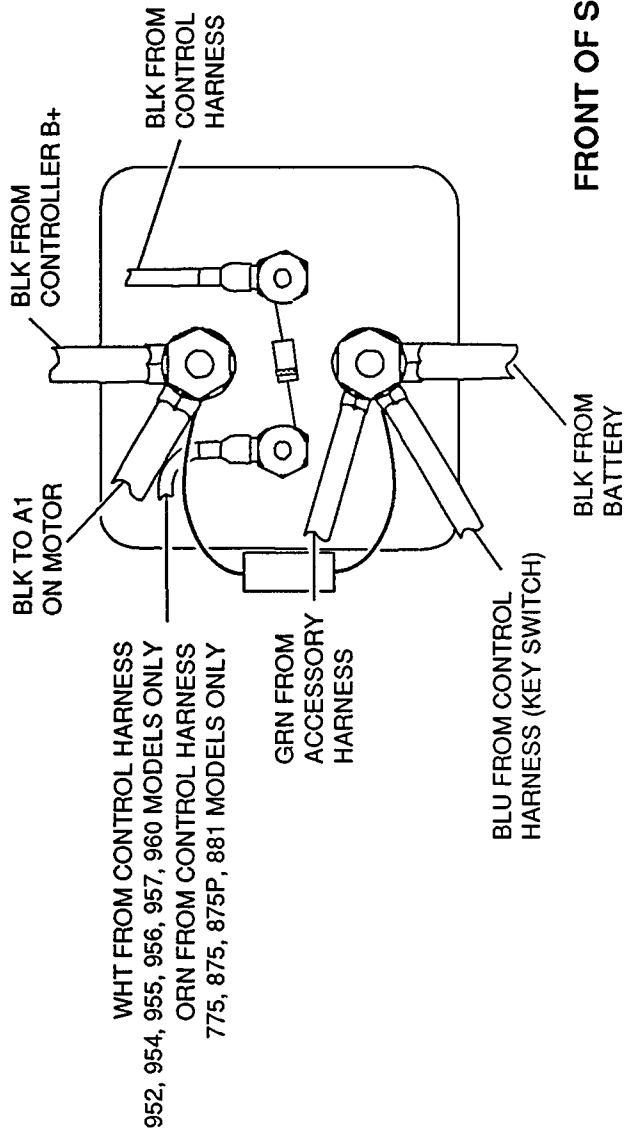






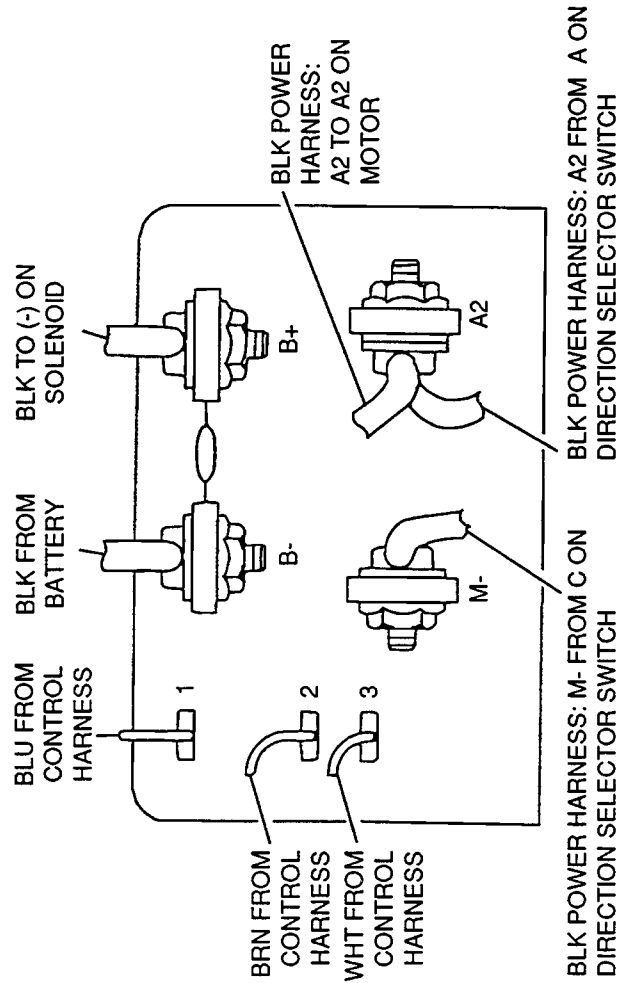


**TOP OF SOLENOID**



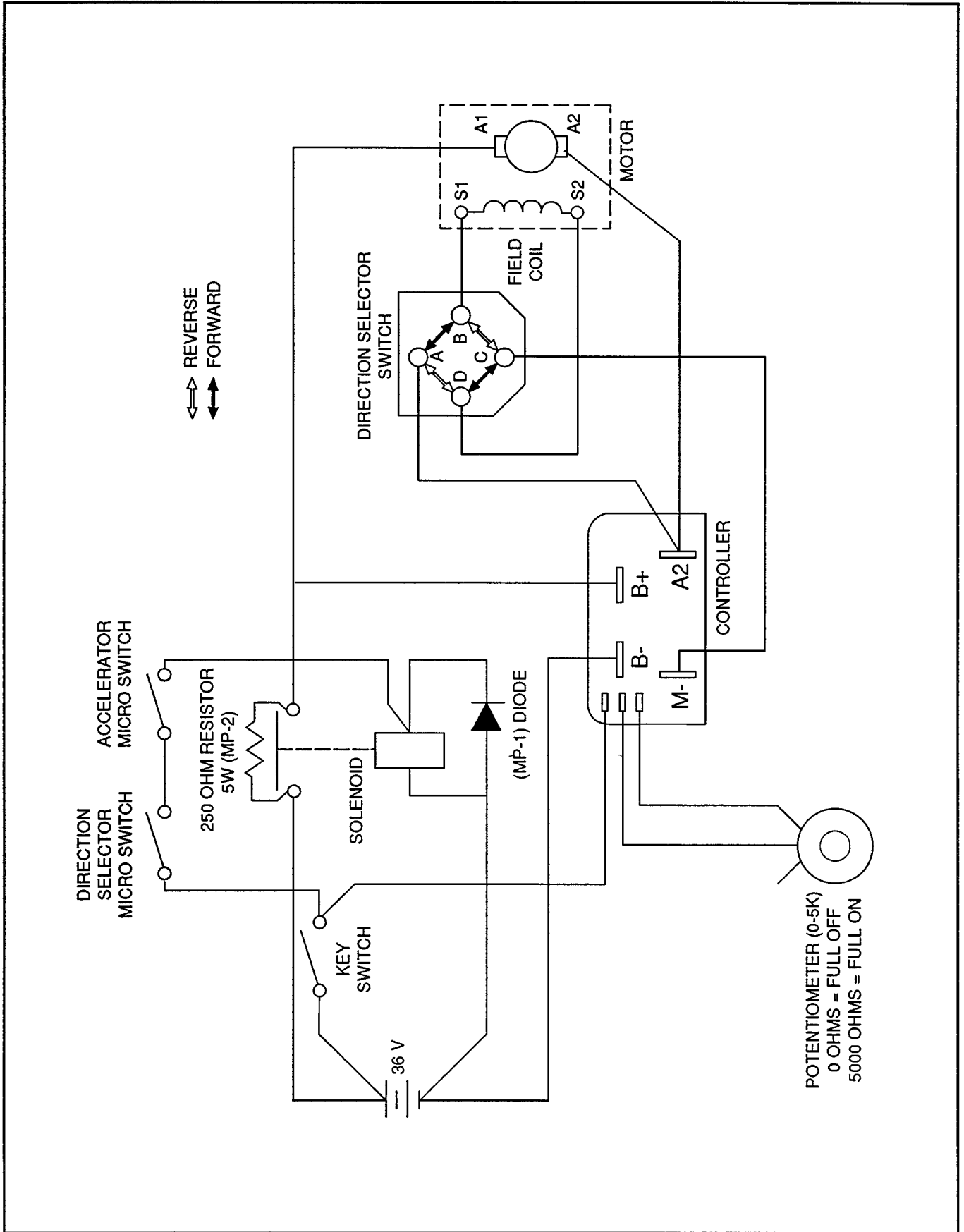
WHT FROM CONTROL HARNESS  
952, 954, 955, 956, 957, 960 MODELS ONLY  
ORN FROM CONTROL HARNESS  
775, 875, 875P, 881 MODELS ONLY

**FRONT OF SPEED CONTROL UNIT**



1  
2  
3

BLK POWER HARNESS: M- FROM C ON DIRECTION SELECTOR SWITCH



THE USE OF NON U.L. PARTS WILL VOID ANY U.L. LISTING.  
 When ordering parts, please specify the model and serial number of the product.  
 \* Indicates a component that is not available as an individual part.  
 G\*\* Indicates consult Customer Service Department for additional information.

<b>MODEL</b>
<b>ALL MODELS</b>

ITEM	PART NO.	1	2	3	4	5	DESCRIPTION	QTY.		
1	33198-G01						ELECTRONIC SPEED CONTROL ASSEMBLY, WITH HEAVY DUTY SOLENOID (INCLUDES ITEMS 2 - 25) .....		1	
2	00270-G6						SCREW, 5/16 - 18 X 3/4 LG. ....		4	
3	00414-G6						SCREW, 1/4 - 20 X 3/4 LG. ....		6	
4	00559-G7						WASHER, 1/4 .....		4	
5	11027-G1						NUT, LOCK, 5/16 - 18 .....		4	
6	11027-G2						NUT, LOCK, 1/4 - 20 .....		6	
7	12914-G1						TAB, FASTON .....		2	
8										
9	21764-G1						RESISTOR, 250 OHMS .....		1	
10	22717-G1						CONTROLLER, HDI .....		1	
11	25949-G01						VARISTOR, MOV .....		1	
12	30353-G1						DIODE, 3.0 AMP, 100V .....		1	
13	33197-G01						BRACKET, SPEED CONTROLLER .....		1	
14	32474-G1						WIRE, A2 / A2 .....		1	
15	32474-G7						WIRE, A1 / SOL .....		1	
16	32474-G3						WIRE, BL+ / SOL .....		1	
17	23793-G1						WIRE, B+ / SOL .....		1	
18	32474-G5						WIRE, BL- / B- .....		1	
19										
20	20468-G1						SOLENOID .....		1	
21	*						NUT, 5/16 - 24 .....		2	
22	*						WASHER, LOCK, 5/16 .....		2	
23										
24	*						NUT, #10 - 32 .....		2	
25	*						WASHER, LOCK, #10 .....		2	
26										
27	14390-G4						NUT, LOCK, 1/4 - 20 .....		3	
28	00559-G7						WASHER, 1/4 .....		6	
29										

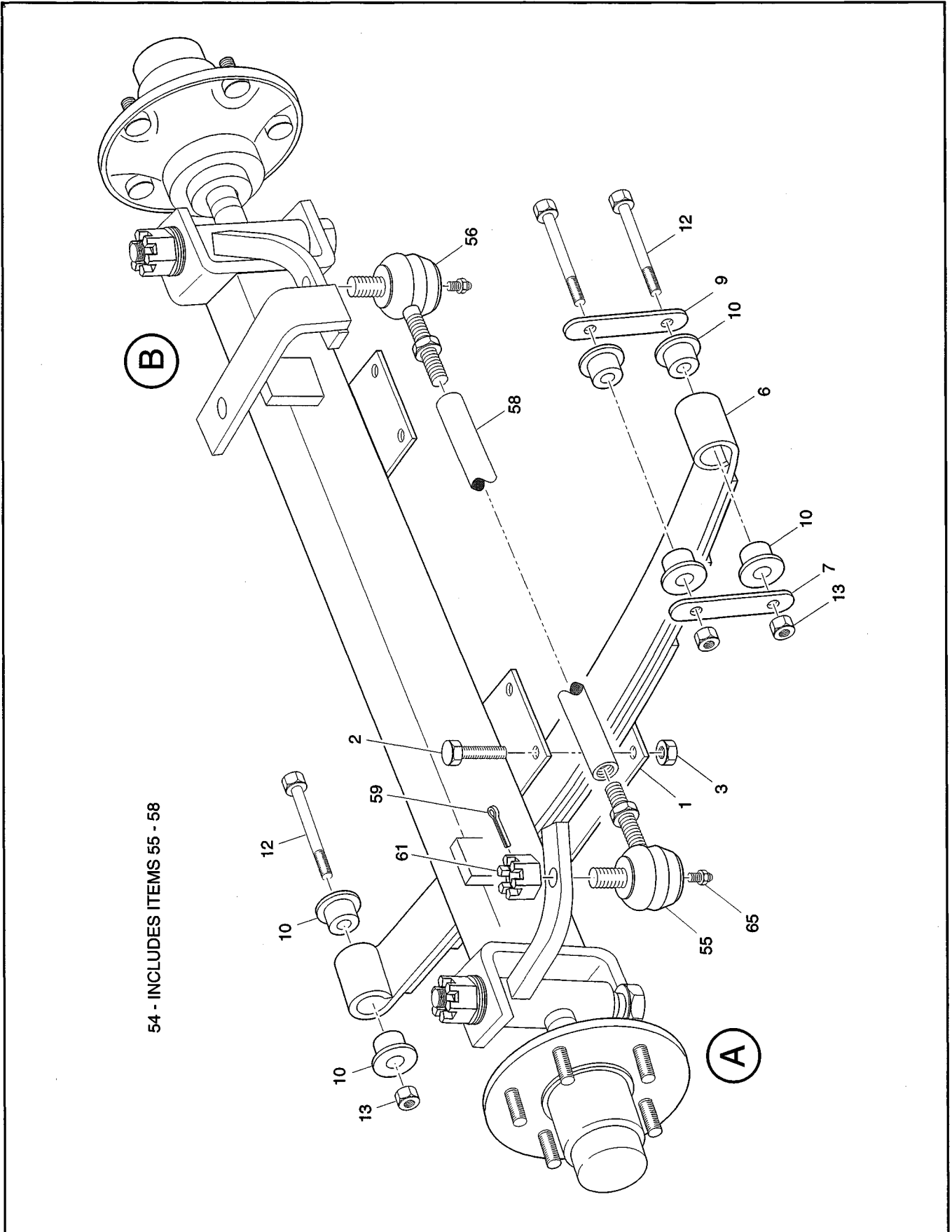
THE USE OF NON U.L. PARTS WILL VOID ANY U.L.LISTING.  
 When ordering parts, please specify the model and serial number of the product.  
 \* Indicates a component that is not available as a individual part.  
 G\*\* Indicates consult Customer Service Department for additional information.

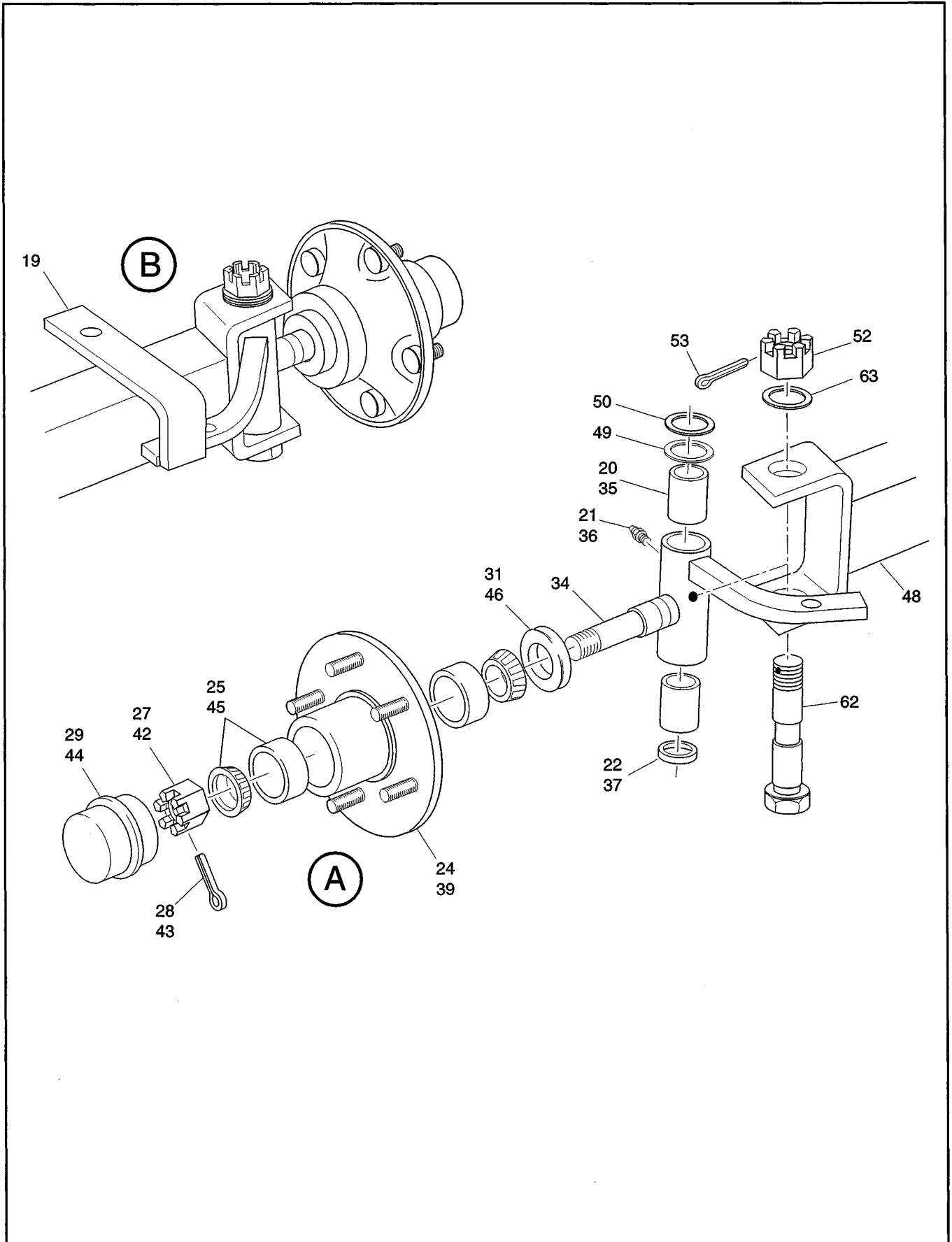
<b>MODEL</b>
<b>ALL MODELS</b>

ITEM	PART NO.	1 2 3 4 5	DESCRIPTION	QTY.		
30						
31	00414-G6		SCREW, 1/4 - 20 X 3/4 LG.....		4	
32						
33	00415-G6		SCREW, 1/4 - 20 X 1 3/4 LG. (FOR USE ON 875, 875P AND 881 VEHICLES ONLY) .....		2	









# FRONT SUSPENSION

# Electric Vehicle

When ordering parts, please specify the model and serial number of the product.

\* Indicates a component that is not available as a individual part.

G\*\* Indicates consult Customer Service Department for additional information.

MODEL

ALL MODELS

ITEM	PART NO.	1 2 3 4 5	DESCRIPTION	QTY.	
1	30135-G2		PLATE, SPRING MOUNTING.....	2	
2	00428-G4		SCREW, 3/8 - 16 X 2 1/2 LG.....	8	
3	11098-G5		NUT, LOCK, 3/8 - 16.....	8	
4					
5					
6	30159-G2		FRONT LEAF SPRING (4 LEAF).....	2	
7	30035-G2		SHACKLE, SPRING.....	2	
8					
9	30035-G1		SHACKLE, SPRING.....	2	
10	20098-G1		BUSHING, RUBBER.....	12	
11					
12	15727-G1		BOLT, SHOULDER, 1/2 X 2 3/8 LG.....	6	
13	13521-G4		NUT, 3/8 - 16.....		
14					
15					
16					
17					
18					
19	32963-G01		SPINDLE.....	1	
20	16623-G1		BEARING.....	2	
21	10389-G3		GREASE FITTING.....	1	
22	16626-G1		SEAL, OIL.....	1	
23					
24	32783-G1		HUB ASSEMBLY (5 BOLT).....	1	
25	50892-G1		ROLLER BEARING AND RACE.....	2	
26					
27	12093-G1		NUT, CASTLELLATED, 17/32 - 14.....	1	
28	00798-G8		PIN, COTTER, 5/32 X 1 3/4 LG.....	1	
29	30146-G1		CAP, DUST.....	1	
30					

When ordering parts, please specify the model and serial number of the product.  
 \* Indicates a component that is not available as an individual part.  
 G\*\* Indicates consult Customer Service Department for additional information.

<b>MODEL</b>
<b>ALL MODELS</b>

ITEM	PART NO.	1 2 3 4 5	DESCRIPTION	QTY.	
31	12092-G1		SEAL, GREASE .....	1	
32					
33					
34	32962-G01		SPINDLE .....	1	
35	16623-G1		BEARING .....	2	
36	10389-G3		GREASE FITTING .....	1	
37	16626-G1		SEAL, OIL .....	1	
38					
39	32783-G1		HUB ASSEMBLY (5 BOLT) .....	1	
40					
41					
42	12093-G1		NUT, CASTLELLATED, 17/32 - 14 .....	1	
43	00798-G8		PIN, COTTER, 5/32 x 1 3/4 LG. ....	1	
44	30146-G1		CAP, DUST .....	1	
45	50892-G1		ROLLER BEARING AND RACE .....	2	
46	12092-G1		SEAL, GREASE .....	1	
47					
48	32967-G01		AXLE, FRONT .....	1	
49	16982-G1		BEARING, THRUST .....	2	
50	00879-G7		WASHER, 7/8 .....	2	
51					
52	00886-G1		NUT, 5/8 - 18 .....	2	
53	19060-G1		PIN, COTTER, STAINLESS STEEL, 1/8 X 1 1/4 LG. ....	2	
54	20788-G3		TIE ROD ASSEMBLY (INCLUDES ITEMS 55 - 58) .....	1	
55	20795-G1		TIE ROD END, DRIVER'S SIDE .....	1	
56	20795-G2		TIE ROD END, PASSENGER SIDE .....	1	
57					
58	70583-G04		THREADED TUBE WITH FLAT .....	1	
59	10387-G2		PIN, COTTER, 3/32 x 2 LG. ....	2	
60					

# FRONT SUSPENSION

Electric Vehicle

When ordering parts, please specify the model and serial number of the product.  
 \* Indicates a component that is not available as a individual part.  
 G\*\* Indicates consult Customer Service Department for additional information.

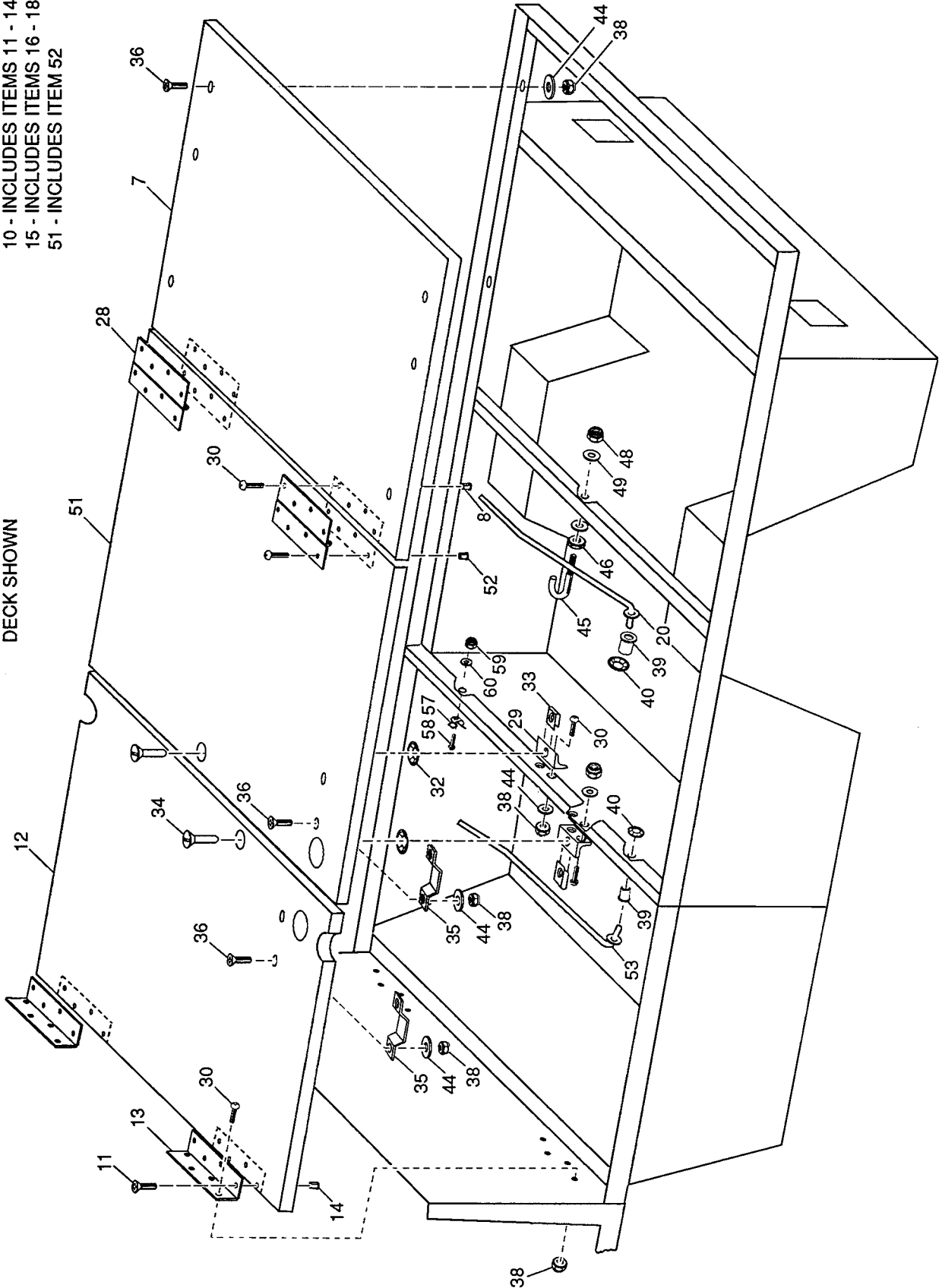
<b>MODEL</b>
<b>ALL MODELS</b>

ITEM	PART NO.	1	2	3	4	5	DESCRIPTION	QTY.		
61	50209-G1						NUT, 7/16 - 20 .....		2	
62	25177-G2						KING PIN .....		2	
63	00879-G5						WASHER, 5/8.....		2	
64										
65	10389-G3						GREASE FITTING .....		2	



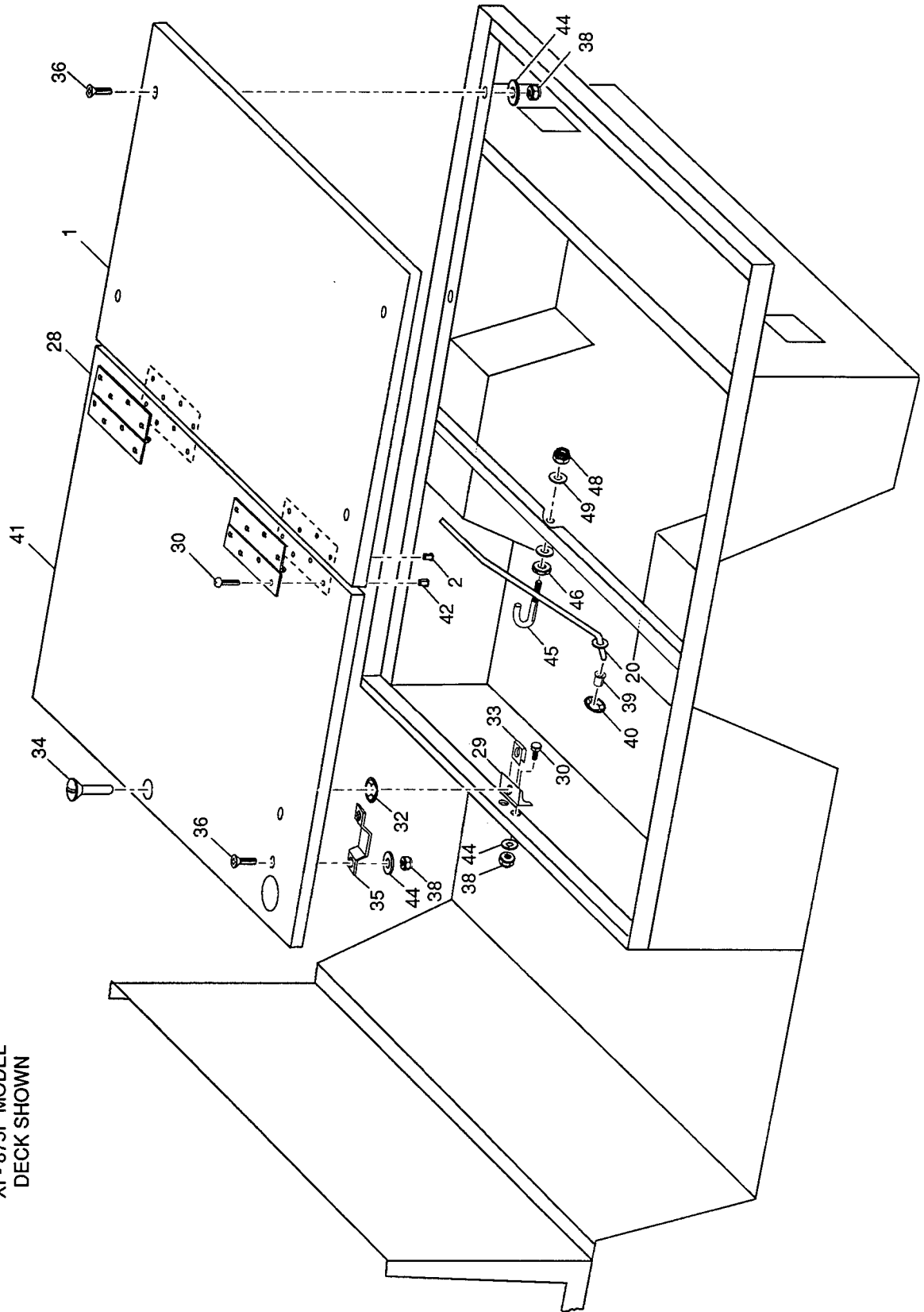
XI - 875 MODEL  
DECK SHOWN

- 7 - INCLUDES ITEM 8
- 10 - INCLUDES ITEMS 11 - 14
- 15 - INCLUDES ITEMS 16 - 18
- 51 - INCLUDES ITEM 52



1 - INCLUDES ITEM 2  
41 - INCLUDES ITEM 42

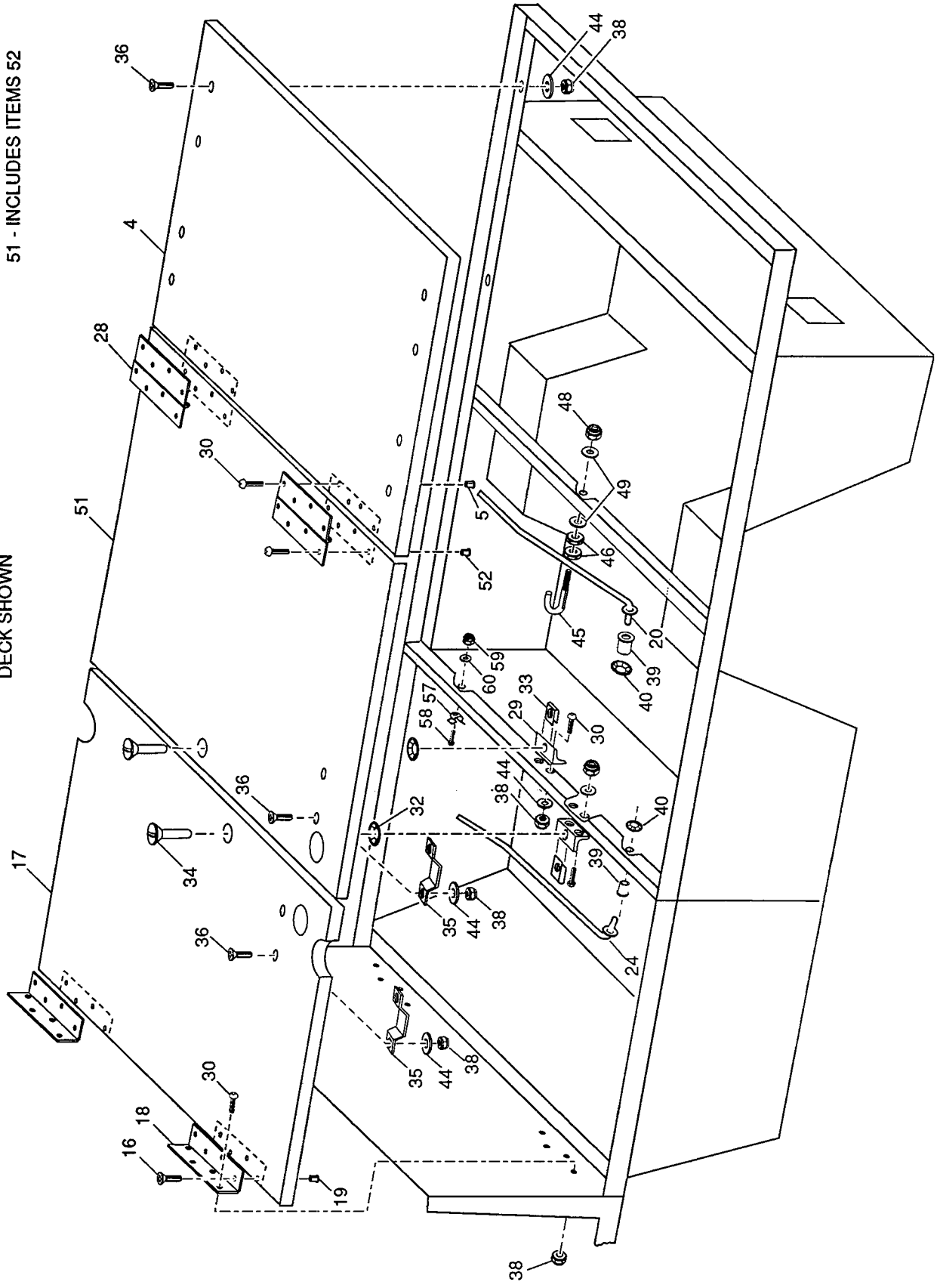
XI - 875P MODEL  
DECK SHOWN





- 4 - INCLUDES ITEM 5
- 15 - INCLUDES ITEMS 16 - 19
- 51 - INCLUDES ITEMS 52

XI - 881 MODEL  
DECK SHOWN



THE USE OF NON U.L. PARTS WILL VOID ANY U.L. LISTING.  
 When ordering parts, please specify the model and serial number of the product.  
 \* Indicates a component that is not available as an individual part.  
 G\*\* Indicates consult Customer Service Department for additional information.

MODEL		
875	875P	881

ITEM	PART NO.	1	2	3	4	5	DESCRIPTION	QTY.		
								875	875P	881
1	33132-G01						DECK, REAR (INCLUDES ITEM 2) .....	-	1	-
2	11782-G2						NUT, TEE, 1/4 - 20.....	-	8	-
3										
4	33131-G01						DECK, REAR (INCLUDES ITEM 5) .....	-	-	1
5	11782-G2						NUT, TEE, 1/4 - 20.....	-	-	8
6										
7	33133-G01						DECK, REAR (INCLUDES ITEM 8) .....	1	-	-
8	11782-G2						NUT, TEE, 1/4 - 20.....	8	-	-
9										
10	30536-G1						FRONT DECK ASSEMBLY (INCLUDES ITEMS 11 - 14) .....	1	-	-
11	16705-G2						SCREW, STAINLESS STEEL.....	8	-	-
12	30538-G1						DECK, FRONT .....	1	-	-
13	33121-G01						HINGE .....	2	-	-
14	11782-G2						NUT, TEE, 1/4 - 20.....	8	-	-
15	30536-G2						FRONT DECK ASSEMBLY (INCLUDES ITEMS 16 - 19) .....	-	-	1
16	16705-G2						SCREW, STAINLESS STEEL.....	-	-	8
17	30538-G2						DECK, FRONT .....	-	-	1
18	33121-G01						HINGE .....	-	-	2
19	11782-G2						NUT, TEE, 1/4 - 20.....	-	-	8
20	33274-G01						REAR SUPPORT ROD ASSEMBLY .....	1	1	1
21										
22										
23										
24	30542-G2						SUPPORT ROD ASSEMBLY .....	-	-	1
25										
26										
27										
28	33121-G01						HINGE.....	2	2	2
29	22501-G2						MOUNT .....	2	1	2
30	16705-G2						SCREW, STAINLESS STEEL, 1/4 - 20 X 5/8 LG.....	28	18	28

# HINGED LOAD DECK

# Electric Vehicle

THE USE OF NON U.L. PARTS WILL VOID ANY U.L.LISTING.

When ordering parts, please specify the model and serial number of the product.

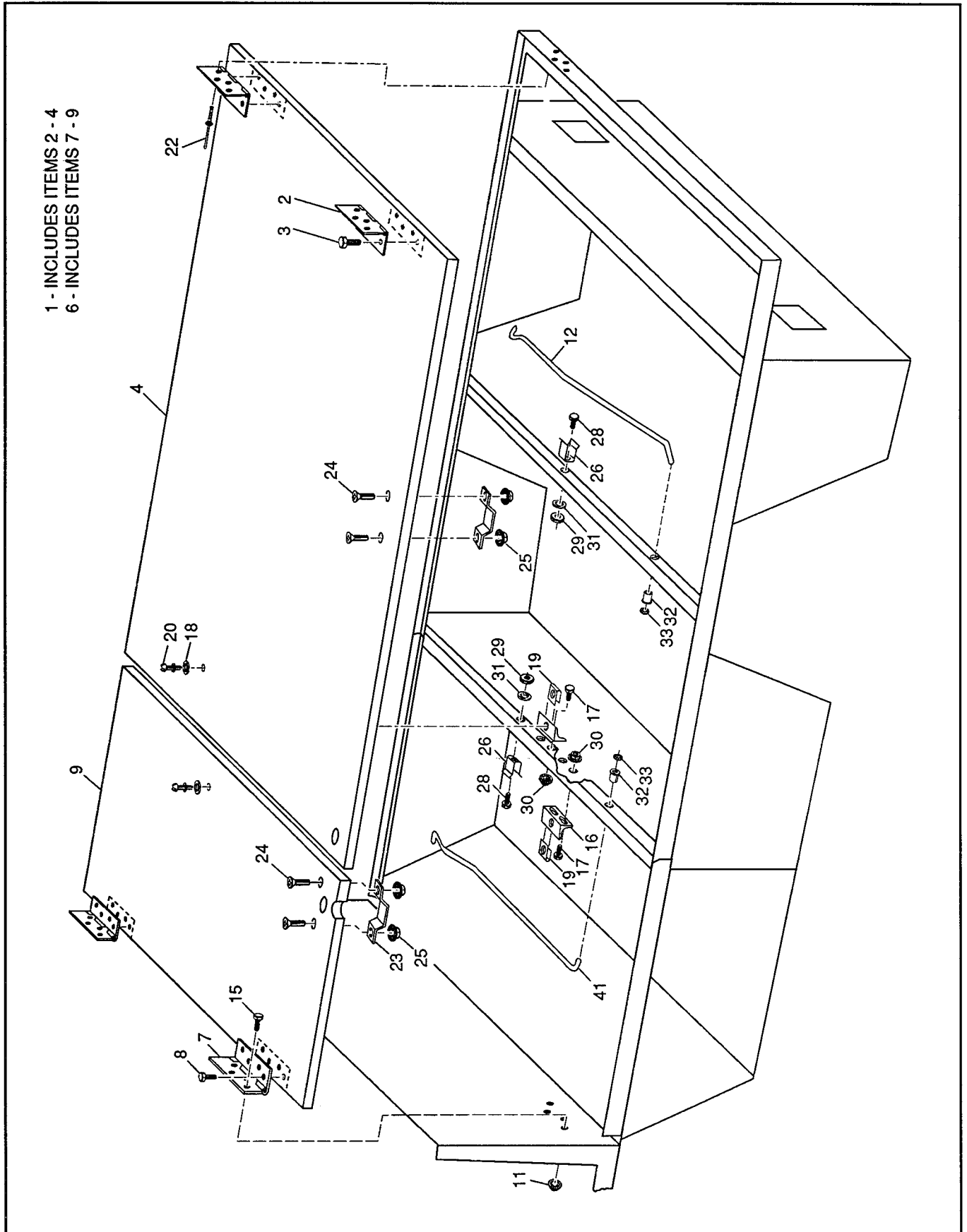
\* Indicates a component that is not available as a individual part.

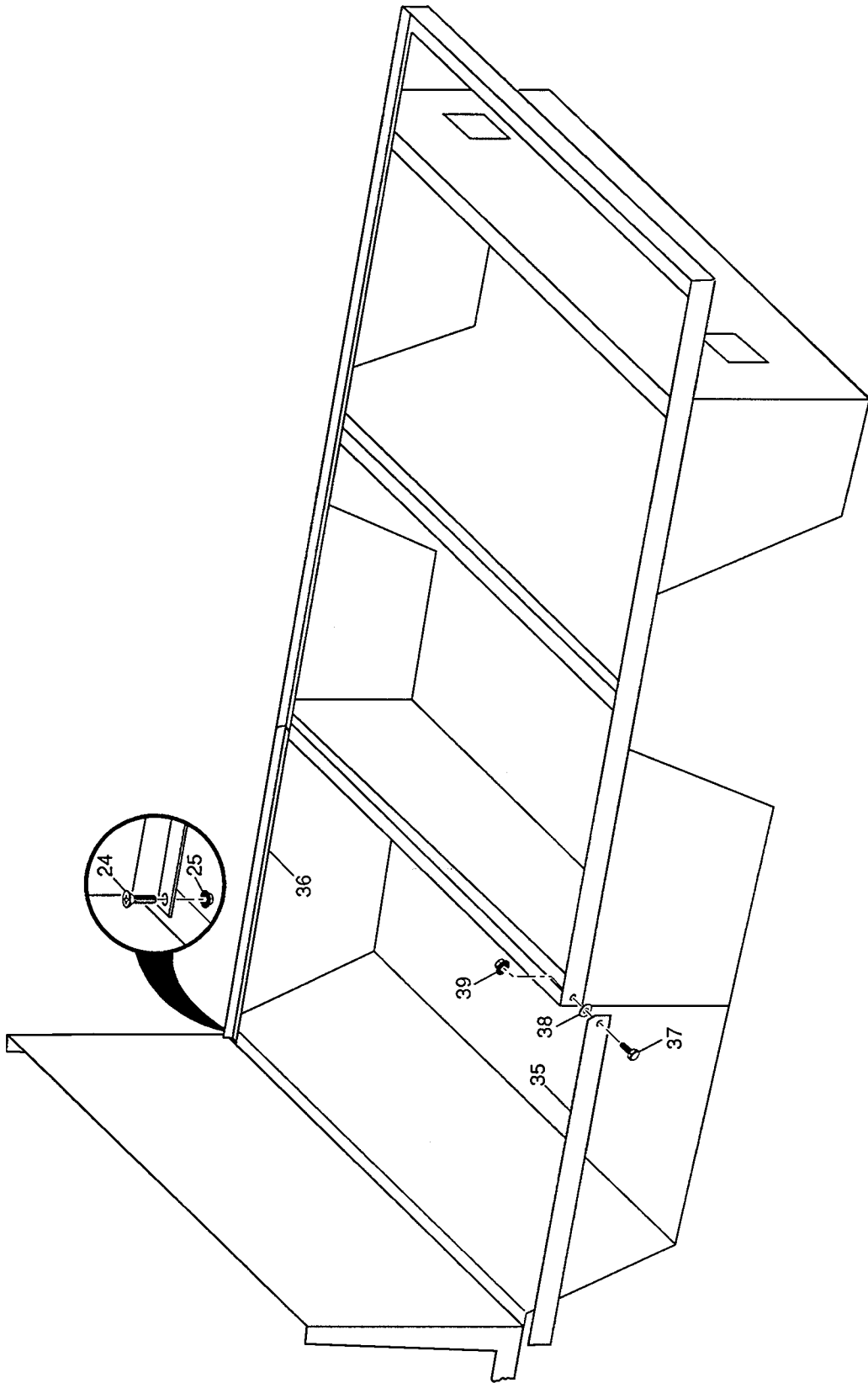
G\*\* Indicates consult Customer Service Department for additional information.

MODEL		
875	875P	881

ITEM	PART NO.	1	2	3	4	5	DESCRIPTION	QTY.		
								875	875P	881
31										
32	16836-G1						RETAINER, PUSHON .....	2	1	2
33	16837-G1						RECEPTACLE.....	2	1	2
34	00773-G1						STUD, OVAL .....	2	1	2
35	18270-G2						BRACKET .....	2	1	2
36	00205-G4						SCREW, 1/4 - 20 X 1 1/2 LG.....	10	6	12
37										
38	00891-G2						NUT, LOCK, 1/4 - 20 .....	22	8	24
39	17838-G1						BUSHING, NYLINER .....	2	1	2
40	12064-G1						PUSHNUT, 5/16 .....	2	1	2
41	33130-G02						DECK, HINGED (INCLUDES ITEM 42) .....	-	1	-
42	11782-G2						NUT, TEE, 1/4 - 20.....	-	8	-
43										
44	00660-G7						WASHER, 1/4.....	14	8	16
45	15734-G2						BOLT, "J" .....	1	1	1
46	00585-G3						NUT, 5/16 - 18 .....	1	1	2
47										
48	00891-G3						NUT, LOCK, 5/16 - 18 .....	1	1	1
49	00660-G8						WASHER, STAINLESS STEEL, 5/16.....	2	2	2
50										
51	33130-G01						DECK, HINGED (INCLUDES ITEM 52) .....	1	-	1
52	11782-G2						NUT, TEE, 1/4 - 20.....	8	-	8
53	30542-G4						FRONT SUPPORT ROD ASSEMBLY .....	1	-	-
54										
55										
56										
57	21548-G1						CLIP, FASTENER.....	1	-	1
58	00138-G4						SCREW, #6 - 32 X 1/2 LG.....	1	-	1
59	00525-G3						NUT, #6 - 32 .....	1	-	1
60	00565-G3						WASHER, LOCK, #6.....	1	-	1







# HINGED LOAD DECK (XI - 775)

Electric Vehicle

THE USE OF NON U.L. PARTS WILL VOID ANY U.L.LISTING.

When ordering parts, please specify the model and serial number of the product.

\* Indicates a component that is not available as a individual part.

G\*\* Indicates consult Customer Service Department for additional information.

MODEL

775

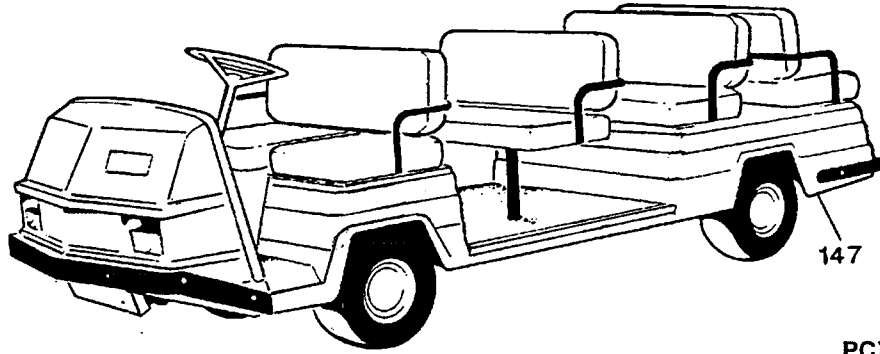
ITEM	PART NO.	1	2	3	4	5	DESCRIPTION	QTY.	
1	30537-G1						REAR DECK ASSEMBLY (INCLUDES ITEMS 2 - 4) .....	1	
2	10222-G1						HINGE.....	2	
3	16705-G4						SCREW, STAINLESS STEEL, 1/4 - 20 x 1/2 LG. ....	8	
4	30539-G1						DECK, REAR .....	1	
5									
6	30536-G1						FRONT DECK ASSEMBLY (INCLUDES ITEMS 7 - 9) .....	1	
7	33121-G01						HINGE.....	2	
8	16705-G2						SCREW, STAINLESS STEEL, 1/4 - 20 x 5/8 LG. ....	8	
9	30538-G1						DECK, FRONT.....	1	
10									
11	00891-G2						NUT, LOCK, 1/4 - 20 .....	8	
12	30542-G3						ROD, REAR SUPPORT .....	1	
13									
14									
15									
16	22501-G2						MOUNT .....	2	
17	16705-G2						SCREW, STAINLESS STEEL, 1/4 - 20 X 5/8 LG. ....	12	
18	16836-G1						RETAINER, PUSHON .....	2	
19	16837-G1						RECEPTACLE.....	2	
20	00773-G1						STUD, OVAL .....	2	
21									
22	14601-G5						RIVET, STAINLESS STEEL, 27/64 .....	12	
23	18270-G2						BRACKET .....	2	
24	00204-G8						SCREW, 1/4 - 20 X 1 LG. ....	6	
25	11027-G2						NUT, LOCK, 1/4 - 20 .....	10	
26	21548-G1						FASTENER, CLIP .....	2	
27									
28	00138-G4						SCREW, #6 - 32 X 1/2 LG. ....	2	
29	00525-G5						NUT, #6 - 32 .....	3	
30									

THE USE OF NON U.L. PARTS WILL VOID ANY U.L. LISTING.  
 When ordering parts, please specify the model and serial number of the product.  
 \* Indicates a component that is not available as an individual part.  
 G\*\* Indicates consult Customer Service Department for additional information.

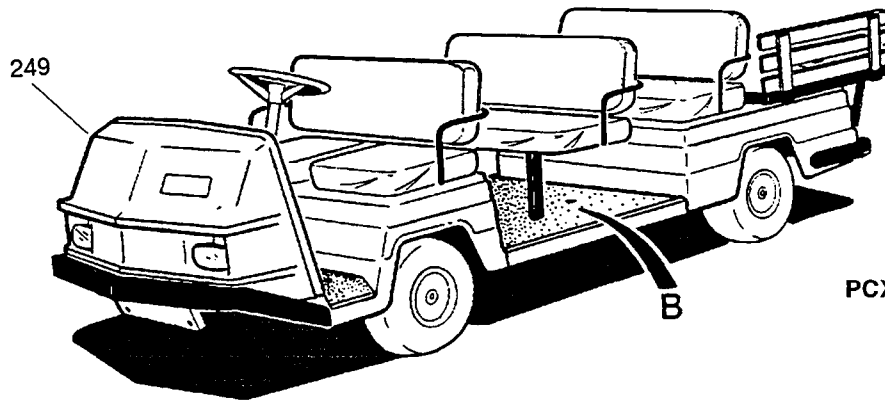
MODEL		
	775	

ITEM	PART NO.	1	2	3	4	5	DESCRIPTION	QTY.		
31	00565-G3						WASHER, LOCK, #6.....		2	
32	17838-G1						BUSHING, NYLINER .....		2	
33	12064-G1						PUSHNUT, 5/16 .....		2	
34										
35	31144-G2						ANGLE, DRIVER'S SIDE .....		1	
36	31143-G2						ANGLE, PASSENGER SIDE .....		1	
37	00703-G6						SCREW, STAINLESS STEEL, 3/8 - 16.....		2	
38	00675-G1						WASHER, STAINLESS STEEL, 1 1/4 O.D. X 3/8 I.D. ....		2	
39	00654-G5						NUT, LOCK, 3/8 - 16 .....		2	
40										
41	30542-G4						ROD, FRONT SUPPORT.....		1	

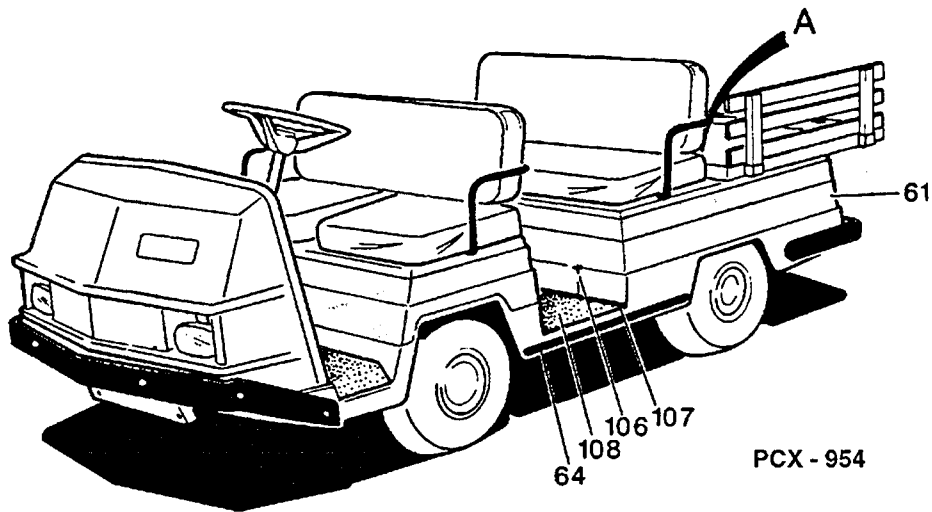




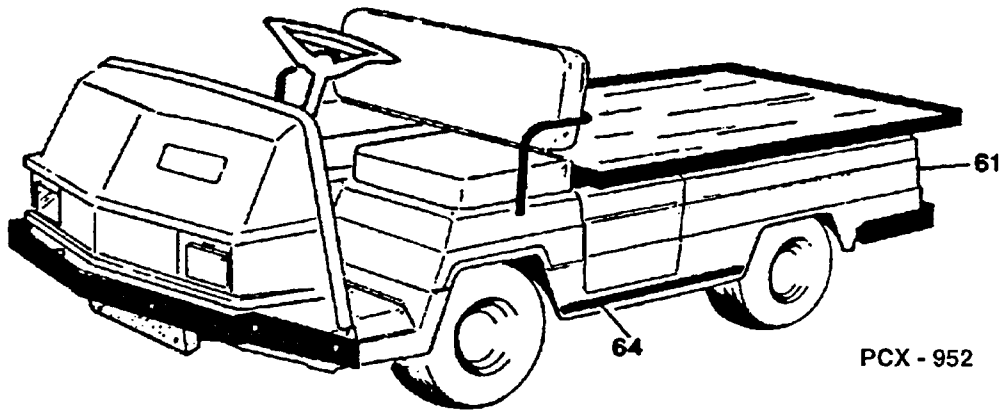
PCX - 957



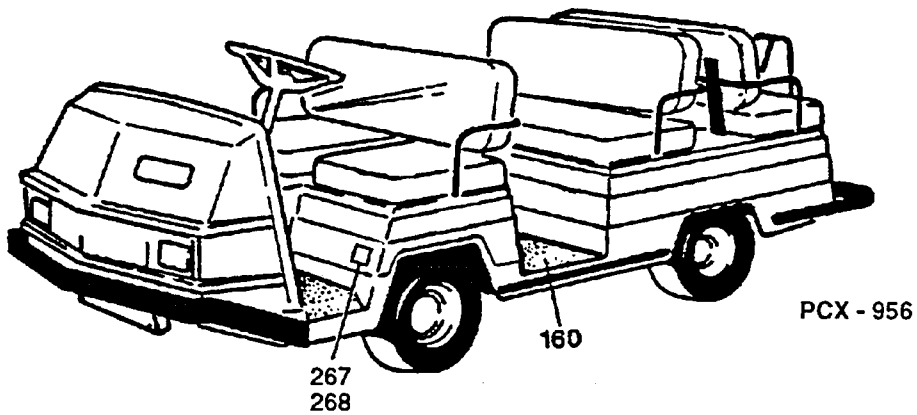
PCX - 955



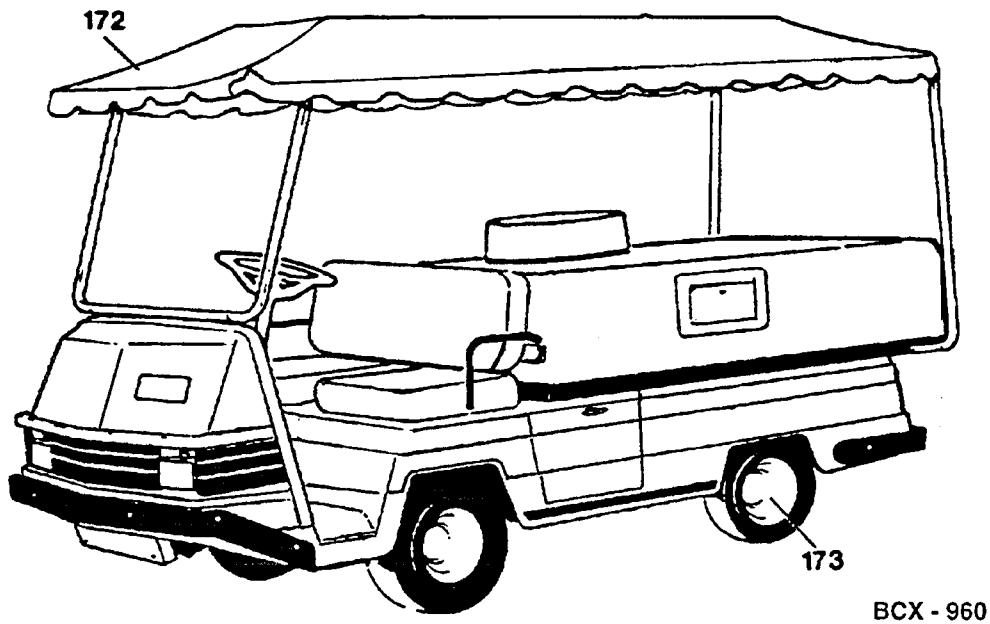
PCX - 954



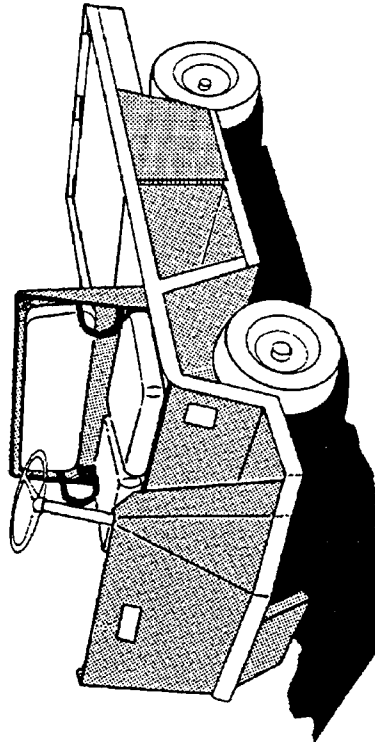
PCX - 952



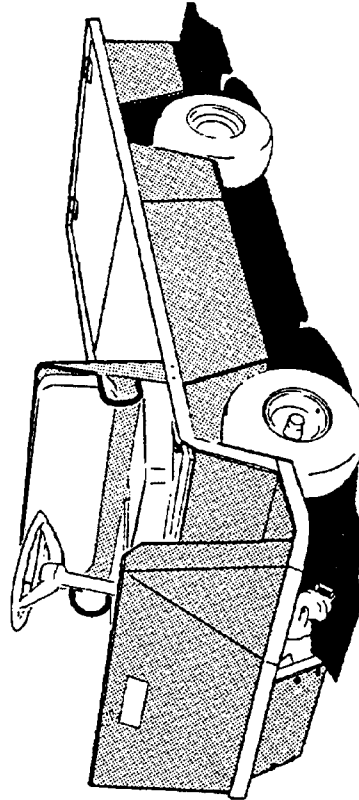
PCX - 956



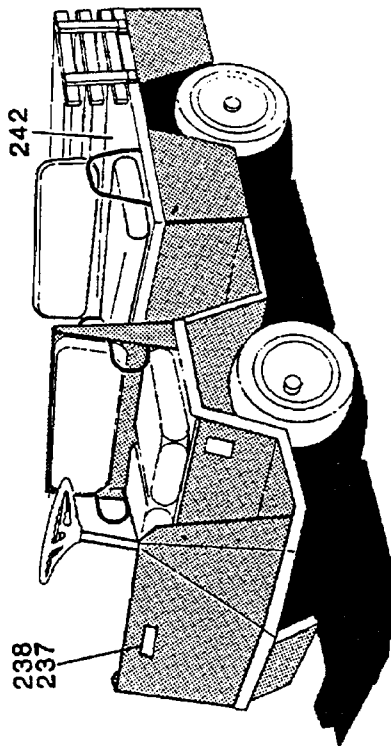
BCX - 960



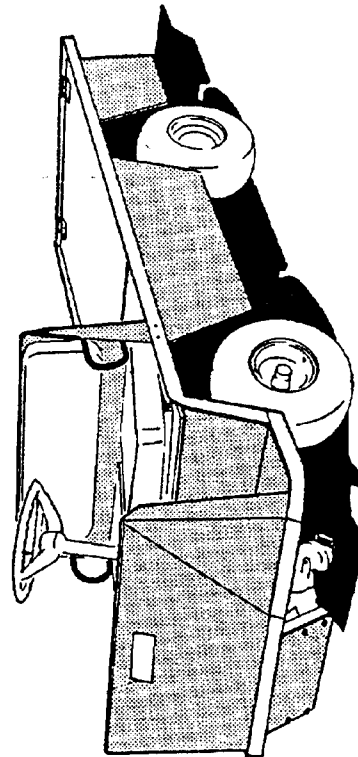
XI-775



XI-881

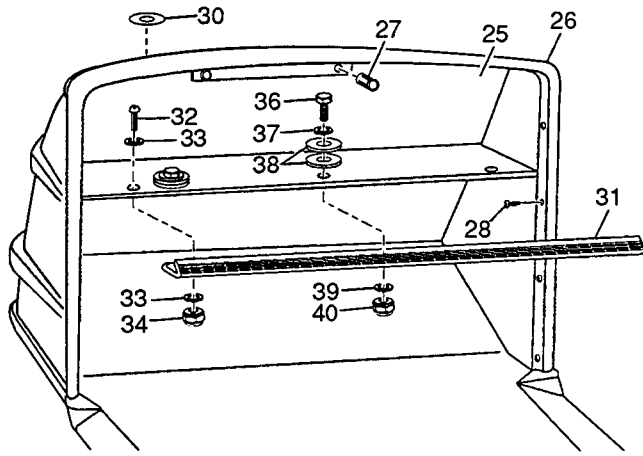


XI-875P

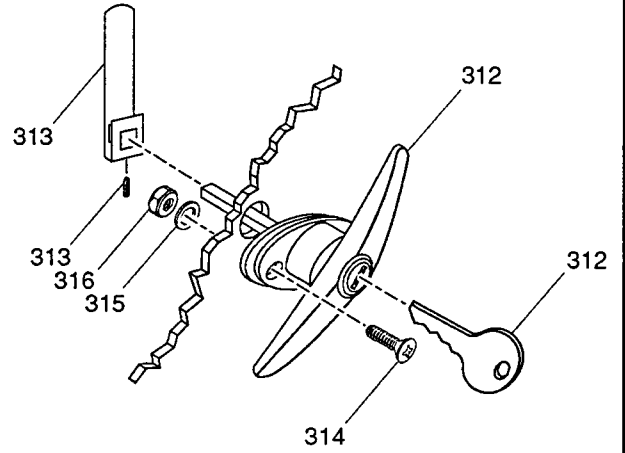


XI-875

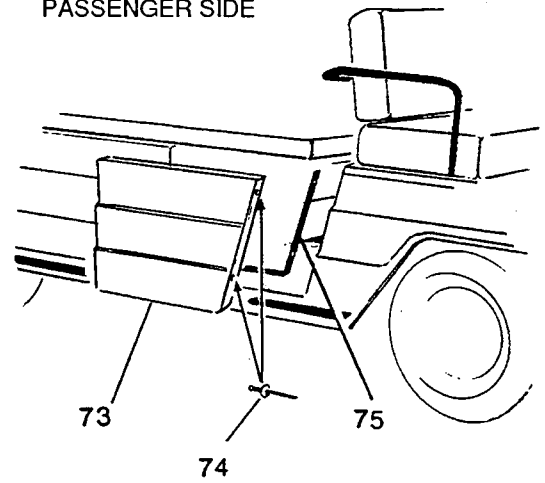
COWL INSTALLATION - FIBERGLASS BODIES



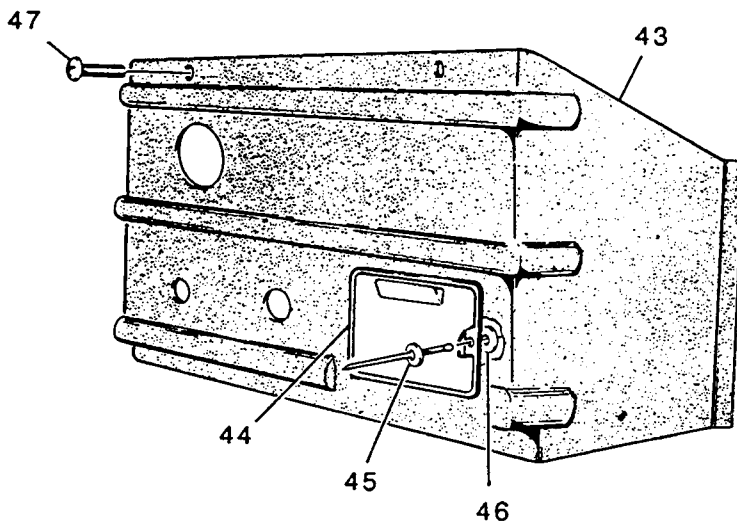
DOOR LOCK INSTALLATION



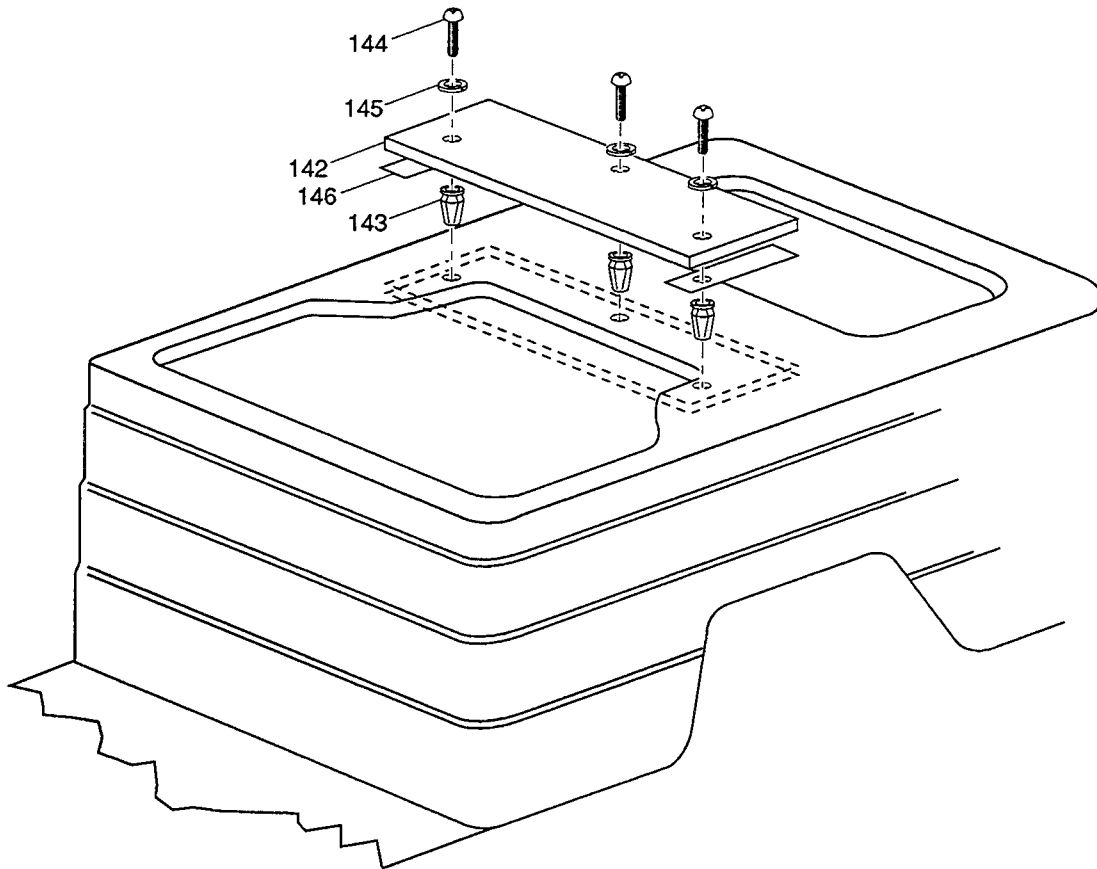
DOOR PANEL ATTACHMENT PASSENGER SIDE



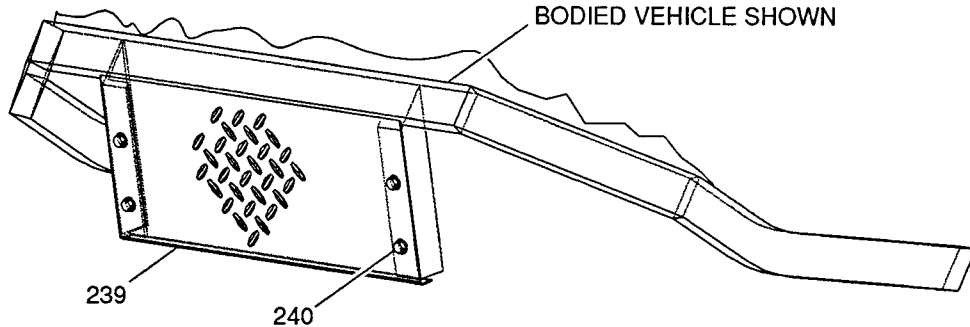
INSTRUMENT PANEL INSTALLATION



HEAT SHIELD INSTALLATION

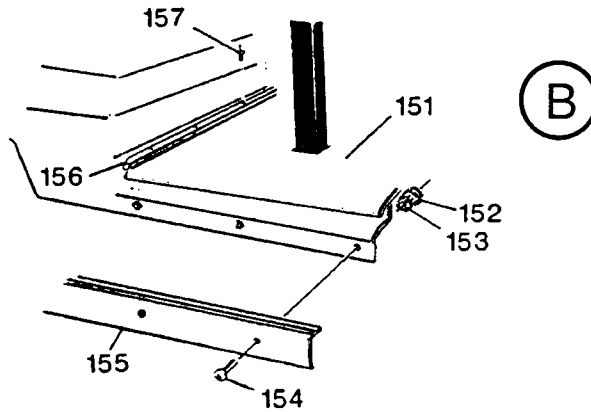


FRONT FRAME OF METAL BODIED VEHICLE SHOWN

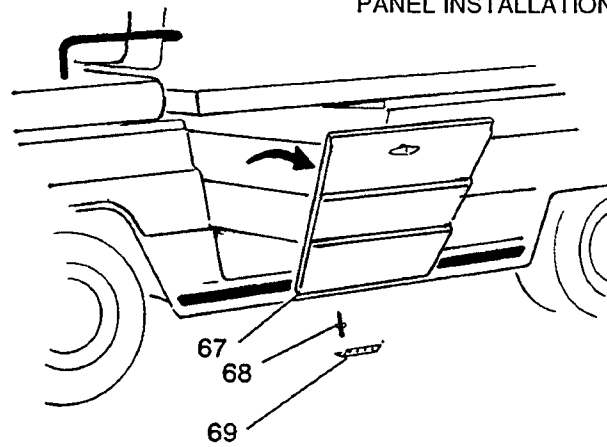


LOWER SHIELD INSTALLATION

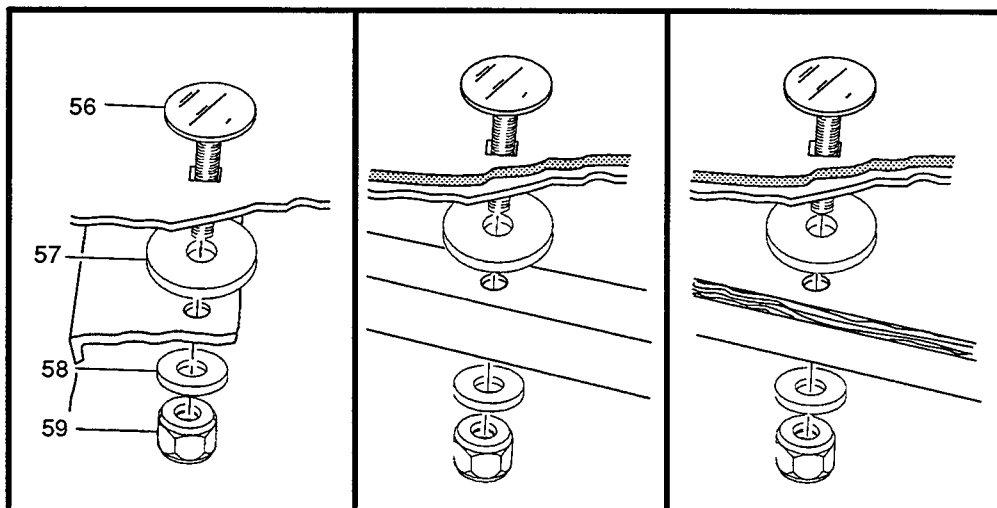
REAR FLOORMAT  
INSTALLATION



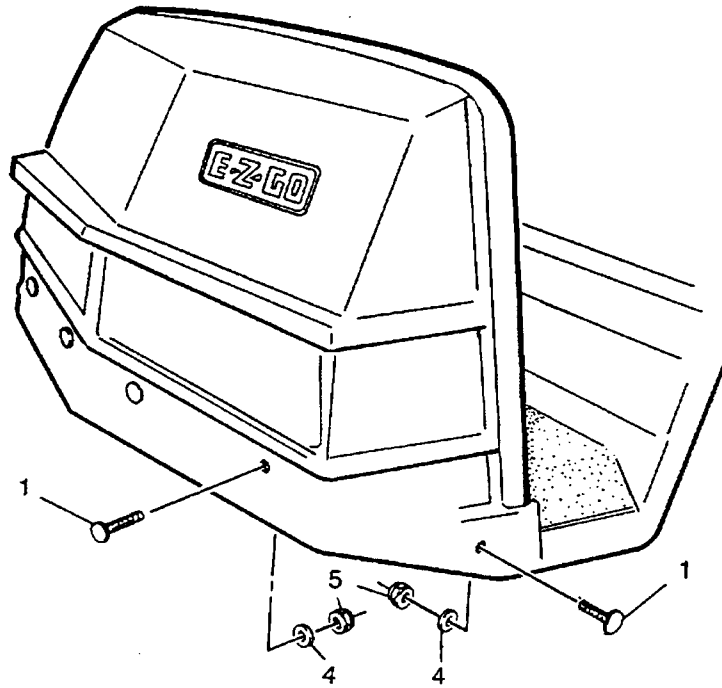
HINGED DOOR  
PANEL INSTALLATION



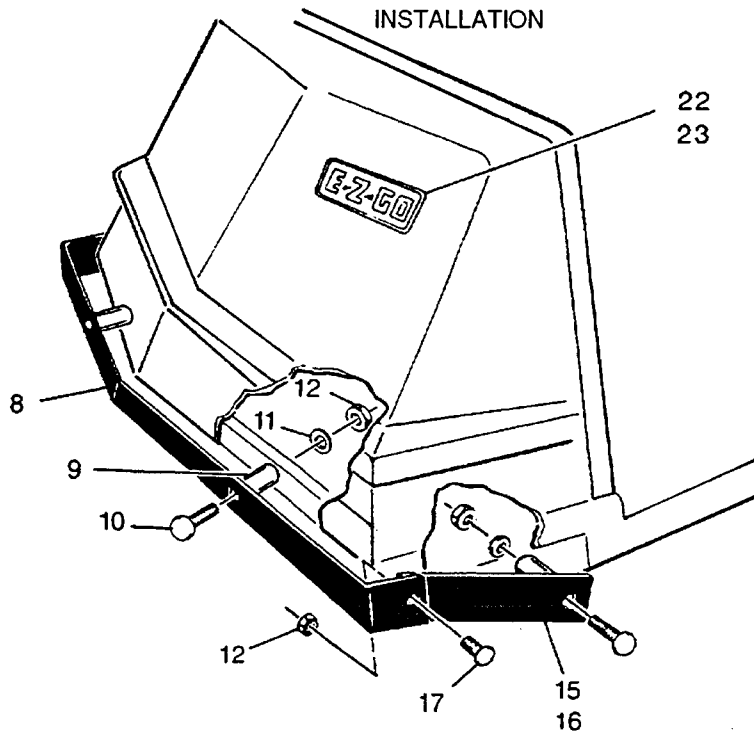
BODY INSTALLATION COMPONENTS

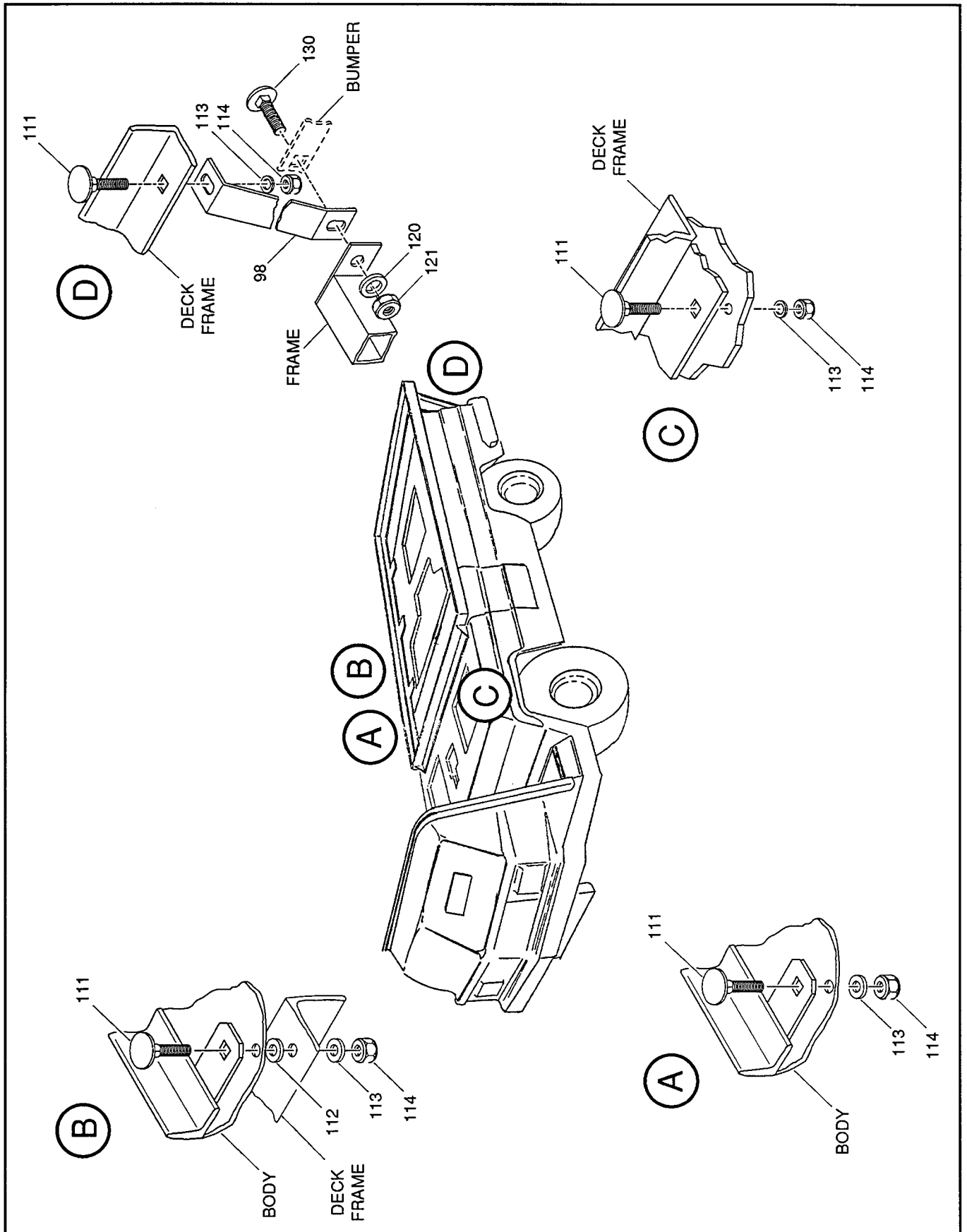


COWL ASSEMBLY  
INSTALLATION

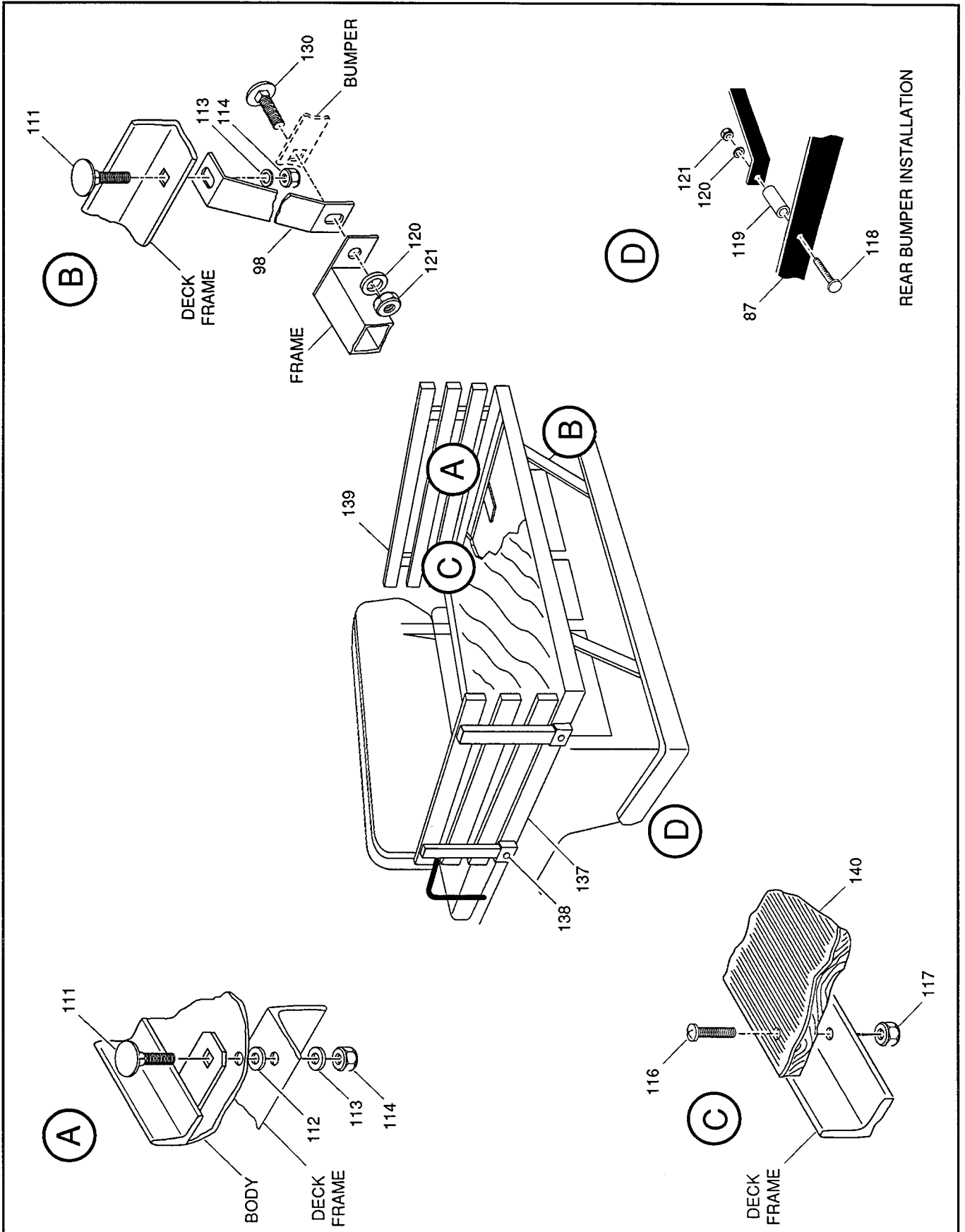


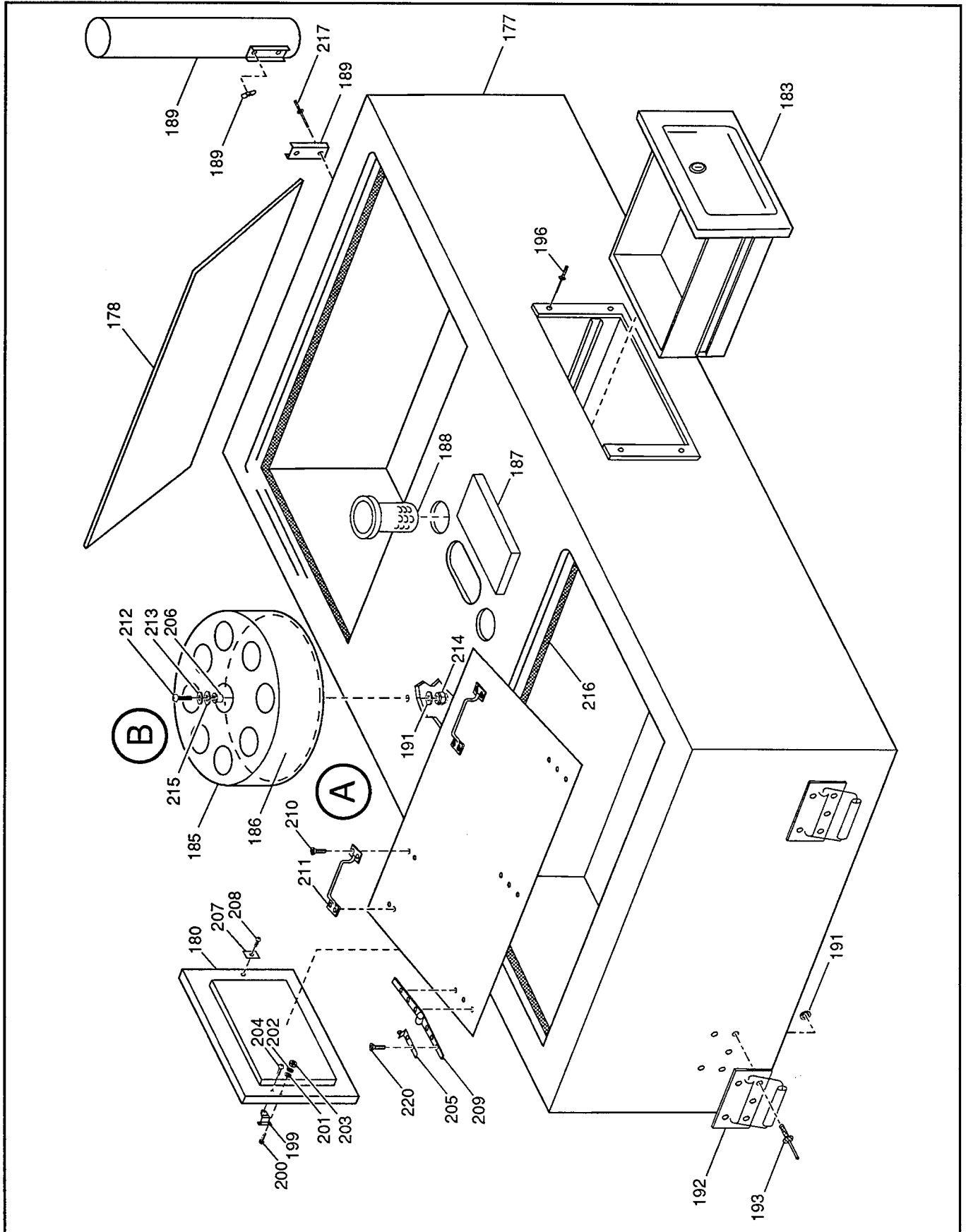
FRONT BUMPER  
INSTALLATION



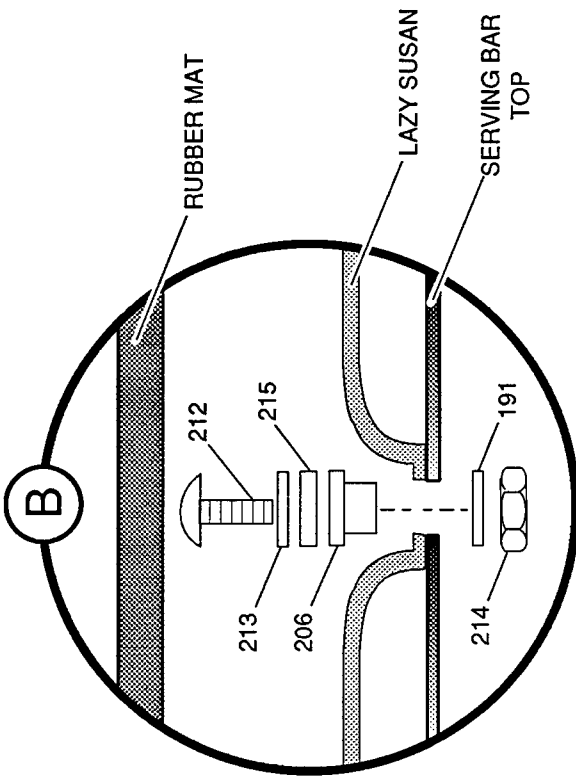




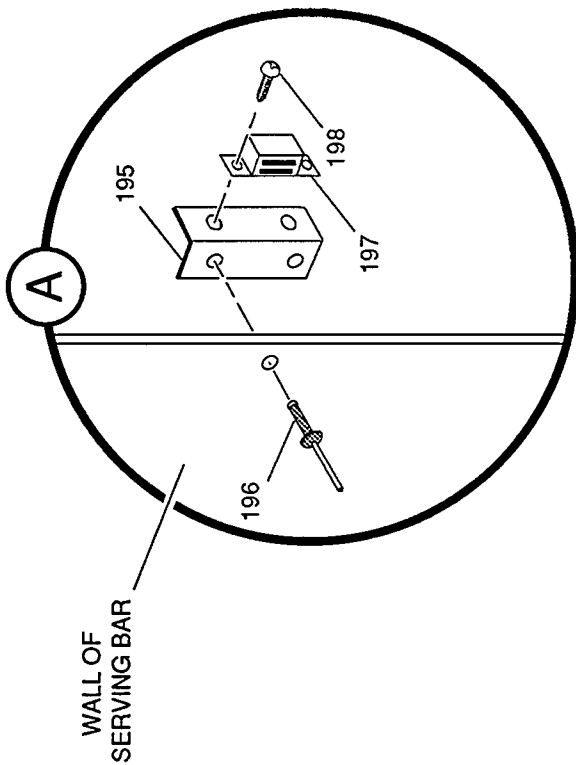




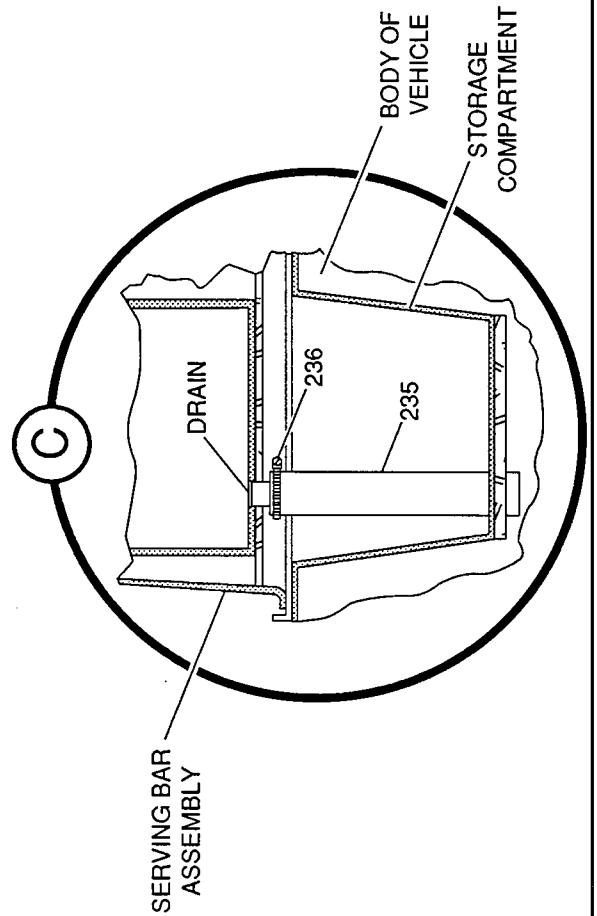
LAZY SUSAN INSTALLATION

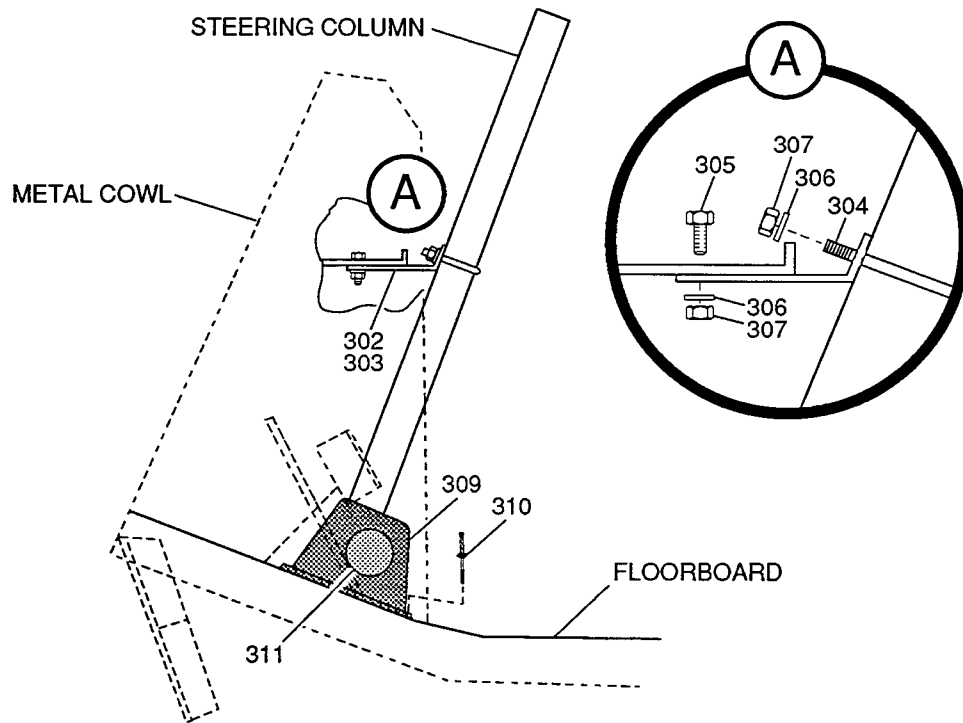


SIDE DOOR INSTALLATION

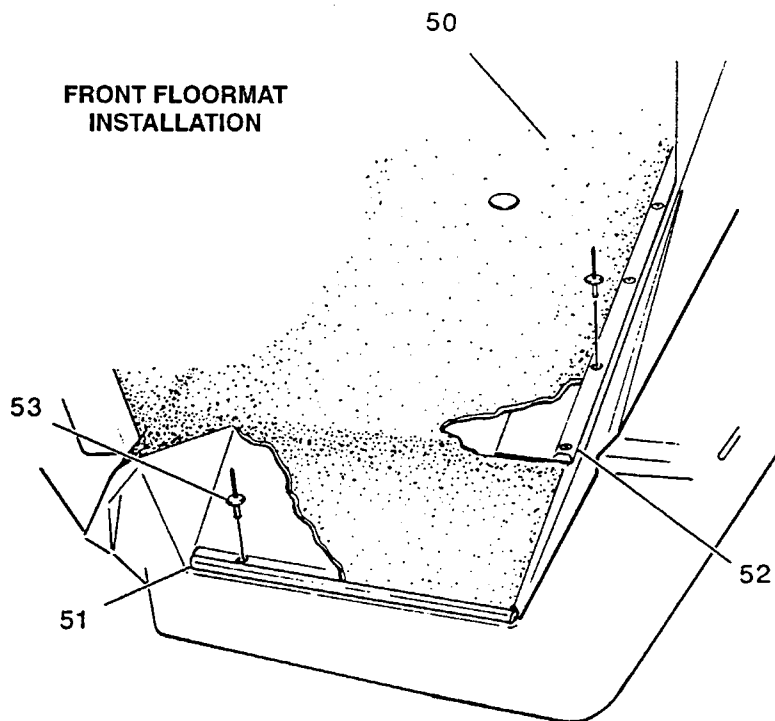


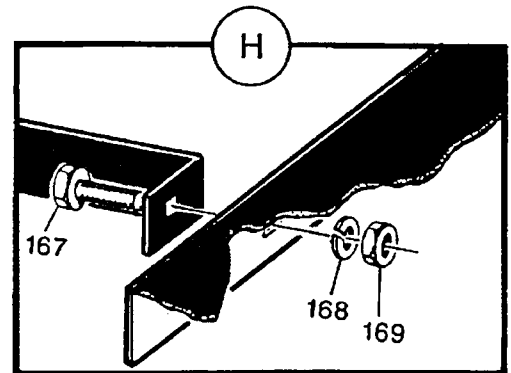
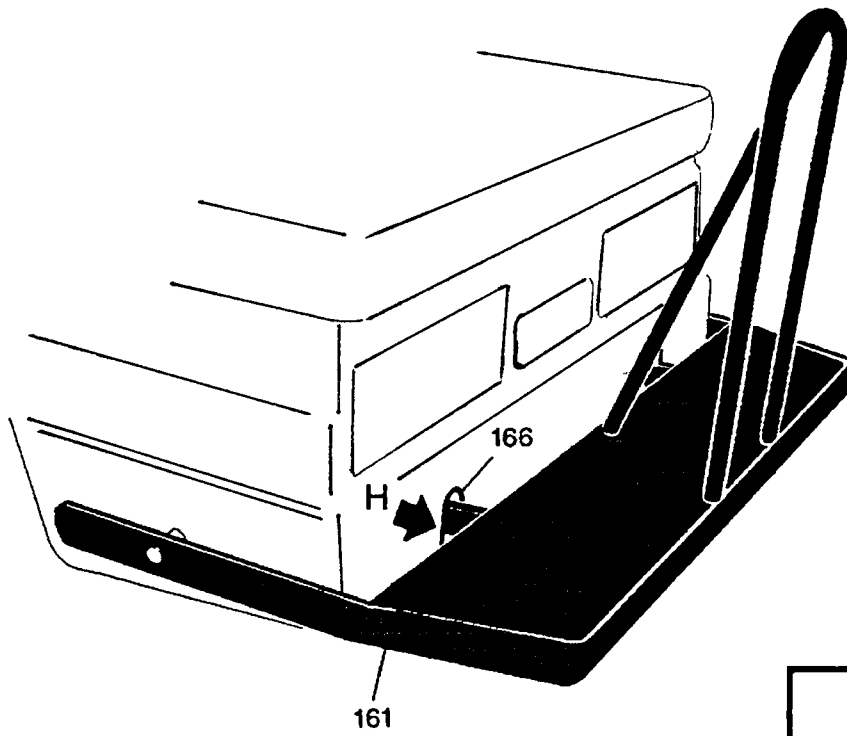
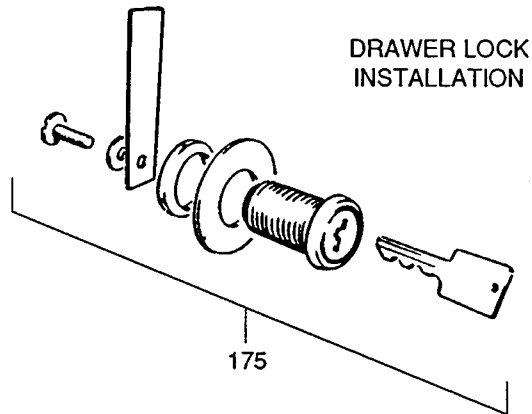
FRONT COMPARTMENT DRAIN INSTALLATION

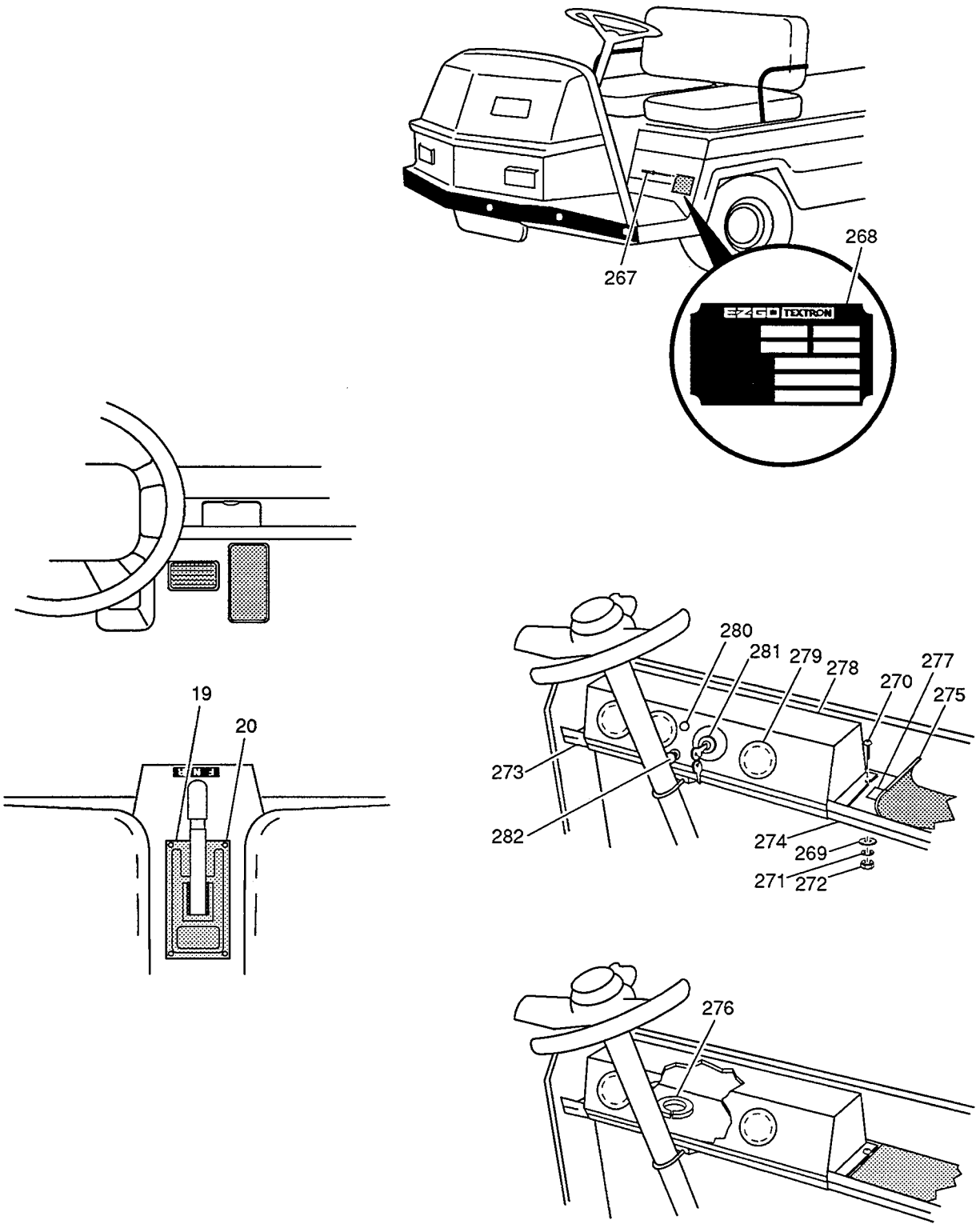




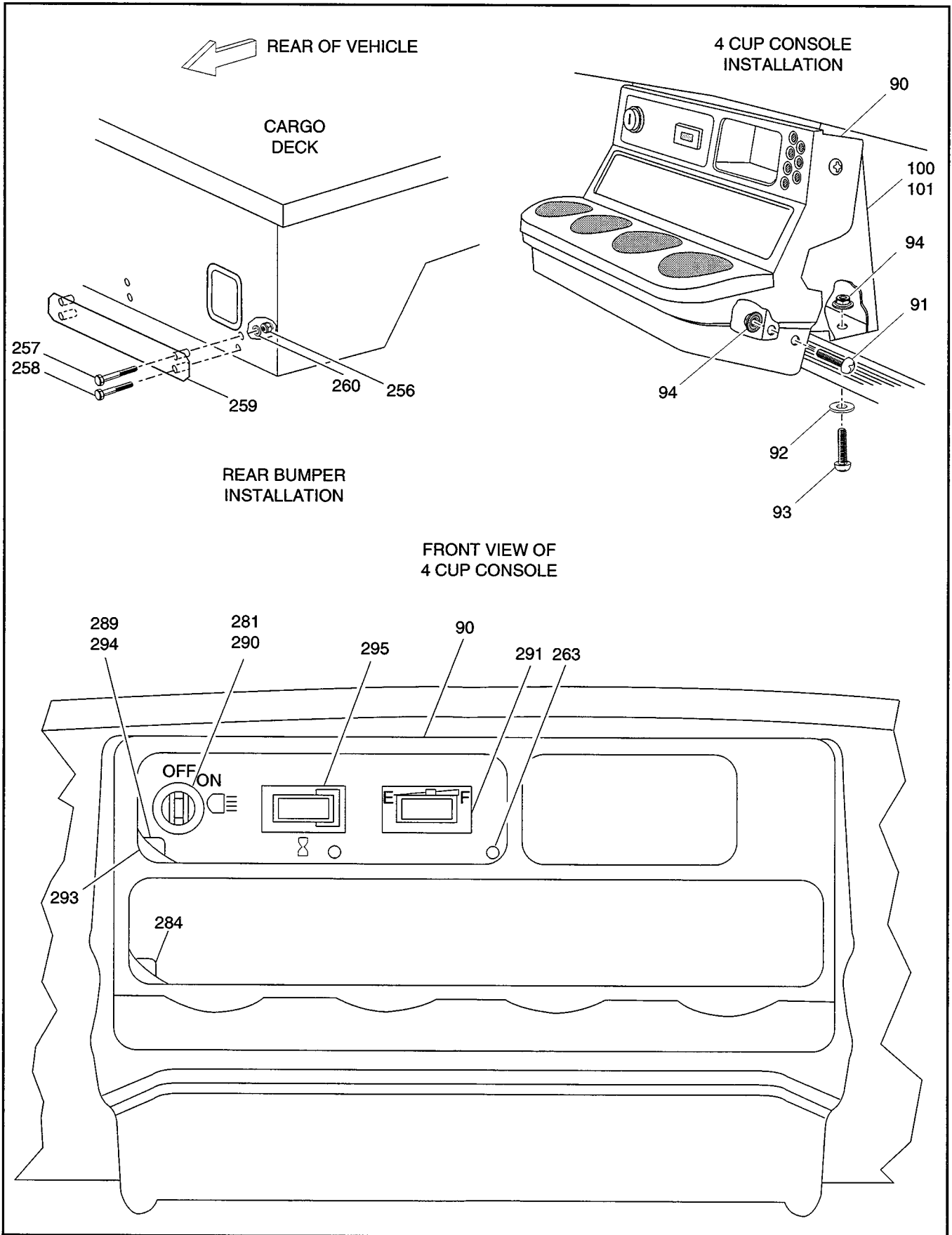
FRONT FLOORMAT  
INSTALLATION



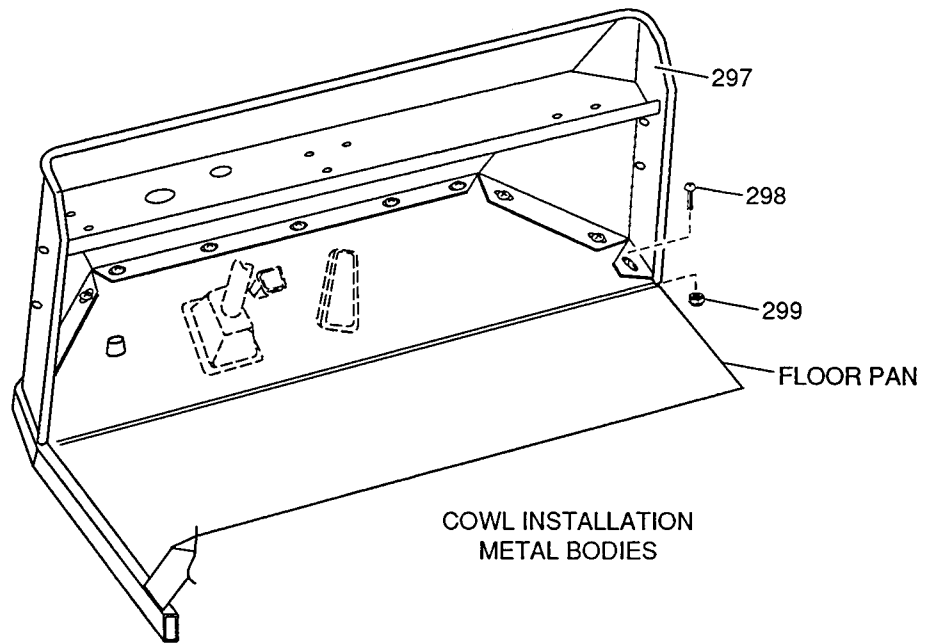
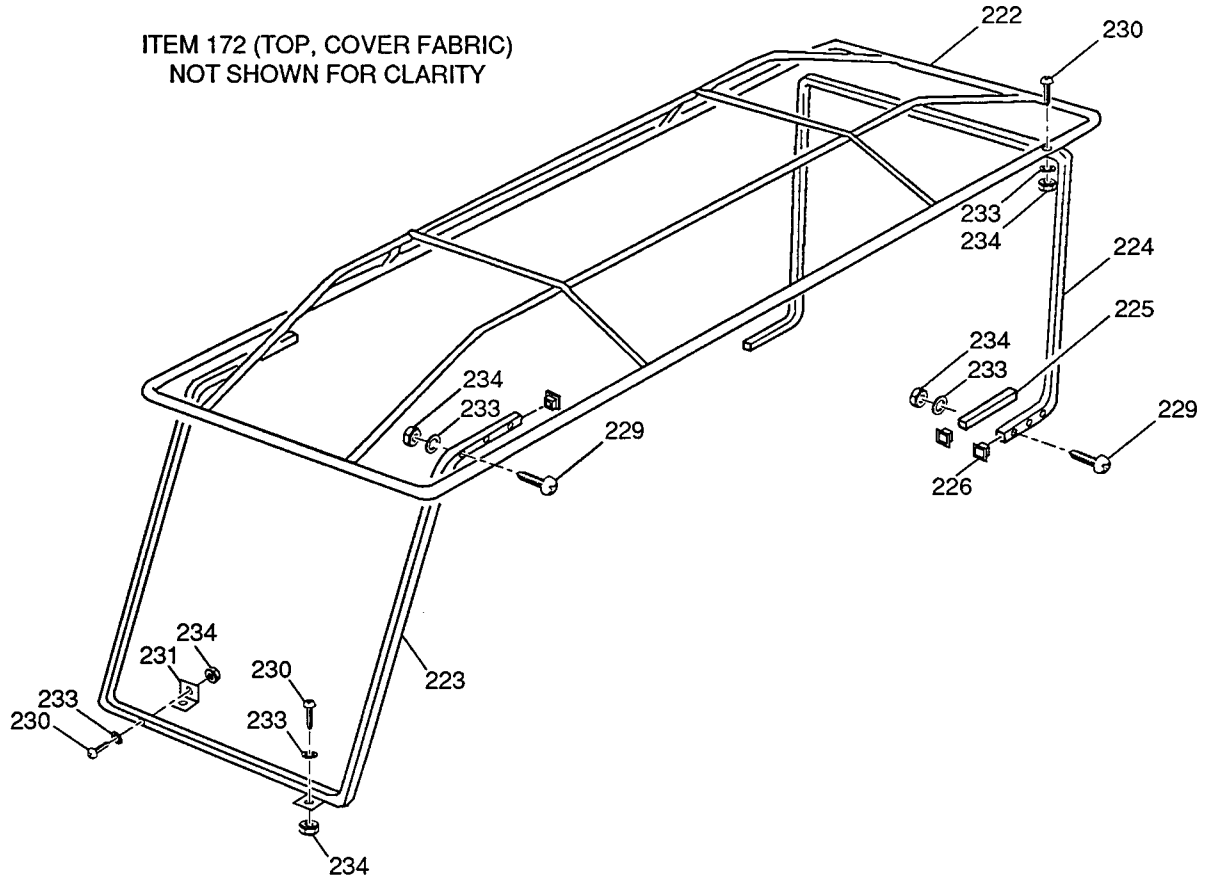




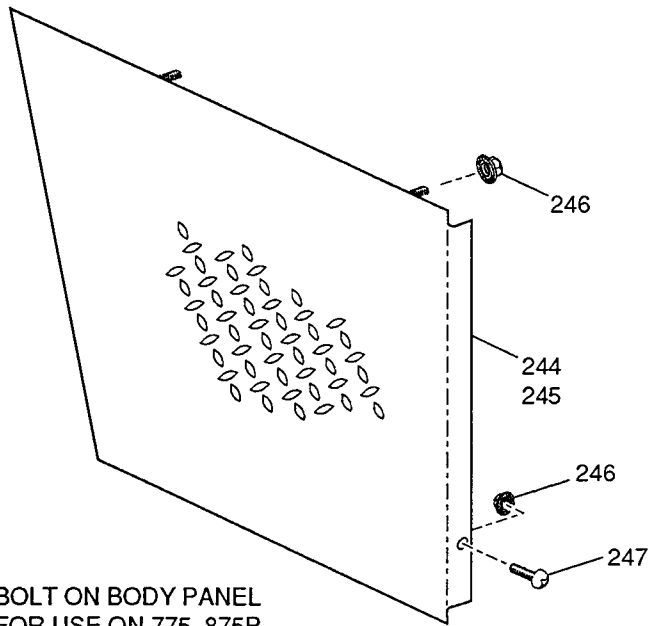
INSTRUMENT PANEL  
INSTALLATION



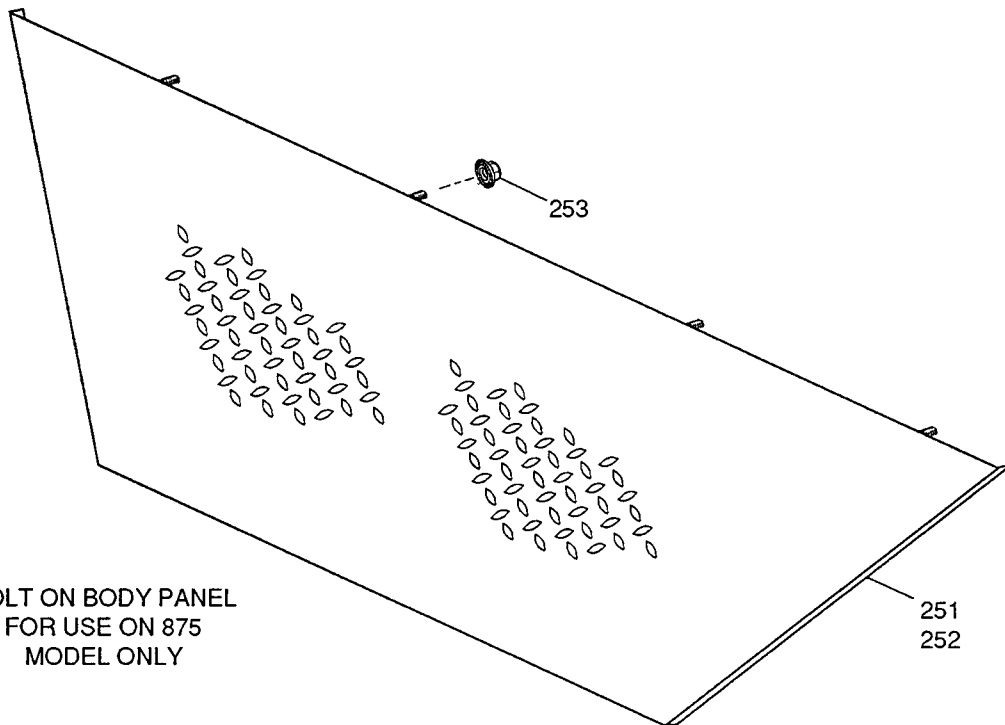
ITEM 172 (TOP, COVER FABRIC)  
NOT SHOWN FOR CLARITY



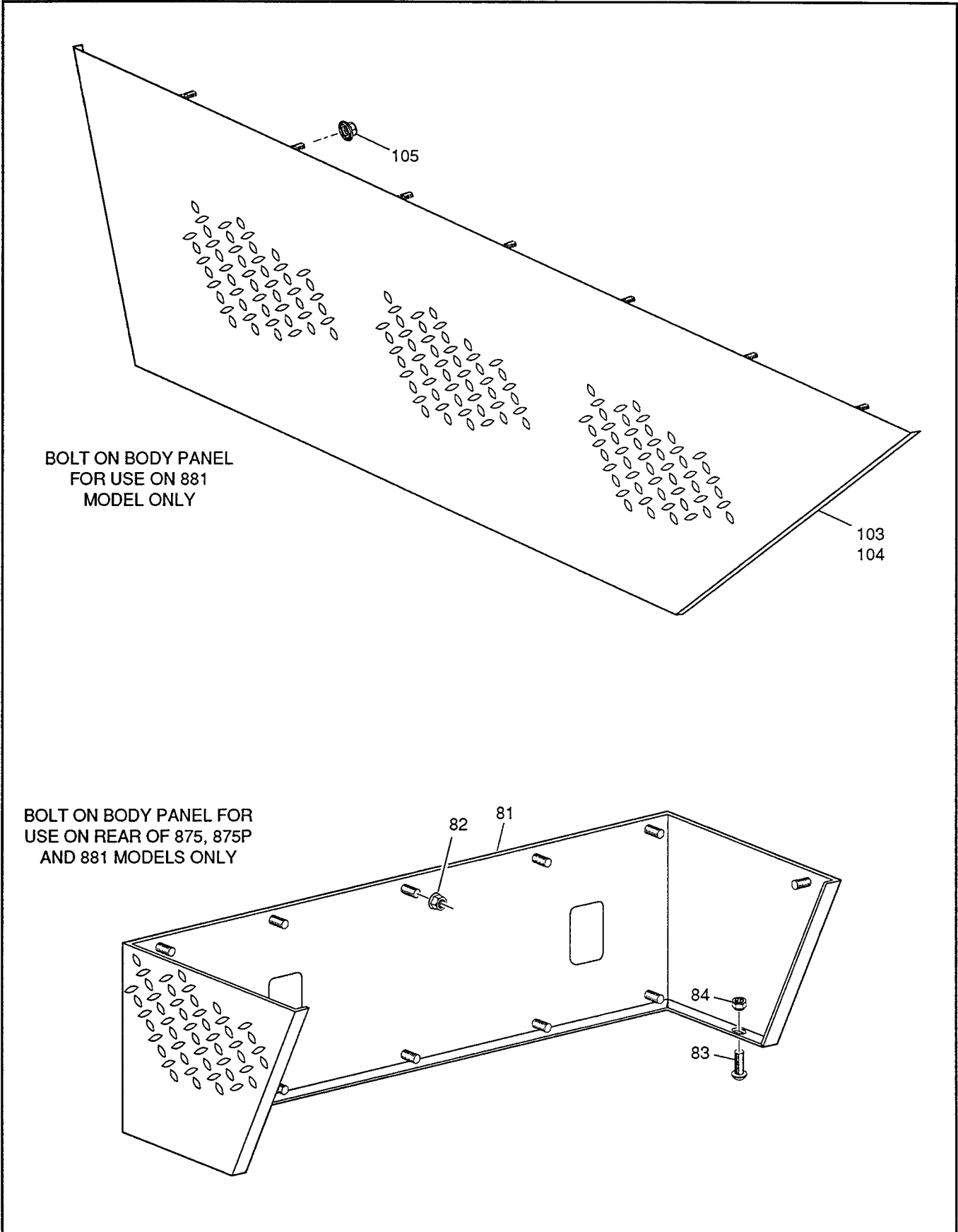




BOLT ON BODY PANEL  
FOR USE ON 775, 875P  
MODELS ONLY



BOLT ON BODY PANEL  
FOR USE ON 875  
MODEL ONLY



BOLT ON BODY PANEL  
FOR USE ON 881  
MODEL ONLY

BOLT ON BODY PANEL FOR  
USE ON REAR OF 875, 875P  
AND 881 MODELS ONLY

# MODEL DETAILS

# Electric Vehicle

THE USE OF NON U.L. PARTS WILL VOID ANY U.L.LISTING.  
 When ordering parts, please specify the model and serial number of the product.  
 \* Indicates a component that is not available as a individual part.  
 G\*\* Indicates consult Customer Service Department for additional information.

MODEL		
775	952	956
875/P	954	957
881	955	960

ITEM	PART NO.	1 2 3 4 5	DESCRIPTION	QTY.		
1	00724-G3		BOLT, 5/16 - 18 X 1 1/2 LG. ....	-	6	6
2						
3						
4	00660-G8		WASHER, STAINLESS STEEL, 5/16.....	-	6	6
5	00891-G3		NUT, LOCK, 5/16 - 18 .....	-	6	6
6						
7						
8	30059-G1		BUMPER, FRONT.....	-	1	1
9	30049-G1		STANDOFF, BUMPER .....	-	2	2
10	00725-G2		BOLT, CARRIAGE, STAINLESS STEEL, 3/8 - 16 X 3 1/2 LG.....	-	4	4
11	00653-G1		WASHER, 3/8.....	-	4	4
12	00891-G5		NUT, LOCK, STAINLESS STEEL, 3/8 - 16 .....	-	6	6
13						
14						
15	30060-G2		BUMPER, SIDE, DRIVER'S SIDE .....	-	1	1
16	30060-G1		BUMPER, SIDE, PASSENGER SIDE .....	-	1	1
17	00725-G1		BOLT, CARRIAGE, 3/8 - 16 X 1 LG. ....	-	2	2
18						
19	33569-G01		COVER, PARKING BRAKE .....	1	1	1
20	71055-G01		RIVET, 3/16 .....	4	4	4
21						
22	19817-G1		NAMEPLATE, E-Z-GO .....	-	1	1
23	23803-G1		DOUBLE SIDED ADHESIVE TAPE (ORDER TO THE NEAREST YARD).....	-	AR	AR
24	30502-G**		COWL ASSEMBLY (INCLUDES ITEMS 25 - 40) .....	-	1	1
25	30041-G**		COWL, FIBERGLASS.....	-	1	1
26	30051-G1		SUPPORT, COWL .....	-	1	1
27	30054-G1		NUT, MOLLY JACK, 1/4 - 20.....	-	2	2
28	18449-G3		SCREW, SELF TAPPING, #8 - 18 X 5/8 LG.....	-	13	13
29						

THE USE OF NON U.L. PARTS WILL VOID ANY U.L. LISTING.  
 When ordering parts, please specify the model and serial number of the product.  
 \* Indicates a component that is not available as an individual part.  
 G\*\* Indicates consult Customer Service Department for additional information.

MODEL		
775	952	956
875/P	954	957
881	955	960

ITEM	PART NO.	1	2	3	4	5	DESCRIPTION	QTY.		
30	20271-G1						PLUG, HOLE .....	-	2	2
31	30055-G1						DASH TRIM, EXTRUSION .....	-	1	1
32	16705-G1						SCREW, STAINLESS STEEL, 1/4 - 20 X 1 LG. ....	-	2	2
33	00660-G7						WASHER, STAINLESS STEEL, 1/4 .....	-	4	4
34	00891-G2						NUT, LOCK, 1/4 - 20 .....	-	2	2
35										
36	16705-G6						SCREW, 1/4 - 20 X 1 3/4 LG. ....	-	2	2
37	00559-G7						WASHER, 1/4 .....	-	3	3
38	30036-G1						WASHER, RUBBER .....	-	2	2
39	00559-G7						WASHER, 1/4 .....	-	2	2
40	00891-G2						NUT, LOCK, 1/4 - 20 .....	-	2	2
41										
42										
43	30074-G1						PANEL, INSTRUMENT .....	-	1	1
44	30072-G1						ASHTRAY .....	-	1	1
45	10570-G3						RIVET, 1/8 .....	-	2	2
46	00723-G1						WASHER, FENDER, STAINLESS STEEL, 5/16 .....	-	2	2
47	16705-G1						SCREW, STAINLESS STEEL, 1/4 - 20 X 1 LG. ....	-	2	2
48										
49										
50	33279-G01						FLOORMAT, FRONT (FOR USE ON 952, 954, 955, 956, 957 AND 960 MODELS ONLY) .....	-	1	1
51	30068-G1						RETAINER, FLOORMAT .....	-	2	2
52	30067-G1						RETAINER, REAR FLOORMAT .....	-	1	1
53	10570-G3						RIVET, 1/8 .....	-	14	14
54										
55										
56	00977-G07						BOLT, STAINLESS STEEL, 5/16 - 18 X 1 1/2 LG. ....	-	AR	AR
57	30036-G1						WASHER, RUBBER .....	-	AR	AR
58	00660-G8						WASHER, STAINLESS STEEL, 5/16 .....	-	AR	AR

# MODEL DETAILS

# Electric Vehicle

THE USE OF NON U.L. PARTS WILL VOID ANY U.L.LISTING.  
 When ordering parts, please specify the model and serial number of the product.  
 \* Indicates a component that is not available as a individual part.  
 G\*\* Indicates consult Customer Service Department for additional information.

MODEL		
775	952	956
875/P	954	957
881	955	960

ITEM	PART NO.	1 2 3 4 5	DESCRIPTION	QTY.		
59	00891-G3		NUT, LOCK, STAINLESS STEEL, 5/16 - 18 .....	-	AR	AR
60						
61	33278-G**		BODY, FIBERGLASS (FOR USE ON 952, 954, 956, 960 MODELS ONLY) .....	-	1	1
62						
63						
64	30078-G1		TRIM, SIDE, 32 3/4 LG. ....	-	2	2
65						
66						
67	30320-G**		DOOR, HINGED PANEL, DRIVER'S SIDE (ITEMS 67 - 103 ARE FOR USE ON 952 AND 960 MODELS ONLY) .....	-	1	1
68	10570-G4		RIVET, 3/16 .....	-	8	8
69	30501-G1		HINGE, DOOR .....	-	2	2
70						
71						
72						
73	30311-G**		DOOR, PANEL, PASSENGER SIDE.....	-	1	1
74	14601-G1		RIVET, ALUMINIUM, 3/16 .....	-	4	4
75	22524-G1		TAPE, FOAM.....	-	1	1
76						
77						
78	30141-G1		FRAME DECK (FOR USE ON 952 AND 960 MODELS ONLY) .....	-	1	1
79						
80						
81	31877-G4		PANEL, REAR BODY (ITEMS 81 - 84 ARE FOR USE ON 875, 875P AND 881 MODELS ONLY).....	1	-	-
82	11027-G2		NUT, LOCK, 1/4 - 20 .....	12	-	-
83	16705-G4		SCREW, 1/4 - 20 X 1/2 LG.....	2	-	-
84	00891-G2		NUT, LOCK, 1/4 - 20 .....	2	-	-
85						
86						

THE USE OF NON U.L. PARTS WILL VOID ANY U.L. LISTING.

When ordering parts, please specify the model and serial number of the product.

\* Indicates a component that is not available as an individual part.

G\*\* Indicates consult Customer Service Department for additional information.

MODEL		
775	952	956
875/P	954	957
881	955	960

ITEM	PART NO.	1 2 3 4 5	DESCRIPTION	QTY.		
87	30126-G1		BUMPER (952, 954, 955, 956, 957 AND 960 MODELS ONLY) .....	-	1	1
88						
89						
90	33619-G01		CONSOLE, 4 CUP .....	-	1	1
91	16705-G3		SCREW, STAINLESS STEEL, 1/4 - 20 X 3/4 LG. ....	-	4	4
92	00793-G2		WASHER, STAINLESS STEEL, 1/4.....	-	4	4
93	16705-G9		SCREW, STAINLESS STEEL, 1/4 - 20 X 1 1/4.....	-	4	4
94	11027-G2		NUT, 1/4 - 20 .....	-	8	8
95						
96						
97						
98	30205-G1		BRACE, FRAME DECK .....	-	2	2
99						
100	33642-G02		BRACKET, 4 CUP CONSOLE SUPPORT, DRIVER'S SIDE .....	-	1	1
101	33642-G01		BRACKET, 4 CUP CONSOLE SUPPORT, PASSENGER SIDE .....	-	1	1
102						
103	32200-G3		PANEL, BODY, DRIVER'S SIDE (ITEMS 103 - 105 ARE FOR USE ON 881MODEL ONLY) .....	1	-	-
104	32200-G4		PANEL, BODY, PASSENGER SIDE .....	1	-	-
105	11027-G2		NUT, LOCK, 1/4 - 20 .....	10	-	-
106	10570-G3		RIVET (ITEMS 106 - 108 ARE FOR 954 MODEL ONLY) .....	-	12	-
107	33067-G2		RETAINER, FLOORMAT .....	-	1	-
108	32290-G3		FLOORMAT, RUBBER .....	-	1	-
109						
110						
111	00724-G5		BOLT, CARRIAGE, 5/16 - 18 X 2 LG. (ITEMS 111 - 140 ARE FOR 954 AND 955 MODELS ONLY) .....	-	4	10
112	30036-G1		WASHER, RUBBER.....	-	4	4
113	00660-G8		WASHER, STAINLESS STEEL, 5/8.....	-	4	10
114	00891-G3		NUT, LOCK, 5/16 - 18 .....	-	4	10
115						

# MODEL DETAILS

# Electric Vehicle

THE USE OF NON U.L. PARTS WILL VOID ANY U.L.LISTING.  
 When ordering parts, please specify the model and serial number of the product.  
 \* Indicates a component that is not available as a individual part.  
 G\*\* Indicates consult Customer Service Department for additional information.

MODEL		
775	952	956
875/P	954	957
881	955	960

ITEM	PART NO.	1 2 3 4 5	DESCRIPTION	QTY.		
116	00774-G2		SCREW, STAINLESS STEEL, 1/4 - 20 X 1 1/4 LG.....	-	4	2
117	00891-G2		NUT, LOCK, 1/4 - 20 .....	-	4	2
118	00725-G2		BOLT, CARRIAGE, STAINLESS STEEL, 3/8 - 16 X 3 1/2 LG.....	-	2	2
119	30049-G1		STANDOFF BUMPER.....	-	2	2
120	00653-G1		WASHER, STAINLESS STEEL, 3/8.....	-	4	2
121	00891-G5		NUT, LOCK, 3/18 - 16 .....	-	4	2
122						
123						
124						
125						
126						
127						
128						
129						
130	00725-G5		BOLT, CARRIAGE, STAINLESS STEEL, 3/8 - 16 X 1 LG.....	-	2	-
131						
132	00654-G5		NUT, LOCK, STAINLESS STEEL, 3/8 - 16 .....	-	2	-
133						
134						
135						
136						
137	30142-G1		FRAME DECK ASSEMBLY (FOR USE ON 954 AND 955 MODELS ONLY) .....	-	1	-
138	00372-G8		SCREW, #8 - 32 X 1 LG.....	-	4	-
139	31193-G1		SIDES, WOODEN STAKE .....	-	2	-
140	33040-G01		DECK, CARGO (FOR USE ON 954 AND 955 MODELS ONLY) .....	-	1	-
141						
142	33126-G01		SHIELD, HEAT (ITEMS 142 - 145 ARE FOR USE ON 954, 955, 956 AND 957 MODELS ONLY) .....	-	1	1
143	30054-G1		NUT, MOLLY JACK, 1/4 - 20 .....	-	3	3

# Electric Vehicle

# MODEL DETAILS

THE USE OF NON U.L. PARTS WILL VOID ANY U.L. LISTING.  
 When ordering parts, please specify the model and serial number of the product.  
 \* Indicates a component that is not available as an individual part.  
 G\*\* Indicates consult Customer Service Department for additional information.

MODEL		
775	952	956
875/P	954	957
881	955	960

ITEM	PART NO.	1	2	3	4	5	DESCRIPTION	QTY.		
144	16705-G1						SCREW, STAINLESS STEEL, 1/4 - 20 X 1 LG.....	-	3	3
145	00664-G7						WASHER, LOCK, STAINLESS STEEL, 1/4.....	-	3	3
146	14382-G1						STRIP, NOISE SUPPRESSION .....	-	-	2
147	33277-G**						BODY, FIBERGLASS (FOR USE ON 957 MODEL ONLY).....	-	-	1
148										
149										
150										
151	32290-G2						FLOORMAT (ITEMS 151 - 157 ARE FOR USE ON 955 AND 957 MODELS ONLY).....	-	1	1
152	00891-G2						NUT, LOCK, 1/4 - 20 .....	-	6	6
153	00642-G7						WASHER, 1/4.....	-	6	6
154	16705-G1						SCREW, 1/4 - 20 X 1 LG.....	-	6	6
155	32422-G1						TRIM, SIDE .....	-	2	2
156	30067-G2						RETAINER, REAR FLOORMAT.....	-	2	2
157	10570-G3						RIVET, 1/8.....	-	16	16
158										
159										
160	32290-G3						FLOORMAT, REAR (FOR USE ON 954 AND 960 MODELS ONLY) .....	-	1	1
161	30042-G1						STEP PLATE AND RAIL (ITEMS 166 - 169 ARE FOR USE ON 956 AND 957 MODELS ONLY).....	-	-	2
162										
163										
164										
165										
166	22280-G1						TRIM, EDGE .....	-	-	2
167	00725-G5						SCREW, STAINLESS STEEL, 3/8 - 16 X 1 1/2 LG.....	-	-	2
168	00653-G1						WASHER, LOCK, STAINLESS STEEL, 3/8.....	-	-	2
169	00891-G5						NUT, STAINLESS STEEL, 3/8 - 16.....	-	-	2
170										
171										



# MODEL DETAILS

# Electric Vehicle

THE USE OF NON U.L. PARTS WILL VOID ANY U.L.LISTING.  
 When ordering parts, please specify the model and serial number of the product.  
 \* Indicates a component that is not available as a individual part.  
 G\*\* Indicates consult Customer Service Department for additional information.

MODEL		
775	952	956
875/P	954	957
881	955	960

ITEM	PART NO.	1	2	3	4	5	DESCRIPTION	QTY.		
172	30627-G**						TOP COVER, FABRIC (172,173 USEON 960 MODEL ONLY) .....	-	-	1
173	31760-G1						HUB CAP, CHROME .....	-	-	4
174										
175	30611-G1						DRAWER LOCK (FOR USE ON 960 MODELS ONLY) .....	-	-	1
176	30591-G**						COMPLETE BAR ASSEMBLY (FOR USE ON 960 MODEL ONLY) INCLUDES ITEMS 177 - 234 .....	-	-	1
177	30592-G**						BAR TOP, FIBERGLASS .....	-	-	1
178	30593-G**						LID, CHEST .....	-	-	1
179										
180	30612-G**						DOOR, SIDE .....	-	-	2
181										
182										
183	30609-G**						DRAWER, SIDE .....	-	-	1
184										
185	30599-G1						LAZY SUSAN .....	-	-	1
186	30600-G1						MAT, RUBBER, 18.75 DIA. ....	-	-	1
187	30603-G1						CUTTING BOARD .....	-	-	1
188	30602-G1						HOLDER, SILVERWARE .....	-	-	2
189	31434-G1						CUP DISPENSER (WITH MOUNTING BRACKET AND WING NUTS) .....	-	-	1
190										
191	00559-G7						WASHER, 1/4 .....	-	-	12
192	31607-G1						HANDLE, LIFT .....	-	-	4
193	30403-G2						RIVET, 5/32 .....	-	-	16
194										
195	30605-G1						BRACKET, DOOR CATCHING .....	-	-	2
196	15058-G1						RIVET .....	-	-	4
197	30606-G1						CATCH, MAGNETIC .....	-	-	2
198	*						SCREW, MAGNETIC CATCH MOUNTING .....	-	-	4
199	31490-G1						HINGE, CHROME .....	-	-	4
200	00978-G5						SCREW, #6 - 18 X 5/8 LG. ....	-	-	8

THE USE OF NON U.L. PARTS WILL VOID ANY U.L. LISTING.  
 When ordering parts, please specify the model and serial number of the product.  
 \* Indicates a component that is not available as an individual part.  
 G\*\* Indicates consult Customer Service Department for additional information.

MODEL		
775	952	956
875/P	954	957
881	955	960

ITEM	PART NO.	1	2	3	4	5	DESCRIPTION	QTY.		
201	00559-G3						WASHER, #6 .....	-	-	8
202	00565-G3						WASHER, LOCK, #6 .....	-	-	8
203	00525-G5						NUT, #6 - 32.....	-	-	8
204	00918-G5						SCREW, #6 - 18 X 5/8 LG. ....	-	-	6
205	32645-G1						STOP, DOOR.....	-	-	6
206	30215-G1						BUSHING, NYLON .....	-	-	1
207	*						PLATE, MAGNETIC CATCH .....	-	-	1
208	*						SCREW .....	-	-	1
209	30596-G1						HINGE, LID.....	-	-	2
210	00881-G6						SCREW, STAINLESS STEEL, #8 - 15 X 3/4 LG. ....	-	-	8
211	31491-G1						HANDLE, LID.....	-	-	1
212	00712-G4						SCREW, 1/4 - 20 X 1 1/2 LG. ....	-	-	1
213	16469-G1						WASHER, FENDER .....	-	-	2
214	14390-G4						NUT, LOCK, 1/4 - 20.....	-	-	1
215	30036-G1						BUMPER, RUBBER .....	-	-	1
216	32805-G5						TRIM EDGE.....	-	-	1
217	15058-G3						RIVET, 3/16.....	-	-	2
218										
219										
220	00881-G6						SCREW, STAINLESS STEEL, #8 - 15 X 3/4 LG. ....	-	-	18
221										
222	30572-G1						FRAME, CANOPY (ITEMS 222 - 234 ARE FOR USE ON 960 MODEL ONLY).....	-	-	1
223	30628-G1						SUPPORT, FRONT .....	-	-	1
224	30629-G1						SUPPORT, REAR .....	-	-	1
225	30625-G1						SPACER, FRAME .....	-	-	2
226	31395-G1						CAP, TUBE.....	-	-	6
227										
228										
229	00762-G9						SCREW, STAINLESS STEEL, 5/16 - 18 X 2 1/2 LG.....	-	-	8

# MODEL DETAILS

# Electric Vehicle

THE USE OF NON U.L. PARTS WILL VOID ANY U.L.LISTING.

When ordering parts, please specify the model and serial number of the product.

\* Indicates a component that is not available as a individual part.

G\*\* Indicates consult Customer Service Department for additional information.

MODEL		
775	952	956
875/P	954	957
881	955	960

ITEM	PART NO.	1 2 3 4 5	DESCRIPTION	QTY.		
230	00762-G6		SCREW, STAINLESS STEEL, 5/16 - 18 X 1 3/4 LG.....	-	-	6
231	30630-G1		BRACKET, CANOPY MOUNTING .....	-	-	2
232						
233	00660-G8		WASHER, STAINLESS STEEL, 5/16.....	-	-	14
234	14390-G4		NUT, LOCK, 5/16 - 18 .....	-	-	14
235	22938-G2		TUBING, FLEXIBLE .....	-	-	1
236	11391-G5		CLAMP, HOSE .....	-	-	1
237	19817-G1		NAMEPLATE, E-Z-GO .....	1	-	-
238	12064-G3		PUSHNUT, 3/16 .....	3	-	-
239	33340-G01		SHIELD, LOWER .....	1	1	1
240	00715-G1		SCREW, STAINLESS STEEL, 5/16 - 24 X 3/4 LG.....	4	-	-
241						
242	XXXXX-XX		HINGE LOAD DECK (SEE SEPARATE ILLUSTRATION) .....	1	1	1
243						
244	32118-G3		PANEL, BODY, DRIVER'S SIDE (ITEMS 244 - 247 ARE FOR USE ON 775 AND 875P VEHICLES ONLY) .....	1	-	-
245	32118-G4		PANEL, BODY, PASSENGER SIDE.....	1	-	-
246	11027-G2		NUT, LOCK, 1/4 - 20 .....	4	-	-
247	16705-G3		SCREW, STAINLESS STEEL, 1/4 - 20 X 3/4 LG.....	1	-	-
248						
249	33277-G**		BODY, FIBERGLASS (FOR USE ON 955 MODEL ONLY) .....	-	1	-
250						
251	31876-G3		PANEL, BODY, DRIVER'S SIDE (ITEMS 251 - 253 ARE FOR USE ON 875 VEHICLES ONLY) .....	1	-	-
252	31876-G4		PANEL, BODY, PASSENGER SIDE.....	1	-	-
253	11027-G2		NUT, LOCK, 1/4 - 20 .....	7	-	-
254						
255						
256	00891-G3		NUT, LOCK, 5/16 - 18 .....	4	-	-
257	00722-G4		BOLT, CARRIAGE, 5/16 - 18 X 1 1/2 LG. (UPPER).....	2	-	-
258	00722-G6		BOLT, CARRIAGE, 5/16 - 18 X 1 3/4 LG. (LOWER).....	2	-	-

THE USE OF NON U.L. PARTS WILL VOID ANY U.L. LISTING.  
 When ordering parts, please specify the model and serial number of the product.  
 \* Indicates a component that is not available as an individual part.  
 G\*\* Indicates consult Customer Service Department for additional information.

MODEL		
775	952	956
875/P	954	957
881	955	960

ITEM	PART NO.	1	2	3	4	5	DESCRIPTION	QTY.		
259	31121-G1						BUMPER, REAR (FOR USE ON 775, 875, 875P AND 881 MODELS ONLY).....	1	-	-
260	00660-G8						WASHER, 5/16.....	4	-	-
261										
262										
263	33623-G01						RIVET, 15/64.....	-	3	3
264										
265										
266										
267	10570-G9						RIVET, 1/8.....	4	4	4
268	*						LABEL IDENTIFICATION.....	1	1	1
269	00559-G5						WASHER, #10.....	4	-	-
270	00378-G4						SCREW, #10 - 24 X 1/2 LG.....	4	-	-
271	00565-G5						WASHER, LOCK, #10.....	4	-	-
272	00526-G3						NUT, #10 - 24.....	4	-	-
273	22281-G9						TRIM, DASH, 2 1/4 LG.....	1	-	-
274	22281-G7						TRIM, DASH, 21 1/2 LG.....	1	-	-
275	30707-G1						MAT, DASH.....	1	-	-
276	22497-G2						SNAP BUSHING.....	1	-	-
277	23803-G1						TAPE, DOUBLE SIDED (ORDER TO THE NEAREST YARD).....	AR	-	-
278	30340-G1						PANEL, INSTRUMENT.....	1	-	-
279	30392-G1						PLUG, INSTRUMENT PANEL.....	3	-	-
280	20271-G1						PLUG, INSTRUMENT.....	1	-	-
281	XXXXX-XX						SWITCH, IGNITION (FOR BOTH METAL BODIED VEHICLES) SEE ELECTRICAL SECTION FOR PART NUMBER AND QUANTITY.....	X	X	X
282	XXXXX-XX						SWITCH, LIGHT (FOR METAL BODIED VEHICLES) SEE ELECTRICAL SECTION FOR PART NUMBER AND QUANTITY).....	X	-	-
283										
284	*						DECAL, SAFETY.....	-	1	1
285										

# MODEL DETAILS

# Electric Vehicle

THE USE OF NON U.L. PARTS WILL VOID ANY U.L.LISTING.

When ordering parts, please specify the model and serial number of the product.

\* Indicates a component that is not available as a individual part.

G\*\* Indicates consult Customer Service Department for additional information.

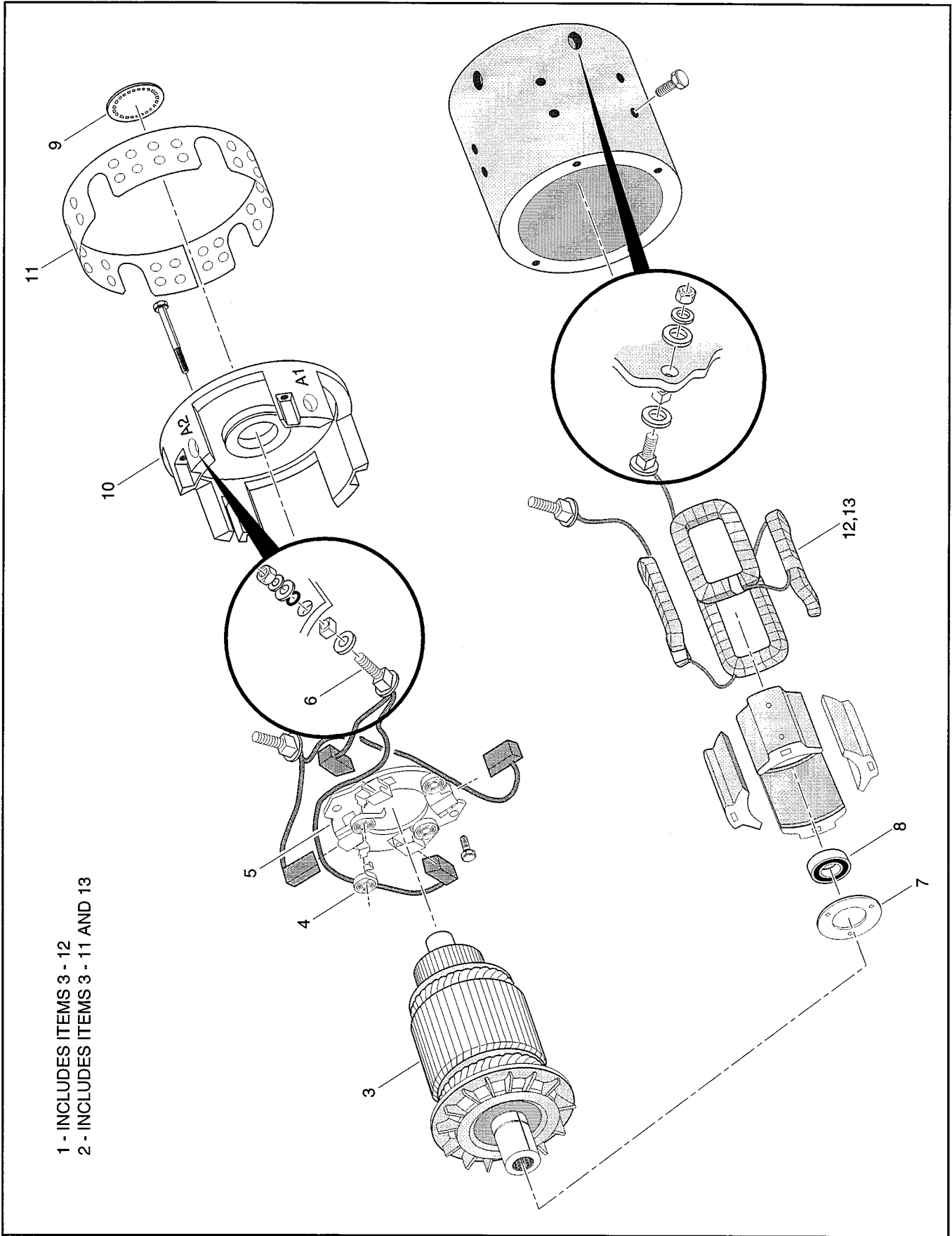
MODEL		
775	952	956
875/P	954	957
881	955	960

ITEM	PART NO.	1 2 3 4 5	DESCRIPTION	QTY.		
286	33634-G01		CONSOLE INSERT PLATE ASSEMBLY (INCLUDES ITEMS 289 - 292) .....	-	1	1
287	33634-G02		CONSOLE INSERT PLATE ASSEMBLY WITH HOUR METER (INCLUDES ITEMS 291 - 296).....	-	1	1
288						
289	33630-G01		DECAL, CONSOLE INSERT .....	-	1	1
290	XXXXX-XX		SWITCH, IGNITION AND LIGHTS (SEE ELECTRICAL SECTION FOR PART NUMBER AND QUANTITY).....	-	X	X
291	XXXXX-XX		METER, STATE OF CHARGE (SEE ELECTRICAL SECTION FOR PART NUMBER AND QUANTITY).....	-	X	X
292						
293	33703-G02		PLATE, CONSOLE INSERT WITH HOUR METER.....	-	1	1
294	33632-G01		DECAL, CONSOLE INSERT PLATE WITH HOUR METER.....	-	1	1
295	XXXXX-XX		HOUR METER (SEE ELECTRICAL SECTION FOR PART NUMBER AND QUANTITY).....	-	X	X
296						
297	30685-G**		COWL, METAL.....	1	-	-
298	16705-G2		SCREW, STAINLESS STEEL, 1/4 - 20 X 5/8 LG.....	11	-	-
299	00891-G2		NUT, LOCK, 1/4 - 20 .....	11	-	-
300						
301						
302	30056-G1		STEERING, COLUMN BRACE .....	1	-	-
303	30056-G2		STEERING COLUMN BRACE .....	-	1	1
304	11162-G1		U-BOLT .....	1	1	1
305	00414-G8		SCREW, 1/4 - 20 X 1 LG.....	2	2	2
306	00559-G7		WASHER, 1/4.....	4	4	4
307	00654-G2		NUT, LOCK, 1/4 - 20 .....	4	4	4
308	14390-G10		NUT, LOCK, #10 - 24 .....	-	-	2
309	33423-G01		COVER, STEERING .....	1	1	1
310	14601-G2		RIVET, 3/16 .....	3	3	3
311	20271-G3		PLUG, HOLE .....	1	1	1
312	30589-G1		HANDLE, DOOR LOCK (WITH KEY) .....	-	-	1

THE USE OF NON U.L. PARTS WILL VOID ANY U.L. LISTING.  
 When ordering parts, please specify the model and serial number of the product.  
 \* Indicates a component that is not available as an individual part.  
 G\*\* Indicates consult Customer Service Department for additional information.

MODEL		
775	952	956
875/P	954	957
881	955	960

ITEM	PART NO.	1 2 3 4 5	DESCRIPTION	QTY.		
313	30590-G1		LATCH, DOOR (WITH SETSCREW) .....	-	-	1
314	00741-G7		SCREW, STAINLESS STEEL, #10 - 24 X 7/8 LG. ....	-	-	2
315	00660-G5		WASHER, #10.....	-	-	2
316	14390-G10		NUT, LOCK, #10 - 24 .....	-	-	2



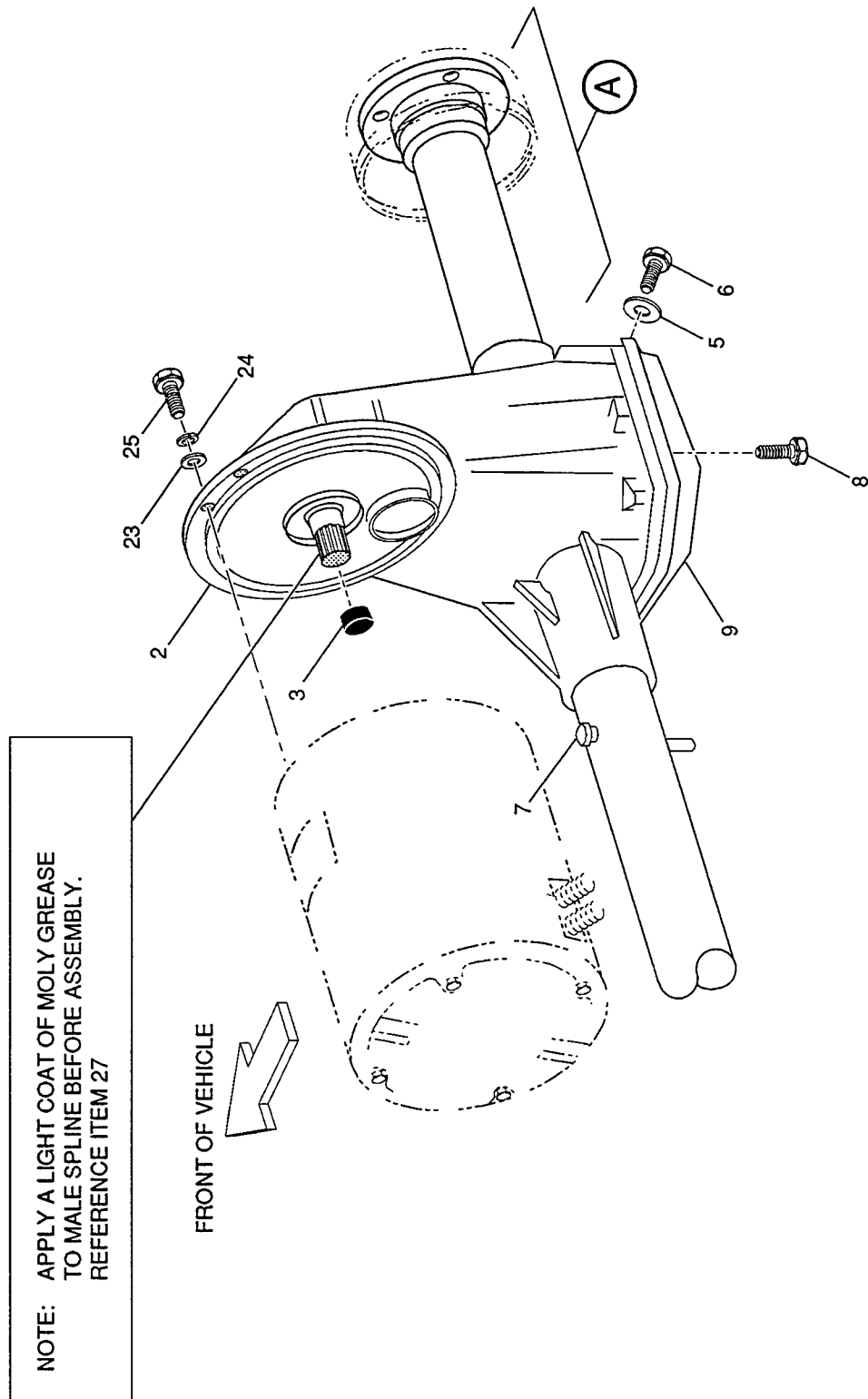
1 - INCLUDES ITEMS 3 - 12  
2 - INCLUDES ITEMS 3 - 11 AND 13

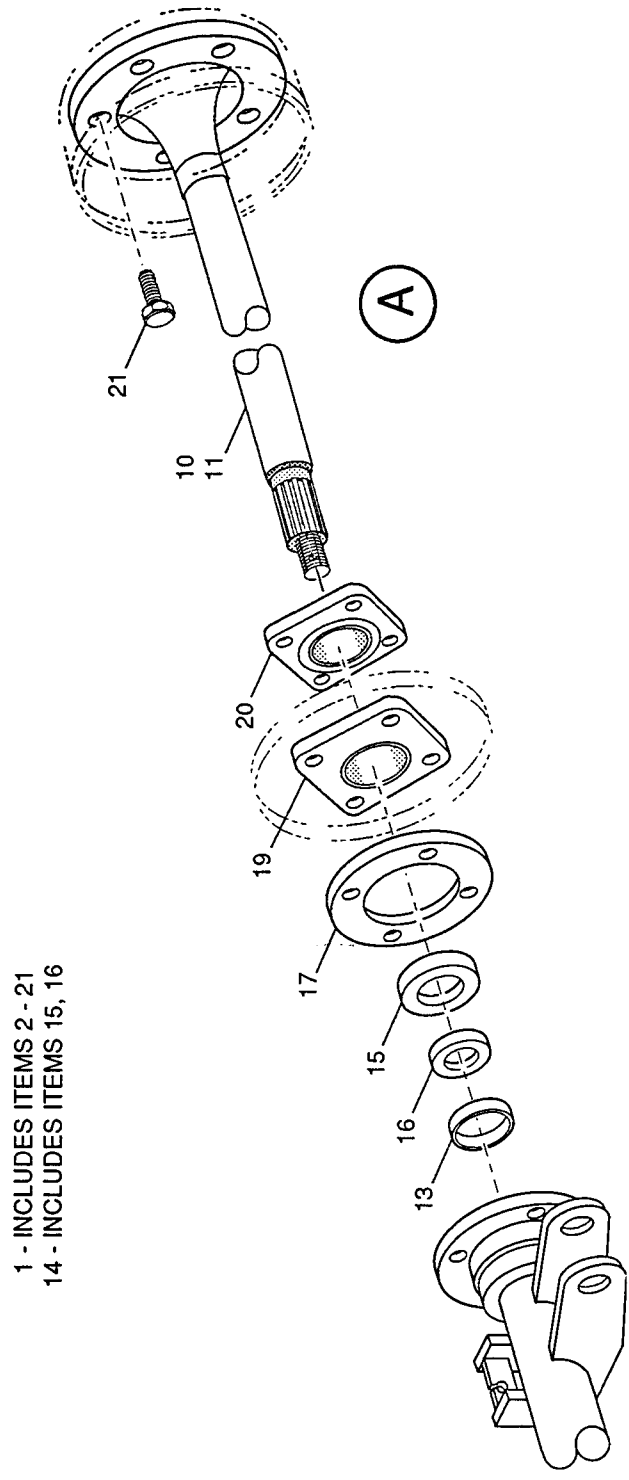
THE USE OF NON U.L. PARTS WILL VOID ANY U.L. LISTING.  
 When ordering parts, please specify the model and serial number of the product.  
 \* Indicates a component that is not available as an individual part.  
 G\*\* Indicates consult Customer Service Department for additional information.

**MODEL**  
**ALL MODELS**

ITEM	PART NO.	1	2	3	4	5	DESCRIPTION	QTY.		
1	73124-G04						MOTOR (INCLUDES ITEMS 3 - 12) .....		1	
2	73124-G05						MOTOR, HIGH SPEED (INCLUDES ITEMS 3 - 11 AND 13) .....		1	
3	*						ARMATURE ASSEMBLY .....		1	
4	73120-G03						BRUSH SPRING .....		4	
5	73120-G04						BRUSH PLATE AND BOX ASSEMBLY .....		1	
6	73120-G05						BRUSH REPLACEMENT KIT .....		1	
7	73120-G06						SNAP RING .....		1	
8	73120-G07						BEARING.....		1	
9	73120-G10						CAP .....		1	
10	73120-G13						COMMUTATOR END HEAD .....		1	
11	73120-G14						HEADBAND ASSEMBLY .....		1	
12	73120-G11						FIELD COIL KIT (FOR STANDARD MOTOR) .....		1	
13	73120-G12						FIELD COIL KIT (FOR HIGH SPEED MOTOR) .....		1	







# REAR AXLE, HYDRAULIC BRAKES

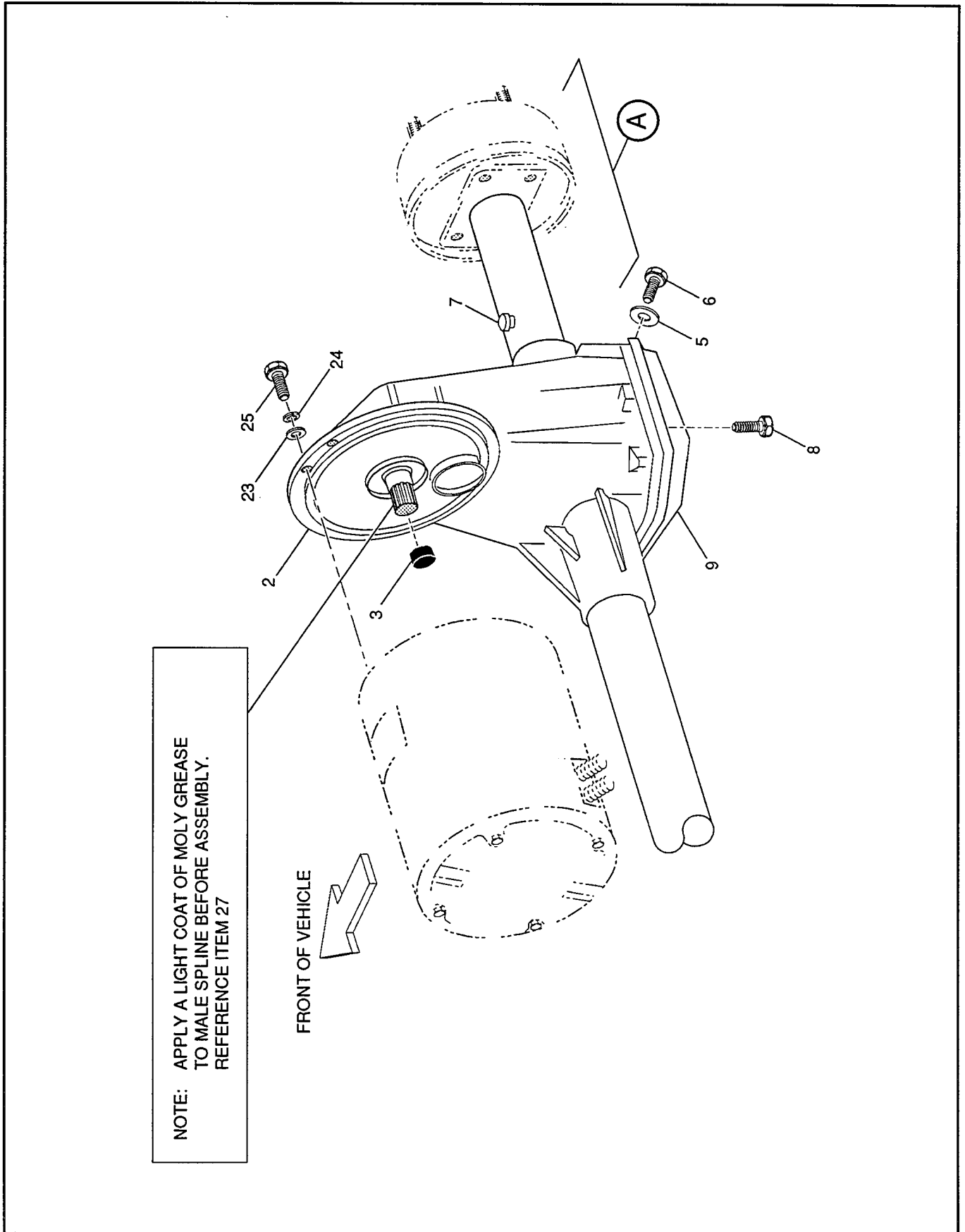
Electric Vehicle

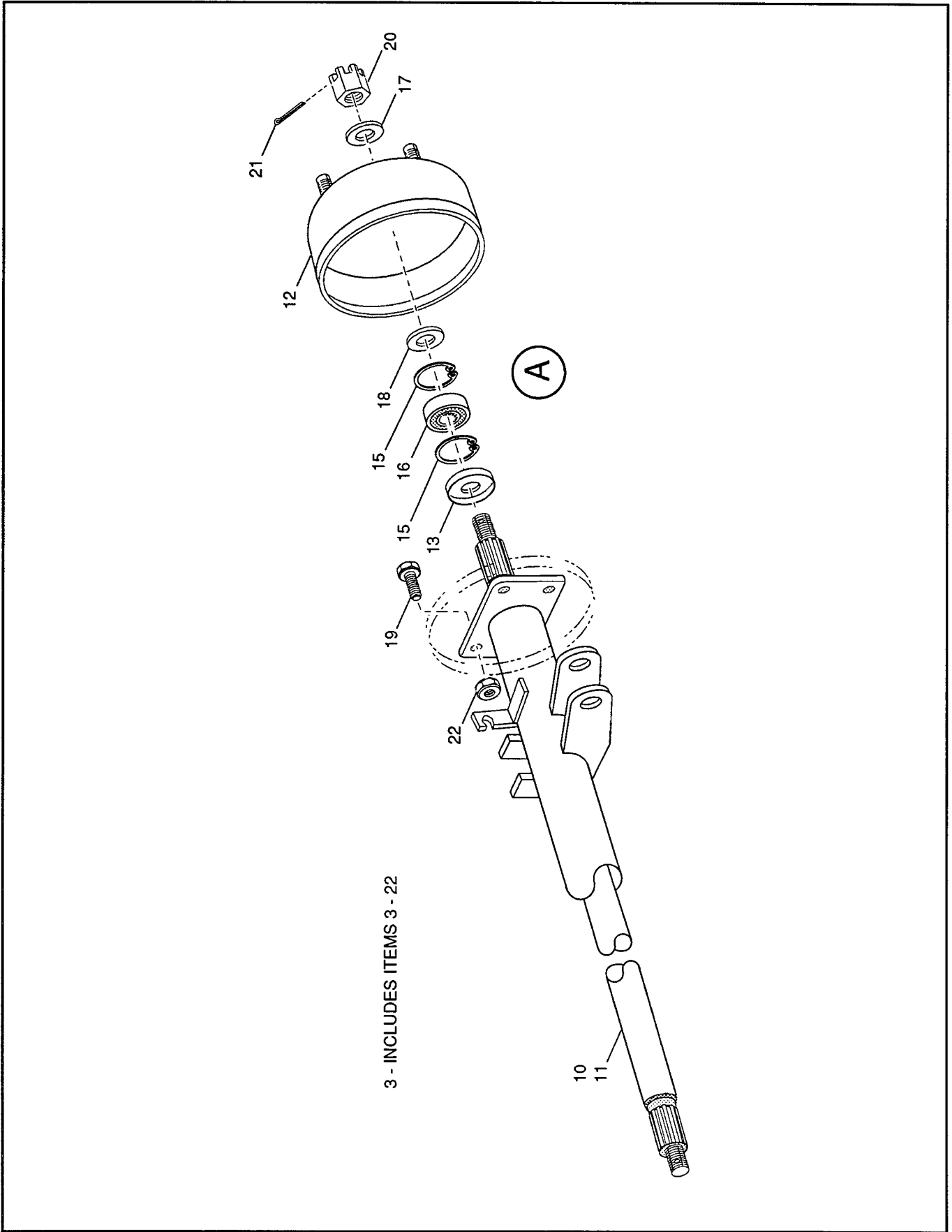
THE USE OF NON U.L. PARTS WILL VOID ANY U.L.LISTING.  
 When ordering parts, please specify the model and serial number of the product.  
 \* Indicates a component that is not available as a individual part.  
 G\*\* Indicates consult Customer Service Department for additional information.

MODEL		
875		
875P	955	
881	957	

ITEM	PART NO.	1	2	3	4	5	DESCRIPTION	QTY.	
1	33330-G02						REAR AXLE AND BRAKE ASSEMBLY (INCLUDES ITEMS 2 - 21).....	1	1
2	*						REAR AXLE.....	1	1
3	24261-G1						SPLINE, BUMPER.....	1	1
4									
5	25227-G1						WASHER.....	1	1
6	25226-G1						PLUG, CHECK/FILL.....	1	1
7	73050-G01						VENT ASSEMBLY.....	1	1
8	15558-G1						SCREW, 5/16 - 18 X 3/4 LG. ....	10	10
9	25228-G1						COVER, DIFFERENTIAL.....	1	1
10	23589-G5						AXLE SHAFT, DRIVER'S SIDE.....	1	1
11	23589-G6						AXLE SHAFT, PASSENGER SIDE.....	1	1
12									
13	14585-G1						SEAL, OIL (INNER).....	2	2
14	14586-G1						KIT, BEARING AND RETAINING (INCLUDES ITEMS 15, 16).....	1	1
15	13084-G1						BEARING, AXLE.....	1	1
16	14584-G1						RETAINER, INNER.....	1	1
17	13091-G1						GASKET.....	2	2
18									
19	21557-G1						RETAINER, OUTER.....	2	2
20	21559-G1						SEAL, WIPER.....	2	2
21	14590-G1						BOLT, LUG.....	5	5
22									
23	00559-G7						WASHER, 1/4.....	3	3
24	00565-G7						WASHER, LOCK, 1/4.....	3	3
25	00797-G2						BOLT, 1/4 - 20 X 1 1/4 LG. ....	3	3
26									
27	28095-G01						LUBRICANT, MOLY 2 OZ.....	AR	AR







# REAR AXLE, MECHANICAL BRAKES

Electric Vehicle

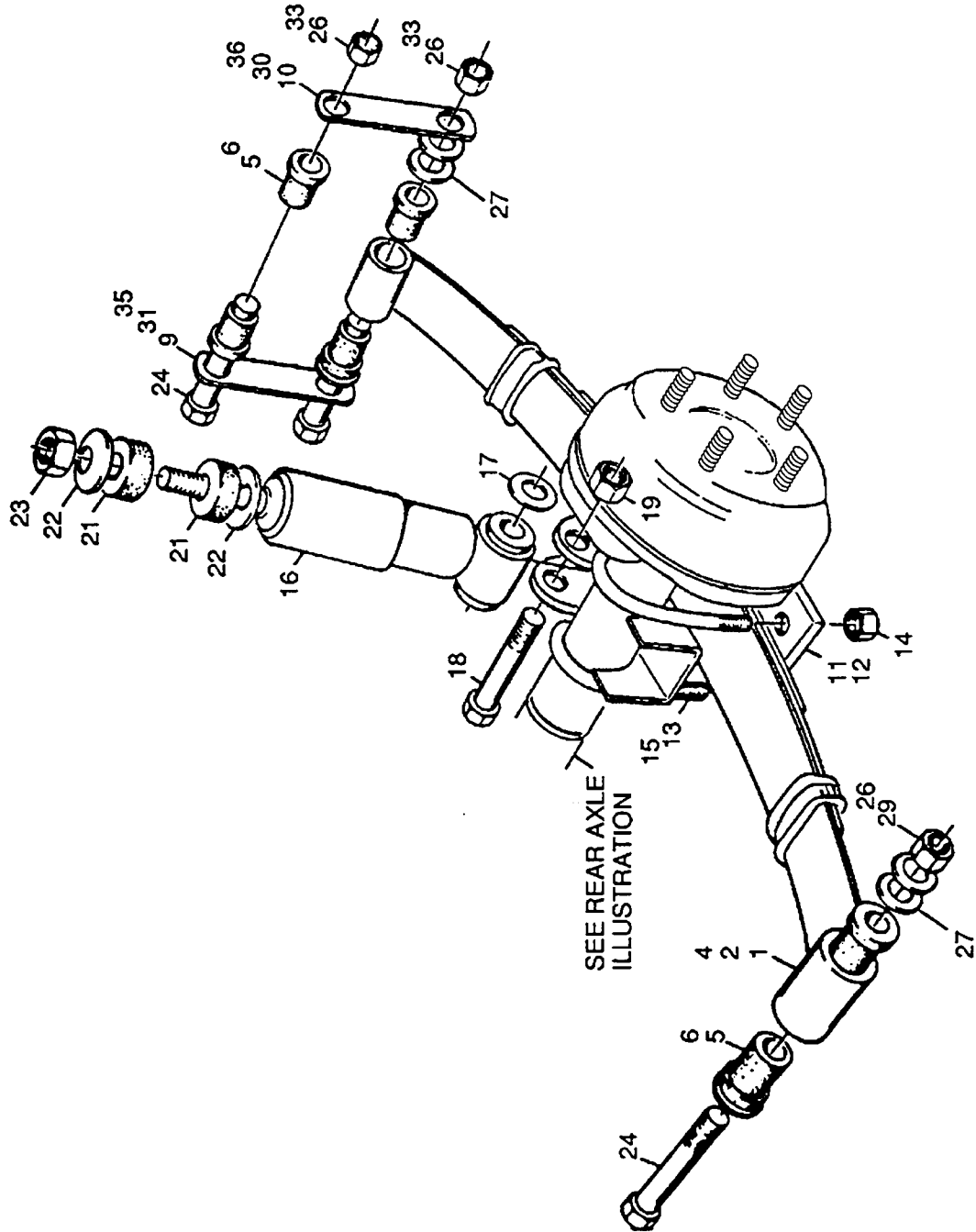
THE USE OF NON U.L. PARTS WILL VOID ANY U.L. LISTING.  
 When ordering parts, please specify the model and serial number of the product.  
 \* Indicates a component that is not available as a individual part.  
 G\*\* Indicates consult Customer Service Department for additional information.

MODEL		
775		
952	956	
854	960	

ITEM	PART NO.	1	2	3	4	5	DESCRIPTION	QTY.		
1	31837-G2						REAR AXLE ASSEMBLY - NO BRAKES (INCLUDES ITEMS 3 - 22).....	1	1	
2										
3	24261-G1						SPLINE, BUMPER.....	1	1	
4										
5	25227-G1						WASHER, CHECK/FILL PLUG.....	1	1	
6	25226-G1						PLUG, CHECK/FILL .....	1	1	
7	73050-G01						VENT .....	1	1	
8	15558-G1						SCREW, 5/16 - 18 X 3/4 LG. ....	10	10	
9	25228-G1						COVER, DIFFERENTIAL.....	1	1	
10	23518-G3						AXLE SHAFT, DRIVER'S SIDE .....	1	1	
11	23518-G4						AXLE SHAFT, PASSENGER SIDE.....	1	1	
12	32813-G1						BRAKE DRUM.....	2	2	
13	23582-G1						SEAL, AXLE.....	2	2	
14										
15	23530-G2						RETAINING RING.....	4	4	
16	23523-G1						BALL BEARING, AXLE .....	2	2	
17	21830-G1						WASHER, OUTER WHEEL RIM, 49/64 I.D. X 1 1/2 O.D. ....	2	2	
18	21809-G1						WASHER, INNER WHEEL RIM, 63/64 I.D. X 1 5/16 O.D. ....	2	2	
19	17083-G1						BOLT.....	8	8	
20	00518-G8						NUT, SLOTTED, 5/8 - 18 .....	2	2	
21	10387-G1						PIN, COTTER, 1/8 X 1 1/2 LG.....	2	2	
22	15126-G1						NUT, LOCK, 5/16 - 24.....	8	8	
23	00559-G7						WASHER, 1/4.....	3	3	
24	00565-G7						WASHER, LOCK, 1/4 .....	3	3	
25	00797-G2						BOLT, 1/4 - 20 X 1 1/4 LG. ....	3	3	
26										
27	28095-G01						LUBRICANT, MOLY 2 OZ.....	AR	AR	







THE USE OF NON U.L. PARTS WILL VOID ANY U.L. LISTING.  
 When ordering parts, please specify the model and serial number of the product.  
 \* Indicates a component that is not available as an individual part.  
 G\*\* Indicates consult Customer Service Department for additional information.

**MODEL**  
**AS SPECIFIED**

ITEM	PART NO.	1	2	3	4	5	DESCRIPTION	MODEL		
								AS SPECIFIED		
								QTY.		
1	31435-G1						LEAF SPRING (3 LEAF) FOR USE ON 775 MODEL ONLY .....		2	
2	31397-G1						LEAF SPRING, COMPLETE WITH BUSHINGS (5 LEAF) FOR USE ON ALL MODELS EXCEPT 775 .....		2	
3										
4	31397-G2						LEAF SPRING, COMPLETE WITH BUSHINGS (4 LEAF) FOR USE ON 954 AND 956 MODELS ONLY .....		2	
5	20098-G1						BUSHING, RUBBER LEAF SPRING FOR USE ON ALL MODELS EXCEPT 775 .....		4	
6	20098-G1						BUSHING, RUBBER LEAF SPRING FOR USE ON 775 MODEL ONLY .....		12	
7										
8										
9	30035-G1						SHACKLE, SPRING FOR USE ON ALL MODELS EXCEPT 775 .....		2	
10	30035-G2						SHACKLE, SPRING FOR USE ON ALL MODELS EXCEPT 775 .....		2	
11	32196-G1						PLATE, MOUNTING SPRING FOR USE ON MODELS 775, 952, 954, 956 AND 960 .....		2	
12	32194-G1						PLATE, MOUNTING SPRING FOR USE ON 875, 875P, 881, 955 AND 957 MODELS ONLY .....		2	
13	30553-G1						"U" BOLT, 3/8 FOR USE ON 875, 875P, 881, 955 AND 957 MODELS ONLY .....		4	
14	11098-G5						NUT, LOCK, 3/8 - 16 .....		8	
15	32195-G1						"U" BOLT, 3/8 FOR USE ON 775, 952, 954, 956 AND 960 MODELS ONLY .....		4	
16	21781-G1						SHOCK ABSORBER.....		2	
17	00560-G5						WASHER, 5/8.....		2	
18	00458-G8						BOLT, 5/8 - 11 X 3 LG. ....		2	
19	00551-G5						NUT, LOCK, 5/8 - 11 .....		2	
20										
21	10194-G1						BUSHING, SHOCK ABSORBER .....		4	
22	10435-G1						WASHER, SHOCK ABSORBER.....		4	
23	00532-G6						NUT, SHOCK ABSORBER, 3/8 - 24 .....		2	

# REAR SUSPENSION

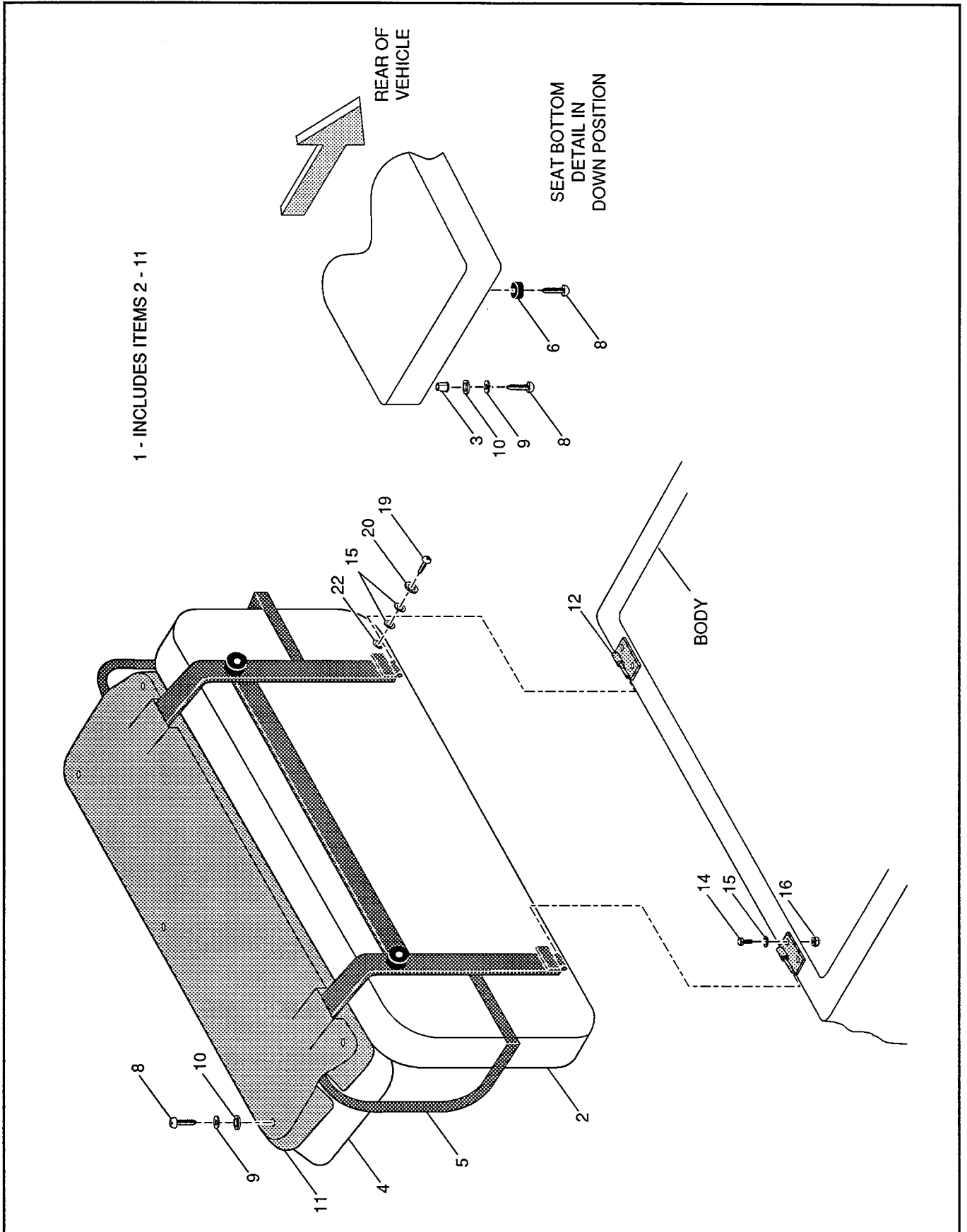
Electric Vehicle

THE USE OF NON U.L. PARTS WILL VOID ANY U.L.LISTING.  
 When ordering parts, please specify the model and serial number of the product.  
 \* Indicates a component that is not available as a individual part.  
 G\*\* Indicates consult Customer Service Department for additional information.

**MODEL**  
**AS SPECIFIED**

ITEM	PART NO.	1 2 3 4 5	DESCRIPTION	MODEL	
				AS SPECIFIED	
				QTY.	
24	15727-G1		BOLT, SHOULDER, 3/8 - 16 X 2 3/8 LG. ....	6	
25					
26	13521-G4		NUT, LOCK, 3/8 - 16 FOR USE ON ALL MODELS EXCEPT 775 .....	6	
27	00771-G2		WASHER, NYLON, 3/8 FOR USE ON ALL MODELS EXCEPT 775 .....	16	
28					
29	13521-G4		NUT, LOCK, 3/8 - 16 FOR USE ON 775 MODEL ONLY .....	2	
30					
31					
32					
33	19676-G1		NUT, LOCK, SHACKLE FOR USE ON 775 MODEL ONLY .....	4	
34					
35	27458-G01		SHACKLE PLATE ASSEMBLY WITH PRESSED IN STUDS FOR USE ON 775 MODEL ONLY .....	2	
36	27460-G01		SHACKLE PLATE FOR USE ON 775 MODEL ONLY .....	2	

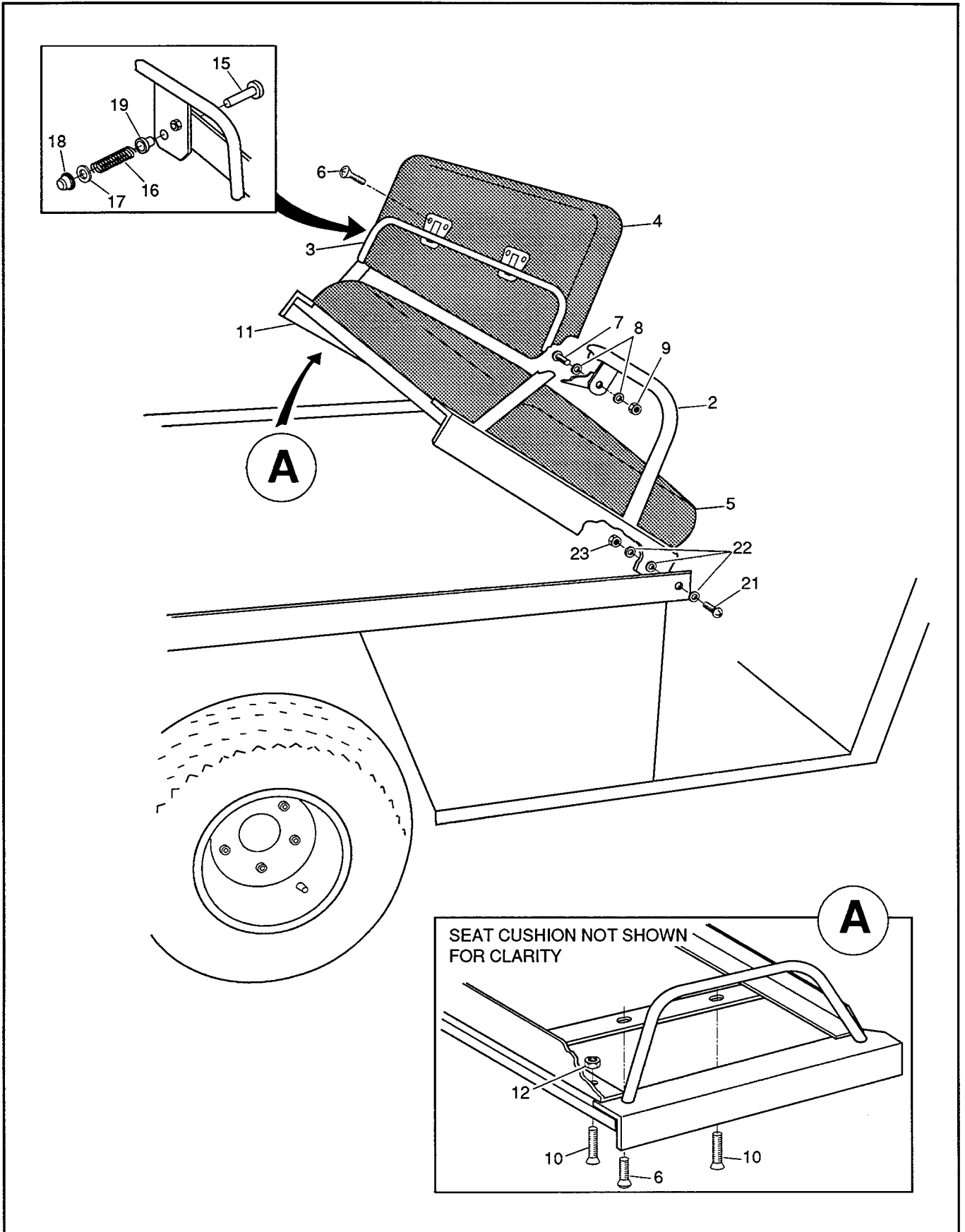




THE USE OF NON U.L. PARTS WILL VOID ANY U.L. LISTING.  
 When ordering parts, please specify the model and serial number of the product.  
 \* Indicates a component that is not available as an individual part.  
 G\*\* Indicates consult Customer Service Department for additional information.

MODEL		
954	956	
955	957	

ITEM	PART NO.	1	2	3	4	5	DESCRIPTION	QTY.		
								954	956	
1	33018-G**						BENCH SEAT AND BACK ASSEMBLY (INCLUDES ITEMS 2 - 11).....	1	1	
2	33013-G**						SEAT BOTTOM, SINGLE.....	1	1	
3	11782-G2						NUT, TEE, 1/4 - 20.....	6	6	
4	33012-G**						BACK REST.....	1	1	
5	30021-G1						FRAME, SEAT.....	1	1	
6	13728-G1						BUMPER.....	2	2	
7										
8	16705-G1						SCREW, STAINLESS STEEL, 1/4 - 20 X 1 LG.....	16	16	
9	00660-G7						WASHER, STAINLESS STEEL, 1/4.....	9	9	
10	00664-G7						WASHER, STAINLESS STEEL, LOCK, 1/4.....	9	9	
11	26584-G01						CAP, BACKREST.....	1	1	
12	30031-G2						HINGE, MALE.....	2	2	
13										
14	16705-G5						SCREW, STAINLESS STEEL, 1/4 - 20 X 1 1/2 LG.....	4	4	
15	00660-G7						WASHER, STAINLESS STEEL, 1/4.....	6	6	
16	00891-G2						NUT, LOCK, 1/4 - 20.....	4	4	
17										
18										
19	16705-G1						SCREW, STAINLESS STEEL, 1/4 - 20 X 1 LG.....	1	1	
20	00664-G7						WASHER, LOCK, STAINLESS STEEL, 1/4.....	1	1	
21										
22	30054-G1						NUT, MOLLY JACK, 1/4 - 20.....	1	1	



THE USE OF NON U.L. PARTS WILL VOID ANY U.L. LISTING.  
 When ordering parts, please specify the model and serial number of the product.  
 \* Indicates a component that is not available as an individual part.  
 G\*\* Indicates consult Customer Service Department for additional information.

**MODEL**

875P

ITEM	PART NO.	1	2	3	4	5	DESCRIPTION	QTY.	
1	33523-G**						CONVERTIBLE SEAT ASSEMBLY (INCLUDES ITEMS 2 - 19) .....	1	
2	33508-G01						CONVERTIBLE SEAT .....	1	
3	33043-G01						SEAT BACK SUPPORT .....	1	
4	25807-G**						SEAT BACK .....	1	
5	33012-G**						BACK REST .....	1	
6	16705-G3						SCREW, STAINLESS STEEL, 1/4 - 20 X 3/4 LG. ....	6	
7	00976-G08						SCREW, STAINLESS STEEL, 5/16 - 18 X 1 LG. ....	2	
8	00660-G8						WASHER, STAINLESS STEEL, 5/16 .....	4	
9	00891-G3						NUT, LOCK, 5/16 - 18 .....	2	
10	00205-G4						SCREW, 1/4 - 20 X 1 LG. ....	4	
11	33061-G01						SEAT DECK .....	1	
12	00891-G2						NUT, LOCK, 1/4 - 20 .....	2	
13									
14									
15	33179-G01						PIN, ACTUATOR .....	1	
16	33180-G01						SPRING, COMPRESSION .....	1	
17	00793-G2						WASHER, 1/4 .....	1	
18	33178-G01						PUSHNUT .....	1	
19	30215-G1						BUSHING .....	1	
20									
21	00976-G08						SCREW, STAINLESS STEEL, 5/16 - 18 X 1 LG. ....	2	
22	00660-G8						WASHER, 5/16 .....	6	
23	00891-G3						NUT, LOCK, 5/16 - 18 .....	2	

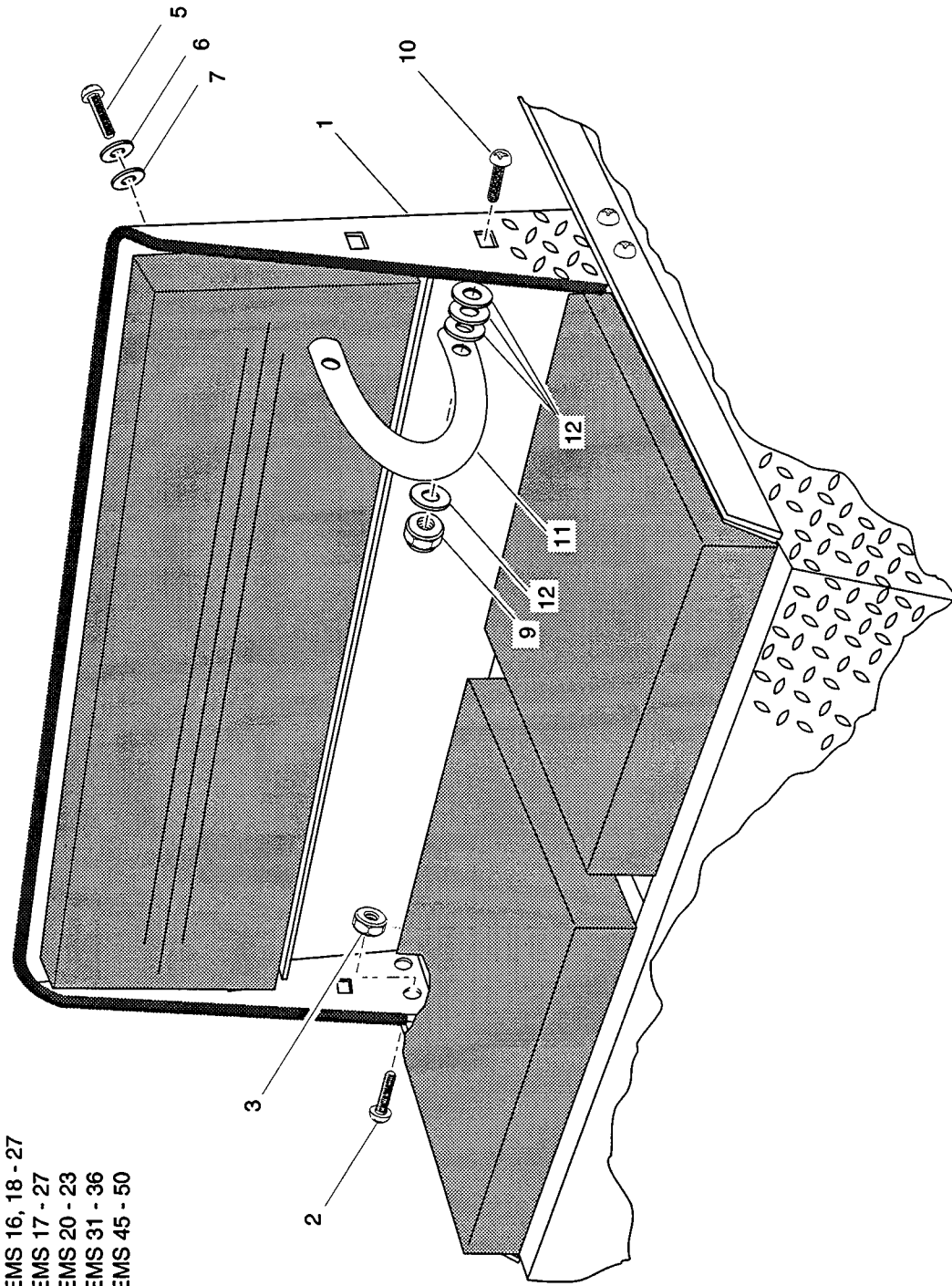




THE USE OF NON U.L. PARTS WILL VOID ANY U.L. LISTING.  
 When ordering parts, please specify the model and serial number of the product.  
 \* Indicates a component that is not available as an individual part.  
 G\*\* Indicates consult Customer Service Department for additional information.

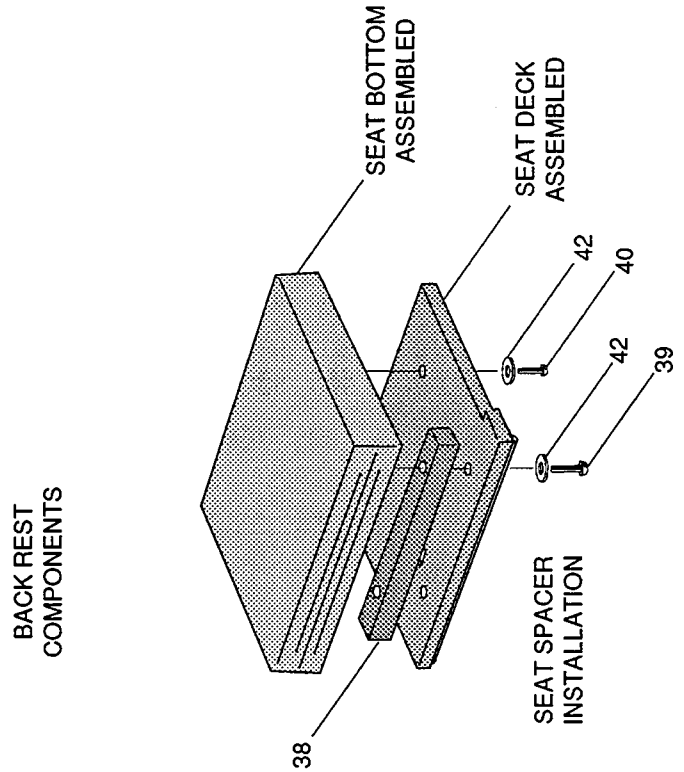
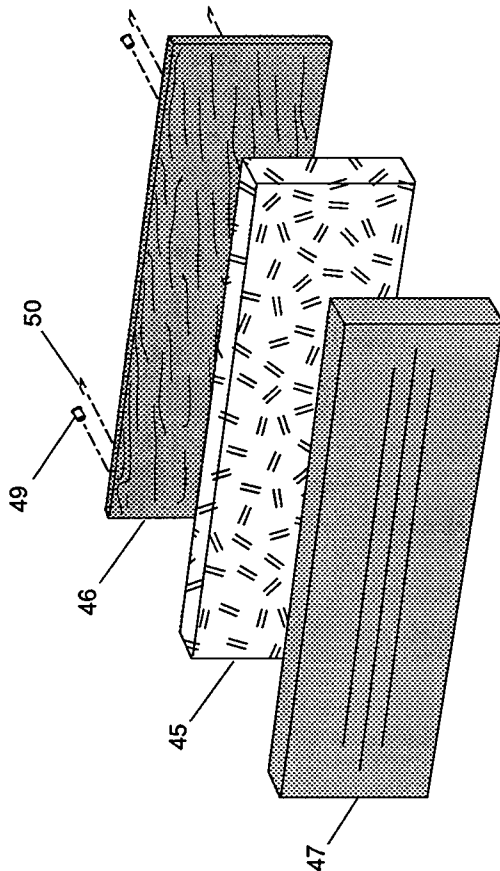
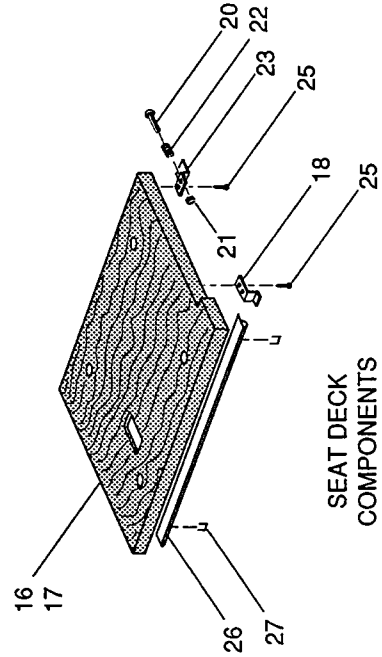
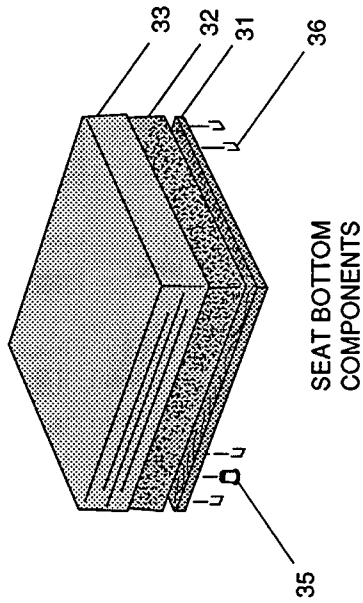
MODEL	
952	956
954	957
955	960

ITEM	PART NO.	1	2	3	4	5	DESCRIPTION	QTY.	
1	33019-G**						FRONT SEAT ASSEMBLY (INCLUDES ITEMS 2 - 11) .....	1	1
2	33015-G**						SEAT BOTTOM, PASSENGER SIDE.....	1	1
3	33015-G**						SEAT BOTTOM, DRIVER'S SIDE .....	1	1
4	33012-G**						SEAT BACK.....	1	1
5	30021-G1						SEAT FRAME .....	1	1
6	13728-G1						BUMPER .....	2	2
7	11782-G2						NUT, TEE, 1/4 - 20.....	6	6
8	16705-G1						SCREW, STAINLESS STEEL, 1/4 - 20 X 1 LG.....	18	18
9	00660-G7						WASHER, STAINLESS STEEL, 1/4 .....	11	11
10	00664-G7						WASHER, STAINLESS STEEL, 1/4 .....	11	11
11	26584-G01						CAP, BACKREST .....	1	1
12									
13	30408-G1						SPACER, HINGE .....	4	4
14	16705-G5						SCREW, 1/4 - 20 X 1 1/2 LG.....	4	4
15	00660-G7						WASHER, 1/4.....	6	6
16	00891-G2						NUT, LOCK, 1/4 - 20 .....	4	4
17	30031-G2						HINGE, MALE .....	2	2
18									
19	16705-G1						SCREW, 1/4 - 20 X 1 LG.....	1	1
20	00664-G7						WASHER, LOCK, 1/4.....	1	1
21									
22	30054-G2						NUT, MOLLY JACK, 1/4 - 20.....	1	1



**SEAT BACK, SEAT BACK  
SUPPORT AND HANDLE  
INSTALLATION**

- 14 - INCLUDES ITEMS 16, 18 - 27
- 15 - INCLUDES ITEMS 17 - 27
- 19 - INCLUDES ITEMS 20 - 23
- 30 - INCLUDES ITEMS 31 - 36
- 44 - INCLUDES ITEMS 45 - 50



# SEATING, FRONT

# Electric Vehicle

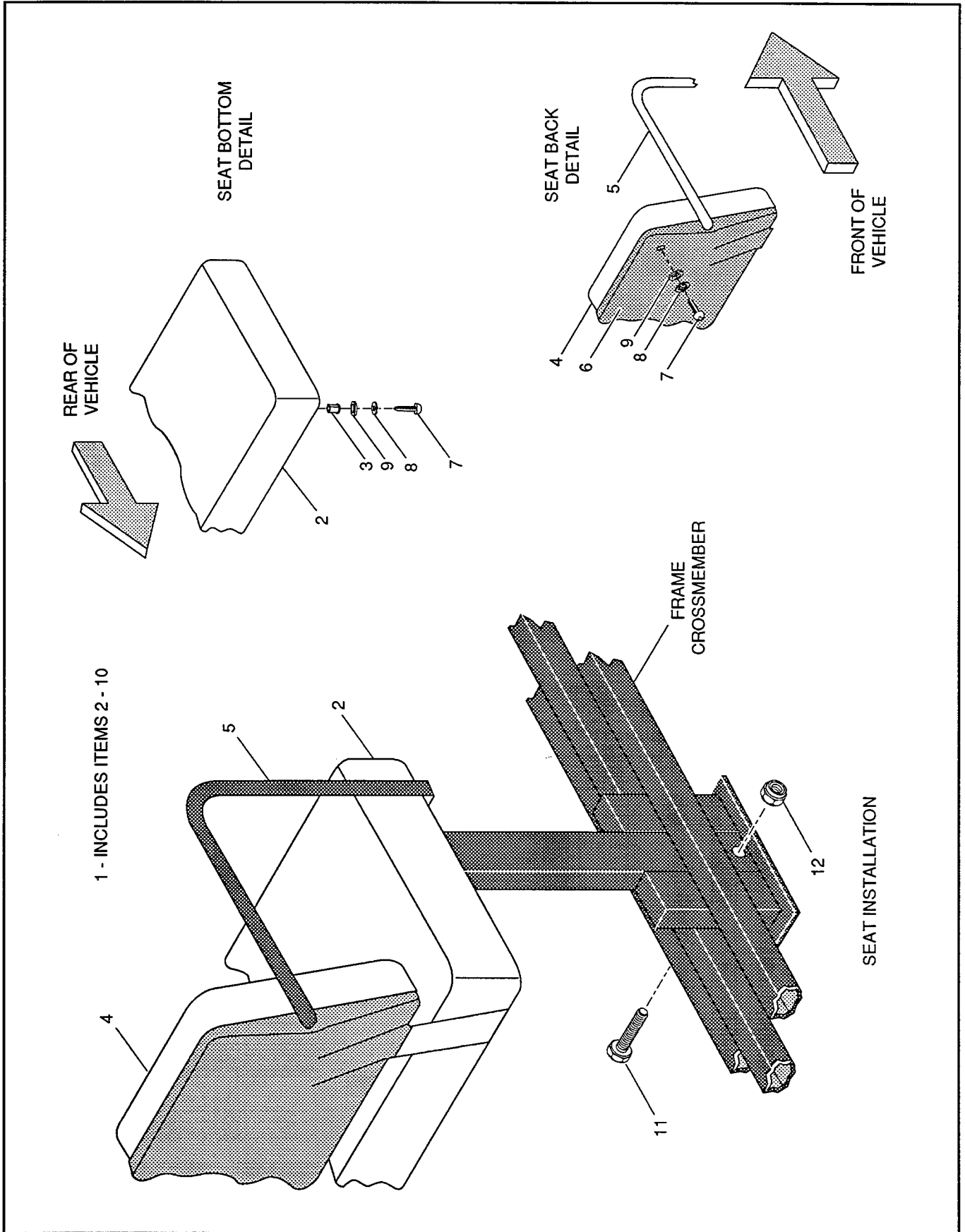
THE USE OF NON U.L. PARTS WILL VOID ANY U.L.LISTING.  
 When ordering parts, please specify the model and serial number of the product.  
 \* Indicates a component that is not available as a individual part.  
 G\*\* Indicates consult Customer Service Department for additional information.

ITEM	PART NO.	1	2	3	4	5	DESCRIPTION	MODEL	
								775 875	875P 881
								QTY.	
1	33545-G01						SEAT BACK SUPPORT .....	1	1
2	16705-G3						SCREW, STAINLESS STEEL, 1/4 - 20 X 3/4 LG.....	8	8
3	00891-G2						NUT, LOCK, 1/4 - 20 .....	8	8
4									
5	16705-G1						SCREW, STAINLESS STEEL, 1/4 - 20 X 1.....	4	4
6	00664-G7						WASHER, STAINLESS STEEL, 1/4.....	4	4
7	00915-G1						WASHER, #14.....	4	4
8									
9	00654-G3						NUT, LOCK, STAINLESS STEEL, 5/16 - 18 .....	2	2
10	00722-G4						BOLT, STAINLESS STEEL, 5/16 - 18 X 1/2 LG. ....	2	2
11	30746-G1						HANDLE.....	1	1
12	00660-G8						WASHER, STAINLESS STEEL, 5/16 .....	8	8
13									
14	33773-G01						DECK ASSEMBLY, PASSENGER SIDE (INCLUDES ITEMS 16, 18 - 27) .....	1	1
15	33773-G02						DECK ASSEMBLY, DRIVER'S SIDE (INCLUDES ITEMS 17 - 27) .....	1	1
16	33772-G01						DECK, SEAT, PASSENGER SIDE.....	1	1
17	33772-G02						DECK, SEAT, DRIVER'S SIDE (WITH HOLE).....	1	1
18	33769-G01						BRACKET, SEAT .....	2	2
19	33771-G01						BRACKET ASSEMBLY (INCLUDES ITEMS 20 - 23) .....	2	2
20	00762-G6						SCREW, STAINLESS STEEL, 5/16 - 18 X 1 3/4 LG.....	1	1
21	11098-G6						NUT, LOCK, 5/16 - 18 .....	1	1
22	33768-G01						SPRING, COMPRESSION.....	1	1
23	33770-G01						BRACKET, RETAINER.....	1	1
24									
25	00114-G6						SCREW, 1/4 - 14 X 3/4 LG. ....	8	8
26	12727-G12						GASKET, SEAT.....	1	1
27	*						STAPLE, FLAT.....	10	10
28									
29									

THE USE OF NON U.L. PARTS WILL VOID ANY U.L. LISTING.  
 When ordering parts, please specify the model and serial number of the product.  
 \* Indicates a component that is not available as an individual part.  
 G\*\* Indicates consult Customer Service Department for additional information.

MODEL		
775	875P	
875	881	

ITEM	PART NO.	1	2	3	4	5	DESCRIPTION	QTY.	
30	33014-G**						SEAT BOTTOM ASSEMBLY (INCLUDES ITEMS 31 - 36) .....	1	1
31	32882-G01						BOTTOM, PLYWOOD .....	1	1
32	26557-G01						BOTTOM, FOAM .....	1	1
33	26558-G**						COVER, SEAT BOTTOM.....	1	1
34									
35	11782-G2						NUT, TEE, 1/4 - 20.....	4	4
36	*						STAPLE .....	AR	AR
37									
38	30680-G1						SPACER, DECK.....	1	1
39	00774-G1						SCREW, STAINLESS, STEEL, 1/4 - 20 X 3 LG.....	2	2
40	16705-G8						SCREW, STAINLESS, STEEL, 1/4 - 20 X 2 LG.....	2	2
41									
42	16469-G1						WASHER, 1/4.....	4	4
43									
44	33704-G**						BACK REST ASSEMBLY (INCLUDES ITEMS 45 - 50) .....	1	1
45	26566-G02						BACK, FOAM.....	1	1
46	33705-G01						BACK, PLYWOOD.....	1	1
47	26565-G**						COVER, BACK REST.....	1	1
48									
49	11782-G2						NUT, TEE, 1/4 - 20.....	4	4
50	*						STAPLE .....	AR	AR



THE USE OF NON U.L. PARTS WILL VOID ANY U.L. LISTING.  
 When ordering parts, please specify the model and serial number of the product.  
 \* Indicates a component that is not available as an individual part.  
 G\*\* Indicates consult Customer Service Department for additional information.

MODEL	
955	957

ITEM	PART NO.	1	2	3	4	5	DESCRIPTION	QTY.	
1	33050-G**						PEDASTAL SEAT ASSEMBLY (INCLUDES ITEMS 2 - 10) .....	1	
2	33013-G**						BENCH SEAT .....	1	
3	11782-G2						NUT, TEE, 1/4 - 20.....	6	
4	33012-G**						BACK REST .....	1	
5	30615-G1						FRAME, SEAT .....	1	
6	26584-G01						CAP, BACKREST .....	1	
7	16705-G1						SCREW, 1/4 - 20 X 1 LG. ....	11	
8	00660-G7						WASHER, 1/4 .....	11	
9	00664-G7						WASHER, LOCK, 1/4 .....	11	
10	00740-G4						SCREW, STAINLESS STEEL, #10 - 32 X 1/2 LG. ....	5	
11	00439-G4						SCREW, 5/16 - 18 X 1 1/2 LG.....	4	
12	11098-G6						NUT, LOCK, 5/16 - 18 .....	4	





When ordering parts, please specify the model and serial number of the product.  
 \* Indicates a component that is not available as an individual part.  
 G\*\* Indicates consult Customer Service Department for additional information.

<b>MODEL</b>
<b>ALL MODELS</b>

ITEM	PART NO.	1	2	3	4	5	DESCRIPTION	QTY.		
1										
2										
3	27102-G01						HOLDER, CLIPBOARD .....		1	
4	18464-G1						SCREW, #8 X 7/8 LG.....		2	
5										
6										
7	18325-G1						STEERING WHEEL ASSEMBLY (INCLUDES ITEMS 8 - 10) .....		1	
8	23225-G1						HUB, COVER EXTENSION.....		1	
9										
10	23172-G1						WHEEL, STEERING.....		1	
11										
12	14390-G2						NUT, LOCK, 5/8 - 18 .....		1	
13	16772-G1						SEAL, STEERING WHEEL.....		1	
14	19152-G8						STEERING UNIT ASSEMBLY (INCLUDES ITEMS 15 - 57).....		1	
15	17163-G3						STEERING SHAFT ASSEMBLY (INCLUDES ITEMS 16 - 20).....		1	
16	*						SHAFT, STEERING .....		1	
17	*						PIN, DOWEL, 1/4.....		2	
18	*						COUPLING .....		1	
19	*						WASHER, THRUST .....		1	
20	*						PINION, STEERING .....		1	
21	19153-G5						STEERING COLUMN UNIT .....		1	
22										
23	*						GREASE FITTING.....		1	
24	00444-G8						SCREW, 5/16 - 24 X 1 LG. ....		4	
25	00565-G8						WASHER, LOCK, 5/16 .....		4	
26										
27	17140-G1						SLEEVE.....		1	
28	17161-G1						BUSHING .....		1	
29										

When ordering parts, please specify the model and serial number of the product.  
 \* Indicates a component that is not available as a individual part.  
 G\*\* Indicates consult Customer Service Department for additional information.

<b>MODEL</b>
<b>ALL MODELS</b>

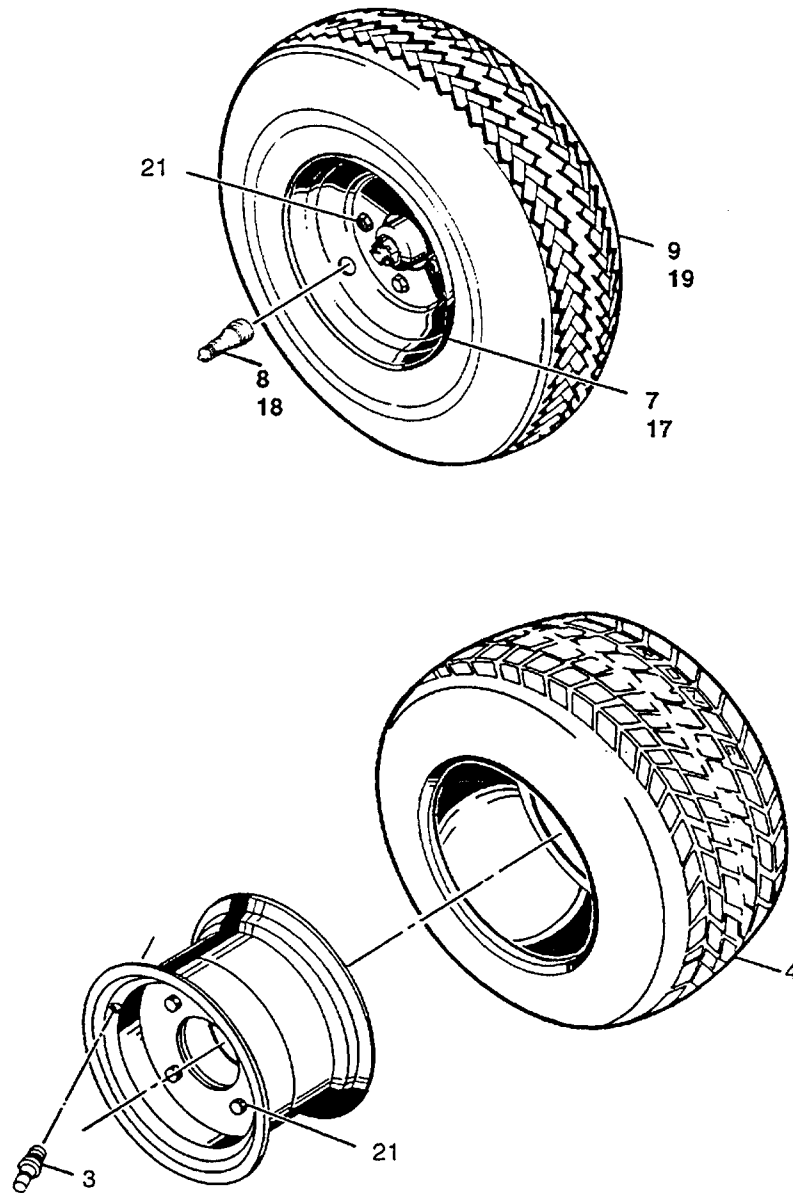
ITEM	PART NO.	1	2	3	4	5	DESCRIPTION	QTY.		
30	00118-G2						SCREW, #6 - 18 X 1/4 LG. ....		1	
31										
32	51294-G1						WASHER, WAVE .....		2	
33										
34	23279-G1						GEAR, REDUCTION .....		1	
35	13059-G2						WASHER, THRUST .....		1	
36										
37	19154-G1						GASKET, HOUSING.....		1	
38	17618-G1						CLAMP, NYLON.....		1	
39										
40										
41										
42										
43	13097-G1						HOUSING ASSEMBLY (INCLUDES ITEM 44).....		1	
44	13570-G1						COVER, RACK.....		1	
45	15407-G1						RACK AND ROD END ASSEMBLY (INCLUDES ITEMS 48 - 57).....		1	
46										
47										
48	18456-G1						GREASE FITTING .....		1	
49	*						RUBBER BOOT, TIE ROD END.....		1	
50										
51										
52										
53	17617-G1						BELLOWS .....		1	
54										
55	11391-G1						CLAMP, HOSE .....		1	
56										
57	50209-G1						NUT, CASTELLATED, 7/16 - 20 .....		1	
58	10387-G2						PIN, COTTER, 3/16 X 1 LG. ....		1	

When ordering parts, please specify the model and serial number of the product.  
 \* Indicates a component that is not available as an individual part.  
 G\*\* Indicates consult Customer Service Department for additional information.

<b>MODEL</b>
<b>ALL MODELS</b>

ITEM	PART NO.	1	2	3	4	5	DESCRIPTION	QTY.		
59										
60	00276-G6						SCREW, 5/16 - 24 X 3/4 LG.....			3
61	00565-G8						WASHER, LOCK, 5/16.....			3
62										
63										
64										
65										
66	33225-G01						CHANNEL, STEERING.....			1
67	11098-G6						NUT, LOCK, 5/16 - 18 .....			7
68	00438-G7						SCREW, 5/16 - 18 X 7/8 LG.....			7
69	33265-G01						IDLER ASSEMBLY (INCLUDES ITEMS 70 - 72) .....			1
70	15012-G1						BUSHING .....			2
71	10389-G3						GREASE FITTING.....			1
72	33265-G01						IDLER .....			1
73	20788-G2						TIE ROD ASSEMBLY, RUBBER BOOT INCLUDED (INCLUDES ITEMS 74 - 77) .....			1
74	20795-G1						TIE ROD END, DRIVER'S SIDE.....			1
75	20795-G2						TIE ROD END, PASSENGER SIDE .....			1
76	70583-G03						THREADED TUBE WITH FLAT .....			1
77	*						NUT, CASTELLATED, 7/16 - 20.....			3
78	10387-G6						PIN, COTTER, 3/16 x 1 /4 LG.....			3
79										
80										
81	33264-G01						SHAFT, IDLER .....			1
82	00559-G8						WASHER, 5/16.....			3

- 1 - INCLUDES ITEMS 2 - 4
- 6 - INCLUDES ITEMS 7 - 9
- 16 - INCLUDES ITEMS 17 - 19



THE USE OF NON U.L. PARTS WILL VOID ANY U.L. LISTING.  
 When ordering parts, please specify the model and serial number of the product.  
 \* Indicates a component that is not available as an individual part.  
 G\*\* Indicates consult Customer Service Department for additional information.

<b>MODEL</b>
<b>AS DESIGNATED</b>

ITEM	PART NO.	1 2 3 4 5	DESCRIPTION	QTY.		
1	32028-G2		CARLISLE WHEEL AND TIRE ASSEMBLY, 18.5 X 8.5 - 8 PLY (INCLUDES ITEMS 2 - 4) STANDARD ON ALL MODELS EXCEPT XI-775, OPTIONAL ON XI-775 .....		4	
2	10641-G2		WHEEL .....		1	
3	11657-G1		STEM, VALVE.....		1	
4	27775-G02		TIRE, CARLISLE .....		1	
5						
6	32168-G2		CARLISLE WHEEL AND TIRE ASSEMBLY, 4.80 X 8 - 6 PLY (INCLUDES ITEMS 7 - 9) STANDARD ON XI-775 MODEL ONLY .....		4	
7	23385-G1		WHEEL .....		1	
8	26482-G01		STEM, VALVE.....		1	
9	33679-G01		TIRE, CARLISLE .....		1	
10						
11						
12						
13						
14						
15						
16	32153-G2		CARLISLE WHEEL AND TIRE ASSEMBLY, 5.70 X 8 (INCLUDES ITEMS 17 - 19) OPTIONAL ON XI-775 MODEL ONLY .....		4	
17	23385-G1		WHEEL .....		1	
18	26482-G01		STEM, VALVE.....		1	
19	27784-G03		TIRE, CARLISLE .....		1	
20						
21	14723-G1		LUG NUT, 1/2 - 20.....		5	



# SPECIAL TOOLS

## SPECIAL TOOLS LISTING



# SPECIAL TOOLS

Part No.

## SPECIAL TOOLS

SEAL INSTALLATION TOOL (REAR AXLE SHAFT SEAL).....	18739-G1
CURRENT INDICATOR.....	16489-G2
DIGITALVOLT OHM METER (DVOM) .....	27481-G01
CRIMPING TOOL .....	27765-G01
SLIDE HAMMER (AXLE).....	18753-G1
SLIDE HAMMER (HUB/DRUM REMOVAL) .....	15947-G1

## PAINT

CONTACT CUSTOMER REPRESENTATIVE FOR COLOR SPECIFICATIONS AND PART NUMBERS

# VEHICLE SPECIFICATIONS

## VEHICLE SPECIFICATIONS

# VEHICLE SPECIFICATIONS

## ELECTRIC PERSONNEL CARRIER PCX-952

### TWO PASSENGER CARGO TRUCK

WEIGHT (without batteries).....	840.0 LBS. (381.5 kg)
LENGTH (total).....	129.0 IN. (327.7 cm)
LENGTH (from bulkhead).....	74.0 IN. (188.0 cm)
WIDTH (at rear wheels).....	46.0 IN. (116.9 cm)
HEIGHT (at steering wheel).....	45.5 IN. (115.6 cm)
HEIGHT (at deck).....	28.0 IN. (71.1 cm)
HEIGHT (at top if equipped).....	75.0 IN. (190.5 cm)
FLOOR HEIGHT.....	11.0 IN. (27.9 cm)
GROUND CLEARANCE (at differential).....	5.0 IN. (12.7 cm)
SEAT HEIGHT.....	29.0 IN. (73.7 cm)
WHEEL BASE.....	52.5 IN. (133.4 cm)
WHEEL TREAD.....	35.0 IN. (88.9 cm)
TURNING CLEARANCE DIAMETER.....	22.0 FT. (6.71 m)
INTERSECTING AISLE CLEARANCE.....	77.0 IN. (195.6 cm)
TIRES.....	18.5 x 8.5 x 8
TIRE PRESSURE.....	50 P.S.I. Cold (344.0 kPa)
LOAD CAPACITY (including operator, passengers, cargo and accessories).....	2,000.0 LBS. (908.3 kg)
CARGO DECK WIDTH.....	46.0 IN. (116.8 cm)
CARGO DECK LENGTH.....	74.0 IN. (188.0 cm)
SPEED.....	12 m.p.h (19.3 km/h)
CHASSIS.....	Welded high yield strength tubular steel
BODY.....	Frost beige fiberglass reinforced plastic
SAFETY.....	Removable switch key, electric horn, brake lights, handgrip and hip restraints, reverse warning indicator, 'deadman' accelerator control, manual forward and reverse switch with "neutral"
LIGHTING PACKAGE.....	Dual halogen headlights, taillights, backup lights and brake lights
STEERING WHEEL.....	Molded high impact plastic, dual handgrips, pencil holder, and clipboard
CARGO DECK.....	Removable for access to drive package
FRONT SUSPENSION.....	Heavy duty multiple leaf springs
REAR SUSPENSION.....	Heavy duty multiple leaf springs with hydraulic shock absorbers
STEERING.....	Double reduction rack and pinion
CENTER CONSOLE.....	Instrument panel with four drink holders
SEATING.....	Fabric backed vinyl over cushion foam
BRAKES.....	Dual rear wheel mechanical drum brakes
MOTOR.....	6.5 HP AT 1,500 r.p.m. Solid State Speed Control
BATTERIES.....	6, Six volt, 220 AH
CHARGER.....	Portable Total Charge III

Specifications are subject to change without notice.

# VEHICLE SPECIFICATIONS

## ELECTRIC PERSONNEL CARRIER PCX-954

### FIVE PASSENGER COURTESY/CARGO VEHICLE

WEIGHT (without batteries) .....	840 LBS. (381.5 kg)
LENGTH (total) .....	129.0 IN. (327.7 cm)
LENGTH (rear deck) .....	37.0 IN. (94.0 cm)
WIDTH (at rear wheels) .....	46.0 IN. (116.9 cm)
HEIGHT (at steering wheel) .....	45.5 IN. (115.6 cm)
HEIGHT (at deck).....	28.0 IN. (71.1 cm)
HEIGHT (at top if equipped).....	75.0 IN. (190.5 cm)
FLOOR HEIGHT .....	11.0 IN. (27.9 cm)
GROUND CLEARANCE (at differential) .....	5.0 IN. (12.7 cm)
SEAT HEIGHT .....	29.0 IN. (73.7 cm)
WHEEL BASE .....	52.5 IN. (133.4 cm)
WHEEL TREAD .....	35.0 IN. (88.9 cm)
TURNING CLEARANCE DIAMETER .....	22.0 FT. (6.7 m)
INTERSECTING AISLE CLEARANCE .....	77.0 IN. (195.6 cm)
TIRES.....	18.5 x 8.5 x 8
TIRE PRESSURE .....	50 P.S.I. Cold (344.0 kPa)
LOAD CAPACITY (including operator, passengers, cargo and accessories) .....	2,000.0 LBS. (908.3 kg)
CARGO DECK WIDTH .....	46.0 IN. (116.8 cm)
CARGO DECK LENGTH .....	37.0 IN. (94.0 cm)
SPEED .....	12 m.p.h (19.3 km/h)
CHASSIS .....	Welded high yield strength tubular steel
BODY .....	Frost beige fiberglass reinforced plastic
SAFETY .....	Removable switch key, electric horn, brake lights, handgrip and hip restraints, reverse warning indicator, 'deadman' accelerator control, manual forward and reverse switch with "neutral"
LIGHTING PACKAGE .....	Dual halogen headlights, taillights, backup lights and brake lights
STEERING WHEEL .....	Molded high impact plastic, dual handgrips, pencil holder, and clipboard
CARGO DECK .....	Removable for access to drive package
FRONT SUSPENSION .....	Heavy duty multiple leaf springs
REAR SUSPENSION.....	Heavy duty multiple leaf springs with hydraulic shock absorbers
STEERING .....	Double reduction rack and pinion
CENTER CONSOLE .....	Instrument panel with four drink holders
SEATING.....	Fabric backed vinyl over cushion foam
BRAKES.....	Dual rear wheel mechanical drum brakes
MOTOR.....	6.5 HP AT 1,500 r.p.m. Solid State Speed Control
BATTERIES.....	6, Six volt, 220 AH
CHARGER .....	Portable Total Charge III

Specifications are subject to change without notice.

# VEHICLE SPECIFICATIONS

## ELECTRIC PERSONNEL CARRIER PCX-955

### EIGHT PASSENGER COURTESY/CARGO VEHICLE

WEIGHT (without batteries) .....	960 LBS. (436.0 kg)
LENGTH (total) .....	156.0 IN. (396.2 cm)
LENGTH (rear deck) .....	37.0 IN. (94.0 cm)
LENGTH (rear of driver's seat to front of rear seat) .....	42.6 IN. (108.2 cm)
WIDTH (at rear wheels) .....	46.0 IN. (116.8 cm)
HEIGHT (at steering wheel) .....	45.5 IN. (115.6 cm)
HEIGHT (at rear deck) .....	28.0 IN. (71.1 cm)
HEIGHT (at top of rear seat) .....	41.5 IN. (105.4 cm)
HEIGHT (at top if equipped).....	75.0 IN. (190.5 cm)
FLOOR HEIGHT .....	11.0 IN. (27.9 cm)
GROUND CLEARANCE (at differential) .....	5.0 IN. (12.7 cm)
SEAT HEIGHT.....	29.0 IN. (73.7 cm)
WHEEL BASE.....	79.5 IN. (202.0 cm)
WHEEL TREAD .....	35.0 IN. (88.9 cm)
TURNING CLEARANCE DIAMETER .....	28.0 FT. (8.6 m)
INTERSECTING AISLE CLEARANCE .....	98.0 IN. (248.9 cm)
TIRES.....	18.5 x 8.5 x 8
TIRE PRESSURE .....	50 P.S.I. Cold (344.0 kPa)
LOAD CAPACITY (including operator, passengers, cargo and accessories) .....	2,500.0 LBS. (1,135.3 kg)
CARGO DECK WIDTH .....	46.0 IN. (116.8 cm)
CARGO DECK LENGTH .....	37.0 IN. (94.0 cm)
SPEED .....	12 m.p.h (19.3 km/h)
CHASSIS .....	Welded high yield strength tubular steel
BODY .....	Frost beige fiberglass reinforced plastic
SAFETY .....	Removable switch key, electric horn, brake lights, handgrip and hip restraints, reverse warning indicator, 'deadman' accelerator control, manual forward and reverse switch with "neutral"
LIGHTING PACKAGE .....	Dual halogen headlights, taillights, backup lights and brake lights
STEERING WHEEL .....	Molded high impact plastic, dual handgrips, pencil holder, and clipboard
CARGO DECK .....	Removable for access to drive package
FRONT SUSPENSION .....	Heavy duty multiple leaf springs
REAR SUSPENSION.....	Heavy duty multiple leaf springs with hydraulic shock absorbers
STEERING .....	Double reduction rack and pinion
CENTER CONSOLE.....	Instrument panel with four drink holders
SEATING.....	Fabric backed vinyl over cushion foam
BRAKES.....	Dual rear wheel hydraulic drum brakes
MOTOR.....	6.5 HP AT 1,500 r.p.m. Solid State Speed Control
BATTERIES .....	6, Six volt, 220 AH
CHARGER .....	Portable Total Charge III

Specifications are subject to change without notice.

# VEHICLE SPECIFICATIONS

## ELECTRIC PERSONNEL CARRIER PCX-956

### EIGHT PASSENGER COURTESY VEHICLE

WEIGHT (without batteries) .....	840 LBS. (381.5 kg)
LENGTH (total) .....	129.0 IN. (327.7 cm)
WIDTH (at rear wheels) .....	46.0 IN. (116.9 cm)
HEIGHT (at steering wheel) .....	45.5 IN. (115.6 cm)
HEIGHT (at top of rear seat) .....	41.5 IN. (105.4 cm)
HEIGHT (at top if equipped).....	75.0 IN. (190.5 cm)
FLOOR HEIGHT .....	11.0 IN. (27.9 cm)
GROUND CLEARANCE (at differential) .....	5.0 IN. (12.7 cm)
SEAT HEIGHT .....	29.0 IN. (73.7 cm)
WHEEL BASE .....	52.5 IN. (133.4 cm)
WHEEL TREAD .....	35.0 IN. (88.9 cm)
TURNING CLEARANCE DIAMETER .....	22.0 FT. (6.7 m)
INTERSECTING AISLE CLEARANCE .....	77.0 IN. (195.6 cm)
TIRES.....	18.5 x 8.5 x 8
TIRE PRESSURE .....	50 P.S.I. Cold (344.0 kPa)
LOAD CAPACITY (including operator, passengers, cargo and accessories) .....	2,000.0 LBS. (908.3 kg)
SPEED .....	12 m.p.h (19.3 km/h)
CHASSIS .....	Welded high yield strength tubular steel
BODY .....	Frost beige fiberglass reinforced plastic
SAFETY .....	Removable switch key, electric horn, brake lights, handgrip and hip restraints, reverse warning indicator, 'deadman' accelerator control, manual forward and reverse switch with "neutral"
LIGHTING PACKAGE .....	Dual halogen headlights, taillights, backup lights and brake lights
STEERING WHEEL .....	Molded high impact plastic, dual handgrips, pencil holder, and clipboard
FRONT SUSPENSION .....	Heavy duty multiple leaf springs
REAR SUSPENSION.....	Heavy duty multiple leaf springs with hydraulic shock absorbers
STEERING.....	Double reduction rack and pinion
CENTER CONSOLE.....	Instrument panel with four drink holders
SEATING.....	Fabric backed vinyl over cushion foam
BRAKES.....	Dual rear wheel mechanical drum brakes
MOTOR.....	6.5 HP AT 1,500 r.p.m. Solid State Speed Control
BATTERIES .....	6, Six volt, 220 AH
CHARGER .....	Portable Total Charge III

Specifications are subject to change without notice.

# VEHICLE SPECIFICATIONS

## ELECTRIC PERSONNEL CARRIER PCX-957

### ELEVEN PASSENGER COURTESY VEHICLE

WEIGHT (without batteries) .....	960 LBS. (436.0 kg)
LENGTH (total) .....	156.0 IN. (396.2 cm)
LENGTH (from rear of driver's set to front of rear seat).....	42.6 IN. (108.3 cm)
WIDTH (at rear wheels) .....	46.0 IN. (116.9 cm)
HEIGHT (at steering wheel) .....	45.5 IN. (115.6 cm)
HEIGHT (at top of rear seat) .....	41.5 IN. (105.4 cm)
HEIGHT (at top if equipped).....	75.0 IN. (190.5 cm)
FLOOR HEIGHT .....	11.0 IN. (27.9 cm)
GROUND CLEARANCE (at differential) .....	5.0 IN. (12.7 cm)
SEAT HEIGHT.....	29.0 IN. (73.7 cm)
WHEEL BASE .....	79.5 IN. (201.9 cm)
WHEEL TREAD .....	35.0 IN. (88.9 cm)
TURNING CLEARANCE DIAMETER .....	28.0 FT. (8.5 m)
INTERSECTING AISLE CLEARANCE .....	98.0 IN. (248.9 cm)
TIRES.....	18.5 x 8.5 x 8
TIRE PRESSURE .....	50 P.S.I. Cold (344.0 kPa)
LOAD CAPACITY (including operator, passengers, cargo and accessories) .....	2,500.0 LBS. (1,135.3 kg)
SPEED .....	12 m.p.h (19.3 km/h)
CHASSIS .....	Welded high yield strength tubular steel
BODY .....	Frost beige fiberglass reinforced plastic
SAFETY .....	Removable switch key, electric horn, brake lights, handgrip and hip restraints, reverse warning indicator, 'deadman' accelerator control, manual forward and reverse switch with "neutral"
LIGHTING PACKAGE .....	Dual halogen headlights, taillights, backup lights and brake lights
STEERING WHEEL .....	Molded high impact plastic, dual handgrips, pencil holder, and clipboard
FRONT SUSPENSION .....	Heavy duty multiple leaf springs
REAR SUSPENSION.....	Heavy duty multiple leaf springs with hydraulic shock absorbers
STEERING.....	Double reduction rack and pinion
CENTER CONSOLE.....	Instrument panel with four drink holders
SEATING.....	Fabric backed vinyl over cushion foam
BRAKES.....	Dual rear wheel hydraulic drum brakes
MOTOR.....	6.5 HP AT 1,500 r.p.m. Solid State Speed Control
BATTERIES .....	6, Six volt, 220 AH
CHARGER .....	Portable Total Charge III

Specifications are subject to change without notice.

# VEHICLE SPECIFICATIONS

## ELECTRIC PERSONNEL CARRIER BCX-960

### TWO PASSENGER BEVERAGE VEHICLE

WEIGHT (without batteries) .....	1,130 LBS. (513.2 kg)
LENGTH.....	129.0 IN. (327.7 cm)
LENGTH (rear deck) .....	74.0 IN. (188.0 cm)
WIDTH (at rear wheels) .....	46.0 IN. (116.8 cm)
HEIGHT (at steering wheel) .....	45.5 IN. (115.6 cm)
HEIGHT (at deck).....	28.0 IN. (71.1 cm)
HEIGHT (at top if equipped).....	75.0 IN. (190.5 cm)
FLOOR HEIGHT .....	11.0 IN. (27.9 cm)
GROUND CLEARANCE (at differential) .....	5.0 IN. (12.7 cm)
SEAT HEIGHT.....	29.0 IN. (73.7 cm)
WHEEL BASE .....	52.5 IN. (113.4 cm)
WHEEL TREAD .....	35.0 IN. (88.9 cm)
TURNING CLEARANCE DIAMETER .....	22.0 FT. (6.7 m)
INTERSECTING AISLE CLEARANCE .....	77.0 IN. (195.6 cm)
TIRES.....	18.5 x 8.5 x 8
TIRE PRESSURE .....	50 P.S.I. Cold (344.0 kPa)
LOAD CAPACITY (including operator, passengers, cargo and accessories) .....	2,000.0 LBS. (908.3 kg)
SPEED .....	12 m.p.h (19.3 km/h)
CHASSIS .....	Welded high yield strength tubular steel
BODY .....	White fiberglass reinforced plastic
SAFETY .....	Removable switch key, electric horn, brake lights, handgrip and hip restraints, reverse warning indicator, 'deadman' accelerator control, manual forward and reverse switch with "neutral"
LIGHTING PACKAGE .....	Dual halogen headlights, taillights, backup lights and brake lights
STEERING WHEEL .....	Molded high impact plastic, dual handgrips, pencil holder, and clipboard
FRONT SUSPENSION .....	Heavy duty multiple leaf springs
REAR SUSPENSION.....	Heavy duty multiple leaf springs with hydraulic shock absorbers
STEERING.....	Double reduction rack and pinion
CENTER CONSOLE.....	Instrument panel with four drink holders
SEATING.....	Fabric backed vinyl over cushion foam
BRAKES.....	Dual rear wheel mechanical drum brakes
MOTOR.....	6.5 HP AT 1,500 r.p.m. Solid State Speed Control
BATTERIES .....	6, Six volt, 220 AH
CHARGER .....	Portable Total Charge III

Specifications are subject to change without notice.



# VEHICLE SPECIFICATIONS

## ELECTRIC PERSONNEL CARRIER XI-775

### TWO PASSENGER PERSONNEL/CARGO TRUCK

WEIGHT (without batteries) .....	775 LBS. (352.0 kg)
LENGTH (total) .....	104.0 IN. (264.2 cm)
LENGTH (from bulkhead) .....	59.0 IN. (149.9 cm)
WIDTH (at rear bumper) .....	44.0 IN. (111.8 cm)
HEIGHT (at steering wheel) .....	45.0 IN. (114.3 cm)
HEIGHT (at deck).....	25.0 IN. (63.5 cm)
HEIGHT (at bulkhead) .....	41.0 IN. (104.1 cm)
GROUND CLEARANCE (at differential) .....	5.0 IN. (12.7 cm)
WHEEL BASE.....	53.0 IN. (134.6 cm)
TURNING CLEARANCE DIAMETER .....	234 IN. (594.4 cm)
INTERSECTING AISLE CLEARANCE .....	77.0 IN. (195.6 cm)
TIRES .....	4.8 x 8.5 x 8
TIRE PRESSURE .....	60 P.S.I. Cold (412.8 kPa)
LOAD CAPACITY (including operator, passengers, cargo and accessories) .....	1,500.0 LBS. (681.2 kg)
CARGO DECK WIDTH .....	44.0 IN. (111.8 cm)
CARGO DECK LENGTH .....	59.0 IN. (149.9 cm)
SPEED .....	12 m.p.h (19.3 km/h)
CHASSIS .....	Welded high yield strength tubular steel
BODY .....	Heavy duty four-way diamond pattern tread plate body panels
SAFETY .....	Removable switch key, electric horn, brake lights, handgrip and hip restraints, reverse warning indicator, 'deadman' accelerator control, manual forward and reverse switch with "neutral"
LIGHTING PACKAGE .....	Dual halogen headlights, taillights and brake lights
STEERING WHEEL .....	Molded high impact plastic, dual handgrips, pencil holder, and clipboard
CARGO DECK .....	Removable for access to drive package
FRONT SUSPENSION .....	Heavy duty multiple leaf springs
REAR SUSPENSION .....	Heavy duty multiple leaf springs with hydraulic shock absorbers
STEERING.....	Double reduction rack and pinion
SEATING.....	Fabric backed vinyl over cushion foam
BRAKES .....	Dual rear wheel mechanical drum brakes
MOTOR.....	6.5 HP AT 1,500 r.p.m. Solid State Speed Control
BATTERIES .....	6, Six volt, 220 AH
CHARGER .....	Onboard Total Charge III
UNDERWRITERS LABORATORY (UL).....	Approved

Specifications are subject to change without notice.

# VEHICLE SPECIFICATIONS

## ELECTRIC PERSONNEL CARRIER XI-875

### TWO PASSENGER PERSONNEL/CARGO TRUCK

WEIGHT (without batteries) .....	995 LBS. (451.9 kg)
LENGTH (total) .....	118.0 IN. (299.7 cm)
LENGTH (from bulkhead) .....	72.0 IN. (182.9 cm)
LENGTH (internal storage) .....	14.0 IN. (35.6 cm)
WIDTH (at rear bumper) .....	44.0 IN. (111.8 cm)
WIDTH (internal storage) .....	43.0 IN. (109.2 cm)
HEIGHT (at steering wheel) .....	47.0 IN. (119.4 cm)
HEIGHT (at deck).....	25.5 IN. (64.8 cm)
HEIGHT (internal storage) .....	12.0 IN. (30.5 cm)
HEIGHT (at bulkhead).....	41.5 IN. (105.4 cm)
GROUND CLEARANCE (at differential) .....	5.0 IN. (12.7 cm)
WHEEL BASE.....	53.0 IN. (134.6 cm)
TURNING CLEARANCE DIAMETER .....	234 IN. (594.4 cm)
INTERSECTING AISLE CLEARANCE .....	77.0 IN. (195.6 cm)
TIRES.....	18.5 x 8.5 x 8
TIRE PRESSURE .....	50 P.S.I. Cold (344.0 kPa)
LOAD CAPACITY (including operator, passengers, cargo and accessories) .....	3,000.0 LBS. (1,362.4 kg)
CARGO DECK WIDTH .....	44.0 IN. (111.8 cm)
CARGO DECK LENGTH .....	72.0 IN. (182.9 cm)
SPEED .....	12 m.p.h (19.3 km/h)
CHASSIS .....	Welded high yield strength tubular steel
BODY .....	Heavy duty four-way diamond pattern tread plate body panels
SAFETY .....	Removable switch key, electric horn, brake lights, handgrip and hip restraints, reverse warning indicator, 'deadman' accelerator control, manual forward and reverse switch with "neutral"
LIGHTING PACKAGE .....	Dual halogen headlights, taillights and brake lights
STEERING WHEEL.....	Molded high impact plastic, dual handgrips, pencil holder, and clipboard
CARGO DECK.....	Removable for access to drive package
FRONT SUSPENSION .....	Heavy duty multiple leaf springs
REAR SUSPENSION.....	Heavy duty multiple leaf springs with hydraulic shock absorbers
STEERING.....	Double reduction rack and pinion
SEATING.....	Fabric backed vinyl over cushion foam
BRAKES.....	Dual rear wheel hydraulic drum brakes
MOTOR.....	6.5 HP AT 1,500 r.p.m. Solid State Speed Control
BATTERIES .....	6, Six volt, 220 AH
CHARGER .....	Onboard Total Charge III
UNDERWRITERS LABORATORY (UL).....	Approved

Specifications are subject to change without notice.

# VEHICLE SPECIFICATIONS

## ELECTRIC PERSONNEL CARRIER XI-875P

### FOUR PASSENGER PERSONNEL/CARGO TRUCK

WEIGHT (without batteries) .....	1,117 LBS. (507.0 kg)
LENGTH (total) .....	66.0 IN. (167.6 cm)
LENGTH (from front bulkhead) .....	66.5 IN. (168.9 cm)
LENGTH (from second seat) .....	29.5 IN. (74.9 cm)
WIDTH (at rear bumper) .....	44.0 IN. (111.8 cm)
HEIGHT (at steering wheel) .....	47.0 IN. (119.4 cm)
HEIGHT (at deck) .....	25.5 IN. (64.8 cm)
HEIGHT (at second seat) .....	41.5 IN. (105.4 cm)
GROUND CLEARANCE (at differential) .....	5.0 IN. (12.7 cm)
WHEEL BASE .....	53.0 IN. (134.6 cm)
TURNING CLEARANCE DIAMETER .....	234 IN. (594.4 cm)
INTERSECTING AISLE CLEARANCE .....	85.0 IN. (215.9 cm)
TIRES .....	18.5 x 8.5 x 8
TIRE PRESSURE .....	50 P.S.I. Cold (344.0 kPa)
LOAD CAPACITY (including operator, passengers, cargo and accessories) .....	2,000.0 LBS. (907.0 kg)
CARGO DECK WIDTH .....	44.0 IN. (97.0 cm)
CARGO DECK LENGTH (seat in up position) .....	28.0 IN. (61.7 cm)
CARGO DECK LENGTH (seat in down position) .....	66.0 IN. (145.3 cm)
SPEED .....	12 m.p.h (19.3 km/h)
CHASSIS .....	Welded high yield strength tubular steel
BODY .....	Heavy duty four-way diamond pattern tread plate body panels
SAFETY .....	Removable switch key, electric horn, brake lights, handgrip and hip restraints, reverse warning indicator, 'deadman' accelerator control, manual forward and reverse switch with "neutral"
LIGHTING PACKAGE .....	Dual halogen headlights, taillights and brake lights
STEERING WHEEL .....	Molded high impact plastic, dual handgrips, pencil holder, and clipboard
CARGO DECK .....	Removable for access to drive package
FRONT SUSPENSION .....	Heavy duty multiple leaf springs
REAR SUSPENSION .....	Heavy duty multiple leaf springs with hydraulic shock absorbers
STEERING .....	Double reduction rack and pinion
SEATING .....	Fabric backed vinyl over cushion foam
BRAKES .....	Dual rear wheel hydraulic drum brakes
MOTOR .....	6.5 HP AT 1,500 r.p.m. Solid State Speed Control
BATTERIES .....	6, Six volt, 220 AH
CHARGER .....	Onboard Total Charge III
UNDERWRITERS LABORATORY (UL) .....	Approved

Specifications are subject to change without notice.

# VEHICLE SPECIFICATIONS

## ELECTRIC PERSONNEL CARRIER XI-881

### TWO PASSENGER PERSONNEL/CARGO TRUCK

WEIGHT (without batteries) .....	995 LBS. (451.0 kg)
LENGTH.....	118.0 IN. (299.72 cm)
WIDTH (at rear bumper) .....	44.0 IN. (111.76 cm)
HEIGHT (at steering wheel) .....	47.0 IN. (119.4 cm)
GROUND CLEARANCE (at differential) .....	5.0 IN. (12.7 cm)
WHEEL BASE.....	53.0 IN. (134.62 cm)
TURNING CLEARANCE DIAMETER .....	22.0 FT. (6.71 m)
INTERSECTING AISLE CLEARANCE .....	77.0 IN. (195.6 cm)
TIRES.....	18.5 x 8.5 x 8
TIRE PRESSURE .....	50 P.S.I. Cold (344.0 kPa)
LOAD CAPACITY (including operator, passengers, cargo and accessories) .....	1,500.0 LBS. (680 kg)
CARGO DECK WIDTH .....	44.0 IN. (111.8 cm)
CARGO DECK LENGTH .....	59.0 IN. (150.0 cm)
SPEED.....	12 m.p.h (19.3 km/h)
CHASSIS .....	Welded high yield strength tubular steel
BODY .....	Frost beige fiberglass reinforced plastic
SAFETY .....	Removable switch key, electric horn, brake lights, handgrip and hip restraints, reverse warning indicator, 'deadman' accelerator control, manual forward and reverse switch
LIGHTING PACKAGE .....	Dual halogen headlights, taillights and brake lights
STEERING WHEEL.....	Molded high impact plastic, dual handgrips, pencil holder, and clipboard
CARGO DECK.....	Removable for access to drive package
FRONT SUSPENSION .....	Heavy duty multiple leaf springs
REAR SUSPENSION.....	Heavy duty multiple leaf springs with hydraulic shock absorbers
STEERING.....	Double reduction rack and pinion
CENTER CONSOLE.....	Instrument panel with four drink holders
SEATING.....	Fabric backed vinyl over cushion foam
BRAKES.....	Dual rear wheel hydraulic drum brakes
MOTOR.....	6.5 HP AT 1,500 r.p.m. Solid State Speed Control
BATTERIES .....	6, Six volt, 220 AH
CHARGER .....	Onboard Total Charge III
UNDERWRITERS LABORATORY (UL).....	Approved

Specifications are subject to change without notice.



E-Z-GO Division of Textron Inc.  
P.O. Box 388 Augusta, Georgia 30903-0388  
Telephone 1-800-241-5855

Copyright 1994  
This manual may not be reproduced in whole or  
in part without the express permission of  
E-Z-GO Division of Textron Inc.  
Technical Communications Department