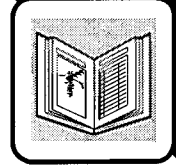
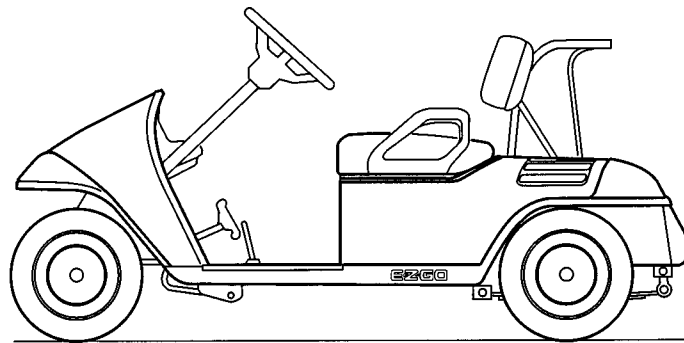




a **TEXTRON** Company



SERVICE PARTS MANUAL



ELECTRIC AND GASOLINE METAL VEHICLES

MANUAL: 28081-G01

MODEL YEAR: 1994/1995

ISSUED: 01/04/94

REVISED: 07/12/95

SERVICE PARTS MANUAL

MEDALIST ELECTRIC AND GASOLINE VEHICLES

MODEL YEARS: 94/95

VEHICLES

MEDALIST FLEET GASOLINE

MEDALIST FLEET ELECTRIC

MEDALIST FLEET DCS ELECTRIC

MEDALIST FLEET FREEDOM GASOLINE

MEDALIST FREEDOM HP GASOLINE

MEDALIST FREEDOM ELECTRIC

MEDALIST FREEDOM DCS ELECTRIC

MEDALIST 4 CADDY GASOLINE

MEDALIST 4 CADDY ELECTRIC

CUSTOMER SERVICE DEPARTMENT PHONE 1-800-227-7029 FAX 1-800-752-6175
E-Z-GO DIVISION OF TEXTRON, INC., P.O.BOX 388, AUGUSTA, GEORGIA 30903-0388, 1-800-241-5855

LIMITED WARRANTY

WARRANTY

TO OBTAIN A COPY OF THE LIMITED WARRANTY THAT IS APPLICABLE TO YOUR VEHICLE, CALL OR WRITE YOUR LOCAL DISTRIBUTOR, BRANCH OR E-Z-GO WARRANTY DEPARTMENT.

THE USE OF NON E-Z-GO PARTS MAY VOID YOUR WARRANTY.

OVERFILLING OF BATTERIES MAY VOID YOUR WARRANTY.

TAMPERING WITH OR ADJUSTING OF GOVERNOR TO PERMIT THE VEHICLE TO OPERATE AT ABOVE FACTORY SETTINGS (12 - 15 MPH) WILL VOID YOUR VEHICLE WARRANTY.

WARNING

ENGINE EXHAUST FROM THIS PRODUCT CONTAINS CHEMICALS KNOWN, IN CERTAIN QUANTITIES, TO CAUSE CANCER, BIRTH DEFECTS, OR OTHER REPRODUCTIVE HARM.

GENERAL INDEX

SECTIONS	Page No.
How to use the E-Z-GO Service Manual	vii
California Emissions Warranty	Back Cover
Fuji Engine Warranty	Back Cover

Illustrated Parts Breakdown:

	ELECTRIC VEHICLE	GASOLINE VEHICLE	ELECTRIC/GASOLINE VEHICLE
Illustration	Page No.	Page No.	Page No.
ACCELERATOR LINKAGE	A-1	B-1	
• Accelerator Pedal			
• Accelerator Rod			
BATTERY CHARGER, TC® III, 36 VDC	C-1		
BATTERY CHARGER, POWERWISE™	C-7		
BATTERY CHARGER, POWERWISE™ +	C-13		
BODY AND ASSOCIATED PARTS			D-1
• Bagwell			
• Battery Racks			
• Center Console			
• Floorboard			
• Hip Restraint			
BRAKE LINKAGE			E-1
CARBURETOR		F-1	
CLUTCHES		G-1	
• Drive Belt			
• Drive Clutch			
• Driven Clutch			
DIRECTION SELECTOR	I-1		
DIRECTION SELECTOR			J-1
ELECTRICAL SYSTEM	K-1		L-1
ENGINE AND MUFFLER			M-1
• Engine			
• Muffler			
• Oil Filter			
• Spark Plugs			
ENGINE AND STARTER MOUNTING			N-1
• Belt, Starter/Generator			
• Adjuster, Starter/Generator			
• Engine Guard			
• Isolator			

GENERAL INDEX

Illustrated Parts Breakdown:

Illustration	ELECTRIC VEHICLE Page No.	GASOLINE VEHICLE Page No.	ELECTRIC/GASOLINE VEHICLE Page No.
FILTERED AIR SYSTEM		O-1	
• Air Cleaner			
FRONT SUSPENSION			Q-1
• Front Axle Assembly			
• Leaf Springs and Idler Assembly			
• Hub and Spindle Assemblies			
• Tie Rod Assembly			
FUEL SYSTEM		R-1	
• Fuel Gauge			
• Fuel Pump			
• Fuel Tank Assembly			
HORN AND LIGHTING			S-1
• Headlamp			
• Horn			
• Rear Lamp Assembly			
• State of Charge Meter			
• Turn Signal Assembly			
• Wire Harness			
MOTOR.....	T-1		
REAR AXLE	U-1	V-1	
REAR SUSPENSION	W-1	X-1	
SEATING AND BAGRACK			Y-1
SOLID STATE SPEED CONTROL	Z-1		
• Control Rod			
• Mounting Assembly			
• Solenoid			
• Speed Control Cover			
SOLID STATE SPEED CONTROL (DCS MODEL ONLY)	Z-5		
• Control Rod			
• Mounting Assembly			
• Solenoid			
• Speed Control Cover			
STARTER/GENERATOR		AA-1	
• Brush Holder Assembly			
• Pulley			
• Terminal Assembly			

GENERAL INDEX

Illustrated Parts Breakdown:

Illustration	ELECTRIC VEHICLE Page No.	GASOLINE VEHICLE Page No.	ELECTRIC/GASOLINE VEHICLE Page No.
STEERING			BB-1
• Rack and Rod Assembly			
• Steering Wheel			
• Tie Rod Assembly			
WHEEL BRAKE			CC-1
• Brake Assembly			
• Brake Drum Assembly			
• Brake Shoe Set			
WHEELS AND TIRES			DD-1
• Tread Styles			
• Tire and Wheel Assembly			
• Valve Stem			
• Wheel Rim			

SPECIAL TOOLS	Page No.
Special Tools Listing.....	Appendix - A

ACCESSORIES	Page No.
Accessory Listing.....	Appendix - B

ACCESSORIES	Page No.
Accessory Installations.....	Appendix - C
Divot Repair Kit (Sand Bottle)	
Side Basket	
Center Basket	
Sun Top	
Wheel Covers	
Windshield	
Mud Flaps	

GENERAL INDEX

Ashtray
Wheel Covers
Rear View Mirror
Four Bag Attachment (Medalist only)
Hour Meter
4-Caddy Conversion
4-Caddy Conversion Windshield
4-Caddy Conversion Sun Top
4-Caddy Convertible Carrier Kit

WIRING DIAGRAMS AND SCHEMATICS.....	Page No.
Electric and Gasoline Vehicles.....	Appendix - D

HOW TO USE THE E-Z-GO SERVICE PARTS MANUAL

This manual is divided into several sections:

- GENERAL INFORMATION
- ILLUSTRATED PARTS BREAKDOWN FOR MEDALIST ELECTRIC AND GASOLINE POWERED GOLF CARS
- APPENDIX A

The first section, GENERAL INFORMATION, contains the following information:

- WARRANTY INFORMATION
- GENERAL INDEX
- HOW TO USE THE E-Z-GO SERVICE PARTS MANUAL

The second section, ILLUSTRATED PARTS BREAKDOWN (IPB) FOR THE MEDALIST ELECTRIC POWERED AND GASOLINE GOLF CARS, contains illustrations and parts lists for all systems of your vehicle.

The third section, SERVICE ACCESSORIES AND SPECIAL TOOLS, contains a listing of E-Z-GO service accessories and special tools and that may be purchased from the company to aid in the servicing of the vehicle.

USE OF THE MANUAL

To use this manual, consult the GENERAL INDEX to locate the information or illustration required.

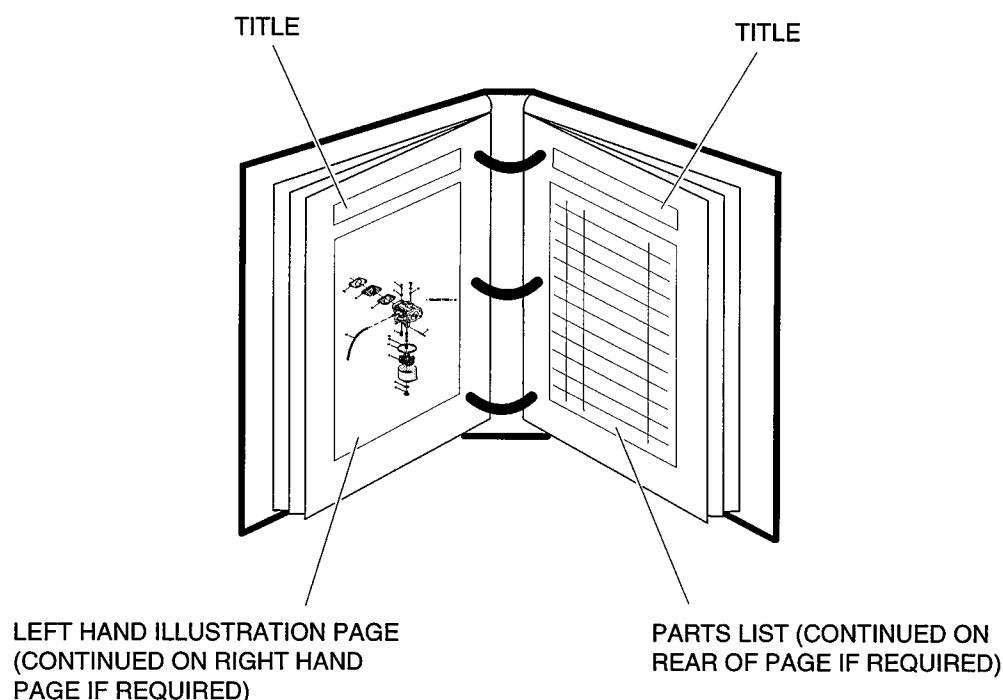
E-Z-GO manuals are revised annually to coincide with the model year change. The manual will cover all models and model years stated on the cover page. Sections that remain unchanged have the last date they were revised in the lower inside margin. New components that are interchangeable with the previous year are automatically revised and the issue date is changed.

Introduction of some revisions varies due to supply of components; therefore, it is possible that various combinations of components may be found that are not directly reflected by each illustration. Consult the illustration that best suits your situation and then contact the Service Parts Department. It is important that the serial number of your vehicle and its model number be supplied to Service Parts when ordering any replacement components.

Locate the serial number plate (see Body and Associated Parts located in the IPB section of this manual for its location) and note the complete number shown on the plate.

All relevant systems are listed in the General Index and has an alphabetical prefix. The illustration always appears first and is followed by its related parts list. Additional illustrations and parts lists with the same prefix indicate significant changes that have taken place since the last issue.

HOW TO USE THE E-Z-GO SERVICE PARTS MANUAL



1. WHEN THE PART NUMBER IS NOT KNOWN

- Determine the function and application of the part required. Turn to the General Index and select the most appropriate title.
- Turn to the page number indicated and locate the desired part on the illustration.
- From the illustration, obtain the item number assigned to the desired part. Refer to the accompanying description for specific information regarding the part.

2. IF YOU KNOW THE PART NUMBER

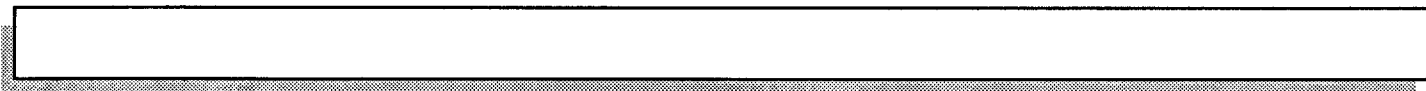
- Locate the part number or description in the appropriate column on the parts list page.

NOTE: It is suggested that you confirm that the part selected is correct by verifying it with the pictorial representation on the illustrated page.

Should an asterisk (*) appear in the part number column on the parts list page, read upwards until a part number is found. The part number is the lowest assembly sold by E-Z-GO and the asterisk (*) indicates that the part depicted is not available for sale by E-Z-GO.

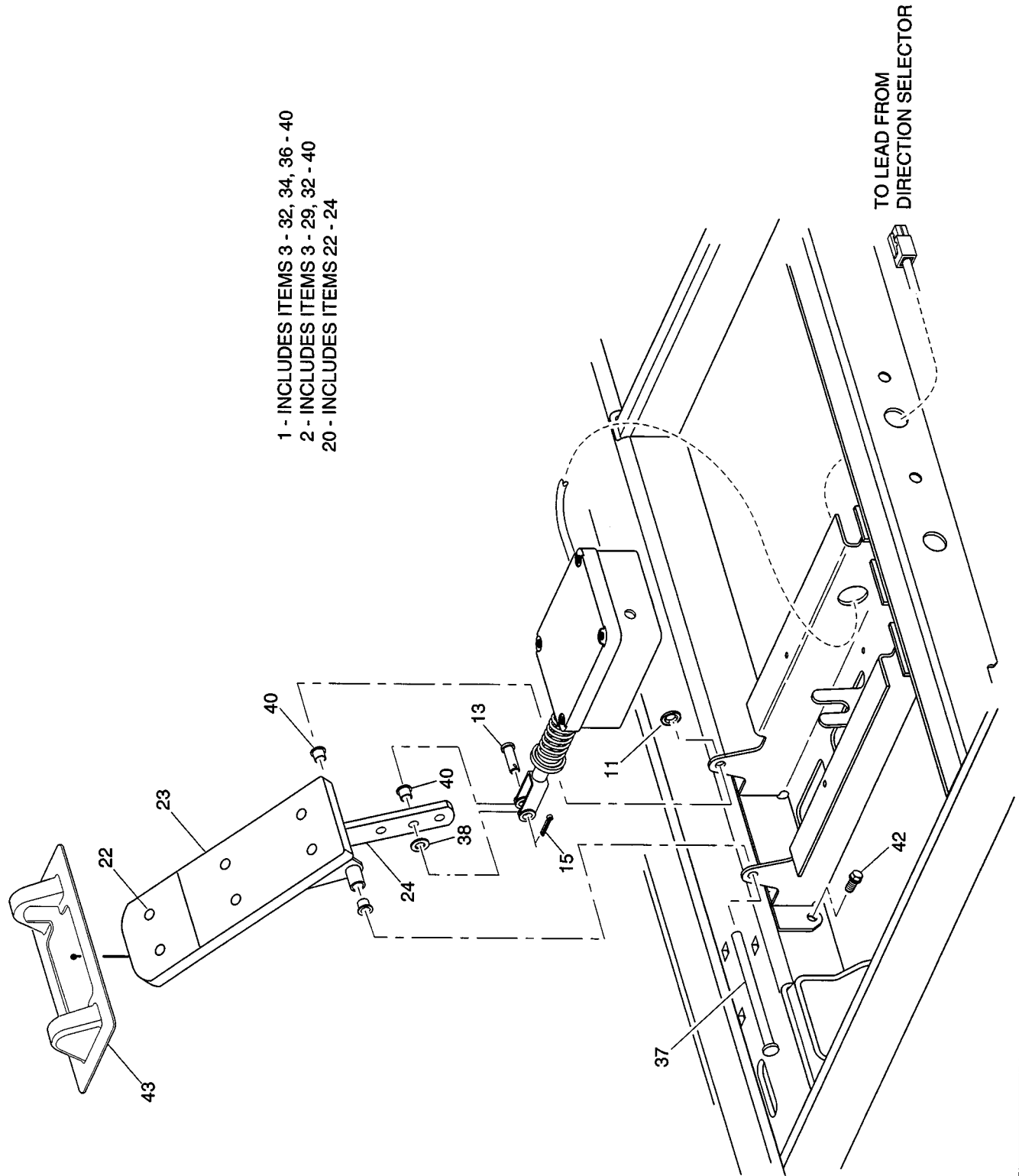
NOTE: Descriptions are indented under the assembly that they are used on. That assembly is, in turn listed under the assembly that it is used on. This process is repeated until the highest final assembly is reached.

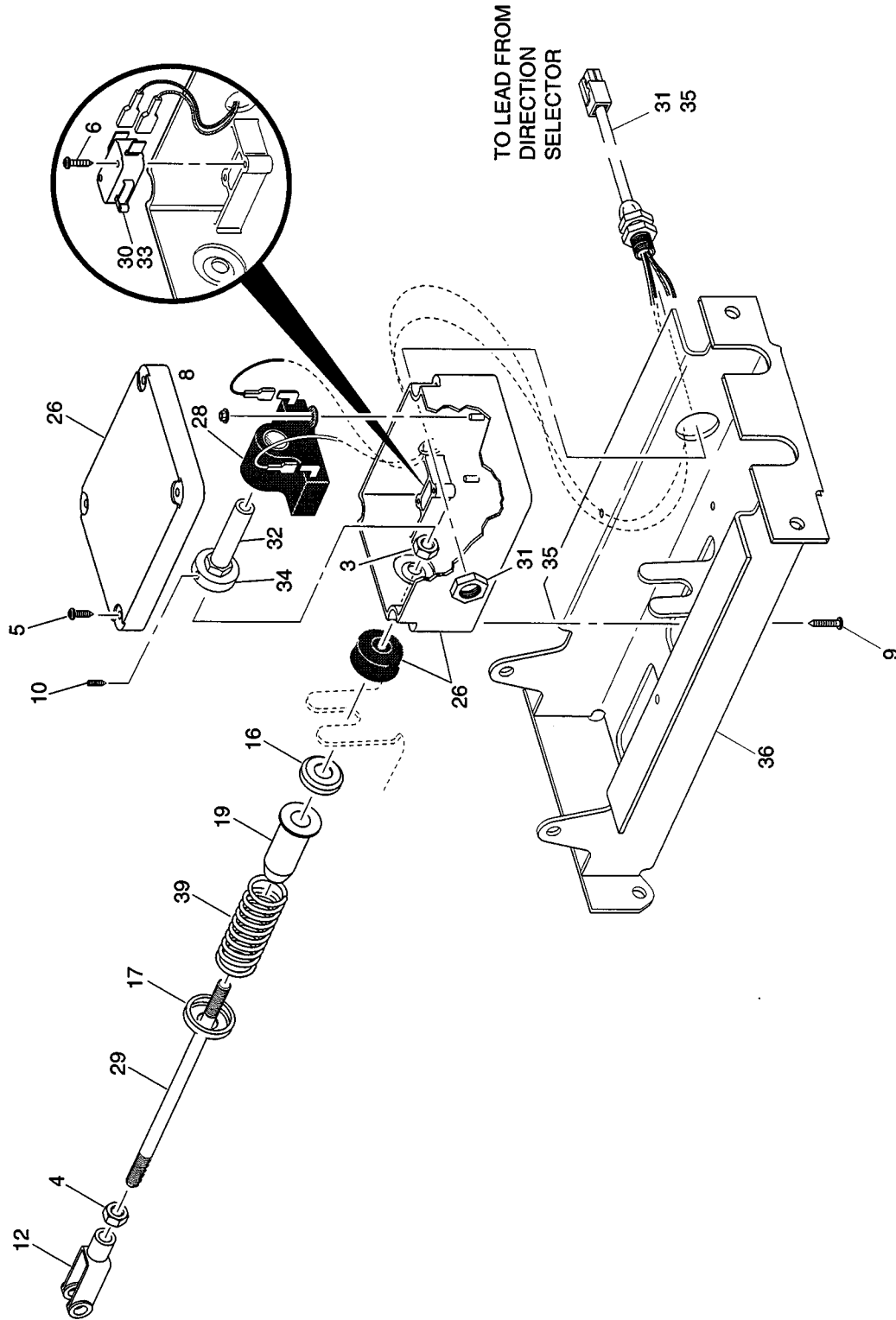
To facilitate the maintenance and repair of the vehicle, a Technician's Repair and Service Manual [28124-G01 (Electric vehicle) and 28125-G01 (Gasoline vehicle)] is available from the E-Z-GO Service Parts Department.



ILLUSTRATED PARTS BREAKDOWN

- 1 - INCLUDES ITEMS 3 - 32, 34, 36 - 40
- 2 - INCLUDES ITEMS 3 - 29, 32 - 40
- 20 - INCLUDES ITEMS 22 - 24





ACCELERATOR LINKAGE

Electric Vehicle

THE USE OF NON UL PARTS WILL VOID ANY UL LISTING.

When ordering parts, please specify the model and serial number of the product.

* Indicates a component that is not available as an individual part.

G** Indicates consult Customer Service Department for additional information.

ITEM	PART NO.	1 2 3 4 5	DESCRIPTION	QTY.
1	25870-G03		PEDAL BOX ASSEMBLY (INCLUDES ITEMS 3 - 32, 34, 36 - 40)	1
2	25870-G05		PEDAL BOX ASSEMBLY, DCS MODEL ONLY (INCLUDES ITEMS 3 - 29, 32 - 40)	1
3	00550-G2		NUT, LOCK, 1/4 - 28	1
4	00532-G4		NUT, LOCK, 5/16 - 24	1
5	00684-G6		SCREW, #8 - 32 X 3/4 LG.	4
6	00982-G01		SCREW, #4 - 14 X 5/8 LG.	2
7				
8	00983-G01		NUT, SELF THREADING	2
9	00984-G01		SCREW, #8 - 10 X 1/2 LG.	4
10	00486-G2		SETSCREW, #8 - 32 X 1/8 LG.	1
11	00986-G01		PUSHNUT, 19/64 I.D.	1
12	10385-G4		YOKE, CLEVIS (ADJUSTABLE)	1
13	10386-G3		PIN, CLEVIS, 5/16 x 15/16 LG.....	1
14				
15	10387-G3		PIN, COTTER, 3/32 x 3/4 LG.....	1
16	17677-G1		RETAINER, SPRING	1
17	17677-G2		RETAINER, SPRING	1
18				
19	17979-G1		BUSHING, ACCELERATOR ROD	1
20	25799-G01		ACCELERATOR PEDAL ASSEMBLY (INCLUDES ITEMS 22 - 24)	1
21				
22	16409-G1		RIVET, OVAL, 3/8 X 15/32 LG.....	6
23	27512-G01		PAD, ACCELERATOR PEDAL	1
24	*		PEDAL, ACCELERATOR	1
25				
26	25853-G01		PEDALBOX AND COVER (SEAL AND BEARING)	1
27				
28	25854-G01		INDUCTIVE THROTTLE SENSOR	1
29	25859-G01		ACCELERATOR ROD	1

THE USE OF NON UL PARTS WILL VOID ANY UL LISTING.

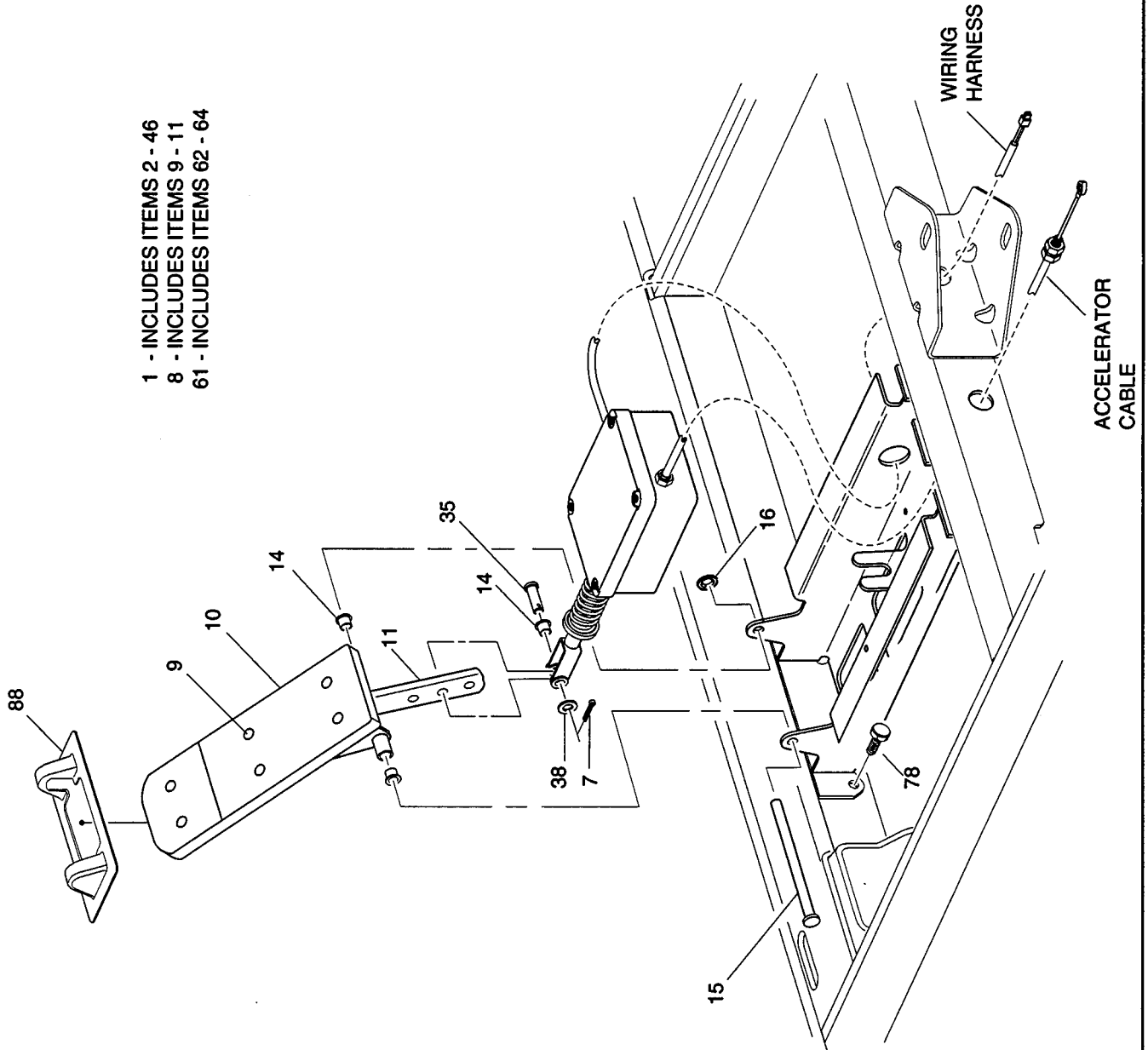
When ordering parts, please specify the model and serial number of the product.

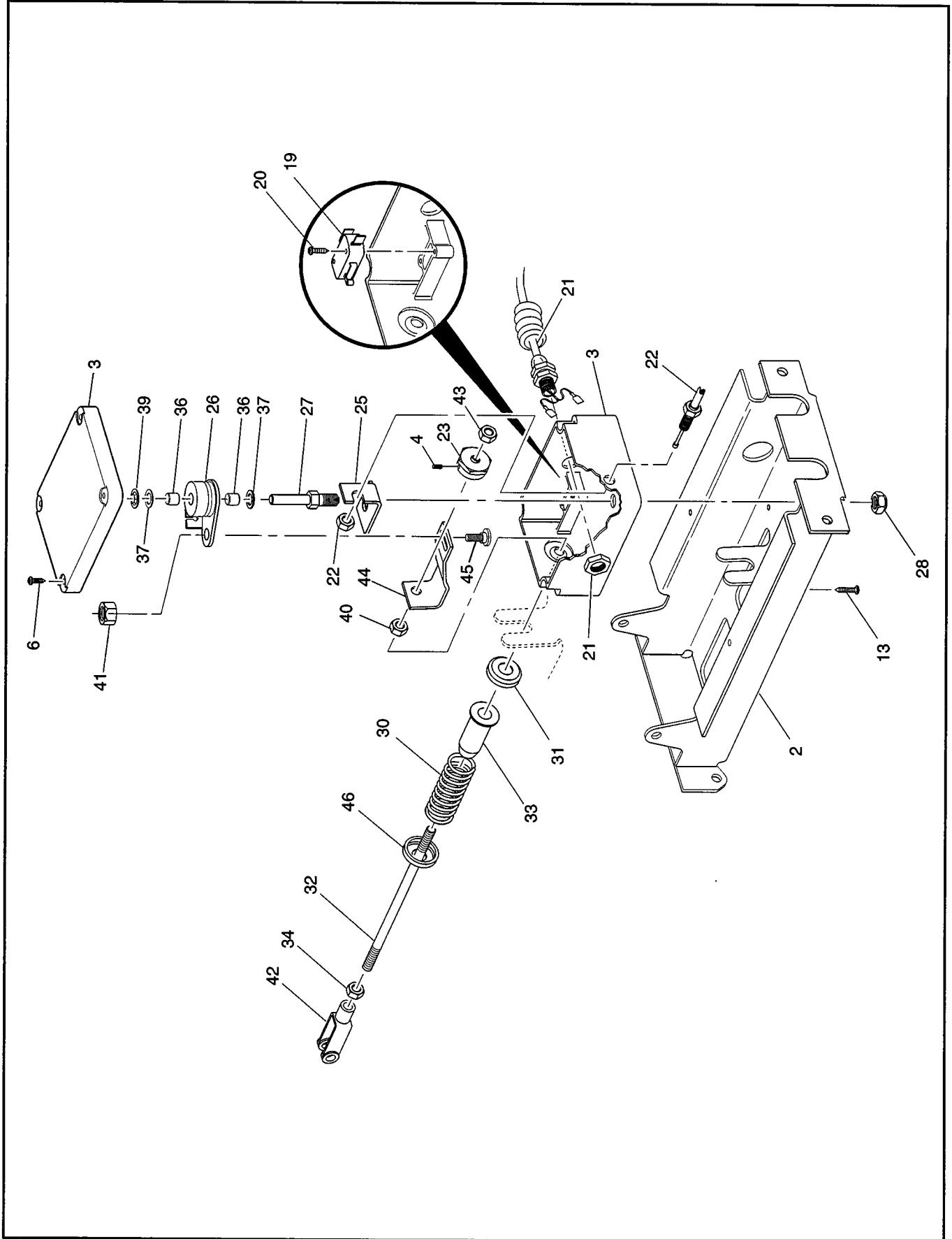
* Indicates a component that is not available as an individual part.

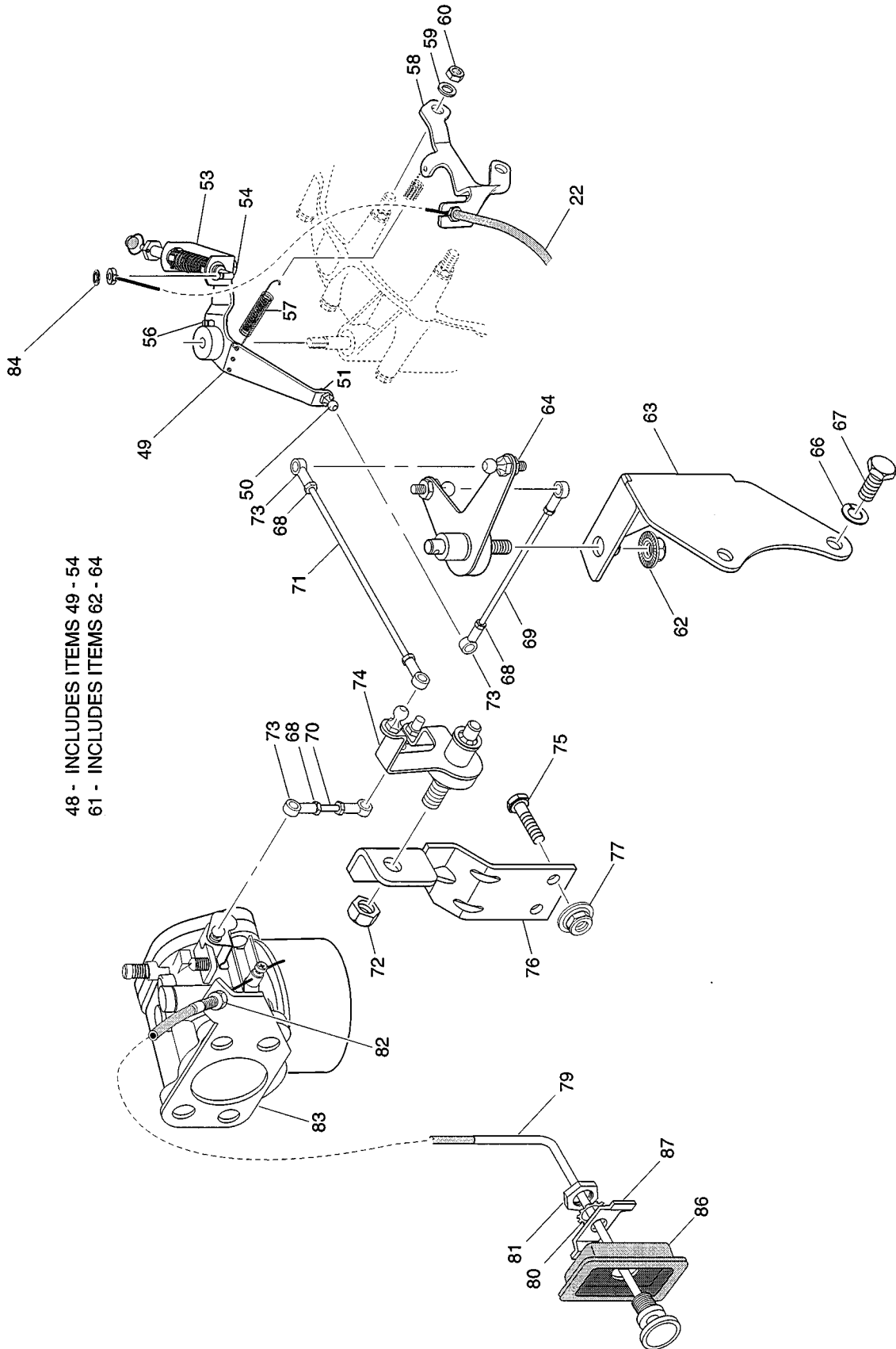
G** Indicates consult Customer Service Department for additional information.

ITEM	PART NO.	1	2	3	4	5	DESCRIPTION	QTY.
30	25861-G01						SWITCH, MICRO.....	1
31	25879-G03						WIRING HARNESS, PEDAL BOX ASSEMBLY.....	1
32	26551-G01						PLUNGER	1
33	25861-G02						SWITCH, MICRO (DCS MODEL ONLY)	1
34	26969-G01						CAM, PLUNGER	1
35	25879-G04						WIRING HARNESS, PEDAL BOX ASSEMBLY (DCS MODEL ONLY).....	1
36	70116-G01						BRACKET, PEDAL	1
37	70134-G01						PIN, PEDAL PIVOT	1
38	17255-G1						WASHER, TEFLON, 1/32 X 5/8.....	1
39	73046-G01						SPRING, COMPRESSION.....	1
40	17838-G1						BUSHING	3
41								
42	00715-G2						BOLT, 5/16 - 18 X 5/8 LG.	4
43	70135-G01						COVER, PEDAL PIVOT.....	1

- 1 - INCLUDES ITEMS 2 - 46
- 8 - INCLUDES ITEMS 9 - 11
- 61 - INCLUDES ITEMS 62 - 64







48 - INCLUDES ITEMS 49 - 54
61 - INCLUDES ITEMS 62 - 64

When ordering parts, please specify the model and serial number of the product.

* Indicates a component that is not available as an individual part.

G** Indicates consult Customer Service Department for additional information.

ITEM	PART NO.	1 2 3 4 5	DESCRIPTION	QTY.
1	72062-G01		ACCELERATOR PEDAL BOX ASSEMBLY (INCLUDES ITEMS 2 - 46).....	1
2	70116-G01		BRACKET, ACCELERATOR PEDAL.....	1
3	25853-G02		PEDAL BOX AND COVER	1
4	00487-G3		SETSCREW, 1/4 - 20 X 3/8 LG.	1
5				
6	00984-G01		SCREW, #8 - 32 X 1/2 LG.	4
7	10387-G3		PIN, COTTER, 3/32 x 3/4 LG.	1
8	25799-G01		ACCELERATOR PEDAL ASSEMBLY (INCLUDES ITEMS 9 - 11)	1
9	16409-G1		RIVET, OVAL, 3/8 X 15/32 LG.	6
10	27512-G01		PAD, ACCELERATOR PEDAL.....	1
11	70125-G01		PEDAL, ACCELERATOR.....	1
12				
13	00684-G6		SCREW, #8 - 10 X 1/2 LG.	4
14	17838-G1		BUSHING	3
15	70134-G01		PIN, PEDAL PIVOT	1
16	00986-G01		PUSHNUT, 19/64.....	1
17				
18				
19	25861-G01		SWITCH, MICRO.....	1
20	00982-G01		SCREW, #4 - 14 X 5/8 LG.	2
21	72201-G01		WIRING HARNESS, PEDAL BOX.....	1
22	72065-G01		CABLE, ACCELERATOR (WITH NUT)	1
23	72198-G01		CAM, MICRO SWITCH.....	1
24				
25	72199-G01		BRACKET, PIVOT	1
26	72066-G01		CONTROL ARM	1
27	25768-G01		PIVOT ROD	1
28	14390-G1		NUT, LOCK, 3/8 - 24.....	1
29				
30	73046-G01		SPRING, COMPRESSION.....	1

ACCELERATOR LINKAGE

Gasoline Vehicle

When ordering parts, please specify the model and serial number of the product.

* Indicates a component that is not available as an individual part.

G** Indicates consult Customer Service Department for additional information.

ITEM	PART NO.	1	2	3	4	5	DESCRIPTION	QTY.
31	17677-G1						RETAINER, SPRING	1
32	72072-G01						ROD, ACCELERATOR	1
33	17979-G1						BUSHING, ACCELERATOR ROD	1
34	00532-G4						NUT, 5/16 - 24.....	1
35	10386-G3						PIN, CLEVIS, 5/16 X 1 LG.....	1
36	23860-G1						BEARING.....	2
37	24621-G1						WASHER, NYLON, 5/16.....	2
38	17255-G1						WASHER, TEFLON, 5/16	1
39	12064-G1						PUSHNUT, 1/4.....	1
40	01009-G01						NUT, NYLON, 5/16 - 24	1
41	14390-G10						NUT, LOCK, #10 - 24.....	1
42	10385-G4						YOKE, CLEVIS	1
43	00550-G4						NUT, LOCK, 5/16 - 24.....	1
44	72074-G01						LINK, CONTROL ARM.....	1
45	72225-G01						BOLT, SHOULDER, SOCKET BUTTON HEAD.....	1
46	17677-G2						RETAINER, SPRING	1
47								
48	25690-G01						GOVERNOR BELLCRANK ASSEMBLY (INCLUDES ITEMS 49 - 54)	1
49	25765-G01						BELLCRANK, GOVERNOR.....	1
50	24479-G1						BALL, BALL JOINT	1
51	00734-G5						NUT, LOCK, 10 - 32.....	1
52								
53	22751-G2						BRACKET, GOVERNOR	1
54	14390-G4						NUT, LOCK, 1/4 - 20.....	1
55								
56	00491-G4						SETSCREW, 1/4 - 20 X 1/2 LG.....	1
57	25738-G01						SPRING, GOVERNOR TO ACCELERATOR BRACKET	1
58	25653-G01						BRACKET, ACCELERATOR CABLE.....	1
59	*						WASHER (PROVIDED ON DIFFERENTIAL).....	2
60	*						NUT (PROVIDED ON DIFFERENTIAL).....	2

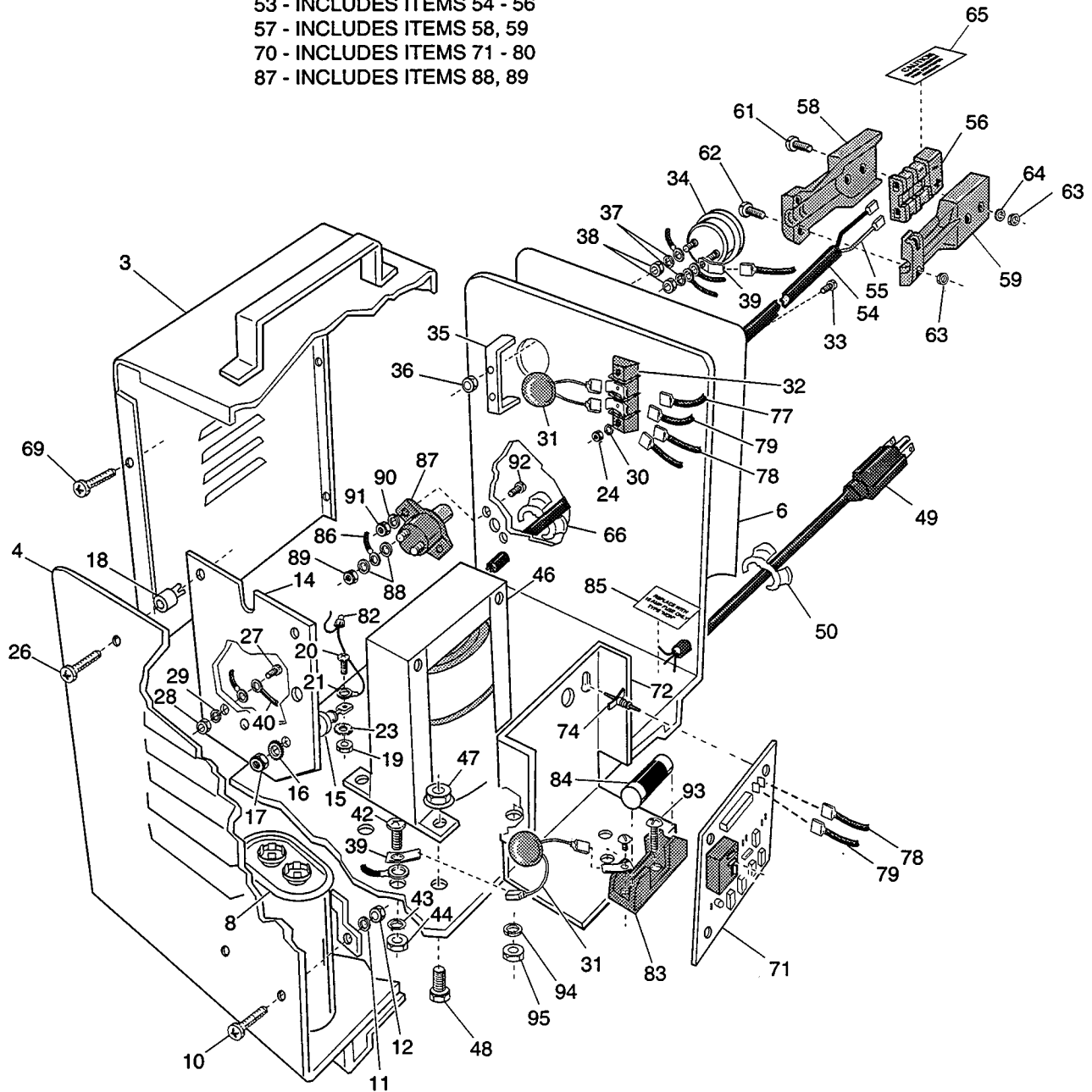
When ordering parts, please specify the model and serial number of the product.

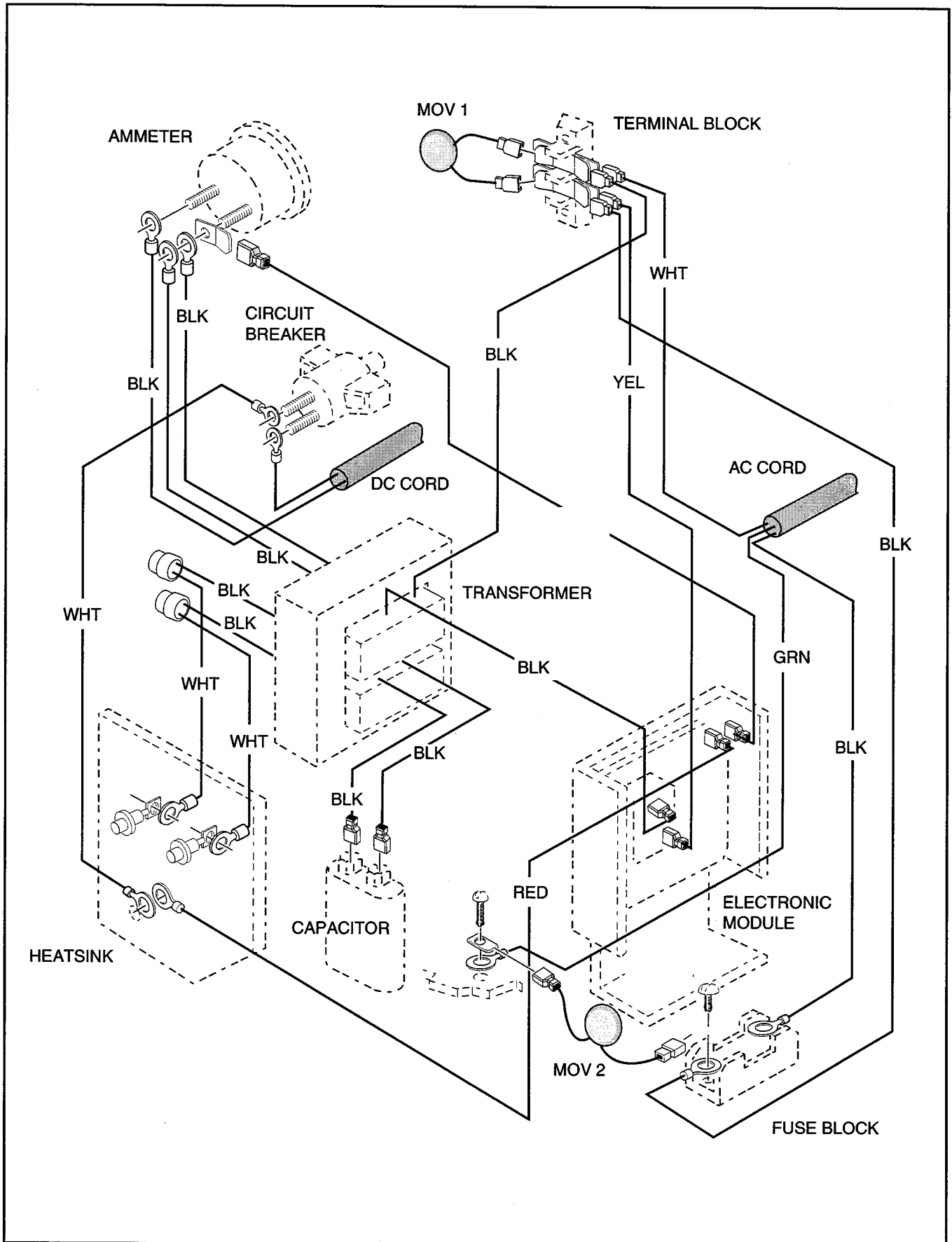
* Indicates a component that is not available as an individual part.

G** Indicates consult Customer Service Department for additional information.

ITEM	PART NO.	1 2 3 4 5	DESCRIPTION	QTY.
61	25702-G01		GOVERNOR PIVOT BRACKET ASSEMBLY (INCLUDES ITEMS 62 - 64).....	1
62	14390-G1		NUT, LOCK, 3/8 - 24.....	1
63	25655-G01		BRACKET, BELLCRANK.....	1
64	25763-G01		PIVOT, GOVERNOR.....	1
65				
66	00565-G8		WASHER, LOCK, 5/16.....	2
67	00276-G6		BOLT, 5/16 - 24 X 3/4 LG.....	2
68	00526-G4		NUT, #10 - 32.....	2
69	25737-G03		LINKAGE ROD, GOVERNOR.....	1
70	25737-G01		LINKAGE ROD, CARBURETOR (COMPLETE).....	1
71	25737-G02		LINKAGE ROD, THROTTLE (COMPLETE).....	1
72	14390-G1		NUT, LOCK, 3/8 - 24.....	1
73	24465-G1		SOCKET, BALLJOINT.....	AR
74	25760-G01		BELLCRANK CARBURETOR LINKAGE.....	1
75	00414-G8		BOLT, 1/4 - 20 X 1 LG.....	2
76	72197-G01		PIVOT BRACKET.....	1
77	14390-G4		NUT, LOCK, 1/4 - 20.....	2
78	00715-G2		BOLT, 5/16 - 18 X 3/4 LG.....	4
79	25693-G04		CHOKE CONTROL ASSEMBLY, COMPLETE (WITH NUTS).....	1
80	00568-G4		WASHER, LOCK, 9/16.....	1
81	00545-G4		NUT, 9/16 - 18.....	1
82	00544-G4		NUT, 5/16 - 24.....	2
83	26728-G01		BRACKET, CHOKE.....	1
84	12064-G3		PUSHNUT, 3/16.....	1
85				
86	72154-G01		ADAPTER, CHOKE CABLE.....	1
87	72155-G01		RETAINER, ADAPTER.....	1
88	70135-G01		COVER, PEDAL PIVOT.....	1

- 1 - INCLUDES ITEMS 3 - 95
- 34 - INCLUDES ITEM 35
- 53 - INCLUDES ITEMS 54 - 56
- 57 - INCLUDES ITEMS 58, 59
- 70 - INCLUDES ITEMS 71 - 80
- 87 - INCLUDES ITEMS 88, 89





THE USE OF NON UL PARTS WILL VOID ANY UL LISTING.

When ordering parts, please specify the model and serial number of the product.

* Indicates a component that is not available as an individual part.

G** Indicates consult Customer Service Department for additional information.

ITEM	PART NO.	1 2 3 4 5	DESCRIPTION	QTY.
1	26984-G01		BATTERY CHARGER ASSEMBLY, TOTAL CHARGE® III, PORTABLE 36V, 10 FT. DC CORD (INCLUDES ITEMS 3 - 95).....	1
2				
3	19096-G1		TOP COVER.....	1
4	24919-G1		CHASSIS	1
5				
6	*		LABEL, OPERATING INSTRUCTIONS (SERIALIZED)	1
7				
8	17077-G1		CAPACITOR (WITH MOUNTING BRACKET)	1
9				
10	00372-G4		SCREW, #8 - 32 X 1/2 LG.	2
11	00565-G4		WASHER, LOCK, #8	2
12	00526-G1		NUT, #8 - 32.....	2
13				
14	18768-G1		HEATSINK	1
15	18488-G1		DIODE, SILICON RECTIFIER	2
16	00567-G7		WASHER, LOCK, 1/4	2
17	00532-G2		NUT, 1/4 - 28.....	2
18	11572-G2		NUT, PLASTIC EXPANSION	3
19	00525-G5		NUT, #6 - 32.....	2
20	00138-G3		SCREW, #6 - 32 X 3/8 LG.	2
21				
22				
23	00567-G3		WASHER, LOCK, #6	2
24	00525-G5		NUT, #6 - 32.....	2
25				
26	00512-G7		SCREW, SELF DRILL AND TAP, #8 X 7/8 LG.....	3
27	00378-G4		SCREW, #10 - 24 X 1/2 LG.	1
28	00526-G3		NUT, #10 - 24.....	1
29	00565-G5		WASHER, LOCK, #10	1

THE USE OF NON UL PARTS WILL VOID ANY UL LISTING.

When ordering parts, please specify the model and serial number of the product.

* Indicates a component that is not available as an individual part.

G** Indicates consult Customer Service Department for additional information.

ITEM	PART NO.	1	2	3	4	5	DESCRIPTION	QTY.
30	00565-G3						WASHER, #6 - 32.....	2
31	26320-G01						VARISTOR, MOV	2
32	26962-G01						TERMINAL BLOCK	1
33	00987-G06						SCREW, #6 - 32 X 3/4 LG.	2
34	24243-G1						AMMETER (INCLUDES ITEM 35).....	1
35	*						BRACKET, AMMETER.....	1
36	00525-G5						NUT, #6 - 32.....	2
37	00565-G5						WASHER, LOCK, #10	2
38	00526-G4						NUT, #10 - 32.....	2
39								
40	19952-G1						WIRE	1
41								
42	00372-G3						SCREW, #8 - 32 X 3/8 LG.	1
43	00565-G4						WASHER, LOCK, #8	1
44	00526-G1						NUT, #8 - 32.....	1
45								
46	19372-G8						TRANSFORMER.....	1
47	11027-G2						NUT, LOCK, 1/4 - 20.....	4
48	00414-G5						BOLT, 1/4 - 20 X 5/8 LG.....	4
49	19388-G1						AC CORD	1
50	13557-G2						STRAIN RELIEF, PLASTIC (AC CORD)	1
51								
52								
53	18747-G1						DC CORD ASSEMBLY (INCLUDES ITEMS 54 - 56)	1
54	*						DC CORD	1
55	28030-G01						CONNECTOR, CONTACT KIT	2
56	27815-G01						CONNECTOR.....	1
57	18972-G1						CHARGER RECEPTACLE HANDLE KIT (INCLUDES ITEMS 58, 59)	1
58	*						HANDLE, HALF, L.H.	1
59	*						HANDLE, HALF, R.H.....	1

THE USE OF NON UL PARTS WILL VOID ANY UL LISTING.

When ordering parts, please specify the model and serial number of the product.

* Indicates a component that is not available as an individual part.

G** Indicates consult Customer Service Department for additional information.

ITEM	PART NO.	1	2	3	4	5	DESCRIPTION	QTY.
60								
61	00647-G8						SCREW, STAINLESS STEEL, #6 - 32 X 29/32 LG.	2
62	00647-G3						SCREW, STAINLESS STEEL, #6 - 32 X 3/8 LG.	2
63	13521-G5						NUT, LOCK, #6 - 32.....	4
64	00650-G2						WASHER, #5	2
65	20628-G1						LABEL, CAUTION.....	1
66	13557-G3						STRAIN RELIEF, PLASTIC (DC CORD)	1
67								
68								
69	00614-G4						SCREW, SELF DRILL AND TAP, #8 - 18 X 1/2 LG.....	10
70	19950-G1						ELECTRONIC MODULE ASSEMBLY (INCLUDES ITEMS 71 - 79).....	1
71	27417-G01						MODULE	1
72	19459-G1						BRACKET	1
73								
74	27877-G01						SPACER, SUPPORT.....	4
75								
76								
77	32519-G01						WIRE	1
78	19949-G1						WIRE	1
79	19954-G1						WIRE	1
80								
81								
82	19360-G1						SPLICE, WIRE, CLOSED END	2
83	19363-G1						FUSE BLOCK	1
84	19361-G1						FUSE, 15 AMP.....	1
85	19434-G1						LABEL, IDENTIFICATION	1
86	19441-G1						WIRE.....	1
87	19362-G1						CIRCUIT BREAKER, 50 AMP (INCLUDES ITEMS 88, 89)	2
88	00559-G5						WASHER, #10.....	4
89	00526-G4						NUT, #10 - 32	2

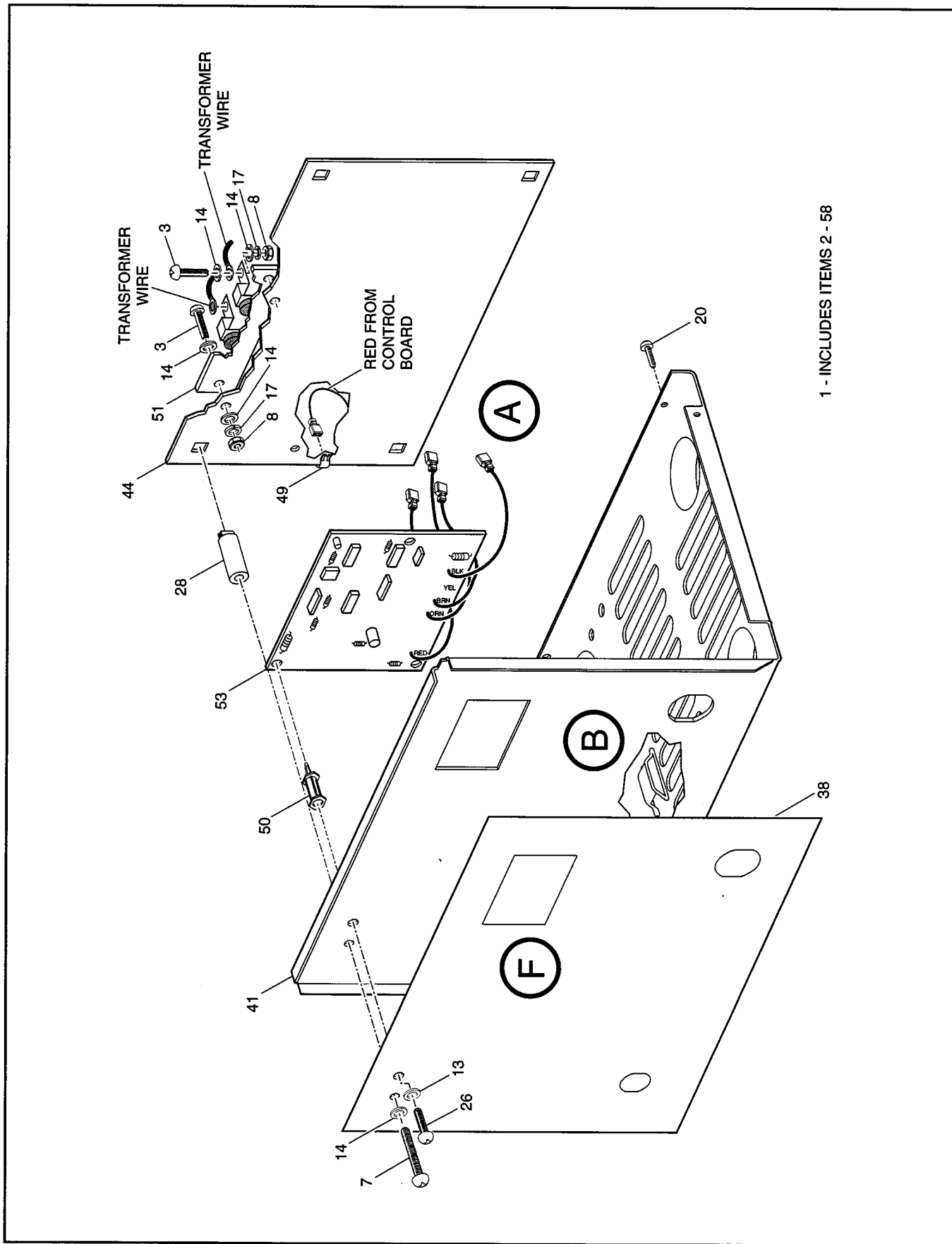
THE USE OF NON UL PARTS WILL VOID ANY UL LISTING.

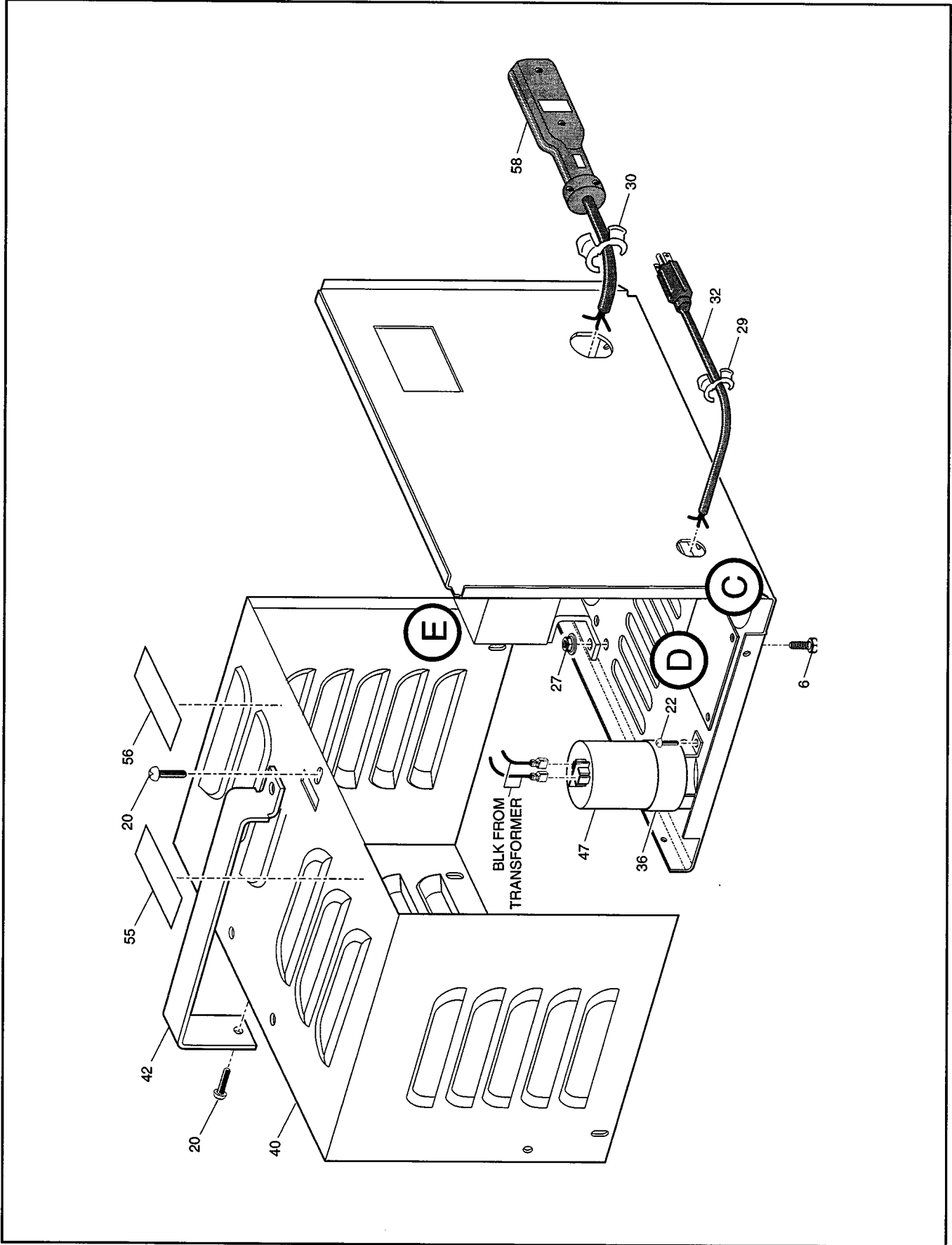
When ordering parts, please specify the model and serial number of the product.

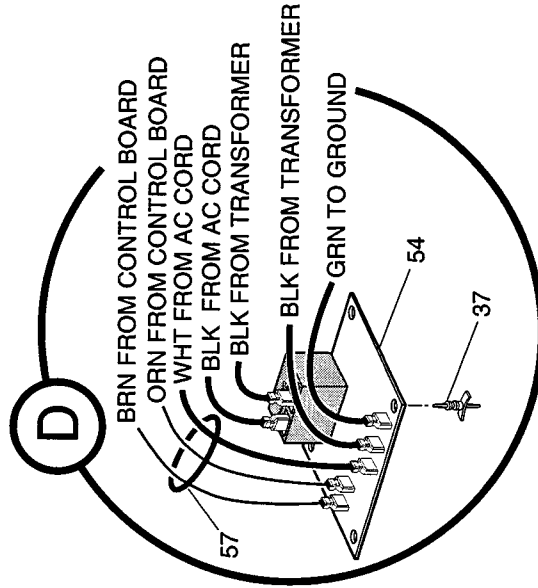
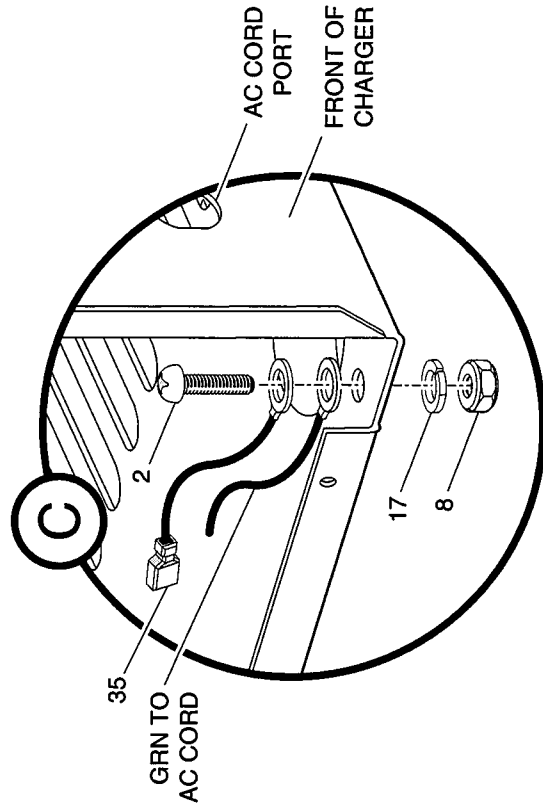
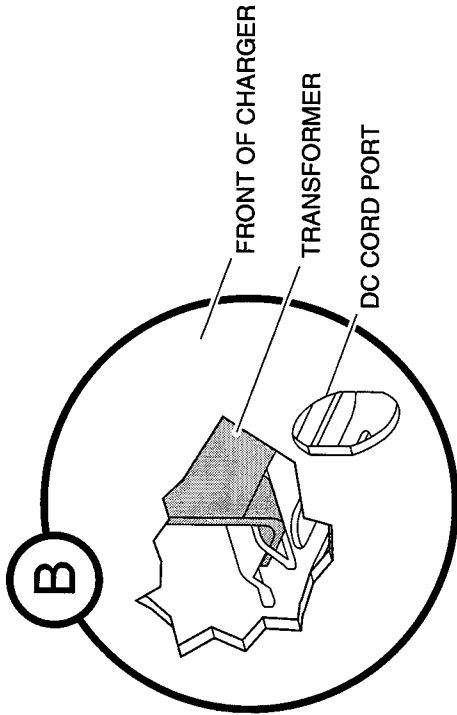
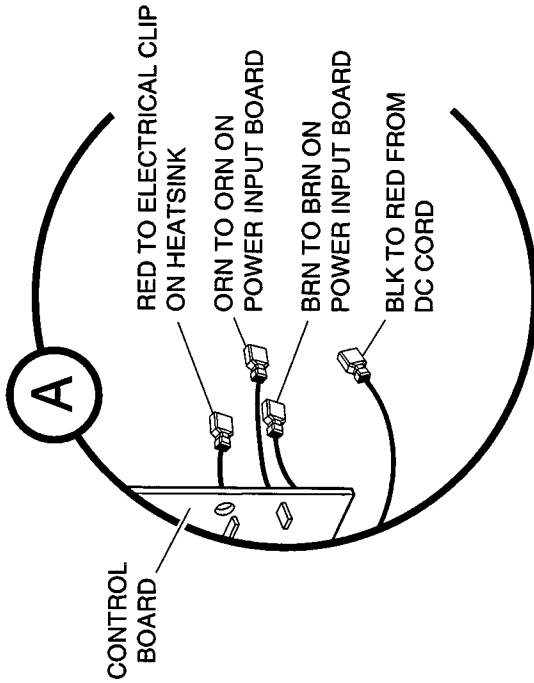
* Indicates a component that is not available as an individual part.

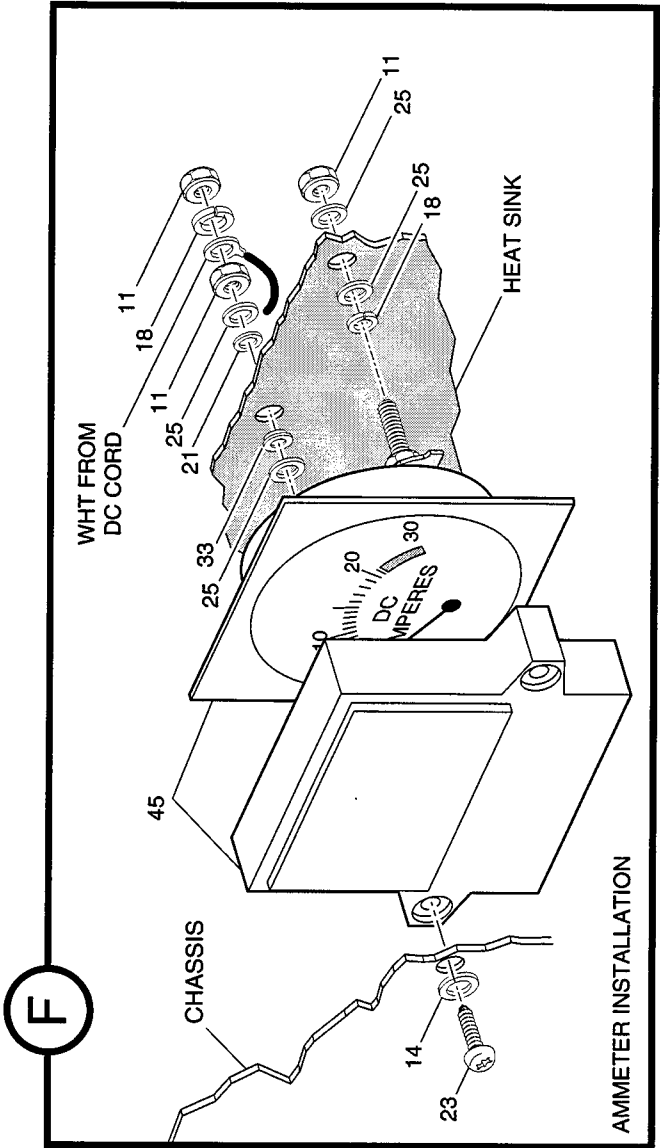
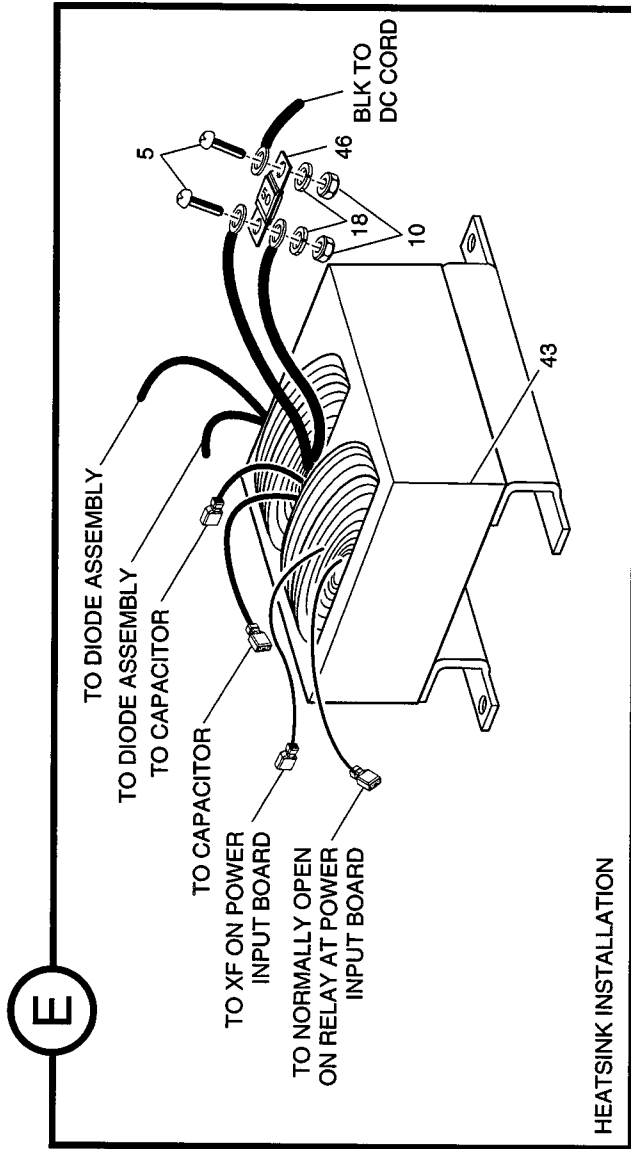
G** Indicates consult Customer Service Department for additional information.

ITEM	PART NO.	1	2	3	4	5	DESCRIPTION	QTY.
90	00565-G4						WASHER, LOCK, #8	2
91	00526-G1						NUT, #8 - 32.....	2
92	00372-G6						SCREW, #8 - 32 X 3/4 LG.	2
93	00372-G5						SCREW, #8 - 32 X 5/8 LG.	2
94	00565-G4						WASHER, #8	2
95	00526-G1						NUT, #8 - 32.....	2









THE USE OF NON UL PARTS WILL VOID ANY UL LISTING.

When ordering parts, please specify the model and serial number of the product.

* Indicates a component that is not available as an individual part.

G** Indicates consult Customer Service Department for additional information.

ITEM	PART NO.	1 2 3 4 5	DESCRIPTION	QTY.
1	28115-G01		CHARGER ASSEMBLY (COMPLETE) INCLUDES ITEMS 2 - 58.....	1
2	00372-G3		SCREW, #8 - 32 X 3/8 LG.	1
3	00372-G4		SCREW, #8 - 32 X 1/2 LG.	4
4				
5	00378-G4		SCREW, #10 - 24 X 1/2 LG.	2
6	00414-G5		SCREW, 1/4 - 20 X 5/8 LG.	3
7	00513-G6		SCREW, #8 - 18 X 1 3/4 LG.	2
8	00526-G1		NUT, #8 - 32.....	5
9				
10	00526-G3		NUT, #10 - 24.....	2
11	*		NUT, #10 - 32.....	3
12				
13	00559-G3		WASHER, #6	3
14	00559-G4		WASHER, #8	12
15				
16				
17	00565-G4		WASHER, LOCK, #8	5
18	00565-G5		WASHER, LOCK, #10	4
19				
20	00614-G4		SCREW, #8 - 18 X 1/2 LG.	6
21	00771-G6		WASHER, NYLON, SPECIAL.....	1
22	00969-G01		SCREW, #8 - 32 X 3/8 LG.	3
23	00984-G01		SCREW, #8 - 10 X 1/2 LG.	2
24				
25	*		WASHER, BRASS, #10	4
26	01005-G01		SCREW, #6 - 19 X 5/16 LG.	3
27	11027-G2		NUT, LOCK, 1/4 - 20.....	3
28	11572-G3		NUT, PLASTIC EXPANSION	2
29	13557-G2		STRAIN RELIEF, AC.....	1
30	13557-G3		STRAIN RELIEF, DC	1

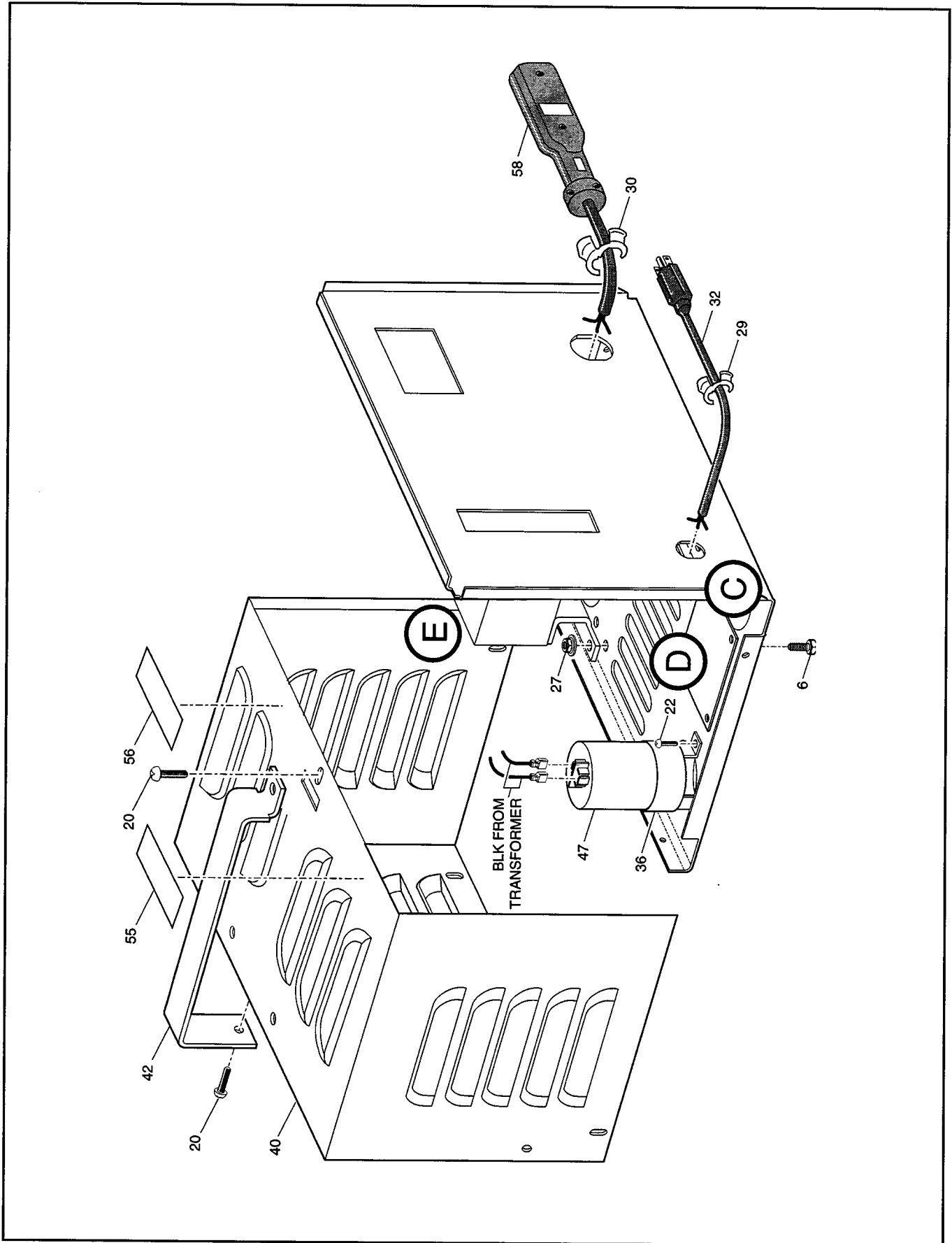
THE USE OF NON UL PARTS WILL VOID ANY UL LISTING.

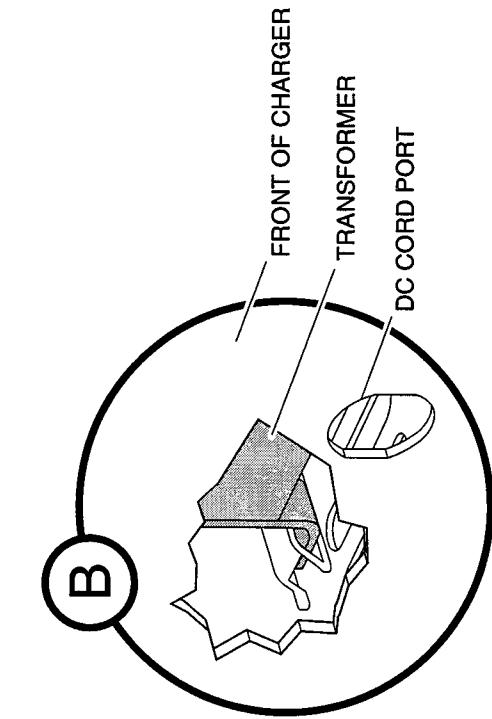
When ordering parts, please specify the model and serial number of the product.

* Indicates a component that is not available as an individual part.

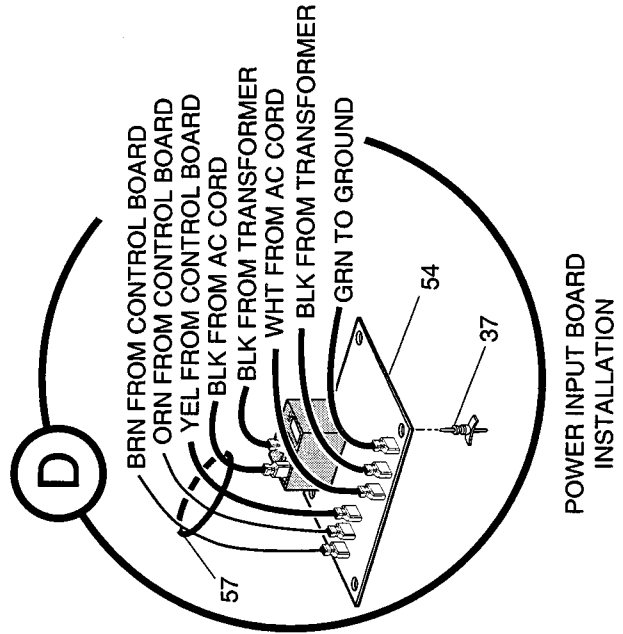
G** Indicates consult Customer Service Department for additional information.

ITEM	PART NO.	1	2	3	4	5	DESCRIPTION	QTY.
31								
32	19388-G4						CORD, AC	1
33	22589-G2						WASHER, SHOULDER	1
34								
35	25977-G32						WIRE, 4"	1
36	26979-G01						BRACKET, CAPACITOR	1
37	27877-G01						SUPPORT, SPACER	4
38	28091-G01						LABEL, FRONT	1
39								
40	*						COVER	1
41	*						CHASSIS	1
42	28102-G01						HANDLE	1
43	28103-G01						TRANSFORMER	1
44	28104-G01						HEAT SINK	1
45	28105-G01						AMMETER	1
46	28106-G01						FUSE, 50 AMP	1
47	28109-G01						CAPACITOR	1
48								
49	28110-G01						CLIP, ELECTRICAL	1
50	28111-G01						SUPPORT, CONTROL BOARD	3
51	28112-G01						DIODE	1
52								
53	28126-G01						BOARD, CONTROL	1
54	28126-G03						BOARD, POWER INPUT	1
55	28136-G01						TOP LABEL, VENTILATION	1
56	28136-G02						TOP LABEL, CORD CONDITION	1
57	17618-G1						CLAMP, NYLON	2
58	28137-G**						DC PLUG (COMPLETE)	1

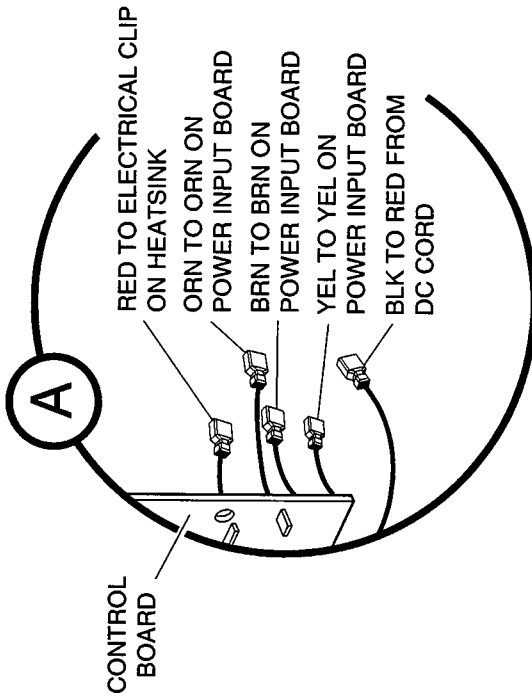




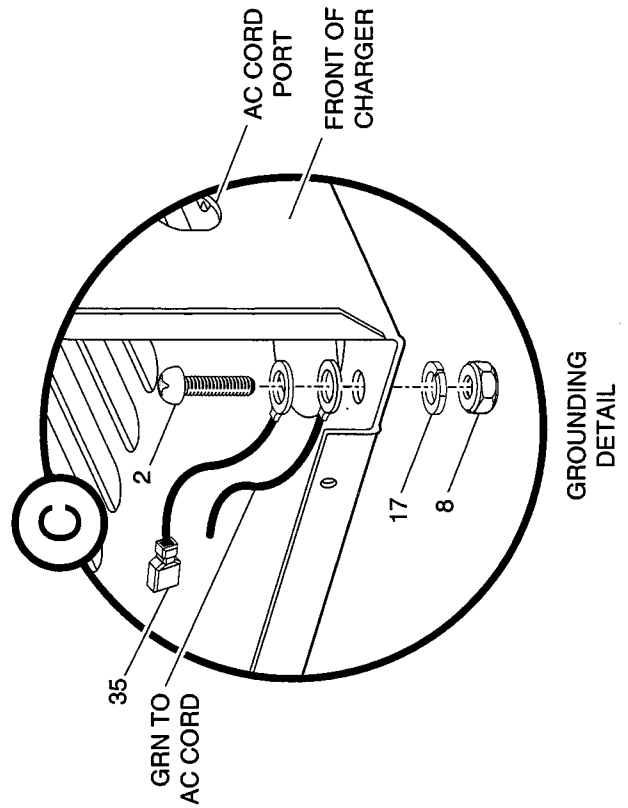
TRANSFORMER LEG
INSTALLATION



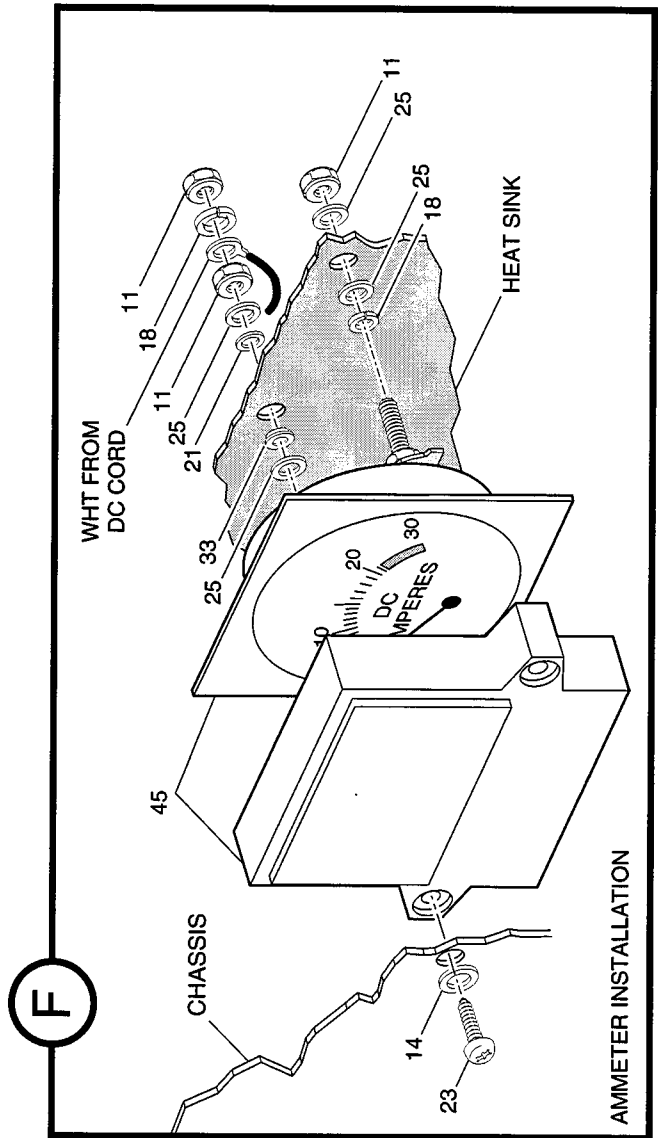
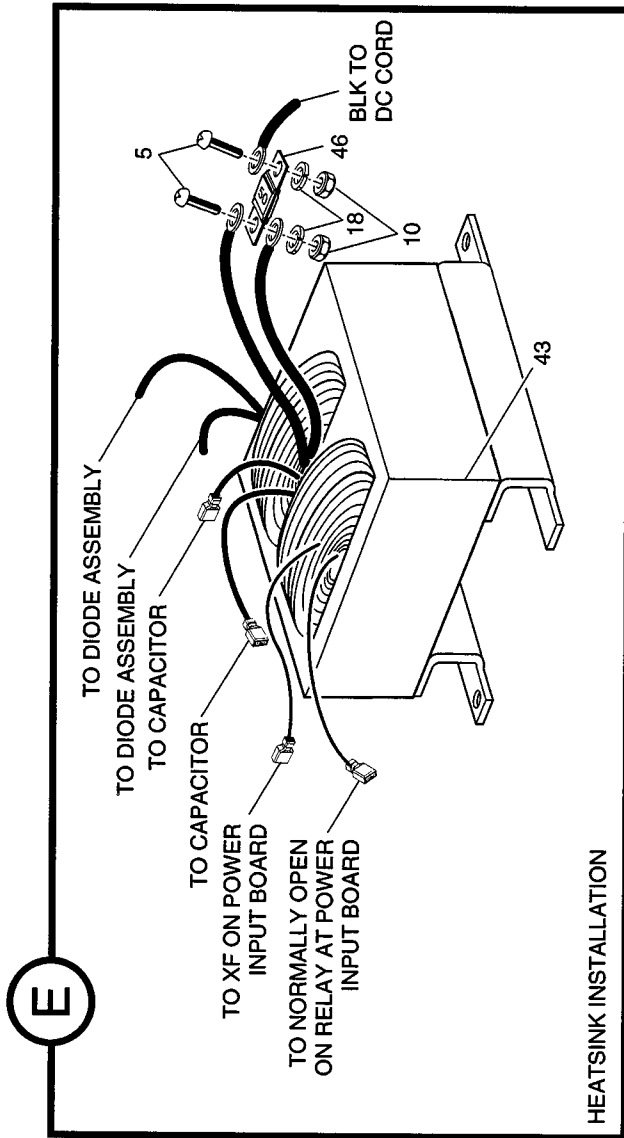
POWER INPUT BOARD
INSTALLATION



CONTROL BOARD
CONNECTIONS



GROUNDING
DETAIL



THE USE OF NON UL PARTS WILL VOID ANY UL LISTING.

When ordering parts, please specify the model and serial number of the product.

* Indicates a component that is not available as an individual part.

G** Indicates consult Customer Service Department for additional information.

ITEM	PART NO.	1 2 3 4 5	DESCRIPTION	QTY.
1	28115-G02		CHARGER ASSEMBLY (COMPLETE) INCLUDES ITEMS 2 - 58	1
2	00372-G3		SCREW, #8 - 32 X 3/8 LG.	1
3	00372-G4		SCREW, #8 - 32 X 1/2 LG.	4
4				
5	00378-G4		SCREW, #10 - 24 X 1/2 LG.	2
6	00414-G5		SCREW, 1/4 - 20 X 5/8 LG.	3
7	00513-G6		SCREW, #8 - 18 X 1 3/4 LG.	2
8	00526-G1		NUT, #8 - 32.....	5
9				
10	00526-G3		NUT, #10 - 24.....	2
11	00528-G4		NUT, #10 - 32.....	3
12				
13	00559-G3		WASHER, #6	3
14	00559-G4		WASHER, #8	12
15				
16				
17	00565-G4		WASHER, LOCK, #8	5
18	00565-G5		WASHER, LOCK, #10	4
19				
20	00614-G4		SCREW, #8 - 18 X 1/2 LG.	6
21	00771-G6		WASHER, NYLON, SPECIAL.....	1
22	00969-G01		SCREW, #8 - 32 X 3/8 LG.	3
23	00984-G01		SCREW, #8 - 10 X 1/2 LG.	2
24				
25	01003-G01		WASHER, BRASS, #10.....	4
26	01005-G01		SCREW, #6 - 19 X 5/16 LG.	3
27	11027-G2		NUT, LOCK, 1/4 - 20.....	3
28	11572-G3		NUT, PLASTIC EXPANSION	2
29	13557-G2		STRAIN RELIEF, AC.....	1
30	13557-G3		STRAIN RELIEF, DC	1

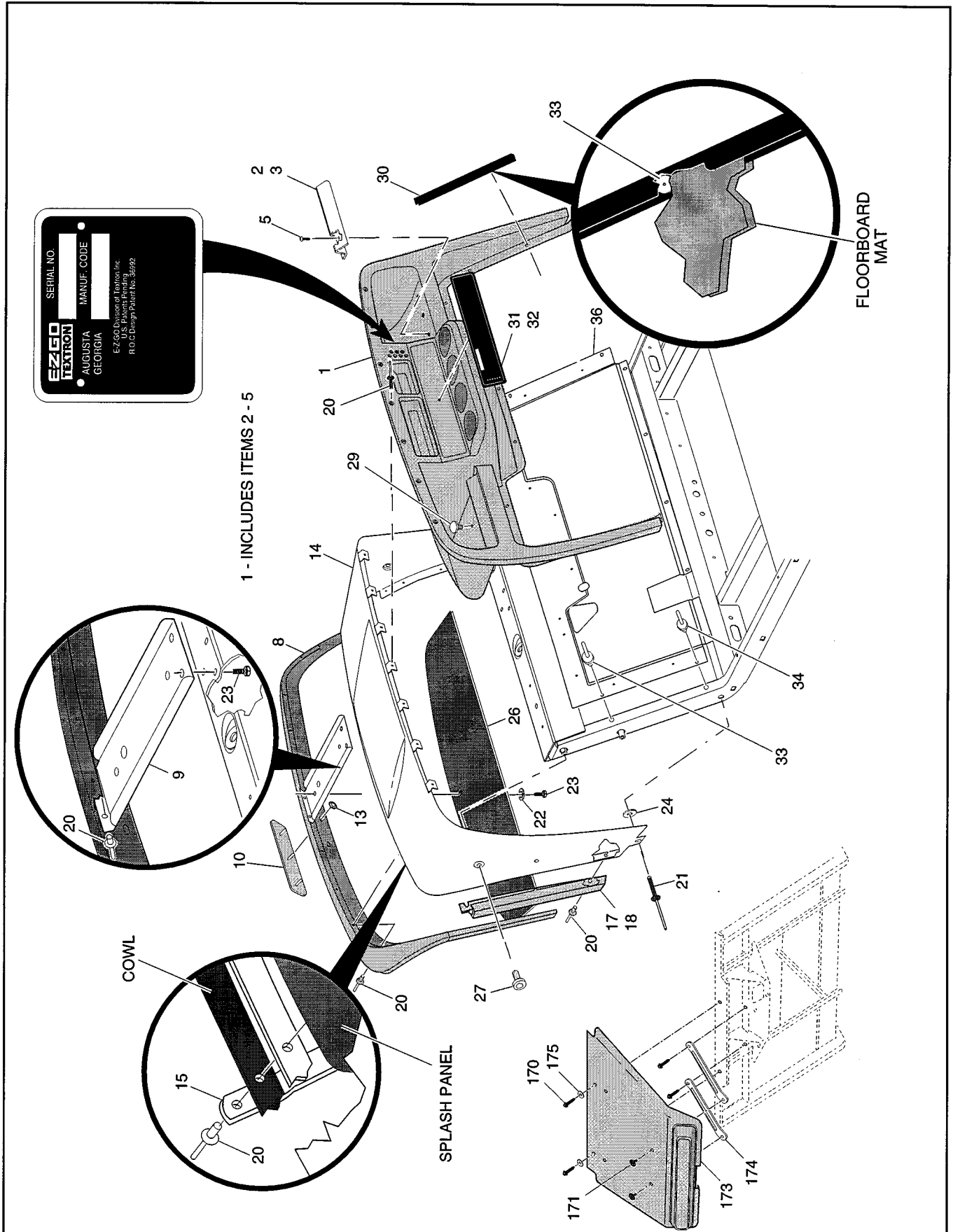
THE USE OF NON UL PARTS WILL VOID ANY UL LISTING.

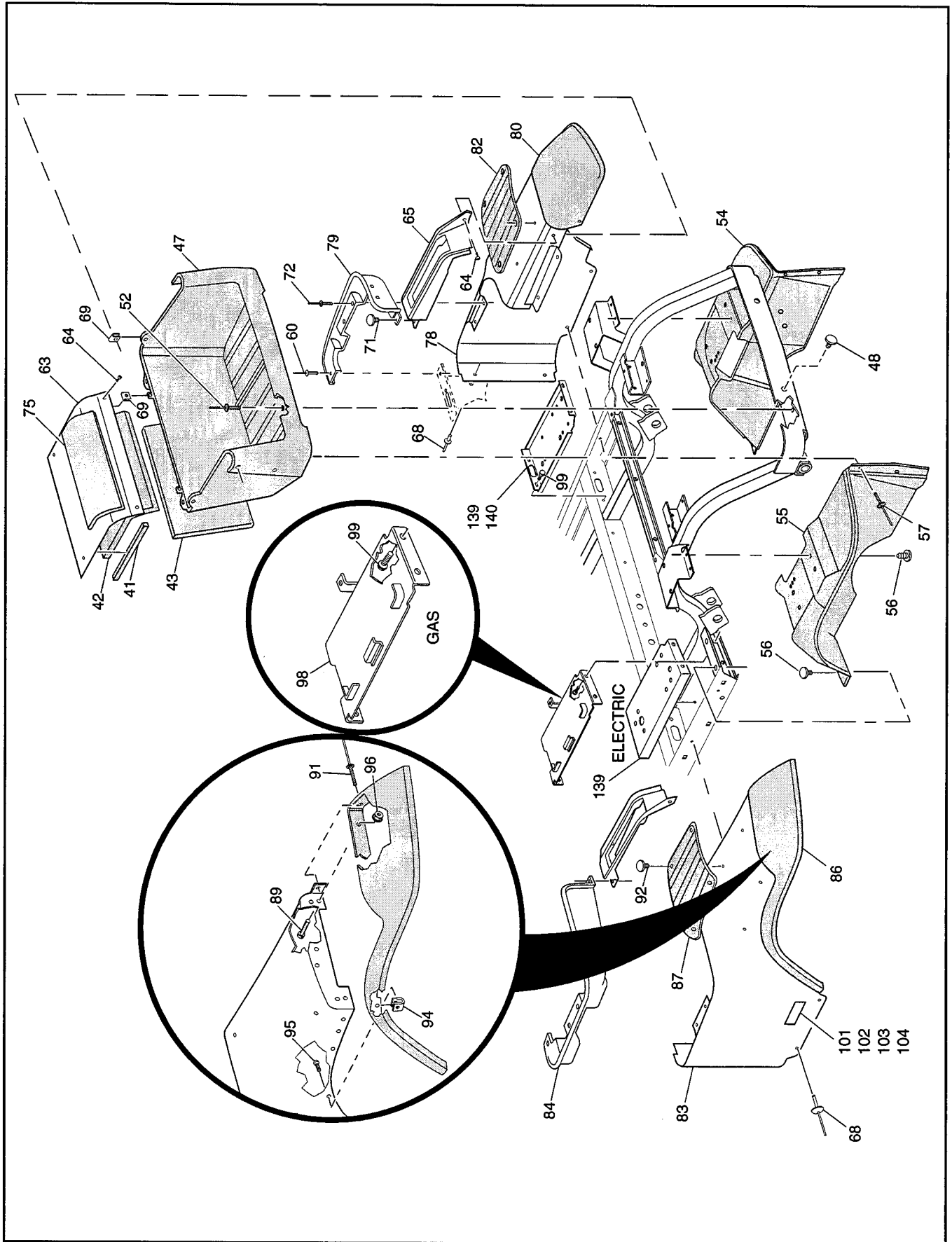
When ordering parts, please specify the model and serial number of the product.

* Indicates a component that is not available as an individual part.

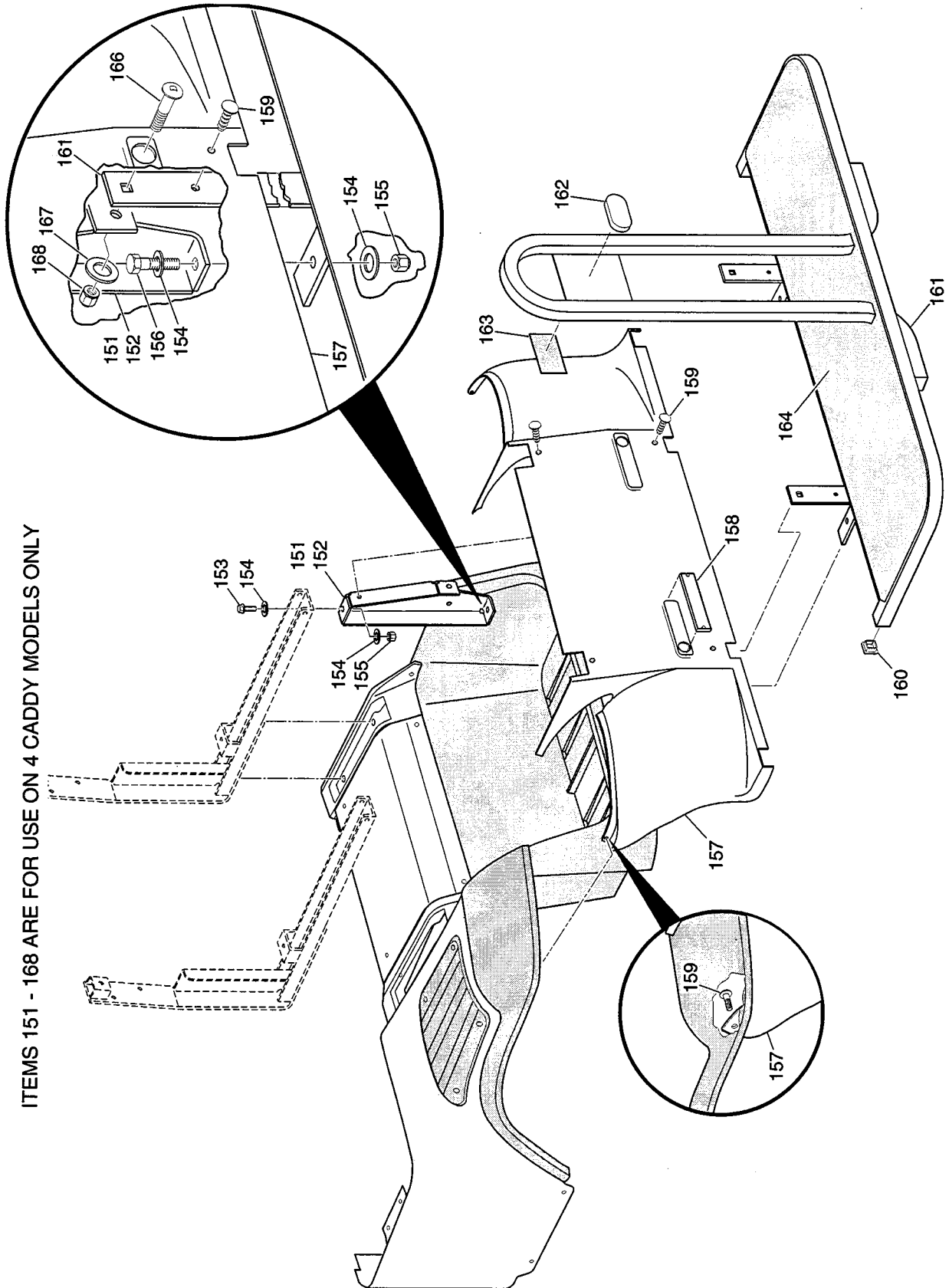
G** Indicates consult Customer Service Department for additional information.

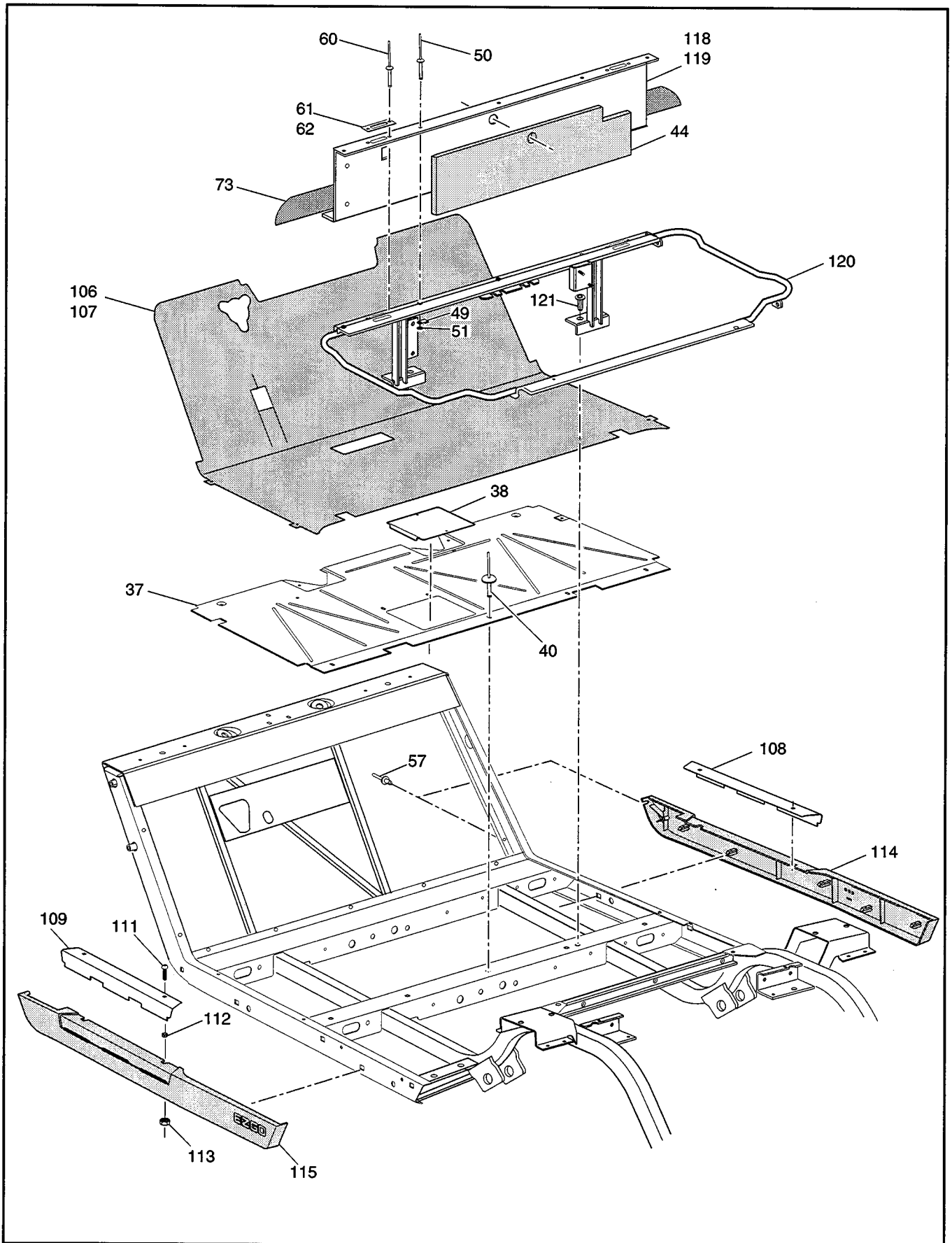
ITEM	PART NO.	1	2	3	4	5	DESCRIPTION	QTY.
31								
32	19388-G4						CORD, AC	1
33	22589-G2						WASHER, SHOULDER	1
34								
35	25977-G32						WIRE, 4"	1
36	26979-G01						BRACKET, CAPACITOR	1
37	27877-G01						SUPPORT, SPACER	4
38	28091-G02						LABEL, FRONT	1
39								
40	*						COVER	1
41	*						CHASSIS	1
42	28102-G01						HANDLE	1
43	28103-G01						TRANSFORMER	1
44	28104-G01						HEAT SINK	1
45	28105-G01						AMMETER	1
46	28106-G01						FUSE, 50 AMP	1
47	28109-G01						CAPACITOR	1
48								
49	28110-G01						CLIP, ELECTRICAL	1
50	28111-G01						SUPPORT, CONTROL BOARD	3
51	28112-G01						DIODE	1
52								
53	28126-G02						BOARD, CONTROL	1
54	28126-G04						BOARD, POWER INPUT	1
55	28136-G01						TOP LABEL, VENTILATION	1
56	28136-G02						TOP LABEL, CORD CONDITION	1
57	17618-G1						CLAMP, NYLON	2
58	28137-G**						DC PLUG (COMPLETE)	1

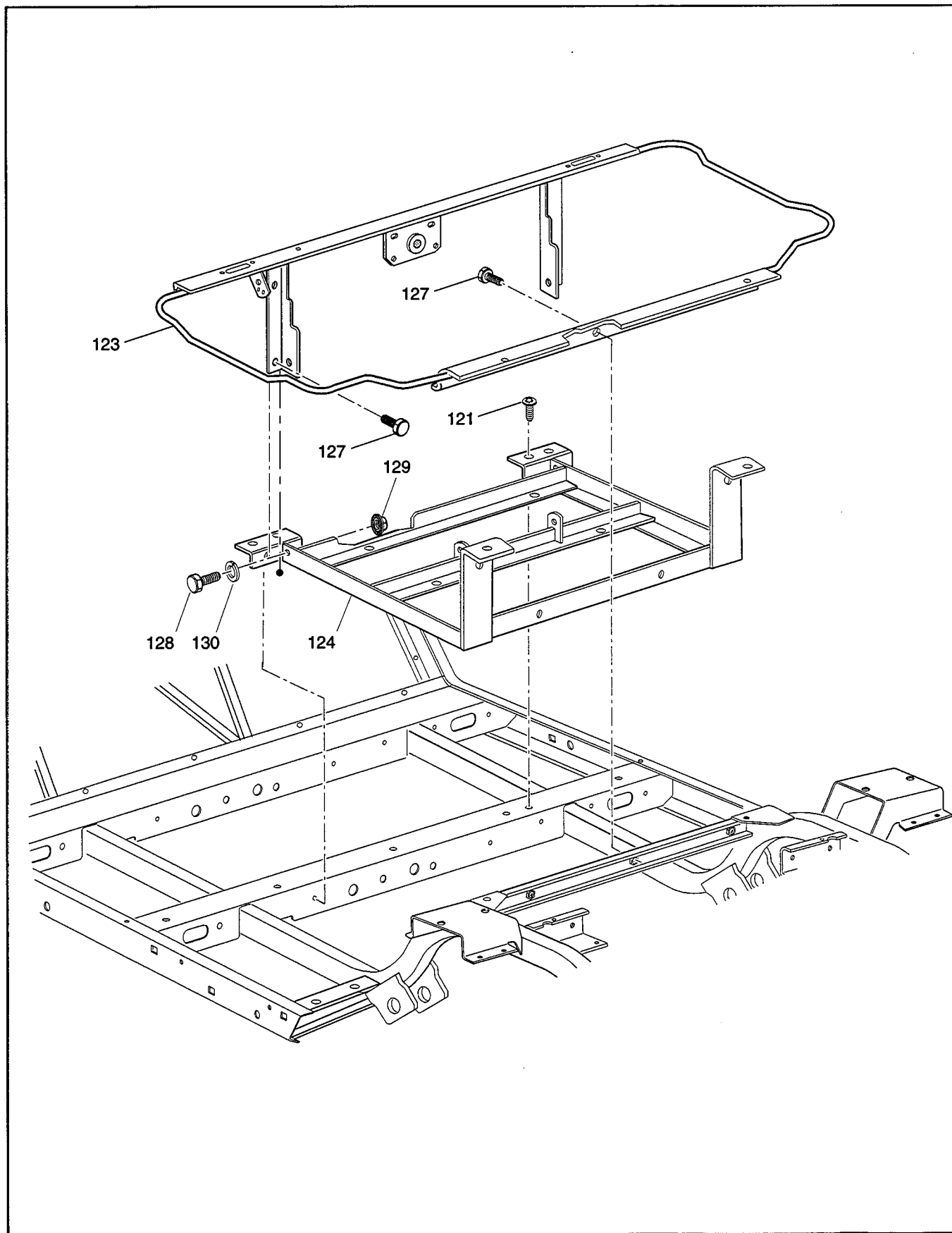




ITEMS 151 - 168 ARE FOR USE ON 4 CADDY MODELS ONLY







THE USE OF NON UL PARTS WILL VOID ANY UL LISTING.

When ordering parts, please specify the model and serial number of the product.

* Indicates a component that is not available as an individual part.

G** Indicates consult Customer Service Department for additional information.

ITEM	PART NO.	1 2 3 4 5	DESCRIPTION	QTY.
1	71151-G01		INSTRUMENT PANEL ASSEMBLY (INCLUDES ITEMS 2 - 5).....	1
2	71153-G01		BALL DEFLECTOR, PASSENGER SIDE.....	1
3	71154-G01		BALL DEFLECTOR, DRIVER'S SIDE.....	1
4				
5	00614-G5		SCREW, #8 - 18 X 5/8 LG.....	6
6				
7	71071-G02		COWL.....	1
8	71030-G01		COWL CAP.....	1
9	71101-G01		BRACKET, COWL SUPPORT.....	1
10	19817-G1		NAMEPLATE, E-Z-GO.....	1
11				
12				
13	12064-G3		PUSHNUT, 3/16.....	3
14	71071-G01		COWL, FRONT.....	1
15	71076-G01		TAB, RETAINING.....	2
16				
17	71036-G01		FENDER FLANGE, DRIVER'S SIDE.....	1
18	71035-G01		FENDER FLANGE, PASSENGER SIDE.....	1
19	10570-G10		RIVET, STAINLESS STEEL, 5/32 X 1/2 LG.....	2
20	14601-G10		RIVET, 5/32 X 7/16 LG.....	16
21	10570-G10		RIVET, 5/32 X 9/16 LG.....	2
22	16469-G7		WASHER, 1/4.....	1
23	71102-G02		BOLT, 1/4 - 20 X 1/2 LG.....	4
24	15121-G3		WASHER, 1 1 / 4 O.D. X 7 / 32 I.D.....	2
25				
26	71117-G01		PANEL, SPLASH, FRONT COWL.....	1
27	71056-G01		BOLT, 5/16 - 18 X 5/8 LG.....	4
28				
29	16816-G2		RATCHET FASTENER.....	4
30	71115-G01		TRIM, VINYL.....	2

BODY AND ASSOCIATED PARTS

Electric / Gasoline Vehicle

THE USE OF NON UL PARTS WILL VOID ANY UL LISTING.

When ordering parts, please specify the model and serial number of the product.

* Indicates a component that is not available as an individual part.

G** Indicates consult Customer Service Department for additional information.

ITEM	PART NO.	1 2 3 4 5	DESCRIPTION	QTY.
31	27826-G01		LABEL, SAFETY (GASOLINE VEHICLE).....	1
32	27647-G01		LABEL, SAFETY (ELECTRIC VEHICLE)	1
33	14601-G13		RIVET, 5/32 X 9/16 LG.....	2
34	14601-G11		RIVET, 3/16 X 9/16 LG.....	10
35				
36	70047-G01		UPPER FLOORPAN	1
37	70132-G01		LOWER FLOORPAN	1
38	70164-G01		COVER, SWITCH ACCESS.....	1
39				
40	14601-G11		RIVET, 3/16 X 9/16 LG.....	7
41	18391-G1		NOISE SUPPRESSOR STRIP	2
42	72113-G01		NOISE SUPPRESSOR, TRUNK LID	1
43	22744-G1		NOISE SUPPRESSOR, BAGWELL.....	1
44	72112-G01		NOISE SUPPRESSOR, SEAT WRAP (GASOLINE VEHICLE).....	1
45				
46				
47	71401-G02		BAGWELL.....	1
48	20271-G2		PLUG HOLE, BUMPER	2
49	73053-G01		CLAMP (DCS MODEL ONLY).....	3
50	10570-G10		RIVET, STAINLESS STEEL, 5/32 X 9/16 LG.	8
51	00559-G4		WASHER, #8 (DCS MODEL ONLY)	3
52	18436-G1		RIVET, 1/4 X 5/8 LG.....	4
53				
54	71551-G04		FENDER LINER, PASSENGER SIDE	1
55	71552-G04		FENDER LINER, DRIVER'S SIDE.....	1
56	16816-G2		RATCHET FASTENER.....	12
57	71055-G01		RIVET, 3/16 X 3/8 LG.....	4
58	71552-G02		FENDER LINER, DRIVER'S SIDE (FREEDOM)	1
59	71551-G02		FENDER LINER, PASSENGER SIDE (FREEDOM).....	1
60	10570-G11		RIVET, STAINLESS STEEL, 3/16 X 11/16 LG.	4

THE USE OF NON UL PARTS WILL VOID ANY UL LISTING.

When ordering parts, please specify the model and serial number of the product.

* Indicates a component that is not available as an individual part.

G** Indicates consult Customer Service Department for additional information.

ITEM	PART NO.	1 2 3 4 5	DESCRIPTION	QTY.
61	71616-G01		PLATE, SEAT HINGE (VEHICLES PRIOR TO SERIAL NO. 895713)	2
62	71609-G01		PLATE, SEAT HINGE (VEHICLES AFTER SERIAL NO. 895713).....	2
63	71353-G01		ACCESS PANEL.....	1
64	71002-G01		SCREW, #8 X 1/2 LG.....	6
65	71347-G01		FILLER PANEL, PASSENGER SIDE.....	1
66	71348-G01		FILLER PANEL, DRIVER SIDE	1
67				
68	10570-G12		RIVET, 1/4 X 1/2 LG.....	4
69	71003-G01		SPEED NUT, #8.....	4
70	14601-G13		RIVET, 5/32 X 9/16 LG.....	2
71	16816-G2		RATCHET FASTENER.....	2
72	14601-G10		RIVET, 5/32 X 7/16 LG.....	8
73	71377-G01		SEATWRAP SCUFFGUARD	1
74				
75	75017-G01		ACCESS PANEL, SCUFFGUARD	1
76				
77				
78	71341-G**		FENDER, PASSENGER SIDE.....	1
79	71345-G01		FENDER POCKET, PASSENGER SIDE	1
80	71355-G01		FENDER CAP, PASSENGER SIDE.....	1
81				
82	71373-G02		SCUFF GUARD, PASSENGER SIDE.....	1
83	71342-G**		FENDER, DRIVER'S SIDE	1
84	71346-G01		FENDER POCKET, DRIVER'S SIDE.....	1
85	74354-G02		FENDER CAP, PASSENGER SIDE (FREEDOM).....	1
86	71356-G01		FENDER CAP, DRIVER'S SIDE	1
87	71373-G01		SCUFF GUARD, DRIVER'S SIDE	1
88	74354-G01		FENDER CAP, DRIVER'S SIDE (FREEDOM).....	1
89	00228-G4		SCREW, #10 - 24 x 1/2 LG.	3
90				

BODY AND ASSOCIATED PARTS

Electric / Gasoline Vehicle

THE USE OF NON UL PARTS WILL VOID ANY UL LISTING.

When ordering parts, please specify the model and serial number of the product.

* Indicates a component that is not available as an individual part.

G** Indicates consult Customer Service Department for additional information.

ITEM	PART NO.	1	2	3	4	5	DESCRIPTION	QTY.
91	14601-G10						RIVET, 5/32 X 7/16 LG.....	5
92	16816-G2						RATCHET FASTENER.....	4
93								
94	71003-G03						SPEED NUT, #8.....	4
95	71004-G01						SCREW, #8 X 3/8 LG.....	4
96	11027-G3						NUT, LOCK, 10 - 24.....	3
97								
98	70245-G01						BATTERY TRAY (GASOLINE VEHICLE).....	1
99	00715-G2						BOLT, 5/16 - 18 X 13/16 LG.....	4
100								
101	23676-G1						DECAL, FREEDOM.....	AR
102	27504-G01						DECAL, FREEDOM HP.....	AR
103	75178-G01						DECAL, 4 CADDY.....	AR
104	73162-G01						DECAL, DCS.....	AR
105								
106	70048-G02						FLOORMAT (FREEDOM ONLY).....	1
107	70048-G01						FLOORMAT.....	1
108	23850-G1						SILL PLATE, ROCKER PANEL, PASSENGER SIDE.....	1
109	23850-G2						SILL PLATE, ROCKER PANEL, DRIVER'S SIDE.....	1
110								
111	16705-G1						SCREW, STAINLESS STEEL, 1/4 - 20 X 1 LG.....	4
112	23726-G4						SPACER.....	4
113	00891-G2						NUT, LOCK, 1/4 - 20.....	4
114	71501-G01						ROCKER PANEL, PASSENGER SIDE.....	1
115	71502-G01						ROCKER PANEL, DRIVER'S SIDE.....	1
116								
117								
118	71379-G**						SEATWRAP (DCS MODEL ONLY).....	1
119	71361-G**						SEATWRAP.....	1
120	70317-G01						SEAT FRAME (GASOLINE VEHICLE).....	1

THE USE OF NON UL PARTS WILL VOID ANY UL LISTING.

When ordering parts, please specify the model and serial number of the product.

* Indicates a component that is not available as an individual part.

G** Indicates consult Customer Service Department for additional information.

ITEM	PART NO.	1 2 3 4 5	DESCRIPTION	QTY.
121	70200-G01		SCREW, 3/8 - 16 X 1/4 LG.....	2
122				
123	70318-G01		SEAT FRAME (ELECTRIC VEHICLE).....	1
124	70046-G01		BATTERY RACK (ELECTRIC VEHICLE).....	1
125				
126				
127	00715-G2		BOLT, 5/16 - 18 X 13/16 LG.....	5
128	00438-G6		SCREW, 5/16 - 18 X 3/4 LG.....	2
129	11098-G6		NUT, LOCK, 5/16 - 18.....	2
130	00559-G8		WASHER, 5/16.....	2
131				
132				
133				
134				
135				
136	11027-G01		NUT, LOCK, 5/16 - 18.....	2
137				
138				
139	70244-G02		PANEL, SPLASH (ELECTRIC VEHICLE).....	2
140	70244-G01		PANEL, SPLASH (GASOLINE VEHICLE).....	1
141	71158-G01		INSERT, 4 CUP INSTRUMENT PANEL.....	1
142				
143				
144				
145				
146				
147				
148				
149				
150				

BODY AND ASSOCIATED PARTS**Electric / Gasoline Vehicle**

THE USE OF NON UL PARTS WILL VOID ANY UL LISTING.

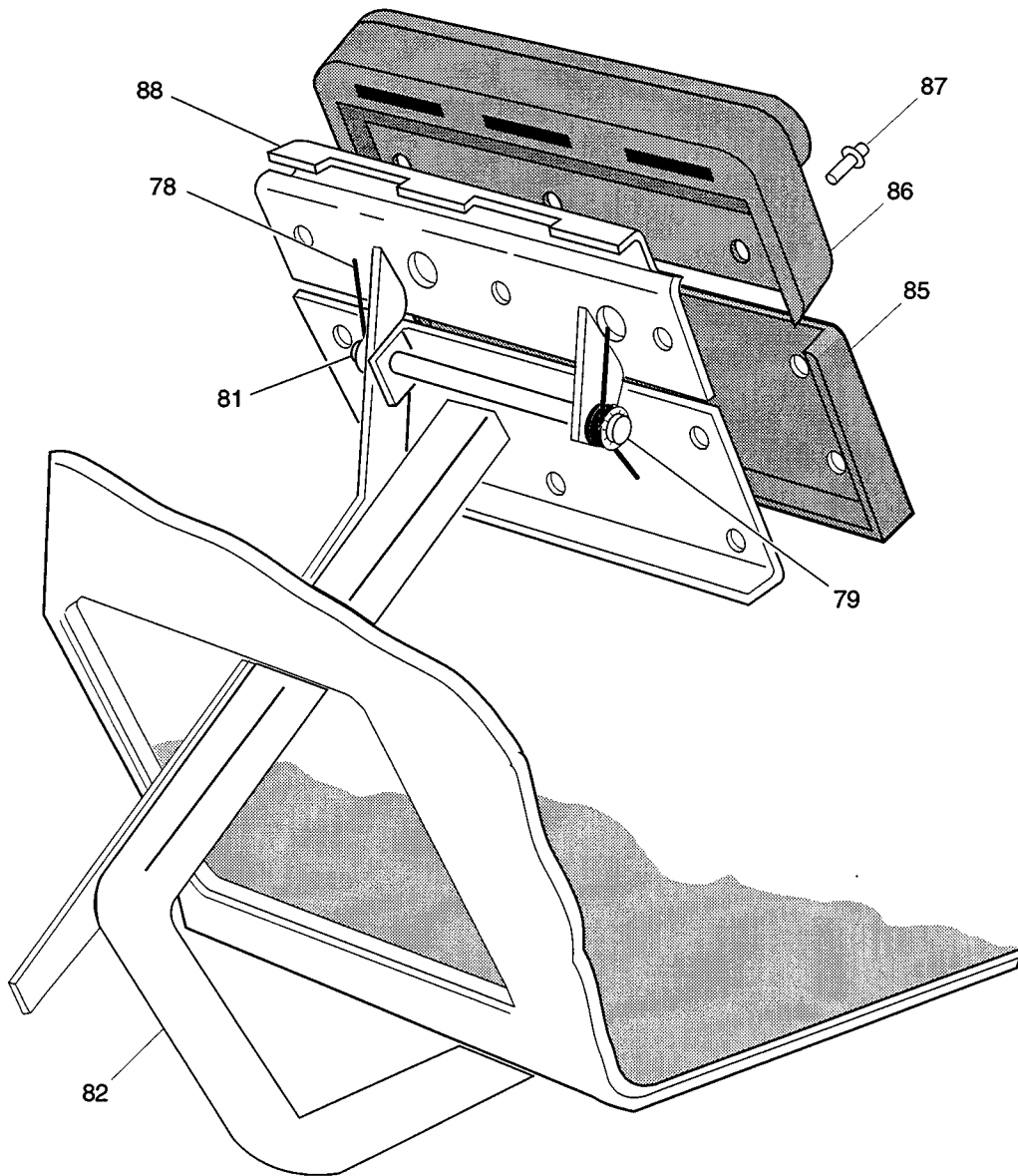
When ordering parts, please specify the model and serial number of the product.

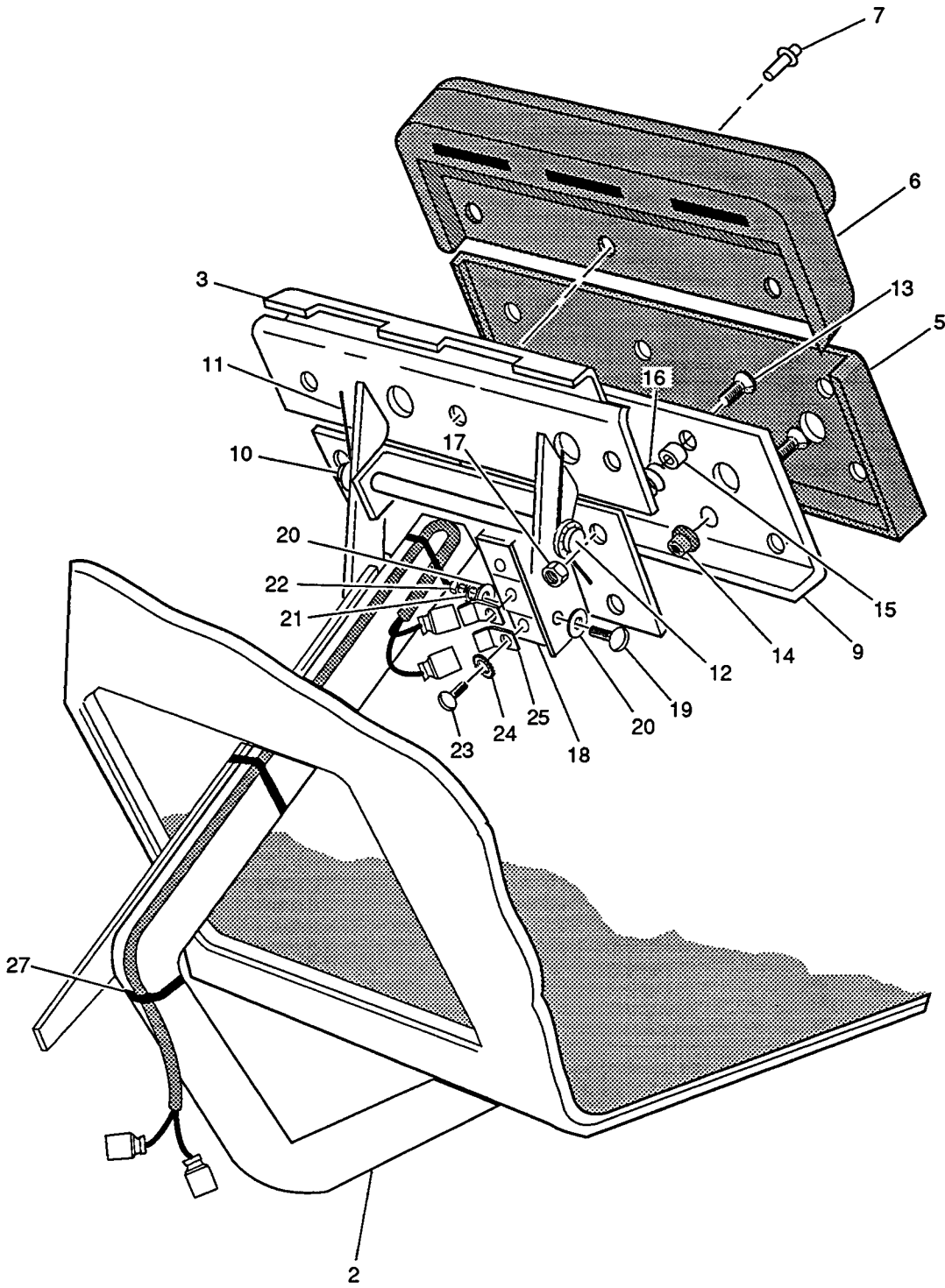
* Indicates a component that is not available as an individual part.

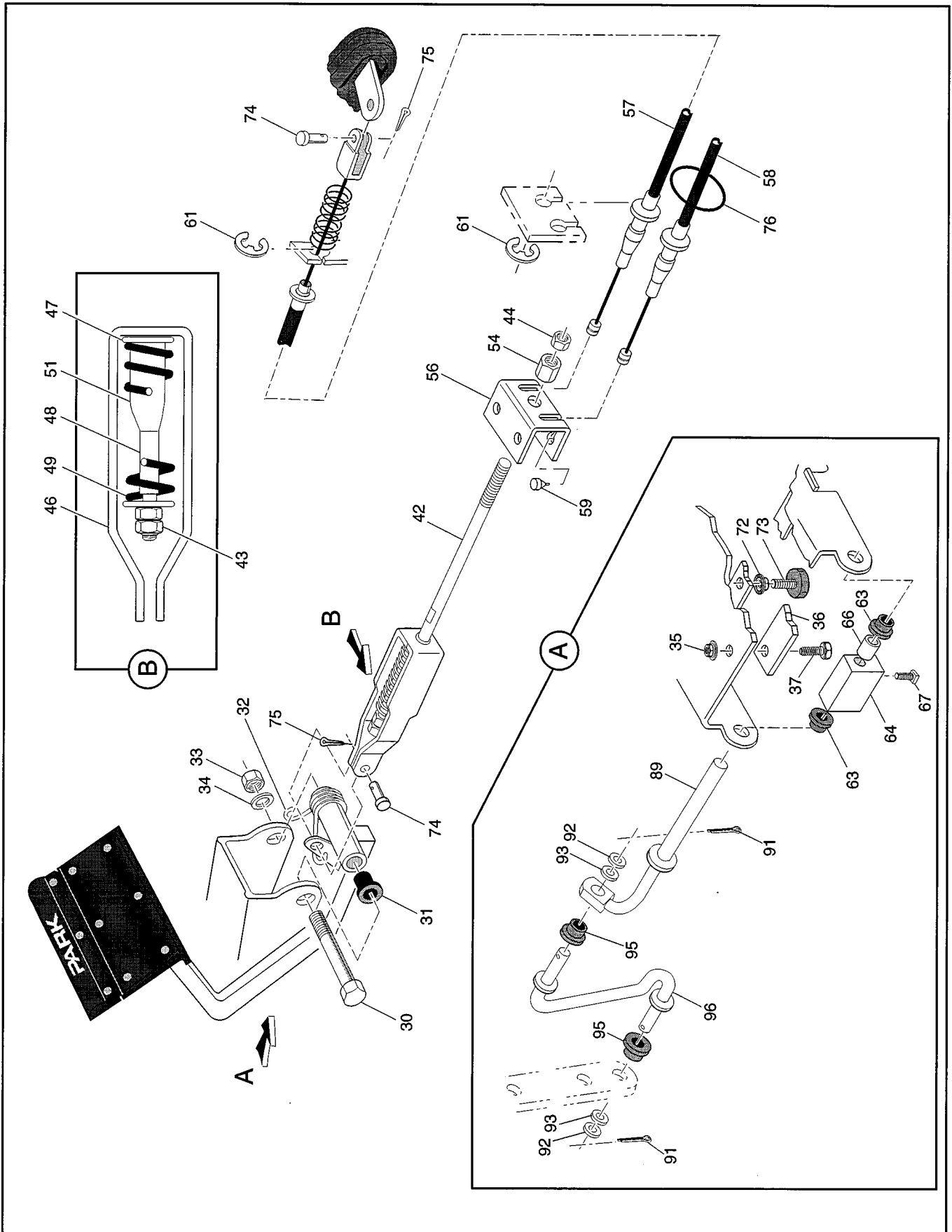
G** Indicates consult Customer Service Department for additional information.

ITEM	PART NO.	1 2 3 4 5	DESCRIPTION	QTY.
151	74126-G01		FRAME SUPPORT, VERTICAL, PASSENGER SIDE.....	1
152	74126-G02		FRAME SUPPORT, VERTICAL, DRIVER'S SIDE	1
153	00426-G8		BOLT, 3/8 - 16 X 1 LG.	2
154	00560-G1		WASHER, 3/8.....	8
155	11098-G5		NUT, LOCK, 3/8 - 16	4
156	00427-G4		BOLT, 3/8 - 16 X 1 1/2 LG.	2
157	74127-G01		PANEL, VALANCE	1
158	74128-G01		REFLECTOR	2
159	16816-G2		RIVET, PLASTIC	6
160	19853-G1		PLUG, END.....	2
161	74105-G01		FOOT REST ASSEMBLY (INCLUDES ITEMS 162 - 164).....	1
162	74129-G01		REFLECTOR	1
163	74132-G01		LABEL, WARNING	1
164	74107-G01		MAT, FLOOR	1
165				
166	00769-G2		BOLT, CARRIAGE, 3/8 - 16 X 1 1/4 LG.	2
167	00560-G1		WASHER, 3/8.....	2
168	11098-G5		NUT, LOCK, 3/8 - 16	2
169				
170	00114-G6		SCREW, 1/4 - 14 X 3/4 LG.....	4
171	16816-G2		FASTENER	2
172				
173	27166-G02		FRONT SHIELD.....	1
174	71015-G01		BRACE, FRONT SHIELD	2
175	16469-G7		WASHER, 1/4.....	2

- 1 - INCLUDES ITEMS 2 - 27
- 4 - INCLUDES ITEMS 5 - 7
- 40 - INCLUDES ITEMS 42 - 52
- 55 - INCLUDES ITEMS 56 - 59
- 77 - INCLUDES ITEMS 78 - 89







THE USE OF NON UL PARTS WILL VOID ANY UL LISTING.

When ordering parts, please specify the model and serial number of the product.

* Indicates a component that is not available as an individual part.

G** Indicates consult Customer Service Department for additional information.

ITEM	PART NO.	1 2 3 4 5	DESCRIPTION	QTY.
1	70263-G01		BRAKE PEDAL ASSEMBLY (INCLUDES ITEMS 2 - 27) VEHICLES WITH BRAKE LIGHTS	1
2	*		PEDAL, BRAKE.....	1
3	*		PEDAL, PARK BRAKE	1
4	70274-G01		BRAKE/PARK BRAKE PEDAL PAD KIT (INCLUDES ITEMS 5 - 7).....	1
5	*		PAD, BRAKE PEDAL	1
6	*		PAD, PARK BRAKE	1
7	15766-G1		RIVET, 3/8 x 15/32 LG.	9
8				
9	*		PLATE, BRAKE PEDAL.....	1
10	15932-G2		PIN, PARK BRAKE PEDAL	1
11	11737-G1		SPRING, TORSION, PARK BRAKE.....	2
12	12064-G1		PUSHNUT, 5/16.....	1
13	00737-G8		SCREW, #10 - 24 X 1 LG.	4
14	00739-G1		NUT, RUBBER, #10 - 24.....	2
15	22362-G3		STANDOFF, BRAKE PEDAL.....	2
16	27137-G01		SPRING, CONICAL.....	2
17	11098-G7		NUT, LOCK, #10 - 24.....	2
18	10606-G8		SWITCH, MICRO.....	1
19	00645-G2		SCREW, #6 - 32 X 1 1/4 LG.	2
20	00559-G3		WASHER, #6	2
21	00565-G3		WASHER, LOCK, #6	2
22	00525-G5		NUT, #6 - 32.....	2
23	*		SCREW, BRASS	2
24	00567-G3		WASHER, LOCK, #6	6
25	14628-G1		TAB, FASTON, 5/16 X 5/16 LG.	2
26				
27	17618-G1		NYLON CLAMP	3
28				
29				

BRAKE LINKAGE

Electric / Gasoline Vehicle

THE USE OF NON UL PARTS WILL VOID ANY UL LISTING.

When ordering parts, please specify the model and serial number of the product.

* Indicates a component that is not available as an individual part.

G** Indicates consult Customer Service Department for additional information.

ITEM	PART NO.	1 2 3 4 5	DESCRIPTION	QTY.
30	70096-G01		BOLT, SHOULDER, 3/8 - 16 X 3 LG.	1
31	11079-G1		BUSHING, FLANGED	2
32	70138-G01		SPRING, TORSION	1
33	11098-G5		NUT, 3/8 - 16	1
34	00643-G1		WASHER, 3/8.....	1
35	11027-G2		NUT, LOCK, 1/4 - 20	2
36	70080-G01		CATCH BRACKET, PARK BRAKE.....	1
37	00414-G6		BOLT, 1/4 - 20 X 3/4 LG.	2
38				
39				
40	70272-G04		COMPENSATOR ASSEMBLY (INCLUDES ITEMS 42 - 54).....	1
41				
42	25882-G04		ROD, LINK.....	1
43	00532-G4		NUT, 5/16 - 24.....	2
44	11098-G9		NUT, LOCK, 5/16 - 24.....	1
45				
46	27330-G01		YOKE, BRAKE.....	1
47	15121-G1		WASHER, 3/8	2
48	23061-G2		TUBE	1
49	23463-G1		SPRING, COMPRESSION	1
50				
51	17979-G1		BUSHING, ACCELERATOR ROD	1
52				
53				
54	00963-G01		NUT, SPHERICAL, 5/16 - 24	1
55	70273-G03		EQUALIZER AND BRAKE CABLE ASSEMBLY (INCLUDES ITEMS 56 - 59).....	1
56	28082-G01		BRACKET, EQUALIZER.....	1
57	*		CABLE, BRAKE, PASSENGER SIDE	1
58	*		CABLE, BRAKE DRIVER'S SIDE.....	1

THE USE OF NON UL PARTS WILL VOID ANY UL LISTING.

When ordering parts, please specify the model and serial number of the product.

* Indicates a component that is not available as an individual part.

G** Indicates a consult Customer Service Department for additional information.

ITEM	PART NO.	1	2	3	4	5	DESCRIPTION	QTY.
59	28083-G01						BUMPER, BRAKE COMPENSATOR	2
60								
61	12305-G1						RING, RETAINING	4
62								
63	10097-G6						BEARING, FLANGED	2
64	25103-G1						CAM, KICK-OFF	1
65								
66	14134-G4						SPACER.....	1
67	00491-G4						SET SCREW, 1/4 - 20 X 1/2 LG.....	2
68								
69								
70								
71								
72	11027-G1						NUT, LOCK, 5/16 - 18	1
73	70113-G01						ADJUSTABLE BUMPER.....	1
74	10386-G3						PIN, CLEVIS, 5/16 X 15/16 LG.	3
75	10387-G3						PIN, COTTER, 3/32 X 3/4 LG.	5
76	12416-G1						NYLON CLAMP	2
77	70264-G01						BRAKE PEDAL ASSEMBLY (INCLUDES ITEMS 78 - 88) VEHICLES WITHOUT BRAKE LIGHTS	1
78	11737-G1						SPRING, TORSION PARK BRAKE.....	2
79	12064-G1						PUSHNUT, 5/16.....	1
80								
81	15932-G2						PIN, PARK BRAKE	1
82	70259-G01						BRAKE PEDAL.....	1
83								
84	70274-G01						BRAKE/PARK BRAKE PEDAL PAD KIT (INCLUDES ITEMS 85 - 87).....	1
85	*						PAD, BRAKE PEDAL	1
86	*						PAD, PARK BRAKE PEDAL.....	1
87	16409-G1						RIVET, 3/8 X 15/32 LG.....	9

BRAKE LINKAGE

Electric / Gasoline Vehicle

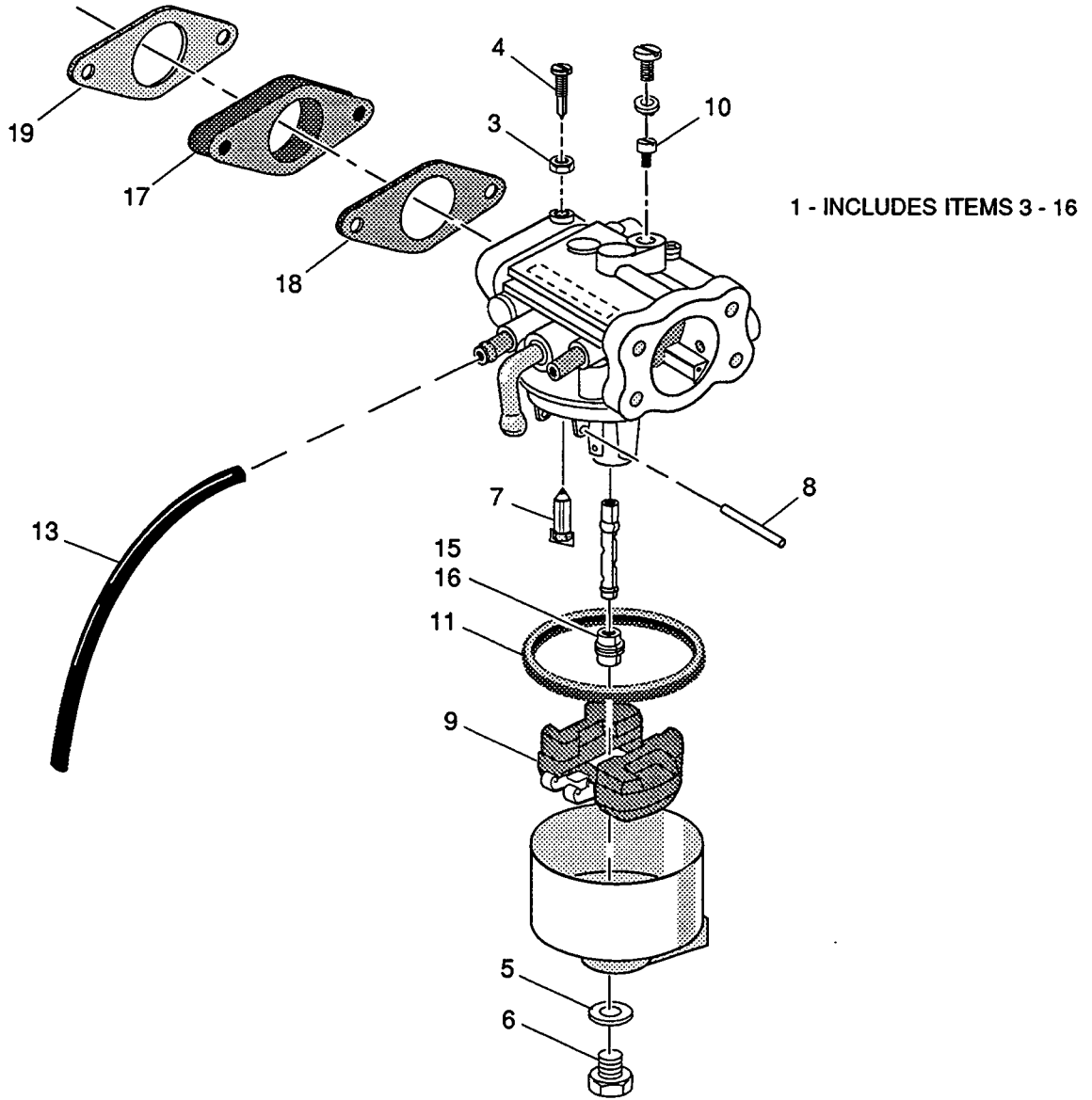
THE USE OF NON UL PARTS WILL VOID ANY UL LISTING.

When ordering parts, please specify the model and serial number of the product.

* Indicates a component that is not available as an individual part.

G** Indicates consult Customer Service Department for additional information.

ITEM	PART NO.	1 2 3 4 5	DESCRIPTION	QTY.
88	70254-G01		PARK BRAKE PEDAL	1
89	70098-G01		PIVOT, KICK OFF CAM	1
90				
91	10387-G3		PIN, COTTER, 3/32 X 3/4 LG.	2
92	00559-G8		WASHER, 5/16.....	2
93	20835-G1		WASHER, TEFLON.....	2
94				
95	17838-G1		BEARING	2
96	70097-G01		LINK, PARK BRAKE KICK-OFF	1

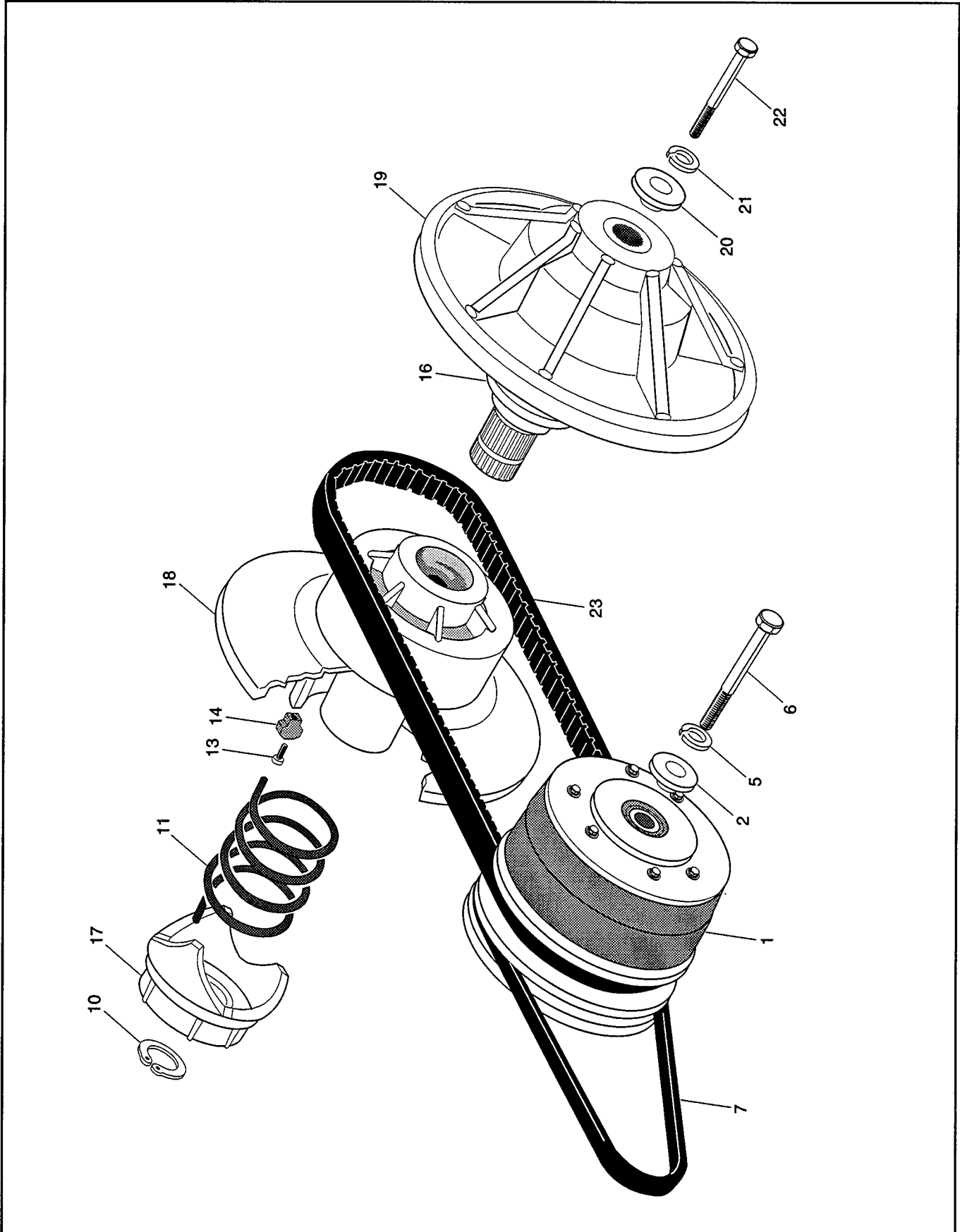


When ordering parts, please specify the model and serial number of the product.

* Indicates a component that is not available as an individual part.

G** Indicates consult Customer Service Department for additional information.

ITEM	PART NO.	1 2 3 4 5	DESCRIPTION	QTY.
1	26645-G01		CARBURETOR ASSEMBLY (INCLUDES ITEMS 3 - 16)	1
2				
3	26847-G01		NUT, PILOT SCREW	2
4	26835-G01		SCREW, PILOT	1
5	26838-G01		GASKET, BOWL SCREEN	1
6	26839-G01		SCREW, BOWL	1
7	26647-G01		VALVE, NEEDLE	1
8	26840-G01		PIN, FLOAT	1
9	26648-G01		FLOAT	1
10	26649-G01		JET, PILOT (#48)	1
11	26843-G01		GASKET, FLOAT BOWL	1
12				
13	26650-G01		TUBE, CARBURETOR VENT	2
14				
15	26646-G02		JET, MAIN (#84)	1
16	26646-G03		JET, MAIN (#76) HIGH ALTITUDE - ABOVE 5,000 FEET	1
17	26637-G01		INSULATOR, CARBURETOR	1
18	26725-G01		GASKET, CARBURETOR MOUNT	1
19	26726-G01		GASKET, CARBURETOR MOUNT	1

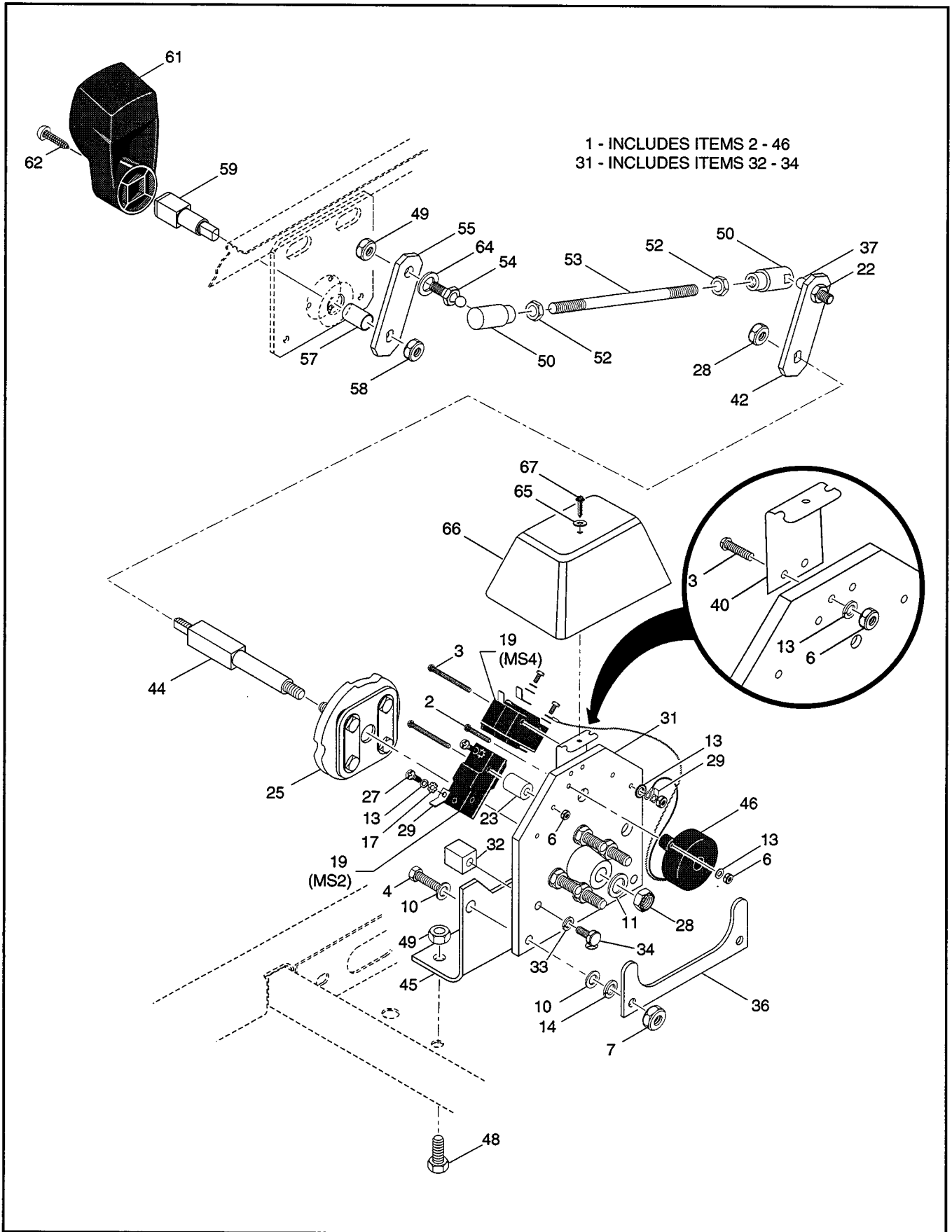


When ordering parts, please specify the model and serial number of the product.

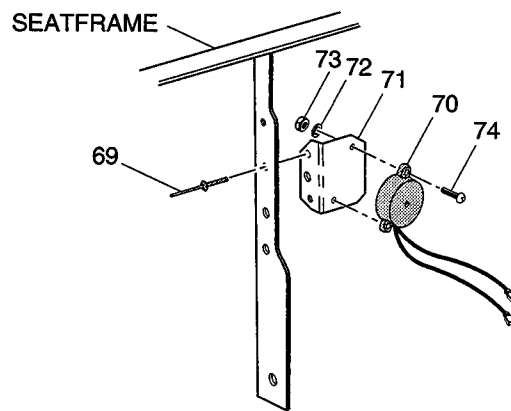
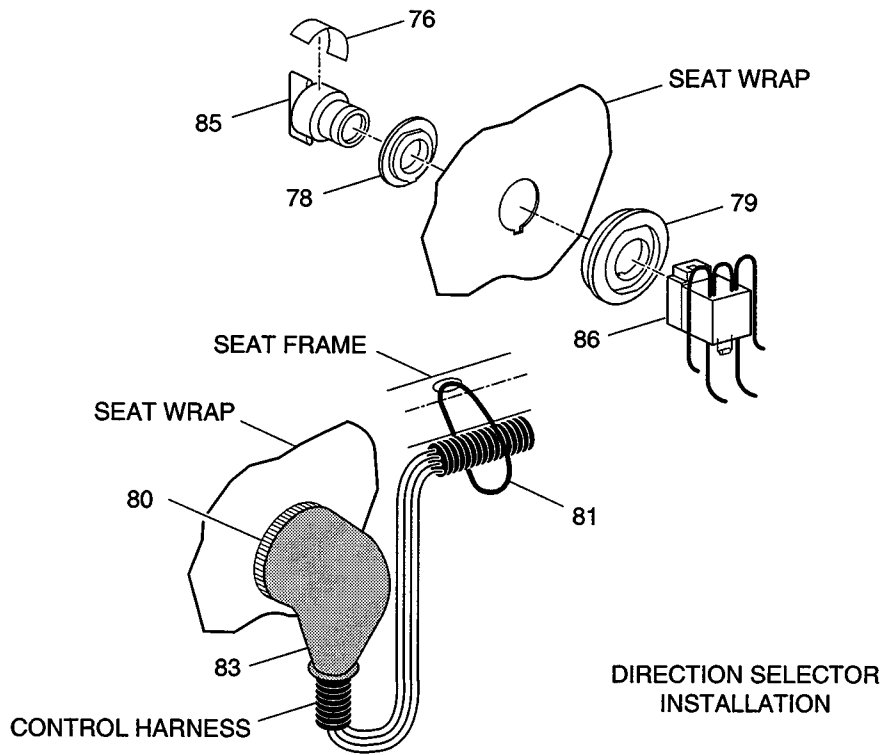
* Indicates a component that is not available as an individual part.

G** Indicates consult Customer Service Department for additional information.

ITEM	PART NO.	1 2 3 4 5	DESCRIPTION	QTY.
1	26952-G01		DRIVE CLUTCH.....	1
2	23213-G1		WASHER, PILOT	1
3				
4				
5	00566-G2		WASHER, LOCK, 7/16.....	1
6	00473-G9		BOLT, 7/16 - 20 X 6 1/2 LG.	1
7	26414-G01		BELT, STARTER / GENERATOR	1
8				
9	26301-G02		DRIVEN CLUTCH ASSEMBLY (INCLUDES ITEMS 10 - 19)	1
10	27270-G01		RETAINING RING, HEAVY DUTY.....	1
11	26304-G01		SPRING, COMPRESSION	1
12				
13	00979-G01		SCREW, #10 - 24	3
14	26479-G01		RAMP BUTTON.....	3
15				
16	24600-G1		WASHER, SPACER.....	1
17	*		CAM.....	1
18	*		SHEAVE, MOVABLE	1
19	*		SHEAVE AND POST	1
20	22496-G1		WASHER, RETAINING	1
21	00565-G8		WASHER, LOCK, 5/16.....	1
22	00441-G8		BOLT, 5/16 - 18 X 4 LG.	1
23	72024-G01		BELT, DRIVE	1
24	**		PULLER, DRIVE CLUTCH.....	AR
** SEE SERVICE ACCESSORIES AND SPECIAL TOOLS				



84 - INCLUDES ITEMS 85, 86



DIRECTION SELECTOR

Electric Vehicle

THE USE OF NON UL PARTS WILL VOID ANY UL LISTING.

When ordering parts, please specify the model and serial number of the product.

* Indicates a component that is not available as an individual part.

G** Indicates consult Customer Service Department for additional information.

ITEM	PART NO.	1 2 3 4 5	DESCRIPTION	QTY.
1	73036-G01		DIRECTION SELECTOR ASSEMBLY (INCLUDES ITEMS 2 - 46).....	1
2	00138-G4		SCREW, #6 - 32 X 1/2 LG.	3
3	00139-G8		SCREW, #6 - 32 X 2 LG.	4
4	00414-G8		BOLT, 1/4 - 20 X 1 LG.....	2
5				
6	00525-G5		NUT, #6 - 32.....	8
7	00532-G1		NUT, 1/4 - 20.....	2
8				
9				
10	00559-G7		WASHER, 1/4	4
11	00560-G1		WASHER, 3/8	1
12				
13	00565-G3		WASHER, LOCK, #6	8
14	00565-G7		WASHER, LOCK, 1/4	2
15				
16				
17	00567-G3		WASHER, LOCK, #6	4
18				
19	10606-G2		SWITCH LIMIT, MS2 AND MS4.....	2
20				
21				
22	11098-G9		NUT, LOCK, 5/16 - 24.....	1
23	12806-G1		SPACER	4
24				
25	12835-G1		CAM.....	1
26				
27	*		SCREW.....	4
28	14390-G1		NUT, LOCK, 3/8 - 24.....	2
29	14628-G1		TAB, FASTON, 5/16 X 5/16	4
30				

THE USE OF NON UL PARTS WILL VOID ANY UL LISTING.

When ordering parts, please specify the model and serial number of the product.

* Indicates a component that is not available as an individual part.

G** Indicates consult Customer Service Department for additional information.

ITEM	PART NO.	1 2 3 4 5	DESCRIPTION	QTY.
31	14651-G1		CONTACT BOARD ASSEMBLY (INCLUDES ITEMS 32 - 34)	1
32	24940-G1		STOP.....	2
33	00565-G7		WASHER, LOCK, 1/4.....	2
34	00414-G6		BOLT, 1/4 - 20 X 3/4 LG.	2
35				
36	15461-G1		BRACKET, MOUNTING SUPPORT	1
37	15944-G3		BALL, BALL JOINT	1
38				
39				
40	73048-G01		BRACKET, COVER	1
41				
42	70232-G01		ARM, SHIFT LINKAGE.....	1
43				
44	73027-G01		SHAFT, DIRECTION SELECTOR	1
45	73031-G01		BRACKET, DIRECTION SELECTOR MOUNTING	1
46	73037-G01		BUZZER, REVERSE WARNING.....	1
47				
48	00438-G8		BOLT, 5/16 - 18 X 3/4 LG.	2
49	11098-G9		NUT, LOCK, 5/16 - 24	2
50	14444-G3		SOCKET, BALL JOINT.....	2
51				
52	00544-G4		NUT, 5/16 - 24	2
53	10697-G8		ROD, LINKAGE.....	1
54	15944-G3		STUD, JOINT BALL	1
55	70232-G02		ARM, SHIFT LINKAGE	1
56				
57	25664-G2		BEARING	1
58	14390-G1		NUT, LOCK, 3/8 - 24	1
59	70233-G01		SHAFT, DIRECTION SELECTOR.....	1
60				

DIRECTION SELECTOR

Electric Vehicle

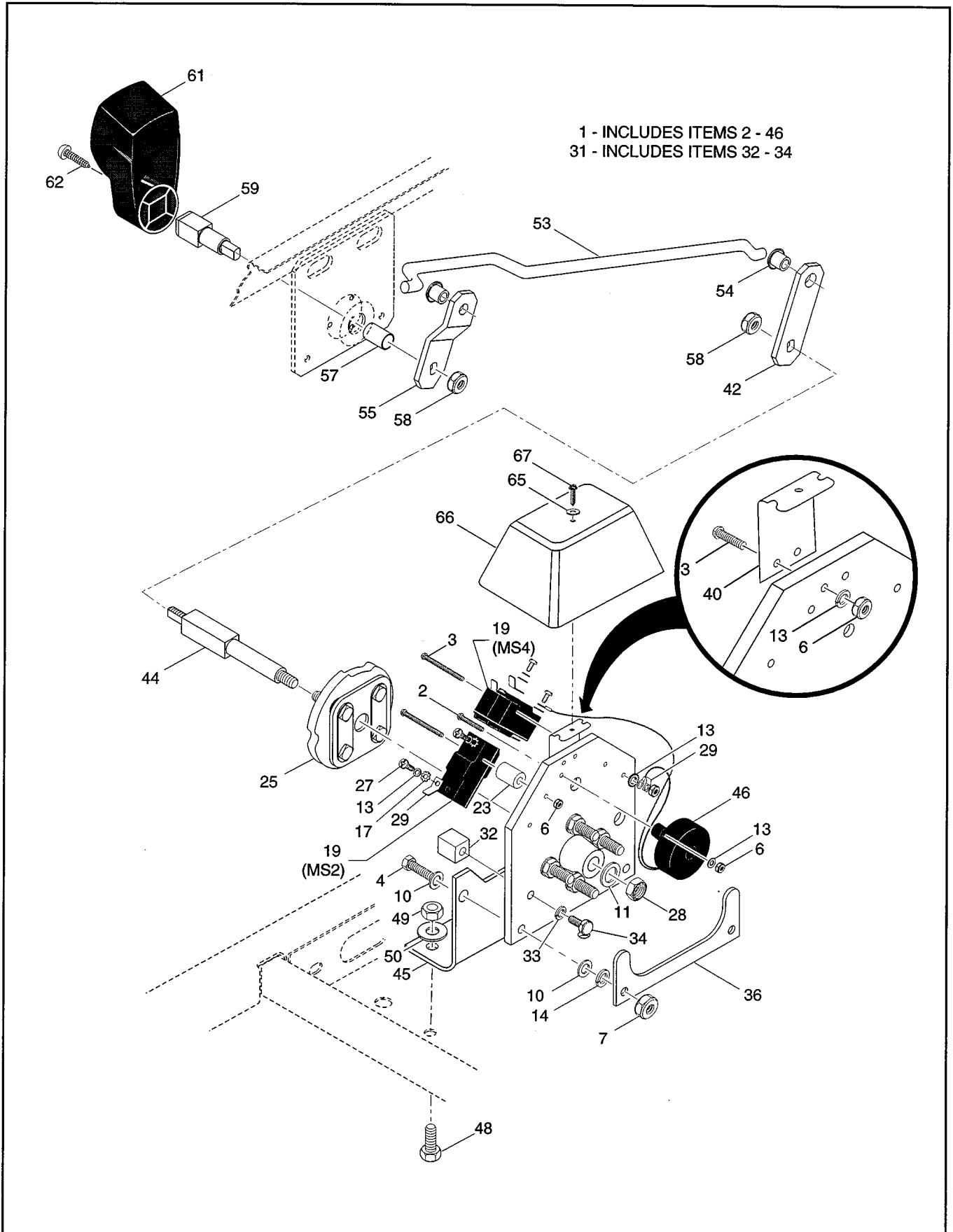
THE USE OF NON UL PARTS WILL VOID ANY UL LISTING.

When ordering parts, please specify the model and serial number of the product.

* Indicates a component that is not available as an individual part.

G** Indicates consult Customer Service Department for additional information.

ITEM	PART NO.	1 2 3 4 5	DESCRIPTION	QTY.
61	71905-G01		HANDLE, DIRECTION SELECTOR.....	1
62	00740-G4		SCREW, STAINLESS STEEL, #10 - 32 X 1/2 LG.....	1
63				
64	00559-G8		WASHER, 5/16.....	1
65	16469-G7		WASHER, FENDER, STAINLESS STEEL.....	1
66	73049-G01		COVER, DIRECTION SELECTOR.....	1
67	00114-G6		SCREW, 1/4 - 14 x 3/4 LG.....	1
68				
69	14601-G16		RIVET, 5/32 (ITEMS 69 - 86 FOR USE ON DCS MODEL ONLY).....	2
70	73037-G02		BUZZER.....	1
71	32043-G2		BRACKET, BUZZER.....	1
72	00565-G3		WASHER, LOCK, #6.....	2
73	00525-G5		NUT, #6 - 32.....	2
74	00138-G4		SCREW, #6 - 32 X 1/2 LG.....	2
75				
76	73127-G01		LABEL, DIRECTION SELECTOR.....	1
77				
78	73134-G01		ADAPTER, SEAT WRAP.....	1
79	73133-G01		ADAPTER, DIRECTION SELECTOR SWITCH.....	1
80	31539-G1		CLAMP, NYLON.....	1
81	17618-G1		CLAMP, NYLON.....	2
82				
83	73130-G01		BOOT, RUBBER.....	1
84	73128-G01		KNOB, DIRECTION SELECTOR (INCLUDES ITEMS 85 - 86).....	1
85	73128-G02		KNOB, DIRECTION SELECTOR.....	1
86	73128-G03		BLOCK, CONTACT SWITCH.....	1



THE USE OF NON UL PARTS WILL VOID ANY UL LISTING.

When ordering parts, please specify the model and serial number of the product.

* Indicates a component that is not available as an individual part.

G** Indicates consult Customer Service Department for additional information.

ITEM	PART NO.	1 2 3 4 5	DESCRIPTION	QTY.
1	73036-G01		DIRECTION SELECTOR ASSEMBLY (INCLUDES ITEMS 2 - 46)	1
2	00138-G6		SCREW, #6 - 32 X 3/4 LG.	3
3	00139-G8		SCREW, #6 - 32 X 2 LG.	4
4	00414-G8		BOLT, 1/4 - 20 X 1 LG.....	2
5				
6	00525-G5		NUT, #6 - 32.....	8
7	00532-G1		NUT, 1/4 - 20.....	2
8				
9				
10	00559-G7		WASHER, 1/4.....	4
11	00560-G1		WASHER, 3/8.....	1
12				
13	00565-G3		WASHER, LOCK, #6	8
14	00565-G7		WASHER, LOCK, 1/4	2
15				
16				
17	00567-G3		WASHER, LOCK, #6	4
18				
19	10606-G2		SWITCH LIMIT, MS2 AND MS4.....	2
20				
21				
22				
23	12806-G1		SPACER	4
24				
25	12835-G1		CAM.....	1
26				
27	*		SCREW	4
28				
29	14628-G1		TAB, FASTON, 5/16 X 5/16	4
30				

DIRECTION SELECTOR**Electric Vehicle**

THE USE OF NON UL PARTS WILL VOID ANY UL LISTING.

When ordering parts, please specify the model and serial number of the product.

* Indicates a component that is not available as an individual part.

G** Indicates consult Customer Service Department for additional information.

ITEM	PART NO.	1 2 3 4 5	DESCRIPTION	QTY.
31	14651-G1		CONTACT BOARD ASSEMBLY (INCLUDES ITEMS 32 - 34)	1
32	24940-G1		STOP	2
33	00565-G7		WASHER, LOCK, 1/4	2
34	00414-G6		BOLT, 1/4 - 20 X 3/4 LG.	2
35				
36	15461-G1		BRACKET, MOUNTING SUPPORT	1
37				
38				
39				
40	73048-G03		BRACKET, COVER.....	1
41				
42	70232-G01		ARM, SHIFT LINKAGE	1
43				
44	73027-G01		SHAFT, DIRECTION SELECTOR	1
45	73031-G01		BRACKET, DIRECTION SELECTOR MOUNTING.....	1
46	73037-G01		BUZZER, REVERSE WARNING	1
47				
48	00438-G6		BOLT, 5/16 - 18 X 3/4 LG.	2
49	11098-G6		NUT, LOCK, 5/16 - 18	2
50	00571-G2		WASHER, 5/16.....	2
51				
52				
53	70313-G01		ROD, LINKAGE.....	1
54	22754-G3		BUSHING	1
55	70334-G01		ARM, BENT SHIFT LINKAGE	1
56				
57	25664-G2		BEARING	1
58	14390-G1		NUT, LOCK, 3/8 - 24	2
59	70233-G01		SHAFT, DIRECTION SELECTOR.....	1
60				

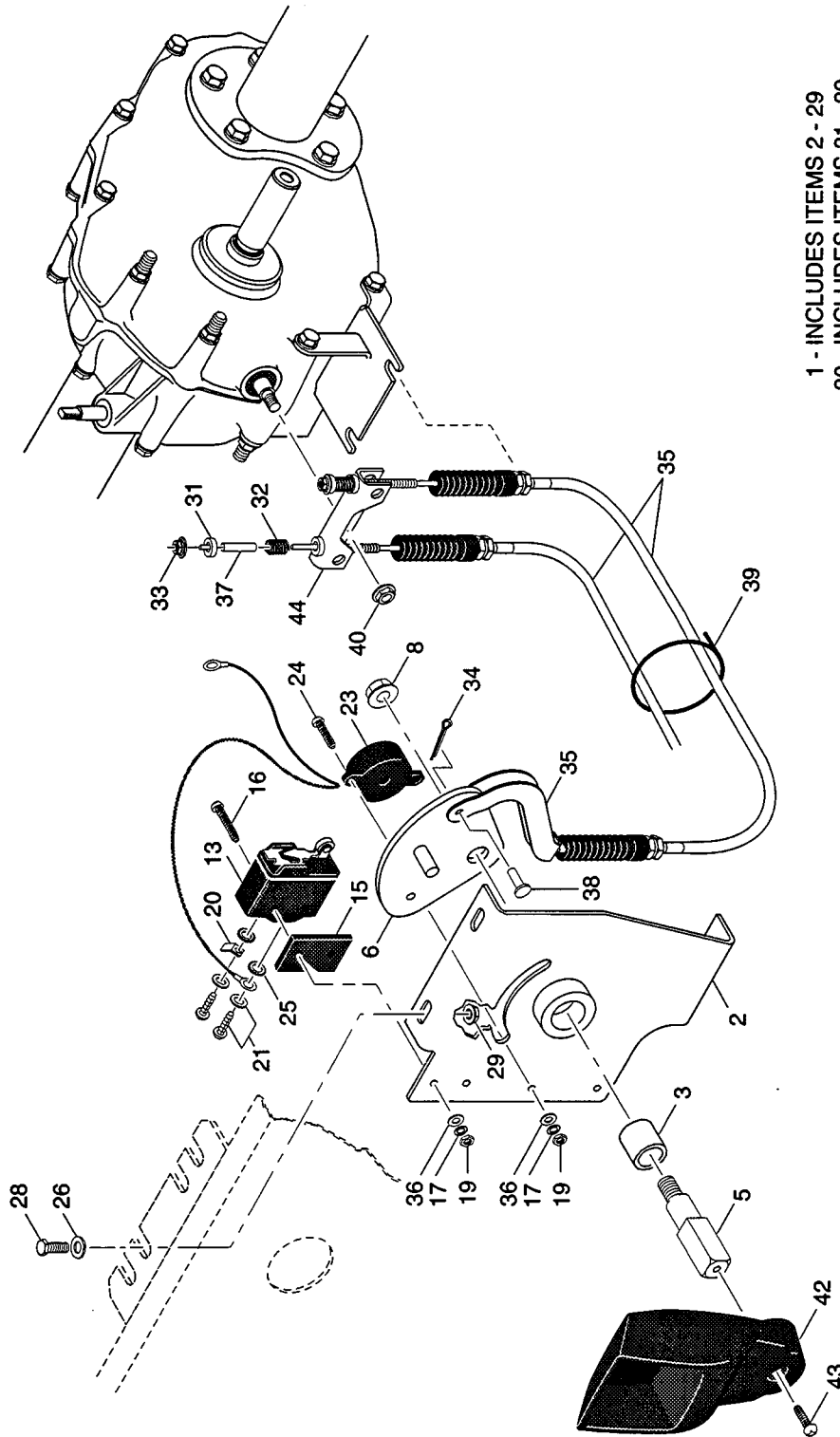
THE USE OF NON UL PARTS WILL VOID ANY UL LISTING.

When ordering parts, please specify the model and serial number of the product.

* Indicates a component that is not available as an individual part.

G** Indicates consult Customer Service Department for additional information.

ITEM	PART NO.	1 2 3 4 5	DESCRIPTION	QTY.
61	71905-G01		HANDLE, DIRECTION SELECTOR	1
62	00740-G4		SCREW, STAINLESS STEEL, #10 - 32 X 1/2 LG.....	1
63				
64				
65	16469-G7		WASHER, FENDER, STAINLESS STEEL.....	1
66	73049-G01		COVER, DIRECTION SELECTOR	1
67	00114-G6		SCREW, 1/4 - 14 x 3/4 LG.	1



When ordering parts, please specify the model and serial number of the product.

* Indicates a component that is not available as an individual part.

G** Indicates consult Customer Service Department for additional information.

ITEM	PART NO.	1 2 3 4 5	DESCRIPTION	QTY.
1	25700-G03		DIRECTION SELECTOR ASSEMBLY (INCLUDES ITEMS 2 - 29)	1
2	25684-G01		BRACKET, DIRECTION SELECTOR	1
3	25664-G1		BUSHING	1
4				
5	27537-G01		SHAFT, DIRECTION SELECTOR	1
6	25745-G01		CAM, DIRECTION SELECTOR.....	1
7				
8	14390-G1		NUT, LOCK, 3/8 - 24.....	1
9				
10				
11				
12				
13	10606-G1		MICRO SWITCH.....	1
14				
15	27151-G1		SPACER, MICRO SWITCH	1
16	00645-G2		SCREW, #6 - 32 X 1 1/4 LG.	2
17	00565-G3		WASHER, LOCK, #6	4
18				
19	00525-G5		NUT, #6 - 32.....	4
20	14628-G1		TAB, FASTON.....	1
21	*		SCREW AND WASHER ASSEMBLY	2
22				
23	17818-G1		BUZZER, REVERSE WARNING.....	1
24	00138-G5		SCREW, #6 - 32 X 5/8 LG.	2
25	00567-G3		WASHER, LOCK, #6	2
26	00559-G7		WASHER, 1/4	2
27				
28	00414-G6		SCREW, 1/4 - 20 X 3/4 LG.	2
29	11027-G2		NUT, LOCK, 1/4 - 20.....	2
30	27170-G01		CABLE KIT (INCLUDES ITEMS 31 - 39)	2

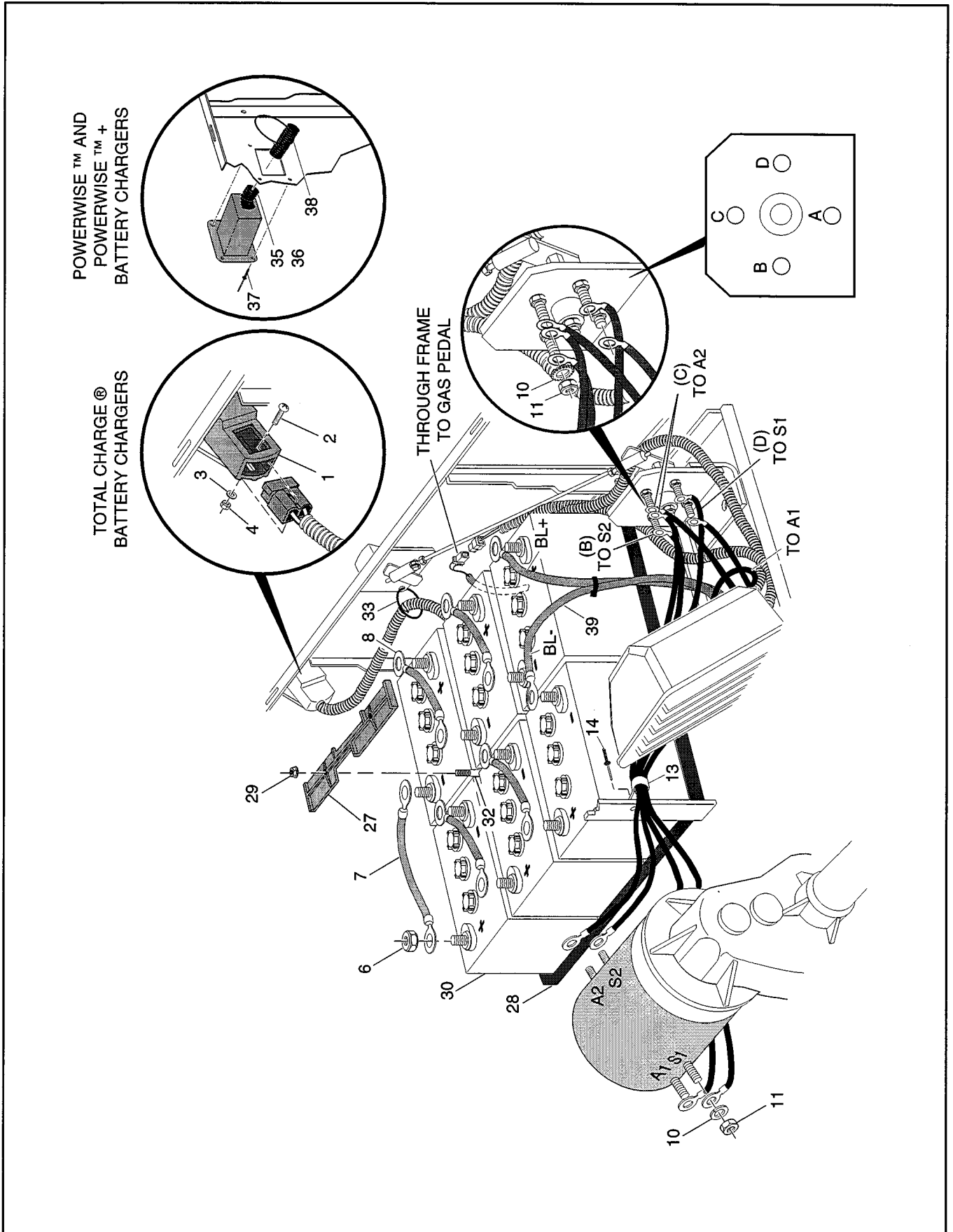
DIRECTION SELECTOR**Gasoline Vehicle**

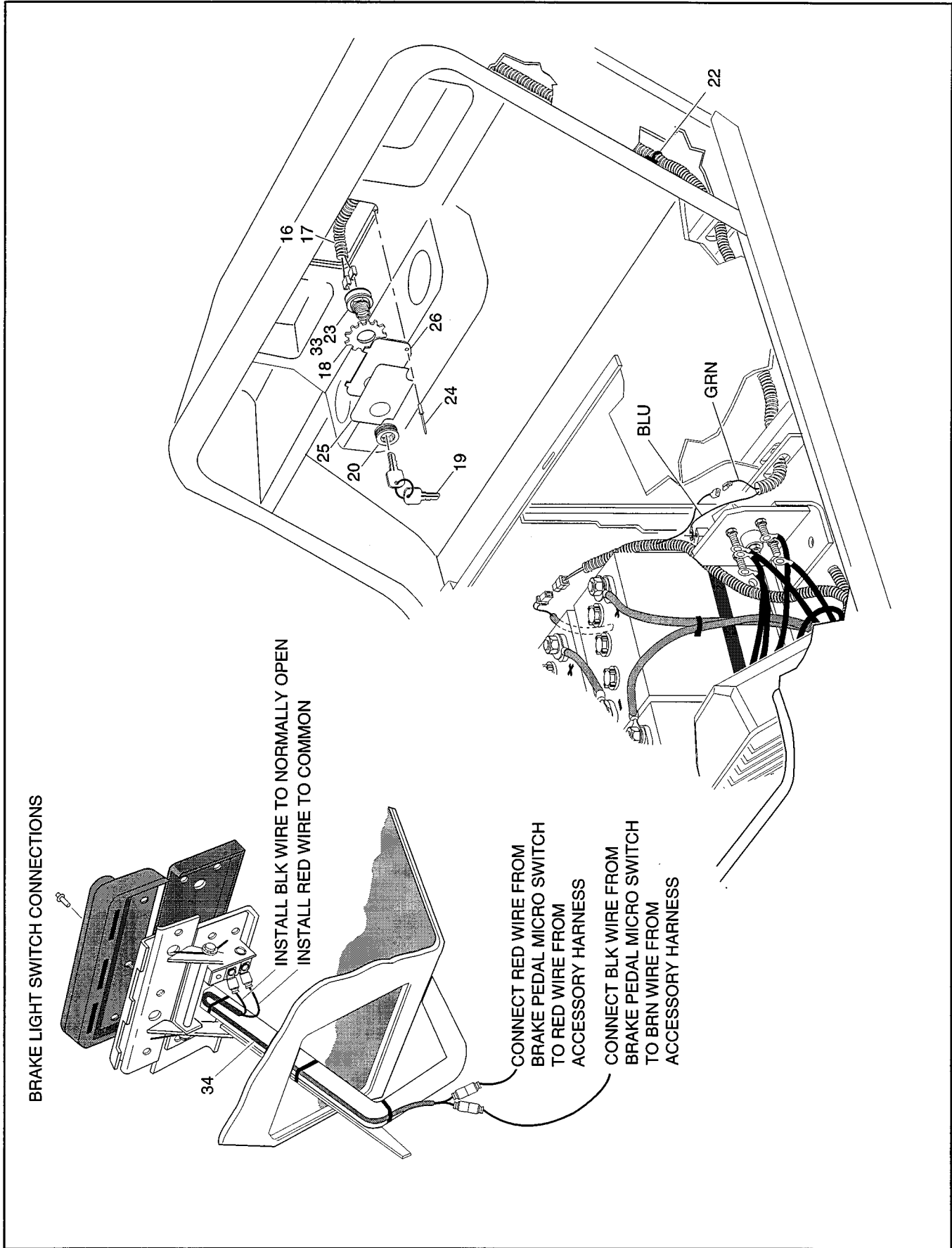
When ordering parts, please specify the model and serial number of the product.

* Indicates a component that is not available as an individual part.

G** Indicates consult Customer Service Department for additional information.

ITEM	PART NO.	1 2 3 4 5	DESCRIPTION	QTY.
31	25727-G01		WASHER, CUP	4
32	27764-G01		SPRING.....	2
33	11098-G7		NUT, #10 - 24	2
34	10387-G8		PIN, COTTER, 1/16 X 3/4 LG.	2
35	25691-G01		SHIFTER CONTROL CABLE.....	2
36				
37	23726-G5		SPACER.....	2
38	23176-G1		PIN, CLEVIS, 5/16 X 1/2 LG.	2
39	17618-G1		NYLON CLAMP.....	1
40	26830-G01		NUT, SHIFTER LEVER, M8 X 1.25 MM.....	1
41				
42	71905-G01		HANDLE, DIRECTION SELECTOR.....	1
43	00740-G4		SCREW, STAINLESS STEEL, #10 - 32 X 1/2 LG.....	1
44	25946-G01		PIVOT ARM.....	1





THE USE OF NON UL PARTS WILL VOID ANY UL LISTING.

When ordering parts, please specify the model and serial number of the product.

* Indicates a component that is not available as an individual part.

G** Indicates consult Customer Service Department for additional information.

ITEM	PART NO.	1 2 3 4 5	DESCRIPTION	QTY.
1	18724-G1		RECEPTACLE HOLDER.....	1
2	00645-G2		SCREW, #6 - 32 X 1 1/4 LG.....	2
3	00559-G3		WASHER, #6.....	2
4	14390-G9		NUT, LOCK, #6 - 32	2
5				
6	00702-G2		NUT, 5/16 - 24	12
7	25972-G32		WIRE	1
8	25972-G40		WIRE	4
9				
10	00567-G8		WASHER, LOCK, 5/16.....	8
11	00532-G3		NUT, 5/16 - 18	8
12				
13	27327-G01		CLAMP, TWISTED	2
14	10570-G11		RIVET, STAINLESS STEEL, 5/16	1
15				
16	73145-G01		HARNESS, KEY SWITCH (DCS MODEL ONLY)	1
17	73041-G01		HARNESS, KEY SWITCH (FLEET)	1
18	00568-G6		WASHER, LOCK, 3/4	1
19	17062-G1		KEY, IGNITION (SET)	AR
20	17137-G1		NUT, FACE	1
21				
22	17618-G1		CLAMP, NYLON	1
23	17421-G1		IGNITION SWITCH KIT, INCLUDES ALL MOUNTING HARDWARE (FOR FREEDOM SEE SECTION S - HORN AND LIGHTING)	1
24	33623-G02		RIVET, DRIVE	2
25	71145-G01		DECAL, CONSOLE INSERT PLATE.....	1
26	73030-G01		PLATE, CONSOLE INSERT (KEY ONLY).....	1
27	70045-G01		RETAINER, BATTERY	1
28	70046-G01		BATTERY RACK	1
29	11027-G1		NUT, LOCK, 5/16 - 18	2

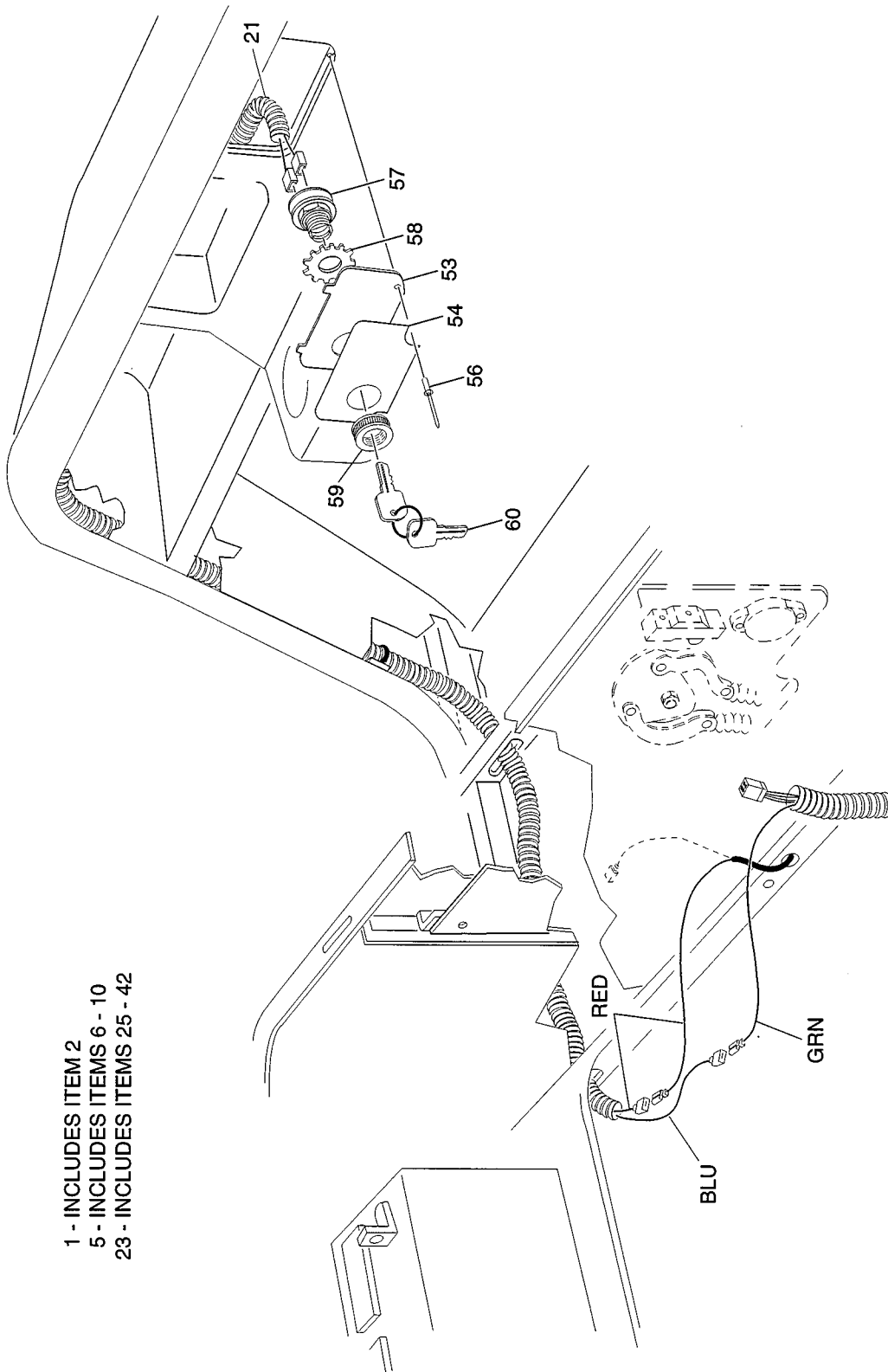
THE USE OF NON UL PARTS WILL VOID ANY UL LISTING.

When ordering parts, please specify the model and serial number of the product.

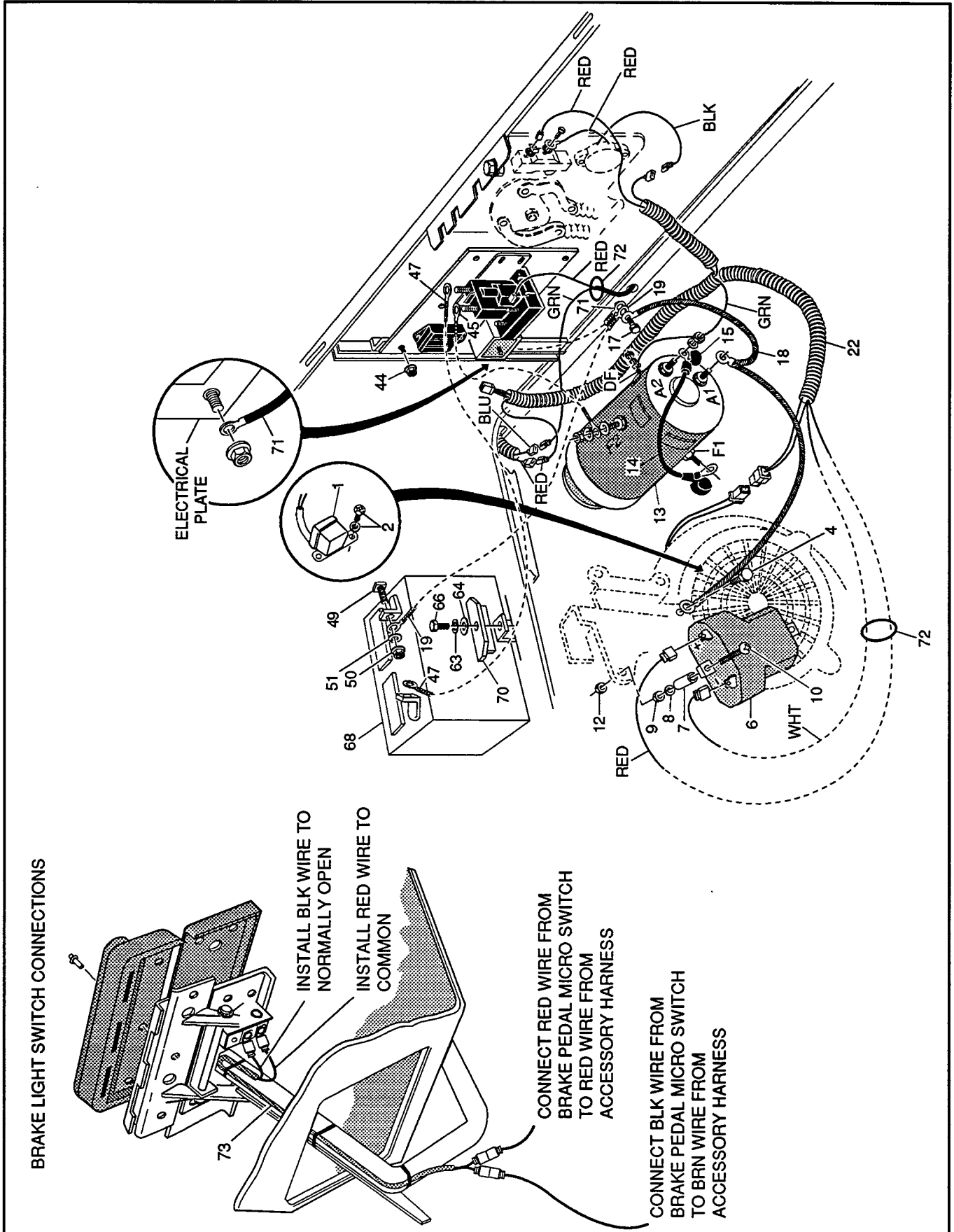
* Indicates a component that is not available as an individual part.

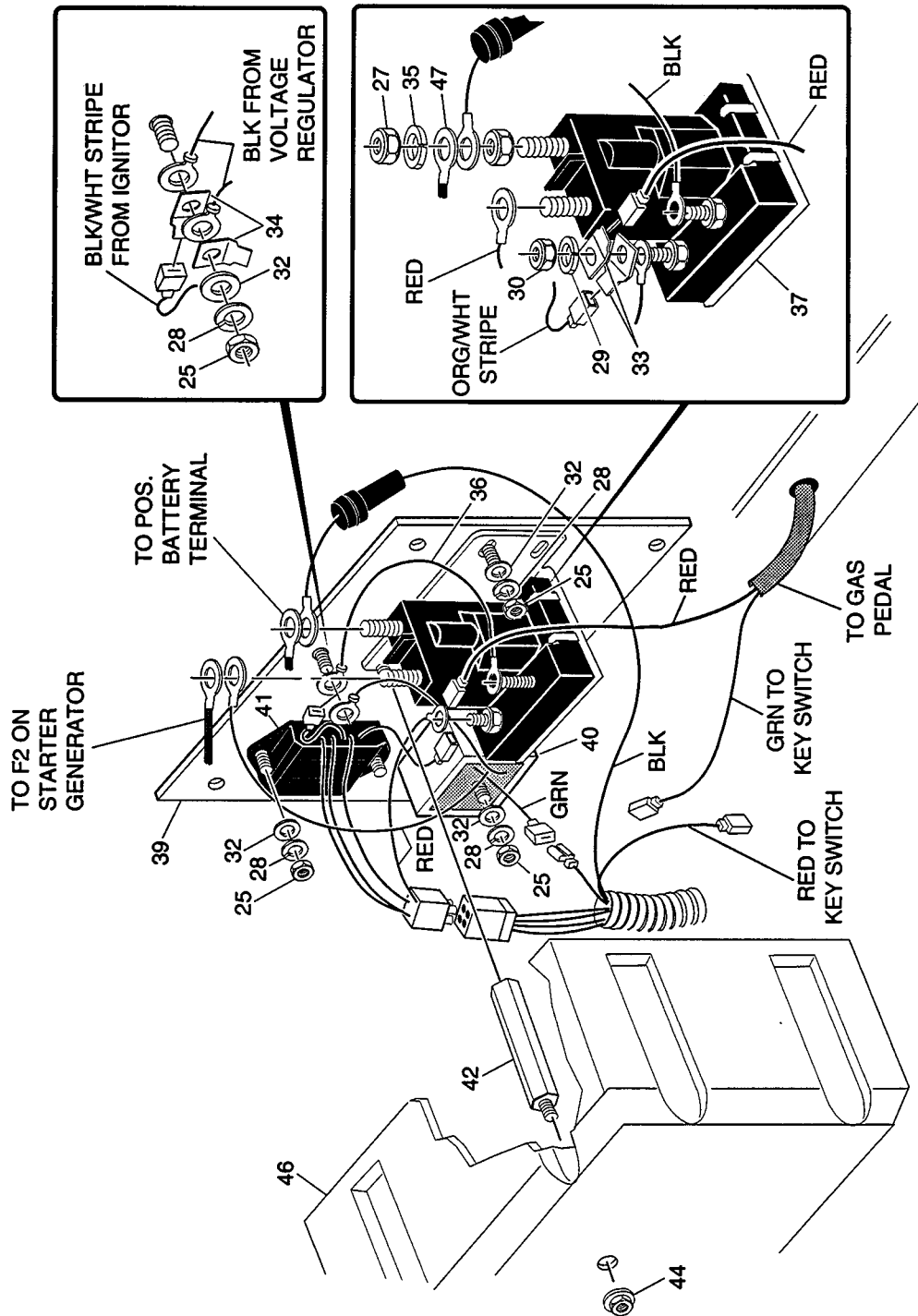
G** Indicates consult Customer Service Department for additional information.

ITEM	PART NO.	1	2	3	4	5	DESCRIPTION	QTY.
30	XXXXX-G**						BATTERY, 6 VOLT	6
31								
32	70121-G01						BOLT, HOLD DOWN	2
33	17618-G1						CLAMP, NYLON	1
34	24605-G1						WIRE HARNESS, BRAKE	1
35	73063-G01						WIRE HARNESS, STANDARD CHARGER RECEPTACLE (COMPLETE)	1
36	73149-G01						WIRE HARNESS, CHARGER RECEPTACLE (ITEMS 36 - 38 ARE FOR USE ON DCS MODEL ONLY)	1
37	14601-G10						RIVET, 5/32	4
38	17618-G1						CLAMP, NYLON	3
39	25972-G32						WIRE, BL- TO B-	1



- 1 - INCLUDES ITEM 2
- 5 - INCLUDES ITEMS 6 - 10
- 23 - INCLUDES ITEMS 25 - 42





When ordering parts, please specify the model and serial number of the product.

* Indicates a component that is not available as an individual part.

G** Indicates consult Customer Service Department for additional information.

ITEM	PART NO.	1 2 3 4 5	DESCRIPTION	QTY.
1	26651-G01		IGNITION PICKUP ASSEMBLY (INCLUDES ITEM 2).....	1
2	26707-G01		BOLT AND WASHER ASSEMBLY, M5 X .8 X 10 MM LG.....	1
3				
4	26676-G01		SCREW, M6 X 1 X 23 MM LG.	1
5	26652-G01		IGNITION COIL ASSEMBLY (INCLUDES ITEMS 6 - 10)	1
6	*		COIL, IGNITION	1
7	*		SPACER	1
8	*		WASHER, LOCK	1
9	*		NUT	1
10	*		SCREW	1
11				
12	13632-G1		NUT, M6 X 1 LG.....	2
13	XXXXX-XX		STARTER / GENERATOR (SEE SECTION AA FOR PARTS LIST AND QUANTITY)	X
14	25887-G01		WIRE, F1 - A2	1
15	25682-G1		COVER, TERMINAL	3
16				
17	00715-G3		BOLT, 5/16 - 18 X 1 1/4 LG.	1
18	20294-G3		CABLE, GROUND	1
19	25972-G12		WIRE, B- GRD	1
20				
21	27778-G01		KEY SWITCH HARNESS	1
22	27777-G01		CONTROL HARNESS	1
23	27740-G03		ELECTRICAL PLATE ASSEMBLY (INCLUDES ITEMS 25 - 42)	1
24				
25	00532-G1		NUT, 1/4 - 20.....	5
26				
27	*		NUT, 5/16 - 24.....	2
28	00565-G7		WASHER, LOCK, 1/4	6
29	*		WASHER, LOCK, #10	2

When ordering parts, please specify the model and serial number of the product.

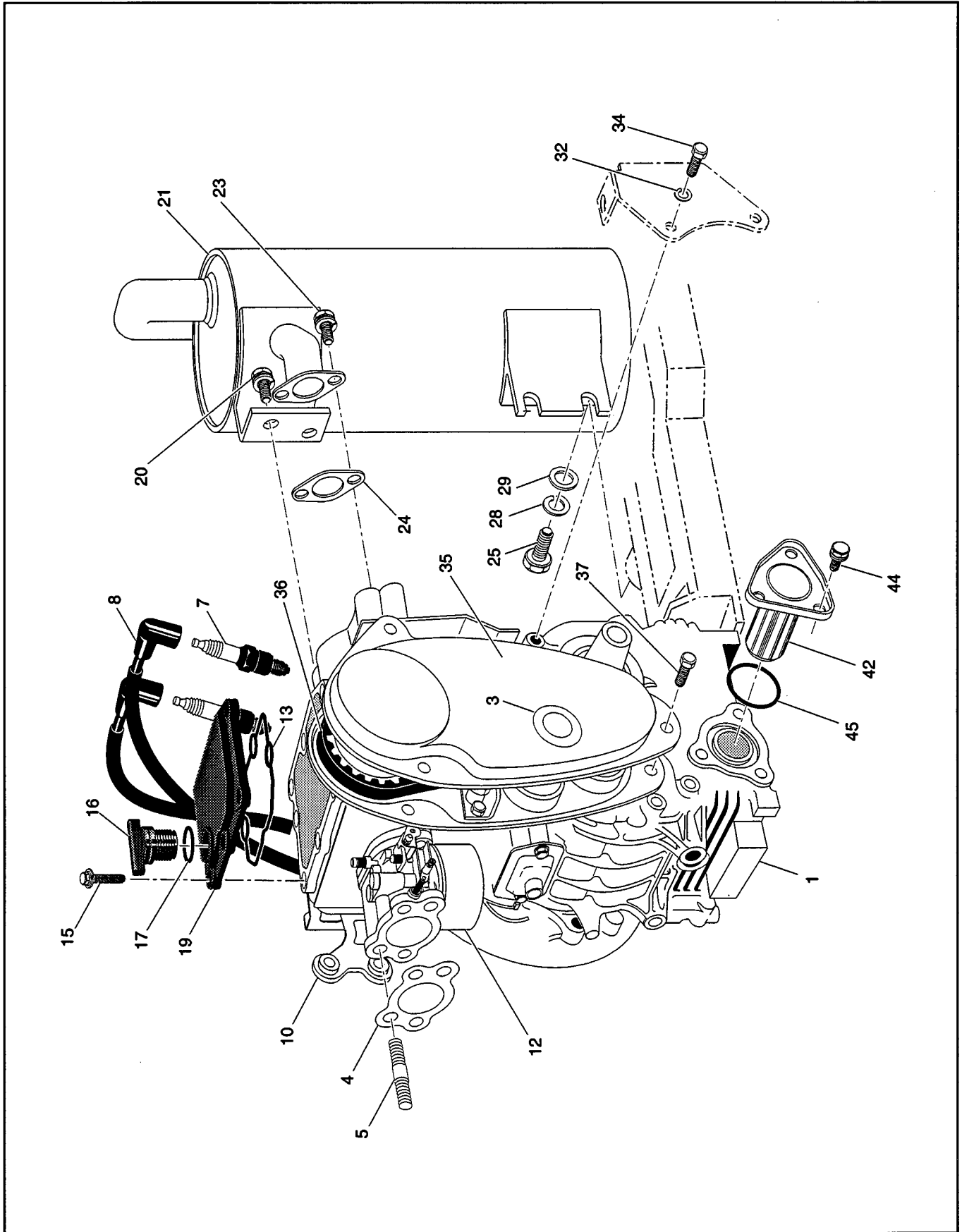
* Indicates a component that is not available as an individual part.

G** Indicates consult Customer Service Department for additional information.

ITEM	PART NO.	1 2 3 4 5	DESCRIPTION	QTY.
30	*		NUT, #10 - 32.....	2
31				
32	00650-G7		WASHER, 1/4	6
33	12914-G1		TAB, FASTON, 5/16 x 5/16	2
34	12914-G2		TAB, FASTON, 3/8 x 13/32.....	2
35	*		WASHER, LOCK, 5/16	2
36	25978-G56		WIRE, 5 3/4" LG.....	1
37	27153-G01		SOLENOID	1
38				
39	27738-G01		PLATE, ELECTRONIC.....	1
40	27739-G01		VOLTAGE REGULATOR	1
41	27746-G01		IGNITOR ASSEMBLY	1
42	*		SPACER, COVER.....	1
43				
44	11027-G2		NUT, LOCK, 1/4 - 20	3
45	25972-G13		WIRE, SOL - F2.....	1
46	72004-G01		COVER, ELECTRICAL PLATE	1
47	25972-G33		WIRE, B+ - SOL	1
48				
49	*		BOLT, 5/16 X 3/4 LG.	2
50	*		NUT, 5/16	2
51	*		WASHER, LOCK, 5/16.....	2
52				
53	73030-G01		PLATE, CONSOLE INSERT.....	1
54	71133-G01		DECAL, IGNITION SWITCH	1
55				
56	33623-G02		RIVET, DRIVE	2
57	17421-G1		IGNITION SWITCH KIT, INCLUDES ALL MOUNTING HARDWARE (FOR FREEDOM SEE SECTION S - HORN AND LIGHTING).....	1
58	00568-G6		WASHER, LOCK, 3/4	1

When ordering parts, please specify the model and serial number of the product.
 * Indicates a component that is not available as an individual part.
 G** Indicates consult Customer Service Department for additional information.

ITEM	PART NO.	1 2 3 4 5	DESCRIPTION	QTY.
59	17137-G1		NUT, FACE.....	1
60	17063-G1		KEY, IGNITION	AR
61				
62				
63	00565-G8		WASHER, LOCK, 5/16.....	1
64	00571-G2		WASHER, 5/16.....	1
65				
66	00952-G6		BOLT, 5/16 - 18 X 3/4 LG.	1
67				
68	XXXXX-G**		BATTERY, 12 VOLT	1
69				
70	72101-G01		HOLD DOWN, BATTERY.....	1
71	25976-G11		WIRE.....	1
72	17618-G1		NYLON CLAMP	2
73	24605-G01		WIRE HARNESS, BRAKE	1



When ordering parts, please specify the model and serial number of the product.

* Indicates a component that is not available as an individual part.

G** Indicates consult Customer Service Department for additional information.

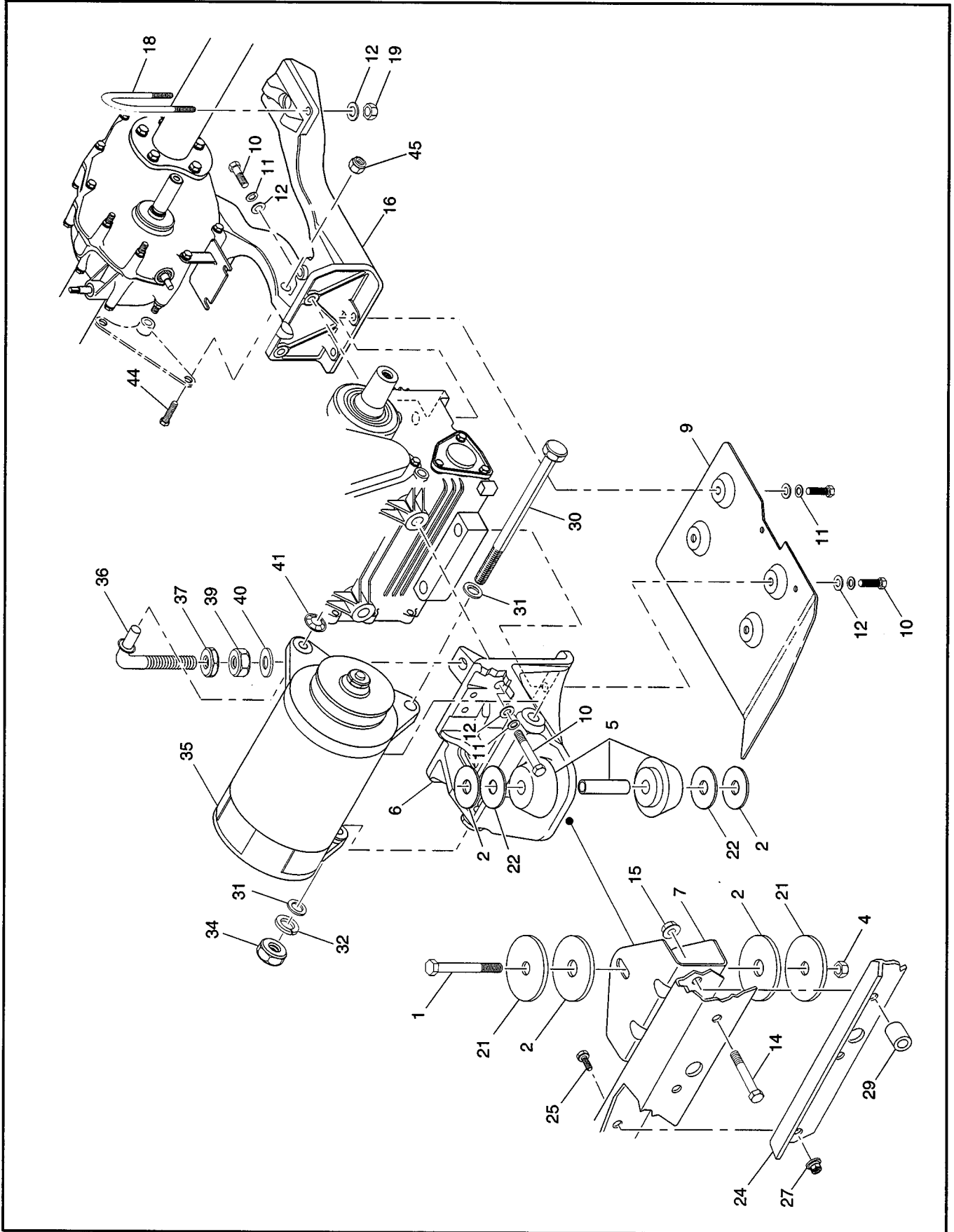
ITEM	PART NO.	1 2 3 4 5	DESCRIPTION	QTY.
1	26700-G01		ENGINE	1
2				
3	26631-G01		GROMMET, TIMING BELT COVER.....	1
4	26727-G01		GASKET, CARBURETOR / AIR BOX	1
5	26667-G01		STUD	2
6	25523-G3		SPARK PLUG, RESISTIVE.....	AR
7	25523-G2		SPARK PLUG, NGK BP4ES	2
8	26733-G01		SPARK PLUG WIRE SET (2 WITH BOOTS).....	1
9				
10	26657-G01		BRACKET, IGNITION COIL	1
11				
12	XXXXX-XX		CARBURETOR (SEE SECTION F FOR PART NUMBER AND QUANTITY	X
13	26719-G01		GASKET, VALVE COVER	1
14				
15	26676-G01		BOLT, FLANGED, M6 X 1 X 23 MM LG.....	6
16	26601-G01		CAP, OIL FILLER	1
17	26720-G01		"O" RING	1
18				
19	26600-G01		COVER, VALVE	1
20	25532-G1		BOLT AND WASHER, M8 X 1.25 X 18 MM LG.	2
21	72019-G01		MUFFLER	1
22				
23	25532-G1		BOLT AND WASHER, M8 X 1.25 X 18 MM LG.	2
24	25531-G1		GASKET, EXHAUST	1
25	00438-G8		BOLT, 5/16 - 18 X 1 LG.....	1
26				
27				
28	00565-G8		WASHER, LOCK, 5/16.....	1
29	00642-G8		WASHER, 5/16.....	1

When ordering parts, please specify the model and serial number of the product.

* Indicates a component that is not available as an individual part.

G** Indicates consult Customer Service Department for additional information.

ITEM	PART NO.	1 2 3 4 5	DESCRIPTION	QTY.
30				
31	25655-G01		BRACKET, PIVOT	1
32	00565-G8		WASHER, LOCK, 5/16.....	2
33				
34	00276-G6		SCREW, 5/16 - 24 X 3/4 LG.....	2
35	26630-G01		COVER, TIMING BELT	1
36	26626-G01		TIMING BELT	1
37	26678-G01		BOLT, M6 X 1 X 12 MM LG.....	3
38				
39				
40				
41				
42	26591-G01		FILTER, OIL	1
43				
44	26680-G01		BOLT AND WASHER, M6 X 1 X 12 MM LG.....	3
45	26710-G01		"O" RING, OIL FILTER	1



When ordering parts, please specify the model and serial number of the product.

* Indicates a component that is not available as an individual part.

G** Indicates consult Customer Service Department for additional information.

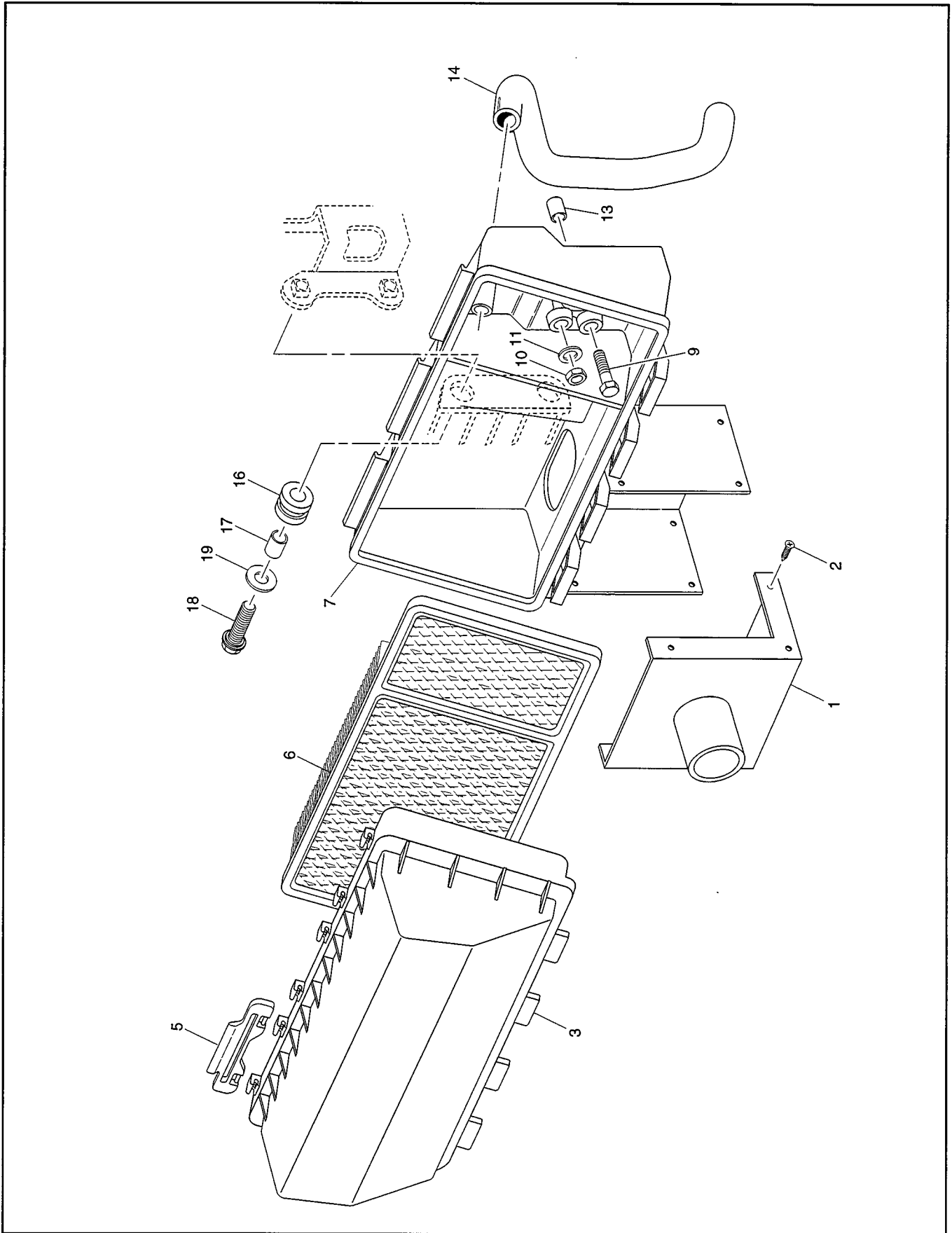
ITEM	PART NO.	1 2 3 4 5	DESCRIPTION	QTY.
1	00430-G4		SCREW, 3/8 - 16 X 4 1/2 LG.....	1
2	72050-G01		WASHER, PLASTIC.....	4
3				
4	11098-G5		NUT, LOCK, 3/8 - 16	1
5	72015-G01		MOUNT, ISOLATION	1
6	72010-G01		FRONT MOUNT CASTING.....	1
7	72018-G01		BRACKET, MOUNT	1
8				
9	27432-G02		ENGINE GUARD	1
10	00463-G4		SCREW, 7/16 - 14 X 1 1/2 LG.....	6
11	00566-G2		WASHER, LOCK, 7/16.....	6
12	00922-G3		WASHER, 7/16.....	6
13				
14	00428-G6		SCREW, 3/8 - 16 X 2 3/4 LG.....	2
15	12262-G1		NUT, LOCK, 3/8 - 16	2
16	72011-G01		REAR ENGINE MOUNT CASTING	1
17				
18	72035-G01		"U" - BOLT	2
19	00734-G1		NUT, LOCK, 7/16 - 14	4
20				
21	72051-G02		WASHER, 2.50 X .390 X .134.....	2
22	72051-G01		WASHER, 2.50 X .641 X .134.....	2
23				
24	70269-G01		BRACE, CROSSMEMBER	1
25	00715-G3		SCREW, 5/16 - 18 X 1 1/4 LG.....	2
26				
27	11027-G1		NUT, FLANGED LOCK, 5/16 - 18	2
28				
29	72016-G01		SPACER, ISOLATOR.....	2
30	00938-G4		SCREW, 1/2 - 13 X 8 LG.....	1

When ordering parts, please specify the model and serial number of the product.

* Indicates a component that is not available as an individual part.

G** Indicates consult Customer Service Department for additional information.

ITEM	PART NO.	1 2 3 4 5	DESCRIPTION	QTY.
31	00560-G3		WASHER, 1/2.....	2
32	00566-G3		WASHER, LOCK, 1/2.....	1
33				
34	00533-G1		NUT, 1/2 - 13.....	1
35	27065-G01		STARTER / GENERATOR.....	1
36	72045-G01		STARTER / GENERATOR ADJUSTER.....	1
37	00544-G5		NUT, 3/8 - 16.....	1
38				
39	00532-G5		NUT, 3/8 - 16.....	1
40	00560-G1		WASHER, 3/8.....	1
41	12064-G1		NUT, PUSH, 5/16.....	1
42				
43	XXXXX-XX		DIFFERENTIAL (SEE REAR AXLE SECTION V FOR PART NUMBER AND QUANTITY).....	X
44	00438-G8		BOLT, 5/16 - 18 X 1 LG.	1
45	11098-G6		NUT, LOCK, 5/16 - 18.....	1

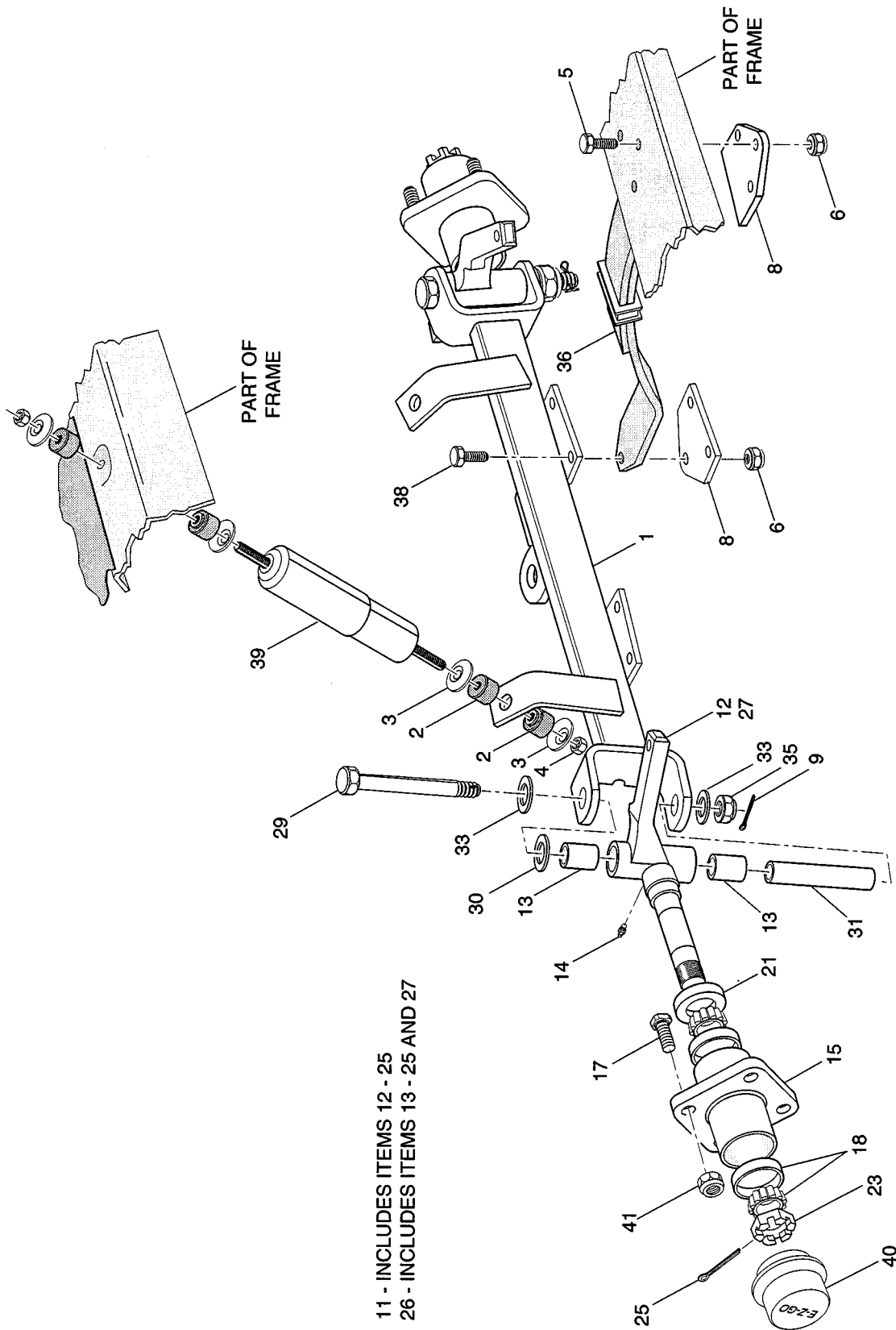


When ordering parts, please specify the model and serial number of the product.

* Indicates a component that is not available as an individual part.

G** Indicates consult Customer Service Department for additional information.

ITEM	PART NO.	1 2 3 4 5	DESCRIPTION	QTY.
1	72146-G01		INLET COVER	1
2	00614-G5		SCREW, #8 - 18 X 5/8 LG.....	6
3	72143-G01		COVER, AIR FILTER	1
4				
5	72148-G01		LATCH, AIR FILTER.....	3
6	72144-G01		ELEMENT, AIR FILTER.....	1
7	72142-G01		HOUSING, AIR FILTER	1
8				
9	26676-G01		BOLT, M6 X 30 MM LG.	2
10	13632-G1		NUT, M6 X 1.....	2
11	51400-G1		WASHER, LOCK, 6 MM.....	2
12				
13	23726-G6		SPACER, CARBURETOR MOUNT	4
14	72151-G01		HOSE, PCV.....	1
15				
16	72147-G01		GROMMET, HOUSING MOUNT.....	2
17	23726-G7		SPACER, HOUSING MOUNT.....	2
18	26671-G01		BOLT, WASHER, M6 X 1 X 30 MM LG.	2
19	26701-G01		WASHER, 6.5 X 20 X 1.6.....	2



THE USE OF NON UL PARTS WILL VOID AND UL LISTING.

When ordering parts, please specify the model and serial number of the product.

* Indicates a component that is not available as an individual part.

G** Indicates consult Customer Service Department for additional information.

ITEM	PART NO.	1 2 3 4 5	DESCRIPTION	QTY.
1	70001-G01		FRONT AXLE	1
2	10194-G1		BUSHING, RUBBER SHOCK ABSORBER	8
3	10435-G1		WASHER, SHOCK ABSORBER	8
4	00532-G6		NUT, 3/8 - 24	4
5	00463-G6		BOLT, 7/16 - 14 X 1 3/4 LG.	6
6	00734-G1		NUT, LOCK, 7/16 - 14	12
7				
8	70163-G02		PLATE, SPRING	4
9	10387-G2		PIN, COTTER, 3/32 X 1 LG.	2
10				
11	70220-G01		SPINDLE ASSEMBLY, DRIVER'S SIDE (INCLUDES ITEMS 12 - 25)	1
12	*		SPINDLE, DRIVER'S SIDE	1
13	16623-G1		BEARING.....	2
14	18456-G1		GREASE FITTING.....	1
15	19058-G2		HUB, WHEEL	1
16				
17	19862-G1		WHEEL BOLT, 1/2 - 20	4
18	50892-G1		BEARING AND RACE ASSEMBLY (COMPLETE)	1
19				
20				
21	25146-G1		SEAL, GREASE.....	1
22				
23	12093-G1		NUT, SLOTTED, 17/32	1
24				
25	00798-G8		PIN, COTTER, 5/32 X 1 3/4 LG.....	1
26	70220-G02		SPINDLE ASSEMBLY, PASSENGER SIDE (INCLUDES ITEMS 13 - 25 AND 27)	1
27	*		SPINDLE, PASSENGER SIDE.....	1
28				
29	70327-G01		PIN, SPINDLE, 1/2 - 13 X 5 1/2 LG.	2

FRONT SUSPENSION

Electric / Gasoline Vehicle

THE USE OF NON UL PARTS WILL VOID AND UL LISTING.

When ordering parts, please specify the model and serial number of the product.

* Indicates a component that is not available as an individual part.

G** Indicates consult Customer Service Department for additional information.

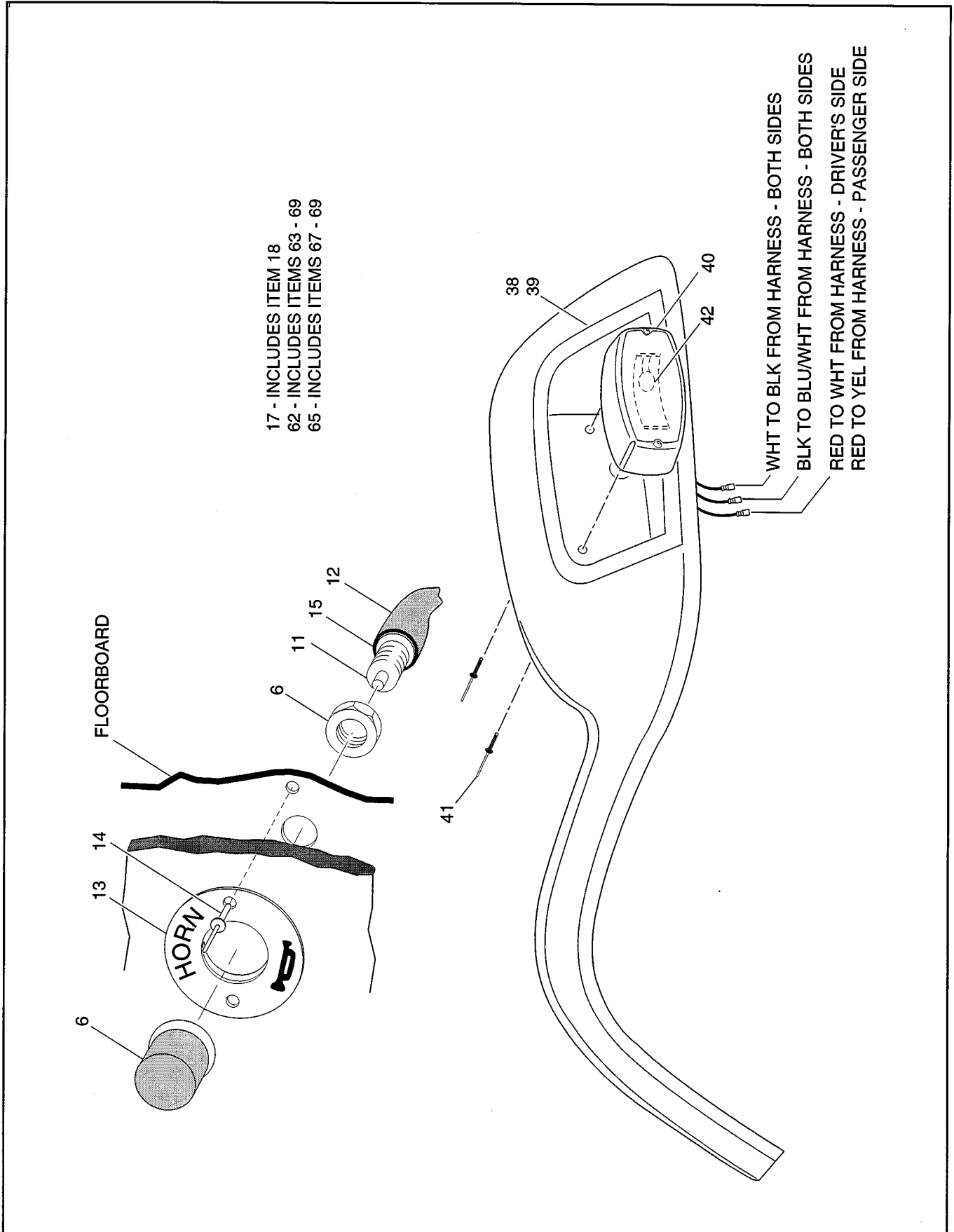
ITEM	PART NO.	1 2 3 4 5	DESCRIPTION	QTY.
30	16982-G1		WASHER, THRUST	2
31	70328-G01		TUBE, SPINDLE PIN	2
32				
33	00571-G5		WASHER, 1/2.....	4
34				
35	14390-G6		NUT, LOCK, 1/2 -13	2
36	70049-G01		SPRING, LEAF.....	2
37				
38	00463-G4		BOLT, 7/16 - 14 X 1 1/2 LG.	6
39	70324-G01		SHOCK ABSORBER.....	2
40	12091-G1		CAP, SPINDLE	2
41	14723-G1		NUT, LUG, 1/2 - 20.....	8

When ordering parts, please specify the model and serial number of the product.

* Indicates a component that is not available as an individual part.

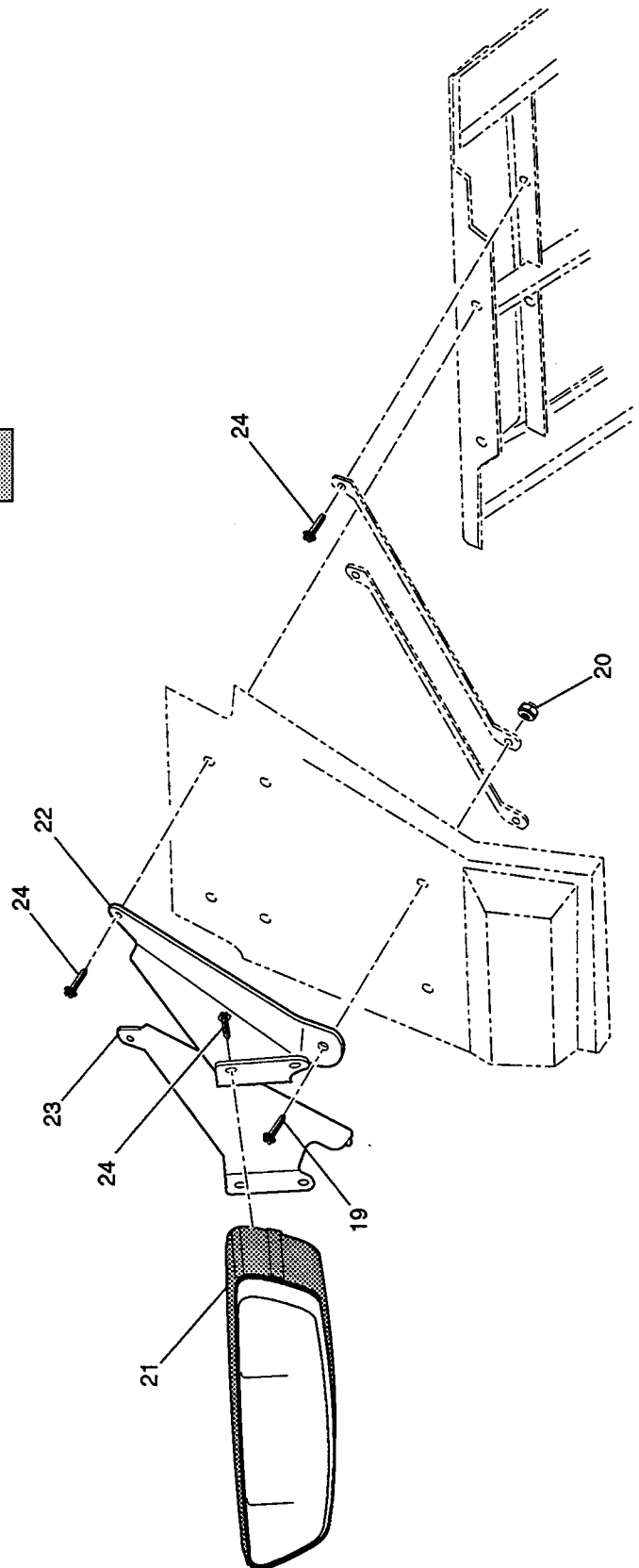
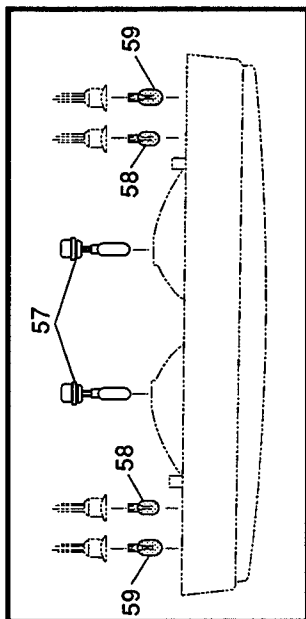
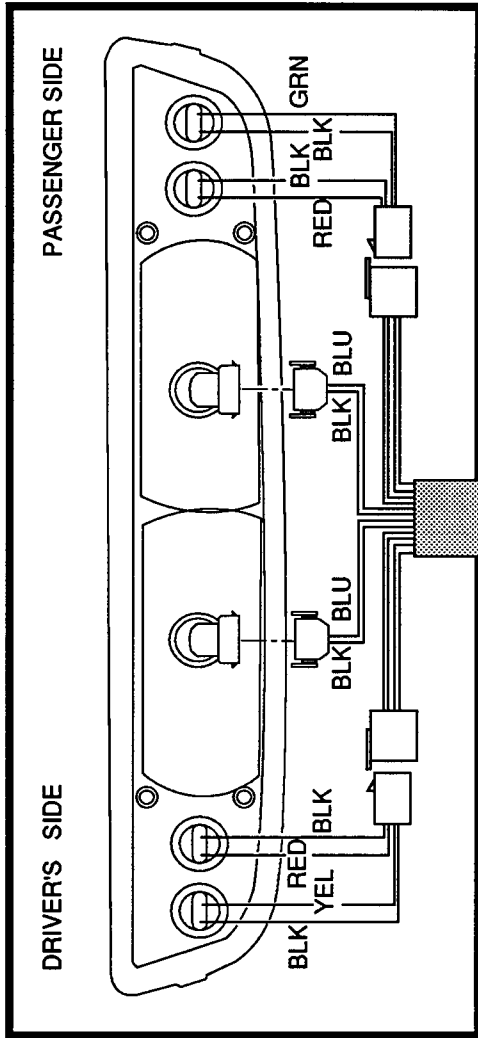
G** Indicates consult Customer Service Department for additional information.

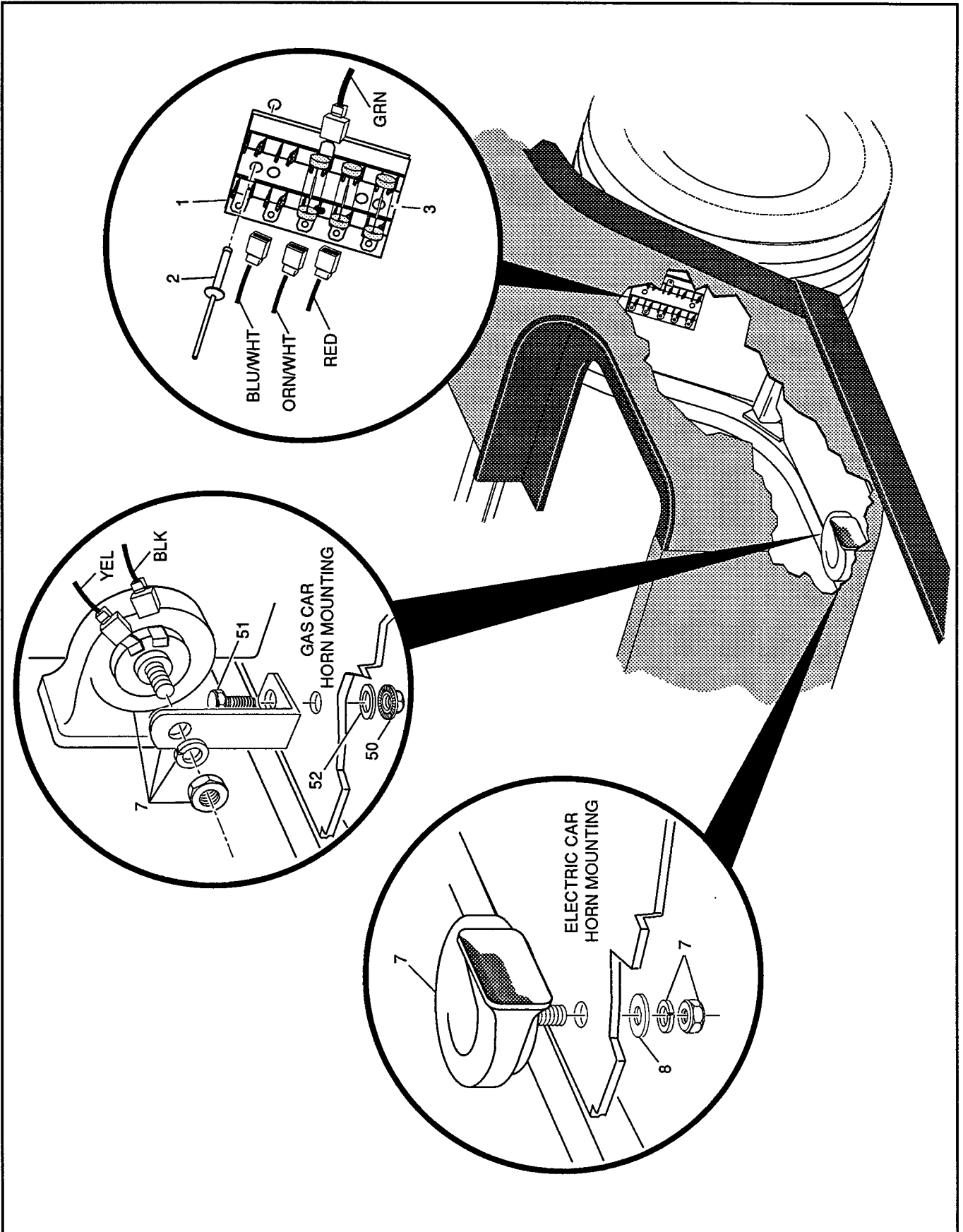
ITEM	PART NO.	1 2 3 4 5	DESCRIPTION	QTY.
1	72092-G01		FUEL TANK, STANDARD	1
2	27184-G06		PULSE TUBE, 16" LG.....	1
3	14099-G2		FUEL TANK CAP, STANDARD (WITH GAUGE).....	1
4	20039-G1		FUEL TANK CAP, FREEDOM ONLY (WITHOUT GAUGE)	1
5	00438-G8		BOLT, 5/16 - 18 X 1 LG.....	2
6	00559-G8		WASHER, 5/16.....	4
7	11098-G6		NUT, LOCK, 5/16 - 18	2
8	72092-G02		FUEL TANK (FREEDOM)	1
9	11027-G2		NUT, LOCK, 1/4 - 20	2
10	72021-G01		FUEL PUMP.....	1
11	72084-G01		FILTER, FUEL.....	1
12	17470-G**		FUEL SYSTEM TUBE, 3 1/4 LG. (CUT TO LENGTH).....	AR
13				
14	17470-G**		FUEL SYSTEM TUBE, 16 LG. (CUT TO LENGTH).....	AR
15	11391-G4		CLAMP, HOSE	3
16				
17	17618-G1		CLAMP, NYLON.....	1
18	18292-G1		CLAMP, TUBING.....	5
19				
20	32372-G6		VINYL TRIM, 6 1/4 LG.	1
21	72229-G01		ADAPTER, FUEL LEVEL SENDER (FREEDOM).....	1
22	72230-G01		SCREW, #6 - 32 X 1/4 LG. (FREEDOM)	2
23				
24	20048-G2		SENDER, FUEL LEVEL, FREEDOM (INCLUDES ITEMS 25, 26)	1
25	*		SCREW	5
26	*		GASKET	1

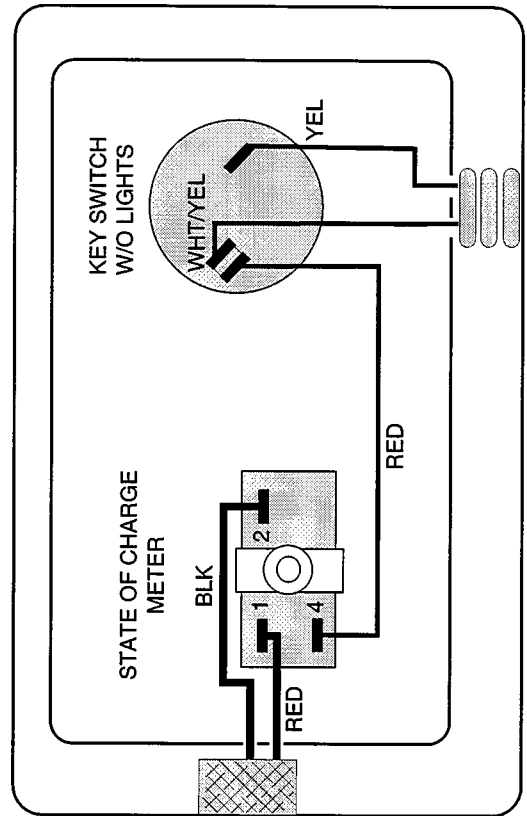
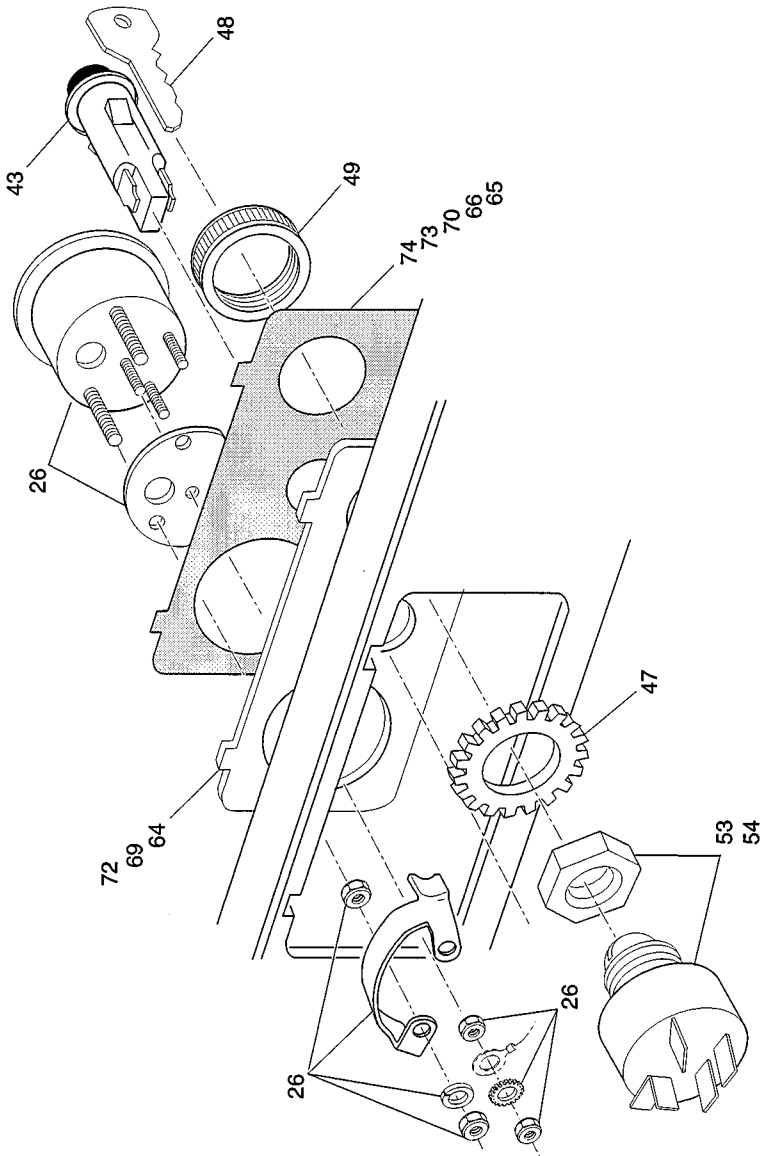


- 17 - INCLUDES ITEM 18
- 62 - INCLUDES ITEMS 63 - 69
- 65 - INCLUDES ITEMS 67 - 69

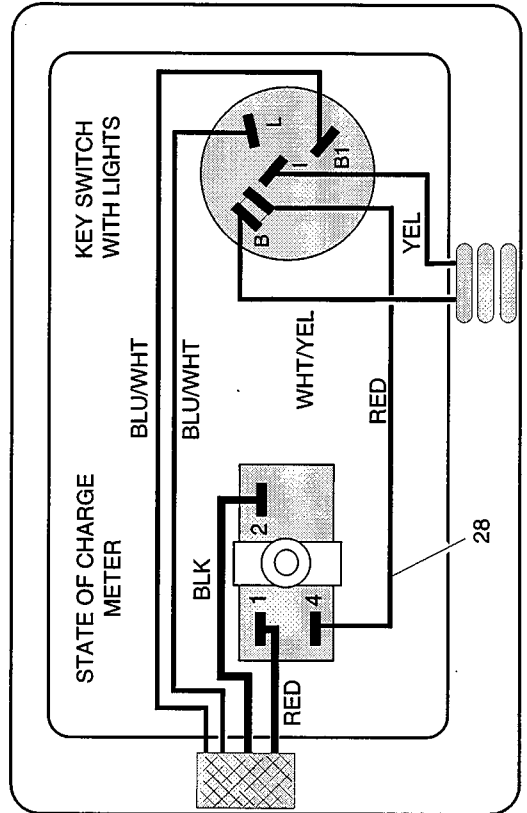
WHT TO BLK FROM HARNESS - BOTH SIDES
 BLK TO BLU/WHT FROM HARNESS - BOTH SIDES
 RED TO WHT FROM HARNESS - DRIVER'S SIDE
 RED TO YEL FROM HARNESS - PASSENGER SIDE



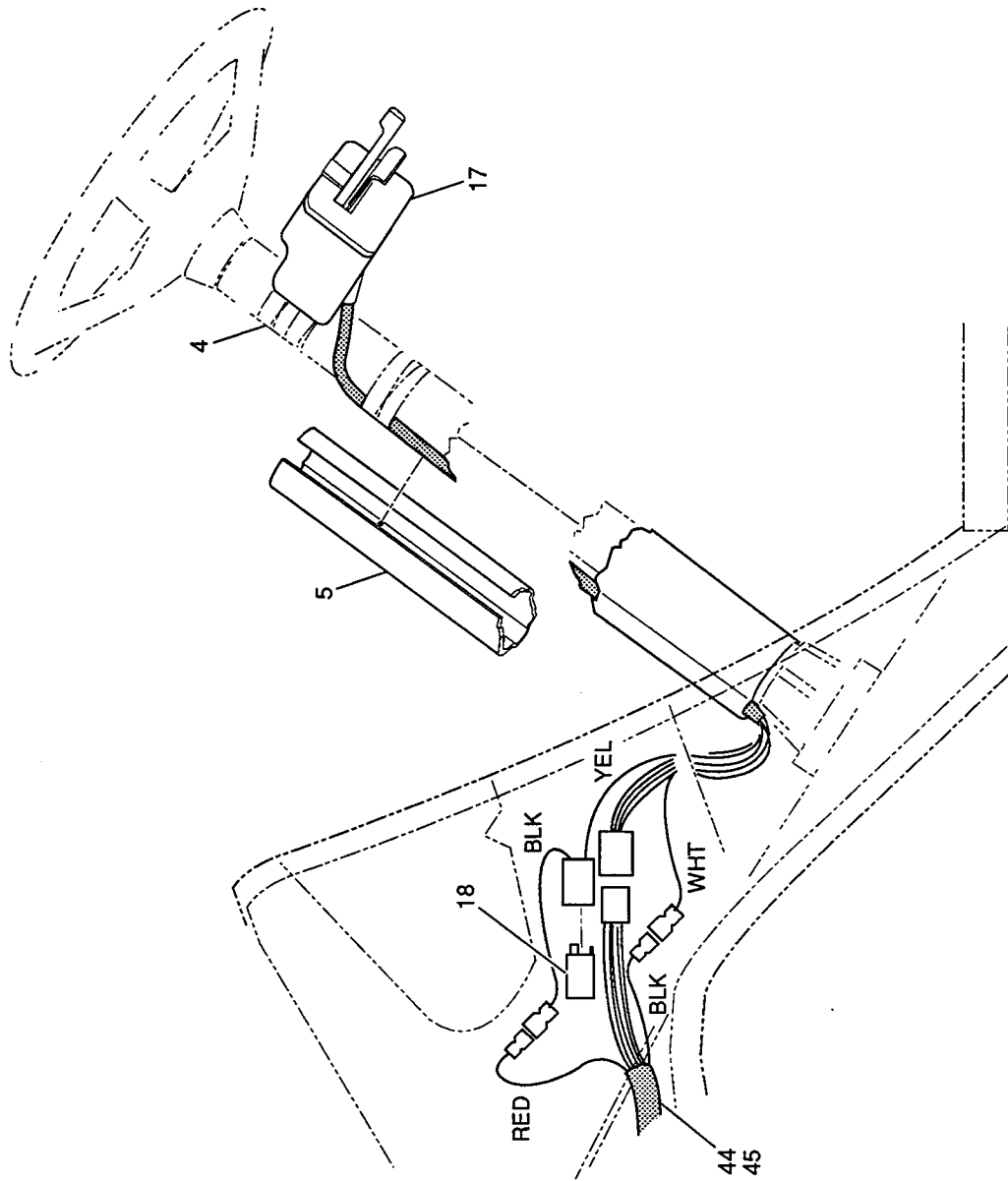


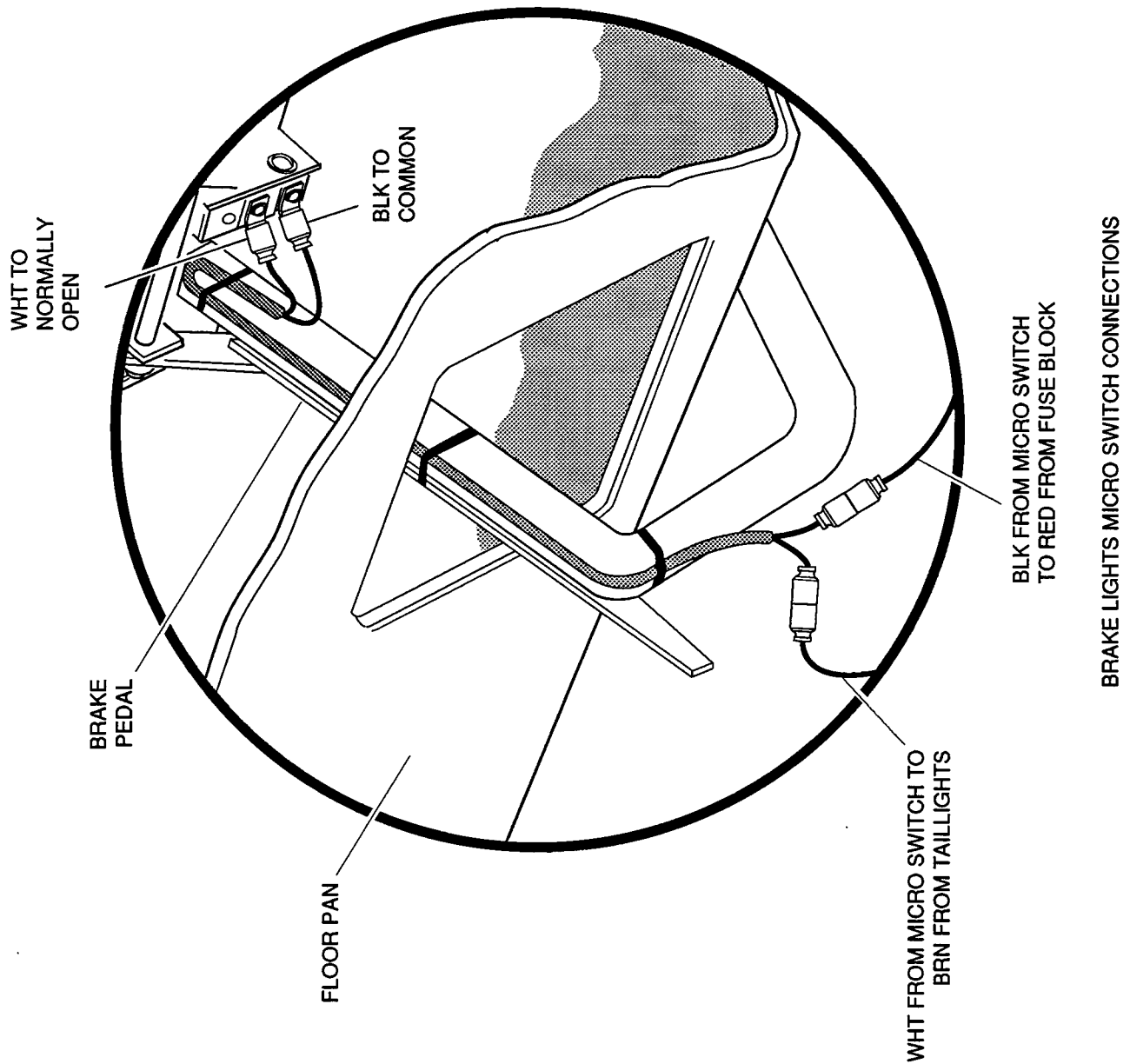


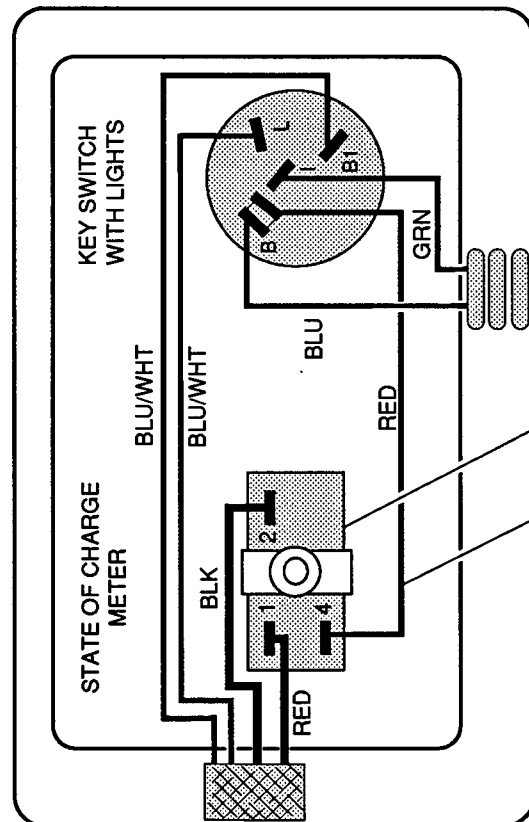
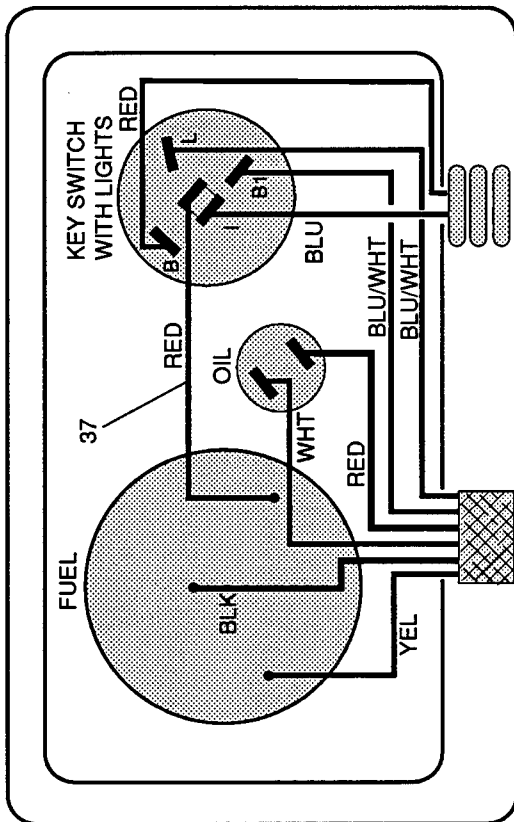
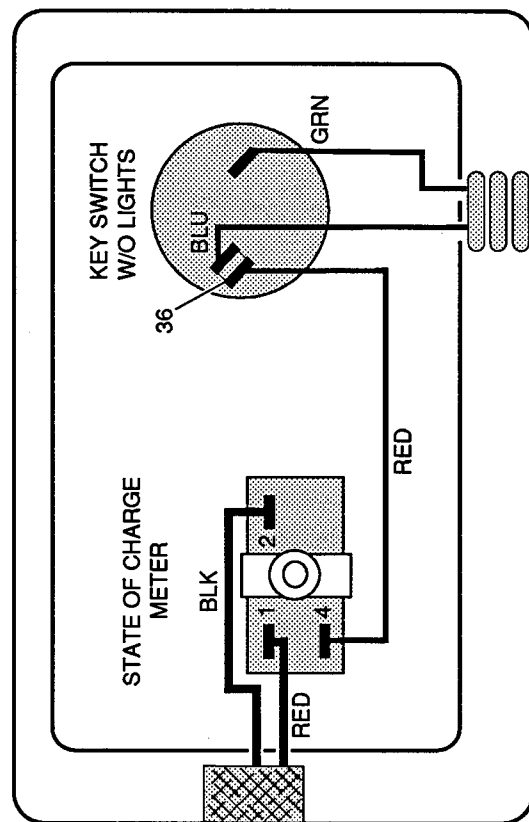
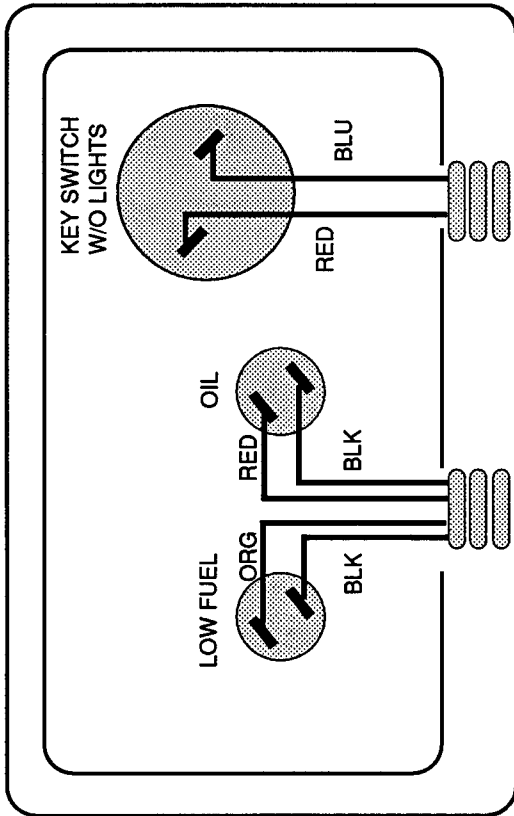
DCS MODEL ONLY



DCS MODEL ONLY







THE USE OF NON UL PARTS WILL VOID ANY UL LISTING.

When ordering parts, please specify the model and serial number of the product.

* Indicates a component that is not available as an individual part.

G** Indicates consult Customer Service Department for additional information.

ITEM	PART NO.	1 2 3 4 5	DESCRIPTION	QTY.
1	22674-G1		FUSE BLOCK	1
2	71010-G01		RIVET, 5/32 X 3/8 LG.....	2
3	18392-G1		FUSE, 15 AMP	3
4	19344-G1		TAPE, VINYL.....	AR
5	20965-G3		COVER, STEERING COLUMN (VEHICLES WITH TURN SIGNALS)	1
6	17318-G2		CAP AND NUT, HORN SWITCH.....	1
7	32860-G1		HORN (WITH MOUNTING HARDWARE).....	1
8	00559-G8		WASHER, 5/16.....	1
9				
10				
11	17318-G1		SWITCH, HORN	1
12	27068-G01		BOOT, HORN SWITCH.....	1
13	19233-G1		PLATE, HORN SWITCH	1
14	14601-G7		RIVET, STAINLESS STEEL, 9/16.....	2
15	17618-G1		CLAMP, NYLON.....	2
16				
17	17867-G1		TURN SIGNAL (WITH MOUNTING HARDWARE)	1
18	21640-G1		FLASHER, TURN SIGNAL	1
19	00414-G6		SCREW, 1/4 - 20 X 3/4 LG.....	2
20	11027-G2		NUT, LOCK, 1/4 - 20	2
21	74001-G01		LIGHTBAR	1
22	74002-G02		BRACKET, LIGHTBAR, DRIVER'S SIDE	1
23	74002-G01		BRACKET, LIGHTBAR, PASSENGER SIDE	1
24	00114-G6		SCREW, 1/4 - 14 X 3/4 LG.....	8
25				
26	21553-G1		FUEL GAUGE (COMPLETE WITH HARDWARE).....	1
27				
28	25978-G74		WIRE.....	1
29				
30				

HORN AND LIGHTING

Electric / Gasoline Vehicle

THE USE OF NON UL PARTS WILL VOID ANY UL LISTING.

When ordering parts, please specify the model and serial number of the product.

* Indicates a component that is not available as an individual part.

G** Indicates consult Customer Service Department for additional information.

ITEM	PART NO.	1	2	3	4	5	DESCRIPTION	QTY.
31								
32								
33	33633-G01						HOUR METER	1
34	33636-G01						STATE OF CHARGE METER	1
35								
36								
37	25977-G27						WIRE	1
38	74358-G01						BEZEL, TAILLIGHT, DRIVER'S SIDE	1
39	74358-G02						BEZEL, TAILLIGHT, PASSENGER SIDE	1
40	22288-G1						TAILLIGHT ASSEMBLY, COMPLETE	1
41	14601-G11						RIVET, 3/16 X 5/8 LG.	2
42	21759-G1						BULB, REPLACEMENT, TAILLIGHT	AR
43	23474-G1						LOW OIL / FUEL LIGHT INDICATOR	1
44	73043-G01						HARNESS, ACCESSORY (ELECTRIC).....	1
45	72228-G01						HARNESS, ACCESSORY (GAS).....	1
46								
47	00568-G6						WASHER, LOCK, 3/4	1
48	17063-G1						KEY, IGNITION.....	2
49	17137-G1						NUT, FACE	1
50	00891-G2						NUT, LOCK, 1/4 - 20	1
51	00414-G5						BOLT, 1/4 - 20 x 5/8 LG.	1
52	00559-G8						WASHER, 5/16.....	1
53	18602-G1						SWITCH, IGNITION	1
54	33639-G01						SWITCH, IGNITION (WITH LIGHTS).....	1
55								
56								
57	74004-G01						BULB, REPLACEMENT, HEADLIGHT	AR
58	74005-G01						BULB, REPLACEMENT, MARKER LIGHT	AR
59	74006-G01						BULB, REPLACEMENT, TURNLIGHT	AR
60								

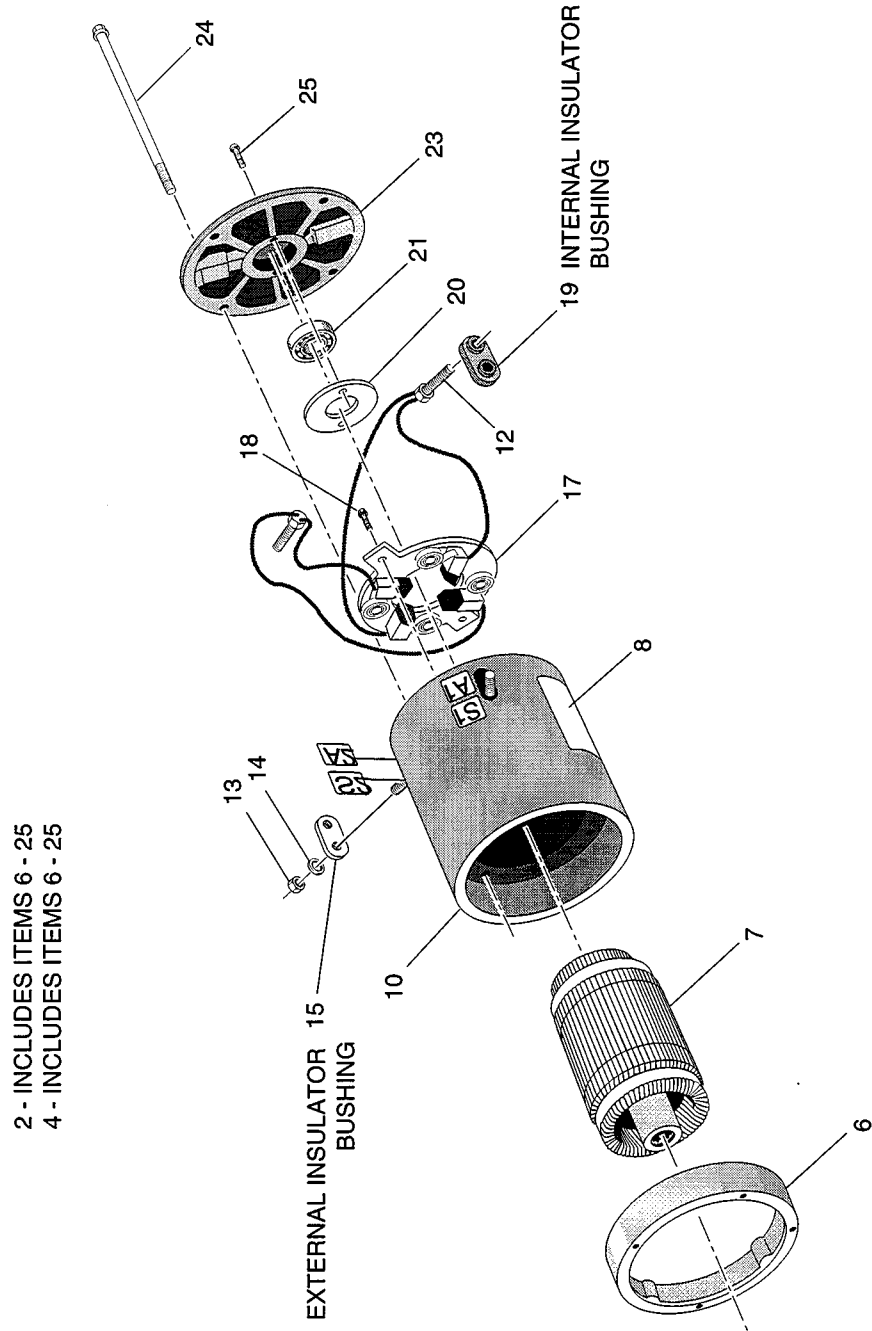
THE USE OF NON UL PARTS WILL VOID ANY UL LISTING.

When ordering parts, please specify the model and serial number of the product.

* Indicates a component that is not available as an individual part.

G** Indicates consult Customer Service Department for additional information.

ITEM	PART NO.	1	2	3	4	5	DESCRIPTION	QTY.
61								
62								
63								
64	73030-G02						PLATE, CONSOLE INSERT, STATE OF CHARGE METER.....	1
65	71123-G01						DECAL, CONSOLE PLATE, STATE OF CHARGE METER	1
66	71129-G01						DECAL, CONSOLE PLATE, STATE OF CHARGE METER WITH LIGHTS	1
67								
68								
69	73030-G03						PLATE, CONSOLE INSERT, LOW FUEL / OIL LIGHTS.....	1
70	71125-G01						DECAL, CONSOLE PLATE, LOW FUEL / OIL LIGHTS.....	1
71								
72	73030-G04						PLATE, CONSOLE INSERT, FUEL GAUGE.....	1
73	71127-G01						DECAL, CONSOLE PLATE, FUEL GAUGE	1
74	71131-G01						DECAL, CONSOLE PLATE, FUEL GAUGE WITH LIGHTS	1



THE USE OF NON UL PARTS WILL VOID ANY UL LISTING.

When ordering parts, please specify the model and serial number of the product.

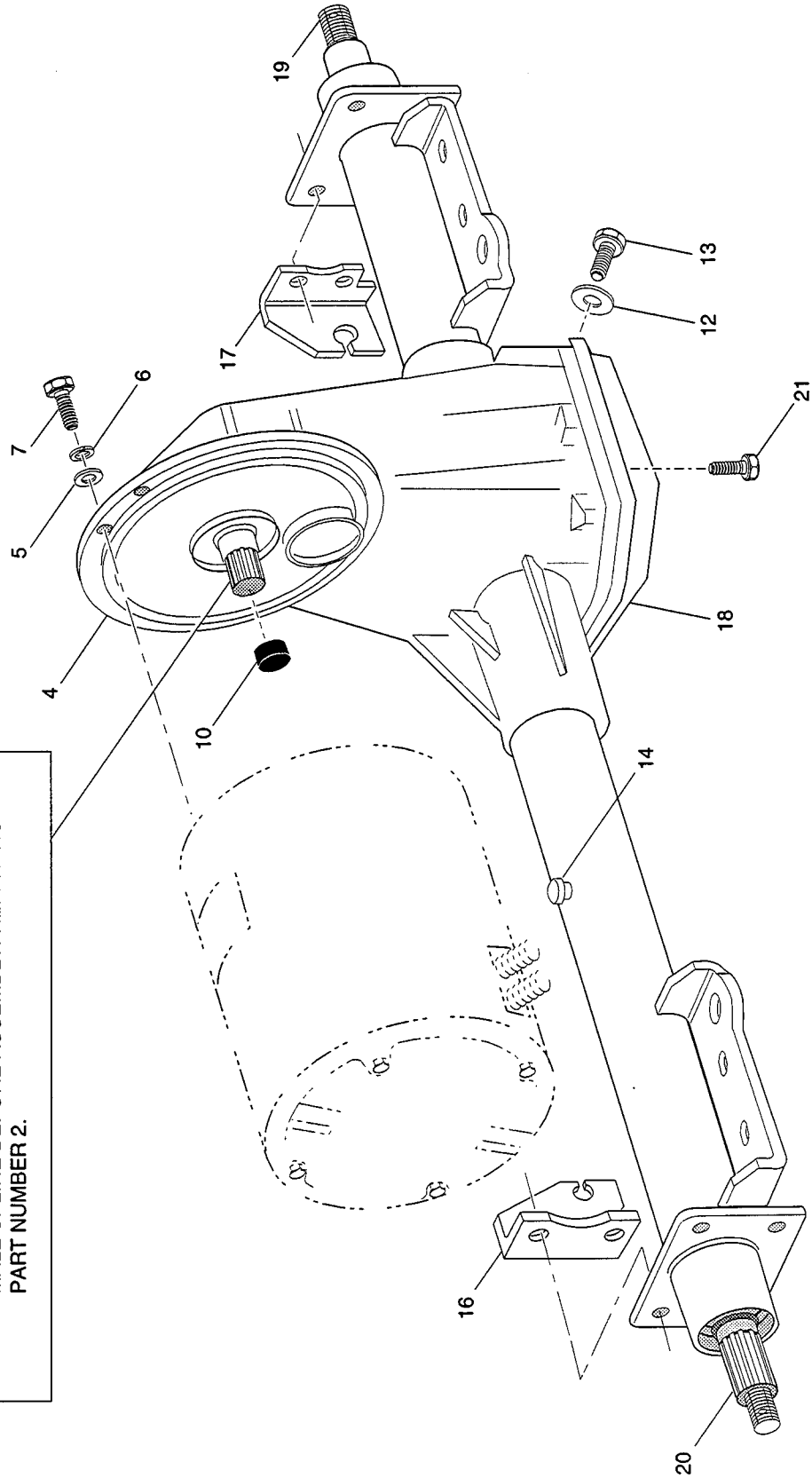
* Indicates a component that is not available as an individual part.

G** Indicates consult Customer Service Department for additional information.

ITEM	PART NO.	1 2 3 4 5	DESCRIPTION	QTY.
1	73124-G01		MOTOR, COMPLETE (DCS MODEL ONLY).....	1
2	27045-G01		MOTOR, 2.0 HP, COMPLETE (INCLUDES ITEMS 6 - 25).....	1
3				
4	73172-G01		MOTOR, 2.7 HP, COMPLETE (INCLUDES ITEMS 6 - 25).....	1
5				
6	27630-G01		END SHIELD	1
7	*		ARMATURE.....	1
8	*		STATOR COMPLETE (INCLUDES ITEMS 10 AND 17).....	1
9				
10	*		STATOR SHELL AND WINDING	1
11				
12	27630-G05		BRUSH (WITH TERM SCREW)	2
13	27630-G06		NUT, 1/4 - 20.....	4
14	27630-G07		WASHER, 1/4	4
15	27630-G08		BUSHING, INSULATED	2
16				
17	27630-G09		BRUSH, RIGGING.....	1
18	27630-G10		SCREW, BRUSH HOLDER.....	2
19	27630-G11		BUSHING, INSULATED	2
20	27630-G12		RETAINER, BEARING.....	1
21	27630-G13		BALL BEARING.....	1
22				
23	27630-G14		END SHIELD	1
24	27630-G15		SCREW, CLAMP	4
25	27630-G16		SCREW, BEARING RETAINER	2

9 - INCLUDES ITEMS 10 - 21

NOTE: APPLY A LIGHT COAT OF MOLY GREASE TO MALE SPLINE BEFORE ASSEMBLY. REFERENCE PART NUMBER 2.



THE USE OF NON UL PARTS WILL VOID ANY UL LISTING.

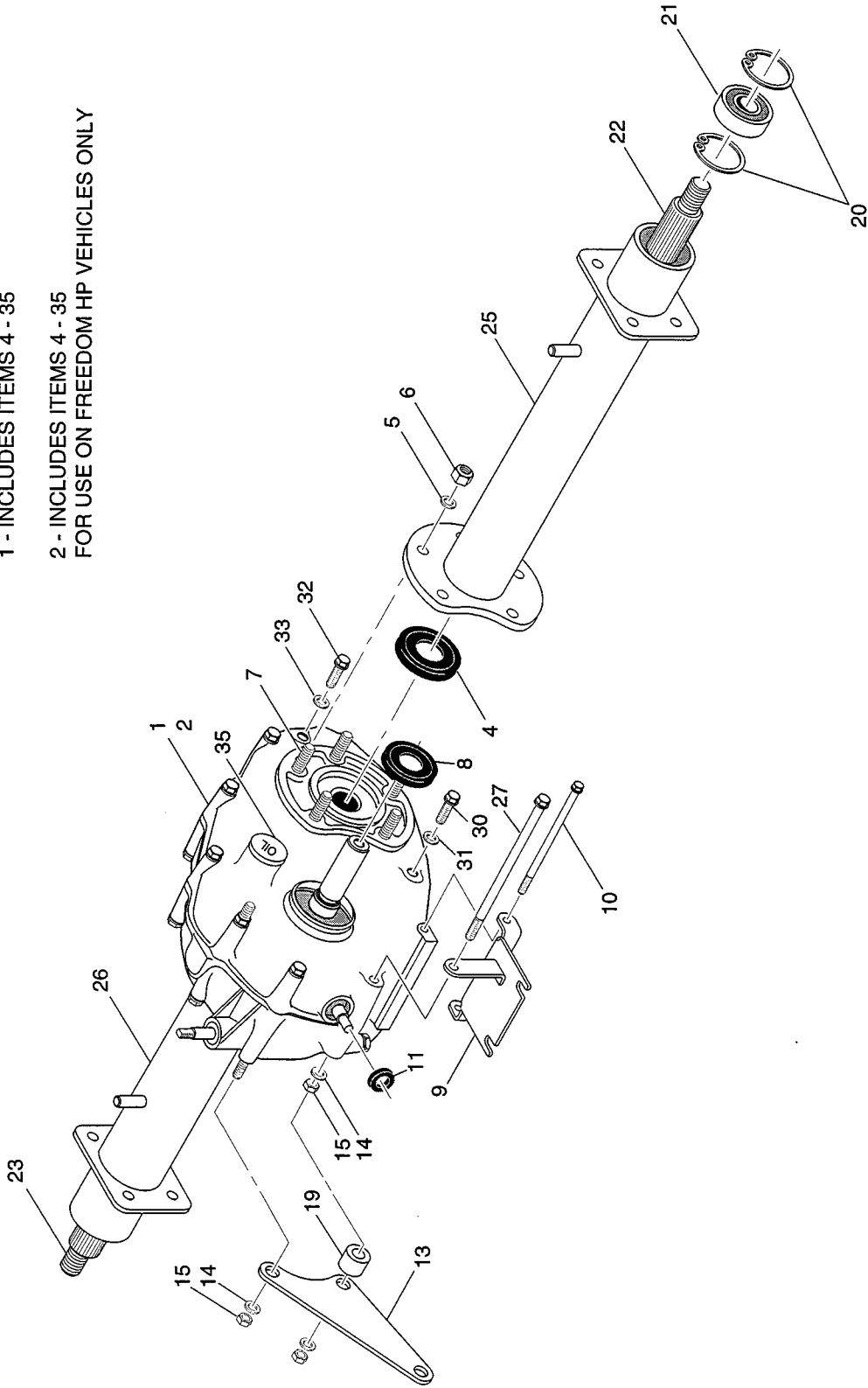
When ordering parts, please specify the model and serial number of the product.

* Indicates a component that is not available as an individual part.

G** Indicates consult Customer Service Department for additional information.

ITEM	PART NO.	1 2 3 4 5	DESCRIPTION	QTY.
1				
2	28095-G01		MOLY LUBE, 2 OZ.....	AR
3				
4				
5	00559-G7		WASHER, 1/4.....	3
6	00565-G7		WASHER, LOCK, 1/4.....	3
7	00797-G2		BOLT, 1/4 - 20 X 1 1/4 LG.....	3
8				
9	73069-G01		REAR AXLE ASSEMBLY (INCLUDES ITEMS 10 - 21).....	1
10	24261-G1		BUMPER SPLINE.....	1
11				
12	25227-G1		WASHER.....	1
13	25226-G1		PLUG, FILL/CHECK.....	1
14	73050-G01		VENT ASSEMBLY (PUSH IN).....	1
15				
16	72036-G01		BRACKET, BRAKE CABLE, PASSENGER SIDE.....	1
17	72036-G02		BRACKET, BRAKE CABLE, DRIVER'S SIDE.....	1
18	25228-G1		COVER, DIFFERENTIAL.....	1
19	20377-G12		AXLE SHAFT, PASSENGER SIDE.....	1
20	20377-G11		AXLE SHAFT, DRIVER'S SIDE.....	1
21	15558-G1		SCREW, 5/16 - 18 X 3/4 LG.....	10

1 - INCLUDES ITEMS 4 - 35
2 - INCLUDES ITEMS 4 - 35
FOR USE ON FREEDOM HP VEHICLES ONLY

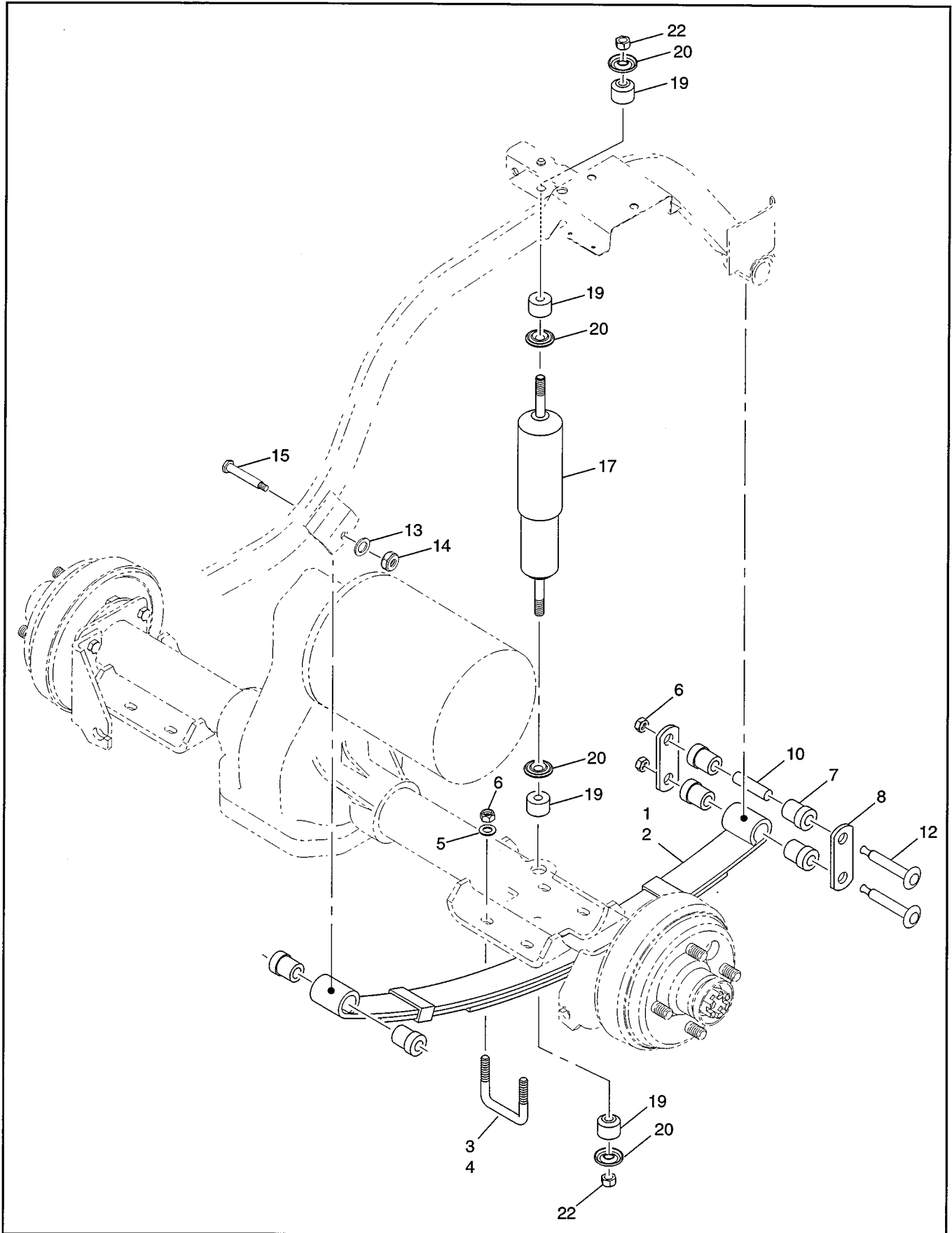


When ordering parts, please specify the model and serial number of the product.
 * Indicates a component that is not available as an individual part.
 G** Indicates consult Customer Service Department for additional information.

ITEM	PART NO.	1 2 3 4 5	DESCRIPTION	QTY.
1	72031-G01		REAR AXLE, (13.32:1), STANDARD (INCLUDES ITEMS 4 - 35)	1
2	72031-G02		REAR AXLE, HP (10.67:1) INCLUDES ITEMS 4 - 35 FOR USE ON FREEDOM HP VEHICLES ONLY.....	1
3				
4	26766-G01		SEAL, AXLE SHAFT.....	1
5	26828-G01		WASHER, 10 MM.....	10
6	26829-G01		NUT, 10 MM X 1.5 MM	10
7	26667-G01		STUD, M10 X 1.5 X 40 MM LG.	5
8	26761-G01		SEAL, INPUT SHAFT	1
9	26815-G01		BRACKET, SHIFTER CABLE.....	1
10	26823-G01		BOLT, FLANGE, M8 X 1.25 X 100 MM LG.....	8
11	26762-G01		SEAL, SHIFTER SHAFT	1
12				
13	72017-G01		BRACKET, TRANSAXLE.....	1
14	26826-G01		WASHER, LOCK, M8	4
15	26827-G01		NUT, M8 X 1.25 MM	4
16				
17				
18				
19	75048-G01		SPACER.....	1
20	26814-G01		RING, RETAINING	4
21	26811-G01		BALL BEARING.....	2
22	72056-G01		AXLE SHAFT, DRIVER SIDE	1
23	72057-G01		AXLE SHAFT, PASSENGER SIDE.....	1
24				
25	72115-G01		TUBE, AXLE, DRIVER'S SIDE.....	1
26	72116-G01		TUBE, AXLE, PASSENGER SIDE.....	1
27	26824-G01		BOLT, FLANGE, M8 X 1.25 X 110 MM LG.	1
28	72053-G01		BOLT, FLANGE, M8 X 1.25 X 120 MM LG.....	1
29				

When ordering parts, please specify the model and serial number of the product.
 * Indicates a component that is not available as an individual part.
 G** Indicates consult Customer Service Department for additional information.

ITEM	PART NO.	1 2 3 4 5 DESCRIPTION	QTY.
30	26770-G01	DRAIN PLUG, OIL	1
31	26771-G01	GASKET, 14 MM.....	1
32	26768-G01	CHECK PLUG, OIL.....	1
33	26769-G01	GASKET, 8 MM.....	1
34			
35	26772-G01	PLUG, OIL FILLER	1



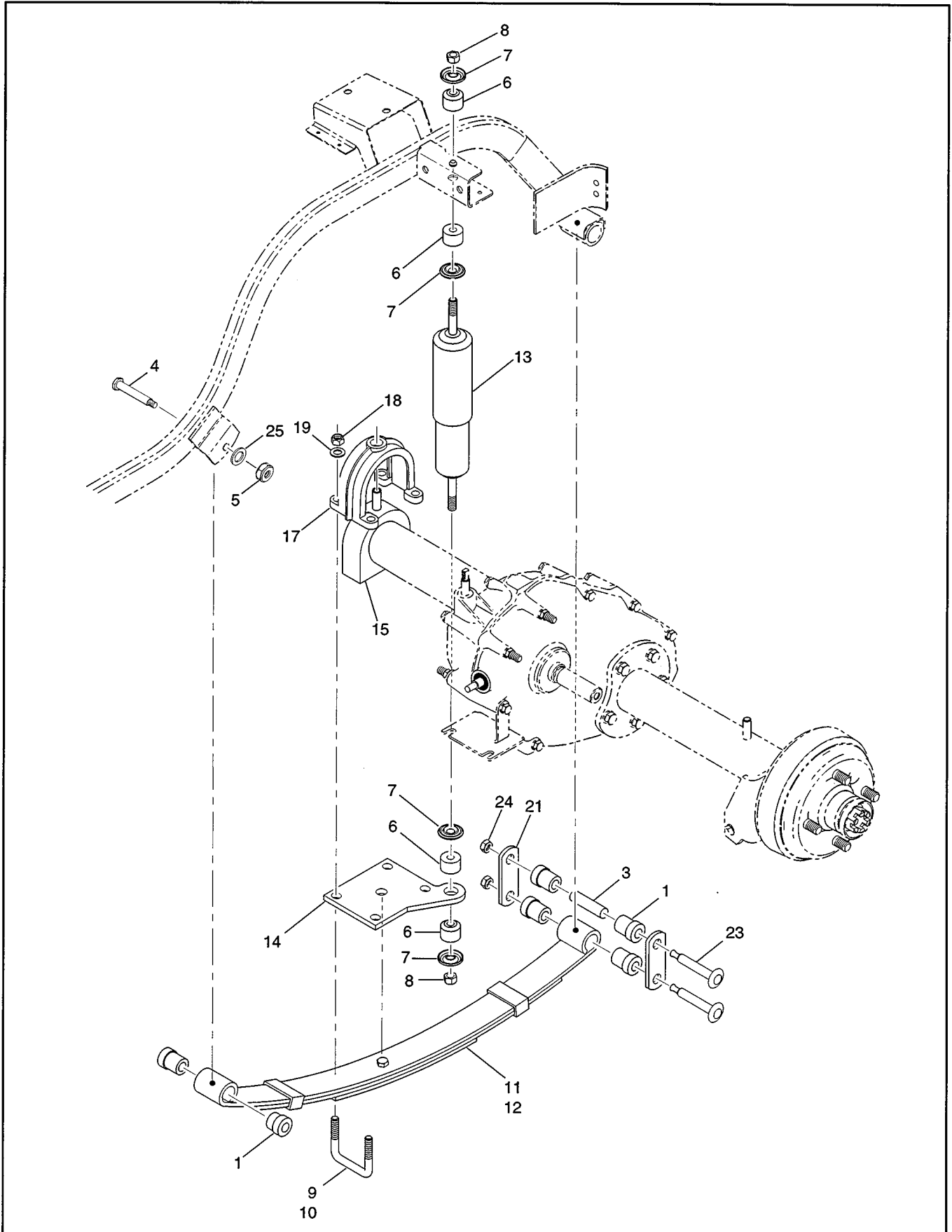
THE USE OF NON UL PARTS WILL VOID ANY UL LISTING.

When ordering parts, please specify the model and serial number of the product.

* Indicates a component that is not available as an individual part.

G** Indicates consult Customer Service Department for additional information.

ITEM	PART NO.	1 2 3 4 5	DESCRIPTION	QTY.
1	70247-G01		SPRING, LEAF	2
2	74135-G01		SPRING, LEAF (USE ON 4 CADDY ONLY)	2
3	72029-G01		"U" BOLT, 3/8 - 16	4
4	74124-G01		"U" BOLT, 3/8 - 16 (USE ON 4 CADDY ONLY)	4
5	00560-G1		WASHER, 3/8.....	8
6	11098-G5		NUT, LOCK, 3/8 - 16	12
7	70291-G01		BUSHING, RUBBER (LEAF SPRING).....	12
8	70290-G01		SHACKLE PLATE	4
9				
10	70289-G02		SPACER.....	4
11				
12	00429-G2		SCREW, 3/8 - 16 X 3 1/4 LG.....	4
13	00643-G1		WASHER, 3/8.....	2
14	11098-G5		NUT, 3/8 - 16	2
15	14158-G1		BOLT, SHOULDER, 7/16 - 14 X 3 1/4 LG.	2
16				
17	70324-G01		SHOCK ABSORBER.....	2
18				
19	10194-G1		BUSHING, RUBBER, SHOCK ABSORBER	8
20	10435-G1		WASHER, SHOCK ABSORBER.....	8
21				
22	00532-G6		NUT, 3/8 - 24	4



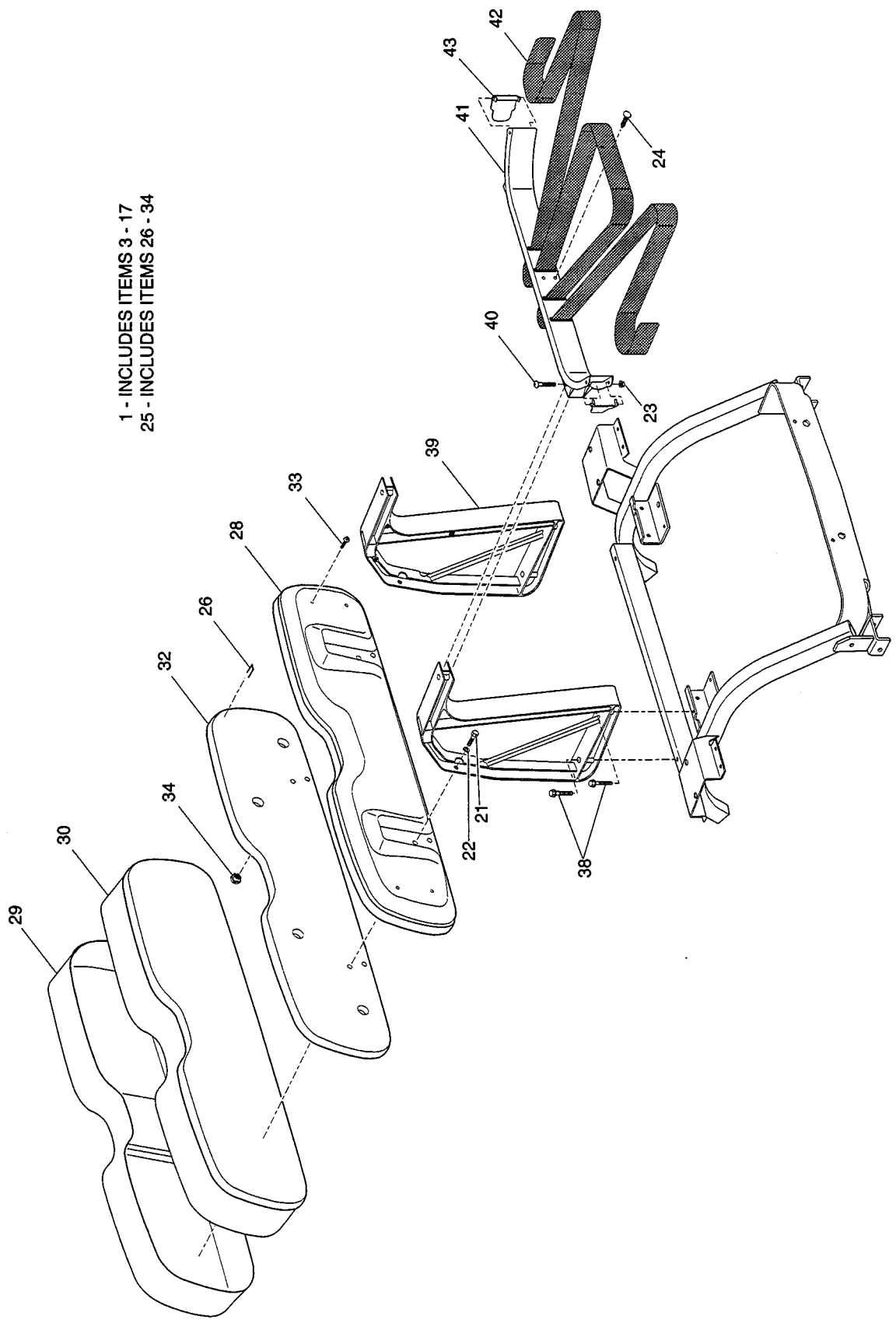
When ordering parts, please specify the model and serial number of the product.

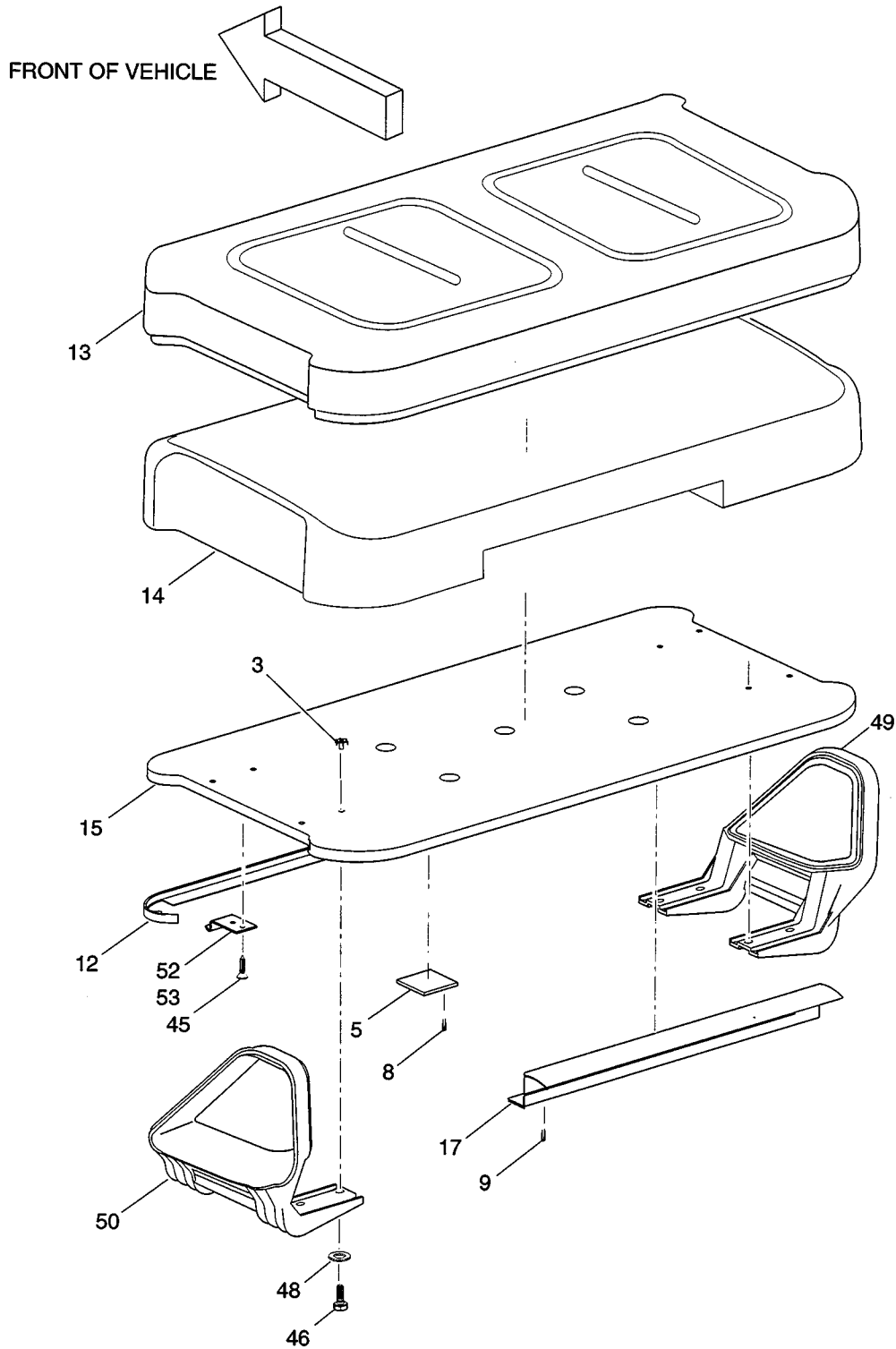
* Indicates a component that is not available as an individual part.

G** Indicates consult Customer Service Department for additional information.

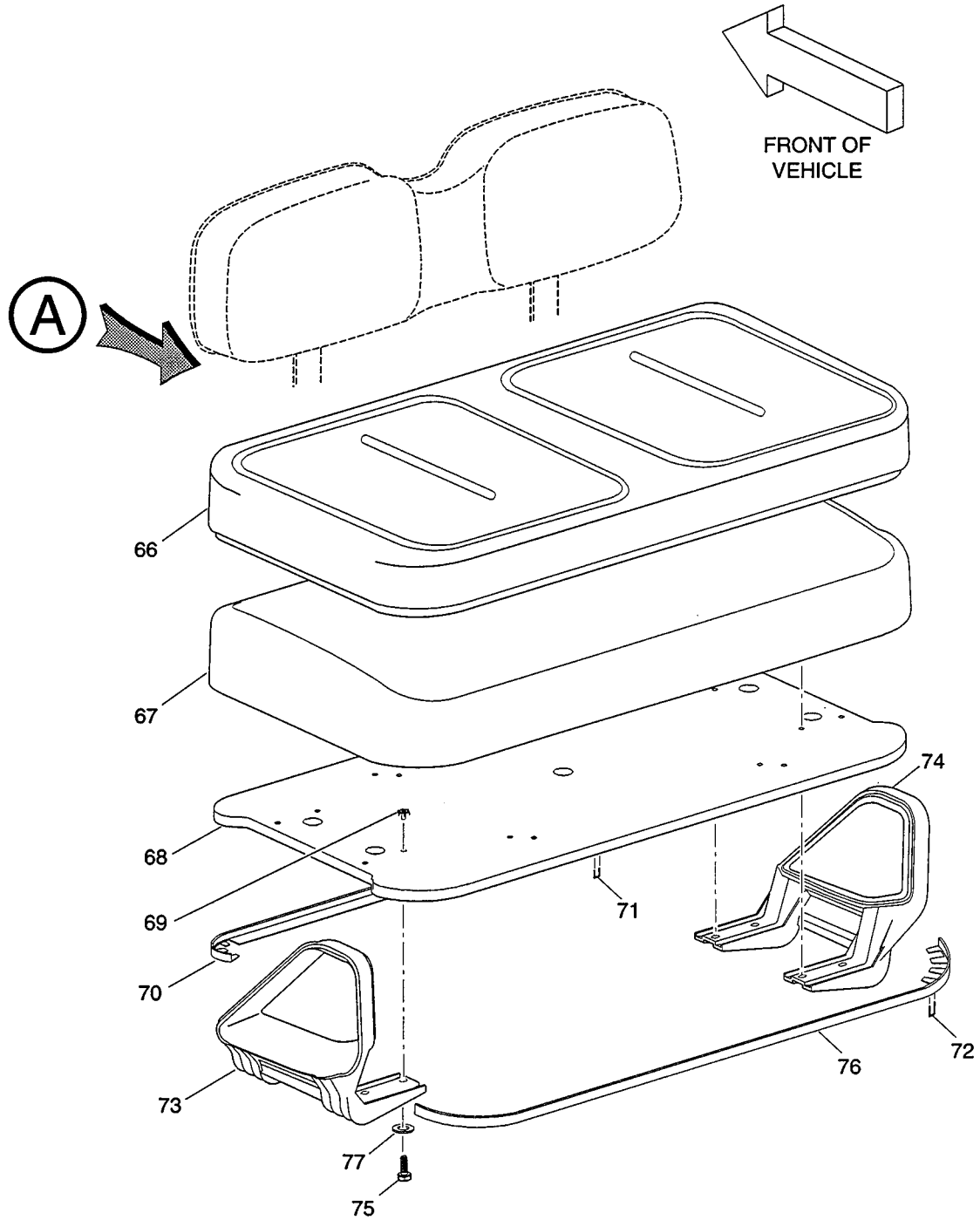
ITEM	PART NO.	1 2 3 4 5	DESCRIPTION	QTY.
1	70291-G01		BUSHING, RUBBER (LEAF SPRING).....	12
2				
3	70289-G02		SPACER.....	4
4	14158-G1		BOLT, SHOULDER, 3/16 x 3 1/4 LG.....	2
5	11098-G5		NUT, 3/8 - 16.....	2
6	10194-G1		BUSHING, RUBBER (SHOCK ABSORBER).....	8
7	10435-G1		WASHER (SHOCK ABSORBER).....	8
8	00532-G6		NUT, 3/8 - 24.....	4
9	72029-G01		U-BOLT, 3/8 - 16.....	4
10	74124-G01		U-BOLT, 3/8 - 16 (USE ON 4 CADDY ONLY).....	4
11	74135-G01		SPRING, LEAF (USE ON 4 CADDY ONLY).....	2
12	70247-G01		SPRING, LEAF.....	2
13	70324-G01		SHOCK ABSORBER.....	2
14	72028-G01		BASE PLATE, ISOMOUNT.....	2
15	72117-G01		BUSHING, ISOMOUNT.....	2
16				
17	72037-G01		CAP, ISOMOUNT.....	2
18	11098-G5		NUT, LOCK, 3/8 - 16.....	8
19	00560-G1		WASHER, 3/8.....	8
20				
21	70290-G01		SHACKLE PLATE.....	4
22				
23	00429-G2		SCREW, 3/8 - 16 X 3 1/4 LG.....	4
24	11098-G5		NUT, LOCK, 3/8 - 16.....	1
25	00643-G1		WASHER, 3/8.....	2

1 - INCLUDES ITEMS 3 - 17
25 - INCLUDES ITEMS 26 - 34



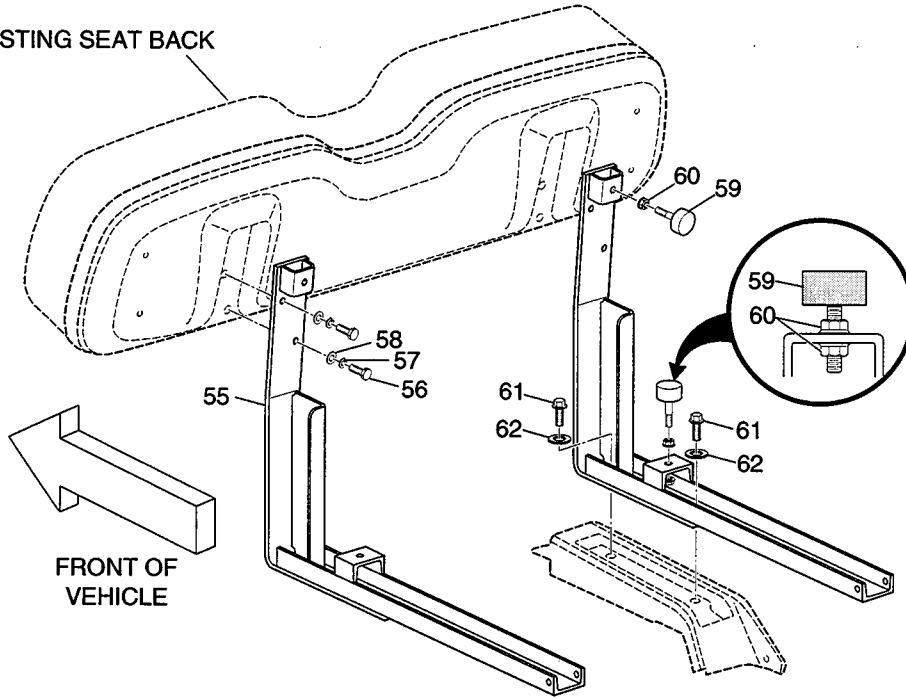


ITEMS 55 - 85 ARE FOR USE ON 4 CADDY MODELS ONLY



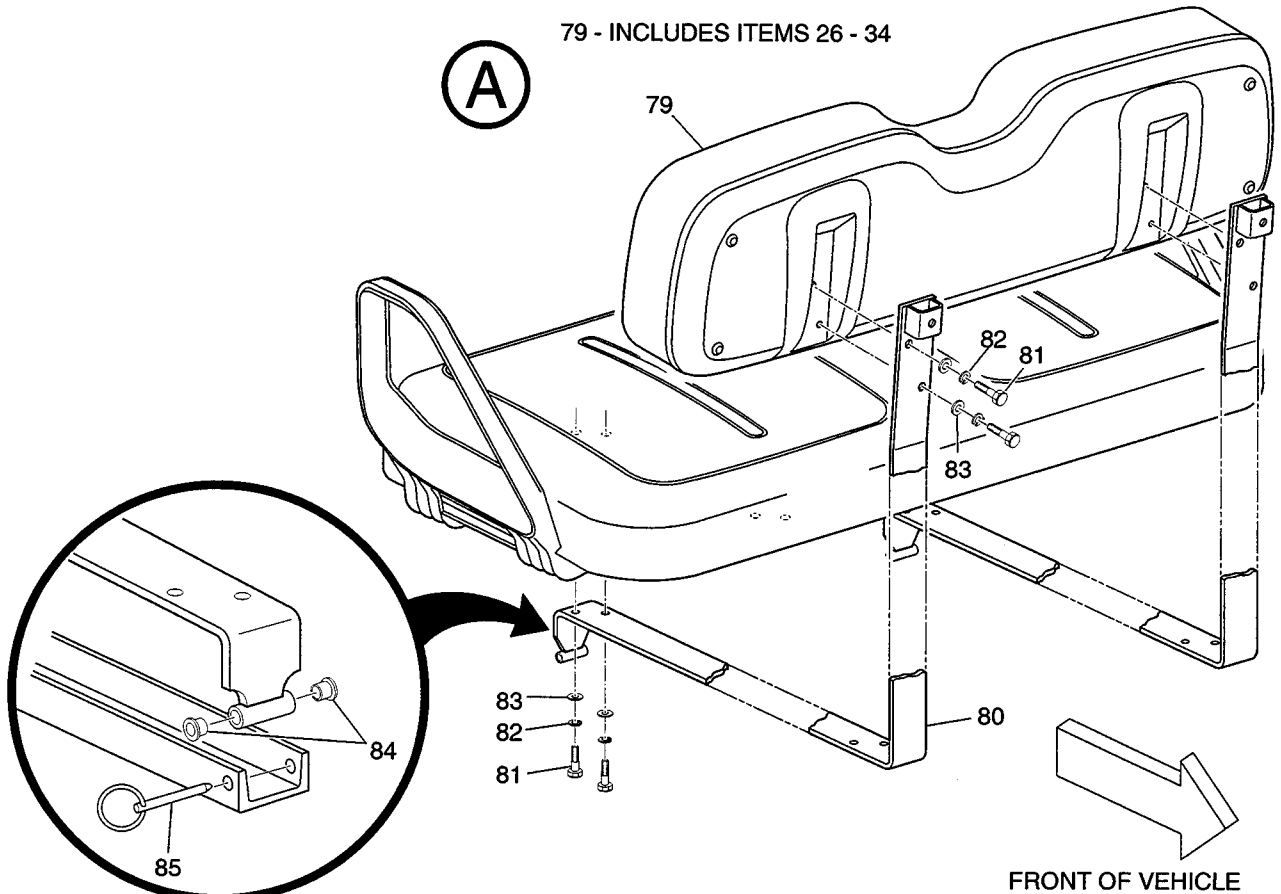
ITEMS 55 - 85 ARE FOR USE ON 4 CADDY MODELS ONLY

EXISTING SEAT BACK



79 - INCLUDES ITEMS 26 - 34

(A)



SEATING AND BAGRACK

Electric / Gasoline Vehicle

THE USE OF NON UL PARTS WILL VOID ANY UL LISTING.

When ordering parts, please specify the model and serial number of the product.

* Indicates a component that is not available as an individual part.

G** Indicates consult Customer Service Department for additional information.

ITEM	PART NO.	1 2 3 4 5	DESCRIPTION	QTY.
1	71611-G**		SEAT BOTTOM ASSEMBLY (INCLUDES ITEMS 3 - 17)	1
2				
3	*		NUT, TEE	8
4				
5	17074-G1		BUMPER, SEAT	2
6				
7				
8	*		STAPLE, FLAT	110
9	*		STAPLE, FLAT	46
10				
11				
12	71012-G01		VINYL TRIM, SEAT BOTTOM.....	1
13	71602-G**		VINYL SEAT BOTTOM COVER	1
14	71603-G02		FOAM PADDING, SEAT BOTTOM	1
15	71604-G01		SEAT BOTTOM, WOOD.....	1
16				
17	71608-G01		REAR TRIM, SEAT	1
18				
19				
20				
21	00414-G8		BOLT, 1/4 - 20 X 1 LG.	4
22	00565-G7		WASHER, LOCK, 1/4	4
23	11027-G2		NUT, LOCK, 1/4 - 20	2
24	16816-G1		FASTENER, PLASTIC RATCHET	2
25	71751-G**		SEAT BACK ASSEMBLY (INCLUDES ITEMS 26 - 34)	1
26	*		STAPLE, FLAT	95
27				
28	71752-G01		PLASTIC, REAR COVER SEAT BACK	1
29	71753-G**		VINYL SEAT BACK COVER	1
30	71754-G01		FOAM PADDING, SEAT BACK.....	1

THE USE OF NON UL PARTS WILL VOID ANY UL LISTING.

When ordering parts, please specify the model and serial number of the product.

* Indicates a component that is not available as an individual part.

G** Indicates consult Customer Service Department for additional information.

ITEM	PART NO.	1	2	3	4	5	DESCRIPTION	QTY.
31								
32	71755-G01						SEAT BACK, WOOD	1
33	71002-G01						SCREW, #8 X 1 LG.	4
34	*						NUT, TEE	4
35								
36								
37								
38	71802-G01						BOLT, 3/8 - 16 X 2 1/4 LG.	4
39	71803-G02						BRACKET, SEAT SUPPORT	2
40	71821-G01						BOLT, CARRIAGE, 1/4 - 20 X 1 1/2 LG.	2
41	71851-G01						BRACKET, BAG HOLDER	1
42	71853-G01						STRAP, BAG RETAINER	1
43	71856-G01						BAG RETAINER CLAMP	2
44								
45	00720-G08						SCREW, #12 - 14 X 1 LG.....	4
46	00414-G8						BOLT, 1/4 - 20 X 1 LG.	8
47								
48	00559-G7						WASHER, 1/4.....	8
49	71701-G01						HIP RESTRAINT, PASSENGER SIDE.....	1
50	71702-G01						HIP RESTRAINT, DRIVER'S SIDE	1
51								
52	71615-G01						HINGE, SEAT (VEHICLES PRIOR TO SERIAL NO. 895713)	2
53	71610-G01						HINGE, SEAT (VEHICLES AFTER SERIAL NO. 895713).....	2
54								
55	74111-G01						SUPPORT, SEAT BACK	2
56	00414-G8						BOLT, 1/4 - 20 X 1 LG.	4
57	00565-G7						WASHER, LOCK, 1/4.....	4
58	00559-G7						WASHER, 1/4.....	4
59	70113-G01						BUMPER, RUBBER.....	4
60	11027-G1						NUT, LOCK, 5/16 - 18	6

SEATING AND BAGRACK

Electric / Gasoline Vehicle

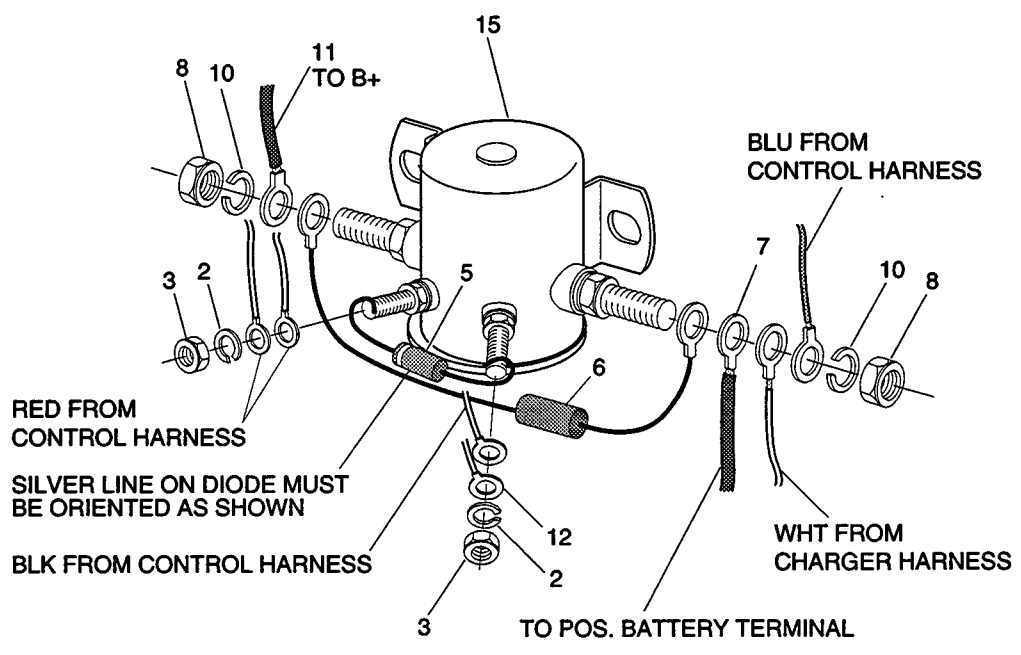
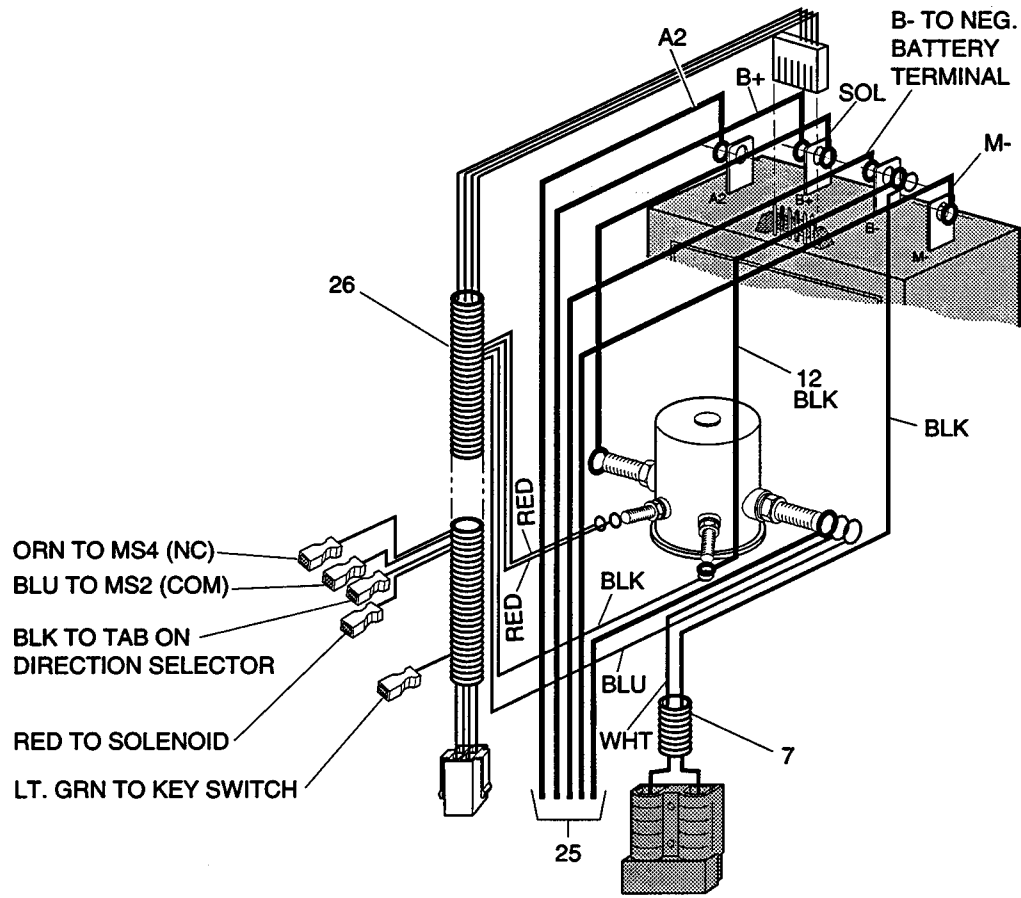
THE USE OF NON UL PARTS WILL VOID ANY UL LISTING.

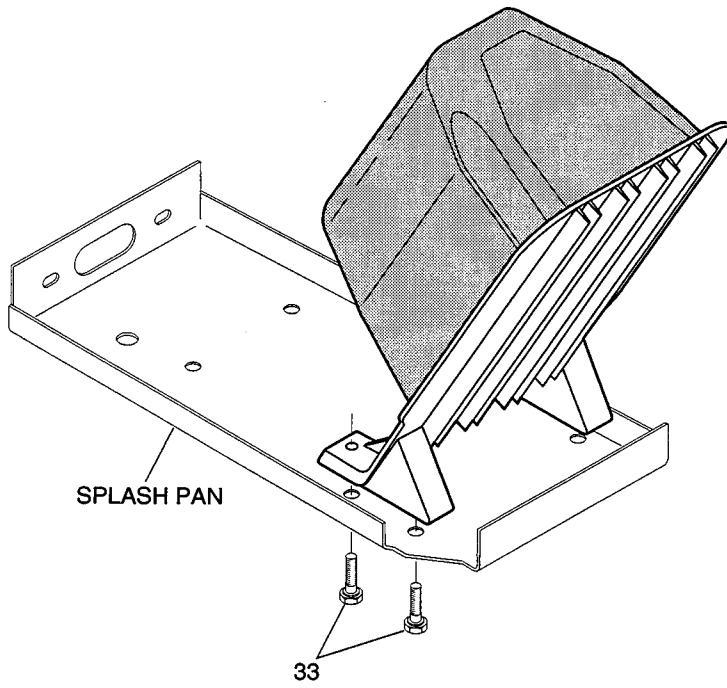
When ordering parts, please specify the model and serial number of the product.

* Indicates a component that is not available as an individual part.

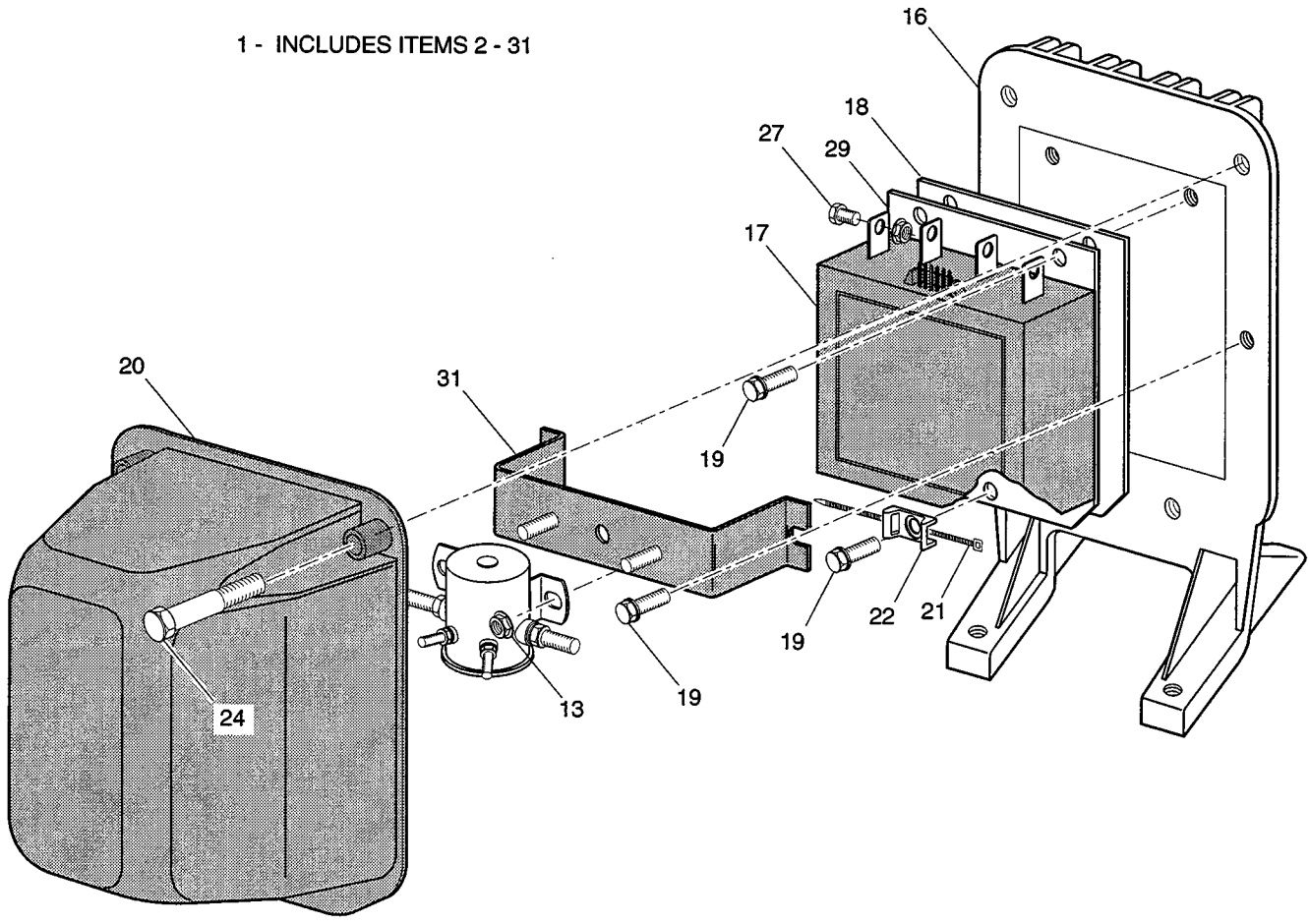
G** Indicates consult Customer Service Department for additional information.

ITEM	PART NO.	1	2	3	4	5	DESCRIPTION	QTY.
61	01006-G01						BOLT, 3/8 - 16 X 1 1/4 LG.	4
62	00560-G1						WASHER, 3/8.....	4
63								
64	74131-G**						SEAT ASSEMBLY (INCLUDES ITEMS 65 - 79).....	1
65	74139-G**						SEAT BOTTOM ASSEMBLY (INCLUDES ITEMS 66 - 77).....	1
66	71602-G**						VINYL COVER, SEAT BOTTOM	1
67	71603-G02						FOAM, SEAT BOTTOM.....	1
68	74141-G01						WOOD, SEAT BOTTOM	1
69	*						NUT, TEE.....	16
70	74140-G01						TRIM, SEAT, FRONT.....	1
71	*						STAPLE, FLAT	110
72	*						STAPLE, FLAT	48
73	71702-G01						HIP RESTRAINT, DRIVER'S SIDE	1
74	71701-G01						HIP RESTRAINT, PASSENGER SIDE	1
75	00414-G8						BOLT, 1/4 - 20 X 1 LG.	8
76	71608-G01						TRIM, SEAT, REAR.....	1
77	00559-G7						WASHER, 1/4.....	8
78								
79	71751-G**						SEAT BACK ASSEMBLY (INCLUDES ITEMS 26 - 34)	1
80	74117-G01						BRACKET, REAR SEAT SUPPORT	2
81	00414-G8						BOLT, 1/4 - 20 X 1 LG.....	12
82	00565-G2						WASHER, LOCK, #5	12
83	00559-G7						WASHER, 1/4	12
84	17838-G1						BUSHING, NYLON.....	4
85	74134-G01						PIN, HITCH	2





1 - INCLUDES ITEMS 2 - 31



THE USE OF NON UL PARTS WILL VOID ANY UL LISTING.

When ordering parts, please specify the model and serial number of the product.

* Indicates a component that is not available as an individual part.

G** Indicates consult Customer Service Department for additional information.

ITEM	PART NO.	1 2 3 4 5	DESCRIPTION	QTY.
1	73056-G01		ELECTRONIC SPEED CONTROL ASSEMBLY (INCLUDES ITEMS 2 - 31)	1
2	*		WASHER, LOCK, #10	2
3	*		NUT, 10 - 32.....	2
4				
5	30353-G1		DIODE.....	1
6	21764-G1		RESISTOR.....	1
7	73042-G01		WIRE HARNESS, CHARGER CONNECTOR	1
8	*		NUT, 5/16 - 24.....	2
9				
10	*		WASHER, LOCK, 5/16	2
11	25972-G02		WIRE, SOL - B+.....	1
12	25978-G10		WIRE, SOL - B-.....	1
13	11027-G2		NUT, 1/4 - 20.....	2
14				
15	27855-G01		SOLENOID	1
16	73026-G01		HEATSINK	1
17	25864-G02		ELECTRONIC SPEED CONTROLLER	1
18	73190-G01		PAD, THERMAL MOUNTING	1
19	71102-G01		BOLT, 1/4 - 20 X 3/4 LG.....	5
20	73028-G01		COVER	1
21	31539-G1		WIRE TIE	1
22	73053-G01		MOUNT.....	1
23				
24	71102-G03		BOLT, 1/4 - 20 X 1 1/4 LG.....	4
25	73039-G01		WIRE HARNESS, POWER.....	1
26	73040-G01		WIRE HARNESS, CONTROL.....	1
27	00270-G5		BOLT, 5/16 - 18 X 5/8 LG.....	4
28				
29	11027-G1		NUT, 5/16 - 18.....	4

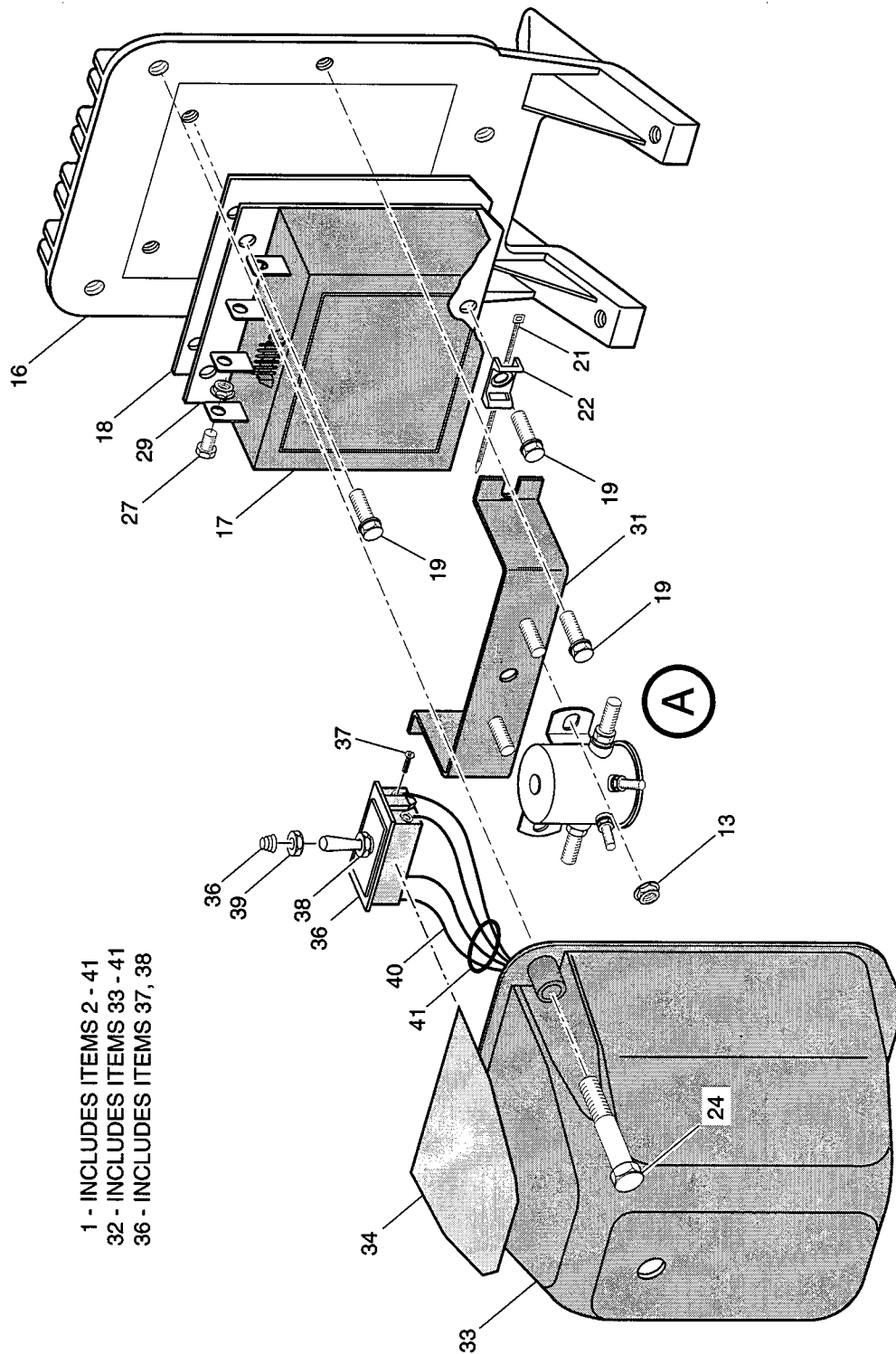
THE USE OF NON UL PARTS WILL VOID ANY UL LISTING.

When ordering parts, please specify the model and serial number of the product.

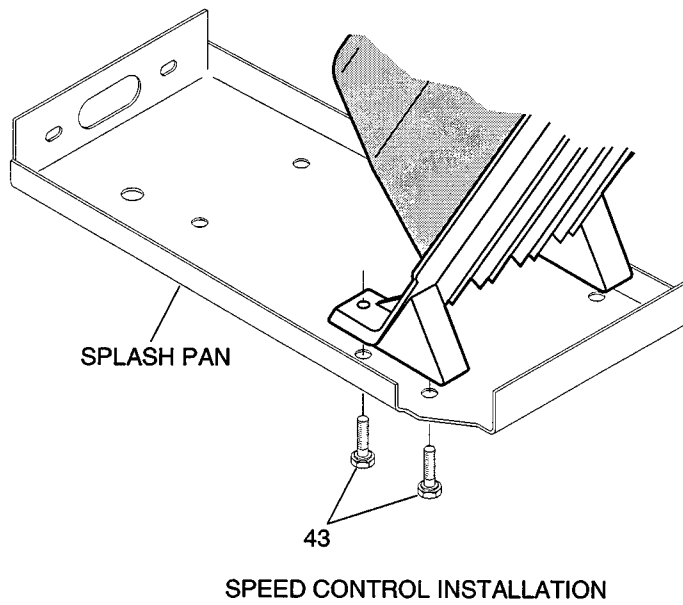
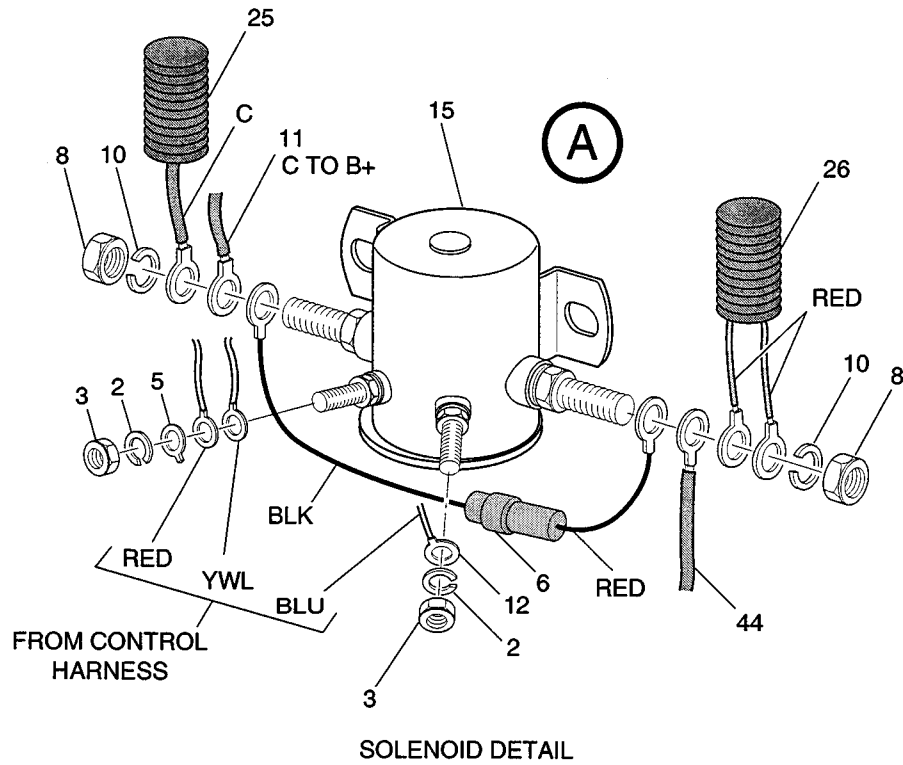
* Indicates a component that is not available as an individual part.

G** Indicates consult Customer Service Department for additional information.

ITEM	PART NO.	1	2	3	4	5	DESCRIPTION	QTY.
30								
31	25866-G01						BRACKET, SOLENOID.....	1
32								
33	71102-G01						BOLT, 1/4 - 20 X 3/4 LG.	4



- 1 - INCLUDES ITEMS 2 - 41
- 32 - INCLUDES ITEMS 33 - 41
- 36 - INCLUDES ITEMS 37, 38



THE USE OF NON UL PARTS WILL VOID ANY UL LISTING.

When ordering parts, please specify the model and serial number of the product.

* Indicates a component that is not available as an individual part.

G** Indicates consult Customer Service Department for additional information.

ITEM	PART NO.	1 2 3 4 5	DESCRIPTION	QTY.
1	73121-G01		SPEED CONTROL ASSEMBLY (INCLUDES ITEMS 2 - 41)	1
2	*		WASHER, LOCK, #10	2
3	*		NUT, 10 - 32.....	2
4				
5	12914-G1		TAB, TERMINAL	1
6	73150-G01		RESISTOR.....	1
7				
8	*		NUT, 5/16 - 24.....	2
9				
10	*		WASHER, LOCK, 5/16	2
11	25972-G56		WIRE, C - B+	1
12				
13	11027-G2		NUT, 1/4 - 20.....	2
14				
15	27855-G01		SOLENOID	1
16	73026-G01		HEATSINK	1
17	73144-G01		SPEED CONTROLLER	1
18	73190-G01		PAD, THERMAL MOUNTING	1
19	71102-G01		BOLT, 1/4 - 20 X 3/4 LG.....	5
20				
21	31539-G1		WIRE TIE	1
22	73053-G01		MOUNT.....	1
23				
24	71102-G03		BOLT, 1/4 - 20 X 1 1/4 LG.....	4
25	73152-G01		WIRE HARNESS, POWER.....	1
26	73153-G01		WIRE HARNESS, CONTROL.....	1
27	00270-G5		BOLT, 5/16 - 18 X 5/8 LG.....	3
28				
29	11027-G1		NUT, 5/16 - 18.....	3
30				

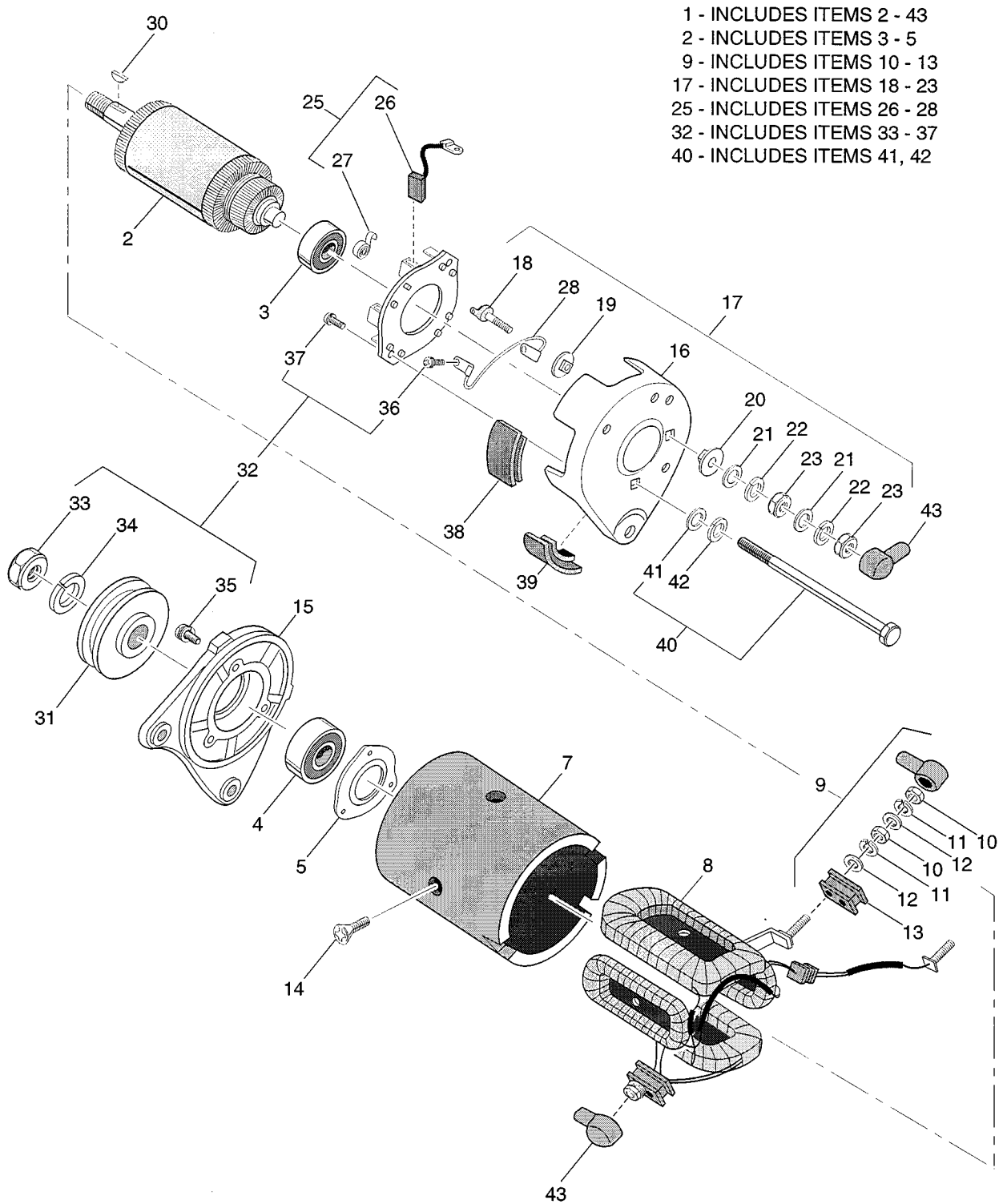
THE USE OF NON UL PARTS WILL VOID ANY UL LISTING.

When ordering parts, please specify the model and serial number of the product.

* Indicates a component that is not available as an individual part.

G** Indicates consult Customer Service Department for additional information.

ITEM	PART NO.	1	2	3	4	5	DESCRIPTION	QTY.
31	25866-G01						BRACKET, SOLENOID.....	1
32	73137-G01						COVER ASSEMBLY (INCLUDES ITEMS 33 - 41)	1
33	73028-G02						COVER (WITH GASKET)	1
34	73132-G01						LABEL, TOW SWITCH.....	1
35								
36	73125-G01						SWITCH, TOGGLE WITH SEAL (INCLUDES ITEMS 37, 38)	1
37	*						SCREW, #5 - 40	4
38	*						NUT, 15/32 - 32.....	4
39	73139-G01						NUT, SEAL	1
40	73138-G01						HARNESS, TOW SWITCH	1
41	17618-G1						CLAMP, NYLON.....	1
42								
43	71102-G01						BOLT, 1/4 - 20 X 3/4 LG.	4
44	25972-G22						WIRE, BL+ TO SOL	1



When ordering parts, please specify the model and serial number of the product.

* Indicates a component that is not available as an individual part.

G** Indicates consult Customer Service Department for additional information.

ITEM	PART NO.	1 2 3 4 5	DESCRIPTION	QTY.
1	27065-G01		STARTER / GENERATOR, COMPLETE (INCLUDES ITEMS 2 - 43).....	1
2	26870-G01		ARMATURE ASSEMBLY (INCLUDES ITEMS 3 - 5)	1
3	26871-G01		BALL BEARING, REAR	1
4	26872-G01		BALL BEARING, FRONT	1
5	26873-G01		HOLDER, BEARING	1
6				
7				
8	26875-G01		COIL, FIELD	1
9	26876-G01		"F" INSULATING BRUSH ASSEMBLY (INCLUDES ITEMS 10 - 13).....	2
10	*		NUT	2
11	*		WASHER, LOCK.....	2
12	*		WASHER.....	2
13	*		INSULATOR.....	1
14	26877-G01		SCREW, POLE CORE SET.....	4
15	26878-G01		COVER, FRONT.....	1
16	26879-G01		COVER, REAR.....	1
17	26880-G01		"A" TERMINAL ASSEMBLY (INCLUDES ITEMS 18 - 23)	2
18	*		TERMINAL	2
19	*		INSULATOR	2
20	*		INSULATOR	2
21	*		WASHER.....	4
22	*		WASHER, LOCK.....	4
23	*		NUT	4
24				
25	26881-G01		BRUSH HOLDER ASSEMBLY (INCLUDES ITEMS 26 - 28)	1
26	26658-G01		BRUSH.....	4
27	26882-G01		BRUSH SPRING	4
28	26883-G01		BRUSH CONNECTOR.....	2
29				
30	26884-G01		KEY.....	1

STARTER / GENERATOR

Gasoline Vehicle

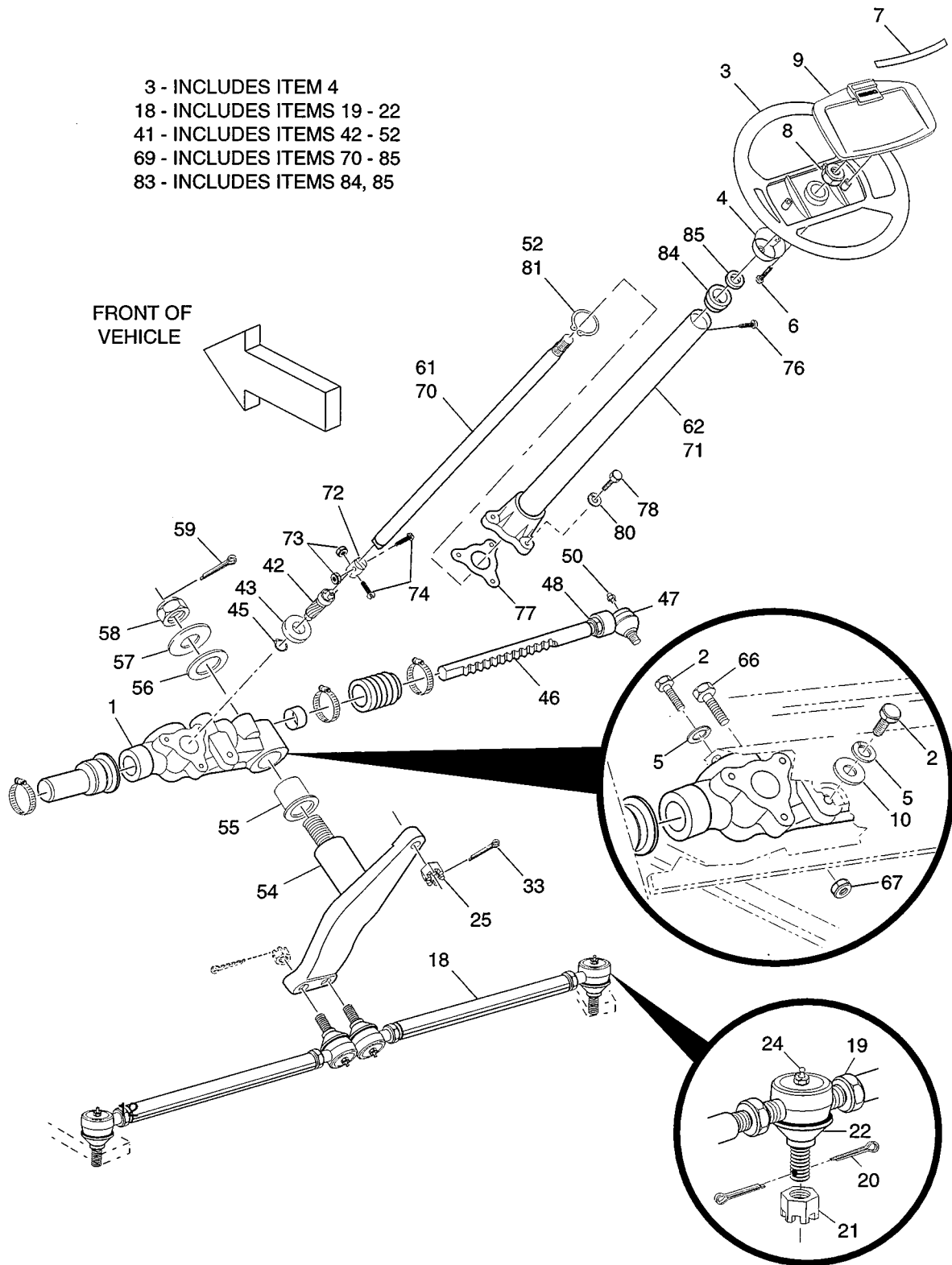
When ordering parts, please specify the model and serial number of the product.

* Indicates a component that is not available as an individual part.

G** Indicates consult Customer Service Department for additional information.

ITEM	PART NO.	1	2	3	4	5	DESCRIPTION	QTY.
31	26885-G01						PULLEY	1
32	26886-G01						PULLEY ASSEMBLY (INCLUDES ITEMS 33 - 37).....	1
33	*						NUT	1
34	*						WASHER, LOCK.....	1
35	*						SCREW	3
36	*						SCREW	4
37	*						SCREW	2
38	26887-G01						BRUSH 1 COVER.....	2
39	26888-G01						BRUSH 2 COVER.....	3
40	26889-G01						BOLT AND WASHER ASSEMBLY (INCLUDES ITEMS 41, 42)	2
41	*						WASHER.....	2
42	*						WASHER, LOCK.....	2
43	16896-G1						TERMINAL COVER	4

- 3 - INCLUDES ITEM 4
- 18 - INCLUDES ITEMS 19 - 22
- 41 - INCLUDES ITEMS 42 - 52
- 69 - INCLUDES ITEMS 70 - 85
- 83 - INCLUDES ITEMS 84, 85



THE USE OF NON UL PARTS WILL VOID ANY UL LISTING.

When ordering parts, please specify the model and serial number of the product.

* Indicates a component that is not available as an individual part.

G** Indicates consult Customer Service Department for additional information.

ITEM	PART NO.	1 2 3 4 5	DESCRIPTION	QTY.
1	70314-G01		STEERING BOX ASSEMBLY, COMPLETE	1
2	00462-G7		SCREW, 7/16 - 14 X 7/8 LG.....	4
3	18325-G1		STEERING WHEEL (INCLUDES ITEM 4).....	1
4	*		HUB COVER, EXTENSION.....	1
5	00566-G2		WASHER, LOCK, 7/16.....	4
6	00999-G01		BOLT, #8 - 18 X 7/8 LG.	2
7	*		DECAL, SCORECARD	AR
8	14390-G2		NUT, LOCK, 5/8 - 18	1
9	27102-G01		SCORECARD HOLDER	1
10	00922-G3		WASHER, 7/16.....	1
11				
12				
13				
14				
15				
16				
17				
18	70074-G01		TIE ROD ASSEMBLY (INCLUDES ITEMS 19 - 22)	2
19	18434-G2		NUT, 9/16 - 18.....	2
20	10387-G2		PIN, COTTER, 3/32 X 1 LG.....	2
21	50209-G1		NUT, SLOTTED, 7/16 - 20.....	2
22	50641-G1		BOOT, RUBBER.....	2
23				
24	10389-G3		FITTING, GREASE	4
25	50209-G1		NUT, SLOTTED, 7/16 - 20	1
26				
27				
28				
29				
30				

STEERING

Electric / Gasoline Vehicle

THE USE OF NON UL PARTS WILL VOID ANY UL LISTING.

When ordering parts, please specify the model and serial number of the product.

* Indicates a component that is not available as an individual part.

G** Indicates consult Customer Service Department for additional information.

ITEM	PART NO.	1 2 3 4 5	DESCRIPTION	QTY.
31				
32				
33	10387-G2		PIN, COTTER, 3/32 X 1LG.	3
34				
35				
36				
37				
38				
39				
40				
41	70299-G01		STEERING GEAR KIT (INCLUDES ITEMS 42 - 52)	1
42	*		PINION, GEAR	1
43	*		BALL BEARING	1
44				
45	*		RING, RETAINING, EXTERNAL.....	1
46	*		RACK, STEERING.....	1
47	*		RACK BALL END (WITH NUT).....	1
48	*		NUT, 7/16 - 20	1
49				
50	*		GREASE FITTING, 90°.....	2
51				
52	*		RING, RETAINING, INTERNAL.....	1
53				
54	70184-G01		IDLER.....	1
55	70185-G01		BEARING, FLANGED	1
56	70216-G01		WASHER, THRUST, 1 1/2 I.D.	1
57	70195-G01		WASHER, THRUST, 7/8.....	1
58	00734-G6		NUT, LOCK, 7/8 - 9	1
59	00798-G8		PIN, COTTER, 5/32 X 1 3/4 LG.	1
60				

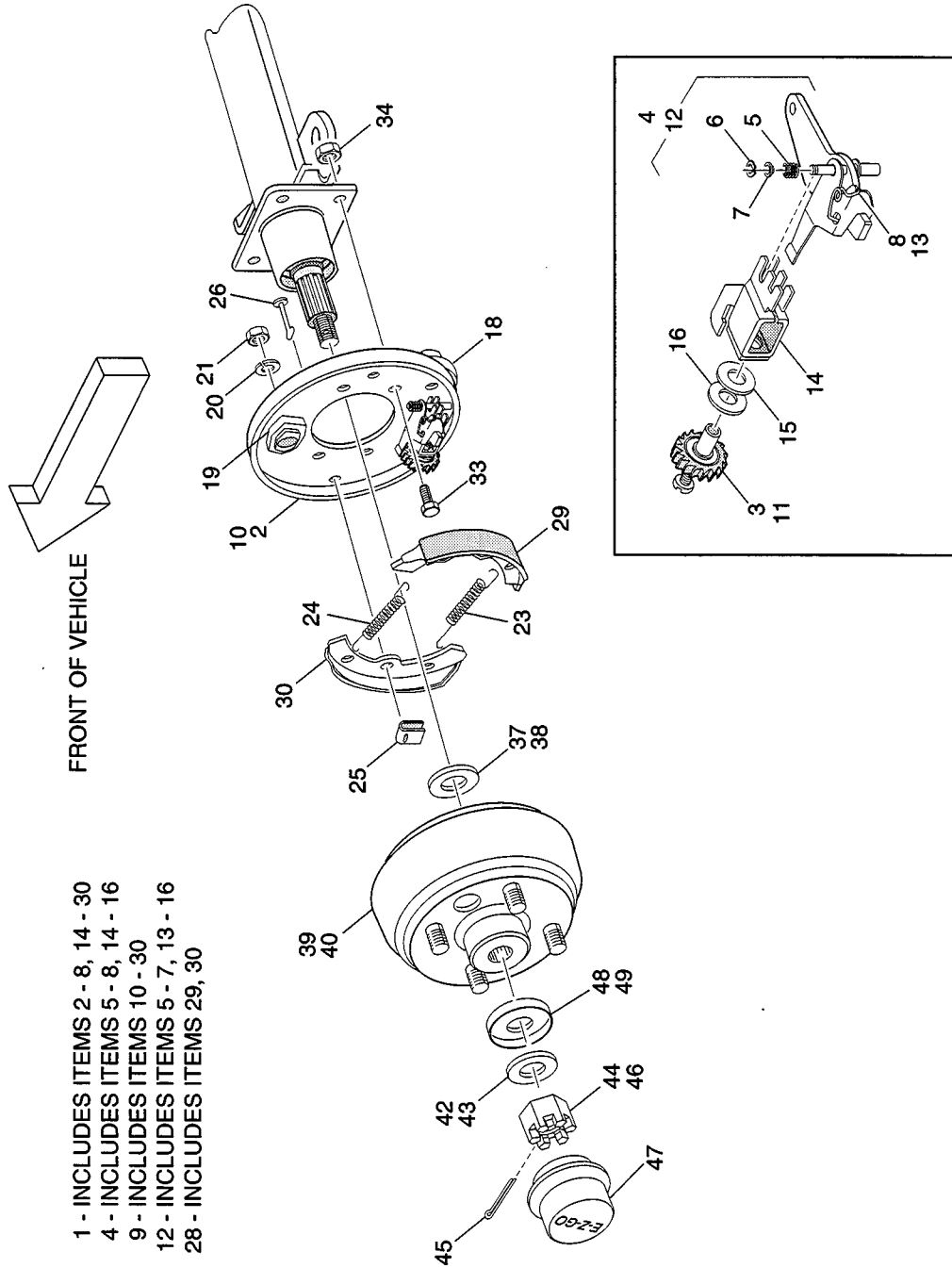
THE USE OF NON UL PARTS WILL VOID ANY UL LISTING.

When ordering parts, please specify the model and serial number of the product.

* Indicates a component that is not available as an individual part.

G** Indicates consult Customer Service Department for additional information.

ITEM	PART NO.	1 2 3 4 5	DESCRIPTION	QTY.
61	14322-G5		STEERING SHAFT (PRIOR TO SERIAL NUMBER 901144)	1
62	70222-G01		STEERING COLUMN (PRIOR TO SERIAL NUMBER 901144)	1
63				
64				
65				
66	00470-G4		SCREW, 7/16 - 20 X 2 1/2 LG.....	1
67	00734-G3		NUT, LOCK, 7/16 - 20	1
68				
69	70360-G01		STEERING SHAFT/COLUMN KIT (INCLUDES ITEMS 70 - 85) (SERIAL NUMBER 901144 AND LATER)	1
70	14322-G3		STEERING SHAFT.....	1
71	70333-G01		STEERING COLUMN	1
72	70226-G01		COUPLING	1
73	00550-G1		NUT, LOCK, 1/4 - 20.....	2
74	70227-G01		SCREW, 1/4 - 20 X 7/8 LG.	2
75				
76	00118-G2		SCREW, #6 - 18 X 1/4 LG.	1
77	70223-G01		GASKET, STEERING HOUSING	1
78	00876-G2		BOLT, 3/8 - 16 X 1 1/4 LG.....	3
79				
80	00878-G1		WASHER, LOCK, 3/8	3
81	70189-G01		RING, RETAINING, INTERNAL.....	1
82				
83	17161-G1		BUSHING/SEAL KIT (INCLUDES ITEMS 84, 85)	1
84	*		BUSHING, STEERING COLUMN.....	1
85	*		SEAL, SHAFT	1



THE USE OF NON UL PARTS WILL VOID ANY UL LISTING.

When ordering parts, please specify the model and serial number of the product.

* Indicates a component that is not available as an individual part.

G** Indicates consult Customer Service Department for additional information.

ITEM	PART NO.	1 2 3 4 5	DESCRIPTION	QTY.
1	22997-G2		BRAKE ASSEMBLY, PASSENGER SIDE (INCLUDES ITEMS 2 - 8, 14 - 30)	1
2	22518-G1		BACKING PLATE	1
3	23360-G1		ADJUSTER.....	1
4	23357-G1		LEVER ASSEMBLY (INCLUDES ITEMS 5 - 8, 14 - 16)	1
5	*		SPRING	1
6	*		RETAINER	1
7	*		WASHER, SHOULDER.....	1
8	23536-G1		TORSION SPRING, PASSENGER SIDE (SILVER).....	1
9	22997-G1		BRAKE ASSEMBLY, DRIVER'S SIDE (INCLUDES ITEMS 10 - 30)	1
10	22519-G1		BACKING PLATE	1
11	23361-G1		ADJUSTER.....	1
12	23358-G1		LEVER ASSEMBLY (INCLUDES ITEMS 5 - 7, 13 - 16)	1
13	23537-G1		TORSION SPRING, DRIVER'S SIDE (GOLD)	1
14	23363-G1		ADJUSTER BODY.....	1
15	23382-G1		WASHER, 1/4	1
16	23362-G1		THRUST WASHER, 1/4.....	1
17				
18	22519-G1		DUST COVER	1
19	23356-G1		ANCHOR BLOCK.....	1
20	00565-G1		WASHER, LOCK, 1/4	2
21	13632-G1		NUT, 6 MM.....	2
22				
23	23359-G1		SPRING, BRAKE ADJUSTER	1
24	17290-G1		SPRING, BRAKE ANCHOR	1
25	17291-G1		CLAMP, SHOE.....	2
26	17292-G1		PIN, SHOE CLAMP TENSION	2
27				
28	23364-G1		BRAKE SHOE SET (INCLUDES ITEMS 29, 30).....	1
29	23354-G1		BRAKE SHOE, TRAILING	1

WHEEL BRAKE

Electric / Gasoline Vehicle

THE USE OF NON UL PARTS WILL VOID ANY UL LISTING.

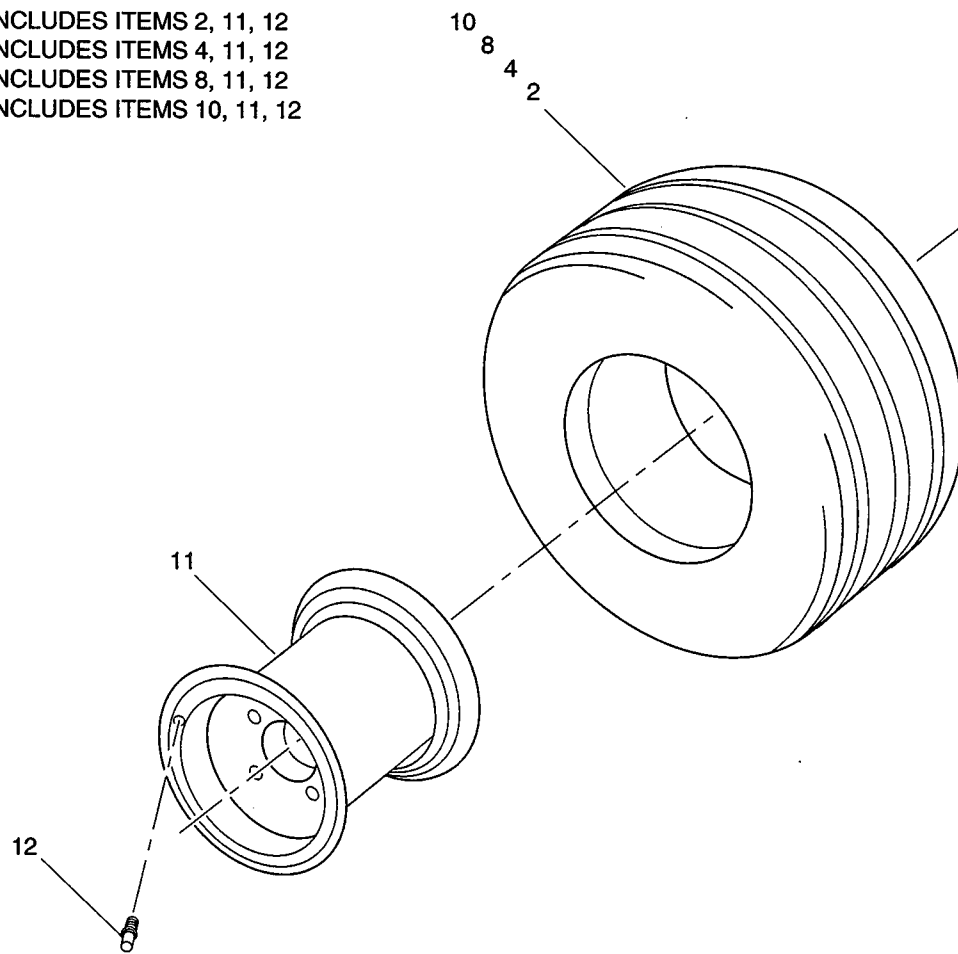
When ordering parts, please specify the model and serial number of the product.

* Indicates a component that is not available as an individual part.

G** Indicates consult Customer Service Department for additional information.

ITEM	PART NO.	1 2 3 4 5	DESCRIPTION	QTY.
30	23355-G1		BRAKE SHOE, LEADING	1
31				
32				
33	17083-G2		BOLT, 5/16 - 24 X 1 LG.	8
34	15126-G1		NUT, LOCK, 5/16 - 24	8
35				
36				
37	15485-G1		WASHER, INNER WHEEL RIM (ELECTRIC VEHICLE).....	2
38	21809-G1		WASHER, INNER WHEEL RIM (GASOLINE VEHICLE)	2
39	21807-G1		BRAKE DRUM (GASOLINE VEHICLE) WITH LUG BOLTS	2
40	19186-G1		BRAKE DRUM (ELECTRIC VEHICLE) WITH LUG BOLTS.....	2
41				
42	21830-G1		WASHER, OUTER WHEEL RIM (GASOLINE VEHICLE).....	2
43	15487-G1		WASHER, OUTER WHEEL RIM (ELECTRIC VEHICLE)	2
44	00518-G8		NUT, SLOTTED, 3/4 - 16 (GASOLINE VEHICLE)	2
45	10387-G1		PIN, COTTER, 1/8 X 1 1/2 LG.	2
46	15483-G1		NUT, SLOTTED, 5/8 - 18 (ELECTRIC VEHICLE)	2
47	12091-G1		CAP, SPINDLE	2
48	24939-G2		ADAPTOR, SPINDLE CAP (GASOLINE VEHICLE)	2
49	24939-G1		ADAPTOR, SPINDLE CAP (ELECTRIC VEHICLE).....	2

- 1 - INCLUDES ITEMS 2, 11, 12
- 3 - INCLUDES ITEMS 4, 11, 12
- 7 - INCLUDES ITEMS 8, 11, 12
- 9 - INCLUDES ITEMS 10, 11, 12



THE USE OF NON UL PARTS WILL VOID ANY UL LISTING.

When ordering parts, please specify the model and serial number of the product.

* Indicates a component that is not available as an individual part.

G** Indicates consult Customer Service Department for additional information.

ITEM	PART NO.	1 2 3 4 5	DESCRIPTION	QTY.
1	27772-G01		18 X 8.5 - 8 CARLISLE TIRE AND WHEEL ASSEMBLY, LINKS (INCLUDES ITEMS 2, 11, 12).....	AR
2	27772-G05		18 X 8.5 - 8 CARLISLE TIRE, LINKS	AR
3	27772-G02		18 X 8.5 - 8 CARLISLE TIRE AND WHEEL ASSEMBLY, TURF GLIDE (INCLUDES ITEMS 4, 11, 12).....	AR
4	27772-G06		18 X 8.5 - 8 CARLISLE TIRE, TURF GLIDE	AR
5				
6				
7	27772-G03		18 X 8.5 - 8 CARLISLE TIRE AND WHEEL ASSEMBLY, TURF SAVER (INCLUDES ITEMS 8, 11, 12).....	AR
8	27772-G07		18 X 8.5 - 8 CARLISLE TIRE, TURF SAVER	AR
9	27772-G04		18 X 8.5 - 8 CARLISLE TIRE AND WHEEL ASSEMBLY, FAIRWAY (INCLUDES ITEMS 10, 11, 12).....	AR
10	27772-G08		18 X 8.5 - 8 CARLISLE TIRE, FAIRWAY	AR
11	15169-G1		WHEEL RIM, 4 LUG, STANDARD	AR
12	11657-G1		VALVE STEM	AR

SPECIAL TOOLS

SPECIAL TOOLS LISTING

SPECIAL TOOLS

Part No.	Part No.
ELECTRIC	GASOLINE
VEHICLE	VEHICLE

SPECIAL TOOLS

BATTERY MAINTANANCE KIT	25587-G01	
SEAL INSTALLATION TOOL (REAR AXLE SHAFT SEAL).....	18739-G1	
BATTERY SET DISCHARGER, 36 VOLT, 75 AMP.....	28251-G01	
HIGH RESISTANCE SPARK PLUG WIRE SET ..		26733-G02
PULLER, DRIVE CLUTCH		19779-G2
PULLER, FLYWHEEL.....		27111-G01
CAM PULLEY TOOL.....		27851-G01
CURRENT INDICATOR.....	16489-G1	16489-G2
MULTI-METER, DIGITAL.....	27481-G01	27481-G01
CRIMPING TOOL	27765-G01	27765-G01
SLIDE HAMMER (AXLE/HUB REMOVAL)	15947-G1	15947-G1
SLIDE HAMMER (AXLE REMOVAL ONLY).....	18753-G1	18753-G1
TACHOMETER.....		72526-G01
FEELER GAUGE.....		72525-G01
COMPRESSION TESTER.....		72524-G01

OIL, 10W-30

5 GALLONS.....	25730-G03
12 QUART CASE.....	25730-G04
55 GALLON DRUM.....	25730-G05

PAINT

CONTACT CUSTOMER REPRESENTATIVE FOR COLOR SPECIFICATIONS AND PART NUMBERS

ACCESSORIES

ACCESSORIES LISTING

ACCESSORIES

Part No.

ELECTRIC/GASOLINE
VEHICLES

ACCESSORIES LISTING

SUN TOP KIT.....	75040-G01
SUN TOP KIT (4 CADDY VEHICLE ONLY).....	75123-G01
WINDSHIELD KIT (SOLID, CLEAR AND REQUIRES SUN TOP KIT) 4 CADDY VEHICLE ONLY.....	75133-G01
WINDSHIELD KIT (SOLID, TINTED AND REQUIRES SUN TOP KIT) 4 CADDY VEHICLE ONLY.....	75133-G02
WINDSHIELD KIT (2 BEND, CLEAR AND REQUIRES SUN TOP KIT).....	75041-G03
WINDSHIELD KIT (2 BEND, TINTED AND REQUIRES SUN TOP KIT).....	75041-G04
WINDSHIELD KIT (SPLIT, CLEAR AND REQUIRES SUN TOP KIT).....	75077-G01
WINDSHIELD KIT (SPLIT, TINTED AND REQUIRES SUN TOP KIT).....	75077-G02
DIVOT REPAIR KIT (REQUIRES SIDE BASKET KIT).....	23300-G1
RAKE HOLDER.....	75006-G01
SAND RAKE.....	14735-G1
TOW BAR KIT (CASUAL USE).....	75033-G01
TOW BAR KIT (PERMANENT USE).....	75089-G01
WEATHER ENCLOSURE (3 SIDED).....	75078-G01
WEATHER ENCLOSURE (4 SIDED).....	75079-G01
REAR VIEW MIRROR (REQUIRES SUN TOP KIT).....	19528-G2
MESSAGE HOLDER KIT (REQUIRES SUNTOP KIT).....	75094-G01
HOURMETER (GASOLINE VEHICLE ONLY).....	75114-G02
HOURMETER (ELECTRIC VEHICLE ONLY).....	75113-G02
COOLER JUG / BRACKET KIT.....	75170-G01
BAG COVER / RAIN CURTAIN KIT.....	75191-G01
SEAT REFURBISHMENT SPRAY (WHITE).....	28166-G01
TOW LINK ASSEMBLY (REQUIRES TOW BAR ADAPTER KIT).....	75165-G01
TOW BAR ADAPTER KIT (REQUIRES TOW LINK ASSEMBLY).....	75166-G01

ACCESSORIES

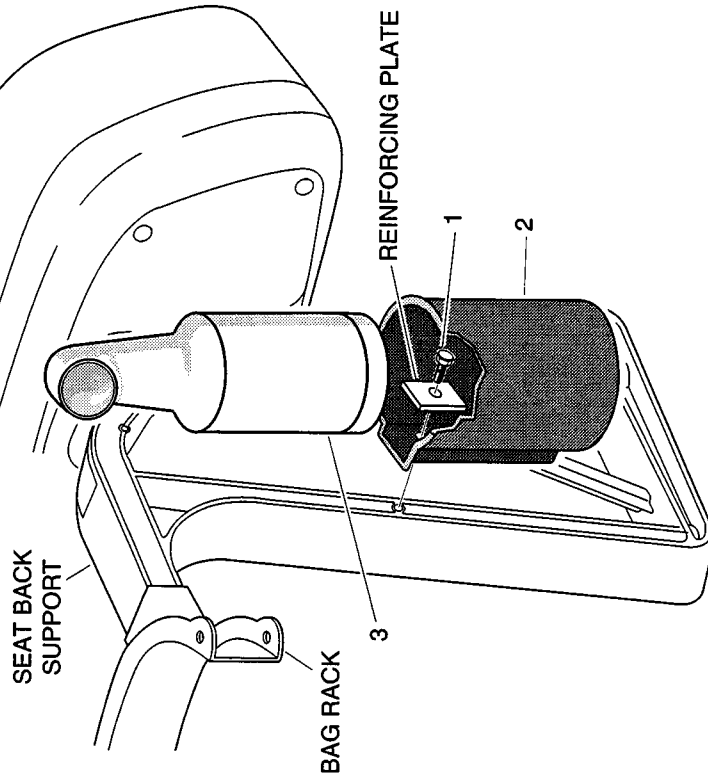
ACCESSORIES ILLUSTRATED

NOTE: TO ORDER THIS ENTIRE FIELD KIT, REQUEST PART NO. 75009-G01
NOTE: SIDE BASKET CANNOT BE USED ON SAME SIDE OF VEHICLE WITH SAND BOTTLE KIT.

READ ALL INSTRUCTIONS BEFORE PROCEEDING.

SEAT BACK

1. INSTALLATION TIP: INSTALL THE 1/4-20 TAPTITE BOLT ITEM 1 INTO THE DESIGNATED HOLE (SEE ILLUSTRATION) IN THE METAL SEAT BACK SUPPORT TO FORM CLEAN, STRAIGHT THREADS. BACK THE TAPTITE SCREW OUT OF THE SEATBACK SUPPORT.
2. ALIGN THE HOLES IN THE REINFORCING PLATE AND THE SAND BOTTLE HOLDER, ITEM 2 WITH THE HOLE INDICATED IN THE THE METAL SEAT BACK SUPPORT. INSERT THE TAPTITE SCREW AND SECURE FIRMLY.



MEDALIST



Item 1

1/4-20 x 3/4 Lg. Taptite Bolt

THE SYMBOL ◁ REFERS TO A NOTE CORRESPONDING TO THE LETTER ENCLOSED WITHIN IT.
 SEE FOLLOWING PAGE(S) FOR NOTES AND PARTS LISTS.
 RETAIN THIS DOCUMENT TO FACILITATE THE ORDERING OF REPLACEMENT PARTS.

ITEM	QTY	PART NO.	DESCRIPTION
1	1	71102-G01	BOLT, TAPTITE, 1/4-20 X 3/4 LG.
2	1	27374-G01	HOLDER, SAND BOTTLE
3	1	27373-G01	BOTTLE, SAND

TITLE **SAND BOTTLE INSTALLATION INSTRUCTION KIT** REV **B**



DRN BY L WEBB REV BY WHITE
 ORIG DATE 11/29/93 REV DATE 2/14/95

DRAWING NO. **A** 75029

PG. 1 OF 1

NOTE: TO ORDER THIS ENTIRE FIELD KIT, REQUEST PART NO. 75007-G02

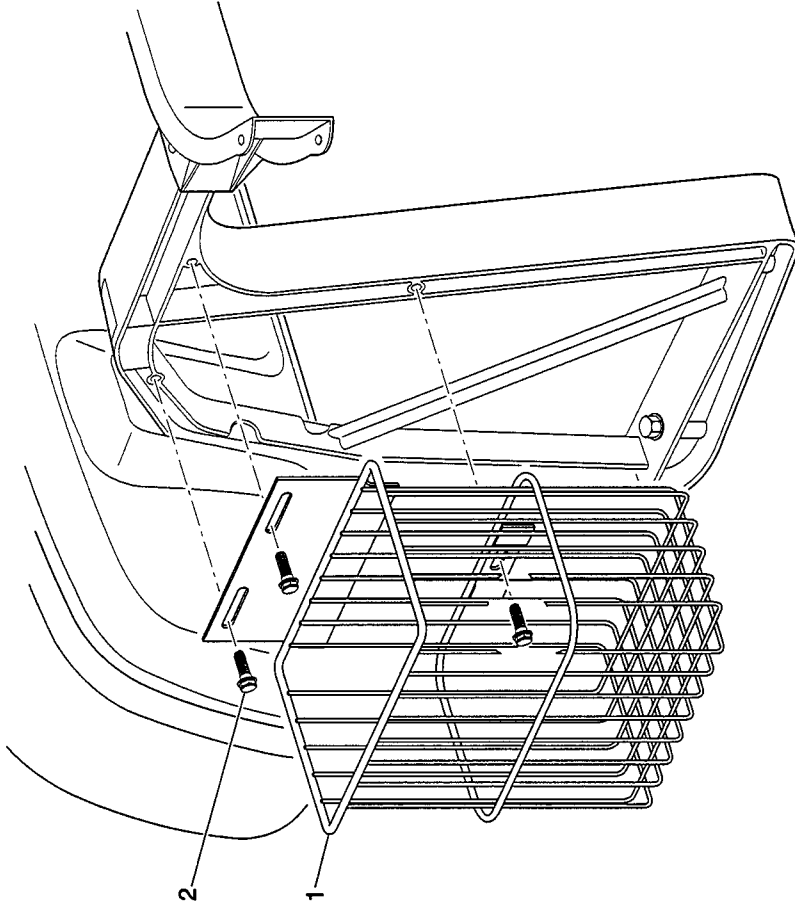
READ ALL INSTRUCTIONS BEFORE PROCEEDING.

1. ALIGN HOLES ON THE SIDE BASKET, ITEM 1 WITH HOLES IN THE SEAT BACK SUPPORT BRACKET AS SHOWN IN ILLUSTRATION.

NOTE

BASKET MAY BE INSTALLED ON EITHER SIDE OF VEHICLE

2. INSTALL THE THREAD FORMING BOLTS, ITEM 2 INTO EACH HOLE. TIGHTEN TO 60 - 85 IN. LBS. TORQUE.



ITEM	QTY	PART NO.	DESCRIPTION
1	1	75008-G01	BASKET, SIDE
2	3	71102-G02	BOLT, 1/4-20 X 1/2 LG.

TITLE SIDE BASKET INSTALLATION

THE SYMBOL ◁ REFERS TO A NOTE CORRESPONDING TO THE LETTER ENCLOSED WITHIN IT. SEE FOLLOWING PAGE(S) FOR NOTES AND PARTS LISTS. RETAIN THIS DOCUMENT TO FACILITATE THE ORDERING OF REPLACEMENT PARTS.



DRN BY L WEBB
ORIG DATE 01/03/94

REV BY
REV DATE

DRAWING
NO. 75026

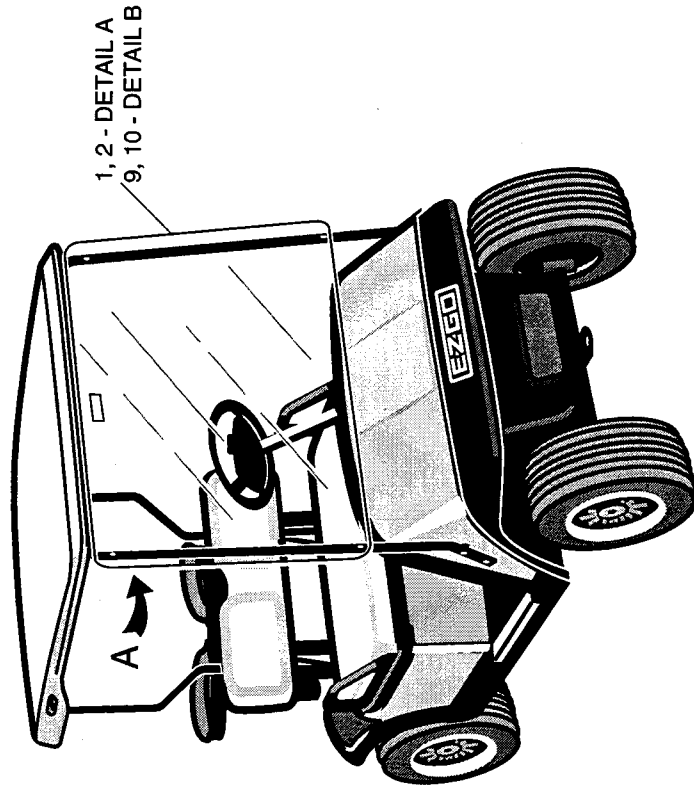
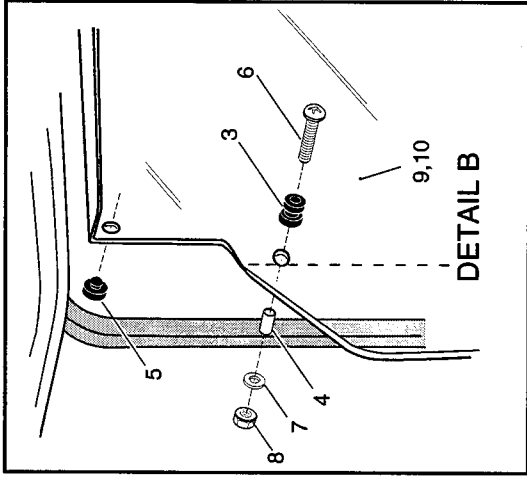
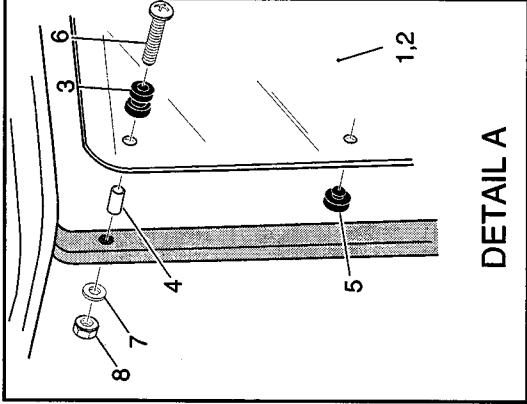
REV -

NOTE: TO ORDER THIS ENTIRE FIELD KIT, REQUEST PART NO. 75041-G0*

* CONTACT SERVICE PARTS FOR AVAILABILITY.

READ ALL INSTRUCTIONS BEFORE PROCEEDING.

1. INSERT THE RUBBER GROMMETS, ITEM 3 INTO THE TOP AND BOTTOM HOLES ON BOTH SIDES OF THE WINDSHIELD, ITEMS 1, 2, 9, OR 10.
2. INSERT THE SPACERS, ITEM 4 INTO THE RUBBER GROMMETS.
3. INSERT THE PLUG BUMPERS, ITEM 5 INTO THE CENTER HOLES OF THE WINDSHIELD, ITEMS 1, 2 OR THE TOP OF WINDSHIELD, ITEMS 9 OR 10.
4. PLACE THE WINDSHIELD AGAINST THE FRONT STRUT WITH THE SMALL TAPERED END AT THE TOP.
5. INSERT THE BOLTS, ITEM 6 THRU WINDSHIELD AND THE FRONT STRUT AND SECURE WITH WASHERS, ITEM 7 AND LOCK NUTS, ITEM 8.



ITEM	QTY	PART NO.	DESCRIPTION
1	1	75021-G01	WINDSHIELD, CLEAR, 2 BEND
2	1	75021-G02	WINDSHIELD, TINTED, 2 BEND
3	4	72147-G01	GROMMET, RUBBER
4	4	23726-G7	SPACER
5	2	75124-G01	BUMPER, PLUG
6	4	16705-G6	SCREW, 1/4-20 X 1 3/4 LG.
7	4	00660-G7	WASHER, 1/4"
8	4	00891-G2	NUT, LOCK, 1/4-20
9	1	75203-G01	WINDSHIELD, CLEAR, 4 BEND
10	1	75203-G02	WINDSHIELD, TINTED, 4 BEND

THE SYMBOL REFERS TO A NOTE CORRESPONDING TO THE LETTER ENCLOSED WITHIN IT. SEE FOLLOWING PAGE(S) FOR NOTES AND PARTS LISTS. RETAIN THIS DOCUMENT TO FACILITATE THE ORDERING OF REPLACEMENT PARTS.

TITLE WINDSHIELD INSTALLATION



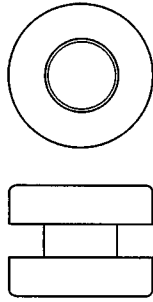
DRN BY L.WEBB 12/17/93
 REV BY J.BRAND 05/31/95
 REV DATE

DRAWING NO. 75043
 A

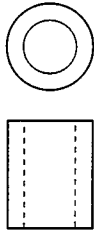
REV C

PG. 1 OF 2

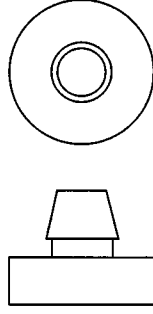
NOTE: ALL HARDWARE SHOWN ACTUAL SIZE



ITEM 3
RUBBER GROMMET
QTY. 4



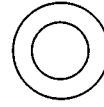
ITEM 4
SPACER
QTY. 4



ITEM 5
PLUG BUMPER
QTY. 2



ITEM 6
1/4-20 X 1 3/4" SCREW
QTY. 4



ITEM 7
1/4" WASHER
QTY. 4



ITEM 8
1/4-20 NUT, LOCK
QTY. 4



THE SYMBOL ◁ REFERS TO A NOTE CORRESPONDING TO THE LETTER ENCLOSED WITHIN IT. SEE FOLLOWING PAGE(S) FOR NOTES AND PARTS LISTS. RETAIN THIS DOCUMENT TO FACILITATE THE ORDERING OF REPLACEMENT PARTS.

TITLE **WINDSHIELD INSTALLATION**

REV C



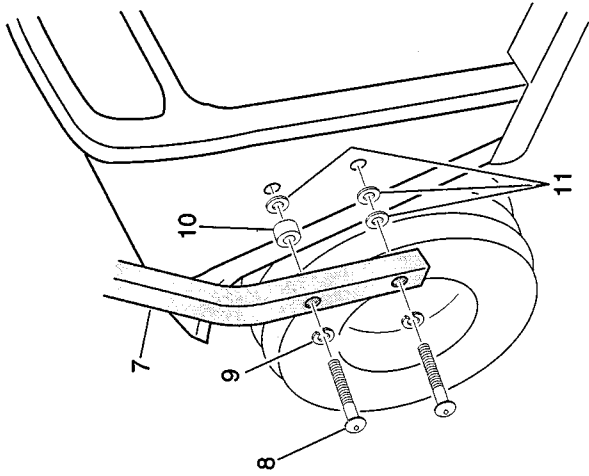
DRN BY L. WEBB
ORIG DATE 12/17/83

REV BY J. BRAND
REV DATE 05/31/95

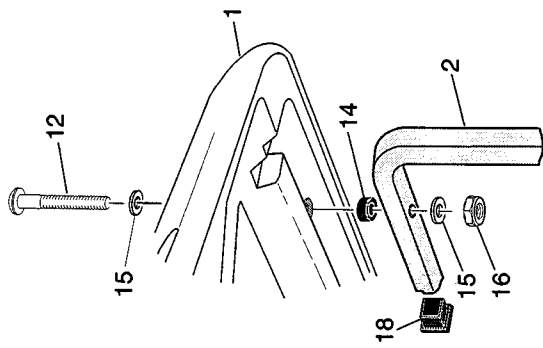
DRAWING NO. 75043
A

PG. 2 OF 2

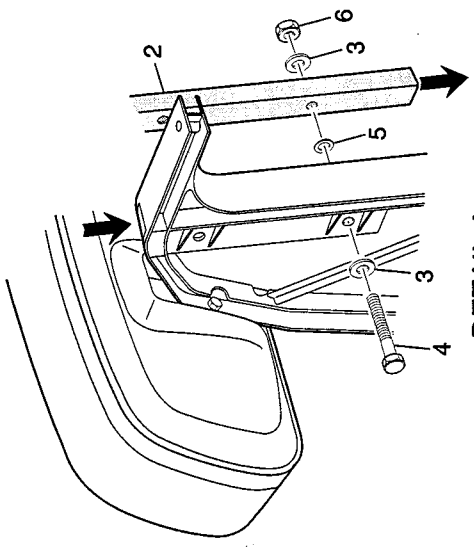
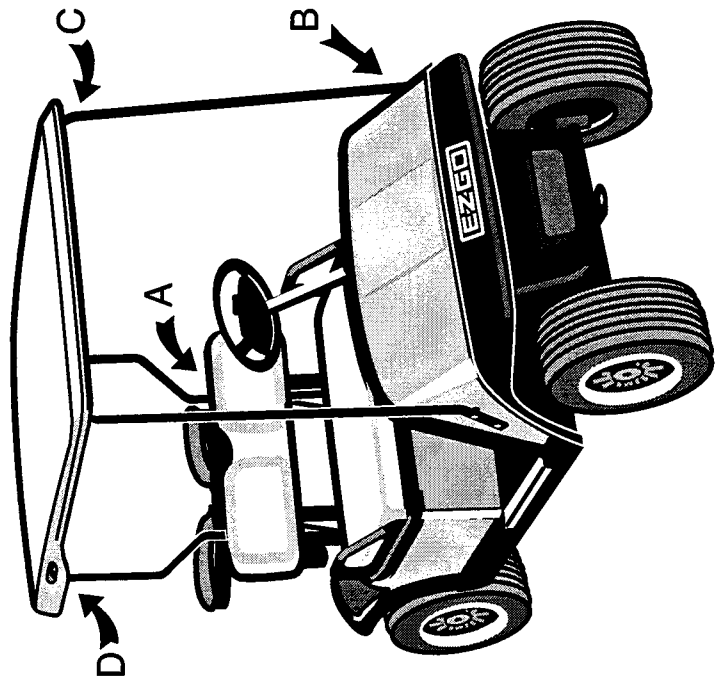
E-Z-GO DIVISION OF TEXTRON, INC., P.O. BOX 388, AUGUSTA, GA. 30913-2699, 1-800-241-5855



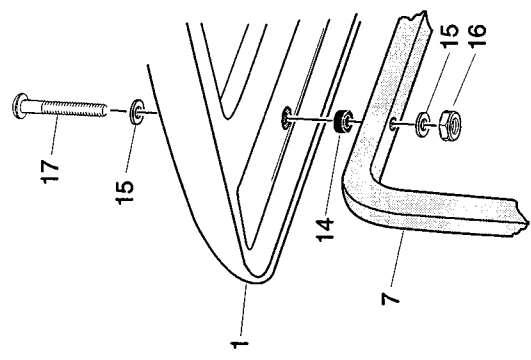
DETAIL B



DETAIL D
(REAR)



DETAIL A



DETAIL C
(FRONT)

THE SYMBOL ◁ REFERS TO A NOTE CORRESPONDING TO THE LETTER ENCLOSED WITHIN IT. SEE FOLLOWING PAGE(S) FOR NOTES AND PARTS LISTS. RETAIN THIS DOCUMENT TO FACILITATE THE ORDERING OF REPLACEMENT PARTS.

TITLE **SUN TOP INSTALLATION**



DRN BY L WEBB
ORIG DATE 12/20/83

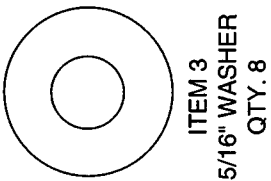
REV BY J.Brand
REV DATE 05/25/95

DRAWING NO. 75055
A

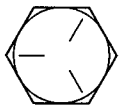
REV D

PG. 1 OF 3

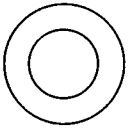
E-Z-GO DIVISION OF TEXTRON, INC., P.O. BOX 388, AUGUSTA, GA. 30913-2699, 1-800-241-5855



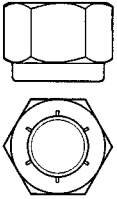
ITEM 3
5/16" WASHER
QTY. 8



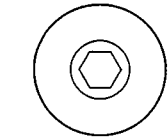
ITEM 4
5/16-18 X 1 3/4" BOLT
QTY. 4



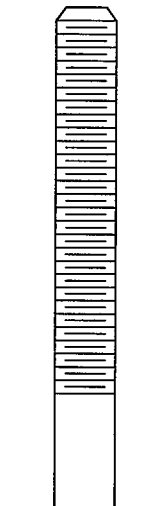
ITEM 5
5/16" TEFLON WASHER
QTY. 4



ITEM 6
5/16-18 LOCK NUT
QTY. 4



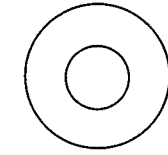
ITEM 8
5/16-18 X 2 5/8" BOLT
QTY. 4



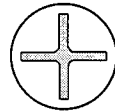
ITEM 9
5/16" LOCK WASHER
QTY. 4



ITEM 10
SPACER
QTY. 2



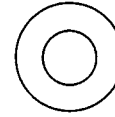
ITEM 11
5/16" WASHER
QTY. 6



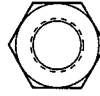
ITEM 12
1/4-20 X 2 1/4" BOLT
QTY. 2



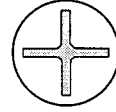
ITEM 14
PLASTIC SPACER
QTY. 4



ITEM 15
1/4" WASHER
QTY. 8



ITEM 16
1/4-20 LOCK NUT
QTY. 4



ITEM 17
1/4-20 X 2" BOLT
QTY. 2

NOTE: ALL HARDWARE SHOWN ACTUAL SIZE

THE SYMBOL REFERS TO A NOTE CORRESPONDING TO THE LETTER ENCLOSED WITHIN IT. SEE FOLLOWING PAGE(S) FOR NOTES AND PARTS LISTS. RETAIN THIS DOCUMENT TO FACILITATE THE ORDERING OF REPLACEMENT PARTS.

TITLE **SUN TOP INSTALLATION**



DRN BY L WEBB 12/20/93
REV BY J. Brand 05/25/95

DRAWING NO. 75055

REV D PG. 2 OF 3

NOTE: TO ORDER THIS ENTIRE FIELD KIT, REQUEST 75040-G01

READ ALL INSTRUCTIONS BEFORE PROCEEDING.

A. REAR STRUTS

1. REMOVE CENTER BASKET AND OTHER ACCESSORIES THAT MAY LIMIT ACCESS REQUIRED FOR INSTALLING REAR STRUTS.
2. PLACE REAR STRUT, ITEM 2 THRU THE SQUARE HOLE IN THE TOP OF THE SEAT BACK SUPPORT.
3. ALIGN THE HOLES IN THE REAR STRUT WITH THE HOLES IN THE SEAT BACK SUPPORT BRACKET. PUSH THE STRUT TOWARD THE CENTER OF THE CAR TO GIVE CLEARANCE BETWEEN THE STRUT AND THE SEAT BACK SUPPORT.
4. PLACE WASHER, ITEM 3 ONTO BOLT, ITEM 4 AND INSERT BOLT JUST THRU SEAT BACK SUPPORT (2 - 3 THREADS). PLACE THE SMALL WHITE TEFLON WASHER, ITEM 5 ONTO THE BOLT BETWEEN THE STRUT AND SEAT BACK SUPPORT TO PREVENT SQUEAKING.
5. INSERT THE BOLT WITH THE TWO WASHERS IN PLACE THRU THE REAR STRUT. SECURE HARDWARE WITH WASHER, ITEM 3 AND LOCK NUT, ITEM 6. **DO NOT TIGHTEN HARDWARE.**
6. REPEAT STEPS 4 AND 5 FOR THE OTHER HOLE.
7. REPEAT PROCEDURE AT THE OTHER SIDE OF VEHICLE.
8. INSERT TUBE CAPS, ITEM 18 INTO THE TOP OF THE REAR STRUTS.

B. FRONT STRUT

1. REMOVE AND DISCARD THE FOUR ALLEN HEAD BOLTS FROM THE FRONT COWL USING A 7/32" ALLEN WRENCH.
2. AT THE TOP HOLE, INSTALL THE FRONT STRUT, ITEM 7 WITH BOLT, ITEM 8 AND BLACK LOCK WASHER, ITEM 9, ON THE OUTSIDE OF STRUT, AND A SPACER, ITEM 10 AND A WASHER, ITEM 11 BETWEEN THE FRONT COWL AND STRUT. **DO NOT TIGHTEN HARDWARE.**
3. AT THE BOTTOM HOLE, SECURE THE FRONT STRUT, ITEM 7 WITH BOLT, ITEM 8 AND BLACK LOCK WASHER, ITEM 9, ON THE OUTSIDE OF STRUT, AND TWO BLACK WASHERS, ITEM 11 BETWEEN THE FRONT COWL AND STRUT. **DO NOT TIGHTEN HARDWARE.**

C. SUN TOP

1. PLACE SUN TOP, ITEM 1 ONTO STRUTS
2. SECURE SUN TOP LOOSELY WITH BOLTS, ITEM 17 AT FRONT AND ITEM 12 AT REAR, PLASTIC SPACER, ITEM 14, WASHER, ITEM 15, AND LOCK NUT, ITEM 16. SEE ILLUSTRATIONS FOR INSTALLATION SEQUENCE.
3. TIGHTEN ALL SUN TOP HARDWARE TO 3 - 5 FT. LBS. TORQUE.
4. TIGHTEN ALL REAR STRUT HARDWARE TO 13 - 15 FT. LBS. TORQUE.
5. TIGHTEN ALL FRONT STRUT HARDWARE TO 17 - 19 FT. LBS. TORQUE.

ITEM	QTY	PART NO.	DESCRIPTION
1	1	27069-G01	TOP, SUN
2	2	75046-G01	STRUT, REAR
3	8	00571-G2	WASHER, 5/16"
4	4	00439-G6	BOLT, 5/16-18 X 1 3/4"
5	4	17255-G1	WASHER, TEFLON, 5/16"
6	4	11098-G6	NUT, LOCK, 5/16-18
7	1	75045-G01	STRUT, FRONT
8	4	71056-G02	BOLT, 5/16-18 X 2 5/8"
9	4	00905-G8	WASHER, LOCK, 5/16"
10	2	75048-G01	SPACER
11	6	00570-G2	WASHER, 5/16"
12	2	00753-G6	BOLT, STAINLESS STEEL, 1/4-20 X2 1/4"
13			
14	4	75051-G01	SPACER, PLASTIC
15	8	00559-G7	WASHER, 1/4"
16	4	00891-G2	NUT, LOCK, 1/4-20
17	2	00753-G5	BOLT, STAINLESS STEEL, 1/4-20 X 2"
18	2	19853-G1	CAP, TUBE, 1"

THE SYMBOL ◁ REFERS TO A NOTE CORRESPONDING TO THE LETTER ENCLOSED WITHIN IT. SEE FOLLOWING PAGE(S) FOR NOTES AND PARTS LISTS. RETAIN THIS DOCUMENT TO FACILITATE THE ORDERING OF REPLACEMENT PARTS.

TITLE SUN TOP INSTALLATION

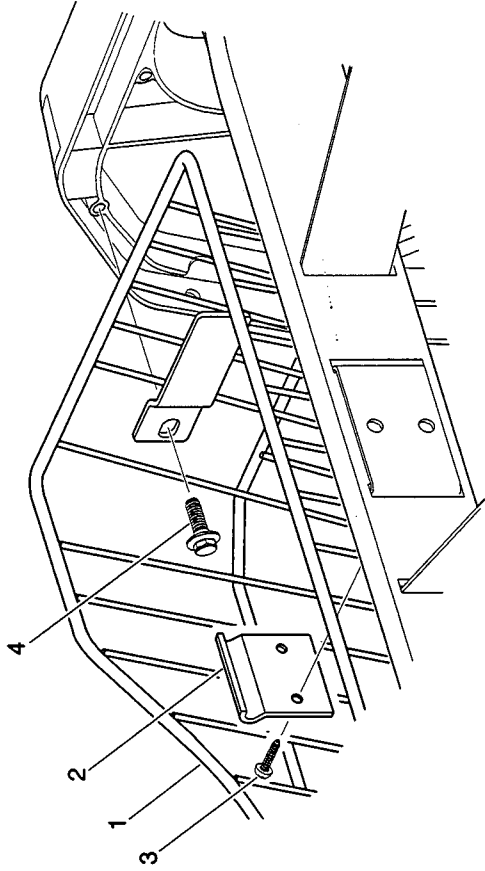
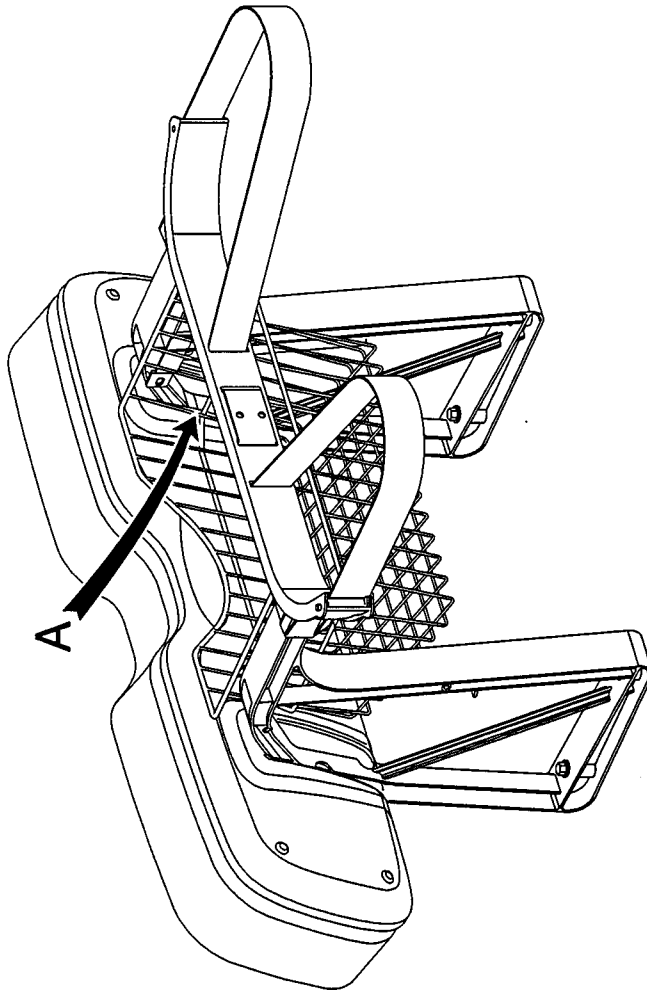


DRN BY	L WEBB	REV BY	J. Brand
ORIG DATE	12/20/93	REV DATE	05/25/95
		DRAWING NO.	75055
		A	
			REV D
			PG. 3 OF 3

NOTE: TO ORDER THIS ENTIRE FIELD KIT, REQUEST PART NO. 75003-G02

READ ALL INSTRUCTIONS BEFORE PROCEEDING.

1. PLACE THE CENTER BASKET, ITEM 1 JUST BEHIND THE BAG RACK AS SHOWN IN ILLUSTRATION BELOW.
2. ALIGN THE GROOVE IN THE BASKET BRACKET, ITEM 2 WITH THE TOP EDGE OF THE CENTER BASKET. (SEE DETAIL A.)
3. INSTALL THE THREAD FORMING SCREWS, ITEM 4 INTO THE BASKET BRACKET AND TIGHTEN TO 15 - 20 IN. LBS. TORQUE.
4. SECURE THE CENTER BASKET TO THE SEAT BACK SUPPORTS WITH PLASTITE SCREWS, ITEM 3 AT EACH SIDE AS SHOWN. TIGHTEN TO 60 - 85 IN. LBS. TORQUE.



DETAIL A

ITEM	QTY	PART NO.	DESCRIPTION
1	1	75001-G01	BASKET, CENTER
2	1	75002-G01	BRACKET, BASKET
3	2	71002-G01	SCREW, #8 X 3/8 LG. PLASTITE
4	2	71102-G02	SCREW, 1/4-20 X 1/2 LG.

TITLE CENTER BASKET INSTALLATION

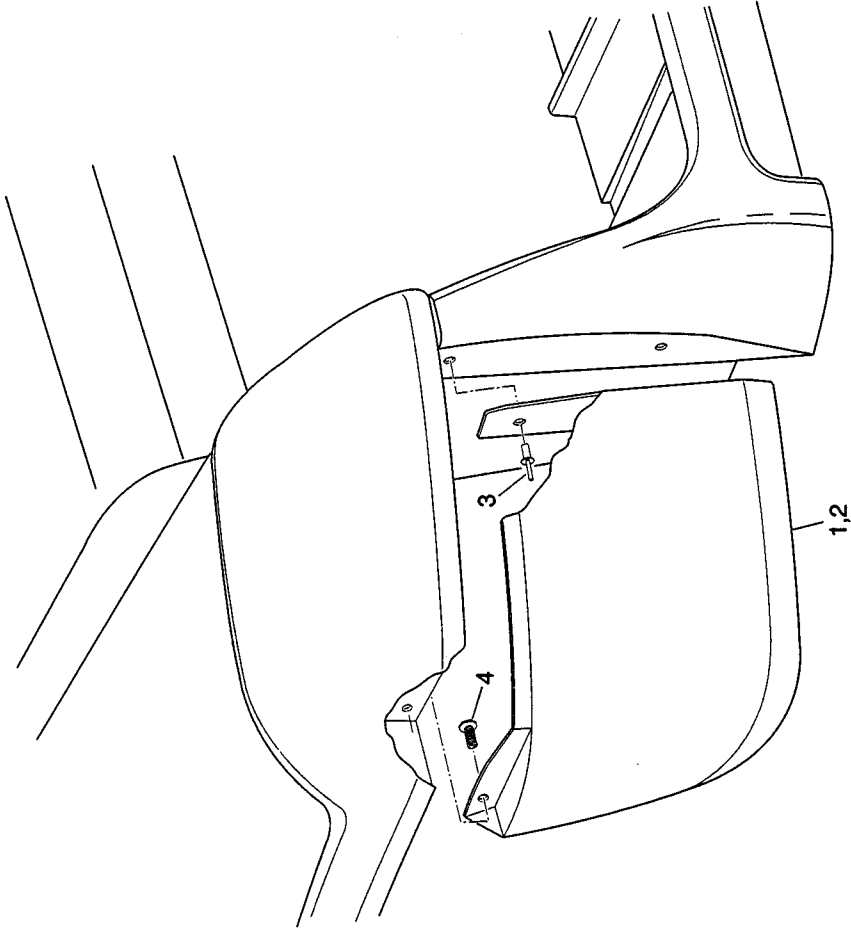
DRN BY	L WEBB	REV BY	L WEBB	DRAWING	REV A
ORIG DATE	01/03/84	REV DATE	01/24/84	NO. 75025	PG. 1 OF 1

THE SYMBOL ◁ REFERS TO A NOTE CORRESPONDING TO THE LETTER ENCLOSED WITHIN IT. SEE FOLLOWING PAGE(S) FOR NOTES AND PARTS LISTS. RETAIN THIS DOCUMENT TO FACILITATE THE ORDERING OF REPLACEMENT PARTS.

NOTE: TO ORDER THIS ENTIRE FIELD KIT, REQUEST PART NO. 75013-G02

READ ALL INSTRUCTIONS BEFORE PROCEEDING.

1. REMOVE THE RIVETS ON THE SIDE OF THE BAGWELL.
2. ALIGN THE MUD FLAP, ITEMS 1 AND 2 WITH THE HOLE IN THE RIB OF THE FENDER CAP AS SHOWN AND INSERT RATCHET TYPE FASTENER, ITEM 4.
3. SECURE THE MUD FLAP TO THE BAGWELL WITH NEW RIVETS, ITEM 3.



ITEM	QTY	PART NO.	DESCRIPTION
1	1	75010-G01	MUD FLAP, L.H.
2	1	75010-G02	MUD FLAP, R.H.
3	4	71055-G01	RIVET, 3/16
4	2	16816-G2	FASTENER, RATCHET TYPE

TITLE MUD FLAP INSTALLATION

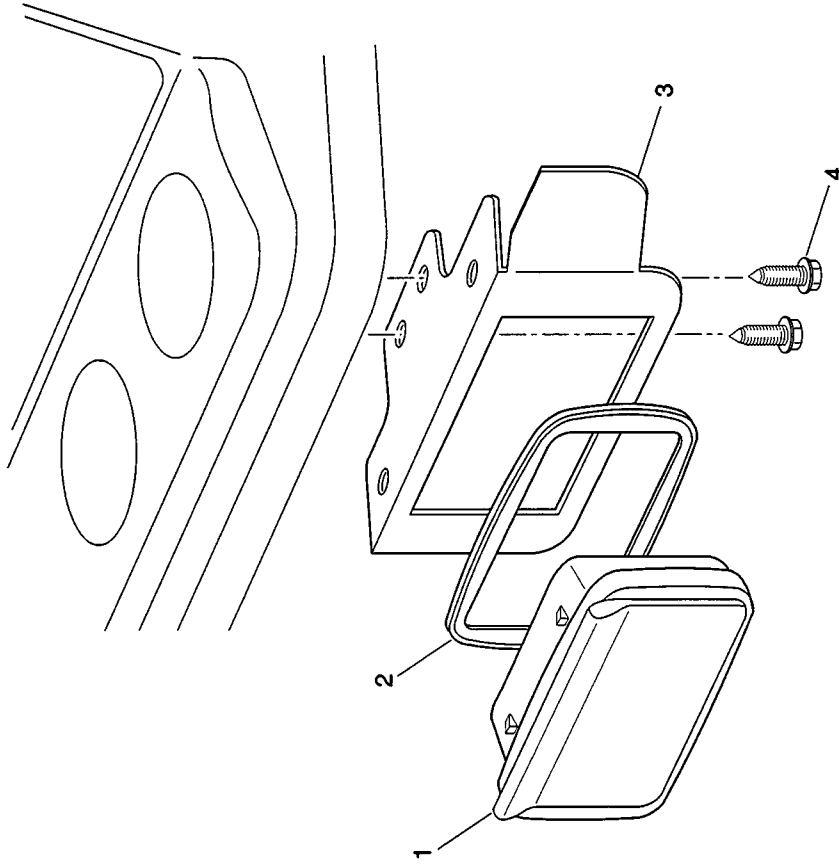
DRN BY	L WEBB	REV BY	REV -
ORIG DATE	01/24/84	REV DATE	
E-Z-GO		A	DRAWING NO. 75014
			PG. 1 OF 1

THE SYMBOL REFERS TO A NOTE CORRESPONDING TO THE LETTER ENCLOSED WITHIN IT. SEE FOLLOWING PAGE(S) FOR NOTES AND PARTS LISTS. RETAIN THIS DOCUMENT TO FACILITATE THE ORDERING OF REPLACEMENT PARTS.

NOTE: TO ORDER THIS ENTIRE FIELD KIT, REQUEST PART NO. 75109-G02

READ ALL INSTRUCTIONS BEFORE PROCEEDING.

1. INSERT THE ASH TRAY, ITEM 1 INTO THE GASKET, ITEM 2 UNTIL THE GASKET HOOKS OVER THE FLANGES ON THE TOP AND BOTTOM OF THE ASH TRAY.
2. USING BRACKET, ITEM 3 AS A TEMPLATE, INSERT THE (4) SELF DRILLING SCREWS, ITEM 4. LOCATE BRACKET APPROXIMATELY AS SHOWN IN ILLUSTRATION.
3. SNAP THE ASH TRAY INTO THE BRACKET.



ITEM	QTY	PART NO.	DESCRIPTION
1	1	27731-G01	ASH TRAY
2	1	27736-G01	GASKET, ASH TRAY
3	1	75108-G01	BRACKET, ASH TRAY
4	4	00100-G4	SCREW, 10-16 X 1/2" LG.

TITLE ASH TRAY INSTALLATION

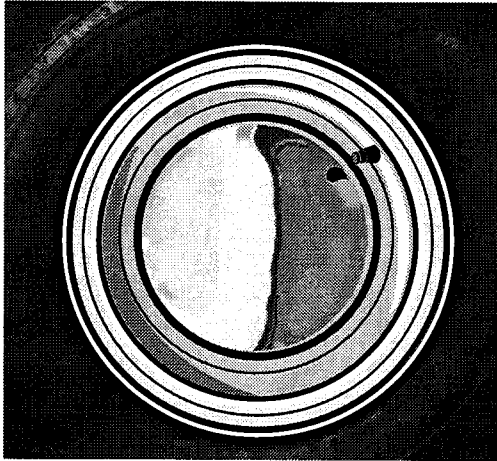
THE SYMBOL  REFERS TO A NOTE CORRESPONDING TO THE LETTER ENCLOSED WITHIN IT. SEE FOLLOWING PAGE(S) FOR NOTES AND PARTS LISTS. RETAIN THIS DOCUMENT TO FACILITATE THE ORDERING OF REPLACEMENT PARTS.



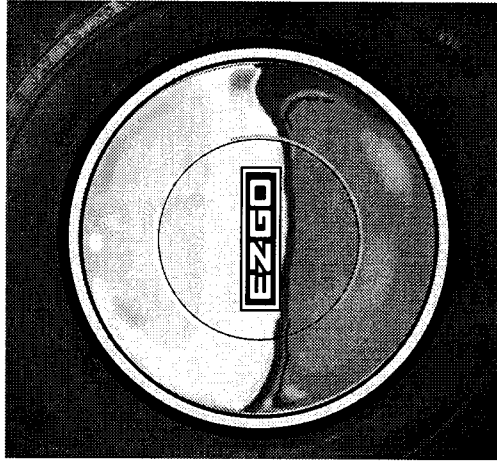
DRN BY L.WEBB
ORIG DATE 01/21/84
REV BY
REV DATE

DRAWING
NO. 75110
A

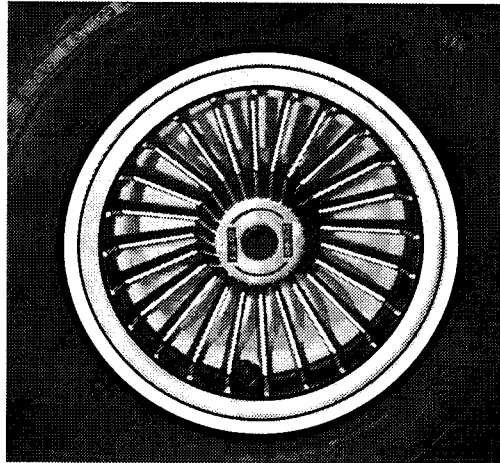
REV -
PG. 1 OF 1



6" CHROME HUBCAP



8" CHROME HUBCAP



GOLD / SILVER SPOKE HUBCAP

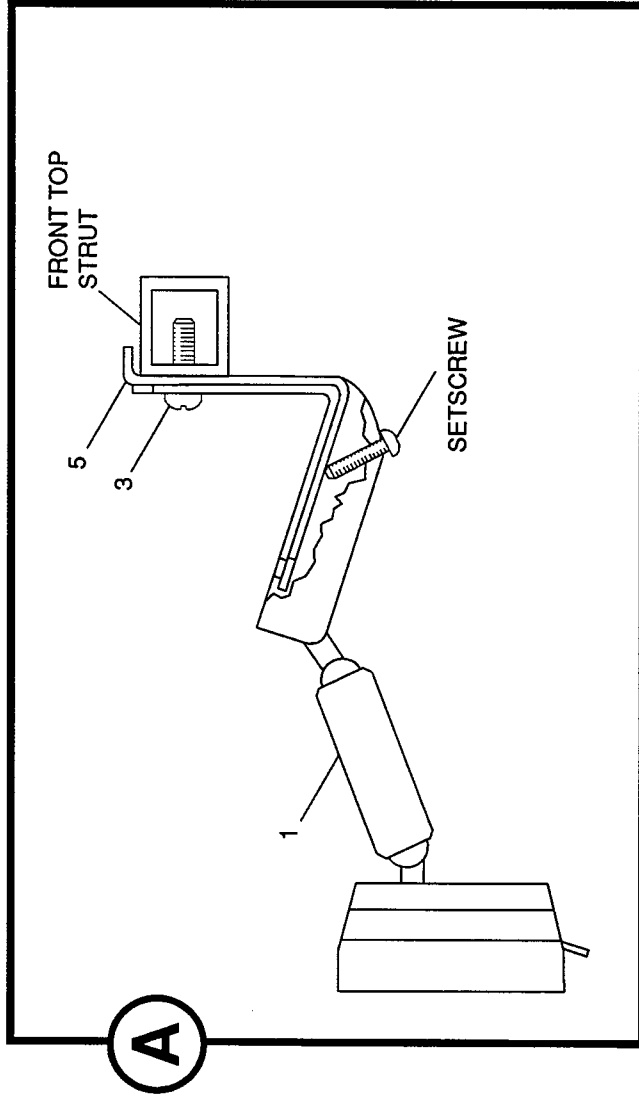
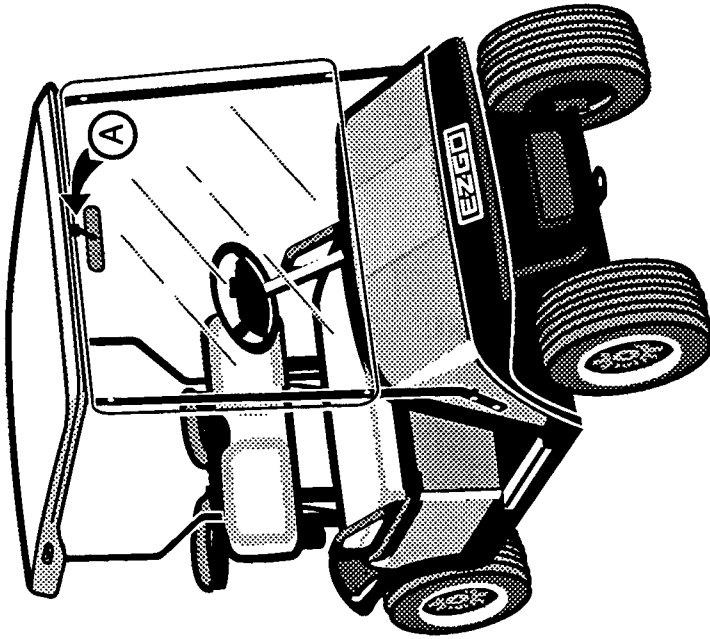
ITEM	QTY	PART NO.	DESCRIPTION
1	1	14913-G1	8" CHROME HUBCAP
2	4	14913-G2	8" CHROME HUBCAP SET
3	1	16042-G1	6" CHROME HUBCAP
4	4	16042-G2	6" CHROME HUBCAP SET
5	1	19241-G2	GOLD SPOKE HUBCAP
6	4	19241-G4	GOLD SPOKE HUBCAP SET
7	1	19241-G1	SILVER SPOKE HUBCAP
8	4	19241-G3	SILVER SPOKE HUBCAP SET

THE SYMBOL ◁ REFERS TO A NOTE CORRESPONDING TO THE LETTER ENCLOSED WITHIN IT. SEE FOLLOWING PAGE(S) FOR NOTES AND PARTS LISTS. RETAIN THIS DOCUMENT TO FACILITATE THE ORDERING OF REPLACEMENT PARTS.

TITLE WHEEL COVER INSTALLATION

		DRN BY ORIG DATE	CGT 02/07/95	REV BY REV DATE	DRAWING NO. 28244	A	PG. 1 OF 1
--	--	---------------------	-----------------	--------------------	----------------------	---	------------

REV -



THE SYMBOL ◁ REFERS TO A NOTE CORRESPONDING TO THE LETTER ENCLOSED WITHIN IT. SEE FOLLOWING PAGE(S) FOR NOTES AND PARTS LISTS. RETAIN THIS DOCUMENT TO FACILITATE THE ORDERING OF REPLACEMENT PARTS.

TITLE **MEDALIST REAR VIEW MIRROR INSTALLATION INSTRUCTIONS** REV -



DRN BY CGT
ORIG DATE 05/16/04

REV BY
REV DATE

A

DRAWING NO. 75162

PG. 1 OF 2


E-Z-GO DIVISION OF TEXTRON, INC., P.O. BOX 388, AUGUSTA, GA. 30903-0388, 1-800-241-5855

NOTE: TO ORDER THIS ENTIRE FIELD KIT, REQUEST PART NO. 19528-G2

READ ALL INSTRUCTIONS BEFORE PROCEEDING.

1. DISCARD PLASTIC MOUNTING BRACKETS AND ADHESIVE SUPPLIED WITH KIT. THESE ITEMS ARE USED IN OTHER APPLICATIONS.
2. REMOVE THE FRONT TOP HARDWARE FROM THE FRONT TOP STRUT. IT IS NOT NECESSARY TO REMOVE TOP.
3. LOCATE AND DRILL A .147 DIA. HOLE (#26 DRILL) THROUGH CENTER OF FRONT TOP STRUT (INSIDE SURFACE ONLY). SEE DETAIL A.
4. USING SCREW, ITEM 3 FASTEN SUPPORT BRACKET, ITEM 5 TO FRONT TOP STRUT AS SHOWN IN DETAIL A.
5. LOOSEN SETSCREW SUPPLIED WITH MIRROR.
6. SLIDE MIRROR, ITEM 1 ONTO BRACKET AND TIGHTEN SETSCREW. *DO NOT* OVERTIGHTEN. DAMAGE TO MIRROR WILL OCCUR.
7. REINSTALL THE TOP ONTO THE FRONT TOP STRUT. TIGHTEN HARDWARE TO 3 - 5 FT. LBS. TORQUE.

ITEM	QTY	PART NO.	DESCRIPTION
1	1	19496-G1	MIRROR, REAR VIEW
2	1	19527-G1	SCREW, STAINLESS STEEL, SELF TAPPING, #8 - 32 x 5/8 LG.
3	1	19502-G2	BRACKET, SUPPORT
4			
5			

THE SYMBOL  REFERS TO A NOTE CORRESPONDING TO THE LETTER ENCLOSED WITHIN IT. SEE FOLLOWING PAGE(S) FOR NOTES AND PARTS LISTS. RETAIN THIS DOCUMENT TO FACILITATE THE ORDERING OF REPLACEMENT PARTS.

TITLE **MEDALIST REAR VIEW MIRROR INSTALLATION INSTRUCTIONS** REV -

E-Z-GO  **TEXTRON**

DRN BY
ORIG DATE

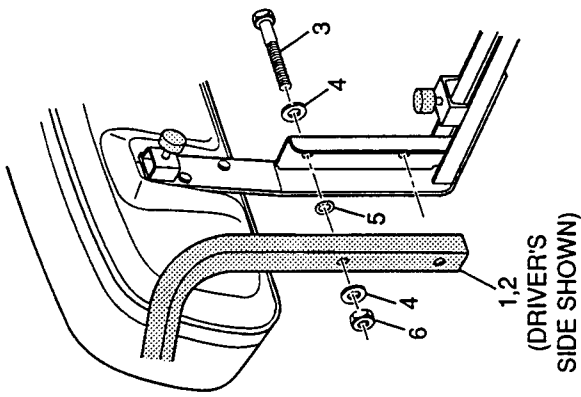
REV BY
REV DATE

A

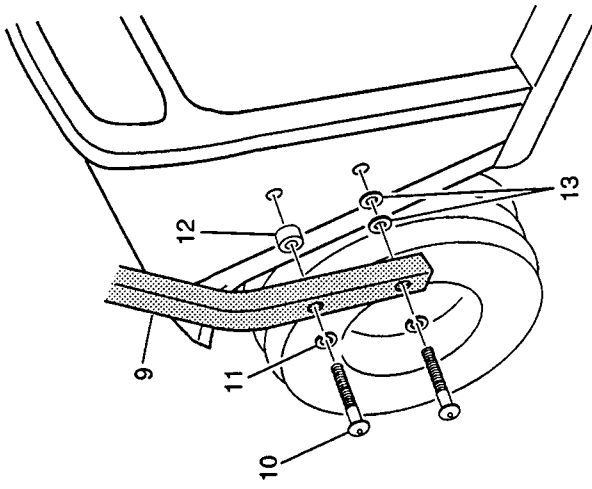
DRAWING
NO. 75162

PG. 2 OF 2

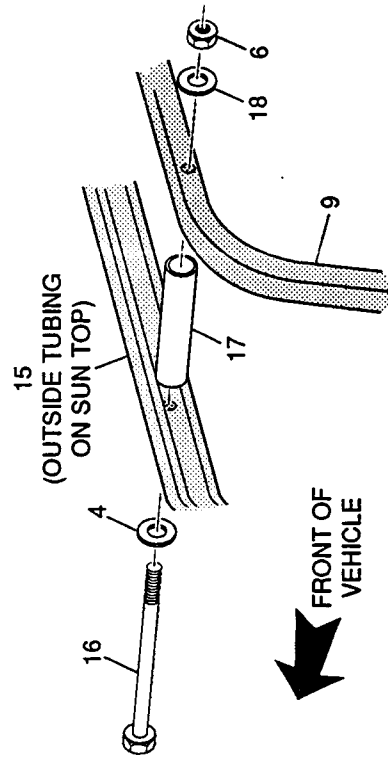
E-Z-GO DIVISION OF TEXTRON, INC., P.O. BOX 388, AUGUSTA, GA. 30903-0388, 1-800-241-5855



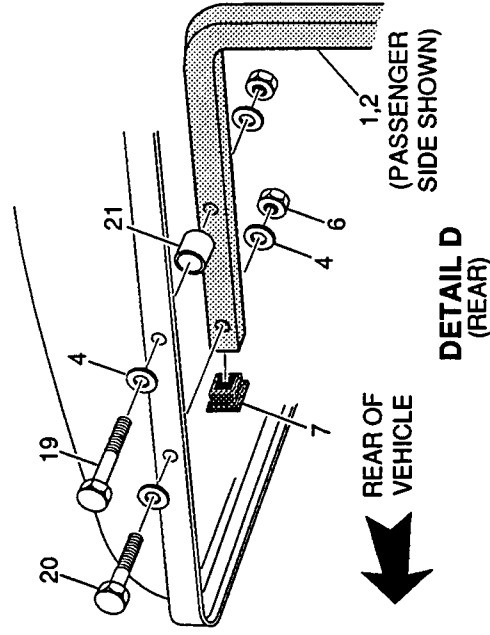
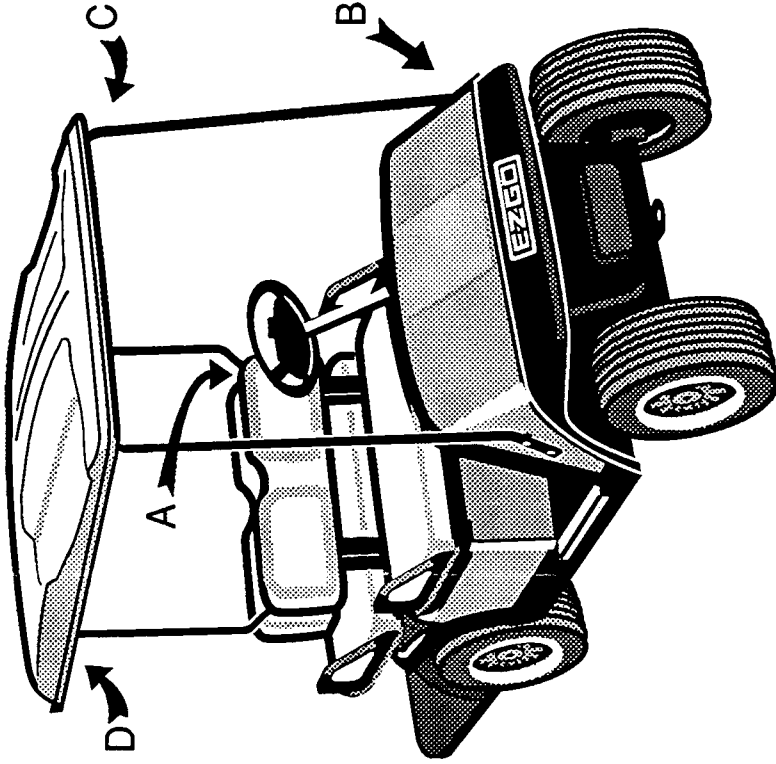
DETAIL A
(DRIVER'S
SIDE SHOWN)




DETAIL B



DETAIL C
(FRONT)



DETAIL D
(REAR)

THE SYMBOL  REFERS TO A NOTE CORRESPONDING TO THE LETTER ENCLOSED WITHIN IT. SEE FOLLOWING PAGE(S) FOR NOTES AND PARTS LISTS. RETAIN THIS DOCUMENT TO FACILITATE THE ORDERING OF REPLACEMENT PARTS.

TITLE **4-CADDY CONVERSION TOP INSTALLATION**

REV A

E-Z-GO 

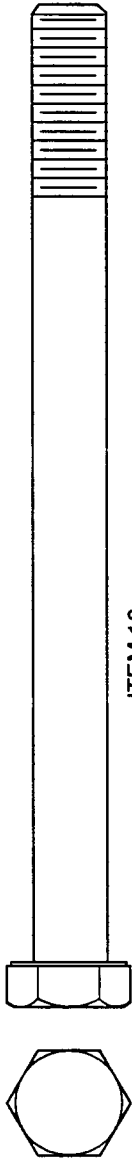
DRN BY L WEBB
ORIG DATE 07/15/94

DRAWING
NO. 75158

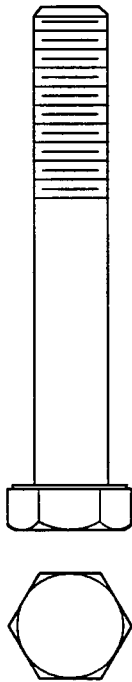
PG. 1 OF 3

E-Z-GO DIVISION OF TEXTRON, INC., P. O. BOX 388, AUGUSTA, GA. 30913-2699, 1-800-241-5855

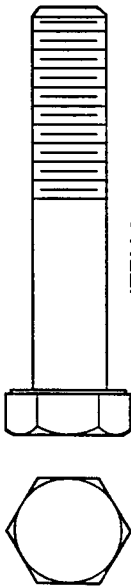
NOTE: ALL HARDWARE SHOWN ACTUAL SIZE



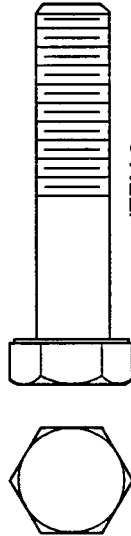
ITEM 16
3/8-16 X 5" BOLT
QTY. 2



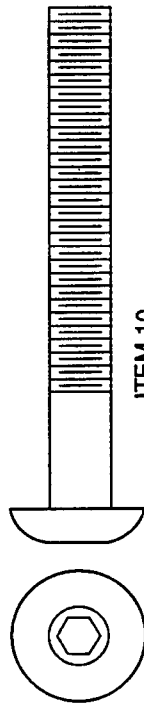
ITEM 19
3/8-16 X 2 1/2" BOLT
QTY. 2



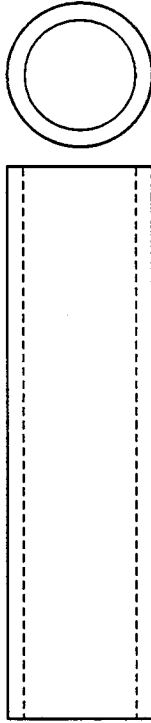
ITEM 20
3/8-16 X 2" BOLT
QTY. 2



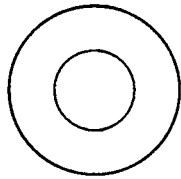
ITEM 3
3/8-16 X 1 3/4" BOLT
QTY. 4



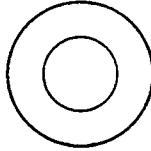
ITEM 10
5/16-18 X 2 5/8" BOLT
QTY. 4



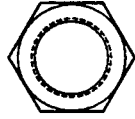
ITEM 17
SPACER
QTY. 2



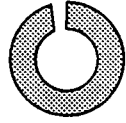
ITEM 4
3/8 WASHER
QTY. 18



ITEM 5
3/8 NYLON WASHER
QTY. 4



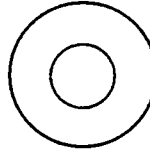
ITEM 6
3/8-16 LOCK NUT
QTY. 4



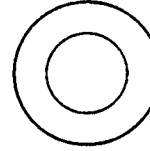
ITEM 11
5/16" BLACK LOCK WASHER
QTY. 4



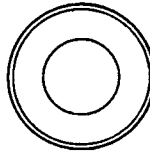
ITEM 12
SPACER
QTY. 2




ITEM 13
3/8" BLACK WASHER
QTY. 4



ITEM 18
WASHER
QTY. 2



ITEM 21
SPACER
QTY. 2

THE SYMBOL  REFERS TO A NOTE CORRESPONDING TO THE LETTER ENCLOSED WITHIN IT. SEE FOLLOWING PAGE(S) FOR NOTES AND PARTS LISTS. RETAIN THIS DOCUMENT TO FACILITATE THE ORDERING OF REPLACEMENT PARTS.

TITLE **4-CADDY CONVERSION TOP INSTALLATION**

REV A

E-Z-GO 

DRN BY L WEBB
ORIG DATE 07/14/94

REV BY
REV DATE

A

DRAWING NO. 75158

PG. 2 OF 3

E-Z-GO DIVISION OF TEXTRON, INC., P.O. BOX 388, AUGUSTA, GA. 30913-2699, 1-800-241-5855

NOTE: TO ORDER THIS ENTIRE FIELD KIT, REQUEST PART NO. 75040-G01

READ ALL INSTRUCTIONS BEFORE PROCEEDING.

A. REAR STRUTS

1. At driver's side, align the holes in the rear strut (item 1) with the holes in the seat back support bracket, being sure that the open end of the strut faces the rear of the vehicle as shown in Details A and D.
2. Insert the bolt (item 3) and washer (item 4) through the seat back support bracket. Place nylon washer (item 5) between the seat back support bracket and rear strut. Secure with washer (item 4) and lock nut (item 6) at outer side of rear strut as shown in Detail A. **DO NOT TIGHTEN HARDWARE.**
3. Repeat procedure with rear strut (item 2) at passenger side of vehicle.
4. Insert end caps (item 7) into the top of the rear struts as shown in Detail D.

B. FRONT STRUTS

1. Remove and discard the four allen head bolts from the front cowl using a 7/32" allen wrench.
2. At the upper hole (both sides of vehicle), install the front strut (item 9) with bolt (item 10) and black lock washer (item 11) on the outside of strut, and a spacer (item 12) between the front cowl and strut. **DO NOT TIGHTEN HARDWARE.** See Detail B.
3. At the lower hole, secure the strut with bolt (item 10) and black lock washer (item 11) on the outside of strut, and two black washers (item 13) between the front cowl and strut. **DO NOT TIGHTEN HARDWARE.** See Detail B.

C. SUN TOP

1. Place sun top (item 1) onto struts.
2. AT FRONT END OF VEHICLE: Secure sun top loosely with bolts (item 16), washers (item 4), spacers (item 17), washers (item 18) and lock nuts (item 6). See Detail C for hardware sequence. **DO NOT TIGHTEN HARDWARE.**
3. AT REAR END OF VEHICLE: At the hole closest to rear of vehicle, insert bolt (item 20) and washer (item 4) and secure with washer (item 4) and lock nut (item 6). See Detail D.
4. Insert bolt (item 19) and washer (item 4) through the other hole. Place spacer (item 21) between sun top and strut. Secure with washer (item 4 and lock nut (item 6). See Detail D.
5. Tighten all hardware to 13 - 15 ft. lbs. torque.

ITEM	QTY	PART NO.	DESCRIPTION
1	1	75074-G01	STRUT, REAR, DRIVER'S SIDE
2	1	75074-G02	STRUT, REAR, PASSENGER SIDE
3	4	00665-G5	BOLT, 3/8-16 X 1 3/4" LG.
4	18	00679-G1	WASHER, 3/8
5	4	00771-G5	WASHER, NYLON, 3/8
6	10	00891-G5	NUT, LOCK, 3/8-16
7	2	19853-G1	CAP, END
8			
9	1	75125-G01	STRUT, FRONT
10	4	71056-G02	BOLT, 5/16-18 X 2 5/8" LG.
11	4	00905-G8	WASHER, LOCK, BLACK, 5/16
12	2	75048-G01	SPACER, 1/2" THICK
13	4	00879-G1	WASHER, BLACK, 3/8
14			
15	1	27604-G01	TOP, SUN
16	2	00674-G8	BOLT, 3/8-16 X 5" LG.
17	2	18716-G1	SPACER
18	2	00653-G1	WASHER, 3/8
19	2	00665-G3	BOLT, 3/8-16 X 2 1/2" LG.
20	2	00665-G6	BOLT, 3/8-16 X 2" LG.
21	2	24647-G1	SPACER, 1/4" THICK

THE SYMBOL  REFERS TO A NOTE CORRESPONDING TO THE LETTER ENCLOSED WITHIN IT. SEE FOLLOWING PAGE(S) FOR NOTES AND PARTS LISTS. RETAIN THIS DOCUMENT TO FACILITATE THE ORDERING OF REPLACEMENT PARTS.

TITLE 4-CADDY CONVERSION TOP INSTALLATION

DRN BY L WEBB 07/14/94

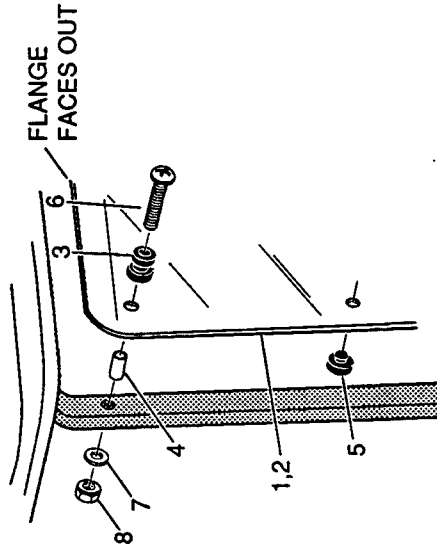
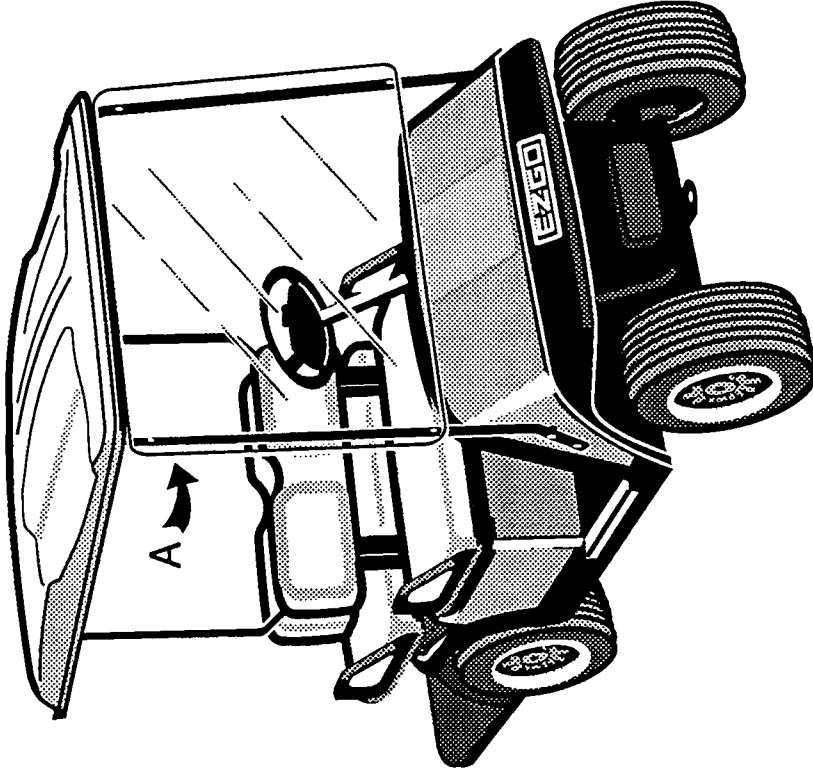

REV BY REV DATE
 A 75158

DRAWING NO. 75158
 PG. 3 OF 3

**NOTE: TO ORDER THIS ENTIRE FIELD KIT, REQUEST PART NO. 75041-G03 (CLEAR)
75041-G04 (TINTED)**

READ ALL INSTRUCTIONS BEFORE PROCEEDING.

1. Insert the rubber grommets (item 3) into the top and bottom holes on both sides of the windshield (item 1 or item 2).
2. Insert the spacers (item 4) into the rubber grommets.
3. From the rear of the windshield, insert the plug bumpers (item 5) into the center holes of the windshield. See Detail A.
4. Place the windshield (item 1 or item 2) against the front strut with the small tapered end at the top.
5. Insert the bolts (item 6) through the windshield and front strut and secure with washers (item 7) and lock nuts (item 8).
6. Tighten enough to ensure that spacer (item 4) does not rattle.



DETAIL A

ITEM	QTY	PART NO.	DESCRIPTION
1	1	75160-G01	WINDSHIELD, CLEAR
2	1	75160-G02	WINDSHIELD, TINTED
3	4	72147-G01	GROMMET, RUBBER
4	4	23726-G7	SPACER
5	2	75124-G01	BUMPER, PLUG
6	4	16705-G6	SCREW, 1/4-20 X 1 3/4 LG.
7	4	00660-G7	WASHER, 1/4"
8	4	00891-G2	NUT, LOCK, 1/4-20

THE SYMBOL ◁ REFERS TO A NOTE CORRESPONDING TO THE LETTER ENCLOSED WITHIN IT. SEE FOLLOWING PAGE(S) FOR NOTES AND PARTS LISTS. RETAIN THIS DOCUMENT TO FACILITATE THE ORDERING OF REPLACEMENT PARTS.

TITLE 4-CADDY CONVERSION WINDSHIELD INSTALLATION

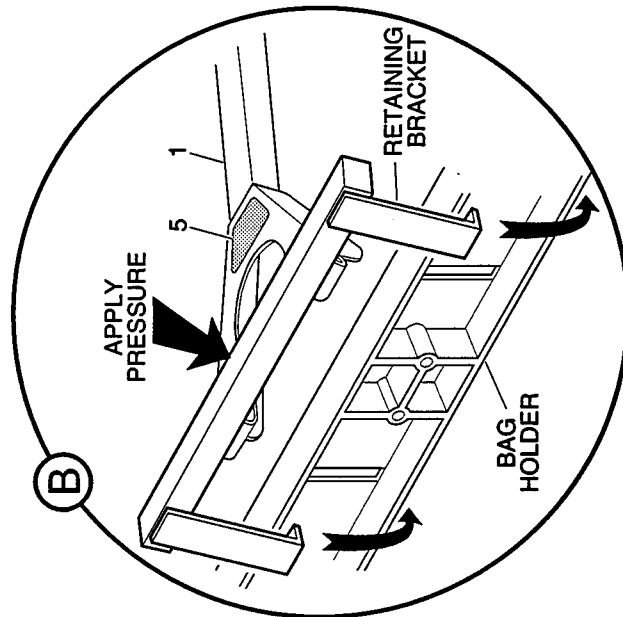
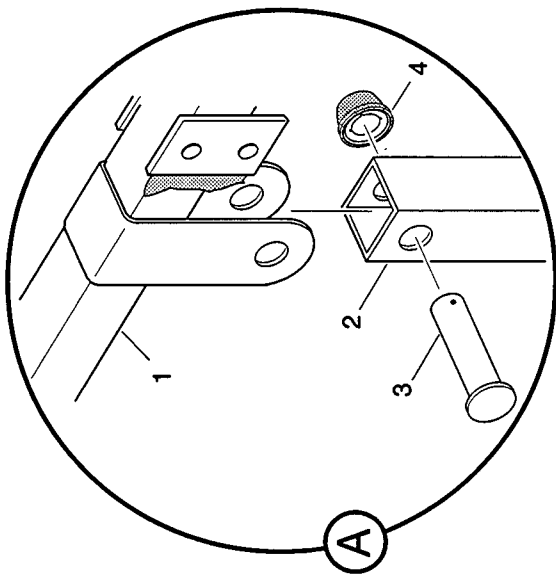
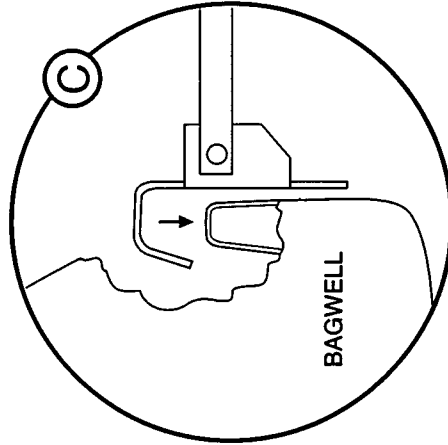
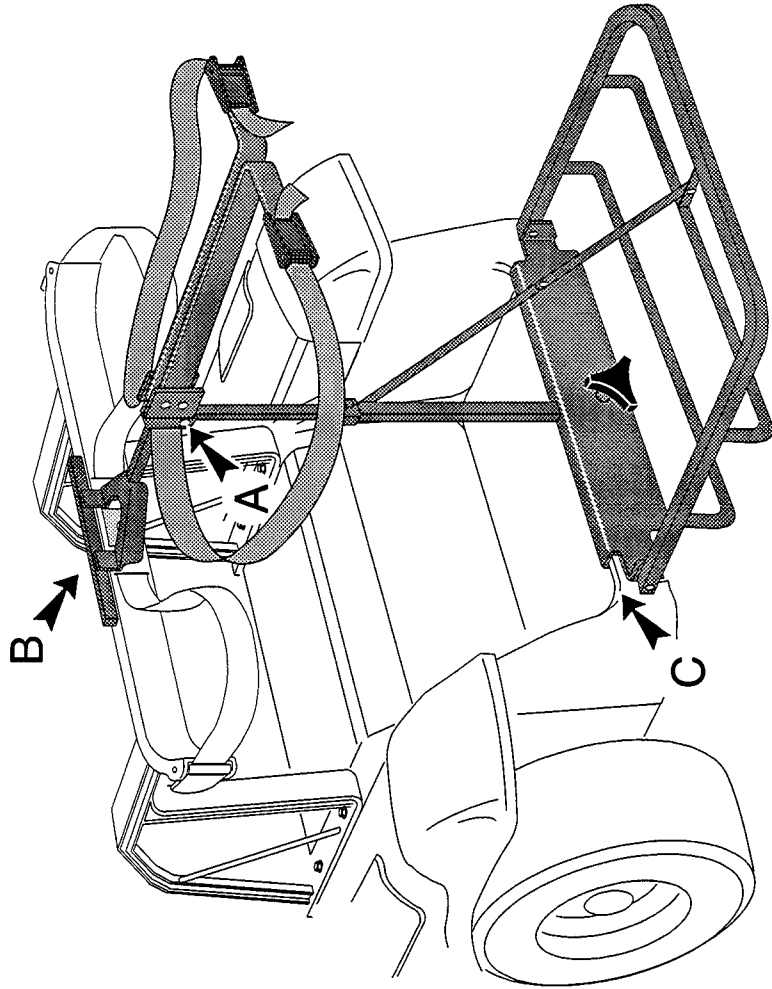
REV A



DRN BY L WEBB
ORIG DATE 07/14/94

REV BY A
REV DATE
DRAWING NO. 75161

PG. 1 OF 1



THE SYMBOL ◁ REFERS TO A NOTE CORRESPONDING TO THE LETTER ENCLOSED WITHIN IT. SEE FOLLOWING PAGE(S) FOR NOTES AND PARTS LISTS. RETAIN THIS DOCUMENT TO FACILITATE THE ORDERING OF REPLACEMENT PARTS.

TITLE **MEDALIST FOUR BAG ATTACHMENT INST'L INSTRUCTIONS**

REV -

E-Z-GO **TEXTRON**

DRN BY L WEBB
ORIG DATE 04/29/94

REV BY A
REV DATE NO. 75129

PG. 1 OF 2

E-Z-GO DIVISION OF TEXTRON, INC., P.O. BOX 388, AUGUSTA, GA. 30903-0388, 1-800-241-5855

NOTE: TO ORDER THIS ENTIRE FIELD KIT, REQUEST PART NO. 75093-G01
READ ALL INSTRUCTIONS BEFORE PROCEEDING.

A. FOUR BAG ATTACHMENT ASSEMBLY

1. Install the top assembly, item 1 to the bottom assembly, item 2 with clevis pin, item 3 and cap nut, item 4. See Detail A.

B. INSTALLING FOUR BAG ATTACHMENT TO VEHICLE

NOTE

It is necessary that the bottom part of the four bag attachment be disengaged from the bumper and at a level below the bumper (approx. 6-8 inches above the ground) before attempting Step 1. Note the approximate angle of the top assembly and retaining brackets shown in Detail B.

1. Place the top retaining brackets over the vehicle bag rack. See Detail B.
2. Press down on the top retaining bracket while slightly raising the bottom part of the four bag attachment engaging the brackets with the underside of the vehicle bag rack. See Detail B.
3. Raise the bottom of the four bag attachment *just enough to clear* the bumper on the bagwell and place on top of bumper as shown in Detail C.

CAUTION

LIFTING UP ON THE BOTTOM OF THE FOUR BAG ATTACHMENT TOO FAR WILL BEND THE RETAINING BRACKETS AT THE TOP, MAKING THE ACCESSORY UNUSABLE.

4. Tighten the bumper clamp by turning clockwise until the bottom is secure.
5. Locate the retainer near the center of the four bag attachment. Slide upward to release the bagwell.

C. REMOVING FOUR BAG ATTACHMENT FROM VEHICLE



1. Fold the bagwell up toward the vertical support and secure with retainer.
2. Loosen the bumper clamp by turning counterclockwise.
3. Lift up on the bottom part of the four bag attachment *just enough to clear* the bumper and pull down and away from vehicle.

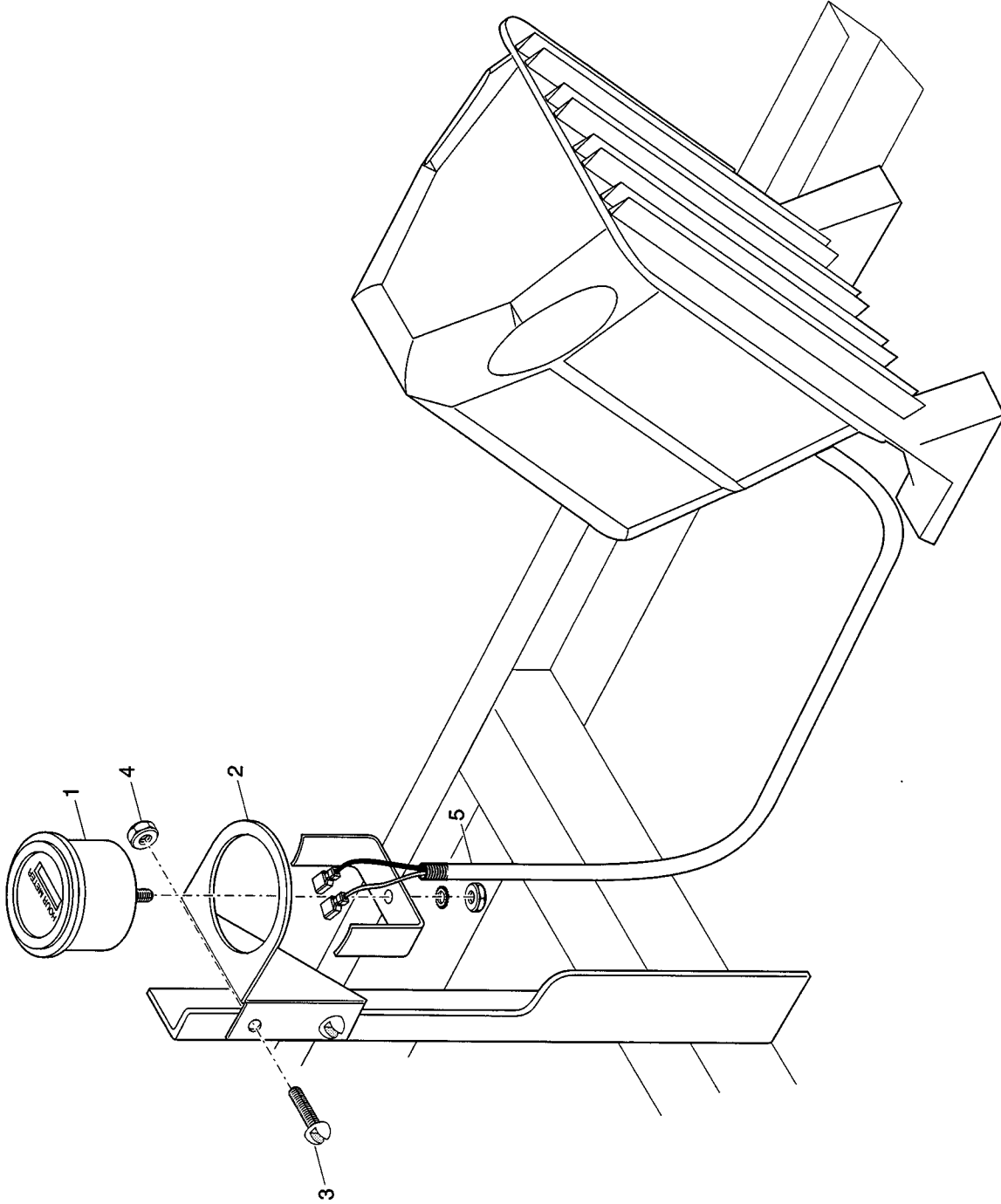
CAUTION

LIFTING UP ON THE BOTTOM OF THE FOUR BAG ATTACHMENT TOO FAR WILL BEND THE RETAINING BRACKETS AT THE TOP, MAKING THE ACCESSORY UNUSABLE.

4. Let the bottom part of the four bag attachment angle downward to disengage the retaining brackets at the top.
5. Lift upward and forward simultaneously to remove accessory from vehicle.

ITEM	QTY	PART NO.	DESCRIPTION
1	1	75121-G01	TOP ASSEMBLY
2	1	75122-G01	BOTTOM ASSEMBLY
3	1	17651-G2	PIN, CLEVIS, 5/16 x 1 1/4
4	1	28129-G01	NUT, CAP, 5/16
5	1	75130-G01	LABEL, WARNING (REPLACEMENT)

THE SYMBOL  REFERS TO A NOTE CORRESPONDING TO THE LETTER ENCLOSED WITHIN IT. SEE FOLLOWING PAGE(S) FOR NOTES AND PARTS LISTS. RETAIN THIS DOCUMENT TO FACILITATE THE ORDERING OF REPLACEMENT PARTS.		TITLE MEDALIST FOUR BAG ATTACHMENT INST'L INSTRUCTIONS		REV -
	DRN BY L WEBB 04/29/94	REV BY A 75129	DRAWING NO. 75129	PG. 2 OF 2
E-Z-GO DIVISION OF TEXTRON, INC., P. O. BOX 388, AUGUSTA, GA. 30903-0388, 1-800-241-5855				



HOUR METER

BLACK

YELLOW

(+)

(-)

SOLENOID

THE SYMBOL ◁ REFERS TO A NOTE CORRESPONDING TO THE LETTER ENCLOSED WITHIN IT. SEE FOLLOWING PAGE(S) FOR NOTES AND PARTS LISTS. RETAIN THIS DOCUMENT TO FACILITATE THE ORDERING OF REPLACEMENT PARTS.

TITLE **HOUR METER INSTALLATION**



DRN BY J. RICE
ORIG DATE 02/21/95

REV BY A
REV DATE 75118

REV -

PG. 1 OF 2

E-Z-GO DIVISION OF TEXTRON, INC., P.O. BOX 388, AUGUSTA, GA. 30903-0388, 1-800-241-5855

NOTE: TO ORDER THIS ENTIRE FIELD KIT, REQUEST PART NO. 75113-G02

READ ALL INSTRUCTIONS BEFORE PROCEEDING.

A. ASSEMBLE HOUR METER

1. Insert Hour Meter (item 1) through Bracket (item 2), positioned as shown.
2. Using hardware supplied with the Hour Meter, secure Hour Meter to Bracket.
3. Attach Harness (item 5) to Hour Meter as shown, Yellow wire to Positive (+) terminal and Black wire to Negative (-) terminal of Hour Meter.

B. ATTACH HOUR METER ASSEMBLY

1. Locate the four (4) predrilled holes in the passenger side seat support.
2. Secure the Hour Meter Assembly to the TOP two (2) holes using Bolts (item 3) and Nuts (item 4) as shown.

C. CONNECT TO ELECTRONIC SPEED CONTROL

1. Locate the cables from the Electronic Speed Control to the batteries. Disconnect both of these cables from the batteries.
2. Remove the four (4) bolts securing the cover on the Electronic Speed Control, and remove the cover from the Electronic Speed Control.
3. Remove the nut and lock washer from the left solenoid terminal and install Yellow wire from Harness to terminal and reinstall lock washer and nut.
4. Repeat procedure on right terminal for Black wire.
5. Replace cover and reinstall bolts.
6. Reconnect Electronic Speed Control cables to batteries as connected earlier.

ITEM	QTY	PART NO.	DESCRIPTION
1	1	21573-G1	METER, HOUR
2	1	74019-G01	BRACKET, HOUR METER
3	2	00150-G4	BOLT, #10-24 - 1/2 LG.
4	2	11098-G7	NUT, #10-24
5	1	75117-G02	HARNESS, HOUR METER

THE SYMBOL ◁ REFERS TO A NOTE CORRESPONDING TO THE LETTER ENCLOSED WITHIN IT. SEE FOLLOWING PAGE(S) FOR NOTES AND PARTS LISTS. RETAIN THIS DOCUMENT TO FACILITATE THE ORDERING OF REPLACEMENT PARTS.

TITLE HOUR METER INSTALLATION



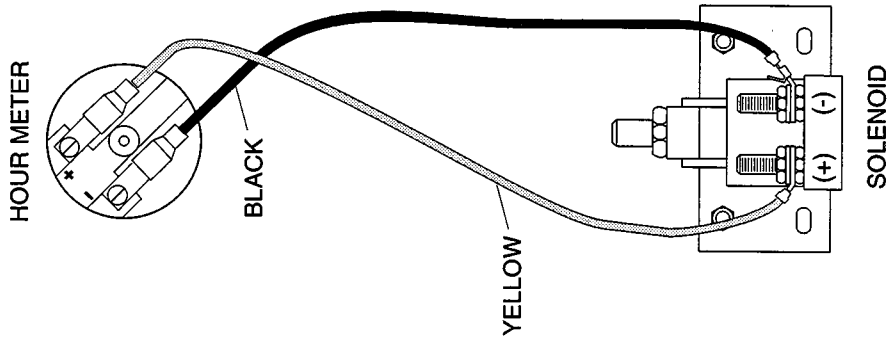
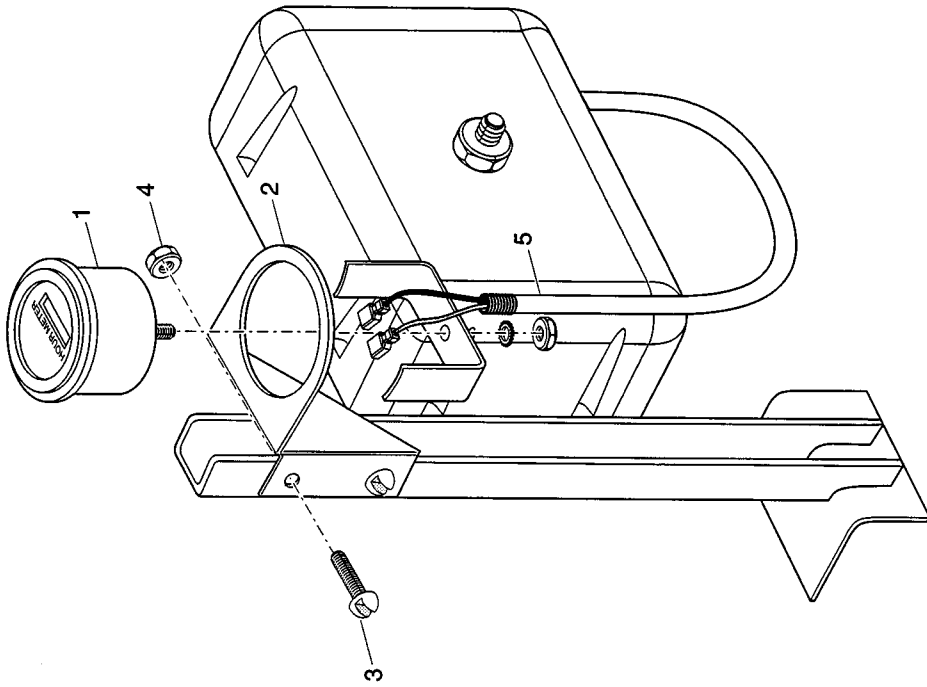
DRN BY J. RICE
ORIG DATE 02/21/95

REV BY
REV DATE

A DRAWING NO. 75118

REV -

PG. 2 OF 2



THE SYMBOL ◁ REFERS TO A NOTE CORRESPONDING TO THE LETTER ENCLOSED WITHIN IT. SEE FOLLOWING PAGE(S) FOR NOTES AND PARTS LISTS. RETAIN THIS DOCUMENT TO FACILITATE THE ORDERING OF REPLACEMENT PARTS.

TITLE HOUR METER INSTALLATION



DRN BY J.RICE
ORIG DATE 02/21/95

REV BY A
DRAWING NO. 75119

REV -

PG. 1 OF 2

E-Z-GO DIVISION OF TEXTRON, INC., P.O. BOX 388, AUGUSTA, GA. 30903-0388, 1-800-241-5855

NOTE: TO ORDER THIS ENTIRE FIELD KIT, REQUEST PART NO. 75114-G02

READ ALL INSTRUCTIONS BEFORE PROCEEDING.

A. ASSEMBLE HOUR METER

1. Insert Hour Meter (item 1) through Bracket (item 2), positioned as shown.
2. Using hardware supplied with the Hour Meter, secure Hour Meter to Bracket.
3. Attach Harness (item 5) to Hour Meter as shown, Yellow wire to Positive (+) terminal and Black wire to Negative (-) terminal of Hour Meter.



B. ATTACH HOUR METER ASSEMBLY

1. Locate predrilled holes in the driver's side seat support and secure the Hour Meter Assembly using Bolts (item 3) and Nuts (item 4) as shown.

C. CONNECT TO ELECTRONIC SPEED CONTROL

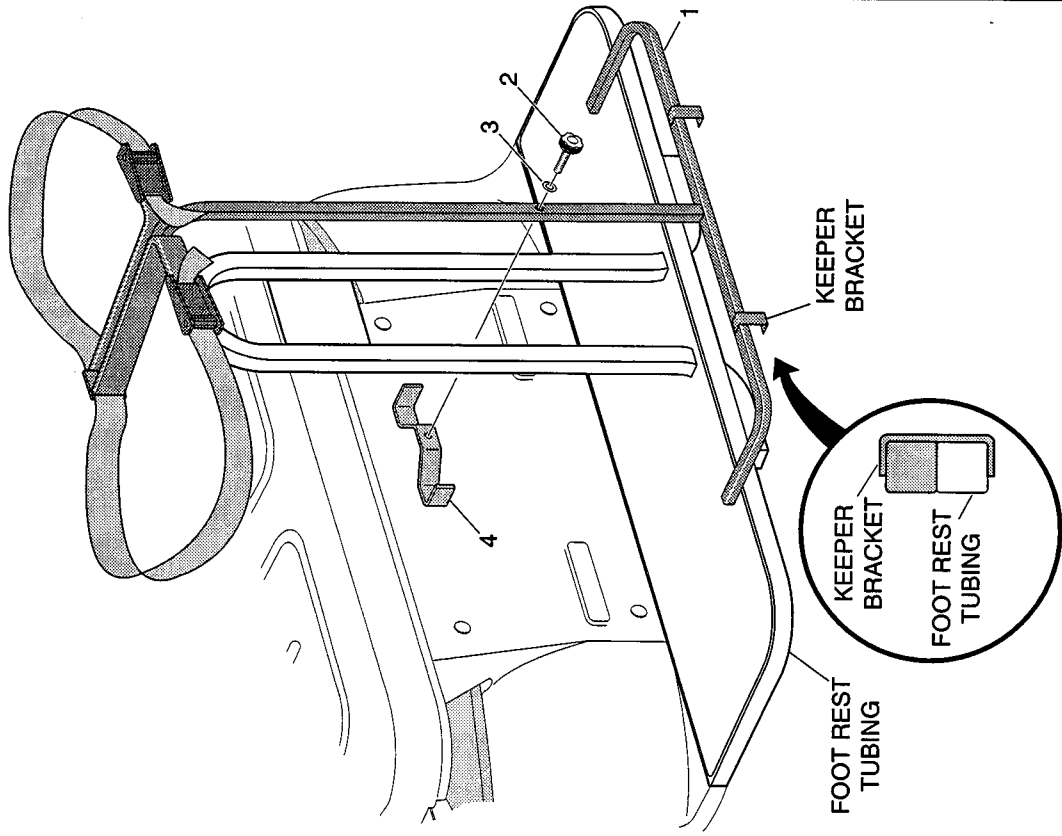
1. Locate the cables from the Electrical Control Panel to the batteries. Disconnect both of these cables from the batteries.
2. Remove the nut securing the cover on the Electrical Control Panel, and remove the cover from the Electrical Control Panel.
3. Remove the nut and lock washer from the left solenoid terminal and install Yellow wire from Harness to terminal and reinstall lock washer and nut.
4. Repeat procedure on right terminal for Black wire.
5. Replace cover and reinstall nut.
6. Reconnect Electrical Control Panel cables to batteries as connected earlier.

ITEM	QTY	PART NO.	DESCRIPTION
1	1	21573-G1	METER, HOUR
2	1	74019-G01	BRACKET, HOUR METER
3	2	00150-G4	BOLT, #10-24 - 1/2 LG.
4	2	11098-G7	NUT, #10-24
5	1	75117-G01	HARNESS, HOUR METER

TITLE HOUR METER INSTALLATION				REV -
		DRN BY J. RICE 02/21/95	REV BY A DRAWING NO. 75119	PG. 2 OF 2
THE SYMBOL  REFERS TO A NOTE CORRESPONDING TO THE LETTER ENCLOSED WITHIN IT. SEE FOLLOWING PAGE(S) FOR NOTES AND PARTS LISTS. RETAIN THIS DOCUMENT TO FACILITATE THE ORDERING OF REPLACEMENT PARTS.				
E-Z-GO DIVISION OF TEXTRON, INC., P.O. BOX 388, AUGUSTA, GA. 30903-0388, 1-800-241-5855				

NOTE: TO ORDER THIS ENTIRE FIELD KIT, REQUEST PART NO. 75183-G01
READ ALL INSTRUCTIONS BEFORE PROCEEDING.

- A. Place the bag attachment assembly (item 1) on the foot rest.
- B. With the bag attachment assembly *centered* on the foot rest, push forward until the keeper brackets lock over the edge of the foot rest tubing.
- C. Place the support bracket (item 4) against the vertical railing as shown at right. Note that the bag attachment assembly must be centered to allow the hole to align with the hole in the support bracket.
- D. Secure the support bracket to the bag attachment assembly with the knob (item 2) and plastic washer (item 3) as shown in illustration at right. Hand tighten firmly by turning knob clockwise.



ITEM	QTY	PART NO.	DESCRIPTION
1	1	75188-G01	BAG ATTACHMENT ASSEMBLY
2	1	22238-G2	KNOB (3/8-16 X 1 1/2 LG.)
3	1	17255-G1	WASHER, PLASTIC
4	1	75187-G01	BRACKET, SUPPORT

TWO BAG ATTACHMENT INSTALLATION INSTRUCTIONS		REV -
E-Z-GO TEXTRON		DRAWING NO. 75184
DRN BY L WEBB	REV BY 12/27/94	PG. 1 OF 1
ORIG DATE	REV DATE	A NO. 75184
E-Z-GO DIVISION OF TEXTRON, INC., P.O. BOX 388, AUGUSTA, GA. 30903-0388, 1-800-241-5855		

THE SYMBOL ◁ REFERS TO A NOTE CORRESPONDING TO THE LETTER ENCLOSED WITHIN IT. SEE FOLLOWING PAGE(S) FOR NOTES AND PARTS LISTS. RETAIN THIS DOCUMENT TO FACILITATE THE ORDERING OF REPLACEMENT PARTS.

NOTE: TO ORDER THIS ENTIRE FIELD KIT, REQUEST PART NO.75192-G*
G* IS DETERMINED BY COLOR OF SEAT

READ ALL INSTRUCTIONS BEFORE PROCEEDING.

TOOL LIST	QTY. REQUIRED	TOOL LIST	QTY. REQUIRED
Jack, floor.....	1	Hammer, plastic faced.....	1
Safety stands	4	Drill, 1/2".....	1
Chocks.....	4	Drill bit, 3/16".....	1
Ratchet, 3/8" drive.....	1	Drill bit, 1/2".....	1
Extension, 3/8", 3".....	1	Wrench, 7/16".....	1
Socket, 7/16".....	1	Wrench, 1/2".....	1
Socket, 1/2".....	1	Wrench, 9/16".....	1
Socket, 9/16".....	1	Screwdriver, Phillips.....	1
Hammer, ball peen.....	1	Torque wrench, ft. lbs., 3/8" drive.....	1
Center punch	1	Tape measure.....	1

A. INSTALLING HEAVY DUTY SPRINGS

! WARNING !

BE SURE THE VEHICLE IS ON A FIRM AND LEVEL SURFACE. NEVER GET UNDER A VEHICLE WHILE IT IS SUPPORTED BY A JACK. USE SAFETY STANDS AND TEST THE STABILITY OF THE VEHICLES ON THE STANDS. ALWAYS PLACE CHOCKS IN FRONT AND BEHIND THE WHEELS THAT ARE NOT TO BE RAISED. USE CAUTION SINCE THE VEHICLE IS EXTREMELY UNSTABLE DURING THE LIFTING PROCESS.

1. Place chocks in front and behind each front wheel. Center the jack under the rear bumper. (See Fig. 1)

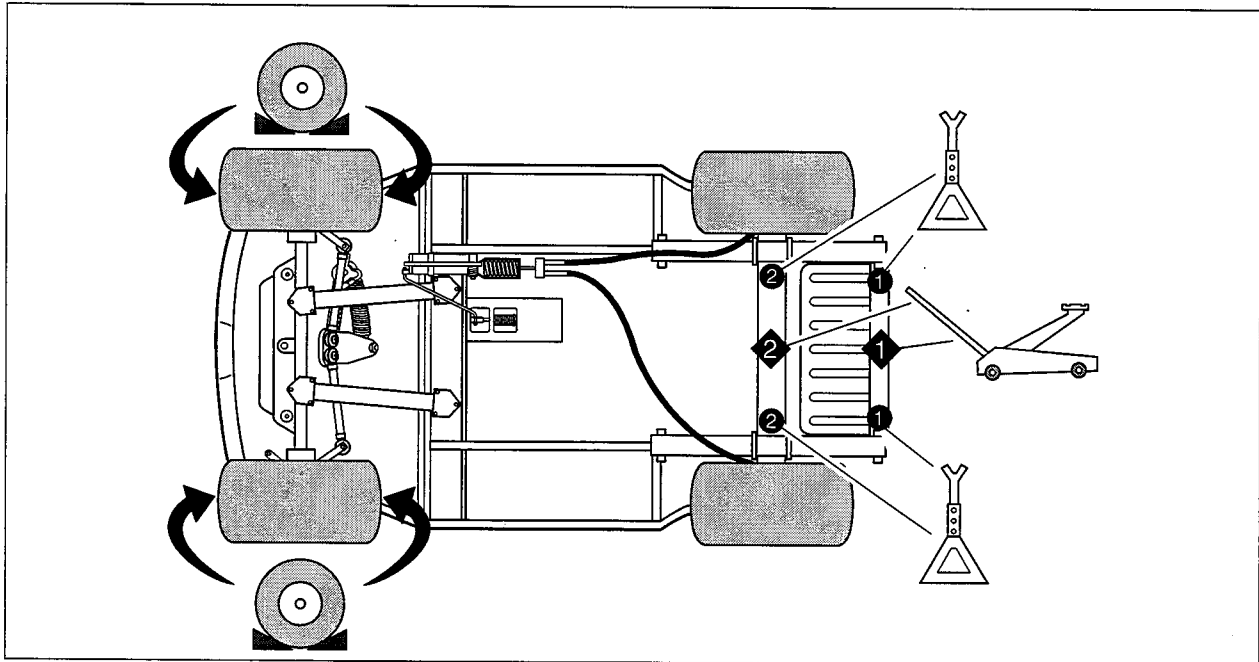


Fig. 1

TITLE CONVERTIBLE CARRIER INSTALLATION INSTRUCTIONS				REV -
EZGO TEXTRON	DRN BY ORIG DATE	J.RICE 05/04/95	REV BY REV DATE	DRAWING NO. 75269
				PG. 1 OF 12

2. Raise the vehicle and place a safety stand under the outer ends of the rear bumper. (See Fig. 1)
3. Lower the jack and test the stability of the vehicle on the two safety stands.
4. At the passenger side, remove the bottom shock absorber nut. (See Fig. 2)

CAUTION

NEVER LIFT OR SUPPORT THE VEHICLE ON THE REAR AXLE DIFFERENTIAL CASTING.
BE CAREFUL NOT TO POSITION THE JACK IN AN AREA THAT COULD DAMAGE THE
BRAKE CABLES OR HANGERS.

5. Place the jack near the center section of the rear axle and raise just enough to place a second set of safety stands at each end of the axle tubes as close to the wheel as possible. (See Fig. 1)
6. Remove the 'U' bolts and securing hardware. The nuts and 'U' bolts may be discarded but the washers should be retained for later use. (See Fig. 2)

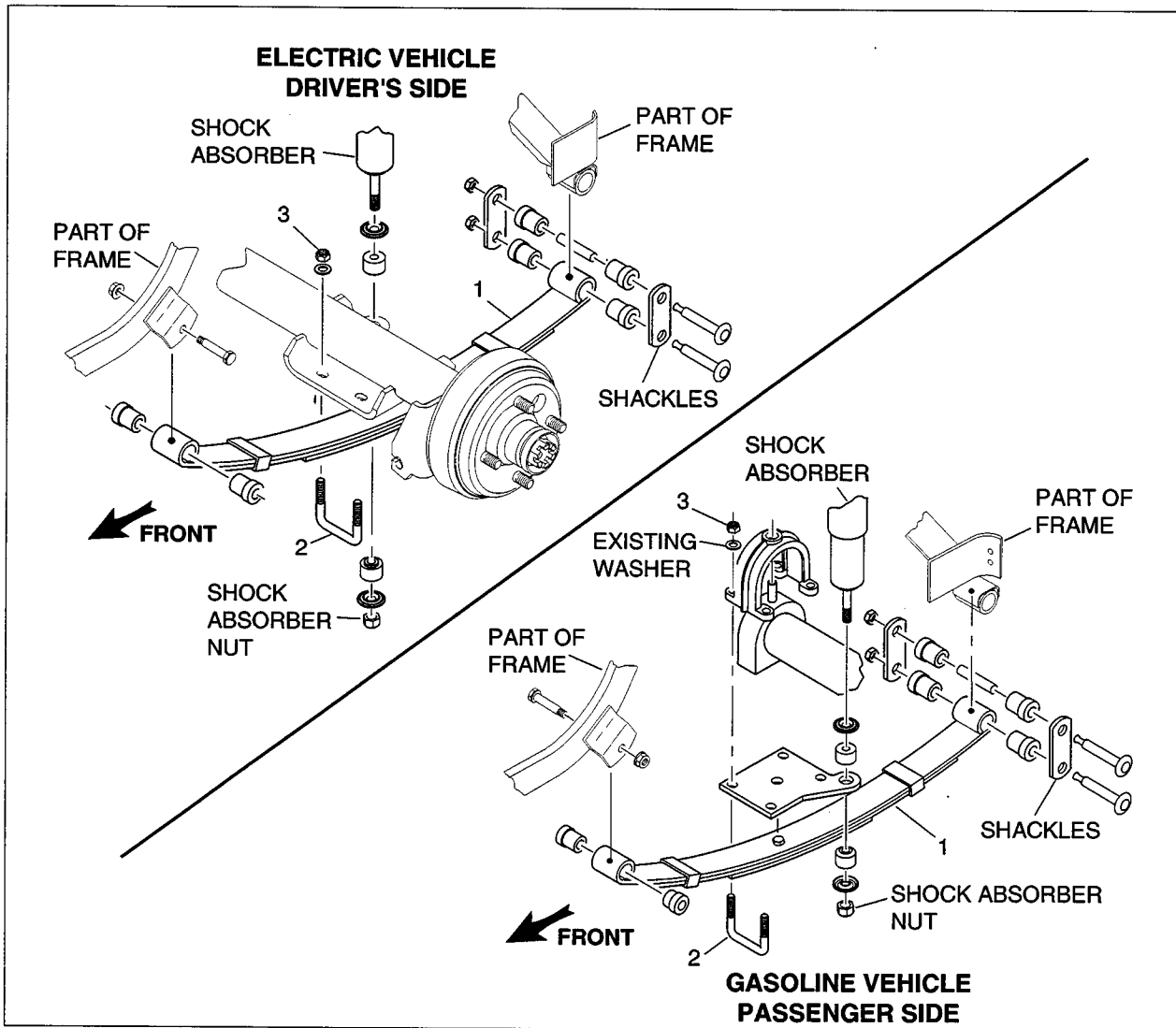


Fig. 2

7. Remove the shackles and hardware securing the spring to the frame. Remove the spring.
8. Installation of heavy duty spring is the reverse order of disassembly.

TITLE	CONVERTIBLE CARRIER INSTALLATION INSTRUCTIONS	REV -
EZGO TEXTRON	DRN BY J.RICE ORIG DATE 05/04/95	REV BY REV DATE
	DRAWING NO. 75269	PG. 2 OF 12
E-Z-GO DIVISION OF TEXTRON, INC., P.O. BOX 388, AUGUSTA, GA: 30903-0388, 1-800-448-7476		

9. Install the heavy duty spring (item 1) with 'U' bolts (item 2), washers (removed from old spring), and nuts (item 3). Tighten hardware to 18-22 ft. lbs. torque.

NOTE

When installing rear spring shackles, be sure that the cupped side of the shackle plate faces the spring.

10. Replace the hardware to secure the front end of the spring to the frame. Tighten to 21 - 25 ft. lbs. torque.
11. Replace the hardware and shackles to secure the rear end of the spring to frame. Tighten to 18 - 22 ft. lbs. torque.
12. Replace the shock absorber nut. It must be tightened until the shock absorber bushing expands to the diameter of the shock absorber washer.
13. Repeat procedure at driver's side of vehicle.

B. INSTALLING SEAT BACK SUPPORT (Refer to Fig. 3)

1. Remove the existing seat back from the seat back support and retain hardware. Remove the seat back support and bag rack assembly from the frame of the vehicle.
2. Install the new seat back supports (item 4) to the frame using washers (item 5) and screws (item 6). Finger tighten hardware to allow for adjustment.

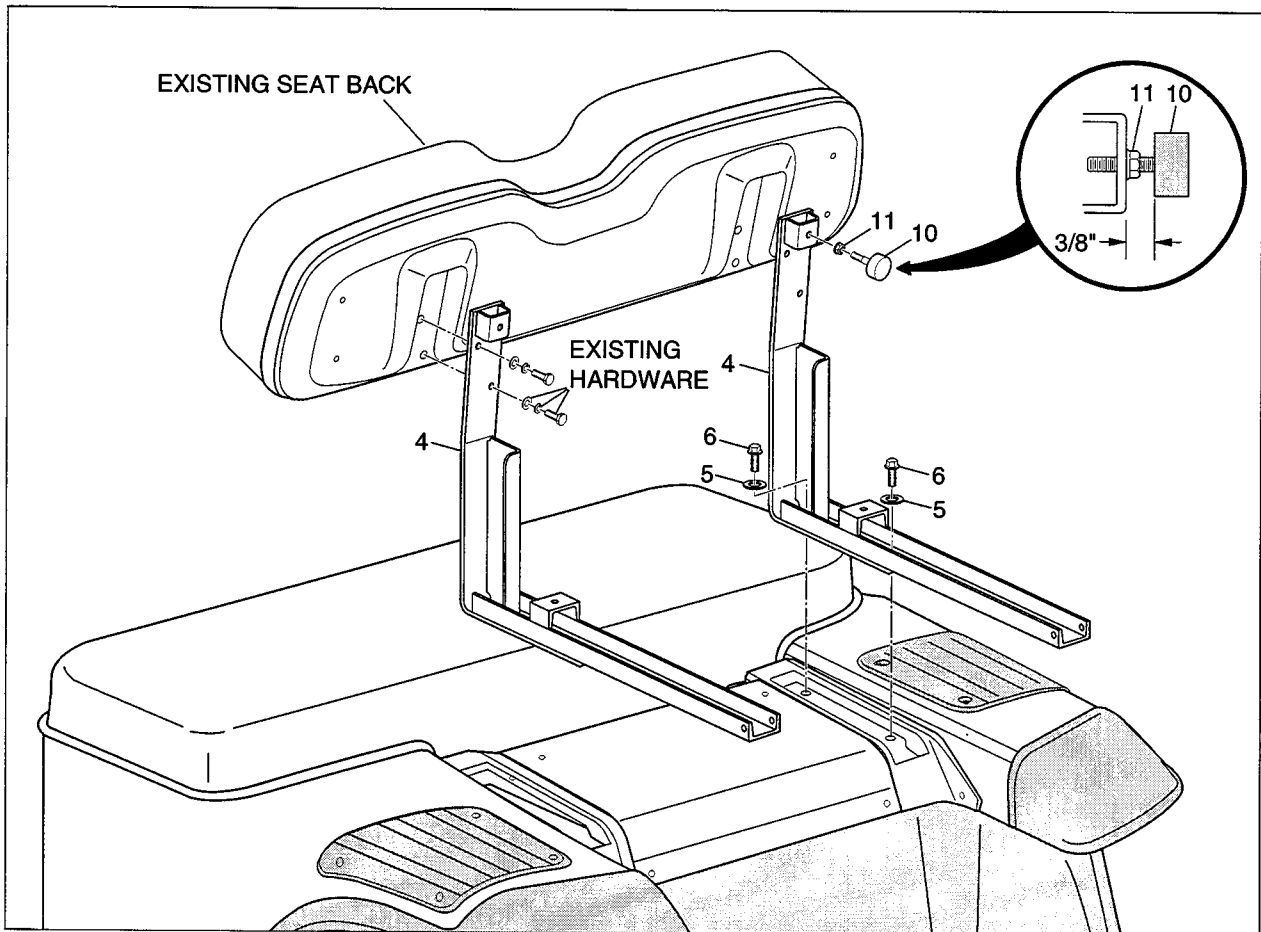


Fig. 3

3. Using existing hardware, secure the existing seat back to the new seat back support. Tighten to 5 - 7 ft. lbs. torque.
4. Install rubber bumpers (item 10) on vertical part of seat support bracket using one lock nut (item 11) (per bumper) as shown in Fig. 3. Tighten to dimension specified.

TITLE	CONVERTIBLE CARRIER INSTALLATION INSTRUCTIONS	REV -
EZGO TEXTRON	DRN BY J.RICE ORIG DATE 05/04/95	REV BY REV DATE
	DRAWING NO. 75269	PG. 3 OF 12

C. INSTALLING VERTICAL FRAME SUPPORT

NOTE

Some later model vehicles may have pre-drilled holes in the frame under the bagwell. If so, proceed to step 1. If the vehicle has no pre-drilled holes, go to step 2.

1. Using the pre-drilled holes in the frame under the bagwell as a guide, drill one 1/2" hole at each side of the bagwell.
2. Drill two 1/2" holes through the bottom of the bagwell and through the frame below the bagwell. See Fig. 4 for location of holes.

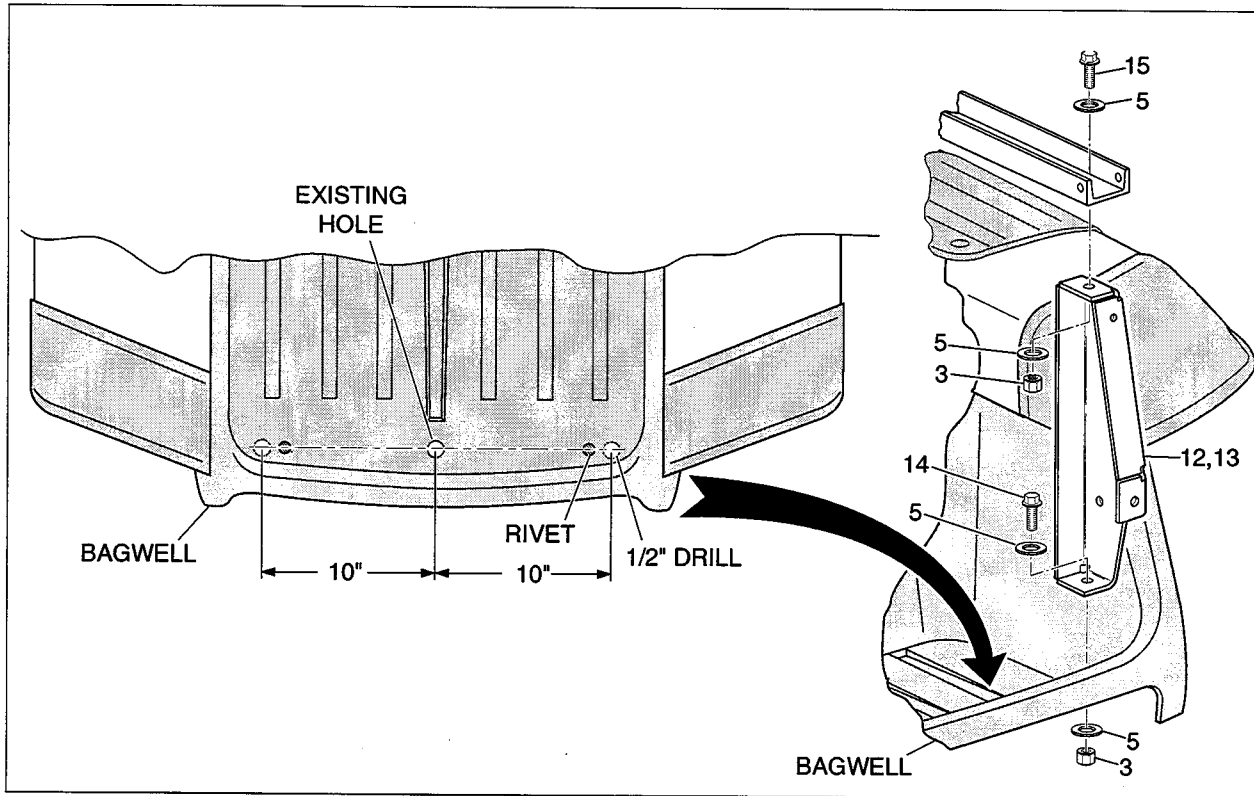


Fig. 4

3. Place vertical frame support (items 12 and 13) between the seat back support and bagwell as shown. Insert screw (item 14) and washer (item 5) on top side bagwell and place washer (item 5) and nut (item 3) underneath frame (See Fig. 4). Finger tighten the hardware since the bottom washer and nut will be removed later for further installation.
4. Secure the top of the vertical frame support to the seat back support using bolt (item 15), washers (item 5) and nut (item 3) (See Fig. 4). Do not tighten hardware.

NOTE

At this point, before tightening any hardware, it is critical the exact dimension is achieved to accommodate the fitting of the seat assembly into the channels of the seat back support.

5. As a 'test fit', place the support frame (item 26) into the channels of the seat back support and tighten the hardware securing the seat back support to the vehicle frame and vertical frame support to 21-25 ft. lbs. torque. (See Fig. 7)
6. Remove the support frame.

TITLE		CONVERTIBLE CARRIER INSTALLATION INSTRUCTIONS			REV -
E-Z-GO TEXTRON	DRN BY ORIG DATE	J.RICE 05/04/95	REV BY REV DATE	DRAWING NO. 75269	PG. 4 OF 12
E-Z-GO DIVISION OF TEXTRON, INC., P.O. BOX 388, AUGUSTA, GA. 30903-0388, 1-800-448-7476					

D. INSTALLING THE VALANCE PANEL AND FLOORBOARD ASSEMBLY

1. Place the valance panel (item 16) as shown in Fig. 5 with the side flaps under the fender end caps.
2. Secure the side flaps to the fender end caps using two plastic rivets (item 17) as shown.

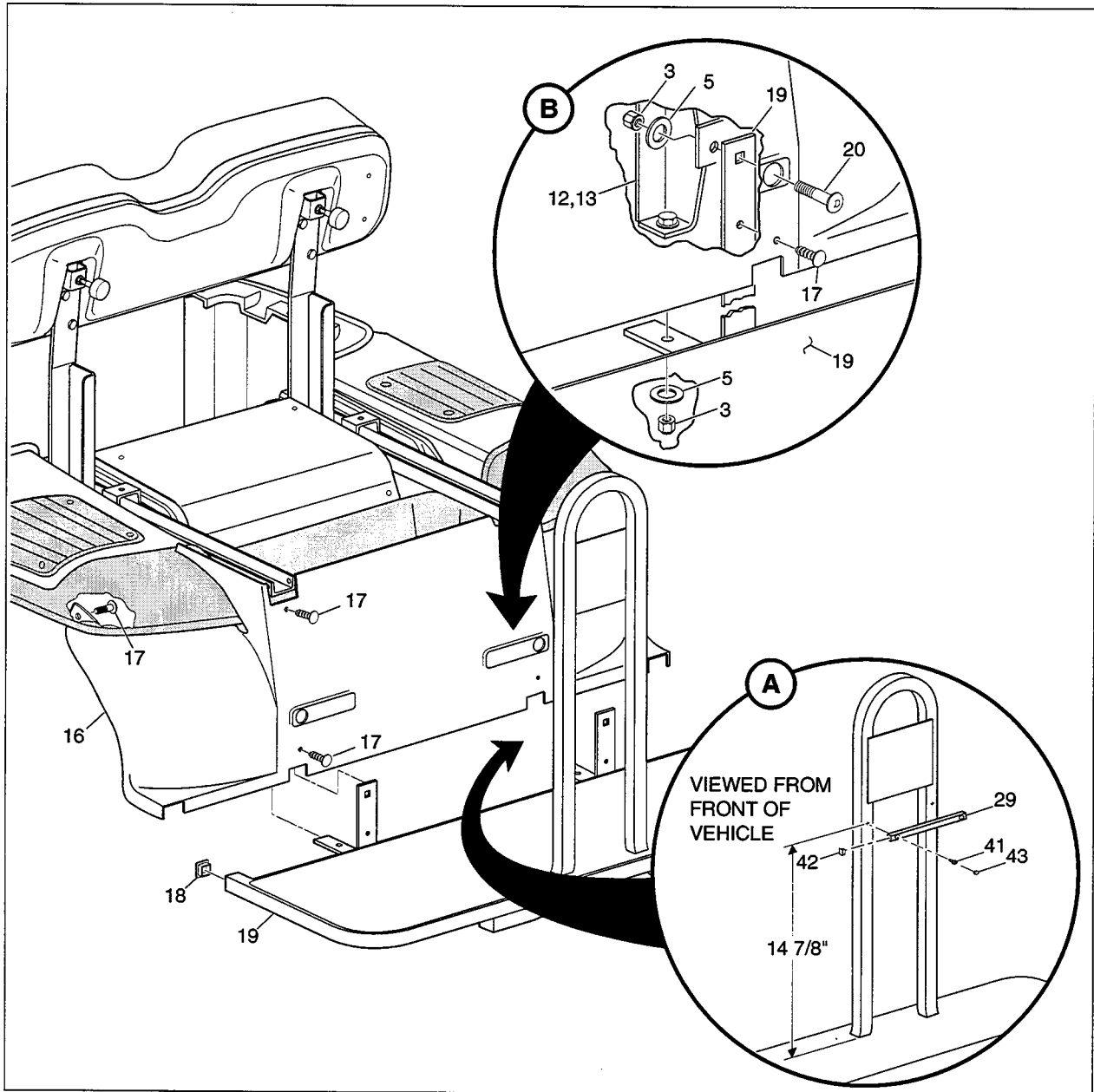


Fig. 5

3. Before attaching foot rest (item 19), mark hole centers as dimensioned and attach support tube (item 29) to foot rest assembly with self drilling and tapping screws (item 41). Insert hole plugs (item 43) and end plugs (item 42) in support tube. (See Fig. 5 - Detail A)
4. Install the end plugs (item 18) into the tubing ends of the foot rest (item 19).
5. Remove the nut (item 3) and washer (item 5) (previously installed) from the underside of the frame. (See Fig. 5 - Detail B)

TITLE **CONVERTIBLE CARRIER INSTALLATION INSTRUCTIONS**

REV -

EZGO TEXTRON

DRN BY J.RICE
ORIG DATE 05/04/95

REV BY
REV DATE

DRAWING NO. 75269

PG. 5 OF 12

NOTE

Hint: To perform step 6, it may require the assistance of another person or it may be necessary to use a jack to raise and hold the foot rest while installing hardware.

6. Place the foot rest assembly (item 19) up against the bottom of the valance panel aligning the bolts that were previously installed in the bagwell with the holes in the horizontal part of the welded bracket. Be sure the vertical part of the welded bracket is inserted between the valance panel and the vertical frame supports. See Detail in Fig. 5
7. Reinstall the washer and nut under the bagwell. Finger tighten to allow adjustment.
8. Align holes in welded bracket with holes in valance panel and vertical frame support.
9. Place carriage bolt (item 20) through the large holes in valance panel and secure with washer (item 5) and nut (item 3). (See Fig. 5 - Detail B)
10. Finish securing the valance panel to the vehicle using two rivets (item 17) at each side.
11. Firmly tighten the nut (item 3) on the underside of the frame. (See Fig. 5 - Detail B)
12. Attach reflectors (item 24) using adhesive backing, covering bolt access holes completely. Drill four 3/16" diameter holes in valance using the holes in reflectors as guides. (See Fig. 6)
13. Secure the reflectors with plastic rivets (item 25). (See Fig. 6)

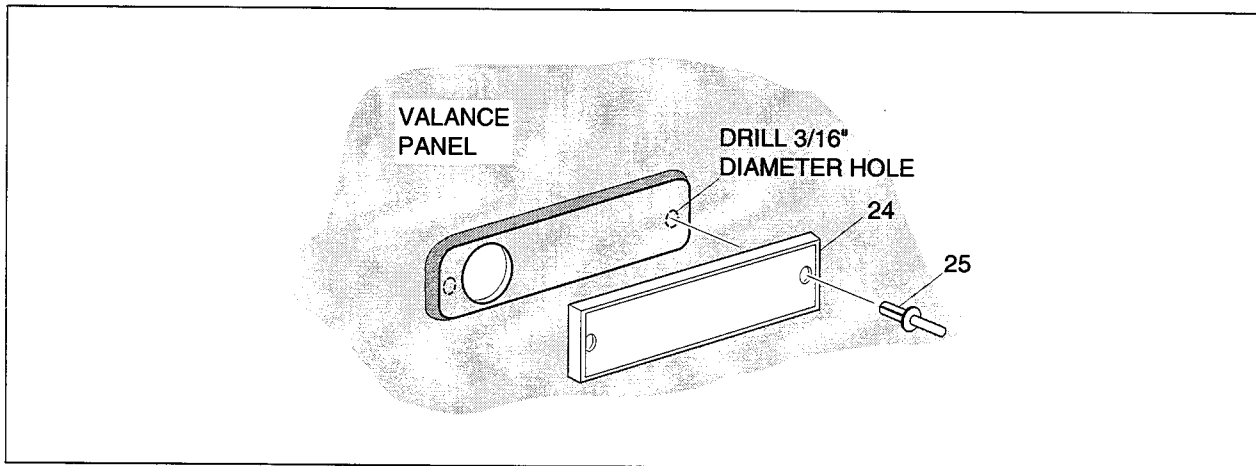


Fig. 6

E. INSTALLING SUPPORT FRAME (Refer to Fig. 7)

1. Insert the nylon bushings (item 21) into the pivot brackets in the support frame (item 26) (4 places).
2. Place the support frame into the channels of the seat back support aligning pivot brackets with existing holes.
3. Insert the bolt (item 23) through the pivot from the center of vehicle (2 places) and secure with washer (item 36) and nut (item 34).
4. Secure front of support frame to seat back support using bolt (item 38), washer (item 36) and nut (item 11).

F. INSTALLING FIXED BED (Refer to Fig. 7)

1. Attach front bed (item 30) to support frame (item 26) using bolt (item 45) and washer (item 36). (Two places on each end of front bed. Tighten to 5 - 7 ft. lbs. torque.

TITLE		CONVERTIBLE CARRIER INSTALLATION INSTRUCTIONS				REV -
EZGO TEXTRON	DRN BY ORIG DATE	J.RICE 05/04/95	REV BY REV DATE	DRAWING NO.	75269	PG. 6 OF 12
E-Z-GO DIVISION OF TEXTRON, INC., P.O. BOX 388, AUGUSTA, GA. 30903-0388, 1-800-448-7476						

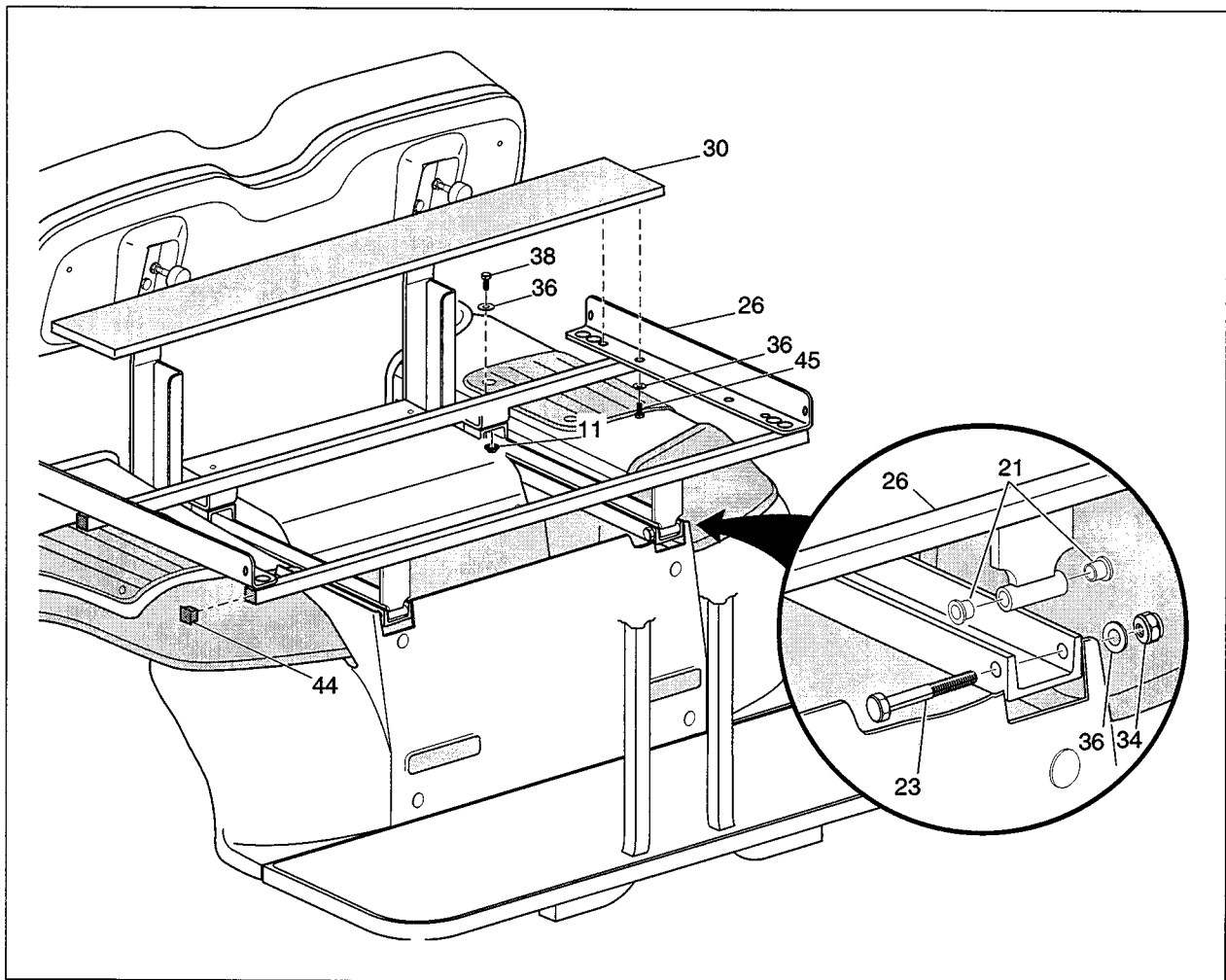


Fig. 7

G. INSTALLING HANDRAIL (Refer to Fig. 8)

1. Attach handrail (item 27) at forward end of support frame (item 26) using bolt (item 23), lock washer (item 37) and acorn nut (item 35). Do not tighten hardware at this time.
2. Repeat procedure on other side of support frame.

H. INSTALLING LOAD BED AND SEAT BOTTOM (Refer to Fig. 8)

1. Position load bed (item 28) in support frame as shown.
2. Position seat bottom (item 47) in support frame as shown.
3. Insert teflon washer (item 32) between support frame and load bed and again between load bed and seat bottom as shown.
4. Secure all components by inserting bolt (item 23) through handrail, support frame, washer, bed assembly, washer and seat bottom and secure with lock nut (item 34). (See Detail in Fig. 8) Tighten all handrail hardware to 12 - 14 ft. lbs. torque.

TITLE CONVERTIBLE CARRIER INSTALLATION INSTRUCTIONS				REV -
EZGO TEXTRON	DRN BY ORIG DATE	J.RICE 05/04/95	REV BY REV DATE	DRAWING NO. 75269
E-Z-GO DIVISION OF TEXTRON, INC., P.O. BOX 388, AUGUSTA, GA. 30903-0388, 1-800-448-7476				PG. 7 OF 12

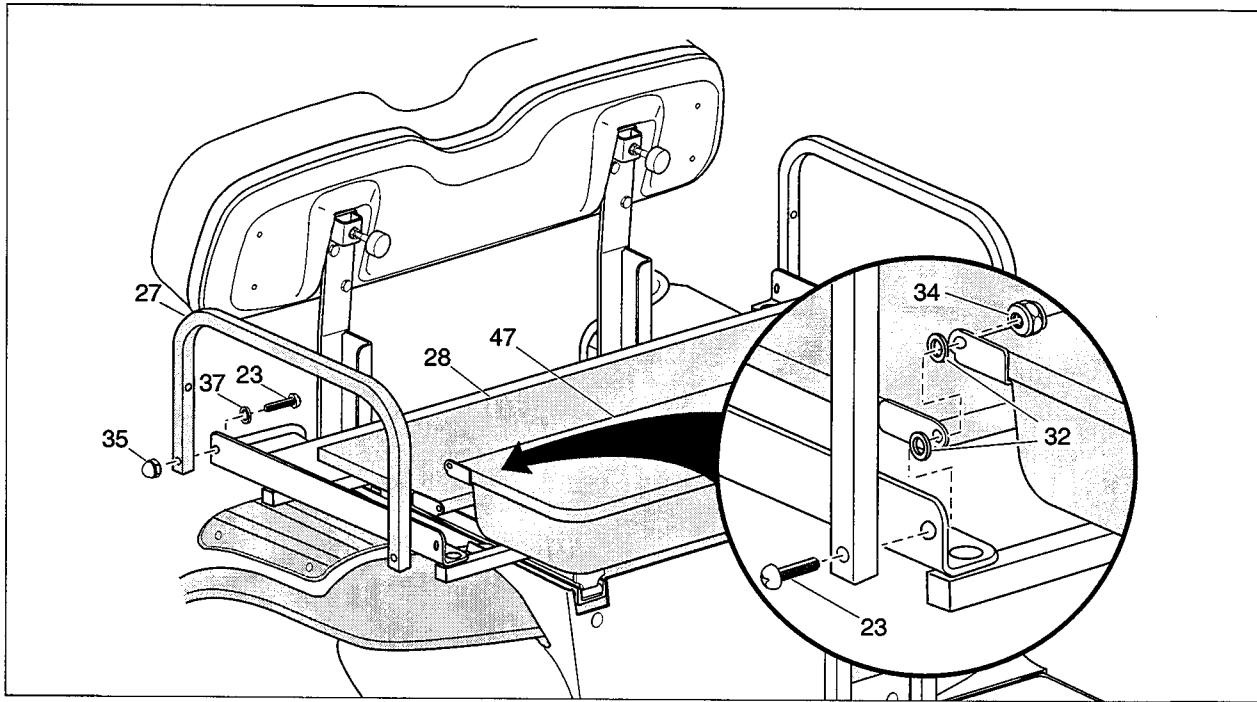


Fig. 8

I. INSTALLING SEAT BACK (Refer to Fig. 9)

1. Attach seat back (item 46) to seat back support (item 22) using bolt (item 7), lock washer (item 8) and washer (item 9). Tighten to 5 - 7 ft. lbs. torque.
2. Secure seat back to handrail using bolt (item 39) and acorn nut (item 40). Tighten to 5 - 7 ft. lbs torque.

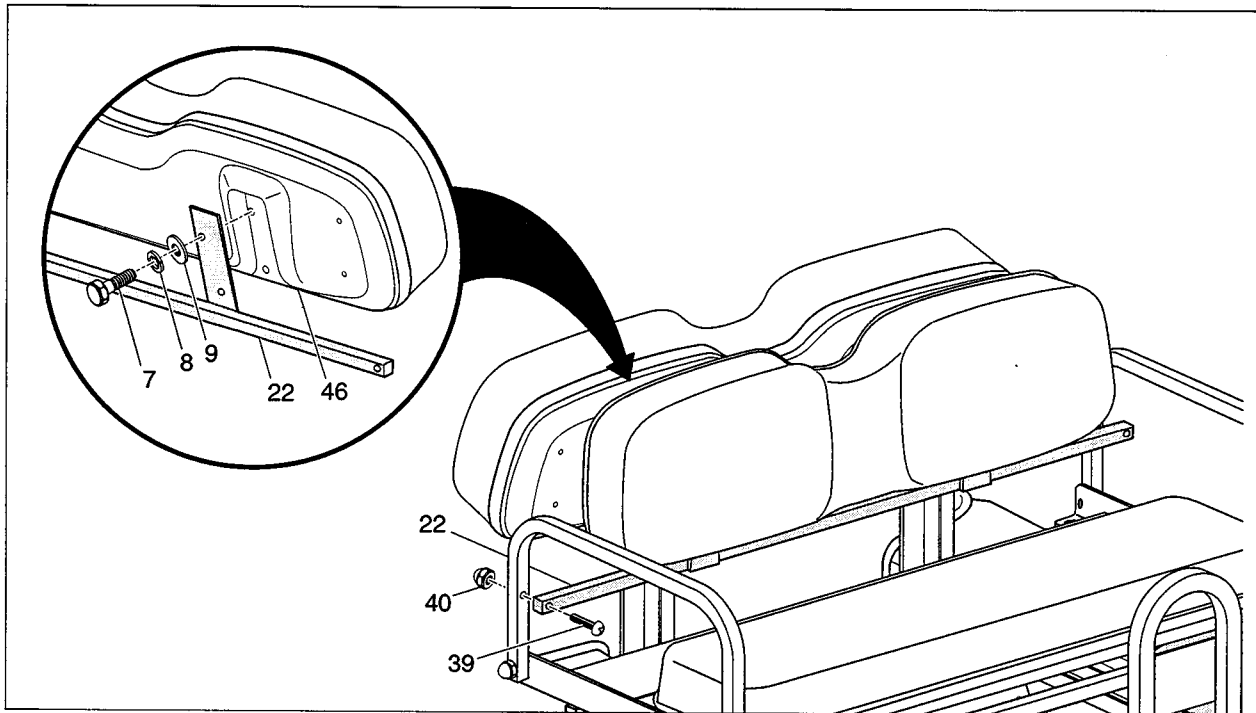
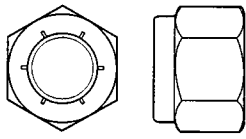


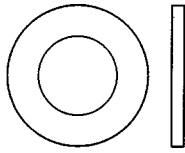
Fig. 9

TITLE CONVERTIBLE CARRIER INSTALLATION INSTRUCTIONS					REV -
EZGO TEXTRON	DRN BY ORIG DATE	J.RICE 05/04/95	REV BY REV DATE	DRAWING NO. 75269	PG. 8 OF 12
E-Z-GO DIVISION OF TEXTRON, INC., P.O. BOX 388, AUGUSTA, GA. 30903-0388, 1-800-448-7476					

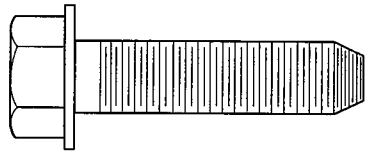
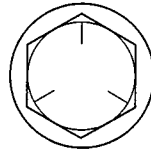
NOTE: HARDWARE SHOWN ACTUAL SIZE



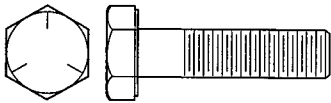
Item 3
3/8-16 Lock Nut
Qty. 14



Item 5
3/8 Washer
Qty. 14



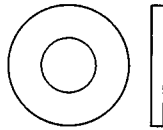
Item 6
3/8-16 x 1 1/4" Bolt
Qty. 4



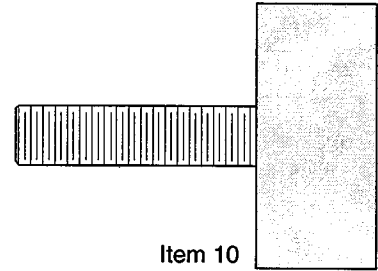
Item 7
1/4-20 x 1" Bolt
Qty. 4



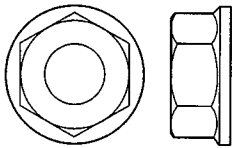
Item 8
1/4 Lock Washer
Qty. 4



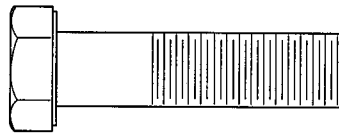
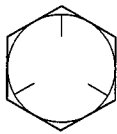
Item 9
1/4 Washer
Qty. 4



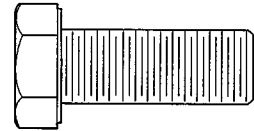
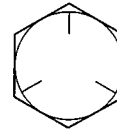
Item 10
Adjustable Rubber Bumper
Qty. 4



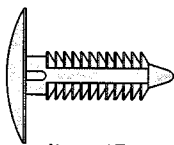
Item 11
5/16-18 Lock Nut
Qty. 6



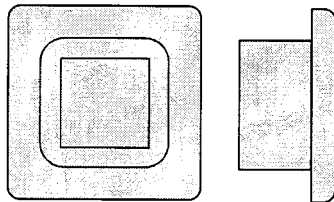
Item 14
3/8-16 x 1 1/2" Bolt
Qty. 2



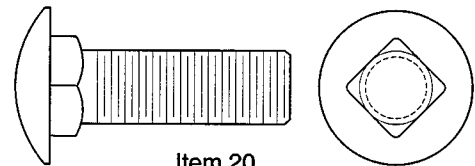
Item 15
3/8-16 x 1" Bolt
Qty. 2



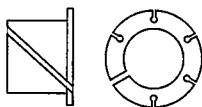
Item 17
Plastic Rivet
Qty. 6



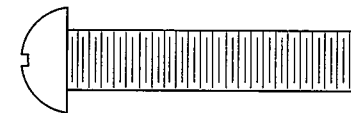
Item 18, 44
End Plug, 1"
Qty. 2



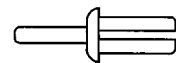
Item 20
3/8-16 x 1 1/4" Carriage Bolt
Qty. 14



Item 21
Bushing, Nylon
Qty. 4



Item 23
5/16-18 x 1 1/2" Bolt
Qty. 4



Item 25
Plastic Rivet
Qty. 4

TITLE **CONVERTIBLE CARRIER INSTALLATION INSTRUCTIONS**

REV -

EZGO TEXTRON

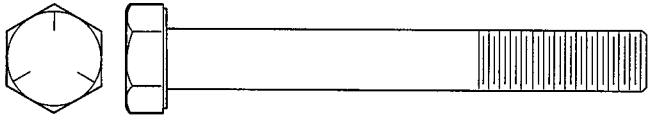
DRN BY J.RICE
ORIG DATE 05/04/95

REV BY
REV DATE

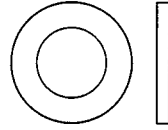
DRAWING NO. 75269

PG. 9 OF 12

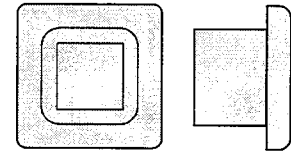
NOTE: HARDWARE SHOWN ACTUAL SIZE



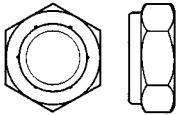
Item 31
5/16-18 x 2 1/2" Bolt
Qty. 2



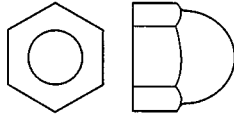
Item 32
5/8" Washer, Teflon
Qty. 4



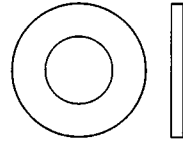
Item 33, 42
End Plug, 3/4"
Qty. 2, 6



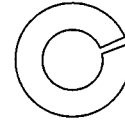
Item 34
5/16-18 Lock Nut
Qty. 4



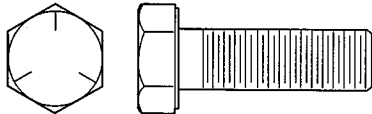
Item 35
5/16-18 Acorn Nut
Qty. 2



Item 36
5/16" Washer
Qty. 4



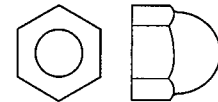
Item 37
5/16" Lock Washer
Qty. 2



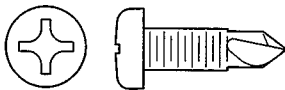
Item 38
5/16-18 x 1" Bolt
Qty. 2



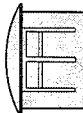
Item 39
1/4-20 x 1 3/4" Bolt
Qty. 2



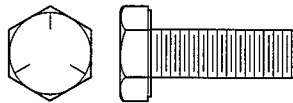
Item 40
1/4-20 Acorn Nut
Qty. 2



Item 41
#12-24 x 3/4" Screw
Qty. 2



Item 43
Hole Plug, 1/2"
Qty. 2



Item 45
1/4-20 x 3/4" Bolt
Qty. 4



Item 48
5/16-18 x 1 1/4" Bolt
Qty. 2

NOTE:

Items 18 and 44 are the same in appearance. However, item 18 is for 14 gauge tubing and 44 is for 11 gauge tubing.

Items 33 and 42 are the same in appearance. However, item 33 is for 11 gauge tubing and 42 is for 14 gauge tubing.

Check fit each end plug for tightest fit for correct application.

TITLE		CONVERTIBLE CARRIER INSTALLATION INSTRUCTIONS				REV -
EZGO TEXTRON		DRN BY ORIG DATE	J.RICE 05/04/95	REV BY REV DATE	DRAWING NO. 75269	PG. 10 OF 12
E-Z-GO DIVISION OF TEXTRON, INC., P.O. BOX 388, AUGUSTA, GA. 30903-0388, 1-800-448-7476						

KIT CONTENTS

ITEM	QTY	PART NO.	DESCRIPTION
1	2	74135-G01	SPRING, HEAVY DUTY
2	4	74124-G01	'U' BOLT, 3/8-16 x 2 1/2" LG.
3	14	11098-G5	NUT, LOCK, 3/8-16
4	2	74111-G01	SUPPORT, SEAT BACK
5	14	00560-G1	WASHER, 3/8
6	4	01006-G02	BOLT, 3/8-16 X 1 1/2" LG.
7	4	00414-G8	BOLT, 1/4-20 X 1" LG.
8	8	00664-G7	WASHER, LOCK, 1/4
9	4	00559-G7	WASHER, 1/4
10	2	70113-G01	BUMPER, ADJUSTABLE RUBBER
11	4	11027-G1	NUT, LOCK, 5/16-18
12	1	74126-G02	SUPPORT, VERTICAL FRAME, DRIVER'S SIDE
13	1	74126-G01	SUPPORT, VERTICAL FRAME, PASSENGER SIDE
14	2	00427-G4	BOLT, 3/8-16 X 1 1/2" LG.
15	2	00426-G8	BOLT, 3/8-16 X 1" LG.
16	1	74127-G01	PANEL, VALANCE
17	6	16816-G2	RIVET, PLASTIC
18	2	19853-G1	END PLUG, 1"
19	1	74105-G01	FOOT REST (INCLUDES WARNING LABEL (74132-G01))
20	2	00769-G2	BOLT, CARRIAGE, 3/8-16 X 1 1/4" LG.
21	4	17838-G1	BUSHING, NYLON
22	1	75258-G01	SUPPORT, SEAT BACK
23	4	00762-G4	BOLT, 5/16-18 X 1 1/2"
24	2	74128-G01	REFLECTOR
25	4	33623-G02	RIVET, PLASTIC
26	1	74193-G01	FRAME, SUPPORT
27	2	75196-G01	HANDRAIL
28	1	75229-G01	BED
29	1	75268-G01	TUBE, SUPPORT

TITLE	CONVERTIBLE CARRIER INSTALLATION INSTRUCTIONS	REV -
EZGO TEXTRON	DRN BY J.RICE ORIG DATE 05/04/95	REV BY REV DATE
	DRAWING NO. 75269	PG. 11 OF 12
E-Z-GO DIVISION OF TEXTRON, INC., P.O. BOX 388, AUGUSTA, GA. 30903-0388, 1-800-448-7476		

KIT CONTENTS

ITEM	QTY	PART NO.	DESCRIPTION
30.....	1.....	75273-G01	BED, FRONT
31.....	2.....	00440-G4	BOLT, 5/16-18 X 2 1/2" LG.
32.....	4.....	17255-G1	WASHER, TEFLON
33.....	2.....	75261-G01	PLUG, END, 3/4"
34.....	4.....	00654-G3	NUT, LOCK, 5/16-18
35.....	2.....	00520-G3	NUT, ACORN, 5/16-18
36.....	4.....	00559-G8	WASHER, 5/16
37.....	2.....	00664-G8	WASHER, LOCK, 5/16
38.....	2.....	00438-G8	BOLT, 5/16-18 X 1" LG.
39.....	2.....	16705-G6	BOLT, 1/4-20 X 1 3/4" LG.
40.....	2.....	00520-G1	NUT, ACORN, 1/4-20
41.....	2.....	00106-G6	SCREW, #12-24 X 3/4" LG.
42.....	6.....	19859-G1	END PLUG, 3/4"
43.....	2.....	20271-G2	HOLE PLUG, 1/2"
44.....	4.....	75261-G02	END PLUG, 1"
45.....	4.....	00661-G6	BOLT, 1/4-20 X 3/4" LG.
46.....	1.....	71751-G*	SEAT BACK
47.....	1.....	75263-G*	SEAT BOTTOM

(G* is determined by the color of seat back or seat bottom)

TITLE	CONVERTIBLE CARRIER INSTALLATION INSTRUCTIONS	REV -
--------------	--	--------------

EZGO TEXTRON	DRN BY ORIG DATE	J.RICE 05/04/95	REV BY REV DATE	DRAWING NO.	75269	PG. 12 OF 12
---------------------	---------------------	--------------------	--------------------	----------------	-------	--------------

NOTE: TO ORDER THIS ENTIRE FIELD KIT, REQUEST PART NO. 74100-G01

READ ALL INSTRUCTIONS BEFORE PROCEEDING.

TOOL LIST	QTY. REQUIRED	TOOL LIST	QTY. REQUIRED
Jack.....	1	Hammer, plastic faced.....	1
Safety stands	4	Hammer, ball pein	1
Chocks	4	Rivet gun	1
Ratchet, 3/8"	1	Extension, 3/8, 3"	1
Socket, 9/16"	1	Socket, 7/16"	1
Wrench, 9/16"	1	Wrench, 7/16".....	1
Wrench, 1/2"	1	Torque wrench, 9/16".....	1
Drill, 1/2".....	1	Drill bit, 1/2"	1
Drill bit, 1/8".....	1	Drill bit, 3/8"	1
Center punch	1	Tape measure.....	1

A. INSTALLING HEAVY DUTY SPRINGS

⚠ WARNING ⚠

BE SURE THE VEHICLE IS ON A FIRM AND LEVEL SURFACE. NEVER GET UNDER A VEHICLE WHILE IT IS SUPPORTED BY A JACK. USE SAFETY STANDS AND TEST THE STABILITY OF THE VEHICLES ON THE STANDS. ALWAYS PLACE CHOCKS IN FRONT AND BEHIND THE WHEELS THAT ARE NOT TO BE RAISED. USE CAUTION SINCE THE VEHICLE IS EXTREMELY UNSTABLE DURING THE LIFTING PROCESS.

1. Place chocks in front and behind each front wheel. Center the jack under the rear bumper. (See Fig. 1)

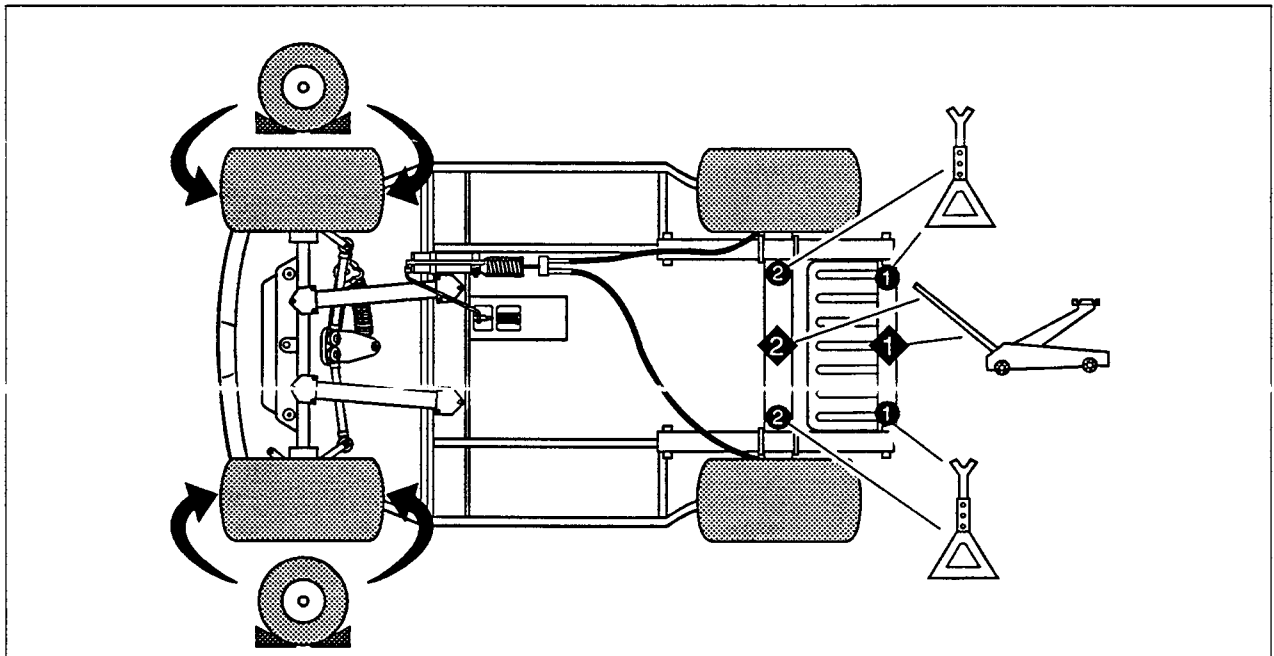


Fig. 1

TITLE 4-CADDY CONVERSION INSTALLATION INSTRUCTIONS				REV A
EZGO TEXTRON	DRN BY ORIG DATE	L WEBB 07/12/94	REV BY REV DATE	DRAWING NO. 74133
E-Z-GO DIVISION OF TEXTRON, INC., P.O. BOX 388, AUGUSTA, GA. 30903-0388, 1-800-448-7476				PG. 1 OF 8

2. Raise the vehicle and place a safety stand under the outer ends of the rear bumper. (See Fig. 1)
3. Lower the jack and test the stability of the vehicle on the two safety stands.
4. At the passenger side, remove the bottom shock absorber nut. (See Fig. 2)

CAUTION

NEVER LIFT OR SUPPORT THE VEHICLE ON THE REAR AXLE DIFFERENTIAL CASTING.
BE CAREFUL NOT TO POSITION THE JACK IN AN AREA THAT COULD DAMAGE THE
BRAKE CABLES OR HANGERS.

5. Place the jack near the center section of the rear axle and raise just enough to place a second set of safety stands at each end of the axle tubes as close to the wheel as possible. (See Fig. 1)
6. Remove the 'U' bolts and securing hardware. The nuts and 'U' bolts may be discarded but the washers should be retained for later use. (See Fig. 2)

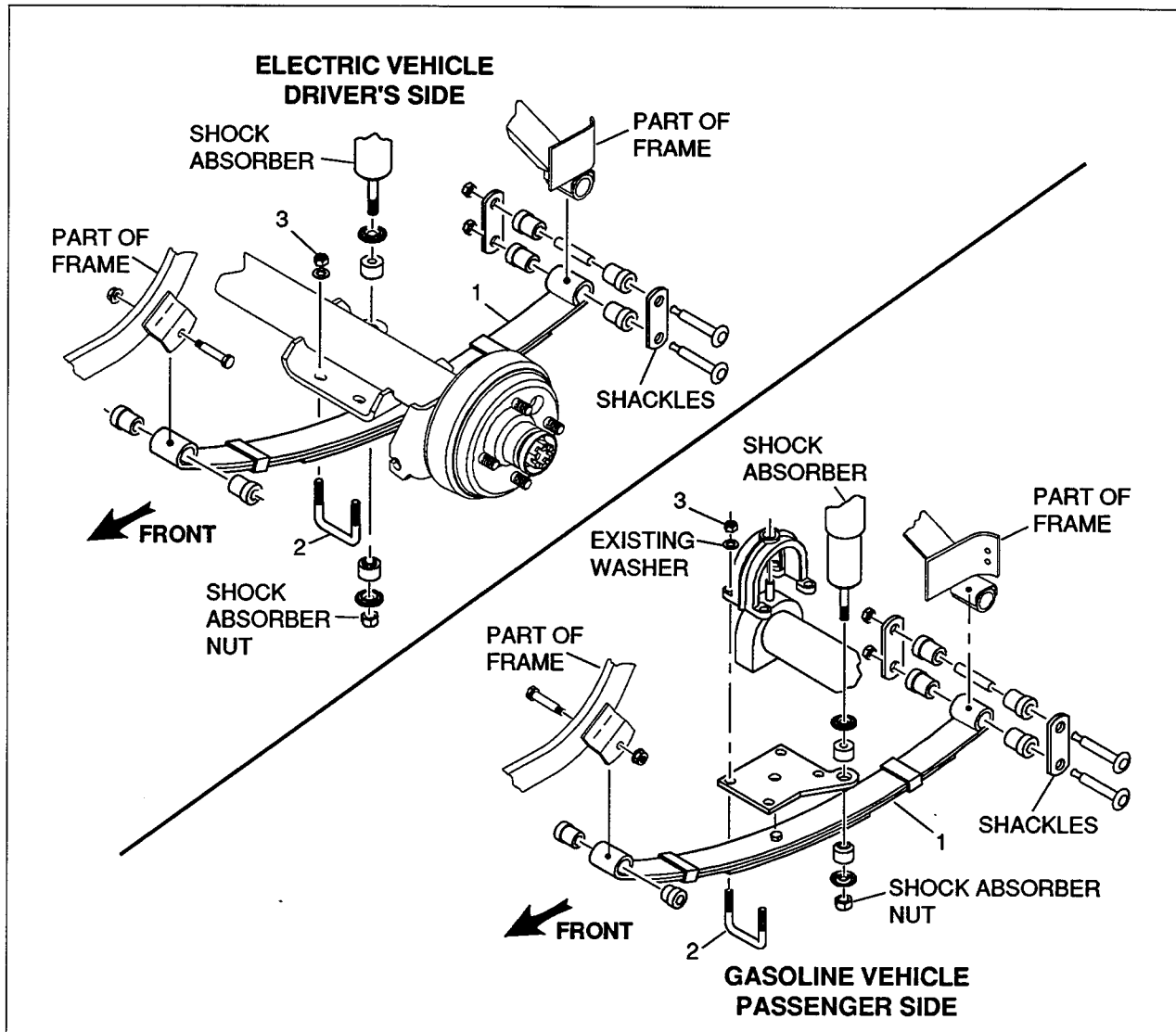


Fig. 2

7. Remove the shackles and hardware securing the spring to the frame. Remove the spring.
8. Installation of heavy duty spring is the reverse order of disassembly.

TITLE 4-CADDY CONVERSION INSTALLATION INSTRUCTIONS					REV A
EZGO TEXTRON	DRN BY ORIG DATE	L WEBB 07/12/94	REV BY REV DATE	DRAWING NO. 74133	PG. 2 OF 8
E-Z-GO DIVISION OF TEXTRON, INC., P.O. BOX 388, AUGUSTA, GA. 30903-0388, 1-800-448-7476					

9. Install the heavy duty spring (item 1) with 'U' bolts (item 2), washers (removed from old spring), and nuts (item 3). Tighten hardware to 18-22 ft. lbs. torque.

NOTE

When installing rear spring shackles, be sure that the cupped side of the shackle plate faces the spring.

10. Replace the hardware to secure the front end of the spring to the frame. Tighten to 21 - 25 ft. lbs. torque.
11. Replace the hardware and shackles to secure the rear end of the spring to frame. Tighten to 18 - 22 ft. lbs. torque.
12. Replace the shock absorber nut. It must be tightened until the shock absorber bushing expands to the diameter of the shock absorber washer.
13. Repeat procedure at driver's side of vehicle.

B. INSTALLING SEAT BACK SUPPORT

1. Remove the existing seat back from the seat back support. Remove the seat back support and bag rack assembly from the frame of the vehicle.
2. Install the new seat back supports (item 4) to the frame using washers (item 5) and screws (item 6). Finger tighten hardware to allow for adjustment. (See Fig. 3)

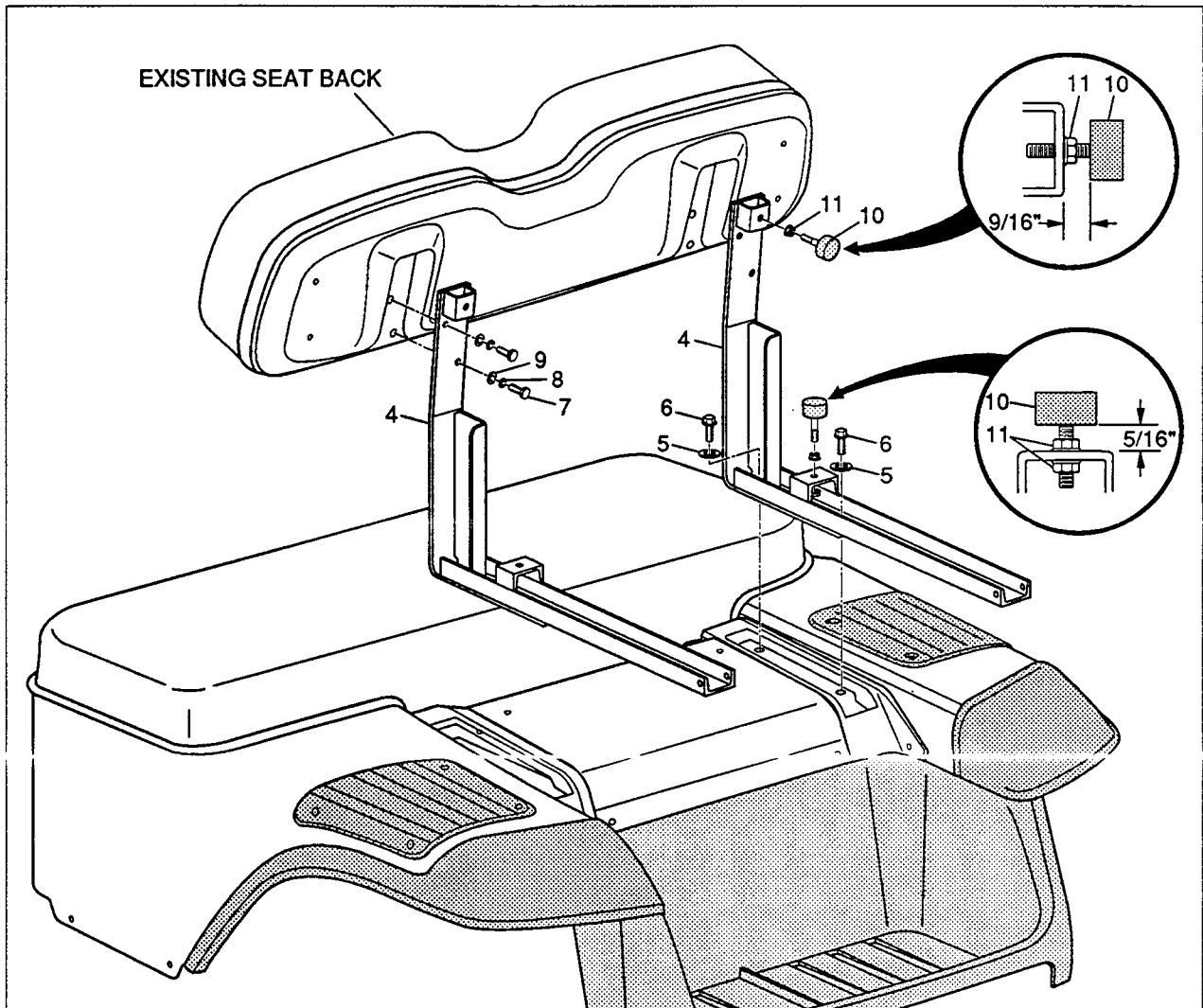


Fig. 3

TITLE	4-CADDY CONVERSION INSTALLATION INSTRUCTIONS	REV A
EZGO TEXTRON	DRN BY L WEBB ORIG DATE 07/12/94 REV BY REV DATE	DRAWING NO. 74133 PG. 3 OF 8
E-Z-GO DIVISION OF TEXTRON, INC., P.O. BOX 388, AUGUSTA, GA. 30903-0388, 1-800-448-7476		

3. Using screws (item 7), lock washers (item 8) and flat washers (item 9), secure the existing seat back to the new seat back support. (See Fig. 3)
4. Install rubber bumpers (item 10) on vertical part of seat support bracket using one lock nut (item 11) (per bumper) as shown in Fig. 3. Tighten to dimension specified.
5. Install rubber bumpers (item 10) on horizontal part of seat support bracket using two lock nuts (item 11) (per bumper) as shown in Fig. 3. Tighten to dimension specified.

C. INSTALLING VERTICAL FRAME SUPPORT

NOTE

Some later model vehicles may have pre-drilled holes in the frame under the bagwell. If so, proceed to step 1. If the vehicle has no pre-drilled holes, go to step 2.

1. Using the pre-drilled holes in the frame under the bagwell as a guide, drill one 1/2" hole at each side of the bagwell.
2. Drill two 1/2" holes through the bottom of the bagwell and through the frame below the bagwell. See Fig. 4 for location of holes.

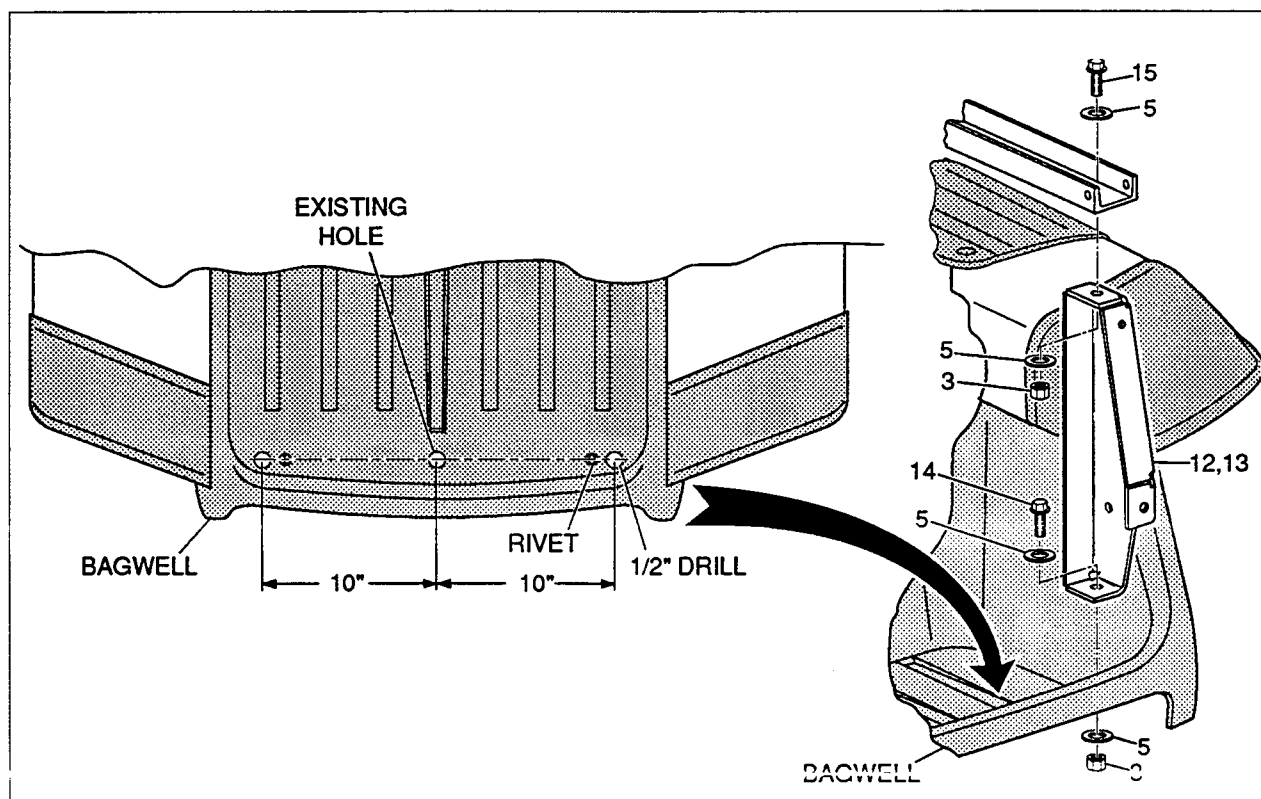


Fig. 4

3. Place vertical frame support (items 12 and 13) between the seat back support and bagwell as shown. Insert screw (item 14) and washer (item 5) on top side bagwell and place washer (item 5) and nut (item 3) underneath frame (See Fig. 4). Finger tighten the hardware since the bottom washer and nut will be removed later for further installation.
4. Secure the top of the vertical frame support to the seat back support using bolt (item 15), washers (item 5) and nut (item 3) (See Fig. 4). Do not tighten hardware.

TITLE				4-CADDY CONVERSION INSTALLATION INSTRUCTIONS		REV A	
EZGO TEXTRON		DRN BY L WEBB ORIG DATE 07/12/94	REV BY REV DATE	DRAWING NO.	74133	PG. 4 OF 8	
E-Z-GO DIVISION OF TEXTRON, INC., P.O. BOX 388, AUGUSTA, GA. 30903-0388, 1-800-448-7476							

NOTE

At this point, before tightening any hardware, it is critical the exact dimension is achieved to accommodate the fitting of the seat assembly into the channels of the seat back support.

5. As a 'test fit', place the seat assembly (item 22) into the channels of the seat back support and tighten the hardware securing the seat back support to the vehicle frame to 21-25 ft. lbs. torque.
6. Tighten the hardware securing the seat back support to the vertical frame support to 21-25 ft. lbs. torque. Remove the seat assembly.

D. INSTALLING THE VALANCE PANEL AND FLOORBOARD ASSEMBLY

1. Place the valance panel (item 16) as shown in Fig. 5 with the side flaps under the fender end caps.
2. Secure the side flaps to the fender end caps using two plastic rivets (item 17) as shown.
3. Install the end plugs (item 18) into the tubing ends of the foot rest assembly (item 19).

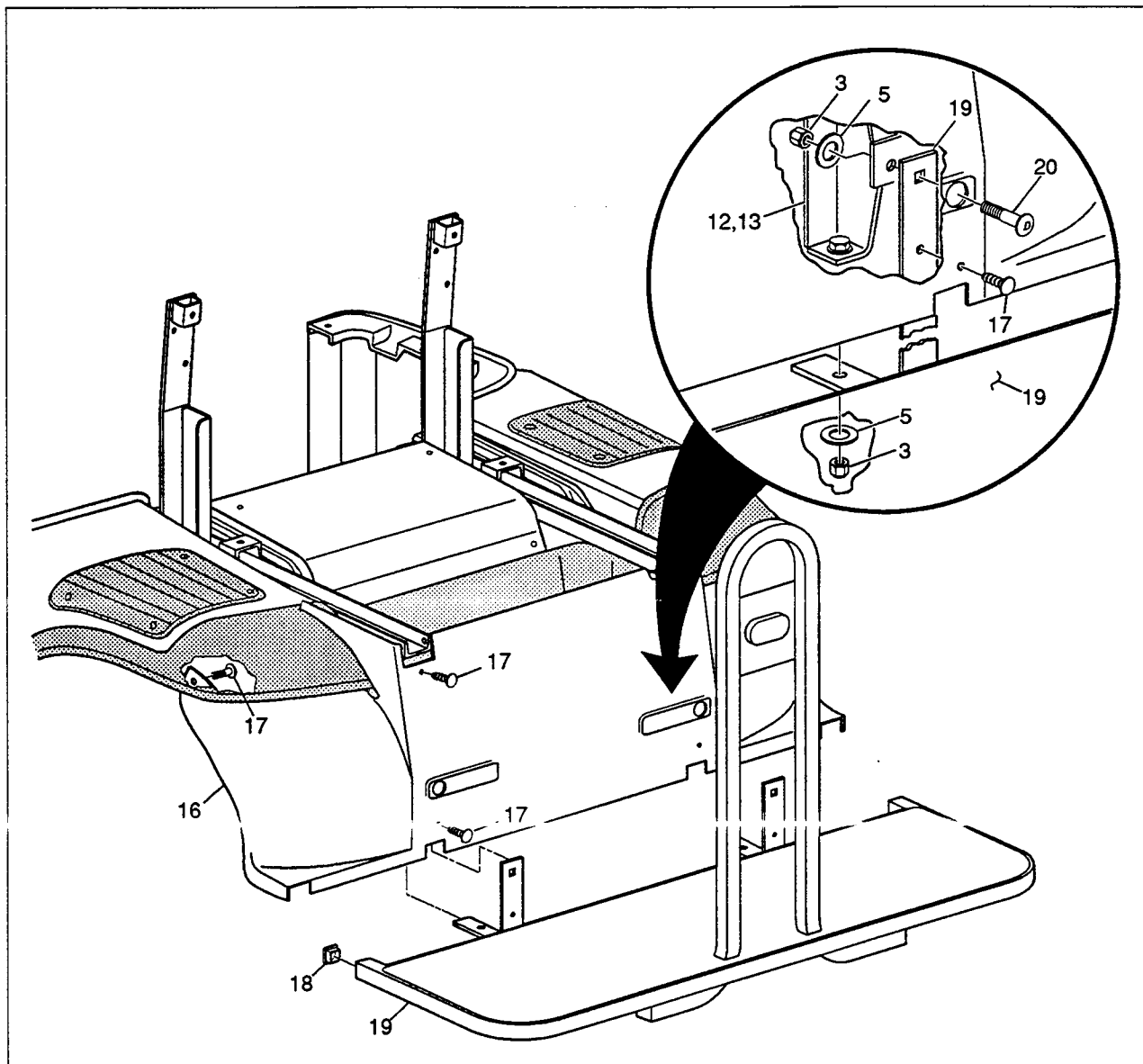


Fig. 5

TITLE 4-CADDY CONVERSION INSTALLATION INSTRUCTIONS

REV A

EZGO **TEXTRON**

DRN BY L WEBB
ORIG DATE 07/12/94

REV BY
REV DATE

DRAWING NO. 74133

PG. 5 OF 8

4. Remove the nut (item 3) and washer (item 5) (previously installed) from the underside of the frame. See Detail in Fig. 5.
5. Place the foot rest assembly (item 19) up against the bottom of the valance panel aligning the bolts that were previously installed in the bagwell with the holes in the horizontal part of the welded bracket. Be sure the vertical part of the welded bracket is inserted between the valance panel and the vertical frame supports. See Detail in Fig. 5.

NOTE

Hint: To perform step 6, it may require the assistance of another person or it be necessary to use a jack to raise and hold the floorboard assembly while installing hardware.

6. Reinstall the washer and nut under the bagwell. Finger tighten to allow adjustment.
7. Align holes in welded bracket with holes in valance panel and vertical frame support.
8. Place carriage bolt (item 20) through the large holes in valance panel and secure with washer (item 5) and nut (item 3).
9. Finish securing the valance panel to the vehicle using two rivets (item 17) at each side.
10. Firmly tighten the nut (item 3) on the underside of the frame.

E. INSTALLING SEAT ASSEMBLY

1. Insert the nylon bushings (item 21) into the pivot brackets on the seat assembly (item 22) (4 places). (See Fig. 6)

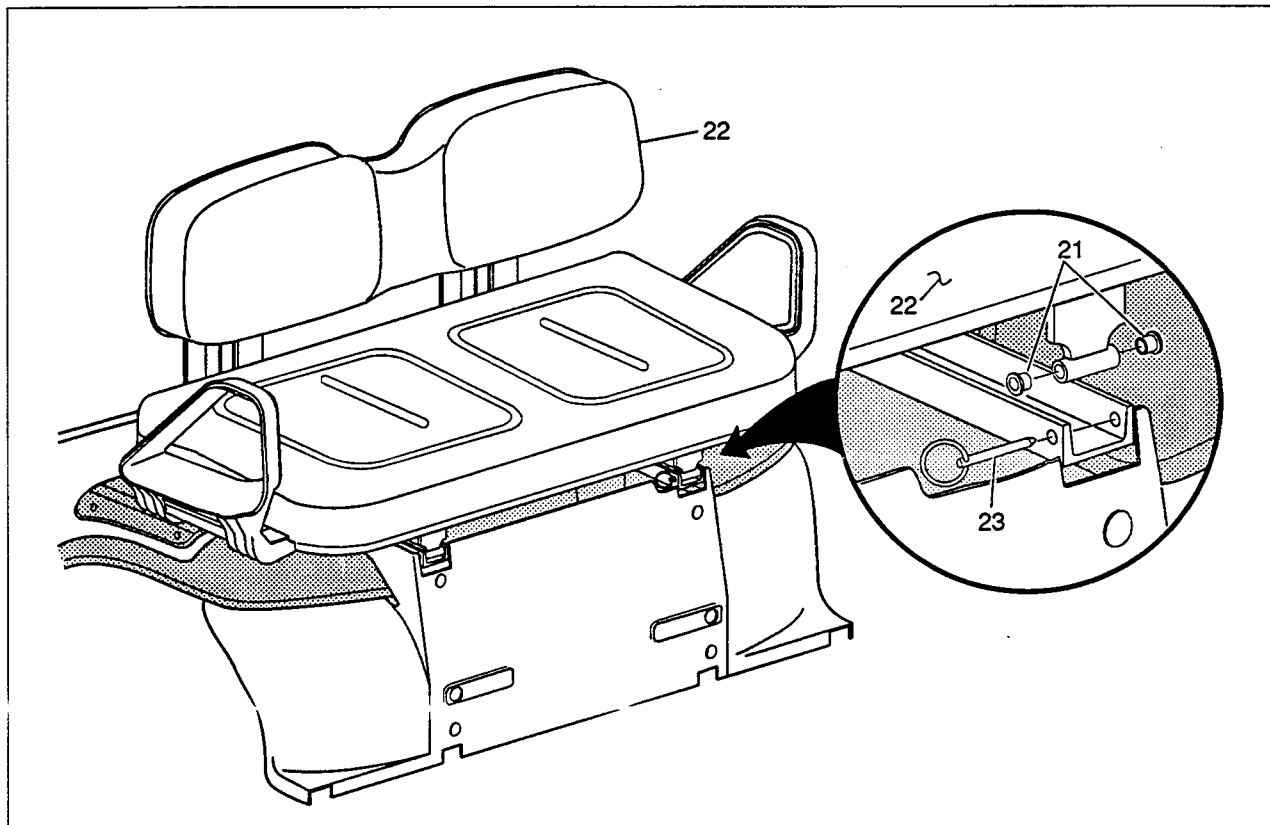


Fig. 6

2. Place the seat assembly into the channels of the seat back support aligning pivot brackets with existing holes.
3. Insert the hitch pin (item 23) through the pivot from the center of vehicle (2 places). (See Fig. 6)
4. Clean the reflector mounting surface with alcohol and wipe dry.

TITLE **4-CADDY CONVERSION INSTALLATION INSTRUCTIONS**

REV A

EZGO TEXTRON

DRN BY L WEBB
ORIG DATE 07/12/94

REV BY
REV DATE

DRAWING NO. 74133

PG. 6 OF 8

5. Peel backing from reflector (item 24). Firmly stick onto reflector mounting surface located on valance panel. (See Fig. 7)

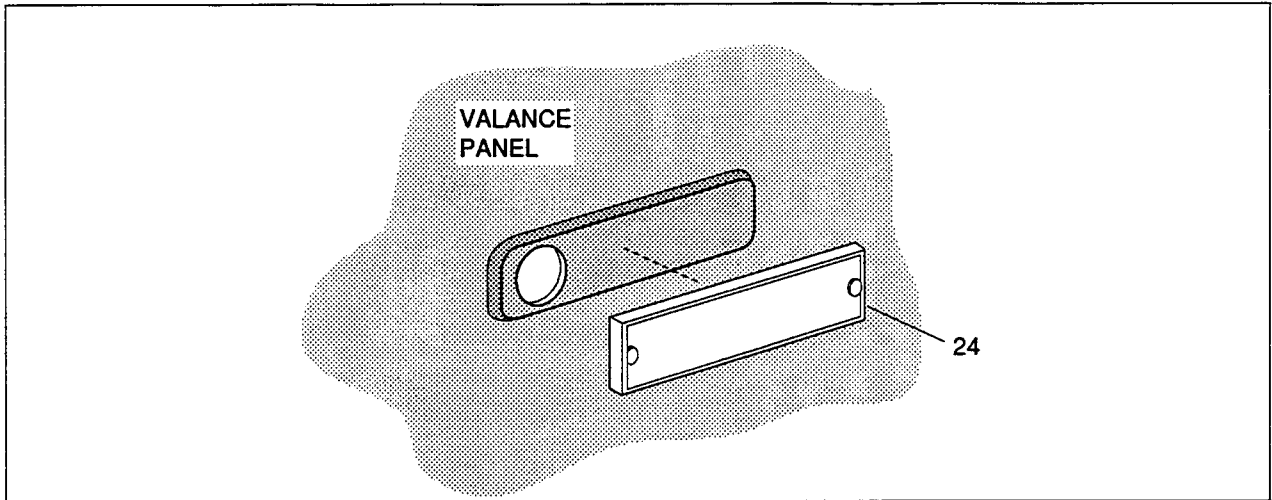
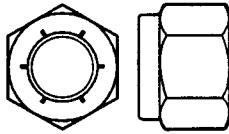
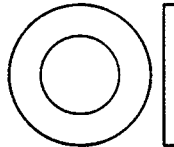


Fig. 7

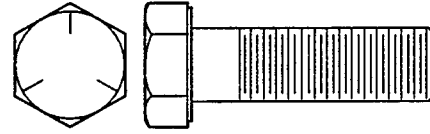
NOTE: HARDWARE SHOWN ACTUAL SIZE



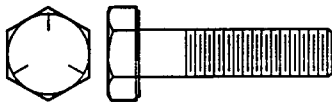
Item 3
3/8-16 Lock Nut
Qty. 14



Item 5
3/8 Washer
Qty. 14



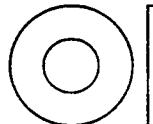
Item 6
3/8-16 x 1 1/4" Bolt
Qty. 4



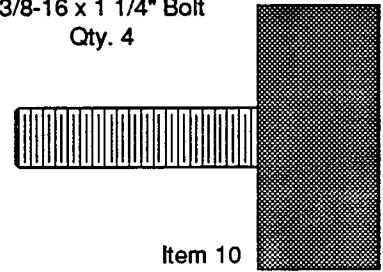
Item 7
1/4-20 x 1" Bolt
Qty. 4



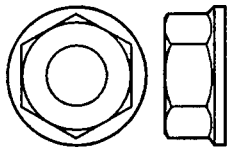
Item 8
1/4 Lock Washer
Qty. 4



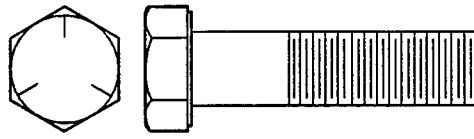
Item 9
1/4 Washer
Qty. 4



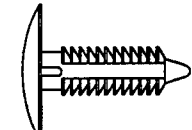
Item 10
Adjustable Rubber Bumper
Qty. 4



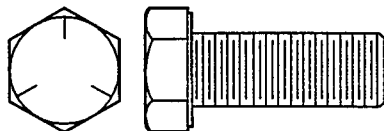
Item 11
5/16-18 Lock Nut
Qty. 6



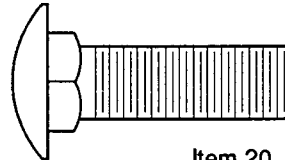
Item 14
3/8-16 x 1 1/2" Bolt
Qty. 2



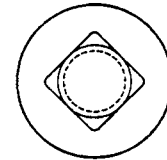
Item 17
Plastic Rivet
Qty. 6



Item 15
3/8-16 x 1" Bolt
Qty. 2



Item 20
3/8-16 x 1 1/4" Carriage Bolt
Qty. 14



TITLE **4-CADDY CONVERSION INSTALLATION INSTRUCTIONS**

REV A

EZGO **TEXTRON**

DRN BY L WEBB
ORIG DATE 07/12/94

REV BY
REV DATE

DRAWING NO. 74133

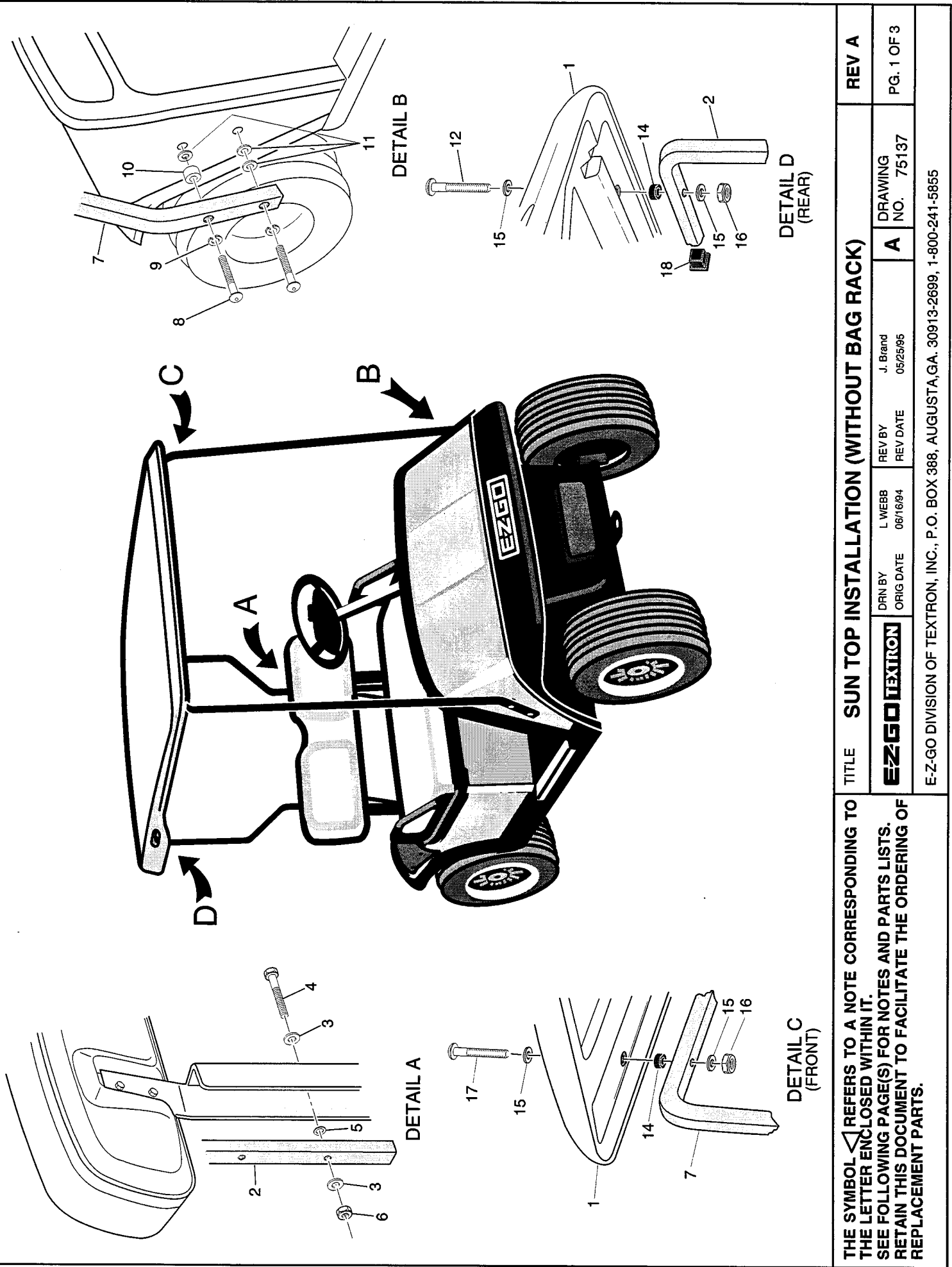
PG. 7 OF 8

KIT CONTENTS


ITEM	QTY	PART NO.	DESCRIPTION
1.....	2.....	74135-G01	SPRING, HEAVY DUTY
2.....	4.....	74124-G01	'U' BOLT, 3/8-16
3.....	14.....	11098-G5	NUT, LOCK, 3/8-16
4.....	2.....	74111-G01	SUPPORT, SEAT BACK
5.....	14.....	00560-G1	WASHER, 3/8
6.....	4.....	00427-G2	BOLT, 3/8-16 X 1 1/4" LG.
7.....	4.....	00414-G8	BOLT, 1/4-20 X 1" LG.
8.....	4.....	00565-G7	WASHER, LOCK, 1/4
9.....	4.....	00559-G7	WASHER, 1/4
10.....	4.....	70113-G01	BUMPER, ADJUSTABLE RUBBER
11.....	6.....	11027-G1	NUT, LOCK, 5/16-18
12.....	1.....	74126-G02	SUPPORT, VERTICAL FRAME, RH
13.....	1.....	74126-G01	SUPPORT, VERTICAL FRAME, LH
14.....	2.....	00427-G4	BOLT, 3/8-16 X 1 1/2" LG.
15.....	2.....	00426-G8	BOLT, 3/8-16 X 1" LG.
16.....	1.....	74127-G01	PANEL, VALANCE
17.....	6.....	16816-G2	RIVET, PLASTIC
18.....	2.....	19853-G1	PLUG, END
19.....	1.....	74105-G01	FOOT REST ASSEMBLY (INCLUDES WARNING LABEL (74132-G01) AND REFLECTOR (74129-G01))
20.....	2.....	00769-G2	BOLT, CARRIAGE, 3/8-16 X 1 1/4" LG.
21.....	4.....	17838-G1	BUSHING, NYLON
22.....	1.....	74131-G*	SEAT ASSEMBLY
23.....	2.....	74134-G01	PIN, HITCH
24.....	2.....	74128-G01	REFLECTOR

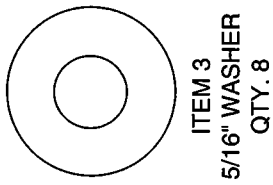
* Contact Service Parts Department for appropriate color.

TITLE				4-CADDY CONVERSION INSTALLATION INSTRUCTIONS		REV A	
EZGO TEXTRON		DRN BY ORIG DATE	L WEBB 07/12/94	REV BY REV DATE	DRAWING NO.	74133	PG. 8 OF 8
E-Z-GO DIVISION OF TEXTRON, INC., P.O. BOX 388, AUGUSTA, GA. 30903-0388, 1-800-448-7476							

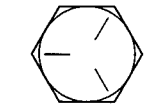


THE SYMBOL  REFERS TO A NOTE CORRESPONDING TO THE LETTER ENCLOSED WITHIN IT. SEE FOLLOWING PAGE(S) FOR NOTES AND PARTS LISTS. RETAIN THIS DOCUMENT TO FACILITATE THE ORDERING OF REPLACEMENT PARTS.

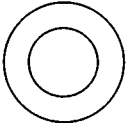
EZ-GO 		DRN BY L WEBB ORIG DATE 08/16/94	REV BY J. Brand REV DATE 05/25/95	DRAWING NO. 75137	REV A
TITLE SUN TOP INSTALLATION (WITHOUT BAG RACK)		E-Z-GO DIVISION OF TEXTRON, INC., P.O. BOX 388, AUGUSTA, GA. 30913-2699, 1-800-241-5855			



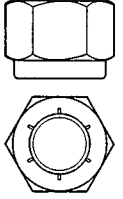
ITEM 3
5/16" WASHER
QTY. 8



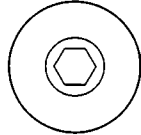
ITEM 4
5/16-18 X 1 3/4" BOLT
QTY. 4



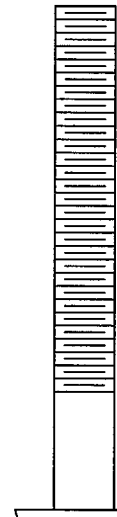
ITEM 5
5/16" TEFLON WASHER
QTY. 4



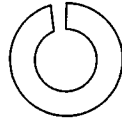
ITEM 6
5/16-18 LOCK NUT
QTY. 4



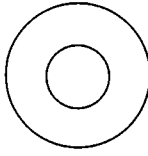
ITEM 8
5/16-18 X 2 5/8" BOLT
QTY. 4



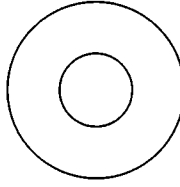
ITEM 9
5/16" LOCK WASHER
QTY. 4



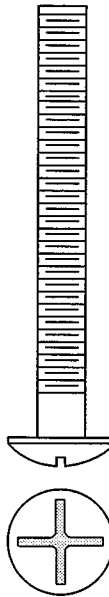
ITEM 10
SPACER
QTY. 2



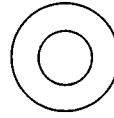
ITEM 11
5/16" BLACK WASHER
QTY. 6



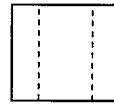
ITEM 12
1/4-20 X 2 1/4" BOLT
QTY. 2



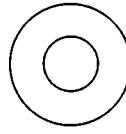
ITEM 13
1/4-20 X 2" BOLT
QTY. 2



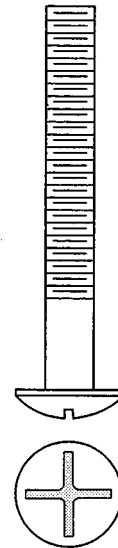
ITEM 14
PLASTIC SPACER
QTY. 4



ITEM 15
1/4" WASHER
QTY. 8




ITEM 16
1/4-20 LOCK NUT
QTY. 4



ITEM 17
1/4-20 X 2" BOLT
QTY. 2

NOTE: ALL HARDWARE SHOWN ACTUAL SIZE

THE SYMBOL REFERS TO A NOTE CORRESPONDING TO THE LETTER ENCLOSED WITHIN IT. SEE FOLLOWING PAGE(S) FOR NOTES AND PARTS LISTS. RETAIN THIS DOCUMENT TO FACILITATE THE ORDERING OF REPLACEMENT PARTS.

TITLE		SUN TOP INSTALLATION (WITHOUT BAG RACK)		REV	A
		DRN BY	L. WEBB	REV BY	J. Brand
		ORIG DATE	06/16/94	REV DATE	05/25/95
		DRAWING NO.		75137	
				PG. 2 OF 3	
E-Z-GO DIVISION OF TEXTRON, INC., P.O. BOX 388, AUGUSTA, GA. 30913-2699, 1-800-241-5855					

NOTE: TO ORDER THIS ENTIRE FIELD KIT, REQUEST 75135-G01

READ ALL INSTRUCTIONS BEFORE PROCEEDING.

A. REAR STRUTS

1. ALIGN THE HOLES IN THE REAR STRUT WITH THE HOLES IN THE SEAT BACK SUPPORT BRACKET. PUSH THE STRUT AWAY FROM THE CENTER OF THE CAR TO GIVE CLEARANCE BETWEEN THE STRUT AND THE SEAT BACK SUPPORT.
2. PLACE WASHER, ITEM 3 ONTO BOLT, ITEM 4 AND INSERT BOLT JUST THRU SEAT BACK SUPPORT (2 - 3 THREADS). PLACE THE SMALL WHITE TEFLON WASHER, ITEM 5 ONTO THE BOLT BETWEEN THE STRUT AND SEAT BACK SUPPORT TO PREVENT SQUEAKING.
3. INSERT THE BOLT WITH THE TWO WASHERS IN PLACE THRU THE REAR STRUT. SECURE HARDWARE WITH WASHER, ITEM 3 AND LOCK NUT, ITEM 6. **DO NOT TIGHTEN HARDWARE.**
4. REPEAT STEPS 2 AND 3 FOR THE OTHER HOLE.
5. REPEAT PROCEDURE AT THE OTHER SIDE OF VEHICLE.
6. INSERT TUBE CAPS, ITEM 18 INTO THE TOP OF THE REAR STRUTS.

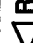
B. FRONT STRUT


1. REMOVE AND DISCARD THE FOUR ALLEN HEAD BOLTS FROM THE FRONT COWL USING A 7/32" ALLEN WRENCH.
2. AT THE TOP HOLE, INSTALL THE FRONT STRUT, ITEM 7 WITH BOLT, ITEM 8 AND BLACK LOCK WASHER, ITEM 9, ON THE OUTSIDE OF STRUT, AND A SPACER, ITEM 10 BETWEEN THE FRONT COWL AND STRUT. **DO NOT TIGHTEN HARDWARE.**
3. AT THE BOTTOM HOLE, SECURE THE FRONT STRUT, ITEM 7 WITH BOLT, ITEM 8 AND BLACK LOCK WASHER, ITEM 9, ON THE OUTSIDE OF STRUT, AND TWO BLACK WASHERS, ITEM 11 BETWEEN THE FRONT COWL AND STRUT. **DO NOT TIGHTEN HARDWARE.**

C. SUN TOP

1. PLACE SUN TOP, ITEM 1 ONTO STRUTS
2. SECURE SUN TOP LOOSELY WITH BOLTS, ITEM 17 AT FRONT AND ITEM 12 AT REAR, PLASTIC SPACER, ITEM 14, WASHER, ITEM 15, AND LOCK NUT, ITEM 16. SEE ILLUSTRATIONS FOR INSTALLATION SEQUENCE.
3. TIGHTEN ALL SUN TOP HARDWARE TO 3 - 5 FT. LBS. TORQUE.
4. TIGHTEN ALL REAR STRUT HARDWARE TO 13 - 15 FT. LBS. TORQUE.
5. TIGHTEN ALL FRONT STRUT HARDWARE TO 13 - 15 FT. LBS. TORQUE.

ITEM	QTY	PART NO.	DESCRIPTION
1	1	27069-G01	TOP, SUN
2	2	75136-G01	STRUT, REAR
3	8	00571-G2	WASHER, 5/16"
4	4	00439-G6	BOLT, 5/16-18 X 1 3/4"
5	4	17255-G1	WASHER, TEFLON, 5/16"
6	4	11098-G6	NUT, LOCK, 5/16-18
7	1	75045-G01	STRUT, FRONT
8	4	71056-G02	BOLT, 5/16-18 X 2 5/8"
9	4	00905-G8	WASHER, LOCK, BLACK, 5/16"
10	2	75048-G01	SPACER
11	6	00570-G2	WASHER, BLACK, 5/16"
12	2	00753-G6	BOLT, STAINLESS STEEL, 1/4-20 X2 1/4"
13			
14	4	75051-G01	SPACER, PLASTIC
15	8	00559-G7	WASHER, PLATED, 1/4"
16	4	00891-G2	NUT, LOCK, 1/4-20
17	2	00753-G5	BOLT, STAINLESS STEEL, 1/4-20 X 2"
18	2	19853-G1	CAP, TUBE, 1"

THE SYMBOL  REFERS TO A NOTE CORRESPONDING TO THE LETTER ENCLOSED WITHIN IT. SEE FOLLOWING PAGE(S) FOR NOTES AND PARTS LISTS. RETAIN THIS DOCUMENT TO FACILITATE THE ORDERING OF REPLACEMENT PARTS.

TITLE		SUN TOP INSTALLATION (WITHOUT BAG RACK)		REV A
	DRN BY	L WEBB	REV BY	J. Brand
	ORIG DATE	06/16/94	REV DATE	05/25/95
			DRAWING NO.	75137
				PG. 3 OF 3
E-Z-GO DIVISION OF TEXTRON, INC., P.O. BOX 388, AUGUSTA, GA. 30913-2699, 1-800-241-5855				

DIAGRAMS AND SCHEMATICS

WIRING DIAGRAMS AND SCHEMATICS

REFER TO TECHNICIANS REPAIR AND SERVICE MANUAL FOR
NOTES, CAUTIONS AND WARNINGS.

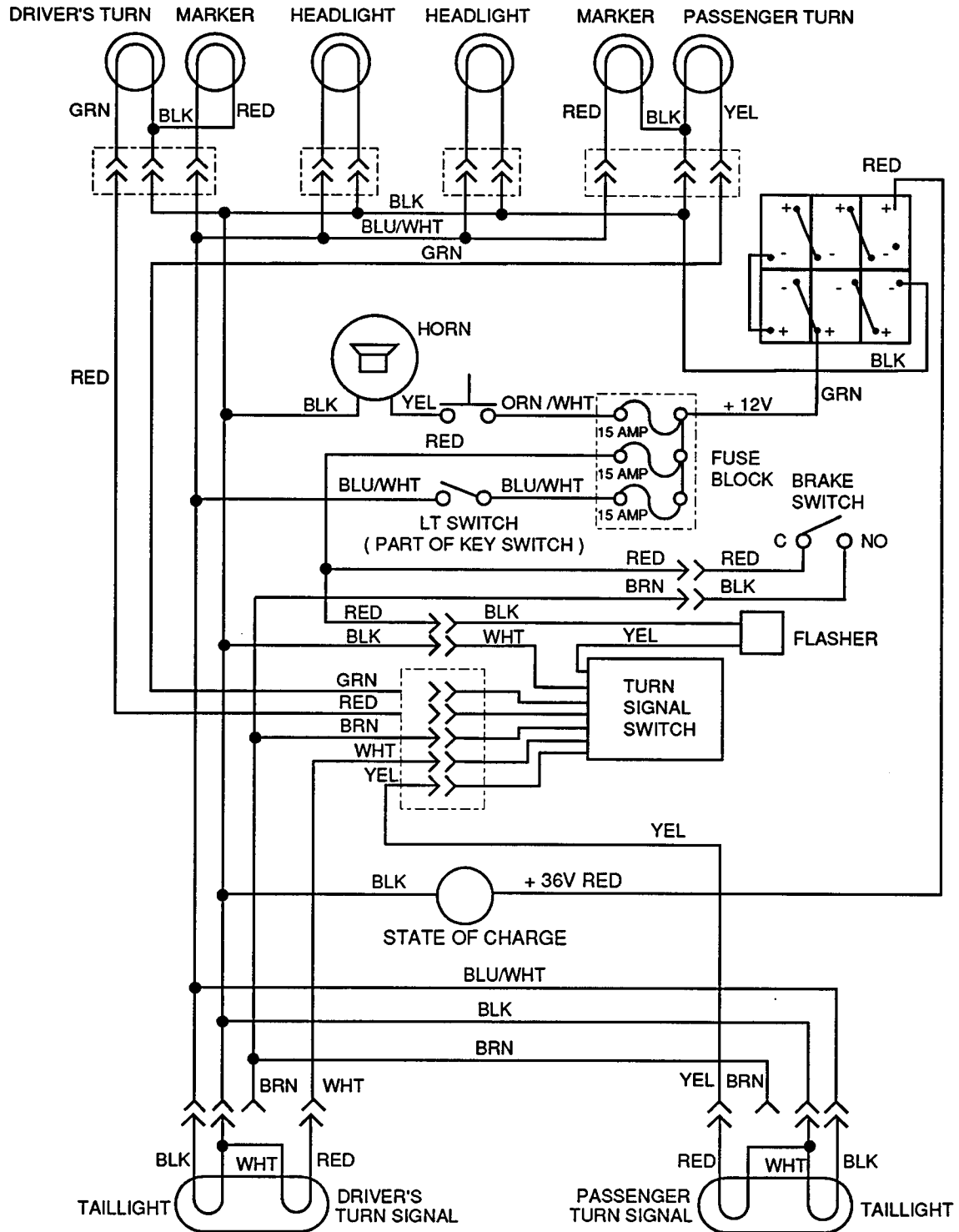
ELECTRIC MEDALIST TECHNICIANS REPAIR AND SERVICE MANUAL

MANUAL P/N: 28124-G01

GASOLINE MEDALIST TECHNICIANS REPAIR AND SERVICE MANUAL

MANUAL P/N: 28125-G01

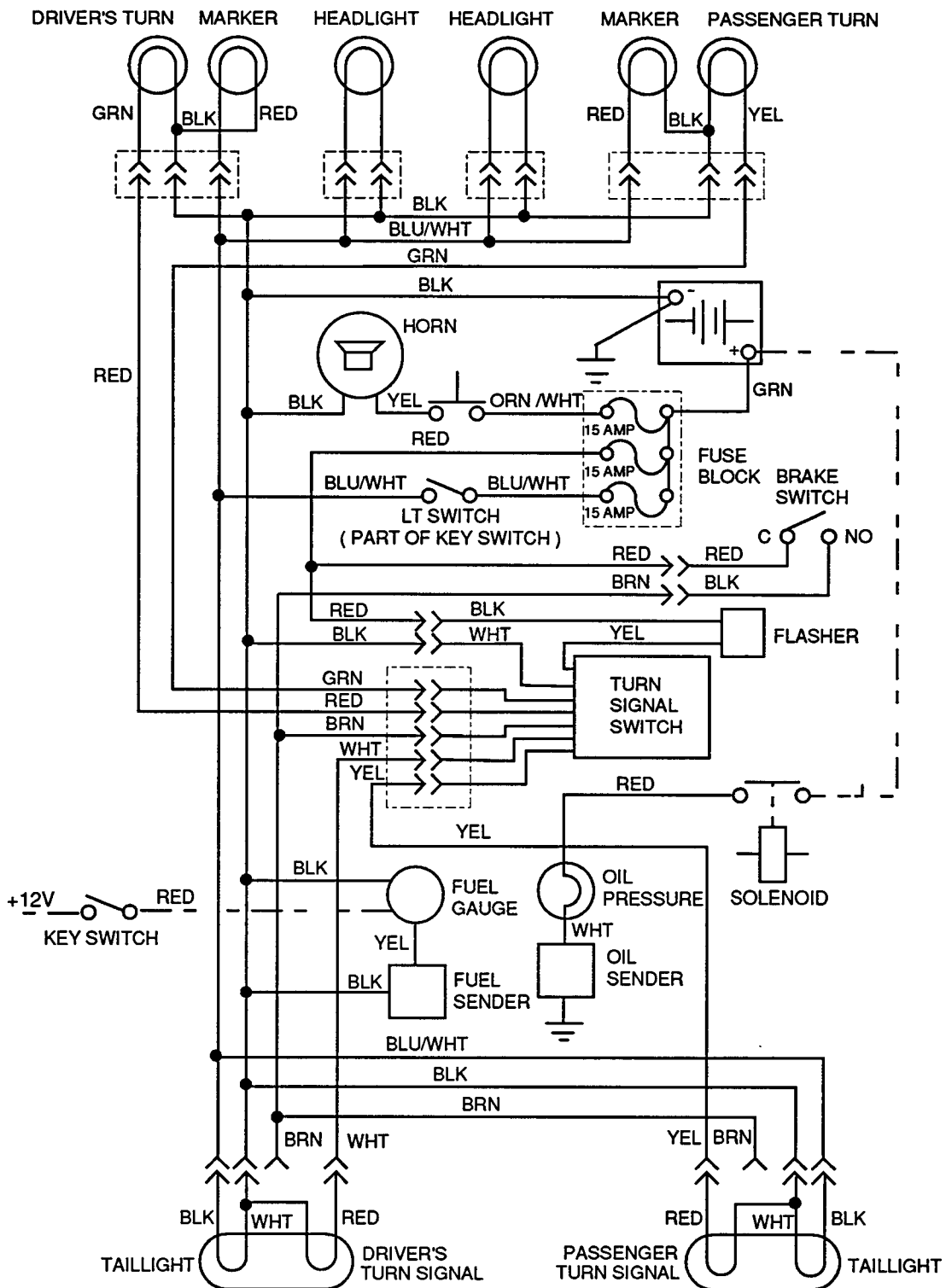
ELECTRIC VEHICLE ACCESSORY WIRING



FOR VEHICLES WITHOUT TURN SIGNALS REMOVE WHT WIRE FROM LEFT TURN SIGNAL
 REMOVE YEL WIRE FROM RIGHT TURN SIGNAL CONNECT BRN WIRE TO RED

● INDICATES BUTT CONNECTION WITHIN WIRING HARNESS

GASOLINE VEHICLE ACCESSORY WIRING

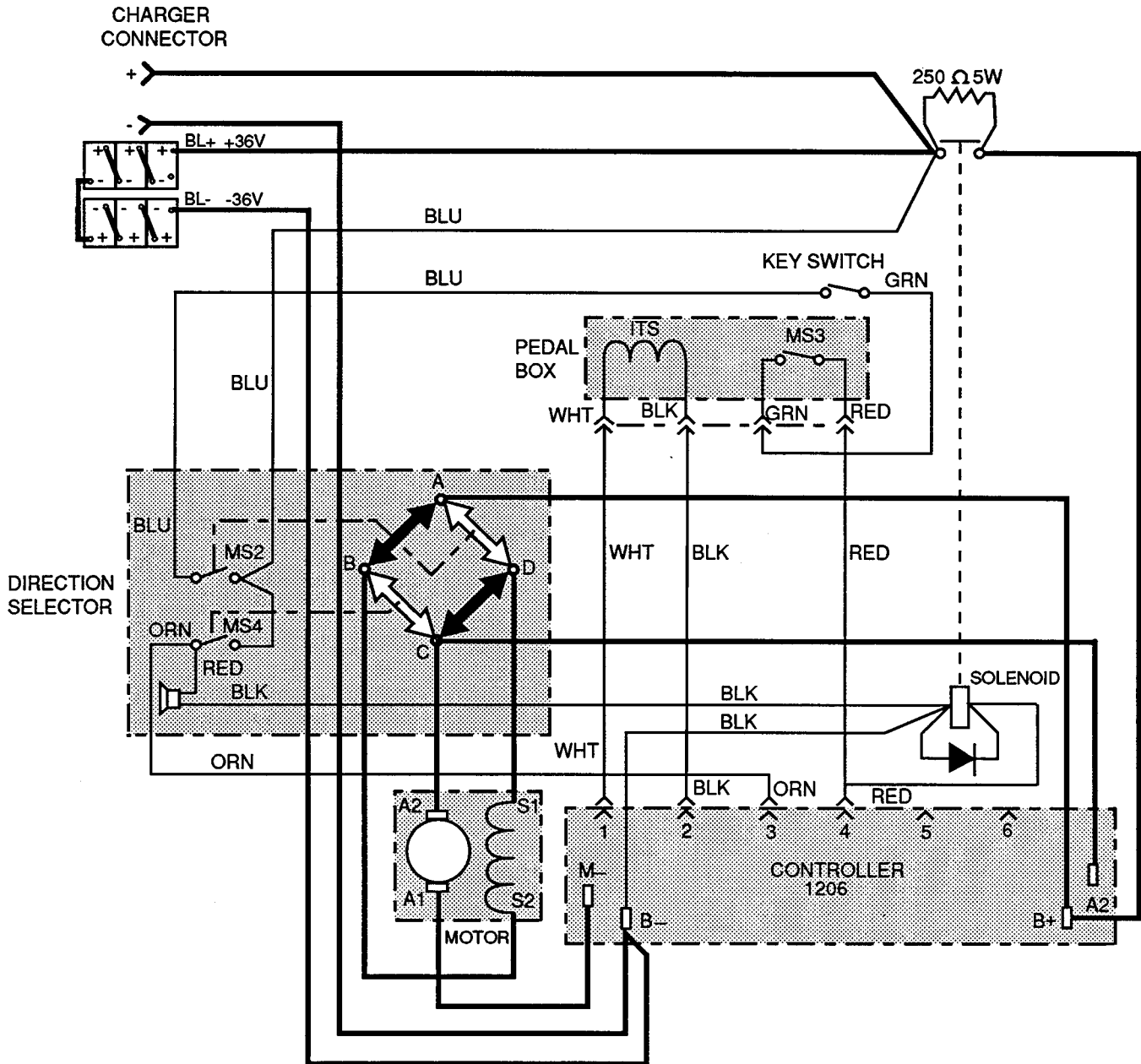



FOR VEHICLES WITHOUT TURN SIGNALS REMOVE WHT WIRE FROM LEFT TURN SIGNAL
 REMOVE YEL WIRE FROM RIGHT TURN SIGNAL CONNECT BRN WIRE TO RED

----- INDICATES WIRE NOT INCLUDED IN HARNESS

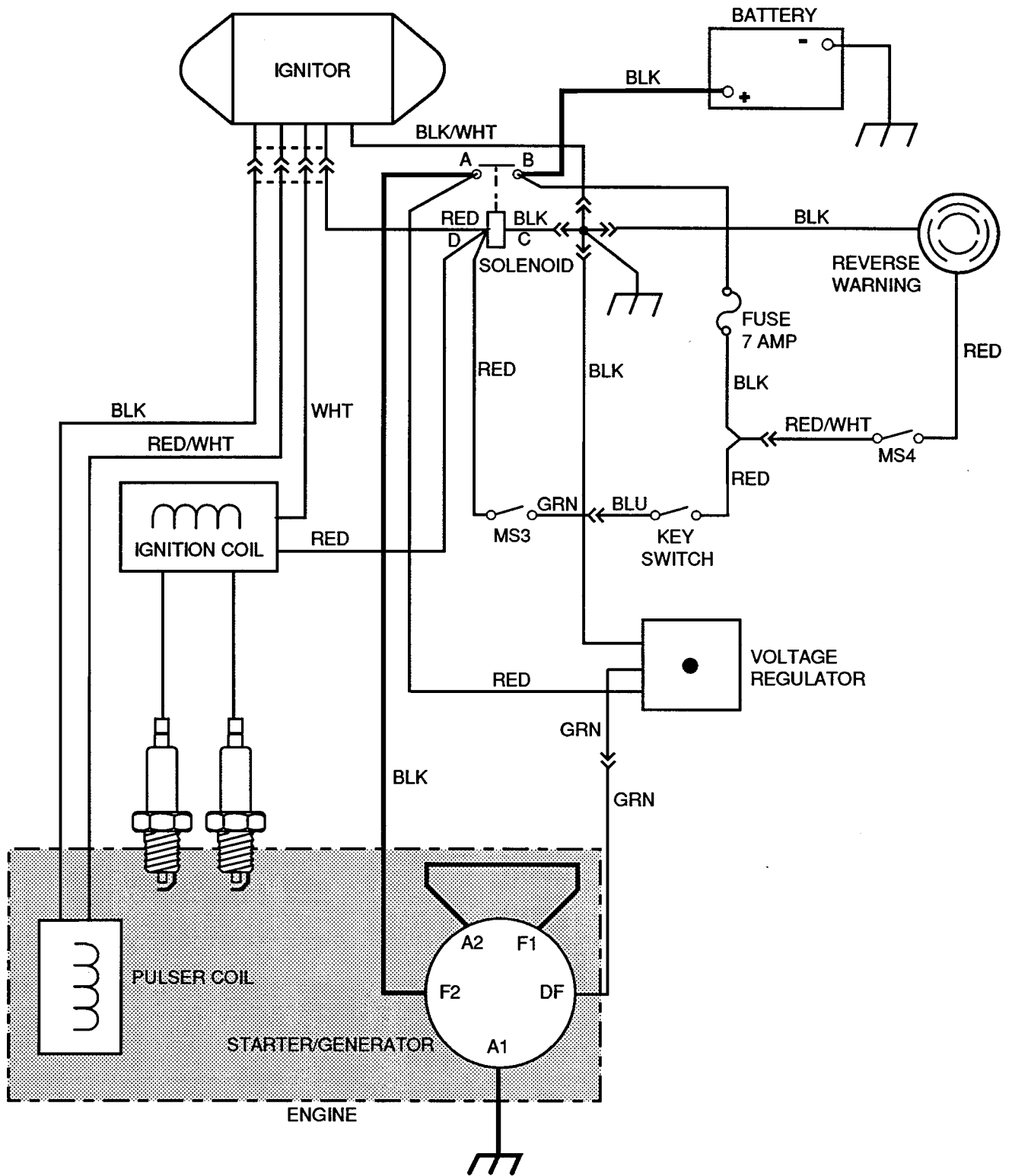
● INDICATES BUTT CONNECTION WITHIN WIRING HARNESS

ELECTRIC VEHICLE WIRING DIAGRAM / SCHEMATIC



WIRES INDICATED  ARE CONTAINED IN POWER HARNESS
 ALL OTHER WIRES ARE CONTROL WIRING
 MS2 IS CLOSED WHEN DIRECTION SELECTOR SWITCH IS IN FWD OR REVERSE
 MS3 IS ACTIVATED BY ACCELERATOR PEDAL
 MS4 IS CLOSED BY DIRECTION SELECTOR SWITCH IN REVERSE ONLY

GASOLINE VEHICLE WIRING DIAGRAM / SCHEMATIC



LIMITED WARRANTY

CALIFORNIA EMISSION CONTROL WARRANTY STATEMENT YOUR WARRANTY RIGHTS AND OBLIGATIONS

The California Air Resources Board and Fuji Heavy Industries Ltd. (herein "FUJI") are pleased to explain the emission control system warranty on your 1995 and later specialty vehicle engine (herein "engine"). In California, the engine must be designed, built and equipped to meet the State's stringent anti-smog standards. FUJI must warrant the emission control system on your engine for the period of time described below, provided there has been no abuse, neglect or improper maintenance of your engine.

Your emission control system may include parts such as the carburetor and the ignition system. Also included may be hoses, connectors and other emission-related assemblies.

Where a warrantable condition exists, FUJI will repair your engine at no cost to you including diagnosis, parts and labor.

MANUFACTURER'S WARRANTY COVERAGE:

The 1995 and later engines are warranted for two (2) years. If any emission related part on your engine is defective, the part will be repaired or replaced by FUJI.

OWNER'S WARRANTY RESPONSIBILITIES:

As the engine owner, you are responsible for the performance of the required maintenance listed in your Owner's Manual. FUJI recommends that you retain all receipts covering maintenance on your engine, but FUJI cannot deny warranty solely for the lack of receipts or for your failure to ensure the performance of all scheduled maintenance.

As the engine owner, you should, however, be aware that FUJI may deny you warranty coverage if your engine or a part has failed due to abuse, neglect, improper maintenance or unapproved modifications. You are responsible for presenting your engine to a dealer, distributor or warranty station authorized by E-Z-GO DIVISION OF TEXTRON, INC. Augusta, Georgia, (herein "E-Z-GO") to which FUJI supplies the engine as soon as a problem exists. The warranty repairs should be completed in a reasonable amount of time, not to exceed 30 days.

If you have any questions regarding your warranty rights and responsibilities, you should contact the E-Z-GO Warranty Department at 1-800-241-5855.

LIMITED WARRANTY on Emission Control Systems - California Only -

FUJI, Tokyo, Japan, warrants to the owner of the 1995 and later engine that the engine (1) has been designed, built and equipped so as to conform at the time of manufacture with the applicable regulations of the California Air Resources Board, and (2) is free from defects in materials and workmanship which could cause it to fail to conform with those regulations as may be applicable in the terms and conditions stated below.

A. WARRANTY COMMENCEMENT DATE

The warranty period begins on the date the engine is delivered to a first retail purchaser.

B. LENGTH OF COVERAGE

FUJI warrants to a first retail purchaser and each subsequent purchaser that the engine is free from defects in materials and workmanship which could cause the failure of a warranted emission-related part for a period of two (2) years after the date of delivery to the first retail purchaser.

C. WHAT IS COVERED:

1. REPAIR OR REPLACEMENT PARTS

Repairs and replacement of any warranted part will be performed at no charge to you by an authorized dealer, distributor or a warranty station. You may contact the E-Z-GO Warranty Department at 1-800-241-5855 to get the nearest appropriate location where your warranty repairs are performed.

2. WARRANTY PERIOD

This warranty continues for a period of two (2) years and shall apply only to the repair, replacement or adjustment of the component parts which are not scheduled for replacement as required maintenance. Further, component parts which are scheduled only for regular inspection to the effect of "repair or replace as necessary" shall be warranted for the warranty period. Any warranted part which is scheduled for replacement as required maintenance shall be warranted for the period of time up to the first scheduled replacement point for that part.

3. DIAGNOSIS

You shall not be charged for diagnostic labor which leads to the determination that a warranted part is defective, if the diagnostic work is performed at an authorized dealer, distributor or warranty station.

4. CONSEQUENTIAL DAMAGES

LIMITED WARRANTY

If a warranted part failed causing damages to other engine components, consult a warranty station.

D. WHAT IS NOT COVERED

1. This limited warranty does not cover any part which malfunctions, fails or is damaged due to failure to follow the maintenance and operating instructions set forth in the 1995 and later Owner's Manual including:
 - (1) improper or inadequate scheduled engine inspection and maintenance
 - (2) improper or inadequate maintenance of any warranted parts
 - (3) improper installation, adjustment or repair of the engine or of any warranted part unless performed by an authorized dealer
 - (4) failure to follow recommendations on fuel use contained in the 1995 and later Owner's Manual
 - (5) repairs performed outside of the authorized warranty service facilities
 - (6) use of parts which are not authorized by FUJI.
2. Add-on or modified parts
This warranty does not cover any part which malfunctions, fails or is damaged due to alterations by changing, adding to or removing parts from the engine.
3. Expenses incurred by processing warranty claims
FUJI, any authorized dealer, distributors and warranty station shall not be liable for any loss of use of the engine, for any alternative usage, for any damage to goods, loss of time or inconvenience.

E. HOW TO FILE A CLAIM

All repairs qualifying under this Limited Warranty must be performed by a dealer who sold you the engine or distributors or warranty stations authorized by E-Z-GO. In the event that any emission-related part is found to be defective during the warranty period, you should notify E-Z-GO Warranty Department at 1-800-241-5855 and you will be given the appropriate warranty service facilities where the warranty repair is performed.

F. WHERE TO GET WARRANTY SERVICE

It is recommended that warranty service be performed by the authorized dealer who sold you the engine, although warranty service will be performed by any authorized dealers, distributors and warranty stations anywhere in the United States. When warranty repair is needed, the engine must be brought to an authorized dealer, distributorship or warranty station's place of business during normal business hours. In all cases, a reasonable time, not to exceed 30 days, must be allowed for the warranty repair to be completed after the engine is received by the authorized dealer, distributor or service station.

G. MAINTENANCE, REPLACEMENT AND REPAIR OF EMISSION-RELATED PARTS

Only warranted engine replacement parts approved by FUJI should be used in the performance of any warranty maintenance or repairs on emission-related parts. If other than authorized parts are used for maintenance, replacement or repair of components affecting emission control, you should assure yourself that such parts are warranted by their manufacturer to be equivalent to authorized parts in performance and durability. FUJI, however, assumes no liability under this warranty with respect to parts other than authorized parts. The use of non-authorized replacement parts does not invalidate the warranty on other components unless the non-authorized parts cause damage to warranted parts.

H. PARTS COVERED UNDER THE CALIFORNIA EMISSIONS WARRANTY

- (1) Fuel Metering System
 - (i) Carburetor and internal parts
 - (ii) Choke System
 - (iii) Fuel filter (annual maintenance item)
- (2) Air Induction System
 - (i) Air filter element (annual maintenance item)
- (3) Ignition System
 - (i) Spark plug (annual maintenance item)
 - (ii) Ignition Coil
 - (iii) Ignitor Complete
 - (iv) Pulser Coil
- (4) Exhaust Manifold
- (5) Miscellaneous Items Used in Above Systems
 - (i) Fuel hoses, clamps and sealing gaskets

I. MAINTENANCE STATEMENTS

It is your responsibility to have all scheduled inspection and maintenance services performed at the times recommended in the 1995 and later Owner's Manual and to retain proof that inspection and maintenance services are performed at the times when recommended. FUJI will not deny a warranty claim solely be-

LIMITED WARRANTY

cause you have no record of maintenance; however, FUJI may deny a warranty claim if your failure to perform required maintenance resulted in the failure of warranted part. The proof which you maintain should be given to each subsequent owner of the engine. You are responsible for performing the scheduled maintenance described below based on the procedures specified in the 1995 and later Owner's Manual. The scheduled maintenance below is based on the normal engine operating schedule.

PROCEDURE	INTERVAL
a) Check for sealing of fuel cap and proper operation of fuel gauge (at each fueling). Check that fuel cap vent is free of dirt	WEEKLY
b) Check engine for unusual noise, vibration acceleration.	MONTH (20 HOURS)
c) Check engine electrical system for coil/spark plug wire for cracks/loose connections.	3 MONTH (50 HOURS)
d) Check fuel system for leaks at tank cap, lines, filters, pump, carburetor. Check lines for cracks/deterioration.	3 MONTH (50 HOURS)
e) Check air cleaner filter element.	SEMIANNUAL (125 HOURS)
f) Replace engine oil, DO NOT OVERFILL. SAE 10W-30/10W-40 SF,SG,CC Oil	SEMIANNUAL (125-150 HOURS)
g) Clean oil filter in solvent (at oil change). Replace O-Rings if required.	SEMIANNUAL (125-150 HOURS)
h) Replace air cleaner filter element if required.	ANNUAL (250-300 HOURS)
i) Check fuel filter for dirt build up. (Replace as required)	ANNUAL (250-300 HOURS)
j) Check the spark plugs for gap 0.030. (Replace if required)	ANNUAL (250-300 HOURS)
k) Check timing belt tension, signs of wear/damage. Replace only if worn or damaged.	ANNUAL (250-300 HOURS)



a **TEXTRON** Company

E-Z-GO Division of Textron Inc.
P.O. Box 388 Augusta, Georgia 30903-0388 USA
Inside USA Phone: 1-800-241-5855, FAX: 1-800-448-8124
Outside USA Phone: 010-1-706-798-4311, FAX: 010-1-706-771-4609

Copyrighted Material
This manual may not be reproduced in whole or
in part without the express permission of
E-Z-GO Division of Textron Inc.
Technical Communications Department