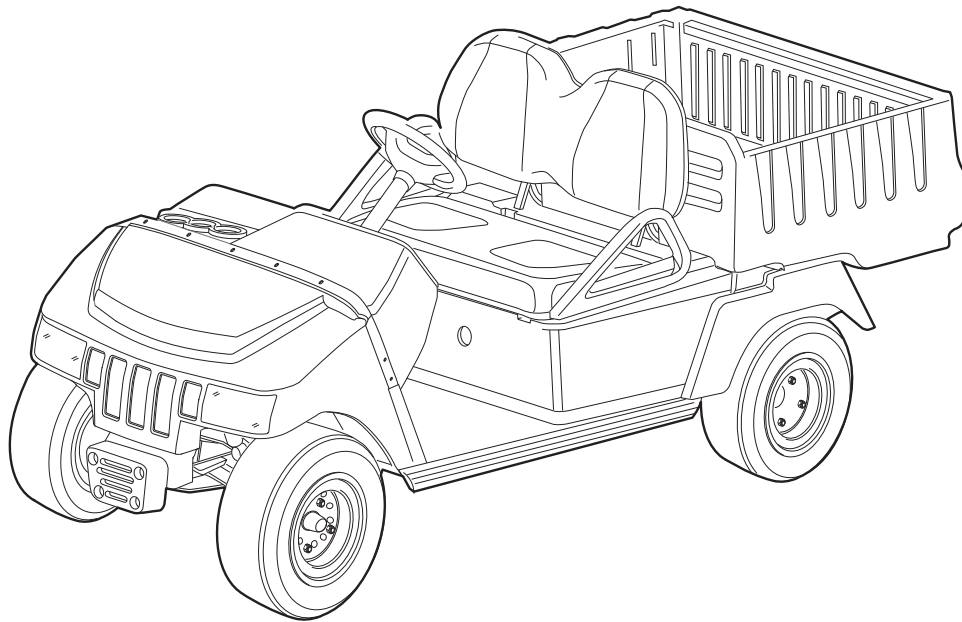




# **2010 Carryall 232 Illustrated Parts List**



**Gasoline and Electric Vehicles**

Manual Number 103700511  
Edition Code B



# USING THE ILLUSTRATED PARTS LIST

---

## **⚠ WARNING**

- **This manual is to be used only for identification and ordering of service parts. Be sure to read and use the maintenance and service manual before attempting any vehicle repairs.**

This manual is divided into several sections. Note that there are flags on the outside edge of each page. The first flag contains the section number of which that page is a part. The other flags contain the letters G or E, signifying that the page pertains to either the gasoline vehicle, the electric vehicle, or both.

Use the Table of Contents to find the sections and pages that contain the parts and assemblies you seek. The Table of Contents lists section numbers, and under them, the individual page titles and numbers to be found in that section. The index can be used to find specific parts and assemblies. The index is divided into numerical and alphabetical listings with the page numbers in italic text.

There is a two-page spread for each individual page title in the Table of Contents. On the left-hand page is an illustration showing the parts in their relative positions; the parts are each tagged with an item number in a balloon. The right-hand page is the parts list page, and gives the page title at the top, then the item numbers (corresponding to the numbers on the illustration), part descriptions, and quantity of parts used.

Note that a part description may be indented. This indentation corresponds to a parts assembly level indicated by the numbers 1, 2, 3, and 4 at the top left corner of the parts description area of the parts list page. A part that is indented to *level 2* is a component of the *level 1* part (assembly) that it is listed under. A *level 3* part is a component of the *level 2* part that it is listed under, and a *level 4* part is a component of the *level 3* part preceding it. In each case, the part quantity given for a level 2, 3, or 4 part is *the quantity used per next higher level assembly of which it is a component*. A part that is not indented is a *level 1* part. This means that the quantity given is the quantity used per the portion of the vehicle illustrated on that particular spread.

## **HOW TO ORDER PARTS**

Replacement parts and accessories can be obtained from our network of authorized dealers and distributors. You can obtain the name and phone number of your closest authorized Club Car dealer or distributor by visiting our web site at [www.clubcar.com](http://www.clubcar.com) and clicking on the "Distributor Search" link or by calling our toll-free Service Parts and Technical Assistance hotline at (800) 872-2246 or (706) 863-3000, extension 3887.



**P. O. Box 204658**  
**Augusta, Georgia 30917-4658 USA**  
**Telephone 706-863-3000**  
**Service Parts Fax 706-855-7413**  
**[www.clubcar.com](http://www.clubcar.com)**

**NOTE:** *This illustrated parts list represents the most current information at the time of publication. Club Car, Inc. is continually working to further improve its vehicles and other products. These improvements may affect the parts used to service the vehicle. Any modification and/or significant change in specifications will be forwarded to all Club Car and Carryall distributors/dealers and will, when applicable, appear in future editions of this illustrated parts list.*

*Club Car, Inc. reserves the right to change specifications and designs at any time without notice and without the obligation of making changes to units previously sold.*

Copyright © 2009 Club Car, Inc.  
*Club Car* and *ArmorFlex*  
are registered trademarks of Club Car, Inc.  
This manual effective August 1, 2009.

*2010 Carryall 232 Gasoline and Electric Vehicles*



# CONTENTS

---

## SECTION 1 – BODY AND TRIM

---

Front Body .....	1-3
Canopy Support System .....	1-5
Access Panel and Heat Shield .....	1-7
Bumper – XRT800 and XRT800-E .....	1-9
Brush Guard .....	1-11
Dash Box .....	1-13
Glove Box .....	1-15
Side Trim .....	1-17
Nerf Bar .....	1-19
Rear Body and Fender – Gasoline Vehicle .....	1-21
Rear Body and Fender – Electric Vehicle .....	1-23
Front Seat Bottom and Armrests .....	1-25
Seat Back .....	1-27
Cargo Bed .....	1-29
Bed Hinge .....	1-31

---

## SECTION 2 – WHEELS AND TIRES

---

Wheels and Tires .....	2-3
Hubcap .....	2-5

---

## SECTION 3 – DECALS

---

Logo Decals .....	3-3
Safety Decals – Gasoline Vehicles .....	3-5
Safety Decals – Gasoline Vehicles, Continued .....	3-7
Safety Decals – Gasoline Vehicles, Continued .....	3-9
Safety Decals – Electric Vehicles .....	3-11
Safety Decals – Electric Vehicles, Continued .....	3-13

---

## SECTION 4 – LIGHTS, CONTROLS, AND INDICATORS

---

Headlights .....	4-3
Lighting System Components – XRT800/810/850 Gasoline Vehicles .....	4-5
Lighting System Components – XRT850 Elec. With PowerDrive Charger .....	4-7
Turn Signal Kit – DS and Utility Gasoline and Electric Vehicles .....	4-9
Reverse Buzzer .....	4-11
Instrument Panel – Turf/CA 1, 2, 252, and Turf 6 Gas .....	4-13
Instrument Panel – Gasoline Vehicle .....	4-15
Instrument Panel – Electrical .....	4-17

# CONTENTS

---

Battery Condition Indicator – Electric Vehicles .....	4-19
DC Converter – IQ System Electric Vehicle .....	4-21
Voltage Limiter – Gasoline Vehicle .....	4-23
Strobe Light, Post-Mounted – Gasoline Vehicles .....	4-25
Strobe Light, Post-Mounted – Electric Vehicles .....	4-27
Strobe Light, Canopy-Mounted .....	4-29
Horn .....	4-31
Hour Meter – IQ System and IQ Plus Electric Vehicles .....	4-33
Taillights .....	4-35

## SECTION 5 – BRAKE SYSTEM

---

Brake Pedal Assembly .....	5-3
Accelerator Pedal Assembly – Electric Vehicles with MCOR .....	5-5
Accelerator Pedal Assembly – Gasoline Vehicles .....	5-7
Accelerator Rod – Gasoline Vehicles .....	5-9
Rear Brake Assembly, Self-Adjusting – Vehicle with 2-Wheel Brakes .....	5-11
Brake Cables and Equalizer .....	5-13

## SECTION 6 – STEERING AND SUSPENSIONS

---

Steering Wheel .....	6-3
Steering Column .....	6-5
Steering Gear Assembly .....	6-7
Front Suspension, Lower – Vehicles with Two-Wheel Brakes .....	6-9
Front Suspension, Upper .....	6-11
Front Spindles and Hubs .....	6-13
Rear Suspension .....	6-15

## SECTION 7 – ELECTRICAL SYSTEM – GASOLINE VEHICLES

---

Wiring – Gasoline Vehicle .....	7-5
Headlights .....	7-7
Electrical Component Box – Gasoline Vehicle .....	7-9
Starter/Generator Assembly Model-G425419 – Gasoline-Vehicles .....	7-11
FE290 Starter/Generator Mounting – Gasoline Vehicle .....	7-13
FE350 Starter/Generator Mounting – Gasoline Vehicles .....	7-15
Battery – Gasoline Utility Vehicles .....	7-17

## SECTION 8 – FE290 ENGINE

---

FE290 Engine – Shrouds and Brackets .....	8-3
---	-----

# CONTENTS

---

FE290 Engine – Ignition Components and Flywheel .....	8-5
FE290 Engine – Oil Circulation .....	8-7
FE290 Engine – Cylinder Head .....	8-9
FE290 Engine – Crankcase, Camshaft, and Oil Sensor .....	8-11
FE290 Engine – Crankcase and Crankshaft .....	8-13
FE290 Engine Mounting .....	8-15

## SECTION 9 – FUEL, INTAKE, AND GOVERNOR SYSTEMS

---

Fuel System .....	9-3
Fuel Tank with Fuel Level Sending Unit .....	9-5
Carburetor Assembly – FE290 .....	9-7
Carburetor Installation – FE290 .....	9-9
Governor and Accelerator Cables .....	9-11
Intake Duct, Choke, and Air Box Assembly .....	9-13

## SECTION 10 – EXHAUST SYSTEM

---

Exhaust System – FE290 Engine .....	10-3
-------------------------------------	------

## SECTION 11 – TORQUE CONVERTER

---

Drive Clutch .....	11-3
Drive Belt – FE290 .....	11-5
Drive Belt .....	11-7
Driven Clutch .....	11-9

## SECTION 12 – TRANSAXLE AND FNR SHIFTER- GASOLINE VEHICLE

---

Forward/Reverse Shifter Assembly – Gasoline-Vehicles .....	12-3
Forward/Reverse Shifter Cable – Gasoline Vehicles .....	12-5
Kawasaki Transaxle – Gear Cases and Brackets .....	12-7
Kawasaki Transaxle – F&R Transmission and Gear Reduction .....	12-9
Kawasaki Transaxle – Differential and Axles .....	12-11
Graziano Transaxle – Gear Cases and Levers .....	12-13
Graziano Transaxle – F&R Transmission and Gear Reduction .....	12-15
Graziano Transaxle -Differential and Axles .....	12-17
Differential Guard – Gasoline Vehicle .....	12-19

## SECTION 13 – ELECTRICAL SYSTEM – ELECTRIC VEHICLES

---

Forward/Reverse Switch, Tow/Run Switch .....	13-3
Motor Controller Output Regulator (MCOR) .....	13-5

# CONTENTS

---

Wiring – XRT800/810 Electric .....	13-7
Battery Charger Receptacle .....	13-9
Batteries, Electric Vehicle .....	13-11
Computer, Controller, and Solenoid .....	13-13

## **SECTION 14 – ELECTRIC MOTOR**

---

Motor (Model 5BC59JBS6390) – Electric Vehicle .....	14-3
Motor (Model EJ4-4001) – Electric Vehicle .....	14-5

## **SECTION 15 – TRANSAXLE – ELECTRIC VEHICLES**

---

Transaxle – Electric Vehicles .....	15-3
Differential Guard – Electric Vehicles .....	15-5

## **SECTION 16 – BATTERY CHARGERS**

---

PowerDrive 3 Battery Charger (Model 26580), Domestic .....	16-3
PowerDrive 2 Battery Charger (Model 22110), Domestic .....	16-5
PowerDrive Battery Charger (Model 17930), Domestic .....	16-7
PowerDrive Battery Charger (Model 18780), Export .....	16-9
PowerDrive Battery Charger (Model 20310), European .....	16-11

## **SECTION 17 – MAINTENANCE AND SERVICE TOOLS**

---

Maintenance and Service Tools .....	17-3
Maintenance and Service Tools, Continued .....	17-5
Maintenance and Service Tools, Continued .....	17-7
Maintenance and Service Tools, Continued .....	17-9
Maintenance and Service Tools, Continued .....	17-11

## **SECTION i – INDEX**

---

# BODY AND TRIM

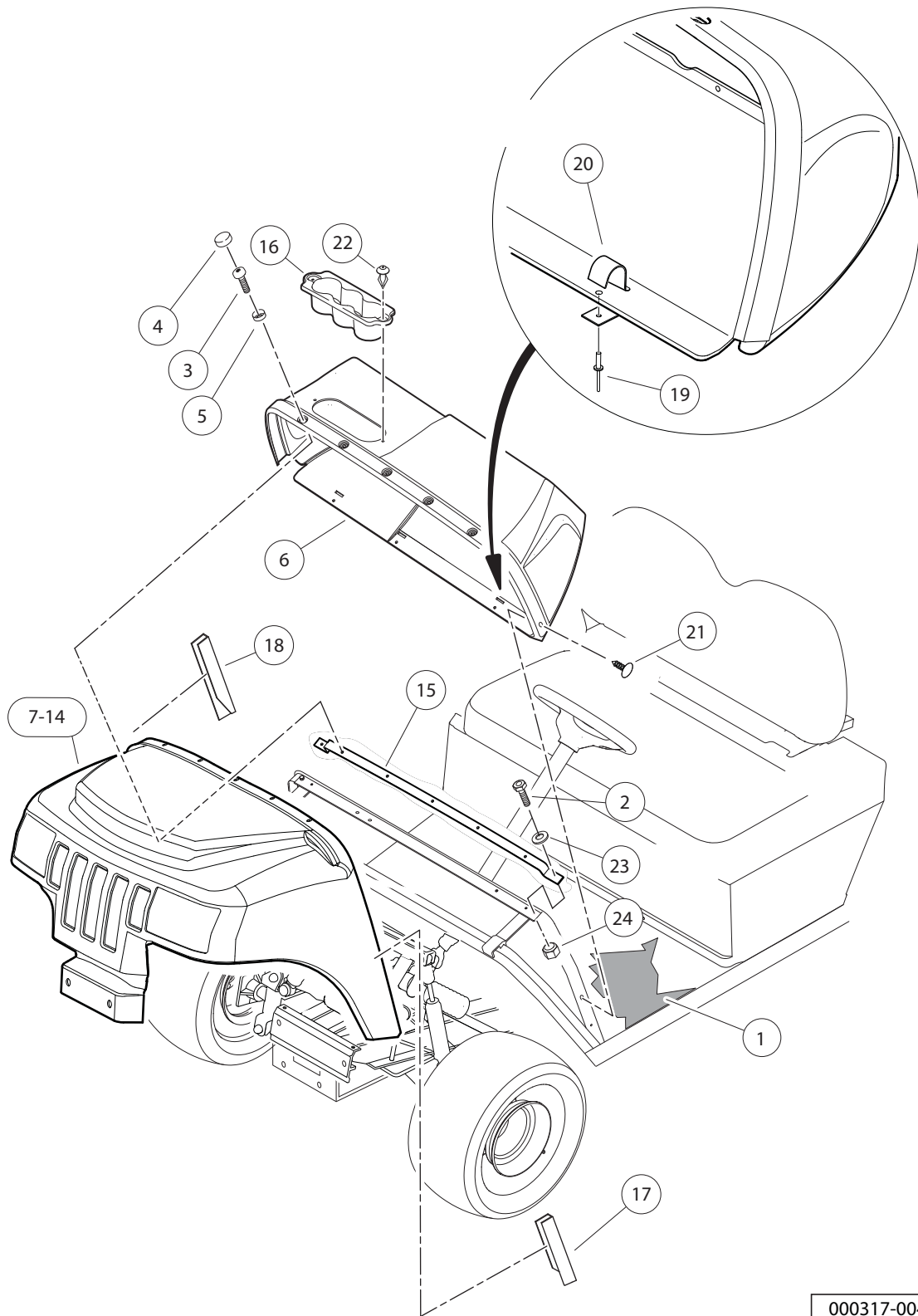
---

1

G

E

**1**  
**G**  
**E**



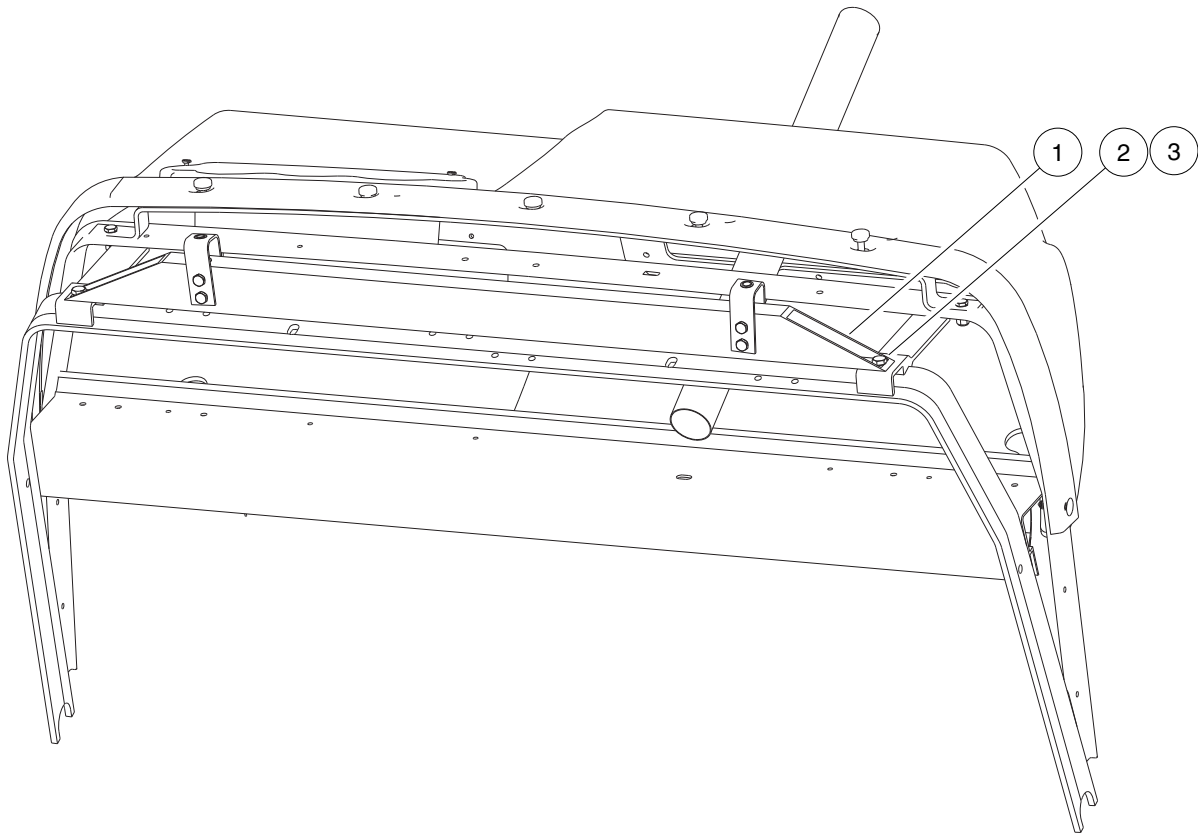
000317-004

# FRONT BODY

ITEM	PART NO.	DESCRIPTION	QTY
		1 2 3 4	
1	<u>101503202</u>	Floor mat .....	1
2	<u>101954301</u>	Screw, 1/4-20 X 0.75 Hex-Head Cap .....	2
3	<u>102025801</u>	Screw, 1/4-20 X .75 Torx Pn Hd .....	5
4	<u>102045001</u>	Cap, 1/4" Plastic Screw Head .....	5
5	<u>102048401</u>	Washer, 1/4 Id Scalloped Plast .....	5
6	<u>102766701</u>	Dash .....	1
7	<u>102778501</u>	Cowl, Red .....	1
8	<u>102778502</u>	Cowl, Green .....	1
9	<u>102778503</u>	Cowl, Camouflage (Husqvarna) .....	1
10	<u>102778504</u>	Cowl, Classic Blue .....	1
11	<u>102778505</u>	Cowl, XRT- Black .....	1
12	<u>102778507</u>	Cowl, XRT- Camo Hard Wood HD (Standard camo for XRT850) .....	1
13	N/A	Cowl, XRT- Camo Max4 HD .....	1
14	<u>102778509</u>	Cowl, XRT- Silver .....	1
15	<u>102778601</u>	Support, Upper Cowl .....	1
16	<u>102796701</u>	Object Holder .....	1
17	<u>102822001</u>	Cowl Cover, Driver-Side .....	1
18	<u>102822002</u>	Cowl Cover, Passenger-Side .....	1
19	<u>102828701</u>	Rivet .....	10
20	<u>102857401</u>	Clip, Dash .....	3
21	<u>102914301</u>	Push Pin, Black .....	2
22	<u>102967901</u>	Rivet, Removable, Tuflok 1/4" .....	2
23	<u>332</u>	Washer, 1/4 Type A Narrow Flat .....	2
24	<u>8233</u>	Locknut, 1/4-20, Nylon Insert .....	2

1  
G  
E

**1**  
**G**  
**E**



000582-003



# CANOPY SUPPORT SYSTEM

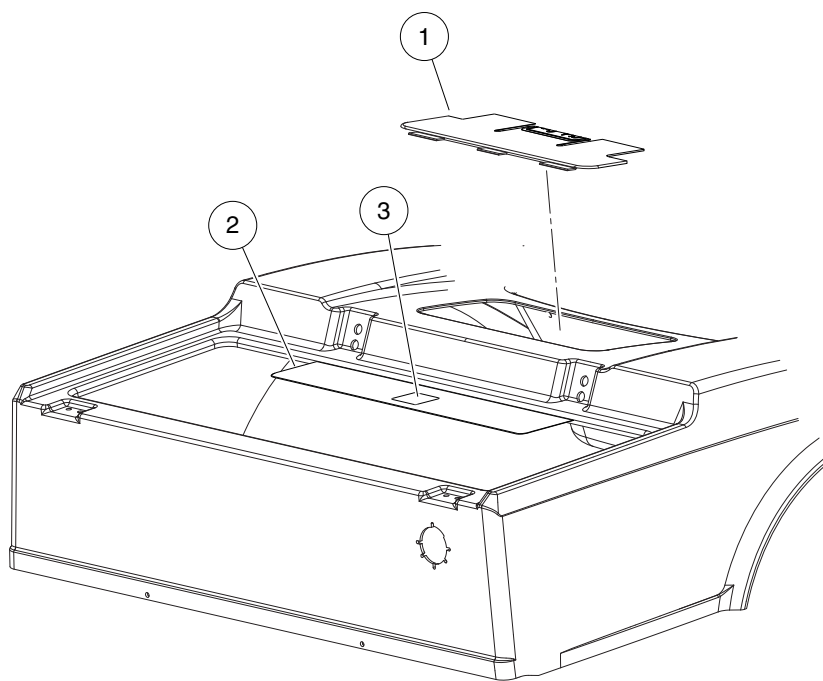
ITEM	PART NO.	DESCRIPTION	QTY
1	<u>103313301</u>	1 2 3 4 Asm, Brace, Canopy, Tube, Xrt .....	1
2	<u>1241</u>	Washer, 5/16 Type A Flat .....	2
3	<u>7173</u>	Screw, 5/16-18 X 0.75, Hex-Head Cap .....	2

**1**  
**G**  
**E**

1

G

E



000819-002

# ACCESS PANEL AND HEAT SHIELD

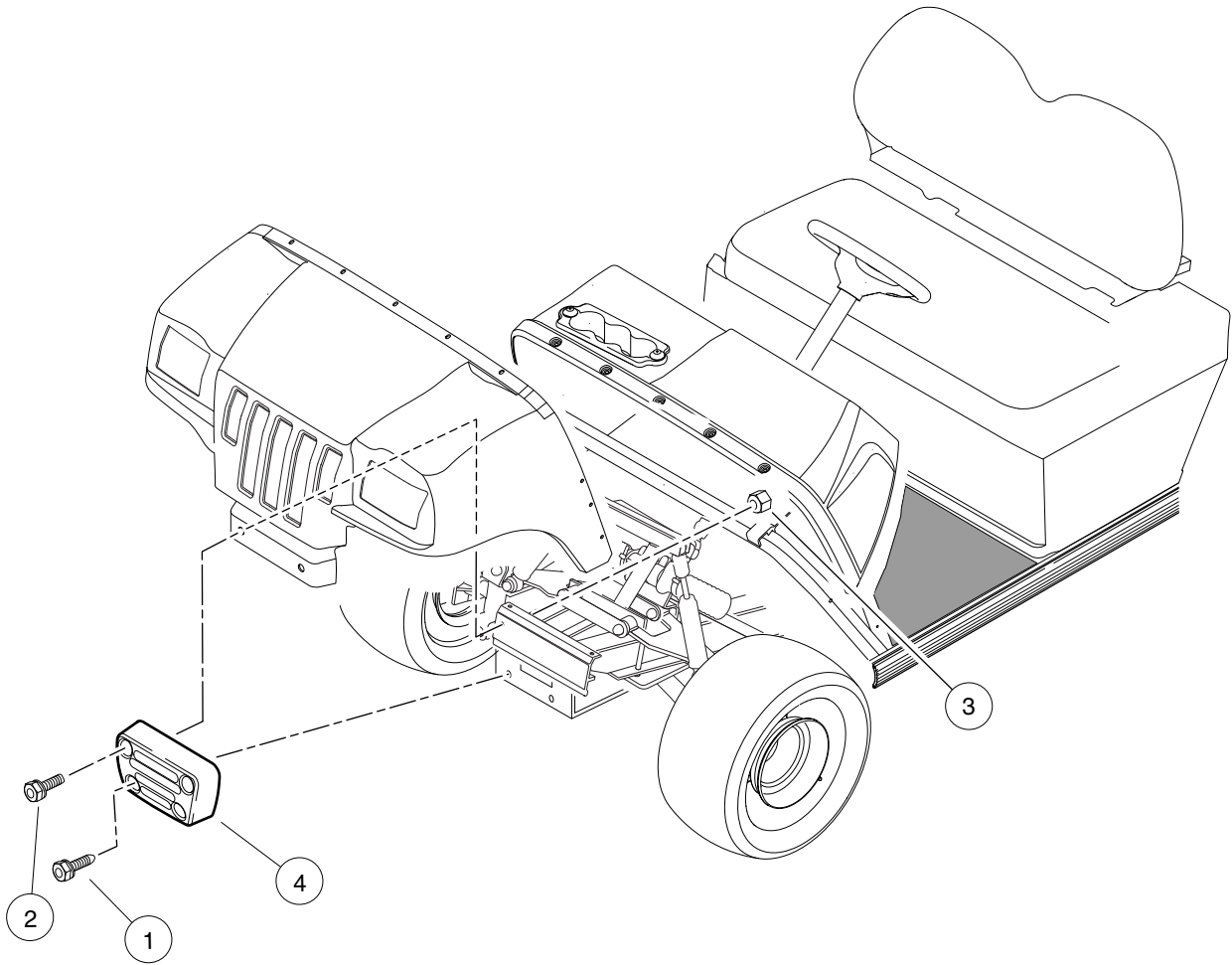
ITEM	PART NO.	DESCRIPTION	QTY
		1 2 3 4	
1	<u>101303202</u>	Access Panel - Black, Cut .....	1
2	<u>101806901</u>	Shield, Heat .....	1
3	<u>101960501</u>	Decal, Rotating Parts/Hot Manifold .....	1

**1**

**G**

**E**

**1**  
**G**  
**E**



000357-002

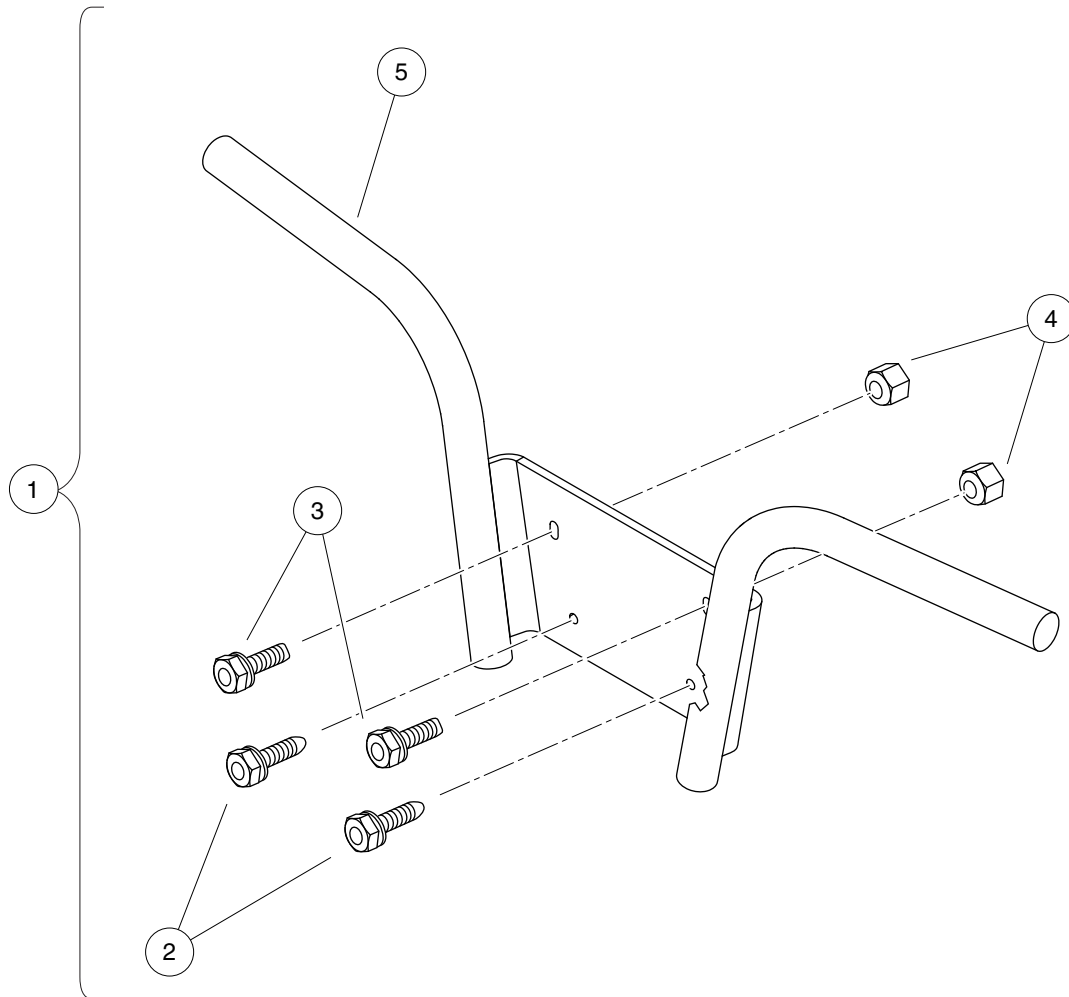
# BUMPER – XRT800 AND XRT800-E

ITEM	PART NO.	DESCRIPTION	QTY
		<b>1 2 3 4</b>	
1	<u>102289002</u>	Screw, M8 X 1.25 X 30 Tri, Blk .....	2
2	<u>102298240</u>	Bolt, Flange Head, M8-1.25 X 40 .....	2
3	102618601	Lock Nut, Flange, M8 X 1.25 Nylon .....	2
4	<u>102830501</u>	Bumper, Cast .....	1

**1**

**G**

**E**

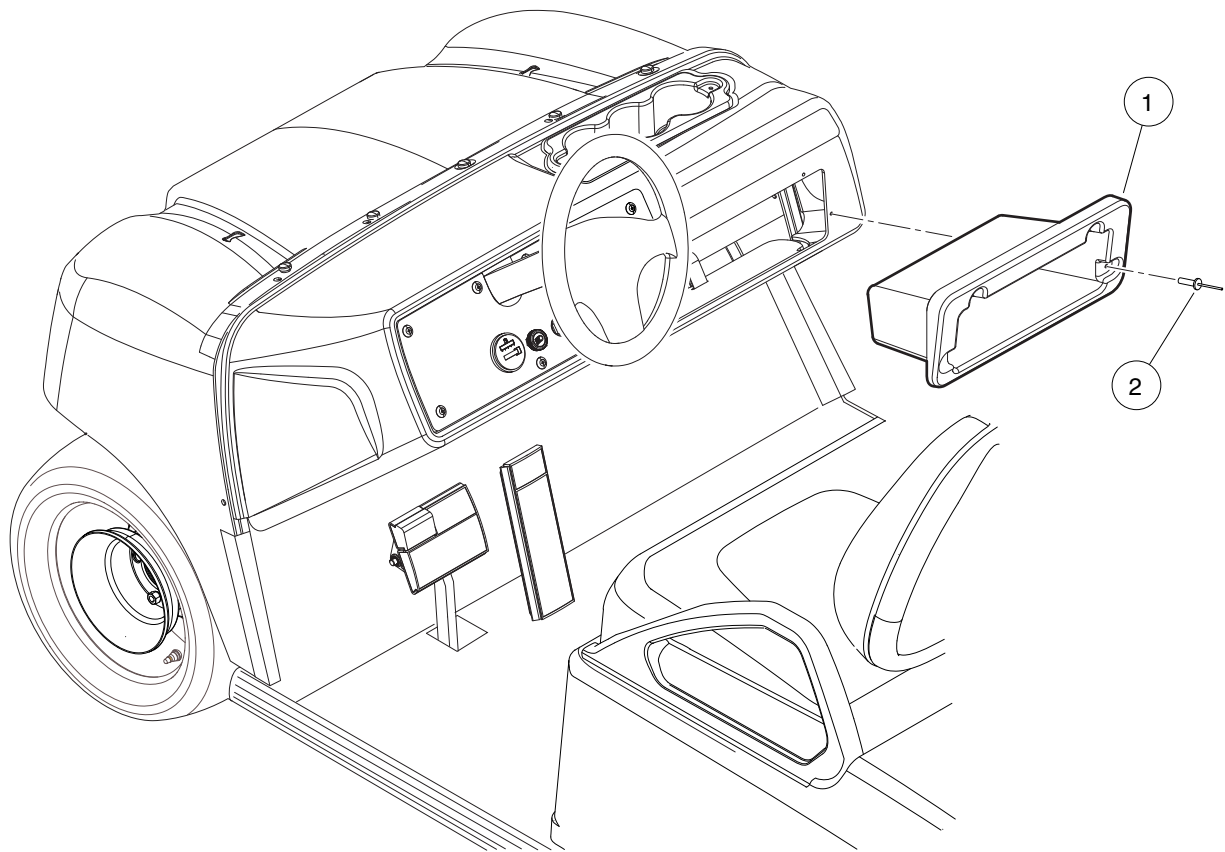


000356-001

# BRUSH GUARD

ITEM	PART NO.	DESCRIPTION	QTY
		<b>1 2 3 4</b>	
1	<u>102852401</u>	Kit, Brush Guard (includes items 2 through 5) .....	1
2	<u>102289002</u>	Screw, M8 X 1.25 X 30 Tri, Blk .....	2
3	<u>102298240</u>	Bolt, Flange Head, M8-1.25 X 40 .....	2
4	102618601	Lock Nut, Flange, M8 X 1.25 Nylon .....	2
5	102830201	Guard, Brush .....	1

**1**  
**G**  
**E**



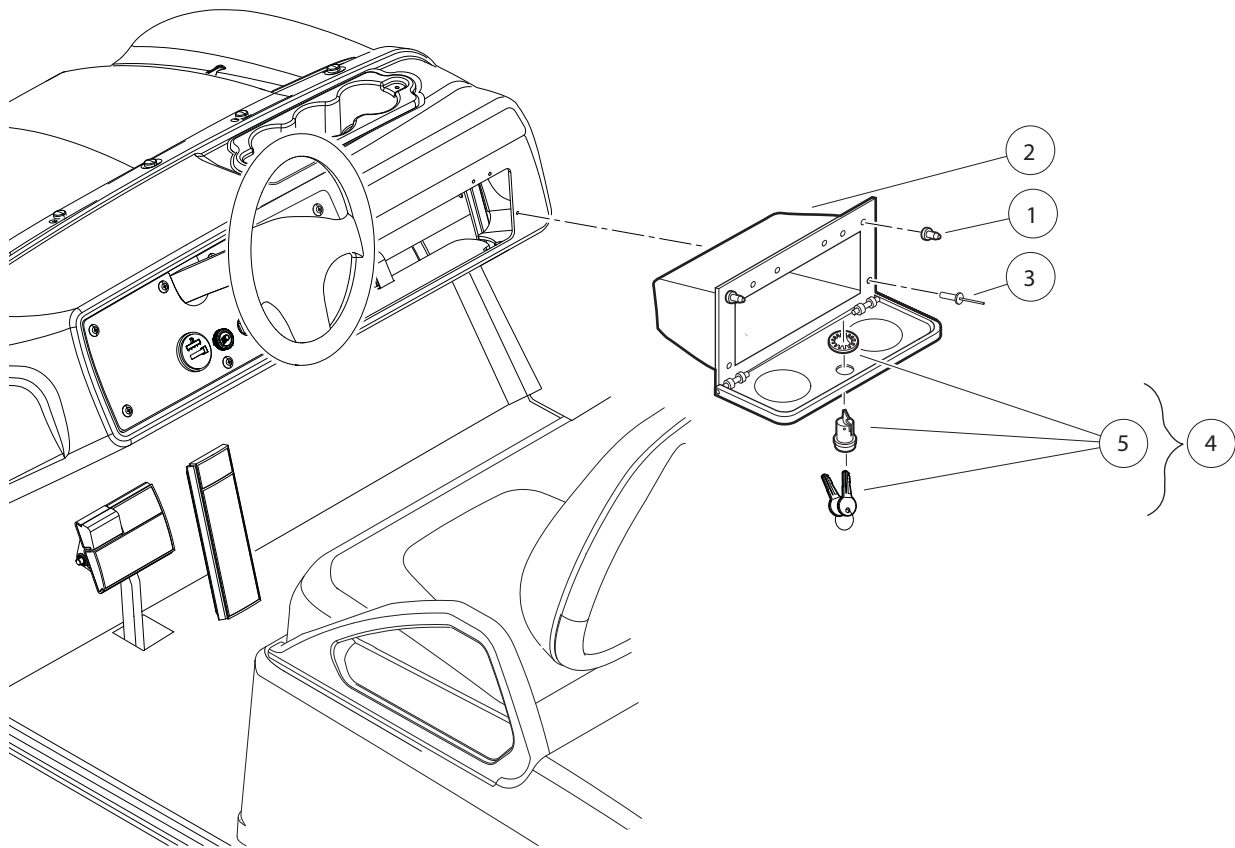
000358-001



# DASH BOX

ITEM	PART NO.	DESCRIPTION	QTY
1	<u>102810301</u>	1 2 3 4 Box, Dash .....	1
2	<u>103344501</u>	Rivet, 5/32" Dia., Black .....	4

**1**  
**G**  
**E**



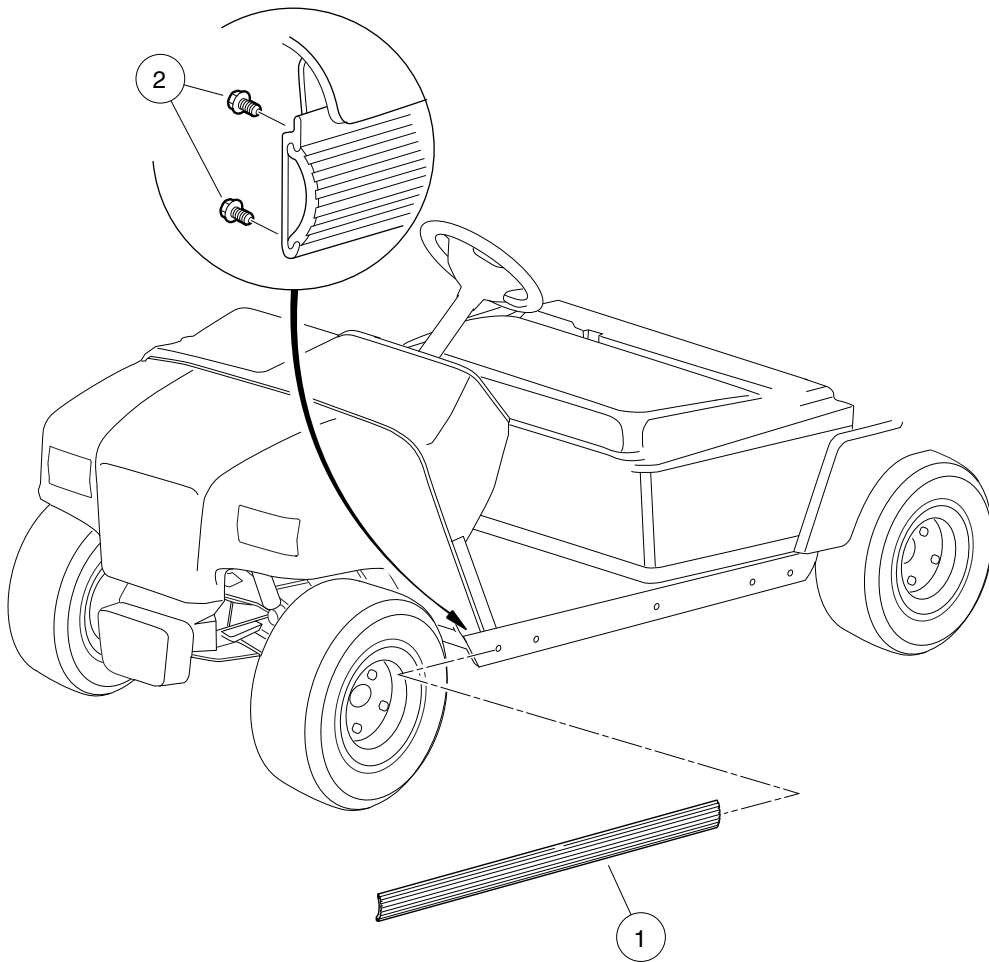
000359-002

# GLOVE BOX

ITEM	PART NO.	DESCRIPTION	QTY
		<b>1 2 3 4</b>	
1	<u>1010436</u>	Bumper, Rubber .....	2
2	<u>102796501</u>	Glove Box .....	1
3	<u>102828701</u>	Rivet .....	6
4	<u>102959401</u>	Glove Box Lock / Key Kit (includes item 5) .....	1
5	N/A	Asm, Glove Box Lock / Key .....	1

**1**  
**G**  
**E**

**1**  
**G**  
**E**



000361-002

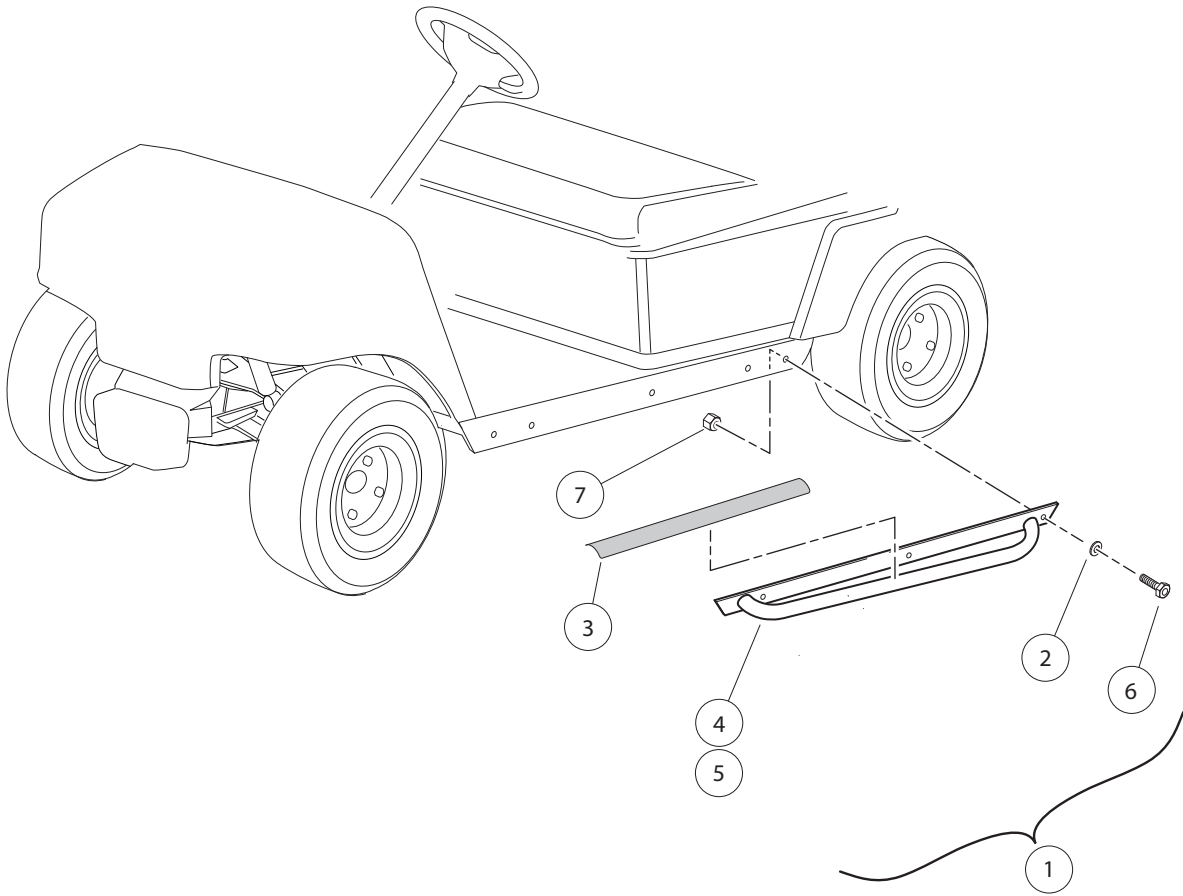
# SIDE TRIM

ITEM	PART NO.	DESCRIPTION	QTY
1	<u>1013983</u>	1 2 3 4 Bumper, Side Trim .....	2
2	<u>102310701</u>	Screw, #8-18 x 0.375, Hex-Head Washer .....	8

**1**

**G**

**E**



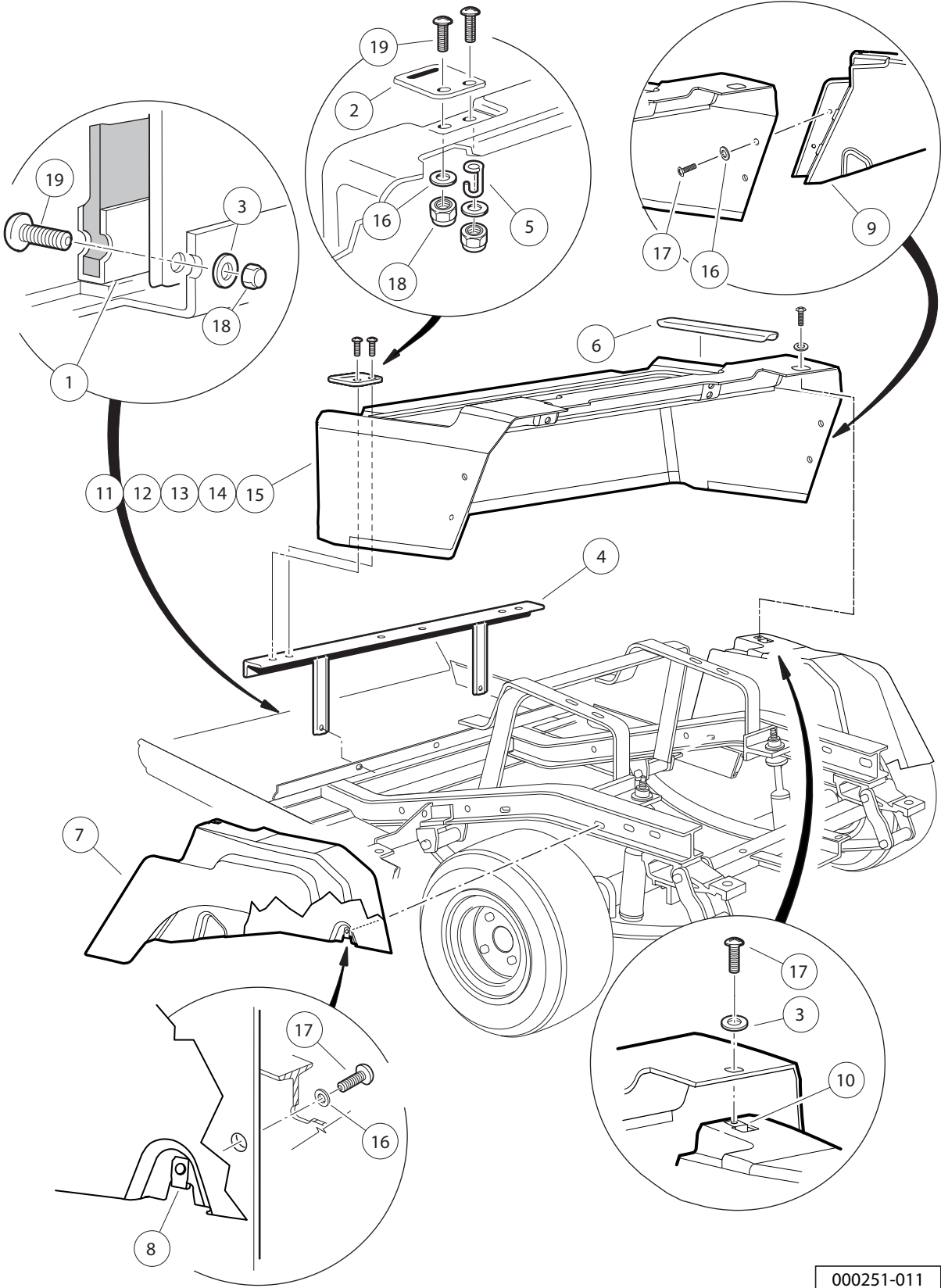
000360-004

# NERF BAR

ITEM	PART NO.	DESCRIPTION	QTY
		<b>1 2 3 4</b>	
1	<u>102829802</u>	Kit, Nerf Bar (black) (includes items 2 through 7) .....	1
2	<u>1011990</u>	Washer, 3/8 Flat .....	6
3	<u>102355102</u>	Tape, Non-skid .....	2
4	<u>102829703</u>	Nerf Bar Assy, Driver .....	1
5	<u>102829704</u>	Nerf Bar Assy, Passenger .....	1
6	<u>320</u>	Screw, 3/8-16 X 1.00 Hex-Head Cap .....	6
7	<u>8754</u>	Locknut, 3/8-16 Hex .....	6

**1**  
**G**  
**E**

**1**  
**G**  
**E**



000251-011

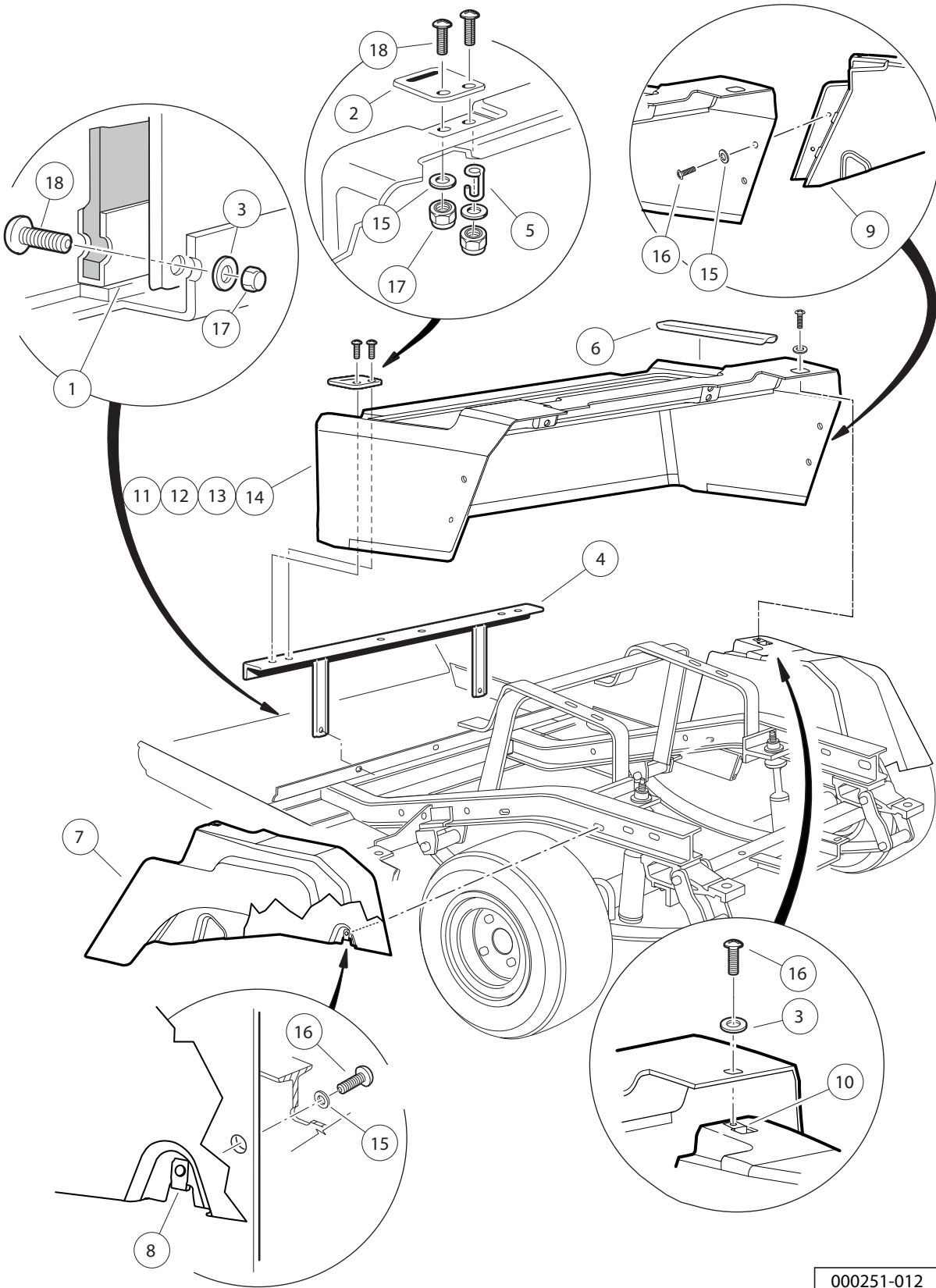


## REAR BODY AND FENDER – GASOLINE VEHICLE

ITEM	PART NO.	DESCRIPTION	QTY
		1 2 3 4	
1	<u>1010993</u>	Body Kick Plate .....	1
2	<u>1012412</u>	Body, Hinge Plate .....	2
3	<u>1014306</u>	Washer, 1/4" Type B Flat .....	8
4	<u>1017141</u>	Body Support Weldment .....	1
5	<u>101855801</u>	Cable Retainer .....	1
6	<u>102221201</u>	Wear Pad .....	2
7	<u>102777601</u>	Fender, Driver Side (includes item 8) .....	1
8	<u>1016952</u>	U-Nut, 1/4-20 .....	4
9	<u>102777602</u>	Fender, Passenger Side (includes item 10) .....	1
10	<u>1016952</u>	U-Nut, 1/4-20 .....	4
11	<u>102796801</u>	Body, Rear, Gas, Red .....	1
12	<u>102796802</u>	Body, Rear, Gas, Orange .....	1
13	<u>102796803</u>	Body, Rear, Gas, Green .....	1
14	<u>102796804</u>	Body, Rear, Gas, Classic Blue .....	1
15	<u>102796805</u>	Body, Rear, Gas, Olive Green .....	1
16	<u>332</u>	Washer, 1/4 Type A Narrow Flat .....	6
17	<u>7847</u>	Screw, 1/4-20 X 0.75 Hex-Head Cap .....	8
18	<u>8233</u>	Locknut, 1/4-20, Nylon Insert .....	6
19	<u>8251</u>	Screw, 1/4-20 X 1.0 Truss-Head Machine .....	6

1  
G  
E

**1**  
**G**  
**E**



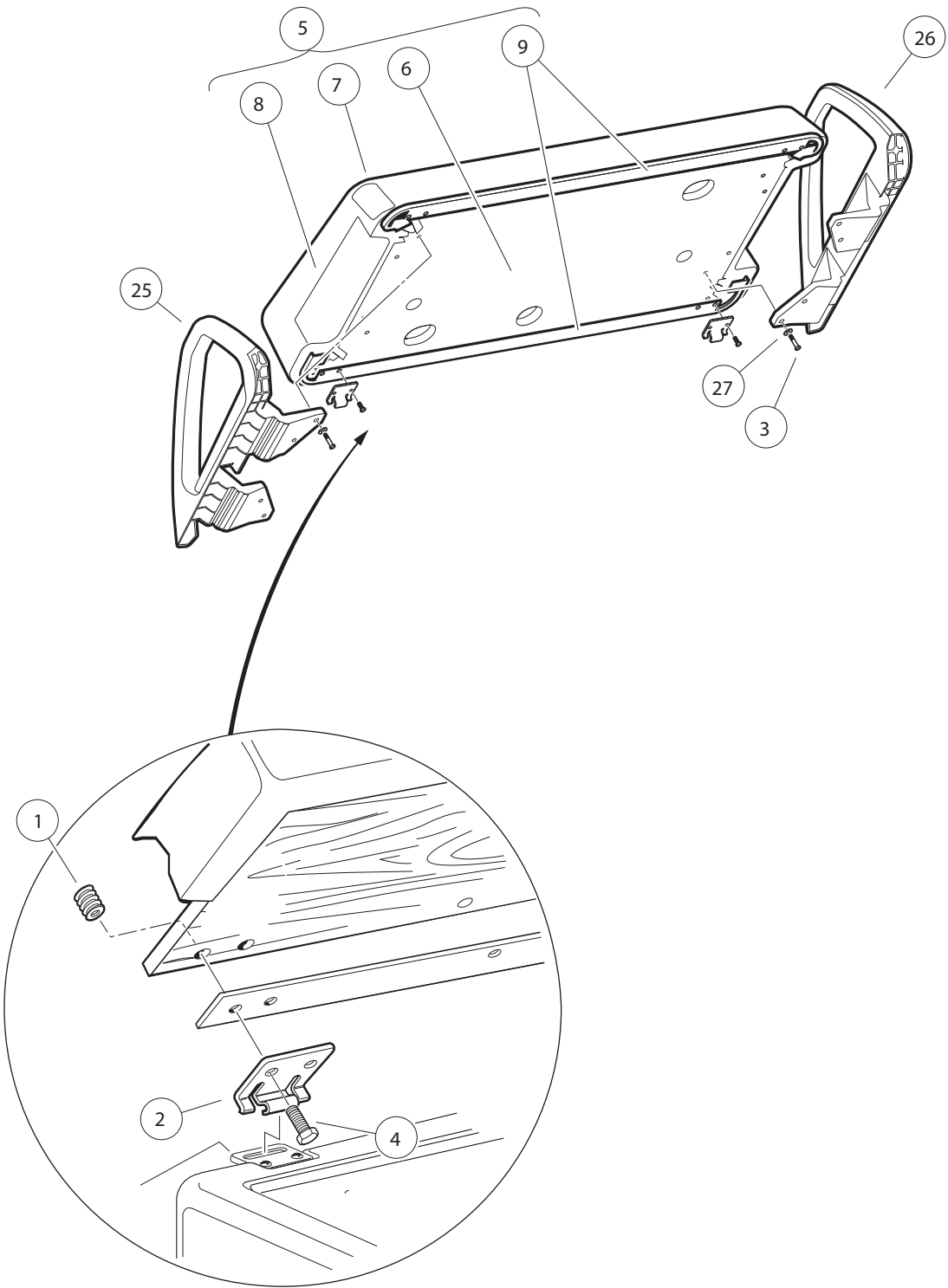
000251-012

## REAR BODY AND FENDER – ELECTRIC VEHICLE

ITEM	PART NO.	DESCRIPTION	QTY
		1 2 3 4	
1	<u>1010993</u>	Body Kick Plate .....	1
2	<u>1012412</u>	Body, Hinge Plate .....	2
3	<u>1014306</u>	Washer, 1/4" Type B Flat .....	8
4	<u>1017141</u>	Body Support Weldment .....	1
5	<u>101855801</u>	Cable Retainer .....	1
6	<u>102221201</u>	Wear Pad .....	2
7	<u>102777601</u>	Fender, Driver Side (includes item 8) .....	1
8	<u>1016952</u>	U-Nut, 1/4-20 .....	4
9	<u>102777602</u>	Fender, Passenger Side (includes item 10) .....	1
10	<u>1016952</u>	U-Nut, 1/4-20 .....	4
11	<u>102818301</u>	Body, Rear, Electric, Red .....	1
12	<u>102818302</u>	Body, Rear, Electric, Orange .....	1
13	<u>102818303</u>	Body, Rear, Electric, Green .....	1
14	<u>102818305</u>	Body, Rear, Electric, Olive Green .....	1
15	<u>332</u>	Washer, 1/4 Type A Narrow Flat .....	6
16	<u>7847</u>	Screw, 1/4-20 X 0.75 Hex-Head Cap .....	8
17	<u>8233</u>	Locknut, 1/4-20, Nylon Insert .....	6
18	<u>8251</u>	Screw, 1/4-20 X 1.0 Truss-Head Machine .....	6

1  
G  
E

**1**  
**G**  
**E**

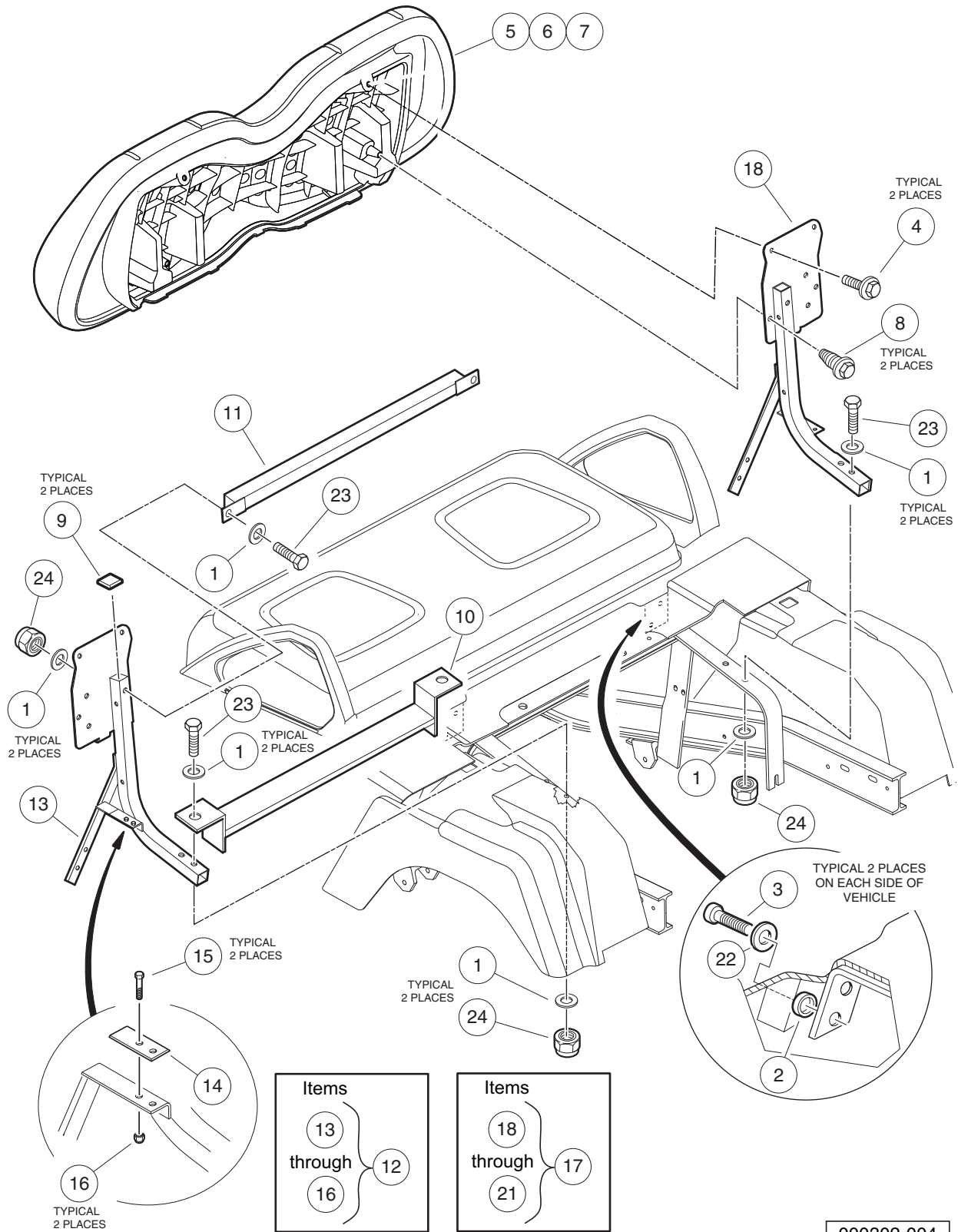


000364-008

# FRONT SEAT BOTTOM AND ARMRESTS

ITEM	PART NO.	DESCRIPTION	QTY	
		1 2 3 4		<b>1</b>
1	1010543	Insert - Wood .....	4	<b>G</b>
2	<u>1011652</u>	Hinge Plate .....	2	<b>E</b>
3	1016916	Screw, 1/4-20 X 1.50 Hex-Head Cap .....	8	
4	<u>101954301</u>	Screw, 1/4-20 X 0.75 Hex-Head Cap .....	4	
5	<u>102174201</u>	Seat Bottom Assembly, Buff (includes items 6 through 9) .....	1	
6	N/A	Plywood Assy .....	1	
7	<u>101998211</u>	Vinyl Cover Seat Btm - Buffsvc .....	1	
8	N/A	Foam, Seat .....	1	
9	<u>101998501</u>	Gasket, Seat .....	2	
10	<u>102174202</u>	Seat Bottom Assembly, White (includes items 11 through 14) .....	1	
11	N/A	Plywood Assy .....	1	
12	<u>101998212</u>	Vinyl Cover, Seat Bottom, White .....	1	
13	N/A	Foam, Seat .....	1	
14	<u>101998501</u>	Gasket, Seat .....	2	
15	<u>102174204</u>	Seat Bottom Assembly, Black (includes items 16 through 19) .....	1	
16	N/A	Plywood Assy .....	1	
17	<u>101998214</u>	Vinyl Cover, Seat Bottom, Black .....	1	
18	N/A	Foam, Seat .....	1	
19	<u>101998501</u>	Gasket, Seat .....	2	
20	<u>102174205</u>	Seat Bottom Assembly, Gray (includes items 21 through 24) .....	1	
21	N/A	Plywood Assy .....	1	
22	<u>101998215</u>	Vinyl Cover, Seat Bottom, Gray .....	1	
23	N/A	Foam, Seat .....	1	
24	<u>101998501</u>	Gasket, Seat .....	2	
25	<u>103246701</u>	Hip Restraint, Drvr Side .....	1	
26	<u>103246801</u>	Hip Restraint, Pass Side .....	1	
27	<u>332</u>	Washer, 1/4 Type A Narrow Flat .....	8	
		<p>Note: Sub-components contained in items 10, 15, and 20 are the same as those shown for item 5, except for the vinyl seat covers.</p>		

**1**  
**G**  
**E**

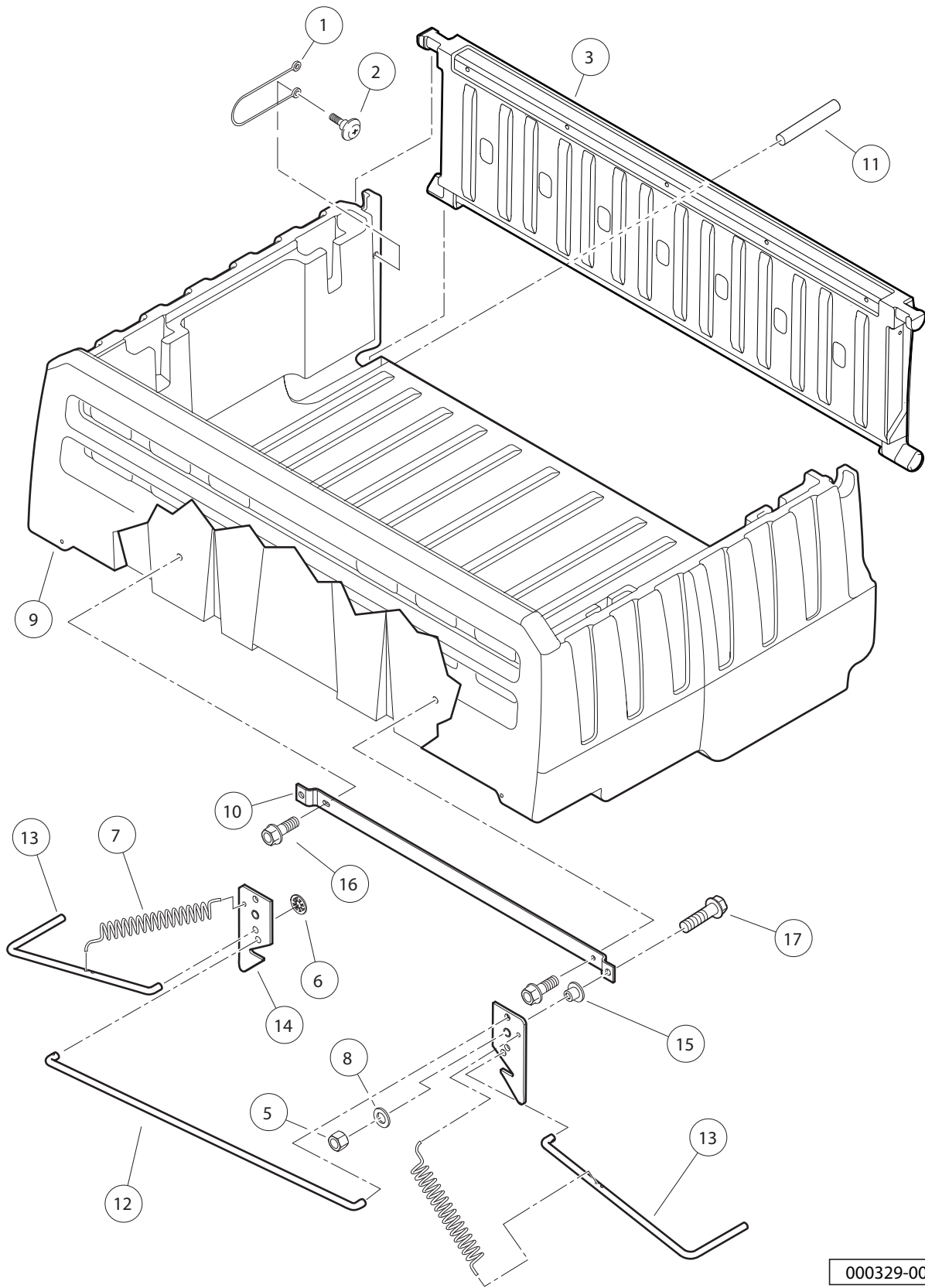


# SEAT BACK

ITEM	PART NO.	DESCRIPTION	QTY
		<b>1 2 3 4</b>	
1	<u>1011931</u>	Washer, 1/4 Flat .....	12
2	<u>1017774</u>	Body Spacer .....	4
3	<u>101910401</u>	Screw, 5/16-18 X 1.25 Thrd Frm .....	4
4	<u>102296530</u>	Screw - M6 X 1.0 X 30 Sems .....	2
5	<u>102503221</u>	Service Backrest Asm, Beige .....	1
6	<u>102503222</u>	Service Backrest Asm, White .....	1
7	<u>102503224</u>	Service Backrest Asm, Gray .....	1
8	<u>102544201</u>	Screw, M6 Hex .....	2
9	<u>102581201</u>	Plug, Square - 25.4 mm .....	2
10	<u>102796101</u>	Weldment, Bed Support .....	1
11	<u>102816201</u>	Seat Support, Cross Brace .....	1
12	<u>102913101</u>	Seat Support W/striker, Drv (includes items 13 through 16) .....	1
13	<u>102796301</u>	Seat Support, Driver-Side .....	1
14	<u>102840301</u>	Striker Plate .....	1
15	<u>7847</u>	Screw, 1/4-20 X 0.75 Hex-Head Cap .....	2
16	<u>8233</u>	Locknut, 1/4-20, Nylon Insert .....	2
17	<u>102913102</u>	Support, Seat, Right (passenger) (includes items 18 through 21) .....	1
18	<u>102796302</u>	Seat Support, Passenger-Side .....	1
19	<u>102840301</u>	Striker Plate .....	1
20	<u>7847</u>	Screw, 1/4-20 X 0.75 Hex-Head Cap .....	2
21	<u>8233</u>	Locknut, 1/4-20, Nylon Insert .....	2
22	<u>1241</u>	Washer, 5/16 Type A Flat .....	4
23	<u>7311</u>	Screw, 1/4-20 X 2.00 Hex-Head Cap .....	6
24	<u>8233</u>	Locknut, 1/4-20, Nylon Insert .....	6

**1**  
**G**  
**E**

**1**  
**G**  
**E**



000329-002

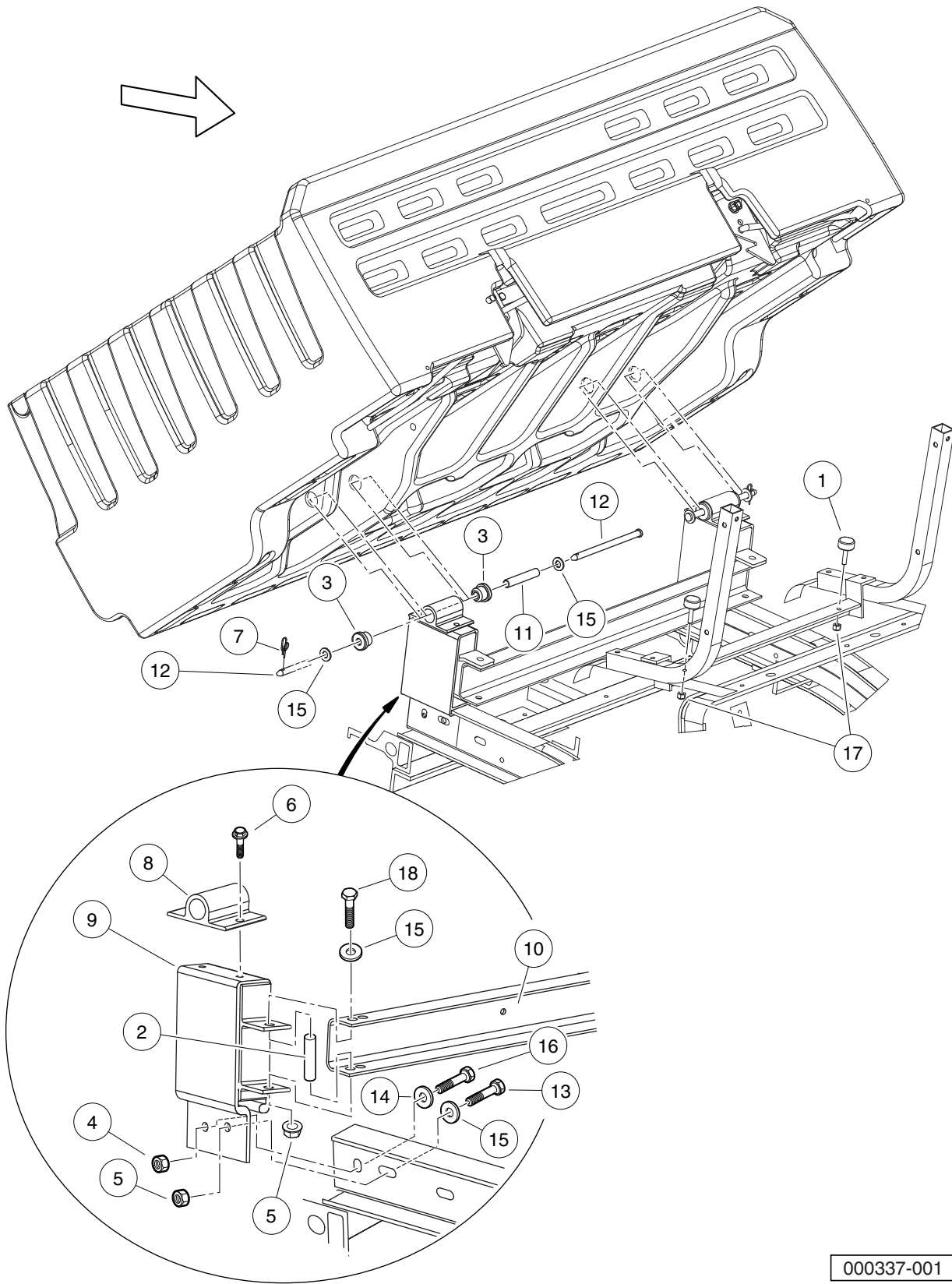


# CARGO BED

ITEM	PART NO.	DESCRIPTION	QTY
		<b>1 2 3 4</b>	
1	<u>102779001</u>	Lanyard, Tailgate .....	2
2	<u>102779401</u>	Bolt Lanyard .....	2
3	102779501	Tailgate .....	1
4	<u>103189901</u>	Bed Assembly (includes items 5 through 17) .....	1
5	<u>1010138</u>	Locknut, 3/8-16 Dimpled .....	2
6	<u>1013876</u>	Pushnut, 3/8 .....	4
7	<u>1015391</u>	Extension, Spring Latch .....	2
8	N/A	Washer, 3/8 Flat Type A .....	2
9	N/A	Bed .....	1
10	<u>102778901</u>	Support, Latch Link .....	1
11	N/A	Pin, Support .....	2
12	<u>102779201</u>	Rod, Long Link .....	1
13	<u>102779301</u>	Rod, Bed Lift, Short Bent .....	2
14	<u>102779601</u>	Catch, Tilt Bed .....	2
15	<u>102830701</u>	Bearing, Bronze, 1/2x9/32 .....	2
16	304	Screw, 1/4-20 X 1.0 Hex-Head Cap .....	2
17	320	Screw, 3/8-16 X 1.00 Hex-Head Cap .....	1
18	<u>103317501</u>	Kit, Plastic Bed Box Latch (includes items 19 through 21) .....	1
19	<u>1010545</u>	Screw, Hex Washer Head 1/4-14 X .75 .....	2
20	<u>1011578</u>	Washer, 5/16 Type B Flat .....	2
21	103293501	Spring, Tilt Latch 3.4 Lb/in .....	2

1  
G  
E

**1**  
**G**  
**E**



000337-001

# BED HINGE

ITEM	PART NO.	DESCRIPTION	QTY
		<b>1 2 3 4</b>	
1	<u>1010878</u>	Bumper, Rubber .....	2
2	<u>1012303</u>	Bushing, Steel .....	2
3	<u>1015583</u>	Bushing, Urethane .....	4
4	<u>101835601</u>	Locknut, 1/4-20 Hex Whiz .....	2
5	<u>102065901</u>	Locknut, 3/8-16 Flanged Dimple .....	4
6	<u>102289001</u>	Screw, M8X1.25X30, Hex .....	4
7	<u>102289301</u>	Rue Ring - 1/2" .....	2
8	<u>102797201</u>	Hinge, Roto Bed .....	2
9	<u>102820301</u>	Support, Hinge .....	2
10	<u>102820501</u>	Stiffener, Bed Support .....	1
11	<u>102821101</u>	Bushing, Steel .....	2
12	<u>102823201</u>	Pin, Clevis, 3/8 .....	2
13	<u>320</u>	Screw, 3/8-16 X 1.00 Hex-Head Cap .....	2
14	<u>332</u>	Washer, 1/4 Type A Narrow Flat .....	2
15	<u>334</u>	Washer, 3/8, Type A, Flat .....	8
16	<u>7847</u>	Screw, 1/4-20 X 0.75 Hex-Head Cap .....	2
17	<u>8233</u>	Locknut, 1/4-20, Nylon Insert .....	2
18	<u>8755</u>	Screw, 3/8-16 X 3.375 Hex Cap .....	2

**1**  
**G**  
**E**

**1**

**G**

**E**

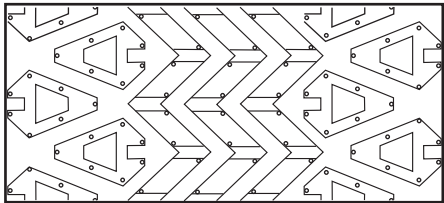
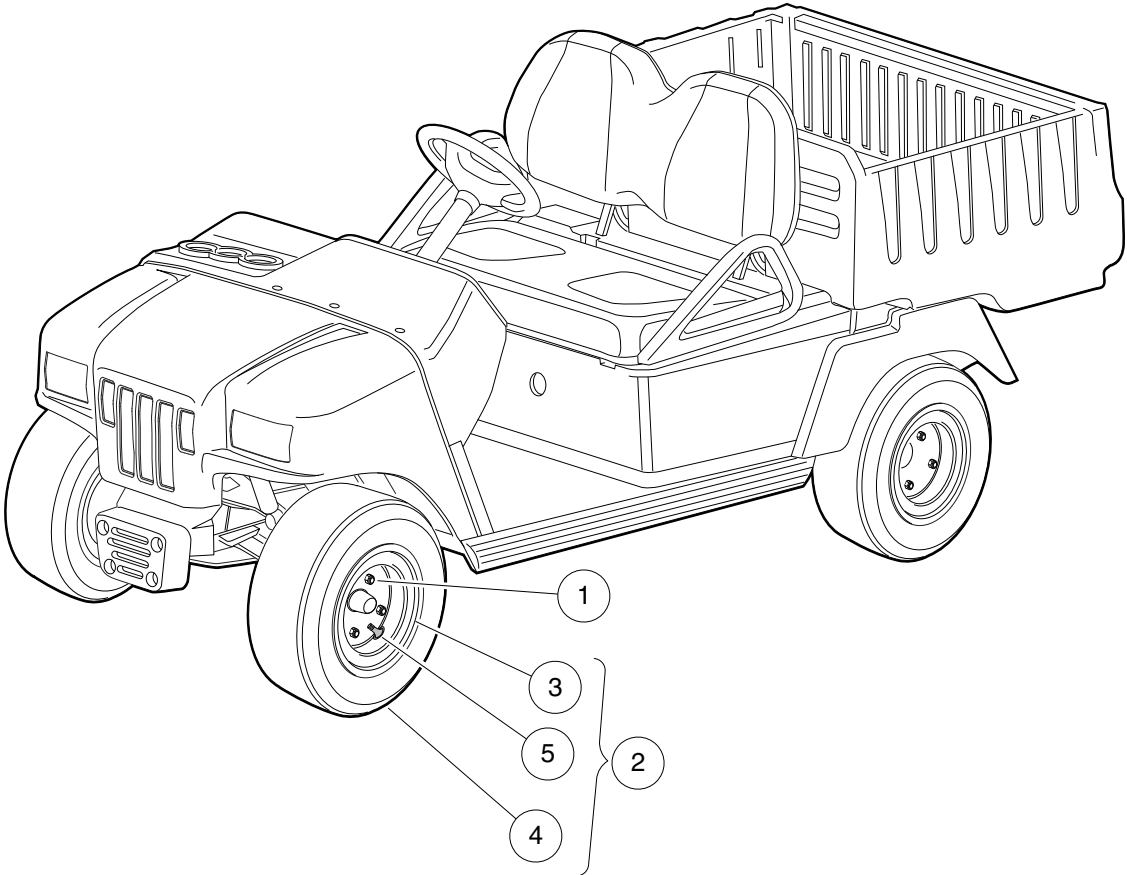
# WHEELS AND TIRES

---

2

G

E



000224-002

# WHEELS AND TIRES

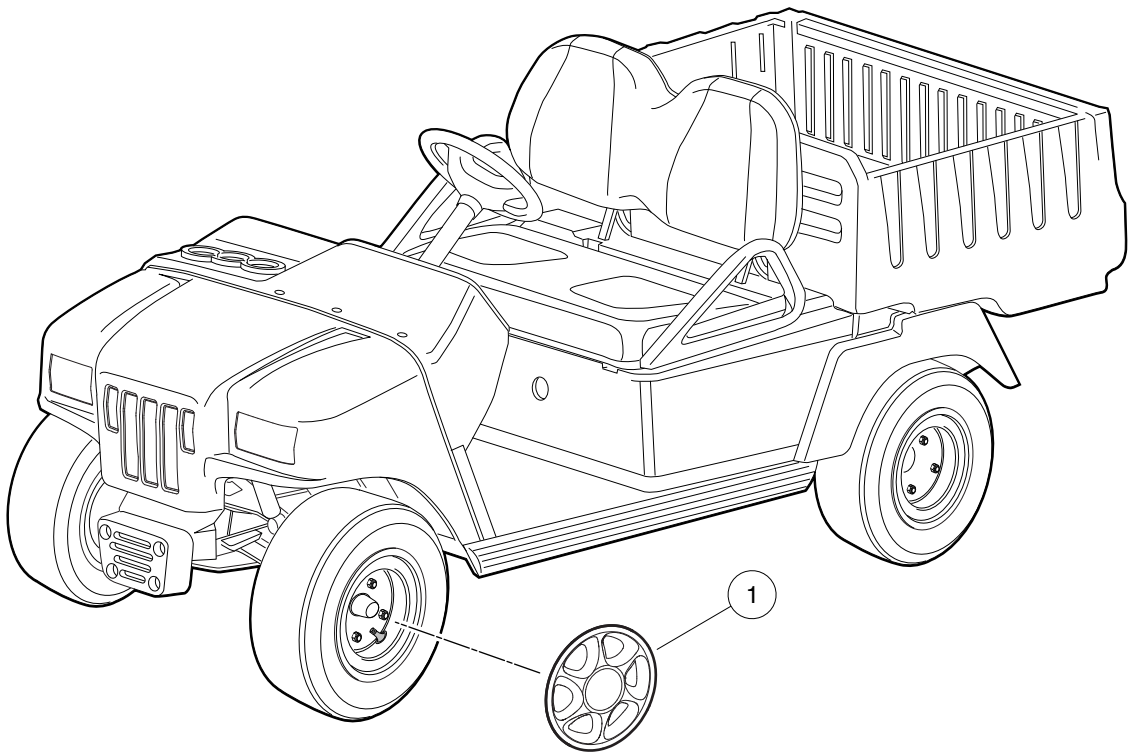
ITEM	PART NO.	DESCRIPTION	QTY
		1 2 3 4	
1	<u>1010984</u>	.500-20 Unf Lug Nut .....	16
2	<u>102819101</u>	Tire Assembly, All Trail II (includes items 3 through 5) .....	4
3	<u>102815801</u>	Wheel Rim, Gray .....	1
4	<u>102815901</u>	Tire, Unmounted, All Trail II .....	1
5	<u>7310</u>	Valve Stem, Black Plastic .....	1

2  
G  
E

2

G

E



000318-002



# HUBCAP

ITEM	PART NO.	DESCRIPTION	QTY
1	<u>102861401</u>	1 2 3 4 Wheel Cover, Chrome Elite .....	4

**2**  
**G**  
**E**

**2**

**G**

**E**

# DECALS

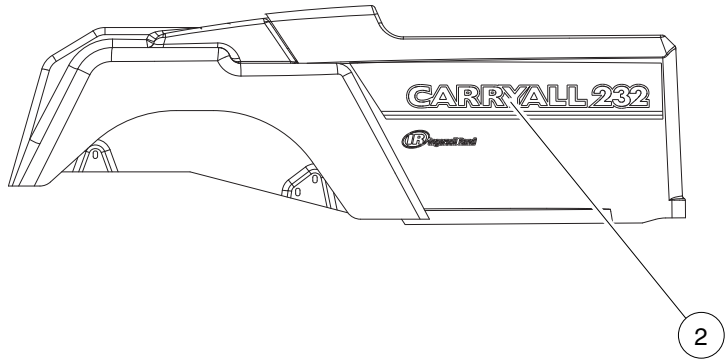
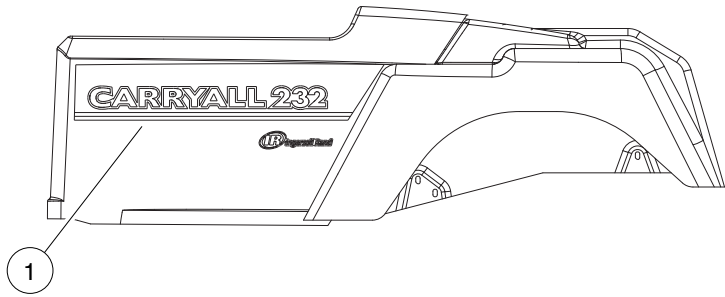
---

3

G

E

**3**  
**G**  
**E**



000299-003

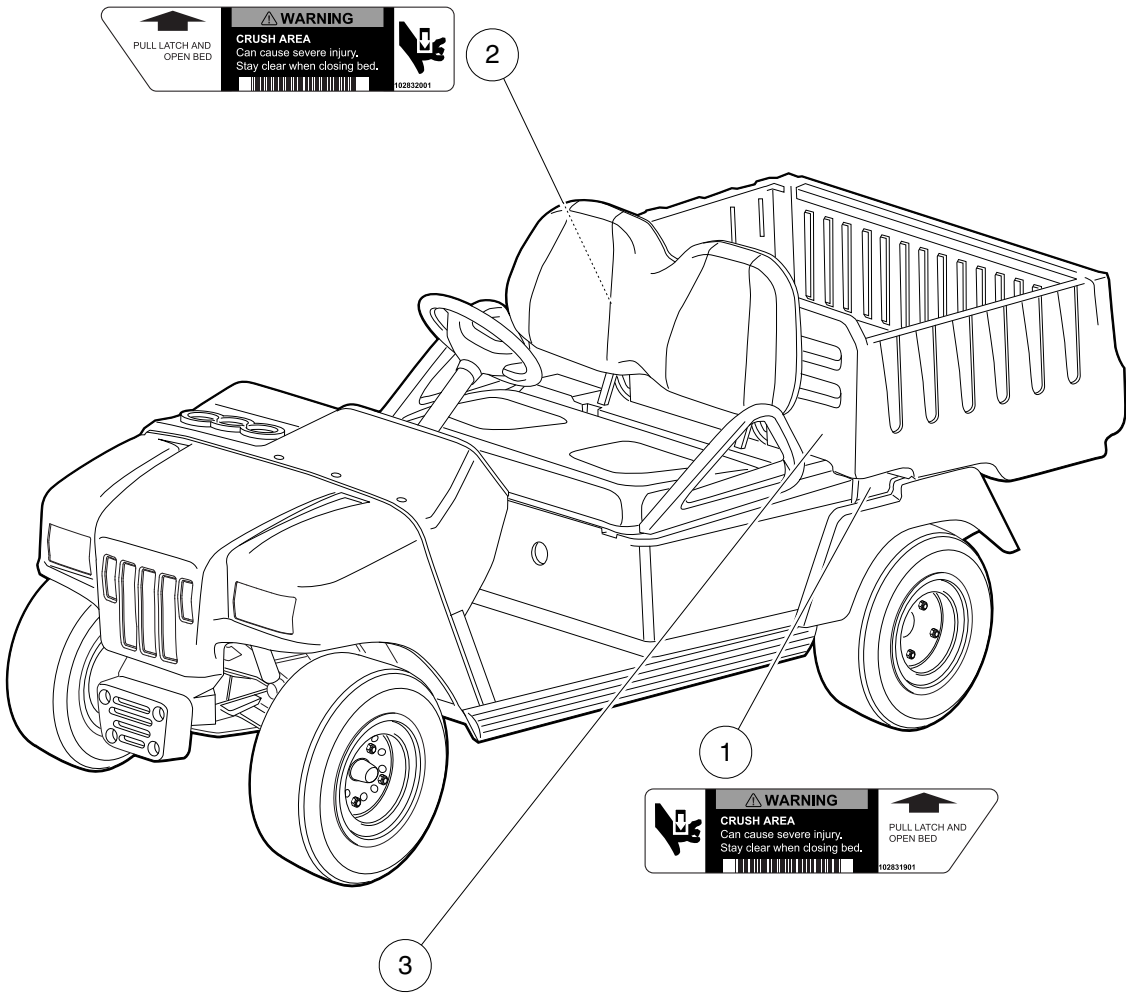
# LOGO DECALS

ITEM	PART NO.	DESCRIPTION	QTY
		1 2 3 4	
1	<u>103018301</u>	Decal, Carryall 232, Driver-Side .....	1
2	<u>103018401</u>	Decal, Carryall 232, Passenger-Side .....	1

**3**

**G**

**E**



PULL LATCH AND OPEN BED

**WARNING**  
**CRUSH AREA**  
Can cause severe injury.  
Stay clear when closing bed.

102832001

**WARNING**  
**CRUSH AREA**  
Can cause severe injury.  
Stay clear when closing bed.

102831901

PULL LATCH AND OPEN BED

**NOTICE**

• THE OWNER/OPERATOR should maintain, lubricate, adjust, and operate the vehicle as detailed in the vehicle owners manual.

CC1 102832001

000225-002

## SAFETY DECALS – GASOLINE VEHICLES

ITEM	PART NO.	DESCRIPTION	QTY
		1 2 3 4	
1	<u>102831901</u>	Decal, Crush Warning, Driver-Side .....	1
2	<u>102832001</u>	Decal, Crush Warning, Passenger-Side .....	1
3	<u>102833301</u>	Decal, Maintenance .....	1

3  
G  
E

**WARNING**

- GASOLINE EXPLOSION / FIRE.
- CAN CAUSE SEVERE INJURY OR DEATH.
- NO SMOKING, SPARKS, OR OPEN FLAME.
- STOP ENGINE, ALLOW TO COOL BEFORE REFUELING.
- TURN FUEL VALVE ( ) ON DURING OPERATION.
- ( ) OFF DURING STORAGE OR TRANSPORT.

CC1 1015476-01

**WARNING**

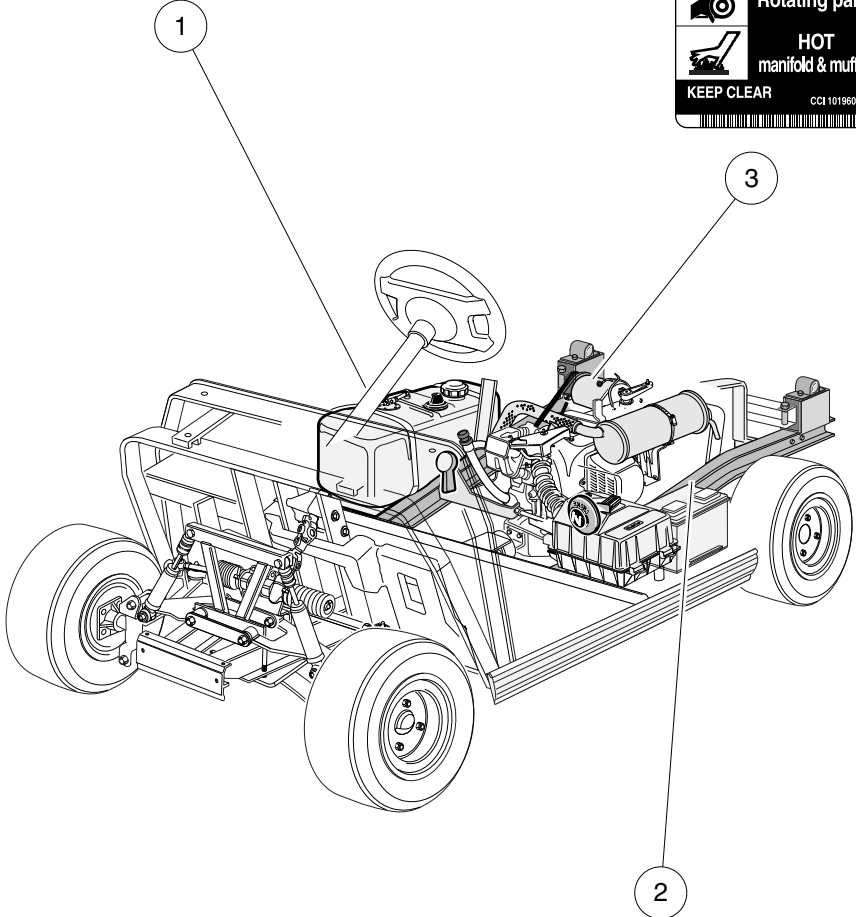
**CAN CAUSE SEVERE INJURY**

**Rotating parts**

**HOT manifold & muffler**

**KEEP CLEAR**

CC1 101960501



	<p><b>WARNING</b></p> <p>Negative frame ground. Can cause severe injury. Do not contact positive (+) battery post or cable to frame. Disconnect negative battery lead first.</p>		<p><b>WARNING</b></p> <p>Excessive speed. Can cause severe injury or death. Do not tamper with engine governor adjustment.</p> <p><small>CC1 1019152-01</small></p>
--	--	--	---

000226-001



## SAFETY DECALS – GASOLINE VEHICLES, CONTINUED

ITEM	PART NO.	DESCRIPTION	QTY
		1 2 3 4	
1	<u>101547601</u>	Decal, Gasoline Explosion/Fire Warning .....	1
2	<u>101915201</u>	Decal, Frame Ground and Governor Warning .....	1
3	<u>101960501</u>	Decal, Rotating Parts/Hot Manifold .....	1

3  
G  
E

**OPERATING INSTRUCTIONS**

- Read owner's manual and dash-mounted safety warnings prior to driving.
- Study and understand controls.

**TO START ENGINE**

- Place shift lever in "N" – Neutral position.
- Press brake pedal.
- Turn key switch to "START" position and release.

**TO OPERATE VEHICLE**

- Turn wheels to desired direction and ensure path is clear.
- Engine must be at idle before moving shift lever.
- While vehicle is stopped, and engine is at idle, place Forward/Reverse switch in desired position:  
F – Forward N – Neutral R – Reverse (Buzzer will sound)
- Park brake will release and vehicle will start moving when accelerator pedal is pressed.
- Slowly press accelerator pedal to increase speed.
- To stop, release accelerator pedal and push brake pedal.

**BEFORE LEAVING**

- Press park brake pedal until it locks and holds vehicle.
- Place Forward/Reverse switch in NEUTRAL position.
- Turn key to "OFF" position and remove key when not in use.

102825601

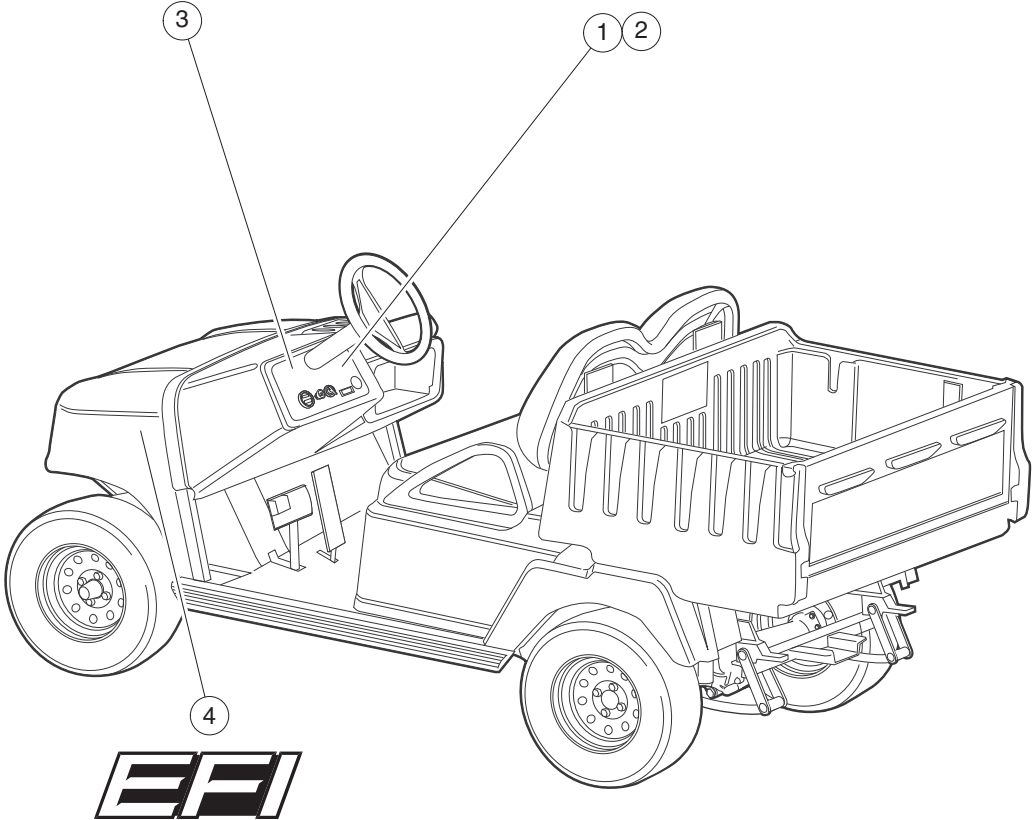
**⚠ WARNING**

**ROLLOVER OR FALLING OFF MAY CAUSE SERIOUS INJURY OR DEATH**

- Before using vehicle, read operating instructions.
- Do not start vehicle until all occupants are seated.
- Operate from driver side only and not on public roads.
- Drive slowly in turns and straight up and down slopes.
- Never operate under the influence of alcohol or drugs.
- Use brakes to reduce speed when coasting downhill.
- Remain seated while moving.
- Hold on to seat handle while moving.
- Two (2) persons per seat maximum.
- Never stand in front of or behind vehicle.
- Do not leave children unattended on vehicle.
- Keep entire body inside vehicle while moving.

OFF | ON  
START

102825401



## SAFETY DECALS – GASOLINE VEHICLES, CONTINUED

ITEM	PART NO.	DESCRIPTION	QTY
		1 2 3 4	
1	<u>102825401</u>	Decal, Warning, Instrument Panel .....	1
2	<u>102825402</u>	Decal, Warning, Instrument Panel .....	1
3	<u>102825601</u>	Decal, Operating Instructions, Instrument Panel .....	1
4	<u>105153301</u>	Decal, Efi, Italic, Lh .....	1
5	<u>105153302</u>	Decal, Efi, Italic, Rh .....	1
<p style="margin-left: 40px;">Note: Item 2 is for use on vehicles equipped with a 12-volt accessory outlet. Item 5 is not illustrated. It is exact opposite of item 4.</p>			

3  
G  
E

**NOTICE**  
Do not operate vehicle without this cover properly installed.  
Do not direct water stream in this area; will cause damage to components.  
CCI 101931501

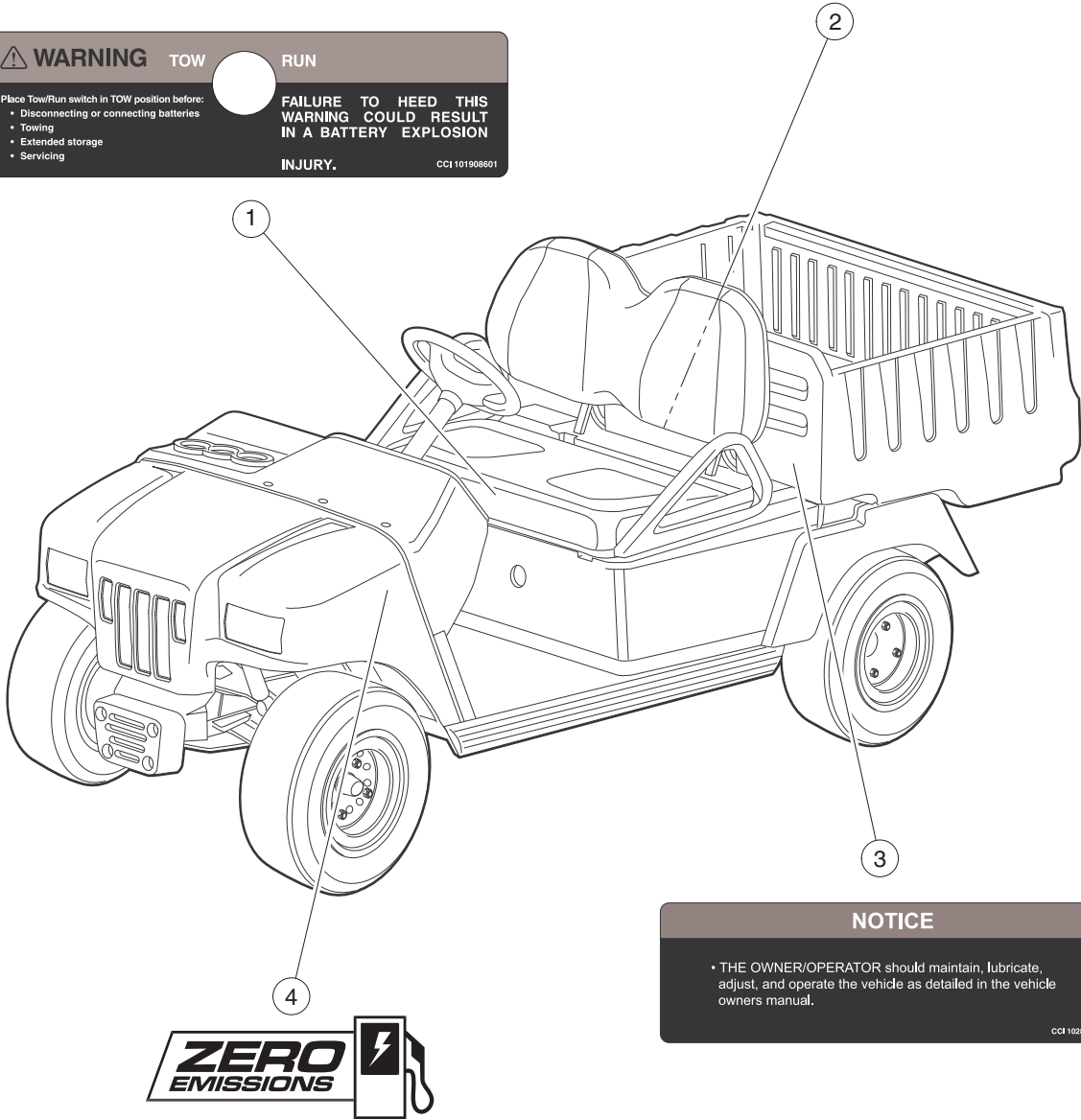
**WARNING** TOW RUN

Place Tow/Run switch in TOW position before:

- Disconnecting or connecting batteries
- Towing
- Extended storage
- Servicing

**FAILURE TO HEED THIS WARNING COULD RESULT IN A BATTERY EXPLOSION INJURY.**

CCI 101908601



**NOTICE**

- THE OWNER/OPERATOR should maintain, lubricate, adjust, and operate the vehicle as detailed in the vehicle owners manual.

CCI 102833301

## SAFETY DECALS – ELECTRIC VEHICLES

ITEM	PART NO.	DESCRIPTION	QTY
		1 2 3 4	
1	<u>101908601</u>	Decal, Tow/Run Switch Warning .....	1
2	<u>101931501</u>	Decal, Component Cover .....	1
3	<u>102833301</u>	Decal, Maintenance .....	1
4	<u>105153201</u>	Decal, Zero Emission Vhcle, Lh .....	1
5	<u>105153202</u>	Decal, Zero Emission Vhcle, Rh .....	1
		Note: Item 5 is not illustrated. It is exact opposite of item 4.	

**3**  
**G**  
**E**

**OPERATING INSTRUCTIONS**

- Read owner's manual and dash-mounted safety warnings prior to driving.
- Study and understand controls.

**TO OPERATE**

- Turn wheels to desired direction and ensure path is clear.
- Turn key to ON position.
- While stopped, place Forward/Reverse switch in desired position:  
F = Forward N = Neutral R = Reverse (Buzzer will sound)
- Park brake will release and vehicle will start moving when accelerator pedal is pressed.
- Slowly press accelerator pedal to increase speed.
- To stop, release accelerator pedal and press brake pedal.

**BEFORE LEAVING**

- Press park brake pedal until it locks and holds vehicle.
- Place Forward/Reverse switch in NEUTRAL position.
- Turn key to OFF position and remove key when not in use.

**MOTOR BRAKING**

- Electric motor braking provides speed regulation functions.
- For parked vehicle, beeping alarm indicates vehicle roll away.
- In operation, beeping alarm indicates reduction in motor braking.
- Apply brakes to further reduce vehicle speed as required.
- System is activated only when tow switch is in the RUN position.
- When towing this vehicle, tow switch must be in the TOW position.

102825701

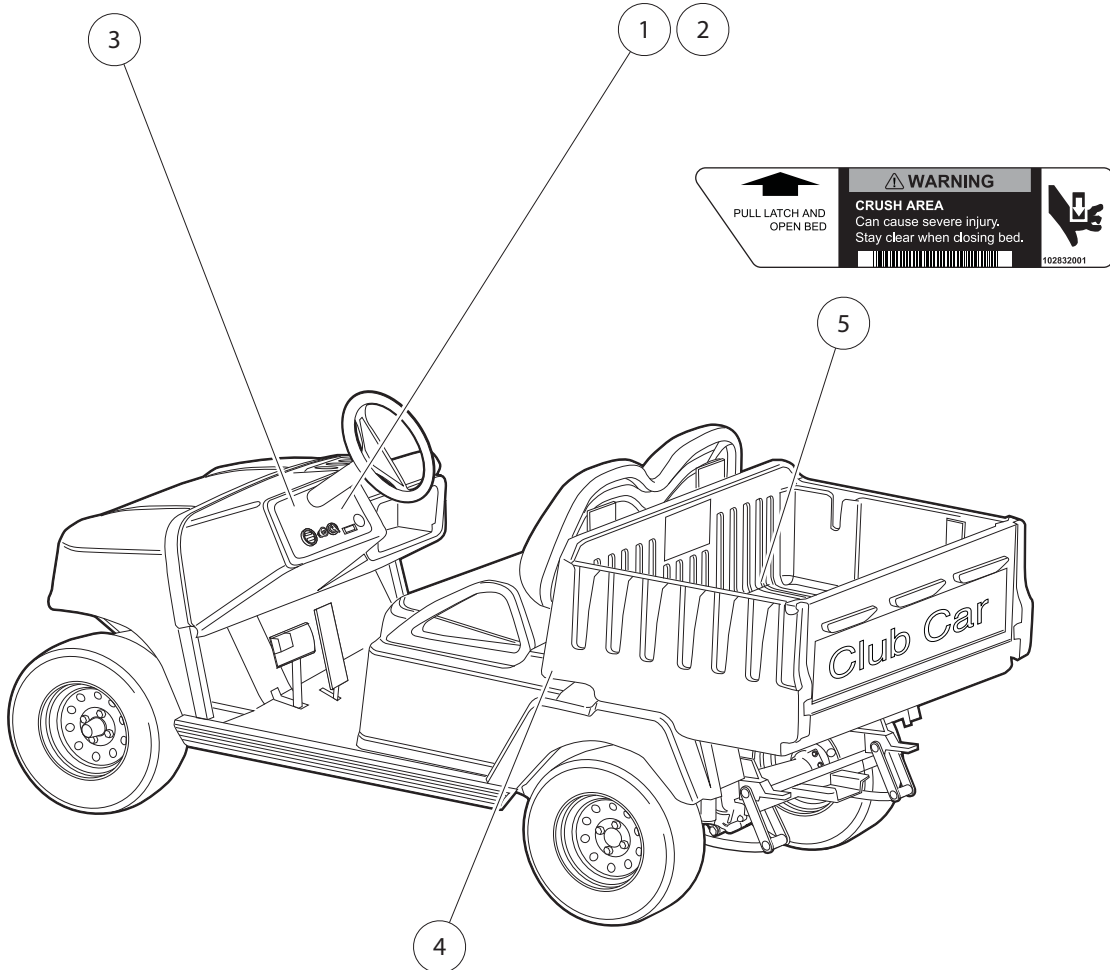
**WARNING**

**ROLLOVER OR FALLING OFF MAY CAUSE SERIOUS INJURY OR DEATH**

- Before using vehicle, read operating instructions.
- Do not start vehicle until all occupants are seated.
- Operate from driver side only and not on public roads.
- Drive slowly in turns and straight up and down slopes.
- Never operate under the influence of alcohol or drugs.
- Use brakes to reduce speed when coasting downhill.
- Remain seated while moving.
- Hold on to seat handle while moving.
- Two (2) persons per seat maximum.
- Never stand in front of or behind vehicle.
- Do not leave children unattended on vehicle.
- Keep entire body inside vehicle while moving.

OFF ON

102825501



**WARNING**

**CRUSH AREA**  
Can cause severe injury.  
Stay clear when closing bed.

PULL LATCH AND OPEN BED

102832001

**WARNING**

**CRUSH AREA**  
Can cause severe injury.  
Stay clear when closing bed.

PULL LATCH AND OPEN BED

102831901

000229-003

## SAFETY DECALS – ELECTRIC VEHICLES, CONTINUED

ITEM	PART NO.	DESCRIPTION	QTY
		1 2 3 4	
1	<u>102825501</u>	Decal, Warning, Instrument Panel .....	1
2	<u>102825502</u>	Decal, Warning, Instrument Panel .....	1
3	<u>102825701</u>	Decal, Operating Instructions, Instrument Panel .....	1
4	<u>102831901</u>	Decal, Crush Warning, Driver-Side .....	1
5	<u>102832001</u>	Decal, Crush Warning, Passenger-Side .....	1
		<p>Note: Item 2 is for use on vehicles equipped with a 12-volt accessory outlet.</p>	

3  
G  
E

**3**

**G**

**E**



# LIGHTS, CONTROLS, AND INDICATORS

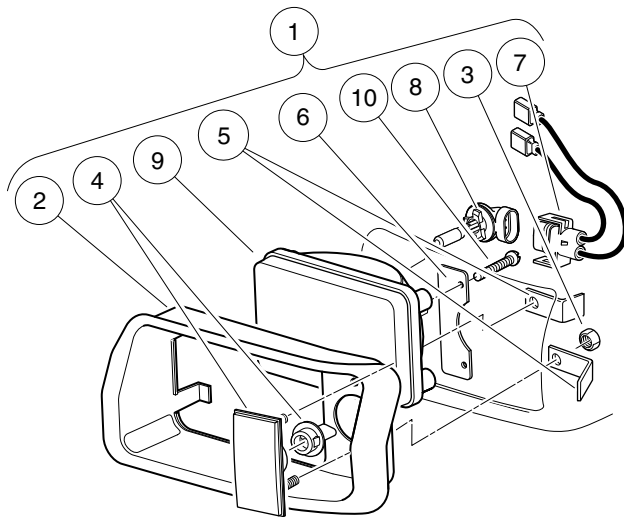
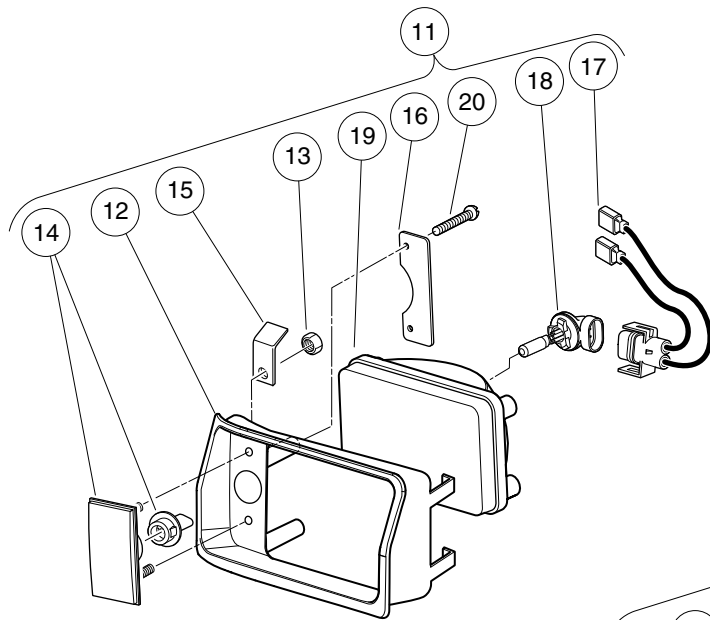
---

4

G

E

**4**  
**G**  
**E**



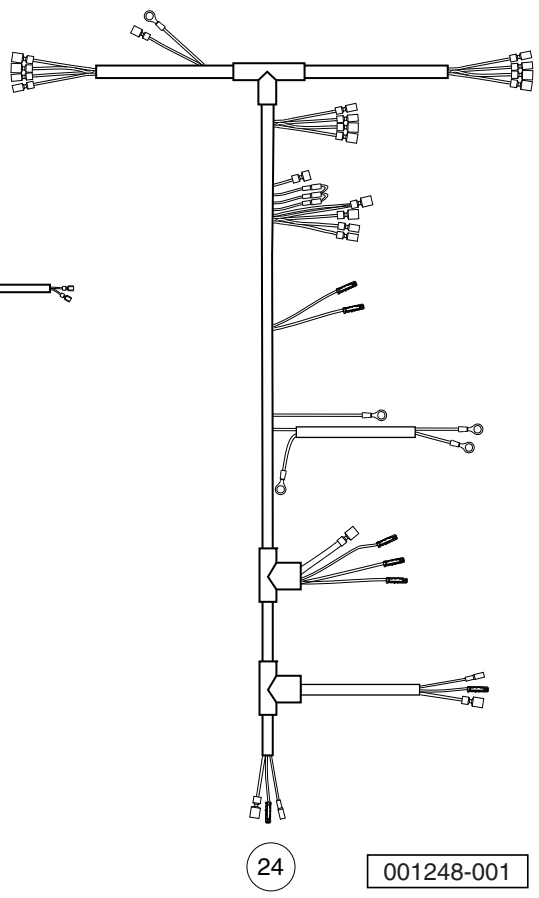
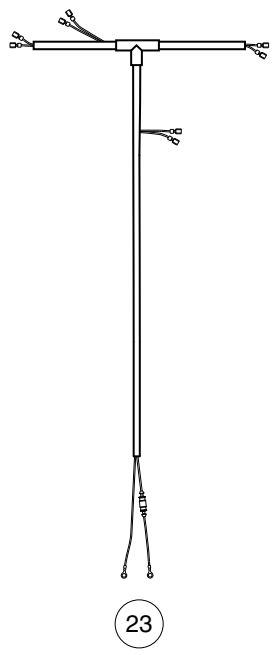
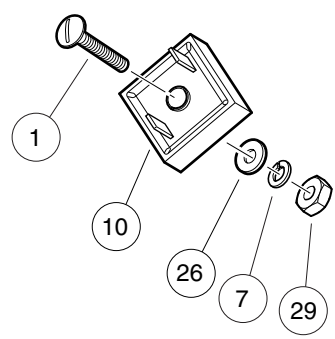
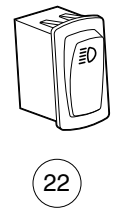
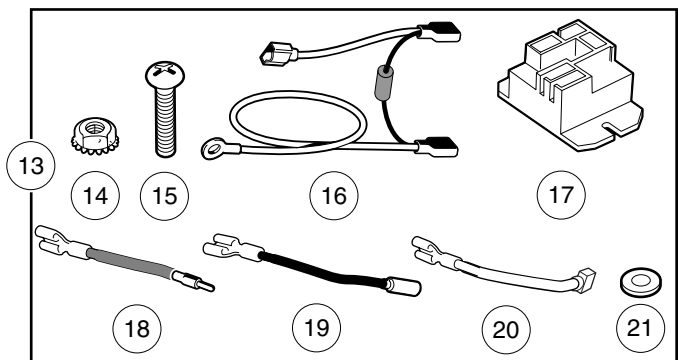
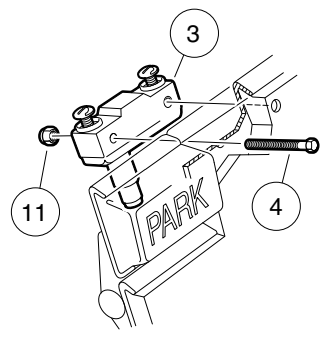
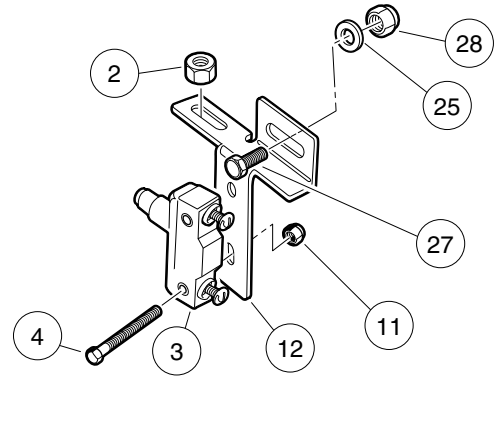
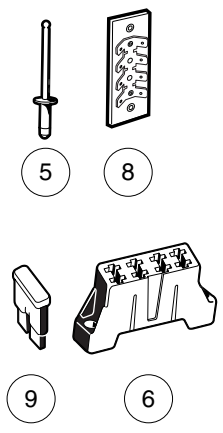
001097-001

# HEADLIGHTS

ITEM	PART NO.	DESCRIPTION	QTY
		<b>1 2 3 4</b>	
1	<u>101988001</u>	Headlight Assembly, Driver-Side Single Beam (includes items 2 through 10) .....	1
2	<u>1016880</u>	Headlight Bezel, Left .....	1
3	<u>1017</u>	Nut, #10-24 Stainless-Steel Hex Machine .....	2
4	<u>1017062</u>	Turn Signal Lens Assy .....	1
5	<u>1017064</u>	Mounting Bracket .....	2
6	<u>1017065</u>	Retainer, Headlight .....	1
7	<u>101987901</u>	Connector, Harness Assembly, Headlight .....	1
8	<u>101988101</u>	Bulb, Headlight .....	1
9	<u>101988201</u>	Lens, Headlight .....	1
10	1620	Screw, #10-16 X 0.75 Pan-Head Tap .....	2
11	<u>101988002</u>	Headlight Assy, Passenger-Side Single Beam (includes items 12 through 20) .....	1
12	<u>1016879</u>	Headlight Bezel, Right .....	1
13	<u>1017</u>	Nut, #10-24 Stainless-Steel Hex Machine .....	2
14	<u>1017062</u>	Turn Signal Lens Assy .....	1
15	<u>1017064</u>	Mounting Bracket .....	2
16	<u>1017065</u>	Retainer, Headlight .....	1
17	<u>101987901</u>	Connector, Harness Assembly, Headlight .....	1
18	<u>101988101</u>	Bulb, Headlight .....	1
19	<u>101988201</u>	Lens, Headlight .....	1
20	1620	Screw, #10-16 X 0.75 Pan-Head Tap .....	2

**4**  
**G**  
**E**

**4**  
**G**  
**E**



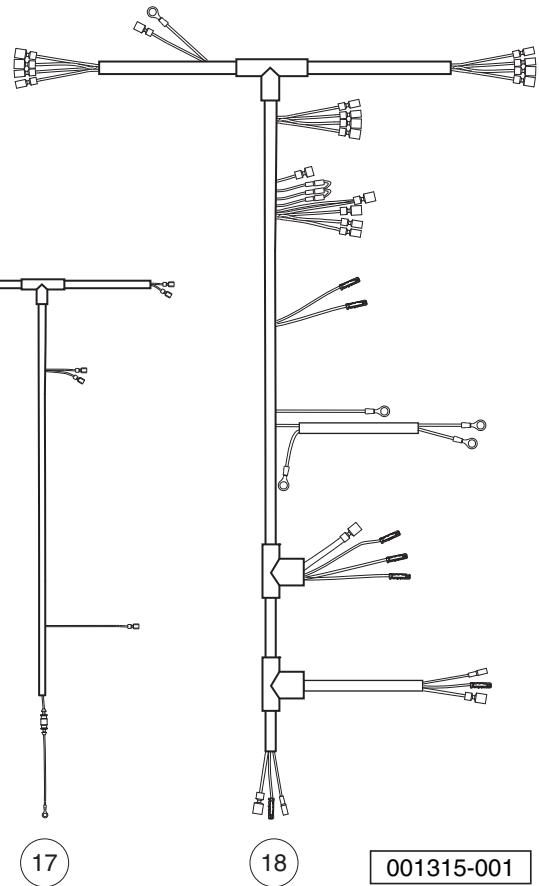
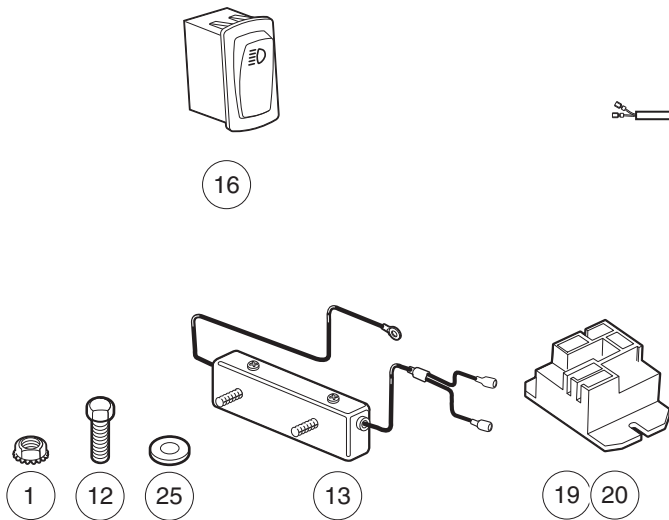
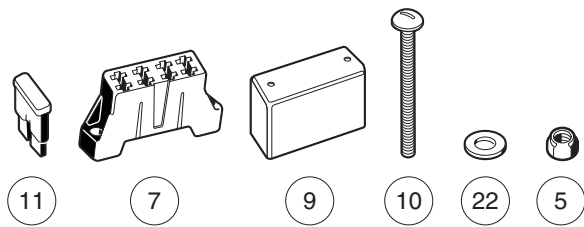
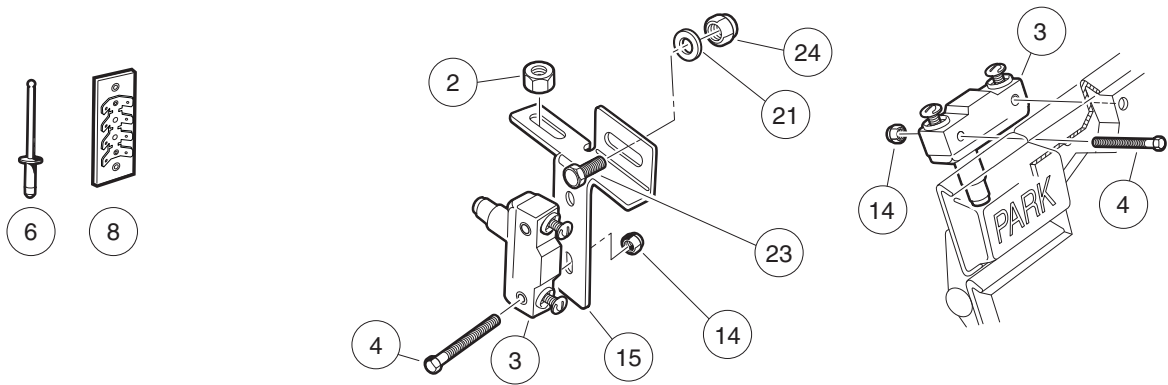
001248-001

# LIGHTING SYSTEM COMPONENTS – XRT800/810/850 GASOLINE VEHICLES

ITEM	PART NO.	DESCRIPTION	QTY
		1 2 3 4	
1	<u>1010909</u>	Screw, #10-32 X 1.25 Rd Hd Mch .....	1
2	<u>1011280</u>	Locknut, 5/16-18 .....	1
3	<u>1011439</u>	Switch, Limit .....	2
4	<u>1011557</u>	Screw, #6-32 X 1.00 Hex-Head Machine .....	4
5	<u>1013357</u>	Rivet, 5/32 Aluminum Pop .....	2
6	<u>1015741</u>	Fuse Block .....	1
7	<u>1016</u>	Lockwasher, #10 Split .....	1
8	<u>1016356</u>	Terminal Block with Insulator .....	1
9	<u>1016423</u>	Fuse, 20-Amp .....	3
10	<u>1017721</u>	Limitter, Voltage .....	1
11	<u>101932201</u>	Locknut, #6-32 Nylon .....	4
12	<u>101957101</u>	Bracket, Brake Light Switch .....	1
13	<u>102198701</u>	Brake Relay Kit - 12v (includes items 14 through 21) .....	1
14	<u>1011229</u>	Locknut, #6-32 Whiz .....	2
15	<u>1017853</u>	Screw, #6-32 X 0.75 Hex-Head Machine .....	2
16	<u>101914401</u>	Assembly, Voltage Suppressor .....	1
17	<u>102199001</u>	Relay, 12-Volt .....	1
18	<u>102199201</u>	Wire Asm #18 Brown .....	1
19	<u>102199301</u>	Wire Asm #18 Black .....	1
20	<u>102199401</u>	Wire Asm #18 Black .....	1
21	<u>7591</u>	Washer, #6, Flat .....	2
22	<u>102869401</u>	Switch, Rocker, Light .....	1
23	<u>103255601</u>	Wire Harness, Headlights-Only, CA, Gas .....	1
24	<u>103256901</u>	Wire Harness, Lighting, CA2 .....	1
25	<u>1241</u>	Washer, 5/16 Type A Flat .....	1
26	<u>183</u>	Washer, #10, Type A, Flat .....	1
27	<u>7173</u>	Screw, 5/16-18 X 0.75, Hex-Head Cap .....	1
28	<u>7473</u>	Locknut, 5/16-18 Nylon Insert .....	1
29	<u>7893</u>	Nut, #10-32 Hex .....	1
Note: Use item 23 for headlights only. NOTE 2: Use item 24 for headlights and taillights. NOTE 3: Items 23 and 24 are used in many different models.			

4  
G  
E

**4**  
**G**  
**E**



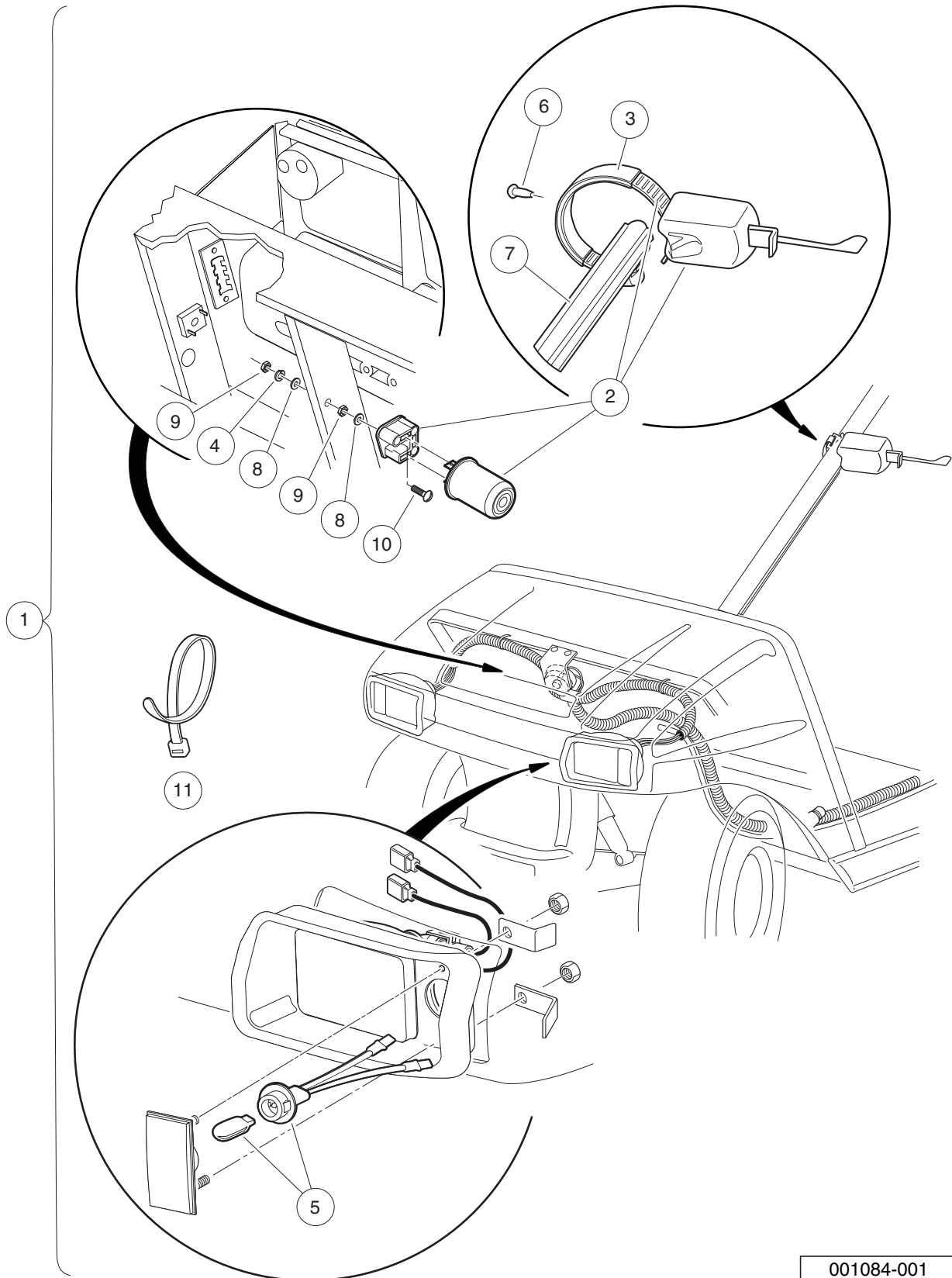
001315-001

# LIGHTING SYSTEM COMPONENTS – XRT850 ELEC. WITH POWERDRIVE CHARGER

ITEM	PART NO.	DESCRIPTION	QTY
		1 2 3 4	
1	<u>1011229</u>	Locknut, #6-32 Whiz .....	2
2	<u>1011280</u>	Locknut, 5/16-18 .....	1
3	<u>1011439</u>	Switch, Limit .....	2
4	<u>1011557</u>	Screw, #6-32 X 1.00 Hex-Head Machine .....	4
5	<u>1012438</u>	Locknut, #10-24 Nylon Insert .....	2
6	<u>1013357</u>	Rivet, 5/32 Aluminum Pop .....	2
7	<u>1015741</u>	Fuse Block .....	1
8	<u>1016356</u>	Terminal Block with Insulator .....	1
9	<u>1016363</u>	Fuse Block Cover .....	1
10	<u>1016366</u>	Screw, #10-24 X 3.0 Pan-Head Machine .....	2
11	<u>1016423</u>	Fuse, 20-Amp .....	3
12	<u>1017853</u>	Screw, #6-32 X 0.75 Hex-Head Machine .....	2
13	<u>101810501</u>	Limiter, Voltage .....	1
14	<u>101932201</u>	Locknut, #6-32 Nylon .....	4
15	<u>101957101</u>	Bracket, Brake Light Switch .....	1
16	<u>102869401</u>	Switch, Rocker, Light .....	1
17	<u>103255701</u>	Wire Harness, Headlights-Only, CA, Electric .....	1
18	<u>103257001</u>	Wire Harness, Lighting .....	1
19	<u>103414901</u>	Kit, Relay, 48v 30a W/instr (includes item 20) .....	1
20	<u>103397901</u>	Relay, Spst No, 48v 30a, Pmt .....	1
21	<u>1241</u>	Washer, 5/16 Type A Flat .....	1
22	<u>183</u>	Washer, #10, Type A, Flat .....	4
23	<u>7173</u>	Screw, 5/16-18 X 0.75, Hex-Head Cap .....	1
24	<u>7473</u>	Locknut, 5/16-18 Nylon Insert .....	1
25	<u>7591</u>	Washer, #6, Flat .....	2
<p>Note: Use item 17 for headlights only. NOTE 2: Use item 18 for headlights and taillights. NOTE 3: Items 17 and 18 are used in many different models.</p>			

4  
G  
E

**4**  
**G**  
**E**



001084-001

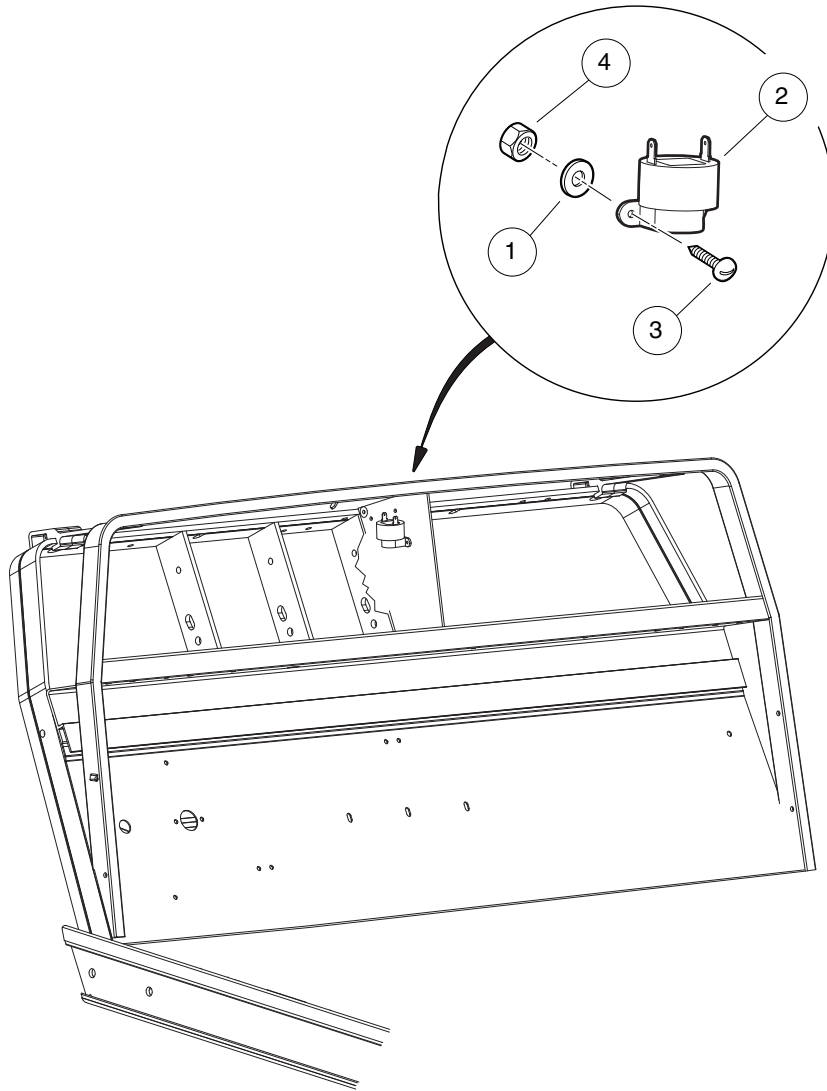


# TURN SIGNAL KIT – DS AND UTILITY GASOLINE AND ELECTRIC VEHICLES

ITEM	PART NO.	DESCRIPTION	QTY
		1 2 3 4	
1	101707402	Turn Signal Conversion Kit (includes items 2 through 11) .....	1
2	<u>1011590</u>	Switch Sub-assy, Turn Signal .....	1
3	N/A	Strap, Extrusion .....	1
4	<u>1016</u>	Lockwasher, #10 Split .....	1
5	<u>1017075</u>	Socket & Lamp Assembly .....	2
6	<u>1017724</u>	Rivet, Plastic .....	1
7	<u>102529201</u>	Wire Cover, Steering Column .....	1
8	<u>183</u>	Washer, #10, Type A, Flat .....	2
9	<u>7893</u>	Nut, #10-32 Hex .....	2
10	8104	Screw, #10-32 X .75 Rd Hd Mach .....	1
11	<u>8990</u>	Tie Wrap, 8" Nylon .....	1

**4**  
**G**  
**E**

**4**  
**G**  
**E**



000363-001

# REVERSE BUZZER

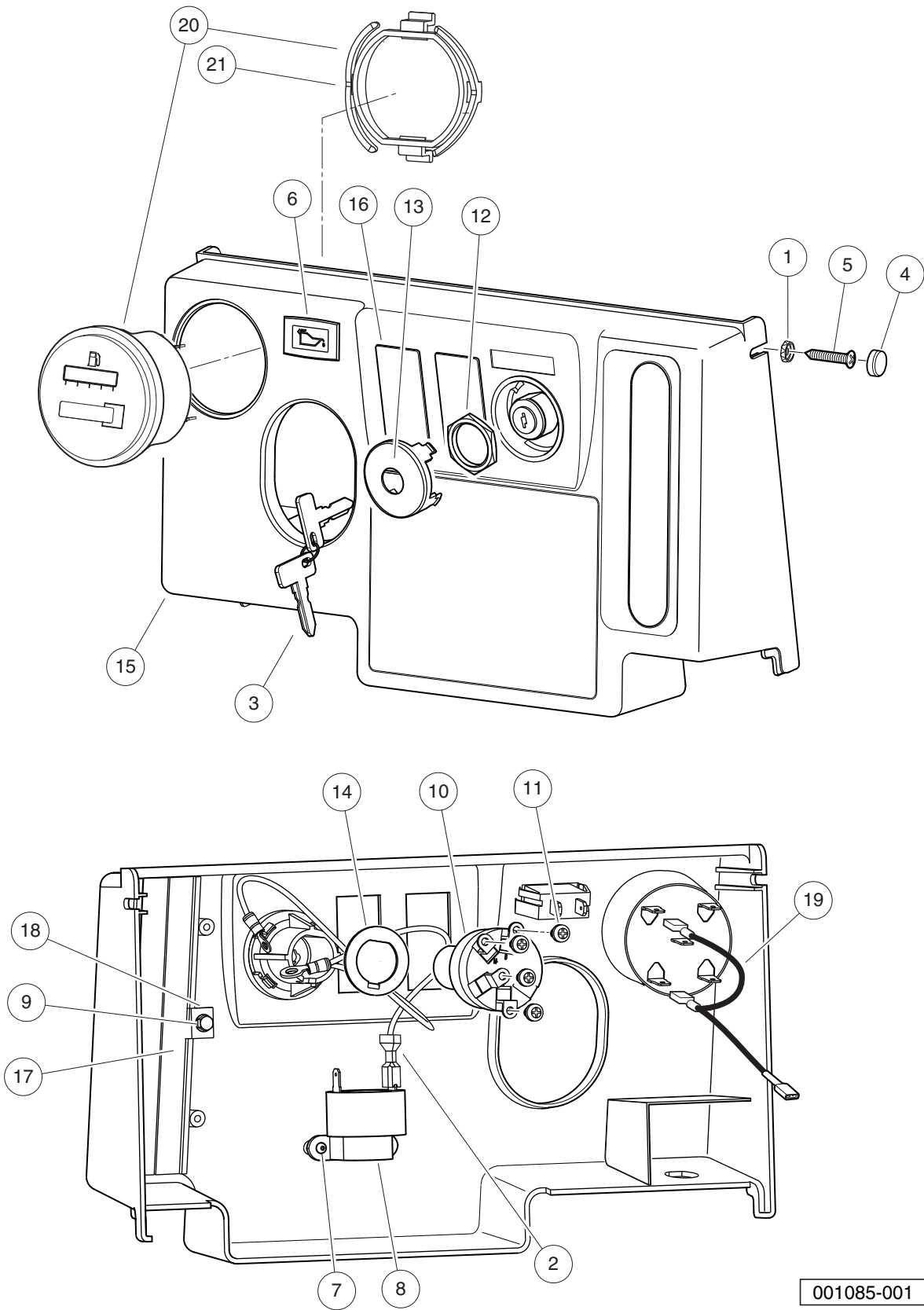
ITEM	PART NO.	DESCRIPTION	QTY
		1 2 3 4	
1	1012431	Washer, #4 Flat .....	1
2	<u>1016851</u>	Buzzer, Reverse (9-48 VDC) .....	1
3	<u>8056</u>	Screw, #4-40 X 0.75 Round-Head Machine .....	1
4	<u>8057</u>	Nut, #4-40 Hex Machine .....	1

4

G

E

**4**  
**G**  
**E**



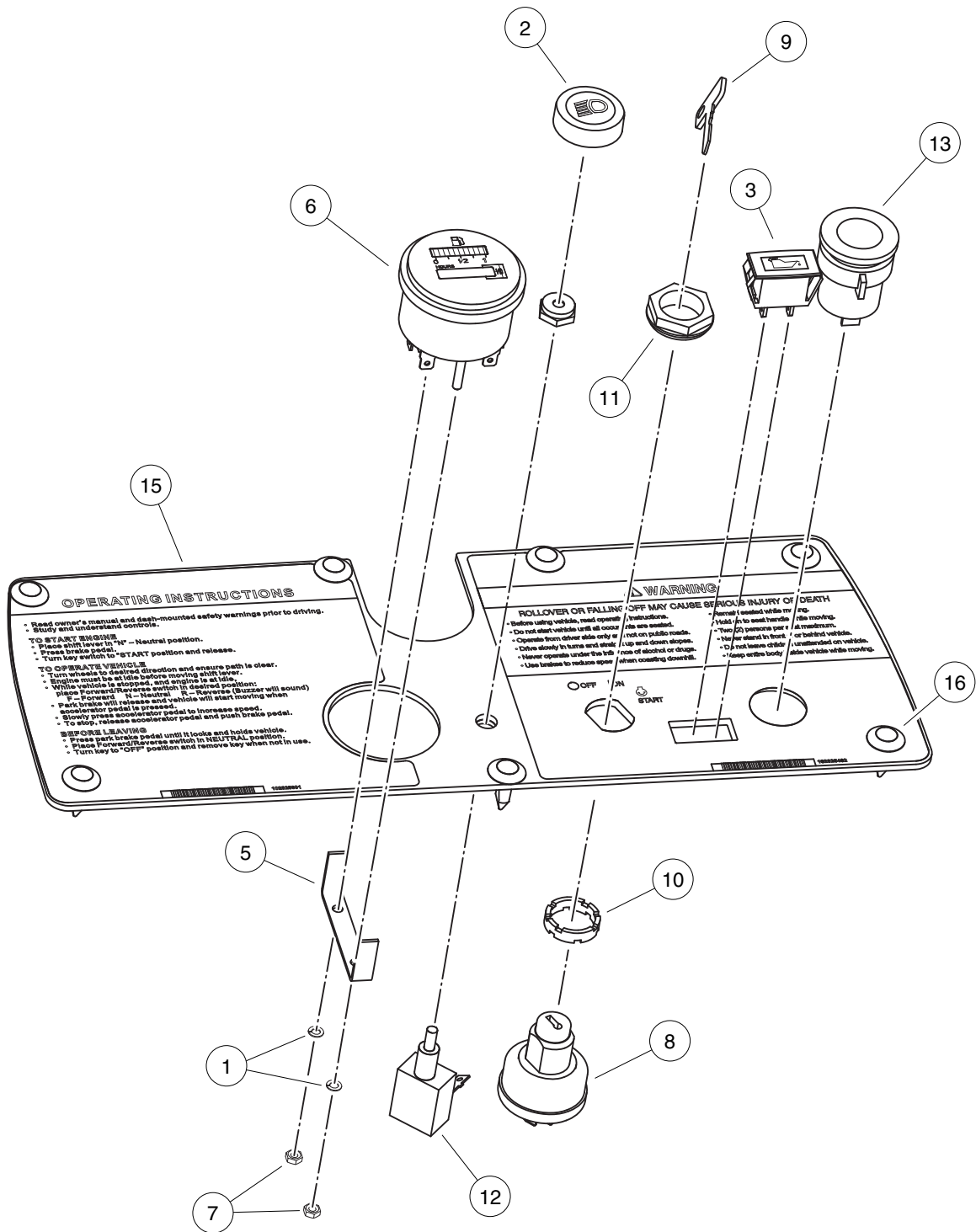
001085-001

# INSTRUMENT PANEL – TURF/CA 1, 2, 252, AND TURF 6 GAS

ITEM	PART NO.	DESCRIPTION	QTY
		1 2 3 4	
1	1011382	Washer, #10 Pan-Head Screw .....	2
2	1012396	Wire Assy #18 Black .....	1
3	<u>1012505</u>	Keys (set of 2) .....	1
4	<u>1013494</u>	Cover, Screw Head .....	2
5	<u>1015528</u>	Screw, #10 x 1-1/4 Phillips Head .....	2
6	<u>1016630</u>	Light, Oil .....	1
7	<u>1016849</u>	Screw, #4-24 X 0.33, Pan-Head, Machine .....	2
8	<u>1016851</u>	Buzzer, Reverse (9-48 VDC) .....	1
9	<u>101804301</u>	Screw, #8 X 0.500, Hex-Head Hi-Lo .....	2
10	<u>101826301</u>	Key Switch, 12-Volt, Off/On .....	1
11	101830601	Screw and Washer Assembly .....	4
12	<u>101830701</u>	Nut, Key Switch .....	1
13	<u>101834502</u>	Cap, Black Key Switch .....	1
14	<u>101851101</u>	Washer, Key Switch .....	1
15	<u>102977001</u>	Panel, Dash, Center, Gas (Instrument Panel) .....	1
16	<u>103180101</u>	Cover, Hole, Switch, Rocker .....	2
17	<u>103199001</u>	Brush, Closeout, FNR .....	2
18	<u>103199101</u>	Washer, Retaining, Brush, FNR .....	2
19	<u>103348501</u>	Asm, Wire Meter, F-h Jumper .....	1
20	<u>103348601</u>	Gauge, Fuel-hour,sep Gnd,utl (includes item 21) .....	1
21	<u>103348201</u>	Clip, Meter, Round .....	1

4  
G  
E

**4**  
**G**  
**E**



**OPERATING INSTRUCTIONS**

- Read owner's manual and dash-mounted safety warnings prior to driving.
- Study and understand controls.

**TO START ENGINE**

- Place shift lever in "N" - Neutral position.
- Press brake pedal.
- Turn key switch to "START" position and release.

**TO OPERATE VEHICLE**

- Turn wheels to desired direction and ensure path is clear.
- Engine must be at idle before moving shift lever.
- While vehicle is stopped, and engine is at idle, place Forward/Reverse switch in desired position:
  - F - Forward
  - N - Neutral
  - R - Reverse (Buzzer will sound)
- Park brake will release and vehicle will start moving when accelerator pedal is depressed.
- Slowly press accelerator pedal to increase speed.
- To stop, release accelerator pedal and push brake pedal.

**BEFORE LEAVING**

- Press park brake pedal until it locks and holds vehicle.
- Place Forward/Reverse switch in NEUTRAL position.
- Turn key to "OFF" position and remove key when not in use.

**WARNING**

**ROLLOVER OR FALLING OFF MAY CAUSE SERIOUS INJURY OR DEATH**

<ul style="list-style-type: none"> <li>• Before using vehicle, read operator instructions.</li> <li>• Do not start vehicle until all seats are seated.</li> <li>• Operate from driver side only as long and down slopes.</li> <li>• Drive slowly in turns and avoid runs of alcohol or drugs.</li> <li>• Use brakes to reduce speed when ascending downhill.</li> </ul>	<ul style="list-style-type: none"> <li>• Do not exceed vehicle's rated capacity.</li> <li>• Do not use pullback restraint.</li> <li>• Use seat belts.</li> <li>• Do not drink and drive.</li> <li>• Do not use alcohol or drugs while operating vehicle.</li> <li>• Do not use mobile phone while operating vehicle.</li> <li>• Do not use alcohol or drugs while operating vehicle.</li> <li>• Do not use alcohol or drugs while operating vehicle.</li> </ul>
---	---

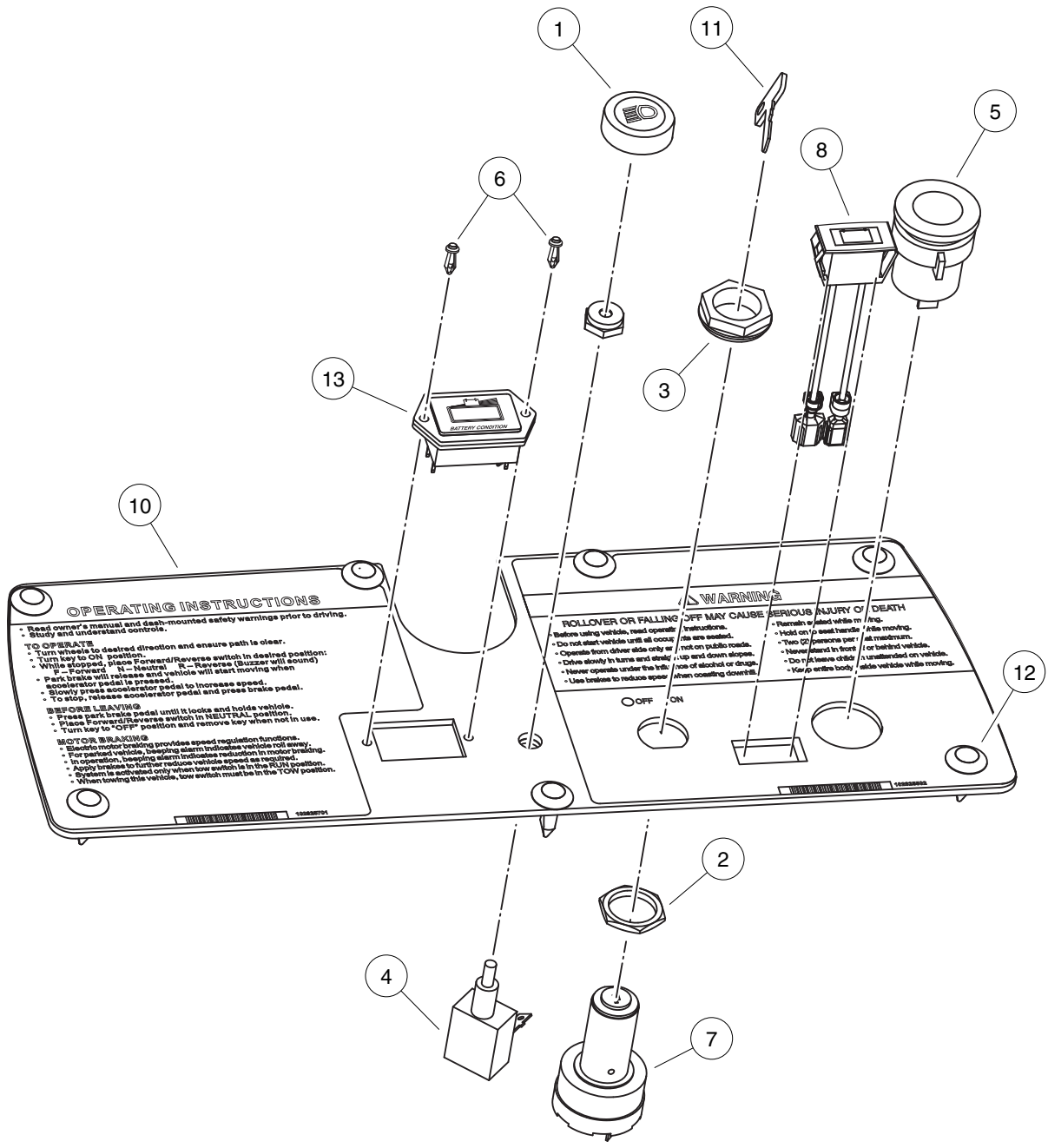
OFF ON START

000232-001

## INSTRUMENT PANEL – GASOLINE VEHICLE

ITEM	PART NO.	DESCRIPTION	QTY
		<b>1 2 3 4</b>	
1	<u>1012986</u>	Lockwasher, M4 .....	2
2	<u>1013857</u>	Knob, Light Switch .....	1
3	<u>1016630</u>	Light, Oil .....	1
4	<u>101990703</u>	Gauge, Fuel/Hour, with Bracket (includes items 5 and 6) .....	1
5	102025901	Bracket, Fuel Gauge/Hour Meter .....	1
6	N/A	Gauge, Fuel/Hour .....	1
7	<u>101991101</u>	Nut, M4-0.7 .....	2
8	<u>102044702</u>	Key Switch 12v Key Start .....	1
9	102044801	Key Set .....	1
10	<u>102051601</u>	Spacer, Keyswitch .....	1
11	<u>102051701</u>	Nut, Key Switch .....	1
12	<u>102051901</u>	Switch, Light .....	1
13	<u>102198001</u>	Receptacle, Accessory .....	1
14	<u>102804501</u>	Panel, Instrument .....	1
15	<u>102804502</u>	Panel, Instrument (with 12-Volt Accessory Outlet Cutout) .....	1
16	<u>102967901</u>	Rivet, Removable, Tuflok 1/4" .....	7

**4**  
**G**  
**E**



000231-001

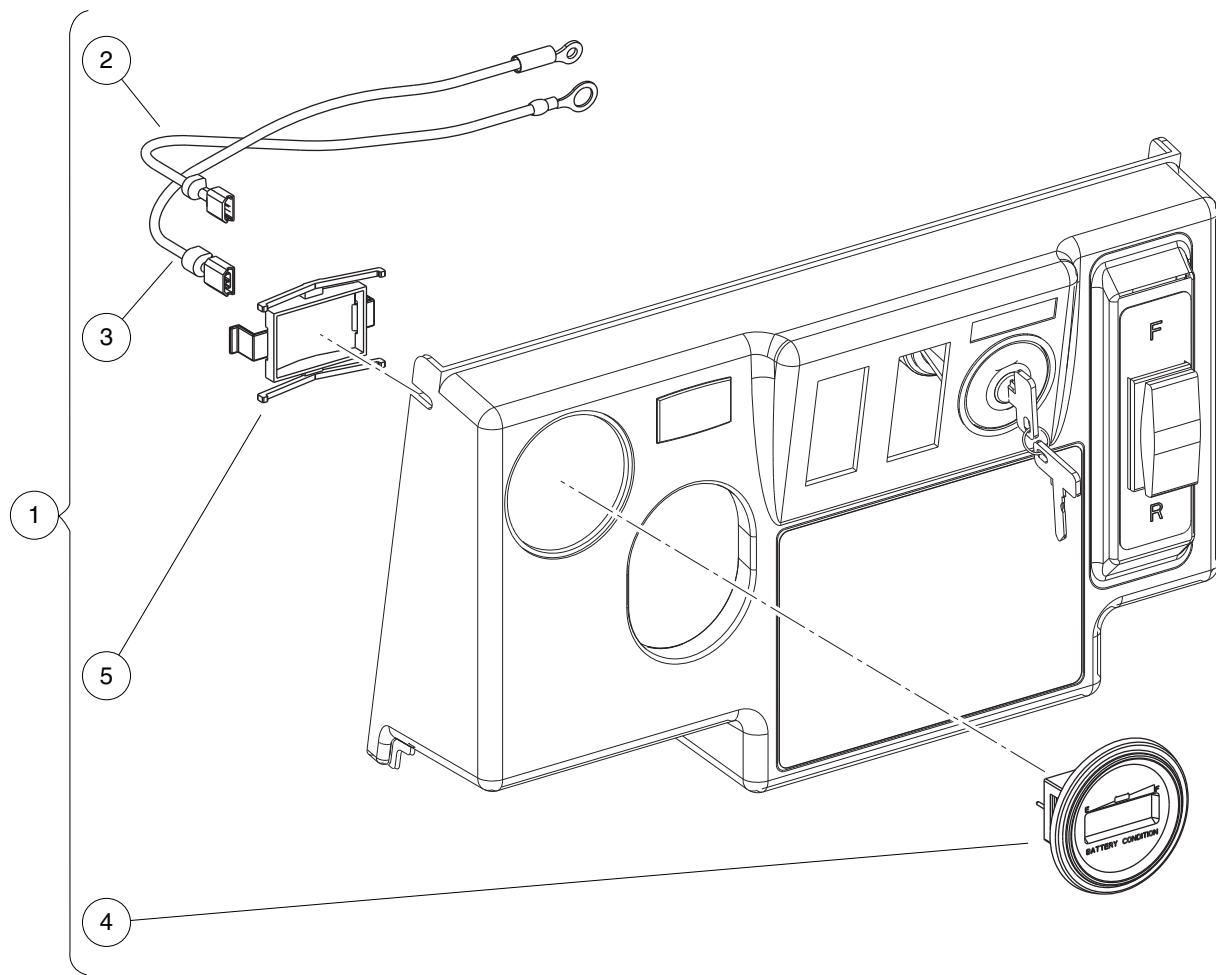


## INSTRUMENT PANEL – ELECTRICAL

ITEM	PART NO.	DESCRIPTION	QTY
		1 2 3 4	
1	<u>1013857</u>	Knob, Light Switch .....	1
2	<u>101830701</u>	Nut, Key Switch .....	1
3	<u>102051701</u>	Nut, Key Switch .....	1
4	<u>102051901</u>	Switch, Light .....	1
5	<u>102198001</u>	Receptacle, Accessory .....	1
6	<u>102499001</u>	Rivet, Micro Tuflok .....	2
7	<u>102508601</u>	Key Switch, Electric .....	1
8	<u>102508701</u>	Light, Battery .....	1
9	<u>102804503</u>	Panel, Instrument .....	1
10	<u>102804504</u>	Panel, Instrument (With 12-Volt Accessory Outlet Cutout) * .....	1
11	<u>102830801</u>	Set, Key .....	1
12	<u>102967901</u>	Rivet, Removable, Tuflok 1/4" .....	7
13	<u>103200701</u>	Battery Condition Indicator - 48V .....	1
<p>Note: Items marked with an asterisk (*) are to be used only on vehicles equipped with a 12-volt accessory outlet. This item to be used only in vehicles equipped with accessory outlets.</p>			

4  
G  
E

**4**  
**G**  
**E**



000817-002

# BATTERY CONDITION INDICATOR – ELECTRIC VEHICLES

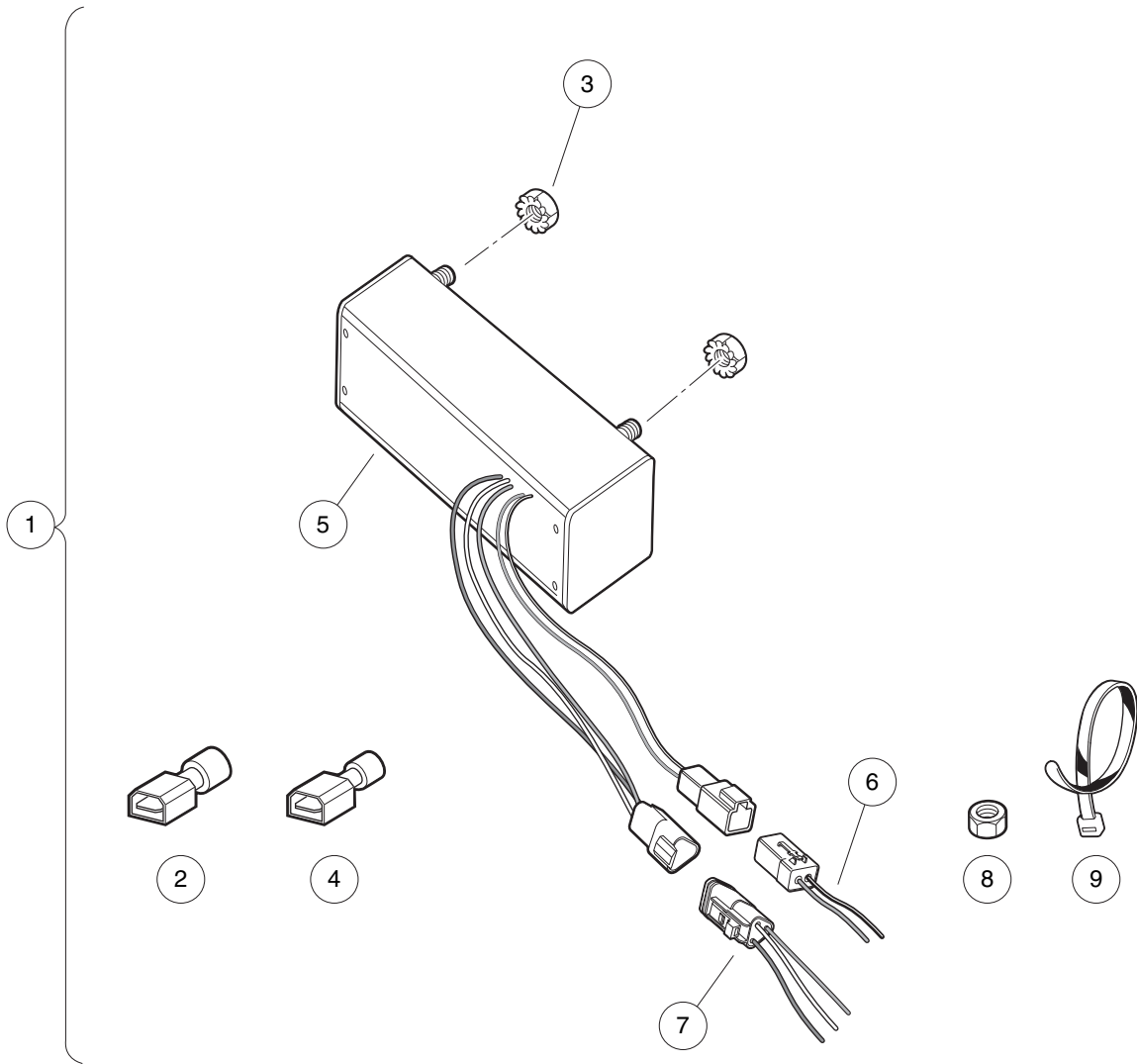
ITEM	PART NO.	DESCRIPTION	QTY
		1 2 3 4	
1	<u>103257603</u>	Kit, Gauge, Battery Condition Indicator (includes items 2 through 4) .....	1
2	<u>103257701</u>	Wire Asm, #18 Black, 2565mm .....	1
3	<u>103257801</u>	Wire Asm, #16 Red, 330mm .....	1
4	<u>103354401</u>	Gauge, Battery Cond Ind, Rnd (includes item 5) .....	1
5	<u>103348202</u>	Clip, Bci, Round .....	1

4

G

E

**4**  
**G**  
**E**



001271-001

## DC CONVERTER – IQ SYSTEM ELECTRIC VEHICLE

ITEM	PART NO.	DESCRIPTION	QTY
		1 2 3 4	
1	<u>102357501</u>	Kit, DC/DC Converter (includes items 2 through 9) .....	1
2	<u>1016365</u>	Terminal, 1/4" Male Quick Disconnect .....	1
3	<u>101835601</u>	Locknut, 1/4-20 Hex Whiz .....	2
4	N/A	Terminal, 1/4" Male Quick Disconnect .....	1
5	102352201	Converter , Dc -non Isolated .....	1
6	<u>102354901</u>	Harness, Dc Converter - 12v .....	1
7	<u>102355001</u>	Harness, Dc Converter - 48v .....	1
8	<u>1242</u>	Nut, 5/16-18 Hex .....	1
9	<u>8990</u>	Tie Wrap, 8" Nylon .....	4

4

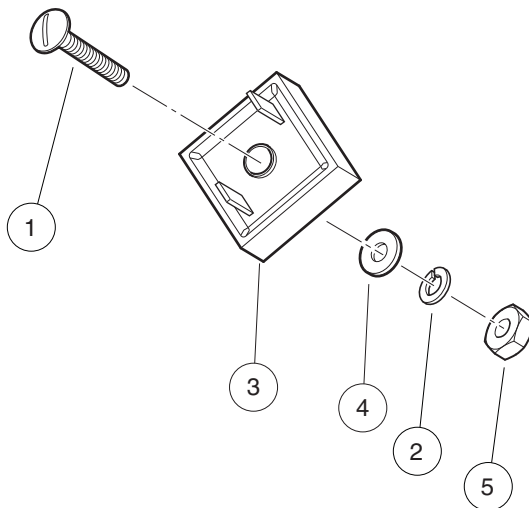
G

E

4

G

E



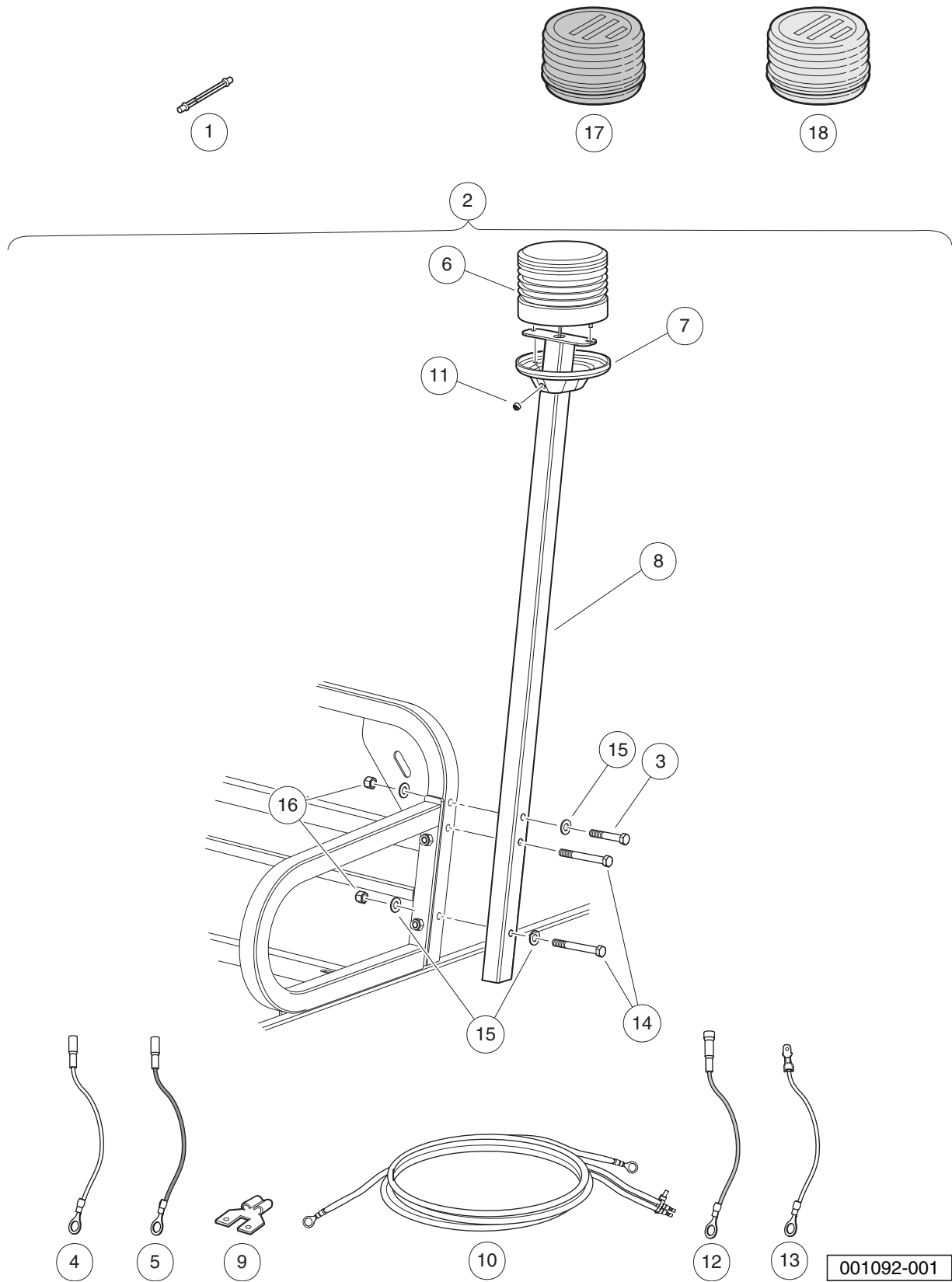
001091-001

# VOLTAGE LIMITER – GASOLINE VEHICLE

ITEM	PART NO.	DESCRIPTION	QTY
		1 2 3 4	
1	<u>1010909</u>	Screw, #10-32 X 1.25 Rd Hd Mch .....	1
2	<u>1016</u>	Lockwasher, #10 Split .....	1
3	<u>1017721</u>	Limiter, Voltage .....	1
4	<u>183</u>	Washer, #10, Type A, Flat .....	1
5	<u>7893</u>	Nut, #10-32 Hex .....	1

4  
G  
E

**4**  
**G**  
**E**



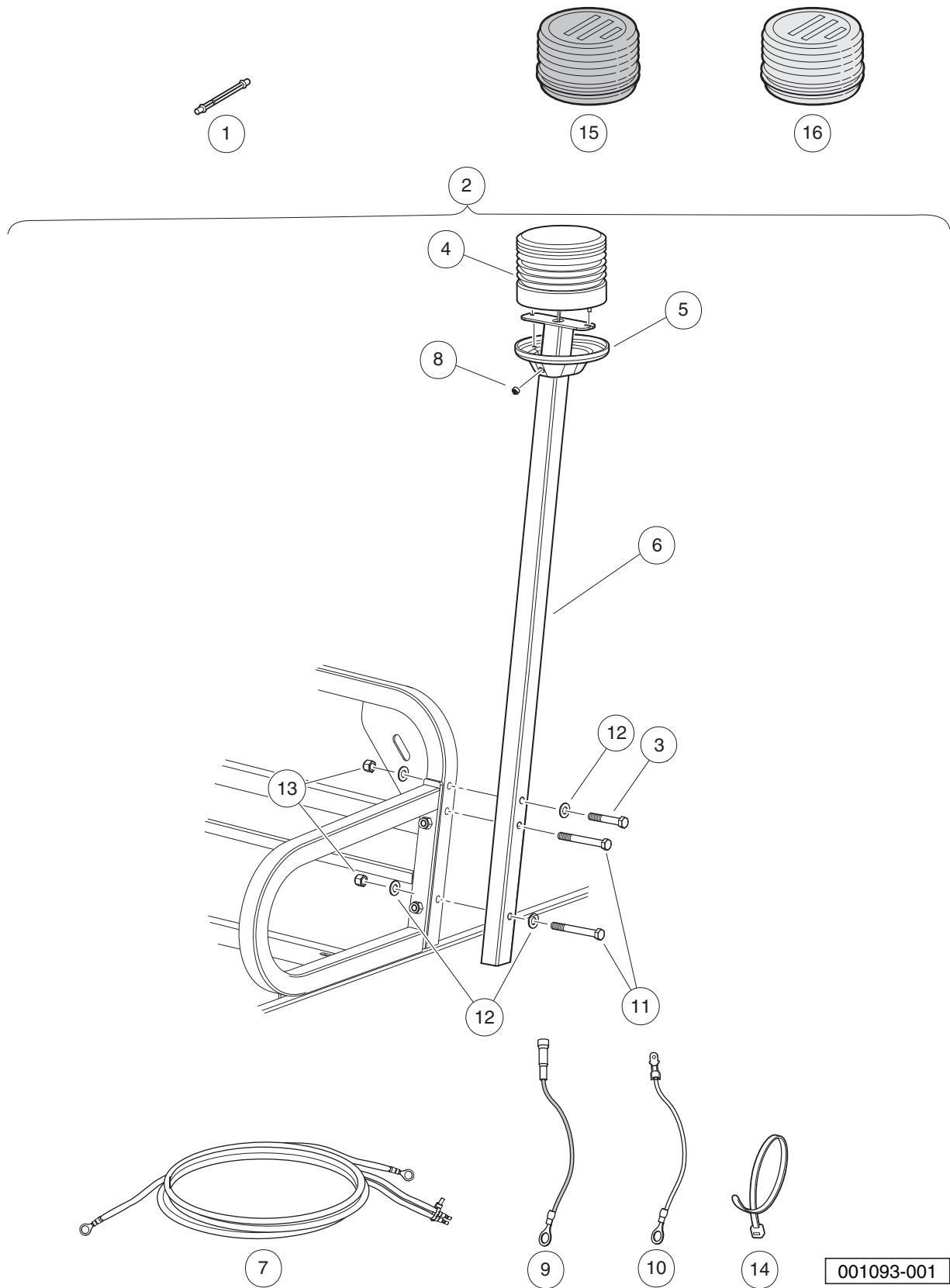


## STROBE LIGHT, POST-MOUNTED – GASOLINE VEHICLES

ITEM	PART NO.	DESCRIPTION	QTY
		1 2 3 4	
1	<u>1015526</u>	Bulb, Replacement, for Strobe Light .....	1
2	<u>1015765</u>	Safety Strobe Lht Post Mnt Gas (includes items 3 through 16) .....	1
3	<u>1013509</u>	Screw, 1/4-20 X 1.75 Hx Hd Cap .....	2
4	1015153	Wire Assembly #16 Yellow .....	1
5	1015154	Wire Assembly Blue Ca #16 .....	1
6	<u>1015156</u>	Light Assembly, Strobe .....	1
7	1015157	Cover Plate Switch - Pole Ca .....	1
8	<u>1015160</u>	Pole Weldment Carryall .....	1
9	<u>1015162</u>	3/16 Tab Adapter Non-insul .....	1
10	<u>1015172</u>	Wire Harness Assy, Strobe Lght .....	1
11	<u>1015187</u>	Switch Assembly .....	1
12	1016837	Wire Assembly Red #18 .....	1
13	1016929	Wire Assembly Black #16 .....	1
14	<u>324</u>	Screw, 1/4-20 X 2.50 Hx Hd Cap .....	2
15	<u>332</u>	Washer, 1/4 Type A Narrow Flat .....	4
16	<u>8233</u>	Locknut, 1/4-20, Nylon Insert .....	2
17	<u>AM1243701</u>	Lens, Blue, for Strobe Light .....	1
18	<u>AM1243801</u>	Lens, Red, for Strobe Light .....	1

**4**  
**G**  
**E**

**4**  
**G**  
**E**



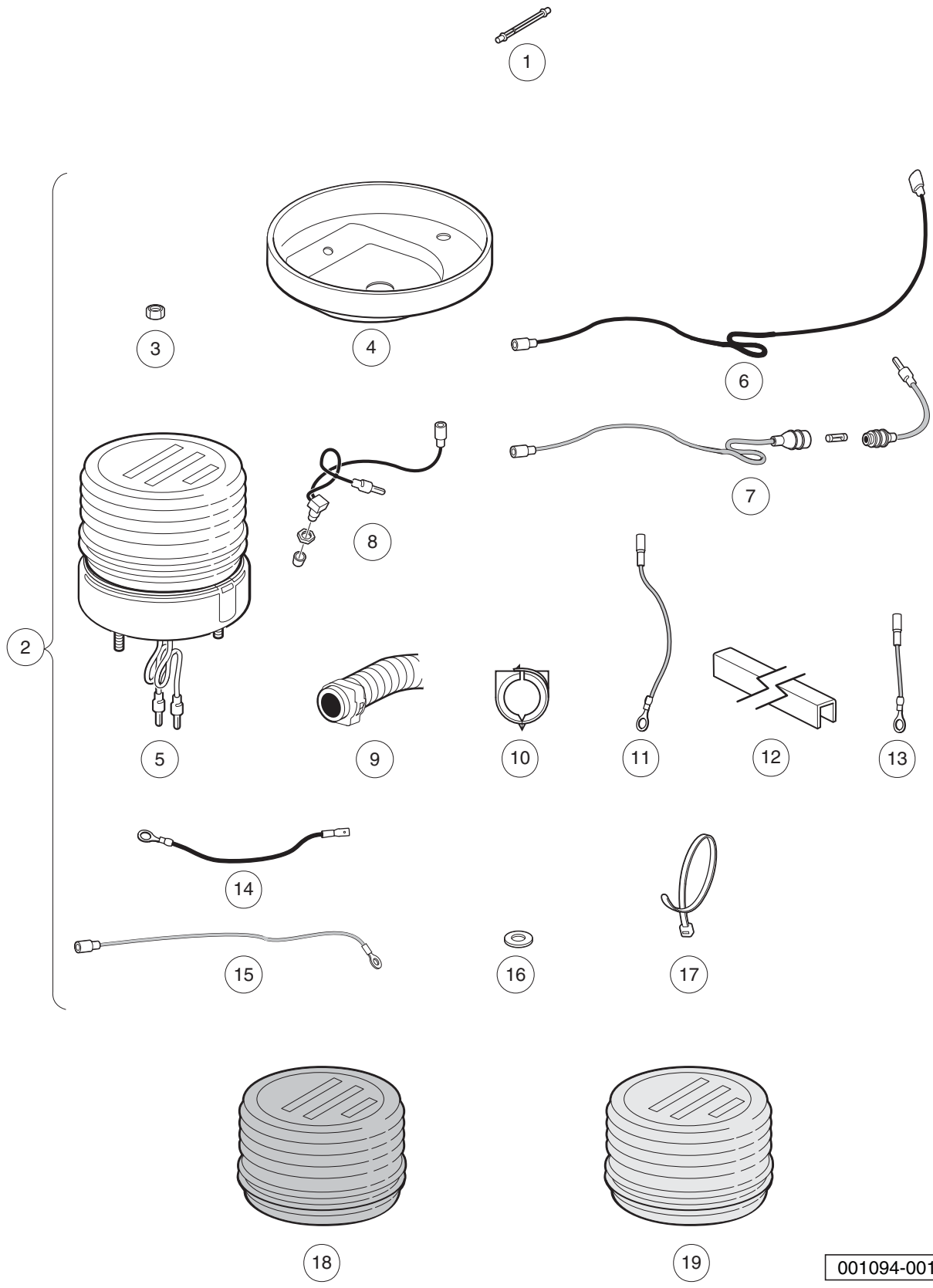
001093-001

## STROBE LIGHT, POST-MOUNTED – ELECTRIC VEHICLES

ITEM	PART NO.	DESCRIPTION	QTY
		1 2 3 4	
1	<u>1015526</u>	Bulb, Replacement, for Strobe Light .....	1
2	<u>101814601</u>	Safety Strobe Lht & Post Mt El (includes items 3 through 14) .....	1
3	<u>1013509</u>	Screw, 1/4-20 X 1.75 Hx Hd Cap .....	2
4	<u>1015156</u>	Light Assembly, Strobe .....	1
5	1015157	Cover Plate Switch - Pole Ca .....	1
6	<u>1015160</u>	Pole Weldment Carryall .....	1
7	<u>1015172</u>	Wire Harness Assy, Strobe Lght .....	1
8	<u>1015187</u>	Switch Assembly .....	1
9	1016837	Wire Assembly Red #18 .....	1
10	1016929	Wire Assembly Black #16 .....	1
11	<u>324</u>	Screw, 1/4-20 X 2.50 Hx Hd Cap .....	2
12	<u>332</u>	Washer, 1/4 Type A Narrow Flat .....	4
13	<u>8233</u>	Locknut, 1/4-20, Nylon Insert .....	2
14	<u>8990</u>	Tie Wrap, 8" Nylon .....	4
15	<u>AM1243701</u>	Lens, Blue, for Strobe Light .....	1
16	<u>AM1243801</u>	Lens, Red, for Strobe Light .....	1

**4**  
**G**  
**E**

**4**  
**G**  
**E**



001094-001

# STROBE LIGHT, CANOPY-MOUNTED

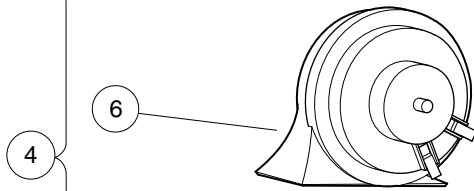
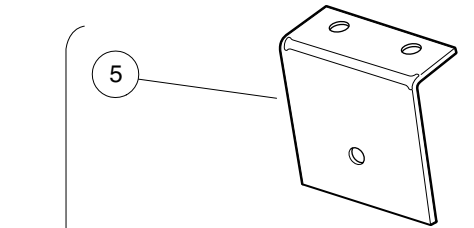
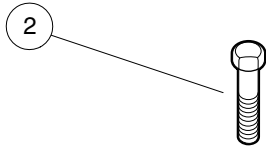
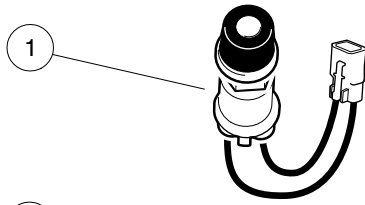
ITEM	PART NO.	DESCRIPTION	QTY
		1 2 3 4	
1	<u>1015526</u>	Bulb, Replacement, for Strobe Light .....	1
2	<u>AM1243501</u>	Kit, Roof Mounted Strobe Fd (includes items 3 through 17) .....	A/R
3	<u>1012438</u>	Locknut, #10-24 Nylon Insert .....	2
4	<u>1015010</u>	Cover Plate Switch .....	1
5	<u>1015156</u>	Light Assembly, Strobe .....	1
6	<u>1015167</u>	#16 Black Wire Asm .....	1
7	<u>1015170</u>	Wire Assembly #16 .....	1
8	<u>1015187</u>	Switch Assembly .....	1
9	<u>1015768</u>	Split Convoluted Elec Conduit .....	11
10	<u>1015770</u>	Outlet Ring - .5 Diameter .....	5
11	<u>1016230</u>	Wire Asm #16 Red .....	1
12	<u>1016267</u>	Snap On Conduit Vert. ....	1
13	<u>1016287</u>	Wire Asm #16 Red .....	1
14	<u>1016929</u>	Wire Assembly Black #16 .....	1
15	<u>101821601</u>	#18 Red Wire Assembly .....	1
16	<u>183</u>	Washer, #10, Type A, Flat .....	2
17	<u>8639</u>	Tie Wrap, 11" Nylon .....	8
18	<u>AM1243701</u>	Lens, Blue, for Strobe Light .....	A/R
19	<u>AM1243801</u>	Lens, Red, for Strobe Light .....	A/R

4  
G  
E

4

G

E



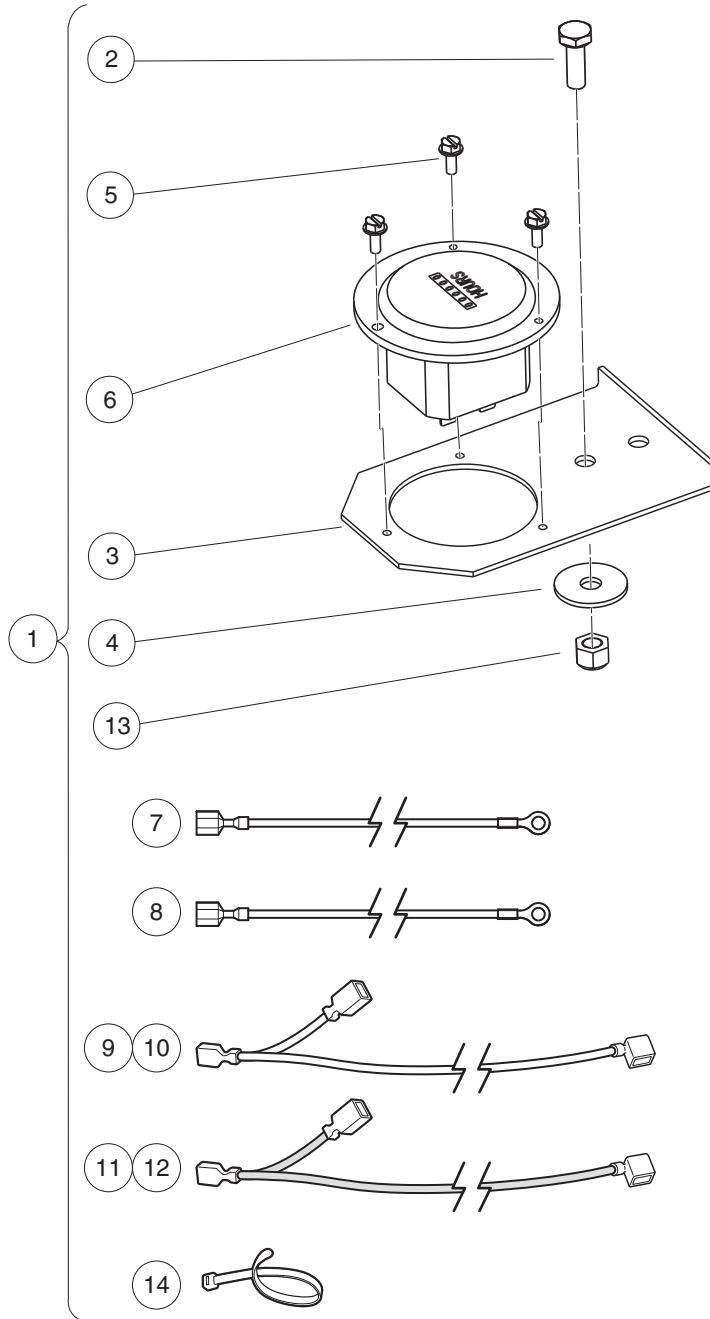
001095-001

# HORN

ITEM	PART NO.	DESCRIPTION	QTY
		<b>1 2 3 4</b>	
1	<u>101969701</u>	Horn Button and Wire Assembly .....	1
2	304	Screw, 1/4-20 X 1.0 Hex-Head Cap .....	2
3	<u>332</u>	Washer, 1/4 Type A Narrow Flat .....	2
4	<u>4029</u>	Horn (includes items 5 through 9) .....	1
5	<u>1011825</u>	Horn Bracket .....	1
6	<u>1014530</u>	Horn, 12-VDC .....	1
7	<u>101955101</u>	Nut, M6 Hex .....	1
8	<u>7820</u>	Washer, 5/16 Internal-Tooth .....	1
9	8294	5/16 Ring Term. ....	1
10	<u>8233</u>	Locknut, 1/4-20, Nylon Insert .....	2

**4**  
**G**  
**E**

**4**  
**G**  
**E**



001096-001

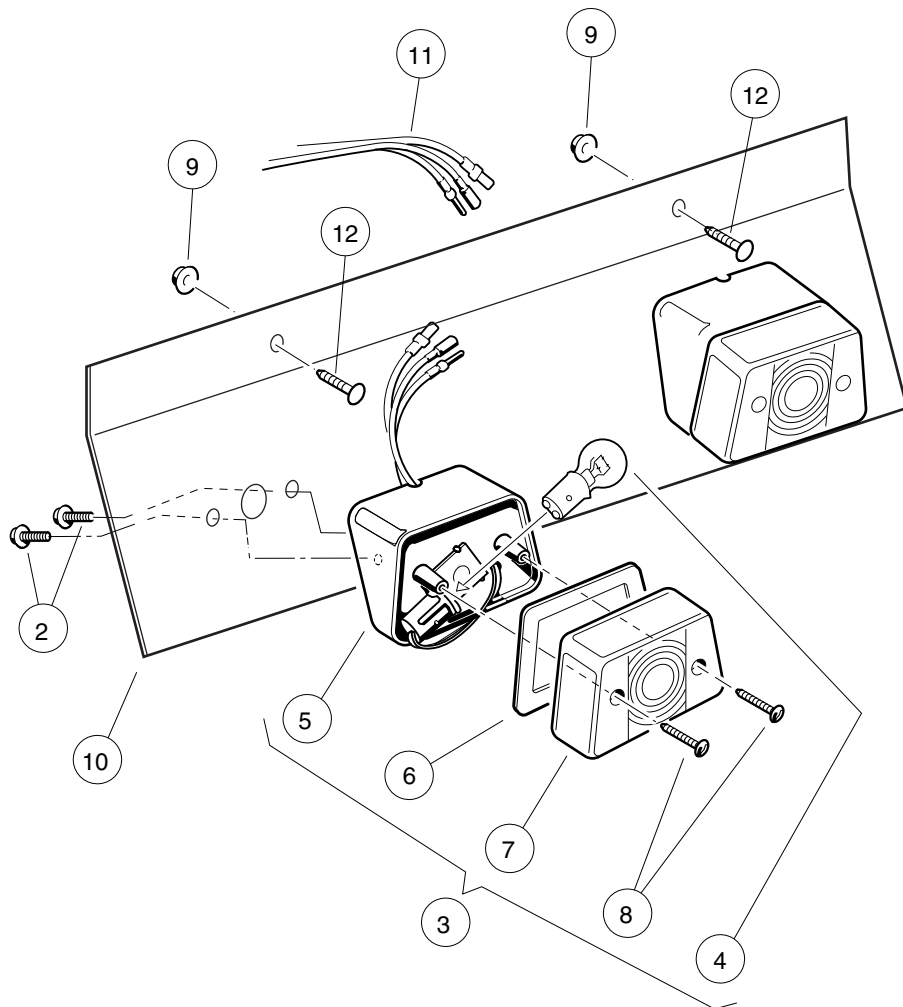


# HOUR METER – IQ SYSTEM AND IQ PLUS ELECTRIC VEHICLES

ITEM	PART NO.	DESCRIPTION	QTY
		1 2 3 4	
1	<u>1013579</u>	Kit, Hour Meter (includes items 2 through 14) .....	1
2	<u>1012285</u>	Screw, 1/4 X 0.625 Hex-Head .....	1
3	<u>1013547</u>	Hour Meter Bracket .....	1
4	<u>1014306</u>	Washer, 1/4" Type B Flat .....	1
5	<u>1014540</u>	Screw, #6-32 X 3/8 Taptite .....	3
6	N/A	Hour Meter .....	1
7	101881501	Wire Assembly Black #18 .....	1
8	101881601	Wire Assembly Red #18 .....	1
9	<u>101997802</u>	Wire Assembly #18 Yellow .....	1
10	<u>101997803</u>	Wire Asm #18 Yellow 31" .....	1
11	<u>101997902</u>	Wire Assembly #18 Red .....	1
12	<u>101997903</u>	Wire Asm # 18 Red 31" .....	1
13	<u>8233</u>	Locknut, 1/4-20, Nylon Insert .....	1
14	<u>8990</u>	Tie Wrap, 8" Nylon .....	1
<p>Note: The kit includes components that apply to multiple vehicles. The installation instructions will specify which components are required for a specific model. After installation, discard components not used.</p>			

4  
G  
E

**4**  
**G**  
**E**



000348-009

# TAILLIGHTS

ITEM	PART NO.	DESCRIPTION	QTY
		<b>1 2 3 4</b>	
1	<u>102852501</u>	Kit, Tail Lights (includes items 2 through 12) .....	1
2	<u>1015752</u>	Screw, #12-16 X 0.625, Hi-Lo .....	4
3	<u>1016717</u>	Light Assembly, Stop/Taillight (includes items 4 through 8) .....	2
4	<u>1011582</u>	Taillight Bulb .....	1
5	N/A	Housing, Taillight .....	1
6	N/A	Gasket, Taillight .....	1
7	N/A	Lens, Taillight .....	1
8	N/A	Screw, Taillight Lens .....	2
9	<u>101835601</u>	Locknut, 1/4-20 Hex Whiz .....	2
10	<u>102909901</u>	Support, Tail Light .....	1
11	<u>102911601</u>	Asm, Wire Harness .....	1
12	<u>7847</u>	Screw, 1/4-20 X 0.75 Hex-Head Cap .....	2
<p>Note: Taillights are optional for Carryall 242 and XRT 800 vehicles.</p>			

**4**  
**G**  
**E**

**4**

**G**

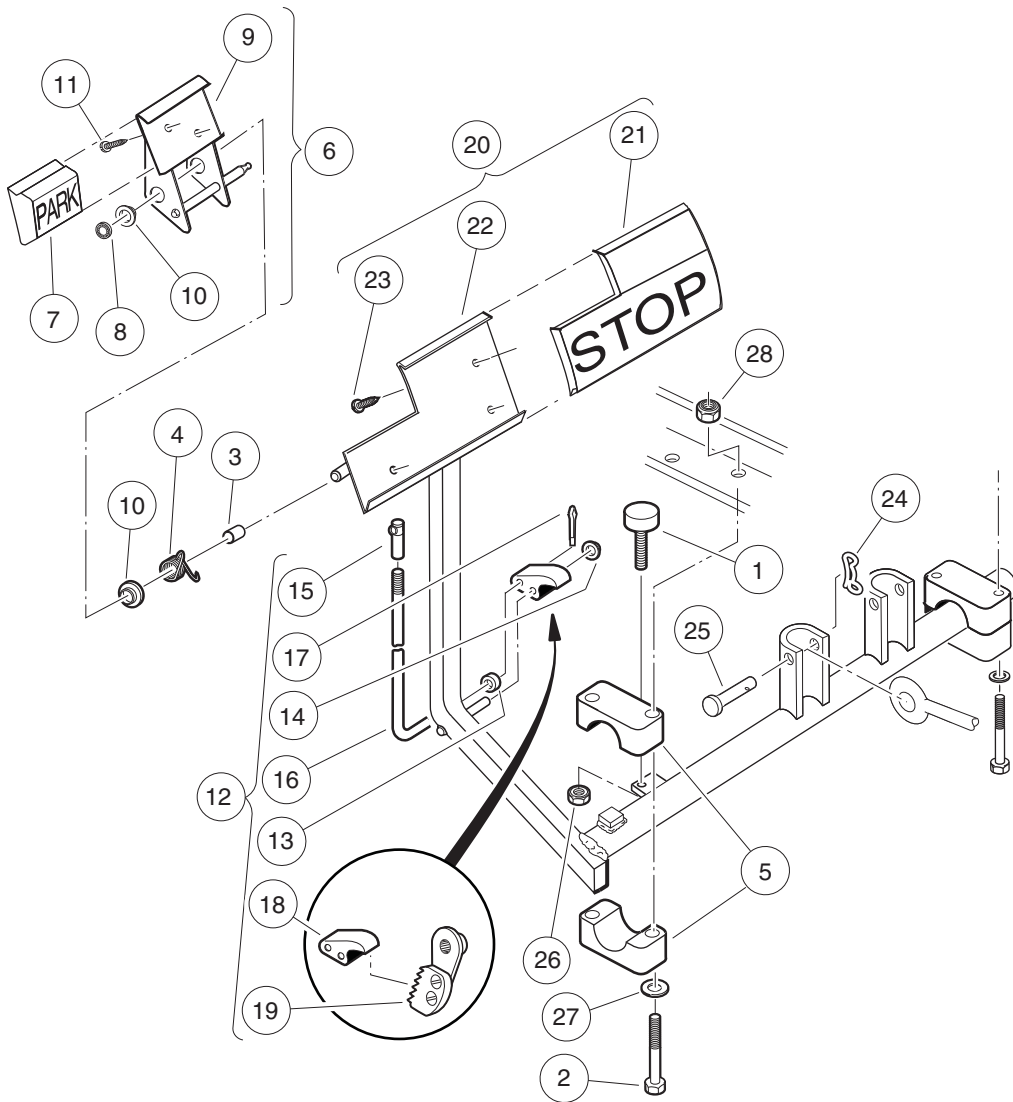
**E**

# BRAKE SYSTEM

---

**5**  
**G**  
**E**

**5**  
**G**  
**E**



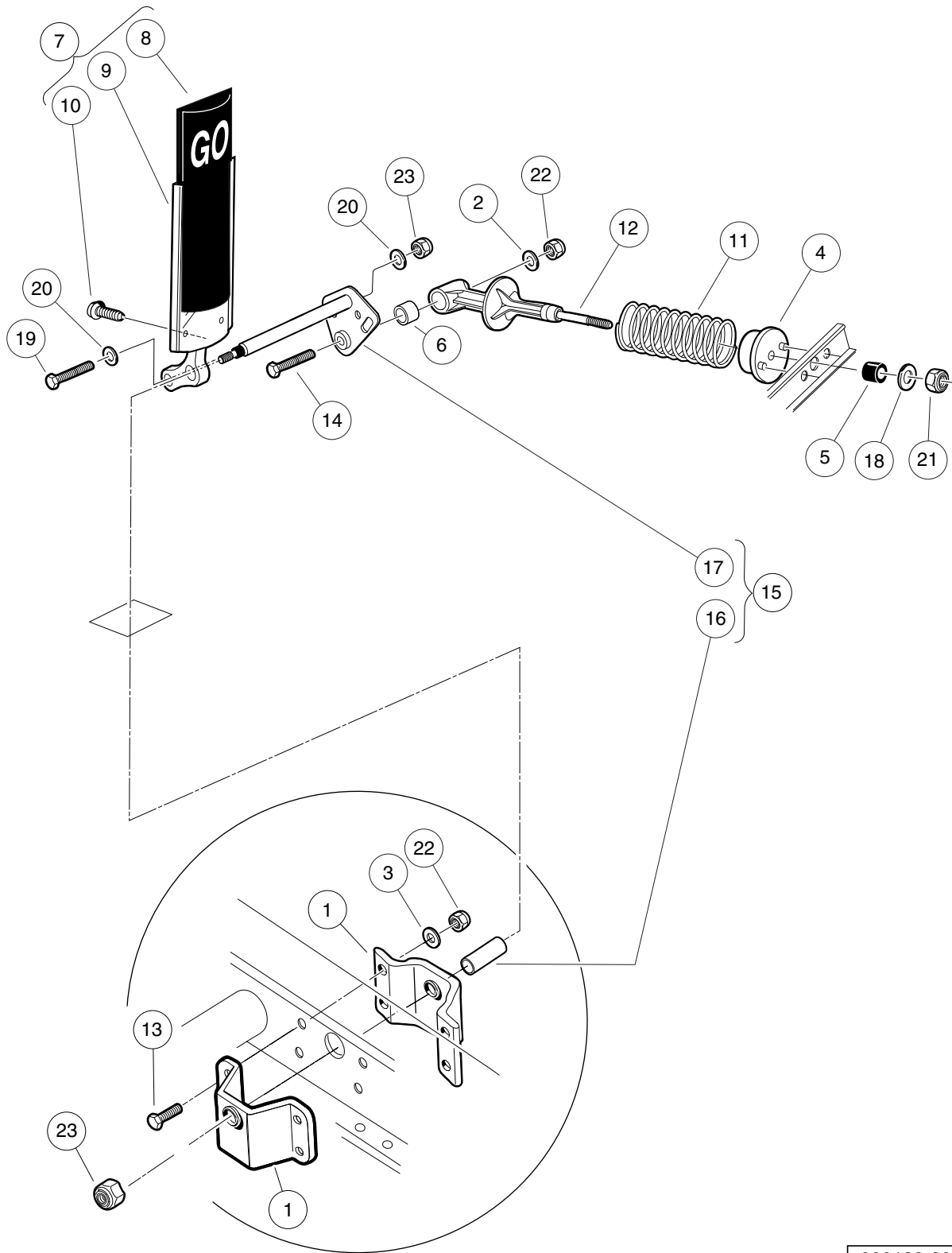
000187-001

# BRAKE PEDAL ASSEMBLY

ITEM	PART NO.	DESCRIPTION	QTY
		<b>1 2 3 4</b>	
1	<u>1010878</u>	Bumper, Rubber .....	1
2	<u>1010921</u>	Screw, 5/16-18 X 2.50 Hex Cap .....	4
3	<u>1010927</u>	Hill Brake Spacer .....	1
4	<u>1010933</u>	Spring, Hill Brake Torsion .....	1
5	<u>1011402</u>	Package, Brake Mounting Block .....	1
6	<u>1011418</u>	Kit, Hill Brake Pedal (includes items 7 through 11) .....	1
7	<u>1013870</u>	Pad, Hill Brake .....	1
8	<u>1013876</u>	Pushnut, 3/8 .....	1
9	N/A	Hill Brake Weld Assembly .....	1
10	<u>1032</u>	Bushing, Nylon .....	2
11	7716	Screw, #10-16 Type AB, Sheet Metal .....	2
12	<u>101187702</u>	Kit, Hill Brake Latch (includes items 13 through 19) .....	1
13	<u>1010805</u>	Sleeve, Hill Brake Rod .....	1
14	<u>1010877</u>	Pushnut, 3/8 .....	1
15	1010932	Ball Joint, 1/4-28 .....	1
16	N/A	Rod, Hill Brake .....	1
17	<u>1017029</u>	Pin, Cotter, 7/64 x 1/2 Stainless-Steel .....	1
18	N/A	Pawl, Hill Brake .....	1
19	101918501	Ratchet Assembly .....	1
20	<u>101878201</u>	Brake Pedal Kit (includes items 21 through 23) .....	1
21	<u>1013869</u>	Pad, Brake Pedal .....	1
22	N/A	Weldment, Brake Pedal, 2wr Std .....	1
23	7716	Screw, #10-16 Type AB, Sheet Metal .....	3
24	<u>102323101</u>	Pin, Bow Tie Locking .....	1
25	<u>102323201</u>	Pin, 3/8 X 1-5/16 Clevis .....	1
26	<u>1028</u>	Nut, 1/4-20 Hex .....	1
27	<u>1241</u>	Washer, 5/16 Type A Flat .....	4
28	<u>7473</u>	Locknut, 5/16-18 Nylon Insert .....	4

**5**  
**G**  
**E**

**5**  
**G**  
**E**



000188-007



# ACCELERATOR PEDAL ASSEMBLY – ELECTRIC VEHICLES WITH MCOR

ITEM	PART NO.	DESCRIPTION	QTY
		<b>1 2 3 4</b>	
1	<u>1011694</u>	Accelerator Bracket and Bearing Assembly .....	2
2	<u>1011931</u>	Washer, 1/4 Flat .....	1
3	<u>1014007</u>	Washer, 1/4, Flat .....	4
4	<u>1017378</u>	Cup, Spring .....	1
5	<u>1017380</u>	Bumper, Spring Return .....	1
6	<u>1017424</u>	Bearing, Pivot Support .....	1
7	<u>1017696</u>	Sub Asm, Accelerator Pedal (includes items 8 through 10) .....	1
8	1013871	Pad, Accelerator Pedal .....	1
9	N/A	Accelerator Pedal Weldment .....	1
10	7716	Screw, #10-16 Type AB, Sheet Metal .....	4
11	101796201	Spring, Accelerator Return .....	1
12	<u>101817401</u>	Retainer, Spring .....	1
13	<u>101861901</u>	Screw, 1/4-20 X 1.125 Hex Cap .....	4
14	<u>101862001</u>	Screw, 1/4-20 X 1.500 Flange .....	1
15	<u>102026001</u>	Kit, Accelerator Pivot Rod Assembly (includes items 16 and 17) .....	1
16	101919801	Spacer, Accelerator .....	1
17	<u>102158901</u>	Pivot Rod Weldment .....	1
18	<u>1241</u>	Washer, 5/16 Type A Flat .....	1
19	<u>1624</u>	Screw, 3/8-16 X 1.50, Hex-Head Cap .....	1
20	<u>334</u>	Washer, 3/8, Type A, Flat .....	2
21	<u>7473</u>	Locknut, 5/16-18 Nylon Insert .....	1
22	<u>8233</u>	Locknut, 1/4-20, Nylon Insert .....	5
23	<u>8754</u>	Locknut, 3/8-16 Hex .....	2

**5**  
**G**  
**E**

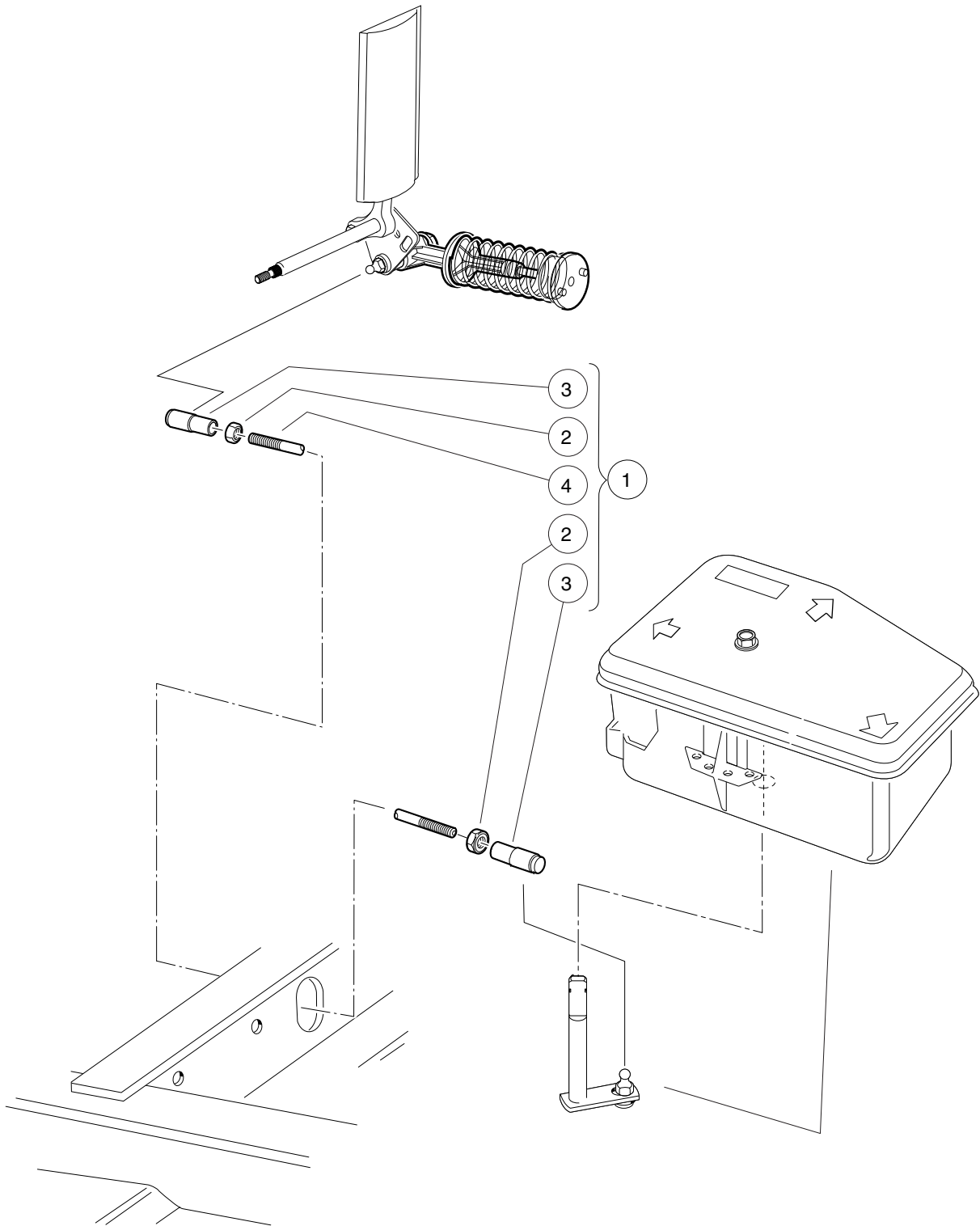


# ACCELERATOR PEDAL ASSEMBLY – GASOLINE VEHICLES

ITEM	PART NO.	DESCRIPTION	QTY
		1 2 3 4	
1	<u>1011694</u>	Accelerator Bracket and Bearing Assembly .....	2
2	<u>1011931</u>	Washer, 1/4 Flat .....	1
3	<u>1014007</u>	Washer, 1/4, Flat .....	4
4	<u>1017378</u>	Cup, Spring .....	1
5	<u>1017380</u>	Bumper, Spring Return .....	1
6	<u>1017424</u>	Bearing, Pivot Support .....	1
7	<u>1017696</u>	Sub Asm, Accelerator Pedal (includes items 8 through 10) .....	1
8	1013871	Pad, Accelerator Pedal .....	1
9	N/A	Accelerator Pedal Weldment .....	1
10	7716	Screw, #10-16 Type AB, Sheet Metal .....	4
11	101796201	Spring, Accelerator Return .....	1
12	<u>101817401</u>	Retainer, Spring .....	1
13	101818801	Stud, 1/4-28 X 1.35 Ball .....	1
14	<u>101861901</u>	Screw, 1/4-20 X 1.125 Hex Cap .....	4
15	<u>102026001</u>	Kit, Accelerator Pivot Rod Assembly (includes items 16 and 17) .....	1
16	101919801	Spacer, Accelerator .....	1
17	<u>102158901</u>	Pivot Rod Weldment .....	1
18	<u>1241</u>	Washer, 5/16 Type A Flat .....	1
19	<u>1624</u>	Screw, 3/8-16 X 1.50, Hex-Head Cap .....	1
20	<u>334</u>	Washer, 3/8, Type A, Flat .....	2
21	<u>7473</u>	Locknut, 5/16-18 Nylon Insert .....	1
22	<u>8233</u>	Locknut, 1/4-20, Nylon Insert .....	4
23	<u>8717</u>	Locknut, Nylon Insert, 1/4-28 .....	1
24	<u>8754</u>	Locknut, 3/8-16 Hex .....	2

5  
G  
E

**5**  
**G**  
**E**



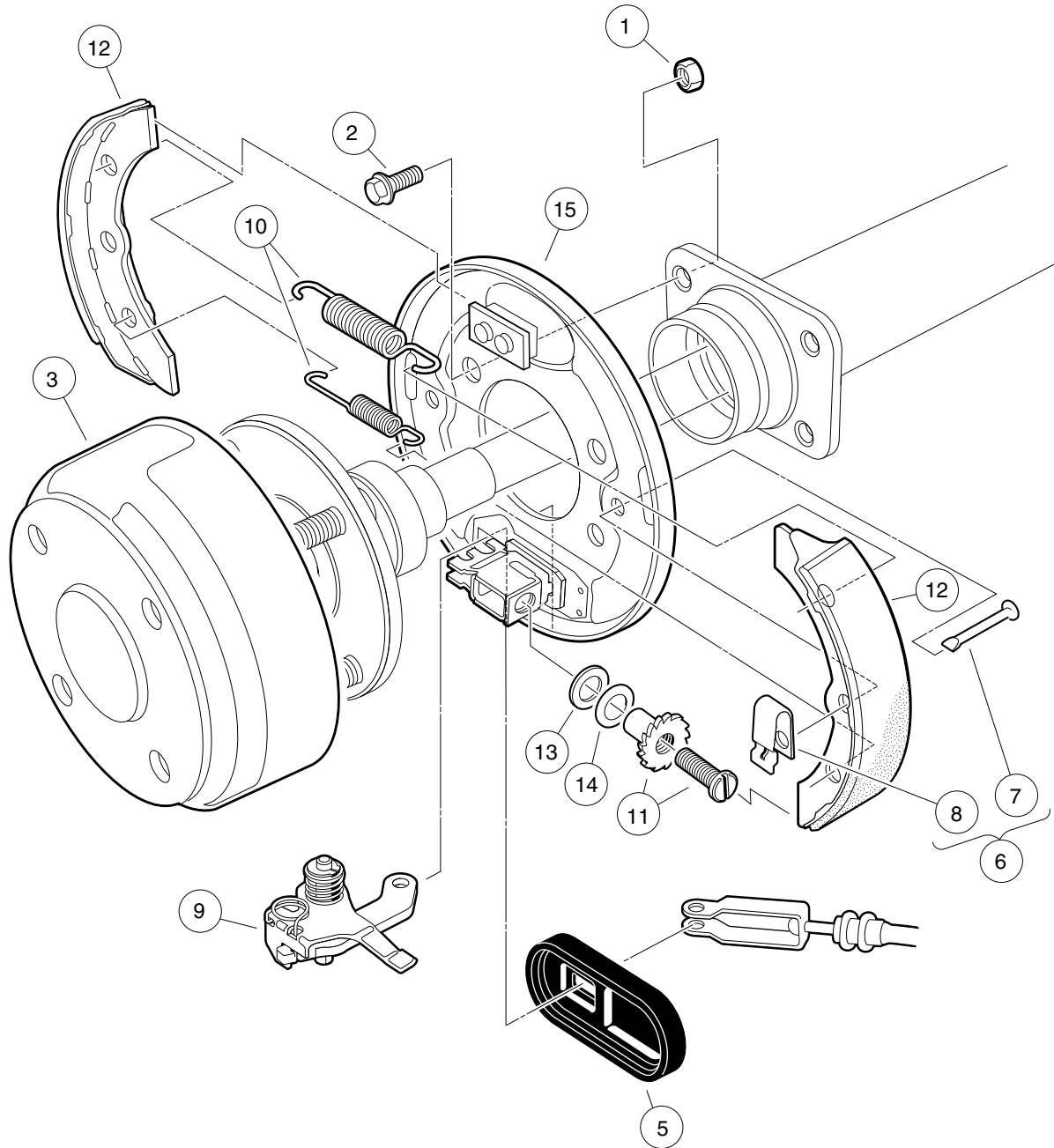
000362-001

## ACCELERATOR ROD – GASOLINE VEHICLES

ITEM	PART NO.	DESCRIPTION	QTY
		1 2 3 4	
1	101912401	Rod, Accelerator (includes items 2 through 4) .....	1
2	<u>1011084</u>	Nut, 1/4-28 Hex Jam .....	2
3	<u>1011734</u>	Joint, Ball .....	2
4	N/A	Accelerator Rod .....	1

5  
G  
E

**5**  
**G**  
**E**



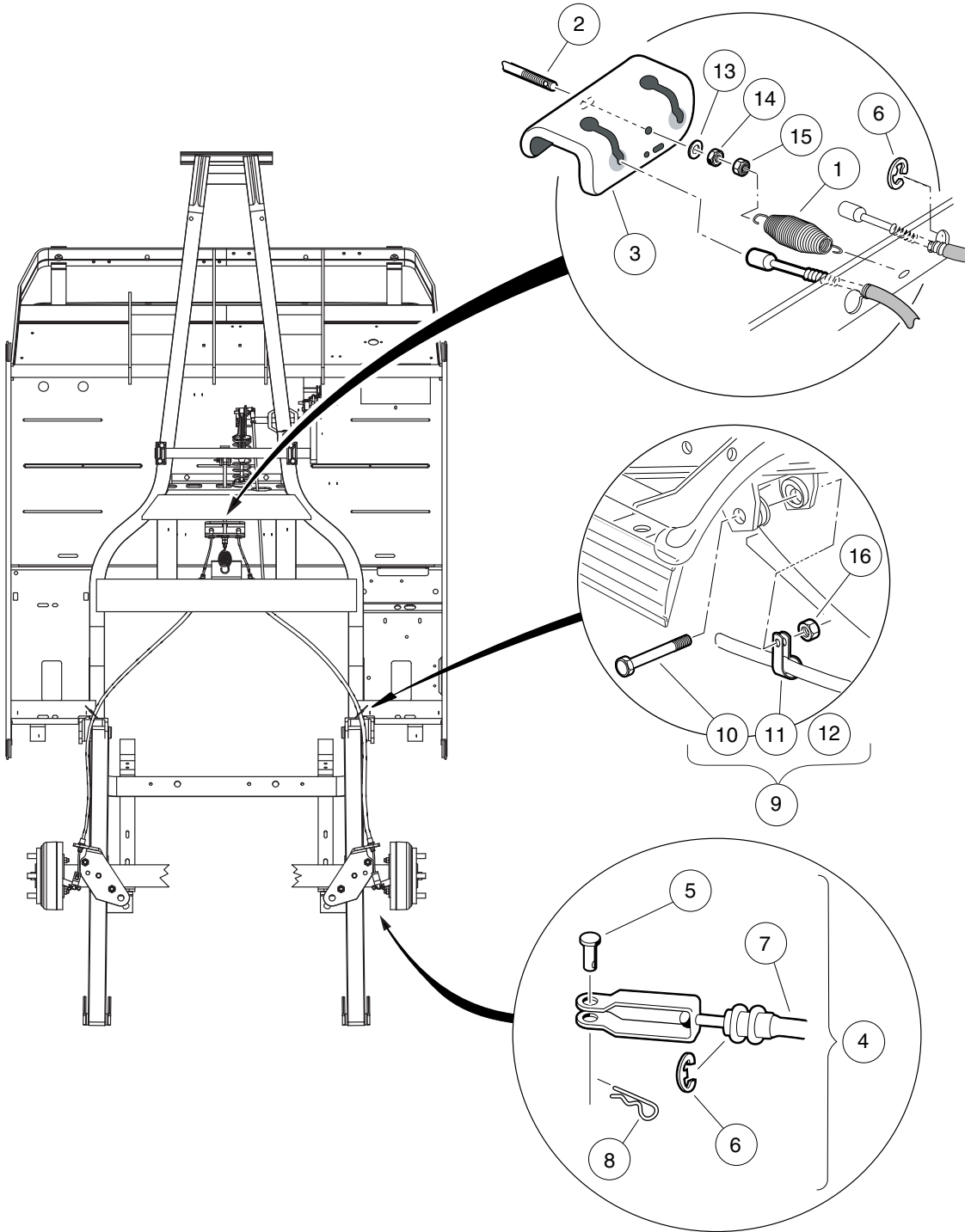
000186-002

# REAR BRAKE ASSEMBLY, SELF-ADJUSTING – VEHICLE WITH 2-WHEEL BRAKES

ITEM	PART NO.	DESCRIPTION	QTY
		1 2 3 4	
1	<u>1013924</u>	Nut, 5/16-24, Hex Head Cone .....	8
2	<u>1014153</u>	Bolt, Brake Cluster Mounting .....	8
3	<u>101791101</u>	Drum without Center Hole, Brake .....	2
4	<u>101823301</u>	Cluster Assembly, Right (Passenger) Brake (includes items 5 through 15) .....	1
5	<u>1010850</u>	Dust Cover .....	1
6	<u>1011466</u>	Kit, Shoe Retainer (includes items 7 and 8) .....	1
7	N/A	Pin .....	2
8	N/A	Shoe Clamp Spring .....	2
9	101815501	Lever Assembly, Self-Adjusting Brake, Right (Passenger) .....	1
10	<u>101816301</u>	Package, Brake Spring, Self-Adjusting .....	1
11	<u>101816501</u>	Adj Mechanism, S.A. Brakes, Right (Passenger) .....	1
12	<u>101823201</u>	Package, Brake Shoe, Self-Adjusting .....	1
13	<u>101823801</u>	Plate, Washer, Brake, Self-Adjusting .....	1
14	<u>101823901</u>	Washer, Brake, Self-Adjusting .....	1
15	<u>101824001</u>	Plate Assembly, Right Brake Backing .....	1
16	<u>101823302</u>	Cluster Assembly, Left Brake (includes items 17 through 27) .....	1
17	<u>1010850</u>	Dust Cover .....	1
18	<u>1011466</u>	Kit, Shoe Retainer (includes items 19 and 20) .....	1
19	N/A	Pin .....	2
20	N/A	Shoe Clamp Spring .....	2
21	101815502	Lever Assembly, Self-Adjusting Brake, Left .....	1
22	<u>101816301</u>	Package, Brake Spring, Self-Adjusting .....	1
23	<u>101816502</u>	Adjusting Mechanism, Self-Adjusting Brake, Left .....	1
24	<u>101823201</u>	Package, Brake Shoe, Self-Adjusting .....	1
25	<u>101823801</u>	Plate, Washer, Brake, Self-Adjusting .....	1
26	<u>101823901</u>	Washer, Brake, Self-Adjusting .....	1
27	<u>101824002</u>	Plate Assembly, Left Brake Backing .....	1
Note: Driver-side brake cluster not shown. Components have a similar appearance to passenger-side brake cluster components.			

5  
G  
E

**5**  
**G**  
**E**



000245-002



## BRAKE CABLES AND EQUALIZER

ITEM	PART NO.	DESCRIPTION	QTY
		1 2 3 4	
1	<u>1013531</u>	Spring, Brake Return .....	1
2	<u>101953101</u>	Rod, Equalizer, 8.91" .....	1
3	<u>101990801</u>	Equalizer Bracket .....	1
4	<u>102022101</u>	Brake Cable Kit (includes items 5 through 8) .....	2
5	<u>1010829</u>	Pin, Clevis, 5/16 X 3/4 .....	1
6	<u>1011779</u>	E-Clip, 1/2 .....	2
7	N/A	Cable, Brake, 41" .....	1
8	<u>102292801</u>	Pin, Bow Tie Locking - .072 .....	1
9	<u>103377301</u>	Kit, Field P-clamp, Brake Line (includes items 10 through 12) .....	1
10	<u>102066201</u>	Screw, 3/8-16 X 3.50 Hex Cap .....	2
11	<u>103377201</u>	P-clamp, Brake Line .....	2
12	N/A	Instr Fd. P-clamp, Brake Line .....	1
13	<u>1241</u>	Washer, 5/16 Type A Flat .....	5
14	<u>1242</u>	Nut, 5/16-18 Hex .....	1
15	<u>7473</u>	Locknut, 5/16-18 Nylon Insert .....	5
16	<u>8754</u>	Locknut, 3/8-16 Hex .....	2

5  
G  
E

**5**

**G**

**E**

# STEERING AND SUSPENSIONS

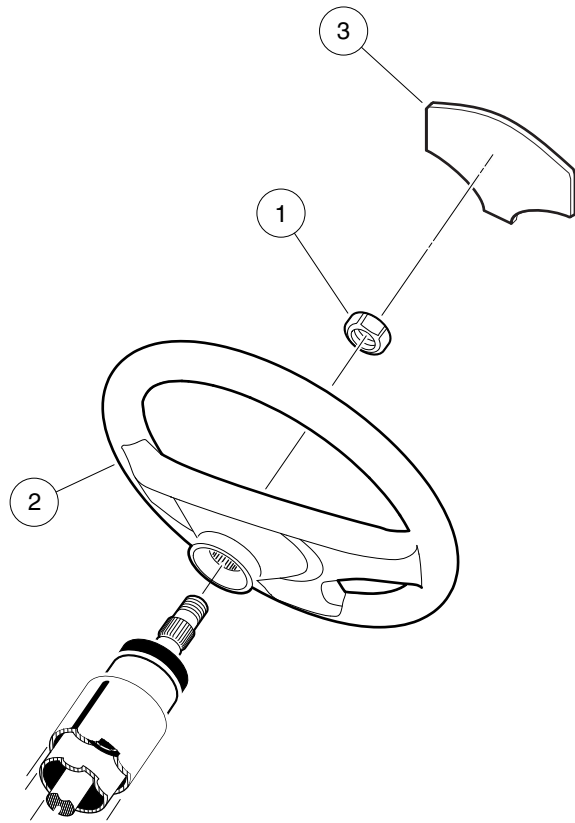
---

6

G

E

**6**  
**G**  
**E**



000246-001

# STEERING WHEEL

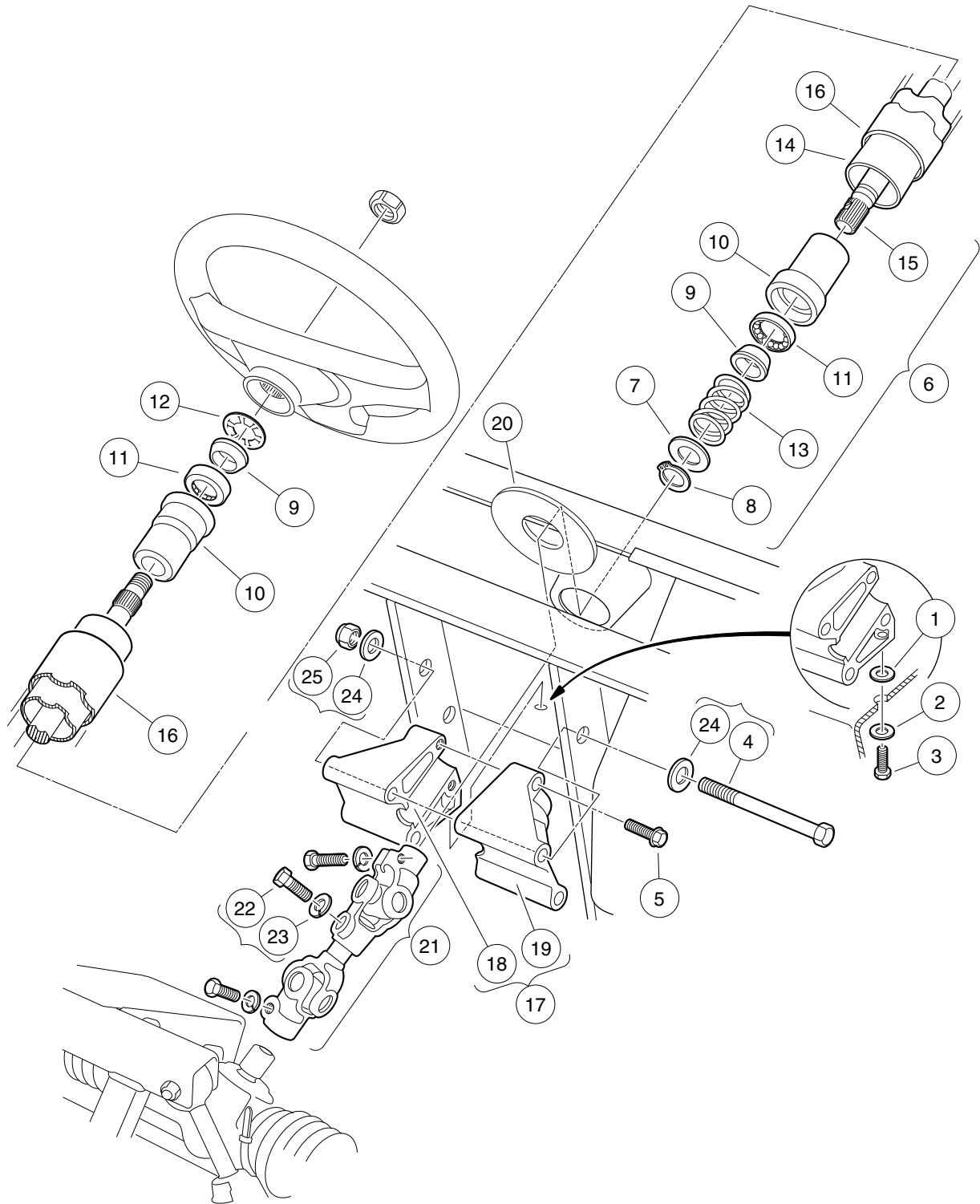
ITEM	PART NO.	DESCRIPTION	QTY
		1 2 3 4	
1	<u>1017273</u>	Nut, 5/8-18 Nylon Insert Jam .....	1
2	<u>102796201</u>	Steering Wheel, Spline .....	1
3	<u>102822401</u>	Wheel Center .....	1

6

G

E

**6**  
**G**  
**E**



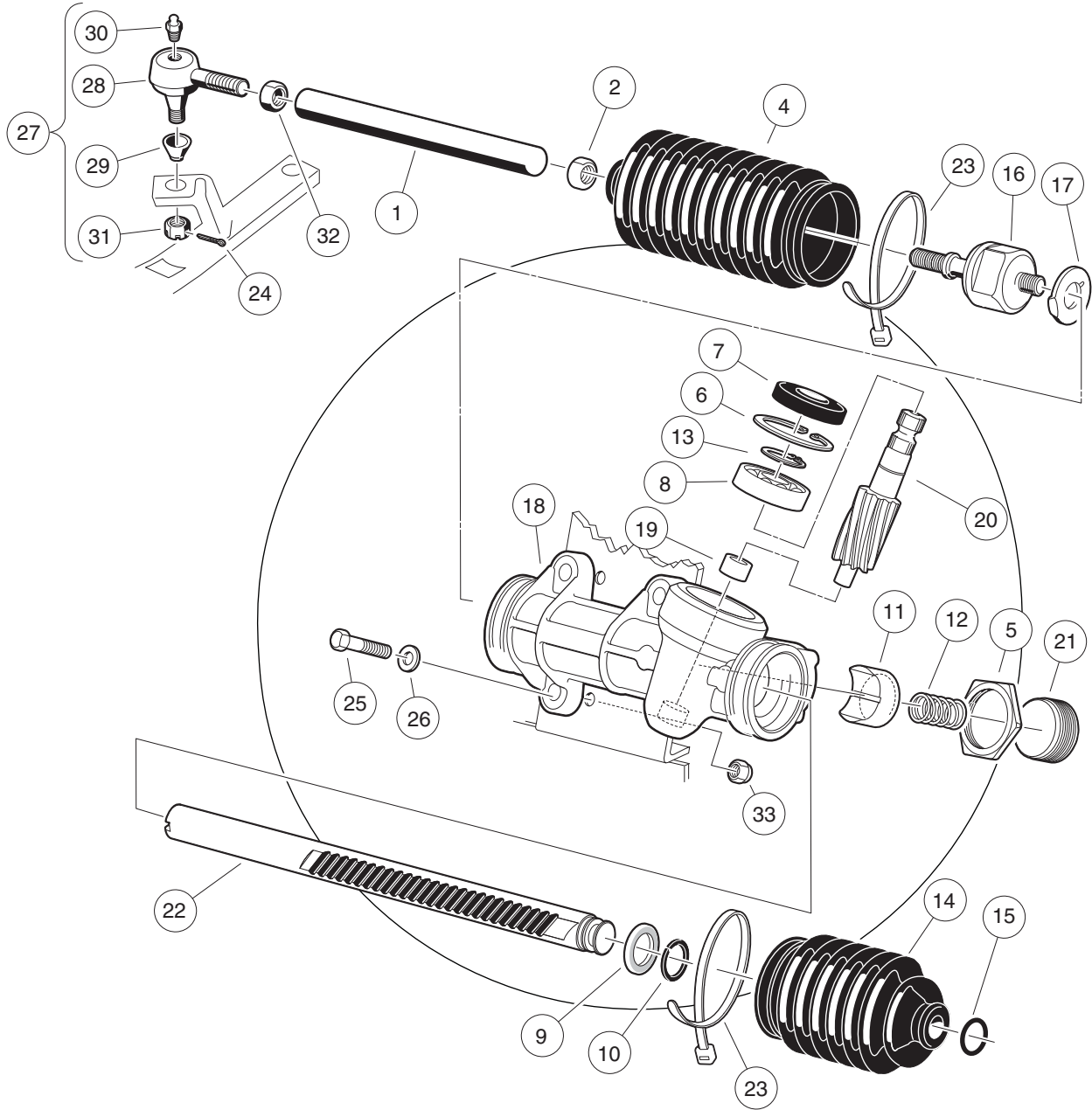
000247-001

# STEERING COLUMN

ITEM	PART NO.	DESCRIPTION	QTY
		<b>1 2 3 4</b>	
1	<u>1011578</u>	Washer, 5/16 Type B Flat .....	1
2	<u>1011697</u>	Washer, 5/16 Flat .....	1
3	<u>1014288</u>	Screw, 5/16-18 X 0.75, Thread-Forming .....	1
4	<u>1016183</u>	Screw, 3/8-16 X 7.00 Hex Cap .....	2
5	<u>1016269</u>	Screw, 5/16-18 Thrd Forming .....	2
6	<u>1017313</u>	Steering Shaft Assembly (includes items 7 through 15) .....	1
7	<u>1012604</u>	Washer, 0.675 ID X 1.19 OD .....	1
8	<u>1012605</u>	Ring, 0.579 Internal Retaining .....	1
9	1014125	Wedge, Molded .....	2
10	<u>1014126</u>	Seat, Plastic Bearing .....	2
11	<u>1014213</u>	Bearing, Ball .....	2
12	1014214	Ring, Retaining .....	1
13	<u>1014217</u>	Spring, Steering Shaft .....	1
14	<u>1017314</u>	Column, Aluminum Steering .....	1
15	<u>1017315</u>	Shaft Steering Column .....	1
16	<u>1017317</u>	Tube Cover, Steering Column .....	1
17	101984801	Kit, Steering Column Mounting Bracket (includes items 18 and 19) .....	1
18	N/A	Bracket, RH Steering Column Mount .....	1
19	N/A	Bracket, LH Steering column mount .....	1
20	<u>102278001</u>	Boot, Steering Column Round .....	1
21	<u>103601601</u>	Shaft, Intermediate Steering (includes items 22 and 23) .....	1
22	<u>1017226</u>	Bolt, Hex-Head, 8mm X 1.25 - 30 .....	3
23	<u>7174</u>	Lockwasher, 5/16 Split .....	3
24	<u>334</u>	Washer, 3/8, Type A, Flat .....	4
25	<u>8754</u>	Locknut, 3/8-16 Hex .....	2

**6**  
**G**  
**E**

**6**  
**G**  
**E**



000189-003

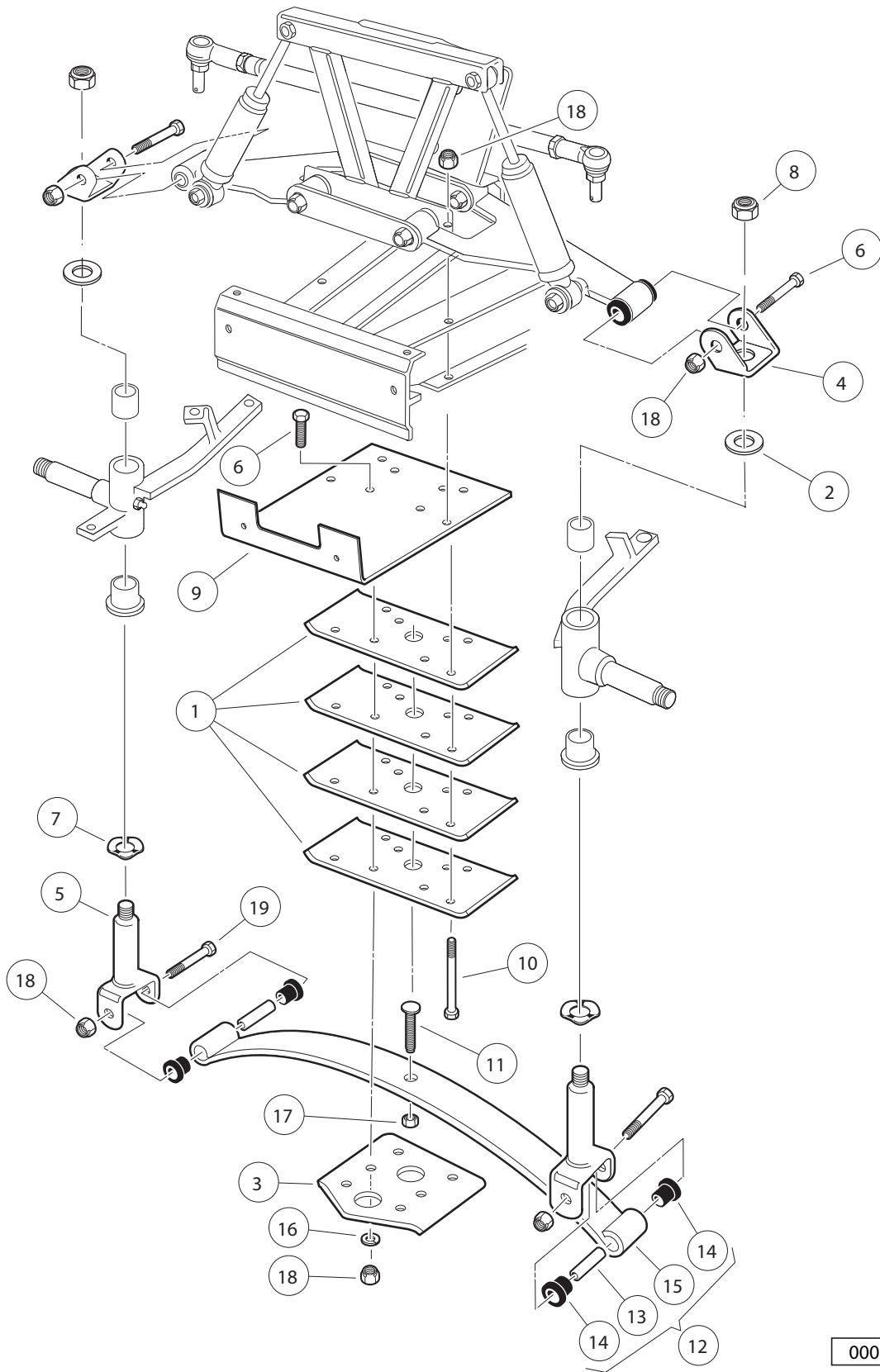


# STEERING GEAR ASSEMBLY

ITEM	PART NO.	DESCRIPTION	QTY
		<b>1 2 3 4</b>	
1	<u>1012467</u>	Link, Rack and Pinion Drag .....	1
2	<u>1013042</u>	Nut, 12mm Hex .....	1
3	<u>101878302</u>	Steering Gear Assembly (without yoke) (includes items 4 through 23) .....	1
4	<u>1013035</u>	Bellows, Long .....	1
5	<u>1013044</u>	Rack Screw Locknut .....	1
6	N/A	Snap Ring .....	1
7	<u>1013052</u>	Seal, Steering Pinion Dust .....	1
8	<u>101879401</u>	Bearing, Ball .....	1
9	<u>101879501</u>	Stop Washer .....	1
10	<u>101879601</u>	Stop Ring, C-Type .....	1
11	<u>101879701</u>	Support Yoke .....	1
12	<u>101879801</u>	Rack Guide Pressure Spring .....	1
13	<u>101879901</u>	Ring, Stop, C-Type .....	1
14	<u>101880001</u>	Bellows, Short .....	1
15	<u>101880101</u>	Dust Seal Retaining Ring .....	1
16	<u>101880201</u>	Inner Ball Joint Asm .....	1
17	<u>101880301</u>	Washer, Tab .....	1
18	N/A	Box, Steering Gear .....	1
19	N/A	Bearing, Lower Pinion .....	1
20	N/A	Pinion, Steering .....	1
21	N/A	Screw, Rack Guide .....	1
22	N/A	Rack, Steering .....	1
23	<u>8990</u>	Tie Wrap, 8" Nylon .....	2
24	<u>1035</u>	Cotter Pin, 3/32 x 1 .....	1
25	<u>1624</u>	Screw, 3/8-16 X 1.50, Hex-Head Cap .....	3
26	<u>334</u>	Washer, 3/8, Type A, Flat .....	3
27	<u>7540</u>	Ball Joint, Left (includes items 28 through 31) .....	1
28	<u>1011895</u>	Socket, LH Vertical .....	1
29	<u>1011930</u>	Seal, Vertical Socket Dust .....	1
30	<u>1015597</u>	Fitting, 1/4-28 Thread-Forming Grease .....	1
31	<u>7602</u>	Nut, 3/8-24 UNF Hex .....	1
32	<u>7555</u>	Nut, 1/2-20 Hex, Left-Hand Thread .....	1
33	<u>8754</u>	Locknut, 3/8-16 Hex .....	3

**6**  
**G**  
**E**

**6**  
**G**  
**E**



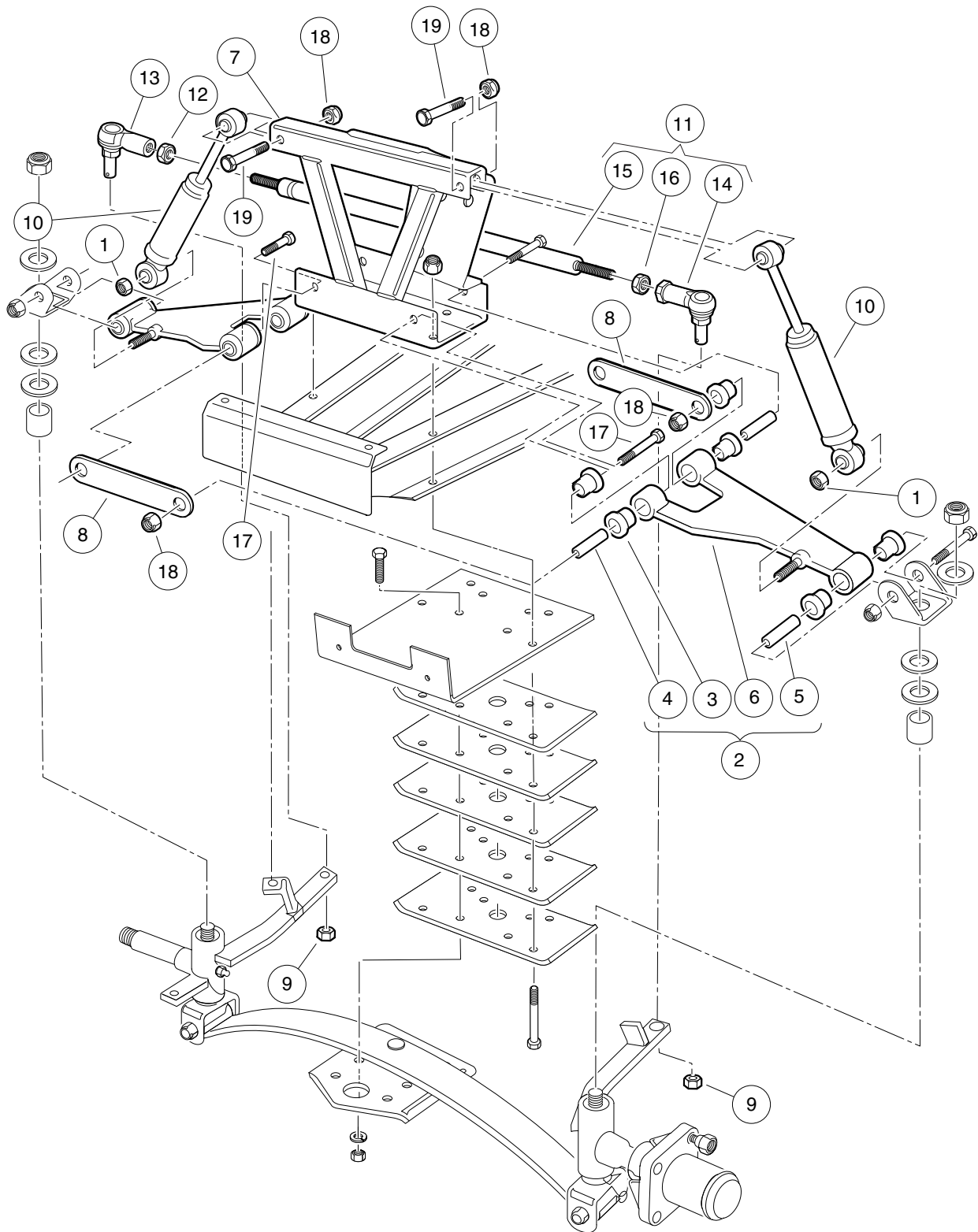
000191-005

# FRONT SUSPENSION, LOWER – VEHICLES WITH TWO-WHEEL BRAKES

ITEM	PART NO.	DESCRIPTION	QTY
		<b>1 2 3 4</b>	
1	<u>1010124</u>	Plate, Spring Mount .....	4
2	<u>1010150</u>	Bearing, Thrust .....	2
3	<u>1014276</u>	Plate, Front Spring Retainer .....	1
4	<u>1016384</u>	Clevis, Delta Upper .....	2
5	<u>1016386</u>	King Pin Assembly .....	2
6	<u>1016387</u>	Screw, 3/8-16 X 2.75 Hx Hd Cap .....	6
7	<u>1016389</u>	Washer, 1.125 Od Wave .....	2
8	<u>101903101</u>	Locknut, 1/2-20 Nylon Insert .....	2
9	<u>102830401</u>	Support, Brush Guard .....	1
10	<u>102913601</u>	Screw, 3/8-16 X 5.50 Hx Hd Cap .....	4
11	<u>103507001</u>	Eccentric Bolt Common .....	1
12	<u>103628701</u>	Spring Asm, Front, 1 Leaf (includes items 13 through 15) .....	1
13	<u>1012303</u>	Bushing, Steel .....	2
14	<u>101558302</u>	Bushing, Urethane, Soft .....	4
15	103502601	Spring, Front, 1 Leaf .....	1
16	<u>357</u>	Lockwasher, 3/8 Split .....	4
17	<u>706</u>	Nut, Hex 3/8-16 .....	1
18	<u>8754</u>	Locknut, 3/8-16 Hex .....	8
19	<u>8755</u>	Screw, 3/8-16 X 3.375 Hex Cap .....	2

**6**  
**G**  
**E**

**6**  
**G**  
**E**



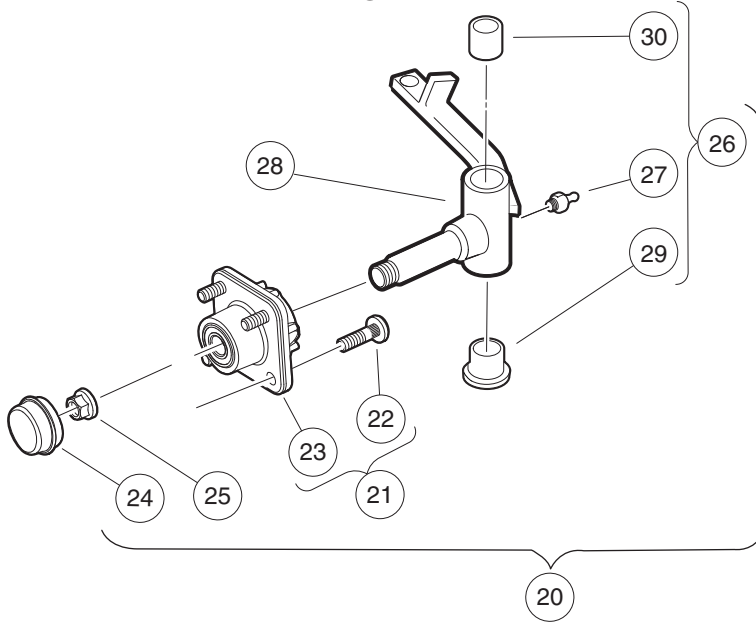
000190-002

## FRONT SUSPENSION, UPPER

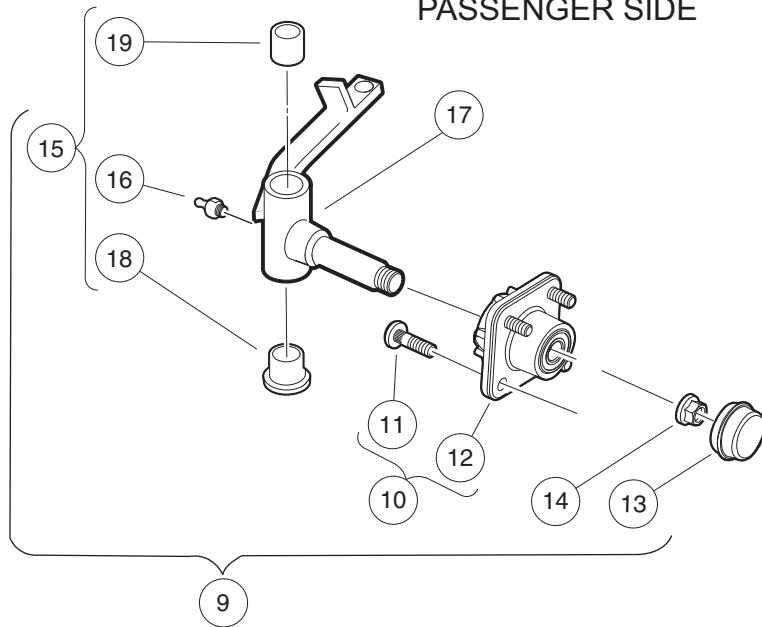
ITEM	PART NO.	DESCRIPTION	QTY
		1 2 3 4	
1	<u>1010138</u>	Locknut, 3/8-16 Dimpled .....	2
2	<u>1016353</u>	Sub-Assembly, Delta A-Plate (includes items 3 through 6) .....	2
3	<u>1016346</u>	Bushing, Urethane .....	6
4	<u>1016349</u>	Sleeve, Delta Inner .....	2
5	<u>1016350</u>	Sleeve, Delta Outer .....	1
6	<u>1016351</u>	Delta A-Plate .....	1
7	<u>1016385</u>	Delta Shock and Gear Support Assembly .....	1
8	<u>1017266</u>	A-Plate Strap .....	2
9	<u>102289201</u>	Nut - Hex Locking, M12 X 1.25 .....	3
10	<u>103351001</u>	Shock Absorber, Front, Common .....	2
11	<u>103653601</u>	Asm, Tie Rod (includes items 12 through 16) .....	1
12	<u>1013042</u>	Nut, 12mm Hex .....	1
13	<u>102022601</u>	End, Tie Rod M12 X 1.25 Rh .....	1
14	<u>102022602</u>	End, Tie Rod, M12 X 1.25, Lh .....	1
15	<u>103354701</u>	Rod, Tie, Male Thd .....	1
16	<u>103653501</u>	Nut, Jam, M12-1.25, Lh .....	1
17	<u>2402</u>	Screw, 3/8-16 X 2.25 Hx Hd Cap .....	4
18	<u>8754</u>	Locknut, 3/8-16 Hex .....	13
19	<u>8861</u>	Bolt, 3/8-16 X 1.75 Hex .....	2

6  
G  
E

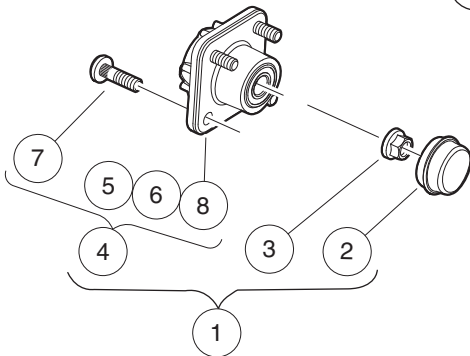
DRIVER SIDE



PASSENGER SIDE



REPLACEMENT HUB  
FOR DRIVER OR  
PASSENGER SIDE



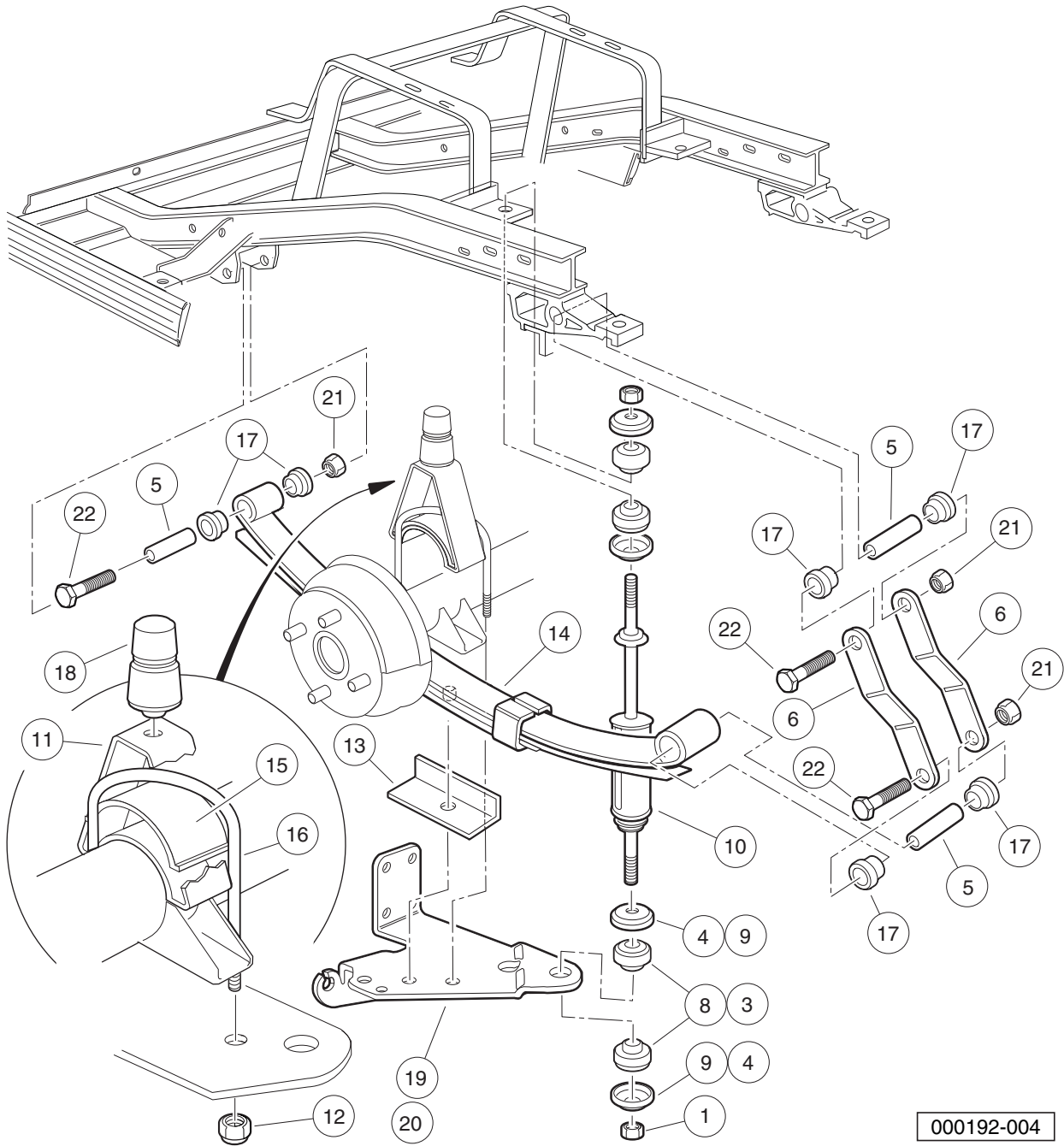
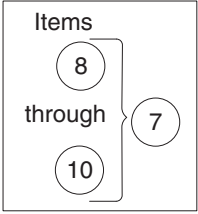
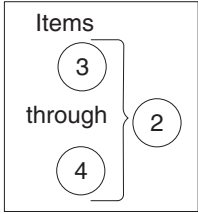
000301-008

# FRONT SPINDLES AND HUBS

ITEM	PART NO.	DESCRIPTION	QTY
		<b>1 2 3 4</b>	
1	<u>102357701</u>	Replacement Kit, Front Hub (includes items 2 through 4) .....	1
2	<u>102353201</u>	Cap, Front Hub .....	1
3	<u>102353301</u>	Hex Nut, Locking Flange, M14x2 .....	1
4	N/A	Asm, Front Hub, Bb, Long Stud (includes items 5 through 8) .....	1
5	N/A	Bearing, Ball, 6204 .....	2
6	N/A	Spacer, Bearing, Front Hub, Pm .....	1
7	<u>103477901</u>	Lug Stud, 1/2-20 Unf, 4037 .....	4
8	N/A	Front Hub, Ball Brg, Long Stud .....	1
9	N/A	Asm, Hub And Spindle, Left-Hand Ext (includes items 10 through 15) .....	1
10	N/A	Front Hub Assembly, Ball Bearing (includes items 11 and 12) .....	1
11	<u>102353401</u>	Lug Stud, 1/2-20 UNF, 4037 Stl .....	4
12	N/A	Hub, Front .....	1
13	<u>102353201</u>	Cap, Front Hub .....	1
14	<u>102353301</u>	Hex Nut, Locking Flange, M14x2 .....	1
15	<u>102354204</u>	Asm, Spindle, LH, Ext (includes items 16 through 19) .....	1
16	<u>1015597</u>	Fitting, 1/4-28 Thread-Forming Grease .....	1
17	N/A	Subasm, Spindle, LH, Ext .....	1
18	<u>7048</u>	Bushing, Flanged Bronze .....	1
19	<u>8067</u>	Bushing, Bronze Spindle .....	1
20	N/A	Asm, Hub And Spindle, Right-Hand Ext (includes items 21 through 26) .....	1
21	N/A	Front Hub Assembly, Ball Bearing (includes items 22 and 23) .....	1
22	<u>102353401</u>	Lug Stud, 1/2-20 UNF, 4037 Stl .....	4
23	N/A	Hub, Front .....	1
24	<u>102353201</u>	Cap, Front Hub .....	1
25	<u>102353301</u>	Hex Nut, Locking Flange, M14x2 .....	1
26	<u>102354104</u>	Asm, Spindle, RH, Ext (includes items 27 through 30) .....	1
27	<u>1015597</u>	Fitting, 1/4-28 Thread-Forming Grease .....	1
28	N/A	Subasm, Spindle, RH, Ext .....	1
29	<u>7048</u>	Bushing, Flanged Bronze .....	1
30	<u>8067</u>	Bushing, Bronze Spindle .....	1

**6**  
**G**  
**E**

**6**  
**G**  
**E**



000192-004



# REAR SUSPENSION

ITEM	PART NO.	DESCRIPTION	QTY
		1 2 3 4	
1	<u>1010145</u>	Nut, 3/8-24 Hex .....	4
2	<u>1011415</u>	Kit, Shock Absorber Cushion (includes items 3 and 4) .....	4
3	N/A	Cushion, Shock Absorber .....	2
4	N/A	Retainer, Shock Absorber Cushion .....	2
5	<u>1012303</u>	Bushing, Steel .....	6
6	<u>1012304</u>	Shackle, Rear Spring .....	4
7	<u>1013164</u>	Shock Absorber Kit (includes items 8 through 10) .....	1
8	N/A	Cushion, Shock Absorber .....	8
9	N/A	Retainer, Shock Absorber Cushion .....	8
10	<u>102588501</u>	Shock Absorber, Rear .....	2
11	<u>101454902</u>	Bumper Mount, Angled .....	2
12	<u>1014555</u>	Locknut, 7/16-14 Nylon Hex .....	4
13	1014573	Spring Retainer .....	2
14	<u>1014675</u>	Rear Leaf Spring .....	2
15	<u>1014901</u>	Spacer, Overload Bumper .....	2
16	<u>1014902</u>	U-Bolt .....	2
17	<u>1015583</u>	Bushing, Urethane .....	12
18	<u>1017235</u>	Bumper, Jounce .....	2
19	<u>101926501</u>	Bracket, Left-Hand .....	1
20	101929401	Bracket, Right .....	1
21	<u>8754</u>	Locknut, 3/8-16 Hex .....	6
22	<u>8755</u>	Screw, 3/8-16 X 3.375 Hex Cap .....	6

6  
G  
E

**6**

**G**

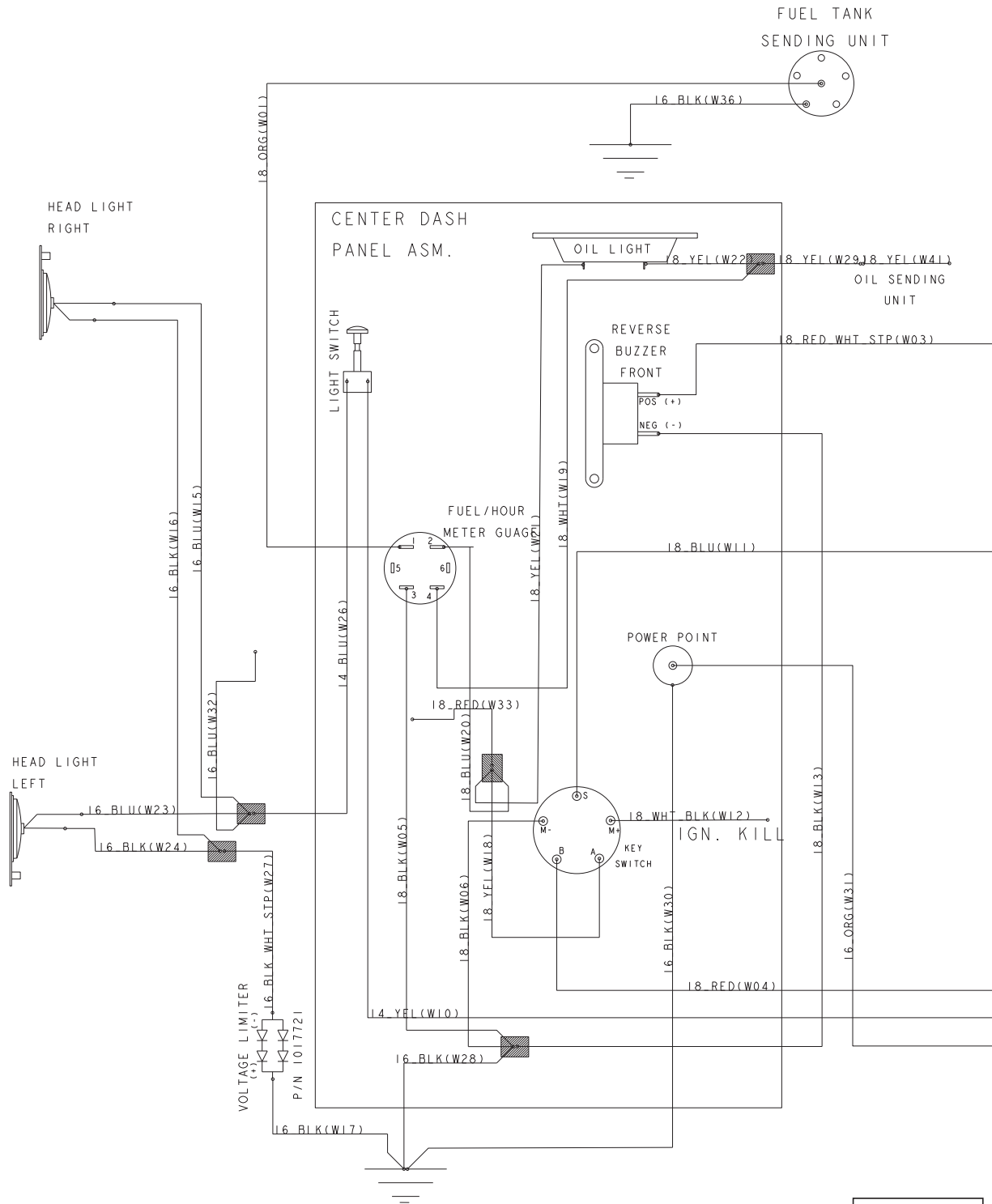
**E**

# ELECTRICAL SYSTEM – GASOLINE VEHICLES

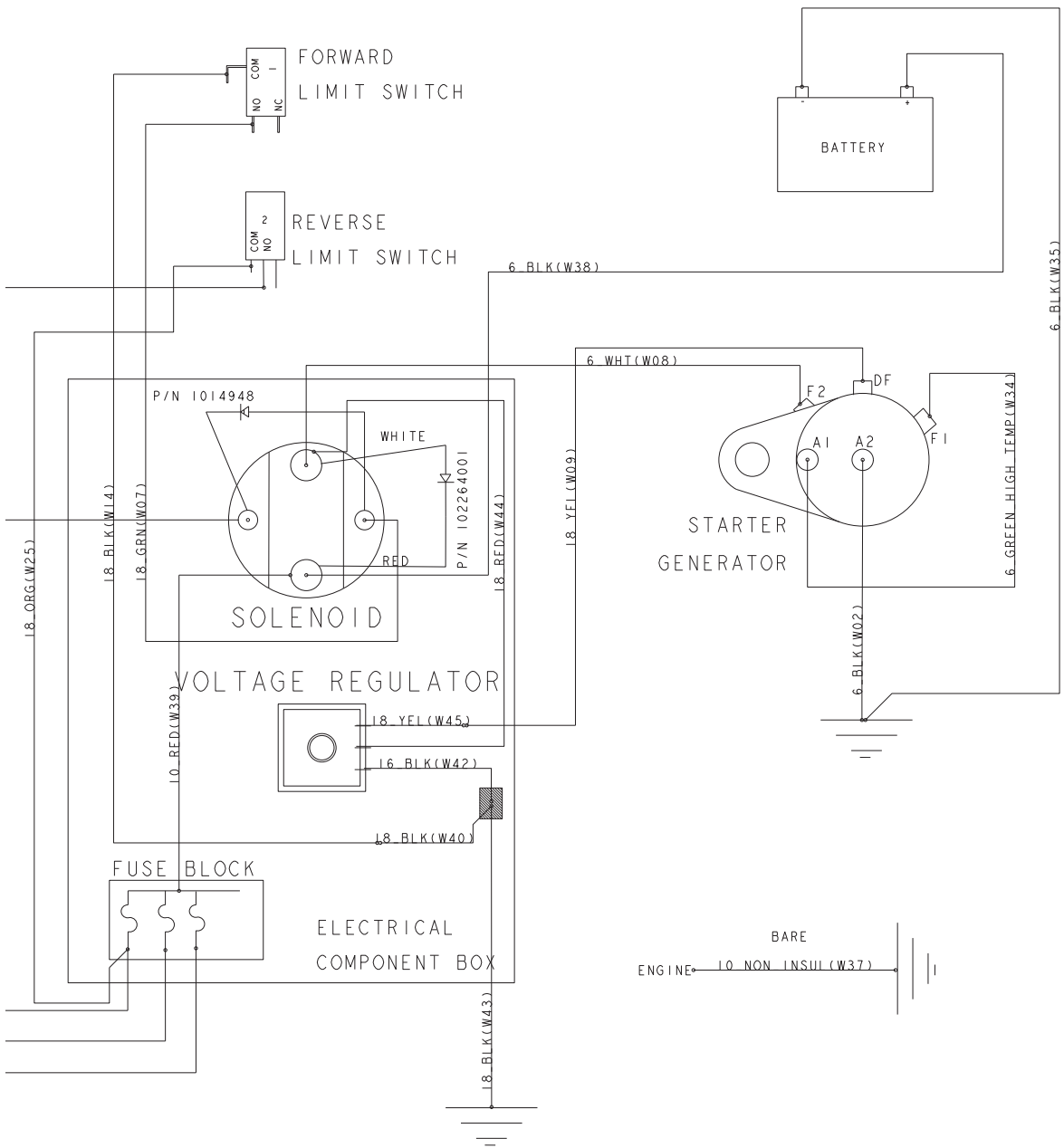
---

7

G



000234-001



000234-001

7

G

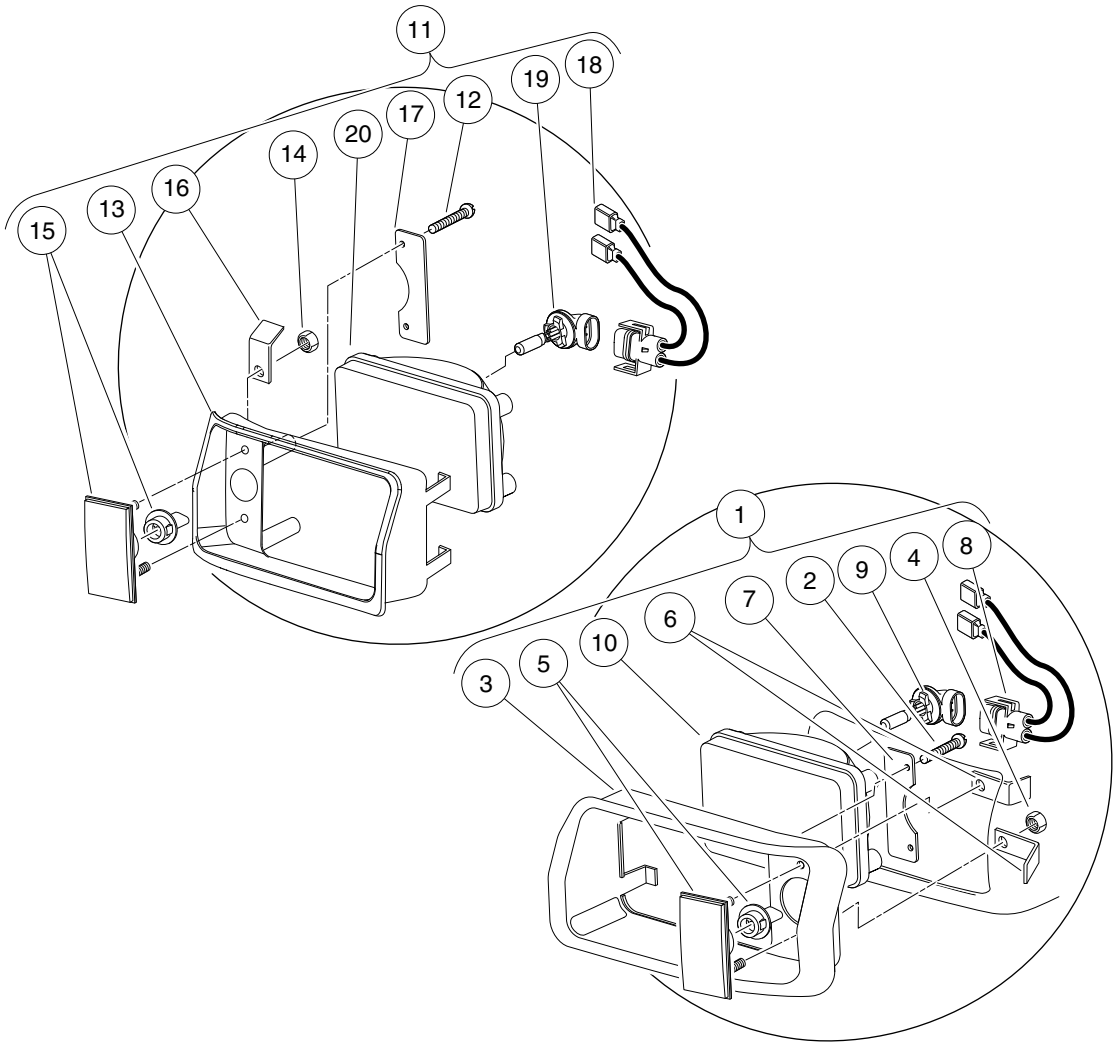
See previous two pages for illustration.

# WIRING – GASOLINE VEHICLE

ITEM	PART NO.	DESCRIPTION	QTY
1	<u>102803001</u>	1 2 3 4 Wire Harness, Gasoline Vehicle .....	1

7

G



000073-001

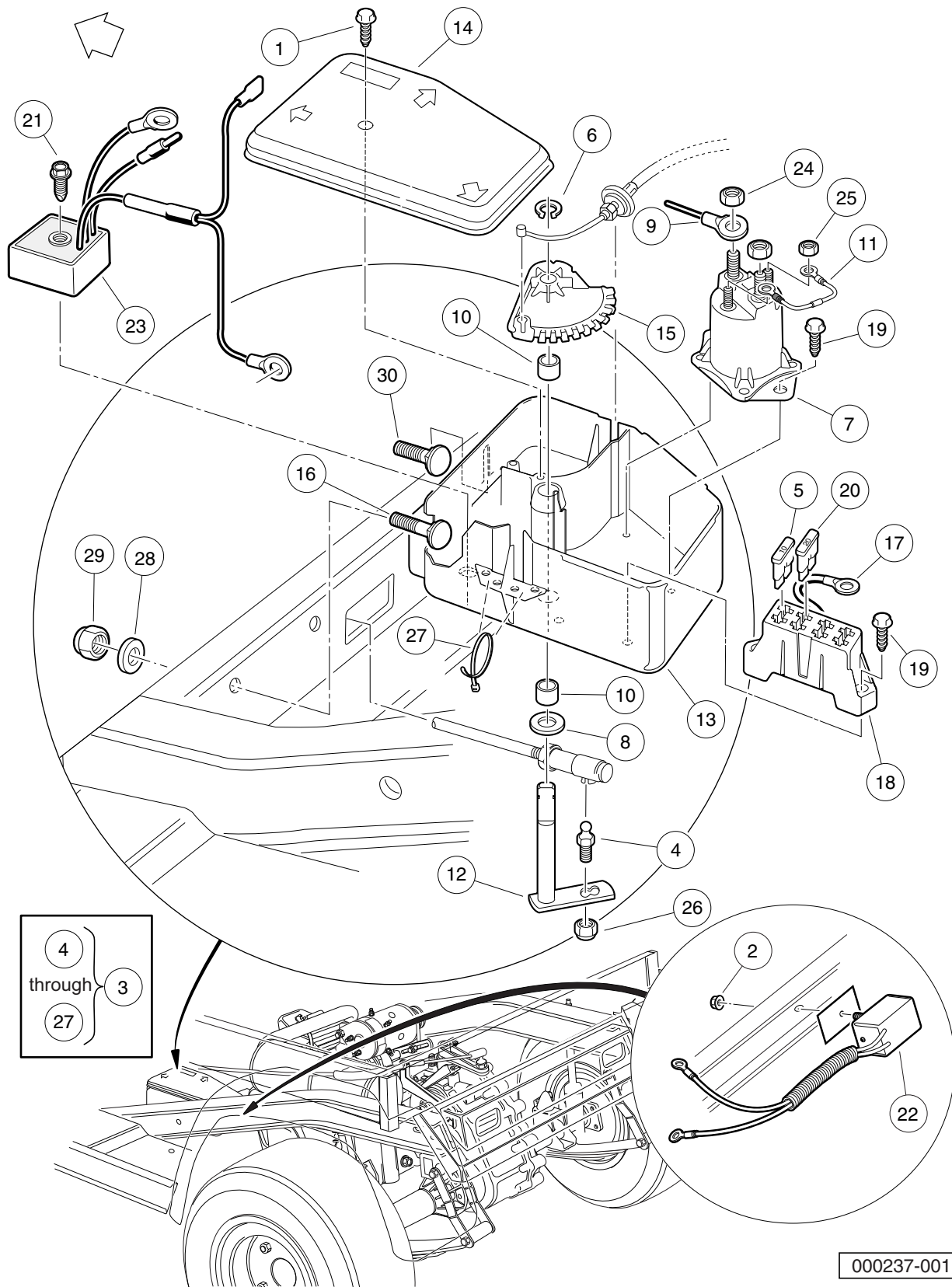


# HEADLIGHTS

**7**  
**G**

ITEM	PART NO.	DESCRIPTION	QTY
		<b>1 2 3 4</b>	
1	<u>101988001</u>	Headlight Assembly, Driver-Side Single Beam (includes items 2 through 10) .....	1
2	<u>1013461</u>	Screw, #10-16 Hex-Head Hi-Lo .....	2
3	<u>1016880</u>	Headlight Bezel, Left .....	1
4	<u>1017</u>	Nut, #10-24 Stainless-Steel Hex Machine .....	2
5	<u>1017062</u>	Turn Signal Lens Assy .....	1
6	<u>1017064</u>	Mounting Bracket .....	2
7	<u>1017065</u>	Retainer, Headlight .....	1
8	<u>101987901</u>	Connector, Harness Assembly, Headlight .....	1
9	<u>101988101</u>	Bulb, Headlight .....	1
10	<u>101988201</u>	Lens, Headlight .....	1
11	<u>101988002</u>	Headlight Assy, Passenger-Side Single Beam (includes items 12 through 20) .....	1
12	<u>1013461</u>	Screw, #10-16 Hex-Head Hi-Lo .....	2
13	<u>1016879</u>	Headlight Bezel, Right .....	1
14	<u>1017</u>	Nut, #10-24 Stainless-Steel Hex Machine .....	2
15	<u>1017062</u>	Turn Signal Lens Assy .....	1
16	<u>1017064</u>	Mounting Bracket .....	2
17	<u>1017065</u>	Retainer, Headlight .....	1
18	<u>101987901</u>	Connector, Harness Assembly, Headlight .....	1
19	<u>101988101</u>	Bulb, Headlight .....	1
20	<u>101988201</u>	Lens, Headlight .....	1

**7**  
**G**



000237-001

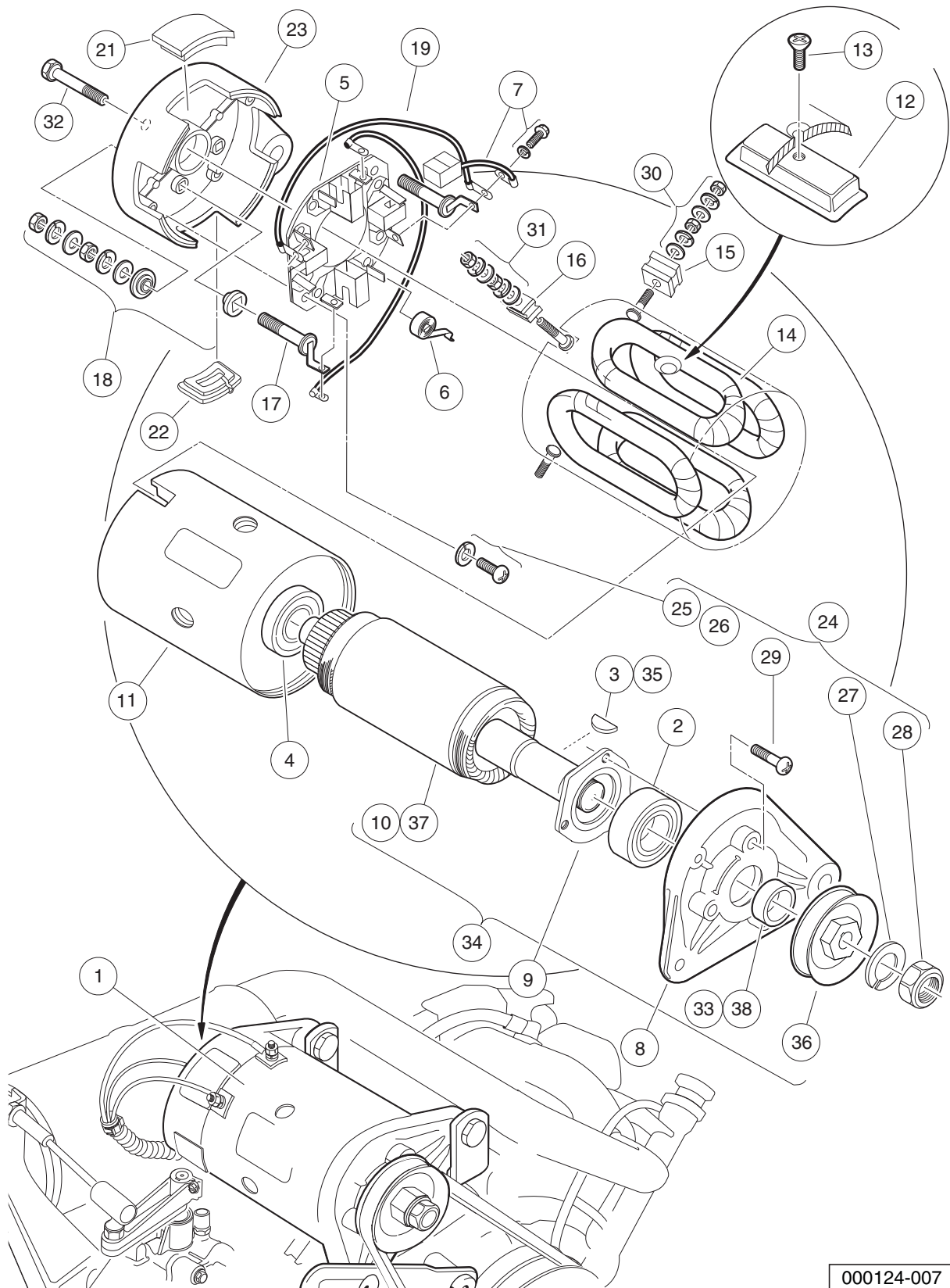
# ELECTRICAL COMPONENT BOX – GASOLINE VEHICLE

ITEM	PART NO.	DESCRIPTION	QTY
		1 2 3 4	
1	<u>1015752</u>	Screw, #12-16 X 0.625, Hi-Lo .....	1
2	<u>101963401</u>	Locknut, 5/16-18 Hex Flange .....	1
3	N/A	Assembly, Electrical Component Box (includes items 4 through 27) .....	1
4	<u>1010954</u>	Stud, Ball, 1/4-28 X 0.560 .....	1
5	<u>1012295</u>	Fuse, 10-Amp .....	1
6	<u>1013589</u>	Ring, Retaining, 0.338" Internal .....	1
7	<u>1013609</u>	Solenoid, 12-Volt .....	1
8	<u>1014065</u>	Washer, Flat, 0.38" ID, Delrin .....	1
9	<u>1014119</u>	Wire Assembly #6 Red .....	1
10	<u>1014145</u>	Bushing, Secondary Weight, Split .....	2
11	1014948	Diode .....	1
12	1015345	Bell Crank and Shaft Assembly .....	1
13	<u>1015371</u>	Box, Electrical Component .....	1
14	<u>1015372</u>	Cover, Electric Box .....	1
15	<u>1015373</u>	Cam, Electric Box .....	1
16	<u>1015405</u>	Bolt, Carriage, 5/16-18 X 2.0 .....	1
17	<u>1015737</u>	Wire Assy, #10 Red .....	1
18	<u>1015741</u>	Fuse Block .....	1
19	<u>1015752</u>	Screw, #12-16 X 0.625, Hi-Lo .....	4
20	<u>1016423</u>	Fuse, 20-Amp .....	1
21	<u>101856102</u>	Screw, 1/4-15 X 1.50, Hi-lo, Hex .....	1
22	102264001	Diode Assembly .....	1
23	<u>102711201</u>	Voltage Regulator .....	1
24	<u>1242</u>	Nut, 5/16-18 Hex .....	2
25	<u>7893</u>	Nut, #10-32 Hex .....	2
26	<u>8717</u>	Locknut, Nylon Insert, 1/4-28 .....	1
27	<u>8990</u>	Tie Wrap, 8" Nylon .....	2
28	<u>1241</u>	Washer, 5/16 Type A Flat .....	2
29	<u>7473</u>	Locknut, 5/16-18 Nylon Insert .....	2
30	<u>7818</u>	Bolt, Carriage, 5/16-18 X 1.5 .....	1

7

G

**7**  
**G**



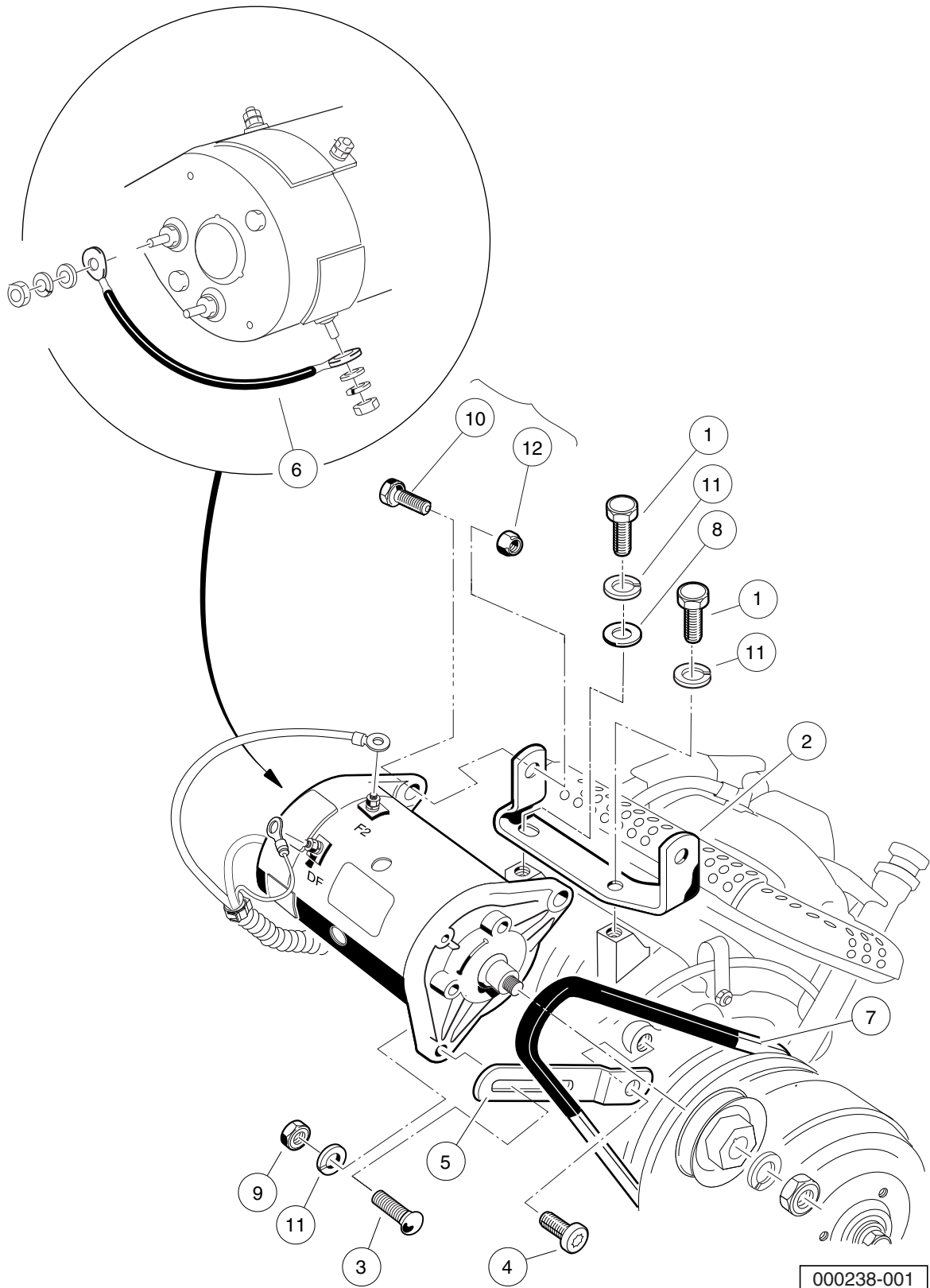
000124-007

# STARTER/GENERATOR ASSEMBLY MODEL- G425419 – GASOLINE-VEHICLES

ITEM	PART NO.	DESCRIPTION	QTY
		1 2 3 4	
1	<u>101833701</u>	Starter/Generator (cw) (includes items 2 through 33) .....	1
2	<u>1013001</u>	Bearing, Output Shaft Ball .....	1
3	<u>1013003</u>	Key, Starter/Generator .....	1
4	<u>1013005</u>	Bearing, Ball .....	1
5	<u>101301102</u>	Brush Holder Assembly (cw) (includes item 6) .....	1
6	<u>101878101</u>	Brush Spring Set .....	4
7	<u>101869302</u>	Brush and Screw Set (cw) .....	1
8	<u>101874901</u>	Front Bracket .....	1
9	<u>101875001</u>	Retainer .....	1
10	<u>101875101</u>	Armature .....	1
11	<u>101875201</u>	Field Coil Housing .....	1
12	<u>101875301</u>	Pole Set .....	1
13	<u>101875401</u>	Screw Set .....	1
14	<u>101875501</u>	Field Stator Coil Assembly .....	1
15	<u>101875601</u>	F Insulator Set .....	2
16	<u>101875701</u>	DF Insulator .....	1
17	<u>101875802</u>	A Connector (cw) .....	1
18	<u>101876001</u>	Screw and Mold Assembly .....	2
19	<u>101876202</u>	Brush Connector Assembly (cw) .....	2
20	<u>101876301</u>	Cover Set (includes items 21 and 22) .....	1
21	N/A	Brush Inspection Port Cover .....	3
22	<u>1017653</u>	Brush Port Cover w/Drain .....	1
23	<u>101876402</u>	End Bell, Commutator, Rear Bracket (cw) .....	1
24	<u>101876501</u>	Nut and Screw Set (includes items 25 through 29) .....	1
25	<u>101896501</u>	Brush Holder Asm Screw .....	2
26	N/A	Washer, M5 Flat .....	1
27	N/A	Washer, M14 Lock .....	1
28	N/A	Nut, Hex, M14 x 2 .....	1
29	N/A	Screw, M5 x 0.8 x 18mm .....	3
30	<u>101877601</u>	Nut and Washer Set .....	2
31	<u>101877701</u>	Nut and Washer Set .....	1
32	<u>101879001</u>	Through Bolt Set .....	2
33	<u>101939901</u>	Spacer .....	1
34	<u>101875102</u>	Armature Asm Conversion Kit (includes items 35 through 38) .....	1
35	<u>1013003</u>	Key, Starter/Generator .....	1
36	<u>1014289</u>	Pulley, Starter/Generator .....	1
37	<u>101875101</u>	Armature .....	1
38	<u>101939901</u>	Spacer .....	1
		Note: Item 36 will ONLY fit Model G425419 Starter/Generator.	

7  
G

**7**  
**G**

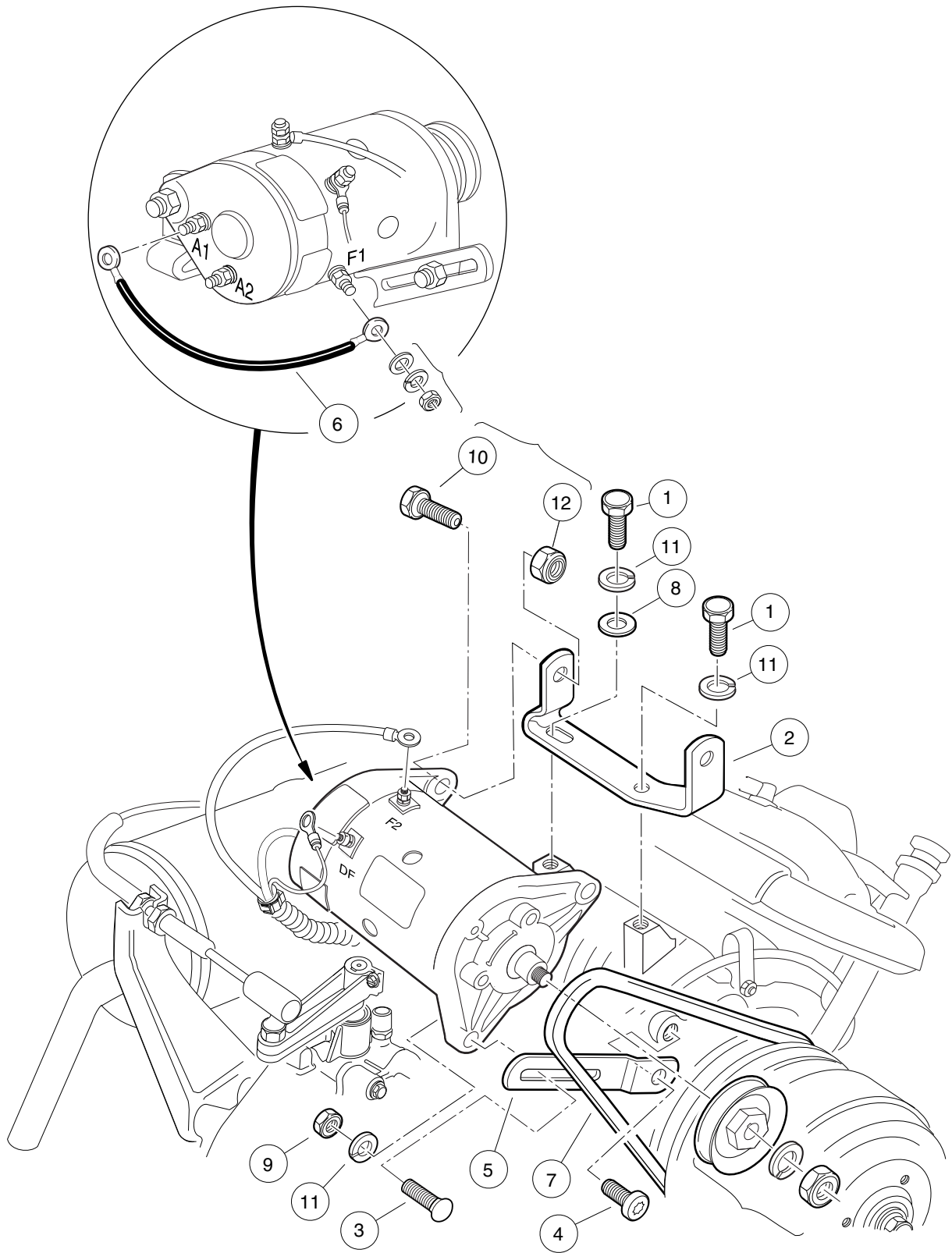


# FE290 STARTER/GENERATOR MOUNTING – GASOLINE VEHICLE

ITEM	PART NO.	DESCRIPTION	QTY
		1 2 3 4	
1	<u>1012830</u>	Screw, M8-1.25 X 22 Hex-Head .....	2
2	<u>101524001</u>	Bracket, Starter/Generator Mounting (FE290) .....	1
3	<u>1015932</u>	Bolt, Carriage, 5/16-18 .....	1
4	<u>1016074</u>	Screw, M8-1.25 X 18mm Torx .....	1
5	<u>1016883</u>	Bracket, Starter/Generator Adjustment .....	1
6	<u>101837301</u>	Wire Assy, #6 Green .....	1
7	<u>101916701</u>	V-Belt .....	1
8	<u>1241</u>	Washer, 5/16 Type A Flat .....	1
9	<u>1242</u>	Nut, 5/16-18 Hex .....	1
10	705	Screw, Cap-hex Hd 3/8-16x1.25 .....	2
11	<u>7174</u>	Lockwasher, 5/16 Split .....	3
12	<u>8754</u>	Locknut, 3/8-16 Hex .....	2

**7**  
**G**

**7**  
**G**



000239-001

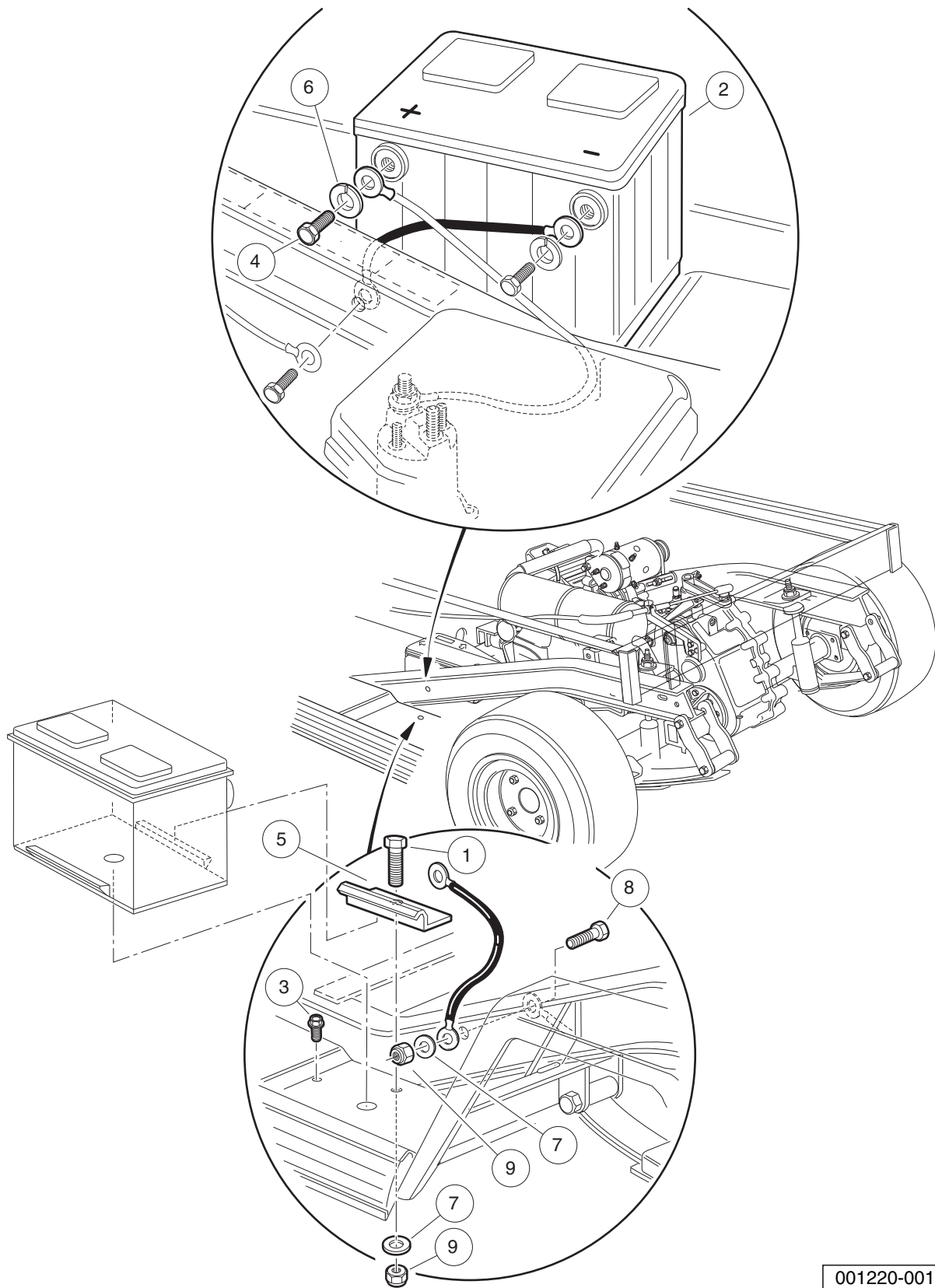


# FE350 STARTER/GENERATOR MOUNTING – GASOLINE VEHICLES

ITEM	PART NO.	DESCRIPTION	QTY
		1 2 3 4	
1	<u>1012830</u>	Screw, M8-125 X 22 Hex-Head .....	2
2	<u>101524002</u>	Bracket, Starter/Generator Mounting .....	1
3	<u>1015932</u>	Bolt, Carriage, 5/16-18 .....	1
4	<u>1016074</u>	Screw, M8-1.25 X 18mm Torx .....	1
5	<u>1016883</u>	Bracket, Starter/Generator Adjustment .....	1
6	<u>101837301</u>	Wire Assy, #6 Green .....	1
7	<u>101916701</u>	V-Belt .....	1
8	<u>1241</u>	Washer, 5/16 Type A Flat .....	1
9	<u>1242</u>	Nut, 5/16-18 Hex .....	1
10	705	Screw, Cap-hex Hd 3/8-16x1.25 .....	2
11	<u>7174</u>	Lockwasher, 5/16 Split .....	3
12	<u>8754</u>	Locknut, 3/8-16 Hex .....	2

**7**  
**G**

**7**  
**G**



001220-001

## BATTERY – GASOLINE UTILITY VEHICLES

ITEM	PART NO.	DESCRIPTION	QTY
		1 2 3 4	
1	<u>1010934</u>	Screw, 5/16-18 X 1.00 Hex Cap .....	1
2	<u>1012328</u>	Battery, 12-Volt .....	1
3	<u>1014288</u>	Screw, 5/16-18 X 0.75, Thread-Forming .....	1
4	<u>1014375</u>	Screw, 3/8-16 X 0.50, Stainless Steel, Hex-Head .....	2
5	<u>101898001</u>	Clamp, Battery .....	1
6	<u>102355301</u>	Lockwasher, 3/8 Split Ss .....	2
7	<u>1241</u>	Washer, 5/16 Type A Flat .....	2
8	<u>7173</u>	Screw, 5/16-18 X 0.75, Hex-Head Cap .....	1
9	<u>7473</u>	Locknut, 5/16-18 Nylon Insert .....	2

**7**

**G**

7

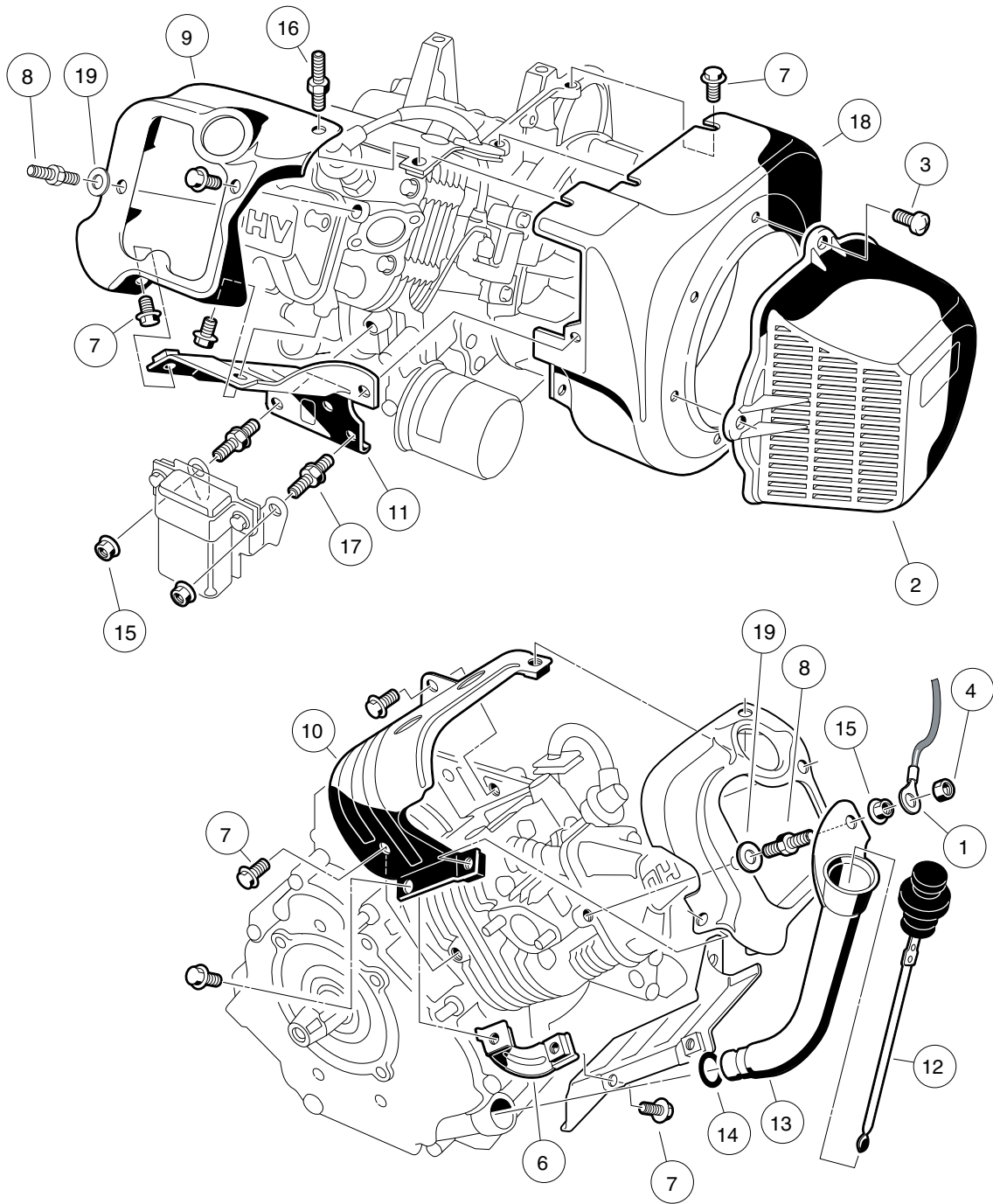
G

# FE290 ENGINE

---

8

G

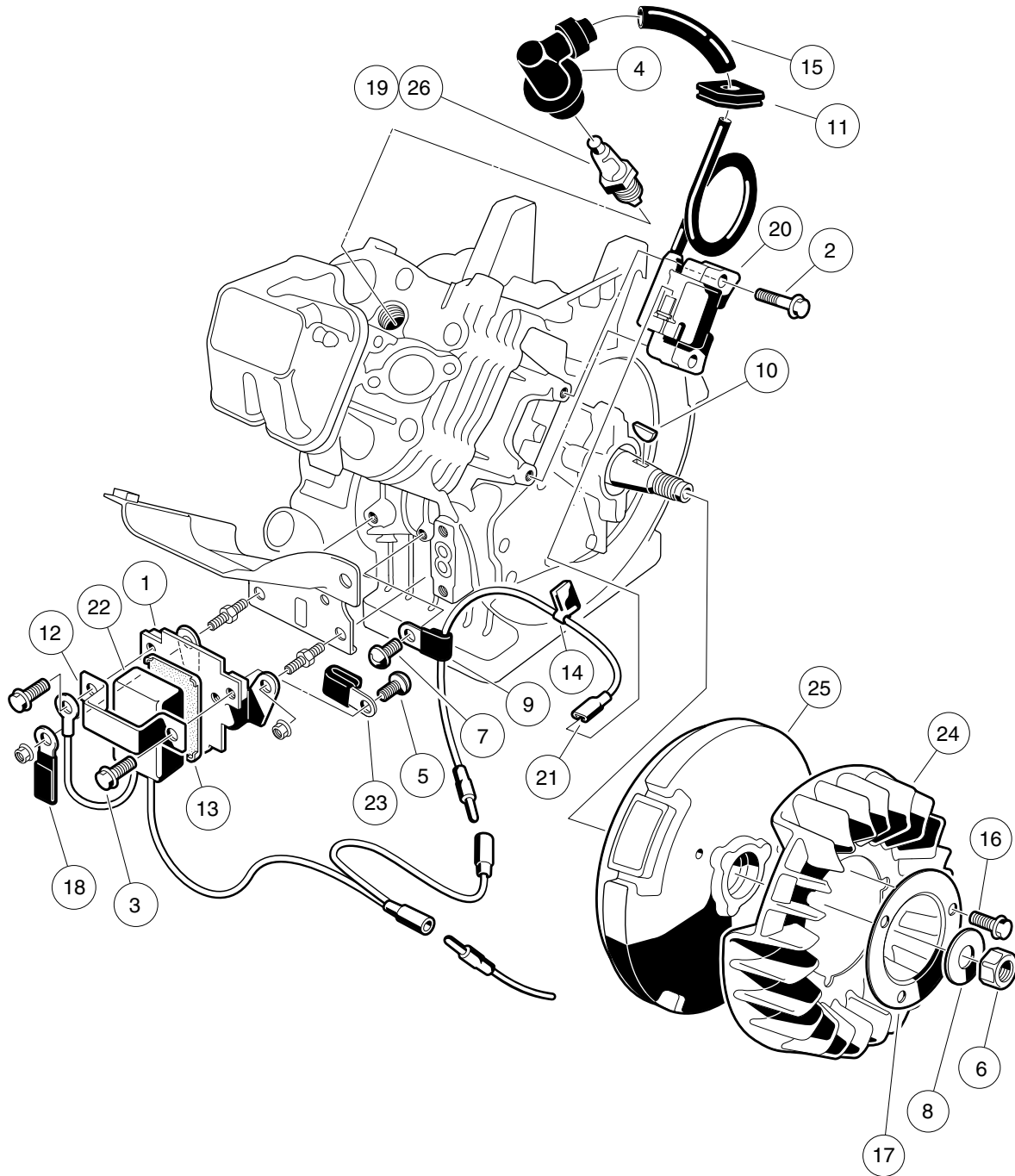


000194-001

## FE290 ENGINE – SHROUDS AND BRACKETS

ITEM	PART NO.	DESCRIPTION	QTY
		1 2 3 4	
1	<u>1015332</u>	Wire, Ground, #10, Uninsulated .....	1
2	<u>1015649</u>	Shroud, Fan .....	1
3	<u>1015969</u>	Screw, M6-1.00 X 10mm, Pan Hd .....	4
4	<u>101887601</u>	Locknut, M6-1.00 Nylon Insert .....	1
5	<u>101953901</u>	Engine, FE290 (cw) * (includes items 6 through 19) .....	1
6	<u>1016443</u>	Bracket .....	1
7	<u>1016456</u>	Bolt, Flange Head, M6 x 1 x 12 mm .....	15
8	<u>1016507</u>	Bolt, Two-Ended .....	1
9	<u>1016524</u>	Shroud, Engine, FE290D .....	1
10	<u>1016525</u>	Shroud, Engine, FE290D .....	1
11	<u>1016526</u>	Shroud, Engine, FE290D .....	1
12	<u>1016531</u>	Dipstick .....	1
13	<u>1016536</u>	Tube, Oil Filler, FE290D .....	1
14	<u>1016539</u>	O-Ring .....	1
15	<u>1016547</u>	Nut, M6 Flange .....	3
16	<u>1017221</u>	Screw, M6-1.00 Stud .....	1
17	<u>101909701</u>	Stud, M6-1.00, Two-Ended .....	2
18	<u>101915601</u>	Housing, FE290 Fan .....	1
19	N/A	Washer, 6 mm Flat .....	1
		* Note: FE290 engine component listings span several pages.	

**8**  
**G**



000195-001

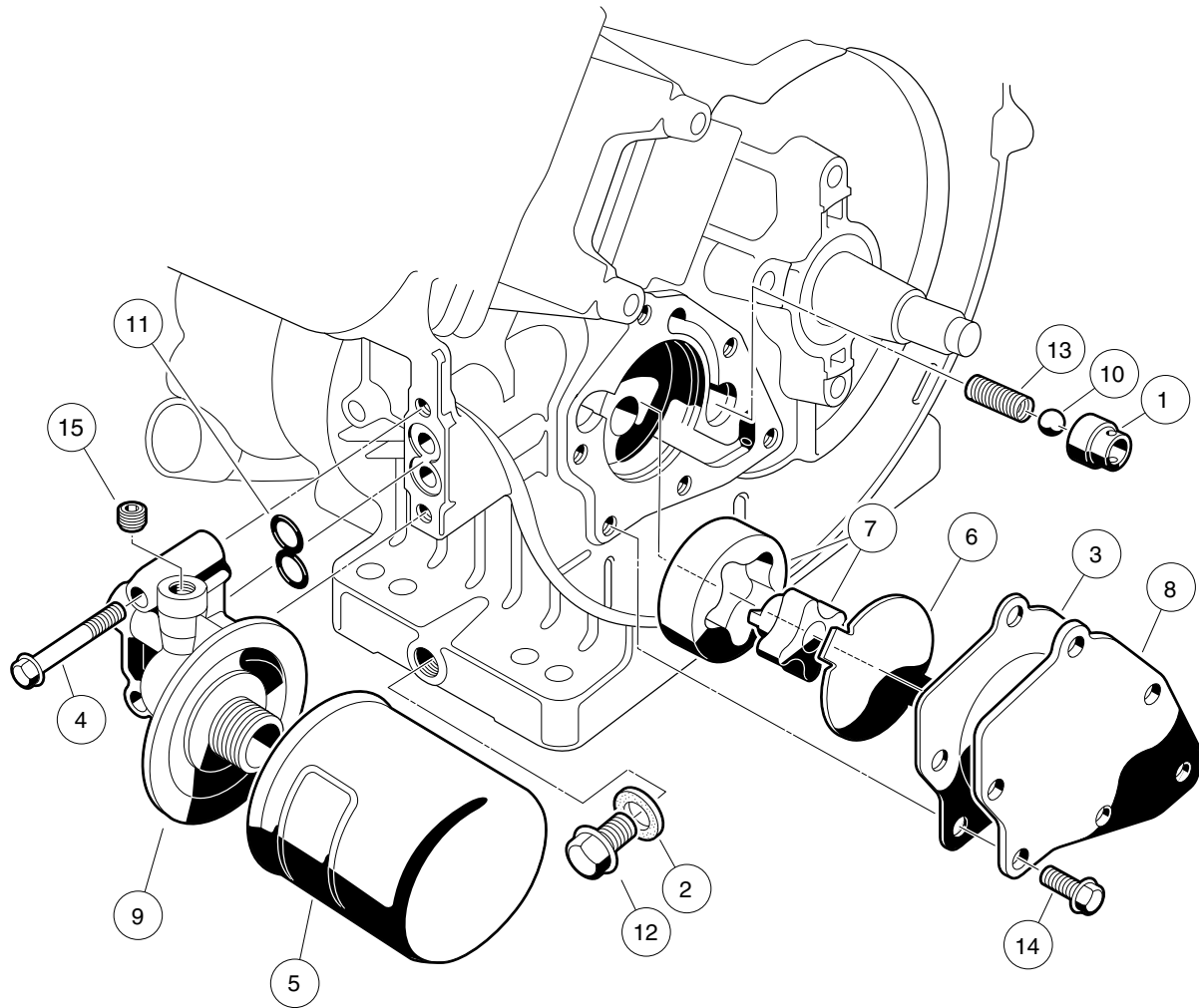


# FE290 ENGINE – IGNITION COMPONENTS AND FLYWHEEL

ITEM	PART NO.	DESCRIPTION	QTY
		1 2 3 4	
1	1016445	Bracket, RPM Limiter .....	1
2	<u>1016455</u>	Bolt, Flange Head .....	2
3	1016456	Bolt, Flange Head, M6 x 1 x 12 mm .....	2
4	<u>1016493</u>	Cap, Spark Plug .....	1
5	<u>1016497</u>	Screw, Pan WP Cross .....	1
6	<u>1016505</u>	Nut, Hex, Fine .....	1
7	<u>1016544</u>	Screw .....	1
8	<u>1016548</u>	Washer, M16 Flat .....	1
9	<u>1016561</u>	Clamp .....	1
10	<u>1016562</u>	Key .....	1
11	<u>1016578</u>	Grommet, Ignition .....	1
12	<u>1016579</u>	Band, RPM Limiter Mount .....	1
13	1016586	Damper, RPM Limiter .....	1
14	<u>1016587</u>	Clamp .....	1
15	<u>1016588</u>	Tube, 7mm X 10mm X 70mm .....	1
16	<u>1017448</u>	Bolt, Flanged .....	3
17	<u>1017455</u>	Plate, Flywheel Fan .....	1
18	<u>1017468</u>	Clamp .....	1
19	<u>101881101</u>	Spark Plug, OHV .....	1
20	<u>101909201</u>	Coil, Ignition .....	1
21	<u>101909301</u>	Lead Wire Assy .....	1
22	101909401	Limiter, RPM .....	1
23	101909501	Clamp, Steel .....	1
24	<u>101915801</u>	Fan, FE290 (cw) .....	1
25	<u>101929301</u>	Flywheel, Complete .....	1
26	<u>AM10724</u>	Spark Plug, OHV (NGK) .....	1

**8**

**G**



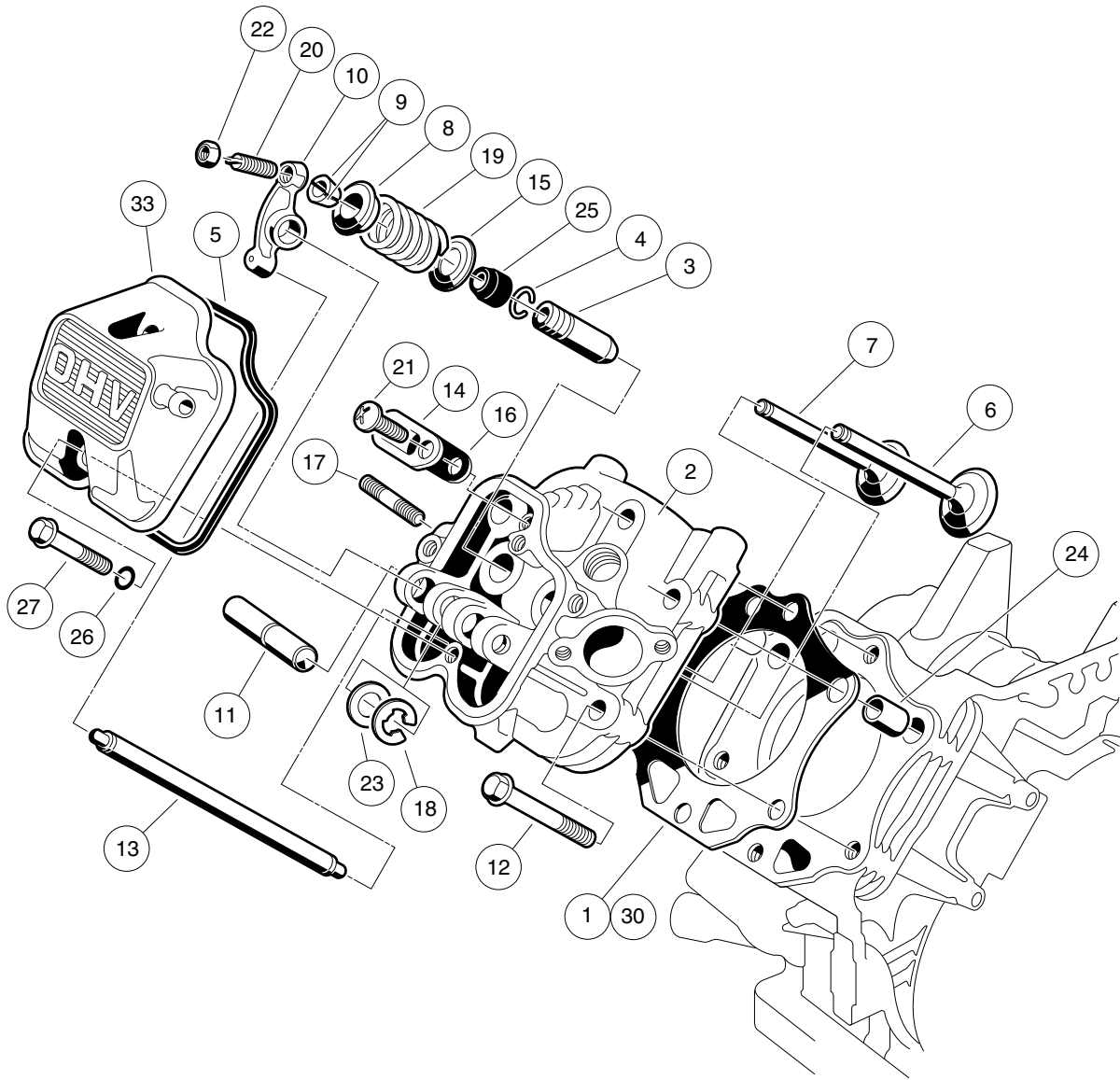
000196-001

## FE290 ENGINE – OIL CIRCULATION

ITEM	PART NO.	DESCRIPTION	QTY
		1 2 3 4	
1	1016429	Seat, Valve Oil Pressure Relief .....	1
2	<u>1016432</u>	Gasket, Drain Plug .....	1
3	<u>1016435</u>	Gasket, Oil Pump .....	1
4	<u>1016457</u>	Bolt, Flange Head .....	2
5	<u>1016467</u>	Filter, Oil .....	1
6	<u>1016473</u>	Plate, Oil Pump .....	1
7	<u>101648203</u>	Oil Pump And Rotor .....	1
8	<u>1016484</u>	Cover, Pump .....	1
9	<u>1016502</u>	Bracket, Oil Filter Mount .....	1
10	<u>1016537</u>	Ball, Steel, Press, Relief .....	1
11	<u>1016570</u>	O-Ring .....	1
12	1016576	Plug, Drain .....	1
13	<u>1016581</u>	Spring .....	1
14	<u>1017456</u>	Bolt, Flanged .....	6
15	<u>1017507</u>	Plug .....	2

**8**

**G**



000197-001

## FE290 ENGINE – CYLINDER HEAD

ITEM	PART NO.	DESCRIPTION	QTY
		<b>1 2 3 4</b>	
1	<u>1016430</u>	Gasket, Head, FE290 .....	1
2	<u>1016431</u>	Head Assembly, FE290 Cylinder (includes items 3 and 4) .....	1
3	<u>1016519</u>	Guide, Valve, Intake, Exhaust .....	2
4	<u>1016560</u>	Snap Ring .....	2
5	<u>1016436</u>	Gasket, Rocker Case .....	1
6	<u>1016447</u>	Valve, Intake .....	1
7	<u>1016448</u>	Valve, Exhaust .....	1
8	<u>1016449</u>	Retainer, Valve Spring .....	2
9	<u>1016450</u>	Collet .....	4
10	<u>1016451</u>	Arm, Rocker .....	2
11	<u>1016452</u>	Shaft, Rocker .....	1
12	<u>1016458</u>	Bolt, Flange Head, M8 x 1.25 x 45 mm .....	6
13	<u>1016471</u>	Rod, Push .....	2
14	<u>1016474</u>	Plate .....	1
15	<u>1016479</u>	Seat, Spring .....	2
16	<u>1016483</u>	Valve .....	1
17	<u>1016489</u>	Stud, Two-Ended, M8-1.25 .....	2
18	<u>1016517</u>	Circlip, Type-E .....	1
19	<u>1016523</u>	Spring, Engine Valve .....	2
20	<u>1016542</u>	Screw .....	2
21	<u>1016544</u>	Screw .....	1
22	<u>1016545</u>	Nut .....	2
23	<u>1016549</u>	Washer, 12.1x19x1.8 .....	1
24	<u>1016563</u>	Pin .....	2
25	<u>1016566</u>	Seal, Oil .....	2
26	<u>1016569</u>	O-Ring .....	2
27	<u>1016583</u>	Bolt, 6x35 .....	2
28	<u>102304701</u>	Kit, Gasket, FE290 (includes items 29 through 32) .....	1
29	<u>1015330</u>	Gasket, Exhaust .....	1
30	<u>1016430</u>	Gasket, Head, FE290 .....	1
31	<u>1016440</u>	Gasket, Engine to Insulator .....	1
32	<u>1016446</u>	Gasket, Crankcase Cover .....	1
33	<u>102753401</u>	Case, Rocker .....	1

**8**  
**G**



# FE290 ENGINE – CRANKCASE, CAMSHAFT, AND OIL SENSOR

ITEM	PART NO.	DESCRIPTION	QTY
		1 2 3 4	
1	<u>1016446</u>	Gasket, Crankcase Cover .....	1
2	<u>1016453</u>	Tappet .....	2
3	<u>1016454</u>	Bolt, Flange Head, M5 x 0.8 x 8 mm .....	2
4	<u>1016456</u>	Bolt, Flange Head, M6 x 1 x 12 mm .....	2
5	<u>1016458</u>	Bolt, Flange Head, M8 x 1.25 x 45 mm .....	6
6	<u>1016472</u>	Plate, Oil Filter Screen .....	1
7	<u>1016494</u>	Sensor, Oil Level .....	1
8	<u>1016496</u>	Screw, Cross Pan-Head, M4 x 0.7 x 8 mm .....	3
9	<u>1016506</u>	Clamp .....	1
10	<u>1016510</u>	Bracket, Switch, Oil Level .....	1
11	<u>1016520</u>	Cover, Crankcase .....	1
12	<u>1016521</u>	Screen, Oil Filter .....	1
13	<u>1016535</u>	Connector, Cord .....	1
14	<u>1016538</u>	O-Ring .....	1
15	<u>1016544</u>	Screw .....	1
16	<u>1016564</u>	Pin .....	2
17	<u>1016565</u>	Bearing, Ball .....	1
18	<u>1016567</u>	Seal, Crankshaft .....	1
19	<u>1016584</u>	Bolt, Two-Ended, M8 x 1.25 x 69 mm .....	2
20	<u>101915401</u>	Camshaft Complete, FE290 .....	1

**8**  
**G**



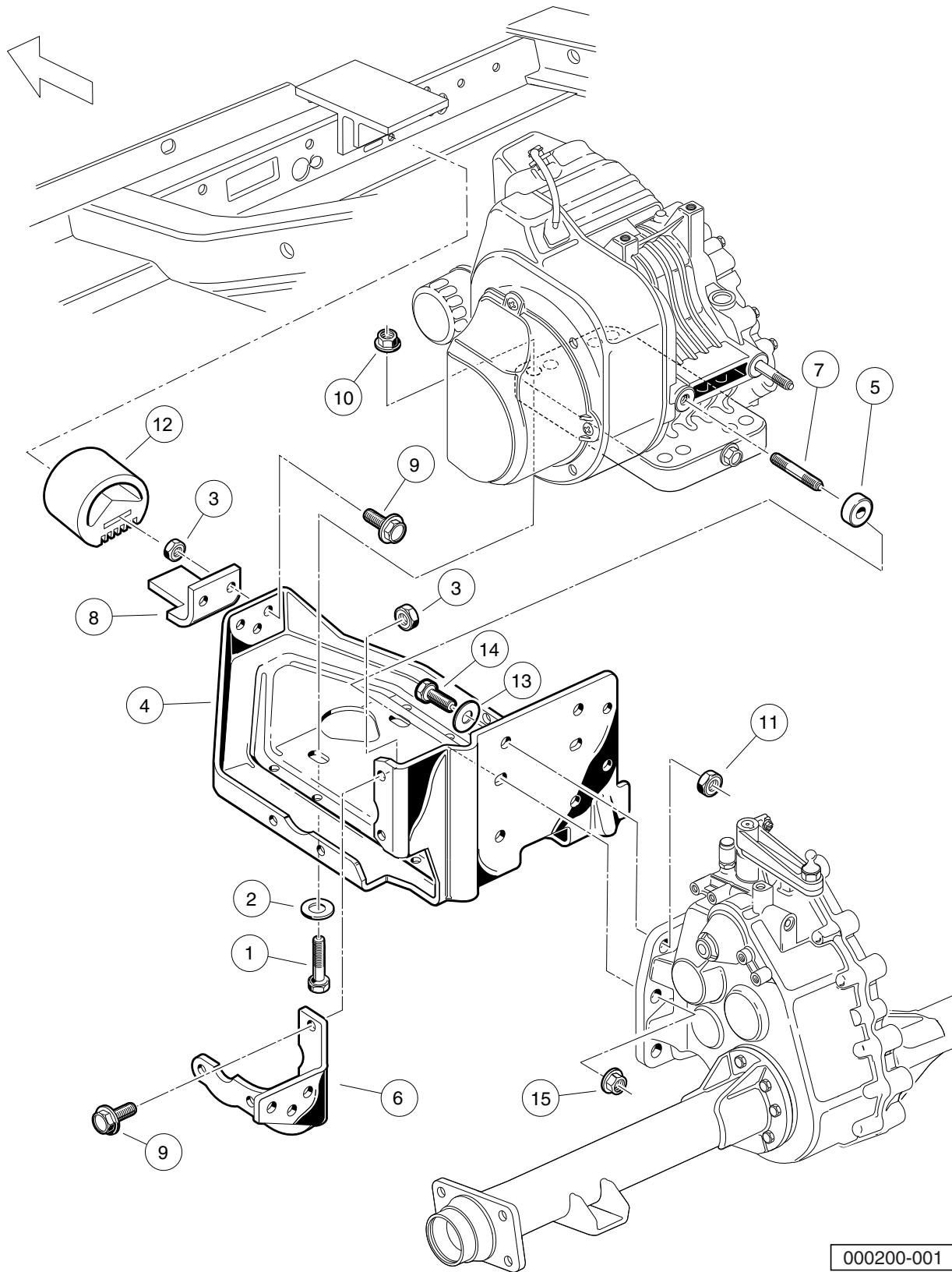


## FE290 ENGINE – CRANKCASE AND CRANKSHAFT

ITEM	PART NO.	DESCRIPTION	QTY
		1 2 3 4	
1	<u>101645901</u>	Piston .....	1
2	<u>101645902</u>	Piston, Engine 0.25 mm Over .....	1
3	<u>101645903</u>	Piston, Engine 0.50 mm Over .....	1
4	<u>1016460</u>	Pin, Piston .....	1
5	<u>101646101</u>	Ring Set, Piston .....	1
6	<u>101646102</u>	Ring Set, Piston 0.25 mm Over .....	1
7	<u>101646103</u>	Ring Set, Piston 0.50 mm Over .....	1
8	<u>1016469</u>	Weight, Counterbalance .....	1
9	<u>1016470</u>	Shaft, Guide, Counterbalance .....	1
10	<u>101647501</u>	Rod Assembly (includes item 11) .....	1
11	<u>1016509</u>	Bolt .....	2
12	<u>101647502</u>	Rod Assembly, Connecting 0.50 mm Under (includes item 13) .....	1
13	<u>1016509</u>	Bolt .....	2
14	<u>1016541</u>	Stud, 6x14 .....	4
15	<u>1016547</u>	Nut, M6 Flange .....	4
16	<u>101655001</u>	Shim, Crankshaft T=1.13 .....	1
17	<u>101655002</u>	Shim, Crankshaft T=1.18 .....	1
18	<u>101655003</u>	Shim, Crankshaft T=1.23 .....	1
19	<u>101655004</u>	Shim, Crankshaft T=1.28 .....	1
20	<u>101655005</u>	Shim, Crankshaft T=1.33 .....	1
21	<u>101655006</u>	Shim, Crankshaft T=1.38 .....	1
22	<u>101655007</u>	Shim, Crankshaft T=1.43 .....	1
23	<u>101655008</u>	Shim, Crankshaft T=1.48 .....	1
24	<u>101655009</u>	Shim, Crankshaft T=1.53 .....	1
25	<u>1016558</u>	Ring, Snap .....	2
26	<u>1016559</u>	Spacer .....	1
27	<u>1016562</u>	Key .....	1
28	<u>1016568</u>	Seal, Oil .....	1
29	<u>1016571</u>	O-Ring .....	1
30	<u>101915501</u>	Crankcase Complete, FE290 (cw) .....	1
31	<u>101922301</u>	Crankshaft, FE290 Left-Hand Thread (includes items 32 through 35) .....	1
32	<u>1016516</u>	Rod (includes item 33) .....	2
33	<u>1016580</u>	Bearing, Plane .....	1
34	<u>1016532</u>	Gear, Spur .....	1
35	<u>1016533</u>	Gear, Helical .....	1

**8**  
**G**

8  
G



000200-001

# FE290 ENGINE MOUNTING

ITEM	PART NO.	DESCRIPTION	QTY
		1 2 3 4	
1	<u>1010577</u>	Bolt, Hex-Head, 5/16-18 X 1.50 .....	4
2	1012571	Washer, 5/16 Extra Thick Flat .....	4
3	<u>1013924</u>	Nut, 5/16-24, Hex Head Cone .....	6
4	<u>101827101</u>	Plate, Engine Mounting .....	1
5	<u>101832101</u>	Spacer, Powdered Metal .....	2
6	<u>101832701</u>	Stiffener (Flywheel Side) .....	1
7	<u>101833201</u>	Stud, M8-1.25 X 60mm Two-Ended .....	2
8	<u>101834601</u>	Bracket, Snubber .....	1
9	<u>101884801</u>	Screw, 5/16-24 X 0.875, Grade-8 .....	6
10	<u>101963401</u>	Locknut, 5/16-18 Hex Flange .....	4
11	<u>102065901</u>	Locknut, 3/8-16 Flanged Dimple .....	4
12	<u>102540301</u>	Snubber, Inner Frame .....	1
13	<u>334</u>	Washer, 3/8, Type A, Flat .....	4
14	705	Screw, Cap-hex Hd 3/8-16x1.25 .....	4
15	<u>96704416</u>	Nut, Flange, M8 X 1.25 Serrated .....	2

**8**

**G**

8

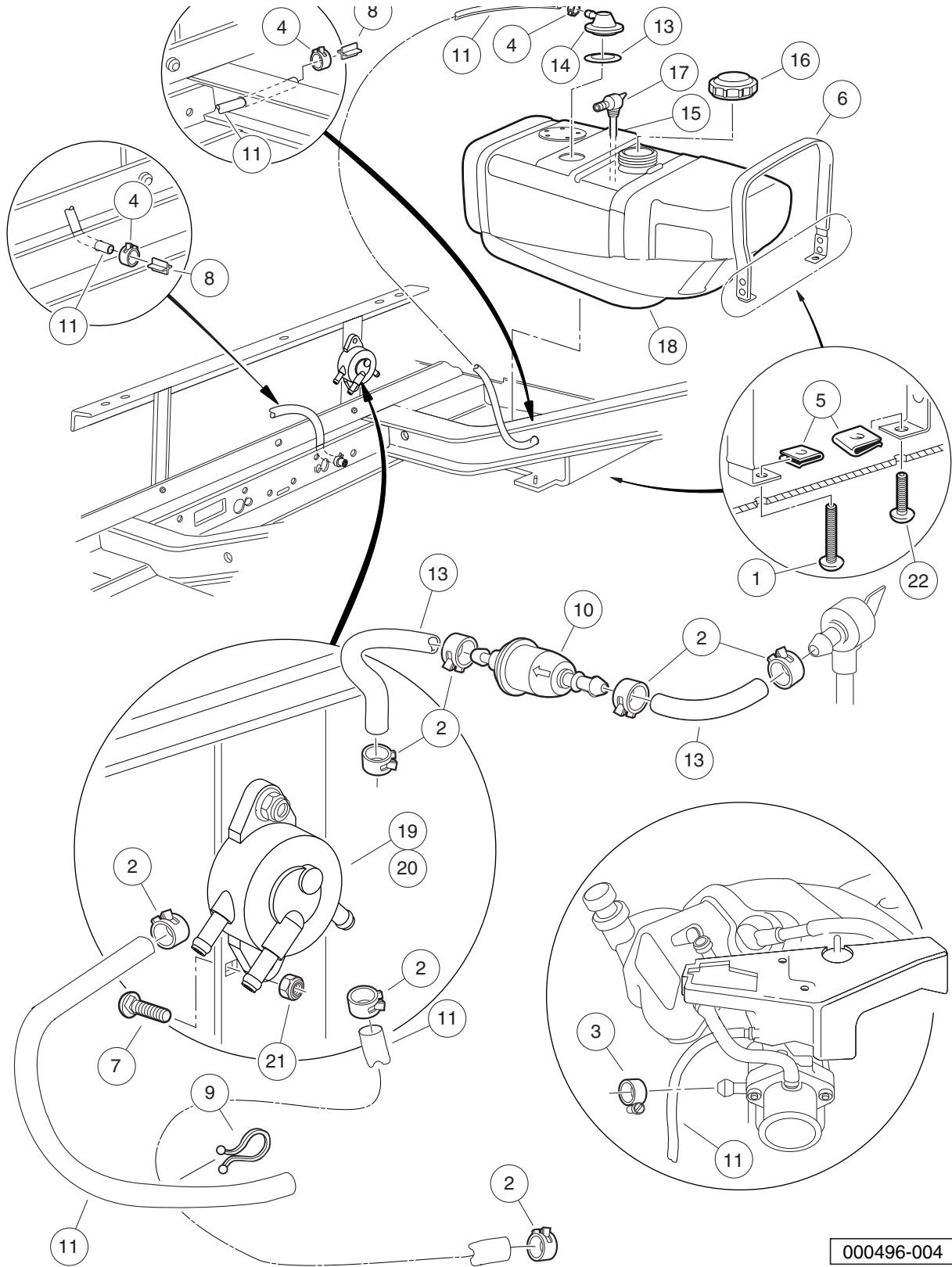
G

# FUEL, INTAKE, AND GOVERNOR SYSTEMS

---

9

G

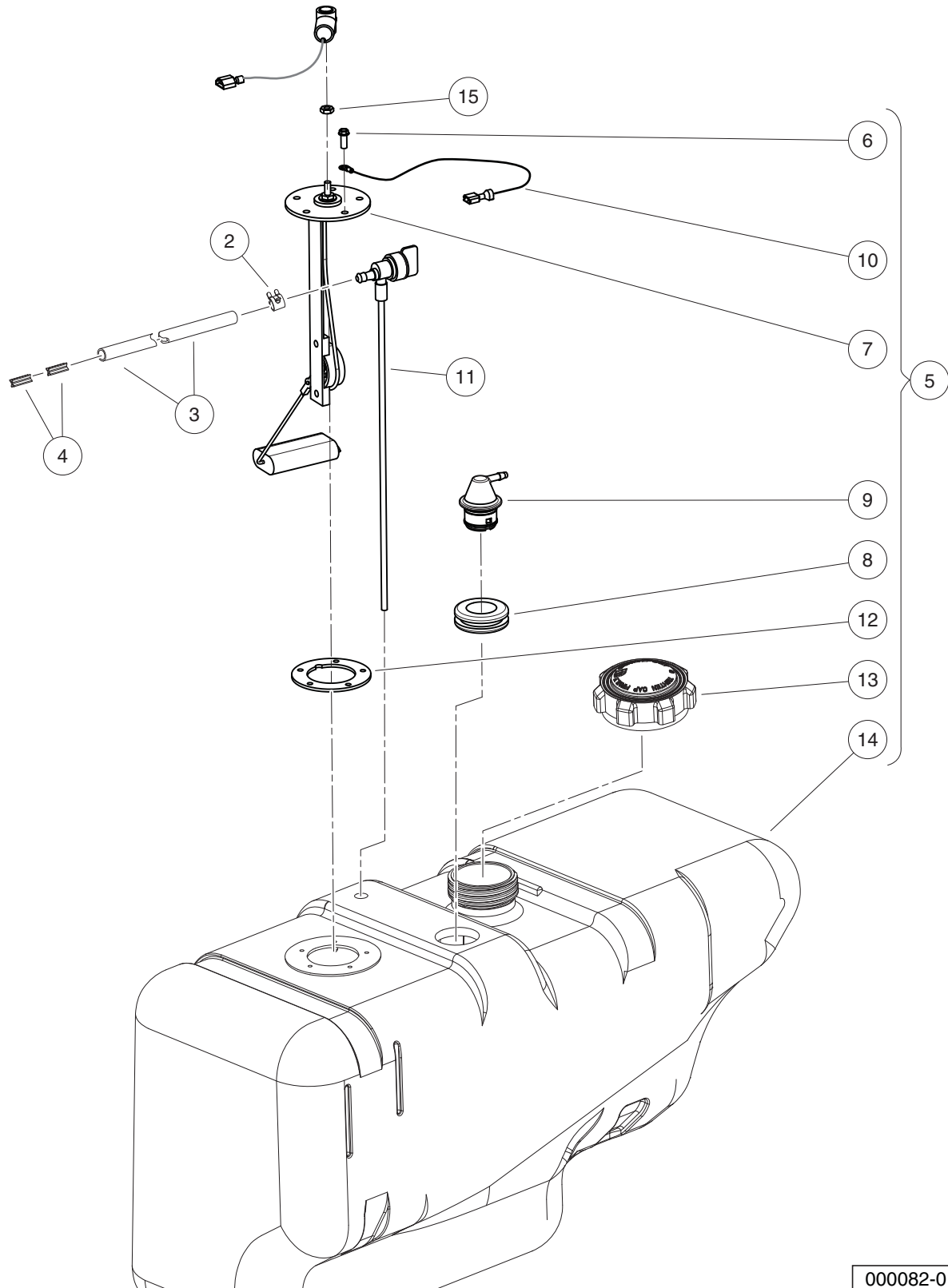


000496-004

# FUEL SYSTEM

**9**  
**G**

ITEM	PART NO.	DESCRIPTION	QTY
		<b>1 2 3 4</b>	
1	<u>1011988</u>	Screw, 1/4-20 X 2.00 Phillips Truss-Head .....	1
2	<u>1012649</u>	Clamp, 0.460 Red Hose .....	7
3	<u>1013687</u>	Clamp, 3/8" Hose (screw type) .....	1
4	<u>1013746</u>	Clamp, 0.301 ID Hose .....	3
5	<u>1014116</u>	Nut, 1/4-20 Speed .....	2
6	<u>1014928</u>	Fuel Strap Assembly Rear .....	1
7	<u>1017203</u>	Carriage Bolt .....	2
8	<u>101824401</u>	Vent Barb .....	2
9	<u>101987701</u>	Clamp, Plastic Tie .....	1
10	<u>102003201</u>	Filter, Fuel, 30 Micron .....	1
11	<u>102865101</u>	Fuel Line, 1/4 (available by the foot) .....	1
12	<u>103651902</u>	Asm, Tank, Ds Utl Wo/su† Nano (includes items 13 through 18) .....	1
13	<u>1015139</u>	Insulation Grommet .....	1
14	<u>1015143</u>	Vent, Fuel Tank .....	1
15	<u>102406701</u>	Bushing, Line, Return .....	1
16	<u>103372101</u>	Cap, Fuel Tank, Gas, Ratchet .....	1
17	<u>103372302</u>	Fuel Pickup w/Shut-Off Valve, 288mm .....	1
18	<u>103776902</u>	Tank, Fuel, Top, Wo/su Nano .....	1
19	<u>103781101</u>	Kit, Fuel Pump Retrofit (includes item 20) .....	1
20	<u>103010101</u>	Pump, Fuel, Impulse, Fh .....	1
21	<u>8233</u>	Locknut, 1/4-20, Nylon Insert .....	2
22	<u>8248</u>	Screw, 1/4-20 X 0.75, Truss-Head Machine .....	1
		 Note: Total fuel line length: 47 inches (119.4 cm)	



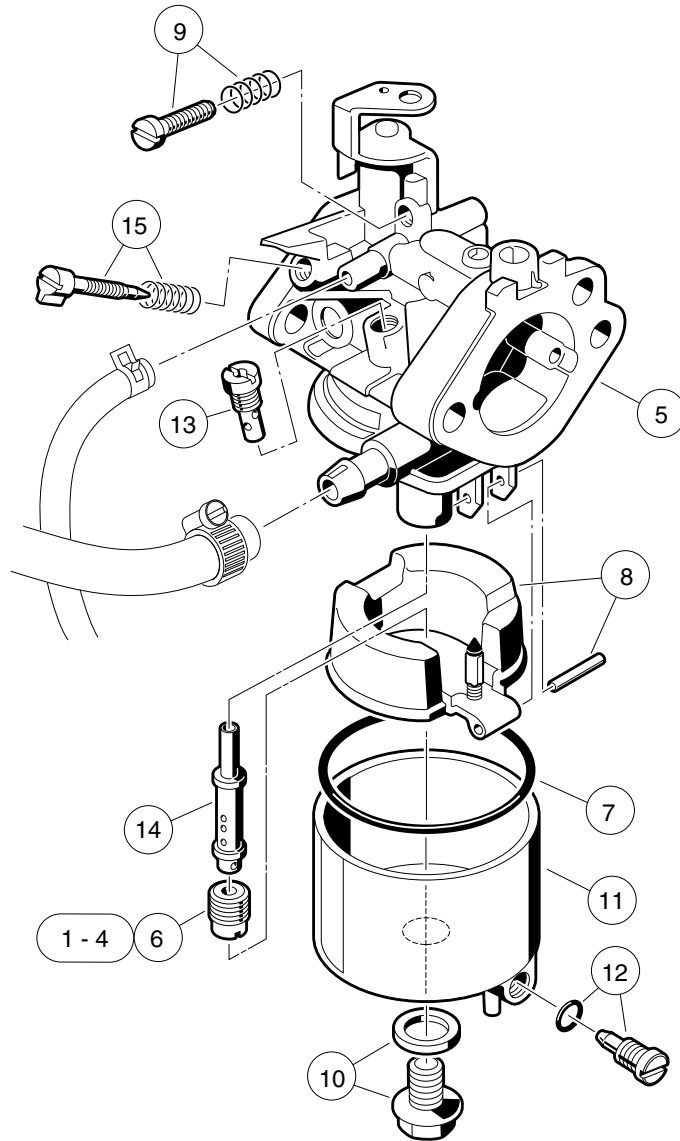
000082-013



## FUEL TANK WITH FUEL LEVEL SENDING UNIT

ITEM	PART NO.	DESCRIPTION	QTY
		1 2 3 4	
1	1016004	Tank Kit w/Sending Unit (includes items 2 through 5) .....	1
2	<u>1013746</u>	Clamp, 0.301 ID Hose .....	2
3	<u>1015137</u>	Fuel Line, 3/16 (available by the foot) .....	1
4	<u>101824401</u>	Vent Barb .....	2
5	102952301	Fuel Tank with Sending Unit (includes items 6 through 14) .....	1
6	<u>1013461</u>	Screw, #10-16 Hex-Head Hi-Lo .....	5
7	<u>1013462</u>	Sending Unit, Fuel Level * .....	1
8	<u>1015139</u>	Insulation Grommet .....	1
9	<u>1015143</u>	Vent, Fuel Tank .....	1
10	1015921	Wire Assembly #16 Black .....	1
11	101896901	Fuel Pickup w/Shut-Off Valve .....	1
12	<u>102522001</u>	Gasket, Rubber .....	1
13	<u>102751601</u>	Cap, Fuel Tank, Gasoline .....	1
14	N/A	Tank, Fuel, W/su Ds Utl .....	1
15	<u>8797</u>	Nut, #10-32 Brass Hex .....	1
		* Note: Must replace fuel sending unit gasket when servicing this component.	

**9**  
**G**



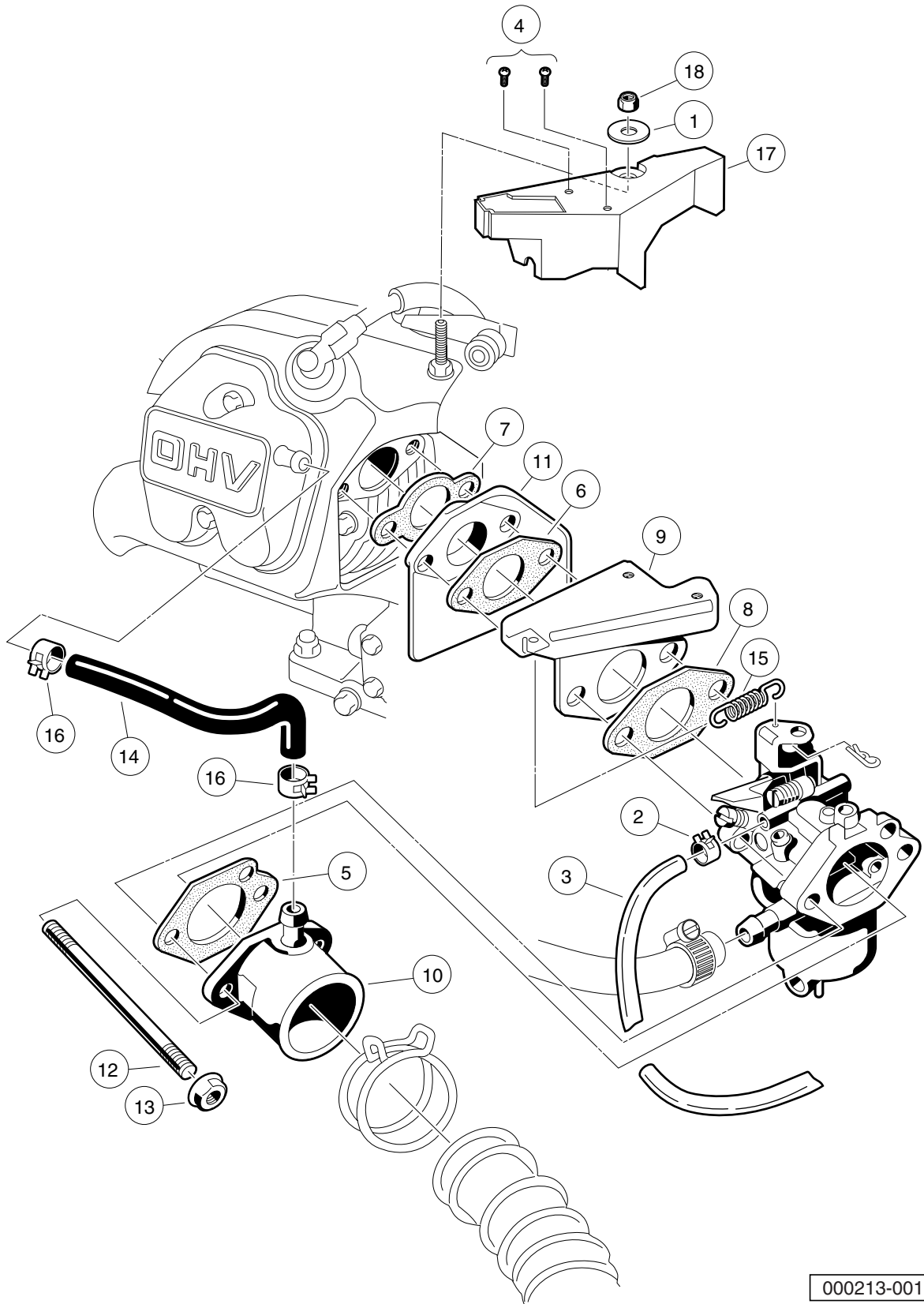
000211-001

# CARBURETOR ASSEMBLY – FE290

ITEM	PART NO.	DESCRIPTION	QTY
		1 2 3 4	
1	<u>101642572</u>	Jet, Altitude, # 72 .....	1
2	<u>101642575</u>	Jet, Altitude, # 75 .....	1
3	<u>101642578</u>	Jet, Altitude, # 78 .....	1
4	<u>101642580</u>	Jet, Altitude, # 80 .....	1
5	<u>101905601</u>	Carburetor Assembly, FE290D (includes items 6 through 15) .....	1
6	<u>101642582</u>	Jet, Altitude, # 82 .....	1
7	<u>1016437</u>	Gasket, Carburetor Bowl OHV .....	1
8	<u>1016486</u>	Float Assembly .....	1
9	<u>1016501</u>	Screw Assembly .....	1
10	<u>1016585</u>	Bolt .....	1
11	<u>1017461</u>	Chamber Assembly, Float (includes item 12) .....	1
12	<u>1016499</u>	Screw Assembly .....	1
13	<u>101973101</u>	Jet, #40 Pilot .....	1
14	<u>101973201</u>	Nozzle, Main .....	1
15	N/A	Assembly, Pilot Air Screw .....	1
<p>Note: <u>101642582</u> for 0 - 3,000 feet; <u>101642580</u> for 3,000 - 5,000 feet;  <u>101642578</u> for 5,000 - 8,000 feet; <u>101642575</u> for 8,000 - 10,000 feet;  <u>101642572</u> for 10,000 feet and higher.</p>			

9

G



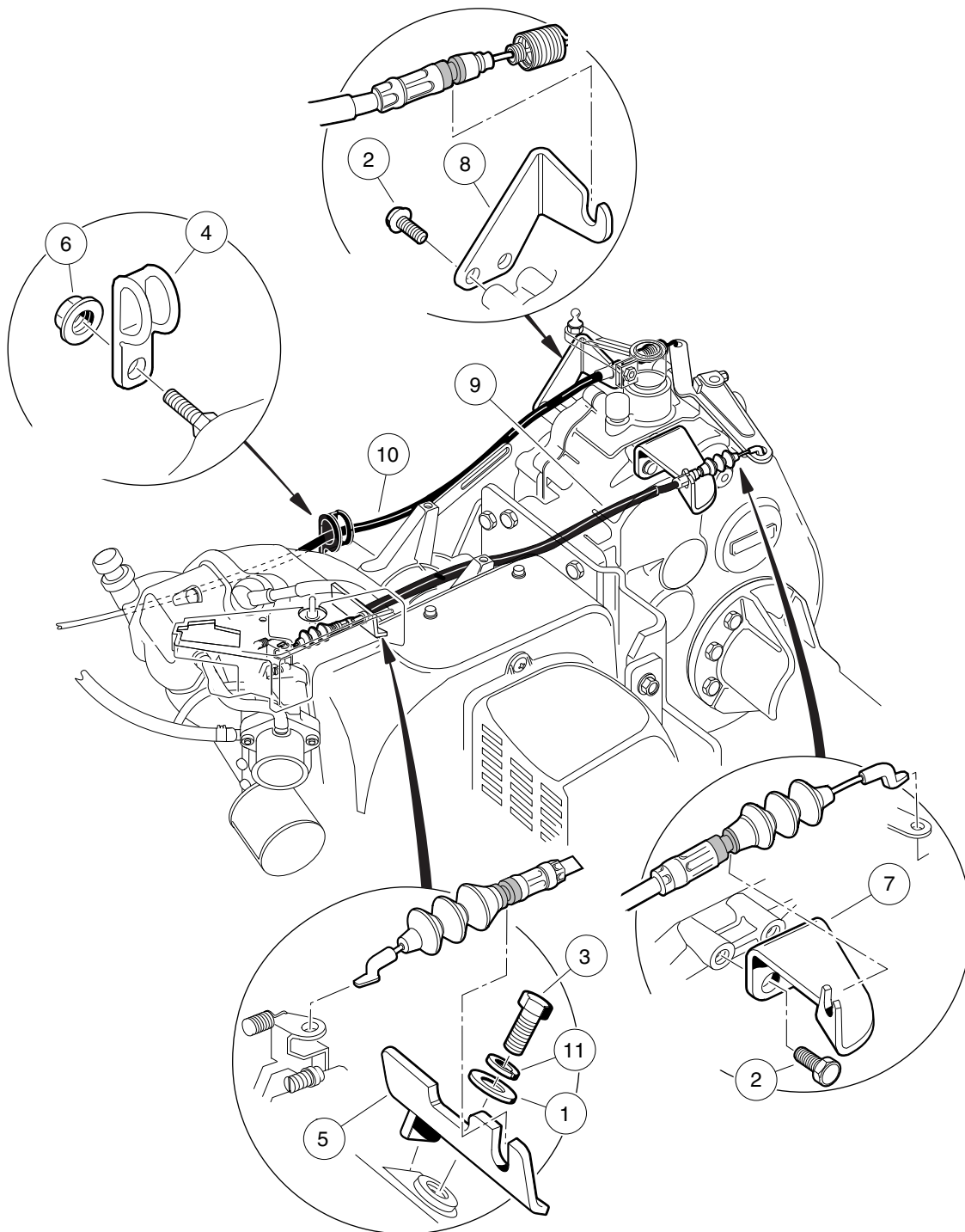
000213-001

## CARBURETOR INSTALLATION – FE290

ITEM	PART NO.	DESCRIPTION	QTY
		1 2 3 4	
1	<u>1011697</u>	Washer, 5/16 Flat .....	1
2	<u>1013746</u>	Clamp, 0.301 ID Hose .....	1
3	<u>1015137</u>	Fuel Line, 3/16 (available by the foot) .....	1
4	<u>1016103</u>	Screw, Pan Hd Tx, Taptite 6-32 .....	2
5	<u>1016438</u>	Gasket, Carb To Intake Manifold .....	1
6	<u>1016439</u>	Gasket, Insulator .....	1
7	<u>1016440</u>	Gasket, Engine to Insulator .....	1
8	<u>1016441</u>	Gasket, Sprg Brkt To Carb OHV .....	1
9	<u>1016444</u>	Bracket, Throttle Spring Return .....	1
10	1016480	Pipe, Intake Manifold .....	1
11	101648102	Insulator, Carburetor .....	1
12	<u>101649002</u>	Stud, M6-1.00 Two-Ended .....	2
13	1016547	Nut, M6 Flange .....	2
14	<u>1016572</u>	Tube, Crankcase Vent .....	1
15	<u>1016582</u>	Spring, Throttle Return .....	1
16	<u>1017466</u>	Clamp .....	2
17	101820201	Shield, Governor .....	1
18	<u>101887601</u>	Locknut, M6-1.00 Nylon Insert .....	1

**9**

**G**

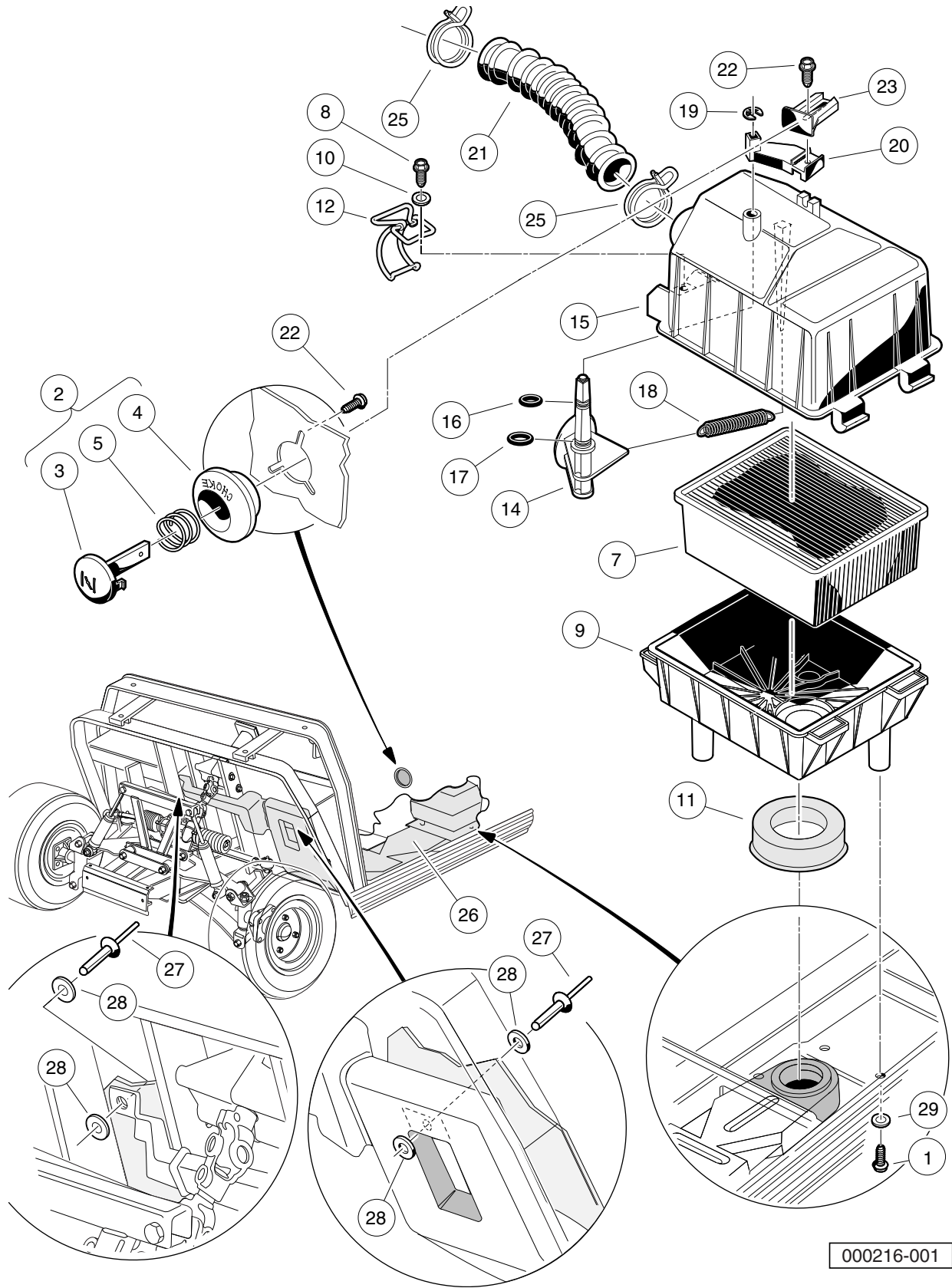


000215-001

## GOVERNOR AND ACCELERATOR CABLES

ITEM	PART NO.	DESCRIPTION	QTY
		1 2 3 4	
1	<u>1011697</u>	Washer, 5/16 Flat .....	1
2	<u>1012285</u>	Screw, 1/4 X 0.625 Hex-Head .....	4
3	<u>1012830</u>	Screw, M8-125 X 22 Hex-Head .....	1
4	<u>1013700</u>	Clamp .....	2
5	<u>101584502</u>	Bracket, Governor Cable Snap-In .....	1
6	<u>1016546</u>	Nut .....	2
7	<u>101832202</u>	Bracket, Rear Governor Cable Snap-In .....	1
8	<u>101832302</u>	Bracket, Rear Accelerator Cable Snap-In .....	1
9	<u>102336001</u>	Cable, Governor, Snap-In .....	1
10	<u>102336101</u>	Cable, Accelerator, Snap-In .....	1
11	<u>7174</u>	Lockwasher, 5/16 Split .....	1

9  
G





# INTAKE DUCT, CHOKE, AND AIR BOX ASSEMBLY

ITEM	PART NO.	DESCRIPTION	QTY
		1 2 3 4	
1	<u>1015752</u>	Screw, #12-16 X 0.625, Hi-Lo .....	3
2	<u>101805701</u>	Button Assembly, Choke (includes items 3 through 5) .....	1
3	<u>101811401</u>	Lever, Choke .....	1
4	<u>101811501</u>	Guide, Choke Lever .....	1
5	<u>101856201</u>	Compression Spring .....	1
6	<u>101821501</u>	Assembly, Air Box (includes items 7 through 13) .....	1
7	<u>1015426</u>	Filter, Air .....	1
8	<u>101804301</u>	Screw, #8 X 0.500, Hex-Head Hi-Lo .....	2
9	<u>101811901</u>	Bottom, Air Box .....	1
10	<u>101881701</u>	Washer, #8 Stainless-Steel Flat .....	2
11	<u>101921501</u>	Seal, Intake .....	1
12	<u>101925701</u>	Latch, Wireform .....	2
13	<u>101972801</u>	Top Assy, Air Box (includes items 14 through 20) .....	1
14	N/A	Valve, Choke .....	1
15	N/A	Top, Air Box .....	1
16	N/A	O-Ring, 5/16 .....	1
17	N/A	O-Ring, 3/8 .....	1
18	<u>101812301</u>	Spring, Extension Return .....	1
19	<u>101813001</u>	Retaining Ring 0.25, Shaft .....	1
20	<u>101917601</u>	Lever, Choke .....	1
21	<u>101837101</u>	Hose, Air Intake .....	1
22	<u>101850301</u>	Screw, #12-16 X 0.50 Washer-Head Hi-Lo .....	4
23	<u>101917701</u>	Choke Positioner .....	1
24	N/A	Tape Kit, Air Duct Repair .....	1
25	<u>101971301</u>	Clamp, 1.58" ID Hose .....	2
26	<u>103520301</u>	Duct, Air Intake, Ds .....	1
27	<u>1606</u>	Rivet, 3/16 X .500 Alum Pop .....	2
28	<u>183</u>	Washer, #10, Type A, Flat .....	4
29	<u>332</u>	Washer, 1/4 Type A Narrow Flat .....	3
		Note: Item 25 is not illustrated.	

9  
G

9

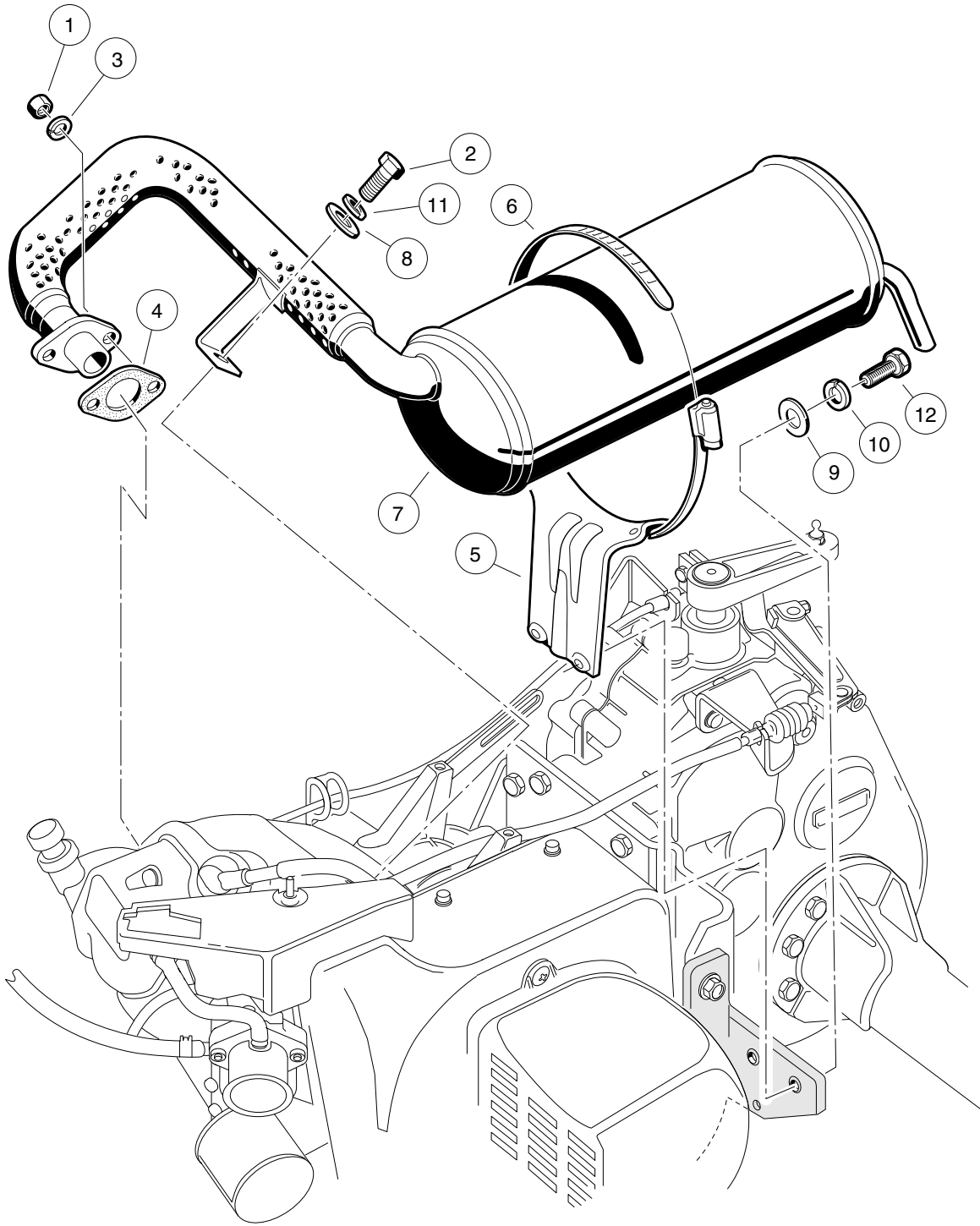
G

# EXHAUST SYSTEM

---

10

G



000208-001

## EXHAUST SYSTEM – FE290 ENGINE

ITEM	PART NO.	DESCRIPTION	QTY
		1 2 3 4	
1	<u>1012528</u>	Nut, M8-1.25 Hex .....	2
2	<u>1012830</u>	Screw, M8-125 X 22 Hex-Head .....	1
3	<u>1013734</u>	Lockwasher, 8mm Split .....	2
4	<u>1015330</u>	Gasket, Exhaust .....	1
5	<u>1015814</u>	Bracket, Muffler Mounting .....	1
6	1017689	Clamp, 5" Muffler Hose .....	1
7	<u>101859301</u>	Exhaust System, FE290 .....	1
8	<u>1241</u>	Washer, 5/16 Type A Flat .....	1
9	<u>332</u>	Washer, 1/4 Type A Narrow Flat .....	2
10	<u>451</u>	Lockwasher, 1/4 Split .....	2
11	<u>7174</u>	Lockwasher, 5/16 Split .....	1
12	<u>7847</u>	Screw, 1/4-20 X 0.75 Hex-Head Cap .....	2

10

G

**10**

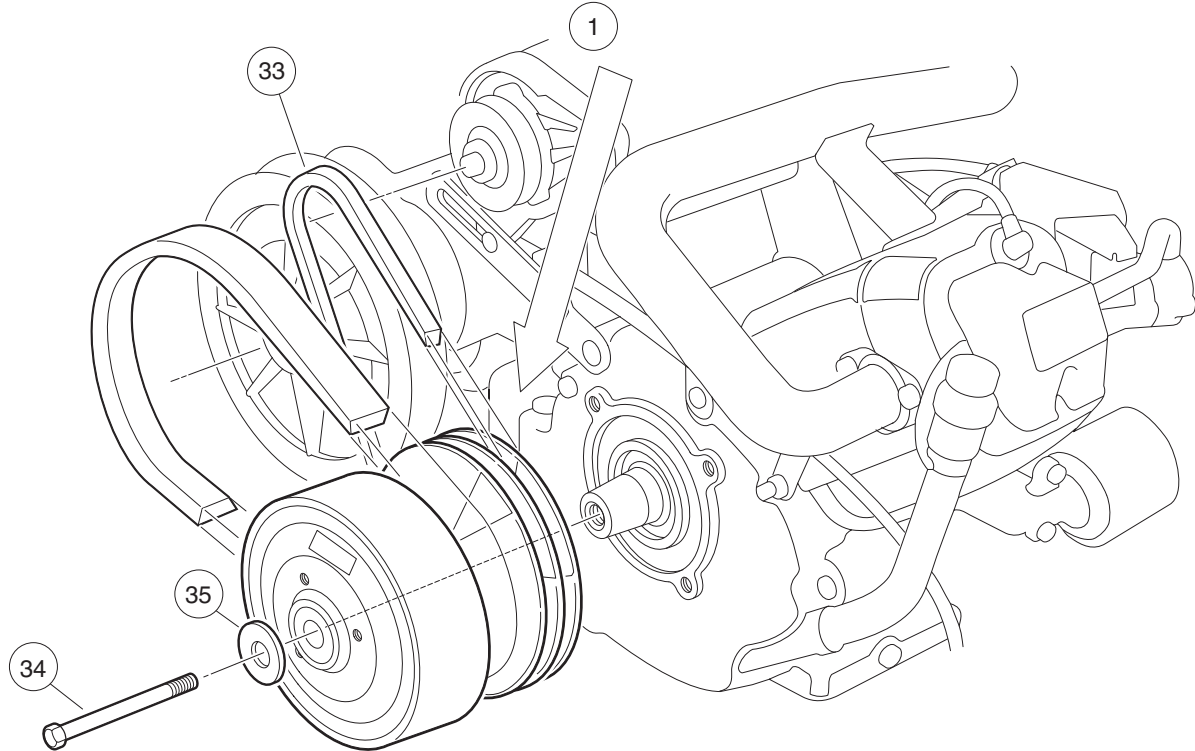
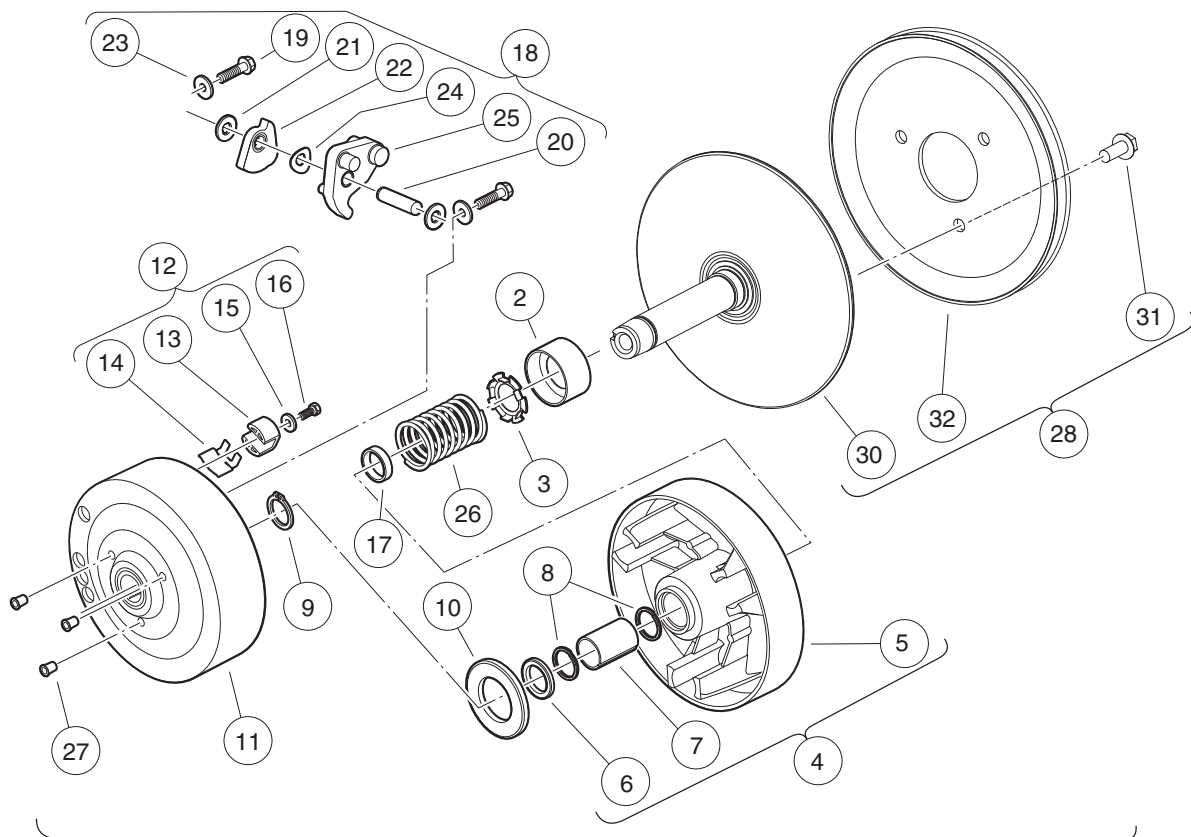
**G**

# TORQUE CONVERTER

---

11

G



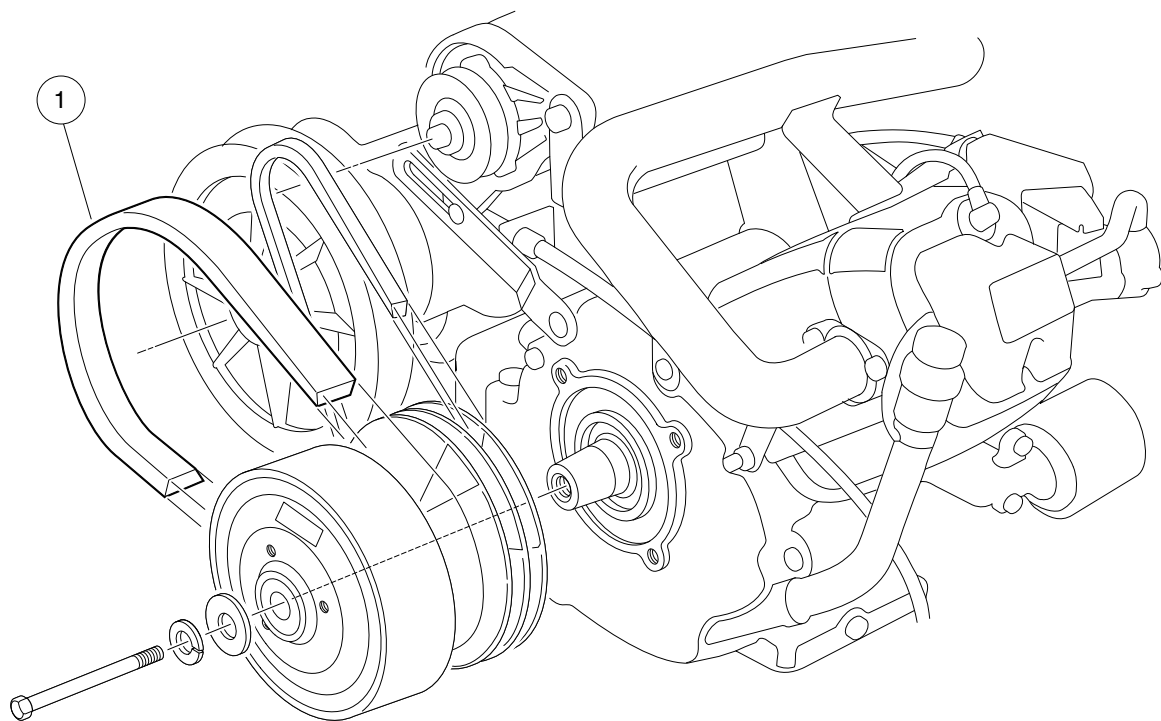
000217-009



# DRIVE CLUTCH

**11**  
**G**

ITEM	PART NO.	DESCRIPTION	QTY
		<b>1 2 3 4</b>	
1	<u>101833906</u>	Drive Clutch Assy. FE 350/272 (includes items 2 through 28) .....	1
2	1014049	Bearing, Idler .....	1
3	<u>1014050</u>	Retainer, Spring .....	1
4	1014052	Movable-Face Assembly (includes items 5 through 7) .....	1
5	N/A	Drive Clutch Movable Face .....	1
6	<u>1014055</u>	Retainer .....	1
7	N/A	Bushing, Split, Drive Clutch .....	1
8	<u>1014056</u>	Ring, Spiral Backup .....	2
9	<u>1014057</u>	Ring, 0.810" Internal Retaining .....	1
10	1014058	Thrust Washer .....	1
11	1014059	Drive Hub Assy, Drive Clutch .....	1
12	<u>1014453</u>	Kit, Drive Clutch Button (includes items 13 through 16) .....	1
13	<u>1014062</u>	Driver, Drive Clutch .....	3
14	<u>1014287</u>	Spring, Drive Button .....	3
15	<u>183</u>	Washer, #10, Type A, Flat .....	3
16	<u>8450</u>	Screw, #10-24 X 0.50, Hex-Head .....	3
17	<u>1016289</u>	Spacer, Fixed Face Shaft .....	1
18	<u>1016801</u>	Kit, Drive Clutch Weight (includes items 19 through 25) .....	1
19	<u>1014063</u>	Screw, 1/4-20 X 1.00, Hex Head .....	6
20	N/A	Pin, Dowel, 0.3752 x 1.50 .....	3
21	<u>1014065</u>	Washer, Flat, 0.38" ID, Delrin .....	6
22	N/A	Clutch Weight, Secondary .....	3
23	N/A	Washer .....	6
24	<u>1016201</u>	Washer, Wave .....	3
25	N/A	Weight, Primary .....	3
26	<u>1016901</u>	Spring, Drive Clutch .....	1
27	N/A	Cap Plug .....	3
28	<u>101929802</u>	Kit, Fxd Face Dr Asm Fe290/350 (includes item 29) .....	1
29	N/A	Assembly, Fixed-Face Drive (includes items 30 through 32) .....	1
30	N/A	Fixed Face Assembly, Drive Clutch .....	1
31	<u>1014288</u>	Screw, 5/16-18 X 0.75, Thread-Forming .....	3
32	N/A	Pulley, Clutch .....	1
33	<u>101916701</u>	V-Belt .....	1
34	<u>103345701</u>	Screw 3/8-24x5.5 Hex Loc Ptch .....	1
35	<u>808</u>	Washer, 3/8 Type B Flat .....	1
		Note: Item 29 not shown.	



000218-001

# DRIVE BELT – FE290

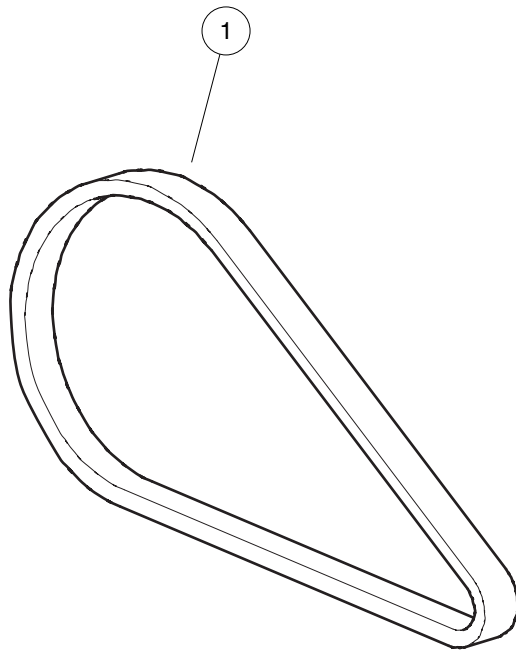
ITEM	PART NO.	DESCRIPTION	QTY
1	<u>1016203</u>	<div style="display: flex; justify-content: space-between; margin-bottom: 5px;"> <span>1</span> <span>2</span> <span>3</span> <span>4</span> </div> Belt, Drive .....	1

11

G

11

G

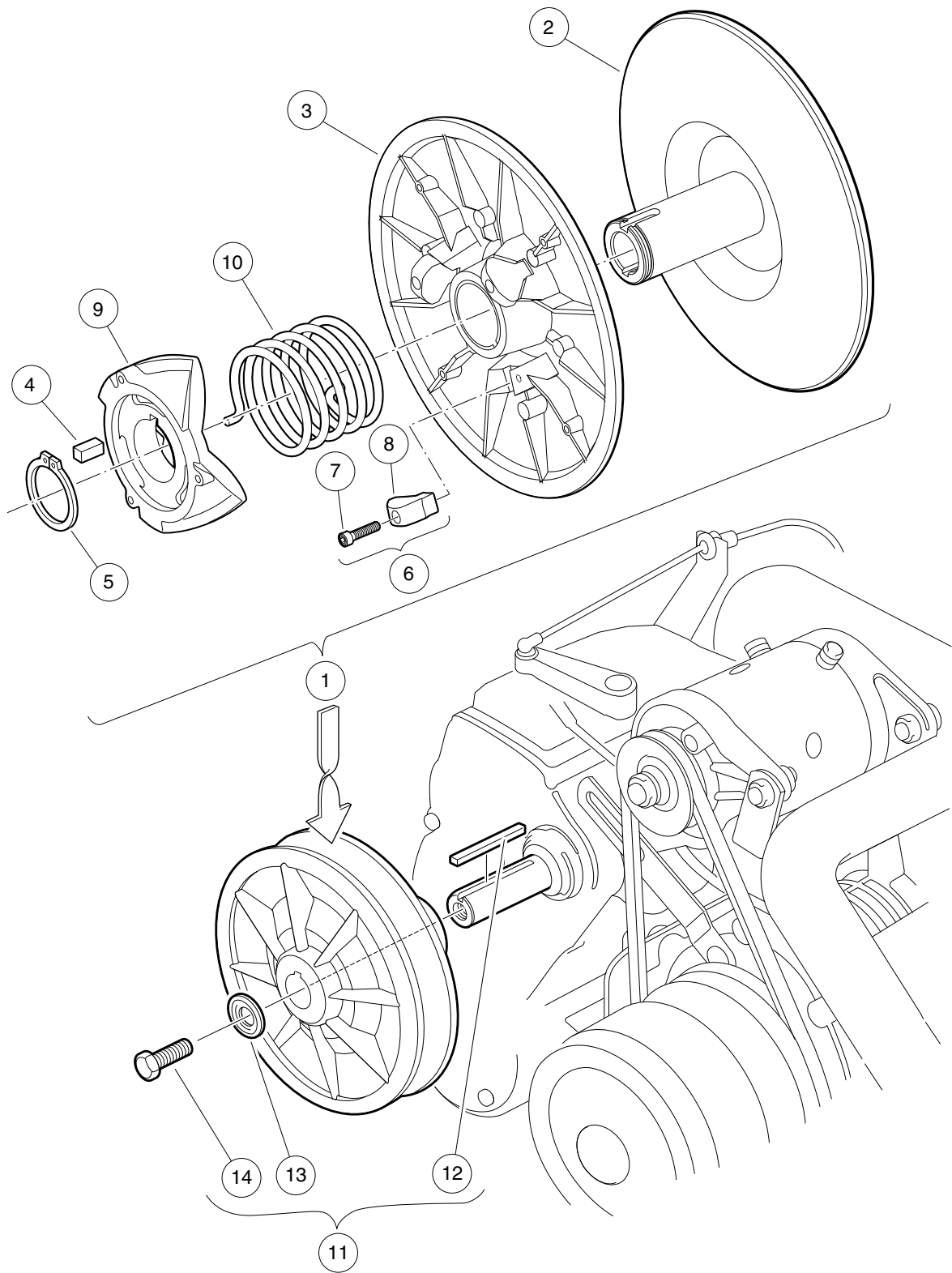


000918-001

# DRIVE BELT

ITEM	PART NO.	DESCRIPTION	QTY
1	<u>1017188</u>	1 2 3 4 Belt, Drive (FE350) .....	1

**11**  
**G**



000219-001

# DRIVEN CLUTCH

ITEM	PART NO.	DESCRIPTION	QTY
		<b>1 2 3 4</b>	
1	<u>101834001</u>	Assembly, Driven Clutch (includes items 2 through 10) .....	1
2	<u>1014070</u>	Fixed Face Assy, Driven Clutch .....	1
3	<u>1014072</u>	Movable-Face Assembly with Bushing .....	1
4	<u>1014078</u>	Key, Driven Clutch .....	1
5	<u>1014080</u>	Ring, Retaining .....	1
6	<u>1014454</u>	Kit, Driven Clutch Button (includes items 7 and 8) .....	1
7	<u>1012836</u>	Screw, #8-32 X 3/4, Socket-Head Cap .....	3
8	N/A	Button, Drive .....	3
9	<u>1017686</u>	Cam, Driven Clutch .....	1
10	<u>101836201</u>	Spring, Driven Clutch, Reversed .....	1
11	<u>AM10419</u>	Kit, Clutch Repair (includes items 12 through 14) .....	1
12	<u>101833401</u>	Key, 3/16 Sq X 1.50" .....	1
13	<u>102155801</u>	Washer, Driven Clutch .....	1
14	<u>102242101</u>	Screw, 5/16-18 X 3/4 Hex-Head with Patch .....	1

**11**  
**G**

11

G

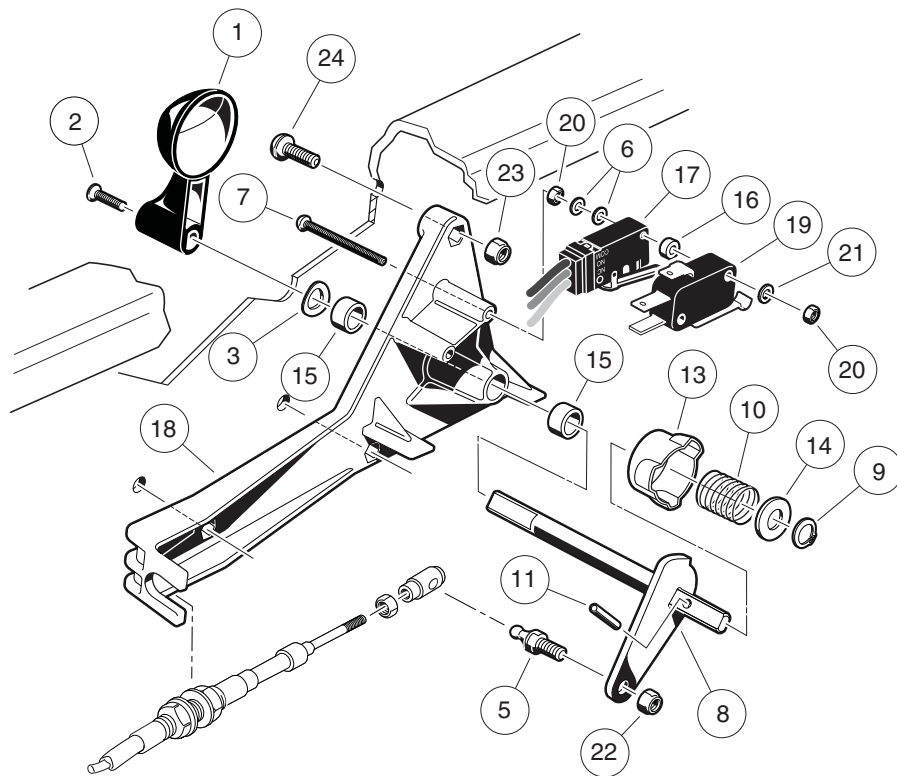


# TRANSAXLE AND FNR SHIFTER- GASOLINE VEHICLE

---

12

G

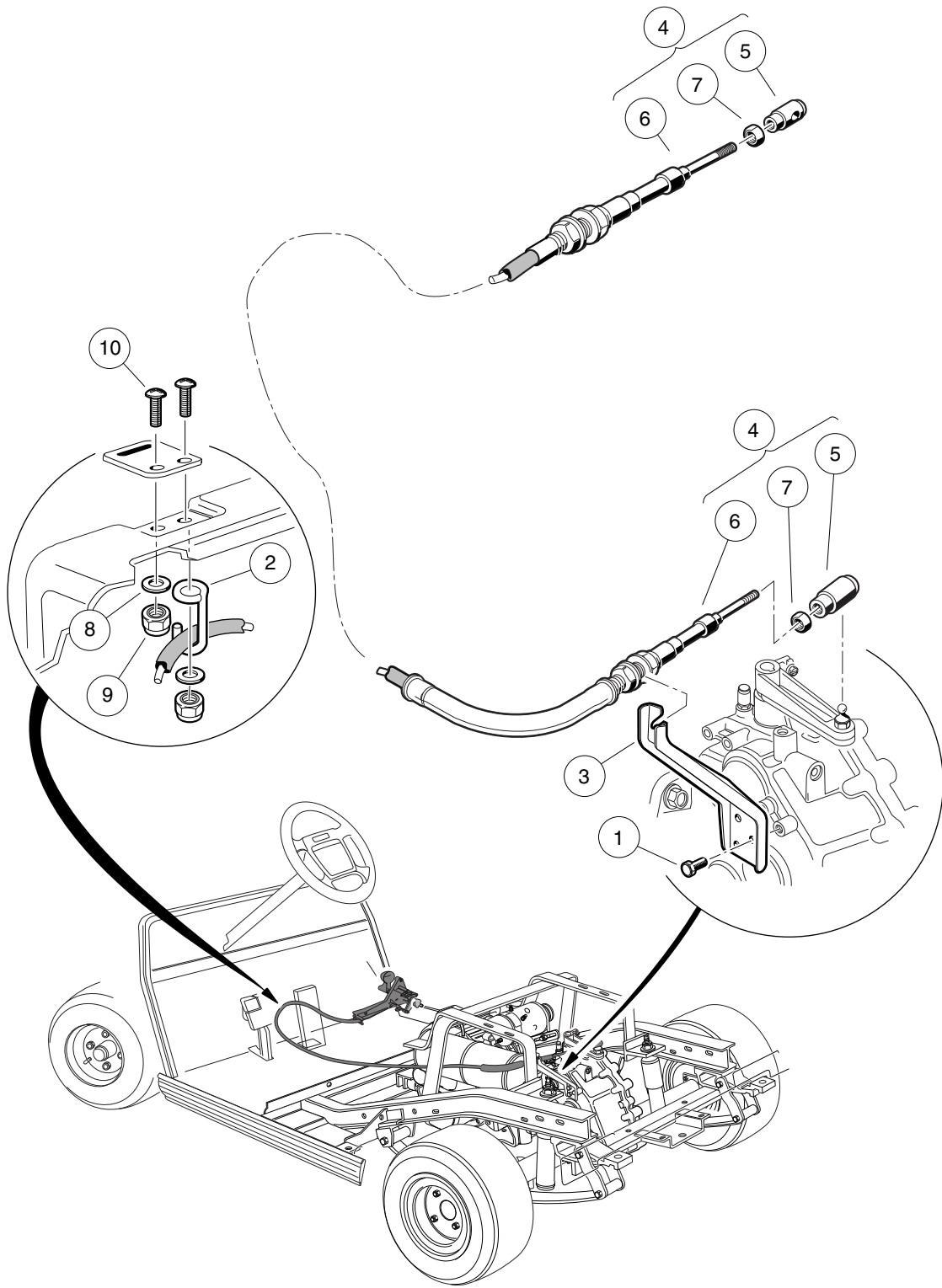


000236-002

# FORWARD/REVERSE SHIFTER ASSEMBLY – GASOLINE-VEHICLES

**12**  
**G**

ITEM	PART NO.	DESCRIPTION	QTY
		1 2 3 4	
1	<u>1012987</u>	Handle, FNR .....	1
2	<u>1015064</u>	Screw, #8-32 X 0.63 Machine .....	1
3	<u>1016201</u>	Washer, Wave .....	1
4	<u>1016947</u>	Assembly, FNR Shifter (includes items 5 through 22) .....	1
5	<u>1010954</u>	Stud, Ball, 1/4-28 X 0.560 .....	1
6	<u>1012431</u>	Washer, #4 Flat .....	4
7	<u>1012594</u>	Screw, #4-40 Machine .....	2
8	<u>1013587</u>	FNR Bell Crank Weldment .....	1
9	<u>1013589</u>	Ring, Retaining, 0.338" Internal .....	1
10	<u>1013590</u>	Spring, FNR Cam .....	1
11	<u>1013591</u>	Pin, Roll, 1/8 X 1/2 .....	1
12	<u>1014089</u>	Neutral Lockout Cam Kit (includes items 13 and 14) .....	1
13	N/A	Cam, Neutral Lockout .....	1
14	<u>1014065</u>	Washer, Flat, 0.38" ID, Delrin .....	1
15	<u>1014145</u>	Bushing, Secondary Weight, Split .....	2
16	<u>1014727</u>	Washer, Flat, #4, Nylon .....	2
17	<u>1014807</u>	Switch, Limit .....	1
18	<u>1016342</u>	FNR Shifter Base .....	1
19	<u>101979101</u>	Switch, Limit, Assembly, Sealed .....	1
20	<u>8057</u>	Nut, #4-40 Hex Machine .....	4
21	<u>8058</u>	Lockwasher, #4 Split .....	2
22	<u>8717</u>	Locknut, Nylon Insert, 1/4-28 .....	1
23	<u>8233</u>	Locknut, 1/4-20, Nylon Insert .....	4
24	<u>8248</u>	Screw, 1/4-20 X 0.75, Truss-Head Machine .....	4



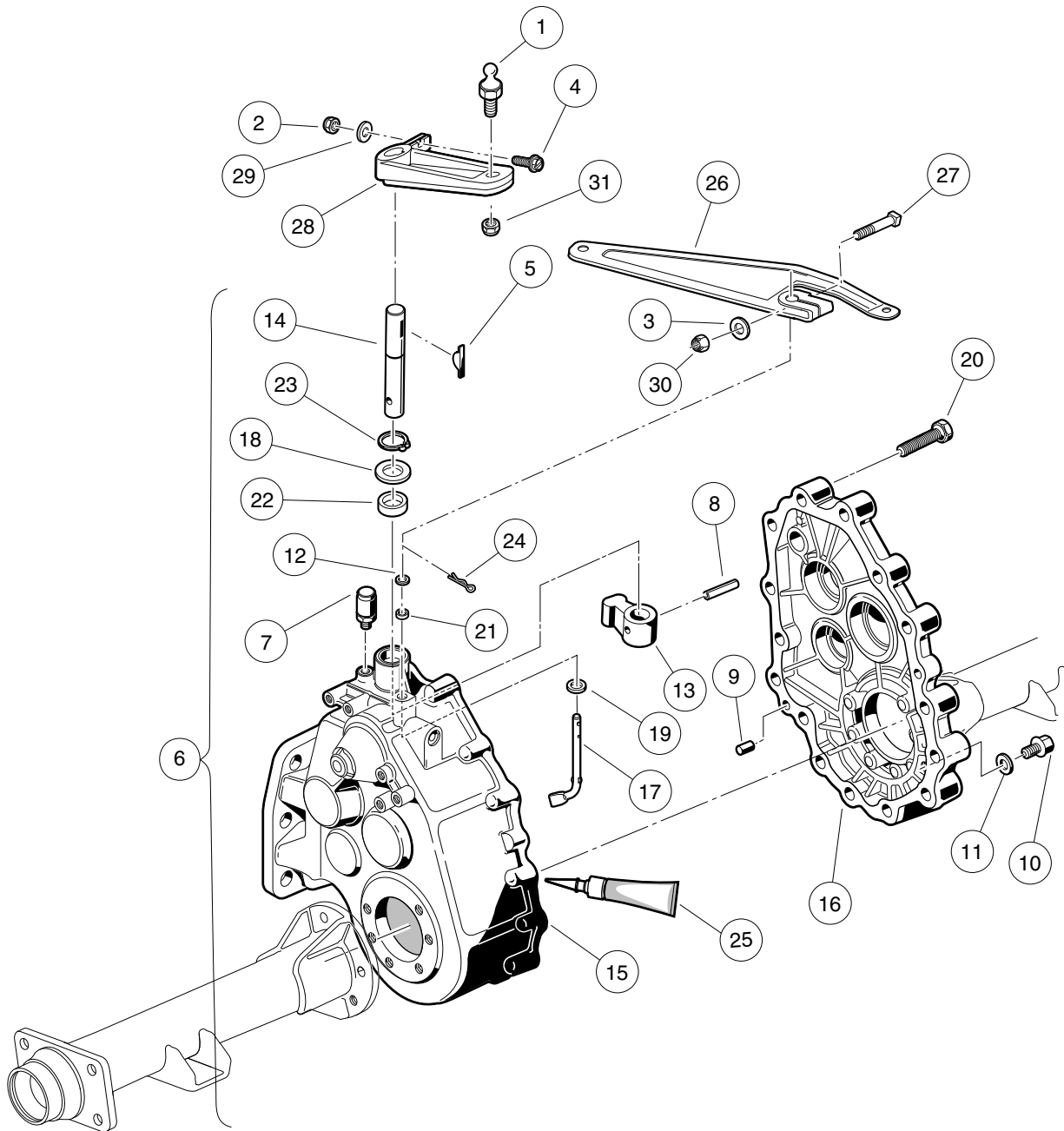
000248-001

# FORWARD/REVERSE SHIFTER CABLE – GASOLINE VEHICLES

ITEM	PART NO.	DESCRIPTION	QTY
		1 2 3 4	
1	<u>1012285</u>	Screw, 1/4 X 0.625 Hex-Head .....	3
2	<u>101855801</u>	Cable Retainer .....	1
3	<u>101922601</u>	Bracket, Shifter .....	1
4	<u>101951501</u>	FNR Shifter Cable (includes items 5 through 7) .....	1
5	<u>1012333</u>	Joint, #10-32 Ball .....	2
6	<u>103379501</u>	Cable, Transmission Shifter Ds .....	1
7	<u>7893</u>	Nut, #10-32 Hex .....	2
8	<u>332</u>	Washer, 1/4 Type A Narrow Flat .....	4
9	<u>8233</u>	Locknut, 1/4-20, Nylon Insert .....	4
10	<u>8251</u>	Screw, 1/4-20 X 1.0 Truss-Head Machine .....	4

12

G



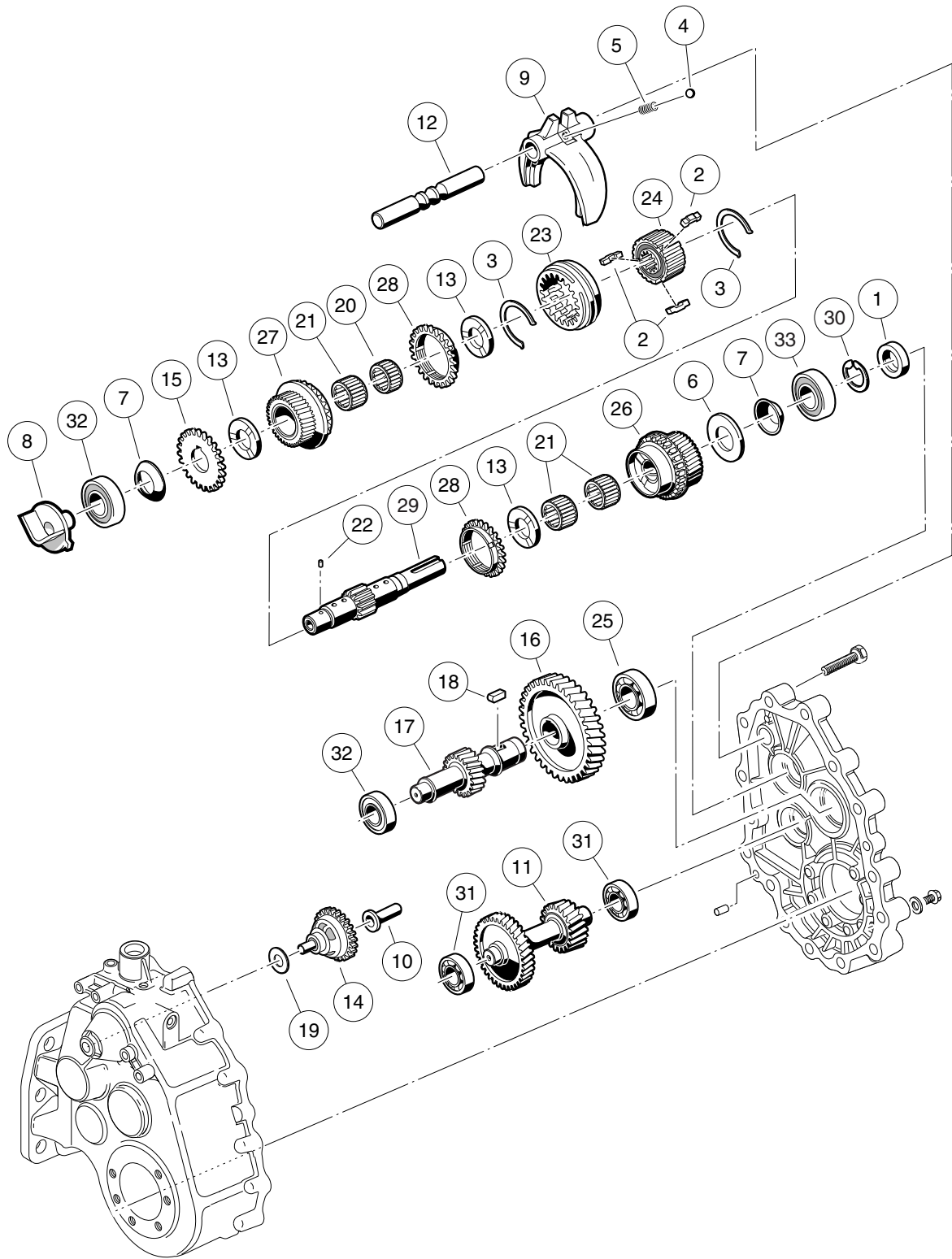
000220-005

# KAWASAKI TRANSAXLE – GEAR CASES AND BRACKETS

12

G

ITEM	PART NO.	DESCRIPTION	QTY
		1 2 3 4	
1	<u>1010954</u>	Stud, Ball, 1/4-28 X 0.560 .....	1
2	<u>1013061</u>	Locknut, #10-32 Nylon Insert .....	1
3	<u>1014007</u>	Washer, 1/4, Flat .....	1
4	<u>1017082</u>	Screw, #10-32 X 0.75, Hex-Head Machine .....	1
5	<u>1017231</u>	Key, Woodruff .....	1
6	<u>101833601</u>	Transaxle, 11.77 Ratio (includes items 7 through 25) .....	1
7	<u>1012711</u>	Breather .....	1
8	<u>1012752</u>	Roll Pin .....	1
9	<u>1012896</u>	Pin, Dowel .....	2
10	<u>1013760</u>	Fill Plug .....	2
11	<u>1016432</u>	Gasket, Drain Plug .....	1
12	<u>1016513</u>	Washer, M6 Flat .....	1
13	<u>101890101</u>	Lever, Drive Selector .....	1
14	<u>101890201</u>	Shaft, Drive Selector .....	1
15	<u>101890501</u>	Gear Case (driver side) .....	1
16	<u>101890601</u>	Gear Case (passenger side) .....	1
17	<u>101891301</u>	Arm Pivot .....	1
18	<u>101892901</u>	Washer .....	1
19	<u>101893801</u>	Washer .....	1
20	<u>101926901</u>	Screw, M8-1.25 X 40mm Hex-Head .....	15
21	<u>101927101</u>	Seal, Oil .....	1
22	<u>101927201</u>	Seal, Oil .....	1
23	<u>101927301</u>	Snap Ring .....	1
24	<u>101928601</u>	Pin, Cotter .....	1
25	<u>101928701</u>	Liquid Gasket (Transaxle case) .....	1
26	<u>101834801</u>	Arm, Governor .....	1
27	<u>101886101</u>	Screw, 1/4-20 X 1.00, Square-Head .....	1
28	<u>102515401</u>	Lever, Transmission Shift .....	1
29	<u>183</u>	Washer, #10, Type A, Flat .....	1
30	<u>8233</u>	Locknut, 1/4-20, Nylon Insert .....	1
31	<u>8717</u>	Locknut, Nylon Insert, 1/4-28 .....	1
<p>Note: Kawasaki transaxle component listings span three pages. To identify your transaxle, locate the serial number decal on the axle tube.</p>			



000221-001



# KAWASAKI TRANSAXLE – F&R TRANSMISSION AND GEAR REDUCTION

12

G

ITEM	PART NO.	DESCRIPTION	QTY
		1 2 3 4	
1	<u>1012714</u>	Oil Seal .....	1
2	<u>1012740</u>	Synchro Insert .....	3
3	<u>1012741</u>	Synchro Spring .....	2
4	<u>1012747</u>	Shifter Ball .....	1
5	<u>1012748</u>	Shifter Spring .....	1
6	<u>1016337</u>	Washer, Thrust .....	1
7	<u>1016338</u>	Washer, Spring .....	2
8	<u>101889401</u>	Guide .....	1
9	<u>101890001</u>	Fork - Shift .....	1
10	<u>101891601</u>	Sleeve, Governor .....	1
11	<u>101891901</u>	Gear, Cluster .....	1
12	<u>101892001</u>	Rod, Shift .....	1
13	<u>101892201</u>	Plate, Thrust .....	3
14	<u>101892301</u>	Governor Assembly .....	1
15	<u>101892401</u>	Gear, Spur .....	1
16	<u>101892501</u>	Gear, Helical (61 Tooth) .....	1
17	<u>101892601</u>	Gear, Helical (17 Tooth) .....	1
18	<u>101893201</u>	Key Sunk .....	1
19	<u>101893901</u>	Washer .....	1
20	<u>101927501</u>	Needle Bearing .....	1
21	<u>101927601</u>	Needle Bearing .....	3
22	<u>101927701</u>	Pin, .116" Dia X 0.264 Dowel .....	1
23	<u>101927901</u>	Sleeve, Synchro .....	1
24	<u>101928001</u>	Hub, Synchro Clutch .....	1
25	<u>101928101</u>	Bearing, Ball .....	1
26	<u>101980801</u>	Gear Assembly, 16-Degree Synchro (25 Tooth) .....	1
27	<u>101980901</u>	Gear Assembly, 16-Degree Rear Synchro (28 Tooth) .....	1
28	<u>101981001</u>	Ring, 16-Degree Synchronizer .....	2
29	<u>102453001</u>	Shaft, Trans, with Circlip .....	1
30	<u>102453101</u>	Circlip .....	1
31	<u>7335</u>	Bearing .....	2
32	<u>AM10080</u>	Bearing, Ball, Sealed .....	2
33	<u>AM10081</u>	Bearing, Ball, Sealed .....	1
Note: To identify your transaxle, locate the serial number decal on the axle			



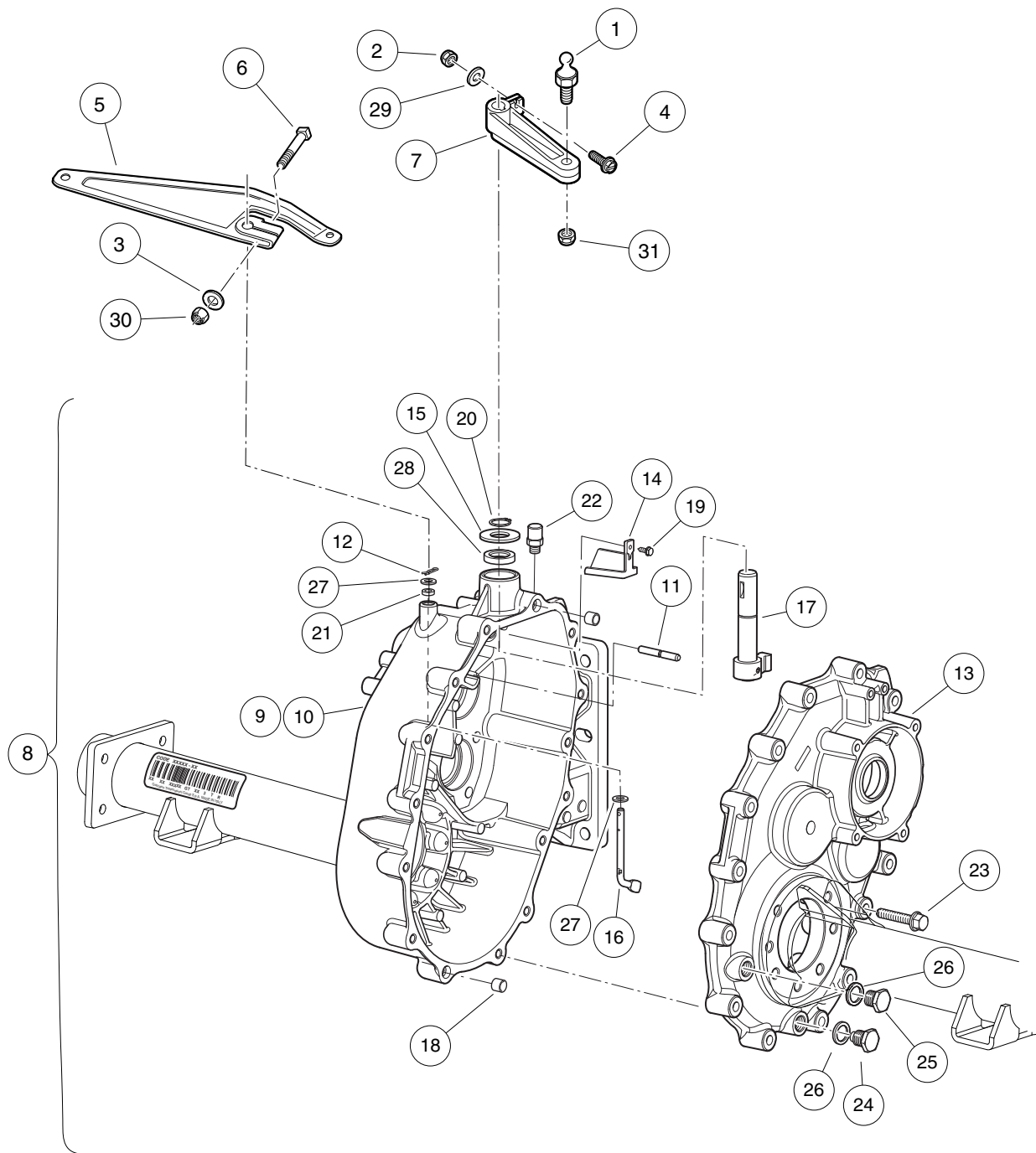
# KAWASAKI TRANSAXLE – DIFFERENTIAL AND AXLES

ITEM	PART NO.	DESCRIPTION	QTY
		1 2 3 4	
1	<u>1013770</u>	Differential Idler Gear .....	2
2	<u>1013771</u>	Gear, Differential .....	2
3	<u>1013772</u>	Pin, Differential .....	1
4	<u>1013794</u>	Axle Shaft Oil Seal .....	2
5	N/A	Dowel Pin .....	1
6	<u>101890901</u>	Axle Tube (Passenger Side) .....	1
7	<u>101891001</u>	Axle Tube (Driver Side) .....	1
8	<u>101891401</u>	Axle Assembly, Passenger Side (includes items 9 through 13) .....	1
9	<u>1011291</u>	Outer Axle, Tube Bearing .....	1
10	<u>1013787</u>	Lug Stud .....	4
11	<u>1013792</u>	Circlip Type C .....	1
12	<u>1014207</u>	Bushing .....	1
13	<u>1016672</u>	Retaining Ring .....	1
14	<u>101891501</u>	Axle Assembly, Driver-Side (includes items 15 through 19) .....	1
15	<u>1011291</u>	Outer Axle, Tube Bearing .....	1
16	<u>1013787</u>	Lug Stud .....	4
17	<u>1013792</u>	Circlip Type C .....	1
18	<u>1014207</u>	Bushing .....	1
19	<u>1016672</u>	Retaining Ring .....	1
20	<u>101892701</u>	Gear, Helical .....	1
21	<u>101910501</u>	Kit, Differential Gear Case (includes items 22 through 25) .....	1
22	<u>1013768</u>	Differential Gear Case, Left-Hand .....	1
23	<u>1013769</u>	Differential Gear Case, Right-Hand .....	1
24	<u>1013773</u>	Plate, Thrust (Differential Gear) .....	1
25	<u>1013774</u>	Plate, Thrust (Idler Gear) .....	2
26	<u>101928301</u>	Screw, M8-1.25 X 35mm Hex Head .....	8
27	<u>102031901</u>	Bolt, M10 X 1.5 X 30mm .....	14
28	<u>7330</u>	Inner Axle Tube Bearing .....	2
Note: To identify your transaxle, locate the serial number decal on the axle			

12

G

**12**  
**G**



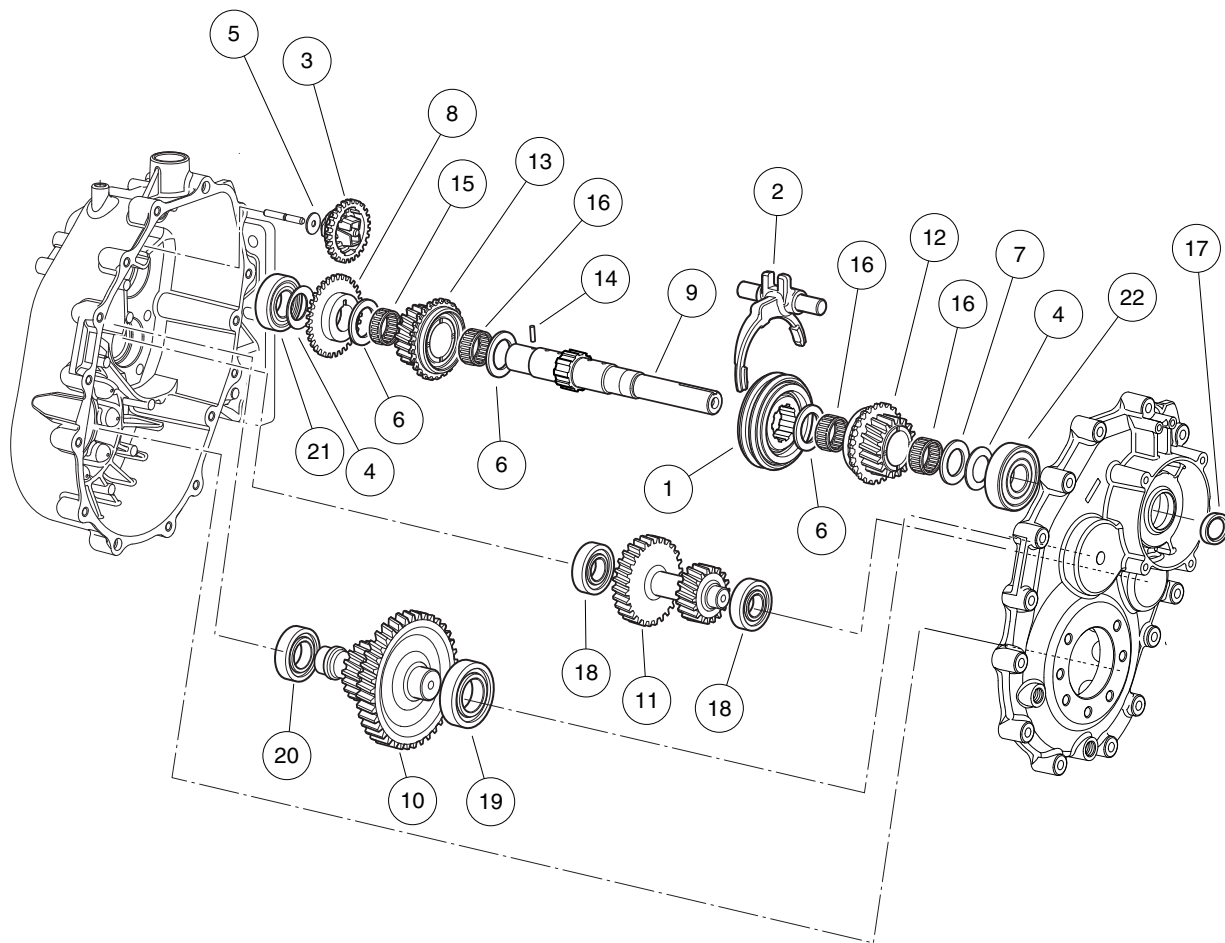
000680-009

## GRAZIANO TRANSAXLE – GEAR CASES AND LEVERS

ITEM	PART NO.	DESCRIPTION	QTY
		1 2 3 4	
1	<u>1010954</u>	Stud, Ball, 1/4-28 X 0.560 .....	1
2	<u>1013061</u>	Locknut, #10-32 Nylon Insert .....	1
3	<u>1014007</u>	Washer, 1/4, Flat .....	1
4	<u>1017082</u>	Screw, #10-32 X 0.75, Hex-Head Machine .....	1
5	<u>101834801</u>	Arm, Governor .....	1
6	<u>101886101</u>	Screw, 1/4-20 X 1.00, Square-Head .....	1
7	<u>102515401</u>	Lever, Transmission Shift .....	1
8	<u>102896801</u>	Transaxle, Unitized, Graziano (includes items 9 through 28) .....	1
9	<u>102896901</u>	Gear Box (Driver-Side) (includes items 10 and 11) .....	1
10	N/A	Gear Box .....	1
11	N/A	Pin, Speed Governor .....	1
12	<u>102897401</u>	Pin, Split .....	1
13	<u>102897501</u>	Cover, Gear Box (Passenger-Side) .....	1
14	<u>102897601</u>	Conveyor, Oil .....	1
15	<u>102897801</u>	Washer, Thrust .....	1
16	<u>102897901</u>	Lever, Speed Governor .....	1
17	<u>102898201</u>	Unit, Drive Selector .....	1
18	<u>102899101</u>	Dowel .....	2
19	<u>102899201</u>	Screw .....	1
20	<u>102899401</u>	Ring, Snap .....	1
21	<u>102899701</u>	Grommet .....	1
22	<u>102899801</u>	Breather .....	1
23	<u>102900001</u>	Screw .....	15
24	<u>102900101</u>	Drain Plug, Magnetic .....	1
25	<u>102900201</u>	Fill Plug .....	1
26	<u>102900301</u>	Seal .....	2
27	<u>102900601</u>	Washer .....	2
28	<u>102900901</u>	Grommet .....	1
29	<u>183</u>	Washer, #10, Type A, Flat .....	1
30	<u>8233</u>	Locknut, 1/4-20, Nylon Insert .....	1
31	<u>8717</u>	Locknut, Nylon Insert, 1/4-28 .....	1
		<p>Note: Graziano transaxle component listings span three pages. To identify your transaxle, locate the serial number decal on the axle tube.</p>	

12

G



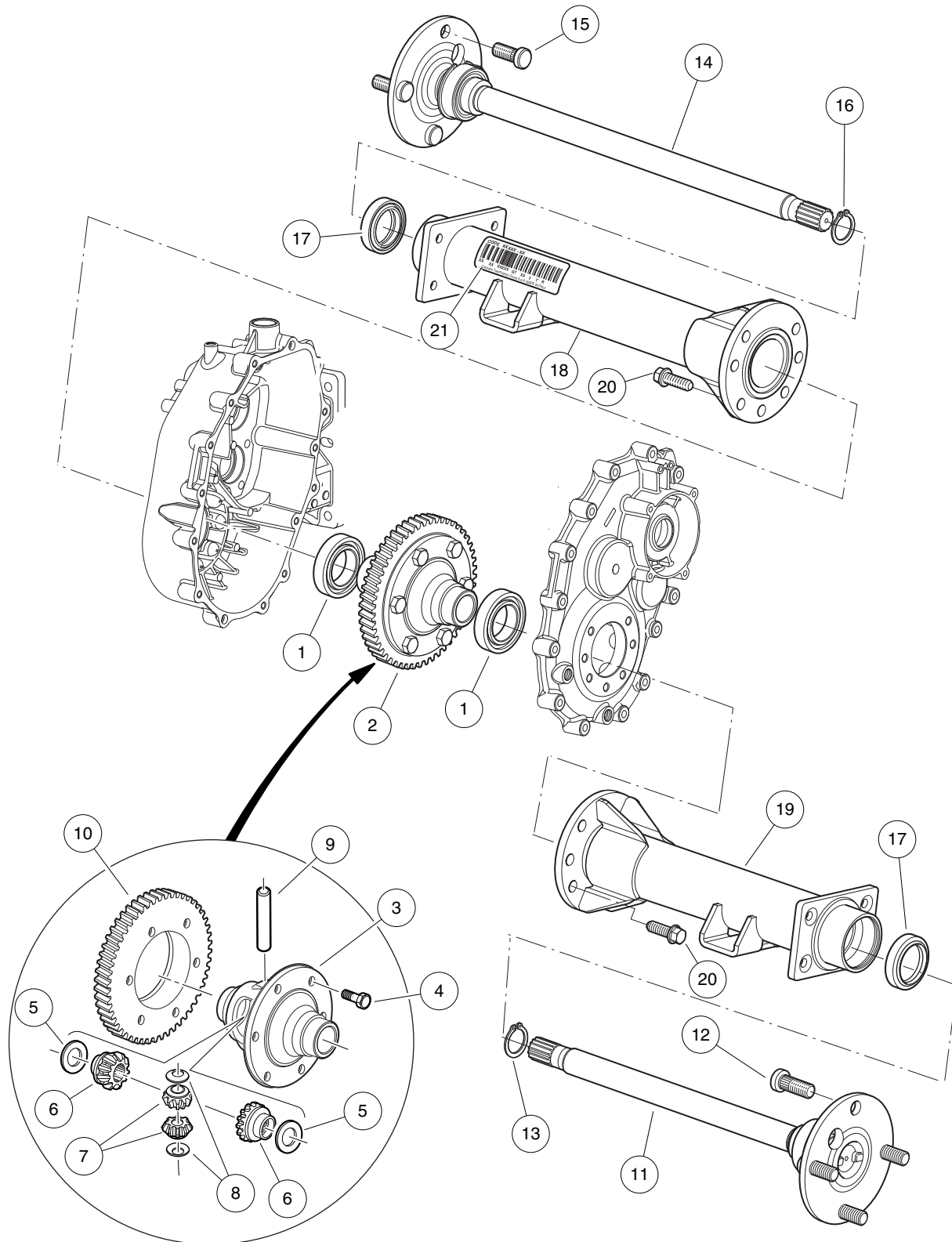
000680-006

# GRAZIANO TRANSAXLE – F&R TRANSMISSION AND GEAR REDUCTION

12

G

ITEM	PART NO.	DESCRIPTION	QTY
		1 2 3 4	
1	<u>102897201</u>	Synchronizer, Complete .....	1
2	<u>102897301</u>	Fork, Complete .....	1
3	<u>102897701</u>	Assembly, Speed Governor .....	1
4	<u>102898001</u>	Washer, Belleville .....	2
5	<u>102898101</u>	Bearing, Thrust .....	1
6	<u>102898301</u>	Bearing, Thrust .....	3
7	<u>102898401</u>	Washer, Thrust .....	1
8	<u>102898501</u>	Gear, Speed Governor .....	1
9	<u>102898601</u>	Shaft, Main .....	1
10	<u>102898701</u>	Shaft, Secondary .....	1
11	<u>102898801</u>	Shaft, Reverse Gear .....	1
12	<u>102898901</u>	Gear, Complete, 25t .....	1
13	<u>102899001</u>	Gear, Complete, 28t .....	1
14	<u>102899301</u>	Pin .....	1
15	<u>102899501</u>	Cage, Roller .....	1
16	<u>102899601</u>	Cage, Roller .....	3
17	<u>102899901</u>	Grommet .....	1
18	<u>102900401</u>	Bearing .....	2
19	<u>102900501</u>	Bearing, 62 Od X 30 Id X 16 .....	1
20	<u>102900701</u>	Bearing .....	1
21	<u>102901001</u>	Bearing .....	1
22	<u>102901101</u>	Bearing .....	1
		Note: To identify your transaxle, locate the serial number decal on the axle tube.	



000681-002

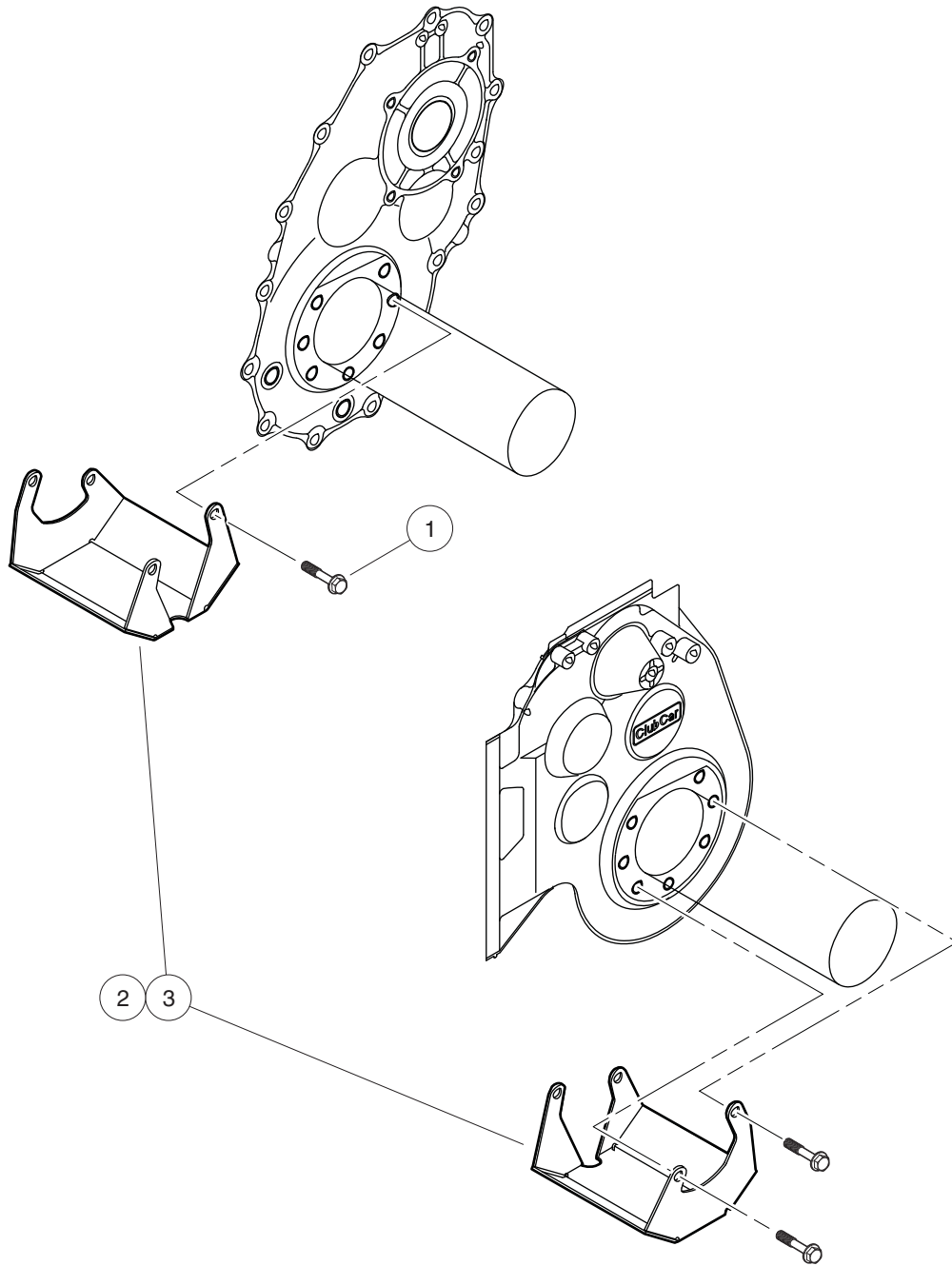


# GRAZIANO TRANSAXLE -DIFFERENTIAL AND AXLES

ITEM	PART NO.	DESCRIPTION	QTY
		1 2 3 4	
1	<u>102900801</u>	Bearing, 68 Od X 40 Id X 15 .....	2
2	<u>102902001</u>	Assembly, Differential (includes items 3 through 10) .....	1
3	<u>102901201</u>	Box, Differential .....	1
4	<u>102901301</u>	Screw, M10 X 25 .....	6
5	<u>102901401</u>	Ring, Sleeve .....	2
6	<u>102901501</u>	Gear, Sun .....	2
7	<u>102901601</u>	Gear, Planetary .....	2
8	<u>102901701</u>	Ring, Sleeve .....	2
9	<u>102901801</u>	Pin .....	1
10	<u>102901901</u>	Gear .....	1
11	<u>102902101</u>	Shaft, Axle, Short, Complete (Passenger-Side) (includes items 12 and 13) .....	1
12	<u>102902301</u>	Bolt, Stud .....	4
13	<u>102902401</u>	Snap Ring .....	1
14	<u>102902201</u>	Shaft, Axle, Long, Complete (Driver-Side) (includes items 15 and 16) .....	1
15	<u>102902301</u>	Bolt, Stud .....	4
16	<u>102902401</u>	Snap Ring .....	1
17	<u>102902501</u>	Seal, Lip .....	2
18	<u>102902601</u>	Axle Tube, (Driver-Side) .....	1
19	<u>102902701</u>	Axle Tube, (Passenger-Side) .....	1
20	<u>102902801</u>	Screw, M10 X 30 .....	14
21	N/A	Tag, Serial .....	1
<p>Note: To identify your transaxle, locate the serial number decal on the axle tube.</p>			

12

G



000366-001

## DIFFERENTIAL GUARD – GASOLINE VEHICLE

ITEM	PART NO.	DESCRIPTION	QTY
		1 2 3 4	
1	<u>101926901</u>	Screw, M8-1.25 X 40mm Hex-Head .....	4
2	<u>101932902</u>	Diff Guard Unitized Kit (Includes Instructions) (includes item 3) .....	1
3	N/A	Guard, Unitized Differential .....	1

12

G

12

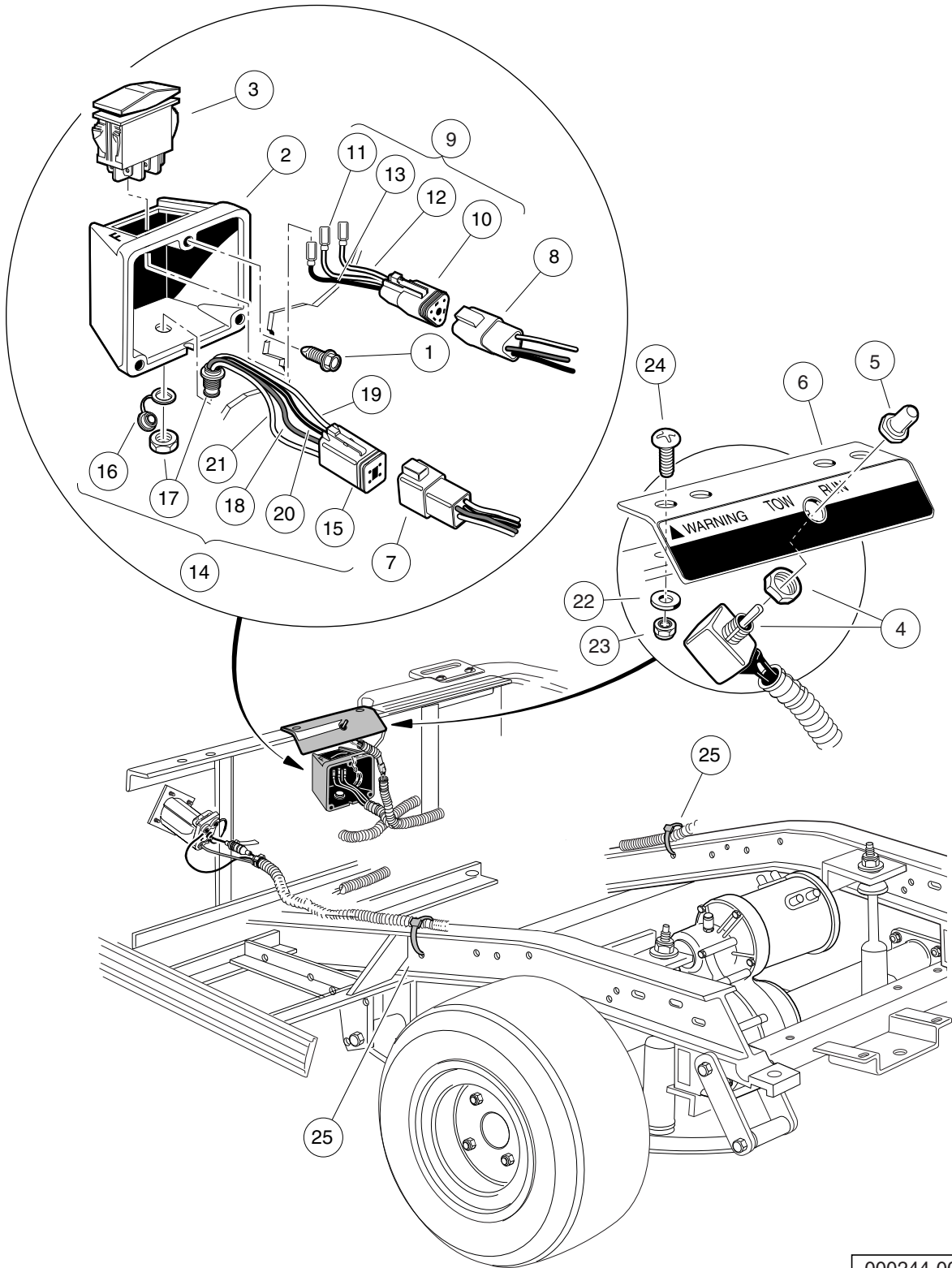
G

# ELECTRICAL SYSTEM – ELECTRIC VEHICLES

---

13

*E*



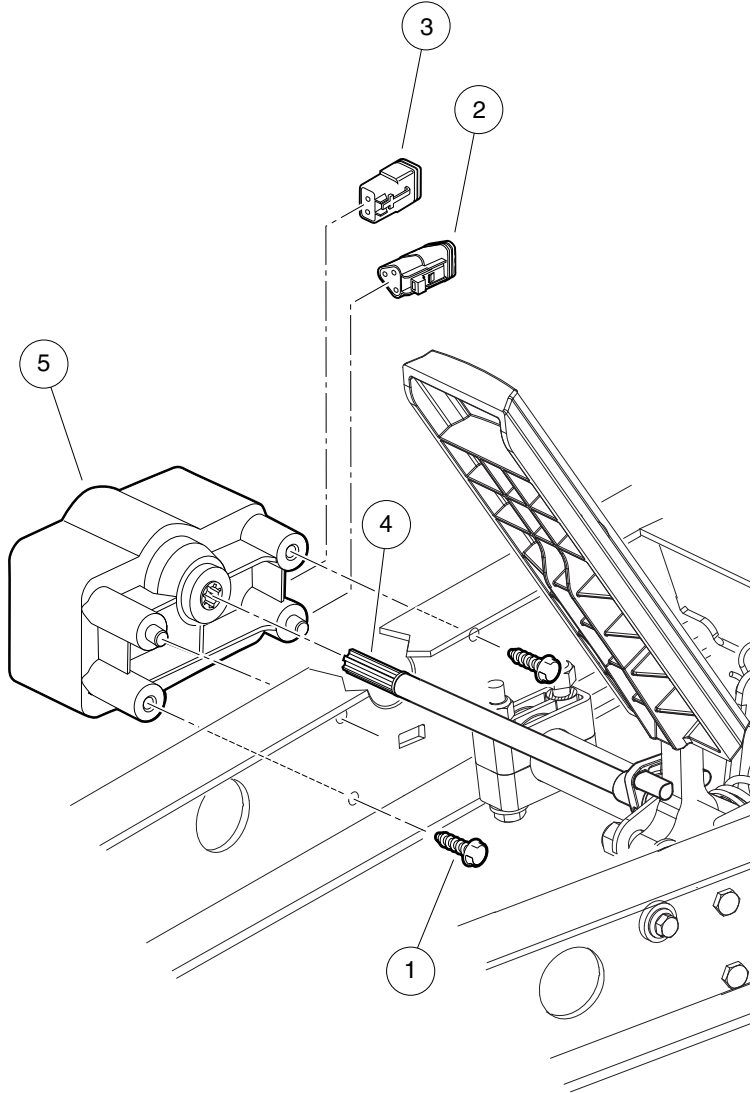
000244-001

## FORWARD/REVERSE SWITCH, TOW/RUN SWITCH

ITEM	PART NO.	DESCRIPTION	QTY
		1 2 3 4	
1	<u>1012285</u>	Screw, 1/4 X 0.625 Hex-Head .....	3
2	101855002	Case, FNR Switch .....	1
3	<u>101856002</u>	Switch, Rocker, Single-Pole .....	1
4	<u>101908101</u>	Switch Assembly, Tow/Run .....	1
5	<u>101908401</u>	Boot, Switch .....	1
6	<u>101922501</u>	Bracket, Tow/Run Switch Mounting .....	1
7	<u>101932401</u>	Kit, 4-Pin Receptacle and Wedge Lock .....	1
8	<u>101942301</u>	Kit, 3-Pin Wedge Lock .....	1
9	<u>102266601</u>	Wire Assembly, FNR Switch (includes items 10 through 13) .....	1
10	<u>101920101</u>	Kit, 3-Pin Wedge Lock .....	1
11	N/A	Wire Assembly, #18 Blue .....	1
12	N/A	Wire Assembly, #18 Orange .....	1
13	N/A	Wire Assembly, #18 Brown .....	1
14	102266701	Wire Assembly, IQDM Port (includes items 15 through 21) .....	1
15	<u>101932501</u>	Kit, 4-Pin Wedge Lock .....	1
16	<u>102196901</u>	Dust Cap .....	1
17	N/A	Connector Mount, Four-Pin .....	1
18	N/A	Wire Assembly, #18 Red/Yellow .....	1
19	N/A	Wire Assembly, #18 Black/Yellow .....	1
20	N/A	Wire Assembly, #18 Blue/Yellow .....	1
21	N/A	Wire Assembly, #18 Green/Yellow .....	1
22	<u>332</u>	Washer, 1/4 Type A Narrow Flat .....	2
23	<u>8233</u>	Locknut, 1/4-20, Nylon Insert .....	2
24	<u>8248</u>	Screw, 1/4-20 X 0.75, Truss-Head Machine .....	2
25	<u>8990</u>	Tie Wrap, 8" Nylon .....	1

13

E



001070-001



# MOTOR CONTROLLER OUTPUT REGULATOR (MCOR)

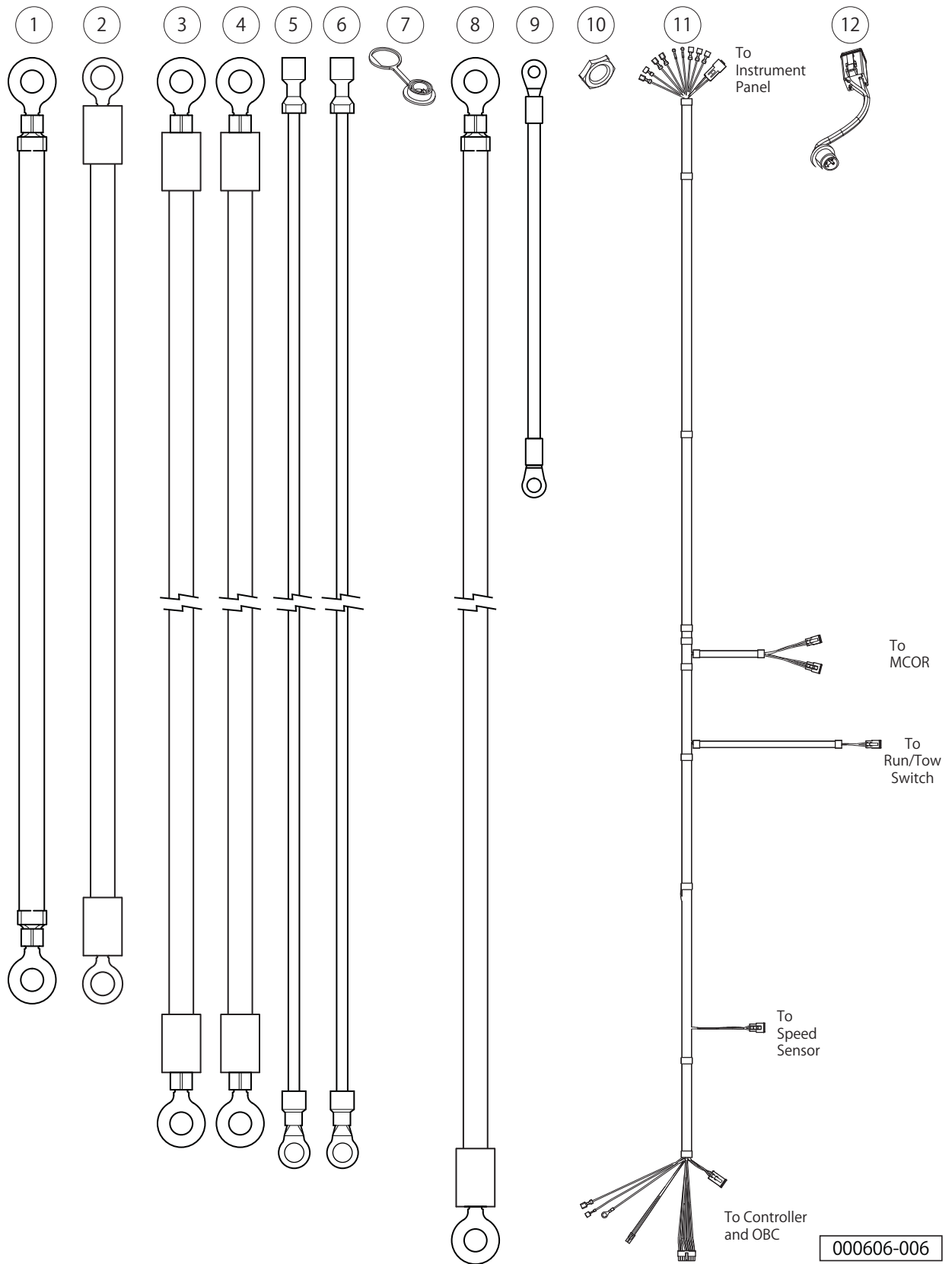
ITEM	PART NO.	DESCRIPTION	QTY
		1 2 3 4	
1	<u>1015752</u>	Screw, #12-16 X 0.625, Hi-Lo .....	2
2	<u>101920101</u>	Kit, 3-Pin Wedge Lock .....	1
3	<u>101936801</u>	Kit, 2-Pin Wedge Lock .....	1
4	102101001	Bar, Drive, Cast .....	1
5	<u>102101101</u>	MCOR .....	1

13

E

13

E



## WIRING – XRT800/810 ELECTRIC

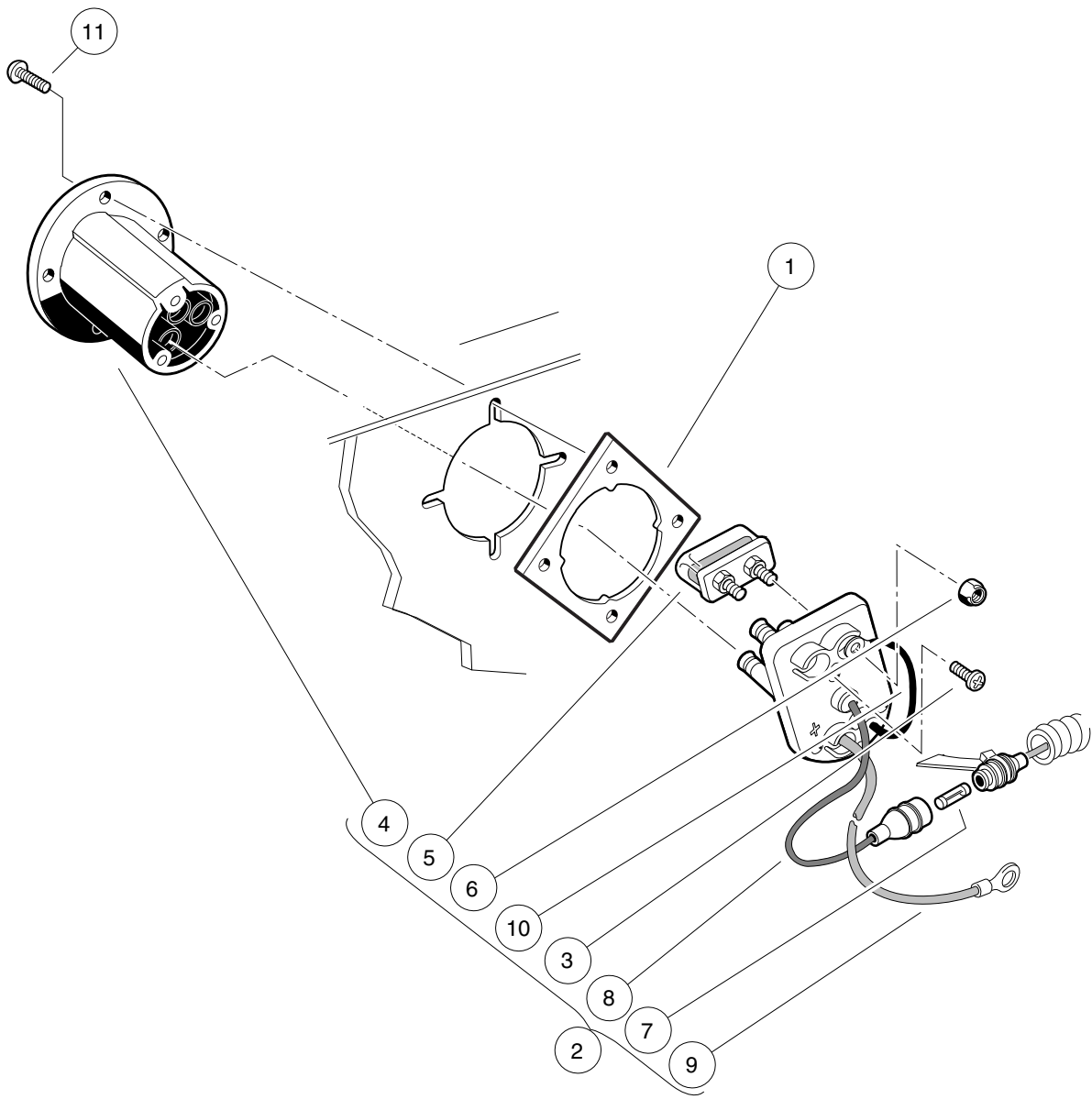
ITEM	PART NO.	DESCRIPTION	QTY
		1 2 3 4	
1	<u>101795701</u>	Asm, Wire, #6blk, 15 In .....	3
2	<u>101903001</u>	Wire Assembly #6 Yellow .....	1
3	<u>101968701</u>	Wire Assy, #6 White .....	1
4	<u>101978001</u>	Wire Assy, #6 Green .....	1
5	<u>101978101</u>	Asm, Wire, #10 Orange 5/16 .....	1
6	<u>101978201</u>	Asm, Wire, #10 Blue 5/16 .....	1
7	<u>102196901</u>	Dust Cap .....	1
8	<u>102199601</u>	Wire Asm, #6 Red, 37.7 .....	1
9	<u>102263601</u>	Wire Assy, #10 Black .....	1
10	<u>102572401</u>	Nut, Diagnostic Port .....	1
11	<u>102810501</u>	Wire Harness, Electric Vehicle .....	1
12	<u>103218601</u>	Harness, Diagnostic Port .....	1

13

E

13

E



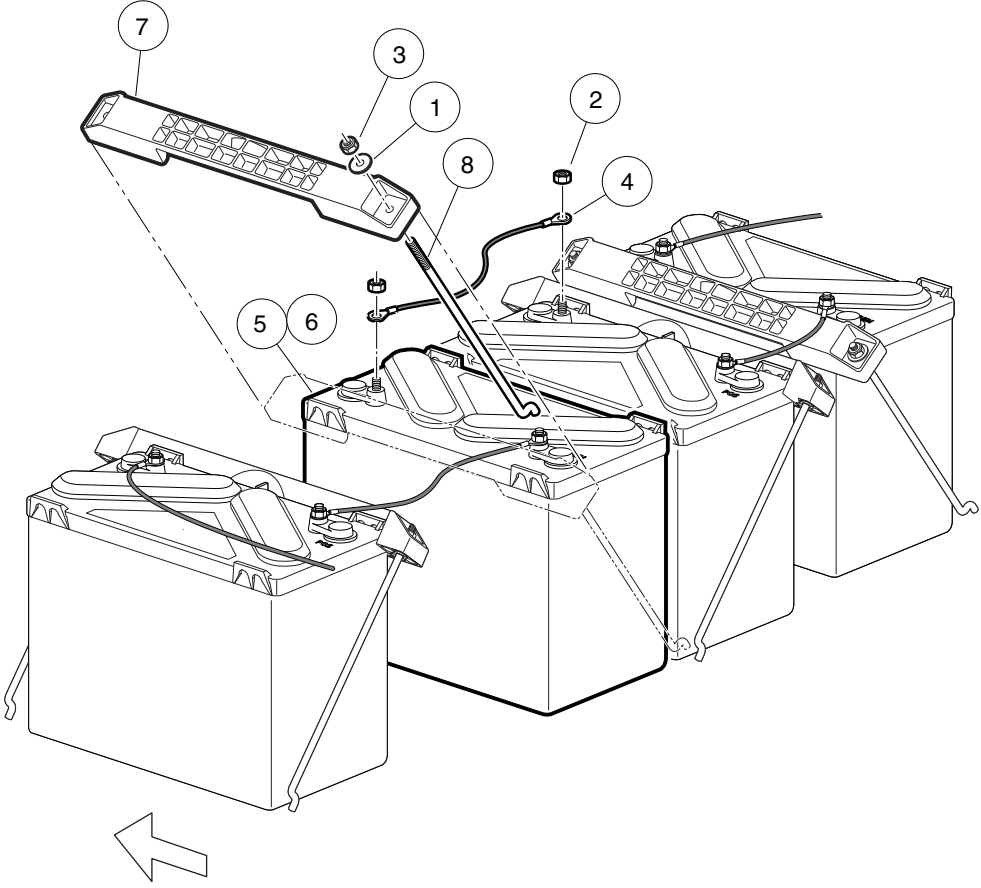
000369-001

# BATTERY CHARGER RECEPTACLE

ITEM	PART NO.	DESCRIPTION	QTY
		1 2 3 4	
1	<u>101801001</u>	Plate, Receptacle Backing .....	1
2	<u>101802101</u>	Fuse and Receptacle Assembly (includes items 3 through 10) .....	1
3	<u>1017705</u>	Screw, #8 X 5/8 Phillips Pan-Head Type AB .....	3
4	<u>101796501</u>	Receptacle .....	1
5	<u>101796801</u>	Fuse Assembly (includes item 6) .....	1
6	<u>1013061</u>	Locknut, #10-32 Nylon Insert .....	2
7	<u>101894901</u>	Fuse, 3/8-Amp .....	1
8	N/A	Wire Assembly, Sense Lead, Gray .....	1
9	N/A	Wire Assembly, #10 Red .....	1
10	N/A	Wire Assembly, #10 Black .....	1
11	<u>101832001</u>	Screw, #7-19 X 0.625 Phillips Pan-Head Tap .....	4

13

E



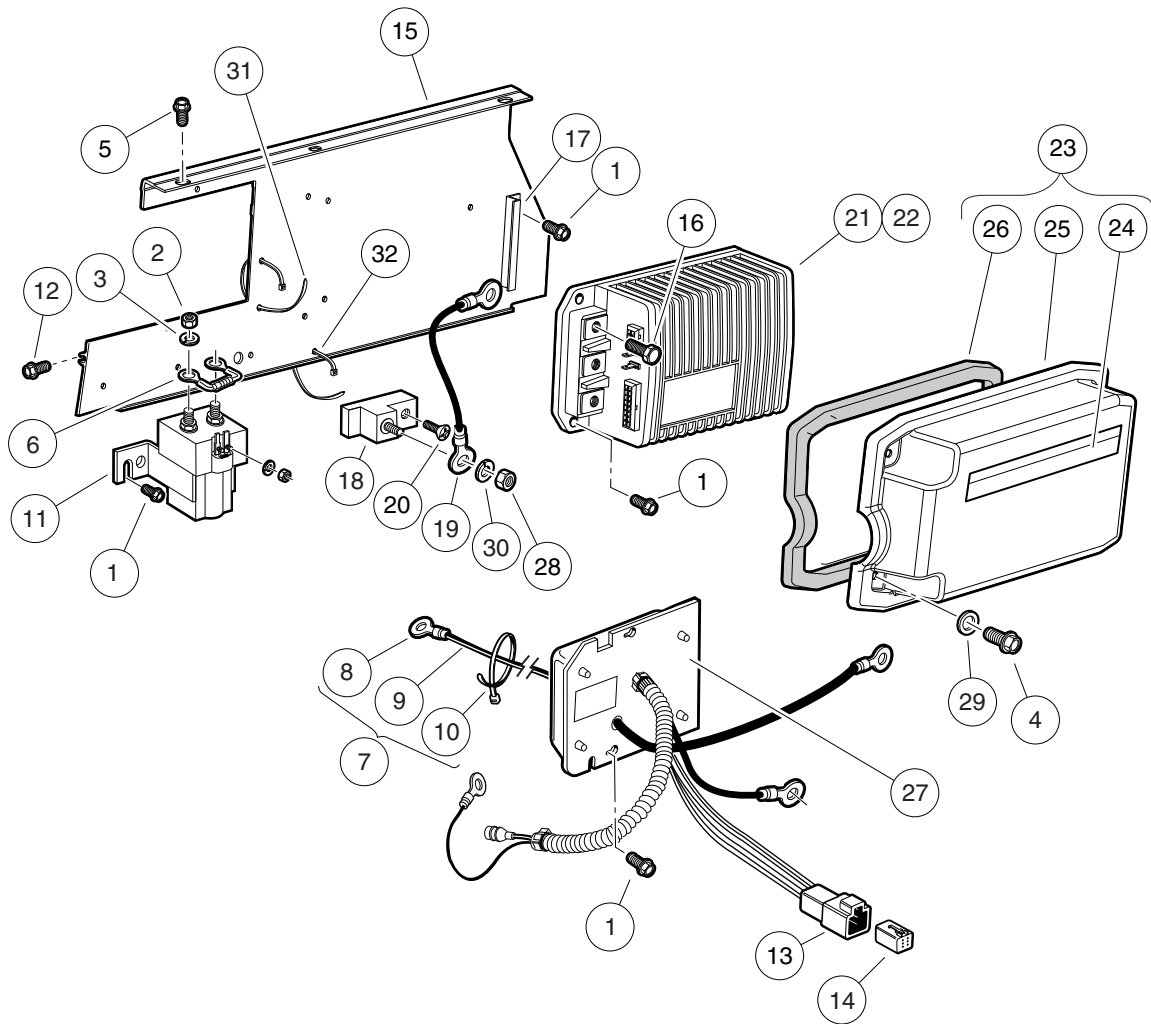
000241-002

# BATTERIES, ELECTRIC VEHICLE

ITEM	PART NO.	DESCRIPTION	QTY
		1 2 3 4	
1	<u>1011697</u>	Washer, 5/16 Flat .....	8
2	<u>1014304</u>	Nut, 5/16-18 Stainless-Steel Hex .....	8
3	1015072	Locknut, 5/16-18 Nylon Insert .....	8
4	<u>101795701</u>	Asm, Wire, #6blk 13in .....	3
5	<u>102511301</u>	Battery, Ventmaster 12-Volt (Wet) .....	4
6	<u>102511302</u>	Battery, Ventmaster 12-Volt (Dry, also known as moist) .....	4
7	<u>102777401</u>	Battery Hold-Down .....	4
8	<u>102832601</u>	Bolt, Battery, J- .....	8

**13**

**E**



000607-003



# COMPUTER, CONTROLLER, AND SOLENOID

ITEM	PART NO.	DESCRIPTION	QTY
		<b>1 2 3 4</b>	
1	<u>1012285</u>	Screw, 1/4 X 0.625 Hex-Head .....	14
2	<u>1012528</u>	Nut, M8-1.25 Hex .....	2
3	<u>1013734</u>	Lockwasher, 8mm Split .....	2
4	<u>1014063</u>	Screw, 1/4-20 X 1.00, Hex Head .....	2
5	<u>1014288</u>	Screw, 5/16-18 X 0.75, Thread-Forming .....	2
6	<u>1014947</u>	Resistor Assembly .....	1
7	101827801	Ground Wire Kit, 48-Volt (includes items 8 through 10) .....	1
8	101826801	Compression Lug .....	1
9	N/A	Wire Assembly, Black .....	1
10	<u>8990</u>	Tie Wrap, 8" Nylon .....	3
11	<u>101908703</u>	Solenoid, 48v W/ Diode .....	1
12	<u>101910401</u>	Screw, 5/16-18 X 1.25 Thrd Frm .....	2
13	<u>101932601</u>	Kit, 6-Pin Wedge Lock .....	1
14	<u>101932701</u>	Kit, 6-Pin Receptacle and Wedge Lock .....	1
15	<u>101965205</u>	Plate, Component Mounting .....	1
16	<u>102240501</u>	Bolt, Controller, Terminal .....	3
17	<u>102243101</u>	Extrusion, Cover Support .....	1
18	<u>102259801</u>	Terminal Block .....	1
19	<u>102263601</u>	Wire Assy, #10 Black .....	1
20	<u>102263701</u>	Screw, #10-24 X 0.75 Phillips, Thread-Forming .....	1
21	<u>102806201</u>	Controller, IQ, 48-volt .....	1
22	<u>102806203</u>	Controller, IQ, 48-volt, CE .....	1
23	<u>103316901</u>	Cover Asm - Controller (includes items 24 through 26) .....	1
24	<u>101931501</u>	Decal, Component Cover .....	1
25	<u>103316701</u>	Cover - Controller, Deep .....	1
26	<u>103316801</u>	Gasket - Controller Cover .....	1
27	103403101	Asm, Obc, Iq, V3.0 .....	1
28	<u>1242</u>	Nut, 5/16-18 Hex .....	1
29	<u>332</u>	Washer, 1/4 Type A Narrow Flat .....	2
30	<u>7174</u>	Lockwasher, 5/16 Split .....	1
31	<u>8639</u>	Tie Wrap, 11" Nylon .....	1
32	<u>8990</u>	Tie Wrap, 8" Nylon .....	1

**13**

**E**

13

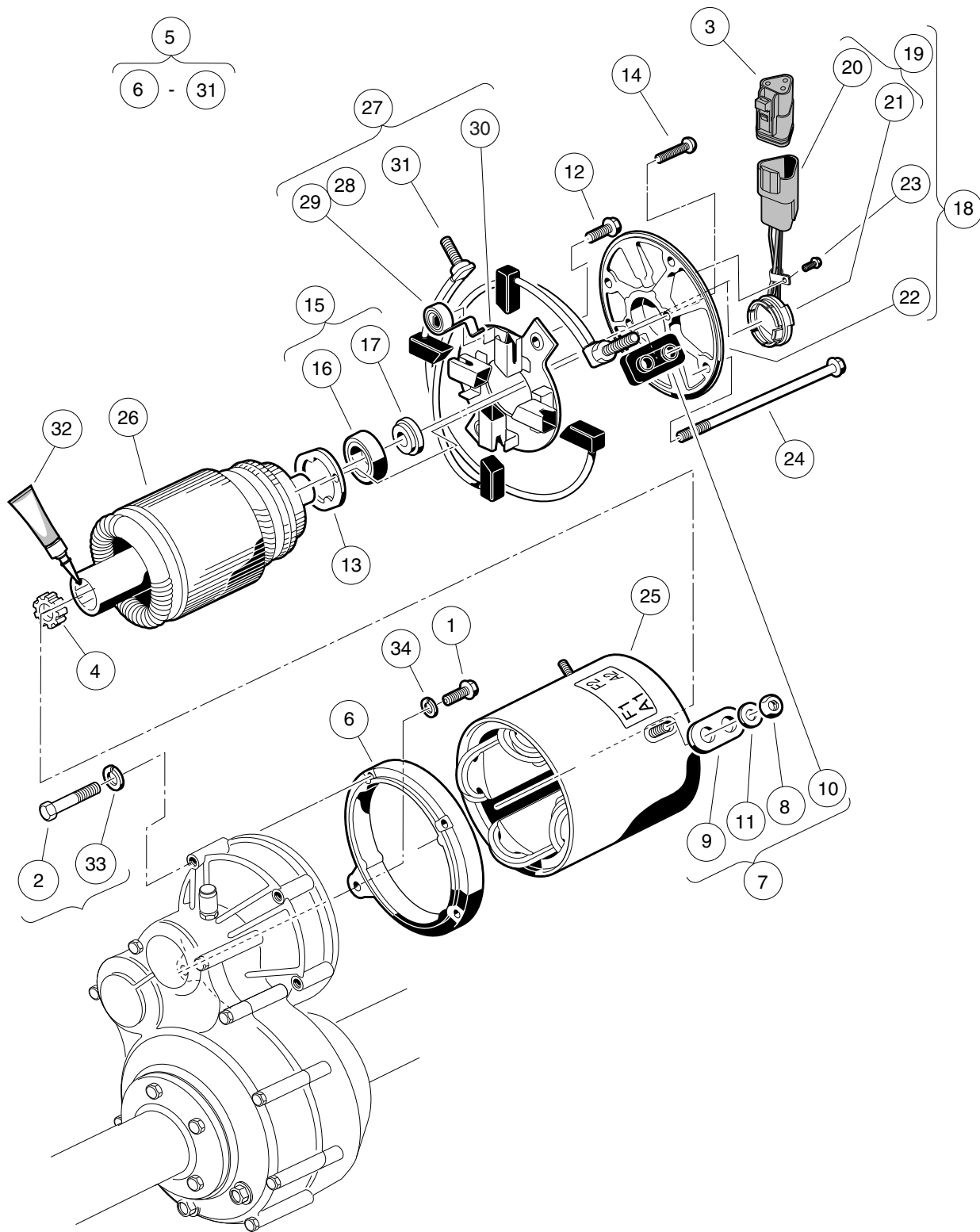
*E*

# ELECTRIC MOTOR

---

14

*E*



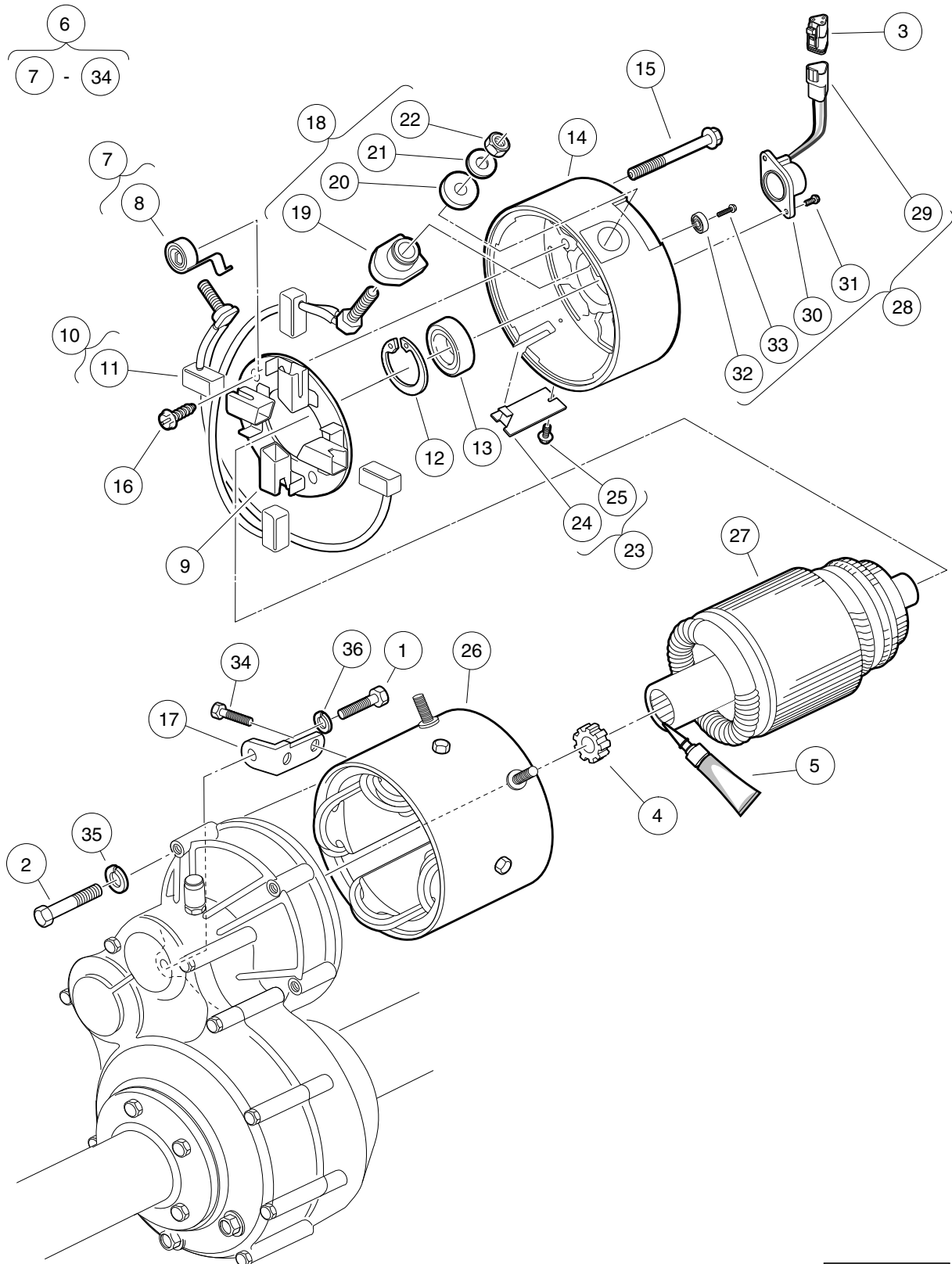
000349-002

# MOTOR (MODEL 5BC59JBS6390) – ELECTRIC VEHICLE

ITEM	PART NO.	DESCRIPTION	QTY
		1 2 3 4	
1	<u>1010934</u>	Screw, 5/16-18 X 1.00 Hex Cap .....	1
2	<u>1014201</u>	Screw, 1/4-20 X 2.25 Hex Cap .....	3
3	<u>101920101</u>	Kit, 3-Pin Wedge Lock .....	1
4	<u>102235201</u>	Bumper, Drive Unit .....	1
5	<u>102240104</u>	Motor, 48-Volt Non-Skew IQ (includes items 6 through 27) .....	1
6	<u>1017944</u>	End Shield .....	1
7	<u>1017947</u>	Hardware Package (includes items 8 through 11) .....	1
8	<u>1011280</u>	Locknut, 5/16-18 .....	4
9	N/A	Insulator Bushing .....	2
10	N/A	Insulated Bushing .....	2
11	<u>1241</u>	Washer, 5/16 Type A Flat .....	4
12	<u>1017949</u>	Screw, #6-32 X 0.480 Hex-Head .....	2
13	<u>1017950</u>	Bearing Retainer .....	1
14	<u>1017953</u>	Screw, Bearing Retainer .....	2
15	<u>102265701</u>	Kit, Bearing and Magnet (includes items 16 and 17) .....	1
16	<u>1011290</u>	Ball Bearing .....	1
17	<u>102265801</u>	Magnet .....	1
18	<u>102265901</u>	Motor End Shield Asm (includes items 19 through 23) .....	1
19	<u>102265601</u>	Speed Sensor Assembly (includes items 20 and 21) .....	1
20	<u>101942301</u>	Kit, 3-Pin Wedge Lock .....	1
21	N/A	Sensor, Speed, without Connector .....	1
22	<u>102266001</u>	End Shield, Motor .....	1
23	<u>102267001</u>	Screw, #8-32 X 0.375 Hex-Head .....	1
24	<u>102266101</u>	Screw, #10 - 32 X 8.250 .....	4
25	<u>103325701</u>	Stator Shell and Winding .....	1
26	<u>103325801</u>	Non Skew Armature .....	1
27	<u>103337601</u>	Brush Assembly, IQ Motor, Non-Skew (includes items 28 through 31) .....	1
28	<u>1011411</u>	Kit, Brush Spring (ge Motor) (includes item 29) .....	1
29	<u>1011285</u>	Brush Spring .....	4
30	<u>103325501</u>	Brush Rigging, Non-Skew Motor .....	1
31	<u>103325601</u>	Brush Set, Non-Skew .....	1
32	<u>102243403</u>	Lubricant, Moly-Teflon (Single-Use Tube) .....	1
33	<u>451</u>	Lockwasher, 1/4 Split .....	3
34	<u>7174</u>	Lockwasher, 5/16 Split .....	1

14

E



000185-001

# MOTOR (MODEL EJ4-4001) – ELECTRIC VEHICLE

ITEM	PART NO.	DESCRIPTION	QTY
		<b>1 2 3 4</b>	
1	<u>1010934</u>	Screw, 5/16-18 X 1.00 Hex Cap .....	1
2	1014201	Screw, 1/4-20 X 2.25 Hex Cap .....	3
3	<u>101920101</u>	Kit, 3-Pin Wedge Lock .....	1
4	<u>102235201</u>	Bumper, Drive Unit .....	1
5	<u>102243403</u>	Lubricant, Moly-Teflon (Single-Use Tube) .....	1
6	<u>102705001</u>	IQ Electric Motor, 48-VDC 3.3 hp (includes items 7 through 34) .....	1
7	<u>102186001</u>	Spring Kit, Motor Brush (includes item 8) .....	1
8	N/A	Spring, Brush, S-g .....	4
9	<u>102186101</u>	Brush Box Assembly .....	1
10	<u>102186201</u>	Brush Kit, Motor (includes item 11) .....	1
11	N/A	Assembly, Brush and Terminal .....	2
12	N/A	Ring, 2.24" Internal Retaining .....	1
13	<u>102186401</u>	Bearing, Ball .....	1
14	<u>102186701</u>	End Cap, Motor .....	1
15	N/A	Screw, 1/4-20 X 2.25 Hex-Head Washer .....	2
16	<u>102186901</u>	Screw, #8-32 X .5 Hex-Head .....	2
17	<u>102187001</u>	L-Bracket, Motor .....	1
18	<u>102187101</u>	Hardware Kit, Motor Terminal (includes items 19 through 22) .....	2
19	N/A	Bushing, Nylon .....	2
20	N/A	Washer, Nylon Flat .....	2
21	N/A	Washer, Flat, 5/16 Steel .....	2
22	N/A	Nut, Brass Hex, 5/16 - 18 .....	2
23	<u>102187201</u>	Plate Kit, Motor Cover (includes items 24 and 25) .....	1
24	N/A	Assembly, Cover Plate .....	1
25	N/A	Screw, #8-32 x 0.375, Taptite Thread .....	1
26	<u>102704701</u>	Frame and Field Assembly .....	1
27	<u>102704801</u>	Armature Assembly .....	1
28	<u>102704901</u>	Kit, Speed Sensor (includes items 29 through 33) .....	1
29	<u>101942301</u>	Kit, 3-Pin Wedge Lock .....	1
30	N/A	Sensor, Motor Speed, ADC .....	1
31	N/A	Screw, #8-32, Taptite Thread .....	2
32	N/A	Magnet, ADC Motor .....	1
33	N/A	Screw, 1/4-20 x 0.5 .....	1
34	N/A	Bolt, 1/4 - 20 x 0.73 Thread-Forming .....	2
35	<u>451</u>	Lockwasher, 1/4 Split .....	3
36	<u>7174</u>	Lockwasher, 5/16 Split .....	1

14

E

**14**

***E***



# TRANSAXLE – ELECTRIC VEHICLES

---

15

E

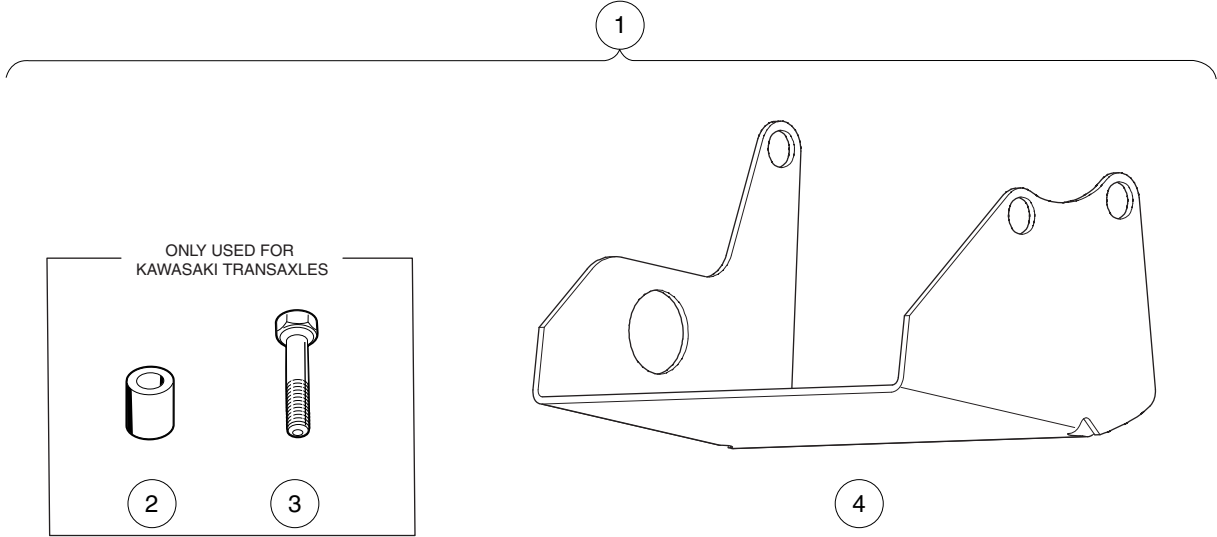


# TRANSAXLE – ELECTRIC VEHICLES

ITEM	PART NO.	DESCRIPTION	QTY
		<b>1 2 3 4</b>	
1	<u>102771701</u>	Transaxle, Electric (includes items 2 through 34) .....	1
2	<u>1013794</u>	Axle Shaft Oil Seal .....	2
3	<u>101895401</u>	Gear Case, Driver-Side .....	1
4	<u>101895501</u>	Gear Case, Passenger-Side .....	1
5	<u>101897001</u>	Screw, M8-1.25 X 60mm Hex-Head .....	11
6	<u>101897201</u>	Breather .....	1
7	<u>101897401</u>	Screw, M10-1.25 X 25mm .....	6
8	<u>101897601</u>	Pin, 11mm OD X 8.5mm ID X 10mm .....	2
9	<u>101903601</u>	Washer, Thrust .....	2
10	<u>101903701</u>	Washer, Thrust .....	2
11	<u>101906901</u>	Intermediate Shaft Assembly .....	1
12	<u>101922101</u>	Pin, 15.99mm X 88.7mm Dowel .....	1
13	<u>101923001</u>	Gear, Differential Idler .....	2
14	<u>101923201</u>	Gasket .....	2
15	<u>101923501</u>	Seal, Lip .....	1
16	<u>101923901</u>	Gear, Differential .....	2
17	<u>101928701</u>	Liquid Gasket (Transaxle case) .....	1
18	<u>101972101</u>	Plug, M14-1.5 X 12mm Magnetic .....	1
19	<u>101972201</u>	Plug, M14-1.5 X 12mm Hex .....	1
20	<u>102356601</u>	Housing, Differential, 6 Bolt .....	6
21	<u>102356801</u>	Gear, Differential Output, 6-Bolt .....	6
22	<u>102886301</u>	Axle Assembly, Driver-Side (includes item 23) .....	1
23	<u>101922201</u>	Lug Stud .....	4
24	<u>102886401</u>	Tube, Axle, Driver-Side .....	1
25	<u>102886501</u>	Axle Assembly, Passenger-Side (includes item 26) .....	1
26	<u>101922201</u>	Lug Stud .....	4
27	<u>102886601</u>	Tube, Axle, Passenger-Side .....	1
28	<u>102902801</u>	Screw, M10 X 30 .....	10
29	<u>103582801</u>	Asm, E Trans Shaft/bearing (includes items 30 and 31) .....	1
30	N/A	Shaft, Input .....	1
31	<u>7335</u>	Bearing .....	2
32	<u>7330</u>	Inner Axle Tube Bearing .....	2
33	<u>7335</u>	Bearing .....	1
34	<u>7336</u>	Bearing .....	1

15

E



000365-002

## DIFFERENTIAL GUARD – ELECTRIC VEHICLES

ITEM	PART NO.	DESCRIPTION	QTY
		1 2 3 4	
1	<u>101611402</u>	Kit, Differential Guard, Elec Vehicles (includes items 2 through 4) .....	1
2	<u>101914001</u>	Spacer, Steel .....	2
3	<u>101936101</u>	Screw, M10-1.50 X 60mm Hex Cap .....	2
4	<u>101978601</u>	Guard, Differential, Electric Vehicle Transaxle .....	1

15

E

**15**

***E***

# BATTERY CHARGERS

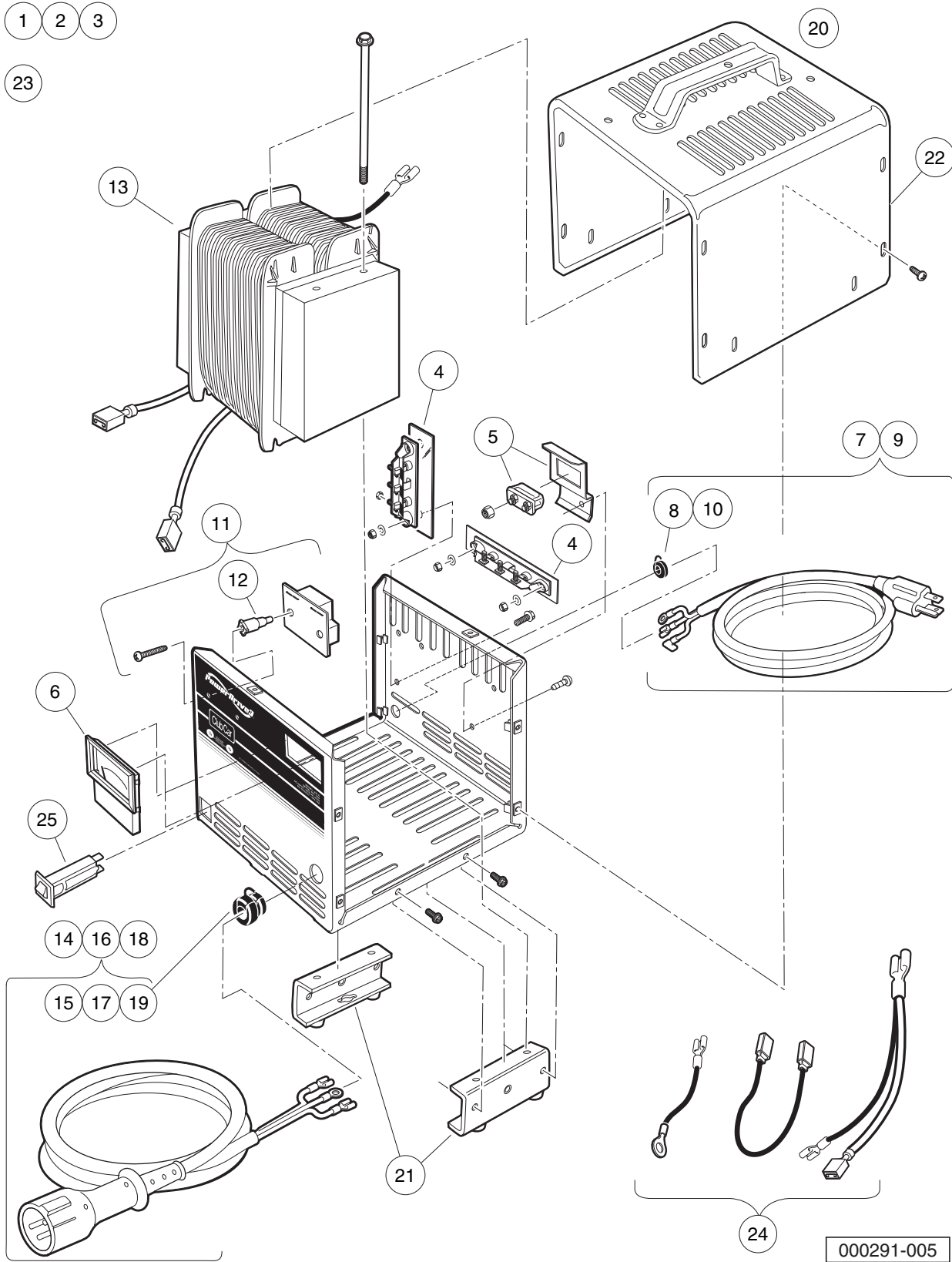
---

16

E

- 1
- 2
- 3

- 23



000291-005

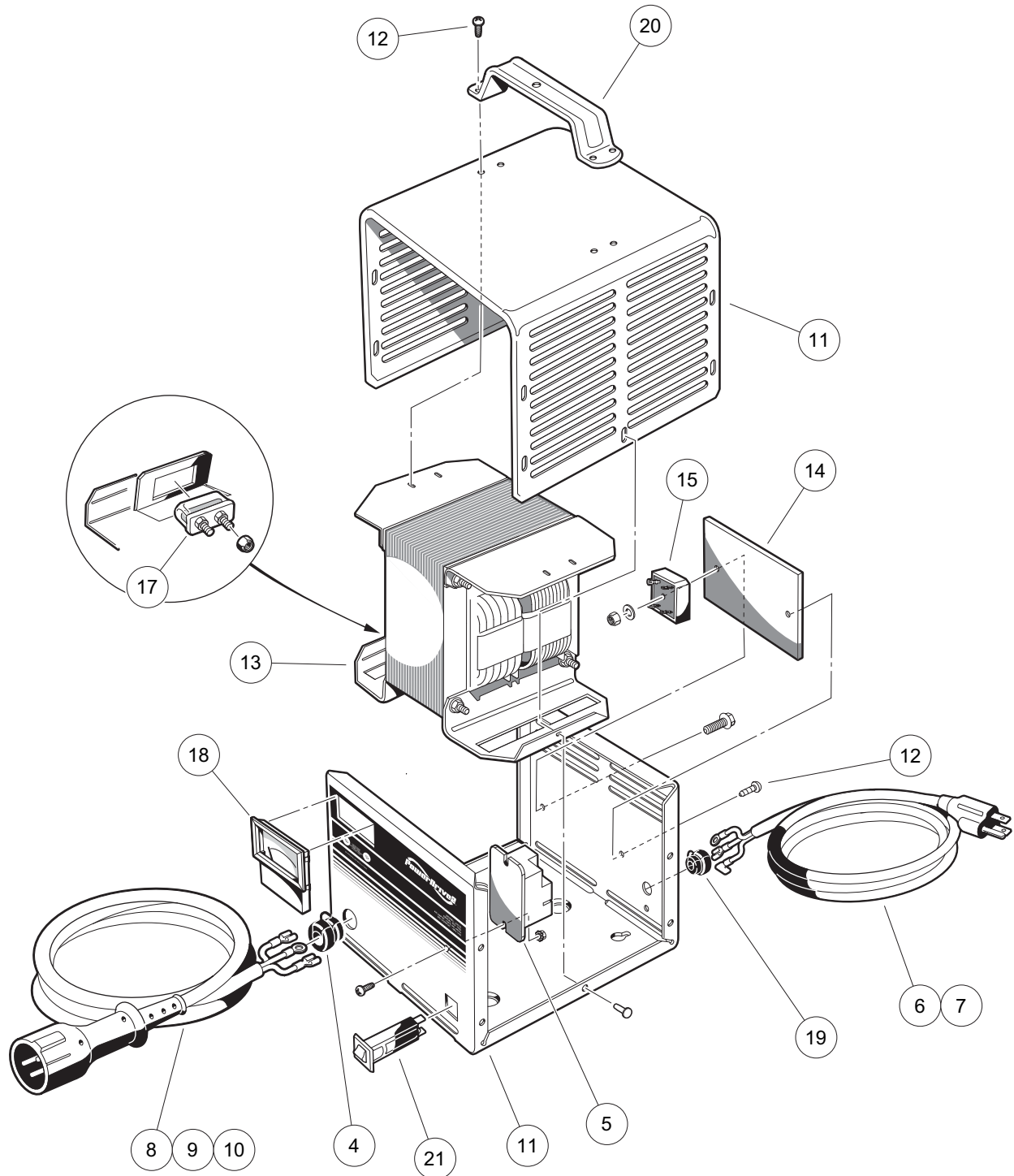


# POWERDRIVE 3 BATTERY CHARGER (MODEL 26580), DOMESTIC

ITEM	PART NO.	DESCRIPTION	QTY
		<b>1 2 3 4</b>	
1	103499101	Charger, PowerDrive 3, 9ft DC, 6ft AC .....	1
2	<u>103499102</u>	Charger, PowerDrive 3, 12ft DC, 9ft AC .....	1
3	<u>103499103</u>	Charger, PowerDrive 3, 20ft DC, 9ft AC (includes items 4 through 25) .....	1
4	<u>1015914</u>	Rectifier with Heatsink Assembly .....	2
5	<u>102273701</u>	PD2 Fuse Asm .....	1
6	<u>102273801</u>	PD2 Ammeter .....	1
7	<u>103428501</u>	Kit, PD3 Cordset - AC 80" (includes item 8) .....	1
8	<u>102273901</u>	PD2 AC Cord Bushing .....	1
9	<u>103428601</u>	Kit, PD3 Cordset, - AC 114" (includes item 10) .....	1
10	<u>102273901</u>	PD2 AC Cord Bushing .....	1
11	<u>103428701</u>	Asm, PD3 Board Relay (includes item 12) .....	1
12	<u>103429701</u>	PD3 Plastic Stand-Offs .....	2
13	<u>103428801</u>	PD3 Transformer .....	1
14	<u>103429001</u>	PD3 Cordset - DC 113" (includes item 15) .....	1
15	<u>1012098</u>	Bushing, DC Cord .....	1
16	<u>103429101</u>	PD3 Cordset - DC 154" (includes item 17) .....	1
17	<u>1012098</u>	Bushing, DC Cord .....	1
18	<u>103429201</u>	PD3 Cordset - DC 205" (includes item 19) .....	1
19	<u>1012098</u>	Bushing, DC Cord .....	1
20	<u>103429301</u>	Asm, PD3 Case (includes items 21 and 22) .....	1
21	<u>103434001</u>	Asm, PD3 Legs .....	1
22	<u>103439901</u>	PD3Case Top (Includes Handle) .....	1
23	<u>103429501</u>	Kit, PD3 Hardware .....	1
24	<u>103429601</u>	Kit, PD3 Wires .....	1
25	<u>CCX8506</u>	Circuit Breaker, 15-Amp/120-Volt .....	1

**16**

**E**



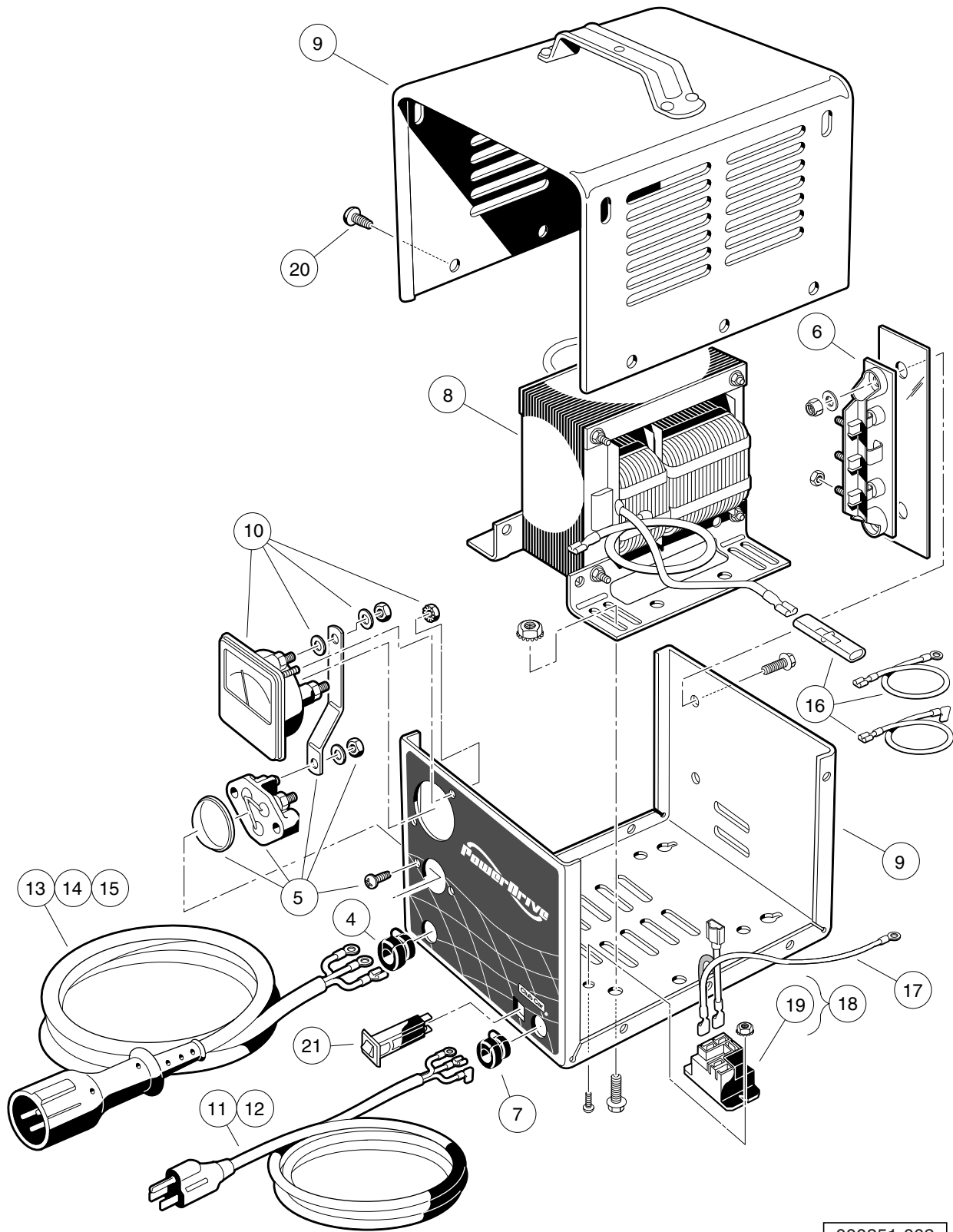
000291-004

# POWERDRIVE 2 BATTERY CHARGER (MODEL 22110), DOMESTIC

ITEM	PART NO.	DESCRIPTION	QTY
		<b>1 2 3 4</b>	
1	<u>101802204</u>	48-V/13-A PowerDrive 2 (9-ft. DC, 6-ft. AC) .....	1
2	<u>101802205</u>	48-V/13-A PowerDrive 2 (12-ft. DC, 9-ft. AC) .....	1
3	<u>101802206</u>	48-V/13-A PowerDrive 2 (20-ft. DC, 9-ft. AC) (includes items 4 through 21) .....	1
4	<u>1012098</u>	Bushing, DC Cord .....	1
5	<u>101828601</u>	Relay, 48-Volt .....	1
6	<u>101828801</u>	Cord, AC, 80-Inch (203 cm) .....	1
7	<u>101828802</u>	Cord, AC, 108-Inch (274 cm) .....	1
8	<u>101828904</u>	PD2 DC Cordset, 113-inch .....	1
9	<u>101828905</u>	PD2 DC Cordset, 154-inch .....	1
10	<u>101828906</u>	Pd2 Dc Cordset 250 Inch .....	1
11	<u>102273201</u>	PD2 Case (includes item 12) .....	1
12	7577	Screw, #10 X 0.50 Phillips Pan-Head .....	12
13	<u>102273301</u>	PD2 Transformer Asm .....	1
14	<u>102273401</u>	PD2 Heatsink .....	1
15	<u>102273501</u>	PD2 Diode Bridge w/Film .....	1
16	<u>102273601</u>	PD2 Wire Asm .....	1
17	<u>102273701</u>	PD2 Fuse Asm .....	1
18	<u>102273801</u>	PD2 Ammeter .....	1
19	<u>102273901</u>	PD2 AC Cord Bushing .....	1
20	<u>102274001</u>	PD2 Handle .....	1
21	<u>CCX8506</u>	Circuit Breaker, 15-Amp/120-Volt .....	1
<p>Note: Item 16 not shown. Level 1 Battery Charger part numbers include one AC and one DC cord. They do not include all of the level 2 cords listed.</p>			

**16**

**E**



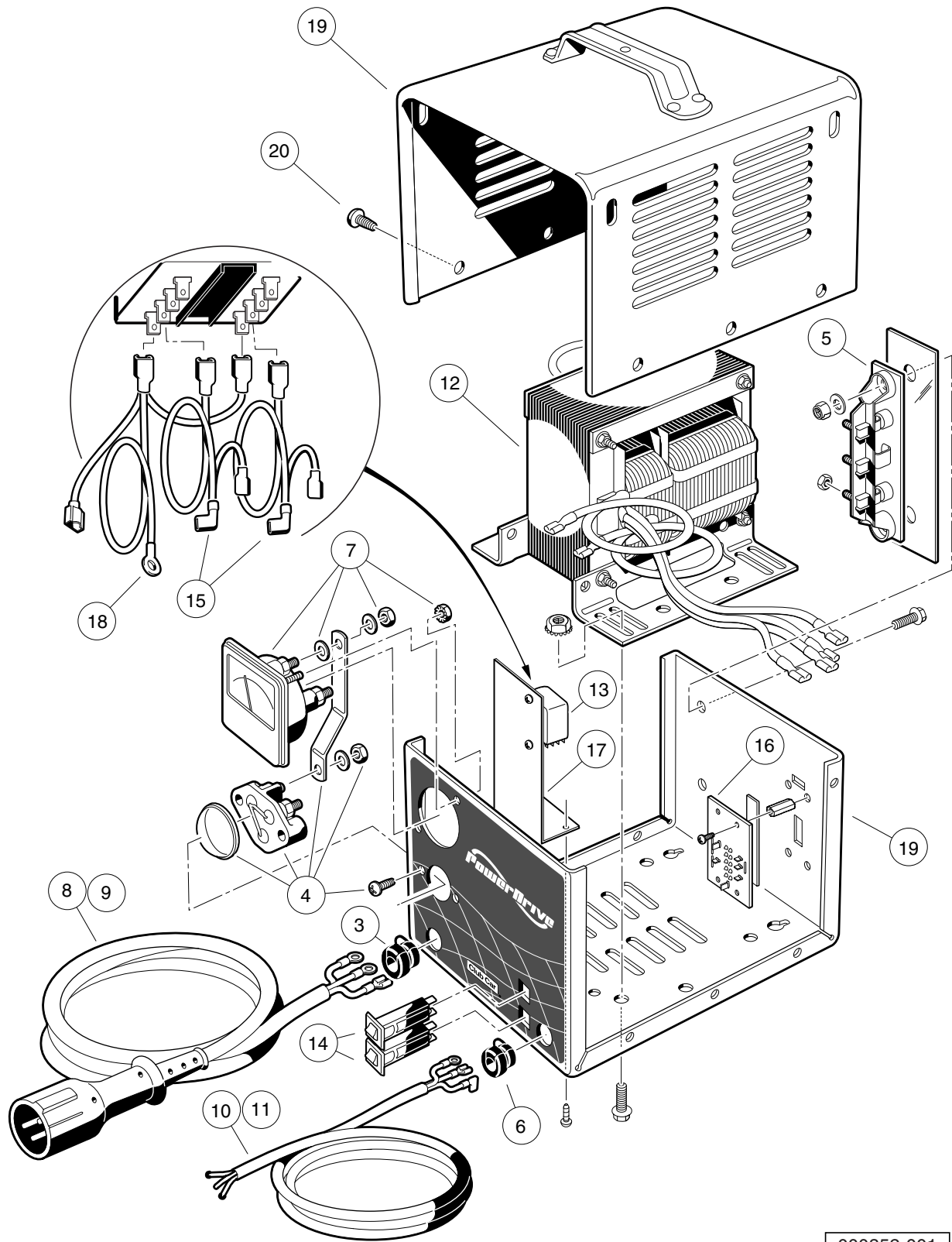
000351-002

# POWERDRIVE BATTERY CHARGER (MODEL 17930), DOMESTIC

ITEM	PART NO.	DESCRIPTION	QTY
		<b>1 2 3 4</b>	
1	<u>101802201</u>	Charger, PowerDrive, 48V/17A, 9ft DC, 6ft AC Cord .....	1
2	<u>101802202</u>	Charger, PowerDrive, 48V/17A, 12ft DC, 9ft AC Cord .....	1
3	<u>101802203</u>	Charger, PowerDrive, 48V/17A, 20ft DC, 9ft AC Cord (includes items 4 through 21) .....	1
4	<u>1012098</u>	Bushing, DC Cord .....	1
5	<u>1012101</u>	Fuse Assembly .....	1
6	<u>1015914</u>	Rectifier with Heatsink Assembly .....	1
7	<u>1015917</u>	Bushing, AC Cord .....	1
8	<u>101819701</u>	Transformer, Battery Charger .....	1
9	<u>101828301</u>	Case Assembly .....	1
10	<u>101828501</u>	Ammeter .....	1
11	<u>101828801</u>	Cord, AC, 80-Inch (203 cm) .....	1
12	<u>101828802</u>	Cord, AC, 108-Inch (274 cm) .....	1
13	<u>101828901</u>	Cord, DC, 113-Inch (287 cm) .....	1
14	<u>101828902</u>	Cord, DC, 154-Inch (391 cm) .....	1
15	<u>101828903</u>	Cord, DC, 250-Inch (635 cm) .....	1
16	<u>101831101</u>	Wire Assembly Kit .....	1
17	101914401	Assembly, Voltage Suppressor .....	1
18	<u>103414901</u>	Kit, Relay, 48v 30a W/instr (includes item 19) .....	1
19	<u>103397901</u>	Relay, Spst No, 48v 30a, Pmt .....	1
20	7577	Screw, #10 X 0.50 Phillips Pan-Head .....	10
21	<u>CCX8506</u>	Circuit Breaker, 15-Amp/120-Volt .....	1
<p>Note: Level 1 Battery Charger part numbers include one AC and one DC cord. They do not include all of the level 2 cords listed.</p>			

**16**

**E**



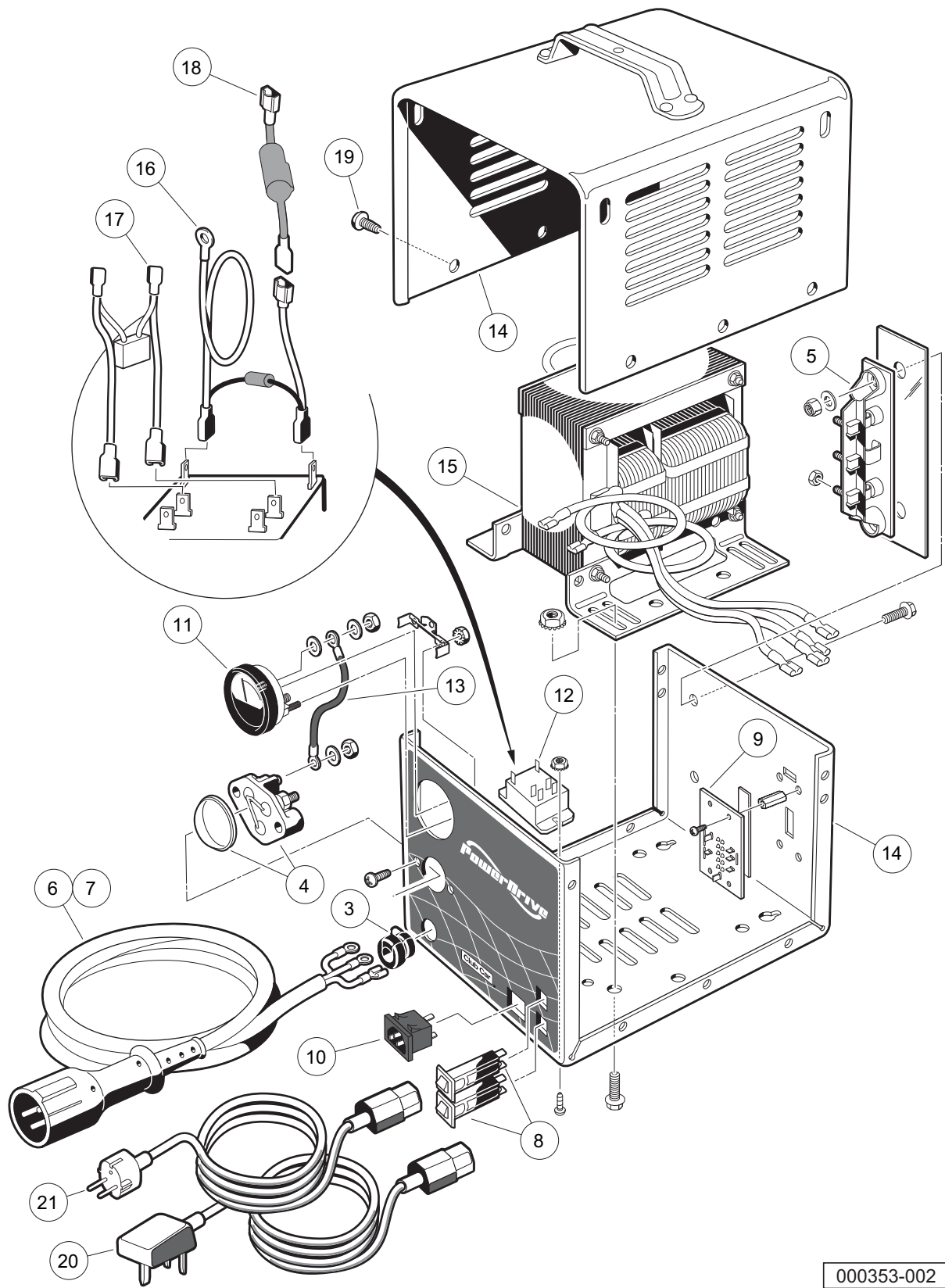
000352-001

# POWERDRIVE BATTERY CHARGER (MODEL 18780), EXPORT

ITEM	PART NO.	DESCRIPTION	QTY
		1 2 3 4	
1	101831503	Battery Charger, 48-Volt DC (8.5-ft DC, 6-ft AC) .....	1
2	101831504	Battery Charger, 48-Volt DC (12-ft DC, 9-ft AC) (includes items 3 through 20) .....	1
3	<u>1012098</u>	Bushing, DC Cord .....	1
4	<u>1012101</u>	Fuse Assembly .....	1
5	<u>1015914</u>	Rectifier with Heatsink Assembly .....	1
6	<u>1015917</u>	Bushing, AC Cord .....	1
7	<u>101828501</u>	Ammeter .....	1
8	<u>101828901</u>	Cord, DC, 113-Inch (287 cm) .....	1
9	<u>101828902</u>	Cord, DC, 154-Inch (391 cm) .....	1
10	<u>101831701</u>	Cord, AC, 80-Inch (203 cm), without Plug .....	1
11	<u>101831702</u>	Cord, AC, 118-Inch (300 cm), without Plug .....	1
12	101838201	Transformer, Export Battery Charger .....	1
13	<u>101838301</u>	Relay, Export Charger .....	1
14	101838401	Circuit Breaker .....	2
15	101838501	Kit, Wire Assembly .....	1
16	101838601	Four-Position Switch .....	1
17	<u>101838701</u>	Mounting Bracket, Relay .....	1
18	101914401	Assembly, Voltage Suppressor .....	1
19	N/A	Case, Charger .....	1
20	7577	Screw, #10 X 0.50 Phillips Pan-Head .....	10
<p>Note: Level 1 Battery Charger part numbers include one AC and one DC cord. They do not include all of the level 2 cords listed.</p>			

16

E



000353-002



# POWERDRIVE BATTERY CHARGER (MODEL 20310), EUROPEAN

**16**

**E**

ITEM	PART NO.	DESCRIPTION	QTY
		<b>1 2 3 4</b>	
1	<u>101956201</u>	Battery Charger, 48-Volt w/ 4-Position Switch (8.5-ft DC) .....	1
2	<u>101956202</u>	Battery Charger, 48-Volt w/ 4-Pos. Switch (12-ft DC) (includes items 3 through 19) .....	1
3	<u>1012098</u>	Bushing, DC Cord .....	1
4	<u>1012101</u>	Fuse Assembly .....	1
5	<u>1015914</u>	Rectifier with Heatsink Assembly .....	1
6	<u>101828901</u>	Cord, DC, 113-Inch (287 cm) .....	1
7	<u>101828902</u>	Cord, DC, 154-Inch (391 cm) .....	1
8	101838401	Circuit Breaker .....	2
9	101838601	Four-Position Switch .....	1
10	101973501	Receptacle, AC Cord .....	1
11	101976601	Ammeter with Mounting Bracket .....	1
12	<u>101987501</u>	Relay .....	1
13	N/A	Wire, Jumper .....	1
14	N/A	Case, Charger .....	1
15	****	Transformer, European Battery Charger .....	1
16	****	Suppressor, AC Voltage .....	1
17	****	Assembly, Wire .....	1
18	N/A	Limiter, Current .....	1
19	7577	Screw, #10 X 0.50 Phillips Pan-Head .....	10
20	<u>101958201</u>	Cord, UK, AC, Battery Charger .....	1
21	101958301	Cord, European AC, Battery Charger .....	1
		**** Special order item available upon request.	
		Note: Level 1 Battery Charger part numbers include one AC and one DC cord. They do not include all of the level 2 cords listed.	

**16**

***E***

# MAINTENANCE AND SERVICE TOOLS

---

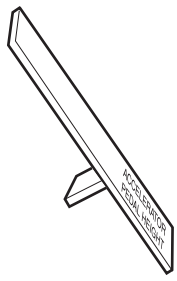
17

G

E

D

**17**  
**G**  
**E**  
**D**



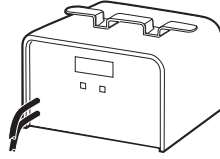
1



2



3



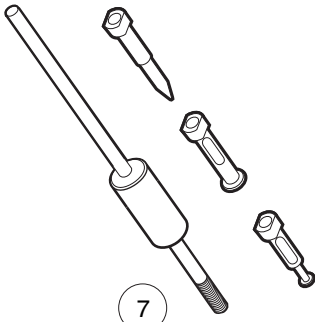
4



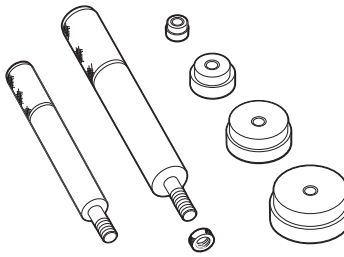
5



6



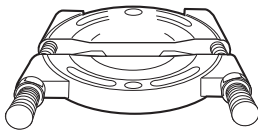
7



8



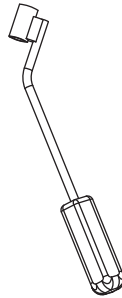
9



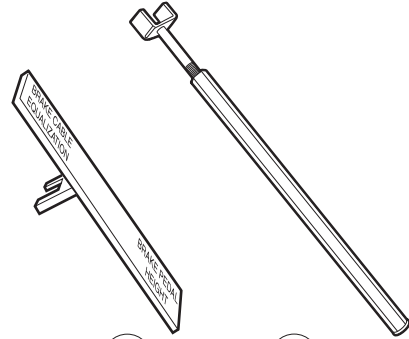
10



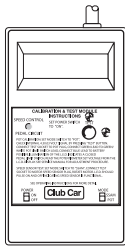
11



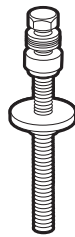
12



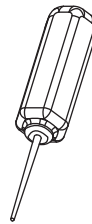
14  
15  
13



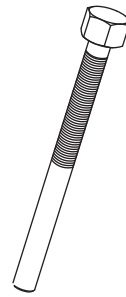
16



17



18



19

# MAINTENANCE AND SERVICE TOOLS

ITEM	PART NO.	DESCRIPTION	QTY DIESEL	QTY GAS	QTY ELEC
		<p style="text-align: center;">1 2 3 4</p> <p>The following tool list includes all tools available from Club Car for maintenance and service procedures for gasoline, electric, and/or diesel vehicles, both past and present models. Be sure to carefully examine the tool list for applicability to your vehicle before ordering.</p>			
1	<u>101871001</u>	Accelerator Pedal Adjustment Tool .....		1	1
2	<u>101813202</u>	Adhesive, Guide Ring, 3-Gram Tube .....			1
3	<u>101641202</u>	Arbor .....		1	
4	<u>101831901</u>	Battery Discharge Machine, 36/48 Volt .....			1
5	<u>1014305</u>	Battery Terminal Protector Spray .....	1	1	1
6	<u>1011767</u>	Battery Thermometer .....	1	1	1
7	<u>1016417</u>	Bearing and Oil Seal Remover Assembly .....	1	1	1
8	<u>1016416</u>	Bearing Driver Set .....	1	1	1
9	<u>1012811</u>	Bearing Puller .....	1	1	1
10	<u>1012812</u>	Bearing Puller Wedge Attachment .....	1	1	1
11	<u>1013582</u>	Brake Adjustment Tool (used only on vehicles with manually adjusted mechanical brakes) .....			
12	<u>102555501</u>	Brake Cable Release Tool .....	1	1	1
13	<u>102249901</u>	Brake Pedal Adjustment Tool Kit (used for the Carryall Electric Industrial Truck only) (includes items 14 and 15).....			1
14	****	Brake Pedal Adjustment Tool .....			1
15	****	Brake Pedal Tension Tool .....			1
16	<u>101887101</u>	Calibration Test Module .....			1
17	<u>101808401</u>	Cam Installation Tool .....		1	
18	<u>102562401</u>	Charger Bezel Tool .....			1
19	<u>102686101</u>	Clutch Removal Tool (for 4x4 vehicles) .....	1	1	
		Please refer to the maintenance and service manual for proper tool application.			
	****	Special order item available upon request			

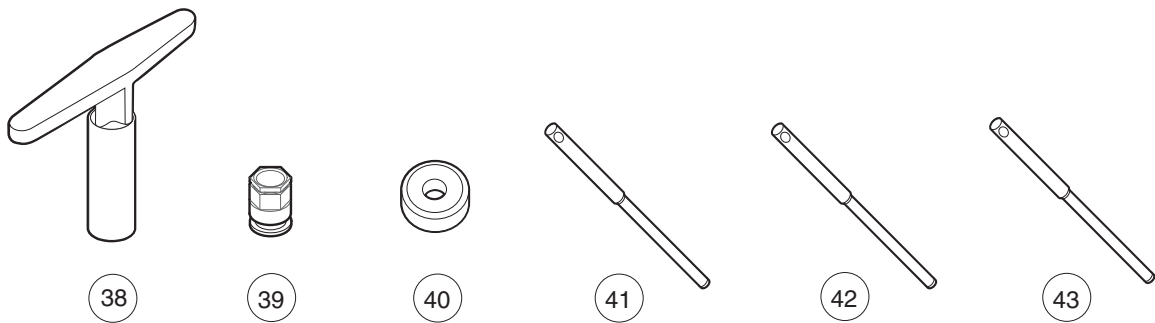
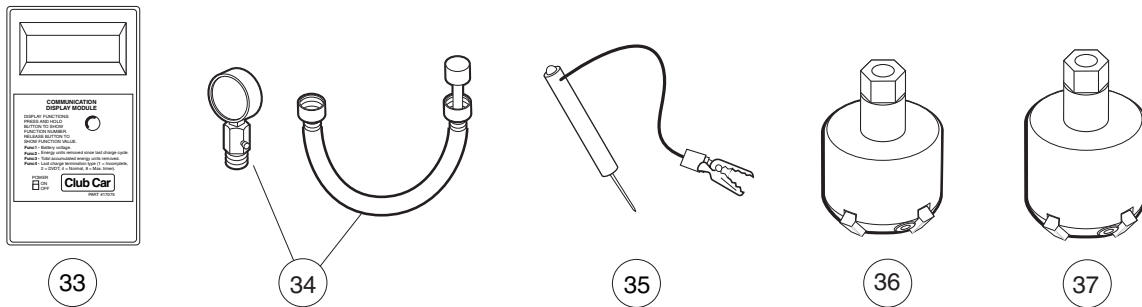
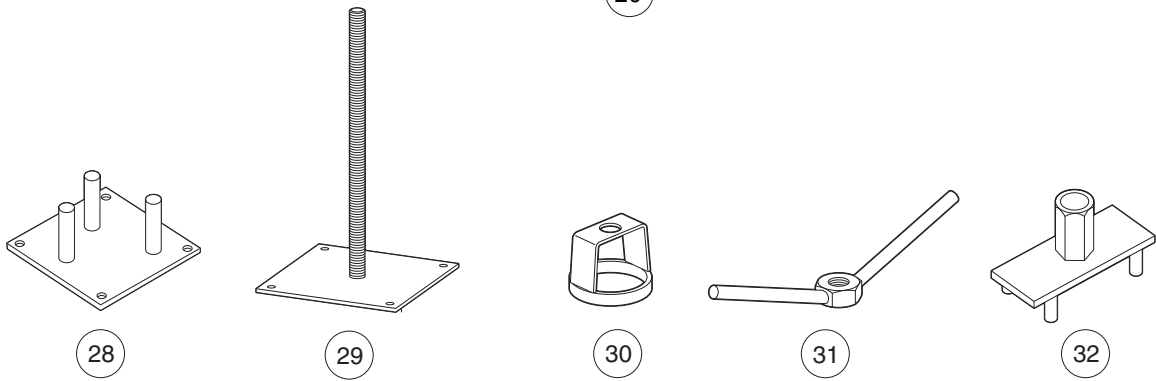
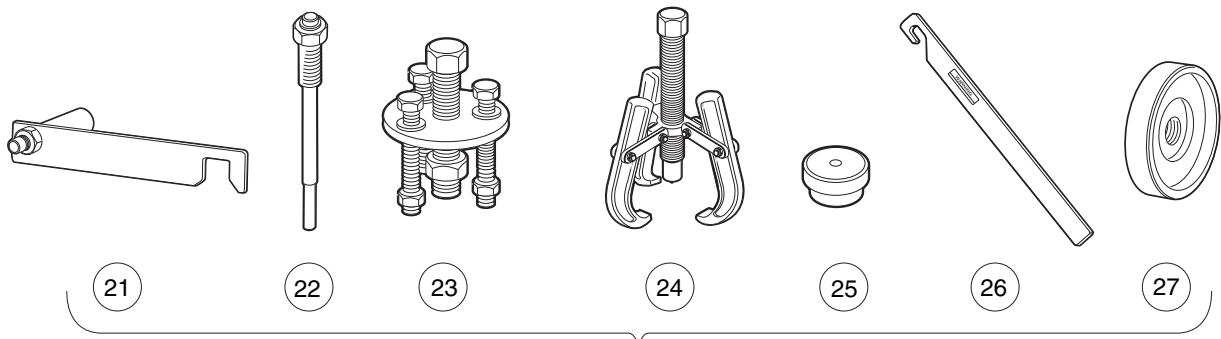
17

G

E

D

**17**  
**G**  
**E**  
**D**



## MAINTENANCE AND SERVICE TOOLS, CONTINUED

ITEM	PART NO.	DESCRIPTION	QTY DIESEL	QTY GAS	QTY ELEC
		<b>1 2 3 4</b>			
20	<u>1014510</u>	Clutch Tool Kit (includes items 21 - 27) .....		1	
21	<u>1014498</u>	Clutch Alignment Tool (for pre-unitized transaxle vehicles built prior to 1997 model year) .....		1	
22	<u>1014496</u>	Drive Clutch Puller (for Kawasaki engines only) .....		1	
23	<u>1014497</u>	Drive Clutch Hub Puller (for Kawasaki engines only) .....		1	
24	<u>1014508</u>	Driven Clutch Cam Puller (for Kawasaki engines only) .....		1	
25	<u>1014507</u>	Driven Clutch Puller Plug (for Kawasaki engines only) .....		1	
26	<u>1015524</u>	Drive Clutch Holder Tool Assembly (for Kawasaki engines only) .....		1	
27	<u>101809101</u>	Press Weldment (for Kawasaki engines only) .....		1	
28	<u>102601501</u>	Drive ClutchFixed Sheave Tool (for 4x4 vehicles) .....	1	1	
29	<u>102603501</u>	Driven Clutch Spring Compression Base (for use with items 30 and 31) (for 4x4 vehicles) .....	1	1	
30	<u>102605201</u>	Driven Clutch Spring Compression Collar (for use with items 29 and 31) (for 4x4 vehicles) .....	1	1	
31	<u>102606101</u>	Driven Clutch Spring Compression Nut (for use with items 29 and 30) (for 4x4 vehicles) .....	1	1	
32	<u>102607501</u>	Drive Clutch Spider Removal Tool (for 4x4 vehicles) .....	1	1	
33	101831801	Communication Display Module .....			1
34	101641002	Compression Gauge and Adapter .....		1	
35	1011273	Continuity Tester .....		1	1
36	<u>102773801</u>	Cutter, Valve Seat, #122 .....		1	
37	<u>102773901</u>	Cutter, Valve Seat #115 .....		1	
38	<u>102774101</u>	Wrench, T, #505.....		1	
39	<u>102774101</u>	Adapter, T-Wrench.....		1	
40	102675401	Cutter, Valve Seat, 60 Degree (requires item 51) (for Honda GX620 Gasoline Engines) .....		1	
41	<u>102774201</u>	Pilot, 6.6 MM .....		1	
42	<u>102774301</u>	Pilot, 6.62 MM.....		1	
43	<u>102774401</u>	Pilot, 6.65 MM.....		1	
		Please refer to the maintenance and service manual for proper tool application.			

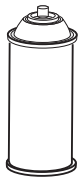
17

G

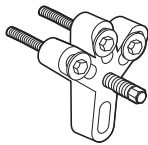
E

D

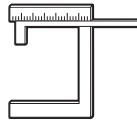
**17**  
**G**  
**E**  
**D**



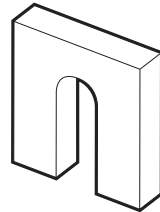
44



45



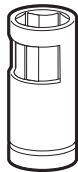
46



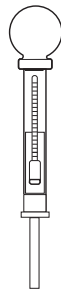
47



48



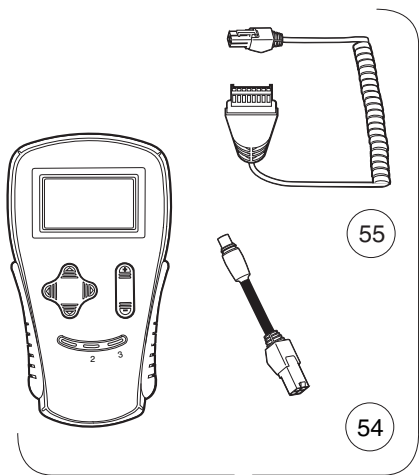
49



50



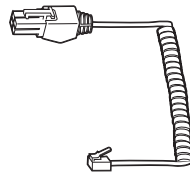
51



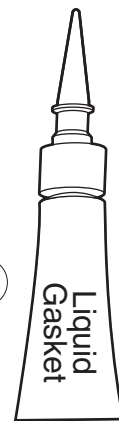
52 53

55

54



56



57



58



59 60



61



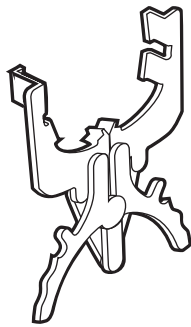
## MAINTENANCE AND SERVICE TOOLS, CONTINUED

ITEM	PART NO.	DESCRIPTION	QTY DIESEL	QTY GAS	QTY ELEC	<b>17</b>
		1 2 3 4				
44	<u>1012151</u>	Dry Moly Lubricant .....	1	1	1	<b>G E D</b>
45	<u>1016627</u>	Flywheel Puller Kit (for Kawasaki Engines) .....		1		
46	<u>102669901</u>	Gauge, Carburetor Float Level (for Honda GX620 Gasoline Engines) .....		1		
47	<u>1016418</u>	Gear Yoke .....	1	1	1	
48	<u>101933101</u>	Governor Shaft Installation Tool (for Kawasaki Engine Vehicles) .....		1		
49	<u>102169401</u>	Hydraulic Brake Adjuster (for Turf/CA 272/472, Pioneer/XRT 1200, Bobcat 2100, HUV 4213) .....			1	
50	<u>1011478</u>	Hydrometer .....	1	1	1	
51	<u>1013593</u>	Internal Retaining Ring Pliers .....	1	1	1	
52	<u>102248803</u>	IQ Display Module (IQDM) Kit (IQ System and IQ Plus vehicles) .....			1	
		(includes items 54 and 55)				
53	<u>102248804</u>	IQ Display Module (IQDM-P) Kit (IQ System and IQ Plus vehicles) .....			1	
		(includes items 54 and 55)				
54	<u>102251501</u>	Adaptor, Cable .....			1	
55	<u>102241502</u>	IQDM Series 2 Cable .....			1	
56	<u>102241501</u>	IQDM Series 1 Cable (replacement) .....			1	
57	<u>101928701</u>	Liquid Gasket (transaxle case) .....	1	1	1	
58	<u>102243402</u>	Moly-Teflon Lubricant (4-oz. (113-gram) tube) .....			1	
59	<u>101997201</u>	Paint, Touch-Up – Beige* .....		1	1	
59	<u>101997207</u>	Paint, Touch-Up – Black* .....		1	1	
59	<u>101997212</u>	Paint, Touch-Up – Burgundy* .....		1	1	
59	<u>101997211</u>	Paint, Touch-Up – Classic Blue (Navy)* .....		1	1	
59	<u>101997205</u>	Paint, Touch-Up – Dark Gray* .....	1	1	1	
59	<u>101997209</u>	Paint, Touch-Up – Dark Green* .....	1	1	1	
59	<u>101997204</u>	Paint, Touch-Up – Gray* .....	1	1	1	
59	<u>101997203</u>	Paint, Touch-Up – Red* .....	1	1	1	
59	<u>101997206</u>	Paint, Touch-Up – Royal Blue (Pacific Blue)* .....		1	1	
59	<u>101997202</u>	Paint, Touch-Up – White* .....	1	1	1	
60	<u>102562301</u>	Paint, Precedent Underbody – Gray .....		1	1	
61	<u>102587201</u>	Paint Pen, Touch-Up, Precedent Underbody – Black .....		1	1	
		Please refer to the maintenance and service manual for proper tool application.				
		* Item 59 is not for use on Surlyn <sup>®</sup> body material, which is used on Precedent vehicles.				

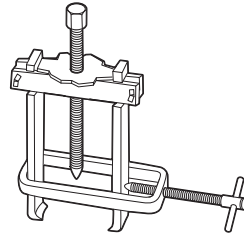
**17**  
**G**  
**E**  
**D**



62



63



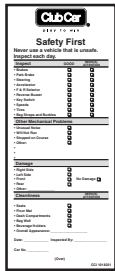
64



65



66



67



68



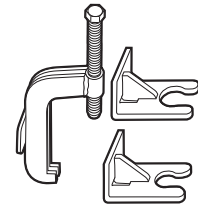
69



70



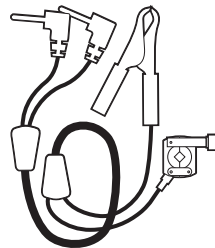
71



72



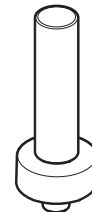
73



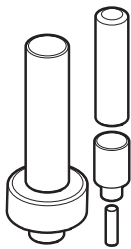
74



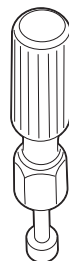
75



76



77



83



84



85



86

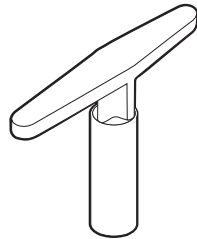
## MAINTENANCE AND SERVICE TOOLS, CONTINUED

ITEM	PART NO.	DESCRIPTION	QTY	QTY	QTY	17
			DIESEL	GAS	ELEC	
		1 2 3 4				G
62	<u>1016414</u>	Piston Ring Compressor Kit (FE290, FE350 and FE400 engines) .....		1		E
63	<u>1016415</u>	Piston Ring Pliers (for Kawasaki Engines) .....		1		D
64	<u>102668801</u>	Puller, Special Use (for Kubota D722 Diesel Engines) .....	1			
65	<u>1012549</u>	Retaining Ring Pliers, 45° External .....	1	1	1	
66	<u>1012560</u>	Retaining Ring Pliers, 90° Internal .....	1	1	1	
67	<u>101823101</u>	Safety First Card (50 per pack) .....	1	1	1	
68	<u>1012809</u>	Seal Puller .....	1	1	1	
69	<u>102330901</u>	Spanner Wrench (for coil over shock front suspension vehicles only) .....	1	1		
70	<u>1014264</u>	Steering Column Bearing Press Tool .....		1	1	
71	<u>1014259</u>	Steering Column Retaining Ring Tool .....		1	1	
72	<u>102061201</u>	Steering Wheel Puller Tool .....	1	1	1	
73	<u>AM10753</u>	Tachometer (includes gasoline engine pick up lead only) .....	1	1		
74	<u>AM10771</u>	Tachometer Diesel Probe (for use with item 73) .....	1			
75	<u>1014162</u>	Transaxle Axle Seal Tool .....		1		
76	<u>1014161</u>	Transaxle Pinion Seal Tool .....		1		
77	<u>1014115</u>	Transmission Tool Kit .....		1		
78	<u>101611003</u>	Tune-Up Kit, All OHV (for FE290, FE350, FE400 only) (includes air filter, spark plug, oil filter, fuel filters) (not shown) .....		1		
79	<u>AM11804</u>	Tune-Up Kit, Gx620 (for Honda Engines) (includes air filter, spark plug, oil filter, fuel filters) (not shown) .....		1		
80	<u>AM11805</u>	Tune-Up Kit, D722 (for Kubota Engines) (includes air filter, oil filter, fuel filters, water separator filter) (not shown) .....	1			
81	<u>AM1220301</u>	Tune-Up Kit, Precedent (for FE290/350 Engines) (includes air filter, spark plug, oil filter, fuel filters) (not shown) .....		1		
82	<u>AM1232401</u>	Tune-Up Kit, FH680D (for Kawasaki V-Twin Engines) (includes oil filter, fuel filter, air filter, and spark plugs) (not shown).....		1		
83	<u>1016413</u>	Valve Clearance Adjuster Screw Holder (for FE290 engines only) .....		1		
84	<u>102674601</u>	Valve Guide Driver (for Honda GX620 Gasoline Engines) .....		1		
85	<u>101641201</u>	Valve Guide Reamer (FE290, FE350, and FE400 only) .....		1		
86	<u>102674401</u>	Valve Guide Reamer, 6.6 mm (for Honda GX620 Gasoline Engines) .....		1		

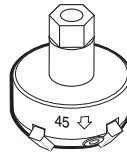
**17**  
**G**  
**E**  
**D**



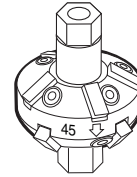
87



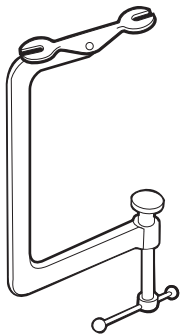
88



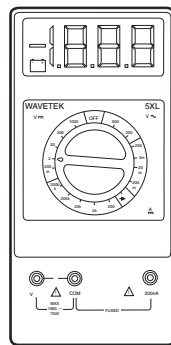
89



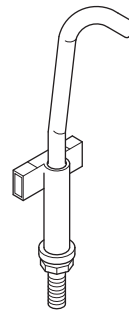
90



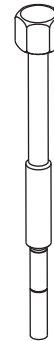
91



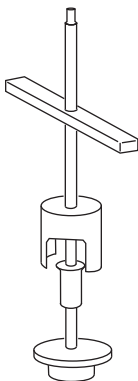
92



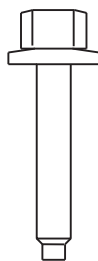
93



94



95



96

## MAINTENANCE AND SERVICE TOOLS, CONTINUED

ITEM	PART NO.	DESCRIPTION	QTY DIESEL	QTY GAS	QTY ELEC	<b>17</b>
		1 2 3 4				<b>G</b>
87	<u>1016552</u>	Valve Seat Cutter Guide .....		1		<b>E</b>
88	<u>1016551</u>	Valve Seat Cutter T-Wrench .....		1		<b>D</b>
89	<u>1016553</u>	Valve Seat Cutter, 45° (32 mm diameter) (for FE290 engines only) .....		1		
90	<u>1016554</u>	Valve Seat Cutter, 45°/30° (35 mm diameter) .....		1		
91	<u>101641101</u>	Valve Spring Compressor .....		1		
92	1011480	Volt Ohm Meter .....	1	1	1	
93	<u>102570401</u>	Tool, Tensioning, Starter Generator (For Precedent vehicles) .....		1		
94	<u>103601401</u>	Puller, Drive Clutch, XRT 950* .....		1		
95	<u>103601701</u>	Tool, Disassembly, Driven Clutch, XRT 950 .....		1		
96	<u>103600501</u>	Screw, Driven Clutch Disassembly, M6, XRT 950 .....		1		
		<p>*Note: The XRT 950 Drive Clutch Puller requires the use of Screw, Driven Clutch Disassembly, CCI Part Number <u>103600501</u>.</p>				



# INDEX

## Part Number and Page

AM10753	17-9	7893	4-5, 4-9, 4-23, 7-9, 12-5	1011466	5-11
AM10771	17-9	8056	4-11	1011478	17-7
AM10080	12-9	8057	4-11, 12-3	1011480	17-11
AM10081	12-9	8058	12-3	1011557	4-5, 4-7
AM10419	11-9	8067	6-13	1011578	1-29, 6-5
AM10724	8-5	8104	4-9	1011582	4-35
AM1243501	4-29	8233	1-3, 1-21, 1-23, 1-27, 1-31, 4-25, 4-27, 4-31, 4-33, 5-5, 5-7, 9-3, 12-3, 12-5, 12-7, 12-13, 13-3	1011590	4-9
AM1243701	4-25, 4-27, 4-29	8248	9-3, 12-3, 13-3	1011652	1-25
AM1243801	4-25, 4-27, 4-29	8251	1-21, 1-23, 12-5	1011694	5-5, 5-7
CCX8506	16-3, 16-5, 16-7	8294	4-31	1011697	6-5, 9-9, 9-11, 13-11
183	4-5, 4-7, 4-9, 4-23, 4-29, 9-13, 11-3, 12-7, 12-13	8450	11-3	1011734	5-9
304	1-29, 4-31	8639	4-29, 13-13	1011767	17-3
320	1-19, 1-29, 1-31	8717	5-7, 7-9, 12-3, 12-7, 12-13	1011779	5-13
324	4-25, 4-27	8754	1-19, 5-5, 5-7, 5-13, 6-5, 6-7, 6-9, 6-11, 6-15, 7-13, 7-15	1011825	4-31
332	1-3, 1-21, 1-23, 1-25, 1-31, 4-25, 4-27, 4-31, 9-13, 10-3, 12-5, 13-3, 13-13	8755	1-31, 6-9, 6-15	101187702	5-3
334	1-31, 5-5, 5-7, 6-5, 6-7, 8-15	8797	9-5	1011895	6-7
357	6-9	8861	6-11	1011930	6-7
451	10-3, 14-3, 14-5	8990	4-9, 4-21, 4-27, 4-33, 6-7, 7-9, 13-3, 13-13	1011931	1-27, 5-5, 5-7
705	7-13, 7-15, 8-15	1010124	6-9	1011988	9-3
706	6-9	1010138	1-29, 6-11	1011990	1-19
808	11-3	1010145	6-15	1012098	16-3, 16-5, 16-7, 16-9, 16-11
1016	4-5, 4-9, 4-23	1010150	6-9	1012101	16-7, 16-9, 16-11
1017	4-3, 7-7	1010436	1-15	1012151	17-7
1028	5-3	1010543	1-25	1012285	4-33, 9-11, 12-5, 13-3, 13-13
1032	5-3	1010545	1-29	1012295	7-9
1035	6-7	1010577	8-15	1012303	1-31, 6-9, 6-15
1241	1-5, 1-27, 4-5, 4-7, 5-3, 5-5, 5-7, 5-13, 7-9, 7-13, 7-15, 7-17, 10-3, 14-3	1010805	5-3	1012304	6-15
1242	4-21, 5-13, 7-9, 7-13, 7-15, 13-13	1010829	5-13	1012328	7-17
1606	9-13	1010850	5-11	1012333	12-5
1620	4-3	1010877	5-3	1012396	4-13
1624	5-5, 5-7, 6-7	1010878	1-31, 5-3	1012412	1-21, 1-23
2402	6-11	1010909	4-5, 4-23	1012431	4-11, 12-3
4029	4-31	1010921	5-3	1012438	4-7, 4-29
7048	6-13	1010927	5-3	1012467	6-7
7173	1-5, 4-5, 4-7, 7-17	1010932	5-3	1012505	4-13
7174	6-5, 7-13, 7-15, 9-11, 10-3, 13-13, 14-3, 14-5	1010933	5-3	1012528	10-3, 13-13
7310	2-3	1010934	7-17, 14-3, 14-5	1012549	17-9
7311	1-27	1010954	7-9, 12-3, 12-7, 12-13	1012560	17-9
7330	12-11, 15-3	1010984	2-3	1012571	8-15
7335	12-9, 15-3	1010993	1-21, 1-23	1012594	12-3
7336	15-3	1011084	5-9	1012604	6-5
7473	4-5, 4-7, 5-3, 5-5, 5-7, 5-13, 7-9, 7-17	1011229	4-5, 4-7	1012605	6-5
7540	6-7	1011273	17-5	1012649	9-3
7555	6-7	1011280	4-5, 4-7, 14-3	1012711	12-7
7577	16-5, 16-7, 16-9, 16-11	1011285	14-3	1012714	12-9
7591	4-5, 4-7	1011290	14-3	1012740	12-9
7602	6-7	1011291	12-11	1012741	12-9
7716	5-3, 5-5, 5-7	1011382	4-13	1012747	12-9
7818	7-9	1011402	5-3	1012748	12-9
7820	4-31	1011411	14-3	1012752	12-7
7847	1-21, 1-23, 1-27, 1-31, 4-35, 10-3	1011415	6-15	1012809	17-9
		1011418	5-3	1012811	17-3
		1011439	4-5, 4-7	1012812	17-3
				1012830	7-13, 7-15, 9-11, 10-3
				1012836	11-9
				1012896	12-7

# INDEX

1012986	4-15	1014057	11-3	1015010	4-29
1012987	12-3	1014058	11-3	101503202	1-3
1013001	7-11	1014059	11-3	1015064	12-3
1013003	7-11	1014062	11-3	1015072	13-11
1013005	7-11	1014063	11-3, 13-13	1015137	9-5, 9-9
101301102	7-11	1014065	7-9, 11-3, 12-3	1015139	9-3, 9-5
101303202	1-7	1014070	11-9	1015143	9-3, 9-5
1013035	6-7	1014072	11-9	1015153	4-25
1013042	6-7, 6-11	1014078	11-9	1015154	4-25
1013044	6-7	1014080	11-9	1015156	4-25, 4-27, 4-29
1013052	6-7	1014089	12-3	1015157	4-25, 4-27
1013061	12-7, 12-13, 13-9	1014115	17-9	1015160	4-25, 4-27
1013164	6-15	1014116	9-3	1015162	4-25
1013357	4-5, 4-7	1014119	7-9	1015167	4-29
1013461	7-7, 9-5	1014125	6-5	1015170	4-29
1013462	9-5	1014126	6-5	1015172	4-25, 4-27
1013494	4-13	1014145	7-9, 12-3	1015187	4-25, 4-27, 4-29
1013509	4-25, 4-27	1014153	5-11	101524001	7-13
1013531	5-13	1014161	17-9	101524002	7-15
1013547	4-33	1014162	17-9	1015330	8-9, 10-3
1013579	4-33	1014201	14-3, 14-5	1015332	8-3
1013582	17-3	1014207	12-11	1015345	7-9
1013587	12-3	1014213	6-5	1015371	7-9
1013589	7-9, 12-3	1014214	6-5	1015372	7-9
1013590	12-3	1014217	6-5	1015373	7-9
1013591	12-3	1014259	17-9	1015391	1-29
1013593	17-7	1014264	17-9	1015405	7-9
1013609	7-9	1014276	6-9	1015426	9-13
1013687	9-3	1014287	11-3	101547601	3-7
1013700	9-11	1014288	6-5, 7-17, 11-3, 13-13	1015524	17-5
1013734	10-3, 13-13	1014289	7-11	1015526	4-25, 4-27, 4-29
1013746	9-3, 9-5, 9-9	1014304	13-11	1015528	4-13
1013760	12-7	1014305	17-3	1015583	1-31, 6-15
1013768	12-11	1014306	1-21, 1-23, 4-33	101558302	6-9
1013769	12-11	1014375	7-17	1015597	6-7, 6-13
1013770	12-11	1014453	11-3	1015649	8-3
1013771	12-11	1014454	11-9	1015737	7-9
1013772	12-11	1014496	17-5	1015741	4-5, 4-7, 7-9
1013773	12-11	1014497	17-5	1015752	4-35, 7-9, 9-13, 13-5
1013774	12-11	1014498	17-5	1015765	4-25
1013787	12-11	1014507	17-5	1015768	4-29
1013792	12-11	1014508	17-5	1015770	4-29
1013794	12-11, 15-3	1014510	17-5	1015814	10-3
1013857	4-15, 4-17	1014530	4-31	101584502	9-11
1013869	5-3	1014540	4-33	1015914	16-3, 16-7, 16-9, 16-11
1013870	5-3	101454902	6-15	1015917	16-7, 16-9
1013871	5-5, 5-7	1014555	6-15	1015921	9-5
1013876	1-29, 5-3	1014573	6-15	1015932	7-13, 7-15
1013924	5-11, 8-15	1014675	6-15	1015969	8-3
1013983	1-17	1014727	12-3	1016004	9-5
1014007	5-5, 5-7, 12-7, 12-13	1014807	12-3	1016074	7-13, 7-15
1014049	11-3	1014901	6-15	1016103	9-9
1014050	11-3	1014902	6-15	101611003	17-9
1014052	11-3	1014928	9-3	101611402	15-5
1014055	11-3	1014947	13-13	1016183	6-5
1014056	11-3	1014948	7-9	1016201	11-3, 12-3



# INDEX

1016203	11-5	1016449	8-9	1016526	8-3
1016230	4-29	1016450	8-9	1016531	8-3
1016267	4-29	1016451	8-9	1016532	8-13
1016269	6-5	1016452	8-9	1016533	8-13
1016287	4-29	1016453	8-11	1016535	8-11
1016289	11-3	1016454	8-11	1016536	8-3
1016337	12-9	1016455	8-5	1016537	8-7
1016338	12-9	1016456	8-3, 8-5, 8-11	1016538	8-11
1016342	12-3	1016457	8-7	1016539	8-3
1016346	6-11	1016458	8-9, 8-11	1016541	8-13
1016349	6-11	101645901	8-13	1016542	8-9
1016350	6-11	101645902	8-13	1016544	8-5, 8-9, 8-11
1016351	6-11	101645903	8-13	1016545	8-9
1016353	6-11	1016460	8-13	1016546	9-11
1016356	4-5, 4-7	101646101	8-13	1016547	8-3, 8-13, 9-9
1016363	4-7	101646102	8-13	1016548	8-5
1016365	4-21	101646103	8-13	1016549	8-9
1016366	4-7	1016467	8-7	101655001	8-13
1016384	6-9	1016469	8-13	101655002	8-13
1016385	6-11	1016470	8-13	101655003	8-13
1016386	6-9	1016471	8-9	101655004	8-13
1016387	6-9	1016472	8-11	101655005	8-13
1016389	6-9	1016473	8-7	101655006	8-13
101641002	17-5	1016474	8-9	101655007	8-13
101641101	17-11	101647501	8-13	101655008	8-13
101641201	17-9	101647502	8-13	101655009	8-13
101641202	17-3	1016479	8-9	1016551	17-11
1016413	17-9	1016480	9-9	1016552	17-11
1016414	17-9	101648102	9-9	1016553	17-11
1016415	17-9	101648203	8-7	1016554	17-11
1016416	17-3	1016483	8-9	1016558	8-13
1016417	17-3	1016484	8-7	1016559	8-13
1016418	17-7	1016486	9-7	1016560	8-9
1016423	4-5, 4-7, 7-9	1016489	8-9	1016561	8-5
101642572	9-7	101649002	9-9	1016562	8-5, 8-13
101642575	9-7	1016493	8-5	1016563	8-9
101642578	9-7	1016494	8-11	1016564	8-11
101642580	9-7	1016496	8-11	1016565	8-11
101642582	9-7	1016497	8-5	1016566	8-9
1016429	8-7	1016499	9-7	1016567	8-11
1016430	8-9	1016501	9-7	1016568	8-13
1016431	8-9	1016502	8-7	1016569	8-9
1016432	8-7, 12-7	1016505	8-5	1016570	8-7
1016435	8-7	1016506	8-11	1016571	8-13
1016436	8-9	1016507	8-3	1016572	9-9
1016437	9-7	1016509	8-13	1016576	8-7
1016438	9-9	1016510	8-11	1016578	8-5
1016439	9-9	1016513	12-7	1016579	8-5
1016440	8-9, 9-9	1016516	8-13	1016580	8-13
1016441	9-9	1016517	8-9	1016581	8-7
1016443	8-3	1016519	8-9	1016582	9-9
1016444	9-9	1016520	8-11	1016583	8-9
1016445	8-5	1016521	8-11	1016584	8-11
1016446	8-9, 8-11	1016523	8-9	1016585	9-7
1016447	8-9	1016524	8-3	1016586	8-5
1016448	8-9	1016525	8-3	1016587	8-5

# INDEX

1016588	8-5	101791101	5-11	101828501	16-7, 16-9
1016627	17-7	1017944	14-3	101828601	16-5
1016630	4-13, 4-15	1017947	14-3	101828801	16-5, 16-7
1016672	12-11	1017949	14-3	101828802	16-5, 16-7
1016717	4-35	1017950	14-3	101828901	16-7, 16-9, 16-11
1016801	11-3	1017953	14-3	101828902	16-7, 16-9, 16-11
1016837	4-25, 4-27	101795701	13-7, 13-11	101828903	16-7
1016849	4-13	101796201	5-5, 5-7	101828904	16-5
1016851	4-11, 4-13	101796501	13-9	101828905	16-5
1016879	4-3, 7-7	101796801	13-9	101828906	16-5
1016880	4-3, 7-7	101801001	13-9	101830601	4-13
1016883	7-13, 7-15	101802101	13-9	101830701	4-13, 4-17
1016901	11-3	101802201	16-7	101831101	16-7
1016916	1-25	101802202	16-7	101831503	16-9
1016929	4-25, 4-27, 4-29	101802203	16-7	101831504	16-9
1016947	12-3	101802204	16-5	101831701	16-9
1016952	1-21, 1-23	101802205	16-5	101831702	16-9
1017029	5-3	101802206	16-5	101831801	17-5
1017062	4-3, 7-7	101804301	4-13, 9-13	101831901	17-3
1017064	4-3, 7-7	101805701	9-13	101832001	13-9
1017065	4-3, 7-7	101806901	1-7	101832101	8-15
101707402	4-9	101808401	17-3	101832202	9-11
1017075	4-9	101809101	17-5	101832302	9-11
1017082	12-7, 12-13	101810501	4-7	101832701	8-15
1017141	1-21, 1-23	101811401	9-13	101833201	8-15
1017188	11-7	101811501	9-13	101833401	11-9
1017203	9-3	101811901	9-13	101833601	12-7
1017221	8-3	101812301	9-13	101833701	7-11
1017226	6-5	101813001	9-13	101833906	11-3
1017231	12-7	101813202	17-3	101834001	11-9
1017235	6-15	101814601	4-27	101834502	4-13
1017266	6-11	101815501	5-11	101834601	8-15
1017273	6-3	101815502	5-11	101834801	12-7, 12-13
1017313	6-5	101816301	5-11	101835601	1-31, 4-21, 4-35
1017314	6-5	101816501	5-11	101836201	11-9
1017315	6-5	101816502	5-11	101837101	9-13
1017317	6-5	101817401	5-5, 5-7	101837301	7-13, 7-15
1017378	5-5, 5-7	101818801	5-7	101838201	16-9
1017380	5-5, 5-7	101819701	16-7	101838301	16-9
1017424	5-5, 5-7	101820201	9-9	101838401	16-9, 16-11
1017448	8-5	101821501	9-13	101838501	16-9
1017455	8-5	101821601	4-29	101838601	16-9, 16-11
1017456	8-7	101823101	17-9	101838701	16-9
1017461	9-7	101823201	5-11	101850301	9-13
1017466	9-9	101823301	5-11	101851101	4-13
1017468	8-5	101823302	5-11	101855002	13-3
1017507	8-7	101823801	5-11	101855801	1-21, 1-23, 12-5
1017653	7-11	101823901	5-11	101856002	13-3
1017686	11-9	101824001	5-11	101856102	7-9
1017689	10-3	101824002	5-11	101856201	9-13
1017696	5-5, 5-7	101824401	9-3, 9-5	101859301	10-3
1017705	13-9	101826301	4-13	101861901	5-5, 5-7
1017721	4-5, 4-23	101826801	13-13	101862001	5-5
1017724	4-9	101827101	8-15	101869302	7-11
1017774	1-27	101827801	13-13	101871001	17-3
1017853	4-5, 4-7	101828301	16-7	101874901	7-11

# INDEX

101875001	7-11	101892501	12-9	101923501	15-3
101875101	7-11	101892601	12-9	101923901	15-3
101875102	7-11	101892701	12-11	101925701	9-13
101875201	7-11	101892901	12-7	101926501	6-15
101875301	7-11	101893201	12-9	101926901	12-7, 12-19
101875401	7-11	101893801	12-7	101927101	12-7
101875501	7-11	101893901	12-9	101927201	12-7
101875601	7-11	101894901	13-9	101927301	12-7
101875701	7-11	101895401	15-3	101927501	12-9
101875802	7-11	101895501	15-3	101927601	12-9
101876001	7-11	101896501	7-11	101927701	12-9
101876202	7-11	101896901	9-5	101927901	12-9
101876301	7-11	101897001	15-3	101928001	12-9
101876402	7-11	101897201	15-3	101928101	12-9
101876501	7-11	101897401	15-3	101928301	12-11
101877601	7-11	101897601	15-3	101928601	12-7
101877701	7-11	101898001	7-17	101928701	12-7, 15-3, 17-7
101878101	7-11	101903001	13-7	101929301	8-5
101878201	5-3	101903101	6-9	101929401	6-15
101878302	6-7	101903601	15-3	101929802	11-3
101879001	7-11	101903701	15-3	101931501	3-11, 13-13
101879401	6-7	101905601	9-7	101932201	4-5, 4-7
101879501	6-7	101906901	15-3	101932401	13-3
101879601	6-7	101908101	13-3	101932501	13-3
101879701	6-7	101908401	13-3	101932601	13-13
101879801	6-7	101908601	3-11	101932701	13-13
101879901	6-7	101908703	13-13	101932902	12-19
101880001	6-7	101909201	8-5	101933101	17-7
101880101	6-7	101909301	8-5	101936101	15-5
101880201	6-7	101909401	8-5	101936801	13-5
101880301	6-7	101909501	8-5	101939901	7-11
101881101	8-5	101909701	8-3	101942301	13-3, 14-3, 14-5
101881501	4-33	101910401	1-27, 13-13	101951501	12-5
101881601	4-33	101910501	12-11	101953101	5-13
101881701	9-13	101912401	5-9	101953901	8-3
101884801	8-15	101914001	15-5	101954301	1-3, 1-25
101886101	12-7, 12-13	101914401	4-5, 16-7, 16-9	101955101	4-31
101887101	17-3	101915201	3-7	101956201	16-11
101887601	8-3, 9-9	101915401	8-11	101956202	16-11
101889401	12-9	101915501	8-13	101957101	4-5, 4-7
101890001	12-9	101915601	8-3	101958201	16-11
101890101	12-7	101915801	8-5	101958301	16-11
101890201	12-7	101916701	7-13, 7-15, 11-3	101960501	1-7, 3-7
101890501	12-7	101917601	9-13	101963401	7-9, 8-15
101890601	12-7	101917701	9-13	101965205	13-13
101890901	12-11	101918501	5-3	101968701	13-7
101891001	12-11	101919801	5-5, 5-7	101969701	4-31
101891301	12-7	101920101	13-3, 13-5, 14-3, 14-5	101971301	9-13
101891401	12-11	101921501	9-13	101972001	17-7
101891501	12-11	101922101	15-3	101972002	17-7
101891601	12-9	101922201	15-3	101972003	17-7
101891901	12-9	101922301	8-13	101972004	17-7
101892001	12-9	101922501	13-3	101972005	17-7
101892201	12-9	101922601	12-5	101972006	17-7
101892301	12-9	101923001	15-3	101972007	17-7
101892401	12-9	101923201	15-3	101972009	17-7

# INDEX

101972011	17-7	102101101	13-5	102273701	16-3, 16-5
101972012	17-7	102155801	11-9	102273801	16-3, 16-5
101972101	15-3	102158901	5-5, 5-7	102273901	16-3, 16-5
101972201	15-3	102169401	17-7	102274001	16-5
101972801	9-13	102174201	1-25	102278001	6-5
101973101	9-7	102174202	1-25	102289001	1-31
101973201	9-7	102174204	1-25	102289002	1-9, 1-11
101973501	16-11	102174205	1-25	102289201	6-11
101976601	16-11	102186001	14-5	102289301	1-31
101978001	13-7	102186101	14-5	102292801	5-13
101978101	13-7	102186201	14-5	102296530	1-27
101978201	13-7	102186401	14-5	102298240	1-9, 1-11
101978601	15-5	102186701	14-5	102304701	8-9
101979101	12-3	102186901	14-5	102310701	1-17
101980801	12-9	102187001	14-5	102323101	5-3
101980901	12-9	102187101	14-5	102323201	5-3
101981001	12-9	102187201	14-5	102330901	17-9
101984801	6-5	102196901	13-3, 13-7	102336001	9-11
101987501	16-11	102198001	4-15, 4-17	102336101	9-11
101987701	9-3	102198701	4-5	102352201	4-21
101987901	4-3, 7-7	102199001	4-5	102353201	6-13
101988001	4-3, 7-7	102199201	4-5	102353301	6-13
101988002	4-3, 7-7	102199301	4-5	102353401	6-13
101988101	4-3, 7-7	102199401	4-5	102354104	6-13
101988201	4-3, 7-7	102199601	13-7	102354204	6-13
101990703	4-15	102221201	1-21, 1-23	102354901	4-21
101990801	5-13	102235201	14-3, 14-5	102355001	4-21
101991101	4-15	102240104	14-3	102355102	1-19
101997802	4-33	102240501	13-13	102355301	7-17
101997803	4-33	102241501	17-7	102356601	15-3
101997902	4-33	102241502	17-7	102356801	15-3
101997903	4-33	102242101	11-9	102357501	4-21
101998211	1-25	102243101	13-13	102357701	6-13
101998212	1-25	102243402	17-7	102406701	9-3
101998214	1-25	102243403	14-3, 14-5	102453001	12-9
101998215	1-25	102248803	17-7	102453101	12-9
101998501	1-25	102249901	17-3	102499001	4-17
102003201	9-3	102251501	17-7	102503221	1-27
102022101	5-13	102259801	13-13	102503222	1-27
102022601	6-11	102263601	13-7, 13-13	102503224	1-27
102022602	6-11	102263701	13-13	102508601	4-17
102025801	1-3	102264001	7-9	102508701	4-17
102025901	4-15	102265601	14-3	102511301	13-11
102026001	5-5, 5-7	102265701	14-3	102511302	13-11
102031901	12-11	102265801	14-3	102515401	12-7, 12-13
102044702	4-15	102265901	14-3	102522001	9-5
102044801	4-15	102266001	14-3	102529201	4-9
102045001	1-3	102266101	14-3	102540301	8-15
102048401	1-3	102266601	13-3	102544201	1-27
102051601	4-15	102266701	13-3	102555501	17-3
102051701	4-15, 4-17	102267001	14-3	102562401	17-3
102051901	4-15, 4-17	102273201	16-5	102570401	17-11
102061201	17-9	102273301	16-5	102572401	13-7
102065901	1-31, 8-15	102273401	16-5	102581201	1-27
102066201	5-13	102273501	16-5	102588501	6-15
102101001	13-5	102273601	16-5	102601501	17-5

# INDEX

102603501	17-5	102797201	1-31	102896901	12-13
102605201	17-5	102803001	7-5	102897201	12-15
102606101	17-5	102804501	4-15	102897301	12-15
102607501	17-5	102804502	4-15	102897401	12-13
102618601	1-9, 1-11	102804503	4-17	102897501	12-13
102668801	17-9	102804504	4-17	102897601	12-13
102669901	17-7	102806201	13-13	102897701	12-15
102674001	17-5	102806203	13-13	102897801	12-13
102674101	17-5	102810301	1-13	102897901	12-13
102674201	17-5	102810501	13-7	102898001	12-15
102674401	17-9	102815801	2-3	102898101	12-15
102674601	17-9	102815901	2-3	102898201	12-13
102675001	17-5	102816201	1-27	102898301	12-15
102675101	17-5	102818301	1-23	102898401	12-15
102675201	17-5	102818302	1-23	102898501	12-15
102675301	17-5	102818303	1-23	102898601	12-15
102675401	17-5	102818305	1-23	102898701	12-15
102686101	17-3	102819101	2-3	102898801	12-15
102704701	14-5	102820301	1-31	102898901	12-15
102704801	14-5	102820501	1-31	102899001	12-15
102704901	14-5	102821101	1-31	102899101	12-13
102705001	14-5	102822001	1-3	102899201	12-13
102711201	7-9	102822002	1-3	102899301	12-15
102751601	9-5	102822401	6-3	102899401	12-13
102753401	8-9	102823201	1-31	102899501	12-15
102766701	1-3	102825401	3-9	102899601	12-15
102771701	15-3	102825402	3-9	102899701	12-13
102777401	13-11	102825501	3-13	102899801	12-13
102777601	1-21, 1-23	102825502	3-13	102899901	12-15
102777602	1-21, 1-23	102825601	3-9	102900001	12-13
102778501	1-3	102825701	3-13	102900101	12-13
102778502	1-3	102828701	1-3, 1-15	102900201	12-13
102778503	1-3	102829703	1-19	102900301	12-13
102778504	1-3	102829704	1-19	102900401	12-15
102778505	1-3	102829802	1-19	102900501	12-15
102778507	1-3	102830201	1-11	102900601	12-13
102778509	1-3	102830401	6-9	102900701	12-15
102778601	1-3	102830501	1-9	102900801	12-17
102778901	1-29	102830701	1-29	102900901	12-13
102779001	1-29	102830801	4-17	102901001	12-15
102779201	1-29	102831901	3-5, 3-13	102901101	12-15
102779301	1-29	102832001	3-5, 3-13	102901201	12-17
102779401	1-29	102832601	13-11	102901301	12-17
102779501	1-29	102833301	3-5, 3-11	102901401	12-17
102779601	1-29	102840301	1-27	102901501	12-17
102796101	1-27	102852401	1-11	102901601	12-17
102796201	6-3	102852501	4-35	102901701	12-17
102796301	1-27	102857401	1-3	102901801	12-17
102796302	1-27	102861401	2-5	102901901	12-17
102796501	1-15	102865101	9-3	102902001	12-17
102796701	1-3	102869401	4-5, 4-7	102902101	12-17
102796801	1-21	102886301	15-3	102902201	12-17
102796802	1-21	102886401	15-3	102902301	12-17
102796803	1-21	102886501	15-3	102902401	12-17
102796804	1-21	102886601	15-3	102902501	12-17
102796805	1-21	102896801	12-13	102902601	12-17

# INDEX

- 102902701 12-17  
102902801 12-17, 15-3  
102909901 4-35  
102911601 4-35  
102913101 1-27  
102913102 1-27  
102913601 6-9  
102914301 1-3  
102952301 9-5  
102959401 1-15  
102967901 1-3, 4-15, 4-17  
102977001 4-13  
103010101 9-3  
103018301 3-3  
103018401 3-3  
103180101 4-13  
103189901 1-29  
103199001 4-13  
103199101 4-13  
103200701 4-17  
103218601 13-7  
103246701 1-25  
103246801 1-25  
103255601 4-5  
103255701 4-7  
103256901 4-5  
103257001 4-7  
103257603 4-19  
103257701 4-19  
103257801 4-19  
103293501 1-29  
103313301 1-5  
103316701 13-13  
103316801 13-13  
103316901 13-13  
103317501 1-29  
103325501 14-3  
103325601 14-3  
103325701 14-3  
103325801 14-3  
103337601 14-3  
103344501 1-13  
103345701 11-3  
103348201 4-13  
103348202 4-19  
103348501 4-13  
103348601 4-13  
103351001 6-11  
103354401 4-19  
103354701 6-11  
103372101 9-3  
103372302 9-3  
103377201 5-13  
103377301 5-13  
103379501 12-5  
103397901 4-7, 16-7
- 103403101 13-13  
103414901 4-7, 16-7  
103428501 16-3  
103428601 16-3  
103428701 16-3  
103428801 16-3  
103429001 16-3  
103429101 16-3  
103429201 16-3  
103429301 16-3  
103429501 16-3  
103429601 16-3  
103429701 16-3  
103434001 16-3  
103439901 16-3  
103477901 6-13  
103499101 16-3  
103499102 16-3  
103499103 16-3  
103502601 6-9  
103507001 6-9  
103520301 9-13  
103582801 15-3  
103601601 6-5  
103628701 6-9  
103651902 9-3  
103653501 6-11  
103653601 6-11  
103776902 9-3  
103781101 9-3  
105153201 3-11  
105153202 3-11  
105153301 3-9  
105153302 3-9  
96704416 8-15
- A**  
absorber, rear shock 6-15  
AC cord 16-3, 16-5, 16-7, 16-9, 16-11  
AC cord bushing 16-3, 16-5  
AC cord receptacle 16-11  
accelerator bracket and bearing assembly 5-5,  
5-7  
accelerator cable 9-11  
accelerator pedal 5-5, 5-7  
accelerator pedal adjustment tool 17-3  
accelerator pivot rod 5-5, 5-7  
accelerator return spring 5-5, 5-7  
accelerator rod 5-9  
accessory receptacle 4-15, 4-17  
adapter  
cable (IQDM) 17-7  
adhesive, guide ring 17-3  
adjuster  
hydraulic brake 17-7  
air box 9-13  
air box top 9-13  
air filter 9-13  
air intake hose 9-13  
ammeter 16-3, 16-5, 16-7, 16-9, 16-11  
angled bumper mount 6-15  
A-plate strap 6-11  
A-plate, delta 6-11  
arbor 17-3  
arm  
governor 12-7, 12-13  
pivot 12-7  
rocker 8-9  
armature 7-11, 14-3, 14-5  
armature conversion kit 7-11  
assembly  
accelerator bracket and bearing 5-5, 5-7  
accelerator pivot rod 5-5, 5-7  
air box 9-13  
air box top 9-13  
armature 7-11  
axle 12-11  
bearing, steering shaft 6-5  
bell crank and shaft 7-9  
brake lever 5-11  
brush connector 7-11  
brush holder 7-11  
carburetor 9-7  
connecting rod 8-13  
delta A-plate 6-11  
delta shock and gear support 6-11  
drive hub 11-3  
driven clutch 11-9  
driven clutch fixed-face 11-9  
field coil 7-11  
float 9-7  
Forward/Reverse shifter 12-3  
frame and field (motor) 14-5  
fuel cap 9-3  
fuel pump 9-3  
fuel tank vent 9-3, 9-5  
governor 12-9, 12-15  
headlight 4-3, 7-7  
headlight harness 4-3, 7-7  
idle screw 9-7  
inner ball joint 6-7  
kingpin 6-9  
moveable-face 11-3, 11-9  
pilot air screw 9-7  
ratchet 5-3  
secondary clutch weight 11-3  
steering shaft 6-5  
turn signal lens 4-3, 7-7  
axle 12-7, 12-11, 12-17, 15-3  
axle guard 12-19, 15-5  
axle shaft oil seal 12-11, 12-17, 15-3  
axle tube 12-11, 12-17, 15-3

# INDEX

- B**
- backing plate, brake 5-11
  - backrest, beige 1-27
  - backrest, gray 1-27
  - backrest, white 1-27
  - ball joint 5-3, 5-9, 6-7, 12-5
  - ball joint, left-hand thread 6-7
  - ball stud 7-9, 12-3, 12-7, 12-13
  - ball, bearing 6-13
  - ball, shifter 12-9
  - ball, steel pressure relief 8-7
  - band, RPM limiter mount 8-5
  - bar, drive 13-5
  - barb, vent 9-3, 9-5
  - battery charger 16-3, 16-5, 16-7, 16-9, 16-11
  - battery charger case 16-3, 16-5, 16-7, 16-9, 16-11
  - battery charger handle 16-5
  - battery charger receptacle 13-9
  - battery charger transformer 16-5, 16-7, 16-9, 16-11
  - battery clamp 7-17
  - battery condition indicator 4-19
  - battery condition indicator kit 4-19
  - battery condition indicator, 48-volt 4-17
  - battery discharge machine 17-3
  - battery hold-down, 12-volt 13-11
  - battery light 4-17
  - battery terminal protector spray 17-3
  - battery thermometer 17-3
  - battery, 12-volt 7-17
  - battery, 12-volt, Trojan T1275, moist 13-11
  - battery, 12-volt, Trojan T1275, wet 13-11
  - bearing 15-3
    - ball 6-13
    - ball (motor) 14-5
    - ball (steering pinion) 6-7
    - cage roller 12-15
    - idler 11-3
    - inner axle tube 12-11, 15-3
    - lower pinion (steering) 6-7
    - needle 12-9
    - outer axle tube 12-11
    - pivot support 5-5, 5-7
    - steering shaft 6-5
    - thrust 6-9
  - bearing and oil seal remover 17-3
  - bearing driver set 17-3
  - bearing puller 17-3
  - bearing puller wedge 17-3
  - bearing retainer 14-3
  - bearing seat 6-5
  - bed support 1-27
  - bed support stiffener 1-31
  - bed, cargo 1-29
  - bell crank 12-3
  - bell crank and shaft 7-9
  - bellows 6-7
  - belt, drive 11-5, 11-7
  - belt, starter/generator 7-13, 7-15, 11-3
  - belt, V 7-13, 7-15, 11-3
  - bezel, headlight 4-3, 7-7
  - block, brake-mounting 5-3
  - block, fuse 4-5, 4-7, 7-9
  - block, terminal 4-5, 4-7
  - body kick plate 1-21, 1-23
  - body, front 1-3
  - body, rear 1-21, 1-23
  - bolt, J- 13-11
  - bolt, U- 6-15
  - boot, steering column 6-5
  - boot, switch 13-3
  - bottom, air box 9-13
  - box
    - air 9-13
    - dash 1-13
    - differential 12-17
    - electrical component 7-9
    - glove 1-15
    - steering gear 6-7
  - box lock kit, glove 1-15
  - brace, canopy 1-5
  - brace, seat support cross 1-27
  - bracket 4-15, 6-15, 8-3
    - accelerator cable 9-11
    - adjustable starter/generator 7-13, 7-15
    - brake light switch 4-5, 4-7
    - governor cable 9-11
    - headlight mounting 4-3, 7-7
    - horn 4-31
    - hour meter 4-33
    - muffler mounting 10-3
    - oil filter mount 8-7
    - oil level switch 8-11
    - relay mounting 16-9
    - RPM limiter 8-5
    - shifter 12-5
    - snubber 8-15
    - starter/generator mounting 7-13, 7-15
    - steering column 6-5
    - steering column mounting 6-5
    - throttle spring return 9-9
    - Tow/Run switch 13-3
  - brake adjusting mechanism 5-11
  - brake adjustment tool 17-3
  - brake backing plate 5-11
  - brake cable 5-13
  - brake cable equalizer 5-13
  - brake cable release tool 17-3
  - brake cluster 5-11
  - brake drum 5-11
  - brake lever 5-11
  - brake light switch bracket 4-5, 4-7
  - brake mounting block 5-3
  - brake pedal 5-3
  - brake pedal adjustment tool 17-3
  - brake pedal pad 5-3
  - brake pedal tension tool 17-3
  - brake relay kit, 12-volt 4-5
  - brake return spring 5-13
  - brake self-adjusting mechanism 5-11
  - brake shoe 5-11
  - brake spring 5-11
  - breaker, circuit 16-3, 16-5, 16-7, 16-9, 16-11
  - breather 12-7, 12-13, 15-3
  - brush 14-3, 14-5
  - brush and screw set 7-11
  - brush box assembly 14-5
  - brush connector 7-11
  - brush cover kit, starter/generator 7-11
  - brush guard 1-11
  - brush guard support 6-9
  - brush holder 7-11
  - brush inspection port cover 7-11
  - brush plate
    - starter/generator 7-11
  - brush port cover 7-11
  - brush rigging 14-3, 14-5
  - brush spring 14-3, 14-5
  - brush spring set 7-11
  - brush spring, starter/generator 7-11
  - brush terminal, starter/generator 7-11
  - bulb, headlight 4-3, 7-7
  - bulb, strobe light 4-25, 4-27, 4-29
  - bulb, tail light 4-35
  - bumper
    - cast 1-9
    - drive unit (motor) 14-3, 14-5
    - jounce 6-15
    - rubber 1-15, 1-31, 5-3
    - side trim 1-17
    - spring return 5-5, 5-7
  - bumper mount, angled 6-15
  - bushing 7-9, 11-3, 12-3
    - AC cord 16-3, 16-5
    - bronze 6-13
    - nylon 5-3
    - return line 9-3
    - spindle 6-13
    - steel 1-31, 6-9, 6-15
    - urethane 1-31, 6-9, 6-11, 6-15
  - bushing, insulated 14-3
  - button, choke 9-13
  - button, drive 11-9
  - buzzer, reverse 4-11, 4-13
- C**
- cable

# INDEX

- accelerator 9-11
  - brake 5-13
  - governor 9-11
  - IQDM 17-7
  - transmission 12-5
  - cable retainer 1-21, 1-23, 12-5
  - cable, cargo bed 1-29
  - calibration test module 17-3
  - cam
    - driven clutch 11-9
    - electrical component box 7-9
    - neutral lockout 12-3
  - cam installation tool 17-3
  - cam, neutral lockout 12-3
  - camshaft 8-11
  - canopy brace 1-5
  - cap
    - dust 13-3, 13-7
    - front hub 6-13
    - fuel tank 9-5
    - fuel, gas, ratchet 9-3
    - key switch 4-13
    - spark plug 8-5
  - carburetor 9-7
  - carburetor float level tool 17-7
  - carburetor insulator 9-9, 14-3
  - carburetor mounting gasket 9-9
  - card, safety first 17-9
  - cargo bed 1-29
  - cargo bed hinge 1-31
  - case
    - battery charger 16-3, 16-5, 16-7, 16-9, 16-11
    - differential gear 12-11
    - FNR switch 13-3
    - gear 12-7, 12-13, 15-3
    - rocker 8-9
  - cast bumper 1-9
  - catch, tilt bed 1-29
  - CE mark controller 13-13
  - center, steering wheel 6-3
  - charger
    - wire assembly kit 16-7
  - charger bezel tool 17-3
  - charger hardware kit 16-3
  - charger receptacle 13-9
  - charger wires 16-3
  - charger, battery, PD2 16-5
  - charger, battery, PD3 16-3
  - charger, battery, PowerDrive 16-7
  - charger, battery, PowerDrive European 16-11
  - charger, battery, PowerDrive Export 16-9
  - choke button 9-13
  - choke lever 9-13
  - choke lever guide 9-13
  - choke positioner 9-13
  - choke valve 9-13
  - circuit breaker 16-3, 16-5, 16-7, 16-9, 16-11
  - clamp
    - battery 7-17
    - cable retaining 9-11
    - hose 9-3, 9-5, 9-9, 9-13
    - muffler hose 10-3
  - clevis, upper delta 6-9
  - clip
    - meter 4-13
  - cluster idler gear 12-9
  - cluster, brake 5-11
  - clutch alignment tool 17-5
  - clutch pulley 11-3
  - clutch removal tool 17-3
  - clutch repair kit 11-9
  - clutch tool kit 17-5
  - clutch weight 11-3
  - clutch, drive 11-3
  - clutch, driven 11-9
  - coil, field 7-11
  - coil, ignition 8-5
  - collet 8-9
  - column, steering 6-5
  - communication display module 17-5
  - component box, electrical 7-9
  - component mounting plate 13-13
  - compression gauge 17-5
  - compression lug 13-13
  - compression spring 9-13
  - compressor, piston ring 17-9
  - compressor, valve spring 17-11
  - computer, onboard 13-13
  - conduit 4-29
  - connecting rod 8-13
  - connector, a- 7-11
  - connector, four-pin 13-3
  - continuity tester 17-5
  - controller cover 13-13
  - controller cover gasket 13-13
  - controller, motor speed
    - IQ 13-13
  - controller, motor speed (CE) 13-13
  - converter, DC/DC 4-21
  - cord connector 8-11
  - cord set, DC 16-3, 16-5
  - cord, AC 16-3, 16-5, 16-7, 16-9, 16-11
  - cord, DC 16-7, 16-9, 16-11
  - counterbalance guide shaft 8-13
  - counterbalance weight 8-13
  - cover
    - brush inspection port 7-11
    - brush port 7-11
    - cowl 1-3
    - crankcase 8-11
    - dust 5-11
    - electrical box 7-9
    - fuse block 4-7
    - oil pump 8-7
    - rocker switch hole 4-13
    - screw head 4-13
    - steering column 6-5
  - cover gasket, controller 13-13
  - cover plate 14-5
  - cover, controller 13-13
  - cover, speed controller 13-13
  - cover, steering column 4-9
  - cowl 1-3
  - cowl cover 1-3
  - cowl support 1-3
  - crank, bell 12-3
  - crankcase 8-13
  - crankcase cover gasket 8-9, 8-11
  - crankcase vent tube 9-9
  - crankshaft 8-13
  - crankshaft seal 8-11
  - crankshaft shim 8-13
  - cross brace, seat support 1-27
  - C-type stop ring 6-7
  - cup, spring 5-5, 5-7
  - current limiter 16-11
  - cushion, shock absorber 6-15
  - cutter, valve seat 17-5, 17-11
- ## D
- damper, RPM limiter 8-5
  - dash 1-3
  - dash box 1-13
  - dash panel 4-13
  - DC cord 16-7, 16-9, 16-11
  - DC cord set 16-3, 16-5
  - DC/DC converter 4-21
  - decal
    - Carryall 232 3-3
    - component cover 3-11, 13-13
    - crush area 3-5, 3-13
    - crush warning 3-5, 3-13
    - driver/passenger 3-7
    - frame ground 3-7
    - instrument panel warning 3-9, 3-13
    - operating instructions 3-9, 3-13
    - owner notice 3-5, 3-11
    - rotating parts 1-7, 3-7
    - Tow/Run switch warning 3-11
  - delta A-plate 6-11
  - delta A-plate sub-assembly 6-11
  - delta shock and gear support 6-11
  - DF-terminal insulator 7-11
  - diagnostic port 13-7
  - diesel tachometer probe 17-9
  - differential drive unit 12-7, 15-3
  - differential gear 12-11, 15-3



# INDEX

differential gear case 12-11, 12-17  
differential guard 12-19, 15-5  
differential housing 15-3  
differential idler gear 12-11  
differential pin 12-11  
diode 7-9  
diode, rectifier 16-5  
dipstick 8-3  
drain plug 8-7, 12-13  
drain plug gasket 8-7, 12-7, 12-13  
drive bar 13-5  
drive belt 11-5, 11-7  
drive button 11-9  
drive clutch 11-3  
drive clutch button 11-3  
drive clutch fixed sheave tool 17-5  
drive clutch fixed-face 11-3  
drive clutch holder tool 17-5  
drive clutch hub puller 17-5  
drive clutch puller 17-5  
drive clutch spider removal tool 17-5  
drive clutch spring 11-3  
drive clutch weight 11-3  
drive hub 11-3  
drive selector shaft 12-7, 12-13  
drive unit bumper 14-3, 14-5  
drive unit guard 12-19, 15-5  
driven clutch 11-9  
driven clutch button 11-9  
driven clutch cam 11-9  
driven clutch cam puller 17-5  
driven clutch fixed-face assembly 11-9  
driven clutch puller plug 17-5  
driven clutch spring compression base tool 17-5  
driven clutch spring compression collar tool 17-5  
driven clutch spring compression nut tool 17-5  
driver, drive clutch 11-3  
drum, brake 5-11  
dry moly lubricant 17-7  
dust cap 13-3, 13-7  
dust cover 5-11

## E

eccentric bolt 6-9  
E-clip 5-13  
electrical box cover 7-9  
electrical component box 7-9  
end bell, commutator 7-11  
end bell, output shaft 7-11  
end cap, motor 14-3, 14-5  
end shield  
    motor 14-3  
end, tie rod 6-11

engine 8-3  
engine mounting plate 8-15  
engine shroud 8-3  
engine valve spring 8-9  
equalizer rod 5-13  
equalizer, brake cable 5-13  
exhaust system 10-3  
exhaust valve 8-9  
extension, spring latch 1-29  
extrusion, cover support 13-13

## F

face, moveable 11-3, 11-9  
fan housing 8-3  
fan shroud 8-3  
fan, flywheel 8-5  
fender 1-21, 1-23  
field coil 7-11  
field coil housing 7-11  
fill plug 12-7, 12-13  
fill plug gasket 12-13  
filter  
    air 9-13  
    fuel 9-3  
    oil 8-7  
fitting, thread-forming grease 6-7, 6-13  
fixed-face, drive clutch 11-3  
fixed-face, driven clutch 11-9  
float 9-7  
floor mat 1-3  
flywheel 8-5  
flywheel fan plate 8-5  
flywheel puller 17-7  
FNR closeout brush 4-13  
FNR handle 12-3  
FNR shift lever 12-7, 12-13  
FNR shifter base 12-3  
FNR switch case 13-3  
foam, seat 1-25  
fork, shift 12-9, 12-15  
Forward/Reverse shifter 12-3  
frame and field assembly (motor) 14-5  
frame and field, starter/generator 7-11  
front body 1-3  
front body support 1-21, 1-23  
front hub 6-13  
front spring retainer plate 6-9  
F-terminal hardware 7-11  
f-terminal insulator 7-11  
fuel filter 9-3  
fuel gauge sending unit 9-5  
fuel gauge/hour meter 4-15  
fuel line 9-3, 9-5, 9-9  
fuel meter 4-13  
fuel pump 9-3  
fuel tank 9-5

fuel tank cap 9-5  
fuel tank strap 9-3  
fuel tank vent 9-3, 9-5  
fuse 13-9, 16-7, 16-9, 16-11  
    10-amp 7-9  
    20-amp 4-5, 4-7, 7-9  
    3/8-amp 13-9  
    charger 16-3, 16-5  
fuse block 4-5, 4-7, 7-9  
fuse block cover 4-7

## G

gasket  
    carburetor mounting 9-7, 9-9  
    crankcase cover 8-9, 8-11  
    drain plug 8-7, 12-7  
    drain plug, fill plug 12-13  
    exhaust 8-9, 10-3  
    head 8-9  
    insulator 8-9, 9-9  
    liquid 12-7, 15-3, 17-7  
    oil pump 8-7  
    plug 15-3  
    rocker case 8-9  
    seat 1-25  
    sending unit 9-5  
    taillight 4-35  
gasket kit, FE290 8-9  
gasket, controller cover 13-13  
gauge, battery condition 4-19  
gauge, compression 17-5  
gauge, fuel/hour 4-15  
gauge, fuel-hour 4-13  
gear  
    25 tooth 12-15  
    28 tooth 12-15  
    case 12-13  
    cluster idler 12-9  
    differential 12-11, 12-17, 15-3  
    differential idler 12-11, 15-3  
    differential output 15-3  
    helical 8-13, 12-9, 12-11  
    planetary 12-17  
    speed governor 12-15  
    spur 8-13, 12-9  
    sun 12-17  
    synchro 12-9  
gear yoke 17-7  
gearcase 12-7, 15-3  
glove box 1-15  
glove box lock 1-15  
glove box lock kit 1-15  
governor 12-9, 12-15  
governor arm 12-7, 12-13  
governor cable 9-11  
governor cable bracket 9-11

# INDEX

governor shaft installation tool 17-7  
governor shield 9-9  
grommet 9-3, 9-5  
ignition 8-5  
guard, brush 1-11  
guard, differential 12-19, 15-5  
guide

choke lever 9-13  
intake valve 8-9  
valve seat cutter 17-11  
guide ring adhesive 17-3

## H

handle, battery charger 16-5  
handle, FNR 12-3  
hardware kit, charger 16-3  
hardware, F-terminal 7-11  
harness, headlight 4-5, 4-7  
harness, wire 4-21, 4-25, 4-27, 4-35, 13-7  
gasoline 7-5  
harness, wire, lighting 4-7  
head gasket 8-9  
head, FE290 8-9  
headlight 4-3, 7-7  
headlight assembly 4-3, 7-7  
headlight bulb 4-3, 7-7  
headlight harness 4-3, 7-7  
headlight retainer 4-3, 7-7  
headlight wire harness 4-5, 4-7  
heatsink 16-5  
heatsink and rectifier 16-3, 16-7, 16-9, 16-11  
helical gear 8-13, 12-9, 12-11  
hill brake rod 5-3  
hill brake weld assembly 5-3  
hinge plate 1-21, 1-23, 1-25  
hinge support 1-31  
hinge, cargo bed 1-31  
hold-down, battery, 12-volt 13-11  
holder, object 1-3  
horn 4-31  
horn bracket 4-31  
horn button and wire assembly 4-31  
hose  
fuel 9-3  
hose, air intake 9-13  
hour meter 4-13, 4-33  
hour meter, 36-48 volt 4-33  
hour meter/fuel gauge 4-15  
housing  
2-pin 13-5  
3-pin 13-3, 13-5, 14-3, 14-5  
4-pin 13-3  
6-pin 13-13  
differential 15-3  
fan 8-3  
field coil 7-11

hub 6-13  
hub and spindle 6-13  
hub cap 6-13  
hub, front 6-13  
hub, synchronizer clutch 12-9  
hydraulic brake adjuster 17-7  
hydrometer 17-7

## I

idle screw assembly 9-7  
idler bearing 11-3  
idler gear, differential 15-3  
ignition coil 8-5  
indicator, battery condition 4-19  
inner frame snubber 8-15  
input shaft 15-3  
insert, synchronizer 12-9  
instrument panel 4-13, 4-15, 4-17  
insulated bushing 14-3  
insulator gasket 8-9, 9-9  
insulator, carburetor 9-9, 14-3  
intake pipe 9-9  
intake valve 8-9  
intermediate shaft 15-3  
internal retaining ring pliers 17-7  
IQ display module (IQDM) 17-7

## J

J-bolt 13-11  
jet, main 9-7  
jet, pilot 9-7  
joint  
ball 5-3, 5-9, 12-5  
left-hand thread ball 6-7  
jounce bumper 6-15

## K

key 4-17  
crankshaft 8-5, 8-13  
driven clutch 11-9  
On/Off 4-13  
square 11-9  
starter/generator 7-11  
woodruff 12-7  
key (pair) 4-15  
key switch 4-13, 4-15, 4-17  
key switch cap 4-13  
key switch spacer 4-15  
keyswitch nut 4-15, 4-17  
kick plate, body 1-21, 1-23  
kingpin 6-9  
kit  
2-pin housing 13-5  
3-pin housing 13-3, 13-5, 14-3, 14-5  
4-pin housing 13-3

6-pin housing 13-13  
accelerator pivot rod 5-5, 5-7  
air duct repair tape 9-13  
armature conversion 7-11  
battery condition indicator 4-19  
brake cable 5-13  
brake pedal 5-3  
brake pedal adjustment tool 17-3  
brake relay 4-5  
brake shoe retainer 5-11  
clutch repair 11-9  
differential gear case 12-11  
drive clutch button 11-3  
drive clutch weight 11-3  
driven clutch button 11-9  
fixed-face drive 11-3  
front hub replacement 6-13  
fuel tank 9-5  
hour meter 4-33  
IQ display module (IQDM) 17-7  
magnet and bearing 14-3  
motor brush 14-5  
motor brush spring 14-5  
motor cover plate 14-5  
motor speed sensor 14-5  
motor terminal hardware 14-5  
neutral lockout cam 12-3  
park brake latch 5-3  
park brake pedal 5-3  
PD3 hardware 16-3  
PD3 wiring 16-3  
relay, 48V 4-7, 16-7  
shock absorber 6-15  
shock absorber cushion 6-15  
shoe retainer 5-11  
steering column mounting bracket 6-5  
strobe light 4-25, 4-27, 4-29  
tune-up 17-9  
turn signal 4-9  
wire assembly, charger 16-7  
knob, light switch 4-15, 4-17

## L

lamp, strobe light 4-25, 4-27, 4-29  
lamp, turn signal and socket 4-9  
latch spring 1-29  
latch, air box 9-13  
latch, park brake 5-3  
L-bracket, motor 14-5  
leaf spring 6-15  
lens, headlight 4-3, 7-7  
lens, strobe light 4-25, 4-27, 4-29  
lens, taillight 4-35  
lever  
choke 9-13  
drive selector 12-7

# INDEX

speed governor 12-13  
transmission shift 12-7, 12-13  
light  
  battery 4-17  
  oil 4-13, 4-15  
  tail 4-35  
light switch 4-15, 4-17  
light switch knob 4-15, 4-17  
light, strobe 4-25, 4-27, 4-29  
limit switch 4-5, 4-7, 12-3  
limiter  
  current 16-11  
  RPM 8-5  
  voltage 4-5, 4-7, 4-23  
line, fuel 9-5, 9-9  
link, rack and pinion drag 6-7  
link, rod 1-29  
liquid gasket 12-7, 15-3, 17-7  
lock kit, glove box 1-15  
lock, glove box 1-15  
low oil warning light 4-13, 4-15  
lubricant, dry moly 17-7  
lubricant, moly-teflon 14-3, 14-5, 17-7  
lug nut 2-3  
lug stud 6-13, 12-11, 12-17, 15-3  
lug, compression 13-13  
**M**  
magnet and bearing kit 14-3  
magnet, speed sensor 14-3, 14-5  
main jet 9-7  
main nozzle 9-7  
mat, floor 1-3  
MCOR 13-5  
mechanism, brake adjusting 5-11  
meter clip 4-13  
meter, hour 4-33  
meter, volt ohm 17-11  
module  
  calibration test 17-3  
  communication display 17-5  
moly-teflon lubricant 17-7  
motor  
  48-volt 14-3  
  48-volt IQ 14-5  
motor armature 14-3  
motor brush 14-3  
motor brush kit 14-5  
motor brush spring kit 14-5  
motor bumper 14-3, 14-5  
motor end cap 14-3, 14-5  
motor end shield 14-3  
motor L-bracket 14-5  
motor magnet, speed sensor 14-3, 14-5  
motor speed controller  
  CE 13-13

IQ 13-13  
motor speed sensor 14-3, 14-5  
motor speed sensor kit 14-5  
motor stator shell and winding 14-3  
motor terminal hardware kit 14-5  
mounting block, brake 5-3  
moveable-face 11-3, 11-9  
muffler hose clamp 10-3

## N

needle bearing 12-9  
nerf bar 1-19  
neutral lockout cam 12-3  
non-skid tape 1-19  
nozzle, main 9-7  
nut, keyswitch 4-15, 4-17  
nut, lug 2-3

## O

OBC 13-13  
object holder 1-3  
oil conveyor 12-13  
oil filler tube 8-3  
oil filter 8-7  
oil filter mount bracket 8-7  
oil filter screen 8-11  
oil filter screen plate 8-11  
oil level sensor 8-11  
oil level switch bracket 8-11  
oil pump and rotor 8-7  
oil pump cover 8-7  
oil pump gasket 8-7  
oil pump plate 8-7  
oil seal 8-9, 8-13, 12-7, 12-9  
oil warning light, low 4-13, 4-15  
onboard computer 13-13  
O-ring 8-3, 8-9, 8-11, 8-13  
overload bumper spacer 6-15

## P

pad  
  accelerator pedal 5-5, 5-7  
  brake pedal 5-3  
  park brake 5-3  
  wear 1-21, 1-23  
paint, touch-up 17-7  
panel  
  instrument 4-15  
panel, instrument 4-13, 4-15, 4-17  
park brake latch 5-3  
park brake pedal 5-3  
park brake rod sleeve 5-3  
park brake spacer 5-3  
park brake torsion spring 5-3  
pawl 5-3  
pedal, accelerator 5-5, 5-7  
pedal, brake 5-3  
pedal, park brake 5-3  
pilot air screw 9-7  
pilot jet 9-7  
pin  
  bow tie locking 5-13  
  clevis 5-13  
  differential 12-11  
pin, piston 8-13  
pinion, steering 6-7  
pipe, intake 9-9  
piston 8-13  
piston ring 8-13  
piston ring compressor 17-9  
piston ring pliers 17-9  
pivot arm 12-7  
pivot support bearing 5-5, 5-7  
plate  
  backing (brake) 5-11  
  body kick 1-21, 1-23  
  component mounting 13-13  
  cover 14-5  
  engine mounting 8-15  
  flywheel fan 8-5  
  front spring retainer 6-9  
  hinge 1-21, 1-23, 1-25  
  oil filter screen 8-11  
  oil pump 8-7  
  receptacle backing 13-9  
  spring mounting 6-9  
  thrust 12-9, 12-11  
pliers  
  internal retaining ring 17-7  
  piston ring 17-9  
  retaining ring 17-9  
plug  
  4-pin 13-3  
  6-pin 13-13  
  drain 8-7, 12-13  
  driven clutch puller 17-5  
  fill 12-7, 12-13  
  spark 8-5  
pole set 7-11  
port, diagnostic 13-7  
positioner, choke 9-13  
press weldment 17-5  
protector spray, battery terminal 17-3  
puller  
  bearing 17-3  
  clutch 17-3  
  drive clutch 17-5  
  drive clutch hub 17-5  
  driven clutch cam 17-5  
  flywheel 17-7  
  seal 17-9

# INDEX

special use tool 17-9  
pulley  
clutch 11-3  
starter-generator 7-11  
v-belt 7-11  
pump  
fuel 9-3  
push rod 8-9

## R

rack and pinion drag link 6-7  
rack guide pressure spring 6-7  
rack, steering 6-7  
ratchet, park brake 5-3  
reamer, valve guide 17-9  
rear body 1-21  
rear spring shackle 6-15  
receptacle 13-9  
receptacle backing plate 13-9  
receptacle, AC cord 16-11  
receptacle, accessory 4-15, 4-17  
receptacle, battery charger 13-9  
rectifier diode 16-5  
rectifier with heatsink 16-3, 16-7, 16-9, 16-11  
regulator, voltage 7-9  
relay 4-7, 16-3, 16-7, 16-9, 16-11  
relay mounting bracket 16-9  
relay, 12-volt 4-5  
relay, 48V 4-7, 16-7  
relay, 48-volt 16-5  
relay, brake, kit, 12-volt 4-5  
remover, bearing and oil seal 17-3  
resistor assembly 13-13  
retainer  
accelerator pedal spring 5-5, 5-7  
bearing 14-3  
brake shoe 5-11  
cable 1-21, 1-23, 12-5  
headlight 4-3, 7-7  
shock absorber cushion 6-15  
spring 6-15  
spring (drive clutch) 11-3  
valve spring 8-9  
retaining ring 6-5  
retaining ring pliers 17-9  
return spring bumper 5-5, 5-7  
reverse buzzer 4-11, 4-13  
rigging, brush 14-3  
rim, wheel 2-3  
ring  
C-type stop 6-7  
piston 8-13  
retaining 6-5, 7-9, 11-3, 11-9, 12-3  
snap 6-7, 8-9, 8-13  
spiral backup 11-3  
synchronizer 12-9

Rivet, Removable 1-3, 4-15, 4-17  
rock guard 12-19, 15-5  
rocker arm 8-9  
rocker case 8-9  
rocker case gasket 8-9  
rocker shaft 8-9  
rocker switch 13-3  
rocker switch (lights) 4-5, 4-7  
rod  
accelerator 5-9  
accelerator pivot 5-5, 5-7  
connecting 8-13  
crankshaft 8-13  
equalizer 5-13  
hill brake 5-3  
link 1-29  
push 8-9  
shift 12-9  
RPM limiter 8-5  
RPM limiter bracket 8-5  
RPM limiter damper 8-5  
RPM limiter mount band 8-5  
rubber bumper 1-15

## S

safety first card 17-9  
screen, oil filter 8-11  
screw, valve clearance adjuster 17-9  
seal  
crankshaft 8-11  
intake 9-13  
lip 15-3  
oil 8-9, 8-13, 12-7, 12-9, 12-11, 12-17, 15-3  
steering pinion dust 6-7  
vertical socket dust 6-7  
seal puller 17-9  
sealant 12-7, 15-3  
seat  
spring 8-9  
valve 8-7  
seat back, beige 1-27  
seat back, gray 1-27  
seat back, white 1-27  
seat bottom assembly 1-25  
seat bottom cover 1-25  
seat cover, vinyl 1-25  
seat cover, white 1-25  
seat foam 1-25  
seat gasket 1-25  
seat support 1-27  
seat support cross brace 1-27  
seat, bearing 6-5  
sending unit, fuel gauge 9-5  
sensor, motor speed 14-3, 14-5  
sensor, oil level 8-11  
sensor, speed 14-3  
set, brush and screw 7-11  
set, pole 7-11  
shackle, rear spring 6-15  
shaft  
counterbalance guide 8-13  
drive selector 12-7, 12-13  
input 15-3  
intermediate 15-3  
rocker 8-9  
steering column 6-5  
transmission 12-9, 12-15  
shaft, reverse gear 12-15  
shaft, secondary  
transmission 12-15  
shield, governor 9-9  
shift fork 12-9, 12-15  
shift lever 12-7, 12-13  
shift rod 12-9  
shifter base, FNR 12-3  
shifter bracket 12-5  
shim, crankshaft 8-13  
shock absorber 6-11  
shock absorber (rear) 6-15  
shock absorber cushion 6-15  
shock absorber cushion retainer 6-15  
shoe retainer kit 5-11  
shoe, brake 5-11  
shroud, engine 8-3  
shroud, fan 8-3  
side bar 1-19  
signal, turn 4-9  
sleeve  
delta A-plate 6-11  
governor 12-9  
park brake rod 5-3  
synchronizer 12-9  
snap ring 6-7, 8-9, 8-13  
snubber bracket 8-15  
snubber, inner frame 8-15  
socket 6-7  
solenoid 13-13  
solenoid, 12-volt 7-9  
spacer  
accelerator pivot rod 5-5, 5-7  
key switch 4-15  
overload bumper 6-15  
park brake 5-3  
spanner wrench 17-9  
spark plug 8-5  
spark plug cap 8-5  
speed controller  
CE 13-13  
IQ 13-13  
speed controller cover 13-13  
speed sensor 14-3, 14-5  
speed sensor magnet 14-3, 14-5

# INDEX

- speed sensor, motor 14-3, 14-5
  - spindle 6-13
  - spindle and hub 6-13
  - spiral backup ring 11-3
  - spray, battery terminal protector 17-3
  - spring 1-29
    - accelerator return 5-5, 5-7
    - brake 5-11
    - brake return 5-13
    - brush 7-11, 14-3, 14-5
    - compression 9-13
    - drive button 11-3
    - drive clutch 11-3
    - driven clutch 11-9
    - engine valve 8-9
    - extension 1-29
    - extension return 9-13
    - forward/reverse cam 12-3
    - leaf 6-15
    - park brake torsion 5-3
    - rack guide pressure 6-7
    - shifter 12-9
    - steering shaft compression 6-5
    - synchronizer 12-9
    - throttle return 9-9
  - spring cup 5-5, 5-7
  - spring mounting plate 6-9
  - spring retainer 6-15
  - spring, leaf 6-9
  - spur gear 8-13, 12-9
  - stand-offs, plastic 16-3
  - starter/generator (cw) (model G425419) 7-11
  - starter/generator belt 7-13, 7-15, 11-3
  - starter/generator brush cover kit 7-11
  - starter/generator brush plate 7-11
  - starter/generator brush spring 7-11
  - starter/generator brush terminal 7-11
  - starter/generator frame and field 7-11
  - starter/generator mounting bracket 7-13
  - starter/generator pulley 7-11
  - stator shell and winding 14-3
  - steel bushing 1-31, 6-9, 6-15
  - steel pressure relief ball 8-7
  - steering column 6-5
  - steering column bearing press tool 17-9
  - steering column cover 4-9
  - steering column retaining ring tool 17-9
  - steering gear box 6-7
  - steering pinion 6-7
  - steering pinion dust seal 6-7
  - steering rack 6-7
  - steering shaft assembly 6-5
  - steering shaft compression spring 6-5
  - steering wheel 6-3
  - steering wheel center 6-3
  - steering wheel puller tool 17-9
  - stem, valve 2-3
  - stiffener, bed support 1-31
  - stiffener, flywheel side 8-15
  - strap, A-plate 6-11
  - strap, fuel tank 9-3
  - strobe light 4-25, 4-27, 4-29
  - strobe light lens 4-25, 4-27, 4-29
  - stud 8-15
    - lug 6-13, 12-11, 12-17, 15-3
  - stud, ball 7-9, 12-3, 12-7, 12-13
  - support
    - bed 1-27
    - brush guard 6-9
    - cowl 1-3
    - hinge 1-31
    - latch link 1-29
    - seat 1-27
  - support yoke (steering) 6-7
  - support, front body 1-21, 1-23
  - support, seat 1-27
  - suppressor, voltage 4-5, 16-7, 16-9, 16-11
  - switch plate cover 4-25, 4-27, 4-29
  - switch
    - four-position 16-9, 16-11
    - key 4-13, 4-15, 4-17
    - light 4-15, 4-17
    - light rocker 4-5, 4-7
    - limit 4-5, 4-7, 12-3
    - rocker 13-3
    - Tow/Run 13-3
    - turn signal 4-9
  - switch assembly 4-25, 4-27, 4-29
  - switch rubber boot 13-3
  - synchro gear 12-9
  - synchronizer clutch hub 12-9
  - synchronizer insert 12-9
  - synchronizer sleeve 12-9
  - synchronizer spring 12-9
  - synchronizer, complete 12-15
  - system, exhaust 10-3
- ## T
- 12-volt battery 7-17
  - 12-volt solenoid 7-9
  - tachometer 17-9
  - tachometer probe, diesel 17-9
  - tail light bulb 4-35
  - taillight 4-35
  - taillight gasket 4-35
  - taillight kit 4-35
  - taillight lens 4-35
  - taligate 1-29
  - tank, fuel 9-5
  - tape, non-skid 1-19
  - tappet 8-11
  - terminal block 4-5, 4-7, 13-13
  - terminal, 1/4 quick-disconnect 4-21
  - tester, continuity 17-5
  - thermometer, battery 17-3
  - thread-forming grease fitting 6-7, 6-13
  - throttle return spring 9-9
  - throttle spring return bracket 9-9
  - thrust bearing 6-9
  - thrust plate 12-9, 12-11
  - tie rod 6-11
  - tie rod end 6-11
  - tie wrap 4-9, 4-21, 4-27, 4-29, 4-33, 6-7, 7-9, 13-3, 13-13
  - tilt bed catch 1-29
  - tilt latch 1-29
  - tire 2-3
  - tool
    - accelerator pedal adjustment 17-3
    - belt tensioning, starter/generator 17-11
    - brake adjustment 17-3
    - brake cable release 17-3
    - brake pedal adjustment 17-3
    - brake pedal tension 17-3
    - cam installation 17-3
    - carburetor float level 17-7
    - charger bezel 17-3
    - clutch alignment 17-5
    - cT-wrench 17-5
    - drive clutch fixed sheave 17-5
    - drive clutch holder 17-5
    - drive clutch spider removal 17-5
    - driven clutch spring compression base 17-5
    - driven clutch spring compression collar 17-5
    - driven clutch spring compression nut 17-5
    - governor shaft installation 17-7
    - puller, special use 17-9
    - steering column bearing press 17-9
    - steering column retaining ring 17-9
    - steering wheel puller 17-9
    - transaxle axle seal 17-9
    - transaxle pinion seal 17-9
    - transmission 17-9
    - valve guide driver 17-9
    - valve seat cutter 17-5
  - tool kit, clutch 17-5
  - touch-up paint 17-7
  - Tow/Run switch 13-3
  - Tow/Run switch bracket 13-3
  - transaxle (Electric Vehicle) 15-3
  - transaxle axle seal tool 17-9
  - transaxle Graziano (gasoline vehicle), unitized 12-13
  - transaxle guard 12-19, 15-5
  - transaxle pinion seal tool 17-9
  - transaxle, Kawasaki (Gasoline Vehicle) 12-7

# INDEX

transformer 16-3  
transformer, battery charger 16-5, 16-7, 16-9, 16-11  
transmission cable 12-5  
transmission secondary shaft 12-15  
transmission shaft 12-9, 12-15  
transmission tool 17-9  
tube  
    axle 12-11, 12-17, 15-3  
    crankcase vent 9-9  
    oil filler 8-3  
Tuflok 1-3, 4-15, 4-17  
tune-up kit 17-9  
turn signal 4-9  
turn signal conversion kit 4-9  
turn signal lens 4-3, 7-7  
turn signal socket and lamp 4-9  
T-wrench tool 17-5

## U

U-bolt 6-15  
unitized transaxle Graziano 12-13  
upper delta clevis 6-9  
urethane bushing 1-31, 6-9, 6-11, 6-15

## V

valve  
    choke 9-13  
    exhaust 8-9  
    fuel pickup tube 9-5  
    intake 8-9  
    reed 8-9  
valve clearance adjuster screw 17-9  
valve guide driver tool 17-9  
valve guide reamer 17-9  
valve guide, intake 8-9  
valve seat 8-7  
valve seat cutter 17-5, 17-11  
valve seat cutter guide 17-11  
valve seat cutter tool 17-5  
valve seat t-wrench 17-11  
valve spring compressor 17-11  
valve spring retainer 8-9  
valve stem 2-3  
v-belt 7-13, 7-15, 11-3  
vent barb 9-3, 9-5  
vertical socket dust seal 6-7  
volt ohm meter 17-11  
voltage limiter 4-5, 4-7, 4-23  
voltage regulator 7-9  
voltage suppressor 4-5, 16-7, 16-9, 16-11

## W

warning light, low oil 4-13, 4-15  
wear pad 1-21, 1-23

wedge, bearing puller 17-3  
weight  
    clutch 11-3  
    counterbalance 8-13  
    secondary clutch 11-3  
weldment  
    press 17-5  
wheel cover 2-5  
wheel rim 2-3  
wheel, steering 6-3  
wire harness 4-21, 4-25, 4-27, 4-35, 13-7  
wire harness, gasoline 7-5  
wire harness, headlight 4-5, 4-7  
wire harness, lighting 4-7  
wiring, charger 16-3  
woodruff key 12-7  
wrap, tie 4-9, 4-21, 4-27, 4-29, 4-33, 6-7, 7-9, 13-3, 13-13  
wrench, spanner 17-9

## Y

yoke, gear 17-7  
yoke, support (steering) 6-7





**Club Car, Inc.**  
P.O. Box 204658  
Augusta, GA 30917-4658  
USA

**Web** [www.clubcar.com](http://www.clubcar.com)  
**Phone** 1.706.863.3000  
1.800.ClubCar  
**Int'l** +1 706.863.3000  
**Fax** 1.706.863.5808