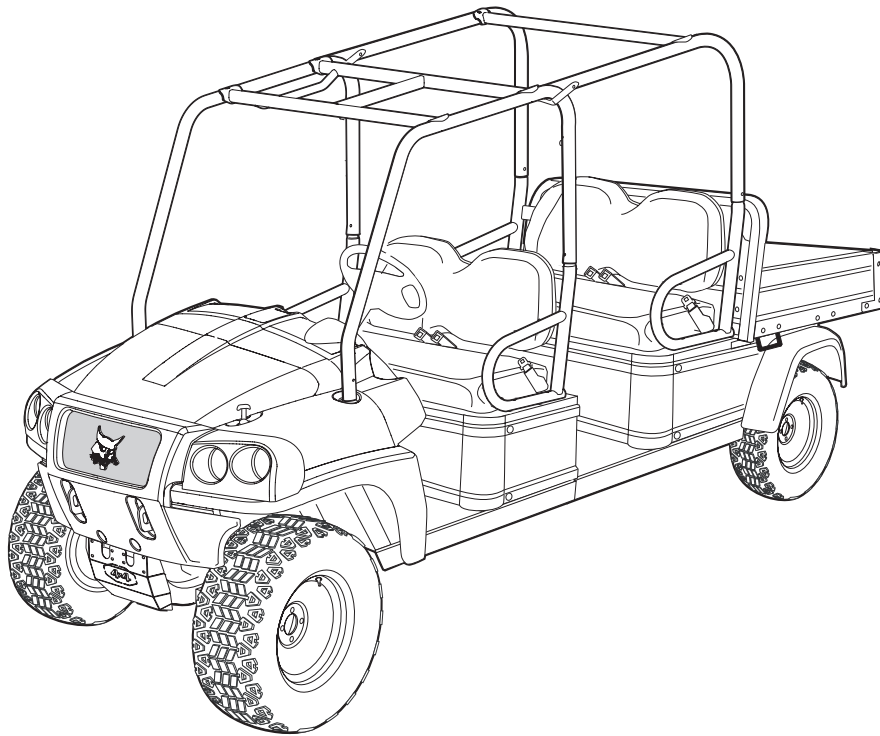




Bobcat®

Bobcat 2200S Illustrated Parts List



Gasoline and Diesel Vehicles



USING THE ILLUSTRATED PARTS LIST

⚠ WARNING

- **This manual is to be used only for identification and ordering of service parts. Be sure to read and use the maintenance and service manual before attempting any vehicle repairs.**

This manual covers all 2200S diesel vehicles with serial number A5A111001 and above, and all gas vehicles with serial number A5A011001 and above.

The manual is divided into sections. Note that there are two or three flags on the outside edge of each page. The first flag contains the section number of which that page is a part. The other flag (or flags) contains the letter D, E, or G, signifying that the page pertains to the diesel, electric, or gasoline vehicles only.

Use the Table of Contents to find the sections and pages that contain the parts and assemblies you seek. The Table of Contents lists section numbers, and under them, the individual page titles and numbers to be found in that section. The index can be used to find specific parts and assemblies. The index is divided into numerical and alphabetical listings with the page numbers in italic text.

There is a two-page spread for each individual page title in the Table of Contents. On the left-hand page is an illustration showing the parts in their relative positions; the parts are each tagged with an item number in a balloon. The right-hand page is the parts list page, and gives the page title at the top, then the item numbers (corresponding to the numbers on the illustration), part descriptions, and quantity of parts used.

Note that a part description may be indented. This indentation corresponds to a parts assembly level indicated by the numbers 1, 2, 3, and 4 at the top left corner of the parts description area of the parts list page. A part that is indented to *level 2* is a component of the *level 1* part (assembly) that it is listed under. A *level 3* part is a component of the *level 2* part that it is listed under, and a *level 4* part is a component of the *level 3* part preceding it. In each case, the part quantity given for a level 2, 3, or 4 part is the quantity used per next higher level assembly of which it is a component. A part that is not indented is a *level 1* part. This means that the quantity given is the quantity used per the portion of the vehicle illustrated on that particular spread.

HOW TO ORDER PARTS

Replacement parts and accessories can be obtained from our network of authorized dealers. You can obtain the name and phone number of your closest Bobcat dealer by visiting our web site at www.bobcat.com or by calling 701-222-5315.

Bobcat Company
P. O. Box 128
Gwinner, ND 58040-0128 USA
Telephone 701-222-5315
www.bobcat.com

NOTE: *This illustrated parts list represents the most current information at the time of publication. Bobcat Company is continually working to further improve its vehicles and other products. These improvements may affect the parts used to service the vehicle. Any modification and/or significant change in specifications will be forwarded to all Bobcat dealers and will, when applicable, appear in future editions of this illustrated parts list.*

Bobcat Company reserves the right to change specifications and designs at any time without notice and without incurring the obligation of making changes to units previously sold.

CONTENTS

SECTION 1 – BODY AND TRIM

Brush Guard	1-3
Fascia and Fenders	1-5
Cowl Assembly	1-7
Front Body Components	1-9
Plastic Skid Plate	1-11
Steel Skid Plate	1-13
Dash	1-15
Glove Box	1-17
Side Stringers – 4 Passenger Vehicles	1-19
Floor Mat	1-21
Floorboard	1-23
Floorboard – Rear	1-25
Bench Seats	1-27
Bucket Seats – Gray	1-29
Bucket Seats – Black	1-31
Bench Seat Conversion Kit	1-33
Seat Belts and Lower ROPS	1-35
ROPS	1-37
ROPS – Head Rests	1-39
Latch Plate and Prop Rod	1-41
Tilt Bed, Hinge, and Latch	1-43
Electric Bed Lift	1-45
Cargo Box	1-47
Side Panels and Rear Fenders	1-49

SECTION 2 – WHEELS AND TIRES

Wheels and Tires	2-3
------------------------	-----

SECTION 3 – DECALS

Safety Decals	3-3
Safety Decals, Continued	3-5
Badging Decals	3-7

SECTION 4 – BRAKE SYSTEMS

Front Brake Assembly	4-3
Rear Brake Assembly	4-5
Master Cylinder with Remote Reservoir	4-7

CONTENTS

Master Cylinder with Integral Reservoir	4-9
Hydraulic Brake Lines and Clips	4-11
Brake Pedal Assembly	4-13
Park Brake System	4-15
Park Brake Pedal Assembly	4-17

SECTION 5 – STEERING AND SUSPENSION

Steering Column	5-3
Steering Gear Assembly	5-5
Front Suspension – A-Arms	5-7
Cv Boot Repair Kits	5-9
Shock Absorbers – Standard	5-11
Shock Absorbers – High Capacity	5-13
Rear Suspension – Standard	5-15

SECTION 6 – ELECTRICAL SYSTEM

Wiring – Gasoline Vehicles, Single Piece	6-5
Wiring – Gasoline Vehicle, Multi-Piece	6-9
Wiring – Diesel Vehicle, Single Piece	6-13
Wiring – Diesel Vehicle, Multi-Piece	6-17
Electrical Component Box, Gasoline Vehicles	6-19
Electrical Component Box, Diesel Vehicles	6-21
Electrical Components – Gas	6-23
Electrical Components – Diesel	6-25
Battery – Gasoline Vehicles	6-27
Battery – Diesel Vehicles	6-29

SECTION 7 – DIESEL ENGINE – CLOSED BREATHER

Kubota D722 Diesel Engine Mounting	7-3
Crankcase	7-5
Oil Pan	7-7
Cylinder Head	7-9
Gear Case	7-11
Head Cover	7-13
Dipstick and Guide	7-15
Oil Pump	7-17
Main Bearing Case	7-19
Camshaft and Idle Gear	7-21
Piston and Crankshaft	7-23

CONTENTS

Flywheel	7-25
Shaft	7-27
Idle Apparatus	7-29
Stop Solenoid	7-31
40-Amp Alternator	7-33
60-Amp Alternator	7-35
Injection Pump	7-37
Speed Control Plate	7-39
Nozzle Holders and Glow Plugs	7-41
Governor Components	7-43
Starter	7-45
Valves and Rocker Arms	7-47
Diesel Inlet Manifold	7-49
Exhaust Manifold	7-51
Gasket Kits	7-53
Piston Kit	7-55

SECTION 8 – HONDA GX620 GASOLINE ENGINE

Honda GX620 Gasoline Engine Mounting	8-3
Shrouds and Brackets	8-5
Ignition Components and Flywheel	8-7
Oil Circulation	8-9
Cylinder Head	8-11
Crankcase and Crankshaft	8-13
Oil Filter Adapter and Voltage Regulator	8-15

SECTION 9 – KAWASAKI FH680D GASOLINE ENGINE

Kawasaki FH680D Gasoline Engine Mounting	9-3
Shrouds and Brackets	9-5
Ignition Components and Flywheel	9-7
Governor Arm and Springs	9-9
Oil and Lubrication Components	9-11
Oil Filter Adapter	9-13
Cylinder Head and Crankcase	9-15
Valves and Camshaft	9-17
Pistons and Crankshaft	9-19

SECTION 10 – FUEL, INTAKE, AND GOVERNOR SYSTEM

Fuel System – Kawasaki Gasoline Vehicles	10-3
--	------

CONTENTS

Fuel System – Honda Gasoline Vehicles	10-5
Fuel Tank – Gasoline Vehicles	10-7
Fuel System – Diesel	10-9
Fuel Tank – Diesel Vehicles	10-11
Carburetor Assembly, Kawasaki Gasoline Vehicles	10-13
Carburetor Installation – Kawasaki Gasoline Vehicles	10-15
Carburetor Assembly, Honda Gasoline Vehicles	10-17
Carburetor Installation – Honda Gasoline Vehicles	10-19
Cables – Kawasaki Gasoline Engine	10-21
Cables – Honda Gasoline Vehicles	10-23
Cables – Diesel Vehicles	10-25
Accelerator Pedal Assembly – Style A	10-27
Accelerator Pedal Assembly – Style B	10-29
Intake Duct and Air Box Assembly – Kawasaki Gasoline Vehicles	10-31
Intake Duct and Air Box Assembly – Honda Gasoline Vehicles	10-33
Intake Duct and Air Box Assembly – Diesel Vehicles	10-35

SECTION 11 – EXHAUST SYSTEM

Exhaust System	11-3
Exhaust Header – Kawasaki Gas	11-5
Exhaust Header – Honda Gas	11-7
Exhaust Pipes – Diesel Vehicles	11-9

SECTION 12 – CLUTCHES

Clutch Cover (Standard)	12-3
Clutch Cover (Sealed)	12-5
Drive Belt	12-7
Drive Clutch – Gasoline Vehicles	12-9
Drive Clutch – Diesel Vehicles	12-11
Driven Clutch	12-13
Drive Clutch – Gasoline Vehicles	12-15

SECTION 13 – DRIVETRAIN COMPONENTS

Forward/Reverse Shifter Assembly	13-3
Front Differential Mounting Plate	13-5
Front Differential (Output Components)	13-7
Front Differential (Input Components)	13-9
Prop Shafts	13-11
Transmission – Gasoline Vehicles	13-13

CONTENTS

Transmission, Continued	13-15
Transmission Shift Shaft and Bell Crank (Style A)	13-17
Transmission Shift Shaft and Bell Crank (Style B)	13-19
Rear Differential	13-21
Rear Differential, Continued	13-23
Transmission – Diesel Vehicles	13-25
Transmission – Diesel Vehicles, Continued	13-27
Transmission – Diesel Vehicles, Shift Shaft and Bell Crank (Style A)	13-29
Transmission – Diesel Vehicles, Shift Shaft and Bell Crank (Style B)	13-31

SECTION 14 – RADIATOR AND COOLANT SYSTEM (DIESEL VEHICLES)

Radiator	14-3
Coolant Expansion Tank	14-5
Coolant Pipes and Hoses	14-7
Cooling System Clamps, Hoses, and Hardware	14-9
Water Flange and Thermostat	14-11
Water Pump	14-13
Block Coolant Pipe	14-15

SECTION 15 – MAINTENANCE AND SERVICE TOOLS

Maintenance and Service Tools	15-3
Maintenance and Service Tools, Continued	15-5
Maintenance and Service Tools, Continued	15-7
Maintenance and Service Tools, Continued	15-9
Maintenance and Service Tools, Continued	15-11

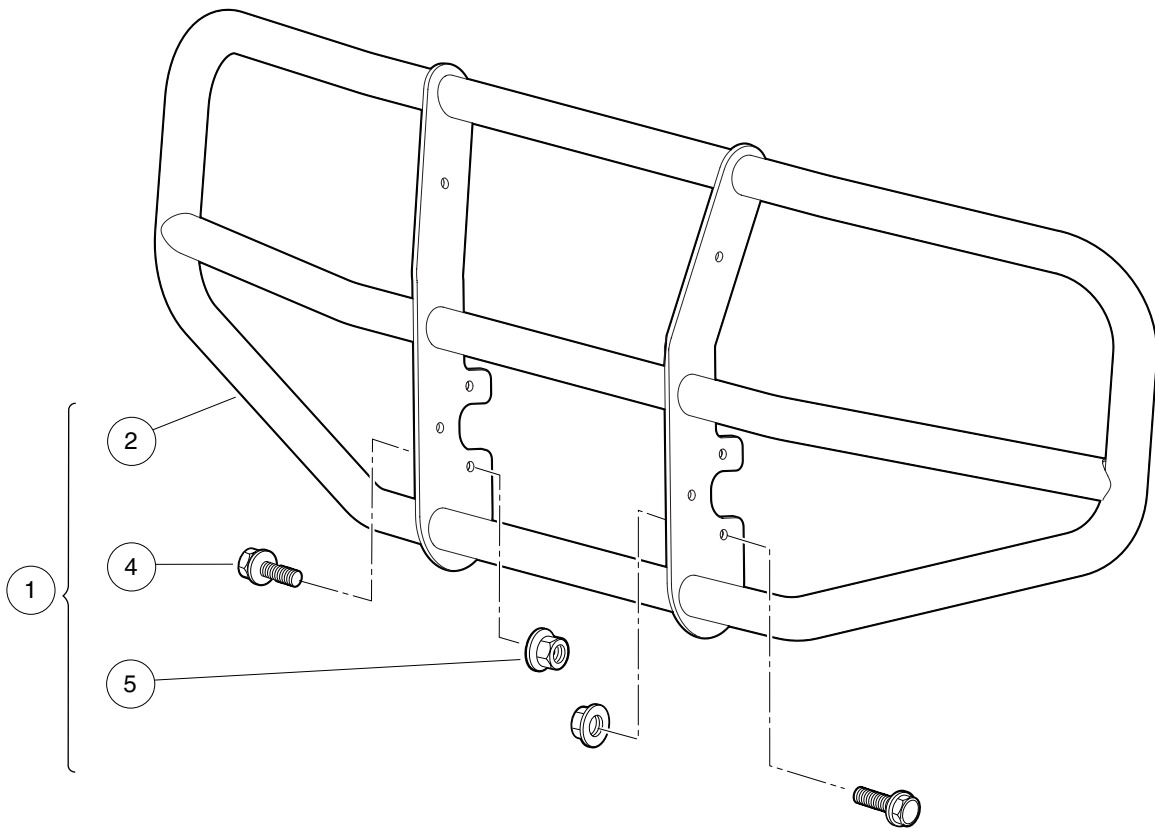
SECTION i – INDEX

BODY AND TRIM

1

G

E

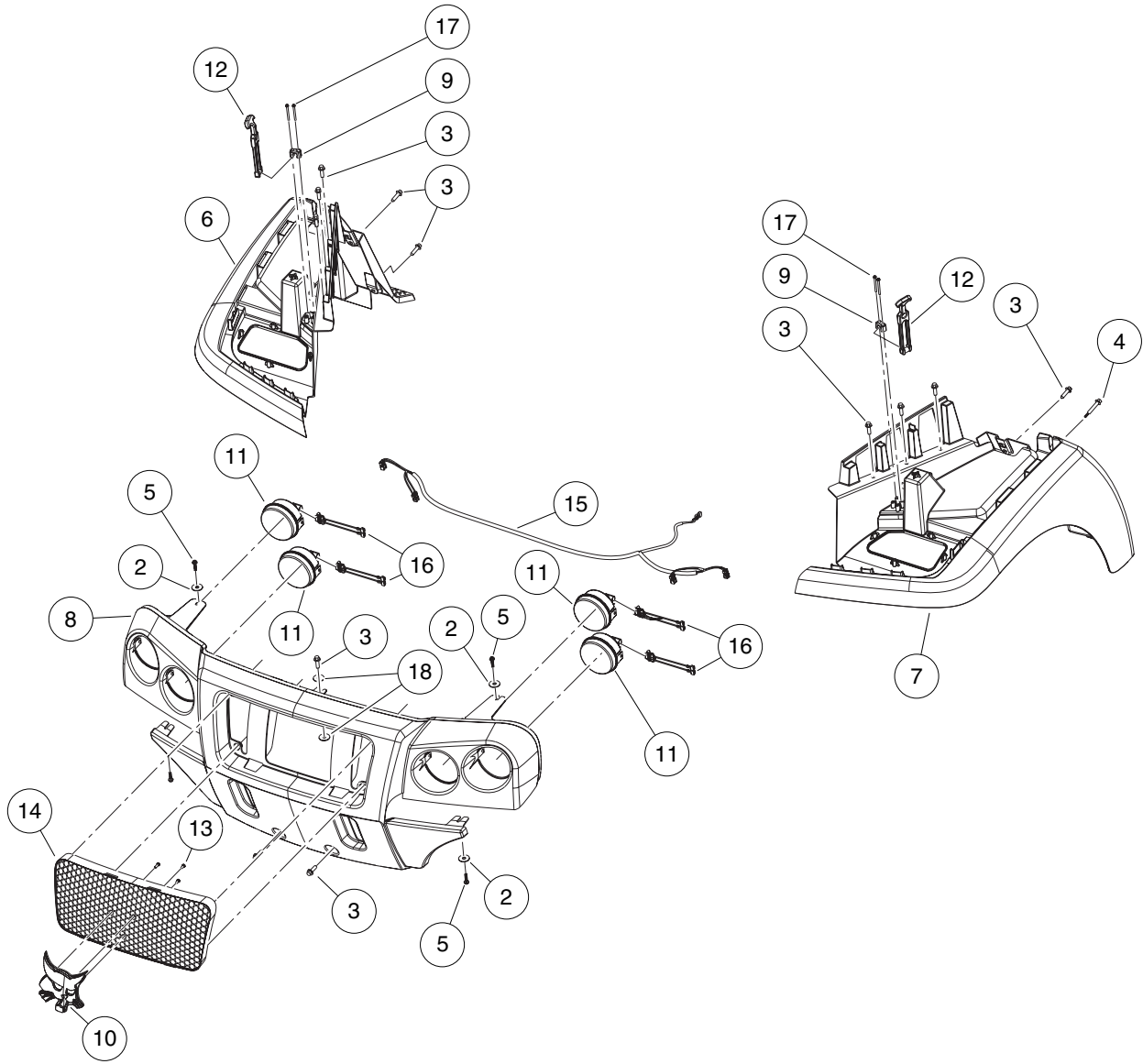


000526-002

BRUSH GUARD

ITEM	PART NO.	DESCRIPTION	QTY
1	<u>103212701</u>	1 2 3 4 Kit, Brushguard Bct (includes items 2 through 5)	1
2	102883201	Weldment, Brushguard, Bct	1
3	103223401	Instructions, Brushguard/Bumper	1
4	<u>103231701</u>	Screw, M10 X 1.25 X 30 Hex Blk	4
5	<u>103231801</u>	Nut, Flg, M10 X 1.25 Hex Blk	4

1
G
E

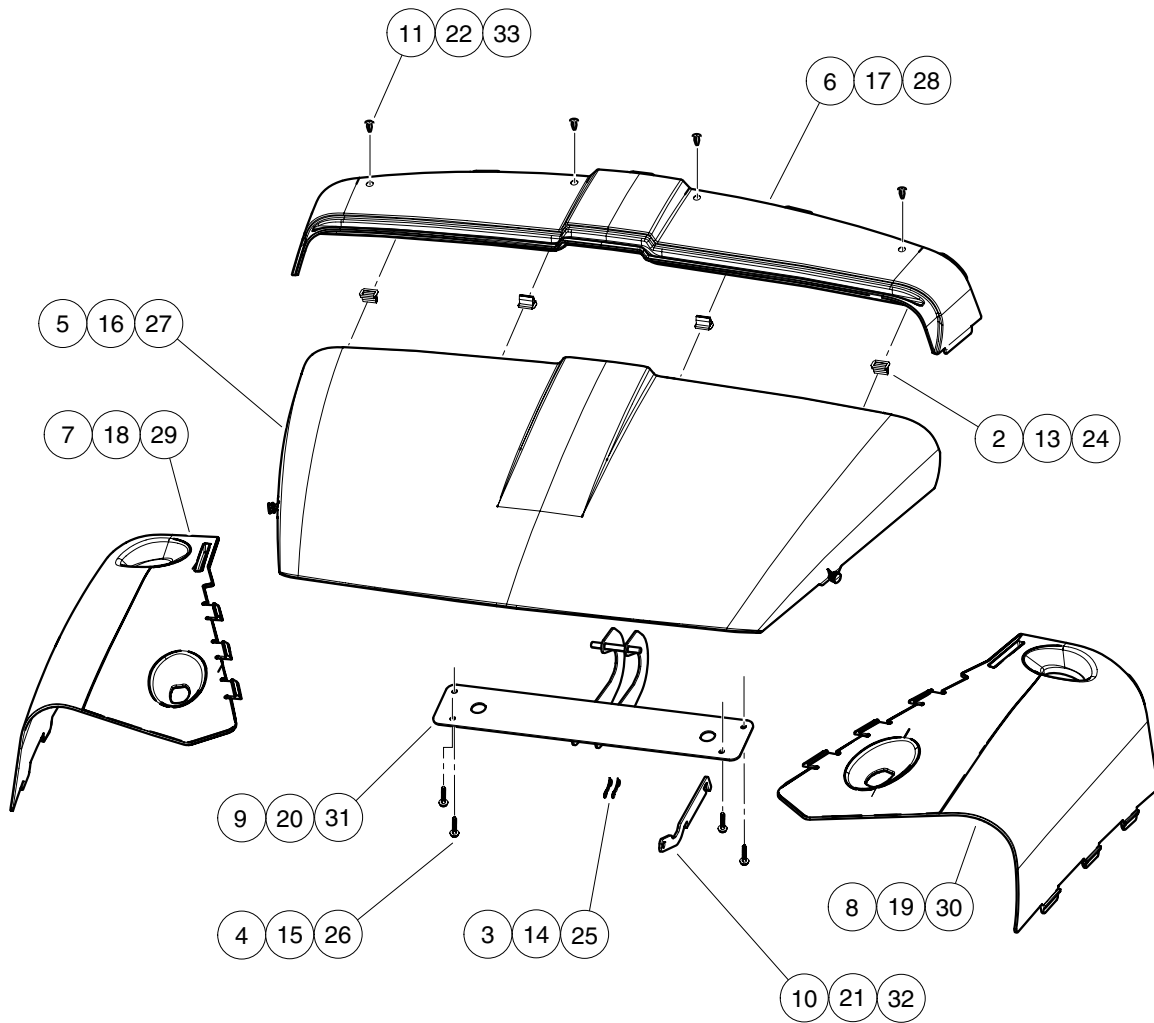


000544-001

FASCIA AND FENDERS

ITEM	PART NO.	DESCRIPTION	QTY
		1 2 3 4	
1	N/A	Instl, Fascia & Fenders, Bct/h (includes items 2 through 18)	1
2	<u>1011578</u>	Washer, 5/16 Type B Flat	4
3	<u>102289001</u>	Screw, M8X1.25X30, Hex	13
4	<u>102292356</u>	Screw-1/4-20x56 Hwh Self Drill	2
5	<u>102297230</u>	Screw,m6,torx,interlock,thread	4
6	<u>102866901</u>	Fender, Front, Pass, AWD	1
7	<u>102867001</u>	Fender, Front, Drv, AWD	1
8	<u>102867601</u>	Fascia, Dual Round Light	1
9	<u>102882401</u>	Bracket, Latch, Draw	2
10	<u>102883501</u>	Emblem, Bobcat	1
11	<u>102885001</u>	Headlight, 4 In Round	4
12	<u>102895101</u>	Latch, Draw, Hood	2
13	<u>102895401</u>	Screw, D50x16, Torx PN Hd PT	3
14	<u>102896301</u>	Grill, Hex Opening	1
15	<u>103213201</u>	Harness, Bct/huv Restyle Headlight	1
16	<u>103213501</u>	Harness, Headlight, Bct	4
17	<u>103218107</u>	Screw, #8x2.00 AB Thd, Hex Hd	4
18	<u>808</u>	Washer, 3/8 Type B Flat	2

1
G
E



000508-002

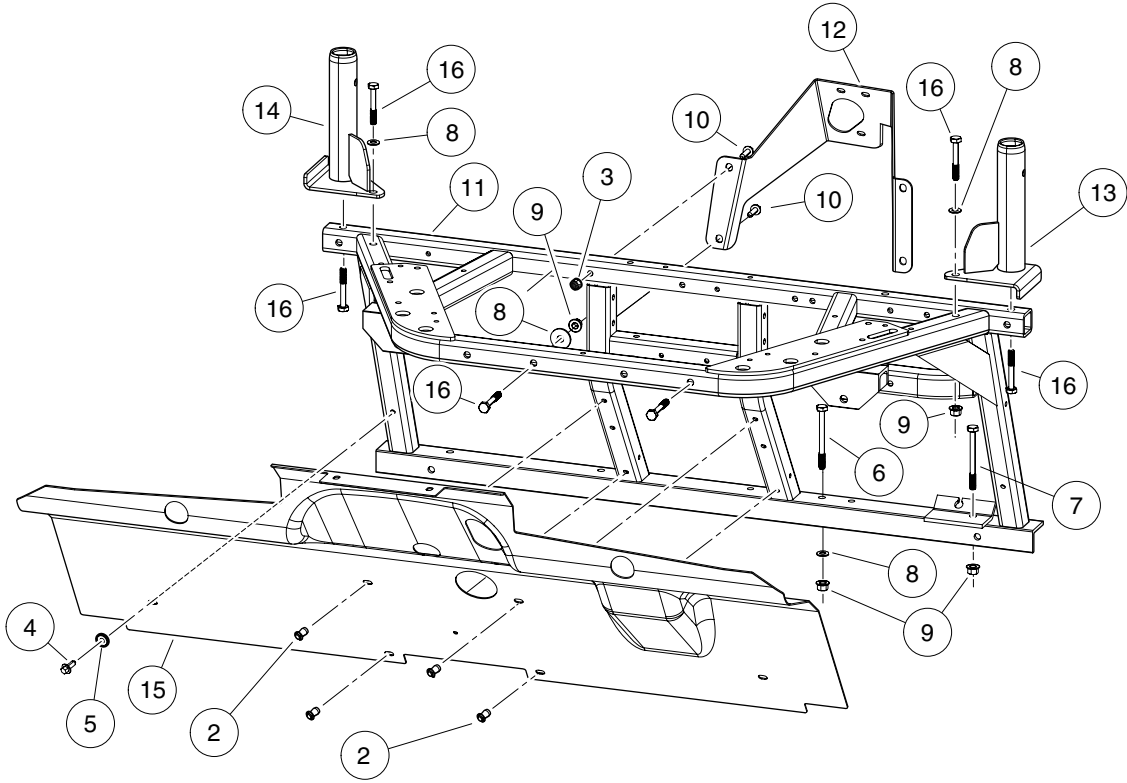
COWL ASSEMBLY

ITEM	PART NO.	DESCRIPTION	QTY
		1 2 3 4	
1	N/A	Option, Color, Bct, White (includes items 2 through 11)	1
2	<u>102292701</u>	Clip-body-trim	4
3	<u>102292801</u>	Pin, Bow Tie Locking - .072	2
4	<u>102297230</u>	Screw,m6,torx,interlock,thread	4
5	102866516	Hood, White	1
6	<u>102866616</u>	Panel, Cowl, Center, White	1
7	102866716	Panel, Cowl, Ps, White	1
8	102866816	Panel, Cowl, Drv, White	1
9	<u>102896401</u>	Weldment, Hinge, Hood	1
10	<u>102896501</u>	Prop, Hood	1
11	<u>102967901</u>	Rivet, Removable, Tuflok 1/4"	4
12	N/A	Option, Color, Bct, Camo (includes items 13 through 22)	1
13	<u>102292701</u>	Clip-body-trim	4
14	<u>102292801</u>	Pin, Bow Tie Locking - .072	2
15	<u>102297230</u>	Screw,m6,torx,interlock,thread	4
16	<u>102866518</u>	Hood, Real Tree Camo	1
17	<u>102866618</u>	Panel, Cowl, Center, Real Tree Camo	1
18	<u>102866718</u>	Panel, Cowl, Passenger-Side, Real Tree Camo	1
19	<u>102866818</u>	Panel, Cowl, Driver-Side, Real Tree Camo	1
20	<u>102896401</u>	Weldment, Hinge, Hood	1
21	<u>102896501</u>	Prop, Hood	1
22	<u>102967901</u>	Rivet, Removable, Tuflok 1/4"	4
23	103181520	Option, Color, Bct, Dlx Camo (includes items 24 through 32)	1
24	<u>102292701</u>	Clip-body-trim	4
25	<u>102292801</u>	Pin, Bow Tie Locking - .072	2
26	<u>102297230</u>	Screw,m6,torx,interlock,thread	4
27	<u>102866518</u>	Hood, Real Tree Camo	1
28	<u>102866618</u>	Panel, Cowl, Center, Real Tree Camo	1
29	<u>102866718</u>	Panel, Cowl, Passenger-Side, Real Tree Camo	1
30	<u>102866818</u>	Panel, Cowl, Driver-Side, Real Tree Camo	1
31	<u>102896401</u>	Weldment, Hinge, Hood	1
32	<u>102896501</u>	Prop, Hood	1

1

G

E



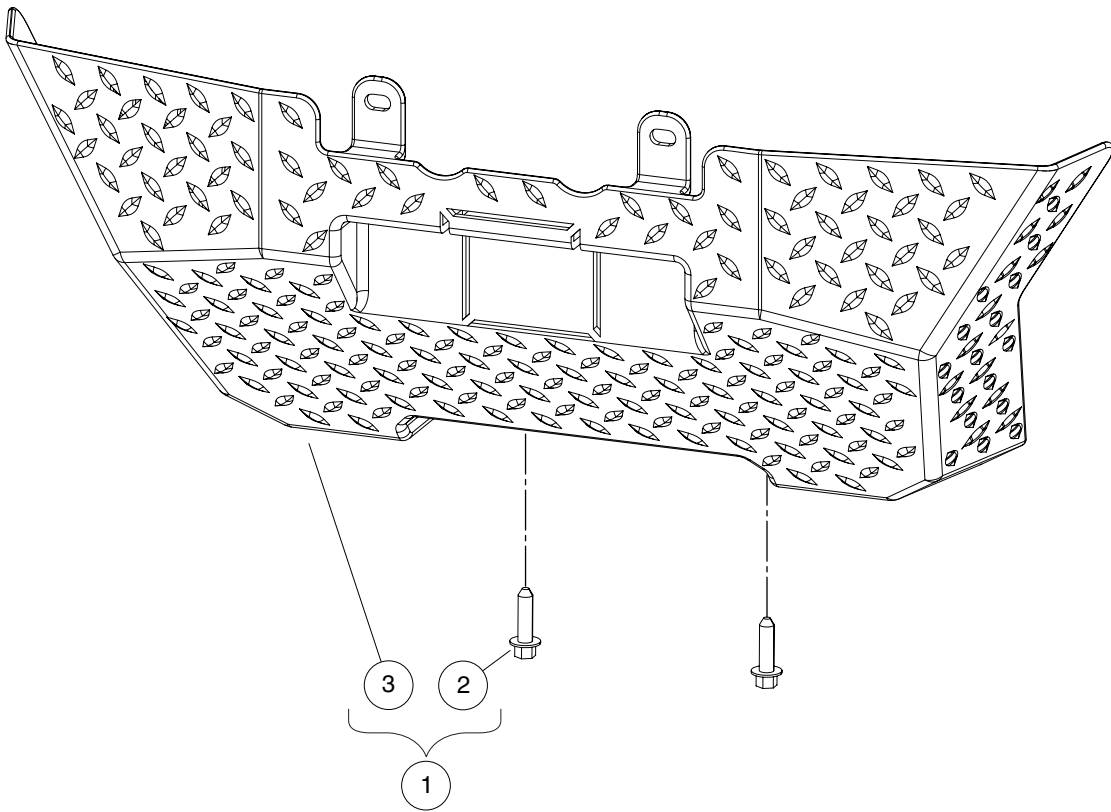
000521-001

FRONT BODY COMPONENTS

ITEM	PART NO.	DESCRIPTION	QTY
		1 2 3 4	
1	N/A	Instl, Cowl Weldmnt/Splash Guard (includes items 2 through 16)	1
2	<u>1016967</u>	Blind Rivet, Push Type	4
3	<u>102298401</u>	Nut,m8,all Metal Lock	2
4	<u>102298720</u>	M8-1.25x20 Taptite	2
5	<u>102323501</u>	Washer, Flat, 3/8, Blk Fin	2
6	<u>102491301</u>	Bolt, M10x1.50x100 (Black)	3
7	<u>102491302</u>	Bolt, M10 X 1.50 X 110 Black	1
8	<u>102491501</u>	Washer Hard,m10	12
9	<u>102617201</u>	Nut Flg M10 X 1.5 Mech Def	10
10	<u>102618301</u>	Bolt Flanged Head, M8 X 1.25 X 65	2
11	<u>102935501</u>	Weldment, Dash, Front	1
12	<u>102977201</u>	Bracket, Column, Steering	1
13	<u>102983201</u>	Weldment, Front, Base, ROPS, Right-Hand	1
14	<u>102983601</u>	Weldment, Front, Base, ROPS, Left-Hand	1
15	<u>103296001</u>	Guard, Splash, Gas Injection	1
16	<u>96715552</u>	Bolt, M10 X 1.50 X 65	8

1
G
E

1
G
E



000537-002

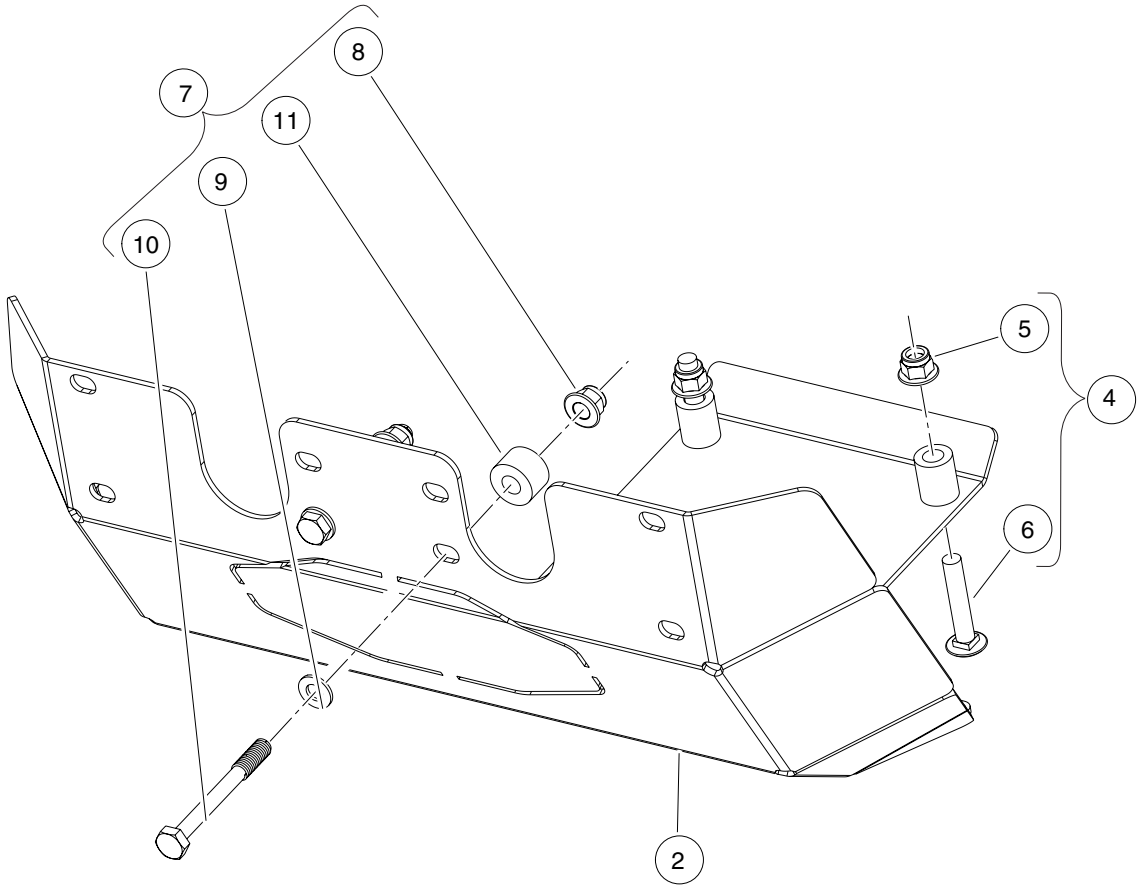
PLASTIC SKID PLATE

ITEM	PART NO.	DESCRIPTION	QTY
		1 2 3 4	
1	N/A	Instl, Skid, Std (includes items 2 and 3)	1
2	<u>102289001</u>	Screw, M8X1.25X30, Hex	2
3	<u>102882301</u>	Plate, Skid, Std	1

1

G

E



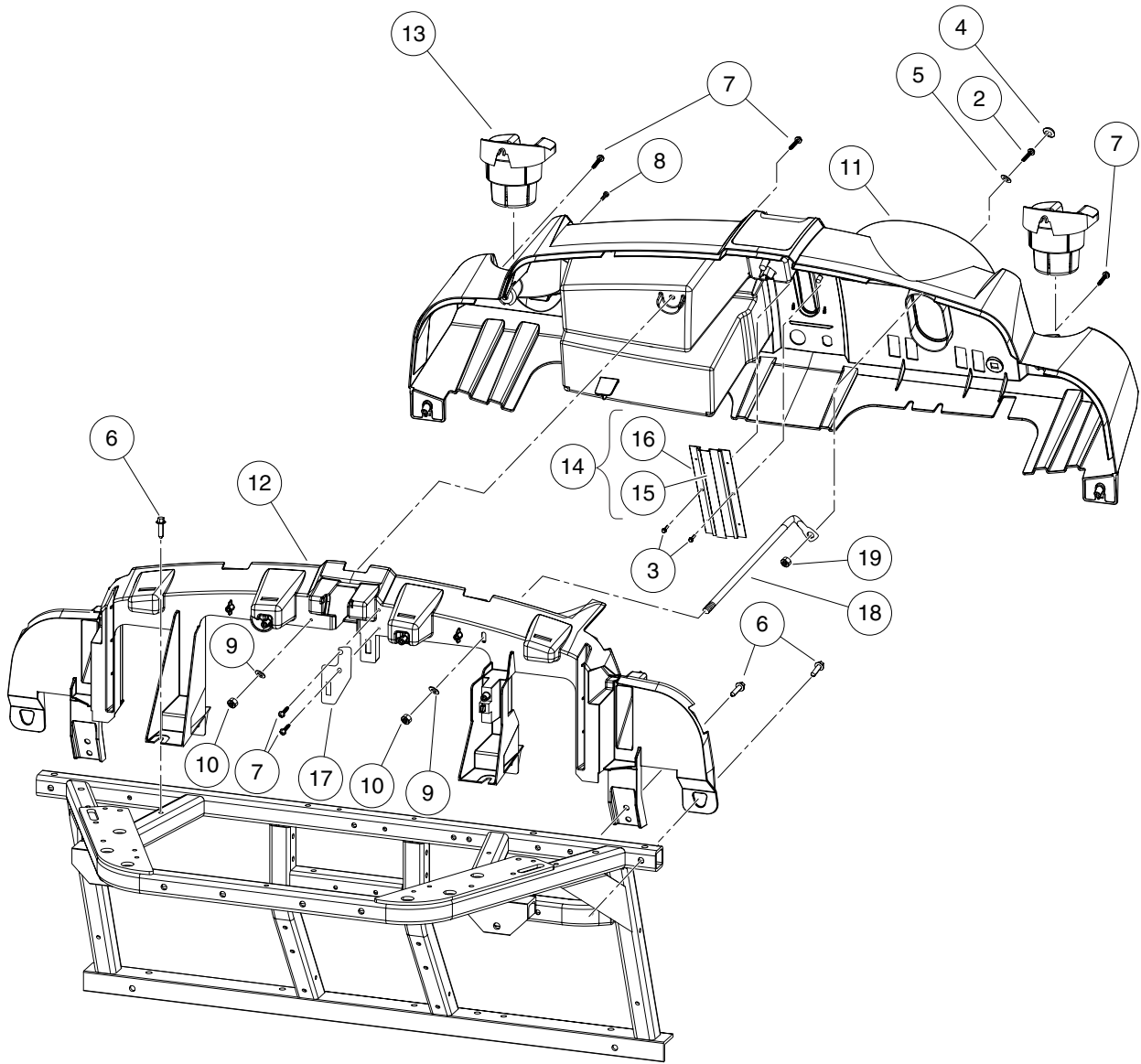
000537-001

STEEL SKID PLATE

ITEM	PART NO.	DESCRIPTION	QTY
		1 2 3 4	
1	N/A	Kit, Skidplate, Front, Steel (includes items 2 through 7)	1
2	<u>AM1210002</u>	Skid Plate, Front, Steel	1
3	AM1211101	Instructions, Front Skidplate	1
4	<u>AM1215701</u>	Kit, Hardware, Skidplate, Front, A (includes items 5 and 6)	1
5	<u>102670701</u>	Nut Flg M10 X 1.5 Nylon	2
6	AM1210801	Bolt, Carriage, M10x1.5x55	2
7	<u>AM1215801</u>	Kit, Hardware, Skidplate, Front, B (includes items 8 through 11)	1
8	<u>102670701</u>	Nut Flg M10 X 1.5 Nylon	2
9	<u>102718101</u>	Washer, Hard, M10, Zn-Ni/Blk	2
10	<u>102719301</u>	Bolt, M10 X 1.50 X 90, Loctite	2
11	AM1211401	Spacer, 17mm Long, Skidplate	2

1
G
E

1
G
E



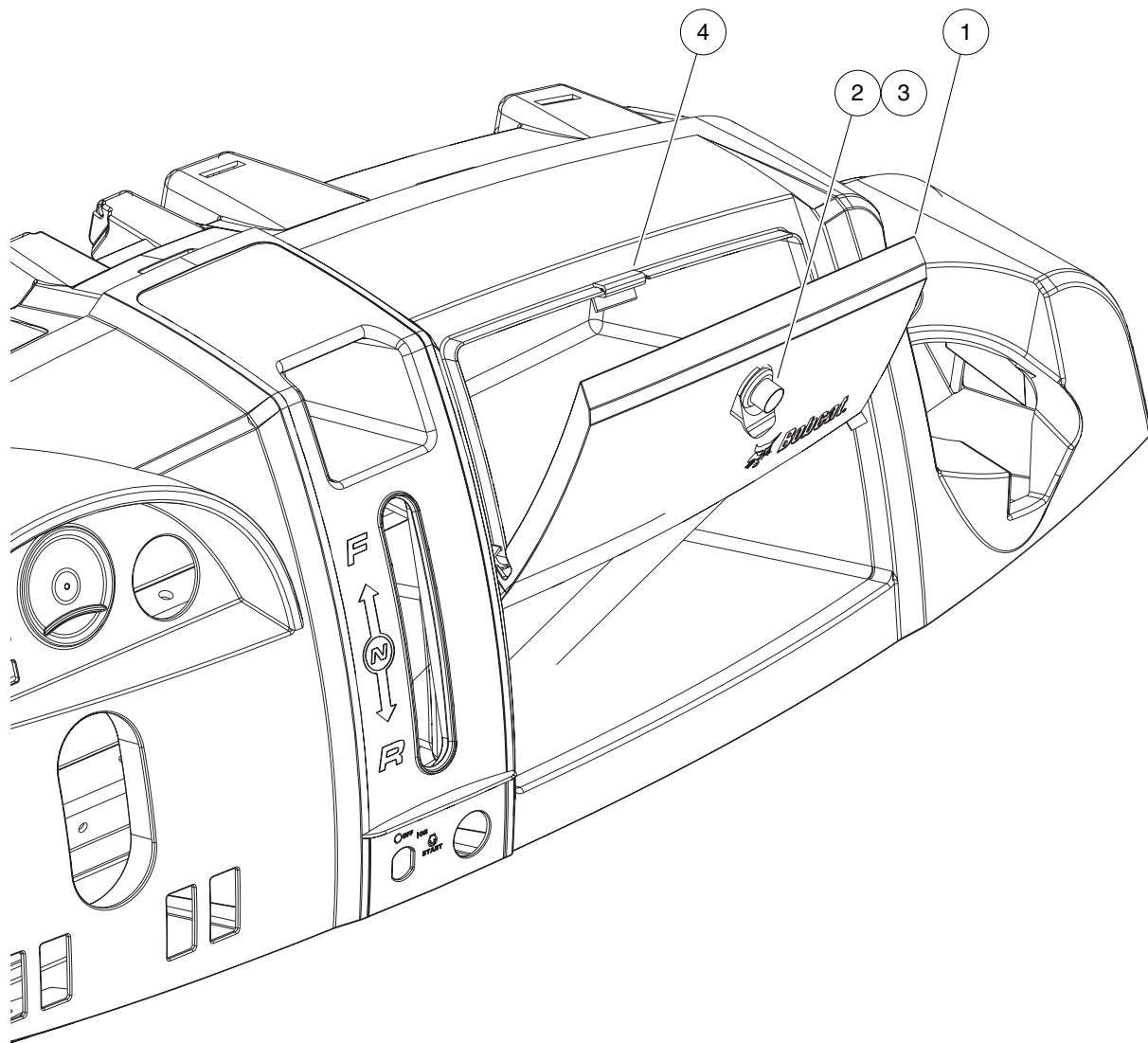
000519-001

DASH

ITEM	PART NO.	DESCRIPTION	QTY
		1 2 3 4	
1	N/A	Instl, Dash (includes items 2 through 19)	1
2	1016916	Screw, 1/4-20 X 1.50 Hex-Head Cap	1
3	<u>101804301</u>	Screw, #8 X 0.500, Hex-Head Hi-Lo	2
4	<u>102045001</u>	Cap, 1/4" Plastic Screw Head	1
5	<u>102048401</u>	Washer, 1/4 Id Scalloped Plast	1
6	<u>102289001</u>	Screw, M8X1.25X30, Hex	6
7	<u>102297230</u>	Screw,m6,torx,interlock,thread	5
8	<u>102298580</u>	M8-1.25 X 80 Sems	1
9	<u>102491501</u>	Washer Hard,m10	2
10	102618601	Lock Nut, Flg M8 X 1.25 Nylon	2
11	<u>102867101</u>	Dash, Design A	1
12	<u>102867301</u>	Support, Structural	1
13	<u>102883401</u>	Cup Holder, Utility	2
14	<u>103233001</u>	Asm, Brush, Fnr (includes items 15 and 16)	2
15	<u>103179901</u>	Brush, Strip, FNR	2
16	<u>103180001</u>	Holder, Brush, Strip, Fnr	2
17	<u>103253801</u>	Bracket, Hood Support	1
18	<u>103268001</u>	Rod, Connection, Dash	1
19	<u>8233</u>	Locknut, 1/4-20 Nylon Insert	1

1
G
E

1
G
E



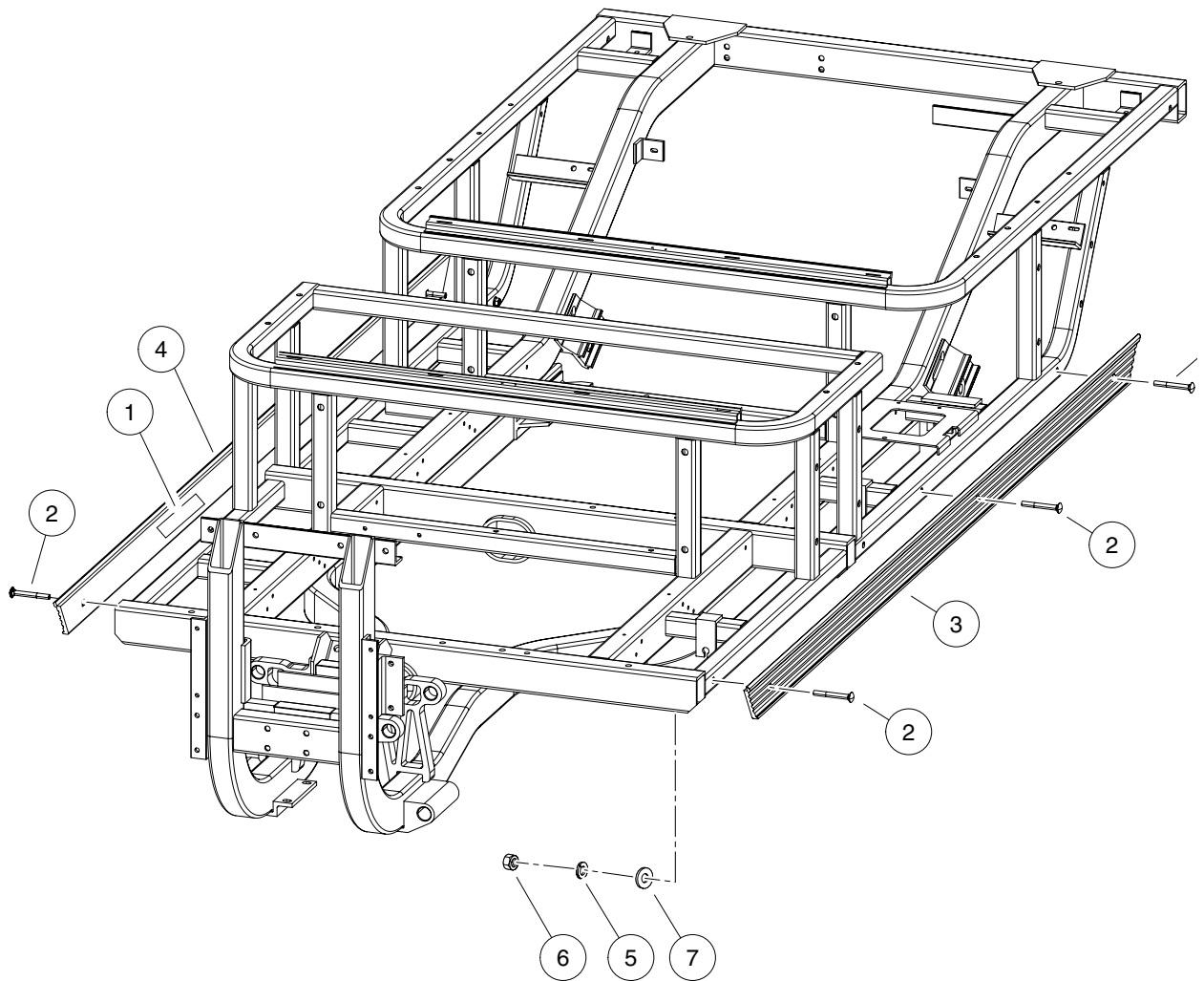
000789-002

GLOVE BOX

ITEM	PART NO.	DESCRIPTION	QTY
		1 2 3 4	
1	<u>102867202</u>	Cover, Storage, Dash, Awd, Cci	1
2	<u>103182701</u>	Latch, Push Close	1
3	<u>103182702</u>	Latch, Push Close W/ Key	1
4	<u>103182801</u>	Keeper, Latch, Push Close	1

1
G
E

1
G
E

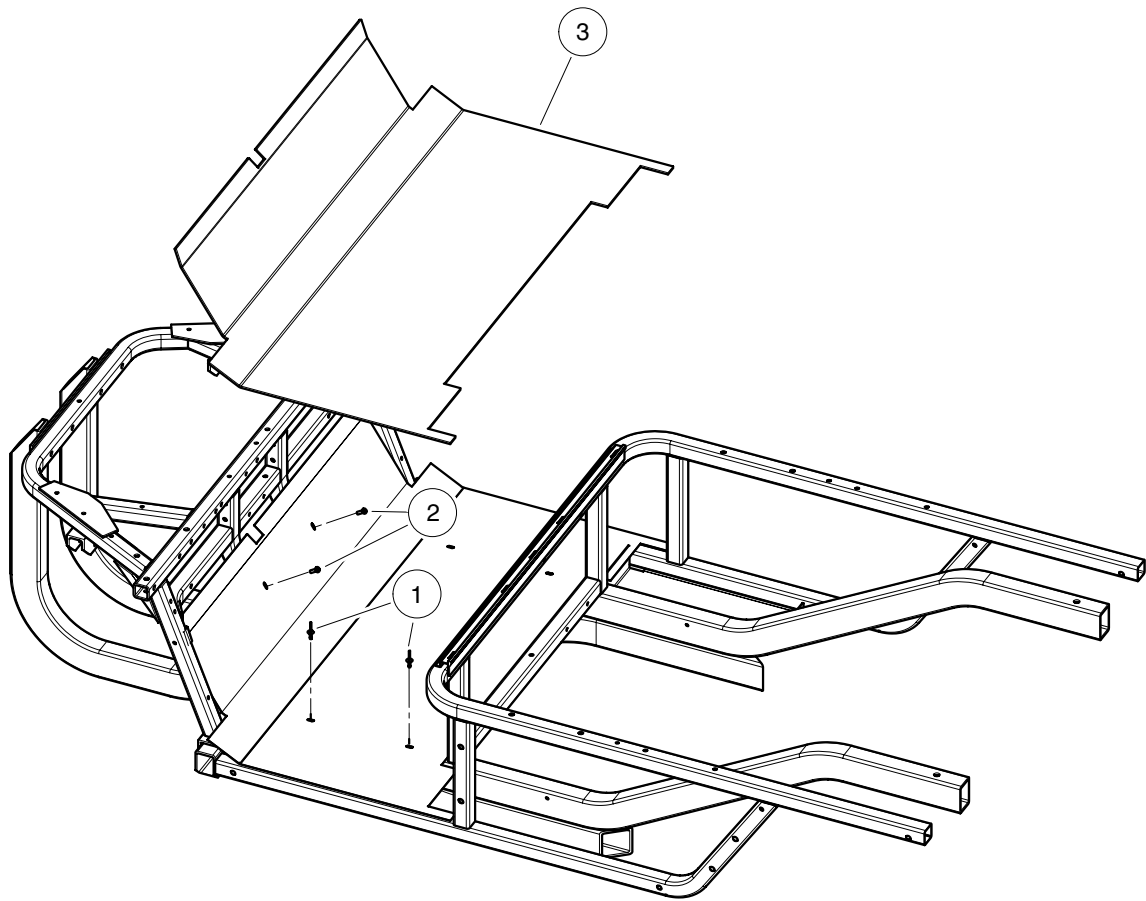


000527-002

SIDE STRINGERS – 4 PASSENGER VEHICLES

ITEM	PART NO.	DESCRIPTION	QTY
		1 2 3 4	
1	<u>102185401</u>	Tape, 3M VHB 4950	A/R
2	<u>102950402</u>	Bolt, 3/8-16 X 3, Carriage Blk	6
3	102950505	Stringer, Side, Drilled, Drv	1
4	102950506	Stringer, Side, Drilled, Pas	1
5	<u>357</u>	Washer, Lock, Hel Sp 3/8 Reg	6
6	<u>706</u>	Nut, Hex 3/8-16	6
7	<u>808</u>	Washer, 3/8 Type B Flat	6

1
G
E



000520-001

FLOOR MAT

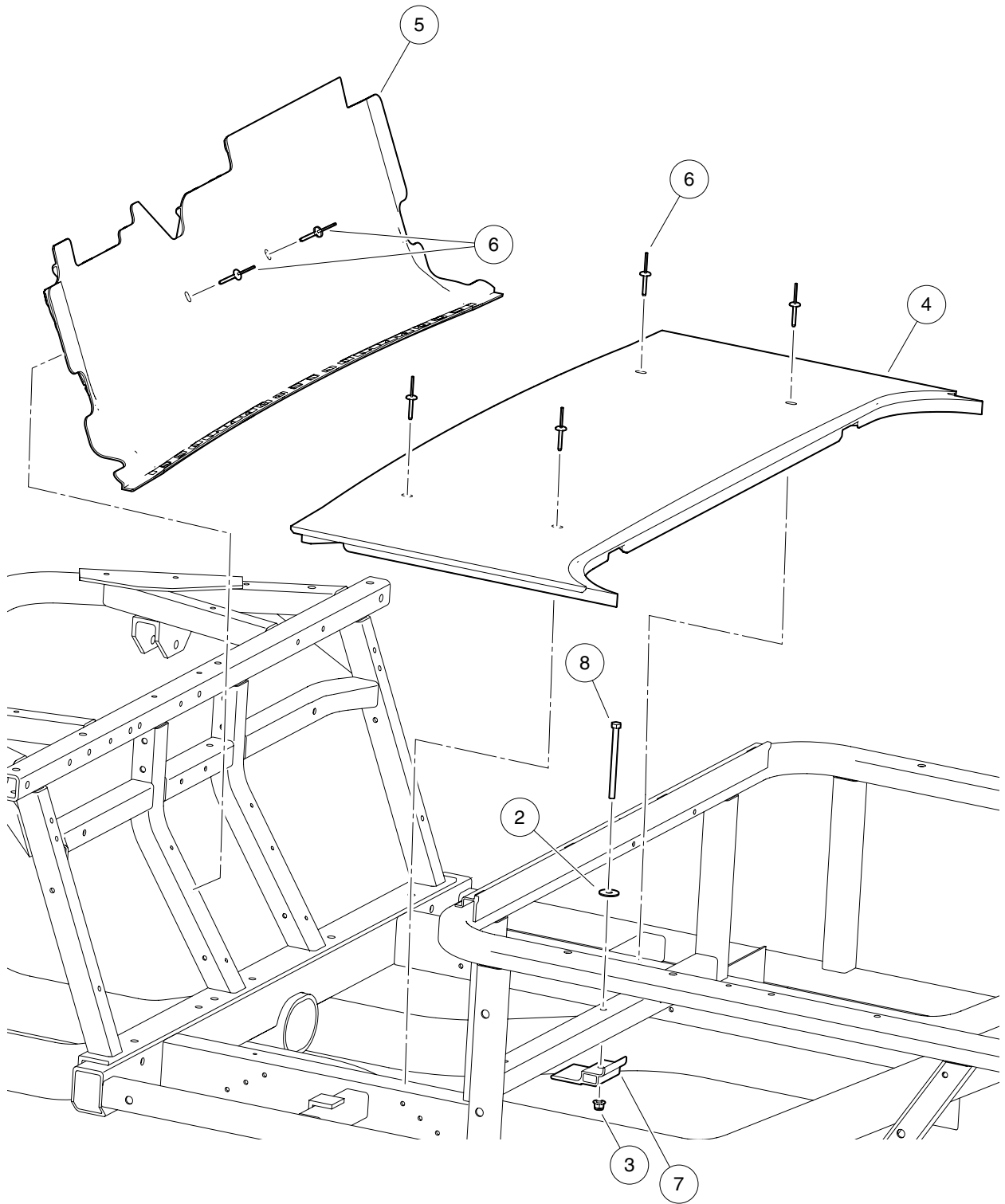
ITEM	PART NO.	DESCRIPTION	QTY
		1 2 3 4	
1	<u>1015392</u>	Rivet, 3/16 Pop	4
2	<u>102025801</u>	Screw, 1/4-20 X .75 Torx Pn Hd	2
3	<u>102895701</u>	Floor Mat	1

1

G

E

1
G
E



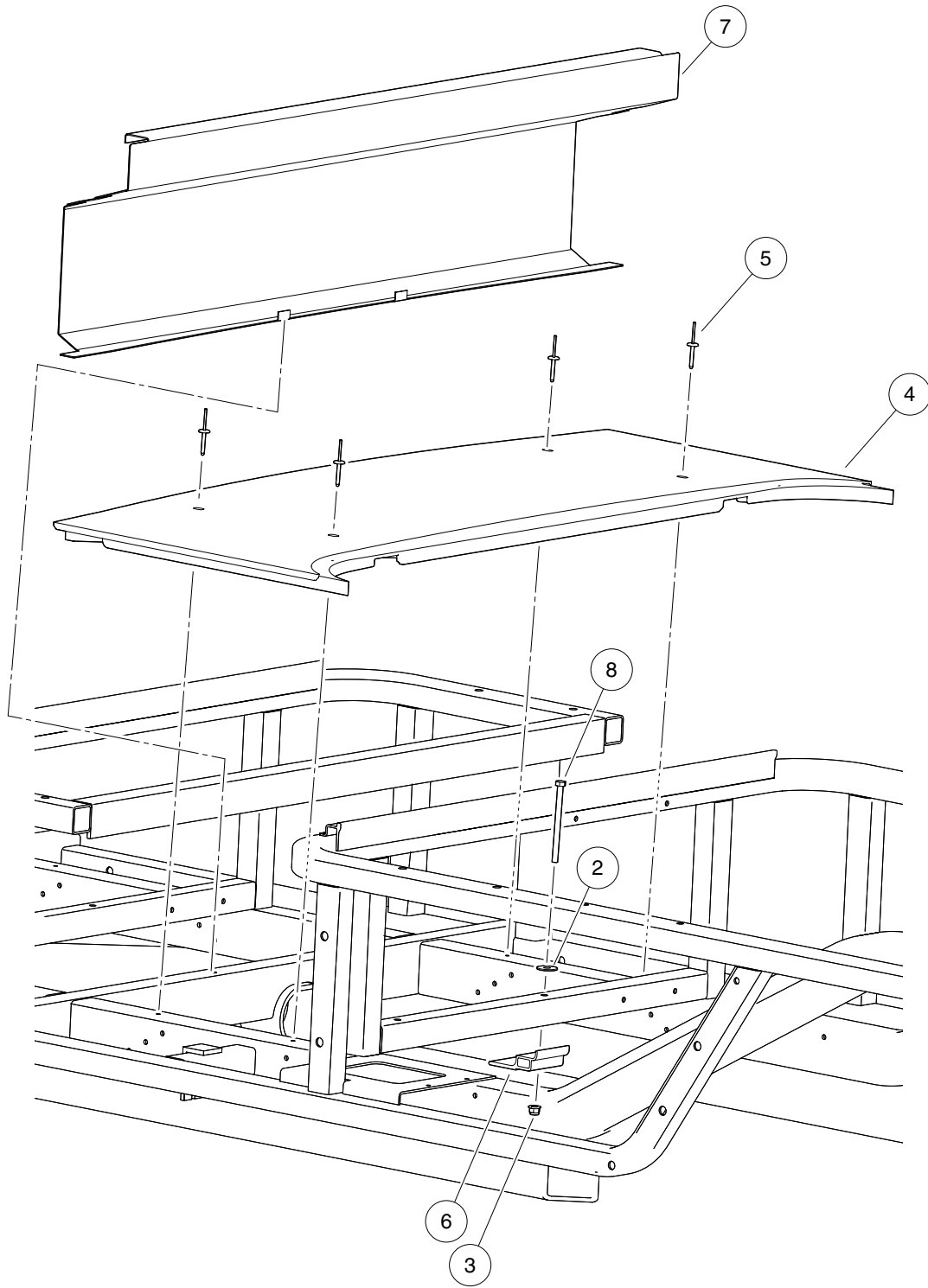
000790-001

FLOORBOARD

ITEM	PART NO.	DESCRIPTION	QTY
		1 2 3 4	
1	102868501	Instl, Floorboard (includes items 2 through 8)	1
2	<u>1011578</u>	Washer, 5/16 Type B Flat	1
3	102618601	Lock Nut, Flg M8 X 1.25 Nylon	1
4	<u>103319601</u>	Floorboard, Lower	1
5	<u>103319701</u>	Floorboard, Upper	1
6	<u>103400001</u>	3/16 X 1.19 Alum Rivet, Blk	6
7	<u>103417401</u>	Bracket, Support, Floorboard	1
8	<u>103423701</u>	Bolt, M8 X 1.25 X 110	1

1
G
E

1
G
E



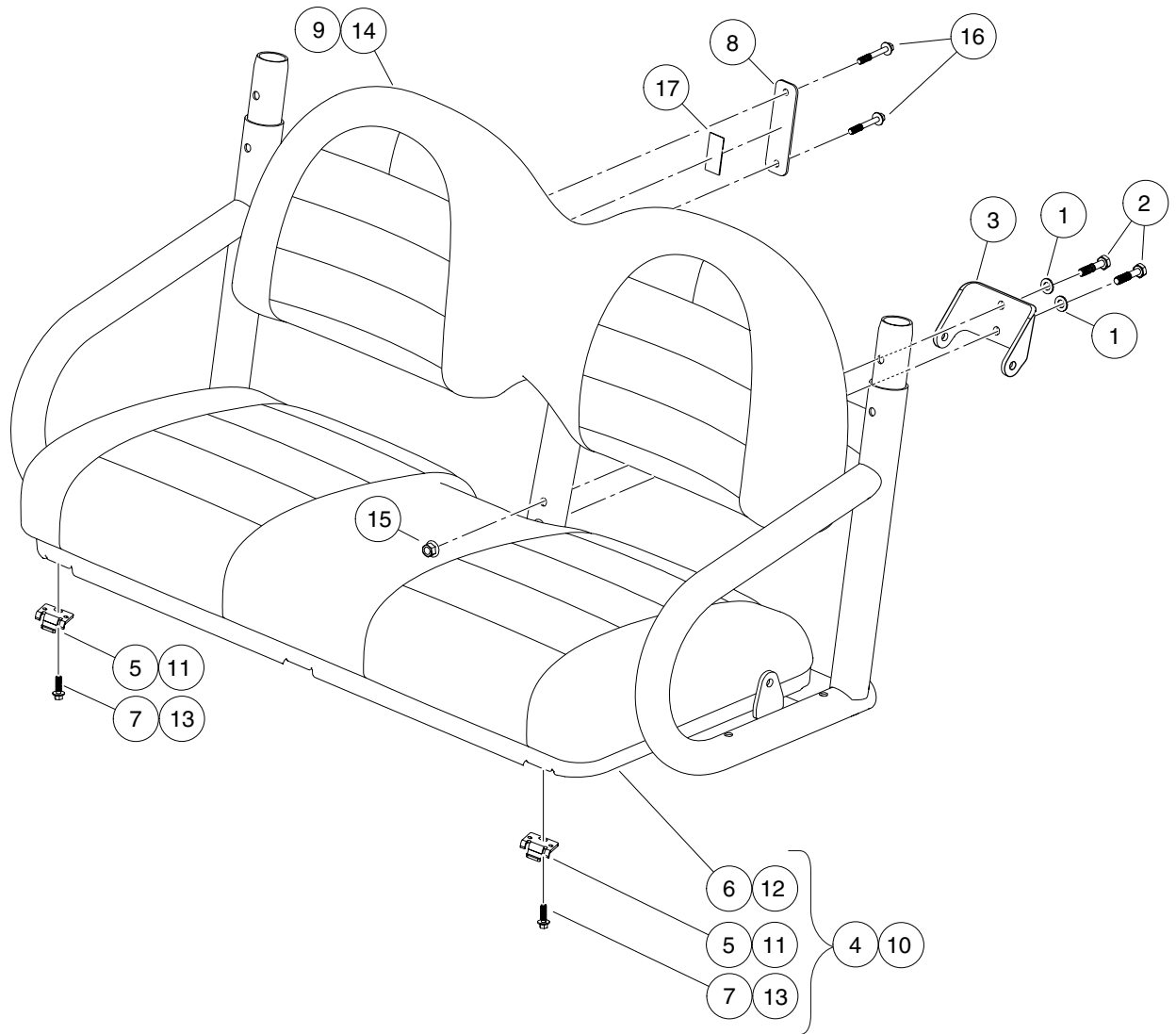
000790-002

FLOORBOARD – REAR

ITEM	PART NO.	DESCRIPTION	QTY
		1 2 3 4	
1	N/A	Instl, Floorboard, Rear (includes items 2 through 8)	1
2	<u>1011578</u>	Washer, 5/16 Type B Flat	1
3	102618601	Lock Nut, Flg M8 X 1.25 Nylon	1
4	<u>103319601</u>	Floorboard, Lower	1
5	<u>103400001</u>	3/16 X 1.19 Alum Rivet, Blk	4
6	<u>103417401</u>	Bracket, Support, Floorboard	1
7	103418001	Plate, Footwell, Rear	1
8	<u>103423701</u>	Bolt, M8 X 1.25 X 110	1

1
G
E

1
G
E



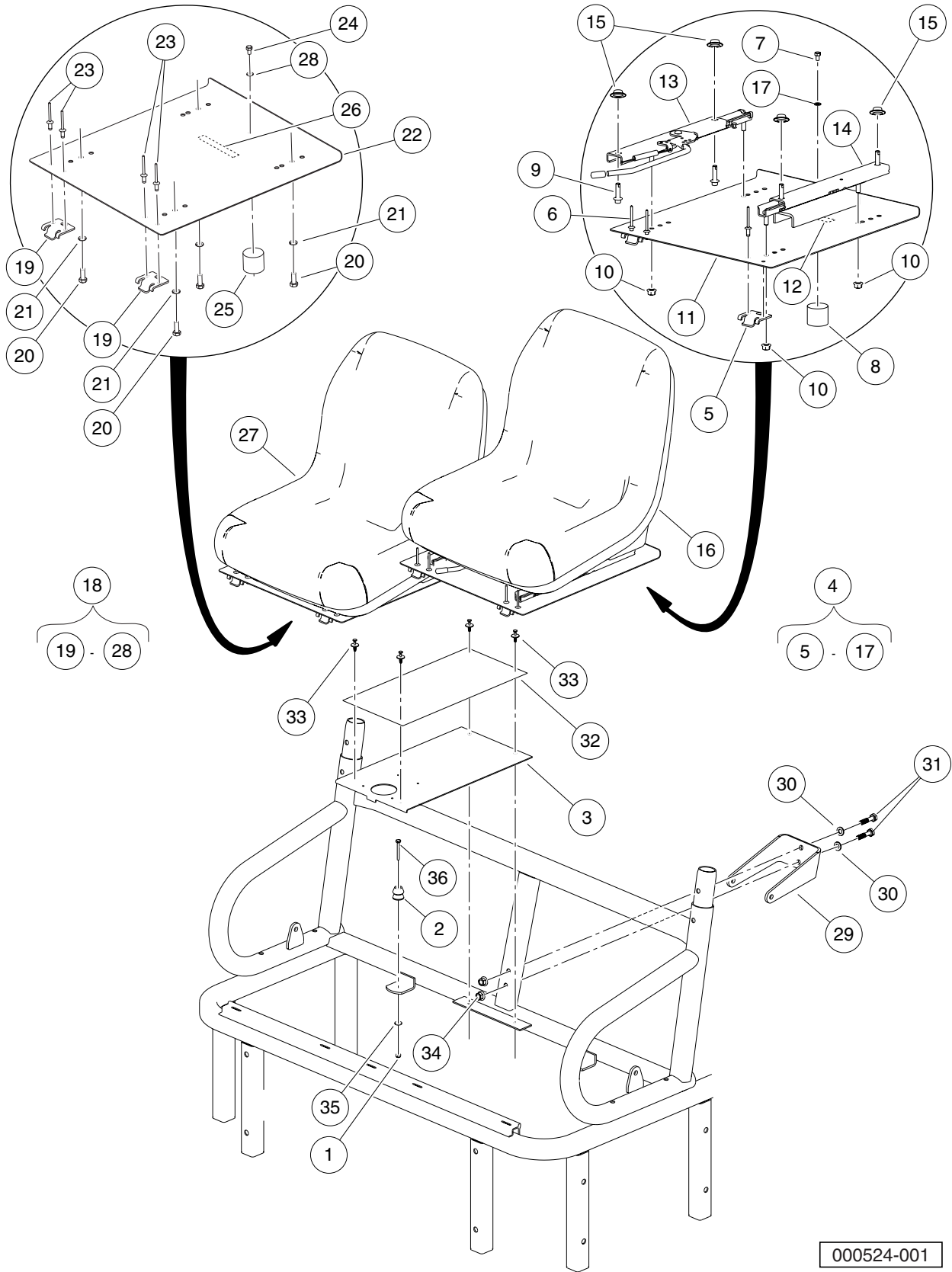
000523-001

BENCH SEATS

ITEM	PART NO.	DESCRIPTION	QTY
		1 2 3 4	
1	<u>102718101</u>	Washer, Hard, M10, Zn-Ni/Blk	2
2	<u>102732401</u>	Bolt, M10 X 45, Zn-Ni (Black)	2
3	<u>102759901</u>	Bracket, Seat Belt, Bench	1
4	<u>102879201</u>	Asm, Seat Bottom, Bench, Gray (includes items 5 through 7)	1
5	<u>1011652</u>	Hinge Plate	2
6	N/A	Asm, Seat Bottom, Bench	1
7	<u>103262201</u>	Bolt Flg Blk, M8 X 25, Loctite	2
8	<u>102879401</u>	Bracket, Seat Back, AWD	2
9	<u>102912301</u>	Seat Back, Bench, Gray	1
10	<u>103181001</u>	Asm, Seat Bottom, Bench, Black (includes items 11 through 13)	1
11	<u>1011652</u>	Hinge Plate	2
12	103180901	Seat Bottom, Bench, Black	1
13	<u>103262201</u>	Bolt Flg Blk, M8 X 25, Loctite	2
14	<u>103181101</u>	Seat Back, Bench, Black	1
15	<u>103216401</u>	Nut, Flanged, M10 x 1.5, Black	2
16	<u>103262601</u>	Bolt Flg Blk, M8 X 55, Loctite	4
17	N/A	Tape, Double-Sided, VHB, 1"x 2"	A/R

1
G
E

1
G
E



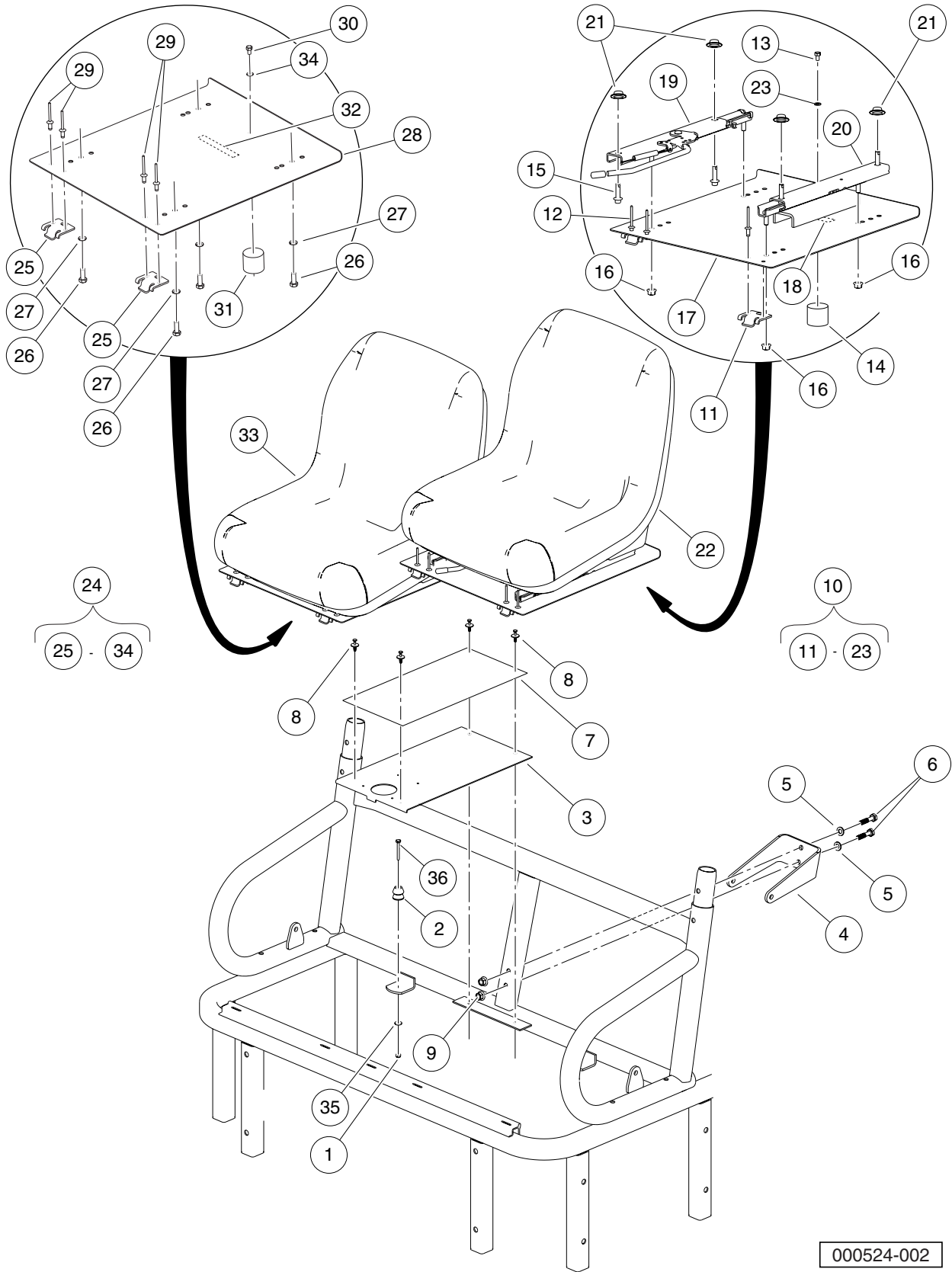
000524-001

BUCKET SEATS – GRAY

ITEM	PART NO.	DESCRIPTION	QTY
		1 2 3 4	
1	<u>101887601</u>	Locknut, M6-1.00 Nylon Insert	2
2	<u>102059001</u>	Seat Holder Base	2
3	<u>102442001</u>	Pan, Center, Closeout	1
4	<u>102473701</u>	Asm, Bucket Seat Adjustable (includes items 5 through 17)	1
5	<u>1011652</u>	Hinge Plate	2
6	<u>102047001</u>	Rivet, 1/4 X .438 Blind	4
7	<u>102059401</u>	Screw, 6m-1.00 X 10mm Hex Head	1
8	<u>102061101</u>	Seat Holder Cup	1
9	<u>102298130</u>	Bolt, Flange Head, M8 X 30.0	4
10	<u>102298401</u>	Nut,m8,all Metal Lock	4
11	<u>102456001</u>	Pan, Seat, Driver Asm	1
12	<u>102458901</u>	Decal, Hot Surface Warning	1
13	<u>102473501</u>	Adjuster, Forward/Aft	1
14	<u>102473601</u>	Adjuster, Slider	1
15	<u>102475901</u>	Washer, Bell	4
16	<u>103267001</u>	Seat, Bucket, Gray	1
17	<u>451</u>	Lockwasher, 1/4 Helical Split	1
18	N/A	Assembly, Bucket Seat w/Spacers (includes items 19 through 28)	1
19	<u>1011652</u>	Hinge Plate	2
20	<u>1012830</u>	Screw, M8-125 X 22 Hex-Head	4
21	<u>1013734</u>	Lockwasher, 8mm Split	4
22	<u>102023703</u>	Pan, Seat, Passenger	1
23	<u>102047001</u>	Rivet, 1/4 X .438 Blind	4
24	<u>102059401</u>	Screw, 6m-1.00 X 10mm Hex Head	1
25	<u>102061101</u>	Seat Holder Cup	1
26	<u>102458901</u>	Decal, Hot Surface Warning	1
27	<u>103267001</u>	Seat, Bucket, Gray	1
28	<u>451</u>	Lockwasher, 1/4 Helical Split	1
29	<u>102670601</u>	Bracket, Seatbelt, Bolt-On	1
30	<u>102718101</u>	Washer, Hard, M10, Zn-Ni/Blk	2
31	<u>102732401</u>	Bolt, M10 X 45, Zn-Ni (Black)	2
32	<u>102763701</u>	Cover, Center Console	1
33	<u>102967901</u>	Rivet, Removable, Tuflok 1/4"	4
34	<u>103216401</u>	Nut, Flanged, M10 x 1.5, Black	2
35	<u>332</u>	Washer, 1/4 Type A Narrow Flat	2
36	<u>96742515</u>	Bolt, M6 X 1 X 45	2

1
G
E

1
G
E



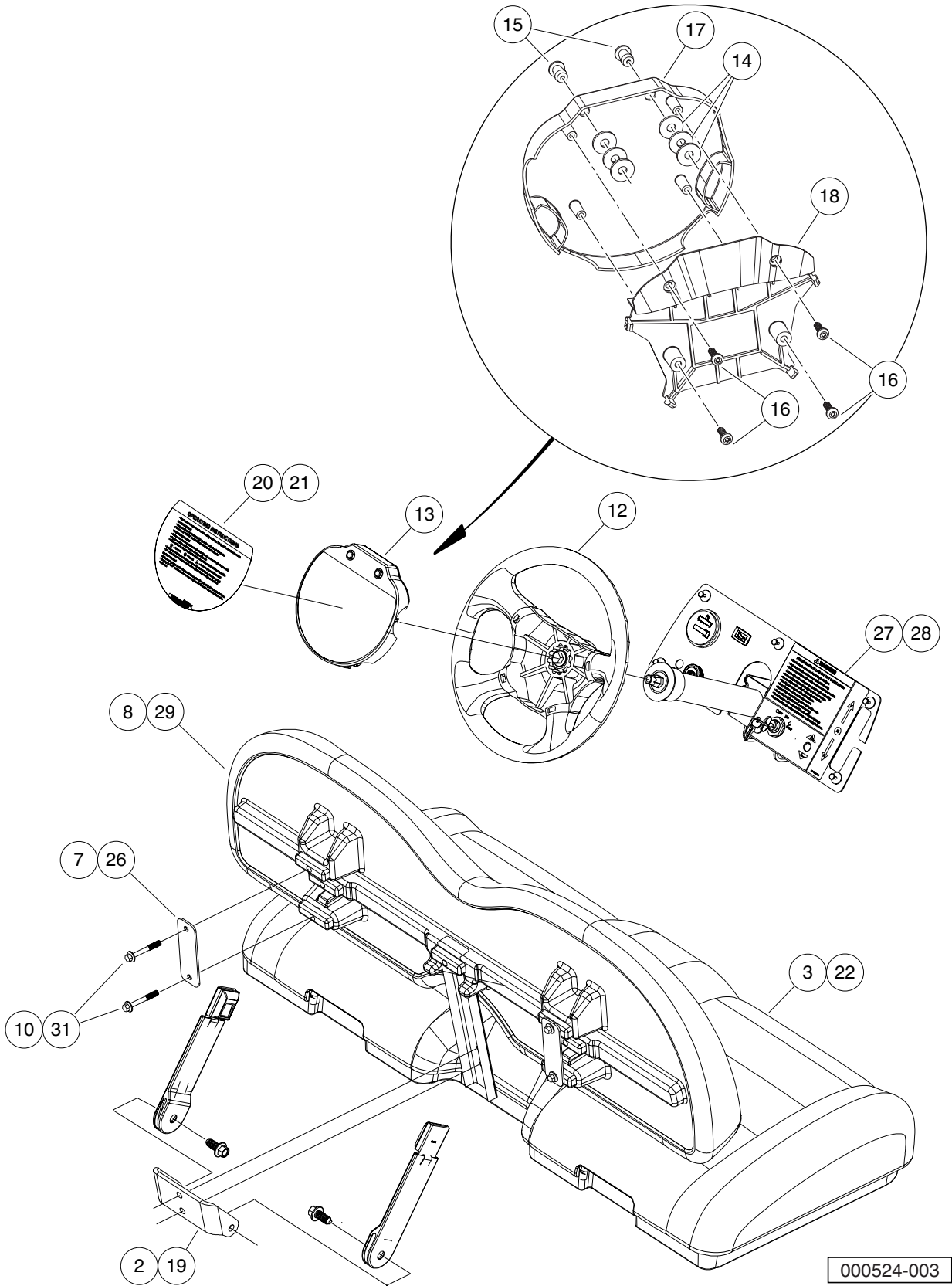
000524-002

BUCKET SEATS – BLACK

ITEM	PART NO.	DESCRIPTION	QTY
		1 2 3 4	
1	<u>101887601</u>	Locknut, M6-1.00 Nylon Insert	2
2	<u>102059001</u>	Seat Holder Base	2
3	<u>102442001</u>	Pan, Center, Closeout	1
4	<u>102670601</u>	Bracket, Seatbelt, Bolt-On	1
5	<u>102718101</u>	Washer, Hard, M10, Zn-Ni/Blk	2
6	<u>102732401</u>	Bolt, M10 X 45, Zn-Ni (Black)	2
7	<u>102763701</u>	Cover, Center Console	1
8	<u>102967901</u>	Rivet, Removable, Tuflok 1/4"	4
9	<u>103216401</u>	Nut, Flanged, M10 x 1.5, Black	2
10	<u>103218901</u>	Asm, Bracket Seat, Adj, Blk (includes items 11 through 23)	1
11	<u>1011652</u>	Hinge Plate	2
12	<u>102047001</u>	Rivet, 1/4 X .438 Blind	4
13	<u>102059401</u>	Screw, 6m-1.00 X 10mm Hex Head	1
14	<u>102061101</u>	Seat Holder Cup	1
15	<u>102298130</u>	Bolt, Flange Head, M8 X 30.0	4
16	<u>102298401</u>	Nut,m8,all Metal Lock	4
17	<u>102456001</u>	Pan, Seat, Driver Asm	1
18	<u>102458901</u>	Decal, Hot Surface Warning	1
19	<u>102473501</u>	Adjuster, Forward/Aft	1
20	<u>102473601</u>	Adjuster, Slider	1
21	<u>102475901</u>	Washer, Bell	4
22	<u>103267002</u>	Seat, Bucket, Black	1
23	<u>451</u>	Lockwasher, 1/4 Helical Split	1
24	N/A	Asm, Bracket Seat, Passenger, Blk (includes items 25 through 34)	1
25	<u>1011652</u>	Hinge Plate	2
26	<u>1012830</u>	Screw, M8-125 X 22 Hex-Head	4
27	<u>1013734</u>	Lockwasher, 8mm Split	4
28	<u>102023703</u>	Pan, Seat, Passenger	1
29	<u>102047001</u>	Rivet, 1/4 X .438 Blind	4
30	<u>102059401</u>	Screw, 6m-1.00 X 10mm Hex Head	1
31	<u>102061101</u>	Seat Holder Cup	1
32	<u>102458901</u>	Decal, Hot Surface Warning	1
33	<u>103267002</u>	Seat, Bucket, Black	1
34	<u>451</u>	Lockwasher, 1/4 Helical Split	1
35	<u>332</u>	Washer, 1/4 Type A Narrow Flat	2
36	<u>96742515</u>	Bolt, M6 X 1 X 45	2

1
G
E

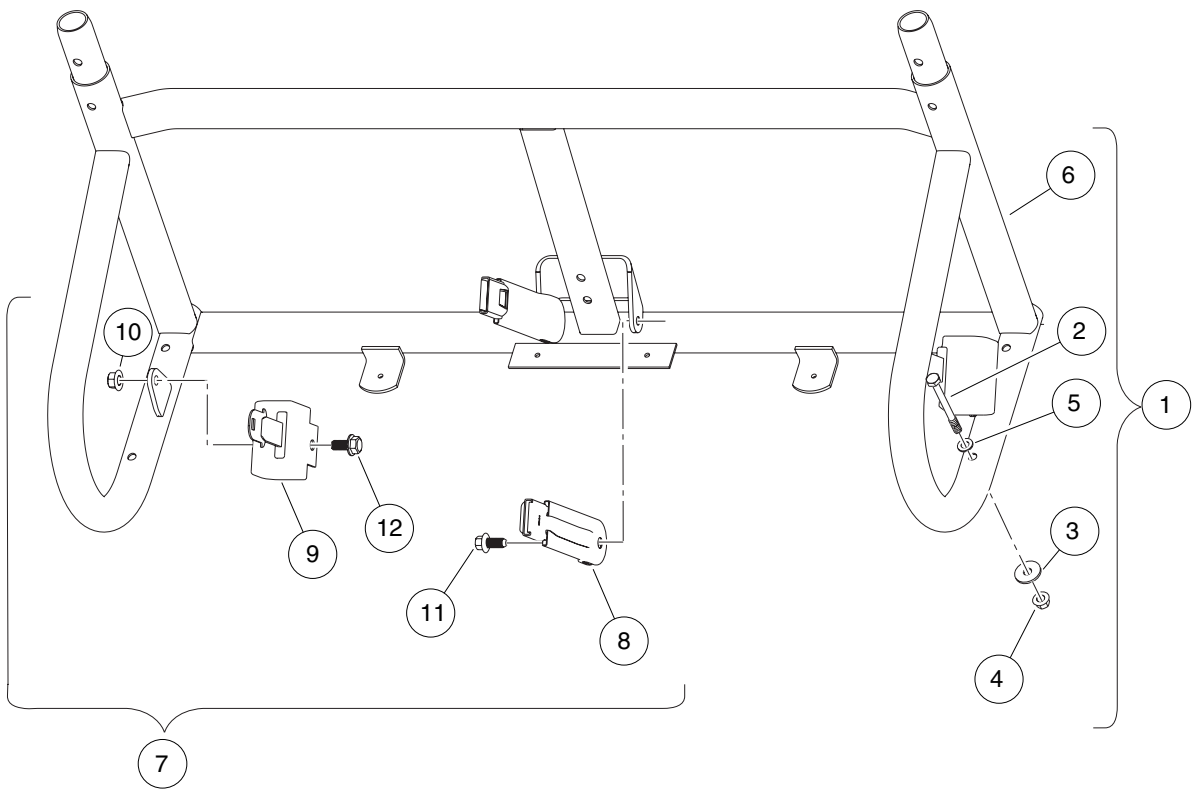
1
G
E



BENCH SEAT CONVERSION KIT

ITEM	PART NO.	DESCRIPTION	QTY
		1 2 3 4	
1	<u>103183101</u>	Kit, Bench Seat, Seat Only (includes items 2 through 10)	1
2	<u>102759901</u>	Bracket, Seat Belt, Bench	1
3	<u>102879201</u>	Asm, Seat Bottom, Bench, Gray (includes items 4 through 6)	1
4	<u>1011652</u>	Hinge Plate	2
5	N/A	Asm, Seat Bottom, Bench	1
6	<u>103262201</u>	Bolt Flg Blk, M8 X 25, Loctite	2
7	<u>102879401</u>	Bracket, Seat Back, AWD	2
8	<u>102912301</u>	Seat Back, Bench, Gray	1
9	103187701	Instructions, Bench Seat	1
10	<u>103262601</u>	Bolt Flg Blk, M8 X 55, Loctite	4
11	<u>103183201</u>	Kit, Bench Seat, Complete (includes items 12 through 31)	1
12	N/A	Steering Wheel, Comfort Grip, Hex	1
13	<u>102540802</u>	Center, Plate, Steering Wheel (includes items 14 through 18)	1
14	<u>1011697</u>	Washer, 5/16 Flat	6
15	<u>1016967</u>	Blind Rivet, Push Type	2
16	<u>102296020</u>	Screw, Torx Pan Hd Pt, M6 X 20	4
17	N/A	Scorecard Plate, Comfort Grip	1
18	N/A	Scorecard Back Plate	1
19	<u>102759901</u>	Bracket, Seat Belt, Bench	1
20	<u>102873901</u>	Decal, Oper Instr, Awd Se Dsl	1
21	<u>102878301</u>	Decal, Oper Instr, Awd Se Gas	1
22	<u>102879201</u>	Asm, Seat Bottom, Bench, Gray (includes items 23 through 25)	1
23	<u>1011652</u>	Hinge Plate	2
24	N/A	Asm, Seat Bottom, Bench	1
25	<u>103262201</u>	Bolt Flg Blk, M8 X 25, Loctite	2
26	<u>102879401</u>	Bracket, Seat Back, AWD	2
27	<u>102889001</u>	Decal, Warning, Instrument Panel, AWD Gas	1
28	<u>102889101</u>	Decal, Warning, Instrument Panel, AWD Diesel	1
29	<u>102912301</u>	Seat Back, Bench, Gray	1
30	103187701	Instructions, Bench Seat	1
31	<u>103262601</u>	Bolt Flg Blk, M8 X 55, Loctite	4

1
G
E



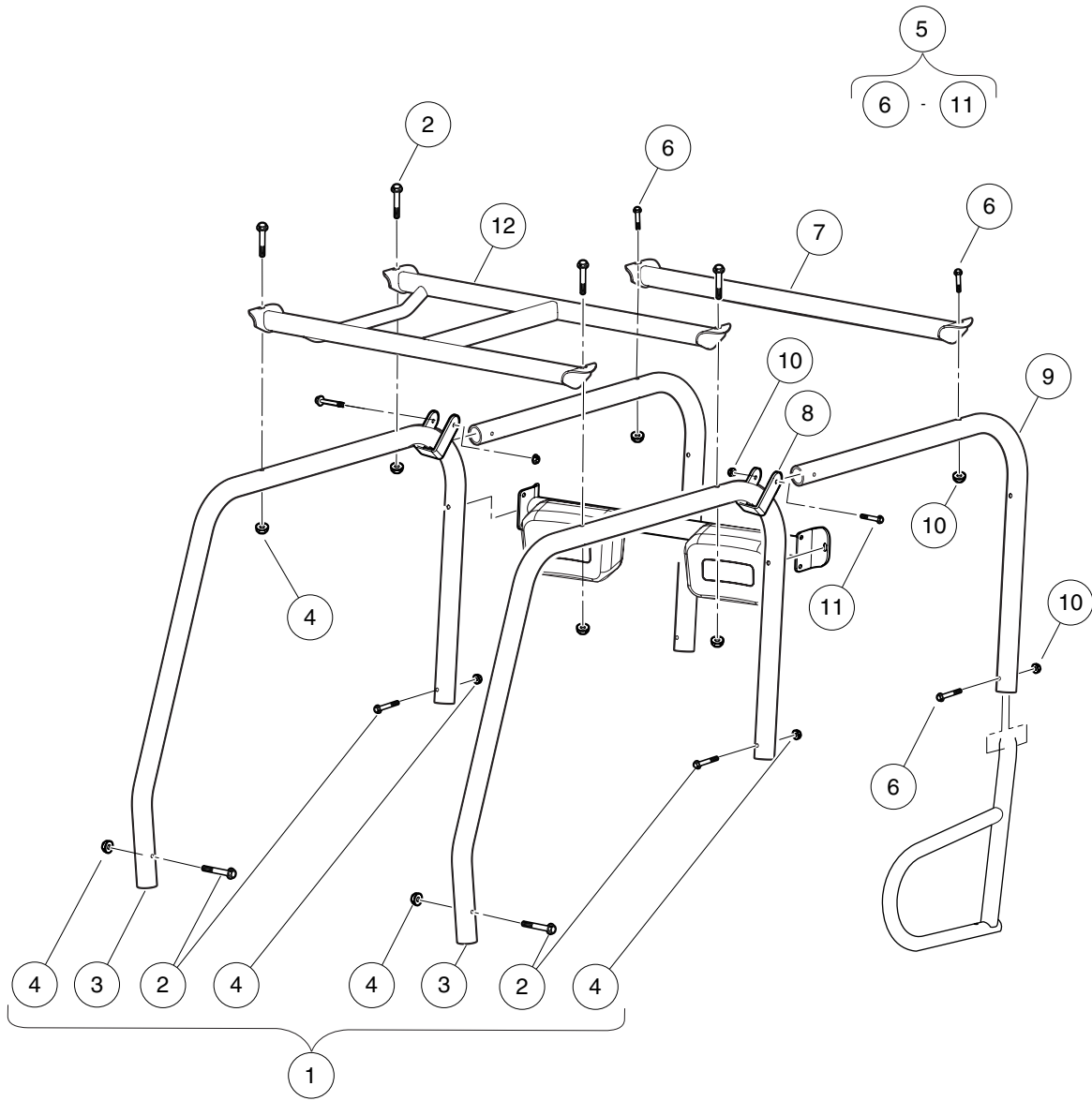
000029-002

SEAT BELTS AND LOWER ROPS

ITEM	PART NO.	DESCRIPTION	QTY
		1 2 3 4	
1	N/A	Instl, Rops, Lower (includes items 2 through 6)	1
2	<u>102491301</u>	Bolt, M10x1.50x100 (Black)	4
3	<u>102491501</u>	Washer Hard,m10	4
4	<u>102617201</u>	Nut Flg M10 X 1.5 Mech Def	4
5	<u>102718101</u>	Washer, Hard, M10, Zn-Ni/Blk	4
6	<u>103361701</u>	Weldment,seat Support,hs,rops	1
7	N/A	Instl, Seat Belt, Restyle (includes items 8 through 12)	1
8	<u>102447601</u>	Buckle, Seat Belt with Sleeve	2
9	<u>102447602</u>	Retractor, Seat Belt	2
10	<u>102620301</u>	Ln Flg, M12 X 1.75, Md, Black	2
11	<u>102671201</u>	Screw,m12x1.75x30 Thd Form Blk	2
12	<u>103245101</u>	Bolt Flg, M12x1.75 X 25 Black	2

1
G
E

1
G
E



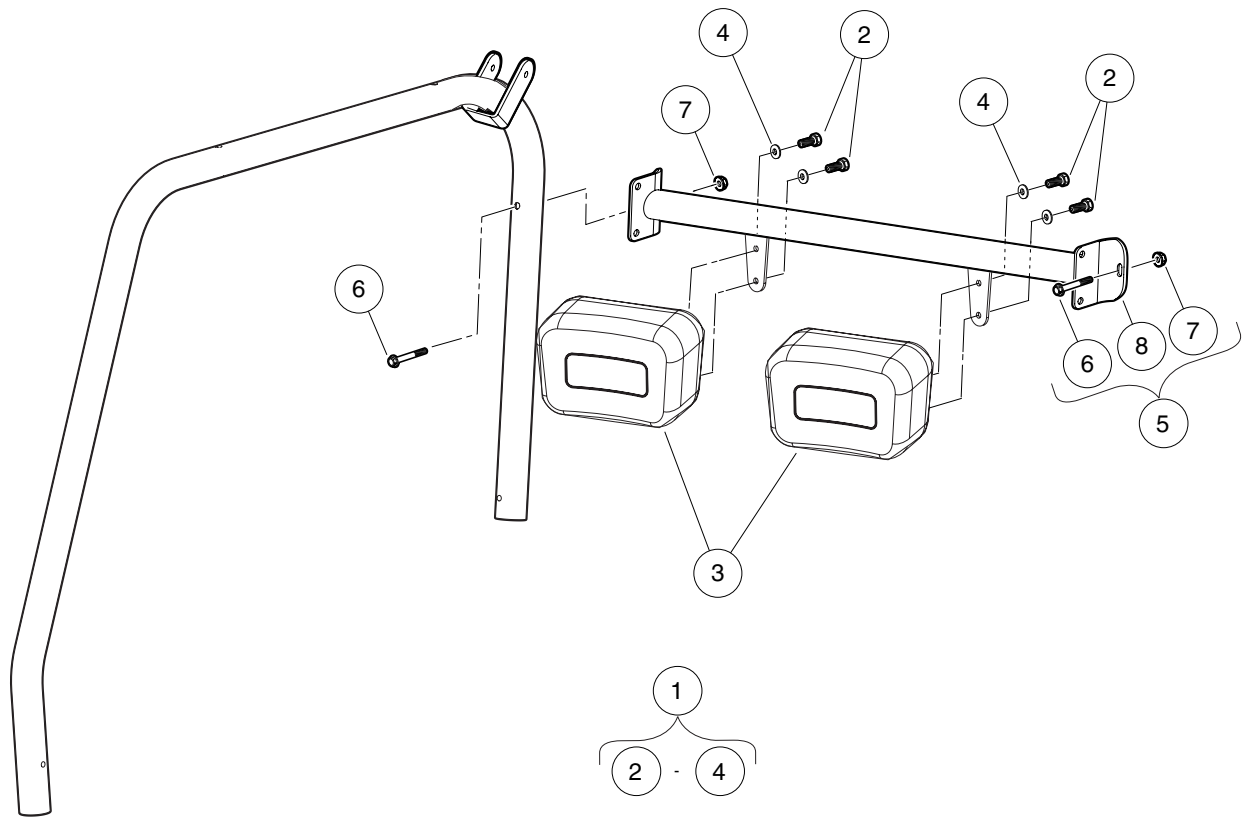
000029-004

ROPS

ITEM	PART NO.	DESCRIPTION	QTY
		1 2 3 4	
1	<u>103215901</u>	Kit, ROPS, Domestic (includes items 2 through 4)	1
2	<u>102988701</u>	Bolt, Flanged, M10 X 1.5 X 65	8
3	<u>103192101</u>	Tube, Side Support Short, ROPS	2
4	<u>103216401</u>	Nut, Flanged, M10 x 1.5, Black	8
5	<u>103216201</u>	Kit, ROPS, Four Passenger (includes items 6 through 11)	1
6	<u>102988701</u>	Bolt, Flanged, M10 X 1.5 X 65	4
7	<u>103214901</u>	Weldment, ROPS, Top, 4 Pass	1
8	<u>103215001</u>	Bracket, ROPS, Rear, 4 Pass	2
9	<u>103215101</u>	Tube, Rear, 4 Pass	2
10	<u>103216401</u>	Nut, Flanged, M10 x 1.5, Black	6
11	<u>103216801</u>	Bolt, Flanged, M10 X 1.5 X 70	2
12	<u>103225801</u>	Asm, Top, ROPS	1

1
G
E

1
G
E

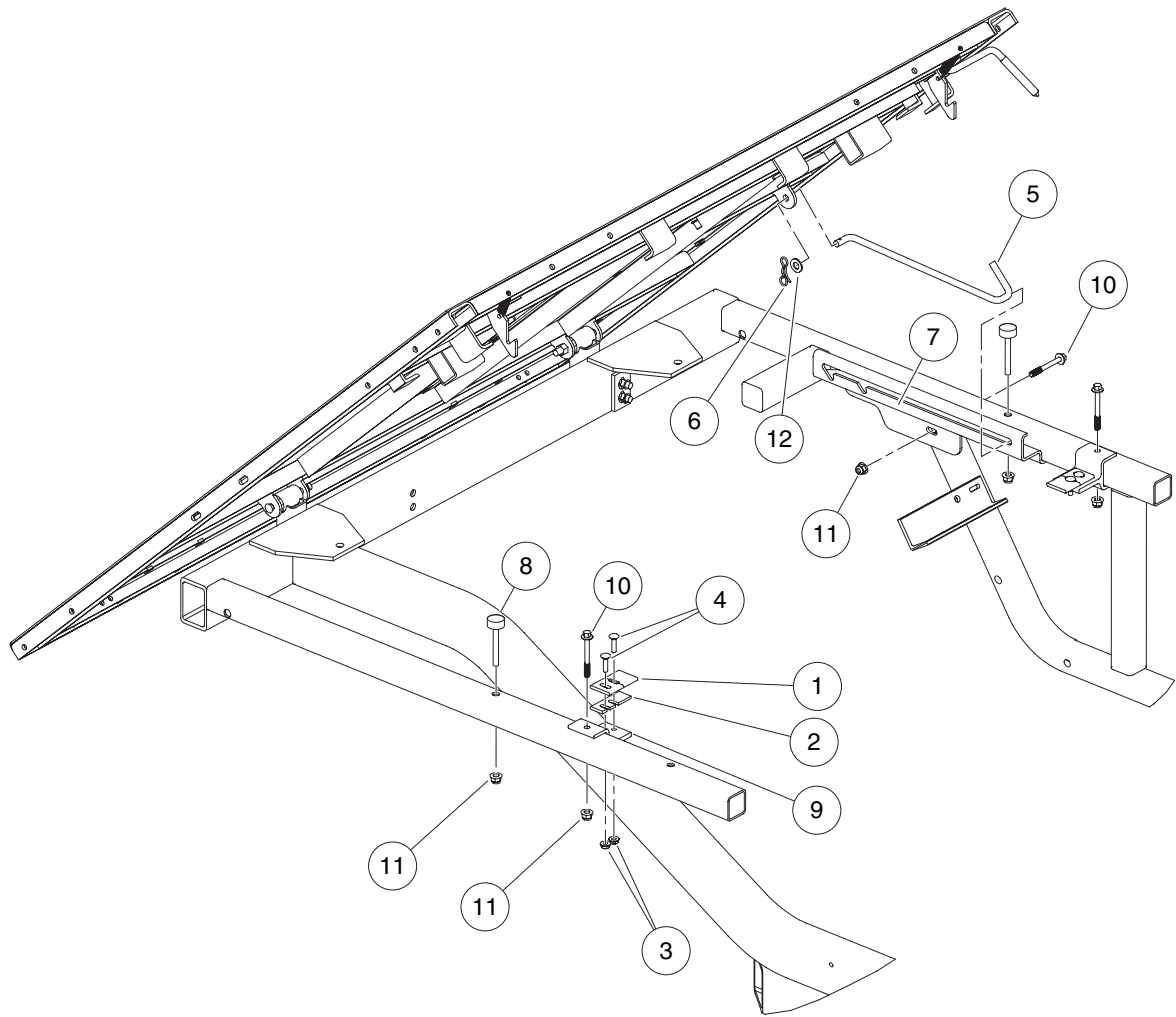


000029-005

ROPS – HEAD RESTS

ITEM	PART NO.	DESCRIPTION	QTY
		1 2 3 4	
1	<u>103274602</u>	Kit, Head Restraint, Black (includes items 2 through 4)	1
2	<u>102490101</u>	Bolt, M10 X 1.5 X 20 Loctite	4
3	<u>103274502</u>	Asm, Head Restraint, Black	2
4	<u>96741046</u>	Washer, M10 Hard	4
5	103319801	Kit, Rear Brace, ROPS (includes items 6 through 8)	1
6	<u>102988701</u>	Bolt, Flanged, M10 X 1.5 X 65	2
7	<u>103216401</u>	Nut, Flanged, M10 x 1.5, Black	2
8	<u>103283801</u>	Asm, Rear Brace	1

1
G
E



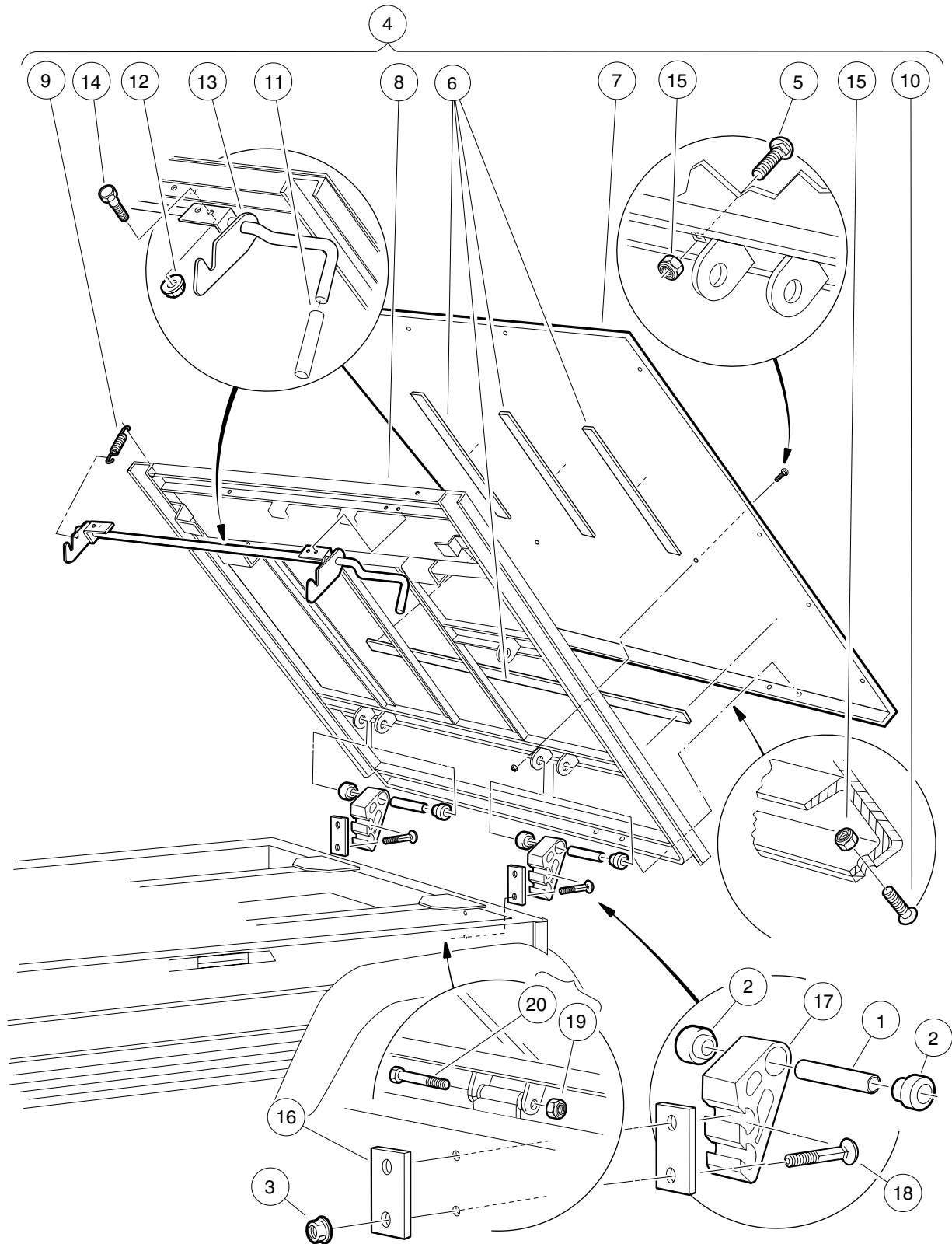
000036-001

LATCH PLATE AND PROP ROD

ITEM	PART NO.	DESCRIPTION	QTY
		1 2 3 4	
1	<u>1015277</u>	Latch Plate, Tilt Bed	2
2	<u>1016078</u>	Latch Plate Shim	A/R
3	<u>101835601</u>	Locknut, 1/4-20 Hex Whiz	4
4	<u>101958602</u>	Bolt, Carriage, 1/4-20 X 1.0	4
5	<u>102301401</u>	Rod, Prop	1
6	<u>102323101</u>	Pin, Bow Tie Locking	1
7	<u>102418101</u>	Track, Prop Rod	1
8	<u>102426601</u>	Bumper, Bed, Mtg, Front	2
9	<u>102493801</u>	Bracket, Latch, Bed	2
10	<u>102618301</u>	Bolt Flanged Head, M8 X 1.25 X 65	3
11	<u>102618601</u>	Lock Nut, Flg M8 X 1.25 Nylon	5
12	<u>334</u>	Washer, 3/8 Type A Flat	1

1
G
E

1
G
E



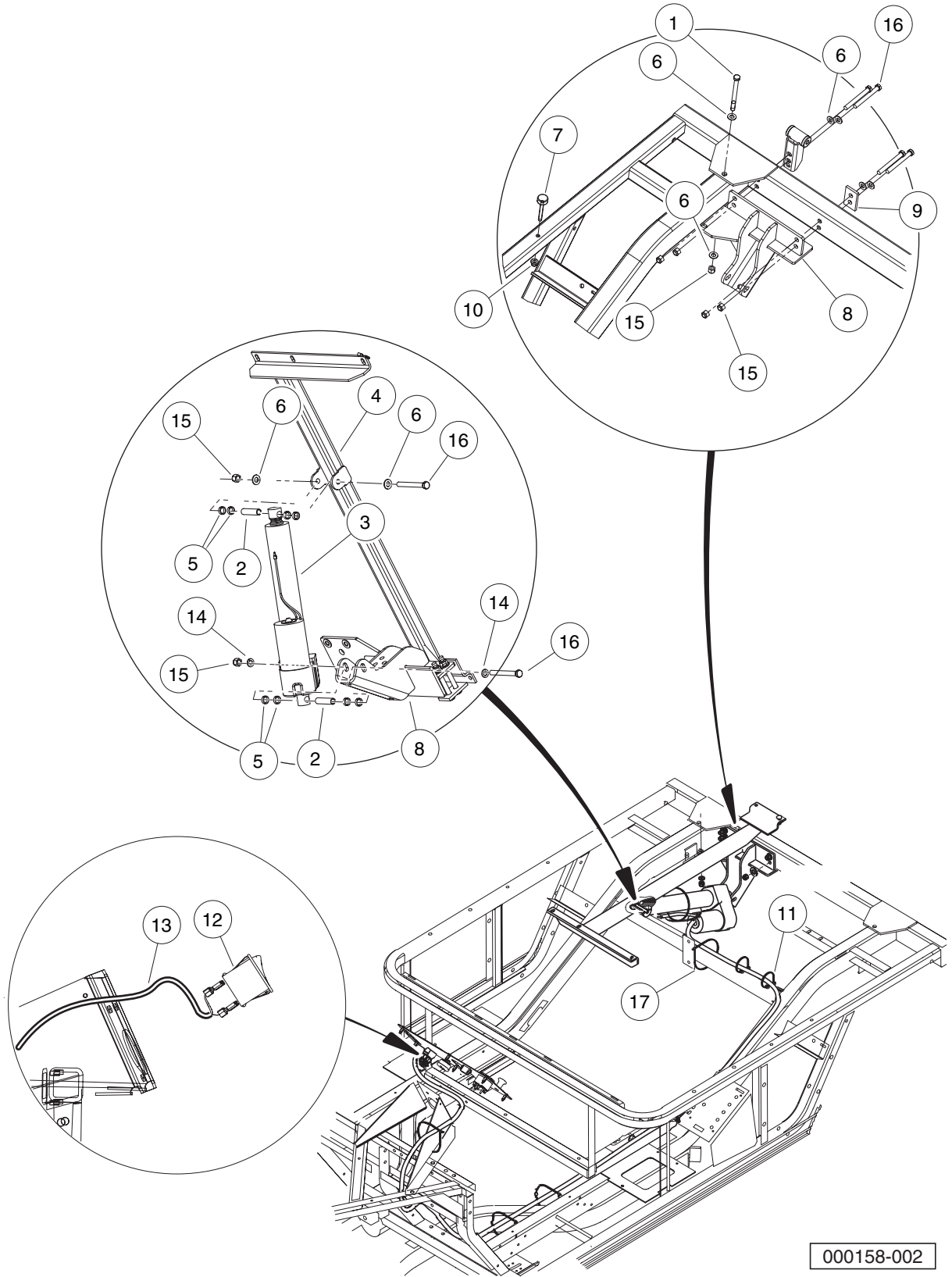
000037-001

TILT BED, HINGE, AND LATCH

ITEM	PART NO.	DESCRIPTION	QTY
		1 2 3 4	
1	<u>1012303</u>	Bushing, Steel	2
2	<u>1015583</u>	Bushing, Urethane	2
3	<u>102065901</u>	Locknut, 3/8-16 Flanged Dimple	4
4	<u>102171503</u>	Tilt Bed Assembly (includes items 5 through 15)	1
5	<u>1010435</u>	Bolt, Carriage, 5/16-18 X 1.00	4
6	<u>1014471</u>	Tape, Vinyl Foam 1/8" x 3/4" *	A/R
7	N/A	Plate, Floor Bed	1
8	N/A	Frame Assembly	1
9	<u>1015391</u>	Extension, Spring Latch	2
10	<u>1015399</u>	Screw, 5/16-18 X 0.88 Torx Truss-Head	4
11	<u>1015400</u>	Grip, Tilt Latch Hand	1
12	<u>101835601</u>	Locknut, 1/4-20 Hex Whiz	4
13	<u>102426901</u>	Ltch Weld Asm Tlt Bd	1
14	<u>403</u>	Screw, 1/4-20 X 0.625 Hex-Head Cap	4
15	<u>7473</u>	Locknut, 5/16-18 Nylon Insert	8
16	<u>102614101</u>	Plate, Back	2
17	<u>103538701</u>	Extr, Brkt, Hinge, Bed	2
18	<u>103538901</u>	3/8-16 X 3.5 Carr Blt Gr5 Zn	4
19	<u>8754</u>	Locknut, 3/8-16 Hex	2
20	<u>8755</u>	Screw, 3/8-16 X 3.375 Hex Cap	2
		* Note: Item not shown.	

1
G
E

1
G
E



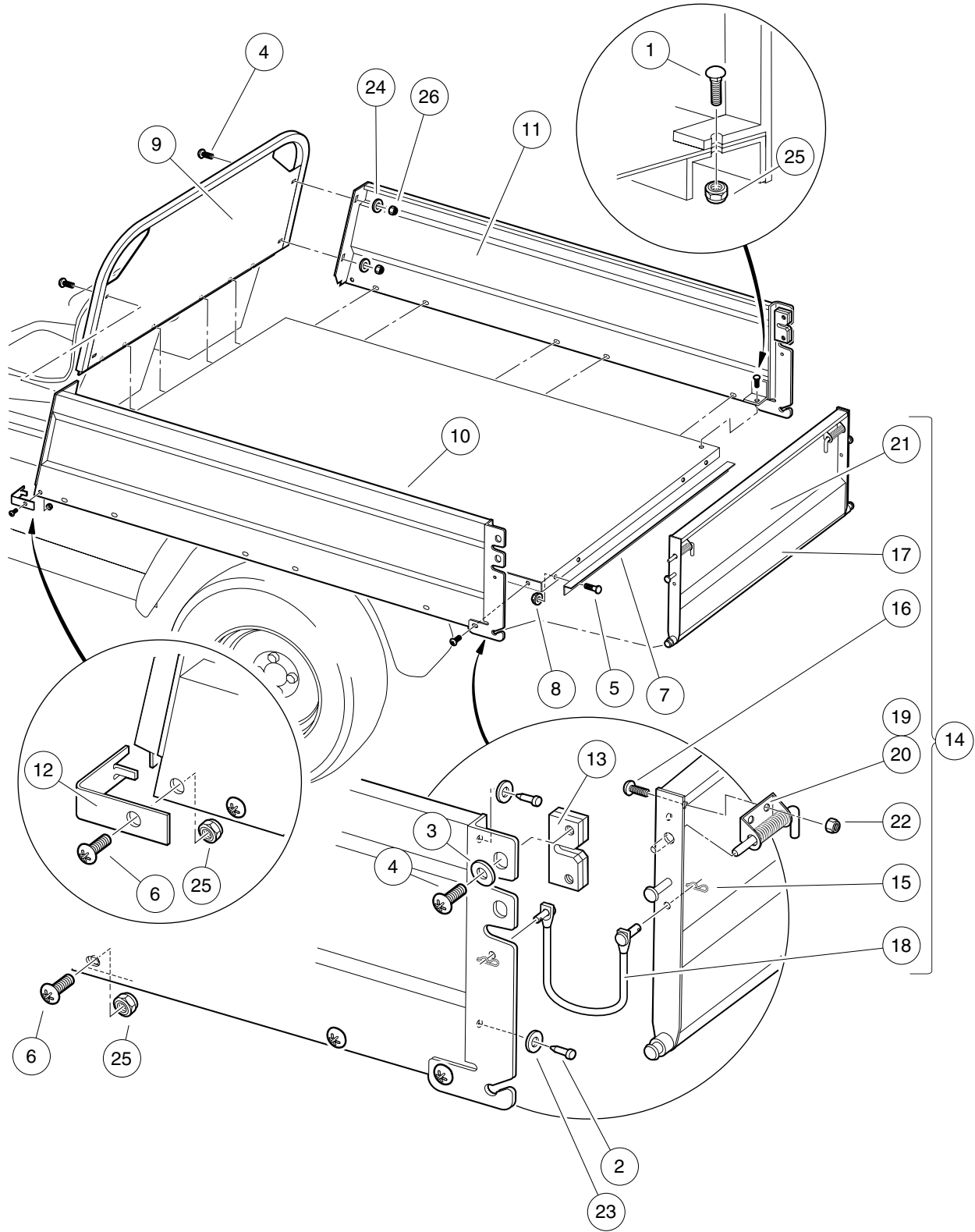
000158-002

ELECTRIC BED LIFT

ITEM	PART NO.	DESCRIPTION	QTY
		1 2 3 4	
1	<u>1010200</u>	Bolt, 3/8-16 X 4.25 Hex Head	1
2	<u>1016603</u>	Bushing Long	2
3	<u>1017162</u>	Actuator Assembly, Electric	1
4	<u>1017167</u>	Actuator Adapter	1
5	<u>1017774</u>	Body Spacer	8
6	<u>102066001</u>	Washer, 3/8 Type B Hard Flat	8
7	<u>102426601</u>	Bumper, Bed, Mtg, Front	2
8	<u>102465701</u>	Weldment, Bracket, Actuator	1
9	<u>102614101</u>	Plate, Back	1
10	<u>102618601</u>	Lock Nut, Flg M8 X 1.25 Nylon	2
11	<u>102629001</u>	Tie Wrap, 8.00" With Mount	2
12	<u>103227002</u>	Harness, Stretch AWD Bedlift	1
13	<u>357</u>	Washer, Lock, Hel Sp 3/8 Reg	2
14	<u>8754</u>	Locknut, 3/8-16 Hex	9
15	<u>8755</u>	Screw, 3/8-16 X 3.375 Hex Cap	6
16	<u>8990</u>	Tie Wrap, 8" Nylon	5

1
G
E

1
G
E

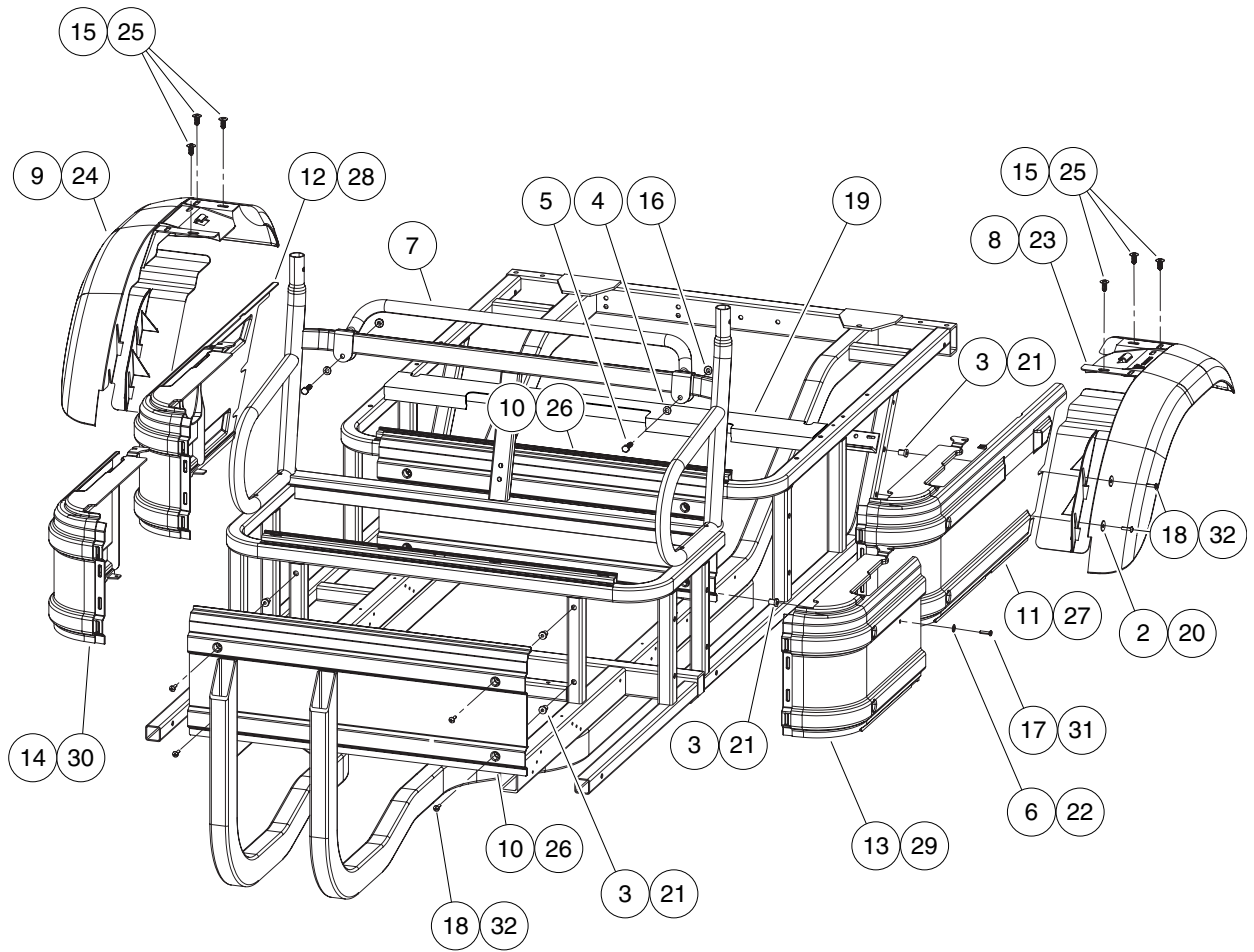


000038-003

CARGO BOX

ITEM	PART NO.	DESCRIPTION	QTY
		1 2 3 4	
1	<u>1010435</u>	Bolt, Carriage, 5/16-18 X 1.00	13
2	<u>1010436</u>	Bumper, Rubber	4
3	<u>1014306</u>	Washer, 1/4" Type B Flat	4
4	<u>1014415</u>	Screw, 1/4-20 X 0.75 Torx Truss-Head	8
5	<u>1014537</u>	Stud, Self-Clinching Flush Head	4
6	<u>1015399</u>	Screw, 5/16-18 X 0.88 Torx Truss-Head	18
7	<u>101894304</u>	Box Bed Tailgate Angle	1
8	<u>101963401</u>	Locknut, 5/16-18 Hex Flange	4
9	<u>102221301</u>	Front Panel Weldment	1
10	<u>102221401</u>	Left Panel Weldment	1
11	<u>102221501</u>	Right Panel Weldment	1
12	<u>102221701</u>	Front Corner Cap	2
13	<u>102222001</u>	Slam Latch	2
14	<u>102229902</u>	Asm, Bobcat Tailgate (includes items 15 through 22)	1
15	<u>1013366</u>	Hair Pin Clip	4
16	<u>1014415</u>	Screw, 1/4-20 X 0.75 Torx Truss-Head	4
17	N/A	Tailgate, Weldment	1
18	<u>102221801</u>	Tether Assembly	2
19	<u>102222101</u>	Spring Latch Left	1
20	<u>102222201</u>	Spring Latch Right	1
21	<u>102339001</u>	Decal, Tailgate, Bobcat	1
22	<u>8233</u>	Locknut, 1/4-20 Nylon Insert	4
23	<u>102239901</u>	Washer, Rubber, 3/8	4
24	<u>332</u>	Washer, 1/4 Type A Narrow Flat	4
25	<u>7473</u>	Locknut, 5/16-18 Nylon Insert	31
26	<u>8233</u>	Locknut, 1/4-20 Nylon Insert	4

1
G
E



000518-002

SIDE PANELS AND REAR FENDERS

ITEM	PART NO.	DESCRIPTION	QTY
		1 2 3 4	
1	N/A	Instl, Pnls, Fend, 4p, Blk (includes items 2 through 18)	1
2	<u>1014306</u>	Washer, 1/4" Type B Flat	4
3	<u>102491701</u>	Well Nut 1/4-20	14
4	<u>102718101</u>	Washer, Hard, M10, Zn-Ni/Blk	2
5	<u>102732401</u>	Bolt, M10 X 45, Zn-Ni (Black)	2
6	<u>102772201</u>	Washer, Flat, 5/16, Black	2
7	<u>102834401</u>	Weldment, Handle, ROPS, Rear	1
8	<u>102913801</u>	Left Rear Fender	1
9	<u>102913901</u>	Right Rear Fender	1
10	<u>102914001</u>	Panel, Front, Kick	2
11	<u>102914101</u>	Panel, Side, Molded, Driver	1
12	<u>102914102</u>	Panel, Side, Molded, Passenger	1
13	<u>102914104</u>	Panel, Side, Cut, Drv	1
14	<u>102914105</u>	Panel, Side, Molded, Pas	1
15	<u>103200501</u>	Screw, Tuflok, 10mm	6
16	<u>103216401</u>	Nut, Flanged, M10 x 1.5, Black	2
17	<u>103319501</u>	Screw, Pn Hd Blk, 1/4 - 20 X 1	2
18	<u>8251</u>	Screw, 1/4-20 X 1.0 Truss-Head Machine	12
19	103207102	Instl, Pns, Fndrs, 4p, Rthwd (includes items 20 through 32)	1
20	<u>1014306</u>	Washer, 1/4" Type B Flat	4
21	<u>102491701</u>	Well Nut 1/4-20	14
22	<u>102772201</u>	Washer, Flat, 5/16, Black	2
23	<u>102913801</u>	Left Rear Fender	1
24	<u>102913901</u>	Right Rear Fender	1
25	<u>103200501</u>	Screw, Tuflok, 10mm	6
26	<u>103289001</u>	Panel, Front, Kick, Rthwhd	2
27	<u>103289101</u>	Pnl, Side, Mld, Drv, Rthwhd	1
28	<u>103289103</u>	Pnl, Side, Mld, Pass, Rthwhd	1
29	<u>103289107</u>	Pnl, Cut, Drv, Rthwhd	1
30	<u>103289109</u>	Pnl, Cut, Pass, Rthwhd	1
31	<u>103319501</u>	Screw, Pn Hd Blk, 1/4 - 20 X 1	2
32	<u>8251</u>	Screw, 1/4-20 X 1.0 Truss-Head Machine	12
33	<u>103331201</u>	Closeout, Extrusion	1

1
G
E

1

G

E

WHEELS AND TIRES

2

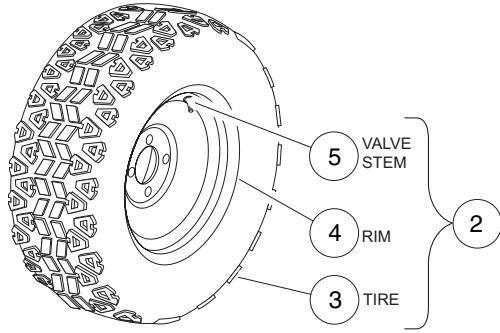
G

D

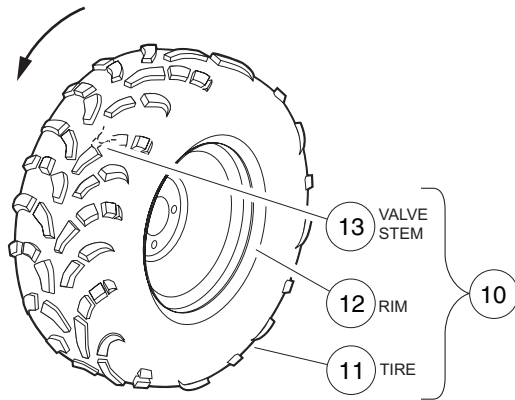
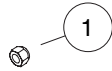
2

G

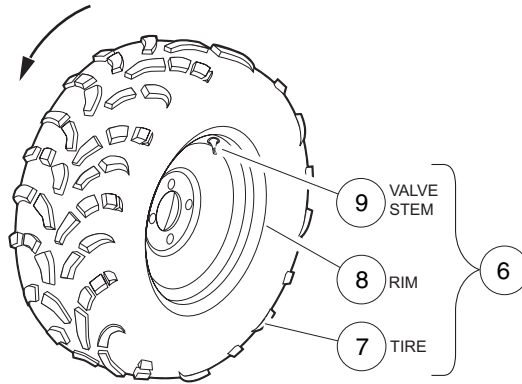
D



FOR DRIVERS OR PASSENGERS SIDE



FOR PASSENGERS SIDE ONLY



FOR DRIVERS SIDE ONLY

000506-001

WHEELS AND TIRES

ITEM	PART NO.	DESCRIPTION	QTY
		1 2 3 4	
1	<u>102736901</u>	Nut, Lug, 1/2-20 SAE J2283	16
2	<u>102943804</u>	Orange Tire Asm, HDAT, 10.5 in (includes items 3 through 5)	4
3	<u>102943101</u>	Heavy Duty All Terrain Tire, 25"	1
4	<u>103234502</u>	Wheel, All Trail,10 Win,orange	1
5	<u>7310</u>	Valve Stem	1
6	<u>102943808</u>	Black Tire Asm Mud 11.0 In Left-Hand (includes items 7 through 9)	2
7	<u>102945701</u>	Mud Tire, 25"	1
8	<u>103234503</u>	Wheel, All trail, 10 Window, Black	1
9	<u>7310</u>	Valve Stem	1
10	<u>102943809</u>	Black Tire Asm Mud 11.0 In Right-Hand (includes items 11 through 13)	2
11	<u>102945701</u>	Mud Tire, 25"	1
12	<u>103234503</u>	Wheel, All trail, 10 Window, Black	1
13	<u>7310</u>	Valve Stem	1

2

G

D

2

G

D

DECALS

3

G

D

3

G

D

OPERATING INSTRUCTIONS

- Read owner's manual and vehicle safety warnings. Study and understand controls.

TO START ENGINE

- Place shift lever in NEUTRAL (N) and press brake pedal.
- Turn key to START and hold until engine starts.

Diesel Vehicles Only:

- If required, turn key to PREHEAT and hold for 10-15 seconds.

TO OPERATE VEHICLE

- Ensure wheels are turned in desired direction and path is clear.
- With vehicle stopped and engine at idle, select vehicle direction.

↑ – Forward N – Neutral ↓ – Reverse (Buzzer will sound)

- Release park brake and slowly press accelerator pedal to increase speed.
- All-wheel drive will automatically drive appropriate wheel(s).

TO STOP VEHICLE

- Release accelerator pedal and push brake pedal.

BEFORE LEAVING VEHICLE

- Turn key to OFF and remove key.
- Place shift lever in NEUTRAL (N).
- Firmly set park brake.

CCI 102384301

WARNING

ROLLOVER OR FALLING OFF MAY CAUSE DEATH

- Read owner's manual and operating instructions.
- Fasten seat belts and remain seated while moving.
- Children requiring a child safety seat must not ride on vehicle. Comply with state and local laws pertaining to child safety.
- Drive slowly in turns and straight up and down slopes.
- Do not start vehicle until all occupants are seated.
- Two (2) persons per bench seat maximum.
- One (1) person per bucket seat maximum.
- Operate from driver side only and not on public roads.
- Keep entire body inside vehicle while moving.
- Do not operate while under the influence of alcohol or drugs.
- Never attempt jumps and avoid extreme braking in reverse.

CCI 102384401

UNDER 16

WARNING

YOUNG DRIVERS INCREASE CHANCE OF DEATH

- Young drivers may not be able to control vehicle.
- No drivers younger than 16 years old.
- Do not leave children unattended on vehicle.

CCI 102499001

WARNING

- Do not modify or remove Roll-over Protective Structure (ROPS).
- Replace ROPS if damaged. Do not attempt repair.
- Use seat belts during operation. Do not jump from vehicle.
- Keep away from drop-offs, steep slopes, and unstable surfaces.

CCI 102961201

WARNING

Rotating Parts

CCI 102224001

WARNING

FALLING OFF COULD RESULT IN SEVERE INJURY OR DEATH

- Fasten seat belt and remain seated while moving.
- Keep entire body inside vehicle at all times.
- Two (2) persons per bench seat maximum.
- One (1) person per bucket seat maximum.
- Do not leave children unattended on vehicle at any time.
- Never stand in front of or behind vehicle.

CCI 102892901

WARNING

CRUSH AREA

STAY CLEAR

CCI 101609401

LATCH

WARNING

Crush area. Can cause severe injury. Stay clear when closing bed.

CCI 102499001

NOTICE

MAXIMUM TONGUE WEIGHT - 150 lbs.

CCI 1011553

WARNING

RIDING IN CARGO BED CAN CAUSE SEVERE INJURY OR DEATH.

- Do not ride in cargo bed.

VEHICLE LOADING

- Read owner's manual and warnings on dash.
- Maximum gross vehicle weight: 3350 lb. (1520 kg)
- Maximum cargo load: 800 lb. (363 kg)
- Includes cargo bed load and gross trailer weight.
- Maximum cargo load is reduced by the weight of optional equipment.
- Maximum trailer hitch tongue weight: 150 lb. force (667 N).

PREVENT VEHICLE ROLL-OVER.

- Place cargo forward in the cargo bed and distribute evenly side to side. Secure load.
- On uneven or steep terrain reduce speed and load. Avoid stopping on or backing down steep hills.
- Avoid top-heavy loads. See owner's manual.

CCI 103210501

000548-001

SAFETY DECALS

ITEM	PART NO.	DESCRIPTION	QTY
		1 2 3 4	
1	<u>1011553</u>	Decal, Trailer Hitch	1
2	<u>101609401</u>	Decal, Crush Area Warning	2
3	<u>102224001</u>	Decal, Rotating Parts Warning	1
4	<u>102459301</u>	Decal, Bed Crush Area Warning	1
5	<u>102459401</u>	Decal, Young Driver Warning	1
6	<u>102884301</u>	Decal, Operating Instr, AWD	1
7	<u>102884401</u>	Decal, Operator Warning	1
8	<u>102889201</u>	Decal, Warning, Passenger	1
9	<u>102961201</u>	Decal, Warning, AWD ROPS	1
10	<u>103210501</u>	Decal, Load, Vehicle, 3350 Lbs	1

3

G

D

3
G

D

⚠ WARNING
DIESEL FUEL EXPLOSION / FIRE.

- Can cause severe injury or death.
- No smoking, sparks, or open flame.
- Stop engine, allow to cool before refueling.

CCI 102459201

⚠ WARNING
GASOLINE EXPLOSION / FIRE.

- Can cause severe injury or death.
- No smoking, sparks, or open flame.
- Stop engine, allow to cool before refueling.
- Turn fuel valve (←) on during operation, (→) off during storage or transport.

CCI 101547601

⚠ WARNING
Rotating Parts

CCI 10224001

⚠ WARNING
CAN CAUSE SEVERE INJURY
 Rotating parts. KEEP CLEAR.

CCI 102460201

⚠ WARNING
CAN CAUSE SEVERE INJURY
HOT manifold
 KEEP CLEAR

CCI 102459001

⚠ WARNING
CAN CAUSE SEVERE BURNS
 Hot Surface

CCI 102458901

⚠ WARNING
WINCH CABLE FRACTURE COULD RESULT IN SERIOUS INJURY OR DEATH.

- Do not use winch while persons are seated on the vehicle.
- Use remote operation switch for winch control.
- Stand to the side and away from the vehicle to operate winch.
- Read winch operator manual before operating winch.

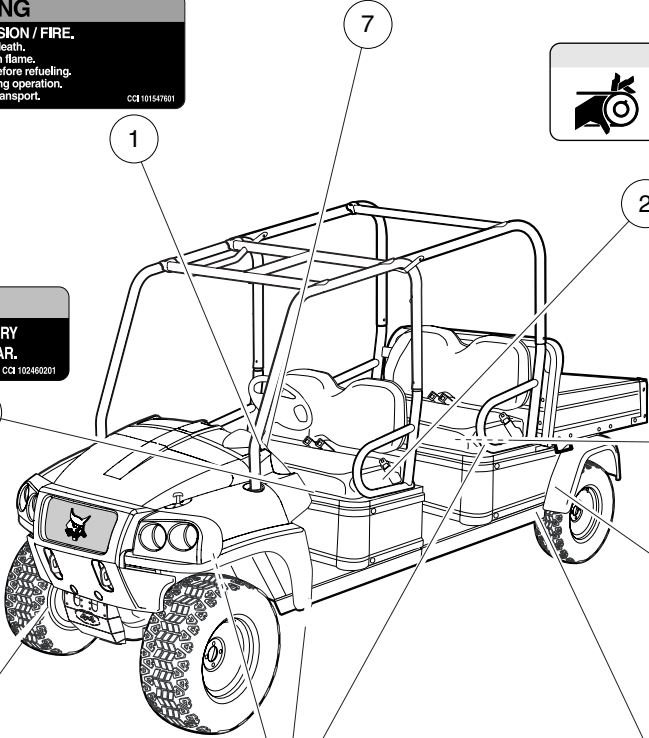
102231601

⚠ WARNING
 Negative frame ground. Can cause severe injury. Do not contact positive (+) battery post or cable to frame. Disconnect negative (-) battery cable first.

CCI 102459101

<p>⚠ WARNING CAN CAUSE SEVERE INJURY Rotating parts. KEEP CLEAR.</p>	<p>⚠ WARNING CAN CAUSE SEVERE INJURY Hot manifold and muffler. KEEP CLEAR.</p> <p>CCI 102459501</p>
--	---

000548-002



SAFETY DECALS, CONTINUED

ITEM	PART NO.	DESCRIPTION	QTY
		1 2 3 4	
1	<u>101547601</u>	Decal, Gasoline Explosion/Fire Warning	1
2	<u>102224001</u>	Decal, Rotating Parts Warning	1
3	<u>102231601</u>	Decal, Winch Cable Fracture Warning	1
4	<u>102458901</u>	Decal, Hot Surface Warning	3
5	<u>102459001</u>	Decal, Hot Manifold Warning	1
6	<u>102459101</u>	Decal, Frame Ground Warning	1
7	<u>102459201</u>	Decal, Diesel Explosion/Fire Warning	1
8	<u>102459501</u>	Decal, Rotating Parts and Hot Exhaust Warning	1
9	<u>102460201</u>	Decal, Rotating Parts Warning	1

3

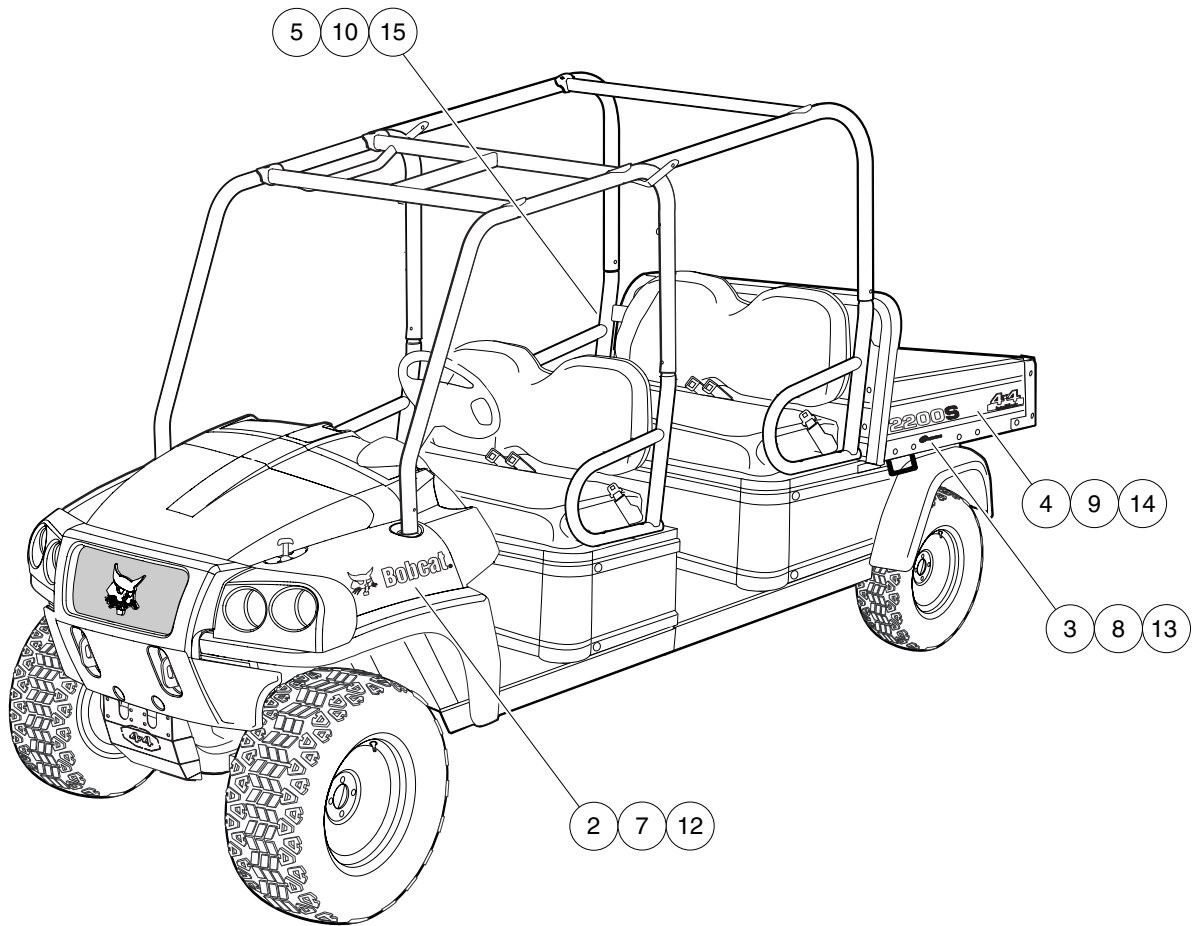
G

D

3

G

D



000548-003

BADGING DECALS

ITEM	PART NO.	DESCRIPTION	QTY
		1 2 3 4	
1	N/A	Instl, Decal, Bct 2200s, White (includes items 2 through 5)	1
2	<u>102335901</u>	Decal, Bobcat	2
3	<u>103234301</u>	Decal, Badge, IR	2
4	<u>103252616</u>	Decal, Bct2200s, Driver-Side, White	1
5	<u>103252716</u>	Decal, Bct2200s, Passenger-Side, White	1
6	N/A	Instl, Decal, Bct 2200s, Ntrl (includes items 7 through 10)	1
7	<u>102335901</u>	Decal, Bobcat	2
8	<u>103234301</u>	Decal, Badge, IR	2
9	<u>103252617</u>	Decal, Bct2200s, Driver-Side, Ntrl	1
10	<u>103252717</u>	Decal, Bct2200s, Passenger-Side, Ntrl	1
11	103241418	Instl, Decal, Bct 2200s, Camo (includes items 12 through 15)	1
12	<u>102335901</u>	Decal, Bobcat	2
13	<u>103234301</u>	Decal, Badge, IR	2
14	103252618	Decal, Bct2200s, Driver-Side, Camo	1
15	103252718	Decal, Bct2200s, Passenger-Side, Camo	1

3

G

D

3

G

D

BRAKE SYSTEMS

4

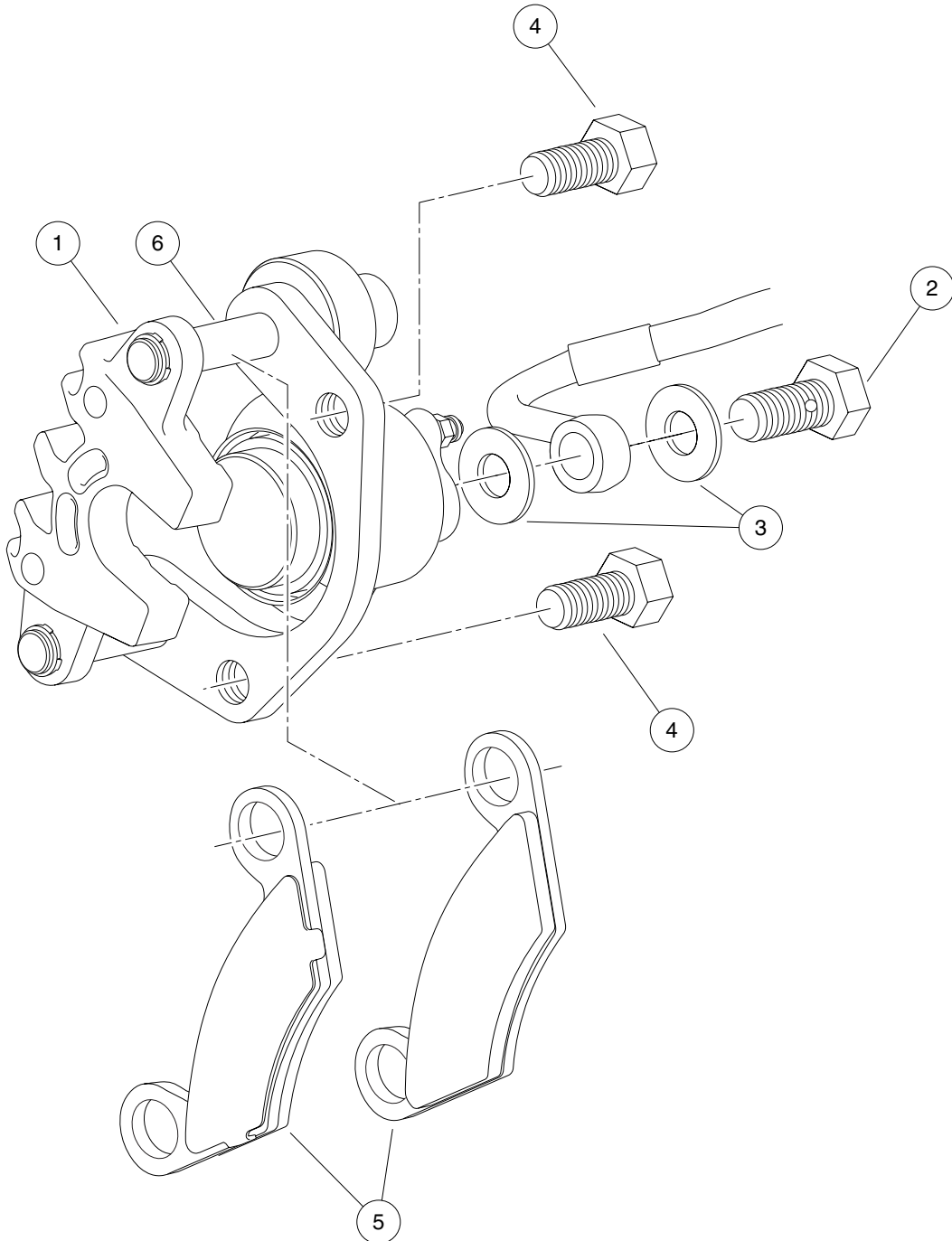
G

D

4

G

D



000067-001

FRONT BRAKE ASSEMBLY

ITEM	PART NO.	DESCRIPTION	QTY
		1 2 3 4	
1	<u>102367601</u>	Brake Caliper, Front, with Brake Pads	2
2	<u>102488001</u>	Bolt, Banjo, M10x1x19	2
3	<u>102491601</u>	Washer, Copper, M10 Crush	4
4	<u>102493301</u>	Bolt Flange Head, 3/8-24x.750 with Loctite	4
5	<u>102714001</u>	Service Kit, Brake Pad (4 Pads)	1
6	<u>103418801</u>	Pin, Slide, 7/16	2

4

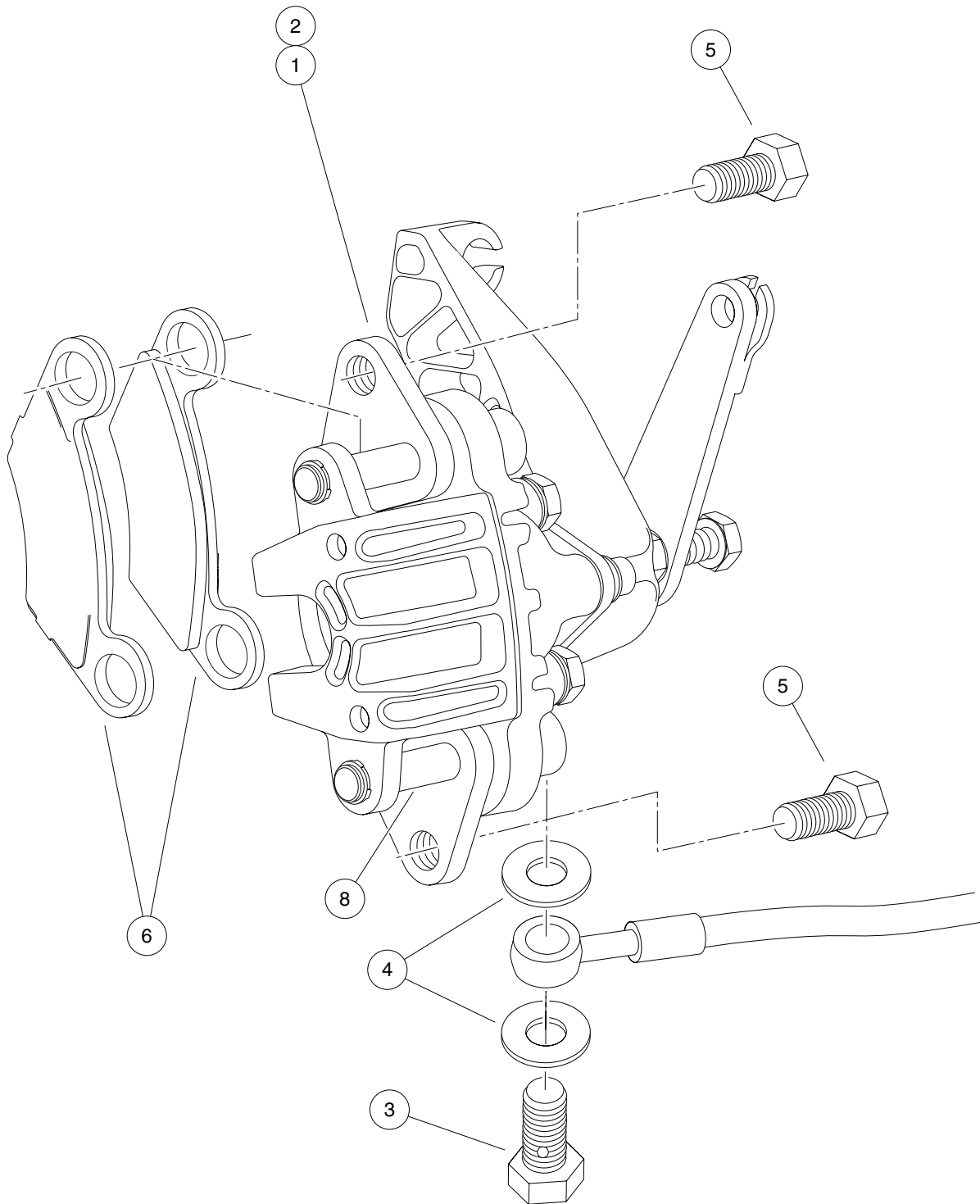
G

D

4

G

D



000068-001

REAR BRAKE ASSEMBLY

ITEM	PART NO.	DESCRIPTION	QTY
		1 2 3 4	
1	<u>102399201</u>	Caliper, Brake, Hydro-Mechanical, LH	1
2	<u>102399202</u>	Caliper, Brake, Hydro-Mechanical, RH	1
3	<u>102488001</u>	Bolt, Banjo, M10x1x19	2
4	<u>102491601</u>	Washer, Copper, M10 Crush	4
5	<u>102493301</u>	Bolt Flange Head, 3/8-24x.750 with Loctite	4
6	<u>102714001</u>	Service Kit, Brake Pad (4 Pads)	1
7	<u>103418701</u>	Spring, Brake Caliper Return	1
8	<u>103418801</u>	Pin, Slide, 7/16	2

4

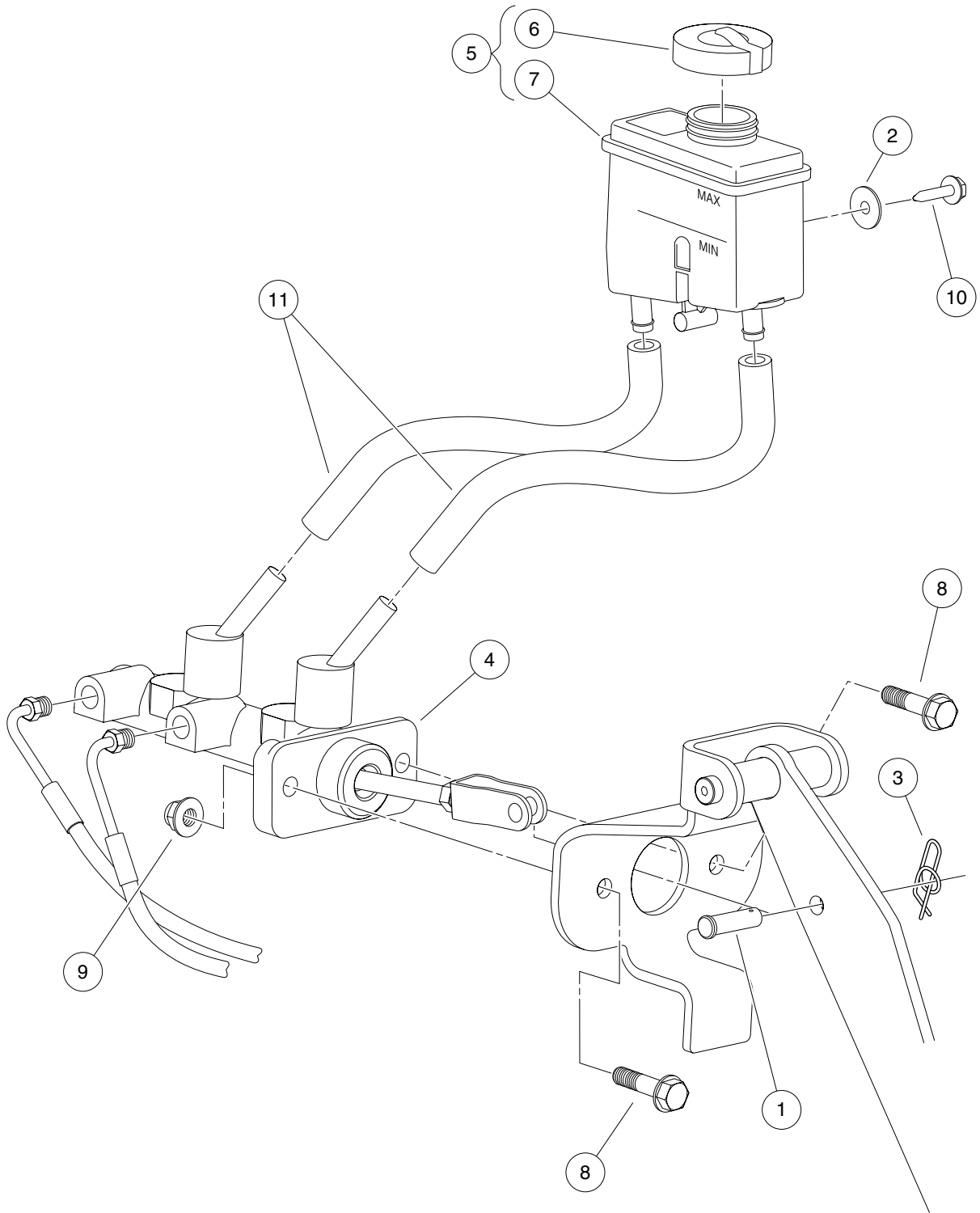
G

D

4

G

D



000069-002

MASTER CYLINDER WITH REMOTE RESERVOIR

ITEM	PART NO.	DESCRIPTION	QTY
		1 2 3 4	
1	<u>101082903</u>	Clevis Pin, 5/16 X 1	1
2	<u>1014306</u>	Washer, 1/4" Type B Flat	1
3	<u>102176901</u>	Pin, Rue	1
4	<u>102402801</u>	Cylinder, Master, Tandem	1
5	<u>102402901</u>	Assembly, Reservoir, Remote (includes items 6 and 7)	1
6	<u>102051401</u>	Filler Cap Asm	1
7	N/A	Reservoir, Brake Fluid, Without Cap	1
8	<u>102618401</u>	Bolt Flanged Head, M8 X 1.25 X 35	2
9	<u>102618601</u>	Lock Nut, Flg M8 X 1.25 Nylon	2
10	<u>103218213</u>	Screw, #10x3.50 Ab Thd, Hex Hd	1
11	<u>103293201</u>	Hose, Reservoir, Brake Fluid	2

4

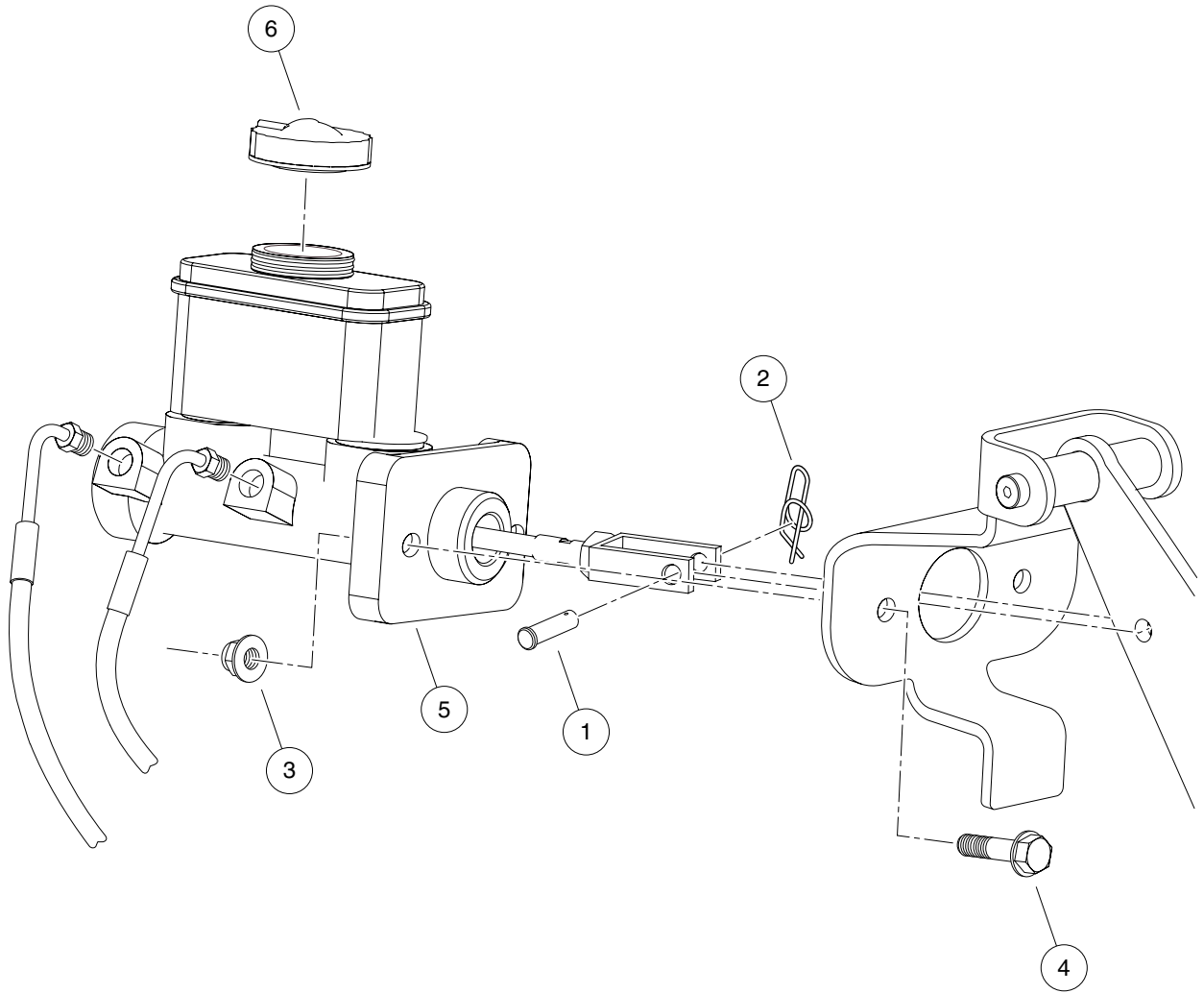
G

D

4
G



D



000792-001

MASTER CYLINDER WITH INTEGRAL RESERVOIR

ITEM	PART NO.	DESCRIPTION	QTY
		1 2 3 4	
1	<u>101082903</u>	Clevis Pin, 5/16 X 1	1
2	<u>102176901</u>	Pin, Rue	1
3	<u>102298401</u>	Nut,m8,all Metal Lock	2
4	<u>102618401</u>	Bolt Flanged Head, M8 X 1.25 X 35	2
5	<u>103376101</u>	Cylinder, Master, Integral Res	1
6	<u>103380701</u>	Filler Cap Asm Integral Res	1

4

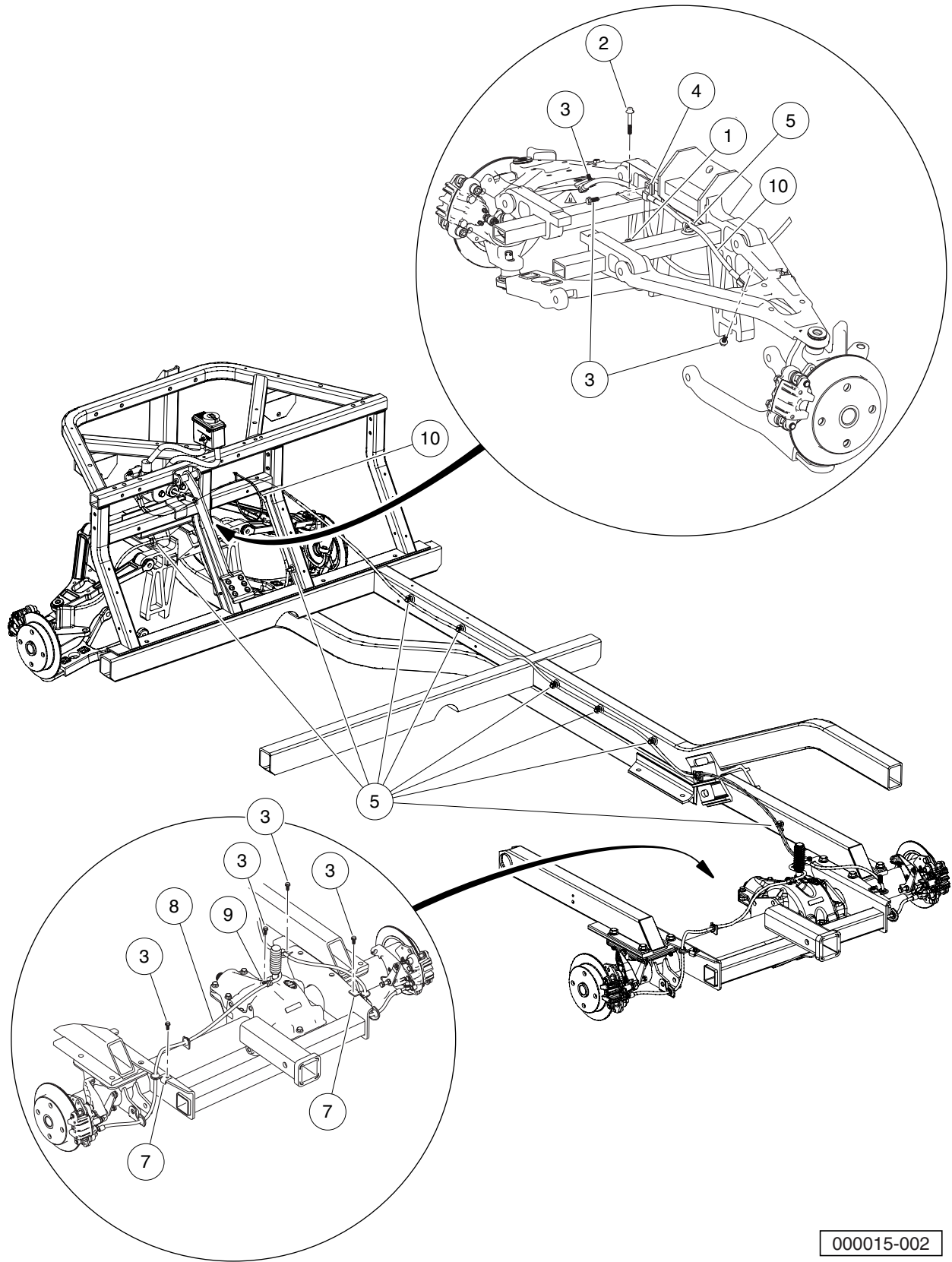
G

D

4

G

D



000015-002

HYDRAULIC BRAKE LINES AND CLIPS

ITEM	PART NO.	DESCRIPTION	QTY
		1 2 3 4	
1	<u>101887601</u>	Locknut, M6-1.00 Nylon Insert	2
2	<u>102296140</u>	Bolt, Flanged Head, M6x1.0x40	1
3	<u>102296716</u>	Screw, M6 X 16 Tt Hx Fl Hd	8
4	<u>102474301</u>	Bracket, Tee, Brakeline	1
5	<u>102475701</u>	Clip, Brake Line	8
6	<u>102541465</u>	Bolt, M 6 X 1.0 X 65 Hex, Flange, Head, Black	1
7	<u>102689001</u>	Bracket, Line, Hydraulic	2
8	<u>102767001</u>	Assembly, Brakeline, Rear, Lng (includes item 9)	1
9	<u>102410603</u>	P-Clamp, Insulated .312 In	1
10	<u>103174301</u>	Brakeline, Front, Assembly	1
11	<u>8639</u>	Tie Wrap, 11" Nylon	1

4

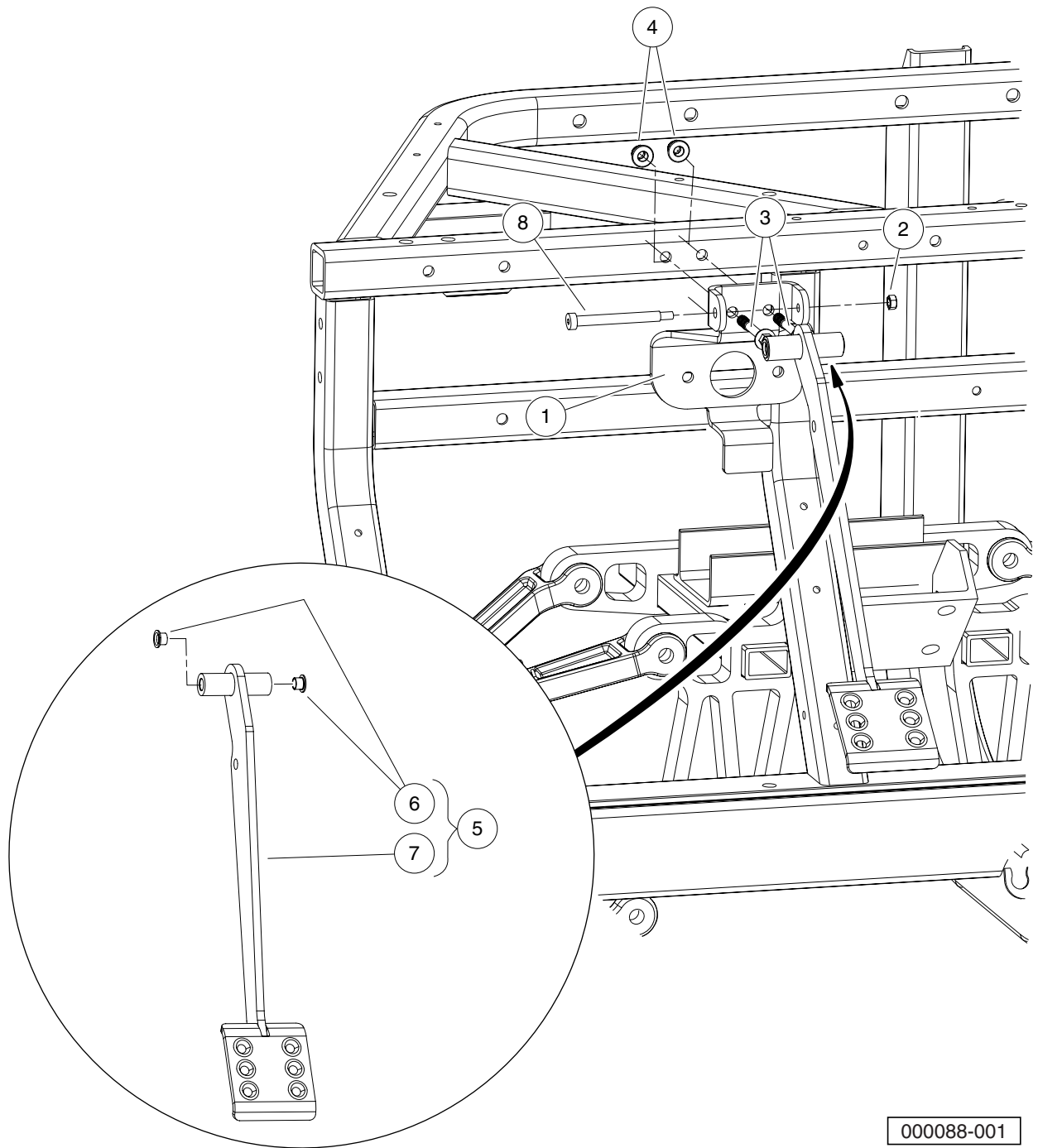
G

D

4

G

D



000088-001

BRAKE PEDAL ASSEMBLY

ITEM	PART NO.	DESCRIPTION	QTY
		1 2 3 4	
1	<u>102380601</u>	Bracket, Pedal, Brake	1
2	<u>102618101</u>	Nut M6x1 Mech Def Center	1
3	<u>102618301</u>	Bolt Flanged Head, M8 X 1.25 X 65	2
4	102618601	Lock Nut, Flg M8 X 1.25 Nylon	2
5	N/A	Asm, Pedal, Brake, Hung (includes items 6 and 7)	1
6	<u>102442901</u>	Bushing, Greaseless	2
7	<u>102626201</u>	Weldment, Pedal, Brake, Hung	1
8	<u>103273101</u>	Bolt, Shoulder, M8 X 70, Hc	1

4

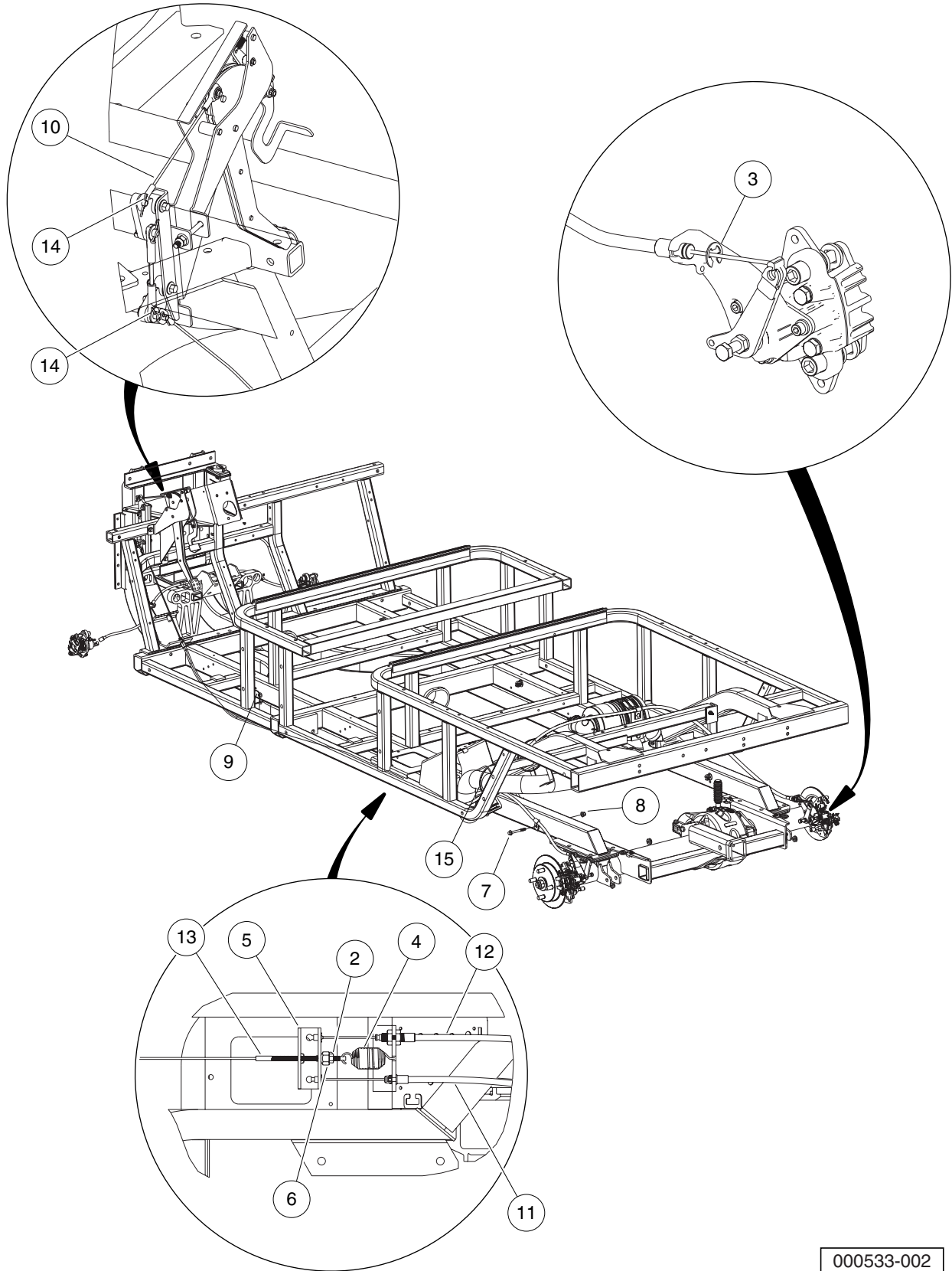
G

D

4

G

D



000533-002

PARK BRAKE SYSTEM

ITEM	PART NO.	DESCRIPTION	QTY
		1 2 3 4	
1	N/A	Instl, Park, Brake, Util, 4pas (includes items 2 through 15)	1
2	<u>1010521</u>	Nut, 5/16-24 Hex	1
3	<u>1011779</u>	E-Clip, 1/2	2
4	<u>1013531</u>	Spring, Brake Return	1
5	<u>101990802</u>	Equalizer Bracket	1
6	<u>102052801</u>	Nut, 5/16-24 Hex Cone	1
7	<u>102618301</u>	Bolt Flanged Head, M8 X 1.25 X 65	1
8	<u>102618601</u>	Lock Nut, Flg M8 X 1.25 Nylon	1
9	<u>102629001</u>	Tie Wrap, 8.00" With Mount	1
10	<u>102712601</u>	Cable, Crank, Bell, Front	1
11	<u>102763301</u>	Cable, Noncoated, Pbrake, Left	1
12	<u>102763401</u>	Cable, Noncoated, Pbrake, Right	1
13	<u>103218501</u>	Cable, Crank, Bell, Main, Long	1
14	<u>1035</u>	Cotter Pin, 3/32 x 1	2
15	<u>8639</u>	Tie Wrap, 11" Nylon	2

4

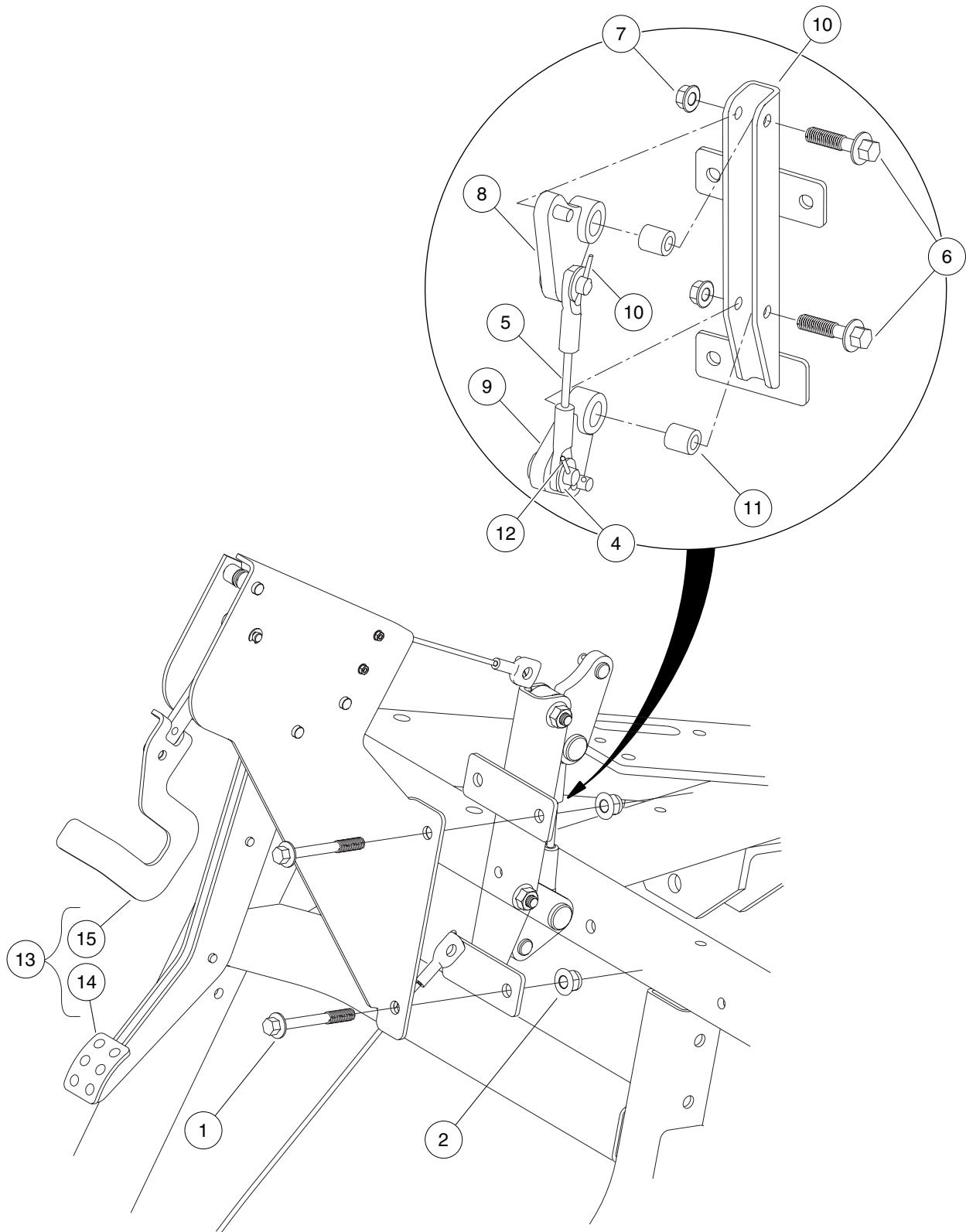
G

D

4

G

D



000086-002

PARK BRAKE PEDAL ASSEMBLY

ITEM	PART NO.	DESCRIPTION	QTY
		1 2 3 4	
1	<u>102618301</u>	Bolt Flanged Head, M8 X 1.25 X 65	3
2	<u>102618601</u>	Lock Nut, Flg M8 X 1.25 Nylon	3
3	<u>102751501</u>	Asm, Sub, Bracket, Park Brake (includes items 4 through 12)	1
4	<u>102323501</u>	Washer, Flat, 3/8, Blk Fin	2
5	<u>102716001</u>	Cable, Crank, Bell	1
6	<u>102741501</u>	Bolt Flg, M8x1.25 X 35, Gr10.9	2
7	<u>102741601</u>	Nut Flg M8 X 1.25 Gr 10	2
8	<u>102751301</u>	Asm, Bellcrank, Upper	1
9	<u>102751401</u>	Asm, Bellcrank, Lower	1
10	<u>103305001</u>	Brkt, Bellcrank, Prk Brk, Awd	1
11	<u>103305101</u>	Spacer, Pivot, Park Brk, Awd	2
12	<u>1035</u>	Cotter Pin, 3/32 x 1	2
13	<u>102892401</u>	Asm, Pedal, Brake, Hard (includes items 14 and 15)	1
14	N/A	Pedal, Brake, Park	1
15	<u>102896601</u>	Handle, Release, Park Brake	1

4

G

D

4

G

D

STEERING AND SUSPENSION

5

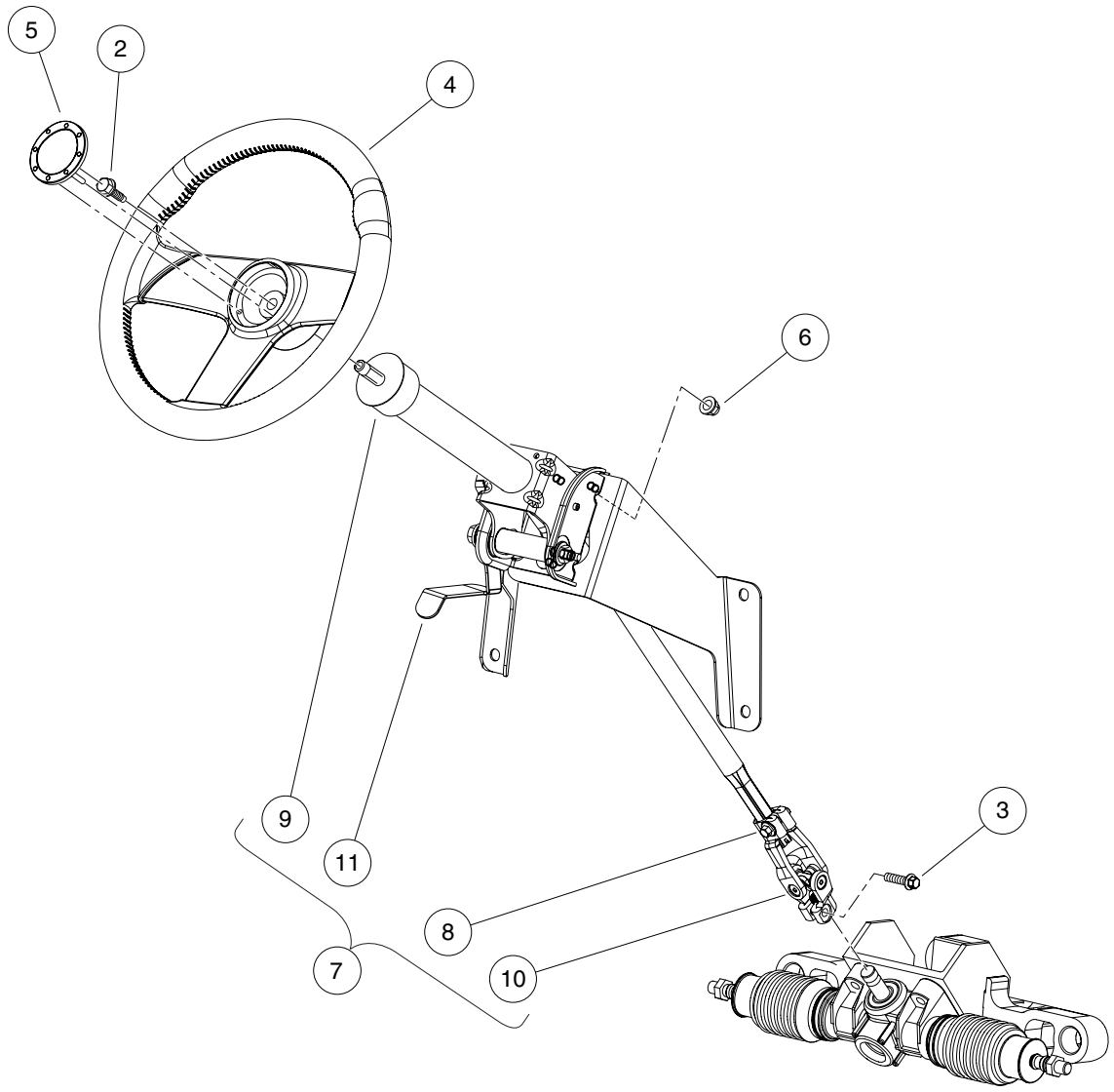
G

D

5

G

D



000070-002

STEERING COLUMN

ITEM	PART NO.	DESCRIPTION	QTY
		1 2 3 4	
1	N/A	Instl, Steering System (includes items 2 through 7)	1
2	102290120	Bolt, M10 X 20 Hex Washer Hd	1
3	<u>102298130</u>	Bolt, Flange Head, M8 X 30.0	1
4	<u>102363802</u>	Steering Wheel, Viper, Hex Hub	1
5	<u>102367101</u>	Cap, Steering Wheel, Viper	1
6	102618601	Lock Nut, Flg M8 X 1.25 Nylon	3
7	<u>102989801</u>	Steering Column (includes items 8 through 11)	1
8	<u>102298130</u>	Bolt, Flange Head, M8 X 30.0	1
9	<u>102571301</u>	Shroud, Steering Column	1
10	<u>102616801</u>	Bolt, M4 X .7 X 60	1
11	N/A	Handle, Steering, Tilt	1

5

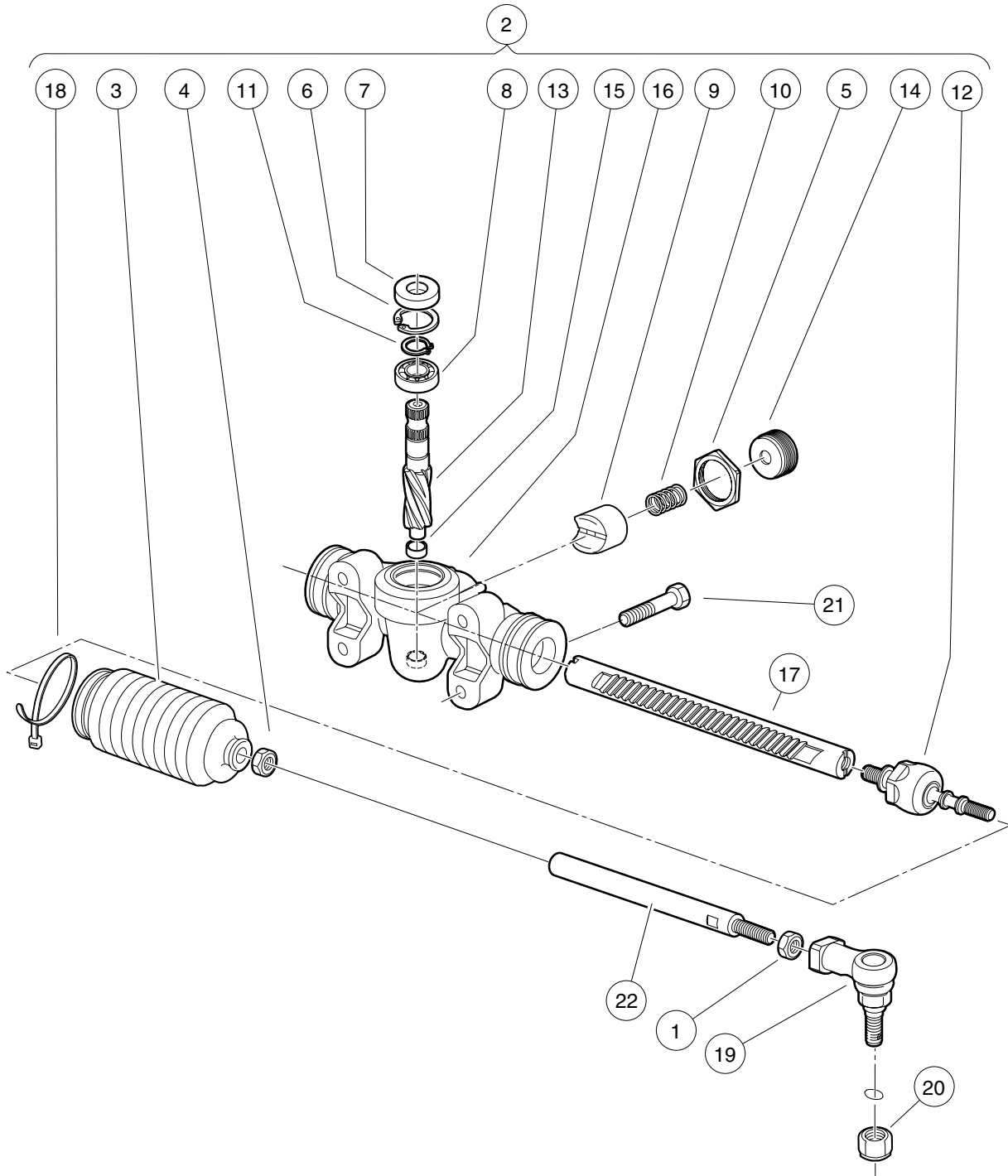
G

D

5

G

D



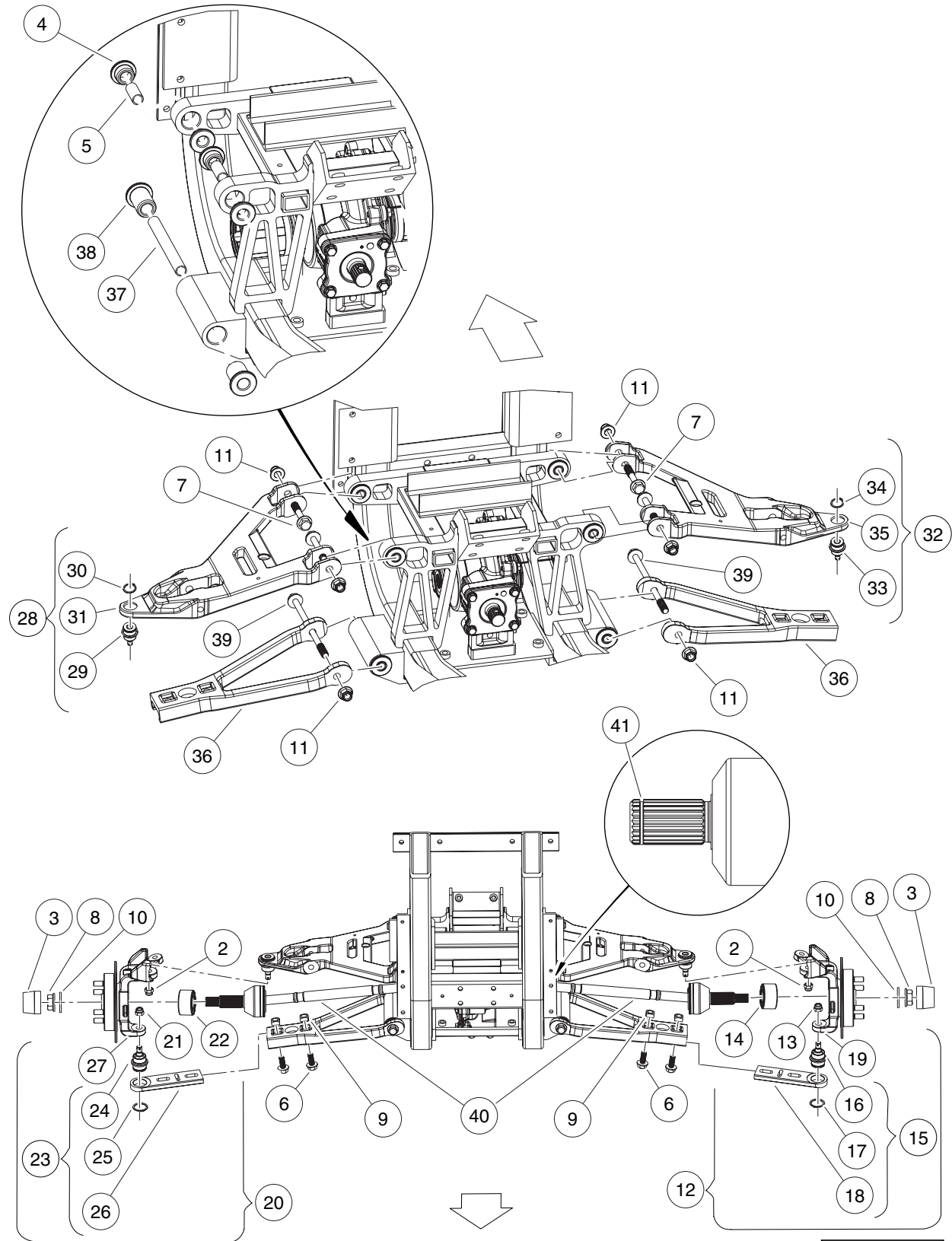
000071-001

STEERING GEAR ASSEMBLY

ITEM	PART NO.	DESCRIPTION	QTY	
		1 2 3 4		5
1	1013042	Nut, 12mm Hex	2	G
2	<u>102010102</u>	Steering Rack (includes items 3 through 18)	1	
3	<u>1013035</u>	Bellows, Long	2	
4	1013042	Nut, 12mm Hex	2	D
5	<u>1013044</u>	Rack Screw Locknut	1	
6	1013051	Snap Ring	1	
7	<u>1013052</u>	Seal, Steering Pinion Dust	1	
8	<u>101879401</u>	Bearing, Ball	1	
9	<u>101879701</u>	Support Yoke	1	
10	<u>101879801</u>	Rack Guide Pressure Spring	1	
11	<u>101879901</u>	Ring, Stop, C-Type	1	
12	<u>101880201</u>	Inner Ball Joint Asm	2	
13	N/A	Pinion, Steering	1	
14	N/A	Bearing, Lower Pinion	1	
15	N/A	Screw, Rack Guide	1	
16	N/A	Housing, Steering Gear	1	
17	N/A	Rack, Steering	1	
18	<u>8990</u>	Tie Wrap, 8" Nylon	2	
19	<u>102022601</u>	End, Tie Rod M12 X 1.25	2	
20	<u>102022901</u>	Locknut, M12-1.25 Nylon	2	
21	<u>102687801</u>	Bolt, Flange Head, M10x 1.5 X 40 with Loctite	4	
22	<u>102816801</u>	Link, Drag, Wt	2	

5
G

D



000534-001

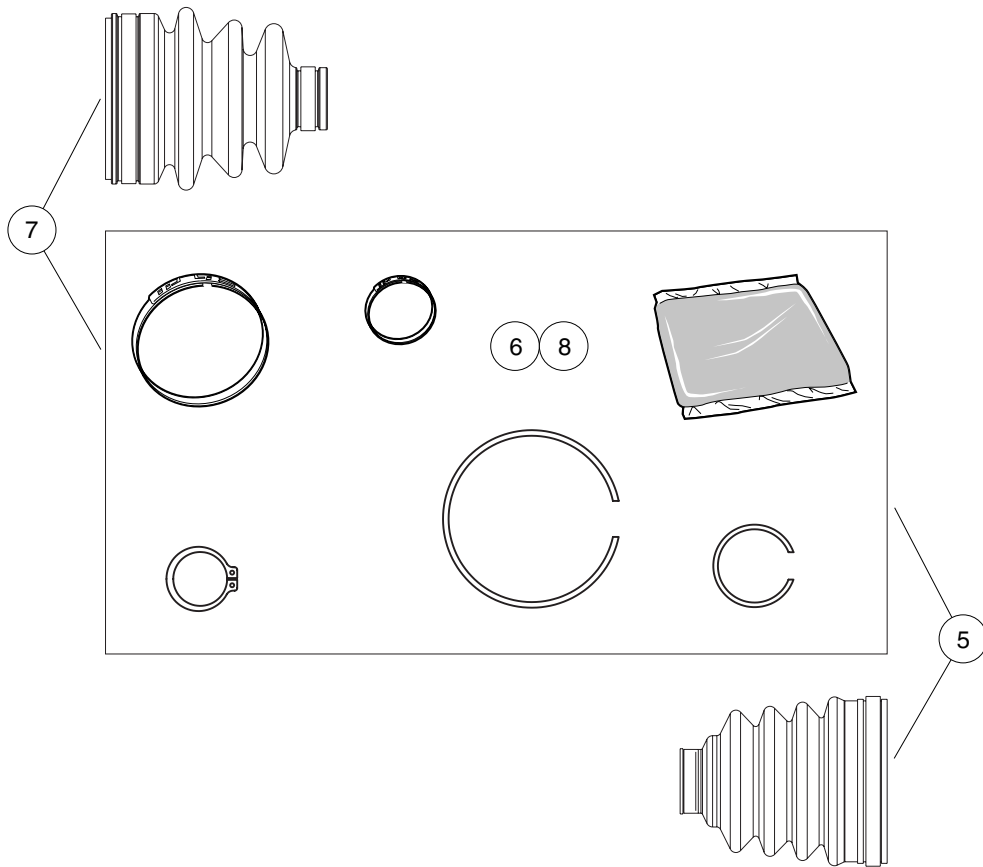
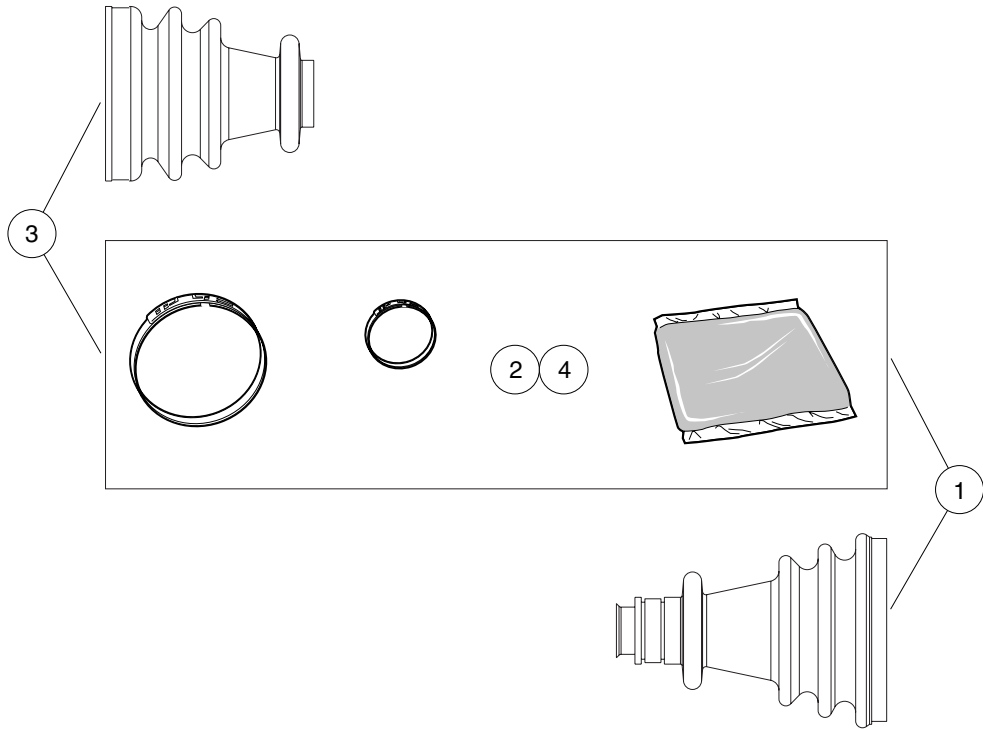
FRONT SUSPENSION – A-ARMS

ITEM	PART NO.	DESCRIPTION	QTY	5
		1 2 3 4		G
1	N/A	Suspension, AWD, Wide (includes items 2 through 40)	1	
2	<u>102022901</u>	Locknut, M12-1.25 Nylon	2	
3	<u>102274101</u>	Center Cap, Rubber	2	
4	<u>102408401</u>	Bushing, A-Arm	8	D
5	<u>102437001</u>	Sleeve, Upper	4	
6	<u>102490801</u>	Bolt, Flange Head, M12x 1.75x 30 with Loctite	4	
7	<u>102616301</u>	Bolt, Flange Head, M12 X 1.75 X 70	4	
8	<u>102617501</u>	Nut Flg, M22 X 1.5 Mech Def	2	
9	<u>102617701</u>	Nut, Square, M12x 1.75	4	
10	<u>102617801</u>	Washer Hard, M22	2	
11	<u>102620501</u>	Nut Flg, M12x1.75, Nylon Gr 10	6	
12	<u>102791701</u>	Upright, Left-Hand (includes items 13 through 19)	1	
13	<u>102022901</u>	Locknut, M12-1.25 Nylon	1	
14	<u>102464301</u>	Bearing	1	
15	<u>102874301</u>	Asm, Adjuster, Slide (includes items 16 through 18)	1	
16	<u>102361901</u>	Joint, Ball	1	
17	<u>102722301</u>	Ring, Retaining, Ext, 1-1/4"	1	
18	<u>102874201</u>	Slide, Adjuster	1	
19	<u>103277001</u>	Upright, Finished, Lh	1	
20	<u>102791702</u>	Upright, Right-Hand (includes items 21 through 27)	1	
21	<u>102022901</u>	Locknut, M12-1.25 Nylon	1	
22	<u>102464301</u>	Bearing	1	
23	<u>102874301</u>	Asm, Adjuster, Slide (includes items 24 through 26)	1	
24	<u>102361901</u>	Joint, Ball	1	
25	<u>102722301</u>	Ring, Retaining, Ext, 1-1/4"	1	
26	<u>102874201</u>	Slide, Adjuster	1	
27	<u>103277002</u>	Upright, Finished, Rh	1	
28	<u>102792001</u>	Asm, A-Arm, Upper, Left (includes items 29 through 31)	1	
29	<u>102361901</u>	Joint, Ball	1	
30	<u>102722301</u>	Ring, Retaining, Ext, 1-1/4"	1	
31	<u>102927101</u>	Arm, Upper, Wide, Machined, Lh	1	
32	<u>102792002</u>	Asm, A-arm, Upper, Right (includes items 33 through 35)	1	
33	<u>102361901</u>	Joint, Ball	1	
34	<u>102722301</u>	Ring, Retaining, Ext, 1-1/4"	1	
35	<u>102927102</u>	Arm, Upper, Wide, Machined,rh	1	
36	<u>102874501</u>	A-Arm, Lower	2	
37	<u>103256401</u>	Sleeve, Lower Arm	2	
38	<u>103256501</u>	Bushing, Lower Arm	4	
39	<u>103256701</u>	Bolt Flg, M12 X 1.75 X 200 10.	2	
40	<u>103296201</u>	Half Shaft, Wide, Awd	2	
41	<u>103345801</u>	Ring, Hog, Half Shaft	2	

5

G

D



000791-001

CV BOOT REPAIR KITS

ITEM	PART NO.	DESCRIPTION	QTY
		1 2 3 4	
1	<u>AM11807</u>	Boxed Outboard Boot Kit (includes item 2)	1
2	AM11811	Half Shaft Boot Instl. Instr.	1
3	AM11808	Boxed Inboard Boot Kit (includes item 4)	1
4	AM11811	Half Shaft Boot Instl. Instr.	1
5	<u>AM1241201</u>	Kit, Outer Boot, Gen 2 (includes item 6)	1
6	AM1241401	Instructions, Boot Replacement	1
7	<u>AM1241301</u>	Kit, Inner Boot, Gen 2 (includes item 8)	1
8	AM1241401	Instructions, Boot Replacement	1

5

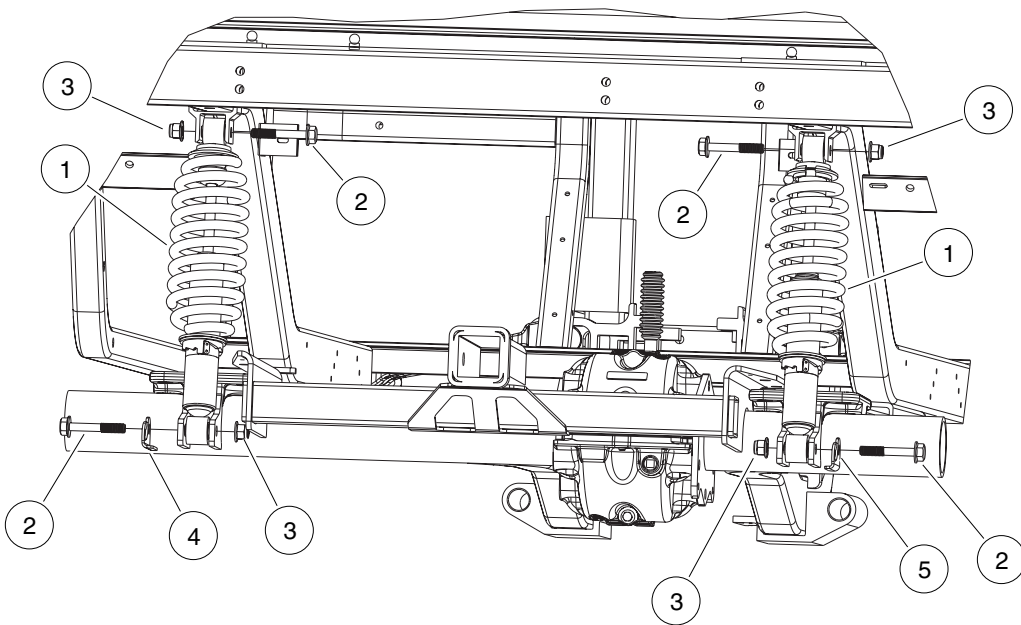
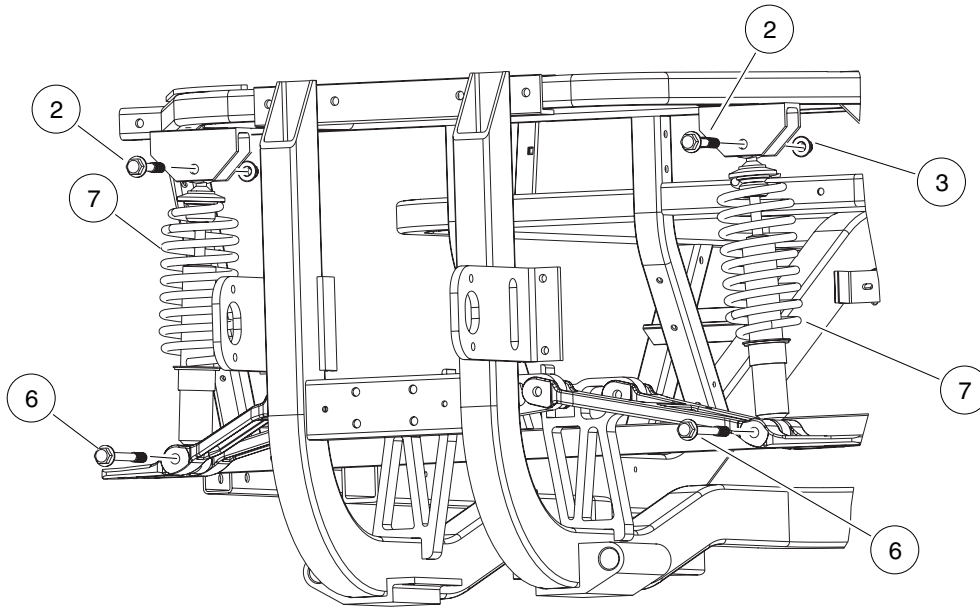
G

D

5

G

D



000530-001

SHOCK ABSORBERS – STANDARD

ITEM	PART NO.	DESCRIPTION	QTY
		1 2 3 4	
1	102365601	Shock, Coil Over Rear	2
2	<u>102616301</u>	Bolt, Flange Head, M12 X 1.75 X 70	6
3	<u>102620501</u>	Nut Flg, M12x1.75, Nylon Gr 10	6
4	<u>102689101</u>	Brkt, Line, Hyd, Shk Mnt, Drv	1
5	<u>102689102</u>	Brkt, Line, Hyd, Shk Mnt, Pass	1
6	<u>102788701</u>	Bolt Flg, M12x1.75x100, Patch	2
7	<u>102792101</u>	Asm, Coil & Shock, Frt	2

5

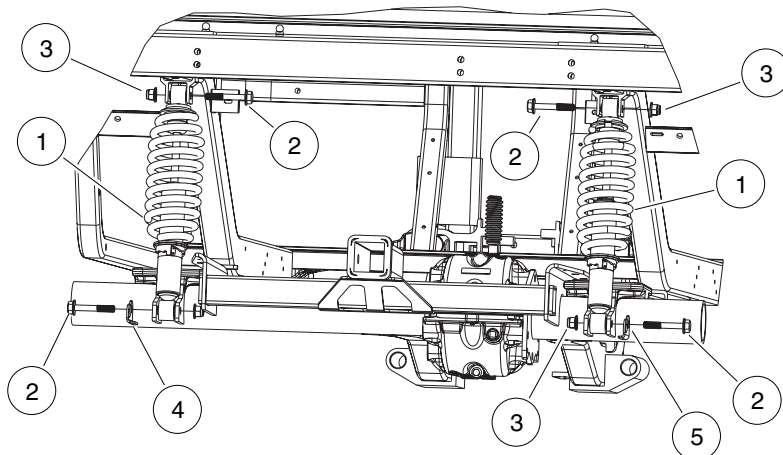
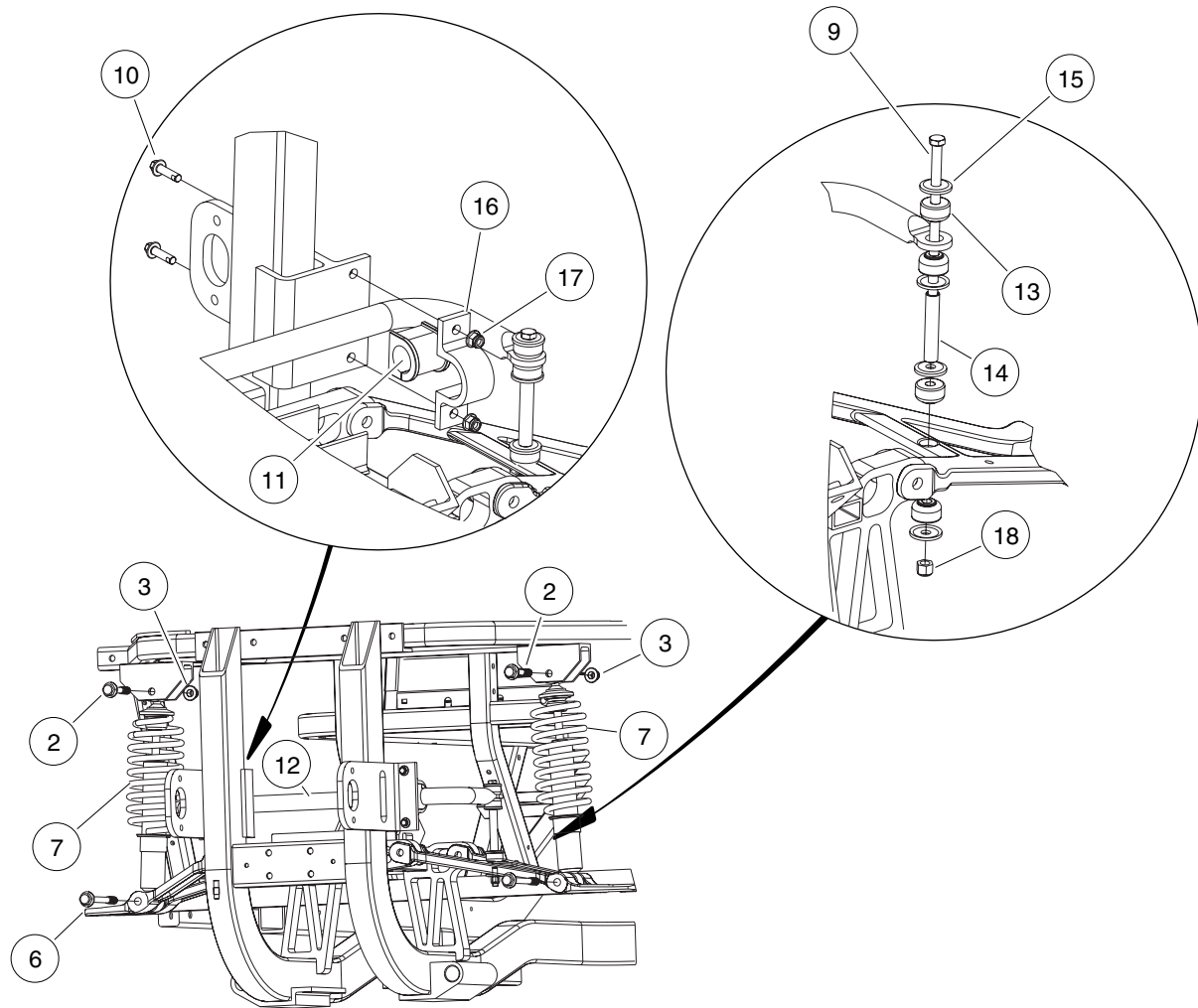
G

D

5

G

D



000530-002

SHOCK ABSORBERS – HIGH CAPACITY

ITEM	PART NO.	DESCRIPTION	QTY
		1 2 3 4	
1	<u>102365602</u>	Shock, Coil Over, Rear HD	2
2	<u>102616301</u>	Bolt, Flange Head, M12 X 1.75 X 70	6
3	<u>102620501</u>	Nut Flg, M12x1.75, Nylon Gr 10	6
4	<u>102689101</u>	Brkt, Line, Hyd, Shk Mnt, Drv	1
5	<u>102689102</u>	Brkt, Line, Hyd, Shk Mnt, Pass	1
6	<u>102788701</u>	Bolt Flg, M12x1.75x100, Patch	2
7	<u>102792101</u>	Asm, Coil & Shock, Frt	2
8	N/A	Instl, Bar, Antisway, Wide Frt (includes items 9 through 18)	1
9	<u>1016183</u>	Screw, 3/8-16 X 7.00 Hex Cap	2
10	<u>102298130</u>	Bolt, Flange Head, M8 X 30.0	4
11	<u>102446601</u>	Bushing, Anti-Sway Bar, 1-1/8	1
12	<u>102464601</u>	Bar, Sway, Formed	1
13	<u>102470101</u>	Bushing, Link	8
14	<u>102470501</u>	Sleeve, Link	2
15	<u>102470601</u>	Washer, Cup, Bushing	8
16	<u>102495001</u>	Bracket, Anti-Sway Bar	2
17	<u>102618601</u>	Lock Nut, Flg M8 X 1.25 Nylon	4
18	<u>8754</u>	Locknut, 3/8-16 Hex	2

5

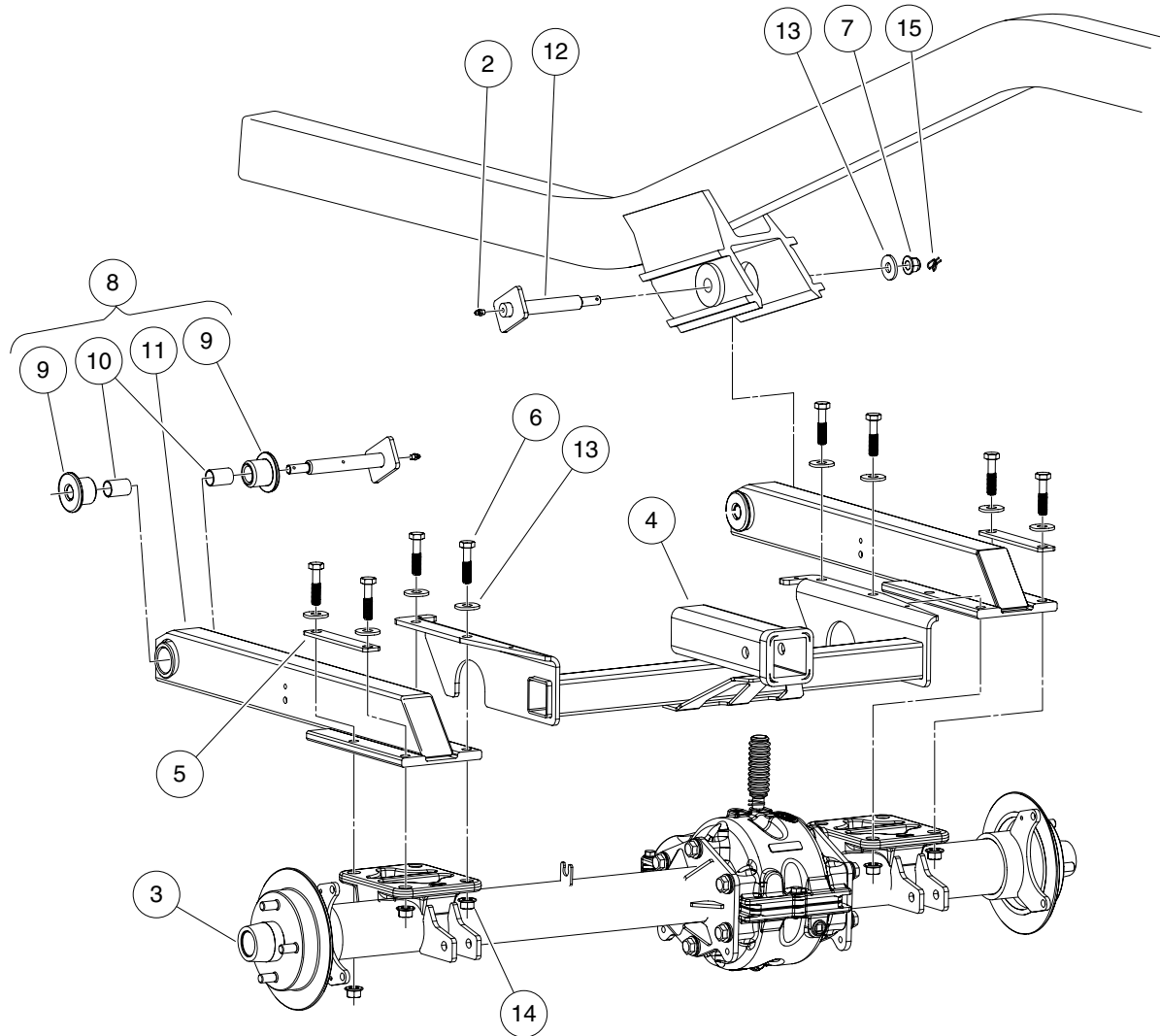
G

D

5

G

D



000031-002

REAR SUSPENSION – STANDARD

ITEM	PART NO.	DESCRIPTION	QTY
		1 2 3 4	
1	N/A	Instl, Rear Suspension (includes items 2 through 15)	1
2	<u>1015597</u>	Fitting, 1/4-28 Thread-Forming Grease	2
3	102274101	Center Cap, Rubber	2
4	<u>102393501</u>	Weldment, Receiver, Rear	1
5	<u>102619801</u>	Washer, Strip, Swingarm	2
6	<u>102620401</u>	Bolt Flanged Head, M12 X 1.75 X 50	8
7	<u>102620501</u>	Nut Flg, M12x1.75, Nylon Gr 10	2
8	N/A	Sub Asm Swingarm (includes items 9 through 11)	2
9	<u>102398901</u>	Bushing, Pivot, Urethane	2
10	<u>102477001</u>	Bushing, Teflon	2
11	<u>103282301</u>	Swingarm, Rear, Awd	1
12	<u>102682901</u>	Pin, Swingarm, Weldment	2
13	<u>102684501</u>	Washer, M12 Hard Regular	10
14	<u>102685601</u>	Nut Flg M12 X 1.75 Cl10	8
15	<u>102737101</u>	Cotter, Rue Ring, 1/2"	2

5

G

D

5

G

D

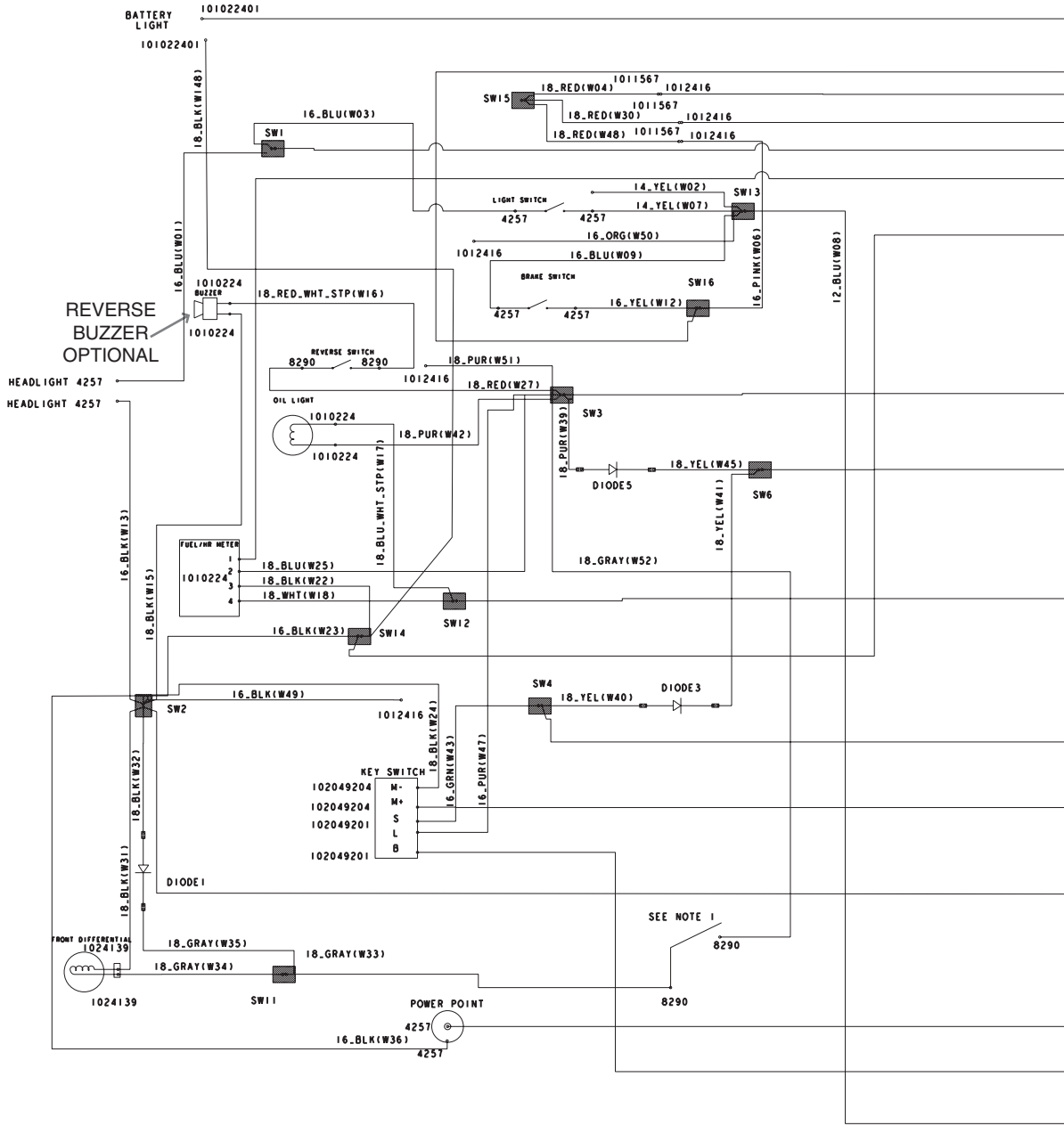
ELECTRICAL SYSTEM

6

G

D

KAWASAKI GASOLINE VEHICLE



000662-001

6

G

D

See previous two pages for illustration.

WIRING – GASOLINE VEHICLES, SINGLE PIECE

ITEM	PART NO.	DESCRIPTION	QTY
		1 2 3 4	
1	<u>102538501</u>	Diode, General Purpose, 6.0a	A/R
2	<u>103305801</u>	Harness, AWD, Kawasaki, Stretch	1
3	<u>103327201</u>	Asm, Switch, Limit, Awd	1

6

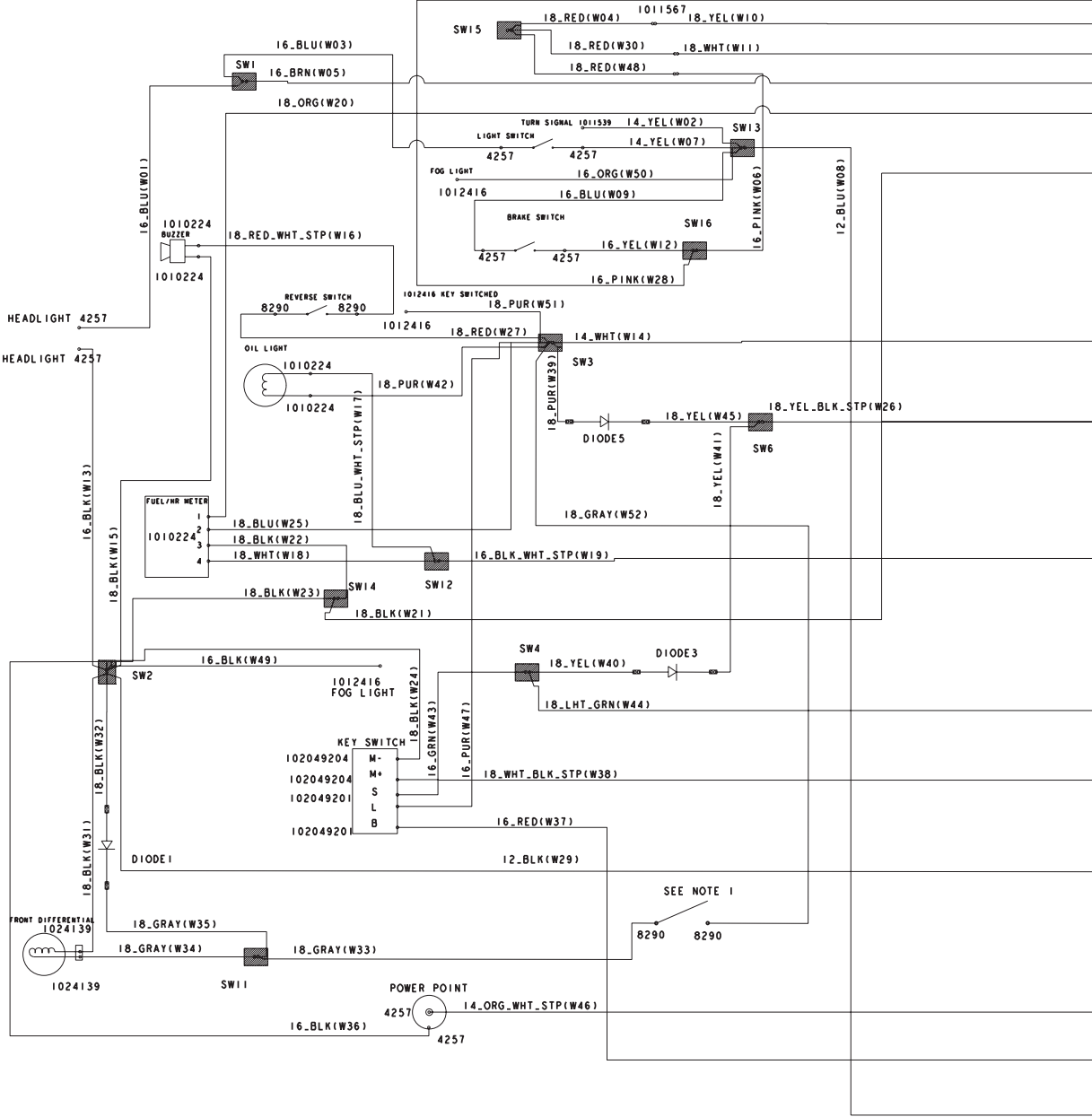
G

D

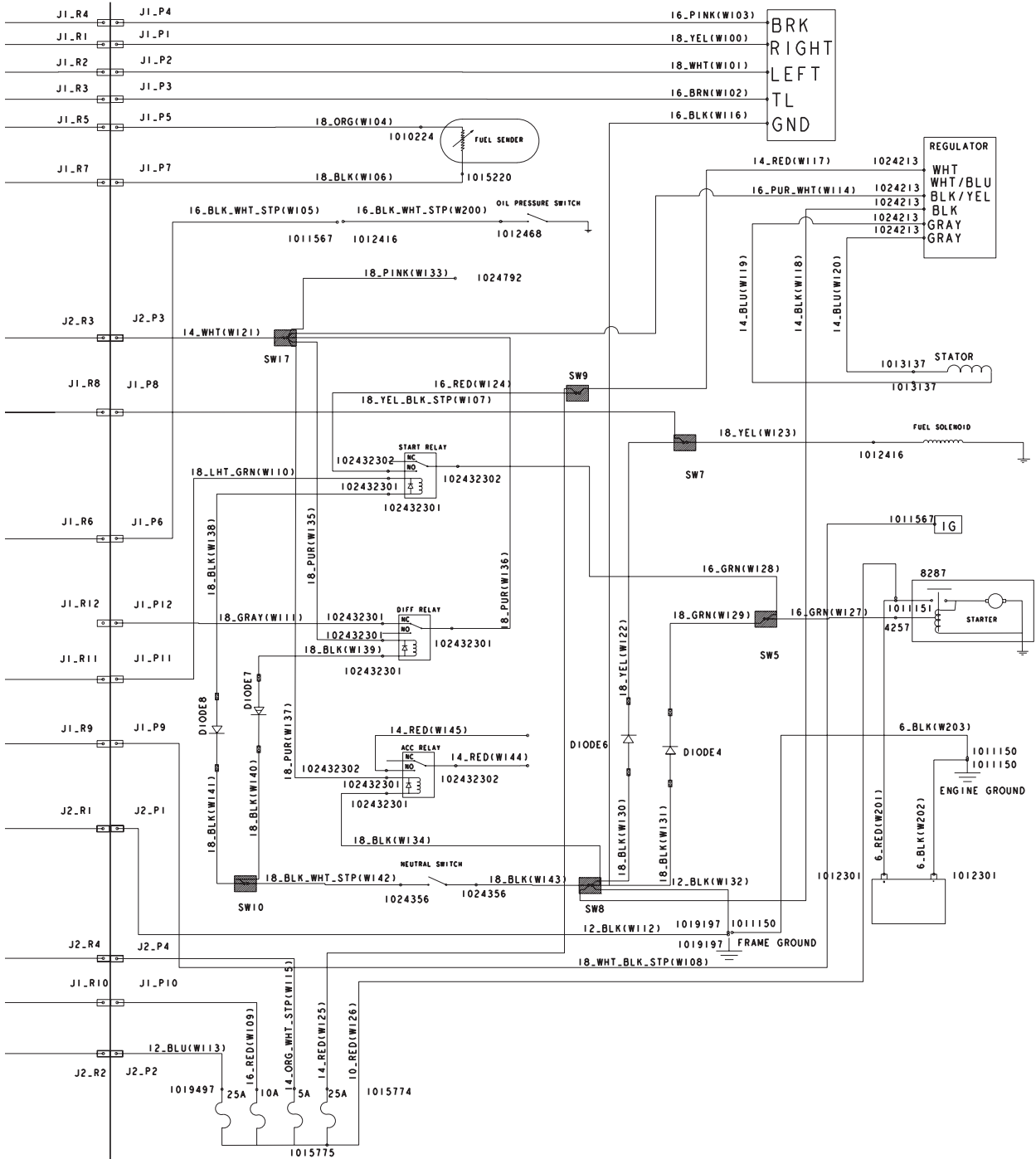
6
G

HONDA GASOLINE VEHICLE

D



000535-001



000535-001

6

G

D

See previous two pages for illustration.

WIRING – GASOLINE VEHICLE, MULTI-PIECE

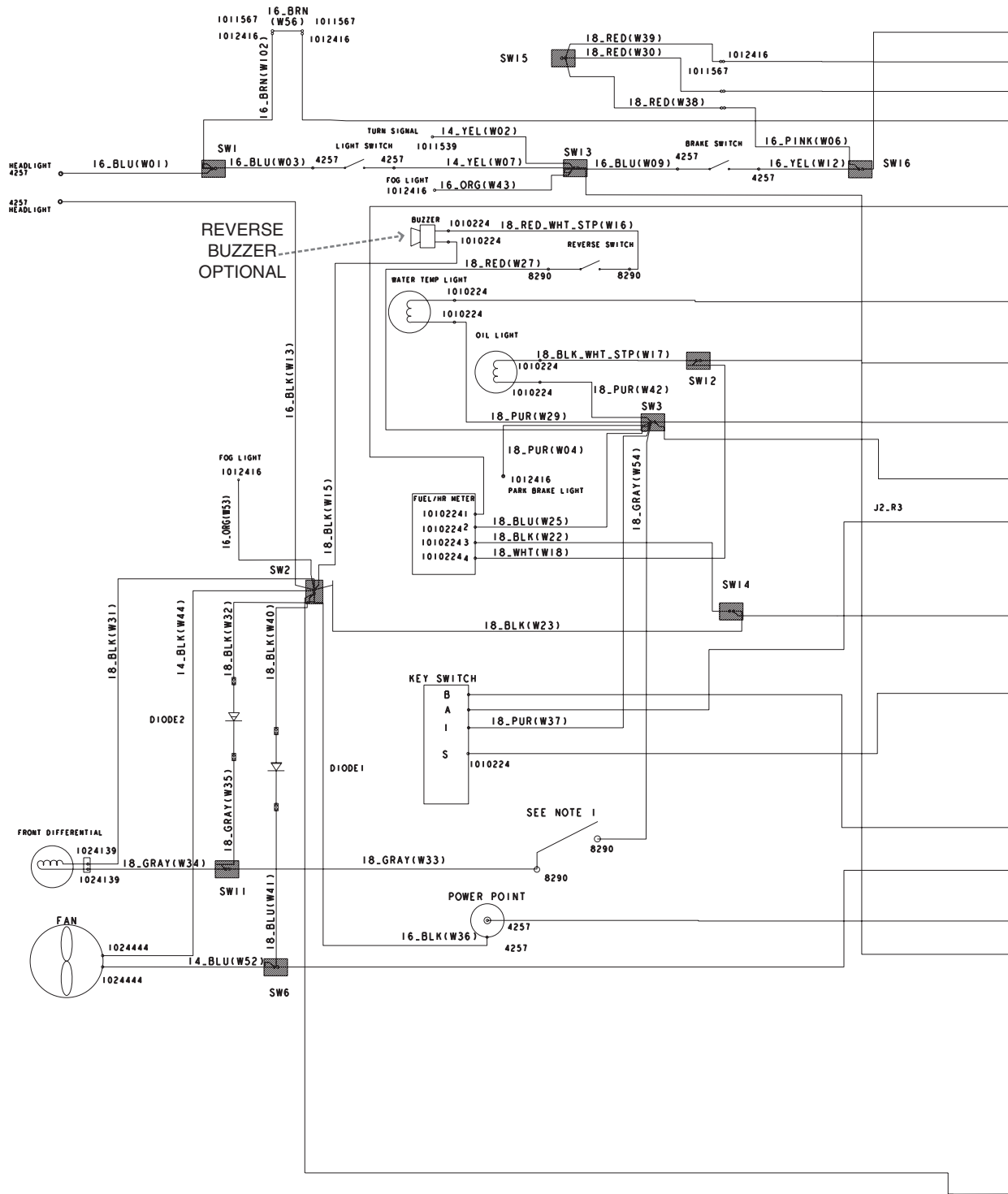
ITEM	PART NO.	DESCRIPTION	QTY
		1 2 3 4	
1	<u>102538501</u>	Diode, General Purpose, 6.0a	A/R
2	<u>102985001</u>	Harness, Restyle Gas, Front	1
3	<u>102985101</u>	Harness, Restyle Gas, Rear	1
4	<u>103207001</u>	Jumper Harness, 4-Passenger, Gas	1
5	<u>103259301</u>	Asm, Switch, Limit	1
<p>Note: Item 3 not shown. Item 3 connects the front and rear harnesses.</p>			

6

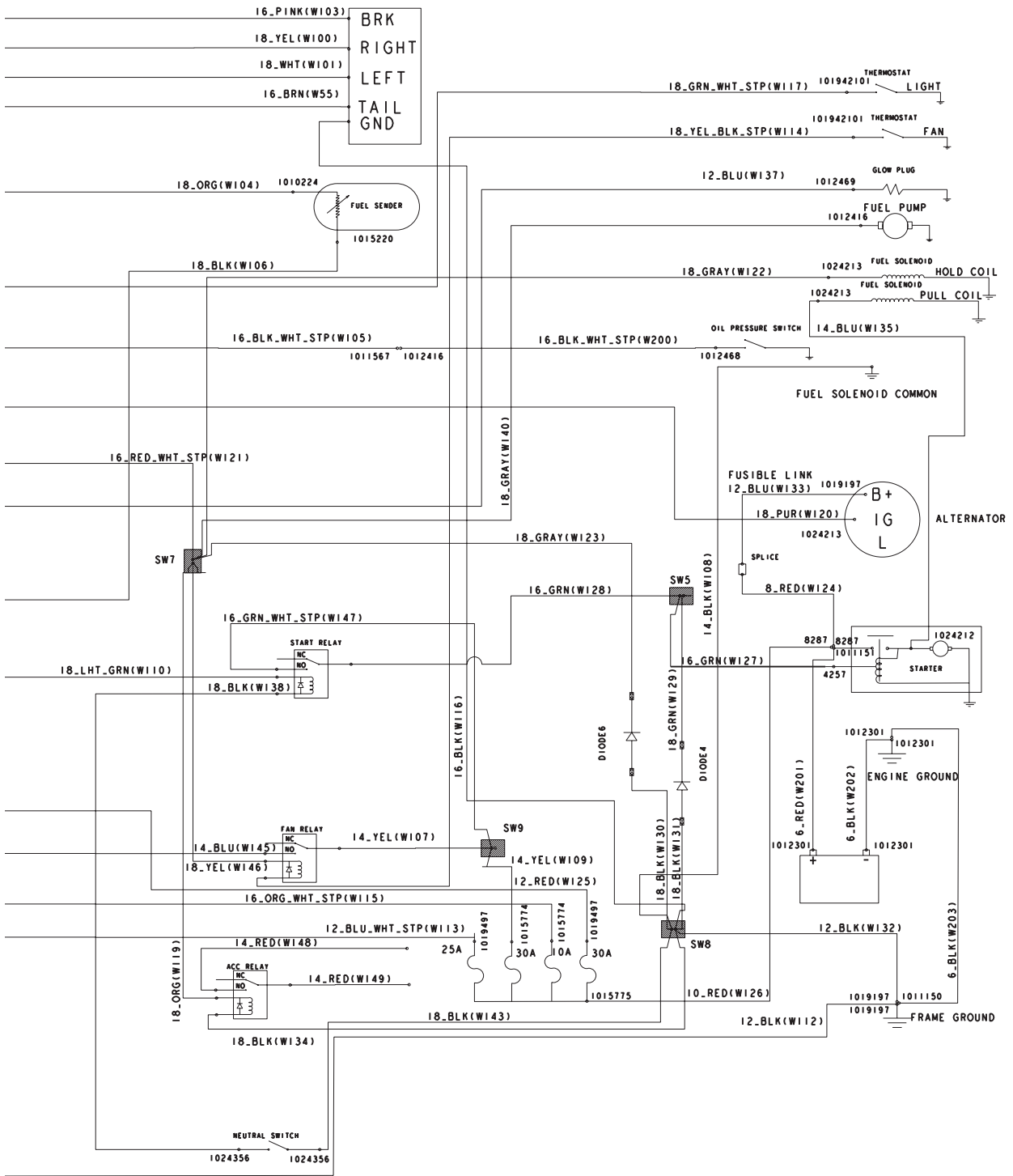
G

D

DIESEL VEHICLE



000662-002



00062-002

6

G

D

See previous two pages for illustration.

WIRING – DIESEL VEHICLE, SINGLE PIECE

ITEM	PART NO.	DESCRIPTION	QTY
		1 2 3 4	
1	<u>102538501</u>	Diode, General Purpose, 6.0a	A/R
2	<u>103277701</u>	Harness, Diesel, AWD, Stretch	1
3	<u>103327201</u>	Asm, Switch, Limit, Awd	1

6

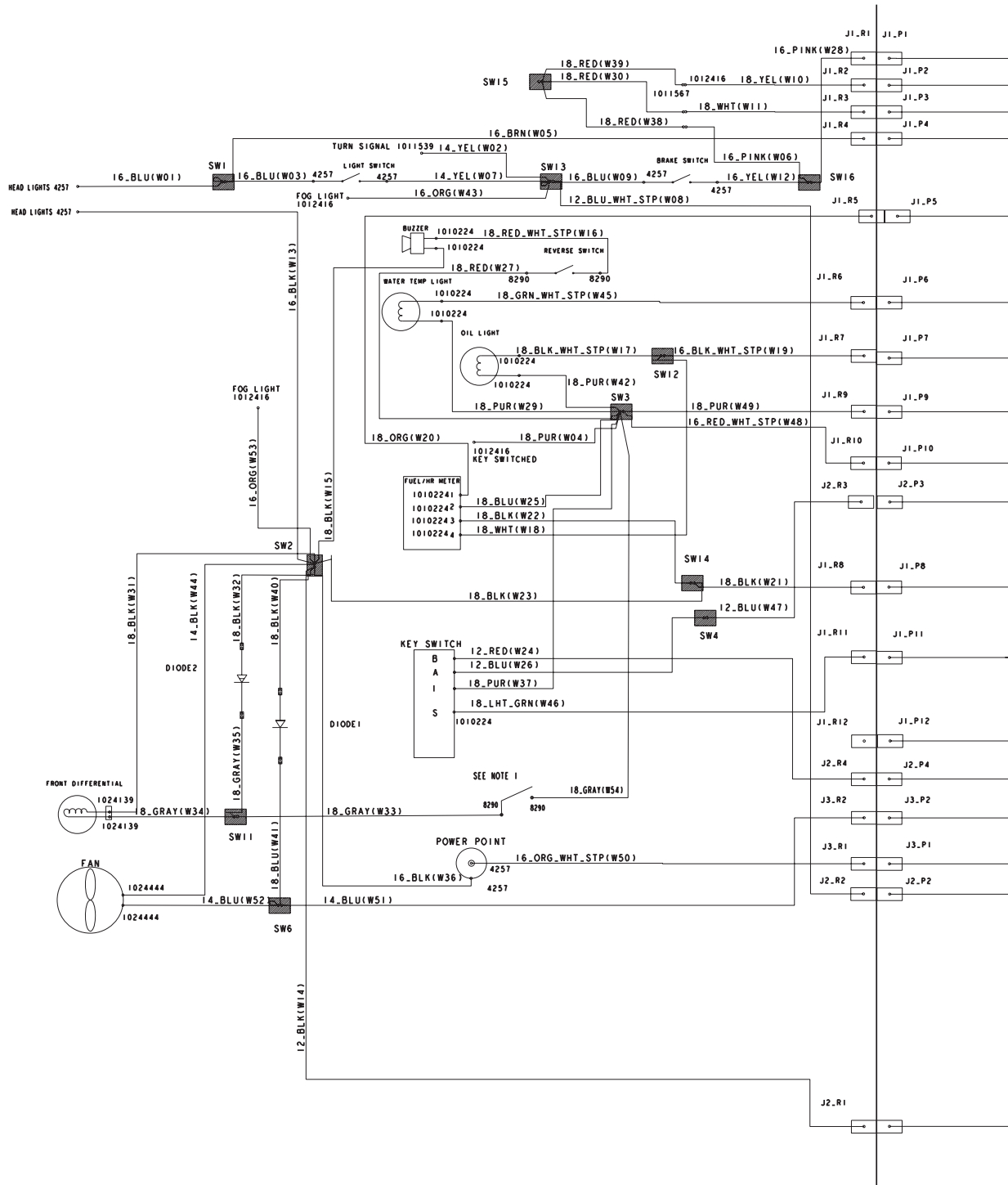
G

D

6
G

DIESEL VEHICLE

D



000535-002

6

G

D

See previous two pages for illustration.

WIRING – DIESEL VEHICLE, MULTI-PIECE

ITEM	PART NO.	DESCRIPTION	QTY
		1 2 3 4	
1	<u>102986001</u>	Harness, Restyle Diesel, Front	1
2	<u>102986101</u>	Harness, Restyle Diesel, Rear	1
3	<u>103206801</u>	Jumper Harness, 4-Passenger, Diesel	1
4	<u>103259301</u>	Asm, Switch, Limit	1
<p>Note: Item 3 not shown. Item 3 connects the front and rear harnesses.</p>			

6

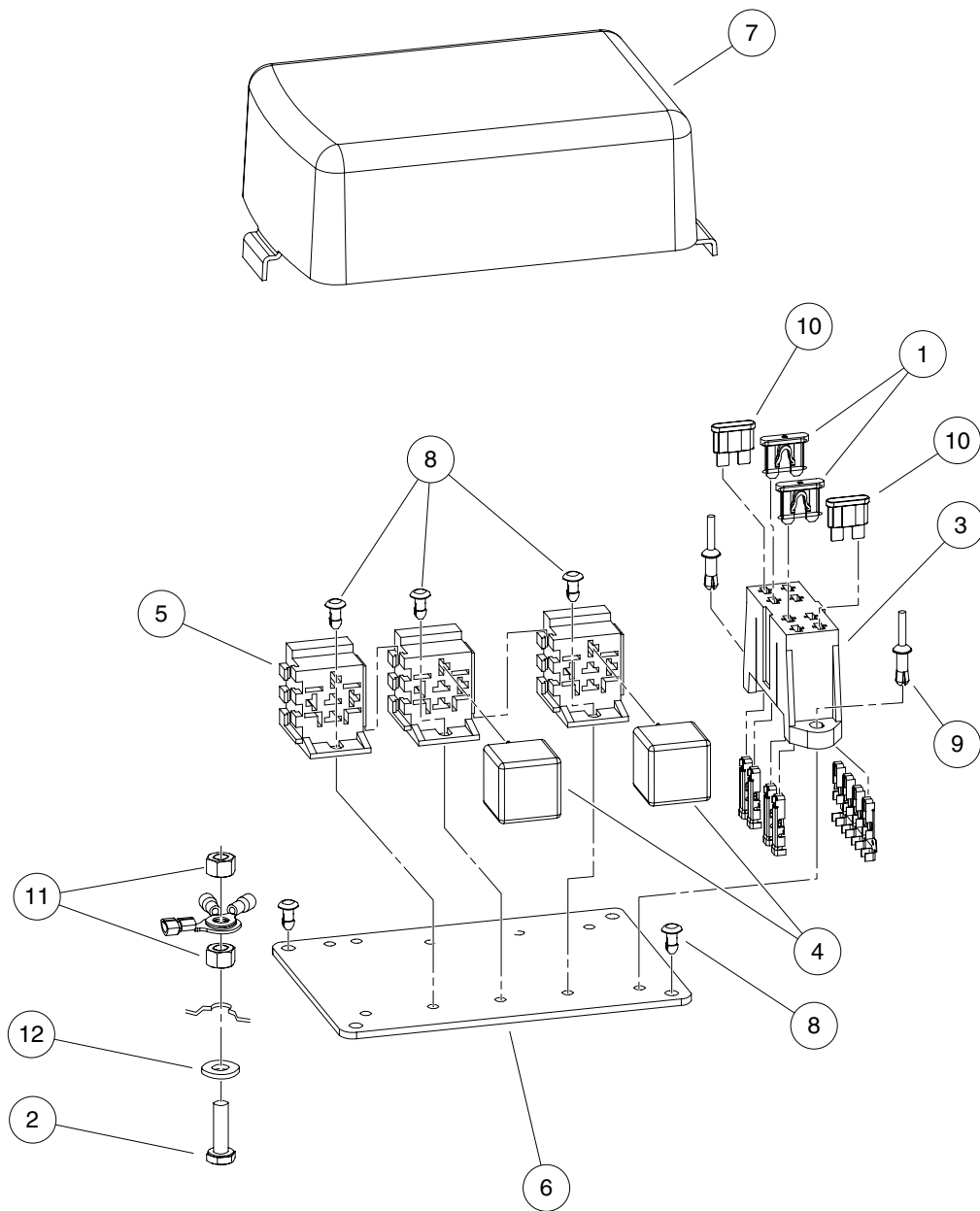
G

D

6

G

D



000076-001

ELECTRICAL COMPONENT BOX, GASOLINE VEHICLES

ITEM	PART NO.	DESCRIPTION	QTY
		1 2 3 4	
1	<u>1012295</u>	Fuse, 10-Amp	2
2	N/A	Screw, 1/4-20 X .88 Hex Hd Cap	1
3	<u>1015741</u>	Fuse Block	1
4	<u>102420201</u>	Relay, Mini ISO, SPDT	2
5	****	Connector, Relay	3
6	<u>102420401</u>	Plate, Electrical	1
7	<u>102420501</u>	Cover, Electrical	1
8	<u>102447901</u>	Fastener, Push-in	7
9	<u>102448001</u>	Rivet, Drive	2
10	<u>102492201</u>	Fuse, 25-Amp	2
11	<u>1108</u>	Locknut, 1/4-20 Dimpled	2
12	<u>332</u>	Washer, 1/4 Type A Narrow Flat	1
		**** Special order item available upon request.	

6

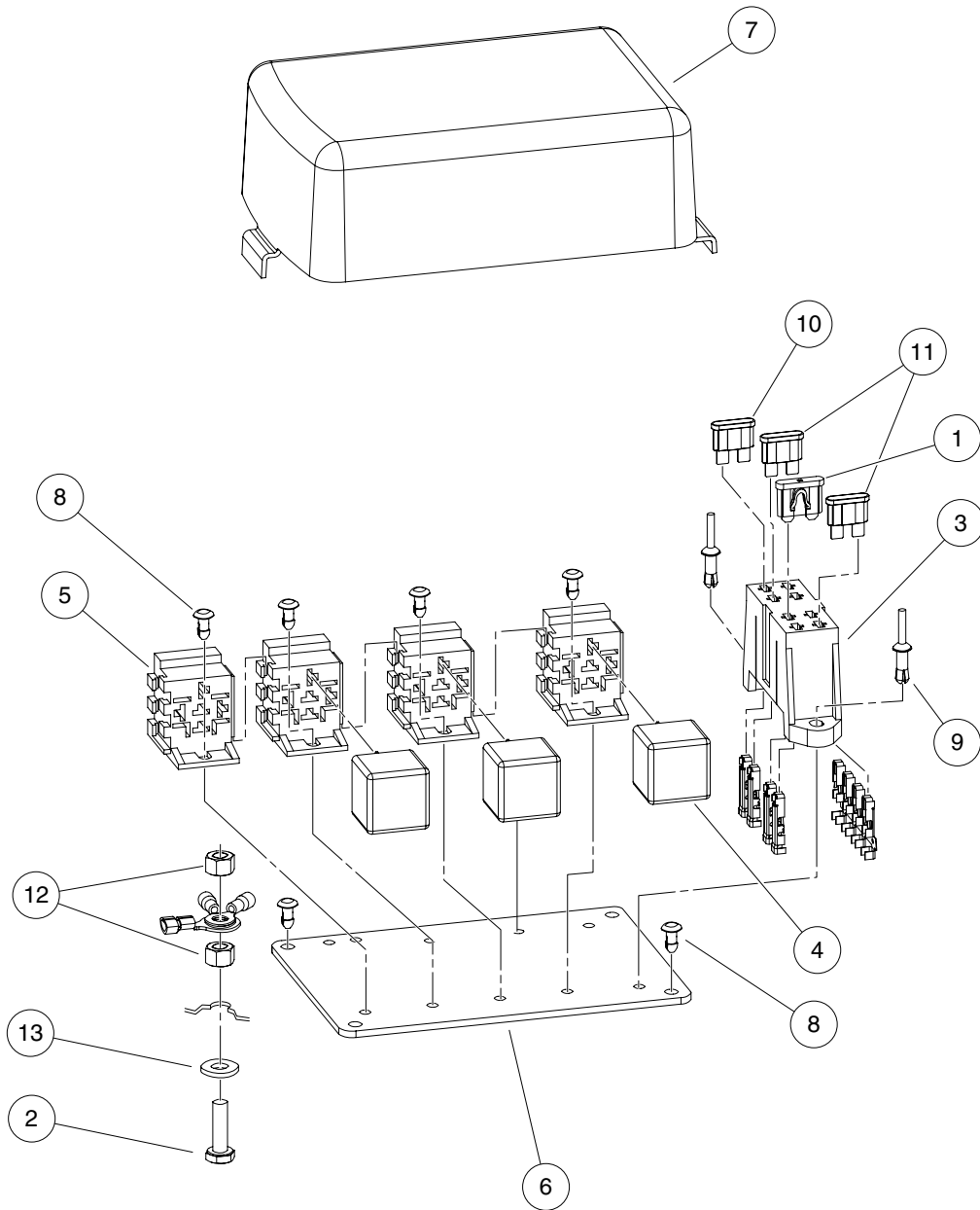
G

D

6

G

D



000076-002

ELECTRICAL COMPONENT BOX, DIESEL VEHICLES

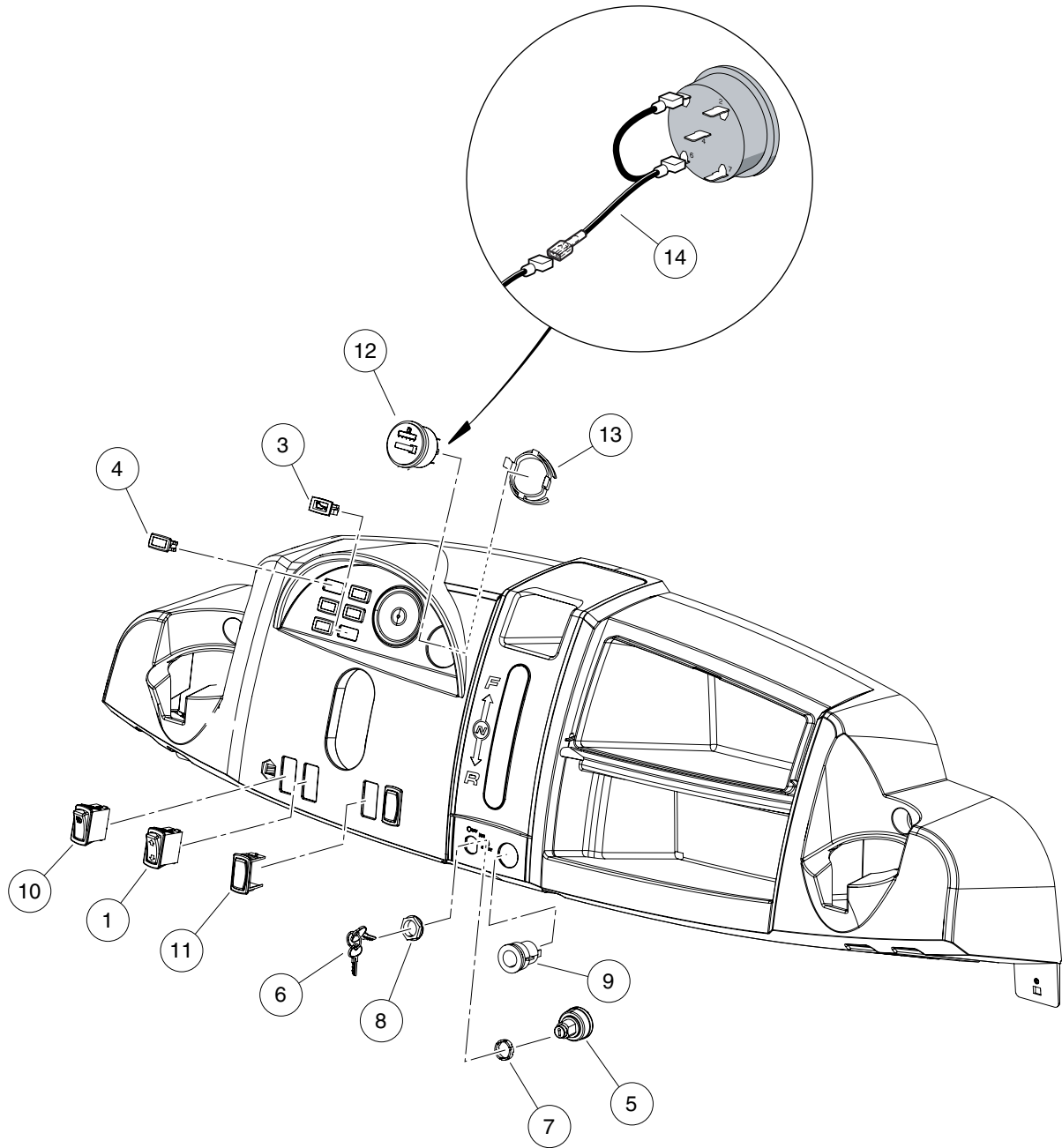
ITEM	PART NO.	DESCRIPTION	QTY
		1 2 3 4	
1	<u>1012295</u>	Fuse, 10-Amp	1
2	N/A	Screw, 1/4-20 X .88 Hex Hd Cap	1
3	<u>1015741</u>	Fuse Block	1
4	<u>102420201</u>	Relay, Mini ISO, SPDT	3
5	****	Connector, Relay	4
6	<u>102420401</u>	Plate, Electrical	1
7	<u>102420501</u>	Cover, Electrical	1
8	<u>102447901</u>	Fastener, Push-in	8
9	<u>102448001</u>	Rivet, Drive	2
10	<u>102492201</u>	Fuse, 25-Amp	1
11	<u>102492301</u>	Fuse, 30-Amp	2
12	<u>1108</u>	Locknut, 1/4-20 Dimpled	2
13	<u>332</u>	Washer, 1/4 Type A Narrow Flat	1
		**** Special order item available upon request.	

6
G
D

6

G

D



000543-003

ELECTRICAL COMPONENTS – GAS

ITEM	PART NO.	DESCRIPTION	QTY
		1 2 3 4	
1	<u>102882501</u>	Switch, Rocker, Spring Return, Bed Lift	1
2	N/A	Instl, Elec Sys Awd Gas Fh680d (includes items 3 through 14)	1
3	<u>1016630</u>	Light, Oil	1
4	<u>101802601</u>	Plug, Hole	5
5	<u>102044702</u>	Key Switch 12v Key Start	1
6	<u>102044801</u>	Key Set	1
7	<u>102051601</u>	Spacer, Keyswitch	1
8	<u>102051701</u>	Nut, Key Switch	1
9	<u>102198001</u>	Receptacle, Accessory	1
10	<u>102869401</u>	Switch, Rocker, Light	1
11	<u>103180101</u>	Cover, Hole, Switch, Rocker	3
12	<u>103348101</u>	Gauge Fuel-hour Sep Gnd	1
13	<u>103348201</u>	Clip, Meter, Round	1
14	<u>103348501</u>	Asm Wire Meter F-h Jumper	1

6

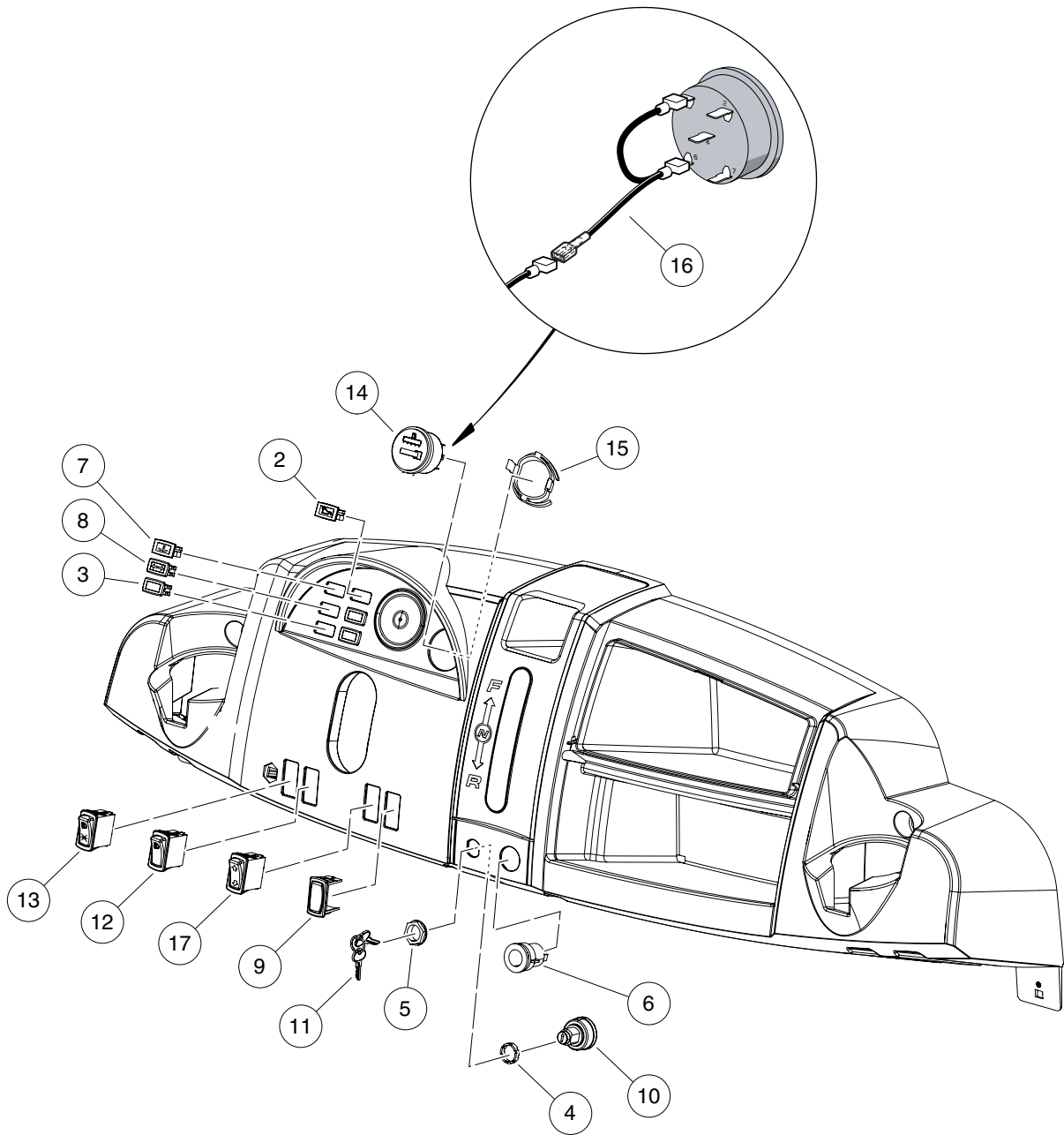
G

D

6

G

D



000543-004

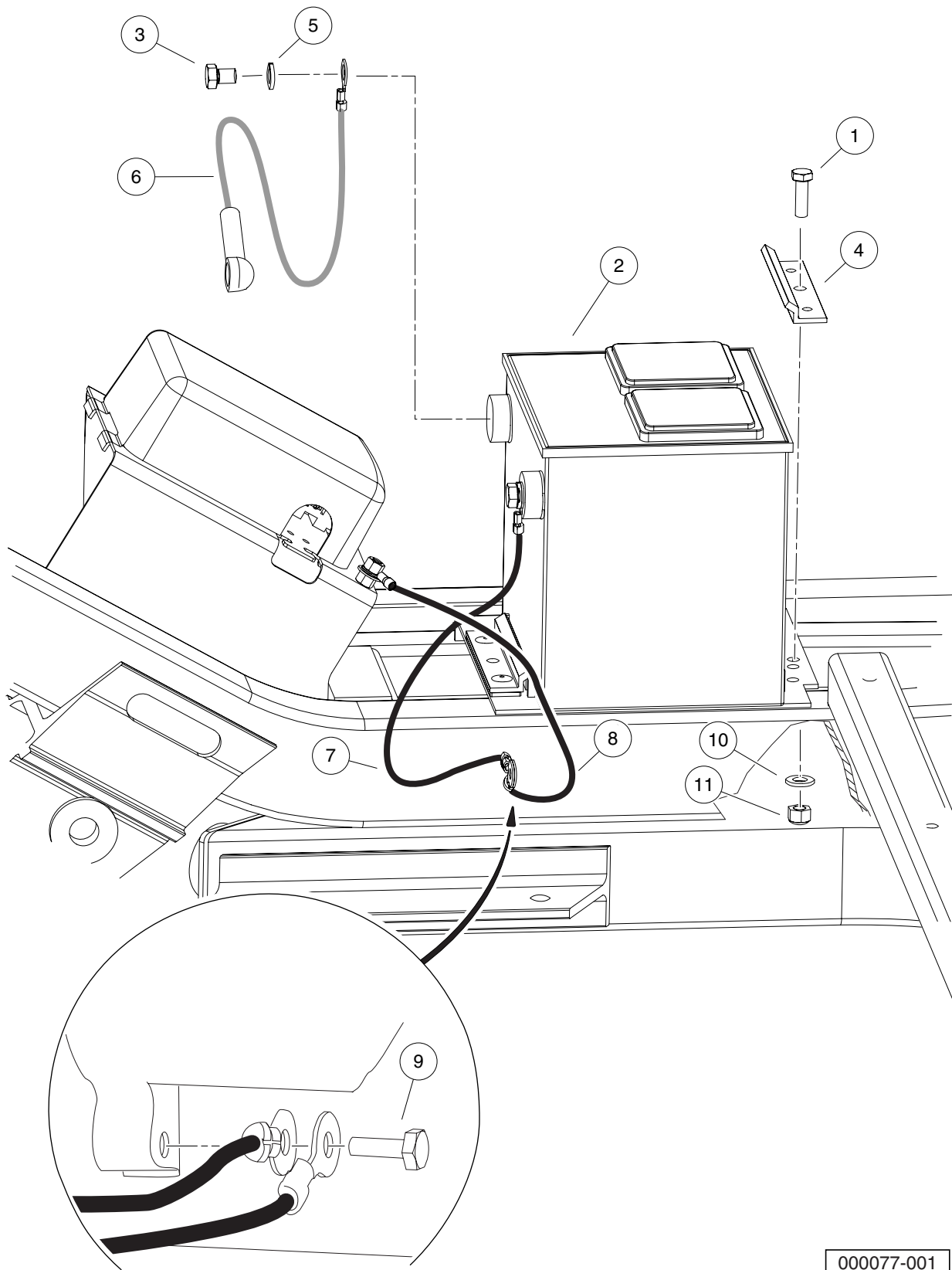
ELECTRICAL COMPONENTS – DIESEL

ITEM	PART NO.	DESCRIPTION	QTY	6
		1 2 3 4		
1	102871301	Instl, Elect System, Bct Euro (includes items 2 through 16)	1	G
2	<u>1016630</u>	Light, Oil	1	
3	<u>101802601</u>	Plug, Hole	2	
4	<u>102051601</u>	Spacer, Keyswitch	1	D
5	<u>102051701</u>	Nut, Key Switch	1	
6	<u>102198001</u>	Receptacle, Accessory	1	
7	<u>102375401</u>	Light, Indicator, Coolant Temp	1	
8	<u>102495701</u>	Light, Indicator, Turn Signals	2	
9	<u>103180101</u>	Cover, Hole, Switch, Rocker	1	
10	<u>103208801</u>	Keyswitch, 12v, Diesel	1	
11	<u>103234401</u>	Keys (set of 2)	1	
12	<u>103310701</u>	Switch, High Beam, Homologatn	1	
13	<u>103324901</u>	Switch, 3-pos, Euro, Restyle	1	
14	<u>103348101</u>	Gauge Fuel-hour Sep Gnd	1	
15	<u>103348201</u>	Clip, Meter, Round	1	
16	<u>103348501</u>	Asm Wire Meter F-h Jumper	1	
17	<u>102882501</u>	Switch, Rocker, Spring Return, Bed Lift	1	

6

G

D



000077-001

BATTERY – GASOLINE VEHICLES

ITEM	PART NO.	DESCRIPTION	QTY
		1 2 3 4	
1	<u>1010934</u>	Screw, 5/16-18 X 1.00 Hex Cap	1
2	<u>1012328</u>	Battery, 12-Volt	1
3	<u>1014375</u>	Screw, 3/8-16 X 0.50 Stainless Steel Hex-Head	2
4	<u>101898001</u>	Clamp, Battery	1
5	<u>102355301</u>	Lockwasher, 3/8 Stainless Stl	2
6	<u>102442201</u>	Asm, #6 Red Wire	1
7	<u>102442301</u>	Asm, #6 Blk Wire	1
8	<u>102442401</u>	Asm, #6 Blk Wire	1
9	<u>102490301</u>	Bolt, M6 X 1 X 16 Loctite	1
10	<u>1241</u>	Washer, 5/16 Type A Flat	1
11	<u>7473</u>	Locknut, 5/16-18 Nylon Insert	1

6

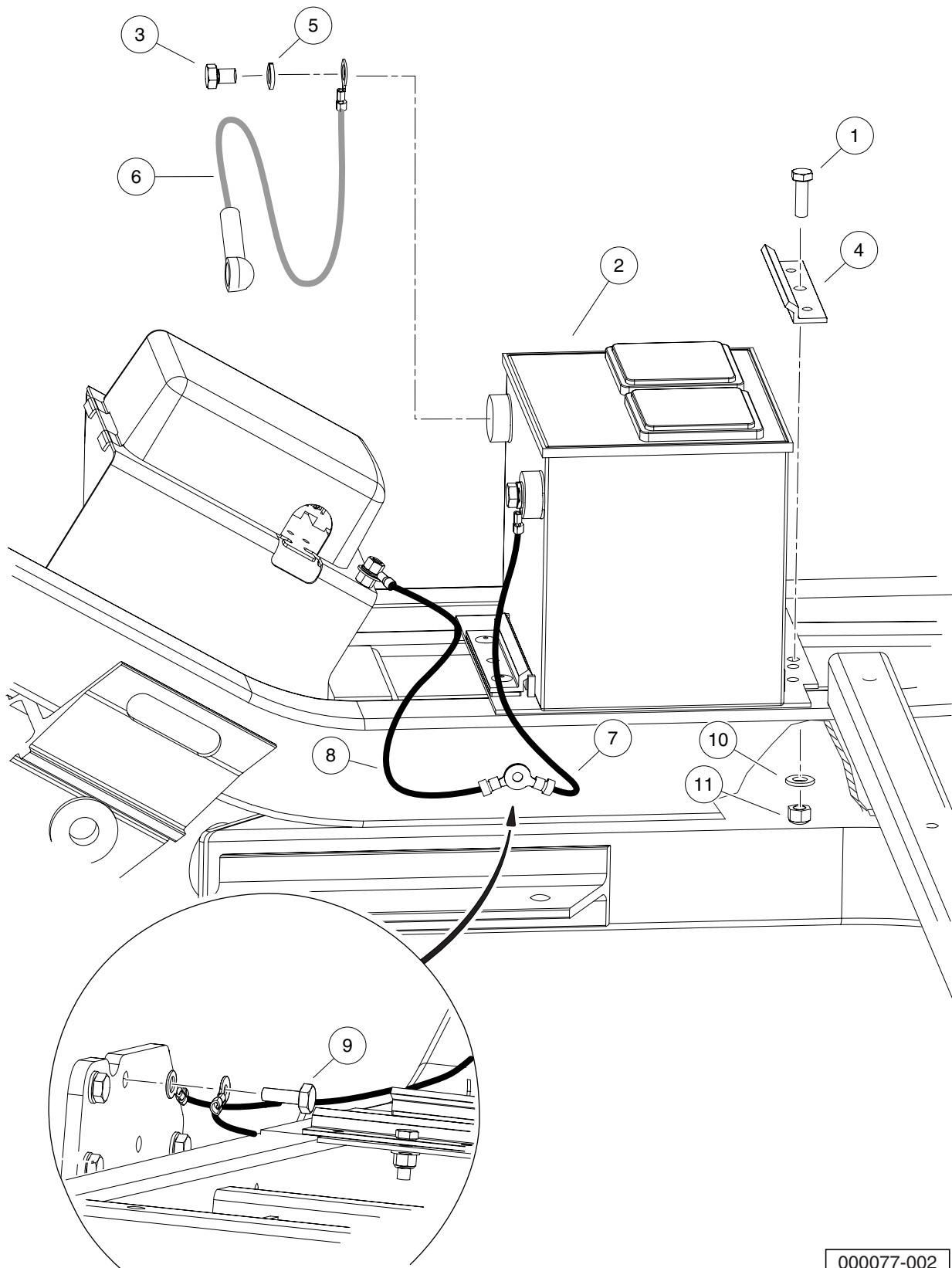
G

D

6

G

D



000077-002

BATTERY – DIESEL VEHICLES

ITEM	PART NO.	DESCRIPTION	QTY
		1 2 3 4	
1	<u>1010934</u>	Screw, 5/16-18 X 1.00 Hex Cap	1
2	<u>1012328</u>	Battery, 12-Volt	1
3	<u>1014375</u>	Screw, 3/8-16 X 0.50 Stainless Steel Hex-Head	2
4	<u>101898001</u>	Clamp, Battery	1
5	<u>102355301</u>	Lockwasher, 3/8 Stainless Stl	2
6	<u>102442201</u>	Asm, #6 Red Wire	1
7	<u>102448401</u>	Wire Asm, #6 Blk, Awd, 350	1
8	<u>102448501</u>	Wire Asm, #6 Blk, Awd, 325	1
9	<u>102498201</u>	Bolt, M10 X 1.25 X 25 Loctite	1
10	<u>1241</u>	Washer, 5/16 Type A Flat	1
11	<u>7473</u>	Locknut, 5/16-18 Nylon Insert	1

6

G

D

6

G

D

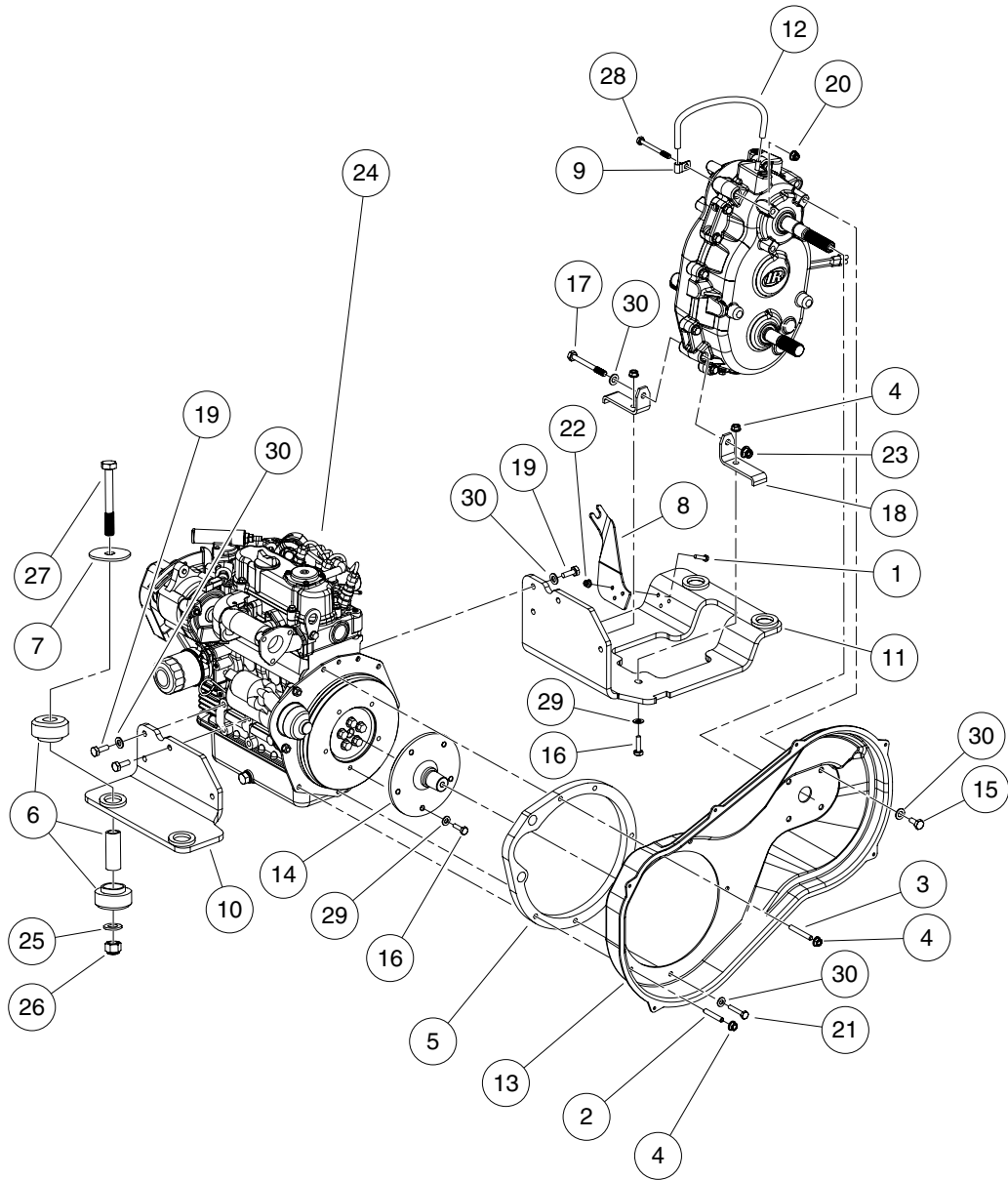
DIESEL ENGINE – CLOSED BREATHER

7

D

7

D



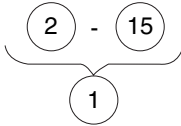
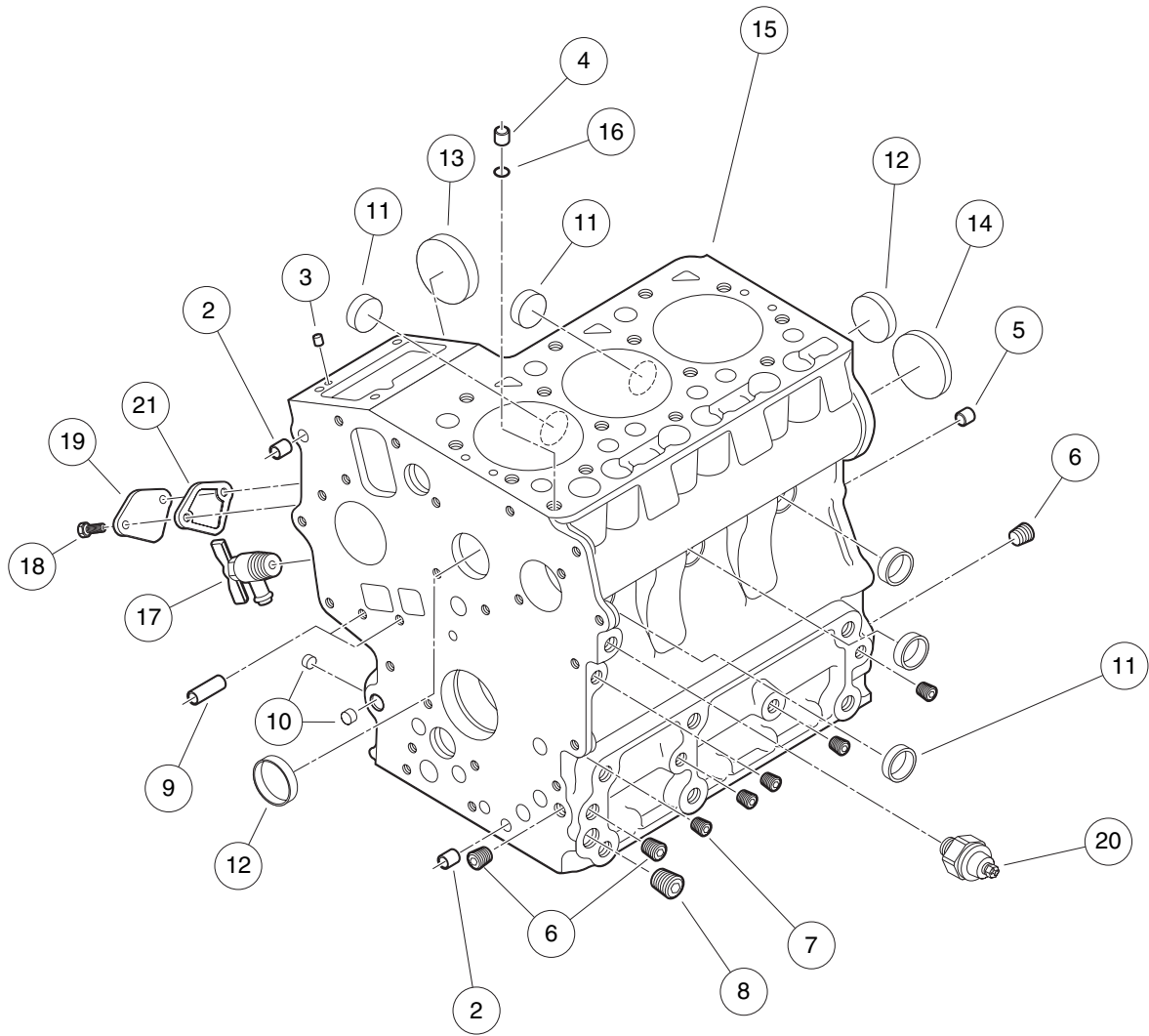
000025-002

KUBOTA D722 DIESEL ENGINE MOUNTING

ITEM	PART NO.	DESCRIPTION	QTY
		1 2 3 4	
1	<u>1012769</u>	Screw, M6-1.00 X 25mm Hex Cap	3
2	<u>101833101</u>	Stud, M8-1.25 X 50 mm Two-Ended	1
3	<u>101833201</u>	Stud, M8-1.25 X 60mm Two-Ended	1
4	<u>102298401</u>	Nut,m8,all Metal Lock	7
5	<u>102370101</u>	Spacer, Engine, Diesel	1
6	<u>102370501</u>	Isolator Ring and Bushing	4
7	<u>102370601</u>	Washer, Snubbing, Ring N Bush	4
8	<u>102382401</u>	Bracket, FNR Trans Cable	1
9	<u>102410603</u>	P-Clamp, Insulated .312 In	1
10	<u>102414701</u>	Plate, Engine Mounting, Weld, Left-Hand	1
11	<u>102414801</u>	Plate, Engine Mounting, Weld, Right-Hand	1
12	<u>102462301</u>	Hose, Vent, Transmission	1
13	<u>102462501</u>	Cover, CVT Inner, Diesel	1
14	<u>102465901</u>	Shaft, CVT Adapter	1
15	<u>102490101</u>	Bolt, M10 X 1.5 X 20 Loctite	4
16	<u>102490201</u>	Bolt, M8 X 1.25 X 25 Loctite	7
17	<u>102490501</u>	Bolt, M10 X 1.5 X 100 Loctite	1
18	<u>102494401</u>	Bracket, Transmission Mounting	2
19	<u>102498201</u>	Bolt, M10 X 1.25 X 25 Loctite	8
20	<u>102618601</u>	Lock Nut, Flg M8 X 1.25 Nylon	1
21	<u>102621301</u>	Bolt, M8 X 1.25 X 40 with Loctite	3
22	<u>102621501</u>	Nut Flg, M6 X 1.0 Nylon	3
23	<u>102670701</u>	Nut Flg M10 X 1.5 Nylon	1
24	<u>102934601</u>	Engine, Kubota, D722, with Closed Breather, 60a	1
25	<u>96701412</u>	Washer, M12 Hard	4
26	N/A	Locknut, M12x1.75 Nylon Insert	4
27	<u>96704721</u>	Bolt, M12 X 1.75 X 90	4
28	<u>96718978</u>	Bolt, M8 X 1.25 X 80	1
29	<u>96741038</u>	Washer, M8 Hard	10
30	<u>96741046</u>	Washer, M10 Hard	12

7

D



000039-001

CRANKCASE

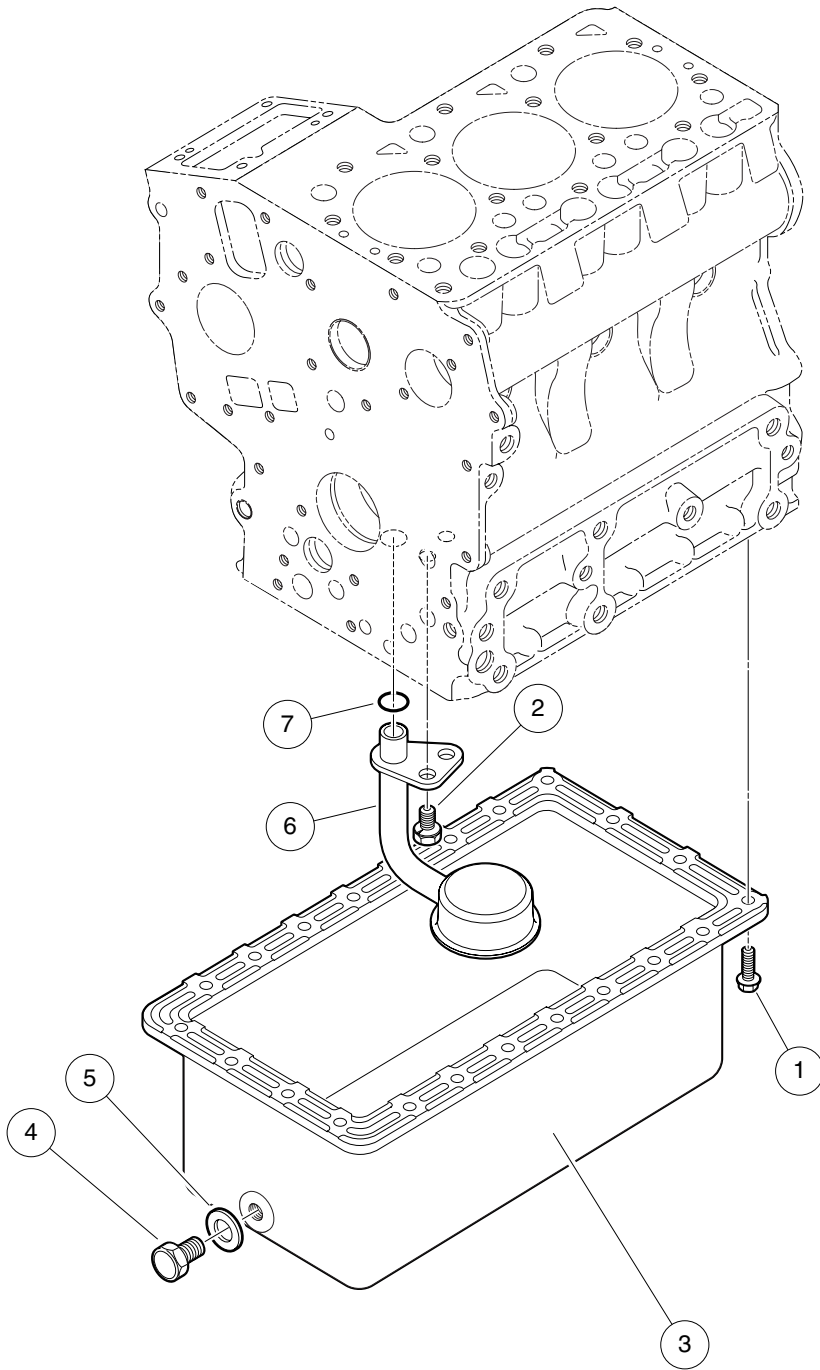
ITEM	PART NO.	DESCRIPTION	QTY
		1 2 3 4	
1	<u>102600001</u>	Engine Block (includes items 2 through 15)	1
2	<u>102600101</u>	Pin, Pipe, Dia 8 X 14	2
3	<u>102600201</u>	Pin, Straight, Dia 5 X 10	2
4	<u>102600401</u>	Pin, Pipe, Dia 7 X 14	1
5	<u>102600601</u>	Pin, Straight, Dia 8 X 16	2
6	<u>102600701</u>	Plug, 1/8"	3
7	<u>102600801</u>	Plug, 3/32"	5
8	<u>102601001</u>	Plug, 1/4"	1
9	<u>102601301</u>	Pin, Pipe, Dia 8 X 11	2
10	<u>102726201</u>	Cap, Sealing, Small	3
11	<u>102726301</u>	Cap, Sealing, Med	5
12	<u>102726401</u>	Cap, Sealing, Large	2
13	<u>102726501</u>	Cover, Fuel Camshaft	1
14	<u>102726601</u>	Plug, Expansion	1
15	N/A	Block, Engine	1
16	<u>102600301</u>	O Ring, 8 X 7	1
17	<u>102601401</u>	Cock, Drain	1
18	<u>102631601</u>	Bolt, M6 X 1 X 20	2
19	<u>102700801</u>	Plate, Engine Block	1
20	<u>102730801</u>	Switch, Oil Pressure	1
21	<u>102732601</u>	Gasket, Fuel Pump, D722	1

7

D

7

D



000040-001

OIL PAN

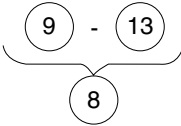
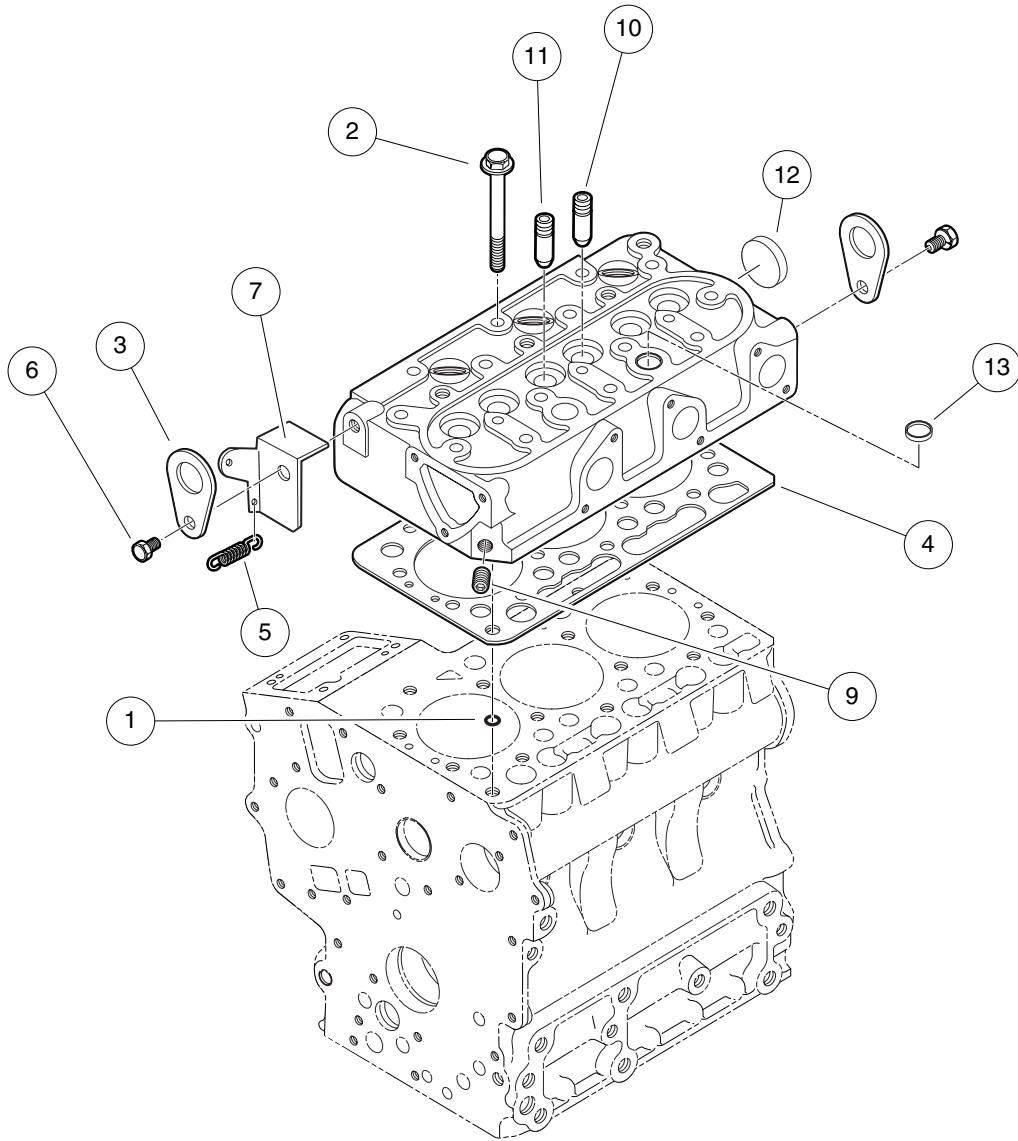
7

ITEM	PART NO.	DESCRIPTION	QTY
		1 2 3 4	
1	<u>102605101</u>	Bolt, M6 X 1 X 14	22
2	<u>102606901</u>	Bolt, M8 X 1.25 X 15	1
3	102607001	Oil Pan	1
4	<u>102607201</u>	Plug, Drain, M12 X 14	1
5	<u>102607301</u>	Gasket, 20 X 13	1
6	<u>102607401</u>	Filter, Oil, Pick Up	1
7	<u>102654601</u>	O Ring, 20 X 17	1

D

7

D



000041-002

CYLINDER HEAD

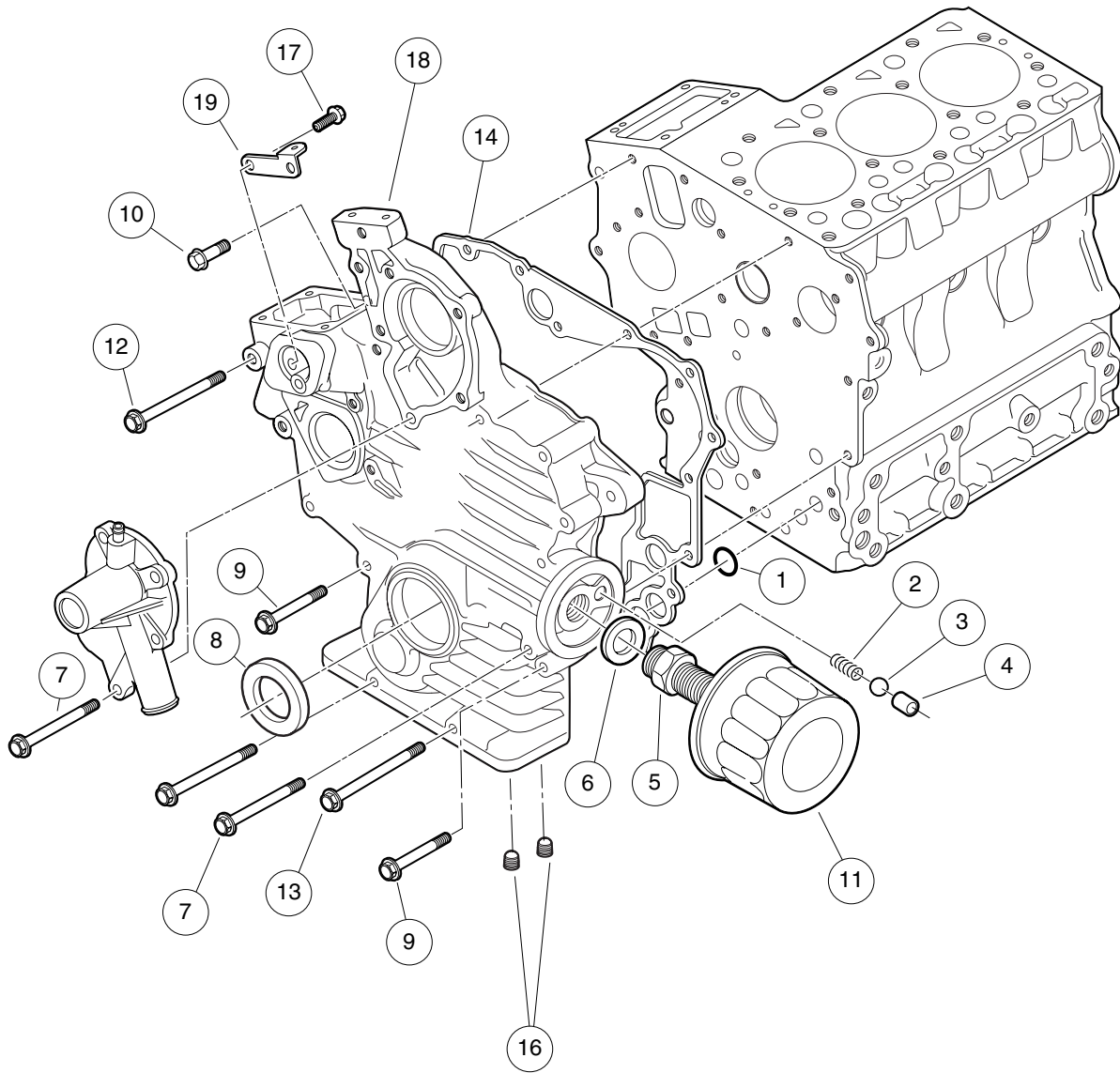
ITEM	PART NO.	DESCRIPTION	QTY
		1 2 3 4	
1	<u>102600301</u>	O Ring, 8 X 7	1
2	<u>102652801</u>	Bolt, Cylinder Head	14
3	<u>102653901</u>	Hook, Engine	2
4	<u>102654101</u>	Gasket, Cylinder Head	1
5	<u>102701001</u>	Spring, Start	1
6	<u>102726701</u>	Bolt, Engine Hook	2
7	<u>102727101</u>	Stay, Cylinder Head	1
8	<u>102798001</u>	Head, Cylinder, Complete (includes items 9 through 13)	1
9	<u>102600801</u>	Plug, 3/32"	1
10	<u>102653401</u>	Guide, Exhaust Valve	3
11	<u>102653501</u>	Guide, Inlet Valve	3
12	<u>102726901</u>	Cap, Sealing, Head	1
13	<u>102727001</u>	Cap, Sealing, Head, Top	2

7

D

7

D



000042-002

GEAR CASE

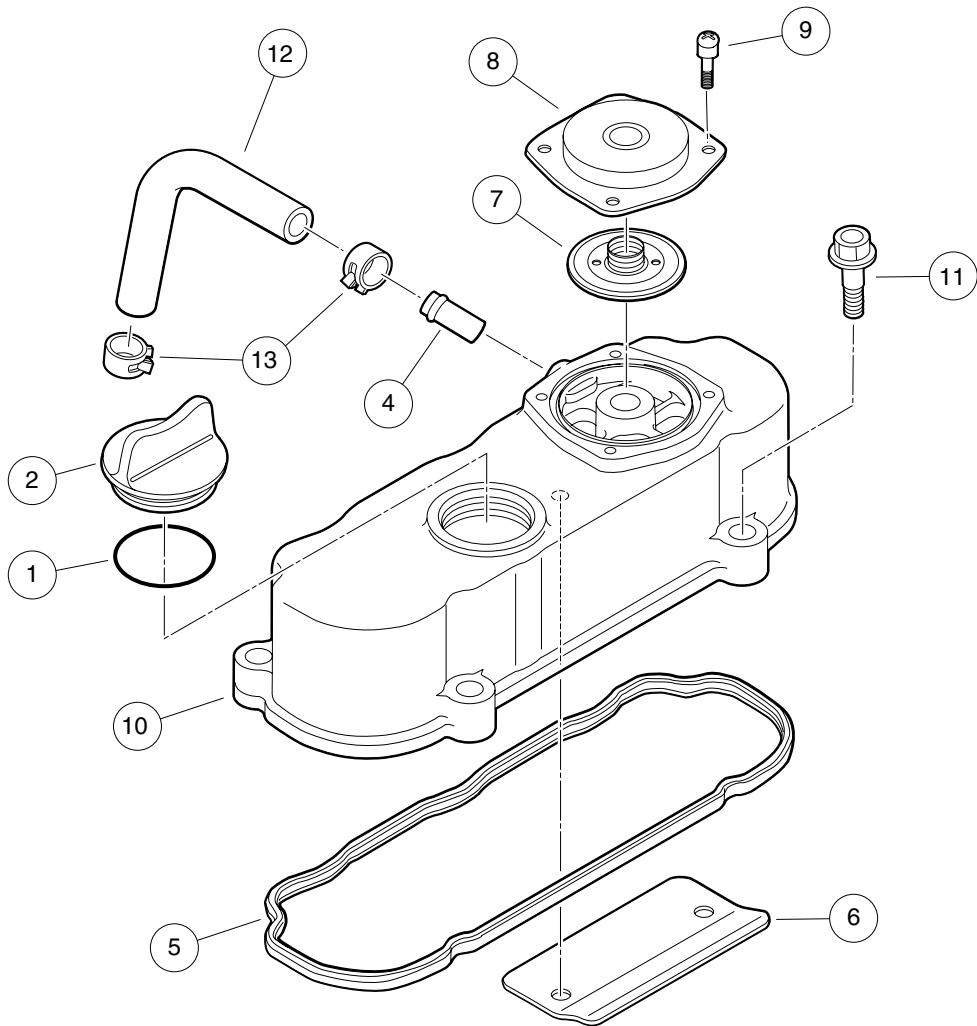
7

D

ITEM	PART NO.	DESCRIPTION	QTY
		1 2 3 4	
1	<u>102601801</u>	O Ring, 18 X 13	3
2	<u>102601901</u>	Spring, Valve	1
3	<u>102602001</u>	Ball, Valve	1
4	<u>102602101</u>	Seat, Valve	1
5	<u>102602301</u>	Joint, Pipe	1
6	<u>102602401</u>	Washer, Plain, Special	1
7	<u>102602601</u>	Bolt, M6 X 1 X 60	2
8	<u>102602701</u>	Seal, Oil	1
9	<u>102602801</u>	Bolt, D722, Front Case	9
10	<u>102654301</u>	Bolt, D722 Intake Manfld Lower	1
11	<u>102703301</u>	Filter, Engine Oil, D722	1
12	<u>102727401</u>	Bolt, Gearcase, Top	2
13	<u>102727501</u>	Bolt, Gearcase, Lower	1
14	<u>102729301</u>	Gasket, Gearcase, D722	1
15	<u>102798101</u>	Case, Gear (includes items 16 through 19)	1
16	<u>102601001</u>	Plug, 1/4"	2
17	<u>102727601</u>	Screw, Breather	2
18	N/A	Case, Gear	1
19	<u>102798201</u>	Stay, Spring	1

7

D



000181-001

HEAD COVER

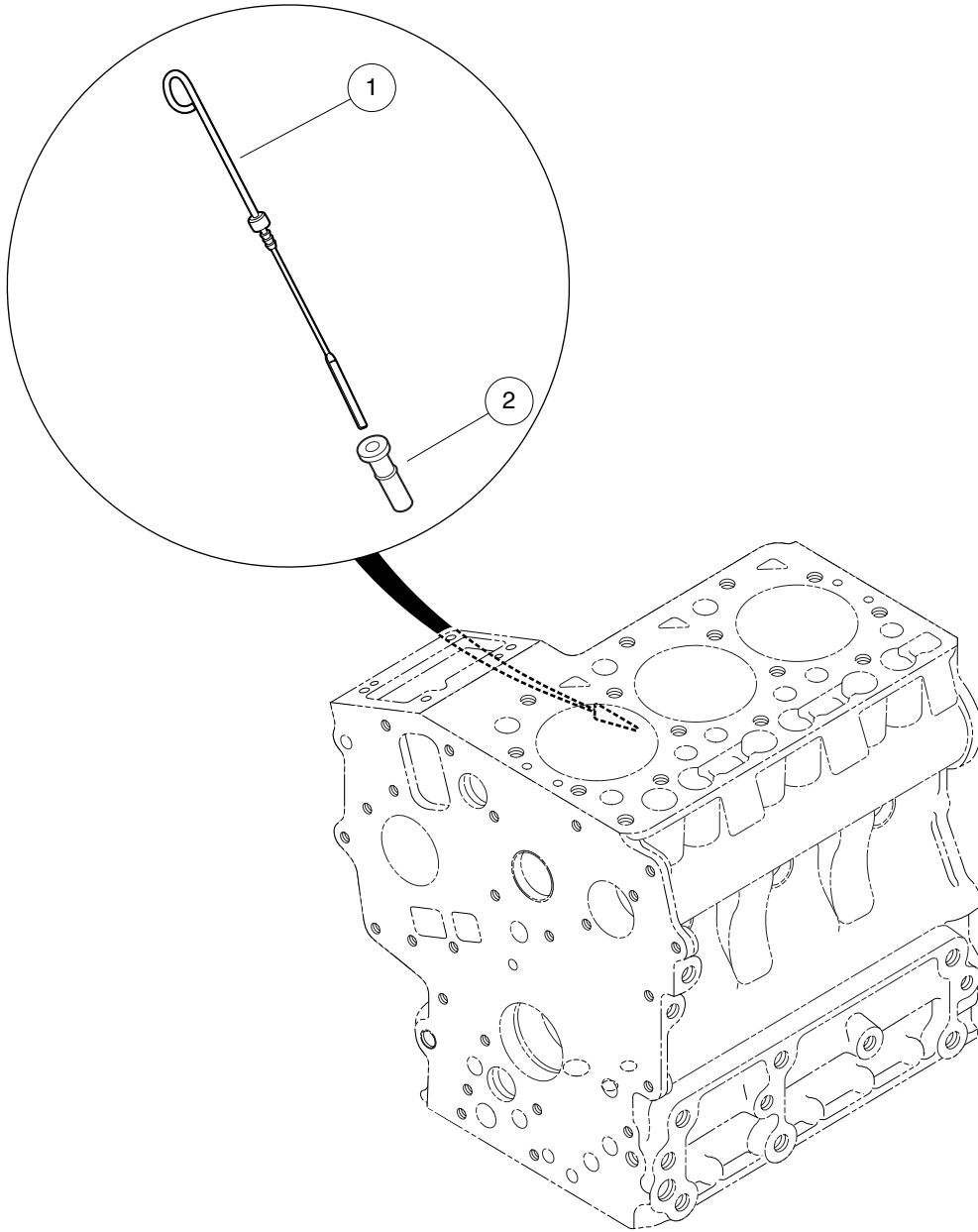
ITEM	PART NO.	DESCRIPTION	QTY
		1 2 3 4	
1	<u>102644001</u>	O Ring, 30 X 36	1
2	<u>102644101</u>	Plug, Oil Filler	1
3	<u>102798401</u>	Assembly, Cylinder Head Cover (includes items 4 through 10)	1
4	<u>102633301</u>	Pipe, Water Return, D722	1
5	<u>102798501</u>	Gasket, Cylinder Head Cover	1
6	<u>102798601</u>	Shield, Breather	1
7	<u>102799001</u>	Valve, Breather	1
8	<u>102799101</u>	Cover, Breather	1
9	<u>102799201</u>	Screw, Breather	4
10	N/A	Cover, Cylinder Head	1
11	<u>102798701</u>	Bolt, Cylinder Head Cover	4
12	<u>102798801</u>	Tube, Breather	1
13	<u>102798901</u>	Clamp, Breather Tube	2

7

D

7

D



000044-002

DIPSTICK AND GUIDE

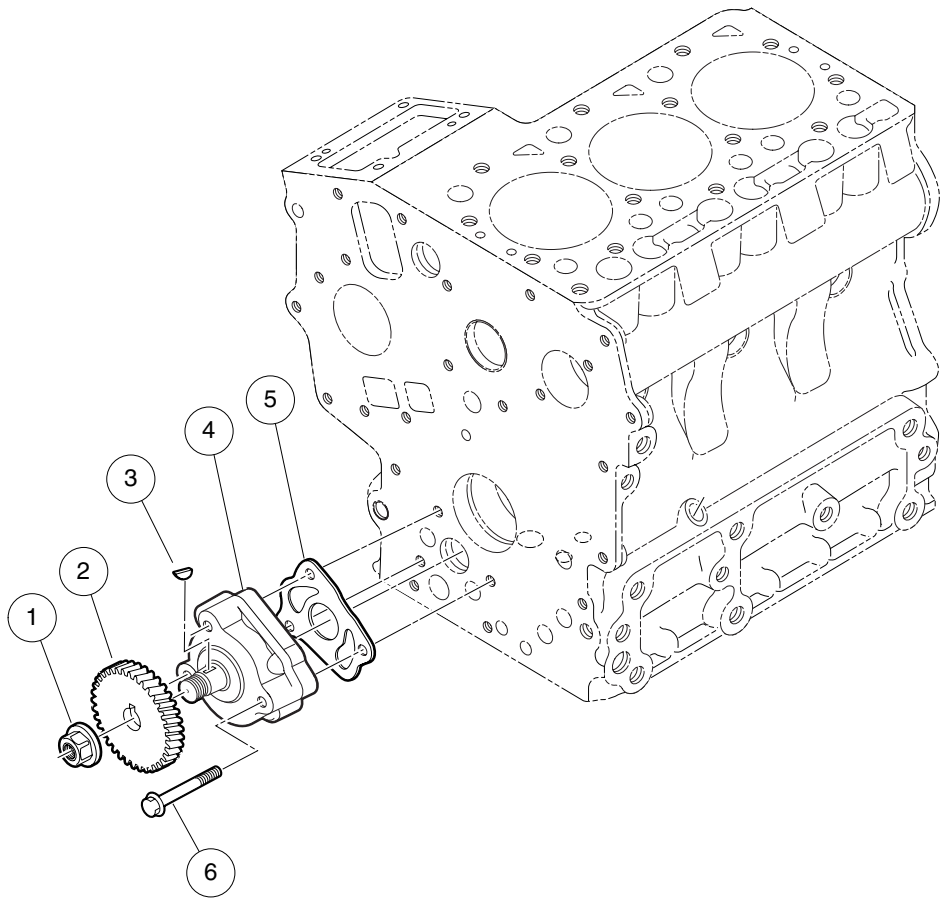
ITEM	PART NO.	DESCRIPTION	QTY
		1 2 3 4	
1	<u>102606701</u>	Gauge, Oil	1
2	<u>102727701</u>	Guide, Oil Gauge	1

7

D

7

D



000045-001

OIL PUMP

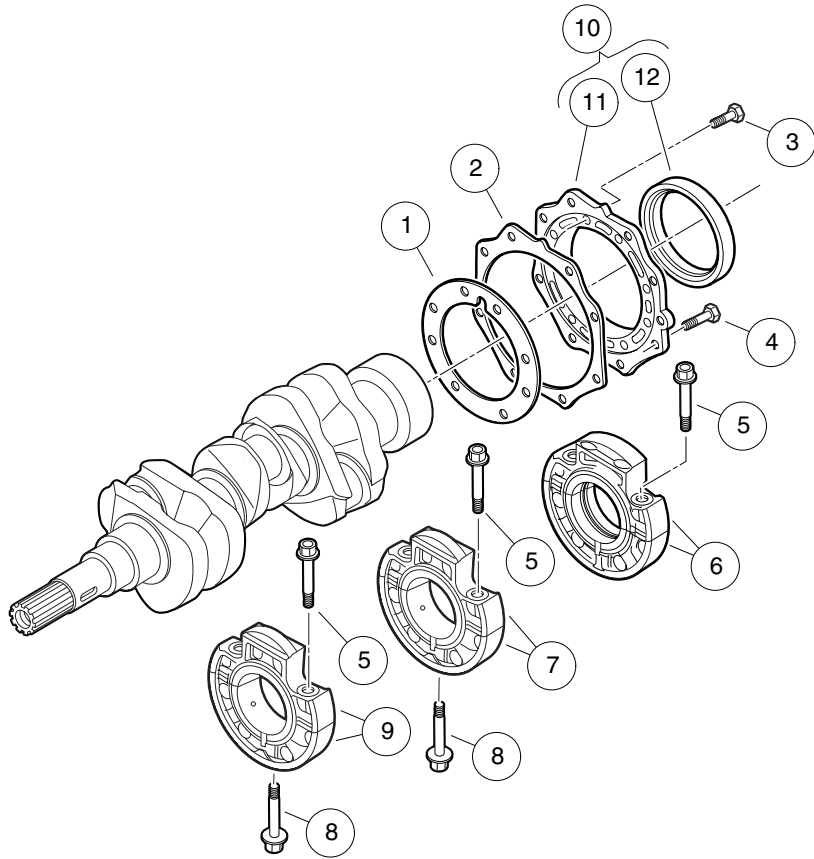
ITEM	PART NO.	DESCRIPTION	QTY
		1 2 3 4	
1	<u>102606201</u>	Nut, Flange, D722 Oil Pump	1
2	<u>102606301</u>	Gear, Oil Pump Drive	1
3	<u>102606401</u>	Key, Feather, 8x4	1
4	<u>102606501</u>	Assy, Pump, Oil	1
5	<u>102606601</u>	Gasket, Oil Pump	1
6	<u>102727901</u>	Bolt, Oil Pump	3

7

D

7

D



000046-001

MAIN BEARING CASE

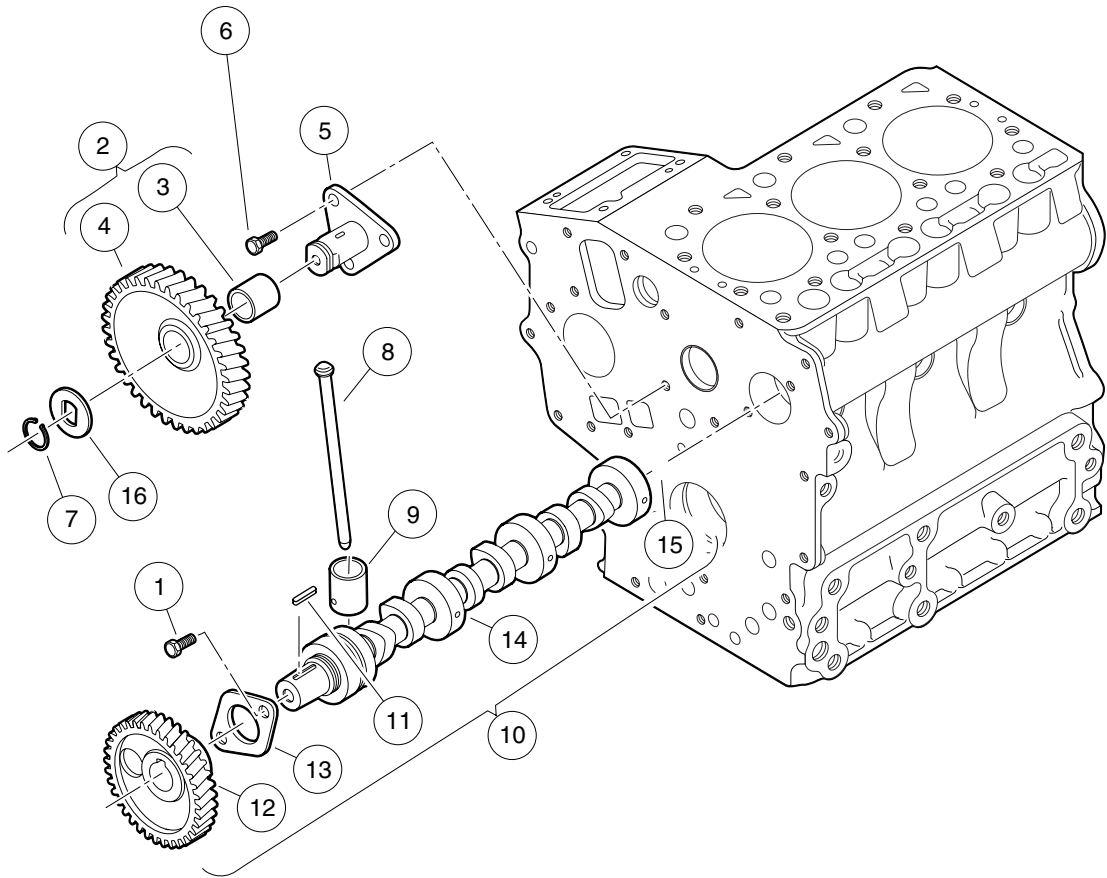
ITEM	PART NO.	DESCRIPTION	QTY
		1 2 3 4	
1	<u>102608201</u>	Gasket, Bearing Case	1
2	<u>102608301</u>	Gasket, Cover	1
3	<u>102608601</u>	Bolt, M6 X 1 X 20	8
4	<u>102608701</u>	Bolt, M6 X 1 X 22	8
5	<u>102608901</u>	Bolt, Bearing Case, Top	6
6	<u>102609101</u>	Assy Case, Main Brg, First	1
7	<u>102609301</u>	Assy Case, Main Brg, Sec	1
8	<u>102609401</u>	Bolt, Bearing Case, Bottom	2
9	<u>102609601</u>	Assy Case, Main Brg, Third	1
10	<u>102728001</u>	Assy, Cover, Bearing Case (includes items 11 and 12)	1
11	<u>102608401</u>	Cover, Bearing Case	1
12	<u>102608501</u>	Seal, Oil	1

7

D

7

D



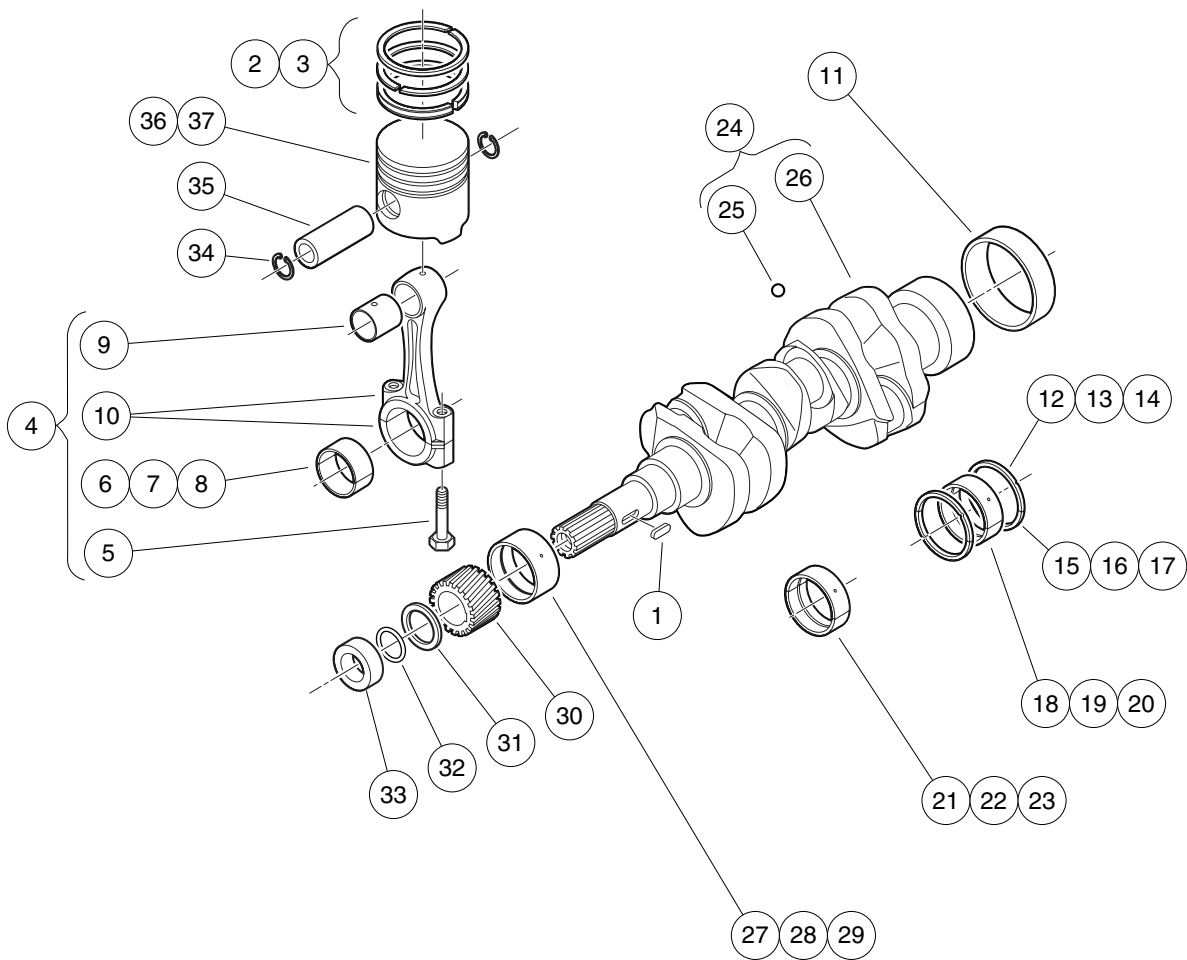
000047-002

CAMSHAFT AND IDLE GEAR

ITEM	PART NO.	DESCRIPTION	QTY
		1 2 3 4	
1	<u>102604201</u>	Bolt, D722, Cam End	2
2	<u>102604901</u>	Gear, Idle (includes items 3 and 4)	1
3	N/A	Bushing, D722 Idle Gear	1
4	N/A	Gear, Idle	1
5	<u>102605001</u>	Shaft, Idle Gear	1
6	<u>102605101</u>	Bolt, M6 X 1 X 14	3
7	<u>102605301</u>	Ring, Snap	1
8	102605401	Push Rod	6
9	<u>102605501</u>	Tappet	6
10	<u>102605801</u>	Assy Camshaft, Long (includes items 11 through 15)	1
11	<u>102605601</u>	Key, Feather, Long Camshaft	1
12	<u>102605901</u>	Gear, Cam	1
13	102606001	Stopper, Camshaft	1
14	N/A	Camshaft	1
15	<u>102799401</u>	Ball, Check	1
16	<u>102654401</u>	Collar, Idle Gear	1

7

D



000048-002

PISTON AND CRANKSHAFT

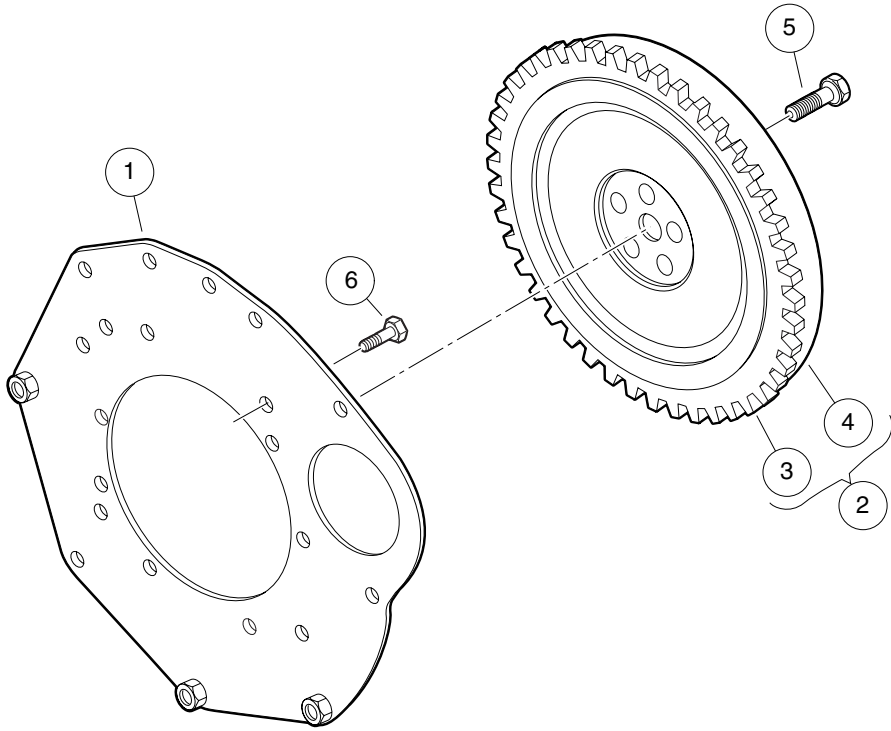
ITEM	PART NO.	DESCRIPTION	QTY
		1 2 3 4	
1	<u>102604401</u>	Key, Feather, Short Camshaft	1
2	<u>102607601</u>	Assy Piston Ring, D722 Std	3
3	<u>102607602</u>	Assy Piston Ring, D722 +.025	3
4	<u>102607801</u>	Assy, Connecting Rod (includes items 5 through 10)	3
5	<u>102607901</u>	Bolt, Connecting Rod	6
6	<u>102630701</u>	Metal, Crank, Rod, D722, Std	3
7	<u>102630702</u>	Metal, Crank, Rod, D722, .020	3
8	<u>102630703</u>	Metal, Crank, Rod, D722, .040	3
9	<u>102732201</u>	Bushing, Piston Pin, D722	3
10	N/A	Rod, Connecting	1
11	<u>102608101</u>	Sleeve, Crankshaft	1
12	<u>102608801</u>	Metal,crank, O Side, Std	2
13	<u>102608802</u>	Metal,crank, O Side, +.020	2
14	<u>102608803</u>	Metal,crank, O Side, +.040	2
15	<u>102608804</u>	Metal,crank, I Side, Std	2
16	<u>102608805</u>	Metal,crank, I Side, +.020	2
17	<u>102608806</u>	Metal,crank, I Side, +.040	2
18	<u>102609001</u>	Metal, Crank, Main, Rear Std	1
19	<u>102609002</u>	Metal, Crank, Main, Rear -.020	1
20	<u>102609003</u>	Metal, Crank, Main, Rear -.040	1
21	<u>102609801</u>	Metal, Crank, Main, Mid Std	4
22	<u>102609802</u>	Metal, Crank, Main, Mid +.020	2
23	<u>102609803</u>	Metal, Crank, Main, Mid +.040	2
24	<u>102610001</u>	Crankshaft (includes items 25 and 26)	1
25	<u>102608001</u>	Ball, Crankshaft	3
26	N/A	Crankshaft	1
27	<u>102630001</u>	Metal, Crank, D722, Frnt, Std	1
28	<u>102630002</u>	Metal, Crank, 722, Frnt, -.020	1
29	<u>102630003</u>	Metal, Crank, 722, Frnt, -.040	1
30	<u>102630101</u>	Gear, Crank	1
31	<u>102630201</u>	Slinger, Oil	1
32	<u>102630301</u>	O Ring, 23 X 26	1
33	<u>102630401</u>	Collar, Crankshaft	1
34	<u>102630901</u>	Circlip, Piston Pin	6
35	<u>102631001</u>	Pin, Piston	3
36	<u>102728101</u>	Piston, D722, Std	3
37	<u>102728102</u>	Piston, D722, +0.25	3

7

D

7

D



000049-001

FLYWHEEL

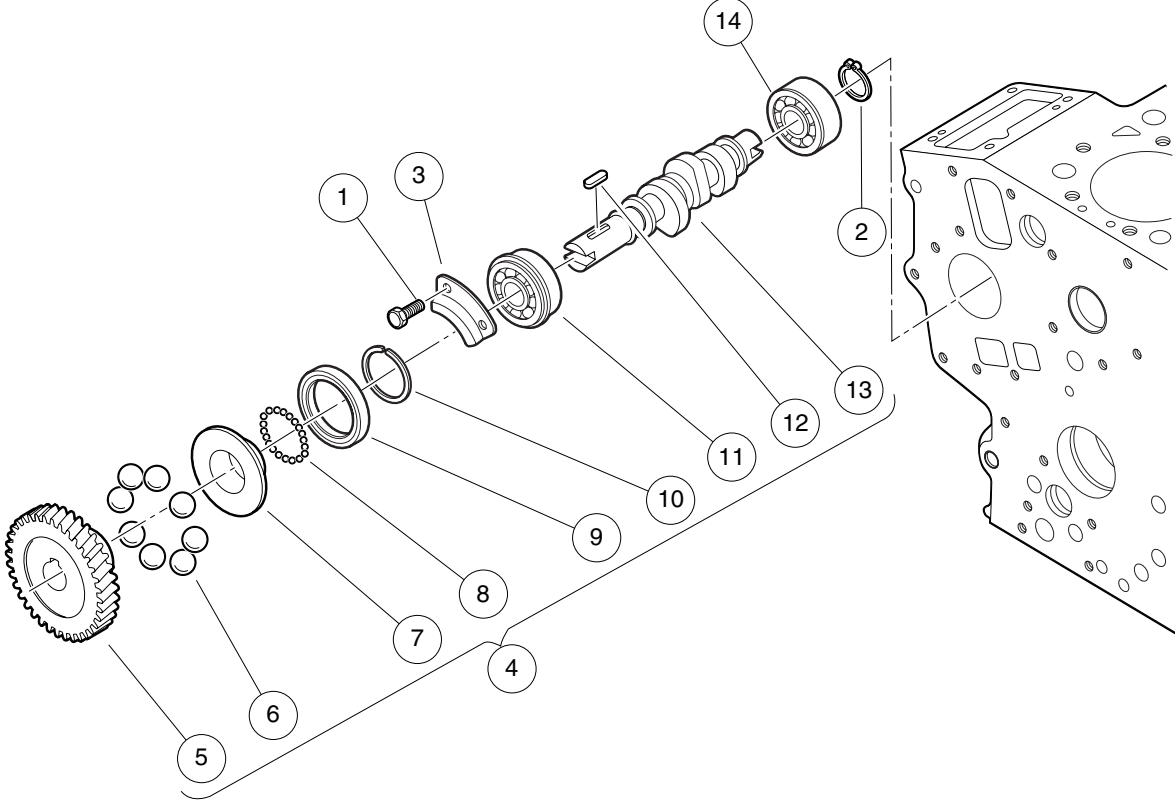
ITEM	PART NO.	DESCRIPTION	QTY
		1 2 3 4	
1	<u>102647501</u>	Plate, Rear End	1
2	<u>102647801</u>	Flywheel (includes items 3 and 4)	1
3	<u>102647901</u>	Gear, Ring, D722	1
4	N/A	Flywheel	1
5	<u>102648001</u>	Bolt, Flange Head, M10 X 1.5 X 25	5
6	<u>102728301</u>	Bolt, End Plate	10

7

D

7

D



000050-001

SHAFT

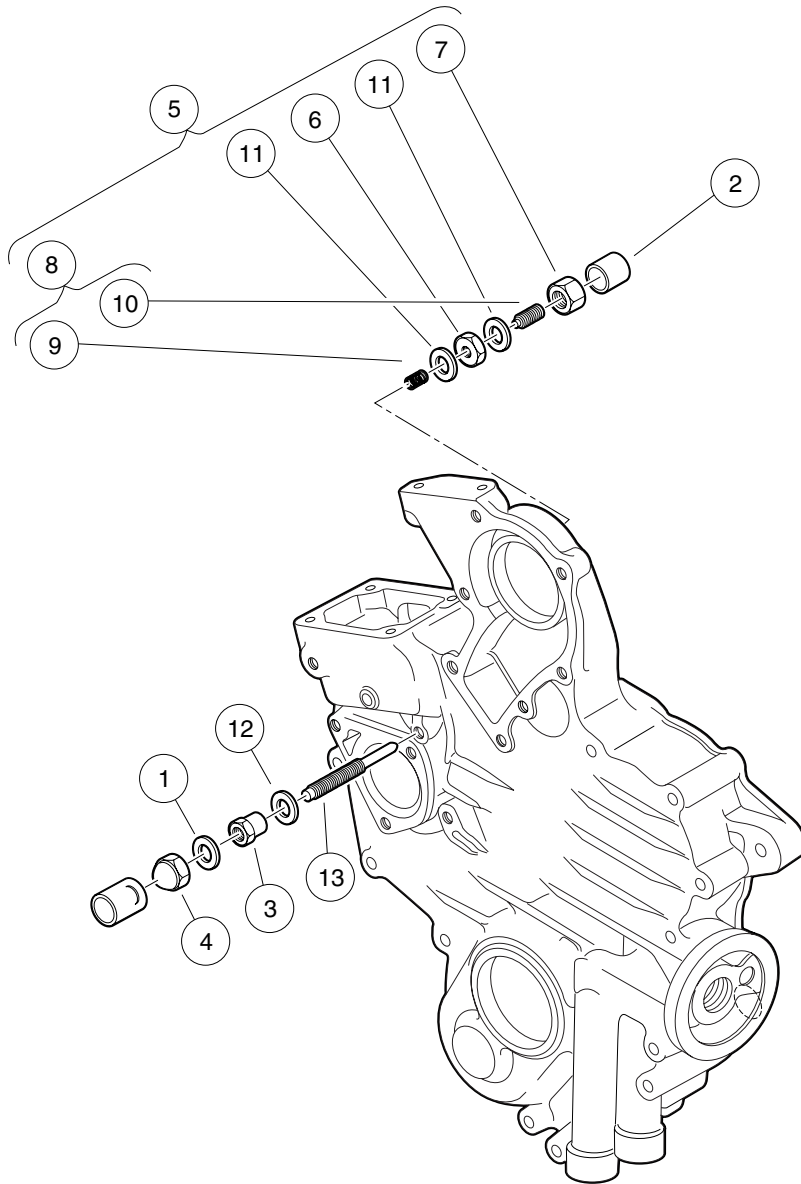
ITEM	PART NO.	DESCRIPTION	QTY
		1 2 3 4	
1	<u>102604201</u>	Bolt, D722, Cam End	2
2	<u>102604701</u>	Circlip, External	1
3	<u>102604801</u>	Stopper, Fuel, C/shaft	1
4	<u>102728401</u>	Assy, Fuel Camshaft (includes items 5 through 13)	1
5	<u>102603601</u>	Gear, Injection Pump	1
6	<u>102603701</u>	Ball, Injection Pump	8
7	<u>102603801</u>	Sleeve, Governor	1
8	<u>102603901</u>	Ball, Governor	32
9	<u>102604001</u>	Case, Governor Ball	1
10	<u>102604101</u>	Circlip	1
11	<u>102604301</u>	Bearing, Ball	1
12	<u>102604401</u>	Key, Feather, Short Camshaft	1
13	<u>102604501</u>	Camshaft, Fuel, Short	1
14	<u>102728501</u>	Bearing, Ball	1

7

D

7

D



000051-002

IDLE APPARATUS

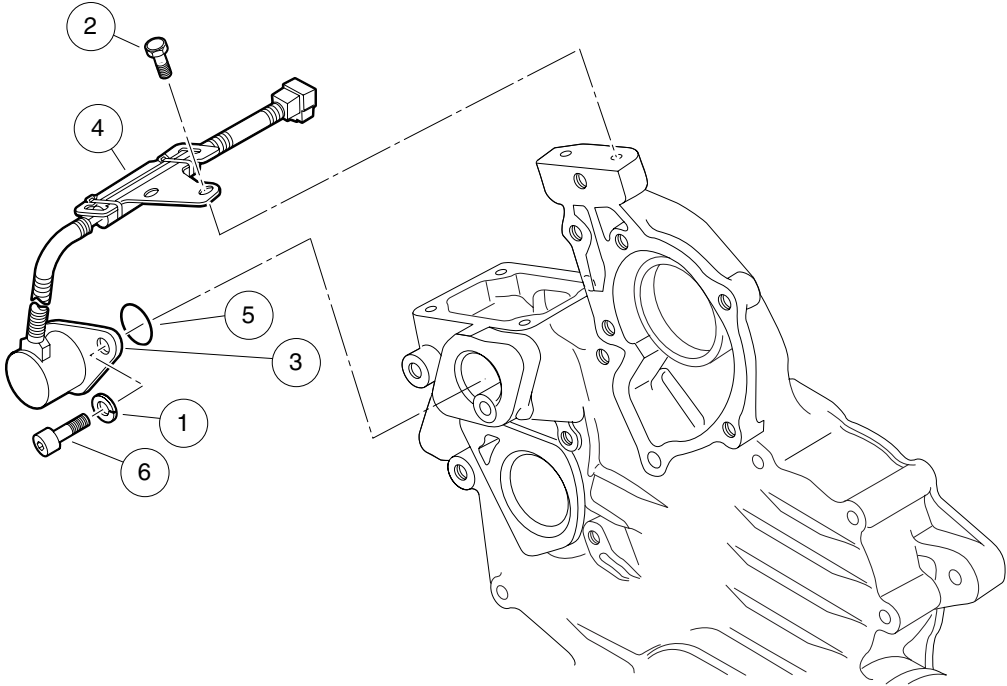
7

ITEM	PART NO.	DESCRIPTION	QTY
		1 2 3 4	
1	<u>102635301</u>	Gasket, 6 X 10	1
2	<u>102635701</u>	Cap, Bolt Assy	1
3	<u>102637001</u>	Nut, Lock, Special	1
4	<u>102637101</u>	Nut, Special	1
5	<u>102728601</u>	Assy, Idle Apparatus (includes items 6 through 11)	1
6	<u>102635501</u>	Nut, M8, D722 Idle App, Specl	1
7	<u>102635801</u>	Nut, M8, D722 Idle App	1
8	<u>102635901</u>	Assy, Bolt, Adjusting (includes items 9 and 10)	1
9	N/A	Spring, Idle Apparatus	1
10	N/A	Stud, Idle Adjustment	1
11	<u>102728801</u>	Gasket, Idle Apparatus, Rear	2
12	<u>102728901</u>	Gasket, Idle Apparatus, Front	1
13	<u>102799501</u>	Bolt, Idle Adjusting	1

D

7

D



000182-001

STOP SOLENOID

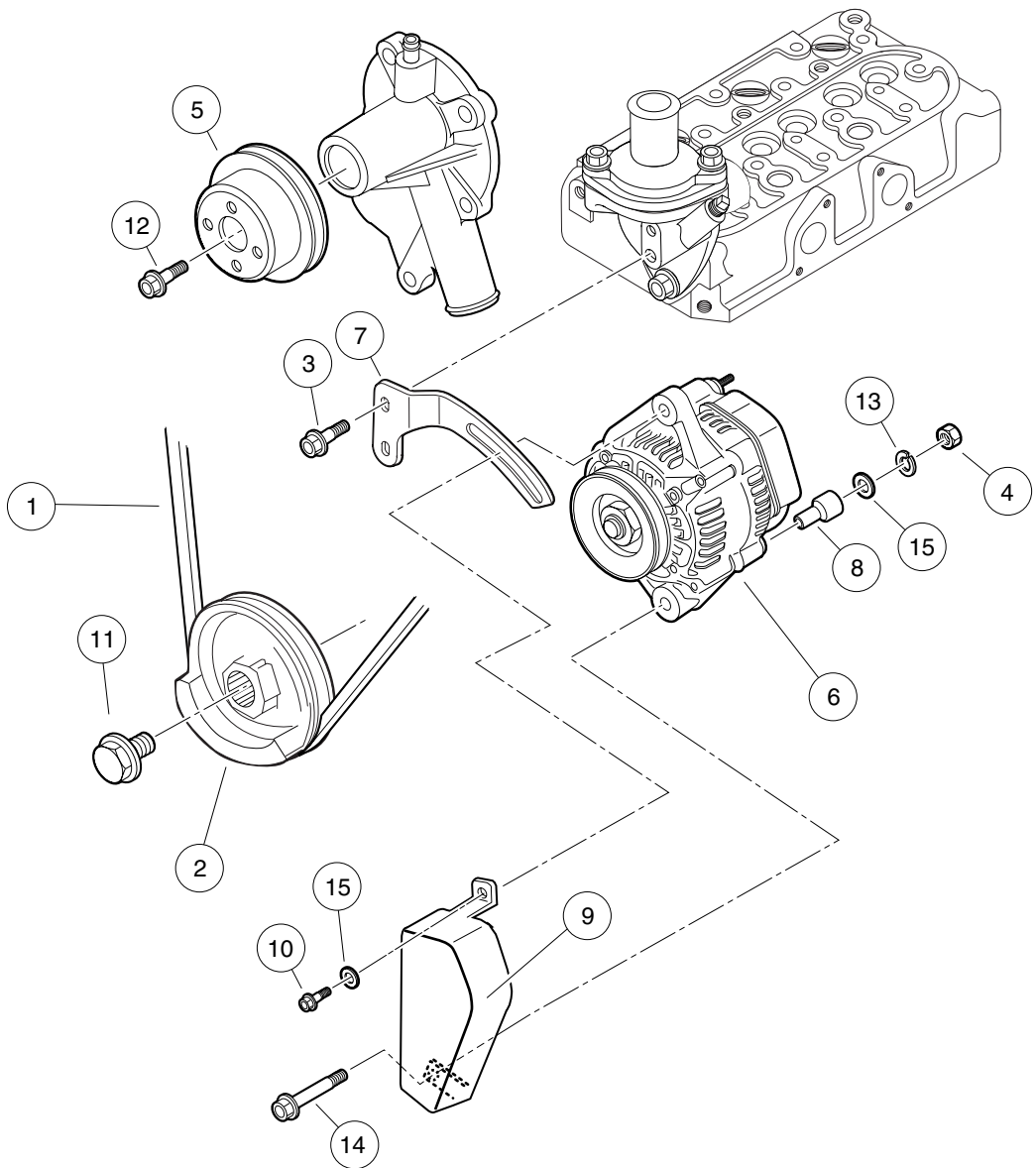
ITEM	PART NO.	DESCRIPTION	QTY
		1 2 3 4	
1	<u>102640601</u>	Washer, Spring, M6, D722	2
2	<u>102729101</u>	Bolt, Solenoid, Stop, D722	2
3	<u>102799601</u>	Solenoid, Stop	1
4	<u>102799701</u>	Stay, Stop Solenoid	1
5	<u>102799801</u>	O-Ring, Stop Solenoid	1
6	N/A	Bolt, Stop Solenoid	2

7

D

7

D



000057-002

40-AMP ALTERNATOR

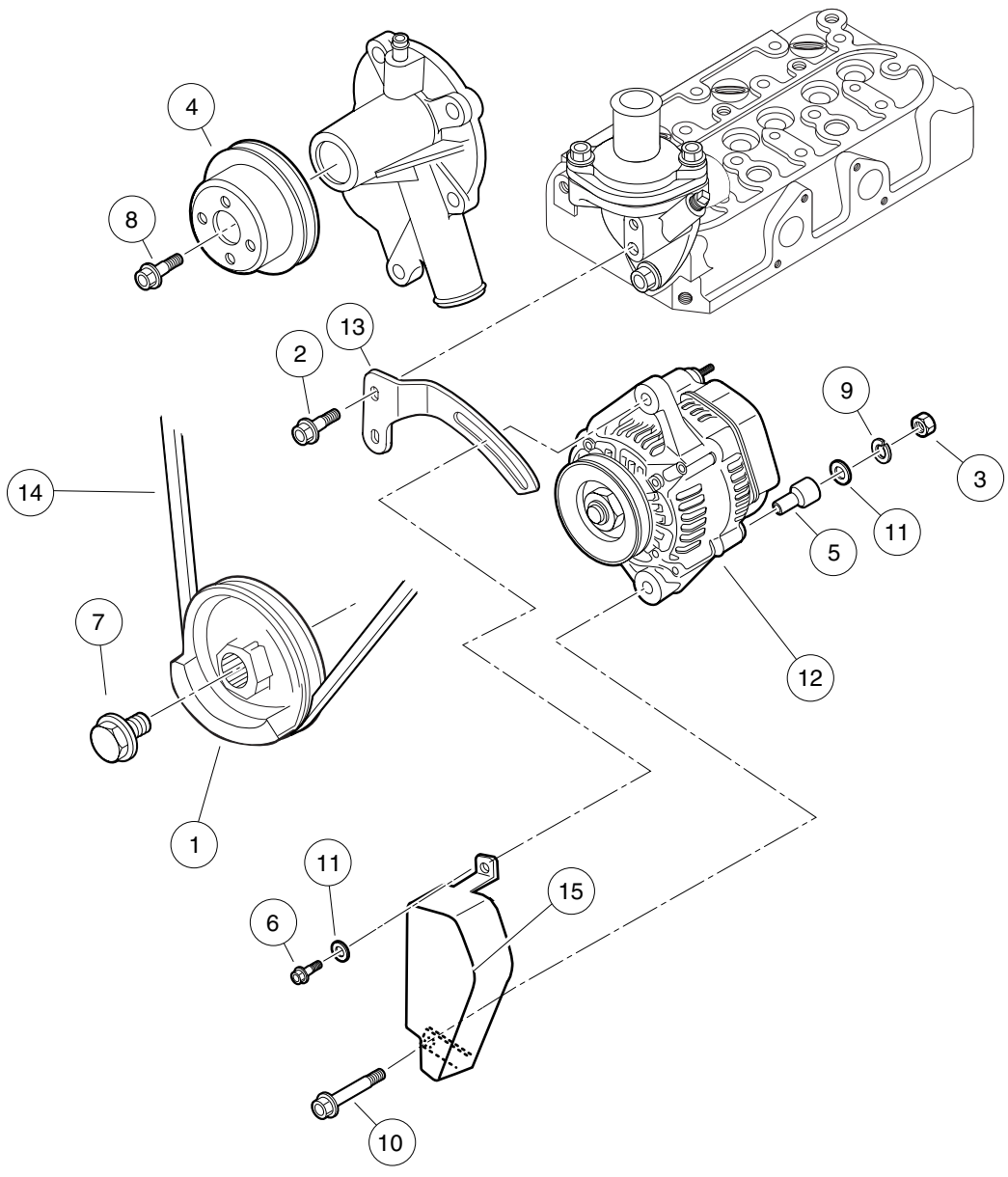
ITEM	PART NO.	DESCRIPTION	QTY
		1 2 3 4	
1	<u>102601101</u>	V-Belt	1
2	<u>102630601</u>	Pulley, Fan Drive	1
3	<u>102631601</u>	Bolt, M6 X 1 X 20	2
4	<u>102647701</u>	Nut, M8, Plate	1
5	<u>102701201</u>	Pulley, Water Pump	1
6	<u>102730001</u>	Alternator, 40-Amp	1
7	<u>102730101</u>	Stay, Alternator Assy, D722	1
8	<u>102730201</u>	Collar, Alternator Assy, D722	1
9	<u>102730301</u>	Cover, Alternator Assy, D722	1
10	<u>102730401</u>	Bolt, Alt, D722, Adjuster	1
11	<u>102730601</u>	Bolt, Alt, D722, Drive Pulley	1
12	<u>102731301</u>	Bolt, D722, Drive Pulley	4
13	<u>102732501</u>	Washer, Spring, D722, Starter	1
14	<u>102800701</u>	Bolt, Alternator, Lower	1
15	<u>102801001</u>	Washer, Alternator, Upper	2

7

D

7

D



000057-003

60-AMP ALTERNATOR

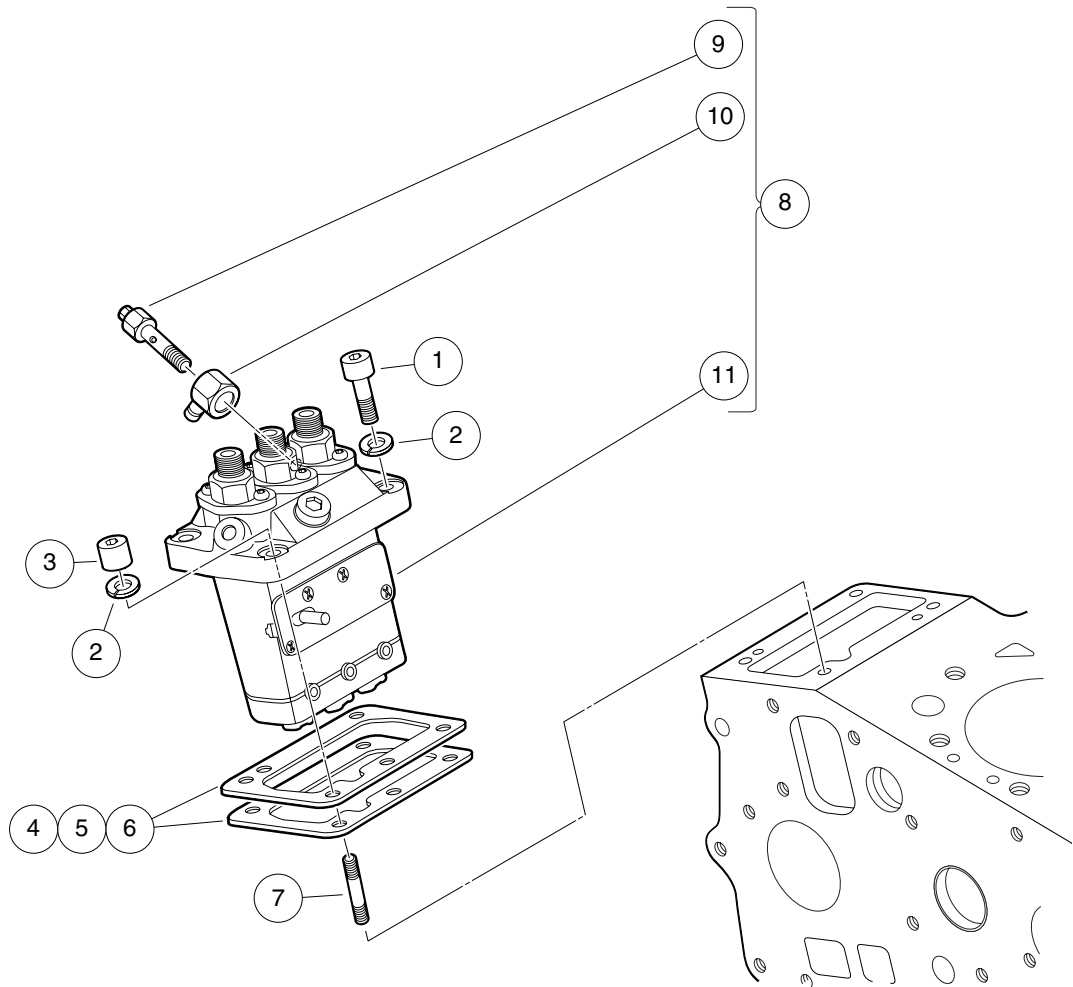
ITEM	PART NO.	DESCRIPTION	QTY
		1 2 3 4	
1	<u>102630601</u>	Pulley, Fan Drive	1
2	<u>102631601</u>	Bolt, M6 X 1 X 20	2
3	<u>102647701</u>	Nut, M8, Plate	1
4	<u>102701201</u>	Pulley, Water Pump	1
5	<u>102730201</u>	Collar, Alternator Assy, D722	1
6	<u>102730401</u>	Bolt, Alt, D722, Adjuster	1
7	<u>102730601</u>	Bolt, Alt, D722, Drive Pulley	1
8	<u>102731301</u>	Bolt, D722, Drive Pulley	4
9	<u>102732501</u>	Washer, Spring, D722, Starter	1
10	<u>102800701</u>	Bolt, Alternator, Lower	1
11	<u>102801001</u>	Washer, Alternator, Upper	2
12	<u>102934701</u>	Alternator, 60 Amp	1
13	<u>102934801</u>	Brkt, Alt, D722, 60 Amp	1
14	<u>102934901</u>	Belt, Acc Drive, D722, 60 Amp	1
15	<u>103239901</u>	Guard, Acc Belt	1

7

D

7

D



000053-002

INJECTION PUMP

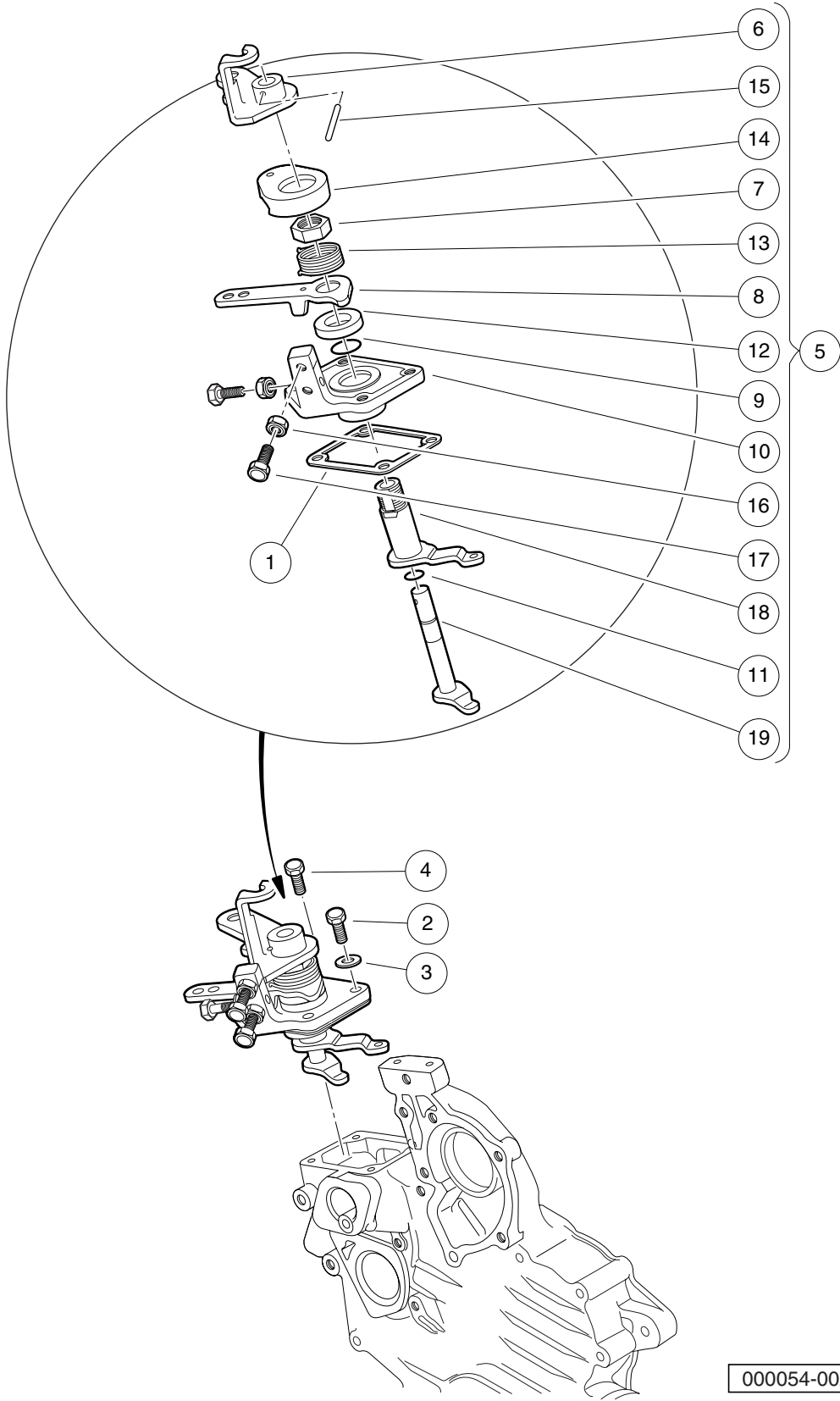
ITEM	PART NO.	DESCRIPTION	QTY
		1 2 3 4	
1	<u>102640501</u>	Bolt, Hex-Head, M5 X 0.75 X	2
2	<u>102640601</u>	Washer, Spring, M6, D722	4
3	<u>102640701</u>	Nut, Special	2
4	<u>102640901</u>	Shim, Injection Pump, 0.20 mm	A/R
5	<u>102641001</u>	Shim, Injection Pump, 0.25 mm	A/R
6	<u>102641101</u>	Shim, Injection Pump, 0.30 mm	A/R
7	<u>102641201</u>	Stud, M5 X 25	2
8	<u>102800101</u>	Assembly, Fuel Injection Pump (includes items 9 through 11)	1
9	N/A	Screw, Hollow, D722, Inj Pump	1
10	<u>102640401</u>	Joint, Eye	1
11	N/A	Pump, Injection	1

7

D

7

D



000054-002

SPEED CONTROL PLATE

ITEM	PART NO.	DESCRIPTION	QTY
		1 2 3 4	
1	<u>102634501</u>	Gasket, Control Plate	1
2	<u>102635201</u>	Bolt, M6 X 1 X 30	2
3	<u>102635301</u>	Gasket, 6 X 10	2
4	<u>102654301</u>	Bolt, D722 Intake Manfld Lower	2
5	<u>102800401</u>	Assembly, Speed Plate (includes items 6 through 19)	1
6	<u>102633701</u>	Lever, Engine Stop	1
7	<u>102633801</u>	Nut, Speed Control	1
8	<u>102633901</u>	Lever, Speed Control	1
9	<u>102634001</u>	O Ring, 19 X 16	1
10	<u>102634101</u>	Plate, Speed Control	1
11	<u>102634401</u>	O Ring, 9 X 7	1
12	<u>102634601</u>	Collar, Lever	1
13	<u>102634701</u>	Spring, Return	1
14	<u>102729401</u>	Cap, Speed Cntrl Plate Rtrn	1
15	<u>102729501</u>	Pin, Spring, Speed Plate	1
16	N/A	Nut, Speed Control	2
17	N/A	Bolt, Speed Control	2
18	<u>102800501</u>	Lever, Governor	1
19	<u>102800601</u>	Shaft, Governor Lever	1

7

D

NOZZLE HOLDERS AND GLOW PLUGS

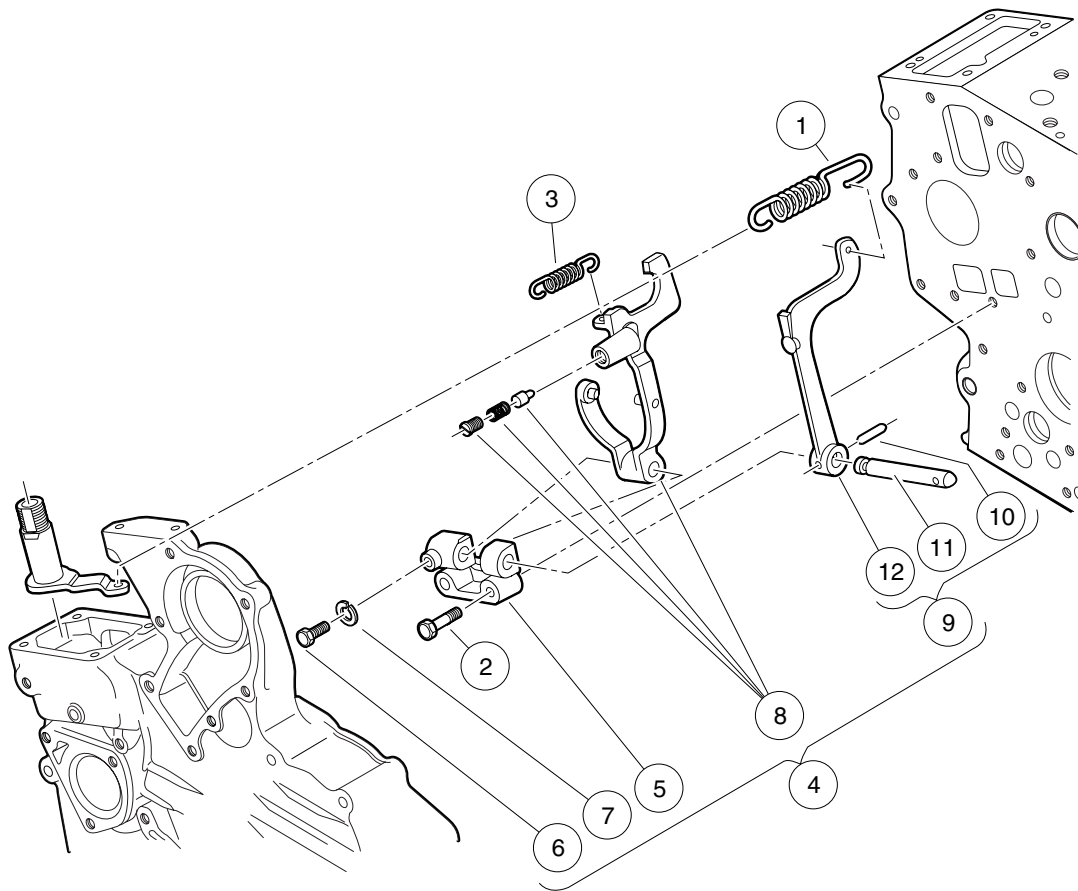
ITEM	PART NO.	DESCRIPTION	QTY
		1 2 3 4	
1	<u>102605701</u>	Assy Pipe, D722 Fuel Over Flow	1
2	<u>102635301</u>	Gasket, 6 X 10	1
3	<u>102642401</u>	Cord, Glow Plug	1
4	<u>102642501</u>	Nut, Flange,m4	3
5	<u>102642601</u>	Glow Plug	3
6	<u>102642801</u>	Screw, Washer	2
7	<u>102642901</u>	Clamp, Pipe, Top	2
8	<u>102643001</u>	Pipe, Injection, Left	1
9	<u>102643101</u>	Pipe, Injection, Right	1
10	<u>102643201</u>	Pipe, Injection, Middle	1
11	<u>102643301</u>	Clamp, Pipe, Bottom	2
12	<u>102643401</u>	Assy Pipe, Over Flow (includes items 13 and 14)	1
13	<u>102729601</u>	Clip, Pipe, Return	2
14	N/A	Hose, Overflow	1
15	<u>102643701</u>	Screw, Air Bleeder	1
16	<u>102729701</u>	Kit, Holder, Nozzle (includes items 17 through 19)	3
17	<u>102641501</u>	Assembly, Nozzle Holder	3
18	<u>102642701</u>	Seal, Heat	3
19	<u>102643601</u>	Gasket, Nozzle	3

7

D

7

D



000056-002

GOVERNOR COMPONENTS

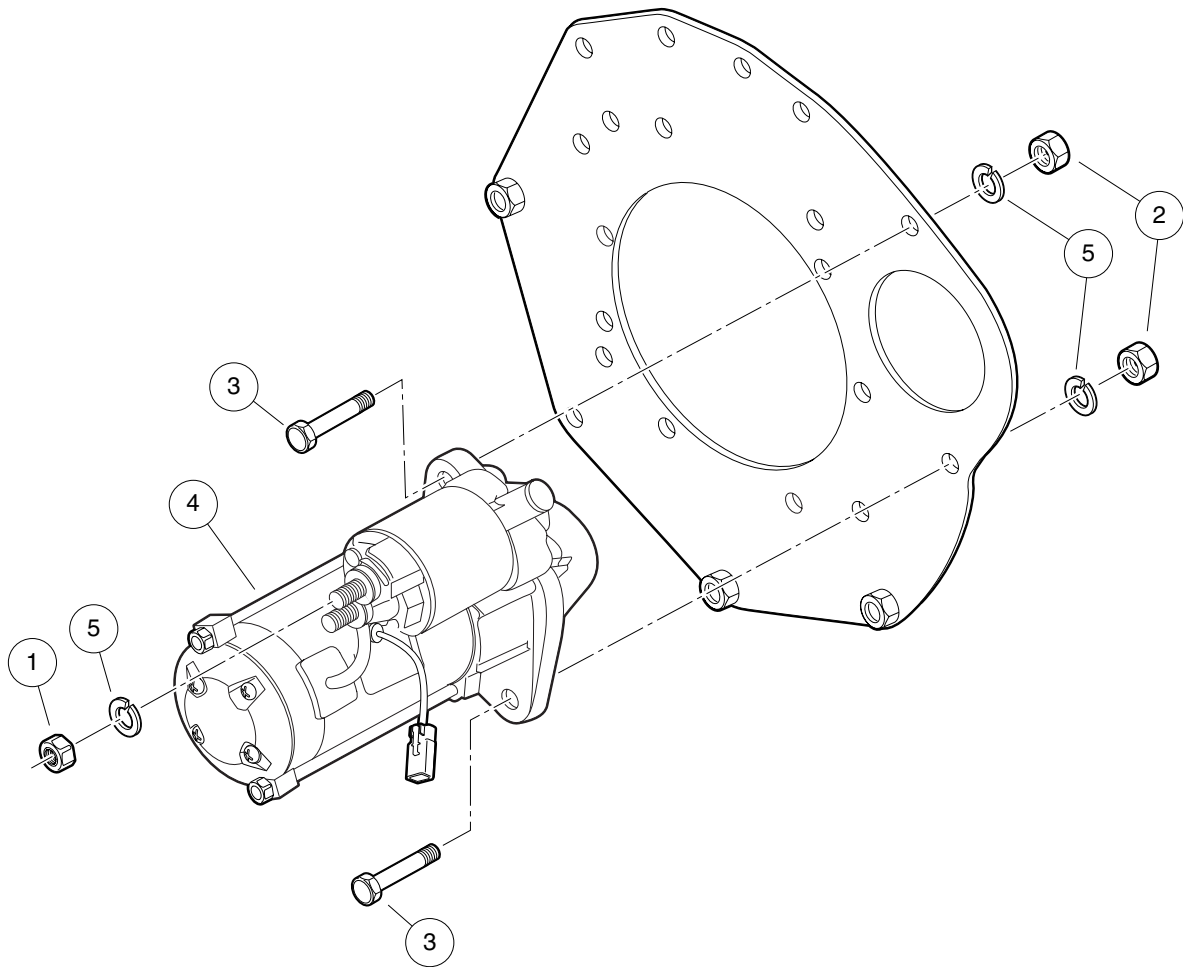
ITEM	PART NO.	DESCRIPTION	QTY
		1 2 3 4	
1	<u>102635101</u>	Spring, Governor	1
2	<u>102636301</u>	Bolt, M5 X 0.75 X 25	2
3	<u>102800201</u>	Spring, Start	1
4	<u>102800301</u>	Assembly, Governor Fork (includes items 5 through 9)	1
5	<u>102636201</u>	Holder, Fork Lever	1
6	<u>102636401</u>	Bolt, M5 X 0.75 X 11	1
7	<u>102636501</u>	Washer, Spring, M5	1
8	N/A	Lever, Fork, Middle, D722 CB	1
9	N/A	Assembly, Governor Fork Level, Lower, D722 CB (includes items 10 through 12)	1
10	<u>102633601</u>	Pin, Spring	1
11	<u>102636601</u>	Shaft, Fork Lever	1
12	N/A	Lever, Fork, End, D722 CB	1

7

D

7

D



000058-001

STARTER

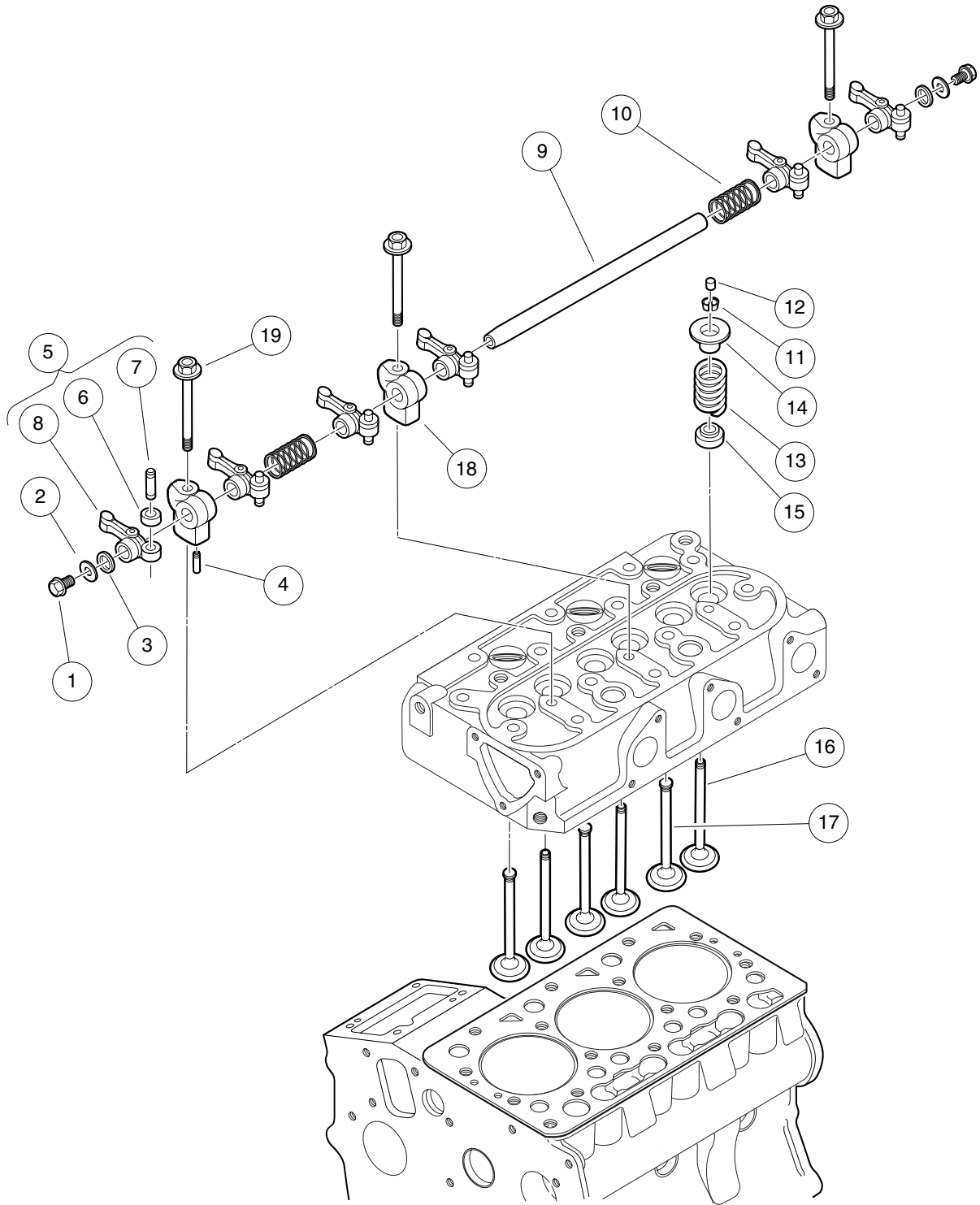
ITEM	PART NO.	DESCRIPTION	QTY
		1 2 3 4	
1	<u>102645501</u>	Nut, D722, Starter	2
2	<u>102647701</u>	Nut, M8, Plate	2
3	<u>102648401</u>	Bolt, M8 X 1.25 X 28	2
4	<u>102648501</u>	Motor, Starter	1
5	<u>102732501</u>	Washer, Spring, D722, Starter	4

7

D

7

D



000062-002

VALVES AND ROCKER ARMS

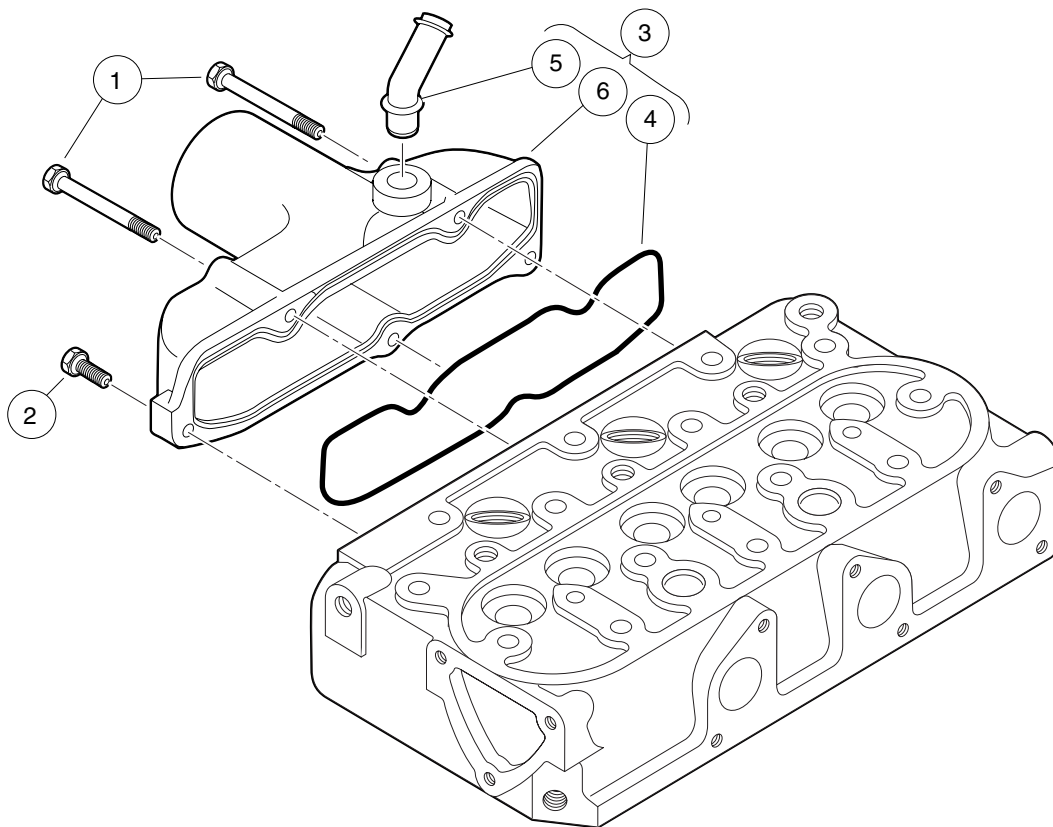
ITEM	PART NO.	DESCRIPTION	QTY
		1 2 3 4	
1	<u>102646401</u>	Bolt, M6 X 1 X 8	2
2	<u>102651301</u>	Washer, D722, Plain, Rocker	2
3	<u>102651601</u>	Washer, Rocker Arm	2
4	<u>102651801</u>	Pin, Spring, D722, Rocker	1
5	<u>102652001</u>	Assy Rocker Arm (includes items 6 through 8)	6
6	<u>102651501</u>	Nut, M6	6
7	<u>102651701</u>	Screw-Adjusting	6
8	N/A	Arm, Rocker	1
9	<u>102652601</u>	Shaft, Rocker Arm	1
10	<u>102652701</u>	Spring, Rocker Arm	2
11	<u>102652901</u>	Collet, Valve Spring, Set	6
12	<u>102653001</u>	Cap, Valve, D722	6
13	<u>102653101</u>	Spring, Valve	6
14	<u>102653201</u>	Retainer, Spring	6
15	<u>102653301</u>	Seal, Valve Stem	6
16	<u>102653601</u>	Valve, Exhaust	3
17	<u>102653701</u>	Valve, Inlet	3
18	<u>102801101</u>	Bracket, Rocker Arm, D722 Closed-Breather	3
19	<u>102801201</u>	Bolt, Rocker Arm	3

7

D

7

D



000063-002

DIESEL INLET MANIFOLD

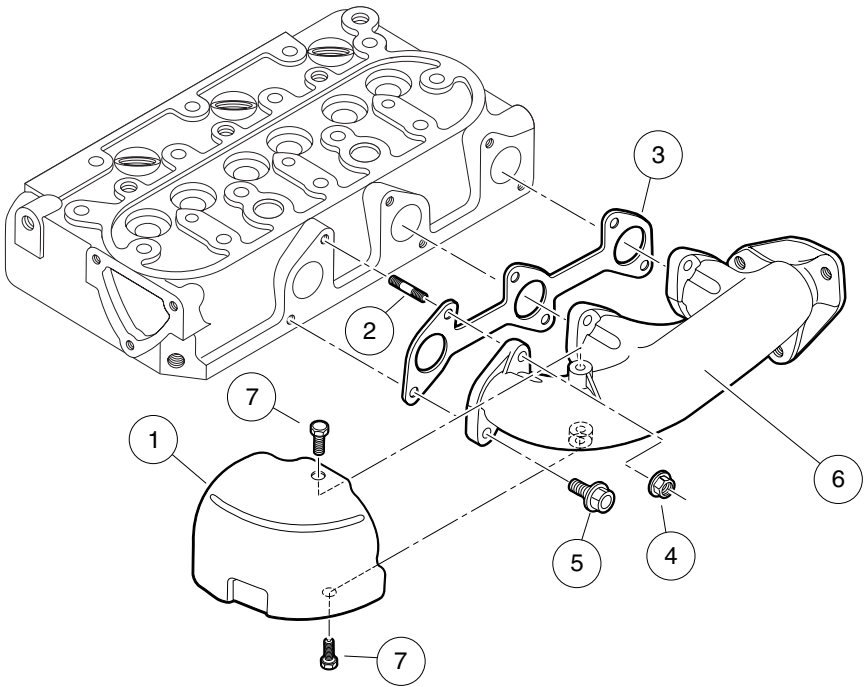
ITEM	PART NO.	DESCRIPTION	QTY
		1 2 3 4	
1	<u>102646101</u>	Bolt, M6 X 1 X 45	3
2	<u>102654301</u>	Bolt, D722 Intake Manfld Lower	2
3	<u>102801301</u>	Assembly, Intake Manifold (includes items 4 through 6)	1
4	<u>102646001</u>	Gasket, Intake Manifold	1
5	<u>102801401</u>	Pipe, Breather	1
6	N/A	Manifold, Intake	1

7

D

7

D



000064-001

EXHAUST MANIFOLD

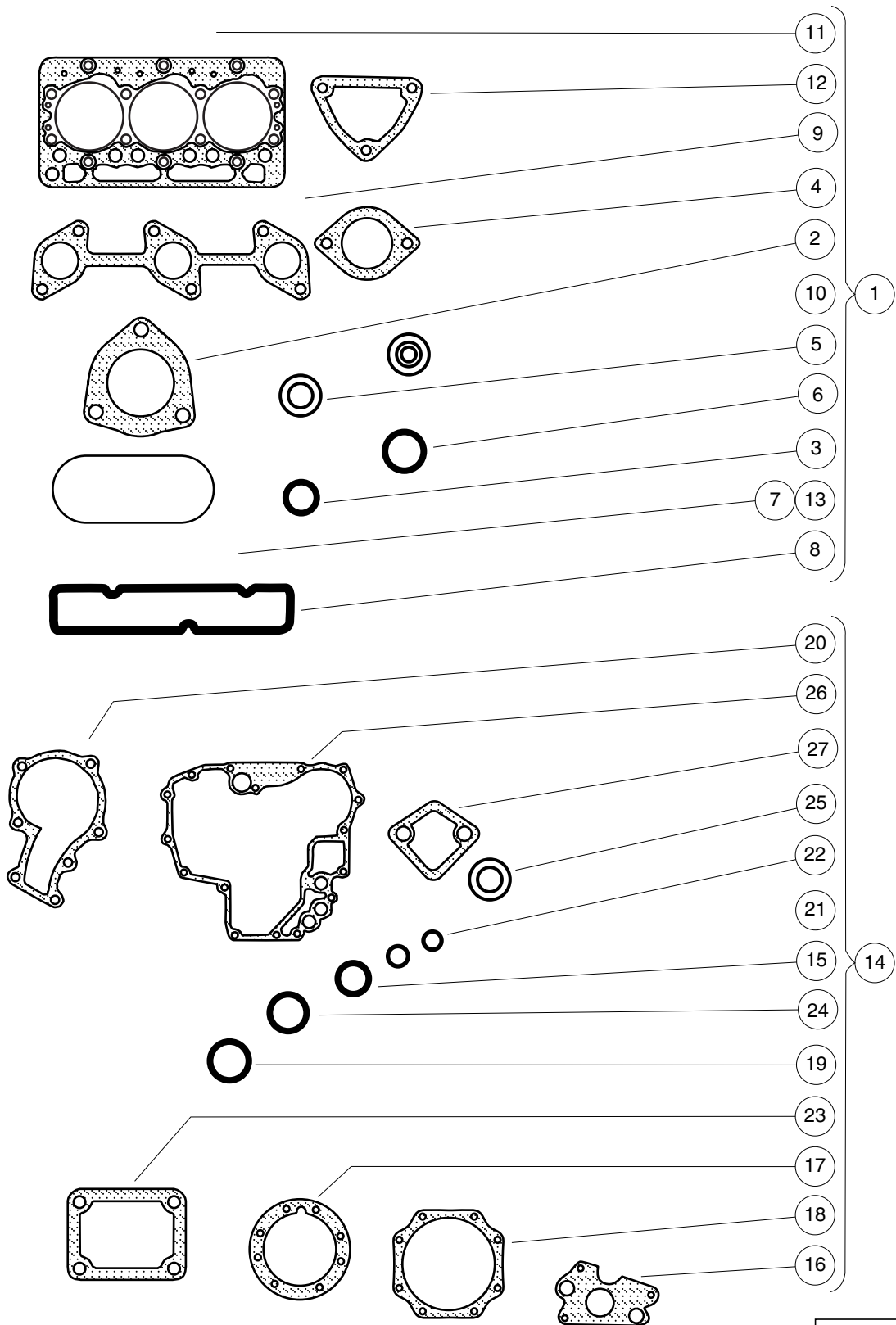
ITEM	PART NO.	DESCRIPTION	QTY
		1 2 3 4	
1	<u>102646301</u>	Cover, Heat Proof	1
2	<u>102646501</u>	Stud, M6 X 26	3
3	<u>102646601</u>	Gasket, Ex-manifold	1
4	<u>102647101</u>	Nut, Flange, M6, Ubs	3
5	<u>102647201</u>	Bolt, Flange Head, M6 X 1 X 16	3
6	<u>102731501</u>	Manifold, Exhaust, D722	1
7	<u>102731601</u>	Bolt, D722, Exhst Manfld Cover	2

7

D

7

D



000065-001

GASKET KITS

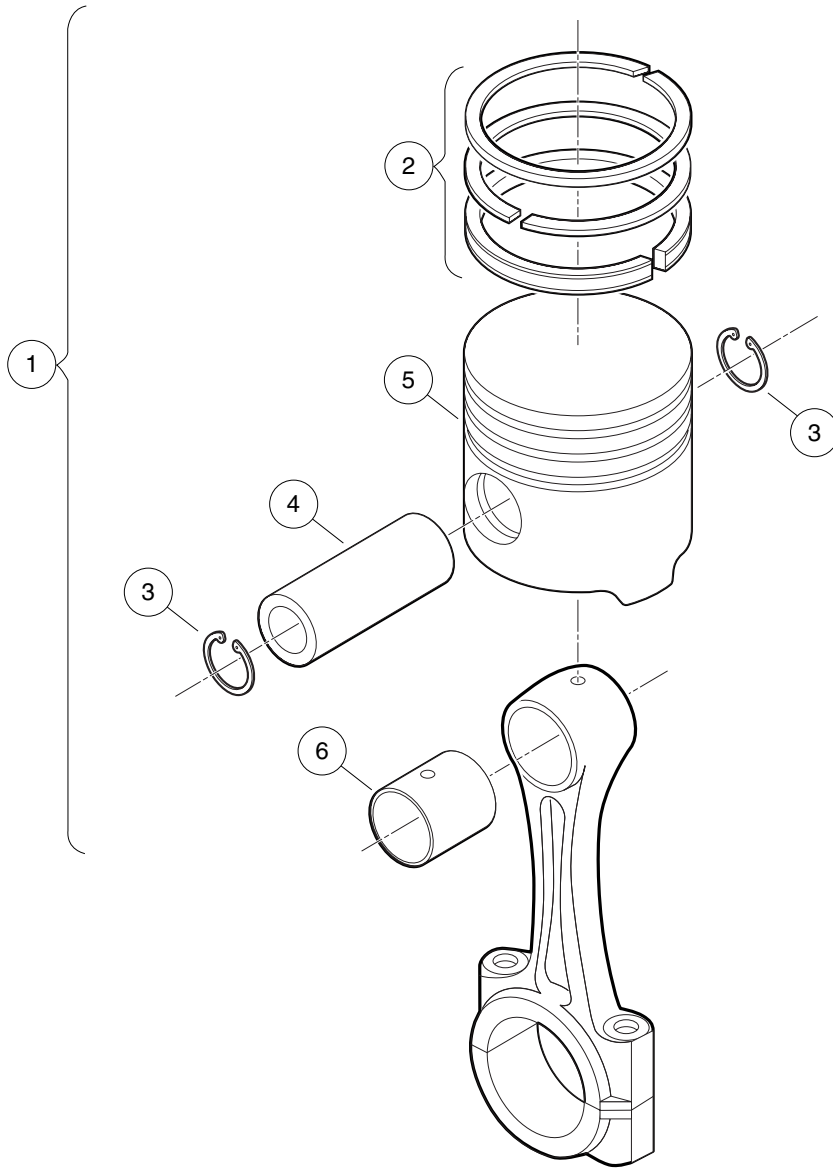
ITEM	PART NO.	DESCRIPTION	QTY
		1 2 3 4	
1	<u>102731801</u>	Kit, Gasket Upper, D722 (includes items 2 through 13)	1
2	<u>102422301</u>	Gasket, Exhaust Diesel	1
3	<u>102600301</u>	O Ring, 8 X 7	1
4	<u>102633401</u>	Gasket, Thermostat	1
5	<u>102635301</u>	Gasket, 6 X 10	3
6	<u>102644001</u>	O Ring, 30 X 36	1
7	<u>102644501</u>	Gasket, Head Cover	1
8	<u>102646001</u>	Gasket, Intake Manifold	1
9	<u>102646601</u>	Gasket, Ex-manifold	1
10	<u>102653301</u>	Seal, Valve Stem	6
11	<u>102654101</u>	Gasket, Cylinder Head	1
12	<u>102654701</u>	Gasket, Water Flange	1
13	<u>102798501</u>	Gasket, Cylinder Head Cover	1
14	<u>102731901</u>	Kit, Gasket Lower, D722 (includes items 15 through 27)	1
15	<u>102601801</u>	O Ring, 18 X 13	3
16	<u>102606601</u>	Gasket, Oil Pump	1
17	<u>102608201</u>	Gasket, Bearing Case	1
18	<u>102608301</u>	Gasket, Cover	1
19	<u>102630301</u>	O Ring, 23 X 26	1
20	<u>102632701</u>	Gasket, Water Pump, D722	1
21	<u>102634001</u>	O Ring, 19 X 16	1
22	<u>102634401</u>	O Ring, 9 X 7	1
23	<u>102634501</u>	Gasket, Control Plate	1
24	<u>102654601</u>	O Ring, 20 X 17	1
25	<u>102728801</u>	Gasket, Idle Apparatus, Rear	2
26	<u>102729301</u>	Gasket, Gearcase, D722	1
27	<u>102732601</u>	Gasket, Fuel Pump, D722	1

7

D

7

D



000066-001

PISTON KIT

7

ITEM	PART NO.	DESCRIPTION	QTY
		1 2 3 4	
1	<u>102732001</u>	Kit, Piston Rebuild, D722 (includes items 2 through 6)	1
2	<u>102607601</u>	Assy Piston Ring, D722 Std	1
3	<u>102630901</u>	Circlip, Piston Pin	2
4	<u>102631001</u>	Pin, Piston	1
5	<u>102728101</u>	Piston, D722, Std	1
6	<u>102732201</u>	Bushing, Piston Pin, D722	1

D

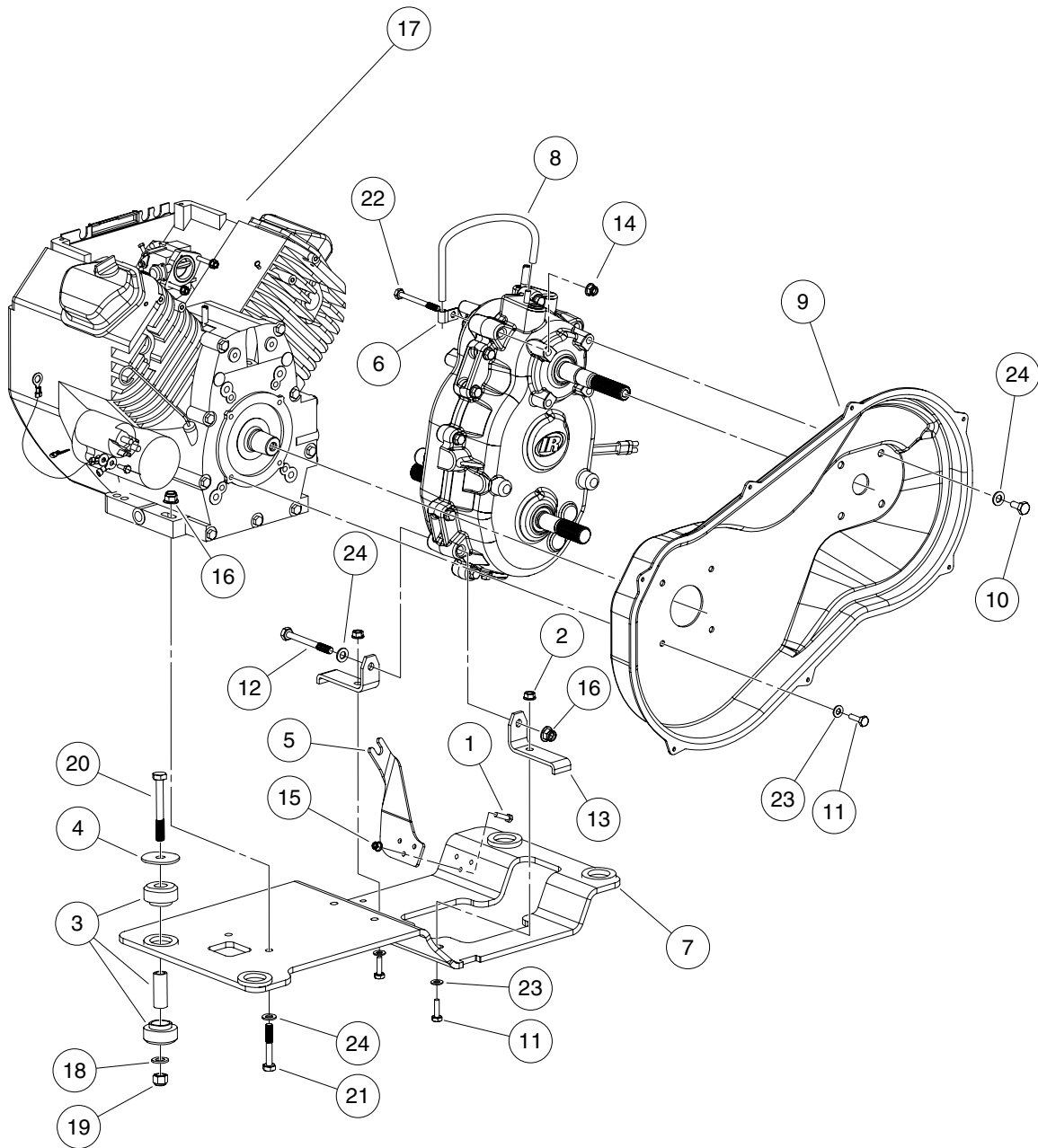
7

D

HONDA GX620 GASOLINE ENGINE

8

G

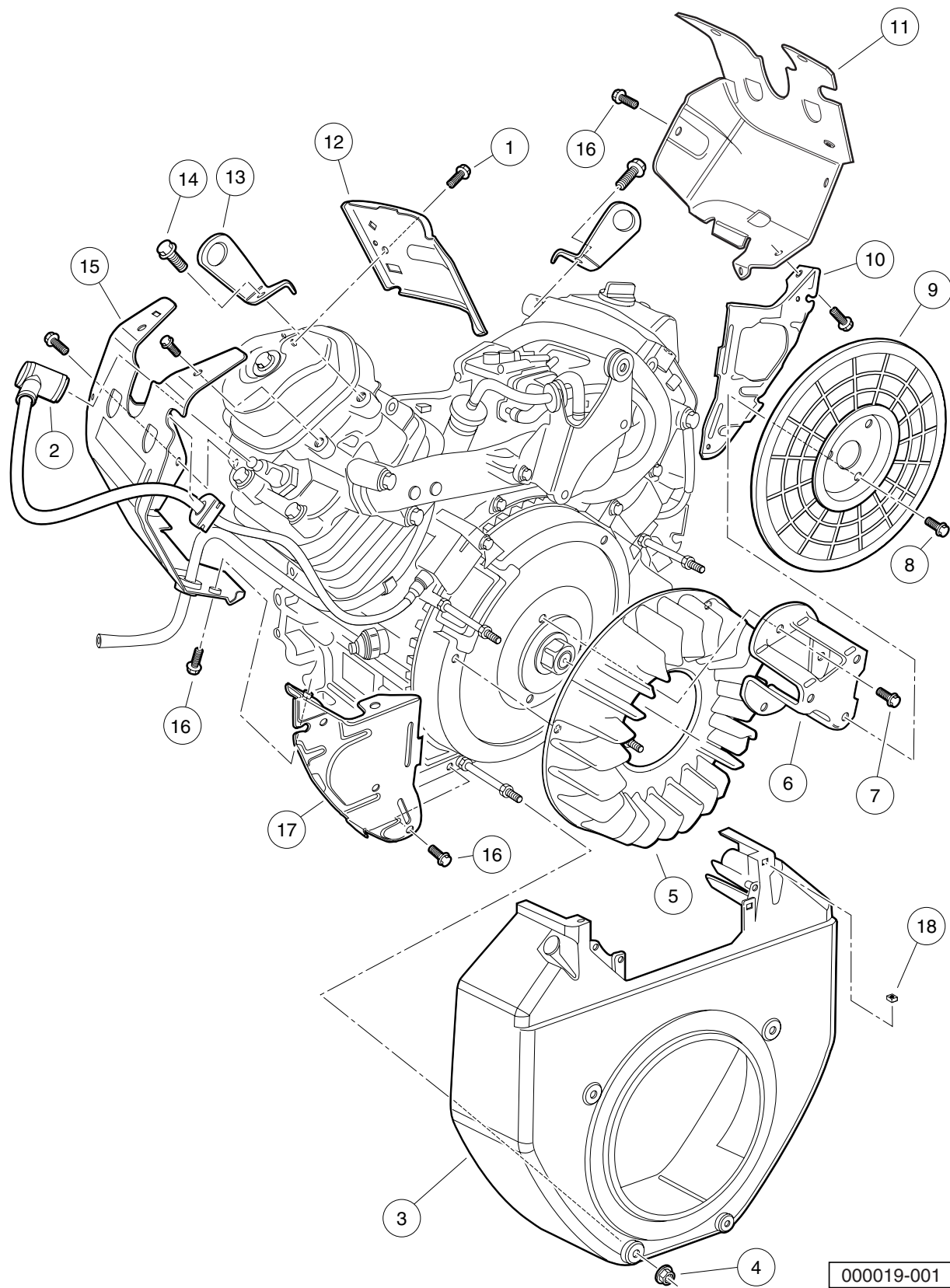


000025-003

HONDA GX620 GASOLINE ENGINE MOUNTING

ITEM	PART NO.	DESCRIPTION	QTY
		1 2 3 4	
1	<u>1012769</u>	Screw, M6-1.00 X 25mm Hex Cap	3
2	<u>102298401</u>	Nut,m8,all Metal Lock	2
3	<u>102370501</u>	Isolator Ring and Bushing	4
4	<u>102370601</u>	Washer, Snubbing, Ring N Bush	4
5	<u>102382401</u>	Bracket, FNR Trans Cable	1
6	<u>102410603</u>	P-Clamp, Insulated .312 In	1
7	<u>102414901</u>	Plate, Eng Mtg, Weld, Honda	1
8	<u>102462301</u>	Hose, Vent, Transmission	1
9	<u>102462502</u>	Cover, CVT Inner, Honda	1
10	<u>102490101</u>	Bolt, M10 X 1.5 X 20 Loctite	4
11	<u>102490201</u>	Bolt, M8 X 1.25 X 25 Loctite	6
12	<u>102490501</u>	Bolt, M10 X 1.5 X 100 Loctite	1
13	<u>102494401</u>	Bracket, Transmission Mounting	2
14	<u>102618601</u>	Lock Nut, Flg M8 X 1.25 Nylon	1
15	<u>102621501</u>	Nut Flg, M6 X 1.0 Nylon	3
16	<u>102670701</u>	Nut Flg M10 X 1.5 Nylon	5
17	<u>103252201</u>	Engine, Honda, No Acr	1
18	<u>96701412</u>	Washer, M12 Hard	4
19	N/A	Locknut, M12x1.75 Nylon Insert	4
20	<u>96704721</u>	Bolt, M12 X 1.75 X 90	4
21	<u>96704960</u>	Bolt, M10 X 1.5 X 60	4
22	<u>96718978</u>	Bolt, M8 X 1.25 X 80	1
23	<u>96741038</u>	Washer, M8 Hard	6
24	<u>96741046</u>	Washer, M10 Hard	9

8
G



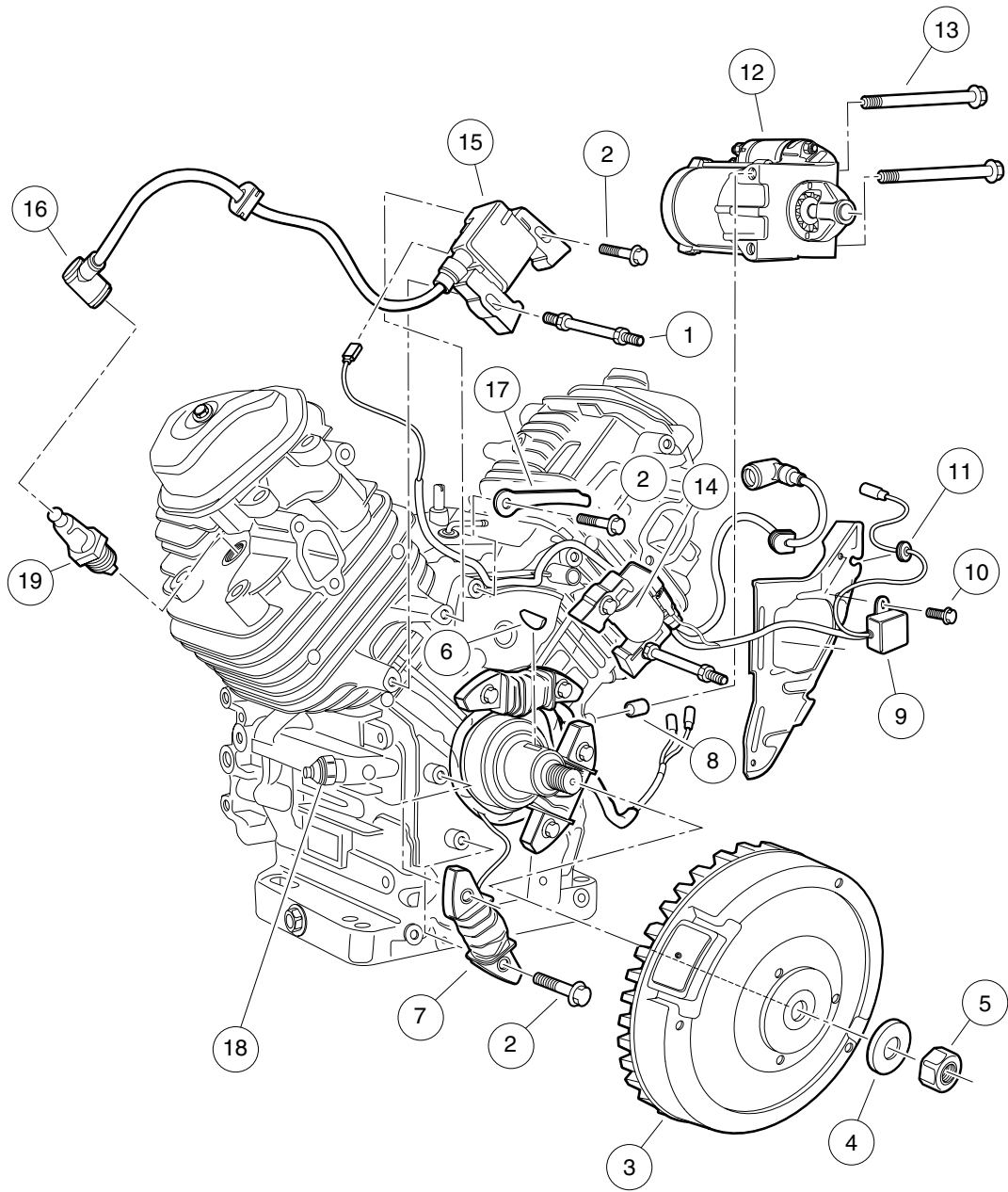
000019-001

SHROUDS AND BRACKETS

ITEM	PART NO.	DESCRIPTION	QTY
		1 2 3 4	
1	<u>102657501</u>	Bolt, Flange Head, M6 X 11 X 4	2
2	<u>102666201</u>	Cap Assy, Noise Suppressor	2
3	<u>102666801</u>	Cover, Fan, Bright Red	1
4	<u>102666901</u>	Nut, Flange, M6	4
5	<u>102667001</u>	Fan, Cooling	1
6	<u>102667101</u>	Holder, Screen Grid	1
7	<u>102667201</u>	Bolt, Flange Head, M8 X 1.25 X 16	3
8	<u>102667301</u>	Bolt, Flange Head, M6 X 1 X 12	3
9	<u>102667401</u>	Grid Screen, PTO	1
10	<u>102667501</u>	Plate, R Side	1
11	<u>102667601</u>	Shroud, R	1
12	<u>102667701</u>	Shroud, Head	2
13	<u>102667901</u>	Hanger, Engine	2
14	<u>102668001</u>	Bolt, Flange Head, M8 X 1.25 X 20	2
15	<u>102668101</u>	Shroud, L	1
16	<u>102668301</u>	Bolt, Flange Head, M6 X 1 X 12	6
17	<u>102668401</u>	Plate, Left Side	1
18	<u>102759401</u>	Nut, Square, 5mm	2
Note: The part number for a complete engine is 102402701.			

8

G

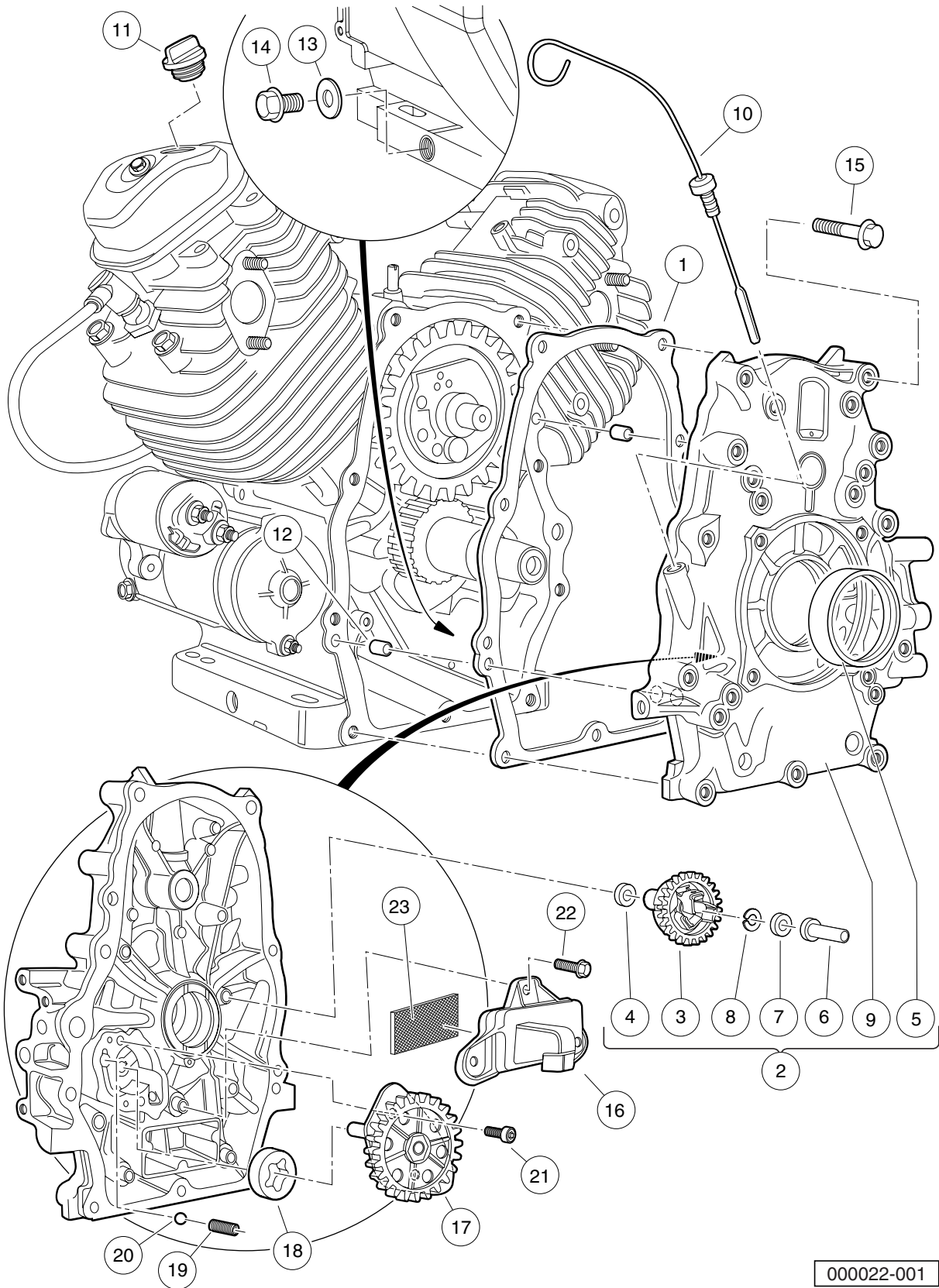


000018-001

IGNITION COMPONENTS AND FLYWHEEL

ITEM	PART NO.	DESCRIPTION	QTY
		1 2 3 4	
1	<u>102655301</u>	Stud, Engine	2
2	<u>102661901</u>	Bolt, Flange Head, M6 X 1 X 32	9
3	<u>102664601</u>	Flywheel	1
4	<u>102664701</u>	Washer, M20	1
5	<u>102664801</u>	Nut, Flange, M20	1
6	<u>102664901</u>	Key, Special Woodruff, 25 X 18	1
7	<u>102665001</u>	Coil Assy, Charge, 12-Volt, 20-Amp	1
8	<u>102665101</u>	Pin, Dowel, 10x12	2
9	<u>102665301</u>	Diode Assembly	1
10	<u>102665401</u>	Bolt, Flange Head, M6 X 1 X 8	1
11	<u>102665501</u>	Grommet, Tool	1
12	<u>102665601</u>	Motor, Starter	1
13	<u>102665701</u>	Bolt, Flange Head, M8 X 1.25 X 110	2
14	<u>102665901</u>	Coil Assy, R, Ignition	2
15	<u>102666001</u>	Coil Assy, L, Ignition	2
16	<u>102666201</u>	Cap Assy, Noise Suppressor	2
17	<u>102668201</u>	Clamp, Wire	1
18	<u>102831201</u>	Switch, Oil Pressure	1
19	<u>AM1232301</u>	Spark Plug, BPR2ES	2

8
G



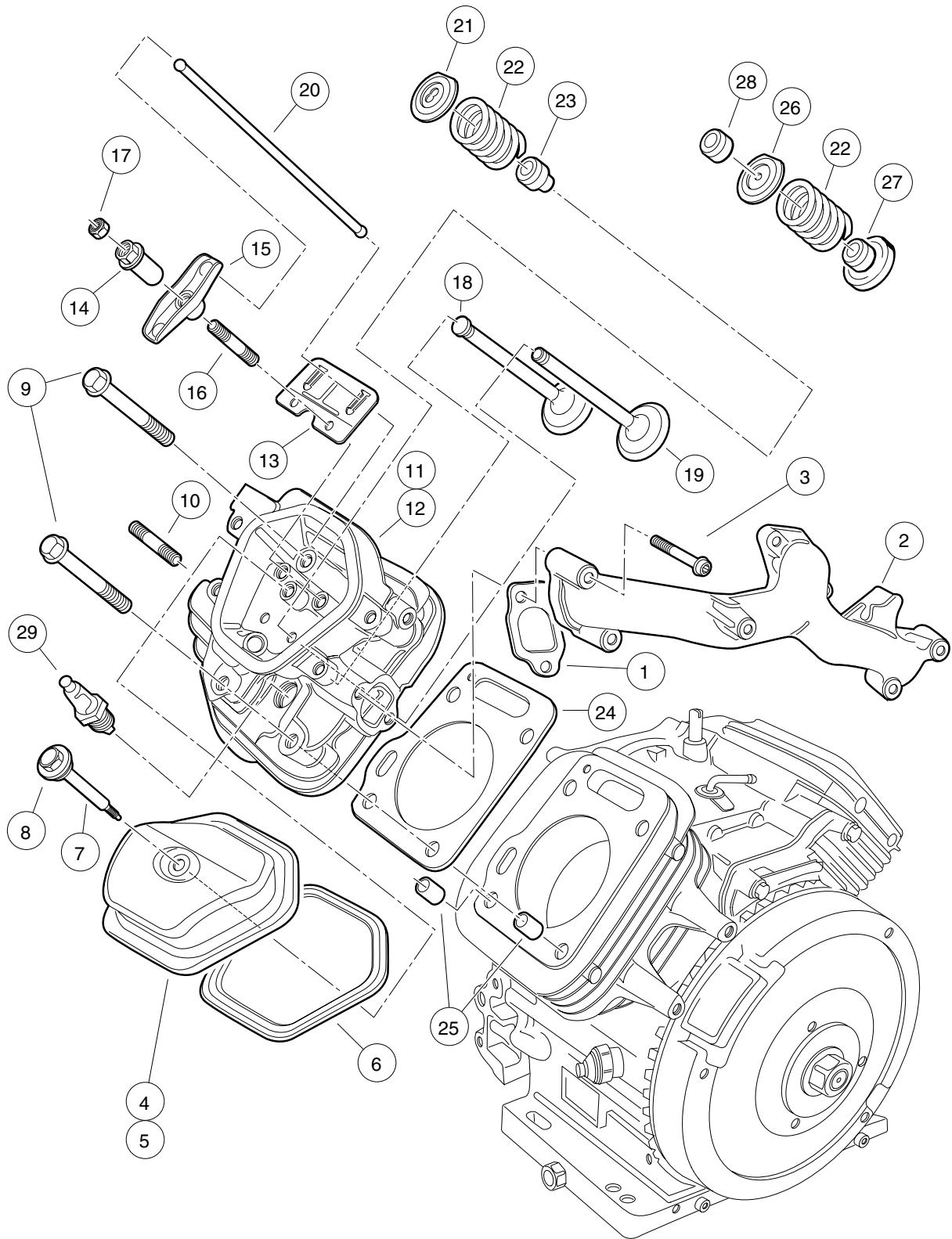
000022-001

OIL CIRCULATION

ITEM	PART NO.	DESCRIPTION	QTY
		1 2 3 4	
1	<u>102658001</u>	Gasket, Case Cover	1
2	<u>102658101</u>	Cover Assembly, Crankcase (includes items 3 through 9)	1
3	<u>102658801</u>	Governor Assembly	1
4	<u>102659601</u>	Washer, Plain, M6	1
5	<u>102724301</u>	Seal, Oil, 38 X 58 X 9	1
6	<u>102724401</u>	Slider, Governor	1
7	<u>102724501</u>	Washer, 6 X 16	1
8	<u>102724601</u>	Clip, Governor	1
9	N/A	Cover, Crankcase	1
10	<u>102658201</u>	Dipstick, Oil	1
11	<u>102658301</u>	Cap, Oil Filler	1
12	<u>102658401</u>	Pin A, Dowel, 8 X 14	2
13	<u>102658501</u>	Washer, Drain Plug, M14	1
14	<u>102658601</u>	Bolt, Drain Plug , M14	1
15	<u>102658701</u>	Bolt, Flange Head, M8 X 1.25 X 50	9
16	<u>102658901</u>	Cover, Oil Filter	1
17	<u>102659001</u>	Cover Assembly, Oil Pump	1
18	<u>102659101</u>	Rotor, Oil Pump, Outer	1
19	<u>102659201</u>	Spring, Relief Valve	1
20	<u>102659301</u>	Ball, Steel , 3/8, #12	1
21	<u>102659401</u>	Bolt, Socket	2
22	<u>102659501</u>	Bolt, Flange Head, M6 X 1 X 20	3
23	<u>102724701</u>	Screen, Oil Filter	1

8

G

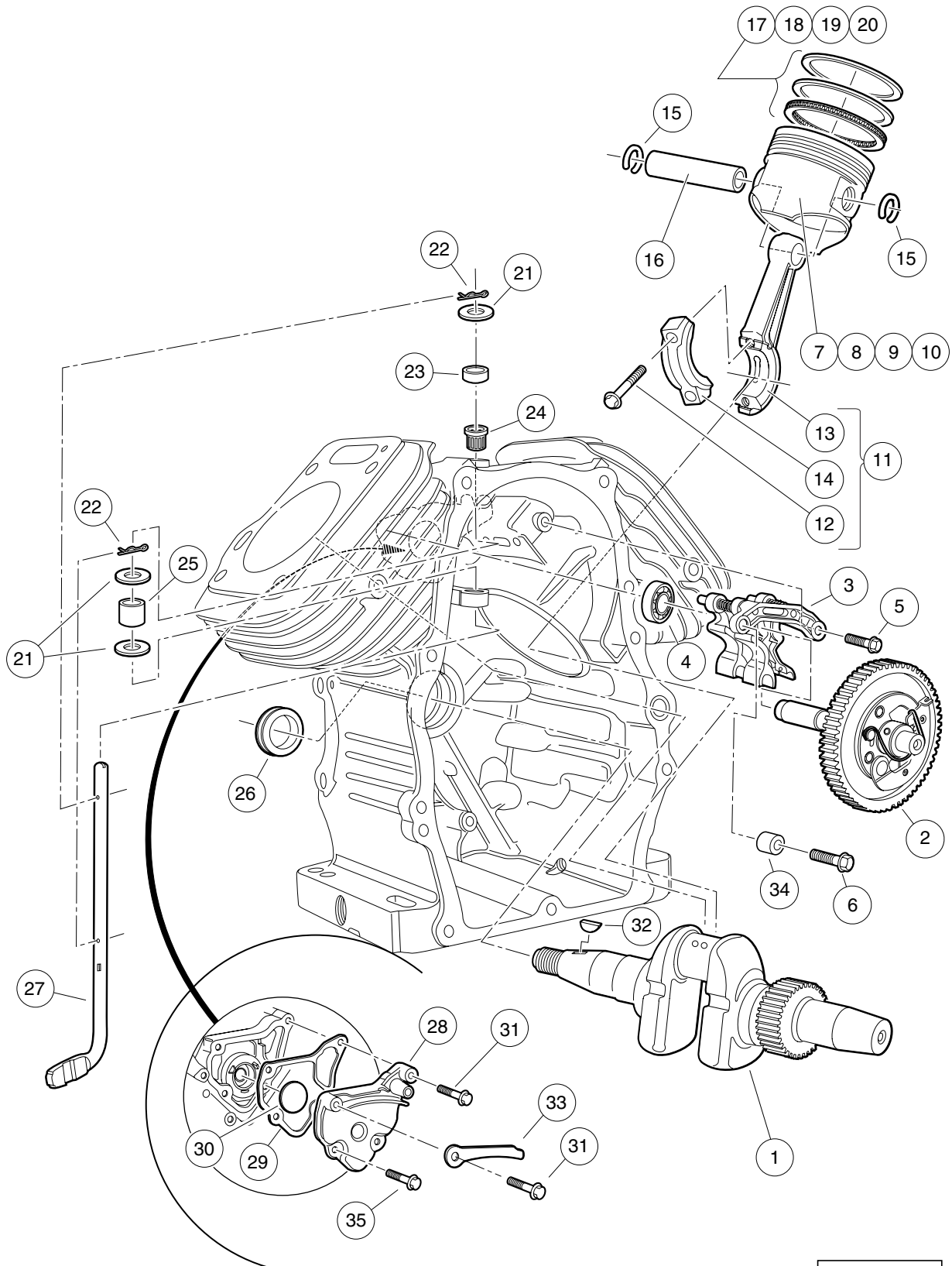


000013-001

CYLINDER HEAD

ITEM	PART NO.	DESCRIPTION	QTY
		1 2 3 4	
1	<u>102657601</u>	Gasket, Intake Manifold	2
2	<u>102657701</u>	Manifold, Inlet	1
3	<u>102657801</u>	Bolt, Socket, M8 X 1.25 X 45	4
4	<u>102662101</u>	Cover, Head	1
5	N/A	Cover, Head Filler	1
6	<u>102662201</u>	Gasket, Cylinder Head Cover	2
7	<u>102662301</u>	Bolt, Head Cover	2
8	<u>102662401</u>	Washer, Head Cover	2
9	<u>102662601</u>	Bolt, Flange Head, M10 X 1.5 X 80	8
10	<u>102662701</u>	Bolt, Stud, M8x22	4
11	<u>102662801</u>	Cylinder Head, #2	1
12	<u>102662802</u>	Cylinder Head, #1	1
13	<u>102662901</u>	Plate, Push Rod Guide	2
14	<u>102663001</u>	Pivot, Rocker Arm	4
15	<u>102663101</u>	Arm, Valve Rocker	4
16	<u>102663201</u>	Bolt, Pivot, M8	4
17	<u>102663301</u>	Nut, Pivot Adj	4
18	<u>102663401</u>	Valve, Ex	2
19	<u>102663501</u>	Valve, In	2
20	<u>102663801</u>	Rod, Push	4
21	<u>102663901</u>	Retainer, In Valve Spring	2
22	<u>102664001</u>	Spring, Valve	4
23	<u>102664101</u>	Seal, Valve Stem	2
24	<u>102664301</u>	Gasket, Cylinder Head	2
25	<u>102664401</u>	Pin A, Dowel ,12 X 20	4
26	<u>102722701</u>	Retainer, Ex Valve Spring	2
27	<u>102722801</u>	Seat, Valve Spring	2
28	<u>102722901</u>	Rotator, Valve	2
29	<u>AM1232301</u>	Spark Plug, BPR2ES	2

8
G

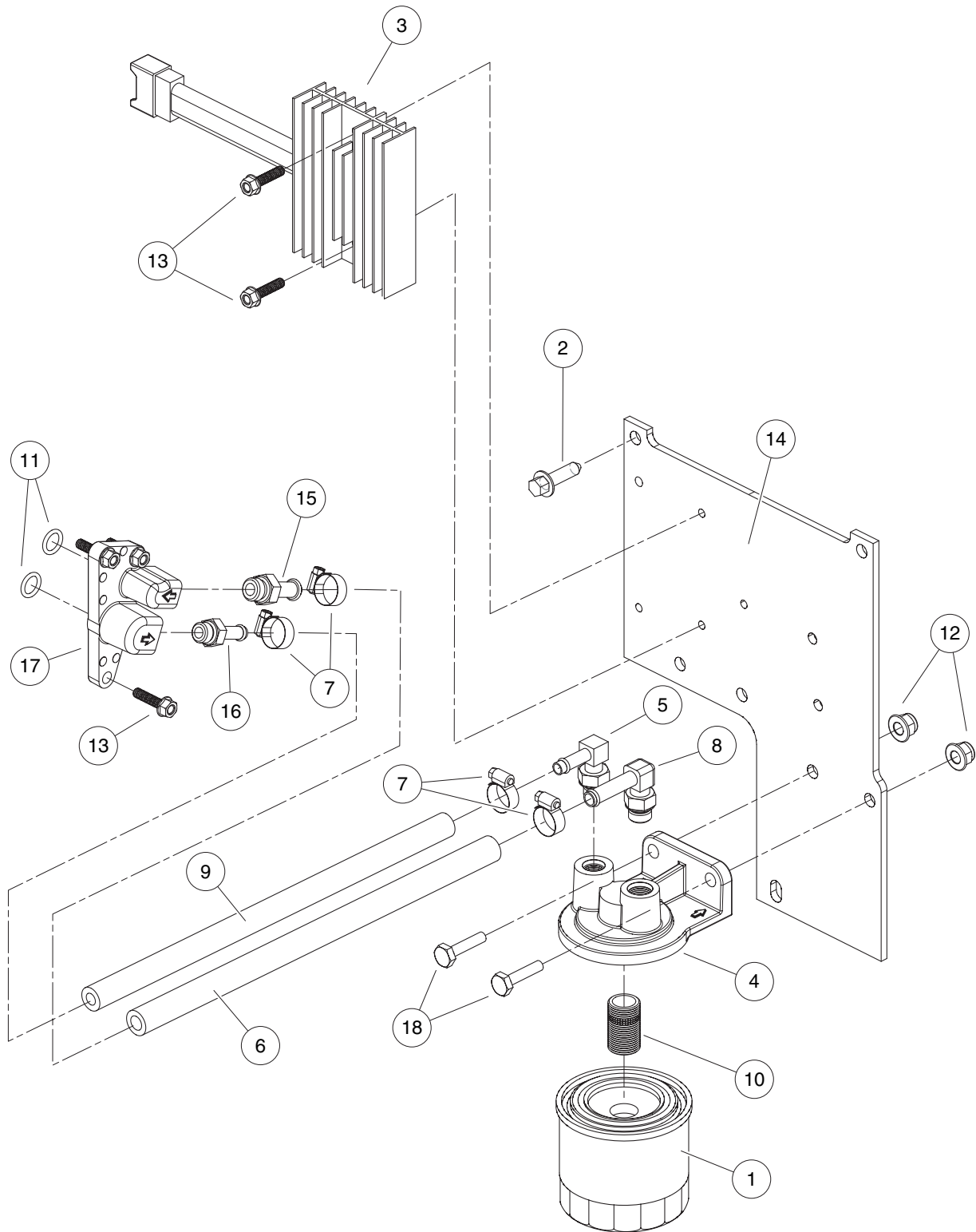


000023-001

CRANKCASE AND CRANKSHAFT

ITEM	PART NO.	DESCRIPTION	QTY
		1 2 3 4	
1	<u>102659801</u>	Crankshaft	1
2	<u>102659901</u>	Camshaft Assembly	1
3	<u>102660001</u>	Lifter Assembly, Valve	1
4	<u>102660101</u>	Bearing, Radial Ball, 6003	1
5	<u>102660201</u>	Bolt, Flange Head, M5 X 1 X 16	1
6	<u>102660301</u>	Bolt, Flange Head, M6 X 1 X 25	1
7	<u>102660401</u>	Piston, Std	2
8	<u>102660402</u>	Piston, Over-Sized 0.25	2
9	<u>102660403</u>	Piston, Over-Sized 0.50	2
10	<u>102660404</u>	Piston, 0.75	2
11	<u>102660501</u>	Rod Assy., Connecting (includes items 12 through 14)	2
12	<u>102660901</u>	Bolt, Connecting Rod, 6 X 37	2
13	N/A	Connecting Rod	1
14	N/A	Cap, Connecting Rod	1
15	<u>102660601</u>	Clip, Piston Pin, 18mm	4
16	<u>102660701</u>	Pin, Piston	2
17	<u>102660801</u>	Ring Set, Piston, Std	2
18	<u>102660802</u>	Ring Set, Piston, OS 0.25	2
19	<u>102660803</u>	Ring Set, Piston, OS 0.50	2
20	<u>102660804</u>	Ring Set, Piston, OS 0.75	2
21	<u>102661001</u>	Washer, Plain, M8	3
22	<u>102661101</u>	Pin, Lock, 8 Mm	2
23	<u>102661201</u>	Bearing, Needle, 8 X 12.7 X 11	1
24	<u>102661202</u>	Oil Seal, 8 X 14 X 5	1
25	<u>102661301</u>	Bearing, Needle, 8 X 12 X 10	1
26	<u>102661401</u>	Oil Seal, 38 X 58 X 9	1
27	<u>102661501</u>	Shaft, Governor Arm	1
28	<u>102661601</u>	Cover, Breather	1
29	<u>102661701</u>	Gasket, Breather Cover	1
30	<u>102661801</u>	Valve, Breather	1
31	<u>102661901</u>	Bolt, Flange Head, M6 X 1 X 32	2
32	<u>102664901</u>	Key, Special Woodruff, 25 X 18	1
33	<u>102668201</u>	Clamp, Wire	1
34	<u>102725101</u>	Pin A, Dowel	1
35	<u>102725201</u>	Bolt, Flange Head, 6 X 16	1

8
G



000083-001

OIL FILTER ADAPTER AND VOLTAGE REGULATOR

ITEM	PART NO.	DESCRIPTION	QTY
		1 2 3 4	
1	<u>1016467</u>	Filter, Oil	1
2	<u>102289001</u>	Screw, M8X1.25X30, Hex	3
3	<u>102331401</u>	Regulator, Voltage	1
4	<u>102371401</u>	Bracket, Oil Filter Mount	1
5	<u>102434801</u>	Adapter, 90, 5/16 Tube	1
6	<u>102443501</u>	Hose, 3/8, Remote Oil, Honda	1
7	<u>102443601</u>	Clamp, Hose	4
8	<u>102457501</u>	Adapter, 90, 3/8 Tube	1
9	<u>102457601</u>	Hose, 5/16, Remote Oil, Honda	1
10	<u>102475301</u>	Nipple, M20, Remote Oil	1
11	<u>102490401</u>	O-ring 11.8 X 2.4	2
12	<u>102618601</u>	Lock Nut, Flg M8 X 1.25 Nylon	2
13	<u>102670801</u>	Screw, M6 X 1 X 25 Thd Form	5
14	<u>102710301</u>	Plate, Fuel/Oil System	1
15	<u>102721901</u>	Adapter, 3/8 Hose	1
16	<u>102722001</u>	Adapter, 5/16 Hose	1
17	<u>102849401</u>	Adapter, Oil Filter, Honda Eng	1
18	<u>96705587</u>	Bolt, M8 X 1.25 X 30	2

8
G

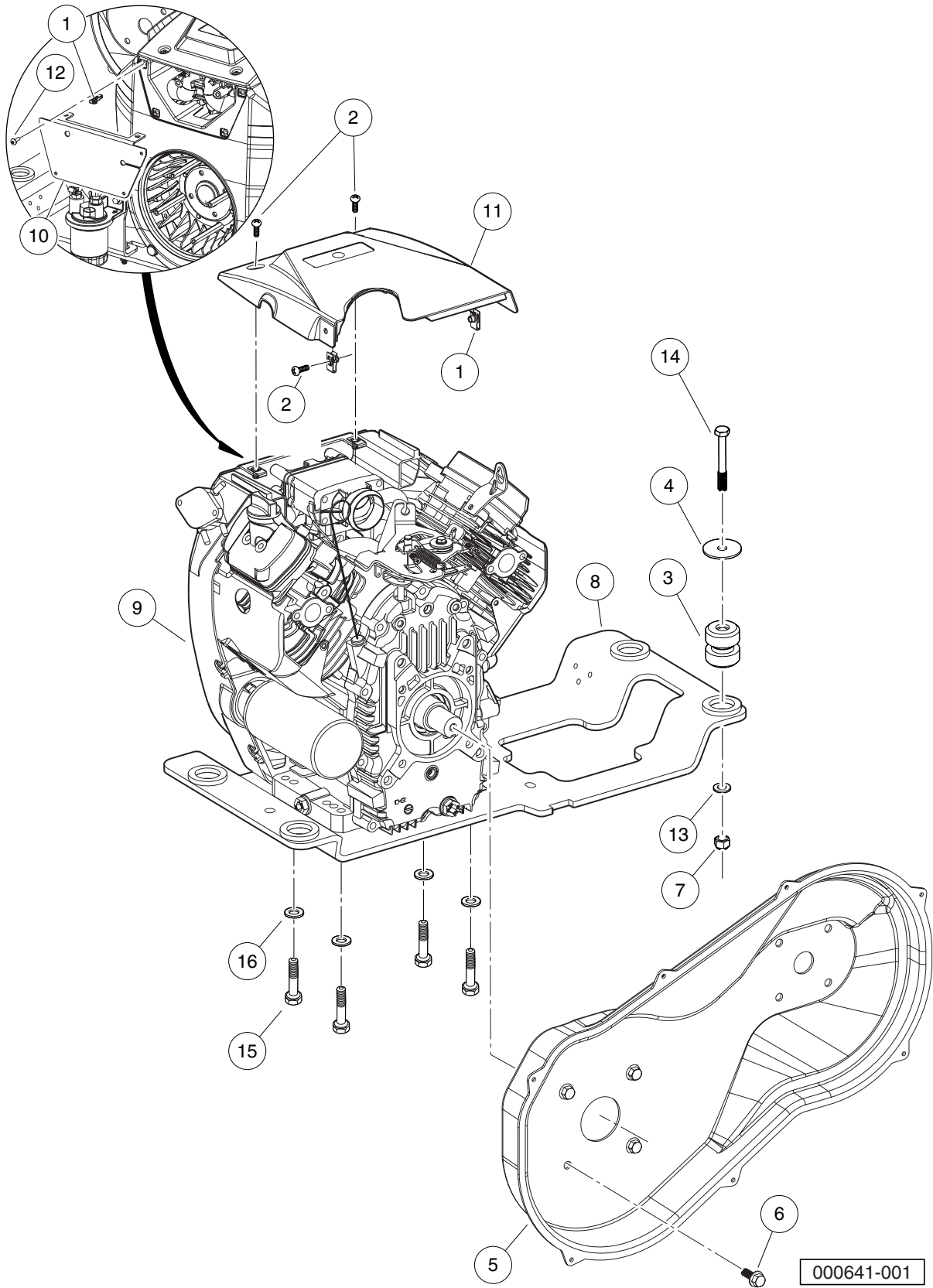
8

G

KAWASAKI FH680D GASOLINE ENGINE

9

G



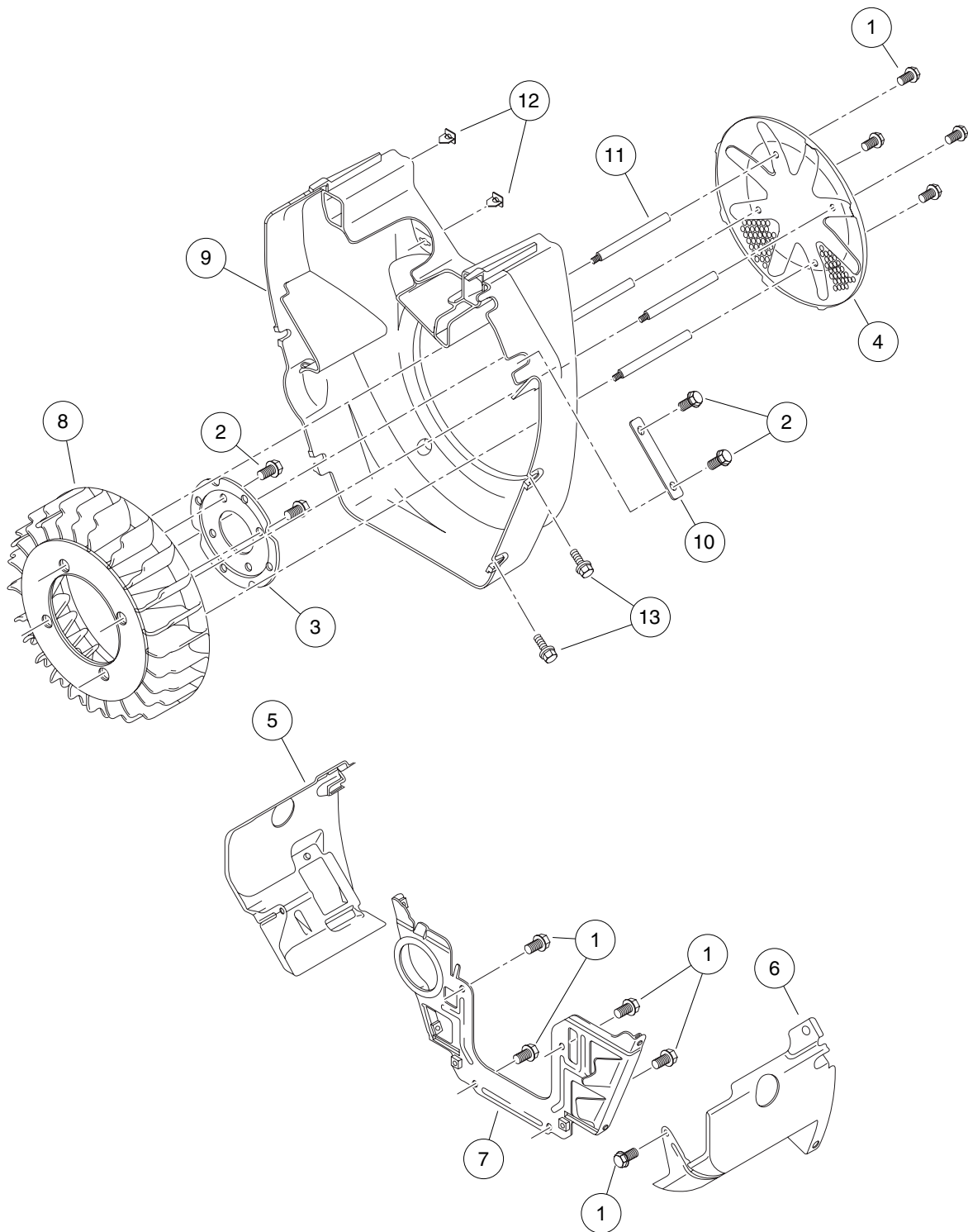
000641-001

KAWASAKI FH680D GASOLINE ENGINE MOUNTING

ITEM	PART NO.	DESCRIPTION	QTY
		1 2 3 4	
1	<u>102296601</u>	U-nut, M6-1.0 Prev Torque	4
2	<u>102296920</u>	Screw, M6 Torx Bttn Hd Sems	4
3	<u>102370501</u>	Isolator Ring and Bushing	4
4	<u>102370601</u>	Washer, Snubbing, Ring N Bush	4
5	<u>102462503</u>	Cover, CVT Inner, FH680D	1
6	<u>102491001</u>	Bolt Flanged Head, 3/8-16x1.0 with Loctite	4
7	<u>102740401</u>	Locknut, M12x1.75 Nylon Insert	4
8	<u>102951901</u>	Weldment, Eng Mnt, Kaw, Fh680d	1
9	<u>102960201</u>	Engine, Kawasaki, FH680D	1
10	<u>103208701</u>	Engine, Front Cover, Fh680d	1
11	<u>103262901</u>	Cover, Engine, Top	1
12	<u>103279201</u>	Screw, Pn Hd Blk, 10-16 X .625	4
13	<u>96701412</u>	Washer, M12 Hard	4
14	<u>96704721</u>	Bolt, M12 X 1.75 X 90	4
15	<u>96704960</u>	Bolt, M10 X 1.5 X 60	4
16	<u>96741046</u>	Washer, M10 Hard	4

9

G

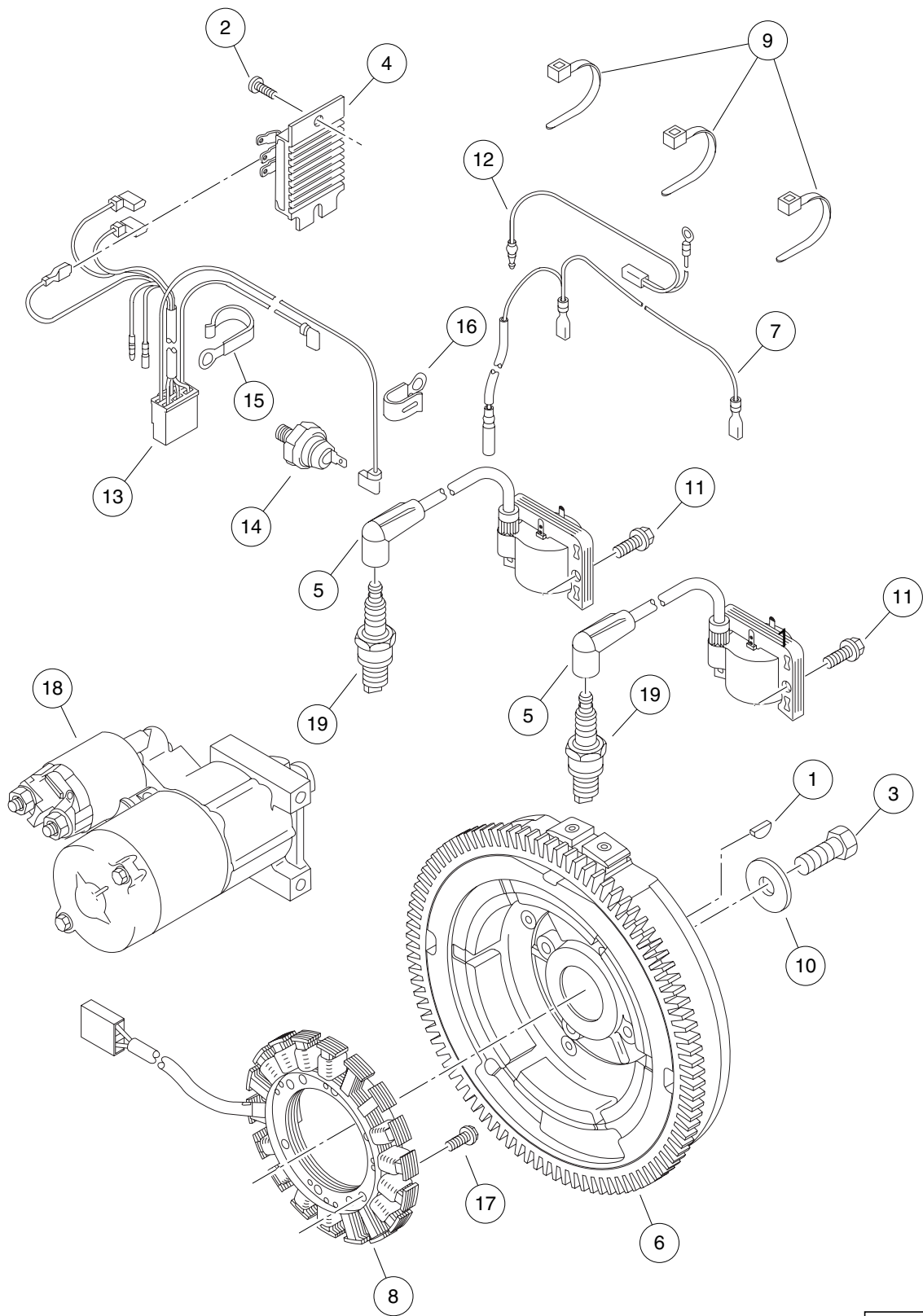


000625-001

SHROUDS AND BRACKETS

ITEM	PART NO.	DESCRIPTION	QTY
		1 2 3 4	
1	<u>102992401</u>	Bolt, Flg, M6 X 1.0 X 12	9
2	<u>102992501</u>	Bolt, Flg, M6 X 1.0 X 16	4
3	<u>102998601</u>	Plate, Housing, Fan, Fh	1
4	<u>102998701</u>	Screen, Fan, Fh	1
5	<u>102999101</u>	Shroud, Engine, Rh, Fh	1
6	<u>102999201</u>	Shroud, Engine, Lh, Fh	1
7	<u>102999301</u>	Shroud, Engine, Front, Fh	1
8	<u>102999501</u>	Fan, Cooling, Fh	1
9	<u>102999601</u>	Housing, Engine, Fh	1
10	<u>103000001</u>	Washer, Housing, Fan, Fh	1
11	<u>103299301</u>	Stud, Fan Screen, Fh	4
12	<u>103299401</u>	Nut, Press In, Front Cover, Fh	4
13	<u>103300301</u>	Bolt, Oil Pickup, Fh	4

9
G

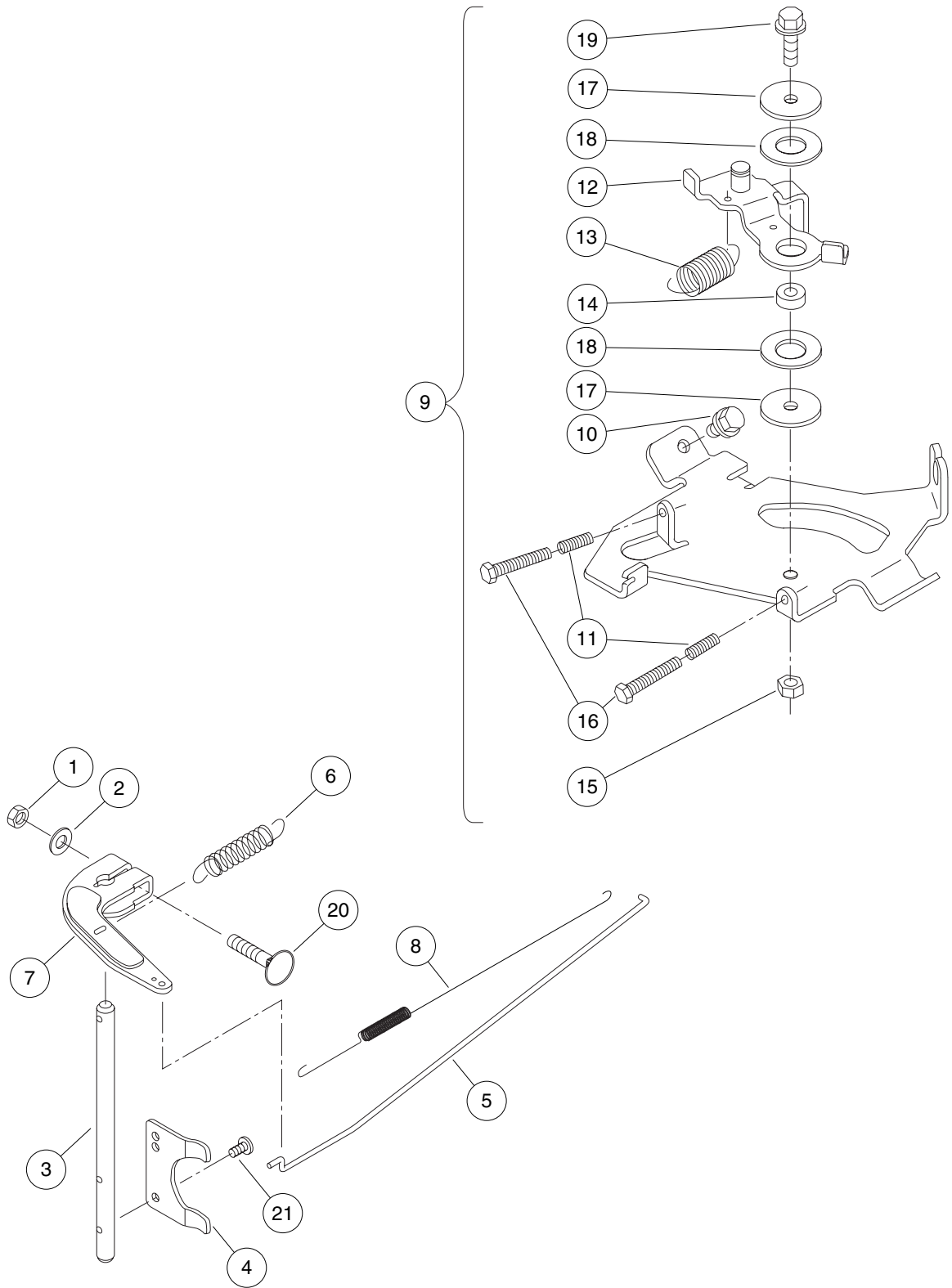


000626-001

IGNITION COMPONENTS AND FLYWHEEL

ITEM	PART NO.	DESCRIPTION	QTY
		1 2 3 4	
1	<u>1012871</u>	Key	1
2	<u>1016544</u>	Screw	1
3	<u>102994301</u>	Bolt, Flg, M12 X 1.25 X 30	1
4	<u>103000401</u>	Regulator, Voltage, Fh	1
5	<u>103000501</u>	Coil, Assy, Ignition, Fh	2
6	<u>103000601</u>	Flywheel, Assy, Fh	1
7	<u>103000801</u>	Harness, Regulator, Fh	1
8	<u>103000901</u>	Coil, Charging, Fh	1
9	<u>103001301</u>	Band, Harness, Fh	3
10	<u>103001501</u>	Washer, Flywheel, Fh	1
11	<u>103298501</u>	Bolt, Flanged, M6 X 20, Kaw	4
12	<u>103299501</u>	Harness, Ignition, Fh	1
13	<u>103299601</u>	Harness, Engine, Main, Fh	1
14	<u>103299701</u>	Switch, Oil Pressure, Fh	1
15	<u>103299801</u>	Clamp, Harness, Large, Fh	1
16	<u>103299901</u>	Clamp, Harness, Small, Fh	1
17	<u>103300101</u>	Screw, Pan, Coil Mount, Fh	4
18	<u>103345501</u>	Starter, Electric, Fh680d	1
19	<u>AM1232301</u>	Spark Plug, BPR2ES	2

9
G

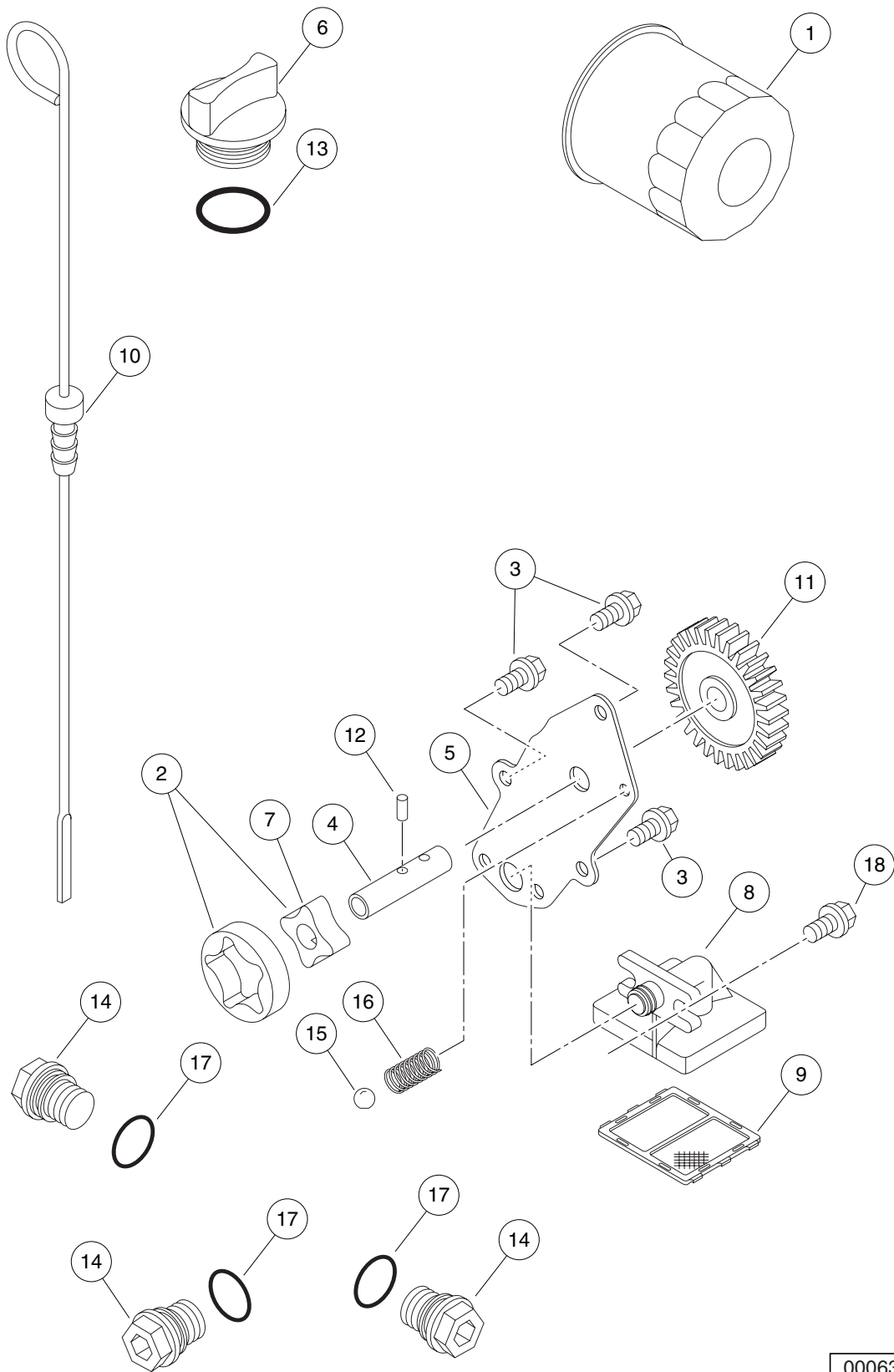


000636-001

GOVERNOR ARM AND SPRINGS

ITEM	PART NO.	DESCRIPTION	QTY
		1 2 3 4	
1	<u>1012919</u>	Nut -6mm-	1
2	<u>1016513</u>	Washer, M6 Flat	1
3	<u>103002001</u>	Shaft, Governor, Fh	1
4	<u>103002101</u>	Plate, Governor, Fh	1
5	<u>103002301</u>	Link, Arm, Governor, Fh	1
6	<u>103002401</u>	Spring, Governor, Fh	1
7	<u>103002501</u>	Arm, Governor, Shaft	1
8	<u>103002901</u>	Spring, Arm, Governor, Fh	1
9	<u>103297701</u>	Panel, Control, Complete, Fh (includes items 10 through 19)	1
10	<u>102992401</u>	Bolt, Flg, M6 X 1.0 X 12	2
11	<u>103002801</u>	Spring, Fh	2
12	<u>103297401</u>	Lever, Governor, Control, Fh	1
13	<u>103297501</u>	Spring, Governor Return, Fh	1
14	<u>103297601</u>	Collar, Governor, Fh	1
15	<u>103297801</u>	Nut, Governor, Fh	1
16	<u>103298001</u>	Bolt, Speed Control, Fh	2
17	<u>103298201</u>	Washer, Governor, Lower, Fh	2
18	<u>103298301</u>	Washer, Governor, Middle, Fh	2
19	<u>103298501</u>	Bolt, Flanged, M6 X 20, Kaw	1
20	<u>103298101</u>	Bolt, M6 X 35, Kawasaki	1
21	<u>103298601</u>	Screw, Pan, Governor, Fh	2

9
G

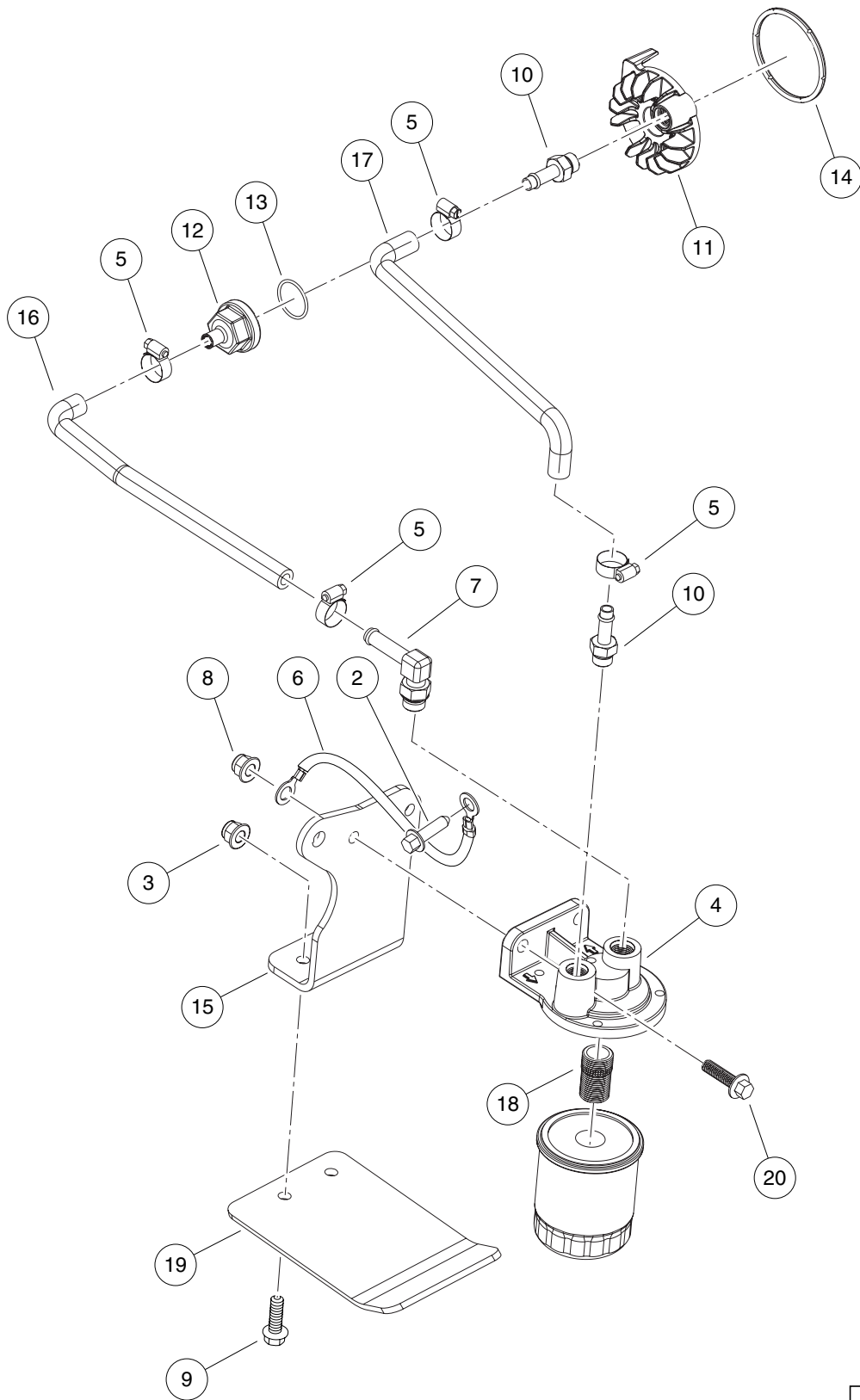


000637-001

OIL AND LUBRICATION COMPONENTS

ITEM	PART NO.	DESCRIPTION	QTY
		1 2 3 4	
1	<u>1016467</u>	Filter, Oil	1
2	<u>101648203</u>	Oil Pump And Rotor	1
3	<u>102992401</u>	Bolt, Flg, M6 X 1.0 X 12	3
4	<u>102996901</u>	Shaft, Oil Pump, Fh	1
5	<u>102997001</u>	Plate, Oil Pump, Fh	1
6	<u>102997101</u>	Cap, Oil, Fill, Fh	1
7	<u>102997201</u>	Rotor, Pump, Oil, In, Fh	1
8	<u>102997401</u>	Pickup, Oil, Fh	1
9	<u>102997601</u>	Screen, Pickup, Oil, Fh	1
10	<u>102997701</u>	Gauge, Oil, Fh	1
11	<u>102997801</u>	Gear, Spur, Oil Pump, Fh	1
12	<u>102997901</u>	Pin, Oil Pump, Fh	2
13	<u>102998001</u>	O-ring, Cap, Oil, Fill, Fh	1
14	<u>102998101</u>	Plug, Oil Drain, Fh	3
15	<u>102998201</u>	Ball, Oil Pump, Fh	1
16	<u>102998301</u>	Spring, Oil Pump, Fh	1
17	<u>102998401</u>	O-ring, Drain Plug, Oil, Fh	3
18	<u>103300301</u>	Bolt, Oil Pickup, Fh	2
		Note: Item 2 contains item 7.	

9
G



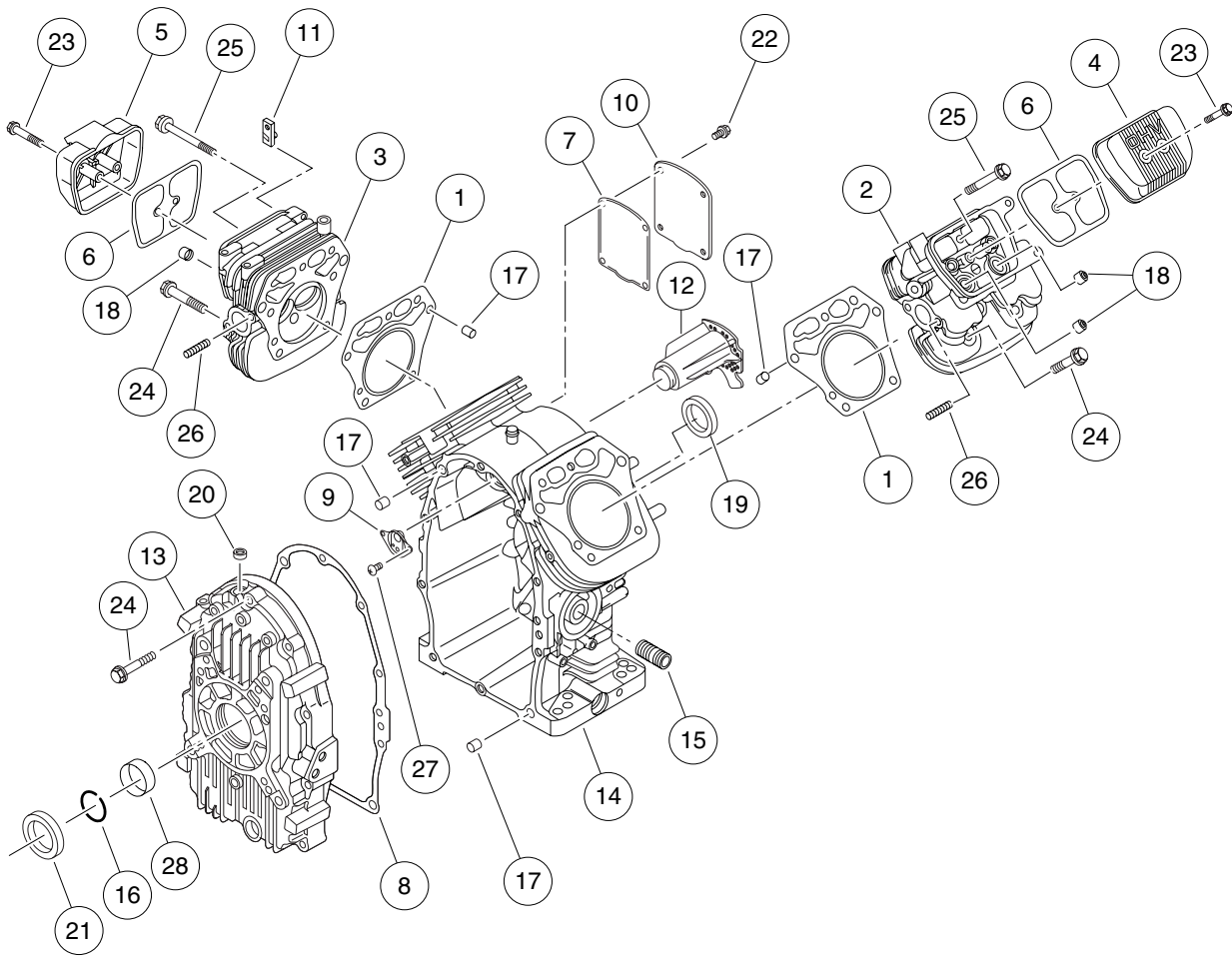
000671-001

OIL FILTER ADAPTER

ITEM	PART NO.	DESCRIPTION	QTY
		1 2 3 4	
1	N/A	Instl, Oil Fltr Adapter Fh680d (includes items 2 through 20)	1
2	<u>102289001</u>	Screw, M8X1.25X30, Hex	1
3	<u>102298401</u>	Nut,m8,all Metal Lock	2
4	<u>102371401</u>	Bracket, Oil Filter Mount	1
5	<u>102443601</u>	Clamp, Hose	4
6	<u>102448501</u>	Wire Asm, #6 Blk, Awd, 325	1
7	<u>102457501</u>	Adapter, 90, 3/8 Tube	1
8	<u>102618601</u>	Lock Nut, Flg M8 X 1.25 Nylon	2
9	<u>102621301</u>	Bolt, M8 X 1.25 X 40 with Loctite	2
10	<u>102722001</u>	Adapter, 5/16 Hose	2
11	<u>102958301</u>	Adapter, Special, Oil Filter	1
12	<u>102958401</u>	Nut, Special, Hose Adapter	1
13	<u>102958501</u>	O-ring, 23.52 X 1.78mm	1
14	<u>102958601</u>	O-ring, Oil Filter Adapter	1
15	<u>103197201</u>	Bracket, Oil Filter, Fh680d	1
16	<u>103240601</u>	Hose, Formed, Oil, 5/16"	1
17	<u>103246901</u>	Hose, Formed, Oil, 5/16", Ret	1
18	<u>103276201</u>	Nipple, 3/4-16 X M20 X 1.5-6g	1
19	<u>103326401</u>	Guard, Oil Filter, Fh680d	1
20	<u>96705587</u>	Bolt, M8 X 1.25 X 30	2

9

G

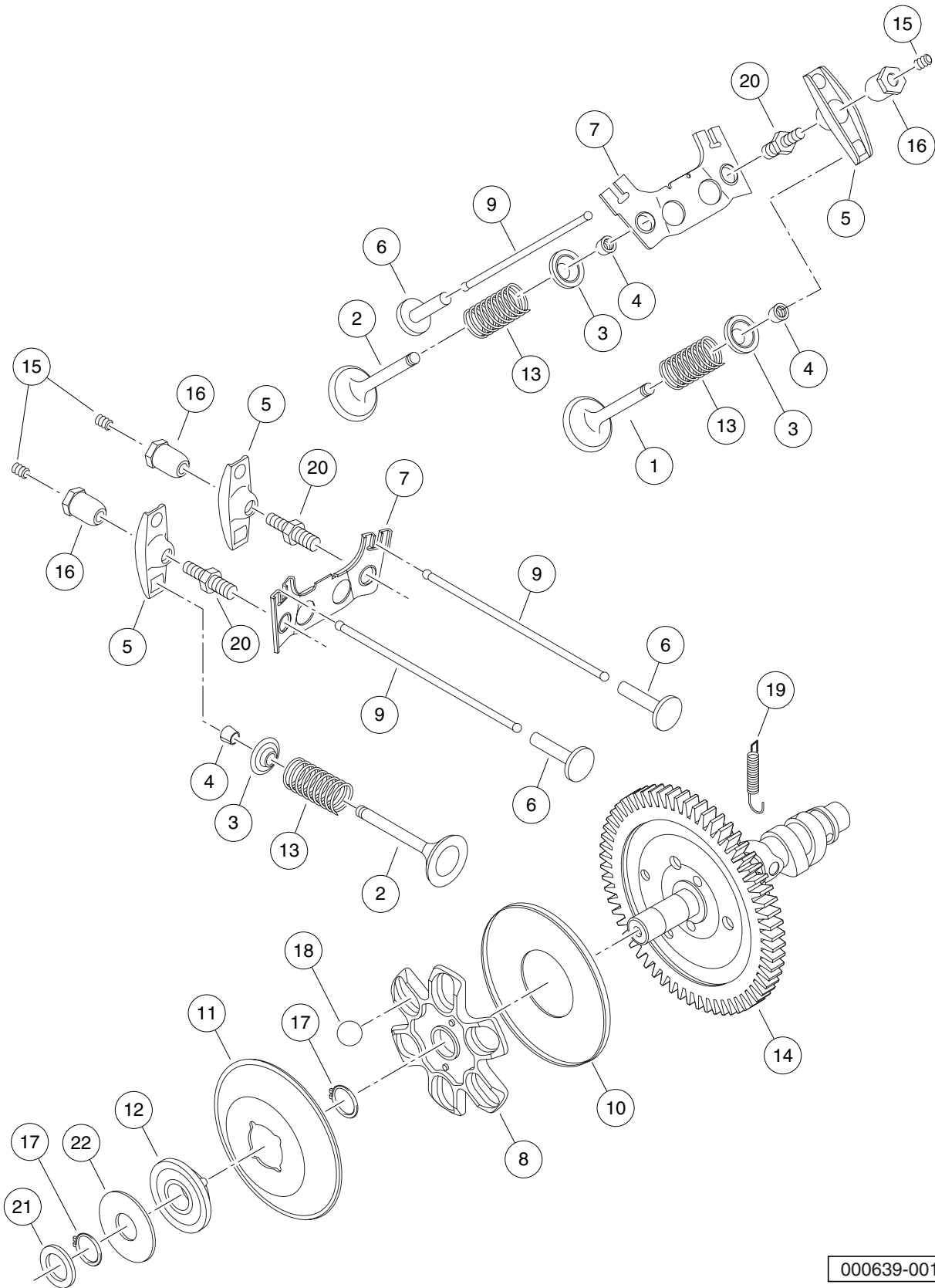


000638-001

CYLINDER HEAD AND CRANKCASE

ITEM	PART NO.	DESCRIPTION	QTY
		1 2 3 4	
1	<u>102990101</u>	Gasket, Head, Cyl, Fh	2
2	<u>102990201</u>	Head, Cyld 1, Fh	1
3	<u>102990301</u>	Head, Cyld 2, Fh	1
4	<u>102990401</u>	Cover, Rocker, Cyld 1, Fh	1
5	<u>102990501</u>	Cover, Rocker, Cyld 2, Fh	1
6	<u>102990601</u>	Gasket, Rocker, Cover, FH	2
7	<u>102990701</u>	Gasket, Breather, Fh	1
8	<u>102990801</u>	Gasket, Cover, Crank, Fh	1
9	<u>102990901</u>	Valve, Assy, Reed, Fh	1
10	<u>102991101</u>	Cover, Crkcase, Comp, Fh	1
11	<u>102991201</u>	Pipe, Head, Comp, Clyd, Fh	1
12	<u>102991301</u>	Pipe, Crkcase, Comp, Fh	1
13	<u>102991401</u>	Cover, Crankcase, Fh	1
14	<u>102991501</u>	Crankcase, Comp, Fh	1
15	<u>102991601</u>	Nipple, Oil Filter, Fh	1
16	<u>102991801</u>	Ring, Snap, Fh	1
17	<u>102991901</u>	Pin, Head, Fh	6
18	<u>102992001</u>	Seal, Oil, Valve, Fh	4
19	<u>102992101</u>	Seal, Oil, Crank, Rear, Fh	1
20	<u>102992201</u>	Seal, Oil, Governor, Fh	1
21	<u>102992301</u>	Seal, Oil, Crank, Front, Fh	1
22	<u>102992401</u>	Bolt, Flg, M6 X 1.0 X 12	4
23	<u>102992601</u>	Bolt, Flg, M6 X 1.0 X 40	4
24	<u>102992701</u>	Bolt, Flg, M8 X 1.25 X 50	18
25	<u>102992801</u>	Bolt, Flg, M8 X 1.25 X 75	2
26	<u>102992901</u>	Stud, M8 X 1.25, Exhaust, Fh	4
27	<u>103298601</u>	Screw, Pan, Governor, Fh	2
28	<u>103298901</u>	Bushing, Main, Fh	1

9
G

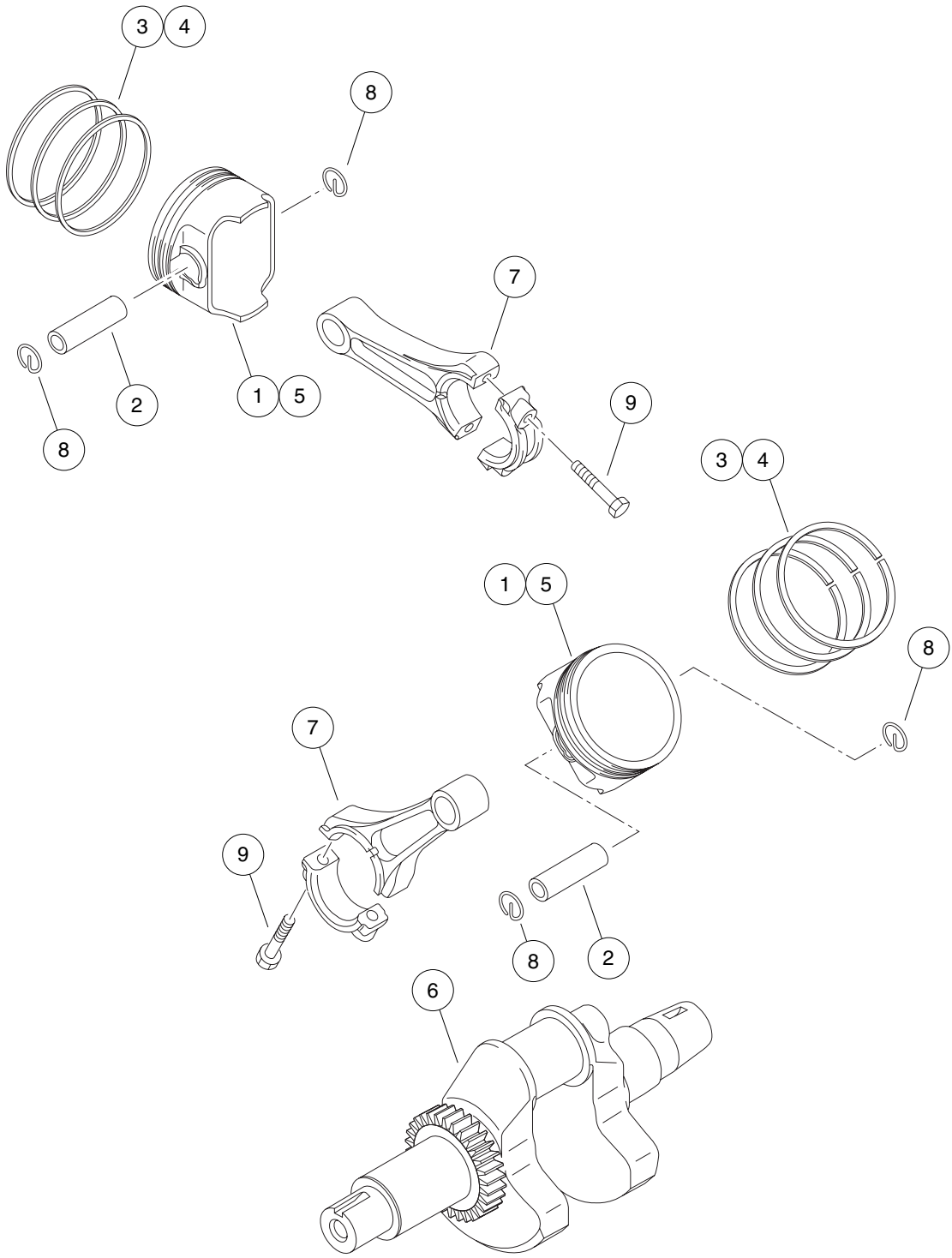


000639-001

VALVES AND CAMSHAFT

ITEM	PART NO.	DESCRIPTION	QTY
		1 2 3 4	
1	<u>102994601</u>	Valve, Intake, Fh	2
2	<u>102994701</u>	Valve, Exhaust, Fh	2
3	<u>102994801</u>	Retainer, Valve Spring, Fh	4
4	<u>102994901</u>	Collet, Spring, Valve, Fh	8
5	<u>102995001</u>	Arm, Rocker	4
6	<u>102995101</u>	Tappet, Rod, Push, Fh	4
7	<u>102995201</u>	Guide, Arm, Rocker, Fh	2
8	<u>102995301</u>	Guide, Camshaft, Gov, Fh	1
9	<u>102995401</u>	Rod, Push, Fh	4
10	<u>102995501</u>	Plate, Camshaft, Gov, Fh	1
11	<u>102995601</u>	Plate, Ring, Gov, Fh	1
12	<u>102995701</u>	Sleeve, Plate, Gov, Fh	1
13	<u>102995801</u>	Spring, Valve, Fh	4
14	<u>102995901</u>	Kit, Camshaft, Comp, Fh	1
15	<u>102996001</u>	Screw, Rocker Arm, Fh	4
16	<u>102996101</u>	Nut, Arm, Rocker, Fh	4
17	<u>102996201</u>	Ring, Snap, Gov, Fh	2
18	<u>102996301</u>	Ball, Guide, Gov, Fh	6
19	<u>102996401</u>	Spring, Camshaft, Fh	1
20	<u>102996501</u>	Stud, Rocker Arm, Fh	4
21	<u>102996601</u>	Washer, Sleeve, Gov, Fh	1
22	<u>102996701</u>	Washer, Gov, Fh	1

9
G



000640-001

PISTONS AND CRANKSHAFT

ITEM	PART NO.	DESCRIPTION	QTY
		1 2 3 4	
1	<u>102993201</u>	Piston, Engine, Right, Fh	2
2	<u>102993301</u>	Pin, Piston, Engine, Fh	2
3	<u>102993401</u>	Ring, Set, Piston, Fh	2
4	<u>102993501</u>	Ring, Set, Piston L, 0.50, Fh	A/R
5	<u>102993601</u>	Piston, Engine L, 0.50, Fh	A/R
6	<u>102993701</u>	Crankshaft, Comp, Fh	1
7	<u>102993901</u>	Kit, Rod, Connecting, Fh	2
8	<u>102994101</u>	Ring, Snap, Pin, Piston, Fh	4
9	<u>102994401</u>	Bolt, Flg, M6 X 1.00 X 35	4

9
G

9

G

FUEL, INTAKE, AND GOVERNOR SYSTEM

10

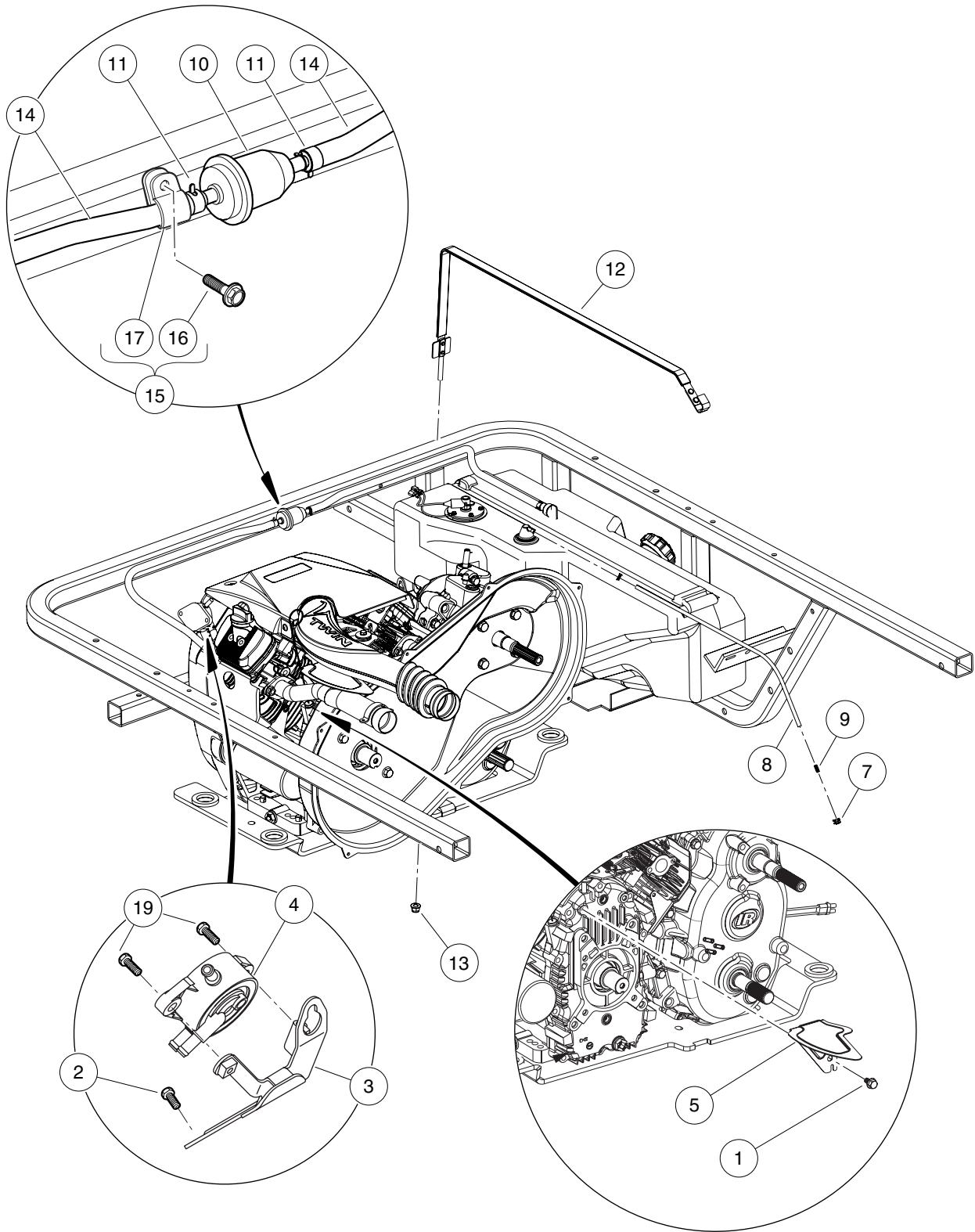
G

D

10

G

D



000672-002

FUEL SYSTEM – KAWASAKI GASOLINE VEHICLES

ITEM	PART NO.	DESCRIPTION	QTY
		1 2 3 4	
1	<u>102621201</u>	Bolt Flanged Head, M8 X1.25x 16 with Loctite	1
2	<u>102992501</u>	Bolt, Flg, M6 X 1.0 X 16	1
3	<u>103009901</u>	Bracket, Fuel Pump, Fh	1
4	<u>103010101</u>	Pump, Fuel, Impulse, Fh	1
5	<u>103262101</u>	Heat Shield, Header, Gas	1
6	N/A	Instl, Fuel System, Fh680d (includes items 7 through 15)	1
7	<u>1013746</u>	Clamp, 0.301 ID Hose	2
8	<u>101587703</u>	Hose, Fuel, Vent, 22" Long	1
9	<u>101824401</u>	Vent Barb	1
10	<u>102003201</u>	Filter, Fuel, 30 Micron	1
11	<u>102411202</u>	Clamp, Hose, Ctb 13mm	4
12	<u>102426301</u>	Strap, Tank, Fuel	1
13	<u>102618601</u>	Lock Nut, Flg M8 X 1.25 Nylon	1
14	<u>102865101</u>	Fuel Line	A/R
15	<u>103387501</u>	Kit, Fuel Line Clamp, 4x4 Khi (includes items 16 through 18)	1
16	<u>102289001</u>	Screw, M8X1.25X30, Hex	1
17	N/A	P-clamp, Insulated 0.625 In	1
18	<u>103387601</u>	Instr, Kit Fuel Line 4x4 Khi	1
19	<u>103298501</u>	Bolt, Flanged, M6 X 20, Kaw	2

10

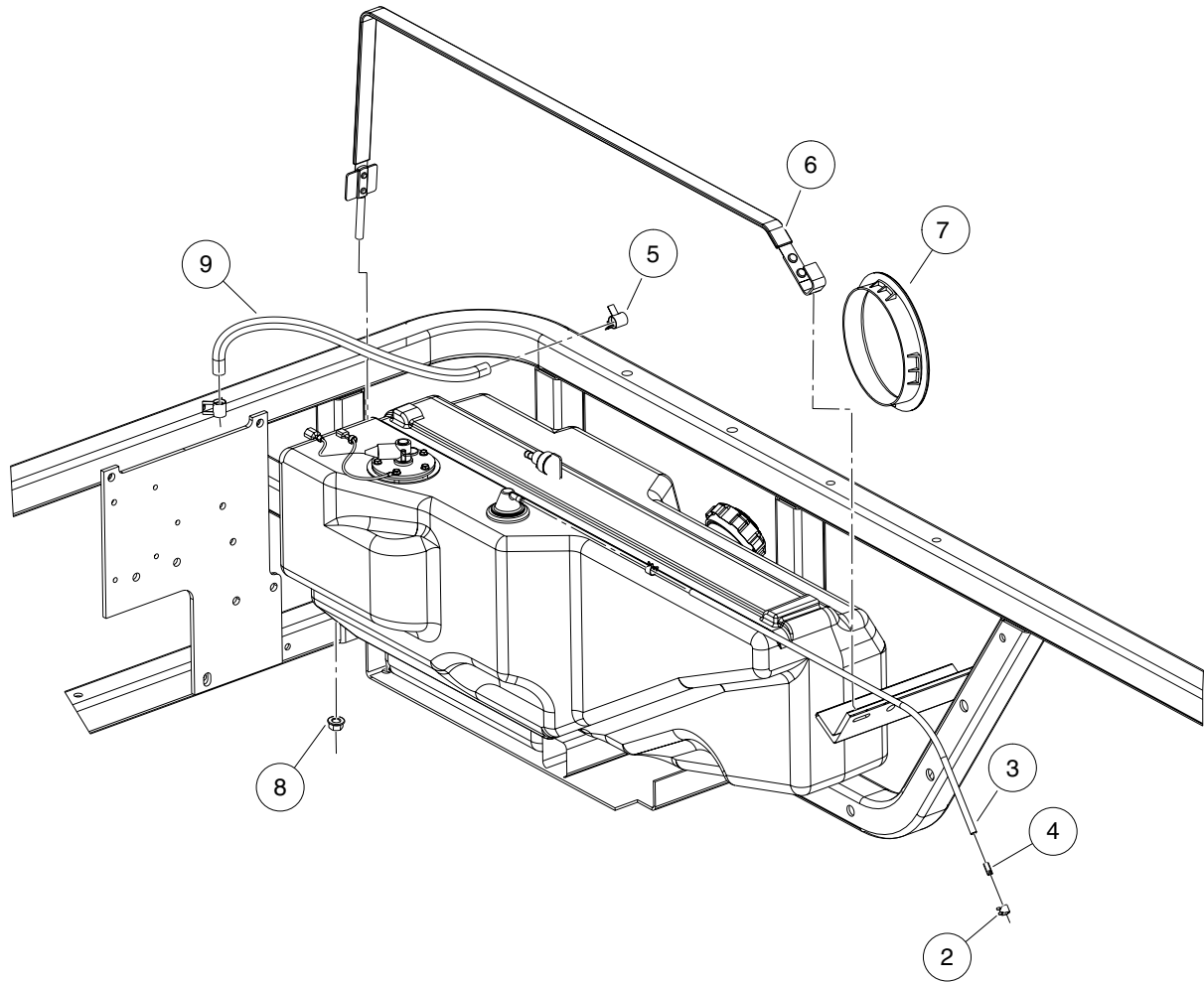
G

D

10

G

D



000081-004

FUEL SYSTEM – HONDA GASOLINE VEHICLES

ITEM	PART NO.	DESCRIPTION	QTY
		1 2 3 4	
1	N/A	Instl, Fuel System, Honda (includes items 2 through 9)	1
2	<u>1013746</u>	Clamp, 0.301 ID Hose	2
3	<u>101587703</u>	Hose, Fuel, Vent, 22" Long	1
4	<u>101824401</u>	Vent Barb	1
5	<u>102411202</u>	Clamp, Hose, Ctb 13mm	2
6	<u>102426301</u>	Strap, Tank, Fuel	1
7	<u>102466201</u>	Bezel, Fuel Fill	1
8	<u>102618601</u>	Lock Nut, Flg M8 X 1.25 Nylon	1
9	<u>103307901</u>	Hose, Tank To Filter, Fh680d	1

10

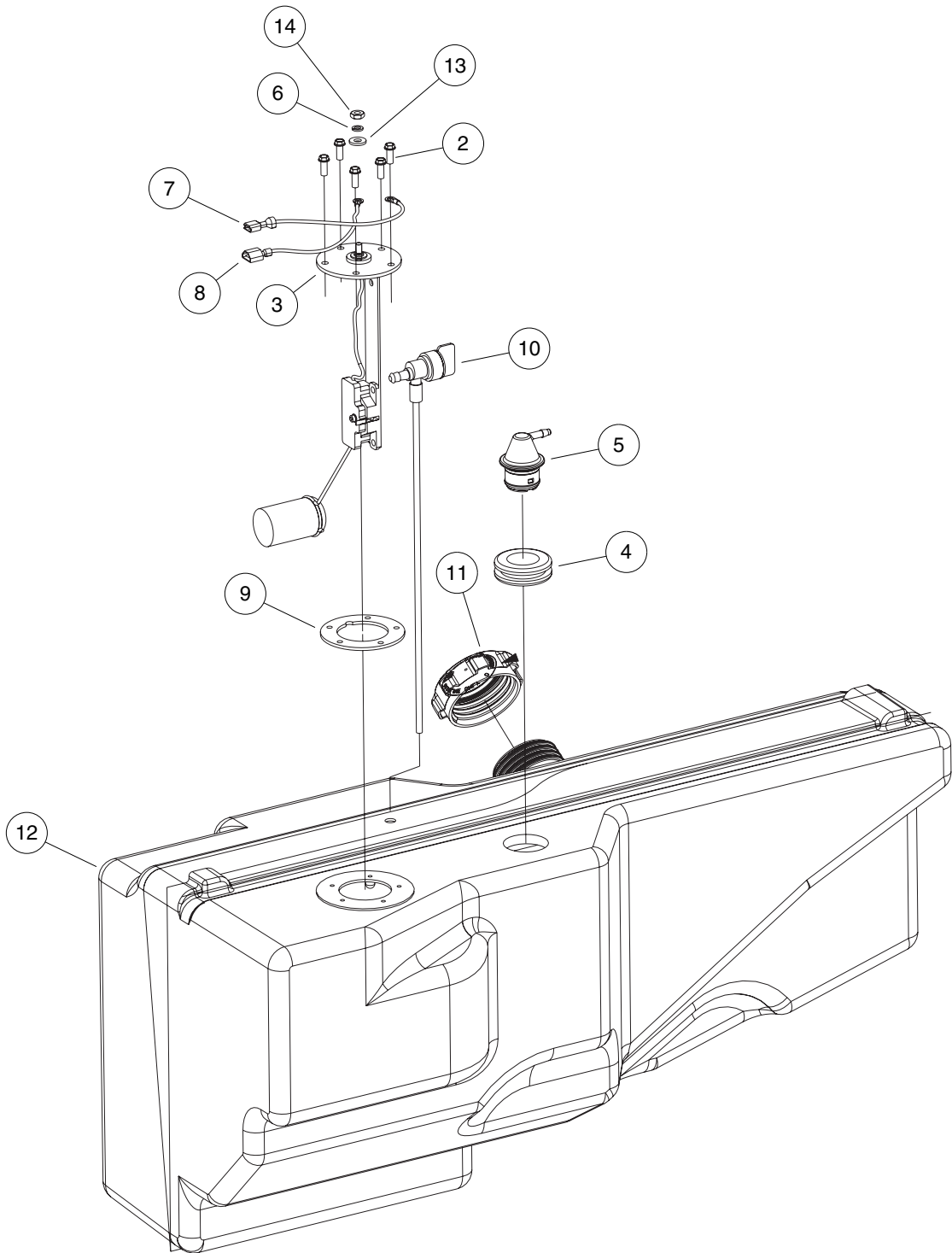
G

D

10

G

D



000082-004

FUEL TANK – GASOLINE VEHICLES

ITEM	PART NO.	DESCRIPTION	QTY
		1 2 3 4	
1	<u>102952102</u>	Asm, Tank, Fuel, Gas, 4x4 (includes items 2 through 14)	1
2	<u>1013461</u>	Screw, #10-16 Hex-Head Hi-Lo	5
3	****	Sending Unit, Fuel Level *	1
4	<u>1015139</u>	Insulation Grommet	1
5	<u>1015143</u>	Vent, Fuel Tank	1
6	<u>1016</u>	Washer, #10 Split Lock	1
7	N/A	Wire Asm, Blk, 170mm	1
8	N/A	Wire Asm, Org, 170mm	1
9	<u>102522001</u>	Gasket, Rubber	1
10	<u>102670901</u>	Valve, Pickup Tube, Fuel	1
11	<u>102751601</u>	Cap, Fuel Tank, Gasoline	1
12	N/A	Tank, Fuel, Gas, 4x4	1
13	<u>183</u>	Washer, #10 Type A Flat	1
14	<u>8797</u>	Nut, #10-32 Brass Hex	1
<p>**** Special order item available upon request.</p> <p>* Note: Must replace fuel sending unit gasket when servicing this component.</p>			

10

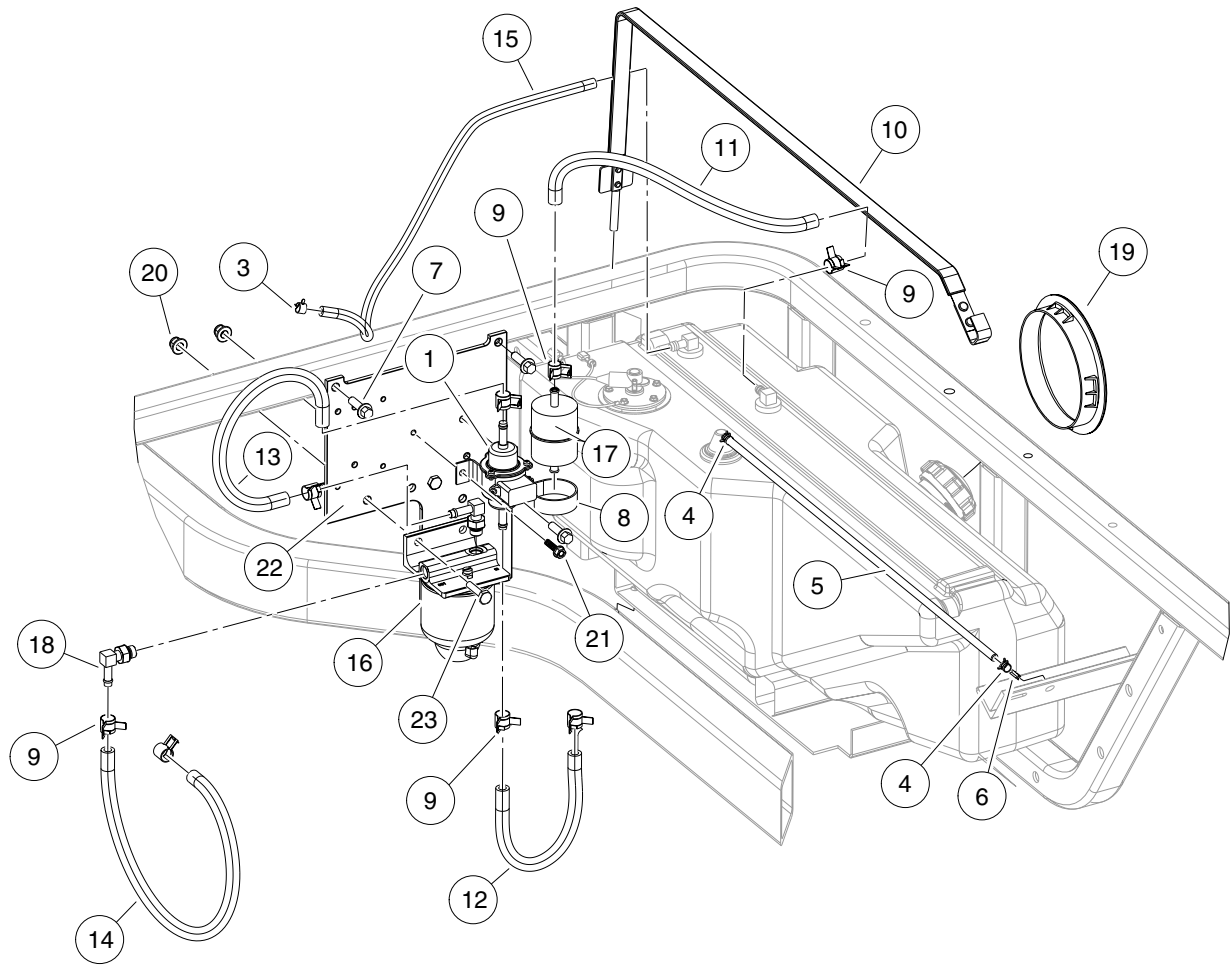
G

D

10

G

D



000081-003

FUEL SYSTEM – DIESEL

ITEM	PART NO.	DESCRIPTION	QTY
		1 2 3 4	
1	<u>102410801</u>	Pump, Diesel Fuel Electric	1
2	N/A	Asm, Fuel System, Kubota (includes items 3 through 23)	1
3	<u>101313402</u>	Clamp, Green Hose	1
4	<u>1013746</u>	Clamp, 0.301 ID Hose	2
5	<u>101587703</u>	Hose, Fuel, Vent, 22" Long	1
6	<u>101824401</u>	Vent Barb	1
7	<u>102289001</u>	Screw, M8X1.25X30, Hex	5
8	<u>102410602</u>	P-Clamp, Insulated 1.75 In	1
9	<u>102411203</u>	Clamp, Hose, Ctb 14mm	6
10	<u>102426301</u>	Strap, Tank, Fuel	1
11	<u>102430001</u>	Hose, Tank To Prefilter Diesel	1
12	<u>102430101</u>	Hose, Fuel Prefilter To Pump	1
13	<u>102430201</u>	Hose, Fuel Pump To Filter	1
14	<u>102430301</u>	Hose, Fuel Filter To Eng	1
15	<u>102430401</u>	Hose, Fuel Return	1
16	<u>102434601</u>	Filter Assy, Fuel	1
17	<u>102434701</u>	Filter, Fuel	1
18	<u>102434801</u>	Adapter, 90, 5/16 Tube	2
19	<u>102466201</u>	Bezel, Fuel Fill	1
20	<u>102618601</u>	Lock Nut, Flg M8 X 1.25 Nylon	3
21	<u>102670801</u>	Screw, M6 X 1 X 25 Thd Form	1
22	<u>102710301</u>	Plate, Fuel/Oil System	1
23	<u>96705587</u>	Bolt, M8 X 1.25 X 30	2

10

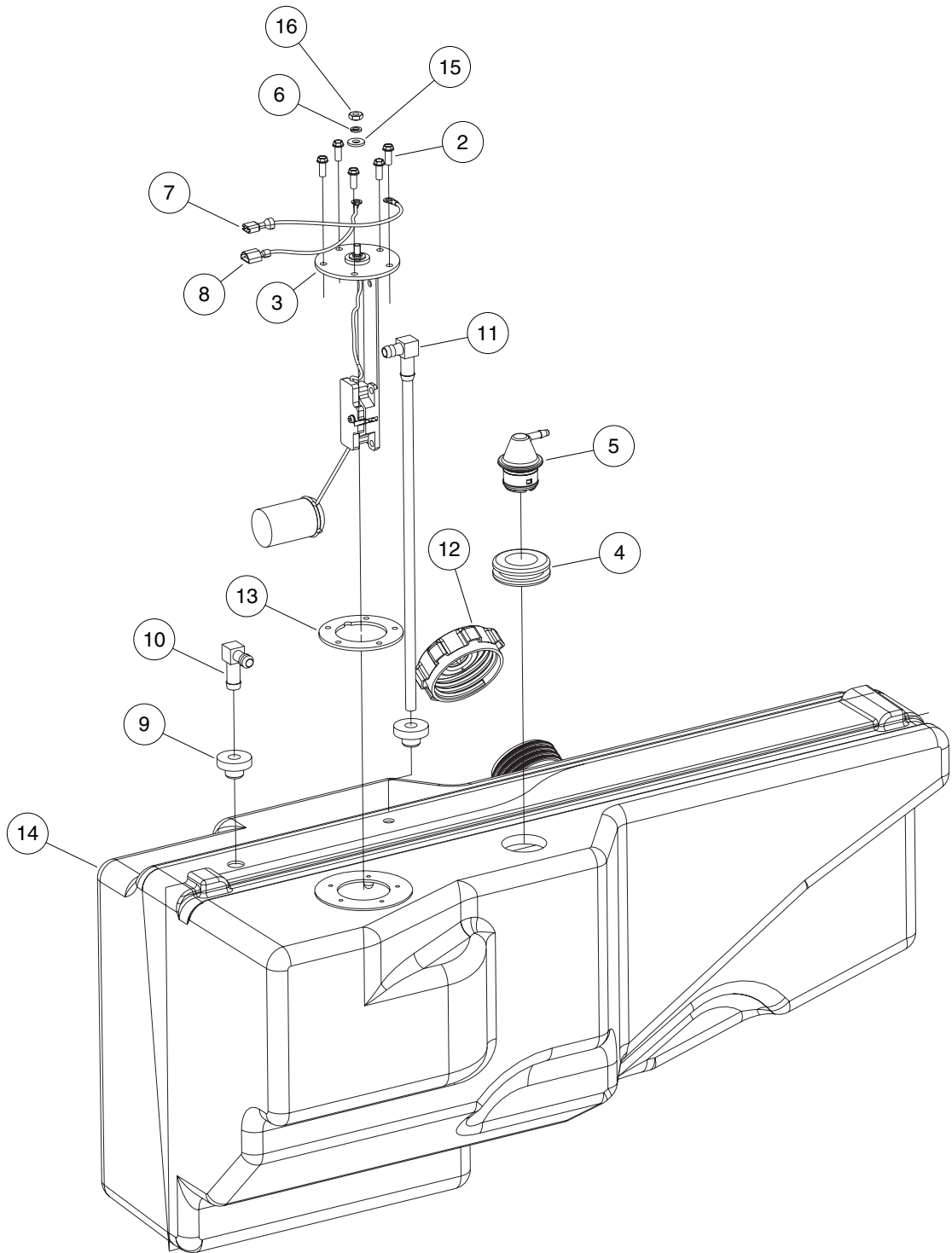
G

D

10

G

D



000082-005

FUEL TANK – DIESEL VEHICLES

ITEM	PART NO.	DESCRIPTION	QTY
		1 2 3 4	
1	<u>102952101</u>	Asm, Tank, Fuel, Diesel, 4x4 (includes items 2 through 16)	1
2	<u>1013461</u>	Screw, #10-16 Hex-Head Hi-Lo	5
3	****	Sending Unit, Fuel Level *	1
4	<u>1015139</u>	Insulation Grommet	1
5	<u>1015143</u>	Vent, Fuel Tank	1
6	<u>1016</u>	Washer, #10 Split Lock	1
7	N/A	Wire Asm, Blk, 170mm	1
8	N/A	Wire Asm, Org, 170mm	1
9	<u>102406701</u>	Bushing, Line, Return	2
10	<u>102406801</u>	Elbow, 90 Barbed	1
11	<u>102478501</u>	Pickup Tube, Fuel	1
12	<u>102494701</u>	Cap, Fuel (Diesel)	1
13	<u>102522001</u>	Gasket, Rubber	1
14	N/A	Tank, Fuel, Diesel, 4x4	1
15	<u>183</u>	Washer, #10 Type A Flat	1
16	<u>8797</u>	Nut, #10-32 Brass Hex	1
<p>**** Special order item available upon request.</p> <p>* Note: Must replace fuel sending unit gasket when servicing this component.</p>			

10

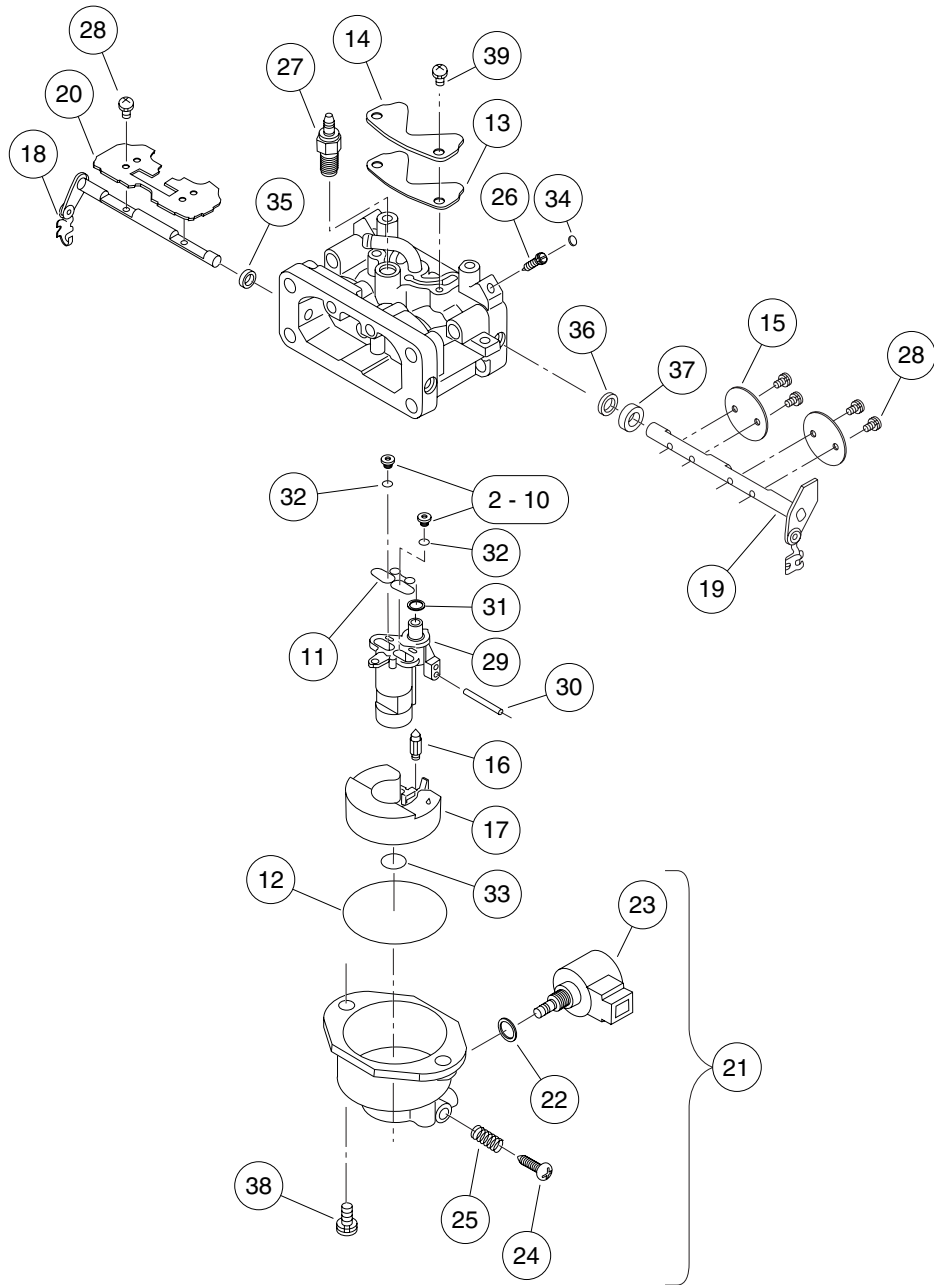
G

D

10

G

D



000673-001

CARBURETOR ASSEMBLY, KAWASAKI GASOLINE VEHICLES

ITEM	PART NO.	DESCRIPTION	QTY
		1 2 3 4	
1	<u>103341001</u>	Asm, Carburetor, Fh680d (includes items 2 through 39)	1
2	<u>103307201</u>	Kit, Jet, 6600 Ft +, Fh680d (includes items 3 and 4)	1
3	<u>103306801</u>	Jet, Push In #96, FH680D (6600 ft and higher (2000 m and higher))	2
4	<u>103307101</u>	Instructions, Kit, Jet, Push In	1
5	<u>103307301</u>	Kit, Jet, 3300-6600 Ft, Fh680d (includes items 6 and 7)	1
6	<u>103306901</u>	Jet, Push In #99, FH680D (3300-6600 ft (1000-2000 m))	2
7	<u>103307101</u>	Instructions, Kit, Jet, Push In	1
8	<u>103307401</u>	Kit, Jet, 0-3300 Ft, Fh680d (includes items 9 and 10)	1
9	<u>103307001</u>	Jet, Push In #102, FH680D (0-3300 ft (0-1000 m))	2
10	<u>103307101</u>	Instructions, Kit, Jet, Push In	1
11	<u>103340601</u>	Gasket, Fh680d	1
12	<u>103340701</u>	Gasket, Carburetor, Dia. 52	1
13	<u>103340801</u>	Gasket, Cover, Fh680d	1
14	<u>103340901</u>	Cover, Slow Passage, Fh680d	1
15	<u>103341101</u>	Valve, Throttle, Fh680d	2
16	<u>103341201</u>	Valve, Float, Fh680d	1
17	<u>103341301</u>	Float, Carburetor, Fh680d	1
18	<u>103341401</u>	Shaft, Carburetor, Fh680d	1
19	<u>103341501</u>	Shaft, Carburetor, Throttle	1
20	<u>103341601</u>	Valve, Carburetor, Fh680d	1
21	<u>103341701</u>	Asm, Chamber, Float, Fh680d (includes items 22 through 25)	1
22	<u>103340501</u>	Gasket, Carburetor, Fh680d	1
23	<u>103341901</u>	Solenoid, Carburetor, Fh680d	1
24	<u>103342201</u>	Screw, Drain, Carburetor	1
25	<u>103343601</u>	Spring, Carburetor, Fh680d	1
26	<u>103341801</u>	Needle, Jet, Fh680d	2
27	<u>103342001</u>	Heater, Carburetor, Fh680d	1
28	<u>103342101</u>	Screw, Carburetor, M3 X 6	6
29	<u>103342301</u>	Spacer, Carburetor, Fh680d	1
30	<u>103342401</u>	Pin, Carburetor, Fh680d	1
31	<u>103342501</u>	O-ring, Carburetor, Dia. 6.5	1
32	<u>103342601</u>	O-ring, Carburetor, Fh680d	2
33	<u>103342701</u>	O-ring, Carburetor, Dia. 9	1
34	<u>103343301</u>	Plug, Expansion, Carburetor	2
35	<u>103343401</u>	Seal, Carburetor, Dia. 5.9	1
36	<u>103343501</u>	Seal, Carburetor, Fh680d	1
37	<u>103343701</u>	Collar, Carburetor, Fh680d	1
38	<u>103343801</u>	Screw, Carburetor, M5	2
39	<u>103343901</u>	Screw, Carburetor, M4	2

10

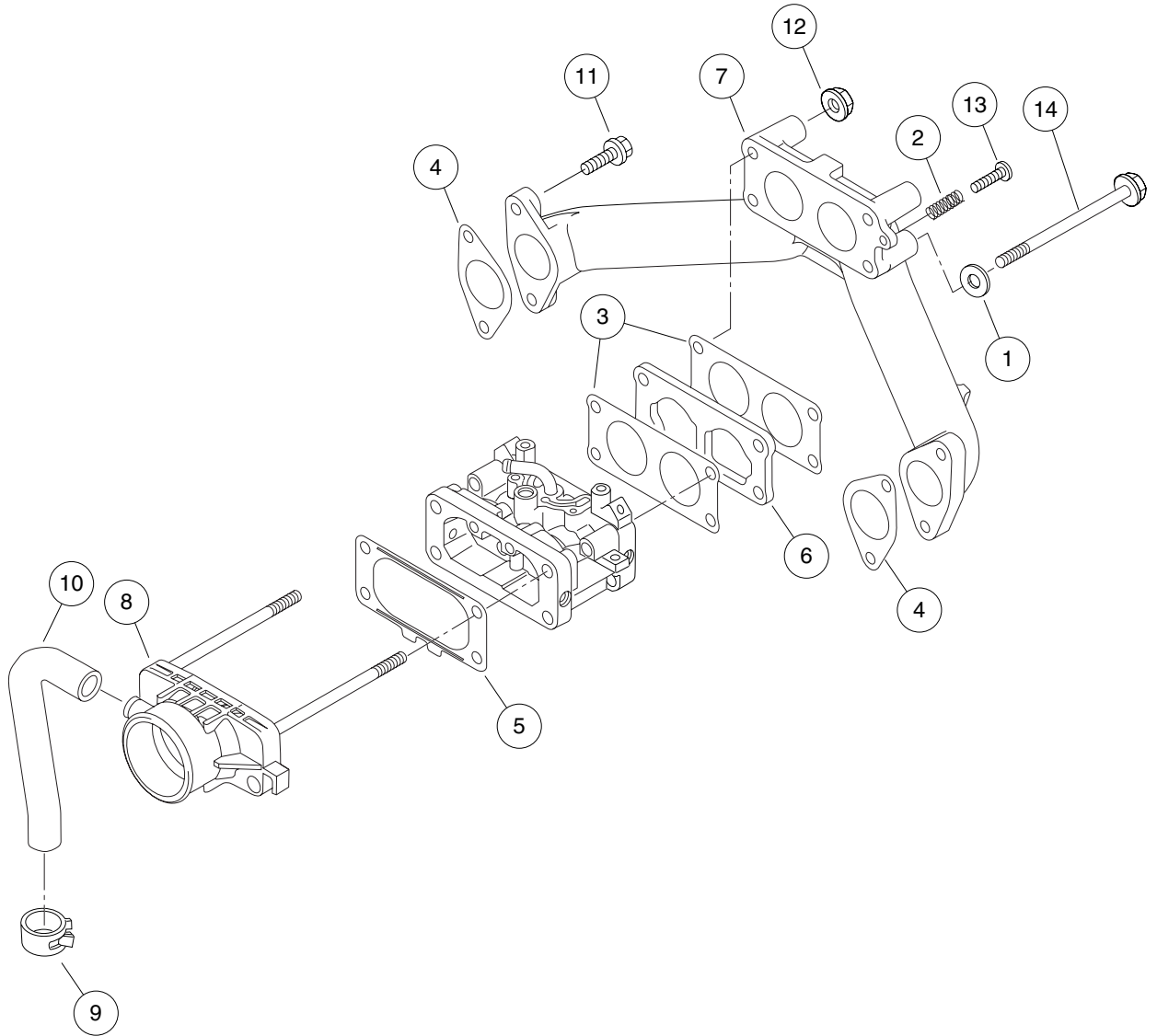
G

D

10

G

D



000673-002

CARBURETOR INSTALLATION – KAWASAKI GASOLINE VEHICLES

ITEM	PART NO.	DESCRIPTION	QTY
		1 2 3 4	
1	<u>1016513</u>	Washer, M6 Flat	2
2	<u>103002801</u>	Spring, Fh	1
3	<u>103003801</u>	Gasket, Carburetor, Fh	2
4	<u>103003901</u>	Gasket, Manifold, Fh	2
5	<u>103004201</u>	Gasket, Air Filter, Fh	1
6	<u>103005001</u>	Insulator, Manifold, Fh	1
7	<u>103005601</u>	Manifold, Intake, Fh	1
8	<u>103297101</u>	Pipe, Intake Adapter, Fh	1
9	<u>103297201</u>	Clamp, Crankcase Vent, Fh	1
10	<u>103297301</u>	Tube, Crankcase Vent, Fh	1
11	<u>103298501</u>	Bolt, Flanged, M6 X 20, Kaw	4
12	<u>103320201</u>	Nut, Carburetor, M6	2
13	<u>103320301</u>	Screw, Carburetor, M4 X 20	1
14	<u>103320401</u>	Bolt, Flg, Carburetor, M6x105	2

10

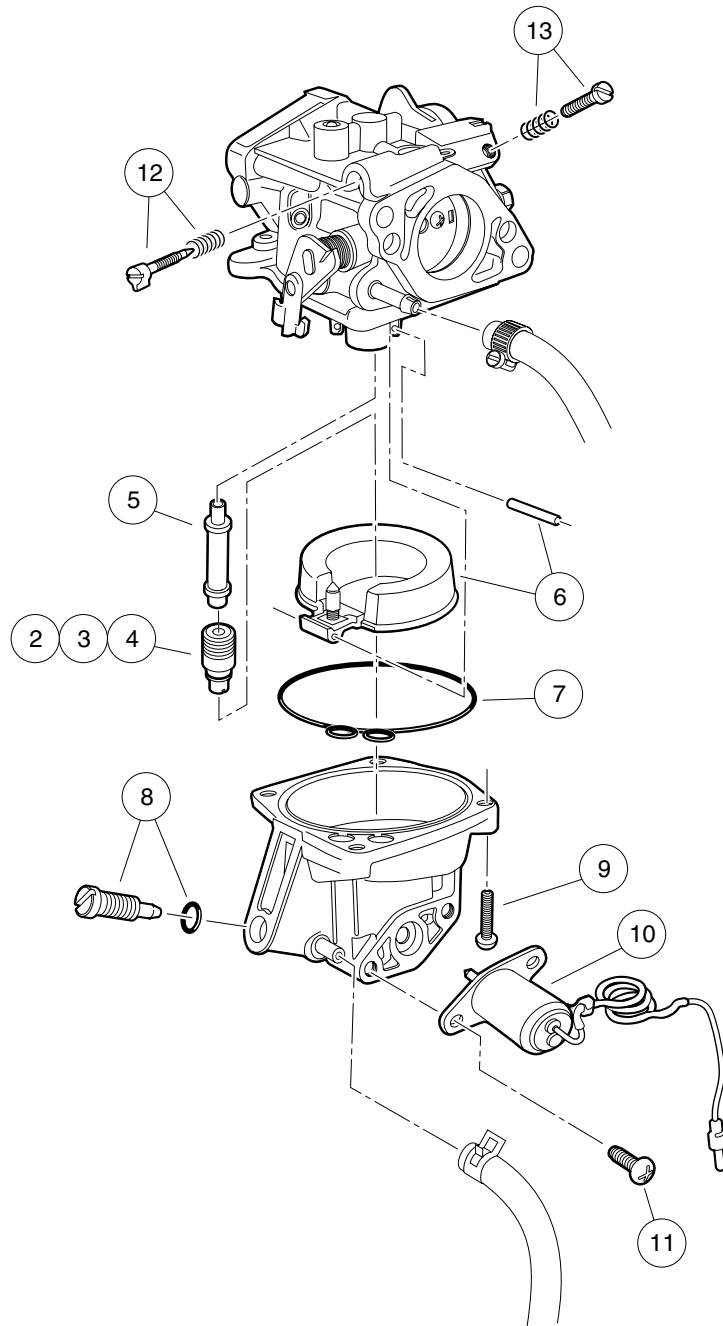
G

D

10

G

D



000020-001

CARBURETOR ASSEMBLY, HONDA GASOLINE VEHICLES

ITEM	PART NO.	DESCRIPTION	QTY
		1 2 3 4	
1	<u>103201601</u>	Carburetor, Seal Shaft (includes items 2 through 13)	1
2	<u>102623802</u>	Jet, GX620, #102 (8000 ft. and higher (2438 m and higher))	1
3	<u>102623805</u>	Jet, GX620, #105 (5000-8000 ft. (1524-2438 m))	1
4	<u>102623808</u>	Jet, GX620, #108 (0-5000 ft. (0-1524 m))	1
5	<u>102655401</u>	Nozzle, Main	1
6	<u>102655501</u>	Float Set	1
7	<u>102655601</u>	Gasket Set	1
8	<u>102655701</u>	Screw Set, Drain	1
9	<u>102655801</u>	Screw-Washer, M4 X 14	4
10	<u>102655901</u>	Valve Assy., Solenoid	1
11	<u>102656001</u>	Screw-Washer, M5 X 12	2
12	<u>102724101</u>	Screw Set, Left	1
13	<u>102724201</u>	Screw Set, Right	1

10

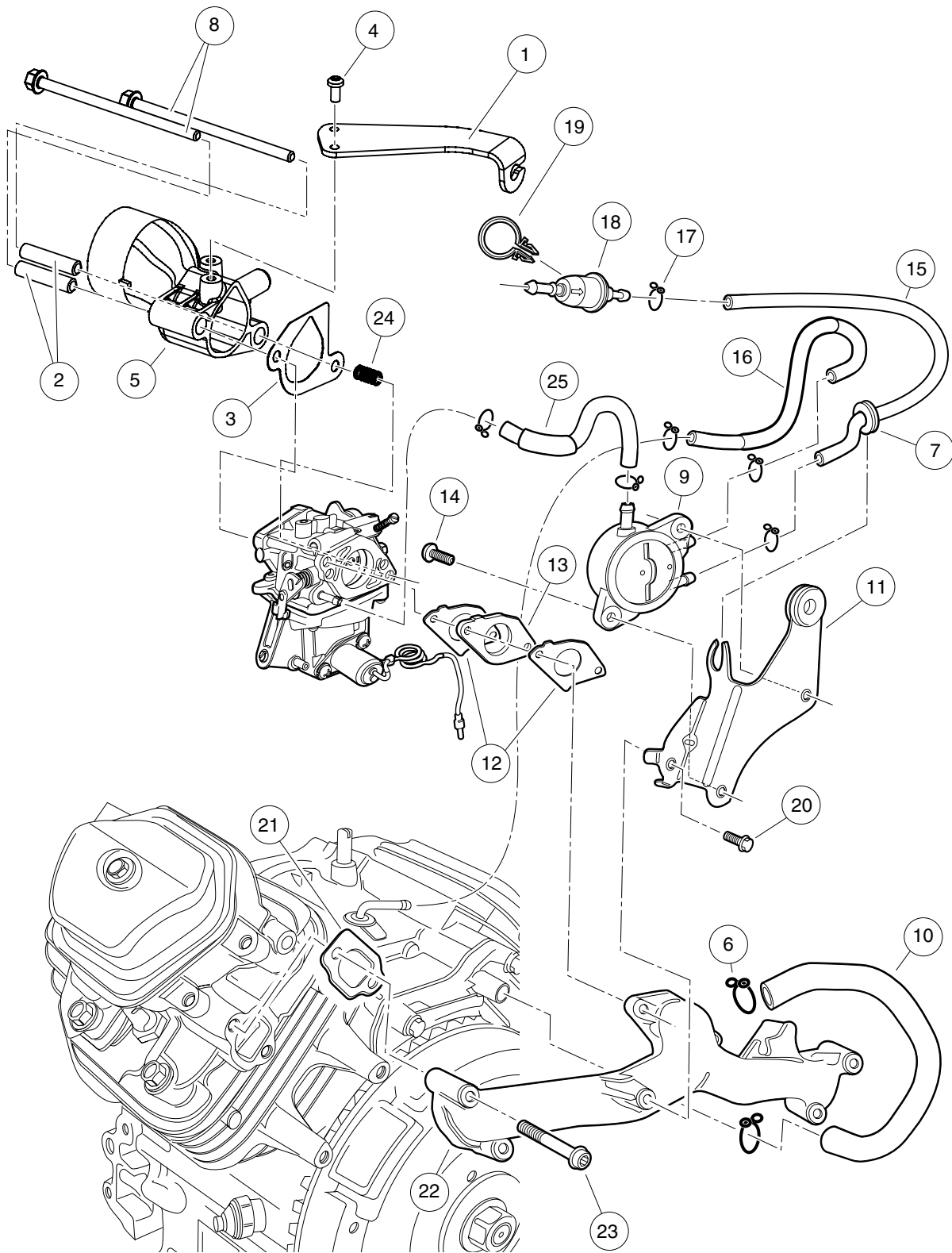
G

D

10

G

D



000021-001

CARBURETOR INSTALLATION – HONDA GASOLINE VEHICLES

ITEM	PART NO.	DESCRIPTION	QTY
		1 2 3 4	
1	<u>102385801</u>	Bracket, Choke Cable	1
2	<u>102462601</u>	Insert, Adapter, Carburetor	2
3	<u>102493001</u>	Gasket, Adapter, Carburetor	1
4	<u>102617301</u>	Screw Tapping, M5 X 0.8x10	2
5	<u>102620801</u>	Adapter, Intake Honda GX620	1
6	<u>102656101</u>	Clip, Breather Tube	1
7	<u>102656201</u>	Grommet, Reserve Tank	1
8	<u>102656301</u>	Bolt, Flange Head, M6 X 1 X 120	2
9	<u>102656402</u>	Pump Assy., Fuel, Sup	1
10	<u>102656501</u>	Tube, Breather	1
11	<u>102656601</u>	Stay, Fuel Pump	1
12	<u>102656701</u>	Gasket, Carburetor	2
13	<u>102656801</u>	Insulator, Carburetor	1
14	<u>102656901</u>	Srew-Washer, M6 X 16	2
15	<u>102657001</u>	Tube B, Fuel	1
16	<u>102657101</u>	Tube, Diaphragm	1
17	<u>102657201</u>	Clip, Tube, B10	3
18	<u>102657301</u>	Filter, Fuel	1
19	<u>102657401</u>	Clip, Wire Harness	1
20	<u>102657501</u>	Bolt, Flange Head, M6 X 11 X 4	2
21	<u>102657601</u>	Gasket, Intake Manifold	2
22	<u>102657701</u>	Manifold, Inlet	1
23	<u>102657801</u>	Bolt, Socket, M8 X 1.25 X 45	4
24	<u>102710501</u>	Spring, Continuity, Solenoid	1
25	<u>102725401</u>	Tube A, Fuel	1

10

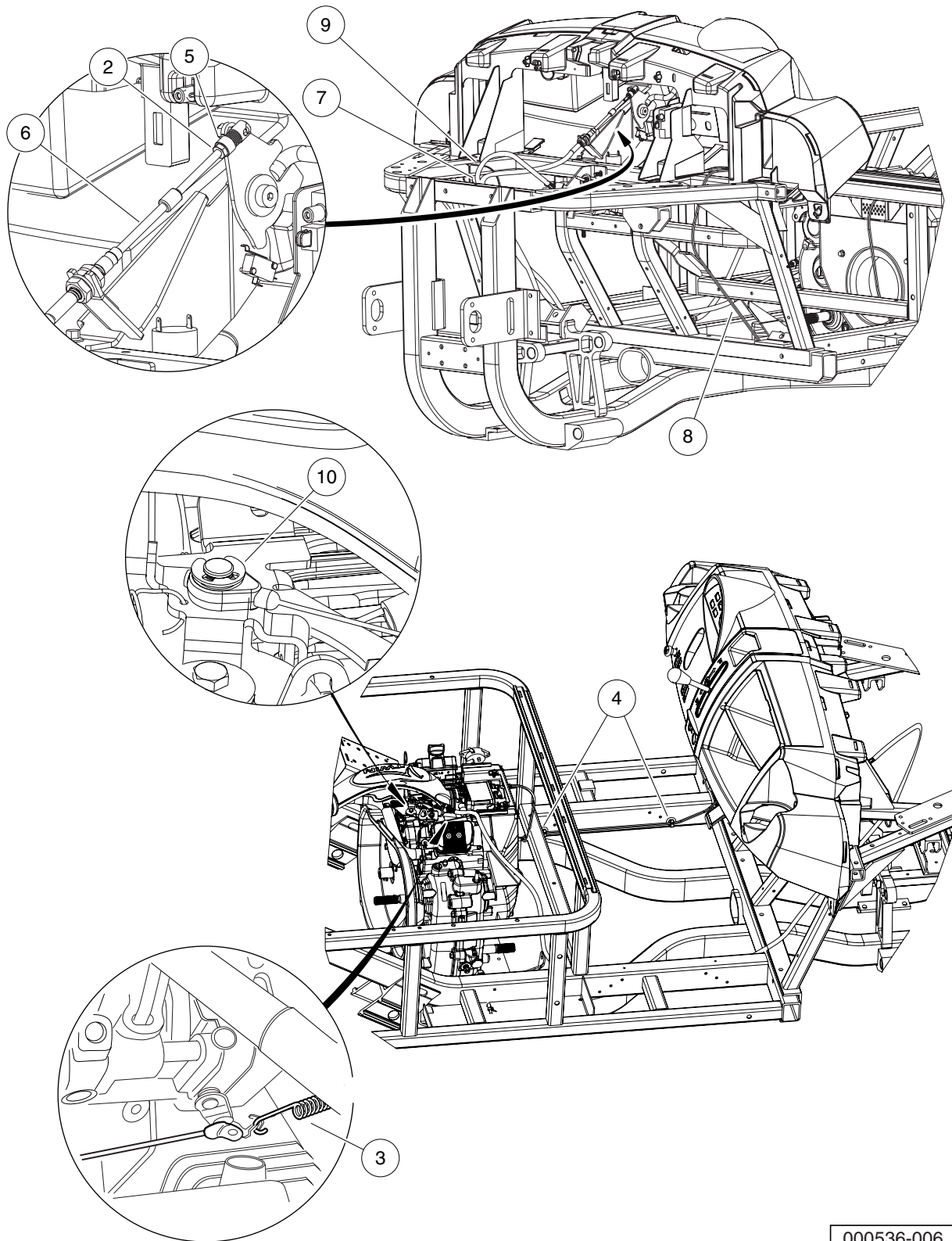
G

D

10

G

D



000536-006

CABLES – KAWASAKI GASOLINE ENGINE

ITEM	PART NO.	DESCRIPTION	QTY
		1 2 3 4	
1	103276601	Instl, Cables, Gas, Se, Fh680d (includes items 2 through 10)	1
2	<u>1011084</u>	Nut, 1/4-28 Hex Jam	2
3	<u>102457001</u>	Spring	1
4	<u>102475701</u>	Clip, Brake Line	4
5	<u>102615801</u>	Joint, Ball, .346 Dia	2
6	<u>102767101</u>	Cable, Trans Shift, AWD, Long	1
7	<u>103293301</u>	Cable, Acc, Awd, G, Fh680d, Se	1
8	<u>103293401</u>	Cable, Choke, Awd, Fh680d, Se	1
9	<u>8990</u>	Tie Wrap, 8" Nylon	1
10	<u>96950126</u>	Ring, Retaining	1

10

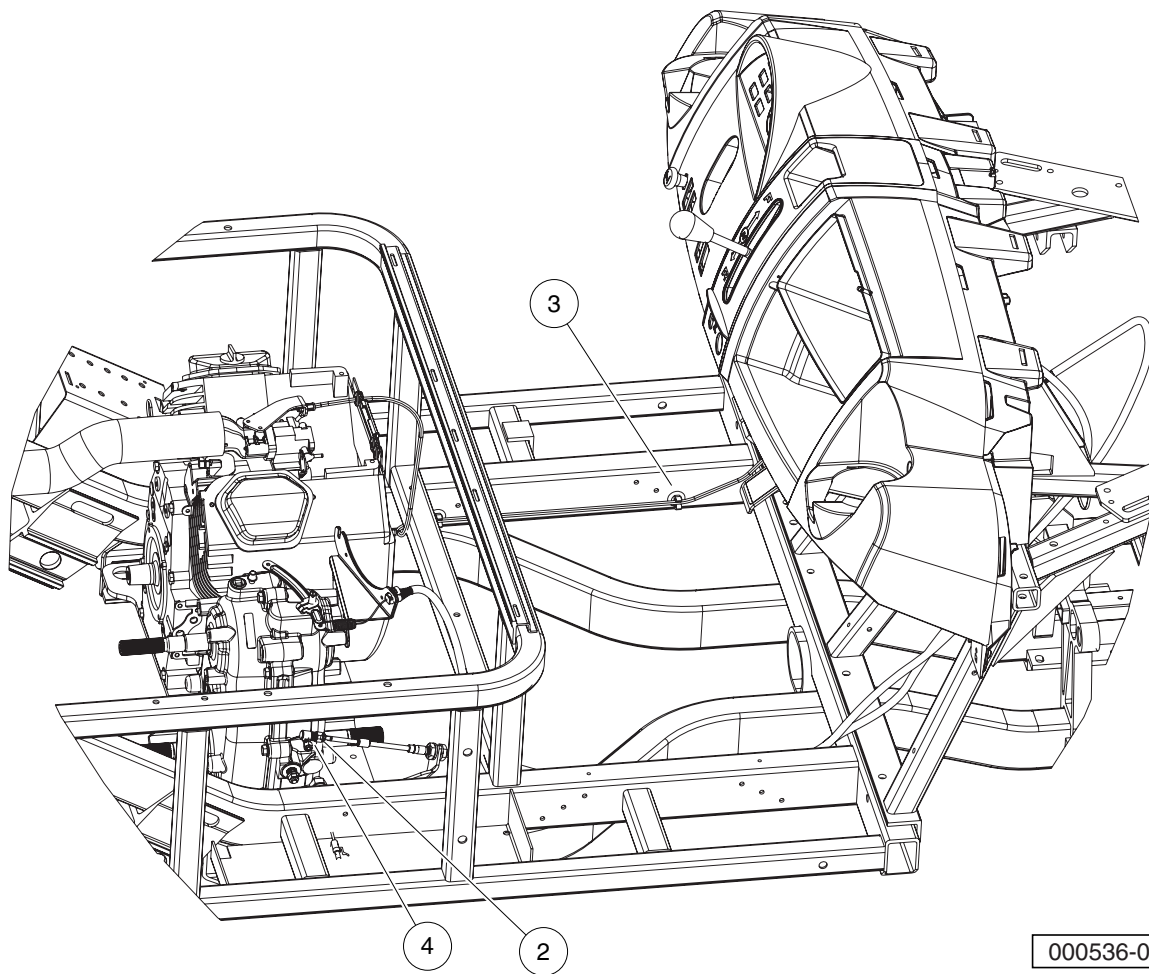
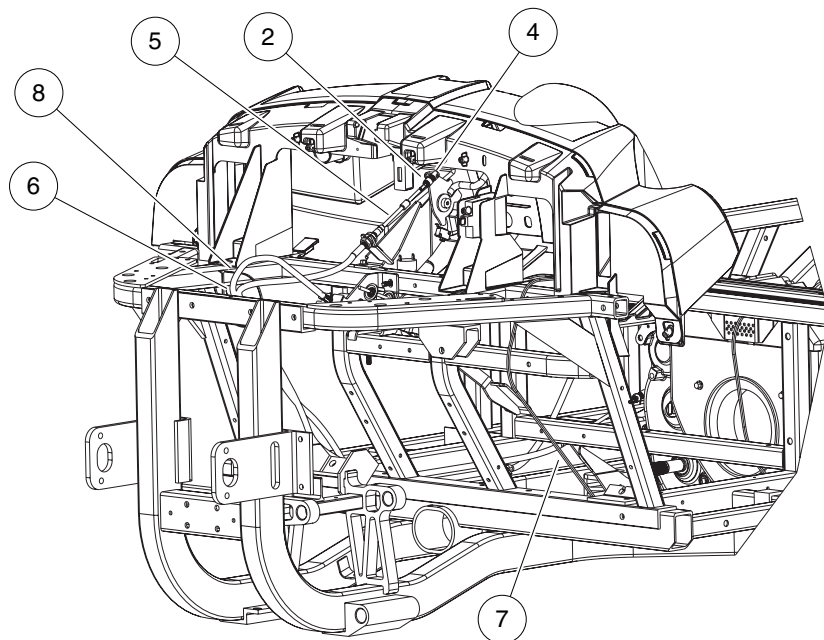
G

D

10

G

D



000536-003

CABLES – HONDA GASOLINE VEHICLES

ITEM	PART NO.	DESCRIPTION	QTY
		1 2 3 4	
1	N/A	Instl, Cable, Gas, 4pass (includes items 2 through 8)	1
2	<u>1011084</u>	Nut, 1/4-28 Hex Jam	2
3	<u>102475701</u>	Clip, Brake Line	5
4	<u>102615801</u>	Joint, Ball, .346 Dia	2
5	<u>102767101</u>	Cable, Trans Shift, AWD, Long	1
6	<u>102952901</u>	Cable, Accel, AWD, Gas, Long	1
7	<u>103204101</u>	Cable, Choke, AWD, Long	1
8	<u>8990</u>	Tie Wrap, 8" Nylon	1

10

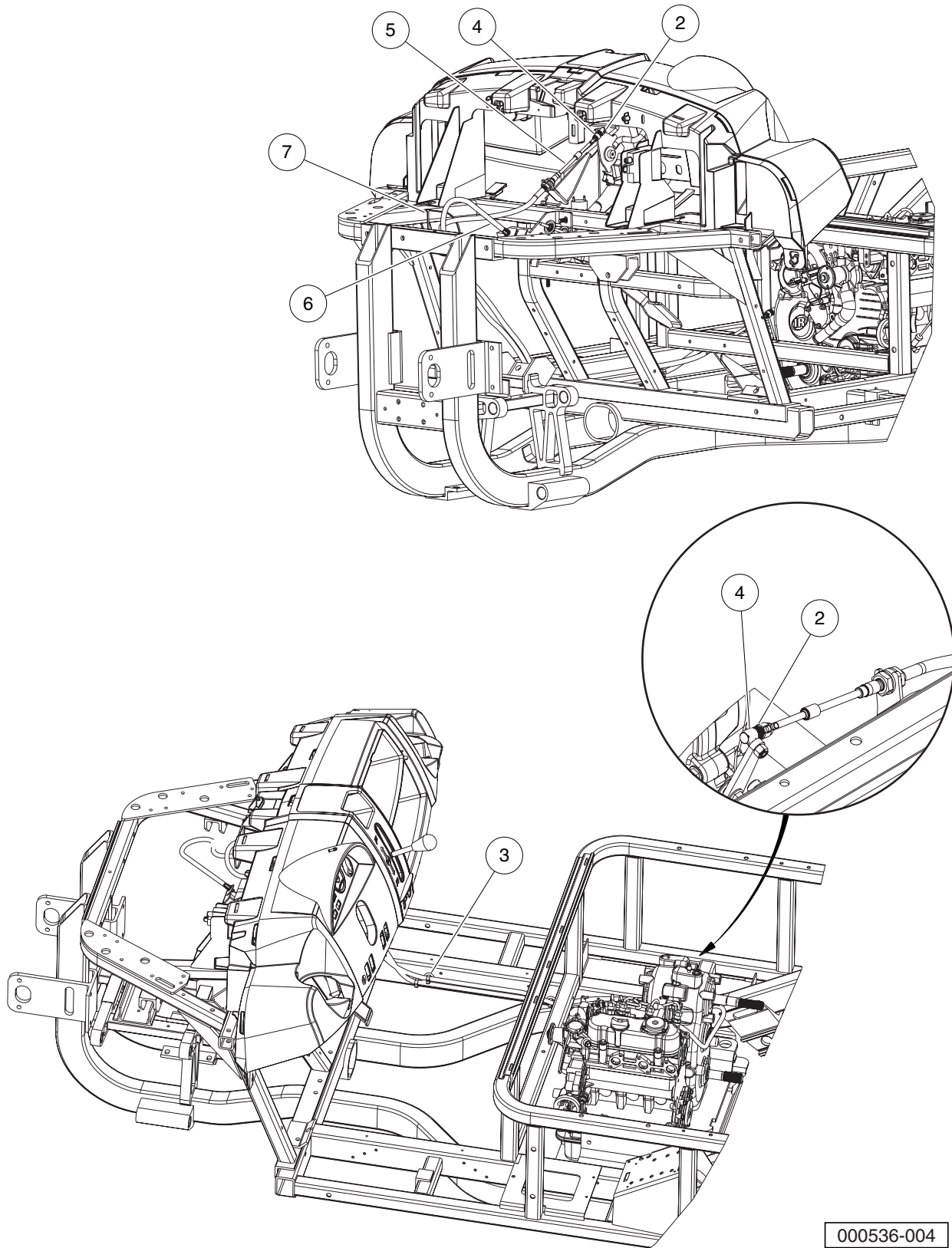
G

D

10

G

D



000536-004

CABLES – DIESEL VEHICLES

ITEM	PART NO.	DESCRIPTION	QTY
		1 2 3 4	
1	N/A	Instl, Cable, Long, Diesel (includes items 2 through 7)	1
2	<u>1011084</u>	Nut, 1/4-28 Hex Jam	2
3	<u>102475701</u>	Clip, Brake Line	7
4	<u>102615801</u>	Joint, Ball, .346 Dia	2
5	<u>102767101</u>	Cable, Trans Shift, AWD, Long	1
6	<u>102767401</u>	Cable, Accel, Diesel, Long	1
7	<u>8990</u>	Tie Wrap, 8" Nylon	1

10

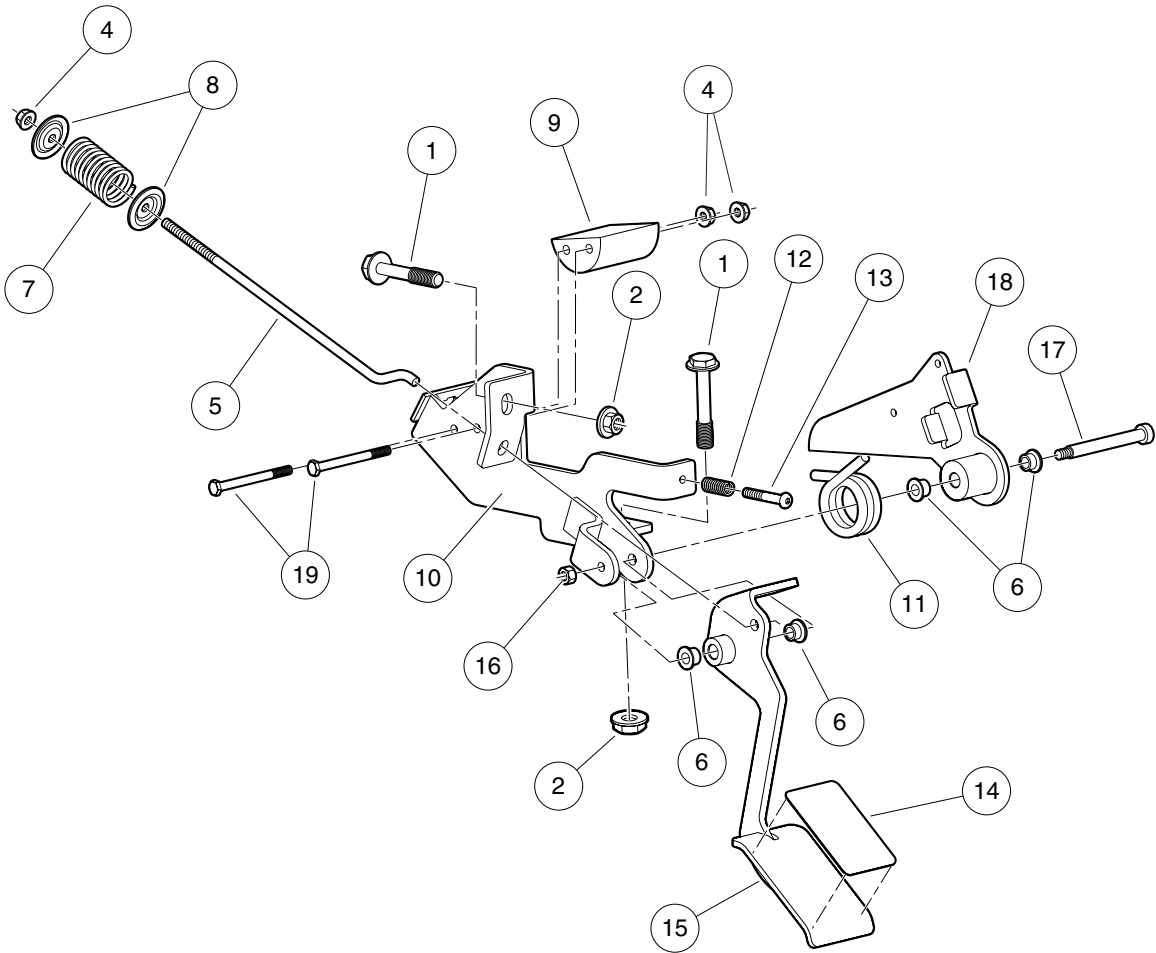
G

D

10

G

D



000026-002

ACCELERATOR PEDAL ASSEMBLY – STYLE A

ITEM	PART NO.	DESCRIPTION	QTY
		1 2 3 4	
1	<u>102618301</u>	Bolt Flanged Head, M8 X 1.25 X 65	2
2	102618601	Lock Nut, Flg M8 X 1.25 Nylon	2
3	<u>103278101</u>	Asm, Accelerator Pedal (includes items 4 through 19)	1
4	<u>102296401</u>	Nut-m6x1.0 Flng All Mtl Lock	3
5	N/A	Pullrod, Spring, Compression	1
6	<u>102442901</u>	Bushing, Greaseless	4
7	N/A	Spring, Comp, Pedal, Pullrod	1
8	N/A	Washer, Retaining Spring, 7mm	2
9	N/A	Guide, Cable, Accelerator	1
10	N/A	Weldment, Bracket, Pedal	1
11	N/A	Spring, Torsion	1
12	N/A	Spring, Stop, Pedal	1
13	N/A	Bolt, Stop, Pedal	1
14	N/A	Pad, Grip Tape, Accelerator	1
15	N/A	Weldment, Pedal, Accelerator	1
16	<u>102618101</u>	Nut M6x1 Mech Def Center	1
17	<u>103273101</u>	Bolt, Shoulder, M8 X 70, Hc	1
18	N/A	Weldment, Lever, Lost Motion	1
19	<u>96706825</u>	Bolt, M6 X 1 X 70	2

10

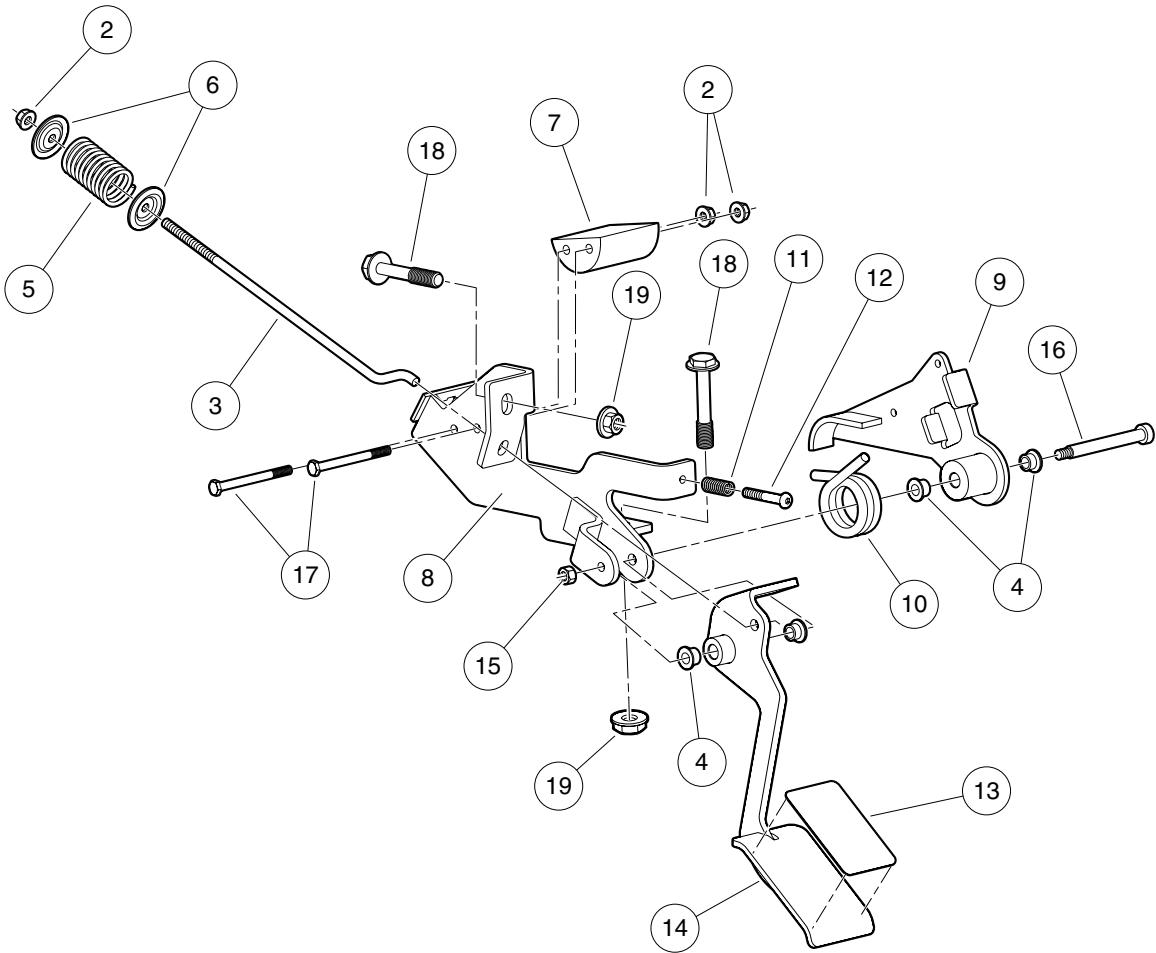
G

D

10

G

D



000026-001

ACCELERATOR PEDAL ASSEMBLY – STYLE B

ITEM	PART NO.	DESCRIPTION	QTY
		1 2 3 4	
1	<u>102489901</u>	Asm, Pedal, Accelerator (includes items 2 through 17)	1
2	<u>102296401</u>	Nut-m6x1.0 Flng All Mtl Lock	3
3	N/A	Pullrod, Spring, Compression	1
4	<u>102442901</u>	Bushing, Greaseless	4
5	N/A	Spring, Comp, Pedal, Pullrod	1
6	N/A	Washer, Retaining Spring, 7mm	2
7	N/A	Guide, Cable, Accelerator	1
8	N/A	Weldment, Bracket, Pedal	1
9	N/A	Weldment, Lever, Motion, Lost	1
10	N/A	Spring, Torsion	1
11	N/A	Spring, Stop, Pedal	1
12	N/A	Bolt, Stop, Pedal	1
13	N/A	Pad, Grip Tape, Accelerator	1
14	N/A	Weldment, Pedal, Accelerator	1
15	<u>102618101</u>	Nut M6x1 Mech Def Center	1
16	<u>103273101</u>	Bolt, Shoulder, M8 X 70, Hc	1
17	<u>96706825</u>	Bolt, M6 X 1 X 70	2
18	<u>102618301</u>	Bolt Flanged Head, M8 X 1.25 X 65	2
19	<u>102618601</u>	Lock Nut, Flg M8 X 1.25 Nylon	2

10

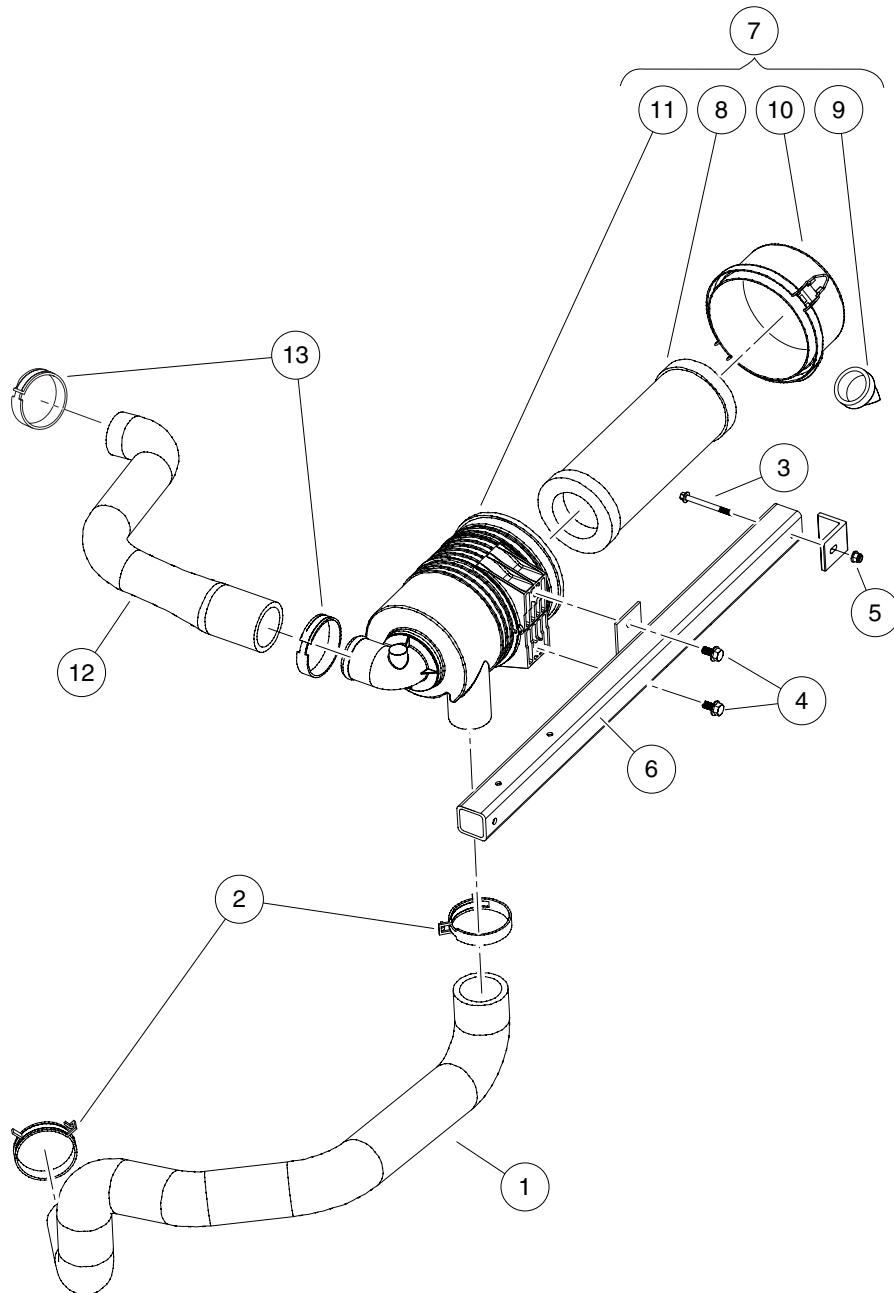
G

D

10

G

D



000090-005

INTAKE DUCT AND AIR BOX ASSEMBLY – KAWASAKI GASOLINE VEHICLES

ITEM	PART NO.	DESCRIPTION	QTY
		1 2 3 4	
1	<u>102395601</u>	Hose, Intake, Primary	1
2	<u>102411210</u>	Clamp, Hose, Ctb 64mm	2
3	<u>102541465</u>	Bolt, M 6 X 1.0 X 65 Hex, Flange, Head, Black	2
4	<u>102621201</u>	Bolt Flanged Head, M8 X1.25x 16 with Loctite	2
5	<u>102621501</u>	Nut Flg, M6 X 1.0 Nylon	2
6	N/A	Weldment, Support, Air Cleaner	1
7	<u>102810701</u>	Filter, Air, Canister, W/labe (includes items 8 through 11)	1
8	<u>102498601</u>	Element, Filter, Air, 5 In	1
9	<u>102725501</u>	Valve, Evacuator, Filter Air	1
10	<u>102725601</u>	Cap, Latch Lock, Filter, Air	1
11	N/A	Body, Canister, Filter, Air	1
12	<u>103438201</u>	Intake Awd Hose Gas	A/R
13	<u>103441401</u>	Clamp, Worm Screw, Hose, 2"	2

10

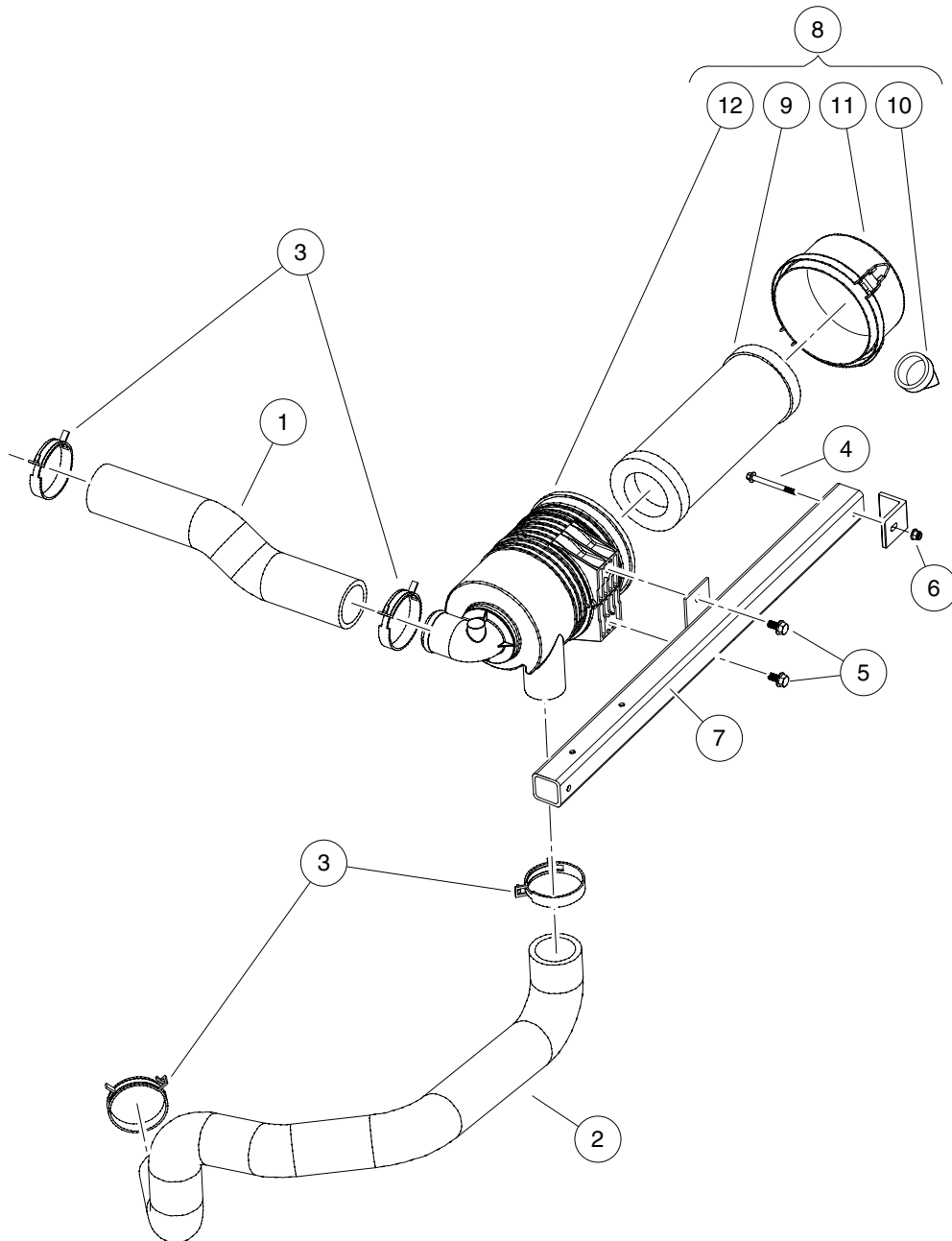
G

D

10

G

D



000090-001

INTAKE DUCT AND AIR BOX ASSEMBLY – HONDA GASOLINE VEHICLES

ITEM	PART NO.	DESCRIPTION	QTY
		1 2 3 4	
1	<u>102378901</u>	Hose, Intake, GX620	1
2	<u>102395601</u>	Hose, Intake, Primary	1
3	<u>102411210</u>	Clamp, Hose, Ctb 64mm	4
4	<u>102541465</u>	Bolt, M 6 X 1.0 X 65 Hex, Flange, Head, Black	2
5	<u>102621201</u>	Bolt Flanged Head, M8 X1.25x 16 with Loctite	2
6	<u>102621501</u>	Nut Flg, M6 X 1.0 Nylon	2
7	N/A	Weldment, Support, Air Cleaner	1
8	<u>102810701</u>	Filter, Air, Canister, W/labe (includes items 9 through 12)	1
9	<u>102498601</u>	Element, Filter, Air, 5 In	1
10	<u>102725501</u>	Valve, Evacuator, Filter Air	1
11	<u>102725601</u>	Cap, Latch Lock, Filter, Air	1
12	N/A	Body, Canister, Filter, Air	1

10

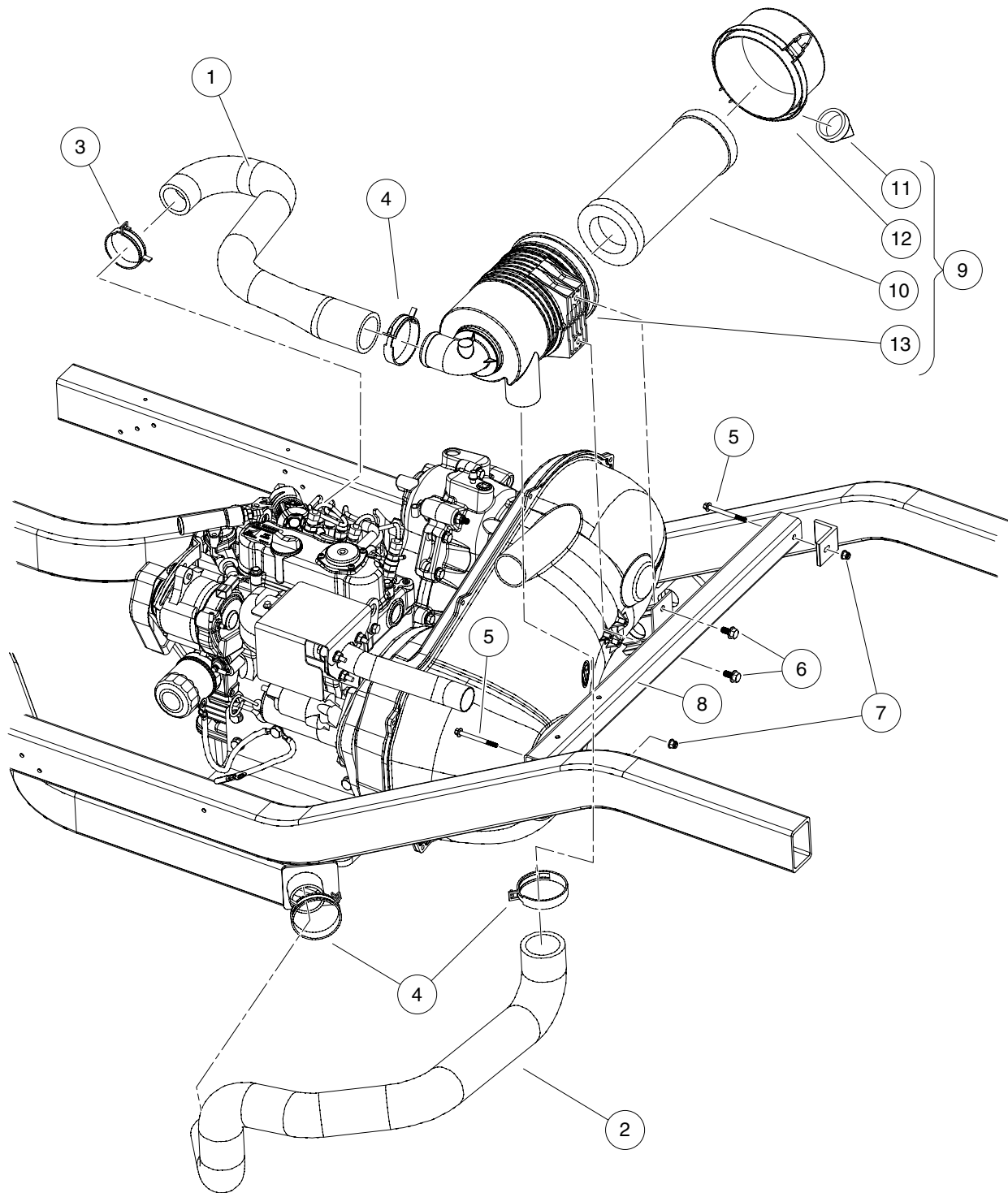
G

D

10

G

D



000090-002

INTAKE DUCT AND AIR BOX ASSEMBLY – DIESEL VEHICLES

ITEM	PART NO.	DESCRIPTION	QTY
		1 2 3 4	
1	<u>102379001</u>	Hose, Intake, D722	1
2	<u>102395601</u>	Hose, Intake, Primary	1
3	<u>102411209</u>	Clamp, Hose, Ctb 55mm	1
4	<u>102411210</u>	Clamp, Hose, Ctb 64mm	3
5	<u>102541465</u>	Bolt, M 6 X 1.0 X 65 Hex, Flange, Head, Black	2
6	<u>102621201</u>	Bolt Flanged Head, M8 X1.25x 16 with Loctite	2
7	<u>102621501</u>	Nut Flg, M6 X 1.0 Nylon	2
8	N/A	Weldment, Support, Air Cleaner	1
9	<u>102810701</u>	Filter, Air, Canister, W/labe (includes items 10 through 13)	1
10	<u>102498601</u>	Element, Filter, Air, 5 In	1
11	<u>102725501</u>	Valve, Evacuator, Filter Air	1
12	<u>102725601</u>	Cap, Latch Lock, Filter, Air	1
13	N/A	Body, Canister, Filter, Air	1

10

G

D

10

G

D

EXHAUST SYSTEM

11

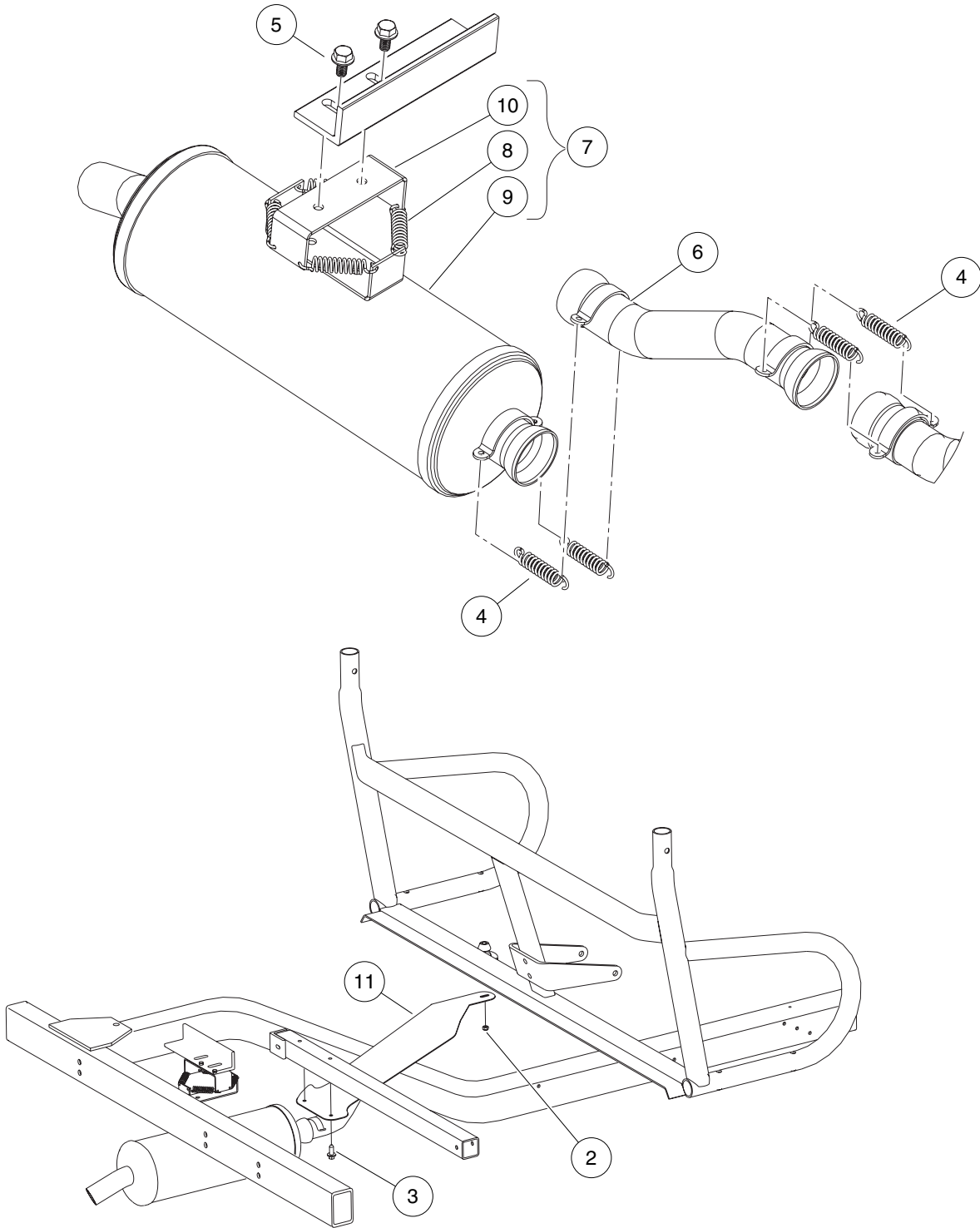
G

D

11

G

D



000538-001

EXHAUST SYSTEM

ITEM	PART NO.	DESCRIPTION	QTY
		1 2 3 4	
1	N/A	Instl, Exhaust, AWD (includes items 2 through 11)	1
2	<u>101887601</u>	Locknut, M6-1.00 Nylon Insert	1
3	<u>102298720</u>	M8-1.25x20 Taptite	2
4	<u>102409501</u>	Spring, Exhaust	4
5	<u>102621201</u>	Bolt Flanged Head, M8 X1.25x 16 with Loctite	2
6	<u>102786201</u>	Pipe, Exhaust, Int, Offset	1
7	<u>102812801</u>	Asm, Muffler, AWD Homologation (includes items 8 through 10)	1
8	<u>102409501</u>	Spring, Exhaust	4
9	N/A	Muffler	1
10	N/A	Bracket, Muffler	1
11	<u>102930901</u>	Shield, Exhaust, Clearance	1

11

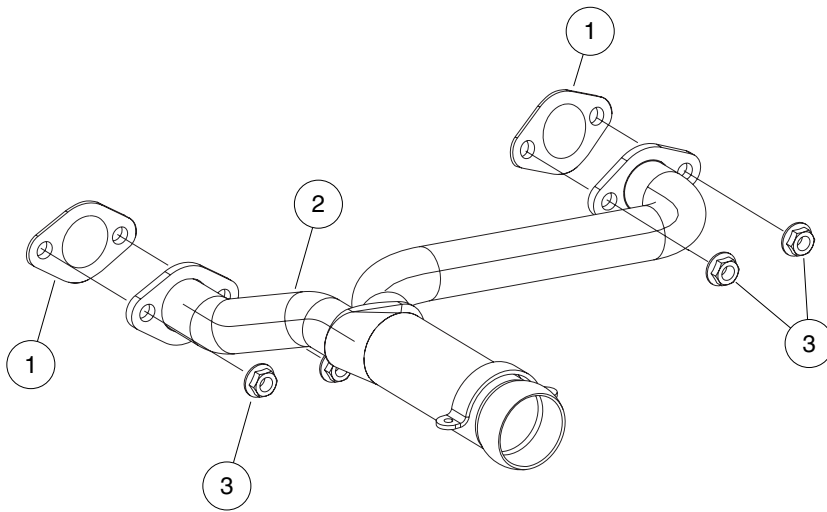
G

D

11

G

D



000538-004

EXHAUST HEADER – KAWASAKI GAS

ITEM	PART NO.	DESCRIPTION	QTY
		1 2 3 4	
1	<u>102949301</u>	Gasket, Exhaust Header, Fh680d	2
2	<u>103268101</u>	Header, Exhaust, Gas, Fh680d	1
3	<u>96704416</u>	Nut Flg, M8 X 1.25 Serrated	4

11

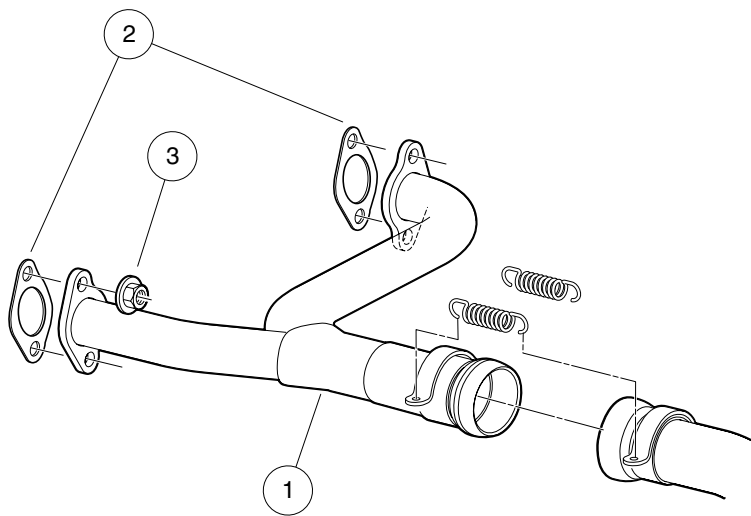
G

D

11

G

D



000538-002

EXHAUST HEADER – HONDA GAS

ITEM	PART NO.	DESCRIPTION	QTY
		1 2 3 4	
1	<u>102409601</u>	Header, Exhaust, Gas	1
2	<u>102834901</u>	Gasket, Exhaust, Gx620	2
3	<u>96704416</u>	Nut Flg, M8 X 1.25 Serrated	4

11

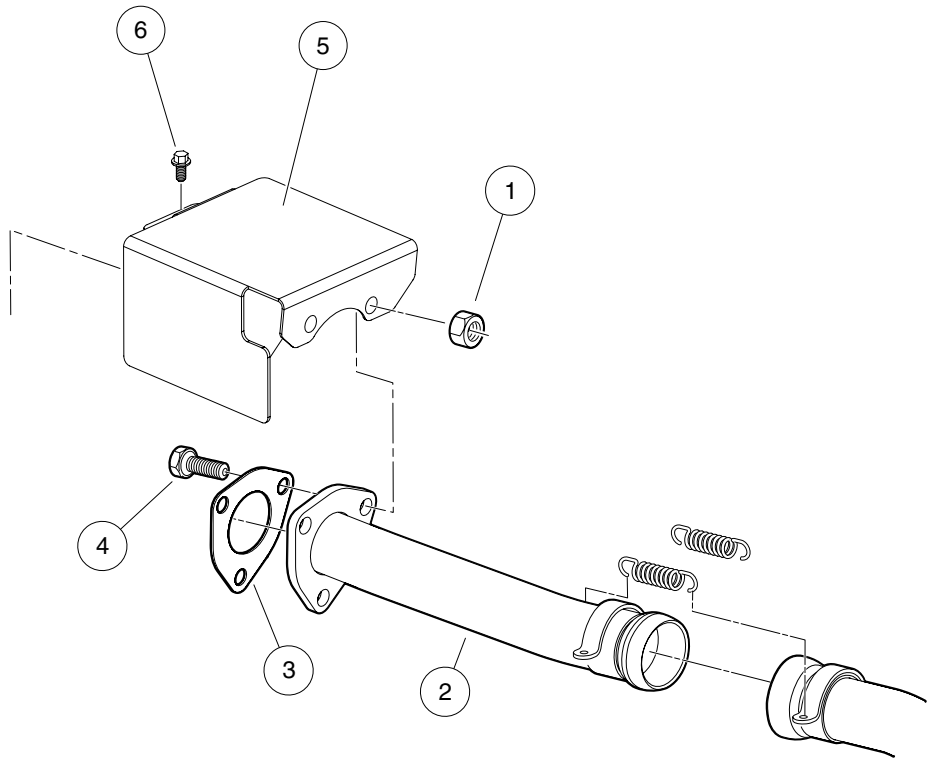
G

D

11

G

D



000538-003

EXHAUST PIPES – DIESEL VEHICLES

ITEM	PART NO.	DESCRIPTION	QTY
		1 2 3 4	
1	<u>102298401</u>	Nut,m8,all Metal Lock	3
2	<u>102409301</u>	Pipe, Exhaust Diesel Main	1
3	<u>102422301</u>	Gasket, Exhaust Diesel	1
4	<u>102621301</u>	Bolt, M8 X 1.25 X 40 with Loctite	3
5	<u>102628101</u>	Shield, Diesel Exhaust	1
6	<u>102731601</u>	Bolt, D722, Exhst Manfld Cover	1

11

G

D

11

G

D

CLUTCHES

12

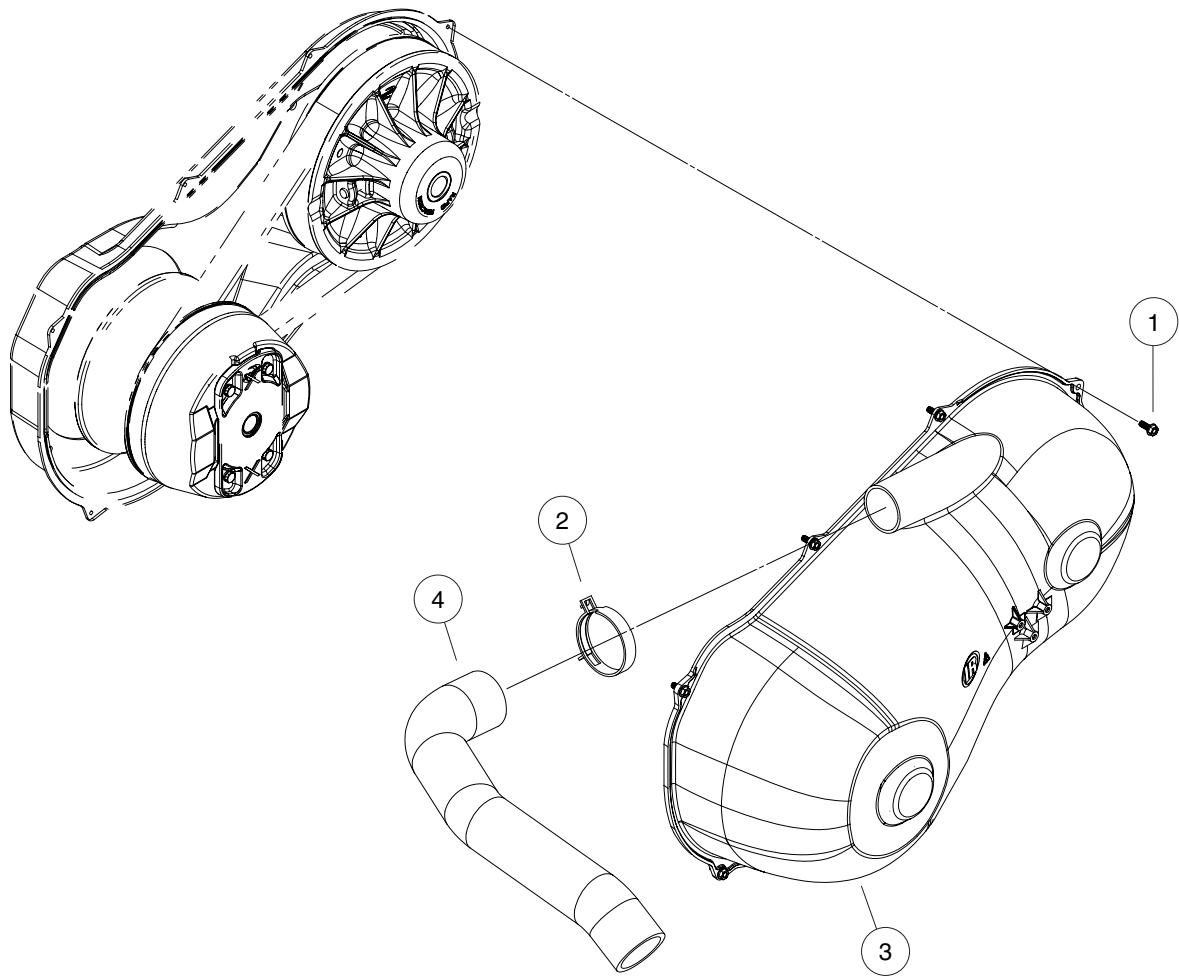
G

D

12

G

D



000008-002

CLUTCH COVER (STANDARD)

ITEM	PART NO.	DESCRIPTION	QTY
		1 2 3 4	
1	<u>102296716</u>	Screw, M6 X 16 Tt Hx Fl Hd	7
2	<u>102411210</u>	Clamp, Hose, Ctb 64mm	1
3	<u>102628301</u>	Cover, Cvt, Open	1
4	<u>103320601</u>	Hose, Outlet, Cvt	1

12

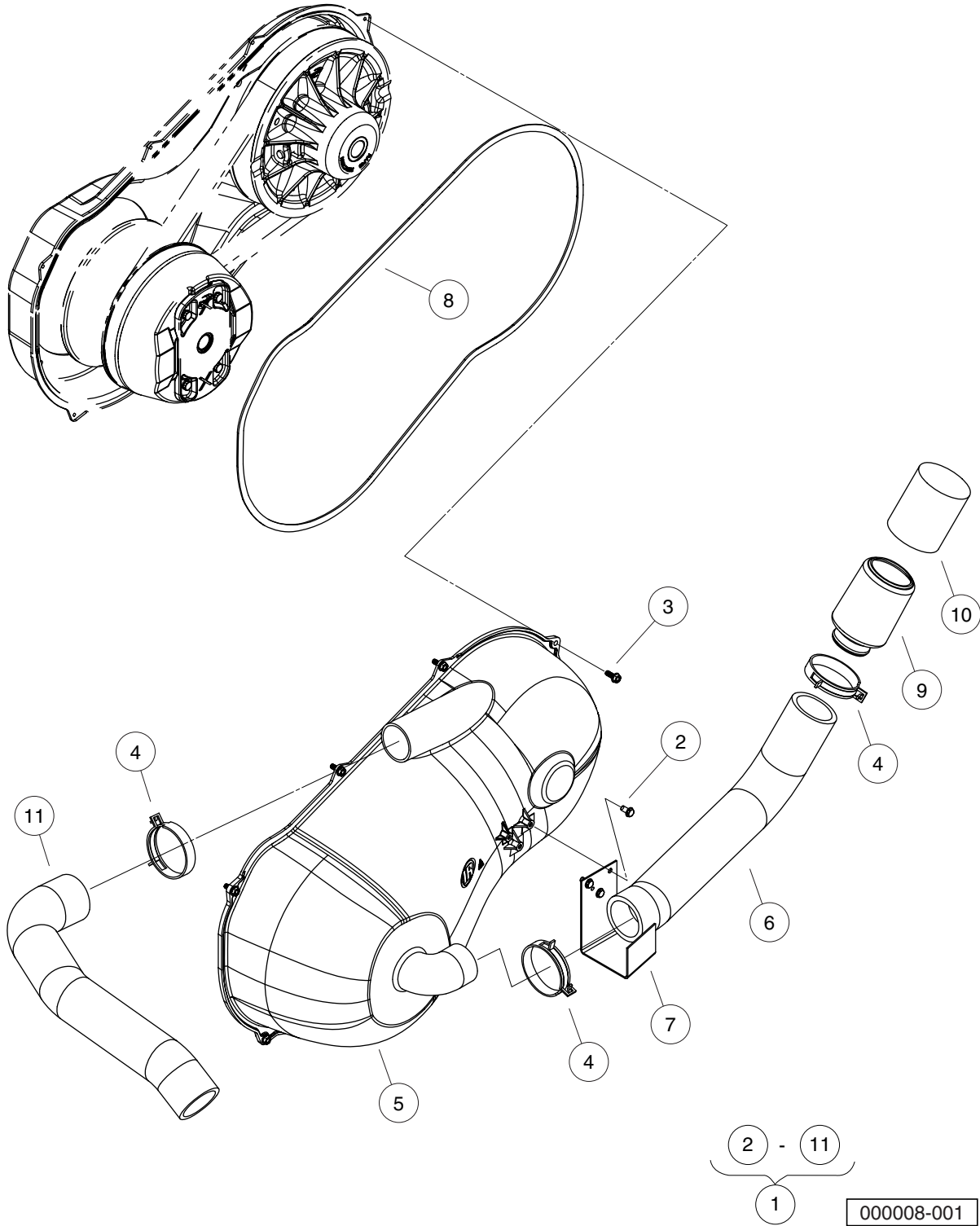
G

D

12

G

D



000008-001

CLUTCH COVER (SEALED)

ITEM	PART NO.	DESCRIPTION	QTY
		1 2 3 4	
1	<u>102616003</u>	Kit, Sealed CVT Cover (includes items 2 through 11)	1
2	<u>101856102</u>	Screw, 1/4-15 X 1.50 Hi-lo Hex	3
3	<u>102296716</u>	Screw, M6 X 16 Tt Hx Fl Hd	7
4	<u>102411210</u>	Clamp, Hose, Ctb 64mm	3
5	<u>102414501</u>	Cover, CVT Outer	1
6	<u>102481001</u>	Hose, Inlet, Cover, CVT	1
7	<u>102481201</u>	Bracket, Inlet, Cover, CVT	1
8	<u>102481301</u>	Gasket, Cover, CVT	1
9	<u>102616101</u>	Cap, Inlet, Cover, CVT	1
10	<u>102628001</u>	Filter, Inlet, Cover, CVT	1
11	<u>103320601</u>	Hose, Outlet, Cvt	1

12

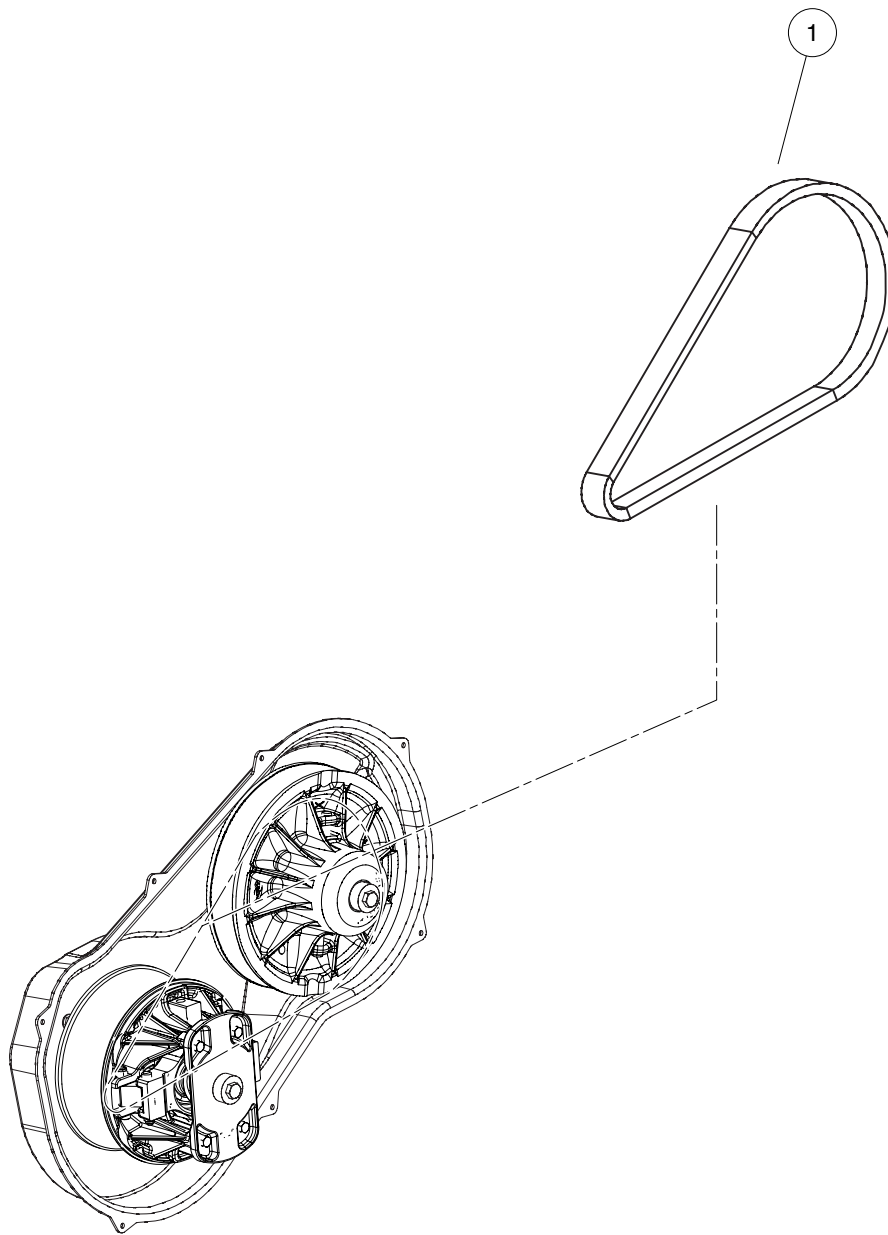
G

D

12

G

D



000084-001

DRIVE BELT

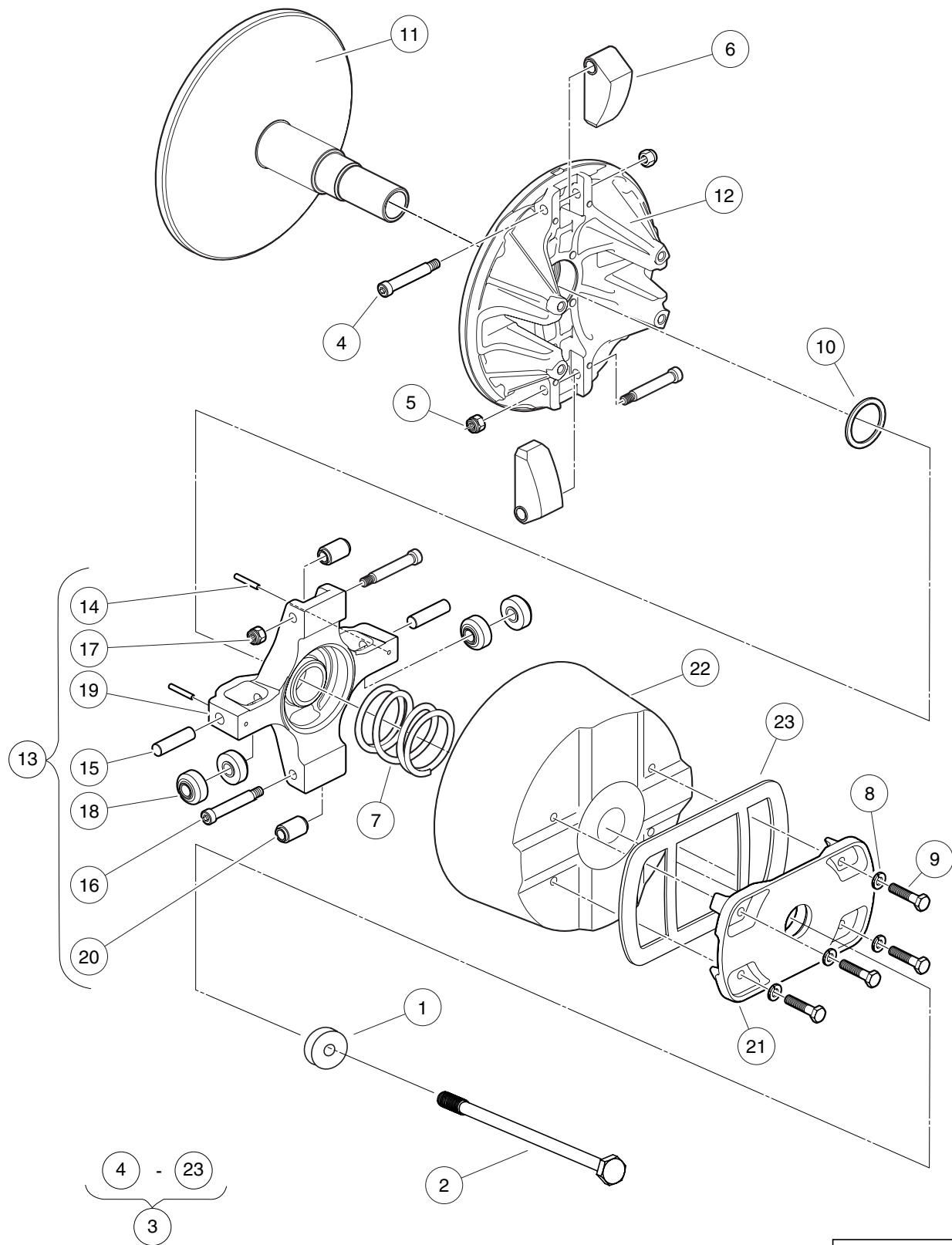
ITEM	PART NO.	DESCRIPTION	QTY
1	<u>102374901</u>	1 2 3 4 Belt, Drive	1

12
G
D

12

G

D



000007-003

DRIVE CLUTCH – GASOLINE VEHICLES

ITEM	PART NO.	DESCRIPTION	QTY
		1 2 3 4	
1	<u>102385601</u>	Washer, Stepped	1
2	<u>102490001</u>	Bolt, M10x1.25x200 Loctite	1
3	<u>103185401</u>	Clutch, 4x4, Gas, W/cover (includes items 4 through 23)	1
4	<u>102690501</u>	Screw, Shlder Hex, .312 X 1.75	2
5	<u>102690701</u>	Nut, Lock Hex, 1/14-20, Flexlc	2
6	<u>102691001</u>	Sub Assy, Wt Clutch, Gas	2
7	<u>102691401</u>	Spring, Compression, Primary	1
8	<u>102691601</u>	Washer, Lock, H-Spring, 1/4	4
9	<u>102691701</u>	Screw, Cap, Hex Hd, 1/4 X 1.25	4
10	<u>102691801</u>	Shim, 1.63 X 1.33	A/R
11	N/A	Subassembly, Drive Clutch	1
12	N/A	Subassembly, Moveable, Drive Clutch	1
13	N/A	Spider Subassembly (Gasoline) (includes items 14 through 20)	1
14	<u>102690201</u>	Pin, Spring Slotted, 1.25 X 1.0	2
15	<u>102690301</u>	Pin, Dowel, .375 X 1.50	2
16	<u>102690501</u>	Screw, Shlder Hex, .312 X 1.75	2
17	<u>102690701</u>	Nut, Lock Hex, 1/14-20, Flexlc	2
18	<u>102691901</u>	Roller, Torque, Gas	4
19	N/A	Spider, Drive Clutch	1
20	<u>102839401</u>	Sub Assy, Roller Weight	2
21	N/A	Cover, Drive Clutch	1
22	<u>103185801</u>	Cover, Clutch, 4x4	1
23	<u>103185901</u>	Gasket, Cover, Clutch, 4x4	1

12

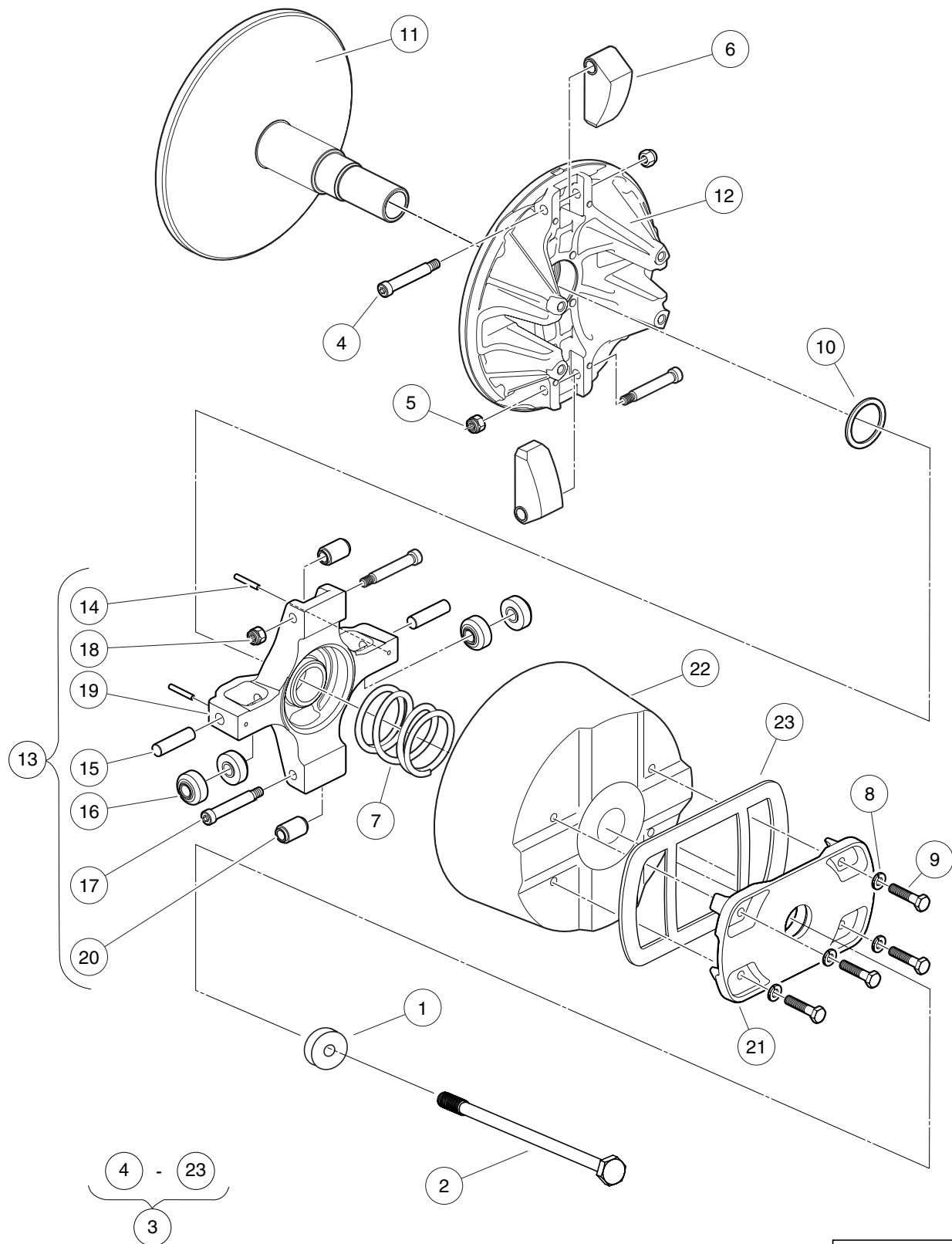
G

D

12

G

D



000007-004

DRIVE CLUTCH – DIESEL VEHICLES

ITEM	PART NO.	DESCRIPTION	QTY
		1 2 3 4	
1	<u>102385601</u>	Washer, Stepped	1
2	<u>102616501</u>	Bolt, M10 X 1.5 X 160	1
3	<u>103185501</u>	Clutch, 4x4, Diesel, W/cover (includes items 4 through 23)	1
4	<u>102690501</u>	Screw, Shlder Hex, .312 X 1.75	2
5	<u>102690701</u>	Nut, Lock Hex, 1/14-20, Flexlc	2
6	<u>102690801</u>	Sub Assy, Wt Clutch, Diesel	2
7	<u>102691401</u>	Spring, Compression, Primary	1
8	<u>102691601</u>	Washer, Lock, H-Spring, 1/4	4
9	<u>102691701</u>	Screw, Cap, Hex Hd, 1/4 X 1.25	4
10	<u>102691801</u>	Shim, 1.63 X 1.33	A/R
11	N/A	Subassembly, Drive Clutch	1
12	N/A	Subassembly, Moveable, Drive Clutch	1
13	N/A	Subassembly, Spider Utility, Diesel (includes items 14 through 20)	1
14	<u>102690201</u>	Pin, Spring Slotted, 1.25 X 1.0	2
15	<u>102690301</u>	Pin, Dowel, .375 X 1.50	2
16	<u>102690401</u>	Roller, Torque, Diesel	4
17	<u>102690501</u>	Screw, Shlder Hex, .312 X 1.75	2
18	<u>102690701</u>	Nut, Lock Hex, 1/14-20, Flexlc	2
19	N/A	Spider, Drive Clutch	1
20	<u>102839401</u>	Sub Assy, Roller Weight	2
21	N/A	Cover, Drive Clutch	1
22	<u>103185801</u>	Cover, Clutch, 4x4	1
23	<u>103185901</u>	Gasket, Cover, Clutch, 4x4	1

12

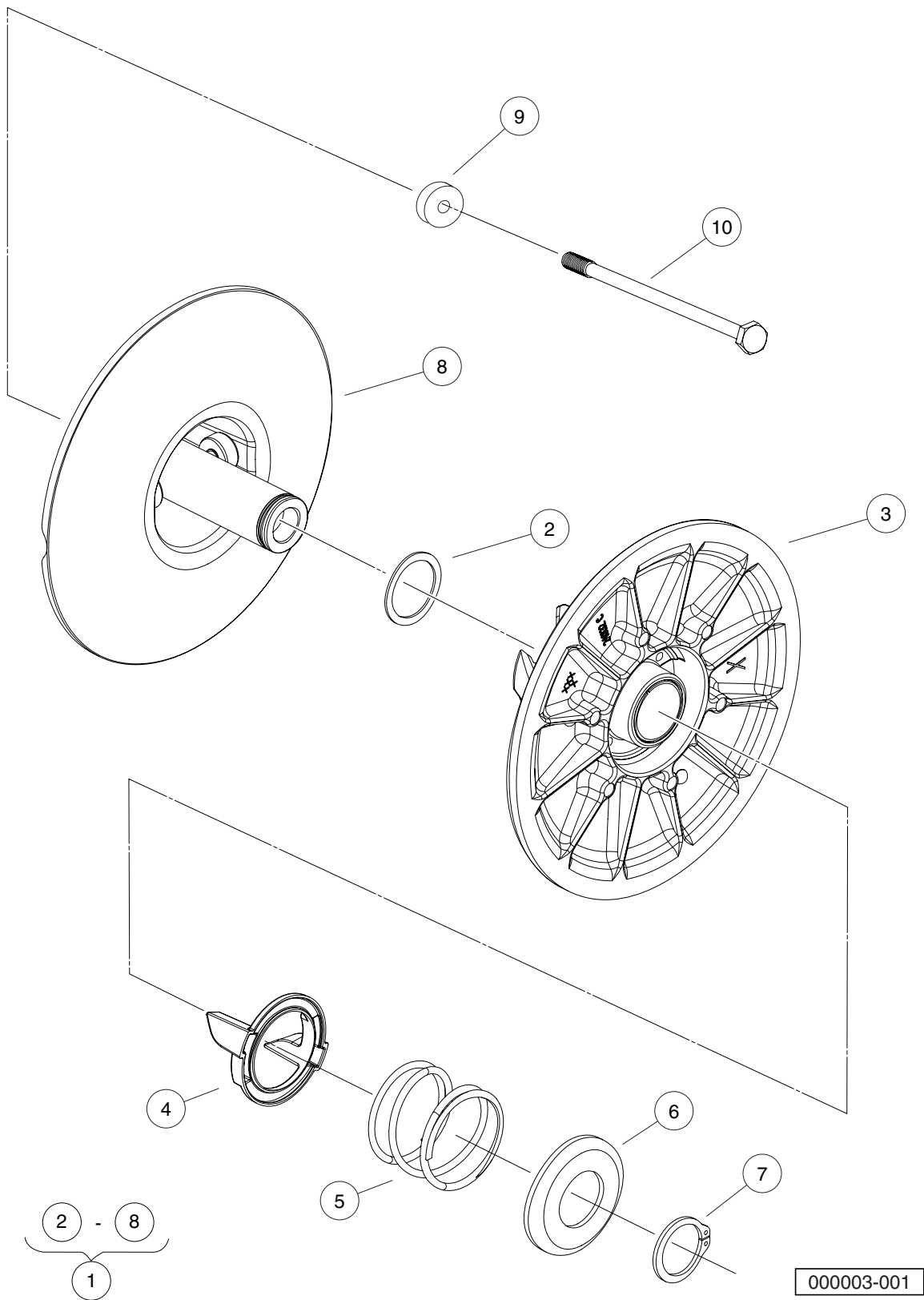
G

D

12

G

D



000003-001

DRIVEN CLUTCH

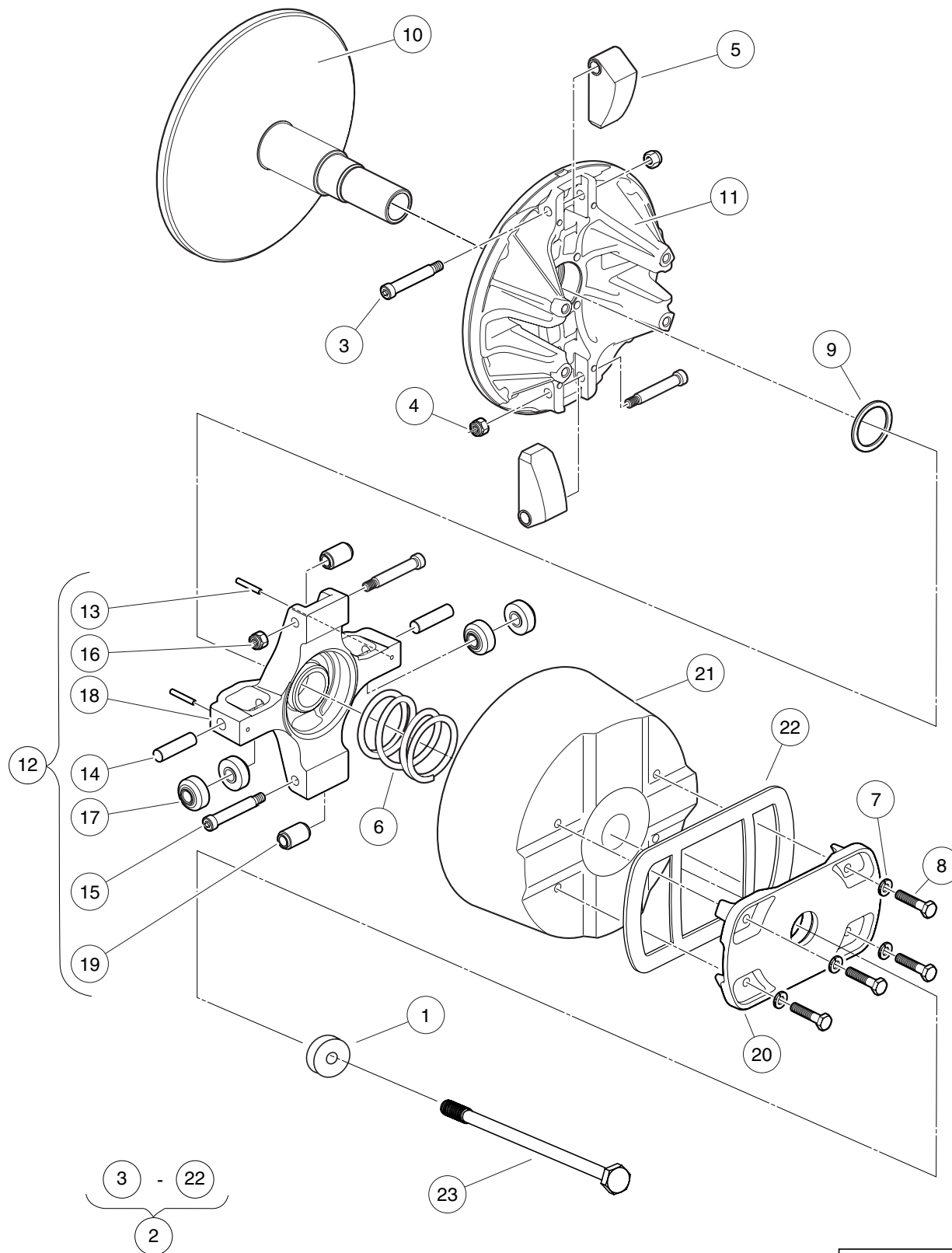
ITEM	PART NO.	DESCRIPTION	QTY
		1 2 3 4	
1	<u>102369901</u>	CVT, Secondary (includes items 2 through 8)	1
2	<u>102695401</u>	Washer, Thrust, 1.53 X 1.92	1
3	N/A	Sheave, Driven Clutch	1
4	<u>102695601</u>	Retainer, Spring, Inner	1
5	<u>102695701</u>	Spring, Compression, Secondary	1
6	<u>102695801</u>	Retainer, Spring, Outer	1
7	<u>102695901</u>	Ring, Retaining, External	1
8	N/A	Driven Clutch Base Sheave	1
9	<u>102385701</u>	Washer, Stepped	1
10	<u>102490501</u>	Bolt, M10 X 1.5 X 100 Loctite	1

12
G
D

12

G

D



000007-005

DRIVE CLUTCH – GASOLINE VEHICLES

ITEM	PART NO.	DESCRIPTION	QTY
		1 2 3 4	
1	<u>102385601</u>	Washer, Stepped	1
2	<u>103185401</u>	Clutch, 4x4, Gas, W/cover (includes items 3 through 22)	1
3	<u>102690501</u>	Screw, Shlder Hex, .312 X 1.75	2
4	<u>102690701</u>	Nut, Lock Hex, 1/14-20, Flexlc	2
5	<u>102691001</u>	Sub Assy, Wt Clutch, Gas	2
6	<u>102691401</u>	Spring, Compression, Primary	1
7	<u>102691601</u>	Washer, Lock, H-Spring, 1/4	4
8	<u>102691701</u>	Screw, Cap, Hex Hd, 1/4 X 1.25	4
9	<u>102691801</u>	Shim, 1.63 X 1.33	A/R
10	N/A	Subassembly, Drive Clutch	1
11	N/A	Subassembly, Moveable, Drive Clutch	1
12	N/A	Spider Subassembly (Gasoline) (includes items 13 through 19)	1
13	<u>102690201</u>	Pin, Spring Slotted, 1.25 X 1.0	2
14	<u>102690301</u>	Pin, Dowel, .375 X 1.50	2
15	<u>102690501</u>	Screw, Shlder Hex, .312 X 1.75	2
16	<u>102690701</u>	Nut, Lock Hex, 1/14-20, Flexlc	2
17	<u>102691901</u>	Roller, Torque, Gas	4
18	N/A	Spider, Drive Clutch	1
19	<u>102839401</u>	Sub Assy, Roller Weight	2
20	N/A	Cover, Drive Clutch	1
21	<u>103185801</u>	Cover, Clutch, 4x4	1
22	<u>103185901</u>	Gasket, Cover, Clutch, 4x4	1
23	<u>103201501</u>	Bolt, M8 X 1.25 X 200, Loctite	1

12

G

D

12

G

D

DRIVETRAIN COMPONENTS

13

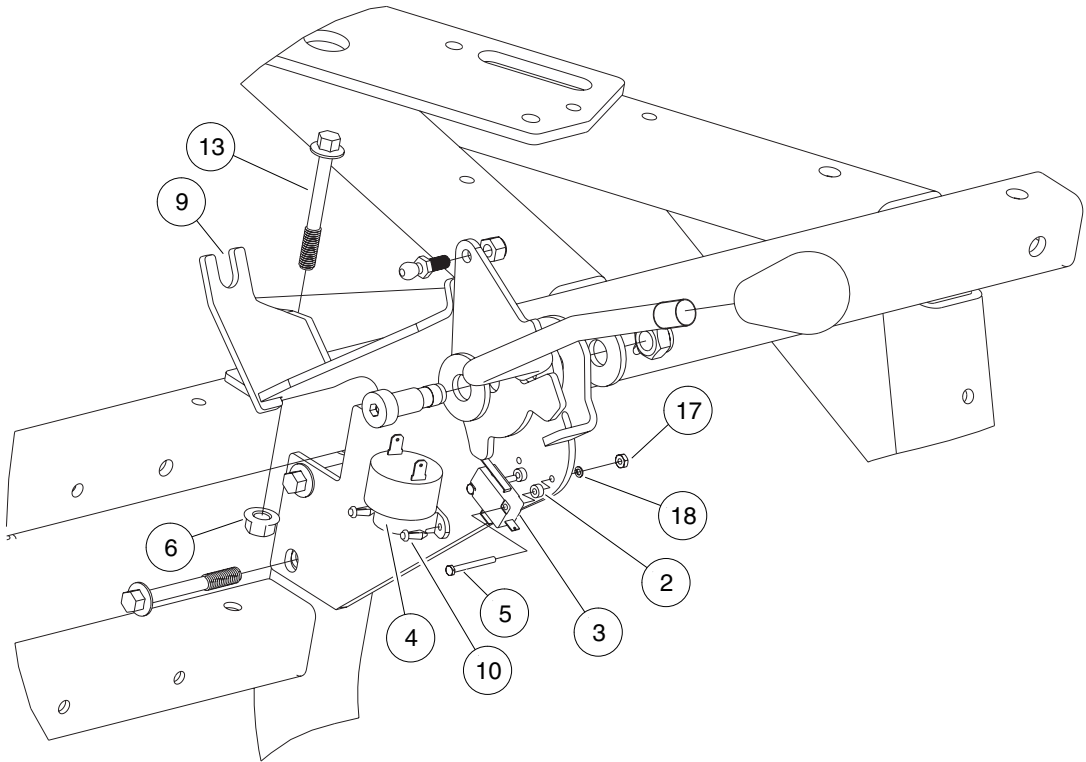
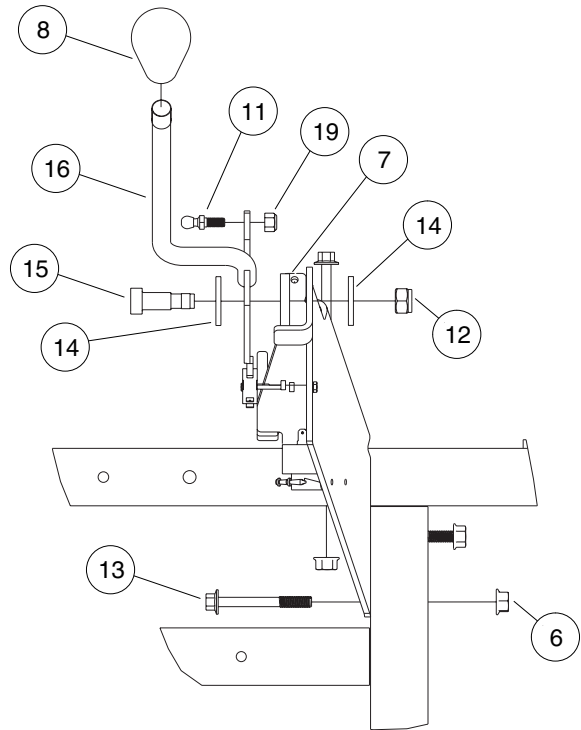
G

D

13

G

D



000030-002

FORWARD/REVERSE SHIFTER ASSEMBLY

ITEM	PART NO.	DESCRIPTION	QTY
		1 2 3 4	
1	<u>102868201</u>	Asm, FNR (includes items 2 through 19)	1
2	<u>1014727</u>	Washer, #4 Nylon Flat	2
3	<u>1014808</u>	Switch, Limit	1
4	<u>1016851</u>	Buzzer, Reverse (9-48 VDC)	1
5	<u>1016896</u>	Screw, #4-40 X 1.125 Hx Hd Mch	2
6	<u>102298401</u>	Nut,m8,all Metal Lock	3
7	<u>102375901</u>	Bushing, Fnr	1
8	<u>102376001</u>	Knob, Fnr	1
9	N/A	Weldment, FNR Shifter Bracket	1
10	N/A	Rivet, Micro Tuflok	2
11	<u>102615701</u>	Stud, Ball, .346 Dia	1
12	<u>102616701</u>	Locknut, M10x1.5 Nylon Insert	1
13	<u>102618301</u>	Bolt Flanged Head, M8 X 1.25 X 65	3
14	<u>102684501</u>	Washer, M12 Hard Regular	2
15	<u>102684601</u>	Shoulder Bolt,m12 X 20 M10 Thd	1
16	<u>103187501</u>	Weldment, FNR Shifter	1
17	<u>8057</u>	Nut, #4-40 Hex Machine	2
18	<u>8058</u>	Lockwasher, #4 Helical Split	2
19	<u>8717</u>	Locknut, 1/4-28 Nylon Insert	1

13

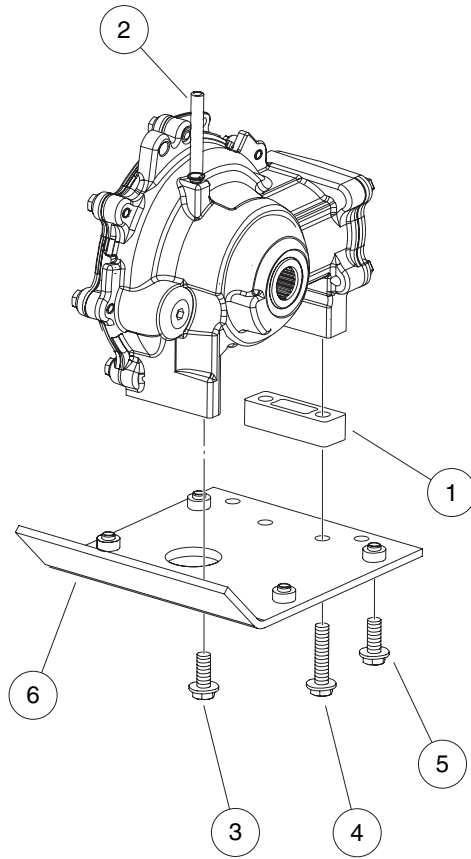
G

D

13

G

D



000012-003

FRONT DIFFERENTIAL MOUNTING PLATE

ITEM	PART NO.	DESCRIPTION	QTY
		1 2 3 4	
1	<u>102381701</u>	Spacer Block, Diff	1
2	<u>102462401</u>	Hose, Vent, Front Diff	1
3	<u>102491001</u>	Bolt Flanged Head, 3/8-16x1.0 with Loctite	2
4	<u>102491101</u>	Bolt Flanged Head, 3/8-16x1.500 with Loctite	2
5	<u>102711601</u>	Bolt, Flange Head, M10 X 1.5 X 25	4
6	<u>103244701</u>	Asm, Mount, Diff Plate	1

13

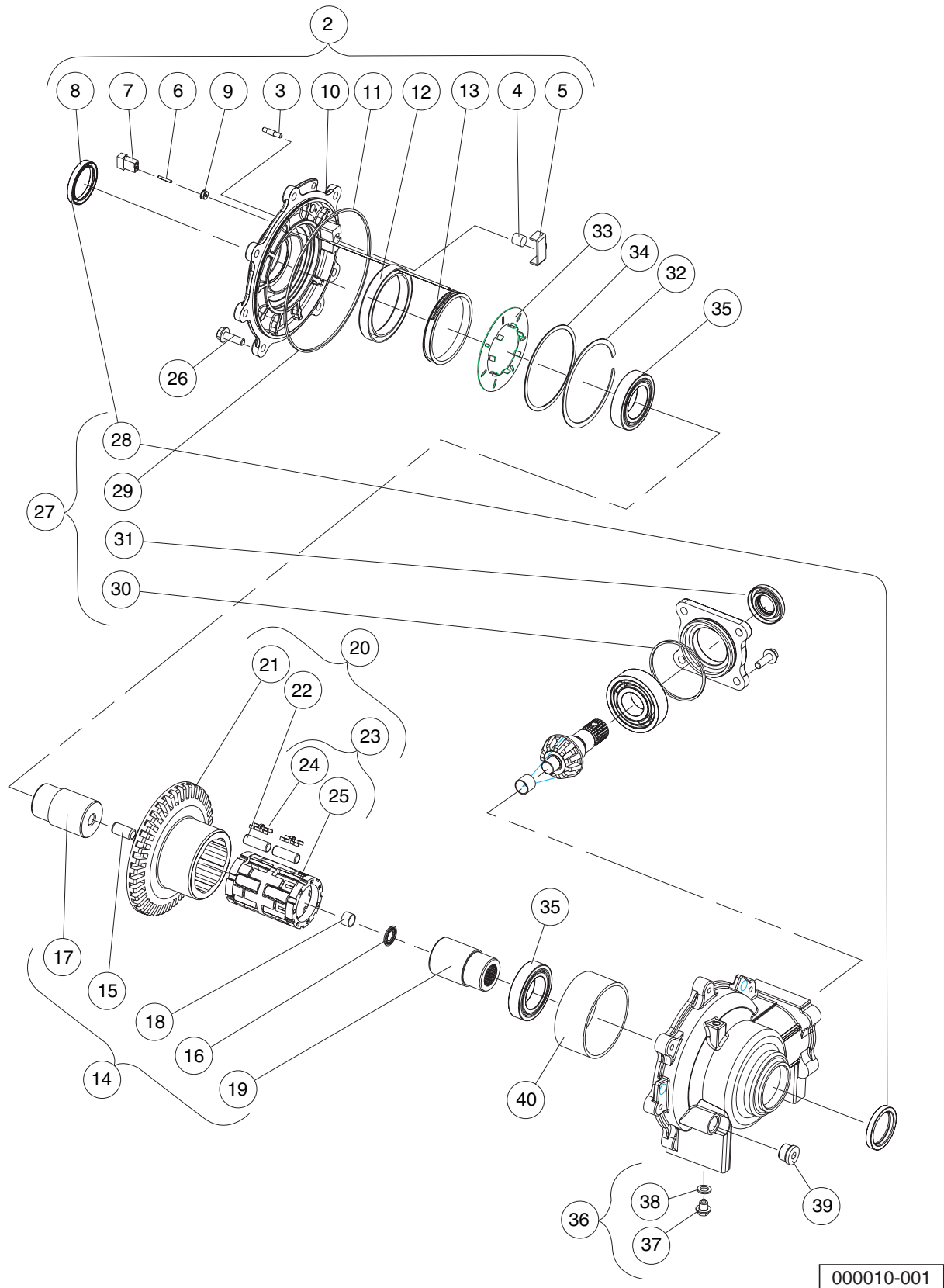
G

D

13

G

D



FRONT DIFFERENTIAL (OUTPUT COMPONENTS)

ITEM	PART NO.	DESCRIPTION	QTY
		1 2 3 4	
1	<u>102371801</u>	Differential, Front * (includes items 2 through 40)	1
2	<u>102438201</u>	Kit, Assy, Output Cover Plate (includes items 3 through 13)	1
3	<u>102439001</u>	Set Screw, #10-24 UNC-3A with Patch	1
4	<u>102439101</u>	Thrust Button	1
5	<u>102439201</u>	Thrust Plate	1
6	N/A	Mate-N-Lock Pin	2
7	N/A	Mate-N-Lock Housing	1
8	N/A	Oil Seal	1
9	N/A	Grommet	1
10	N/A	Plate, Output Cover	1
11	N/A	O-Ring	1
12	N/A	Coil, Pocket Insert	1
13	N/A	Coil with Press-Fit Bobbin	1
14	<u>102438301</u>	Kit, Assy, Race Output Hub (includes items 15 through 19)	1
15	<u>102439401</u>	Pin, Dowel	1
16	<u>102439501</u>	Bearing, Needle	1
17	N/A	Race/Output Hub, Male	1
18	N/A	Bushing, PermiGlide	1
19	N/A	Race/Output Hub, Female	1
20	<u>102438401</u>	Kit, Assy, Clutch (includes items 21 through 23)	1
21	<u>102439601</u>	Clutch Hsg/Ring Gear, Machined	1
22	<u>102439801</u>	Kit, Roller (contains 14 rollers)	1
23	<u>102439901</u>	Kit, Assy, Roll Cage (includes items 24 and 25)	1
24	N/A	Kit, H-Clip Spring (contains 14 clips)	1
25	N/A	Roll Cage, Plastic	1
26	<u>102438501</u>	Kit, Bolt (contains 7 bolts)	1
27	<u>102438601</u>	Kit, Minor Repair (includes items 28 through 31)	1
28	N/A	Oil Seal	1
29	N/A	O-Ring	1
30	N/A	O-Ring	1
31	N/A	Oil Seal, Triple-Lipped	1
32	<u>102438701</u>	Retaining, Ring Internal	1
33	<u>102438801</u>	Plate, Armature	1
34	<u>102438901</u>	Shim, Armature, Plate	1
35	<u>102439301</u>	Bearing, Ball	12
36	<u>102440101</u>	Kit, Assy, Drain Plug (includes items 37 and 38)	1
37	N/A	Plug, Oil Drain	1
38	N/A	Washer, Nylon, 0.625 x 0.382 x 0.06	1
39	<u>102440301</u>	Plug, Oil Fill	1
40	N/A	Bushing, Self-Lubricating, 80 x 85 x 20	1
		* Note: This assembly also contains components listed on the following two pages.	

13

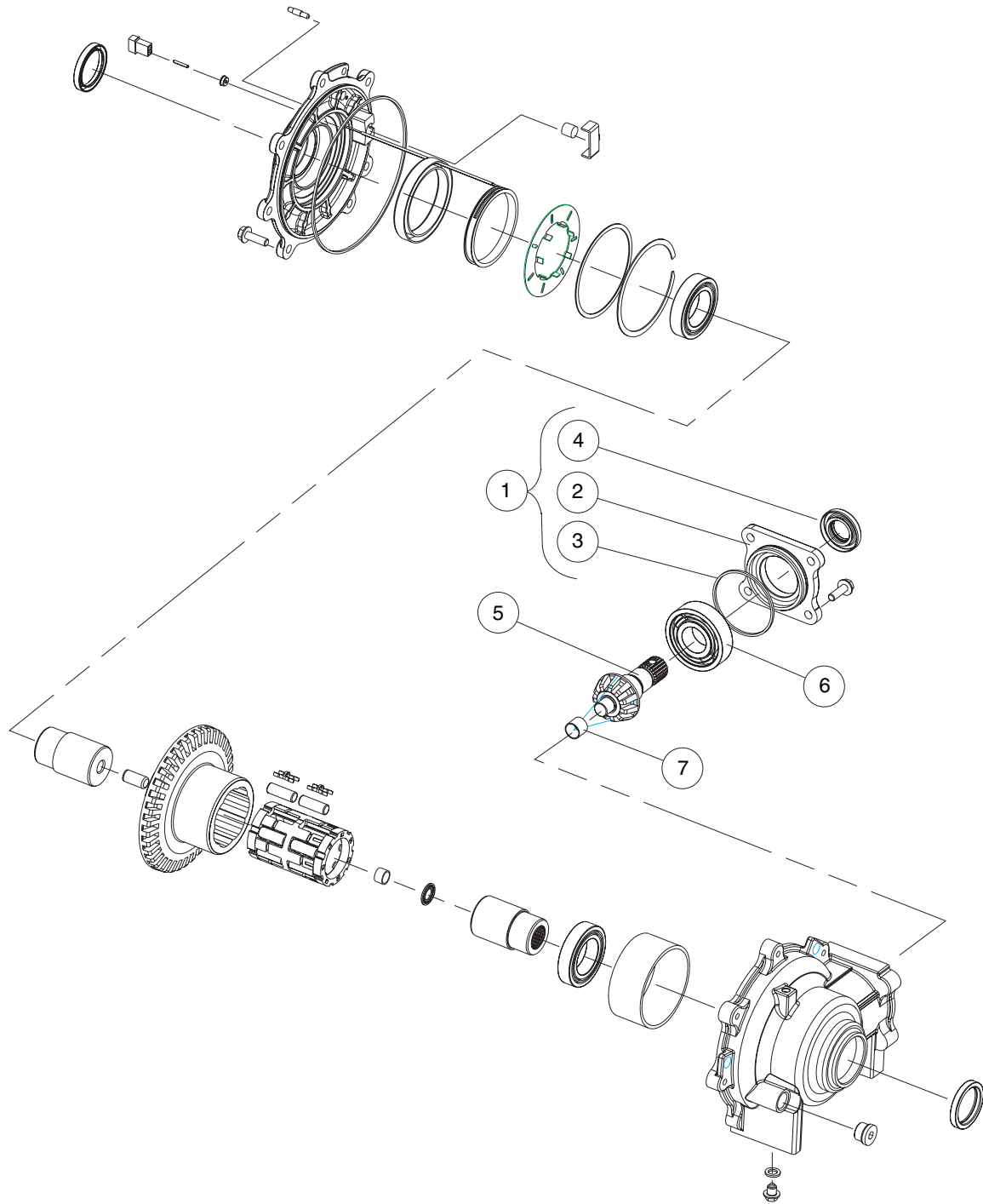
G

D

13

G

D



000010-002

FRONT DIFFERENTIAL (INPUT COMPONENTS)

ITEM	PART NO.	DESCRIPTION	QTY
		1 2 3 4	
1	<u>102440201</u>	Kit, Assy, Input Cover Plate (includes items 2 through 4)	1
2	<u>102440601</u>	Cover, Input, Machined	1
3	N/A	O-Ring	1
4	N/A	Oil Seal, Triple-Lipped	1
5	<u>102440401</u>	Shaft, Pinion, Machined	1
6	<u>102440501</u>	Bearing, Ball	1
7	N/A	Bushing, Plain 16 Id X 15 Wide	1
<p>Note: This page contains a list of components internal to the front differential. See the previous pages for other front differential components.</p>			

13

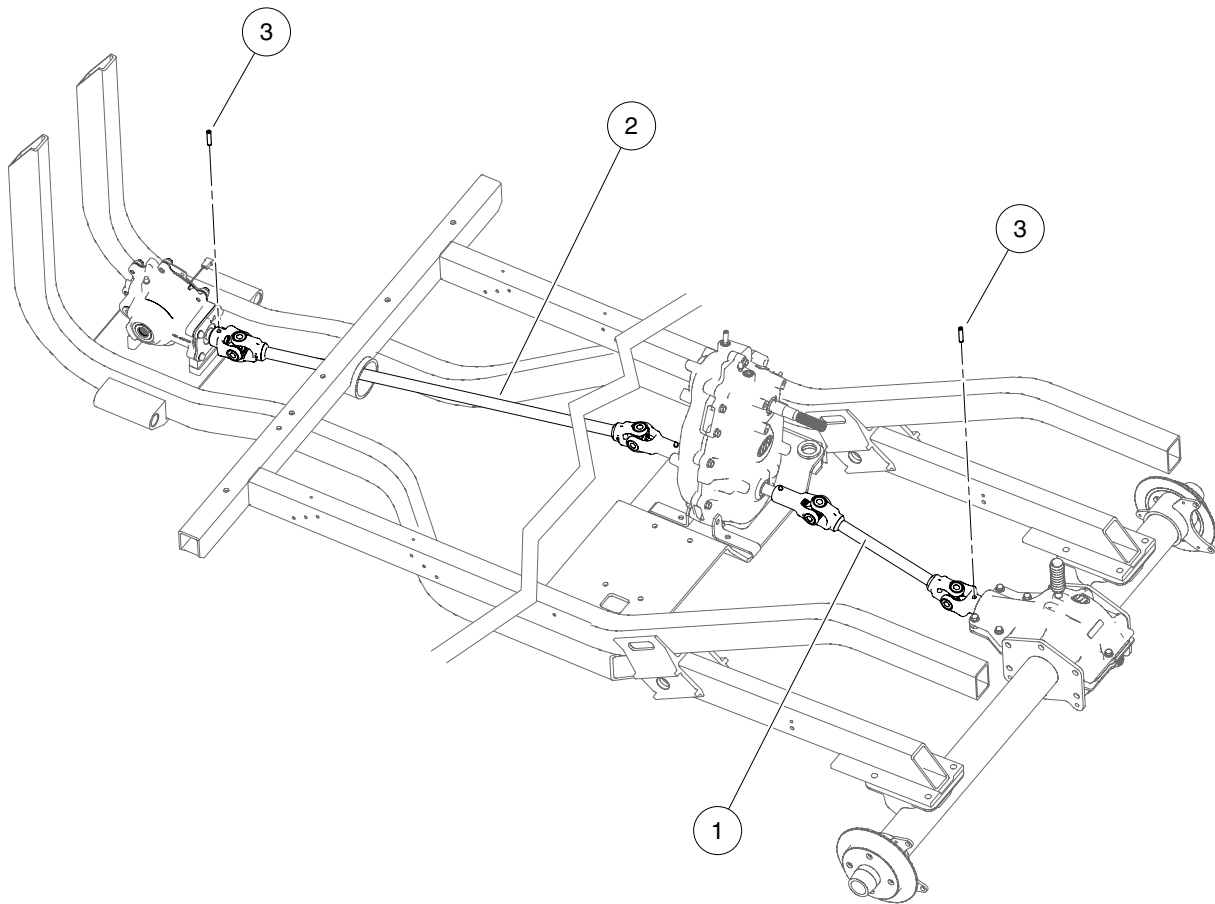
G

D

13

G

D



000091-002

PROP SHAFTS

ITEM	PART NO.	DESCRIPTION	QTY
1	102372101	1 2 3 4 Prop Shaft, Rear	1
2	<u>102767701</u>	Prop Shaft, Front, Long	1
3	95293643	Pin, Spring, 5/16 X 1-1/2 Hd	2

13

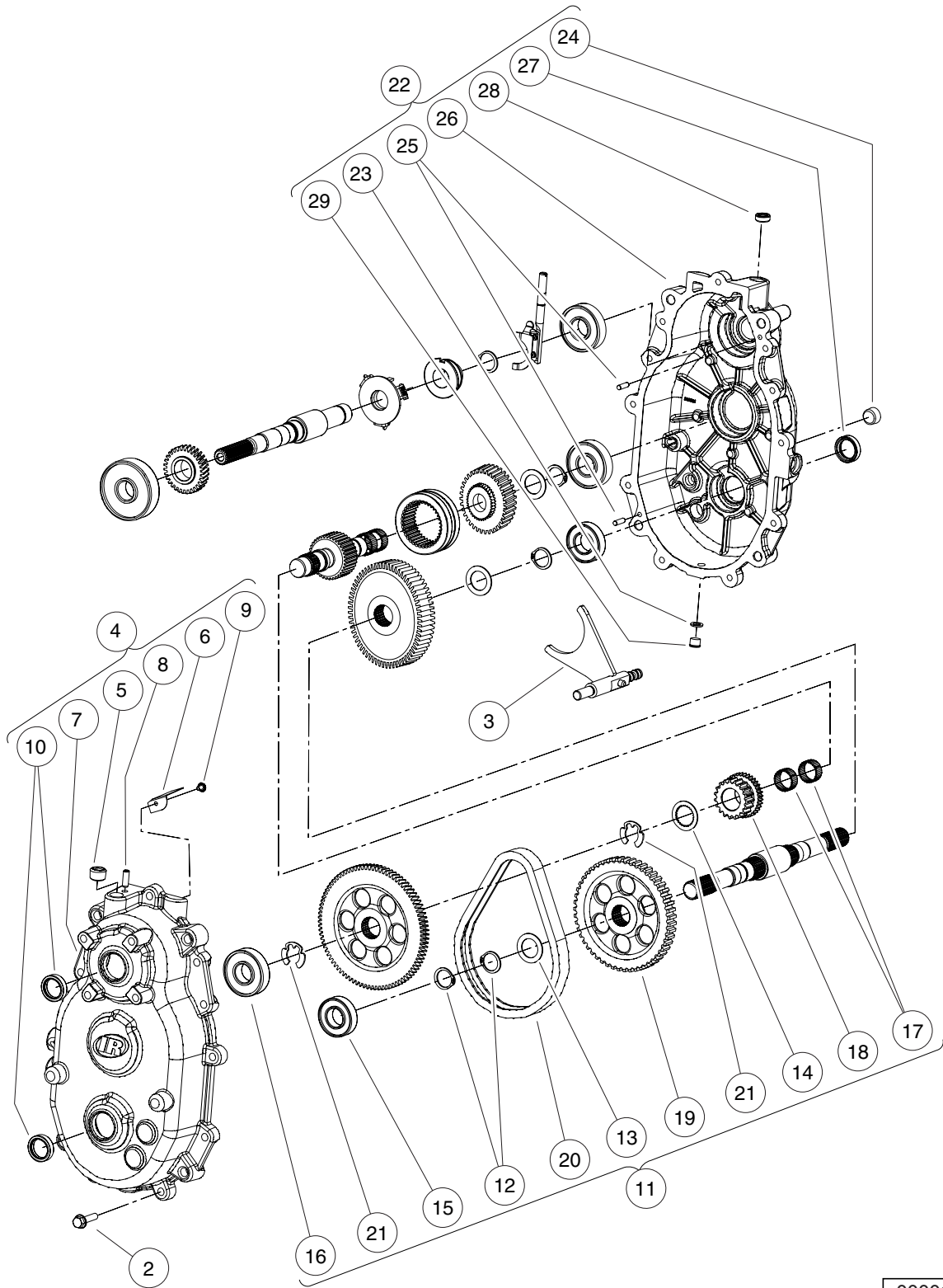
G

D

13

G

D



000016-004

TRANSMISSION – GASOLINE VEHICLES

ITEM	PART NO.	DESCRIPTION	QTY
		1 2 3 4	
1	<u>103178401</u>	Transmission, Parallel Shaft (includes items 2 through 22)	1
2	<u>102693301</u>	Screw,hex Flange, M8 X 35	11
3	<u>102697801</u>	Fork, Transmission	1
4	<u>102764201</u>	Asm, Gear Case, Rear (includes items 5 through 10)	1
5	<u>102694201</u>	Plug, Square Skt, 1/12-14, Ptf	1
6	<u>102696301</u>	Oil, Deflector	1
7	N/A	Gearcase, Rear	1
8	<u>102698301</u>	Vent, Trans	1
9	<u>102698901</u>	Screw, Tapping # 10-24 X .375	1
10	<u>102699401</u>	Seal, Triple, 25 X 35 X 7.8	2
11	<u>102765201</u>	Kit, Reverse Gear Repair (includes items 12 through 21)	1
12	<u>102696201</u>	Ring, Retaining, Basic External	2
13	<u>102696501</u>	Washer, Thrust, 1.007 X .062	1
14	<u>102696701</u>	Washer, 26.231 X 39.167 X 1.57	1
15	<u>102696801</u>	Bearing, Ball	1
16	<u>102696901</u>	Bearing, Ball	1
17	<u>102697101</u>	Bearing, Needle	2
18	N/A	Sprocket, 19-Tooth	1
19	N/A	Sprocket, 51-Tooth	1
20	N/A	Chain, .375p, .75 Wide, 60ptch	1
21	<u>102699701</u>	Ring, Retaining, E-Ring	2
22	<u>103250301</u>	Asm, Case, Gear, Front (includes items 23 through 29)	1
23	<u>102693501</u>	Washer, .625 X .382 X .60	1
24	<u>102694201</u>	Plug, Square Skt, 1/12-14, Ptf	1
25	<u>102696101</u>	Pin, Dowel, 6 X 20	2
26	N/A	Gearcase, Front	1
27	<u>102699401</u>	Seal, Triple, 25 X 35 X 7.8	1
28	<u>102721501</u>	Seal, Dual-Lip	1
29	<u>103250401</u>	Plug, 3/4-16	1

13

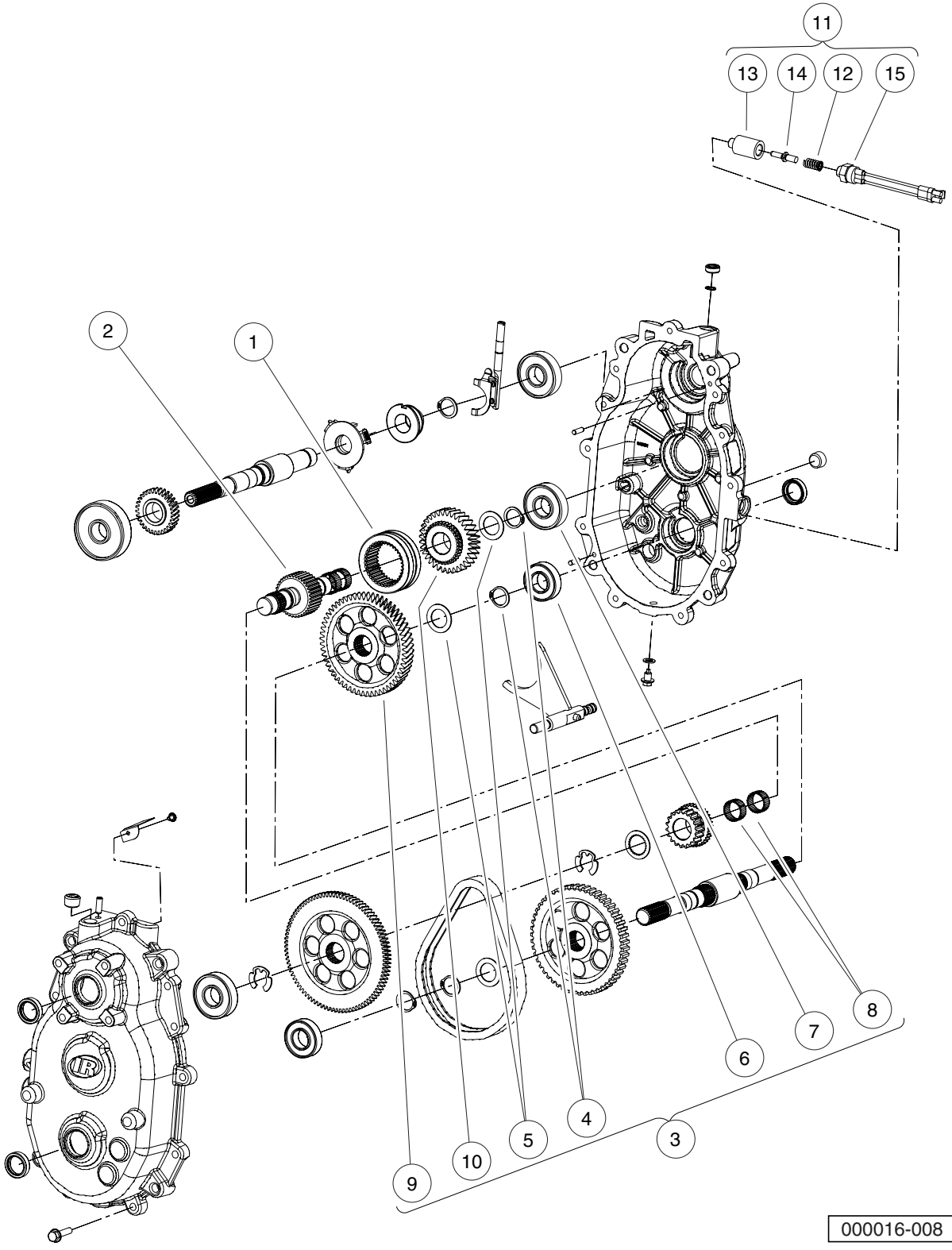
G

D

13

G

D



000016-008

TRANSMISSION, CONTINUED

ITEM	PART NO.	DESCRIPTION	QTY
		1 2 3 4	
1	<u>102697501</u>	Dog, Engagement	1
2	<u>102698701</u>	Shaft, Intermediate	1
3	102764901	Kit, Forward Gear Repair (includes items 4 through 10)	1
4	<u>102696201</u>	Ring, Retaining, Basic External	2
5	<u>102696501</u>	Washer, Thrust, 1.007 X .062	2
6	<u>102696801</u>	Bearing, Ball	1
7	<u>102696901</u>	Bearing, Ball	1
8	<u>102697101</u>	Bearing, Needle	2
9	N/A	Gear, Helical 58-Tooth	1
10	N/A	Gear, Helical 34-Tooth	1
11	<u>102765101</u>	Kit, Neutral Switch Repair (includes items 12 through 15)	1
12	N/A	Spring, .484 X .340 X 1.076	1
13	N/A	Guide, Detent Bullet	1
14	N/A	Bullet, Detent	1
15	N/A	Switch, Indicator, Pollak	1
<p>Note: This page contains a list of components internal to the transmission. See the previous pages for other transmission components.</p>			

13

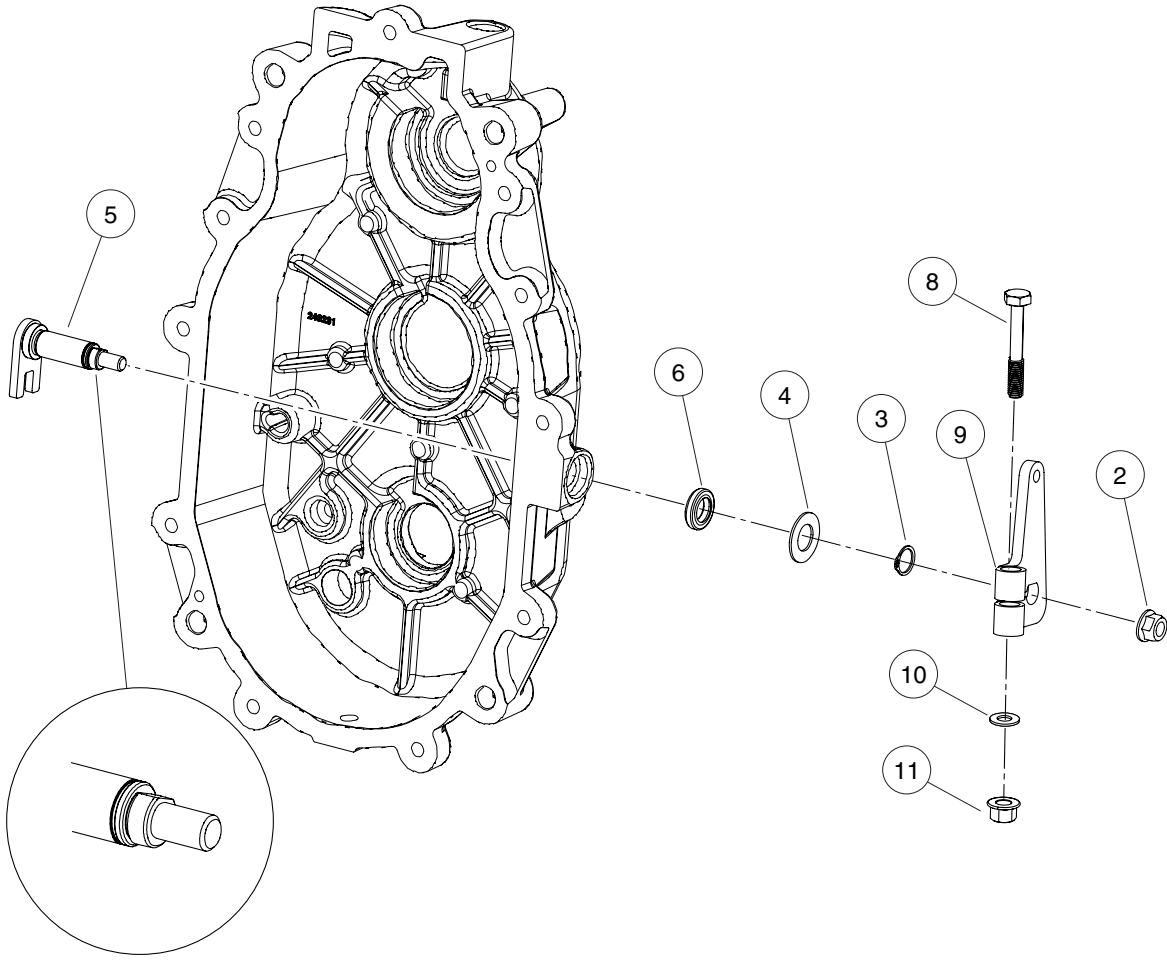
G

D

13

G

D



000016-009

TRANSMISSION SHIFT SHAFT AND BELL CRANK (STYLE A)

ITEM	PART NO.	DESCRIPTION	QTY
		1 2 3 4	
1	102765001	Kit, Trans Shift Shaft Repair (includes items 2 through 6)	1
2	<u>102696001</u>	Nut, Lock Hex, Nylon, 5/16-24	1
3	<u>102696401</u>	Ring, Retaining, External 9/16	1
4	<u>102696601</u>	Washer, Flat, .58 X 1.08 X .05	1
5	<u>102699101</u>	Weldment, Shift, Shaft	1
6	<u>102699601</u>	Seal, Dul Lip, .88 X .56 X .19	1
7	103294301	Kit, Bellcrank, D Shape, Clamp (includes items 8 through 11)	1
8	<u>1010177</u>	Bolt, 3/8-16 X 2.00 Hex Head	1
9	103280201	Asm, Bellcrank, D Shape, Clamp	1
10	<u>334</u>	Washer, 3/8 Type A Flat	1
11	<u>8754</u>	Locknut, 3/8-16 Hex	1

13

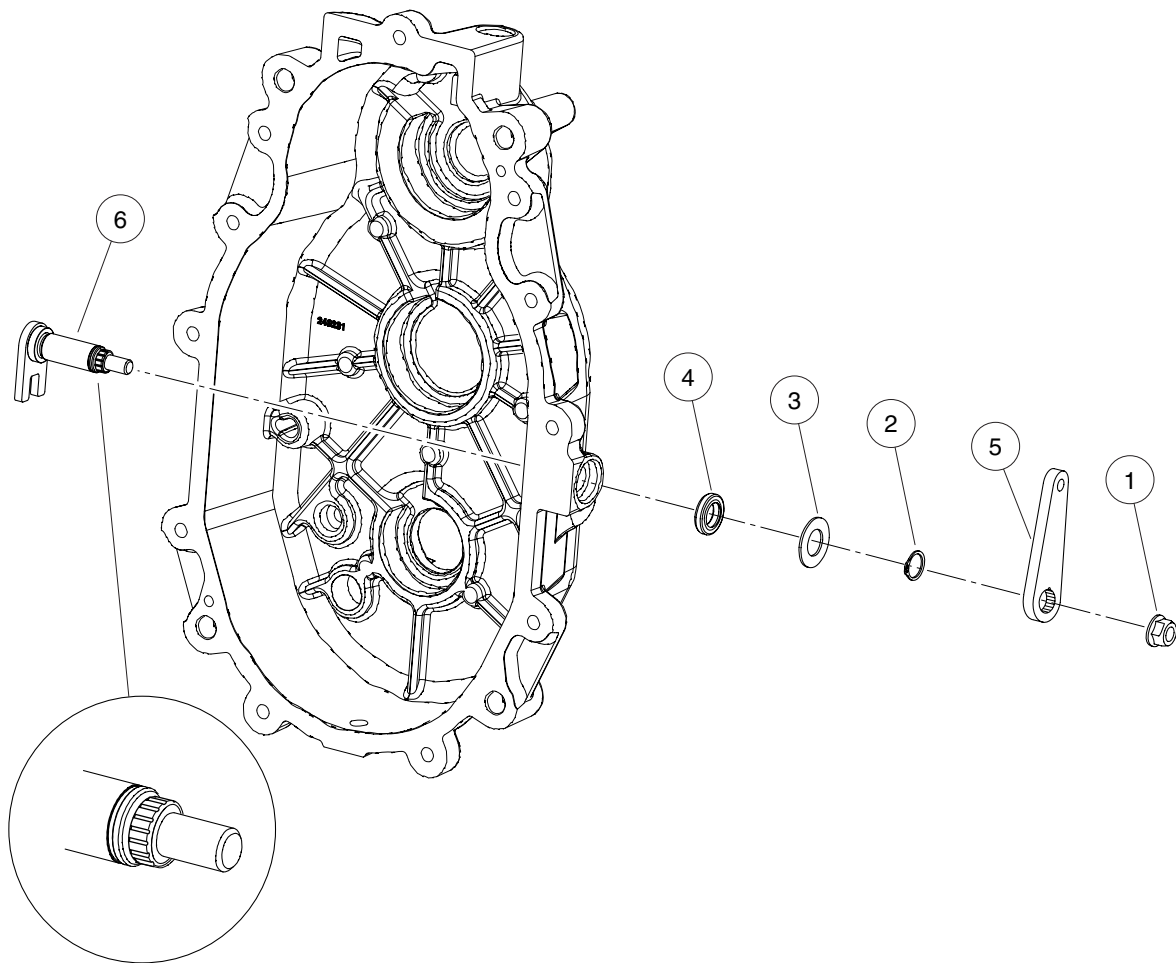
G

D

13

G

D



000016-010

TRANSMISSION SHIFT SHAFT AND BELL CRANK (STYLE B)

ITEM	PART NO.	DESCRIPTION	QTY
		1 2 3 4	
1	<u>102696001</u>	Nut, Lock Hex, Nylon, 5/16-24	1
2	<u>102696401</u>	Ring, Retaining, External 9/16	1
3	<u>102696601</u>	Washer, Flat, .58 X 1.08 X .05	1
4	<u>102699601</u>	Seal, Dul Lip, .88 X .56 X .19	1
5	<u>103239501</u>	Bellcrank, Alum	1
6	<u>103239801</u>	Shaft, Shift	1

13

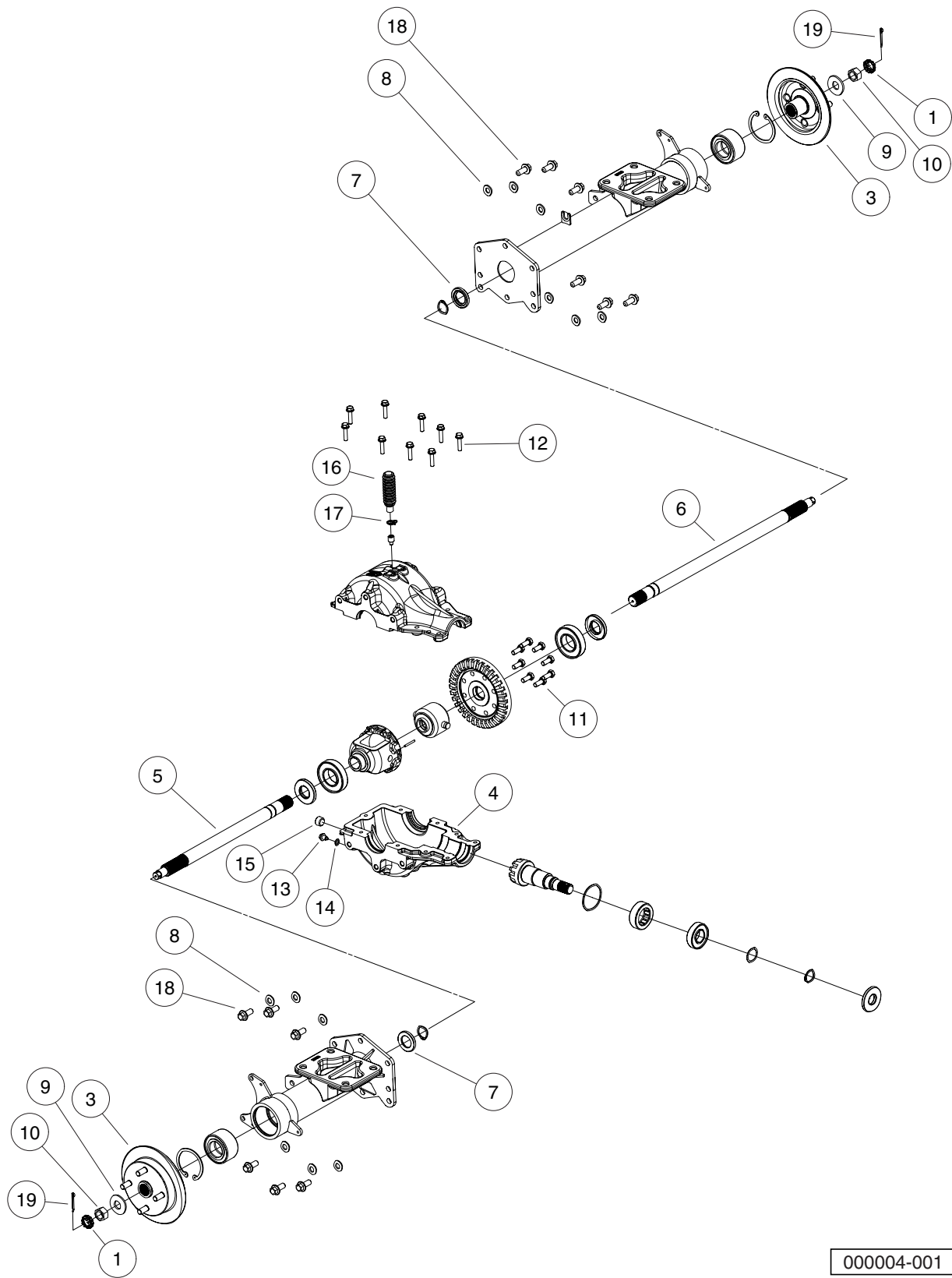
G

D

13

G

D



000004-001

REAR DIFFERENTIAL

ITEM	PART NO.	DESCRIPTION	QTY
		1 2 3 4	
1	<u>102831501</u>	Axle, Rear, Guard Mounts (includes items 2 through 19)	1
2	<u>102276001</u>	Locking Cap, Nut	2
3	<u>102376602</u>	Assy, Rotor, Brake, Rear	2
4	<u>102449101</u>	Gearcase, Lower, Machined	1
5	<u>102463501</u>	Axle, Right-hand	1
6	<u>102463601</u>	Axle, Left-Hand	1
7	<u>102672101</u>	Washer,counterbored 51 X 30	2
8	<u>102672201</u>	Washer, Belleville, 1.063 X .043	12
9	<u>102672301</u>	Washer, Belleville, 49 X 4	2
10	<u>102672401</u>	Nut, Hex, M20 X 1.5 , Modified	2
11	<u>102693201</u>	Screw, M10 X 25	8
12	<u>102693301</u>	Screw,hex Flange, M8 X 35	9
13	<u>102693401</u>	Plug,3/8-16, Hex Flange	1
14	<u>102693501</u>	Washer, .625 X .382 X .60	1
15	<u>102694201</u>	Plug, Square Skt, 1/12-14, Ptf	1
16	<u>102694301</u>	Bellows, Vent, Upper Housing	1
17	<u>102694401</u>	Clamp, Hose, Dw-9.5	1
18	<u>102694701</u>	Screw, Hex Fl, M12 X 1.75 X 30	12
19	<u>102694801</u>	Pin, Cotter, 5/32 X 1.25	2

13

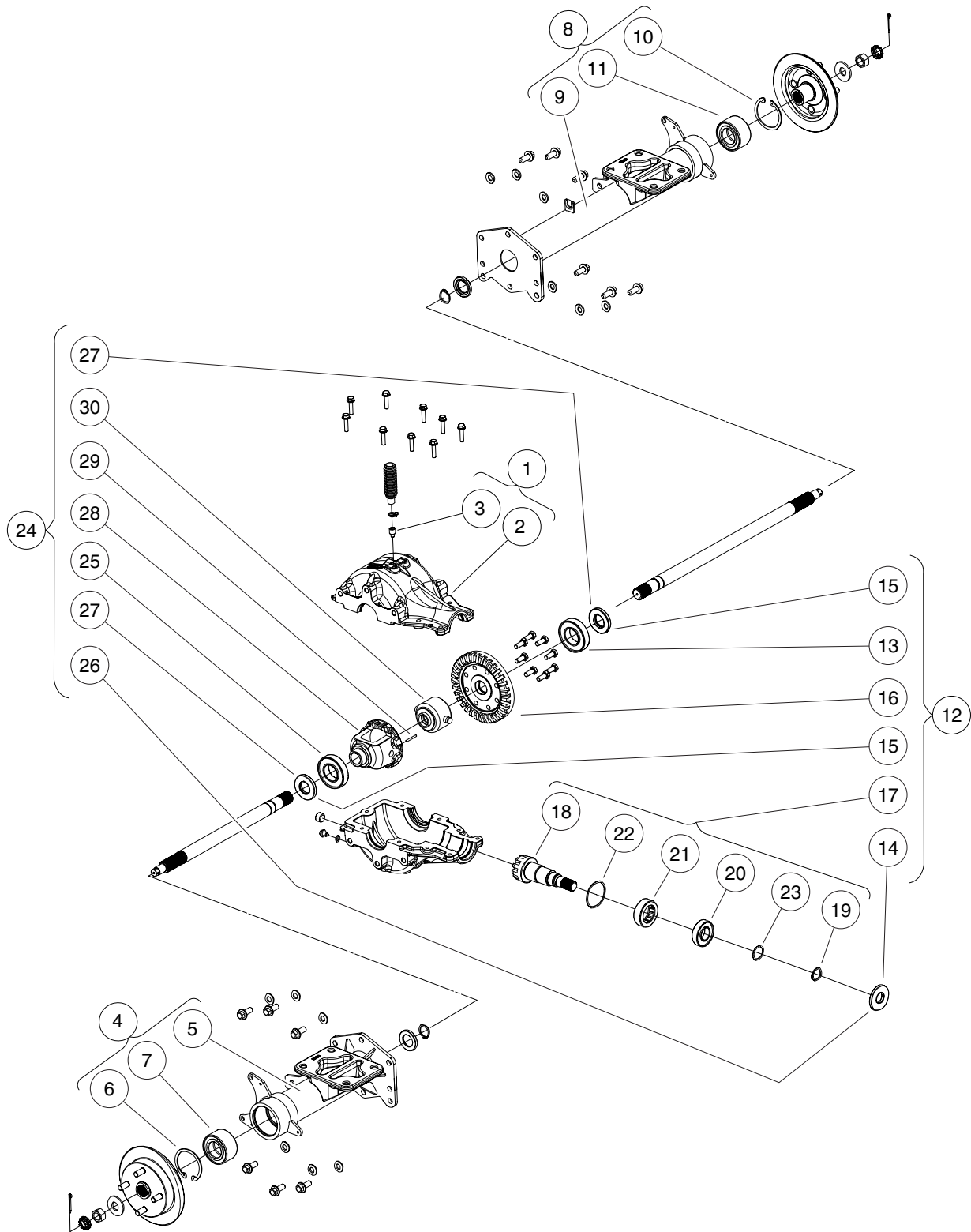
G

D

13

G

D



000004-002

REAR DIFFERENTIAL, CONTINUED

ITEM	PART NO.	DESCRIPTION	QTY
		1 2 3 4	
1	<u>102765301</u>	Asm, Gearcase, Upper (includes items 2 and 3)	1
2	N/A	Gearcase, Upper, Machined	1
3	<u>102694001</u>	Vent, Top, Upper Housing	1
4	<u>102765401</u>	Asm, Axle Tube, RH (includes items 5 through 7)	1
5	N/A	Weldment, Axle Tube Rh	1
6	<u>102463801</u>	Ring, Retaining, Internal	1
7	<u>102464301</u>	Bearing	1
8	<u>102765501</u>	Asm, Axle Tube, LH (includes items 9 through 11)	1
9	N/A	Weldment, Axle Tube Lh	1
10	<u>102463801</u>	Ring, Retaining, Internal	1
11	<u>102464301</u>	Bearing	1
12	<u>102765801</u>	Kit, Rear Axle Gear Repair (includes items 13 through 17)	1
13	<u>102464201</u>	Bearing, Ball	1
14	<u>102464401</u>	Seal, Dual-Lip 25x 62x 7tc	1
15	<u>102464501</u>	Seal, Dual-Lip 30x 62x 8tc	2
16	N/A	Gear, Ring, 33-Tooth	1
17	N/A	Asm, Pinion W/ Bearings (includes items 18 through 23)	1
18	N/A	Pinion, 10t Machined	1
19	<u>102463901</u>	Ring, Retaining, External	1
20	<u>102464001</u>	Bearing, Ball	1
21	<u>102464101</u>	Bearing, Needle, Drawn Shell	1
22	<u>102693601</u>	Washer, 2.625 X 2.367 X .06	1
23	<u>102694502</u>	Shim, 1.50 X 1.189 X .008	1
24	<u>102961501</u>	Asm, Differential & Carrier (includes items 25 through 30)	1
25	<u>102464201</u>	Bearing, Ball	1
26	<u>102464401</u>	Seal, Dual-Lip 25x 62x 7tc	1
27	<u>102464501</u>	Seal, Dual-Lip 30x 62x 8tc	2
28	<u>102961301</u>	Housing, Differential, Mach	1
29	<u>102961401</u>	Pin, Dowel, 4 X 35	1
30	<u>102961601</u>	Asm, Locker, Nongrease/Spacers	1

13

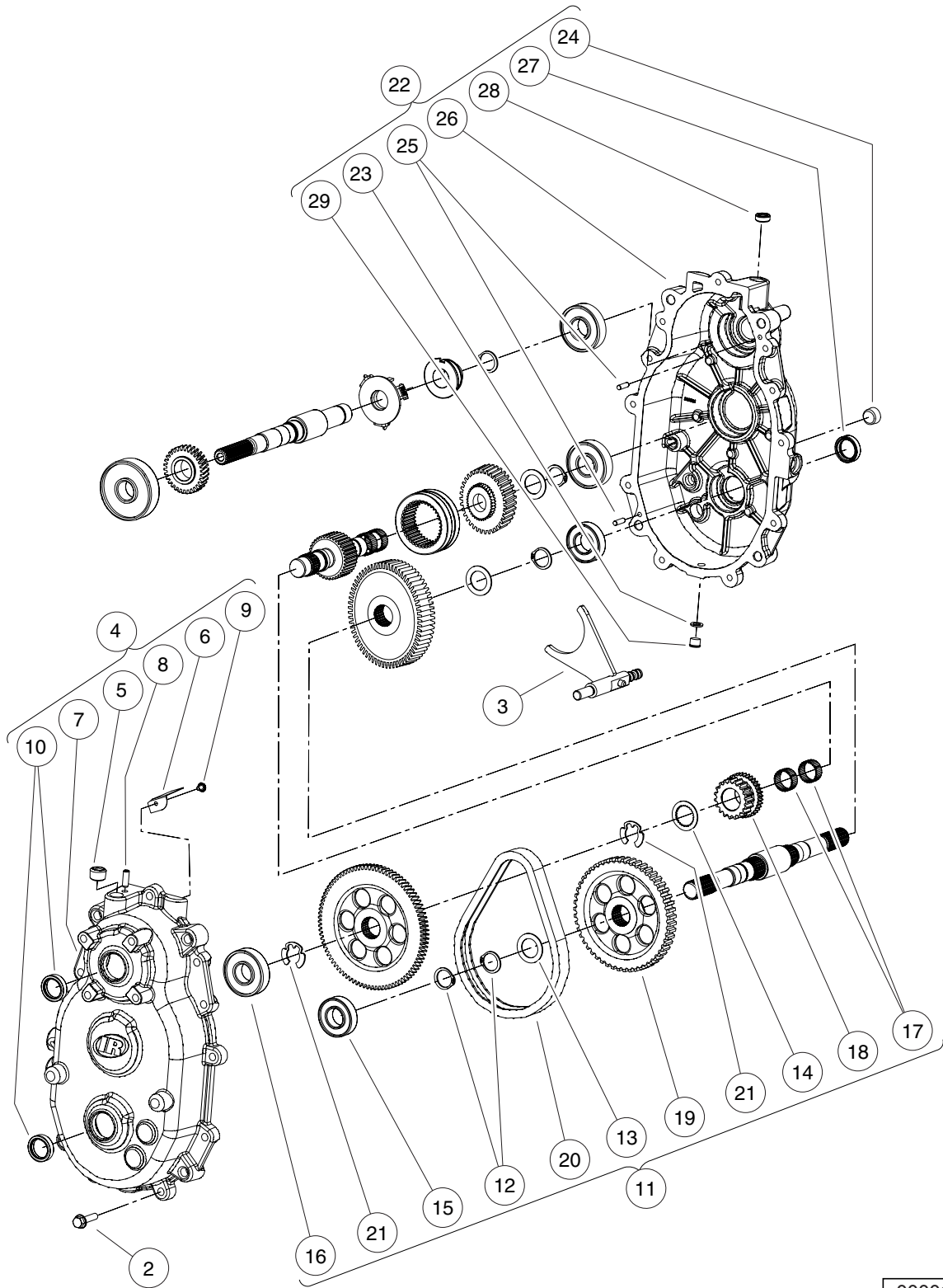
G

D

13

G

D



000016-006

TRANSMISSION – DIESEL VEHICLES

ITEM	PART NO.	DESCRIPTION	QTY
		1 2 3 4	
1	<u>102943201</u>	Transmission, Diesel, Parallel Shaft (includes items 2 through 22)	1
2	<u>102693301</u>	Screw,hex Flange, M8 X 35	11
3	<u>102697801</u>	Fork, Transmission	1
4	<u>102764201</u>	Asm, Gear Case, Rear (includes items 5 through 10)	1
5	<u>102694201</u>	Plug, Square Skt, 1/12-14, Ptf	1
6	<u>102696301</u>	Oil, Deflector	1
7	N/A	Gearcase, Rear	1
8	<u>102698301</u>	Vent, Trans	1
9	<u>102698901</u>	Screw, Tapping # 10-24 X .375	1
10	<u>102699401</u>	Seal, Triple, 25 X 35 X 7.8	2
11	<u>102765201</u>	Kit, Reverse Gear Repair (includes items 12 through 21)	1
12	<u>102696201</u>	Ring, Retaining, Basic External	2
13	<u>102696501</u>	Washer, Thrust, 1.007 X .062	1
14	<u>102696701</u>	Washer, 26.231 X 39.167 X 1.57	1
15	<u>102696801</u>	Bearing, Ball	1
16	<u>102696901</u>	Bearing, Ball	1
17	<u>102697101</u>	Bearing, Needle	2
18	N/A	Sprocket, 19-Tooth	1
19	N/A	Sprocket, 51-Tooth	1
20	N/A	Chain, .375p, .75 Wide, 60ptch	1
21	<u>102699701</u>	Ring, Retaining, E-Ring	2
22	<u>103250301</u>	Asm, Case, Gear, Front (includes items 23 through 29)	1
23	<u>102693501</u>	Washer, .625 X .382 X .60	1
24	<u>102694201</u>	Plug, Square Skt, 1/12-14, Ptf	1
25	<u>102696101</u>	Pin, Dowel, 6 X 20	2
26	N/A	Gearcase, Front	1
27	<u>102699401</u>	Seal, Triple, 25 X 35 X 7.8	1
28	<u>102721501</u>	Seal, Dual-Lip	1
29	<u>103250401</u>	Plug, 3/4-16	1

13

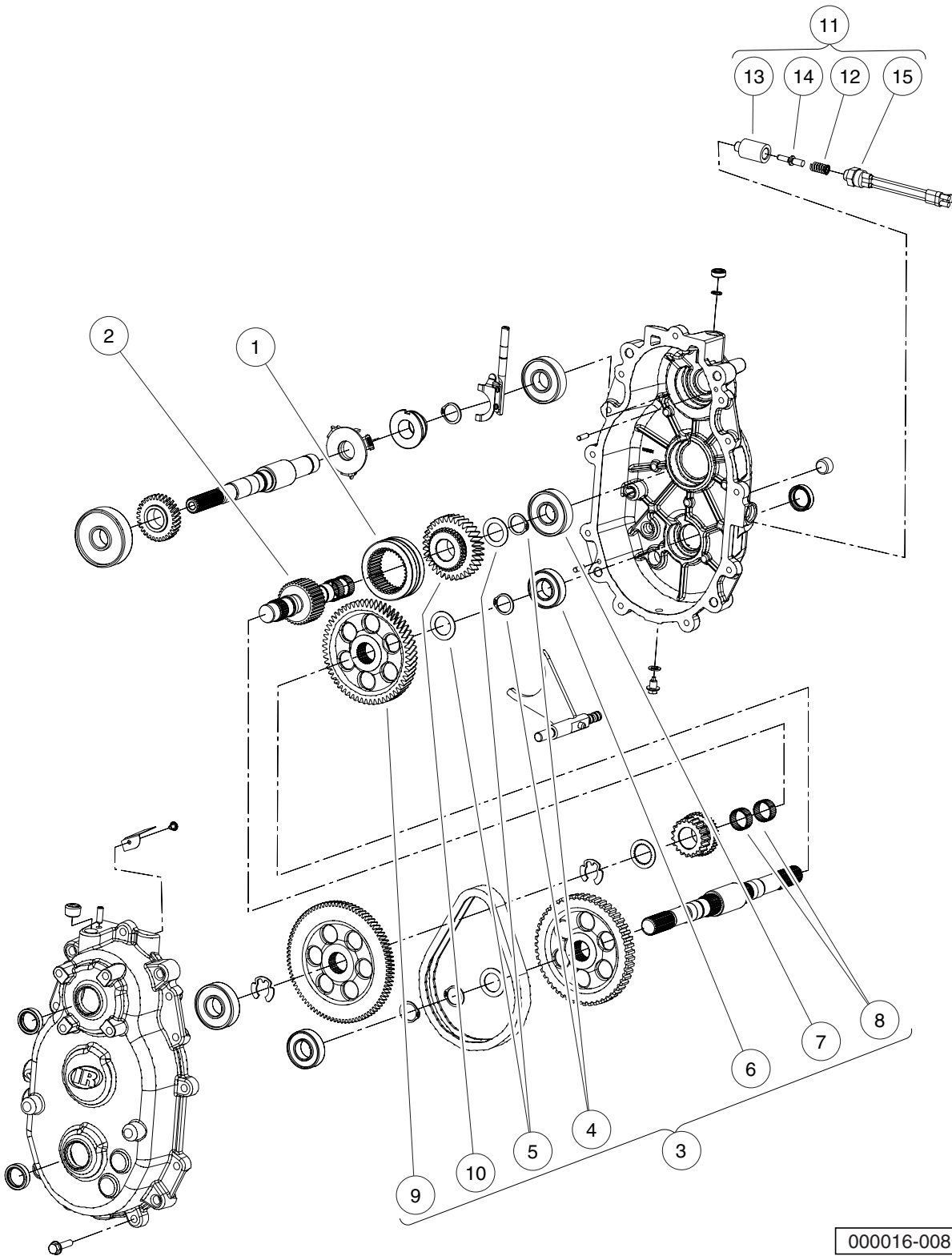
G

D

13

G

D



000016-008

TRANSMISSION – DIESEL VEHICLES, CONTINUED

ITEM	PART NO.	DESCRIPTION	QTY
		1 2 3 4	
1	<u>102697501</u>	Dog, Engagement	1
2	<u>102698701</u>	Shaft, Intermediate	1
3	102764901	Kit, Forward Gear Repair (includes items 4 through 10)	1
4	<u>102696201</u>	Ring, Retaining, Basic External	2
5	<u>102696501</u>	Washer, Thrust, 1.007 X .062	2
6	<u>102696801</u>	Bearing, Ball	1
7	<u>102696901</u>	Bearing, Ball	1
8	<u>102697101</u>	Bearing, Needle	2
9	N/A	Gear, Helical 58-Tooth	1
10	N/A	Gear, Helical 34-Tooth	1
11	<u>102765101</u>	Kit, Neutral Switch Repair (includes items 12 through 15)	1
12	N/A	Spring, .484 X .340 X 1.076	1
13	N/A	Guide, Detent Bullet	1
14	N/A	Bullet, Detent	1
15	N/A	Switch, Indicator, Pollak	1

13

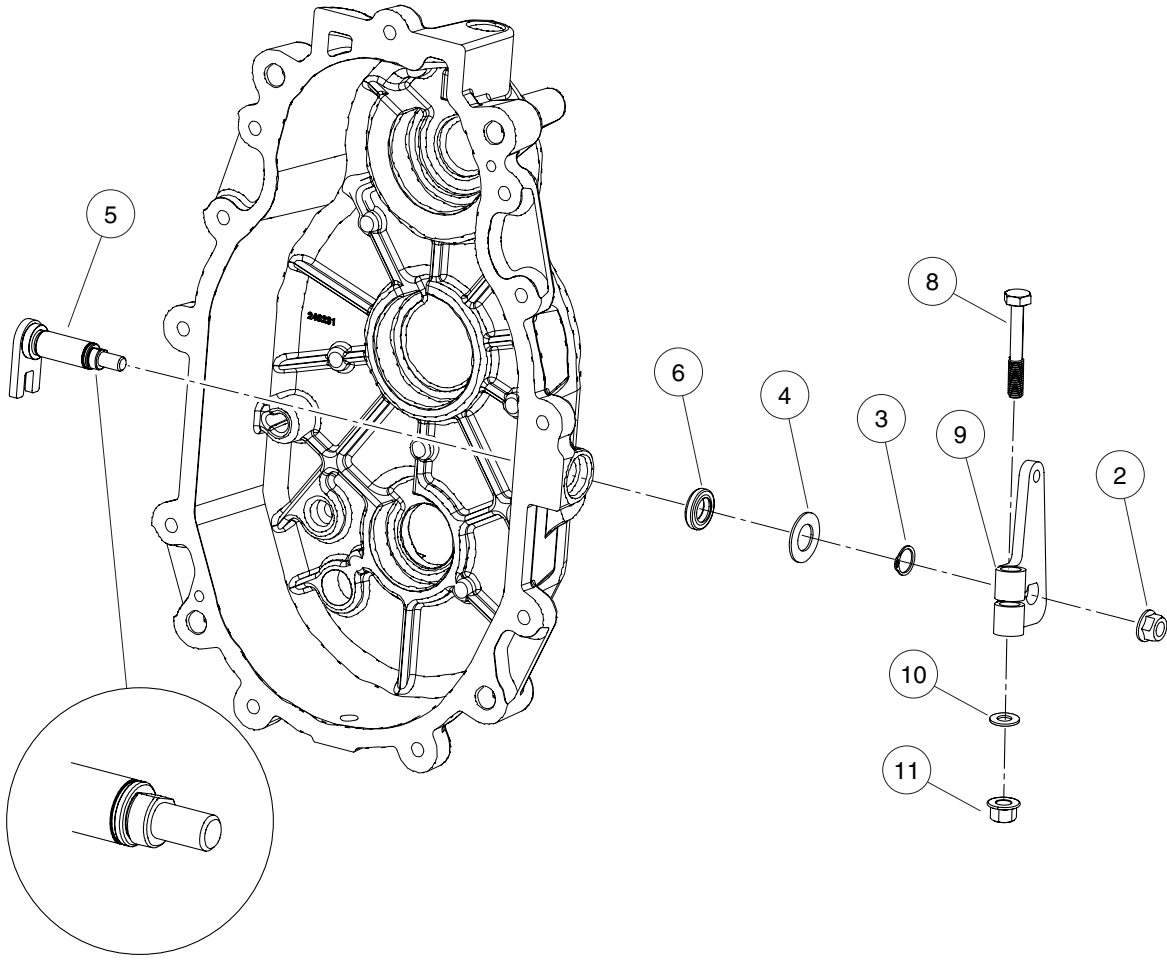
G

D

13

G

D



000016-009

TRANSMISSION – DIESEL VEHICLES, SHIFT SHAFT AND BELL CRANK (STYLE A)

ITEM	PART NO.	DESCRIPTION	QTY
		1 2 3 4	
1	102765001	Kit, Trans Shift Shaft Repair (includes items 2 through 6)	1
2	<u>102696001</u>	Nut, Lock Hex, Nylon, 5/16-24	1
3	<u>102696401</u>	Ring, Retaining, External 9/16	1
4	<u>102696601</u>	Washer, Flat, .58 X 1.08 X .05	1
5	<u>102699101</u>	Weldment, Shift, Shaft	1
6	<u>102699601</u>	Seal, Dul Lip, .88 X .56 X .19	1
7	103294301	Kit, Bellcrank, D Shape, Clamp (includes items 8 through 11)	1
8	<u>1010177</u>	Bolt, 3/8-16 X 2.00 Hex Head	1
9	103280201	Asm, Bellcrank, D Shape, Clamp	1
10	<u>334</u>	Washer, 3/8 Type A Flat	1
11	<u>8754</u>	Locknut, 3/8-16 Hex	1

13

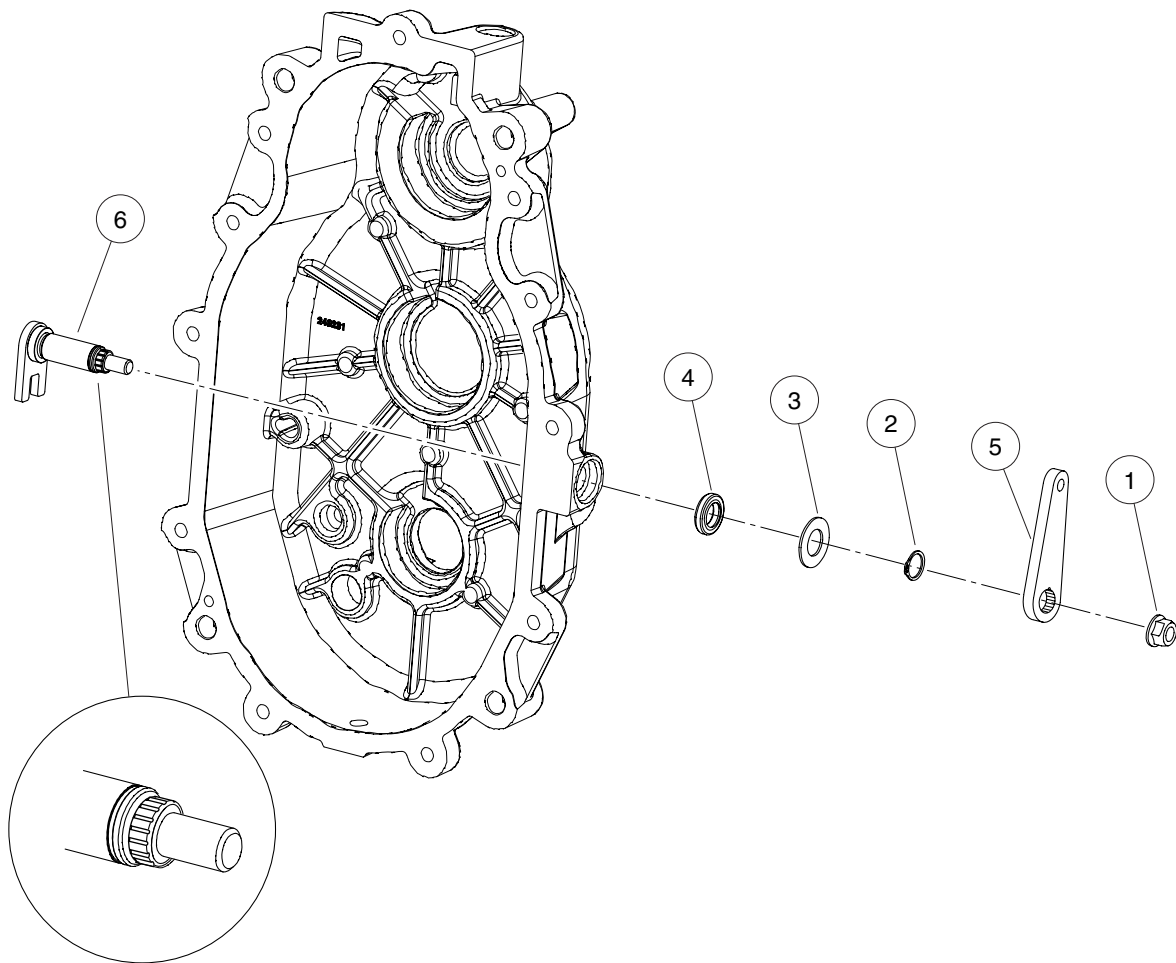
G

D

13

G

D



000016-010

TRANSMISSION – DIESEL VEHICLES, SHIFT SHAFT AND BELL CRANK (STYLE B)

ITEM	PART NO.	DESCRIPTION	QTY
		1 2 3 4	
1	<u>102696001</u>	Nut, Lock Hex, Nylon, 5/16-24	1
2	<u>102696401</u>	Ring, Retaining, External 9/16	1
3	<u>102696601</u>	Washer, Flat, .58 X 1.08 X .05	1
4	<u>102699601</u>	Seal, Dul Lip, .88 X .56 X .19	1
5	<u>103239501</u>	Bellcrank, Alum	1
6	<u>103239801</u>	Shaft, Shift	1

13

G

D

13

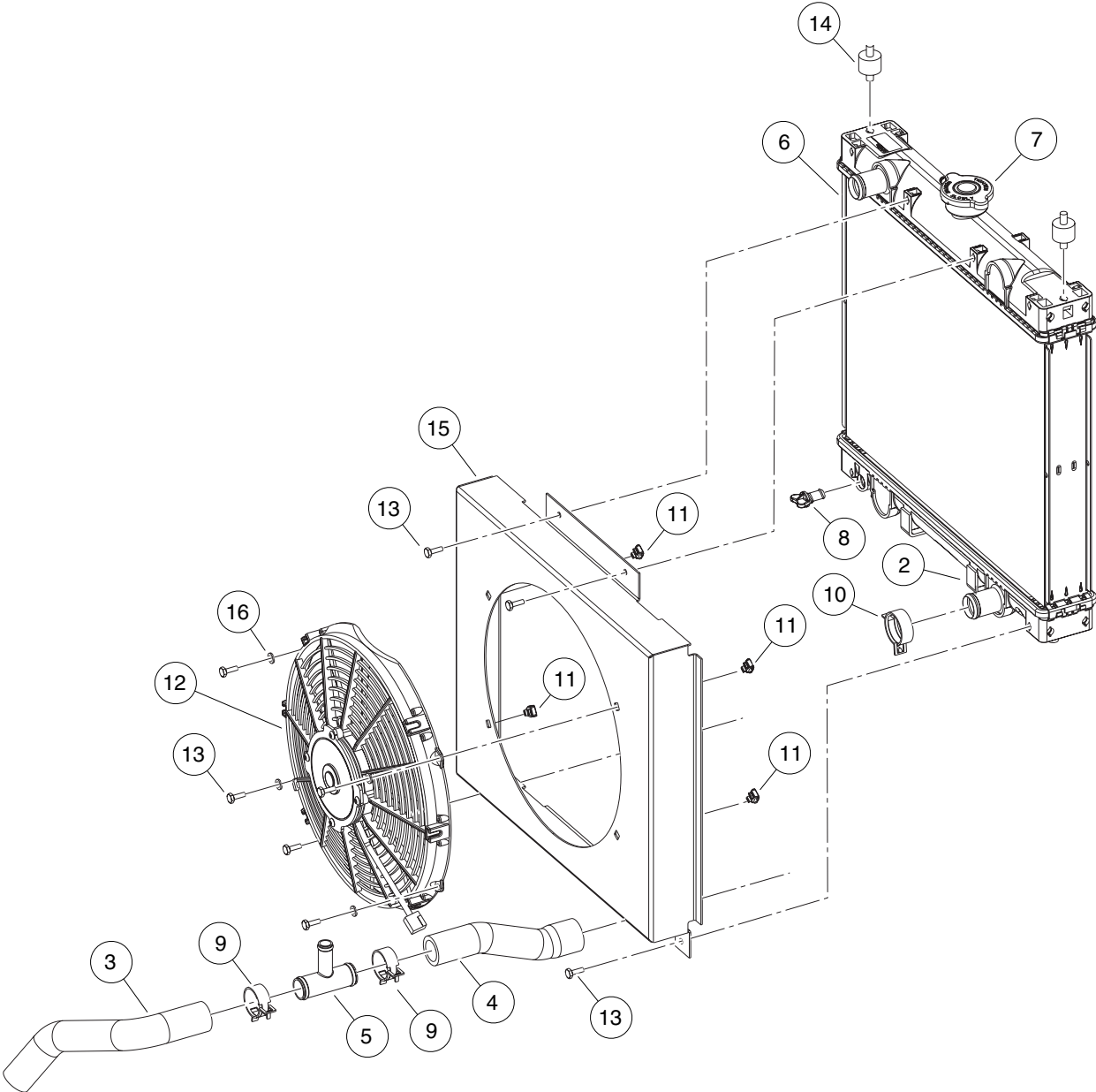
G

D

RADIATOR AND COOLANT SYSTEM (DIESEL VEHICLES)

14

D



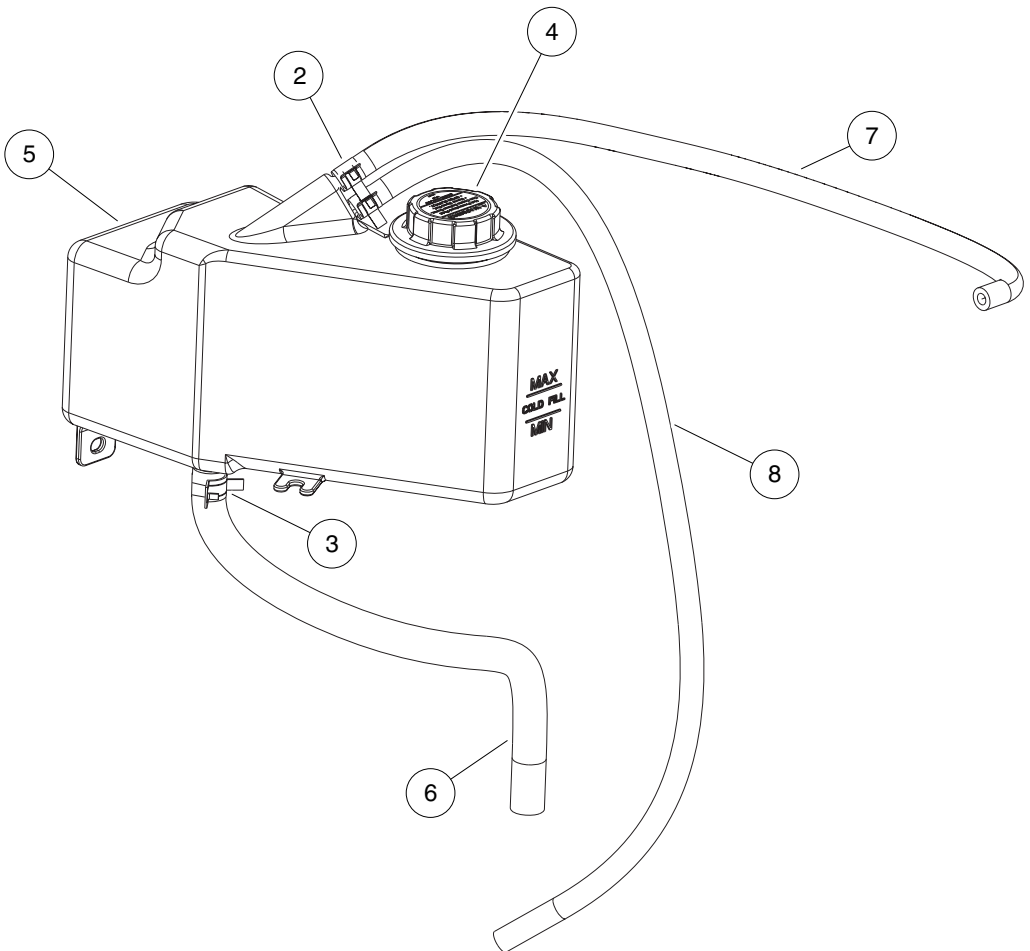
000541-001

RADIATOR

14

D

ITEM	PART NO.	DESCRIPTION	QTY
		1 2 3 4	
1	N/A	Asm, Radiator (includes items 2 through 16)	1
2	<u>1014471</u>	Tape, Vinyl Foam 1/8" x 3/4" *	A/R
3	<u>102377801</u>	Hose, Coolant Lower Pipe	1
4	<u>102377901</u>	Hose, Coolant Lower Rad	1
5	<u>102380301</u>	Tee, Coolant Fill	1
6	<u>102410301</u>	Exchanger, Engine Coolant (includes items 7 and 8)	1
7	<u>102737301</u>	Cap, Radiator	1
8	<u>102737401</u>	Drain Cock, Radiator	1
9	<u>102411207</u>	Clamp, Hose, Ctb 35mm	2
10	<u>102411208</u>	Clamp, Hose, Ctb 38mm	1
11	<u>102411301</u>	Nut, Self Retaining	4
12	<u>102436701</u>	Fan, Cooling 12 In Elect	1
13	<u>102490301</u>	Bolt, M6 X 1 X 16 Loctite	8
14	<u>102685001</u>	Isolator, Twin-Stud	2
15	<u>102855501</u>	Shroud, Radiator Fan	1
16	<u>96705199</u>	Washer, M6	4
		 * Note: Item not shown.	



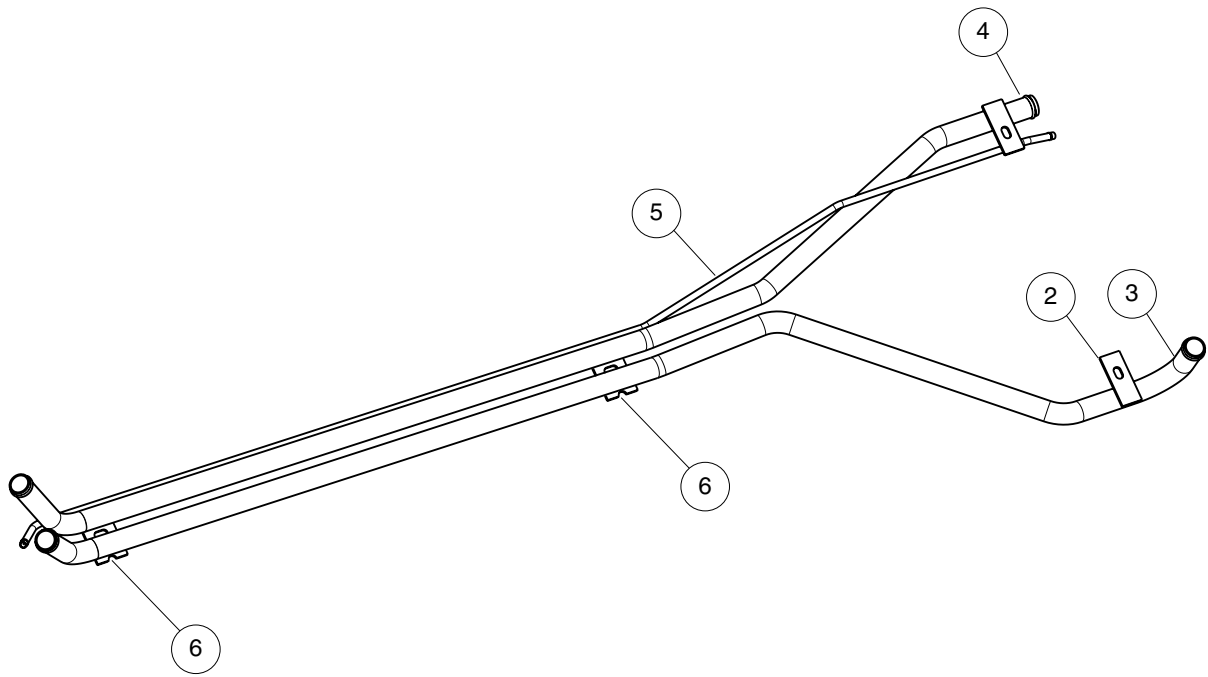
000540-001

COOLANT EXPANSION TANK

ITEM	PART NO.	DESCRIPTION	QTY
		1 2 3 4	
1	N/A	Asm, Coolant Bottle (includes items 2 through 8)	1
2	<u>102411204</u>	Clamp, Hose, CTB 15mm	2
3	<u>102411205</u>	Clamp, Hose, CTB 22mm	1
4	<u>102427501</u>	Cap, Radiator	1
5	<u>102973201</u>	Bottle, Coolant	1
6	<u>103238601</u>	Hose, Cut, 5/8, 445	1
7	<u>103238701</u>	Hose, Cut, Coolant, 700	1
8	<u>103238702</u>	Hose, Cut, Coolant, 1100	1

14

D



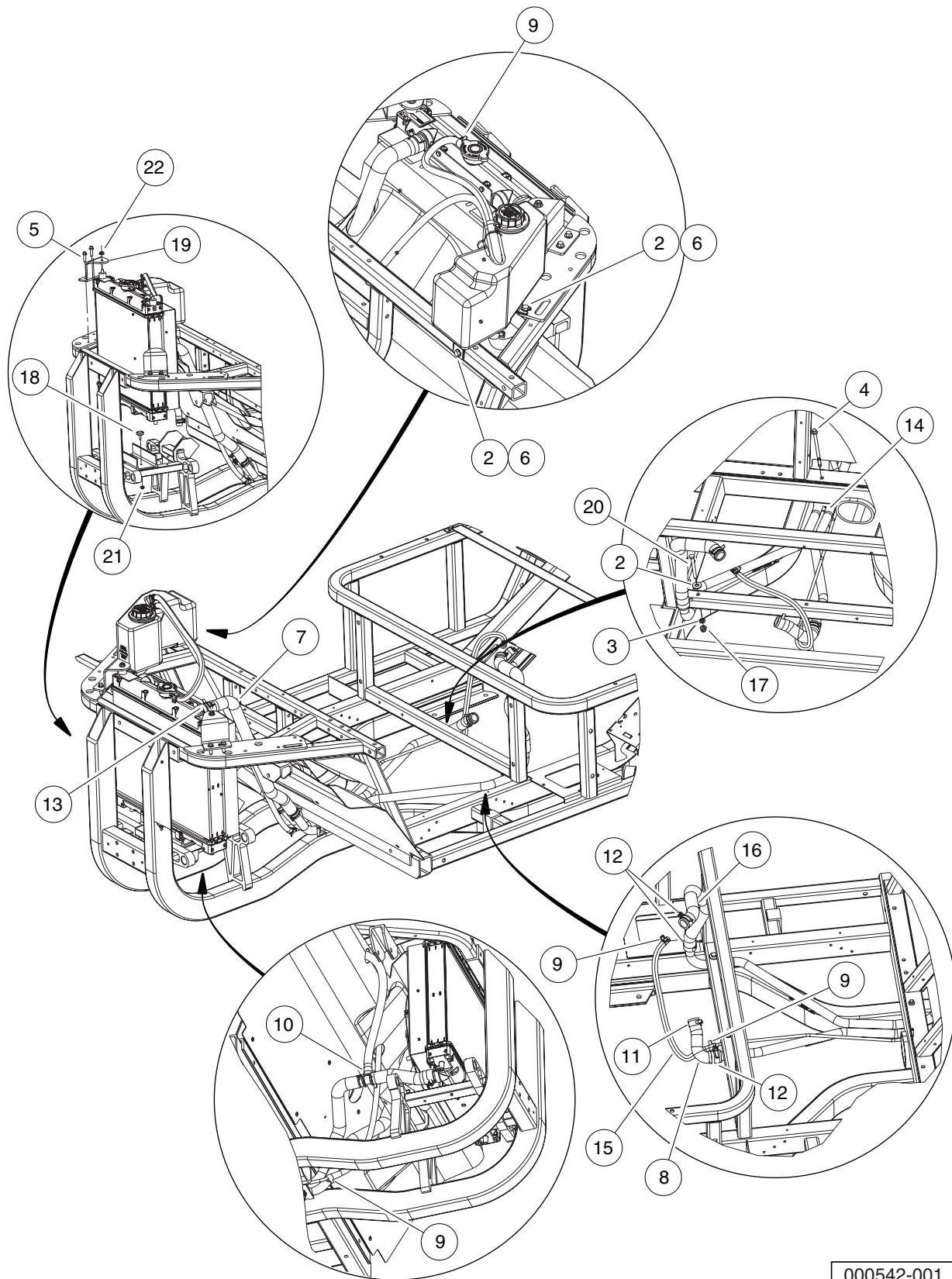
000539-002

COOLANT PIPES AND HOSES

ITEM	PART NO.	DESCRIPTION	QTY
		1 2 3 4	
1	<u>102767601</u>	Weldment, Group, Coolant Pipe (includes items 2 through 6)	1
2	N/A	Tab, Rear Mntg, Coolant Pipe	2
3	N/A	Pipe, Coolant Upper, Stretch	1
4	N/A	Pipe, Coolant Lower, Stretch	1
5	N/A	Pipe, Vent, Coolant, Stretch	1
6	N/A	Tab, Cooling Pipe Mount	2

14

D



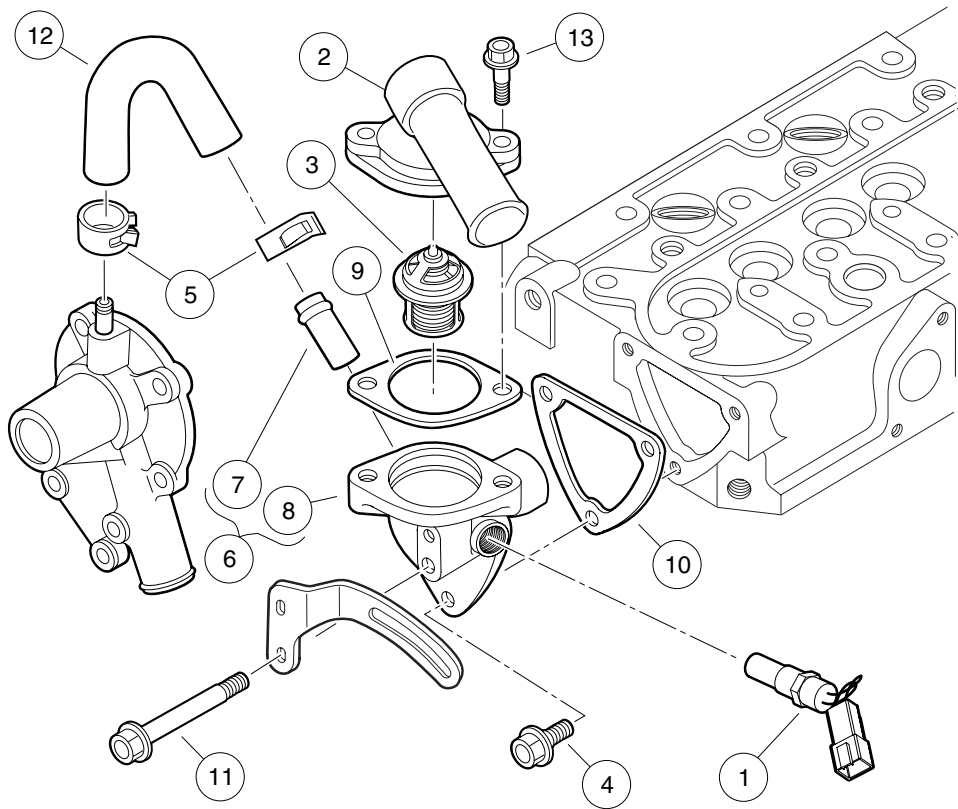
000542-001

COOLING SYSTEM CLAMPS, HOSES, AND HARDWARE

ITEM	PART NO.	DESCRIPTION	QTY
		1 2 3 4	
1	N/A	Instl, Cooling Sys, Diesel (includes items 2 through 22)	1
2	<u>1011578</u>	Washer, 5/16 Type B Flat	3
3	<u>1015457</u>	Spacer, 0.720"	1
4	<u>102288901</u>	Bolt-hex Fl, M8 X 1.25 X 135	1
5	<u>102289001</u>	Screw, M8X1.25X30, Hex	4
6	<u>102298720</u>	M8-1.25x20 Taptite	2
7	<u>102377501</u>	Hose, Coolant Upper Rad	1
8	<u>102377601</u>	Hose, Coolant Lower Eng	1
9	<u>102411204</u>	Clamp, Hose, CTB 15mm	4
10	<u>102411205</u>	Clamp, Hose, CTB 22mm	1
11	<u>102411206</u>	Clamp, Hose, Ctb 30mm	1
12	<u>102411207</u>	Clamp, Hose, Ctb 35mm	5
13	<u>102411208</u>	Clamp, Hose, Ctb 38mm	1
14	<u>102427601</u>	Clamp, Bar	1
15	<u>102435001</u>	Hose, Vent Tube To Eng, Coolnt	1
16	<u>102480501</u>	Hose, Coolant, Return, Engine	1
17	102618601	Lock Nut, Flg M8 X 1.25 Nylon	3
18	<u>102684901</u>	Bumper, 19mm Stud	2
19	<u>102946701</u>	Bracket, Radiator Support	2
20	<u>103423701</u>	Bolt, M8 X 1.25 X 110	1
21	<u>96704176</u>	Nut Flg, M6 X 1 Serrated	2
22	<u>96704416</u>	Nut Flg, M8 X 1.25 Serrated	2

14

D



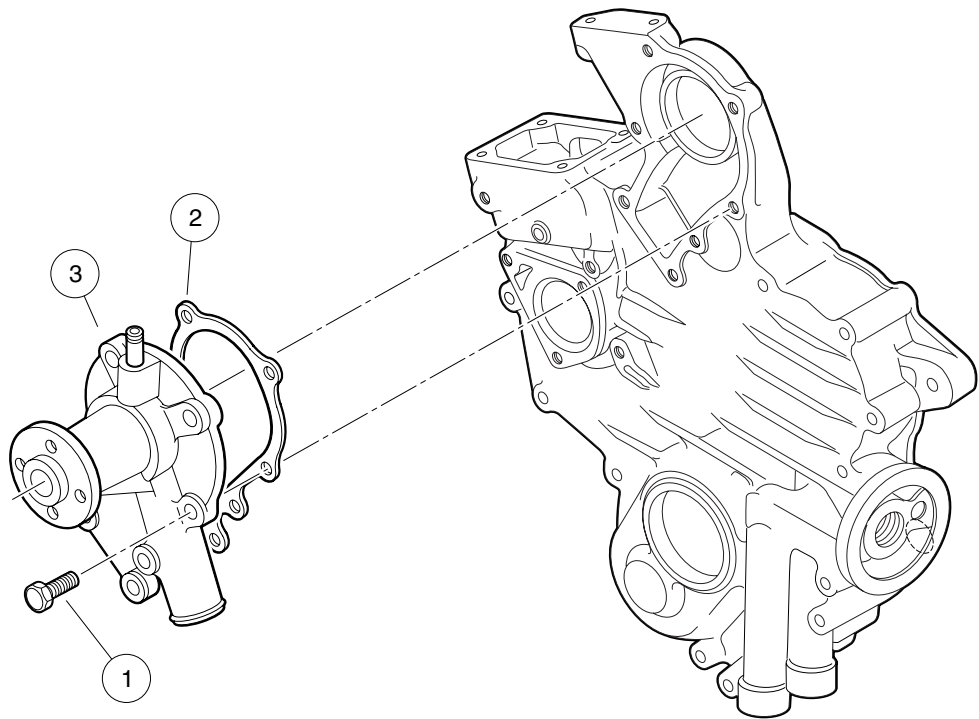
000059-001

WATER FLANGE AND THERMOSTAT

ITEM	PART NO.	DESCRIPTION	QTY
		1 2 3 4	
1	<u>102410001</u>	Sensor, Coolant Temp	1
2	<u>102631301</u>	Cover, Thermostat	1
3	<u>102631401</u>	Assy, Thermostat	1
4	<u>102631601</u>	Bolt, M6 X 1 X 20	2
5	<u>102633001</u>	Band, Pipe	2
6	<u>102633201</u>	Flange, Water (includes items 7 and 8)	1
7	<u>102633301</u>	Pipe, Water Return, D722	1
8	N/A	Flange, Water	1
9	<u>102633401</u>	Gasket, Thermostat	1
10	<u>102654701</u>	Gasket, Water Flange	1
11	<u>102730901</u>	Bolt, Alt, D722, Stay Lower	1
12	<u>102731001</u>	Pipe, Water Return, D722	1
13	<u>102731101</u>	Bolt, D722, Thermostat Cover	2

14

D



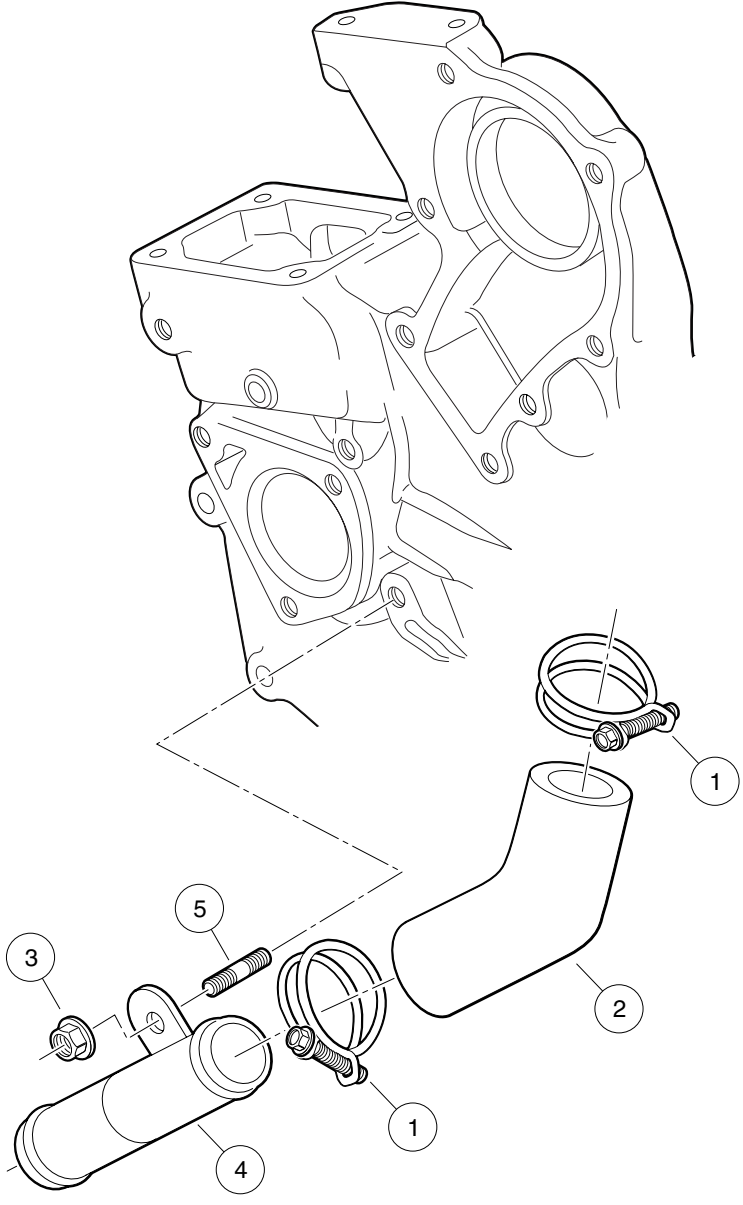
000060-001

WATER PUMP

ITEM	PART NO.	DESCRIPTION	QTY
		1 2 3 4	
1	<u>102608701</u>	Bolt, M6 X 1 X 22	4
2	<u>102632701</u>	Gasket, Water Pump, D722	1
3	<u>102731201</u>	Water Pump Assembly	1

14

D



000061-001

BLOCK COOLANT PIPE

ITEM	PART NO.	DESCRIPTION	QTY
		1 2 3 4	
1	<u>102631701</u>	Band, Pipe, with Nut	2
2	<u>102631801</u>	Pipe, Water, Bent	1
3	<u>102632001</u>	Nut, Flange, M6	1
4	<u>102632101</u>	Pipe, Water, Bent	1
5	<u>102632201</u>	Stud, M6 X 15	1

14

D

14

D

MAINTENANCE AND SERVICE TOOLS

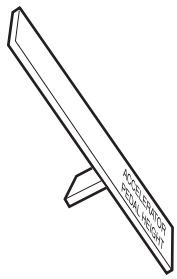
15

G

E

D

15
G
E
D



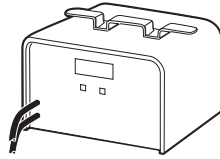
1



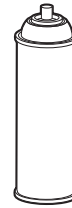
2



3



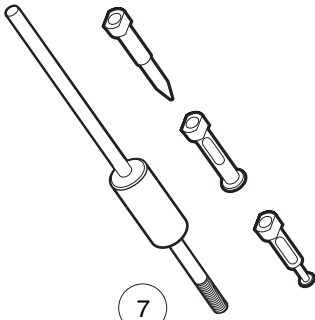
4



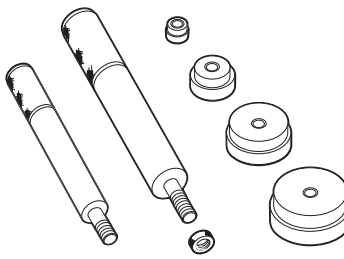
5



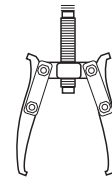
6



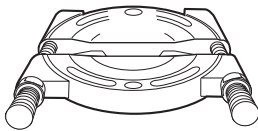
7



8



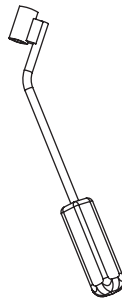
9



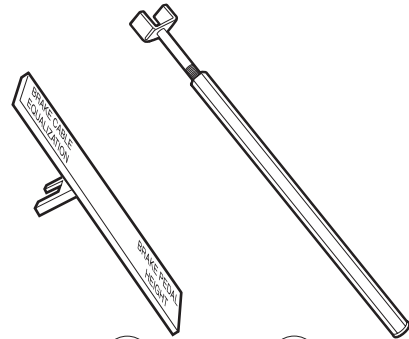
10



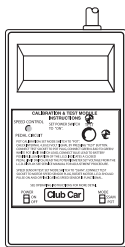
11



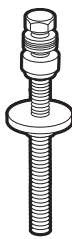
12



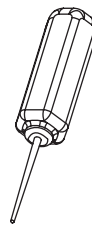
14 15
13



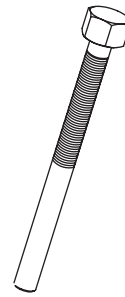
16



17



18



19

MAINTENANCE AND SERVICE TOOLS

ITEM	PART NO.	DESCRIPTION	QTY DIESEL	QTY GAS	QTY ELEC
		<p style="text-align: center;">1 2 3 4</p> <p>The following tool list includes all tools available from Club Car for maintenance and service procedures for gasoline, electric, and/or diesel vehicles, both past and present models. Be sure to carefully examine the tool list for applicability to your vehicle before ordering.</p>			
1	<u>101871001</u>	Accelerator Pedal Adjustment Tool		1	1
2	<u>101813202</u>	Adhesive, Guide Ring, 3-Gram Tube			1
3	<u>101641202</u>	Arbor		1	
4	<u>101831901</u>	Battery Discharge Machine, 36/48 Volt			1
5	<u>1014305</u>	Battery Terminal Protector Spray	1	1	1
6	<u>1011767</u>	Battery Thermometer	1	1	1
7	<u>1016417</u>	Bearing and Oil Seal Remover Assembly	1	1	1
8	<u>1016416</u>	Bearing Driver Set	1	1	1
9	<u>1012811</u>	Bearing Puller	1	1	1
10	<u>1012812</u>	Bearing Puller Wedge Attachment	1	1	1
11	<u>1013582</u>	Brake Adjustment Tool (used only on vehicles with manually adjusted mechanical brakes)			
12	<u>102555501</u>	Brake Cable Release Tool	1	1	1
13	<u>102249901</u>	Brake Pedal Adjustment Tool Kit (used for the Carryall Electric Industrial Truck only) (includes items 14 and 15).....			1
14	****	Brake Pedal Adjustment Tool			1
15	****	Brake Pedal Tension Tool			1
16	<u>101887101</u>	Calibration Test Module			1
17	<u>101808401</u>	Cam Installation Tool		1	
18	<u>102562401</u>	Charger Bezel Tool			1
19	<u>102686101</u>	Clutch Removal Tool (for 4x4 vehicles)	1	1	
		<p style="text-align: center;">Please refer to the maintenance and service manual for proper tool application.</p> <p style="text-align: center;">**** Special order item available upon request</p>			

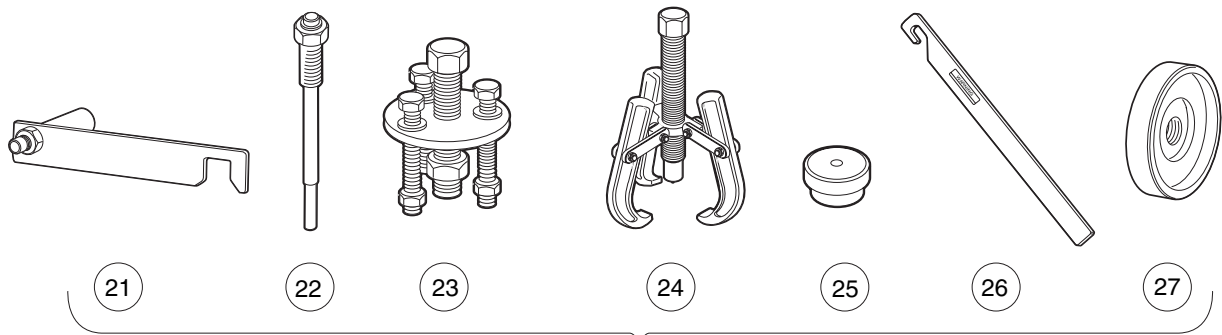
15

G

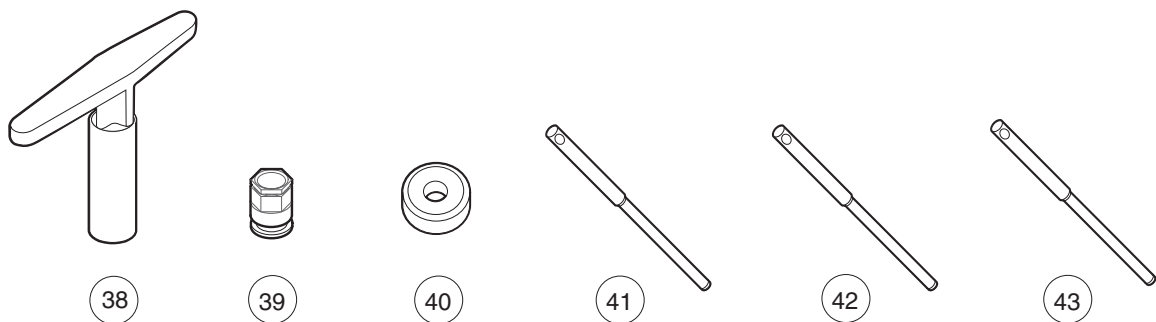
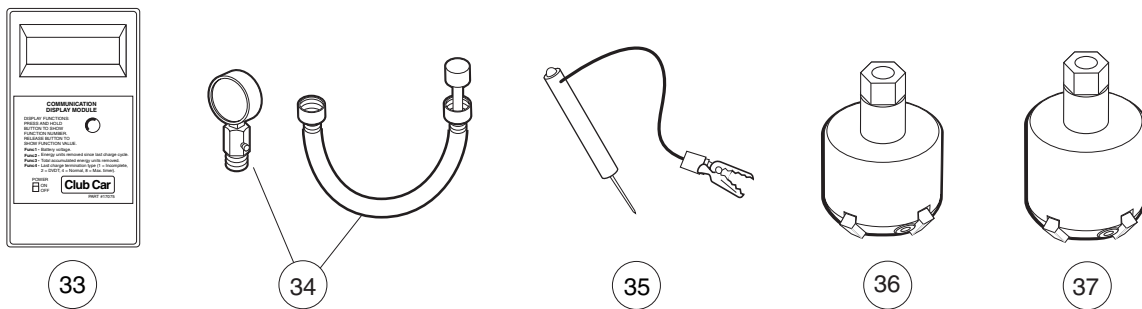
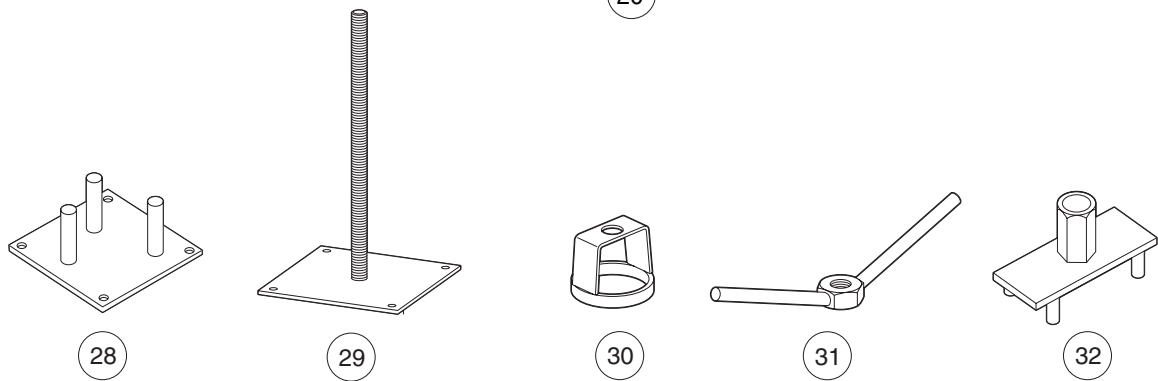
E

D

15
G
E
D



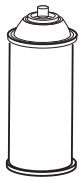
20



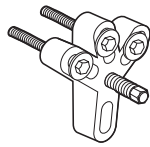
MAINTENANCE AND SERVICE TOOLS, CONTINUED

ITEM	PART NO.	DESCRIPTION	QTY DIESEL	QTY GAS	QTY ELEC	15
		1 2 3 4				G
20	<u>1014510</u>	Clutch Tool Kit (includes items 21 - 27)		1		E
21	<u>1014498</u>	Clutch Alignment Tool (for pre-unitized transaxle vehicles built prior to 1997 model year)		1		D
22	<u>1014496</u>	Drive Clutch Puller (for Kawasaki engines only)		1		
23	<u>1014497</u>	Drive Clutch Hub Puller (for Kawasaki engines only)		1		
24	<u>1014508</u>	Driven Clutch Cam Puller (for Kawasaki engines only)		1		
25	<u>1014507</u>	Driven Clutch Puller Plug (for Kawasaki engines only)		1		
26	<u>1015524</u>	Drive Clutch Holder Tool Assembly (for Kawasaki engines only)		1		
27	<u>101809101</u>	Press Weldment (for Kawasaki engines only)		1		
28	<u>102601501</u>	Drive ClutchFixed Sheave Tool (for 4x4 vehicles)	1	1		
29	<u>102603501</u>	Driven Clutch Spring Compression Base (for use with items 30 and 31) (for 4x4 vehicles)	1	1		
30	<u>102605201</u>	Driven Clutch Spring Compression Collar (for use with items 29 and 31) (for 4x4 vehicles)	1	1		
31	<u>102606101</u>	Driven Clutch Spring Compression Nut (for use with items 29 and 30) (for 4x4 vehicles)	1	1		
32	<u>102607501</u>	Drive Clutch Spider Removal Tool (for 4x4 vehicles)	1	1		
33	101831801	Communication Display Module			1	
34	101641002	Compression Gauge and Adapter		1		
35	1011273	Continuity Tester		1	1	
36	<u>102773801</u>	Cutter, Valve Seat, #122		1		
37	<u>102773901</u>	Cutter, Valve Seat #115		1		
38	<u>102774101</u>	Wrench, T, #505.....		1		
39	<u>102774101</u>	Adapter, T-Wrench.....		1		
40	102675401	Cutter, Valve Seat, 60 Degree (requires item 51) (for Honda GX620 Gasoline Engines)		1		
41	<u>102774201</u>	Pilot, 6.6 MM		1		
42	<u>102774301</u>	Pilot, 6.62 MM.....		1		
43	<u>102774401</u>	Pilot, 6.65 MM.....		1		
		Please refer to the maintenance and service manual for proper tool application.				

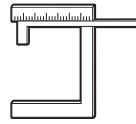
15
G
E
D



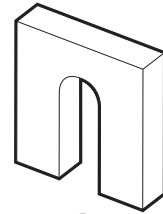
44



45



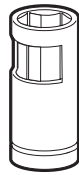
46



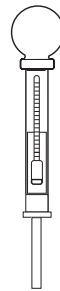
47



48



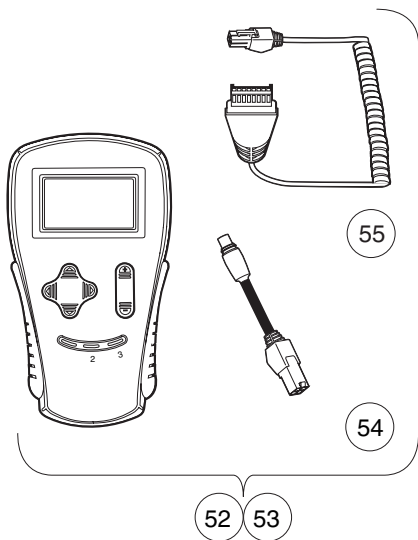
49



50



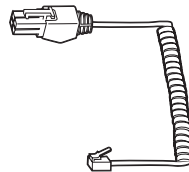
51



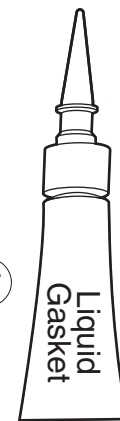
52 53

55

54



56



57



58



59 60



61

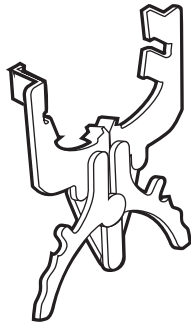
MAINTENANCE AND SERVICE TOOLS, CONTINUED

ITEM	PART NO.	DESCRIPTION	QTY DIESEL	QTY GAS	QTY ELEC	15
		1 2 3 4				G
44	<u>1012151</u>	Dry Moly Lubricant	1	1	1	E
45	<u>1016627</u>	Flywheel Puller Kit (for Kawasaki Engines)		1		D
46	<u>102669901</u>	Gauge, Carburetor Float Level (for Honda GX620 Gasoline Engines)		1		
47	<u>1016418</u>	Gear Yoke	1	1	1	
48	<u>101933101</u>	Governor Shaft Installation Tool (for Kawasaki Engine Vehicles)		1		
49	<u>102169401</u>	Hydraulic Brake Adjuster (for Turf/CA 272/472, Pioneer/XRT 1200, Bobcat 2100, HUV 4213)			1	
50	<u>1011478</u>	Hydrometer	1	1	1	
51	<u>1013593</u>	Internal Retaining Ring Pliers	1	1	1	
52	<u>102248803</u>	IQ Display Module (IQDM) Kit (IQ System and IQ Plus vehicles)			1	
		(includes items 54 and 55)				
53	<u>102248804</u>	IQ Display Module (IQDM-P) Kit (IQ System and IQ Plus vehicles)			1	
		(includes items 54 and 55)				
54	<u>102251501</u>	Adaptor, Cable			1	
55	<u>102241502</u>	IQDM Series 2 Cable			1	
56	<u>102241501</u>	IQDM Series 1 Cable (replacement)			1	
57	<u>101928701</u>	Liquid Gasket (transaxle case)	1	1	1	
58	<u>102243402</u>	Moly-Teflon Lubricant (4-oz. (113-gram) tube)			1	
59	<u>101997201</u>	Paint, Touch-Up – Beige*		1	1	
59	<u>101997207</u>	Paint, Touch-Up – Black*		1	1	
59	<u>101997212</u>	Paint, Touch-Up – Burgundy*		1	1	
59	<u>101997211</u>	Paint, Touch-Up – Classic Blue (Navy)*		1	1	
59	<u>101997205</u>	Paint, Touch-Up – Dark Gray*	1	1	1	
59	<u>101997209</u>	Paint, Touch-Up – Dark Green*	1	1	1	
59	<u>101997204</u>	Paint, Touch-Up – Gray*	1	1	1	
59	<u>101997203</u>	Paint, Touch-Up – Red*	1	1	1	
59	<u>101997206</u>	Paint, Touch-Up – Royal Blue (Pacific Blue)*		1	1	
59	<u>101997202</u>	Paint, Touch-Up – White*	1	1	1	
60	<u>102562301</u>	Paint, Precedent Underbody – Gray		1	1	
61	<u>102587201</u>	Paint Pen, Touch-Up, Precedent Underbody – Black		1	1	
		Please refer to the maintenance and service manual for proper tool application.				
		* Item 59 is not for use on Surlyn [®] body material, which is used on Precedent vehicles.				

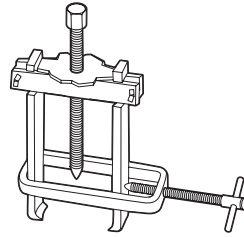
15
G
E
D



62



63



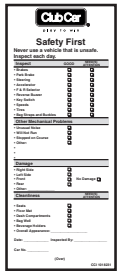
64



65



66



67



68



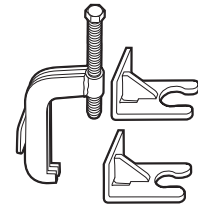
69



70



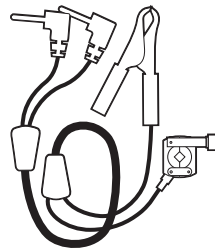
71



72



73



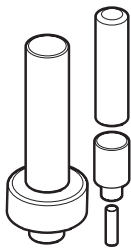
74



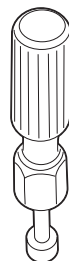
75



76



77



83



84



85



86

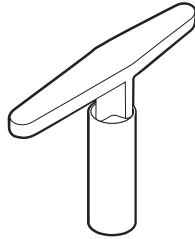
MAINTENANCE AND SERVICE TOOLS, CONTINUED

ITEM	PART NO.	DESCRIPTION	QTY	QTY	QTY	15
			DIESEL	GAS	ELEC	
		1 2 3 4				G
62	<u>1016414</u>	Piston Ring Compressor Kit (FE290, FE350 and FE400 engines)		1		E
63	<u>1016415</u>	Piston Ring Pliers (for Kawasaki Engines)		1		D
64	<u>102668801</u>	Puller, Special Use (for Kubota D722 Diesel Engines)	1			
65	<u>1012549</u>	Retaining Ring Pliers, 45° External	1	1	1	
66	<u>1012560</u>	Retaining Ring Pliers, 90° Internal	1	1	1	
67	<u>101823101</u>	Safety First Card (50 per pack)	1	1	1	
68	<u>1012809</u>	Seal Puller	1	1	1	
69	<u>102330901</u>	Spanner Wrench (for coil over shock front suspension vehicles only)	1	1		
70	<u>1014264</u>	Steering Column Bearing Press Tool		1	1	
71	<u>1014259</u>	Steering Column Retaining Ring Tool		1	1	
72	<u>102061201</u>	Steering Wheel Puller Tool	1	1	1	
73	<u>AM10753</u>	Tachometer (includes gasoline engine pick up lead only)	1	1		
74	<u>AM10771</u>	Tachometer Diesel Probe (for use with item 73)	1			
75	<u>1014162</u>	Transaxle Axle Seal Tool		1		
76	<u>1014161</u>	Transaxle Pinion Seal Tool		1		
77	<u>1014115</u>	Transmission Tool Kit		1		
78	<u>101611003</u>	Tune-Up Kit, All OHV (for FE290, FE350, FE400 only) (includes air filter, spark plug, oil filter, fuel filters) (not shown)		1		
79	<u>AM11804</u>	Tune-Up Kit, Gx620 (for Honda Engines) (includes air filter, spark plug, oil filter, fuel filters) (not shown)		1		
80	<u>AM11805</u>	Tune-Up Kit, D722 (for Kubota Engines) (includes air filter, oil filter, fuel filters, water separator filter) (not shown)	1			
81	<u>AM1220301</u>	Tune-Up Kit, Precedent (for FE290/350 Engines) (includes air filter, spark plug, oil filter, fuel filters) (not shown)		1		
82	<u>AM1232401</u>	Tune-Up Kit, FH680D (for Kawasaki V-Twin Engines) (includes oil filter, fuel filter, air filter, and spark plugs) (not shown)		1		
83	<u>1016413</u>	Valve Clearance Adjuster Screw Holder (for FE290 engines only)		1		
84	<u>102674601</u>	Valve Guide Driver (for Honda GX620 Gasoline Engines)		1		
85	<u>101641201</u>	Valve Guide Reamer (FE290, FE350, and FE400 only)		1		
86	<u>102674401</u>	Valve Guide Reamer, 6.6 mm (for Honda GX620 Gasoline Engines)		1		

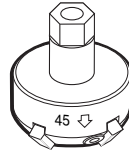
15
G
E
D



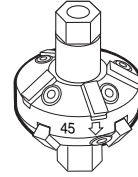
87



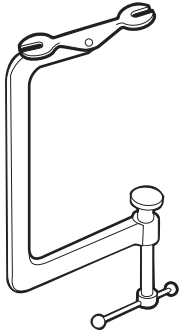
88



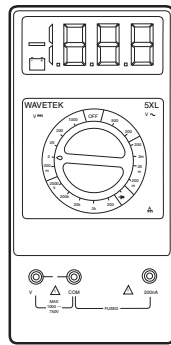
89



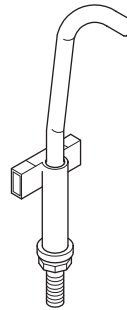
90



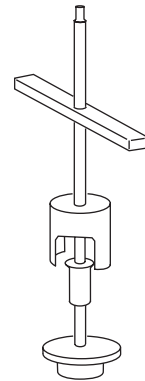
91



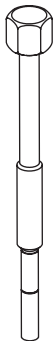
92



93



94



95

MAINTENANCE AND SERVICE TOOLS, CONTINUED

ITEM	PART NO.	DESCRIPTION	QTY DIESEL	QTY GAS	QTY ELEC
		1 2 3 4			
87	<u>1016552</u>	Valve Seat Cutter Guide		1	
88	<u>1016551</u>	Valve Seat Cutter T-Wrench		1	
89	<u>1016553</u>	Valve Seat Cutter, 45° (32 mm diameter) (for FE290 engines only)		1	
90	<u>1016554</u>	Valve Seat Cutter, 45°/30° (35 mm diameter)		1	
91	<u>101641101</u>	Valve Spring Compressor		1	
92	1011480	Volt Ohm Meter	1	1	1
93	<u>102570401</u>	Tool, Tensioning, Starter Generator (For Precedent vehicles)		1	
94	<u>103601401</u>	Puller, Drive Clutch, XRT 950.....		1	
95	<u>103601701</u>	Tool, Disassembly, Driven Clutch, XRT 950.....		1	

15

G

E

D

INDEX

Part Number and Page

AM10753	15-9	1011767	15-3	1015524	15-5
AM10771	15-9	1011779	4-15	1015583	1-43
AM11807	5-9	1012151	15-7	1015597	5-15
AM11808	5-9	1012295	6-19, 6-21	1015741	6-19, 6-21
AM11811	5-9	1012303	1-43	101587703	10-3, 10-5, 10-9
AM1210002	1-13	1012328	6-27, 6-29	1016078	1-41
AM1210801	1-13	1012549	15-9	101609401	3-3
AM1211101	1-13	1012560	15-9	101611003	15-9
AM1211401	1-13	1012769	7-3, 8-3	1016183	5-13
AM1215701	1-13	1012809	15-9	101641002	15-5
AM1215801	1-13	1012811	15-3	101641101	15-11
AM1232301	8-7, 8-11, 9-7	1012812	15-3	101641201	15-9
AM1241201	5-9	1012830	1-29, 1-31	101641202	15-3
AM1241301	5-9	1012871	9-7	1016413	15-9
AM1241401	5-9	1012919	9-9	1016414	15-9
183	10-7, 10-11	1013035	5-5	1016415	15-9
332	1-29, 1-31, 1-47, 6-19, 6-21	1013042	5-5	1016416	15-3
334	1-41, 13-17, 13-29	1013044	5-5	1016417	15-3
357	1-19, 1-45	1013051	5-5	1016418	15-7
403	1-43	1013052	5-5	1016467	8-15, 9-11
451	1-29, 1-31	101313402	10-9	101648203	9-11
706	1-19	1013366	1-47	1016513	9-9, 10-15
808	1-5, 1-19	1013461	10-7, 10-11	1016544	9-7
1016	10-7, 10-11	1013531	4-15	1016551	15-11
1035	4-15, 4-17	1013582	15-3	1016552	15-11
1108	6-19, 6-21	1013593	15-7	1016553	15-11
1241	6-27, 6-29	1013734	1-29, 1-31	1016554	15-11
7310	2-3	1013746	10-3, 10-5, 10-9	1016603	1-45
7473	1-43, 1-47, 6-27, 6-29	1014115	15-9	1016627	15-7
8057	13-3	1014161	15-9	1016630	6-23, 6-25
8058	13-3	1014162	15-9	1016851	13-3
8233	1-15, 1-47	1014259	15-9	1016896	13-3
8251	1-49	1014264	15-9	1016916	1-15
8639	4-11, 4-15	1014305	15-3	1016967	1-9, 1-33
8717	13-3	1014306	1-47, 1-49, 4-7	1017162	1-45
8754	1-43, 1-45, 5-13, 13-17, 13-29	1014375	6-27, 6-29	1017167	1-45
8755	1-43, 1-45	1014415	1-47	1017774	1-45
8797	10-7, 10-11	1014471	1-43, 14-3	101802601	6-23, 6-25
8990	1-45, 5-5, 10-21, 10-23, 10-25	1014496	15-5	101804301	1-15
1010177	13-17, 13-29	1014497	15-5	101808401	15-3
1010200	1-45	1014498	15-5	101809101	15-5
1010435	1-43, 1-47	1014507	15-5	101813202	15-3
1010436	1-47	1014508	15-5	101823101	15-9
1010521	4-15	1014510	15-5	101824401	10-3, 10-5, 10-9
101082903	4-7, 4-9	1014537	1-47	101831801	15-5
1010934	6-27, 6-29	1014727	13-3	101831901	15-3
1011084	10-21, 10-23, 10-25	1014808	13-3	101833101	7-3
1011273	15-5	1015139	10-7, 10-11	101833201	7-3
1011478	15-7	1015143	10-7, 10-11	101835601	1-41, 1-43
1011480	15-11	1015277	1-41	101856102	12-5
1011553	3-3	1015391	1-43	101871001	15-3
1011578	1-5, 1-23, 1-25, 14-9	1015392	1-21	101879401	5-5
1011652	1-27, 1-29, 1-31, 1-33	1015399	1-43, 1-47	101879701	5-5
1011697	1-33	1015400	1-43	101879801	5-5
		1015457	14-9	101879901	5-5
		101547601	3-5	101880201	5-5

INDEX

101887101	15-3	102239901	1-47	102377801	14-3
101887601	1-29, 1-31, 4-11, 11-3	102241501	15-7	102377901	14-3
101894304	1-47	102241502	15-7	102378901	10-33
101898001	6-27, 6-29	102243402	15-7	102379001	10-35
101928701	15-7	102248803	15-7	102380301	14-3
101933101	15-7	102249901	15-3	102380601	4-13
101958602	1-41	102251501	15-7	102381701	13-5
101963401	1-47	102274101	5-7, 5-15	102382401	7-3, 8-3
101972001	15-7	102276001	13-21	102385601	12-9, 12-11, 12-15
101972002	15-7	102288901	14-9	102385701	12-13
101972003	15-7	102289001	1-5, 1-11, 1-15, 8-15, 9-13, 10-3, 10-9, 14-9	102385801	10-19
101972004	15-7	102290120	5-3	102393501	5-15
101972005	15-7	102292356	1-5	102395601	10-31, 10-33, 10-35
101972006	15-7	102292701	1-7	102398901	5-15
101972007	15-7	102292801	1-7	102399201	4-5
101972009	15-7	102292801	1-7	102399202	4-5
101972011	15-7	102296020	1-33	102402801	4-7
101972012	15-7	102296140	4-11	102402901	4-7
101990802	4-15	102296401	10-27, 10-29	102406701	10-11
102003201	10-3	102296601	9-3	102406801	10-11
102010102	5-5	102296716	4-11, 12-3, 12-5	102408401	5-7
102022601	5-5	102296920	9-3	102409301	11-9
102022901	5-5, 5-7	102297230	1-5, 1-7, 1-15	102409501	11-3
102023703	1-29, 1-31	102298130	1-29, 1-31, 5-3, 5-13	102409601	11-7
102025801	1-21	102298401	1-9, 1-29, 1-31, 4-9, 7-3, 8-3, 9-13, 11-9, 13-3	102410001	14-11
102044702	6-23	102298580	1-15	102410301	14-3
102044801	6-23	102298720	1-9, 11-3, 14-9	102410602	10-9
102045001	1-15	102301401	1-41	102410603	4-11, 7-3, 8-3
102047001	1-29, 1-31	102323101	1-41	102410801	10-9
102048401	1-15	102323501	1-9, 4-17	102411202	10-3, 10-5
102051401	4-7	102330901	15-9	102411203	10-9
102051601	6-23, 6-25	102331401	8-15	102411204	14-5, 14-9
102051701	6-23, 6-25	102335901	3-7	102411205	14-5, 14-9
102052801	4-15	102339001	1-47	102411206	14-9
102059001	1-29, 1-31	102335301	6-27, 6-29	102411207	14-3, 14-9
102059401	1-29, 1-31	102361901	5-7	102411208	14-3, 14-9
102061101	1-29, 1-31	102363802	5-3	102411209	10-35
102061201	15-9	102365601	5-11	102411210	10-31, 10-33, 10-35, 12-3, 12-5
102065901	1-43	102365602	5-13	102411301	14-3
102066001	1-45	102367101	5-3	102414501	12-5
102169401	15-7	102367601	4-3	102414701	7-3
102171503	1-43	102369901	12-13	102414801	7-3
102176901	4-7, 4-9	102370101	7-3	102414901	8-3
102185401	1-19	102370501	7-3, 8-3, 9-3	102418101	1-41
102198001	6-23, 6-25	102370601	7-3, 8-3, 9-3	102420201	6-19, 6-21
102221301	1-47	102371401	8-15, 9-13	102420401	6-19, 6-21
102221401	1-47	102371801	13-7	102420501	6-19, 6-21
102221501	1-47	102372101	13-11	102422301	7-53, 11-9
102221701	1-47	102374901	12-7	102426301	10-3, 10-5, 10-9
102221801	1-47	102375401	6-25	102426601	1-41, 1-45
102222001	1-47	102375901	13-3	102426901	1-43
102222101	1-47	102376001	13-3	102427501	14-5
102222201	1-47	102376602	13-21	102427601	14-9
102224001	3-3, 3-5	102377501	14-9	102430001	10-9
102229902	1-47	102377601	14-9	102430101	10-9
102231601	3-5			102430201	10-9

INDEX

102430301	10-9	102459501	3-5	102493001	10-19
102430401	10-9	102460201	3-5	102493301	4-3, 4-5
102434601	10-9	102462301	7-3, 8-3	102493801	1-41
102434701	10-9	102462401	13-5	102494401	7-3, 8-3
102434801	8-15, 10-9	102462501	7-3	102494701	10-11
102435001	14-9	102462502	8-3	102495001	5-13
102436701	14-3	102462503	9-3	102495701	6-25
102437001	5-7	102462601	10-19	102498201	6-29, 7-3
102438201	13-7	102463501	13-21	102498601	10-31, 10-33, 10-35
102438301	13-7	102463601	13-21	102522001	10-7, 10-11
102438401	13-7	102463801	13-23	102538501	6-5, 6-9, 6-13
102438501	13-7	102463901	13-23	102540802	1-33
102438601	13-7	102464001	13-23	102541465	4-11, 10-31, 10-33, 10-35
102438701	13-7	102464101	13-23	102555501	15-3
102438801	13-7	102464201	13-23	102562401	15-3
102438901	13-7	102464301	5-7, 13-23	102570401	15-11
102439001	13-7	102464401	13-23	102571301	5-3
102439101	13-7	102464501	13-23	102600001	7-5
102439201	13-7	102464601	5-13	102600101	7-5
102439301	13-7	102465701	1-45	102600201	7-5
102439401	13-7	102465901	7-3	102600301	7-5, 7-9, 7-53
102439501	13-7	102466201	10-5, 10-9	102600401	7-5
102439601	13-7	102470101	5-13	102600601	7-5
102439801	13-7	102470501	5-13	102600701	7-5
102439901	13-7	102470601	5-13	102600801	7-5, 7-9
102440101	13-7	102473501	1-29, 1-31	102601001	7-5, 7-11
102440201	13-9	102473601	1-29, 1-31	102601101	7-33
102440301	13-7	102473701	1-29	102601301	7-5
102440401	13-9	102474301	4-11	102601401	7-5
102440501	13-9	102475301	8-15	102601501	15-5
102440601	13-9	102475701	4-11, 10-21, 10-23, 10-25	102601801	7-11, 7-53
102442001	1-29, 1-31	102475901	1-29, 1-31	102601901	7-11
102442201	6-27, 6-29	102477001	5-15	102602001	7-11
102442301	6-27	102478501	10-11	102602101	7-11
102442401	6-27	102480501	14-9	102602301	7-11
102442901	4-13, 10-27, 10-29	102481001	12-5	102602401	7-11
102443501	8-15	102481201	12-5	102602601	7-11
102443601	8-15, 9-13	102481301	12-5	102602701	7-11
102446601	5-13	102488001	4-3, 4-5	102602801	7-11
102447601	1-35	102489901	10-29	102603501	15-5
102447602	1-35	102490001	12-9	102603601	7-27
102447901	6-19, 6-21	102490101	1-39, 7-3, 8-3	102603701	7-27
102448001	6-19, 6-21	102490201	7-3, 8-3	102603801	7-27
102448401	6-29	102490301	6-27, 14-3	102603901	7-27
102448501	6-29, 9-13	102490401	8-15	102604001	7-27
102449101	13-21	102490501	7-3, 8-3, 12-13	102604101	7-27
102456001	1-29, 1-31	102490801	5-7	102604201	7-21, 7-27
102457001	10-21	102491001	9-3, 13-5	102604301	7-27
102457501	8-15, 9-13	102491101	13-5	102604401	7-23, 7-27
102457601	8-15	102491301	1-9, 1-35	102604501	7-27
102458901	1-29, 1-31, 3-5	102491302	1-9	102604701	7-27
102459001	3-5	102491501	1-9, 1-15, 1-35	102604801	7-27
102459101	3-5	102491601	4-3, 4-5	102604901	7-21
102459201	3-5	102491701	1-49	102605001	7-21
102459301	3-3	102492201	6-19, 6-21	102605101	7-7, 7-21
102459401	3-3	102492301	6-21	102605201	15-5

INDEX

102605301	7-21	102616301	5-7, 5-11, 5-13	102633301	7-13, 14-11
102605401	7-21	102616501	12-11	102633401	7-53, 14-11
102605501	7-21	102616701	13-3	102633601	7-43
102605601	7-21	102616801	5-3	102633701	7-39
102605701	7-41	102617201	1-9, 1-35	102633801	7-39
102605801	7-21	102617301	10-19	102633901	7-39
102605901	7-21	102617501	5-7	102634001	7-39, 7-53
102606001	7-21	102617701	5-7	102634101	7-39
102606101	15-5	102617801	5-7	102634401	7-39, 7-53
102606201	7-17	102618101	4-13, 10-27, 10-29	102634501	7-39, 7-53
102606301	7-17	102618301	1-9, 1-41, 4-13, 4-15, 4-17, 10-27, 10-29, 13-3	102634601	7-39
102606401	7-17	102618401	4-7, 4-9	102634701	7-39
102606501	7-17	102618601	1-15, 1-23, 1-25, 1-41, 1-45, 4-7, 4-13, 4-15, 4-17, 5-3, 5-13, 7-3, 8-3, 8-15, 9-13, 10-3, 10-5, 10-9, 10-27, 10-29, 14-9	102635101	7-43
102606601	7-17, 7-53	102619801	5-15	102635201	7-39
102606701	7-15	102620301	1-35	102635301	7-29, 7-39, 7-41, 7-53
102606901	7-7	102620401	5-15	102635501	7-29
102607001	7-7	102620501	5-7, 5-11, 5-13, 5-15	102635701	7-29
102607201	7-7	102620801	10-19	102635801	7-29
102607301	7-7	102621201	10-3, 10-31, 10-33, 10-35, 11-3	102635901	7-29
102607401	7-7	102621301	7-3, 9-13, 11-9	102636201	7-43
102607501	15-5	102621501	7-3, 8-3, 10-31, 10-33, 10-35	102636301	7-43
102607601	7-23, 7-55	102623802	10-17	102636401	7-43
102607602	7-23	102623805	10-17	102636501	7-43
102607801	7-23	102623808	10-17	102636601	7-43
102607901	7-23	102626201	4-13	102637001	7-29
102608001	7-23	102628001	12-5	102637101	7-29
102608101	7-23	102628101	11-9	102640401	7-37
102608201	7-19, 7-53	102628301	12-3	102640501	7-37
102608301	7-19, 7-53	102629001	1-45, 4-15	102640601	7-31, 7-37
102608401	7-19	102630001	7-23	102640701	7-37
102608501	7-19	102630002	7-23	102640901	7-37
102608601	7-19	102630003	7-23	102641001	7-37
102608701	7-19, 14-13	102630101	7-23	102641101	7-37
102608801	7-23	102630201	7-23	102641201	7-37
102608802	7-23	102630301	7-23, 7-53	102641501	7-41
102608803	7-23	102630401	7-23	102642401	7-41
102608804	7-23	102630601	7-33, 7-35	102642501	7-41
102608805	7-23	102630701	7-23	102642601	7-41
102608806	7-23	102630702	7-23	102642701	7-41
102608901	7-19	102630703	7-23	102642801	7-41
102609001	7-23	102630901	7-23, 7-55	102642901	7-41
102609002	7-23	102631001	7-23, 7-55	102643001	7-41
102609003	7-23	102631301	14-11	102643101	7-41
102609101	7-19	102631401	14-11	102643201	7-41
102609301	7-19	102631601	7-5, 7-33, 7-35, 14-11	102643301	7-41
102609401	7-19	102631701	14-15	102643401	7-41
102609601	7-19	102631801	14-15	102643601	7-41
102609801	7-23	102632001	14-15	102643701	7-41
102609802	7-23	102632101	14-15	102644001	7-13, 7-53
102609803	7-23	102632201	14-15	102644101	7-13
102610001	7-23	102632701	7-53, 14-13	102644501	7-53
102614101	1-43, 1-45	102633001	14-11	102645501	7-45
102615701	13-3	102633201	14-11	102646001	7-49, 7-53
102615801	10-21, 10-23, 10-25			102646101	7-49
102616003	12-5			102646301	7-51
102616101	12-5			102646401	7-47

INDEX

102646501	7-51	102657401	10-19	102662701	8-11
102646601	7-51, 7-53	102657501	8-5, 10-19	102662801	8-11
102647101	7-51	102657601	8-11, 10-19	102662802	8-11
102647201	7-51	102657701	8-11, 10-19	102662901	8-11
102647501	7-25	102657801	8-11, 10-19	102663001	8-11
102647701	7-33, 7-35, 7-45	102658001	8-9	102663101	8-11
102647801	7-25	102658101	8-9	102663201	8-11
102647901	7-25	102658201	8-9	102663301	8-11
102648001	7-25	102658301	8-9	102663401	8-11
102648401	7-45	102658401	8-9	102663501	8-11
102648501	7-45	102658501	8-9	102663801	8-11
102651301	7-47	102658601	8-9	102663901	8-11
102651501	7-47	102658701	8-9	102664001	8-11
102651601	7-47	102658801	8-9	102664101	8-11
102651701	7-47	102658901	8-9	102664301	8-11
102651801	7-47	102659001	8-9	102664401	8-11
102652001	7-47	102659101	8-9	102664601	8-7
102652601	7-47	102659201	8-9	102664701	8-7
102652701	7-47	102659301	8-9	102664801	8-7
102652801	7-9	102659401	8-9	102664901	8-7, 8-13
102652901	7-47	102659501	8-9	102665001	8-7
102653001	7-47	102659601	8-9	102665101	8-7
102653101	7-47	102659801	8-13	102665301	8-7
102653201	7-47	102659901	8-13	102665401	8-7
102653301	7-47, 7-53	102660001	8-13	102665501	8-7
102653401	7-9	102660101	8-13	102665601	8-7
102653501	7-9	102660201	8-13	102665701	8-7
102653601	7-47	102660301	8-13	102665901	8-7
102653701	7-47	102660401	8-13	102666001	8-7
102653901	7-9	102660402	8-13	102666201	8-5, 8-7
102654101	7-9, 7-53	102660403	8-13	102666801	8-5
102654301	7-11, 7-39, 7-49	102660404	8-13	102666901	8-5
102654401	7-21	102660501	8-13	102667001	8-5
102654601	7-7, 7-53	102660601	8-13	102667101	8-5
102654701	7-53, 14-11	102660701	8-13	102667201	8-5
102655301	8-7	102660801	8-13	102667301	8-5
102655401	10-17	102660802	8-13	102667401	8-5
102655501	10-17	102660803	8-13	102667501	8-5
102655601	10-17	102660804	8-13	102667601	8-5
102655701	10-17	102660901	8-13	102667701	8-5
102655801	10-17	102661001	8-13	102667901	8-5
102655901	10-17	102661101	8-13	102668001	8-5
102656001	10-17	102661201	8-13	102668101	8-5
102656101	10-19	102661202	8-13	102668201	8-7, 8-13
102656201	10-19	102661301	8-13	102668301	8-5
102656301	10-19	102661401	8-13	102668401	8-5
102656402	10-19	102661501	8-13	102668801	15-9
102656501	10-19	102661601	8-13	102669901	15-7
102656601	10-19	102661701	8-13	102670601	1-29, 1-31
102656701	10-19	102661801	8-13	102670701	1-13, 7-3, 8-3
102656801	10-19	102661901	8-7, 8-13	102670801	8-15, 10-9
102656901	10-19	102662101	8-11	102670901	10-7
102657001	10-19	102662201	8-11	102671201	1-35
102657101	10-19	102662301	8-11	102672101	13-21
102657201	10-19	102662401	8-11	102672201	13-21
102657301	10-19	102662601	8-11	102672301	13-21

INDEX

102672401	13-21	102696501	13-13, 13-15, 13-25, 13-27	102727501	7-11
102674001	15-5	102696601	13-17, 13-19, 13-29, 13-31	102727601	7-11
102674101	15-5	102696701	13-13, 13-25	102727701	7-15
102674201	15-5	102696801	13-13, 13-15, 13-25, 13-27	102727901	7-17
102674401	15-9	102696901	13-13, 13-15, 13-25, 13-27	102728001	7-19
102674601	15-9	102697101	13-13, 13-15, 13-25, 13-27	102728101	7-23, 7-55
102675001	15-5	102697501	13-15, 13-27	102728102	7-23
102675101	15-5	102697801	13-13, 13-25	102728301	7-25
102675201	15-5	102698301	13-13, 13-25	102728401	7-27
102675301	15-5	102698701	13-15, 13-27	102728501	7-27
102675401	15-5	102698901	13-13, 13-25	102728601	7-29
102682901	5-15	102699101	13-17, 13-29	102728801	7-29, 7-53
102684501	5-15, 13-3	102699401	13-13, 13-25	102728901	7-29
102684601	13-3	102699601	13-17, 13-19, 13-29, 13-31	102729101	7-31
102684901	14-9	102699701	13-13, 13-25	102729301	7-11, 7-53
102685001	14-3	102700801	7-5	102729401	7-39
102685601	5-15	102701001	7-9	102729501	7-39
102686101	15-3	102701201	7-33, 7-35	102729601	7-41
102687801	5-5	102703301	7-11	102729701	7-41
102689001	4-11	102710301	8-15, 10-9	102730001	7-33
102689101	5-11, 5-13	102710501	10-19	102730101	7-33
102689102	5-11, 5-13	102711601	13-5	102730201	7-33, 7-35
102690201	12-9, 12-11, 12-15	102712601	4-15	102730301	7-33
102690301	12-9, 12-11, 12-15	102714001	4-3, 4-5	102730401	7-33, 7-35
102690401	12-11	102716001	4-17	102730601	7-33, 7-35
102690501	12-9, 12-11, 12-15	102718101	1-13, 1-27, 1-29, 1-31, 1-35, 1-49	102730801	7-5
102690701	12-9, 12-11, 12-15	102719301	1-13	102730901	14-11
102690801	12-11	102721501	13-13, 13-25	102731001	14-11
102691001	12-9, 12-15	102721901	8-15	102731101	14-11
102691401	12-9, 12-11, 12-15	102722001	8-15, 9-13	102731201	14-13
102691601	12-9, 12-11, 12-15	102722301	5-7	102731301	7-33, 7-35
102691701	12-9, 12-11, 12-15	102722701	8-11	102731501	7-51
102691801	12-9, 12-11, 12-15	102722801	8-11	102731601	7-51, 11-9
102691901	12-9, 12-15	102722901	8-11	102731801	7-53
102693201	13-21	102724101	10-17	102731901	7-53
102693301	13-13, 13-21, 13-25	102724201	10-17	102732001	7-55
102693401	13-21	102724301	8-9	102732201	7-23, 7-55
102693501	13-13, 13-21, 13-25	102724401	8-9	102732401	1-27, 1-29, 1-31, 1-49
102693601	13-23	102724501	8-9	102732501	7-33, 7-35, 7-45
102694001	13-23	102724601	8-9	102732601	7-5, 7-53
102694201	13-13, 13-21, 13-25	102724701	8-9	102736901	2-3
102694301	13-21	102725101	8-13	102737101	5-15
102694401	13-21	102725201	8-13	102737301	14-3
102694502	13-23	102725401	10-19	102737401	14-3
102694701	13-21	102725501	10-31, 10-33, 10-35	102740401	9-3
102694801	13-21	102725601	10-31, 10-33, 10-35	102741501	4-17
102695401	12-13	102726201	7-5	102741601	4-17
102695601	12-13	102726301	7-5	102751301	4-17
102695701	12-13	102726401	7-5	102751401	4-17
102695801	12-13	102726501	7-5	102751501	4-17
102695901	12-13	102726601	7-5	102751601	10-7
102696001	13-17, 13-19, 13-29, 13-31	102726701	7-9	102759401	8-5
102696101	13-13, 13-25	102726901	7-9	102759901	1-27, 1-33
102696201	13-13, 13-15, 13-25, 13-27	102727001	7-9	102763301	4-15
102696301	13-13, 13-25	102727101	7-9	102763401	4-15
102696401	13-17, 13-19, 13-29, 13-31	102727401	7-11	102763701	1-29, 1-31

INDEX

102764201	13-13, 13-25	102834401	1-49	102914102	1-49
102764901	13-15, 13-27	102834901	11-7	102914104	1-49
102765001	13-17, 13-29	102839401	12-9, 12-11, 12-15	102914105	1-49
102765101	13-15, 13-27	102849401	8-15	102927101	5-7
102765201	13-13, 13-25	102855501	14-3	102927102	5-7
102765301	13-23	102865101	10-3	102930901	11-3
102765401	13-23	102866516	1-7	102934601	7-3
102765501	13-23	102866518	1-7	102934701	7-35
102765801	13-23	102866616	1-7	102934801	7-35
102767001	4-11	102866618	1-7	102934901	7-35
102767101	10-21, 10-23, 10-25	102866716	1-7	102935501	1-9
102767401	10-25	102866718	1-7	102943101	2-3
102767601	14-7	102866816	1-7	102943201	13-25
102767701	13-11	102866818	1-7	102943804	2-3
102772201	1-49	102866901	1-5	102943808	2-3
102786201	11-3	102867001	1-5	102943809	2-3
102788701	5-11, 5-13	102867101	1-15	102945701	2-3
102791701	5-7	102867202	1-17	102946701	14-9
102791702	5-7	102867301	1-15	102949301	11-5
102792001	5-7	102867601	1-5	102950402	1-19
102792002	5-7	102868201	13-3	102950505	1-19
102792101	5-11, 5-13	102868501	1-23	102950506	1-19
102798001	7-9	102869401	6-23	102951901	9-3
102798101	7-11	102871301	6-25	102952101	10-11
102798201	7-11	102873901	1-33	102952102	10-7
102798401	7-13	102874201	5-7	102952901	10-23
102798501	7-13, 7-53	102874301	5-7	102958301	9-13
102798601	7-13	102874501	5-7	102958401	9-13
102798701	7-13	102878301	1-33	102958501	9-13
102798801	7-13	102879201	1-27, 1-33	102958601	9-13
102798901	7-13	102879401	1-27, 1-33	102960201	9-3
102799001	7-13	102882301	1-11	102961201	3-3
102799101	7-13	102882401	1-5	102961301	13-23
102799201	7-13	102882501	6-23, 6-25	102961401	13-23
102799401	7-21	102883201	1-3	102961501	13-23
102799501	7-29	102883401	1-15	102961601	13-23
102799601	7-31	102883501	1-5	102967901	1-7, 1-29, 1-31
102799701	7-31	102884301	3-3	102973201	14-5
102799801	7-31	102884401	3-3	102977201	1-9
102800101	7-37	102885001	1-5	102983201	1-9
102800201	7-43	102889001	1-33	102983601	1-9
102800301	7-43	102889101	1-33	102985001	6-9
102800401	7-39	102889201	3-3	102985101	6-9
102800501	7-39	102892401	4-17	102986001	6-17
102800601	7-39	102895101	1-5	102986101	6-17
102800701	7-33, 7-35	102895401	1-5	102988701	1-37, 1-39
102801001	7-33, 7-35	102895701	1-21	102989801	5-3
102801101	7-47	102896301	1-5	102990101	9-15
102801201	7-47	102896401	1-7	102990201	9-15
102801301	7-49	102896501	1-7	102990301	9-15
102801401	7-49	102896601	4-17	102990401	9-15
102810701	10-31, 10-33, 10-35	102912301	1-27, 1-33	102990501	9-15
102812801	11-3	102913801	1-49	102990601	9-15
102816801	5-5	102913901	1-49	102990701	9-15
102831201	8-7	102914001	1-49	102990801	9-15
102831501	13-21	102914101	1-49	102990901	9-15

INDEX

102991101	9-15	102997701	9-11	103187701	1-33
102991201	9-15	102997801	9-11	103192101	1-37
102991301	9-15	102997901	9-11	103197201	9-13
102991401	9-15	102998001	9-11	103200501	1-49
102991501	9-15	102998101	9-11	103201501	12-15
102991601	9-15	102998201	9-11	103201601	10-17
102991801	9-15	102998301	9-11	103204101	10-23
102991901	9-15	102998401	9-11	103206801	6-17
102992001	9-15	102998601	9-5	103207001	6-9
102992101	9-15	102998701	9-5	103207102	1-49
102992201	9-15	102999101	9-5	103208701	9-3
102992301	9-15	102999201	9-5	103208801	6-25
102992401	9-5, 9-9, 9-11, 9-15	102999301	9-5	103210501	3-3
102992501	9-5, 10-3	102999501	9-5	103212701	1-3
102992601	9-15	102999601	9-5	103213201	1-5
102992701	9-15	103000001	9-5	103213501	1-5
102992801	9-15	103000401	9-7	103214901	1-37
102992901	9-15	103000501	9-7	103215001	1-37
102993201	9-19	103000601	9-7	103215101	1-37
102993301	9-19	103000801	9-7	103215901	1-37
102993401	9-19	103000901	9-7	103216201	1-37
102993501	9-19	103001301	9-7	103216401	1-27, 1-29, 1-31, 1-37, 1-39, 1-49
102993601	9-19	103001501	9-7	103216801	1-37
102993701	9-19	103002001	9-9	103218107	1-5
102993901	9-19	103002101	9-9	103218213	4-7
102994101	9-19	103002301	9-9	103218501	4-15
102994301	9-7	103002401	9-9	103218901	1-31
102994401	9-19	103002501	9-9	103223401	1-3
102994601	9-17	103002801	9-9, 10-15	103225801	1-37
102994701	9-17	103002901	9-9	103227002	1-45
102994801	9-17	103003801	10-15	103231701	1-3
102994901	9-17	103003901	10-15	103231801	1-3
102995001	9-17	103004201	10-15	103233001	1-15
102995101	9-17	103005001	10-15	103234301	3-7
102995201	9-17	103005601	10-15	103234401	6-25
102995301	9-17	103009901	10-3	103234502	2-3
102995401	9-17	103010101	10-3	103234503	2-3
102995501	9-17	103174301	4-11	103238601	14-5
102995601	9-17	103178401	13-13	103238701	14-5
102995701	9-17	103179901	1-15	103238702	14-5
102995801	9-17	103180001	1-15	103239501	13-19, 13-31
102995901	9-17	103180101	6-23, 6-25	103239801	13-19, 13-31
102996001	9-17	103180901	1-27	103239901	7-35
102996101	9-17	103181001	1-27	103240601	9-13
102996201	9-17	103181101	1-27	103241418	3-7
102996301	9-17	103181520	1-7	103244701	13-5
102996401	9-17	103182701	1-17	103245101	1-35
102996501	9-17	103182702	1-17	103246901	9-13
102996601	9-17	103182801	1-17	103250301	13-13, 13-25
102996701	9-17	103183101	1-33	103250401	13-13, 13-25
102996901	9-11	103183201	1-33	103252201	8-3
102997001	9-11	103185401	12-9, 12-15	103252616	3-7
102997101	9-11	103185501	12-11	103252617	3-7
102997201	9-11	103185801	12-9, 12-11, 12-15	103252618	3-7
102997401	9-11	103185901	12-9, 12-11, 12-15	103252716	3-7
102997601	9-11	103187501	13-3	103252717	3-7

INDEX

103252718	3-7	103299601	9-7	103343601	10-13
103253801	1-15	103299701	9-7	103343701	10-13
103256401	5-7	103299801	9-7	103343801	10-13
103256501	5-7	103299901	9-7	103343901	10-13
103256701	5-7	103300101	9-7	103345501	9-7
103259301	6-9, 6-17	103300301	9-5, 9-11	103345801	5-7
103262101	10-3	103305001	4-17	103348101	6-23, 6-25
103262201	1-27, 1-33	103305101	4-17	103348201	6-23, 6-25
103262601	1-27, 1-33	103305801	6-5	103348501	6-23, 6-25
103262901	9-3	103306801	10-13	103361701	1-35
103267001	1-29	103306901	10-13	103376101	4-9
103267002	1-31	103307001	10-13	103380701	4-9
103268001	1-15	103307101	10-13	103387501	10-3
103268101	11-5	103307201	10-13	103387601	10-3
103273101	4-13, 10-27, 10-29	103307301	10-13	103400001	1-23, 1-25
103274502	1-39	103307401	10-13	103417401	1-23, 1-25
103274602	1-39	103307901	10-5	103418001	1-25
103276201	9-13	103310701	6-25	103418701	4-5
103276601	10-21	103319501	1-49	103418801	4-3, 4-5
103277001	5-7	103319601	1-23, 1-25	103423701	1-23, 1-25, 14-9
103277002	5-7	103319701	1-23	103438201	10-31
103277701	6-13	103319801	1-39	103441401	10-31
103278101	10-27	103320201	10-15	103538701	1-43
103279201	9-3	103320301	10-15	103538901	1-43
103280201	13-17, 13-29	103320401	10-15	95293643	13-11
103282301	5-15	103320601	12-3, 12-5	96701412	7-3, 8-3, 9-3
103283801	1-39	103324901	6-25	96704176	14-9
103289001	1-49	103326401	9-13	96704416	11-5, 11-7, 14-9
103289101	1-49	103327201	6-5, 6-13	96704721	7-3, 8-3, 9-3
103289103	1-49	103331201	1-49	96704960	8-3, 9-3
103289107	1-49	103340501	10-13	96705199	14-3
103289109	1-49	103340601	10-13	96705587	8-15, 9-13, 10-9
103293201	4-7	103340701	10-13	96706825	10-27, 10-29
103293301	10-21	103340801	10-13	96715552	1-9
103293401	10-21	103340901	10-13	96718978	7-3, 8-3
103294301	13-17, 13-29	103341001	10-13	96741038	7-3, 8-3
103296001	1-9	103341101	10-13	96741046	1-39, 7-3, 8-3, 9-3
103296201	5-7	103341201	10-13	96742515	1-29, 1-31
103297101	10-15	103341301	10-13	96950126	10-21
103297201	10-15	103341401	10-13		
103297301	10-15	103341501	10-13		
103297401	9-9	103341601	10-13		
103297501	9-9	103341701	10-13		
103297601	9-9	103341801	10-13		
103297701	9-9	103341901	10-13		
103297801	9-9	103342001	10-13		
103298001	9-9	103342101	10-13		
103298101	9-9	103342201	10-13		
103298201	9-9	103342301	10-13		
103298301	9-9	103342401	10-13		
103298501	9-7, 9-9, 10-3, 10-15	103342501	10-13		
103298601	9-9, 9-15	103342601	10-13		
103298901	9-15	103342701	10-13		
103299301	9-5	103343301	10-13		
103299401	9-5	103343401	10-13		
103299501	9-7	103343501	10-13		

A

A-arm 5-7
accelerator cable 10-21, 10-23, 10-25
accelerator pedal 10-27, 10-29
accelerator pedal adjustment tool 15-3
accessory receptacle 6-23, 6-25
actuator 1-45
adapter
actuator 1-45
cable (IQDM) 15-7
hose 8-15, 9-13
intake, engine 10-19
tube 8-15, 9-13, 10-9
adapter, oil filter 8-15, 9-13
adhesive, guide ring 15-3
adjuster

INDEX

- hydraulic brake 15-7
 - adjuster, forward/aft 1-29, 1-31
 - adjuster, slide 5-7
 - adjuster, slider 1-29, 1-31
 - air clean support 10-31, 10-33, 10-35
 - air filter 10-31, 10-33, 10-35
 - air filter canister 10-31, 10-33, 10-35
 - air filter evacuator 10-31, 10-33, 10-35
 - air filter gasket 10-15
 - alternator 7-33, 7-35
 - alternator belt 7-35
 - arbor 15-3
 - arm
 - A- 5-7
 - governor shaft 9-9
 - rocker 7-47, 9-17
 - valve rocker 8-11
 - arm, governor lock 9-9
 - arm, swing 5-15
 - assembly
 - accelerator pedal 10-29
 - adjusting bolt 7-29
 - alternator 7-33
 - bearing case cover 7-19
 - brake pedal 4-13, 4-17
 - brake rotor 13-21
 - bucket seat 1-29
 - camshaft 7-21, 8-13
 - case, main bearing 7-19
 - connecting rod 7-23, 8-13
 - crankcase cover 8-9
 - cylinder head cover 7-13
 - drain cock 7-5
 - filler cap 4-7
 - forward/reverse 13-3
 - fuel camshaft 7-27
 - fuel cap 10-11
 - fuel filter 10-9
 - fuel injection pump 7-37
 - fuel pump 10-9, 10-19
 - fuel tank vent 10-7, 10-11
 - gear case 13-13, 13-23, 13-25
 - governor 8-9
 - governor fork 7-43
 - governor fork lever 7-43
 - idle apparatus 7-29
 - inner ball joint 5-5
 - intake manifold 7-49
 - latch, tilt bed 1-43
 - muffler 13-5
 - nozzle holder 7-41
 - oil pump 7-17
 - oil pump cover 8-9
 - overflow pipe 7-41
 - pinion 13-23
 - piston ring 7-23, 7-55
 - reservoir, remote 4-7
 - rocker arm 7-47
 - speed plate 7-39
 - tether 1-47
 - thermostat 14-11
 - tilt bed 1-43
 - tire 2-3
 - valve, lifter 8-13
 - valve, solenoid 10-17
 - water pump 14-13
 - wire 6-27, 6-29, 9-13, 10-7, 10-11
 - assembly, sub-
 - gear case 13-13, 13-25
 - moveable drive clutch 12-9, 12-11, 12-15
 - spider 12-9, 12-11, 12-15
 - stationary 12-9, 12-11, 12-15
 - swingarm 5-15
 - weight clutch 12-9, 12-11, 12-15
 - axle 13-21
 - axle tube 13-23
 - axle, rear, guard mounts 13-21
- ## B
- ball
 - check 7-21
 - crankshaft 7-23
 - governor 7-27
 - injection pump 7-27
 - steel 8-9
 - valve 7-11
 - ball joint 5-7, 10-21, 10-23, 10-25
 - ball stud 13-3
 - band, pipe 14-11, 14-15
 - banjo bolt 4-3, 4-5
 - bar clamp 14-9
 - bar, sway 5-13
 - barb, vent 10-3, 10-5, 10-9
 - base, seat holder 1-29, 1-31
 - battery clamp 6-27, 6-29
 - battery discharge machine 15-3
 - battery terminal protector spray 15-3
 - battery thermometer 15-3
 - battery, 12-volt 6-27, 6-29
 - bearing 5-7, 13-23
 - ball (steering pinion) 5-5
 - lower pinion 5-5
 - needle 8-13, 13-7, 13-13, 13-15, 13-23, 13-25, 13-27
 - radial ball 8-13
 - bearing and oil seal remover 15-3
 - bearing case cover 7-19
 - bearing case, main 7-19
 - bearing driver set 15-3
 - bearing puller 15-3
 - bearing puller wedge 15-3
 - bed floor plate 1-43
 - bed lift harness 1-45
 - bed, tilt 1-43
 - bell crank cable 4-15
 - bellcrank 4-17, 13-17, 13-19, 13-29, 13-31
 - bellows 5-5, 13-21
 - belt guard 7-35
 - belt, alternator 7-35
 - belt, drive 12-7
 - belt, V- 7-33
 - bench seat back 1-27, 1-33
 - bench seat bottom 1-27, 1-33
 - bench seat kit 1-33
 - bezel, fuel fill 10-5, 10-9
 - block, differential spacer 13-5
 - block, engine 7-5
 - block, fuse 6-19, 6-21
 - bobbin, coil with press fit 13-7
 - body panel, front 1-7
 - body, front cowl 1-7
 - bolt
 - adjusting 7-29
 - banjo 4-3, 4-5
 - drain plug 8-9
 - boot kit, boxed 5-9
 - boot replacement kit 5-9
 - boot, half shaft 5-9
 - bottle, coolant 14-5
 - bracket
 - actuator 1-45
 - anti-sway bar 5-13
 - bed latch 1-41
 - brake line 4-11
 - brake pedal 4-13
 - choke cable 10-19
 - cover inlet 12-5
 - draw latch 1-5
 - equalizer 4-15
 - hood support 1-15
 - hydraulic line 4-11, 5-11, 5-13
 - muffler 11-3
 - oil filter mount 8-15, 9-13
 - park brake 4-17
 - radiator support 14-9
 - rocker arm 7-47
 - seat back 1-27, 1-33
 - seat belt 1-27, 1-33
 - seatbelt 1-29, 1-31
 - steering column 1-9
 - transmission cable 7-3, 8-3
 - transmission mounting 7-3, 8-3
 - bracket, oil filter 9-13
 - brake adjustment tool 15-3
 - brake cable 4-15
 - brake cable release tool 15-3
 - brake caliper 4-3, 4-5
 - brake caliper return spring 4-5

INDEX

- brake fluid reservoir 4-7
 - brake line, front 4-11
 - brake line, rear 4-11
 - brake pad service kit 4-3, 4-5
 - brake pedal 4-13, 4-17
 - brake pedal adjustment tool 15-3
 - brake pedal tension tool 15-3
 - brake return spring 4-15
 - brake rotor 13-21
 - breather cover 7-13
 - breather gasket 9-15
 - breather shield 7-13
 - breather tube 7-13, 10-19
 - breather valve 7-13, 8-13
 - brush guard 1-3
 - brush guard kit 1-3
 - brush, FNR 1-15
 - bucket seat 1-29, 1-31
 - buckle, seatbelt 1-35
 - bullet, detent 13-15, 13-27
 - bumper 14-9
 - bed 1-41, 1-45
 - rubber 1-47
 - bushing 1-45
 - A-arm 5-7
 - anti-sway bar 5-13
 - flanged bronze 7-21
 - forward/reverse 13-3
 - greaseless 4-13, 10-27, 10-29
 - link 5-13
 - lower arm 5-7
 - Permi glide 13-7
 - piston pin 7-23, 7-55
 - pivot, urethane 5-15
 - plain 13-9
 - return line 10-11
 - self-lubricating 13-7
 - steel 1-43
 - teflon 5-15
 - urethane 1-43
 - button, thrust 13-7
 - buzzer, reverse 13-3
- ## C
- cable
 - accelerator 10-21, 10-23, 10-25
 - bell crank 4-15, 4-17
 - brake 4-15
 - choke 10-21, 10-23
 - FNR shifter 10-21, 10-23, 10-25
 - IQDM 15-7
 - cable, bell crank 4-15
 - cage, roll 13-7
 - calibration test module 15-3
 - caliper, brake 4-3, 4-5
 - cam installation tool 15-3
 - camshaft 7-21, 8-13, 9-17
 - camshaft guide 9-17
 - camshaft kit 9-17
 - camshaft plate 9-17
 - camshaft spring 9-17
 - camshaft, fuel 7-27
 - canister, air filter 10-31, 10-33, 10-35
 - cap
 - air filter 10-31, 10-33, 10-35
 - bolt assembly 7-29
 - connecting rod 8-13
 - filler 4-7
 - fuel 10-11
 - fuel tank 10-7
 - inlet 12-5
 - noise suppressor 8-5, 8-7
 - oil fill 9-11
 - oil filler 8-9
 - pressure 14-5
 - radiator 14-3
 - rubber 5-7, 5-15
 - sealing 7-5, 7-9
 - spark plug 8-5, 8-7
 - speed control plate 7-39
 - steering wheel 5-3
 - valve 7-47
 - cap, filler 4-9
 - cap, front corner 1-47
 - carburetor 10-13
 - carburetor air vent tube 10-3, 10-5, 10-9
 - carburetor float level tool 15-7
 - carburetor gasket 10-13, 10-15
 - carburetor heater 10-13
 - carburetor jet 10-13
 - carburetor seal 10-13
 - carburetor shaft 10-13
 - carburetor solenoid 10-13
 - carburetor spring 10-13
 - carburetor throttle shaft 10-13
 - carburetor valve 10-13
 - carburetor, Honda 10-17
 - card, safety first 15-9
 - case
 - gear 7-11, 13-13, 13-21, 13-23, 13-25
 - governor ball 7-27
 - main bearing 7-19
 - case cover, bearing 7-19
 - center console cover 1-29, 1-31
 - chain, transmission 13-13, 13-25
 - charge coil 8-7, 9-7
 - charger bezel tool 15-3
 - choke cable 10-21, 10-23
 - clamp
 - bar 14-9
 - battery 6-27, 6-29
 - breather tube 7-13
 - hose 10-3, 10-5, 10-9
 - p- (fuel filter) 4-11, 7-3, 8-3, 10-3, 10-9
 - pipe 7-41
 - wire 8-7, 8-13
 - clevis pin 4-7, 4-9
 - clip
 - hair pin 1-47
 - clip, body trim 1-7
 - clip, brake line 4-11, 10-21, 10-23, 10-25
 - clip, breather tube 10-19
 - clip, governor 8-9
 - clip, meter 6-23, 6-25
 - clip, piston pin 8-13
 - clip, return pipe 7-41
 - clip, tube 10-19
 - clip, wire harness 10-19
 - closeout 1-49
 - clutch 12-13
 - clutch alignment tool 15-5
 - clutch cover 12-9, 12-11, 12-15
 - clutch housing 13-7
 - clutch removal tool 15-3
 - clutch tool kit 15-5
 - clutch, diesel 12-11
 - clutch, gas 12-9, 12-15
 - coil
 - charge 8-7, 9-7
 - ignition 8-7, 9-7
 - pocket insert 13-7
 - coil & shock absorber 5-11, 5-13
 - coil with press-fit bobbin 13-7
 - collar, alternator assembly 7-33, 7-35
 - collar, crankshaft 7-23
 - collar, idle gear 7-21
 - collar, lever 7-39
 - collet 7-47
 - column, steering 5-3
 - communication display module 15-5
 - compression gauge 15-5
 - compressor, piston ring 15-9
 - compressor, valve spring 15-11
 - connecting rod 7-23, 8-13
 - connecting rod kit 9-19
 - connector, relay 6-19, 6-21
 - continuity tester 15-5
 - control panel 9-9
 - coolant bottle 14-5
 - coolant exchanger 14-3
 - coolant fill tee 14-3
 - coolant lamp sensor 14-11
 - coolant pipe 14-7
 - coolant pipe assembly 14-7
 - coolant pipe mounting tab 14-7
 - coolant temperature indicator light 6-25
 - cooling fan 8-5, 9-5, 14-3
 - cord, glow plug 7-41

INDEX

- corner cap 1-47
 - cotter, rue ring 5-15
 - cover 8-9
 - alternator assembly 7-33
 - bearing case 7-19
 - breather 7-13, 8-13
 - CCI dash storage 1-17
 - clutch 12-9, 12-11, 12-15
 - crankcase 8-9
 - CVT 7-3, 8-3, 9-3, 12-3, 12-5, 12-9, 12-11, 12-15
 - cylinder head 7-13
 - electrical 6-19, 6-21
 - engine 9-3
 - fan 8-5
 - fuel camshaft 7-5
 - head 8-11
 - head filler 8-11
 - heat proof 7-51
 - input 13-9
 - oil filter 8-9
 - oil pump 8-9
 - rocker 9-15
 - rocker switch hole 6-23, 6-25
 - thermostat 14-11
 - cover gasket 10-13
 - cover plate, output 13-7
 - cover, crankcase 9-15
 - cover, steering column 5-3
 - cowl panel 1-7
 - cowl panel, driver-side 1-7
 - cowl panel, passenger-side 1-7
 - cowl, front body 1-7
 - crank 7-23
 - crank oil seal 9-15
 - crankcase 8-9, 9-15
 - crankcase cover 8-9, 9-15
 - crankcase cover gasket 9-15
 - crankcase vent tube 10-15
 - crankshaft 7-23, 8-13, 9-19
 - C-type stop ring 5-5
 - cup holder 1-15
 - cup holder, seat 1-29, 1-31
 - cutter, valve seat 15-5, 15-11
 - CVT 12-13
 - CVT cover 12-3
 - CVT cover kit, sealed 12-5
 - CVT cover kit, unsealed 12-5
 - cylinder head 7-9, 8-11, 9-15
 - cylinder head cover 7-13
 - cylinder, master 4-7, 4-9
- D**
- dash 1-15
 - Decal
 - Bobcat 2200 3-7
- D**
- deflector oil 13-13, 13-25
 - diaphragm tube 10-19
 - diesel tachometer probe 15-9
 - differential housing 13-23
 - differential, front 13-7
 - diode 6-5, 6-9, 6-13
 - diode, engine stop 8-7
 - dipstick, oil 8-9
 - dowel pin 13-7
 - drag link 5-5
 - drain cock 7-5
 - drive belt 12-7
 - drive clutch fixed sheave tool 15-5
 - drive clutch holder tool 15-5
 - drive clutch hub puller 15-5
 - drive clutch puller 15-5
 - drive clutch spider removal tool 15-5
 - drive clutch, moveable 12-9, 12-11, 12-15
 - drive shaft 13-11
 - driven clutch base sheave 12-13
 - driven clutch cam puller 15-5
 - driven clutch puller plug 15-5
 - driven clutch spring compression base tool 15-5
 - driven clutch spring compression collar tool 15-5
 - driven clutch spring compression nut tool 15-5
 - dry moly lubricant 15-7
- E**
- E-clip 4-15
 - elbow 10-11
 - end, tie rod 5-5
- E**
- engine block 7-5
 - engine cover 9-3
 - engine shroud 9-5
 - engine starter motor 9-7
 - engine, diesel, Kubota D722 with closed breather 7-3
 - engine, Honda 8-3
 - engine, Kawasaki FH680D 9-3
 - equalizer 4-15
 - exchanger, engine coolant 14-3
 - exhaust header 11-5, 11-7
 - exhaust header gasket 11-5
 - exhaust installation 11-3
 - exhaust pipe 11-3
 - exhaust valve 7-47, 8-11, 9-17
 - extension, spring latch 1-43
- F**
- fan housing plate 9-5
 - fan shroud 14-3
 - fan, cooling 8-5, 9-5, 14-3
 - fascia 1-5
 - fastener, push-in 6-19, 6-21
 - fender, front 1-5
 - fender, left rear 1-49
 - fender, rear 1-49
 - filler cap 4-7, 4-9
 - filter
 - air 10-31, 10-33, 10-35
 - fuel 10-3, 10-9, 10-19
 - inlet cover 12-5
 - oil 7-7, 7-11, 8-15, 9-11
 - filter, air, canister 10-31, 10-33, 10-35
 - fitting, thread-forming grease 5-15
 - flange, water 14-11
 - float set 10-17
 - float valve 10-13
 - floor mat 1-21
 - floor plate, bed 1-43
 - floorboard 1-23, 1-25
 - flywheel 7-25, 8-7, 9-7
 - flywheel puller 15-7
 - FNR brush 1-15
 - FNR brush strip 1-15
 - FNR shifter bracket 7-3, 8-3
 - FNR shifter cable 10-21, 10-23, 10-25
 - foot well plate 1-25
 - fork, transmission 13-13, 13-25
 - forward/reverse assembly 13-3
 - Forward/Reverse shifter 13-3
 - frame, tilt bed 1-43
 - front body cowl 1-7
 - front body panel 1-7
 - front brake line 4-11
 - front differential 13-7
 - front gear case 13-13, 13-25

INDEX

front panel 1-49
fuel camshaft 7-27
fuel cap 10-11
fuel filter 10-3, 10-9, 10-19
fuel gauge sending unit 10-7, 10-11
fuel injection pump 7-37
fuel line 10-3
fuel pickup tube 10-11
fuel pump 10-9, 10-19
fuel system 10-9
fuel tank (diesel) 10-11
fuel tank (gasoline) 10-7
fuel tank cap 10-7
fuel tank strap 10-3, 10-5, 10-9
fuel tank vent 10-7, 10-11
fuel tank, diesel 10-11
fuel tank, gas 10-7
fuel tube 10-19
fuel-hour gauge 6-23, 6-25
fuse
 10-amp 6-19, 6-21
 25-amp 6-19, 6-21
 30-amp 6-21
fuse block 6-19, 6-21

G

gasket 10-13
 air filter 10-15
 bearing case 7-19, 7-53
 breather 9-15
 breather cover 8-13
 carburetor 10-13, 10-15, 10-19
 carburetor adapter 10-19
 carburetor bowl 10-17
 case cover 8-9
 clutch cover 12-9, 12-11, 12-15
 control plate 7-39, 7-53
 cover 7-19, 7-53, 10-13, 12-5
 crankcase cover 9-15
 cylinder head 7-9, 7-53, 8-11
 cylinder head cover 7-13, 7-53, 8-11
 drain plug 7-7
 exhaust 7-53, 11-7, 11-9
 exhaust header 11-5
 ex-manifold 7-51, 7-53
 fuel pump 7-5, 7-53
 gearcase 7-11, 7-53
 head 9-15
 head cover 7-53
 head cover nut 7-29, 7-39, 7-41, 7-53
 idle apparatus 7-29, 7-53
 intake manifold 7-49, 7-53, 8-11, 10-19
 liquid 15-7
 manifold 10-15
 nozzle 7-41
 oil pump 7-17, 7-53

rocker cover 9-15
sending unit 10-7, 10-11
thermostat 7-53, 14-11
water flange 7-53, 14-11
water pump 7-53, 14-13

gasket, carburetor 10-13
gauge, compression 15-5
gauge, fuel-hour 6-23, 6-25
gauge, oil 7-15, 9-11

gear
 cam 7-21
 case 7-11, 13-13, 13-21, 13-23, 13-25
 crank 7-23
 helical 13-15, 13-27
 idle 7-21
 injection pump 7-27
 oil pump drive 7-17
 ring 7-25, 13-7, 13-23

gear case, front 13-13, 13-25
gear ring engagement 13-15, 13-27
gear yoke 15-7
gear, oil pump 9-11
glow plug 7-41
glow plug cord 7-41
governor 8-9
governor control lever 9-9
governor fork lever 7-43
governor lever 7-39
governor lock arm 9-9
governor oil seal 9-15
governor plate 9-9
governor return spring 9-9
governor shaft 9-9
governor shaft arm 9-9
governor shaft installation tool 15-7
governor shield 11-3
governor spring 9-9
grid, screen 8-5
grill 1-5
grip tape, accelerator pad 10-27, 10-29
grip, tilt latch hand 1-43
grommet 10-7, 10-11, 10-19, 13-7
grommet tool 8-7
guard, belt 7-35
guard, brush 1-3
guard, oil filet 9-13
guard, splash 1-9

guide
 accelerator cable 10-27, 10-29
 detent bullet 13-15, 13-27
 exhaust valve 7-9
 inlet valve 7-9
 oil gauge 7-15
 valve seat cutter 15-11

guide ring adhesive 15-3
guide, camshaft 9-17

guide, rocker arm 9-17

H

hair pin clip 1-47
half shaft 5-7
half shaft boot 5-9
handle, park brake 4-17
handle, tilt steering 5-3
hanger, engine 8-5
harness 1-5, 6-5, 6-13, 6-17, 9-7
harness, bed lift 1-45
harness, headlight 1-5
harness, jumper 6-9, 6-17
harness, wire 6-9, 6-17
head gasket 9-15
head restraint 1-39
head restraint kit 1-39
head, cylinder 7-9, 8-11, 9-15
header heat shield 10-3
header, exhaust 11-5, 11-7
headlight 1-5
headlight harness 1-5
heat seal 7-41
heat shield, header 10-3
heater, carburetor 10-13
helical gear 13-15, 13-27
high beam switch 6-25
hinge plate 1-27, 1-29, 1-31, 1-33
hinge, hood 1-7
holder
 FNR strip brush 1-15
 fork lever 7-43
 screen grid 8-5
holder, cup 1-15
Honda engine 8-3
hood 1-7
hood hinge 1-7
hood latch 1-5
hood prop 1-7
hook, engine 7-9
hose 14-5
 coolant 14-3, 14-5, 14-9
 fuel filter 10-9
 fuel pump 10-9
 fuel return 10-9
 inlet cover 12-5
 intake 10-31, 10-33, 10-35
 oil, remote 8-15
 overflow 7-41
 vent 7-3, 8-3, 13-5, 14-9
hose, fuel 10-3
hose, outlet 12-3, 12-5
housing
 clutch 13-7
 differential 13-23
 Mate-N-Lock 13-7

INDEX

steering gear 5-5
hub, race/output 13-7
hydraulic brake adjuster 15-7
hydrometer 15-7

I

idle apparatus 7-29
idle gear 7-21
ignition coil 8-7, 9-7
indicator, turn signal 6-25
injection pump gear 7-27
inlet valve 7-47, 8-11
insert, carburetor adapter 10-19
instructions, bench seat 1-33
instructions, brush guard/bumper 1-3
instructions, front skidplate 1-13
insulator, carburetor 10-19
insulator, manifold 10-15
intake adapter pipe 10-15
intake adapter, engine 10-19
intake manifold 7-49, 10-15
intake valve 9-17
internal retaining ring pliers 15-7
IQ display module (IQDM) 15-7
isolator ring and bushing 7-3, 8-3, 9-3
isolator, twin stud 14-3

J

jet kit
0-3300 ft 10-13
3300-6600 ft 10-13
6600+ ft 10-13
jet needle 10-13
jet, carburetor 10-13
jet, main 10-17
joint
ball 5-7, 10-21, 10-23, 10-25
eye 7-37
pipe 7-11

K

keeper, push-close latch 1-17
key 9-7
feather 7-17, 7-21, 7-23, 7-27
woodruff 8-7, 8-13
key (pair) 6-23, 6-25
key switch 6-23, 6-25
key switch spacer 6-23, 6-25
keyswitch nut 6-23, 6-25
kick panel 1-49
kit
bench seat 1-33
bolt 13-7
brake pad service 4-3, 4-5
brake pedal adjustment tool 15-3

brush guard 1-3
clutch 13-7
complete bench seat 1-33
cover plate, input 13-9
cover plate, output 13-7
drain plug 13-7
forward gear repair 13-15, 13-27
front skidplate hardware 1-13
front steel skidplate 1-13
gasket 7-53
H-clip spring 13-7
head restraint 1-39
IQ display module (IQDM) 15-7
neutral switch repair 13-15, 13-27
nozzle holder 7-41
piston rebuild 7-55
race output hub 13-7
rear axle gear repair 13-23
repair, minor 13-7
reverse gear repair 13-13, 13-25
roll cage 13-7
roller 13-7
ROPS 1-37
transmission shift shaft repair 13-17, 13-29
tune-up 15-9

kit, boot replacement 5-9
knob, forward/reverse 13-3

L

latch 1-17
latch bracket 1-5
latch keeper 1-17
latch plate, tilt bed 1-41
latch, hood draw 1-5
latch, slam 1-47
latch, spring 1-47
latch, tilt bed 1-43
lever
engine stop 7-39
fork 7-43
governor 7-39
lost motion 10-29
speed control 7-39
lever, governor control 9-9
light
oil 6-23, 6-25
light switch, high beam 6-25
light, coolant temperature indicator 6-25
light, head 1-5
limit switch 13-3
line, brake reservoir 4-7
line, fuel 10-3
link, drag 5-5
liquid gasket 15-7
low oil warning light 6-23, 6-25
lubricant, dry moly 15-7

lubricant, moly-teflon 15-7

M

main jet 10-17
manifold
exhaust 7-51
inlet 8-11, 10-19
intake 7-49
manifold gasket 10-15
manifold insulator 10-15
manifold, intake 10-15
master cylinder 4-9
mat, floor 1-21
Mate-N-Lock housing 13-7
Mate-N-Lock pin 13-7
meter clip 6-23, 6-25
meter, volt ohm 15-11
module
calibration test 15-3
communication display 15-5
moly-teflon lubricant 15-7
motor
starter 7-45, 8-7
moveable drive clutch 12-9, 12-11, 12-15
muffler 11-3, 13-5

N

needle, jet 10-13
nipple, remote oil 8-15
noise suppressor cap 8-5, 8-7
nongrease/spacers locker 13-23
nozzle holder 7-41
nozzle, main 10-17
nut, keyswitch 6-23, 6-25

O

oil cap 9-11
oil deflector 13-13, 13-25
oil dipstick 8-9
oil drain plug 9-11
oil filter 7-7, 7-11, 8-15, 9-11
oil filter adapter 9-13
oil filter bracket 9-13
oil filter guard 9-13
oil filter nipple 9-15
oil filter screen 8-9
oil gauge 9-11
oil pan 7-7
oil pickup 9-11
oil pickup screen 9-11
oil pressure switch 7-5, 8-7, 9-7
oil pump 7-17, 9-11
oil pump and rotor 9-11
oil pump drive gear 7-17
oil pump plate 9-11

INDEX

oil pump rotor 9-11
oil pump shaft 9-11
oil pump spring 9-11
oil pump spur gear 9-11
oil seal 7-11, 7-19, 8-9, 8-13, 13-7, 13-9
oil seal, crank 9-15
oil seal, governor 9-15
oil slinger 7-23
oil valve seal 9-15
oil warning light, low 6-23, 6-25
O-ring 7-5, 7-7, 7-9, 7-11, 7-13, 7-23, 7-31, 7-39,
7-53, 8-15, 9-11, 9-13, 10-13, 13-7, 13-9
overflow pipe 7-41

P

paint, touch-up 15-7
pan
center 1-29, 1-31
oil 7-7
seat 1-29, 1-31
panel
center cowl 1-7
driver-side 1-49
driver-side cowl 1-7
front kick 1-49
left 1-47
passenger-side 1-49
passenger-side cowl 1-7
right 1-47
panel, control 9-9
panel, front 1-47, 1-49
panel, side 1-49
park brake pedal 4-17
p-clamp (fuel filter) 4-11, 7-3, 8-3, 10-3, 10-9
pedal, accelerator 10-27, 10-29
pedal, brake 4-13, 4-17
pickup, oil 9-11
pin, clevis 4-7, 4-9
pin, dowel 13-7
pin, Mate-N-Lock 13-7
pin, piston 7-23, 7-55, 8-13
pin, slide, caliper slide pin 4-3, 4-5
pinion 13-23
pinion, steering 5-5
pipe
breather 7-49
exhaust 11-3, 11-9
injection 7-41
overflow 7-41
water 14-15
water return 7-13, 14-11
pipe band 14-11, 14-15
pipe clamp 7-41
pipe, coolant 14-7
pipe, intake adapter 10-15
piston 7-23, 7-55, 8-13, 9-19

piston pin 7-23, 7-55, 8-13
piston ring 7-23, 7-55
piston ring compressor 15-9
piston ring pliers 15-9
piston ring set 8-13
pivot, rocker arm 8-11
plate
armature 13-7
back 1-43, 1-45
camshaft 9-17
cover, output 13-7
electrical 6-19, 6-21
engine block 7-5
engine mounting 7-3, 8-3
engine, left side 8-5
fan housing 9-5
fuel/oil 8-15, 10-9
governor 9-9
hinge 1-27, 1-29, 1-31, 1-33
latch 1-41
oil pump 9-11
push rod guide 8-11
shroud 7-25, 8-5
skid 1-11, 1-13
speed 7-39
speed control 7-39
thrust 13-7
plate, closeout 1-49
plate, foot well 1-25
plate, steering wheel center 1-33
pliers
internal retaining ring 15-7
piston ring 15-9
retaining ring 15-9
plug 13-13, 13-25
drain 7-7
driven clutch puller 15-5
engine block 7-5, 7-9, 7-11, 13-21
expansion 7-5
gearcase 13-13, 13-21, 13-25
glow 7-41
hole 6-23, 6-25
oil drain 13-7
oil fill 13-7
oil filler 7-13
plug, oil drain 9-11
plug, spark 8-7, 8-11, 9-7
press weldment 15-5
prop rod 1-41
prop shaft 13-11
prop, hood 1-7
protector spray, battery terminal 15-3
puller
bearing 15-3
clutch 15-3
drive clutch 15-5

drive clutch hub 15-5
driven clutch cam 15-5
flywheel 15-7
seal 15-9
special use tool 15-9
pulley
fan drive 7-33, 7-35
water pump 7-33, 7-35
pullrod, compression spring 10-27, 10-29
pump
fuel 10-9, 10-19
fuel injection 7-37
oil 7-17
water 14-13
push rod 7-21, 8-11, 9-17
push rod tappet 9-17

R

rack guide pressure spring 5-5
rack, steering 5-5
radiator 14-3
radiator cap 14-3
radiator pipe 14-7
radiator pipe assembly 14-7
reamer, valve guide 15-9
receiver, rear 5-15
receptacle, accessory 6-23, 6-25
reed valve assembly 9-15
regulator, voltage 8-15, 9-7
relay 6-19, 6-21
relay connector 6-19, 6-21
remover, bearing and oil seal 15-3
reservoir, brake fluid 4-7
reservoir, remote 4-7
restraint, head 1-39
retainer
spring (driven clutch) 12-13
valve spring 7-47, 8-11
retainer, valve spring 9-17
retaining ring pliers 15-9
retractor, seat belt 1-35
reverse buzzer 13-3
ring
piston 7-23, 7-55
snap 5-5
ring gear 7-25, 13-7, 13-23
ring set, piston 8-13
ring, C-type stop 5-5
ring, retaining, ext 5-7
rivet, blind push 1-9, 1-33
rocker arm 7-47, 9-17
rocker arm guide 9-17
rocker arm pivot 8-11
rocker arm stud 9-17
rocker cover 9-15
rocker cover gasket 9-15

INDEX

- rocker switch 6-23, 6-25
 - rocker switch (lights) 6-23
 - rod
 - connecting 7-23, 8-13
 - crank crank rod 7-23
 - prop 1-41
 - push 7-21, 8-11
 - rod, push 9-17
 - roll cage 13-7
 - roller weight 12-9, 12-11, 12-15
 - roller, torque 12-9, 12-11, 12-15
 - ROPS front base weldment 1-9
 - ROPS kit 1-37
 - ROPS support tube 1-37
 - ROPS top 1-37
 - ROPS warning decal 3-3
 - ROPS weldment 1-37
 - rotator, valve 8-11
 - rotor, brake 13-21
 - rotor, oil pump 8-9, 9-11
 - rotor, oil pump and 9-11
 - rubber bumper 1-47
- S**
- safety first card 15-9
 - score card plate 1-33
 - screen grid 8-5
 - screen, oil filter 8-9
 - screen, oil pickup 9-11
 - screw, valve clearance adjuster 15-9
 - seal
 - dual lip 13-13, 13-17, 13-19, 13-23, 13-25, 13-29, 13-31
 - heat 7-41
 - oil 7-11, 7-19, 8-9, 8-13, 13-7, 13-9
 - oil valve 9-15
 - steering pinion dust 5-5
 - triple lip 13-13, 13-25
 - valve stem 7-47, 7-53, 8-11
 - seal puller 15-9
 - seal, carburetor 10-13
 - seat
 - bucket 1-29
 - valve 7-11
 - valve spring 8-11
 - seat back, bench 1-27, 1-33
 - seat belt retractor 1-35
 - seat bottom 1-27, 1-33
 - seat bottom, bench 1-27, 1-33
 - seat holder base 1-29, 1-31
 - seat, bucket 1-29, 1-31
 - bucket seat 1-31
 - seatbelt buckle 1-35
 - sending unit, fuel gauge 10-7, 10-11
 - sensor, coolant lamp 14-11
 - service kit, brake pad 4-3, 4-5
 - shaft
 - carburetor 10-13
 - CVT adapter 7-3
 - drive 13-11
 - fork lever 7-43
 - governor 9-9
 - governor arm 8-13
 - governor lever 7-39
 - idle gear 7-21
 - intermediate 13-15, 13-27
 - oil pump 9-11
 - pinion 13-9
 - prop 13-11
 - rock arm 7-47
 - shift 13-19, 13-31
 - shaft shift 13-17, 13-29
 - shaft, half 5-7
 - shaft, prop 13-11
 - sheave, drive clutch base 12-13
 - sheave, driven clutch 12-13
 - shield, breather 7-13
 - shield, exhaust 11-9
 - shield, governor 11-3
 - shield, header heat 10-3
 - shift, shaft 13-17, 13-29
 - shim 12-9, 12-11, 12-15, 13-23
 - shim, armature plate 13-7
 - shim, injection pump 7-37
 - shim, latch plate 1-41
 - shock absorber 5-11, 5-13
 - shock absorber, front 5-11, 5-13
 - shroud 8-5
 - head 8-5
 - shroud, engine 9-5
 - shroud, fan 14-3
 - side panel 1-49
 - side stringer 1-19
 - skid plate 1-11, 1-13
 - skidplate hardware kit 1-13
 - skidplate kit 1-13
 - slam latch 1-47
 - sleeve
 - crankshaft 7-23
 - governor 7-27
 - link 5-13
 - lower arm 5-7
 - upper suspension 5-7
 - slide adjuster 5-7
 - slide pin 4-3, 4-5
 - slide, adjuster 5-7
 - slider, governor 8-9
 - slinger, oil 7-23
 - snap ring 5-5
 - solenoid, carburetor 10-13
 - solenoid, stop 7-31
 - spacer 1-13
 - engine 7-3
 - key switch 6-23, 6-25
 - spacer block, differential 13-5
 - spanner wrench 15-9
 - spark plug 8-7, 8-11, 9-7
 - spark plug cap 8-5, 8-7
 - speed plate 7-39
 - spider 12-9, 12-11, 12-15
 - splash guard 1-9
 - spray, battery terminal protector 15-3
 - spring 9-11, 9-17
 - brake caliper return 4-5
 - brake return 4-15
 - carburetor 10-13
 - choke spring 10-21
 - compression 12-9, 12-11, 12-13, 12-15
 - continuity 10-19
 - detent bullet 13-15, 13-27
 - exhaust 11-3
 - governor 7-43, 9-9
 - governor idle 10-21
 - governor return 9-9
 - idle apparatus 7-29
 - pedal 10-27, 10-29
 - pedal stop 10-27, 10-29
 - rack guide pressure 5-5
 - relief valve 8-9
 - return 7-39
 - rocker arm 7-47
 - start 7-9, 7-43
 - torsion 10-27, 10-29
 - valve 7-11, 7-47, 8-11, 9-17
 - spring latch 1-47
 - sprocket 13-13, 13-25
 - start spring 7-43
 - starter motor 7-45, 8-7
 - starter motor, engine 9-7
 - stay
 - alternator assembly 7-33
 - cylinder head 7-9
 - fuel pump 10-19
 - spring 7-11
 - stop solenoid 7-31
 - steel bushing 1-43
 - steering column 5-3
 - steering column bearing press tool 15-9
 - steering column bracket 1-9
 - steering column cover 5-3
 - steering column retaining ring tool 15-9
 - steering gear housing 5-5
 - steering pinion dust seal 5-5
 - steering rack 5-5
 - steering wheel 1-33, 5-3
 - steering wheel puller tool 15-9
 - stem, valve 2-3
 - stop solenoid stay 7-31

INDEX

stopper, camshaft 7-21
stopper, fuel camshaft 7-27
strap, fuel tank 10-3, 10-5, 10-9
stringer, side 1-19
strip, FNR brush 1-15
stud 7-3, 7-37, 7-51, 14-15
 engine 8-7
 idle adjustment 7-29
 self-clinching 1-47
stud, ball 13-3
support yoke (steering) 5-5
support, structural 1-15
sway bar 5-13
swingarm 5-15
switch
 indicator (transmission) 13-15, 13-27
 key 6-23, 6-25
 light rocker 6-23
 limit 13-3
 oil pressure 7-5, 8-7, 9-7
switch, high beam 6-25
switch, rocker 6-23, 6-25
switch, three-position 6-25

T

12-volt battery 6-27, 6-29
tab, coolant pipe mounting 14-7
tachometer 15-9
tachometer probe, diesel 15-9
tailgate 1-47
tailgate angle 1-47
tank, fuel 10-7, 10-11
tank, fuel (diesel) 10-11
tank, fuel (gasoline) 10-7
tape 1-19
tape, double-sided 1-27
tape, grip, accelerator pad 10-27, 10-29
tape, vinyl foam 1-43, 14-3
tappet 7-21
tappet, push rod 9-17
tee, coolant fill 14-3
temperature indicator light, coolant 6-25
tester, continuity 15-5
tether 1-47
thermometer, battery 15-3
thermostat 14-11
thread-forming grease fitting 5-15
throttle shaft, carburetor 10-13
throttle valve 10-13
thrust button 13-7
thrust plate 13-7
tie rod end 5-5
tie wrap 1-45, 4-11, 4-15, 5-5, 10-21, 10-23, 10-25
tilt bed 1-43
tilt bed frame 1-43

tilt latch hand grip 1-43
tire 2-3
tire and wheel 2-3
tire assembly, black 2-3
tire, mud 2-3
tool
 accelerator pedal adjustment 15-3
 belt tensioning, starter/generator 15-11
 brake adjustment 15-3
 brake cable release 15-3
 brake pedal adjustment 15-3
 brake pedal tension 15-3
 cam installation 15-3
 carburetor float level 15-7
 charger bezel 15-3
 clutch alignment 15-5
 cT-wrench 15-5
 drive clutch fixed sheave 15-5
 drive clutch holder 15-5
 drive clutch spider removal 15-5
 driven clutch spring compression base 15-5
 driven clutch spring compression collar 15-5
 driven clutch spring compression nut 15-5
 governor shaft installation 15-7
 grommet 8-7
 puller, special use 15-9
 steering column bearing press 15-9
 steering column retaining ring 15-9
 steering wheel puller 15-9
 transaxle axle seal 15-9
 transaxle pinion seal 15-9
 transmission 15-9
 valve guide driver 15-9
 valve seat cutter 15-5
tool kit, clutch 15-5
torque converter 12-13
torque roller 12-9, 12-11, 12-15
touch-up paint 15-7
track, prop rod 1-41
transaxle axle seal tool 15-9
transaxle housing 13-23
transaxle pinion seal tool 15-9
transmission cable bracket 7-3, 8-3
transmission chain 13-13, 13-25
transmission fork 13-13, 13-25
transmission tool 15-9
transmission, diesel, parallel shaft 13-25
transmission, gasoline, parallel shaft 13-13
tube
 axle 13-23
 breather 7-13, 10-19
 carburetor air vent 10-3, 10-5, 10-9
 crankcase vent 10-15
 diaphragm 10-19

fuel 10-19
fuel pickup 10-11
 ROPS support 1-37
tune-up kit 15-9
turn signal indicator 6-25
T-wrench tool 15-5

U

upright 5-7
urethane bushing 1-43

V

valve 10-31, 10-33, 10-35
 breather 7-13, 8-13
 exhaust 7-47, 8-11
 fuel pickup tube 10-7
 inlet 7-47, 8-11
 lifter 8-13
 rocker arm 8-11
 rotator 8-11
 seat 7-11
 solenoid 10-17
 spring seat 8-11
valve assembly, reed 9-15
valve clearance adjuster screw 15-9
valve guide driver tool 15-9
valve guide reamer 15-9
valve seat cutter 15-5, 15-11
valve seat cutter guide 15-11
valve seat cutter tool 15-5
valve seat t-wrench 15-11
valve spring 9-17
valve spring compressor 15-11
valve spring retainer 9-17
valve stem 2-3
valve, carburetor 10-13
valve, exhaust 9-17
valve, float 10-13
valve, intake 9-17
valve, throttle 10-13
V-belt 7-33
vent barb 10-3, 10-5, 10-9
vent, housing, upper 13-23
vent, transmission 13-13, 13-25
volt ohm meter 15-11
voltage regulator 8-15, 9-7

W

warning light, low oil 6-23, 6-25
water flange 14-11
water pump 14-13
wedge, bearing puller 15-3
weight clutch 12-9, 12-11, 12-15
weldment
 press 15-5

INDEX

ROPS base front 1-9
weldment, accelerator pedal 10-27, 10-29
weldment, accelerator pedal bracket 10-27,
10-29
weldment, actuator bracket 1-45
weldment, air cleaner support 10-31, 10-33,
10-35
weldment, brake pedal 4-13
weldment, Forward/Reverse shifter 13-3
weldment, Forward/Reverse shifter bracket
13-3
weldment, front dash
dash weldment 1-9
weldment, lever, lost motion 10-29
weldment, receiver 5-15
weldment, shaft shift 13-17, 13-29
weldment, tilt bed frame 1-43
wheel 2-3
wheel and tire 2-3
wheel, steering 1-33, 5-3
wire assembly 6-27, 6-29, 9-13, 10-7, 10-11
wire harness 1-5, 6-5, 6-9, 6-13, 6-17, 9-7
wire harness, bed lift 1-45
wire harness, headlight 1-5
wrap, tie 1-45, 4-11, 4-15, 5-5, 10-21, 10-23,
10-25
wrench, spanner 15-9

Y

yoke, gear 15-7
yoke, support (steering) 5-5

