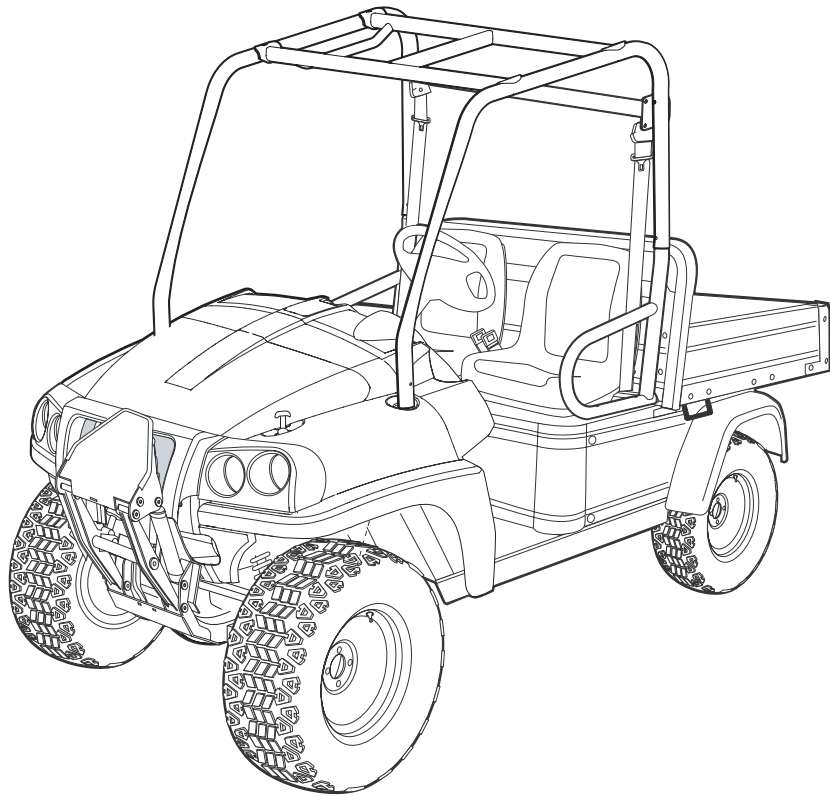




Bobcat®

Bobcat 2300 Diesel with RapidLink Illustrated Parts List



Diesel Vehicles



USING THE ILLUSTRATED PARTS LIST

WARNING

- **This manual is to be used only for identification and ordering of service parts. Be sure to read and use the maintenance and service manual before attempting any vehicle repairs.**

This manual covers all 2300 vehicles with serial number A59W11001 and above.

The manual is divided into 14 sections. Sections 1 through 13 pertain to service parts for the vehicles, and Section 14 pertains to special service tools.

Use the Table of Contents to find the sections and pages that contain the parts and assemblies you seek. The Table of Contents lists section numbers, and under them, the individual page titles and numbers to be found in that section. The index can be used to find specific parts and assemblies. The index is divided into numerical and alphabetical listings with the page numbers in italic text.

There is a two-page spread for each individual page title in the Table of Contents. On the left-hand page is an illustration showing the parts in their relative positions; the parts are each tagged with an item number in a balloon. The right-hand page is the parts list page, and gives the page title at the top, then the item numbers (corresponding to the numbers on the illustration), part descriptions, and quantity of parts used.

Note that a part description may be indented. This indentation corresponds to a parts assembly level indicated by the numbers 1, 2, 3, and 4 at the top left corner of the parts description area of the parts list page. A part that is indented to *level 2* is a component of the *level 1* part (assembly) that it is listed under. A *level 3* part is a component of the *level 2* part that it is listed under, and a *level 4* part is a component of the *level 3* part preceding it. In each case, the part quantity given for a level 2, 3, or 4 part is the quantity used per next higher level assembly of which it is a component. A part that is not indented is a *level 1* part. This means that the quantity given is the quantity used per the portion of the vehicle illustrated on that particular spread.

HOW TO ORDER PARTS

Replacement parts and accessories can be obtained from our network of authorized dealers. You can obtain the name and phone number of your closest Bobcat dealer by visiting our web site at www.bobcat.com or by calling 701-222-5315.

Bobcat Company
P. O. Box 128
Gwinner, ND 58040-0128 USA
Telephone 701-222-5315
www.bobcat.com

NOTE: *This illustrated parts list represents the most current information at the time of publication. Bobcat Company is continually working to further improve its vehicles and other products. These improvements may affect the parts used to service the vehicle. Any modification and/or significant change in specifications will be forwarded to all Bobcat dealers and will, when applicable, appear in future editions of this illustrated parts list.*

Bobcat Company reserves the right to change specifications and designs at any time without notice and without incurring the obligation of making changes to units previously sold.

CONTENTS

SECTION 1 – HYDRAULIC ACCESSORY MOUNTING SYSTEM

Handbook	1-3
Accessory Mounting Weldment	1-5
Attachment Arm Kit	1-7
Attachment Interface	1-9
Hydraulic Controls	1-11
Accessory Hydraulic System – Standard	1-13
Accessory Hydraulics – Auxiliary	1-15
Hydraulic Attachment Angle Kit	1-17
Hydraulic Power Unit Components	1-19
Hydraulic Power Unit with Auxillary Components	1-21
Standard to Auxilliary Hydraulic Conversion Kit	1-23

SECTION 2 – BODY AND TRIM

Fascia and Fenders	2-3
Cowl Assembly	2-5
Front Body Components	2-7
Dash	2-9
Glove Box	2-11
Side Stringers	2-13
Floor Mat	2-15
Floorboard	2-17
Bucket Seats – Gray	2-19
Bucket Seats – Black	2-21
Lower ROPS	2-23
Seat Belts and ROPS	2-25
ROPS – Head Rests	2-27
Latch Plate and Prop Rod	2-29
Tilt Bed, Hinge, and Latch	2-31
Electric Bed Lift	2-33
Cargo Box	2-35
Side Panels and Rear Fenders	2-37

SECTION 3 – WHEELS AND TIRES

Wheels and Tires	3-3
------------------------	-----

SECTION 4 – DECALS

Safety Decals	4-3
---------------------	-----

CONTENTS

Safety Decals, Continued	4-5
Badging Decals – Bobcat 2300	4-7
Badging Decals – RapidLink	4-9

SECTION 5 – BRAKE SYSTEMS

Front Brake Assembly	5-3
Rear Brake Assembly	5-5
Master Cylinder with Remote Reservoir	5-7
Master Cylinder with Integral Reservoir	5-9
Hydraulic Brake Lines and Clips	5-11
Brake Pedal Assembly	5-13
Park Brake System	5-15
Park Brake Pedal Assembly	5-17

SECTION 6 – STEERING AND SUSPENSION

Steering Column	6-3
Steering Gear Assembly	6-5
Front Suspension – A-Arms	6-7
Cv Boot Repair Kits	6-9
Shock Absorbers	6-11
Rear Suspension – Standard	6-13

SECTION 7 – ELECTRICAL SYSTEM

Wiring – Diesel Vehicle, Single Piece	7-5
Wiring – Control Panel	7-9
Wiring – Seat Belt Reminder	7-11
Electrical Component Box, Diesel Vehicles	7-13
Electrical Components	7-15
Battery – Diesel Vehicles	7-17

SECTION 8 – DIESEL ENGINE – CLOSED BREATHER

Kubota D722 Diesel Engine Mounting	8-3
Crankcase	8-5
Oil Pan	8-7
Cylinder Head	8-9
Gear Case	8-11
Head Cover	8-13
Dipstick and Guide	8-15

CONTENTS

Oil Pump	8-17
Main Bearing Case	8-19
Camshaft and Idle Gear	8-21
Piston and Crankshaft	8-23
Flywheel	8-25
Shaft	8-27
Idle Apparatus	8-29
Stop Solenoid	8-31
40-Amp Alternator	8-33
60-Amp Alternator	8-35
Injection Pump	8-37
Speed Control Plate	8-39
Nozzle Holders and Glow Plugs	8-41
Governor Components	8-43
Starter	8-45
Valves and Rocker Arms	8-47
Diesel Inlet Manifold	8-49
Exhaust Manifold	8-51
Gasket Kits	8-53
Piston Kit	8-55

SECTION 9 – FUEL, INTAKE, & GOVERNOR SYSTEM

Fuel System – Diesel	9-3
Fuel Tank – Diesel Vehicles	9-5
Cables – Diesel Vehicle	9-7
Accelerator Pedal Assembly – Style B	9-9
Intake Duct and Air Box Assembly – Diesel Vehicles	9-11

SECTION 10 – EXHAUST SYSTEM

Exhaust System	10-3
Exhaust Pipes – Diesel Vehicles	10-5

SECTION 11 – CLUTCHES

Clutch Cover (Standard)	11-3
Clutch Cover (Sealed)	11-5
Drive Belt	11-7
Drive Clutch – Diesel Vehicles	11-9
Driven Clutch	11-11

CONTENTS

SECTION 12 – DRIVETRAIN COMPONENTS

Forward/Reverse Shifter Assembly	12-3
Front Differential Mounting Plate	12-5
Front Differential (Output Components)	12-7
Front Differential (Input Components)	12-9
Prop Shafts	12-11
Rear Differential	12-13
Rear Differential, Continued	12-15
Transmission – Diesel Vehicles	12-17
Transmission – Diesel Vehicles, Continued	12-19
Transmission – Diesel Vehicles, Shift Shaft and Bell Crank (Style A)	12-21
Transmission – Diesel Vehicles, Shift Shaft and Bell Crank (Style B)	12-23

SECTION 13 – RADIATOR AND COOLANT SYSTEM – DIESEL VEHICLES

Radiator	13-3
Coolant Expansion Tank	13-5
Coolant Pipes and Hoses	13-7
Cooling System Clamps, Hoses, and Hardware	13-9
Water Flange and Thermostat	13-11
Water Pump	13-13
Block Coolant Pipe	13-15

SECTION 14 – MAINTENANCE AND SERVICE TOOLS

Maintenance and Service Tools	14-3
Maintenance and Service Tools, Continued	14-5
Maintenance and Service Tools, Continued	14-7
Maintenance and Service Tools, Continued	14-9
Maintenance and Service Tools, Continued	14-11

SECTION i – INDEX

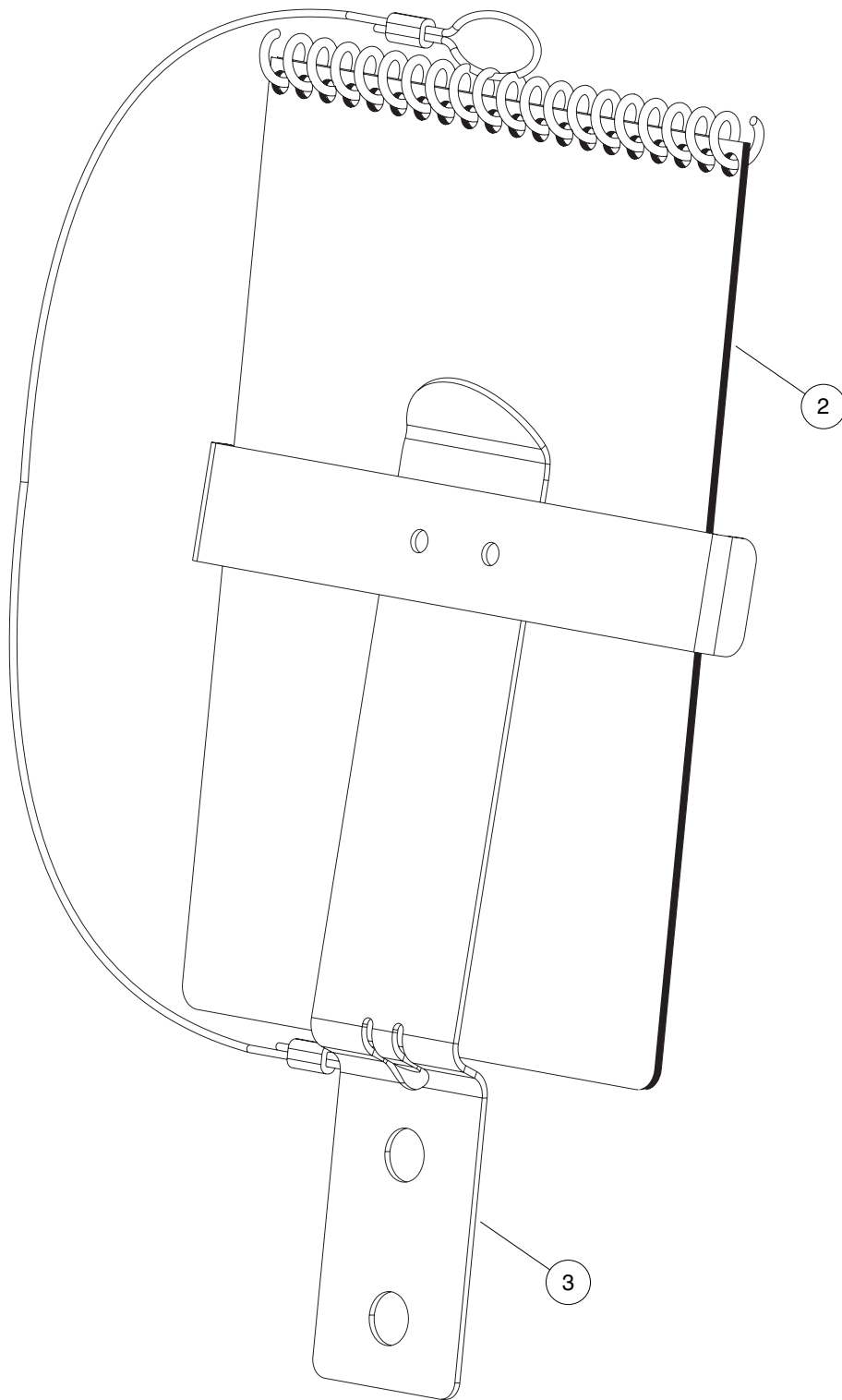
HYDRAULIC ACCESSORY MOUNTING SYSTEM

1

D

1

D



000558-001

HANDBOOK

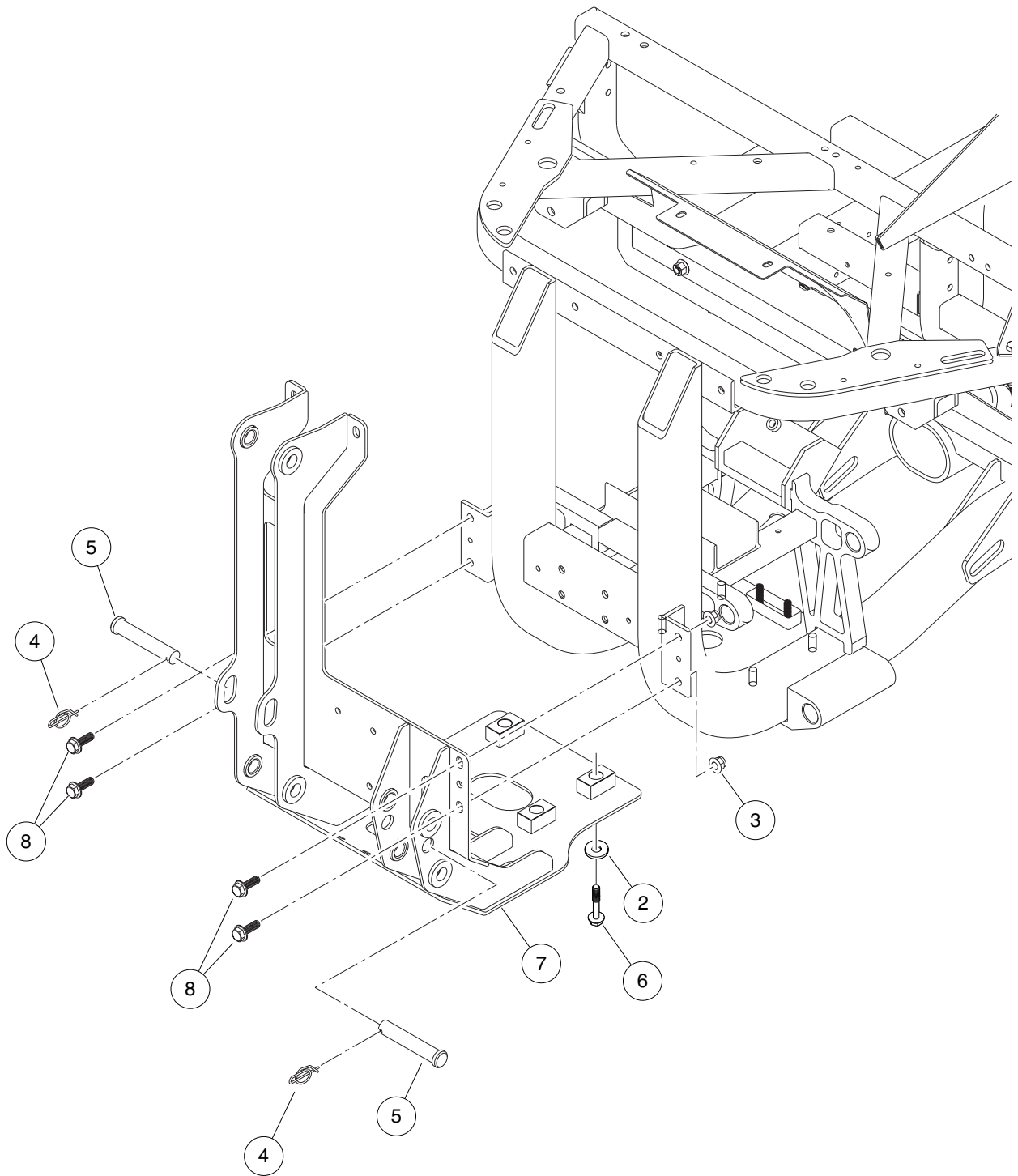
ITEM	PART NO.	DESCRIPTION	QTY
1	N/A	1 2 3 4 Instl, Handbook, Bobcat (includes items 2 and 3)	1
2	<u>103237502</u>	Handbook, Operator, Bobcat	1
3	<u>103237701</u>	Weldment, Clip, Handbook	1

1

D

1

D



000552-001

ACCESSORY MOUNTING WELDMENT

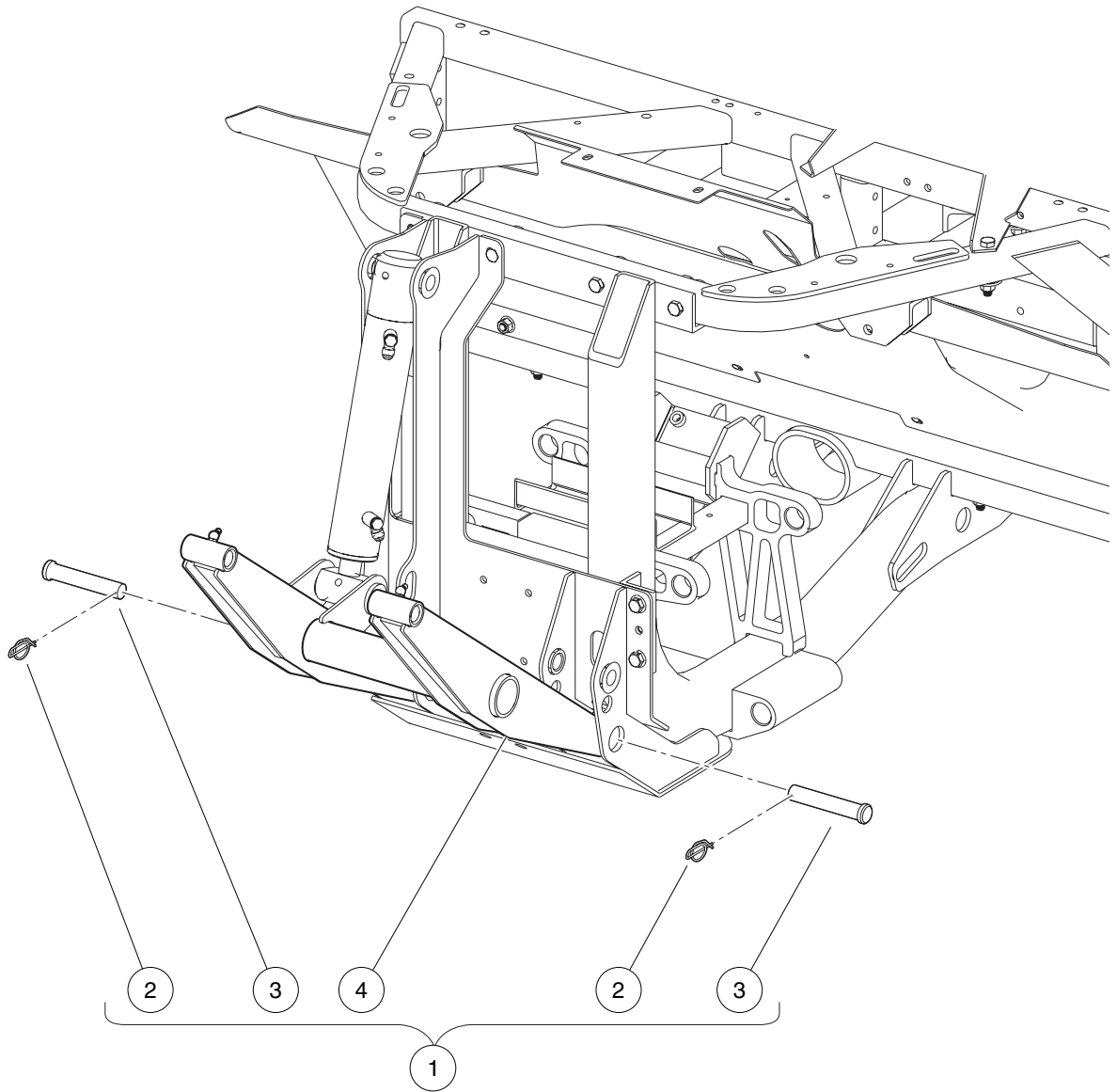
ITEM	PART NO.	DESCRIPTION	QTY
		1 2 3 4	
1	N/A	Instl, Weldment, Mount (includes items 2 through 8)	1
2	<u>102491501</u>	Washer Hard,m10	4
3	<u>102670701</u>	Nut Flg M10 X 1.5 Nylon	4
4	<u>102786101</u>	Ring, Rue, 3/4, Heavy	2
5	<u>102921601</u>	Pin, Clevis, 3/4 X 4	2
6	<u>102925201</u>	Bolt, Flg, M10x1.5x55, Patch	4
7	<u>103355401</u>	Weldment, Front Mount	1
8	<u>96727003</u>	Bolt Flg, M10 X 1.5 X 30	4

1

D

1

D



000786-001

ATTACHMENT ARM KIT

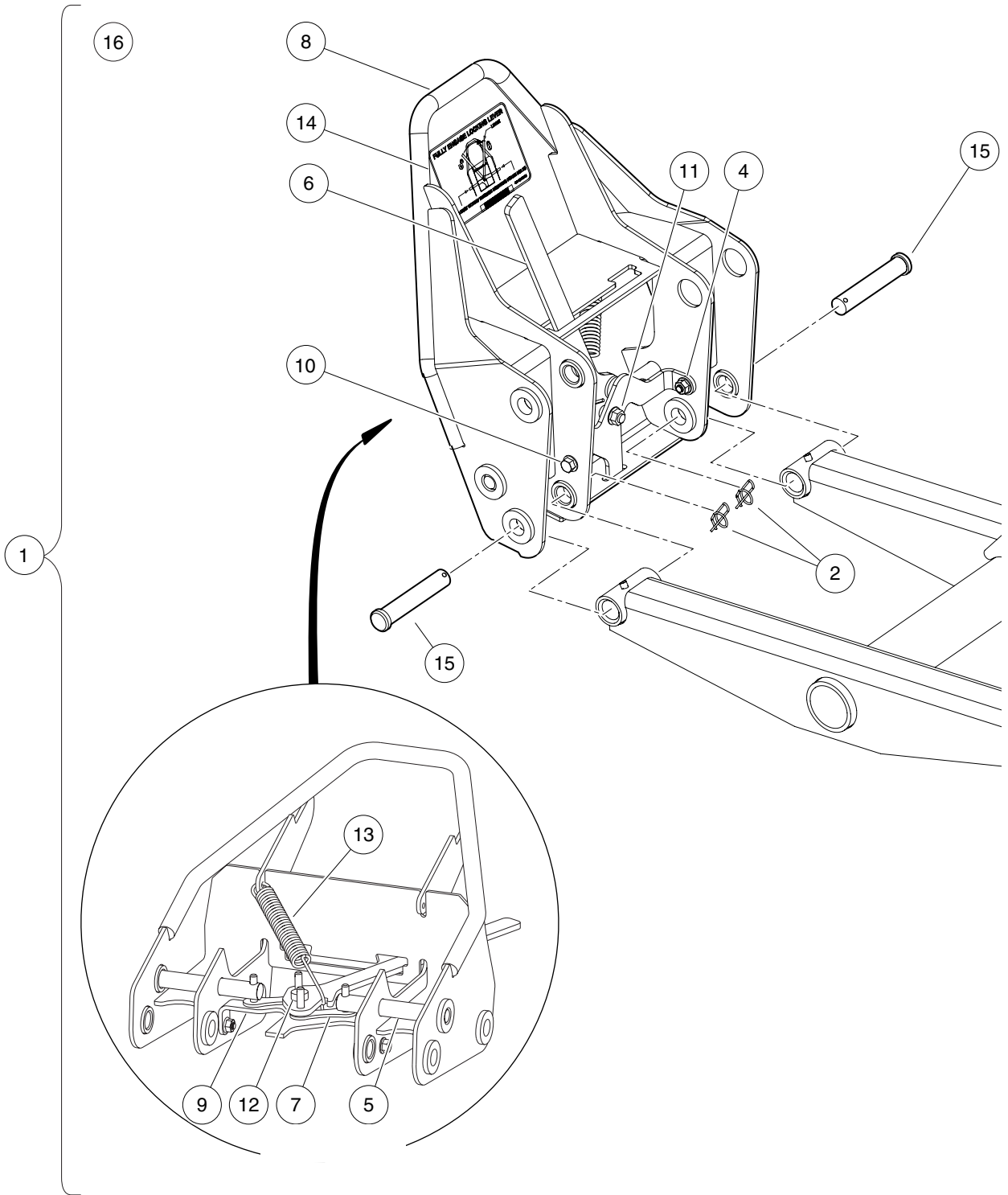
ITEM	PART NO.	DESCRIPTION	QTY
		1 2 3 4	
1	<u>102923201</u>	Kit, Arm, Attachment (includes items 2 through 4)	1
2	<u>102786101</u>	Ring, Rue, 3/4, Heavy	2
3	<u>102921601</u>	Pin, Clevis, 3/4 X 4	2
4	<u>102923401</u>	Asm, Arm, Attachment	1

1

D

1

D



000787-001

ATTACHMENT INTERFACE

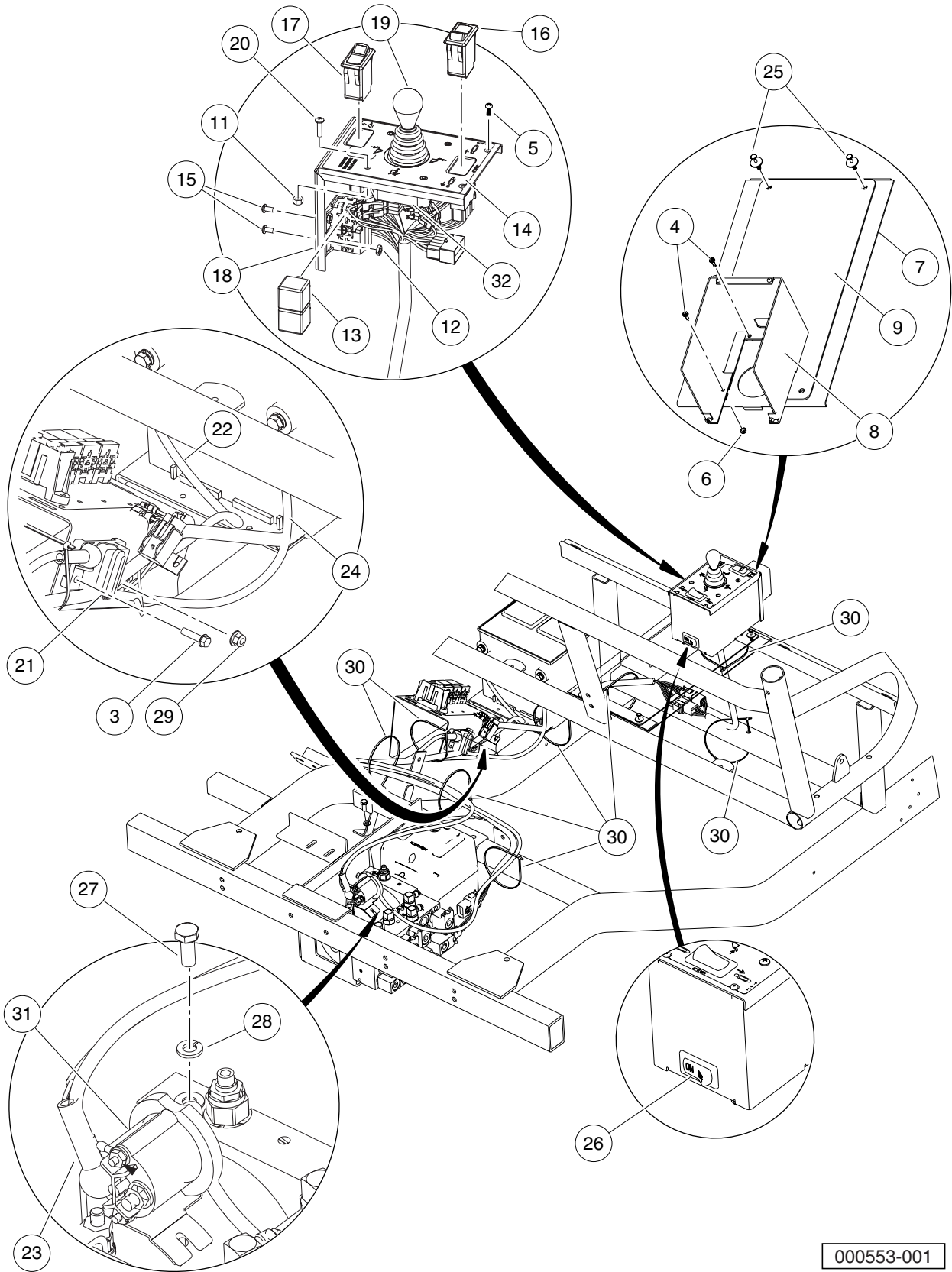
ITEM	PART NO.	DESCRIPTION	QTY
		1 2 3 4	
1	<u>102923301</u>	Kit, Interface, Attachment (includes items 2 through 16)	1
2	<u>102786101</u>	Ring, Rue, 3/4, Heavy	2
3	<u>102789001</u>	Asm, Interface, Attachment (includes items 4 through 14)	1
4	<u>102617001</u>	Nut Flg, M8 X 1.25 Mech Def	2
5	<u>102789101</u>	Pin, Latch	2
6	<u>102789201</u>	Lever, Release	1
7	<u>102789301</u>	Link, Chain 2080	2
8	<u>102789401</u>	Interface, W/a	1
9	<u>102790001</u>	Brace, Cross	1
10	<u>102790801</u>	Bolt Flg, M8 X 1.25 X 20	2
11	<u>102790901</u>	Nut, Flg, 3/8-16 Gr8	1
12	<u>102791001</u>	Screw, Shoulder Hex Skt	1
13	<u>102791301</u>	Spring, Ext, Interface	1
14	<u>102926101</u>	Decal, Attachment Locking	1
15	<u>102921601</u>	Pin, Clevis, 3/4 X 4	2
16	<u>103177001</u>	Instruction, Kit, Attachment	1

1

D

1

D



000553-001

HYDRAULIC CONTROLS

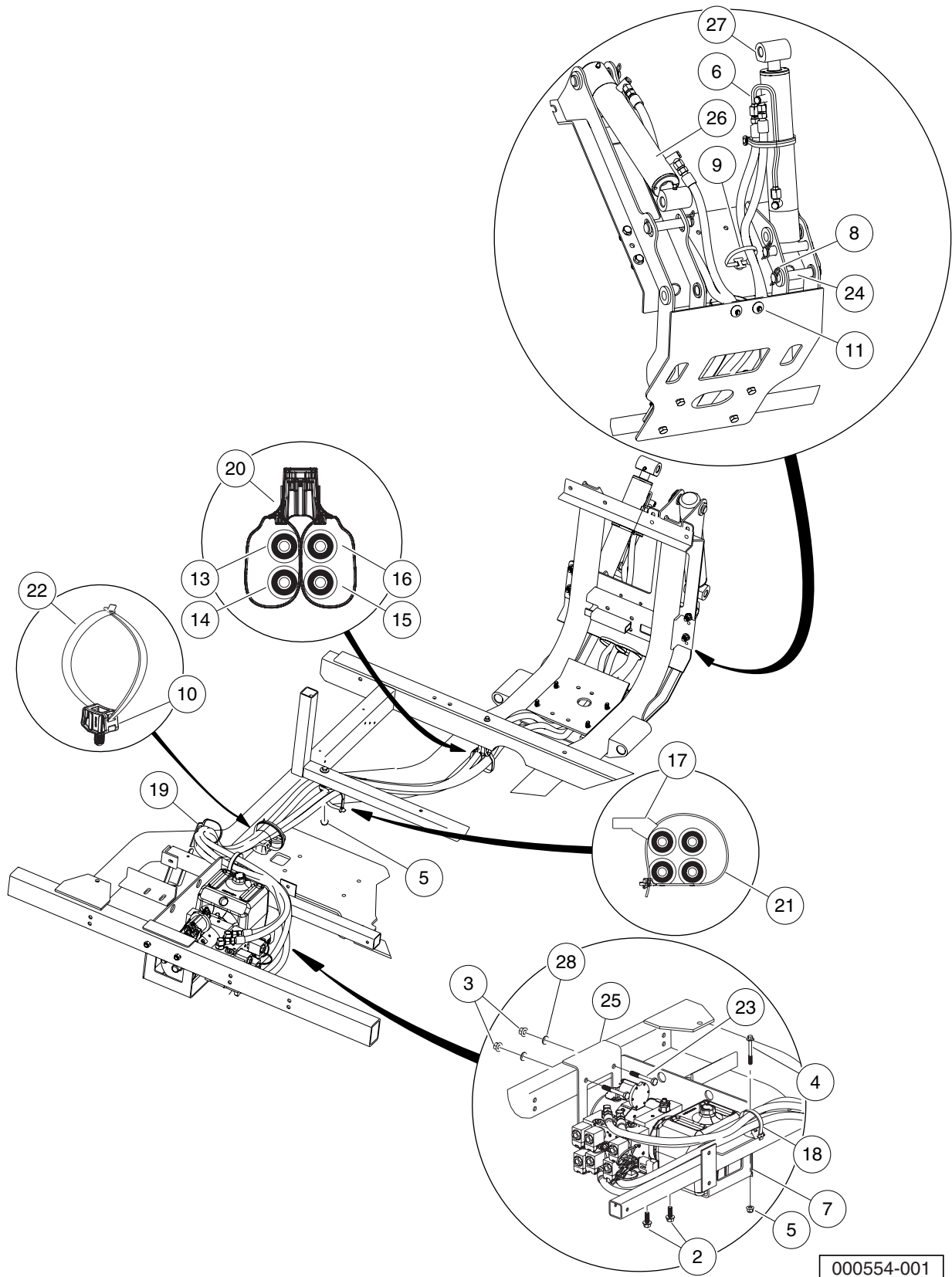
ITEM	PART NO.	DESCRIPTION	QTY
		1 2 3 4	
1	N/A	Instl, Controls, Hydraulic (includes items 2 through 30)	1
2	<u>1011931</u>	Washer, 1/4 Flat	2
3	<u>1014063</u>	Screw, 1/4-20 X 1.00 Hex Head	2
4	<u>1015720</u>	Screw, #6-32 X 1/2 Hex Washer-Head	4
5	<u>1016103</u>	Screw, Pan Hd Tx, Taptite 6-32	4
6	<u>101932201</u>	Locknut, #6-32 Nylon	4
7	<u>102442001</u>	Pan, Center, Closeout	1
8	<u>102854601</u>	Base, Control Box, Joystick	1
9	<u>102854801</u>	Console, Center, Insulator	1
10	<u>102855001</u>	Asm, Controls (includes items 11 through 20)	1
11	<u>1012438</u>	Locknut, #10-24 Nylon Insert	4
12	<u>1017</u>	Nut, #10-24 Stainless-Steel Hex Machine	2
13	<u>102420201</u>	Relay, Mini ISO, SPDT	2
14	<u>102849801</u>	Decal, Controls, Bt	1
15	<u>102850501</u>	Screw, Phillips Pn Hd	2
16	<u>102854401</u>	Switch, Rocker, Svr, DPDT Momentary	1
17	<u>102854501</u>	Switch, Rocker, Svr, SPDT, lght	1
18	<u>102854901</u>	Cover, Control Box, Joystick	1
19	<u>102918501</u>	Joystick, 4 Way, W/ Boot	1
20	<u>1631</u>	Screw, #10-24 X 0.75 Phillips Pan-Head	4
21	<u>102936801</u>	Breaker, Circuit, 150-Amp	1
22	<u>102937401</u>	Wire Asm, #6, Red, Bt	1
23	<u>102937501</u>	Wire Asm, #6, Red, Bt	1
24	<u>102937601</u>	Wire Asm, #6, Black, Bt	1
25	<u>102967901</u>	Rivet, Removable, Tuflok 1/4"	4
26	<u>103215201</u>	Switch, Rocker, Svr, On-off	1
27	<u>7173</u>	Screw, 5/16-18 X 0.75 Hex-Head Cap	1
28	<u>7174</u>	Lockwasher, 5/16 Split	1
29	<u>8717</u>	Locknut, 1/4-28 Nylon Insert	2
30	<u>8990</u>	Tie Wrap, 8" Nylon	8
31	<u>102928301</u>	Switch, Sol Act Mtr St, 12vdc	1
32	<u>103328301</u>	Cover, Joystick	1

1

D

1

D



000554-001

ACCESSORY HYDRAULIC SYSTEM – STANDARD

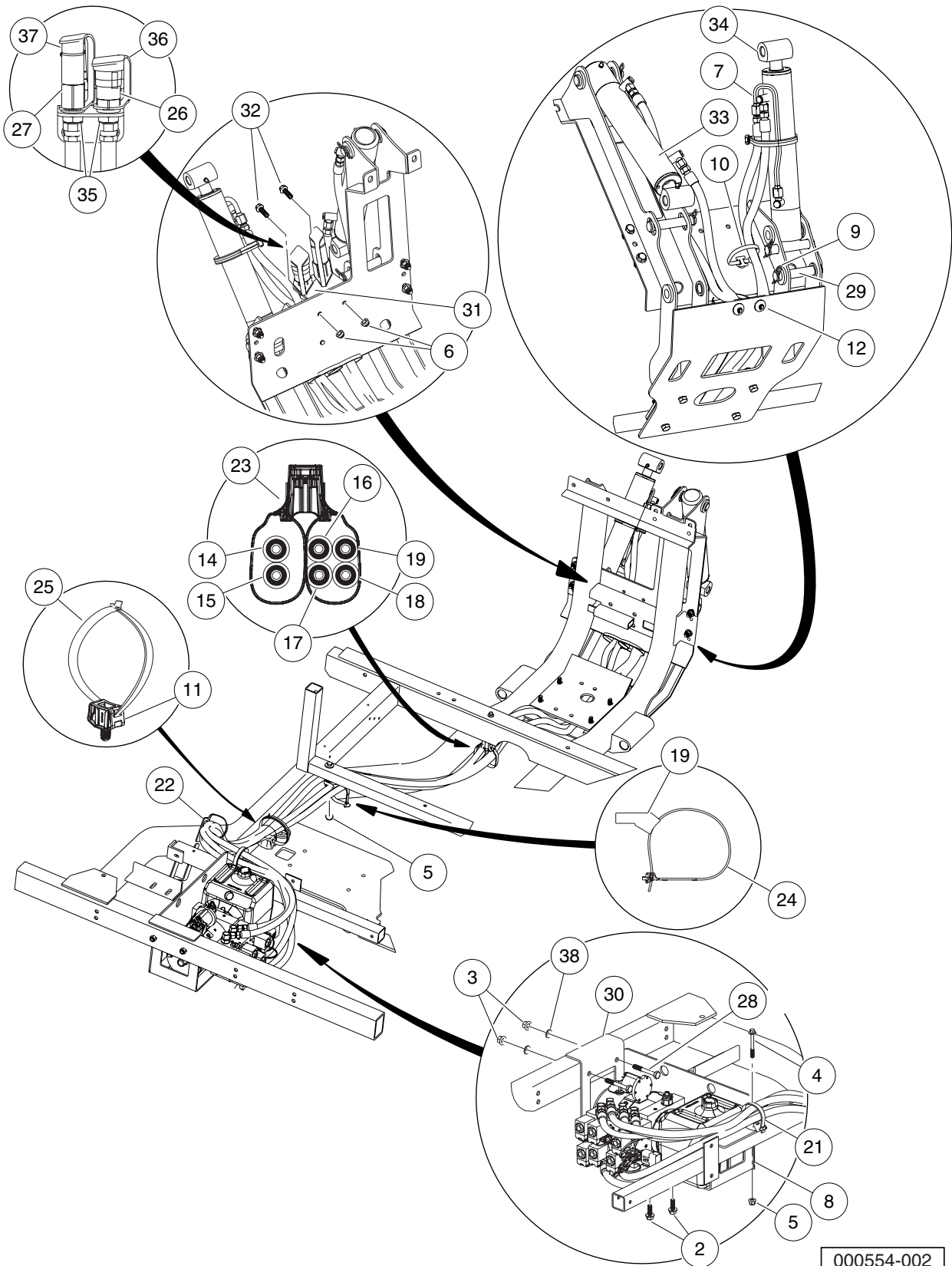
ITEM	PART NO.	DESCRIPTION	QTY
		1 2 3 4	
1	N/A	Instl, Hydraulic Sys, Std (includes items 2 through 29)	1
2	<u>102491001</u>	Bolt Flanged Head, 3/8-16x1.0 with Loctite	2
3	<u>102617201</u>	Nut Flg M10 X 1.5 Mech Def	2
4	<u>102618301</u>	Bolt Flanged Head, M8 X 1.25 X 65	1
5	102618601	Lock Nut, Flg M8 X 1.25 Nylon	2
6	<u>102784201</u>	Tube, Hydraulic -6 JIC 180 End	1
7	<u>102785501</u>	Barrier, Heat, Powerunit	1
8	<u>102786101</u>	Ring, Rue, 3/4, Heavy	2
9	<u>102787101</u>	Mount, Fir Tree, Cable Tie	1
10	<u>102787201</u>	Mount, Saddle, Fir Tree	1
11	<u>102787501</u>	Tie, Button Head	2
12	<u>102787601</u>	Asm, Hoses, Hydraulic (includes items 13 through 21)	1
13	<u>102784601</u>	Hose, -6jic Stf -6jic Stm Td	1
14	<u>102784701</u>	Hose, -6jic Stf -6jic Stf Tr	1
15	<u>102784801</u>	Hose, -6jic Stf -6jic Stf Ld	1
16	<u>102784901</u>	Hose, -6jic Stf -6jic Stf Lr	1
17	102786901	Mount, Cable Tie, 8mm Std Trq	1
18	102787001	Mount, Hd, Cable Tie, 8mm Bolt	1
19	<u>102787101</u>	Mount, Fir Tree, Cable Tie	1
20	102787301	Mount, Standoff, Dual Tie	1
21	<u>102787701</u>	Tie, Wide Strap	2
22	<u>102787701</u>	Tie, Wide Strap	2
23	<u>102859101</u>	Bolt, M10 X 1.50 X 70	2
24	<u>102921601</u>	Pin, Clevis, 3/4 X 4	2
25	<u>102921701</u>	Weldment, Hydraulic Powerunit	1
26	<u>102923001</u>	Cylinder, Hydraulic, Lift	1
27	<u>102923101</u>	Cylinder, Hydraulic, Tilt	1
28	<u>96741046</u>	Washer, M10 Hard	2
29	<u>AM1245401</u>	5 Gal, Mobil Dte15m Hyd Fluid	1

1

D

1

D



000554-002

ACCESSORY HYDRAULICS – AUXILIARY

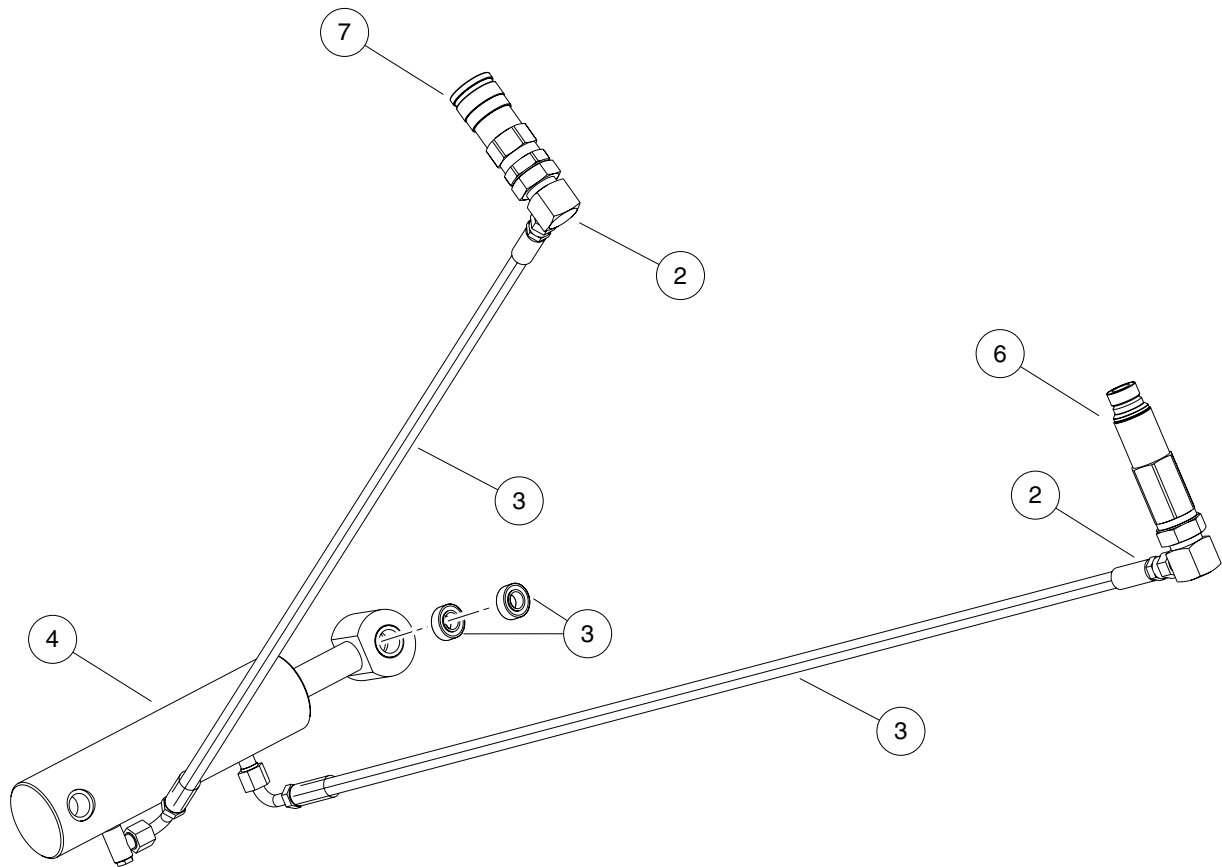
ITEM	PART NO.	DESCRIPTION	QTY
		1 2 3 4	
1	N/A	Instl, Hydraulic Sys, Aux (includes items 2 through 38)	1
2	<u>102491001</u>	Bolt Flanged Head, 3/8-16x1.0 with Loctite	2
3	<u>102617201</u>	Nut Flg M10 X 1.5 Mech Def	2
4	<u>102618301</u>	Bolt Flanged Head, M8 X 1.25 X 65	1
5	<u>102618601</u>	Lock Nut, Flg M8 X 1.25 Nylon	2
6	<u>102741601</u>	Nut Flg M8 X 1.25 Gr 10	2
7	<u>102784201</u>	Tube, Hydraulic -6 JIC 180 End	1
8	<u>102785501</u>	Barrier, Heat, Powerunit	1
9	<u>102786101</u>	Ring, Rue, 3/4, Heavy	2
10	<u>102787101</u>	Mount, Fir Tree, Cable Tie	1
11	<u>102787201</u>	Mount, Saddle, Fir Tree	1
12	<u>102787501</u>	Tie, Button Head	2
13	<u>102787602</u>	Asm, Hoses, Hydraulic W/aux (includes items 14 through 24)	1
14	<u>102784601</u>	Hose, -6jic Stf -6jic Stm Td	1
15	<u>102784701</u>	Hose, -6jic Stf -6jic Stf Tr	1
16	<u>102784801</u>	Hose, -6jic Stf -6jic Stf Ld	1
17	<u>102784901</u>	Hose, -6jic Stf -6jic Stf Lr	1
18	<u>102785001</u>	Hose, -6jic Stf -6jic Stf A	1
19	<u>102785101</u>	Hose, -6jic Stf -8jic Stf B	1
20	<u>102786901</u>	Mount, Cable Tie, 8mm Std Trq	1
21	<u>102787001</u>	Mount, Hd, Cable Tie, 8mm Bolt	1
22	<u>102787101</u>	Mount, Fir Tree, Cable Tie	1
23	<u>102787301</u>	Mount, Standoff, Dual Tie	1
24	<u>102787701</u>	Tie, Wide Strap	2
25	<u>102787701</u>	Tie, Wide Strap	2
26	<u>102794801</u>	Coupling, Female Quick -6jic	1
27	<u>102794901</u>	Coupling, Male Quick -6jic	1
28	<u>102859101</u>	Bolt, M10 X 1.50 X 70	2
29	<u>102921601</u>	Pin, Clevis, 3/4 X 4	2
30	<u>102921701</u>	Weldment, Hydraulic Powerunit	1
31	<u>102922601</u>	Bracket, Hydraulic, Auxiliary	1
32	<u>102922701</u>	Fhcs, M8x1.25x20 Lock Patch	2
33	<u>102923001</u>	Cylinder, Hydraulic, Lift	1
34	<u>102923101</u>	Cylinder, Hydraulic, Tilt	1
35	<u>102923801</u>	Nut, Lock, Hyd Tube, 3/4-16	1
36	<u>102973501</u>	Cap, Quick Connect, Female	1
37	<u>102973601</u>	Cap, Quick Connect, Male	1
38	<u>96741046</u>	Washer, M10 Hard	2

1

D

1

D



000556-001

HYDRAULIC ATTACHMENT ANGLE KIT

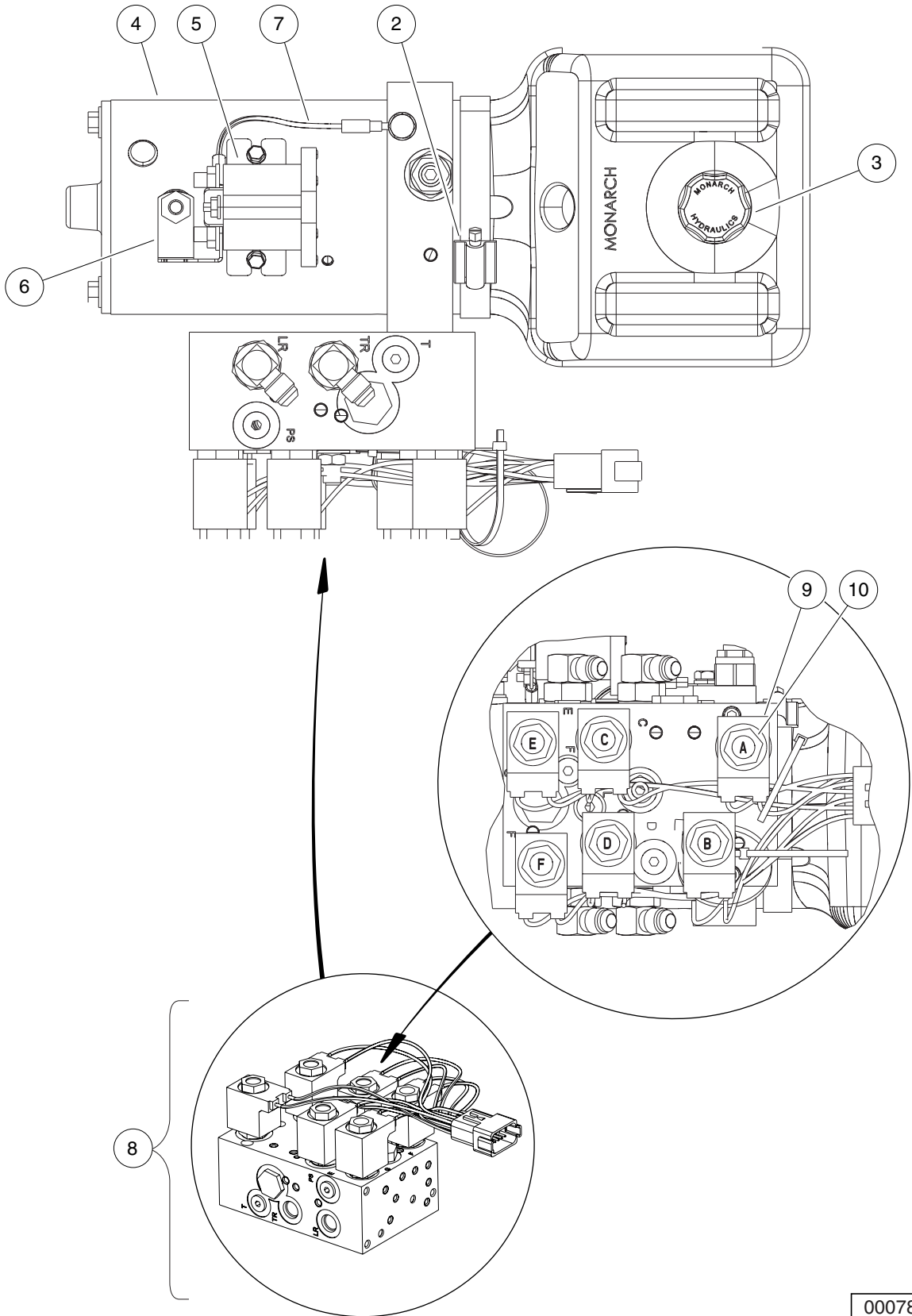
ITEM	PART NO.	DESCRIPTION	QTY
		1 2 3 4	
1	<u>102930501</u>	Kit, Angle, Hyd, Attachment (includes items 2 through 7)	1
2	<u>102926301</u>	Fitting, Elbow, 90, Hyd	2
3	<u>102926401</u>	Asm, Hose, Ang, Hyd	2
4	<u>102926501</u>	Cylinder, Attach, Ang, Hyd	1
5	<u>102926601</u>	Bearing, Fiber, -12	4
6	<u>102926701</u>	Coupler, Ff, Male, 1/2	1
7	<u>102926801</u>	Coupler, Ff, Fem, 1/2	1

1

D

1

D



000788-001

HYDRAULIC POWER UNIT COMPONENTS

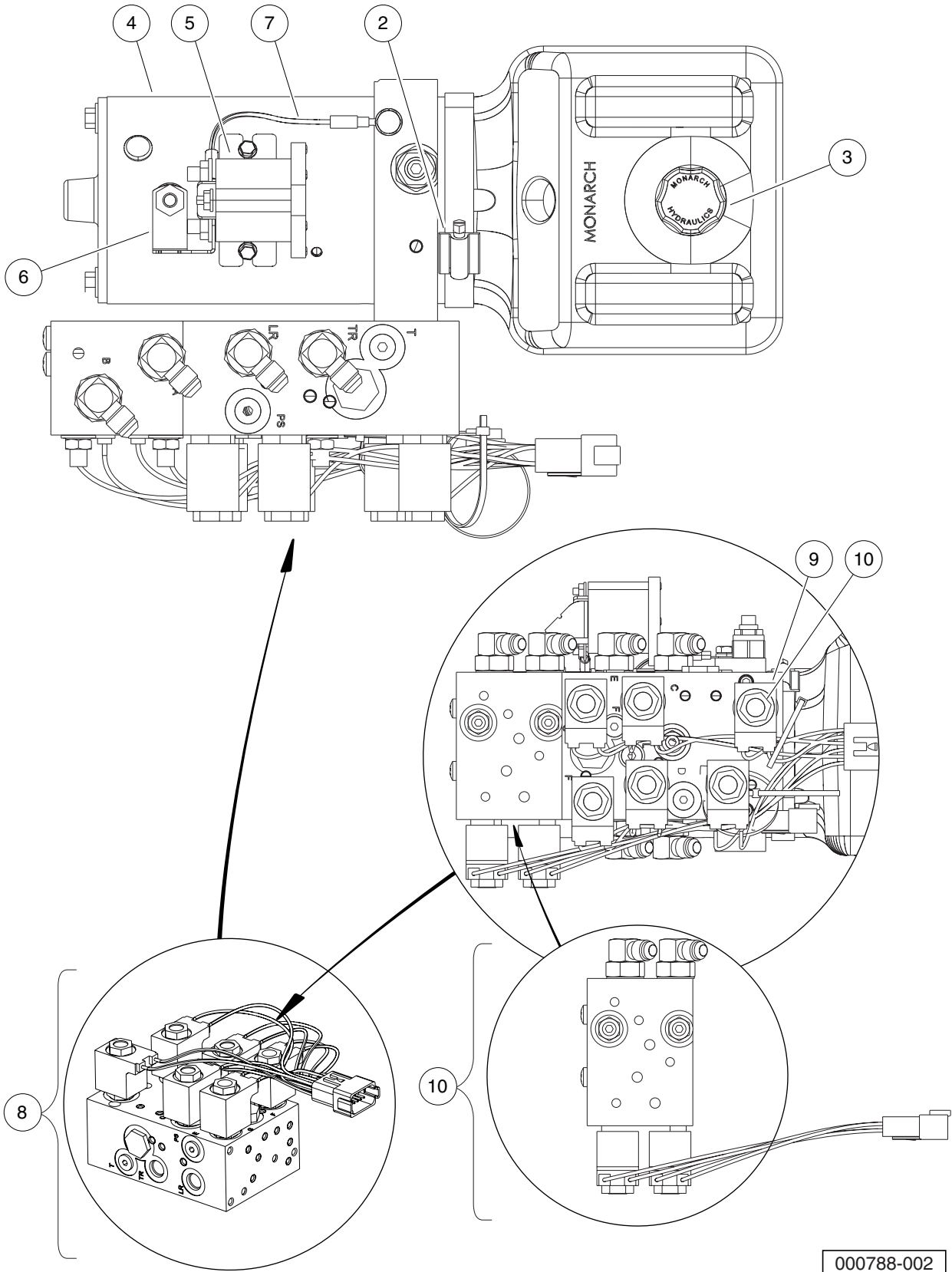
ITEM	PART NO.	DESCRIPTION	QTY
		1 2 3 4	
1	<u>102784001</u>	Power Unit, DC Hydraulic Std (includes items 2 through 8)	1
2	<u>102928001</u>	Clamp, Hose, Worm, Rsv, M-ser	1
3	<u>102928101</u>	Plug, Resv, Breather-filler	1
4	<u>102928201</u>	Motor, Dc, 12v, 4.5 In, I Trm	1
5	<u>102928301</u>	Switch, Sol Act Mtr St, 12vdc	1
6	<u>102928401</u>	Strap, Motor-solenoid Conn	1
7	<u>102928501</u>	Asm, Ctrlwire, 16awg, Hs, Ring	1
8	<u>102928601</u>	Asm, Valve, 4w/4w, Cartridge (includes items 9 and 10)	1
9	<u>102928901</u>	Coil, 10vdc, #8, 2lead, Diode	6
10	<u>1308</u>	Nut, 1/2-20 Hex	6

1

D

1

D



000788-002

HYDRAULIC POWER UNIT WITH AUXILLARY COMPONENTS

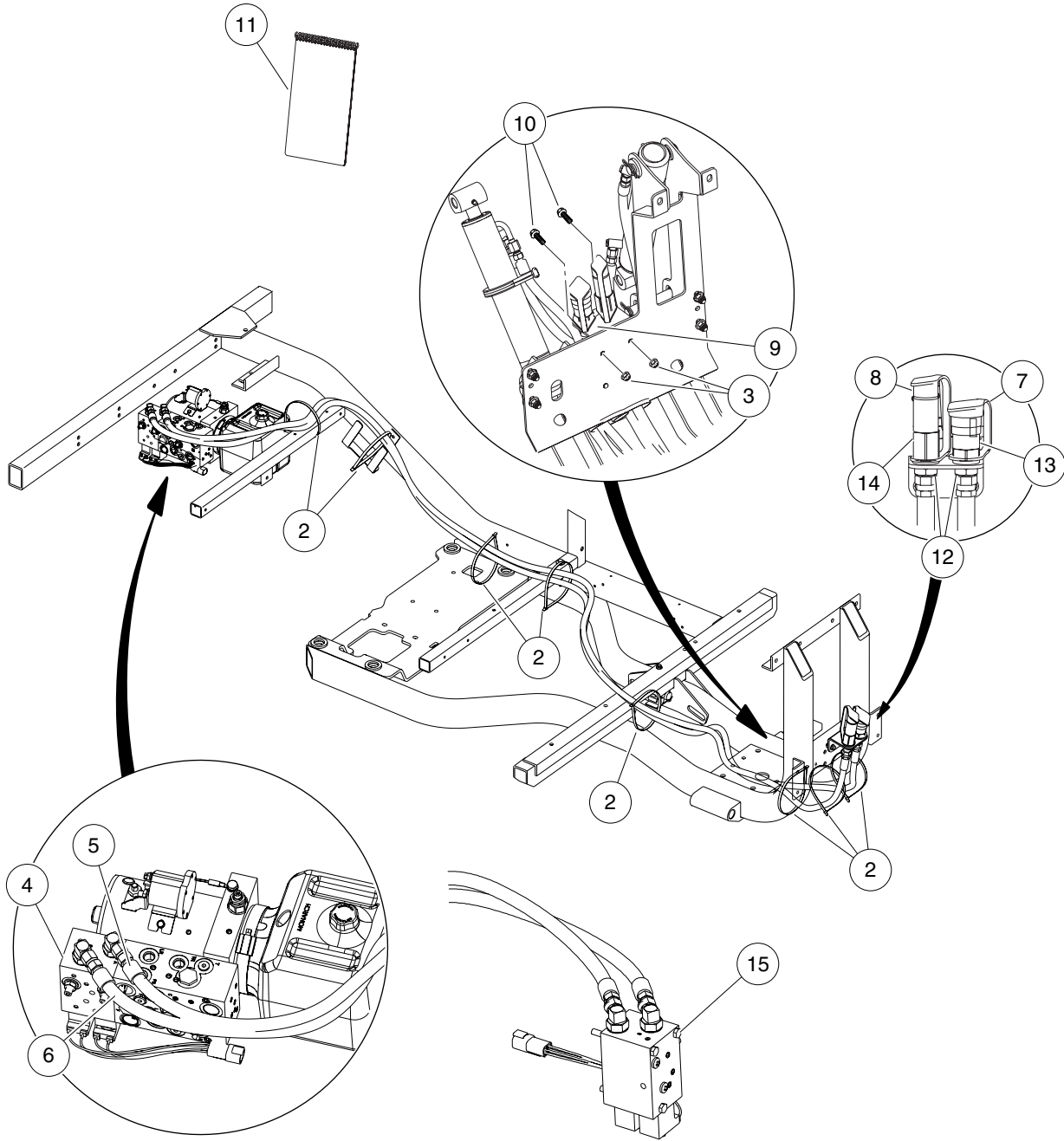
ITEM	PART NO.	DESCRIPTION	QTY
		1 2 3 4	
1	<u>102784002</u>	Power Unit, DC Hydraulic with Auxillary (includes items 2 through 11)	1
2	<u>102928001</u>	Clamp, Hose, Worm, Rsv, M-ser	1
3	<u>102928101</u>	Plug, Resv, Breather-filler	1
4	<u>102928201</u>	Motor, Dc, 12v, 4.5 In, I Trm	1
5	<u>102928301</u>	Switch, Sol Act Mtr St, 12vdc	1
6	<u>102928401</u>	Strap, Motor-solenoid Conn	1
7	<u>102928501</u>	Asm, Ctrlwire, 16awg, Hs, Ring	1
8	<u>102928601</u>	Asm, Valve, 4w/4w, Cartridge (includes items 9 and 10)	1
9	<u>102928901</u>	Coil, 10vdc, #8, 2lead, Diode	6
10	<u>1308</u>	Nut, 1/2-20 Hex	6
11	<u>102928701</u>	Asm, Valve, 4w Section	1

1

D

1

D



000557-001

STANDARD TO AUXILLIARY HYDRAULIC CONVERSION KIT

ITEM	PART NO.	DESCRIPTION	QTY
		1 2 3 4	
1	<u>102785401</u>	Kit, Hydraulic, Aux (includes items 2 through 15)	1
2	<u>102025401</u>	Tie Wrap, Heavy Duty	8
3	<u>102741601</u>	Nut Flg M8 X 1.25 Gr 10	2
4	<u>102784003</u>	Power Unit, DC Hydraulic, Auxillary	1
5	<u>102785001</u>	Hose, -6jic Stf -6jic Stf A	1
6	<u>102785101</u>	Hose, -6jic Stf -8jic Stf B	1
7	<u>102794801</u>	Coupling, Female Quick -6jic	1
8	<u>102794901</u>	Coupling, Male Quick -6jic	1
9	<u>102922601</u>	Bracket, Hydraulic, Auxiliary	1
10	<u>102922701</u>	Fhcs, M8x1.25x20 Lock Patch	2
11	<u>102923601</u>	Instruction, Hyd, Aux	1
12	<u>102923801</u>	Nut, Lock, Hyd Tube, 3/4-16	2
13	<u>102973501</u>	Cap, Quick Connect, Female	1
14	<u>102973601</u>	Cap, Quick Connect, Male	1
15	<u>103409001</u>	Screw, 1/4-20 X 3.5 Hex, Cap	3

1

D

1

D

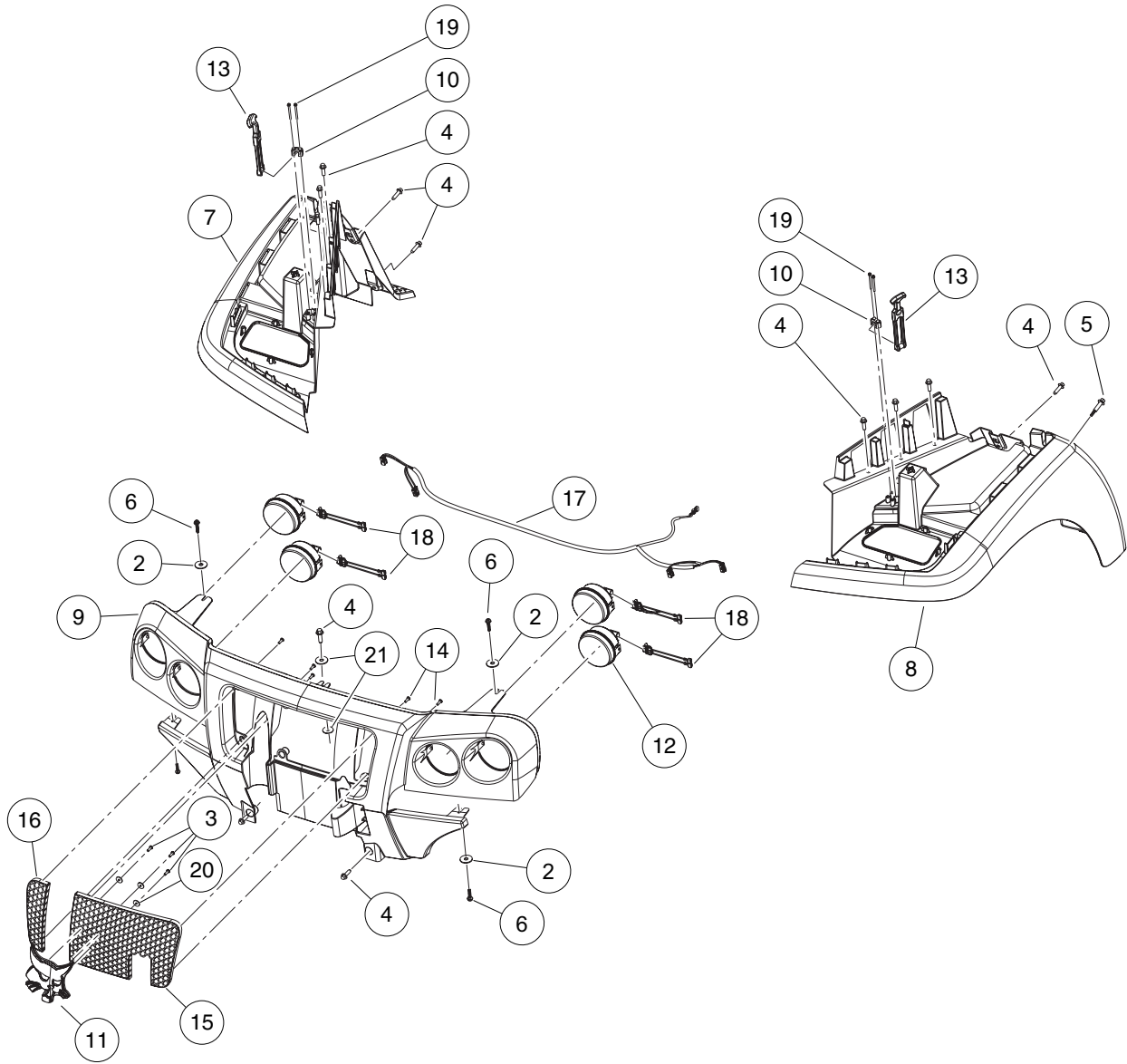
BODY AND TRIM

2

D

2

D



000559-002

FASCIA AND FENDERS

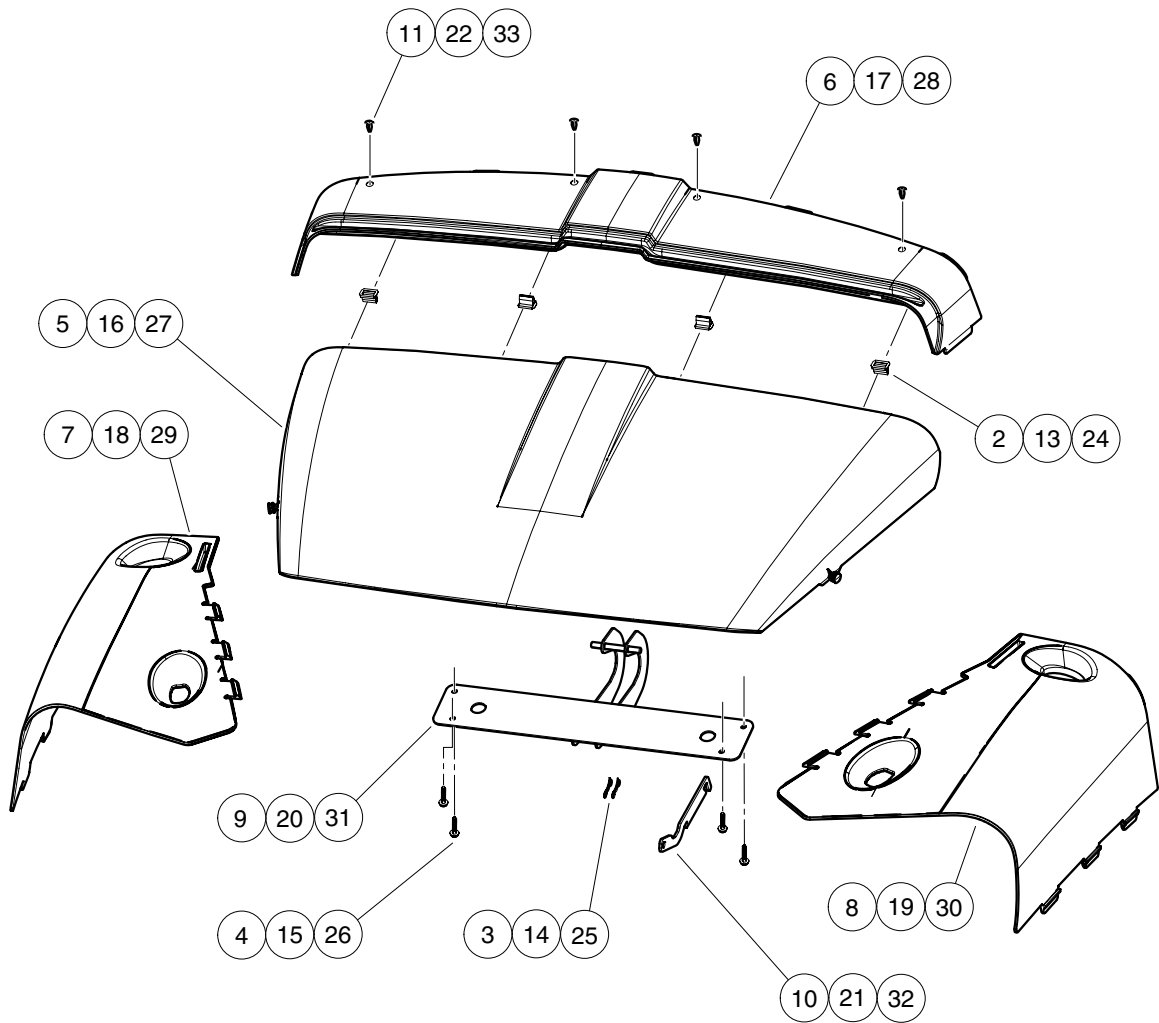
ITEM	PART NO.	DESCRIPTION	QTY
		1 2 3 4	
1	N/A	Instl, Fascia & Fenders, 2300 (includes items 2 through 21)	1
2	<u>1011578</u>	Washer, 5/16 Type B Flat	4
3	<u>101804301</u>	Screw, #8 X 0.500, Hex-Head Hi-Lo	3
4	<u>102289001</u>	Screw, M8X1.25X30, Hex	13
5	<u>102292356</u>	Screw-1/4-20x56 Hwh Self Drill	2
6	<u>102297230</u>	Screw,m6,torx,interlock,thread	4
7	<u>102866901</u>	Fender, Front, Pass, AWD	1
8	<u>102867001</u>	Fender, Front, Drv, AWD	1
9	<u>102867602</u>	Fascia, Dual Round w/ Cut	1
10	<u>102882401</u>	Bracket, Latch, Draw	2
11	<u>102883501</u>	Emblem, Bobcat	1
12	<u>102885001</u>	Headlight, 4 In Round	4
13	<u>102895101</u>	Latch, Draw, Hood	2
14	<u>102895401</u>	Screw, D50x16, Torx PN Hd PT	6
15	<u>102978801</u>	Grill, Hex Cut, DS	1
16	<u>102978901</u>	Grill, Hex, Cut, PS	1
17	<u>103213201</u>	Harness, Bct/huv Restyle Headlight	1
18	<u>103213501</u>	Harness, Headlight, Bct	4
19	<u>103218107</u>	Screw, #8x2.00 AB Thd, Hex Hd	4
20	<u>332</u>	Washer, 1/4 Type A Narrow Flat	3
21	<u>808</u>	Washer, 3/8 Type B Flat	2

2

D

2

D



000508-002

COWL ASSEMBLY

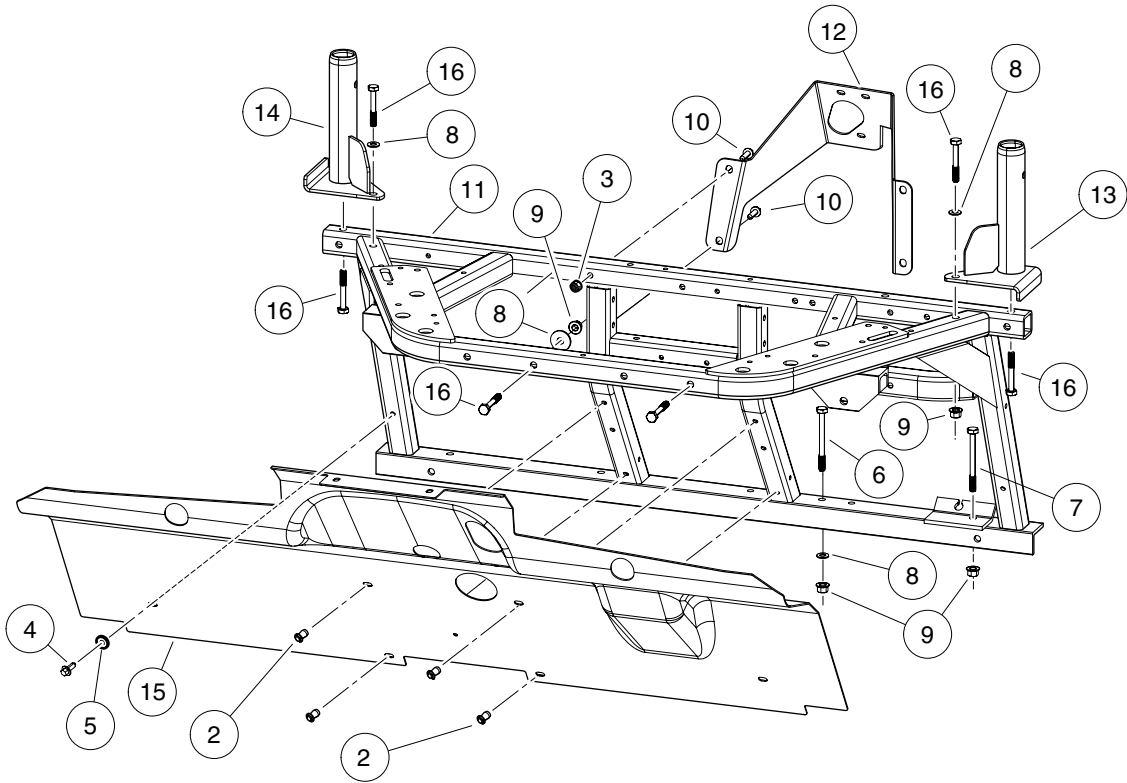
2

D

ITEM	PART NO.	DESCRIPTION	QTY
		1 2 3 4	
1	N/A	Option, Color, Bct, White (includes items 2 through 11)	1
2	<u>102292701</u>	Clip-body-trim	4
3	<u>102292801</u>	Pin, Bow Tie Locking - .072	2
4	<u>102297230</u>	Screw,m6,torx,interlock,thread	4
5	102866516	Hood, White	1
6	<u>102866616</u>	Panel, Cowl, Center, White	1
7	102866716	Panel, Cowl, Ps, White	1
8	102866816	Panel, Cowl, Drv, White	1
9	<u>102896401</u>	Weldment, Hinge, Hood	1
10	<u>102896501</u>	Prop, Hood	1
11	<u>102967901</u>	Rivet, Removable, Tuflok 1/4"	4
12	N/A	Option, Color, Bct, Camo (includes items 13 through 22)	1
13	<u>102292701</u>	Clip-body-trim	4
14	<u>102292801</u>	Pin, Bow Tie Locking - .072	2
15	<u>102297230</u>	Screw,m6,torx,interlock,thread	4
16	<u>102866518</u>	Hood, Real Tree Camo	1
17	<u>102866618</u>	Panel, Cowl, Center, Real Tree Camo	1
18	<u>102866718</u>	Panel, Cowl, Passenger-Side, Real Tree Camo	1
19	<u>102866818</u>	Panel, Cowl, Driver-Side, Real Tree Camo	1
20	<u>102896401</u>	Weldment, Hinge, Hood	1
21	<u>102896501</u>	Prop, Hood	1
22	<u>102967901</u>	Rivet, Removable, Tuflok 1/4"	4
23	103181520	Option, Color, Bct, Dlx Camo (includes items 24 through 32)	1
24	<u>102292701</u>	Clip-body-trim	4
25	<u>102292801</u>	Pin, Bow Tie Locking - .072	2
26	<u>102297230</u>	Screw,m6,torx,interlock,thread	4
27	<u>102866518</u>	Hood, Real Tree Camo	1
28	<u>102866618</u>	Panel, Cowl, Center, Real Tree Camo	1
29	<u>102866718</u>	Panel, Cowl, Passenger-Side, Real Tree Camo	1
30	<u>102866818</u>	Panel, Cowl, Driver-Side, Real Tree Camo	1
31	<u>102896401</u>	Weldment, Hinge, Hood	1
32	<u>102896501</u>	Prop, Hood	1

2

D



000521-001

FRONT BODY COMPONENTS

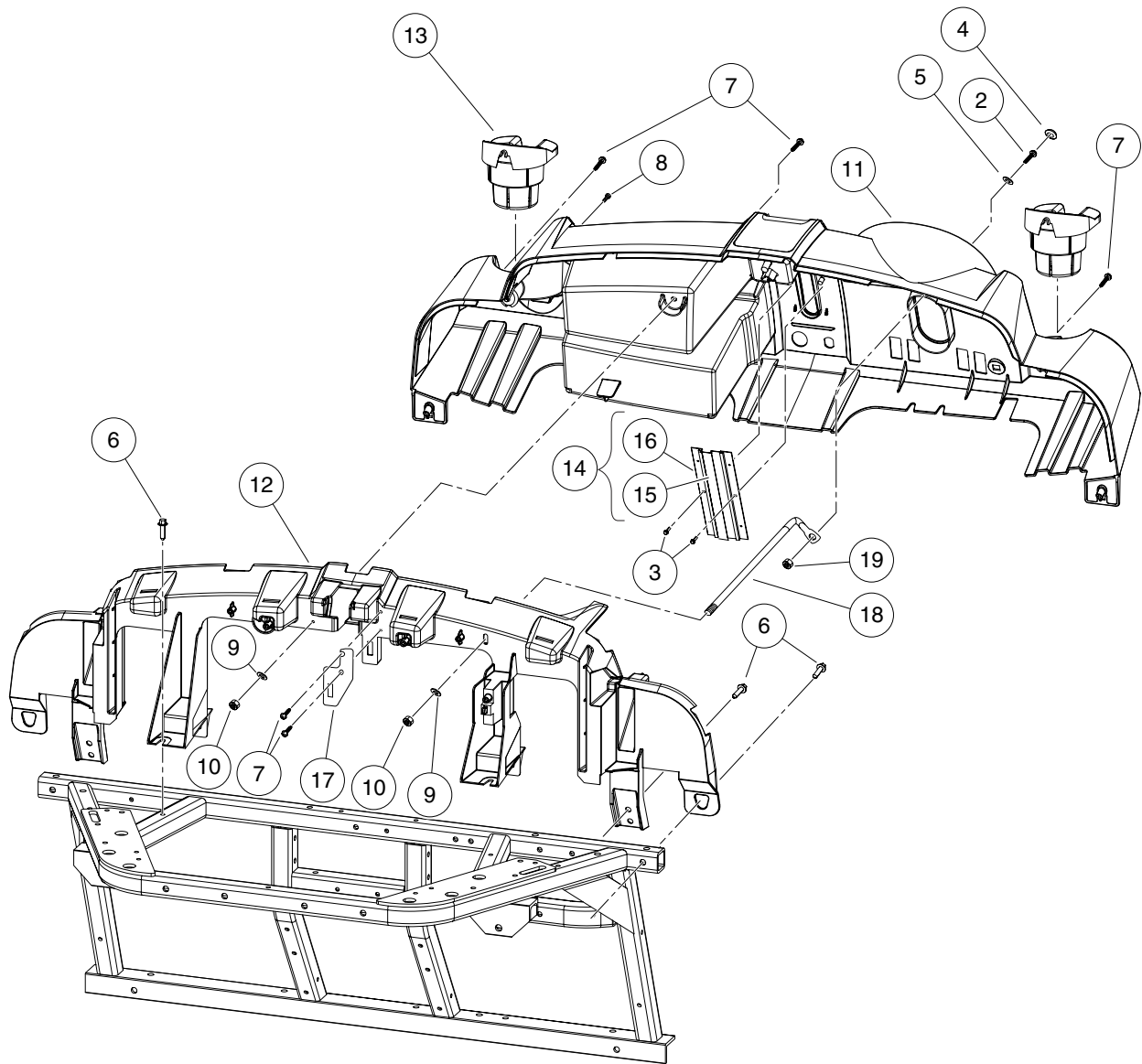
ITEM	PART NO.	DESCRIPTION	QTY
		1 2 3 4	
1	N/A	Instl, Cowl Weldmnt/Splash Guard (includes items 2 through 16)	1
2	<u>1016967</u>	Blind Rivet, Push Type	4
3	<u>102298401</u>	Nut,m8,all Metal Lock	2
4	<u>102298720</u>	M8-1.25x20 Taptite	2
5	<u>102323501</u>	Washer, Flat, 3/8, Blk Fin	2
6	<u>102491301</u>	Bolt, M10x1.50x100 (Black)	3
7	<u>102491302</u>	Bolt, M10 X 1.50 X 110 Black	1
8	<u>102491501</u>	Washer Hard,m10	12
9	<u>102617201</u>	Nut Flg M10 X 1.5 Mech Def	10
10	<u>102618301</u>	Bolt Flanged Head, M8 X 1.25 X 65	2
11	<u>102935501</u>	Weldment, Dash, Front	1
12	<u>102977201</u>	Bracket, Column, Steering	1
13	<u>102983201</u>	Weldment, Front, Base, ROPS, Right-Hand	1
14	<u>102983601</u>	Weldment, Front, Base, ROPS, Left-Hand	1
15	<u>103296001</u>	Guard, Splash, Gas Injection	1
16	<u>96715552</u>	Bolt, M10 X 1.50 X 65	8

2

D

2

D



000519-001

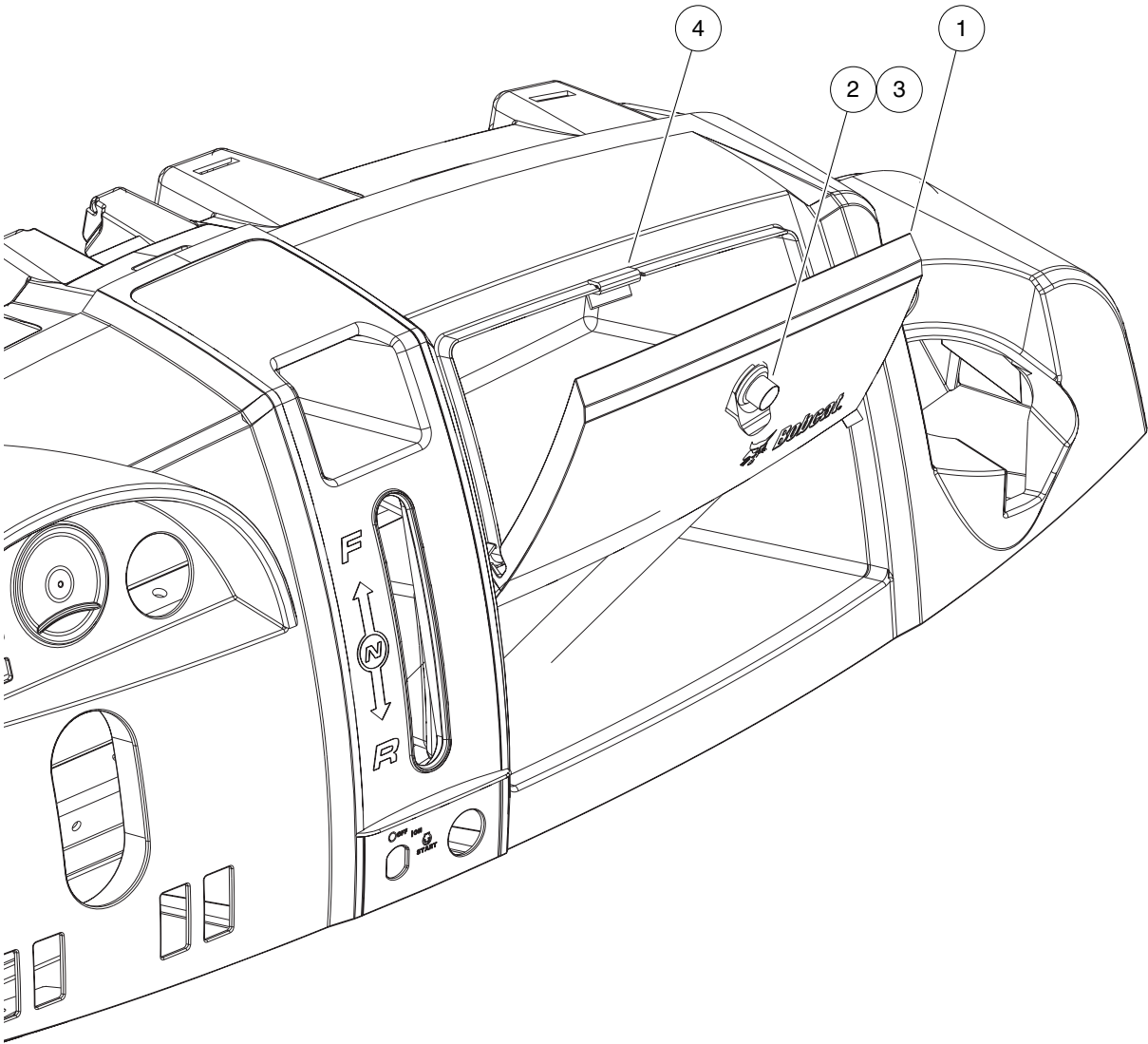
2

D

ITEM	PART NO.	DESCRIPTION	QTY
		1 2 3 4	
1	N/A	Instl, Dash (includes items 2 through 19)	1
2	1016916	Screw, 1/4-20 X 1.50 Hex-Head Cap	1
3	<u>101804301</u>	Screw, #8 X 0.500, Hex-Head Hi-Lo	2
4	<u>102045001</u>	Cap, 1/4" Plastic Screw Head	1
5	<u>102048401</u>	Washer, 1/4 Id Scalloped Plast	1
6	<u>102289001</u>	Screw, M8X1.25X30, Hex	6
7	<u>102297230</u>	Screw,m6,torx,interlock,thread	5
8	<u>102298580</u>	M8-1.25 X 80 Sems	1
9	<u>102491501</u>	Washer Hard,m10	2
10	102618601	Lock Nut, Flg M8 X 1.25 Nylon	2
11	<u>102867101</u>	Dash, Design A	1
12	<u>102867301</u>	Support, Structural	1
13	<u>102883401</u>	Cup Holder, Utility	2
14	<u>103233001</u>	Asm, Brush, Fnr (includes items 15 and 16)	2
15	<u>103179901</u>	Brush, Strip, FNR	2
16	<u>103180001</u>	Holder, Brush, Strip, Fnr	2
17	<u>103253801</u>	Bracket, Hood Support	1
18	<u>103268001</u>	Rod, Connection, Dash	1
19	<u>8233</u>	Locknut, 1/4-20 Nylon Insert	1

2

D



000789-002

GLOVE BOX

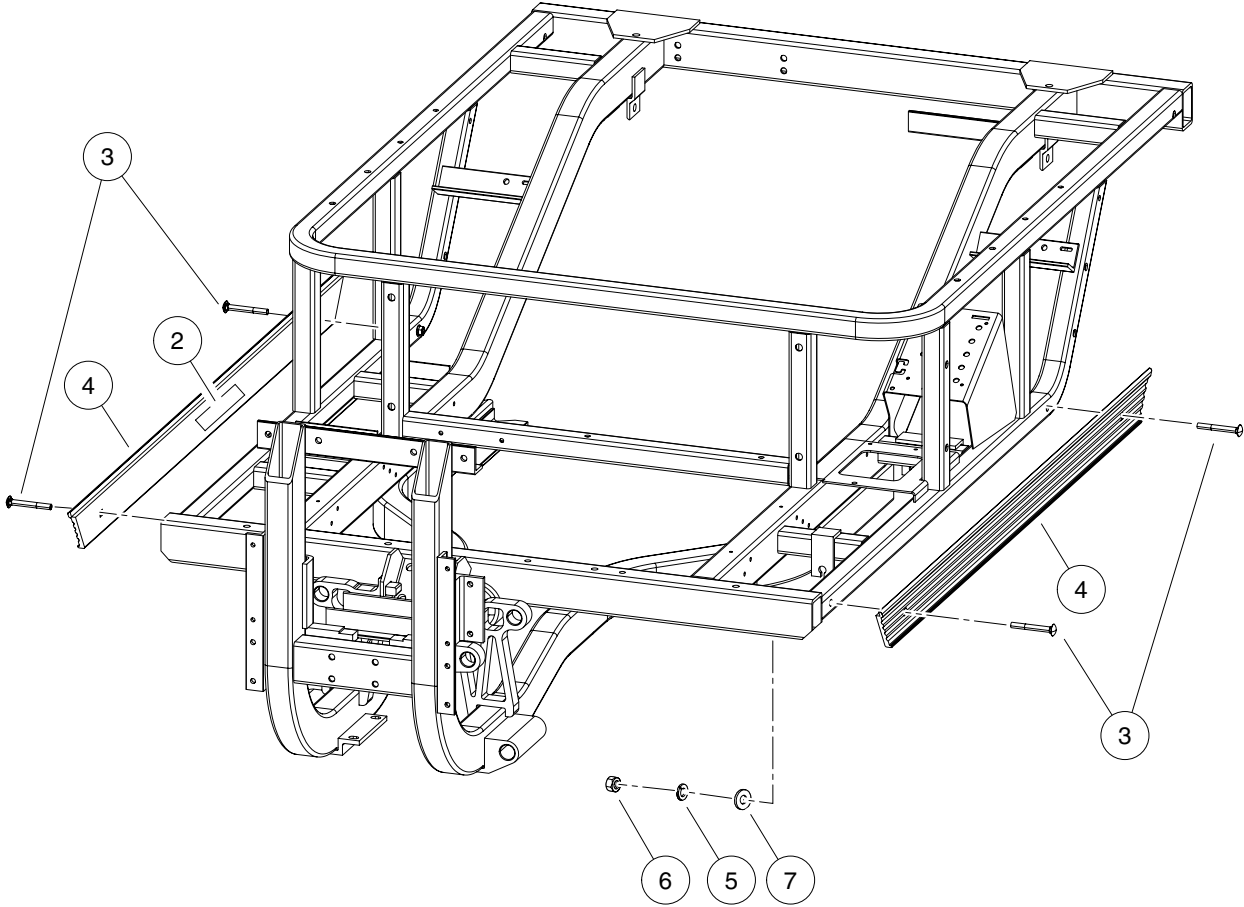
ITEM	PART NO.	DESCRIPTION	QTY
		1 2 3 4	
1	<u>102867202</u>	Cover, Storage, Dash, Awd, Cci	1
2	<u>103182701</u>	Latch, Push Close	1
3	<u>103182702</u>	Latch, Push Close W/ Key	1
4	<u>103182801</u>	Keeper, Latch, Push Close	1

2

D

2

D



000527-001

SIDE STRINGERS

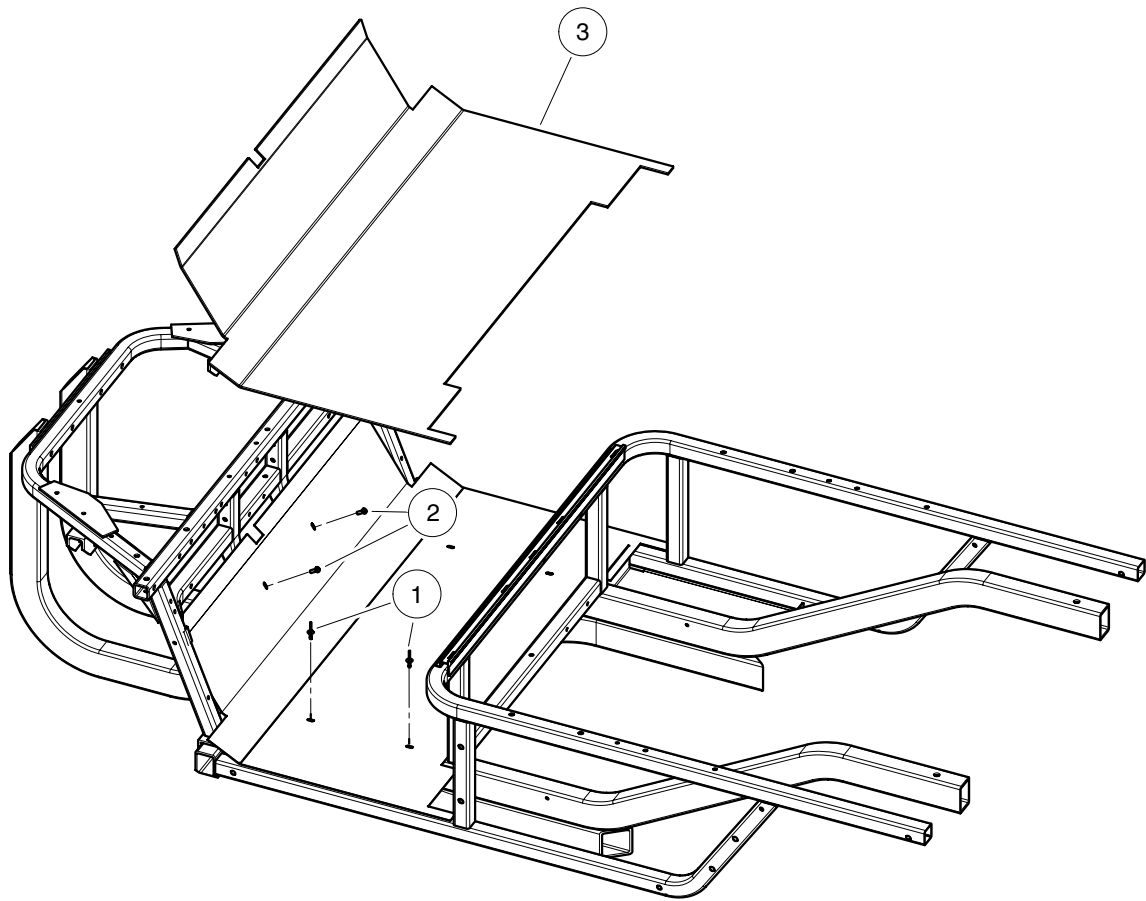
ITEM	PART NO.	DESCRIPTION	QTY
		1 2 3 4	
1	N/A	Instl, Stringer, Black (includes items 2 through 7)	1
2	<u>102185401</u>	Tape, 3M VHB 4950	A/R
3	<u>102950402</u>	Bolt, 3/8-16 X 3, Carriage Blk	4
4	<u>102950503</u>	Stringer, Side, 1349.25, Black	2
5	<u>357</u>	Washer, Lock, Hel Sp 3/8 Reg	4
6	<u>706</u>	Nut, Hex 3/8-16	4
7	<u>808</u>	Washer, 3/8 Type B Flat	4

2

D

2

D



000520-001

FLOOR MAT

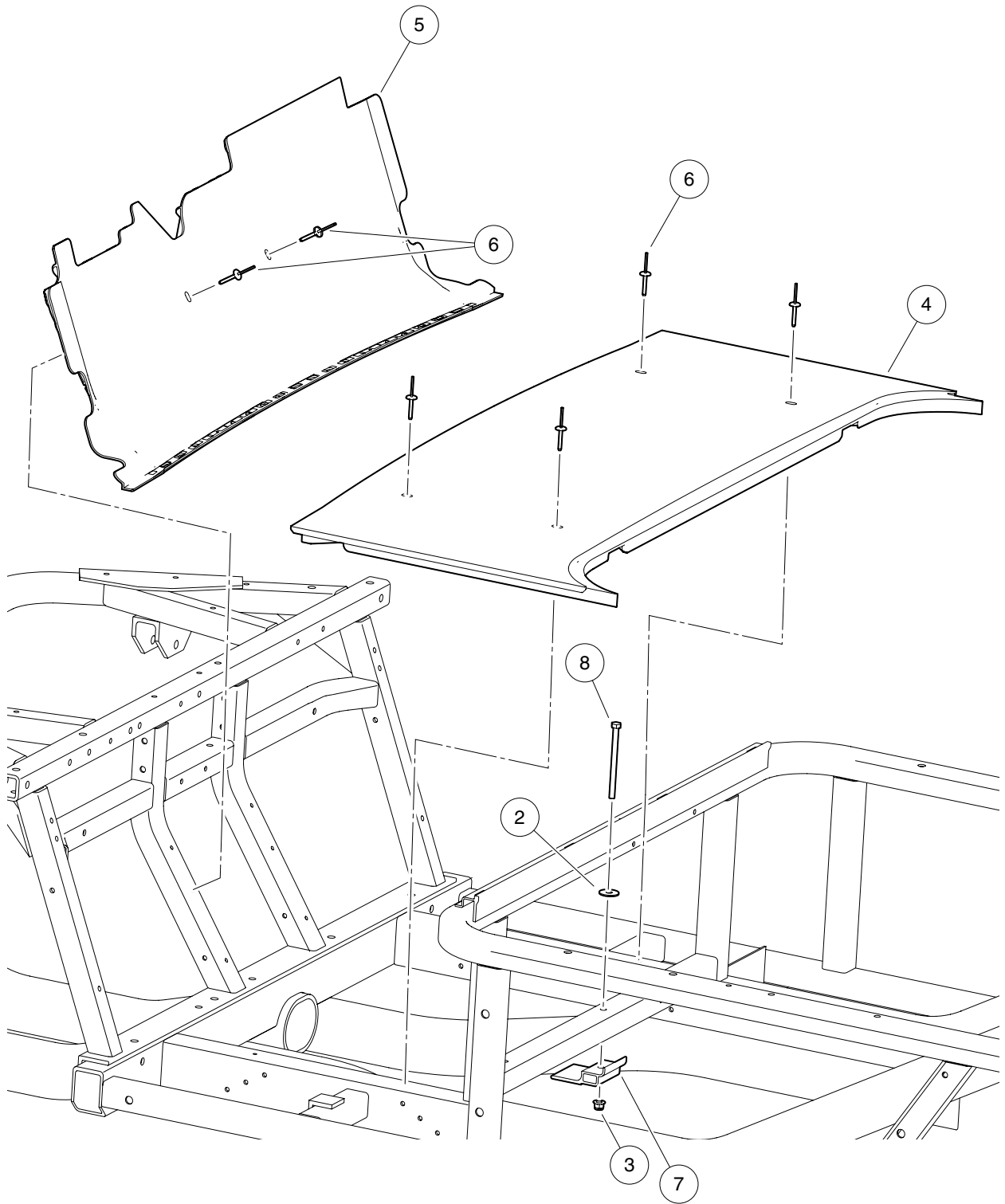
ITEM	PART NO.	DESCRIPTION	QTY
		1 2 3 4	
1	<u>1015392</u>	Rivet, 3/16 Pop	4
2	<u>102025801</u>	Screw, 1/4-20 X .75 Torx Pn Hd	2
3	<u>102895701</u>	Floor Mat	1

2

D

2

D



000790-001

FLOORBOARD

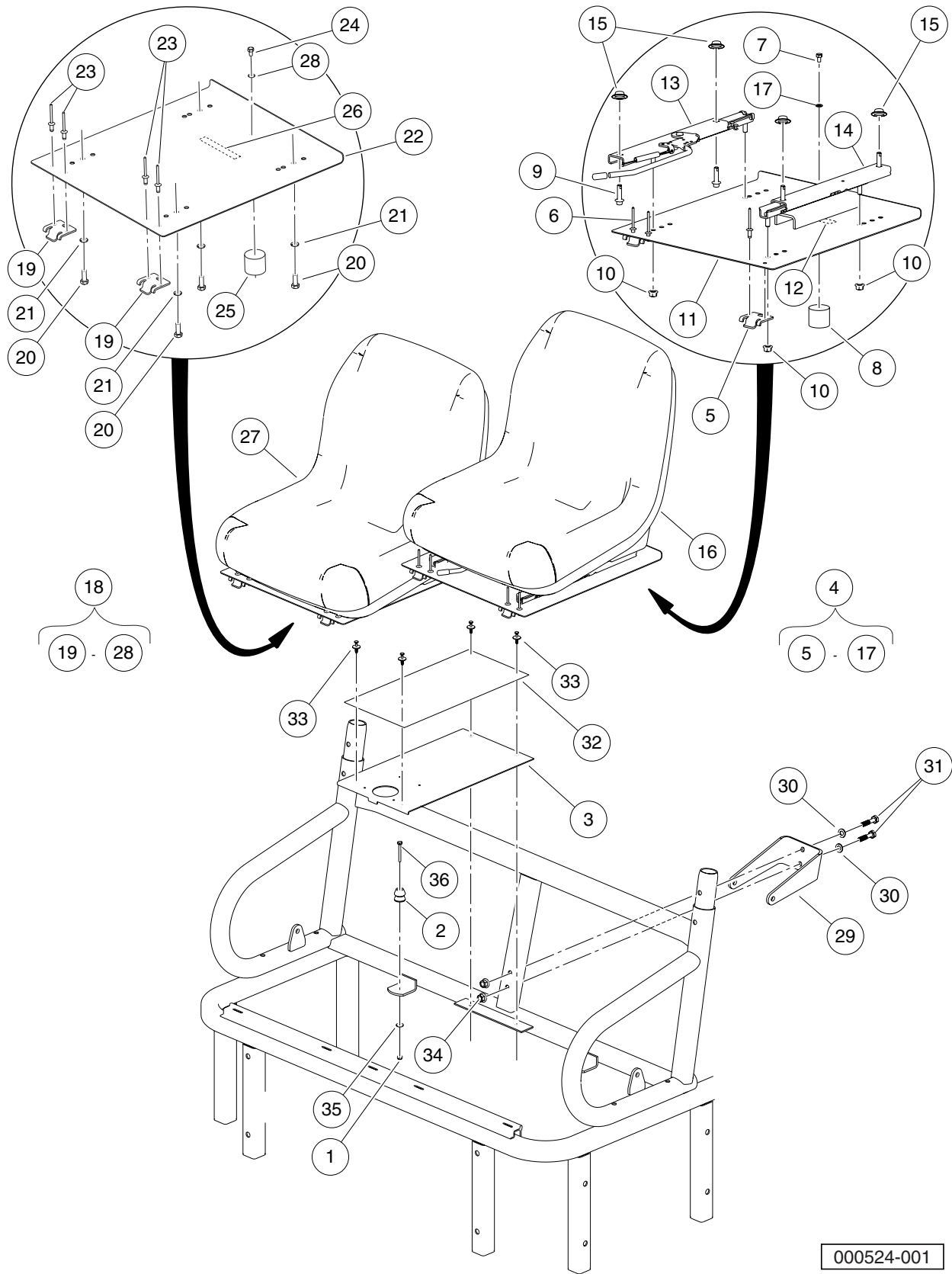
ITEM	PART NO.	DESCRIPTION	QTY
		1 2 3 4	
1	102868501	Instl, Floorboard (includes items 2 through 8)	1
2	<u>1011578</u>	Washer, 5/16 Type B Flat	1
3	102618601	Lock Nut, Flg M8 X 1.25 Nylon	1
4	<u>103319601</u>	Floorboard, Lower	1
5	<u>103319701</u>	Floorboard, Upper	1
6	<u>103400001</u>	3/16 X 1.19 Alum Rivet, Blk	6
7	<u>103417401</u>	Bracket, Support, Floorboard	1
8	<u>103423701</u>	Bolt, M8 X 1.25 X 110	1

2

D

2

D



000524-001

BUCKET SEATS – GRAY

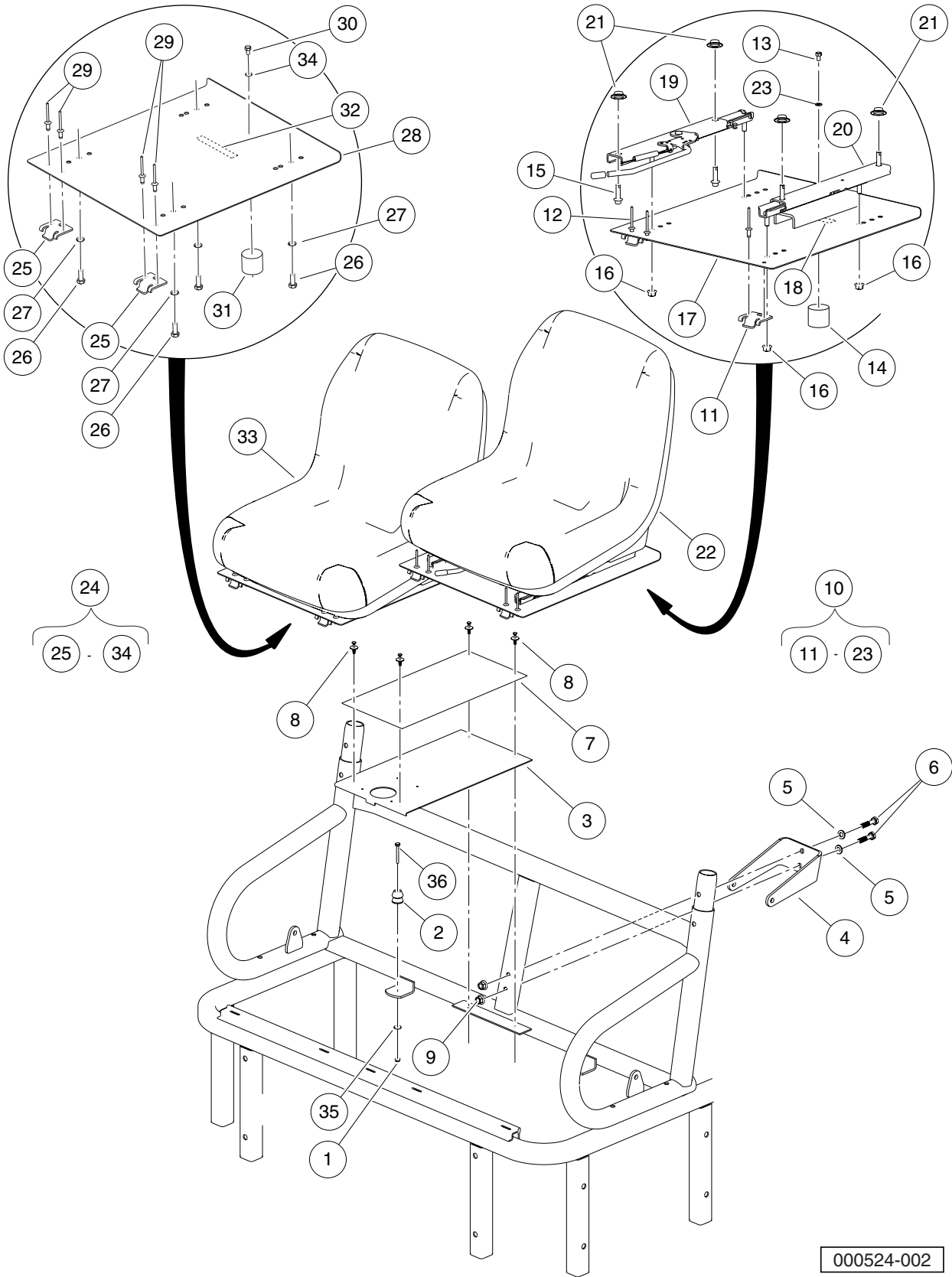
ITEM	PART NO.	DESCRIPTION	QTY
		1 2 3 4	
1	<u>101887601</u>	Locknut, M6-1.00 Nylon Insert	2
2	<u>102059001</u>	Seat Holder Base	2
3	<u>102442001</u>	Pan, Center, Closeout	1
4	<u>102473701</u>	Asm, Bucket Seat Adjustable (includes items 5 through 17)	1
5	<u>1011652</u>	Hinge Plate	2
6	<u>102047001</u>	Rivet, 1/4 X .438 Blind	4
7	<u>102059401</u>	Screw, 6m-1.00 X 10mm Hex Head	1
8	<u>102061101</u>	Seat Holder Cup	1
9	<u>102298130</u>	Bolt, Flange Head, M8 X 30.0	4
10	<u>102298401</u>	Nut,m8,all Metal Lock	4
11	<u>102456001</u>	Pan, Seat, Driver Asm	1
12	<u>102458901</u>	Decal, Hot Surface Warning	1
13	<u>102473501</u>	Adjuster, Forward/Aft	1
14	<u>102473601</u>	Adjuster, Slider	1
15	<u>102475901</u>	Washer, Bell	4
16	<u>103267001</u>	Seat, Bucket, Gray	1
17	<u>451</u>	Lockwasher, 1/4 Helical Split	1
18	N/A	Assembly, Bucket Seat w/Spacers (includes items 19 through 28)	1
19	<u>1011652</u>	Hinge Plate	2
20	<u>1012830</u>	Screw, M8-125 X 22 Hex-Head	4
21	<u>1013734</u>	Lockwasher, 8mm Split	4
22	<u>102023703</u>	Pan, Seat, Passenger	1
23	<u>102047001</u>	Rivet, 1/4 X .438 Blind	4
24	<u>102059401</u>	Screw, 6m-1.00 X 10mm Hex Head	1
25	<u>102061101</u>	Seat Holder Cup	1
26	<u>102458901</u>	Decal, Hot Surface Warning	1
27	<u>103267001</u>	Seat, Bucket, Gray	1
28	<u>451</u>	Lockwasher, 1/4 Helical Split	1
29	<u>102670601</u>	Bracket, Seatbelt, Bolt-On	1
30	<u>102718101</u>	Washer, Hard, M10, Zn-Ni/Blk	2
31	<u>102732401</u>	Bolt, M10 X 45, Zn-Ni (Black)	2
32	<u>102763701</u>	Cover, Center Console	1
33	<u>102967901</u>	Rivet, Removable, Tuflok 1/4"	4
34	<u>103216401</u>	Nut, Flanged, M10 x 1.5, Black	2
35	<u>332</u>	Washer, 1/4 Type A Narrow Flat	2
36	<u>96742515</u>	Bolt, M6 X 1 X 45	2

2

D

2

D



000524-002

BUCKET SEATS – BLACK

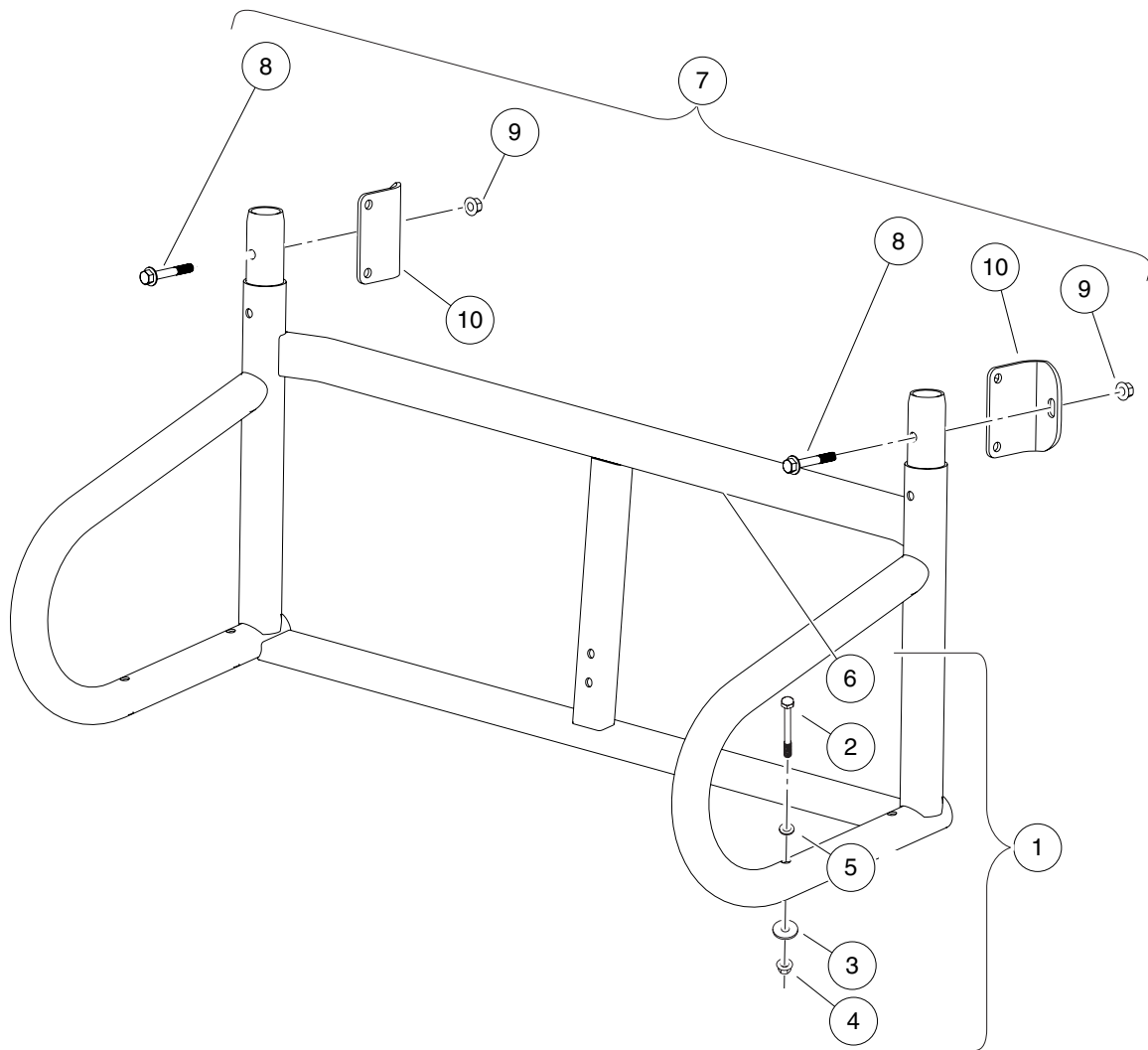
ITEM	PART NO.	DESCRIPTION	QTY
		1 2 3 4	
1	<u>101887601</u>	Locknut, M6-1.00 Nylon Insert	2
2	<u>102059001</u>	Seat Holder Base	2
3	<u>102442001</u>	Pan, Center, Closeout	1
4	<u>102670601</u>	Bracket, Seatbelt, Bolt-On	1
5	<u>102718101</u>	Washer, Hard, M10, Zn-Ni/Blk	2
6	<u>102732401</u>	Bolt, M10 X 45, Zn-Ni (Black)	2
7	<u>102763701</u>	Cover, Center Console	1
8	<u>102967901</u>	Rivet, Removable, Tuflok 1/4"	4
9	<u>103216401</u>	Nut, Flanged, M10 x 1.5, Black	2
10	<u>103218901</u>	Asm, Bracket Seat, Adj, Blk (includes items 11 through 23)	1
11	<u>1011652</u>	Hinge Plate	2
12	<u>102047001</u>	Rivet, 1/4 X .438 Blind	4
13	<u>102059401</u>	Screw, 6m-1.00 X 10mm Hex Head	1
14	<u>102061101</u>	Seat Holder Cup	1
15	<u>102298130</u>	Bolt, Flange Head, M8 X 30.0	4
16	<u>102298401</u>	Nut,m8,all Metal Lock	4
17	<u>102456001</u>	Pan, Seat, Driver Asm	1
18	<u>102458901</u>	Decal, Hot Surface Warning	1
19	<u>102473501</u>	Adjuster, Forward/Aft	1
20	<u>102473601</u>	Adjuster, Slider	1
21	<u>102475901</u>	Washer, Bell	4
22	<u>103267002</u>	Seat, Bucket, Black	1
23	<u>451</u>	Lockwasher, 1/4 Helical Split	1
24	N/A	Asm, Bracket Seat, Passenger, Blk (includes items 25 through 34)	1
25	<u>1011652</u>	Hinge Plate	2
26	<u>1012830</u>	Screw, M8-125 X 22 Hex-Head	4
27	<u>1013734</u>	Lockwasher, 8mm Split	4
28	<u>102023703</u>	Pan, Seat, Passenger	1
29	<u>102047001</u>	Rivet, 1/4 X .438 Blind	4
30	<u>102059401</u>	Screw, 6m-1.00 X 10mm Hex Head	1
31	<u>102061101</u>	Seat Holder Cup	1
32	<u>102458901</u>	Decal, Hot Surface Warning	1
33	<u>103267002</u>	Seat, Bucket, Black	1
34	<u>451</u>	Lockwasher, 1/4 Helical Split	1
35	<u>332</u>	Washer, 1/4 Type A Narrow Flat	2
36	<u>96742515</u>	Bolt, M6 X 1 X 45	2

2

D

2

D



000560-001

LOWER ROPS

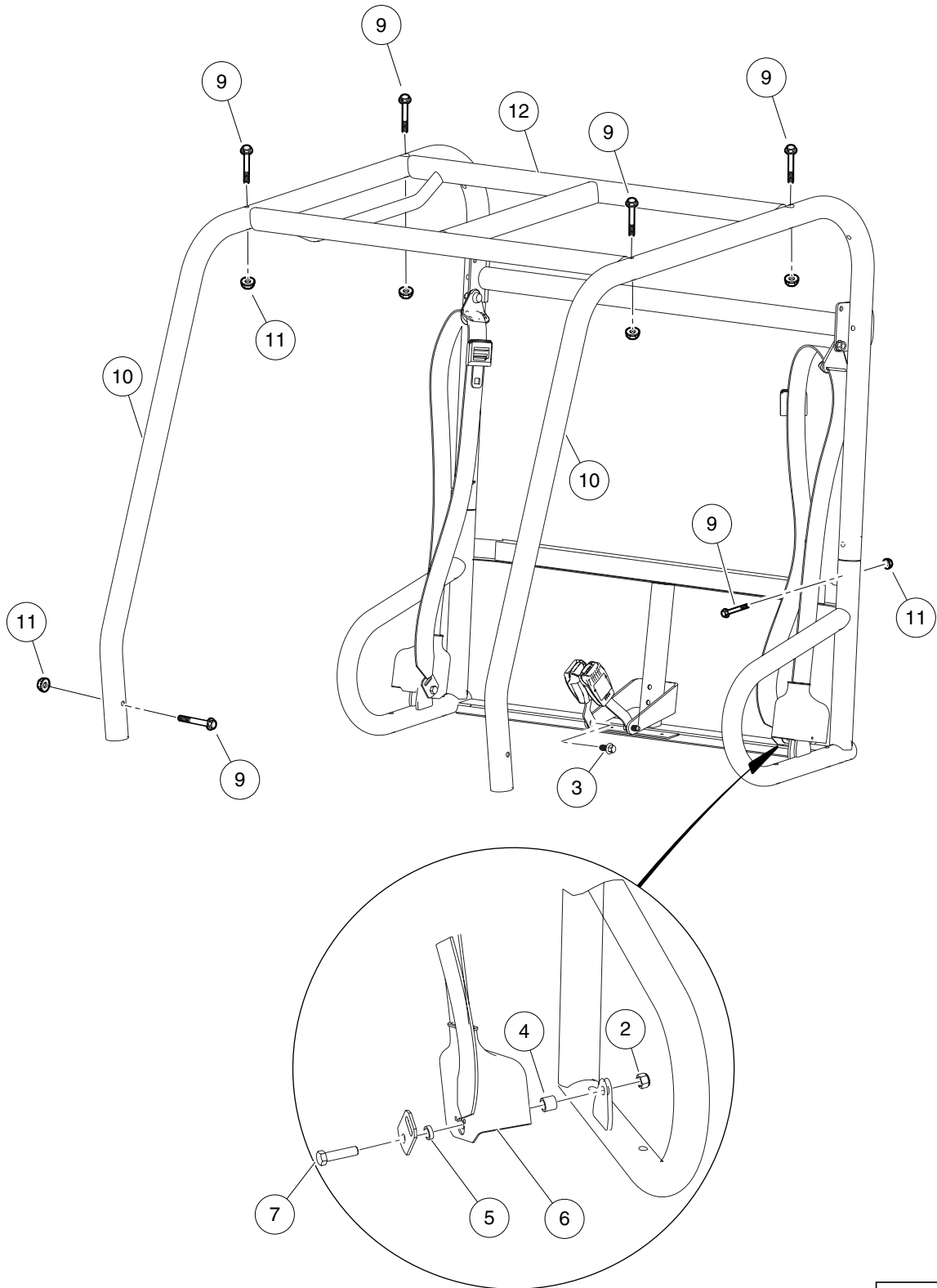
ITEM	PART NO.	DESCRIPTION	QTY
		1 2 3 4	
1	N/A	Instl, Rops, Lower (includes items 2 through 6)	1
2	<u>102491301</u>	Bolt, M10x1.50x100 (Black)	4
3	<u>102491501</u>	Washer Hard,m10	4
4	<u>102617201</u>	Nut Flg M10 X 1.5 Mech Def	4
5	<u>102718101</u>	Washer, Hard, M10, Zn-Ni/Blk	4
6	<u>103361701</u>	Weldment,seat Support,hs,rops	1
7	N/A	Instl, Rear Brace, Head Rest (includes items 8 through 10)	1
8	<u>102988701</u>	Bolt, Flanged, M10 X 1.5 X 65	2
9	<u>103216401</u>	Nut, Flanged, M10 x 1.5, Black	2
10	<u>103377501</u>	Brkt, Spprt, Rear, Rops, Fin	2

2

D

2

D



000560-002

SEAT BELTS AND ROPS

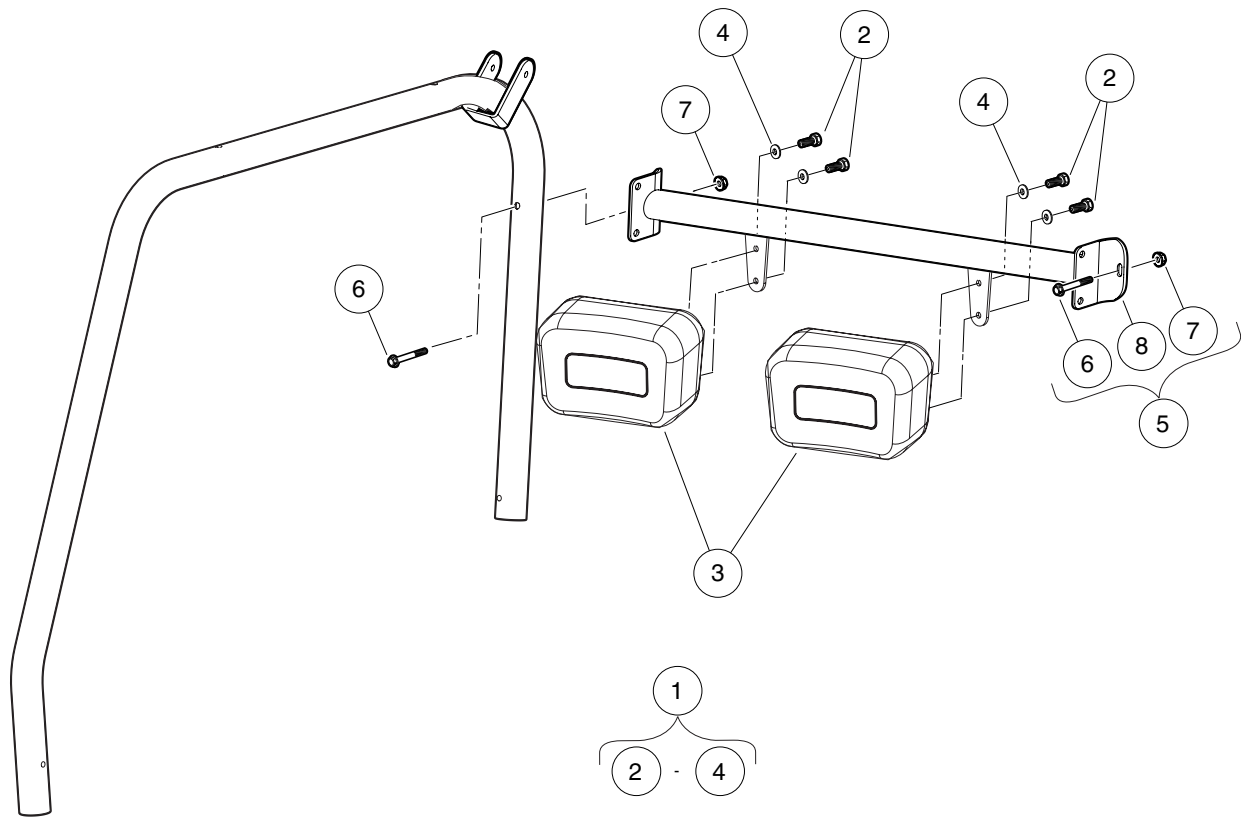
ITEM	PART NO.	DESCRIPTION	QTY
		1 2 3 4	
1	N/A	Instl, Seat Belt, 3 Point (includes items 2 through 7)	1
2	<u>102324401</u>	Lock Nut, 7/16-20 Nylon Black	2
3	<u>102671201</u>	Screw,m12x1.75x30 Thd Form Blk	2
4	<u>103210801</u>	Spacer, .69 Od X .5 Id X .60	2
5	<u>103210802</u>	Spacer, .69 Od X .5 Id X .20	2
6	<u>103210901</u>	Seat Belt, 3 Pt, Lock Tongue	2
7	<u>103211101</u>	Screw, 7/16-20 X 1.75	2
8	<u>103215901</u>	Kit, ROPS, Domestic (includes items 9 through 11)	1
9	<u>102988701</u>	Bolt, Flanged, M10 X 1.5 X 65	8
10	<u>103192101</u>	Tube, Side Support Short, ROPS	2
11	<u>103216401</u>	Nut, Flanged, M10 x 1.5, Black	8
12	<u>103225801</u>	Asm, Top, ROPS	1

2

D

2

D



000029-005

ROPS – HEAD RESTS

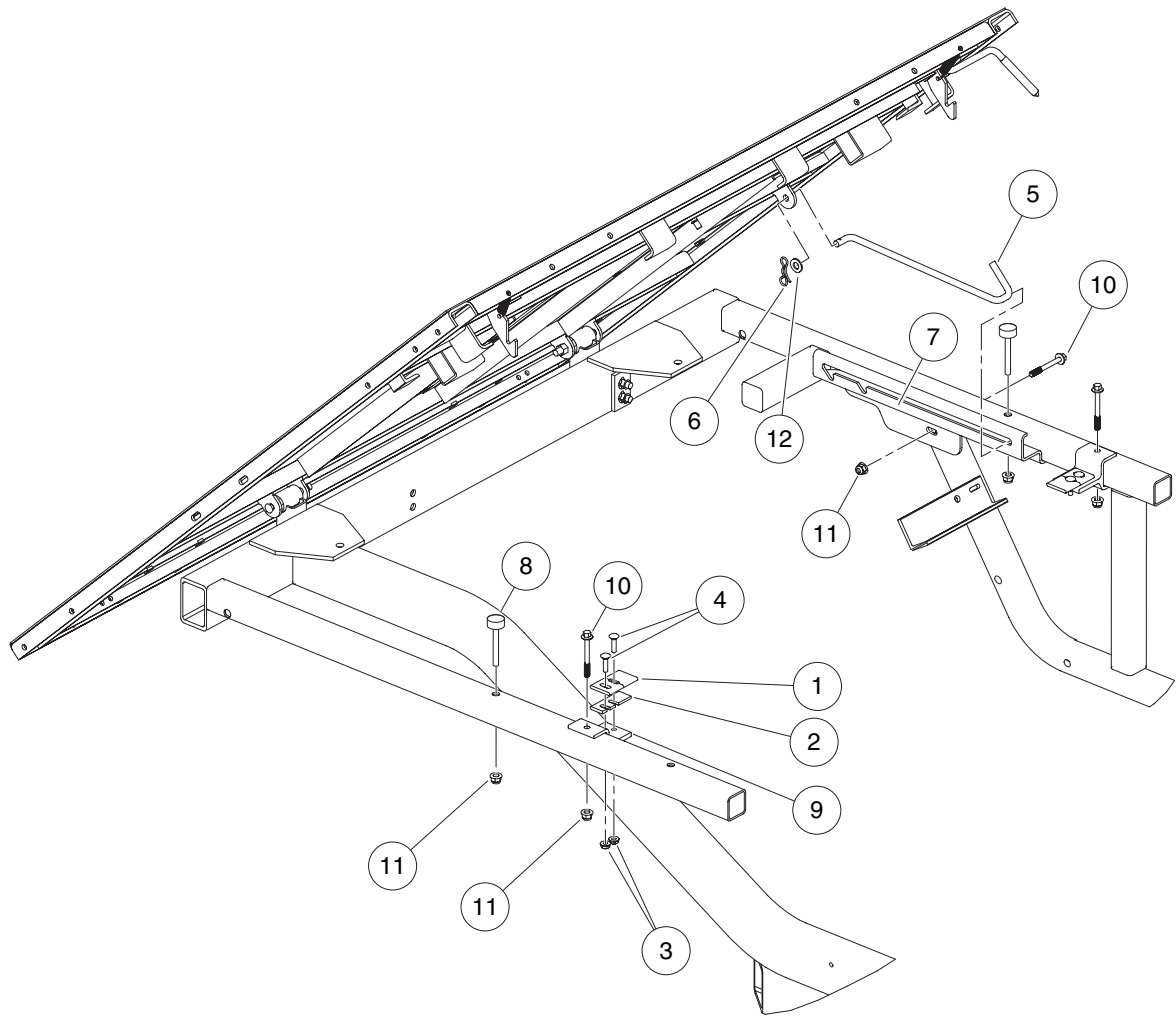
ITEM	PART NO.	DESCRIPTION	QTY
		1 2 3 4	
1	<u>103274602</u>	Kit, Head Restraint, Black (includes items 2 through 4)	1
2	<u>102490101</u>	Bolt, M10 X 1.5 X 20 Loctite	4
3	<u>103274502</u>	Asm, Head Restraint, Black	2
4	<u>96741046</u>	Washer, M10 Hard	4
5	103319801	Kit, Rear Brace, ROPS (includes items 6 through 8)	1
6	<u>102988701</u>	Bolt, Flanged, M10 X 1.5 X 65	2
7	<u>103216401</u>	Nut, Flanged, M10 x 1.5, Black	2
8	<u>103283801</u>	Asm, Rear Brace	1

2

D

2

D



000036-001

LATCH PLATE AND PROP ROD

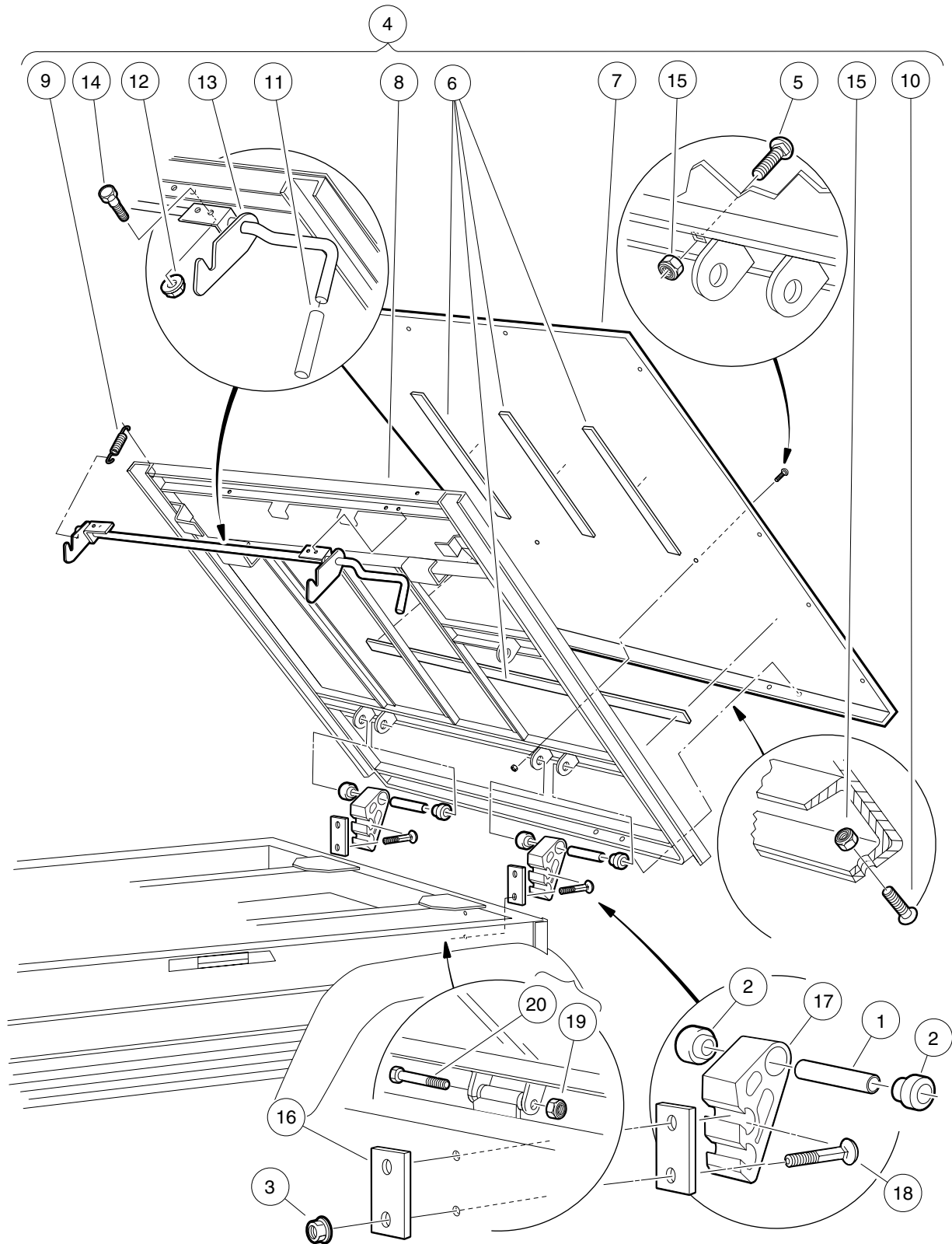
ITEM	PART NO.	DESCRIPTION	QTY
		1 2 3 4	
1	<u>1015277</u>	Latch Plate, Tilt Bed	2
2	<u>1016078</u>	Latch Plate Shim	A/R
3	<u>101835601</u>	Locknut, 1/4-20 Hex Whiz	4
4	<u>101958602</u>	Bolt, Carriage, 1/4-20 X 1.0	4
5	<u>102301401</u>	Rod, Prop	1
6	<u>102323101</u>	Pin, Bow Tie Locking	1
7	<u>102418101</u>	Track, Prop Rod	1
8	<u>102426601</u>	Bumper, Bed, Mtg, Front	2
9	<u>102493801</u>	Bracket, Latch, Bed	2
10	<u>102618301</u>	Bolt Flanged Head, M8 X 1.25 X 65	3
11	<u>102618601</u>	Lock Nut, Flg M8 X 1.25 Nylon	5
12	<u>334</u>	Washer, 3/8 Type A Flat	1

2

D

2

D



000037-001

TILT BED, HINGE, AND LATCH

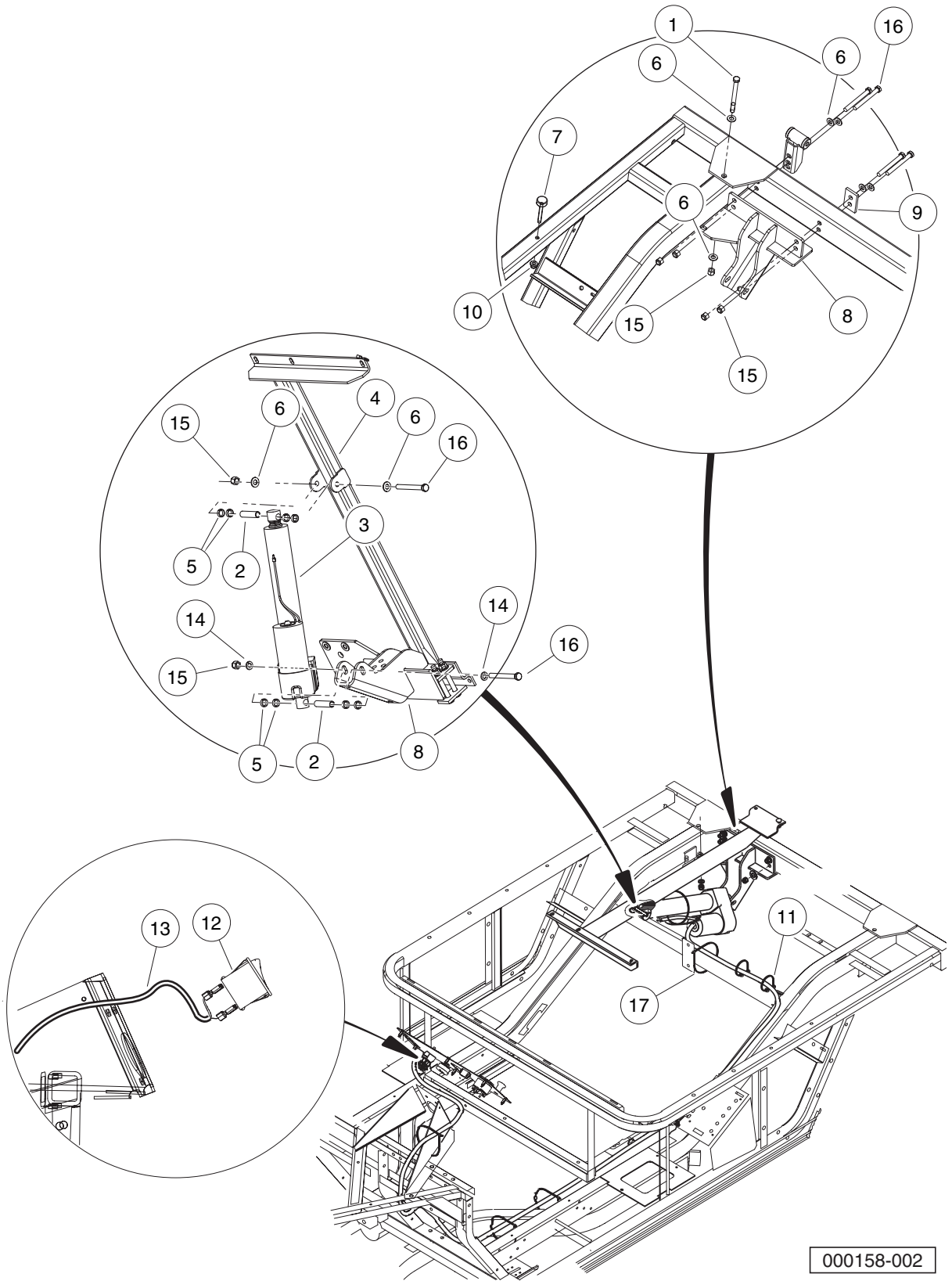
ITEM	PART NO.	DESCRIPTION	QTY
		1 2 3 4	
1	<u>1012303</u>	Bushing, Steel	2
2	<u>1015583</u>	Bushing, Urethane	2
3	<u>102065901</u>	Locknut, 3/8-16 Flanged Dimple	4
4	<u>102171503</u>	Tilt Bed Assembly (includes items 5 through 15)	1
5	<u>1010435</u>	Bolt, Carriage, 5/16-18 X 1.00	4
6	<u>1014471</u>	Tape, Vinyl Foam 1/8" x 3/4" *	A/R
7	N/A	Plate, Floor Bed	1
8	N/A	Frame Assembly	1
9	<u>1015391</u>	Extension, Spring Latch	2
10	<u>1015399</u>	Screw, 5/16-18 X 0.88 Torx Truss-Head	4
11	<u>1015400</u>	Grip, Tilt Latch Hand	1
12	<u>101835601</u>	Locknut, 1/4-20 Hex Whiz	4
13	<u>102426901</u>	Ltch Weld Asm Tlt Bd	1
14	<u>403</u>	Screw, 1/4-20 X 0.625 Hex-Head Cap	4
15	<u>7473</u>	Locknut, 5/16-18 Nylon Insert	8
16	<u>102614101</u>	Plate, Back	2
17	<u>103538701</u>	Extr, Brkt, Hinge, Bed	2
18	<u>103538901</u>	3/8-16 X 3.5 Carr Blt Gr5 Zn	4
19	<u>8754</u>	Locknut, 3/8-16 Hex	2
20	<u>8755</u>	Screw, 3/8-16 X 3.375 Hex Cap	2
		* Note: Item not shown.	

2

D

2

D



000158-002

ELECTRIC BED LIFT

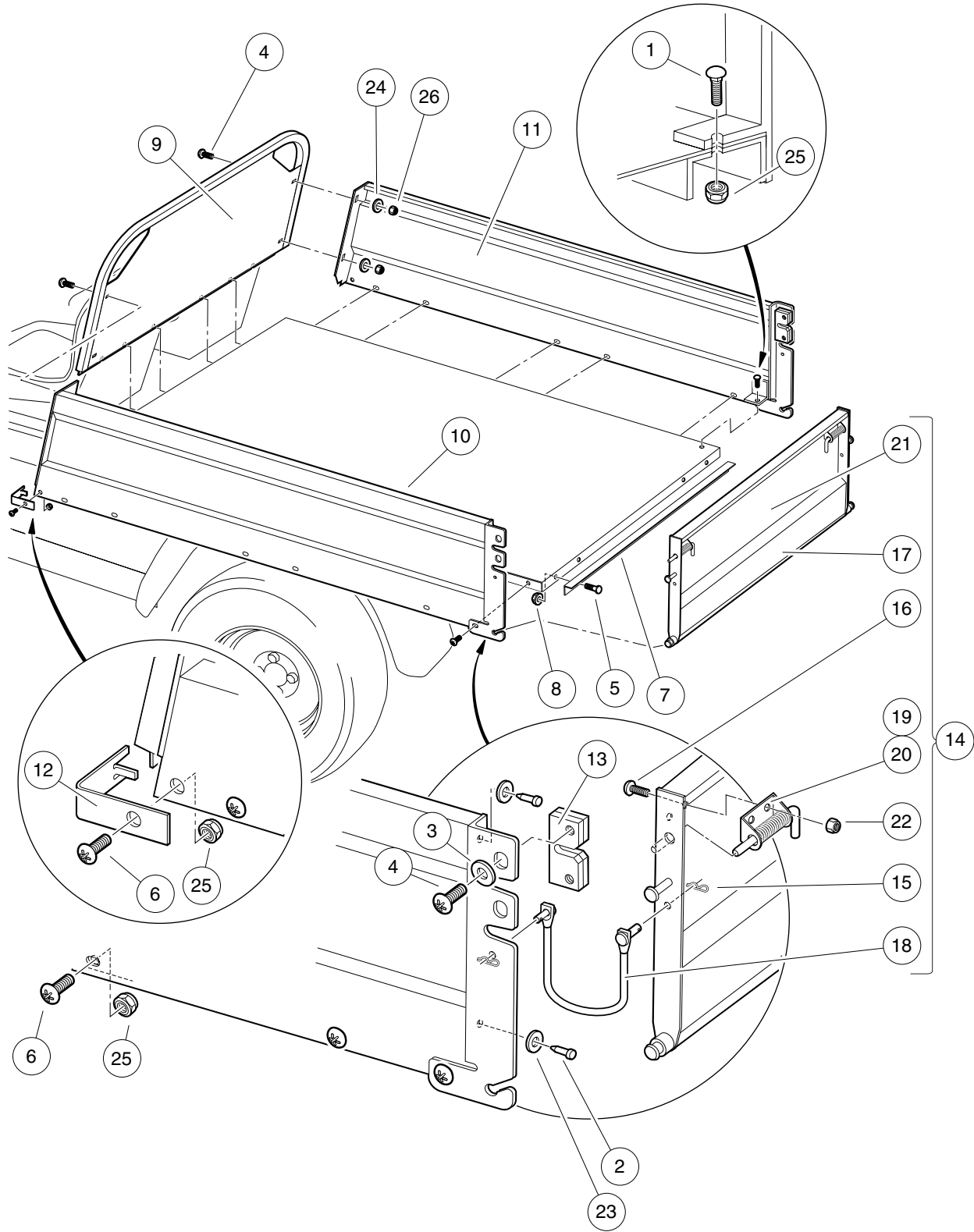
ITEM	PART NO.	DESCRIPTION	QTY
		1 2 3 4	
1	<u>1010200</u>	Bolt, 3/8-16 X 4.25 Hex Head	1
2	<u>1016603</u>	Bushing Long	2
3	<u>1017162</u>	Actuator Assembly, Electric	1
4	<u>1017167</u>	Actuator Adapter	1
5	1017774	Body Spacer	8
6	<u>102066001</u>	Washer, 3/8 Type B Hard Flat	8
7	<u>102426601</u>	Bumper, Bed, Mtg, Front	2
8	<u>102465701</u>	Weldment, Bracket, Actuator	1
9	<u>102614101</u>	Plate, Back	1
10	102618601	Lock Nut, Flg M8 X 1.25 Nylon	2
11	<u>102629001</u>	Tie Wrap, 8.00" With Mount	2
12	<u>102882501</u>	Switch, Rocker, Spring Return, Bed Lift	1
13	<u>103227001</u>	Harness, AWD Bedlift	1
14	<u>357</u>	Washer, Lock, Hel Sp 3/8 Reg	2
15	<u>8754</u>	Locknut, 3/8-16 Hex	9
16	<u>8755</u>	Screw, 3/8-16 X 3.375 Hex Cap	6
17	<u>8990</u>	Tie Wrap, 8" Nylon	5

2

D

2

D



000038-003

CARGO BOX

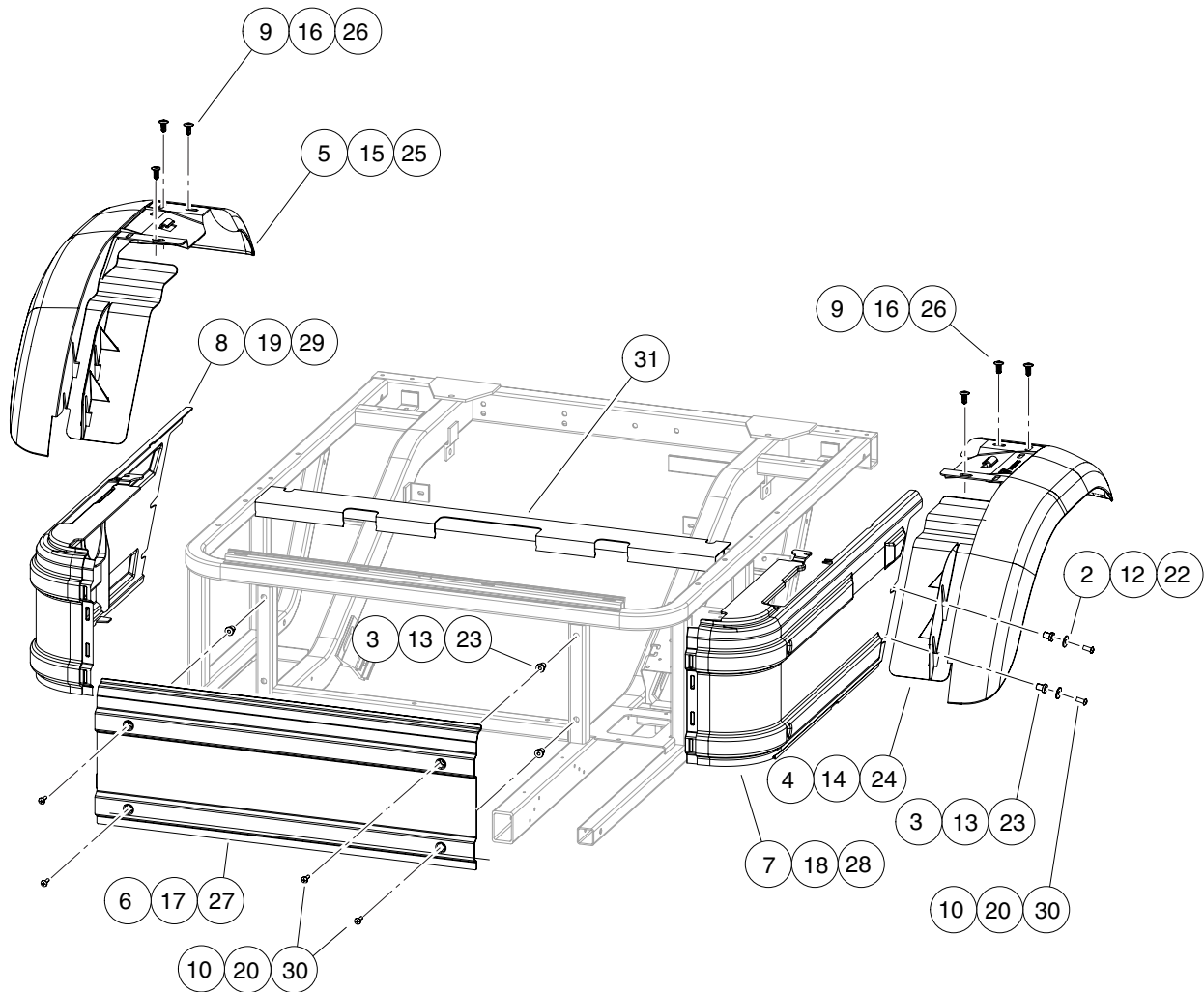
2

D

ITEM	PART NO.	DESCRIPTION	QTY
		1 2 3 4	
1	<u>1010435</u>	Bolt, Carriage, 5/16-18 X 1.00	13
2	<u>1010436</u>	Bumper, Rubber	4
3	<u>1014306</u>	Washer, 1/4" Type B Flat	4
4	<u>1014415</u>	Screw, 1/4-20 X 0.75 Torx Truss-Head	8
5	<u>1014537</u>	Stud, Self-Clinching Flush Head	4
6	<u>1015399</u>	Screw, 5/16-18 X 0.88 Torx Truss-Head	18
7	<u>101894304</u>	Box Bed Tailgate Angle	1
8	<u>101963401</u>	Locknut, 5/16-18 Hex Flange	4
9	<u>102221301</u>	Front Panel Weldment	1
10	<u>102221401</u>	Left Panel Weldment	1
11	<u>102221501</u>	Right Panel Weldment	1
12	<u>102221701</u>	Front Corner Cap	2
13	<u>102222001</u>	Slam Latch	2
14	<u>102229902</u>	Asm, Bobcat Tailgate (includes items 15 through 22)	1
15	<u>1013366</u>	Hair Pin Clip	4
16	<u>1014415</u>	Screw, 1/4-20 X 0.75 Torx Truss-Head	4
17	N/A	Tailgate, Weldment	1
18	<u>102221801</u>	Tether Assembly	2
19	<u>102222101</u>	Spring Latch Left	1
20	<u>102222201</u>	Spring Latch Right	1
21	<u>102339001</u>	Decal, Tailgate, Bobcat	1
22	<u>8233</u>	Locknut, 1/4-20 Nylon Insert	4
23	<u>102239901</u>	Washer, Rubber, 3/8	4
24	<u>332</u>	Washer, 1/4 Type A Narrow Flat	4
25	<u>7473</u>	Locknut, 5/16-18 Nylon Insert	31
26	<u>8233</u>	Locknut, 1/4-20 Nylon Insert	4

2

D



000518-001

SIDE PANELS AND REAR FENDERS

ITEM	PART NO.	DESCRIPTION	QTY
		1 2 3 4	
1	N/A	Instl, Panels, Fenders, Blk (includes items 2 through 10)	1
2	<u>1014306</u>	Washer, 1/4" Type B Flat	4
3	<u>102491701</u>	Well Nut 1/4-20	8
4	<u>102913801</u>	Left Rear Fender	1
5	<u>102913901</u>	Right Rear Fender	1
6	<u>102914001</u>	Panel, Front, Kick	1
7	<u>102914101</u>	Panel, Side, Molded, Driver	1
8	<u>102914102</u>	Panel, Side, Molded, Passenger	1
9	<u>103200501</u>	Screw, Tuflok, 10mm	6
10	<u>8251</u>	Screw, 1/4-20 X 1.0 Truss-Head Machine	8
11	N/A	Instl, Panels, Fenders, Rthwd (includes items 12 through 20)	1
12	<u>1014306</u>	Washer, 1/4" Type B Flat	4
13	<u>102491701</u>	Well Nut 1/4-20	8
14	<u>102913801</u>	Left Rear Fender	1
15	<u>102913901</u>	Right Rear Fender	1
16	<u>103200501</u>	Screw, Tuflok, 10mm	6
17	<u>103289001</u>	Panel, Front, Kick, Rthwhd	1
18	<u>103289101</u>	Pnl, Side, Mld, Drv, Rthwhd	1
19	<u>103289103</u>	Pnl, Side, Mld, Pass, Rthwhd	1
20	<u>8251</u>	Screw, 1/4-20 X 1.0 Truss-Head Machine	8
21	N/A	Instl, Panels, Fenders, Moff (includes items 22 through 30)	1
22	<u>1014306</u>	Washer, 1/4" Type B Flat	4
23	<u>102491701</u>	Well Nut 1/4-20	8
24	<u>102913801</u>	Left Rear Fender	1
25	<u>102913901</u>	Right Rear Fender	1
26	<u>103200501</u>	Screw, Tuflok, 10mm	6
27	<u>103289002</u>	Panel, Front, Kick, Moff	1
28	<u>103289102</u>	Pnl, Side, Mld, Drv, Moff	1
29	<u>103289104</u>	Pnl, Side, Mld, Pass, Moff	1
30	<u>8251</u>	Screw, 1/4-20 X 1.0 Truss-Head Machine	8
31	<u>103331201</u>	Closeout, Extrusion	1

2

D

2

D

WHEELS AND TIRES

3

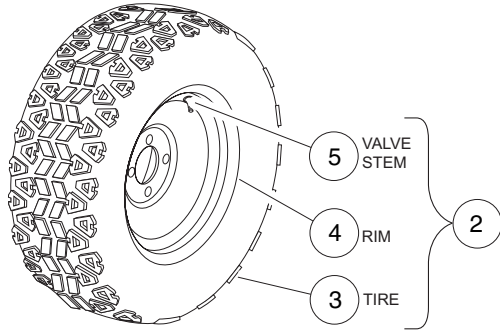
G

D

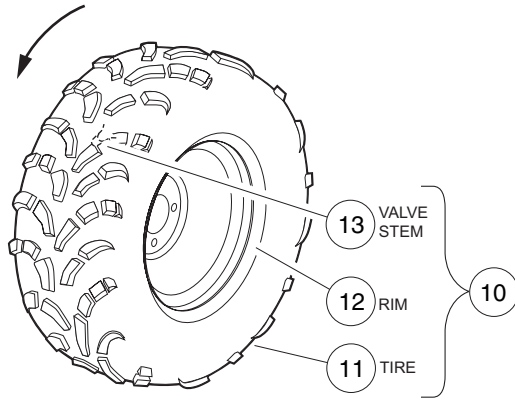
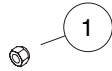
3

G

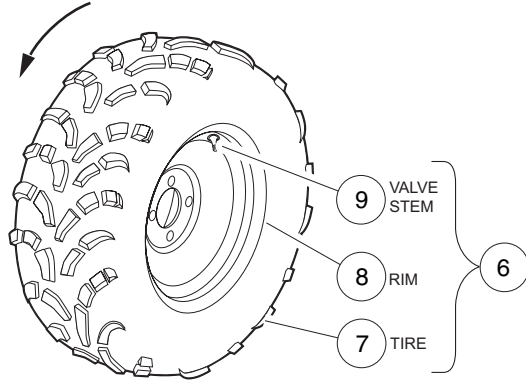
D



FOR DRIVERS OR PASSENGERS SIDE



FOR PASSENGERS SIDE ONLY



FOR DRIVERS SIDE ONLY

000506-001

WHEELS AND TIRES

ITEM	PART NO.	DESCRIPTION	QTY
		1 2 3 4	
1	<u>102736901</u>	Nut, Lug, 1/2-20 SAE J2283	16
2	<u>102943804</u>	Orange Tire Asm, HDAT, 10.5 in (includes items 3 through 5)	4
3	<u>102943101</u>	Heavy Duty All Terrain Tire, 25"	1
4	<u>103234502</u>	Wheel, All Trail,10 Win,orange	1
5	<u>7310</u>	Valve Stem	1
6	<u>102943808</u>	Black Tire Asm Mud 11.0 In Left-Hand (includes items 7 through 9)	2
7	<u>102945701</u>	Mud Tire, 25"	1
8	<u>103234503</u>	Wheel, All trail, 10 Window, Black	1
9	<u>7310</u>	Valve Stem	1
10	<u>102943809</u>	Black Tire Asm Mud 11.0 In Right-Hand (includes items 11 through 13)	2
11	<u>102945701</u>	Mud Tire, 25"	1
12	<u>103234503</u>	Wheel, All trail, 10 Window, Black	1
13	<u>7310</u>	Valve Stem	1

3

G

D

3

G

D

DECALS

4

D

UNDER 16

WARNING

YOUNG DRIVERS INCREASE CHANCE OF DEATH

- Young drivers may not be able to control vehicle.
- No drivers younger than 16 years old.
- Do not leave children unattended on vehicle.

WARNING

- Do not modify or remove Roll-over Protective Structure (ROPS).
- Replace ROPS if damaged. Do not attempt repair.
- Use seat belts during operation. Do not jump from vehicle.
- Keep away from drop-offs, steep slopes, and unstable surfaces.

CCI 102961201

WARNING

ROLLOVER OR FALLING OFF MAY CAUSE DEATH

- Read owner's manual and HANDBOOK.
- Fasten seat belts and remain seated while moving.
- Children requiring a child safety seat must not ride on vehicle.

Comply with state and local laws pertaining to child safety.

- Drive slowly in turns and straight up and down slopes.
- Do not start vehicle until all occupants are seated.
- One (1) person per bucket seat maximum.
- Operate from driver side only and not on public roads.
- Keep entire body inside vehicle while moving.
- Do not operate while under the influence of alcohol or drugs.
- Never attempt jumps and avoid extreme braking in reverse.

ATTACHMENT ARM CAN CAUSE SEVERE INJURY OR DEATH

- Keep bystanders away.
- Keep hands and body from under attachment.
- Always carry attachment as low as possible.
- Do not exceed attachment arm rated capacity.
- Do not modify the attachment arm or attachments.
- Before leaving vehicle, lower attachment arm until attachment is flat on the ground.

CCI 103188601

WARNING

Rotating Parts

CCI 10223001

WARNING

Crush area. Can cause severe injury. Stay clear when closing bed.

CCI 10446501

NOTICE

MAXIMUM TONGUE WEIGHT - 150 lbs.

CCI 1011553

WARNING

HIGH PRESSURE FLUIDS COULD CAUSE SERIOUS INJURY OR DEATH

- Read maintenance and service manual before performing repairs on hydraulic system.
- Do not attempt to repair hydraulic pump or lines while engine or pump is in operation.
- Relieve pressure before disconnecting hydraulic lines or fittings.

102950601

FULLY ENGAGE LOCKING LEVER

LEVER

PINS MUST EXTEND THROUGH MOUNTING FRAME HOLES

CCI 10308011

WARNING

CRUSH AREA

STAY CLEAR

CCI 101609401

	<p>WARNING</p> <p>RIDING IN CARGO BED CAN CAUSE SEVERE INJURY OR DEATH.</p> <ul style="list-style-type: none"> • Do not ride in cargo bed. 	<p>VEHICLE LOADING</p> <ul style="list-style-type: none"> • Read owner's manual, HANDBOOK, and warnings on dash. • Maximum gross vehicle weight: 3200 lb. (1451 kg) • Maximum attachment arm load: 500 lb. (227 kg) • Includes attachment weight plus attachment load. • Maximum trailer hitch tongue weight: 150 lb. force (667 N). 	<ul style="list-style-type: none"> • Maximum payload: 800 lb. (363 kg) • Includes cargo bed load plus attachment arm load plus gross trailer weight. • Maximum payload is reduced by the weight of optional equipment. 	<p>PREVENT VEHICLE ROLL-OVER.</p> <ul style="list-style-type: none"> • Place cargo forward in the cargo bed and distribute evenly side to side. Secure load. • On uneven or steep terrain reduce speed and load. • Avoid stopping on or backing down steep hills. • Avoid top heavy loads. See owner's manual. <p>CCI 10230801</p>
	<p>CCI 10230801</p>			

000561-002

SAFETY DECALS

ITEM	PART NO.	DESCRIPTION	QTY
		1 2 3 4	
1	<u>1011553</u>	Decal, Trailer Hitch	1
2	<u>101609401</u>	Decal, Crush Area Warning	2
3	<u>102224001</u>	Decal, Rotating Parts Warning	1
4	<u>102459301</u>	Decal, Bed Crush Area Warning	1
5	<u>102459401</u>	Decal, Young Driver Warning	1
6	<u>102926101</u>	Decal, Attachment Locking	1
7	<u>102930801</u>	Decal, Loading, Intellitach	1
8	<u>102950601</u>	Decal, Hydra Pump	1
9	<u>102961201</u>	Decal, Warning, AWD ROPS	1
10	<u>103188601</u>	Decal, Warn, Rollover & Attach	1

4

D

WARNING

DIESEL FUEL EXPLOSION / FIRE.

- Can cause severe injury or death.
- No smoking, sparks, or open flame.
- Stop engine, allow to cool before refueling.

CCI 102459201

WARNING

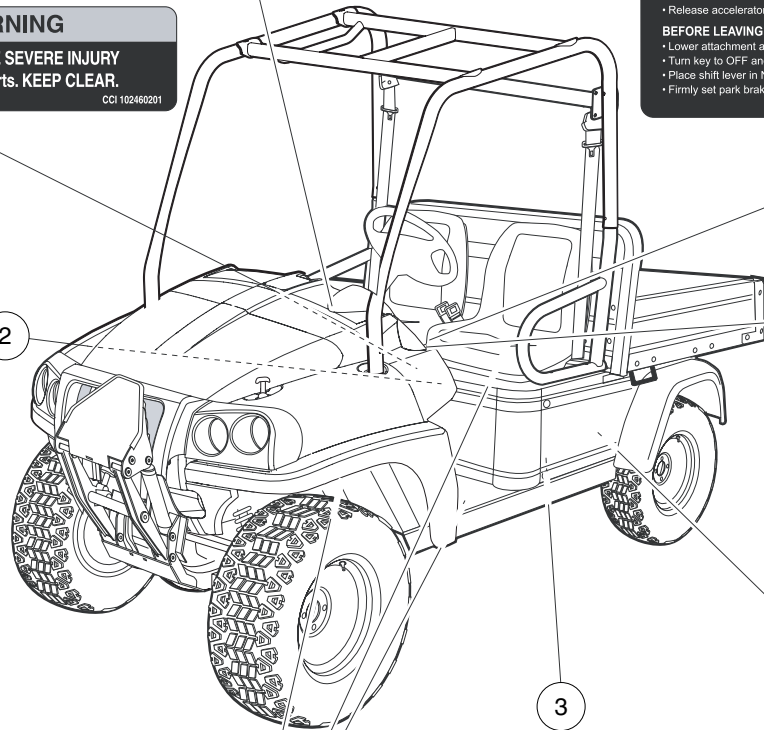
CAN CAUSE SEVERE INJURY
Rotating parts. KEEP CLEAR.

CCI 102460201

WARNING

CAN CAUSE SEVERE INJURY
HOT manifold
KEEP CLEAR

CCI 102459001



WARNING

Negative frame ground. Can cause severe injury. Do not contact positive (+) battery post or cable to frame. Disconnect negative (-) battery cable first.

CCI 102459101

WARNING

CAN CAUSE SEVERE BURNS
Hot Surface

CCI 102458901

WARNING

CAN CAUSE SEVERE INJURY
Rotating parts. KEEP CLEAR.

WARNING

CAN CAUSE SEVERE INJURY
Hot manifold and muffler. KEEP CLEAR.

CCI 102459501

OPERATING INSTRUCTIONS

- Read owner's manual, HANDBOOK, and vehicle safety warnings. Study and understand controls.

TO START ENGINE

- Place shift lever in NEUTRAL (N) and press brake pedal.
- If required, turn key to PREHEAT and hold for 10-15 seconds.
- Turn key to START and hold until engine starts.

TO OPERATE VEHICLE

- Ensure wheels are turned in desired direction and path is clear.
- Raise attachment to provide adequate ground clearance.
- With vehicle stopped and engine at idle, select vehicle direction.
- ↑ - Forward ○ - Neutral ↓ - Reverse (Buzzer will sound)
- Release park brake and slowly press accelerator pedal to increase speed.
- All-wheel drive will automatically drive appropriate wheel(s).

TO STOP VEHICLE

- Release accelerator pedal and push brake pedal.

BEFORE LEAVING VEHICLE

- Lower attachment arm until attachment is flat on the ground.
- Turn key to OFF and remove key.
- Place shift lever in NEUTRAL (N).
- Firmly set park brake.

CCI 103188701

JOYSTICK
ON OFF

000561-001

SAFETY DECALS, CONTINUED

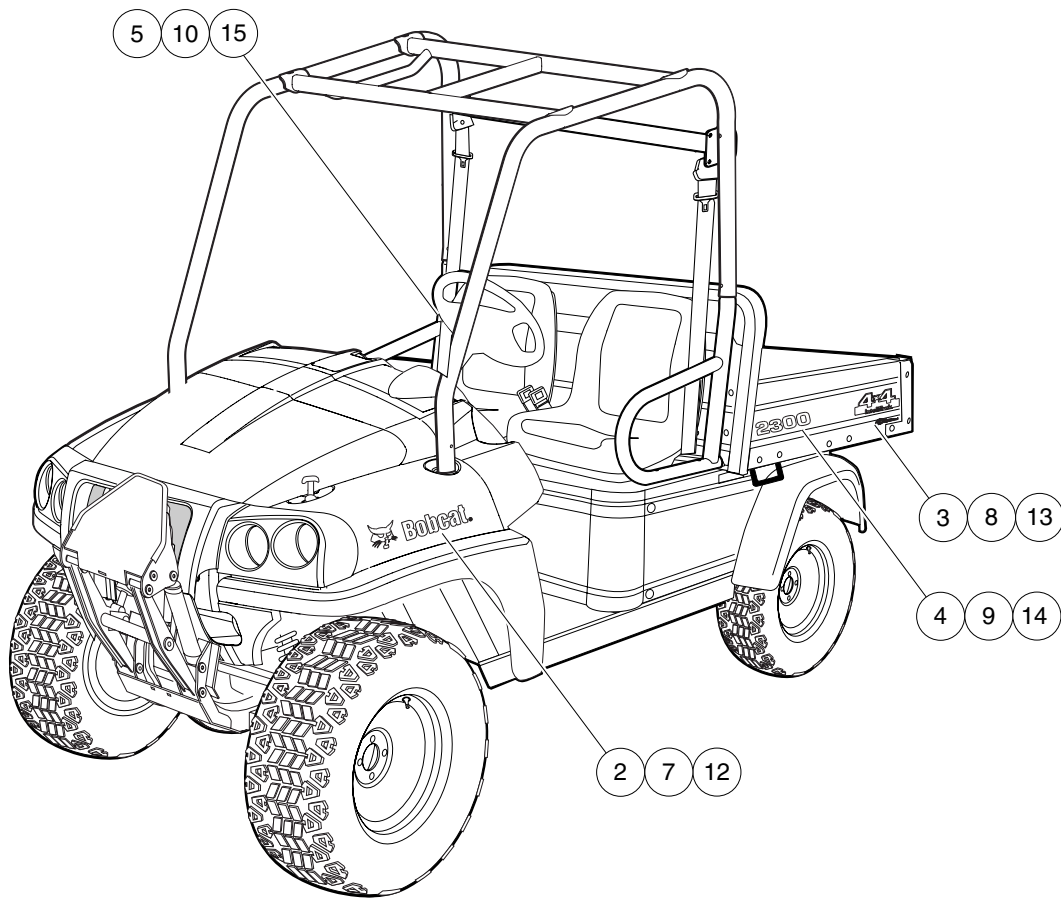
ITEM	PART NO.	DESCRIPTION	QTY
		1 2 3 4	
1	<u>102458901</u>	Decal, Hot Surface Warning	3
2	<u>102459001</u>	Decal, Hot Manifold Warning	1
3	<u>102459101</u>	Decal, Frame Ground Warning	1
4	<u>102459201</u>	Decal, Diesel Explosion/Fire Warning	1
5	<u>102459501</u>	Decal, Rotating Parts and Hot Exhaust Warning	1
6	<u>102460201</u>	Decal, Rotating Parts Warning	1
7	<u>103188701</u>	Decal, Operator Instructions, Intellitach	1
8	<u>103319901</u>	Decal, Joystick, On Off	1

4

D

4

D



000565-003

BADGING DECALS – BOBCAT 2300

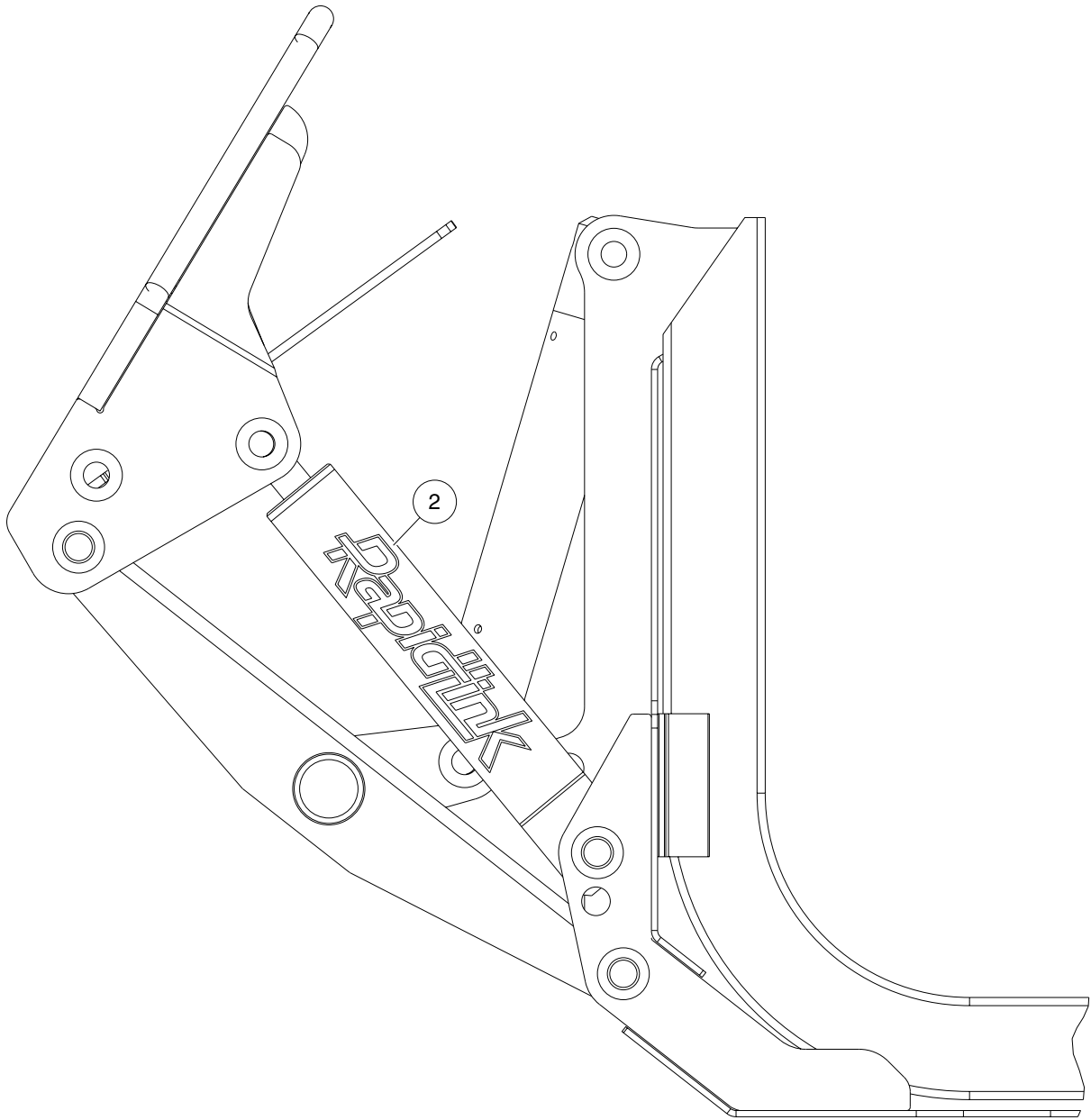
ITEM	PART NO.	DESCRIPTION	QTY
		1 2 3 4	
1	N/A	Instl, Decal, Bct 2300, White (includes items 2 through 5)	1
2	<u>102335901</u>	Decal, Bobcat	2
3	<u>103234301</u>	Decal, Badge, IR	2
4	<u>103239216</u>	Decal, Driver Side, 2300, White	1
5	<u>103239316</u>	Decal, Pass Side, 2300, White	1
6	N/A	Instl, Decal, Bct 2300, Ntrl (includes items 7 through 10)	1
7	<u>102335901</u>	Decal, Bobcat	2
8	<u>103234301</u>	Decal, Badge, IR	2
9	<u>103239217</u>	Decal, Driver Side, 2300, Ntrl	1
10	<u>103239317</u>	Decal, Pass Side, 2300, Ntrl	1
11	103237418	Instl, Decal, Bct 2300, Camo (includes items 12 through 15)	1
12	<u>102335901</u>	Decal, Bobcat	2
13	<u>103234301</u>	Decal, Badge, IR	2
14	103239218	Decal, Drv Side, 2300, Camo	1
15	103239318	Decal, Pass Side, 2300, Camo	1

4

D

4

D



000564-001

BADGING DECALS – RAPIDLINK

ITEM	PART NO.	DESCRIPTION	QTY
1	N/A	1 2 3 4 Instl, Decal, Rapidlink (includes item 2)	1
2	<u>102925501</u>	Decal, Brand, RapidLink	2

4

D

4

D

BRAKE SYSTEMS

5

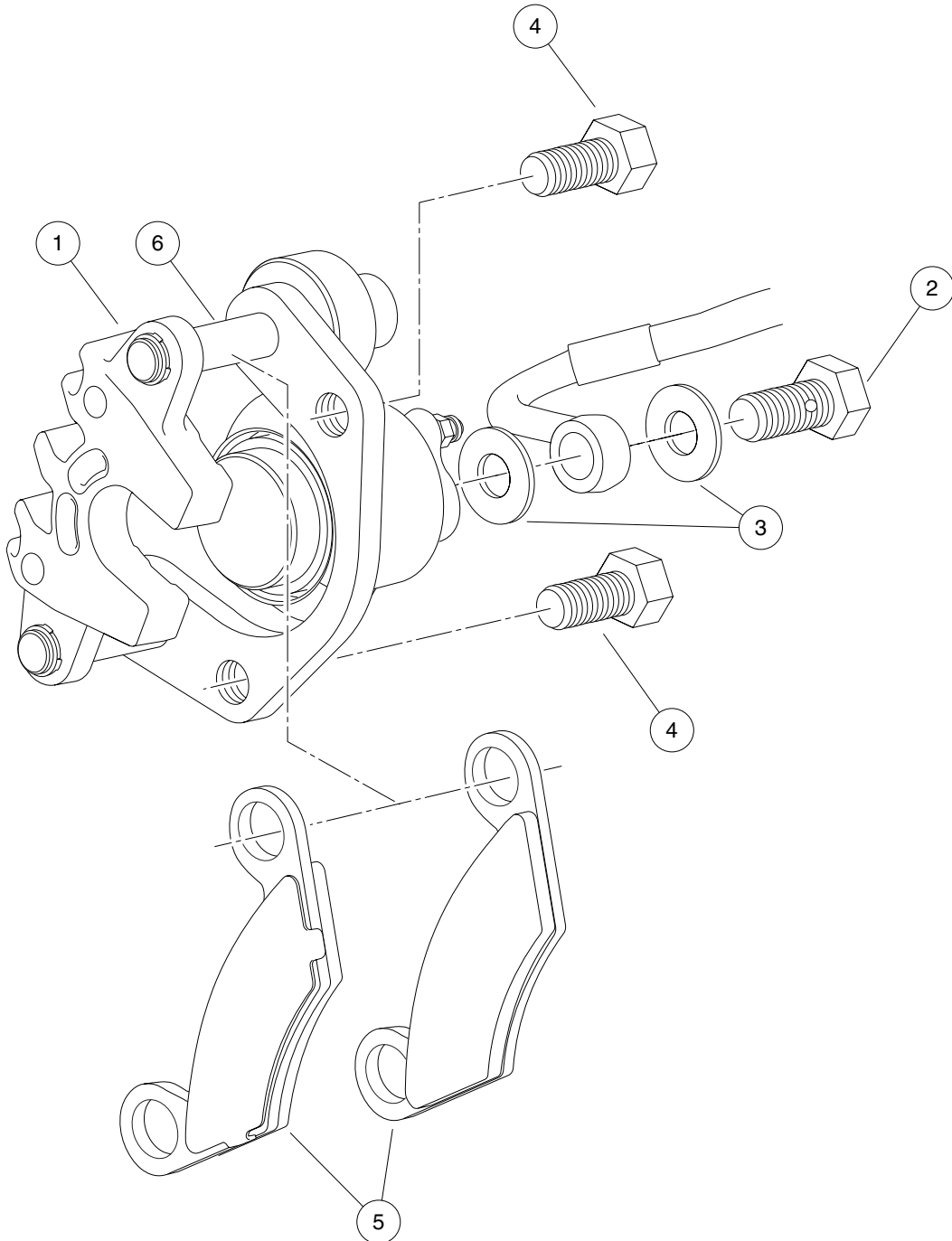
G

D

5

G

D



000067-001

FRONT BRAKE ASSEMBLY

ITEM	PART NO.	DESCRIPTION	QTY
		1 2 3 4	
1	<u>102367601</u>	Brake Caliper, Front, with Brake Pads	2
2	<u>102488001</u>	Bolt, Banjo, M10x1x19	2
3	<u>102491601</u>	Washer, Copper, M10 Crush	4
4	<u>102493301</u>	Bolt Flange Head, 3/8-24x.750 with Loctite	4
5	<u>102714001</u>	Service Kit, Brake Pad (4 Pads)	1
6	<u>103418801</u>	Pin, Slide, 7/16	2

5

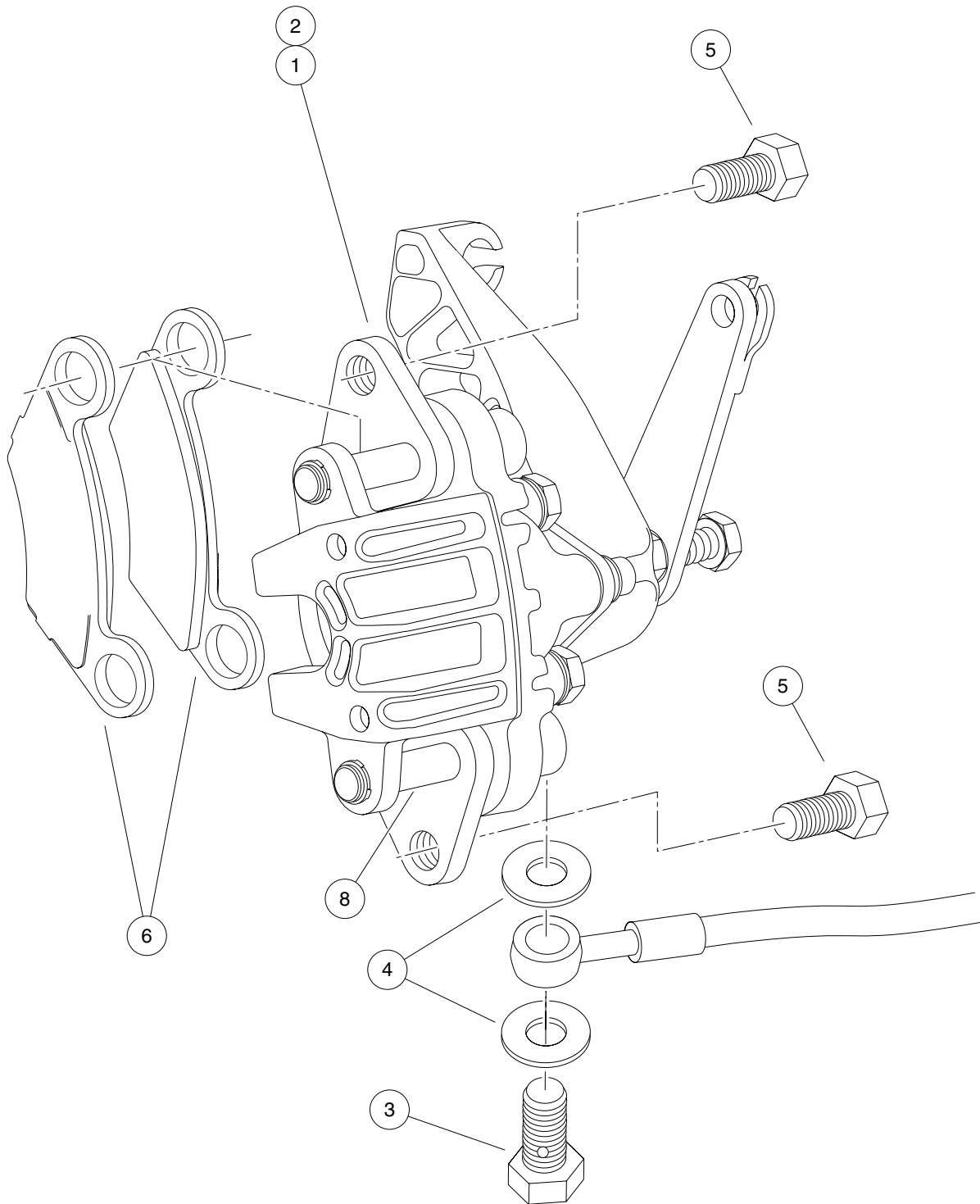
G

D

5

G

D



000068-001

REAR BRAKE ASSEMBLY

ITEM	PART NO.	DESCRIPTION	QTY
		1 2 3 4	
1	<u>102399201</u>	Caliper, Brake, Hydro-Mechanical, LH	1
2	<u>102399202</u>	Caliper, Brake, Hydro-Mechanical, RH	1
3	<u>102488001</u>	Bolt, Banjo, M10x1x19	2
4	<u>102491601</u>	Washer, Copper, M10 Crush	4
5	<u>102493301</u>	Bolt Flange Head, 3/8-24x.750 with Loctite	4
6	<u>102714001</u>	Service Kit, Brake Pad (4 Pads)	1
7	<u>103418701</u>	Spring, Brake Caliper Return	1
8	<u>103418801</u>	Pin, Slide, 7/16	2

5

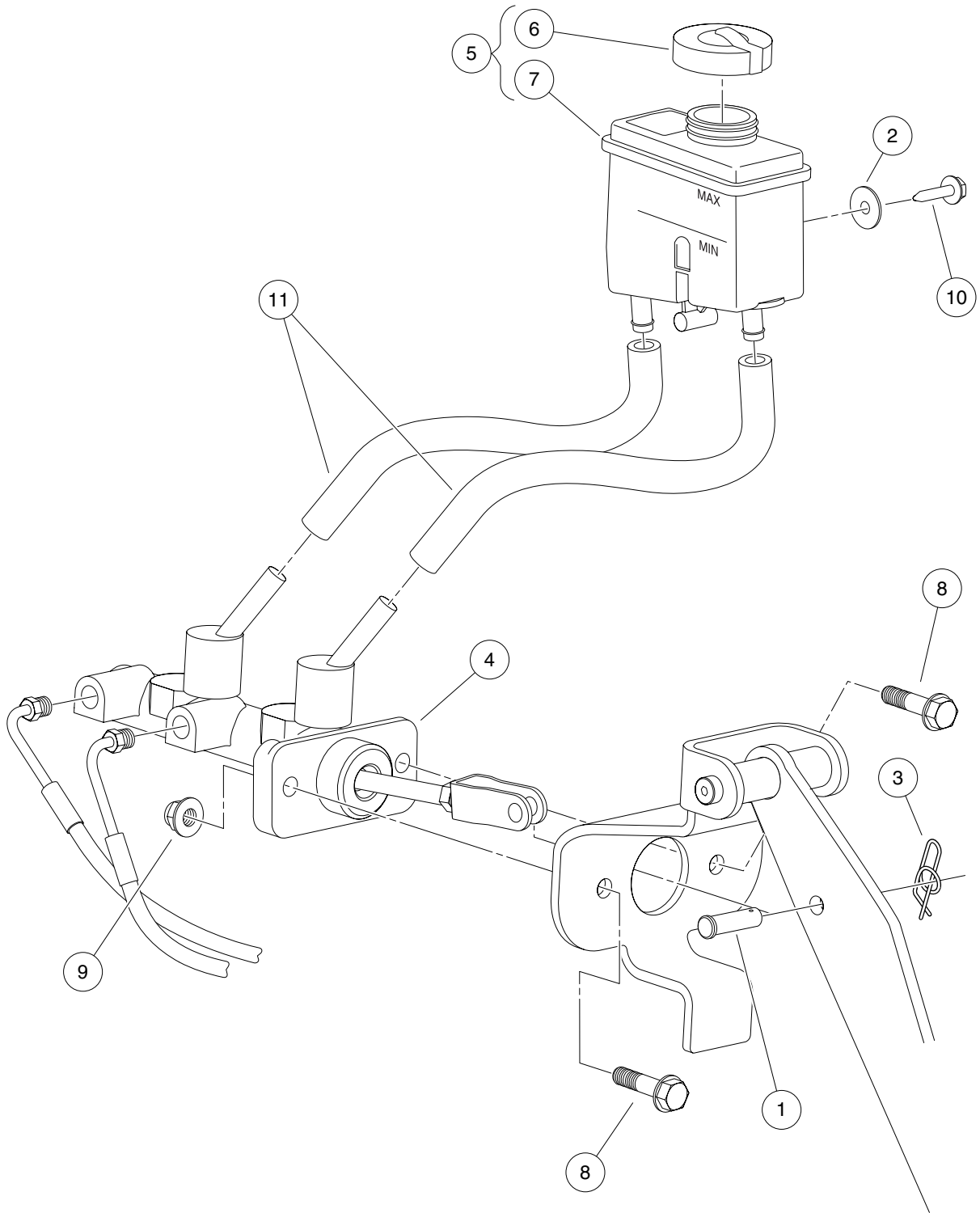
G

D

5

G

D



000069-002

MASTER CYLINDER WITH REMOTE RESERVOIR

ITEM	PART NO.	DESCRIPTION	QTY
		1 2 3 4	
1	<u>101082903</u>	Clevis Pin, 5/16 X 1	1
2	<u>1014306</u>	Washer, 1/4" Type B Flat	1
3	<u>102176901</u>	Pin, Rue	1
4	<u>102402801</u>	Cylinder, Master, Tandem	1
5	<u>102402901</u>	Assembly, Reservoir, Remote (includes items 6 and 7)	1
6	<u>102051401</u>	Filler Cap Asm	1
7	N/A	Reservoir, Brake Fluid, Without Cap	1
8	<u>102618401</u>	Bolt Flanged Head, M8 X 1.25 X 35	2
9	<u>102618601</u>	Lock Nut, Flg M8 X 1.25 Nylon	2
10	<u>103218213</u>	Screw, #10x3.50 Ab Thd, Hex Hd	1
11	<u>103293201</u>	Hose, Reservoir, Brake Fluid	2

5

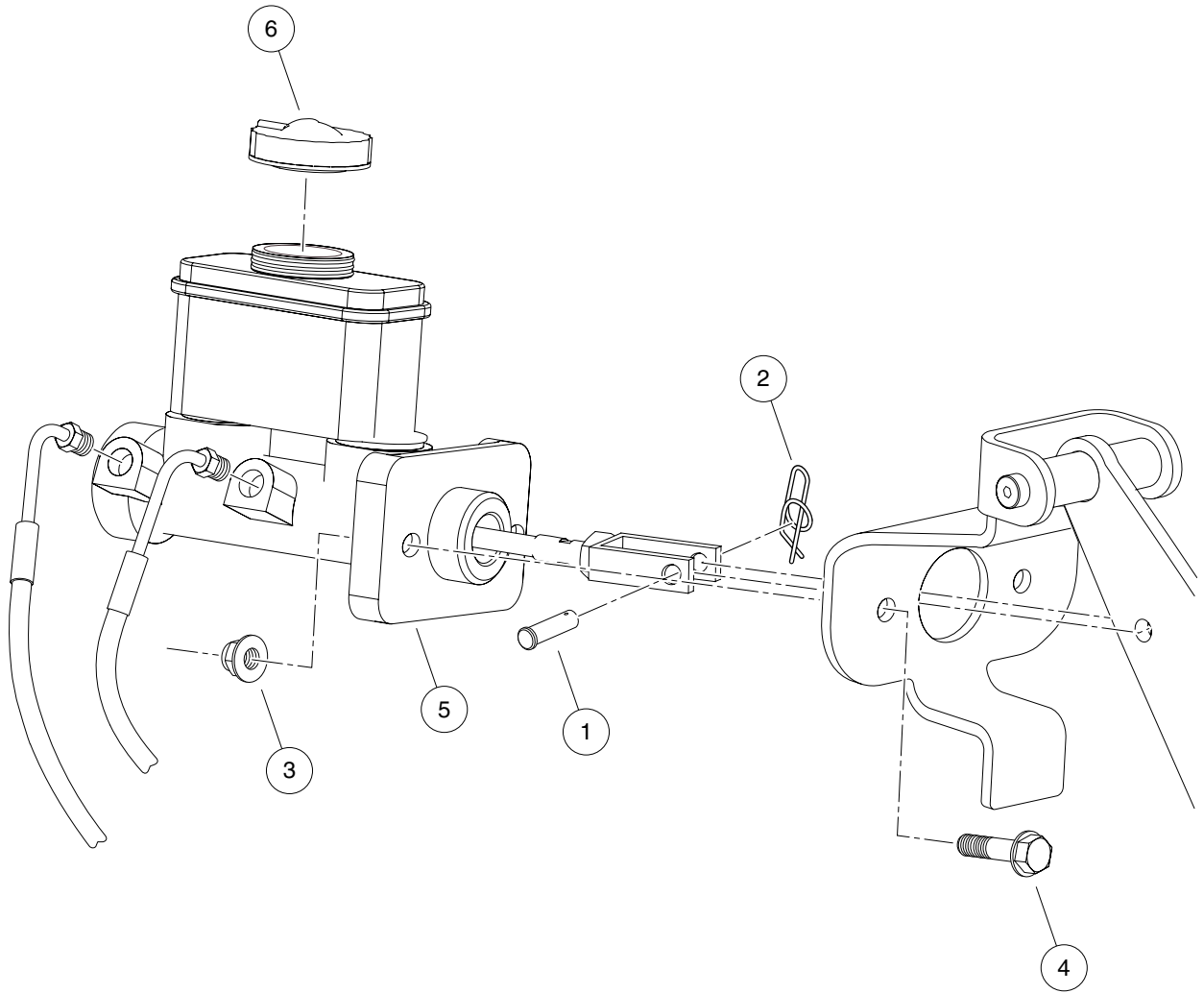
G

D

5
G



D



000792-001

MASTER CYLINDER WITH INTEGRAL RESERVOIR

ITEM	PART NO.	DESCRIPTION	QTY
		1 2 3 4	
1	<u>101082903</u>	Clevis Pin, 5/16 X 1	1
2	<u>102176901</u>	Pin, Rue	1
3	<u>102298401</u>	Nut,m8,all Metal Lock	2
4	<u>102618401</u>	Bolt Flanged Head, M8 X 1.25 X 35	2
5	<u>103376101</u>	Cylinder, Master, Integral Res	1
6	<u>103380701</u>	Filler Cap Asm Integral Res	1

5

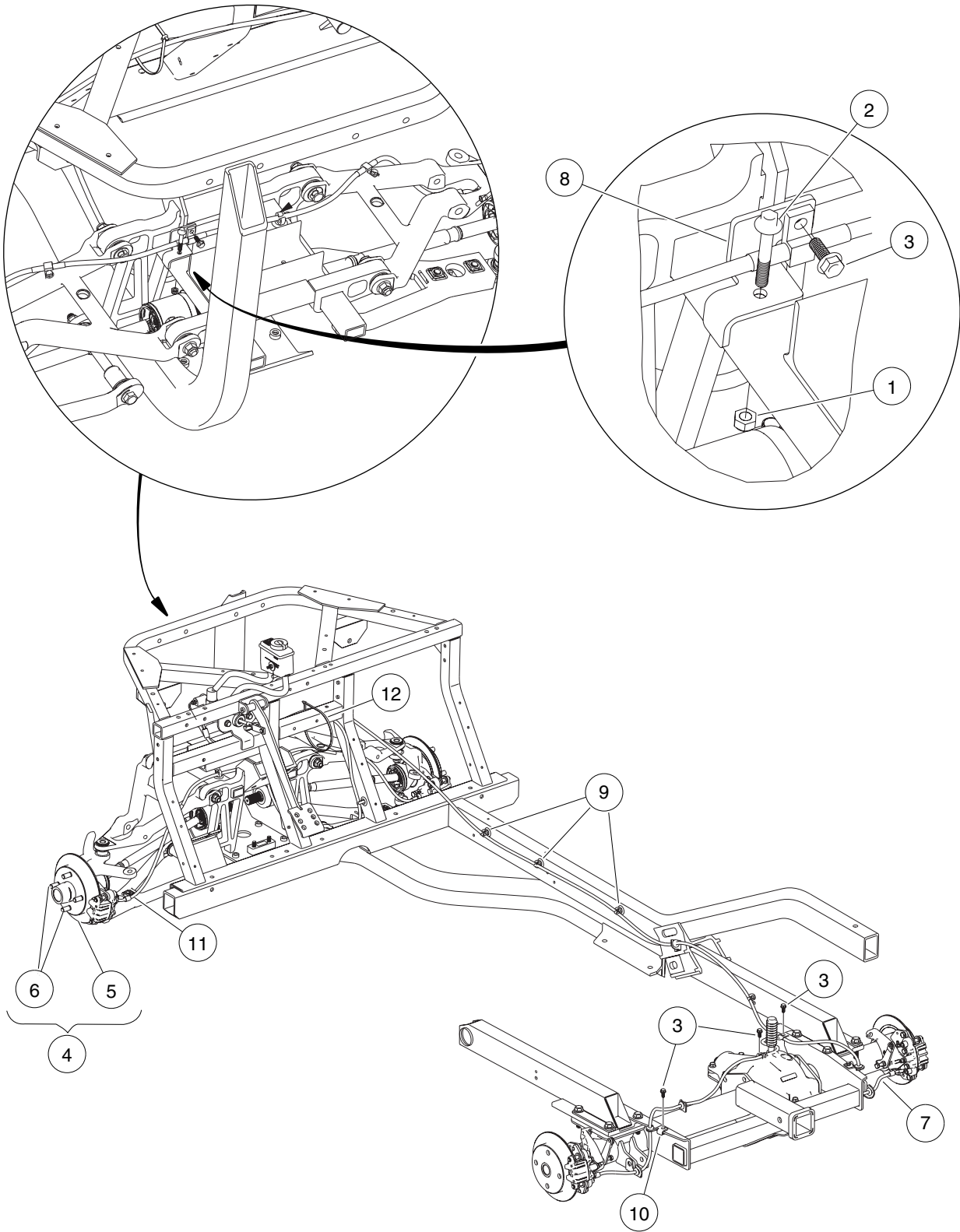
G

D

5

G

D



000015-003

HYDRAULIC BRAKE LINES AND CLIPS

ITEM	PART NO.	DESCRIPTION	QTY
		1 2 3 4	
1	<u>101887601</u>	Locknut, M6-1.00 Nylon Insert	2
2	<u>102296140</u>	Bolt, Flanged Head, M6x1.0x40	1
3	<u>102296716</u>	Screw, M6 X 16 Tt Hx Fl Hd	8
4	<u>102376603</u>	Assy, Rotor, Brake, Front, Wt (includes items 5 and 6)	2
5	102364103	Rotor, Brake, Front, Wt	1
6	<u>102475801</u>	Stud, Wheel Lug	4
7	<u>102407801</u>	Assembly, Brake Line, Rear	1
8	<u>102474301</u>	Bracket, Tee, Brakeline	1
9	<u>102475701</u>	Clip, Brake Line	6
10	<u>102689001</u>	Bracket, Line, Hydraulic	2
11	<u>103174301</u>	Brakeline, Front, Assembly	1
12	<u>8639</u>	Tie Wrap, 11" Nylon	1

5

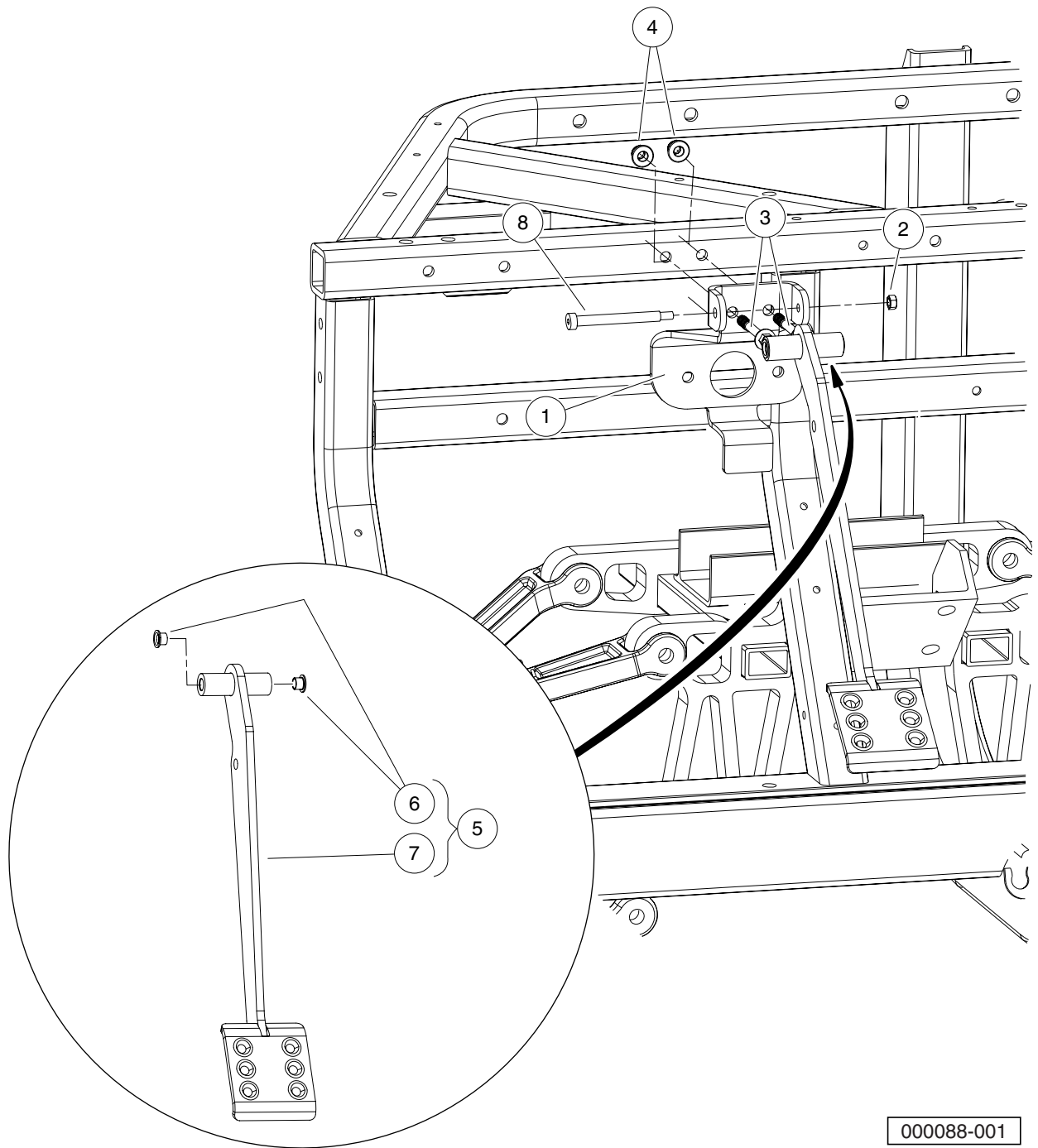
G

D

5

G

D



000088-001

BRAKE PEDAL ASSEMBLY

ITEM	PART NO.	DESCRIPTION	QTY
		1 2 3 4	
1	<u>102380601</u>	Bracket, Pedal, Brake	1
2	<u>102618101</u>	Nut M6x1 Mech Def Center	1
3	<u>102618301</u>	Bolt Flanged Head, M8 X 1.25 X 65	2
4	102618601	Lock Nut, Flg M8 X 1.25 Nylon	2
5	N/A	Asm, Pedal, Brake, Hung (includes items 6 and 7)	1
6	<u>102442901</u>	Bushing, Greaseless	2
7	<u>102626201</u>	Weldment, Pedal, Brake, Hung	1
8	<u>103273101</u>	Bolt, Shoulder, M8 X 70, Hc	1

5

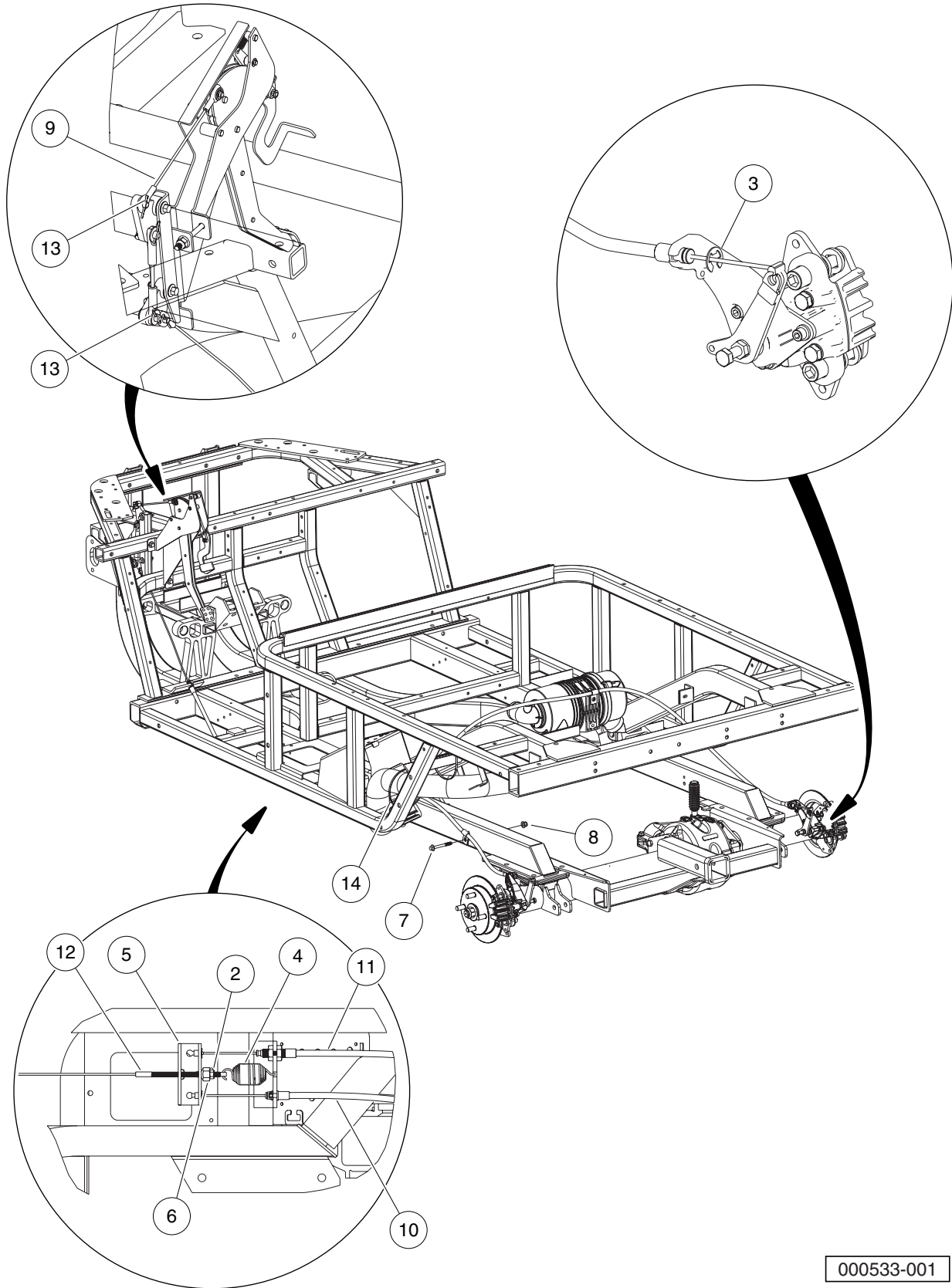
G

D

5

G

D



000533-001

PARK BRAKE SYSTEM

ITEM	PART NO.	DESCRIPTION	QTY
		1 2 3 4	
1	N/A	Instl, Brake, Park, AWD (includes items 2 through 14)	1
2	<u>1010521</u>	Nut, 5/16-24 Hex	1
3	<u>1011779</u>	E-Clip, 1/2	2
4	<u>1013531</u>	Spring, Brake Return	1
5	<u>101990802</u>	Equalizer Bracket	1
6	<u>102052801</u>	Nut, 5/16-24 Hex Cone	1
7	<u>102618301</u>	Bolt Flanged Head, M8 X 1.25 X 65	1
8	<u>102618601</u>	Lock Nut, Flg M8 X 1.25 Nylon	1
9	<u>102712601</u>	Cable, Crank, Bell, Front	1
10	<u>102763301</u>	Cable, Noncoated, Pbrake, Left	1
11	<u>102763401</u>	Cable, Noncoated, Pbrake, Right	1
12	<u>103189001</u>	Cable, Crank, Bell, Main	1
13	<u>1035</u>	Cotter Pin, 3/32 x 1	2
14	<u>8639</u>	Tie Wrap, 11" Nylon	2

5

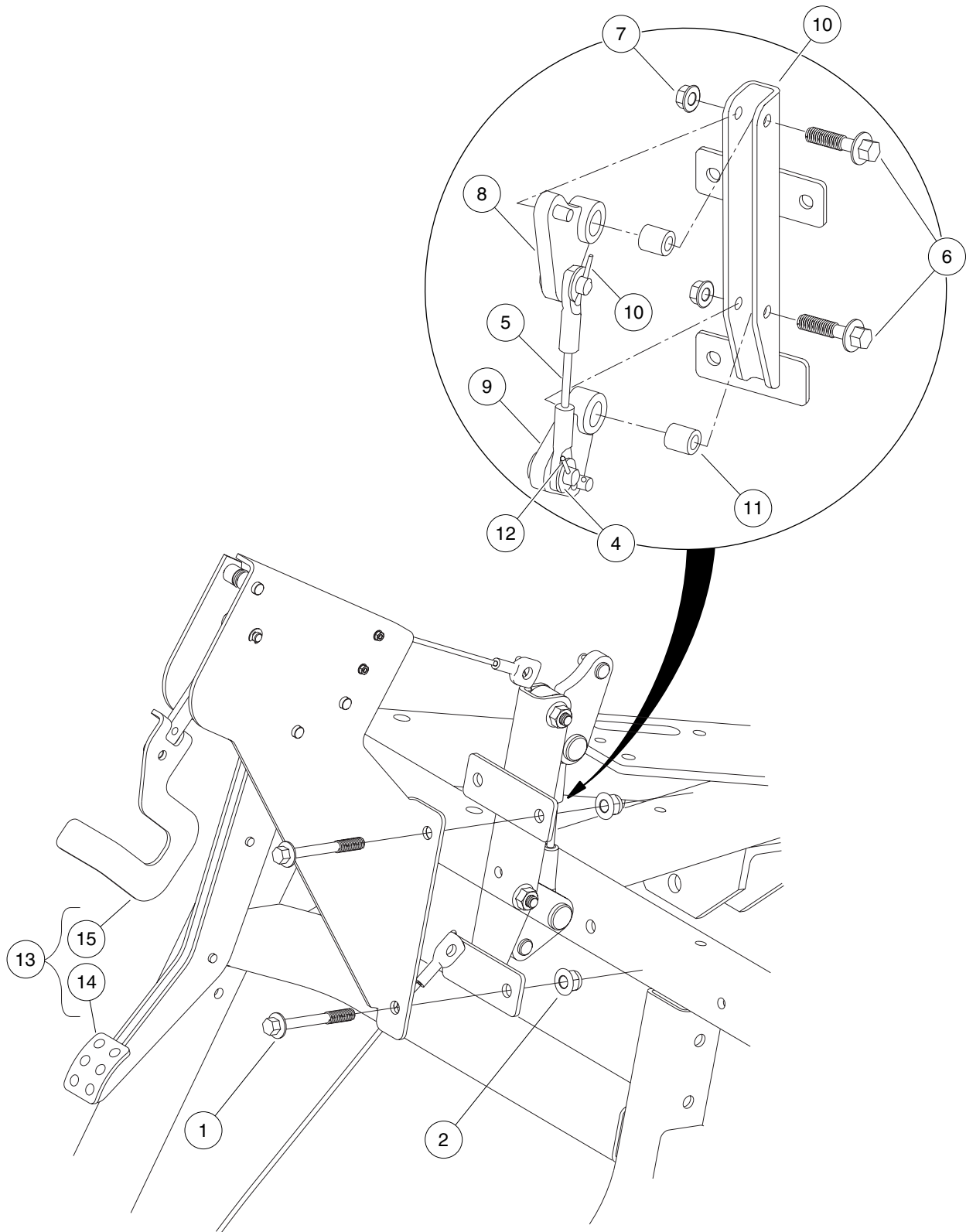
G

D

5

G

D



000086-002

PARK BRAKE PEDAL ASSEMBLY

ITEM	PART NO.	DESCRIPTION	QTY
		1 2 3 4	
1	<u>102618301</u>	Bolt Flanged Head, M8 X 1.25 X 65	3
2	<u>102618601</u>	Lock Nut, Flg M8 X 1.25 Nylon	3
3	<u>102751501</u>	Asm, Sub, Bracket, Park Brake (includes items 4 through 12)	1
4	<u>102323501</u>	Washer, Flat, 3/8, Blk Fin	2
5	<u>102716001</u>	Cable, Crank, Bell	1
6	<u>102741501</u>	Bolt Flg, M8x1.25 X 35, Gr10.9	2
7	<u>102741601</u>	Nut Flg M8 X 1.25 Gr 10	2
8	<u>102751301</u>	Asm, Bellcrank, Upper	1
9	<u>102751401</u>	Asm, Bellcrank, Lower	1
10	<u>103305001</u>	Brkt, Bellcrank, Prk Brk, Awd	1
11	<u>103305101</u>	Spacer, Pivot, Park Brk, Awd	2
12	<u>1035</u>	Cotter Pin, 3/32 x 1	2
13	<u>102892401</u>	Asm, Pedal, Brake, Hard (includes items 14 and 15)	1
14	N/A	Pedal, Brake, Park	1
15	<u>102896601</u>	Handle, Release, Park Brake	1

5

G

D

5

G

D

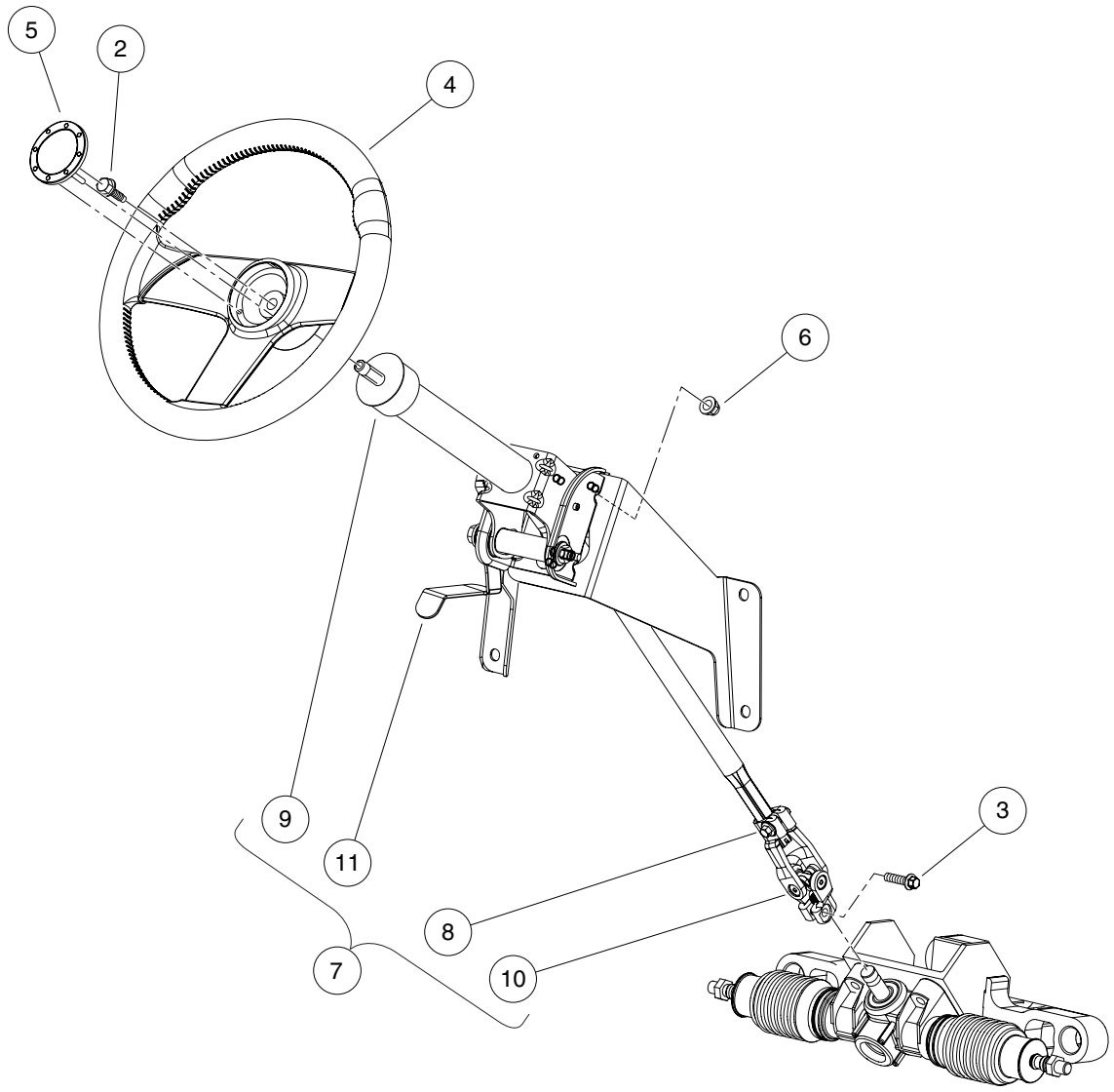
STEERING AND SUSPENSION

6

D

6

D



000070-002

STEERING COLUMN

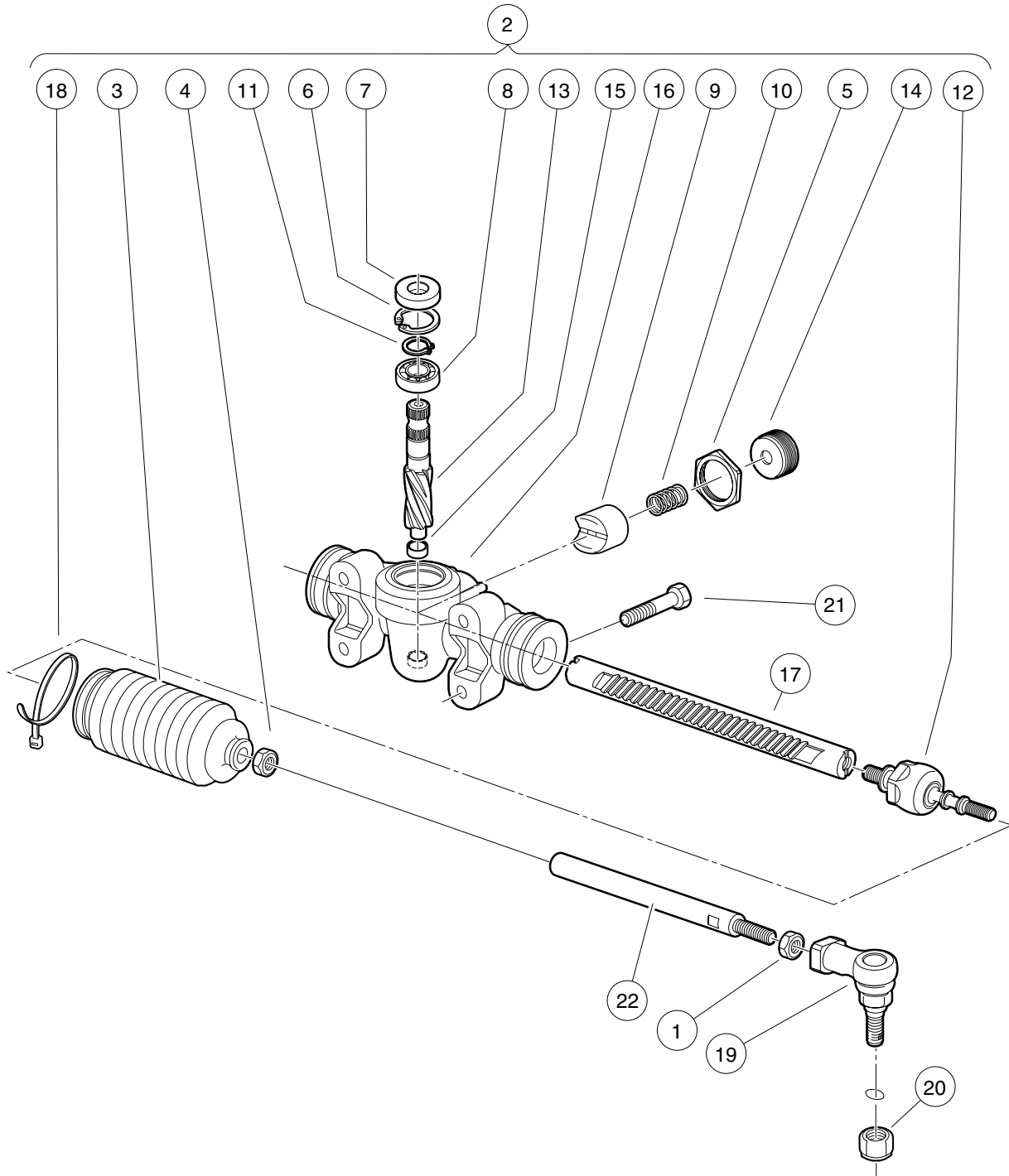
ITEM	PART NO.	DESCRIPTION	QTY
		1 2 3 4	
1	N/A	Instl, Steering System (includes items 2 through 7)	1
2	102290120	Bolt, M10 X 20 Hex Washer Hd	1
3	<u>102298130</u>	Bolt, Flange Head, M8 X 30.0	1
4	<u>102363802</u>	Steering Wheel, Viper, Hex Hub	1
5	<u>102367101</u>	Cap, Steering Wheel, Viper	1
6	102618601	Lock Nut, Flg M8 X 1.25 Nylon	3
7	<u>102989801</u>	Steering Column (includes items 8 through 11)	1
8	<u>102298130</u>	Bolt, Flange Head, M8 X 30.0	1
9	<u>102571301</u>	Shroud, Steering Column	1
10	<u>102616801</u>	Bolt, M4 X .7 X 60	1
11	N/A	Handle, Steering, Tilt	1

6

D

6

D



000071-001

STEERING GEAR ASSEMBLY

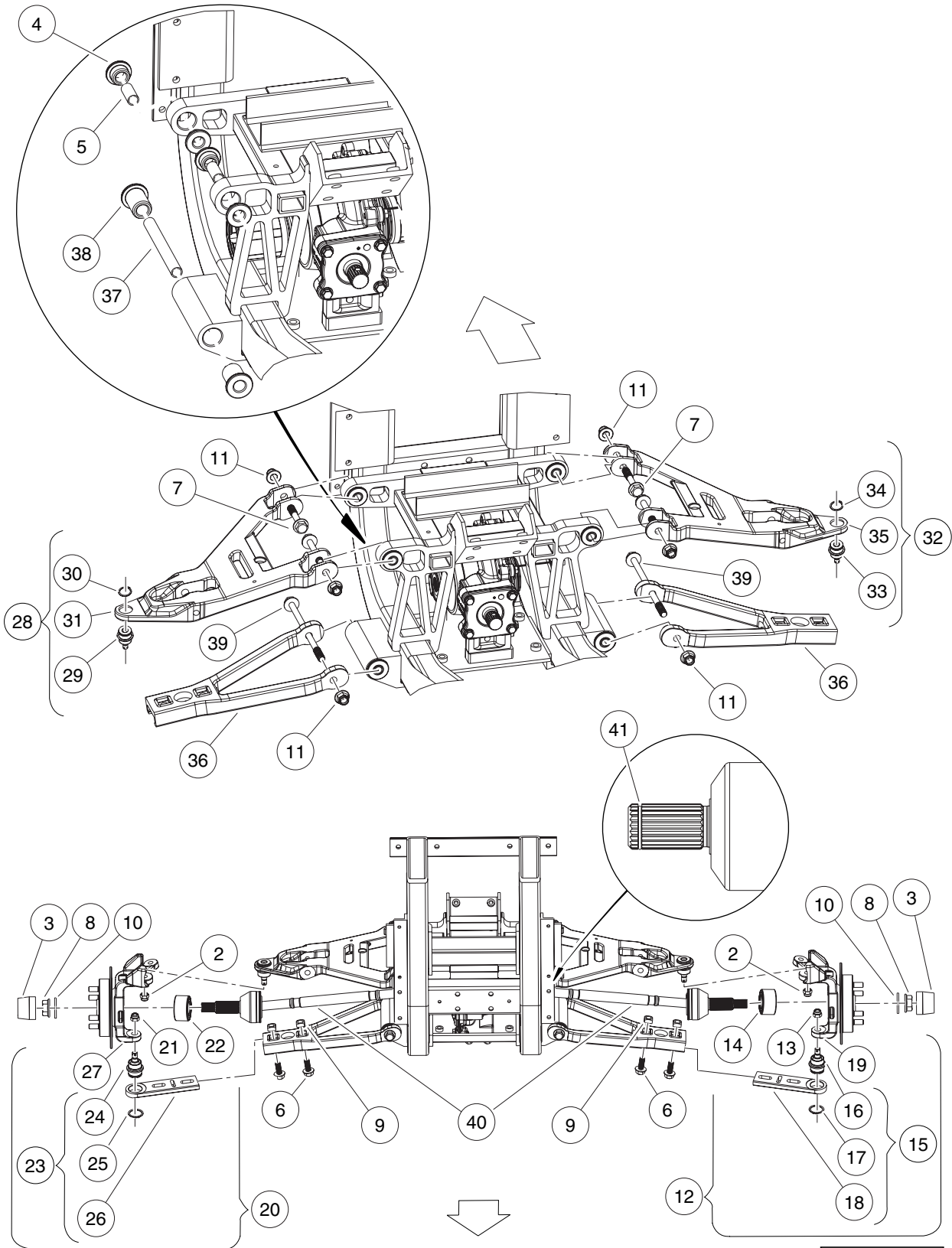
ITEM	PART NO.	DESCRIPTION	QTY
		1 2 3 4	
1	1013042	Nut, 12mm Hex	2
2	<u>102010102</u>	Steering Rack (includes items 3 through 18)	1
3	<u>1013035</u>	Bellows, Long	2
4	1013042	Nut, 12mm Hex	2
5	<u>1013044</u>	Rack Screw Locknut	1
6	1013051	Snap Ring	1
7	<u>1013052</u>	Seal, Steering Pinion Dust	1
8	<u>101879401</u>	Bearing, Ball	1
9	<u>101879701</u>	Support Yoke	1
10	<u>101879801</u>	Rack Guide Pressure Spring	1
11	<u>101879901</u>	Ring, Stop, C-Type	1
12	<u>101880201</u>	Inner Ball Joint Asm	2
13	N/A	Pinion, Steering	1
14	N/A	Bearing, Lower Pinion	1
15	N/A	Screw, Rack Guide	1
16	N/A	Housing, Steering Gear	1
17	N/A	Rack, Steering	1
18	<u>8990</u>	Tie Wrap, 8" Nylon	2
19	<u>102022601</u>	End, Tie Rod M12 X 1.25	2
20	<u>102022901</u>	Locknut, M12-1.25 Nylon	2
21	<u>102687801</u>	Bolt, Flange Head, M10x 1.5 X 40 with Loctite	4
22	<u>102816801</u>	Link, Drag, Wt	2

6

D

6

D



000534-001

FRONT SUSPENSION – A-ARMS

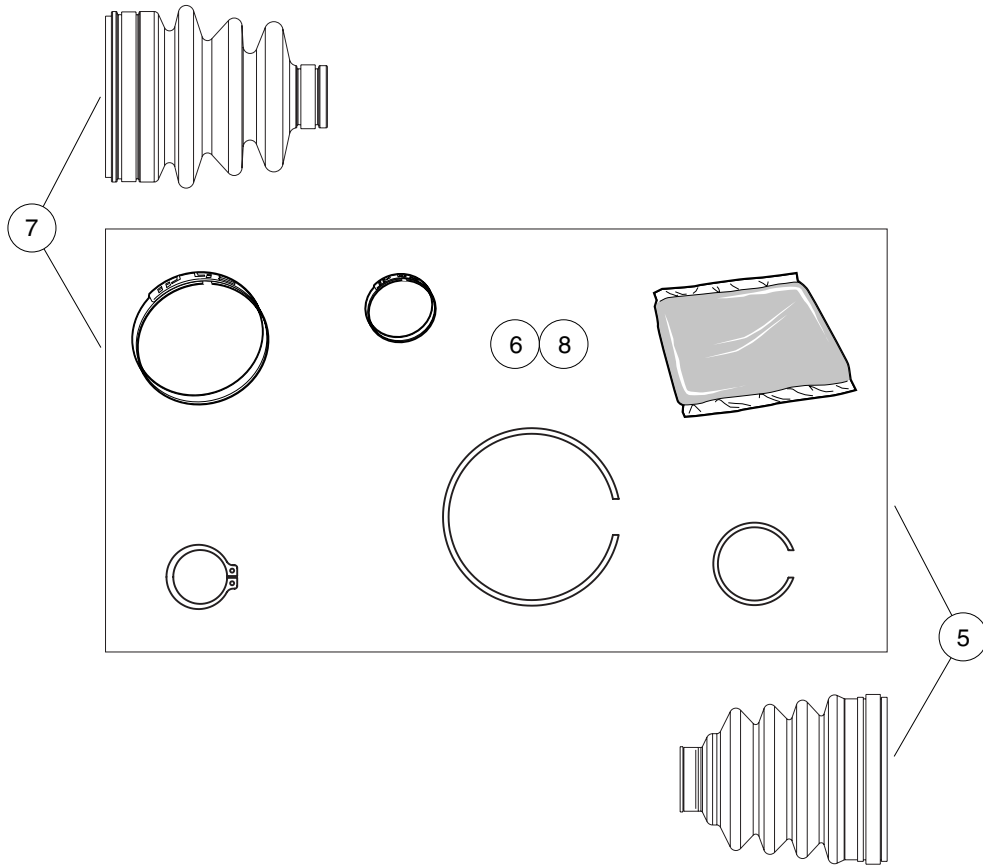
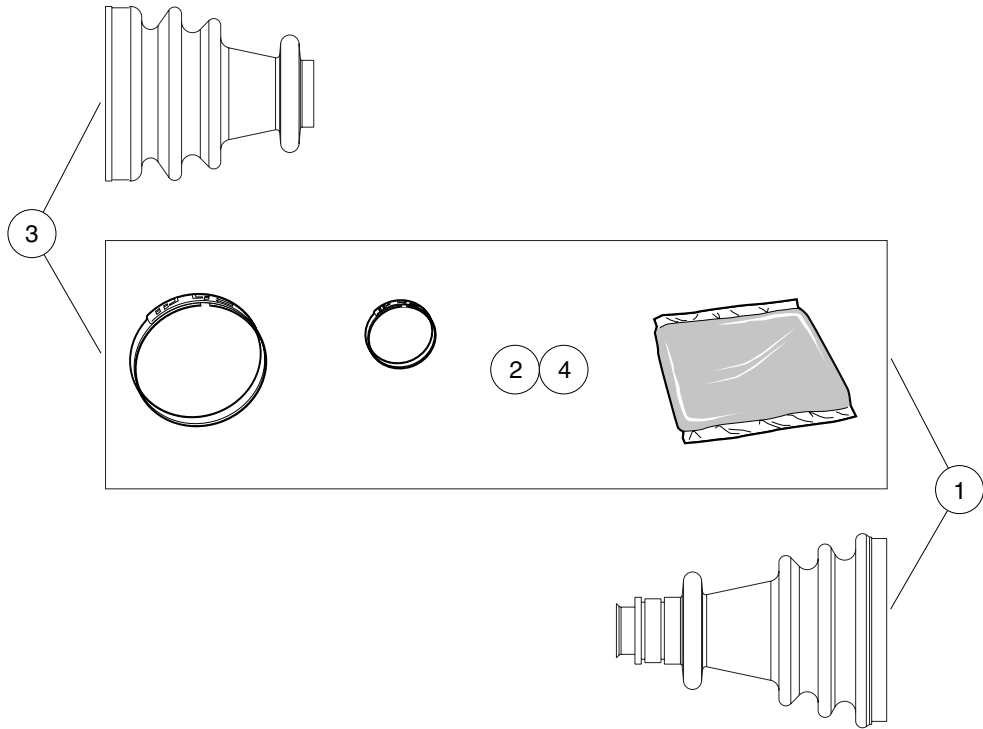
ITEM	PART NO.	DESCRIPTION	QTY
		1 2 3 4	
1	N/A	Suspension, AWD, Wide (includes items 2 through 40)	1
2	<u>102022901</u>	Locknut, M12-1.25 Nylon	2
3	<u>102274101</u>	Center Cap, Rubber	2
4	<u>102408401</u>	Bushing, A-Arm	8
5	<u>102437001</u>	Sleeve, Upper	4
6	<u>102490801</u>	Bolt, Flange Head, M12x 1.75x 30 with Loctite	4
7	<u>102616301</u>	Bolt, Flange Head, M12 X 1.75 X 70	4
8	<u>102617501</u>	Nut Flg, M22 X 1.5 Mech Def	2
9	<u>102617701</u>	Nut, Square, M12x 1.75	4
10	<u>102617801</u>	Washer Hard, M22	2
11	<u>102620501</u>	Nut Flg, M12x1.75, Nylon Gr 10	6
12	<u>102791701</u>	Upright, Left-Hand (includes items 13 through 19)	1
13	<u>102022901</u>	Locknut, M12-1.25 Nylon	1
14	<u>102464301</u>	Bearing	1
15	<u>102874301</u>	Asm, Adjuster, Slide (includes items 16 through 18)	1
16	<u>102361901</u>	Joint, Ball	1
17	<u>102722301</u>	Ring, Retaining, Ext, 1-1/4"	1
18	<u>102874201</u>	Slide, Adjuster	1
19	<u>103277001</u>	Upright, Finished, Lh	1
20	<u>102791702</u>	Upright, Right-Hand (includes items 21 through 27)	1
21	<u>102022901</u>	Locknut, M12-1.25 Nylon	1
22	<u>102464301</u>	Bearing	1
23	<u>102874301</u>	Asm, Adjuster, Slide (includes items 24 through 26)	1
24	<u>102361901</u>	Joint, Ball	1
25	<u>102722301</u>	Ring, Retaining, Ext, 1-1/4"	1
26	<u>102874201</u>	Slide, Adjuster	1
27	<u>103277002</u>	Upright, Finished, Rh	1
28	<u>102792001</u>	Asm, A-Arm, Upper, Left (includes items 29 through 31)	1
29	<u>102361901</u>	Joint, Ball	1
30	<u>102722301</u>	Ring, Retaining, Ext, 1-1/4"	1
31	<u>102927101</u>	Arm, Upper, Wide, Machined, Lh	1
32	<u>102792002</u>	Asm, A-arm, Upper, Right (includes items 33 through 35)	1
33	<u>102361901</u>	Joint, Ball	1
34	<u>102722301</u>	Ring, Retaining, Ext, 1-1/4"	1
35	<u>102927102</u>	Arm, Upper, Wide, Machined,rh	1
36	<u>102874501</u>	A-Arm, Lower	2
37	<u>103256401</u>	Sleeve, Lower Arm	2
38	<u>103256501</u>	Bushing, Lower Arm	4
39	<u>103256701</u>	Bolt Flg, M12 X 1.75 X 200 10.	2
40	<u>103296201</u>	Half Shaft, Wide, Awd	2
41	<u>103345801</u>	Ring, Hog, Half Shaft	2

6

D

6

D



000791-001

CV BOOT REPAIR KITS

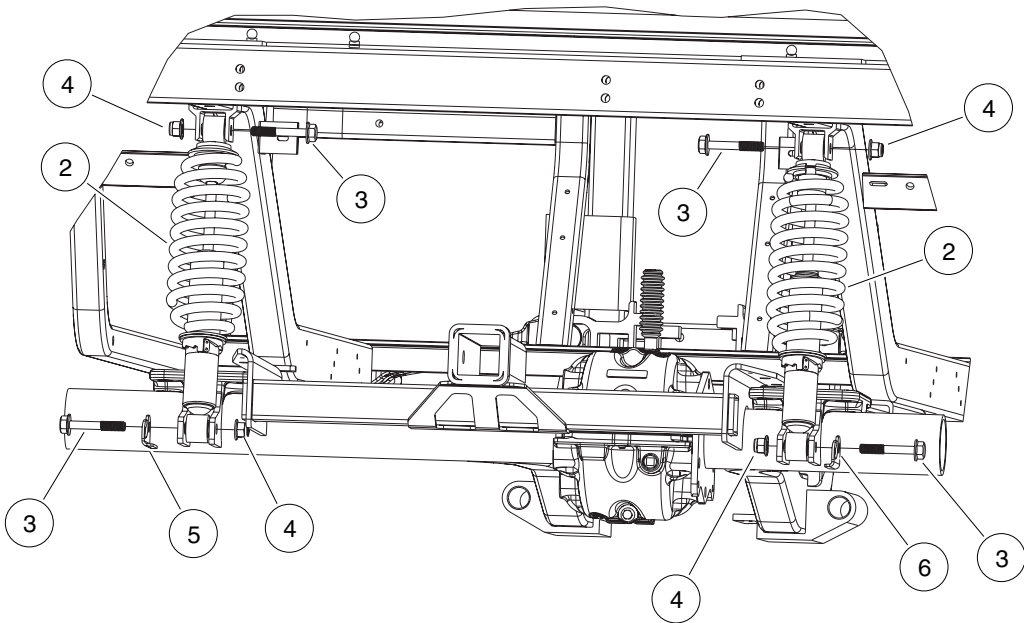
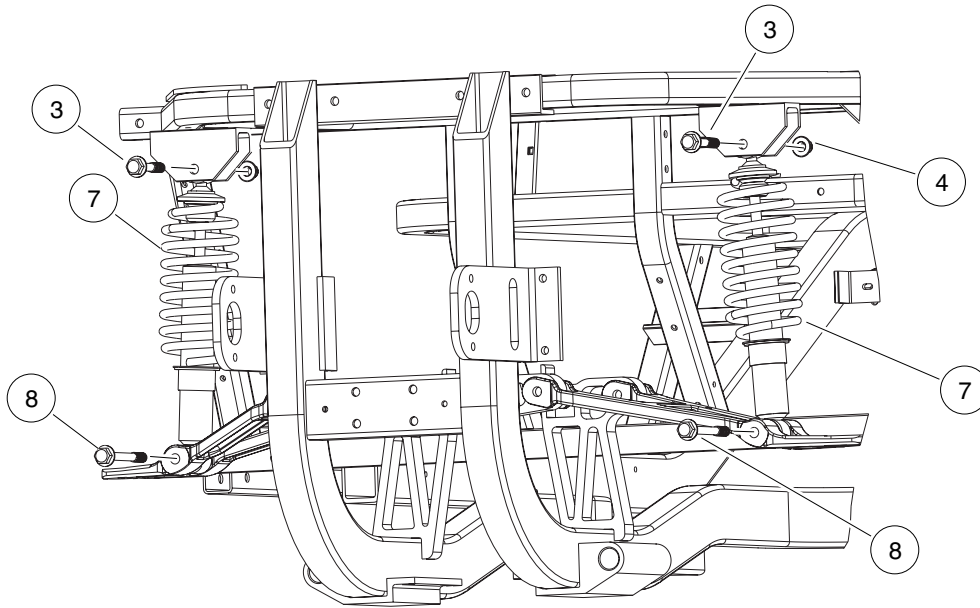
ITEM	PART NO.	DESCRIPTION	QTY
		1 2 3 4	
1	<u>AM11807</u>	Boxed Outboard Boot Kit (includes item 2)	1
2	AM11811	Half Shaft Boot Instl. Instr.	1
3	AM11808	Boxed Inboard Boot Kit (includes item 4)	1
4	AM11811	Half Shaft Boot Instl. Instr.	1
5	<u>AM1241201</u>	Kit, Outer Boot, Gen 2 (includes item 6)	1
6	AM1241401	Instructions, Boot Replacement	1
7	<u>AM1241301</u>	Kit, Inner Boot, Gen 2 (includes item 8)	1
8	AM1241401	Instructions, Boot Replacement	1

6

D

6

D



000530-003

SHOCK ABSORBERS

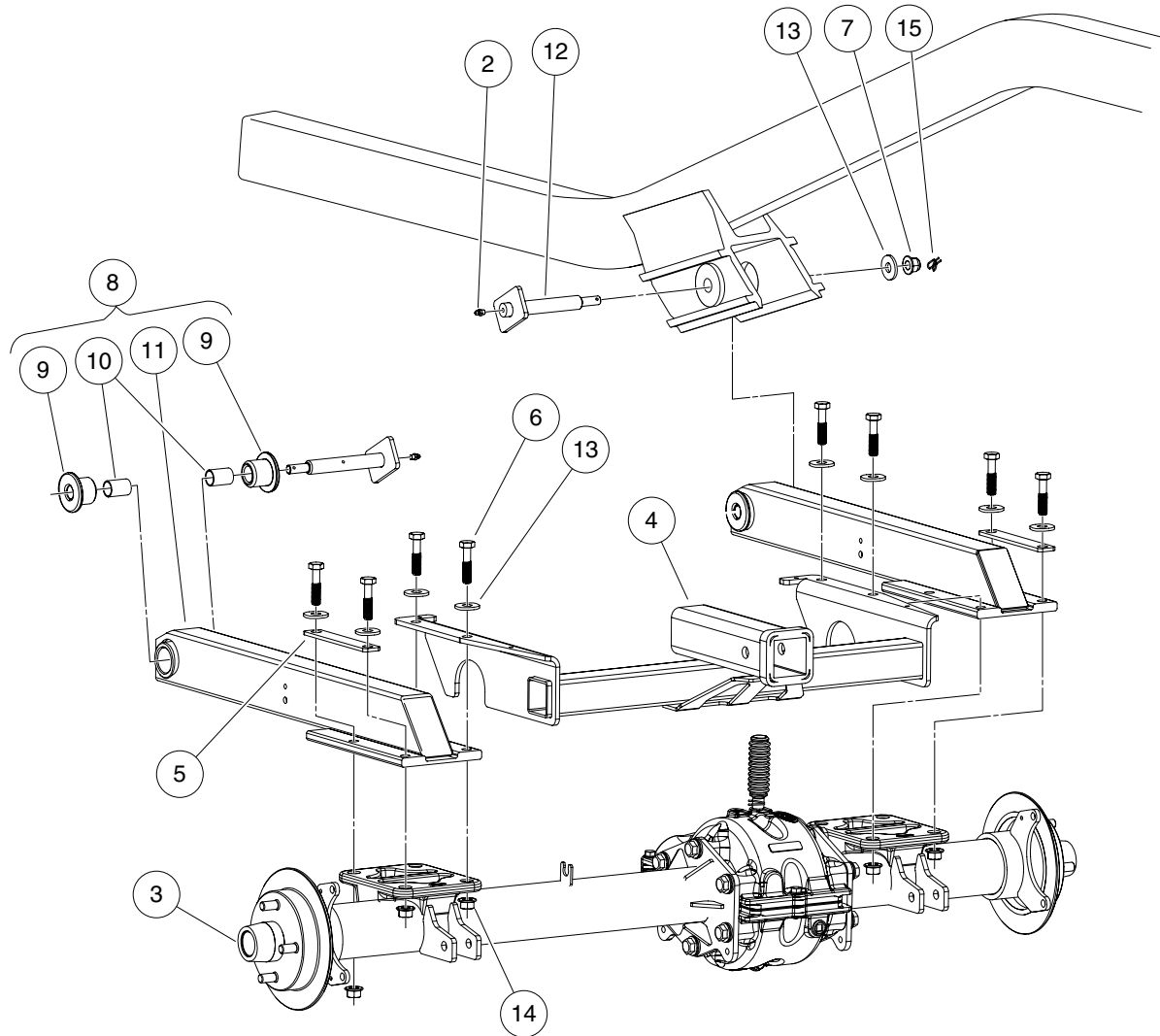
ITEM	PART NO.	DESCRIPTION	QTY
		1 2 3 4	
1	N/A	Inst, Shock, Awd, Bt (includes items 2 through 8)	1
2	102365601	Shock, Coil Over Rear	2
3	<u>102616301</u>	Bolt, Flange Head, M12 X 1.75 X 70	6
4	<u>102620501</u>	Nut Flg, M12x1.75, Nylon Gr 10	6
5	<u>102689101</u>	Brkt, Line, Hyd, Shk Mnt, Drv	1
6	<u>102689102</u>	Brkt, Line, Hyd, Shk Mnt, Pass	1
7	<u>102786301</u>	Shock, Coil Over, 330 Lb/in	2
8	<u>102788701</u>	Bolt Flg, M12x1.75x100, Patch	2

6

D

6

D



000031-002

REAR SUSPENSION – STANDARD

ITEM	PART NO.	DESCRIPTION	QTY
		1 2 3 4	
1	N/A	Instl, Rear Suspension (includes items 2 through 15)	1
2	<u>1015597</u>	Fitting, 1/4-28 Thread-Forming Grease	2
3	102274101	Center Cap, Rubber	2
4	<u>102393501</u>	Weldment, Receiver, Rear	1
5	<u>102619801</u>	Washer, Strip, Swingarm	2
6	<u>102620401</u>	Bolt Flanged Head, M12 X 1.75 X 50	8
7	<u>102620501</u>	Nut Flg, M12x1.75, Nylon Gr 10	2
8	N/A	Sub Asm Swingarm (includes items 9 through 11)	2
9	<u>102398901</u>	Bushing, Pivot, Urethane	2
10	<u>102477001</u>	Bushing, Teflon	2
11	<u>103282301</u>	Swingarm, Rear, Awd	1
12	<u>102682901</u>	Pin, Swingarm, Weldment	2
13	<u>102684501</u>	Washer, M12 Hard Regular	10
14	<u>102685601</u>	Nut Flg M12 X 1.75 Cl10	8
15	<u>102737101</u>	Cotter, Rue Ring, 1/2"	2

6

D

6

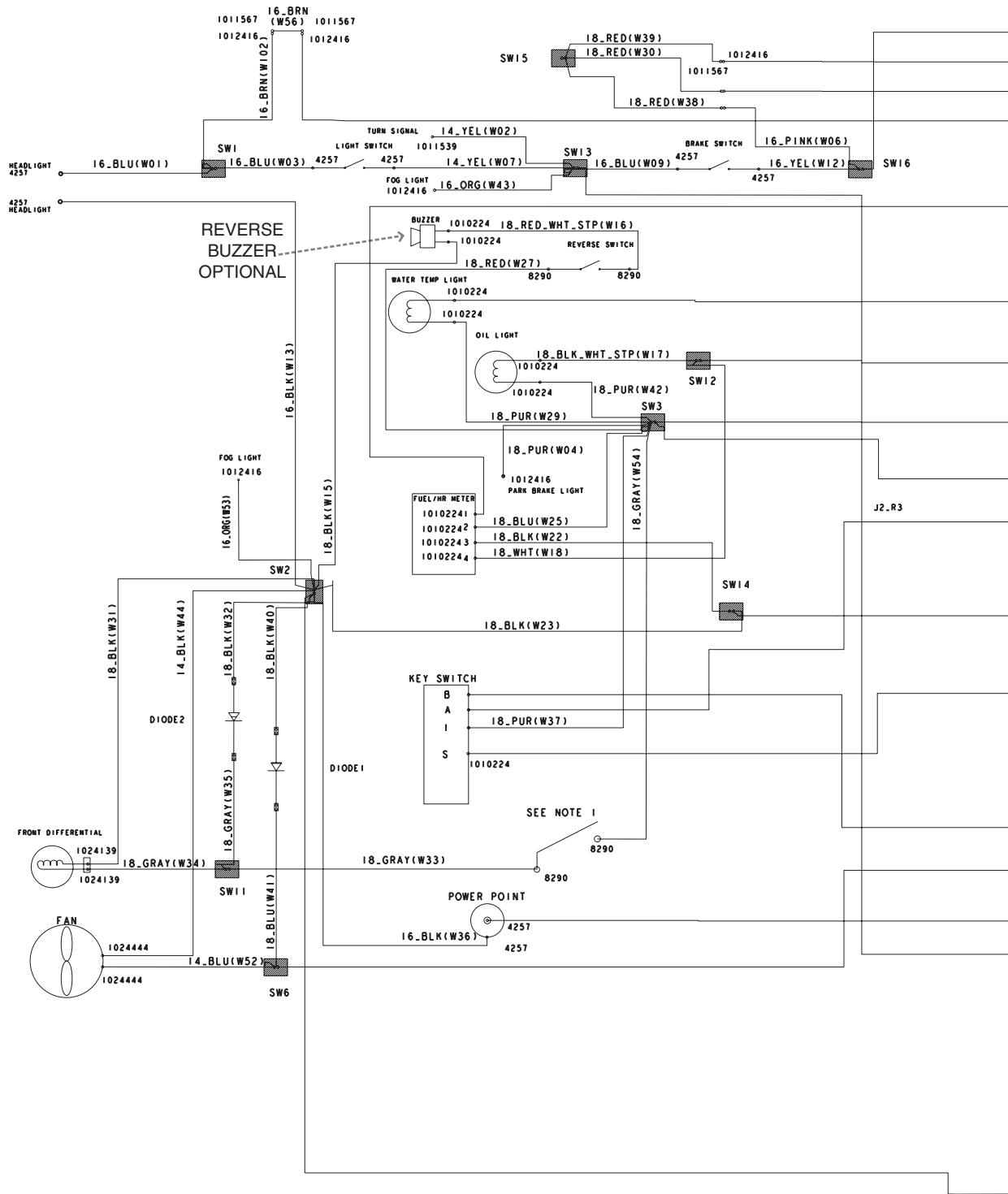
D

ELECTRICAL SYSTEM

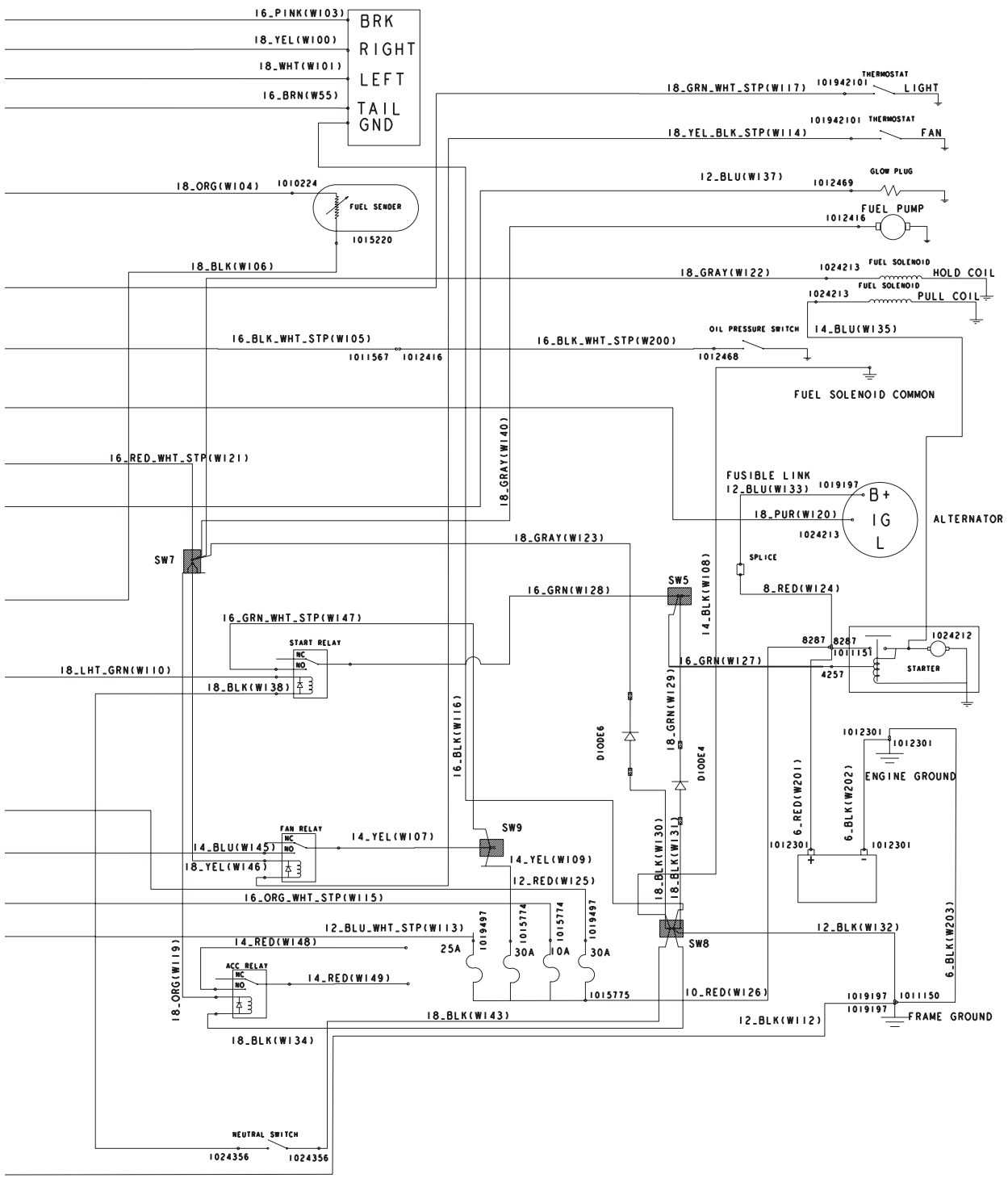
7

D

DIESEL VEHICLE



000662-002



000662-002

7

D

See previous two pages for illustration.

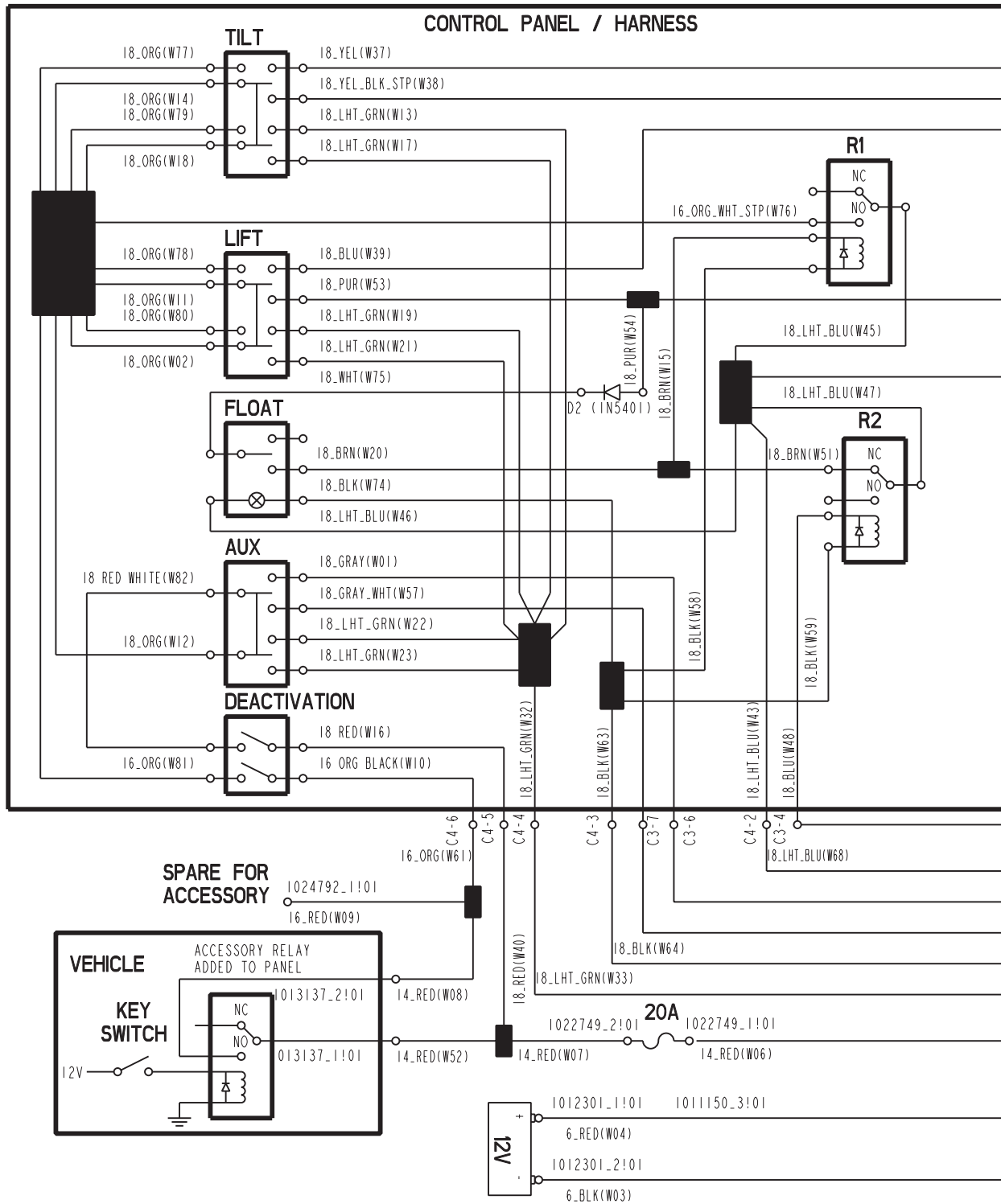
WIRING – DIESEL VEHICLE, SINGLE PIECE

ITEM	PART NO.	DESCRIPTION	QTY
		1 2 3 4	
1	<u>102538501</u>	Diode, General Purpose, 6.0a	A/R
2	<u>103277501</u>	Harness, Diesel AWD	1
3	<u>103327201</u>	Asm, Switch, Limit, Awd	1

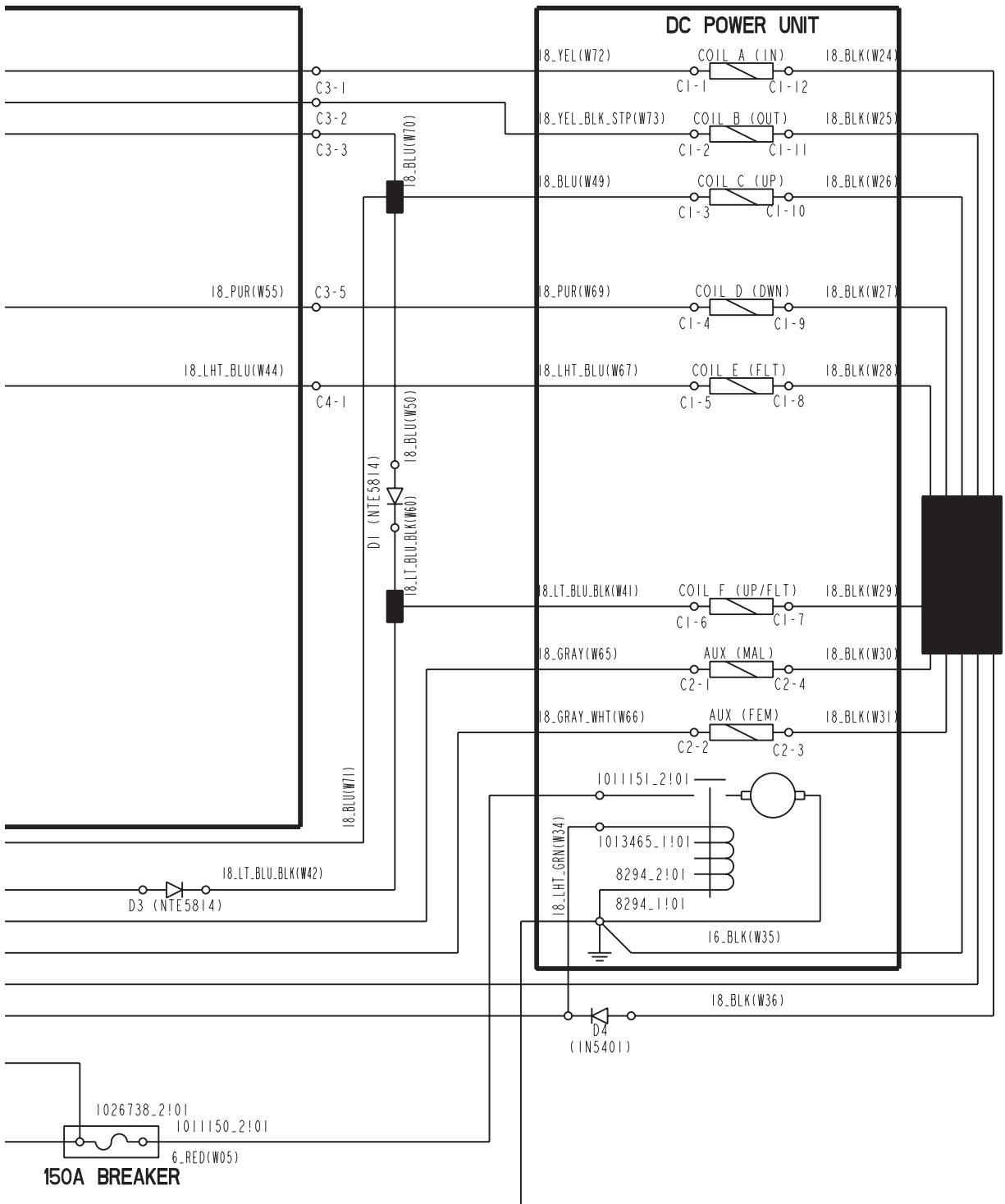
7

D

CONTROL PANEL HARNESS



000535-003



000535-003

7

D

See previous two pages for illustration.

WIRING – CONTROL PANEL

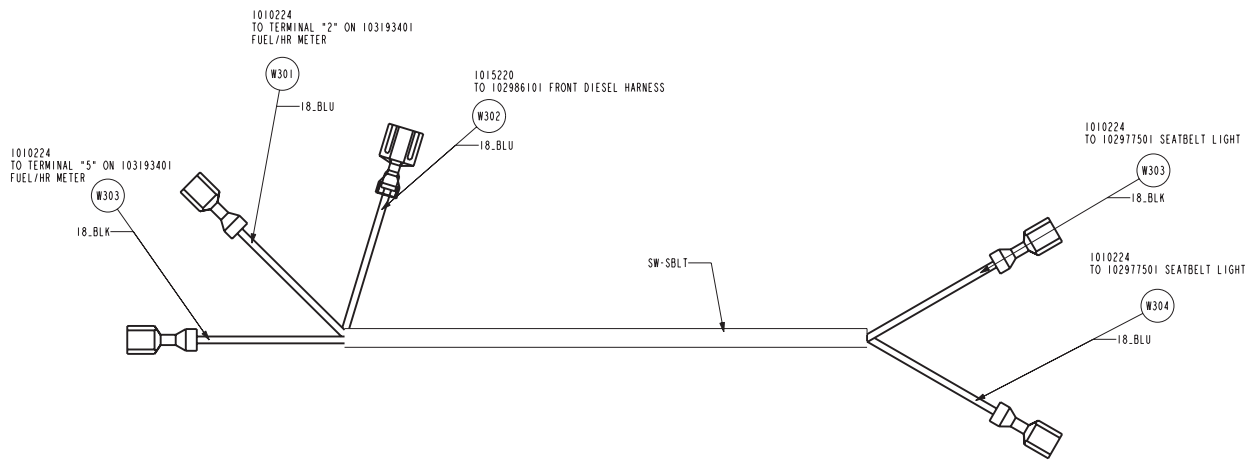
ITEM	PART NO.	DESCRIPTION	QTY
		1 2 3 4	
1	<u>102786401</u>	Wire Harness, Powerunit	1
2	<u>102936801</u>	Breaker, Circuit, 150-Amp	1
3	<u>103245801</u>	Wire Harness, Control Panel	1

7

D

7

D



000535-005

WIRING – SEAT BELT REMINDER

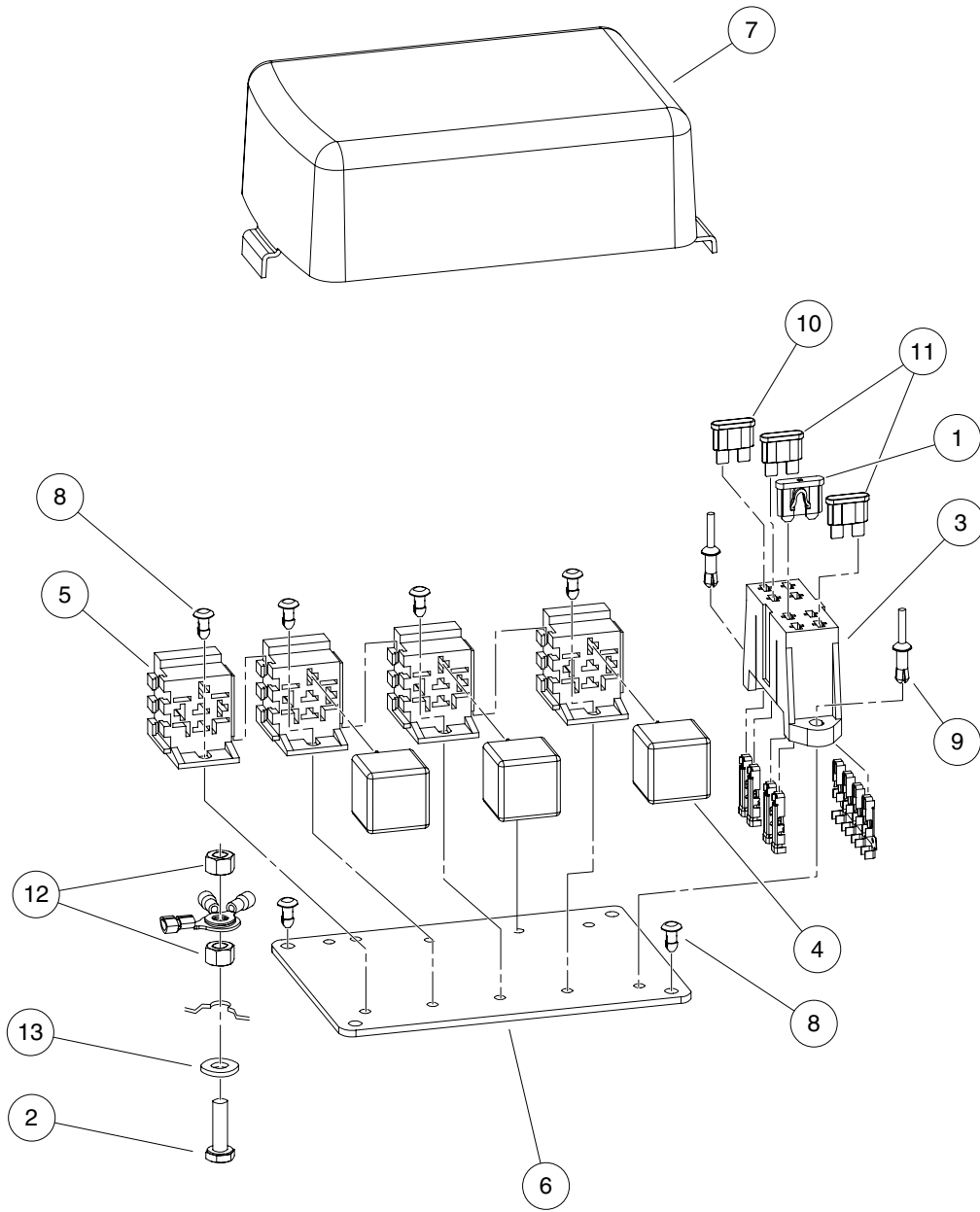
ITEM	PART NO.	DESCRIPTION	QTY
1	<u>103213401</u>	1 2 3 4 Harness, Seatbelt Light	1

7

D

7

D



000076-002

ELECTRICAL COMPONENT BOX, DIESEL VEHICLES

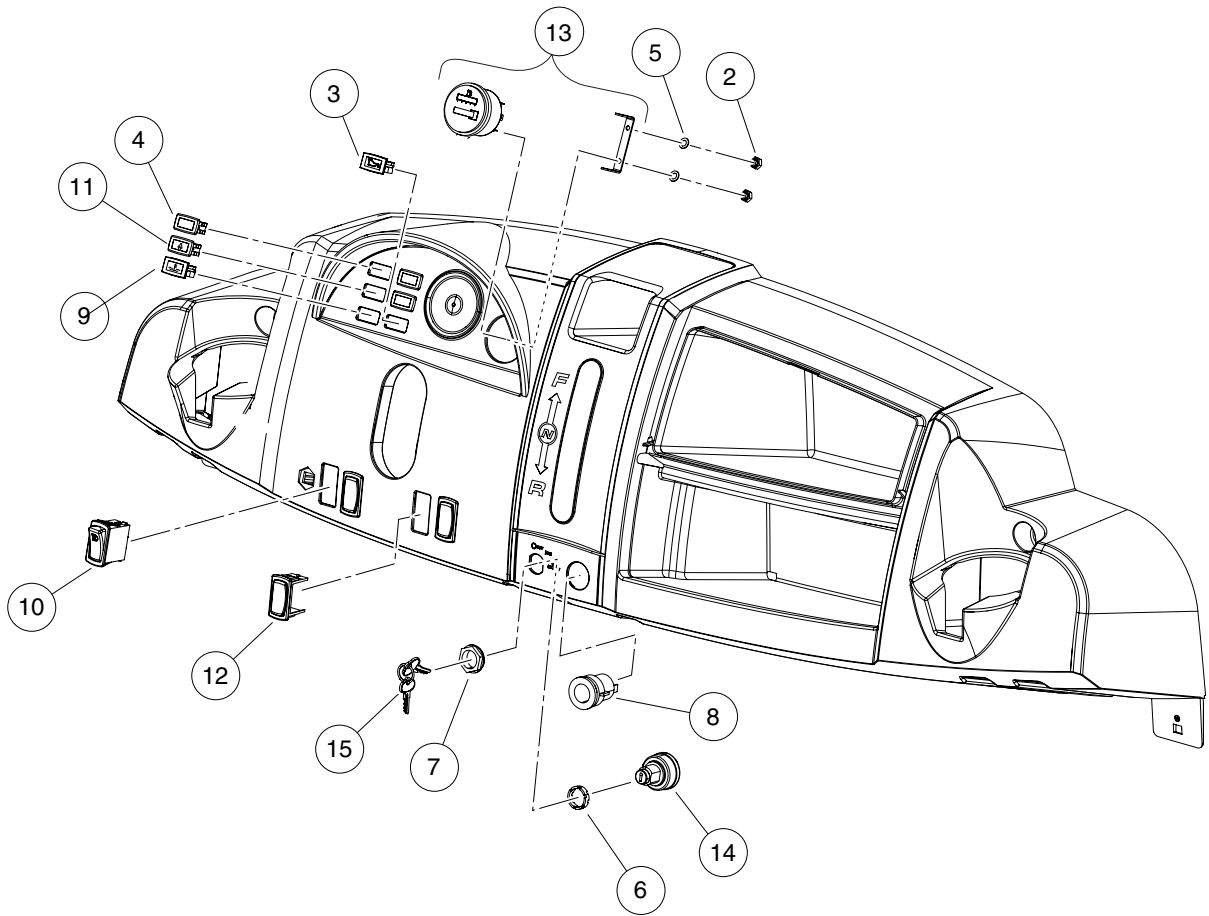
ITEM	PART NO.	DESCRIPTION	QTY
		1 2 3 4	
1	<u>1012295</u>	Fuse, 10-Amp	1
2	N/A	Screw, 1/4-20 X .88 Hex Hd Cap	1
3	<u>1015741</u>	Fuse Block	1
4	<u>102420201</u>	Relay, Mini ISO, SPDT	3
5	****	Connector, Relay	4
6	<u>102420401</u>	Plate, Electrical	1
7	<u>102420501</u>	Cover, Electrical	1
8	<u>102447901</u>	Fastener, Push-in	8
9	<u>102448001</u>	Rivet, Drive	2
10	<u>102492201</u>	Fuse, 25-Amp	1
11	<u>102492301</u>	Fuse, 30-Amp	2
12	<u>1108</u>	Locknut, 1/4-20 Dimpled	2
13	<u>332</u>	Washer, 1/4 Type A Narrow Flat	1
		**** Special order item available upon request.	

7

D

7

D



000543-005

ELECTRICAL COMPONENTS

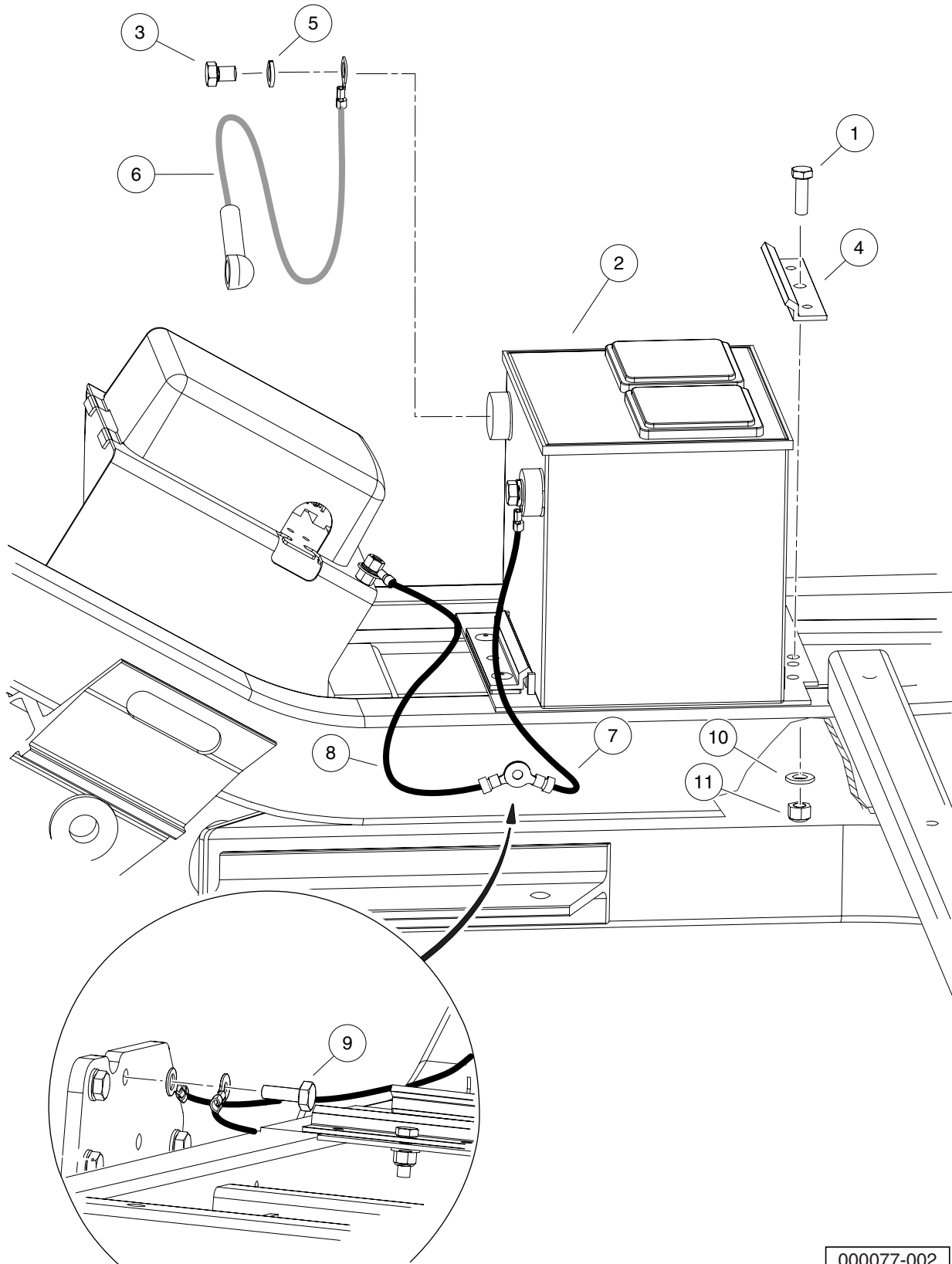
ITEM	PART NO.	DESCRIPTION	QTY
		1 2 3 4	
1	N/A	Instl, Elec Sys, 2300 Restyle (includes items 2 through 15)	1
2	N/A	Lockwasher, M4	2
3	<u>1016630</u>	Light, Oil	1
4	<u>101802601</u>	Plug, Hole	3
5	<u>101991101</u>	Nut, M4-0.7	2
6	<u>102051601</u>	Spacer, Keyswitch	1
7	<u>102051701</u>	Nut, Key Switch	1
8	<u>102198001</u>	Receptacle, Accessory	1
9	<u>102375401</u>	Light, Indicator, Coolant Temp	1
10	<u>102869401</u>	Switch, Rocker, Light	1
11	<u>102977501</u>	Light, Indicator, Seat Belt	1
12	<u>103180101</u>	Cover, Hole, Switch, Rocker	3
13	<u>103193401</u>	Gauge, Fuel,hr,seatbelt Timer	1
14	<u>103208801</u>	Keyswitch, 12v, Diesel	1
15	<u>103234401</u>	Keys (set of 2)	1

7

D

7

D



000077-002

BATTERY – DIESEL VEHICLES

ITEM	PART NO.	DESCRIPTION	QTY
		1 2 3 4	
1	<u>1010934</u>	Screw, 5/16-18 X 1.00 Hex Cap	1
2	<u>1012328</u>	Battery, 12-Volt	1
3	<u>1014375</u>	Screw, 3/8-16 X 0.50 Stainless Steel Hex-Head	2
4	<u>101898001</u>	Clamp, Battery	1
5	<u>102355301</u>	Lockwasher, 3/8 Stainless Stl	2
6	<u>102442201</u>	Asm, #6 Red Wire	1
7	<u>102448401</u>	Wire Asm, #6 Blk, Awd, 350	1
8	<u>102448501</u>	Wire Asm, #6 Blk, Awd, 325	1
9	<u>102498201</u>	Bolt, M10 X 1.25 X 25 Loctite	1
10	<u>1241</u>	Washer, 5/16 Type A Flat	1
11	<u>7473</u>	Locknut, 5/16-18 Nylon Insert	1

7

D

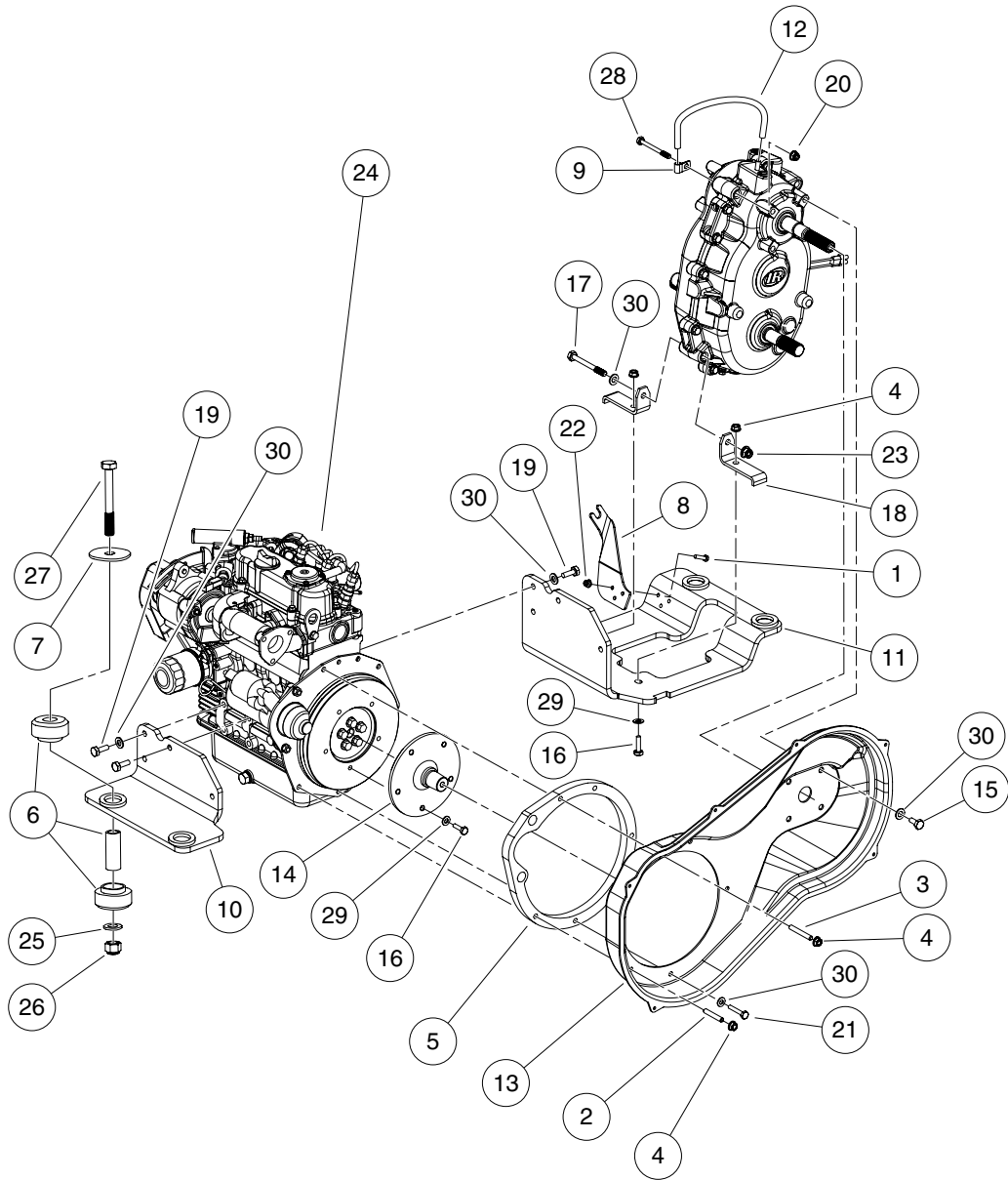
7

D

DIESEL ENGINE – CLOSED BREATHER

8

D



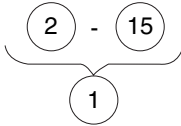
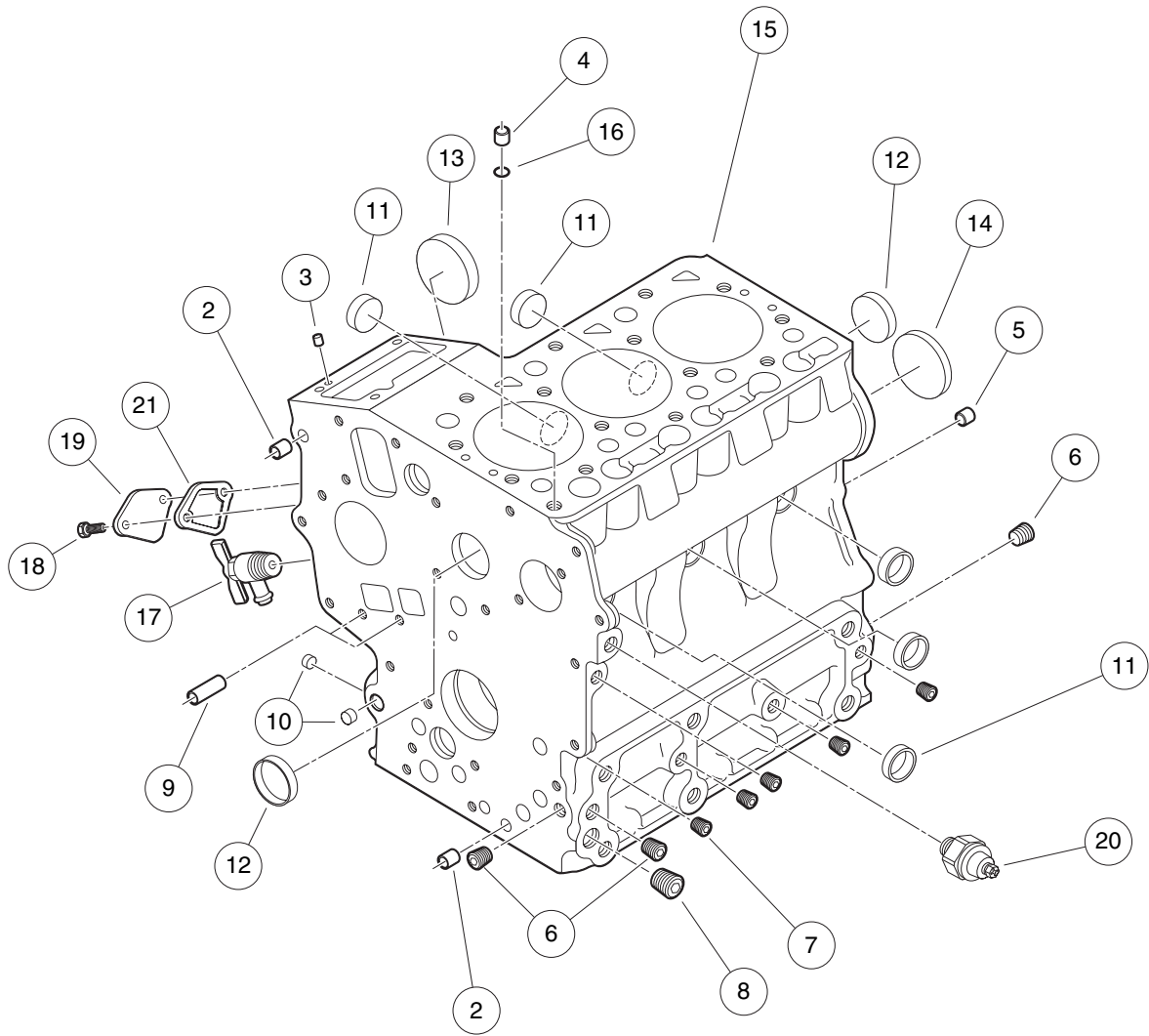
000025-002

KUBOTA D722 DIESEL ENGINE MOUNTING

ITEM	PART NO.	DESCRIPTION	QTY
		1 2 3 4	
1	<u>1012769</u>	Screw, M6-1.00 X 25mm Hex Cap	3
2	<u>101833101</u>	Stud, M8-1.25 X 50 mm Two-Ended	1
3	<u>101833201</u>	Stud, M8-1.25 X 60mm Two-Ended	1
4	<u>102298401</u>	Nut,m8,all Metal Lock	7
5	<u>102370101</u>	Spacer, Engine, Diesel	1
6	<u>102370501</u>	Isolator Ring and Bushing	4
7	<u>102370601</u>	Washer, Snubbing, Ring N Bush	4
8	<u>102382401</u>	Bracket, FNR Trans Cable	1
9	<u>102410603</u>	P-Clamp, Insulated .312 In	1
10	<u>102414701</u>	Plate, Engine Mounting, Weld, Left-Hand	1
11	<u>102414801</u>	Plate, Engine Mounting, Weld, Right-Hand	1
12	<u>102462301</u>	Hose, Vent, Transmission	1
13	<u>102462501</u>	Cover, CVT Inner, Diesel	1
14	<u>102465901</u>	Shaft, CVT Adapter	1
15	<u>102490101</u>	Bolt, M10 X 1.5 X 20 Loctite	4
16	<u>102490201</u>	Bolt, M8 X 1.25 X 25 Loctite	7
17	<u>102490501</u>	Bolt, M10 X 1.5 X 100 Loctite	1
18	<u>102494401</u>	Bracket, Transmission Mounting	2
19	<u>102498201</u>	Bolt, M10 X 1.25 X 25 Loctite	8
20	<u>102618601</u>	Lock Nut, Flg M8 X 1.25 Nylon	1
21	<u>102621301</u>	Bolt, M8 X 1.25 X 40 with Loctite	3
22	<u>102621501</u>	Nut Flg, M6 X 1.0 Nylon	3
23	<u>102670701</u>	Nut Flg M10 X 1.5 Nylon	1
24	<u>102934601</u>	Engine, Kubota, D722, with Closed Breather, 60a	1
25	<u>96701412</u>	Washer, M12 Hard	4
26	N/A	Locknut, M12x1.75 Nylon Insert	4
27	<u>96704721</u>	Bolt, M12 X 1.75 X 90	4
28	<u>96718978</u>	Bolt, M8 X 1.25 X 80	1
29	<u>96741038</u>	Washer, M8 Hard	10
30	<u>96741046</u>	Washer, M10 Hard	12

8

D



000039-001

CRANKCASE

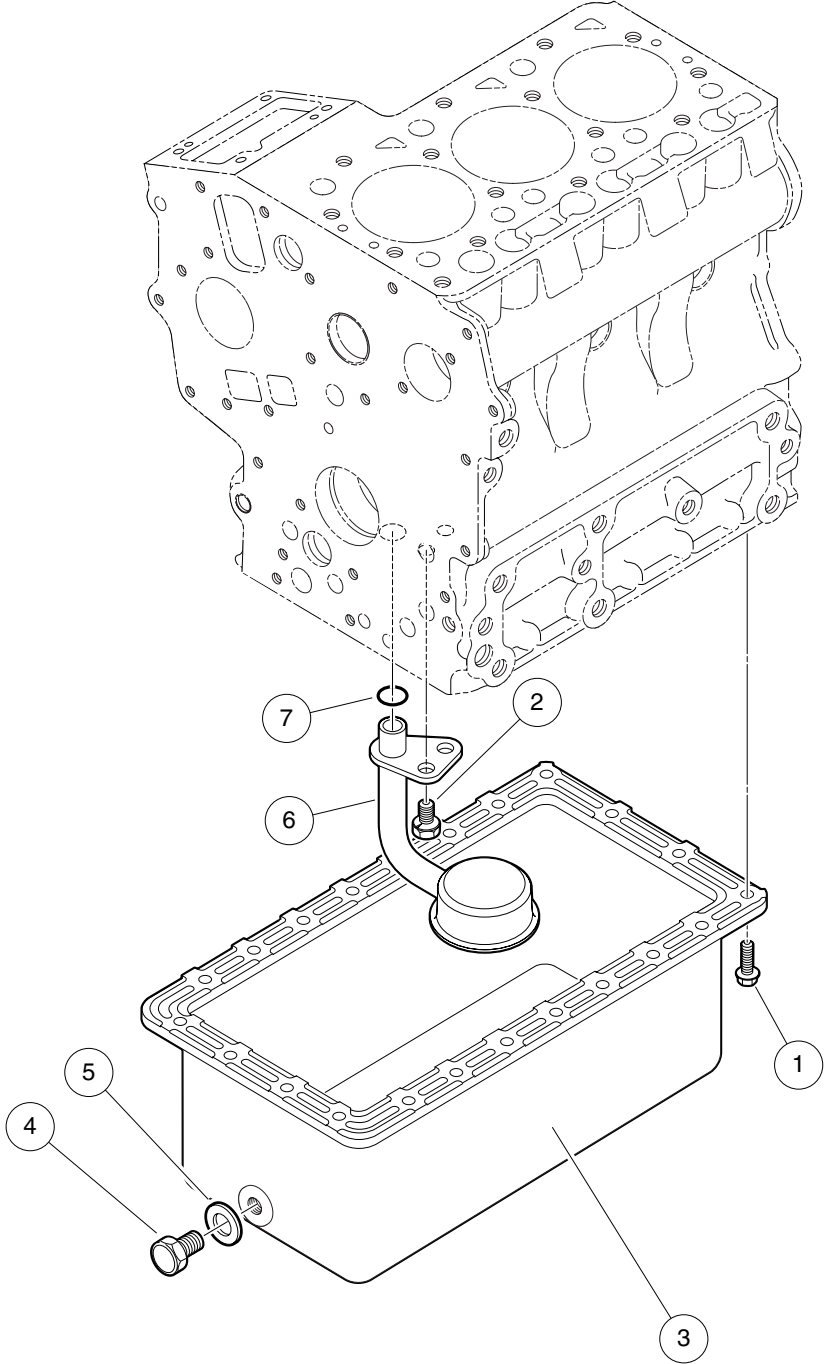
ITEM	PART NO.	DESCRIPTION	QTY
		1 2 3 4	
1	<u>102600001</u>	Engine Block (includes items 2 through 15)	1
2	<u>102600101</u>	Pin, Pipe, Dia 8 X 14	2
3	<u>102600201</u>	Pin, Straight, Dia 5 X 10	2
4	<u>102600401</u>	Pin, Pipe, Dia 7 X 14	1
5	<u>102600601</u>	Pin, Straight, Dia 8 X 16	2
6	<u>102600701</u>	Plug, 1/8"	3
7	<u>102600801</u>	Plug, 3/32"	5
8	<u>102601001</u>	Plug, 1/4"	1
9	<u>102601301</u>	Pin, Pipe, Dia 8 X 11	2
10	<u>102726201</u>	Cap, Sealing, Small	3
11	<u>102726301</u>	Cap, Sealing, Med	5
12	<u>102726401</u>	Cap, Sealing, Large	2
13	<u>102726501</u>	Cover, Fuel Camshaft	1
14	<u>102726601</u>	Plug, Expansion	1
15	N/A	Block, Engine	1
16	<u>102600301</u>	O Ring, 8 X 7	1
17	<u>102601401</u>	Cock, Drain	1
18	<u>102631601</u>	Bolt, M6 X 1 X 20	2
19	<u>102700801</u>	Plate, Engine Block	1
20	<u>102730801</u>	Switch, Oil Pressure	1
21	<u>102732601</u>	Gasket, Fuel Pump, D722	1

8

D

8

D



000040-001

OIL PAN

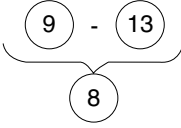
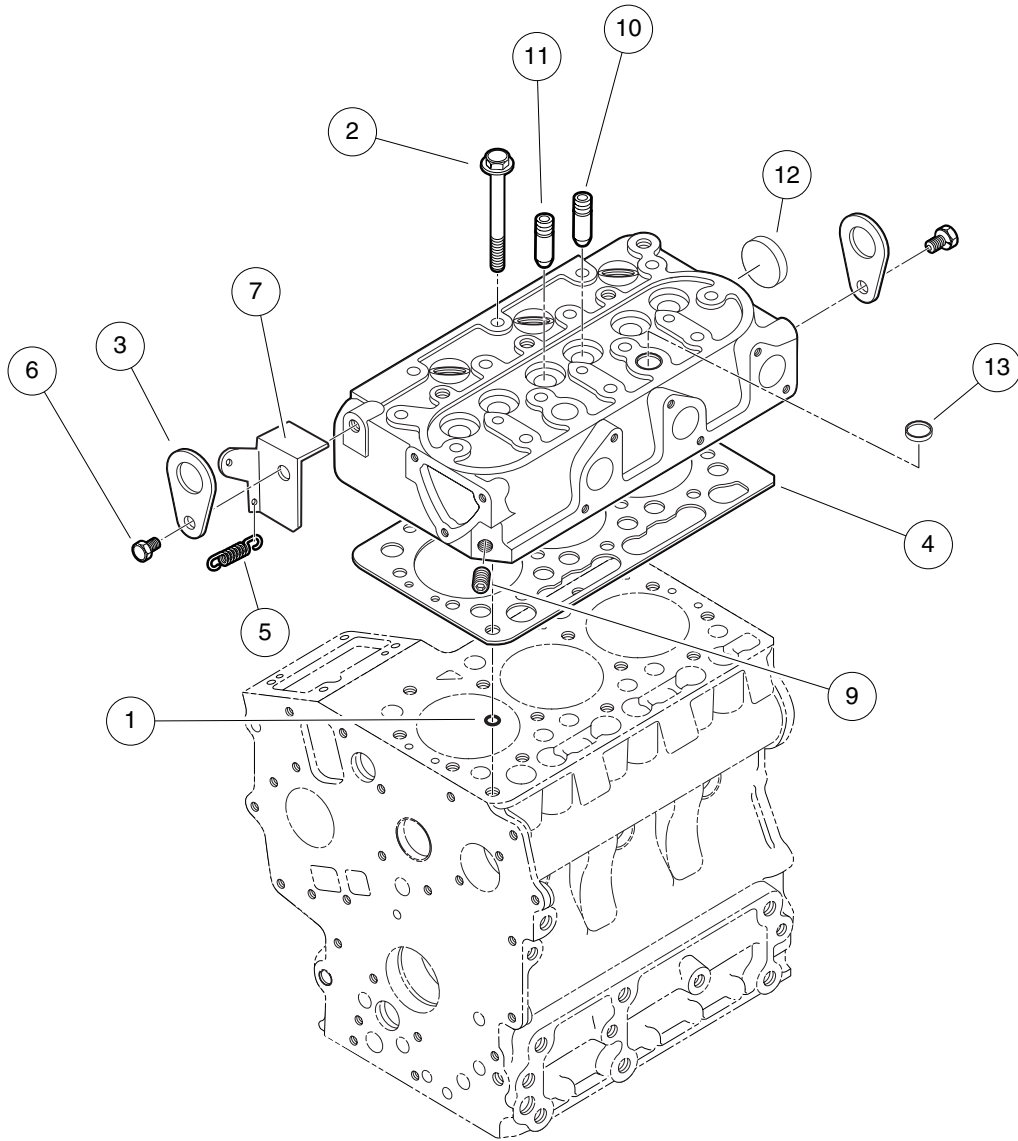
ITEM	PART NO.	DESCRIPTION	QTY
		1 2 3 4	
1	<u>102605101</u>	Bolt, M6 X 1 X 14	22
2	<u>102606901</u>	Bolt, M8 X 1.25 X 15	1
3	102607001	Oil Pan	1
4	<u>102607201</u>	Plug, Drain, M12 X 14	1
5	<u>102607301</u>	Gasket, 20 X 13	1
6	<u>102607401</u>	Filter, Oil, Pick Up	1
7	<u>102654601</u>	O Ring, 20 X 17	1

8

D

8

D



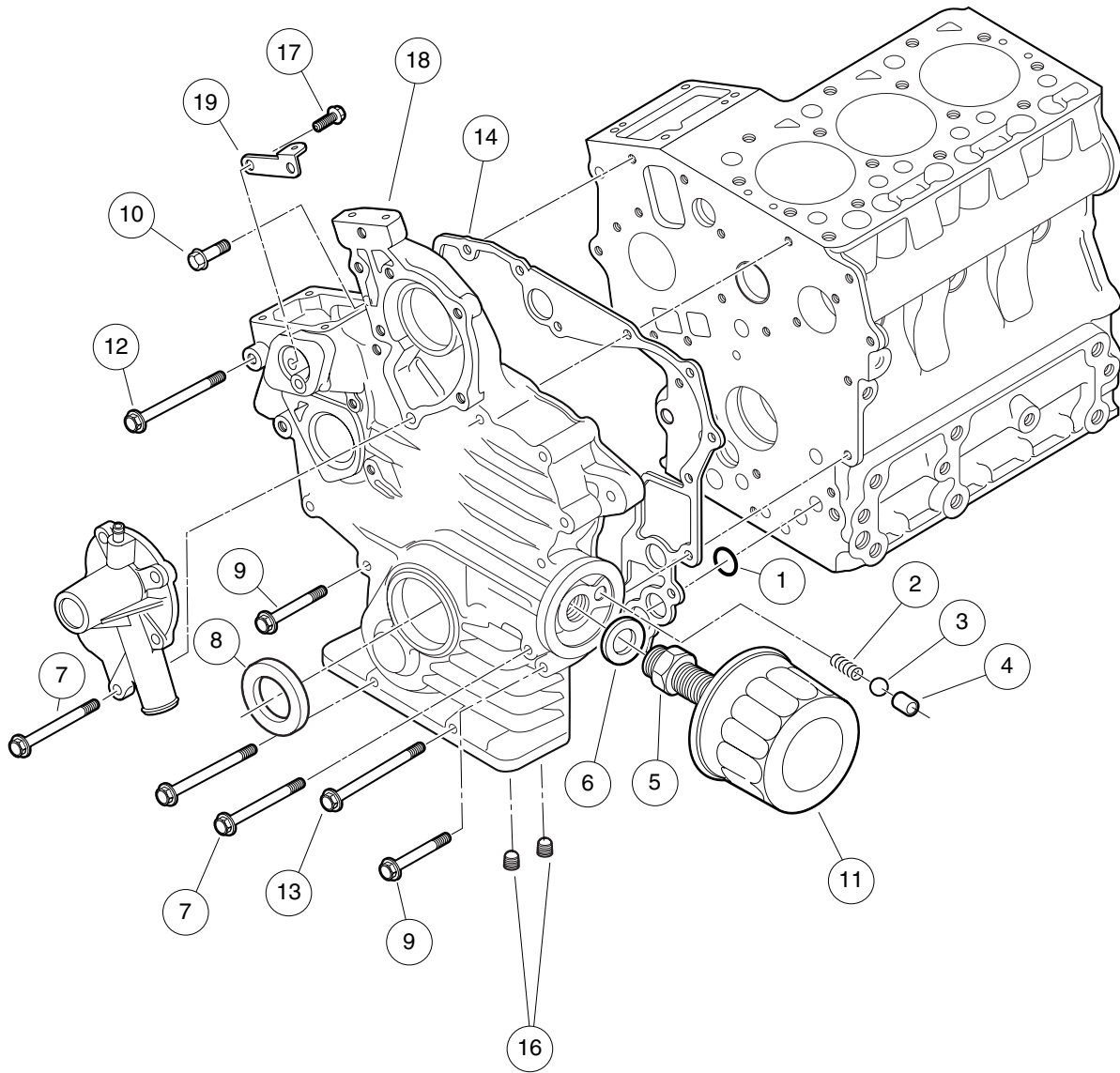
000041-002

CYLINDER HEAD

ITEM	PART NO.	DESCRIPTION	QTY
		1 2 3 4	
1	<u>102600301</u>	O Ring, 8 X 7	1
2	<u>102652801</u>	Bolt, Cylinder Head	14
3	<u>102653901</u>	Hook, Engine	2
4	<u>102654101</u>	Gasket, Cylinder Head	1
5	<u>102701001</u>	Spring, Start	1
6	<u>102726701</u>	Bolt, Engine Hook	2
7	<u>102727101</u>	Stay, Cylinder Head	1
8	<u>102798001</u>	Head, Cylinder, Complete (includes items 9 through 13)	1
9	<u>102600801</u>	Plug, 3/32"	1
10	<u>102653401</u>	Guide, Exhaust Valve	3
11	<u>102653501</u>	Guide, Inlet Valve	3
12	<u>102726901</u>	Cap, Sealing, Head	1
13	<u>102727001</u>	Cap, Sealing, Head, Top	2

8

D



000042-002

GEAR CASE

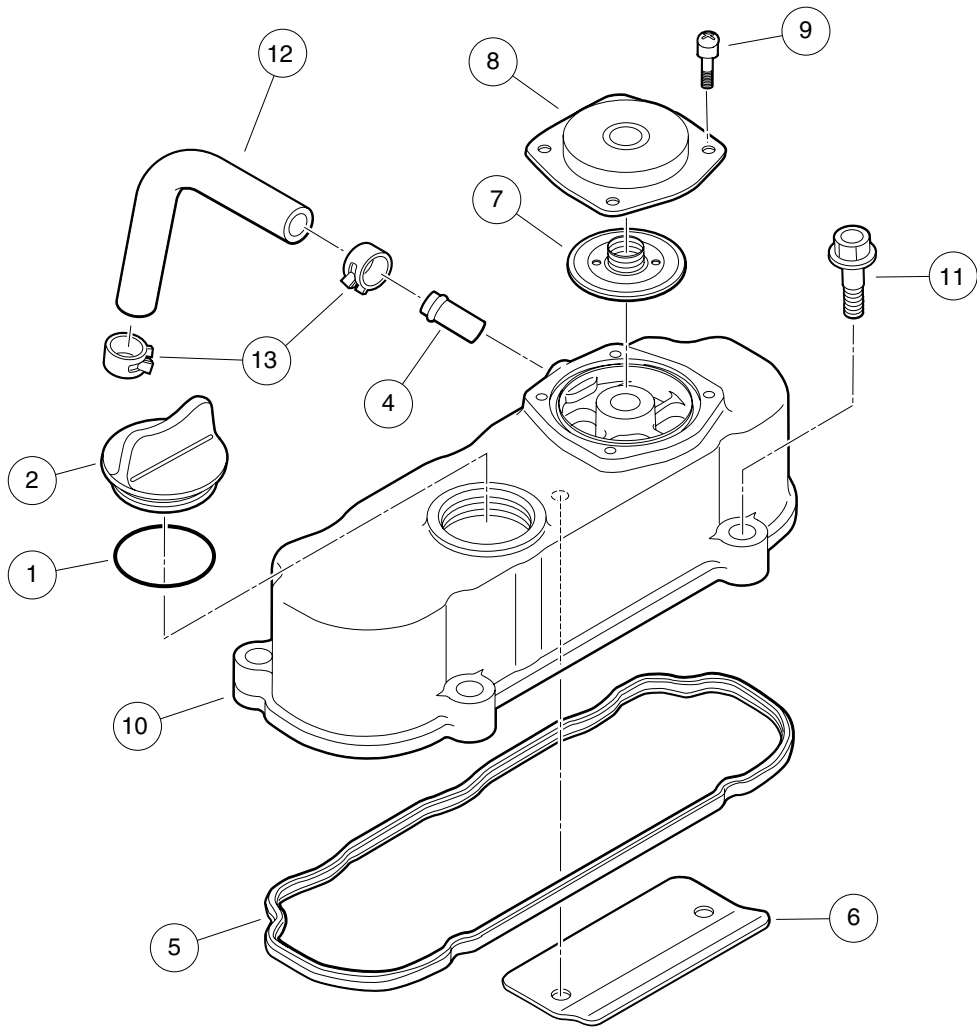
8

D

ITEM	PART NO.	DESCRIPTION	QTY
		1 2 3 4	
1	<u>102601801</u>	O Ring, 18 X 13	3
2	<u>102601901</u>	Spring, Valve	1
3	<u>102602001</u>	Ball, Valve	1
4	<u>102602101</u>	Seat, Valve	1
5	<u>102602301</u>	Joint, Pipe	1
6	<u>102602401</u>	Washer, Plain, Special	1
7	<u>102602601</u>	Bolt, M6 X 1 X 60	2
8	<u>102602701</u>	Seal, Oil	1
9	<u>102602801</u>	Bolt, D722, Front Case	9
10	<u>102654301</u>	Bolt, D722 Intake Manfld Lower	1
11	<u>102703301</u>	Filter, Engine Oil, D722	1
12	<u>102727401</u>	Bolt, Gearcase, Top	2
13	<u>102727501</u>	Bolt, Gearcase, Lower	1
14	<u>102729301</u>	Gasket, Gearcase, D722	1
15	<u>102798101</u>	Case, Gear (includes items 16 through 19)	1
16	<u>102601001</u>	Plug, 1/4"	2
17	<u>102727601</u>	Screw, Breather	2
18	N/A	Case, Gear	1
19	<u>102798201</u>	Stay, Spring	1

8

D



000181-001

HEAD COVER

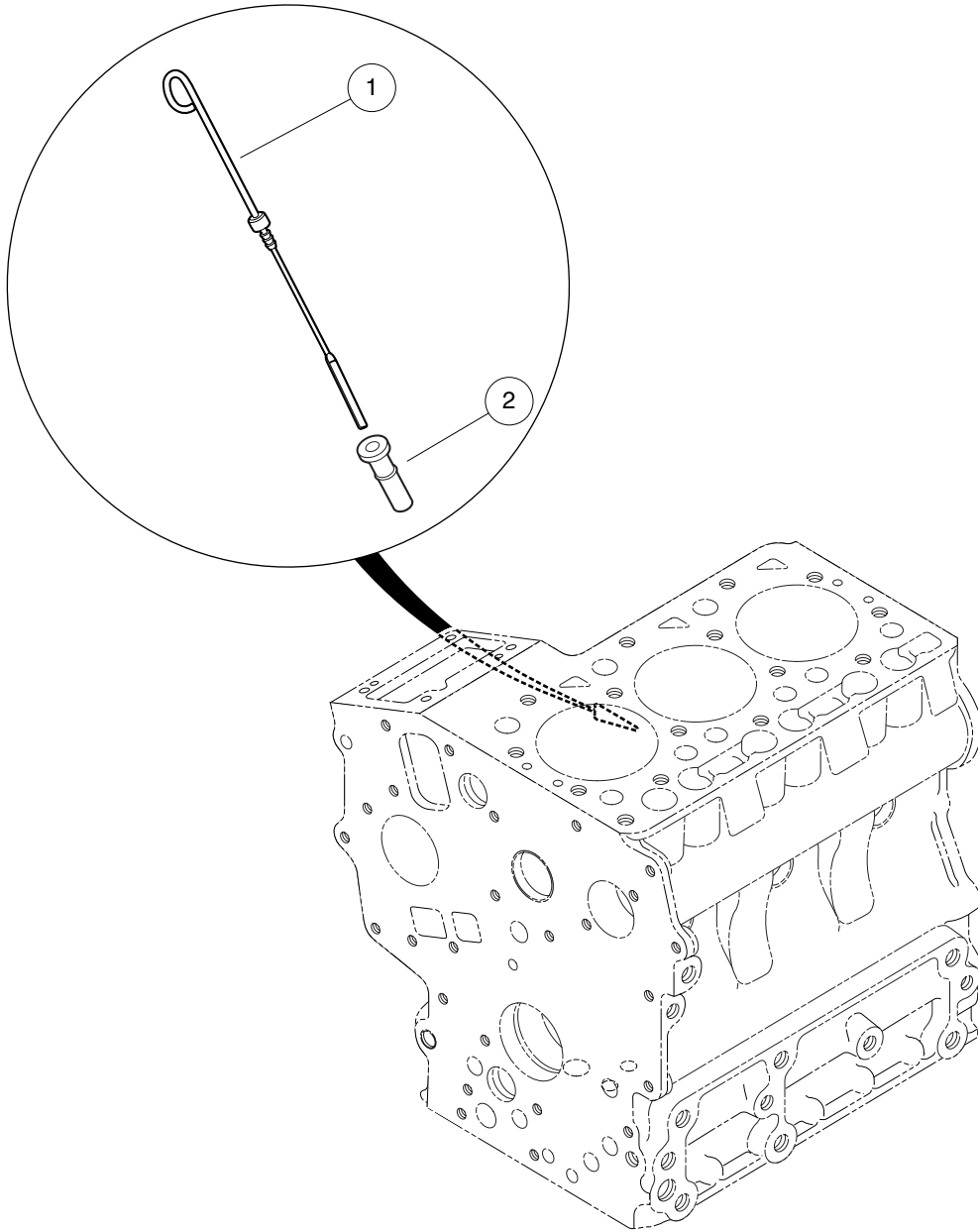
ITEM	PART NO.	DESCRIPTION	QTY
		1 2 3 4	
1	<u>102644001</u>	O Ring, 30 X 36	1
2	<u>102644101</u>	Plug, Oil Filler	1
3	<u>102798401</u>	Assembly, Cylinder Head Cover (includes items 4 through 10)	1
4	<u>102633301</u>	Pipe, Water Return, D722	1
5	<u>102798501</u>	Gasket, Cylinder Head Cover	1
6	<u>102798601</u>	Shield, Breather	1
7	<u>102799001</u>	Valve, Breather	1
8	<u>102799101</u>	Cover, Breather	1
9	<u>102799201</u>	Screw, Breather	4
10	N/A	Cover, Cylinder Head	1
11	<u>102798701</u>	Bolt, Cylinder Head Cover	4
12	<u>102798801</u>	Tube, Breather	1
13	<u>102798901</u>	Clamp, Breather Tube	2

8

D

8

D



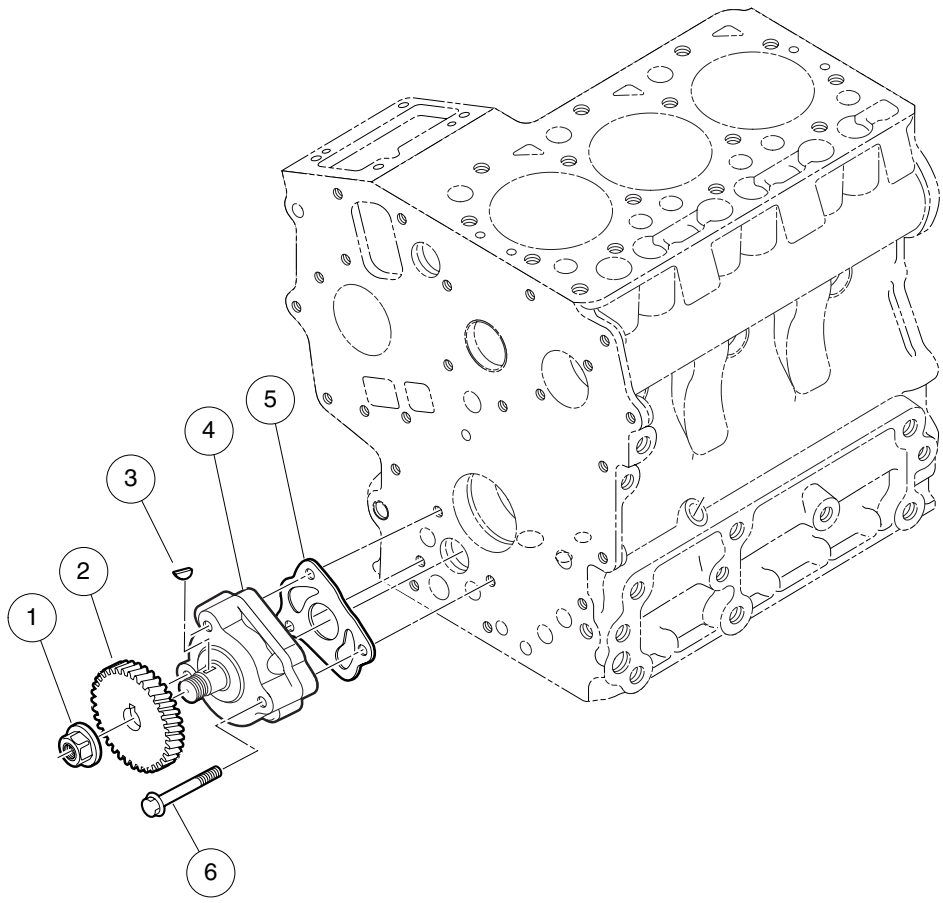
000044-002

DIPSTICK AND GUIDE

ITEM	PART NO.	DESCRIPTION	QTY
1	<u>102606701</u>	1 2 3 4 Gauge, Oil	1
2	<u>102727701</u>	Guide, Oil Gauge	1

8

D



000045-001

OIL PUMP

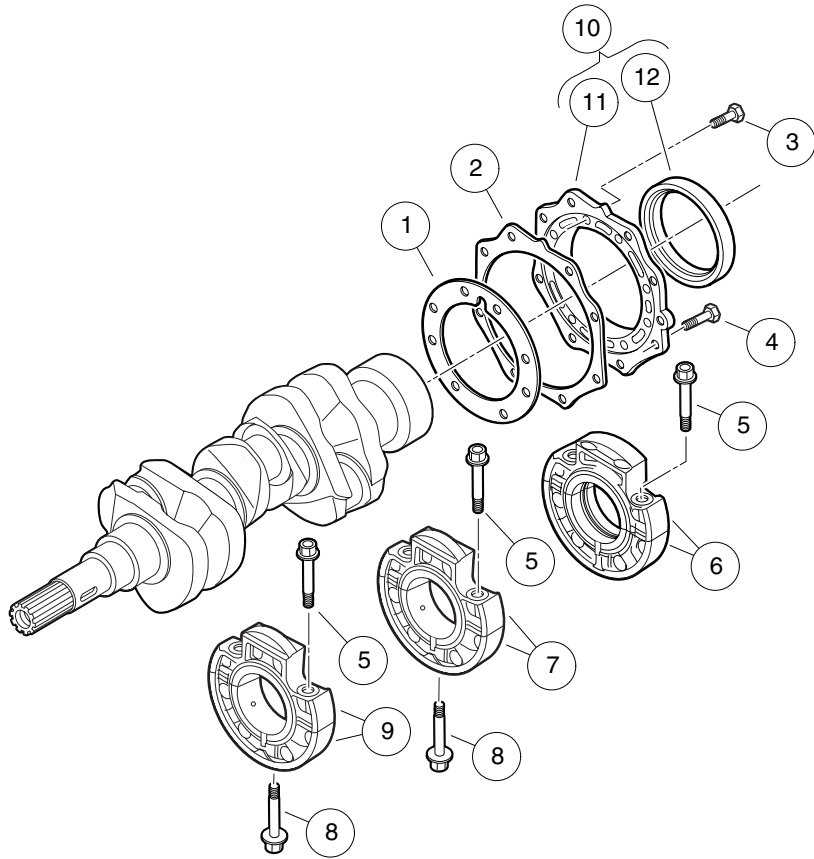
ITEM	PART NO.	DESCRIPTION	QTY
		1 2 3 4	
1	<u>102606201</u>	Nut, Flange, D722 Oil Pump	1
2	<u>102606301</u>	Gear, Oil Pump Drive	1
3	<u>102606401</u>	Key, Feather, 8x4	1
4	<u>102606501</u>	Assy, Pump, Oil	1
5	<u>102606601</u>	Gasket, Oil Pump	1
6	<u>102727901</u>	Bolt, Oil Pump	3

8

D

8

D



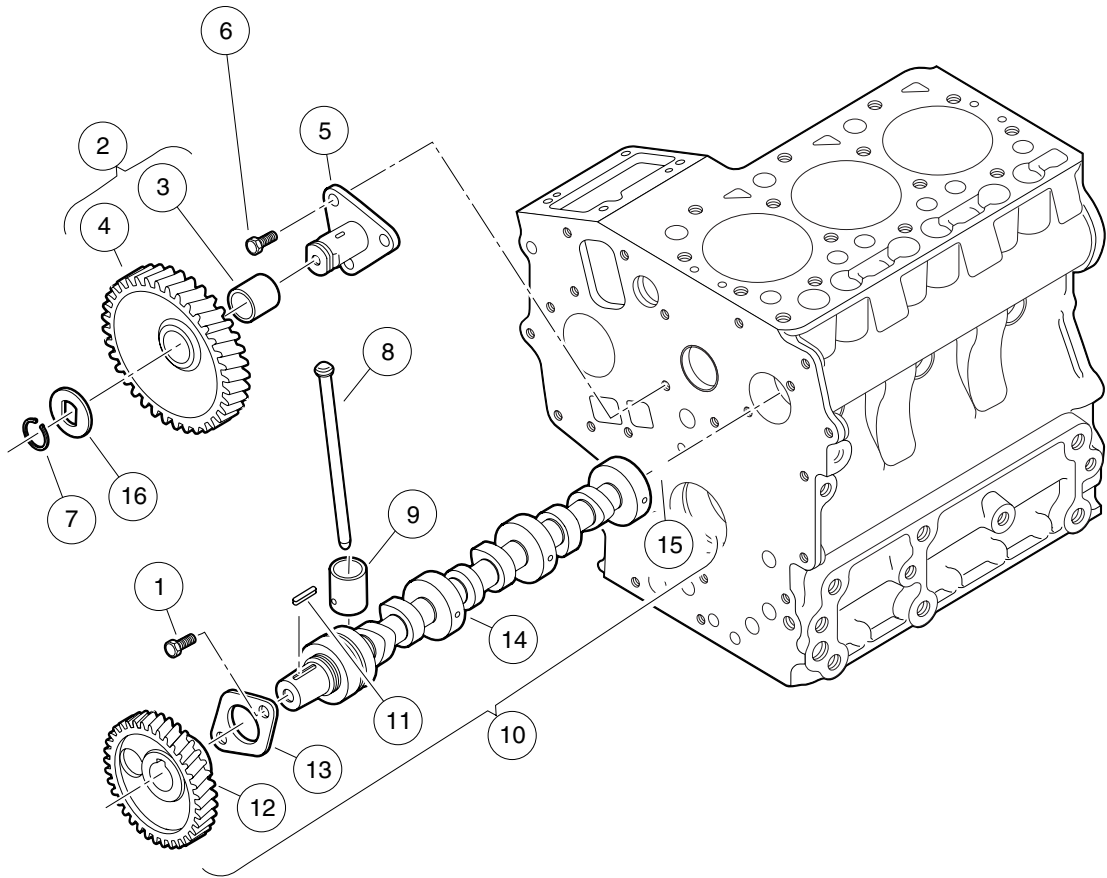
000046-001

MAIN BEARING CASE

ITEM	PART NO.	DESCRIPTION	QTY
		1 2 3 4	
1	<u>102608201</u>	Gasket, Bearing Case	1
2	<u>102608301</u>	Gasket, Cover	1
3	<u>102608601</u>	Bolt, M6 X 1 X 20	8
4	<u>102608701</u>	Bolt, M6 X 1 X 22	8
5	<u>102608901</u>	Bolt, Bearing Case, Top	6
6	<u>102609101</u>	Assy Case, Main Brg, First	1
7	<u>102609301</u>	Assy Case, Main Brg, Sec	1
8	<u>102609401</u>	Bolt, Bearing Case, Bottom	2
9	<u>102609601</u>	Assy Case, Main Brg, Third	1
10	<u>102728001</u>	Assy, Cover, Bearing Case (includes items 11 and 12)	1
11	<u>102608401</u>	Cover, Bearing Case	1
12	<u>102608501</u>	Seal, Oil	1

8

D



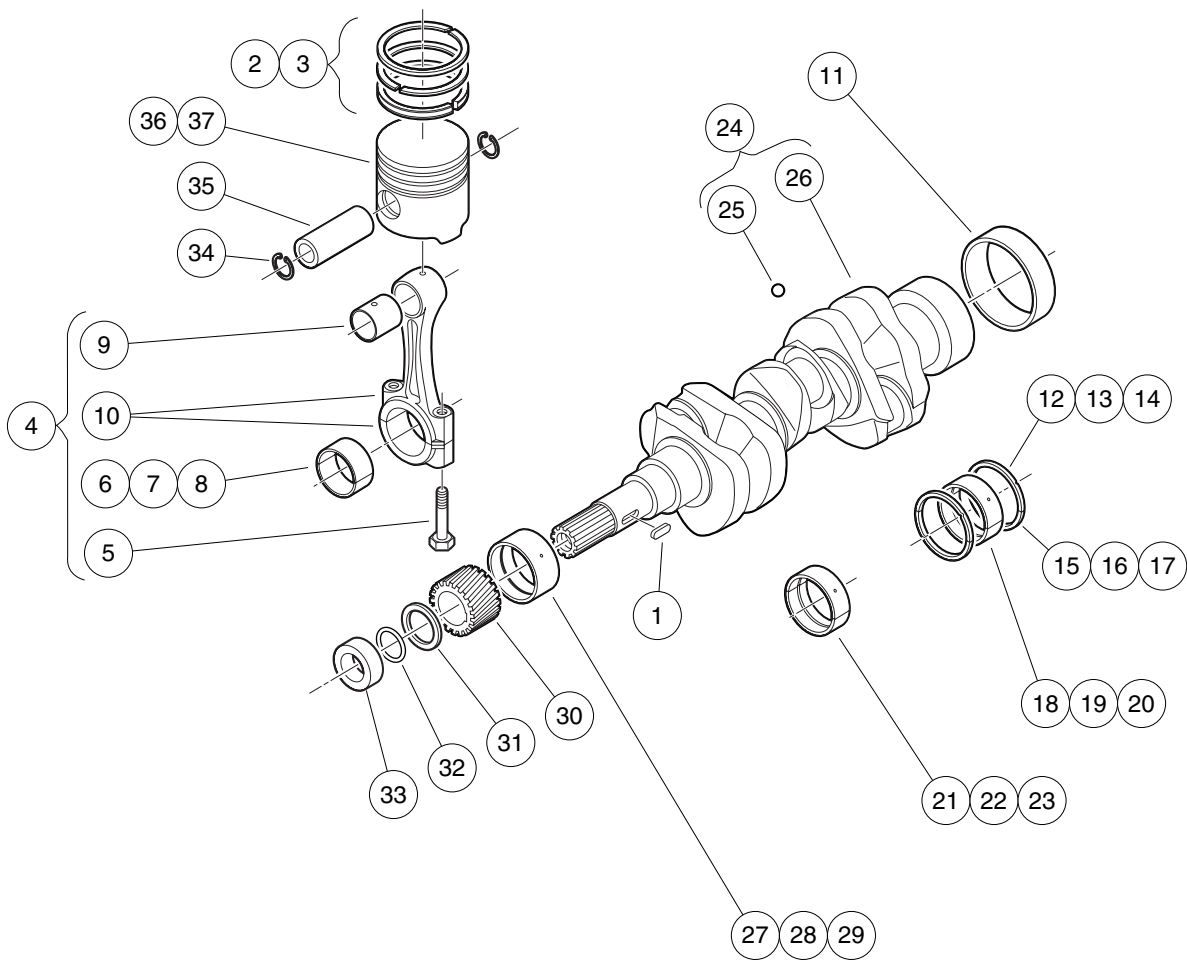
000047-002

CAMSHAFT AND IDLE GEAR

ITEM	PART NO.	DESCRIPTION	QTY
		1 2 3 4	
1	<u>102604201</u>	Bolt, D722, Cam End	2
2	<u>102604901</u>	Gear, Idle (includes items 3 and 4)	1
3	N/A	Bushing, D722 Idle Gear	1
4	N/A	Gear, Idle	1
5	<u>102605001</u>	Shaft, Idle Gear	1
6	<u>102605101</u>	Bolt, M6 X 1 X 14	3
7	<u>102605301</u>	Ring, Snap	1
8	102605401	Push Rod	6
9	<u>102605501</u>	Tappet	6
10	<u>102605801</u>	Assy Camshaft, Long (includes items 11 through 15)	1
11	<u>102605601</u>	Key, Feather, Long Camshaft	1
12	<u>102605901</u>	Gear, Cam	1
13	102606001	Stopper, Camshaft	1
14	N/A	Camshaft	1
15	<u>102799401</u>	Ball, Check	1
16	<u>102654401</u>	Collar, Idle Gear	1

8

D



000048-002

PISTON AND CRANKSHAFT

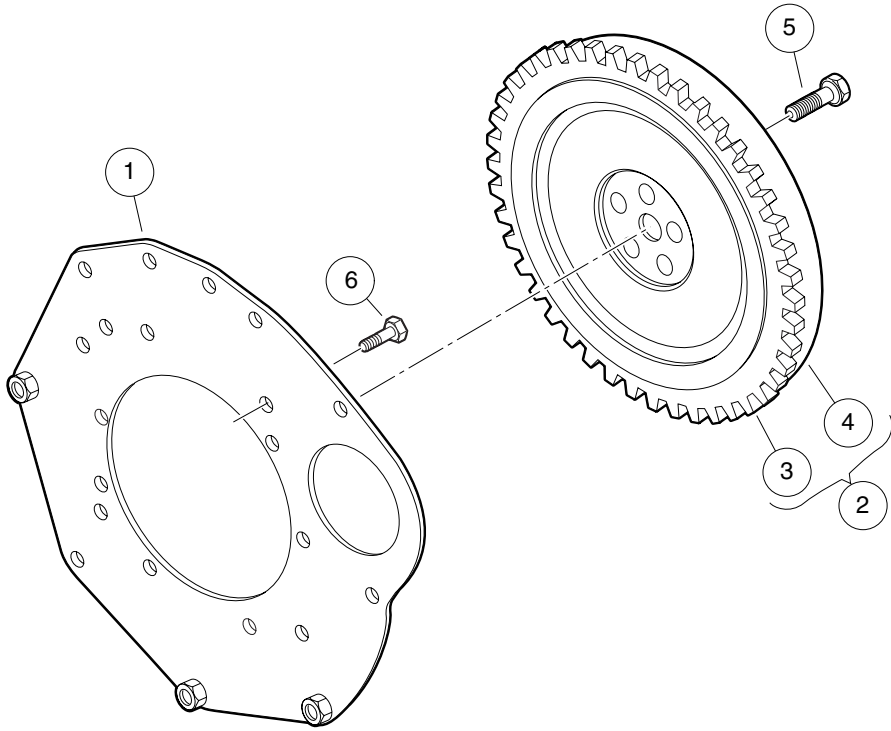
ITEM	PART NO.	DESCRIPTION	QTY
		1 2 3 4	
1	<u>102604401</u>	Key, Feather, Short Camshaft	1
2	<u>102607601</u>	Assy Piston Ring, D722 Std	3
3	<u>102607602</u>	Assy Piston Ring, D722 +.025	3
4	<u>102607801</u>	Assy, Connecting Rod (includes items 5 through 10)	3
5	<u>102607901</u>	Bolt, Connecting Rod	6
6	<u>102630701</u>	Metal, Crank, Rod, D722, Std	3
7	<u>102630702</u>	Metal, Crank, Rod, D722, .020	3
8	<u>102630703</u>	Metal, Crank, Rod, D722, .040	3
9	<u>102732201</u>	Bushing, Piston Pin, D722	3
10	N/A	Rod, Connecting	1
11	<u>102608101</u>	Sleeve, Crankshaft	1
12	<u>102608801</u>	Metal,crank, O Side, Std	2
13	<u>102608802</u>	Metal,crank, O Side, +.020	2
14	<u>102608803</u>	Metal,crank, O Side, +.040	2
15	<u>102608804</u>	Metal,crank, I Side, Std	2
16	<u>102608805</u>	Metal,crank, I Side, +.020	2
17	<u>102608806</u>	Metal,crank, I Side, +.040	2
18	<u>102609001</u>	Metal, Crank, Main, Rear Std	1
19	<u>102609002</u>	Metal, Crank, Main, Rear -.020	1
20	<u>102609003</u>	Metal, Crank, Main, Rear -.040	1
21	<u>102609801</u>	Metal, Crank, Main, Mid Std	4
22	<u>102609802</u>	Metal, Crank, Main, Mid +.020	2
23	<u>102609803</u>	Metal, Crank, Main, Mid +.040	2
24	<u>102610001</u>	Crankshaft (includes items 25 and 26)	1
25	<u>102608001</u>	Ball, Crankshaft	3
26	N/A	Crankshaft	1
27	<u>102630001</u>	Metal, Crank, D722, Frnt, Std	1
28	<u>102630002</u>	Metal, Crank, 722, Frnt, -.020	1
29	<u>102630003</u>	Metal, Crank, 722, Frnt, -.040	1
30	<u>102630101</u>	Gear, Crank	1
31	<u>102630201</u>	Slinger, Oil	1
32	<u>102630301</u>	O Ring, 23 X 26	1
33	<u>102630401</u>	Collar, Crankshaft	1
34	<u>102630901</u>	Circlip, Piston Pin	6
35	<u>102631001</u>	Pin, Piston	3
36	<u>102728101</u>	Piston, D722, Std	3
37	<u>102728102</u>	Piston, D722, +0.25	3

8

D

8

D



000049-001

FLYWHEEL

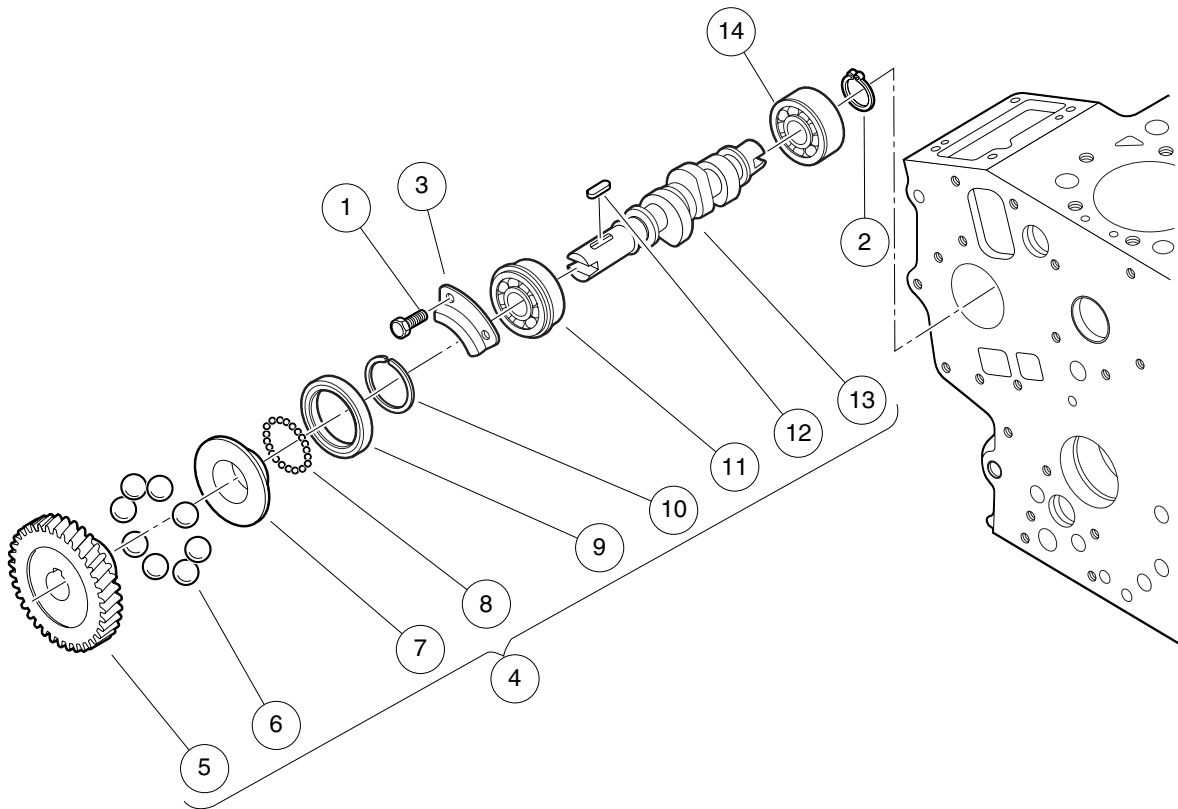
ITEM	PART NO.	DESCRIPTION	QTY
		1 2 3 4	
1	<u>102647501</u>	Plate, Rear End	1
2	<u>102647801</u>	Flywheel (includes items 3 and 4)	1
3	<u>102647901</u>	Gear, Ring, D722	1
4	N/A	Flywheel	1
5	<u>102648001</u>	Bolt, Flange Head, M10 X 1.5 X 25	5
6	<u>102728301</u>	Bolt, End Plate	10

8

D

8

D



000050-001

SHAFT

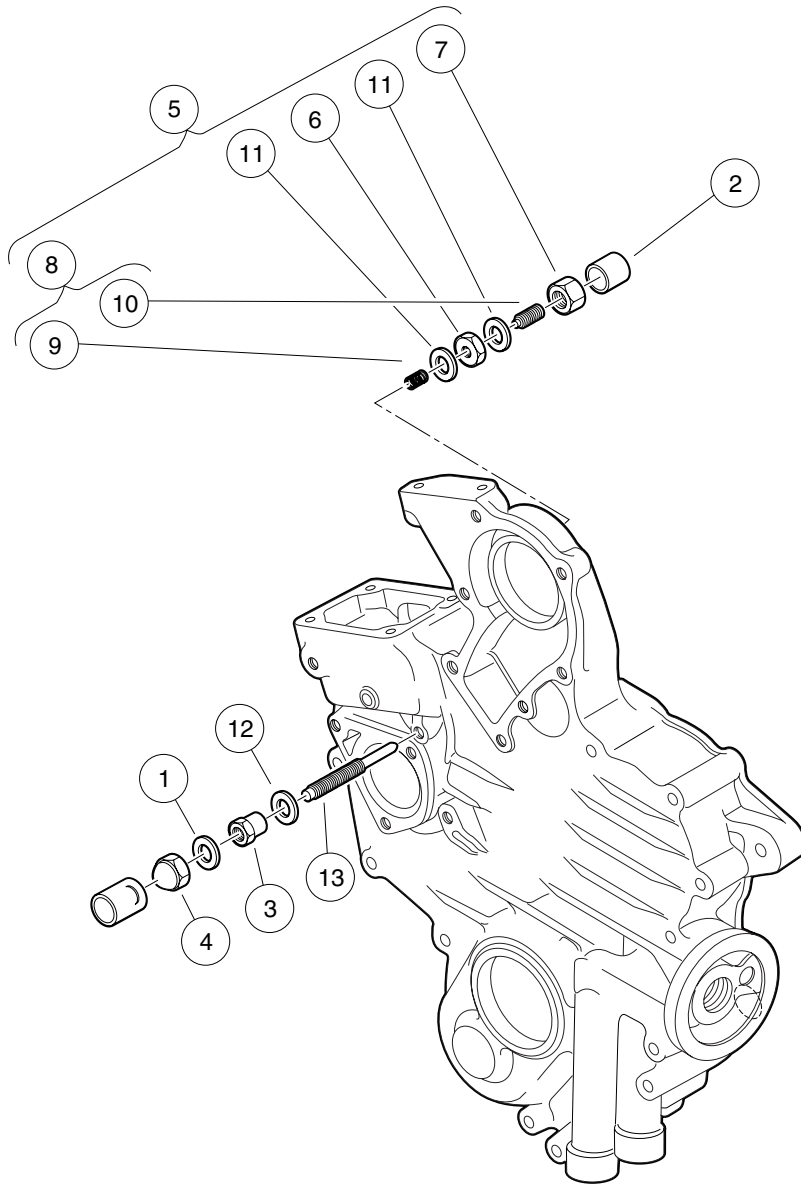
8

D

ITEM	PART NO.	DESCRIPTION	QTY
		1 2 3 4	
1	<u>102604201</u>	Bolt, D722, Cam End	2
2	<u>102604701</u>	Circlip, External	1
3	<u>102604801</u>	Stopper, Fuel, C/shaft	1
4	<u>102728401</u>	Assy, Fuel Camshaft (includes items 5 through 13)	1
5	<u>102603601</u>	Gear, Injection Pump	1
6	<u>102603701</u>	Ball, Injection Pump	8
7	<u>102603801</u>	Sleeve, Governor	1
8	<u>102603901</u>	Ball, Governor	32
9	<u>102604001</u>	Case, Governor Ball	1
10	<u>102604101</u>	Circlip	1
11	<u>102604301</u>	Bearing, Ball	1
12	<u>102604401</u>	Key, Feather, Short Camshaft	1
13	<u>102604501</u>	Camshaft, Fuel, Short	1
14	<u>102728501</u>	Bearing, Ball	1

8

D



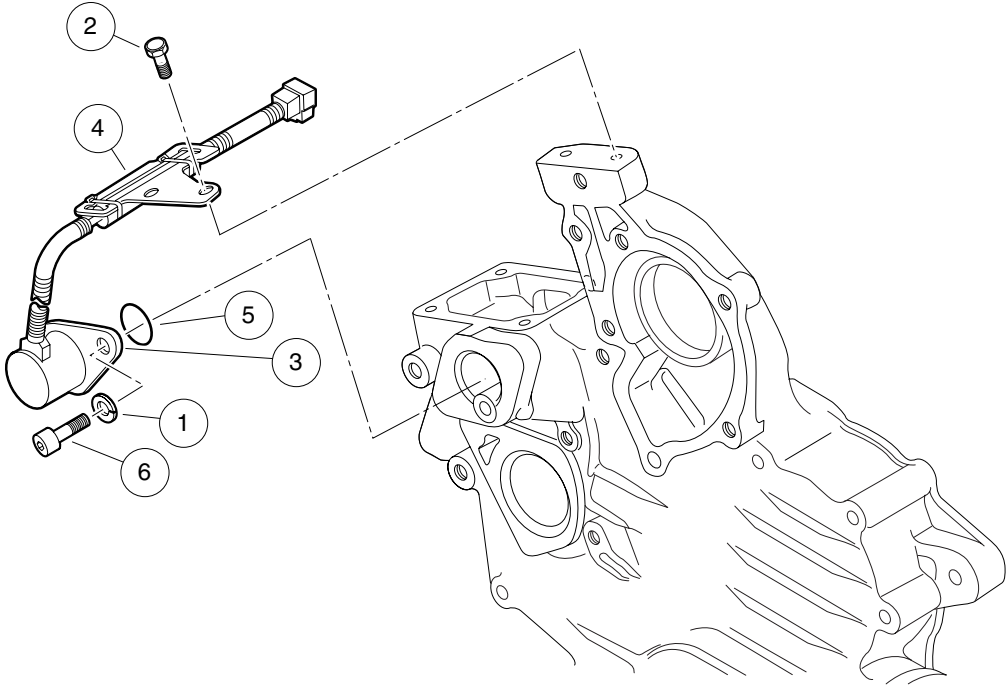
000051-002

IDLE APPARATUS

ITEM	PART NO.	DESCRIPTION	QTY
		1 2 3 4	
1	<u>102635301</u>	Gasket, 6 X 10	1
2	<u>102635701</u>	Cap, Bolt Assy	1
3	<u>102637001</u>	Nut, Lock, Special	1
4	<u>102637101</u>	Nut, Special	1
5	<u>102728601</u>	Assy, Idle Apparatus (includes items 6 through 11)	1
6	<u>102635501</u>	Nut, M8, D722 Idle App, Specl	1
7	<u>102635801</u>	Nut, M8, D722 Idle App	1
8	<u>102635901</u>	Assy, Bolt, Adjusting (includes items 9 and 10)	1
9	N/A	Spring, Idle Apparatus	1
10	N/A	Stud, Idle Adjustment	1
11	<u>102728801</u>	Gasket, Idle Apparatus, Rear	2
12	<u>102728901</u>	Gasket, Idle Apparatus, Front	1
13	<u>102799501</u>	Bolt, Idle Adjusting	1

8

D



000182-001

STOP SOLENOID

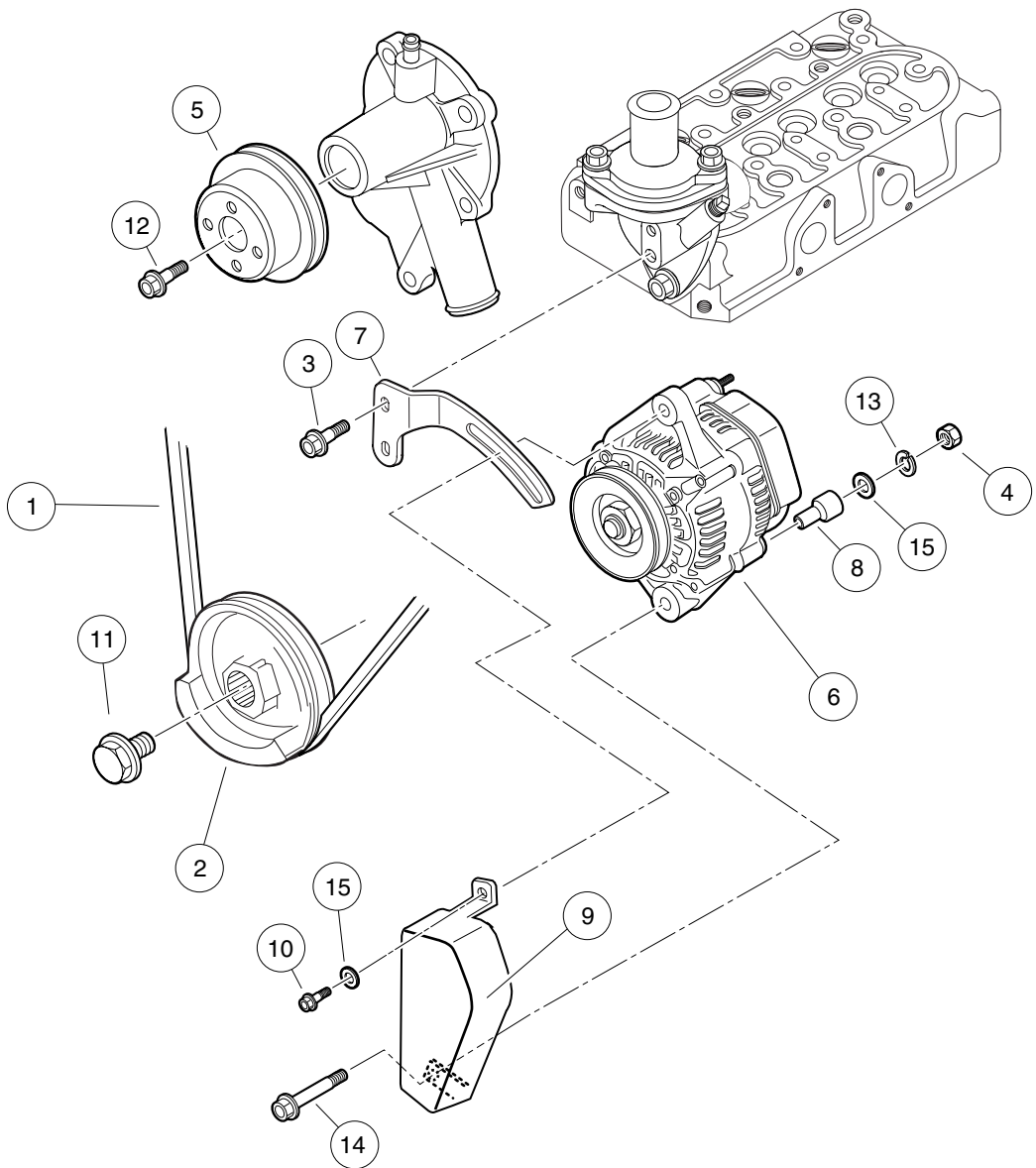
ITEM	PART NO.	DESCRIPTION	QTY
		1 2 3 4	
1	<u>102640601</u>	Washer, Spring, M6, D722	2
2	<u>102729101</u>	Bolt, Solenoid, Stop, D722	2
3	<u>102799601</u>	Solenoid, Stop	1
4	<u>102799701</u>	Stay, Stop Solenoid	1
5	<u>102799801</u>	O-Ring, Stop Solenoid	1
6	N/A	Bolt, Stop Solenoid	2

8

D

8

D



000057-002

40-AMP ALTERNATOR

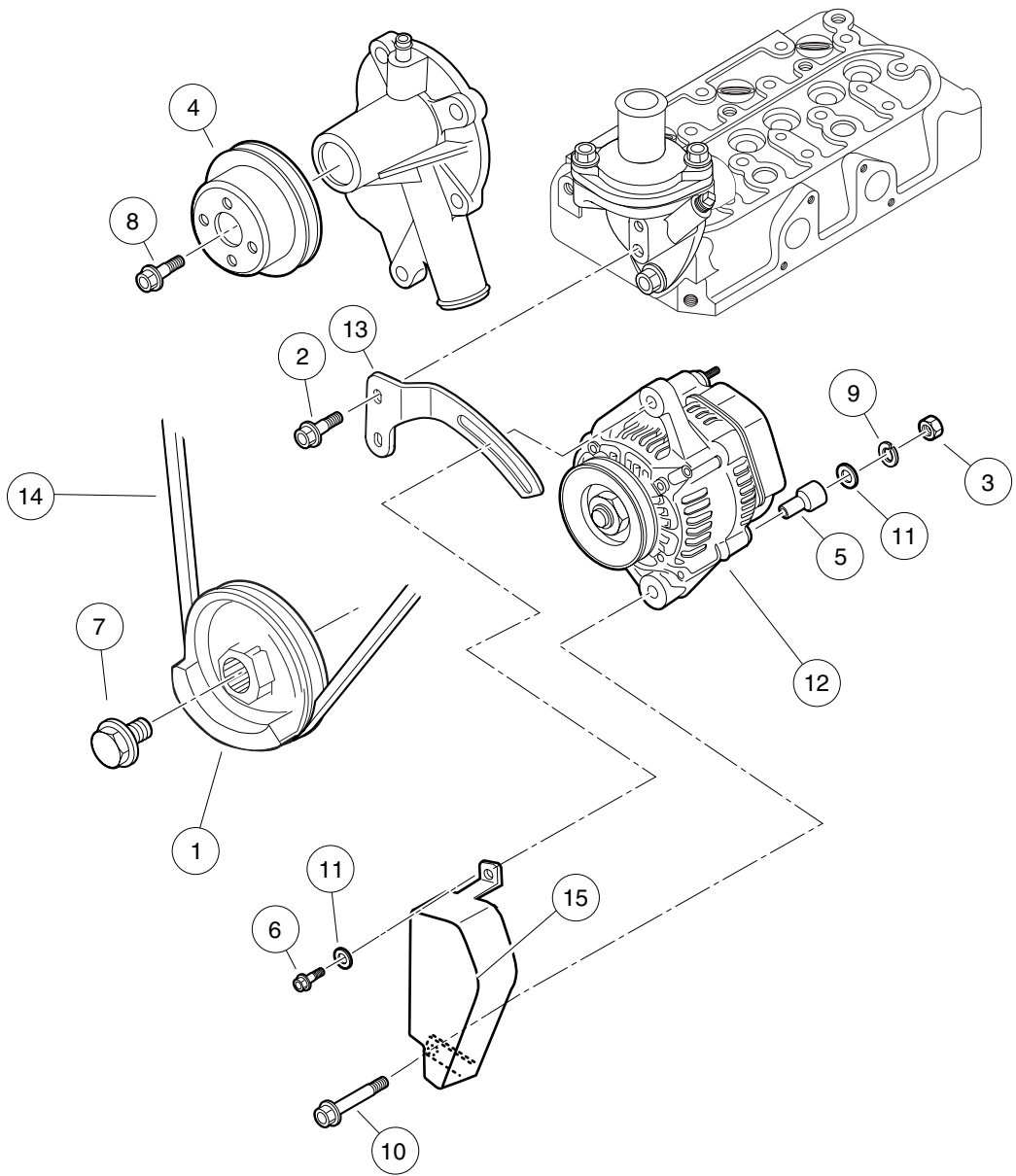
ITEM	PART NO.	DESCRIPTION	QTY
		1 2 3 4	
1	<u>102601101</u>	V-Belt	1
2	<u>102630601</u>	Pulley, Fan Drive	1
3	<u>102631601</u>	Bolt, M6 X 1 X 20	2
4	<u>102647701</u>	Nut, M8, Plate	1
5	<u>102701201</u>	Pulley, Water Pump	1
6	<u>102730001</u>	Alternator, 40-Amp	1
7	<u>102730101</u>	Stay, Alternator Assy, D722	1
8	<u>102730201</u>	Collar, Alternator Assy, D722	1
9	<u>102730301</u>	Cover, Alternator Assy, D722	1
10	<u>102730401</u>	Bolt, Alt, D722, Adjuster	1
11	<u>102730601</u>	Bolt, Alt, D722, Drive Pulley	1
12	<u>102731301</u>	Bolt, D722, Drive Pulley	4
13	<u>102732501</u>	Washer, Spring, D722, Starter	1
14	<u>102800701</u>	Bolt, Alternator, Lower	1
15	<u>102801001</u>	Washer, Alternator, Upper	2

8

D

8

D



000057-003

60-AMP ALTERNATOR

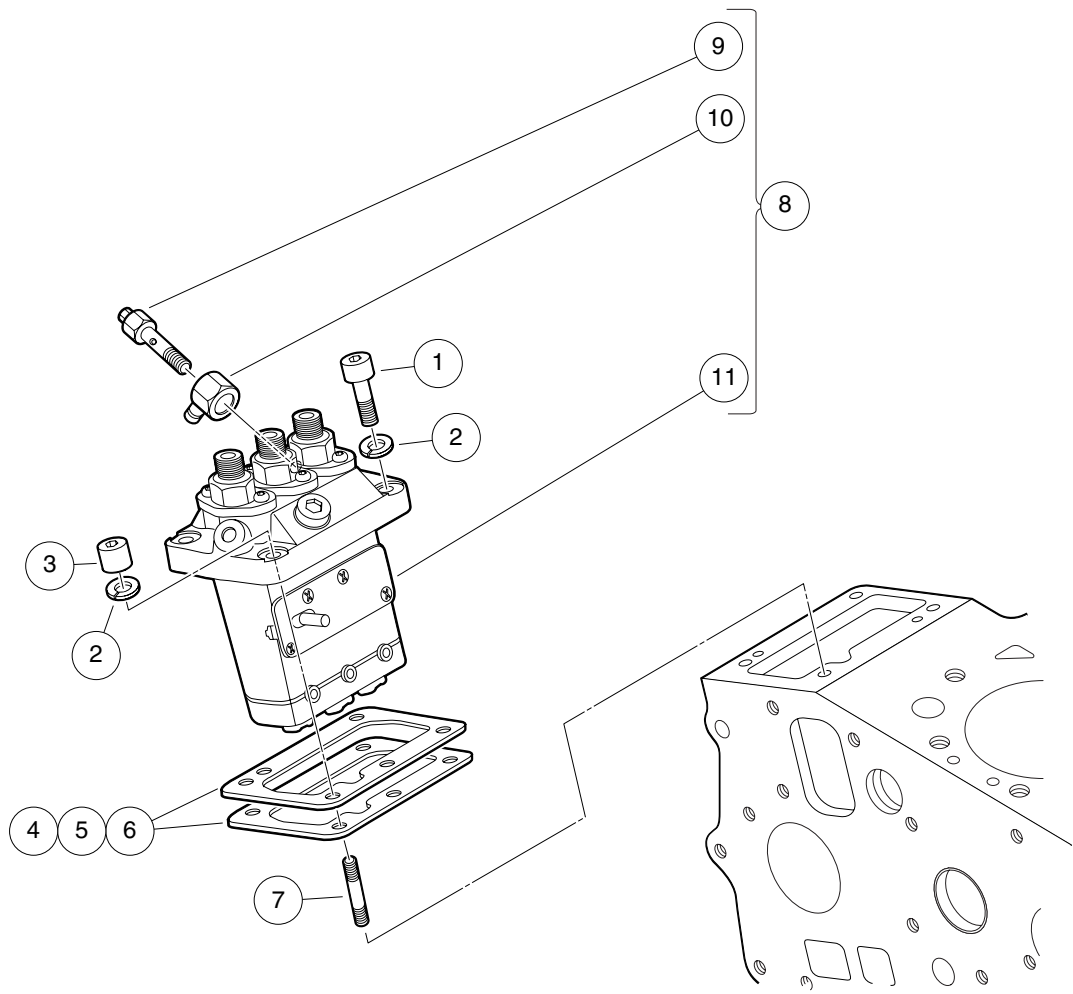
ITEM	PART NO.	DESCRIPTION	QTY
		1 2 3 4	
1	<u>102630601</u>	Pulley, Fan Drive	1
2	<u>102631601</u>	Bolt, M6 X 1 X 20	2
3	<u>102647701</u>	Nut, M8, Plate	1
4	<u>102701201</u>	Pulley, Water Pump	1
5	<u>102730201</u>	Collar, Alternator Assy, D722	1
6	<u>102730401</u>	Bolt, Alt, D722, Adjuster	1
7	<u>102730601</u>	Bolt, Alt, D722, Drive Pulley	1
8	<u>102731301</u>	Bolt, D722, Drive Pulley	4
9	<u>102732501</u>	Washer, Spring, D722, Starter	1
10	<u>102800701</u>	Bolt, Alternator, Lower	1
11	<u>102801001</u>	Washer, Alternator, Upper	2
12	<u>102934701</u>	Alternator, 60 Amp	1
13	<u>102934801</u>	Brkt, Alt, D722, 60 Amp	1
14	<u>102934901</u>	Belt, Acc Drive, D722, 60 Amp	1
15	<u>103239901</u>	Guard, Acc Belt	1

8

D

8

D



000053-002

INJECTION PUMP

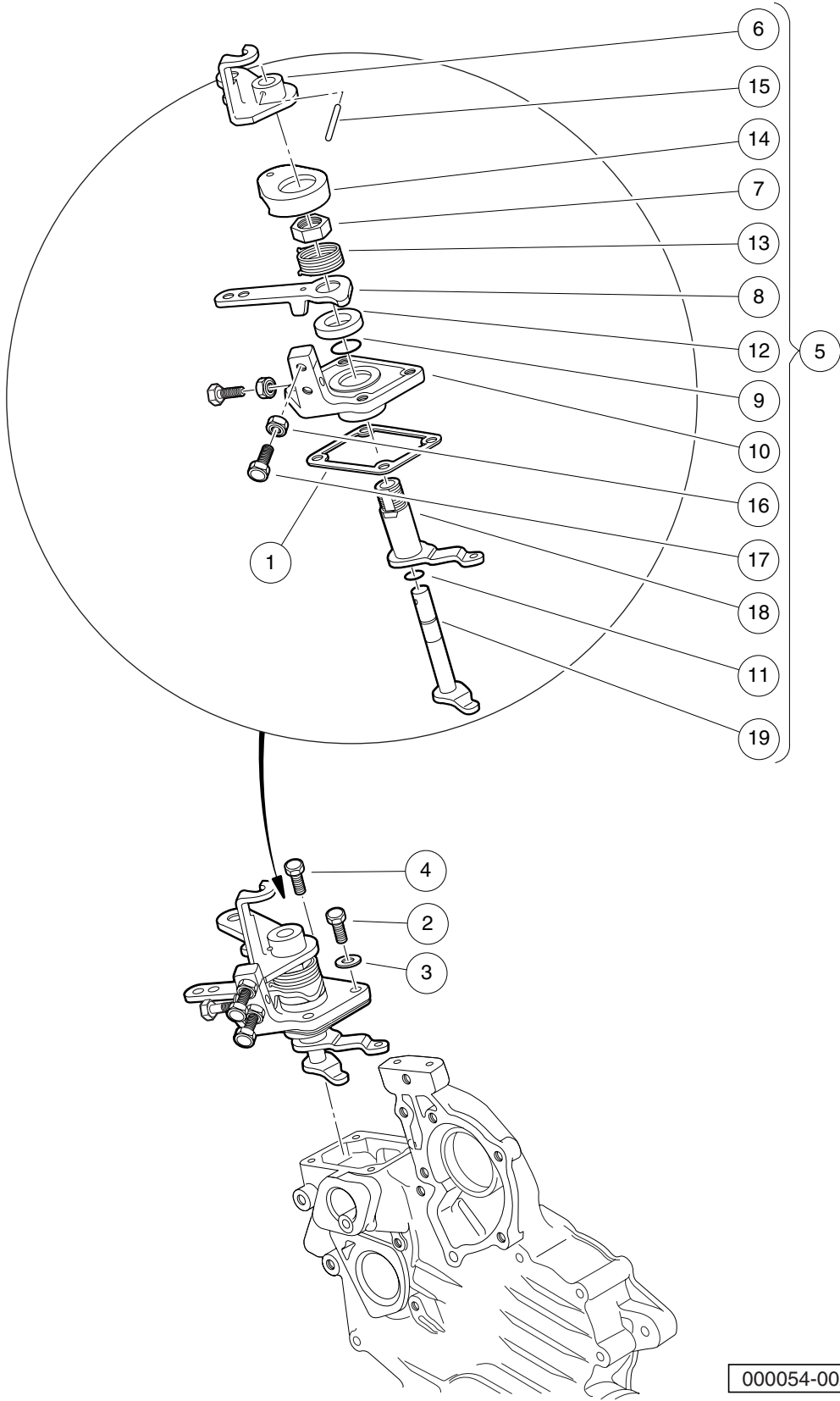
ITEM	PART NO.	DESCRIPTION	QTY
		1 2 3 4	
1	<u>102640501</u>	Bolt, Hex-Head, M5 X 0.75 X	2
2	<u>102640601</u>	Washer, Spring, M6, D722	4
3	<u>102640701</u>	Nut, Special	2
4	<u>102640901</u>	Shim, Injection Pump, 0.20 mm	A/R
5	<u>102641001</u>	Shim, Injection Pump, 0.25 mm	A/R
6	<u>102641101</u>	Shim, Injection Pump, 0.30 mm	A/R
7	<u>102641201</u>	Stud, M5 X 25	2
8	<u>102800101</u>	Assembly, Fuel Injection Pump (includes items 9 through 11)	1
9	N/A	Screw, Hollow, D722, Inj Pump	1
10	<u>102640401</u>	Joint, Eye	1
11	N/A	Pump, Injection	1

8

D

8

D



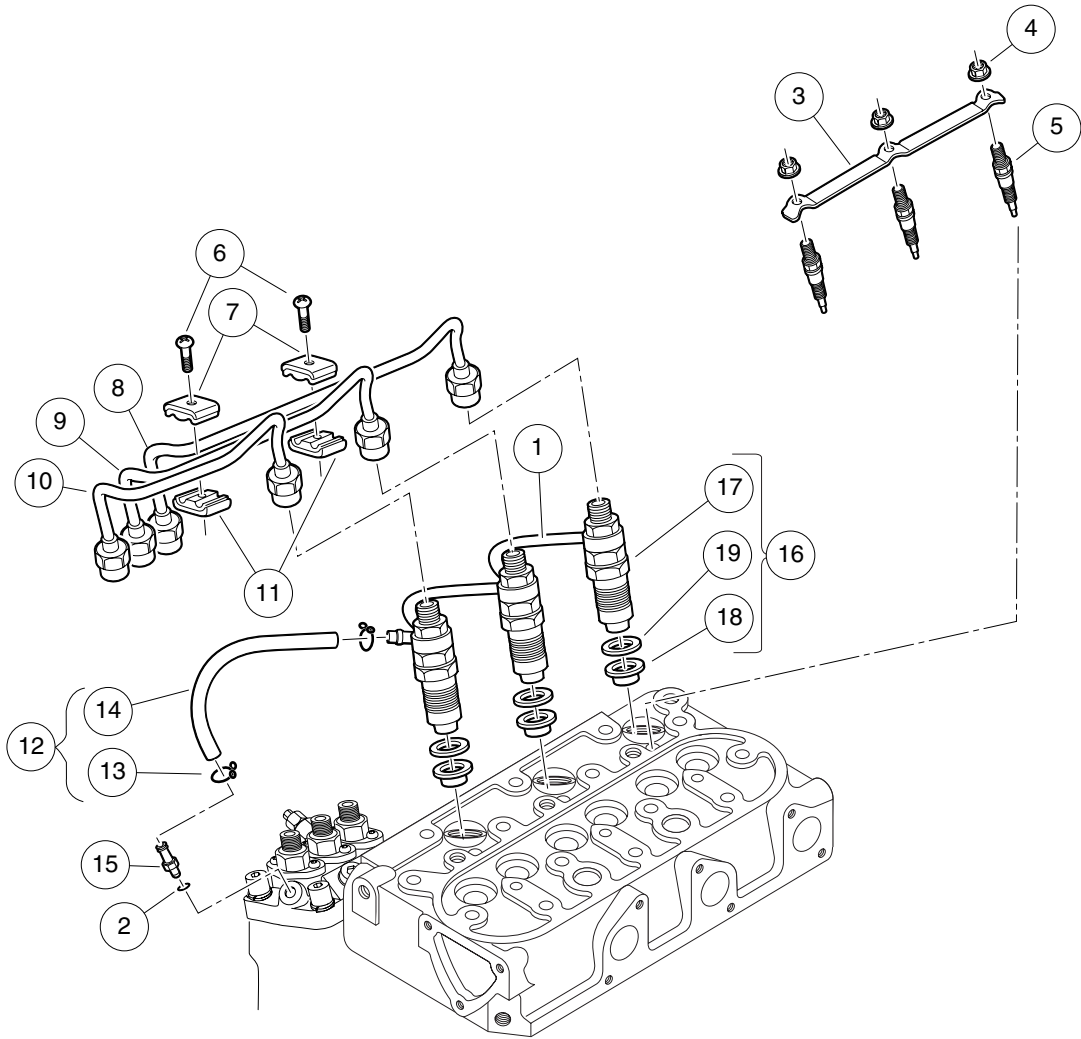
000054-002

SPEED CONTROL PLATE

ITEM	PART NO.	DESCRIPTION	QTY
		1 2 3 4	
1	<u>102634501</u>	Gasket, Control Plate	1
2	<u>102635201</u>	Bolt, M6 X 1 X 30	2
3	<u>102635301</u>	Gasket, 6 X 10	2
4	<u>102654301</u>	Bolt, D722 Intake Manfld Lower	2
5	<u>102800401</u>	Assembly, Speed Plate (includes items 6 through 19)	1
6	<u>102633701</u>	Lever, Engine Stop	1
7	<u>102633801</u>	Nut, Speed Control	1
8	<u>102633901</u>	Lever, Speed Control	1
9	<u>102634001</u>	O Ring, 19 X 16	1
10	<u>102634101</u>	Plate, Speed Control	1
11	<u>102634401</u>	O Ring, 9 X 7	1
12	<u>102634601</u>	Collar, Lever	1
13	<u>102634701</u>	Spring, Return	1
14	<u>102729401</u>	Cap, Speed Cntrl Plate Rtrn	1
15	<u>102729501</u>	Pin, Spring, Speed Plate	1
16	N/A	Nut, Speed Control	2
17	N/A	Bolt, Speed Control	2
18	<u>102800501</u>	Lever, Governor	1
19	<u>102800601</u>	Shaft, Governor Lever	1

8

D



000055-001

NOZZLE HOLDERS AND GLOW PLUGS

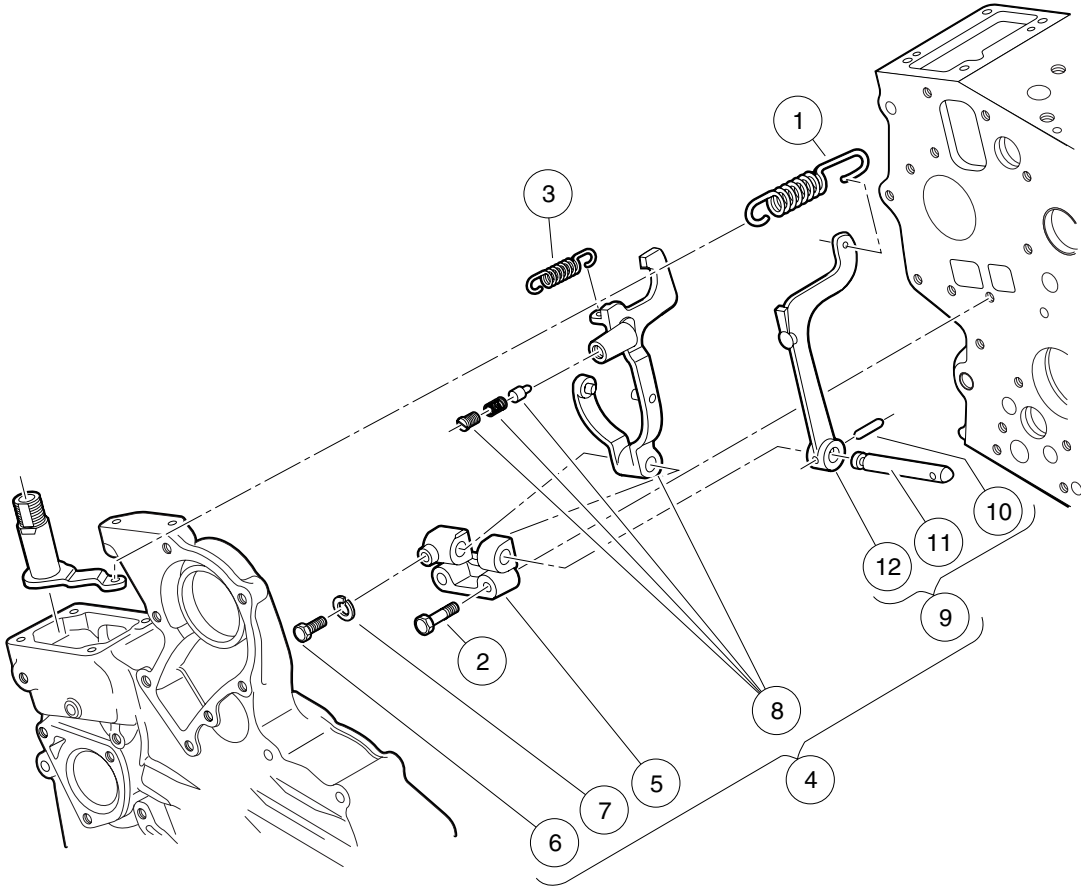
ITEM	PART NO.	DESCRIPTION	QTY
		1 2 3 4	
1	<u>102605701</u>	Assy Pipe, D722 Fuel Over Flow	1
2	<u>102635301</u>	Gasket, 6 X 10	1
3	<u>102642401</u>	Cord, Glow Plug	1
4	<u>102642501</u>	Nut, Flange,m4	3
5	<u>102642601</u>	Glow Plug	3
6	<u>102642801</u>	Screw, Washer	2
7	<u>102642901</u>	Clamp, Pipe, Top	2
8	<u>102643001</u>	Pipe, Injection, Left	1
9	<u>102643101</u>	Pipe, Injection, Right	1
10	<u>102643201</u>	Pipe, Injection, Middle	1
11	<u>102643301</u>	Clamp, Pipe, Bottom	2
12	<u>102643401</u>	Assy Pipe, Over Flow (includes items 13 and 14)	1
13	<u>102729601</u>	Clip, Pipe, Return	2
14	N/A	Hose, Overflow	1
15	<u>102643701</u>	Screw, Air Bleeder	1
16	<u>102729701</u>	Kit, Holder, Nozzle (includes items 17 through 19)	3
17	<u>102641501</u>	Assembly, Nozzle Holder	3
18	<u>102642701</u>	Seal, Heat	3
19	<u>102643601</u>	Gasket, Nozzle	3

8

D

8

D



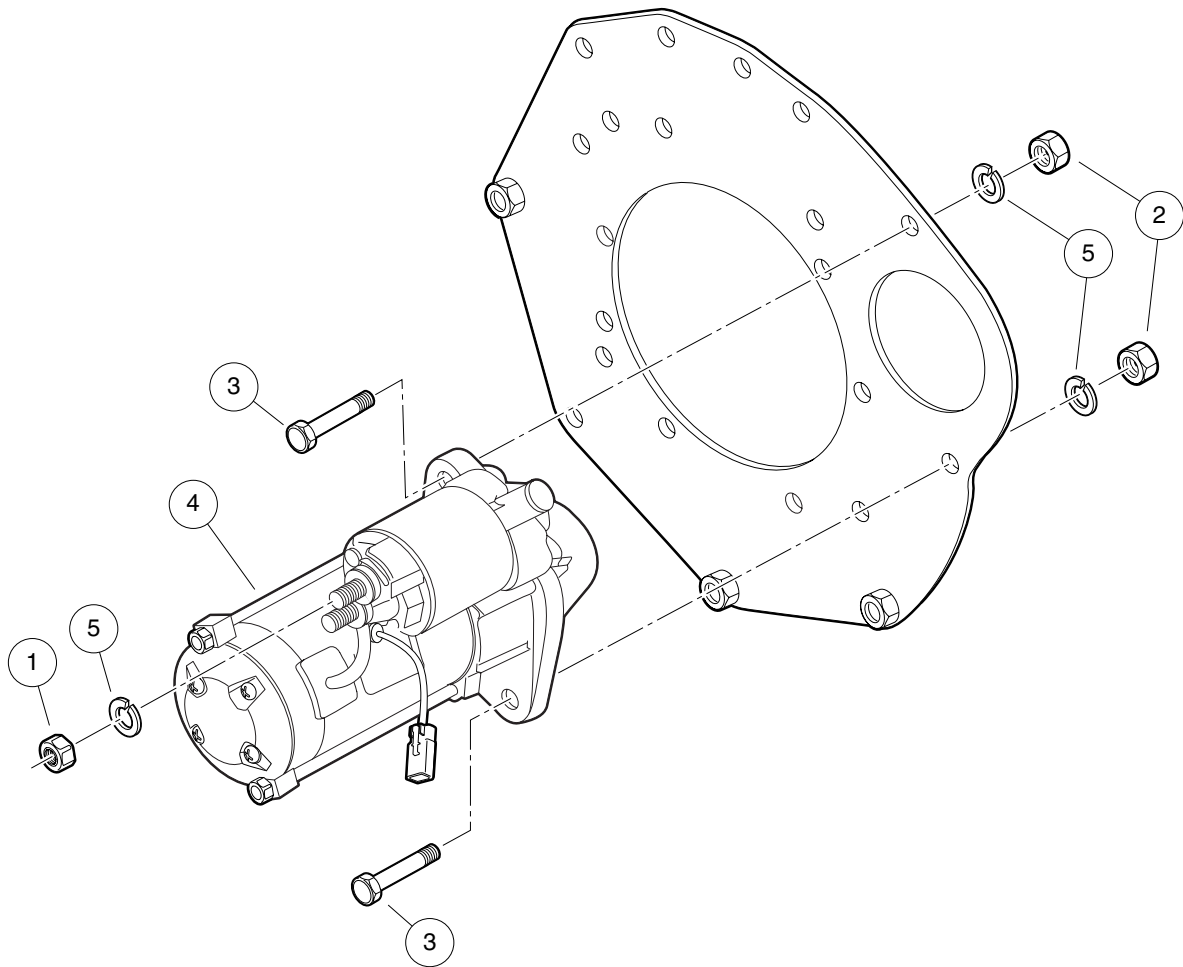
000056-002

GOVERNOR COMPONENTS

ITEM	PART NO.	DESCRIPTION	QTY
		1 2 3 4	
1	<u>102635101</u>	Spring, Governor	1
2	<u>102636301</u>	Bolt, M5 X 0.75 X 25	2
3	<u>102800201</u>	Spring, Start	1
4	<u>102800301</u>	Assembly, Governor Fork (includes items 5 through 9)	1
5	<u>102636201</u>	Holder, Fork Lever	1
6	<u>102636401</u>	Bolt, M5 X 0.75 X 11	1
7	<u>102636501</u>	Washer, Spring, M5	1
8	N/A	Lever, Fork, Middle, D722 CB	1
9	N/A	Assembly, Governor Fork Level, Lower, D722 CB (includes items 10 through 12)	1
10	<u>102633601</u>	Pin, Spring	1
11	<u>102636601</u>	Shaft, Fork Lever	1
12	N/A	Lever, Fork, End, D722 CB	1

8

D



000058-001

STARTER

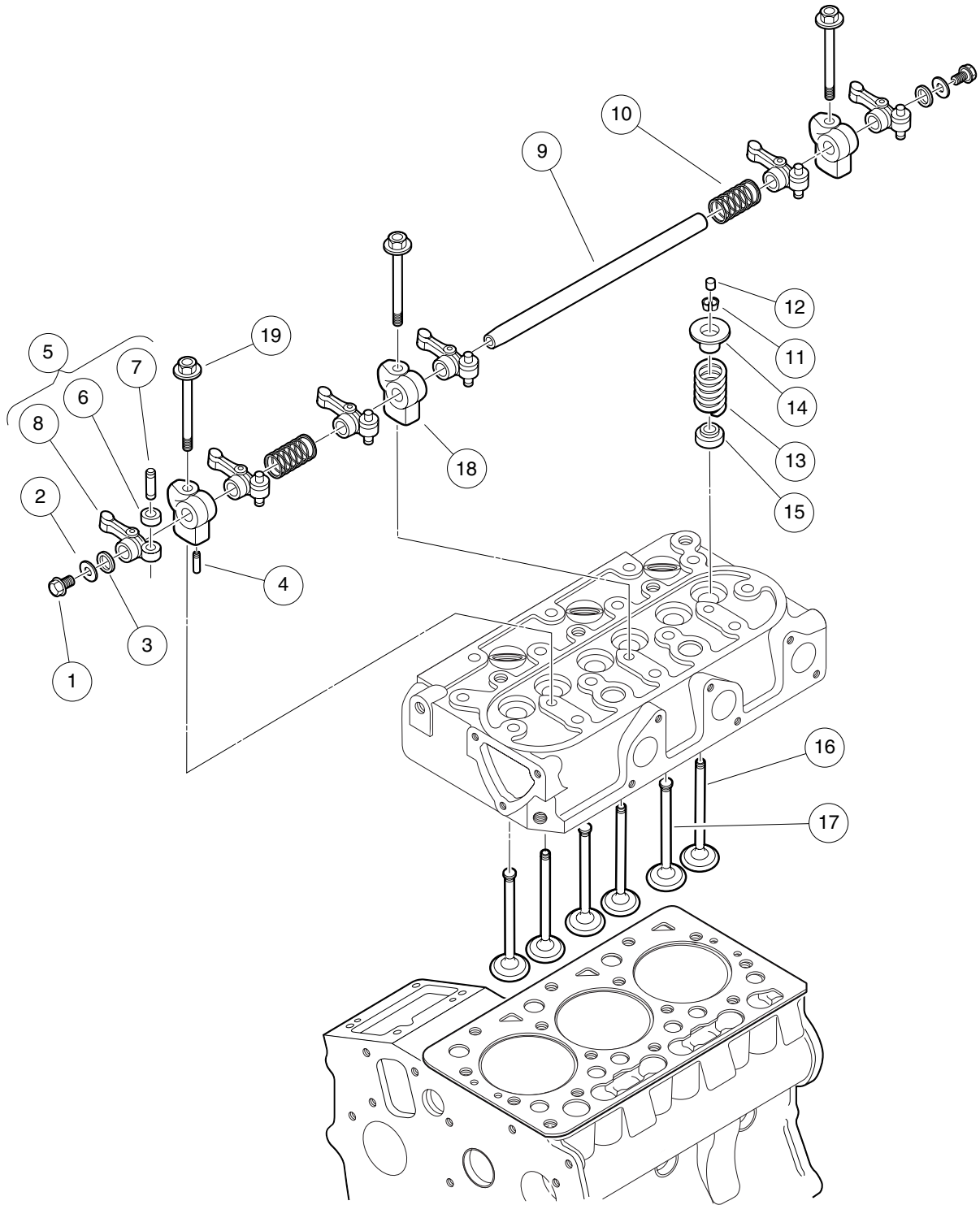
ITEM	PART NO.	DESCRIPTION	QTY
		1 2 3 4	
1	<u>102645501</u>	Nut, D722, Starter	2
2	<u>102647701</u>	Nut, M8, Plate	2
3	<u>102648401</u>	Bolt, M8 X 1.25 X 28	2
4	<u>102648501</u>	Motor, Starter	1
5	<u>102732501</u>	Washer, Spring, D722, Starter	4

8

D

8

D



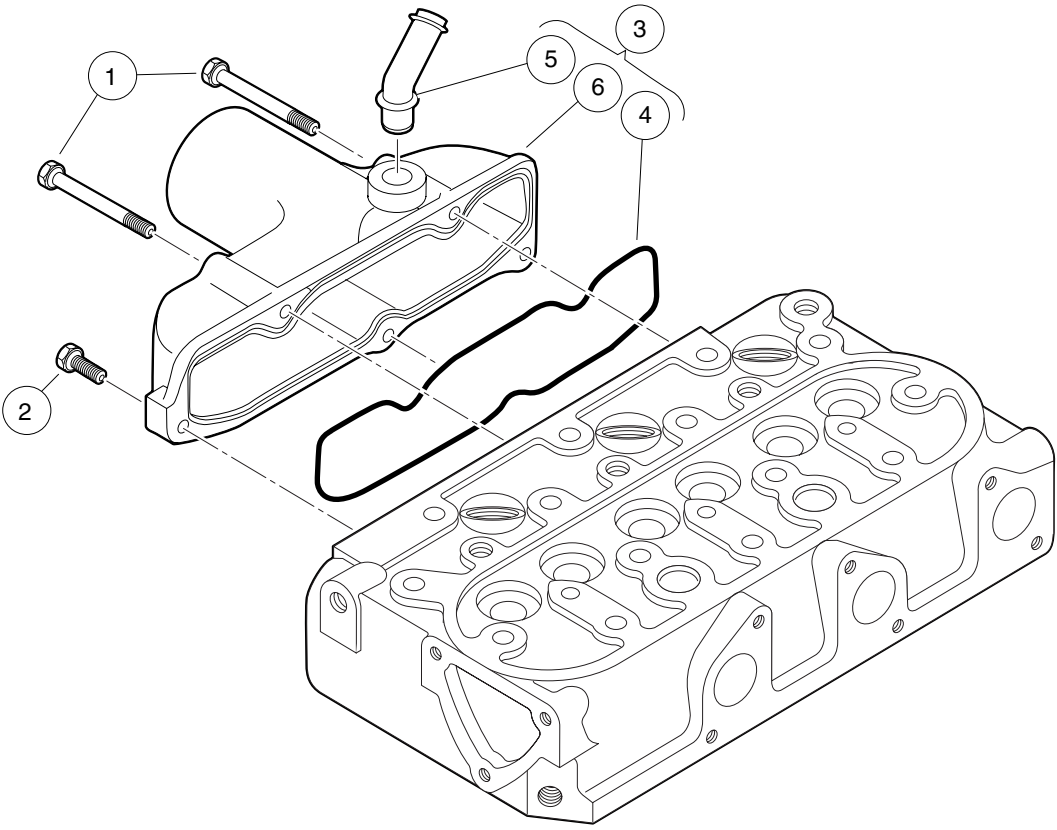
000062-002

VALVES AND ROCKER ARMS

ITEM	PART NO.	DESCRIPTION	QTY
		1 2 3 4	
1	<u>102646401</u>	Bolt, M6 X 1 X 8	2
2	<u>102651301</u>	Washer, D722, Plain, Rocker	2
3	<u>102651601</u>	Washer, Rocker Arm	2
4	<u>102651801</u>	Pin, Spring, D722, Rocker	1
5	<u>102652001</u>	Assy Rocker Arm (includes items 6 through 8)	6
6	<u>102651501</u>	Nut, M6	6
7	<u>102651701</u>	Screw-Adjusting	6
8	N/A	Arm, Rocker	1
9	<u>102652601</u>	Shaft, Rocker Arm	1
10	<u>102652701</u>	Spring, Rocker Arm	2
11	<u>102652901</u>	Collet, Valve Spring, Set	6
12	<u>102653001</u>	Cap, Valve, D722	6
13	<u>102653101</u>	Spring, Valve	6
14	<u>102653201</u>	Retainer, Spring	6
15	<u>102653301</u>	Seal, Valve Stem	6
16	<u>102653601</u>	Valve, Exhaust	3
17	<u>102653701</u>	Valve, Inlet	3
18	<u>102801101</u>	Bracket, Rocker Arm, D722 Closed-Breather	3
19	<u>102801201</u>	Bolt, Rocker Arm	3

8

D



000063-002

DIESEL INLET MANIFOLD

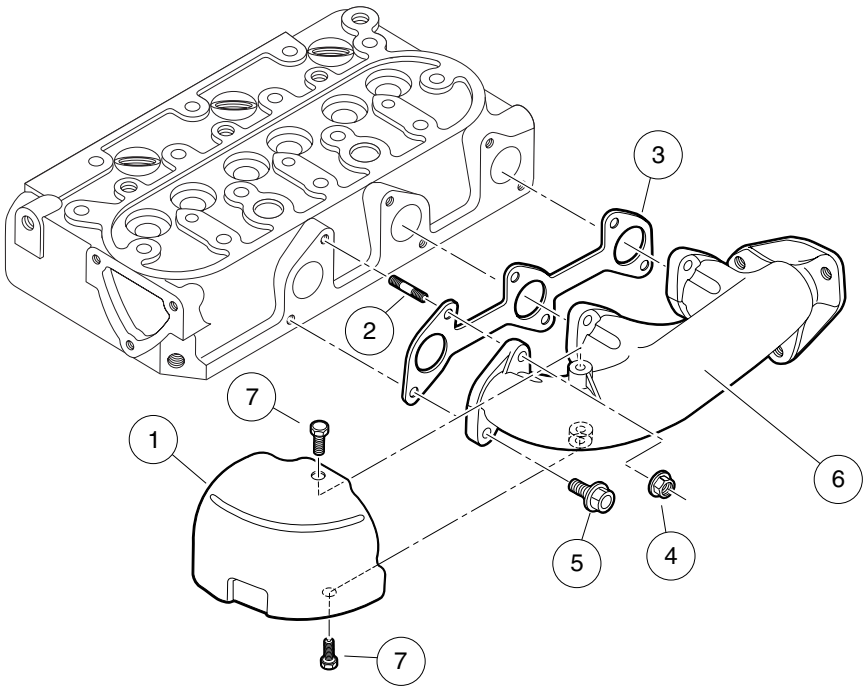
ITEM	PART NO.	DESCRIPTION	QTY
		1 2 3 4	
1	<u>102646101</u>	Bolt, M6 X 1 X 45	3
2	<u>102654301</u>	Bolt, D722 Intake Manfld Lower	2
3	<u>102801301</u>	Assembly, Intake Manifold (includes items 4 through 6)	1
4	<u>102646001</u>	Gasket, Intake Manifold	1
5	<u>102801401</u>	Pipe, Breather	1
6	N/A	Manifold, Intake	1

8

D

8

D



000064-001

EXHAUST MANIFOLD

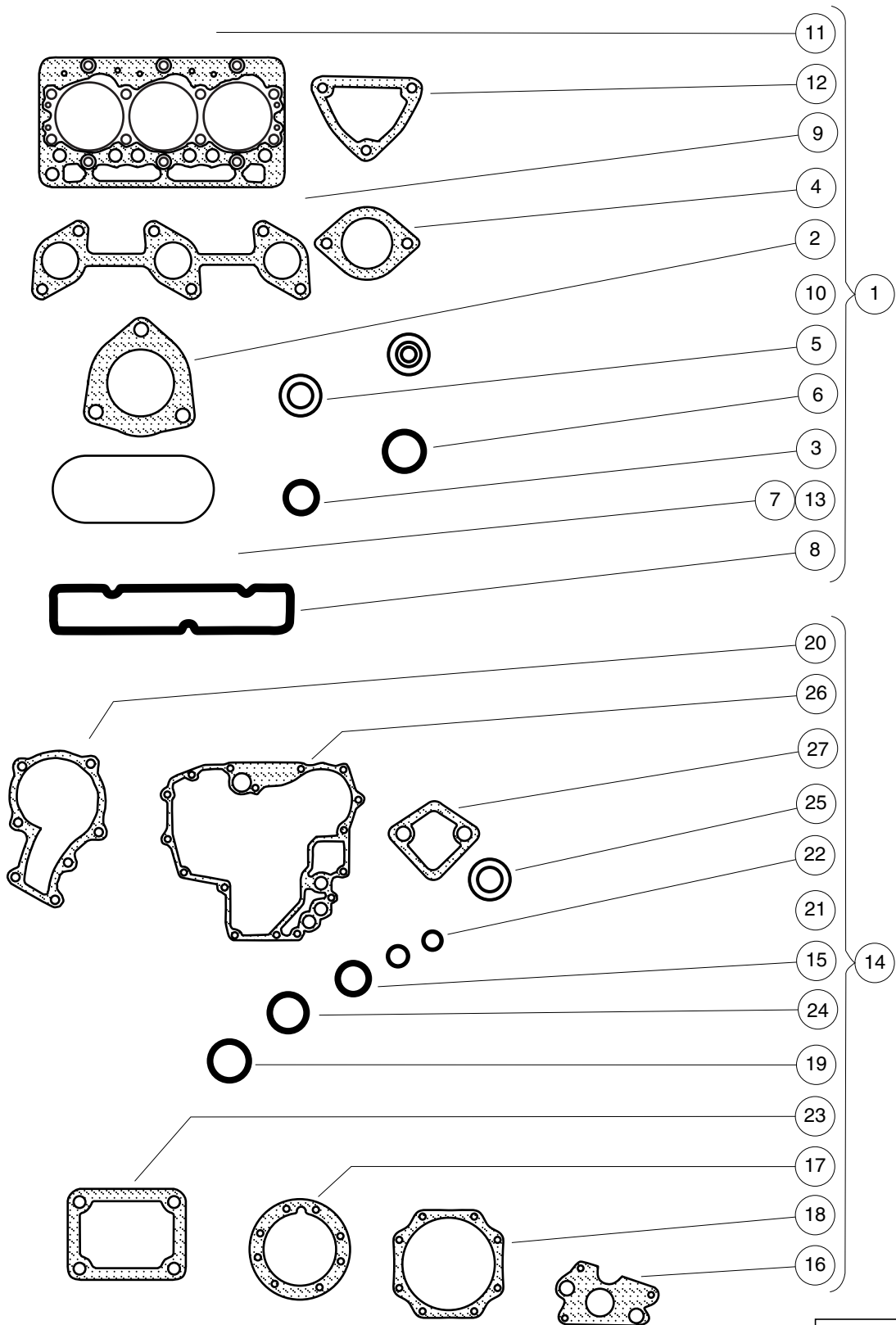
ITEM	PART NO.	DESCRIPTION	QTY
		1 2 3 4	
1	<u>102646301</u>	Cover, Heat Proof	1
2	<u>102646501</u>	Stud, M6 X 26	3
3	<u>102646601</u>	Gasket, Ex-manifold	1
4	<u>102647101</u>	Nut, Flange, M6, Ubs	3
5	<u>102647201</u>	Bolt, Flange Head, M6 X 1 X 16	3
6	<u>102731501</u>	Manifold, Exhaust, D722	1
7	<u>102731601</u>	Bolt, D722, Exhst Manfld Cover	2

8

D

8

D



000065-001

GASKET KITS

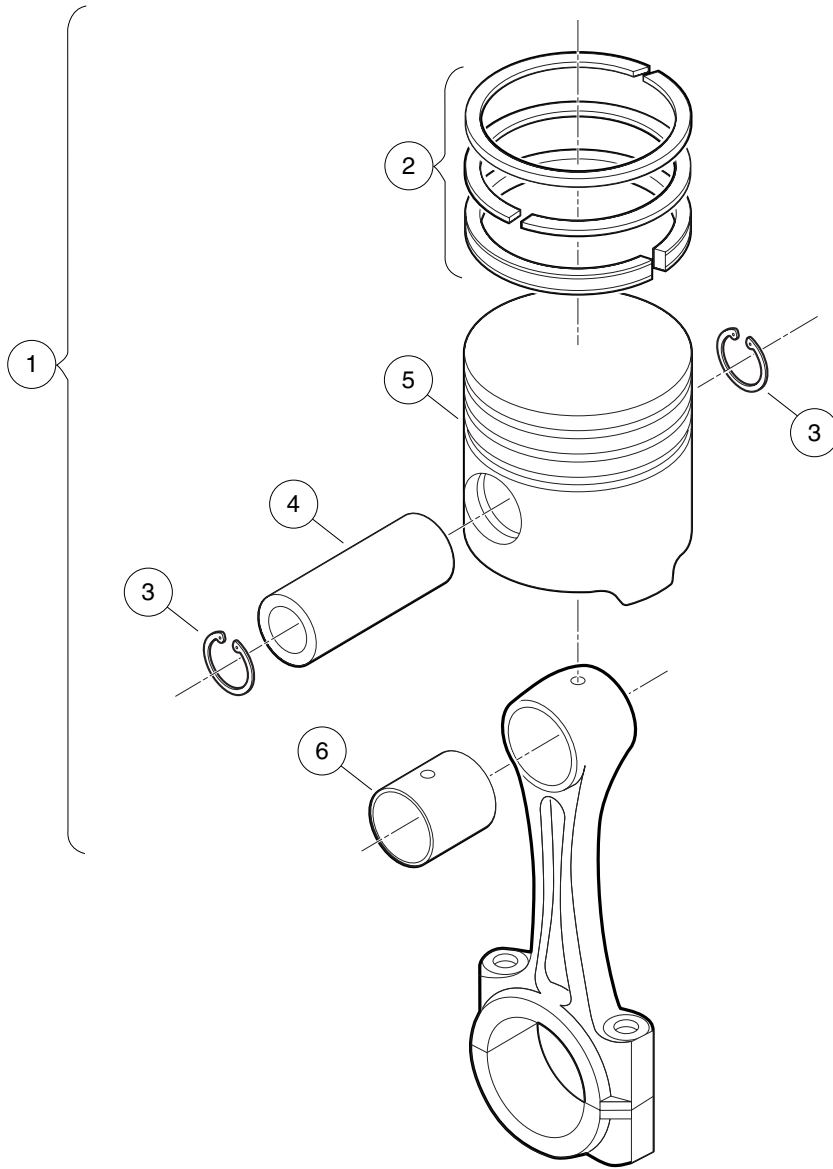
ITEM	PART NO.	DESCRIPTION	QTY
		1 2 3 4	
1	<u>102731801</u>	Kit, Gasket Upper, D722 (includes items 2 through 13)	1
2	<u>102422301</u>	Gasket, Exhaust Diesel	1
3	<u>102600301</u>	O Ring, 8 X 7	1
4	<u>102633401</u>	Gasket, Thermostat	1
5	<u>102635301</u>	Gasket, 6 X 10	3
6	<u>102644001</u>	O Ring, 30 X 36	1
7	<u>102644501</u>	Gasket, Head Cover	1
8	<u>102646001</u>	Gasket, Intake Manifold	1
9	<u>102646601</u>	Gasket, Ex-manifold	1
10	<u>102653301</u>	Seal, Valve Stem	6
11	<u>102654101</u>	Gasket, Cylinder Head	1
12	<u>102654701</u>	Gasket, Water Flange	1
13	<u>102798501</u>	Gasket, Cylinder Head Cover	1
14	<u>102731901</u>	Kit, Gasket Lower, D722 (includes items 15 through 27)	1
15	<u>102601801</u>	O Ring, 18 X 13	3
16	<u>102606601</u>	Gasket, Oil Pump	1
17	<u>102608201</u>	Gasket, Bearing Case	1
18	<u>102608301</u>	Gasket, Cover	1
19	<u>102630301</u>	O Ring, 23 X 26	1
20	<u>102632701</u>	Gasket, Water Pump, D722	1
21	<u>102634001</u>	O Ring, 19 X 16	1
22	<u>102634401</u>	O Ring, 9 X 7	1
23	<u>102634501</u>	Gasket, Control Plate	1
24	<u>102654601</u>	O Ring, 20 X 17	1
25	<u>102728801</u>	Gasket, Idle Apparatus, Rear	2
26	<u>102729301</u>	Gasket, Gearcase, D722	1
27	<u>102732601</u>	Gasket, Fuel Pump, D722	1

8

D

8

D



000066-001

PISTON KIT

ITEM	PART NO.	DESCRIPTION	QTY
		1 2 3 4	
1	<u>102732001</u>	Kit, Piston Rebuild, D722 (includes items 2 through 6)	1
2	<u>102607601</u>	Assy Piston Ring, D722 Std	1
3	<u>102630901</u>	Circlip, Piston Pin	2
4	<u>102631001</u>	Pin, Piston	1
5	<u>102728101</u>	Piston, D722, Std	1
6	<u>102732201</u>	Bushing, Piston Pin, D722	1

8

D

8

D

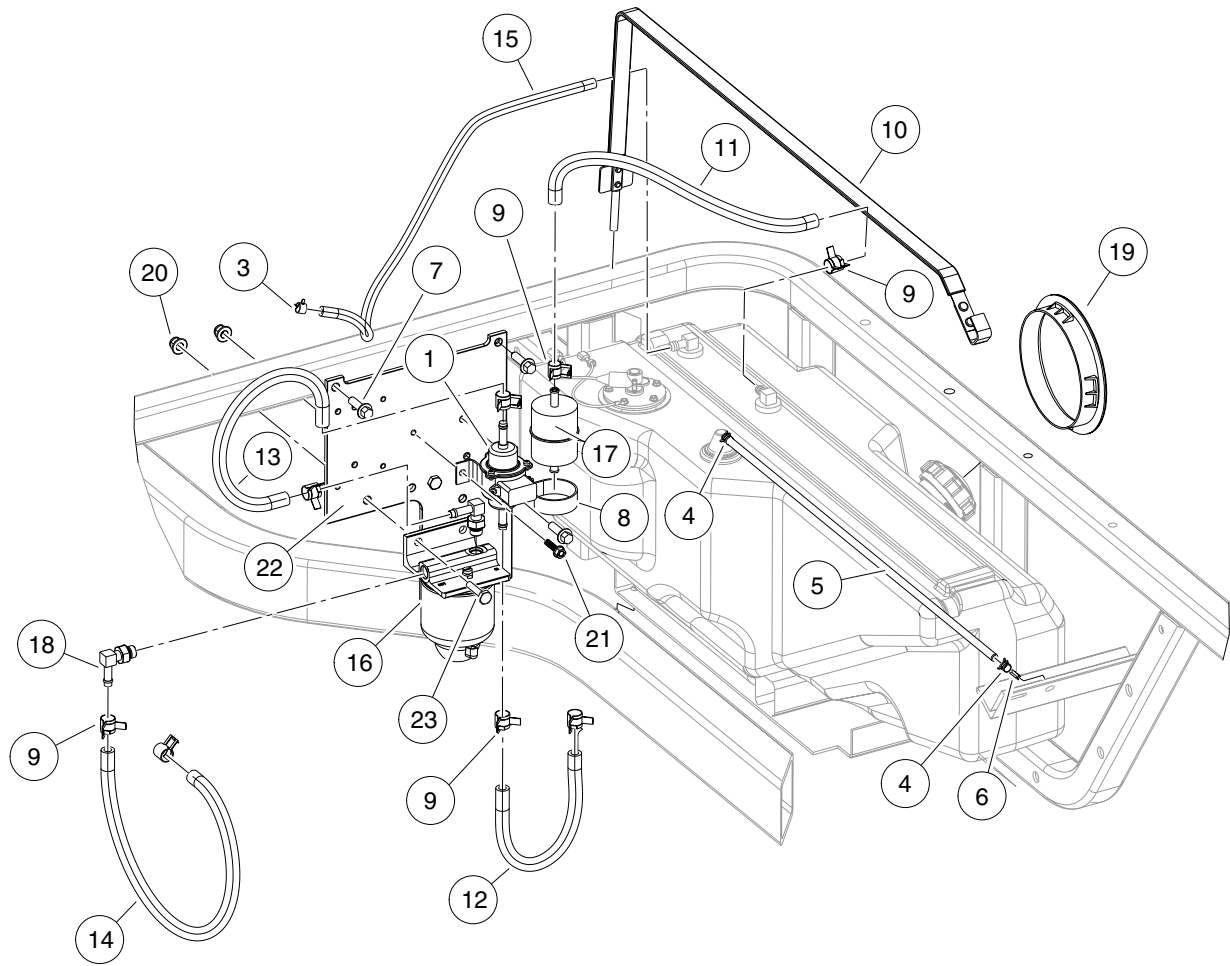
FUEL, INTAKE, & GOVERNOR SYSTEM

9

D

9

D



000081-003

FUEL SYSTEM – DIESEL

ITEM	PART NO.	DESCRIPTION	QTY
		1 2 3 4	
1	<u>102410801</u>	Pump, Diesel Fuel Electric	1
2	N/A	Asm, Fuel System, Kubota (includes items 3 through 23)	1
3	<u>101313402</u>	Clamp, Green Hose	1
4	<u>1013746</u>	Clamp, 0.301 ID Hose	2
5	<u>101587703</u>	Hose, Fuel, Vent, 22" Long	1
6	<u>101824401</u>	Vent Barb	1
7	<u>102289001</u>	Screw, M8X1.25X30, Hex	5
8	<u>102410602</u>	P-Clamp, Insulated 1.75 In	1
9	<u>102411203</u>	Clamp, Hose, Ctb 14mm	6
10	<u>102426301</u>	Strap, Tank, Fuel	1
11	<u>102430001</u>	Hose, Tank To Prefilter Diesel	1
12	<u>102430101</u>	Hose, Fuel Prefilter To Pump	1
13	<u>102430201</u>	Hose, Fuel Pump To Filter	1
14	<u>102430301</u>	Hose, Fuel Filter To Eng	1
15	<u>102430401</u>	Hose, Fuel Return	1
16	<u>102434601</u>	Filter Assy, Fuel	1
17	<u>102434701</u>	Filter, Fuel	1
18	<u>102434801</u>	Adapter, 90, 5/16 Tube	2
19	<u>102466201</u>	Bezel, Fuel Fill	1
20	<u>102618601</u>	Lock Nut, Flg M8 X 1.25 Nylon	3
21	<u>102670801</u>	Screw, M6 X 1 X 25 Thd Form	1
22	<u>102710301</u>	Plate, Fuel/Oil System	1
23	<u>96705587</u>	Bolt, M8 X 1.25 X 30	2

9

D

FUEL TANK – DIESEL VEHICLES

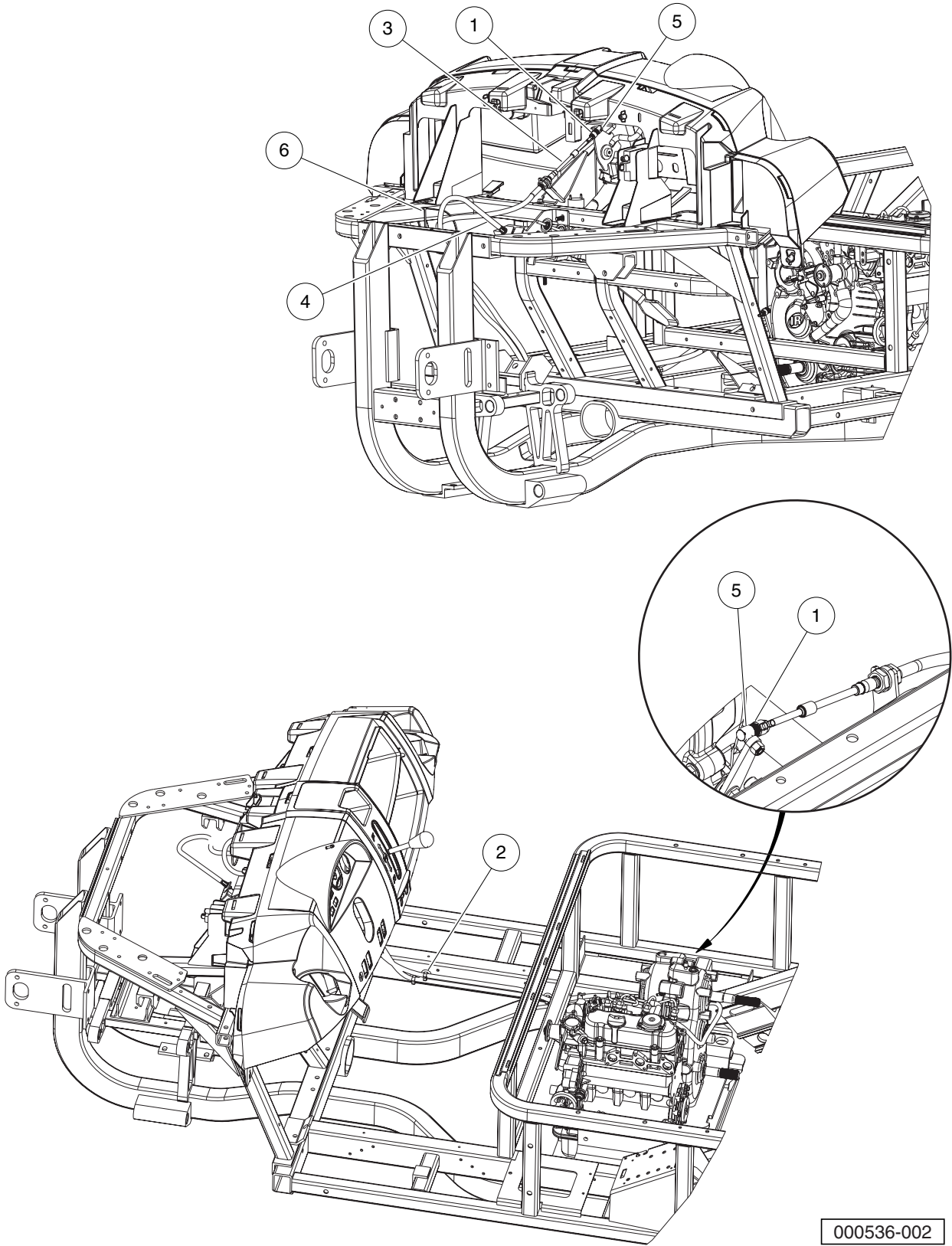
ITEM	PART NO.	DESCRIPTION	QTY
		1 2 3 4	
1	<u>102952101</u>	Asm, Tank, Fuel, Diesel, 4x4 (includes items 2 through 16)	1
2	<u>1013461</u>	Screw, #10-16 Hex-Head Hi-Lo	5
3	****	Sending Unit, Fuel Level *	1
4	<u>1015139</u>	Insulation Grommet	1
5	<u>1015143</u>	Vent, Fuel Tank	1
6	<u>1016</u>	Washer, #10 Split Lock	1
7	N/A	Wire Asm, Blk, 170mm	1
8	N/A	Wire Asm, Org, 170mm	1
9	<u>102406701</u>	Bushing, Line, Return	2
10	<u>102406801</u>	Elbow, 90 Barbed	1
11	<u>102478501</u>	Pickup Tube, Fuel	1
12	<u>102494701</u>	Cap, Fuel (Diesel)	1
13	<u>102522001</u>	Gasket, Rubber	1
14	N/A	Tank, Fuel, Diesel, 4x4	1
15	<u>183</u>	Washer, #10 Type A Flat	1
16	<u>8797</u>	Nut, #10-32 Brass Hex	1
		**** Special order item available upon request.	
		* Note: Must replace fuel sending unit gasket when servicing this component.	

9

D

9

D



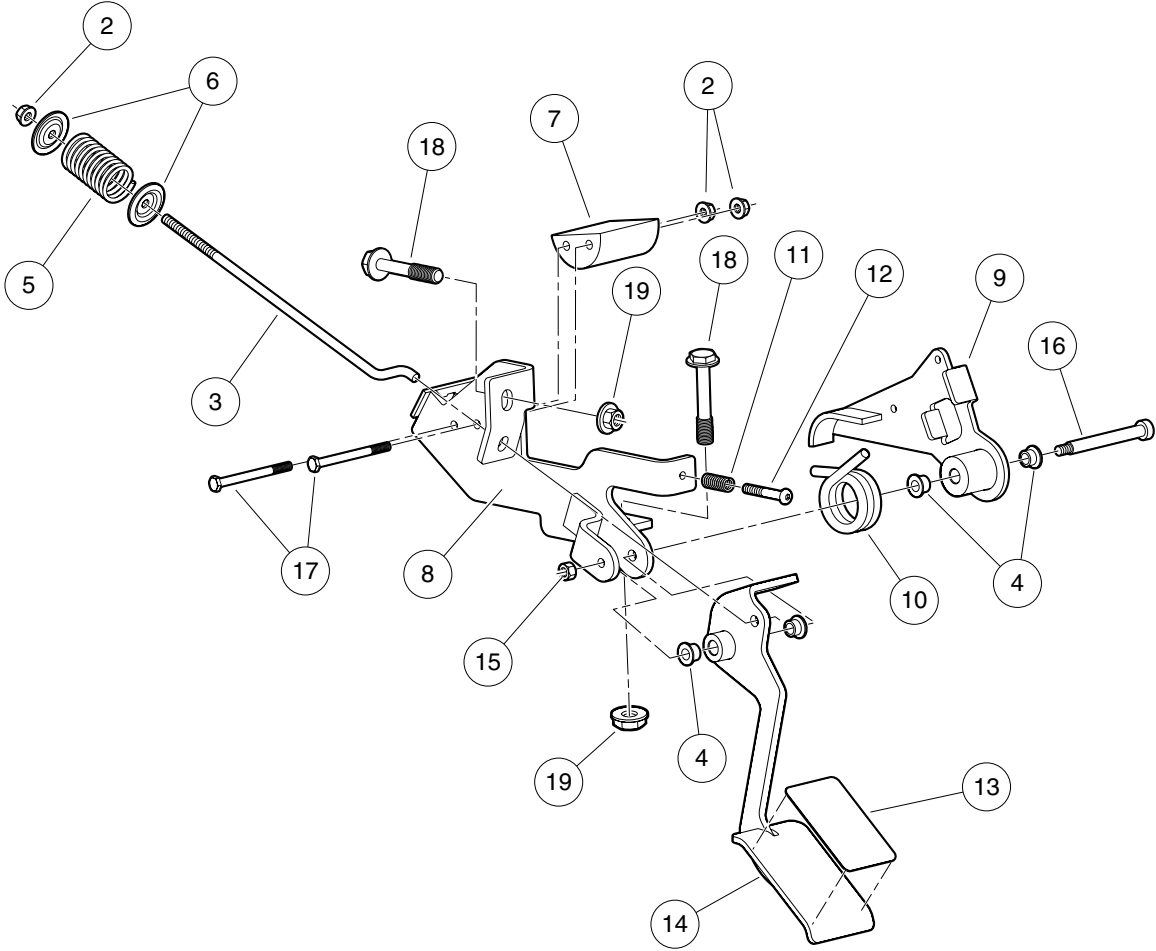
000536-002

CABLES – DIESEL VEHICLE

ITEM	PART NO.	DESCRIPTION	QTY
		1 2 3 4	
1	<u>1011084</u>	Nut, 1/4-28 Hex Jam	2
2	<u>102475701</u>	Clip, Brake Line	3
3	<u>102495801</u>	Cable, Transmission Shift	1
4	<u>102498801</u>	Cable, Accelerator, Diesel	1
5	<u>102615801</u>	Joint, Ball, .346 Dia	2
6	<u>8990</u>	Tie Wrap, 8" Nylon	1

9

D



000026-001

ACCELERATOR PEDAL ASSEMBLY – STYLE B

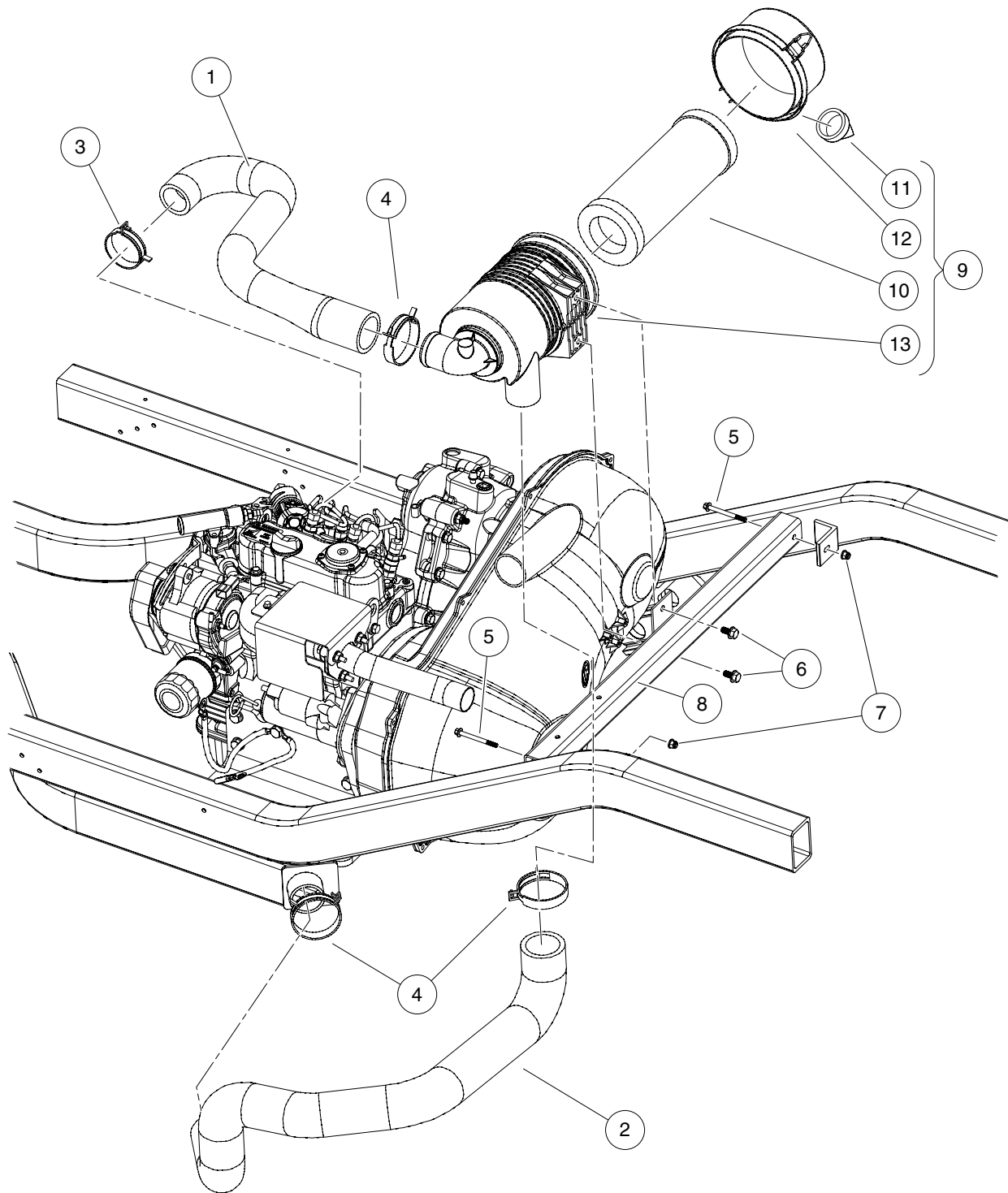
ITEM	PART NO.	DESCRIPTION	QTY
		1 2 3 4	
1	<u>102489901</u>	Asm, Pedal, Accelerator (includes items 2 through 17)	1
2	<u>102296401</u>	Nut-m6x1.0 Flng All Mtl Lock	3
3	N/A	Pullrod, Spring, Compression	1
4	<u>102442901</u>	Bushing, Greaseless	4
5	N/A	Spring, Comp, Pedal, Pullrod	1
6	N/A	Washer, Retaining Spring, 7mm	2
7	N/A	Guide, Cable, Accelerator	1
8	N/A	Weldment, Bracket, Pedal	1
9	N/A	Weldment, Lever, Motion, Lost	1
10	N/A	Spring, Torsion	1
11	N/A	Spring, Stop, Pedal	1
12	N/A	Bolt, Stop, Pedal	1
13	N/A	Pad, Grip Tape, Accelerator	1
14	N/A	Weldment, Pedal, Accelerator	1
15	<u>102618101</u>	Nut M6x1 Mech Def Center	1
16	<u>103273101</u>	Bolt, Shoulder, M8 X 70, Hc	1
17	<u>96706825</u>	Bolt, M6 X 1 X 70	2
18	<u>102618301</u>	Bolt Flanged Head, M8 X 1.25 X 65	2
19	<u>102618601</u>	Lock Nut, Flg M8 X 1.25 Nylon	2

9

D

9

D



000090-002

INTAKE DUCT AND AIR BOX ASSEMBLY – DIESEL VEHICLES

ITEM	PART NO.	DESCRIPTION	QTY
		1 2 3 4	
1	<u>102379001</u>	Hose, Intake, D722	1
2	<u>102395601</u>	Hose, Intake, Primary	1
3	<u>102411209</u>	Clamp, Hose, Ctb 55mm	1
4	<u>102411210</u>	Clamp, Hose, Ctb 64mm	3
5	<u>102541465</u>	Bolt, M 6 X 1.0 X 65 Hex, Flange, Head, Black	2
6	<u>102621201</u>	Bolt Flanged Head, M8 X1.25x 16 with Loctite	2
7	<u>102621501</u>	Nut Flg, M6 X 1.0 Nylon	2
8	N/A	Weldment, Support, Air Cleaner	1
9	<u>102810701</u>	Filter, Air, Canister, W/labe (includes items 10 through 13)	1
10	<u>102498601</u>	Element, Filter, Air, 5 In	1
11	<u>102725501</u>	Valve, Evacuator, Filter Air	1
12	<u>102725601</u>	Cap, Latch Lock, Filter, Air	1
13	N/A	Body, Canister, Filter, Air	1

9

D

9

D

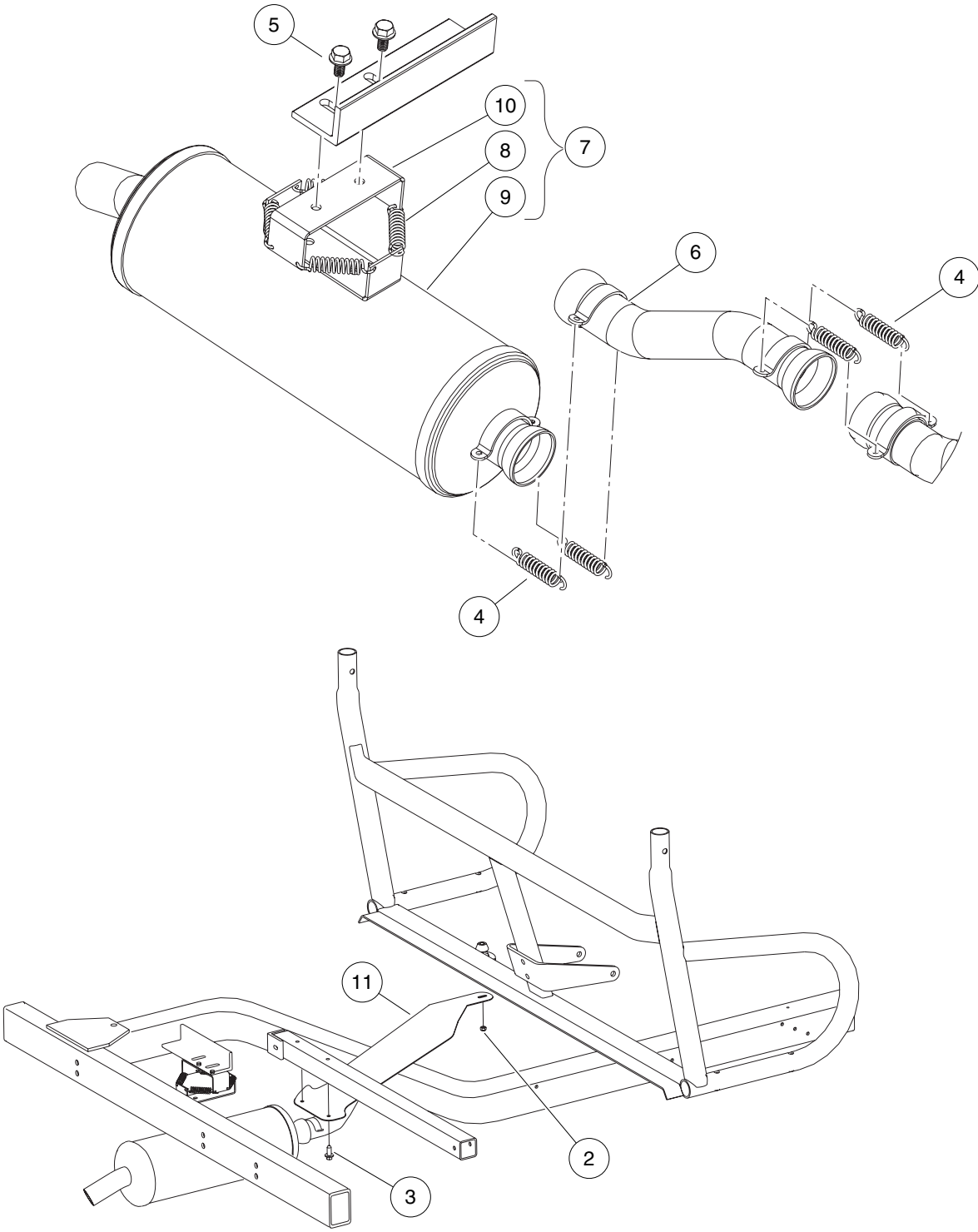
EXHAUST SYSTEM

10

D

10

D



000538-001

EXHAUST SYSTEM

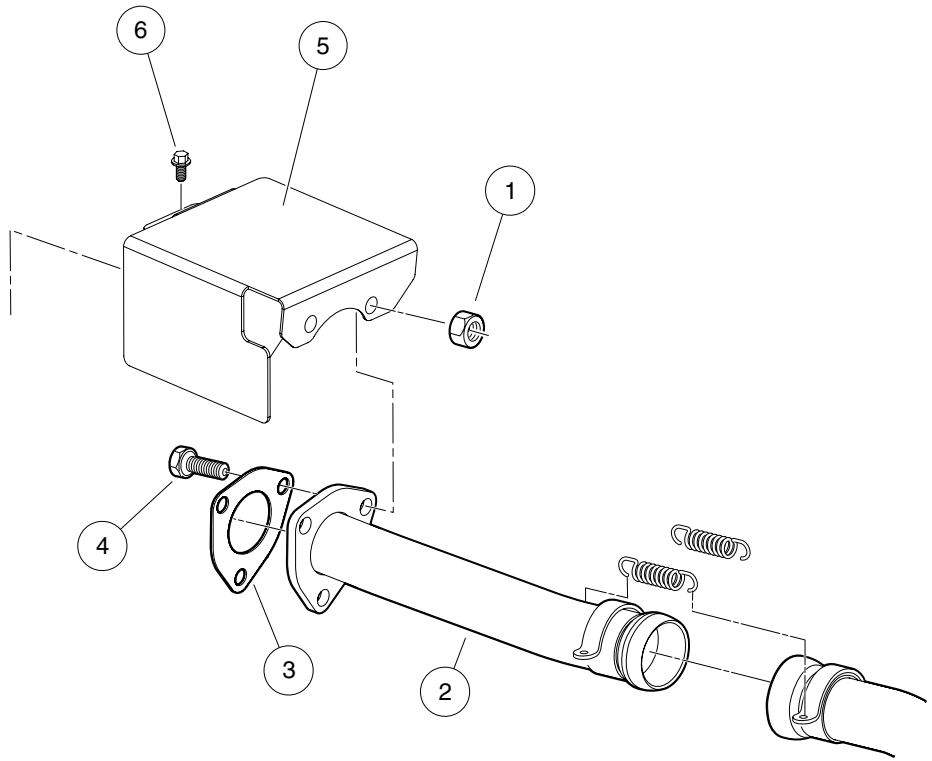
10

D

ITEM	PART NO.	DESCRIPTION	QTY
		1 2 3 4	
1	N/A	Instl, Exhaust, AWD (includes items 2 through 11)	1
2	<u>101887601</u>	Locknut, M6-1.00 Nylon Insert	1
3	<u>102298720</u>	M8-1.25x20 Taptite	2
4	<u>102409501</u>	Spring, Exhaust	4
5	<u>102621201</u>	Bolt Flanged Head, M8 X1.25x 16 with Loctite	2
6	<u>102786201</u>	Pipe, Exhaust, Int, Offset	1
7	<u>102812801</u>	Asm, Muffler, AWD Homologation (includes items 8 through 10)	1
8	<u>102409501</u>	Spring, Exhaust	4
9	N/A	Muffler	1
10	N/A	Bracket, Muffler	1
11	<u>102930901</u>	Shield, Exhaust, Clearance	1

10

D



000538-003

EXHAUST PIPES – DIESEL VEHICLES

ITEM	PART NO.	DESCRIPTION	QTY
		1 2 3 4	
1	<u>102298401</u>	Nut,m8,all Metal Lock	3
2	<u>102409301</u>	Pipe, Exhaust Diesel Main	1
3	<u>102422301</u>	Gasket, Exhaust Diesel	1
4	<u>102621301</u>	Bolt, M8 X 1.25 X 40 with Loctite	3
5	<u>102628101</u>	Shield, Diesel Exhaust	1
6	<u>102731601</u>	Bolt, D722, Exhst Manfld Cover	1

10

D

10

D

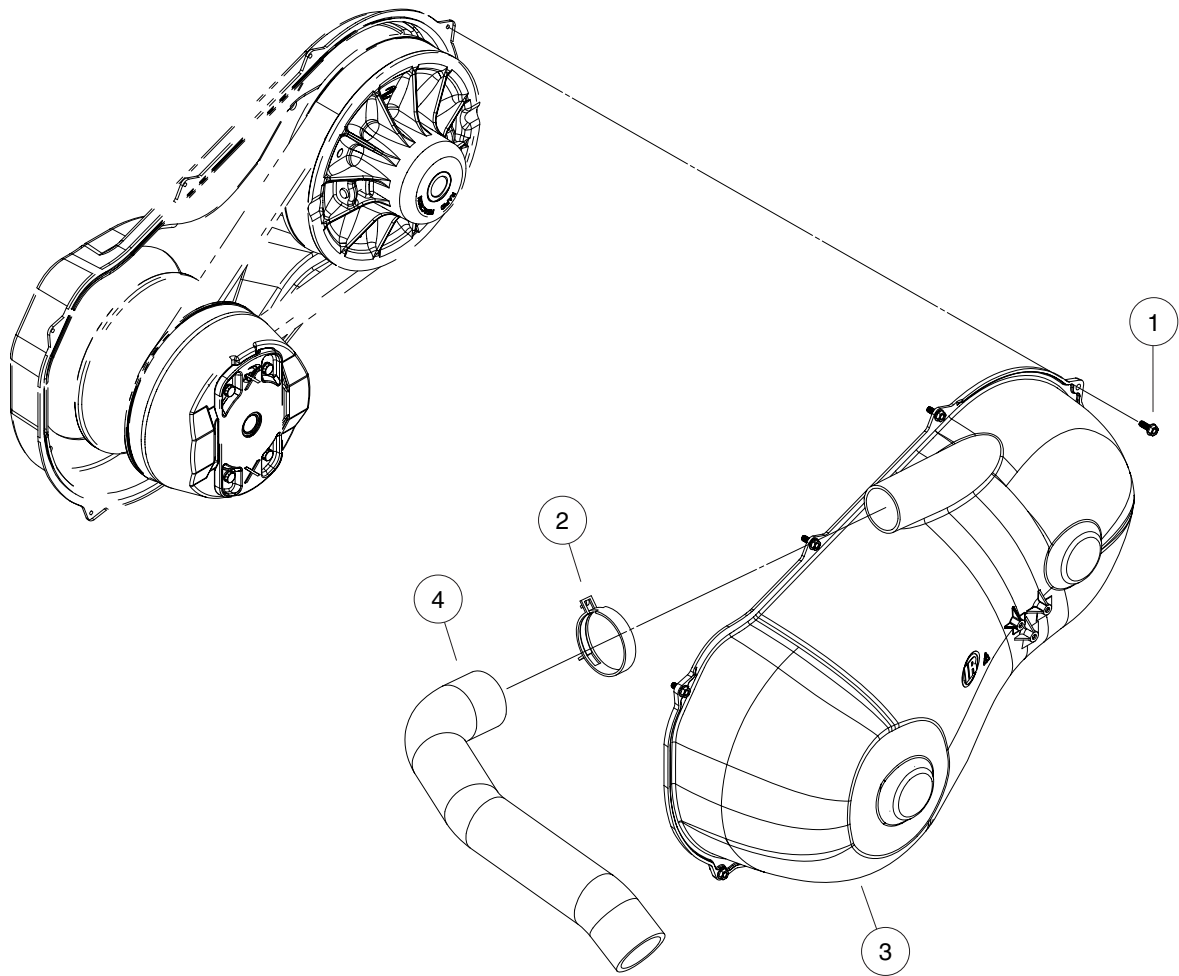
CLUTCHES

11

D

11

D



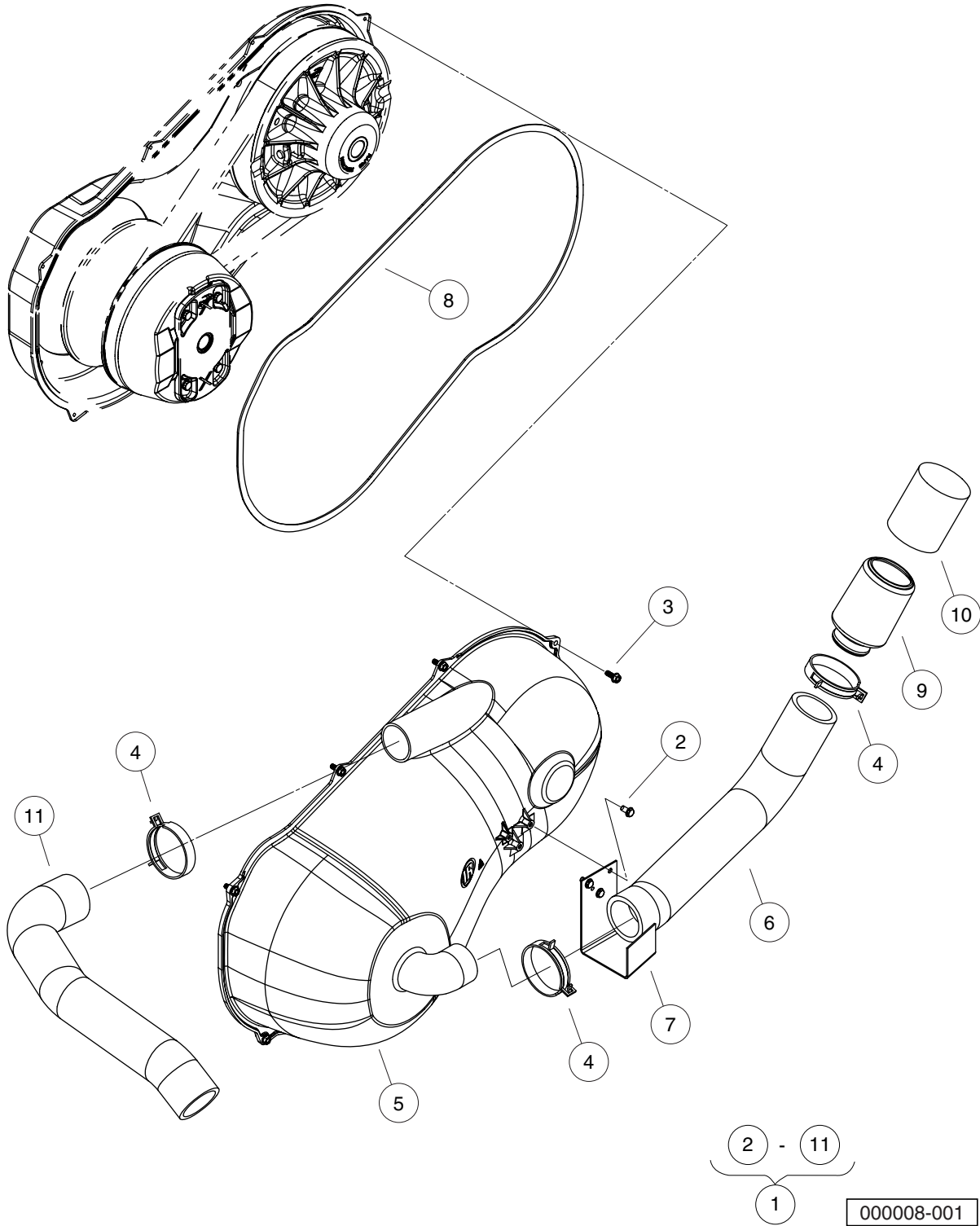
000008-002

CLUTCH COVER (STANDARD)

ITEM	PART NO.	DESCRIPTION	QTY
		1 2 3 4	
1	<u>102296716</u>	Screw, M6 X 16 Tt Hx Fl Hd	7
2	<u>102411210</u>	Clamp, Hose, Ctb 64mm	1
3	<u>102628301</u>	Cover, Cvt, Open	1
4	<u>103320601</u>	Hose, Outlet, Cvt	1

11

D



CLUTCH COVER (SEALED)

ITEM	PART NO.	DESCRIPTION	QTY
		1 2 3 4	
1	<u>102616003</u>	Kit, Sealed CVT Cover (includes items 2 through 11)	1
2	<u>101856102</u>	Screw, 1/4-15 X 1.50 Hi-lo Hex	3
3	<u>102296716</u>	Screw, M6 X 16 Tt Hx Fl Hd	7
4	<u>102411210</u>	Clamp, Hose, Ctb 64mm	3
5	<u>102414501</u>	Cover, CVT Outer	1
6	<u>102481001</u>	Hose, Inlet, Cover, CVT	1
7	<u>102481201</u>	Bracket, Inlet, Cover, CVT	1
8	<u>102481301</u>	Gasket, Cover, CVT	1
9	<u>102616101</u>	Cap, Inlet, Cover, CVT	1
10	<u>102628001</u>	Filter, Inlet, Cover, CVT	1
11	<u>103320601</u>	Hose, Outlet, Cvt	1

11

D

11

D



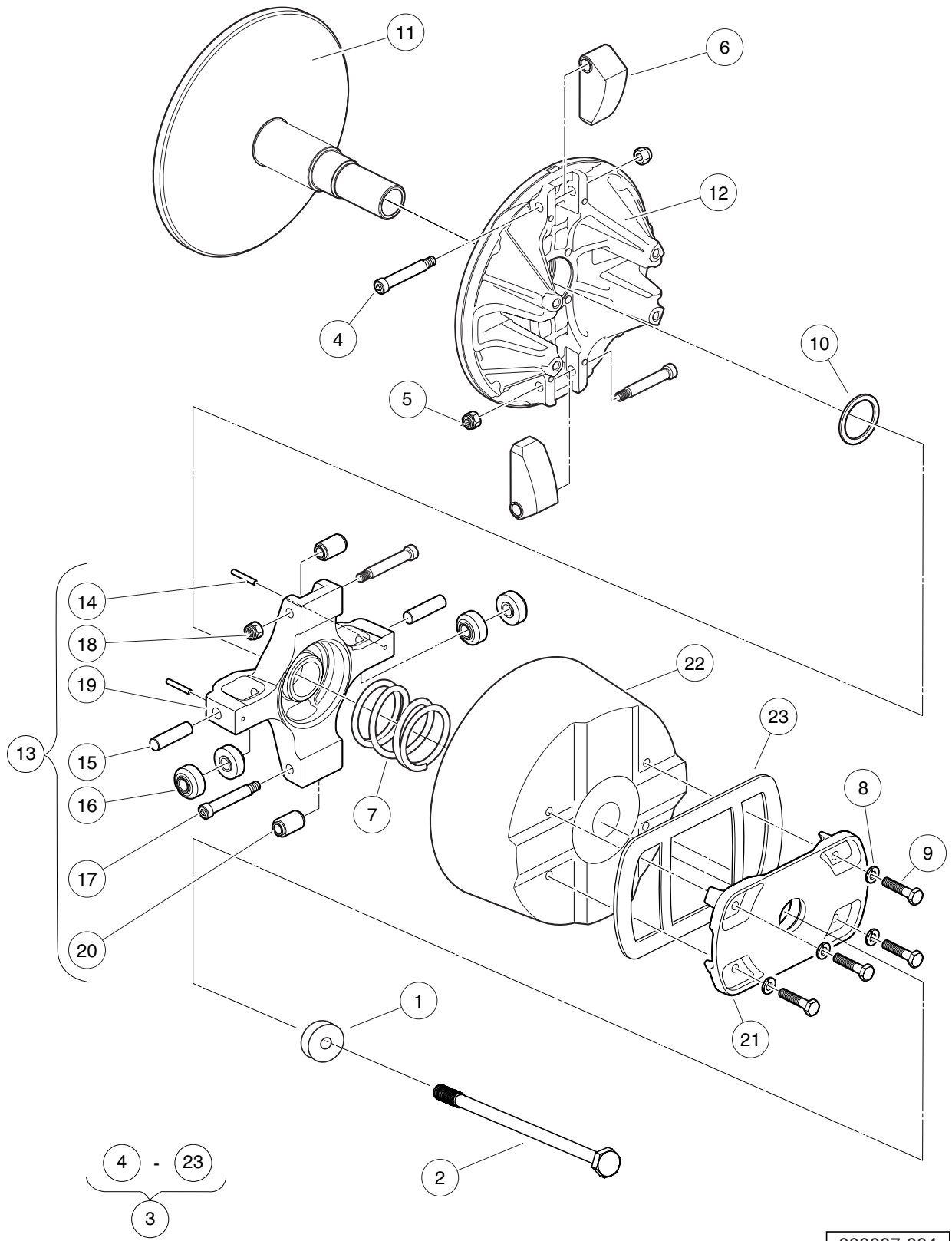
000084-001

DRIVE BELT

ITEM	PART NO.	DESCRIPTION	QTY
1	<u>102374901</u>	1 2 3 4 Belt, Drive	1

11

D



000007-004

DRIVE CLUTCH – DIESEL VEHICLES

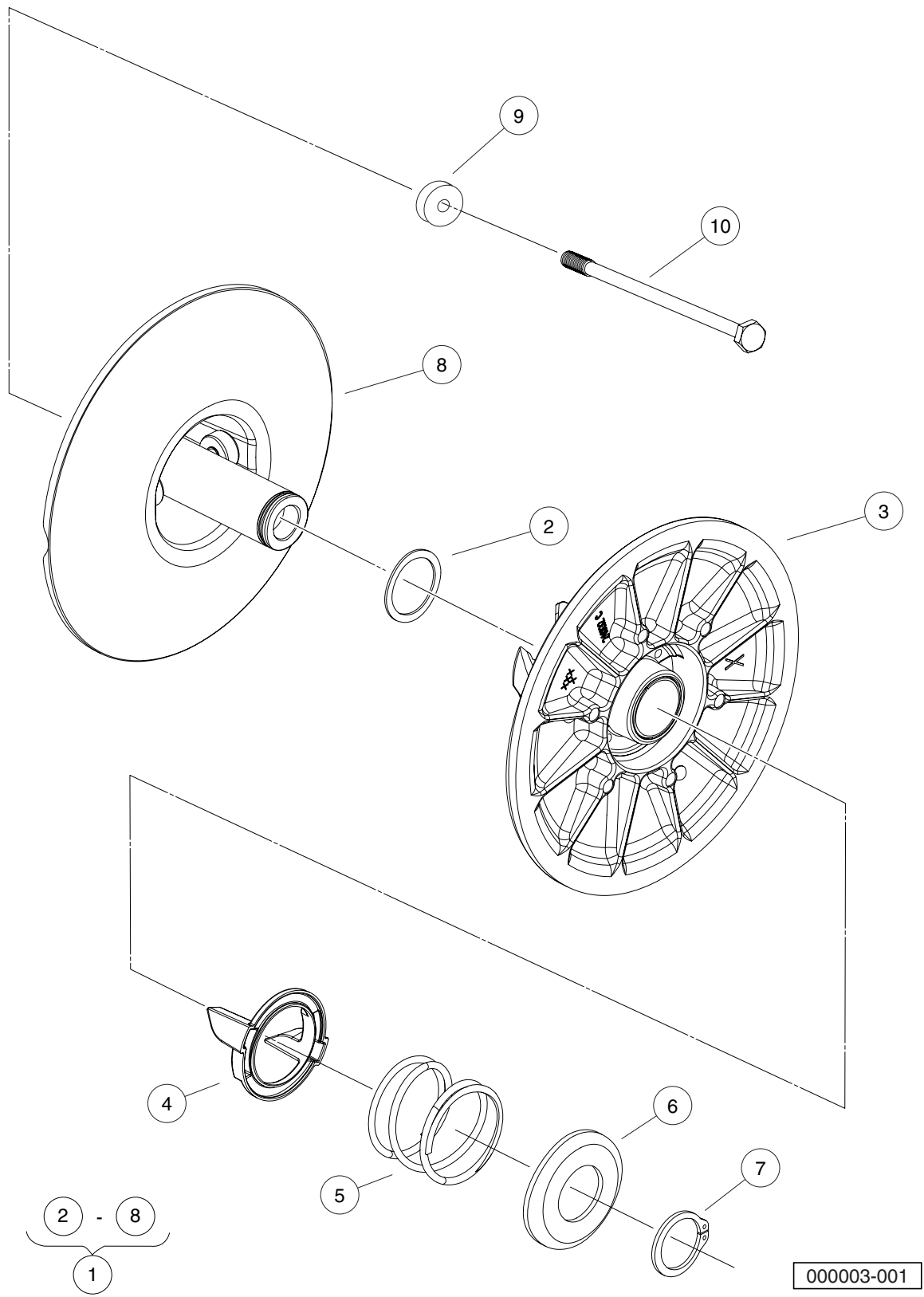
ITEM	PART NO.	DESCRIPTION	QTY
		1 2 3 4	
1	<u>102385601</u>	Washer, Stepped	1
2	<u>102616501</u>	Bolt, M10 X 1.5 X 160	1
3	<u>103185501</u>	Clutch, 4x4, Diesel, W/cover (includes items 4 through 23)	1
4	<u>102690501</u>	Screw, Shlder Hex, .312 X 1.75	2
5	<u>102690701</u>	Nut, Lock Hex, 1/14-20, Flexlc	2
6	<u>102690801</u>	Sub Assy, Wt Clutch, Diesel	2
7	<u>102691401</u>	Spring, Compression, Primary	1
8	<u>102691601</u>	Washer, Lock, H-Spring, 1/4	4
9	<u>102691701</u>	Screw, Cap, Hex Hd, 1/4 X 1.25	4
10	<u>102691801</u>	Shim, 1.63 X 1.33	A/R
11	N/A	Subassembly, Drive Clutch	1
12	N/A	Subassembly, Moveable, Drive Clutch	1
13	N/A	Subassembly, Spider Utility, Diesel (includes items 14 through 20)	1
14	<u>102690201</u>	Pin, Spring Slotted, 1.25 X 1.0	2
15	<u>102690301</u>	Pin, Dowel, .375 X 1.50	2
16	<u>102690401</u>	Roller, Torque, Diesel	4
17	<u>102690501</u>	Screw, Shlder Hex, .312 X 1.75	2
18	<u>102690701</u>	Nut, Lock Hex, 1/14-20, Flexlc	2
19	N/A	Spider, Drive Clutch	1
20	<u>102839401</u>	Sub Assy, Roller Weight	2
21	N/A	Cover, Drive Clutch	1
22	<u>103185801</u>	Cover, Clutch, 4x4	1
23	<u>103185901</u>	Gasket, Cover, Clutch, 4x4	1

11

D

11

D



DRIVEN CLUTCH

ITEM	PART NO.	DESCRIPTION	QTY
		1 2 3 4	
1	<u>102369901</u>	CVT, Secondary (includes items 2 through 8)	1
2	<u>102695401</u>	Washer, Thrust, 1.53 X 1.92	1
3	N/A	Sheave, Driven Clutch	1
4	<u>102695601</u>	Retainer, Spring, Inner	1
5	<u>102695701</u>	Spring, Compression, Secondary	1
6	<u>102695801</u>	Retainer, Spring, Outer	1
7	<u>102695901</u>	Ring, Retaining, External	1
8	N/A	Driven Clutch Base Sheave	1
9	<u>102385701</u>	Washer, Stepped	1
10	<u>102490501</u>	Bolt, M10 X 1.5 X 100 Loctite	1

11

D

11

D

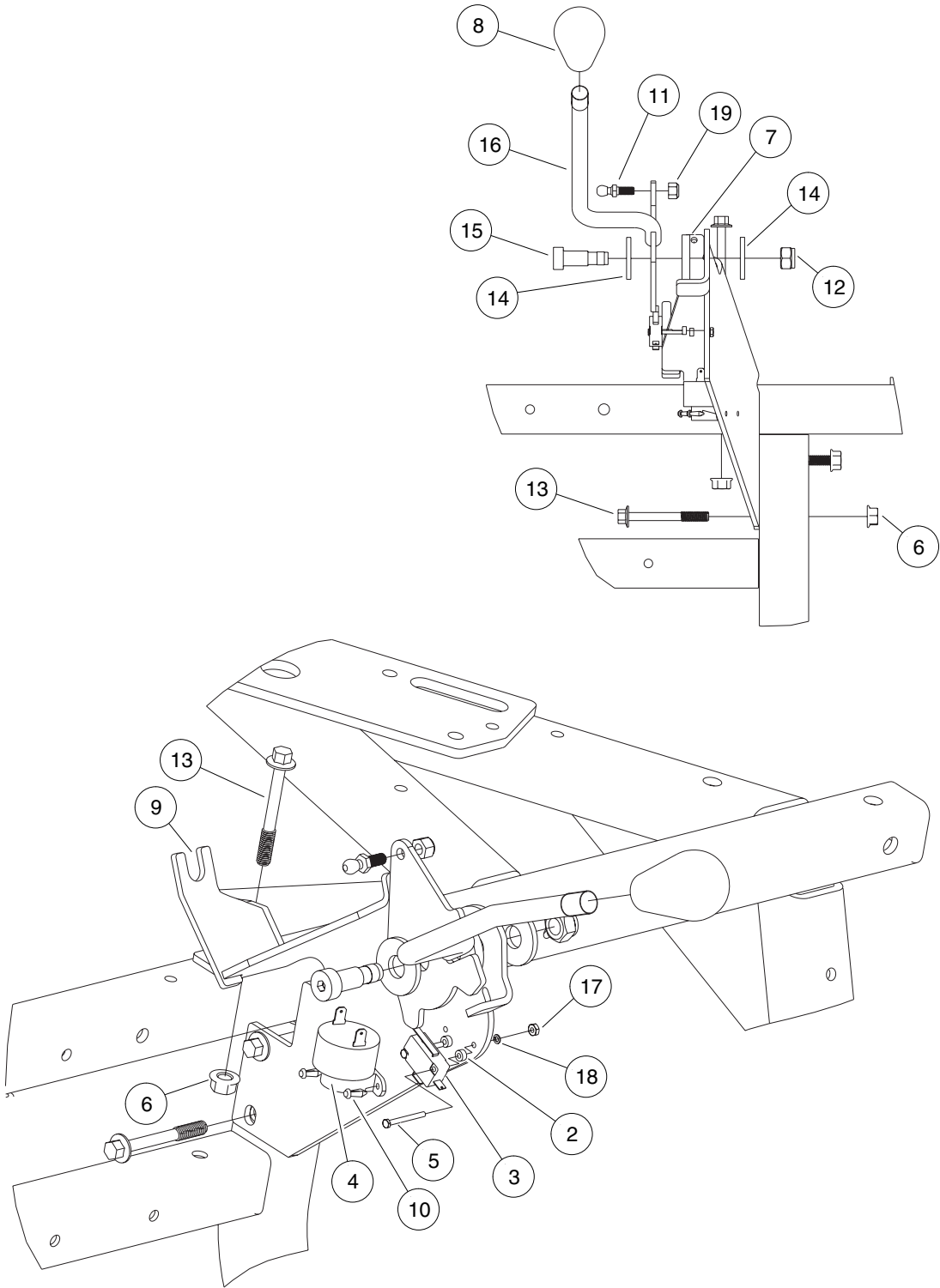
DRIVETRAIN COMPONENTS

12

D

12

D



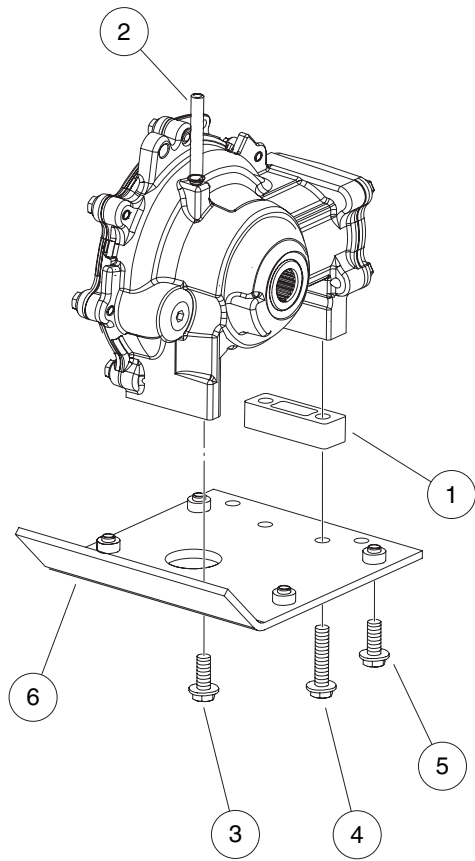
000030-002

FORWARD/REVERSE SHIFTER ASSEMBLY

ITEM	PART NO.	DESCRIPTION	QTY
		1 2 3 4	
1	<u>102868201</u>	Asm, FNR (includes items 2 through 19)	1
2	<u>1014727</u>	Washer, #4 Nylon Flat	2
3	<u>1014808</u>	Switch, Limit	1
4	<u>1016851</u>	Buzzer, Reverse (9-48 VDC)	1
5	<u>1016896</u>	Screw, #4-40 X 1.125 Hx Hd Mch	2
6	<u>102298401</u>	Nut,m8,all Metal Lock	3
7	<u>102375901</u>	Bushing, Fnr	1
8	<u>102376001</u>	Knob, Fnr	1
9	N/A	Weldment, FNR Shifter Bracket	1
10	N/A	Rivet, Micro Tuflok	2
11	<u>102615701</u>	Stud, Ball, .346 Dia	1
12	<u>102616701</u>	Locknut, M10x1.5 Nylon Insert	1
13	<u>102618301</u>	Bolt Flanged Head, M8 X 1.25 X 65	3
14	<u>102684501</u>	Washer, M12 Hard Regular	2
15	<u>102684601</u>	Shoulder Bolt,m12 X 20 M10 Thd	1
16	<u>103187501</u>	Weldment, FNR Shifter	1
17	<u>8057</u>	Nut, #4-40 Hex Machine	2
18	<u>8058</u>	Lockwasher, #4 Helical Split	2
19	<u>8717</u>	Locknut, 1/4-28 Nylon Insert	1

12

D



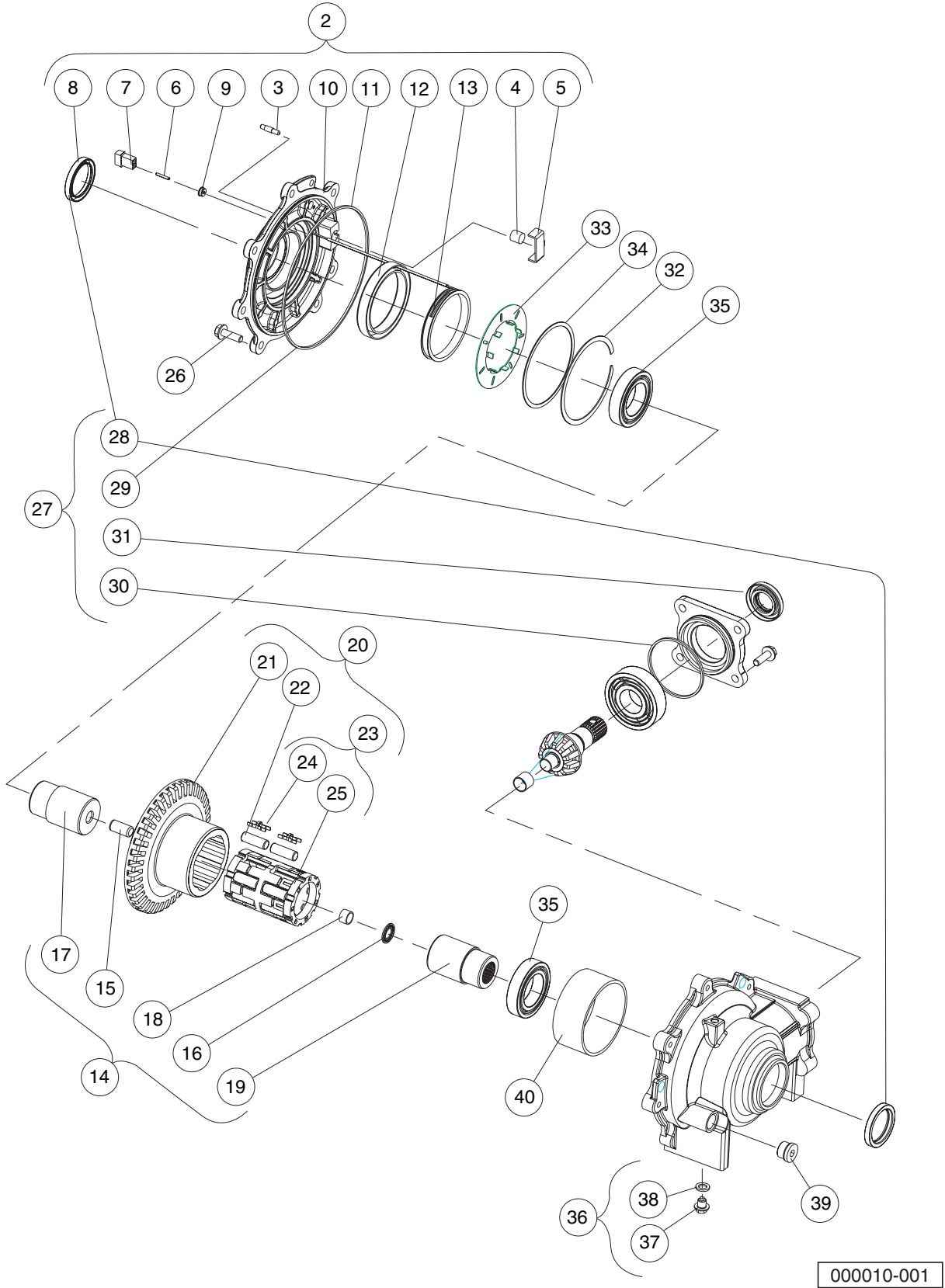
000012-003

FRONT DIFFERENTIAL MOUNTING PLATE

12

ITEM	PART NO.	DESCRIPTION	QTY
		1 2 3 4	
1	<u>102381701</u>	Spacer Block, Diff	1
2	<u>102462401</u>	Hose, Vent, Front Diff	1
3	<u>102491001</u>	Bolt Flanged Head, 3/8-16x1.0 with Loctite	2
4	<u>102491101</u>	Bolt Flanged Head, 3/8-16x1.500 with Loctite	2
5	<u>102711601</u>	Bolt, Flange Head, M10 X 1.5 X 25	4
6	<u>103244701</u>	Asm, Mount, Diff Plate	1

D



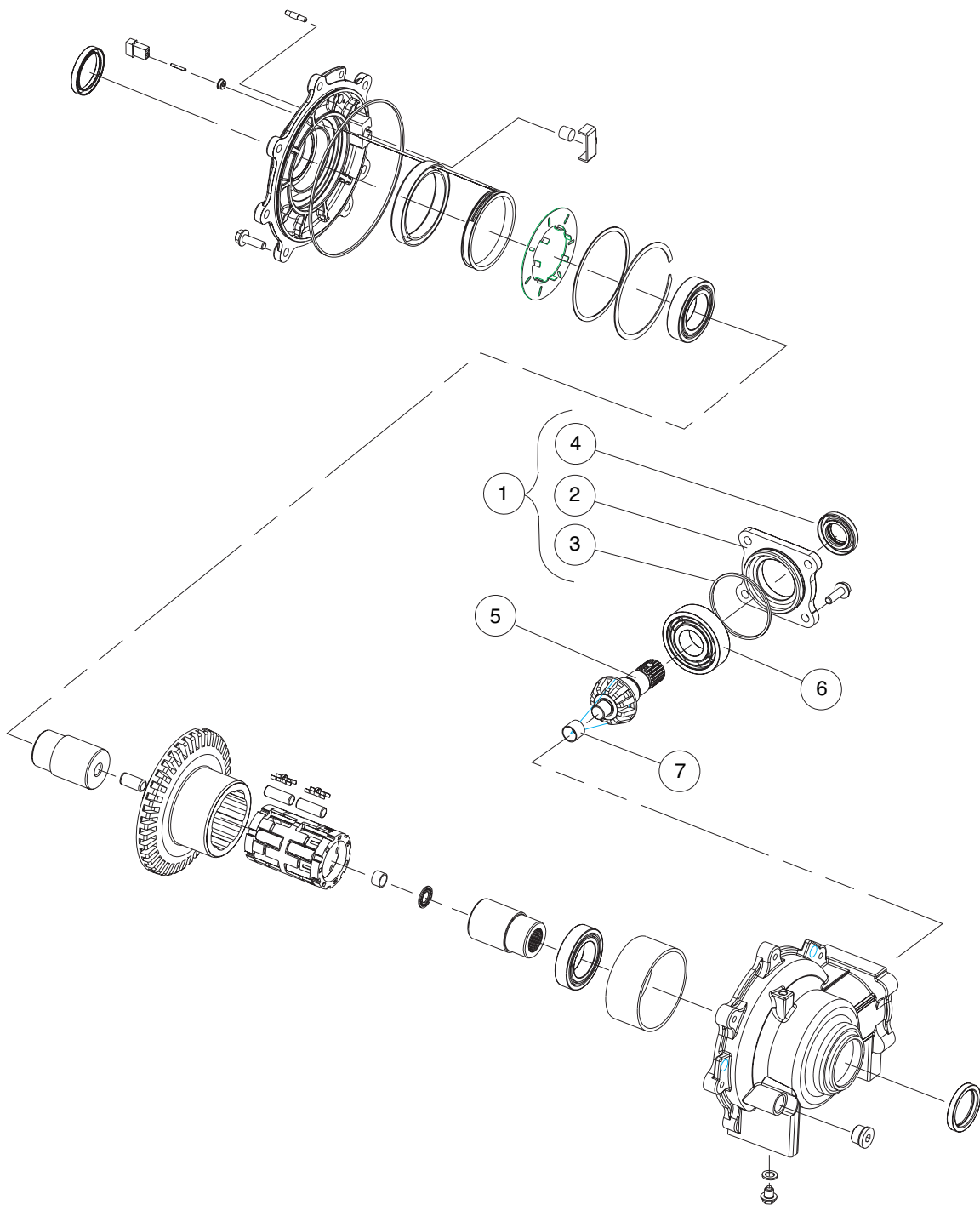
000010-001

FRONT DIFFERENTIAL (OUTPUT COMPONENTS)

ITEM	PART NO.	DESCRIPTION	QTY
		1 2 3 4	
1	<u>102371801</u>	Differential, Front * (includes items 2 through 40)	1
2	<u>102438201</u>	Kit, Assy, Output Cover Plate (includes items 3 through 13)	1
3	<u>102439001</u>	Set Screw, #10-24 UNC-3A with Patch	1
4	<u>102439101</u>	Thrust Button	1
5	<u>102439201</u>	Thrust Plate	1
6	N/A	Mate-N-Lock Pin	2
7	N/A	Mate-N-Lock Housing	1
8	N/A	Oil Seal	1
9	N/A	Grommet	1
10	N/A	Plate, Output Cover	1
11	N/A	O-Ring	1
12	N/A	Coil, Pocket Insert	1
13	N/A	Coil with Press-Fit Bobbin	1
14	<u>102438301</u>	Kit, Assy, Race Output Hub (includes items 15 through 19)	1
15	<u>102439401</u>	Pin, Dowel	1
16	<u>102439501</u>	Bearing, Needle	1
17	N/A	Race/Output Hub, Male	1
18	N/A	Bushing, PermiGlide	1
19	N/A	Race/Output Hub, Female	1
20	<u>102438401</u>	Kit, Assy, Clutch (includes items 21 through 23)	1
21	<u>102439601</u>	Clutch Hsg/Ring Gear, Machined	1
22	<u>102439801</u>	Kit, Roller (contains 14 rollers)	1
23	<u>102439901</u>	Kit, Assy, Roll Cage (includes items 24 and 25)	1
24	N/A	Kit, H-Clip Spring (contains 14 clips)	1
25	N/A	Roll Cage, Plastic	1
26	<u>102438501</u>	Kit, Bolt (contains 7 bolts)	1
27	<u>102438601</u>	Kit, Minor Repair (includes items 28 through 31)	1
28	N/A	Oil Seal	1
29	N/A	O-Ring	1
30	N/A	O-Ring	1
31	N/A	Oil Seal, Triple-Lipped	1
32	<u>102438701</u>	Retaining, Ring Internal	1
33	<u>102438801</u>	Plate, Armature	1
34	<u>102438901</u>	Shim, Armature, Plate	1
35	<u>102439301</u>	Bearing, Ball	12
36	<u>102440101</u>	Kit, Assy, Drain Plug (includes items 37 and 38)	1
37	N/A	Plug, Oil Drain	1
38	N/A	Washer, Nylon, 0.625 x 0.382 x 0.06	1
39	<u>102440301</u>	Plug, Oil Fill	1
40	N/A	Bushing, Self-Lubricating, 80 x 85 x 20	1
		* Note: This assembly also contains components listed on the following two pages.	

12

D



000010-002

FRONT DIFFERENTIAL (INPUT COMPONENTS)

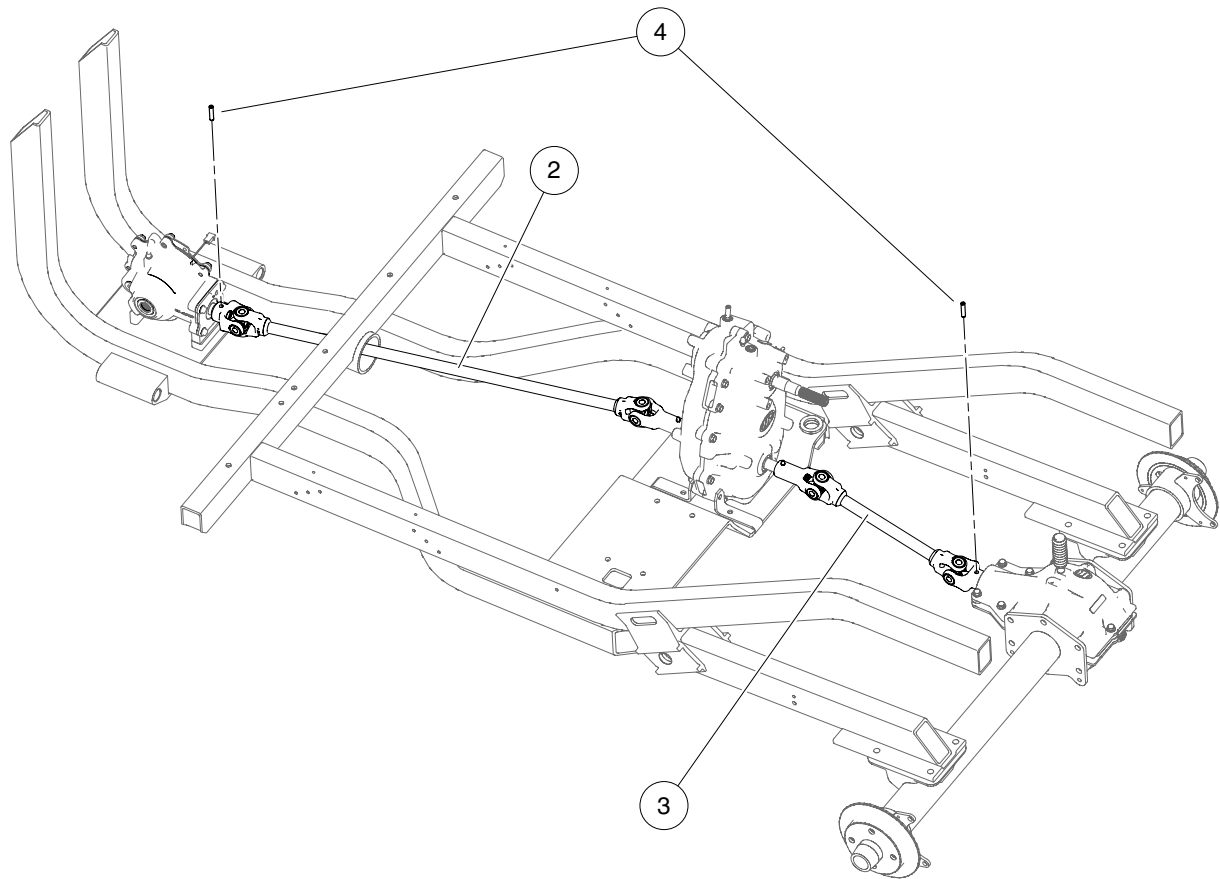
ITEM	PART NO.	DESCRIPTION	QTY
		1 2 3 4	
1	<u>102440201</u>	Kit, Assy, Input Cover Plate (includes items 2 through 4)	1
2	<u>102440601</u>	Cover, Input, Machined	1
3	N/A	O-Ring	1
4	N/A	Oil Seal, Triple-Lipped	1
5	<u>102440401</u>	Shaft, Pinion, Machined	1
6	<u>102440501</u>	Bearing, Ball	1
7	N/A	Bushing, Plain 16 Id X 15 Wide	1
<p>Note: This page contains a list of components internal to the front differential. See the previous pages for other front differential components.</p>			

12

D

12

D



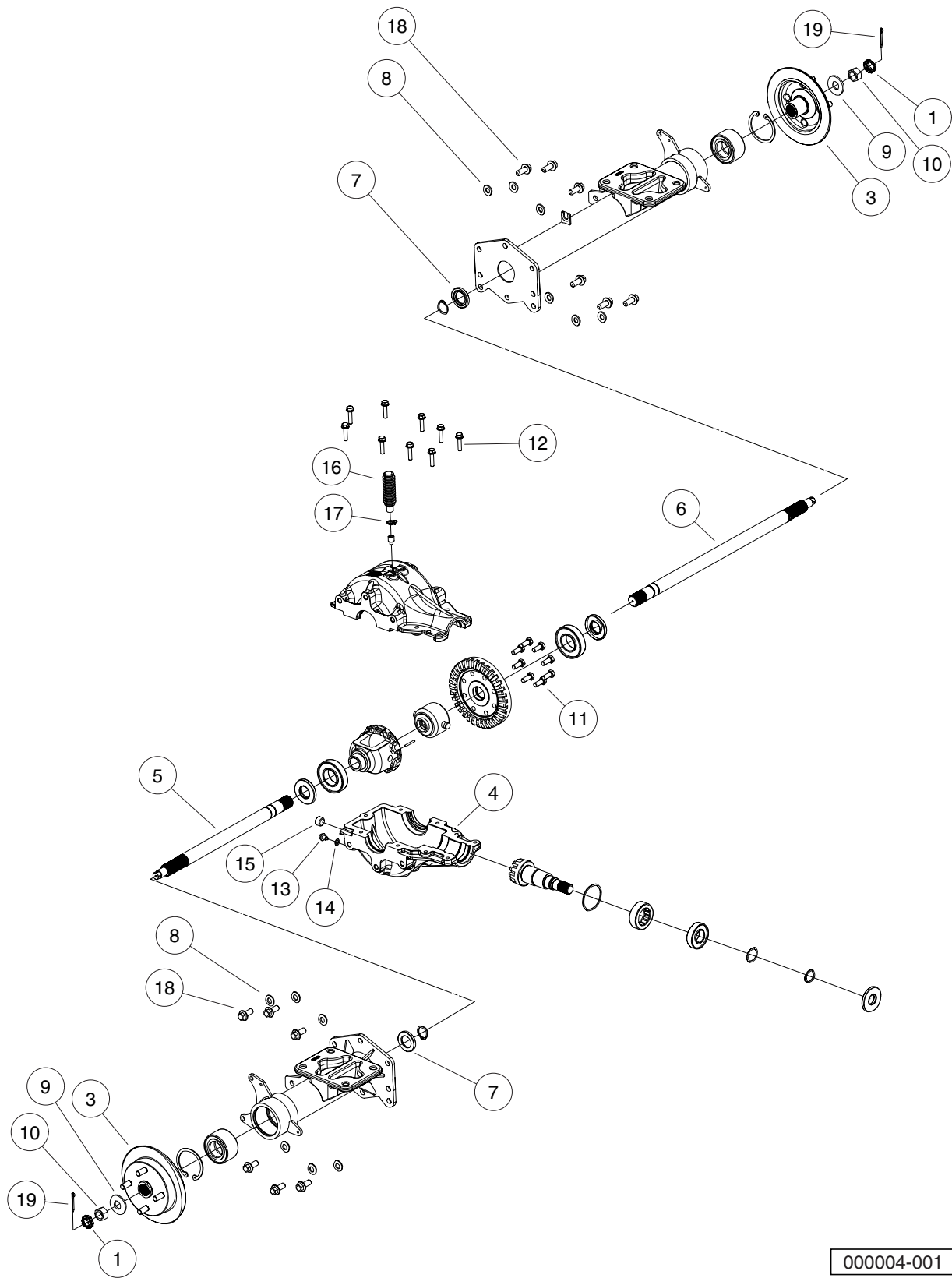
000091-001

PROP SHAFTS

ITEM	PART NO.	DESCRIPTION	QTY
		1 2 3 4	
1	N/A	Inst, Prop Shafts, Awd (includes items 2 through 4)	1
2	<u>102371701</u>	Prop Shaft, Front	1
3	102372101	Prop Shaft, Rear	1
4	95293643	Pin, Spring, 5/16 X 1-1/2 Hd	2

12

D



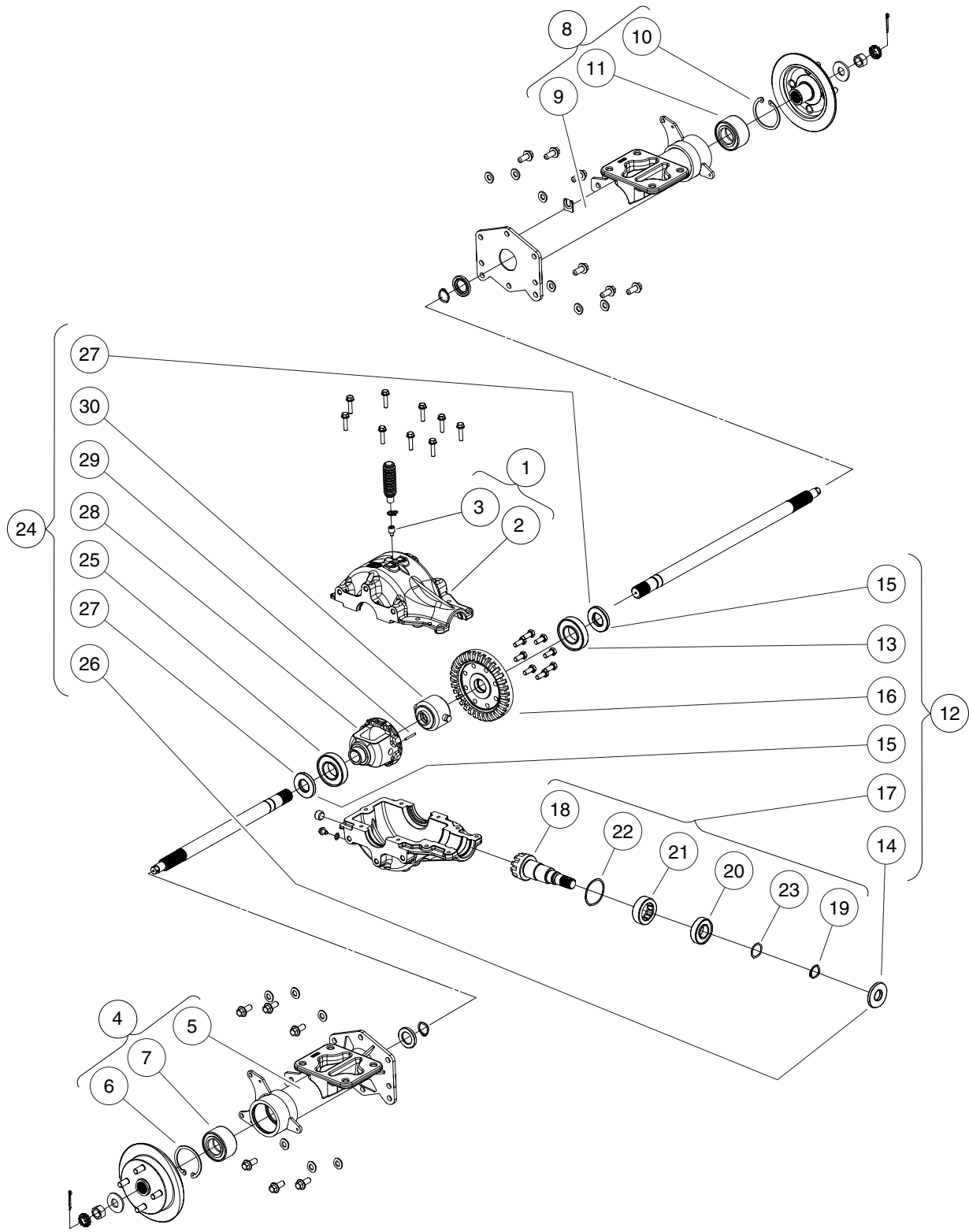
000004-001

REAR DIFFERENTIAL

ITEM	PART NO.	DESCRIPTION	QTY
		1 2 3 4	
1	<u>102831501</u>	Axle, Rear, Guard Mounts (includes items 2 through 19)	1
2	<u>102276001</u>	Locking Cap, Nut	2
3	<u>102376602</u>	Assy, Rotor, Brake, Rear	2
4	<u>102449101</u>	Gearcase, Lower, Machined	1
5	<u>102463501</u>	Axle, Right-hand	1
6	<u>102463601</u>	Axle, Left-Hand	1
7	<u>102672101</u>	Washer,counterbored 51 X 30	2
8	<u>102672201</u>	Washer, Belleville, 1.063 X .043	12
9	<u>102672301</u>	Washer, Belleville, 49 X 4	2
10	<u>102672401</u>	Nut, Hex, M20 X 1.5 , Modified	2
11	<u>102693201</u>	Screw, M10 X 25	8
12	<u>102693301</u>	Screw,hex Flange, M8 X 35	9
13	<u>102693401</u>	Plug,3/8-16, Hex Flange	1
14	<u>102693501</u>	Washer, .625 X .382 X .60	1
15	<u>102694201</u>	Plug, Square Skt, 1/12-14, Ptf	1
16	<u>102694301</u>	Bellows, Vent, Upper Housing	1
17	<u>102694401</u>	Clamp, Hose, Dw-9.5	1
18	<u>102694701</u>	Screw, Hex Fl, M12 X 1.75 X 30	12
19	<u>102694801</u>	Pin, Cotter, 5/32 X 1.25	2

12

D



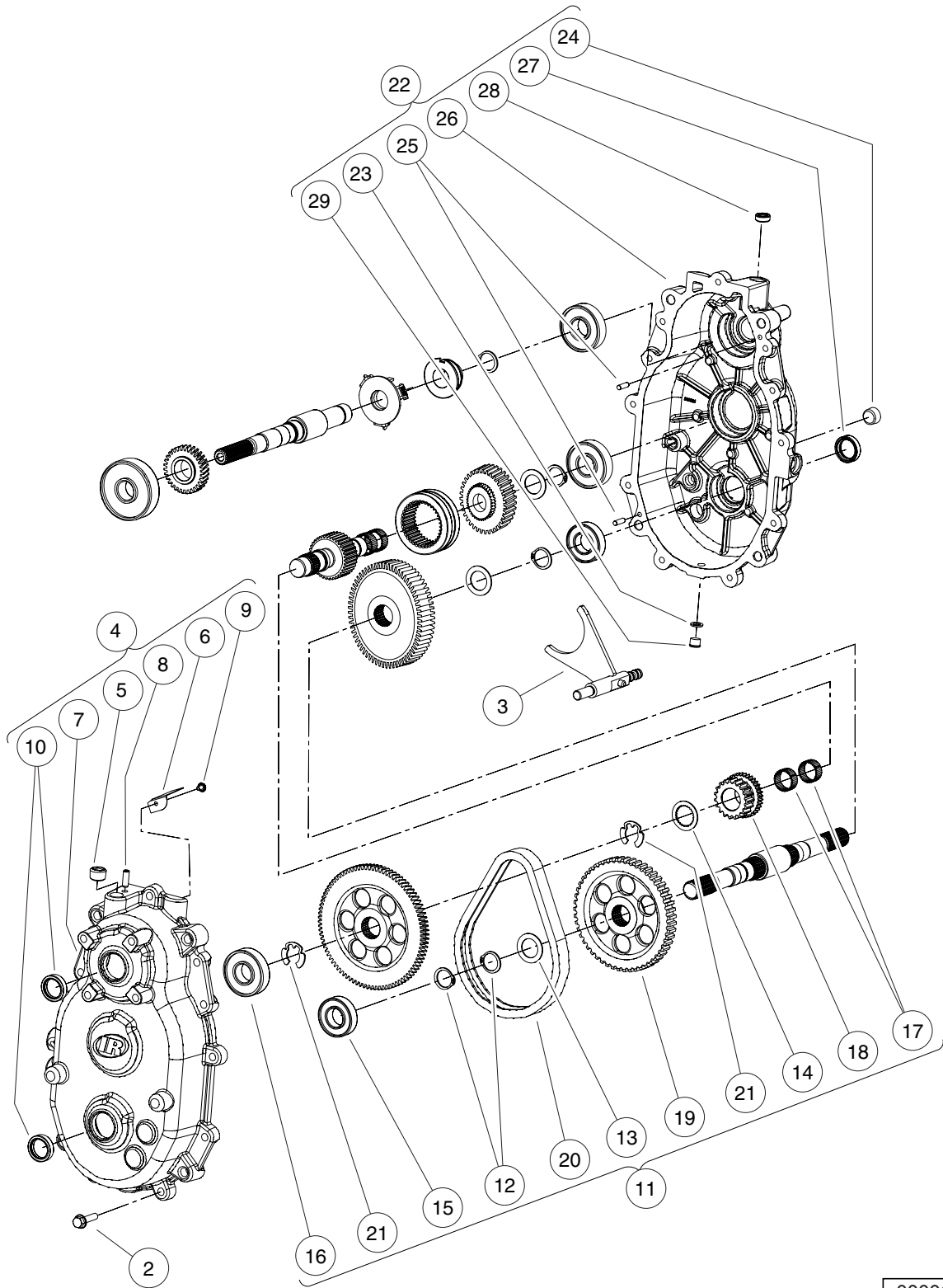
000004-002

REAR DIFFERENTIAL, CONTINUED

ITEM	PART NO.	DESCRIPTION	QTY
		1 2 3 4	
1	<u>102765301</u>	Asm, Gearcase, Upper (includes items 2 and 3)	1
2	N/A	Gearcase, Upper, Machined	1
3	<u>102694001</u>	Vent, Top, Upper Housing	1
4	<u>102765401</u>	Asm, Axle Tube, RH (includes items 5 through 7)	1
5	N/A	Weldment, Axle Tube Rh	1
6	<u>102463801</u>	Ring, Retaining, Internal	1
7	<u>102464301</u>	Bearing	1
8	<u>102765501</u>	Asm, Axle Tube, LH (includes items 9 through 11)	1
9	N/A	Weldment, Axle Tube Lh	1
10	<u>102463801</u>	Ring, Retaining, Internal	1
11	<u>102464301</u>	Bearing	1
12	<u>102765801</u>	Kit, Rear Axle Gear Repair (includes items 13 through 17)	1
13	<u>102464201</u>	Bearing, Ball	1
14	<u>102464401</u>	Seal, Dual-Lip 25x 62x 7tc	1
15	<u>102464501</u>	Seal, Dual-Lip 30x 62x 8tc	2
16	N/A	Gear, Ring, 33-Tooth	1
17	N/A	Asm, Pinion W/ Bearings (includes items 18 through 23)	1
18	N/A	Pinion, 10t Machined	1
19	<u>102463901</u>	Ring, Retaining, External	1
20	<u>102464001</u>	Bearing, Ball	1
21	<u>102464101</u>	Bearing, Needle, Drawn Shell	1
22	<u>102693601</u>	Washer, 2.625 X 2.367 X .06	1
23	<u>102694502</u>	Shim, 1.50 X 1.189 X .008	1
24	<u>102961501</u>	Asm, Differential & Carrier (includes items 25 through 30)	1
25	<u>102464201</u>	Bearing, Ball	1
26	<u>102464401</u>	Seal, Dual-Lip 25x 62x 7tc	1
27	<u>102464501</u>	Seal, Dual-Lip 30x 62x 8tc	2
28	<u>102961301</u>	Housing, Differential, Mach	1
29	<u>102961401</u>	Pin, Dowel, 4 X 35	1
30	<u>102961601</u>	Asm, Locker, Nongrease/Spacers	1

12

D



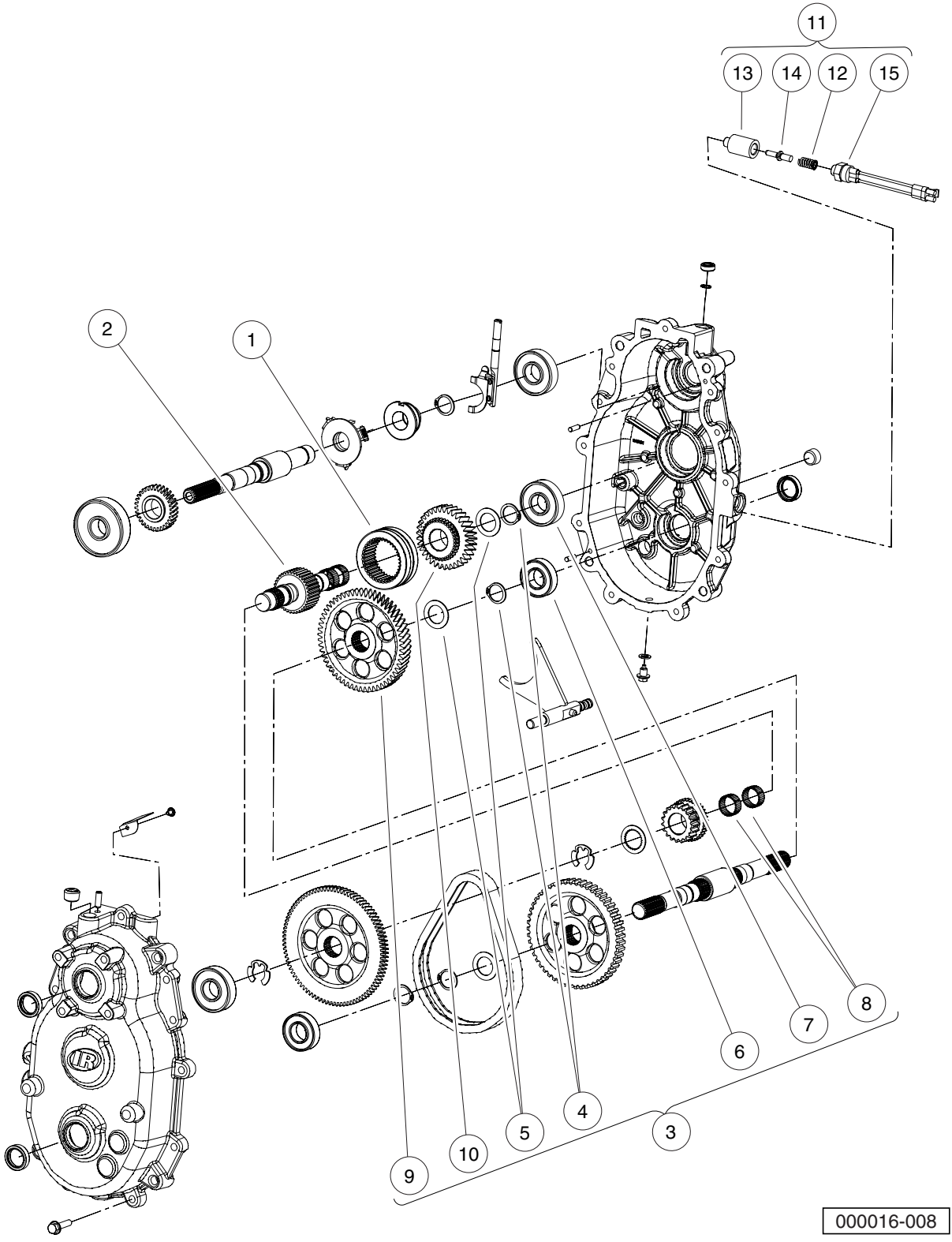
000016-006

TRANSMISSION – DIESEL VEHICLES

ITEM	PART NO.	DESCRIPTION	QTY
		1 2 3 4	
1	<u>102943201</u>	Transmission, Diesel, Parallel Shaft (includes items 2 through 22)	1
2	<u>102693301</u>	Screw,hex Flange, M8 X 35	11
3	<u>102697801</u>	Fork, Transmission	1
4	<u>102764201</u>	Asm, Gear Case, Rear (includes items 5 through 10)	1
5	<u>102694201</u>	Plug, Square Skt, 1/12-14, Ptf	1
6	<u>102696301</u>	Oil, Deflector	1
7	N/A	Gearcase, Rear	1
8	<u>102698301</u>	Vent, Trans	1
9	<u>102698901</u>	Screw, Tapping # 10-24 X .375	1
10	<u>102699401</u>	Seal, Triple, 25 X 35 X 7.8	2
11	<u>102765201</u>	Kit, Reverse Gear Repair (includes items 12 through 21)	1
12	<u>102696201</u>	Ring, Retaining, Basic External	2
13	<u>102696501</u>	Washer, Thrust, 1.007 X .062	1
14	<u>102696701</u>	Washer, 26.231 X 39.167 X 1.57	1
15	<u>102696801</u>	Bearing, Ball	1
16	<u>102696901</u>	Bearing, Ball	1
17	<u>102697101</u>	Bearing, Needle	2
18	N/A	Sprocket, 19-Tooth	1
19	N/A	Sprocket, 51-Tooth	1
20	N/A	Chain, .375p, .75 Wide, 60ptch	1
21	<u>102699701</u>	Ring, Retaining, E-Ring	2
22	<u>103250301</u>	Asm, Case, Gear, Front (includes items 23 through 29)	1
23	<u>102693501</u>	Washer, .625 X .382 X .60	1
24	<u>102694201</u>	Plug, Square Skt, 1/12-14, Ptf	1
25	<u>102696101</u>	Pin, Dowel, 6 X 20	2
26	N/A	Gearcase, Front	1
27	<u>102699401</u>	Seal, Triple, 25 X 35 X 7.8	1
28	<u>102721501</u>	Seal, Dual-Lip	1
29	<u>103250401</u>	Plug, 3/4-16	1

12

D



000016-008

TRANSMISSION – DIESEL VEHICLES, CONTINUED

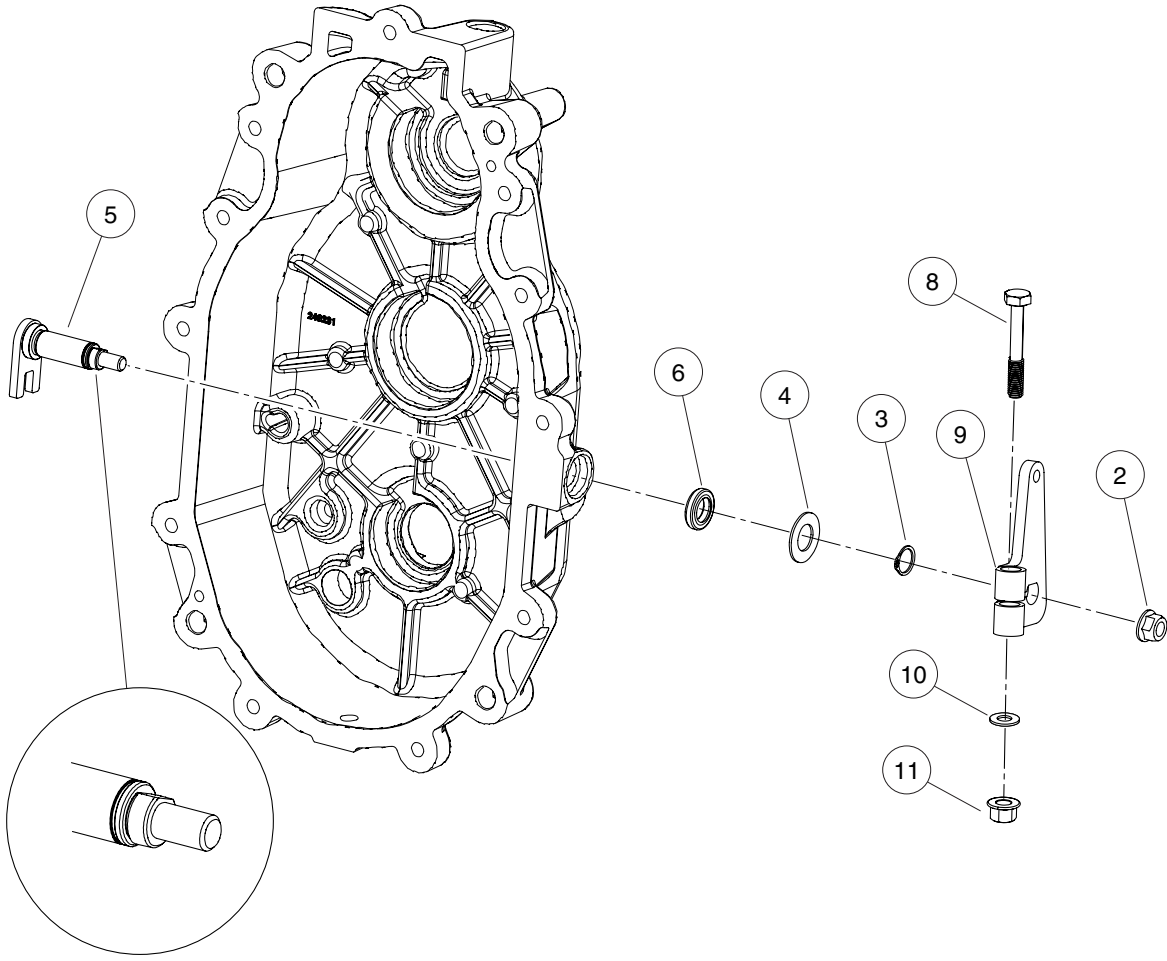
ITEM	PART NO.	DESCRIPTION	QTY
		1 2 3 4	
1	<u>102697501</u>	Dog, Engagement	1
2	<u>102698701</u>	Shaft, Intermediate	1
3	102764901	Kit, Forward Gear Repair (includes items 4 through 10)	1
4	<u>102696201</u>	Ring, Retaining, Basic External	2
5	<u>102696501</u>	Washer, Thrust, 1.007 X .062	2
6	<u>102696801</u>	Bearing, Ball	1
7	<u>102696901</u>	Bearing, Ball	1
8	<u>102697101</u>	Bearing, Needle	2
9	N/A	Gear, Helical 58-Tooth	1
10	N/A	Gear, Helical 34-Tooth	1
11	<u>102765101</u>	Kit, Neutral Switch Repair (includes items 12 through 15)	1
12	N/A	Spring, .484 X .340 X 1.076	1
13	N/A	Guide, Detent Bullet	1
14	N/A	Bullet, Detent	1
15	N/A	Switch, Indicator, Pollak	1

12

D

12

D



000016-009

TRANSMISSION – DIESEL VEHICLES, SHIFT SHAFT AND BELL CRANK (STYLE A)

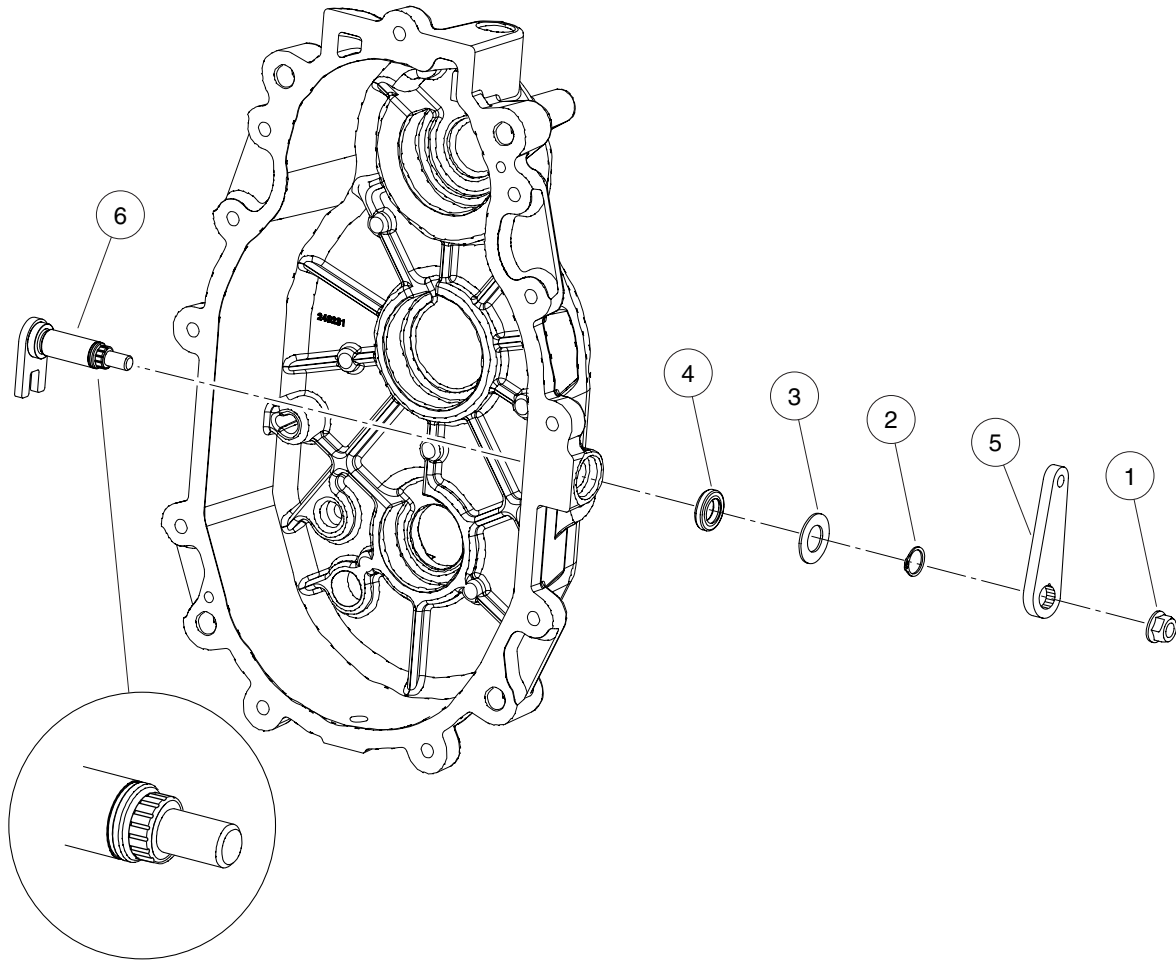
ITEM	PART NO.	DESCRIPTION	QTY
		1 2 3 4	
1	102765001	Kit, Trans Shift Shaft Repair (includes items 2 through 6)	1
2	<u>102696001</u>	Nut, Lock Hex, Nylon, 5/16-24	1
3	<u>102696401</u>	Ring, Retaining, External 9/16	1
4	<u>102696601</u>	Washer, Flat, .58 X 1.08 X .05	1
5	<u>102699101</u>	Weldment, Shift, Shaft	1
6	<u>102699601</u>	Seal, Dul Lip, .88 X .56 X .19	1
7	103294301	Kit, Bellcrank, D Shape, Clamp (includes items 8 through 11)	1
8	<u>1010177</u>	Bolt, 3/8-16 X 2.00 Hex Head	1
9	103280201	Asm, Bellcrank, D Shape, Clamp	1
10	<u>334</u>	Washer, 3/8 Type A Flat	1
11	<u>8754</u>	Locknut, 3/8-16 Hex	1

12

D

12

D



000016-010

TRANSMISSION – DIESEL VEHICLES, SHIFT SHAFT AND BELL CRANK (STYLE B)

ITEM	PART NO.	DESCRIPTION	QTY
		1 2 3 4	
1	<u>102696001</u>	Nut, Lock Hex, Nylon, 5/16-24	1
2	<u>102696401</u>	Ring, Retaining, External 9/16	1
3	<u>102696601</u>	Washer, Flat, .58 X 1.08 X .05	1
4	<u>102699601</u>	Seal, Dul Lip, .88 X .56 X .19	1
5	<u>103239501</u>	Bellcrank, Alum	1
6	<u>103239801</u>	Shaft, Shift	1

12

D

12

D

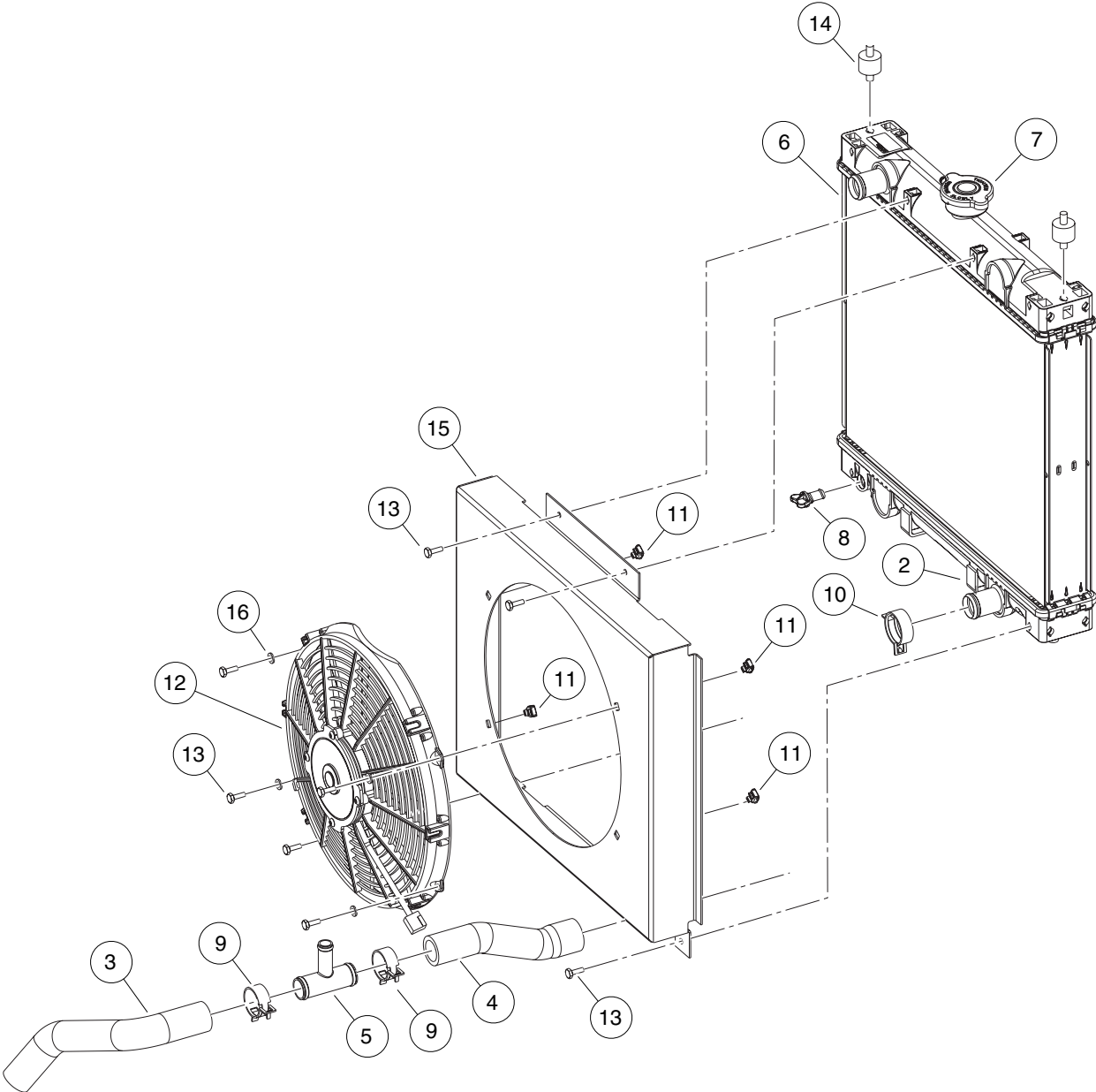
RADIATOR AND COOLANT SYSTEM – DIESEL VEHICLES

13

D

13

D



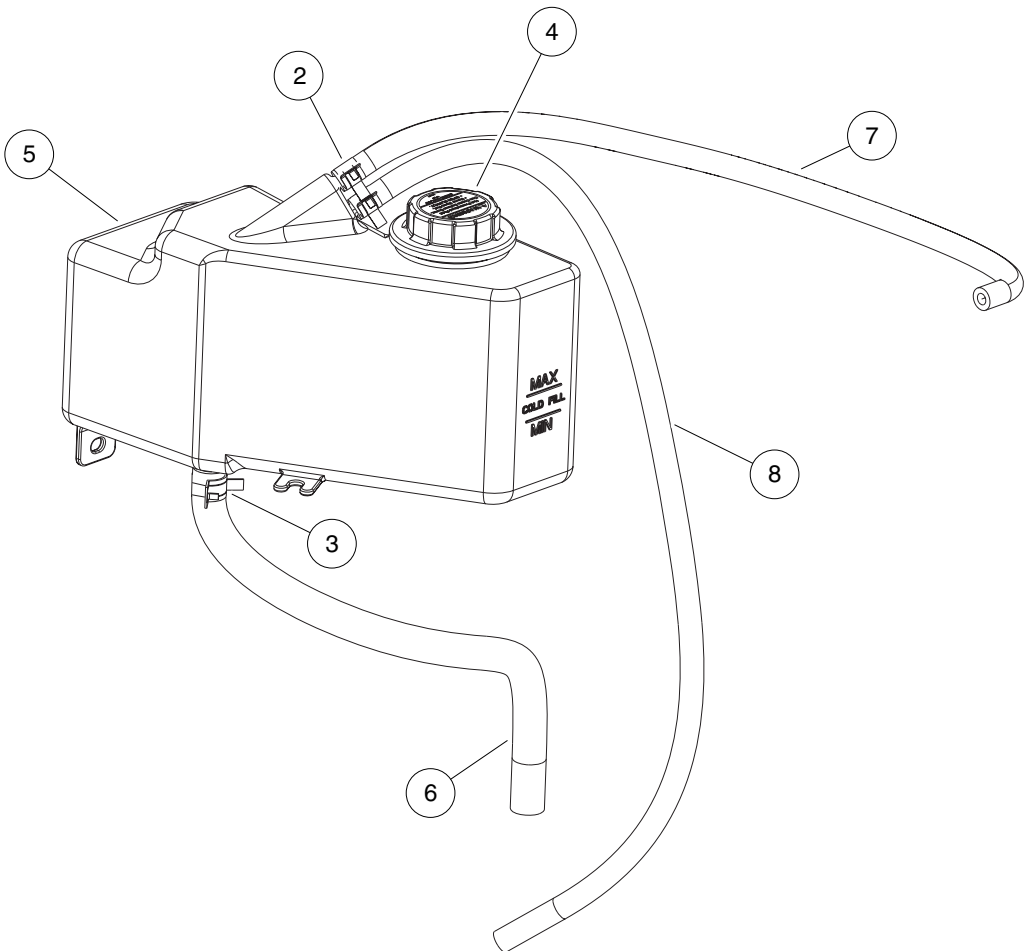
000541-001

RADIATOR

13

D

ITEM	PART NO.	DESCRIPTION	QTY
		1 2 3 4	
1	N/A	Asm, Radiator (includes items 2 through 16)	1
2	<u>1014471</u>	Tape, Vinyl Foam 1/8" x 3/4" *	A/R
3	<u>102377801</u>	Hose, Coolant Lower Pipe	1
4	<u>102377901</u>	Hose, Coolant Lower Rad	1
5	<u>102380301</u>	Tee, Coolant Fill	1
6	<u>102410301</u>	Exchanger, Engine Coolant (includes items 7 and 8)	1
7	<u>102737301</u>	Cap, Radiator	1
8	<u>102737401</u>	Drain Cock, Radiator	1
9	<u>102411207</u>	Clamp, Hose, Ctb 35mm	2
10	<u>102411208</u>	Clamp, Hose, Ctb 38mm	1
11	<u>102411301</u>	Nut, Self Retaining	4
12	<u>102436701</u>	Fan, Cooling 12 In Elect	1
13	<u>102490301</u>	Bolt, M6 X 1 X 16 Loctite	8
14	<u>102685001</u>	Isolator, Twin-Stud	2
15	<u>102855501</u>	Shroud, Radiator Fan	1
16	<u>96705199</u>	Washer, M6	4
		 * Note: Item not shown.	



000540-001

COOLANT EXPANSION TANK

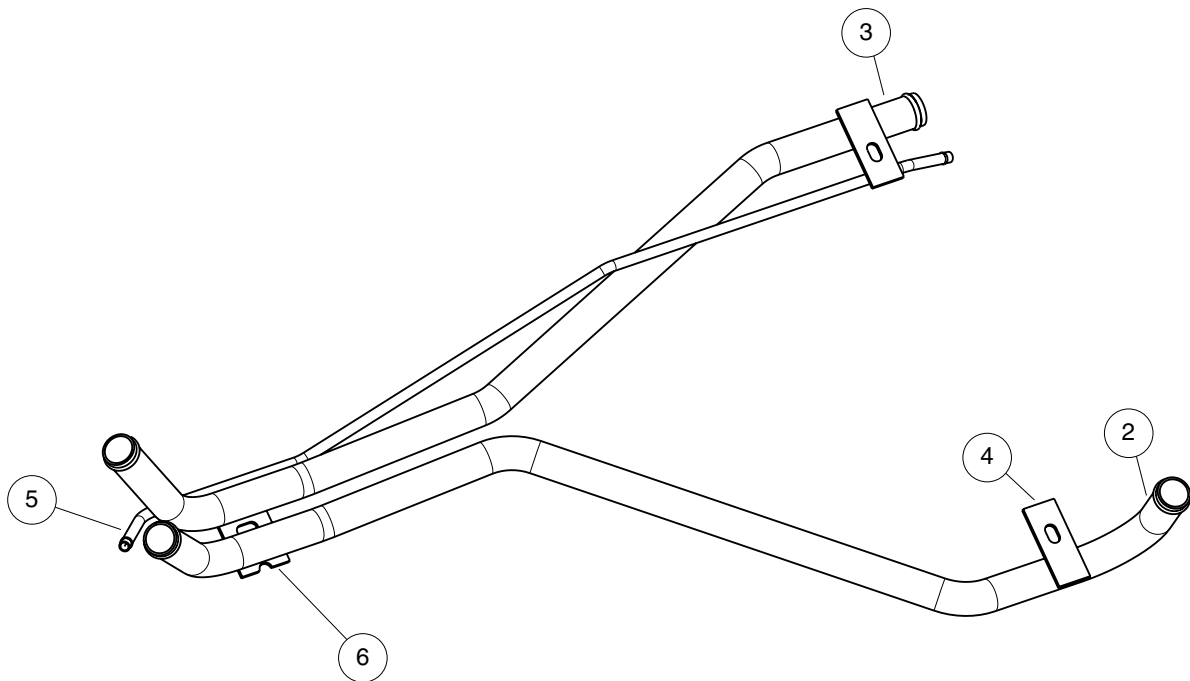
ITEM	PART NO.	DESCRIPTION	QTY
		1 2 3 4	
1	N/A	Asm, Coolant Bottle (includes items 2 through 8)	1
2	<u>102411204</u>	Clamp, Hose, CTB 15mm	2
3	<u>102411205</u>	Clamp, Hose, CTB 22mm	1
4	<u>102427501</u>	Cap, Radiator	1
5	<u>102973201</u>	Bottle, Coolant	1
6	<u>103238601</u>	Hose, Cut, 5/8, 445	1
7	<u>103238701</u>	Hose, Cut, Coolant, 700	1
8	<u>103238702</u>	Hose, Cut, Coolant, 1100	1

13

D

13

D



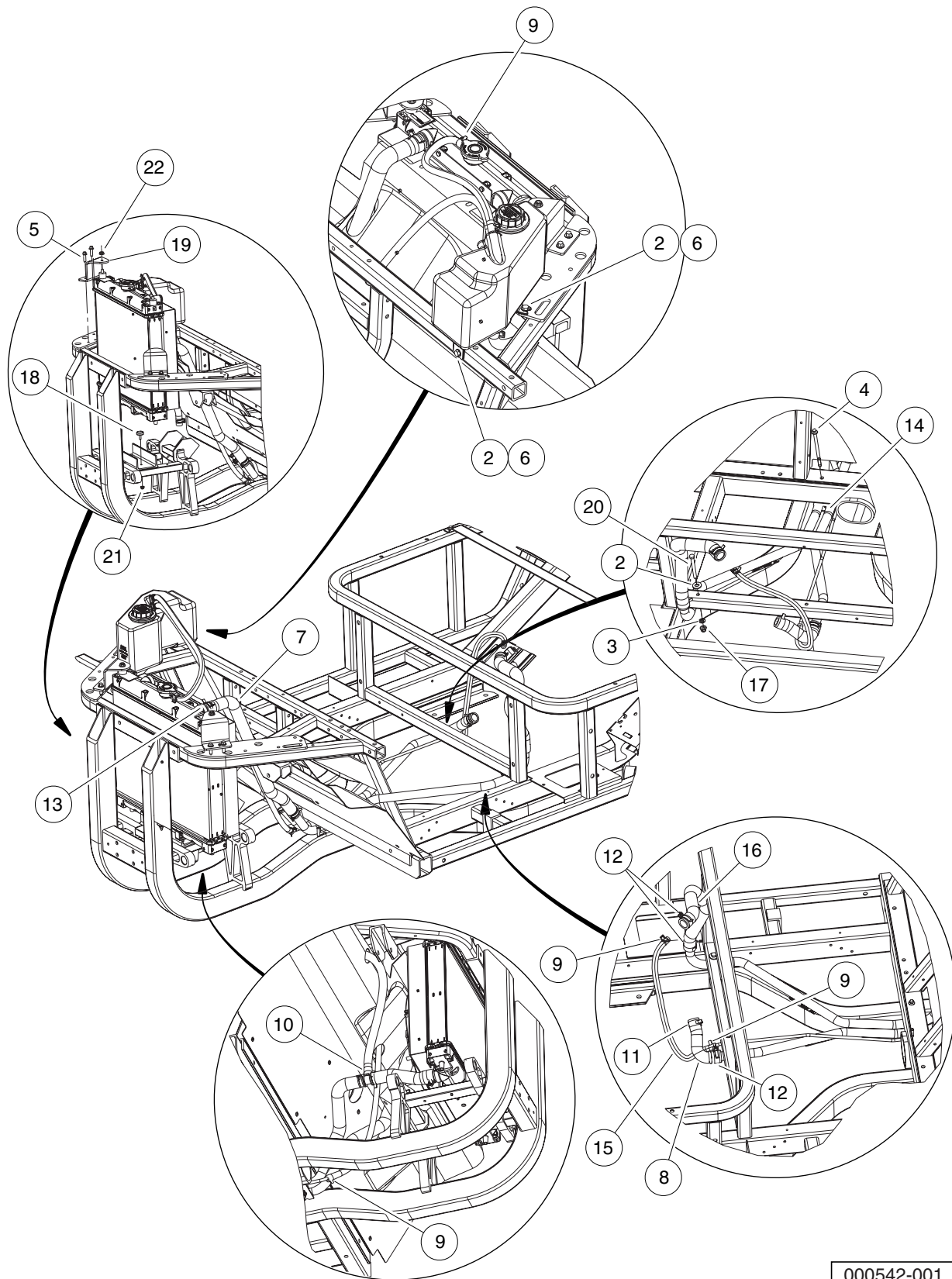
000539-001

COOLANT PIPES AND HOSES

ITEM	PART NO.	DESCRIPTION	QTY
		1 2 3 4	
1	<u>102628701</u>	Weldment, Group, Coolant Pipe (includes items 2 through 6)	1
2	N/A	Pipe, Coolant Upper	1
3	N/A	Pipe, Coolant Lower	1
4	N/A	Tab, Rear Mntg, Coolant Pipe	2
5	N/A	Pipe, Vent, Coolant	1
6	N/A	Tab, Cooling Pipe Mount	1

13

D



000542-001

COOLING SYSTEM CLAMPS, HOSES, AND HARDWARE

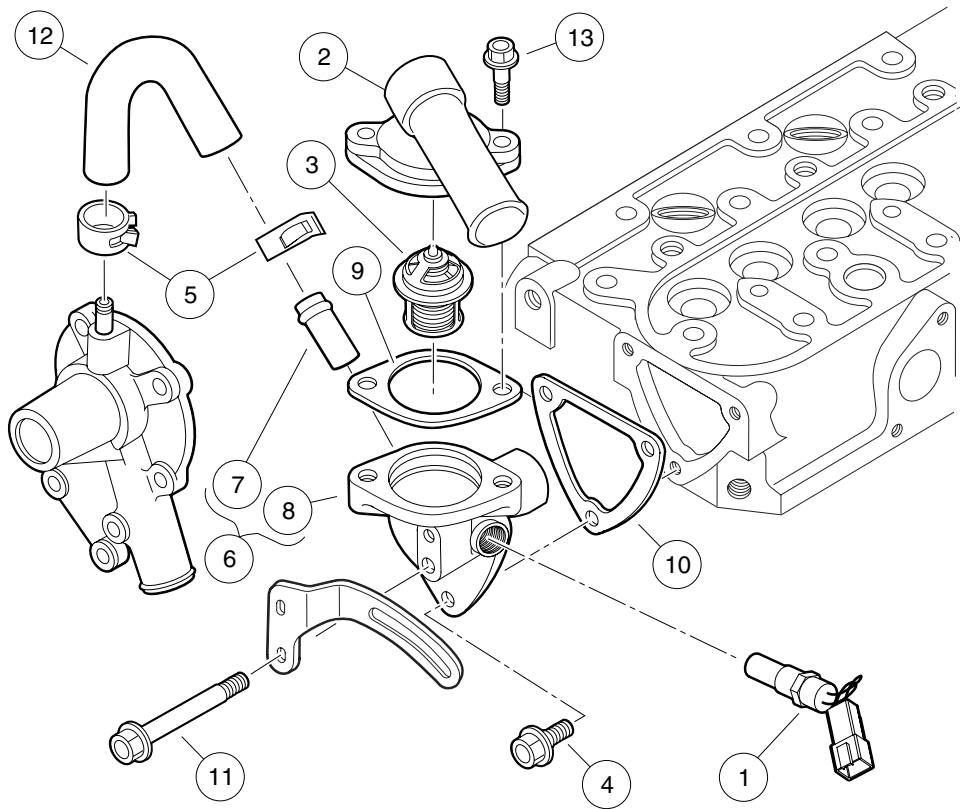
ITEM	PART NO.	DESCRIPTION	QTY
		1 2 3 4	
1	N/A	Instl, Cooling Sys, Diesel (includes items 2 through 22)	1
2	<u>1011578</u>	Washer, 5/16 Type B Flat	3
3	<u>1015457</u>	Spacer, 0.720"	1
4	<u>102288901</u>	Bolt-hex Fl, M8 X 1.25 X 135	1
5	<u>102289001</u>	Screw, M8X1.25X30, Hex	4
6	<u>102298720</u>	M8-1.25x20 Taptite	2
7	<u>102377501</u>	Hose, Coolant Upper Rad	1
8	<u>102377601</u>	Hose, Coolant Lower Eng	1
9	<u>102411204</u>	Clamp, Hose, CTB 15mm	4
10	<u>102411205</u>	Clamp, Hose, CTB 22mm	1
11	<u>102411206</u>	Clamp, Hose, Ctb 30mm	1
12	<u>102411207</u>	Clamp, Hose, Ctb 35mm	5
13	<u>102411208</u>	Clamp, Hose, Ctb 38mm	1
14	<u>102427601</u>	Clamp, Bar	1
15	<u>102435001</u>	Hose, Vent Tube To Eng, Coolnt	1
16	<u>102480501</u>	Hose, Coolant, Return, Engine	1
17	102618601	Lock Nut, Flg M8 X 1.25 Nylon	3
18	<u>102684901</u>	Bumper, 19mm Stud	2
19	<u>102946701</u>	Bracket, Radiator Support	2
20	<u>103423701</u>	Bolt, M8 X 1.25 X 110	1
21	<u>96704176</u>	Nut Flg, M6 X 1 Serrated	2
22	<u>96704416</u>	Nut Flg, M8 X 1.25 Serrated	2

13

D

13

D



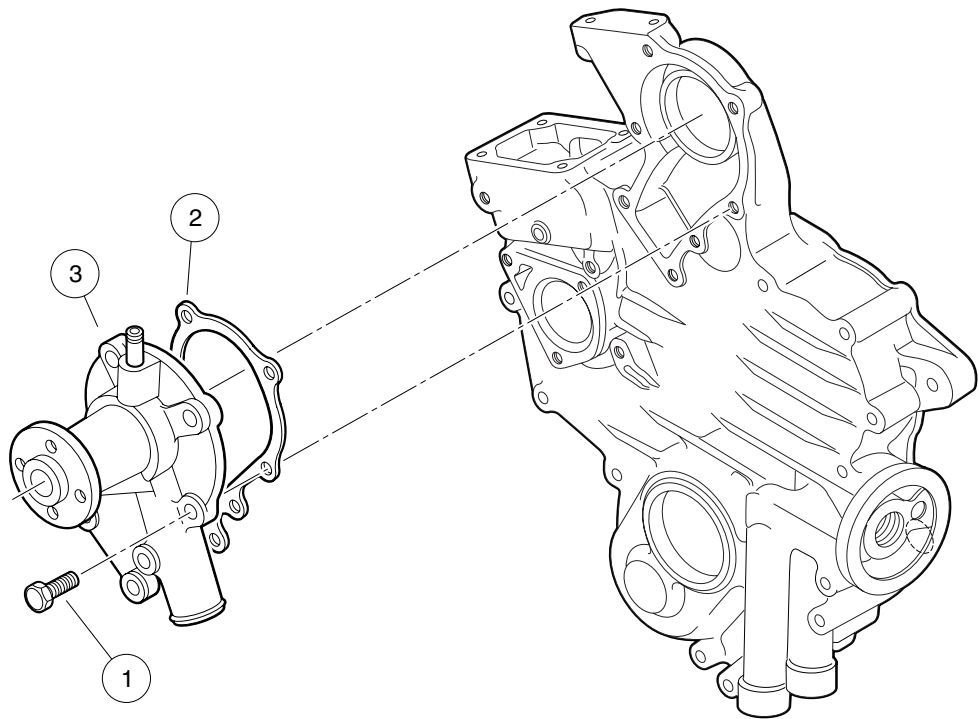
000059-001

WATER FLANGE AND THERMOSTAT

ITEM	PART NO.	DESCRIPTION	QTY
		1 2 3 4	
1	<u>102410001</u>	Sensor, Coolant Temp	1
2	<u>102631301</u>	Cover, Thermostat	1
3	<u>102631401</u>	Assy, Thermostat	1
4	<u>102631601</u>	Bolt, M6 X 1 X 20	2
5	<u>102633001</u>	Band, Pipe	2
6	<u>102633201</u>	Flange, Water (includes items 7 and 8)	1
7	<u>102633301</u>	Pipe, Water Return, D722	1
8	N/A	Flange, Water	1
9	<u>102633401</u>	Gasket, Thermostat	1
10	<u>102654701</u>	Gasket, Water Flange	1
11	<u>102730901</u>	Bolt, Alt, D722, Stay Lower	1
12	<u>102731001</u>	Pipe, Water Return, D722	1
13	<u>102731101</u>	Bolt, D722, Thermostat Cover	2

13

D



000060-001

WATER PUMP

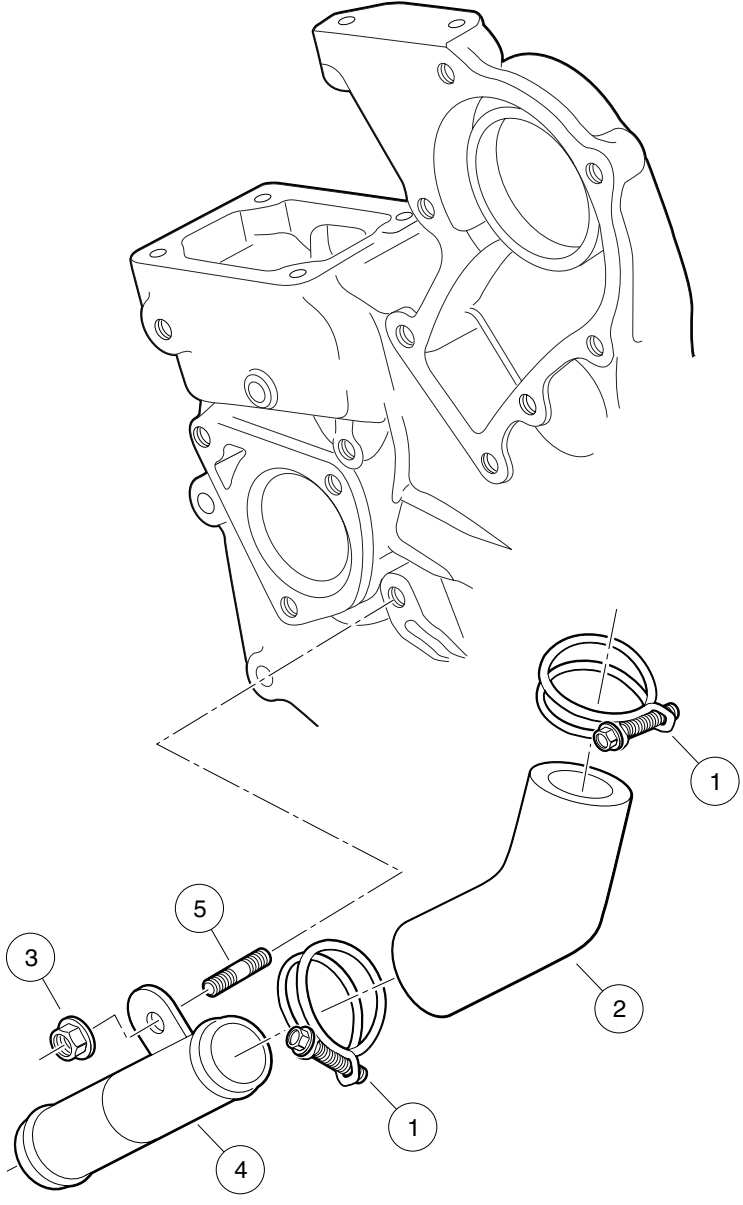
ITEM	PART NO.	DESCRIPTION	QTY
		1 2 3 4	
1	<u>102608701</u>	Bolt, M6 X 1 X 22	4
2	<u>102632701</u>	Gasket, Water Pump, D722	1
3	<u>102731201</u>	Water Pump Assembly	1

13

D

13

D



000061-001

BLOCK COOLANT PIPE

ITEM	PART NO.	DESCRIPTION	QTY
		1 2 3 4	
1	<u>102631701</u>	Band, Pipe, with Nut	2
2	<u>102631801</u>	Pipe, Water, Bent	1
3	<u>102632001</u>	Nut, Flange, M6	1
4	<u>102632101</u>	Pipe, Water, Bent	1
5	<u>102632201</u>	Stud, M6 X 15	1

13

D

13

D

MAINTENANCE AND SERVICE TOOLS

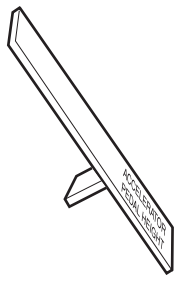
14

G

E

D

14
G
E
D



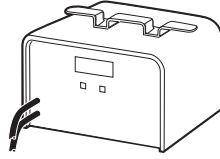
1



2



3



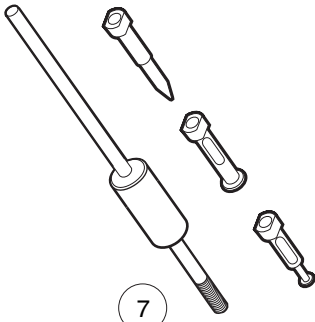
4



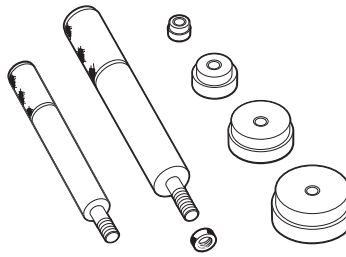
5



6



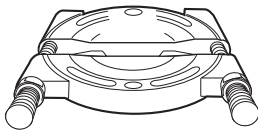
7



8



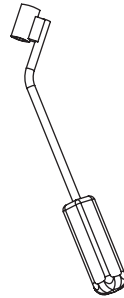
9



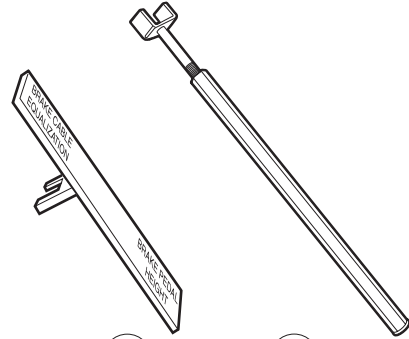
10



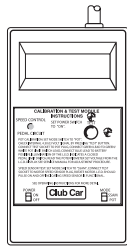
11



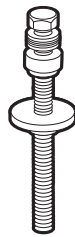
12



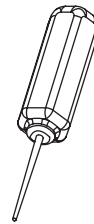
14
15
13



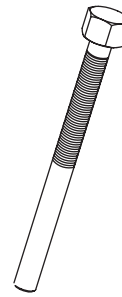
16



17



18



19

MAINTENANCE AND SERVICE TOOLS

ITEM	PART NO.	DESCRIPTION	QTY DIESEL	QTY GAS	QTY ELEC
		<p style="text-align: center;">1 2 3 4</p> <p>The following tool list includes all tools available from Club Car for maintenance and service procedures for gasoline, electric, and/or diesel vehicles, both past and present models. Be sure to carefully examine the tool list for applicability to your vehicle before ordering.</p>			
1	<u>101871001</u>	Accelerator Pedal Adjustment Tool		1	1
2	<u>101813202</u>	Adhesive, Guide Ring, 3-Gram Tube			1
3	<u>101641202</u>	Arbor		1	
4	<u>101831901</u>	Battery Discharge Machine, 36/48 Volt			1
5	<u>1014305</u>	Battery Terminal Protector Spray	1	1	1
6	<u>1011767</u>	Battery Thermometer	1	1	1
7	<u>1016417</u>	Bearing and Oil Seal Remover Assembly	1	1	1
8	<u>1016416</u>	Bearing Driver Set	1	1	1
9	<u>1012811</u>	Bearing Puller	1	1	1
10	<u>1012812</u>	Bearing Puller Wedge Attachment	1	1	1
11	<u>1013582</u>	Brake Adjustment Tool (used only on vehicles with manually adjusted mechanical brakes)			
12	<u>102555501</u>	Brake Cable Release Tool	1	1	1
13	<u>102249901</u>	Brake Pedal Adjustment Tool Kit (used for the Carryall Electric Industrial Truck only) (includes items 14 and 15).....			1
14	****	Brake Pedal Adjustment Tool			1
15	****	Brake Pedal Tension Tool			1
16	<u>101887101</u>	Calibration Test Module			1
17	<u>101808401</u>	Cam Installation Tool		1	
18	<u>102562401</u>	Charger Bezel Tool			1
19	<u>102686101</u>	Clutch Removal Tool (for 4x4 vehicles)	1	1	
		Please refer to the maintenance and service manual for proper tool application.			
	****	Special order item available upon request			

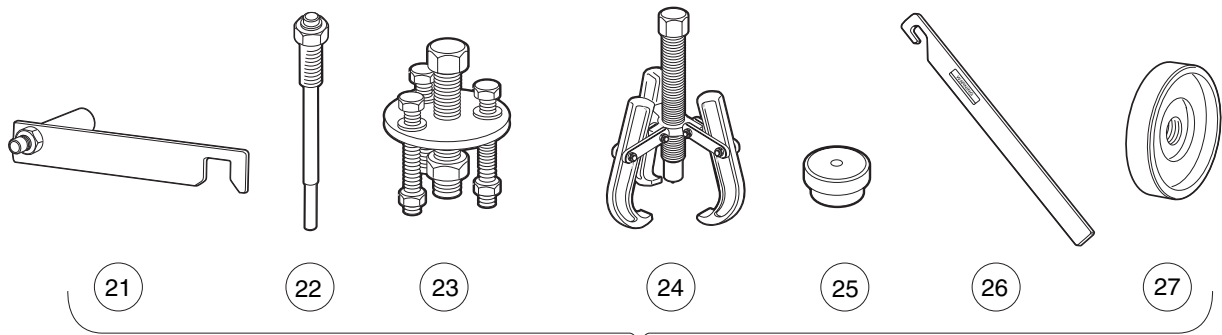
14

G

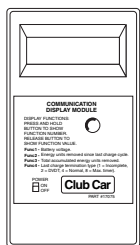
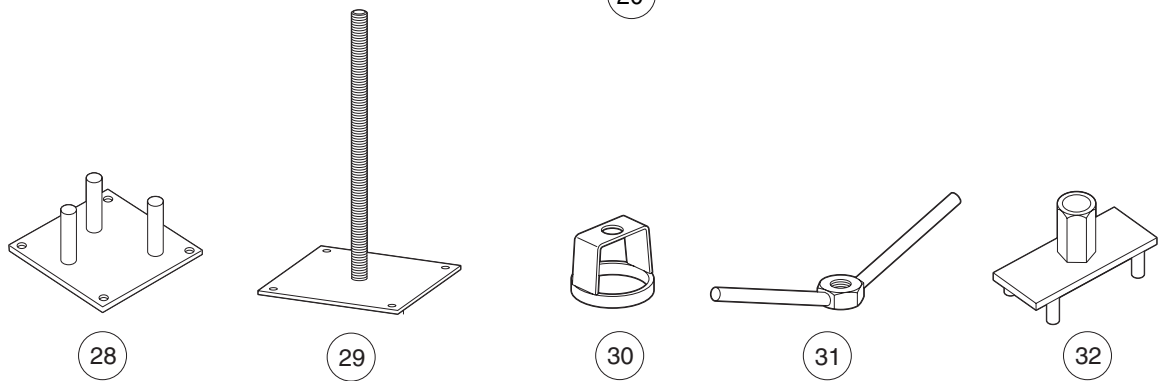
E

D

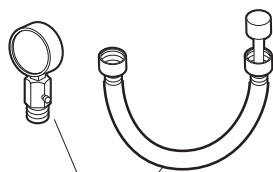
14
G
E
D



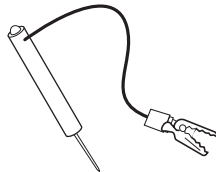
20



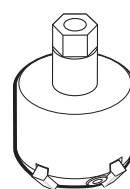
33



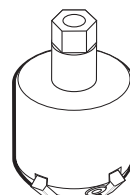
34



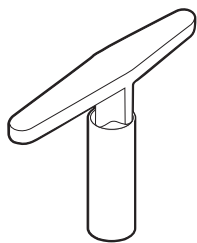
35



36



37



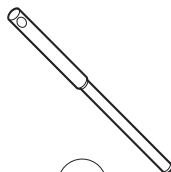
38



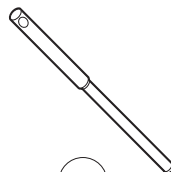
39



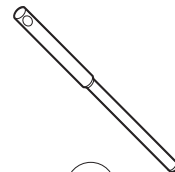
40



41



42

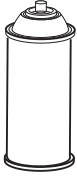


43

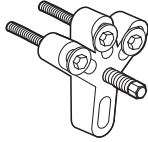
MAINTENANCE AND SERVICE TOOLS, CONTINUED

ITEM	PART NO.	DESCRIPTION	QTY DIESEL	QTY GAS	QTY ELEC	14
		1 2 3 4				G
20	<u>1014510</u>	Clutch Tool Kit (includes items 21 - 27)		1		E
21	<u>1014498</u>	Clutch Alignment Tool (for pre-unitized transaxle vehicles built prior to 1997 model year)		1		D
22	<u>1014496</u>	Drive Clutch Puller (for Kawasaki engines only)		1		
23	<u>1014497</u>	Drive Clutch Hub Puller (for Kawasaki engines only)		1		
24	<u>1014508</u>	Driven Clutch Cam Puller (for Kawasaki engines only)		1		
25	<u>1014507</u>	Driven Clutch Puller Plug (for Kawasaki engines only)		1		
26	<u>1015524</u>	Drive Clutch Holder Tool Assembly (for Kawasaki engines only)		1		
27	<u>101809101</u>	Press Weldment (for Kawasaki engines only)		1		
28	<u>102601501</u>	Drive ClutchFixed Sheave Tool (for 4x4 vehicles)	1	1		
29	<u>102603501</u>	Driven Clutch Spring Compression Base (for use with items 30 and 31) (for 4x4 vehicles)	1	1		
30	<u>102605201</u>	Driven Clutch Spring Compression Collar (for use with items 29 and 31) (for 4x4 vehicles)	1	1		
31	<u>102606101</u>	Driven Clutch Spring Compression Nut (for use with items 29 and 30) (for 4x4 vehicles)	1	1		
32	<u>102607501</u>	Drive Clutch Spider Removal Tool (for 4x4 vehicles)	1	1		
33	101831801	Communication Display Module			1	
34	101641002	Compression Gauge and Adapter		1		
35	1011273	Continuity Tester		1	1	
36	<u>102773801</u>	Cutter, Valve Seat, #122		1		
37	<u>102773901</u>	Cutter, Valve Seat #115		1		
38	<u>102774101</u>	Wrench, T, #505.....		1		
39	<u>102774101</u>	Adapter, T-Wrench		1		
40	102675401	Cutter, Valve Seat, 60 Degree (requires item 51) (for Honda GX620 Gasoline Engines)		1		
41	<u>102774201</u>	Pilot, 6.6 MM		1		
42	<u>102774301</u>	Pilot, 6.62 MM.....		1		
43	<u>102774401</u>	Pilot, 6.65 MM.....		1		
		Please refer to the maintenance and service manual for proper tool application.				

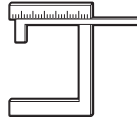
14
G
E
D



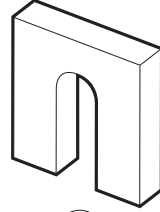
44



45



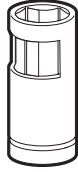
46



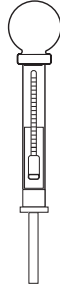
47



48



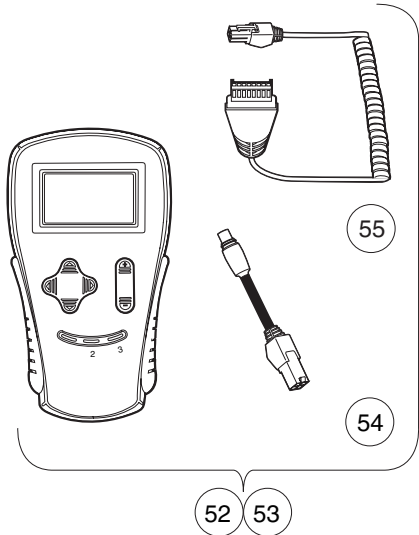
49



50



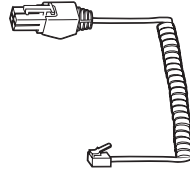
51



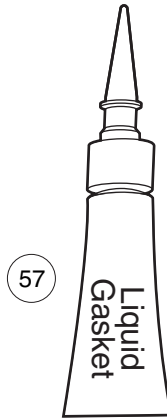
52 53

55

54



56



57



58



59 60



61

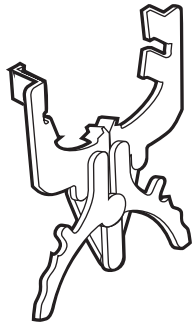
MAINTENANCE AND SERVICE TOOLS, CONTINUED

ITEM	PART NO.	DESCRIPTION	QTY DIESEL	QTY GAS	QTY ELEC	14	
		1 2 3 4				G	
44	<u>1012151</u>	Dry Moly Lubricant	1	1	1	E	
45	<u>1016627</u>	Flywheel Puller Kit (for Kawasaki Engines)		1		D	
46	<u>102669901</u>	Gauge, Carburetor Float Level (for Honda GX620 Gasoline Engines)		1			
47	<u>1016418</u>	Gear Yoke	1	1	1		
48	<u>101933101</u>	Governor Shaft Installation Tool (for Kawasaki Engine Vehicles)		1			
49	<u>102169401</u>	Hydraulic Brake Adjuster (for Turf/CA 272/472, Pioneer/XRT 1200, Bobcat 2100, HUV 4213)			1		
50	<u>1011478</u>	Hydrometer	1	1	1		
51	<u>1013593</u>	Internal Retaining Ring Pliers	1	1	1		
52	<u>102248803</u>	IQ Display Module (IQDM) Kit (IQ System and IQ Plus vehicles)			1		
		(includes items 54 and 55)					
53	<u>102248804</u>	IQ Display Module (IQDM-P) Kit (IQ System and IQ Plus vehicles)			1		
		(includes items 54 and 55)					
54	<u>102251501</u>	Adaptor, Cable			1		
55	<u>102241502</u>	IQDM Series 2 Cable			1		
56	<u>102241501</u>	IQDM Series 1 Cable (replacement)			1		
57	<u>101928701</u>	Liquid Gasket (transaxle case)	1	1	1		
58	<u>102243402</u>	Moly-Teflon Lubricant (4-oz. (113-gram) tube)			1		
59	<u>101997201</u>	Paint, Touch-Up – Beige*		1	1		
59	<u>101997207</u>	Paint, Touch-Up – Black*		1	1		
59	<u>101997212</u>	Paint, Touch-Up – Burgundy*		1	1		
59	<u>101997211</u>	Paint, Touch-Up – Classic Blue (Navy)*		1	1		
59	<u>101997205</u>	Paint, Touch-Up – Dark Gray*	1	1	1		
59	<u>101997209</u>	Paint, Touch-Up – Dark Green*	1	1	1		
59	<u>101997204</u>	Paint, Touch-Up – Gray*	1	1	1		
59	<u>101997203</u>	Paint, Touch-Up – Red*	1	1	1		
59	<u>101997206</u>	Paint, Touch-Up – Royal Blue (Pacific Blue)*		1	1		
59	<u>101997202</u>	Paint, Touch-Up – White*	1	1	1		
60	<u>102562301</u>	Paint, Precedent Underbody – Gray		1	1		
61	<u>102587201</u>	Paint Pen, Touch-Up, Precedent Underbody – Black		1	1		
		Please refer to the maintenance and service manual for proper tool application.					
		* Item 59 is not for use on Surlyn [®] body material, which is used on Precedent vehicles.					

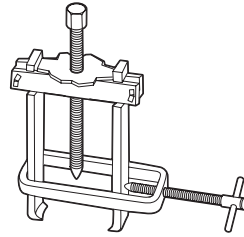
14
G
E
D



62



63



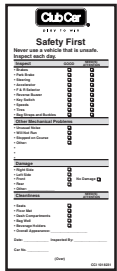
64



65



66



67



68



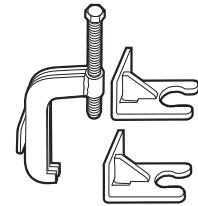
69



70



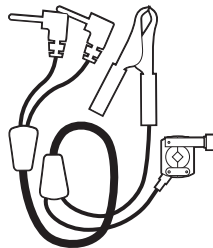
71



72



73



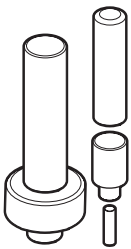
74



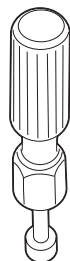
75



76



77



83



84



85



86

MAINTENANCE AND SERVICE TOOLS, CONTINUED

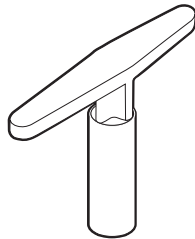
ITEM	PART NO.	DESCRIPTION	QTY DIESEL	QTY GAS	QTY ELEC
		1 2 3 4			
62	<u>1016414</u>	Piston Ring Compressor Kit (FE290, FE350 and FE400 engines)		1	
63	<u>1016415</u>	Piston Ring Pliers (for Kawasaki Engines)		1	
64	<u>102668801</u>	Puller, Special Use (for Kubota D722 Diesel Engines)	1		
65	<u>1012549</u>	Retaining Ring Pliers, 45° External	1	1	1
66	<u>1012560</u>	Retaining Ring Pliers, 90° Internal	1	1	1
67	<u>101823101</u>	Safety First Card (50 per pack)	1	1	1
68	<u>1012809</u>	Seal Puller	1	1	1
69	<u>102330901</u>	Spanner Wrench (for coil over shock front suspension vehicles only)	1	1	
70	<u>1014264</u>	Steering Column Bearing Press Tool		1	1
71	<u>1014259</u>	Steering Column Retaining Ring Tool		1	1
72	<u>102061201</u>	Steering Wheel Puller Tool	1	1	1
73	<u>AM10753</u>	Tachometer (includes gasoline engine pick up lead only)	1	1	
74	<u>AM10771</u>	Tachometer Diesel Probe (for use with item 73)	1		
75	<u>1014162</u>	Transaxle Axle Seal Tool		1	
76	<u>1014161</u>	Transaxle Pinion Seal Tool		1	
77	<u>1014115</u>	Transmission Tool Kit		1	
78	<u>101611003</u>	Tune-Up Kit, All OHV (for FE290, FE350, FE400 only) (includes air filter, spark plug, oil filter, fuel filters) (not shown)		1	
79	<u>AM11804</u>	Tune-Up Kit, Gx620 (for Honda Engines) (includes air filter, spark plug, oil filter, fuel filters) (not shown)		1	
80	<u>AM11805</u>	Tune-Up Kit, D722 (for Kubota Engines) (includes air filter, oil filter, fuel filters, water separator filter) (not shown)	1		
81	<u>AM1220301</u>	Tune-Up Kit, Precedent (for FE290/350 Engines) (includes air filter, spark plug, oil filter, fuel filters) (not shown)		1	
82	<u>AM1232401</u>	Tune-Up Kit, FH680D (for Kawasaki V-Twin Engines) (includes oil filter, fuel filter, air filter, and spark plugs) (not shown)		1	
83	<u>1016413</u>	Valve Clearance Adjuster Screw Holder (for FE290 engines only)		1	
84	<u>102674601</u>	Valve Guide Driver (for Honda GX620 Gasoline Engines)		1	
85	<u>101641201</u>	Valve Guide Reamer (FE290, FE350, and FE400 only)		1	
86	<u>102674401</u>	Valve Guide Reamer, 6.6 mm (for Honda GX620 Gasoline Engines)		1	

14
G
E
D

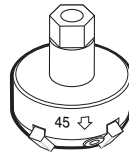
14
G
E
D



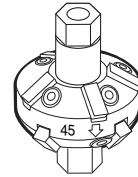
87



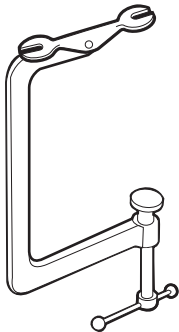
88



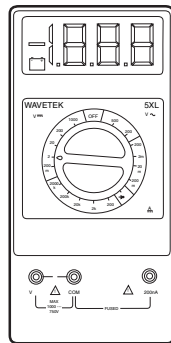
89



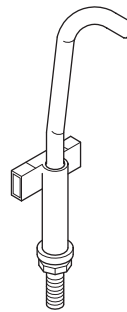
90



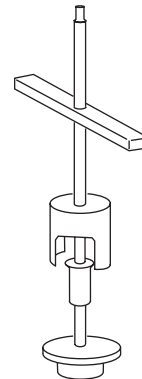
91



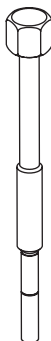
92



93



94



95

MAINTENANCE AND SERVICE TOOLS, CONTINUED

ITEM	PART NO.	DESCRIPTION	QTY DIESEL	QTY GAS	QTY ELEC
		1 2 3 4			
87	<u>1016552</u>	Valve Seat Cutter Guide		1	
88	<u>1016551</u>	Valve Seat Cutter T-Wrench		1	
89	<u>1016553</u>	Valve Seat Cutter, 45° (32 mm diameter) (for FE290 engines only)		1	
90	<u>1016554</u>	Valve Seat Cutter, 45°/30° (35 mm diameter)		1	
91	<u>101641101</u>	Valve Spring Compressor		1	
92	1011480	Volt Ohm Meter	1	1	1
93	<u>102570401</u>	Tool, Tensioning, Starter Generator (For Precedent vehicles)		1	
94	<u>103601401</u>	Puller, Drive Clutch, XRT 950.....		1	
95	<u>103601701</u>	Tool, Disassembly, Driven Clutch, XRT 950.....		1	

14

G

E

D

INDEX

Part Number and Page

AM10753	14-9	1011931	1-11	1015597	6-13
AM10771	14-9	1012151	14-7	1015720	1-11
AM11807	6-9	1012295	7-13	1015741	7-13
AM11808	6-9	1012303	2-31	101587703	9-3
AM11811	6-9	1012328	7-17	1016078	2-29
AM1241201	6-9	1012438	1-11	101609401	4-3
AM1241301	6-9	1012549	14-9	1016103	1-11
AM1241401	6-9	1012560	14-9	101611003	14-9
AM1245401	1-13	1012769	8-3	101641002	14-5
183	9-5	1012809	14-9	101641101	14-11
332	2-3, 2-19, 2-21, 2-35, 7-13	1012811	14-3	101641201	14-9
334	2-29, 12-21	1012812	14-3	101641202	14-3
357	2-13, 2-33	1012830	2-19, 2-21	1016413	14-9
403	2-31	1013035	6-5	1016414	14-9
451	2-19, 2-21	1013042	6-5	1016415	14-9
706	2-13	1013044	6-5	1016416	14-3
808	2-3, 2-13	1013051	6-5	1016417	14-3
1016	9-5	1013052	6-5	1016418	14-7
1017	1-11	101313402	9-3	1016551	14-11
1035	5-15, 5-17	1013366	2-35	1016552	14-11
1108	7-13	1013461	9-5	1016553	14-11
1241	7-17	1013531	5-15	1016554	14-11
1308	1-19, 1-21	1013582	14-3	1016603	2-33
1631	1-11	1013593	14-7	1016627	14-7
7173	1-11	1013734	2-19, 2-21	1016630	7-15
7174	1-11	1013746	9-3	1016851	12-3
7310	3-3	1014063	1-11	1016896	12-3
7473	2-31, 2-35, 7-17	1014115	14-9	1016916	2-9
8057	12-3	1014161	14-9	1016967	2-7
8058	12-3	1014162	14-9	1017162	2-33
8233	2-9, 2-35	1014259	14-9	1017167	2-33
8251	2-37	1014264	14-9	1017774	2-33
8639	5-11, 5-15	1014305	14-3	101802601	7-15
8717	1-11, 12-3	1014306	2-35, 2-37, 5-7	101804301	2-3, 2-9
8754	2-31, 2-33, 12-21	1014375	7-17	101808401	14-3
8755	2-31, 2-33	1014415	2-35	101809101	14-5
8797	9-5	1014471	2-31, 13-3	101813202	14-3
8990	1-11, 2-33, 6-5, 9-7	1014496	14-5	101823101	14-9
1010177	12-21	1014497	14-5	101824401	9-3
1010200	2-33	1014498	14-5	101831801	14-5
1010435	2-31, 2-35	1014507	14-5	101831901	14-3
1010436	2-35	1014508	14-5	101833101	8-3
1010521	5-15	1014510	14-5	101833201	8-3
101082903	5-7, 5-9	1014537	2-35	101835601	2-29, 2-31
1010934	7-17	1014727	12-3	101856102	11-5
1011084	9-7	1014808	12-3	101871001	14-3
1011273	14-5	1015139	9-5	101879401	6-5
1011478	14-7	1015143	9-5	101879701	6-5
1011480	14-11	1015277	2-29	101879801	6-5
1011553	4-3	1015391	2-31	101879901	6-5
1011578	2-3, 2-17, 13-9	1015392	2-15	101880201	6-5
1011652	2-19, 2-21	1015399	2-31, 2-35	101887101	14-3
1011767	14-3	1015400	2-31	101887601	2-19, 2-21, 5-11, 10-3
1011779	5-15	1015457	13-9	101894304	2-35
		1015524	14-5	101898001	7-17
		1015583	2-31	101928701	14-7

INDEX

101932201	1-11	102251501	14-7	102395601	9-11
101933101	14-7	102274101	6-7, 6-13	102398901	6-13
101958602	2-29	102276001	12-13	102399201	5-5
101963401	2-35	102288901	13-9	102399202	5-5
101972001	14-7	102289001	2-3, 2-9, 9-3, 13-9	102402801	5-7
101972002	14-7	102290120	6-3	102402901	5-7
101972003	14-7	102292356	2-3	102406701	9-5
101972004	14-7	102292701	2-5	102406801	9-5
101972005	14-7	102292801	2-5	102407801	5-11
101972006	14-7	102296140	5-11	102408401	6-7
101972007	14-7	102296401	9-9	102409301	10-5
101972009	14-7	102296716	5-11, 11-3, 11-5	102409501	10-3
101972011	14-7	102297230	2-3, 2-5, 2-9	102410001	13-11
101972012	14-7	102298130	2-19, 2-21, 6-3	102410301	13-3
101990802	5-15	102298401	2-7, 2-19, 2-21, 5-9, 8-3, 10-5, 12-3	102410602	9-3
101991101	7-15	102298580	2-9	102410603	8-3
102010102	6-5	102298720	2-7, 10-3, 13-9	102410801	9-3
102022601	6-5	102301401	2-29	102411203	9-3
102022901	6-5, 6-7	102323101	2-29	102411204	13-5, 13-9
102023703	2-19, 2-21	102323501	2-7, 5-17	102411205	13-5, 13-9
102025401	1-23	102324401	2-25	102411206	13-9
102025801	2-15	102330901	14-9	102411207	13-3, 13-9
102045001	2-9	102335901	4-7	102411208	13-3, 13-9
102047001	2-19, 2-21	102339001	2-35	102411209	9-11
102048401	2-9	102355301	7-17	102411210	9-11, 11-3, 11-5
102051401	5-7	102361901	6-7	102411301	13-3
102051601	7-15	102363802	6-3	102414501	11-5
102051701	7-15	102364103	5-11	102414701	8-3
102052801	5-15	102365601	6-11	102414801	8-3
102059001	2-19, 2-21	102367101	6-3	102418101	2-29
102059401	2-19, 2-21	102367601	5-3	102420201	1-11, 7-13
102061101	2-19, 2-21	102369901	11-11	102420401	7-13
102061201	14-9	102370101	8-3	102420501	7-13
102065901	2-31	102370501	8-3	102422301	8-53, 10-5
102066001	2-33	102370601	8-3	102426301	9-3
102169401	14-7	102371701	12-11	102426601	2-29, 2-33
102171503	2-31	102371801	12-7	102426901	2-31
102176901	5-7, 5-9	102372101	12-11	102427501	13-5
102185401	2-13	102374901	11-7	102427601	13-9
102198001	7-15	102375401	7-15	102430001	9-3
102221301	2-35	102375901	12-3	102430101	9-3
102221401	2-35	102376001	12-3	102430201	9-3
102221501	2-35	102376602	12-13	102430301	9-3
102221701	2-35	102376603	5-11	102430401	9-3
102221801	2-35	102377501	13-9	102434601	9-3
102222001	2-35	102377601	13-9	102434701	9-3
102222101	2-35	102377801	13-3	102434801	9-3
102222201	2-35	102377901	13-3	102435001	13-9
102224001	4-3	102379001	9-11	102436701	13-3
102229902	2-35	102380301	13-3	102437001	6-7
102239901	2-35	102380601	5-13	102438201	12-7
102241501	14-7	102381701	12-5	102438301	12-7
102241502	14-7	102382401	8-3	102438401	12-7
102243402	14-7	102385601	11-9	102438501	12-7
102248803	14-7	102385701	11-11	102438601	12-7
102249901	14-3	102393501	6-13	102438701	12-7

INDEX

102438801	12-7	102475901	2-19, 2-21	102602401	8-11
102438901	12-7	102477001	6-13	102602601	8-11
102439001	12-7	102478501	9-5	102602701	8-11
102439101	12-7	102480501	13-9	102602801	8-11
102439201	12-7	102481001	11-5	102603501	14-5
102439301	12-7	102481201	11-5	102603601	8-27
102439401	12-7	102481301	11-5	102603701	8-27
102439501	12-7	102488001	5-3, 5-5	102603801	8-27
102439601	12-7	102489901	9-9	102603901	8-27
102439801	12-7	102490101	2-27, 8-3	102604001	8-27
102439901	12-7	102490201	8-3	102604101	8-27
102440101	12-7	102490301	13-3	102604201	8-21, 8-27
102440201	12-9	102490501	8-3, 11-11	102604301	8-27
102440301	12-7	102490801	6-7	102604401	8-23, 8-27
102440401	12-9	102491001	1-13, 1-15, 12-5	102604501	8-27
102440501	12-9	102491101	12-5	102604701	8-27
102440601	12-9	102491301	2-7, 2-23	102604801	8-27
102442001	1-11, 2-19, 2-21	102491302	2-7	102604901	8-21
102442201	7-17	102491501	1-5, 2-7, 2-9, 2-23	102605001	8-21
102442901	5-13, 9-9	102491601	5-3, 5-5	102605101	8-7, 8-21
102447901	7-13	102491701	2-37	102605201	14-5
102448001	7-13	102492201	7-13	102605301	8-21
102448401	7-17	102492301	7-13	102605401	8-21
102448501	7-17	102493301	5-3, 5-5	102605501	8-21
102449101	12-13	102493801	2-29	102605601	8-21
102456001	2-19, 2-21	102494401	8-3	102605701	8-41
102458901	2-19, 2-21, 4-5	102494701	9-5	102605801	8-21
102459001	4-5	102495801	9-7	102605901	8-21
102459101	4-5	102498201	7-17, 8-3	102606001	8-21
102459201	4-5	102498601	9-11	102606101	14-5
102459301	4-3	102498801	9-7	102606201	8-17
102459401	4-3	102522001	9-5	102606301	8-17
102459501	4-5	102538501	7-5	102606401	8-17
102460201	4-5	102541465	9-11	102606501	8-17
102462301	8-3	102555501	14-3	102606601	8-17, 8-53
102462401	12-5	102562401	14-3	102606701	8-15
102462501	8-3	102570401	14-11	102606901	8-7
102463501	12-13	102571301	6-3	102607001	8-7
102463601	12-13	102600001	8-5	102607201	8-7
102463801	12-15	102600101	8-5	102607301	8-7
102463901	12-15	102600201	8-5	102607401	8-7
102464001	12-15	102600301	8-5, 8-9, 8-53	102607501	14-5
102464101	12-15	102600401	8-5	102607601	8-23, 8-55
102464201	12-15	102600601	8-5	102607602	8-23
102464301	6-7, 12-15	102600701	8-5	102607801	8-23
102464401	12-15	102600801	8-5, 8-9	102607901	8-23
102464501	12-15	102601001	8-5, 8-11	102608001	8-23
102465701	2-33	102601101	8-33	102608101	8-23
102465901	8-3	102601301	8-5	102608201	8-19, 8-53
102466201	9-3	102601401	8-5	102608301	8-19, 8-53
102473501	2-19, 2-21	102601501	14-5	102608401	8-19
102473601	2-19, 2-21	102601801	8-11, 8-53	102608501	8-19
102473701	2-19	102601901	8-11	102608601	8-19
102474301	5-11	102602001	8-11	102608701	8-19, 13-13
102475701	5-11, 9-7	102602101	8-11	102608801	8-23
102475801	5-11	102602301	8-11	102608802	8-23

INDEX

102608803	8-23	102630701	8-23	102642901	8-41
102608804	8-23	102630702	8-23	102643001	8-41
102608805	8-23	102630703	8-23	102643101	8-41
102608806	8-23	102630901	8-23, 8-55	102643201	8-41
102608901	8-19	102631001	8-23, 8-55	102643301	8-41
102609001	8-23	102631301	13-11	102643401	8-41
102609002	8-23	102631401	13-11	102643601	8-41
102609003	8-23	102631601	8-5, 8-33, 8-35, 13-11	102643701	8-41
102609101	8-19	102631701	13-15	102644001	8-13, 8-53
102609301	8-19	102631801	13-15	102644101	8-13
102609401	8-19	102632001	13-15	102644501	8-53
102609601	8-19	102632101	13-15	102645501	8-45
102609801	8-23	102632201	13-15	102646001	8-49, 8-53
102609802	8-23	102632701	8-53, 13-13	102646101	8-49
102609803	8-23	102633001	13-11	102646301	8-51
102610001	8-23	102633201	13-11	102646401	8-47
102614101	2-31, 2-33	102633301	8-13, 13-11	102646501	8-51
102615701	12-3	102633401	8-53, 13-11	102646601	8-51, 8-53
102615801	9-7	102633601	8-43	102647101	8-51
102616003	11-5	102633701	8-39	102647201	8-51
102616101	11-5	102633801	8-39	102647501	8-25
102616301	6-7, 6-11	102633901	8-39	102647701	8-33, 8-35, 8-45
102616501	11-9	102634001	8-39, 8-53	102647801	8-25
102616701	12-3	102634101	8-39	102647901	8-25
102616801	6-3	102634401	8-39, 8-53	102648001	8-25
102617001	1-9	102634501	8-39, 8-53	102648401	8-45
102617201	1-13, 1-15, 2-7, 2-23	102634601	8-39	102648501	8-45
102617501	6-7	102634701	8-39	102651301	8-47
102617701	6-7	102635101	8-43	102651501	8-47
102617801	6-7	102635201	8-39	102651601	8-47
102618101	5-13, 9-9	102635301	8-29, 8-39, 8-41, 8-53	102651701	8-47
102618301	1-13, 1-15, 2-7, 2-29, 5-13, 5-15, 5-17, 9-9, 12-3	102635501	8-29	102651801	8-47
102618401	5-7, 5-9	102635701	8-29	102652001	8-47
102618601	1-13, 1-15, 2-9, 2-17, 2-29, 2-33, 5-7, 5-13, 5-15, 5-17, 6-3, 8-3, 9-3, 9-9, 13-9	102635801	8-29	102652601	8-47
102619801	6-13	102635901	8-29	102652701	8-47
102620401	6-13	102636201	8-43	102652801	8-9
102620501	6-7, 6-11, 6-13	102636301	8-43	102652901	8-47
102621201	9-11, 10-3	102636401	8-43	102653001	8-47
102621301	8-3, 10-5	102636501	8-43	102653101	8-47
102621501	8-3, 9-11	102636601	8-43	102653201	8-47
102626201	5-13	102637001	8-29	102653301	8-47, 8-53
102628001	11-5	102637101	8-29	102653401	8-9
102628101	10-5	102640401	8-37	102653501	8-9
102628301	11-3	102640501	8-37	102653601	8-47
102628701	13-7	102640601	8-31, 8-37	102653701	8-47
102629001	2-33	102640701	8-37	102653901	8-9
102630001	8-23	102640901	8-37	102654101	8-9, 8-53
102630002	8-23	102641001	8-37	102654301	8-11, 8-39, 8-49
102630003	8-23	102641101	8-37	102654401	8-21
102630101	8-23	102641201	8-37	102654601	8-7, 8-53
102630201	8-23	102641501	8-41	102654701	8-53, 13-11
102630301	8-23, 8-53	102642401	8-41	102668801	14-9
102630401	8-23	102642501	8-41	102669901	14-7
102630601	8-33, 8-35	102642601	8-41	102670601	2-19, 2-21
		102642701	8-41	102670701	1-5, 8-3
		102642801	8-41	102670801	9-3

INDEX

102671201	2-25	102696301	12-17	102729401	8-39
102672101	12-13	102696401	12-21, 12-23	102729501	8-39
102672201	12-13	102696501	12-17, 12-19	102729601	8-41
102672301	12-13	102696601	12-21, 12-23	102729701	8-41
102672401	12-13	102696701	12-17	102730001	8-33
102674001	14-5	102696801	12-17, 12-19	102730101	8-33
102674101	14-5	102696901	12-17, 12-19	102730201	8-33, 8-35
102674201	14-5	102697101	12-17, 12-19	102730301	8-33
102674401	14-9	102697501	12-19	102730401	8-33, 8-35
102674601	14-9	102697801	12-17	102730601	8-33, 8-35
102675001	14-5	102698301	12-17	102730801	8-5
102675101	14-5	102698701	12-19	102730901	13-11
102675201	14-5	102698901	12-17	102731001	13-11
102675301	14-5	102699101	12-21	102731101	13-11
102675401	14-5	102699401	12-17	102731201	13-13
102682901	6-13	102699601	12-21, 12-23	102731301	8-33, 8-35
102684501	6-13, 12-3	102699701	12-17	102731501	8-51
102684601	12-3	102700801	8-5	102731601	8-51, 10-5
102684901	13-9	102701001	8-9	102731801	8-53
102685001	13-3	102701201	8-33, 8-35	102731901	8-53
102685601	6-13	102703301	8-11	102732001	8-55
102686101	14-3	102710301	9-3	102732201	8-23, 8-55
102687801	6-5	102711601	12-5	102732401	2-19, 2-21
102689001	5-11	102712601	5-15	102732501	8-33, 8-35, 8-45
102689101	6-11	102714001	5-3, 5-5	102732601	8-5, 8-53
102689102	6-11	102716001	5-17	102736901	3-3
102690201	11-9	102718101	2-19, 2-21, 2-23	102737101	6-13
102690301	11-9	102721501	12-17	102737301	13-3
102690401	11-9	102722301	6-7	102737401	13-3
102690501	11-9	102725501	9-11	102741501	5-17
102690701	11-9	102725601	9-11	102741601	1-15, 1-23, 5-17
102690801	11-9	102726201	8-5	102751301	5-17
102691401	11-9	102726301	8-5	102751401	5-17
102691601	11-9	102726401	8-5	102751501	5-17
102691701	11-9	102726501	8-5	102763301	5-15
102691801	11-9	102726601	8-5	102763401	5-15
102693201	12-13	102726701	8-9	102763701	2-19, 2-21
102693301	12-13, 12-17	102726901	8-9	102764201	12-17
102693401	12-13	102727001	8-9	102764901	12-19
102693501	12-13, 12-17	102727101	8-9	102765001	12-21
102693601	12-15	102727401	8-11	102765101	12-19
102694001	12-15	102727501	8-11	102765201	12-17
102694201	12-13, 12-17	102727601	8-11	102765301	12-15
102694301	12-13	102727701	8-15	102765401	12-15
102694401	12-13	102727901	8-17	102765501	12-15
102694502	12-15	102728001	8-19	102765801	12-15
102694701	12-13	102728101	8-23, 8-55	102784001	1-19
102694801	12-13	102728102	8-23	102784002	1-21
102695401	11-11	102728301	8-25	102784003	1-23
102695601	11-11	102728401	8-27	102784201	1-13, 1-15
102695701	11-11	102728501	8-27	102784601	1-13, 1-15
102695801	11-11	102728601	8-29	102784701	1-13, 1-15
102695901	11-11	102728801	8-29, 8-53	102784801	1-13, 1-15
102696001	12-21, 12-23	102728901	8-29	102784901	1-13, 1-15
102696101	12-17	102729101	8-31	102785001	1-15, 1-23
102696201	12-17, 12-19	102729301	8-11, 8-53	102785101	1-15, 1-23

INDEX

102785401	1-23	102801001	8-33, 8-35	102914102	2-37
102785501	1-13, 1-15	102801101	8-47	102918501	1-11
102786101	1-5, 1-7, 1-9, 1-13, 1-15	102801201	8-47	102921601	1-5, 1-7, 1-9, 1-13, 1-15
102786201	10-3	102801301	8-49	102921701	1-13, 1-15
102786301	6-11	102801401	8-49	102922601	1-15, 1-23
102786401	7-9	102810701	9-11	102922701	1-15, 1-23
102786901	1-13, 1-15	102812801	10-3	102923001	1-13, 1-15
102787001	1-13, 1-15	102816801	6-5	102923101	1-13, 1-15
102787101	1-13, 1-15	102831501	12-13	102923201	1-7
102787201	1-13, 1-15	102839401	11-9	102923301	1-9
102787301	1-13, 1-15	102849801	1-11	102923401	1-7
102787501	1-13, 1-15	102850501	1-11	102923601	1-23
102787601	1-13	102854401	1-11	102923801	1-15, 1-23
102787602	1-15	102854501	1-11	102925201	1-5
102787701	1-13, 1-15	102854601	1-11	102925501	4-9
102788701	6-11	102854801	1-11	102926101	1-9, 4-3
102789001	1-9	102854901	1-11	102926301	1-17
102789101	1-9	102855001	1-11	102926401	1-17
102789201	1-9	102855501	13-3	102926501	1-17
102789301	1-9	102859101	1-13, 1-15	102926601	1-17
102789401	1-9	102866516	2-5	102926701	1-17
102790001	1-9	102866518	2-5	102926801	1-17
102790801	1-9	102866616	2-5	102927101	6-7
102790901	1-9	102866618	2-5	102927102	6-7
102791001	1-9	102866716	2-5	102928001	1-19, 1-21
102791301	1-9	102866718	2-5	102928101	1-19, 1-21
102791701	6-7	102866816	2-5	102928201	1-19, 1-21
102791702	6-7	102866818	2-5	102928301	1-11, 1-19, 1-21
102792001	6-7	102866901	2-3	102928401	1-19, 1-21
102792002	6-7	102867001	2-3	102928501	1-19, 1-21
102794801	1-15, 1-23	102867101	2-9	102928601	1-19, 1-21
102794901	1-15, 1-23	102867202	2-11	102928701	1-21
102798001	8-9	102867301	2-9	102928901	1-19, 1-21
102798101	8-11	102867602	2-3	102930501	1-17
102798201	8-11	102868201	12-3	102930801	4-3
102798401	8-13	102868501	2-17	102930901	10-3
102798501	8-13, 8-53	102869401	7-15	102934601	8-3
102798601	8-13	102874201	6-7	102934701	8-35
102798701	8-13	102874301	6-7	102934801	8-35
102798801	8-13	102874501	6-7	102934901	8-35
102798901	8-13	102882401	2-3	102935501	2-7
102799001	8-13	102882501	2-33	102936801	1-11, 7-9
102799101	8-13	102883401	2-9	102937401	1-11
102799201	8-13	102883501	2-3	102937501	1-11
102799401	8-21	102885001	2-3	102937601	1-11
102799501	8-29	102892401	5-17	102943101	3-3
102799601	8-31	102895101	2-3	102943201	12-17
102799701	8-31	102895401	2-3	102943804	3-3
102799801	8-31	102895701	2-15	102943808	3-3
102800101	8-37	102896401	2-5	102943809	3-3
102800201	8-43	102896501	2-5	102945701	3-3
102800301	8-43	102896601	5-17	102946701	13-9
102800401	8-39	102913801	2-37	102950402	2-13
102800501	8-39	102913901	2-37	102950503	2-13
102800601	8-39	102914001	2-37	102950601	4-3
102800701	8-33, 8-35	102914101	2-37	102952101	9-5

INDEX

102961201	4-3	103234503	3-3	103345801	6-7
102961301	12-15	103237418	4-7	103355401	1-5
102961401	12-15	103237502	1-3	103361701	2-23
102961501	12-15	103237701	1-3	103376101	5-9
102961601	12-15	103238601	13-5	103377501	2-23
102967901	1-11, 2-5, 2-19, 2-21	103238701	13-5	103380701	5-9
102973201	13-5	103238702	13-5	103400001	2-17
102973501	1-15, 1-23	103239216	4-7	103409001	1-23
102973601	1-15, 1-23	103239217	4-7	103417401	2-17
102977201	2-7	103239218	4-7	103418701	5-5
102977501	7-15	103239316	4-7	103418801	5-3, 5-5
102978801	2-3	103239317	4-7	103423701	2-17, 13-9
102978901	2-3	103239318	4-7	103538701	2-31
102983201	2-7	103239501	12-23	103538901	2-31
102983601	2-7	103239801	12-23	95293643	12-11
102988701	2-23, 2-25, 2-27	103239901	8-35	96701412	8-3
102989801	6-3	103244701	12-5	96704176	13-9
103174301	5-11	103245801	7-9	96704416	13-9
103177001	1-9	103250301	12-17	96704721	8-3
103179901	2-9	103250401	12-17	96705199	13-3
103180001	2-9	103253801	2-9	96705587	9-3
103180101	7-15	103256401	6-7	96706825	9-9
103181520	2-5	103256501	6-7	96715552	2-7
103182701	2-11	103256701	6-7	96718978	8-3
103182702	2-11	103267001	2-19	96727003	1-5
103182801	2-11	103267002	2-21	96741038	8-3
103185501	11-9	103268001	2-9	96741046	1-13, 1-15, 2-27, 8-3
103185801	11-9	103273101	5-13, 9-9	96742515	2-19, 2-21
103185901	11-9	103274502	2-27		
103187501	12-3	103274602	2-27	A	
103188601	4-3	103277001	6-7	A-arm	6-7
103188701	4-5	103277002	6-7	accelerator cable	9-7
103189001	5-15	103277501	7-5	accelerator pedal	9-9
103192101	2-25	103280201	12-21	accelerator pedal adjustment tool	14-3
103193401	7-15	103282301	6-13	accessory receptacle	7-15
103200501	2-37	103283801	2-27	actuator	2-33
103208801	7-15	103289001	2-37	adapter	
103210801	2-25	103289002	2-37	actuator	2-33
103210802	2-25	103289101	2-37	cable (IQDM)	14-7
103210901	2-25	103289102	2-37	tube	9-3
103211101	2-25	103289103	2-37	adhesive, guide ring	14-3
103213201	2-3	103289104	2-37	adjuster	
103213401	7-11	103293201	5-7	hydraulic brake	14-7
103213501	2-3	103294301	12-21	adjuster, forward/aft	2-19, 2-21
103215201	1-11	103296001	2-7	adjuster, slide	6-7
103215901	2-25	103296201	6-7	adjuster, slider	2-19, 2-21
103216401	2-19, 2-21, 2-23, 2-25, 2-27	103305001	5-17	air clean support	9-11
103218107	2-3	103305101	5-17	air filter	9-11
103218213	5-7	103319601	2-17	air filter canister	9-11
103218901	2-21	103319701	2-17	air filter evacuator	9-11
103225801	2-25	103319801	2-27	alternator	8-33, 8-35
103227001	2-33	103319901	4-5	alternator belt	8-35
103233001	2-9	103320601	11-3, 11-5	arbor	14-3
103234301	4-7	103327201	7-5	arm	
103234401	7-15	103328301	1-11	A-	6-7
103234502	3-3	103331201	2-37	rocker	8-47

INDEX

- arm attachment 1-7
- arm, swing 6-13
- assembly
 - accelerator pedal 9-9
 - adjusting bolt 8-29
 - alternator 8-33
 - bearing case cover 8-19
 - brake line 5-11
 - brake pedal 5-13, 5-17
 - brake rotor 5-11, 12-13
 - bucket seat 2-19
 - camshaft 8-21
 - case, main bearing 8-19
 - connecting rod 8-23
 - cylinder head cover 8-13
 - drain cock 8-5
 - filler cap 5-7
 - forward/reverse 12-3
 - fuel camshaft 8-27
 - fuel cap 9-5
 - fuel filter 9-3
 - fuel injection pump 8-37
 - fuel pump 9-3
 - fuel tank vent 9-5
 - gear case 12-15, 12-17
 - governor fork 8-43
 - governor fork lever 8-43
 - idle apparatus 8-29
 - inner ball joint 6-5
 - intake manifold 8-49
 - latch, tilt bed 2-31
 - muffler 12-5
 - nozzle holder 8-41
 - oil pump 8-17
 - overflow pipe 8-41
 - pinion 12-15
 - piston ring 8-23, 8-55
 - reservoir, remote 5-7
 - rocker arm 8-47
 - speed plate 8-39
 - tether 2-35
 - thermostat 13-11
 - tilt bed 2-31
 - tire 3-3
 - water pump 13-13
 - wire 7-17, 9-5
- assembly, sub-
 - gear case 12-17
 - moveable drive clutch 11-9
 - spider 11-9
 - stationary 11-9
 - swingarm 6-13
 - weight clutch 11-9
- attachment arm 1-7
- axle 12-13
- axle tube 12-15
- axle, rear, guard mounts 12-13
- B**
- ball
 - check 8-21
 - crankshaft 8-23
 - governor 8-27
 - injection pump 8-27
 - valve 8-11
- ball joint 6-7, 9-7
- ball stud 12-3
- band, pipe 13-11, 13-15
- banjo bolt 5-3, 5-5
- bar clamp 13-9
- barb, vent 9-3
- barrier, heat 1-13, 1-15
- base, seat holder 2-19, 2-21
- battery clamp 7-17
- battery discharge machine 14-3
- battery terminal protector spray 14-3
- battery thermometer 14-3
- battery, 12-volt 7-17
- bearing 6-7, 12-15
 - ball (steering pinion) 6-5
 - lower pinion 6-5
 - needle 12-7, 12-15, 12-17, 12-19
- bearing and oil seal remover 14-3
- bearing case cover 8-19
- bearing case, main 8-19
- bearing driver set 14-3
- bearing puller 14-3
- bearing puller wedge 14-3
- bed floor plate 2-31
- bed, tilt 2-31
- bellcrank 5-17, 12-21, 12-23
- bellows 6-5, 12-13
- belt guard 8-35
- belt, alternator 8-35
- belt, drive 11-7
- belt, V- 8-33
- bezel, fuel fill 9-3
- block, differential spacer 12-5
- block, engine 8-5
- block, fuse 7-13
- bobbin, coil with press fit 12-7
- body panel, front 2-5
- body, front cowl 2-5
- bolt
 - adjusting 8-29
 - banjo 5-3, 5-5
- boot kit, boxed 6-9
- boot replacement kit 6-9
- boot, half shaft 6-9
- bottle, coolant 13-5
- box, hydraulic control 1-11
- bracket
 - actuator 2-33
 - bed latch 2-29
 - brake line 5-11
 - brake pedal 5-13
 - cover inlet 11-5
 - draw latch 2-3
 - equalizer 5-15
 - hood support 2-9
 - hydraulic line 5-11, 6-11
 - muffler 10-3
 - park brake 5-17
 - radiator support 13-9
 - rocker arm 8-47
 - seatbelt 2-19, 2-21
 - steering column 2-7
 - transmission cable 8-3
 - transmission mounting 8-3
- brake adjustment tool 14-3
- brake cable 5-15
- brake cable release tool 14-3
- brake caliper 5-3, 5-5
- brake caliper return spring 5-5
- brake fluid reservoir 5-7
- brake line 5-11
- brake line, front 5-11
- brake pad service kit 5-3, 5-5
- brake pedal 5-13, 5-17
- brake pedal adjustment tool 14-3
- brake pedal tension tool 14-3
- brake return spring 5-15
- brake rotor 5-11, 12-13
- breaker, circuit 1-11, 7-9
- breather cover 8-13
- breather shield 8-13
- breather tube 8-13
- breather valve 8-13
- brush, FNR 2-9
- bucket seat 2-19, 2-21
- bullet, detent 12-19
- bumper 13-9
 - bed 2-29, 2-33
 - rubber 2-35
- bushing 2-33
 - A-arm 6-7
 - flanged bronze 8-21
 - forward/reverse 12-3
 - greaseless 5-13, 9-9
 - lower arm 6-7
 - Permglide 12-7
 - piston pin 8-23, 8-55
 - pivot, urethane 6-13
 - plain 12-9
 - return line 9-5
 - self-lubricating 12-7
 - steel 2-31
 - teflon 6-13

INDEX

urethane 2-31
button, thrust 12-7
buzzer, reverse 12-3

C

cable
 accelerator 9-7
 bell crank 5-15, 5-17
 brake 5-15
 IQDM 14-7
 main bell crank 5-15
 transmission 9-7
cage, roll 12-7
calibration test module 14-3
caliper, brake 5-3, 5-5
cam installation tool 14-3
camshaft 8-21
camshaft, fuel 8-27
canister, air filter 9-11
cap
 air filter 9-11
 bolt assembly 8-29
 filler 5-7
 fuel 9-5
 inlet 11-5
 pressure 13-5
 radiator 13-3
 rubber 6-7, 6-13
 sealing 8-5, 8-9
 speed control plate 8-39
 steering wheel 6-3
 valve 8-47
cap, filler 5-9
cap, front corner 2-35
carburetor air vent tube 9-3
carburetor float level tool 14-7
card, safety first 14-9
case
 gear 8-11, 12-13, 12-15, 12-17
 governor ball 8-27
 main bearing 8-19
case cover, bearing 8-19
center console 1-11
center console cover 2-19, 2-21
chain, transmission 12-17
charger bezel tool 14-3
circuit breaker 1-11, 7-9
clamp
 bar 13-9
 battery 7-17
 breather tube 8-13
 hose 9-3
 p- (fuel filter) 8-3, 9-3
 pipe 8-41
clevis pin 5-7, 5-9
clip

 hair pin 2-35
clip, body trim 2-5
clip, brake line 5-11, 9-7
clip, return pipe 8-41
closeout 2-37
clutch 11-11
clutch alignment tool 14-5
clutch cover 11-9
clutch housing 12-7
clutch removal tool 14-3
clutch tool kit 14-5
clutch, diesel 11-9
coil
 pocket insert 12-7
coil over shock 6-11
coil with press-fit bobbin 12-7
collar, alternator assembly 8-33, 8-35
collar, crankshaft 8-23
collar, idle gear 8-21
collar, lever 8-39
collet 8-47
column, steering 6-3
communication display module 14-5
compression gauge 14-5
compressor, piston ring 14-9
compressor, valve spring 14-11
connecting rod 8-23
connector, relay 7-13
console, center 1-11
continuity tester 14-5
Control assembly, hydraulic 1-11
control box, hydraulic 1-11
coolant bottle 13-5
coolant exchanger 13-3
coolant fill tee 13-3
coolant lamp sensor 13-11
coolant pipe 13-7
coolant pipe mounting tab 13-7
coolant temperature indicator light 7-15
cooling fan 13-3
cord, glow plug 8-41
corner cap 2-35
cotter, rue ring 6-13
coupling 1-15, 1-17, 1-23
cover
 alternator assembly 8-33
 bearing case 8-19
 breather 8-13
 CCI dash storage 2-11
 clutch 11-9
 CVT 8-3, 11-3, 11-5, 11-9
 cylinder head 8-13
 electrical 7-13
 fuel camshaft 8-5
 heat proof 8-51
 input 12-9

 rocker switch hole 7-15
 thermostat 13-11
cover plate, output 12-7
cover, joystick 1-11
cover, steering column 6-3
cowl panel 2-5
cowl panel, driver-side 2-5
cowl panel, passenger-side 2-5
cowl, front body 2-5
crank 8-23
crankshaft 8-23
C-type stop ring 6-5
cup holder 2-9
cup holder, seat 2-19, 2-21
cutter, valve seat 14-5, 14-11
CVT 11-11
CVT cover 11-3
CVT cover kit, sealed 11-5
CVT cover kit, unsealed 11-5
cylinder head 8-9
cylinder head cover 8-13
cylinder, master 5-7, 5-9

D

dash 2-9
decal
 2300 4-7
 bed warning 4-3
 Bobcat 2-3
 Bobcat 2200 4-7
 Bobcat 2300 4-7
 Bobcat tailgate 2-35
 crush area warning 4-3
 driver/passenger 4-5
 ground warning 4-5
 hot manifold warning 4-5
 hot surface warning 2-19, 2-21, 4-5
 hydraulic controls 1-11
 hydraulic pump 4-3
 IR 4-7
 joystick on/off 4-5
 lock lever 1-9, 4-3
 on/off 4-5
 operating instructions 4-5
 RapidLink 4-9
 rollover warning 4-3
 ROPS warning 4-3
 rotating parts 4-3
 rotating parts and hot manifold 4-5
 rotating parts warning 4-5
 trailer hitch 4-3
 under 16 warning 4-3
deflector oil 12-17
diesel tachometer probe 14-9
differential housing 12-15
differential, front 12-7

INDEX

diode 7-5
dowel pin 12-7
drag link 6-5
drain cock 8-5
drive belt 11-7
drive clutch fixed sheave tool 14-5
drive clutch holder tool 14-5
drive clutch hub puller 14-5
drive clutch puller 14-5
drive clutch spider removal tool 14-5
drive clutch, moveable 11-9
drive shaft 12-11
driven clutch base sheave 11-11
driven clutch cam puller 14-5
driven clutch puller plug 14-5
driven clutch spring compression base tool 14-5
driven clutch spring compression collar tool 14-5
driven clutch spring compression nut tool 14-5
dry moly lubricant 14-7

E

E-clip 5-15
elbow 9-5
electric motor 1-19, 1-21
end, tie rod 6-5
engine block 8-5
engine, diesel, Kubota D722 with closed breather 8-3
equalizer 5-15
exchanger, engine coolant 13-3
exhaust installation 10-3
exhaust pipe 10-3
exhaust valve 8-47
extension, spring latch 2-31

F

fan shroud 13-3
fan, cooling 13-3
fascia 2-3
fastener, push-in 7-13
fender, front 2-3
fender, left rear 2-37
fender, rear 2-37
filler cap 5-7, 5-9
filter
 air 9-11
 fuel 9-3
 inlet cover 11-5
 oil 8-7, 8-11
filter, air, canister 9-11
fitting, thread-forming grease 6-13
flange, water 13-11
floor mat 2-15

floor plate, bed 2-31
floorboard 2-17
fluid, hydraulic 1-13
flywheel 8-25
flywheel puller 14-7
FNR brush 2-9
FNR brush strip 2-9
FNR shifter bracket 8-3
fork, transmission 12-17
forward/reverse assembly 12-3
Forward/Reverse shifter 12-3
frame, tilt bed 2-31
front body cowl 2-5
front body panel 2-5
front brake line 5-11
front differential 12-7
front gear case 12-17
front panel 2-37
fuel camshaft 8-27
fuel cap 9-5
fuel filter 9-3
fuel gauge 7-15
fuel gauge sending unit 9-5
fuel injection pump 8-37
fuel pickup tube 9-5
fuel pump 9-3
fuel system 9-3
fuel tank (diesel) 9-5
fuel tank strap 9-3
fuel tank vent 9-5
fuel tank, diesel 9-5
fuse
 10-amp 7-13
 25-amp 7-13
 30-amp 7-13
fuse block 7-13

G

gasket
 bearing case 8-19, 8-53
 clutch cover 11-9
 control plate 8-39, 8-53
 cover 8-19, 8-53, 11-5
 cylinder head 8-9, 8-53
 cylinder head cover 8-13, 8-53
 drain plug 8-7
 exhaust 8-53, 10-5
 ex-manifold 8-51, 8-53
 fuel pump 8-5, 8-53
 gearcase 8-11, 8-53
 head cover 8-53
 head cover nut 8-29, 8-39, 8-41, 8-53
 idle apparatus 8-29, 8-53
 intake manifold 8-49, 8-53
 liquid 14-7
 nozzle 8-41

oil pump 8-17, 8-53
 sending unit 9-5
 thermostat 8-53, 13-11
 water flange 8-53, 13-11
 water pump 8-53, 13-13
gauge, compression 14-5
gauge, fuel 7-15
gauge, oil 8-15
gear
 cam 8-21
 case 8-11, 12-13, 12-15, 12-17
 crank 8-23
 helical 12-19
 idle 8-21
 injection pump 8-27
 oil pump drive 8-17
 ring 8-25, 12-7, 12-15
gear case, front 12-17
gear ring engagement 12-19
gear yoke 14-7
glow plug 8-41
glow plug cord 8-41
governor fork lever 8-43
governor lever 8-39
governor shaft installation tool 14-7
governor shield 10-3
grill 2-3
grip tape, accelerator pad 9-9
grip, tilt latch hand 2-31
grommet 9-5, 12-7
guard, belt 8-35
guard, splash 2-7
guide
 accelerator cable 9-9
 detent bullet 12-19
 exhaust valve 8-9
 inlet valve 8-9
 oil gauge 8-15
 valve seat cutter 14-11
guide ring adhesive 14-3

H

hair pin clip 2-35
half shaft 6-7
half shaft boot 6-9
handbook, operator 1-3
handle, park brake 5-17
handle, tilt steering 6-3
harness 2-3, 2-33, 7-5
harness, control panel wire 7-9
harness, headlight 2-3
harness, hydraulic power unit 7-9
harness, seatbelt light 7-11
head restraint 2-27
head restraint kit 2-27
head, cylinder 8-9

INDEX

headlight 2-3
headlight harness 2-3
heat barrier 1-13, 1-15
heat seal 8-41
helical gear 12-19
hinge plate 2-19, 2-21
hinge, hood 2-5
holder
 FNR strip brush 2-9
 fork lever 8-43
holder, cup 2-9
hood 2-5
hood hinge 2-5
hood latch 2-3
hood prop 2-5
hook, engine 8-9
hose 1-13, 1-15, 1-23, 13-5
 coolant 13-3, 13-5, 13-9
 fuel filter 9-3
 fuel pump 9-3
 fuel return 9-3
 inlet cover 11-5
 intake 9-11
 overflow 8-41
 vent 8-3, 12-5, 13-9
hose, hydraulic 1-13, 1-15, 1-17
hose, outlet 11-3, 11-5
housing
 clutch 12-7
 differential 12-15
 Mate-N-Lock 12-7
 steering gear 6-5
hub, race/output 12-7
hydraulic brake adjuster 14-7
hydraulic control box 1-11
hydraulic fluid 1-13
hydraulic hose 1-13, 1-15, 1-17
hydraulic power unit 1-19, 1-21, 1-23
hydraulic power unit harness 7-9
hydraulic tube 1-13, 1-15
hydrometer 14-7

I

idle apparatus 8-29
idle gear 8-21
injection pump gear 8-27
inlet valve 8-47
insulation, heat barrier 1-13, 1-15
intake manifold 8-49
internal retaining ring pliers 14-7
IQ display module (IQDM) 14-7
isolator ring and bushing 8-3
isolator, twin stud 13-3

J

joint
 ball 6-7, 9-7
 eye 8-37
 pipe 8-11
joystick control 1-11
joystick control box 1-11
joystick cover 1-11

K

keeper, push-close latch 2-11
key
 feather 8-17, 8-21, 8-23, 8-27
key (pair) 7-15
key switch 7-15
key switch spacer 7-15
keyswitch nut 7-15
kick panel 2-37
kit
 bolt 12-7
 brake pad service 5-3, 5-5
 brake pedal adjustment tool 14-3
 clutch 12-7
 cover plate, input 12-9
 cover plate, output 12-7
 drain plug 12-7
 forward gear repair 12-19
 gasket 8-53
 H-clip spring 12-7
 head restraint 2-27
 IQ display module (IQDM) 14-7
 neutral switch repair 12-19
 nozzle holder 8-41
 piston rebuild 8-55
 race output hub 12-7
 rear axle gear repair 12-15
 repair, minor 12-7
 reverse gear repair 12-17
 roll cage 12-7
 roller 12-7
 ROPS 2-25
 transmission shift shaft repair 12-21
 tune-up 14-9

kit, boot replacement 6-9
knob, forward/reverse 12-3

L

latch 2-11
latch bracket 2-3
latch keeper 2-11
latch plate, tilt bed 2-29
latch, hood draw 2-3
latch, slam 2-35
latch, spring 2-35
latch, tilt bed 2-31

lever
 engine stop 8-39
 fork 8-43
 governor 8-39
 lost motion 9-9
 speed control 8-39
light
 oil 7-15
light, coolant temperature indicator 7-15
light, head 2-3
light, seat belt 7-15
limit switch 12-3
line, brake reservoir 5-7
link, drag 6-5
liquid gasket 14-7
low oil warning light 7-15
lubricant, dry moly 14-7
lubricant, moly-teflon 14-7

M

manifold
 exhaust 8-51
 intake 8-49
master cylinder 5-9
mat, floor 2-15
Mate-N-Lock housing 12-7
Mate-N-Lock pin 12-7
meter, volt ohm 14-11
module
 calibration test 14-3
 communication display 14-5
moly-teflon lubricant 14-7
motor 1-19, 1-21
 starter 8-45
moveable drive clutch 11-9
muffler 10-3, 12-5

N

nongrease/spacers locker 12-15
nozzle holder 8-41
nut, keyswitch 7-15

O

oil deflector 12-17
oil filter 8-7, 8-11
oil pan 8-7
oil pressure switch 8-5
oil pump 8-17
oil pump drive gear 8-17
oil seal 8-11, 8-19, 12-7, 12-9
oil slinger 8-23
oil warning light, low 7-15
operator handbook 1-3
O-ring 8-5, 8-7, 8-9, 8-11, 8-13, 8-23, 8-31, 8-39,
 8-53, 12-7, 12-9

INDEX

overflow pipe 8-41

P

paint, touch-up 14-7

pan

center 1-11, 2-19, 2-21

oil 8-7

seat 2-19, 2-21

panel

center cowl 2-5

driver-side 2-37

driver-side cowl 2-5

front kick 2-37

left 2-35

passenger-side 2-37

passenger-side cowl 2-5

right 2-35

panel, front 2-35, 2-37

panel, side 2-37

park brake pedal 5-17

p-clamp (fuel filter) 8-3, 9-3

pedal, accelerator 9-9

pedal, brake 5-13, 5-17

pin, clevis 5-7, 5-9

pin, dowel 12-7

pin, Mate-N-Lock 12-7

pin, piston 8-23, 8-55

pin, slide, caliper slide pin 5-3, 5-5

pinion 12-15

pinion, steering 6-5

pipe

breather 8-49

coolant 13-7

exhaust 10-3, 10-5

injection 8-41

overflow 8-41

water 13-15

water return 8-13, 13-11

pipe band 13-11, 13-15

pipe clamp 8-41

pipe, coolant 13-7

piston 8-23, 8-55

piston pin 8-23, 8-55

piston ring 8-23, 8-55

piston ring compressor 14-9

piston ring pliers 14-9

plate

armature 12-7

back 2-31, 2-33

cover, output 12-7

electrical 7-13

engine block 8-5

engine mounting 8-3

fuel/oil 9-3

hinge 2-19, 2-21

latch 2-29

shroud 8-25

speed 8-39

speed control 8-39

thrust 12-7

plate, closeout 2-37

pliers

internal retaining ring 14-7

piston ring 14-9

retaining ring 14-9

plug 1-19, 1-21, 12-17

drain 8-7

driven clutch puller 14-5

engine block 8-5, 8-9, 8-11, 12-13

expansion 8-5

gearcase 12-13, 12-17

glow 8-41

hole 7-15

oil drain 12-7

oil fill 12-7

oil filler 8-13

power unit, hydraulic 1-21, 1-23

press weldment 14-5

prop rod 2-29

prop shaft 12-11

prop, hood 2-5

protector spray, battery terminal 14-3

puller

bearing 14-3

clutch 14-3

drive clutch 14-5

drive clutch hub 14-5

driven clutch cam 14-5

flywheel 14-7

seal 14-9

special use tool 14-9

pulley

fan drive 8-33, 8-35

water pump 8-33, 8-35

pullrod, compression spring 9-9

pump

fuel 9-3

fuel injection 8-37

oil 8-17

water 13-13

push rod 8-21

R

rack guide pressure spring 6-5

rack, steering 6-5

radiator 13-3

radiator cap 13-3

radiator pipe 13-7

reamer, valve guide 14-9

receiver, rear 6-13

receptacle, accessory 7-15

relay 1-11, 7-13

relay connector 7-13

remover, bearing and oil seal 14-3

reservoir, brake fluid 5-7

reservoir, remote 5-7

restraint, head 2-27

retainer

spring (driven clutch) 11-11

valve spring 8-47

retaining ring pliers 14-9

reverse buzzer 12-3

ring

piston 8-23, 8-55

snap 6-5

ring gear 8-25, 12-7, 12-15

ring, C-type stop 6-5

ring, retaining, ext 6-7

rivet, blind push 2-7

rocker arm 8-47

rocker switch 1-11, 2-33

rocker switch (lights) 7-15

rod

connecting 8-23

crank crank rod 8-23

prop 2-29

push 8-21

roll cage 12-7

roller weight 11-9

roller, torque 11-9

ROPS front base weldment 2-7

ROPS kit 2-25

ROPS support tube 2-25

ROPS top 2-25

ROPS warning decal 4-3

rotor, brake 5-11, 12-13

rubber bumper 2-35

S

safety first card 14-9

screw, valve clearance adjuster 14-9

seal

dual lip 12-15, 12-17, 12-21, 12-23

heat 8-41

oil 8-11, 8-19, 12-7, 12-9

steering pinion dust 6-5

triple lip 12-17

valve stem 8-47, 8-53

seal puller 14-9

seat

bucket 2-19

valve 8-11

seat belt light 7-15

seat holder base 2-19, 2-21

seat, bucket 2-19, 2-21

bucket seat 2-21

seatbelt light harness 7-11

sending unit, fuel gauge 9-5

INDEX

- sensor, coolant lamp 13-11
 - service kit, brake pad 5-3, 5-5
 - shaft
 - CVT adapter 8-3
 - drive 12-11
 - fork lever 8-43
 - governor lever 8-39
 - idle gear 8-21
 - intermediate 12-19
 - pinion 12-9
 - prop 12-11
 - rock arm 8-47
 - shift 12-23
 - shaft shift 12-21
 - shaft, half 6-7
 - sheave, drive clutch base 11-11
 - sheave, driven clutch 11-11
 - shield, breather 8-13
 - shield, exhaust 10-5
 - shield, governor 10-3
 - shift, shaft 12-21
 - shim 11-9, 12-15
 - shim, armature plate 12-7
 - shim, injection pump 8-37
 - shim, latch plate 2-29
 - shock absorber 6-11
 - shock absorber, coil over 6-11
 - shroud, fan 13-3
 - side panel 2-37
 - side stringer 2-13
 - slam latch 2-35
 - sleeve
 - crankshaft 8-23
 - governor 8-27
 - lower arm 6-7
 - upper suspension 6-7
 - slide adjuster 6-7
 - slide pin 5-3, 5-5
 - slide, adjuster 6-7
 - slinger, oil 8-23
 - snap ring 6-5
 - solenoid, stop 8-31
 - spacer
 - engine 8-3
 - key switch 7-15
 - spacer block, differential 12-5
 - spanner wrench 14-9
 - speed plate 8-39
 - spider 11-9
 - splash guard 2-7
 - spray, battery terminal protector 14-3
 - spring
 - brake caliper return 5-5
 - brake return 5-15
 - compression 11-9, 11-11
 - detent bullet 12-19
 - exhaust 10-3
 - governor 8-43
 - idle apparatus 8-29
 - pedal 9-9
 - pedal stop 9-9
 - rack guide pressure 6-5
 - return 8-39
 - rocker arm 8-47
 - start 8-9, 8-43
 - torsion 9-9
 - valve 8-11, 8-47
 - spring latch 2-35
 - sprocket 12-17
 - start spring 8-43
 - starter motor 8-45
 - stay
 - alternator assembly 8-33
 - cylinder head 8-9
 - spring 8-11
 - stop solenoid 8-31
 - steel bushing 2-31
 - steering column 6-3
 - steering column bearing press tool 14-9
 - steering column bracket 2-7
 - steering column cover 6-3
 - steering column retaining ring tool 14-9
 - steering gear housing 6-5
 - steering pinion dust seal 6-5
 - steering rack 6-5
 - steering wheel 6-3
 - steering wheel puller tool 14-9
 - stem, valve 3-3
 - stop solenoid stay 8-31
 - stopper, camshaft 8-21
 - stopper, fuel camshaft 8-27
 - strap, fuel tank 9-3
 - stringer, side 2-13
 - strip, FNR brush 2-9
 - stud 8-3, 8-37, 8-51, 13-15
 - idle adjustment 8-29
 - self-clinching 2-35
 - stud, ball 12-3
 - support yoke (steering) 6-5
 - support, structural 2-9
 - swingarm 6-13
 - switch 1-11, 1-19, 1-21
 - indicator (transmission) 12-19
 - key 7-15
 - light rocker 7-15
 - limit 12-3
 - oil pressure 8-5
 - switch, rocker 1-11, 2-33
- T**
- 12-volt battery 7-17
 - tab, coolant pipe mounting 13-7
 - tachometer 14-9
 - tachometer probe, diesel 14-9
 - tailgate 2-35
 - tailgate angle 2-35
 - tank, fuel 9-5
 - tank, fuel (diesel) 9-5
 - tape 2-13
 - tape, grip, accelerator pad 9-9
 - tape, vinyl foam 2-31, 13-3
 - tappet 8-21
 - tee, coolant fill 13-3
 - temperature indicator light, coolant 7-15
 - tester, continuity 14-5
 - tether 2-35
 - thermometer, battery 14-3
 - thermostat 13-11
 - thread-forming grease fitting 6-13
 - thrust button 12-7
 - thrust plate 12-7
 - tie rod end 6-5
 - tie wrap 1-11, 2-33, 5-11, 5-15, 6-5, 9-7
 - tilt bed 2-31
 - tilt bed frame 2-31
 - tilt latch hand grip 2-31
 - tire 3-3
 - tire and wheel 3-3
 - tire assembly, black 3-3
 - tire, mud 3-3
 - tool
 - accelerator pedal adjustment 14-3
 - belt tensioning, starter/generator 14-11
 - brake adjustment 14-3
 - brake cable release 14-3
 - brake pedal adjustment 14-3
 - brake pedal tension 14-3
 - cam installation 14-3
 - carburetor float level 14-7
 - charger bezel 14-3
 - clutch alignment 14-5
 - cT-wrench 14-5
 - drive clutch fixed sheave 14-5
 - drive clutch holder 14-5
 - drive clutch spider removal 14-5
 - driven clutch spring compression base 14-5
 - driven clutch spring compression collar 14-5
 - driven clutch spring compression nut 14-5
 - governor shaft installation 14-7
 - puller, special use 14-9
 - steering column bearing press 14-9
 - steering column retaining ring 14-9
 - steering wheel puller 14-9
 - transaxle axle seal 14-9
 - transaxle pinion seal 14-9
 - transmission 14-9

INDEX

- valve guide driver 14-9
- valve seat cutter 14-5
- tool kit, clutch 14-5
- torque converter 11-11
- torque roller 11-9
- touch-up paint 14-7
- track, prop rod 2-29
- transaxle axle seal tool 14-9
- transaxle housing 12-15
- transaxle pinion seal tool 14-9
- transmission cable 9-7
- transmission cable bracket 8-3
- transmission chain 12-17
- transmission fork 12-17
- transmission tool 14-9
- transmission, diesel, parallel shaft 12-17
- tube
 - axle 12-15
 - breather 8-13
 - carburetor air vent 9-3
 - fuel pickup 9-5
 - ROPS support 2-25
- tube, hydraulic 1-13, 1-15
- tune-up kit 14-9
- T-wrench tool 14-5

U

- upright 6-7
- urethane bushing 2-31

V

- valve 1-19, 1-21, 9-11
 - breather 8-13
 - exhaust 8-47
 - inlet 8-47
 - seat 8-11
- valve clearance adjuster screw 14-9
- valve guide driver tool 14-9
- valve guide reamer 14-9
- valve seat cutter 14-5, 14-11
- valve seat cutter guide 14-11
- valve seat cutter tool 14-5
- valve seat t-wrench 14-11
- valve spring compressor 14-11
- valve stem 3-3
- V-belt 8-33
- vent barb 9-3
- vent, housing, upper 12-15
- vent, transmission 12-17
- volt ohm meter 14-11

W

- warning light, low oil 7-15
- water flange 13-11
- water pump 13-13

- wedge, bearing puller 14-3
- weight clutch 11-9
- weldment
 - press 14-5
 - ROPS base front 2-7
- weldment, accelerator pedal 9-9
- weldment, accelerator pedal bracket 9-9
- weldment, actuator bracket 2-33
- weldment, air cleaner support 9-11
- weldment, brake pedal 5-13
- weldment, coolant pipe 13-7
- weldment, Forward/Reverse shifter 12-3
- weldment, Forward/Reverse shifter bracket 12-3
- weldment, front dash
 - dash weldment 2-7
- weldment, lever, lost motion 9-9
- weldment, receiver 6-13
- weldment, shaft shift 12-21
- weldment, tilt bed frame 2-31
- wheel 3-3
- wheel and tire 3-3
- wheel, steering 6-3
- wire assembly 7-17, 9-5
- wire harness 2-3, 2-33, 7-5
- wire harness, control panel 7-9
- wire harness, headlight 2-3
- wire harness, hydraulic power unit 7-9
- wrap, tie 1-11, 2-33, 5-11, 5-15, 6-5, 9-7
- wrench, spanner 14-9

Y

- yoke, gear 14-7
- yoke, support (steering) 6-5

