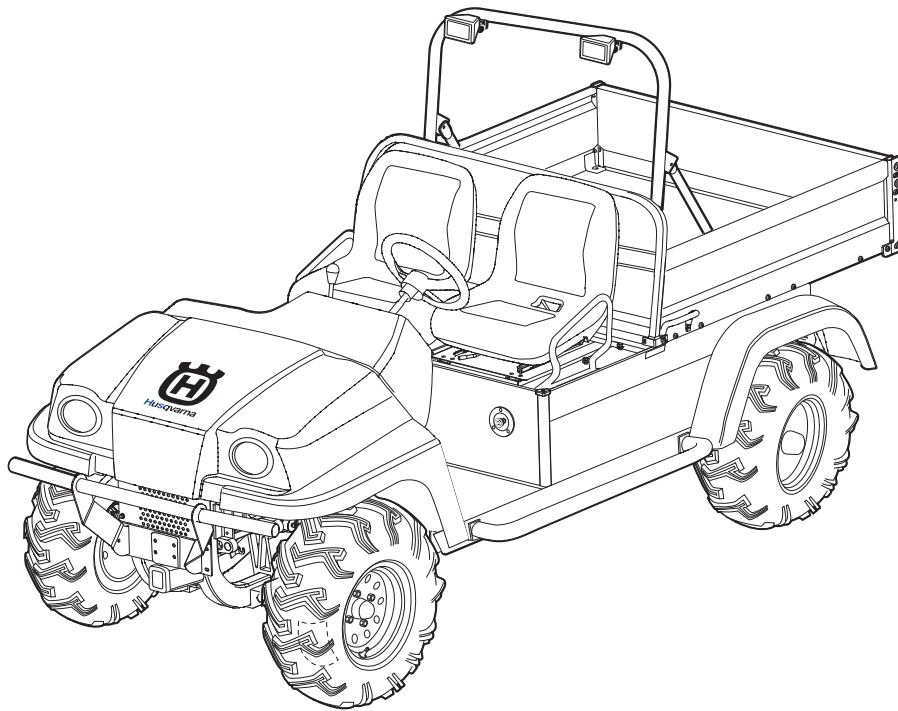




2005
HUV4213 Gasoline Vehicle
Illustrated Parts List



HUV4213

Manual Number 102680305
Edition Code 0105P0112N

USING THE ILLUSTRATED PARTS LIST

⚠ WARNING

- **This manual is to be used only for identification and ordering of service parts. Be sure to read and use the maintenance and service manual before attempting any vehicle repairs.**

This manual covers all HUV4213 gasoline vehicles.

The manual is divided into 13 sections. Sections 1 through 12 pertain to the gasoline vehicle, and Section 13 pertains to tools that are used on all Husqvarna products.

Use the Table of Contents to find the sections and pages that contain the parts and assemblies you seek. The Table of Contents lists section numbers, and under them, the individual page titles and numbers to be found in that section. The index can be used to find specific parts and assemblies. The index is divided into numerical and alphabetical listings with the page numbers in italic text.

There is a two-page spread for each individual page title in the Table of Contents. On the left-hand page is an illustration showing the parts in their relative positions; the parts are each tagged with an item number in a balloon. The right-hand page is the parts list page, and gives the page title at the top, then the item numbers (corresponding to the numbers on the illustration), part descriptions, and quantity of parts used.

Note that a part description may be indented. This indentation corresponds to a parts assembly level indicated by the numbers 1, 2, 3, and 4 at the top left corner of the parts description area of the parts list page. A part that is indented to *level 2* is a component of the *level 1* part (assembly) that it is listed under. A *level 3* part is a component of the *level 2* part that it is listed under, and a *level 4* part is a component of the *level 3* part preceding it. In each case, the part quantity given for a level 2, 3, or 4 part is the quantity used per next higher level assembly of which it is a component. A part that is not indented is a *level 1* part. This means that the quantity given is the quantity used per the portion of the vehicle illustrated on that particular spread.

HOW TO ORDER PARTS

Replacement parts and accessories can be obtained from our network of authorized dealers and distributors. For the name and address of the Husqvarna representative nearest you, logon to our web site at www.usa.husqvarna.com. If you would prefer to write to us, direct your letter to: Husqvarna, Attention: Marketing Services, 7349 Statesville Rd., Charlotte, NC 28269 USA. Your local authorized Husqvarna representative can also provide technical advice, parts, and service manuals.



Husqvarna Professional Products, Inc.
7349 Statesville Rd.
Charlotte, NC 28269
USA
www.husqvarna.com

NOTE: *This illustrated parts list represents the most current information at the time of publication. Husqvarna is continually working to further improve its vehicles and other products. These improvements may affect the parts used to service the vehicle. Any modification and/or significant change in specifications will be forwarded to all Husqvarna distributors/dealers and will, when applicable, appear in future editions of this illustrated parts list.*

Husqvarna reserves the right to change specifications and designs at any time without notice and without the obligation of making changes to units previously sold.

CONTENTS

SECTION 1 – BODY AND TRIM

Front Body Trim	1-3
Front Seats	1-5
Latch Plate and Prop Rod	1-7
Tilt Bed, Hinge, and Latch	1-9
Cargo Box	1-11
Rear Body Trim	1-13
Camouflage Covers	1-15

SECTION 2 – WHEELS AND TIRES

Wheels and Tires, All-Terrain Tread	2-3
Wheels and Tires, Mud Tread	2-5
Wheels and Tires, Turf Tread	2-7

SECTION 3 – DECALS

Decals	3-3
Decals, Continued	3-5
Badging Decals	3-7

SECTION 4 – BRAKE SYSTEMS

Front Brake Assembly	4-3
Brake Assembly	4-5
Rear Brake Assembly, Continued	4-7
Master Cylinder	4-9
Hydraulic Brake System	4-11
Hand Park Brake Assembly	4-13

SECTION 5 – PEDAL GROUP

Brake Pedal Assembly	5-3
Accelerator Pedal	5-5
Accelerator Rod	5-7

SECTION 6 – STEERING AND SUSPENSION

Steering Column	6-3
Steering Gear Assembly	6-5
Front Suspension	6-7
Rear Suspension	6-9

CONTENTS

SECTION 7 – ELECTRICAL SYSTEM

Wiring	7-5
Forward/Reverse Shifter Assembly	7-7
Headlights	7-9
Light Bar	7-11
Electrical Component Box, Key-Start Vehicles	7-13
Electrical Components, Front Body	7-15
Electrical Components, Dash Panel	7-17
Starter/Generator Mounting	7-19
Starter/Generator Assembly Model G425419 – Gasoline Vehicles	7-21
Battery	7-23

SECTION 8 – FE400 ENGINE

FE400 Engine (Key-Start) – Shrouds and Brackets	8-3
FE400 Engine (Key-Start) – Ignition Components and Flywheel	8-5
FE400 Engine (Key-Start) – Oil Circulation	8-7
FE400 Engine (Key-Start) – Cylinder Head	8-9
FE400 Engine (Key-Start) – Crankcase, Camshaft and Oil Sensor	8-11
FE400 Engine (Key-Start) – Crankcase and Crankshaft	8-13
Engine Mounting	8-15

SECTION 9 – FUEL, INTAKE, AND GOVERNOR SYSTEM

Fuel System	9-3
Fuel Tank with Fuel Level Sending Unit	9-5
Carburetor Assembly, FE400 Engine	9-7
Carburetor Installation	9-9
Governor and Accelerator Cables	9-11
Air Box and Intake Hose	9-13

SECTION 10 – EXHAUST SYSTEM

Exhaust System, FE400 Engine	10-3
------------------------------------	------

SECTION 11 – TORQUE CONVERTER

Drive Clutch	11-3
Driven Clutch	11-5

CONTENTS

SECTION 12 – UNITIZED TRANSAXLE

MC012C-BS00 Beginning With Serial Number MC012C3J0001 – Gear Cases, Brackets and Guard	12-3
MC012C-BS00 Beginning With Serial Number MC012C3J0001 – F&R Transmission and Gear	12-5
MC012C-BS00 Beginning With Serial Number MC012C3J0001 – Axle Carrier Assembly	12-7
MC012C-BS00 Beginning With Serial Number MC012C3J0001 – Differential Lock and Axles	12-9
Unitized Transaxle – Differential Lock Cable Assembly and Shifter	12-11

SECTION 13 – MAINTENANCE AND SERVICE TOOLS

Maintenance and Service Tools	13-3
Maintenance and Service Tools, Continued	13-5
Maintenance and Service Tools, Continued	13-7
Maintenance and Service Tools, Continued	13-9
Maintenance and Service Tools, Continued	13-11

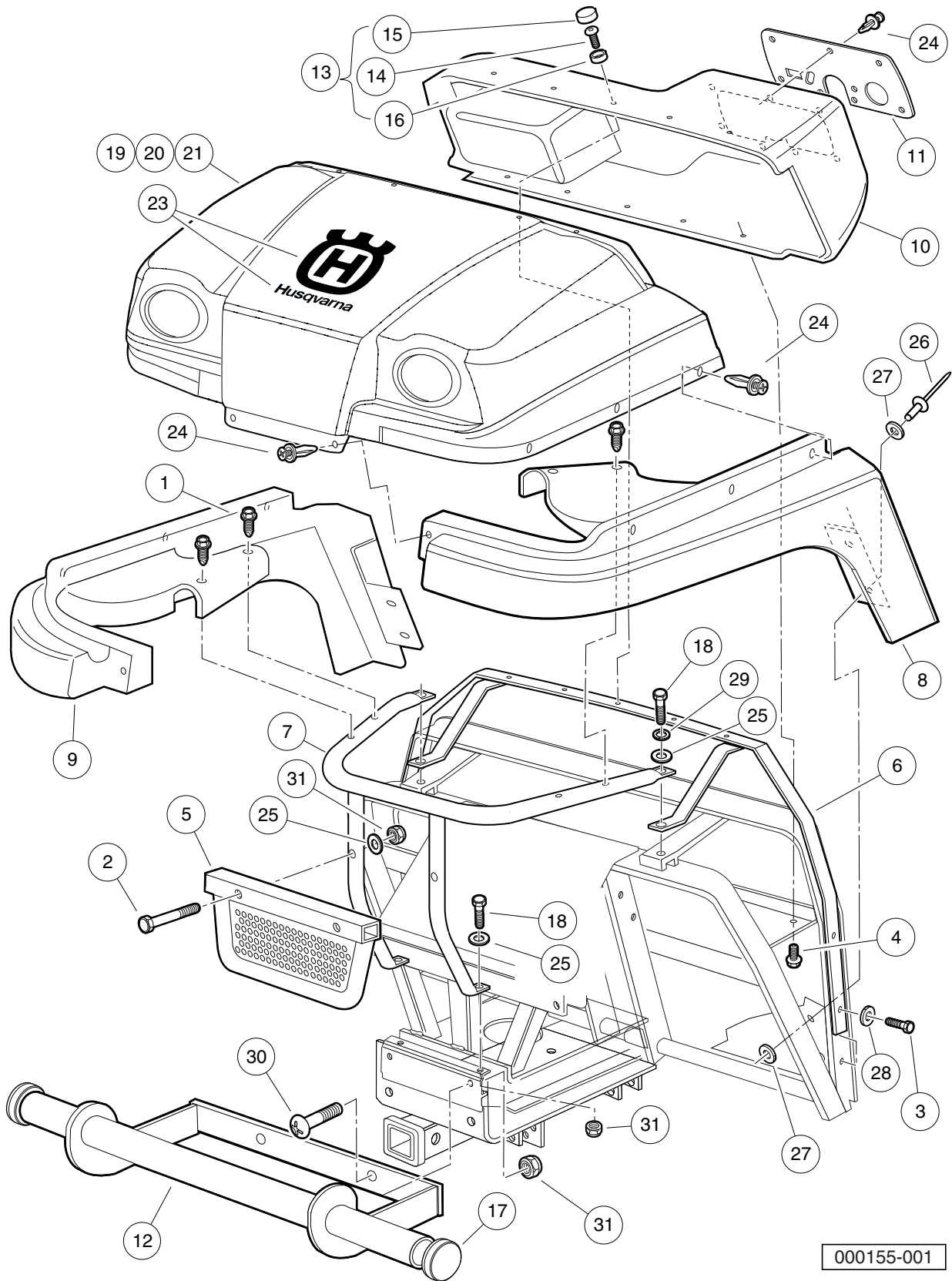
SECTION i – INDEX

BODY AND TRIM

1

G

1
G



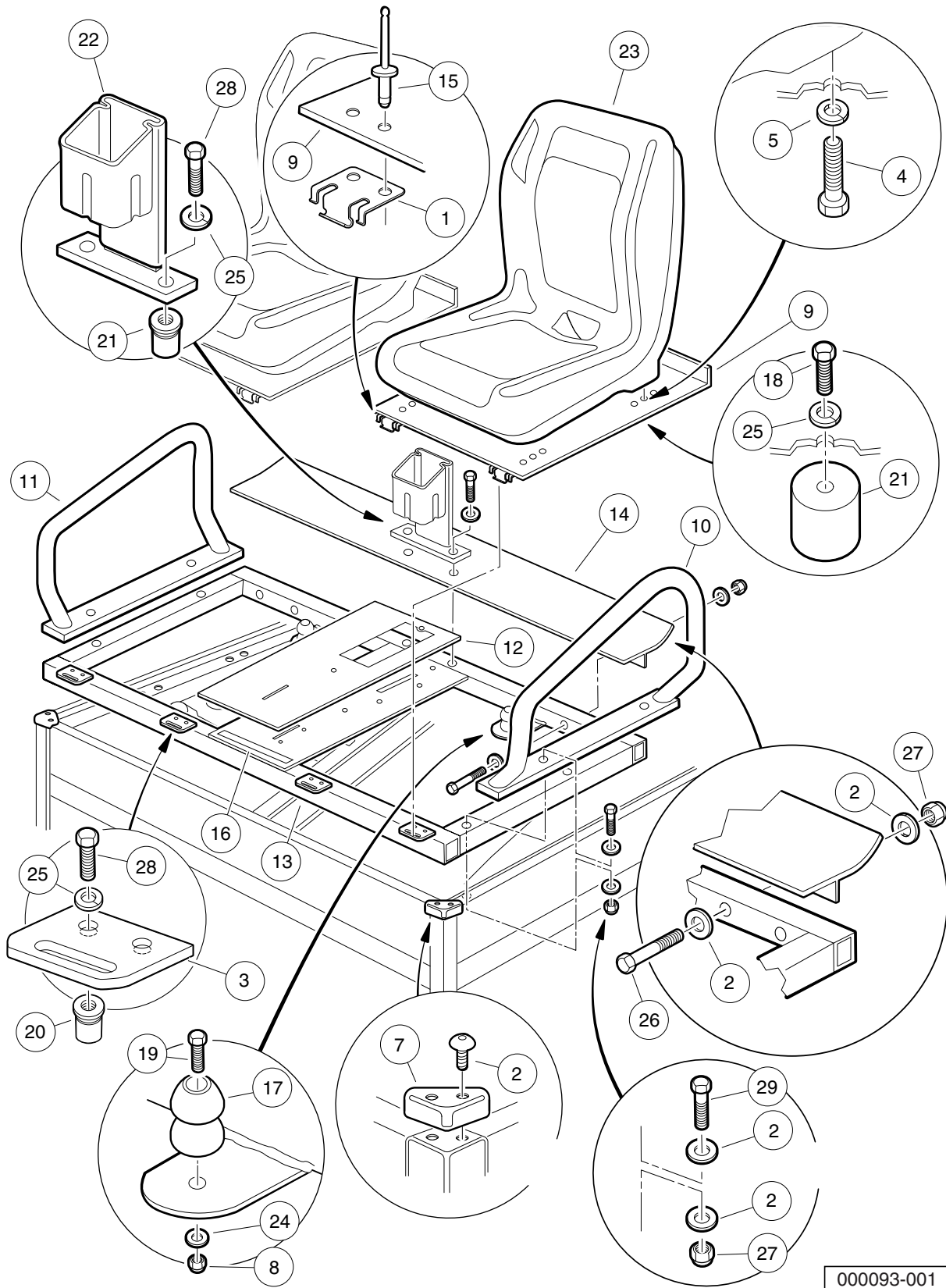
000155-001

FRONT BODY TRIM

ITEM	PART NO.	DESCRIPTION	QTY
		1 2 3 4	
1	<u>1010545</u>	Screw, Hex Washer Head 1/4-14 X .75	4
2	<u>1010921</u>	Screw, 5/16-18 X 2.50 Hex Cap	2
3	<u>1012285</u>	Screw, 1/4 X 0.625 Hex-Head	4
4	<u>1017384</u>	Screw, #12 X .50 Hex, Washer-Head	5
5	102013901	Grill Assembly	1
6	<u>102015701</u>	Support, Upper Cowl	1
7	102015801	Support, Lower Fender	1
8	<u>102021501</u>	Fender, Left Front	1
9	<u>102021601</u>	Fender, Right Front	1
10	<u>102021801</u>	Dashboard	1
11	<u>102030501</u>	Panel, Dash	1
12	<u>102055801</u>	Bumper Assembly	1
13	102056901	Kit, Dash Hardware (includes items 14 through 16)	1
14	<u>102025801</u>	Screw, 1/4-20 X .75 Torx Pn Hd	5
15	<u>102045001</u>	Cap, 1/4" Plastic Screw Head	5
16	<u>102048401</u>	Washer, 1/4 Id Scalloped Plast	5
17	<u>102058401</u>	Cap-Tube	2
18	<u>102078101</u>	Screw, 5/16-18 X 2.50 Hex Cap	4
19	102719818	Cowl, Camo	1
20	<u>102719853</u>	Cowl, Orange	1
21	102719854	Cowl, Oem, 1200, Olive Green	1
22	<u>102751701</u>	Floormat	1
23	<u>102769001</u>	Decal, Husqvarna Cowl	1
24	<u>102967901</u>	Rivet, Removable, Tuflok 1/4"	15
25	<u>1241</u>	Washer, 5/16 Type A Flat	6
26	<u>1606</u>	Rivet, 3/16 X .500 Alum Pop	4
27	<u>183</u>	Washer, #10 Type A Flat	8
28	<u>332</u>	Washer, 1/4 Type A Narrow Flat	4
29	<u>7174</u>	Lockwasher, 5/16 Split	4
30	<u>7410</u>	Screw, 5/16-18 X 1.25 Truss Hd	2
31	<u>7473</u>	Locknut, 5/16-18 Nylon Insert	6
		Note: The floormat is not illustrated.	

1

G



000093-001

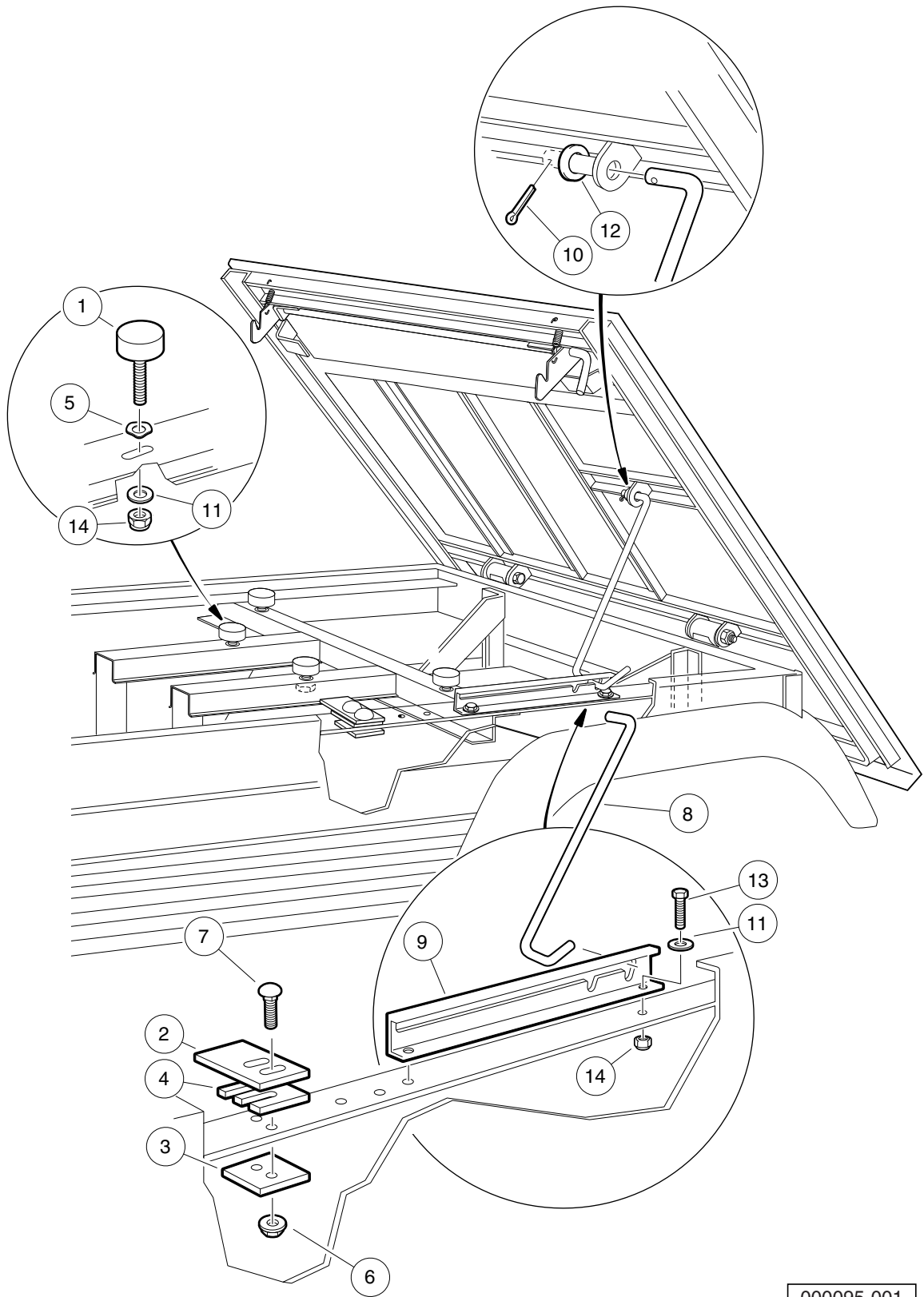
FRONT SEATS

ITEM	PART NO.	DESCRIPTION	QTY
		1 2 3 4	
1	<u>1011652</u>	Hinge Plate	4
2	<u>1011697</u>	Washer, 5/16 Flat	16
3	<u>1012412</u>	Body, Hinge Plate	4
4	<u>1012830</u>	Screw, M8-125 X 22 Hex-Head	8
5	<u>1013734</u>	Lockwasher, 8mm Split	8
6	<u>1014321</u>	Screw, #10 Truss-Head Torx	4
7	<u>1014387</u>	Cap, Corner	2
8	<u>101887601</u>	Locknut, M6-1.00 Nylon Insert	2
9	<u>102023701</u>	Pan, Seat	2
10	<u>102024901</u>	Armrest, Driver	1
11	<u>102025001</u>	Armrest, Passenger	1
12	<u>102026401</u>	Console Cover	1
13	<u>102026901</u>	Seat Support Assembly	1
14	<u>102029501</u>	Seal	1
15	<u>102047001</u>	Rivet, 1/4 X .438 Blind	8
16	<u>102056201</u>	3M VHB Tape 4936	1
17	<u>102059001</u>	Seat Holder Base	2
18	<u>102059401</u>	Screw, 6m-1.00 X 10mm Hex Head	2
19	<u>102059501</u>	Screw, 6m-1.00 X 35mm Hex Head	2
20	<u>102060201</u>	1/4 - 20 Threaded Insert	10
21	<u>102061101</u>	Seat Holder Cup	2
22	<u>102068501</u>	Radio/Beverage Holder Assembly	1
23	<u>103267001</u>	Seat, Bucket, Gray	2
24	<u>332</u>	Washer, 1/4 Type A Narrow Flat	2
25	<u>451</u>	Lockwasher, 1/4 Split	12
26	<u>7311</u>	Screw, 1/4-20 X 2.00 Hex-Head Cap	4
27	<u>7473</u>	Locknut, 5/16-18 Nylon Insert	8
28	<u>7847</u>	Screw, 1/4-20 X 0.75 Hex-Head Cap	10
29	<u>8935</u>	Screw, 5/16-18 X 2.25 Hex-Head Cap	4

1

G

1
G



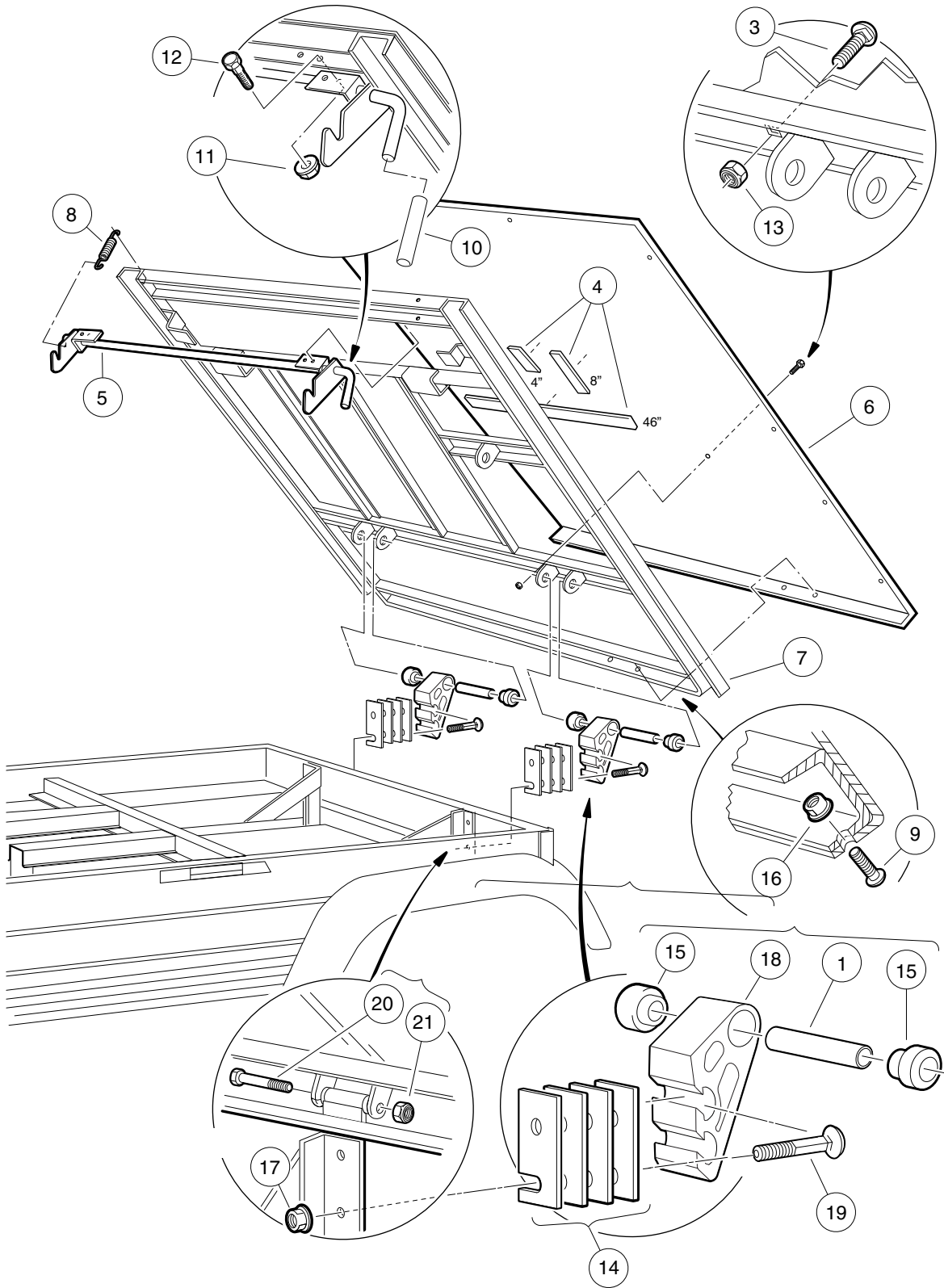
000095-001

LATCH PLATE AND PROP ROD

ITEM	PART NO.	DESCRIPTION	QTY
		1 2 3 4	
1	<u>1010878</u>	Bumper, Rubber	4
2	<u>1015277</u>	Latch Plate, Tilt Bed	2
3	<u>1016060</u>	Plate, Latch Support	2
4	<u>1016078</u>	Latch Plate Shim	1
5	<u>1016201</u>	Washer, Wave	4
6	<u>101835601</u>	Locknut, 1/4-20 Hex Whiz	4
7	<u>101958602</u>	Bolt, Carriage, 1/4-20 X 1.0	4
8	<u>102301401</u>	Rod, Prop	1
9	<u>102418101</u>	Track, Prop Rod	1
10	<u>1035</u>	Cotter Pin, 3/32 x 1	1
11	<u>332</u>	Washer, 1/4 Type A Narrow Flat	4
12	<u>334</u>	Washer, 3/8 Type A Flat	1
13	<u>7847</u>	Screw, 1/4-20 X 0.75 Hex-Head Cap	2
14	<u>8233</u>	Locknut, 1/4-20 Nylon Insert	4

1
G

1
G



000096-001

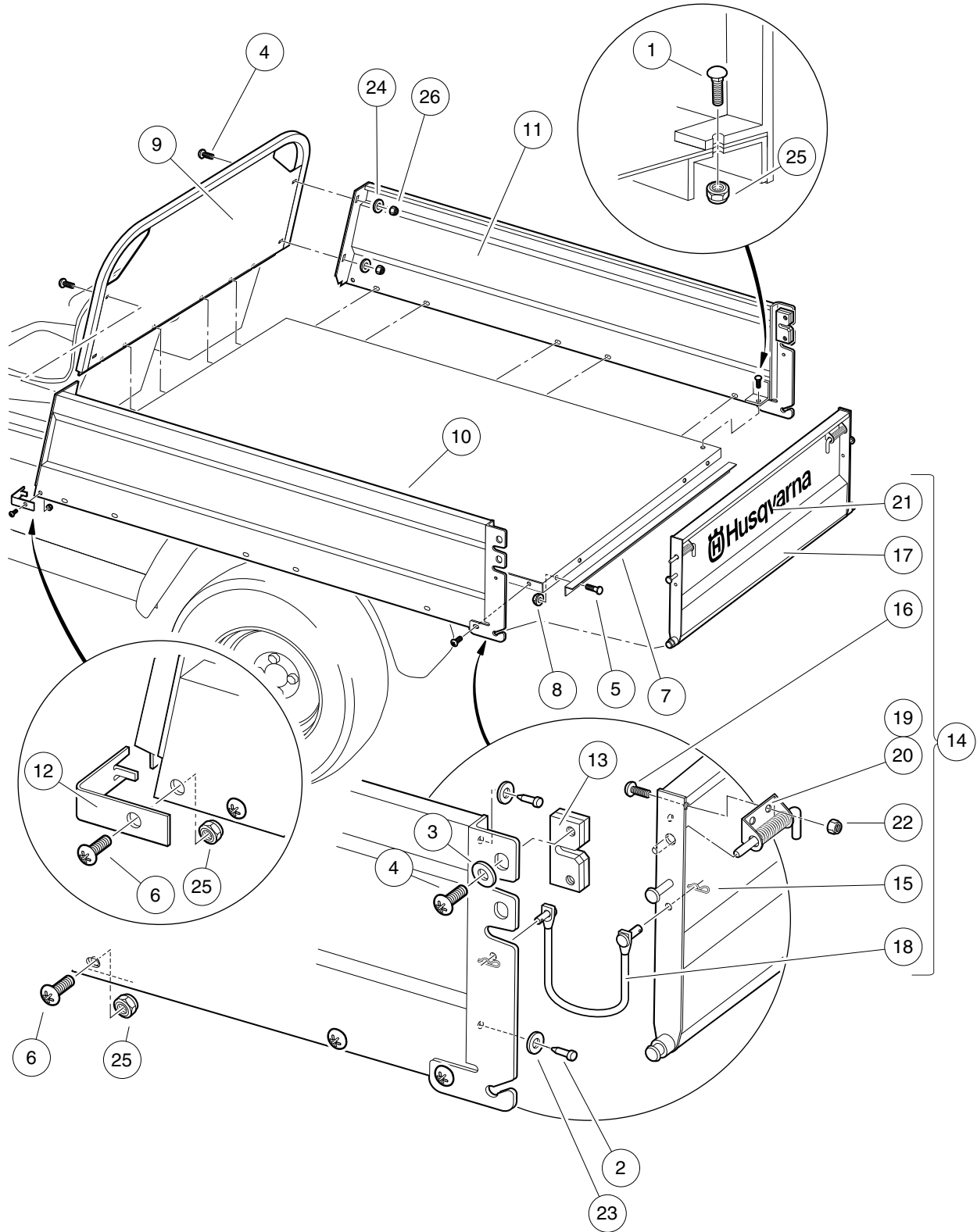
TILT BED, HINGE, AND LATCH

ITEM	PART NO.	DESCRIPTION	QTY
		1 2 3 4	
1	<u>1012303</u>	Bushing, Steel	2
2	<u>101542901</u>	Assembly, Tilt Bed (includes items 3 through 13)	1
3	<u>1010435</u>	Bolt, Carriage, 5/16-18 X 1.00	4
4	<u>1014471</u>	Tape, Vinyl Foam 1/8" x 3/4" *	1
5	<u>1015252</u>	Latch Weld Assembly	1
6	<u>1015258</u>	Plate, Floor Bed	1
7	N/A	Frame Assembly	1
8	N/A	Extension, Spring Latch	2
9	<u>1015399</u>	Screw, 5/16-18 X 0.88 Torx Truss-Head	4
10	<u>1015400</u>	Grip, Tilt Latch Hand	1
11	<u>101835601</u>	Locknut, 1/4-20 Hex Whiz	4
12	<u>403</u>	Screw, 1/4-20 X 0.625 Hex-Head Cap	4
13	<u>7473</u>	Locknut, 5/16-18 Nylon Insert	8
14	<u>1015507</u>	Shim, Tilt Bed Pivot	1
15	<u>1015583</u>	Bushing, Urethane	4
16	<u>101963401</u>	Locknut, 5/16-18 Hex Flange	13
17	<u>102065901</u>	Locknut, 3/8-16 Flanged Dimple	4
18	<u>103538701</u>	Extra, Bracket, Hinge, Bed	2
19	<u>103538901</u>	3/8-16 X 3.5 Carr Blt Gr5 Zn	4
20	<u>705</u>	Screw, Cap-hex Hd 3/8-16x1.25	4
21	<u>8754</u>	Locknut, 3/8-16 Hex	2
		* Note: Item not shown.	

1

G

1
G

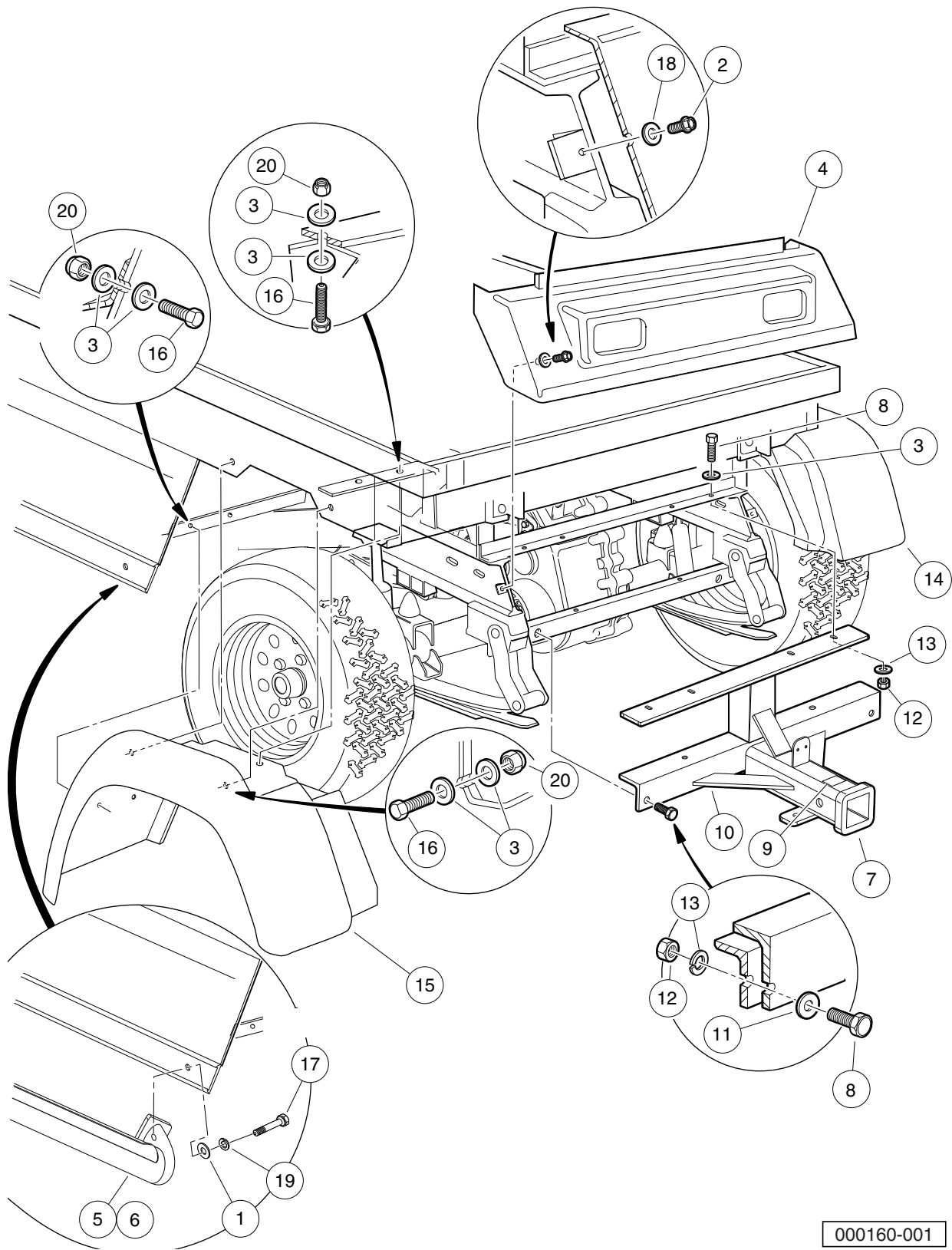


000038-002

CARGO BOX

1
G

ITEM	PART NO.	DESCRIPTION	QTY
		1 2 3 4	
1	<u>1010435</u>	Bolt, Carriage, 5/16-18 X 1.00	13
2	<u>1010436</u>	Bumper, Rubber	4
3	<u>1014306</u>	Washer, 1/4" Type B Flat	4
4	<u>1014415</u>	Screw, 1/4-20 X 0.75 Torx Truss-Head	8
5	<u>1014537</u>	Stud, Self-Clinching Flush Head	4
6	<u>1015399</u>	Screw, 5/16-18 X 0.88 Torx Truss-Head	18
7	<u>101553901</u>	Decal, Bed Load Warning	1
8	<u>101894304</u>	Box Bed Tailgate Angle	1
9	<u>101963401</u>	Locknut, 5/16-18 Hex Flange	4
10	<u>102221301</u>	Front Panel Weldment	1
11	<u>102221401</u>	Left Panel Weldment	1
12	<u>102221501</u>	Right Panel Weldment	1
13	<u>102221701</u>	Front Corner Cap	2
14	<u>102222001</u>	Slam Latch	2
15	<u>102229904</u>	Assembly, Tailgate (includes items 16 through 23)	1
16	<u>1013366</u>	Hair Pin Clip	4
17	<u>1014415</u>	Screw, 1/4-20 X 0.75 Torx Truss-Head	4
18	N/A	Tailgate, Weldment	1
19	<u>102221801</u>	Tether Assembly	2
20	<u>102222101</u>	Spring Latch Left	1
21	<u>102222201</u>	Spring Latch Right	1
22	<u>102768801</u>	Decal, Husqvarna, Tailgate	1
23	<u>8233</u>	Locknut, 1/4-20 Nylon Insert	4
24	<u>102239901</u>	Washer, Rubber, 3/8	4
25	<u>332</u>	Washer, 1/4 Type A Narrow Flat	4
26	<u>7473</u>	Locknut, 5/16-18 Nylon Insert	31
27	<u>8233</u>	Locknut, 1/4-20 Nylon Insert	4
<p>Note: Eleven each of items 1 and 25 are used to secure the floor plate to the bed frame and are not illustrated.</p>			



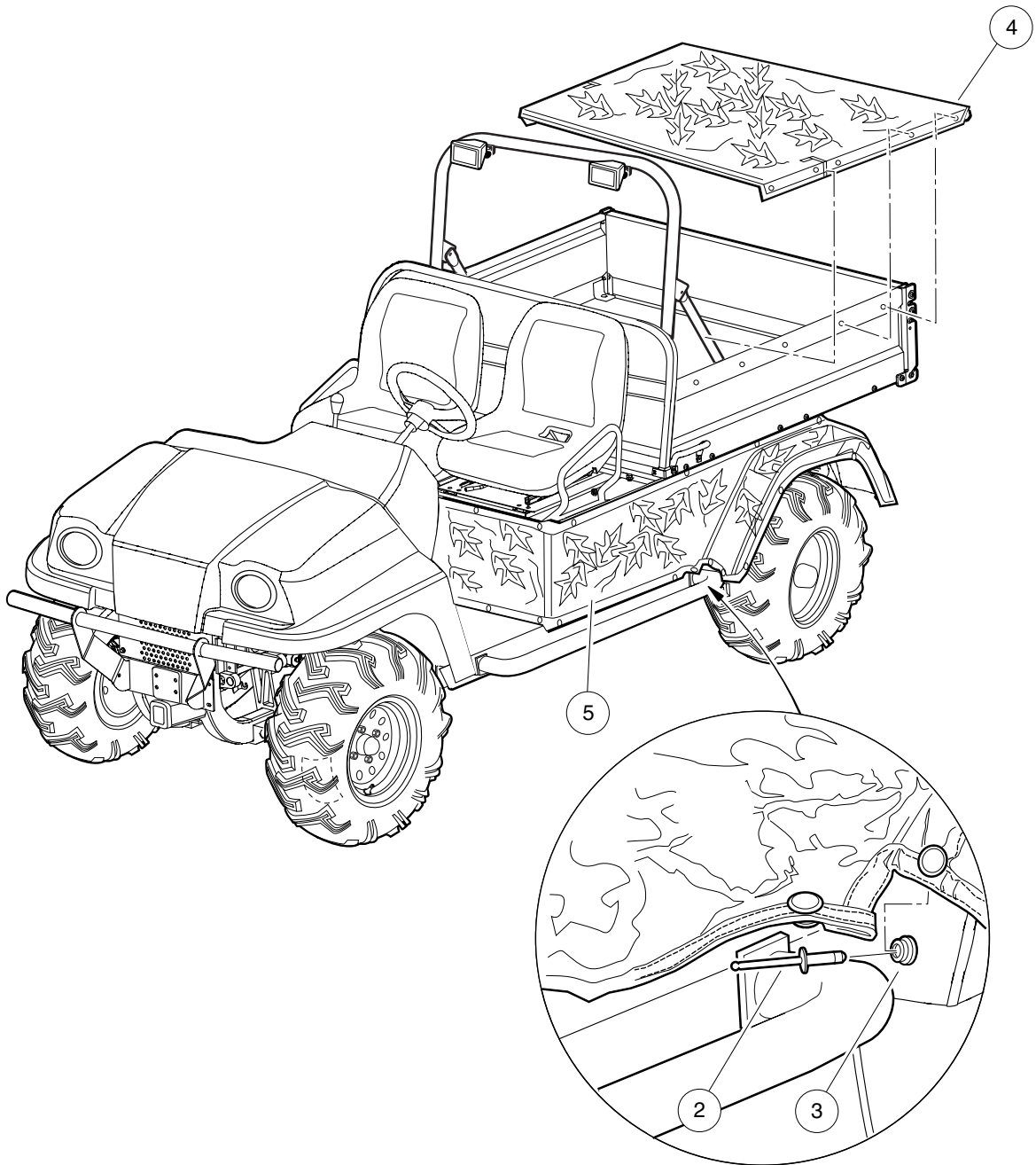
000160-001

REAR BODY TRIM

ITEM	PART NO.	DESCRIPTION	QTY
		1 2 3 4	
1	<u>1011990</u>	Washer, 3/8 Flat	4
2	<u>1012285</u>	Screw, 1/4 X 0.625 Hex-Head	2
3	<u>1014306</u>	Washer, 1/4" Type B Flat	20
4	<u>1015530</u>	Tailskirt	1
5	<u>102025201</u>	Side Step Bar (black)	2
6	<u>102025202</u>	Side Step Bar (orange)	2
7	<u>102065103</u>	Kit, Rear Receiver (includes items 8 through 13)	1
8	<u>1010934</u>	Screw, 5/16-18 X 1.00 Hex Cap	6
9	<u>1011553</u>	Decal, Trailer Hitch	1
10	<u>102056001</u>	Rear Receiver Weld Asm	1
11	<u>1241</u>	Washer, 5/16 Type A Flat	6
12	<u>1242</u>	Nut, 5/16-18 Hex	6
13	<u>7174</u>	Lockwasher, 5/16 Split	6
14	<u>102251601</u>	Fender, Right Rear	1
15	<u>102251701</u>	Fender, Left Rear	1
16	304	Screw, 1/4-20 X 1.0 Hex-Head Cap	10
17	320	Screw, 3/8-16 X 1.00 Hex-Head Cap	2
18	<u>332</u>	Washer, 1/4 Type A Narrow Flat	2
19	<u>357</u>	Lockwasher, 3/8 Split	4
20	<u>8233</u>	Locknut, 1/4-20 Nylon Insert	10

1

G



000178-001

CAMOUFLAGE COVERS

ITEM	PART NO.	DESCRIPTION	QTY
		1 2 3 4	
1	<u>102769902</u>	Kit, Camo Cover (includes items 2 through 5)	1
2	N/A	Rivet, 0.125" Dia.	34
3	N/A	Snap, Male Button, 7/16"	34
4	AM10677	Cover, Camouflage Cargo Box (Forest Floor Pattern)	1
5	AM10678	Wrap, Camouflage Rear Body (Forest Floor Pattern)	1

1
G

1

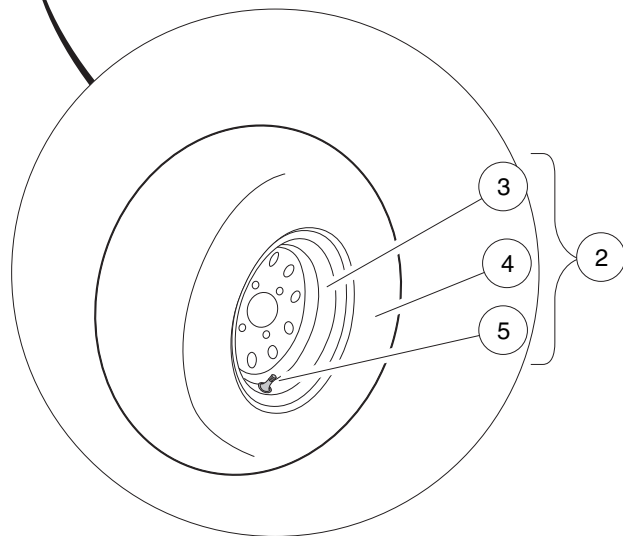
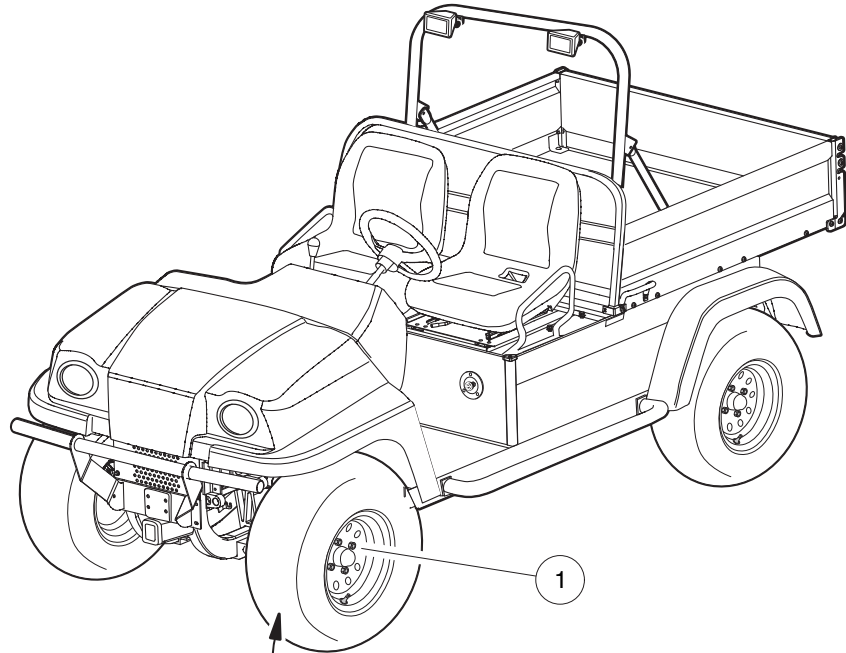
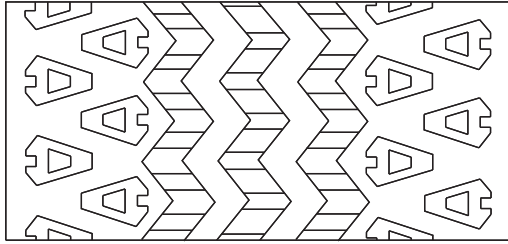
G

WHEELS AND TIRES

2

G

2
G



000101-004

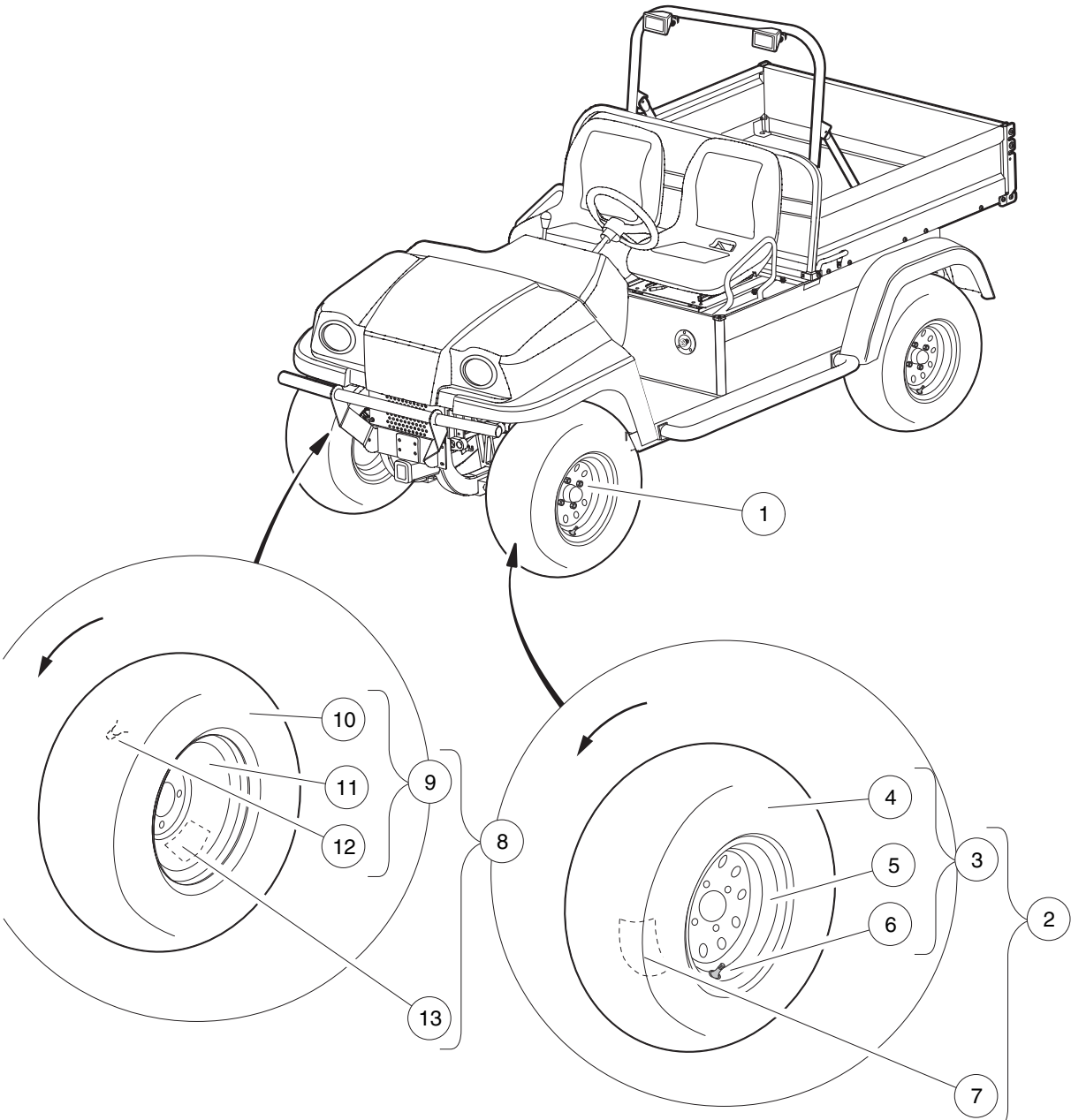
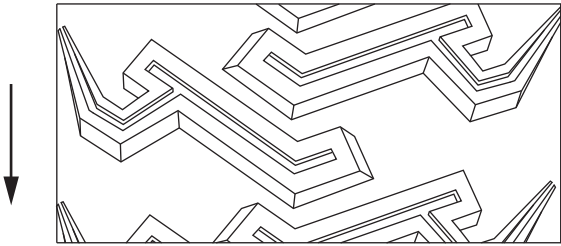
WHEELS AND TIRES, ALL-TERRAIN TREAD

ITEM	PART NO.	DESCRIPTION	QTY
		1 2 3 4	
1	<u>1010984</u>	.500-20 Unf Lug Nut	16
2	<u>102021402</u>	Gray Tire Assembly, HDAT Tread (includes items 3 through 5)	4
3	1020211	Wheel Rim, Gray	1
4	<u>102021302</u>	Tire, HDAT	1
5	<u>7310</u>	Valve Stem	1

2

G

2
G



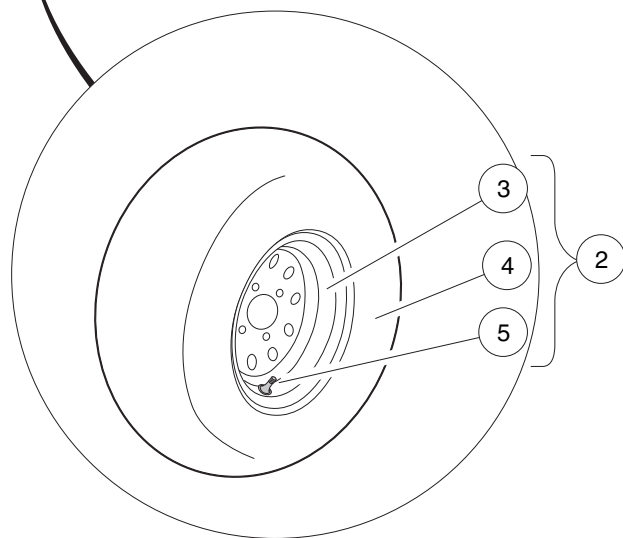
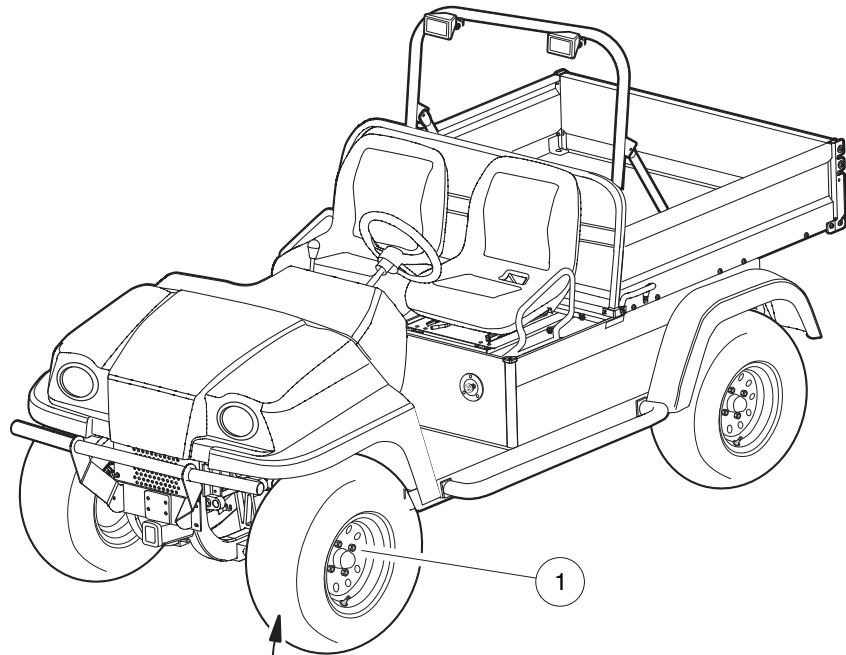
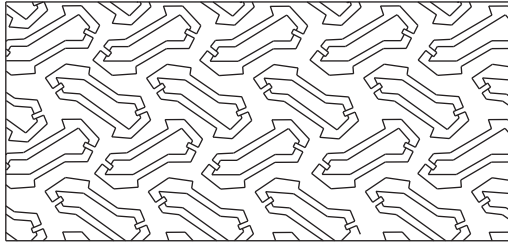
000101-005

WHEELS AND TIRES, MUD TREAD

ITEM	PART NO.	DESCRIPTION	QTY
		1 2 3 4	
1	<u>1010984</u>	.500-20 Unf Lug Nut	16
2	<u>102243003</u>	Tire Asm, Traks Max L Service (includes items 3 through 7)	2
3	<u>102021403</u>	Gray Tire Asm Traks Max II L (includes items 4 through 6)	1
4	N/A	Tire, Traks Max II L	1
5	<u>102234301</u>	Wheel Rim 10" Gray	1
6	<u>7310</u>	Valve Stem	1
7	102234001	Decal, Brake Warning	1
8	<u>102243004</u>	Tire Asm, Traks Max R Service (includes items 9 through 13)	2
9	<u>102021404</u>	Gray Tire Asm Traks Max II R (includes items 10 through 12)	1
10	N/A	Tire, Traks Max II L	1
11	<u>102234301</u>	Wheel Rim 10" Gray	1
12	<u>7310</u>	Valve Stem	1
13	102234001	Decal, Brake Warning	1

2
G

2
G



000101-006

WHEELS AND TIRES, TURF TREAD

ITEM	PART NO.	DESCRIPTION	QTY
		1 2 3 4	
1	<u>1010984</u>	.500-20 Unf Lug Nut	16
2	<u>102021414</u>	Gray Tire Asm Turf Tread (includes items 3 through 5)	4
3	1020211	Wheel Rim, Gray	1
4	N/A	Tire, 23x10.5-12 Turf Trac R/s	1
5	<u>7310</u>	Valve Stem	1

2

G

2

G

DECALS

3

G

OPERATING INSTRUCTIONS

- Read owner's manual and safety warnings located on dash panel prior to driving.
- Study and understand controls.

TO START ENGINE

- Place shift lever in "N" - Neutral position.
- Depress brake pedal.
- Turn key switch to "START" position and hold, activating the choke as necessary, until engine starts.

TO OPERATE VEHICLE

- Make sure wheels are turned in desired direction.
- Be sure nothing is in your path.
- While vehicle is stopped, and the engine is at idle, select vehicle direction by placing shift lever in desired position.
F - Forward N - Neutral R - Reverse (Buzzer will sound)
- Release hand brake.
- Slowly push accelerator pedal to increase speed.
- Engine must be at idle before moving shift lever.

TO STOP VEHICLE

- Release accelerator pedal and push brake pedal.
- After stopping, firmly set hand brake.
- Turn key to "OFF" position, remove key and place shift lever in straight up neutral position when not in use.

CCI 102224301

⚠ WARNING

ROLLOVER OR FALLING OFF MAY CAUSE DEATH

- Read operators manual and operating instructions.
- Remain seated and hold on to seat handle while moving.
- Drive slowly in turns and straight up and down slopes.
- Do not start vehicle until all occupants are seated.
- Front seats: One (1) person per seat maximum.
- Operate from driver side only and not on public roads.
- Keep entire body inside vehicle while moving.
- Do not operate while under the influence of alcohol or drugs.
- Never attempt jumps.

CCI 102029101

⚠ WARNING

REDUCED STEERING CONTROL MAY CAUSE SERIOUS INJURY OR DEATH

Disengage differential lock on paved surfaces.



CCI 102046601

⚠ WARNING

YOUNG DRIVERS INCREASE CHANCE OF DEATH


UNDER 16

- Young drivers may not be able to control vehicle.
- No drivers younger than 16 years old.
- Do not leave children unattended on vehicle.

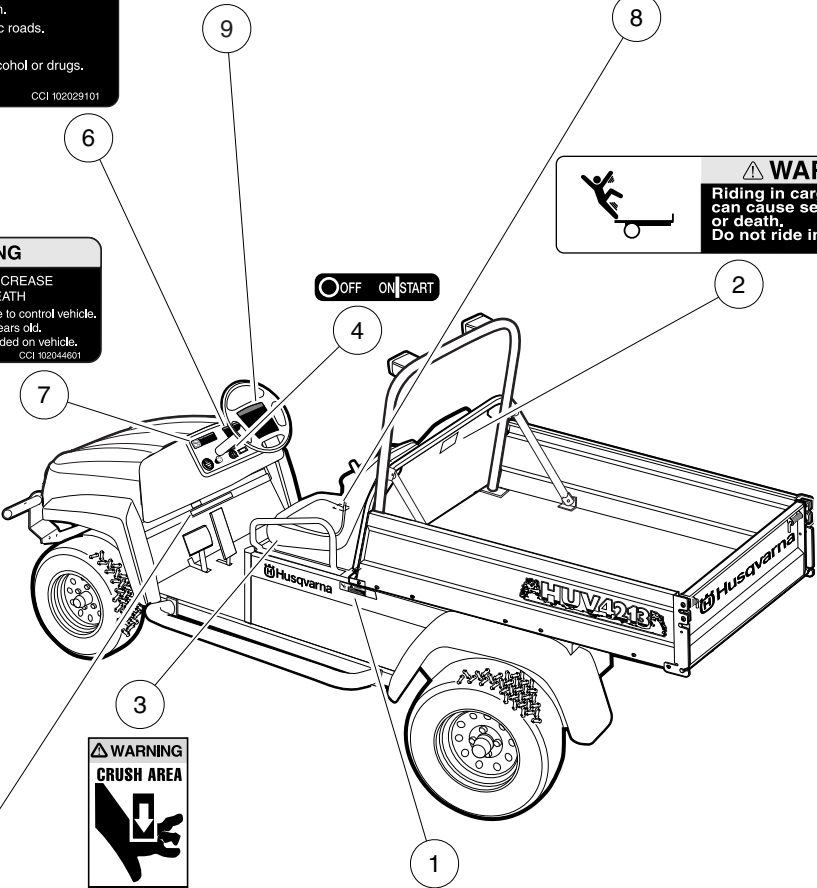
CCI 102044601

⚠ WARNING

Riding in cargo bed can cause severe injury or death. Do not ride in cargo bed.



CCI 101583901



⚠ WARNING

CRUSH AREA



STAY CLEAR

CCI 101809401

⚠ WARNING

Crush area. Can cause severe injury. Stay clear when closing bed.



LATCH
CCI 1015437-01

VEHICLE LOADING
Read Owner's Manual and warnings on dash.

- Vehicle rated capacity - 1200 lbs. on level surface only. Weight to include passengers, cargo bed load, and gross trailer weight. See Owner's Manual.
- Maximum cargo load - 800 lbs. Weight to include cargo bed load and gross trailer weight.
- Maximum trailer hitch tongue weight - 150 lbs.

- Cargo should be evenly spread over the floor of the cargo bed as far forward as possible and secured.
- For vehicle stability, when fully loaded, drive slowly and avoid stopping on or backing down steep hills.
- Avoid top heavy loads. See Owner's Manual.
- When driving on uneven terrain or down steep hills, reduce speed and load.

CCI 101960201

000161-001

DECALS

ITEM	PART NO.	DESCRIPTION	QTY
		1 2 3 4	
1	<u>101543701</u>	Decal, Tilt Bed Warning	1
2	<u>101553901</u>	Decal, Bed Load Warning	1
3	<u>101609401</u>	Decal, Crush Area Warning	2
4	<u>101825102</u>	Decal, Off/On/Start	1
5	<u>101960201</u>	Decal, Vehicle Loading	1
6	<u>102029101</u>	Decal, Dash Warning	1
7	<u>102044601</u>	Underage Warning Decal	1
8	<u>102046601</u>	Decal, Differential Lock Warning	1
9	<u>102224301</u>	Decal, Operating Instructions	1

3
G



WARNING

- GASOLINE EXPLOSION / FIRE.
- CAN CAUSE SEVERE INJURY OR DEATH.
- NO SMOKING, SPARKS, OR OPEN FLAME.
- STOP ENGINE, ALLOW TO COOL BEFORE REFUELING.
- TURN FUEL VALVE () ON DURING OPERATION.
- () OFF DURING STORAGE OR TRANSPORT. CCI 101547601



WARNING

Rotating Parts

CCI 10224001

NOTICE

MAXIMUM TONGUE WEIGHT - 150 lbs.

CCI 1011553




WARNING

CAN CAUSE SEVERE INJURY

Rotating parts

HOT manifold & muffler

KEEP CLEAR CCI 1019605-01




WARNING

WINCH CABLE FRACTURE COULD RESULT IN SERIOUS INJURY OR DEATH.

- Do not use winch while persons are seated on the vehicle.
- Use remote operation switch for winch control.
- Stand to the side and away from the vehicle to operate winch.
- Read winch operator manual before operating winch.

102231601




WARNING

INCORRECT WIRING COULD RESULT IN SEVERE INJURY OR DEATH.

- Diode and solenoid connections must have correct polarity.
- Keep all persons clear of engine belts when making final connections.

CCI 102345901



WARNING

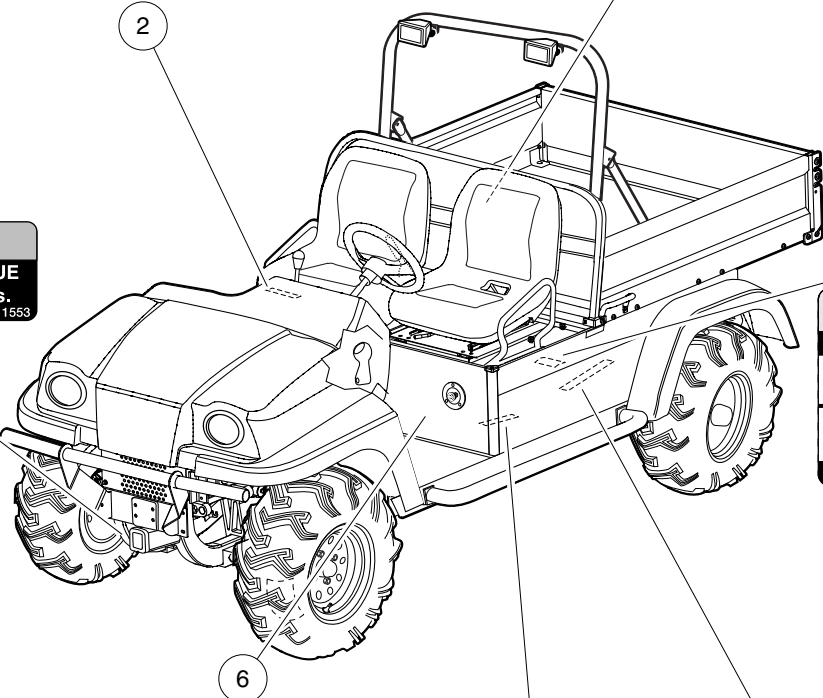
Negative frame ground. Can cause severe injury. Do not contact positive (+) battery post or cable to frame. Disconnect negative battery lead first.



WARNING

Excessive speed. Can cause severe injury or death. Do not tamper with engine governor adjustment.

CCI 1019152-01

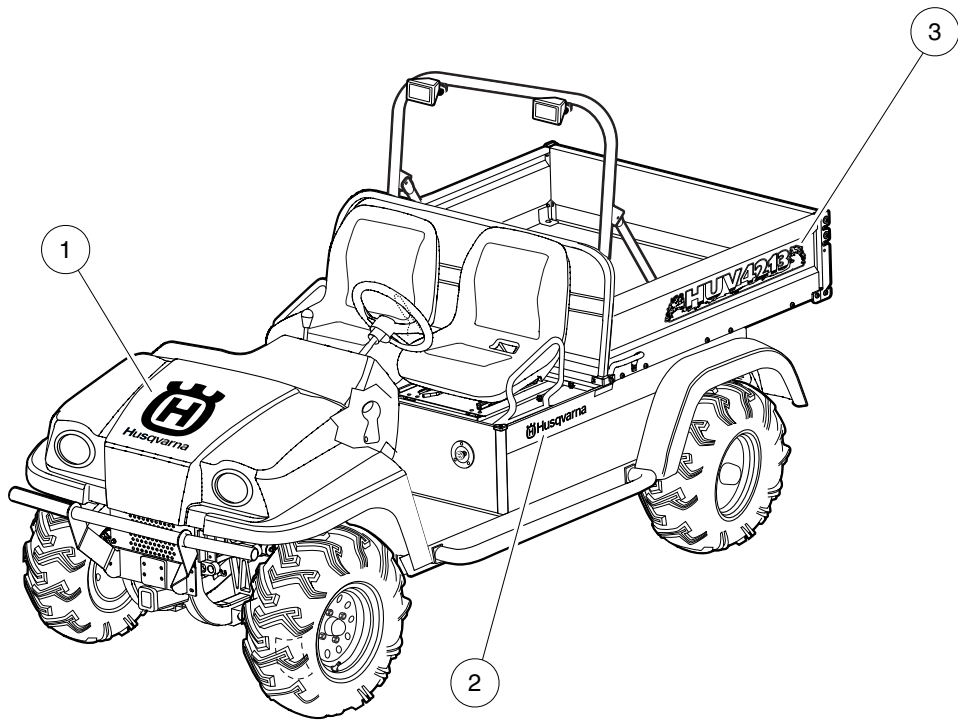


DECALS, CONTINUED

ITEM	PART NO.	DESCRIPTION	QTY
		1 2 3 4	
1	<u>1011553</u>	Decal, Trailer Hitch	2
2	<u>101547601</u>	Decal, Gasoline Explosion/Fire Warning	1
3	<u>101915201</u>	Decal, Frame Ground and Governor Warning	1
4	<u>101960501</u>	Decal, Rotating Parts/Hot Manifold	2
5	<u>102224001</u>	Decal, Rotating Parts Warning	1
6	<u>102231601</u>	Decal, Winch Cable Fracture Warning	1
7	<u>102345901</u>	Decal, Diode Safety	1

3

G



000168-001

BADGING DECALS

ITEM	PART NO.	DESCRIPTION	QTY
		1 2 3 4	
1	<u>102769001</u>	Decal, Husqvarna Cowl	1
2	<u>102769101</u>	Decal, Husqvarna, Side Panel	2
3	102769201	Decal, Bed, HUV4213	2

3

G

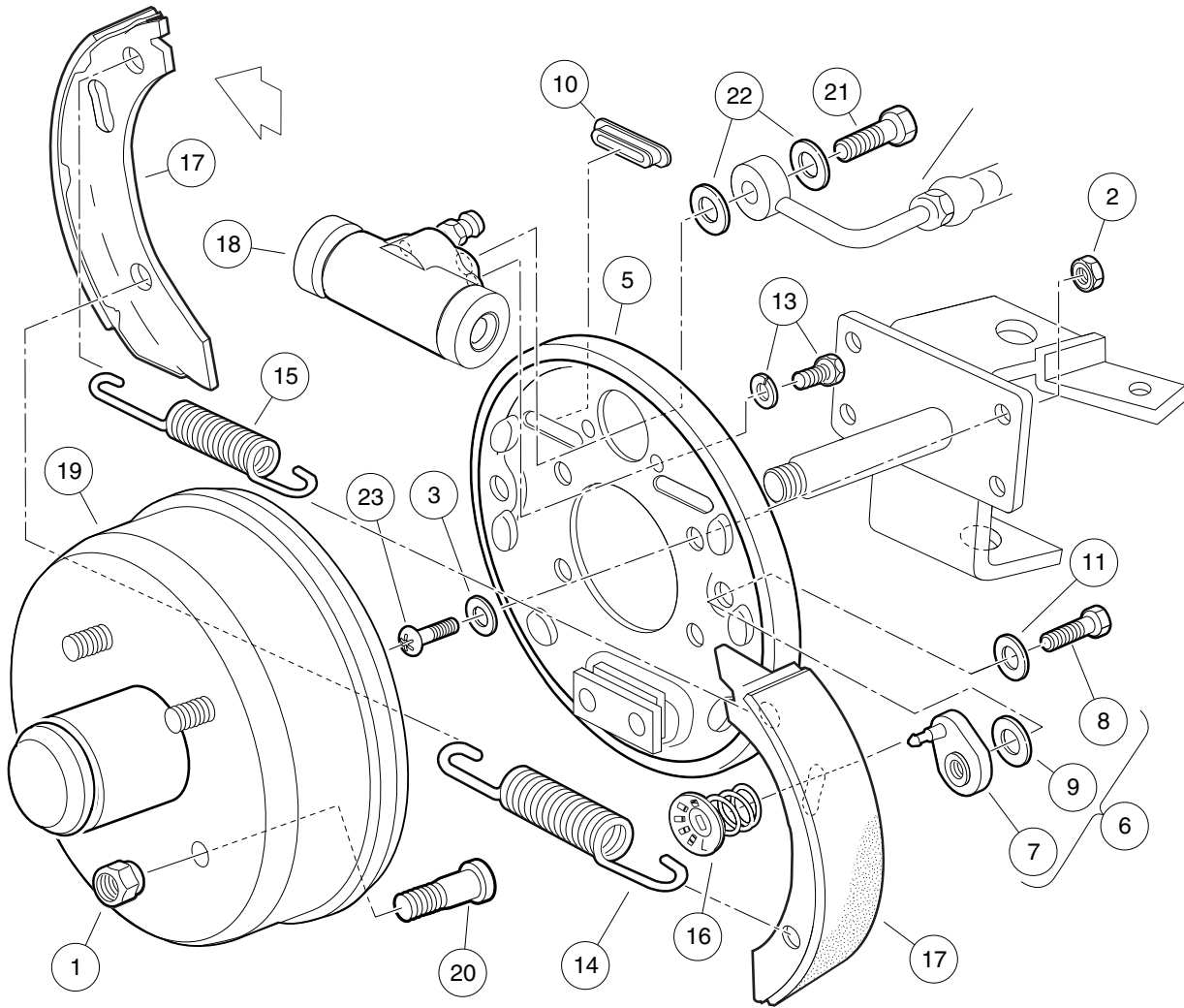
3

G

BRAKE SYSTEMS

4

G



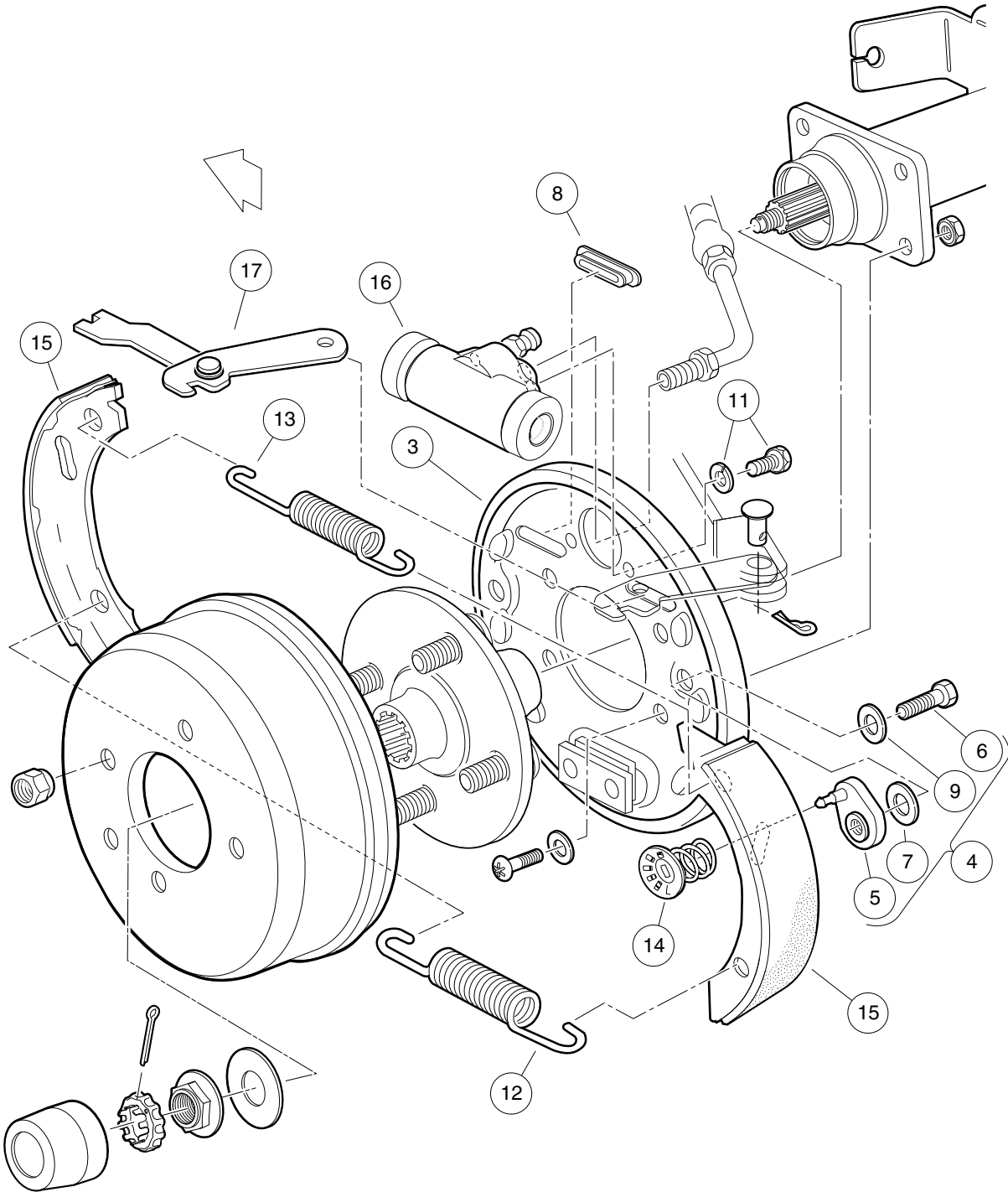
000106-001

FRONT BRAKE ASSEMBLY

ITEM	PART NO.	DESCRIPTION	QTY
		1 2 3 4	
1	<u>1010984</u>	.500-20 Unf Lug Nut	8
2	<u>1013924</u>	Nut, 5/16-24 Hex Head Cone	8
3	<u>1017233</u>	Washer, 5/16 Hardened	8
4	<u>102033301</u>	Cluster, Front Brake (includes items 5 through 18)	2
5	<u>102049401</u>	Backing Plate Asm	1
6	<u>102049601</u>	Kit, Axle Adjuster (includes items 7 through 11)	1
7	<u>102049501</u>	Adjuster	4
8	<u>102049901</u>	Bolt, 1/4-28 UNF X .31	4
9	<u>102050001</u>	Washer	4
10	<u>102050101</u>	Dust Cover	4
11	N/A	Washer, 1/4 Flat	4
12	<u>102049701</u>	Kit, Axle Hardware (includes items 13 through 16)	1
13	<u>102050401</u>	Bolt, Wheel Cylinder	2
14	<u>102050501</u>	Spring, Shoe To Shoe, Lower	1
15	<u>102050601</u>	Spring, Shoe To Shoe, Upper	1
16	<u>102050701</u>	Shoe Hold Down	2
17	<u>102050201</u>	Shoe Kit, Axle Set	1
18	<u>102050301</u>	Wheel Cylinder Assembly 0.625 Dia	1
19	102044201	Assembly, Front Hub (includes item 20)	2
20	<u>1013787</u>	Lug Stud	4
21	<u>102044401</u>	Bolt, Banjo	2
22	<u>102045501</u>	Copper Washer	4
23	<u>102051001</u>	Screw, 5/16-24 X 1.0 Torx Hd	8

4

G



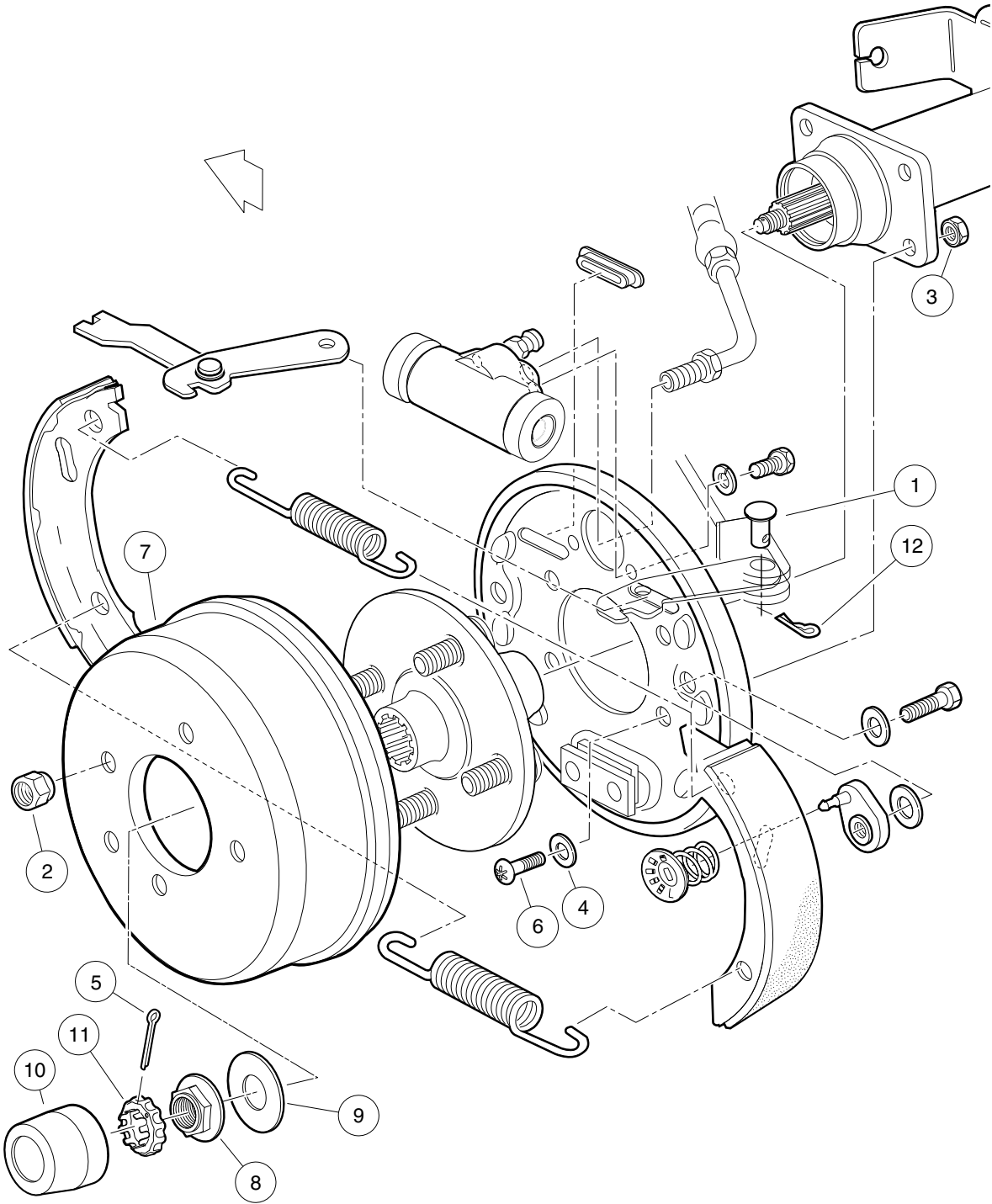
000107-001

BRAKE ASSEMBLY

4

G

ITEM	PART NO.	DESCRIPTION	QTY
		1 2 3 4	
1	<u>101791101</u>	Drum without Center Hole, Brake	1
2	<u>102033401</u>	Assembly, Brake Cluster LH (includes items 3 through 17)	1
3	<u>102049401</u>	Backing Plate Asm	1
4	<u>102049601</u>	Kit, Axle Adjuster (includes items 5 through 9)	1
5	<u>102049501</u>	Adjuster	4
6	<u>102049901</u>	Bolt, 1/4-28 UNF X .31	4
7	<u>102050001</u>	Washer	4
8	<u>102050101</u>	Dust Cover	4
9	N/A	Washer, 1/4 Flat	4
10	<u>102049701</u>	Kit, Axle Hardware (includes items 11 through 14)	1
11	<u>102050401</u>	Bolt, Wheel Cylinder	2
12	<u>102050501</u>	Spring, Shoe To Shoe, Lower	1
13	<u>102050601</u>	Spring, Shoe To Shoe, Upper	1
14	<u>102050701</u>	Shoe Hold Down	2
15	<u>102050201</u>	Shoe Kit, Axle Set	1
16	<u>102050801</u>	Wheel Cylinder Assembly 0.875 Dia	1
17	<u>102050902</u>	Park Brake Assembly, Left-Hand	1
<p style="margin-left: 40px;">Note: Right-hand brake cluster components not shown.</p>			



000107-002

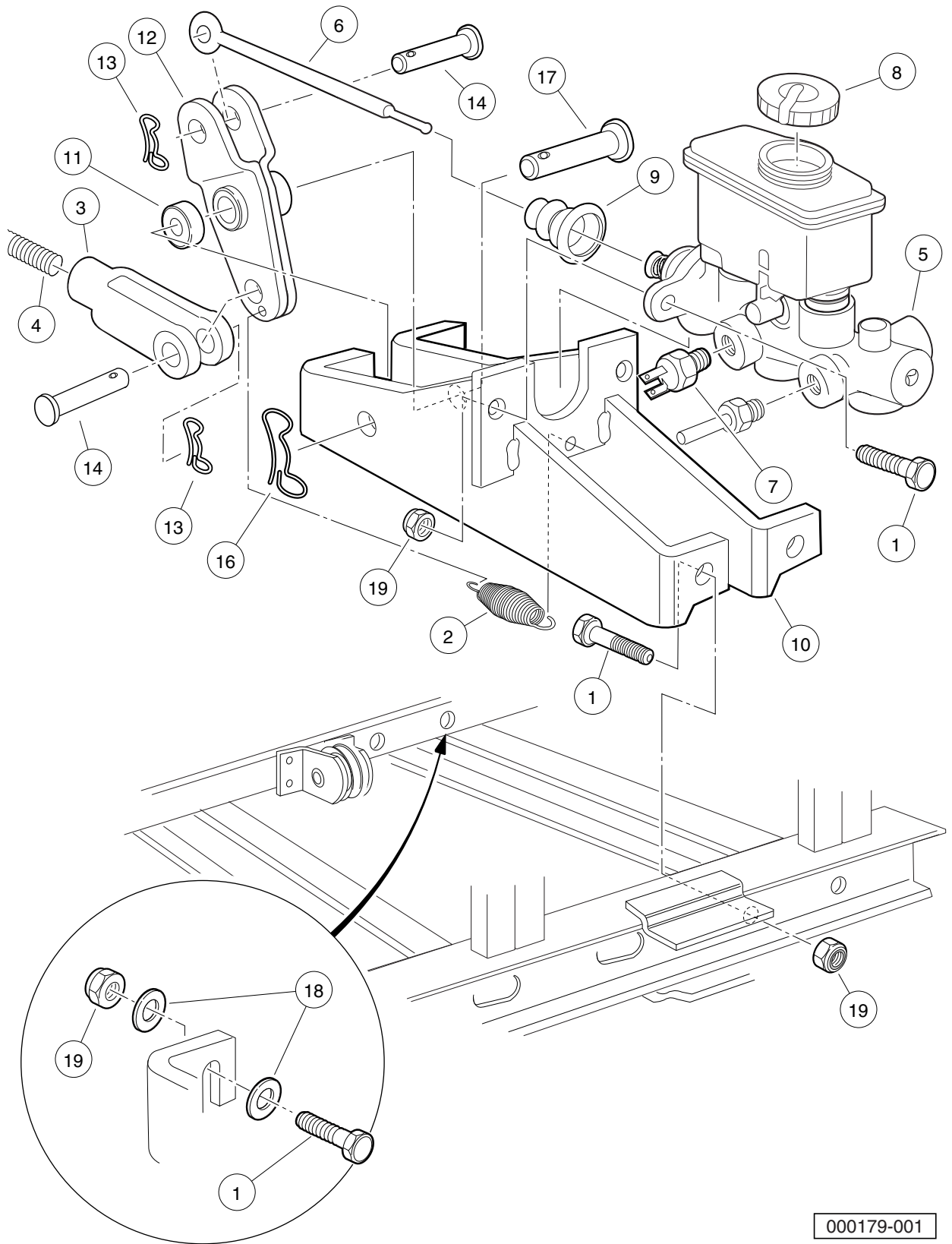
REAR BRAKE ASSEMBLY, CONTINUED

ITEM	PART NO.	DESCRIPTION	QTY
		1 2 3 4	
1	<u>1010829</u>	Pin, Clevis, 5/16 X 3/4	2
2	<u>1010984</u>	.500-20 Unf Lug Nut	8
3	<u>1013924</u>	Nut, 5/16-24 Hex Head Cone	8
4	<u>1017233</u>	Washer, 5/16 Hardened	8
5	<u>101838801</u>	Pin, Cotter, 0.312 x 1.25	2
6	<u>102051001</u>	Screw, 5/16-24 X 1.0 Torx Hd	8
7	<u>102264701</u>	Brake Drum	1
8	<u>102269201</u>	Nut, Flange	2
9	<u>102269301</u>	Washer - Axle	2
10	<u>102274101</u>	Center Cap, Rubber	2
11	<u>102276001</u>	Locking Cap, Nut	2
12	<u>102292801</u>	Pin, Bow Tie Locking - .072	2

4

G

4
G



000179-001

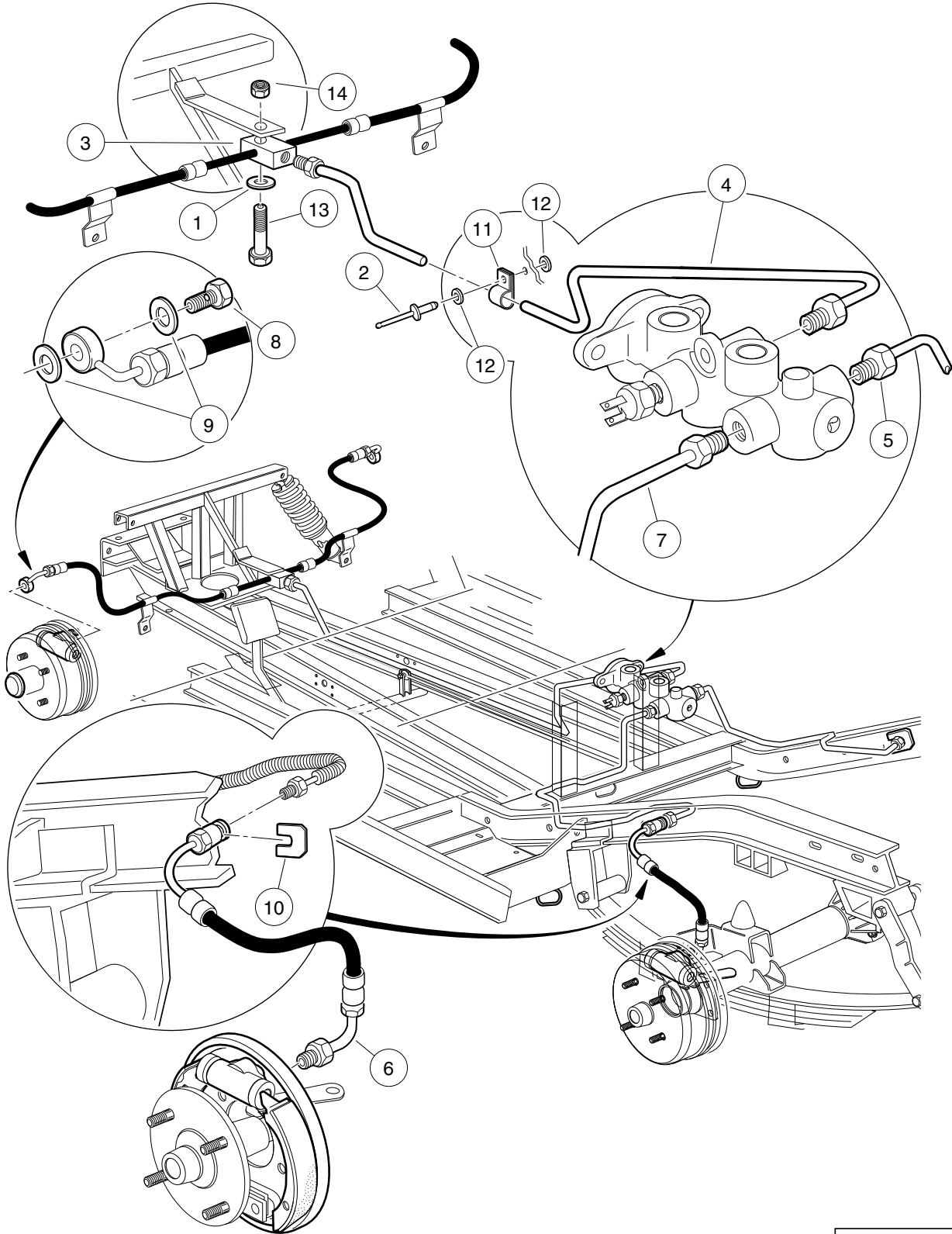
MASTER CYLINDER

ITEM	PART NO.	DESCRIPTION	QTY
		1 2 3 4	
1	<u>1010934</u>	Screw, 5/16-18 X 1.00 Hex Cap	6
2	<u>1013531</u>	Spring, Brake Return	1
3	<u>101806102</u>	Clevis	1
4	<u>101953105</u>	Rod, Equalizer, 13.30"	1
5	<u>102033201</u>	Master Cylinder (includes items 6 through 9)	1
6	<u>102051201</u>	Push Rod	1
7	<u>102051301</u>	Pressure Switch	1
8	<u>102051401</u>	Filler Cap Asm	1
9	<u>8574</u>	Master Cylinder Boot	1
10	<u>102054401</u>	Support Leg Brace Asm	1
11	<u>102057801</u>	Spacer	1
12	<u>102310001</u>	Bell Crank	1
13	<u>102323101</u>	Pin, Bow Tie Locking	2
14	<u>102323201</u>	Pin, 3/8 X 1-5/16 Clevis	2
15	<u>102339201</u>	Plug, 3/8 X 24	1
16	<u>102518901</u>	Pin, Bow Tie 0.120 X 2.750	1
17	<u>102519001</u>	Pin, 1/2 X 2-1/2 Clevis	1
18	<u>1241</u>	Washer, 5/16 Type A Flat	4
19	<u>7473</u>	Locknut, 5/16-18 Nylon Insert	6

4

G

4
G



000109-001

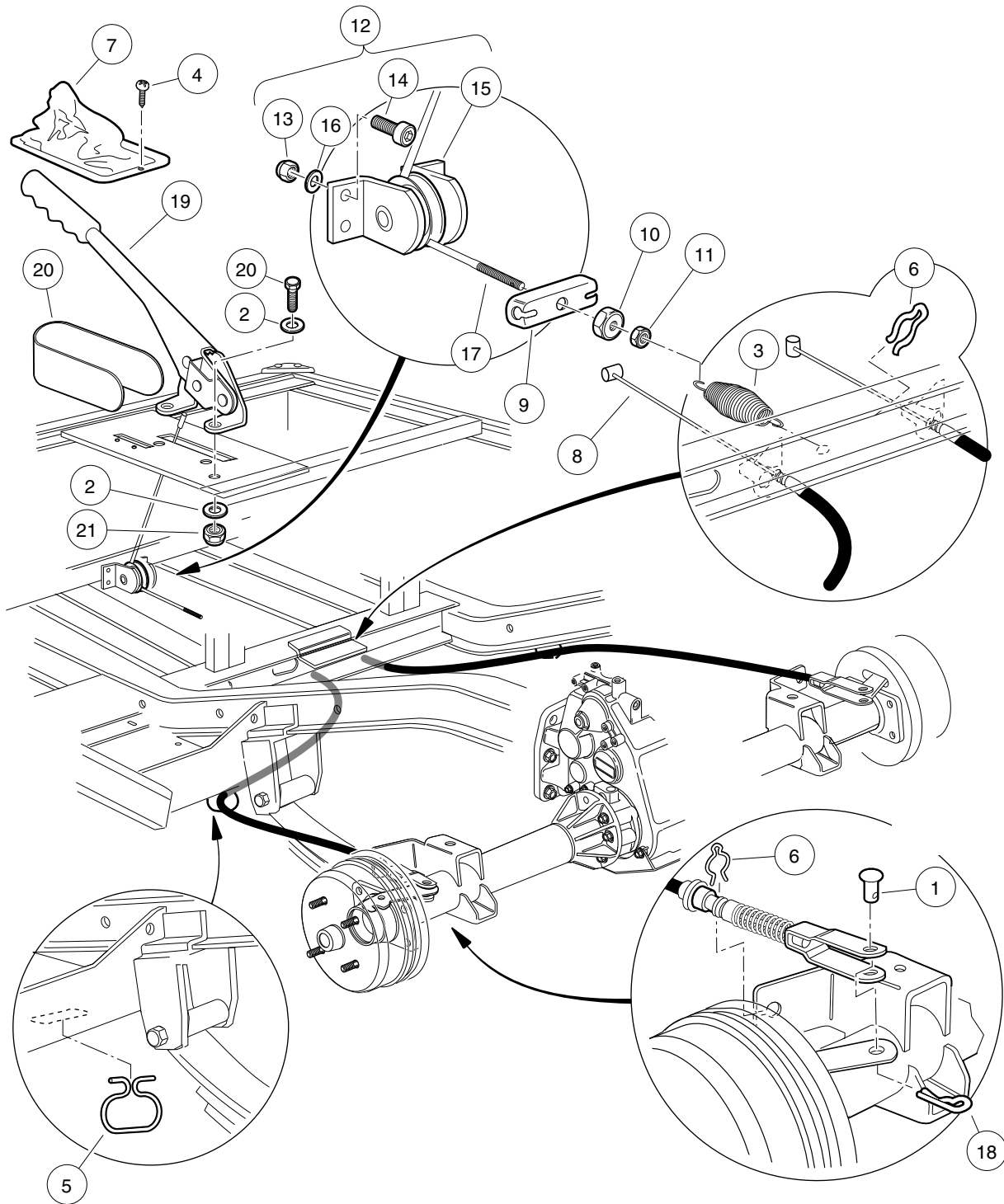
HYDRAULIC BRAKE SYSTEM

ITEM	PART NO.	DESCRIPTION	QTY
		1 2 3 4	
1	<u>1014007</u>	Washer, 1/4 Flat	1
2	1014136	Rivet, 3/16 Diameter Drive	1
3	102032801	Hose, Hydraulic, Front Brake	1
4	<u>102032901</u>	Line, Hydraulic Rear Brake Front	1
5	<u>102033001</u>	Line, Hydraulic Rear Brake, Right-Hand	1
6	<u>102033101</u>	Hose Flex Rear	2
7	<u>102044001</u>	Line Hyd Rear Brake LS	1
8	<u>102044401</u>	Bolt, Banjo	2
9	<u>102045501</u>	Copper Washer	4
10	<u>102045701</u>	Horse Shoe Clamp	2
11	<u>102045801</u>	P-Clamp	1
12	<u>183</u>	Washer, #10 Type A Flat	2
13	<u>7479</u>	Screw, 1/4-20 X 1.25 Hex-Head Cap	1
14	<u>8233</u>	Locknut, 1/4-20 Nylon Insert	1

4

G

4
G



000183-001

HAND PARK BRAKE ASSEMBLY

ITEM	PART NO.	DESCRIPTION	QTY
		1 2 3 4	
1	<u>1010829</u>	Pin, Clevis, 5/16 X 3/4	2
2	<u>1011990</u>	Washer, 3/8 Flat	4
3	<u>1013531</u>	Spring, Brake Return	1
4	<u>101832001</u>	Screw, #7-19 X 0.625 Phillips Pan-Head Tap	2
5	101900801	Hanger, Brake Cable	2
6	<u>102028401</u>	Park Brake Cable Clip	4
7	<u>102033701</u>	Park Brake Boot	1
8	<u>102033901</u>	Cable, Long Parking Brake	2
9	<u>102052701</u>	Equalizer	1
10	<u>102052801</u>	Nut, 5/16-24 Hex Cone	1
11	<u>102160501</u>	Nut, 5/16-24 Hex	1
12	<u>102242701</u>	Pulley Kit (includes items 13 through 16)	1
13	<u>1012438</u>	Locknut, #10-24 Nylon Insert	4
14	<u>101260202</u>	Screw, #10-24 X 3/4 Socket-Head	4
15	102028302	Pulley, 2-Inch Flat Mount	1
16	<u>183</u>	Washer, #10 Type A Flat	4
17	<u>102247201</u>	Cable, Park Brake	1
18	<u>102292801</u>	Pin, Bow Tie Locking - .072	2
19	<u>102444601</u>	Lever, Box	1
20	<u>54562079</u>	Shield, Boot	1
21	705	Screw, Cap-hex Hd 3/8-16x1.25	2
22	<u>8754</u>	Locknut, 3/8-16 Hex	2

4

G

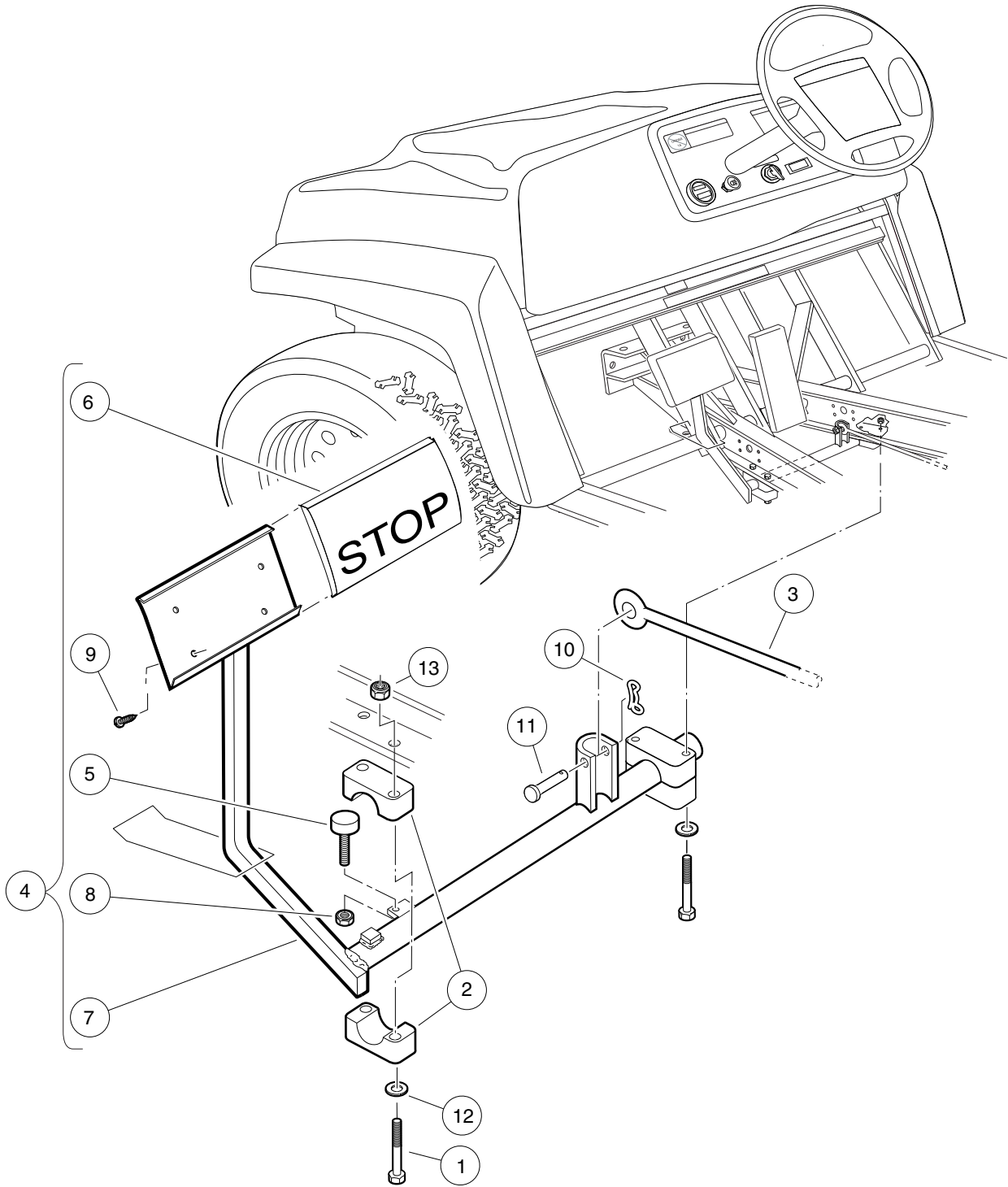
4

G

PEDAL GROUP

5

G



000112-001

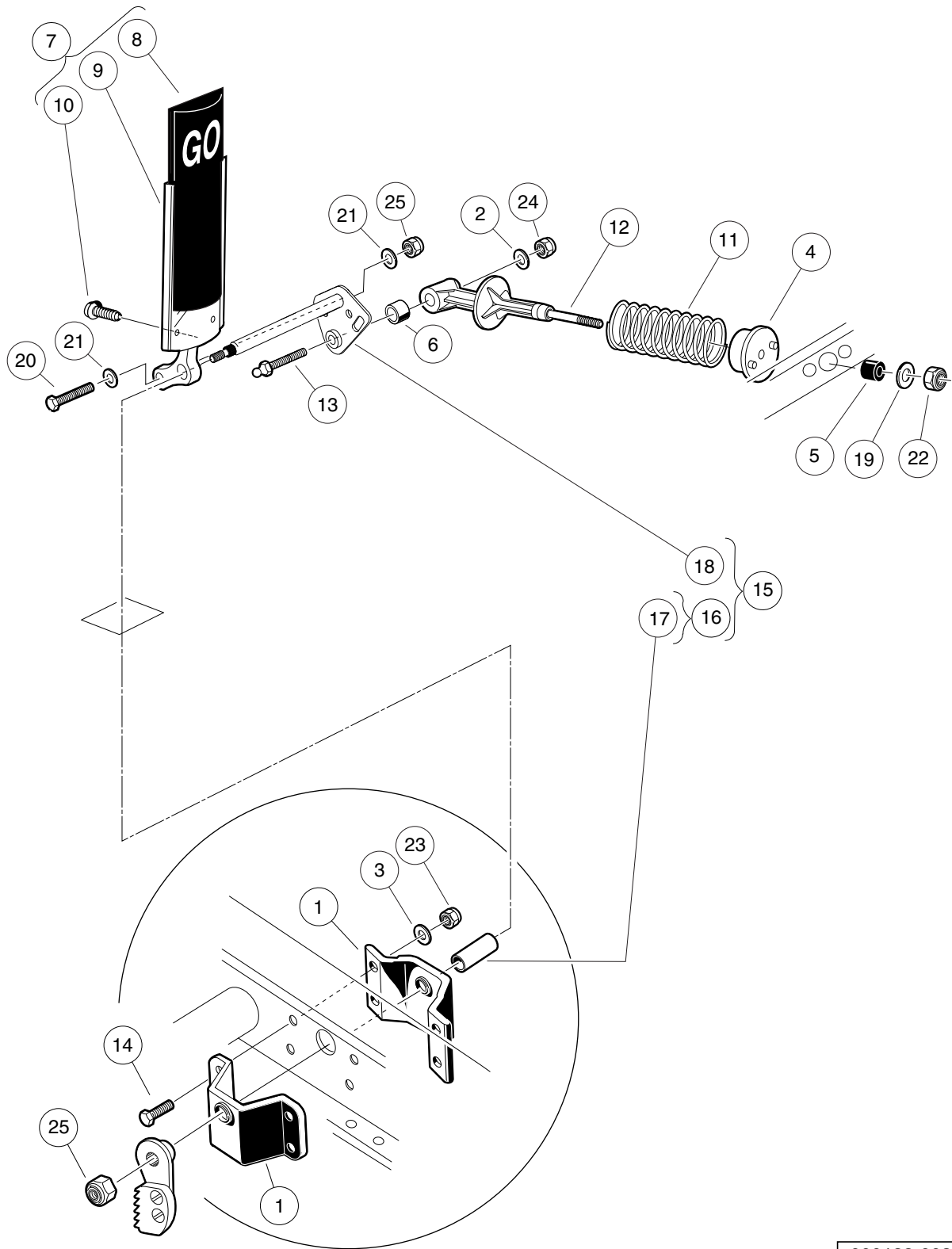
BRAKE PEDAL ASSEMBLY

ITEM	PART NO.	DESCRIPTION	QTY
		1 2 3 4	
1	<u>1010921</u>	Screw, 5/16-18 X 2.50 Hex Cap	4
2	<u>1011402</u>	Package, Brake Mounting Block	1
3	<u>101953105</u>	Rod, Equalizer, 13.30"	1
4	<u>102028901</u>	Assembly, Brake Pedal (includes items 5 through 9)	1
5	<u>1010878</u>	Bumper, Rubber	1
6	<u>102028601</u>	Pad, Hydraulic Brake Pedal	1
7	N/A	Brake Pedal Weld Asm	1
8	<u>1028</u>	Nut, 1/4-20 Hex	1
9	7716	Screw, #10-16 Type AB, Sheet Metal	4
10	<u>102292801</u>	Pin, Bow Tie Locking - .072	1
11	<u>102323201</u>	Pin, 3/8 X 1-5/16 Clevis	1
12	<u>1241</u>	Washer, 5/16 Type A Flat	4
13	<u>7473</u>	Locknut, 5/16-18 Nylon Insert	4

5

G

5
G



000188-003

ACCELERATOR PEDAL

ITEM	PART NO.	DESCRIPTION	QTY
		1 2 3 4	
1	<u>1011694</u>	Accelerator Bracket and Bearing Assembly	2
2	<u>1011931</u>	Washer, 1/4 Flat	1
3	<u>1014007</u>	Washer, 1/4 Flat	4
4	<u>1017378</u>	Cup, Spring	1
5	<u>1017380</u>	Bumper, Spring Return	1
6	<u>1017424</u>	Bearing, Pivot Support	1
7	<u>1017696</u>	Sub Asm, Accelerator Pedal (includes items 8 through 10)	1
8	1013871	Pad, Accelerator Pedal	1
9	N/A	Accelerator Pedal Weldment	1
10	7716	Screw, #10-16 Type AB, Sheet Metal	4
11	101796201	Spring, Accelerator Return	1
12	<u>101817401</u>	Retainer, Spring	1
13	101818801	Stud, 1/4-28 X 1.35 Ball	1
14	<u>101861901</u>	Screw, 1/4-20 X 1.125 Hex Cap	4
15	<u>102026001</u>	Kit, Accelerator Pivot Rod Assembly (includes items 16 through 18)	1
16	<u>1011700</u>	Spacer Assembly (includes item 17)	1
17	101919801	Spacer, Accelerator	1
18	N/A	Pivot Rod Weldment	1
19	<u>1241</u>	Washer, 5/16 Type A Flat	1
20	<u>1624</u>	Screw, 3/8-16 X 1.50 Hex-Head Cap	1
21	<u>334</u>	Washer, 3/8 Type A Flat	2
22	<u>7473</u>	Locknut, 5/16-18 Nylon Insert	1
23	<u>8233</u>	Locknut, 1/4-20 Nylon Insert	4
24	<u>8717</u>	Locknut, 1/4-28 Nylon Insert	1
25	<u>8754</u>	Locknut, 3/8-16 Hex	2

5

G

ACCELERATOR ROD

ITEM	PART NO.	DESCRIPTION	QTY
		1 2 3 4	
1	<u>101822001</u>	Rod, Accelerator (includes items 2 through 4)	1
2	<u>1011084</u>	Nut, 1/4-28 Hex Jam	2
3	<u>1011734</u>	Joint, Ball	2
4	N/A	Accelerator Rod	1

5

G

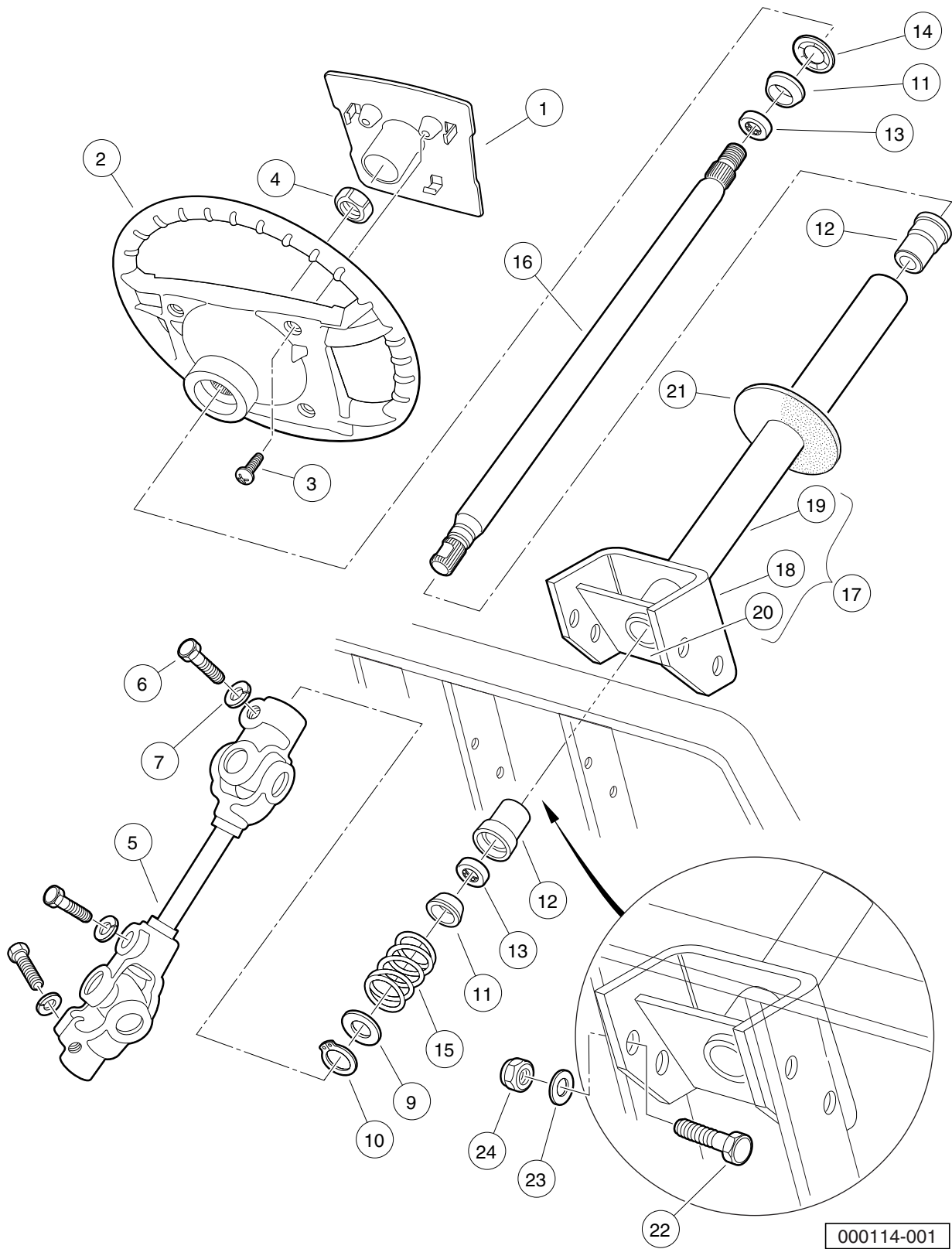
5

G

STEERING AND SUSPENSION

6

G



000114-001

STEERING COLUMN

ITEM	PART NO.	DESCRIPTION	QTY
		1 2 3 4	
1	<u>101615504</u>	Plate, Scorecard	1
2	<u>1016156</u>	Wheel, Steering	1
3	<u>1016663</u>	Screw, #12-14 X 0.625	2
4	<u>1017273</u>	Nut, 5/8-18 Nylon Insert Jam	1
5	<u>102010201</u>	Yoke Assembly (includes items 6 and 7)	1
6	<u>1017226</u>	Bolt, Hex-Head, 8mm X 1.25 - 30	3
7	<u>7174</u>	Lockwasher, 5/16 Split	3
8	<u>102013101</u>	Steering Column (includes items 9 through 17)	1
9	<u>1012604</u>	Washer, 0.675 ID X 1.19 OD	1
10	<u>1012605</u>	Ring, 0.579 Internal Retaining	1
11	1014125	Wedge, Molded	2
12	<u>1014126</u>	Seat, Plastic Bearing	2
13	<u>1014213</u>	Bearing, Ball	2
14	1014214	Ring, Retaining	1
15	<u>1014217</u>	Spring, Steering Shaft	1
16	<u>1017315</u>	Shaft Steering Column	1
17	<u>102013001</u>	Column Weld Assy, Steering (includes items 18 through 20)	1
18	N/A	Column Mtg Bracket	1
19	N/A	Steering Column	1
20	N/A	Steering Bracket Brace	1
21	<u>102278001</u>	Boot, Steering Column Round	1
22	320	Screw, 3/8-16 X 1.00 Hex-Head Cap	4
23	<u>334</u>	Washer, 3/8 Type A Flat	4
24	<u>8754</u>	Locknut, 3/8-16 Hex	4

6

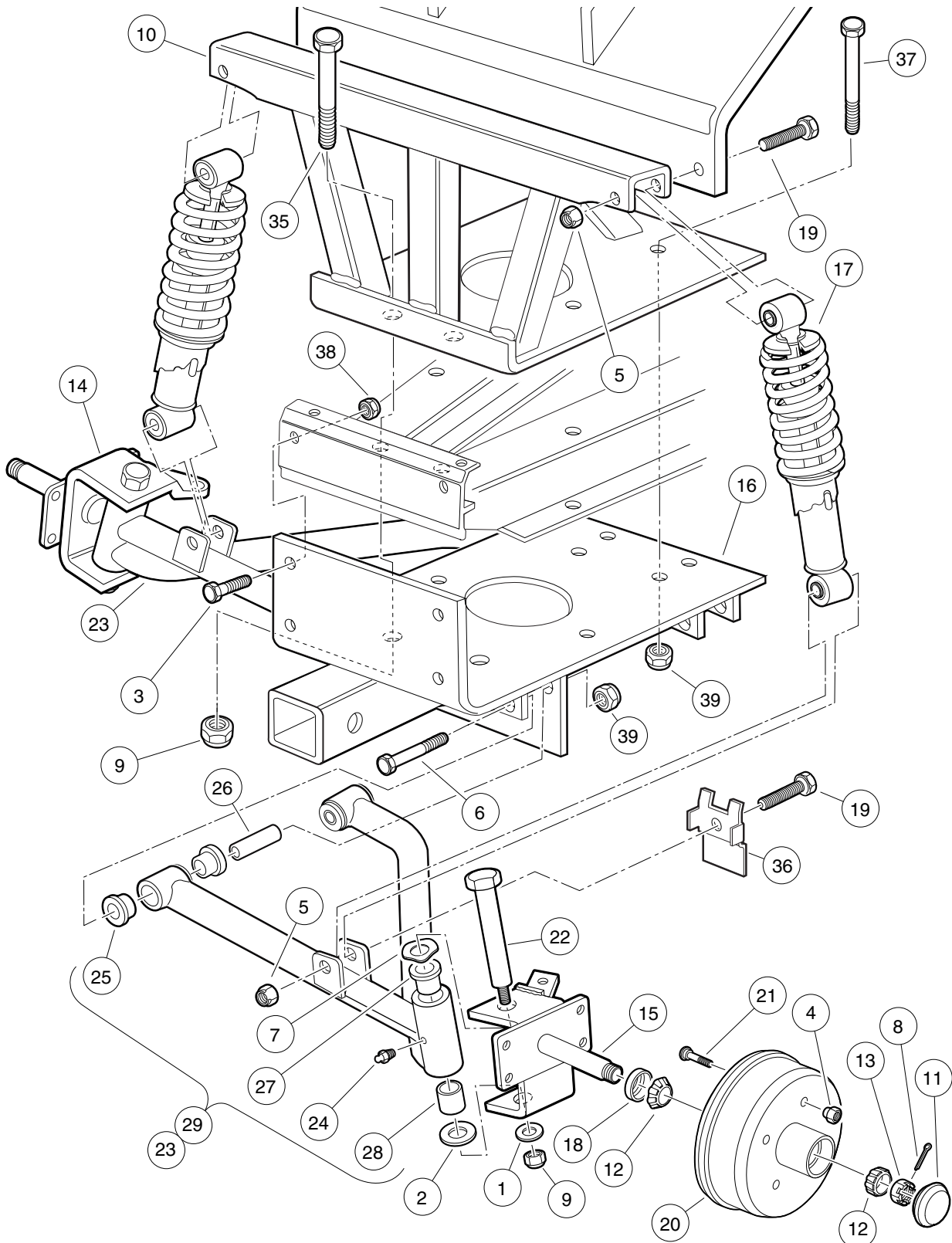
G

STEERING GEAR ASSEMBLY

ITEM	PART NO.	DESCRIPTION	QTY
		1 2 3 4	
1	<u>1010138</u>	Locknut, 3/8-16 Dimpled	4
2	<u>102010101</u>	Rack and Pinion Steering Gear (includes items 3 through 18)	1
3	<u>1013035</u>	Bellows, Long	2
4	<u>1013042</u>	Nut, 12mm Hex	4
5	<u>1013044</u>	Rack Screw Locknut	1
6	<u>1013051</u>	Snap Ring	1
7	<u>1013052</u>	Seal, Steering Pinion Dust	1
8	<u>101879401</u>	Bearing, Ball	1
9	<u>101879701</u>	Support Yoke	1
10	<u>101879801</u>	Rack Guide Pressure Spring	1
11	<u>101879901</u>	Ring, Stop, C-Type	1
12	<u>101880201</u>	Inner Ball Joint Asm	2
13	N/A	Pinion, Steering	1
14	N/A	Bearing, Lower Pinion	1
15	N/A	Screw, Rack Guide	1
16	N/A	Housing, Steering Gear	1
17	N/A	Rack, Steering	1
18	<u>8990</u>	Tie Wrap, 8" Nylon	2
19	<u>102022601</u>	End, Tie Rod M12 X 1.25 Rh	2
20	<u>102022801</u>	Drag Link	2
21	<u>102022901</u>	Locknut, M12-1.25 Nylon	2
22	<u>102023301</u>	Pin, Cotter	2
23	<u>1624</u>	Screw, 3/8-16 X 1.50 Hex-Head Cap	4
24	<u>334</u>	Washer, 3/8 Type A Flat	4

6

G



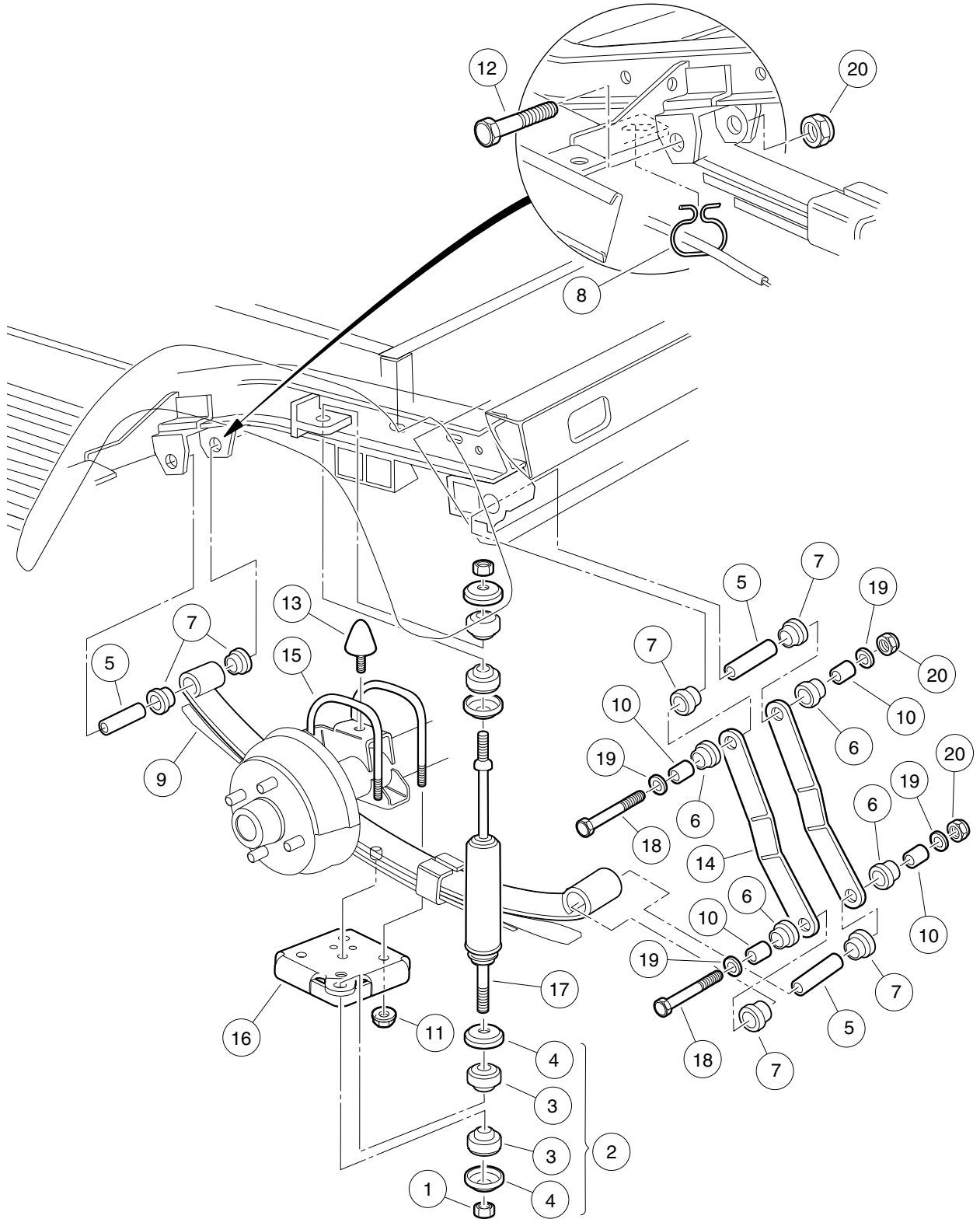
000116-001

FRONT SUSPENSION

ITEM	PART NO.	DESCRIPTION	QTY
		1 2 3 4	
1	<u>1010028</u>	Washer, 1/2 Type A Flat	2
2	<u>1010150</u>	Bearing, Thrust	2
3	<u>1010934</u>	Screw, 5/16-18 X 1.00 Hex Cap	2
4	<u>1010984</u>	.500-20 Unf Lug Nut	8
5	<u>1014555</u>	Locknut, 7/16-14 Nylon Hex	4
6	<u>1016387</u>	Screw, 3/8-16 X 2.75 Hx Hd Cap	4
7	<u>1016389</u>	Washer, 1.125 Od Wave	2
8	<u>101838801</u>	Pin, Cotter, 0.312 x 1.25	2
9	<u>101903101</u>	Locknut, 1/2-20 Nylon Insert	4
10	<u>102012301</u>	Shock Tower	1
11	<u>102013601</u>	Dust Cover	2
12	<u>102013701</u>	Bearing, Tapered	4
13	<u>102013801</u>	Nut, 1.00-14 Slotted Hex Jam	2
14	<u>102016501</u>	Assembly, Spindle, RH	1
15	102016701	Assembly, Spindle, LH	1
16	102016801	Suspension Mtg Plate	1
17	<u>102017601</u>	Shock Absorber, Coil Over	2
18	<u>102023001</u>	Seal, Dual-Lip	2
19	<u>102023101</u>	Screw, 7/16-14 X 2.50 Hex Cap	4
20	102044201	Assembly, Front Hub (includes item 21)	2
21	<u>1013787</u>	Lug Stud	4
22	<u>102048601</u>	King Pin Bolt Assembly	2
23	102052301	Right A-arm Asm (includes items 24 through 28)	1
24	<u>1015597</u>	Fitting, 1/4-28 Thread-Forming Grease	1
25	<u>1016346</u>	Bushing, Urethane	4
26	<u>102066701</u>	Sleeve, A-Arm	2
27	<u>7048</u>	Bushing, Flanged Bronze	1
28	<u>8067</u>	Bushing, Bronze Spindle	1
29	102052401	Left A-Arm Asm (includes items 30 through 34)	1
30	<u>1015597</u>	Fitting, 1/4-28 Thread-Forming Grease	1
31	<u>1016346</u>	Bushing, Urethane	4
32	<u>102066701</u>	Sleeve, A-Arm	2
33	<u>7048</u>	Bushing, Flanged Bronze	1
34	<u>8067</u>	Bushing, Bronze Spindle	1
35	<u>102067001</u>	Screw, 1/2-20 X 5.0 Hex Cap	2
36	<u>102100001</u>	Steering Stop Mtg Plate	2
37	<u>7270</u>	Bolt, 3/8-16 X 4.50 Hex Head	4
38	<u>7473</u>	Locknut, 5/16-18 Nylon Insert	2
39	<u>8754</u>	Locknut, 3/8-16 Hex	8

6

G



000117-001

REAR SUSPENSION

6

G

ITEM	PART NO.	DESCRIPTION	QTY
		1 2 3 4	
1	<u>1010145</u>	Nut, 3/8-24 Hex	4
2	<u>1011415</u>	Kit, Shock Absorber Cushion (includes items 3 and 4)	4
3	<u>1010142</u>	Cushion, Shock Absorber	2
4	<u>1010144</u>	Retainer, Shock Absorber Cushion	2
5	<u>1012303</u>	Bushing, Steel	6
6	<u>1015453</u>	Compression Mount	8
7	<u>1015583</u>	Bushing, Urethane	12
8	101900801	Hanger, Brake Cable	2
9	<u>102006501</u>	Spring, Rear Leaf	2
10	<u>102045601</u>	Spacer 0.38 ID X 0.500 OD	8
11	<u>102065001</u>	Locknut 7/16-14 Flange Dimple	8
12	<u>102066201</u>	Screw, 3/8-16 X 3.50 Hex Cap	2
13	<u>102188701</u>	Stud Mount	2
14	<u>102256901</u>	Shackle, Rear Spring -gas 272	4
15	<u>102258801</u>	U-Bolt	4
16	<u>102266301</u>	Reinforced Spring Pad	2
17	<u>102267301</u>	Shock Absorber, Rear	2
18	<u>7270</u>	Bolt, 3/8-16 X 4.50 Hex Head	4
19	<u>808</u>	Washer, 3/8 Type B Flat	8
20	<u>8754</u>	Locknut, 3/8-16 Hex	6

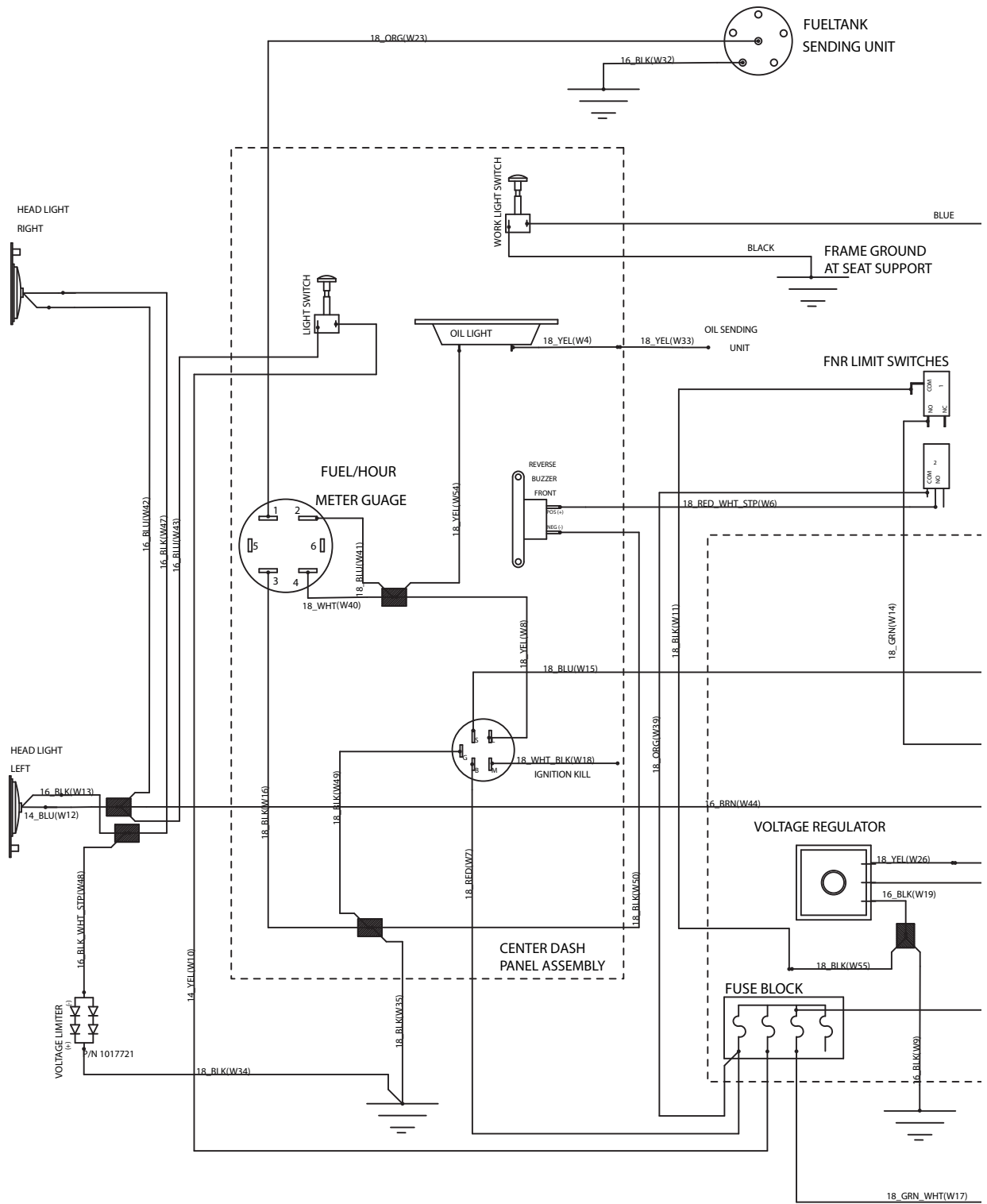
6

G

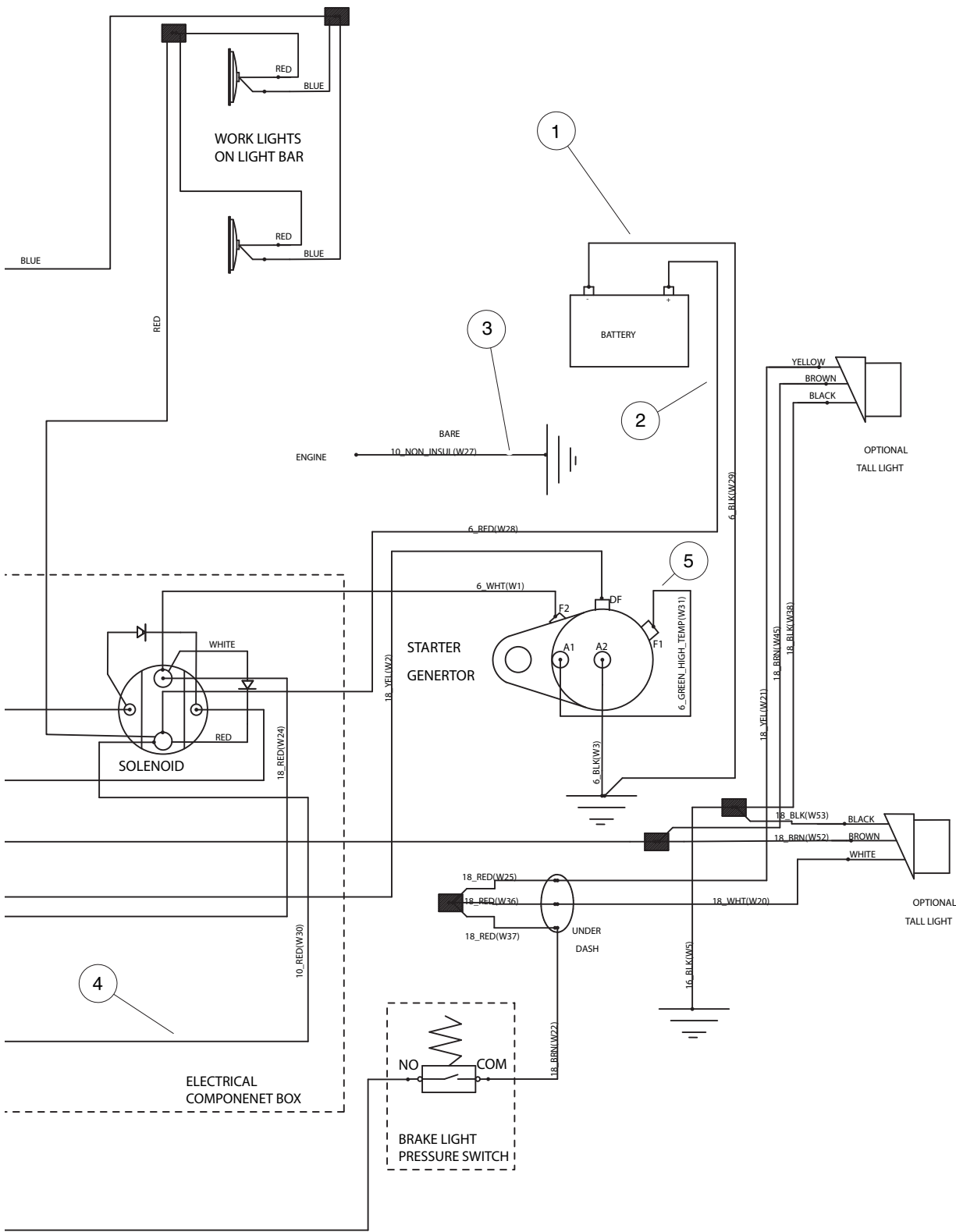
ELECTRICAL SYSTEM

7

G



000175-001



000175-001

7

G

See previous two pages for illustration.

WIRING

ITEM	PART NO.	DESCRIPTION	QTY
		1 2 3 4	
1	<u>1012382</u>	Wire Assy, #6 Black	1
2	<u>1014119</u>	Wire Assembly #6 Red	1
3	<u>1015332</u>	Wire Assembly, #10, Uninsulated	1
4	<u>1015737</u>	Wire Assy, #10 Red	1
5	<u>101837301</u>	Wire Assy, #6 Green	1
6	<u>102223601</u>	Asm, Wire Harness	1

7

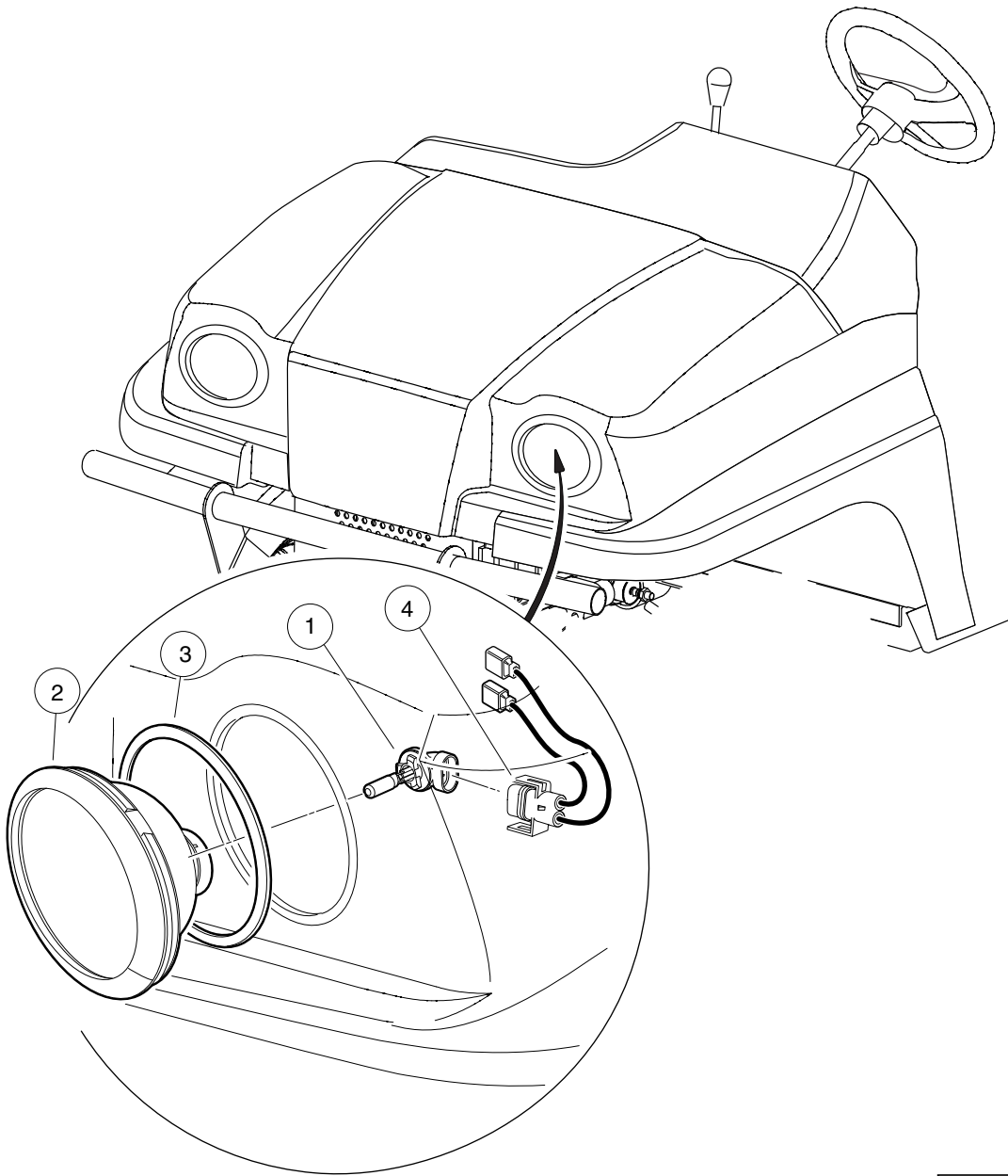
G

FORWARD/REVERSE SHIFTER ASSEMBLY

ITEM	PART NO.	DESCRIPTION	QTY
		1 2 3 4	
1	<u>1012285</u>	Screw, 1/4 X 0.625 Hex-Head	3
2	<u>1012987</u>	Handle, FNR	1
3	<u>1015064</u>	Screw, #8-32 X 0.63 Machine	1
4	<u>1015409</u>	Cable, Shifter (includes items 5 and 6)	1
5	<u>1012333</u>	Joint, #10-32 Ball	2
6	<u>7893</u>	Nut, #10-32 Hex	2
7	<u>1016201</u>	Washer, Wave	1
8	1016947	Assembly, FNR Shifter (includes items 9 through 25)	1
9	<u>1010954</u>	Stud, 1/4-28 X 0.560 Ball	1
10	1012431	Washer, #4 Flat	4
11	<u>1012594</u>	Screw, #4-40 Machine	2
12	1013587	FNR Bell Crank Weldment	1
13	<u>1013589</u>	Ring, 0.338" Internal Retaining	1
14	<u>1013590</u>	Spring, FNR Cam	1
15	<u>1013591</u>	Pin, 1/8 X 1/2 Roll	1
16	1014089	Neutral Lockout Cam Kit (includes item 17)	1
17	<u>1014065</u>	Washer, 0.38" ID Delrin Flat	1
18	<u>1014145</u>	Bushing, Secondary Weight, Split	2
19	<u>1014727</u>	Washer, #4 Nylon Flat	2
20	<u>1014807</u>	Switch, Limit	1
21	<u>1016342</u>	FNR Shifter Base	1
22	<u>101979101</u>	Assembly, Switch, Limit	1
23	<u>8057</u>	Nut, #4-40 Hex Machine	4
24	<u>8058</u>	Lockwasher, #4 Split	2
25	<u>8717</u>	Locknut, 1/4-28 Nylon Insert	1
26	<u>102045901</u>	Bracket, Shifter	1
27	<u>8233</u>	Locknut, 1/4-20 Nylon Insert	4
28	<u>8248</u>	Screw, 1/4-20 X 0.75 Truss-Head Machine	4

7

G



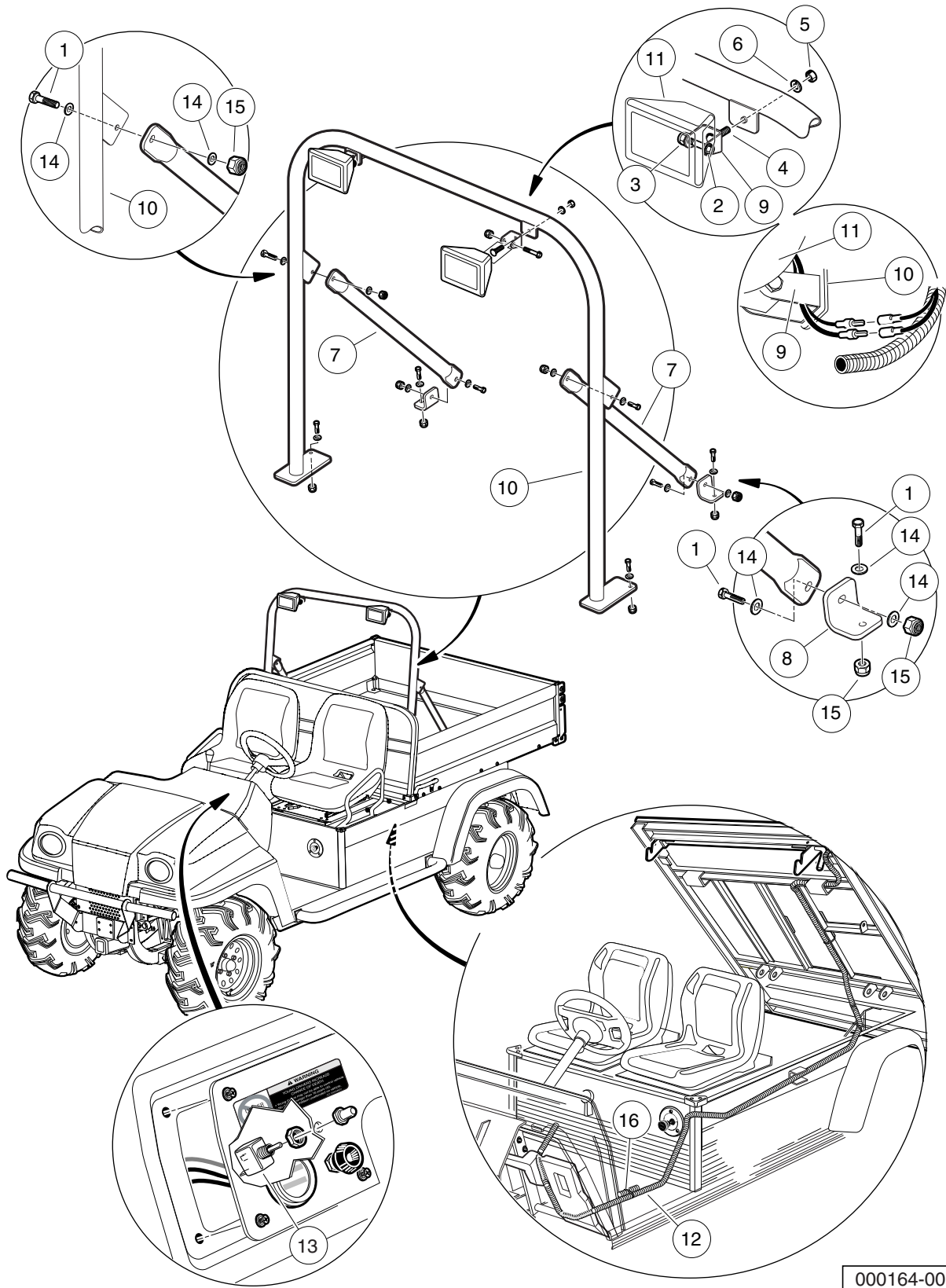
000163-001

HEADLIGHTS

ITEM	PART NO.	DESCRIPTION	QTY
		1 2 3 4	
1	<u>102718801</u>	Assembly, Headlight	2
2	<u>102769501</u>	Spacer, Headlight, Oval	2
3	<u>102772501</u>	Harness, Headlight	2
4	<u>102776901</u>	Bulb, Headlight, Oval	1

7
G

7
G



000164-001

LIGHT BAR

ITEM	PART NO.	DESCRIPTION	QTY
		1 2 3 4	
1	<u>1010934</u>	Screw, 5/16-18 X 1.00 Hex Cap	8
2	N/A	Screw, M8 x 1.25 x 47, Hex Flange	2
3	N/A	Nut, Nylon Lock, M8 x 1.25	2
4	N/A	Bolt, Carriage, M8 x 1.25 x 25	2
5	N/A	Nut, Hex, M8 x 1.25	2
6	N/A	Washer, lock, 5/16	2
7	<u>102077601</u>	Brace, Light Bar	2
8	<u>102077701</u>	Bracket, Brace Mtg	2
9	<u>102077801</u>	Bracket, Light Mtg	2
10	<u>102077901</u>	Light Bar	1
11	<u>102078001</u>	Light, Light Bar (includes item 12)	2
12	AM10015	37.5 Watt Light Bar Bulb	2
13	<u>102155701</u>	Wire Harness, Light Bar	1
14	<u>102159601</u>	Switch	1
15	<u>1241</u>	Washer, 5/16 Type A Flat	12
16	<u>7473</u>	Locknut, 5/16-18 Nylon Insert	8
17	<u>8990</u>	Tie Wrap, 8" Nylon	4
18	AM10015	37.5 Watt Light Bar Bulb	2
		Note: Item 17 is not illustrated.	

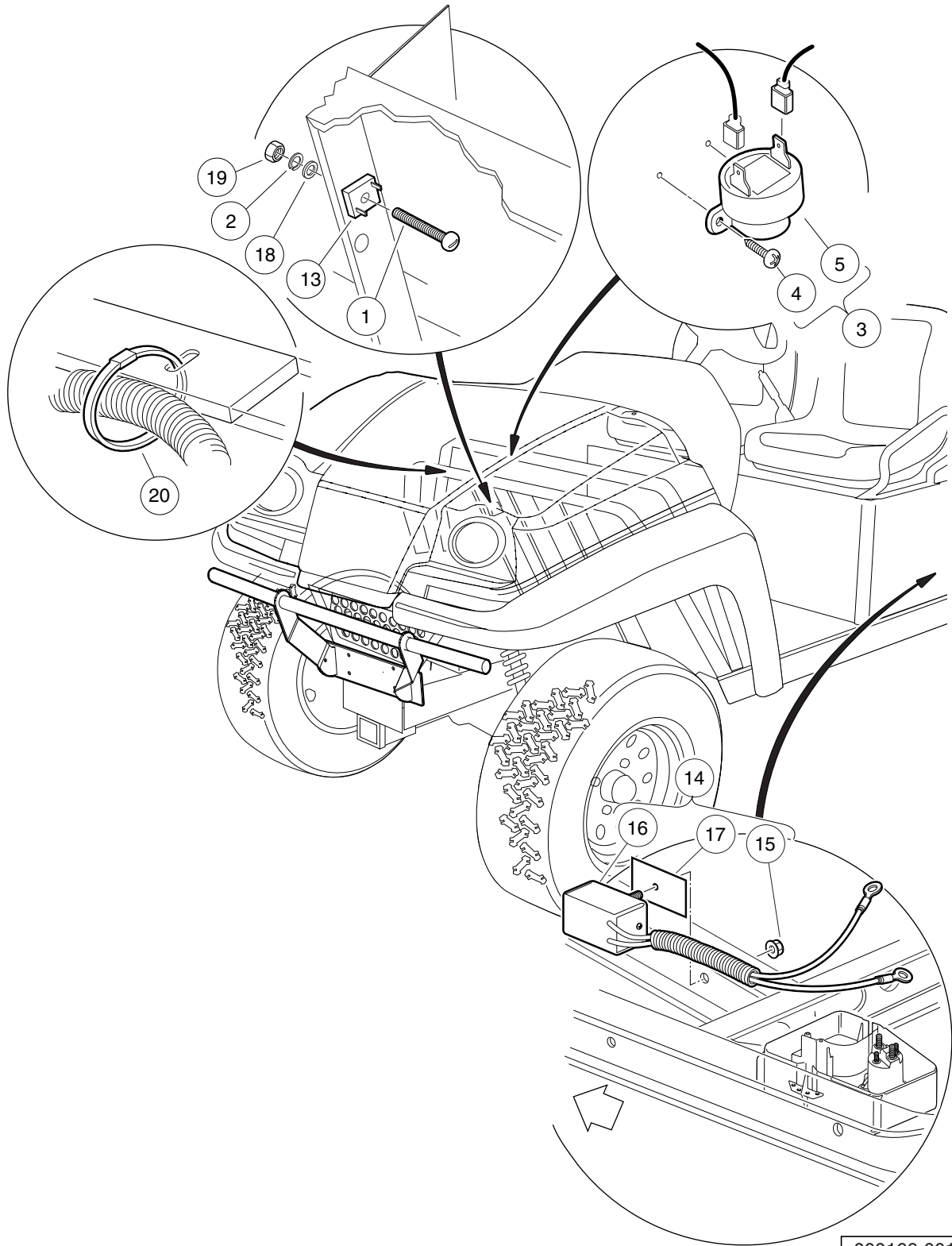
7
G

ELECTRICAL COMPONENT BOX, KEY-START VEHICLES

ITEM	PART NO.	DESCRIPTION	QTY
		1 2 3 4	
1	<u>1010954</u>	Stud, 1/4-28 X 0.560 Ball	1
2	<u>1012295</u>	Fuse, 10-Amp	1
3	<u>1013589</u>	Ring, 0.338" Internal Retaining	1
4	<u>1013609</u>	Solenoid, 12-Volt	1
5	<u>1014065</u>	Washer, 0.38" ID Delrin Flat	1
6	<u>1014145</u>	Bushing, Secondary Weight, Split	2
7	<u>1014948</u>	Diode	1
8	<u>1015345</u>	Bell Crank and Shaft Assembly	1
9	<u>1015371</u>	Box, Electrical Component	1
10	<u>1015372</u>	Cover, Electric Box	1
11	<u>1015373</u>	Cam, Electric Box	1
12	<u>1015405</u>	Bolt, Carriage, 5/16-18 X 2.0	1
13	<u>1015737</u>	Wire Assy, #10 Red	1
14	<u>1015741</u>	Fuse Block	1
15	<u>1015752</u>	Screw, #12-16 X 0.625 Hi-Lo	5
16	<u>1016423</u>	Fuse, 20-Amp	1
17	<u>101856102</u>	Screw, 1/4-15 X 1.50 Hi-lo Hex	1
18	<u>102711201</u>	Voltage Regulator	1
19	<u>1241</u>	Washer, 5/16 Type A Flat	2
20	<u>1242</u>	Nut, 5/16-18 Hex	2
21	<u>7473</u>	Locknut, 5/16-18 Nylon Insert	2
22	<u>7818</u>	Bolt, Carriage, 5/16-18 X 1.5	1
23	<u>7893</u>	Nut, #10-32 Hex	2
24	<u>8717</u>	Locknut, 1/4-28 Nylon Insert	1

7

G

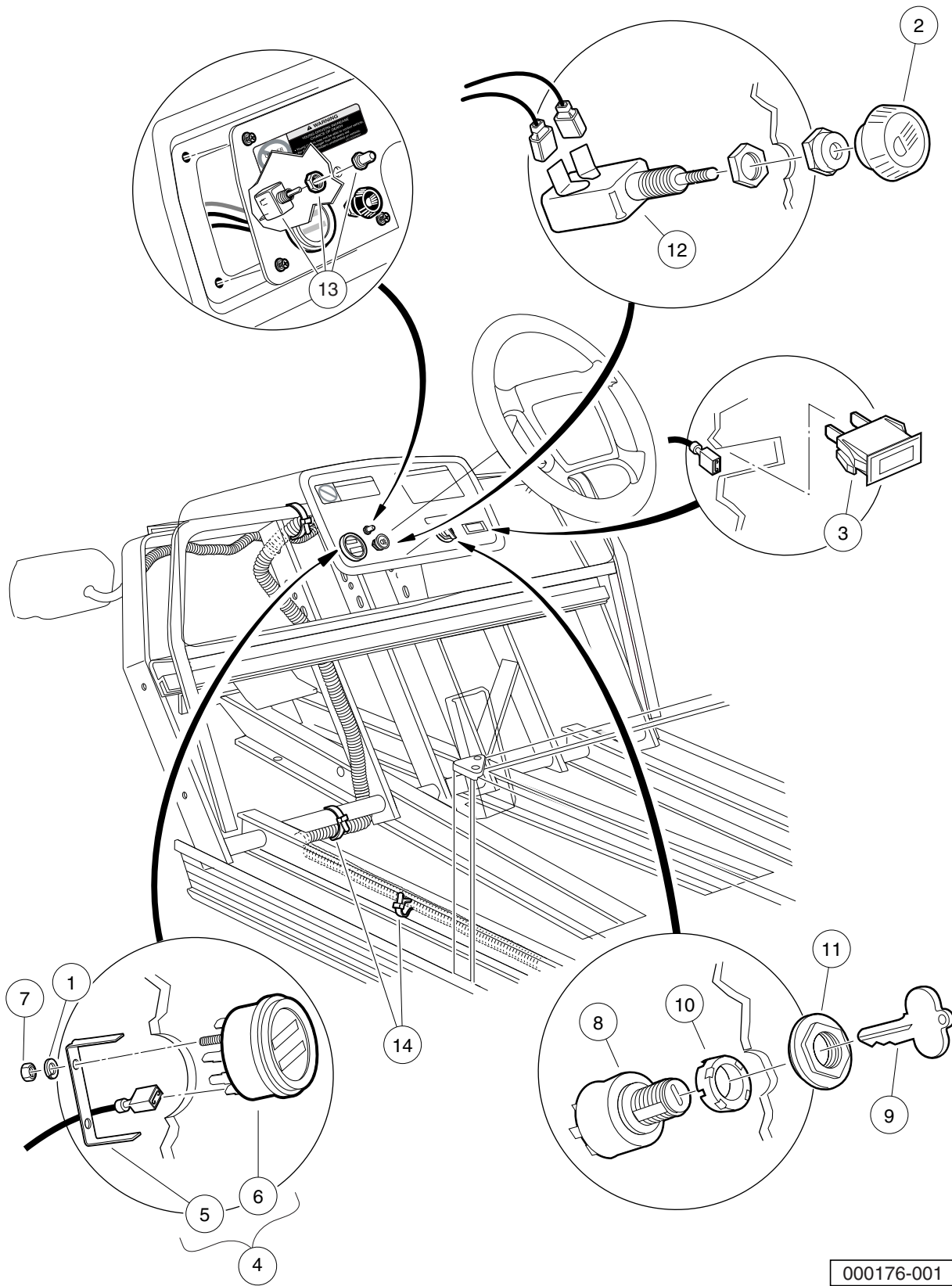


000166-001

ELECTRICAL COMPONENTS, FRONT BODY

ITEM	PART NO.	DESCRIPTION	QTY
		1 2 3 4	
1	<u>1010909</u>	Screw, #10-32 X 1.25 Rd Hd Mch	1
2	<u>1016</u>	Lockwasher, #10 Split	1
3	<u>1016859</u>	Kit, Reverse Buzzer (includes items 4 through 12)	1
4	<u>1011229</u>	Locknut, #6-32 Whiz	1
5	<u>1012431</u>	Washer, #4 Flat	2
6	<u>1015720</u>	Screw, #6-32 X 1/2 Hex Washer-Head	1
7	<u>1016849</u>	Screw, #4-24 X 0.33 Pan-Head Machine	2
8	<u>1016851</u>	Buzzer, Reverse (9-48 VDC)	1
9	<u>1016857</u>	Wire Assembly Black #18	1
10	<u>8056</u>	Screw, #4-40 X 0.75 Round-Head Machine	2
11	<u>8057</u>	Nut, #4-40 Hex Machine	2
12	<u>8058</u>	Lockwasher, #4 Split	2
13	<u>1017721</u>	Limitter, Voltage	1
14	<u>102272501</u>	Kit, Diode (includes items 15 through 17)	1
15	<u>101963401</u>	Locknut, 5/16-18 Hex Flange	1
16	<u>102264001</u>	Diode Assembly	1
17	<u>102269701</u>	Thermal Pad	1
18	<u>183</u>	Washer, #10 Type A Flat	1
19	<u>7893</u>	Nut, #10-32 Hex	1
20	<u>8639</u>	Tie Wrap, 11" Nylon	4

7
G



000176-001

ELECTRICAL COMPONENTS, DASH PANEL

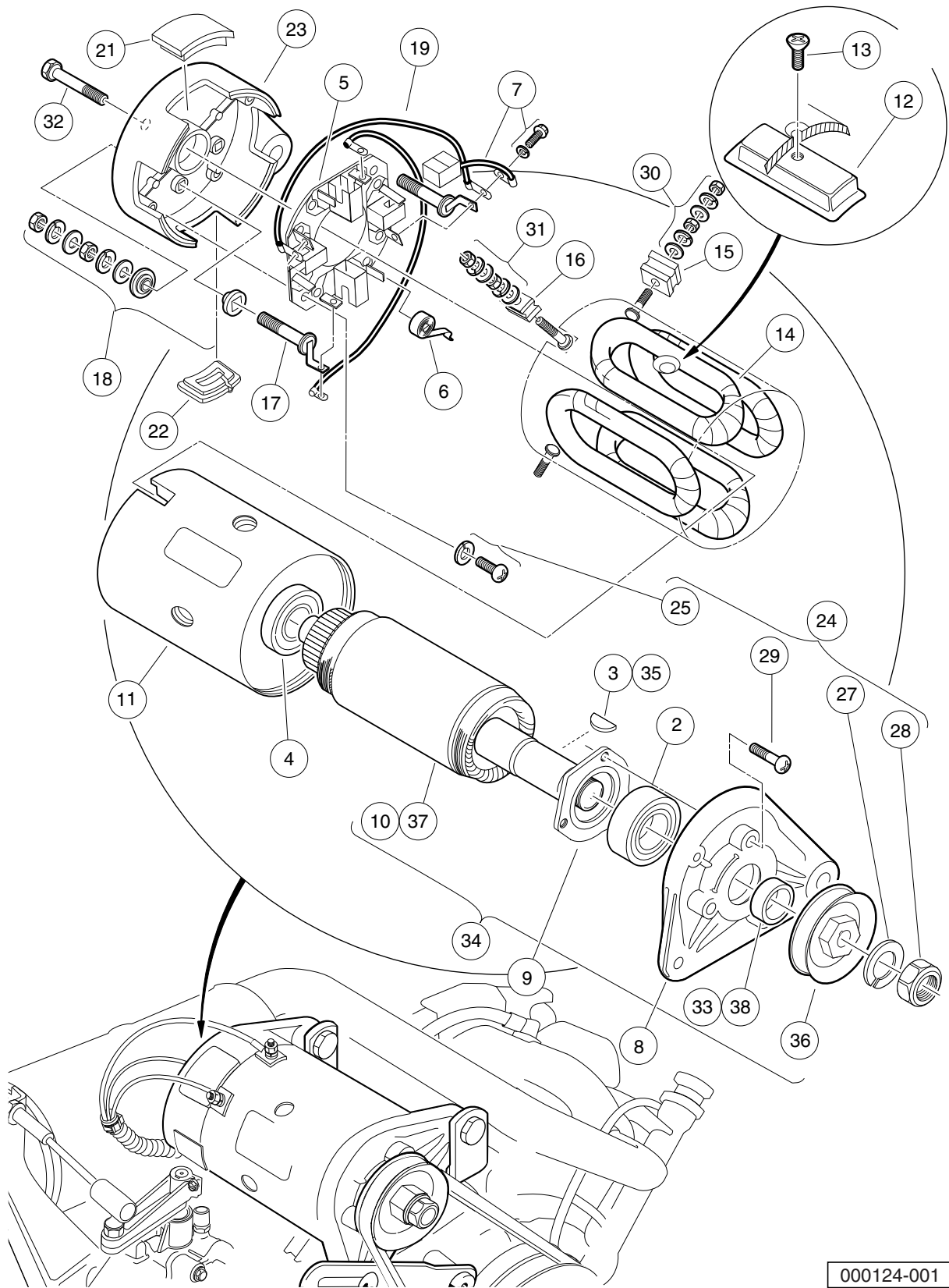
ITEM	PART NO.	DESCRIPTION	QTY
		1 2 3 4	
1	<u>1012986</u>	Lockwasher, M4	2
2	<u>1013857</u>	Knob, Light Switch	1
3	<u>1016630</u>	Light, Oil	1
4	<u>101990703</u>	Gauge, Fuel/Hour, with Bracket (includes items 5 and 6)	1
5	102025901	Bracket, Fuel Gauge/Hour Meter	1
6	N/A	Gauge, Fuel/Hour	1
7	<u>101991101</u>	Nut, M4-0.7	2
8	<u>102044702</u>	Key Switch 12v Key Start	1
9	102044801	Key Set	1
10	<u>102051601</u>	Spacer, Keyswitch	1
11	<u>102051701</u>	Nut, Key Switch	1
12	<u>102051901</u>	Switch, Light	1
13	<u>102159601</u>	Switch	1
14	<u>8990</u>	Tie Wrap, 8" Nylon	3

7
G

STARTER/GENERATOR MOUNTING

ITEM	PART NO.	DESCRIPTION	QTY
		1 2 3 4	
1	<u>1012830</u>	Screw, M8-125 X 22 Hex-Head	2
2	<u>101524002</u>	Bracket, Starter/Generator Mounting	1
3	<u>1015932</u>	Bolt, Carriage, 5/16-18	1
4	<u>1016074</u>	Screw, M8-1.25 X 18mm Torx	1
5	<u>1016883</u>	Bracket, Starter/Generator Adjustment	1
6	<u>101837301</u>	Wire Assy, #6 Green	1
7	<u>101916701</u>	V-Belt	1
8	<u>1241</u>	Washer, 5/16 Type A Flat	1
9	<u>1242</u>	Nut, 5/16-18 Hex	1
10	705	Screw, Cap-hex Hd 3/8-16x1.25	2
11	<u>7174</u>	Lockwasher, 5/16 Split	3
12	<u>8754</u>	Locknut, 3/8-16 Hex	2

7
G

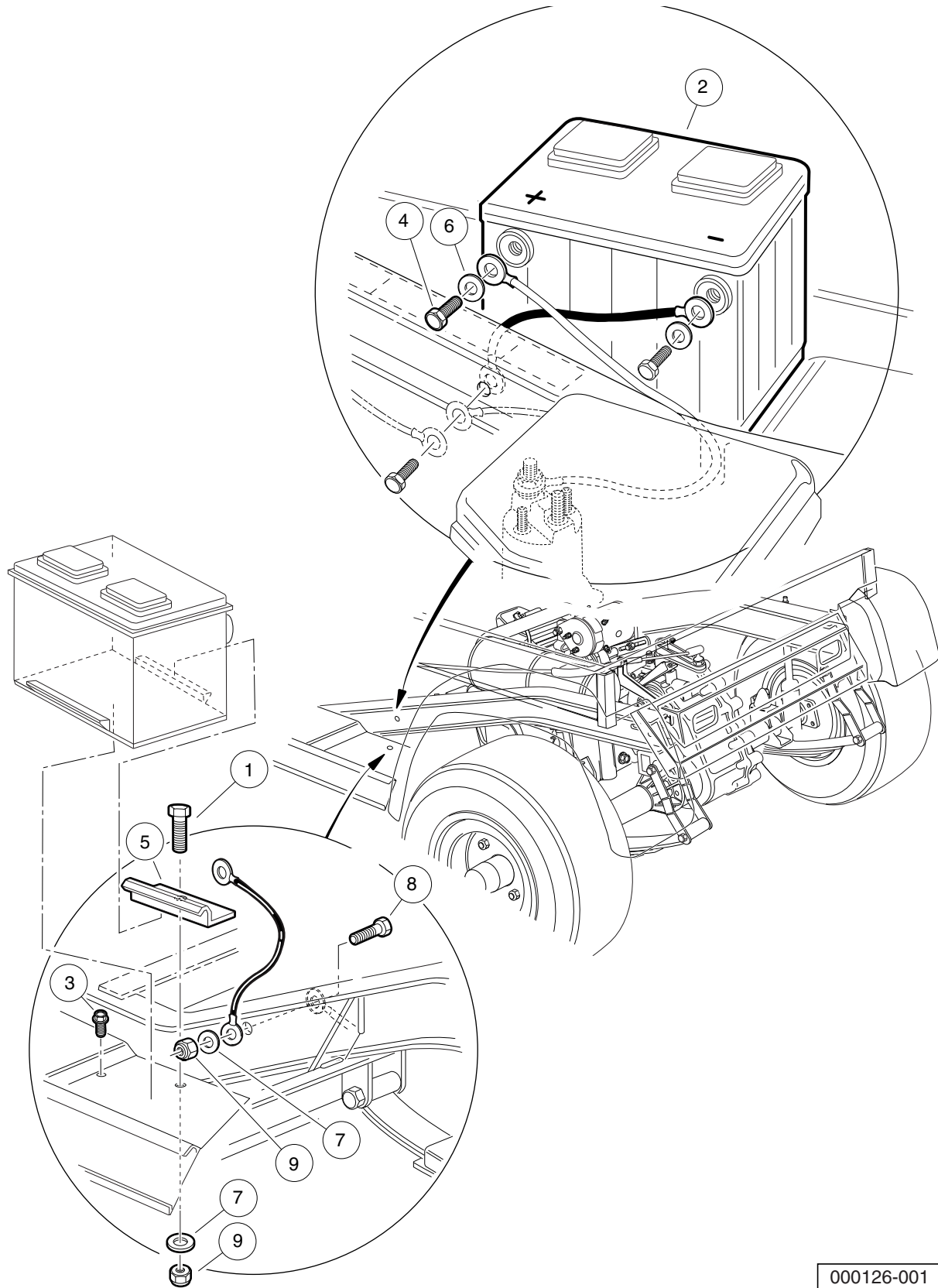


000124-001

STARTER/GENERATOR ASSEMBLY MODEL G425419 – GASOLINE VEHICLES

7
G

ITEM	PART NO.	DESCRIPTION	QTY
		1 2 3 4	
1	<u>101833701</u>	Starter/Generator (cw) (includes items 2 through 33)	1
2	<u>1013001</u>	Bearing, Output Shaft Ball	1
3	<u>1013003</u>	Key, Starter/Generator	1
4	<u>1013005</u>	Bearing, Ball	1
5	<u>101301102</u>	Brush Holder Assembly (cw) (includes item 6)	1
6	<u>101878101</u>	Brush Spring Set	4
7	<u>101869302</u>	Brush and Screw Set (cw)	1
8	<u>101874901</u>	Front Bracket	1
9	<u>101875001</u>	Retainer	1
10	<u>101875101</u>	Armature	1
11	<u>101875201</u>	Field Coil Housing	1
12	<u>101875301</u>	Pole Set	1
13	<u>101875401</u>	Screw Set	1
14	<u>101875501</u>	Field Stator Coil Assembly	1
15	<u>101875601</u>	F Insulator Set	2
16	<u>101875701</u>	DF Insulator	1
17	<u>101875802</u>	A Connector (cw)	1
18	<u>101876001</u>	Screw and Mold Assembly	2
19	<u>101876202</u>	Brush Connector Assembly (cw)	2
20	<u>101876301</u>	Cover Set (includes items 21 and 22)	1
21	<u>1012991</u>	Brush Inspection Port Cover	3
22	<u>1017653</u>	Brush Port Cover w/Drain	1
23	<u>101876402</u>	Rear Bracket (cw)	1
24	<u>101876501</u>	Nut and Screw Set (includes items 25 through 29)	1
25	<u>101896501</u>	Brush Holder Asm Screw	2
26	N/A	Washer, M5 Flat	1
27	N/A	Washer, M14 Lock	1
28	N/A	Nut, Hex, M14 x 2	1
29	N/A	Screw, M5 x 0.8 x 18mm	3
30	<u>101877601</u>	Nut and Washer Set	2
31	<u>101877701</u>	Nut and Washer Set	1
32	<u>101879001</u>	Through Bolt Set	2
33	<u>101939901</u>	Spacer	1
34	<u>101875102</u>	Armature Asm Conversion Kit (includes items 35 through 38)	1
35	<u>1013003</u>	Key, Starter/Generator	1
36	<u>1014289</u>	Pulley, Starter/Generator	1
37	<u>101875101</u>	Armature	1
38	<u>101939901</u>	Spacer	1
Note: Item 36 will ONLY fit Model G425419 Starter/Generator.			



000126-001

BATTERY

ITEM	PART NO.	DESCRIPTION	QTY
		1 2 3 4	
1	<u>1010934</u>	Screw, 5/16-18 X 1.00 Hex Cap	1
2	<u>1012328</u>	Battery, 12-Volt	1
3	<u>1014288</u>	Screw, 5/16-18 X 0.75 Thread-Forming	1
4	<u>1014375</u>	Screw, 3/8-16 X 0.50 Stainless Steel Hex-Head	2
5	<u>101898001</u>	Clamp, Battery	1
6	<u>102355301</u>	Lockwasher, #10 Split Ss	2
7	<u>1241</u>	Washer, 5/16 Type A Flat	2
8	<u>7173</u>	Screw, 5/16-18 X 0.75 Hex-Head Cap	1
9	<u>7473</u>	Locknut, 5/16-18 Nylon Insert	2

7
G

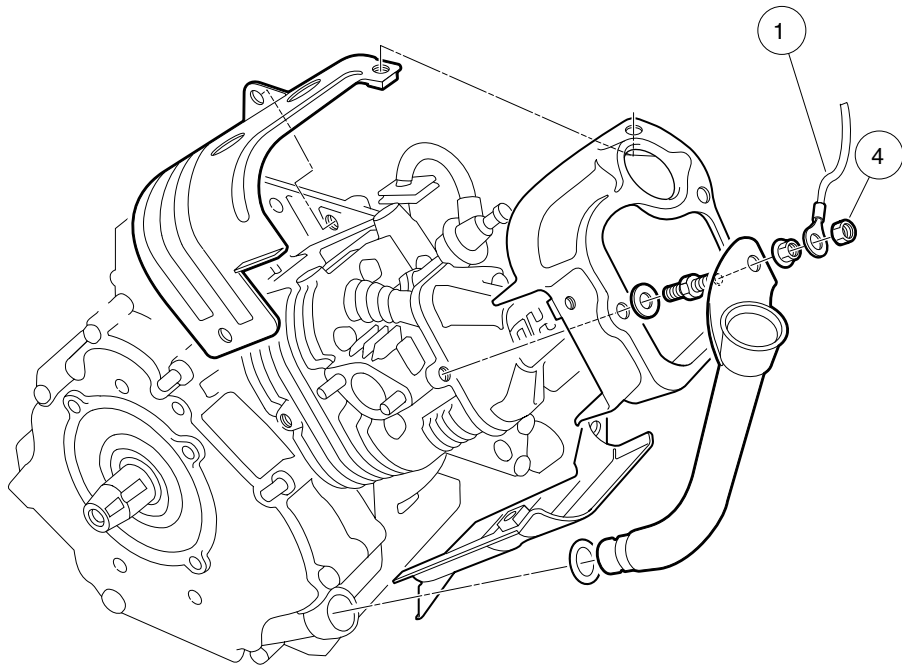
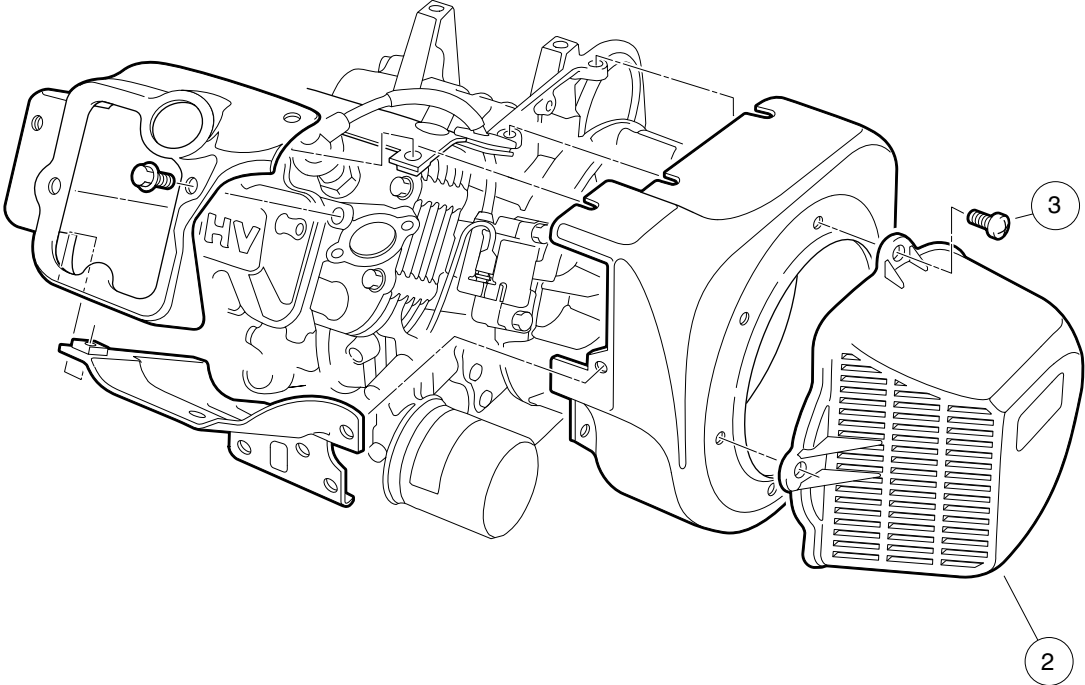
7

G

FE400 ENGINE

8

G



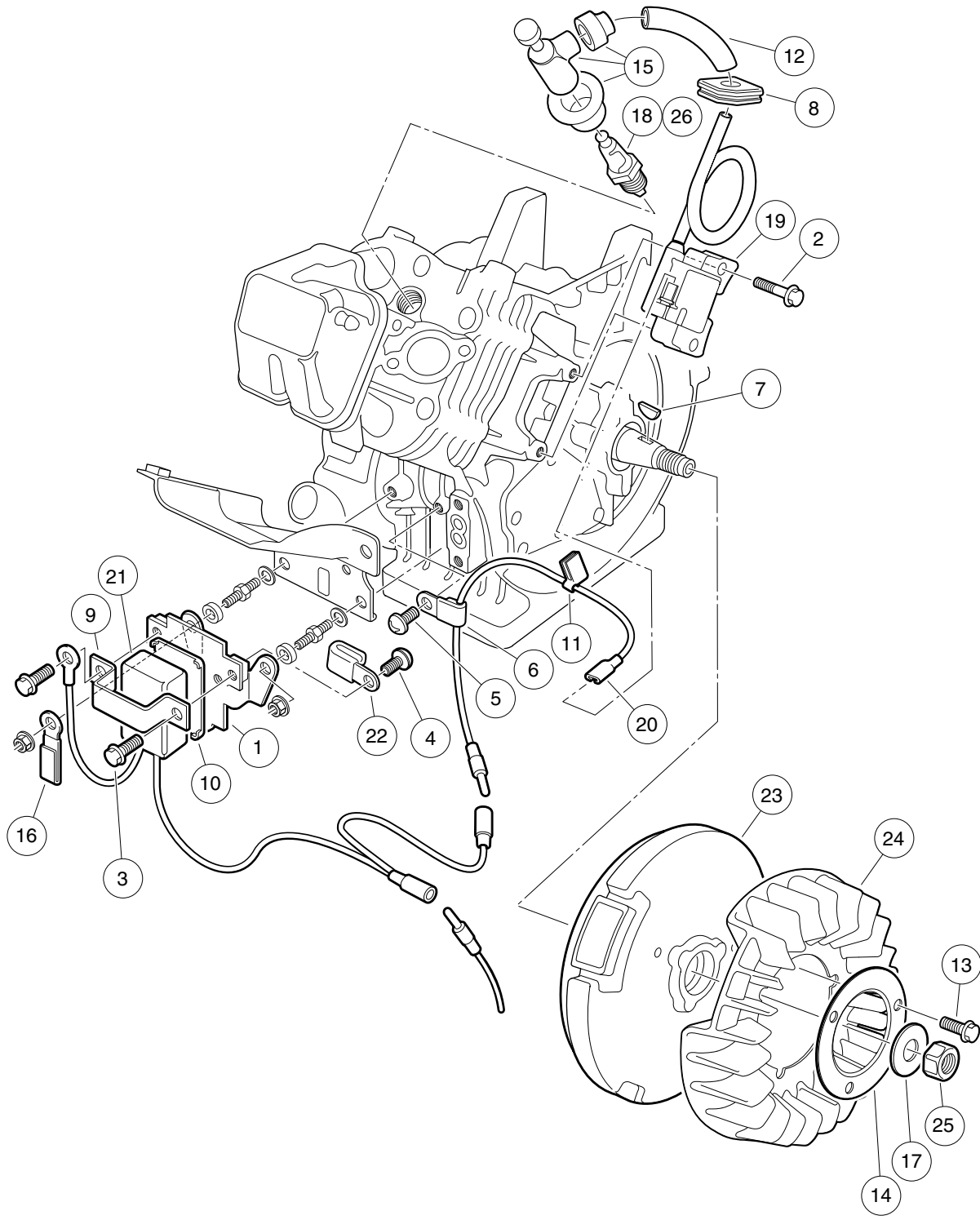
000127-001

FE400 ENGINE (KEY-START) – SHROUDS AND BRACKETS

ITEM	PART NO.	DESCRIPTION	QTY
		1 2 3 4	
1	<u>1015332</u>	Wire Assembly, #10, Uninsulated	1
2	<u>1015649</u>	Shroud, Fan	1
3	<u>1015969</u>	Screw, M6-1.00 X 10mm Pan Hd	4
4	<u>101887601</u>	Locknut, M6-1.00 Nylon Insert	1
5	<u>102258701</u>	Engine, FE400 (cw)	1

8

G

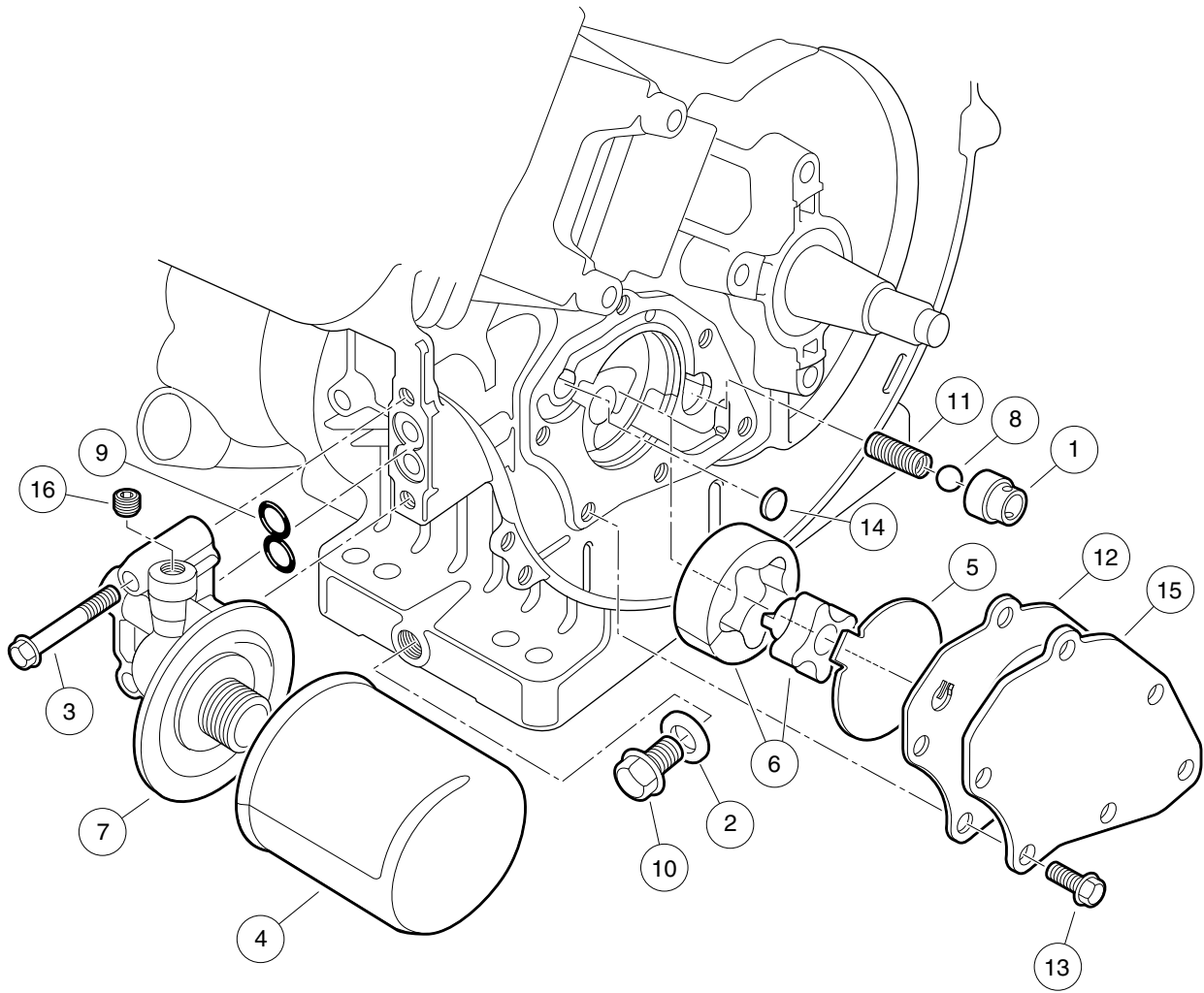


000128-001

FE400 ENGINE (KEY-START) – IGNITION COMPONENTS AND FLYWHEEL

ITEM	PART NO.	DESCRIPTION	QTY
		1 2 3 4	
1	1016445	Bracket, RPM Limiter	1
2	<u>1016455</u>	Bolt, Flange Head	2
3	1016456	Bolt, Flange Head, M6 x 1 x 12 mm	2
4	<u>1016497</u>	Screw, Pan WP Cross	1
5	<u>1016544</u>	Screw	1
6	<u>1016561</u>	Clamp	1
7	<u>1016562</u>	Key	1
8	<u>1016578</u>	Ignition, Grommet	1
9	<u>1016579</u>	Band, RPM Limiter Mount	1
10	1016586	Damper, RPM Limiter	1
11	<u>1016587</u>	Clamp	1
12	<u>1016588</u>	Tube, 7mm X 10mm X 70mm	1
13	<u>1017448</u>	Bolt, Flanged	3
14	<u>1017455</u>	Plate, Flywheel Fan	1
15	<u>1017463</u>	Cap Asm Plug	1
16	<u>1017468</u>	Clamp	1
17	<u>1017490</u>	Washer, Flat	1
18	<u>101881101</u>	Spark Plug, OHV (Autolite)	1
19	<u>101909201</u>	Coil, Ignition	1
20	<u>101909301</u>	Lead Wire Assy	1
21	101909401	Limiter, RPM	1
22	101909501	Clamp, Steel	1
23	<u>101916201</u>	Flywheel	1
24	<u>101916301</u>	Fan (cw)	1
25	N/A	Nut, Fine Hex, 18mm	1
26	<u>AM10724</u>	Spark Plug, OHV (NGK)	1

8
G



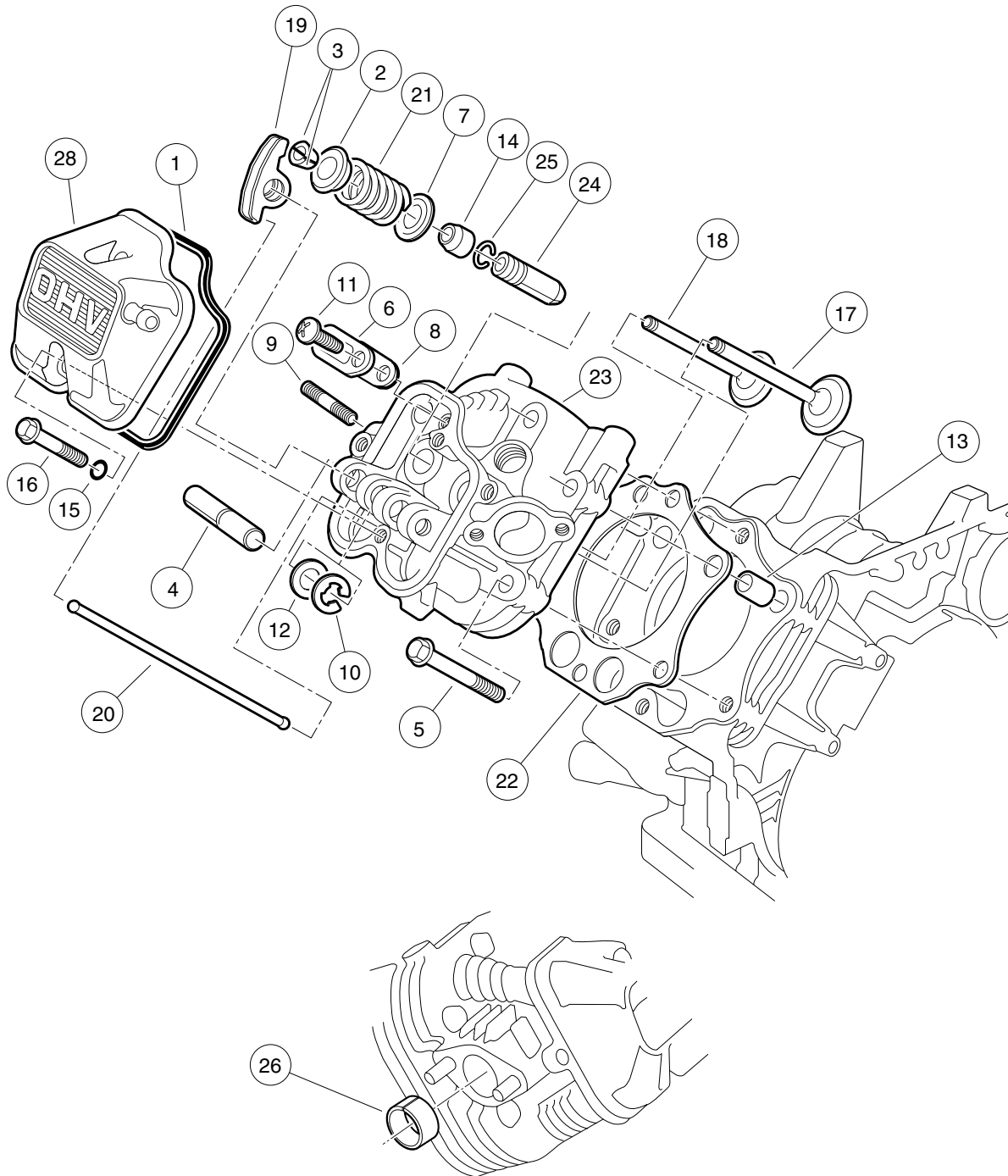
000129-001

FE400 ENGINE (KEY-START) – OIL CIRCULATION

ITEM	PART NO.	DESCRIPTION	QTY
		1 2 3 4	
1	1016429	Seat, Value Oil Press Relief	1
2	<u>1016432</u>	Gasket, Drain Plug	1
3	<u>1016457</u>	Bolt, Flange Head	2
4	<u>1016467</u>	Filter, Oil	1
5	<u>1016473</u>	Plate, Oil Pump	1
6	<u>101648203</u>	Oil Pump And Rotor	1
7	<u>1016502</u>	Bracket, Oil Filter Mount	1
8	<u>1016537</u>	Ball, Steel, Press, Relief	1
9	<u>1016570</u>	O-Ring	1
10	1016576	Plug, Drain	1
11	<u>1016581</u>	Spring	1
12	<u>1017442</u>	Gasket	1
13	<u>1017456</u>	Bolt, Flanged	6
14	<u>1017458</u>	Filter	1
15	<u>1017460</u>	Cover, Pump	1
16	<u>1017507</u>	Plug	2

8

G



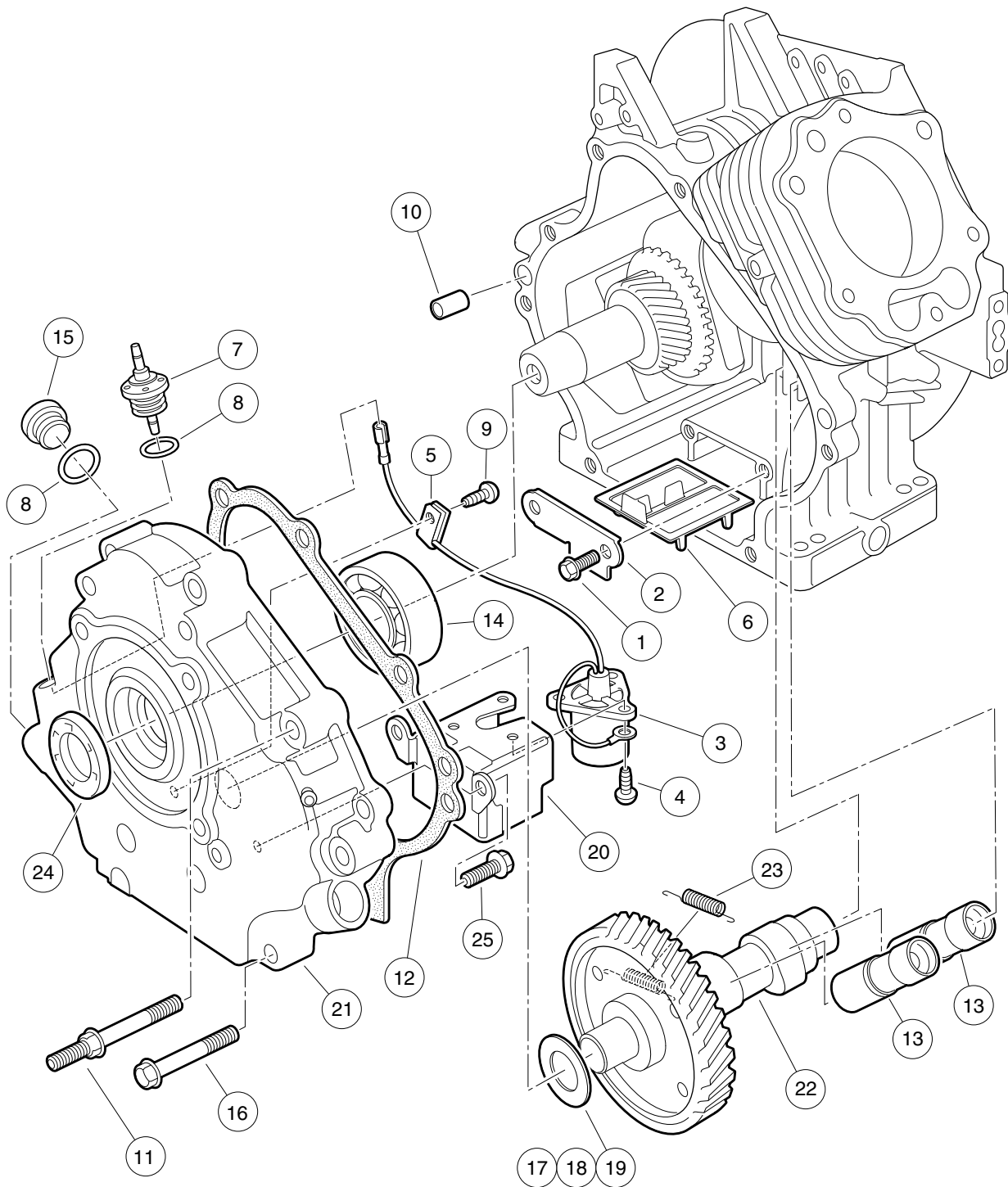
000130-001

FE400 ENGINE (KEY-START) – CYLINDER HEAD

ITEM	PART NO.	DESCRIPTION	QTY
		1 2 3 4	
1	<u>1016436</u>	Gasket, Rocker Case	1
2	<u>1016449</u>	Retainer, Valve Spring	2
3	<u>1016450</u>	Collet	4
4	<u>1016452</u>	Shaft, Rocker	1
5	<u>1016458</u>	Bolt, Flange Head, M8 x 1.25 x 45 mm	6
6	<u>1016474</u>	Plate	1
7	<u>1016479</u>	Seat, Spring	2
8	<u>1016483</u>	Valve	1
9	<u>1016489</u>	Stud, Two-Ended, M8-1.25	2
10	<u>1016517</u>	Circlip, Type-E	1
11	<u>1016544</u>	Screw	1
12	<u>1016549</u>	Washer, 12.1x19x1.8	1
13	<u>1016563</u>	Pin	2
14	<u>1016566</u>	Seal, Oil	2
15	<u>1016569</u>	O-Ring	2
16	<u>1016583</u>	Bolt, 6x35	2
17	<u>1017444</u>	Valve, Intake	1
18	<u>1017445</u>	Valve, Exhaust	1
19	<u>1017446</u>	Arm, Rocker	2
20	<u>1017454</u>	Rod, Push	2
21	<u>1017473</u>	Spring, Engine Valve	2
22	<u>102269901</u>	Gasket, Head, FE400	1
23	<u>102270001</u>	Head, Cylinder, FE400 (includes items 24 and 25)	1
24	<u>1016519</u>	Guide, Valve	2
25	<u>1016560</u>	Snap Ring	2
26	<u>102271101</u>	Sleeve, Exhaust	1
27	<u>102304901</u>	Kit, Gasket, FE400	1
28	<u>102753401</u>	Case, Rocker	1

8

G



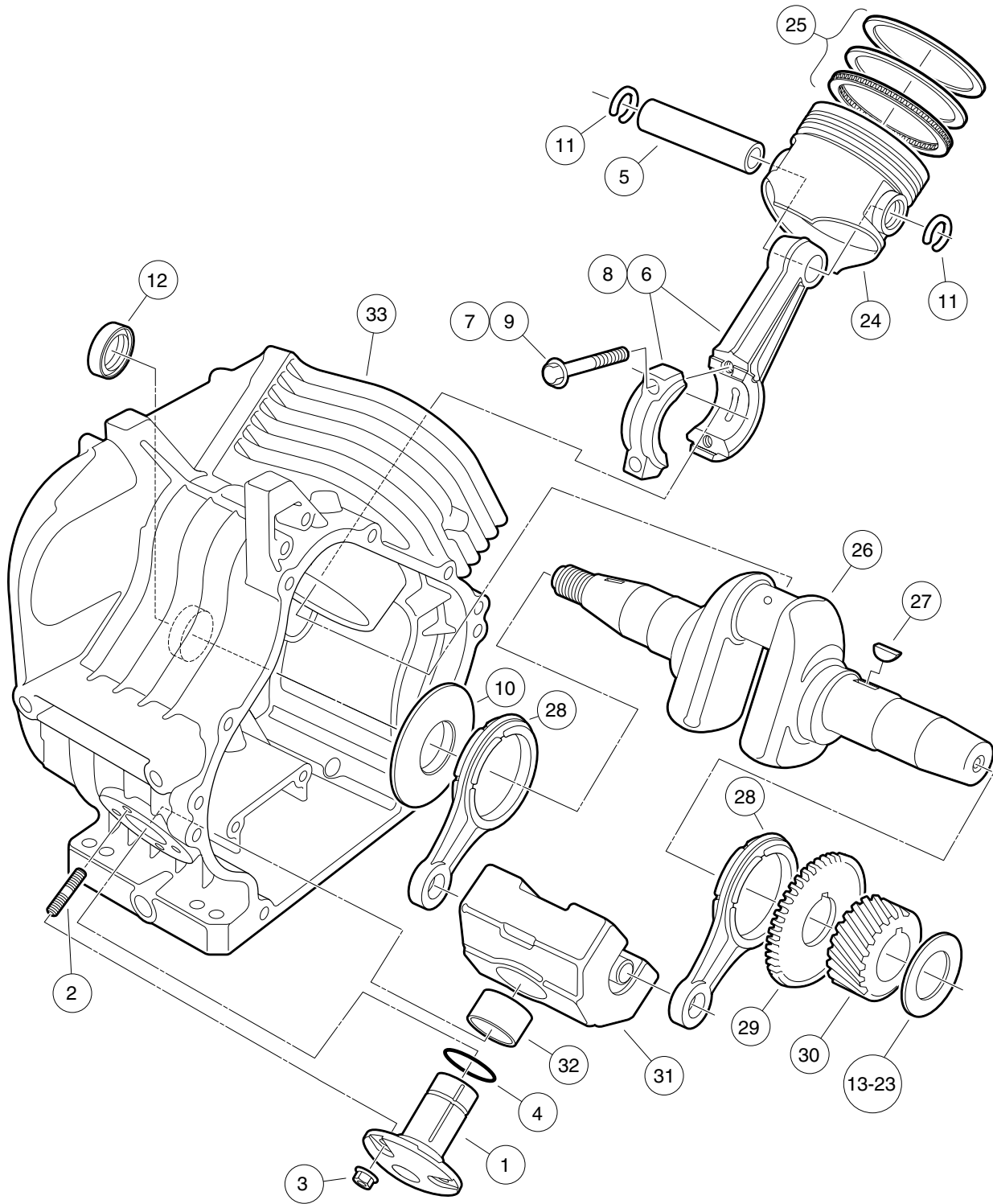
000131-001

FE400 ENGINE (KEY-START) – CRANKCASE, CAMSHAFT AND OIL SENSOR

ITEM	PART NO.	DESCRIPTION	QTY
		1 2 3 4	
1	<u>1016454</u>	Bolt, Flange Head, M5 x 0.8 x 8 mm	2
2	<u>1016472</u>	Plate, Oil Filter Screen	1
3	<u>1016494</u>	Sensor, Oil Level	1
4	<u>1016496</u>	Screw, Cross Pan-Head, M4 x 0.7 x 8 mm	3
5	<u>1016506</u>	Clamp	1
6	<u>1016521</u>	Screen, Oil Filter	1
7	<u>1016535</u>	Connector, Cord	1
8	<u>1016538</u>	O-Ring	2
9	<u>1016544</u>	Screw	1
10	<u>1016564</u>	Pin	2
11	<u>1016584</u>	Bolt, Two-Ended, M8 x 1.25 x 69 mm	2
12	<u>1017443</u>	Gasket, Crankcase Cover	1
13	<u>1017447</u>	Adjuster, Lash	2
14	<u>1017487</u>	Bearing, Ball	1
15	<u>1017508</u>	Plug	1
16	<u>1017514</u>	Screw, M8-1.25 X 45mm Hex	6
17	<u>101751801</u>	Shim, 0.3	1
18	<u>101751802</u>	Shim, 0.4	1
19	<u>101751803</u>	Shim, 0.5	1
20	N/A	Switch Bracket	1
21	<u>102271401</u>	Cover, Crankcase, FE400	1
22	<u>102271601</u>	Camshaft, FE350/FE400 with ACR, 44-tooth (includes item 23)	1
23	<u>1017511</u>	Spring	1
24	<u>102272101</u>	Seal, Oil	1
25	<u>102272301</u>	Bolt Switch Bracket	2
26	<u>102304901</u>	Kit, Gasket, FE400	1

8

G



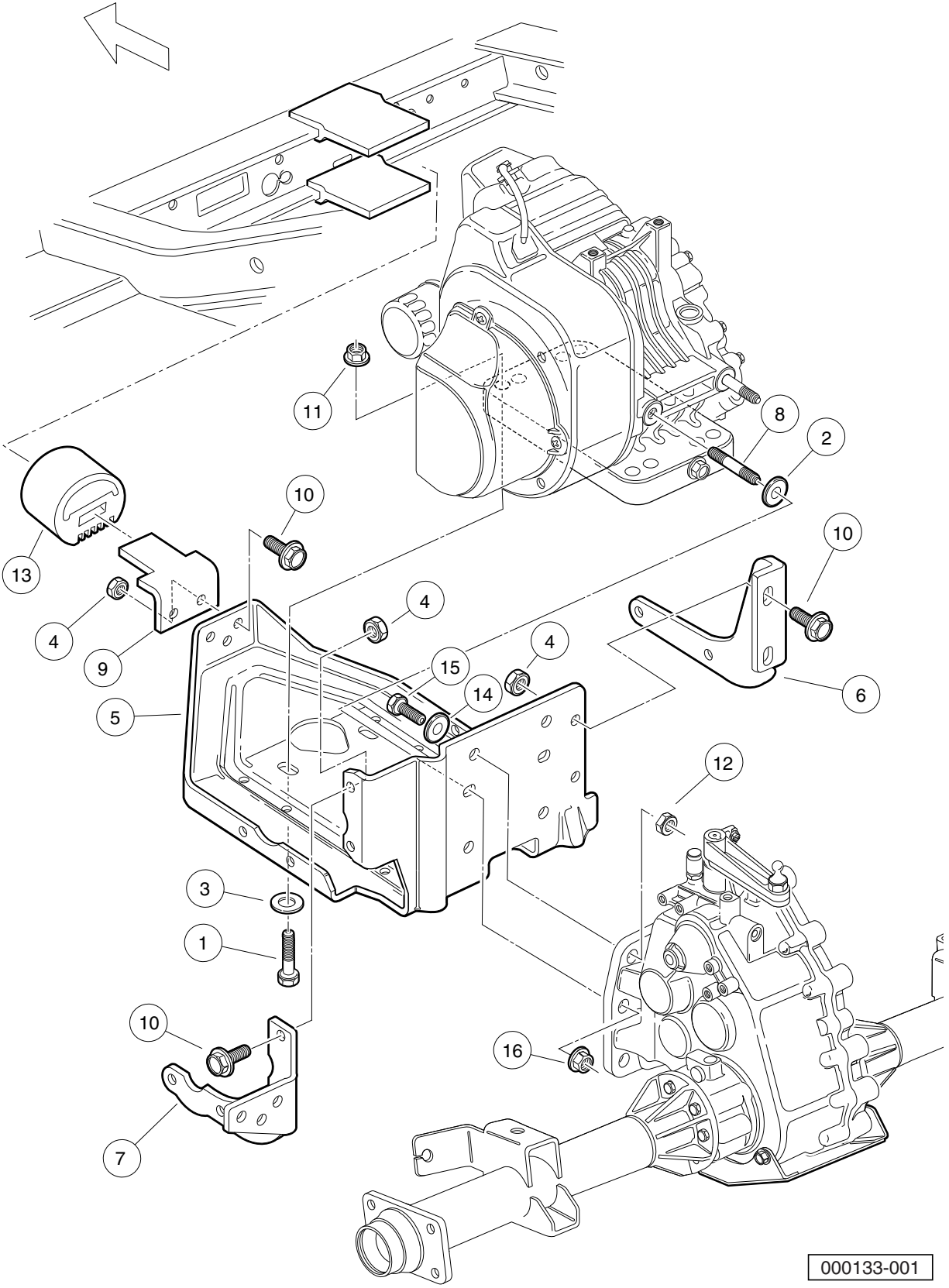
000132-001

FE400 ENGINE (KEY-START) – CRANKCASE AND CRANKSHAFT

ITEM	PART NO.	DESCRIPTION	QTY
		1 2 3 4	
1	1016470	Shaft, Guide, Counterbalance	1
2	<u>1016541</u>	Stud, 6x14	4
3	1016547	Nut, M6 Flange	4
4	<u>1016571</u>	O-Ring	1
5	1017450	Pin, Piston	1
6	101745701	Asm, Con. Rod Std (includes item 7)	1
7	<u>1017512</u>	Bolt	2
8	<u>101745702</u>	Rod Assembly Connecting Rod 0.5mm (includes item 9)	1
9	<u>1017512</u>	Bolt	2
10	1017501	Spacer	1
11	<u>1017502</u>	Snap Ring	2
12	<u>1017503</u>	Seal, Oil	1
13	<u>101773301</u>	Shim, Crankshaft, 1.18mm	1
14	<u>101773302</u>	Shim, Crankshaft, 1.25mm	1
15	<u>101773303</u>	Shim, Crankshaft, 1.32mm	1
16	<u>101773304</u>	Shim, Crankshaft, 1.39mm	1
17	<u>101773305</u>	Shim, Crankshaft, 1.46mm	1
18	<u>101773306</u>	Shim, Crankshaft, 1.53mm	1
19	<u>101773307</u>	Shim, Crankshaft, 1.60mm	1
20	<u>101773308</u>	Shim, Crankshaft, 1.67mm	1
21	<u>101773309</u>	Shim, Crankshaft, 1.74mm	1
22	<u>101773310</u>	Shim, Crankshaft, 1.11mm	1
23	<u>101773311</u>	Shim, Crankshaft, 1.81mm	1
24	<u>102270201</u>	Piston, FE400	1
25	<u>102270301</u>	Ring Set, Piston, FE400	1
26	<u>102270401</u>	Crankshaft, FE400 (includes items 27 through 30)	1
27	<u>1016562</u>	Key	1
28	<u>1017471</u>	Rod	2
29	<u>102271801</u>	Spur Gear	1
30	<u>102271901</u>	Gear, Helical	1
31	<u>102270501</u>	Weight, Counterbalance, FE400 (includes item 32)	1
32	1017510	Bearing, Plain	1
33	<u>102271501</u>	Crankcase, FE400	1

8

G



000133-001

ENGINE MOUNTING

ITEM	PART NO.	DESCRIPTION	QTY
		1 2 3 4	
1	<u>1010577</u>	Bolt, Hex-Head, 5/16-18 X 1.50	4
2	<u>1011697</u>	Washer, 5/16 Flat	2
3	<u>1012571</u>	Washer, 5/16 Extra Thick Flat	4
4	<u>1013924</u>	Nut, 5/16-24 Hex Head Cone	10
5	<u>101827101</u>	Plate, Engine Mounting	1
6	<u>101832601</u>	Stiffener (PTO Side)	1
7	<u>101832701</u>	Stiffener (Flywheel Side)	1
8	<u>101833101</u>	Stud, M8-1.25 X 50 mm Two-Ended	2
9	<u>101834601</u>	Snubber Bracket	1
10	<u>101884801</u>	Screw, 5/16-24 X 0.875 Grade-8	10
11	<u>101963401</u>	Locknut, 5/16-18 Hex Flange	4
12	<u>102065901</u>	Locknut, 3/8-16 Flanged Dimple	4
13	<u>102540301</u>	Inner Frame Snubber	1
14	<u>334</u>	Washer, 3/8 Type A Flat	4
15	<u>705</u>	Screw, Cap-hex Hd 3/8-16x1.25	4
16	<u>96704416</u>	Nut Flg, M8 X 1.25 Serrated	2

8

G

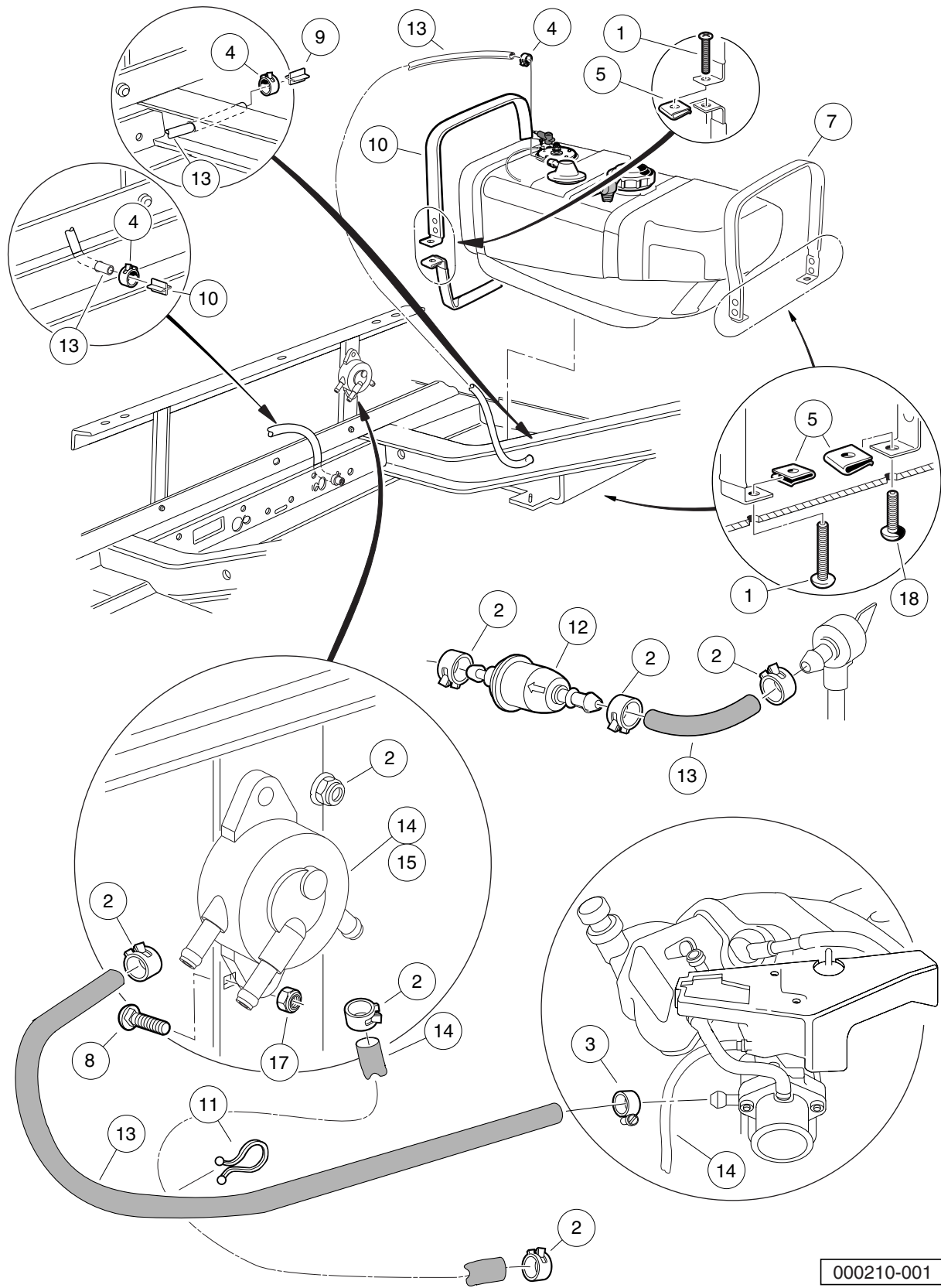
8

G

FUEL, INTAKE, AND GOVERNOR SYSTEM

9

G

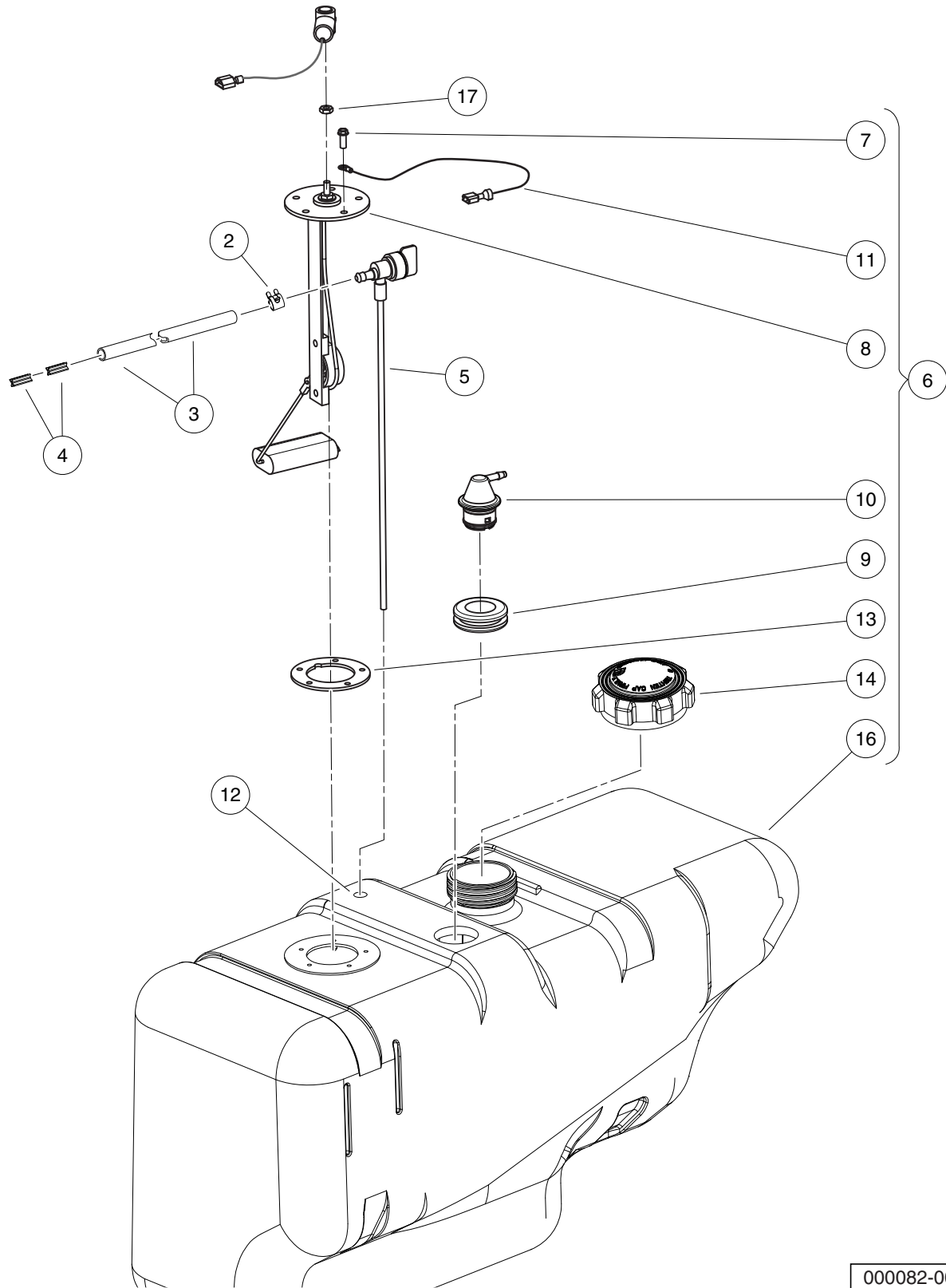


000210-001

FUEL SYSTEM

ITEM	PART NO.	DESCRIPTION	QTY
		1 2 3 4	
1	<u>1011988</u>	Screw, 1/4-20 X 2.00 Phillips Truss-Head	2
2	<u>1012649</u>	Clamp, 0.460 Red Hose	7
3	<u>1013687</u>	Clamp, 3/8" Hose (screw type)	1
4	<u>1013746</u>	Clamp, 0.301 ID Hose	3
5	<u>1014116</u>	Nut, 1/4-20 Speed	3
6	<u>1014524</u>	Kit, Impulse Pump Rebuild	1
7	<u>1014928</u>	Fuel Strap Assembly Rear	1
8	<u>1017203</u>	Carriage Bolt	2
9	<u>101824401</u>	Vent Barb	2
10	<u>101955301</u>	Fuel Strap Assy, Front	1
11	<u>101987701</u>	Clamp, Plastic Tie	1
12	<u>102003201</u>	Filter, Fuel, 30 Micron	1
13	<u>102865101</u>	Fuel Line	1
14	<u>103781101</u>	Kit, Fuel Pump Retrofit (includes items 15 and 16)	1
15	<u>103010101</u>	Pump, Fuel, Impulse, Fh	1
16	103781201	Instr, Fuel Pump Retrofit	1
17	<u>8233</u>	Locknut, 1/4-20 Nylon Insert	2
18	<u>8248</u>	Screw, 1/4-20 X 0.75 Truss-Head Machine	1

9
G



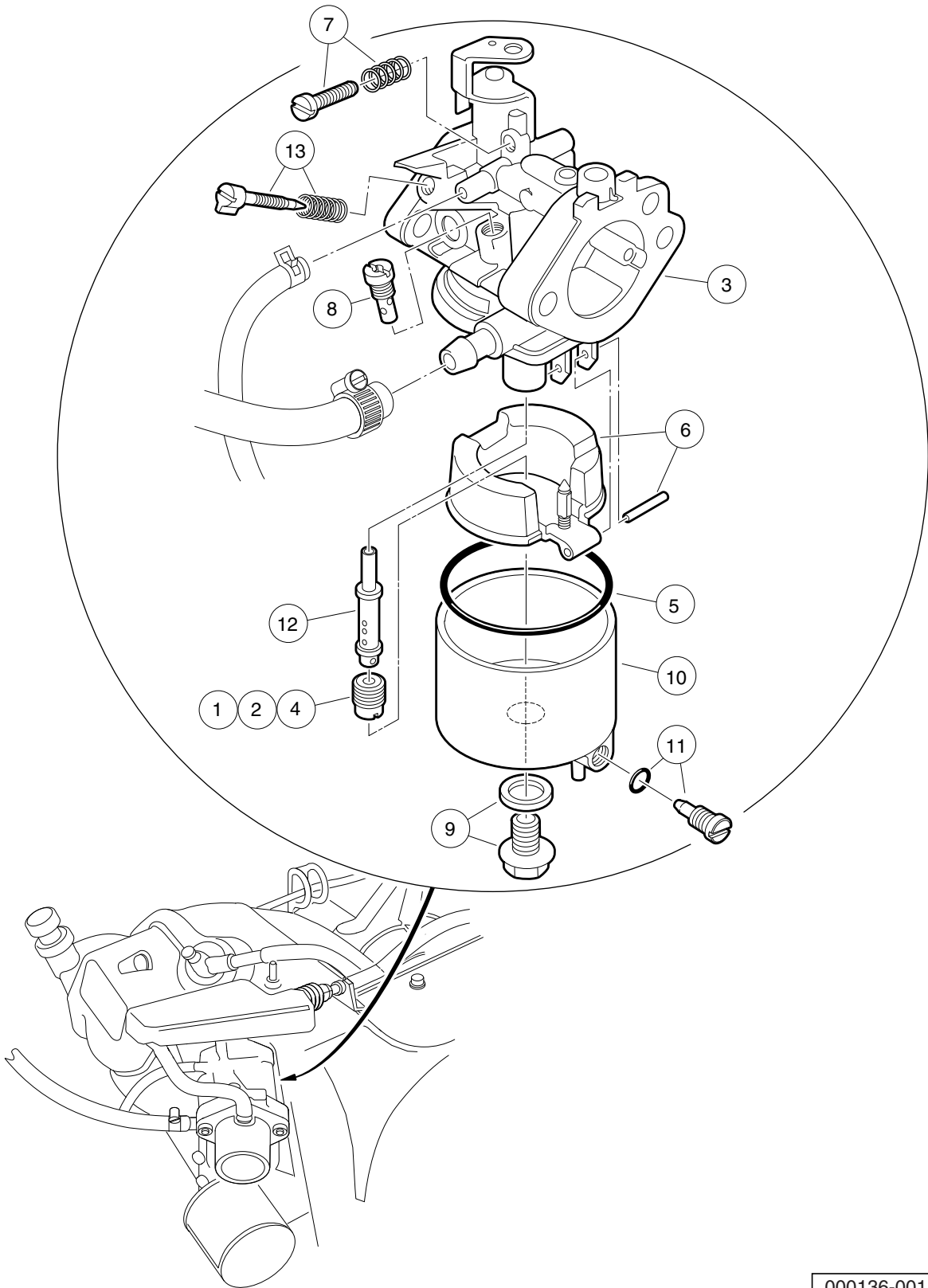
000082-003

FUEL TANK WITH FUEL LEVEL SENDING UNIT

ITEM	PART NO.	DESCRIPTION	QTY
		1 2 3 4	
1	1016004	Tank Kit w/Sending Unit (includes items 2 through 6)	1
2	<u>1013746</u>	Clamp, 0.301 ID Hose	2
3	<u>1015137</u>	Fuel Line (available by the foot)	1
4	<u>101824401</u>	Vent Barb	2
5	101896901	Fuel Pickup w/Shut-Off Valve	1
6	<u>103651901</u>	Asm, Tank, Ds Utl W/su† Nano (includes items 7 through 16)	1
7	<u>1013461</u>	Screw, #10-16 Hex-Head Hi-Lo	5
8	<u>1013462</u>	Sending Unit, Fuel Level *	1
9	<u>1015139</u>	Insulation Grommet	1
10	<u>1015143</u>	Vent, Fuel Tank	1
11	1015921	Wire Assembly #16 Black	1
12	<u>102406701</u>	Bushing, Line, Return	1
13	<u>102522001</u>	Gasket, Rubber	1
14	<u>103372101</u>	Cap, Fuel Tank, Gas, Ratchet	1
15	<u>103372302</u>	Fuel Pickup w/Shut-Off Valve, 288mm	1
16	103776901	Tank, Fuel, Top, W/su Nano	1
17	<u>8797</u>	Nut, #10-32 Brass Hex	1
<p>* Note: Must replace fuel sending unit gasket when servicing this component.</p>			

9

G

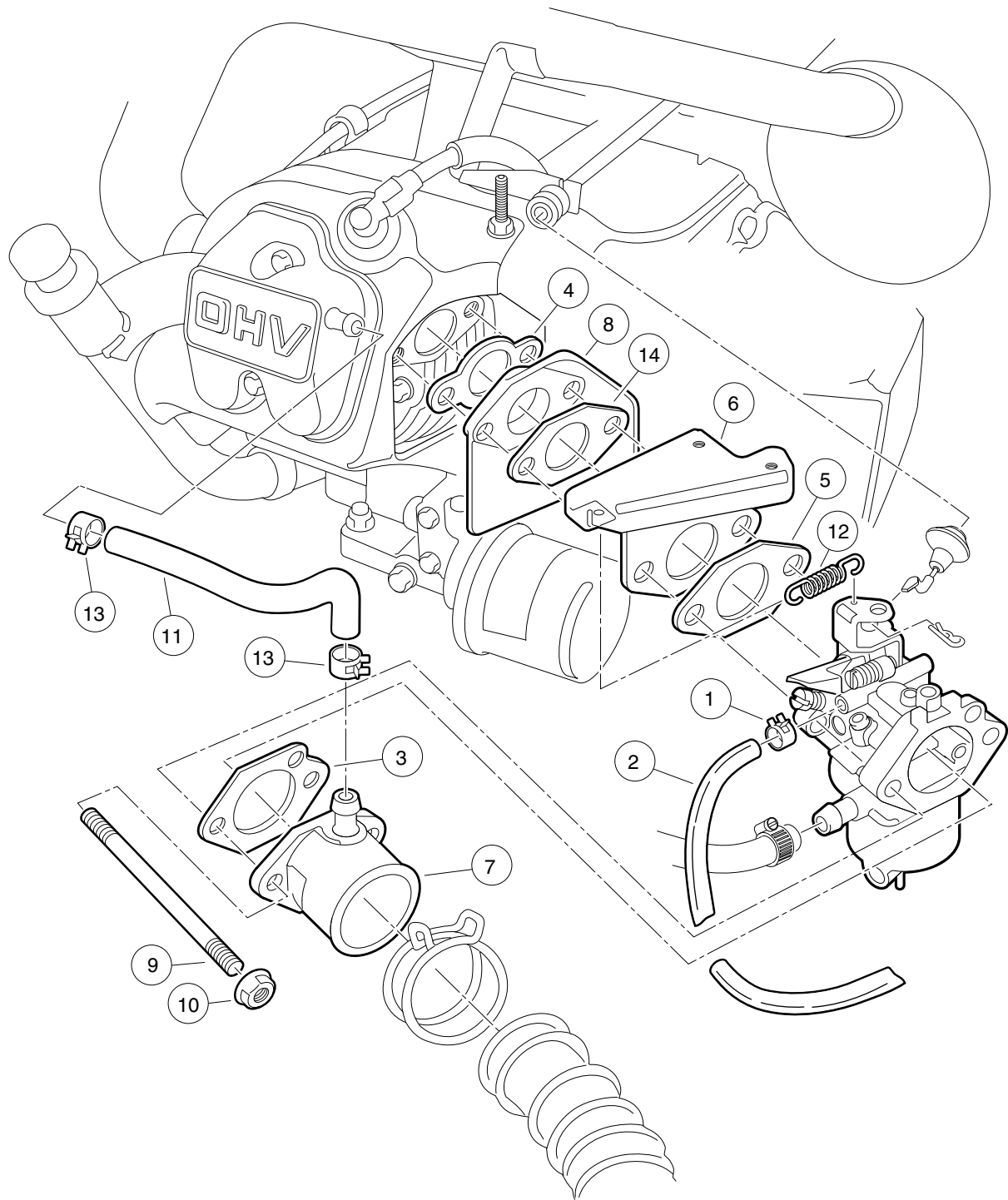


000136-001

CARBURETOR ASSEMBLY, FE400 ENGINE

ITEM	PART NO.	DESCRIPTION	QTY
		1 2 3 4	
1	<u>101642582</u>	Jet, Altitude, # 82	1
2	<u>101642585</u>	Jet, Altitude, # 85	1
3	<u>102270701</u>	Carburetor (includes items 4 through 13)	1
4	<u>101642588</u>	Jet, # 88	1
5	<u>1016437</u>	Gasket, Carburetor Bowl OHV	1
6	<u>1016486</u>	Float Assembly	1
7	<u>1016501</u>	Screw Assembly	1
8	<u>1016574</u>	Jet, #45 Pilot	1
9	<u>1016585</u>	Bolt	1
10	<u>1017461</u>	Chamber Assembly, Float (includes item 11)	1
11	<u>1016499</u>	Screw Assembly	1
12	<u>102271701</u>	Nozzle, Main, Carburetor	1
13	N/A	Assembly, Pilot Air Screw	1

9
G



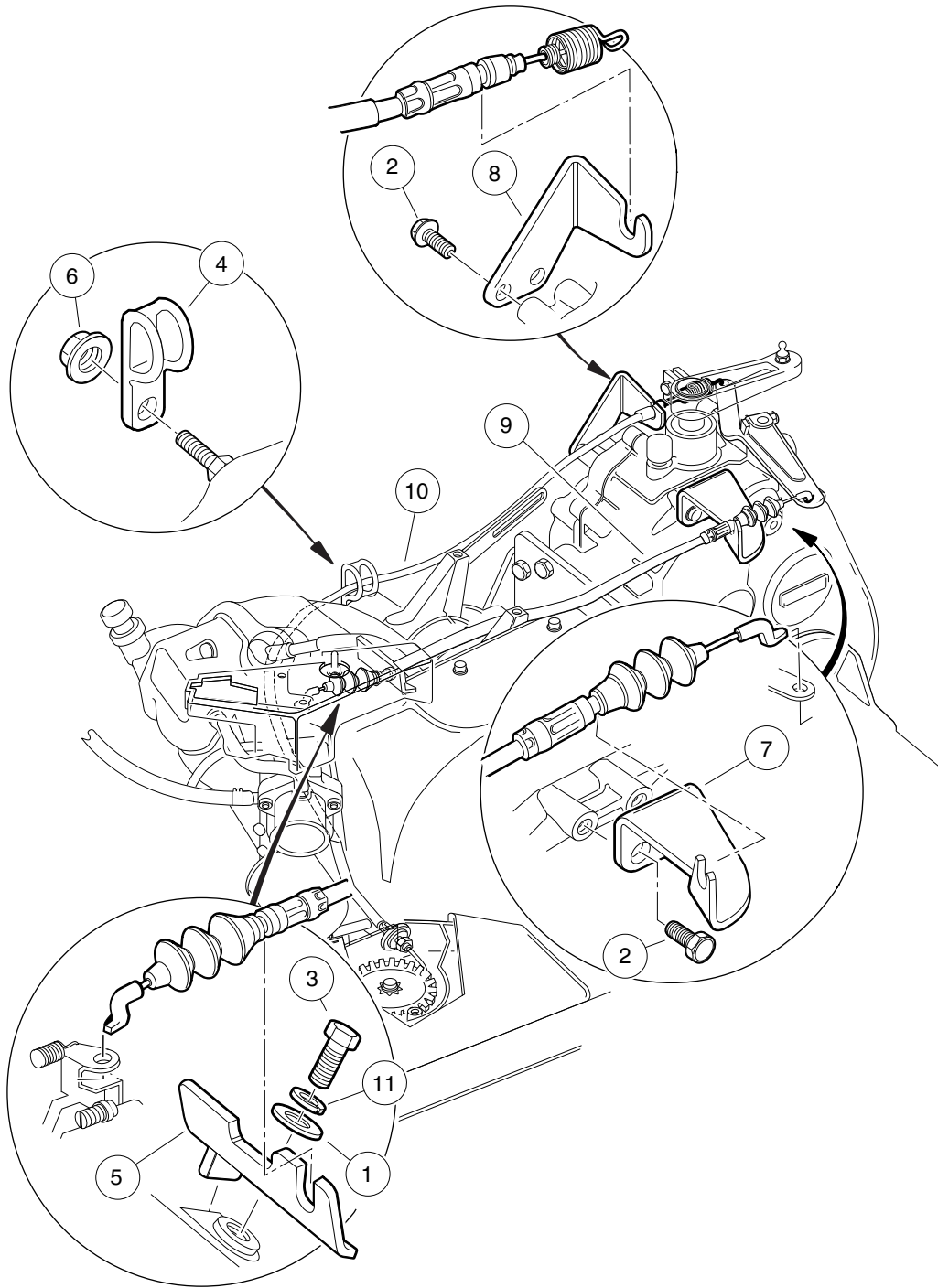
000137-001

CARBURETOR INSTALLATION

ITEM	PART NO.	DESCRIPTION	QTY
		1 2 3 4	
1	<u>1013746</u>	Clamp, 0.301 ID Hose	1
2	<u>1015137</u>	Fuel Line (available by the foot)	1
3	<u>1016438</u>	Gasket, Carb To Intake Manifold	1
4	<u>1016440</u>	Gasket, Engine to Insulator	1
5	<u>1016441</u>	Gasket, Sprg Brkt To Carb OHV	1
6	<u>1016444</u>	Bracket, Throttle Spring Return	1
7	1016480	Pipe, Intake Manifold	1
8	101648102	Insulator, Carburetor	1
9	<u>101649002</u>	Stud, M6-1.00 Two-Ended	2
10	1016547	Nut, M6 Flange	2
11	<u>1016572</u>	Tube, Crankcase Vent	1
12	<u>1016582</u>	Spring, Throttle Return	1
13	<u>1017466</u>	Clamp	2
14	<u>101973401</u>	Gasket, Insulator To Bracket	1

9

G

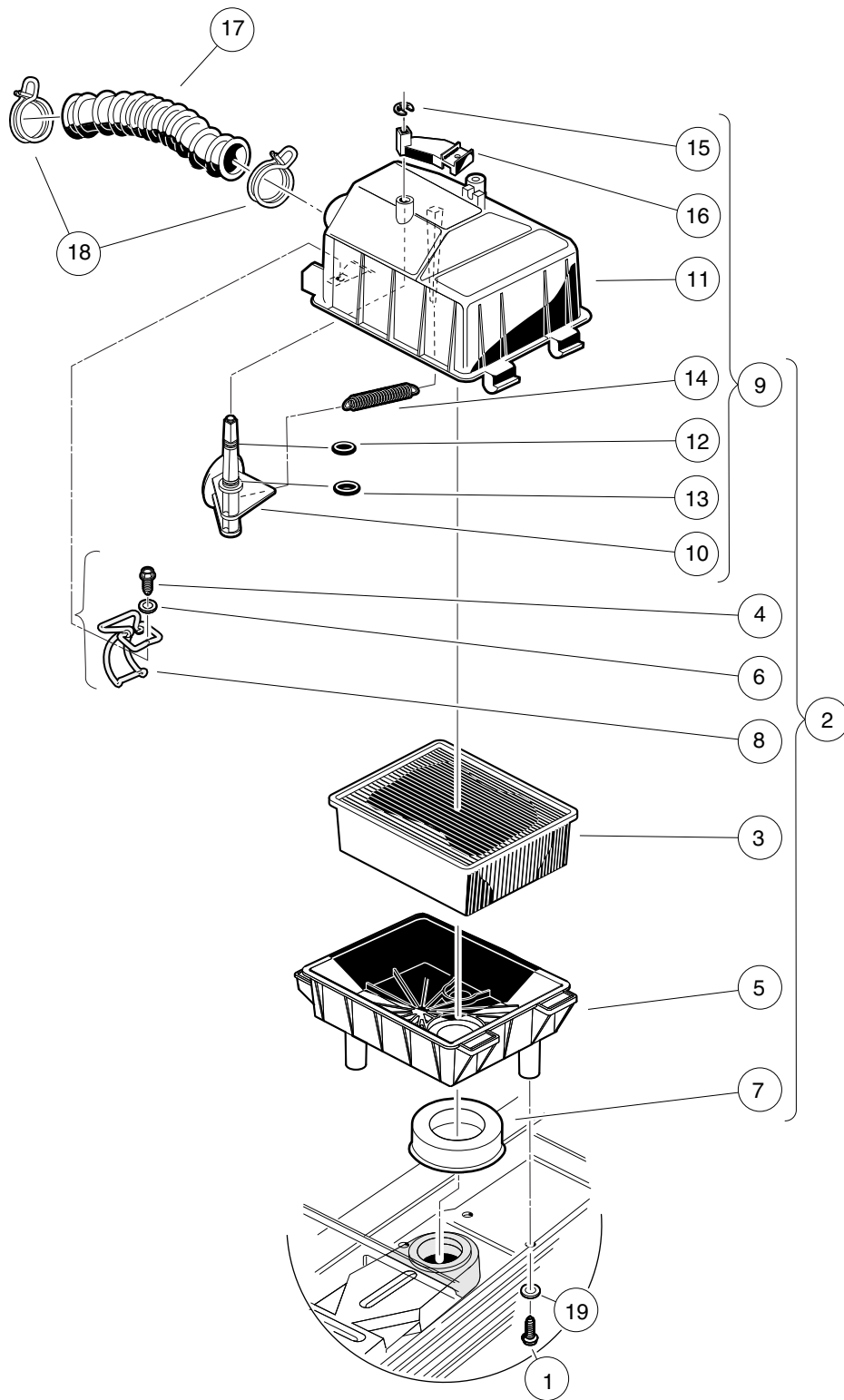


000138-001

GOVERNOR AND ACCELERATOR CABLES

ITEM	PART NO.	DESCRIPTION	QTY
		1 2 3 4	
1	<u>1011697</u>	Washer, 5/16 Flat	1
2	<u>1012285</u>	Screw, 1/4 X 0.625 Hex-Head	4
3	<u>1012830</u>	Screw, M8-125 X 22 Hex-Head	1
4	<u>1013700</u>	Clamp	2
5	<u>101584502</u>	Bracket, Governor Cable Snap-In	1
6	<u>1016546</u>	Nut	2
7	<u>101832202</u>	Bracket, Rear Governor Cable Snap-In	1
8	<u>101832302</u>	Bracket, Rear Accelerator Cable Snap-In	1
9	<u>102336001</u>	Cable, Governor, Snap-In	1
10	<u>102336101</u>	Cable, Accelerator, Snap-In	1
11	<u>7174</u>	Lockwasher, 5/16 Split	1

9
G



000332-001

AIR BOX AND INTAKE HOSE

ITEM	PART NO.	DESCRIPTION	QTY
		1 2 3 4	
1	<u>1015752</u>	Screw, #12-16 X 0.625 Hi-Lo	3
2	<u>101821501</u>	Assembly, Air Box (includes items 3 through 9)	1
3	<u>1015426</u>	Filter, Air	1
4	<u>101804301</u>	Screw, #8 X 0.500, Hex-Head Hi-Lo	2
5	<u>101811901</u>	Bottom, Air Box	1
6	<u>101881701</u>	Washer, #8 Stainless-Steel Flat	2
7	<u>101921501</u>	Seal, Intake	1
8	<u>101925701</u>	Latch, Wireform	2
9	<u>101972801</u>	Top Assy, Air Box (includes items 10 through 16)	1
10	N/A	Valve, Choke	1
11	101811801	Top, Air Box	1
12	N/A	O-Ring, 5/16	1
13	N/A	O-Ring, 3/8	1
14	<u>101812301</u>	Spring, Extension Return	1
15	<u>101813001</u>	Retaining Ring 0.25, Shaft	1
16	<u>101917601</u>	Lever, Choke	1
17	<u>101837101</u>	Hose, Air Intake	1
18	<u>101971301</u>	Clamp, 1.58" ID Hose	2
19	<u>332</u>	Washer, 1/4 Type A Narrow Flat	3

9
G

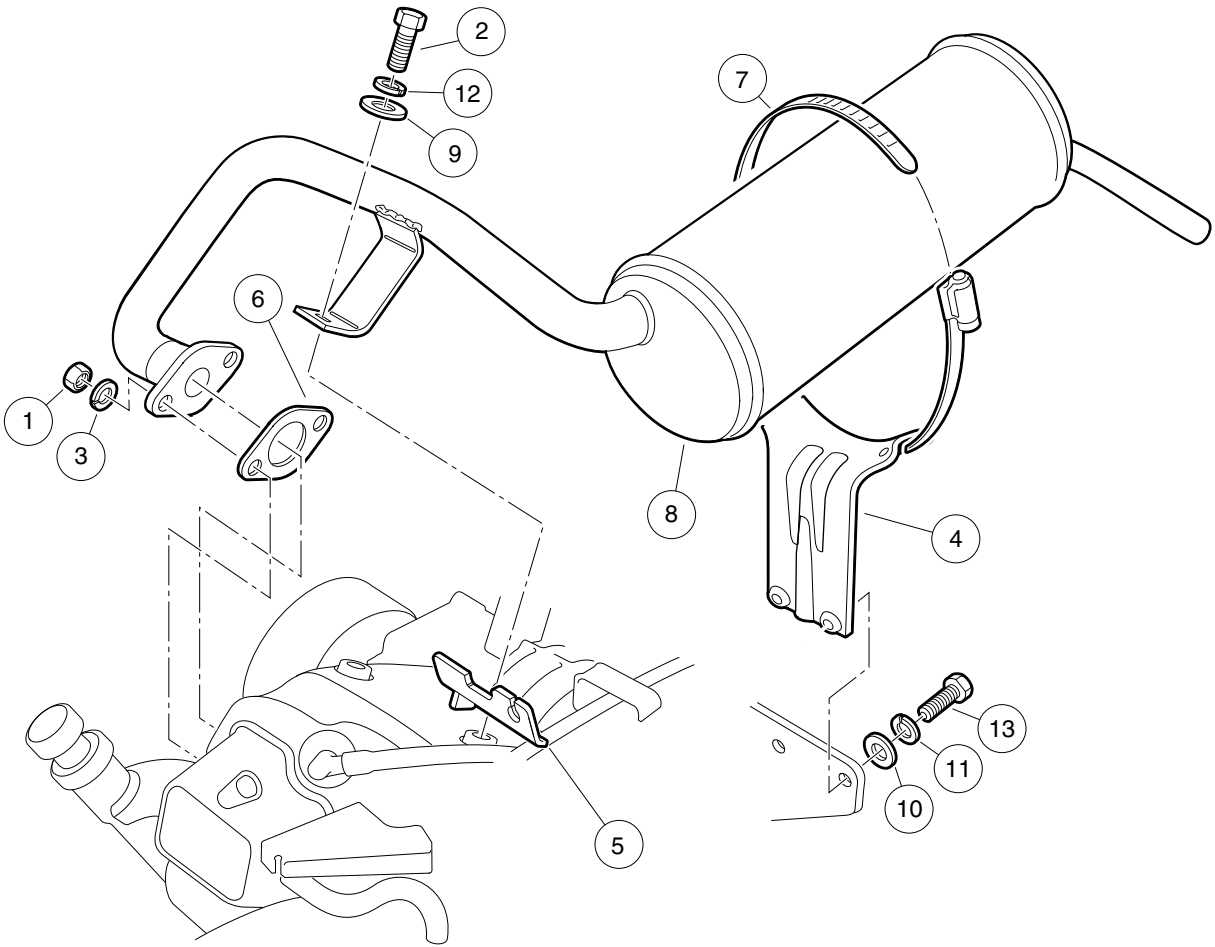
9

G

EXHAUST SYSTEM

10

G



000141-001

EXHAUST SYSTEM, FE400 ENGINE

ITEM	PART NO.	DESCRIPTION	QTY
		1 2 3 4	
1	<u>1012528</u>	Nut, M8-1.25 Hex	2
2	<u>1012830</u>	Screw, M8-125 X 22 Hex-Head	1
3	<u>1013734</u>	Lockwasher, 8mm Split	2
4	<u>1015814</u>	Bracket, Muffler Mounting	1
5	<u>101584502</u>	Bracket, Governor Cable Snap-In	1
6	<u>1016904</u>	Gasket, Exhaust	1
7	1017689	Clamp, 5" Muffler Hose	1
8	<u>102257201</u>	Exhaust System	1
9	<u>1241</u>	Washer, 5/16 Type A Flat	1
10	<u>332</u>	Washer, 1/4 Type A Narrow Flat	2
11	<u>451</u>	Lockwasher, 1/4 Split	2
12	<u>7174</u>	Lockwasher, 5/16 Split	1
13	<u>7847</u>	Screw, 1/4-20 X 0.75 Hex-Head Cap	2

10

G

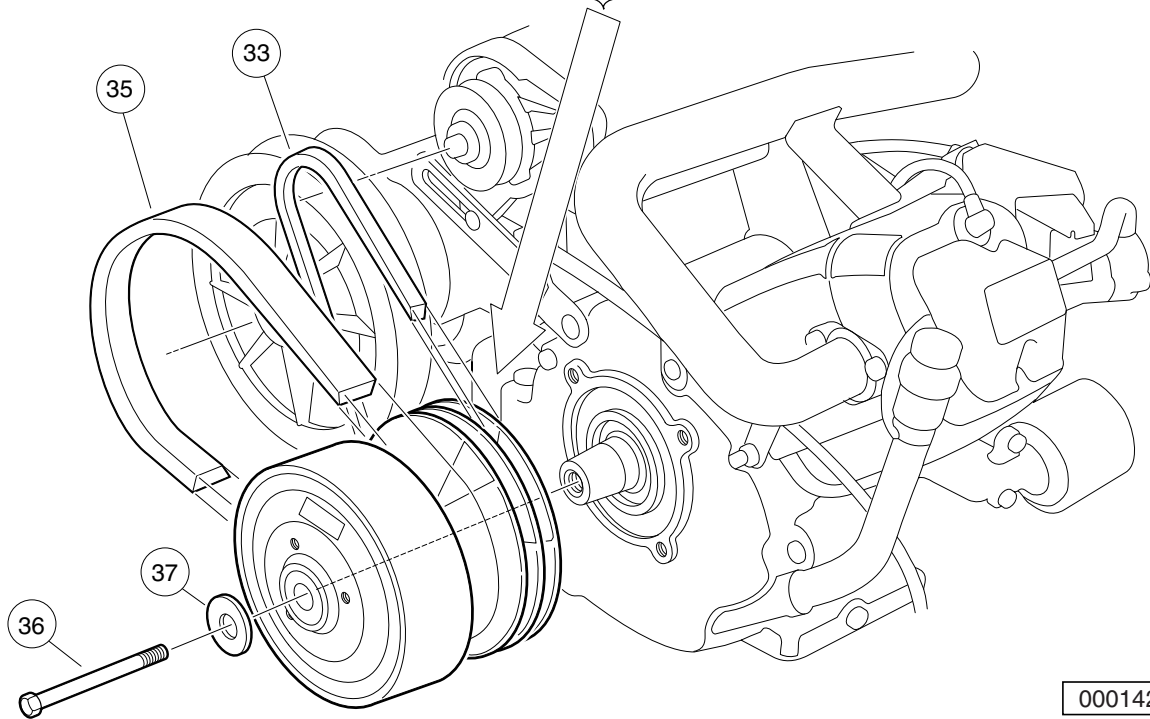
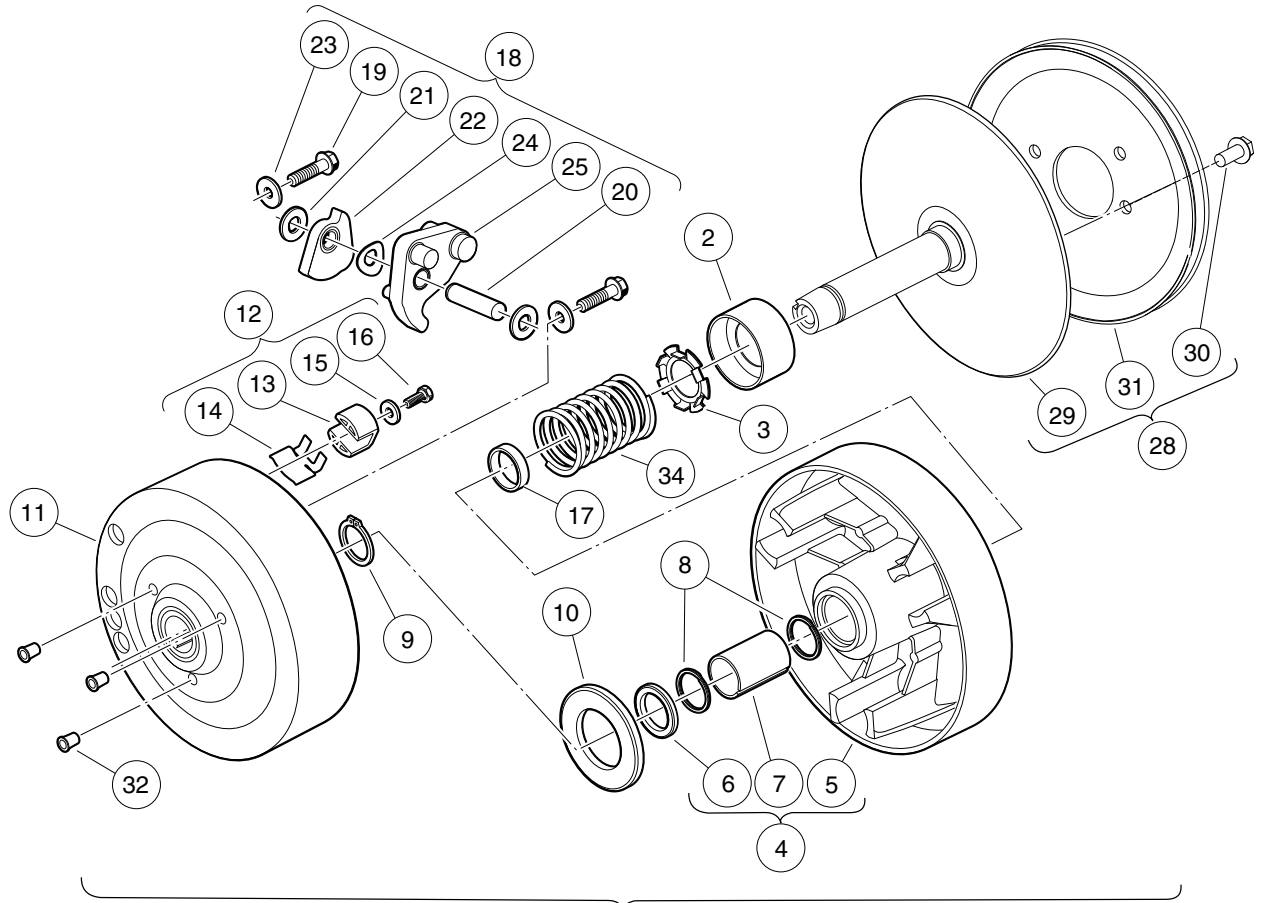
10

G

TORQUE CONVERTER

11

G



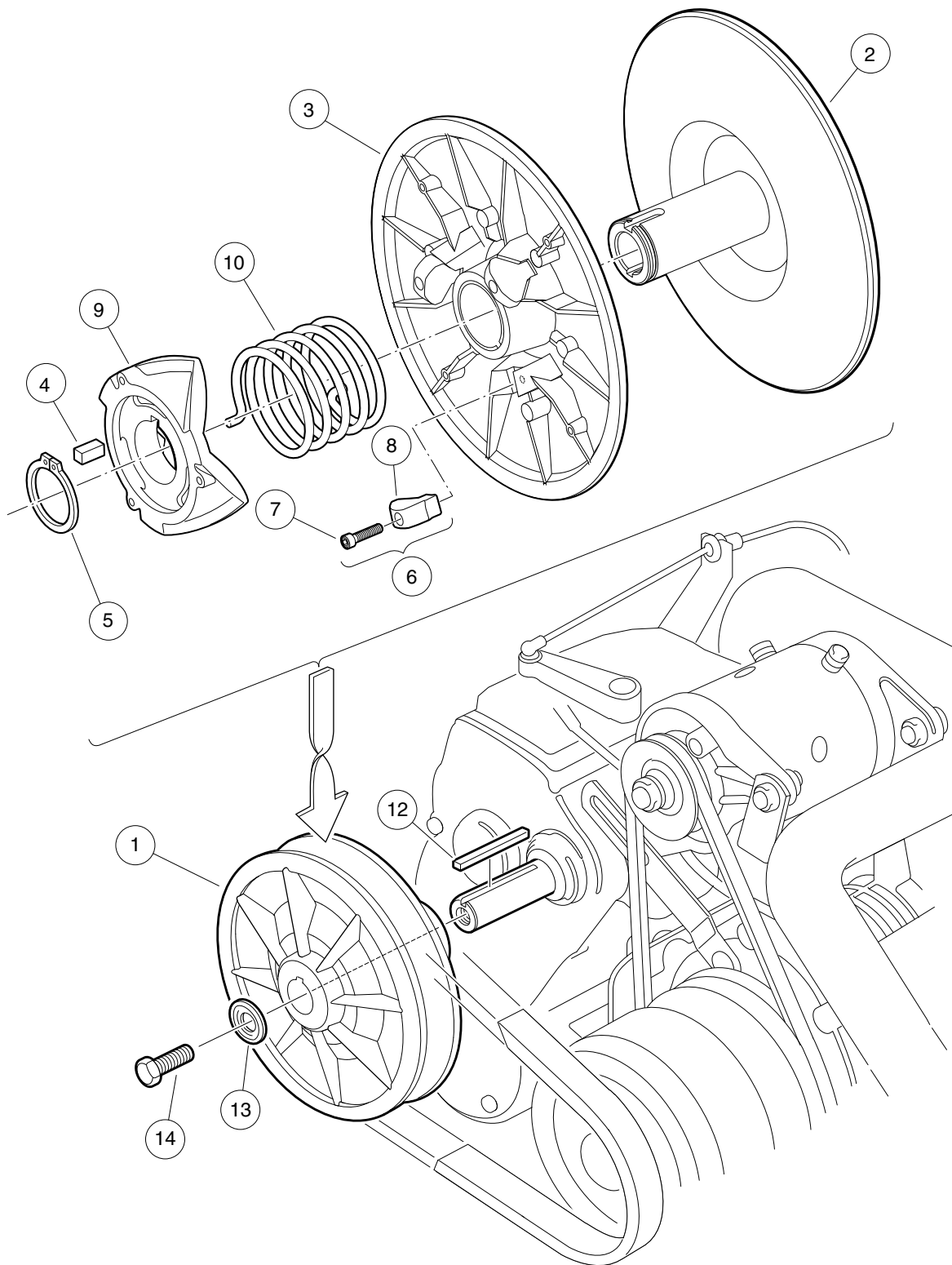
000142-001

DRIVE CLUTCH

11

G

ITEM	PART NO.	DESCRIPTION	QTY
		1 2 3 4	
1	<u>101833908</u>	Assembly, Drive Clutch (includes items 2 through 37)	1
2	1014049	Bearing, Idler	1
3	<u>1014050</u>	Retainer, Spring	1
4	1014052	Movable-Face Assembly (includes items 5 through 7)	1
5	N/A	Drive Clutch Movable Face	1
6	<u>1014055</u>	Retainer	1
7	N/A	Bushing, Split, Drive Clutch	1
8	<u>1014056</u>	Ring, Spiral Backup	2
9	<u>1014057</u>	Ring, 0.810" Internal Retaining	1
10	1014058	Thrust Washer	1
11	1014059	Drive Hub Assy, Drive Clutch	1
12	<u>1014453</u>	Kit, Drive Clutch Button (includes items 13 through 16)	1
13	<u>1014062</u>	Driver, Drive Clutch	3
14	<u>1014287</u>	Spring, Drive Button	3
15	<u>183</u>	Washer, #10 Type A Flat	3
16	<u>8450</u>	Screw, #10-24 X 0.50 Hex-Head	3
17	<u>1016289</u>	Spacer, Fixed Face Shaft	1
18	<u>1016801</u>	Kit, Drive Clutch Weight (includes items 19 through 25)	1
19	<u>1014063</u>	Screw, 1/4-20 X 1.00 Hex Head	6
20	N/A	Pin, 0.3752 X 1.50 Dowel	3
21	<u>1014065</u>	Washer, 0.38" ID Delrin Flat	6
22	N/A	Clutch Weight, Secondary	3
23	N/A	Washer	6
24	<u>1016201</u>	Washer, Wave	3
25	N/A	Weight, Primary	3
26	101738302	Kit, Fixed Face - Drive (includes items 27 and 28)	1
27	N/A	Desiccant Bag (Not Shown)	1
28	<u>101738301</u>	Fixed Face Drive (includes items 29 through 31)	1
29	N/A	Fixed Face Assembly, Drive Clutch	1
30	<u>1014288</u>	Screw, 5/16-18 X 0.75 Thread-Forming	3
31	1016011	Pulley, Drive Clutch	1
32	N/A	Cap Plug	1
33	<u>101916701</u>	V-Belt	1
34	<u>102266201</u>	Spring, Drive Clutch	1
35	<u>102267101</u>	Belt, Drive	1
36	<u>103345701</u>	Screw 3/8-24x5.5 Hex Loc Ptch	1
37	<u>808</u>	Washer, 3/8 Type B Flat	1
		Note: Item 27 not shown.	



000219-001

DRIVEN CLUTCH

ITEM	PART NO.	DESCRIPTION	QTY
		1 2 3 4	
1	<u>101834001</u>	Assembly, Driven Clutch (includes items 2 through 10)	1
2	<u>1014070</u>	Fixed Face Assy, Driven Clutch	1
3	<u>1014072</u>	Movable-Face Assembly with Bushing	1
4	<u>1014078</u>	Key, Driven Clutch	1
5	<u>1014080</u>	Ring, Retaining	1
6	<u>1014454</u>	Kit, Driven Clutch Button (includes items 7 and 8)	1
7	<u>1012836</u>	Screw, #8-32 X 3/4 Socket-Head Cap	3
8	1014076	Button, Drive	3
9	<u>1017686</u>	Cam, Driven Clutch	1
10	<u>101836201</u>	Spring, Driven Clutch, Reversed	1
11	<u>AM10419</u>	Kit, Clutch Repair (includes items 12 through 14)	1
12	<u>101833401</u>	Key, 3/16 Sq X 1.50"	1
13	<u>102155801</u>	Washer, Driven Clutch	1
14	<u>102242101</u>	Screw, 5/16-18 X 3/4 Hex-Head with Patch	1

11
G

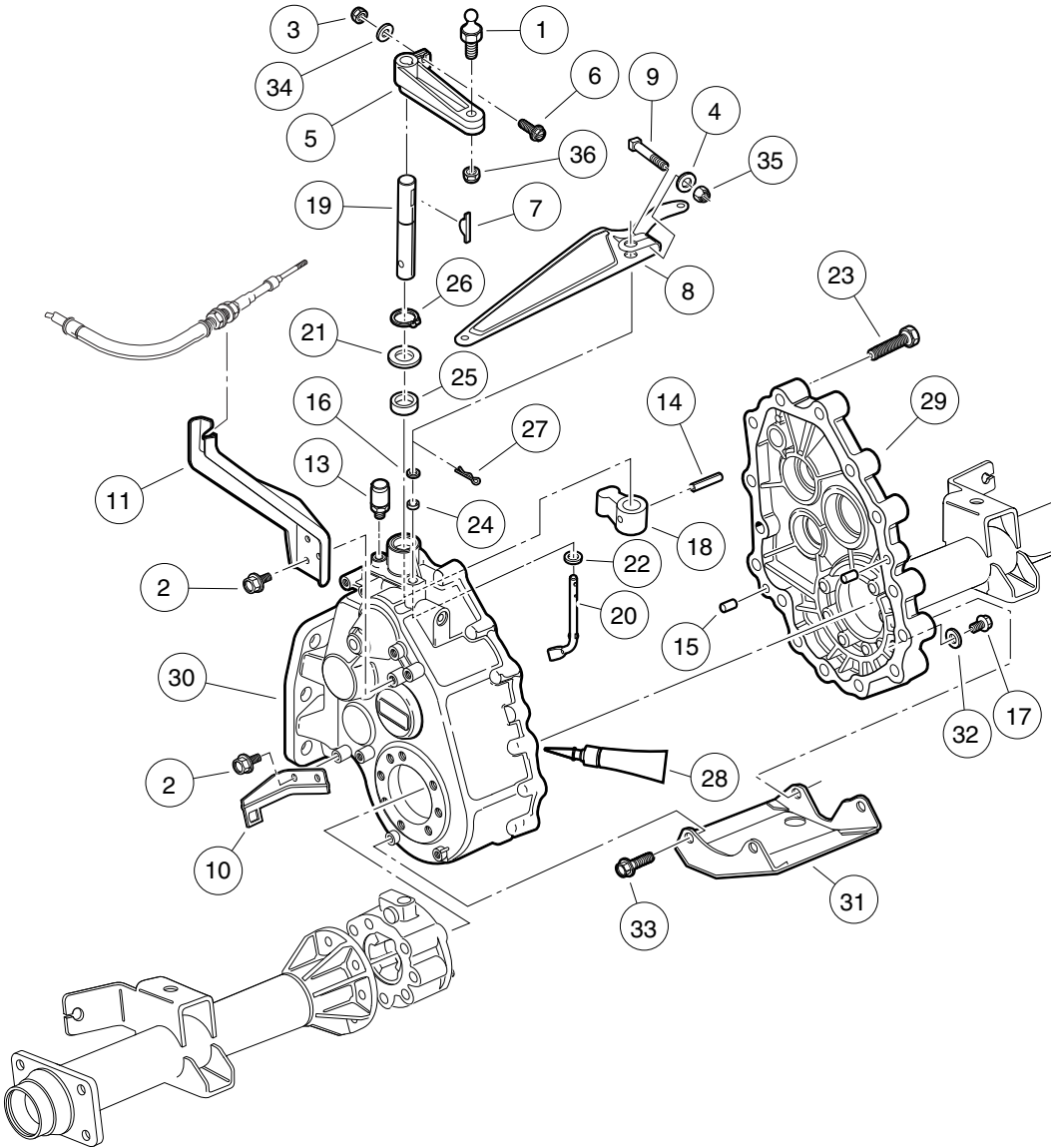
11

G

UNITIZED TRANSAXLE

12

G

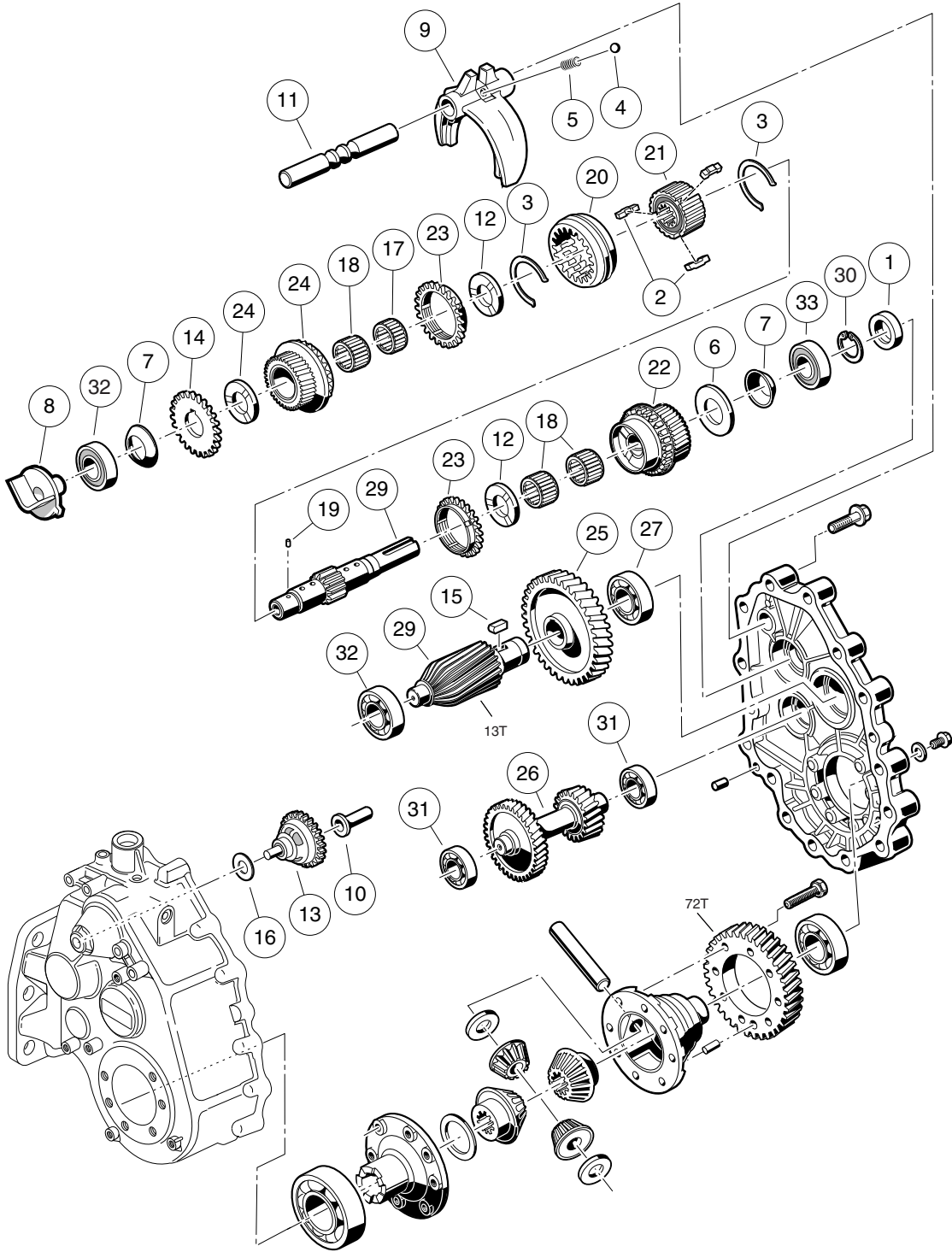


000144-001

MC012C-BS00 BEGINNING WITH SERIAL NUMBER MC012C3J0001 – GEAR CASES, BRACKETS AND GUARD

ITEM	PART NO.	DESCRIPTION	QTY
		1 2 3 4	
1	<u>1010954</u>	Stud, 1/4-28 X 0.560 Ball	1
2	<u>1012285</u>	Screw, 1/4 X 0.625 Hex-Head	5
3	<u>1013061</u>	Locknut, #10-32 Nylon Insert	1
4	<u>1014007</u>	Washer, 1/4 Flat	1
5	<u>1016341</u>	Lever, Transmission Shift	1
6	<u>1017082</u>	Screw, #10-32 X 0.75, Hex-Head Machine	1
7	<u>1017231</u>	Key, Woodruff	1
8	<u>101834801</u>	Arm, Governor	1
9	<u>101886101</u>	Screw, 1/4-20 X 1.00 Square-Head	1
10	<u>102018701</u>	Differential Lock Bracket	1
11	<u>102045901</u>	Bracket, Shifter	1
12	<u>102457401</u>	Transaxle, Hd, 15.51 Ratio (includes items 13 through 33)	1
13	<u>1012711</u>	Breather	1
14	<u>1012752</u>	Roll Pin	1
15	<u>1012896</u>	Pin, Dowel	3
16	<u>1016513</u>	Washer, M6 Flat	1
17	<u>1016576</u>	Plug, Drain	2
18	<u>101890101</u>	Lever, Change	1
19	<u>101890201</u>	Shaft - Change	1
20	<u>101891301</u>	Arm Pivot	1
21	<u>101892901</u>	Washer	1
22	<u>101893801</u>	Washer	1
23	<u>101926901</u>	Screw, M8-1.25 X 40mm Hex-Head	15
24	<u>101927101</u>	Seal, Oil	1
25	<u>101927201</u>	Seal, Oil	1
26	<u>101927301</u>	Snap Ring	1
27	<u>101928601</u>	Pin, Cotter	1
28	<u>101928701</u>	Liquid Gasket (Transaxle case)	1
29	<u>102018501</u>	Case, Gear, Right Mc012	1
30	<u>102018601</u>	Gear Case, Left	1
31	<u>102031501</u>	Guard, Transaxle	1
32	<u>102267601</u>	Gasket	2
33	<u>102268601</u>	Bolt	4
34	<u>183</u>	Washer, #10 Type A Flat	1
35	<u>8233</u>	Locknut, 1/4-20 Nylon Insert	1
36	<u>8717</u>	Locknut, 1/4-28 Nylon Insert	1
Note: The following pages contain components of the unitized transaxle.			

12
G



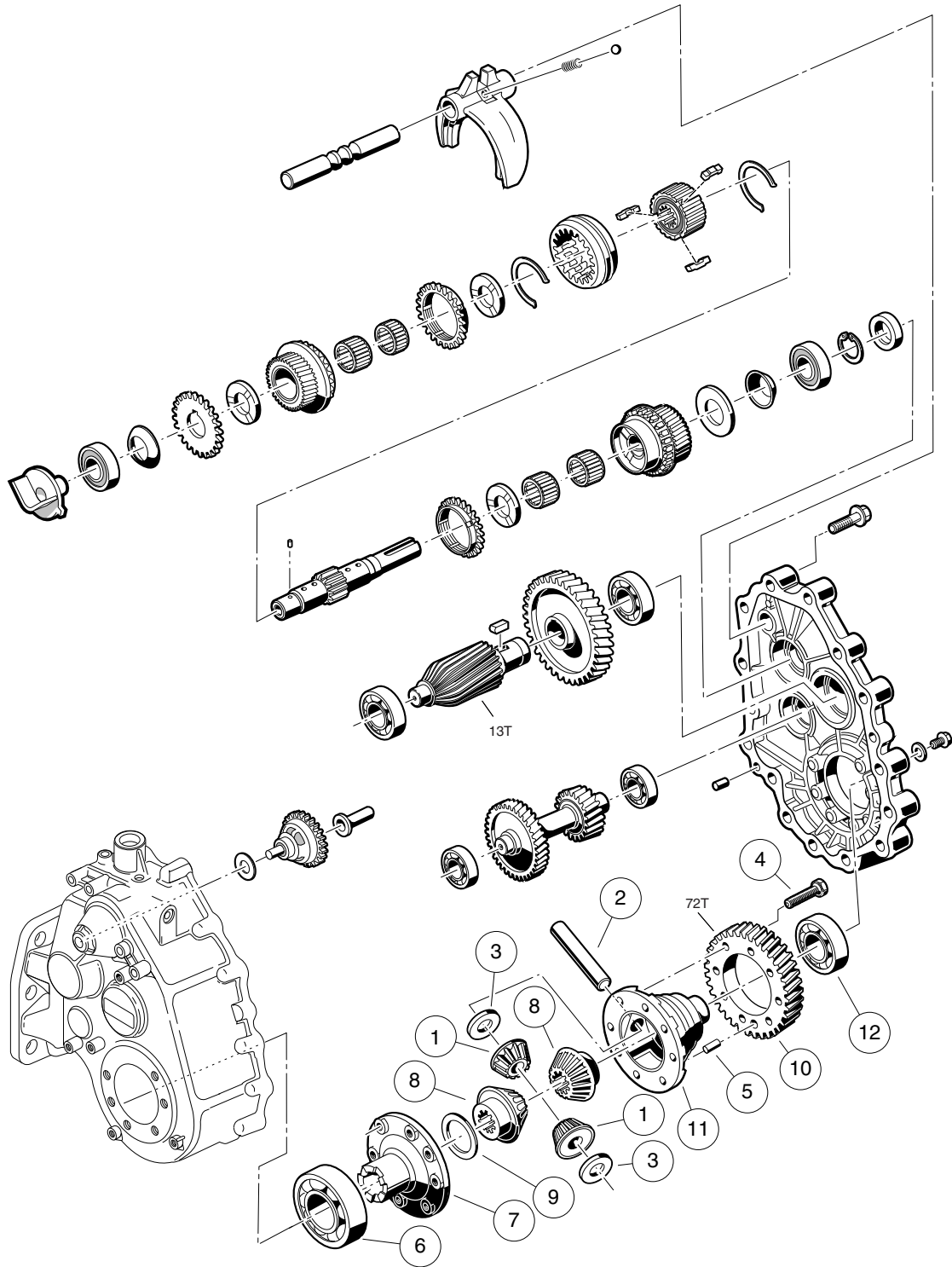
Parts identification for transaxles beginning with serial number MC012C3J0001

000145-001

MC012C-BS00 BEGINNING WITH SERIAL NUMBER MC012C3J0001 – F&R TRANSMISSION AND GEAR

ITEM	PART NO.	DESCRIPTION	QTY
		1 2 3 4	
1	<u>1012714</u>	Oil Seal	1
2	<u>1012740</u>	Synchro Insert	3
3	<u>1012741</u>	Synchro Spring	2
4	<u>1012747</u>	Shifter Ball	1
5	<u>1012748</u>	Shifter Spring	1
6	<u>1016337</u>	Washer, Thrust	1
7	<u>1016338</u>	Washer, Spring	2
8	<u>101889401</u>	Guide	1
9	<u>101890001</u>	Fork - Shift	1
10	<u>101891601</u>	Sleeve, Governor	1
11	<u>101892001</u>	Rod, Shift	1
12	<u>101892201</u>	Plate, Thrust	3
13	<u>101892301</u>	Governor Assembly	1
14	<u>101892401</u>	Gear, Spur	1
15	<u>101893201</u>	Key Sunk	1
16	<u>101893901</u>	Washer	1
17	<u>101927501</u>	Needle Bearing	1
18	<u>101927601</u>	Needle Bearing	3
19	<u>101927701</u>	Pin, .116" Dia X 0.264 Dowel	1
20	<u>101927901</u>	Sleeve, Synchro	1
21	<u>101928001</u>	Hub, Synchro Clutch	1
22	<u>101980801</u>	Gear Assembly, 16-Degree Synchro (25 Tooth)	1
23	<u>101981001</u>	Ring, 16-Degree Synchronizer	2
24	<u>102018801</u>	Gear Assembly Input 25-Tooth	1
25	<u>102018901</u>	Gear, 70-Tooth	1
26	<u>102019001</u>	Gear Cluster Idler	1
27	<u>102268401</u>	Bearing, Ball	1
28	<u>102452501</u>	Gear, Helical, 13-Tooth	1
29	<u>102453001</u>	Shaft, Trans, with Circlip	1
30	<u>102453101</u>	Circlip	1
31	<u>7335</u>	Bearing	2
32	<u>AM10080</u>	Bearing, Ball, Sealed	2
33	<u>AM10081</u>	Bearing, Ball, Sealed	1
Note: Items listed on this page are components of the unitized transaxle.			

12
G



Parts identification for transaxles beginning with serial number MC012C3J0001

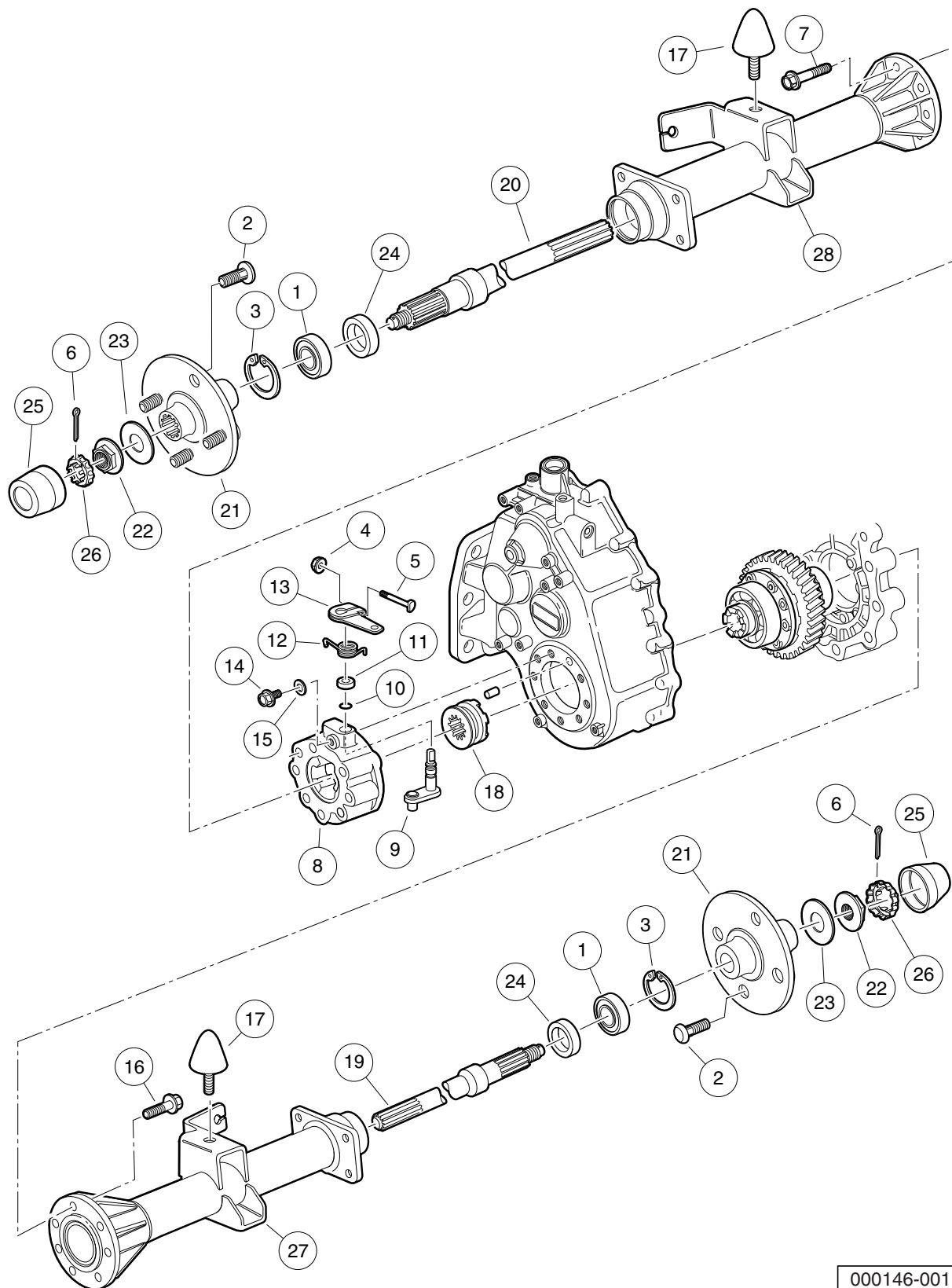
000145-002

MC012C-BS00 BEGINNING WITH SERIAL NUMBER MC012C3J0001 – AXLE CARRIER ASSEMBLY

ITEM	PART NO.	DESCRIPTION	QTY
		1 2 3 4	
1	<u>1013770</u>	Differential Idler Gear	2
2	<u>1013772</u>	Pin, Differential	1
3	<u>1013774</u>	Plate, Thrust (Idler Gear)	2
4	<u>101928301</u>	Screw, M8-1.25 X 35mm Hex Head	8
5	<u>102031701</u>	Pin, Dowel	1
6	<u>102032001</u>	Bearing	1
7	<u>102267801</u>	Gearcase, LH	1
8	<u>102268001</u>	Gear, Bevel, Side 16-Tooth	2
9	<u>102268101</u>	Plate - Thrust	1
10	<u>102452401</u>	Gear, Helical, Ring, 72-Tooth	1
11	<u>102453201</u>	Case, 72-Tooth Differential Gear Carrier	1
12	<u>7330</u>	Inner Axle Tube Bearing	1
Note: Items listed on this page are components of the unitized transaxle.			

12

G

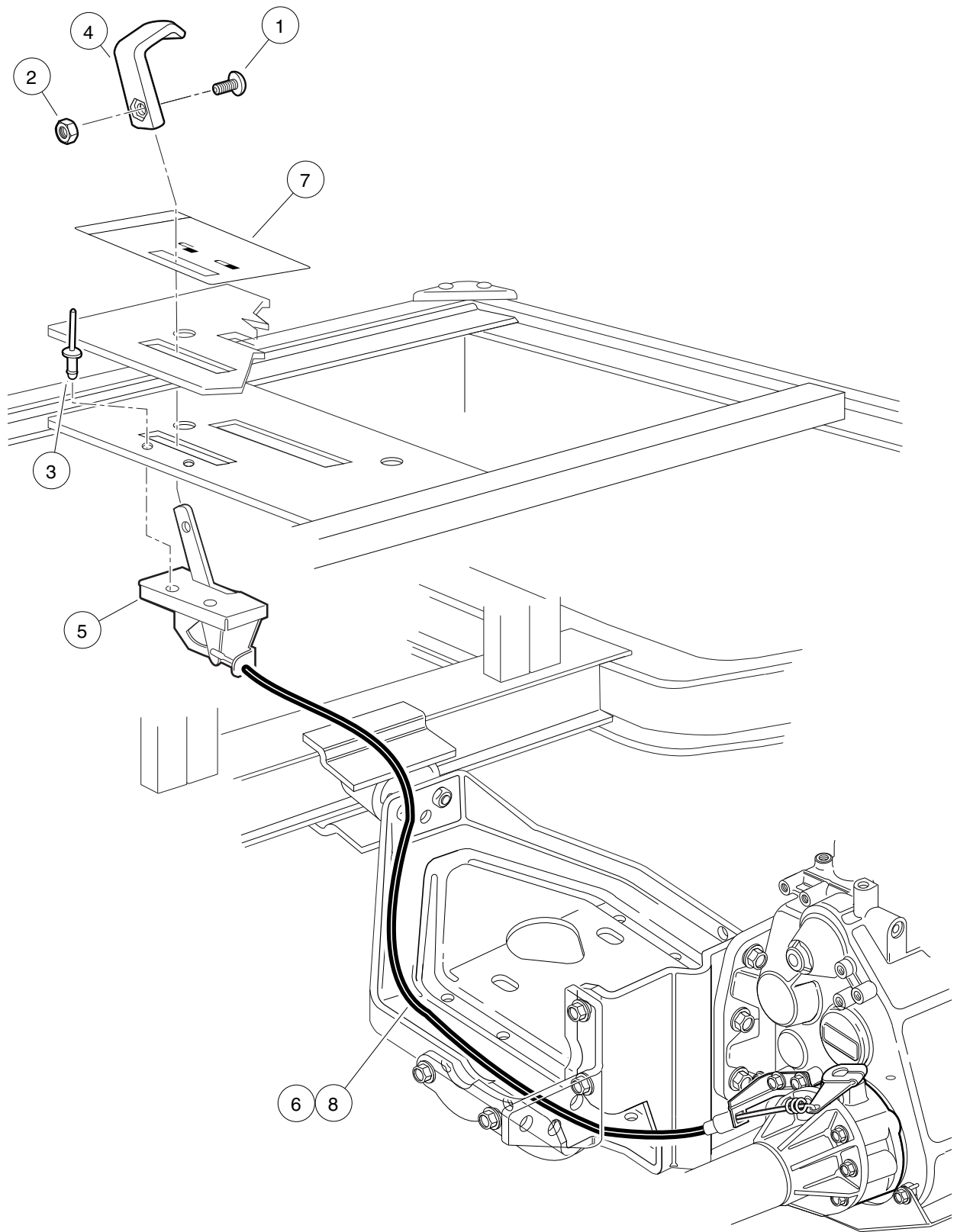


000146-001

MC012C-BS00 BEGINNING WITH SERIAL NUMBER MC012C3J0001 – DIFFERENTIAL LOCK AND AXLES

12
G

ITEM	PART NO.	DESCRIPTION	QTY
		1 2 3 4	
1	<u>1011291</u>	Outer Axle, Tube Bearing	2
2	<u>1013787</u>	Lug Stud	4
3	<u>1013792</u>	Circlip Type C	2
4	1016547	Nut, M6 Flange	1
5	<u>1016686</u>	Bolt, M6 Special	1
6	<u>101838801</u>	Pin, Cotter, 0.312 x 1.25	2
7	<u>102019601</u>	Bolt, M10 X 1.5 X 70mm	8
8	<u>102020101</u>	Housing, Differential Lock	1
9	<u>102020201</u>	Lever, Differential Lock	1
10	<u>102020301</u>	O-Ring	1
11	<u>102020401</u>	Spacer, Differential Lock	1
12	<u>102020501</u>	Spring, Differential Lock	1
13	<u>102020901</u>	Arm Lever, Differential Lock	1
14	<u>102022301</u>	Screw, M6 X 1 X 10mm	1
15	<u>102022401</u>	Washer	1
16	<u>102031901</u>	Bolt, M10 X 1.5 X 30mm	7
17	<u>102188701</u>	Stud Mount	2
18	<u>102267701</u>	Shifter, 15-Tooth	1
19	<u>102268901</u>	Axle Shaft - Rh	1
20	<u>102269001</u>	Axle Shaft - Lh	1
21	<u>102269101</u>	Wheel Bolt Flange	2
22	<u>102269201</u>	Nut, Flange	2
23	<u>102269301</u>	Washer - Axle	2
24	<u>102269401</u>	Seal, Oil	2
25	102274101	Center Cap, Rubber	2
26	<u>102276001</u>	Locking Cap, Nut	2
27	<u>102452601</u>	Axle Tube, Hd, Rh	1
28	<u>102452701</u>	Axle Tube, Hd, Lh	1
<p>Note: Items listed on this page are components of the unitized transaxle.</p>			



000147-001

UNITIZED TRANSAXLE – DIFFERENTIAL LOCK CABLE ASSEMBLY AND SHIFTER

ITEM	PART NO.	DESCRIPTION	QTY
		1 2 3 4	
1	<u>1011017</u>	Screw, #8-32 X 0.375	1
2	<u>1011571</u>	Nut, #8-32 Hex	1
3	<u>101880901</u>	Rivet, 3/16, Stainless-Steel, Pop	2
4	<u>102022201</u>	Handle, Differential Lock Red	1
5	<u>102025101</u>	Differential Lock Controller	1
6	<u>102031201</u>	Differential Lock Cable	1
7	<u>102046601</u>	Decal, Differential Lock Warning	1
8	<u>102316701</u>	Cable, Differential	1

12

G

12

G

MAINTENANCE AND SERVICE TOOLS

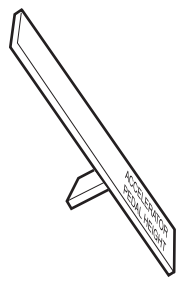
13

G

E

D

13
G
E
D



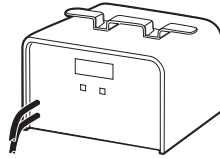
1



2



3



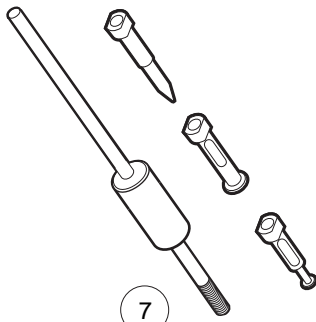
4



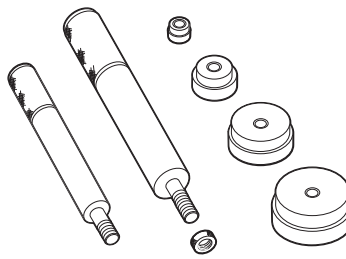
5



6



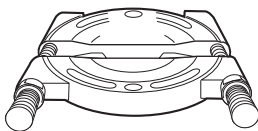
7



8



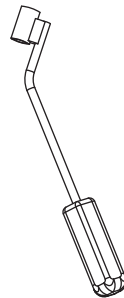
9



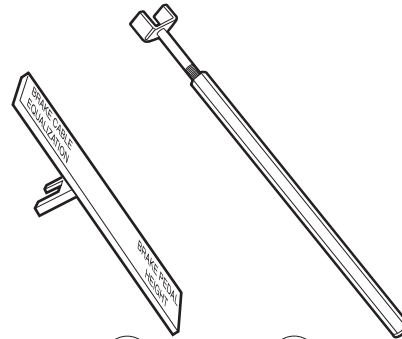
10



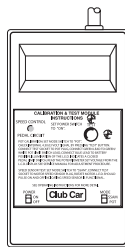
11



12



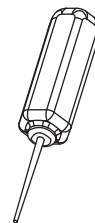
14
15
13



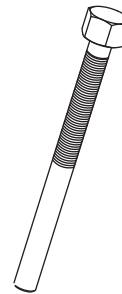
16



17



18



19

MAINTENANCE AND SERVICE TOOLS

ITEM	PART NO.	DESCRIPTION	QTY DIESEL	QTY GAS	QTY ELEC
		<p style="text-align: center;">1 2 3 4</p> <p>The following tool list includes all tools available from Club Car for maintenance and service procedures for gasoline, electric, and/or diesel vehicles, both past and present models. Be sure to carefully examine the tool list for applicability to your vehicle before ordering.</p>			
1	<u>101871001</u>	Accelerator Pedal Adjustment Tool		1	1
2	<u>101813202</u>	Adhesive, Guide Ring, 3-Gram Tube			1
3	<u>101641202</u>	Arbor		1	
4	<u>101831901</u>	Battery Discharge Machine, 36/48 Volt			1
5	<u>1014305</u>	Battery Terminal Protector Spray	1	1	1
6	1011767	Battery Thermometer	1	1	1
7	<u>1016417</u>	Bearing and Oil Seal Remover Assembly	1	1	1
8	<u>1016416</u>	Bearing Driver Set	1	1	1
9	<u>1012811</u>	Bearing Puller	1	1	1
10	<u>1012812</u>	Bearing Puller Wedge Attachment	1	1	1
11	1013582	Brake Adjustment Tool (used only on vehicles with manually adjusted mechanical brakes)			
12	<u>102555501</u>	Brake Cable Release Tool	1	1	1
13	102249901	Brake Pedal Adjustment Tool Kit (used for the Carryall Electric Industrial Truck only) (includes items 14 and 15).....			1
14	****	Brake Pedal Adjustment Tool			1
15	****	Brake Pedal Tension Tool			1
16	<u>101887101</u>	Calibration Test Module			1
17	<u>101808401</u>	Cam Installation Tool		1	
18	<u>102562401</u>	Charger Bezel Tool			1
19	<u>102686101</u>	Clutch Removal Tool (for 4x4 vehicles)	1	1	
		Please refer to the maintenance and service manual for proper tool application.			
	****	Special order item available upon request			

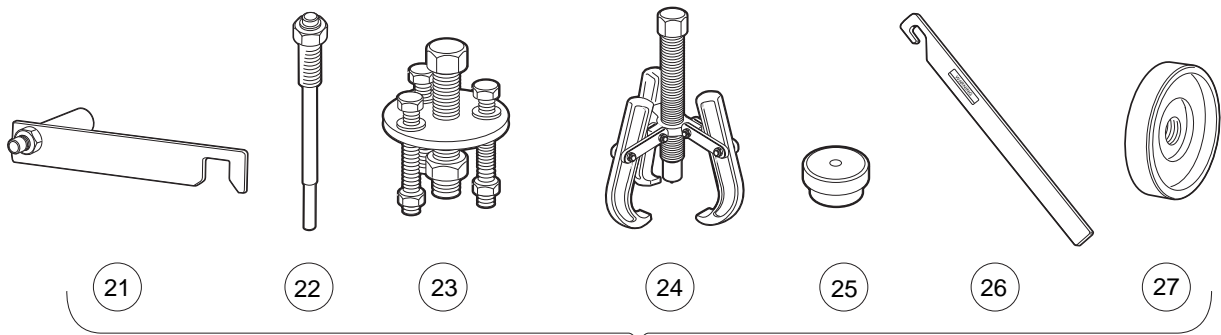
13

G

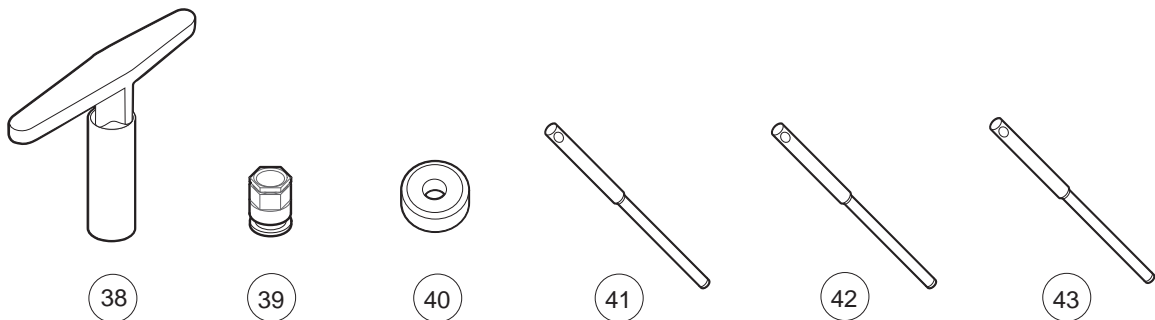
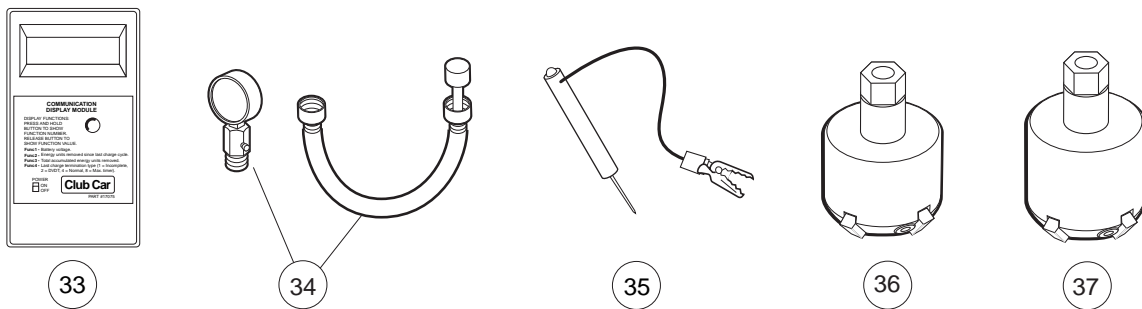
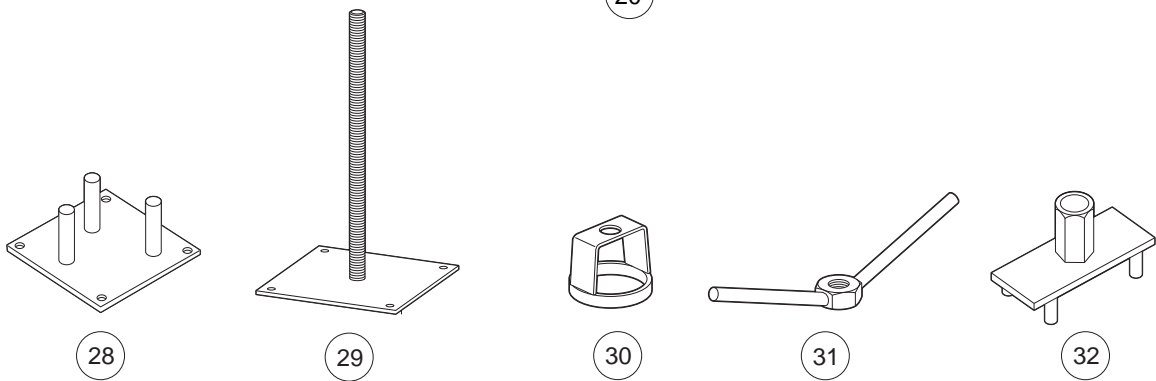
E

D

13
G
E
D



20



MAINTENANCE AND SERVICE TOOLS, CONTINUED

ITEM	PART NO.	DESCRIPTION	QTY DIESEL	QTY GAS	QTY ELEC
		1 2 3 4			
20	<u>1014510</u>	Clutch Tool Kit (includes items 21 - 27)		1	
21	<u>1014498</u>	Clutch Alignment Tool (for pre-unitized transaxle vehicles built prior to 1997 model year)		1	
22	<u>1014496</u>	Drive Clutch Puller (for Kawasaki engines only)		1	
23	<u>1014497</u>	Drive Clutch Hub Puller (for Kawasaki engines only)		1	
24	<u>1014508</u>	Driven Clutch Cam Puller (for Kawasaki engines only)		1	
25	<u>1014507</u>	Driven Clutch Puller Plug (for Kawasaki engines only)		1	
26	<u>1015524</u>	Drive Clutch Holder Tool Assembly (for Kawasaki engines only)		1	
27	<u>101809101</u>	Press Weldment (for Kawasaki engines only)		1	
28	<u>102601501</u>	Drive ClutchFixed Sheave Tool (for 4x4 vehicles)	1	1	
29	<u>102603501</u>	Driven Clutch Spring Compression Base (for use with items 30 and 31) (for 4x4 vehicles)	1	1	
30	<u>102605201</u>	Driven Clutch Spring Compression Collar (for use with items 29 and 31) (for 4x4 vehicles)	1	1	
31	<u>102606101</u>	Driven Clutch Spring Compression Nut (for use with items 29 and 30) (for 4x4 vehicles)	1	1	
32	<u>102607501</u>	Drive Clutch Spider Removal Tool (for 4x4 vehicles)	1	1	
33	101831801	Communication Display Module			1
34	101641002	Compression Gauge and Adapter		1	
35	1011273	Continuity Tester		1	1
36	<u>102773801</u>	Cutter, Valve Seat, #122		1	
37	<u>102773901</u>	Cutter, Valve Seat #115		1	
38	<u>102774101</u>	Wrench, T, #505.....		1	
39	<u>102774101</u>	Adapter, T-Wrench		1	
40	102675401	Cutter, Valve Seat, 60 Degree (requires item 51) (for Honda GX620 Gasoline Engines)		1	
41	<u>102774201</u>	Pilot, 6.6 MM		1	
42	<u>102774301</u>	Pilot, 6.62 MM.....		1	
43	<u>102774401</u>	Pilot, 6.65 MM.....		1	
		Please refer to the maintenance and service manual for proper tool application.			

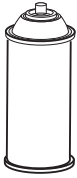
13

G

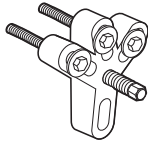
E

D

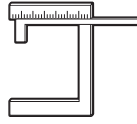
13
G
E
D



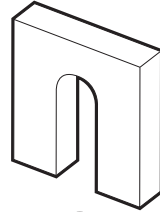
44



45



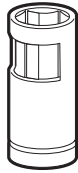
46



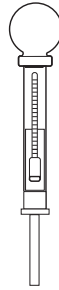
47



48



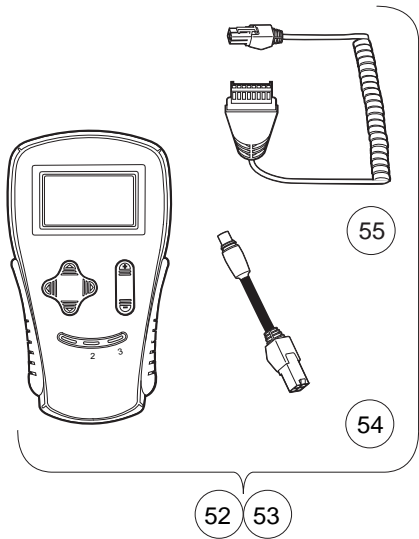
49



50



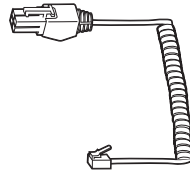
51



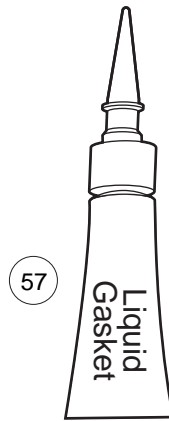
52 53

55

54



56



57



58



59 60



61

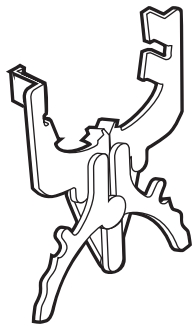
MAINTENANCE AND SERVICE TOOLS, CONTINUED

ITEM	PART NO.	DESCRIPTION	QTY DIESEL	QTY GAS	QTY ELEC	13
		1 2 3 4				
44	<u>1012151</u>	Dry Moly Lubricant	1	1	1	G E D
45	<u>1016627</u>	Flywheel Puller Kit (for Kawasaki Engines)		1		
46	<u>102669901</u>	Gauge, Carburetor Float Level (for Honda GX620 Gasoline Engines)		1		
47	<u>1016418</u>	Gear Yoke	1	1	1	
48	<u>101933101</u>	Governor Shaft Installation Tool (for Kawasaki Engine Vehicles)		1		
49	<u>102169401</u>	Hydraulic Brake Adjuster (for Turf/CA 272/472, Pioneer/XRT 1200, Bobcat 2100, HUV 4213)			1	
50	<u>1011478</u>	Hydrometer	1	1	1	
51	<u>1013593</u>	Internal Retaining Ring Pliers	1	1	1	
52	<u>102248803</u>	IQ Display Module (IQDM) Kit (IQ System and IQ Plus vehicles)			1	
		(includes items 54 and 55)				
53	<u>102248804</u>	IQ Display Module (IQDM-P) Kit (IQ System and IQ Plus vehicles)			1	
		(includes items 54 and 55)				
54	<u>102251501</u>	Adaptor, Cable			1	
55	<u>102241502</u>	IQDM Series 2 Cable			1	
56	<u>102241501</u>	IQDM Series 1 Cable (replacement)			1	
57	<u>101928701</u>	Liquid Gasket (transaxle case)	1	1	1	
58	<u>102243402</u>	Moly-Teflon Lubricant (4-oz. (113-gram) tube)			1	
59	<u>101997201</u>	Paint, Touch-Up – Beige*		1	1	
59	<u>101997207</u>	Paint, Touch-Up – Black*		1	1	
59	<u>101997212</u>	Paint, Touch-Up – Burgundy*		1	1	
59	<u>101997211</u>	Paint, Touch-Up – Classic Blue (Navy)*		1	1	
59	<u>101997205</u>	Paint, Touch-Up – Dark Gray*	1	1	1	
59	<u>101997209</u>	Paint, Touch-Up – Dark Green*	1	1	1	
59	<u>101997204</u>	Paint, Touch-Up – Gray*	1	1	1	
59	<u>101997203</u>	Paint, Touch-Up – Red*	1	1	1	
59	<u>101997206</u>	Paint, Touch-Up – Royal Blue (Pacific Blue)*		1	1	
59	<u>101997202</u>	Paint, Touch-Up – White*	1	1	1	
60	<u>102562301</u>	Paint, Precedent Underbody – Gray		1	1	
61	<u>102587201</u>	Paint Pen, Touch-Up, Precedent Underbody – Black		1	1	
		Please refer to the maintenance and service manual for proper tool application.				
		* Item 59 is not for use on Surlyn [®] body material, which is used on Precedent vehicles.				

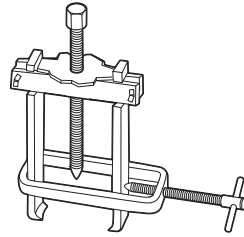
13
G
E
D



62



63



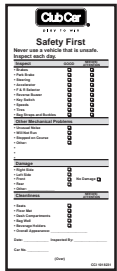
64



65



66



67



68



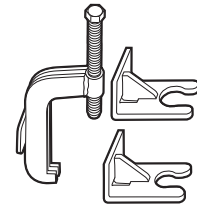
69



70



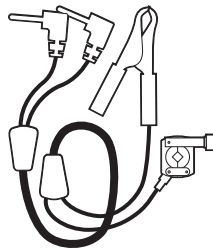
71



72



73



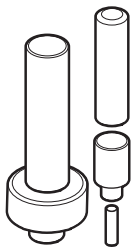
74



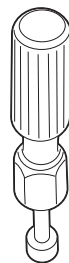
75



76



77



83



84



85



86

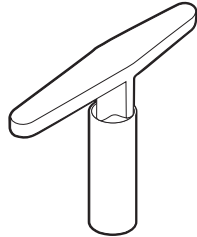
MAINTENANCE AND SERVICE TOOLS, CONTINUED

ITEM	PART NO.	DESCRIPTION	QTY DIESEL	QTY GAS	QTY ELEC	13
		1 2 3 4				G
62	<u>1016414</u>	Piston Ring Compressor Kit (FE290, FE350 and FE400 engines)		1		E
63	<u>1016415</u>	Piston Ring Pliers (for Kawasaki Engines)		1		D
64	<u>102668801</u>	Puller, Special Use (for Kubota D722 Diesel Engines)	1			
65	<u>1012549</u>	Retaining Ring Pliers, 45° External	1	1	1	
66	<u>1012560</u>	Retaining Ring Pliers, 90° Internal	1	1	1	
67	<u>101823101</u>	Safety First Card (50 per pack)	1	1	1	
68	<u>1012809</u>	Seal Puller	1	1	1	
69	<u>102330901</u>	Spanner Wrench (for coil over shock front suspension vehicles only)	1	1		
70	<u>1014264</u>	Steering Column Bearing Press Tool		1	1	
71	<u>1014259</u>	Steering Column Retaining Ring Tool		1	1	
72	<u>102061201</u>	Steering Wheel Puller Tool	1	1	1	
73	<u>AM10753</u>	Tachometer (includes gasoline engine pick up lead only)	1	1		
74	<u>AM10771</u>	Tachometer Diesel Probe (for use with item 73)	1			
75	<u>1014162</u>	Transaxle Axle Seal Tool		1		
76	<u>1014161</u>	Transaxle Pinion Seal Tool		1		
77	<u>1014115</u>	Transmission Tool Kit		1		
78	<u>101611003</u>	Tune-Up Kit, All OHV (for FE290, FE350, FE400 only) (includes air filter, spark plug, oil filter, fuel filters) (not shown)		1		
79	<u>AM11804</u>	Tune-Up Kit, Gx620 (for Honda Engines) (includes air filter, spark plug, oil filter, fuel filters) (not shown)		1		
80	<u>AM11805</u>	Tune-Up Kit, D722 (for Kubota Engines) (includes air filter, oil filter, fuel filters, water separator filter) (not shown)	1			
81	<u>AM1220301</u>	Tune-Up Kit, Precedent (for FE290/350 Engines) (includes air filter, spark plug, oil filter, fuel filters) (not shown)		1		
82	<u>AM1232401</u>	Tune-Up Kit, FH680D (for Kawasaki V-Twin Engines) (includes oil filter, fuel filter, air filter, and spark plugs) (not shown)		1		
83	<u>1016413</u>	Valve Clearance Adjuster Screw Holder (for FE290 engines only)		1		
84	<u>102674601</u>	Valve Guide Driver (for Honda GX620 Gasoline Engines)		1		
85	<u>101641201</u>	Valve Guide Reamer (FE290, FE350, and FE400 only)		1		
86	<u>102674401</u>	Valve Guide Reamer, 6.6 mm (for Honda GX620 Gasoline Engines)		1		

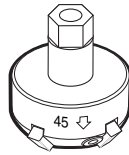
13
G
E
D



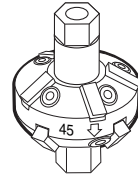
87



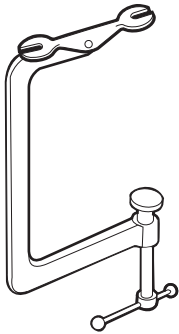
88



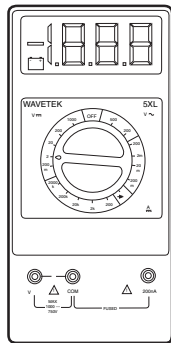
89



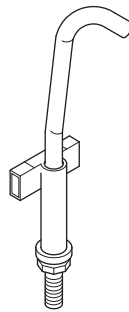
90



91



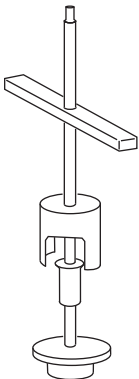
92



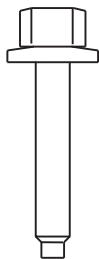
93



94



95



96

MAINTENANCE AND SERVICE TOOLS, CONTINUED

ITEM	PART NO.	DESCRIPTION	QTY DIESEL	QTY GAS	QTY ELEC	13
		1 2 3 4				G
87	<u>1016552</u>	Valve Seat Cutter Guide		1		E
88	<u>1016551</u>	Valve Seat Cutter T-Wrench		1		D
89	<u>1016553</u>	Valve Seat Cutter, 45° (32 mm diameter) (for FE290 engines only)		1		
90	<u>1016554</u>	Valve Seat Cutter, 45°/30° (35 mm diameter)		1		
91	<u>101641101</u>	Valve Spring Compressor		1		
92	1011480	Volt Ohm Meter	1	1	1	
93	<u>102570401</u>	Tool, Tensioning, Starter Generator (For Precedent vehicles)		1		
94	<u>103601401</u>	Puller, Drive Clutch, XRT 950*		1		
95	<u>103601701</u>	Tool, Disassembly, Driven Clutch, XRT 950		1		
96	<u>103600501</u>	Screw, Driven Clutch Disassembly, M6, XRT 950		1		
<p>*Note: The XRT 950 Drive Clutch Puller requires the use of Screw, Driven Clutch Disassembly, CCI Part Number <u>103600501</u>.</p>						

INDEX

Part Number and Page

AM10753	13-9	8935	1-5	1012605	6-3
AM10771	13-9	8990	6-5, 7-11, 7-17	1012649	9-3
AM10015	7-11	1010028	6-7	1012711	12-3
AM10080	12-5	1010138	6-5	1012714	12-5
AM10081	12-5	1010142	6-9	1012740	12-5
AM10419	11-5	1010144	6-9	1012741	12-5
AM10677	1-15	1010145	6-9	1012747	12-5
AM10678	1-15	1010150	6-7	1012748	12-5
AM10724	8-5	1010435	1-9, 1-11	1012752	12-3
183	1-3, 4-11, 4-13, 7-15, 11-3, 12-3	1010436	1-11	1012809	13-9
304	1-13	1010545	1-3	1012811	13-3
320	1-13, 6-3	1010577	8-15	1012812	13-3
332	1-3, 1-5, 1-7, 1-11, 1-13, 9-13, 10-3	1010829	4-7, 4-13	1012830	1-5, 7-19, 9-11, 10-3
334	1-7, 5-5, 6-3, 6-5, 8-15	1010878	1-7, 5-3	1012836	11-5
357	1-13	1010909	7-15	1012896	12-3
403	1-9	1010921	1-3, 5-3	1012986	7-17
451	1-5, 10-3	1010934	1-13, 4-9, 6-7, 7-11, 7-23	1012987	7-7
705	1-9, 4-13, 7-19, 8-15	1010954	7-7, 7-13, 12-3	1012991	7-21
808	6-9, 11-3	1010984	2-3, 2-5, 2-7, 4-3, 4-7, 6-7	1013001	7-21
1016	7-15	1011017	12-11	1013003	7-21
1028	5-3	1011084	5-7	1013005	7-21
1035	1-7	1011229	7-15	101301102	7-21
1241	1-3, 1-13, 4-9, 5-3, 5-5, 7-11, 7-13, 7-19, 7-23, 10-3	1011273	13-5	1013035	6-5
1242	1-13, 7-13, 7-19	1011291	12-9	1013042	6-5
1606	1-3	1011402	5-3	1013044	6-5
1624	5-5, 6-5	1011415	6-9	1013051	6-5
7048	6-7	1011478	13-7	1013052	6-5
7173	7-23	1011480	13-11	1013061	12-3
7174	1-3, 1-13, 6-3, 7-19, 9-11, 10-3	1011553	1-13, 3-5	1013366	1-11
7270	6-7, 6-9	1011571	12-11	1013461	9-5
7310	2-3, 2-5, 2-7	1011652	1-5	1013462	9-5
7311	1-5	1011694	5-5	1013531	4-9, 4-13
7330	12-7	1011697	1-5, 8-15, 9-11	1013582	13-3
7335	12-5	1011700	5-5	1013587	7-7
7410	1-3	1011734	5-7	1013589	7-7, 7-13
7473	1-3, 1-5, 1-9, 1-11, 4-9, 5-3, 5-5, 6-7, 7-11, 7-13, 7-23	1011767	13-3	1013590	7-7
7479	4-11	1011931	5-5	1013591	7-7
7716	5-3, 5-5	1011988	9-3	1013593	13-7
7818	7-13	1011990	1-13, 4-13	1013609	7-13
7847	1-5, 1-7, 10-3	1012151	13-7	1013687	9-3
7893	7-7, 7-13, 7-15	1012285	1-3, 1-13, 7-7, 9-11, 12-3	1013700	9-11
8056	7-15	1012295	7-13	1013734	1-5, 10-3
8057	7-7, 7-15	1012303	1-9, 6-9	1013746	9-3, 9-5, 9-9
8058	7-7, 7-15	1012328	7-23	1013770	12-7
8067	6-7	1012333	7-7	1013772	12-7
8233	1-7, 1-11, 1-13, 4-11, 5-5, 7-7, 9-3, 12-3	1012382	7-5	1013774	12-7
8248	7-7, 9-3	1012412	1-5	1013787	4-3, 6-7, 12-9
8450	11-3	1012431	7-7, 7-15	1013792	12-9
8574	4-9	1012438	4-13	1013857	7-17
8639	7-15	1012528	10-3	1013871	5-5
8717	5-5, 7-7, 7-13, 12-3	1012549	13-9	1013924	4-3, 4-7, 8-15
8754	1-9, 4-13, 5-5, 6-3, 6-7, 6-9, 7-19	1012560	13-9	1014007	4-11, 5-5, 12-3
8797	9-5	1012571	8-15	1014049	11-3
		1012594	7-7	1014050	11-3
		101260202	4-13	1014052	11-3
		1012604	6-3	1014055	11-3

INDEX

1014056	11-3	101524002	7-19	1016413	13-9
1014057	11-3	1015252	1-9	1016414	13-9
1014058	11-3	1015258	1-9	1016415	13-9
1014059	11-3	1015277	1-7	1016416	13-3
1014062	11-3	1015332	7-5, 8-3	1016417	13-3
1014063	11-3	1015345	7-13	1016418	13-7
1014065	7-7, 7-13, 11-3	1015371	7-13	1016423	7-13
1014070	11-5	1015372	7-13	101642582	9-7
1014072	11-5	1015373	7-13	101642585	9-7
1014076	11-5	1015399	1-9, 1-11	101642588	9-7
1014078	11-5	1015400	1-9	1016429	8-7
1014080	11-5	1015405	7-13	1016432	8-7
1014089	7-7	1015409	7-7	1016436	8-9
1014115	13-9	1015426	9-13	1016437	9-7
1014116	9-3	101542901	1-9	1016438	9-9
1014119	7-5	101543701	3-3	1016440	9-9
1014125	6-3	1015453	6-9	1016441	9-9
1014126	6-3	101547601	3-5	1016444	9-9
1014136	4-11	1015507	1-9	1016445	8-5
1014145	7-7, 7-13	1015524	13-5	1016449	8-9
1014161	13-9	1015530	1-13	1016450	8-9
1014162	13-9	101553901	1-11, 3-3	1016452	8-9
1014213	6-3	1015583	1-9, 6-9	1016454	8-11
1014214	6-3	1015597	6-7	1016455	8-5
1014217	6-3	1015649	8-3	1016456	8-5
1014259	13-9	1015720	7-15	1016457	8-7
1014264	13-9	1015737	7-5, 7-13	1016458	8-9
1014287	11-3	1015741	7-13	1016467	8-7
1014288	7-23, 11-3	1015752	7-13, 9-13	1016470	8-13
1014289	7-21	1015814	10-3	1016472	8-11
1014305	13-3	101584502	9-11, 10-3	1016473	8-7
1014306	1-11, 1-13	1015921	9-5	1016474	8-9
1014321	1-5	1015932	7-19	1016479	8-9
1014375	7-23	1015969	8-3	1016480	9-9
1014387	1-5	1016004	9-5	101648102	9-9
1014415	1-11	1016011	11-3	101648203	8-7
1014453	11-3	1016060	1-7	1016483	8-9
1014454	11-5	1016074	7-19	1016486	9-7
1014471	1-9	1016078	1-7	1016489	8-9
1014496	13-5	101609401	3-3	101649002	9-9
1014497	13-5	101611003	13-9	1016494	8-11
1014498	13-5	101615504	6-3	1016496	8-11
1014507	13-5	1016156	6-3	1016497	8-5
1014508	13-5	1016201	1-7, 7-7, 11-3	1016499	9-7
1014510	13-5	1016289	11-3	1016501	9-7
1014524	9-3	1016337	12-5	1016502	8-7
1014537	1-11	1016338	12-5	1016506	8-11
1014555	6-7	1016341	12-3	1016513	12-3
1014727	7-7	1016342	7-7	1016517	8-9
1014807	7-7	1016346	6-7	1016519	8-9
1014928	9-3	1016387	6-7	1016521	8-11
1014948	7-13	1016389	6-7	1016535	8-11
1015064	7-7	101641002	13-5	1016537	8-7
1015137	9-5, 9-9	101641101	13-11	1016538	8-11
1015139	9-5	101641201	13-9	1016541	8-13
1015143	9-5	101641202	13-3	1016544	8-5, 8-9, 8-11

INDEX

1016546	9-11	1017444	8-9	101811901	9-13
1016547	8-13, 9-9, 12-9	1017445	8-9	101812301	9-13
1016549	8-9	1017446	8-9	101813001	9-13
1016551	13-11	1017447	8-11	101813202	13-3
1016552	13-11	1017448	8-5	101817401	5-5
1016553	13-11	1017450	8-13	101818801	5-5
1016554	13-11	1017454	8-9	101821501	9-13
1016560	8-9	1017455	8-5	101822001	5-7
1016561	8-5	1017456	8-7	101823101	13-9
1016562	8-5, 8-13	101745701	8-13	101824401	9-3, 9-5
1016563	8-9	101745702	8-13	101825102	3-3
1016564	8-11	1017458	8-7	101827101	8-15
1016566	8-9	1017460	8-7	101831801	13-5
1016569	8-9	1017461	9-7	101831901	13-3
1016570	8-7	1017463	8-5	101832001	4-13
1016571	8-13	1017466	9-9	101832202	9-11
1016572	9-9	1017468	8-5	101832302	9-11
1016574	9-7	1017471	8-13	101832601	8-15
1016576	8-7, 12-3	1017473	8-9	101832701	8-15
1016578	8-5	1017487	8-11	101833101	8-15
1016579	8-5	1017490	8-5	101833401	11-5
1016581	8-7	1017501	8-13	101833701	7-21
1016582	9-9	1017502	8-13	101833908	11-3
1016583	8-9	1017503	8-13	101834001	11-5
1016584	8-11	1017507	8-7	101834601	8-15
1016585	9-7	1017508	8-11	101834801	12-3
1016586	8-5	1017510	8-13	101835601	1-7, 1-9
1016587	8-5	1017511	8-11	101836201	11-5
1016588	8-5	1017512	8-13	101837101	9-13
1016627	13-7	1017514	8-11	101837301	7-5, 7-19
1016630	7-17	101751801	8-11	101838801	4-7, 6-7, 12-9
1016663	6-3	101751802	8-11	101856102	7-13
1016686	12-9	101751803	8-11	101861901	5-5
1016801	11-3	1017653	7-21	101869302	7-21
1016849	7-15	1017686	11-5	101871001	13-3
1016851	7-15	1017689	10-3	101874901	7-21
1016857	7-15	1017696	5-5	101875001	7-21
1016859	7-15	1017721	7-15	101875101	7-21
1016883	7-19	101773301	8-13	101875102	7-21
1016904	10-3	101773302	8-13	101875201	7-21
1016947	7-7	101773303	8-13	101875301	7-21
1017082	12-3	101773304	8-13	101875401	7-21
1017203	9-3	101773305	8-13	101875501	7-21
1017226	6-3	101773306	8-13	101875601	7-21
1017231	12-3	101773307	8-13	101875701	7-21
1017233	4-3, 4-7	101773308	8-13	101875802	7-21
1017273	6-3	101773309	8-13	101876001	7-21
1017315	6-3	101773310	8-13	101876202	7-21
1017378	5-5	101773311	8-13	101876301	7-21
1017380	5-5	101791101	4-5	101876402	7-21
101738301	11-3	101796201	5-5	101876501	7-21
101738302	11-3	101804301	9-13	101877601	7-21
1017384	1-3	101806102	4-9	101877701	7-21
1017424	5-5	101808401	13-3	101878101	7-21
1017442	8-7	101809101	13-5	101879001	7-21
1017443	8-11	101811801	9-13	101879401	6-5

INDEX

101879701	6-5	101939901	7-21	1020211	2-3, 2-7
101879801	6-5	101953105	4-9, 5-3	102021302	2-3
101879901	6-5	101955301	9-3	102021402	2-3
101880201	6-5	101958602	1-7	102021403	2-5
101880901	12-11	101960201	3-3	102021404	2-5
101881101	8-5	101960501	3-5	102021414	2-7
101881701	9-13	101963401	1-9, 1-11, 7-15, 8-15	102021501	1-3
101884801	8-15	101971301	9-13	102021601	1-3
101886101	12-3	101972001	13-7	102021801	1-3
101887101	13-3	101972002	13-7	102022201	12-11
101887601	1-5, 8-3	101972003	13-7	102022301	12-9
101889401	12-5	101972004	13-7	102022401	12-9
101890001	12-5	101972005	13-7	102022601	6-5
101890101	12-3	101972006	13-7	102022801	6-5
101890201	12-3	101972007	13-7	102022901	6-5
101891301	12-3	101972009	13-7	102023001	6-7
101891601	12-5	101972011	13-7	102023101	6-7
101892001	12-5	101972012	13-7	102023301	6-5
101892201	12-5	101972801	9-13	102023701	1-5
101892301	12-5	101973401	9-9	102024901	1-5
101892401	12-5	101979101	7-7	102025001	1-5
101892901	12-3	101980801	12-5	102025101	12-11
101893201	12-5	101981001	12-5	102025201	1-13
101893801	12-3	101987701	9-3	102025202	1-13
101893901	12-5	101990703	7-17	102025801	1-3
101894304	1-11	101991101	7-17	102025901	7-17
101896501	7-21	102003201	9-3	102026001	5-5
101896901	9-5	102006501	6-9	102026401	1-5
101898001	7-23	102010101	6-5	102026901	1-5
101900801	4-13, 6-9	102010201	6-3	102028302	4-13
101903101	6-7	102012301	6-7	102028401	4-13
101909201	8-5	102013001	6-3	102028601	5-3
101909301	8-5	102013101	6-3	102028901	5-3
101909401	8-5	102013601	6-7	102029101	3-3
101909501	8-5	102013701	6-7	102029501	1-5
101915201	3-5	102013801	6-7	102030501	1-3
101916201	8-5	102013901	1-3	102031201	12-11
101916301	8-5	102015701	1-3	102031501	12-3
101916701	7-19, 11-3	102015801	1-3	102031701	12-7
101917601	9-13	102016501	6-7	102031901	12-9
101919801	5-5	102016701	6-7	102032001	12-7
101921501	9-13	102016801	6-7	102032801	4-11
101925701	9-13	102017601	6-7	102032901	4-11
101926901	12-3	102018501	12-3	102033001	4-11
101927101	12-3	102018601	12-3	102033101	4-11
101927201	12-3	102018701	12-3	102033201	4-9
101927301	12-3	102018801	12-5	102033301	4-3
101927501	12-5	102018901	12-5	102033401	4-5
101927601	12-5	102019001	12-5	102033701	4-13
101927701	12-5	102019601	12-9	102033901	4-13
101927901	12-5	102020101	12-9	102044001	4-11
101928001	12-5	102020201	12-9	102044201	4-3, 6-7
101928301	12-7	102020301	12-9	102044401	4-3, 4-11
101928601	12-3	102020401	12-9	102044601	3-3
101928701	12-3, 13-7	102020501	12-9	102044702	7-17
101933101	13-7	102020901	12-9	102044801	7-17

INDEX

102045001	1-3	102077601	7-11	102268101	12-7
102045501	4-3, 4-11	102077701	7-11	102268401	12-5
102045601	6-9	102077801	7-11	102268601	12-3
102045701	4-11	102077901	7-11	102268901	12-9
102045801	4-11	102078001	7-11	102269001	12-9
102045901	7-7, 12-3	102078101	1-3	102269101	12-9
102046601	3-3, 12-11	102100001	6-7	102269201	4-7, 12-9
102047001	1-5	102155701	7-11	102269301	4-7, 12-9
102048401	1-3	102155801	11-5	102269401	12-9
102048601	6-7	102159601	7-11, 7-17	102269701	7-15
102049401	4-3, 4-5	102160501	4-13	102269901	8-9
102049501	4-3, 4-5	102169401	13-7	102270001	8-9
102049601	4-3, 4-5	102188701	6-9, 12-9	102270201	8-13
102049701	4-3, 4-5	102221301	1-11	102270301	8-13
102049901	4-3, 4-5	102221401	1-11	102270401	8-13
102050001	4-3, 4-5	102221501	1-11	102270501	8-13
102050101	4-3, 4-5	102221701	1-11	102270701	9-7
102050201	4-3, 4-5	102221801	1-11	102271101	8-9
102050301	4-3	102222001	1-11	102271401	8-11
102050401	4-3, 4-5	102222101	1-11	102271501	8-13
102050501	4-3, 4-5	102222201	1-11	102271601	8-11
102050601	4-3, 4-5	102223601	7-5	102271701	9-7
102050701	4-3, 4-5	102224001	3-5	102271801	8-13
102050801	4-5	102224301	3-3	102271901	8-13
102050902	4-5	102229904	1-11	102272101	8-11
102051001	4-3, 4-7	102231601	3-5	102272301	8-11
102051201	4-9	102234001	2-5	102272501	7-15
102051301	4-9	102234301	2-5	102274101	4-7, 12-9
102051401	4-9	102239901	1-11	102276001	4-7, 12-9
102051601	7-17	102241501	13-7	102278001	6-3
102051701	7-17	102241502	13-7	102292801	4-7, 4-13, 5-3
102051901	7-17	102242101	11-5	102301401	1-7
102052301	6-7	102242701	4-13	102304901	8-9, 8-11
102052401	6-7	102243003	2-5	102310001	4-9
102052701	4-13	102243004	2-5	102316701	12-11
102052801	4-13	102243402	13-7	102323101	4-9
102054401	4-9	102247201	4-13	102323201	4-9, 5-3
102055801	1-3	102248803	13-7	102330901	13-9
102056001	1-13	102249901	13-3	102336001	9-11
102056201	1-5	102251501	13-7	102336101	9-11
102056901	1-3	102251601	1-13	102339201	4-9
102057801	4-9	102251701	1-13	102345901	3-5
102058401	1-3	102256901	6-9	102355301	7-23
102059001	1-5	102257201	10-3	102406701	9-5
102059401	1-5	102258701	8-3	102418101	1-7
102059501	1-5	102258801	6-9	102444601	4-13
102060201	1-5	102264001	7-15	102452401	12-7
102061101	1-5	102264701	4-7	102452501	12-5
102061201	13-9	102266201	11-3	102452601	12-9
102065001	6-9	102266301	6-9	102452701	12-9
102065103	1-13	102267101	11-3	102453001	12-5
102065901	1-9, 8-15	102267301	6-9	102453101	12-5
102066201	6-9	102267601	12-3	102453201	12-7
102066701	6-7	102267701	12-9	102457401	12-3
102067001	6-7	102267801	12-7	102518901	4-9
102068501	1-5	102268001	12-7	102519001	4-9

INDEX

102522001 9-5
102540301 8-15
102555501 13-3
102562401 13-3
102570401 13-11
102601501 13-5
102603501 13-5
102605201 13-5
102606101 13-5
102607501 13-5
102668801 13-9
102669901 13-7
102674001 13-5
102674101 13-5
102674201 13-5
102674401 13-9
102674601 13-9
102675001 13-5
102675101 13-5
102675201 13-5
102675301 13-5
102675401 13-5
102686101 13-3
102711201 7-13
102718801 7-9
102719818 1-3
102719853 1-3
102719854 1-3
102751701 1-3
102753401 8-9
102768801 1-11
102769001 1-3, 3-7
102769101 3-7
102769201 3-7
102769501 7-9
102769902 1-15
102772501 7-9
102776901 7-9
102865101 9-3
102967901 1-3
103010101 9-3
103267001 1-5
103345701 11-3
103372101 9-5
103372302 9-5
103538701 1-9
103538901 1-9
103651901 9-5
103776901 9-5
103781101 9-3
103781201 9-3
54562079 4-13
96704416 8-15

A

A-arm 6-7

absorber, shock 6-9
accelerator bracket and bearing assembly 5-5
accelerator cable 9-11
accelerator pedal 5-5
accelerator pedal adjustment tool 13-3
accelerator pivot rod 5-5
accelerator return spring 5-5
accelerator rod 5-7
adapter
 cable (IQDM) 13-7
adhesive, guide ring 13-3
adjuster
 hydraulic brake 13-7
adjuster, lash 8-11
air box 9-13
air box top 9-13
air filter 9-13
air intake hose 9-13
arbor 13-3
arm
 A- 6-7
 governor 12-3
 pivot 12-3
 rocker 8-9
armature 7-21
armature conversion kit 7-21
armrest 1-5
assembly
 A-arm 6-7
 accelerator bracket and bearing 5-5
 accelerator pivot rod 5-5
 air box 9-13
 air box top 9-13
 armature 7-21
 backing plate 4-3, 4-5
 bearing, steering shaft 6-3
 bell crank and shaft 7-13
 brake cluster 4-5
 brake pedal 5-3
 brush connector 7-21
 brush holder 7-21
 bumper 1-3
 carburetor 9-7
 connecting rod 8-13
 drive clutch 11-3
 drive hub 11-3
 driven clutch 11-5
 driven clutch fixed-face 11-5
 field coil 7-21
 filler cap 4-9
 float 9-7
 Forward/Reverse shifter 7-7
 fuel tank vent 9-5
 governor 12-5
 grill 1-3
 headlight 7-9

idle screw 9-7
inner ball joint 6-5
king pin bolt 6-7
latch weld 1-9
moveable-face 11-3, 11-5
park brake 4-5
park brake lever 4-13
pilot air screw 9-7
plug cap 8-5
radio/beverage holder 1-5
seat support 1-5
secondary clutch weight 11-3
spindle 6-7
steering wheel 6-3
tailgate 1-11
tether 1-11
tilt bed 1-9
tire 2-3, 2-5
transmission cable 7-7
yoke 6-3

axle 12-3

axle shaft 12-9

axle tube 12-9

B

backing plate 4-3, 4-5
bag, desiccant 11-3
ball bearing 8-11
ball joint 5-7, 7-7
ball stud 7-7, 7-13, 12-3
ball, shifter 12-5
ball, steel pressure relief 8-7
band, RPM limiter mount 8-5
bar, light 7-11
bar, side step 1-13
barb, vent 9-3, 9-5
base, seat holder 1-5
battery clamp 7-23
battery discharge machine 13-3
battery terminal protector spray 13-3
battery thermometer 13-3
battery, 12-volt 7-23
bearing
 ball 8-11
 ball (steering pinion) 6-5
 idler 11-3
 inner axle tube 12-7
 lower pinion 6-5
 needle 12-5
 outer axle tube 12-9
 pivot support 5-5
 steering shaft 6-3
 thrust 6-7
bearing and oil seal remover 13-3
bearing driver set 13-3
bearing puller 13-3

INDEX

- bearing puller wedge 13-3
 - bearing seat 6-3
 - bed floor plate 1-9
 - bed seal 1-5
 - bed, tilt 1-9
 - bell crank 4-9, 7-7
 - bell crank and shaft 7-13
 - bellows 6-5
 - belt, drive 11-3
 - belt, starter/generator 7-19, 11-3
 - beverage holder 1-5
 - block, brake-mounting 5-3
 - block, fuse 7-13
 - body kick plate 1-5
 - body wrap 1-15
 - bolt
 - king pin 6-7
 - U- 6-9
 - boot
 - master cylinder 4-9
 - park brake 4-13
 - boot shield 4-13
 - boot, steering column 6-3
 - bottom, air box 9-13
 - box
 - air 9-13
 - electrical component 7-13
 - brace, light bar 7-11
 - bracket 7-17
 - accelerator cable 9-11
 - adjustable starter/generator 7-19
 - brace mounting 7-11
 - differential lock 12-3
 - governor cable 9-11, 10-3
 - light mounting 7-11
 - master cylinder mounting 4-9
 - muffler mounting 10-3
 - oil filter mount 8-7
 - oil level switch 8-11
 - RPM limiter 8-5
 - shifter 7-7, 12-3
 - snubber 8-15
 - starter/generator mounting 7-19
 - throttle spring return 9-9
 - brake adjustment tool 13-3
 - brake cable equalizer 4-13
 - brake cable hanger 4-13, 6-9
 - brake cable release tool 13-3
 - brake cluster 4-3, 4-5
 - brake drum 4-5, 4-7
 - brake hose 4-11
 - brake mounting block 5-3
 - brake pedal 5-3
 - brake pedal adjustment tool 13-3
 - brake pedal tension tool 13-3
 - brake return spring 4-9, 4-13
 - brake, park 4-5
 - breather 12-3
 - brush and screw set 7-21
 - brush connector 7-21
 - brush holder 7-21
 - brush inspection port cover 7-21
 - brush port cover 7-21
 - brush spring set 7-21
 - bucket seat 1-5
 - bulb, headlight 7-9
 - bulb, light bar 7-11
 - bumper 1-3
 - rubber 1-7, 1-11, 5-3
 - spring return 5-5
 - bushing 11-3
 - bronze 6-7
 - return line 9-5
 - spindle 6-7
 - steel 1-9, 6-9
 - urethane 1-9, 6-7, 6-9
 - button, drive 11-5
 - buzzer, reverse 7-15
- ## C
- cable
 - accelerator 9-11
 - differential 12-11
 - differential lock 12-11
 - governor 9-11
 - IQDM 13-7
 - park brake 4-13
 - transmission 7-7
 - calibration test module 13-3
 - cam
 - driven clutch 11-5
 - electrical component box 7-13
 - neutral lockout 7-7
 - cam installation tool 13-3
 - camshaft 8-11
 - camshaft shim 8-11
 - camshaft spring 8-11
 - cap
 - corner 1-5
 - filler 4-9
 - plug 8-5
 - rubber 4-7, 12-9
 - cap, front corner 1-11
 - carburetor 9-7
 - carburetor float level tool 13-7
 - carburetor gasket 9-9
 - carburetor insulator 9-9
 - carburetor mounting gasket 9-9
 - card, safety first 13-9
 - case
 - differential gear carrier 12-7
 - gear 12-3, 12-7
 - rocker 8-9
 - charger bezel tool 13-3
 - choke valve 9-13
 - clamp
 - battery 7-23
 - cable retaining 9-11
 - horse shoe 4-11
 - hose 9-3, 9-5, 9-9, 9-13
 - muffler hose 10-3
 - clip
 - hair pin 1-11
 - clip, park brake cable 4-13
 - clutch alignment tool 13-5
 - clutch removal tool 13-3
 - clutch repair kit 11-5
 - clutch tool kit 13-5
 - clutch weight 11-3
 - clutch, drive 11-3
 - clutch, driven 11-5
 - cog, differential lock 12-9
 - coil, field 7-21
 - coil, ignition 8-5
 - collet 8-9
 - column mounting bracket 6-3
 - column, steering 6-3
 - communication display module 13-5
 - component box, electrical 7-13
 - compression gauge 13-5
 - compression mount 6-9
 - compressor, piston ring 13-9
 - compressor, valve spring 13-11
 - connecting rod 8-13
 - connector, a- 7-21
 - console cover 1-5
 - continuity tester 13-5
 - controller, differential lock 12-11
 - cord connector 8-11
 - corner cap 1-11
 - counterbalance guide shaft 8-13
 - counterbalance weight 8-13
 - cover
 - brush inspection port 7-21
 - brush port 7-21
 - cargo box 1-15
 - console 1-5
 - crankcase 8-11
 - dust 4-3, 4-5, 6-7
 - electrical box 7-13
 - oil pump 8-7
 - cowl 1-3
 - crank, bell 4-9, 7-7
 - crankcase 8-13
 - crankcase vent tube 9-9
 - crankshaft 8-13
 - crankshaft rod 8-13
 - crankshaft shim 8-13

INDEX

C-type stop ring 6-5
cup holder, seat 1-5
cup, spring 5-5
cushion, shock absorber 6-9
cutter, valve seat 13-5, 13-11
cylinder head 8-9
cylinder, master 4-9
cylinder, wheel 4-3, 4-5

D

damper, RPM limiter 8-5
dash panel 1-3
dashboard 1-3
decals
 bed 3-7
 bed load warning 1-11, 3-3
 brake warning 2-5
 cowl 1-3, 3-7
 crush area warning 3-3
 dash warning 3-3
 differential lock warning 3-3, 12-11
 diode safety 3-5
 driver/passenger 3-5
 frame ground 3-5
 Husqvarna tailgate 1-11
 key switch 3-3
 operating instructions 3-3
 rotating parts 3-5
 side panel 3-7
 tilt bed warning 3-3
 trailer hitch 1-13, 3-5
 underage warning 3-3
 vehicle loading 3-3
 winch cable warning 3-5
desiccant bag 11-3
DF-terminal insulator 7-21
diesel tachometer probe 13-9
differential 12-3
differential cable 12-11
differential idler gear 12-7
differential lock cable 12-11
differential lock cog 12-9
differential lock controller 12-11
differential pin 12-7
diode 7-13, 7-15
drag link 6-5
drain plug 8-7, 12-3
drain plug gasket 8-7
drive belt 11-3
drive button 11-5
drive clutch 11-3
drive clutch button 11-3
drive clutch fixed sheave tool 13-5
drive clutch fixed-face 11-3
drive clutch holder tool 13-5
drive clutch hub puller 13-5

drive clutch puller 13-5
drive clutch pulley 11-3
drive clutch spider removal tool 13-5
drive clutch weight 11-3
drive hub 11-3
drive unit 12-3
driven clutch 11-5
driven clutch button 11-5
driven clutch cam 11-5
driven clutch cam puller 13-5
driven clutch fixed-face assembly 11-5
driven clutch puller plug 13-5
driven clutch spring compression base tool 13-5
driven clutch spring compression collar tool 13-5
driven clutch spring compression nut tool 13-5
driver, drive clutch 11-3
drum, brake 4-5, 4-7
dry moly lubricant 13-7
dust cover 4-3, 4-5, 6-7

E

electrical box cover 7-13
electrical component box 7-13
end bell, commutator 7-21
end bell, output shaft 7-21
end, tie rod 6-5
engine mounting plate 8-15
engine, FE400 8-3
equalizer rod 4-9, 5-3
equalizer, brake cable 4-13
exhaust system 10-3
exhaust valve 8-9
extension, spring latch 1-9

F

face, moveable 11-3, 11-5
fan shroud 8-3
fan, flywheel 8-5
FE400 engine 8-3
fender, front 1-3
fender, rear 1-13
field coil 7-21
field coil housing 7-21
filler cap 4-9
filter
 air 9-13
 fuel 9-3
 oil 8-7
 oil pump 8-7
fitting, thread-forming grease 6-7
fixed-face, drive clutch 11-3
fixed-face, driven clutch 11-5
flange, wheel bolt 12-9

float 9-7
floor mat 1-3
floor plate, bed 1-9
flywheel 8-5
flywheel fan 8-5
flywheel fan plate 8-5
flywheel puller 13-7
FNR handle 7-7
FNR shifter base 7-7
fork, shift 12-5
Forward/Reverse shifter 7-7
frame, tilt bed 1-9
front fender 1-3
F-terminal hardware 7-21
f-terminal insulator 7-21
fuel filter 9-3
fuel gauge sending unit 9-5
fuel gauge/hour meter 7-17
fuel line 9-3, 9-5, 9-9
fuel tank 9-5
fuel tank strap 9-3
fuel tank vent 9-5
fuse
 10-amp 7-13
 20-amp 7-13
fuse block 7-13

G

gasket
 carburetor 9-9
 carburetor mounting 9-7, 9-9
 crankcase cover 8-11
 drain plug 8-7
 exhaust 10-3
 head 8-9
 insulator 9-9
 liquid 12-3, 13-7
 rocker case 8-9
 sending unit 9-5
gasket kit, FE400 8-9, 8-11
gauge, compression 13-5
gauge, fuel/hour 7-17
gear
 70-tooth 12-5
 case 12-3, 12-7
 cluster idler 12-5
 differential 12-7
 differential idler 12-7
 helical 8-13, 12-5, 12-7
 input 12-5
 rack and pinion 6-5
 spur 8-13, 12-5
 synchro 12-5
gear yoke 13-7
governor 12-5
governor arm 12-3

INDEX

governor cable 9-11
governor cable bracket 9-11, 10-3
governor shaft installation tool 13-7
grill 1-3
grip, tilt latch hand 1-9
grommet 9-5
guard, transaxle 12-3
guide
 intake valve 8-9
 valve seat cutter 13-11
guide ring adhesive 13-3

H

hair pin clip 1-11
handle, differential lock 12-11
handle, FNR 7-7
hanger, brake cable 4-13, 6-9
hardware
 axle 4-3, 4-5
 dash 1-3
hardware, F-terminal 7-21
harness, headlight 7-9
head, cylinder 8-9
headlight assembly 7-9
headlight bulb 7-9
headlight harness 7-9
headlight spacer 7-9
helical gear 8-13, 12-5, 12-7
hinge plate 1-5
hold-down, brake shoe 4-3, 4-5
hose
 brake 4-11
hose, air intake 9-13
hose, fuel 9-3
hour meter/fuel gauge 7-17
housing
 differential lock 12-9
 field coil 7-21
 steering gear 6-5
hub 12-9
hub, front 4-3, 6-7
hub, synchronizer clutch 12-5
hydraulic brake adjuster 13-7
hydraulic shoe 4-3, 4-5
hydrometer 13-7

I

idle screw assembly 9-7
idler bearing 11-3
ignition coil 8-5
inner frame snubber 8-15
insert, synchronizer 12-5
insulator gasket 9-9
insulator, carburetor 9-9
intake pipe 9-9

intake valve 8-9
internal retaining ring pliers 13-7
IQ display module (IQDM) 13-7

J

jet, main 9-7
jet, pilot 9-7
joint
 ball 5-7, 7-7

K

key
 crankshaft 8-5, 8-13
 driven clutch 11-5
 square 11-5
 starter/generator 7-21
 woodruff 12-3
key (pair) 7-17
key switch 7-17
key switch spacer 7-17
keyswitch nut 7-17
kick plate, body 1-5
kit
 accelerator pivot rod 5-5
 axle adjuster 4-3, 4-5
 axle hardware 4-3, 4-5
 brake pedal adjustment tool 13-3
 camo cover 1-15
 clutch repair 11-5
 dash hardware 1-3
 diode 7-15
 drive clutch button 11-3
 drive clutch weight 11-3
 driven clutch button 11-5
 fuel tank 9-5
 hydraulic shoe 4-3, 4-5
 impulse fuel pump rebuild 9-3
 IQ display module (IQDM) 13-7
 neutral lockout cam 7-7
 pulley 4-13
 rear receiver hitch 1-13
 reverse buzzer 7-15
 shock absorber cushion 6-9
 tune-up 13-9
knob, light switch 7-17

L

lash adjuster 8-11
latch plate, tilt bed 1-7
latch weld 1-9
latch, air box 9-13
latch, slam 1-11
latch, spring 1-11
leaf spring 6-9
lever

change 12-3
choke 9-13
differential lock 12-9
park brake 4-13
transmission shifter 12-3

light

oil 7-17
light bar 7-11
light switch 7-17
light switch knob 7-17
limit switch 7-7
limiter
 RPM 8-5
 voltage 7-15
line, fuel 9-3, 9-5, 9-9
line, rear brake 4-11
link, drag 6-5
liquid gasket 12-3, 13-7
low oil warning light 7-17
lubricant, dry moly 13-7
lubricant, moly-teflon 13-7
lug nut 2-3, 2-5, 2-7, 4-3, 4-7, 6-7
lug stud 4-3, 6-7, 12-9

M

main jet 9-7
master cylinder 4-9
master cylinder boot 4-9
mat, floor 1-3
meter, volt ohm 13-11
module
 calibration test 13-3
 communication display 13-5
moly-teflon lubricant 13-7
mount, compression 6-9
mounting block, brake 5-3
moveable-face 11-3, 11-5
muffler hose clamp 10-3

N

needle bearing 12-5
neutral lockout cam 7-7
nozzle, carburetor 9-7
nut, keyswitch 7-17
nut, lug 2-3, 2-5, 2-7, 4-3, 4-7, 6-7

O

oil filter 8-7
oil filter mount bracket 8-7
oil filter screen 8-11
oil filter screen plate 8-11
oil level sensor 8-11
oil pump and rotor 8-7
oil pump cover 8-7
oil pump filter 8-7

INDEX

oil pump plate 8-7
oil seal 8-9, 8-11, 8-13, 12-3, 12-5
oil warning light, low 7-17
O-ring 8-9, 8-11, 8-13

P

pad
 accelerator pedal 5-5
 brake pedal 5-3
 spring, rear suspension 6-9
 thermal 7-15
paint, touch-up 13-7
pan, seat 1-5
panel
 dash 1-3
 left 1-11
 right 1-11
panel, front 1-11
park brake 4-5
park brake cable 4-13
park brake lever 4-13
pedal, accelerator 5-5
pedal, brake 5-3
pilot jet 9-7
pin, differential 12-7
pin, piston 8-13
pinion, steering 6-5
pipe, intake 9-9
piston 8-13
piston pin 8-13
piston ring compressor 13-9
piston ring pliers 13-9
piston ring set 8-13
pivot arm 12-3
pivot support bearing 5-5
plate
 backing 4-3, 4-5
 engine mounting 8-15
 flywheel fan 8-5
 hinge 1-5
 latch 1-7
 oil filter screen 8-11
 oil pump 8-7
 score card 6-3
 steering stop mounting 6-7
 steering wheel 6-3
 suspension mounting 6-7
 thrust 12-5, 12-7
pliers
 internal retaining ring 13-7
 piston ring 13-9
 retaining ring 13-9
plug
 drain 8-7, 12-3
 driven clutch puller 13-5
 spark 8-5

plug cap 8-5
pole set 7-21
press weldment 13-5
pressure switch 4-9
prop rod 1-7
protector spray, battery terminal 13-3
puller
 bearing 13-3
 clutch 13-3
 drive clutch 13-5
 drive clutch hub 13-5
 driven clutch cam 13-5
 flywheel 13-7
 seal 13-9
 special use tool 13-9
pulley 4-13
 drive clutch 11-3
 mount 4-13
 starter-generator 7-21
push rod 8-9

R

rack guide pressure spring 6-5
rack, steering 6-5
radio/beverage holder 1-5
reamer, valve guide 13-9
receiver hitch 1-13
regulator, voltage 7-13
remover, bearing and oil seal 13-3
retainer
 accelerator pedal spring 5-5
 shock absorber cushion 6-9
 spring (drive clutch) 11-3
 valve spring 8-9
retaining ring 6-3
retaining ring pliers 13-9
return spring bumper 5-5
reverse buzzer 7-15
rim, wheel 2-3, 2-5, 2-7
ring
 retaining 6-3, 7-7, 7-13, 11-3, 11-5
 snap 6-5, 8-9, 8-13
 spiral backup 11-3
 synchronizer 12-5
ring, C-type stop 6-5
rocker arm 8-9
rocker case 8-9
rocker case gasket 8-9
rocker shaft 8-9
rod
 accelerator 5-7
 accelerator pivot 5-5
 connecting 8-13
 crankshaft 8-13
 equalizer 4-9, 5-3
 prop 1-7
 push 4-9, 8-9
 shift 12-5
rotor, oil pump and 8-7
RPM limiter 8-5
RPM limiter bracket 8-5
RPM limiter damper 8-5
RPM limiter mount band 8-5
rubber bumper 1-11

S

safety first card 13-9
screen, oil filter 8-11
screw, valve clearance adjuster 13-9
seal
 bed 1-5
 double lip 6-7
 intake 9-13
 oil 8-9, 8-11, 8-13, 12-3, 12-5, 12-9
 steering pinion dust 6-5
seal puller 13-9
sealant 12-3
seat
 spring 8-9
 valve 8-7
seat holder base 1-5
seat pan 1-5
seat support 1-5
seat, bearing 6-3
seat, bucket 1-5
sending unit, fuel gauge 9-5
sensor, oil level 8-11
set, brush and screw 7-21
set, pole 7-21
shackle, rear spring 6-9
shaft
 axle 12-9
 change 12-3
 counterbalance guide 8-13
 rocker 8-9
 steering column 6-3
 transmission 12-5
shield, boot 4-13
shift fork 12-5
shift rod 12-5
shifter base, FNR 7-7
shifter bracket 7-7, 12-3
shim, camshaft 8-11
shim, crankshaft 8-13
shim, latch plate 1-7
shim, tilt bed pivot 1-9
shock absorber 6-9
shock absorber cushion 6-9
shock absorber cushion retainer 6-9
shock tower 6-7
shroud, fan 8-3
side step bar 1-13

INDEX

- slam latch 1-11
 - sleeve
 - A-arm 6-7
 - governor 12-5
 - synchronizer 12-5
 - snap ring 6-5, 8-9, 8-13
 - snubber bracket 8-15
 - snubber, inner frame 8-15
 - solenoid, 12-volt 7-13
 - spacer
 - accelerator pivot rod 5-5
 - headlight 7-9
 - key switch 7-17
 - spanner wrench 13-9
 - spark plug 8-5
 - spindle 6-7
 - spiral backup ring 11-3
 - spray, battery terminal protector 13-3
 - spring
 - accelerator return 5-5
 - brake return 4-9, 4-13
 - brush 7-21
 - camshaft 8-11
 - differential lock 12-9
 - drive button 11-3
 - drive clutch 11-3
 - driven clutch 11-5
 - extension return 9-13
 - forward/reverse cam 7-7
 - leaf 6-9
 - rack guide pressure 6-5
 - shifter 12-5
 - shoe to shoe 4-3, 4-5
 - steering shaft compression 6-3
 - synchronizer 12-5
 - throttle return 9-9
 - valve 8-9
 - spring cup 5-5
 - spring latch 1-11
 - spring pad, rear suspension 6-9
 - spur gear 8-13, 12-5
 - starter/generator 7-21
 - starter/generator belt 7-19, 11-3
 - starter/generator pulley 7-21
 - steel bushing 1-9, 6-9
 - steel pressure relief ball 8-7
 - steering column 6-3
 - steering column bearing press tool 13-9
 - steering column retaining ring tool 13-9
 - steering gear housing 6-5
 - steering pinion dust seal 6-5
 - steering rack 6-5
 - steering shaft compression spring 6-3
 - steering wheel 6-3
 - steering wheel plate 6-3
 - steering wheel puller tool 13-9
 - stem, valve 2-3, 2-5, 2-7
 - step bar, side 1-13
 - stiffener, flywheel side 8-15
 - stiffener, PTO side 8-15
 - strap, fuel tank 9-3
 - stud 8-15
 - lug 4-3, 6-7, 12-9
 - self-clinching 1-11
 - stud, ball 7-7, 7-13, 12-3
 - support yoke (steering) 6-5
 - support, cowl 1-3
 - support, seat 1-5
 - switch
 - key 7-17
 - light 7-17
 - limit 7-7
 - pressure 4-9
 - toggle 7-11, 7-17
 - synchronizer clutch hub 12-5
 - synchronizer insert 12-5
 - synchronizer sleeve 12-5
 - synchronizer spring 12-5
- ## T
- 12-volt battery 7-23
 - 12-volt solenoid 7-13
 - tachometer 13-9
 - tachometer probe, diesel 13-9
 - tailgate 1-11
 - tailgate angle 1-11
 - tailskirt 1-13
 - tank, fuel 9-5
 - tape, vinyl foam 1-9
 - tester, continuity 13-5
 - tether 1-11
 - thermal pad 7-15
 - thermometer, battery 13-3
 - thread-forming grease fitting 6-7
 - throttle return spring 9-9
 - throttle spring return bracket 9-9
 - thrust bearing 6-7
 - thrust plate 12-5, 12-7
 - tie rod end 6-5
 - tie wrap 6-5, 7-11, 7-15, 7-17
 - tilt bed 1-9
 - tilt bed frame 1-9
 - tilt latch hand grip 1-9
 - tire 2-3, 2-5
 - tire and wheel assembly 2-5
 - toggle switch 7-11, 7-17
 - tool
 - accelerator pedal adjustment 13-3
 - belt tensioning, starter/generator 13-11
 - brake adjustment 13-3
 - brake cable release 13-3
 - brake pedal adjustment 13-3
 - brake pedal tension 13-3
 - cam installation 13-3
 - carburetor float level 13-7
 - charger bezel 13-3
 - clutch alignment 13-5
 - cT-wrench 13-5
 - drive clutch fixed sheave 13-5
 - drive clutch holder 13-5
 - drive clutch spider removal 13-5
 - driven clutch spring compression base 13-5
 - driven clutch spring compression collar 13-5
 - driven clutch spring compression nut 13-5
 - governor shaft installation 13-7
 - puller, special use 13-9
 - steering column bearing press 13-9
 - steering column retaining ring 13-9
 - steering wheel puller 13-9
 - transaxle axle seal 13-9
 - transaxle pinion seal 13-9
 - transmission 13-9
 - valve guide driver 13-9
 - valve seat cutter 13-5
 - tool kit, clutch 13-5
 - touch-up paint 13-7
 - tower, shock 6-7
 - track, prop rod 1-7
 - transaxle 12-3
 - transaxle axle seal tool 13-9
 - transaxle guard 12-3
 - transaxle pinion seal tool 13-9
 - transmission cable 7-7
 - transmission shaft 12-5
 - transmission tool 13-9
 - tube
 - axle 12-9
 - crankcase vent 9-9
 - tune-up kit 13-9
 - T-wrench tool 13-5
- ## U
- U-bolt 6-9
 - urethane bushing 1-9, 6-7, 6-9
- ## V
- valve
 - choke 9-13
 - exhaust 8-9
 - fuel pickup tube 9-5
 - intake 8-9
 - reed 8-9
 - valve clearance adjuster screw 13-9
 - valve guide driver tool 13-9
 - valve guide reamer 13-9
 - valve guide, intake 8-9

INDEX

valve seat 8-7
valve seat cutter 13-5, 13-11
valve seat cutter guide 13-11
valve seat cutter tool 13-5
valve seat t-wrench 13-11
valve spring 8-9
valve spring compressor 13-11
valve spring retainer 8-9
valve stem 2-3, 2-5, 2-7
vent barb 9-3, 9-5
volt ohm meter 13-11
voltage limiter 7-15
voltage regulator 7-13

W

warning light, low oil 7-17
wedge, bearing puller 13-3
weight
 clutch 11-3
 counterbalance 8-13
 secondary clutch 11-3
weldment
 press 13-5
weldment, receiver hitch 1-13
weldment, steering column 6-3
weldment, tilt bed frame 1-9
wheel and tire assembly 2-5
wheel bolt flange 12-9
wheel cylinder 4-3, 4-5
wheel, steering 6-3
wire harness 7-5
wire harness, light bar 7-11
woodruff key 12-3
wrap, body 1-15
wrap, tie 6-5, 7-11, 7-15, 7-17
wrench, spanner 13-9

Y

yoke 6-3
yoke, gear 13-7
yoke, support (steering) 6-5

Husqvarna Forest and Garden

7349 Statesville Rd.

Charlotte, NC 28269

USA

www.usa.husqvarna.com/huv