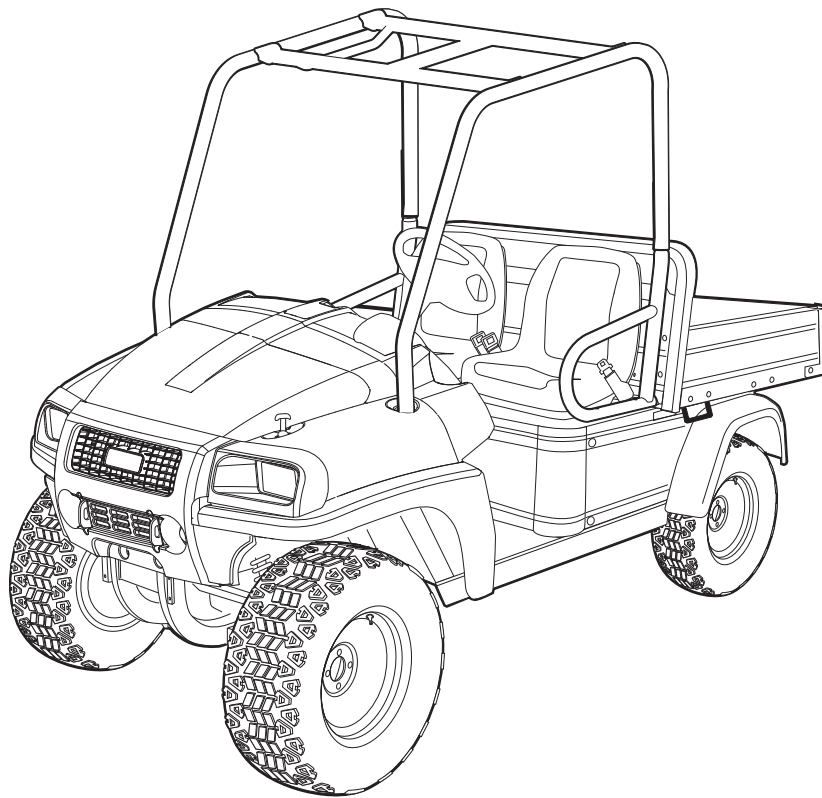




2007
XRT All Wheel Drive
Illustrated Parts List



XRT 1550/1550SE and Carryall 295/295SE
Gasoline, Diesel and IntelliTach Vehicles

Manual Number 103209041
Edition Code 1112B0616A

USING THE ILLUSTRATED PARTS LIST

⚠ WARNING

- **This manual is to be used only for identification and ordering of service parts. Be sure to read and use the maintenance and service manual before attempting any vehicle repairs.**

This manual covers XRT 1550, 1550 SE, 1550 IntelliTach, and Carryall 295, 295 SE, 295 IntelliTach vehicles.

The manual is divided into sections. Note that there are two or three flags on the outside edge of each page. The first flag contains the section number of which that page is a part. The other flag (or flags) contains the letter D, E, or G, signifying that the page pertains to the diesel, electric, or gasoline vehicles only.

Use the Table of Contents to find the sections and pages that contain the parts and assemblies you seek. The Table of Contents lists section numbers, and under them, the individual page titles and numbers to be found in that section. The index can be used to find specific parts and assemblies. The index is divided into numerical and alphabetical listings with the page numbers in italic text.

There is a two-page spread for each individual page title in the Table of Contents. On the left-hand page is an illustration showing the parts in their relative positions; the parts are each tagged with an item number in a balloon. The right-hand page is the parts list page, and gives the page title at the top, then the item numbers (corresponding to the numbers on the illustration), part descriptions, and quantity of parts used.

Note that a part description may be indented. This indention corresponds to a parts assembly level indicated by the numbers 1, 2, 3, and 4 at the top left corner of the parts description area of the parts list page. A part that is indented to *level 2* is a component of the *level 1* part (assembly) that it is listed under. A *level 3* part is a component of the *level 2* part that it is listed under, and a *level 4* part is a component of the *level 3* part preceding it. In each case, the part quantity given for a level 2, 3, or 4 part is the *quantity used per next higher level assembly of which it is a component*. A part that is not indented is a *level 1* part. This means that the quantity given is the quantity used per the portion of the vehicle illustrated on that particular spread.

HOW TO ORDER PARTS

Replacement parts and accessories can be obtained from our network of authorized dealers and distributors. You can obtain the name and phone number of your closest authorized Club Car dealer or distributor by visiting our web site at www.clubcar.com and clicking on the "Distributor Search" link or by calling our toll-free Service Parts and Technical Assistance hotline at (800) 872-2246 or (706) 863-3000, extension 3887.



P. O. Box 204658
Augusta, Georgia 30917-4658 USA
Telephone 706-863-3000
Service Parts Fax 706-855-7413
www.clubcar.com

NOTE: *This illustrated parts list represents the most current information at the time of publication. Club Car, Inc. is continually working to further improve its vehicles and other products. These improvements may affect the parts used to service the vehicle. Any modification and/or significant change in specifications will be forwarded to all Club Car and Carryall distributors/dealers and will, when applicable, appear in future editions of this illustrated parts list.*

Club Car, Inc. reserves the right to change specifications and designs at any time without notice and without the obligation of making changes to units previously sold.

Copyright © 2006, 2012 Club Car, Inc.
Club Car is a registered trademark of Club Car, Inc.
This manual effective June 19, 2006.

CONTENTS

SECTION 1 – BODY AND TRIM

Brush Guard	1-3
Plastic Skid Plate	1-5
Steel Skid Plate	1-7
Fascia, Fenders, and Cowls – Carryall Vehicles	1-9
Fascia, Fenders, and Cowls – XRT Vehicles	1-11
Fascia, Fenders, and Cowl – IntelliTach	1-13
Dash and Splashguard	1-15
Glove Box and Cup Holders	1-17
Floor Mat and Side Stringers, 2 Pass - Style A	1-19
Floor Mat and Side Stringers, 2 Pass - Style B	1-21
Side Stringers and Floor Mats, 4 Pass - Style A	1-23
Side Stringers and Floor Mats, 4 Pass - Style B	1-25
Bench Seats	1-27
Bucket Seats – Black	1-29
Bucket Seats – Gray	1-31
ROPS – 2 Passenger Vehicle	1-33
2-Point Seat Belts	1-35
ROPS – 4 Passenger Vehicle	1-37
Head Rests	1-39
3 - Point Seat Belts	1-41
Side Panels and Rear Fenders – 2 Passenger Vehicle	1-43
Side Panels and Rear Fenders – 4 Passenger Vehicle	1-45
Latch Plate and Prop Rod	1-47
Tilt Bed, Hinge, and Latch	1-49
Electric Bed Lift	1-51
Box Bed	1-53
Cargo Box (Steel)	1-55

SECTION 2 – WHEELS AND TIRES

Wheels and Tires	2-3
------------------------	-----

SECTION 3 – DECALS

Safety Decals – CA 295 and XRT 1550, Gasoline Vehicles	3-3
Safety Decals – CA 295 and XRT 1550, Gasoline Vehicles, Continued	3-5
Safety Decals – CA 295 and XRT 1550, Diesel Vehicles	3-7
Safety Decals – CA 295 and XRT 1550, Diesel Vehicles, Continued	3-9
Badging Decals – CA 295 Vehicles	3-11

CONTENTS

Badging Decals – XRT 1550 Vehicles	3-13
Safety Decals – CA 295 SE and XRT 1550 SE Vehicles	3-15
Safety Decals – CA 295 SE and XRT 1550 SE Vehicles, Continued	3-17
Badging Decals – CA 295 SE Vehicles	3-19
Badging Decals – XRT 1550 SE Vehicles	3-21
Safety Decals – Intellitach	3-23
Safety Decals – Intellitach, Continued	3-25
Badging Decals – XRT 1550 Intellitach	3-27
Badging Decals – CA 295 Intellitach	3-29
Badging Decals – Intellitach	3-31

SECTION 4 – BRAKE SYSTEMS AND PEDALS

Front Brakes	4-3
Master Cylinder with Remote Reservoir	4-5
Hydraulic Brake Lines and Clips	4-7
Brake Pedal	4-9
Park Brake System	4-11
Park Brake Pedal Assembly	4-13
Rear Brakes	4-15

SECTION 5 – STEERING AND SUSPENSION

Steering Column	5-3
Steering Gear Assembly	5-5
Front Suspension – A-Arms	5-7
Shock Absorbers – Standard	5-9
Shock Absorbers – High Capacity	5-11
Rear Suspension – Standard	5-13

SECTION 6 – ELECTRICAL SYSTEM – GAS VEHICLES

Headlights – Carryall 295	6-3
Headlights – XRT 1550	6-5
Wiring – Honda Gas Engine	6-9
Wiring – Kawasaki Gas Engine	6-13
Electrical Components, Front Body – Gas Vehicle	6-15
Electrical Component Box – Gasoline Vehicle	6-17
Battery – Gasoline Vehicle	6-19

CONTENTS

SECTION 7 – ELECTRICAL SYSTEM – DIESEL VEHICLES

Headlights – Carryall 295	7-3
Headlights – XRT 1550	7-5
Headlights – IntelliTach	7-7
Wiring – Kubota Diesel Engine, Two-Piece Harness	7-11
Wiring – Kubota Diesel Engine, One-Piece Harness	7-15
Wiring – Hydraulic Attachment (IntelliTach)	7-17
Wiring – Seat Belt Reminder (IntelliTach)	7-19
Electrical Components, Front Body – Diesel Vehicle	7-21
Electrical Components, Front Body – IntelliTach	7-23
Electrical Component Box – Diesel Vehicle	7-25
Battery – Diesel Vehicle	7-27

SECTION 8 – ENGINE – HONDA GX620 GASOLINE

Honda GX620 Gasoline Engine and Engine Mounting	8-3
Shrouds and Brackets	8-5
Ignition Components and Flywheel	8-7
Oil Circulation	8-9
Cylinder Head	8-11
Crankcase, Camshaft and Crankshaft	8-13
Oil Filter Adapter and Voltage Regulator	8-15

SECTION 9 – ENGINE – KAWASAKI FH680D GASOLINE

Tune-Up Kit – Kawasaki FH680	9-3
Kawasaki FH680D Gasoline Engine and Engine Mounting	9-5
Shrouds and Brackets	9-7
Ignition Components and Flywheel	9-9
Governor Arm and Springs	9-11
Oil and Lubrication Components	9-13
Oil Filter Adapter	9-15
Cylinder Head and Crankcase	9-17
Valves and Camshaft	9-19
Pistons and Crankshaft	9-21

SECTION 10 – ENGINE – KUBOTA DIESEL, CLOSED BREATHER

Tune-Up Kit – Kubota D722	10-3
Kubota D722 Diesel Engine and Engine Mounting	10-5
Crankcase	10-7

CONTENTS

Oil Pan	10-9
Cylinder Head	10-11
Gear Case	10-13
Head Cover	10-15
Dipstick and Guide	10-17
Oil Pump	10-19
Main Bearing Case	10-21
Camshaft and Idle Gear	10-23
Piston and Crankshaft	10-25
Flywheel	10-27
Fuel Camshaft	10-29
Idle Apparatus	10-31
Stop Solenoid	10-33
40-Amp Alternator, Belt and Pulleys	10-35
60-Amp Alternator, Belt and Pulleys	10-37
Fuel Injection Pump	10-39
Speed Control	10-41
Nozzle Holders and Glow Plugs	10-43
Governor Components	10-45
Starter	10-47
Valves and Rocker Arms	10-49
Intake Manifold	10-51
Exhaust Manifold	10-53
Gasket Kits	10-55
Piston Rebuild Kit	10-57

SECTION 11 – FUEL, INTAKE, ACCELERATOR & GOVERNOR SYSTEMS – HONDA GAS ENGINES

Fuel Tank – Gasoline Vehicle	11-3
Fuel Pump, Filter and Hose – Honda Gasoline Engine	11-5
Carburetor – Honda Gasoline Engine	11-7
Carburetor Mounting – Honda Gasoline Engine	11-9
Intake Hoses and Air Filter – Honda Gasoline Engine	11-11
Accelerator Pedal – Honda Gasoline Engine	11-13
Accelerator and Choke Cables – Honda Gasoline Engine	11-15

SECTION 12 – FUEL, INTAKE, ACCELERATOR & GOVERNOR SYSTEMS – KAWASAKI GAS ENGINES

Fuel Tank – Gasoline Vehicle	12-3
Fuel Pump, Filter and Hose – Gasoline Engine	12-5

CONTENTS

Carburetor – Kawasaki Gasoline Engine	12-7
Carburetor Mounting – Gasoline Engine	12-9
Intake Hoses and Air Filter – Kawasaki Gasoline Engine	12-11
Accelerator Pedal – Kawasaki Gasoline Engine	12-13
Accelerator and Choke Cables – Gasoline Vehicle	12-15

SECTION 13 – FUEL, INTAKE & ACCELERATOR SYSTEMS – KUBOTA DIESEL ENGINE

Fuel Tank – Diesel Vehicle	13-3
Fuel Pump, Filter and Hose – Diesel	13-5
Intake Hoses and Air Filter – Diesel Vehicle	13-7
Accelerator Pedal – Diesel Vehicle	13-9
Accelerator Cable – Diesel Vehicle	13-11

SECTION 14 – EXHAUST SYSTEM – GAS & DIESEL

Exhaust System	14-3
Exhaust Header – Gasoline Vehicle	14-5
Exhaust Header – Honda Gas	14-7
Exhaust Pipes – Diesel Vehicle	14-9

SECTION 15 – CLUTCHES – HONDA GAS ENGINE

Drive Belt	15-3
Drive Clutch – Honda Gasoline Engine	15-5
Driven Clutch	15-7
Clutch Cover (Non-Sealed)	15-9
Clutch Cover (Sealed)	15-11

SECTION 16 – CLUTCHES – KAWASAKI GAS ENGINE

Drive Belt	16-3
Drive Clutch – Kawasaki Gas Engine	16-5
Driven Clutch	16-7
Clutch Cover (Non-Sealed)	16-9
Clutch Cover (Sealed)	16-11

SECTION 17 – CLUTCHES – KUBOTA DIESEL ENGINE

Drive Belt	17-3
Drive Clutch – Diesel Engine	17-5
Driven Clutch	17-7
Clutch Cover (Non-Sealed)	17-9

CONTENTS

Clutch Cover (Sealed)	17-11
-----------------------------	-------

SECTION 18 – DRIVETRAIN COMPONENTS – GAS & DIESEL

Forward/Reverse Shifter	18-3
Shifter Cables	18-5
Front Differential (Output Components)	18-7
Front Differential (Input Components)	18-9
Front Differential Mounting and Half Shafts – S/N's lower than 770484	18-11
Front Differential Mounting and Half Shafts – S/N 770484 and Greater	18-13
CV Boot Repair Kits – S/N's lower than 770484	18-15
CV Boot Repair Kits – S/N 770484 and Greater	18-17
Transmission, Honda Gas Engine – Page 1 of 3	18-19
Transmission, Honda Gas Engine – Page 2 of 3	18-21
Transmission, Honda Gas Engine – Page 3 of 3	18-23
Transmission, Kawasaki & Kubota Engines – Page 1 of 3	18-25
Transmission, Kawasaki & Kubota Engines – Page 2 of 3	18-27
Transmission, Kawasaki & Kubota Engines – Page 3 of 3	18-29
Prop Shafts	18-31
Rear Differential and Axles – Page 1 of 2	18-33
Rear Differential and Axles – Page 2 of 2	18-35

SECTION 19 – RADIATOR AND COOLANT SYSTEM – DIESEL VEHICLES

Radiator	19-3
Coolant Expansion Tank	19-5
Coolant Pipes, Clamps, Hoses and Hardware	19-7
Water Flange and Thermostat	19-9
Water Pump	19-11
Block Coolant Pipe	19-13

SECTION 20 – HYDRAULIC ATTACHMENT SYSTEM AND ACCESSORIES

Handbook	20-3
Attachment – Pallet Fork	20-5
Attachment – Bucket	20-7
Attachment – Snow Blade	20-9
Attachment – Broom	20-11
Attachment – Mower	20-13
Accessory Mounting Weldment	20-15
Attachment Arm Kit	20-17
Attachment Interface	20-19

CONTENTS

Hydraulic Controls	20-21
Hydraulic Cylinders	20-23
Hydraulic Hoses	20-25
Hydraulic Attachment Angle Kit	20-27
Hydraulic Power Unit – Standard	20-29
Hydraulic Power Unit – with Auxiliary	20-31
Standard to Auxiliary Hydraulic Conversion Kit	20-33

SECTION 21 – MAINTENANCE AND SERVICE TOOLS

Maintenance and Service Tools – AWD/950	21-3
Maintenance and Service Tools – AWD/950, Continued	21-5
Maintenance and Service Tools – AWD/950, Continued	21-7

SECTION i – INDEX

BODY AND TRIM

1

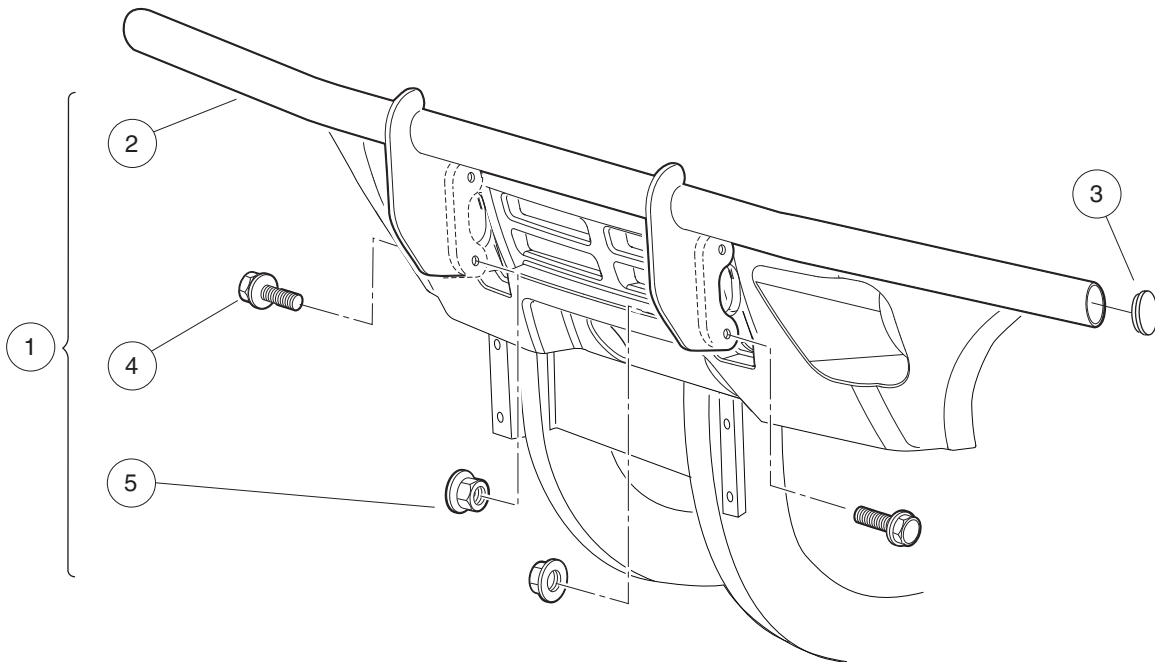
G

D

1

G

D



000526-004

BRUSH GUARD

ITEM	PART NO.	DESCRIPTION	QTY
		1 2 3 4	
1	<u>103236001</u>	Kit, Tube Bumper CCI (includes items 2 through 5)	1
2	N/A	Weldment, Frt Bumper, Restyle	1
3	<u>103215401</u>	Plug, Tube, Round, 1-3/4"	2
4	<u>103231701</u>	Screw, M10 X 1.25 X 30 Hex Blk	4
5	<u>103231801</u>	Nut, Flg, M10 X 1.25 Hex Blk	4
		Note: Brushguard is standard on XRT vehicles and is optional on Carryall vehicles.	

1

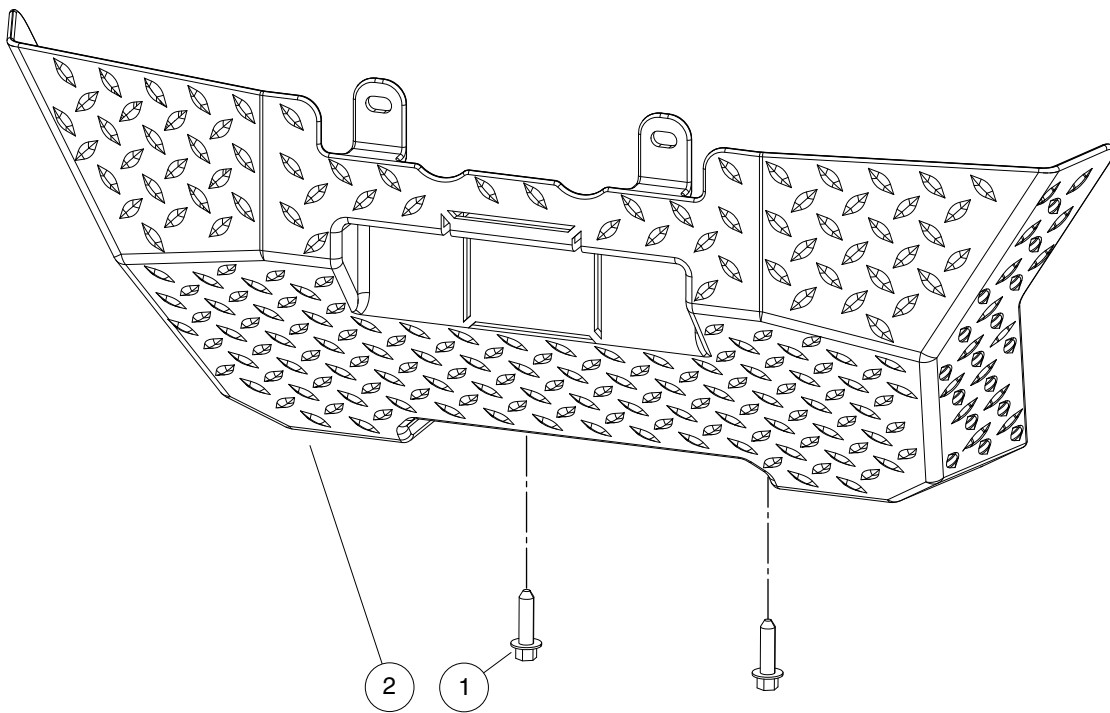
G

D

1

G

D



000537-003

PLASTIC SKID PLATE

ITEM	PART NO.	DESCRIPTION	QTY
1	<u>102289001</u>	1 2 3 4 Screw, M8X1.25X30, Hex	2
2	<u>102882301</u>	Plate, Skid, Std	1

1

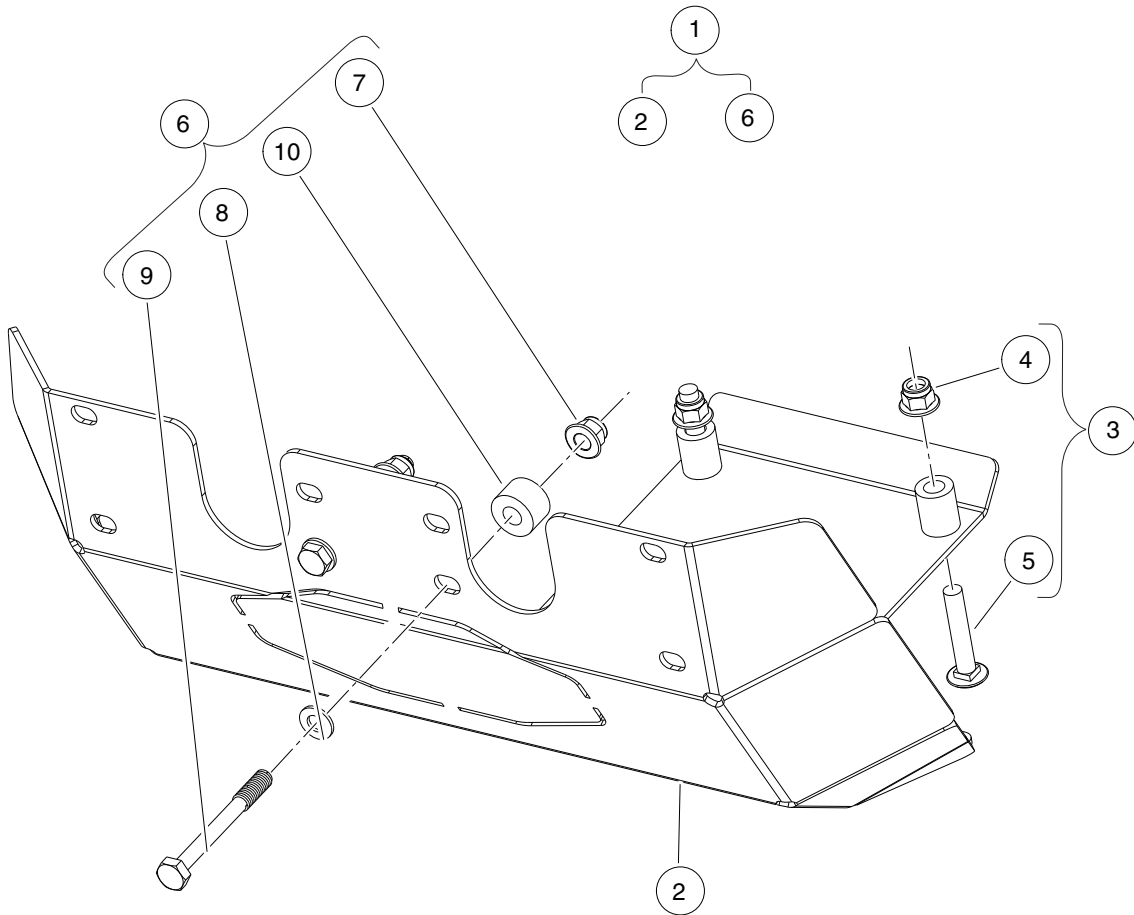
G

D

1

G

D



000537-004

STEEL SKID PLATE

ITEM	PART NO.	DESCRIPTION	QTY
		1 2 3 4	
1	AM1211003	Kit, Skidplate, Front, Steel (includes items 2 through 6)	1
2	<u>AM1210002</u>	Skid Plate, Front, Steel	1
3	<u>AM1215701</u>	Kit, Hardware, Skidplate, Front, A (includes items 4 and 5)	1
4	<u>102670701</u>	Nut, Flange, M10 X 1.5 Nylon	2
5	AM1210801	Bolt, Carriage, M10x1.5x55	2
6	<u>AM1215801</u>	Kit, Hardware, Skidplate, Front, B (includes items 7 through 10)	1
7	<u>102670701</u>	Nut, Flange, M10 X 1.5 Nylon	2
8	<u>102718101</u>	Washer, Hard, M10, Zn-Ni/Blk	2
9	<u>102719301</u>	Bolt, M10 X 1.50 X 90, Loctite	2
10	AM1211401	Spacer, 17mm Long, Skidplate	2

1

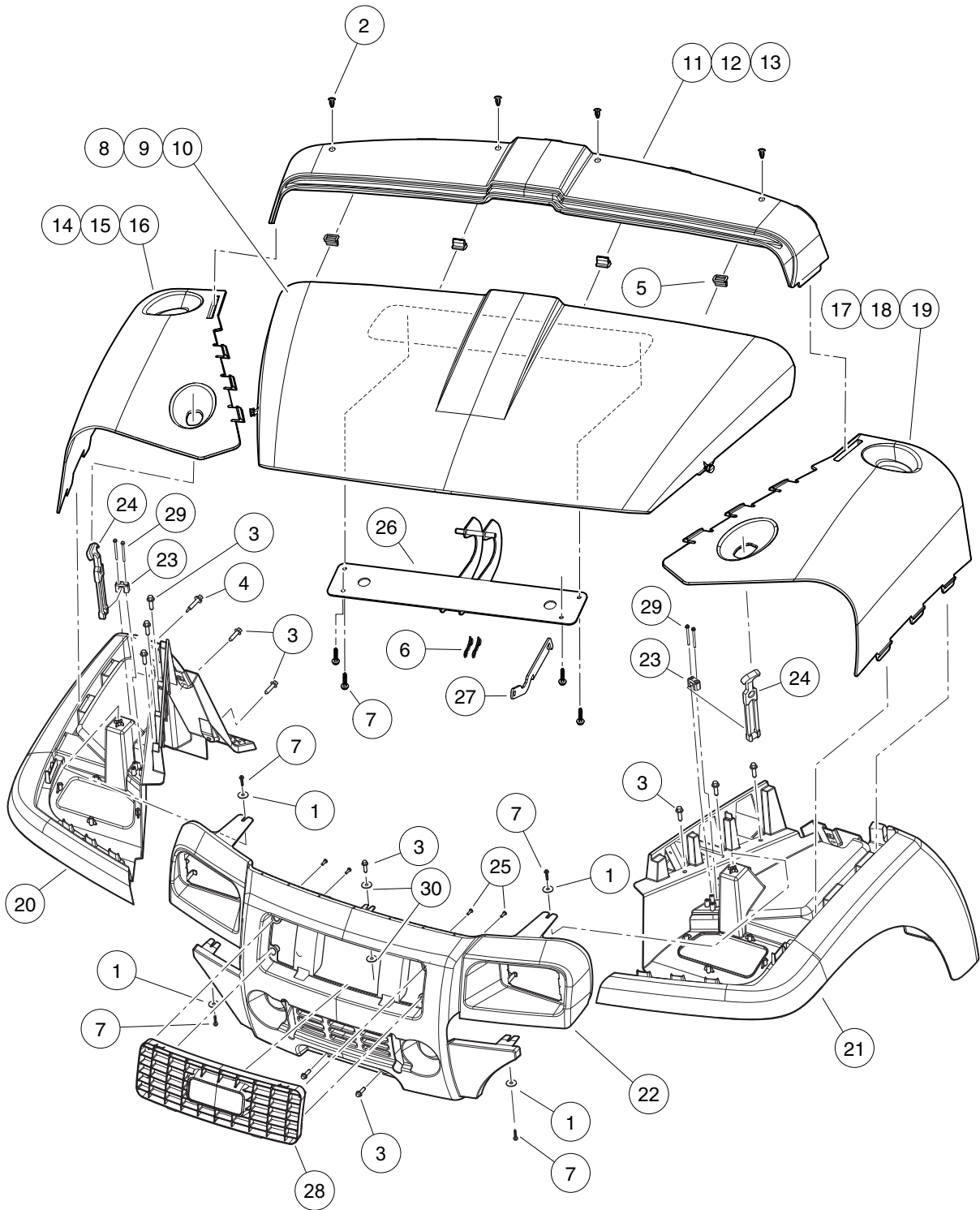
G

D

1

G

D



000507-004

FASCIA, FENDERS, AND COWLS – CARRYALL VEHICLES

ITEM	PART NO.	DESCRIPTION	QTY
		1 2 3 4	
1	<u>1011578</u>	Washer, 5/16 Type B Flat	4
2	<u>102025701</u>	Screw, Tuflok Panel, 1/4	4
3	<u>102289001</u>	Screw, M8X1.25X30, Hex	13
4	<u>102292356</u>	Screw-1/4-20x56 Hwh Self Drill	2
5	<u>102292701</u>	Clip-body-trim	4
6	<u>102292801</u>	Pin, Bow Tie Locking - .072	2
7	<u>102297230</u>	Screw, M6, Torx, Interlock Thread	8
8	<u>102866510</u>	Hood, Dark Green	1
9	<u>102866514</u>	Hood, Dark Gray	1
10	<u>102866518</u>	Hood, Real Tree Camo	1
11	<u>102866610</u>	Panel, Cowl, Center, Dark Green	1
12	<u>102866614</u>	Panel, Cowl, Center, Dark Gray	1
13	<u>102866618</u>	Panel, Cowl, Center, Real Tree Camo	1
14	<u>102866710</u>	Panel, Cowl, Passenger-Side, Dark Green	1
15	<u>102866714</u>	Panel, Cowl, Passenger-Side, Dark Gray	1
16	<u>102866718</u>	Panel, Cowl, Passenger-Side, Real Tree Camo	1
17	<u>102866810</u>	Panel, Cowl, Driver-Side, Dark Green	1
18	<u>102866814</u>	Panel, Cowl, Driver-Side, Gray	1
19	<u>102866818</u>	Panel, Cowl, Driver-Side, Real Tree Camo	1
20	<u>102866901</u>	Fender, Front, Pass, AWD	1
21	<u>102867001</u>	Fender, Front, Drv, AWD	1
22	<u>102867501</u>	Fascia, Front, CA, AWD	1
23	<u>102882401</u>	Bracket, Latch, Draw	2
24	<u>102895101</u>	Latch, Draw, Hood	2
25	<u>102895401</u>	Screw, D50x16, Torx PN Hd PT	4
26	<u>102896401</u>	Weldment, Hinge, Hood	1
27	<u>102896501</u>	Prop, Hood	1
28	<u>102979401</u>	Grill, CA295	1
29	<u>103218107</u>	Screw, #8x2.00 AB Thd, Hex Hd	4
30	<u>808</u>	Washer, 3/8 Type B Flat	2

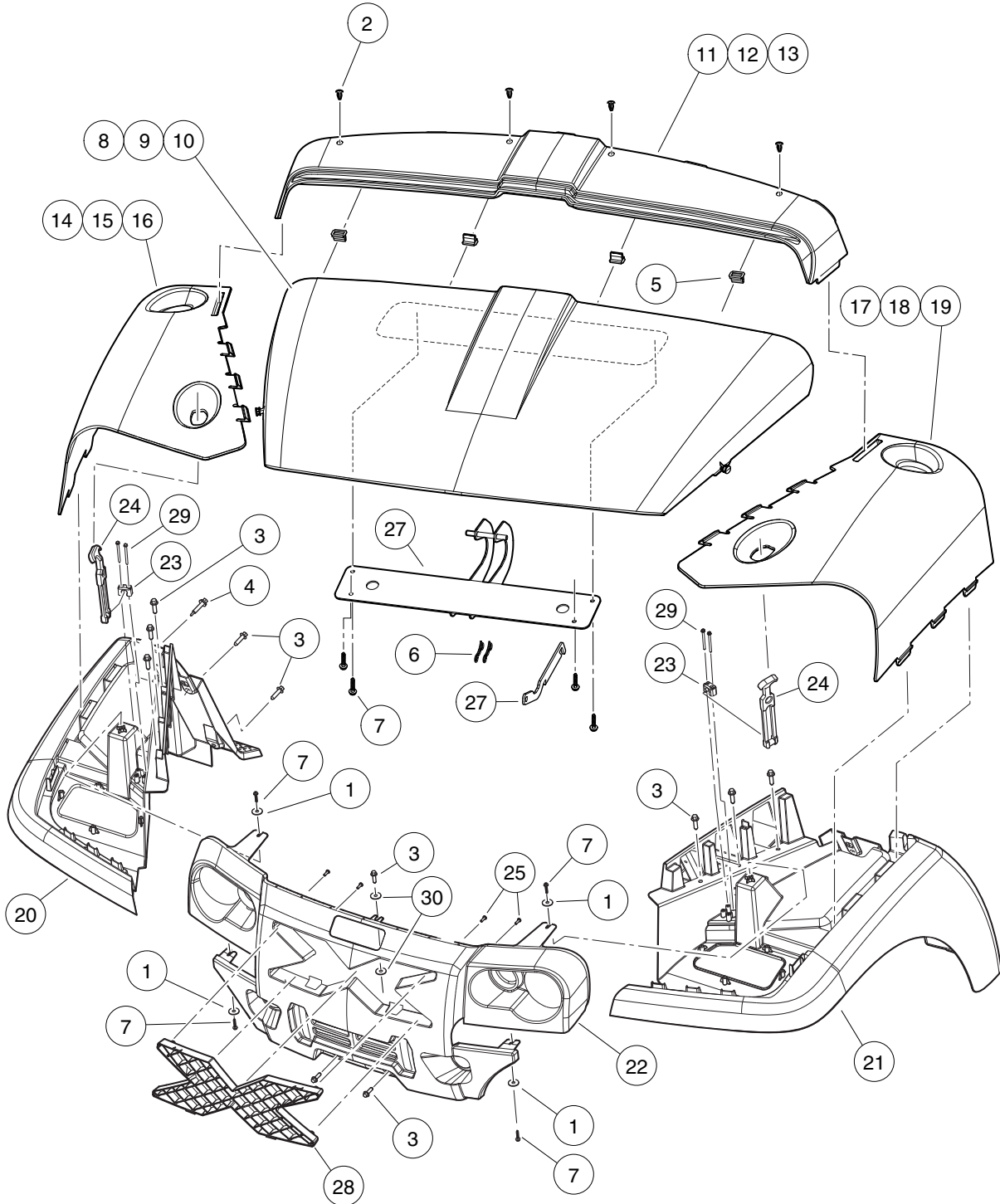
1

G

D

1
G

D



000522-002

FASCIA, FENDERS, AND COWLS – XRT VEHICLES

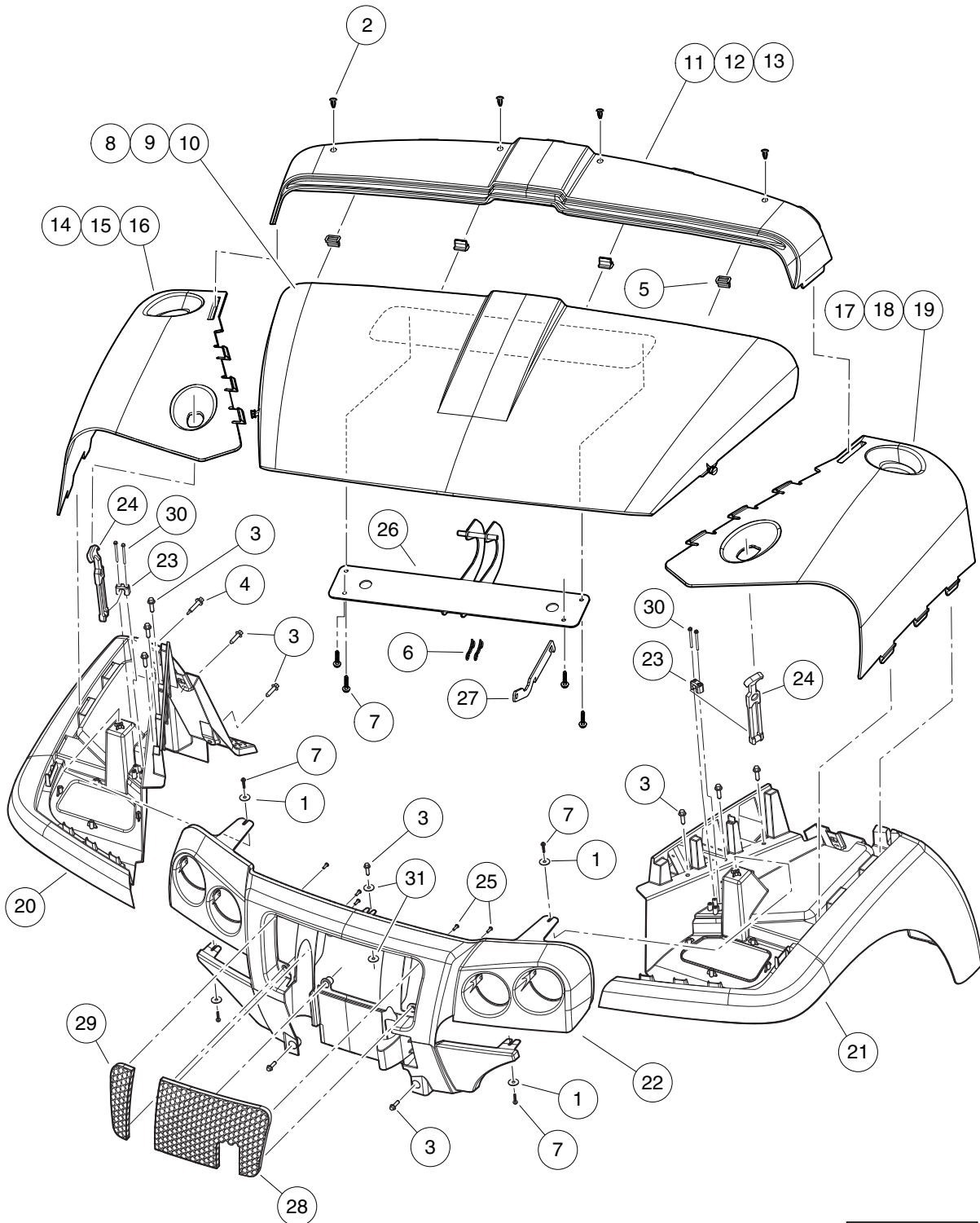
ITEM	PART NO.	DESCRIPTION	QTY
		1 2 3 4	
1	<u>1011578</u>	Washer, 5/16 Type B Flat	4
2	<u>102025701</u>	Screw, Tuflok Panel, 1/4	4
3	<u>102289001</u>	Screw, M8X1.25X30, Hex	13
4	<u>102292356</u>	Screw-1/4-20x56 Hwh Self Drill	2
5	<u>102292701</u>	Clip-body-trim	4
6	<u>102292801</u>	Pin, Bow Tie Locking - .072	2
7	<u>102297230</u>	Screw, M6, Torx, Interlock Thread	8
8	<u>102866510</u>	Hood, Dark Green	1
9	<u>102866515</u>	Hood, Red	1
10	<u>102866518</u>	Hood, Real Tree Camo	1
11	<u>102866610</u>	Panel, Cowl, Center, Dark Green	1
12	<u>102866615</u>	Panel, Cowl, Center, Red	1
13	<u>102866618</u>	Panel, Cowl, Center, Real Tree Camo	1
14	<u>102866710</u>	Panel, Cowl, Passenger-Side, Dark Green	1
15	<u>102866715</u>	Panel, Cowl, Passenger-Side, Red	1
16	<u>102866718</u>	Panel, Cowl, Passenger-Side, Real Tree Camo	1
17	<u>102866810</u>	Panel, Cowl, Driver-Side, Dark Green	1
18	<u>102866815</u>	Panel, Cowl, Driver-Side, Red	1
19	<u>102866818</u>	Panel, Cowl, Driver-Side, Real Tree Camo	1
20	<u>102866901</u>	Fender, Front, Pass, AWD	1
21	<u>102867001</u>	Fender, Front, Drv, AWD	1
22	<u>102867401</u>	Fascia, Front, XRT, AWD	1
23	<u>102882401</u>	Bracket, Latch, Draw	2
24	<u>102895101</u>	Latch, Draw, Hood	2
25	<u>102895401</u>	Screw, D50x16, Torx PN Hd PT	4
26	<u>102896401</u>	Weldment, Hinge, Hood	1
27	<u>102896501</u>	Prop, Hood	1
28	<u>102979301</u>	Grill, XRT	1
29	<u>103218107</u>	Screw, #8x2.00 AB Thd, Hex Hd	4
30	<u>808</u>	Washer, 3/8 Type B Flat	2

1
G
D

1

G

D



000559-004

FASCIA, FENDERS, AND COWL – INTELLITACH

ITEM	PART NO.	DESCRIPTION	QTY
		1 2 3 4	
1	<u>1011578</u>	Washer, 5/16 Type B Flat	4
2	<u>102025701</u>	Screw, Tuflok Panel, 1/4	4
3	<u>102289001</u>	Screw, M8X1.25X30, Hex	13
4	<u>102292356</u>	Screw-1/4-20x56 Hwh Self Drill	2
5	<u>102292701</u>	Clip-body-trim	4
6	<u>102292801</u>	Pin, Bow Tie Locking - .072	2
7	<u>102297230</u>	Screw, M6, Torx, Interlock Thread	8
8	<u>102866510</u>	Hood, Dark Green	1
9	<u>102866514</u>	Hood, Dark Gray	1
10	<u>102866518</u>	Hood, Real Tree Camo	1
11	<u>102866610</u>	Panel, Cowl, Center, Dark Green	1
12	<u>102866614</u>	Panel, Cowl, Center, Dark Gray	1
13	<u>102866618</u>	Panel, Cowl, Center, Real Tree Camo	1
14	<u>102866710</u>	Panel, Cowl, Passenger-Side, Dark Green	1
15	<u>102866714</u>	Panel, Cowl, Passenger-Side, Dark Gray	1
16	<u>102866718</u>	Panel, Cowl, Passenger-Side, Real Tree Camo	1
17	<u>102866810</u>	Panel, Cowl, Driver-Side, Dark Green	1
18	<u>102866814</u>	Panel, Cowl, Driver-Side, Gray	1
19	<u>102866818</u>	Panel, Cowl, Driver-Side, Real Tree Camo	1
20	<u>102866901</u>	Fender, Front, Pass, AWD	1
21	<u>102867001</u>	Fender, Front, Drv, AWD	1
22	<u>102867602</u>	Fascia, Dual Round w/ Cut	1
23	<u>102882401</u>	Bracket, Latch, Draw	2
24	<u>102895101</u>	Latch, Draw, Hood	2
25	<u>102895401</u>	Screw, D50x16, Torx PN Hd PT	6
26	<u>102896401</u>	Weldment, Hinge, Hood	1
27	<u>102896501</u>	Prop, Hood	1
28	<u>102978801</u>	Grill, Hex Cut, DS	1
29	<u>102978901</u>	Grill, Hex, Cut, PS	1
30	<u>103218107</u>	Screw, #8x2.00 AB Thd, Hex Hd	4
31	<u>808</u>	Washer, 3/8 Type B Flat	2

1

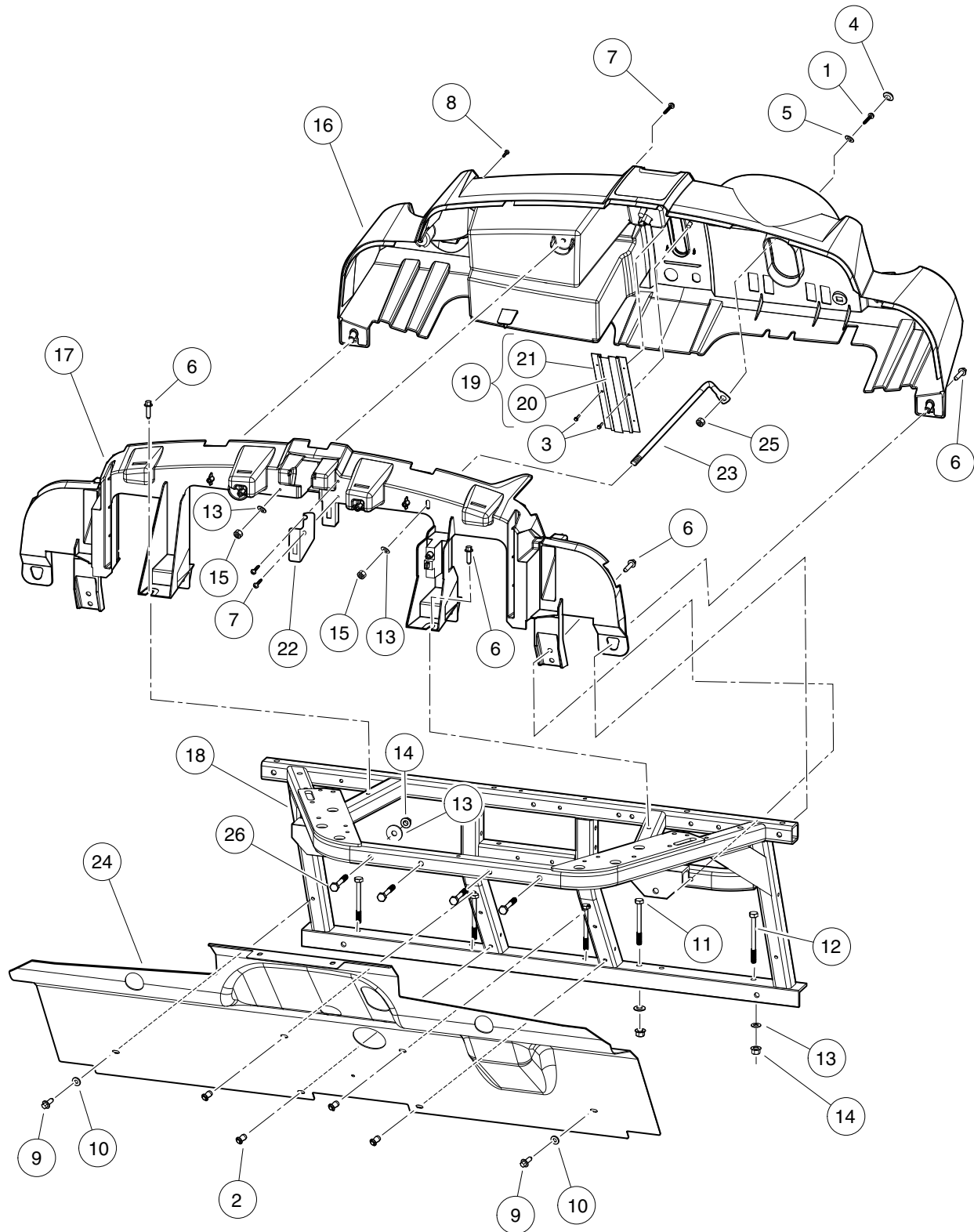
G

D

1

G

D



000521-002

DASH AND SPLASHGUARD

ITEM	PART NO.	DESCRIPTION	QTY
		1 2 3 4	
1	1016916	Screw, 1/4-20 X 1.50 Hex-Head Cap	1
2	<u>1016967</u>	Blind Rivet, Push Type	4
3	<u>101804301</u>	Screw, #8 X 0.500, Hex-Head Hi-Lo	2
4	<u>102045001</u>	Cap, 1/4" Plastic Screw Head	1
5	<u>102048401</u>	Washer, 1/4 Id Scalloped Plast	1
6	<u>102289001</u>	Screw, M8X1.25X30, Hex	6
7	<u>102297230</u>	Screw, M6, Torx, Interlock Thread	3
8	<u>102298580</u>	M8-1.25 X 80 Sems	1
9	<u>102298720</u>	Screw, M8-1.25x20, Taptite	2
10	<u>102323501</u>	Washer, Flat, 3/8, Blk Fin	2
11	<u>102491301</u>	Bolt, M10x1.50x100 (Black)	3
12	<u>102491302</u>	Bolt, M10 X 1.50 X 110 Black	1
13	<u>102491501</u>	Washer, Hard, M10	8
14	<u>102617201</u>	Nut, Flanged, M10 X 1.5, Mechanically Deformed	8
15	102618601	Lock Nut, Flange, M8 X 1.25 Nylon	2
16	<u>102867101</u>	Dash, Design A	1
17	<u>102867301</u>	Support, Structural	1
18	<u>102935501</u>	Weldment, Dash, Front	1
19	<u>103233001</u>	Asm, Brush, Fnr (includes items 20 and 21)	2
20	N/A	Brush, Strip, FNR	2
21	N/A	Holder, Brush, Strip, FNR	2
22	<u>103253801</u>	Bracket, Hood Support	1
23	<u>103268001</u>	Rod, Connection, Dash	1
24	<u>103296001</u>	Guard, Splash, Gas Injection	1
25	<u>8233</u>	Locknut, 1/4-20, Nylon Insert	1
26	<u>96715552</u>	Bolt, M10 X 1.50 X 65	4

1

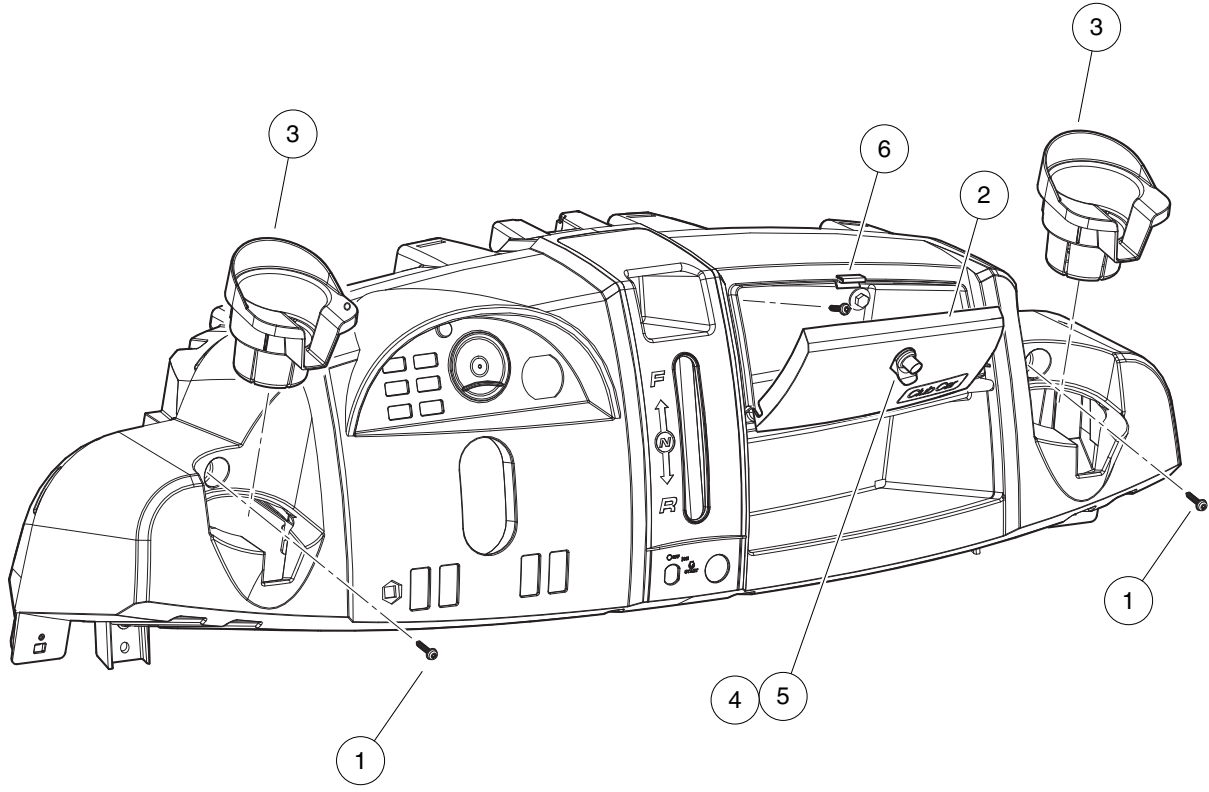
G

D

1

G

D



000789-004

GLOVE BOX AND CUP HOLDERS

ITEM	PART NO.	DESCRIPTION	QTY
		1 2 3 4	
1	<u>102297230</u>	Screw, M6, Torx, Interlock Thread	2
2	<u>102867202</u>	Cover, Storage, Dash, Blk, Cci	1
3	<u>102883401</u>	Cup Holder, Utility	2
4	<u>103182701</u>	Latch, Push Close	1
5	<u>103182702</u>	Latch, Push Close W/ Key	1
6	<u>103182801</u>	Keeper, Latch, Push Close	1

1

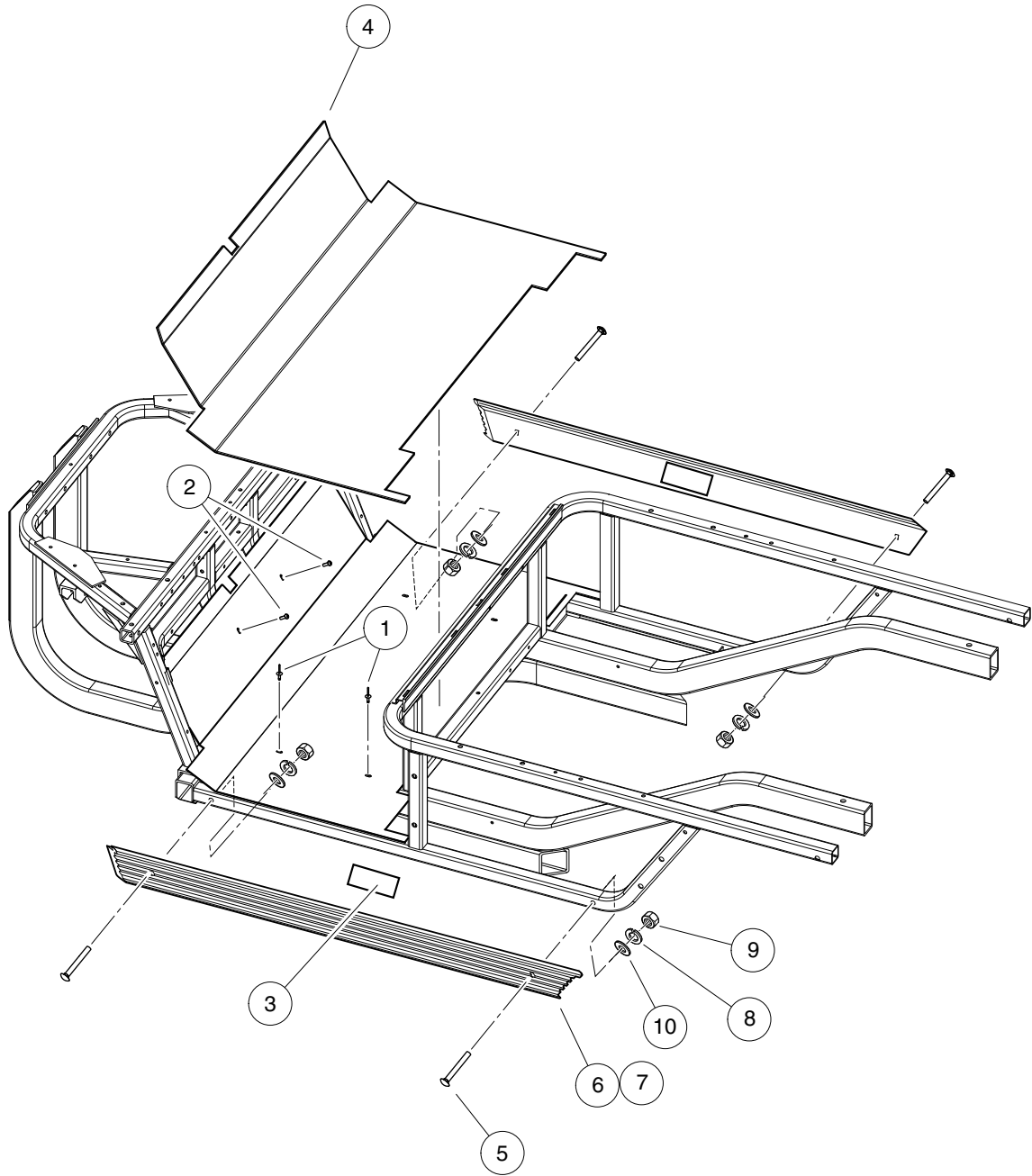
G

D

1

G

D



000520-006

FLOOR MAT AND SIDE STRINGERS, 2 PASS - STYLE A

ITEM	PART NO.	DESCRIPTION	QTY
		1 2 3 4	
1	<u>1015392</u>	Rivet, 3/16 Pop	4
2	<u>102025801</u>	Screw, 1/4-20 X .75 Torx Pn Hd	2
3	<u>102185401</u>	Tape, 3M VHB 4950	1
4	<u>102895701</u>	Floor Mat	1
5	<u>102950402</u>	Bolt, 3/8-16 X 3, Carriage Blk	4
6	<u>102950501</u>	Stringer, Side, 1349.25 mm	2
7	<u>102950503</u>	Stringer, Side, 1349.25 mm, Black	2
8	<u>357</u>	Lockwasher, 3/8 Split	4
9	<u>706</u>	Nut, Hex 3/8-16	4
10	<u>808</u>	Washer, 3/8 Type B Flat	4

1

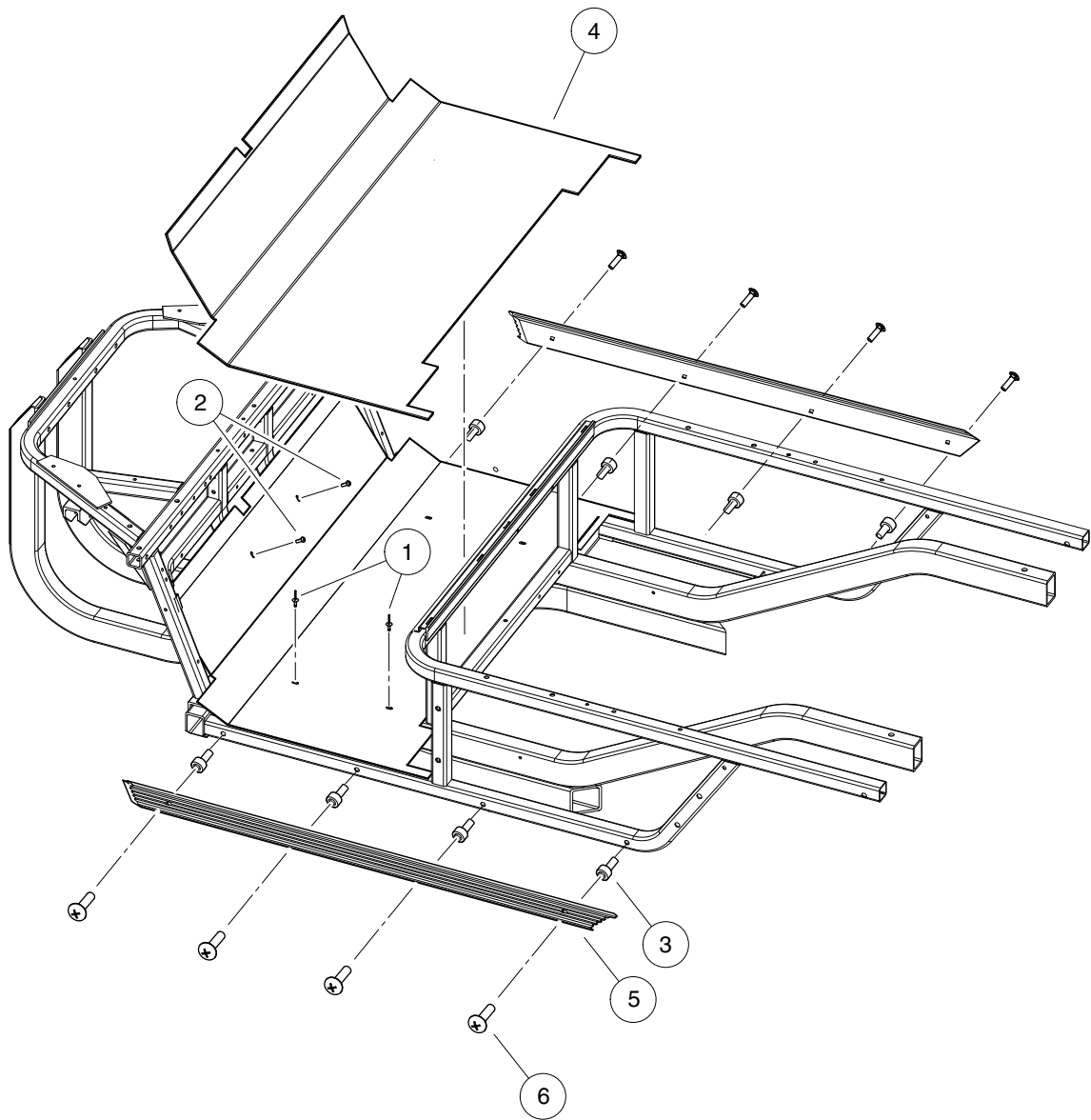
G

D

1

G

D



000520-003

FLOOR MAT AND SIDE STRINGERS, 2 PASS - STYLE B

ITEM	PART NO.	DESCRIPTION	QTY
		1 2 3 4	
1	<u>1015392</u>	Rivet, 3/16 Pop	4
2	<u>102025801</u>	Screw, 1/4-20 X .75 Torx Pn Hd	2
3	<u>102491701</u>	Well Nut 1/4-20	8
4	<u>102895701</u>	Floor Mat	1
5	<u>103485501</u>	Stringer, Side, 1200mm	2
6	<u>103487501</u>	Screw, 1/4-20 X 1.0, Black	8

1

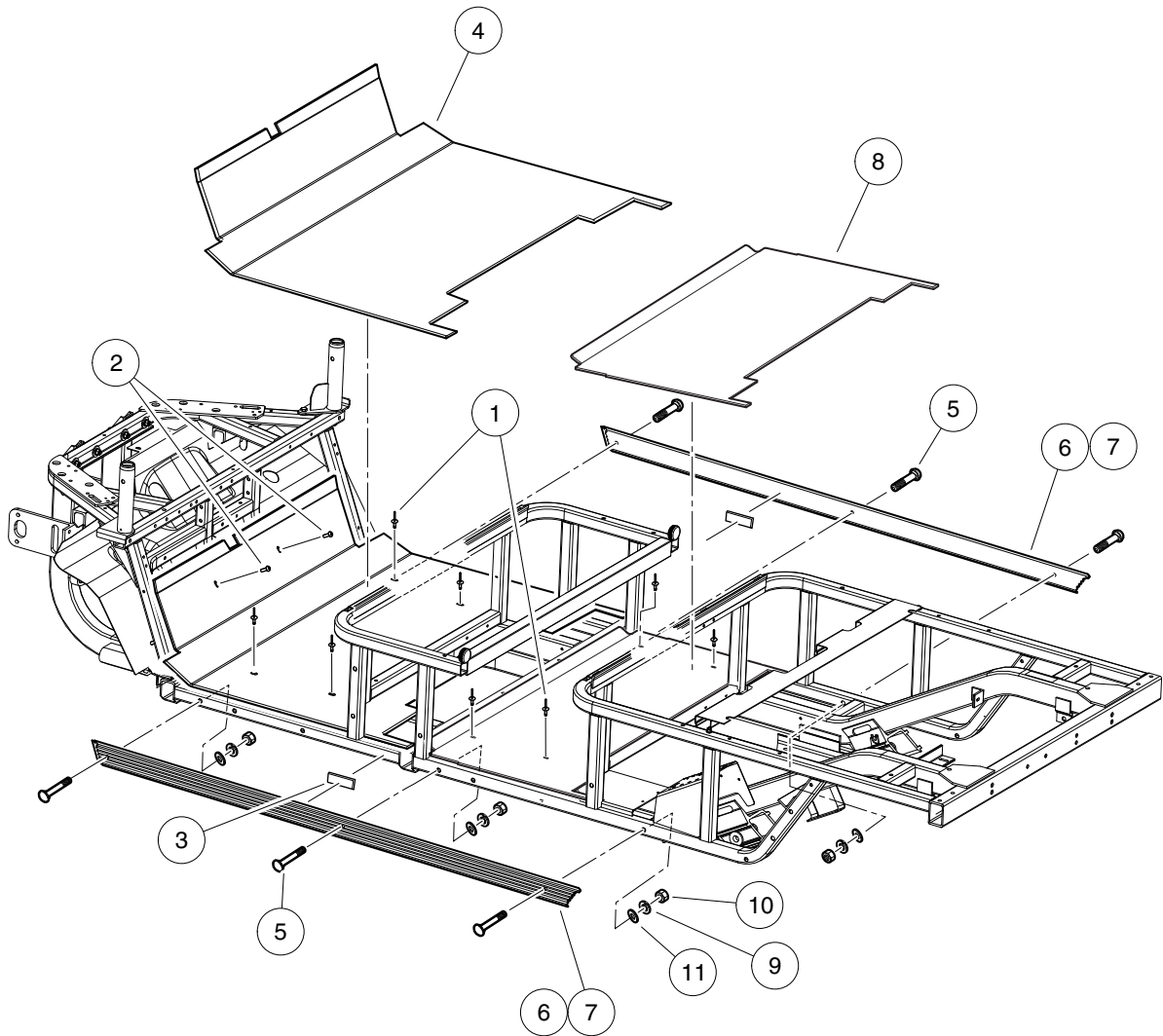
G

D

1

G

D



000520-005

SIDE STRINGERS AND FLOOR MATS, 4 PASS - STYLE A

ITEM	PART NO.	DESCRIPTION	QTY
		1 2 3 4	
1	<u>1015392</u>	Rivet, 3/16 Pop	4
2	<u>102025801</u>	Screw, 1/4-20 X .75 Torx Pn Hd	2
3	<u>102185401</u>	Tape, 3M VHB 4950	1
4	<u>102895701</u>	Floor Mat	1
5	<u>102950402</u>	Bolt, 3/8-16 X 3, Carriage Blk	6
6	<u>102950502</u>	Stringer, Side, 2187.19 mm	2
7	<u>102950504</u>	Stringer, Side, 2187.19 mm, Black	2
8	<u>103189501</u>	Mat, Floor, Short	1
9	<u>357</u>	Lockwasher, 3/8 Split	6
10	<u>706</u>	Nut, Hex 3/8-16	6
11	<u>808</u>	Washer, 3/8 Type B Flat	6

1

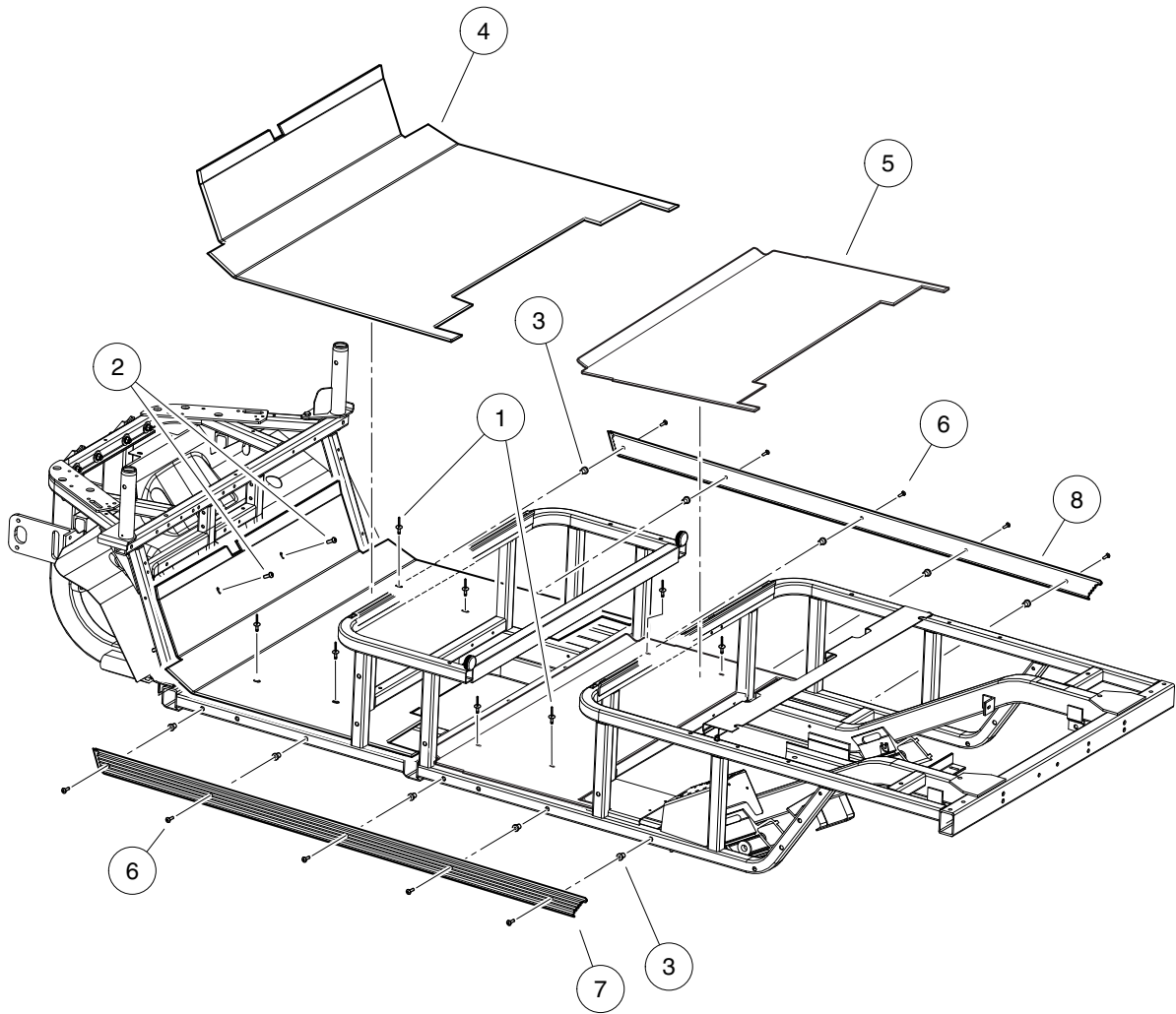
G

D

1

G

D



000520-004

SIDE STRINGERS AND FLOOR MATS, 4 PASS - STYLE B

ITEM	PART NO.	DESCRIPTION	QTY
		1 2 3 4	
1	<u>1015392</u>	Rivet, 3/16 Pop	4
2	<u>102025801</u>	Screw, 1/4-20 X .75 Torx Pn Hd	2
3	<u>102491701</u>	Well Nut 1/4-20	12
4	<u>102895701</u>	Floor Mat	1
5	<u>103189501</u>	Mat, Floor, Short	1
6	<u>103487501</u>	Screw, 1/4-20 X 1.0, Black	12
7	<u>103488801</u>	Stringer, Side, Awd, Se, Ds	1
8	<u>103488802</u>	Stringer, Side, Awd, Se, Ps	1

1

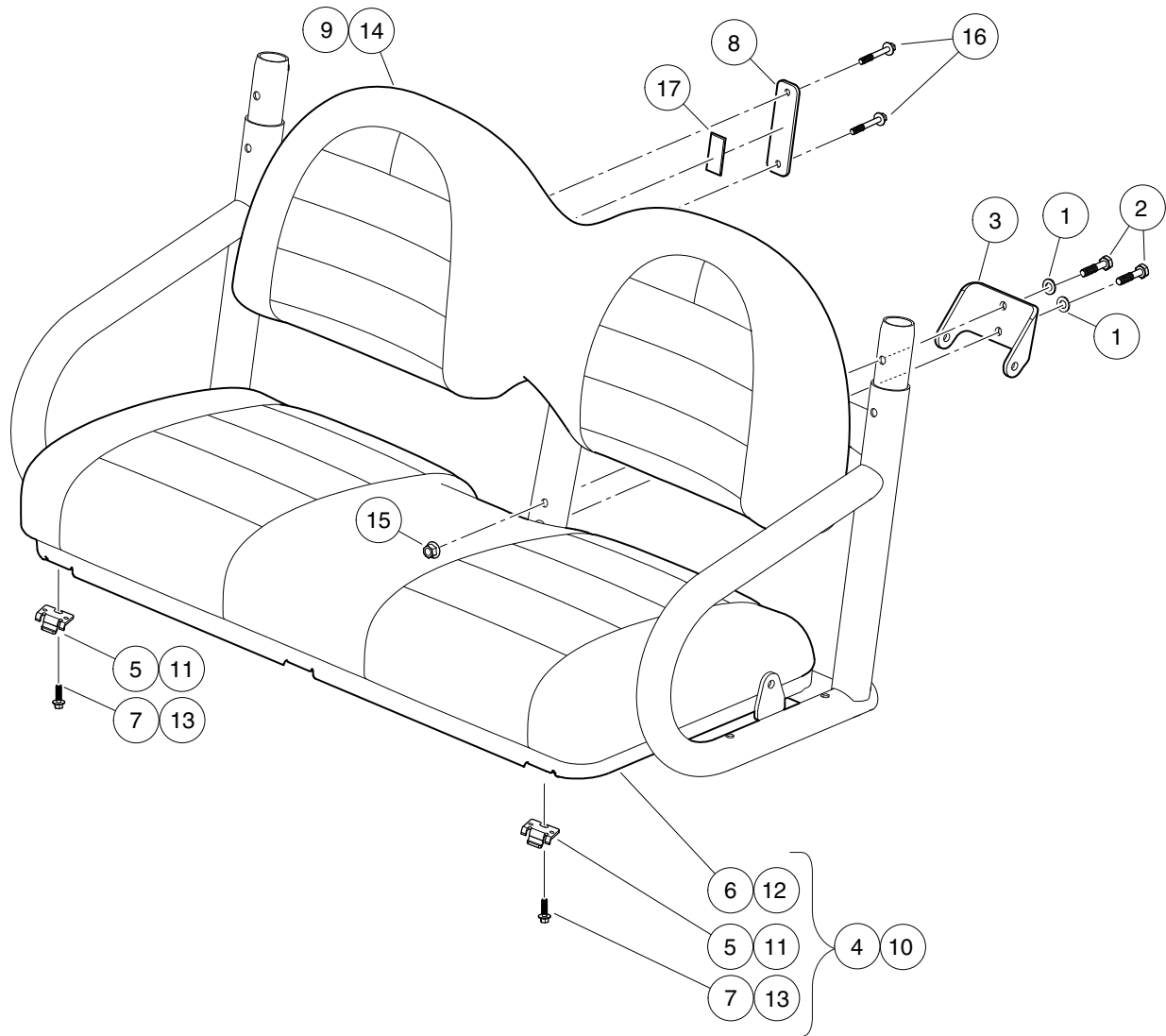
G

D

1

G

D



000523-001

BENCH SEATS

ITEM	PART NO.	DESCRIPTION	QTY
		1 2 3 4	
1	<u>102718101</u>	Washer, Hard, M10, Zn-Ni/Blk	2
2	<u>102732401</u>	Bolt, M10 X 45, Zn-Ni (Black)	2
3	<u>102759901</u>	Bracket, Seat Belt, Bench	1
4	<u>102879201</u>	Asm, Seat Bottom, Bench, Gray (includes items 5 through 7)	1
5	<u>1011652</u>	Hinge Plate	2
6	<u>102759601</u>	Asm, Seat Bottom, Bench	1
7	<u>103262201</u>	Bolt Flg Blk, M8 X 25, Loctite	2
8	<u>102879401</u>	Bracket, Seat Back, AWD	2
9	<u>102912301</u>	Seat Back, Bench, Gray	1
10	<u>103181001</u>	Asm, Seat Bottom, Bench, Black (includes items 11 through 13)	1
11	<u>1011652</u>	Hinge Plate	2
12	N/A	Seat Bottom, Bench, Black	1
13	<u>103262201</u>	Bolt Flg Blk, M8 X 25, Loctite	2
14	<u>103181101</u>	Seat Back, Bench, Black	1
15	<u>103216401</u>	Nut, Flanged, M10 x 1.5, Black	2
16	<u>103262601</u>	Bolt Flg Blk, M8 X 55, Loctite	4
17	N/A	Tape, Double-Sided, VHB, 1"x 2"	1

1

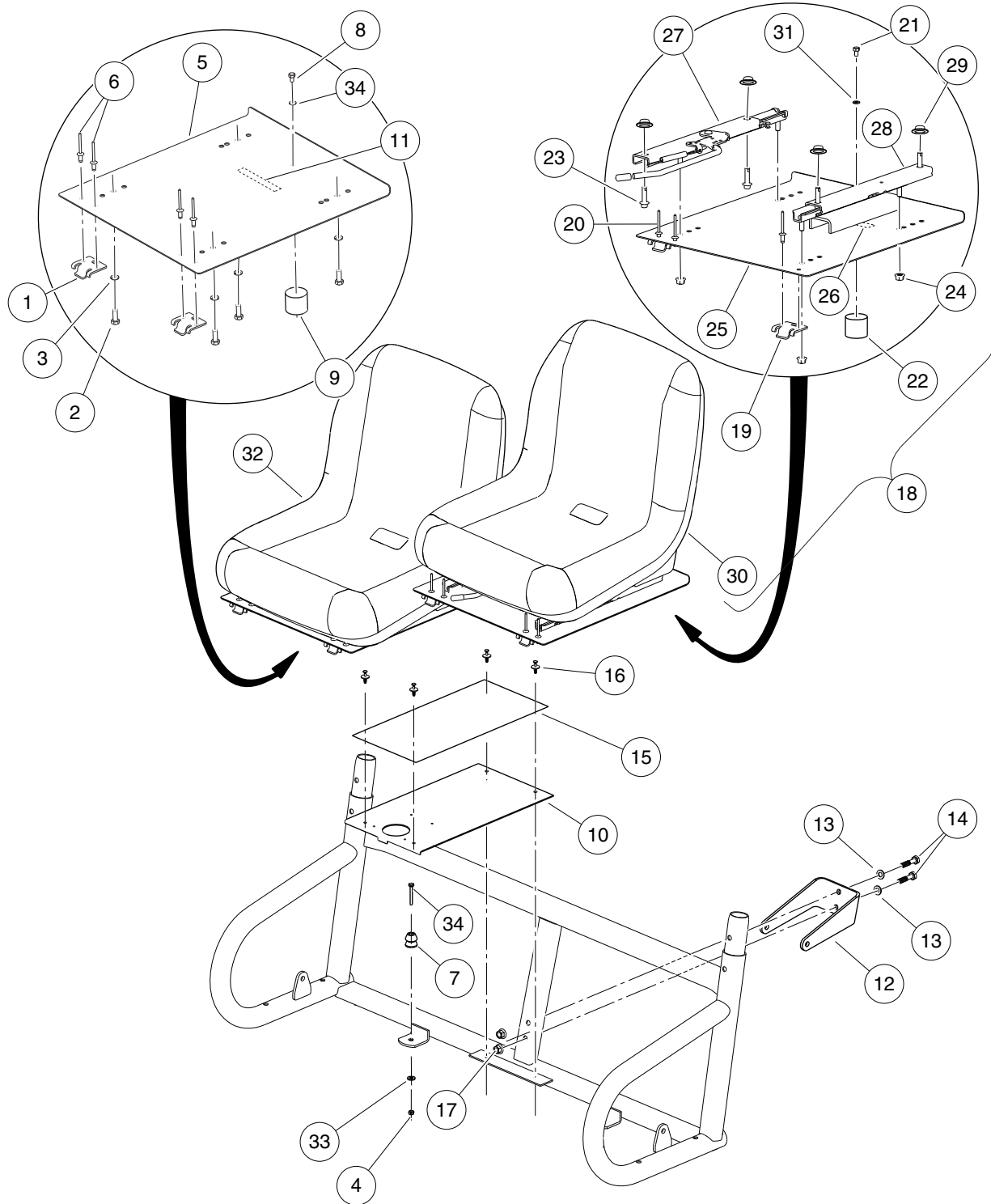
G

D

1

G

D



000524-012

BUCKET SEATS – BLACK

ITEM	PART NO.	DESCRIPTION	QTY
		1 2 3 4	
1	<u>1011652</u>	Hinge Plate	2
2	<u>1012830</u>	Screw, M8-125 X 22 Hex-Head	4
3	<u>1013734</u>	Lockwasher, 8mm Split	4
4	<u>101887601</u>	Locknut, M6-1.00 Nylon Insert	2
5	<u>102023703</u>	Pan, Seat, Passenger	1
6	<u>102047001</u>	Rivet, 1/4 X .438 Blind	4
7	<u>102059001</u>	Seat Holder Base	2
8	<u>102059401</u>	Screw, 6m-1.00 X 10mm Hex Head	1
9	<u>102061101</u>	Seat Holder Cup	1
10	<u>102442001</u>	Pan, Center, Closeout	1
11	<u>102458901</u>	Decal, Hot Surface Warning	1
12	<u>102670601</u>	Bracket, Seatbelt, Bolt-On (for Bucket Seats)	1
13	<u>102718101</u>	Washer, Hard, M10, Zn-Ni/Blk	2
14	<u>102732401</u>	Bolt, M10 X 45, Zn-Ni (Black)	2
15	<u>102763701</u>	Cover, Center Console	1
16	<u>102967901</u>	Rivet, Removable, Tuflok 1/4"	4
17	<u>103216401</u>	Nut, Flanged, M10 x 1.5, Black	2
18	<u>103218901</u>	Asm, Bucket Seat, Adj, Blk (includes items 19 through 31)	1
19	<u>1011652</u>	Hinge Plate	2
20	<u>102047001</u>	Rivet, 1/4 X .438 Blind	4
21	<u>102059401</u>	Screw, 6m-1.00 X 10mm Hex Head	1
22	<u>102061101</u>	Seat Holder Cup	1
23	<u>102298130</u>	Bolt, Flange Head, M8 X 30.0	4
24	<u>102298401</u>	Nut,m8,all Metal Lock	4
25	<u>102456001</u>	Pan, Seat, Driver Asm	1
26	<u>102458901</u>	Decal, Hot Surface Warning	1
27	<u>102473501</u>	Adjuster, Forward/Aft	1
28	<u>102473601</u>	Adjuster, Slider	1
29	<u>102475901</u>	Washer, Bell	4
30	<u>103267002</u>	Seat, Bucket, Black	1
31	<u>451</u>	Lockwasher, 1/4 Split	1
32	<u>103267002</u>	Seat, Bucket, Black	1
33	<u>332</u>	Washer, 1/4 Type A Narrow Flat	2
34	<u>451</u>	Lockwasher, 1/4 Split	1
35	<u>96742515</u>	Bolt, M6 X 1 X 45	2

1

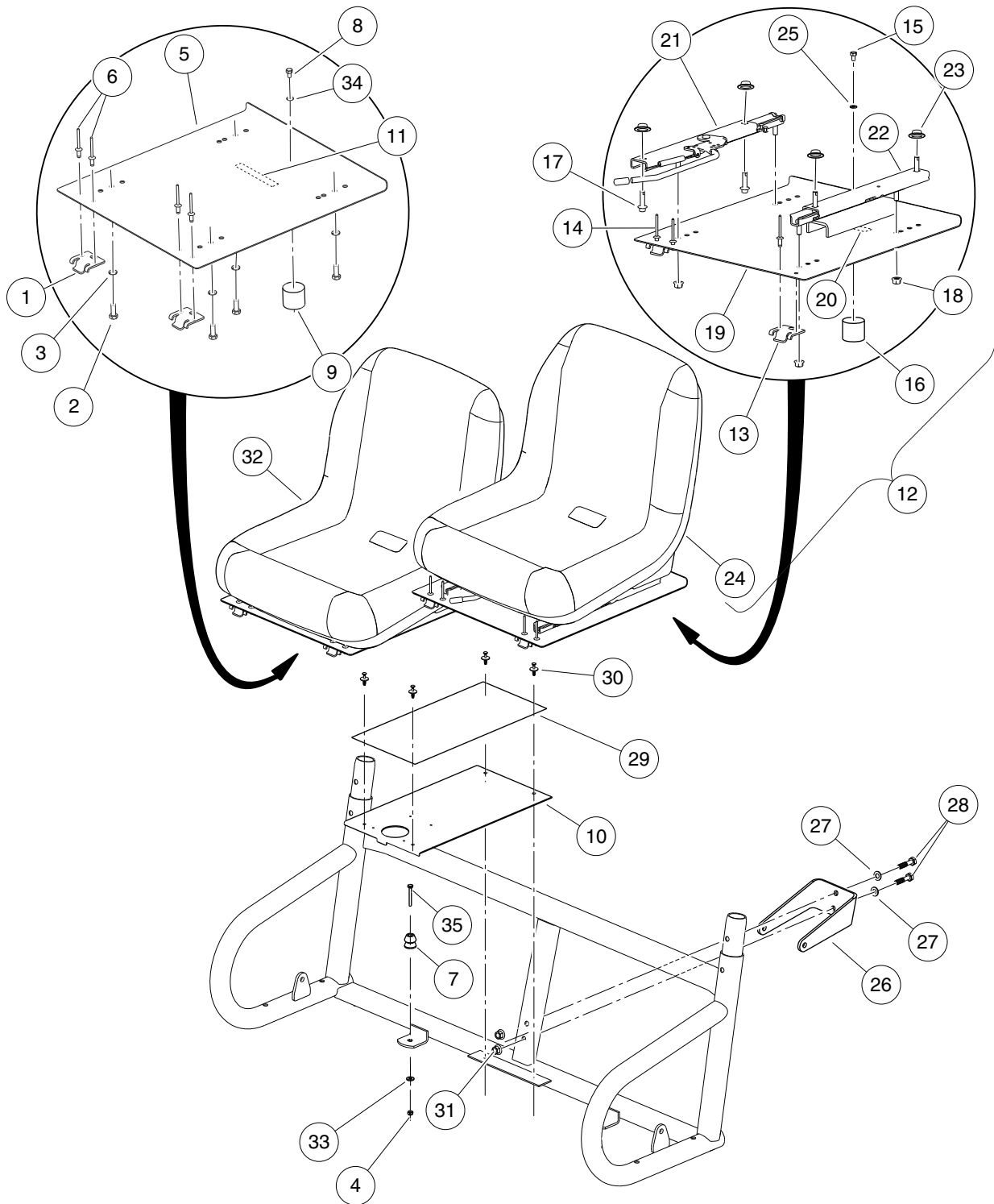
G

D

1

G

D



000524-013

BUCKET SEATS – GRAY

ITEM	PART NO.	DESCRIPTION	QTY
		1 2 3 4	
1	<u>1011652</u>	Hinge Plate	2
2	<u>1012830</u>	Screw, M8-125 X 22 Hex-Head	4
3	<u>1013734</u>	Lockwasher, 8mm Split	4
4	<u>101887601</u>	Locknut, M6-1.00 Nylon Insert	2
5	<u>102023703</u>	Pan, Seat, Passenger	1
6	<u>102047001</u>	Rivet, 1/4 X .438 Blind	4
7	<u>102059001</u>	Seat Holder Base	2
8	<u>102059401</u>	Screw, 6m-1.00 X 10mm Hex Head	1
9	<u>102061101</u>	Seat Holder Cup	1
10	<u>102442001</u>	Pan, Center, Closeout	1
11	<u>102458901</u>	Decal, Hot Surface Warning	1
12	<u>102473701</u>	Asm, Bucket Seat Adjustable (includes items 13 through 25)	1
13	<u>1011652</u>	Hinge Plate	2
14	<u>102047001</u>	Rivet, 1/4 X .438 Blind	4
15	<u>102059401</u>	Screw, 6m-1.00 X 10mm Hex Head	1
16	<u>102061101</u>	Seat Holder Cup	1
17	<u>102298130</u>	Bolt, Flange Head, M8 X 30.0	4
18	<u>102298401</u>	Nut,m8,all Metal Lock	4
19	<u>102456001</u>	Pan, Seat, Driver Asm	1
20	<u>102458901</u>	Decal, Hot Surface Warning	1
21	<u>102473501</u>	Adjuster, Forward/Aft	1
22	<u>102473601</u>	Adjuster, Slider	1
23	<u>102475901</u>	Washer, Bell	4
24	<u>103267001</u>	Seat, Bucket, Gray	1
25	<u>451</u>	Lockwasher, 1/4 Split	1
26	<u>102670601</u>	Bracket, Seatbelt, Bolt-On (for Bucket Seats)	1
27	<u>102718101</u>	Washer, Hard, M10, Zn-Ni/Blk	2
28	<u>102732401</u>	Bolt, M10 X 45, Zn-Ni (Black)	2
29	<u>102763701</u>	Cover, Center Console	1
30	<u>102967901</u>	Rivet, Removable, Tuflok 1/4"	4
31	<u>103216401</u>	Nut, Flanged, M10 x 1.5, Black	2
32	<u>103267001</u>	Seat, Bucket, Gray	1
33	<u>332</u>	Washer, 1/4 Type A Narrow Flat	2
34	<u>451</u>	Lockwasher, 1/4 Split	1
35	<u>96742515</u>	Bolt, M6 X 1 X 45	2

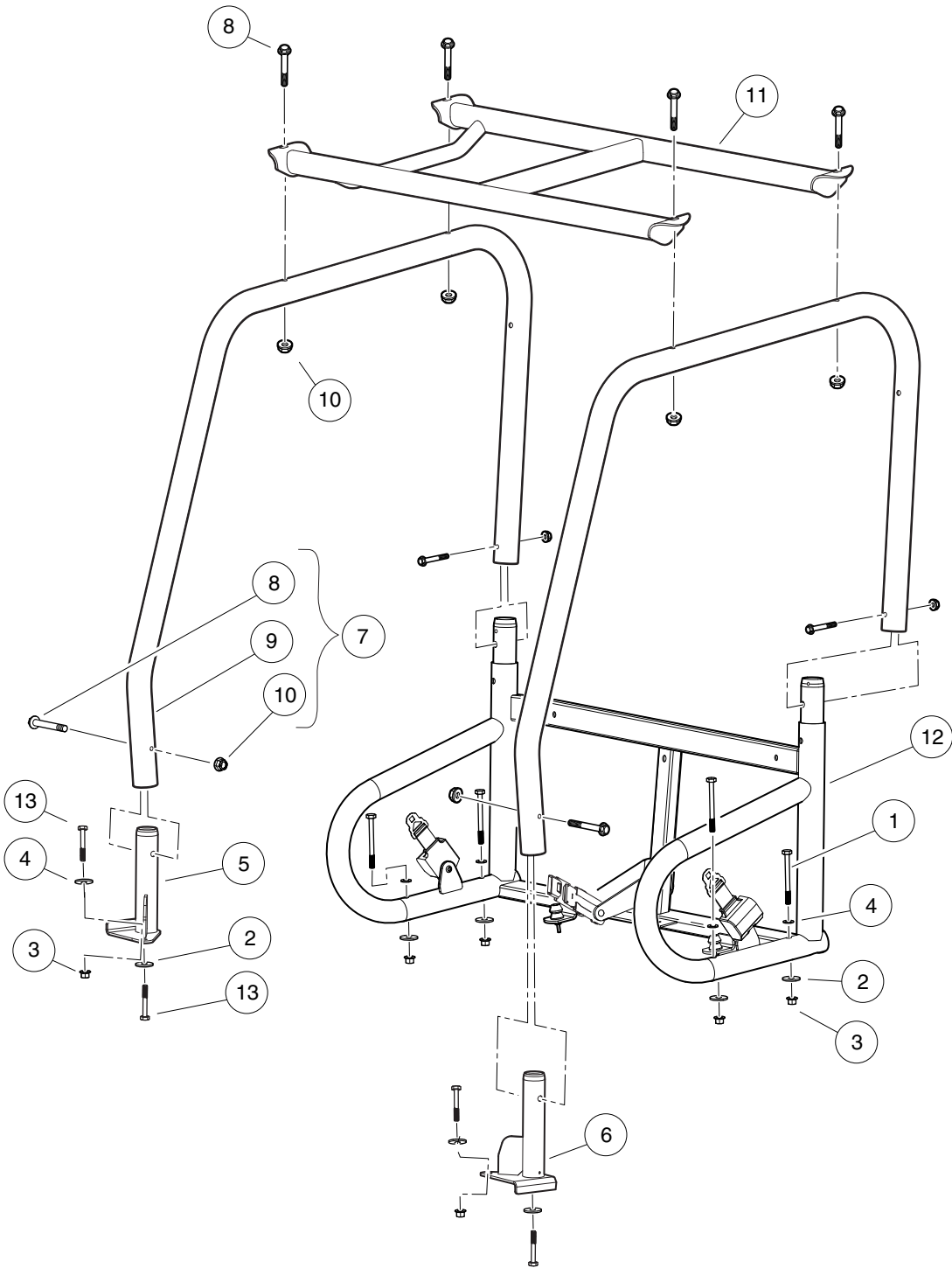
1

G

D

1
G

D



000029-009

ROPS – 2 PASSENGER VEHICLE

ITEM	PART NO.	DESCRIPTION	QTY
		1 2 3 4	
1	<u>102491301</u>	Bolt, M10x1.50x100 (Black)	4
2	<u>102491501</u>	Washer, Hard, M10	6
3	<u>102617201</u>	Nut, Flanged, M10 X 1.5, Mechanically Deformed	6
4	<u>102718101</u>	Washer, Hard, M10, Zn-Ni/Blk	6
5	<u>102983201</u>	Weldment, Front, Base, ROPS, Right-Hand	1
6	<u>102983601</u>	Weldment, Front, Base, ROPS, Left-Hand	1
7	<u>103215901</u>	Kit, ROPS Sides, Domestic (includes items 8 through 10)	1
8	<u>102988701</u>	Bolt, Flanged, M10 X 1.5 X 65	8
9	<u>103192101</u>	Tube, Side Support Short, ROPS	2
10	<u>103216401</u>	Nut, Flanged, M10 x 1.5, Black	8
11	<u>103225801</u>	Asm, Top, ROPS	1
12	<u>103361701</u>	Weldment, Seat Support, ROPS	1
13	<u>96715552</u>	Bolt, M10 X 1.50 X 65	4

1

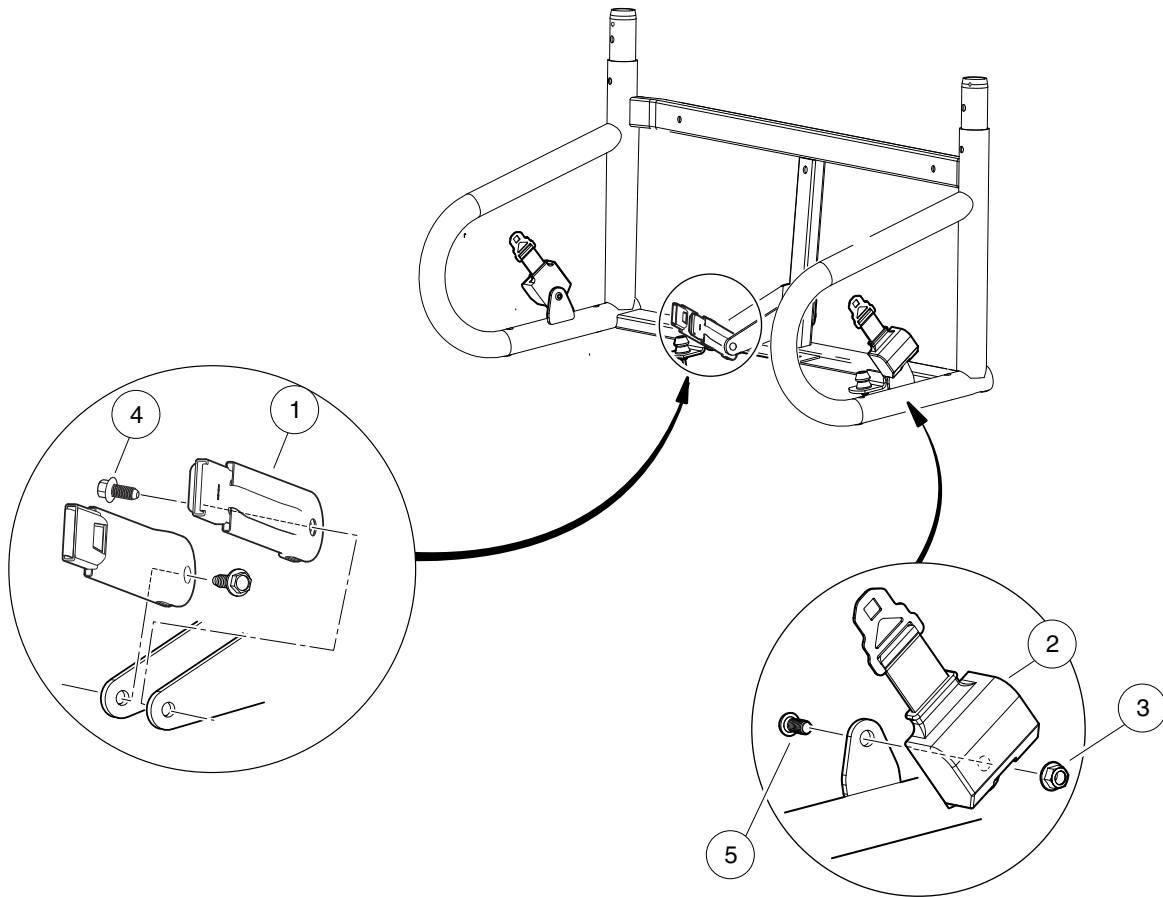
G

D

1

G

D



000029-011

2-POINT SEAT BELTS

ITEM	PART NO.	DESCRIPTION	QTY
		1 2 3 4	
1	<u>102447601</u>	Buckle, Seat Belt with Sleeve	2
2	<u>102447602</u>	Retractor, Seat Belt	2
3	<u>102620301</u>	Ln Flg, M12 X 1.75, Md, Black	2
4	<u>102671201</u>	Screw,m12x1.75x30 Thd Form Blk	2
5	<u>103245101</u>	Bolt Flg, M12x1.75 X 25 Black	2

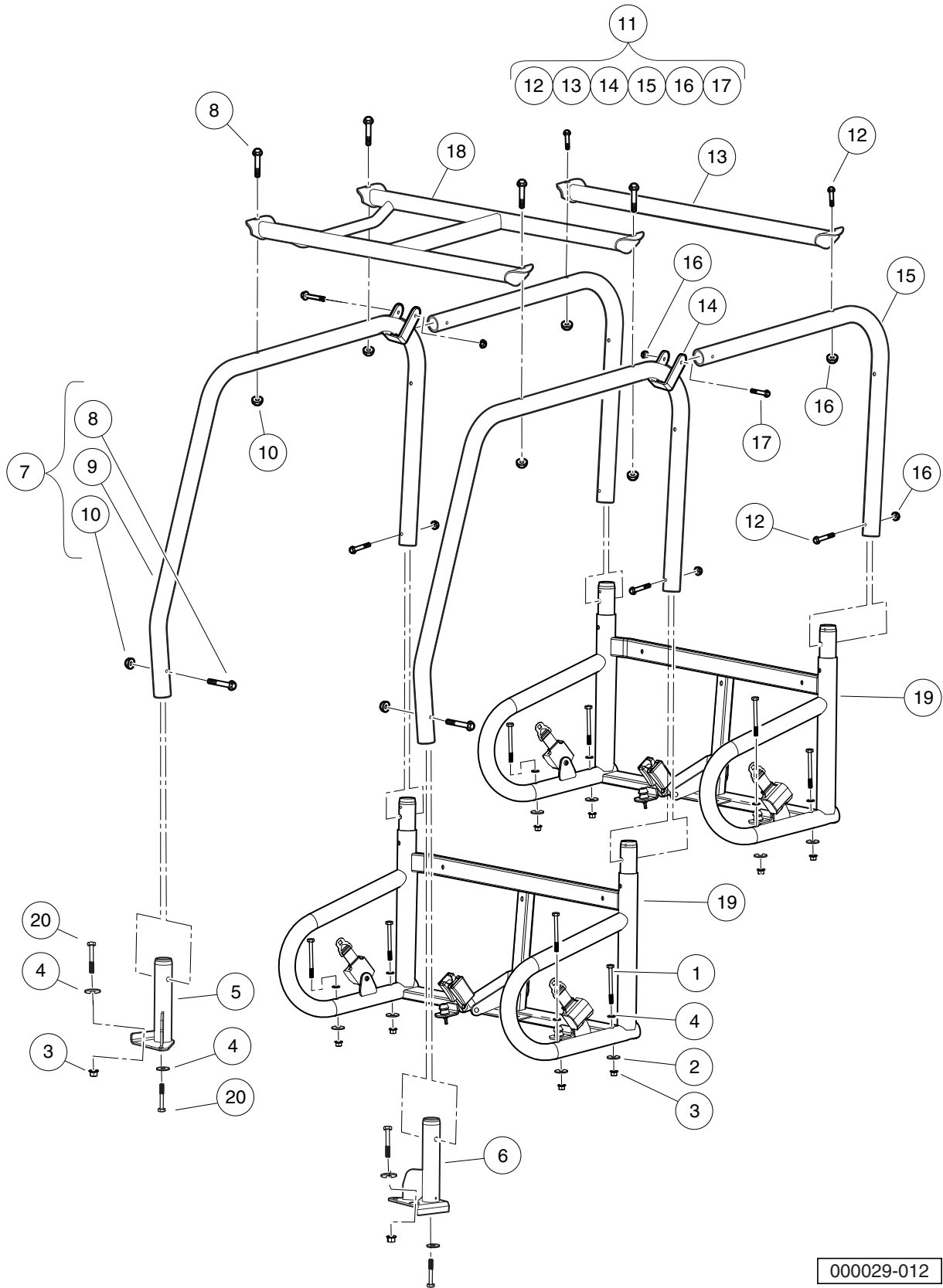
1

G

D

1
G

D



000029-012

ROPS – 4 PASSENGER VEHICLE

ITEM	PART NO.	DESCRIPTION	QTY
		1 2 3 4	
1	<u>102491301</u>	Bolt, M10x1.50x100 (Black)	8
2	<u>102491501</u>	Washer, Hard, M10	10
3	<u>102617201</u>	Nut, Flanged, M10 X 1.5, Mechanically Deformed	10
4	<u>102718101</u>	Washer, Hard, M10, Zn-Ni/Blk	10
5	<u>102983201</u>	Weldment, Front, Base, ROPS, Right-Hand	1
6	<u>102983601</u>	Weldment, Front, Base, ROPS, Left-Hand	1
7	<u>103215901</u>	Kit, ROPS Sides, Domestic (includes items 8 through 10)	1
8	<u>102988701</u>	Bolt, Flanged, M10 X 1.5 X 65	8
9	<u>103192101</u>	Tube, Side Support Short, ROPS	2
10	<u>103216401</u>	Nut, Flanged, M10 x 1.5, Black	8
11	<u>103216201</u>	Kit, ROPS, Four Passenger (includes items 12 through 17)	1
12	<u>102988701</u>	Bolt, Flanged, M10 X 1.5 X 65	4
13	<u>103214901</u>	Weldment, ROPS, Top, 4 Pass	1
14	<u>103215001</u>	Bracket, ROPS, Rear, 4 Pass	2
15	<u>103215101</u>	Tube, Rear, 4 Pass	2
16	<u>103216401</u>	Nut, Flanged, M10 x 1.5, Black	6
17	<u>103216801</u>	Bolt, Flanged, M10 X 1.5 X 70	2
18	<u>103225801</u>	Asm, Top, ROPS	1
19	<u>103361701</u>	Weldment, Seat Support, ROPS	2
20	<u>96715552</u>	Bolt, M10 X 1.50 X 65	4

1

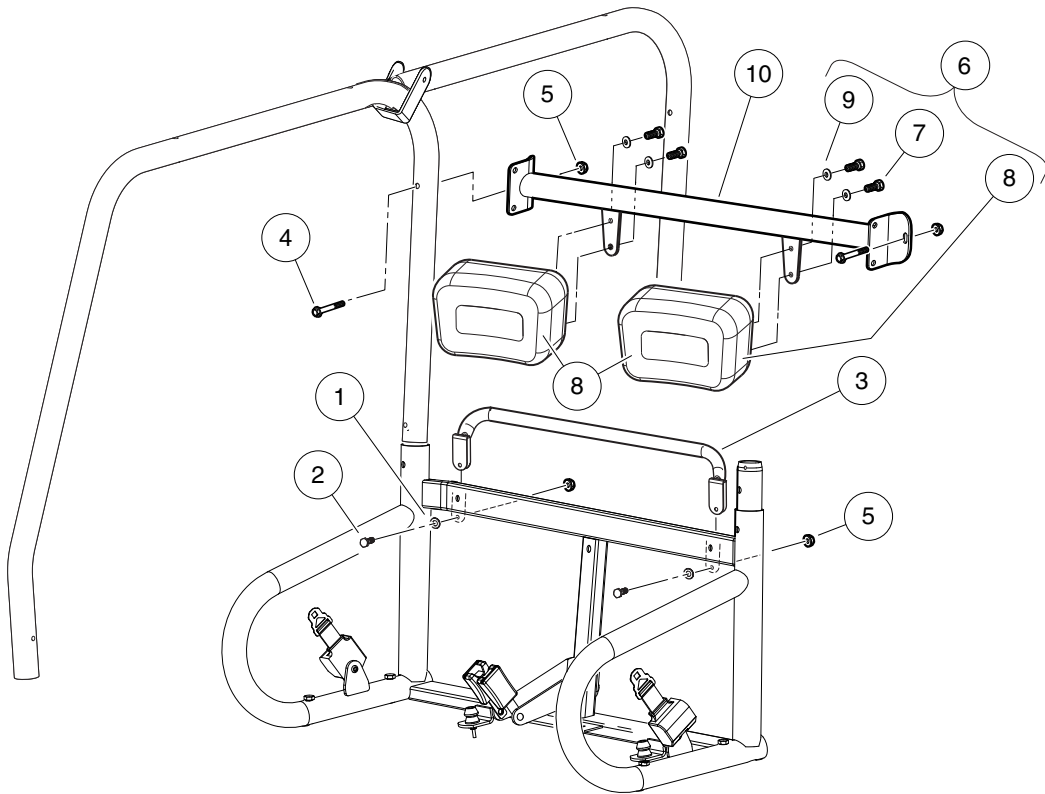
G

D

1

G

D



000029-013

HEAD RESTS

ITEM	PART NO.	DESCRIPTION	QTY
		1 2 3 4	
1	<u>102718101</u>	Washer, Hard, M10, Zn-Ni/Blk	2
2	<u>102732401</u>	Bolt, M10 X 45, Zn-Ni (Black)	2
3	<u>102834401</u>	Weldment, Handle, ROPS, Rear	1
4	<u>102988701</u>	Bolt, Flanged, M10 X 1.5 X 65	2
5	<u>103216401</u>	Nut, Flanged, M10 x 1.5, Black	4
6	<u>103274602</u>	Kit, Head Restraint, Black (includes items 7 through 9)	1
7	<u>102490101</u>	Bolt, M10 X 1.5 X 20 Loctite	4
8	<u>103274502</u>	Asm, Head Restraint, Black	2
9	<u>96741046</u>	Washer, M10, Hard	4
10	<u>103283801</u>	Asm, Rear Brace	1

1

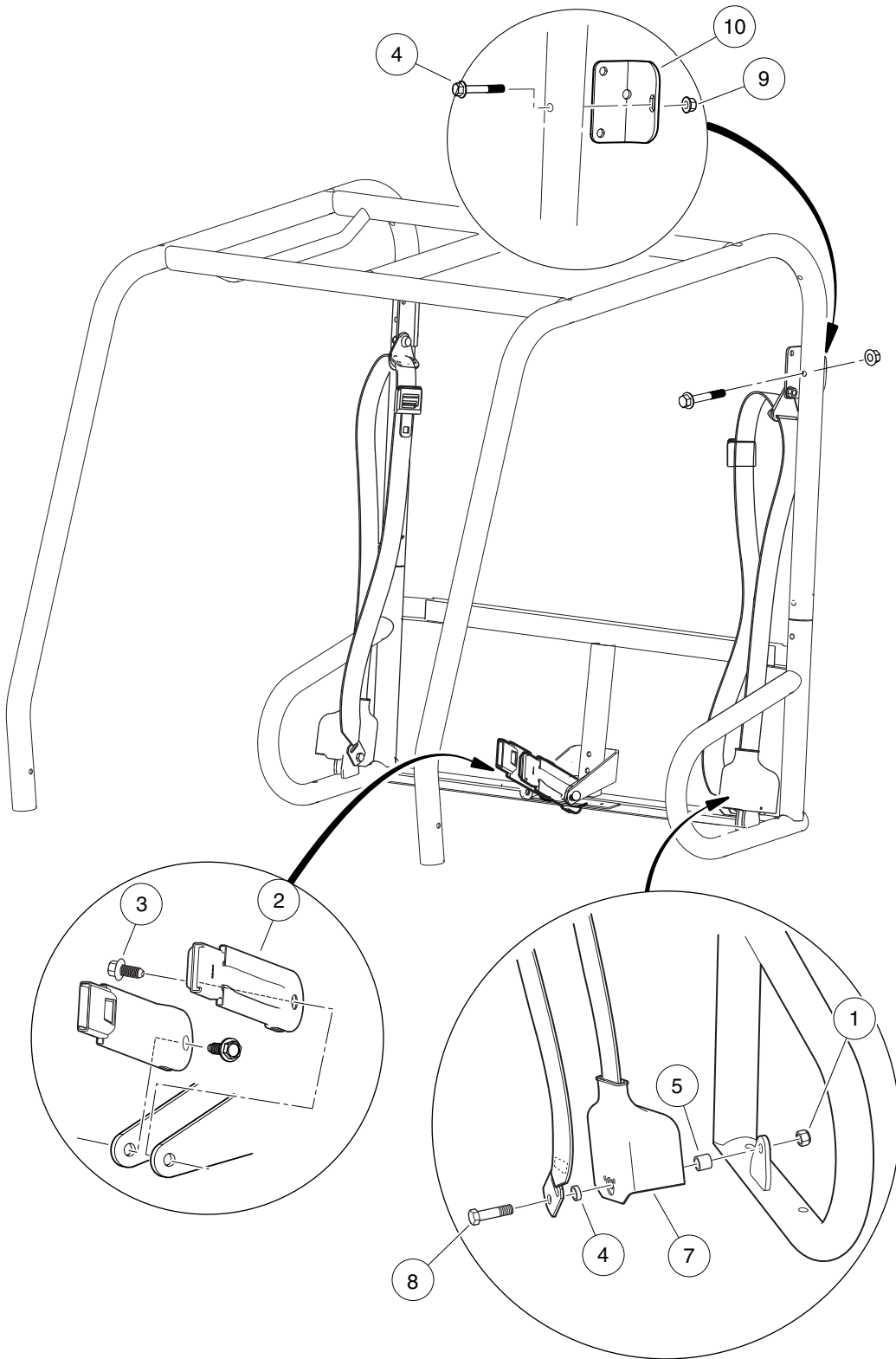
G

D

1

G

D



000560-002

3 - POINT SEAT BELTS

ITEM	PART NO.	DESCRIPTION	QTY
		1 2 3 4	
1	<u>102324401</u>	Lock Nut, 7/16-20 Nylon Black	2
2	<u>102447601</u>	Buckle, Seat Belt with Sleeve	2
3	<u>102671201</u>	Screw,m12x1.75x30 Thd Form Blk	2
4	<u>102988701</u>	Bolt, Flanged, M10 X 1.5 X 65	2
5	<u>103210801</u>	Spacer, .69 Od X .5 Id X .60	2
6	<u>103210802</u>	Spacer, .69 Od X .5 Id X .20	2
7	<u>103210901</u>	Seat Belt, 3 Pt, Lock Tongue	2
8	<u>103211101</u>	Screw, 7/16-20 X 1.75	2
9	<u>103216401</u>	Nut, Flanged, M10 x 1.5, Black	2
10	<u>103377501</u>	Bracket, Support, Rear, ROPS	2

1

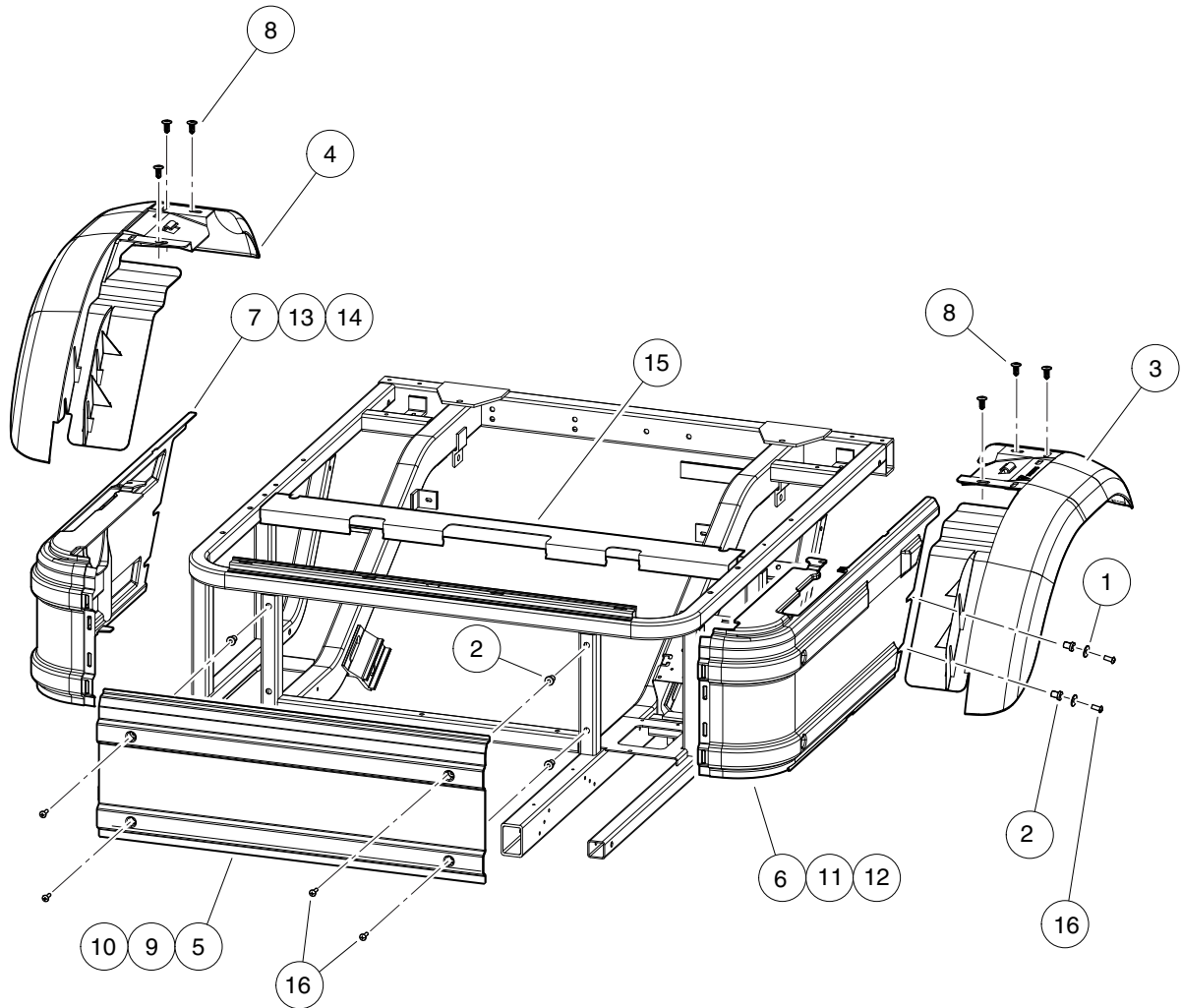
G

D

1

G

D



000518-006

SIDE PANELS AND REAR FENDERS – 2 PASSENGER VEHICLE

ITEM	PART NO.	DESCRIPTION	QTY
		1 2 3 4	
1	<u>1014306</u>	Washer, 1/4" Type B Flat	4
2	<u>102491701</u>	Well Nut 1/4-20	8
3	<u>102913801</u>	Left Rear Fender (Black)	1
4	<u>102913901</u>	Right Rear Fender (Black)	1
5	<u>102914001</u>	Panel, Front, Kick (Black)	1
6	<u>102914101</u>	Panel, Side, Molded, Driver (Black)	1
7	<u>102914102</u>	Panel, Side, Molded, Passenger (Black)	1
8	<u>103200501</u>	Screw, Tuflok, 10mm	6
9	<u>103289001</u>	Panel, Front, Kick (Realtree Camo)	1
10	103289002	Panel, Front, Kick, Moff	1
11	<u>103289101</u>	Panel, Side, Molded, Driver (Realtree Camo)	1
12	103289102	Panel, Side, Molded, Drv, Moff	1
13	<u>103289103</u>	Panel, Side, Molded, Passenger (Realtree Camo)	1
14	103289104	Panel, Side, Molded, Pass, Moff	1
15	<u>103331201</u>	Closeout, Extrusion	1
16	<u>8251</u>	Screw, 1/4-20 X 1.0 Truss-Head Machine	8

1

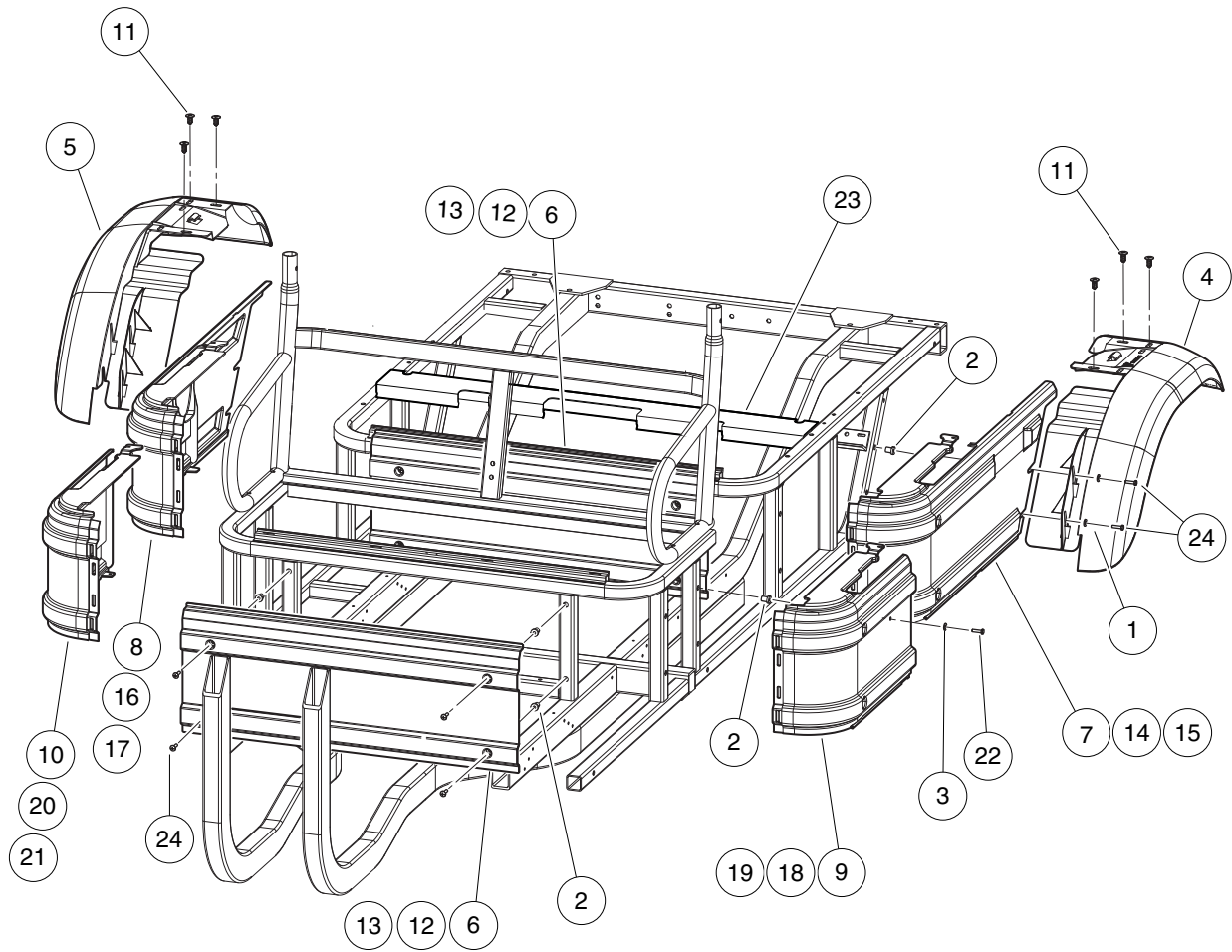
G

D

1

G

D



000518-007

SIDE PANELS AND REAR FENDERS – 4 PASSENGER VEHICLE

ITEM	PART NO.	DESCRIPTION	QTY
		1 2 3 4	
1	<u>1014306</u>	Washer, 1/4" Type B Flat	4
2	<u>102491701</u>	Well Nut 1/4-20	14
3	<u>102772201</u>	Washer, Flat, 5/16, Black	2
4	<u>102913801</u>	Left Rear Fender (Black)	1
5	<u>102913901</u>	Right Rear Fender (Black)	1
6	<u>102914001</u>	Panel, Front, Kick (Black)	2
7	<u>102914101</u>	Panel, Side, Molded, Driver (Black)	1
8	<u>102914102</u>	Panel, Side, Molded, Passenger (Black)	1
9	<u>102914104</u>	Panel, Side, Cut, Driver (Black)	1
10	<u>102914105</u>	Panel, Side, Cut, Passenger (Black)	1
11	<u>103200501</u>	Screw, Tuflok, 10mm	6
12	<u>103289001</u>	Panel, Front, Kick (Realtree Camo)	2
13	103289002	Panel, Front, Kick, Moff	2
14	<u>103289101</u>	Panel, Side, Molded, Driver (Realtree Camo)	1
15	103289102	Panel, Side, Molded, Drv, Moff	1
16	<u>103289103</u>	Panel, Side, Molded, Passenger (Realtree Camo)	1
17	103289104	Panel, Side, Molded, Pass, Moff	1
18	<u>103289107</u>	Panel, Cut, Driver (Realtree Camo)	1
19	103289108	Panel, Side, Cut, Drv, Moff	1
20	<u>103289109</u>	Panel, Cut, Passenger (Realtree Camo)	1
21	103289110	Panel, Side, Cut, Pass, Moff	1
22	<u>103319501</u>	Screw, Pn Hd Blk, 1/4 - 20 X 1	2
23	<u>103331201</u>	Closeout, Extrusion	1
24	<u>8251</u>	Screw, 1/4-20 X 1.0 Truss-Head Machine	12

1

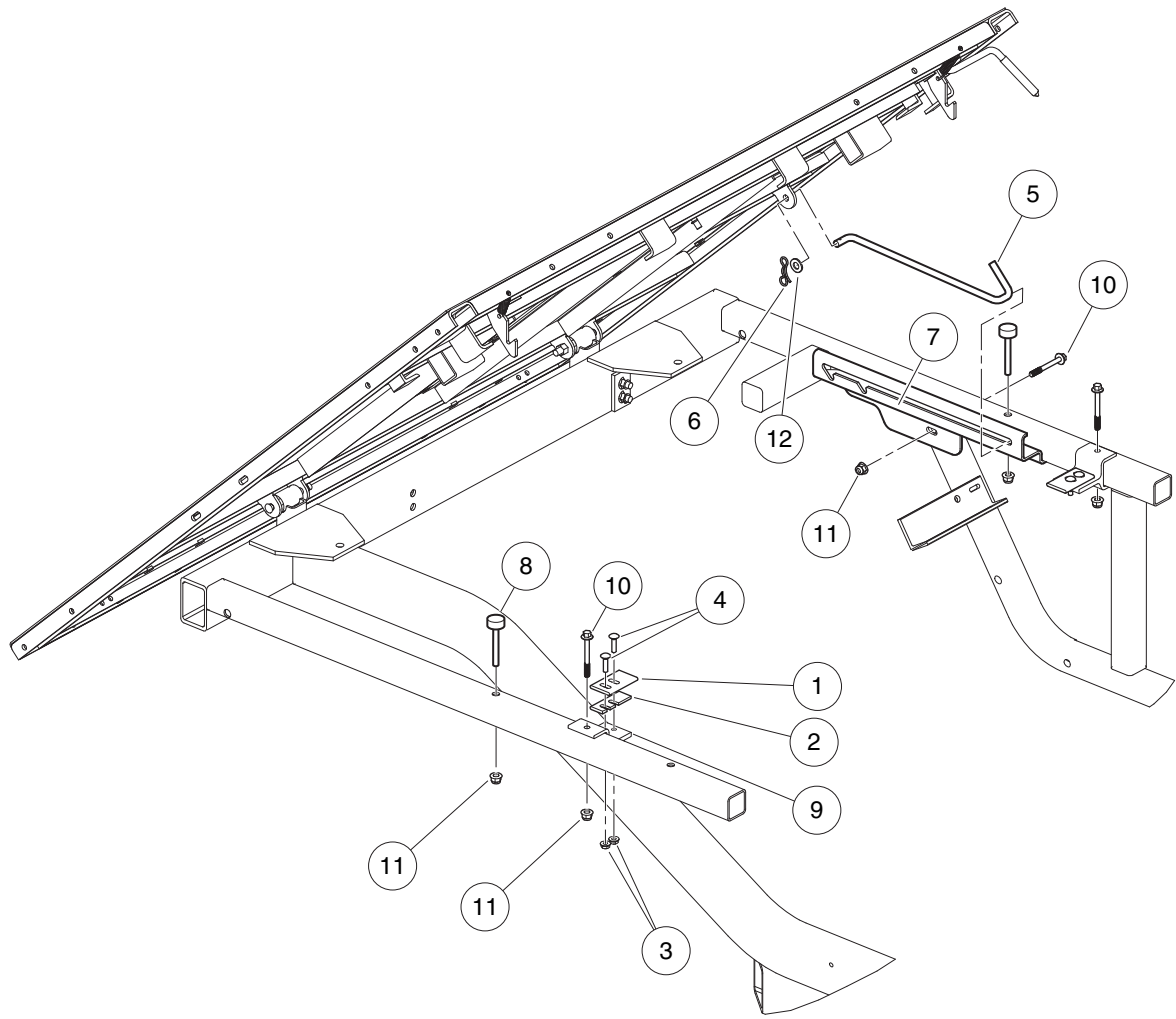
G

D

1

G

D



000036-001

LATCH PLATE AND PROP ROD

ITEM	PART NO.	DESCRIPTION	QTY
		1 2 3 4	
1	<u>1015277</u>	Latch Plate, Tilt Bed	2
2	<u>1016078</u>	Latch Plate Shim	1
3	<u>101835601</u>	Locknut, 1/4-20 Hex Whiz	4
4	<u>101958602</u>	Bolt, Carriage, 1/4-20 X 1.0	4
5	<u>102301401</u>	Rod, Prop	1
6	<u>102323101</u>	Pin, Bow Tie Locking	1
7	<u>102418101</u>	Track, Prop Rod	1
8	<u>102426601</u>	Bumper, Bed, Mtg, Front	2
9	<u>102493801</u>	Bracket, Latch, Bed	2
10	<u>102618301</u>	Bolt, Flanged Head, M8 X 1.25 X 65	3
11	102618601	Lock Nut, Flange, M8 X 1.25 Nylon	5
12	<u>334</u>	Washer, 3/8, Type A, Flat	1

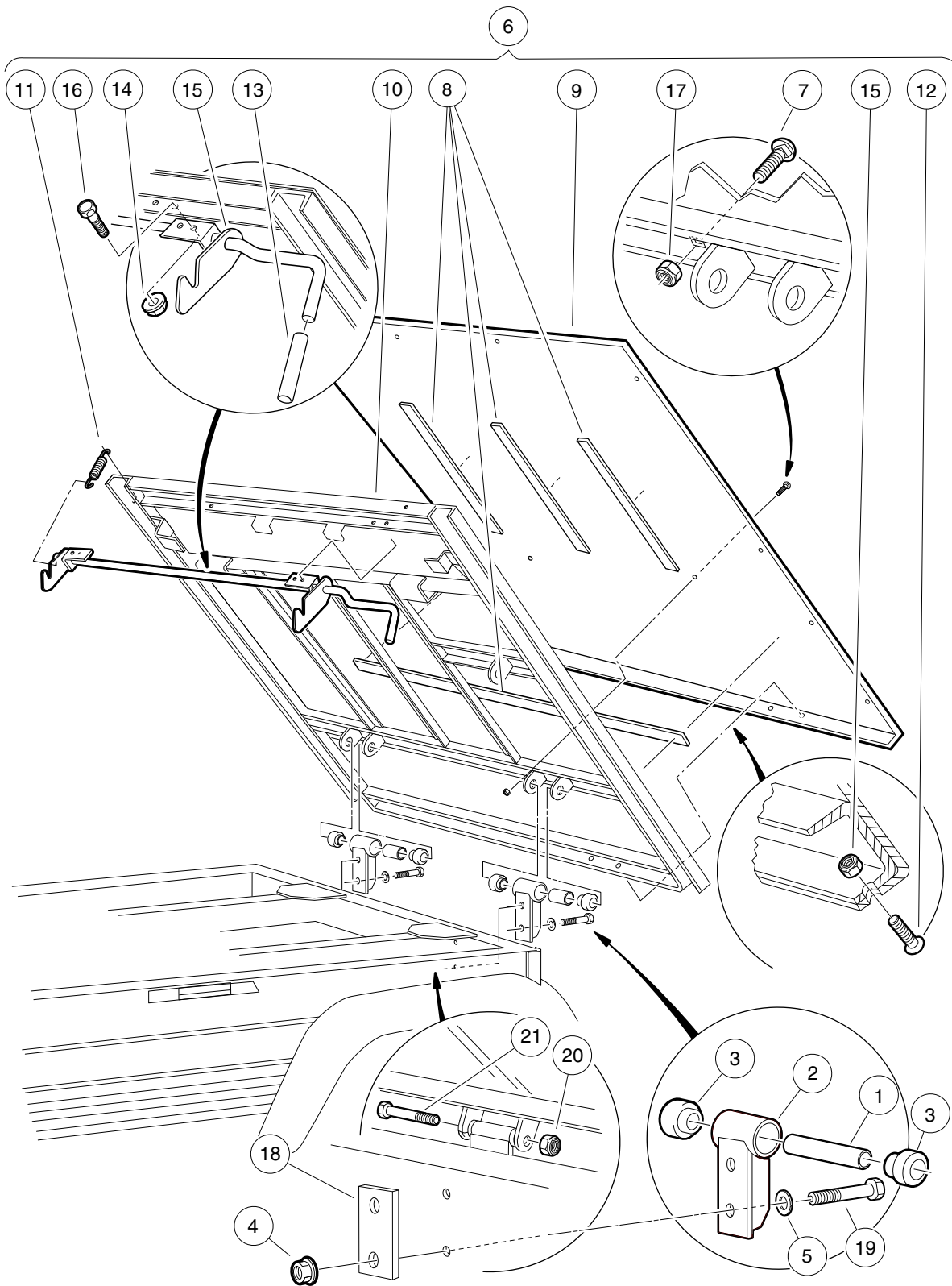
1

G

D

1
G

D



000137-003

TILT BED, HINGE, AND LATCH

ITEM	PART NO.	DESCRIPTION	QTY
		1 2 3 4	
1	<u>1012303</u>	Bushing, Steel	2
2	<u>1015356</u>	Hinge	2
3	<u>1015583</u>	Bushing, Urethane	2
4	<u>102065901</u>	Locknut, 3/8-16 Flanged Dimple	4
5	<u>102066001</u>	Washer, 3/8 Type B Hard Flat	4
6	<u>102171503</u>	Tilt Bed Assembly (includes items 7 through 17)	1
7	<u>1010435</u>	Bolt, Carriage, 5/16-18 X 1.00	4
8	<u>1014471</u>	Tape, Vinyl Foam 1/8" x 3/4"	1
9	<u>1015258</u>	Plate, Floor Bed	1
10	N/A	Frame Assembly	1
11	<u>1015391</u>	Extension, Spring Latch	2
12	<u>1015399</u>	Screw, 5/16-18 X 0.88 Torx Truss-Head	4
13	<u>1015400</u>	Grip, Tilt Latch Hand	1
14	<u>101835601</u>	Locknut, 1/4-20 Hex Whiz	4
15	<u>102426901</u>	Ltch Weld Asm Tlt Bd	1
16	<u>403</u>	Screw, 1/4-20 X 0.625 Hex-Head Cap	4
17	<u>7473</u>	Locknut, 5/16-18 Nylon Insert	8
18	<u>102614101</u>	Plate, Back	2
19	<u>7561</u>	Bolt, 3/8-16 X 3.00 Hex Head	4
20	<u>8754</u>	Locknut, 3/8-16 Hex	2
21	<u>8755</u>	Screw, 3/8-16 X 3.375 Hex Cap	2

1

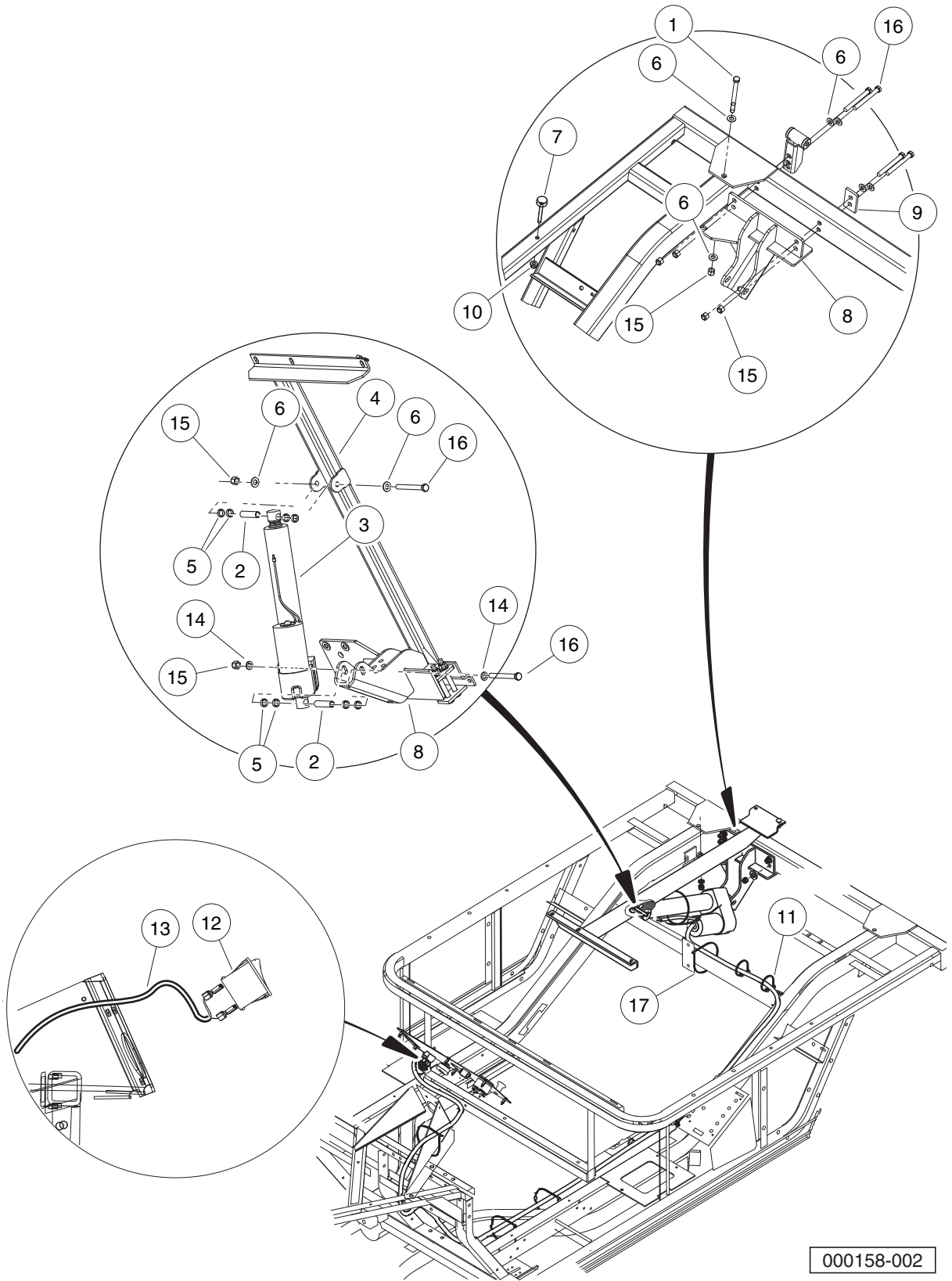
G

D

1

G

D



000158-002

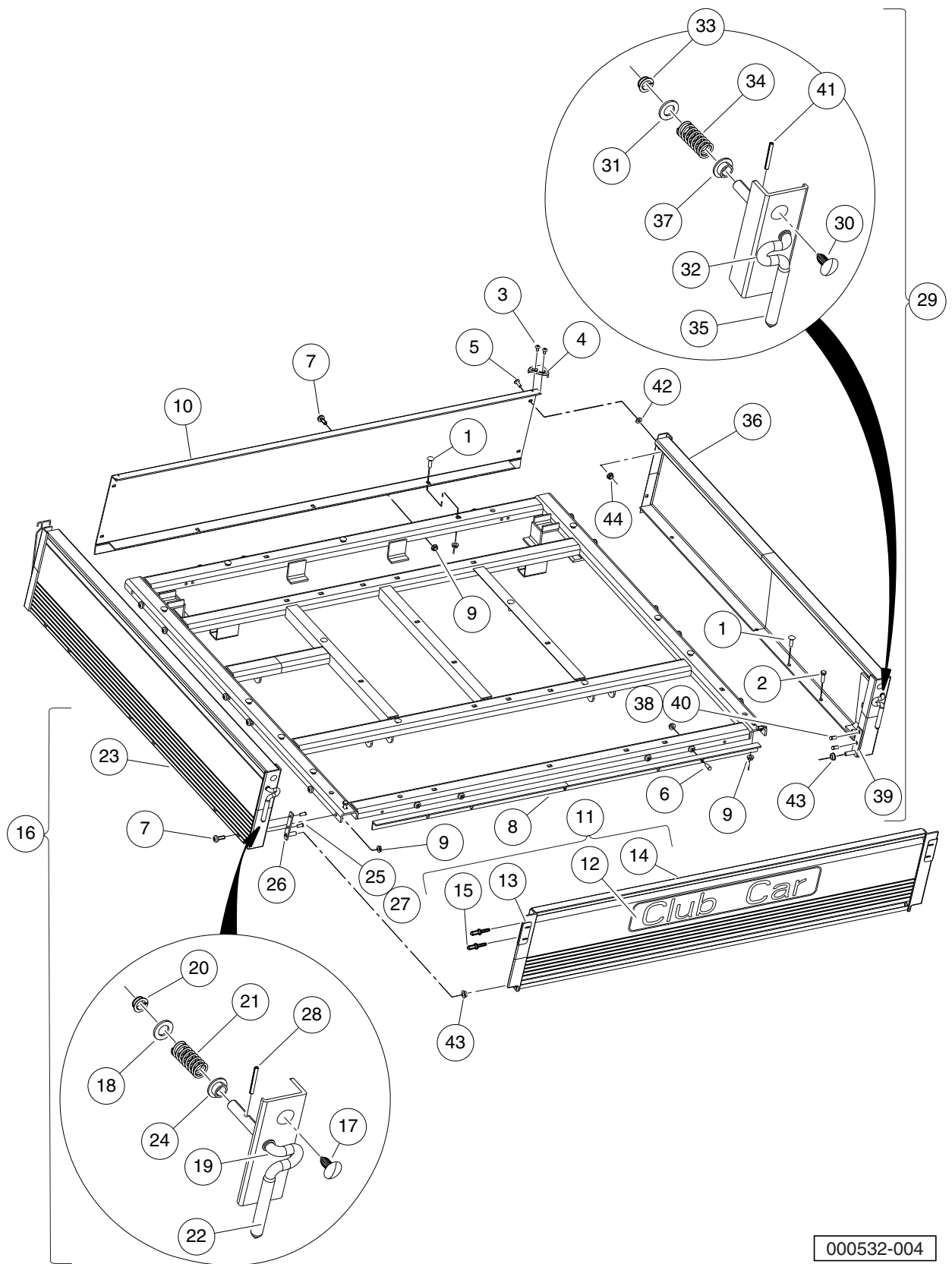
ELECTRIC BED LIFT

ITEM	PART NO.	DESCRIPTION	QTY	
		1 2 3 4		1
1	<u>1010200</u>	Bolt, 3/8-16 X 4.25 Hex Head	1	G
2	<u>1016603</u>	Bushing Long	2	
3	<u>1017162</u>	Actuator Assembly, Electric	1	
4	<u>1017167</u>	Actuator Adapter	1	D
5	<u>1017774</u>	Body Spacer	8	
6	<u>102066001</u>	Washer, 3/8 Type B Hard Flat	8	
7	<u>102426601</u>	Bumper, Bed, Mtg, Front	2	
8	<u>102465701</u>	Weldment, Bracket, Actuator	1	
9	<u>102614101</u>	Plate, Back	1	
10	<u>102618601</u>	Lock Nut, Flange, M8 X 1.25 Nylon	2	
11	<u>102629001</u>	Tie Wrap, 8.00" With Mount	2	
12	<u>102882501</u>	Switch, Rocker, Bed Lift	1	
13	<u>103227001</u>	Harness, AWD Bedlift	1	
14	<u>357</u>	Lockwasher, 3/8 Split	2	
15	<u>8754</u>	Locknut, 3/8-16 Hex	9	
16	<u>8755</u>	Screw, 3/8-16 X 3.375 Hex Cap	6	
17	<u>8990</u>	Tie Wrap, 8" Nylon	5	

1

G

D



000532-004

BOX BED

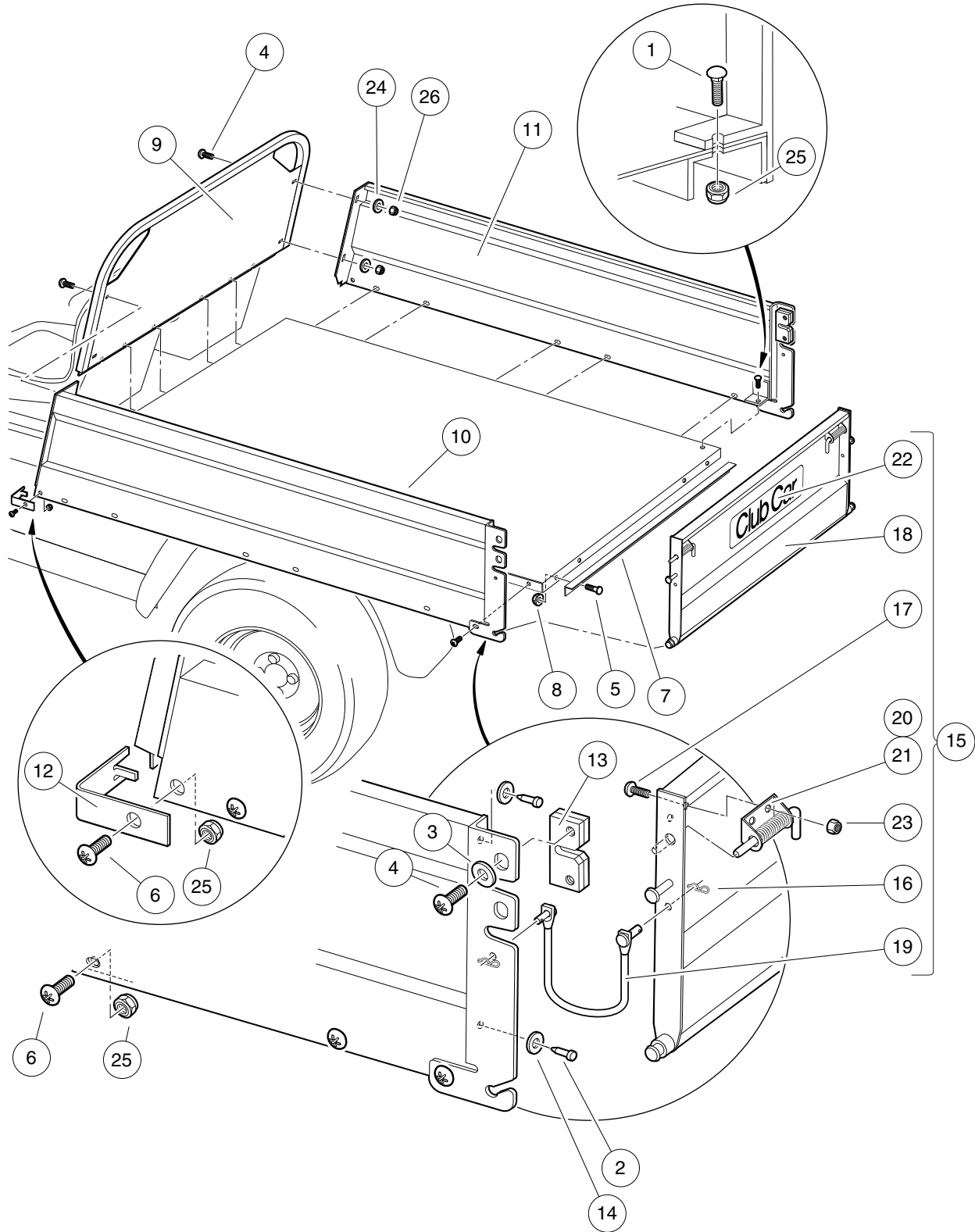
ITEM	PART NO.	DESCRIPTION	QTY
		1 2 3 4	
1	<u>1010435</u>	Bolt, Carriage, 5/16-18 X 1.00	11
2	<u>1010934</u>	Screw, 5/16-18 X 1.00 Hex Cap	2
3	<u>1014321</u>	Screw, #10 Truss-Head Torx	4
4	<u>1014387</u>	Cap, Corner	2
5	<u>1014415</u>	Screw, 1/4-20 X 0.75 Torx Truss-Head	4
6	<u>1014537</u>	Stud, Self-Clinching Flush Head	2
7	<u>1015399</u>	Screw, 5/16-18 X 0.88 Torx Truss-Head	16
8	N/A	Box Bed Tailgate Angle	1
9	<u>101963401</u>	Locknut, 5/16-18 Hex Flange	33
10	<u>102030101</u>	Panel, Front	1
11	<u>102030201</u>	Asm, Tailgate, 295 (includes items 12 through 15)	1
12	<u>1013317</u>	Decal, Logo, Tailgate	1
13	<u>1015246</u>	Plate, Tailgate Latch Wear	2
14	N/A	Tailgate Weldment	1
15	<u>7973</u>	Rivet, 3/16 X .400 Blind	4
16	<u>103191401</u>	Asm, Panel, Side, Left (includes items 17 through 28)	1
17	<u>1010434</u>	Barrel - Plastic	1
18	<u>1011990</u>	Washer, 3/8 Flat	1
19	<u>1015313</u>	Latch, Tailgate, Left-Hand	1
20	<u>1015363</u>	Bushing, Snap-In	1
21	<u>1015390</u>	Compression Spring Latch Tilt	1
22	<u>1015400</u>	Grip, Tilt Latch Hand	1
23	<u>103191201</u>	Weldment, Panel, Side, Left	1
24	<u>1032</u>	Bushing, Nylon	1
25	<u>103379401</u>	Rivet, 1/4 X 0.30, Blind	2
26	<u>103406501</u>	Kit, Tailgate Mounting Bracket, CA, LH (includes item 27)	1
27	<u>103406601</u>	Stud, 1/4 Self-clnchg Flush	2
28	<u>1231</u>	Pin, 1/8 X 1.00 Split Roll	1
29	<u>103191501</u>	Asm, Panel, Side, Right (includes items 30 through 41)	1
30	<u>1010434</u>	Barrel - Plastic	1
31	<u>1011990</u>	Washer, 3/8 Flat	1
32	<u>1015245</u>	Latch, Tailgate, Right-Hand	1
33	<u>1015363</u>	Bushing, Snap-In	1
34	<u>1015390</u>	Compression Spring Latch Tilt	1
35	<u>1015400</u>	Grip, Tilt Latch Hand	1
36	<u>103191301</u>	Weldment, Panel, Side, Right	1
37	<u>1032</u>	Bushing, Nylon	1
38	<u>103379401</u>	Rivet, 1/4 X 0.30, Blind	2
39	<u>103406502</u>	Kit, Tailgate Mounting Bracket, CA, RH (includes item 40)	1
40	<u>103406601</u>	Stud, 1/4 Self-clnchg Flush	2
41	<u>1231</u>	Pin, 1/8 X 1.00 Split Roll	1
42	<u>332</u>	Washer, 1/4 Type A Narrow Flat	4
43	<u>7049</u>	Bushing, Nylon	2
44	<u>8233</u>	Locknut, 1/4-20, Nylon Insert	4

1
G
D

1

G

D



000038-006

CARGO BOX (STEEL)

ITEM	PART NO.	DESCRIPTION	QTY
		1 2 3 4	
1	<u>1010435</u>	Bolt, Carriage, 5/16-18 X 1.00	13
2	<u>1010436</u>	Bumper, Rubber	4
3	<u>1014306</u>	Washer, 1/4" Type B Flat	4
4	<u>1014415</u>	Screw, 1/4-20 X 0.75 Torx Truss-Head	8
5	<u>1014537</u>	Stud, Self-Clinching Flush Head	4
6	<u>1015399</u>	Screw, 5/16-18 X 0.88 Torx Truss-Head	18
7	<u>101894304</u>	Box Bed Tailgate Angle	1
8	<u>101963401</u>	Locknut, 5/16-18 Hex Flange	4
9	<u>102221301</u>	Front Panel Weldment	1
10	<u>102221401</u>	Left Panel Weldment	1
11	<u>102221501</u>	Right Panel Weldment	1
12	<u>102221701</u>	Front Corner Cap	2
13	<u>102222001</u>	Slam Latch	2
14	<u>102239901</u>	Washer, Rubber, 3/8	4
15	<u>102614401</u>	Assembly, Tailgate (includes items 16 through 23)	1
16	<u>1013366</u>	Hair Pin Clip	4
17	<u>1014415</u>	Screw, 1/4-20 X 0.75 Torx Truss-Head	4
18	N/A	Tailgate, Weldment	1
19	<u>102221801</u>	Tether Assembly	2
20	<u>102222101</u>	Spring Latch Right	1
21	<u>102222201</u>	Spring Latch Left	1
22	<u>102673201</u>	Decal, Club Car Tailgate	1
23	<u>8233</u>	Locknut, 1/4-20, Nylon Insert	4
24	<u>332</u>	Washer, 1/4 Type A Narrow Flat	4
25	<u>7473</u>	Locknut, 5/16-18 Nylon Insert	31
26	<u>8233</u>	Locknut, 1/4-20, Nylon Insert	4

1

G

D

1

G

D

WHEELS AND TIRES

2

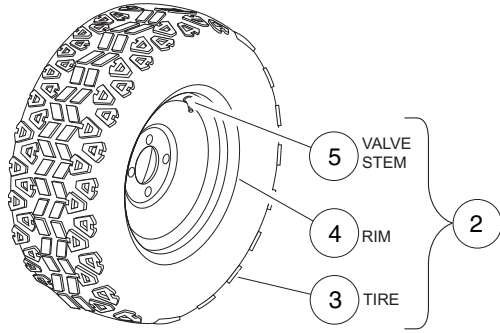
G

D

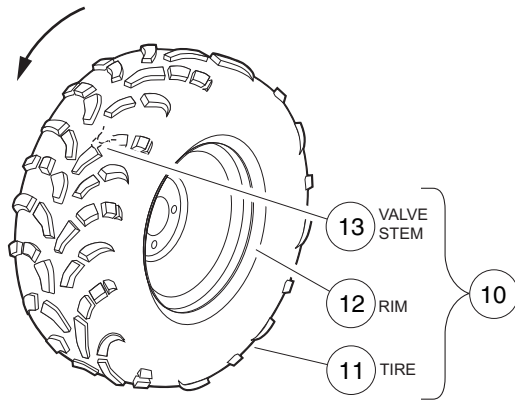
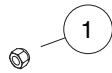
2

G

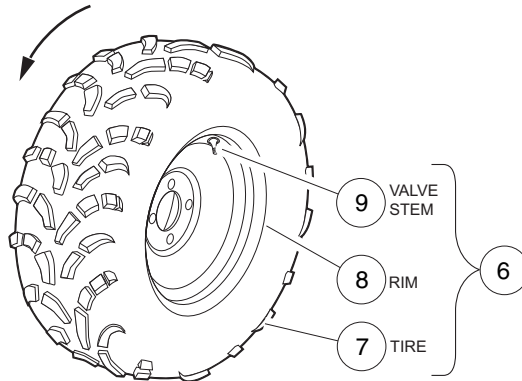
D



FOR DRIVERS OR PASSENGERS SIDE



FOR PASSENGERS SIDE ONLY



FOR DRIVERS SIDE ONLY

000506-001

WHEELS AND TIRES

ITEM	PART NO.	DESCRIPTION	QTY
		1 2 3 4	
1	<u>102736901</u>	Nut, Lug, 1/2-20 SAE J2283	16
2	<u>102943807</u>	Wheel/Tire Assy, All Terrain, 25x10.5-12, Black Wheel (includes items 3 through 5)	4
3	<u>102943101</u>	Tire, Heavy Duty All Terrain, 25x10.5-12	1
4	<u>103234503</u>	Wheel, 10 Window, Black	1
5	<u>7310</u>	Valve Stem, Black Plastic	1
6	<u>102943808</u>	Wheel/Tire Assy, Driver Side, Mud, 25x11-12, Black (includes items 7 through 9)	2
7	<u>102945701</u>	Tire, Mud, 4ply, 25x11-12	1
8	<u>103234503</u>	Wheel, 10 Window, Black	1
9	<u>7310</u>	Valve Stem, Black Plastic	1
10	<u>102943809</u>	Wheel/Tire Assy, Pass. Side, Mud, 25x11-12, Black (includes items 11 through 13)	2
11	<u>102945701</u>	Tire, Mud, 4ply, 25x11-12	1
12	<u>103234503</u>	Wheel, 10 Window, Black	1
13	<u>7310</u>	Valve Stem, Black Plastic	1

2

G

D

2

G

D

DECALS

3

G

D

3
G

D

UNDER 16

WARNING
YOUNG DRIVERS INCREASE CHANCE OF DEATH

- Young drivers may not be able to control vehicle.
- No drivers younger than 16 years old.
- Do not leave children unattended on vehicle.

CCI 10245401

WARNING
ROLLOVER OR FALLING OFF MAY CAUSE DEATH

- Read owner's manual and operating instructions.
- Fasten seat belts and remain seated while moving.
- Children requiring a child safety seat must not ride on vehicle. Comply with state and local laws pertaining to child safety.
- Drive slowly in turns and straight up and down slopes.
- Do not start vehicle until all occupants are seated.
- Two (2) persons per bench seat maximum.
- One (1) person per bucket seat maximum.
- Operate from driver side only and not on public roads.
- Keep entire body inside vehicle while moving.
- Do not operate while under the influence of alcohol or drugs.
- Never attempt jumps and avoid extreme braking in reverse.

CCI 102894401

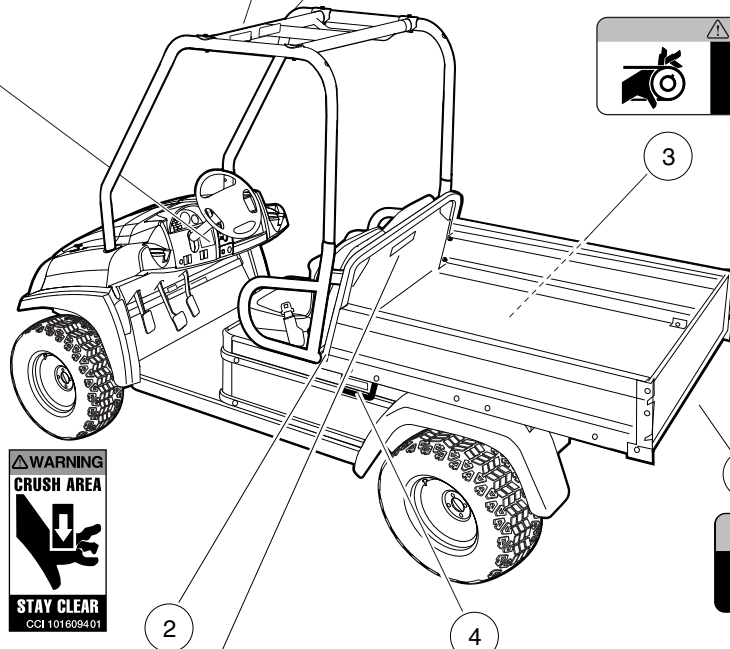
WARNING

- Do not modify or remove Roll-over Protective Structure (ROPS).
- Replace ROPS if damaged. Do not attempt repair.
- Use seat belts during operation. Do not jump from vehicle.
- Keep away from drop-offs, steep slopes, and unstable surfaces.

CCI 102561201

WARNING
Rotating Parts

CCI 102224001



WARNING
CRUSH AREA
STAY CLEAR

CCI 101609401

NOTICE
MAXIMUM TONGUE WEIGHT - 150 lbs.

CCI 1011553

WARNING
Crush area. Can cause severe injury. Stay clear when closing bed.

CCI 102163001

WARNING
RIDING IN CARGO BED CAN CAUSE SEVERE INJURY OR DEATH.

- Do not ride in cargo bed.

VEHICLE LOADING

- Read owner's manual and warnings on dash.
- Maximum gross vehicle weight: 2750 lb. (1247 kg)
- Maximum cargo load: 800 lb. (363 kg)
- Includes cargo bed load and gross trailer weight.
- Maximum cargo load is reduced by the weight of optional equipment.
- Maximum trailer hitch tongue weight: 150 lb. force (667 N).

PREVENT VEHICLE ROLL-OVER.

- Place cargo forward in the cargo bed and distribute evenly side to side. Secure load.
- On uneven or steep terrain reduce speed and load. Avoid stopping on or backing down steep hills.
- Avoid top-heavy loads. See owner's manual.

CCI 103202601

WARNING
RIDING IN CARGO BED CAN CAUSE SEVERE INJURY OR DEATH.

- Do not ride in cargo bed.

HIGH CAPACITY VEHICLE LOADING

- Read owner's manual and warnings on dash.
- Maximum gross vehicle weight: 3012 lb. (1366 kg)
- Maximum cargo load: 1050 lb. (476 kg)
- Includes cargo bed load and gross trailer weight.
- Maximum cargo load is reduced by the weight of optional equipment.
- Maximum trailer hitch tongue weight: 150 lb. force (667 N).

PREVENT VEHICLE ROLL-OVER.

- Place cargo forward in the cargo bed and distribute evenly side to side. Secure load.
- On uneven or steep terrain reduce speed and load. Avoid stopping on or backing down steep hills.
- Avoid top heavy loads. See owner's manual.

CCI 103210401

000509-001

SAFETY DECALS – CA 295 AND XRT 1550, GASOLINE VEHICLES

ITEM	PART NO.	DESCRIPTION	QTY
		1 2 3 4	
1	<u>1011553</u>	Decal, Trailer Hitch	1
2	<u>101609401</u>	Decal, Crush Area Warning	1
3	<u>102224001</u>	Decal, Rotating Parts Warning	1
4	<u>102459301</u>	Decal, Bed Crush Area Warning	1
5	<u>102459401</u>	Decal, Young Driver Warning	1
6	<u>102884401</u>	Decal, Warning, Rollover	1
7	<u>102961201</u>	Decal, Warning, AWD ROPS	1
8	<u>103202601</u>	Decal, Vehicle Loading, 800 lbs	1
9	<u>103210401</u>	Decal, Vehicle Loading, 1050 lbs	1

3

G

D

3
G

D

WARNING

GASOLINE EXPLOSION / FIRE.

- Can cause severe injury or death.
- No smoking, sparks, or open flame.
- Stop engine, allow to cool before refueling.
- Turn fuel valve (←) on during operation, (→) off during storage or transport.

CCI 101547601

OPERATING INSTRUCTIONS

- Read owner's manual and vehicle safety warnings. Study and understand controls.

TO START ENGINE

- Place shift lever in NEUTRAL (N) and press brake pedal.
- Turn key to START and hold until engine starts.

Diesel Vehicles Only:

- If required, turn key to PREHEAT and hold for 10-15 seconds.

TO OPERATE VEHICLE

- Ensure wheels are turned in desired direction and path is clear.
- With vehicle stopped and engine at idle, select vehicle direction.

↑ - Forward N - Neutral ↓ - Reverse (Buzzer will sound)

- Release park brake and slowly press accelerator pedal to increase speed.
- All-wheel drive will automatically drive appropriate wheel(s).

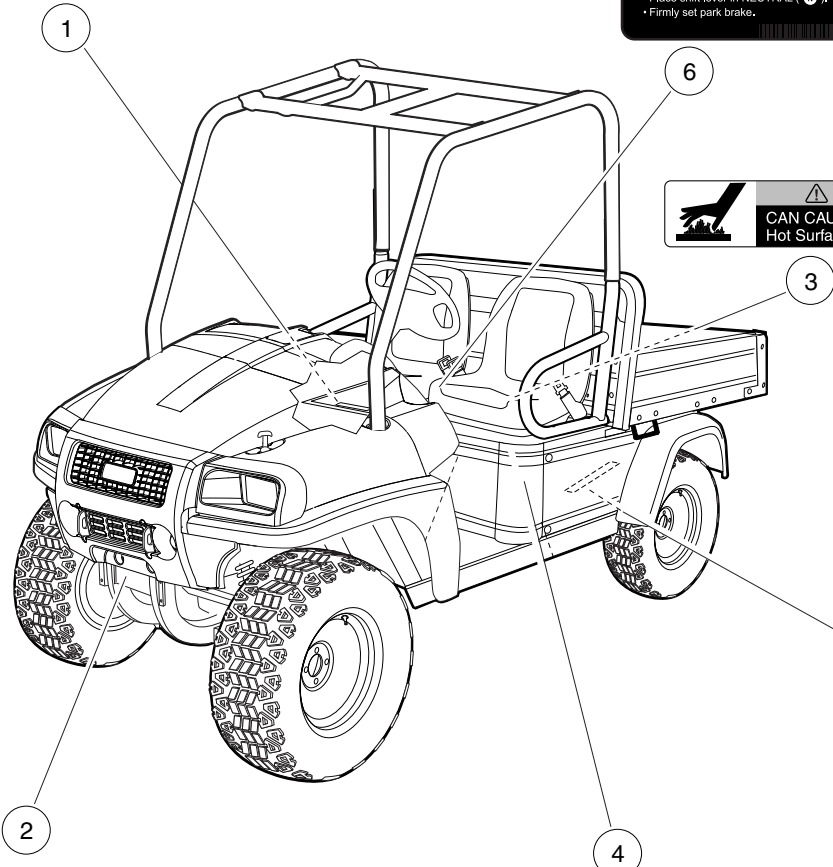
TO STOP VEHICLE

- Release accelerator pedal and push brake pedal.

BEFORE LEAVING VEHICLE

- Turn key to OFF and remove key.
- Place shift lever in NEUTRAL (N).
- Firmly set park brake.

CCI 102884301



WARNING

CAN CAUSE SEVERE BURNS

Hot Surface

CCI 102458901

WARNING

WINCH CABLE FRACTURE COULD RESULT IN SERIOUS INJURY OR DEATH.

- Do not use winch while persons are seated on the vehicle.
- Use remote operation switch for winch control.
- Stand to the side and away from the vehicle to operate winch.
- Read winch operator manual before operating winch.

102231601

WARNING

Negative frame ground. Can cause severe injury. Do not contact positive (+) battery post or cable to frame. Disconnect negative (-) battery cable first.

CCI 102459101

	<p>WARNING</p> <p>CAN CAUSE SEVERE INJURY</p> <p>Rotating parts. KEEP CLEAR.</p>		<p>WARNING</p> <p>CAN CAUSE SEVERE INJURY</p> <p>Hot manifold and muffler. KEEP CLEAR.</p> <p>CCI 102459501</p>
--	--	--	---

000510-001

SAFETY DECALS – CA 295 AND XRT 1550, GASOLINE VEHICLES, CONTINUED

ITEM	PART NO.	DESCRIPTION	QTY
		1 2 3 4	
1	<u>101547601</u>	Decal, Gasoline Explosion/Fire Warning	1
2	<u>102231601</u>	Decal, Winch Cable Fracture Warning	1
3	<u>102458901</u>	Decal, Hot Surface Warning	2
4	<u>102459101</u>	Decal, Frame Ground Warning	1
5	<u>102459501</u>	Decal, Rotating Parts and Hot Exhaust Warning	1
6	<u>102884301</u>	Decal, Operating Instr, AWD	1

3
G
D

3
G

D

UNDER 16

WARNING
YOUNG DRIVERS INCREASE CHANCE OF DEATH

- Young drivers may not be able to control vehicle.
- No drivers younger than 16 years old.
- Do not leave children unattended on vehicle.

CCI 10249401

WARNING
ROLLOVER OR FALLING OFF MAY CAUSE DEATH

- Read owner's manual and operating instructions.
- Fasten seat belts and remain seated while moving.
- Children requiring a child safety seat must not ride on vehicle. Comply with state and local laws pertaining to child safety.
- Drive slowly in turns and straight up and down slopes.
- Do not start vehicle until all occupants are seated.
- Two (2) persons per bench seat maximum.
- One (1) person per bucket seat maximum.
- Operate from driver side only and not on public roads.
- Keep entire body inside vehicle while moving.
- Do not operate while under the influence of alcohol or drugs.
- Never attempt jumps and avoid extreme braking in reverse.

CCI 102384401

WARNING

- Do not modify or remove Roll-over Protective Structure (ROPS).
- Replace ROPS if damaged. Do not attempt repair.
- Use seat belts during operation. Do not jump from vehicle.
- Keep away from drop-offs, steep slopes, and unstable surfaces.

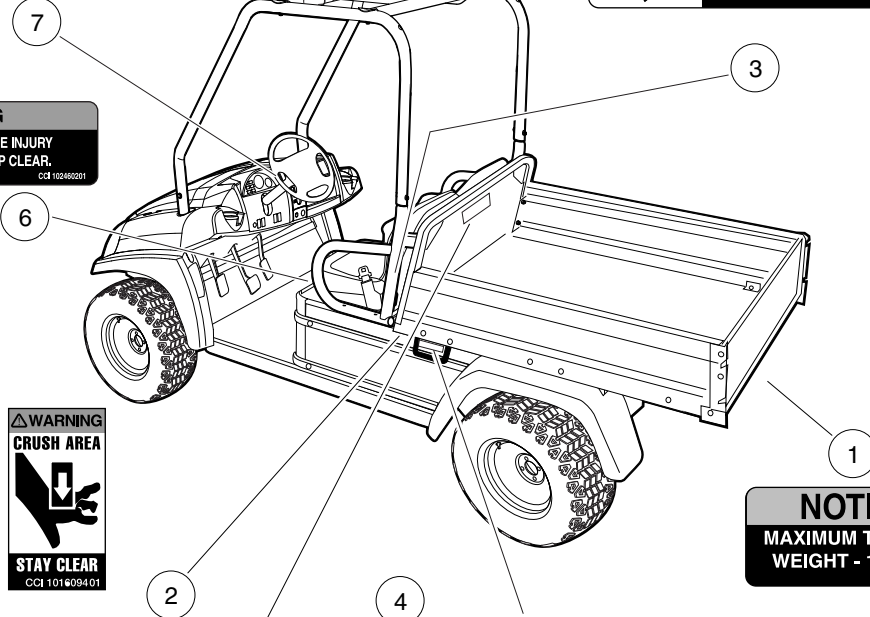
CCI 102961201

WARNING
Rotating Parts

CCI 102234001

WARNING
CAN CAUSE SEVERE INJURY
Rotating parts. KEEP CLEAR.

CCI 102460201



WARNING
CRUSH AREA
STAY CLEAR

CCI 1014609401

NOTICE
MAXIMUM TONGUE
WEIGHT - 150 lbs.

CCI 10115553

LATCH

WARNING
Crush area. Can cause severe injury.
Stay clear when closing bed.

CCI 102455901

WARNING
RIDING IN CARGO BED CAN CAUSE SEVERE INJURY OR DEATH.

- Do not ride in cargo bed.

VEHICLE LOADING

- Read owner's manual and warnings on dash.
- Maximum gross vehicle weight: 2750 lb. (1247 kg)
- Maximum cargo load: 800 lb. (363 kg)
- Includes cargo bed load and gross trailer weight.
- Maximum cargo load is reduced by the weight of optional equipment.
- Maximum trailer hitch tongue weight: 150 lb. force (667 N).

PREVENT VEHICLE ROLL-OVER.

- Place cargo forward in the cargo bed and distribute evenly side to side. Secure load.
- On uneven or steep terrain reduce speed and load. Avoid stopping on or backing down steep hills.
- Avoid top-heavy loads. See owner's manual.

CCI 103202601

9

WARNING
RIDING IN CARGO BED CAN CAUSE SEVERE INJURY OR DEATH.

- Do not ride in cargo bed.

HIGH CAPACITY VEHICLE LOADING

- Read owner's manual and warnings on dash.
- Maximum gross vehicle weight: 3012 lb. (1366 kg)
- Maximum cargo load: 1050 lb. (476 kg)
- Includes cargo bed load and gross trailer weight.
- Maximum cargo load is reduced by the weight of optional equipment.
- Maximum trailer hitch tongue weight: 150 lb. force (667 N).

PREVENT VEHICLE ROLL-OVER.

- Place cargo forward in the cargo bed and distribute evenly side to side. Secure load.
- On uneven or steep terrain reduce speed and load. Avoid stopping on or backing down steep hills.
- Avoid top heavy loads. See owner's manual.

CCI 103210401

10

000513-001

SAFETY DECALS – CA 295 AND XRT 1550, DIESEL VEHICLES

ITEM	PART NO.	DESCRIPTION	QTY
		1 2 3 4	
1	<u>1011553</u>	Decal, Trailer Hitch	1
2	<u>101609401</u>	Decal, Crush Area Warning	1
3	<u>102224001</u>	Decal, Rotating Parts Warning	1
4	<u>102459301</u>	Decal, Bed Crush Area Warning	1
5	<u>102459401</u>	Decal, Young Driver Warning	1
6	<u>102460201</u>	Decal, Rotating Parts Warning	1
7	<u>102884401</u>	Decal, Warning, Rollover	1
8	<u>102961201</u>	Decal, Warning, AWD ROPS	1
9	<u>103202601</u>	Decal, Vehicle Loading, 800 lbs	1
10	<u>103210401</u>	Decal, Vehicle Loading, 1050 lbs	1

3

G

D

3

G

D

⚠ WARNING
DIESEL FUEL EXPLOSION / FIRE.
 • Can cause severe injury or death.
 • No smoking, sparks, or open flame.
 • Stop engine, allow to cool before refueling.
 CCI 102459201

OPERATING INSTRUCTIONS

- Read owner's manual and vehicle safety warnings. Study and understand controls.

TO START ENGINE

- Place shift lever in NEUTRAL (N) and press brake pedal.
- Turn key to START and hold until engine starts.

Diesel Vehicles Only:

- If required, turn key to PREHEAT and hold for 10-15 seconds.

TO OPERATE VEHICLE

- Ensure wheels are turned in desired direction and path is clear.
- With vehicle stopped and engine at idle, select vehicle direction.

⬆ - Forward ⓪ - Neutral ⬇ - Reverse (Buzzer will sound)

- Release park brake and slowly press accelerator pedal to increase speed.
- All-wheel drive will automatically drive appropriate wheel(s).

TO STOP VEHICLE

- Release accelerator pedal and push brake pedal.

BEFORE LEAVING VEHICLE

- Turn key to OFF and remove key.
- Place shift lever in NEUTRAL (N).
- Firmly set park brake.

CCI 102884301

⚠ WARNING
CAN CAUSE SEVERE INJURY
 Rotating parts. KEEP CLEAR.
 CCI 102466201

⚠ WARNING
CAN CAUSE SEVERE INJURY
HOT manifold
 KEEP CLEAR
 CCI 102459001

⚠ WARNING
WINCH CABLE FRACTURE COULD RESULT IN SERIOUS INJURY OR DEATH.

- Do not use winch while persons are seated on the vehicle.
- Use remote operation switch for winch control.
- Stand to the side and away from the vehicle to operate winch.
- Read winch operator manual before operating winch.

102231601

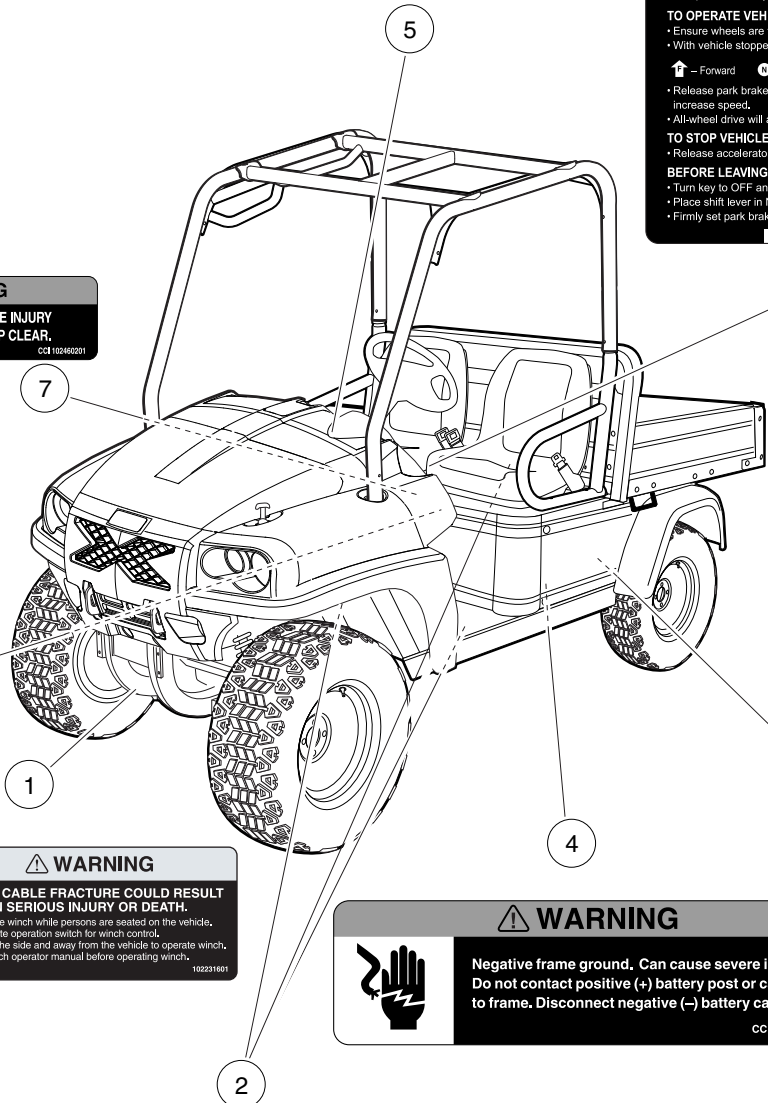
⚠ WARNING
Negative frame ground. Can cause severe injury.
 Do not contact positive (+) battery post or cable to frame. Disconnect negative (-) battery cable first.
 CCI 102459101

⚠ WARNING
CAN CAUSE SEVERE BURNS
 Hot Surface
 CCI 102458901

⚠ WARNING
CAN CAUSE SEVERE INJURY
 Rotating parts. KEEP CLEAR.

⚠ WARNING
CAN CAUSE SEVERE INJURY
 Hot manifold and muffler. KEEP CLEAR.
 CCI 102459501

000514-001



SAFETY DECALS – CA 295 AND XRT 1550, DIESEL VEHICLES, CONTINUED

ITEM	PART NO.	DESCRIPTION	QTY
		1 2 3 4	
1	<u>102231601</u>	Decal, Winch Cable Fracture Warning	1
2	<u>102458901</u>	Decal, Hot Surface Warning	1
3	<u>102459001</u>	Decal, Hot Manifold Warning	1
4	<u>102459101</u>	Decal, Frame Ground Warning	1
5	<u>102459201</u>	Decal, Diesel Explosion/Fire Warning	1
6	<u>102459501</u>	Decal, Rotating Parts and Hot Exhaust Warning	1
7	<u>102460201</u>	Decal, Rotating Parts Warning	1
8	<u>102884301</u>	Decal, Operating Instr, AWD	1

3

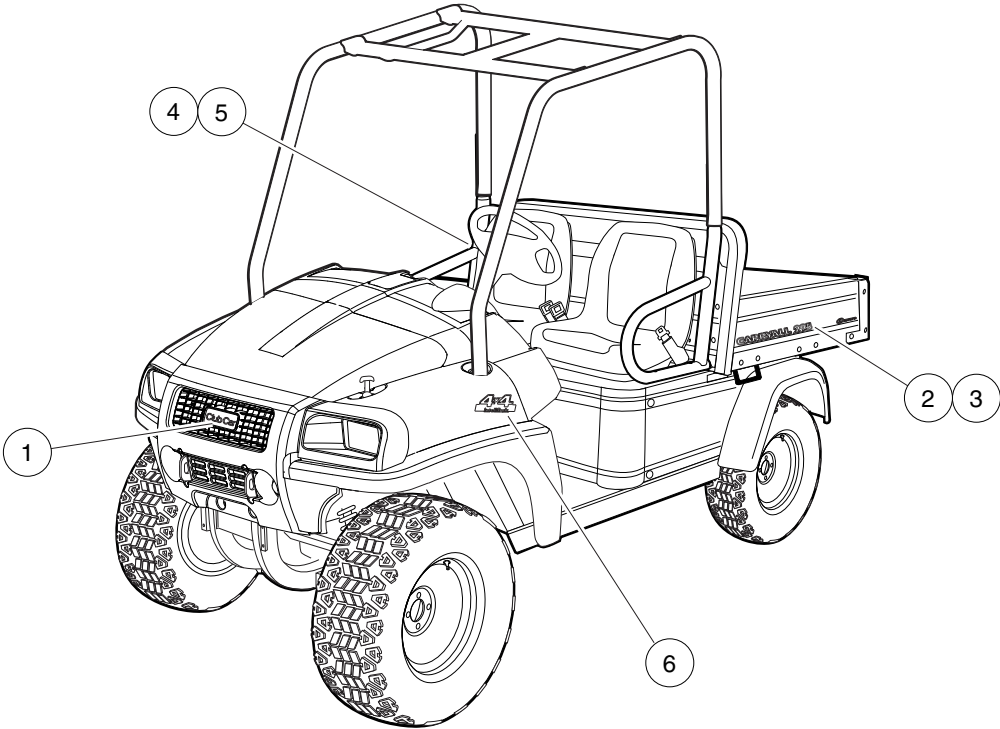
G

D

3

G

D



000531-005

BADGING DECALS – CA 295 VEHICLES

ITEM	PART NO.	DESCRIPTION	QTY
		1 2 3 4	
1	<u>102883601</u>	Decal, Nameplate, CCI, Front	1
2	<u>103233614</u>	Decal, Badge, CA 295, Driver-Side, Dk Gray	1
3	<u>103233617</u>	Decal, Badge, CA 295, Driver-Side, Ntrl	1
4	<u>103233714</u>	Decal, Badge, CA 295, Passenger-Side, Dk Gray	1
5	<u>103233717</u>	Decal, Badge, CA 295, Passenger-Side, Ntrl	1
6	<u>103234201</u>	Decal, Badge, 4x4	2

3

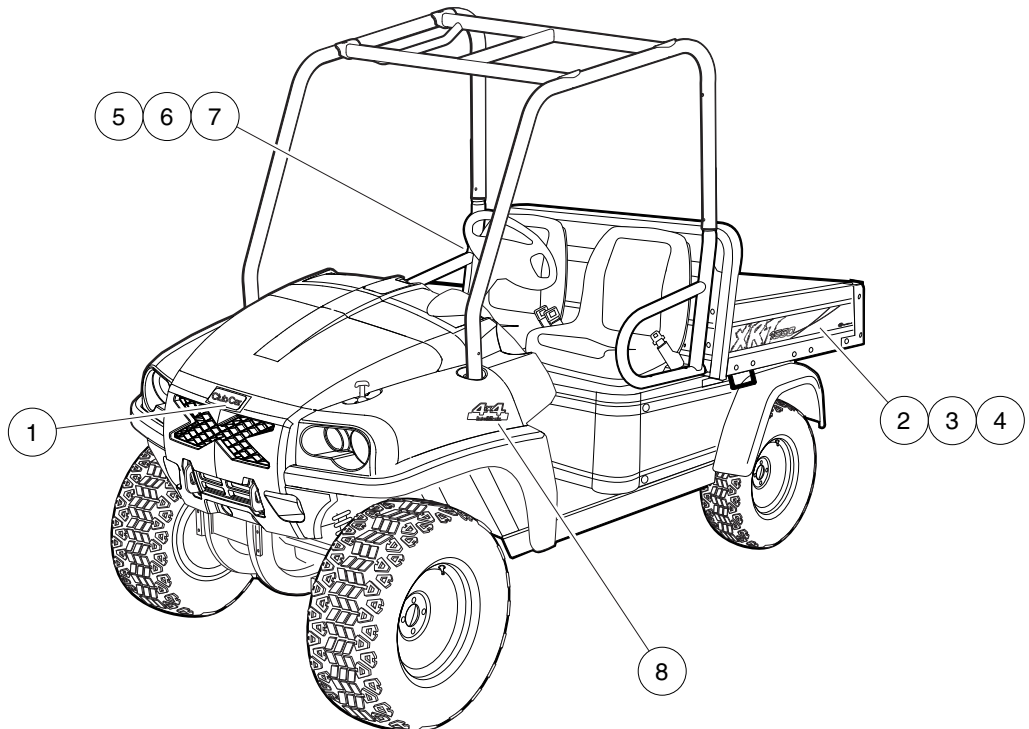
G

D

3

G

D



000531-006

BADGING DECALS – XRT 1550 VEHICLES

ITEM	PART NO.	DESCRIPTION	QTY
		1 2 3 4	
1	<u>102883601</u>	Decal, Nameplate, CCI, Front	1
2	<u>103233410</u>	Decal, Bed, XRT 1550, Dk Grn, Ds	1
3	<u>103233415</u>	Decal, Bed, XRT 1550, Red, Ds	1
4	<u>103233417</u>	Decal, Bed, Xrt1550, Ntrl, Ds	1
5	<u>103233510</u>	Decal, Bed, XRT 1550, Dk Grn, Ps	1
6	<u>103233515</u>	Decal, Bed, XRT 1550, Red, Ps	1
7	<u>103233517</u>	Decal, Bed, XRT 1550, Ntrl, Ps	1
8	<u>103234201</u>	Decal, Badge, 4x4	2

3

G

D

3

G

D

OPERATING INSTRUCTIONS

- Read owner's manual and vehicle safety warnings. Study and understand controls.

TO START ENGINE

- Place shift lever in NEUTRAL (N) and press brake pedal.
- Turn key to START and hold until engine starts.

Diesel Vehicles Only:

- If required, turn key to PREHEAT and hold for 10-15 seconds.

TO OPERATE VEHICLE

- Ensure wheels are turned in desired direction and path is clear.
- With vehicle stopped and engine at idle, select vehicle direction.

↑ Forward N Neutral ↓ Reverse (Buzzer will sound)

- Release park brake and slowly press accelerator pedal to increase speed.
- All-wheel drive will automatically drive appropriate wheel(s).

TO STOP VEHICLE

- Release accelerator pedal and push brake pedal.

BEFORE LEAVING VEHICLE

- Turn key to OFF and remove key.
- Place shift lever in NEUTRAL (N).
- Firmly set park brake.

CCI 102284301

WARNING

ROLLOVER OR FALLING OFF MAY CAUSE DEATH

- Read owner's manual and operating instructions.
- Fasten seat belts and remain seated while moving.
- Children requiring a child safety seat must not ride on vehicle. Comply with state and local laws pertaining to child safety.
- Do not start vehicle until all occupants are seated.
- Drive slowly in turns and straight up and down slopes.
- Two (2) persons per bench seat maximum.
- One (1) person per bucket seat maximum.
- Operate from driver side only and not on public roads.
- Keep entire body inside vehicle while moving.
- Do not operate while under the influence of alcohol or drugs.
- Never attempt jumps and avoid extreme braking in reverse.

CCI 102284401

WARNING

YOUNG DRIVERS INCREASE CHANCE OF DEATH

- Young drivers may not be able to control vehicle.
- No drivers younger than 16 years old.
- Do not leave children unattended on vehicle.

CCI 10249401

WARNING

- Do not modify or remove Roll-over Protective Structure (ROPS).
- Replace ROPS if damaged. Do not attempt repair.
- Use seat belts during operation. Do not jump from vehicle.
- Keep away from drop-offs, steep slopes, and unstable surfaces.

CCI 102961201

NOTICE

MAXIMUM TONGUE WEIGHT - 150 lbs.

CCI 1011553

WARNING

FALLING OFF COULD RESULT IN SEVERE INJURY OR DEATH

- Fasten seat belt and remain seated while moving.
- Keep entire body inside vehicle at all times.
- Two (2) persons per bench seat maximum.
- One (1) person per bucket seat maximum.
- Do not leave children unattended on vehicle at any time.
- Never stand in front of or behind vehicle.

CCI 10288201-01

WARNING

CRUSH AREA

STAY CLEAR

CCI 101609401

WARNING

Crush area. Can cause severe injury. Stay clear when closing bed.

CCI 103495901

WARNING

RIDING IN CARGO BED CAN CAUSE SEVERE INJURY OR DEATH.

- Do not ride in cargo bed.

VEHICLE LOADING

- Read owner's manual and warnings on dash.
- Maximum gross vehicle weight: 3350 lb. (1520 kg)
- Maximum cargo load: 800 lb. (363 kg)
- Includes cargo bed load and gross trailer weight.
- Maximum cargo load is reduced by the weight of optional equipment.
- Maximum trailer hitch tongue weight: 150 lb. force (667 N).

PREVENT VEHICLE ROLL-OVER.

- Place cargo forward in the cargo bed and distribute evenly side to side. Secure load.
- On uneven or steep terrain reduce speed and load. Avoid stopping on or backing down steep hills.
- Avoid top-heavy loads. See owner's manual.

CCI 103210501

000515-002

SAFETY DECALS – CA 295 SE AND XRT 1550 SE VEHICLES

ITEM	PART NO.	DESCRIPTION	QTY
		1 2 3 4	
1	<u>1011553</u>	Decal, Trailer Hitch	1
2	<u>101609401</u>	Decal, Crush Area Warning	1
3	<u>102459301</u>	Decal, Bed Crush Area Warning	1
4	<u>102459401</u>	Decal, Young Driver Warning	1
5	<u>102884301</u>	Decal, Operating Instr, AWD	1
6	<u>102884401</u>	Decal, Warning, Rollover	1
7	<u>102889201</u>	Decal, Warning, Passenger	1
8	<u>102961201</u>	Decal, Warning, AWD ROPS	1
9	<u>103210501</u>	Decal, Load, Vehicle, 3350 Lbs	1

3

G

D

3

G

D

WARNING

DIESEL FUEL EXPLOSION / FIRE.

- Can cause severe injury or death.
- No smoking, sparks, or open flame.
- Stop engine, allow to cool before refueling.

CCI 102459201

WARNING

GASOLINE EXPLOSION / FIRE.

- Can cause severe injury or death.
- No smoking, sparks, or open flame.
- Stop engine, allow to cool before refueling.
- Turn fuel valve (—) on during operation. (→) off during storage or transport.

CCI 10157701

WARNING

Rotating Parts

CCI 102234001

WARNING

CAN CAUSE SEVERE INJURY
Rotating parts. KEEP CLEAR.

CCI 102460201

WARNING

CAN CAUSE SEVERE INJURY
HOT manifold
KEEP CLEAR

CCI 102459001

WARNING

CAN CAUSE SEVERE BURNS
Hot Surface

CCI 102458901

WARNING

WINCH CABLE FRACTURE COULD RESULT IN SERIOUS INJURY OR DEATH.

- Do not use winch while persons are seated on the vehicle.
- Use remote operation switch for winch control.
- Stand to the side and away from the vehicle to operate winch.
- Read winch operator manual before operating winch.

102231801

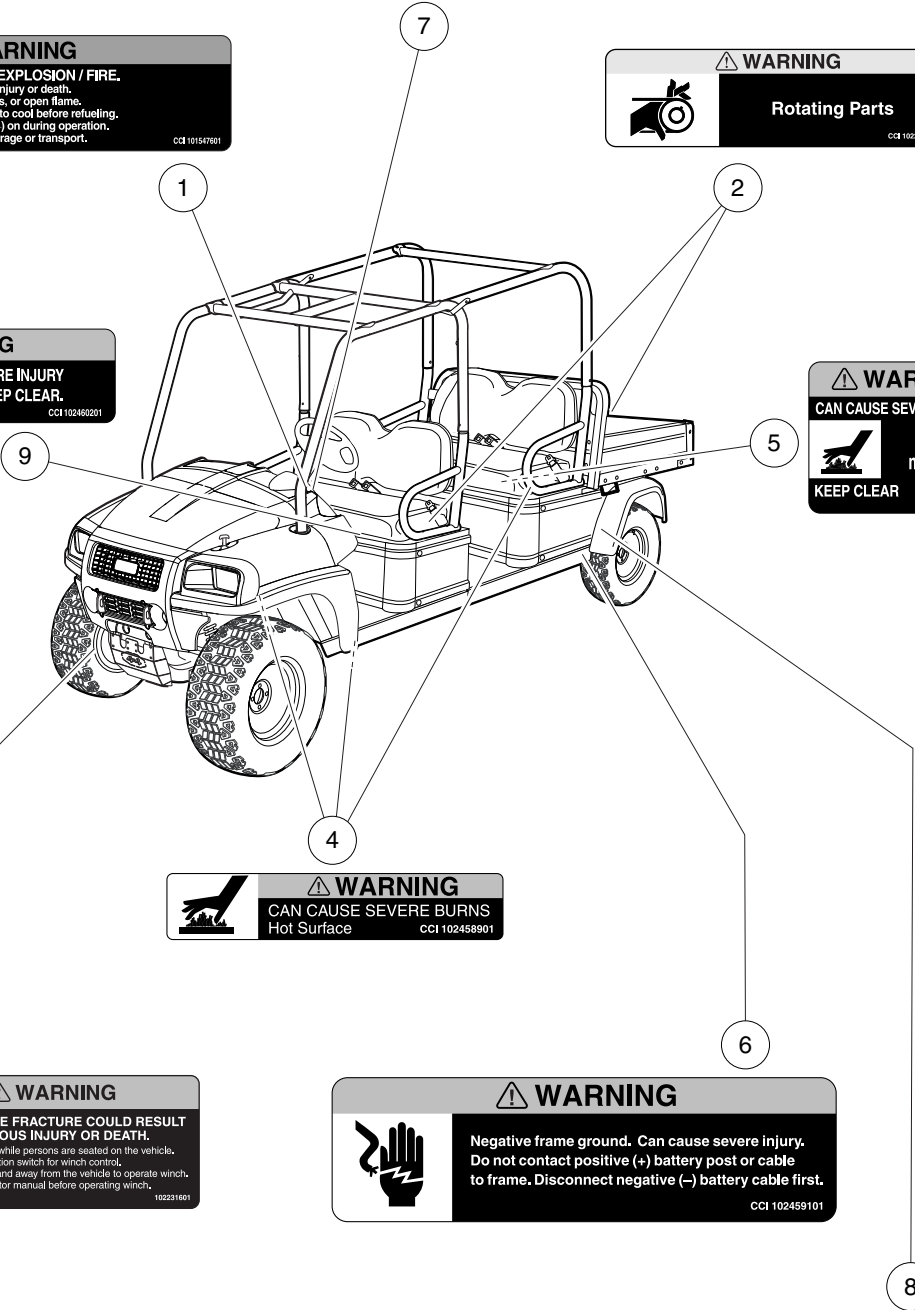
WARNING

Negative frame ground. Can cause severe injury. Do not contact positive (+) battery post or cable to frame. Disconnect negative (-) battery cable first.

CCI 102459101

<p>WARNING</p> <p>CAN CAUSE SEVERE INJURY Rotating parts, KEEP CLEAR.</p>	<p>WARNING</p> <p>CAN CAUSE SEVERE INJURY Hot manifold and muffler, KEEP CLEAR.</p> <p>CCI 102459501</p>
---	--

000516-001



SAFETY DECALS – CA 295 SE AND XRT 1550 SE VEHICLES, CONTINUED

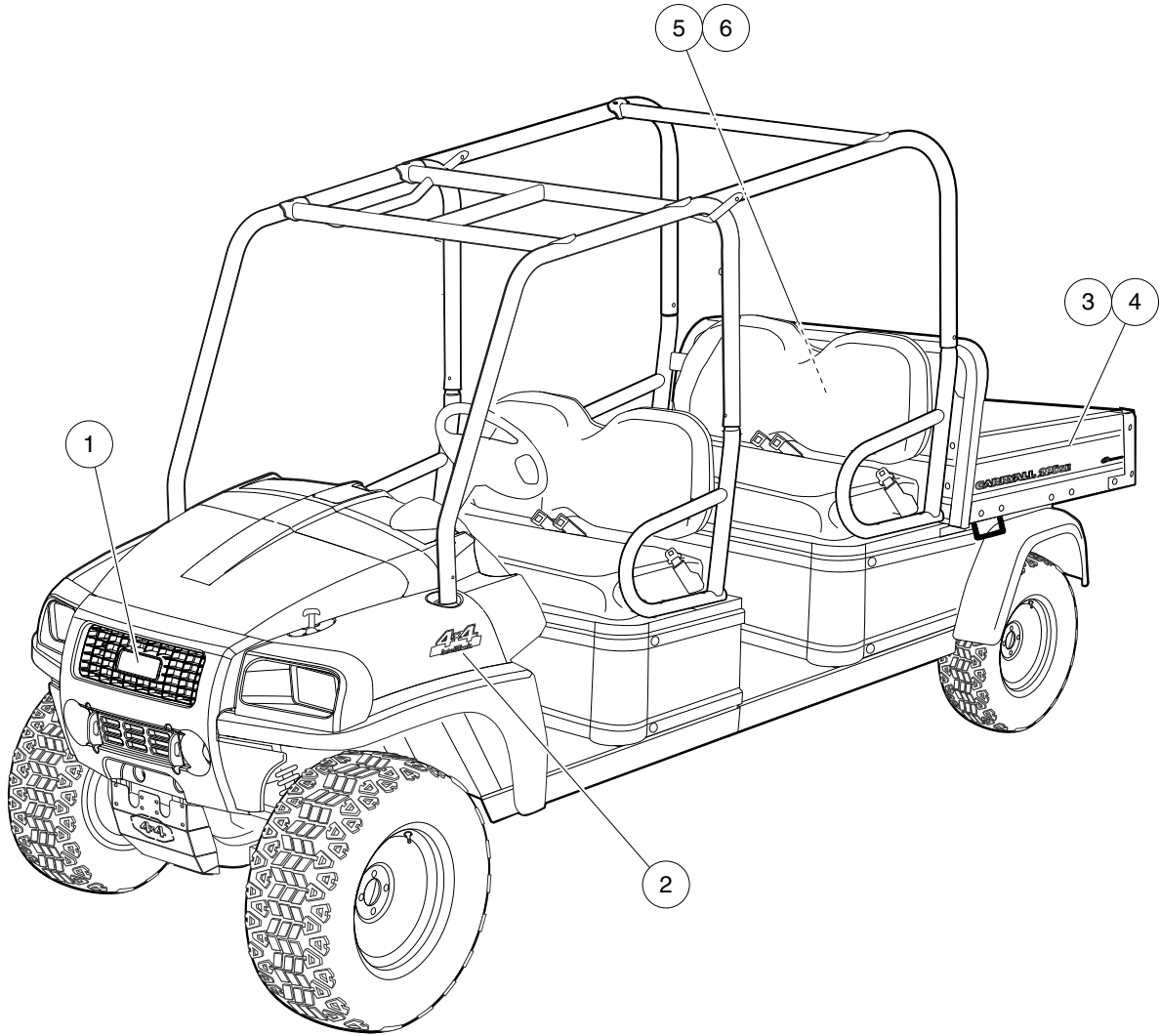
ITEM	PART NO.	DESCRIPTION	QTY
		1 2 3 4	
1	<u>101547601</u>	Decal, Gasoline Explosion/Fire Warning	1
2	<u>102224001</u>	Decal, Rotating Parts Warning	2
3	<u>102231601</u>	Decal, Winch Cable Fracture Warning	1
4	<u>102458901</u>	Decal, Hot Surface Warning	1
5	<u>102459001</u>	Decal, Hot Manifold Warning	1
6	<u>102459101</u>	Decal, Frame Ground Warning	1
7	<u>102459201</u>	Decal, Diesel Explosion/Fire Warning	1
8	<u>102459501</u>	Decal, Rotating Parts and Hot Exhaust Warning	1
9	<u>102460201</u>	Decal, Rotating Parts Warning	1

3
G
D

3

G

D



000547-003

BADGING DECALS – CA 295 SE VEHICLES

ITEM	PART NO.	DESCRIPTION	QTY
		1 2 3 4	
1	<u>102883601</u>	Decal, Nameplate, CCI, Front	1
2	<u>103234201</u>	Decal, Badge, 4x4	2
3	<u>103240814</u>	Decal, Ds, CA 295 SE, Dk Gray	1
4	<u>103240817</u>	Decal, Ds, CA 295 SE, Ntrl	1
5	<u>103240914</u>	Decal, Ps, CA 295 SE, Dk Gray	1
6	<u>103240917</u>	Decal, Ps, CA 295 SE, Ntrl	1

3

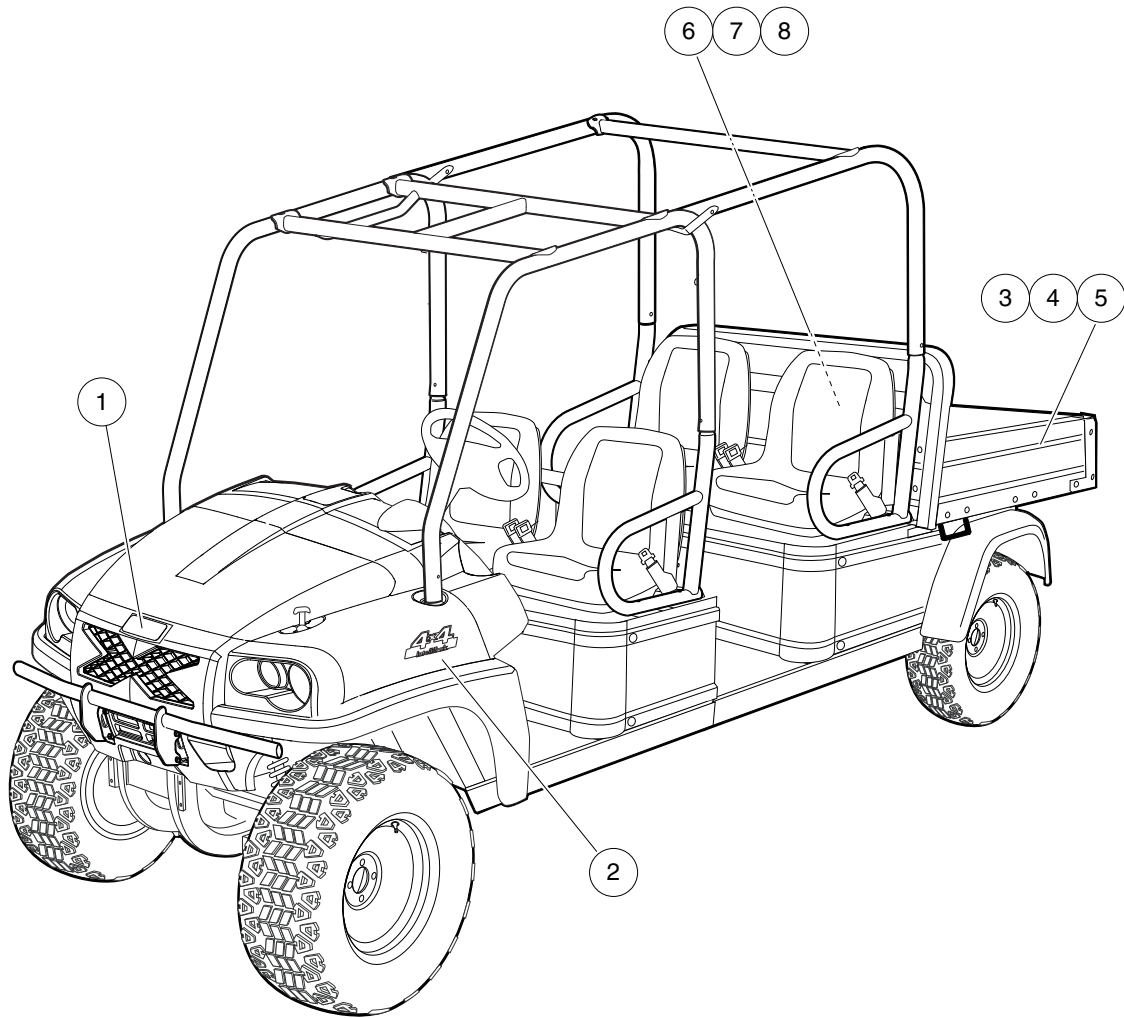
G

D

3

G

D



000547-004

BADGING DECALS – XRT 1550 SE VEHICLES

ITEM	PART NO.	DESCRIPTION	QTY
		1 2 3 4	
1	<u>102883601</u>	Decal, Nameplate, CCI, Front	1
2	<u>103234201</u>	Decal, Badge, 4x4	2
3	<u>103241010</u>	Decal, Ds, XRT 1550 SE, Dk Green	1
4	<u>103241015</u>	Decal, Ds, XRT 1550 SE, Red	1
5	<u>103241017</u>	Decal, Ds, XRT 1550 SE, Ntrl	1
6	<u>103241110</u>	Decal, PS, XRT 1550 SE, Dk Green	1
7	<u>103241115</u>	Decal, Ps, XRT 1550 SE, Red	1
8	<u>103241117</u>	Decal, Ps, XRT 1550 SE, Ntrl	1

3

G

D

3

G

D

UNDER 16

WARNING

YOUNG DRIVERS INCREASE CHANCE OF DEATH

- Young drivers may not be able to control vehicle.
- No drivers younger than 16 years old.
- Do not leave children unattended on vehicle.

WARNING

- Do not modify or remove Roll-over Protective Structure (ROPS).
- Replace ROPS if damaged. Do not attempt repair.
- Use seat belts during operation. Do not jump from vehicle.
- Keep away from drop-offs, steep slopes, and unstable surfaces.

CCI 102961201

WARNING

ROLLOVER OR FALLING OFF MAY CAUSE DEATH

- Read owner's manual and HANDBOOK.
- Fasten seat belts and remain seated while moving.
- Children requiring a child safety seat must not ride on vehicle.

Comply with state and local laws pertaining to child safety.

- Drive slowly in turns and straight up and down slopes.
- Do not start vehicle until all occupants are seated.
- One (1) person per bucket seat maximum.
- Operate from driver side only and not on public roads.
- Keep entire body inside vehicle while moving.
- Do not operate while under the influence of alcohol or drugs.
- Never attempt jumps and avoid extreme braking in reverse.

ATTACHMENT ARM CAN CAUSE SEVERE INJURY OR DEATH

- Keep bystanders away.
- Keep hands and body from under attachment.
- Always carry attachment as low as possible.
- Do not exceed attachment arm rated capacity.
- Do not modify the attachment arm or attachments.
- Before leaving vehicle, lower attachment arm until attachment is flat on the ground.

CCI 103188601

WARNING

Rotating Parts

CCI 10223001

WARNING

Crush area. Can cause severe injury. Stay clear when closing bed.

CCI 10346691

NOTICE

MAXIMUM TONGUE WEIGHT - 150 lbs.

CCI 1011553

WARNING

HIGH PRESSURE FLUIDS COULD CAUSE SERIOUS INJURY OR DEATH

- Read maintenance and service manual before performing repairs on hydraulic system.
- Do not attempt to repair hydraulic pump or lines while engine or pump is in operation.
- Relieve pressure before disconnecting hydraulic lines or fittings.

102950601

	<p>WARNING</p> <p>RIDING IN CARGO BED CAN CAUSE SEVERE INJURY OR DEATH.</p> <ul style="list-style-type: none"> • Do not ride in cargo bed. 	<p>VEHICLE LOADING</p> <ul style="list-style-type: none"> • Read owner's manual, HANDBOOK, and warnings on dash. • Maximum gross vehicle weight: 3200 lb. (1451 kg) • Maximum attachment arm load: 500 lb. (227 kg) • Includes attachment weight plus attachment load. • Maximum trailer hitch tongue weight: 150 lb. force (667 N). 	<ul style="list-style-type: none"> • Maximum payload: 800 lb. (363 kg) • Includes cargo bed load plus attachment arm load plus gross trailer weight. • Maximum payload is reduced by the weight of optional equipment. 	<p>PREVENT VEHICLE ROLL-OVER.</p> <ul style="list-style-type: none"> • Place cargo forward in the cargo bed and distribute evenly side to side. Secure load. • On uneven or steep terrain reduce speed and load. • Avoid stopping on or backing down steep hills. • Avoid top heavy loads. See owner's manual. <p>CCI 102330801</p>
	<p>CCI 103188601</p>			

FULLY ENGAGE LOCKING LEVER

LEVER

PINS MUST EXTEND THROUGH MOUNTING FRAME HOLES

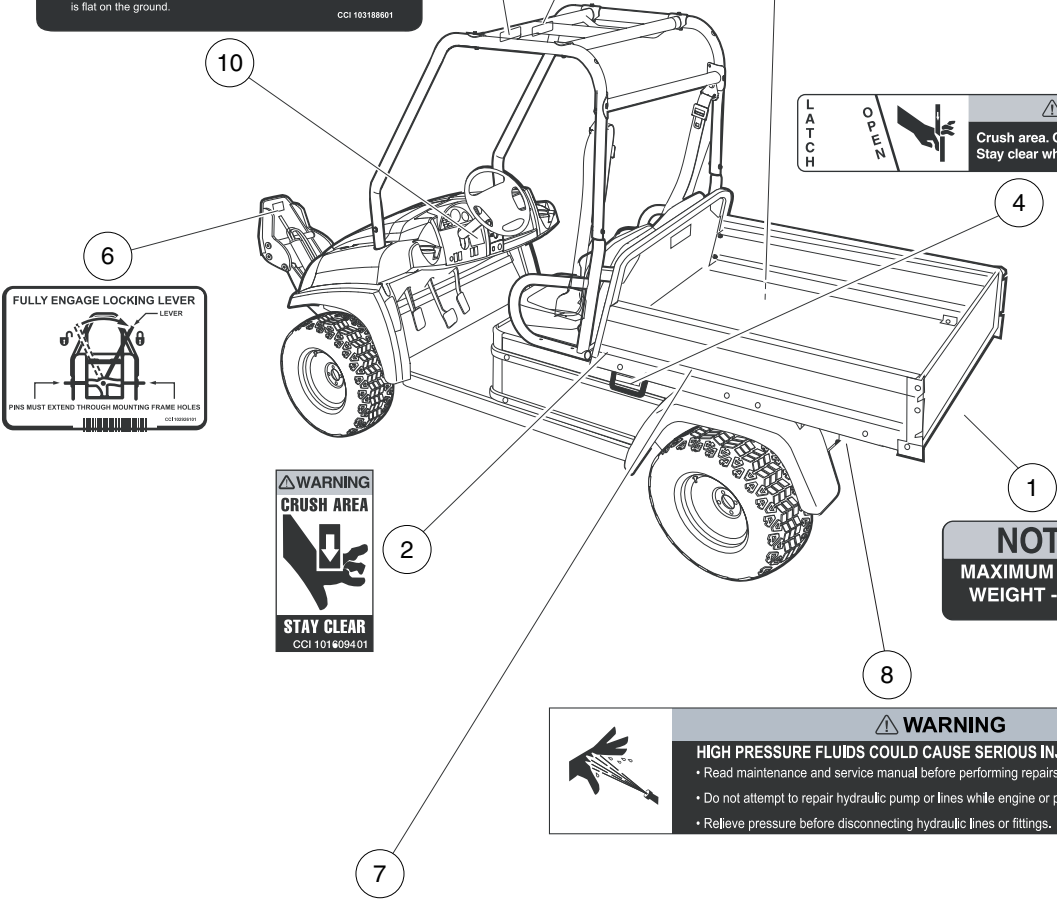
CCI 10308011

WARNING

CRUSH AREA

STAY CLEAR

CCI 101609401



000561-002

SAFETY DECALS – INTELLITACH

ITEM	PART NO.	DESCRIPTION	QTY
		1 2 3 4	
1	<u>1011553</u>	Decal, Trailer Hitch	1
2	<u>101609401</u>	Decal, Crush Area Warning	2
3	<u>102224001</u>	Decal, Rotating Parts Warning	1
4	<u>102459301</u>	Decal, Bed Crush Area Warning	1
5	<u>102459401</u>	Decal, Young Driver Warning	1
6	N/A	Decal, Attachment Locking	1
7	<u>102930801</u>	Decal, Loading, Intellitach	1
8	<u>102950601</u>	Decal, Hydra Pump	1
9	<u>102961201</u>	Decal, Warning, AWD ROPS	1
10	<u>103188601</u>	Decal, Warn, Rollover & Attach	1

3

G

D

3

G

D

WARNING

DIESEL FUEL EXPLOSION / FIRE.

- Can cause severe injury or death.
- No smoking, sparks, or open flame.
- Stop engine, allow to cool before refueling.

CCI 102459201

WARNING

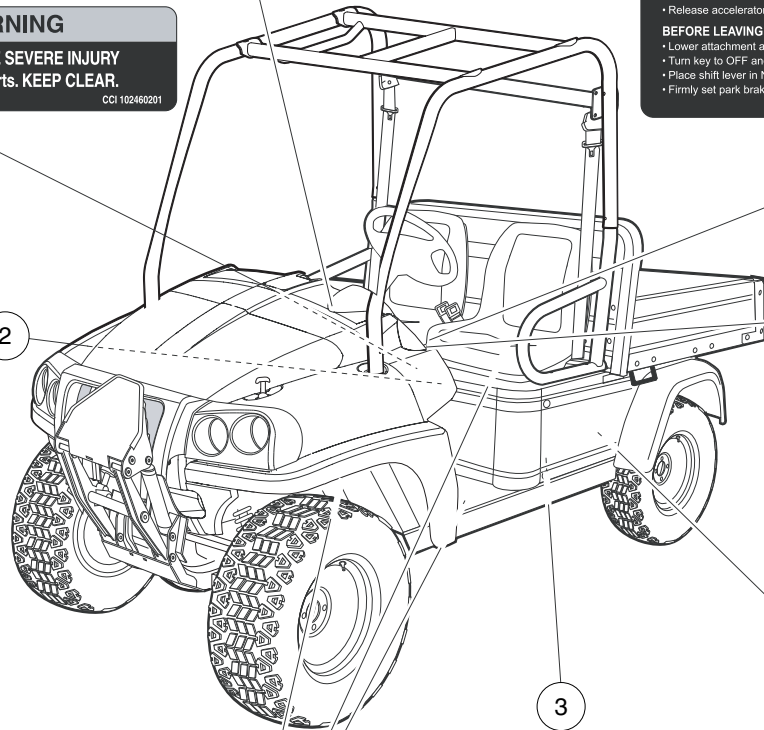
CAN CAUSE SEVERE INJURY
Rotating parts. KEEP CLEAR.

CCI 102460201

WARNING

CAN CAUSE SEVERE INJURY
HOT manifold
KEEP CLEAR

CCI 102459001



OPERATING INSTRUCTIONS

- Read owner's manual, HANDBOOK, and vehicle safety warnings. Study and understand controls.

TO START ENGINE

- Place shift lever in NEUTRAL (N) and press brake pedal.
- If required, turn key to PREHEAT and hold for 10-15 seconds.
- Turn key to START and hold until engine starts.

TO OPERATE VEHICLE

- Ensure wheels are turned in desired direction and path is clear.
- Raise attachment to provide adequate ground clearance.
- With vehicle stopped and engine at idle, select vehicle direction.

↑ - Forward N - Neutral ↓ - Reverse (Buzzer will sound)

- Release park brake and slowly press accelerator pedal to increase speed.
- All-wheel drive will automatically drive appropriate wheel(s).

TO STOP VEHICLE

- Release accelerator pedal and push brake pedal.

BEFORE LEAVING VEHICLE

- Lower attachment arm until attachment is flat on the ground.
- Turn key to OFF and remove key.
- Place shift lever in NEUTRAL (N).
- Firmly set park brake.

CCI 103188701

7

8

JOYSTICK
ON OFF

WARNING

Negative frame ground. Can cause severe injury. Do not contact positive (+) battery post or cable to frame. Disconnect negative (-) battery cable first.

CCI 102459101

WARNING

CAN CAUSE SEVERE BURNS
Hot Surface

CCI 102458901

WARNING

CAN CAUSE SEVERE INJURY
Rotating parts. KEEP CLEAR.

WARNING

CAN CAUSE SEVERE INJURY
Hot manifold and muffler. KEEP CLEAR.

CCI 102459501

000561-001

SAFETY DECALS – INTELLITACH, CONTINUED

ITEM	PART NO.	DESCRIPTION	QTY
		1 2 3 4	
1	<u>102458901</u>	Decal, Hot Surface Warning	3
2	<u>102459001</u>	Decal, Hot Manifold Warning	1
3	<u>102459101</u>	Decal, Frame Ground Warning	1
4	<u>102459201</u>	Decal, Diesel Explosion/Fire Warning	1
5	<u>102459501</u>	Decal, Rotating Parts and Hot Exhaust Warning	1
6	<u>102460201</u>	Decal, Rotating Parts Warning	1
7	<u>103188701</u>	Decal, Operator Instructions, Intellitach	1
8	<u>103319901</u>	Decal, Joystick, On Off	1

3

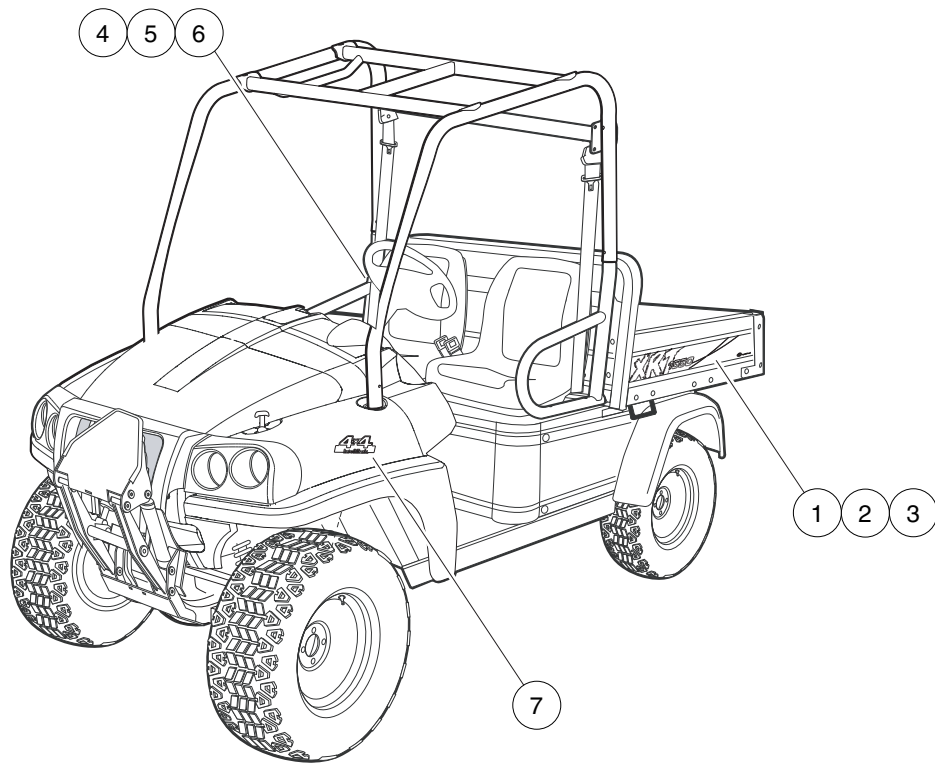
G

D

3

G

D



000562-005

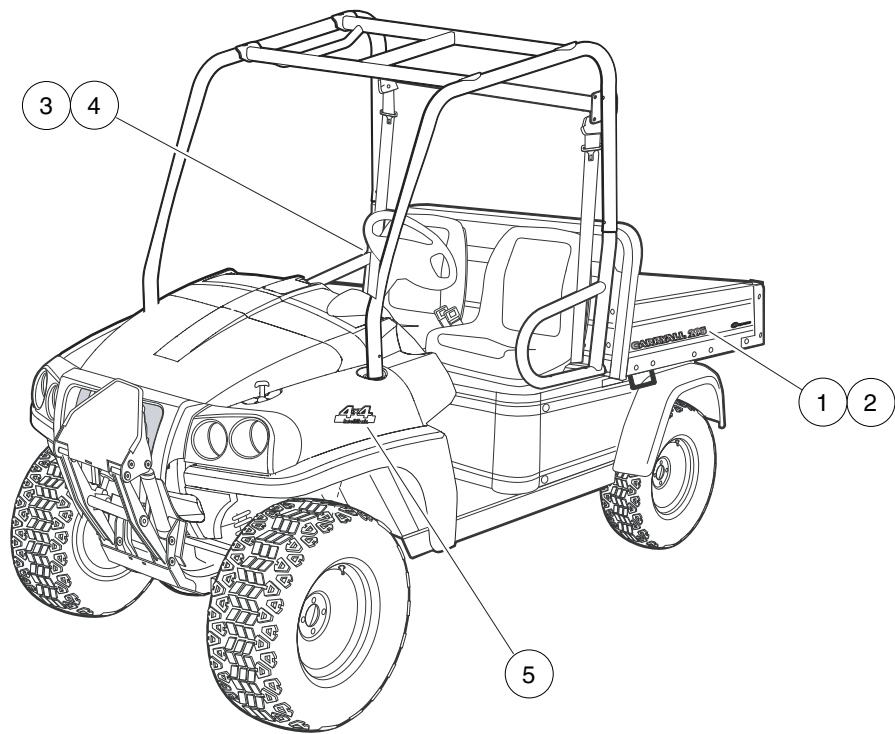
BADGING DECALS – XRT 1550 INTELLITACH

ITEM	PART NO.	DESCRIPTION	QTY	
		1 2 3 4		3
1	<u>103233410</u>	Decal, Bed, XRT 1550, Dk Grn, Ds	1	G
2	<u>103233415</u>	Decal, Bed, XRT 1550, Red, Ds	1	
3	<u>103233417</u>	Decal, Bed, Xrt1550, Ntrl, Ds	1	
4	<u>103233510</u>	Decal, Bed, XRT 1550, Dk Grn, Ps	1	D
5	<u>103233515</u>	Decal, Bed, XRT 1550, Red, Ps	1	
6	<u>103233517</u>	Decal, Bed, XRT 1550, Ntrl, Ps	1	
7	<u>103234201</u>	Decal, Badge, 4x4	2	

3

G

D



000562-004

BADGING DECALS – CA 295 INTELLITACH

ITEM	PART NO.	DESCRIPTION	QTY
		1 2 3 4	
1	<u>103233614</u>	Decal, Badge, CA 295, Driver-Side, Dk Gray	1
2	<u>103233617</u>	Decal, Badge, CA 295, Driver-Side, Ntrl	1
3	<u>103233714</u>	Decal, Badge, CA 295, Passenger-Side, Dk Gray	1
4	<u>103233717</u>	Decal, Badge, CA 295, Passenger-Side, Ntrl	1
5	<u>103234201</u>	Decal, Badge, 4x4	2

3

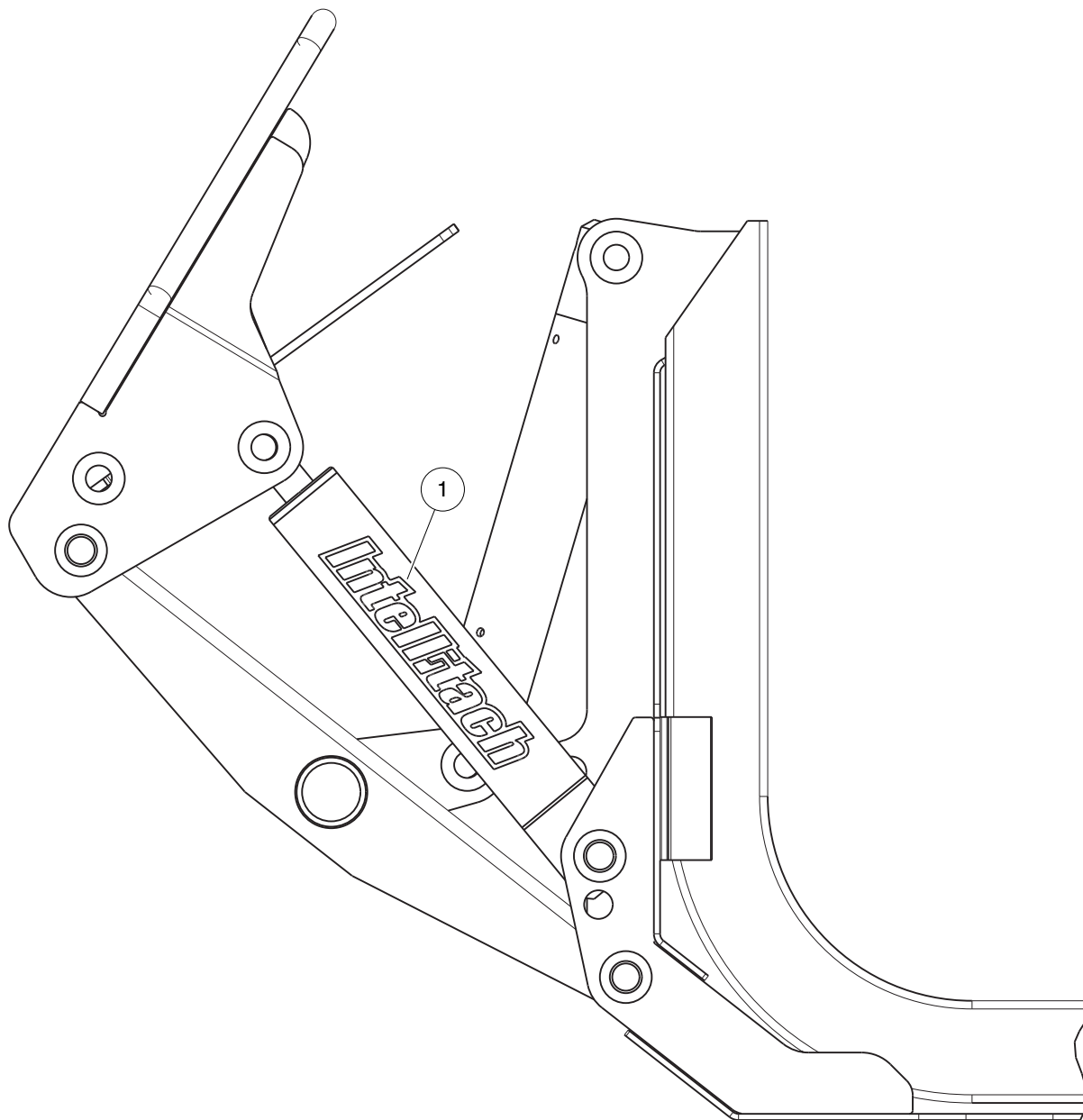
G

D

3

G

D



000562-006

BADGING DECALS – INTELLITACH

ITEM	PART NO.	DESCRIPTION	QTY
1	<u>102925601</u>	<div style="display: flex; justify-content: space-between; margin-bottom: 5px;"> 1 2 3 4 </div> Decal, Brand, IntelliTach	1

3

G

D

3

G

D

BRAKE SYSTEMS AND PEDALS

4

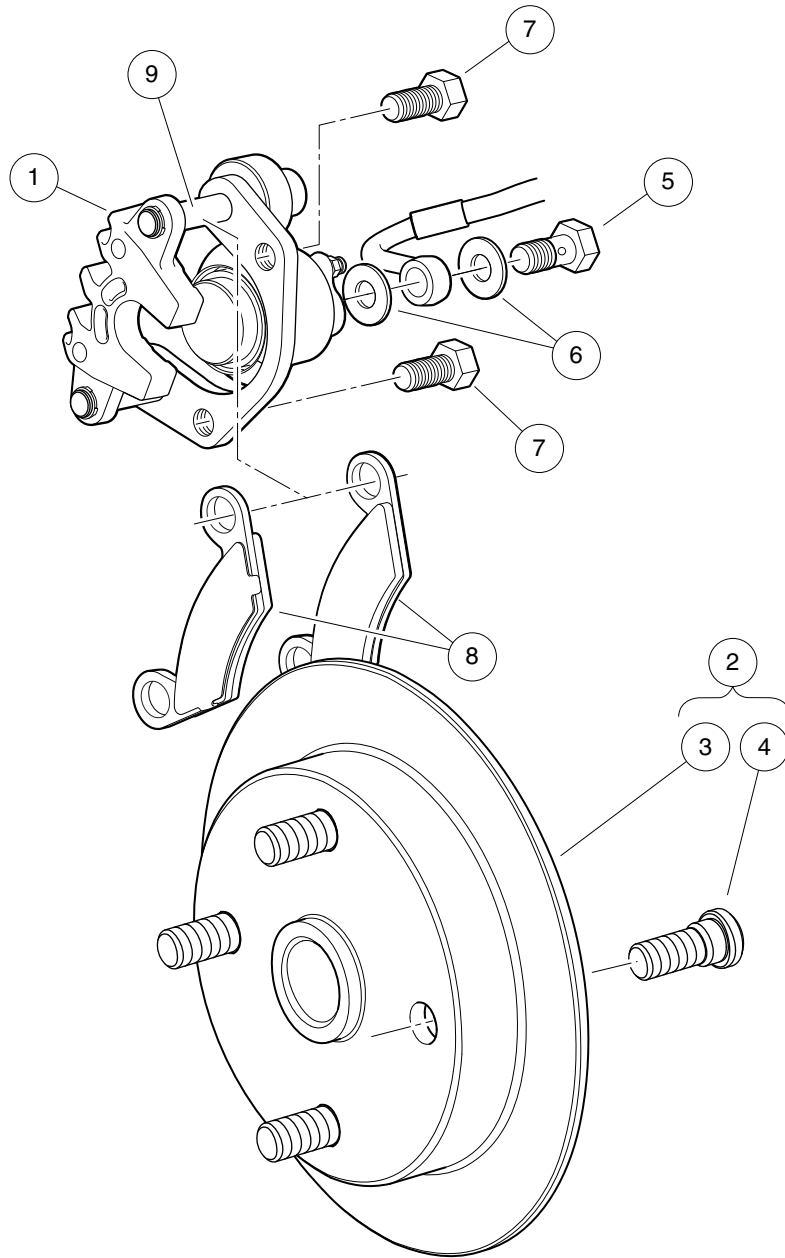
G

D

4

G

D



000067-004

FRONT BRAKES

ITEM	PART NO.	DESCRIPTION	QTY
		1 2 3 4	
1	<u>102367601</u>	Brake Caliper, Front, with Brake Pads	2
2	<u>102376603</u>	Assy, Rotor, Brake, Front, Wt (includes items 3 and 4)	2
3	N/A	Rotor, Brake, Front, Wt	1
4	<u>102475801</u>	Stud, Wheel Lug	4
5	<u>102488001</u>	Bolt, Banjo, M10x1x19	2
6	<u>102491601</u>	Washer, Copper, M10 Crush	2
7	<u>102493301</u>	Bolt, Flange Head, 3/8-24x.750 with Loctite	4
8	<u>102714001</u>	Brake Pad Set, Rear (Four Pads)	1
9	<u>103418801</u>	Pin, Slide, 7/16	2

4

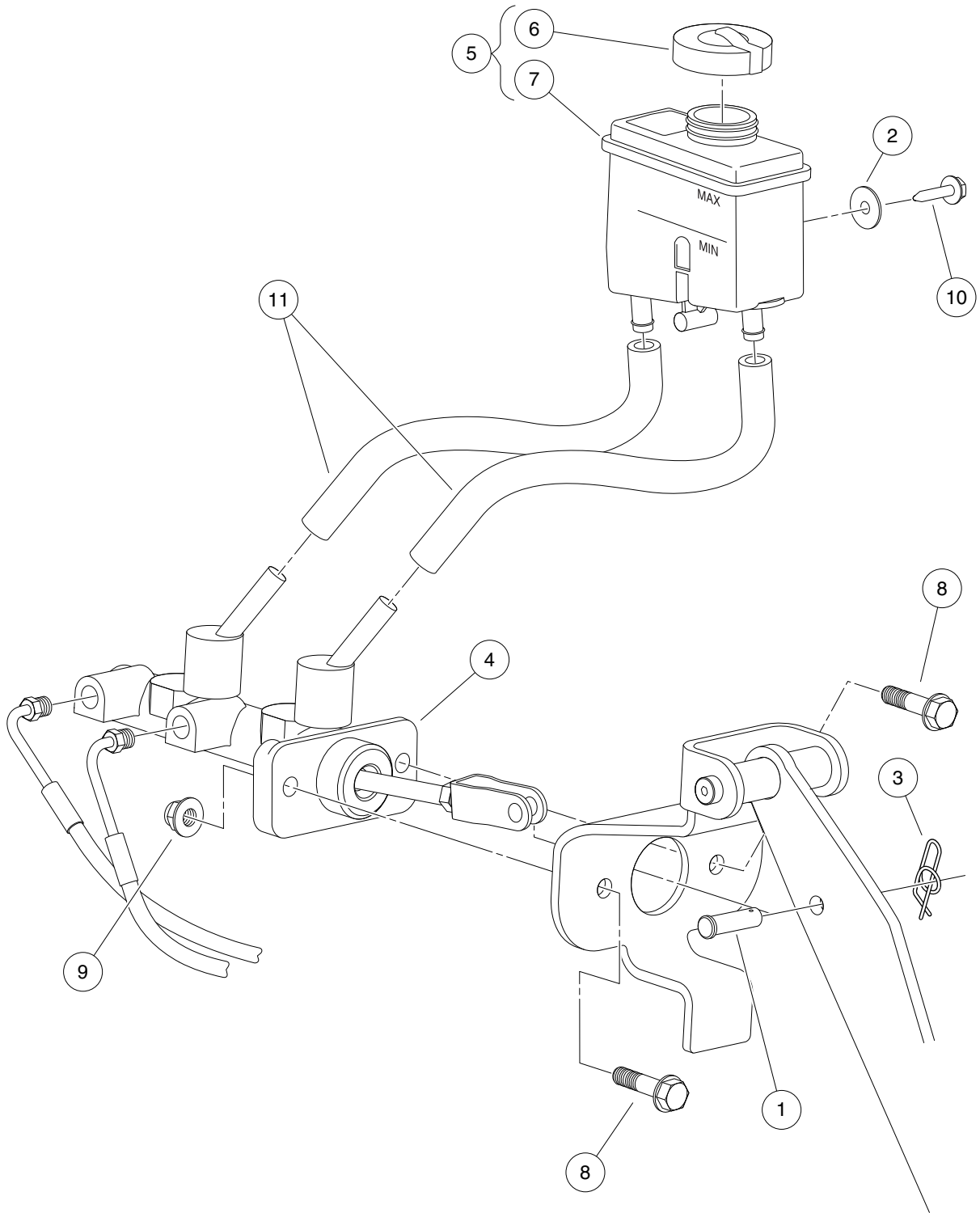
G

D

4

G

D



000069-002

MASTER CYLINDER WITH REMOTE RESERVOIR

ITEM	PART NO.	DESCRIPTION	QTY
		1 2 3 4	
1	<u>101082903</u>	Pin, Clevis, 5/16 X 1	1
2	<u>1014306</u>	Washer, 1/4" Type B Flat	1
3	<u>102176901</u>	Pin, Rue	1
4	<u>102402801</u>	Cylinder, Master, Tandem	1
5	<u>102402901</u>	Assembly, Reservoir, Remote (includes items 6 and 7)	1
6	<u>102051401</u>	Filler Cap Asm	1
7	N/A	Reservoir, Brake Fluid, Without Cap	1
8	<u>102618401</u>	Bolt Flanged Head, M8 X 1.25 X 35	2
9	<u>102618601</u>	Lock Nut, Flange, M8 X 1.25 Nylon	2
10	<u>103218213</u>	Screw, #10x3.50 Ab Thd, Hex Hd	1
11	<u>103293201</u>	Hose, Reservoir, Brake Fluid	2

4

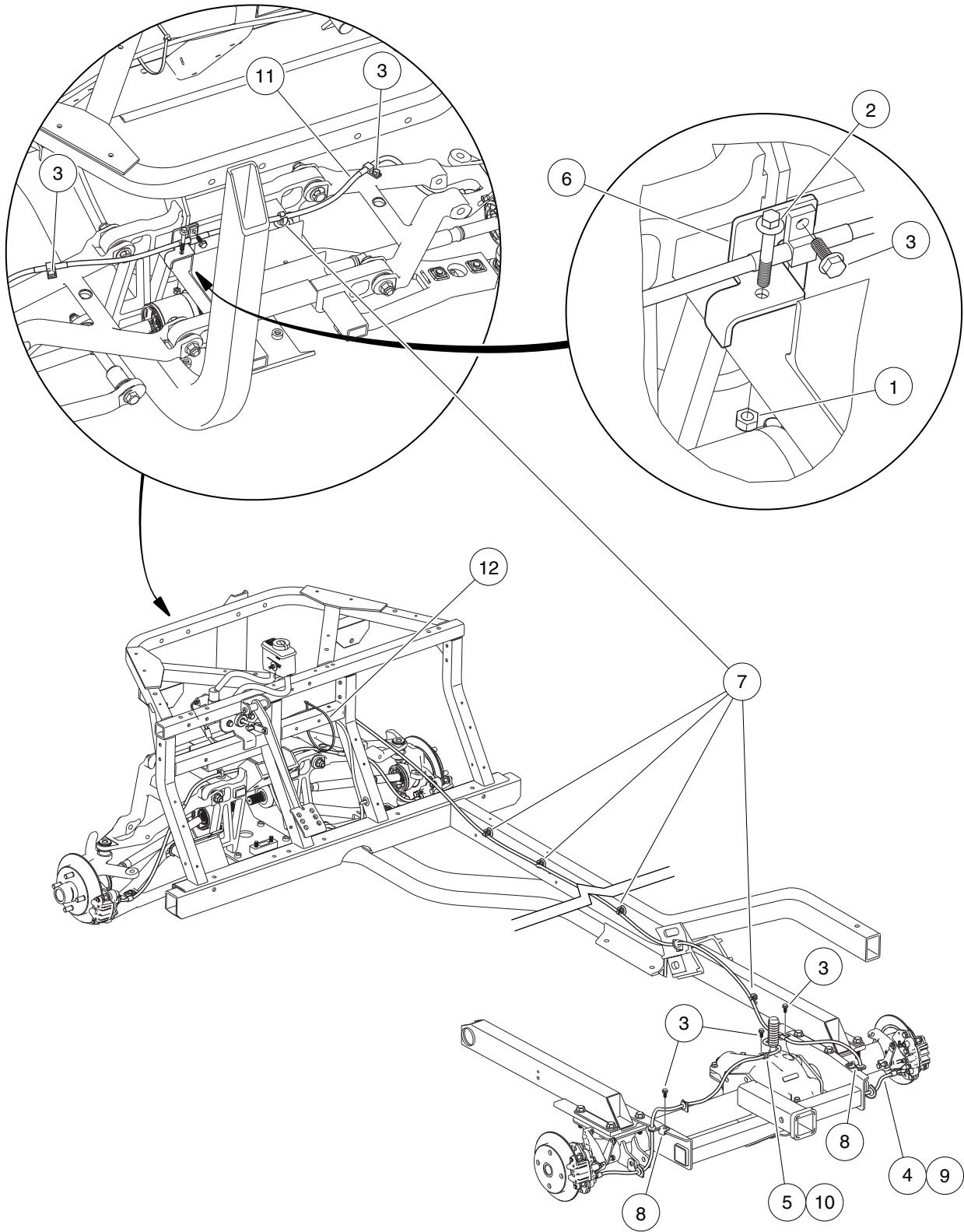
G

D

4

G

D



000015-006

HYDRAULIC BRAKE LINES AND CLIPS

ITEM	PART NO.	DESCRIPTION	QTY
		1 2 3 4	
1	<u>101887601</u>	Locknut, M6-1.00 Nylon Insert	1
2	<u>102296140</u>	Bolt, Flanged Head, M6x1.0x40	1
3	<u>102296716</u>	Screw, M6 X 16 Tt Hx Fl Hd	8
4	<u>102407801</u>	Brake Line, Rear, 295/1550 (includes item 5)	1
5	<u>102410603</u>	P-Clamp, Insulated .312 In	1
6	<u>102474301</u>	Bracket, Tee, Brakeline	1
7	<u>102475701</u>	Clip, Brake Line	8
8	<u>102689001</u>	Bracket, Line, Hydraulic	2
9	<u>102767001</u>	Brake Line, Rear, Long, 295 SE/1550 SE (includes item 10)	1
10	<u>102410603</u>	P-Clamp, Insulated .312 In	1
11	<u>103174301</u>	Brake Line, Front, 295/295 SE/1550/1550 SE	1
12	<u>8639</u>	Tie Wrap, 11" Nylon	1

4

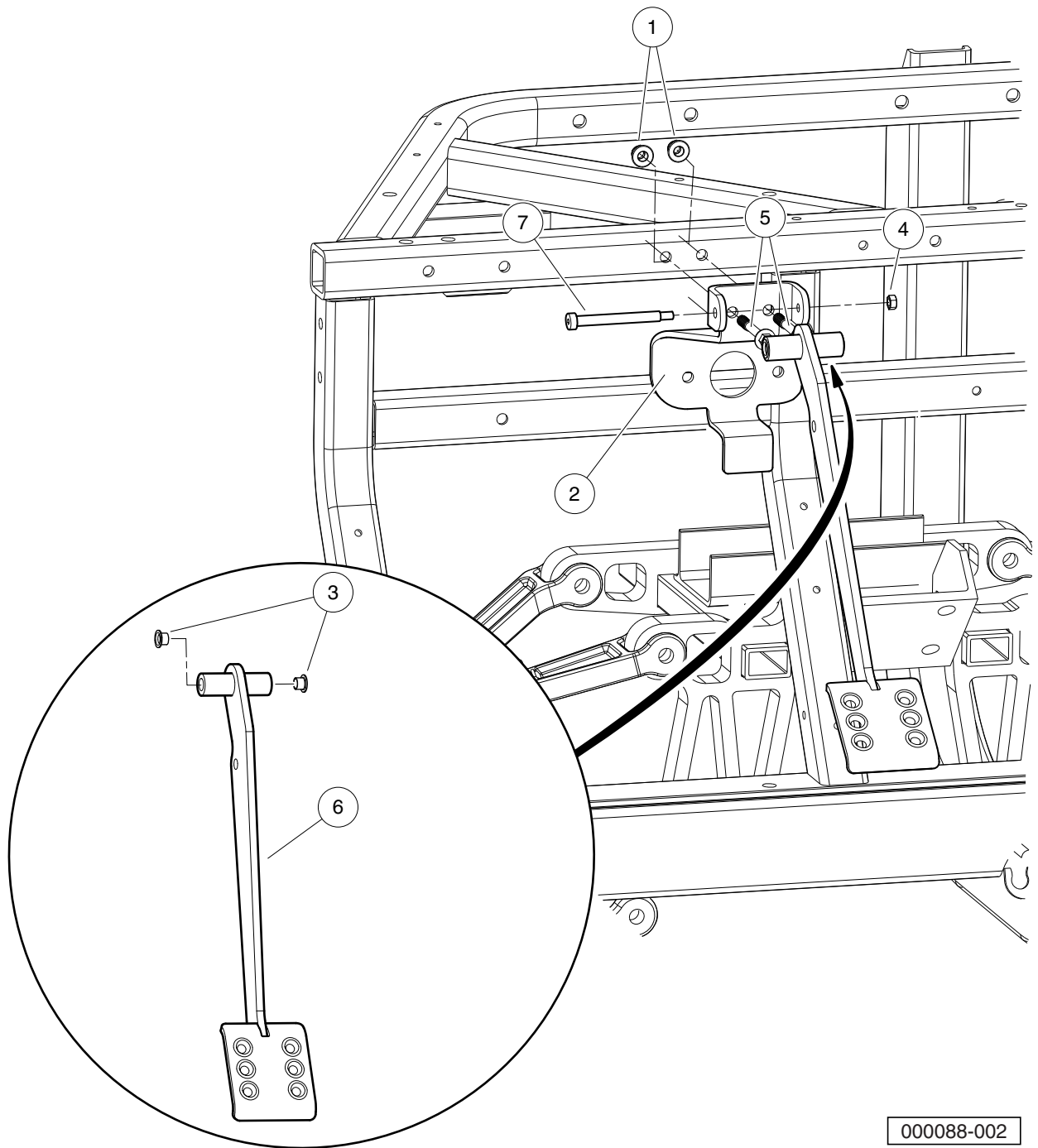
G

D

4

G

D



000088-002

BRAKE PEDAL

ITEM	PART NO.	DESCRIPTION	QTY
		1 2 3 4	
1	<u>102298401</u>	Nut,m8,all Metal Lock	2
2	<u>102380601</u>	Bracket, Pedal, Brake	1
3	<u>102442901</u>	Bushing, Greaseless	2
4	<u>102618101</u>	Nut, M6x1, Mechanically Deformed	1
5	<u>102618301</u>	Bolt, Flanged Head, M8 X 1.25 X 65	2
6	<u>102626201</u>	Weldment, Pedal, Brake, Hung	1
7	<u>103273101</u>	Bolt, Shoulder, M8 X 70, Hc	1

4

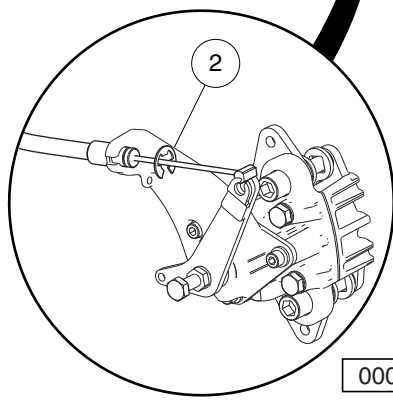
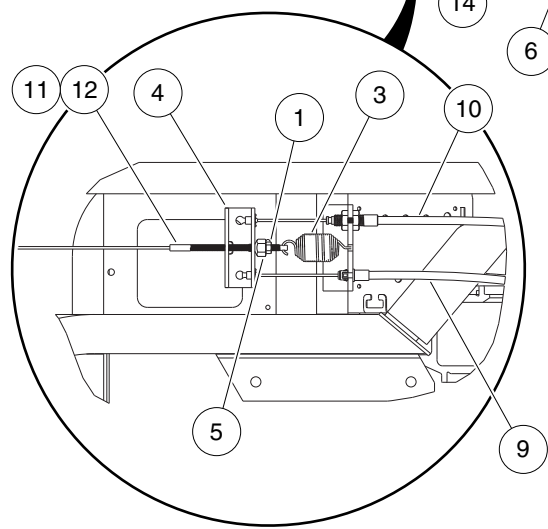
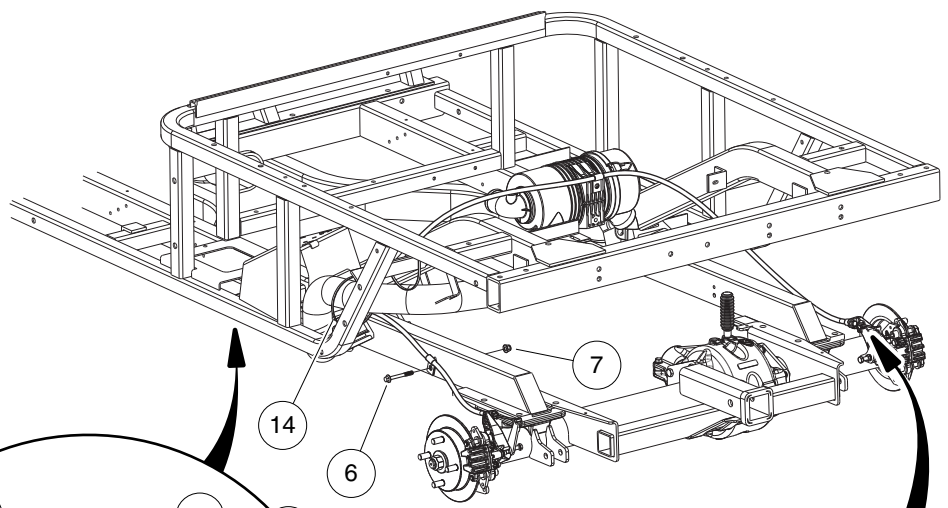
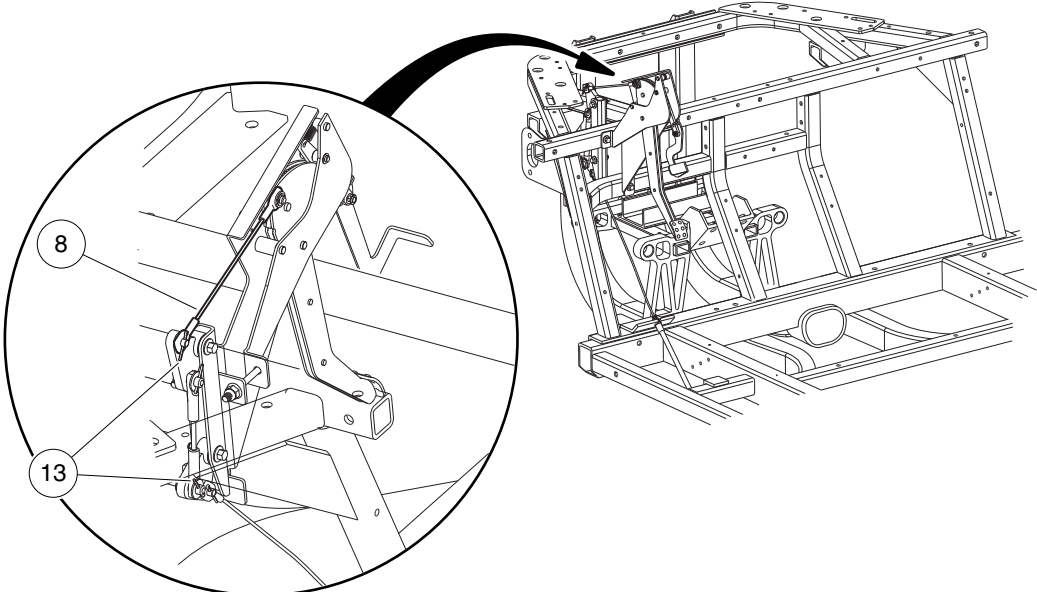
G

D

4

G

D



000533-005

PARK BRAKE SYSTEM

ITEM	PART NO.	DESCRIPTION	QTY
		1 2 3 4	
1	<u>1010521</u>	Nut, 5/16-24 Hex	1
2	<u>1011779</u>	E-Clip, 1/2	2
3	<u>1013531</u>	Spring, Brake Return	1
4	<u>101990802</u>	Equalizer Bracket	1
5	<u>102052801</u>	Nut, 5/16-24 Hex Cone	1
6	<u>102618301</u>	Bolt, Flanged Head, M8 X 1.25 X 65	1
7	<u>102618601</u>	Lock Nut, Flange, M8 X 1.25 Nylon	1
8	<u>102712601</u>	Cable, Crank, Bell, Front	1
9	<u>102763301</u>	Cable, Noncoated, Pbrake, Left	1
10	<u>102763401</u>	Cable, Noncoated, Pbrake, Right	1
11	<u>103189001</u>	Cable, Crank, Bell, Main, 295/1550	1
12	<u>103218501</u>	Cable, Crank, Bell, Main, Long, 295 SE/1550 SE	1
13	<u>1035</u>	Cotter Pin, 3/32 x 1	2
14	<u>8639</u>	Tie Wrap, 11" Nylon	2

4

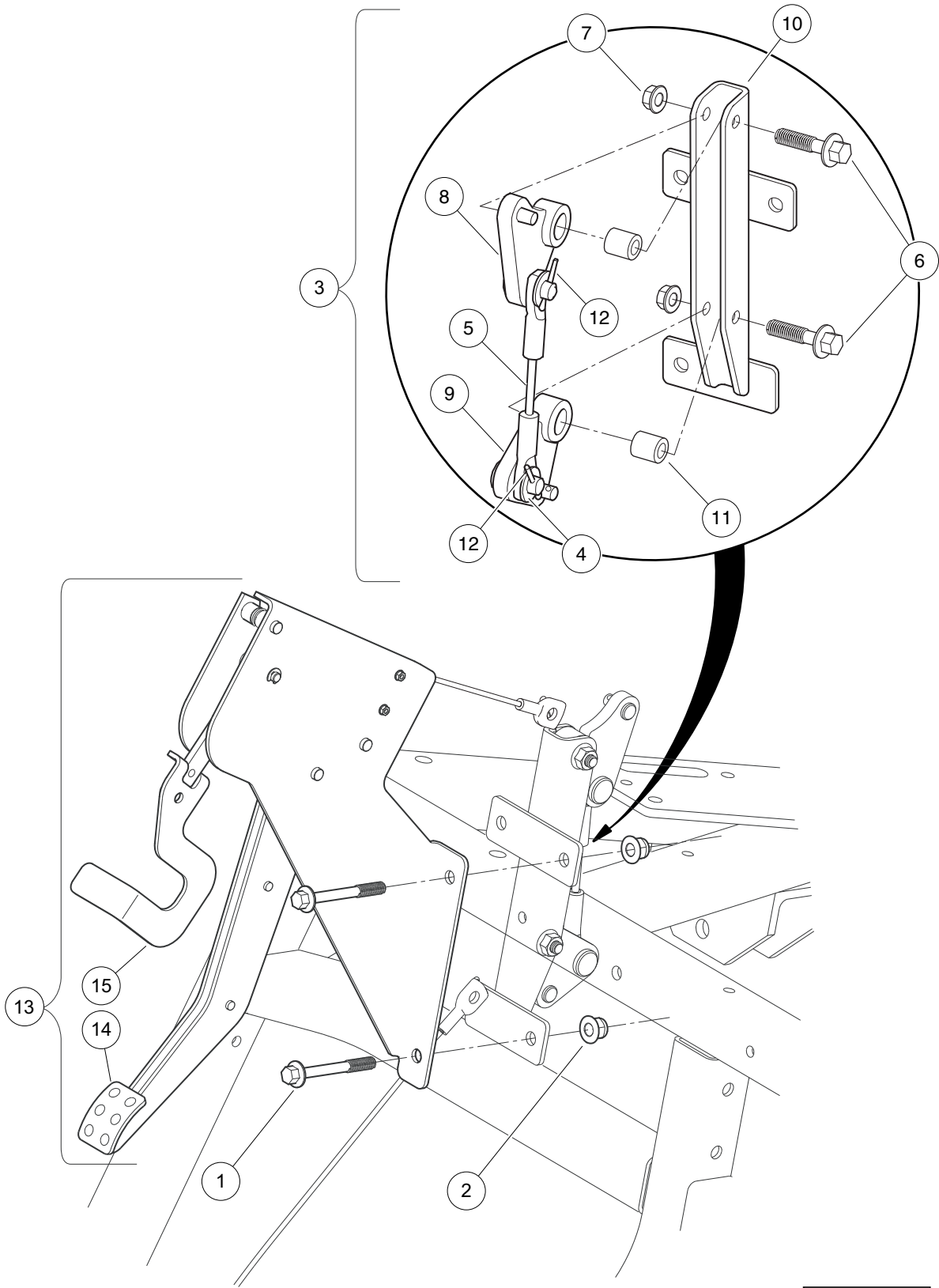
G

D

4

G

D



000086-004

PARK BRAKE PEDAL ASSEMBLY

ITEM	PART NO.	DESCRIPTION	QTY
		1 2 3 4	
1	<u>102618301</u>	Bolt, Flanged Head, M8 X 1.25 X 65	3
2	<u>102618601</u>	Lock Nut, Flange, M8 X 1.25 Nylon	3
3	<u>102751501</u>	Asm, Sub, Bracket, Park Brake (includes items 4 through 12)	1
4	<u>102323501</u>	Washer, Flat, 3/8, Blk Fin	2
5	<u>102716001</u>	Cable, Crank, Bell	1
6	<u>102741501</u>	Bolt Flg, M8x1.25 X 35, Gr10.9	2
7	<u>102741601</u>	Nut Flg M8 X 1.25 Gr 10	2
8	<u>102751301</u>	Asm, Bellcrank, Upper	1
9	N/A	Asm, Bellcrank, Lower	1
10	<u>103305001</u>	Bracket, Bellcrank, Park Brake, Awd	1
11	<u>103305101</u>	Spacer, Pivot, Park Brake, Awd	2
12	<u>1035</u>	Cotter Pin, 3/32 x 1	2
13	<u>102892401</u>	Asm, Pedal, Brake, Hard (includes items 14 and 15)	1
14	N/A	Pedal, Brake, Park	1
15	<u>102896601</u>	Handle, Release, Park Brake	1
<p style="text-align: center;">Note: Newer part number shown for item 10, Park Brake Bellcrank Bracket and item 11, Park Brake Pivot Spacer. 102740801, bracket, and 102741401, spacer, were used in early-2007 model year vehicles but were discontinued.</p>			

4

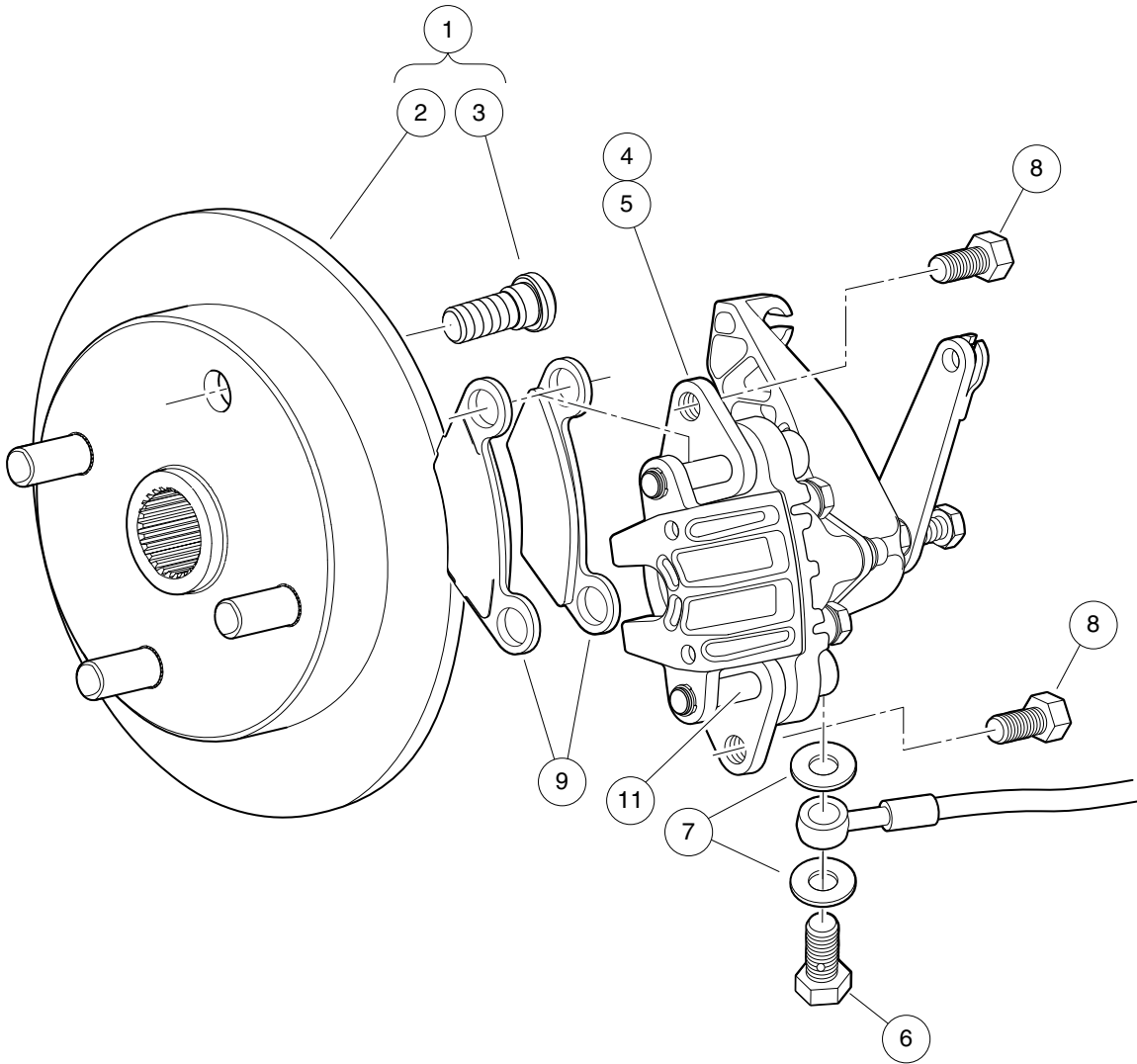
G

D

4

G

D



000068-004

REAR BRAKES

ITEM	PART NO.	DESCRIPTION	QTY
		1 2 3 4	
1	<u>102376602</u>	Assy, Rotor, Brake, Rear (includes items 2 and 3)	2
2	N/A	Rotor, Brake, Rear	1
3	<u>102475801</u>	Stud, Wheel Lug	4
4	<u>102399201</u>	Caliper, Brake, Hydro-Mechanical, LH	1
5	<u>102399202</u>	Caliper, Brake, Hydro-Mechanical, RH	1
6	<u>102488001</u>	Bolt, Banjo, M10x1x19	2
7	<u>102491601</u>	Washer, Copper, M10 Crush	4
8	<u>102493301</u>	Bolt, Flange Head, 3/8-24x.750 with Loctite	4
9	<u>102714001</u>	Brake Pad Set, Rear (Four Pads)	1
10	<u>103418701</u>	Spring, Brake Caliper, Return*	2
11	<u>103418801</u>	Pin, Slide, 7/16	4
		Note: Item 10, brake caliper return spring, not shown.	

4
G
D

4

G

D

STEERING AND SUSPENSION

5

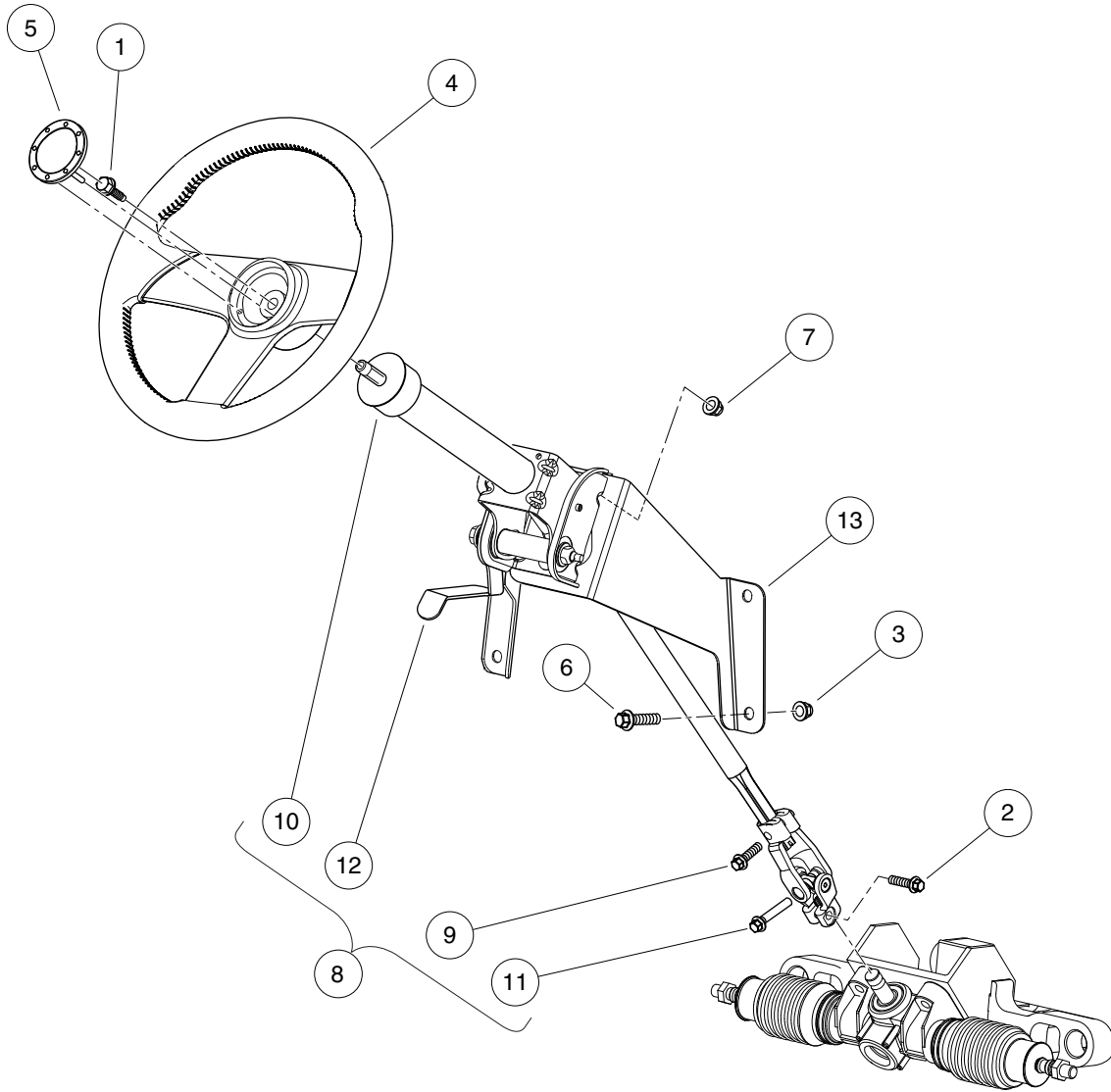
G

D

5

G

D



000070-004

STEERING COLUMN

ITEM	PART NO.	DESCRIPTION	QTY
		1 2 3 4	
1	102290120	Bolt, M10 X 20 Hex Washer Hd	1
2	<u>102298130</u>	Bolt, Flange Head, M8 X 30.0	1
3	<u>102298401</u>	Nut,m8,all Metal Lock	4
4	<u>102363802</u>	Steering Wheel, Viper, Hex Hub	1
5	<u>102367101</u>	Cap, Steering Wheel, Viper	1
6	<u>102618301</u>	Bolt, Flanged Head, M8 X 1.25 X 65	4
7	102618601	Lock Nut, Flange, M8 X 1.25 Nylon	3
8	<u>102989801</u>	Steering Column (includes items 9 through 12)	1
9	<u>102298130</u>	Bolt, Flange Head, M8 X 30.0	1
10	<u>102571301</u>	Shroud, Steering Column	1
11	<u>102616801</u>	Bolt, M4 X .7 X 60	1
12	<u>102977101</u>	Handle, Steering, Tilt	1
13	<u>103478801</u>	Bracket, Pedal And Column Mount	1

5

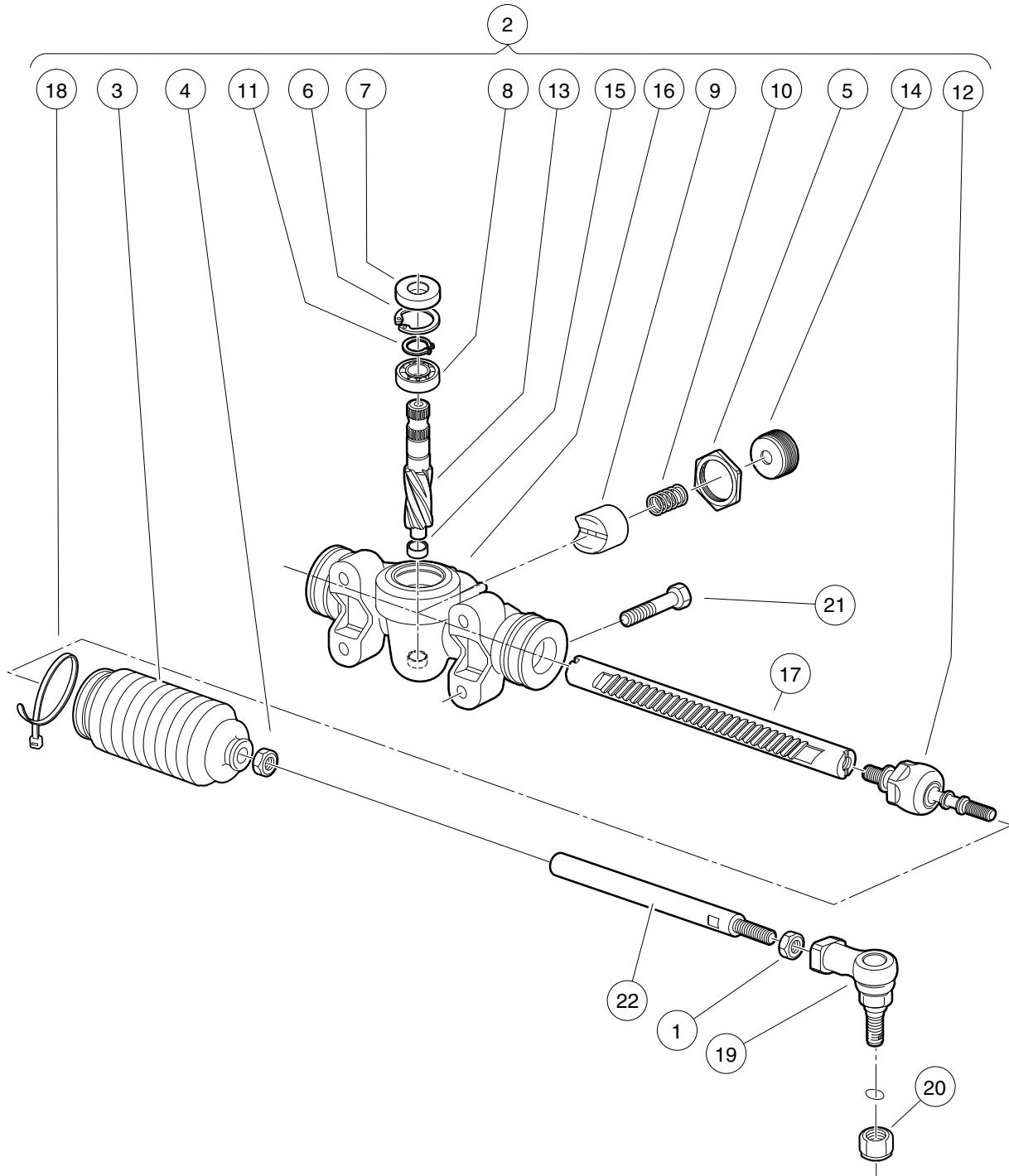
G

D

5

G

D



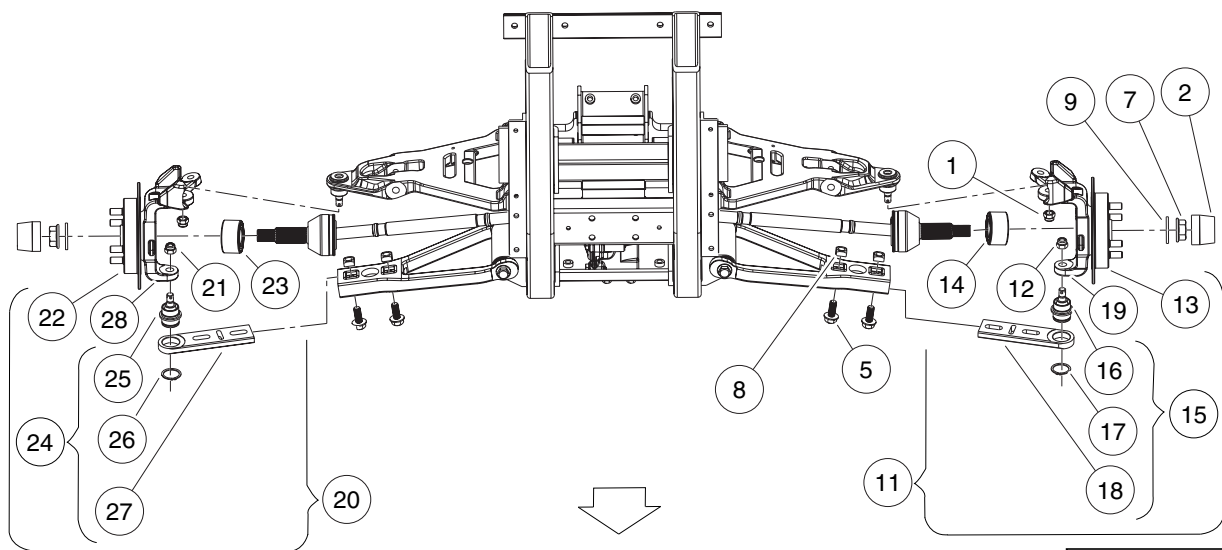
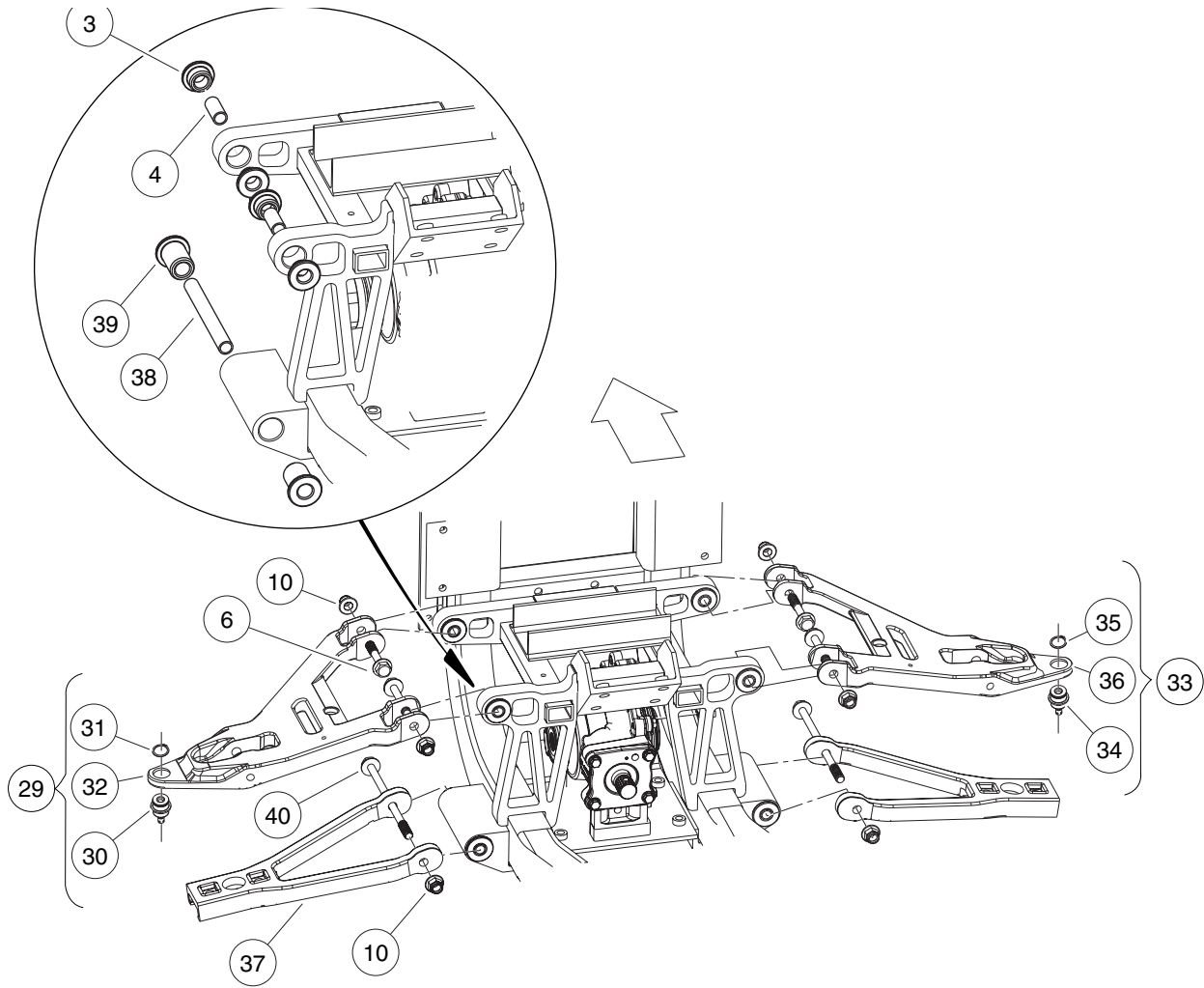
000071-001

STEERING GEAR ASSEMBLY

ITEM	PART NO.	DESCRIPTION	QTY	
		1 2 3 4		5
1	1013042	Nut, 12mm Hex	2	G
2	<u>102010102</u>	Steering Rack (includes items 3 through 18)	1	
3	<u>1013035</u>	Bellows, Long	2	
4	1013042	Nut, 12mm Hex	2	D
5	<u>1013044</u>	Rack Screw Locknut	1	
6	N/A	Snap Ring	1	
7	<u>1013052</u>	Seal, Steering Pinion Dust	1	
8	<u>101879401</u>	Bearing, Ball	1	
9	<u>101879701</u>	Support Yoke	1	
10	<u>101879801</u>	Rack Guide Pressure Spring	1	
11	<u>101879901</u>	Ring, Stop, C-Type	1	
12	<u>101880201</u>	Inner Ball Joint Asm	2	
13	N/A	Pinion, Steering	1	
14	N/A	Bearing, Lower Pinion	1	
15	N/A	Screw, Rack Guide	1	
16	N/A	Housing, Steering Gear	1	
17	N/A	Rack, Steering	1	
18	<u>8990</u>	Tie Wrap, 8" Nylon	2	
19	<u>102022601</u>	End, Tie Rod M12 X 1.25 Rh	2	
20	<u>102022901</u>	Locknut, M12-1.25 Nylon	2	
21	<u>102687801</u>	Bolt, Flange Head, M10x 1.5 X 40 with Loctite	4	
22	<u>102816801</u>	Link, Drag, Wt	2	

5
G

D



000534-014

FRONT SUSPENSION – A-ARMS

ITEM	PART NO.	DESCRIPTION	QTY
		1 2 3 4	
1	<u>102022901</u>	Locknut, M12-1.25 Nylon	2
2	<u>102274101</u>	Center Cap, Rubber	2
3	<u>102408401</u>	Bushing, A-Arm	8
4	<u>102437001</u>	Sleeve, Upper	4
5	<u>102490801</u>	Bolt, Flange Head, M12x 1.75x 30 with Loctite	4
6	<u>102616301</u>	Bolt, Flange Head, M12 X 1.75 X 70	4
7	<u>102617501</u>	Nut, Flange, M22 X 1.5 Mech Def	2
8	<u>102617701</u>	Nut, Square, M12x 1.75	4
9	<u>102617801</u>	Washer, Hard, M22	2
10	<u>102620501</u>	Nut, Flange, M12x1.75, Nylon Grade 10	6
11	<u>102791701</u>	Upright, Left-Hand (includes items 12 through 19)	1
12	<u>102022901</u>	Locknut, M12-1.25 Nylon	1
13	<u>102376605</u>	Assy, Rotor, Brake, Front, Gr	2
14	<u>102464301</u>	Bearing	1
15	<u>102874301</u>	Asm, Adjuster, Slide (includes items 16 through 18)	1
16	<u>102361901</u>	Joint, Ball	1
17	<u>102722301</u>	Ring, Retaining, Ext, 1-1/4"	1
18	N/A	Slide, Adjuster	1
19	N/A	Upright, Finished, LH	1
20	<u>102791702</u>	Upright, Right-Hand (includes items 21 through 28)	1
21	<u>102022901</u>	Locknut, M12-1.25 Nylon	1
22	<u>102376605</u>	Assy, Rotor, Brake, Front, Gr	1
23	<u>102464301</u>	Bearing	1
24	<u>102874301</u>	Asm, Adjuster, Slide (includes items 25 through 27)	1
25	<u>102361901</u>	Joint, Ball	1
26	<u>102722301</u>	Ring, Retaining, Ext, 1-1/4"	1
27	N/A	Slide, Adjuster	1
28	N/A	Upright, Finished, RH	1
29	<u>102792001</u>	Asm, A-Arm, Upper, Left (includes items 30 through 32)	1
30	<u>102361901</u>	Joint, Ball	1
31	<u>102722301</u>	Ring, Retaining, Ext, 1-1/4"	1
32	<u>102927101</u>	Arm, Upper, Wide, Machined, LH	1
33	<u>102792002</u>	Asm, A-arm, Upper, Right (includes items 34 through 36)	1
34	<u>102361901</u>	Joint, Ball	1
35	<u>102722301</u>	Ring, Retaining, Ext, 1-1/4"	1
36	<u>102927102</u>	Arm, Upper, Wide, Machined, RH	1
37	<u>102874501</u>	A-Arm, Lower	2
38	<u>103256401</u>	Sleeve, Lower Arm	2
39	<u>103256501</u>	Bushing, Lower Arm	2
40	<u>103256701</u>	Bolt, Flange, M12 X 1.75 X 200 10	2

5

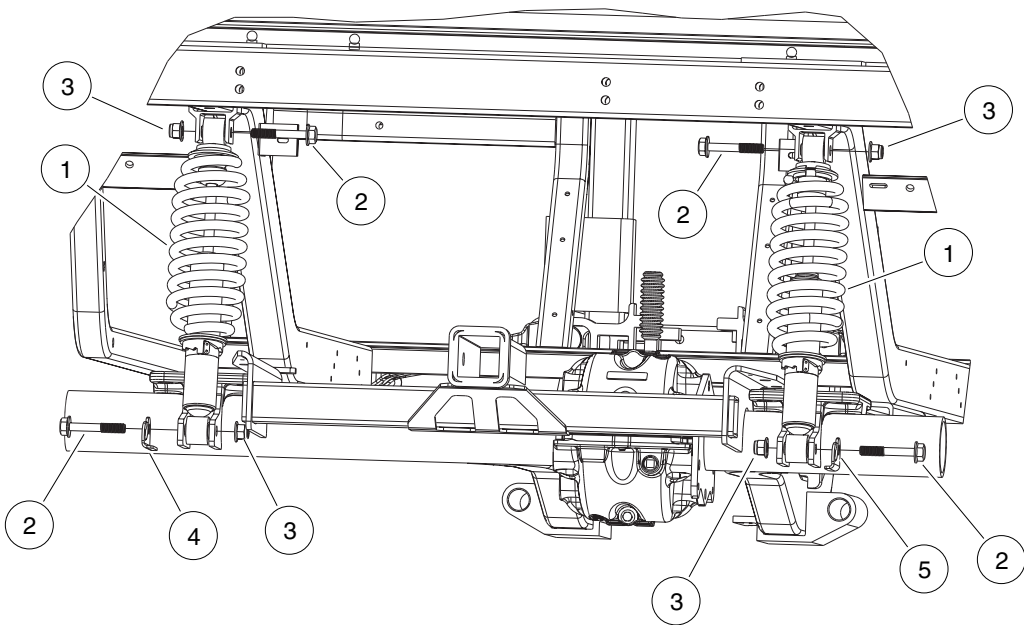
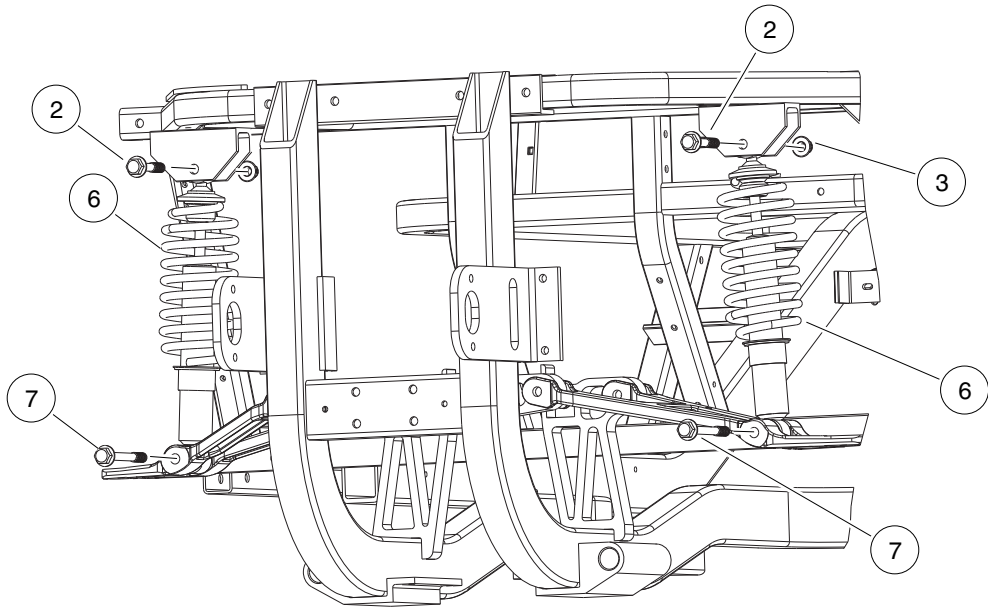
G

D

5

G

D



000530-001

SHOCK ABSORBERS – STANDARD

ITEM	PART NO.	DESCRIPTION	QTY
		1 2 3 4	
1	102365601	Shock, Coil Over Rear	2
2	<u>102616301</u>	Bolt, Flange Head, M12 X 1.75 X 70	6
3	<u>102620501</u>	Nut, Flange, M12x1.75, Nylon Grade 10	8
4	<u>102689101</u>	Bracket, Hydraulic Line, Shock Mount, Drv	1
5	<u>102689102</u>	Bracket, Hydraulic Line, Shock Mount, Pas	1
6	<u>102786301</u>	Shock, Coil Over, 330 Lb/in	2
7	<u>102788701</u>	Bolt, Flange, M12x1.75x100, Patch	2
		<p>Note: Shock, coil over 102792101 has been superseded by <u>102786301</u> and must be installed in matched pairs.</p>	

5

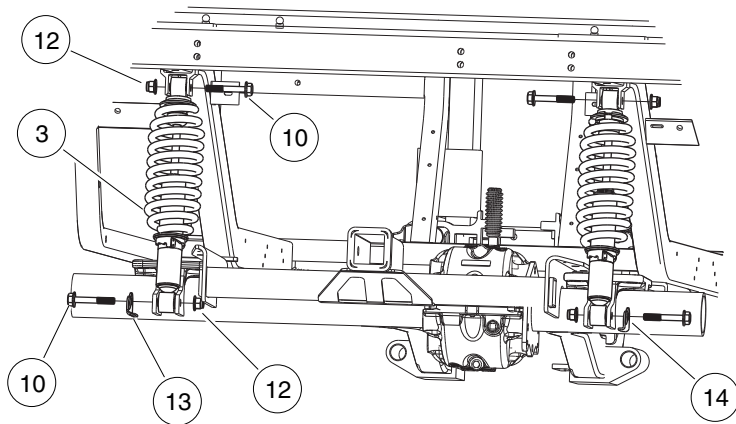
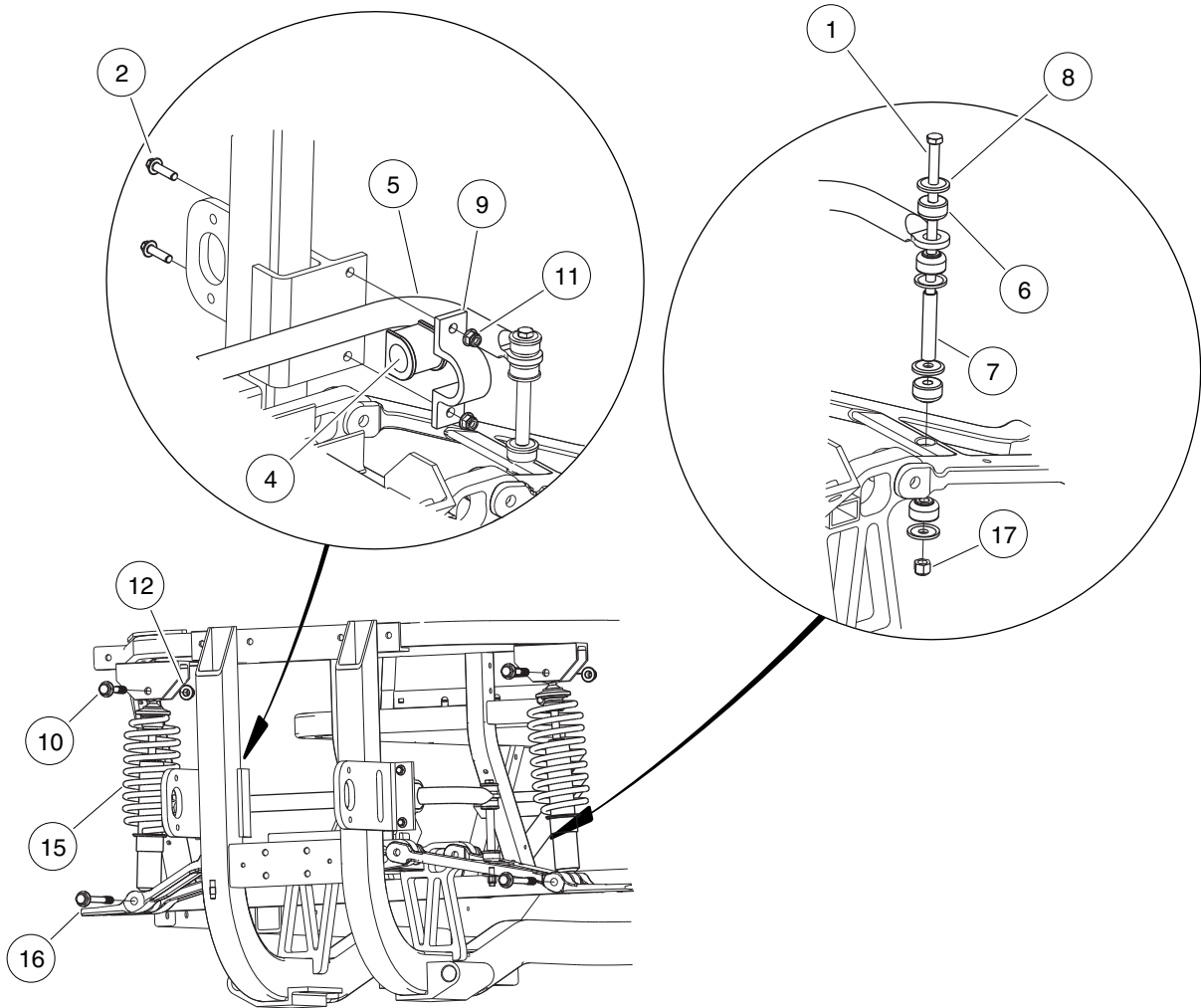
G

D

5

G

D



000530-007

SHOCK ABSORBERS – HIGH CAPACITY

ITEM	PART NO.	DESCRIPTION	QTY
		1 2 3 4	
1	<u>1016183</u>	Screw, 3/8-16 X 7.00 Hex Cap	2
2	<u>102298130</u>	Bolt, Flange Head, M8 X 30.0	4
3	<u>102365602</u>	Shock, Coil Over, Rear HD	2
4	<u>102446601</u>	Bushing, Anti-Sway Bar, 1-1/8	2
5	<u>102464601</u>	Bar, Sway, Formed	1
6	<u>102470101</u>	Bushing, Link	8
7	<u>102470501</u>	Sleeve, Link	2
8	<u>102470601</u>	Washer, Cup, Bushing	8
9	<u>102495001</u>	Bracket, Anti-Sway Bar	2
10	<u>102616301</u>	Bolt, Flange Head, M12 X 1.75 X 70	6
11	<u>102618601</u>	Lock Nut, Flange, M8 X 1.25 Nylon	4
12	<u>102620501</u>	Nut, Flange, M12x1.75, Nylon Grade 10	6
13	<u>102689101</u>	Bracket, Hydraulic Line, Shock Mount, Drv	1
14	<u>102689102</u>	Bracket, Hydraulic Line, Shock Mount, Pas	1
15	<u>102786301</u>	Shock, Coil Over, 330 Lb/in	2
16	<u>102788701</u>	Bolt, Flange, M12x1.75x100, Patch	2
17	<u>8754</u>	Locknut, 3/8-16 Hex	2
		<p>Note: Shock, coil over 102792101 has been superceded by <u>102786301</u> and must be installed in matched pairs.</p>	

5

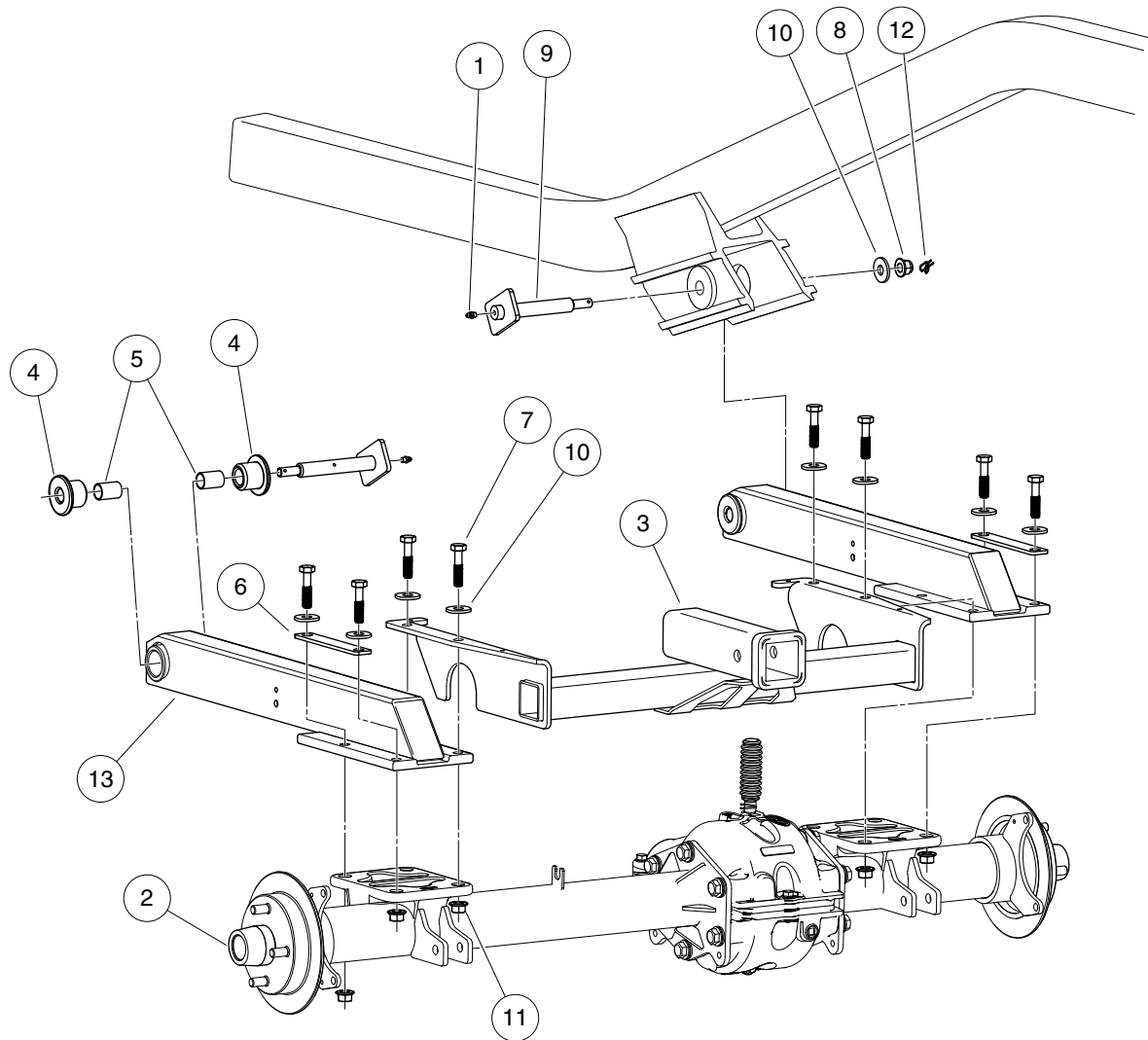
G

D

5

G

D



000031-006

REAR SUSPENSION – STANDARD

ITEM	PART NO.	DESCRIPTION	QTY
		1 2 3 4	
1	<u>1015597</u>	Fitting, 1/4-28 Thread-Forming Grease	2
2	<u>102274101</u>	Center Cap, Rubber	2
3	<u>102393501</u>	Weldment, Receiver, Rear	1
4	<u>102398901</u>	Bushing, Pivot, Urethane	4
5	<u>102477001</u>	Bushing, Teflon	4
6	<u>102619801</u>	Washer, Strip, Swingarm	2
7	<u>102620401</u>	Bolt Flanged Head, M12 X 1.75 X 50	8
8	<u>102620501</u>	Nut, Flange, M12x1.75, Nylon Grade 10	2
9	<u>102682901</u>	Pin, Swingarm, Weldment	2
10	<u>102684501</u>	Washer, M12 Hard Regular	10
11	<u>102685601</u>	Nut Flg M12 X 1.75 Cl10	8
12	<u>102737101</u>	Cotter, Rue Ring, 1/2"	2
13	<u>103282301</u>	Swingarm, Rear, Awd	2

5

G

D

5

G

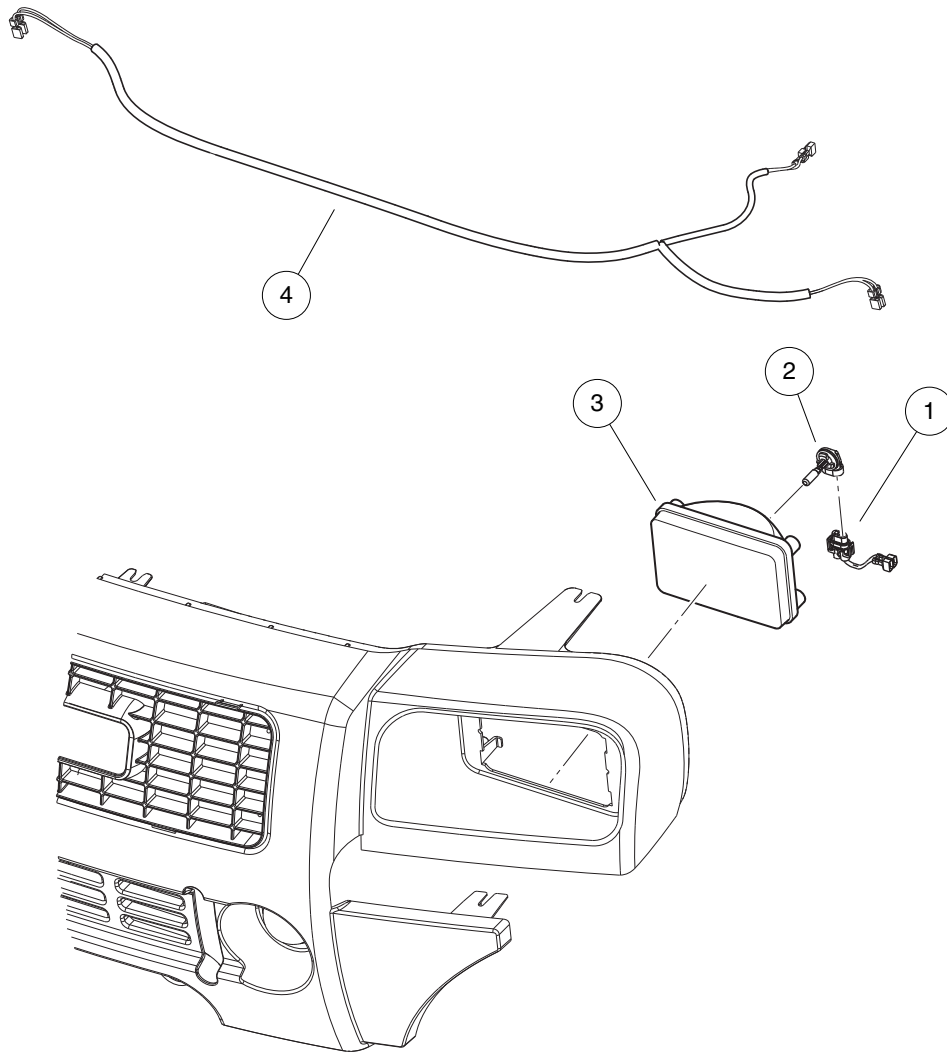
D

ELECTRICAL SYSTEM – GAS VEHICLES

6

G

6
G



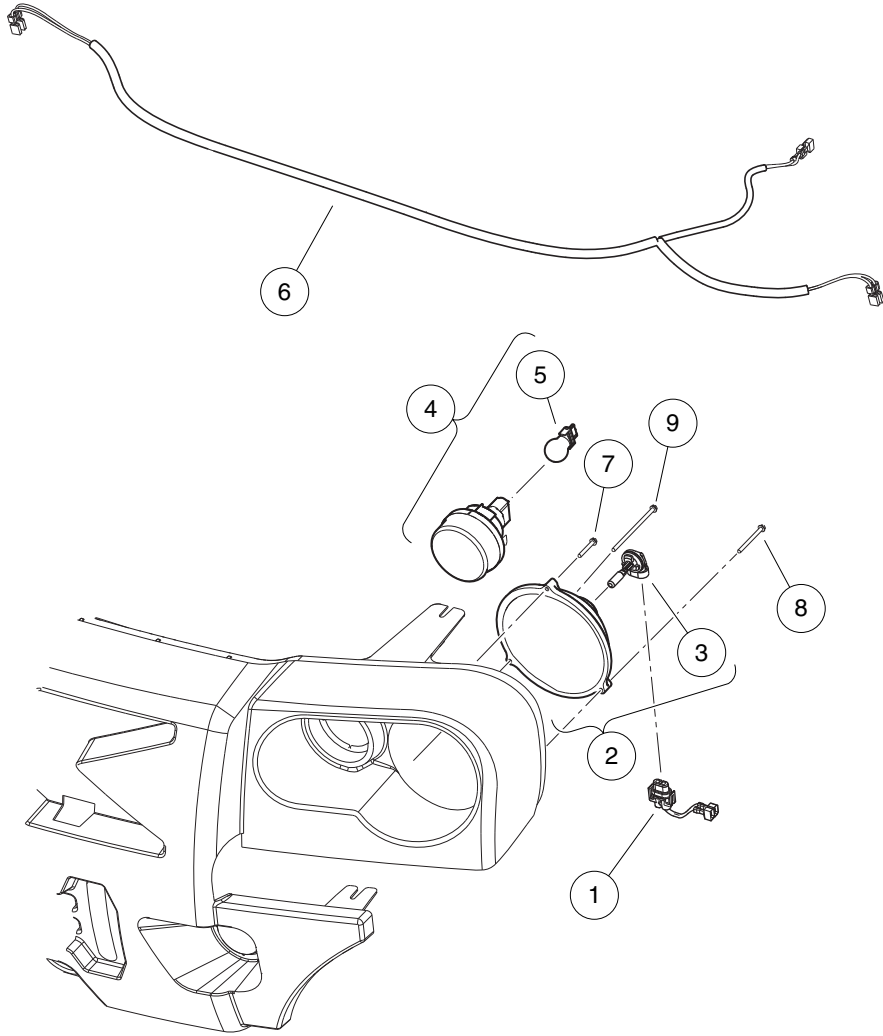
000880-003

HEADLIGHTS – CARRYALL 295

ITEM	PART NO.	DESCRIPTION	QTY
		1 2 3 4	
1	<u>101987901</u>	Connector, Harness Assembly, Headlight	2
2	<u>101988101</u>	Bulb, Headlight	2
3	<u>101988201</u>	Lens, Headlight	2
4	<u>103213301</u>	Harness, Wire, XRT/CA Restyle Headlights	1

6
G

6
G



000880-007

HEADLIGHTS – XRT 1550

ITEM	PART NO.	DESCRIPTION	QTY
		1 2 3 4	
1	<u>101987901</u>	Connector, Harness Assembly, Headlight	2
2	<u>102894401</u>	Headlight, 6 In Round (includes item 3)	2
3	<u>102535101</u>	Bulb, Headlight, 37.5 W	1
4	<u>102894501</u>	Light, Turn Signal, Round, 3" (includes item 5)	2
5	<u>103521001</u>	Bulb, Signal, Marker	1
6	<u>103213301</u>	Harness, Wire, XRT/CA Restyle Headlights	1
7	<u>103218104</u>	Screw, #8x1.25 Ab Thd, Hex Hd	2
8	<u>103218107</u>	Screw, #8x2.00 AB Thd, Hex Hd	2
9	<u>103218113</u>	Screw, #8x3.50 Ab Thd, Hex Hd	2

6

G

6

G

See previous two pages for illustration.

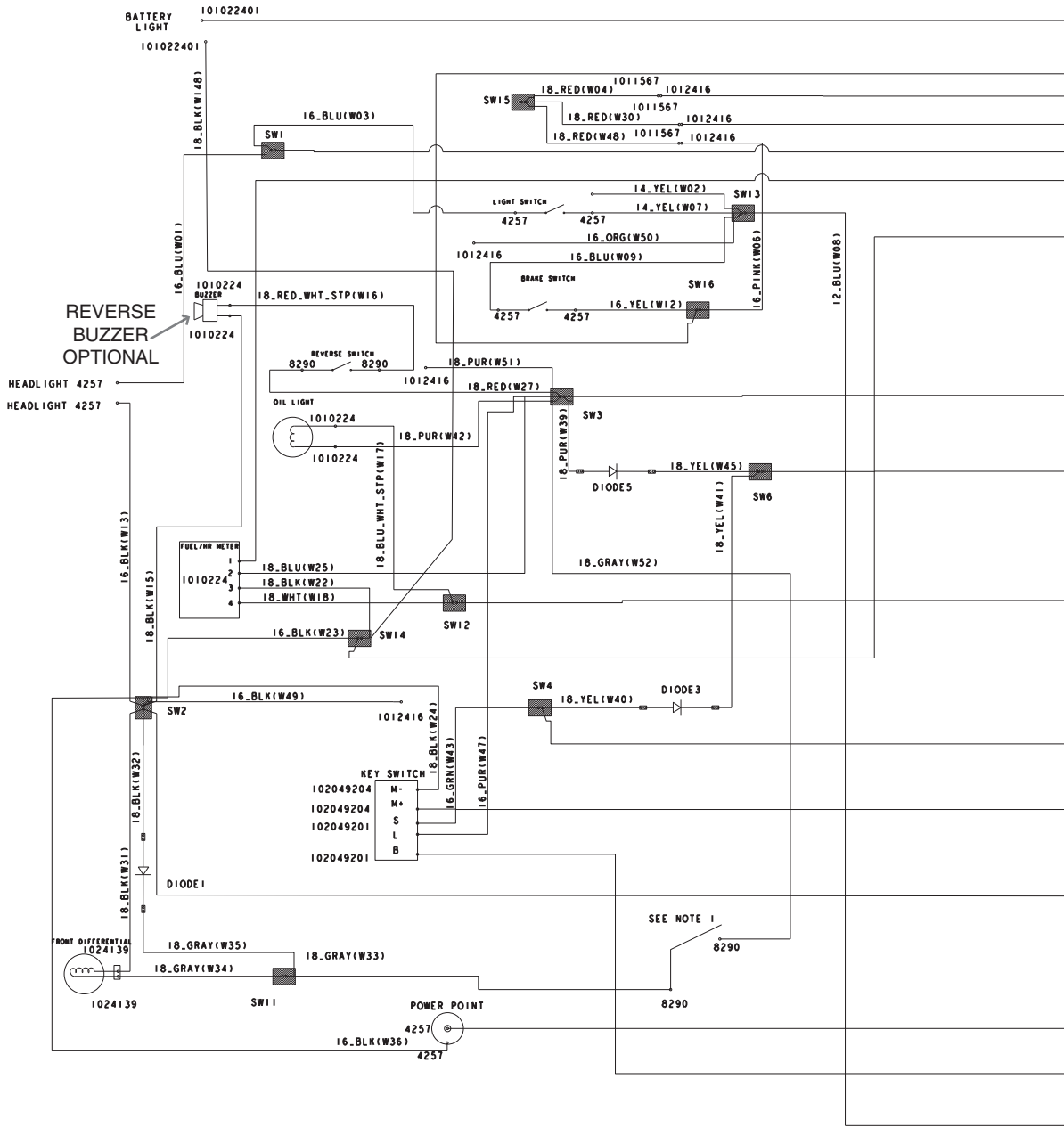
WIRING – HONDA GAS ENGINE

ITEM	PART NO.	DESCRIPTION	QTY
		1 2 3 4	
1	<u>102538501</u>	Diode, General Purpose, 6.0a	1
2	<u>102985001</u>	Harness, Wire, Restyle Honda Gas, Front, 2 and 4-Passenger	1
3	<u>102985101</u>	Harness, Wire, Restyle Honda Gas, Rear, 2 and 4-Passenger	1
4	<u>103207001</u>	Harness, Wire, Jumper, Restyle Honda Gas, 4-Passenger Only	1
<p>Note: Items 2 and 3 are for use with both 81.5 in. (207 cm) and 114 in. (289.5 cm) wheelbase vehicles. Add item 4 (not shown) for 114 in. (289.5 cm) wheelbase vehicles to connect items 2 and 3.</p>			

6

G

KAWASAKI GASOLINE VEHICLE



000662-001

6

G

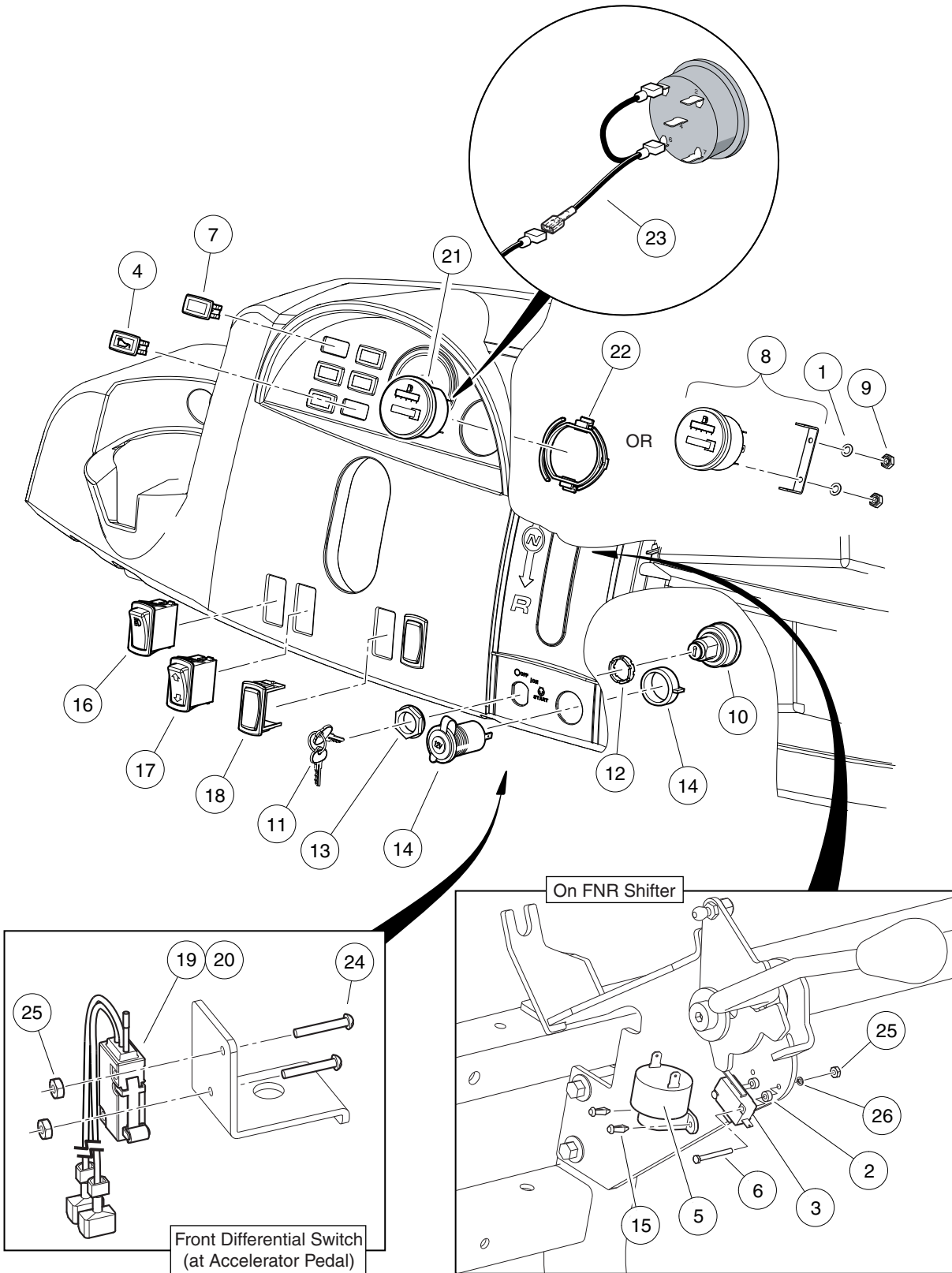
See previous two pages for illustration.

WIRING – KAWASAKI GAS ENGINE

ITEM	PART NO.	DESCRIPTION	QTY
		1 2 3 4	
1	<u>102538501</u>	Diode, General Purpose, 6.0a	1
2	<u>103305701</u>	Harness, Wire, AWD, Kawasaki FH680, 295/1550	1
3	<u>103305801</u>	Harness, Wire, AWD, Kawasaki FH680, 295 SE/1550 SE	1
<p style="text-align: center;">Note: Item 2 is for use with 81.5 in. (207 cm) wheelbase vehicle. Item 3 is for use with 114 in. (289.5 cm) wheelbase vehicle.</p>			

6

G



000543-010

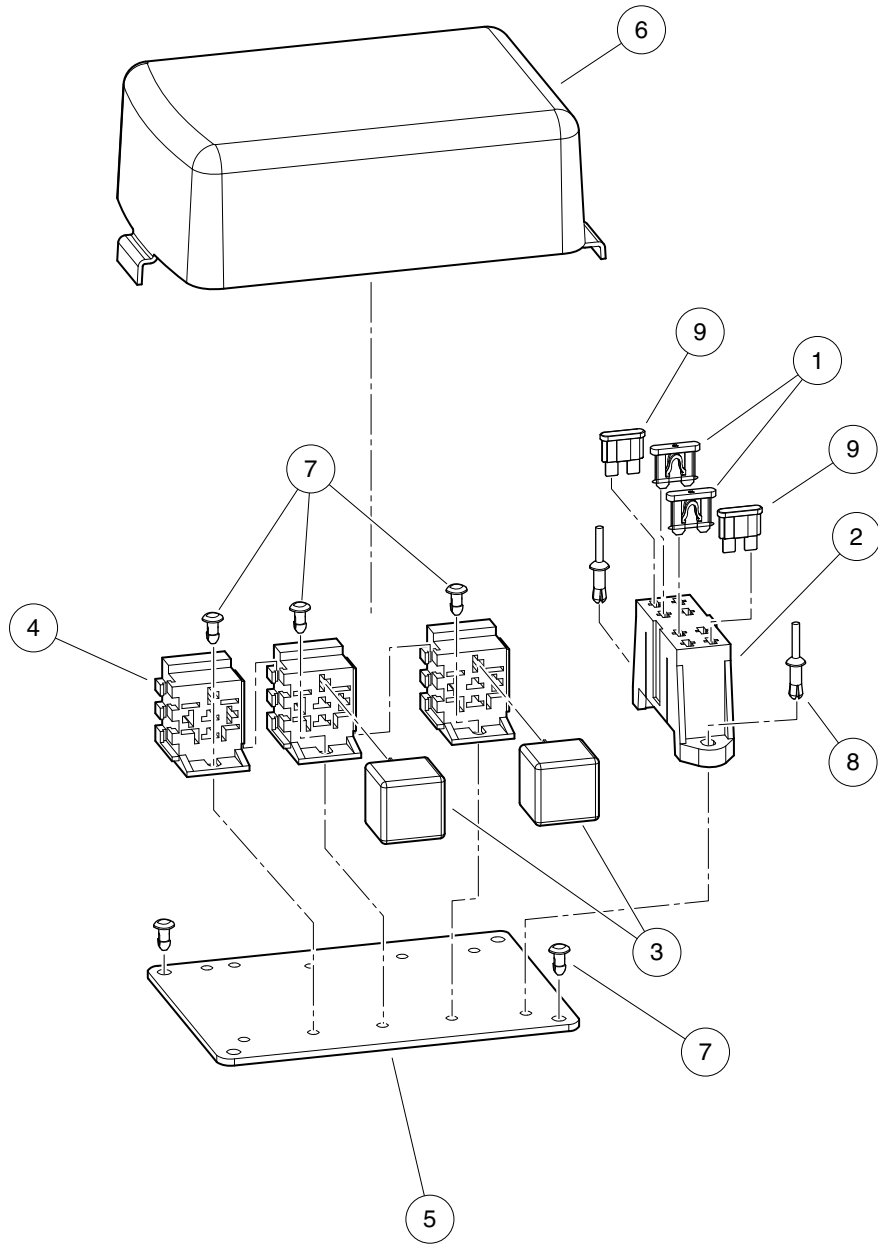
ELECTRICAL COMPONENTS, FRONT BODY – GAS VEHICLE

ITEM	PART NO.	DESCRIPTION	QTY
		1 2 3 4	
1	<u>1012986</u>	Lockwasher, M4	2
2	<u>1014727</u>	Washer, Flat, #4, Nylon	2
3	<u>1014808</u>	Switch, Limit	1
4	<u>1016630</u>	Light, Oil	1
5	<u>1016851</u>	Buzzer, Reverse (9-48 VDC)	1
6	<u>1016896</u>	Screw, #4-40 X 1.125 Hx Hd Mch	2
7	<u>101802601</u>	Plug, Hole	5
8	N/A	Gauge, Fuel/Hour, with Bracket	1
9	<u>101991101</u>	Nut, M4-0.7	2
10	<u>102044702</u>	Key Switch 12v Key Start	1
11	<u>102044801</u>	Key Set	1
12	<u>102051601</u>	Spacer, Keyswitch	1
13	<u>102051701</u>	Nut, Key Switch	1
14	<u>102198001</u>	Receptacle, Accessory	1
15	<u>102499001</u>	Rivet, Micro Tuflok	2
16	<u>102869401</u>	Switch, Rocker, Light	1
17	<u>102882501</u>	Switch, Rocker, Bed Lift	1
18	<u>103180101</u>	Cover, Hole, Switch, Rocker	3
19	N/A	Asm, Switch, Limit	1
20	<u>103327201</u>	Asm, Switch, Limit, Awd	1
21	<u>103348101</u>	Gauge, Fuel-hour, Sep Gnd	1
22	<u>103348201</u>	Clip, Meter, Round	1
23	<u>103348501</u>	Asm, Wire Meter, F-h Jumper	1
24	<u>8056</u>	Screw, #4-40 X 0.75 Round-Head Machine	2
25	<u>8057</u>	Nut, #4-40 Hex Machine	4
26	<u>8058</u>	Lockwasher, #4 Split	2
<p>Note: Item 5, reverse buzzer, is only if equipped. NOTE 2: Item 8, fuel/hour gauge, was replaced by item 21, fuel/hour gauge, in Feb. 2007. NOTE 3: Item 17, bed lift switch, is only if equipped. NOTE 4: Item 19, limit switch, was replaced by item 20, limit switch, on August 1, 2006. NOTE 5: Items 22, clip, and 23, jumper wire, are required with item 21, fuel/hour gauge.</p>			

6

G

6
G



000076-003

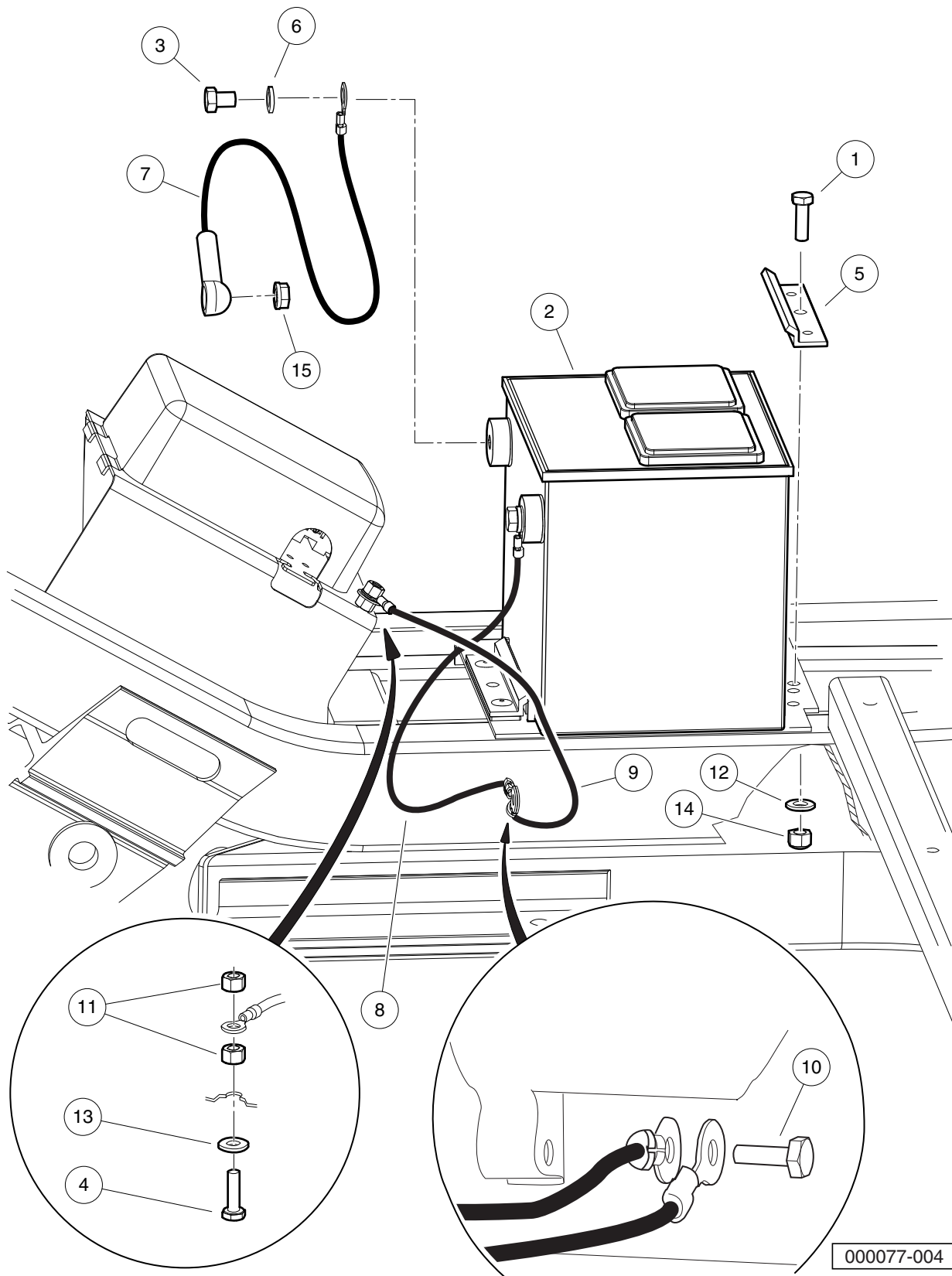
ELECTRICAL COMPONENT BOX – GASOLINE VEHICLE

ITEM	PART NO.	DESCRIPTION	QTY
		1 2 3 4	
1	<u>1012295</u>	Fuse, 10-Amp	2
2	<u>1015741</u>	Fuse Block	1
3	<u>102420201</u>	Relay, Mini ISO, SPDT	2
4	<u>102420301</u>	Connector, Relay	3
5	<u>102420401</u>	Plate, Electrical	1
6	<u>102420501</u>	Cover, Electrical	1
7	<u>102447901</u>	Fastener, Push-in	7
8	<u>102448001</u>	Rivet, Drive	2
9	<u>102492201</u>	Fuse, 25-Amp	2

6

G

6
G



BATTERY – GASOLINE VEHICLE

ITEM	PART NO.	DESCRIPTION	QTY
		1 2 3 4	
1	<u>1010934</u>	Screw, 5/16-18 X 1.00 Hex Cap	1
2	<u>1012328</u>	Battery, 12-Volt	1
3	<u>1014375</u>	Screw, 3/8-16 X 0.50, Stainless Steel, Hex-Head	2
4	<u>1015521</u>	Screw, 1/4-20 X .88 Hex Hd Cap	1
5	<u>101898001</u>	Clamp, Battery	1
6	<u>102355301</u>	Lockwasher, 3/8 Split Ss	2
7	<u>102442201</u>	Asm, #6 Red Wire	1
8	<u>102442301</u>	Asm, #6 Blk Wire	1
9	<u>102442401</u>	Asm, #6 Blk Wire	1
10	<u>102490301</u>	Bolt, M6 X 1 X 16, Loctite	1
11	<u>1108</u>	Locknut, 1/4-20 Dimpled	2
12	<u>1241</u>	Washer, 5/16 Type A Flat	1
13	<u>332</u>	Washer, 1/4 Type A Narrow Flat	1
14	<u>7473</u>	Locknut, 5/16-18 Nylon Insert	1
15	<u>96704416</u>	Nut, Flange, M8 X 1.25 Serrated	1

6
G

6

G

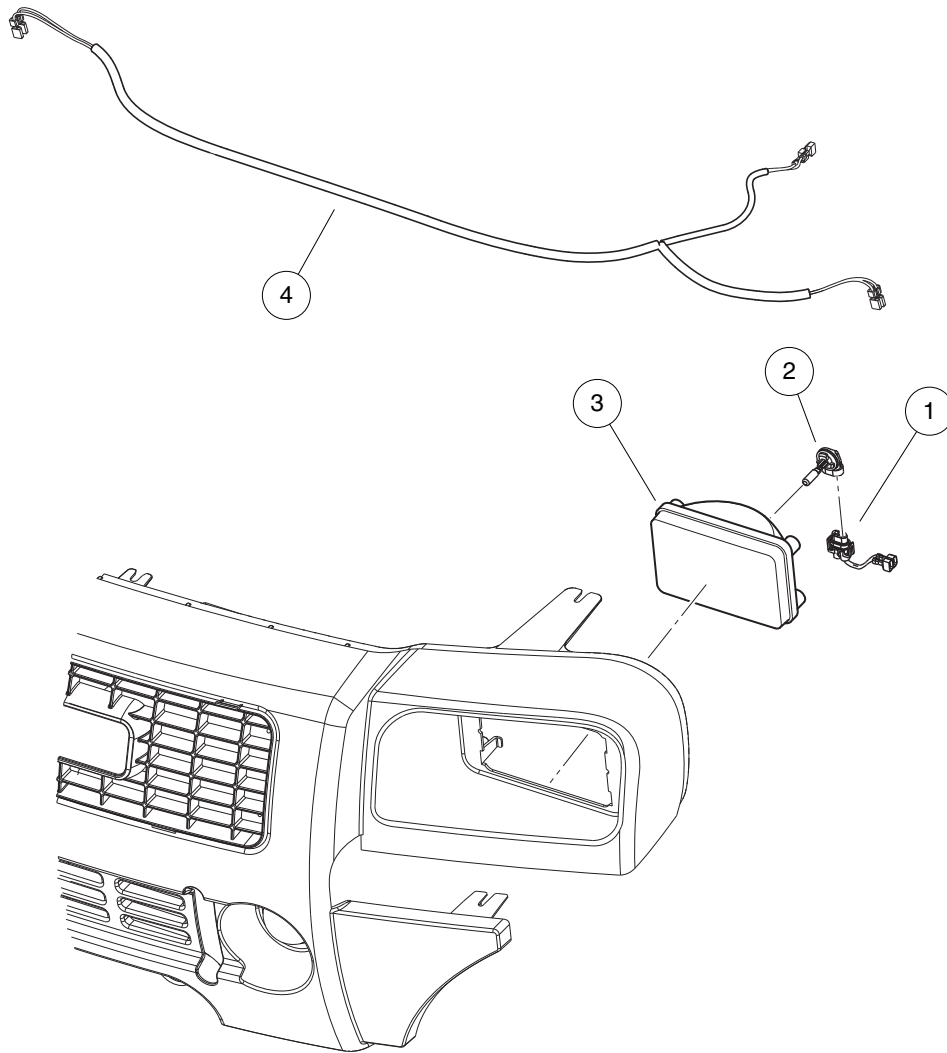
ELECTRICAL SYSTEM – DIESEL VEHICLES

7

D

7

D



000880-003

HEADLIGHTS – CARRYALL 295

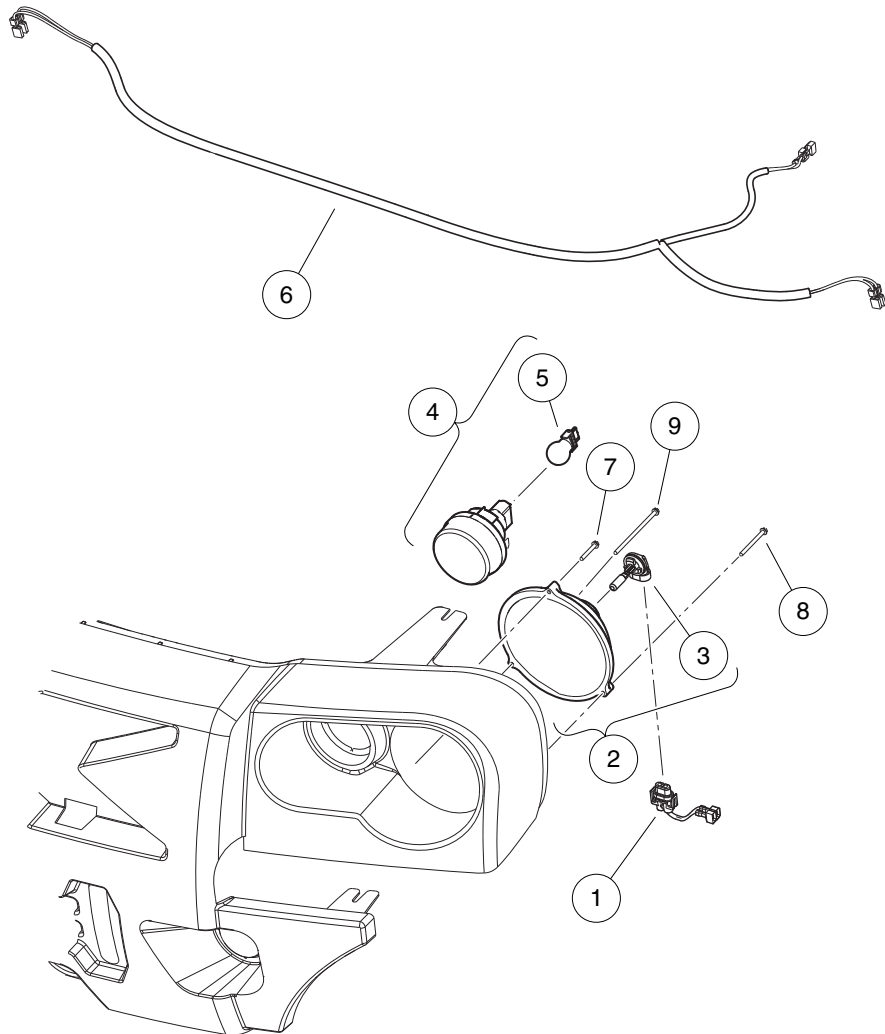
ITEM	PART NO.	DESCRIPTION	QTY
		1 2 3 4	
1	<u>101987901</u>	Connector, Harness Assembly, Headlight	2
2	<u>101988101</u>	Bulb, Headlight	2
3	<u>101988201</u>	Lens, Headlight	2
4	<u>103213301</u>	Harness, Wire, XRT/CA Restyle Headlights	1

7

D

7

D



000880-007

HEADLIGHTS – XRT 1550

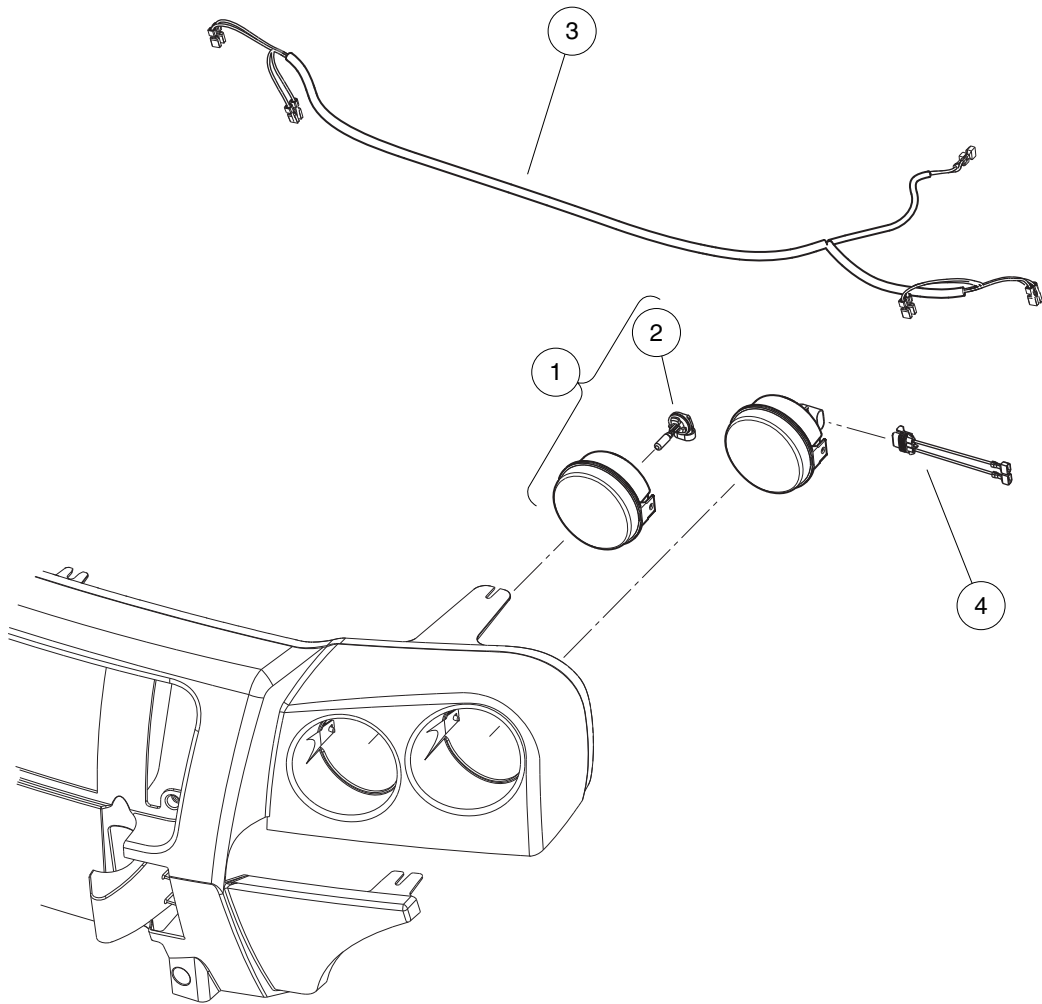
ITEM	PART NO.	DESCRIPTION	QTY
		1 2 3 4	
1	<u>101987901</u>	Connector, Harness Assembly, Headlight	2
2	<u>102894401</u>	Headlight, 6 In Round (includes item 3)	2
3	<u>102535101</u>	Bulb, Headlight, 37.5 W	1
4	<u>102894501</u>	Light, Turn Signal, Round, 3" (includes item 5)	2
5	<u>103521001</u>	Bulb, Signal, Marker	1
6	<u>103213301</u>	Harness, Wire, XRT/CA Restyle Headlights	1
7	<u>103218104</u>	Screw, #8x1.25 Ab Thd, Hex Hd	2
8	<u>103218107</u>	Screw, #8x2.00 AB Thd, Hex Hd	2
9	<u>103218113</u>	Screw, #8x3.50 Ab Thd, Hex Hd	2

7

D

7

D



000880-009

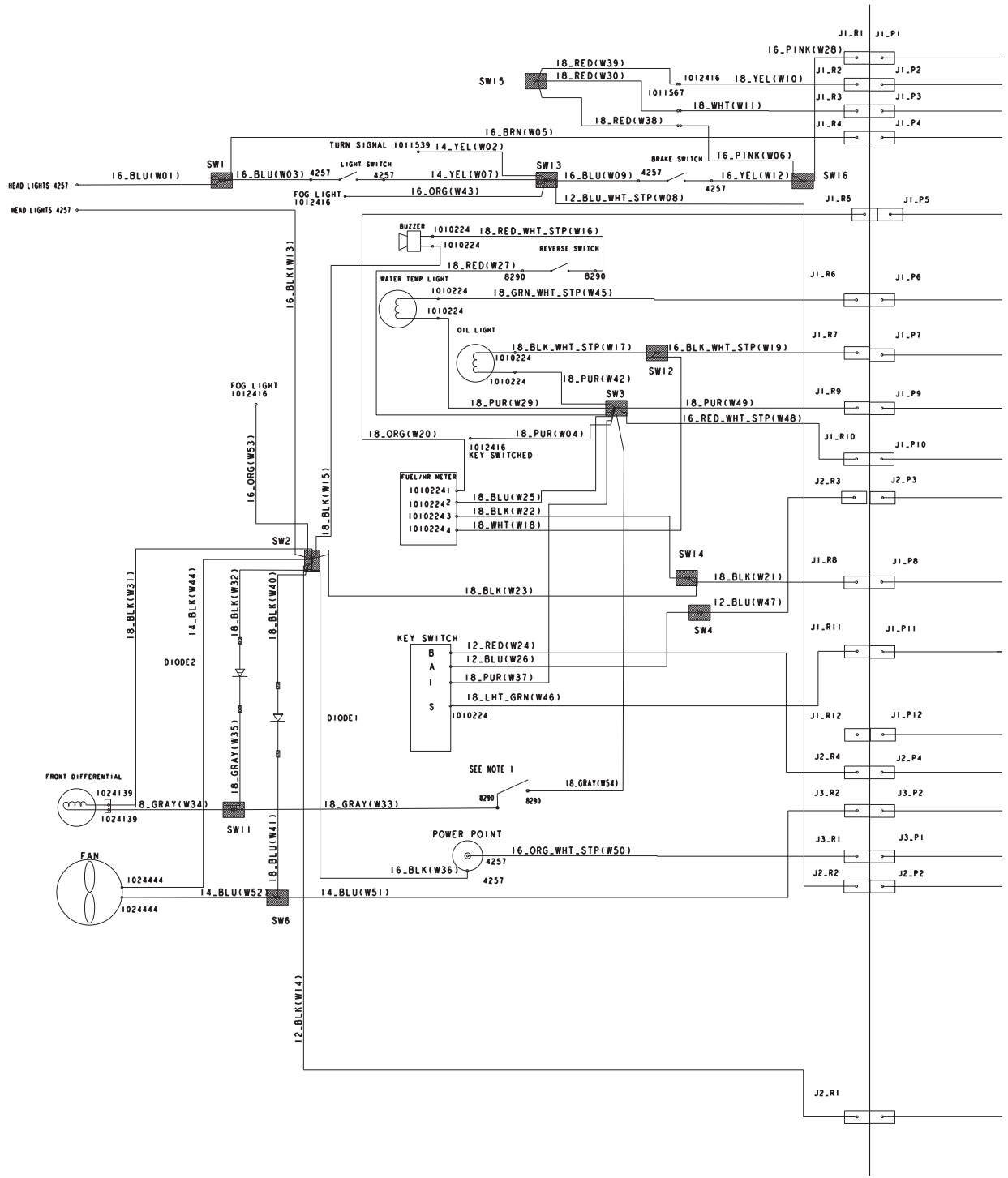
HEADLIGHTS – INTELLITACH

ITEM	PART NO.	DESCRIPTION	QTY
		1 2 3 4	
1	<u>102885001</u>	Headlight, Round, 4" (includes item 2)	4
2	<u>103762501</u>	Bulb, Halogen, 35/35 Hi/lo	1
3	<u>103213201</u>	Harness, Wire, IntelliTach Headlights	1
4	<u>103213501</u>	Harness, Wire, Headlight Connector	4

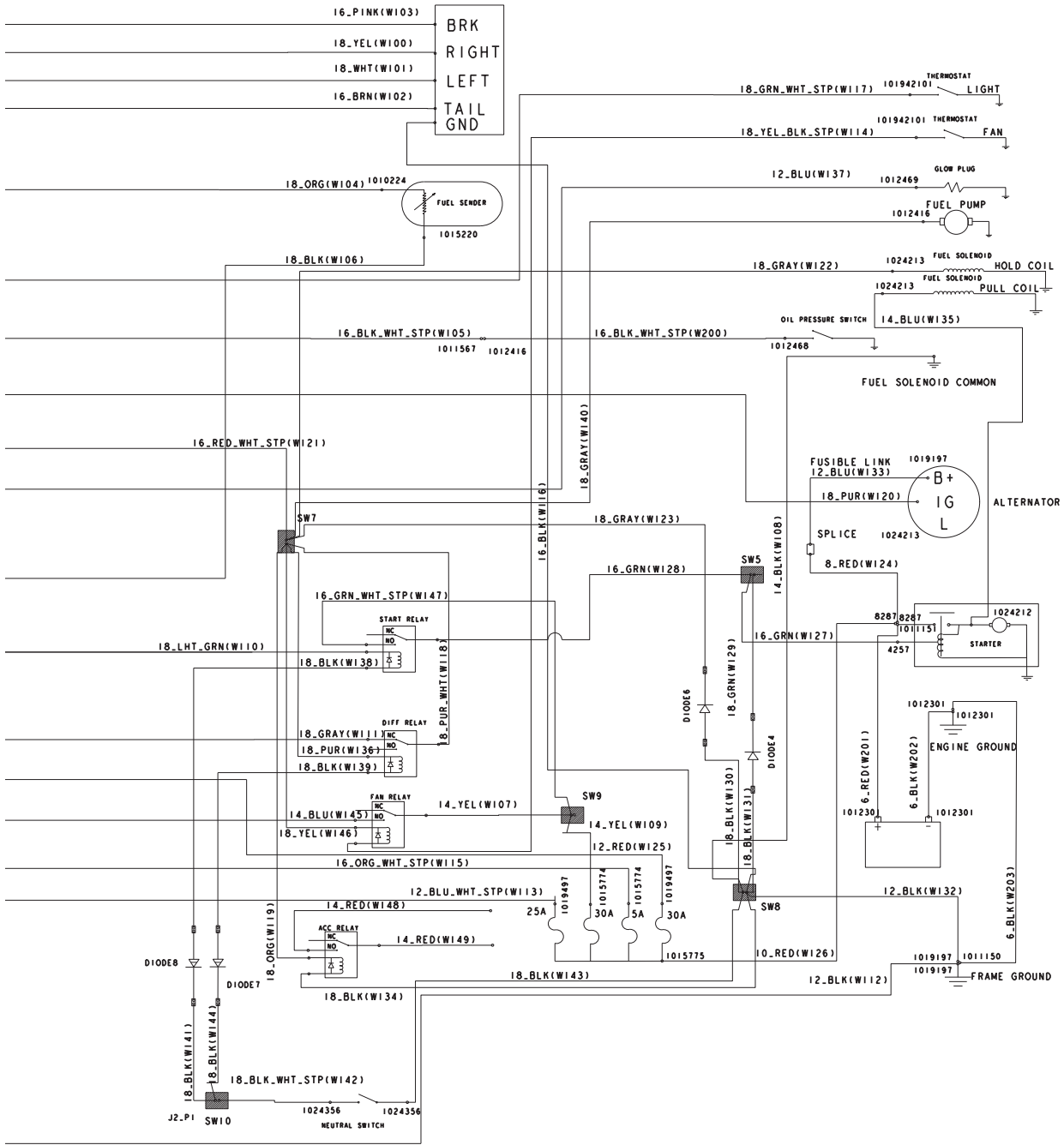
7

D

DIESEL VEHICLE - TWO PIECE HARNESS



000535-002



000535-002

7

D

See previous two pages for illustration.

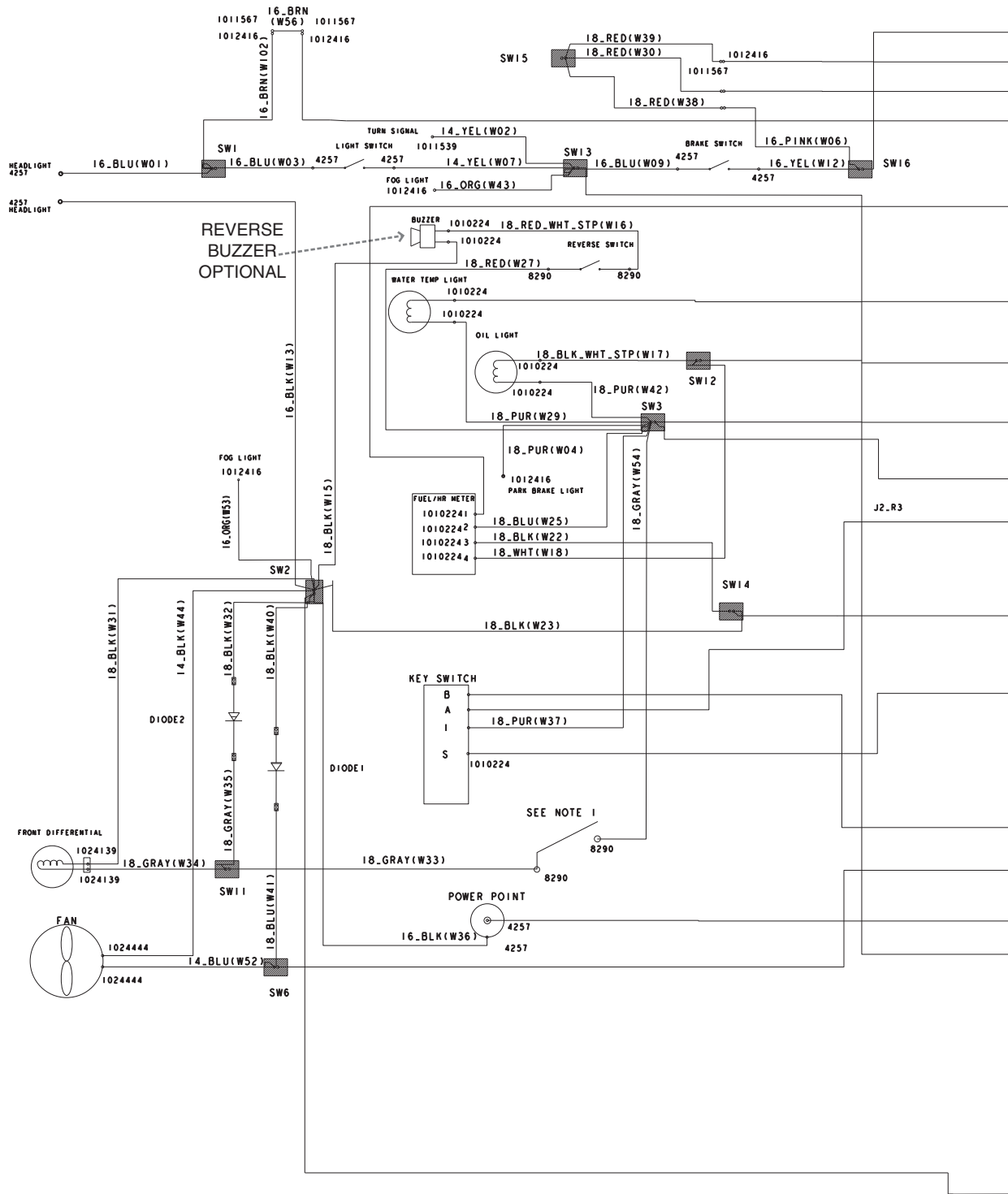
WIRING – KUBOTA DIESEL ENGINE, TWO-PIECE HARNESS

ITEM	PART NO.	DESCRIPTION	QTY
		1 2 3 4	
1	<u>102986001</u>	Harness, Wire, Restyle Diesel, Front, 2 and 4-Passenger	1
2	<u>102986101</u>	Harness, Wire, Restyle Diesel, Rear, 2 and 4-Passenger	1
3	<u>103206801</u>	Harness, Wire, Jumper, Restyle Diesel, 4-Passenger Only	1
<p>Note: Effective Nov. 2006, the two-piece wire harness was replaced by a one-piece wire harness (see next page).</p>			

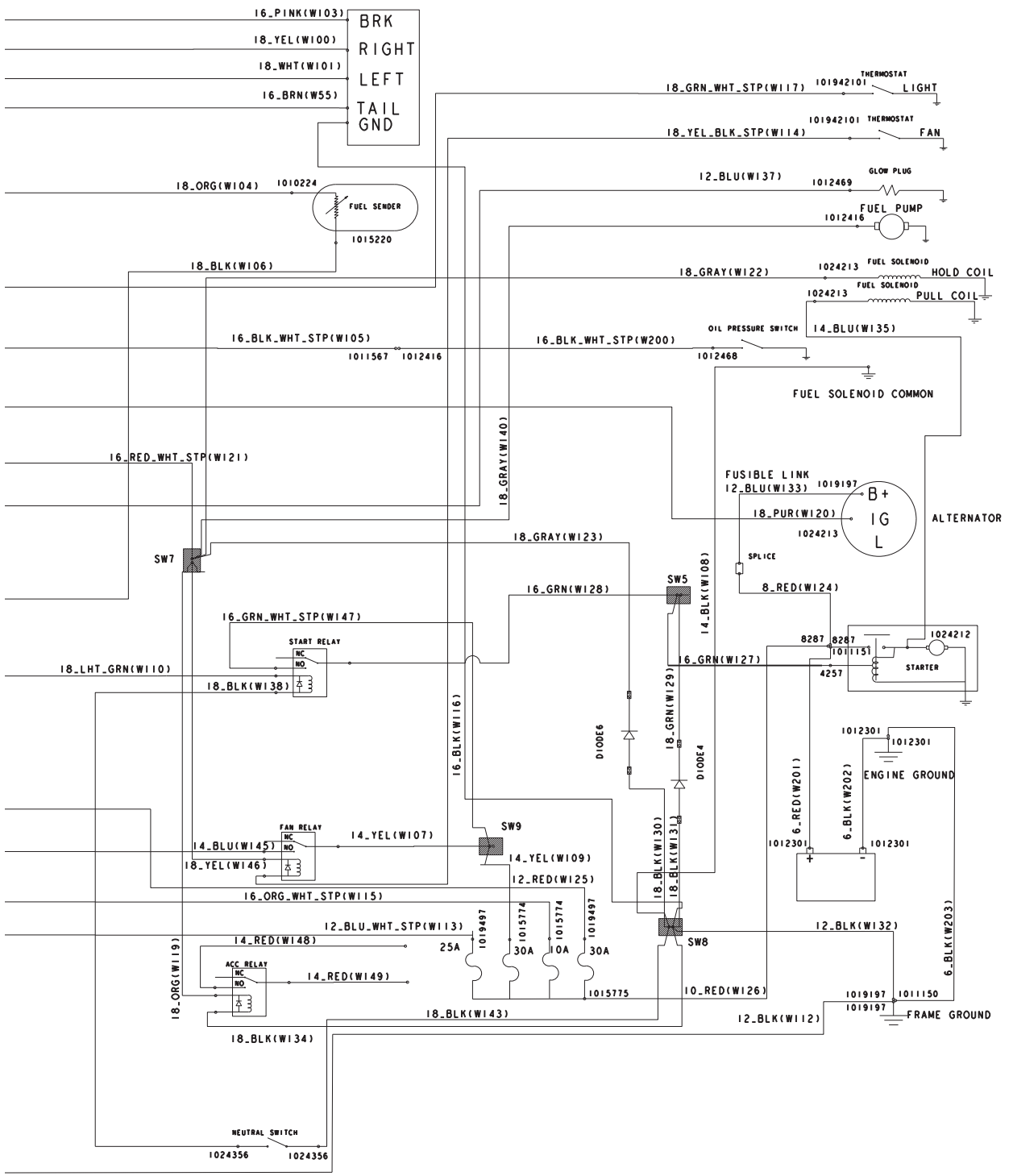
7

D

DIESEL VEHICLE - ONE PIECE HARNESS



000662-002



000662-002

7

D

See previous two pages for illustration.

WIRING – KUBOTA DIESEL ENGINE, ONE-PIECE HARNESS

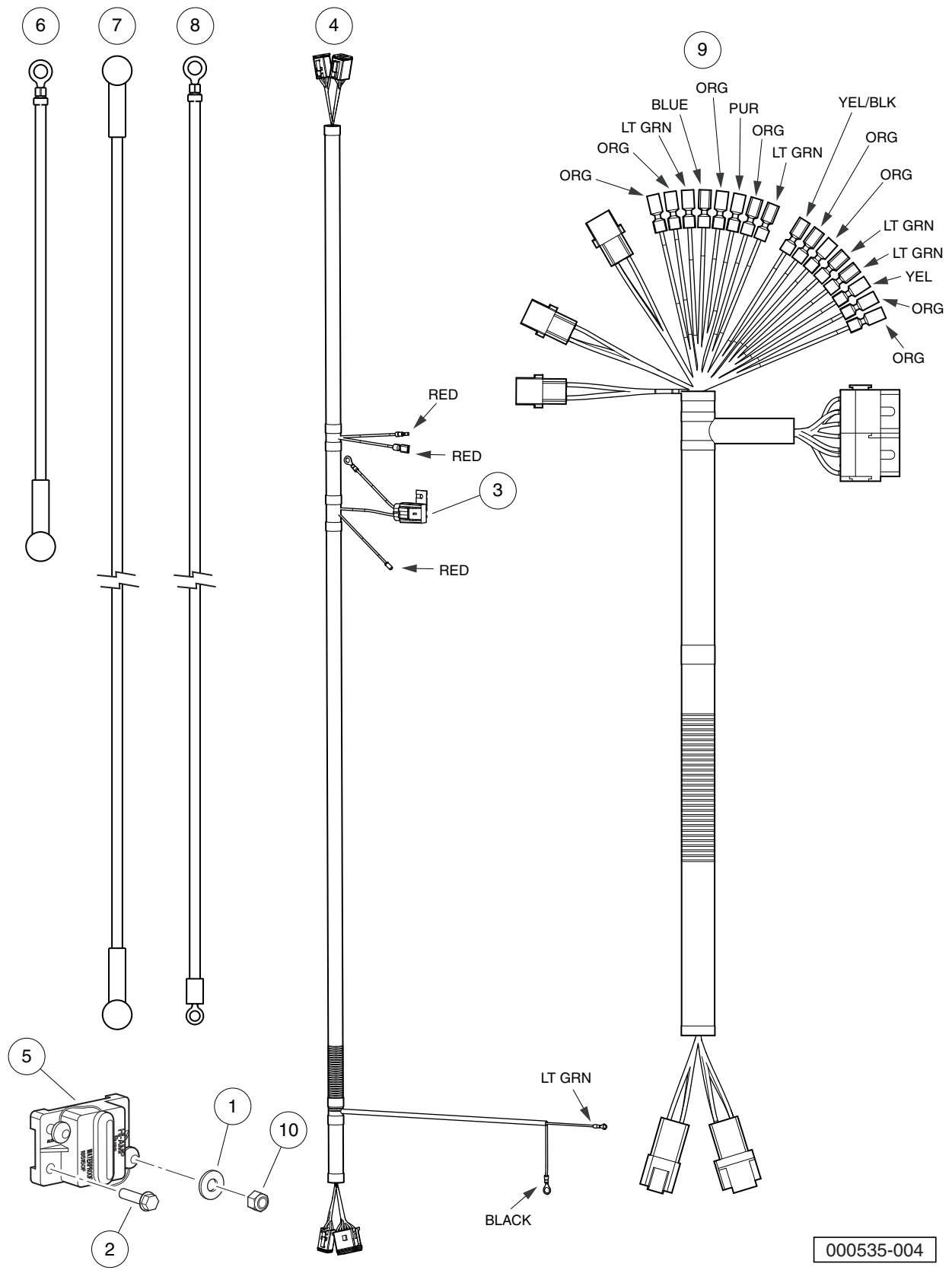
ITEM	PART NO.	DESCRIPTION	QTY
		1 2 3 4	
1	<u>103277501</u>	Harness, Wire, AWD, Diesel, 295/1550	1
2	<u>103277701</u>	Harness, Wire, AWD, Diesel, 295 SE/1550 SE	1
		<p>Note: Effective Nov. 2006, the one-piece wire harness replaced the two-piece wire harness (see previous page).</p>	

7

D

7

D



000535-004

WIRING – HYDRAULIC ATTACHMENT (INTELLITACH)

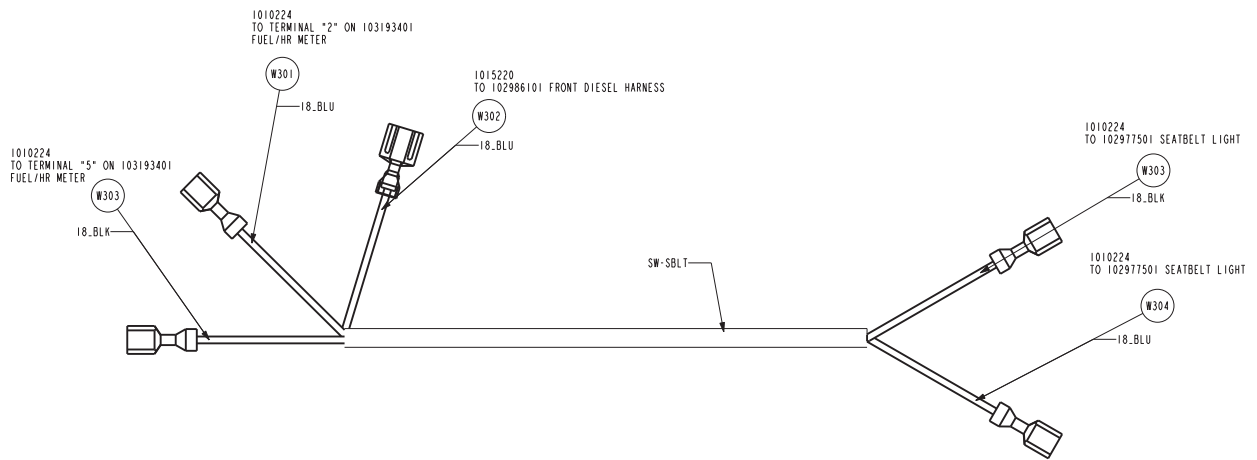
ITEM	PART NO.	DESCRIPTION	QTY
		1 2 3 4	
1	<u>1011931</u>	Washer, 1/4 Flat	2
2	<u>1014063</u>	Screw, 1/4-20 X 1.00, Hex Head	2
3	<u>1016423</u>	Fuse, 20-Amp	1
4	<u>102786401</u>	Wire Harness, Powerunit	1
5	<u>102936801</u>	Breaker, Circuit, 150-Amp	1
6	<u>102937401</u>	Wire Asm, #6, Red, Bt	1
7	<u>102937501</u>	Wire Asm, #6, Red, Bt	1
8	<u>102937601</u>	Wire Asm, #6, Black, Bt	1
9	<u>103245801</u>	Wire Harness, Control Panel	1
10	<u>8717</u>	Locknut, Nylon Insert, 1/4-28	2

7

D

7

D



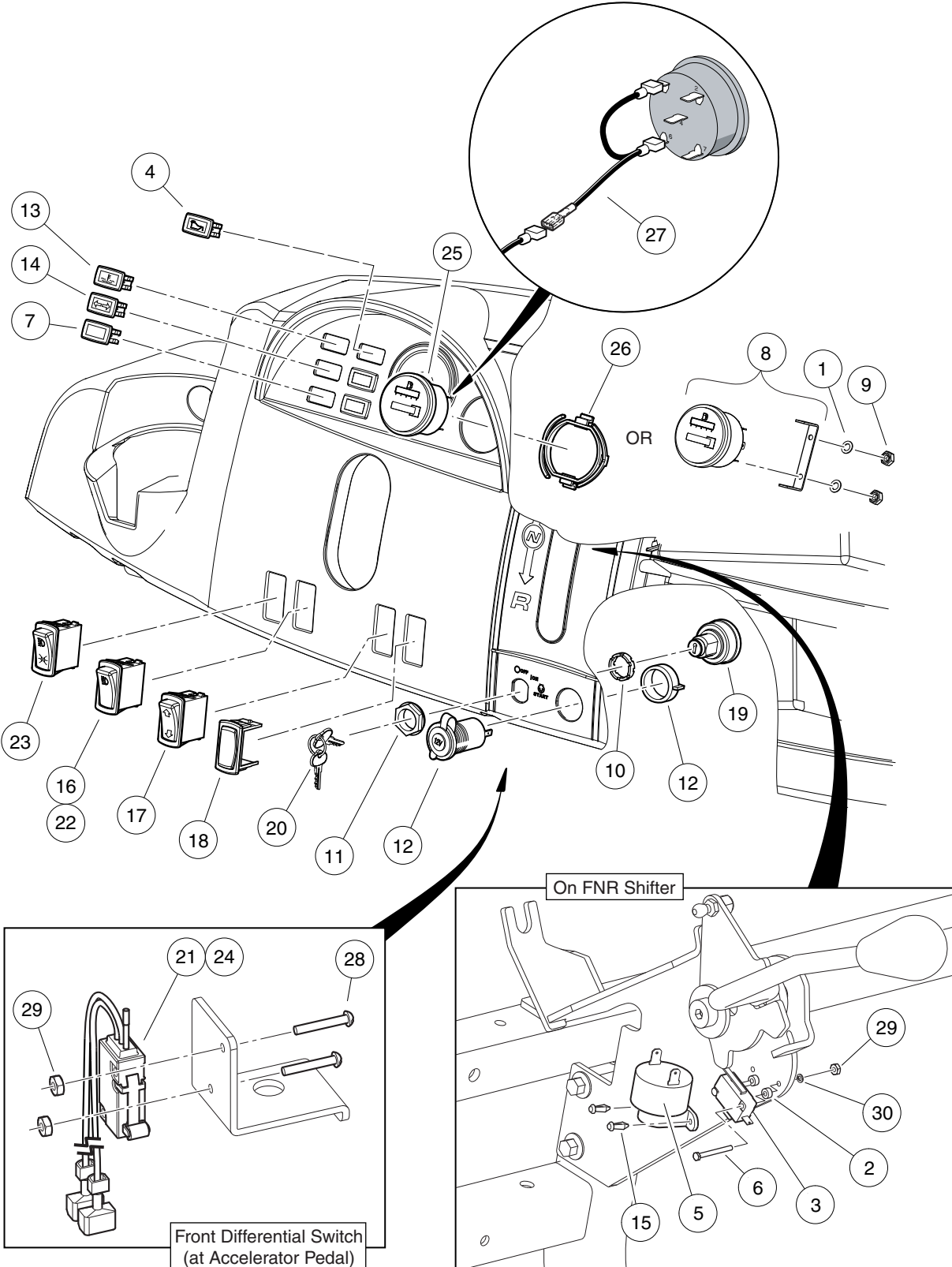
000535-005

WIRING – SEAT BELT REMINDER (INTELLITACH)

ITEM	PART NO.	DESCRIPTION	QTY
1	<u>103213401</u>	1 2 3 4 Harness, Wire, Seatbelt Light	1

7

D



000543-011

ELECTRICAL COMPONENTS, FRONT BODY – DIESEL VEHICLE

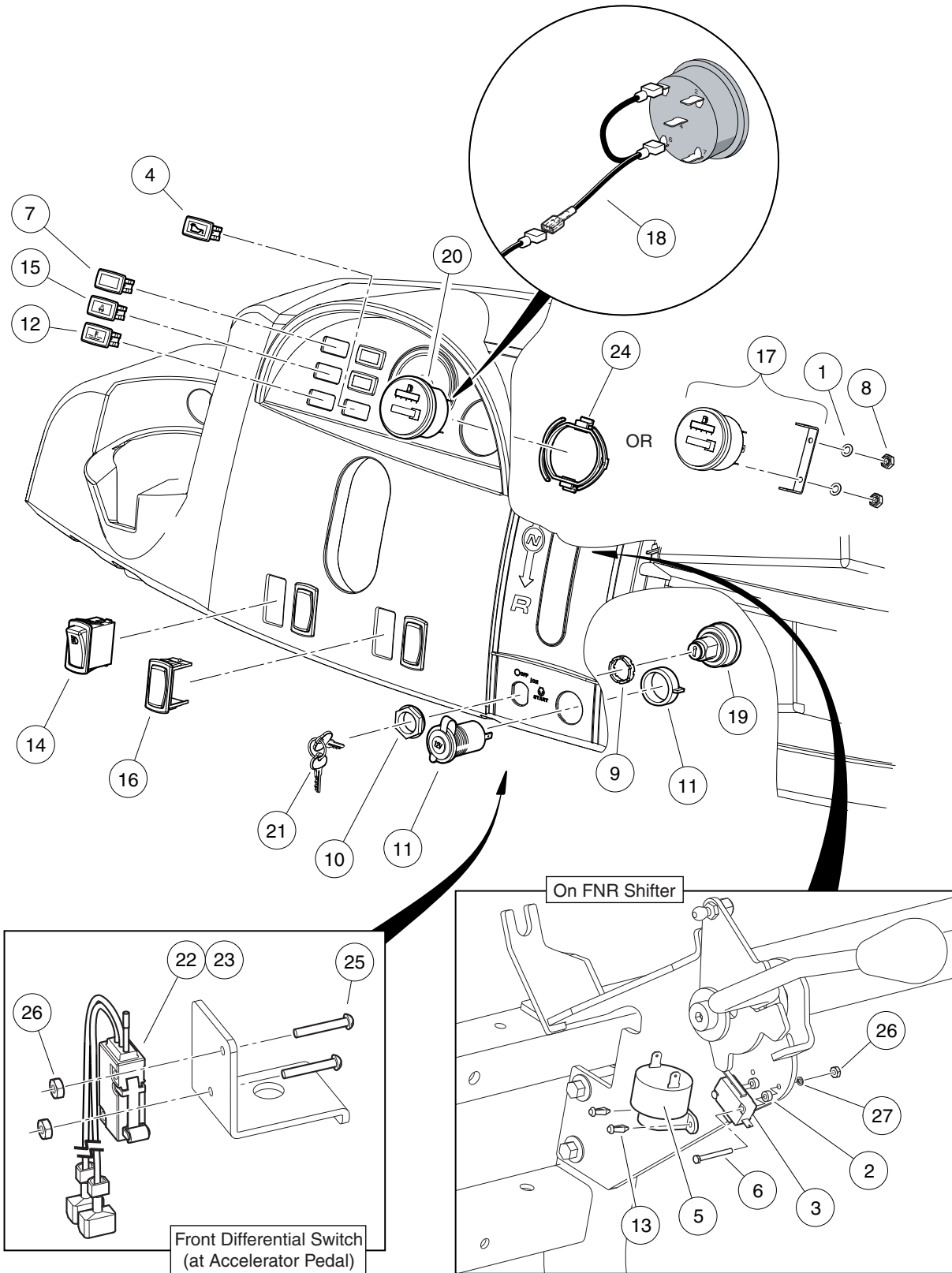
ITEM	PART NO.	DESCRIPTION	QTY
		1 2 3 4	
1	<u>1012986</u>	Lockwasher, M4	2
2	<u>1014727</u>	Washer, Flat, #4, Nylon	2
3	<u>1014808</u>	Switch, Limit	1
4	<u>1016630</u>	Light, Oil	1
5	<u>1016851</u>	Buzzer, Reverse (9-48 VDC)	1
6	<u>1016896</u>	Screw, #4-40 X 1.125 Hx Hd Mch	2
7	<u>101802601</u>	Plug, Hole	5
8	N/A	Gauge, Fuel/Hour, with Bracket	1
9	<u>101991101</u>	Nut, M4-0.7	2
10	<u>102051601</u>	Spacer, Keyswitch	1
11	<u>102051701</u>	Nut, Key Switch	1
12	<u>102198001</u>	Receptacle, Accessory	1
13	<u>102375401</u>	Light, Indicator, Coolant Temp	1
14	<u>102495701</u>	Light, Indicator, Turn Signals	1
15	<u>102499001</u>	Rivet, Micro Tuflok	2
16	<u>102869401</u>	Switch, Rocker, Light	1
17	<u>102882501</u>	Switch, Rocker, Bed Lift	1
18	<u>103180101</u>	Cover, Hole, Switch, Rocker	3
19	<u>103208801</u>	Keyswitch, 12v, Diesel	1
20	<u>103234401</u>	Keys (set of 2)	1
21	N/A	Asm, Switch, Limit	1
22	<u>103310701</u>	Switch, High Beam, Homologatn	1
23	<u>103324901</u>	Switch, 3-pos, Euro, Restyle	1
24	<u>103327201</u>	Asm, Switch, Limit, Awd	1
25	<u>103348101</u>	Gauge, Fuel-hour, Sep Gnd	1
26	<u>103348201</u>	Clip, Meter, Round	1
27	<u>103348501</u>	Asm, Wire Meter, F-h Jumper	1
28	<u>8056</u>	Screw, #4-40 X 0.75 Round-Head Machine	2
29	<u>8057</u>	Nut, #4-40 Hex Machine	4
30	<u>8058</u>	Lockwasher, #4 Split	2
<p>Note: Item 5, reverse buzzer, is only if equipped. NOTE 2: Item 8, fuel/hour gauge, was replaced by item 25, fuel/hour gauge, in Feb. 2007. NOTE 3: Items 26, clip, and 27, jumper wire, are required with item 25, fuel/hour gauge. NOTE 4: Item 17, bed lift switch, is only if equipped. NOTE 5: Item 21, limit switch, was replaced by item 24, limit switch, on August 1, 2006.</p>			

7

D

7

D



000543-012

ELECTRICAL COMPONENTS, FRONT BODY – INTELLITACH

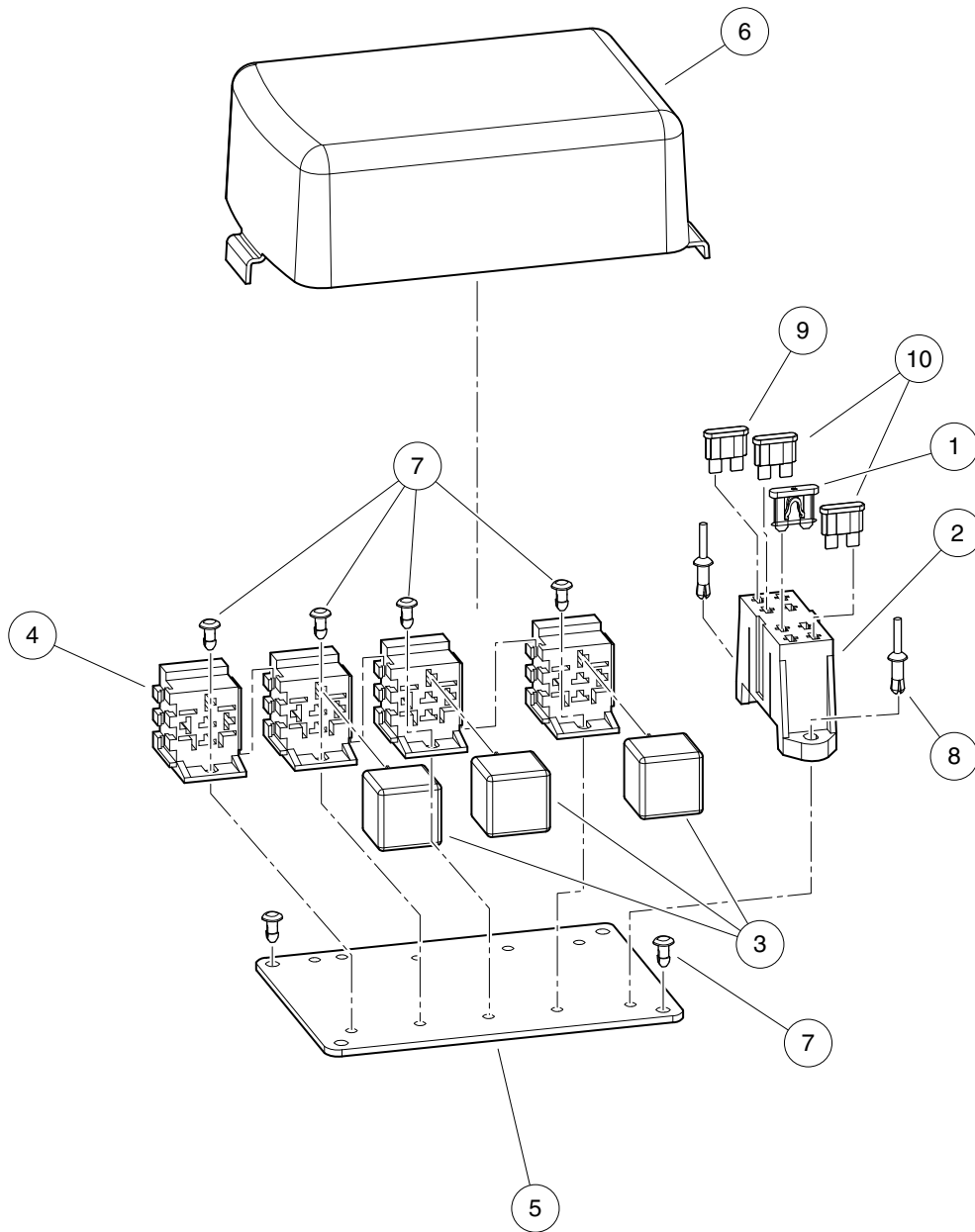
ITEM	PART NO.	DESCRIPTION	QTY
		1 2 3 4	
1	<u>1012986</u>	Lockwasher, M4	2
2	<u>1014727</u>	Washer, Flat, #4, Nylon	2
3	<u>1014808</u>	Switch, Limit	1
4	<u>1016630</u>	Light, Oil	1
5	<u>1016851</u>	Buzzer, Reverse (9-48 VDC)	1
6	<u>1016896</u>	Screw, #4-40 X 1.125 Hx Hd Mch	2
7	<u>101802601</u>	Plug, Hole	5
8	<u>101991101</u>	Nut, M4-0.7	2
9	<u>102051601</u>	Spacer, Keyswitch	1
10	<u>102051701</u>	Nut, Key Switch	1
11	<u>102198001</u>	Receptacle, Accessory	1
12	<u>102375401</u>	Light, Indicator, Coolant Temp	1
13	<u>102499001</u>	Rivet, Micro Tuflok	2
14	<u>102869401</u>	Switch, Rocker, Light	1
15	<u>102977501</u>	Light, Indicator, Seat Belt	1
16	<u>103180101</u>	Cover, Hole, Switch, Rocker	3
17	N/A	Gauge, Fuel,hr,seatbelt Timer	1
18	<u>103205801</u>	Asm, Wire, Meter F/h/sb Jumpr	1
19	<u>103208801</u>	Keyswitch, 12v, Diesel	1
20	<u>103234001</u>	Gauge, F/h, Sep Gnd Timer	1
21	<u>103234401</u>	Keys (set of 2)	1
22	N/A	Asm, Switch, Limit	1
23	<u>103327201</u>	Asm, Switch, Limit, Awd	1
24	<u>103348201</u>	Clip, Meter, Round	1
25	<u>8056</u>	Screw, #4-40 X 0.75 Round-Head Machine	2
26	<u>8057</u>	Nut, #4-40 Hex Machine	4
27	<u>8058</u>	Lockwasher, #4 Split	2
<p>Note: Item 5, reverse buzzer, is only if equipped. NOTE 2: Item 17, fuel/hour gauge, was replaced by item 20, fuel/hour gauge, in March 2007. NOTE 3: Items 18, jumper wire, and 24, clip, are required with item 20, fuel/hour gauge. NOTE 4: Item 22, limit switch, was replaced by item 23, limit switch, on August 1, 2006.</p>			

7

D

7

D



000076-004

ELECTRICAL COMPONENT BOX – DIESEL VEHICLE

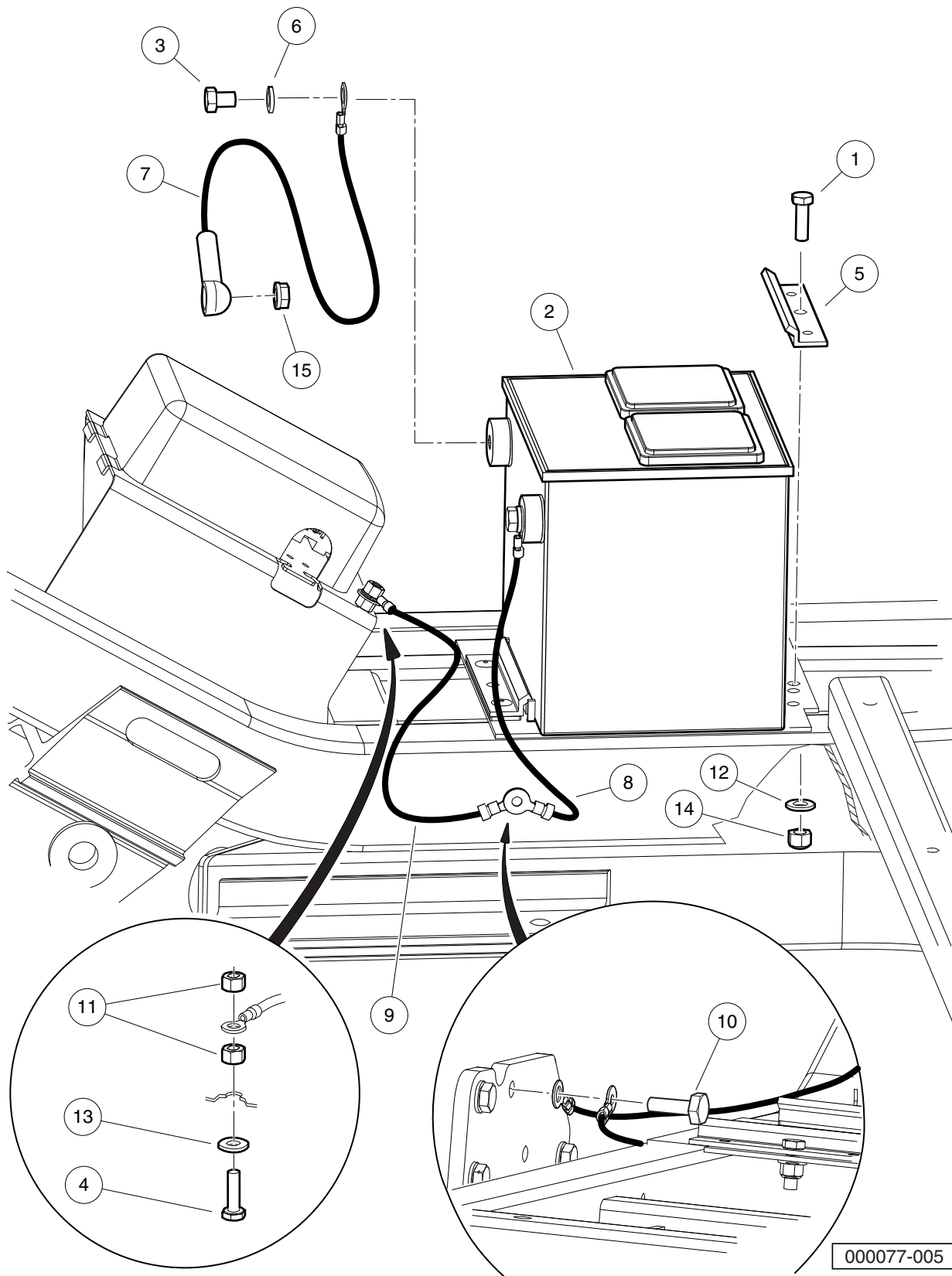
ITEM	PART NO.	DESCRIPTION	QTY
		1 2 3 4	
1	<u>1012295</u>	Fuse, 10-Amp	1
2	<u>1015741</u>	Fuse Block	1
3	<u>102420201</u>	Relay, Mini ISO, SPDT	3
4	<u>102420301</u>	Connector, Relay	4
5	<u>102420401</u>	Plate, Electrical	1
6	<u>102420501</u>	Cover, Electrical	1
7	<u>102447901</u>	Fastener, Push-in	8
8	<u>102448001</u>	Rivet, Drive	2
9	<u>102492201</u>	Fuse, 25-Amp	1
10	<u>102492301</u>	Fuse, 30-Amp	2

7

D

7

D



BATTERY – DIESEL VEHICLE

ITEM	PART NO.	DESCRIPTION	QTY
		1 2 3 4	
1	<u>1010934</u>	Screw, 5/16-18 X 1.00 Hex Cap	1
2	<u>1012328</u>	Battery, 12-Volt	1
3	<u>1014375</u>	Screw, 3/8-16 X 0.50, Stainless Steel, Hex-Head	2
4	<u>1015521</u>	Screw, 1/4-20 X .88 Hex Hd Cap	1
5	<u>101898001</u>	Clamp, Battery	1
6	<u>102355301</u>	Lockwasher, 3/8 Split Ss	2
7	<u>102442201</u>	Asm, #6 Red Wire	1
8	<u>102448401</u>	Wire Asm, #6 Blk, Awd, 350	1
9	<u>102448501</u>	Wire Asm, #6 Blk, Awd, 325	1
10	<u>102498201</u>	Bolt, M10 X 1.25 X 25, Loctite	1
11	<u>1108</u>	Locknut, 1/4-20 Dimpled	2
12	<u>1241</u>	Washer, 5/16 Type A Flat	1
13	<u>332</u>	Washer, 1/4 Type A Narrow Flat	1
14	<u>7473</u>	Locknut, 5/16-18 Nylon Insert	1
15	<u>96704416</u>	Nut, Flange, M8 X 1.25 Serrated	1

7

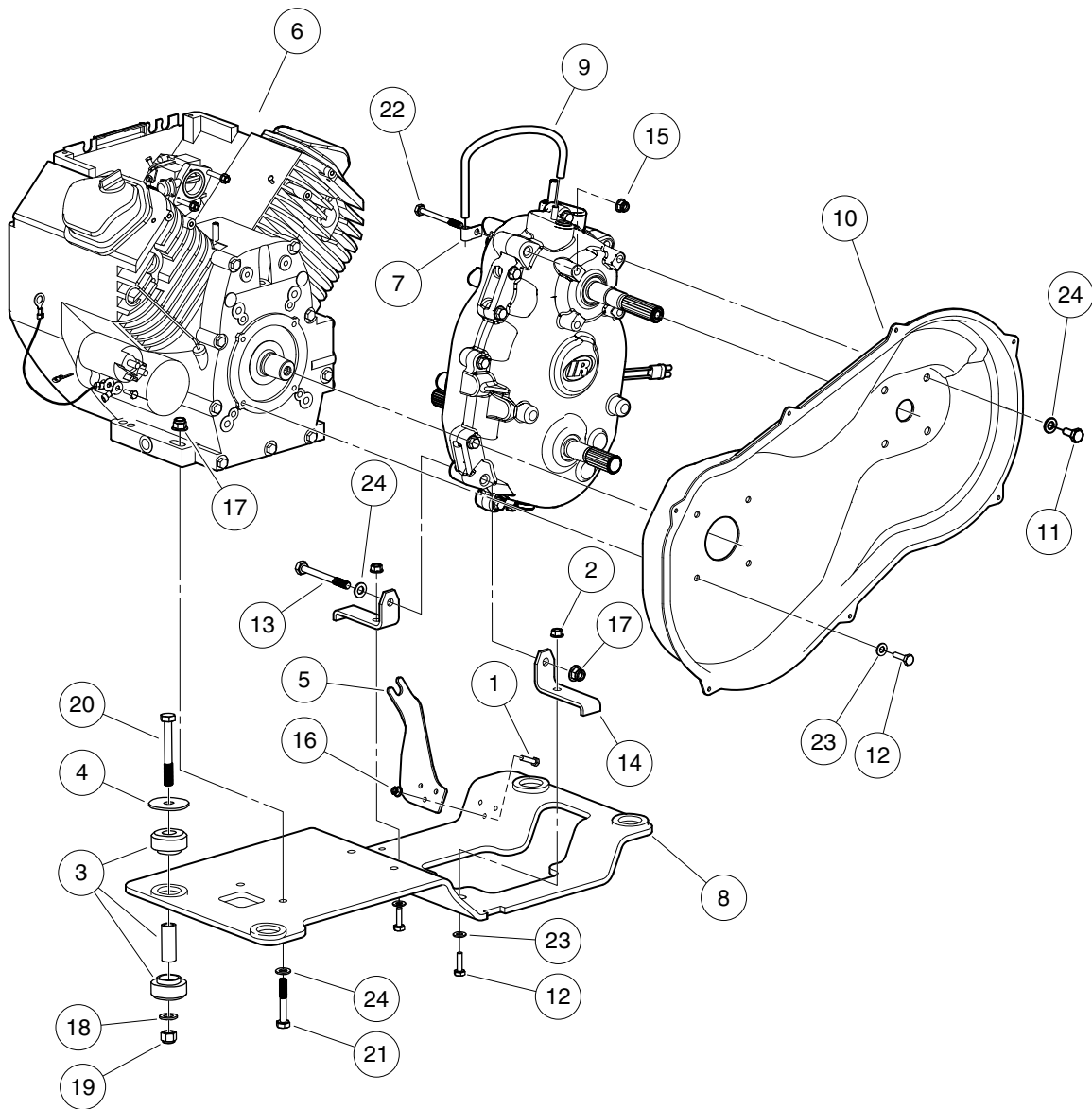
D

7

D

ENGINE – HONDA GX620 GASOLINE

8
G



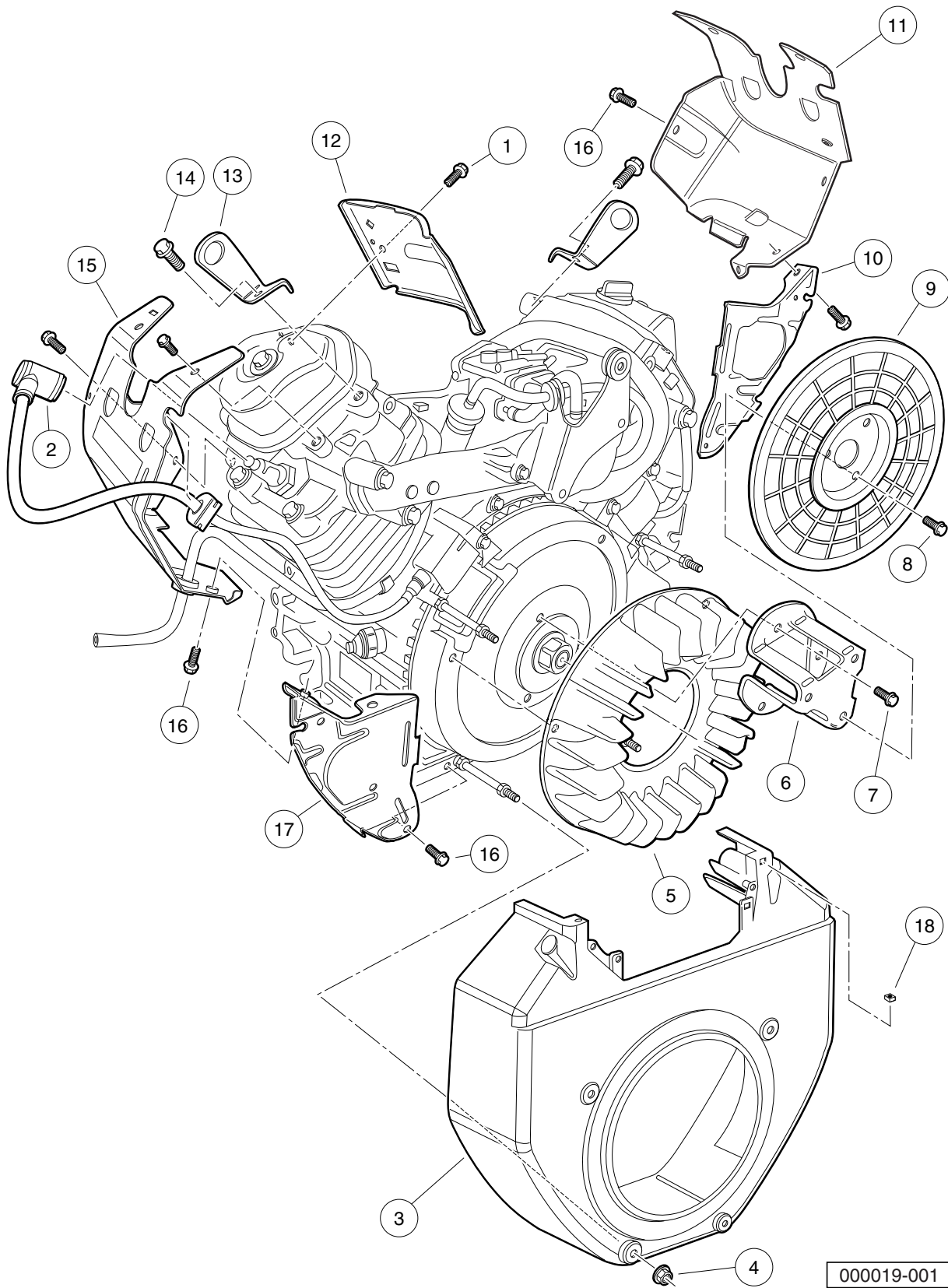
000025-004

HONDA GX620 GASOLINE ENGINE AND ENGINE MOUNTING

ITEM	PART NO.	DESCRIPTION	QTY
		1 2 3 4	
1	<u>1012769</u>	Screw, M6-1.00 X 25mm Hex Cap	3
2	<u>102298401</u>	Nut,m8,all Metal Lock	2
3	<u>102370501</u>	Isolator Ring and Bushing	4
4	<u>102370601</u>	Washer, Snubbing, Ring N Bush	4
5	<u>102382401</u>	Bracket, FNR Trans Cable	1
6	<u>102402701</u>	Engine, Gasoline, Honda GX620 (complete)	1
7	<u>102410603</u>	P-Clamp, Insulated .312 In	1
8	<u>102414901</u>	Plate, Engine Mounting, Honda	1
9	<u>102462301</u>	Hose, Vent, Transmission	1
10	<u>102462502</u>	Cover, CVT Inner, Honda	1
11	<u>102490101</u>	Bolt, M10 X 1.5 X 20 Loctite	4
12	<u>102490201</u>	Bolt, M8 X 1.25 X 25 Loctite	6
13	<u>102490501</u>	Bolt, M10 X 1.5 X 100 Loctite	1
14	<u>102494401</u>	Bracket, Transmission Mounting	2
15	<u>102618601</u>	Lock Nut, Flange, M8 X 1.25 Nylon	1
16	<u>102621501</u>	Nut, Flange, M6 X 1.0, Nylon	3
17	<u>102670701</u>	Nut, Flange, M10 X 1.5 Nylon	5
18	<u>96701412</u>	Washer, M12 Hard	4
19	<u>96704622</u>	Locknut, M12x1.75 Nylon Insert	4
20	<u>96704721</u>	Bolt, M12 X 1.75 X 90	4
21	<u>96704960</u>	Bolt, M10 X 1.5 X 60	4
22	<u>96718978</u>	Bolt, M8 X 1.25 X 80	1
23	<u>96741038</u>	Washer, M8 Hard	6
24	<u>96741046</u>	Washer, M10, Hard	9

8

G



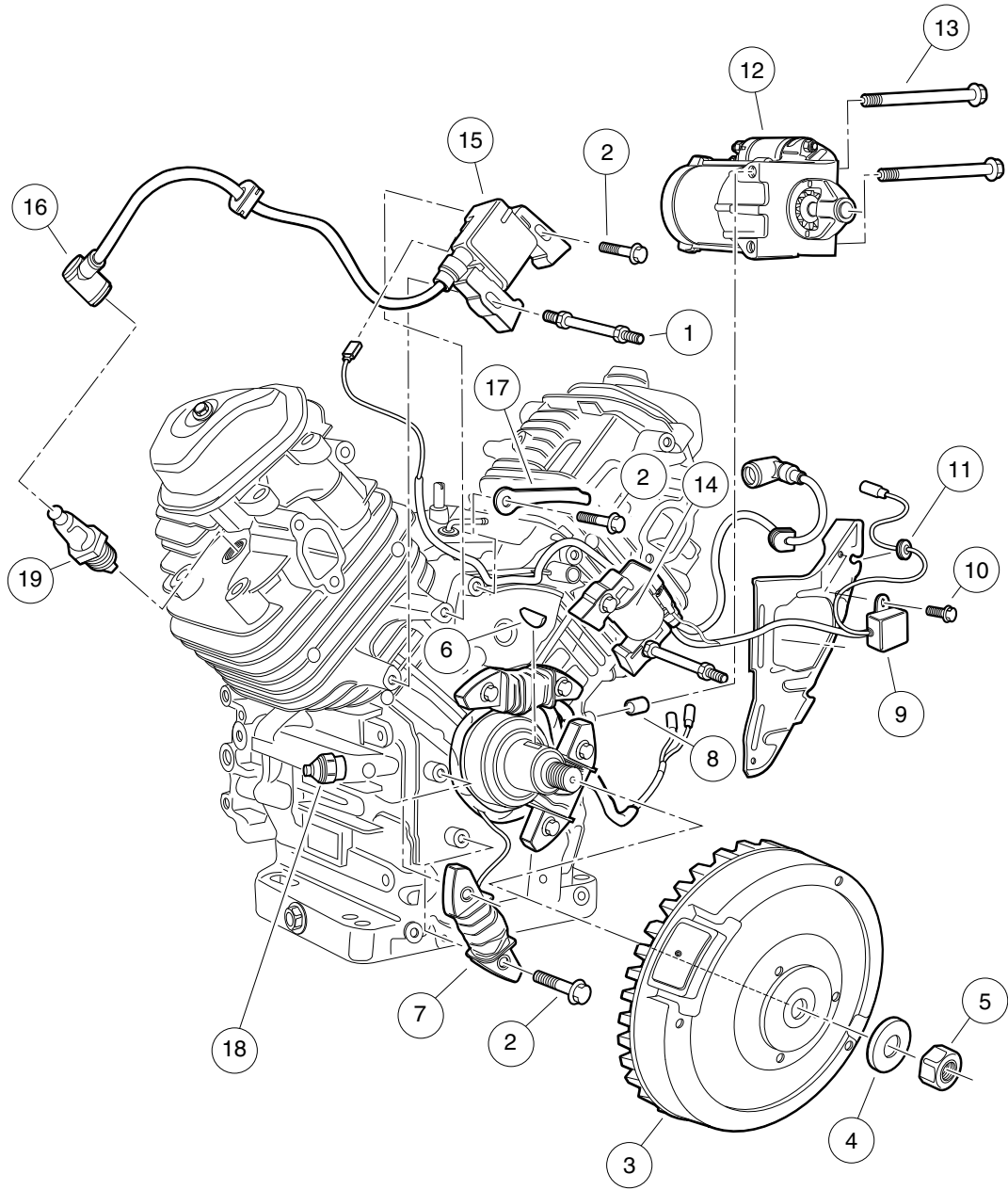
000019-001

SHROUDS AND BRACKETS

ITEM	PART NO.	DESCRIPTION	QTY
		1 2 3 4	
1	<u>102657501</u>	Bolt, Flange Head, M6 X 11 X 4	2
2	<u>102666201</u>	Cap Assy, Noise Suppressor	2
3	<u>102666801</u>	Cover, Fan, Bright Red	1
4	<u>102666901</u>	Nut, Flange, M6	4
5	<u>102667001</u>	Fan, Cooling	1
6	<u>102667101</u>	Holder, Screen Grid	1
7	<u>102667201</u>	Bolt, Flange Head, M8 X 1.25 X 16	3
8	<u>102667301</u>	Bolt, Flange Head, M6 X 1 X 12	3
9	<u>102667401</u>	Grid Screen, PTO	1
10	<u>102667501</u>	Plate, R Side	1
11	<u>102667601</u>	Shroud, R	1
12	<u>102667701</u>	Shroud, Head	2
13	<u>102667901</u>	Hanger, Engine	2
14	<u>102668001</u>	Bolt, Flange Head, M8 X 1.25 X 20	2
15	<u>102668101</u>	Shroud, L	1
16	<u>102668301</u>	Bolt, Flange Head, M6 X 1 X 12	6
17	<u>102668401</u>	Plate, Left Side	1
18	<u>102759401</u>	Nut, Square, 5mm	2

8

G

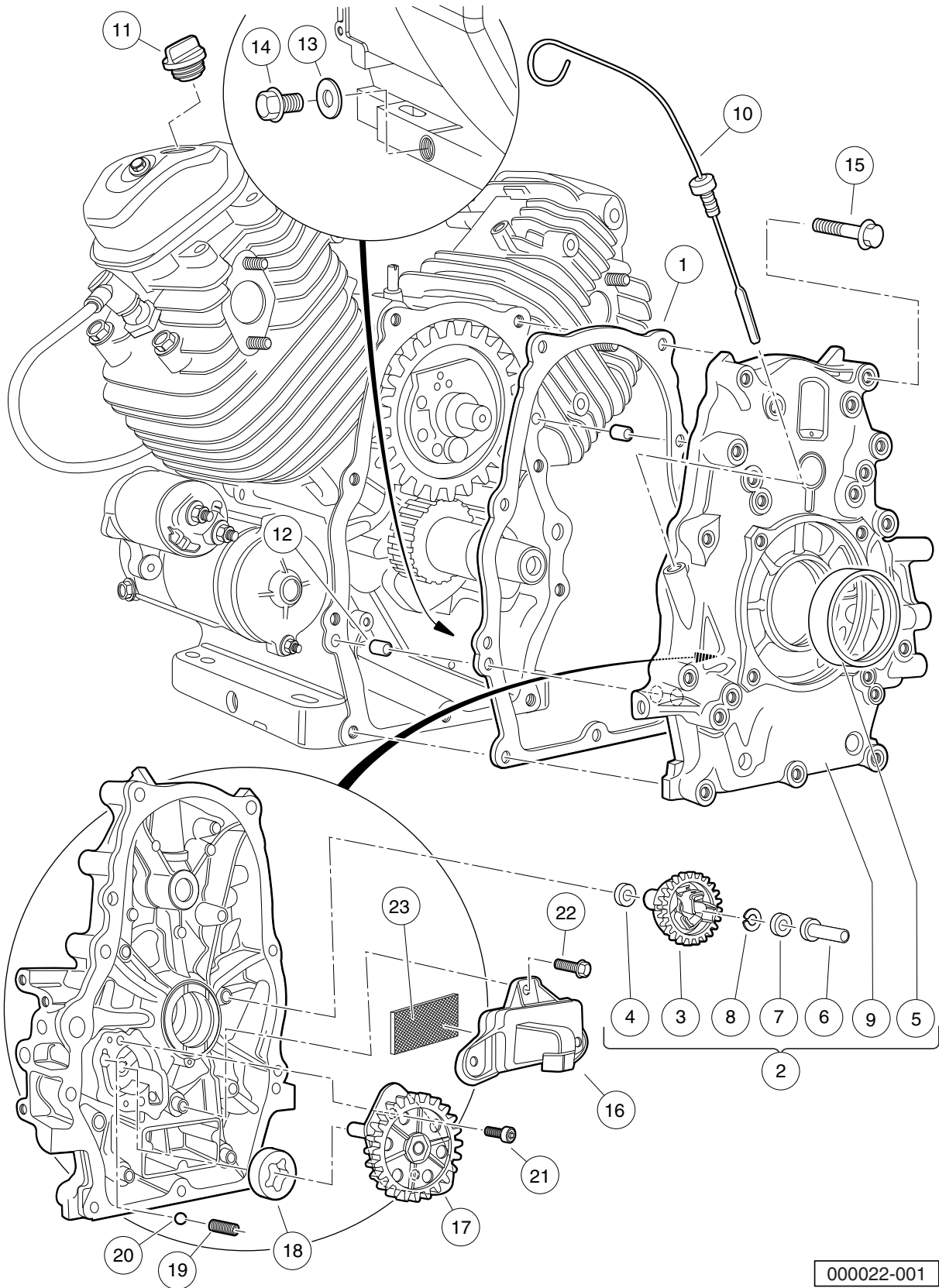


000018-001

IGNITION COMPONENTS AND FLYWHEEL

ITEM	PART NO.	DESCRIPTION	QTY
		1 2 3 4	
1	<u>102655301</u>	Stud, Engine	2
2	<u>102661901</u>	Bolt, Flange Head, M6 X 1 X 32	9
3	<u>102664601</u>	Flywheel	1
4	<u>102664701</u>	Washer, M20	1
5	<u>102664801</u>	Nut, Flange, M20	1
6	<u>102664901</u>	Key, Special Woodruff, 25 X 18	1
7	<u>102665001</u>	Coil Assy, Charge, 12-Volt, 20-Amp	1
8	<u>102665101</u>	Pin, Dowel, 10x12	2
9	<u>102665301</u>	Diode Assembly	1
10	<u>102665401</u>	Bolt, Flange Head, M6 X 1 X 8	1
11	<u>102665501</u>	Grommet	1
12	<u>102665601</u>	Motor, Starter	1
13	<u>102665701</u>	Bolt, Flange Head, M8 X 1.25 X 110	2
14	<u>102665901</u>	Coil Assy, R, Ignition	2
15	<u>102666001</u>	Coil Assy, L, Ignition	2
16	<u>102666201</u>	Cap Assy, Noise Suppressor	2
17	<u>102668201</u>	Clamp, Wire	1
18	<u>102831201</u>	Switch, Oil Pressure	1
19	<u>AM1232301</u>	Spark Plug, BPR2ES	2

8
G



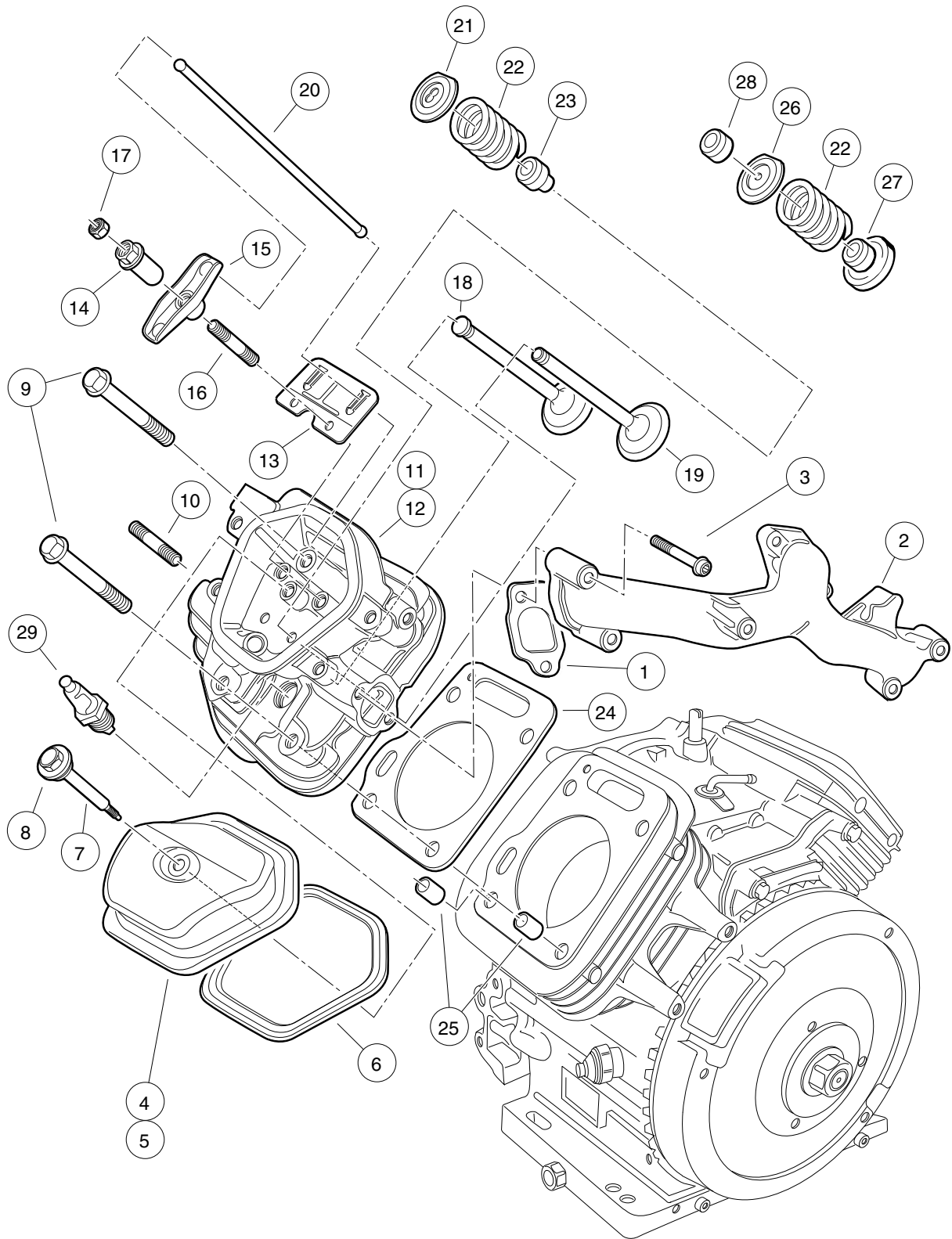
000022-001

OIL CIRCULATION

ITEM	PART NO.	DESCRIPTION	QTY
		1 2 3 4	
1	<u>102658001</u>	Gasket, Case Cover	1
2	<u>102658101</u>	Cover Assembly, Crankcase (includes items 3 through 9)	1
3	<u>102658801</u>	Governor Assembly	1
4	<u>102659601</u>	Washer, Plain, M6	1
5	<u>102724301</u>	Seal, Oil, 38 X 58 X 9	1
6	<u>102724401</u>	Slider, Governor	1
7	<u>102724501</u>	Washer, 6 X 16	1
8	<u>102724601</u>	Clip, Governor	1
9	N/A	Cover, Crankcase	1
10	<u>102658201</u>	Dipstick, Oil	1
11	<u>102658301</u>	Cap, Oil Filler	1
12	<u>102658401</u>	Pin A, Dowel, 8 X 14	2
13	<u>102658501</u>	Washer, Drain Plug, M14	1
14	<u>102658601</u>	Bolt, Drain Plug , M14	1
15	<u>102658701</u>	Bolt, Flange Head, M8 X 1.25 X 50	9
16	<u>102658901</u>	Cover, Oil Filter	1
17	<u>102659001</u>	Cover Assembly, Oil Pump	1
18	<u>102659101</u>	Rotor, Oil Pump, Outer	1
19	<u>102659201</u>	Spring, Relief Valve	1
20	<u>102659301</u>	Ball, Steel , 3/8, #12	1
21	<u>102659401</u>	Bolt, Socket	2
22	<u>102659501</u>	Bolt, Flange Head, M6 X 1 X 20	3
23	<u>102724701</u>	Screen, Oil Filter	1

8

G

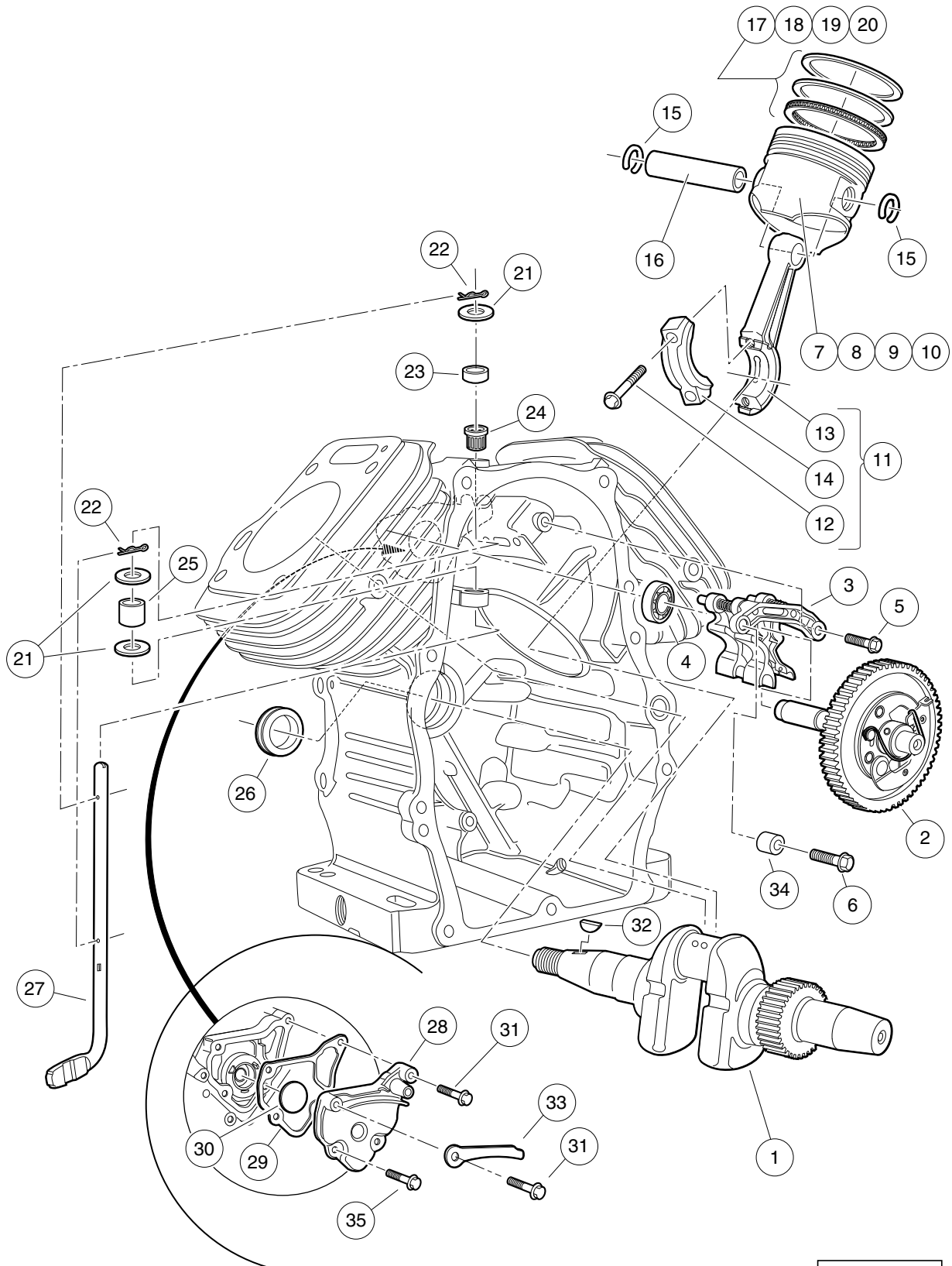


000013-001

CYLINDER HEAD

ITEM	PART NO.	DESCRIPTION	QTY
		1 2 3 4	
1	<u>102657601</u>	Gasket, Intake Manifold	2
2	<u>102657701</u>	Manifold, Intake	1
3	<u>102657801</u>	Bolt, Socket, M8 X 1.25 X 45	4
4	<u>102662101</u>	Cover, Head	1
5	<u>102662102</u>	Cover, Head Filler	1
6	<u>102662201</u>	Gasket, Cylinder Head Cover	2
7	<u>102662301</u>	Bolt, Head Cover	2
8	<u>102662401</u>	Washer, Head Cover	2
9	<u>102662601</u>	Bolt, Flange Head, M10 X 1.5 X 80	8
10	<u>102662701</u>	Bolt, Stud, M8x22	4
11	<u>102662801</u>	Cylinder Head, #2	1
12	<u>102662802</u>	Cylinder Head, #1	1
13	<u>102662901</u>	Plate, Push Rod Guide	2
14	<u>102663001</u>	Pivot, Rocker Arm	4
15	<u>102663101</u>	Arm, Valve Rocker	4
16	<u>102663201</u>	Bolt, Pivot, M8	4
17	<u>102663301</u>	Nut, Pivot Adj	4
18	<u>102663401</u>	Valve, Exhaust	2
19	<u>102663501</u>	Valve, Intake	2
20	<u>102663801</u>	Rod, Push	4
21	<u>102663901</u>	Retainer, Intake Valve Spring	2
22	<u>102664001</u>	Spring, Valve	4
23	<u>102664101</u>	Seal, Valve Stem	2
24	<u>102664301</u>	Gasket, Cylinder Head	2
25	<u>102664401</u>	Pin A, Dowel ,12 X 20	4
26	<u>102722701</u>	Retainer, Exhaust Valve Spring	2
27	<u>102722801</u>	Seat, Valve Spring	2
28	<u>102722901</u>	Rotator, Valve	2
29	<u>AM1232301</u>	Spark Plug, BPR2ES	2

8
G



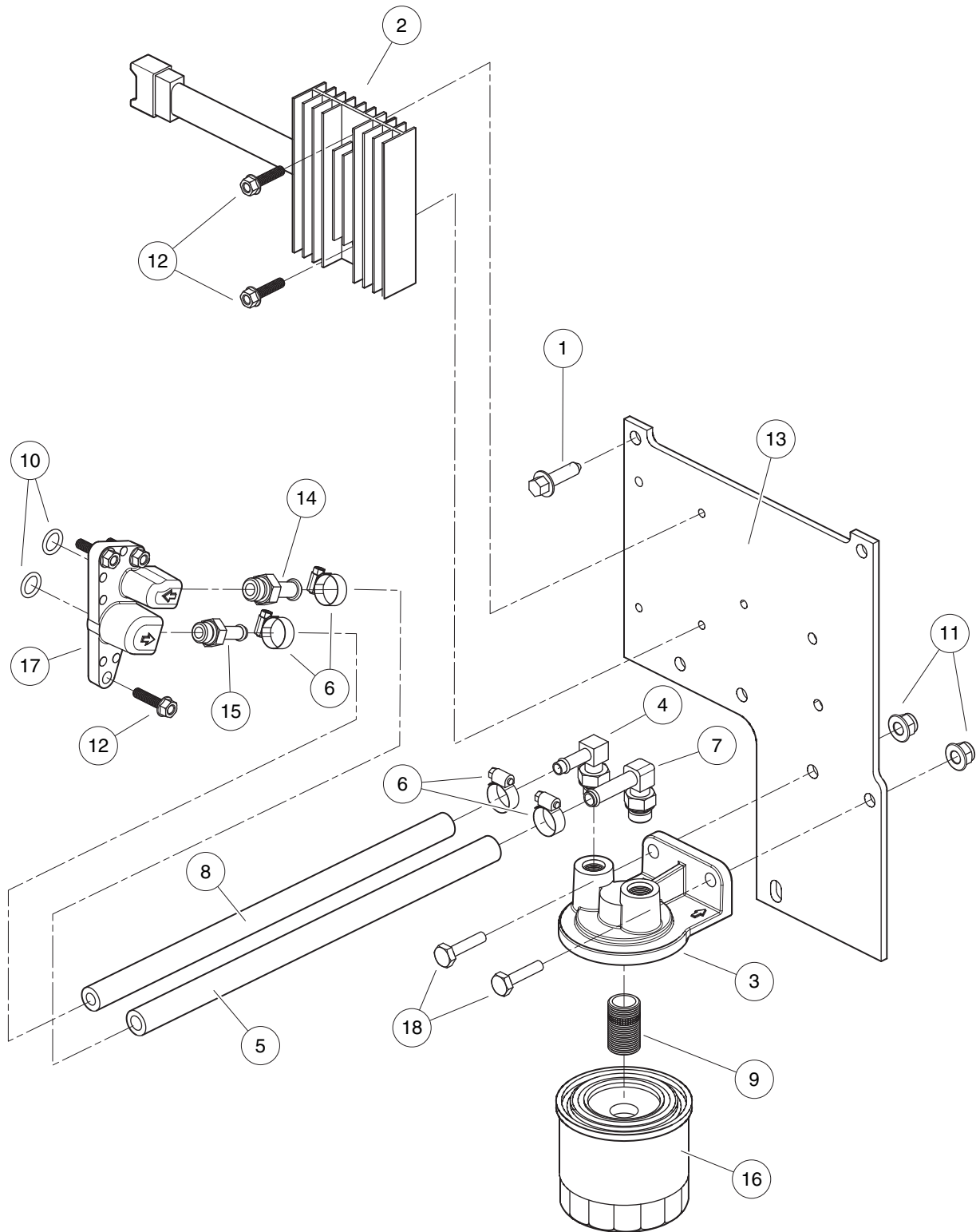
000023-001

CRANKCASE, CAMSHAFT AND CRANKSHAFT

ITEM	PART NO.	DESCRIPTION	QTY
		1 2 3 4	
1	<u>102659801</u>	Crankshaft	1
2	<u>102659901</u>	Camshaft Assembly	1
3	<u>102660001</u>	Lifter Assembly, Valve	1
4	<u>102660101</u>	Bearing, Radial Ball, 6003	1
5	<u>102660201</u>	Bolt, Flange Head, M5 X 1 X 16	1
6	<u>102660301</u>	Bolt, Flange Head, M6 X 1 X 25	1
7	<u>102660401</u>	Piston, Std	2
8	<u>102660402</u>	Piston, Over-Sized 0.25	2
9	<u>102660403</u>	Piston, Over-Sized 0.50	2
10	<u>102660404</u>	Piston, 0.75	2
11	<u>102660501</u>	Rod Assy., Connecting (includes items 12 through 14)	2
12	<u>102660901</u>	Bolt, Connecting Rod, 6 X 37	2
13	N/A	Connecting Rod	1
14	N/A	Cap, Connecting Rod	1
15	<u>102660601</u>	Clip, Piston Pin, 18mm	4
16	<u>102660701</u>	Pin, Piston	2
17	<u>102660801</u>	Ring Set, Piston, Std	2
18	<u>102660802</u>	Ring Set, Piston, OS 0.25	2
19	<u>102660803</u>	Ring Set, Piston, OS 0.50	2
20	<u>102660804</u>	Ring Set, Piston, OS 0.75	2
21	<u>102661001</u>	Washer, Plain, M8	3
22	<u>102661101</u>	Pin, Lock, 8 Mm	2
23	<u>102661201</u>	Bearing, Needle, 8 X 12.7 X 11	1
24	<u>102661202</u>	Oil Seal, 8 X 14 X 5	1
25	<u>102661301</u>	Bearing, Needle, 8 X 12 X 10	1
26	<u>102661401</u>	Oil Seal, 38 X 58 X 9	1
27	<u>102661501</u>	Shaft, Governor Arm	1
28	<u>102661601</u>	Cover, Breather	1
29	<u>102661701</u>	Gasket, Breather Cover	1
30	<u>102661801</u>	Valve, Breather	1
31	<u>102661901</u>	Bolt, Flange Head, M6 X 1 X 32	2
32	<u>102664901</u>	Key, Special Woodruff, 25 X 18	1
33	<u>102668201</u>	Clamp, Wire	1
34	<u>102725101</u>	Pin A, Dowel	1
35	<u>102725201</u>	Bolt, Flange Head, 6 X 16	1

8

G



000083-001

OIL FILTER ADAPTER AND VOLTAGE REGULATOR

ITEM	PART NO.	DESCRIPTION	QTY
		1 2 3 4	
1	<u>102289001</u>	Screw, M8X1.25X30, Hex	3
2	<u>102331401</u>	Regulator, Voltage	1
3	<u>102371401</u>	Bracket, Oil Filter Mount	1
4	<u>102434801</u>	Adapter, 90 Degree, 5/16 Tube	1
5	<u>102443501</u>	Hose, 3/8, Remote Oil, Honda	1
6	<u>102443601</u>	Clamp, Hose	4
7	<u>102457501</u>	Adapter, 90, 3/8 Tube	1
8	<u>102457601</u>	Hose, 5/16, Remote Oil, Honda	1
9	<u>102475301</u>	Nipple, M20, Remote Oil	1
10	<u>102490401</u>	O-ring 11.8 X 2.4	2
11	102618601	Lock Nut, Flange, M8 X 1.25 Nylon	2
12	<u>102670801</u>	Screw, M6 X 1 X 25 Thd Form	5
13	<u>102710301</u>	Plate, Filter Mounting	1
14	<u>102721901</u>	Adapter, 3/8 Hose	1
15	<u>102722001</u>	Adapter, 5/16 Hose	1
16	<u>102827901</u>	Filter, Oil, Honda Service	1
17	<u>102849401</u>	Adapter, Oil Filter, Honda Eng	1
18	<u>96705587</u>	Bolt, M8 X 1.25 X 30	2

8
G

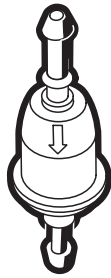
8

G

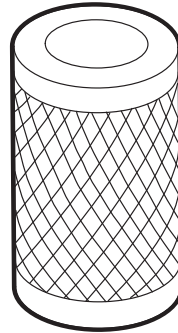
ENGINE – KAWASAKI FH680D GASOLINE

9

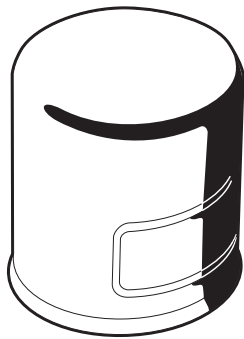
G



2



3



4



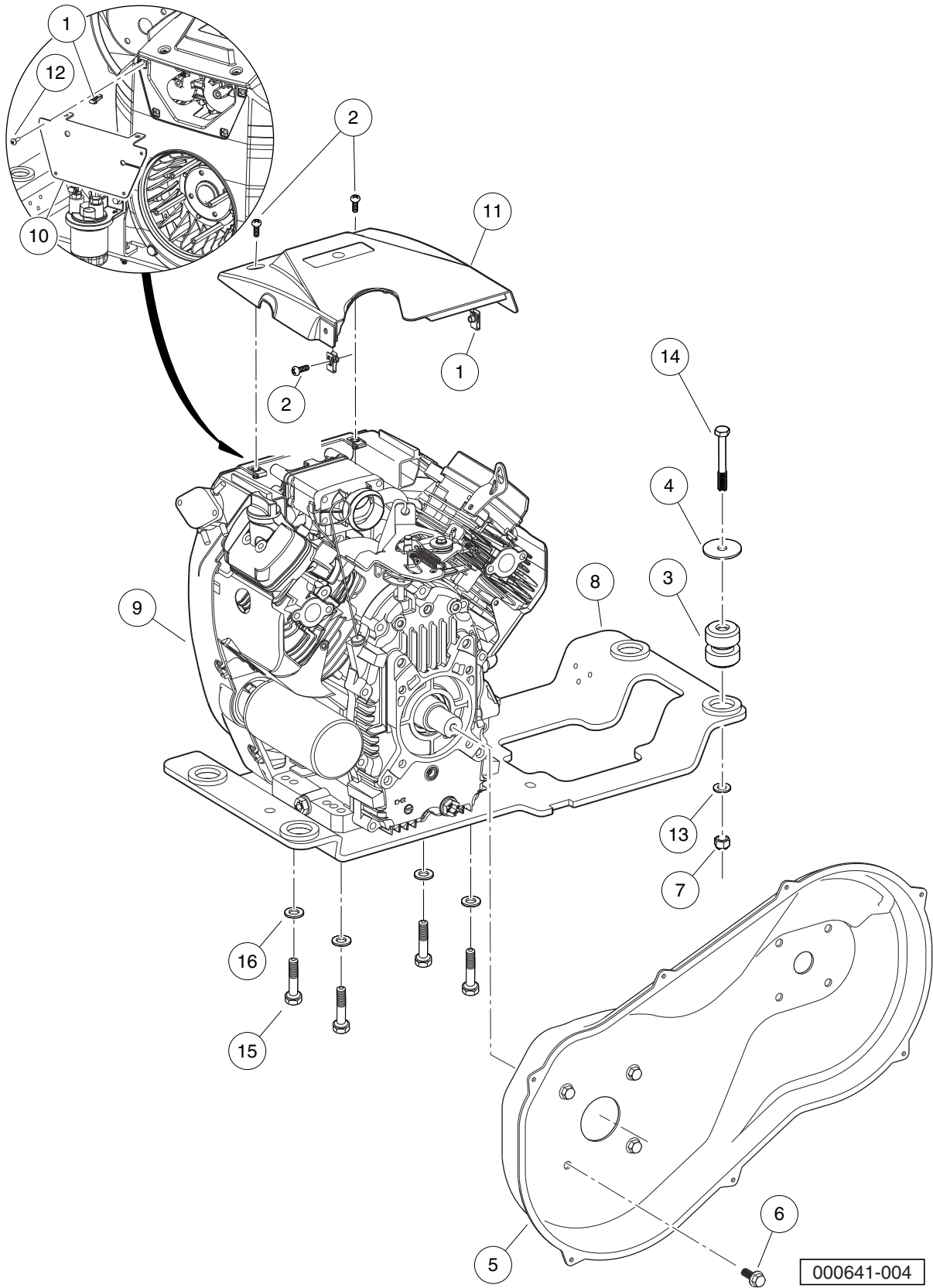
5

000992-001

TUNE-UP KIT – KAWASAKI FH680

ITEM	PART NO.	DESCRIPTION	QTY
		1 2 3 4	
1	<u>AM1232401</u>	Kit, Tune-Up (For Kawasaki V-twin engines) (includes items 2 through 5)	1
2	<u>102003201</u>	Filter, Fuel, 30 Micron	1
3	<u>102498601</u>	Element, Filter, Air, 5 Inch	1
4	<u>103887901</u>	Filter, Oil, Kawasaki	1
5	<u>AM1232301</u>	Spark Plug, BPR2ES	2

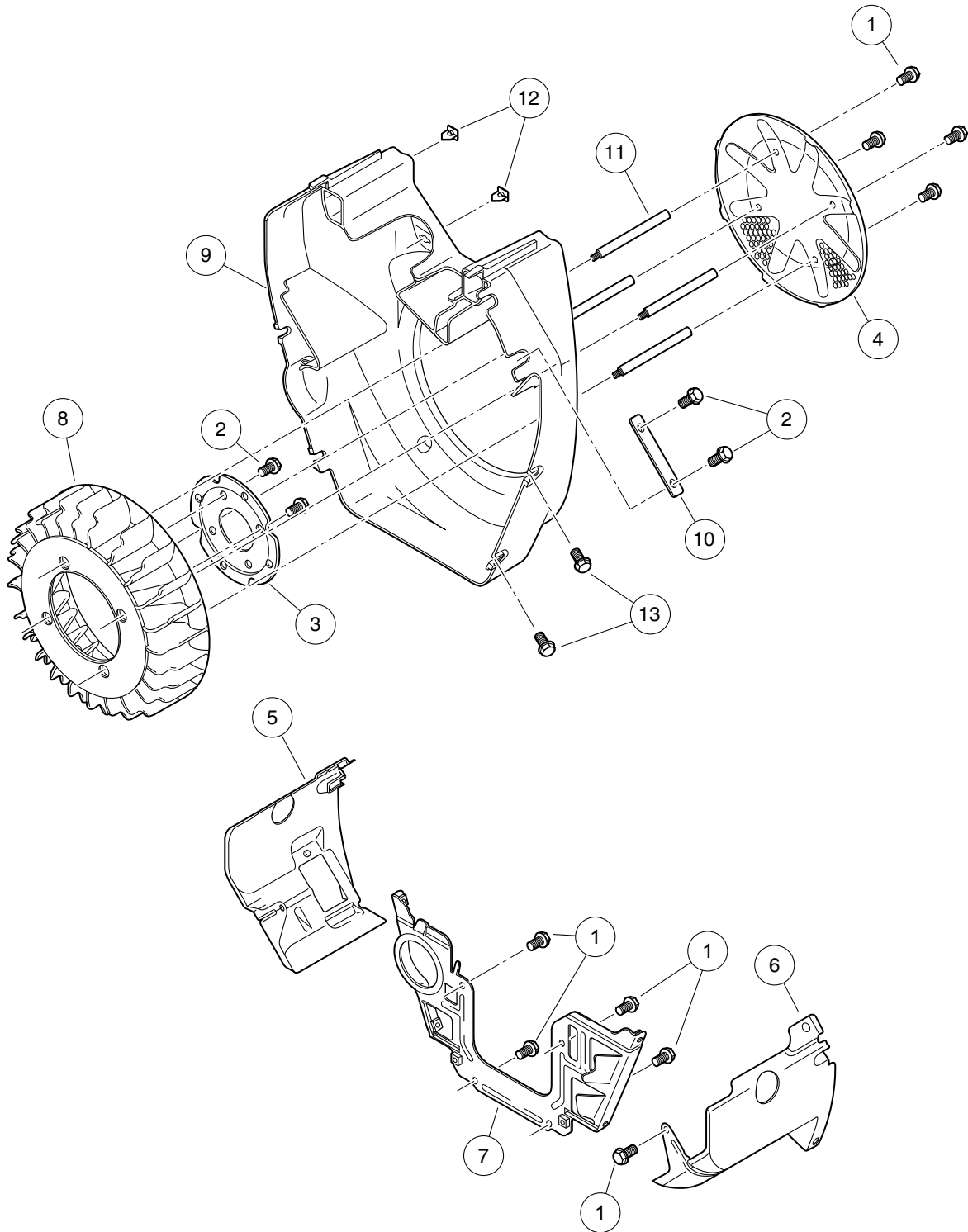
9
G



KAWASAKI FH680D GASOLINE ENGINE AN ENGINE MOUNTING

ITEM	PART NO.	DESCRIPTION	QTY
		1 2 3 4	
1	<u>102296601</u>	U-Nut, M6-1.0, Prevailing Torque	4
2	<u>102296920</u>	Screw, M6, Torx Button Head, Sems	4
3	<u>102370501</u>	Isolator Ring and Bushing	4
4	<u>102370601</u>	Washer, Snubbing, Ring N Bush	4
5	N/A	Cover, CVT Inner, FH680D	1
6	<u>102491001</u>	Bolt, Flanged Head, 3/8-16x1.0 with Loctite	4
7	<u>102740401</u>	Locknut, M12x1.75 Nylon Insert	4
8	<u>102951901</u>	Weldment, Eng Mnt, Kaw, Fh680d	1
9	<u>102960201</u>	Engine, Kawasaki, FH680D	1
10	<u>103208701</u>	Engine, Front Cover, Fh680d	1
11	<u>103262901</u>	Cover, Engine, Top	1
12	<u>103279201</u>	Screw, Pn Hd Blk, 10-16 X .625	4
13	<u>96701412</u>	Washer, M12 Hard	4
14	<u>96704721</u>	Bolt, M12 X 1.75 X 90	4
15	<u>96704960</u>	Bolt, M10 X 1.5 X 60	4
16	<u>96741046</u>	Washer, M10, Hard	4

9
G



000625-001

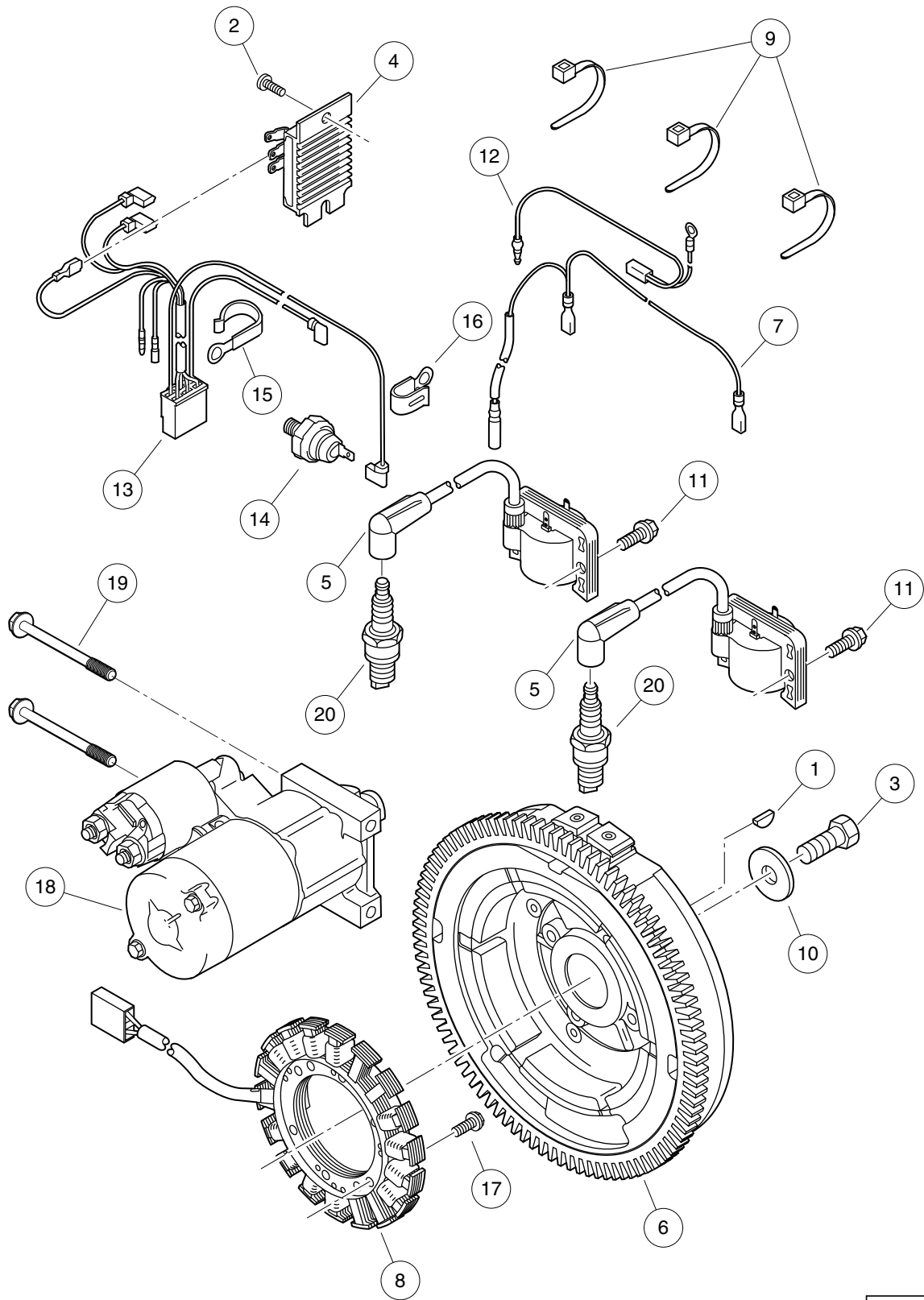
SHROUDS AND BRACKETS

ITEM	PART NO.	DESCRIPTION	QTY
		1 2 3 4	
1	<u>102992401</u>	Bolt, Flg, M6 X 1.0 X 12	9
2	<u>102992501</u>	Bolt, Flg, M6 X 1.0 X 16	4
3	<u>102998601</u>	Plate, Housing, Fan, Fh	1
4	<u>102998701</u>	Screen, Fan, Fh	1
5	<u>102999101</u>	Shroud, Engine, Rh, Fh	1
6	<u>102999201</u>	Shroud, Engine, Lh, Fh	1
7	<u>102999301</u>	Shroud, Engine, Front, Fh	1
8	<u>102999501</u>	Fan, Cooling, Fh	1
9	<u>102999601</u>	Housing, Engine, Fh	1
10	<u>103000001</u>	Washer, Housing, Fan, Fh	1
11	<u>103299301</u>	Stud, Fan Screen, Fh	4
12	<u>103299401</u>	Nut, Press In, Front Cover, Fh	4
13	<u>103300301</u>	Bolt, Oil Pickup, Fh	4

9

G

9
G

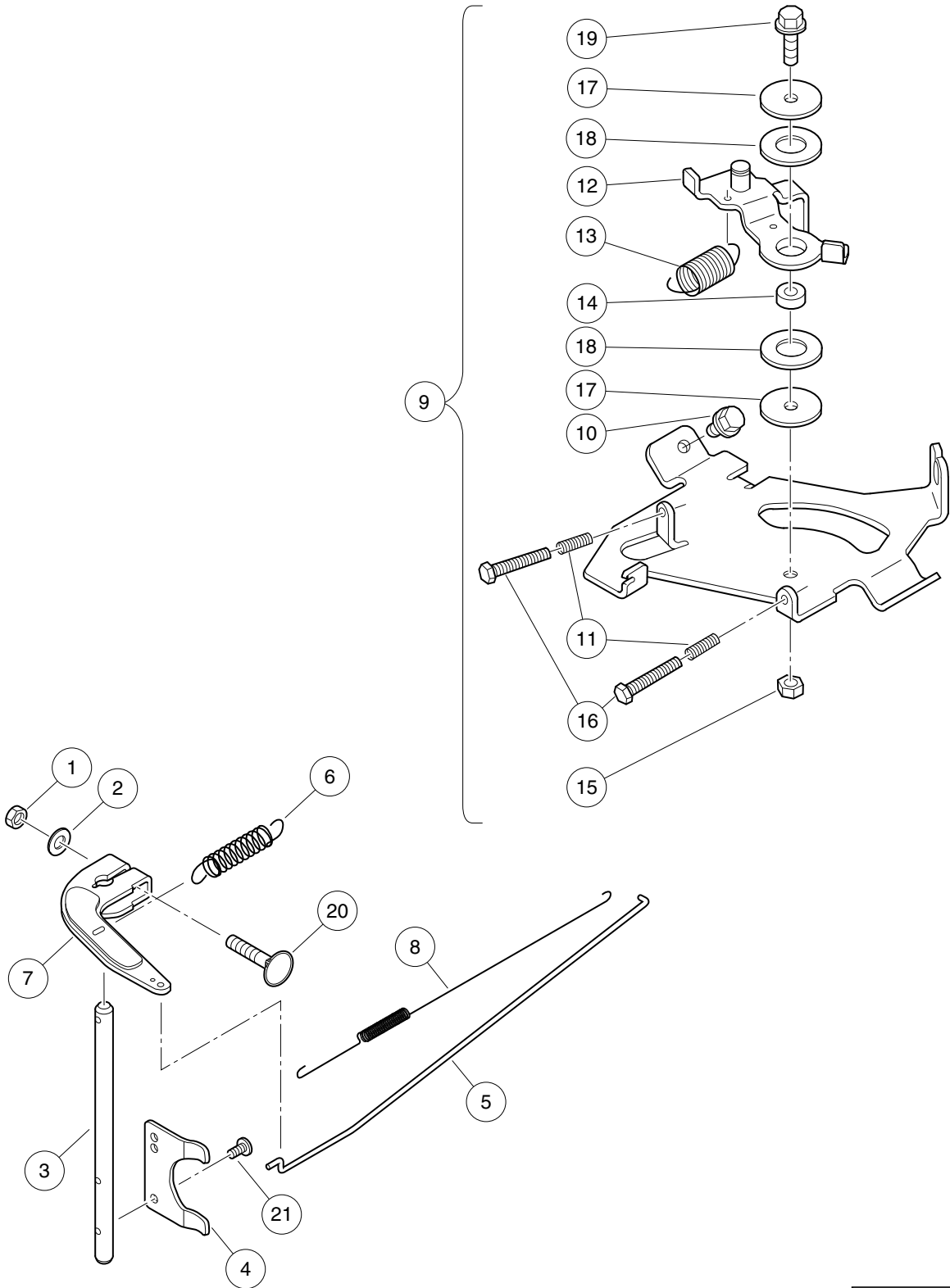


000626-002

IGNITION COMPONENTS AND FLYWHEEL

ITEM	PART NO.	DESCRIPTION	QTY
		1 2 3 4	
1	N/A	Key	1
2	<u>1016544</u>	Screw	1
3	<u>102994301</u>	Bolt, Flg, M12 X 1.25 X 30	1
4	<u>103000401</u>	Regulator, Voltage, Fh	1
5	<u>103000501</u>	Asm, Coil, Ignition, Fh	2
6	<u>103000601</u>	Flywheel, Assy, Fh	1
7	<u>103000801</u>	Harness, Regulator, Fh	1
8	<u>103000901</u>	Coil, Charging, Fh	1
9	<u>103001301</u>	Band, Harness, Fh	3
10	<u>103001501</u>	Washer, Flywheel, Fh	1
11	<u>103298501</u>	Bolt, Flanged, M6 X 20, Kaw	4
12	<u>103299501</u>	Harness, Ignition, Fh	1
13	<u>103299601</u>	Harness, Engine, Main, Fh	1
14	<u>103299701</u>	Switch, Oil Pressure, Fh	1
15	<u>103299801</u>	Clamp, Harness, Large, Fh	1
16	<u>103299901</u>	Clamp, Harness, Small, Fh	1
17	<u>103300101</u>	Screw, Pan, Coil Mount, Fh	4
18	<u>103345501</u>	Starter, Electric, Fh680d	1
19	<u>103687401</u>	Bolt, Flg, M8 X 1.25 X 83	2
20	<u>AM1232301</u>	Spark Plug, BPR2ES	2

9
G

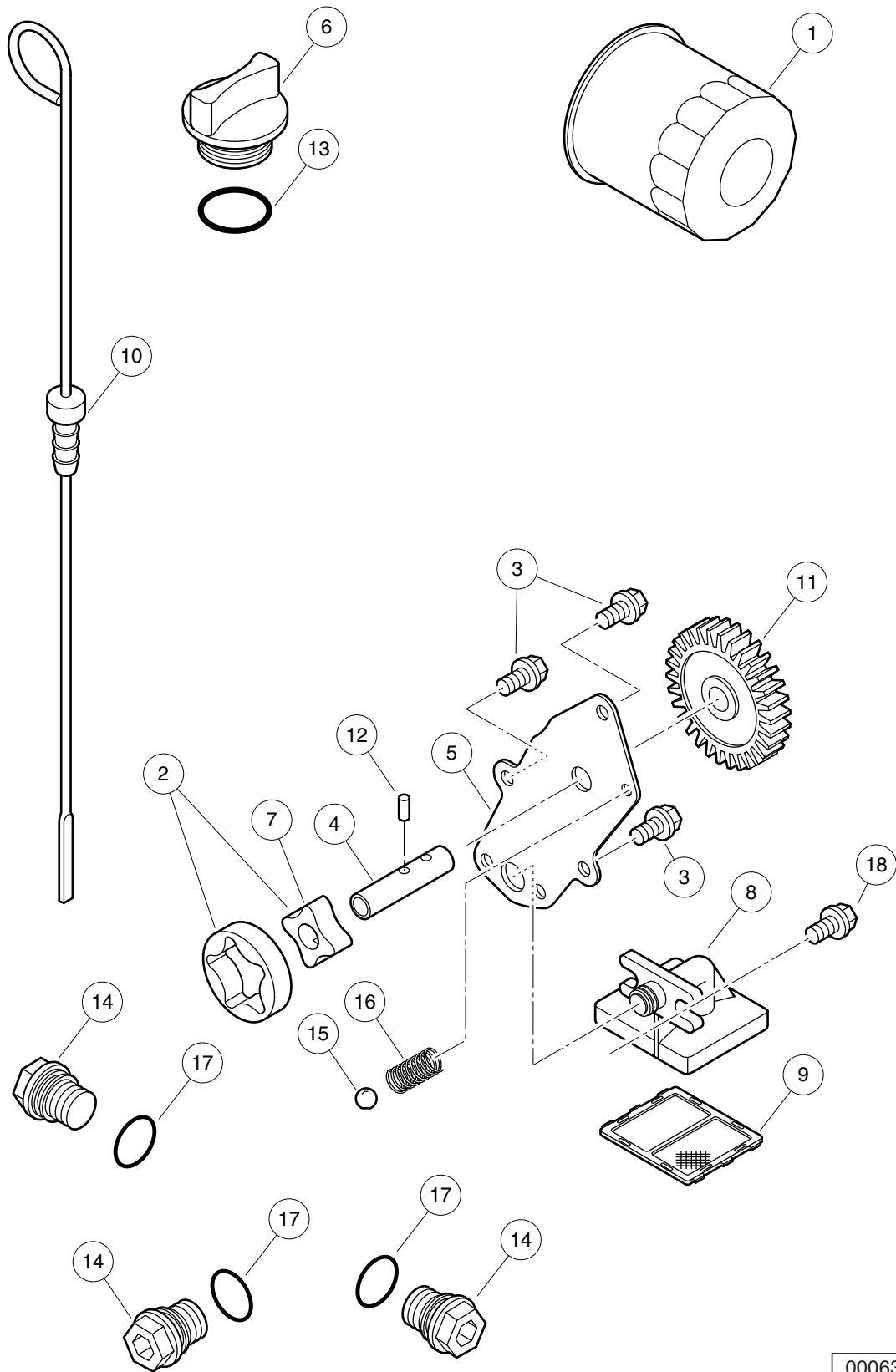


000636-001

GOVERNOR ARM AND SPRINGS

ITEM	PART NO.	DESCRIPTION	QTY
		1 2 3 4	
1	N/A	Nut, M6	1
2	<u>1016513</u>	Washer, M6 Flat	1
3	<u>103002001</u>	Shaft, Governor, Fh	1
4	<u>103002101</u>	Plate, Governor, Fh	1
5	<u>103002301</u>	Link, Arm, Governor, Fh	1
6	<u>103002401</u>	Spring, Governor, Fh	1
7	<u>103002501</u>	Arm, Governor, Shaft	1
8	<u>103002901</u>	Spring, Arm, Governor, Fh	1
9	<u>103297701</u>	Panel, Control, Complete, Fh (includes items 10 through 19)	1
10	<u>102992401</u>	Bolt, Flg, M6 X 1.0 X 12	2
11	<u>103002801</u>	Spring, Fh	2
12	<u>103297401</u>	Lever, Governor, Control, Fh	1
13	<u>103297501</u>	Spring, Governor Return, Fh	1
14	<u>103297601</u>	Collar, Governor, Fh	1
15	<u>103297801</u>	Nut, Governor, Fh	1
16	<u>103298001</u>	Bolt, Speed Control, Fh	2
17	<u>103298201</u>	Washer, Governor, Lower, Fh	2
18	<u>103298301</u>	Washer, Governor, Middle, Fh	2
19	<u>103298501</u>	Bolt, Flanged, M6 X 20, Kaw	1
20	<u>103298101</u>	Bolt, M6 X 35, Kawasaki	1
21	<u>103298601</u>	Screw, Pan, Governor, Fh	2

9
G

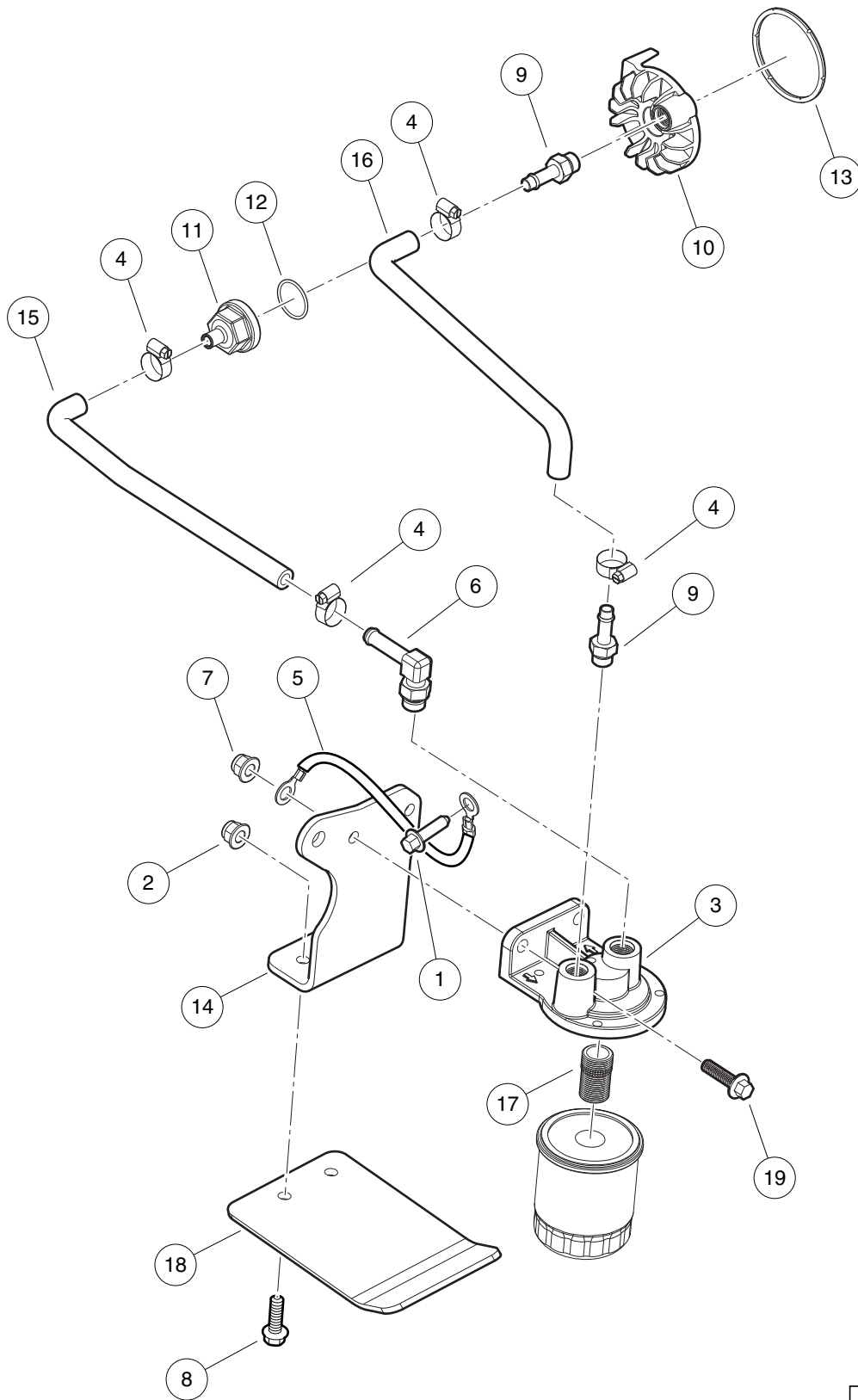


000637-001

OIL AND LUBRICATION COMPONENTS

ITEM	PART NO.	DESCRIPTION	QTY
		1 2 3 4	
1	<u>1016467</u>	Filter, Oil	1
2	<u>101648203</u>	Oil Pump And Rotor	1
3	<u>102992401</u>	Bolt, Flg, M6 X 1.0 X 12	3
4	<u>102996901</u>	Shaft, Oil Pump, Fh	1
5	<u>102997001</u>	Plate, Oil Pump, Fh	1
6	<u>102997101</u>	Cap, Oil, Fill, Fh	1
7	<u>102997201</u>	Rotor, Pump, Oil, Inner, Fh	1
8	<u>102997401</u>	Pickup, Oil, Fh	1
9	<u>102997601</u>	Screen, Pickup, Oil, Fh	1
10	<u>102997701</u>	Gauge, Oil, Fh	1
11	<u>102997801</u>	Gear, Spur, Oil Pump, Fh	1
12	<u>102997901</u>	Pin, Oil Pump, Fh	2
13	<u>102998001</u>	O-ring, Cap, Oil, Fill, Fh	1
14	<u>102998101</u>	Plug, Oil Drain, Fh	3
15	<u>102998201</u>	Ball, Oil Pump, Fh	1
16	<u>102998301</u>	Spring, Oil Pump, Fh	1
17	<u>102998401</u>	O-ring, Drain Plug, Oil, Fh	3
18	<u>103300301</u>	Bolt, Oil Pickup, Fh	2
		Note: Item 2 contains item 7.	

9
G



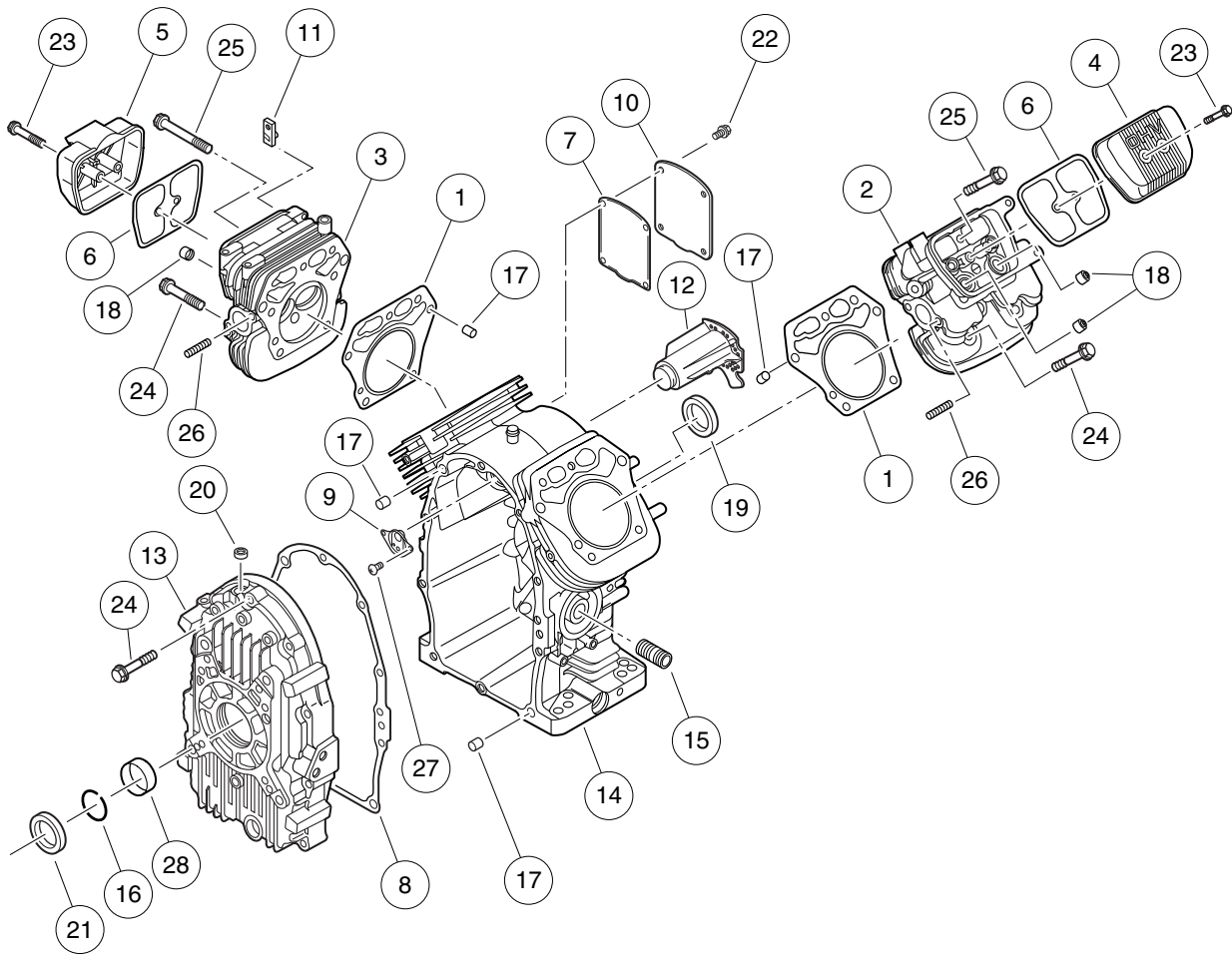
000671-003

OIL FILTER ADAPTER

ITEM	PART NO.	DESCRIPTION	QTY
		1 2 3 4	
1	<u>102289001</u>	Screw, M8X1.25X30, Hex	1
2	<u>102298401</u>	Nut,m8,all Metal Lock	2
3	<u>102371401</u>	Bracket, Oil Filter Mount	1
4	<u>102443601</u>	Clamp, Hose	4
5	<u>102448501</u>	Wire Asm, #6 Blk, Awd, 325	1
6	<u>102457501</u>	Adapter, 90, 3/8 Tube	1
7	<u>102618601</u>	Lock Nut, Flange, M8 X 1.25 Nylon	2
8	<u>102621301</u>	Bolt, M8 X 1.25 X 40 with Loctite	2
9	<u>102722001</u>	Adapter, 5/16 Hose	2
10	<u>102958301</u>	Adapter, Special, Oil Filter	1
11	<u>102958401</u>	Nut, Special, Hose Adapter	1
12	<u>102958501</u>	O-ring, 23.52 X 1.78mm	1
13	<u>102958601</u>	O-ring, Oil Filter Adapter	1
14	<u>103197201</u>	Bracket, Oil Filter, Fh680d	1
15	<u>103240601</u>	Hose, Formed, Oil, 5/16"	1
16	<u>103246901</u>	Hose, Formed, Oil, 5/16", Ret	1
17	<u>103276201</u>	Nipple, 3/4-16 X M20 X 1.5-6g	1
18	<u>103326401</u>	Guard, Oil Filter, Fh680d	1
19	<u>96705587</u>	Bolt, M8 X 1.25 X 30	2

9

G

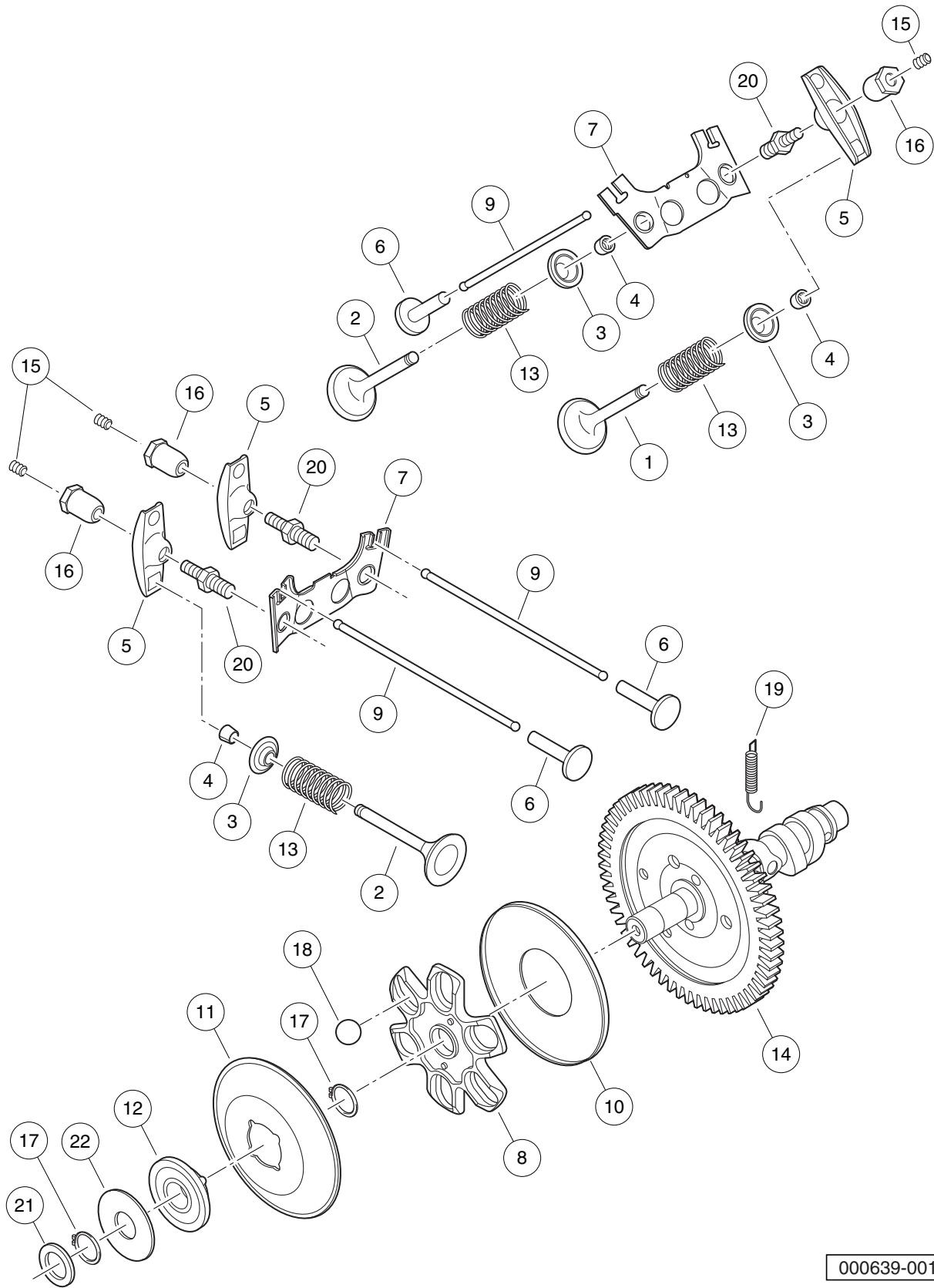


000638-001

CYLINDER HEAD AND CRANKCASE

ITEM	PART NO.	DESCRIPTION	QTY
		1 2 3 4	
1	<u>102990101</u>	Gasket, Head, Cyl, Fh	2
2	<u>102990201</u>	Head, Cyld 1, Fh	1
3	<u>102990301</u>	Head, Cyld 2, Fh	1
4	<u>102990401</u>	Cover, Rocker, Cyld 1, Fh	1
5	<u>102990501</u>	Cover, Rocker, Cyld 2, Fh	1
6	<u>102990601</u>	Gasket, Rocker, Cover, FH	2
7	<u>102990701</u>	Gasket, Breather, Fh	1
8	<u>102990801</u>	Gasket, Cover, Crank, Fh	1
9	<u>102990901</u>	Valve, Assy, Reed, Fh	1
10	<u>102991101</u>	Cover, Crkcase, Comp, Fh	1
11	<u>102991201</u>	Pipe, Head, Comp, Clyd, Fh	1
12	<u>102991301</u>	Pipe, Crkcase, Comp, Fh	1
13	<u>102991401</u>	Cover, Crankcase, Fh	1
14	<u>102991501</u>	Crankcase, Comp, Fh	1
15	<u>102991601</u>	Nipple, Oil Filter, Fh	1
16	<u>102991801</u>	Ring, Snap, Fh	1
17	<u>102991901</u>	Pin, Head, Fh	6
18	<u>102992001</u>	Seal, Oil, Valve, Fh	4
19	<u>102992101</u>	Seal, Oil, Crank, Rear, Fh	1
20	<u>102992201</u>	Seal, Oil, Governor, Fh	1
21	<u>102992301</u>	Seal, Oil, Crank, Front, Fh	1
22	<u>102992401</u>	Bolt, Flg, M6 X 1.0 X 12	4
23	<u>102992601</u>	Bolt, Flg, M6 X 1.0 X 40	4
24	<u>102992701</u>	Bolt, Flg, M8 X 1.25 X 50	18
25	<u>102992801</u>	Bolt, Flg, M8 X 1.25 X 75	2
26	<u>102992901</u>	Stud, M8 X 1.25, Exhaust, Fh	4
27	<u>103298601</u>	Screw, Pan, Governor, Fh	2
28	<u>103298901</u>	Bushing, Main, Fh	1

9
G



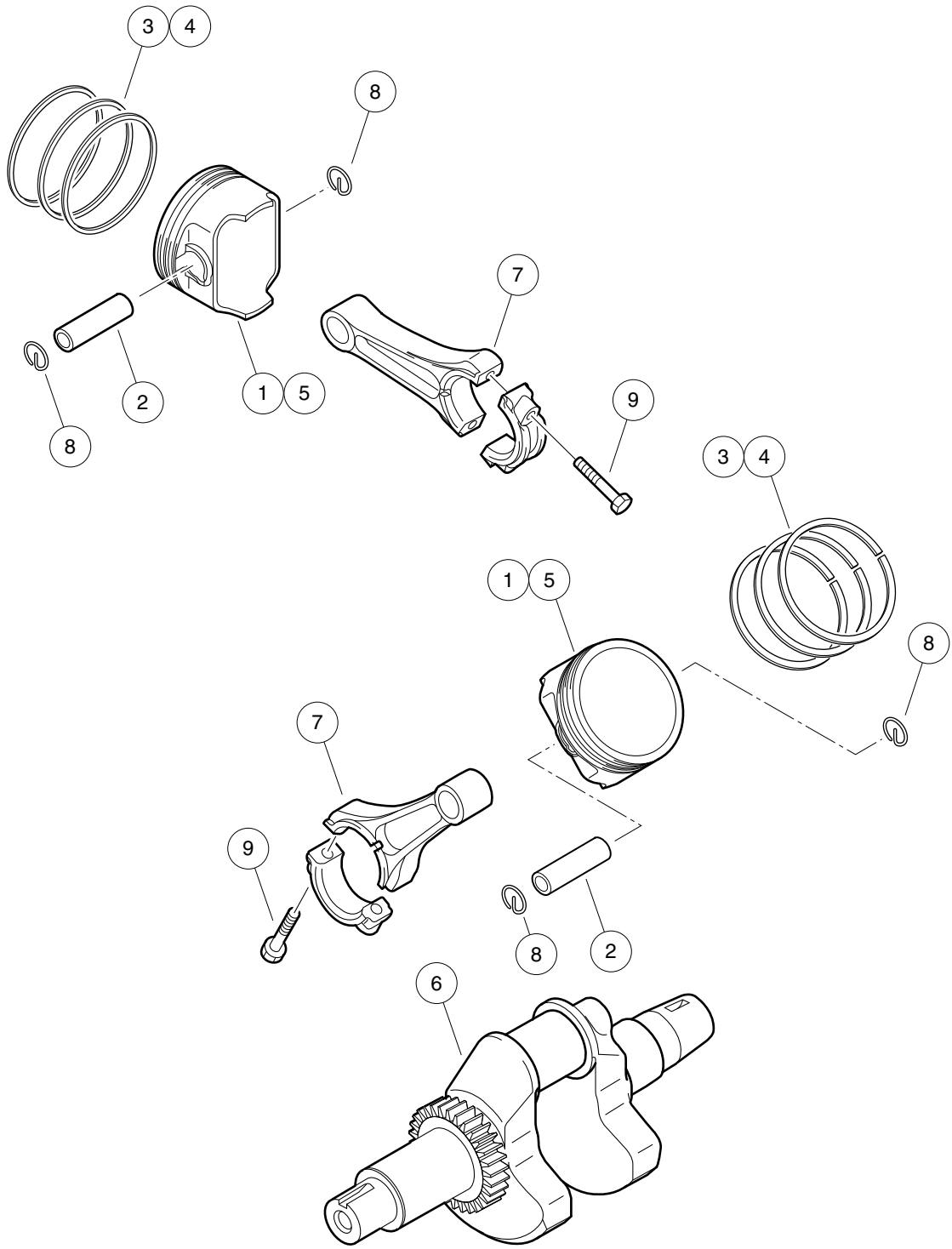
000639-001

VALVES AND CAMSHAFT

ITEM	PART NO.	DESCRIPTION	QTY
		1 2 3 4	
1	<u>102994601</u>	Valve, Intake, Fh	2
2	<u>102994701</u>	Valve, Exhaust, Fh	2
3	<u>102994801</u>	Retainer, Valve Spring, Fh	4
4	<u>102994901</u>	Collet, Spring, Valve, Fh	8
5	<u>102995001</u>	Arm, Rocker	4
6	<u>102995101</u>	Tappet, Rod, Push, Fh	4
7	<u>102995201</u>	Guide, Arm, Rocker, Fh	2
8	<u>102995301</u>	Guide, Camshaft, Gov, Fh	1
9	<u>102995401</u>	Rod, Push, Fh	4
10	<u>102995501</u>	Plate, Camshaft, Gov, Fh	1
11	<u>102995601</u>	Plate, Ring, Gov, Fh	1
12	<u>102995701</u>	Sleeve, Plate, Gov, Fh	1
13	<u>102995801</u>	Spring, Valve, Fh	4
14	<u>102995901</u>	Kit, Camshaft, Comp, Fh	1
15	<u>102996001</u>	Screw, Rocker Arm, Fh	4
16	<u>102996101</u>	Nut, Arm, Rocker, Fh	4
17	<u>102996201</u>	Ring, Snap, Gov, Fh	2
18	<u>102996301</u>	Ball, Guide, Gov, Fh	6
19	<u>102996401</u>	Spring, Camshaft, Fh	1
20	<u>102996501</u>	Stud, Rocker Arm, Fh	4
21	<u>102996601</u>	Washer, Sleeve, Gov, Fh	1
22	<u>102996701</u>	Washer, Gov, Fh	1

9

G



000640-001

PISTONS AND CRANKSHAFT

ITEM	PART NO.	DESCRIPTION	QTY
		1 2 3 4	
1	<u>102993201</u>	Piston, Engine, Fh	2
2	<u>102993301</u>	Pin, Piston, Engine, Fh	2
3	<u>102993401</u>	Ring, Set, Piston, Fh	2
4	<u>102993501</u>	Ring, Set, Piston, 0.50, Fh	1
5	<u>102993601</u>	Piston, Engine, 0.50, Fh	1
6	<u>102993701</u>	Crankshaft, Comp, Fh	1
7	<u>102993901</u>	Kit, Rod, Connecting, Fh	2
8	<u>102994101</u>	Ring, Snap, Pin, Piston, Fh	4
9	<u>102994401</u>	Bolt, Flg, M6 X 1.00 X 35	4

9
G

9

G

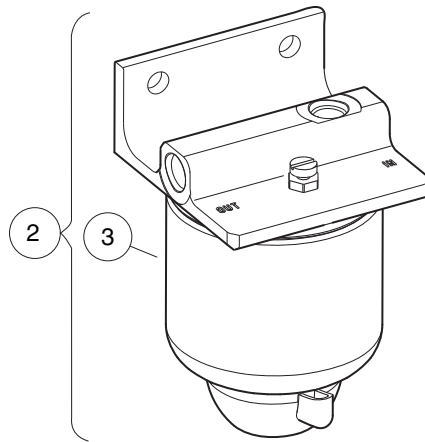
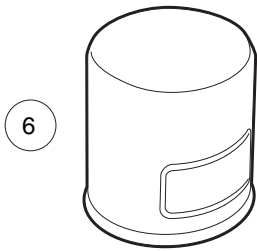
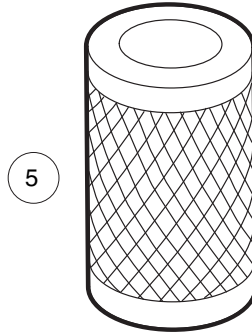
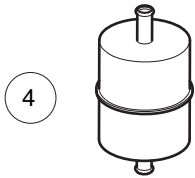
ENGINE – KUBOTA DIESEL, CLOSED BREATHER

10

D

10

D



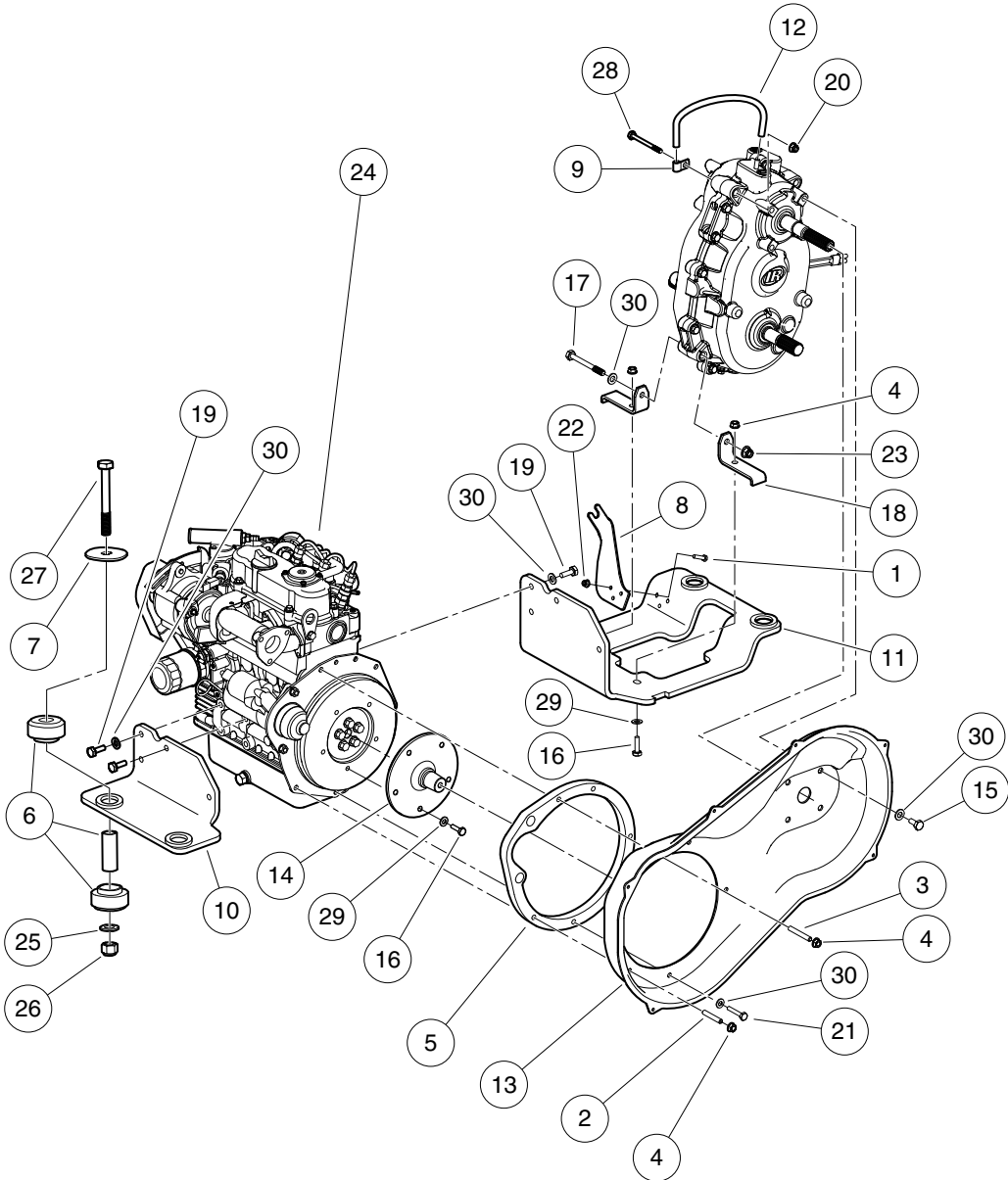
000992-004

TUNE-UP KIT – KUBOTA D722

ITEM	PART NO.	DESCRIPTION	QTY
		1 2 3 4	
1	<u>AM11805</u>	Kit, Tune-Up (For Kubota engines) (includes items 2 through 6)	1
2	<u>102434601</u>	Filter Assy, Fuel and Water (includes item 3)	1
3	<u>102703401</u>	Filter, Water Separator	1
4	<u>102434701</u>	Filter, Fuel	1
5	<u>102498601</u>	Element, Filter, Air, 5 Inch	1
6	<u>102703301</u>	Filter, Engine Oil, D722	1

10

D



000025-002

KUBOTA D722 DIESEL ENGINE AND ENGINE MOUNTING

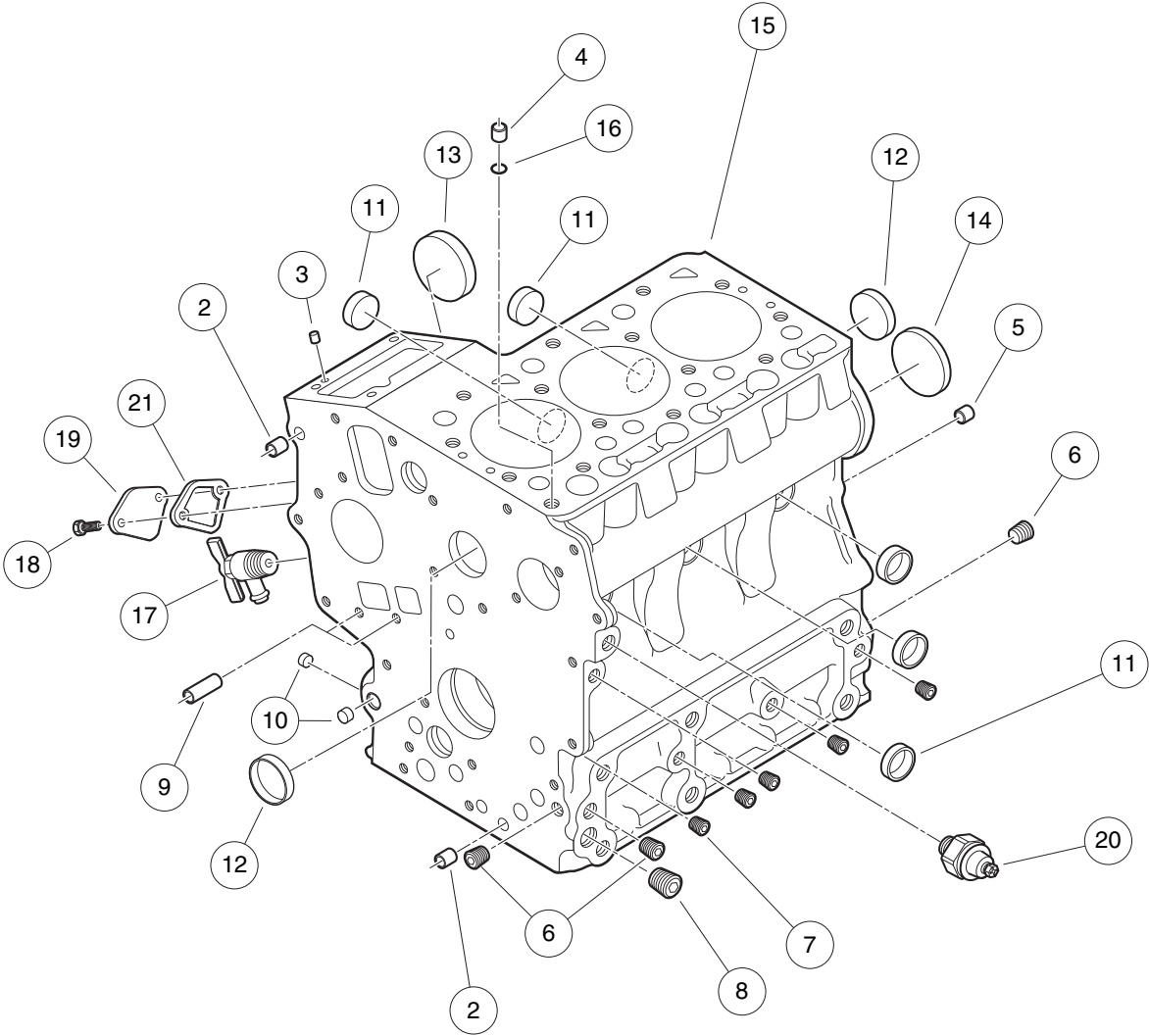
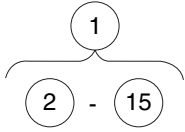
ITEM	PART NO.	DESCRIPTION	QTY
		1 2 3 4	
1	<u>1012769</u>	Screw, M6-1.00 X 25mm Hex Cap	3
2	<u>101833101</u>	Stud, M8-1.25 X 50 mm Two-Ended	1
3	<u>101833201</u>	Stud, M8-1.25 X 60mm Two-Ended	1
4	<u>102298401</u>	Nut,m8,all Metal Lock	7
5	<u>102370101</u>	Spacer, Engine, Diesel	1
6	<u>102370501</u>	Isolator Ring and Bushing	4
7	<u>102370601</u>	Washer, Snubbing, Ring N Bush	4
8	<u>102382401</u>	Bracket, FNR Trans Cable	1
9	<u>102410603</u>	P-Clamp, Insulated .312 In	1
10	<u>102414701</u>	Plate, Engine Mounting, Weld, Left-Hand	1
11	<u>102414801</u>	Plate, Engine Mounting, Weld, Right-Hand	1
12	<u>102462301</u>	Hose, Vent, Transmission	1
13	<u>102462501</u>	Cover, CVT Inner, Diesel	1
14	<u>102465901</u>	Shaft, CVT Adapter	1
15	<u>102490101</u>	Bolt, M10 X 1.5 X 20 Loctite	4
16	<u>102490201</u>	Bolt, M8 X 1.25 X 25 Loctite	7
17	<u>102490501</u>	Bolt, M10 X 1.5 X 100 Loctite	1
18	<u>102494401</u>	Bracket, Transmission Mounting	2
19	<u>102498201</u>	Bolt, M10 X 1.25 X 25, Loctite	8
20	<u>102618601</u>	Lock Nut, Flange, M8 X 1.25 Nylon	1
21	<u>102621301</u>	Bolt, M8 X 1.25 X 40 with Loctite	3
22	<u>102621501</u>	Nut, Flange, M6 X 1.0, Nylon	3
23	<u>102670701</u>	Nut, Flange, M10 X 1.5 Nylon	1
24	<u>102934601</u>	Engine, Kubota, D722, with Closed Breather	1
25	<u>96701412</u>	Washer, M12 Hard	4
26	<u>96704622</u>	Locknut, M12x1.75 Nylon Insert	4
27	<u>96704721</u>	Bolt, M12 X 1.75 X 90	4
28	<u>96718978</u>	Bolt, M8 X 1.25 X 80	1
29	<u>96741038</u>	Washer, M8 Hard	10
30	<u>96741046</u>	Washer, M10, Hard	12

10

D

10

D



000039-001

CRANKCASE

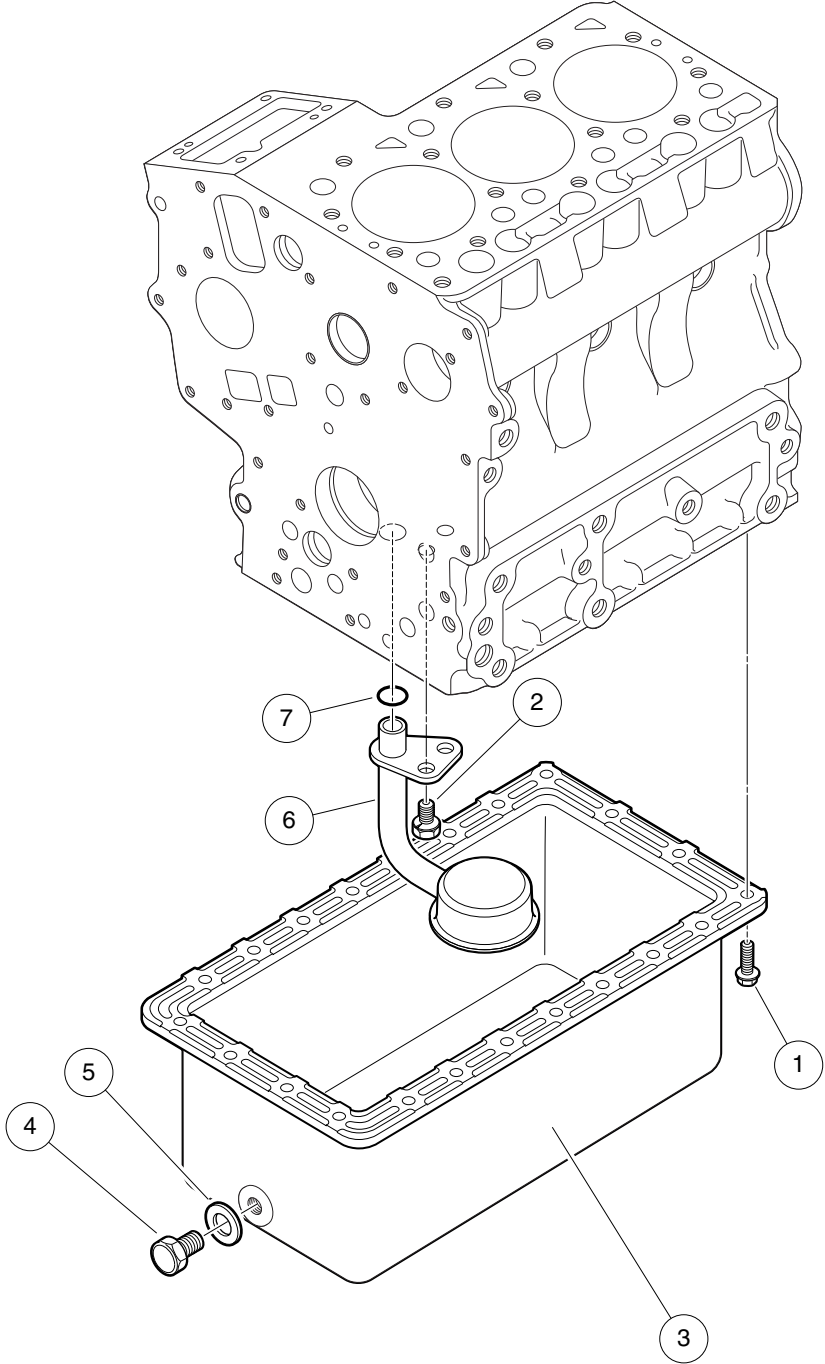
ITEM	PART NO.	DESCRIPTION	QTY
		1 2 3 4	
1	<u>102600001</u>	Engine Block (includes items 2 through 15)	1
2	<u>102600101</u>	Pin, Pipe, Dia 8 X 14	2
3	<u>102600201</u>	Pin, Straight, Dia 5 X 10	2
4	<u>102600401</u>	Pin, Pipe, Dia 7 X 14	1
5	<u>102600601</u>	Pin, Straight, Dia 8 X 16	2
6	<u>102600701</u>	Plug, 1/8"	3
7	<u>102600801</u>	Plug, 3/32"	5
8	<u>102601001</u>	Plug, 1/4"	1
9	<u>102601301</u>	Pin, Pipe, Dia 8 X 11	2
10	<u>102726201</u>	Cap, Sealing, Small	3
11	<u>102726301</u>	Cap, Sealing, Med	5
12	<u>102726401</u>	Cap, Sealing, Large	2
13	<u>102726501</u>	Cover, Fuel Camshaft	1
14	<u>102726601</u>	Plug, Expansion	1
15	N/A	Block, Engine	1
16	<u>102600301</u>	O Ring, 8 X 7	1
17	<u>102601401</u>	Cock, Drain	1
18	<u>102631601</u>	Bolt, M6 X 1 X 20	2
19	<u>102700801</u>	Plate, Engine Block	1
20	<u>102730801</u>	Switch, Oil Pressure	1
21	<u>102732601</u>	Gasket, Fuel Pump, D722	1

10

D

10

D



000040-001

OIL PAN

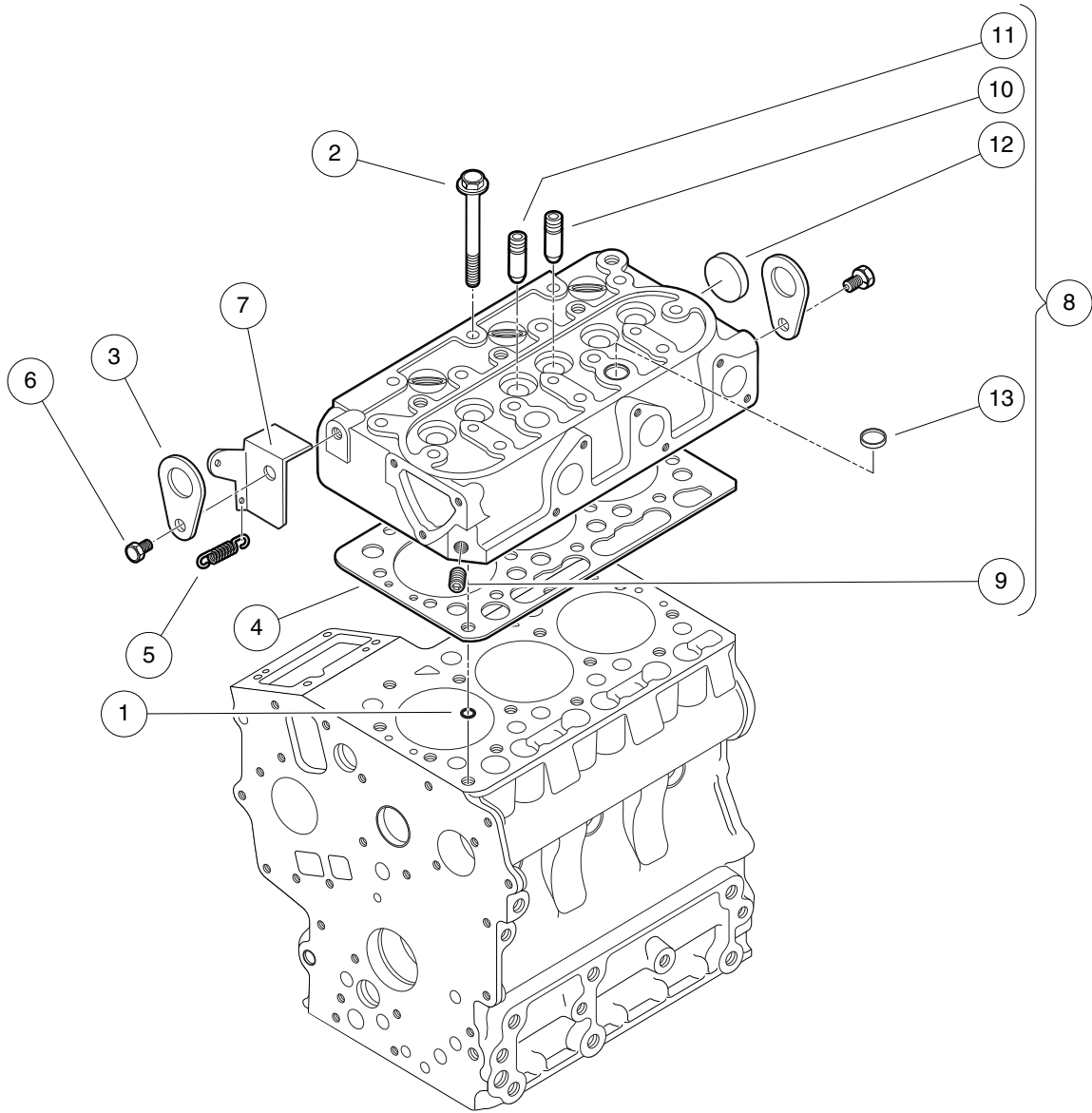
ITEM	PART NO.	DESCRIPTION	QTY
		1 2 3 4	
1	<u>102605101</u>	Bolt, M6 X 1 X 14	22
2	<u>102606901</u>	Bolt, M8 X 1.25 X 15	1
3	102607001	Oil Pan	1
4	<u>102607201</u>	Plug, Drain, M12 X 14	1
5	<u>102607301</u>	Gasket, 20 X 13	1
6	<u>102607401</u>	Filter, Oil, Pick Up	1
7	<u>102654601</u>	O Ring, 20 X 17	1

10

D

10

D



000041-002

CYLINDER HEAD

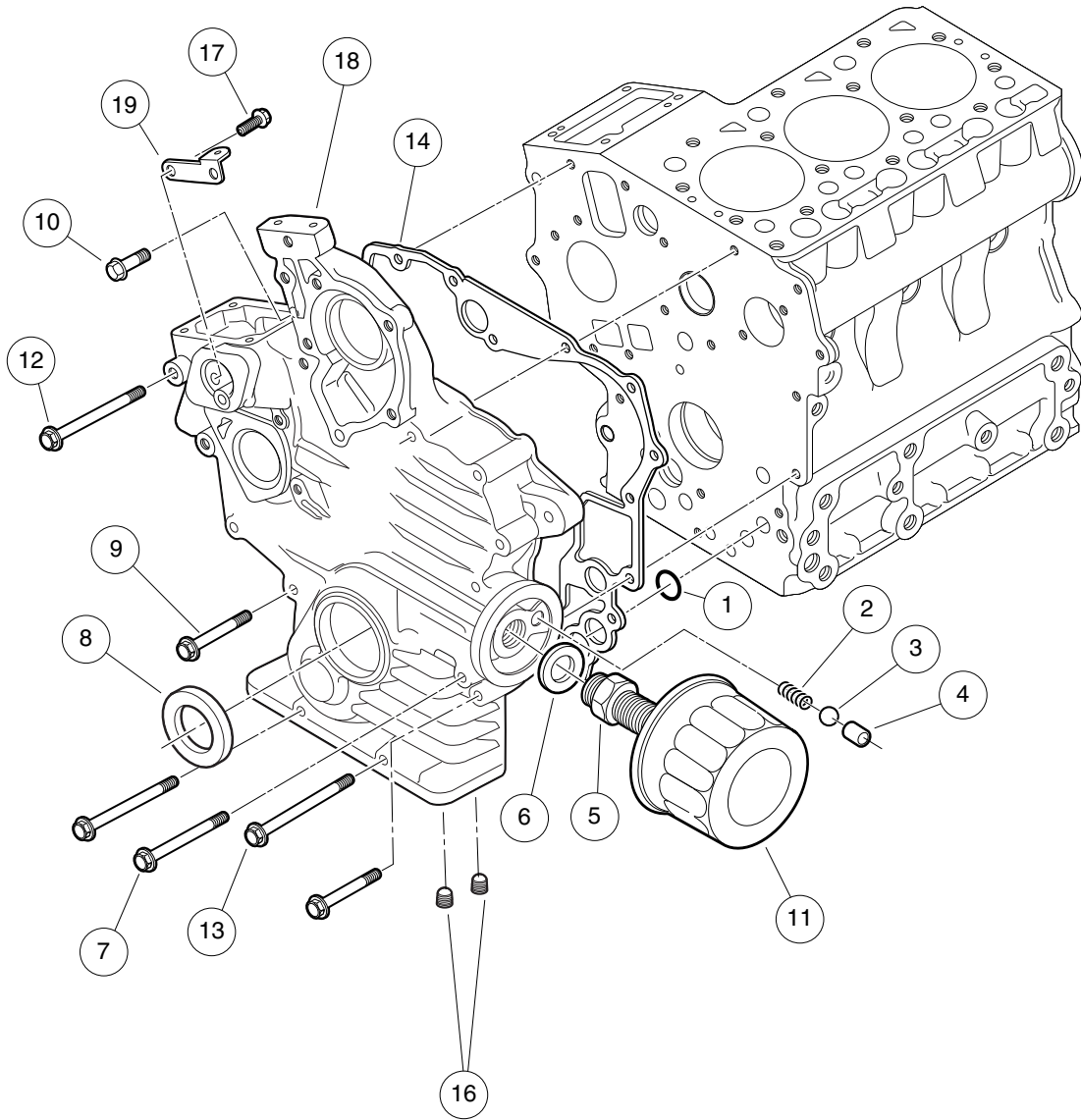
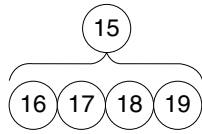
ITEM	PART NO.	DESCRIPTION	QTY
		1 2 3 4	
1	<u>102600301</u>	O Ring, 8 X 7	1
2	<u>102652801</u>	Bolt, Cylinder Head	14
3	<u>102653901</u>	Hook, Engine	2
4	<u>102654101</u>	Gasket, Cylinder Head	1
5	<u>102701001</u>	Spring, Start	1
6	<u>102726701</u>	Bolt, Engine Hook	2
7	<u>102727101</u>	Stay, Cylinder Head	1
8	<u>102798001</u>	Head, Cylinder, Complete (includes items 9 through 13)	1
9	<u>102600801</u>	Plug, 3/32"	1
10	<u>102653401</u>	Guide, Exhaust Valve	3
11	<u>102653501</u>	Guide, Inlet Valve	3
12	<u>102726901</u>	Cap, Sealing, Head	1
13	<u>102727001</u>	Cap, Sealing, Head, Top	2

10

D

10

D



000042-003

GEAR CASE

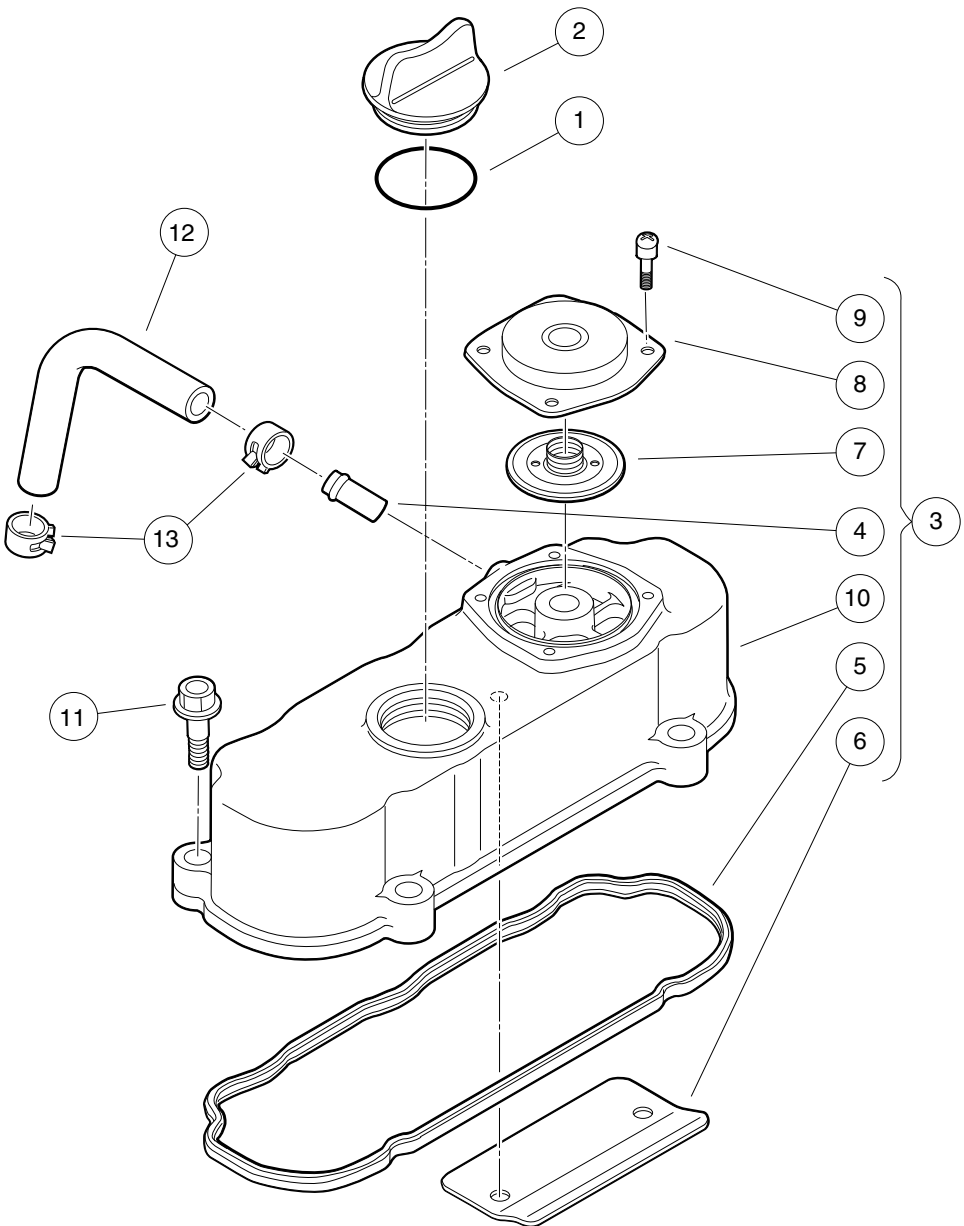
10

D

ITEM	PART NO.	DESCRIPTION	QTY
		1 2 3 4	
1	<u>102601801</u>	O Ring, 18 X 13	3
2	<u>102601901</u>	Spring, Valve	1
3	<u>102602001</u>	Ball, Valve	1
4	<u>102602101</u>	Seat, Valve	1
5	<u>102602301</u>	Joint, Pipe	1
6	<u>102602401</u>	Washer, Plain, Special	1
7	<u>102602601</u>	Bolt, M6 X 1 X 60	2
8	<u>102602701</u>	Seal, Oil	1
9	<u>102602801</u>	Bolt, D722, Front Case	9
10	<u>102654301</u>	Bolt, D722 Intake Manifold Lower	1
11	<u>102703301</u>	Filter, Engine Oil, D722	1
12	<u>102727401</u>	Bolt, Gearcase, Top	2
13	<u>102727501</u>	Bolt, Gearcase, Lower	1
14	<u>102729301</u>	Gasket, Gearcase, D722	1
15	<u>102798101</u>	Case, Gear (includes items 16 through 19)	1
16	<u>102601001</u>	Plug, 1/4"	2
17	<u>102727601</u>	Screw, Breather	2
18	N/A	Case, Gear	1
19	<u>102798201</u>	Stay, Spring	1

10

D



000181-001

HEAD COVER

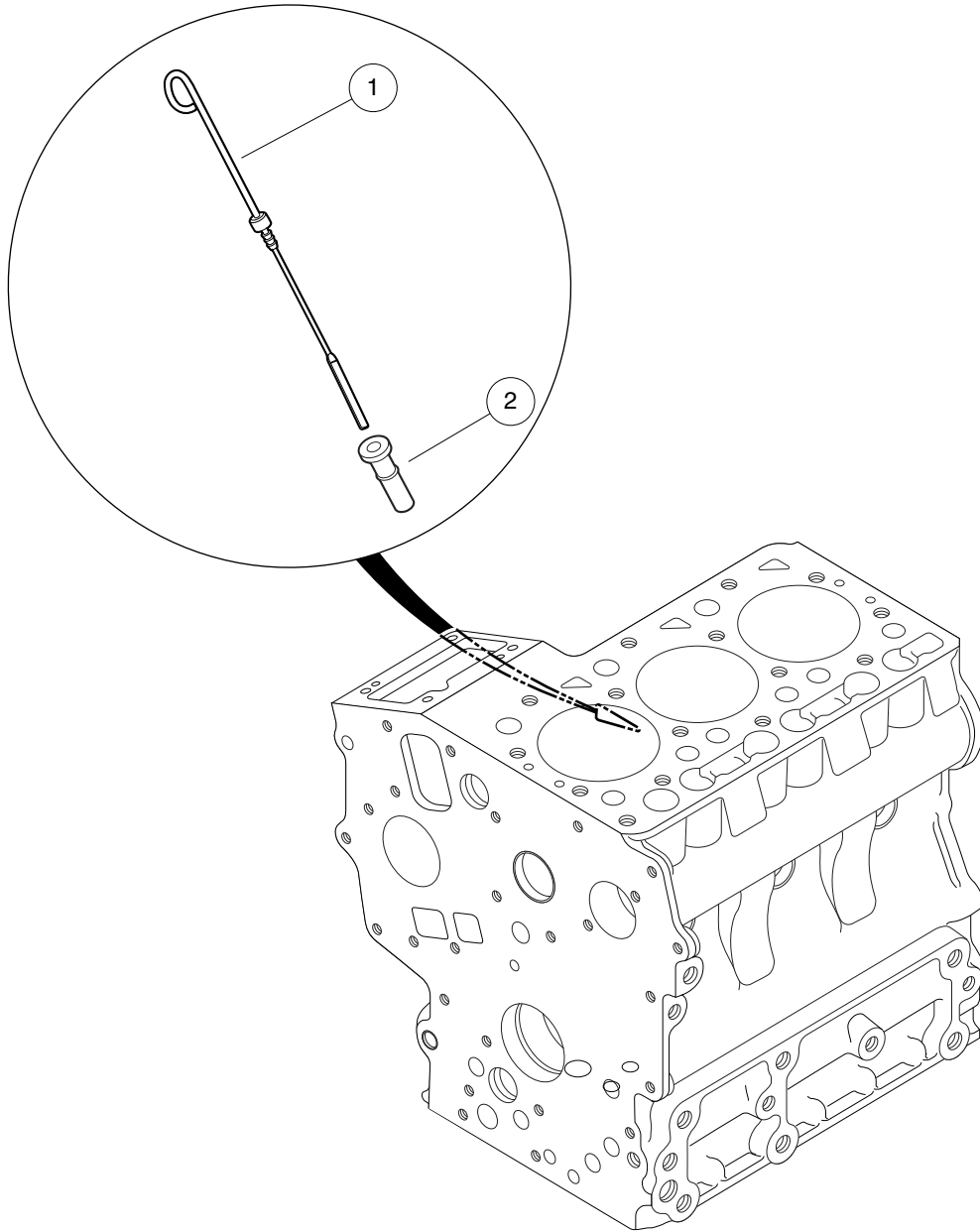
ITEM	PART NO.	DESCRIPTION	QTY
		1 2 3 4	
1	<u>102644001</u>	O Ring, 30 X 36	1
2	<u>102644101</u>	Plug, Oil Filler	1
3	<u>102798401</u>	Assembly, Cylinder Head Cover (includes items 4 through 10)	1
4	<u>102633301</u>	Pipe, Water Return, D722	1
5	<u>102798501</u>	Gasket, Cylinder Head Cover	1
6	<u>102798601</u>	Shield, Breather	1
7	<u>102799001</u>	Valve, Breather	1
8	<u>102799101</u>	Cover, Breather	1
9	<u>102799201</u>	Screw, Breather	4
10	N/A	Cover, Cylinder Head	1
11	<u>102798701</u>	Bolt, Cylinder Head Cover	4
12	<u>102798801</u>	Tube, Breather	1
13	<u>102798901</u>	Clamp, Breather Tube	2

10

D

10

D



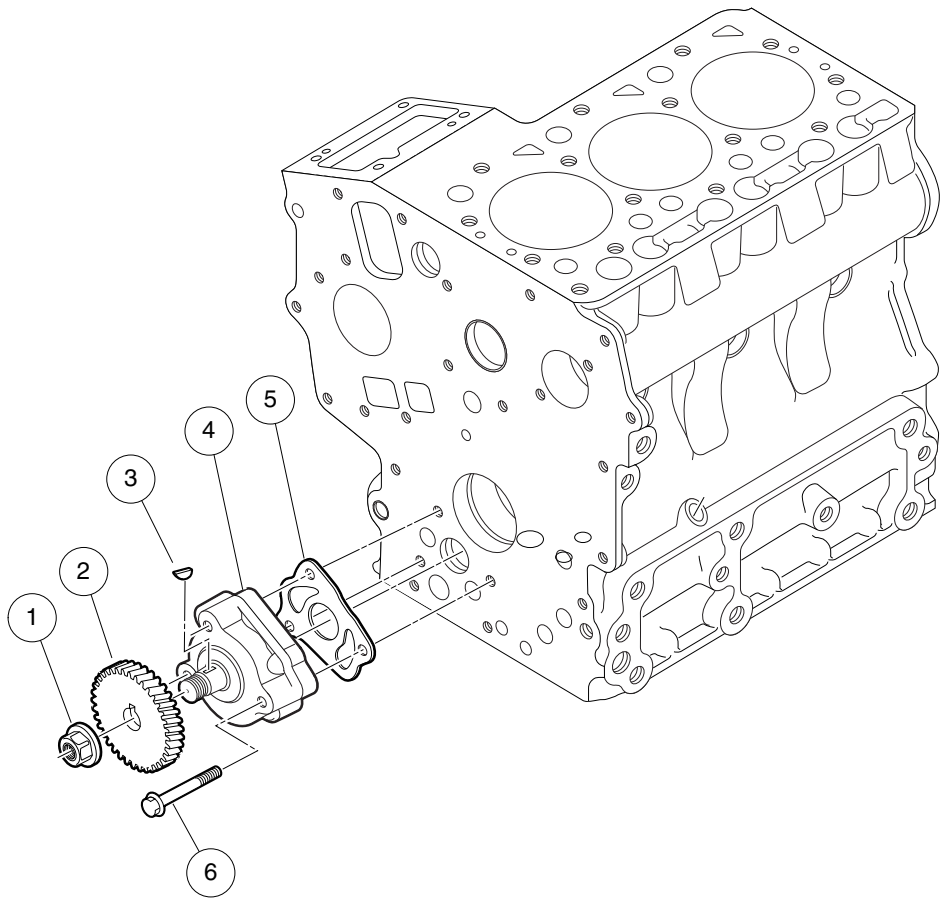
000044-002

DIPSTICK AND GUIDE

ITEM	PART NO.	DESCRIPTION	QTY
		1 2 3 4	
1	<u>102606701</u>	Dipstick, Oil	1
2	<u>102727701</u>	Guide, Oil Dipstick	1

10

D



000045-001

OIL PUMP

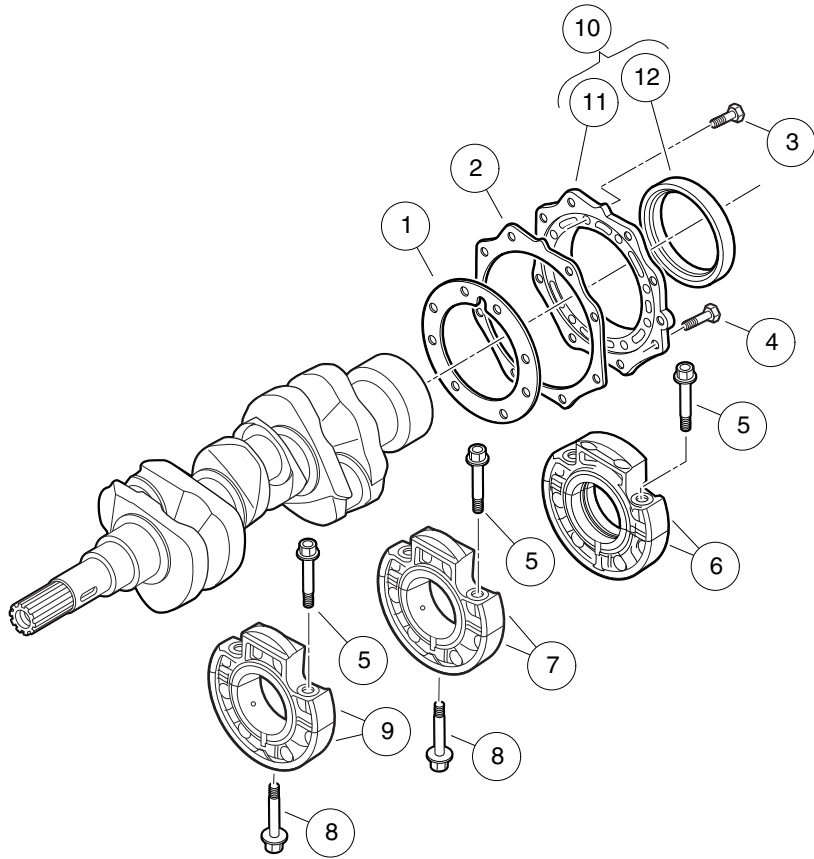
ITEM	PART NO.	DESCRIPTION	QTY
		1 2 3 4	
1	<u>102606201</u>	Nut, Flange, D722 Oil Pump	1
2	<u>102606301</u>	Gear, Oil Pump Drive	1
3	<u>102606401</u>	Key, Feather, 8x4	1
4	<u>102606501</u>	Assy, Pump, Oil	1
5	<u>102606601</u>	Gasket, Oil Pump	1
6	<u>102727901</u>	Bolt, Oil Pump	3

10

D

10

D



000046-001

MAIN BEARING CASE

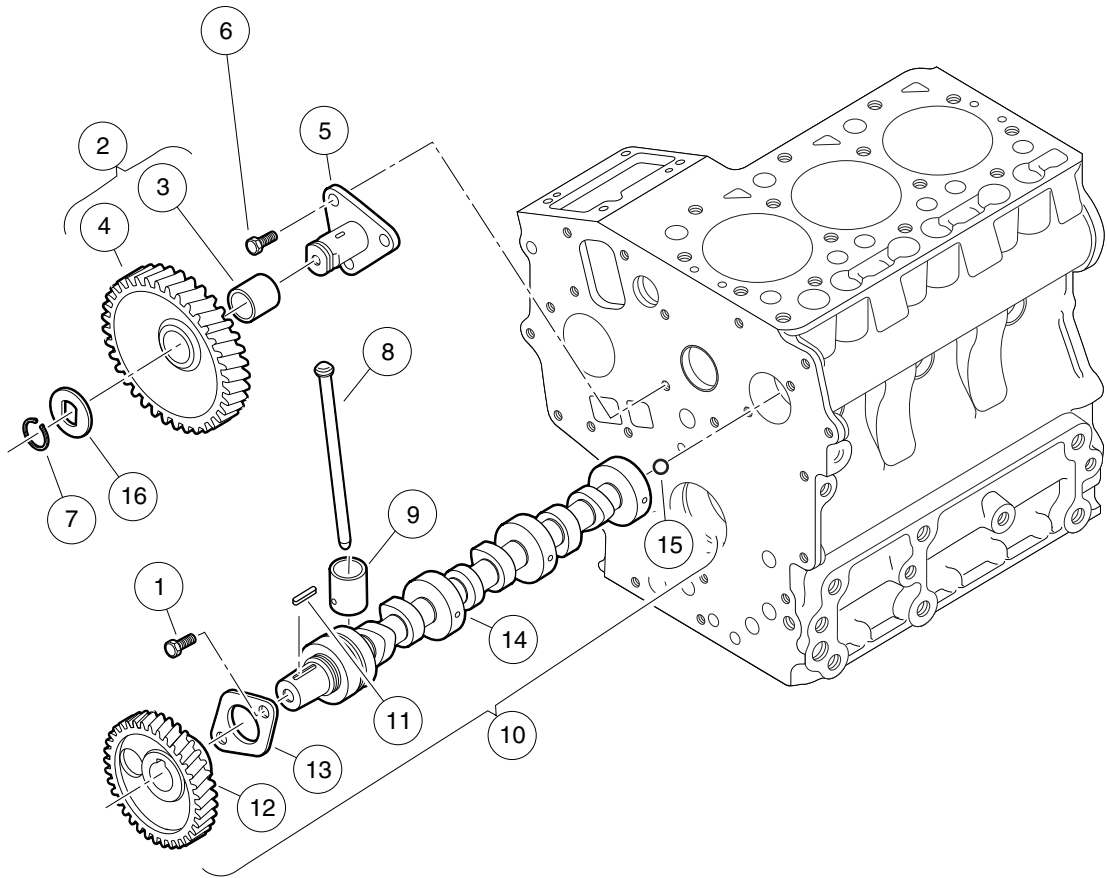
ITEM	PART NO.	DESCRIPTION	QTY
		1 2 3 4	
1	<u>102608201</u>	Gasket, Bearing Case	1
2	<u>102608301</u>	Gasket, Cover	1
3	<u>102608601</u>	Bolt, M6 X 1 X 20	8
4	<u>102608701</u>	Bolt, M6 X 1 X 22	8
5	<u>102608901</u>	Bolt, Bearing Case, Top	6
6	<u>102609101</u>	Assy Case, Main Brg, First	1
7	<u>102609301</u>	Assy, Case, Main Bearing, Second	1
8	<u>102609401</u>	Bolt, Bearing Case, Bottom	2
9	<u>102609601</u>	Assy Case, Main Brg, Third	1
10	<u>102728001</u>	Assy, Cover, Bearing Case (includes items 11 and 12)	1
11	<u>102608401</u>	Cover, Bearing Case	1
12	<u>102608501</u>	Seal, Oil	1

10

D

10

D



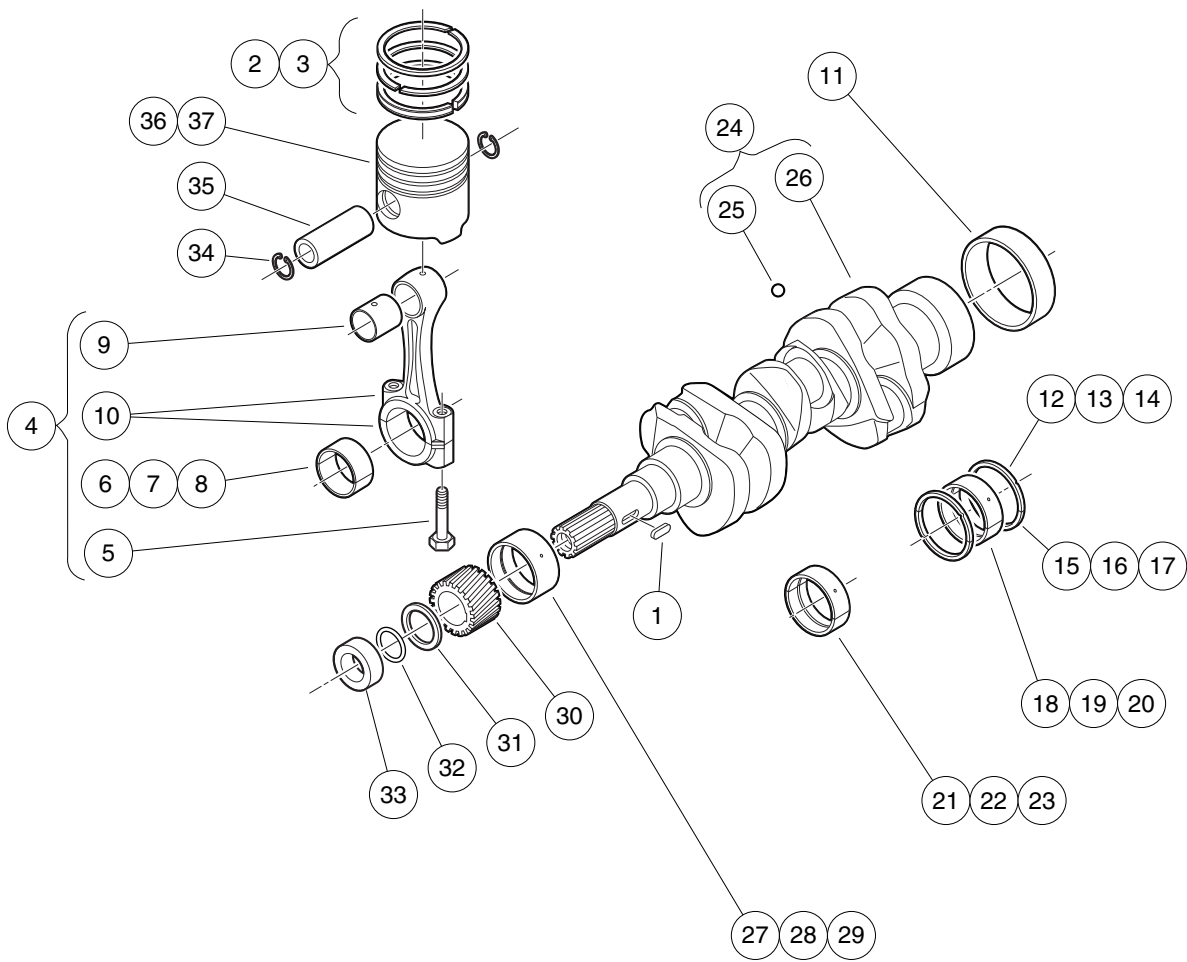
000047-002

CAMSHAFT AND IDLE GEAR

ITEM	PART NO.	DESCRIPTION	QTY
		1 2 3 4	
1	<u>102604201</u>	Bolt, D722, Cam End	2
2	<u>102604901</u>	Gear, Idle (includes items 3 and 4)	1
3	<u>102603201</u>	Bushing, D722 Idle Gear	1
4	N/A	Gear, Idle	1
5	<u>102605001</u>	Shaft, Idle Gear	1
6	<u>102605101</u>	Bolt, M6 X 1 X 14	3
7	<u>102605301</u>	Ring, Snap	1
8	102605401	Push Rod	6
9	<u>102605501</u>	Tappet	6
10	<u>102605801</u>	Assy Camshaft, Long (includes items 11 through 15)	1
11	<u>102605601</u>	Key, Feather, Long Camshaft	1
12	<u>102605901</u>	Gear, Cam	1
13	102606001	Stopper, Camshaft	1
14	N/A	Camshaft	1
15	<u>102799401</u>	Ball, Check	1
16	<u>102654401</u>	Collar, Idle Gear	1

10

D



000048-002

PISTON AND CRANKSHAFT

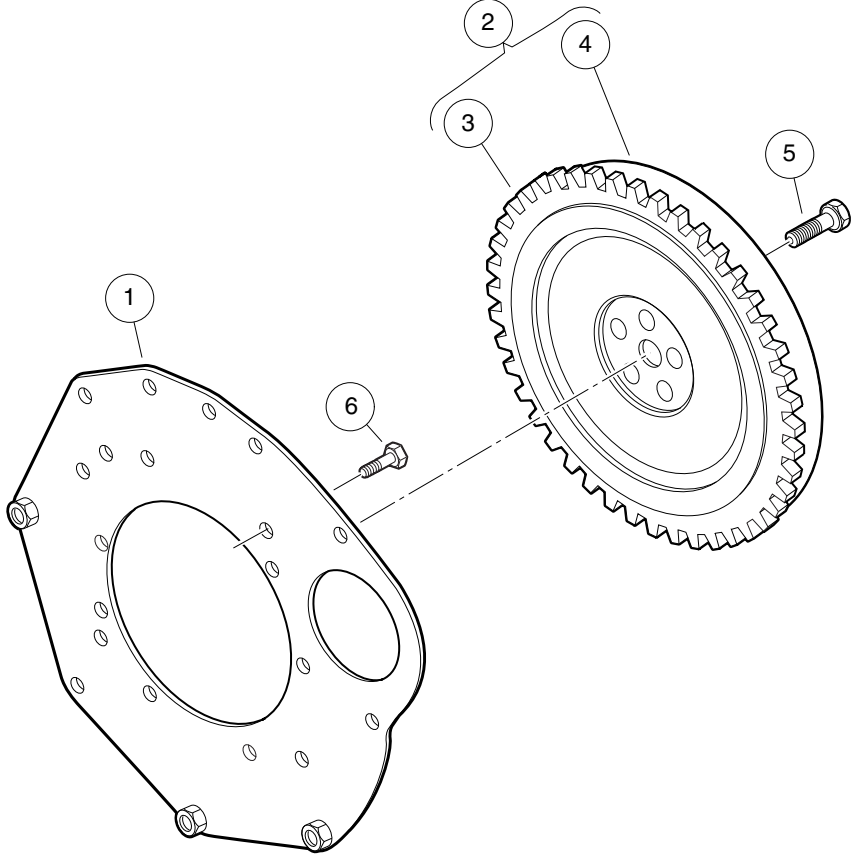
ITEM	PART NO.	DESCRIPTION	QTY
		1 2 3 4	
1	<u>102604401</u>	Key, Feather, Short Camshaft	1
2	<u>102607601</u>	Assy Piston Ring, D722 Std	3
3	<u>102607602</u>	Assy Piston Ring, D722 +.025	3
4	<u>102607801</u>	Assy, Connecting Rod (includes items 5 through 10)	3
5	<u>102607901</u>	Bolt, Connecting Rod	6
6	<u>102630701</u>	Metal, Crank, Rod, D722, Std	3
7	<u>102630702</u>	Metal, Crank, Rod, D722, .020	3
8	<u>102630703</u>	Metal, Crank, Rod, D722, .040	3
9	<u>102732201</u>	Bushing, Piston Pin, D722	3
10	N/A	Rod, Connecting	1
11	<u>102608101</u>	Sleeve, Crankshaft	1
12	<u>102608801</u>	Metal,crank, O Side, Std	2
13	<u>102608802</u>	Metal,crank, O Side, +.020	2
14	<u>102608803</u>	Metal,crank, O Side, +.040	2
15	<u>102608804</u>	Metal,crank, I Side, Std	2
16	<u>102608805</u>	Metal,crank, I Side, +.020	2
17	<u>102608806</u>	Metal,crank, I Side, +.040	2
18	<u>102609001</u>	Metal, Crank, Main, Rear Std	1
19	<u>102609002</u>	Metal, Crank, Main, Rear -.020	1
20	<u>102609003</u>	Metal, Crank, Main, Rear -.040	1
21	<u>102609801</u>	Metal, Crank, Main, Mid Std	4
22	<u>102609802</u>	Metal, Crank, Main, Mid +.020	2
23	<u>102609803</u>	Metal, Crank, Main, Mid +.040	2
24	<u>102610001</u>	Crankshaft (includes items 25 and 26)	1
25	<u>102608001</u>	Ball, Crankshaft	3
26	N/A	Crankshaft	1
27	<u>102630001</u>	Metal, Crank, D722, Frnt, Std	1
28	<u>102630002</u>	Metal, Crank, 722, Frnt, -.020	1
29	<u>102630003</u>	Metal, Crank, 722, Frnt, -.040	1
30	<u>102630101</u>	Gear, Crank	1
31	<u>102630201</u>	Slinger, Oil	1
32	<u>102630301</u>	O Ring, 23 X 26	1
33	<u>102630401</u>	Collar, Crankshaft	1
34	<u>102630901</u>	Circlip, Piston Pin	6
35	<u>102631001</u>	Pin, Piston	3
36	<u>102728101</u>	Piston, D722, Std	3
37	<u>102728102</u>	Piston, D722, +0.25	3

10

D

10

D



000049-001

FLYWHEEL

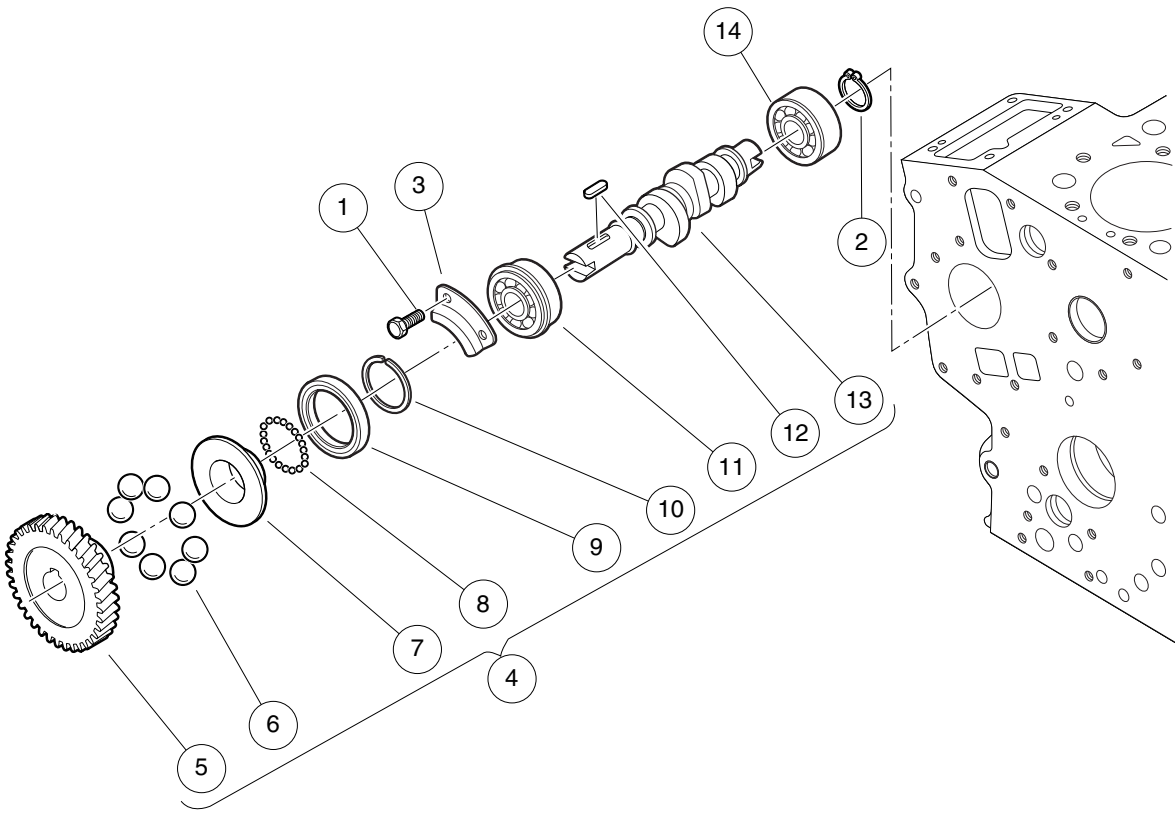
ITEM	PART NO.	DESCRIPTION	QTY
		1 2 3 4	
1	<u>102647501</u>	Plate, Rear End	1
2	<u>102647801</u>	Flywheel (includes items 3 and 4)	1
3	<u>102647901</u>	Gear, Ring, D722	1
4	N/A	Flywheel	1
5	<u>102648001</u>	Bolt, Flange Head, M10 X 1.5 X 25	5
6	<u>102728301</u>	Bolt, End Plate	10

10

D

10

D



000050-001

FUEL CAMSHAFT

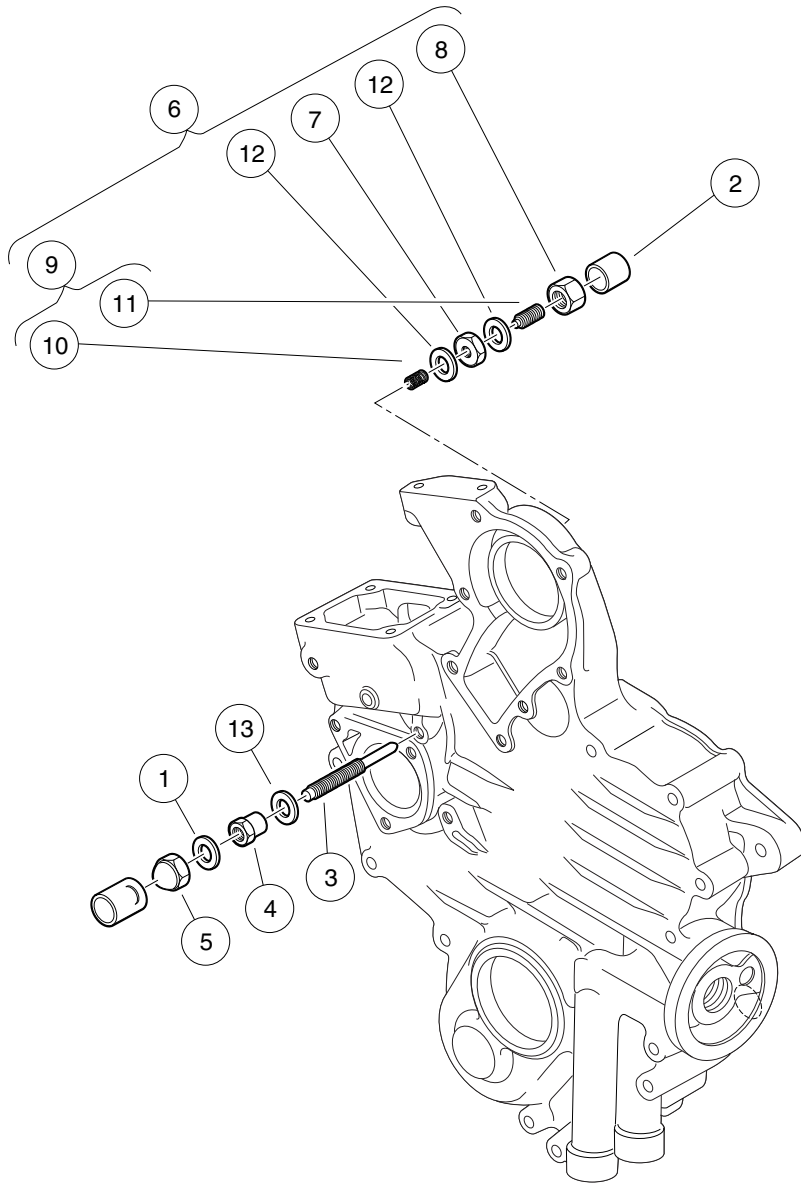
ITEM	PART NO.	DESCRIPTION	QTY
		1 2 3 4	
1	<u>102604201</u>	Bolt, D722, Cam End	2
2	<u>102604701</u>	Circlip, External	1
3	<u>102604801</u>	Stopper, Fuel, Camshaft	1
4	<u>102728401</u>	Assy, Fuel Camshaft (includes items 5 through 13)	1
5	<u>102603601</u>	Gear, Injection Pump	1
6	<u>102603701</u>	Ball, Injection Pump	8
7	<u>102603801</u>	Sleeve, Governor	1
8	<u>102603901</u>	Ball, Governor	32
9	<u>102604001</u>	Case, Governor Ball	1
10	<u>102604101</u>	Circlip	1
11	<u>102604301</u>	Bearing, Ball	1
12	<u>102604401</u>	Key, Feather, Short Camshaft	1
13	<u>102604501</u>	Camshaft, Fuel, Short	1
14	<u>102728501</u>	Bearing, Ball	1

10

D

10

D



000051-003

IDLE APPARATUS

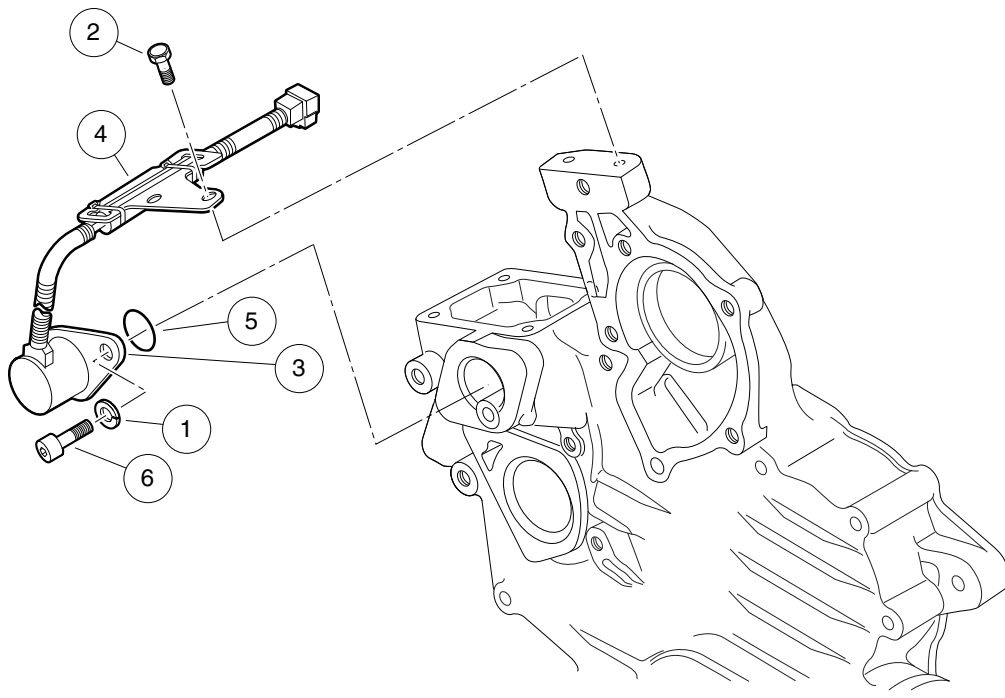
10

D

ITEM	PART NO.	DESCRIPTION	QTY
		1 2 3 4	
1	<u>102635301</u>	Gasket, 6 X 10	1
2	<u>102635701</u>	Cap, Bolt Assy	1
3	<u>102636901</u>	Bolt, Idle Adjusting, D722 Cb	1
4	<u>102637001</u>	Nut, Lock, Special	1
5	<u>102637101</u>	Nut, Special	1
6	<u>102728601</u>	Assy, Idle Apparatus (includes items 7 through 12)	1
7	<u>102635501</u>	Nut, M8, D722 Idle App, Specl	1
8	<u>102635801</u>	Nut, M8, D722 Idle App	1
9	<u>102635901</u>	Assy, Bolt, Adjusting (includes items 10 and 11)	1
10	<u>102728701</u>	Spring, Idle Apparatus	1
11	N/A	Stud, Idle Adjustment	1
12	<u>102728801</u>	Gasket, Idle Apparatus, Rear	2
13	<u>102728901</u>	Gasket, Idle Apparatus, Front	1

10

D



000182-001

STOP SOLENOID

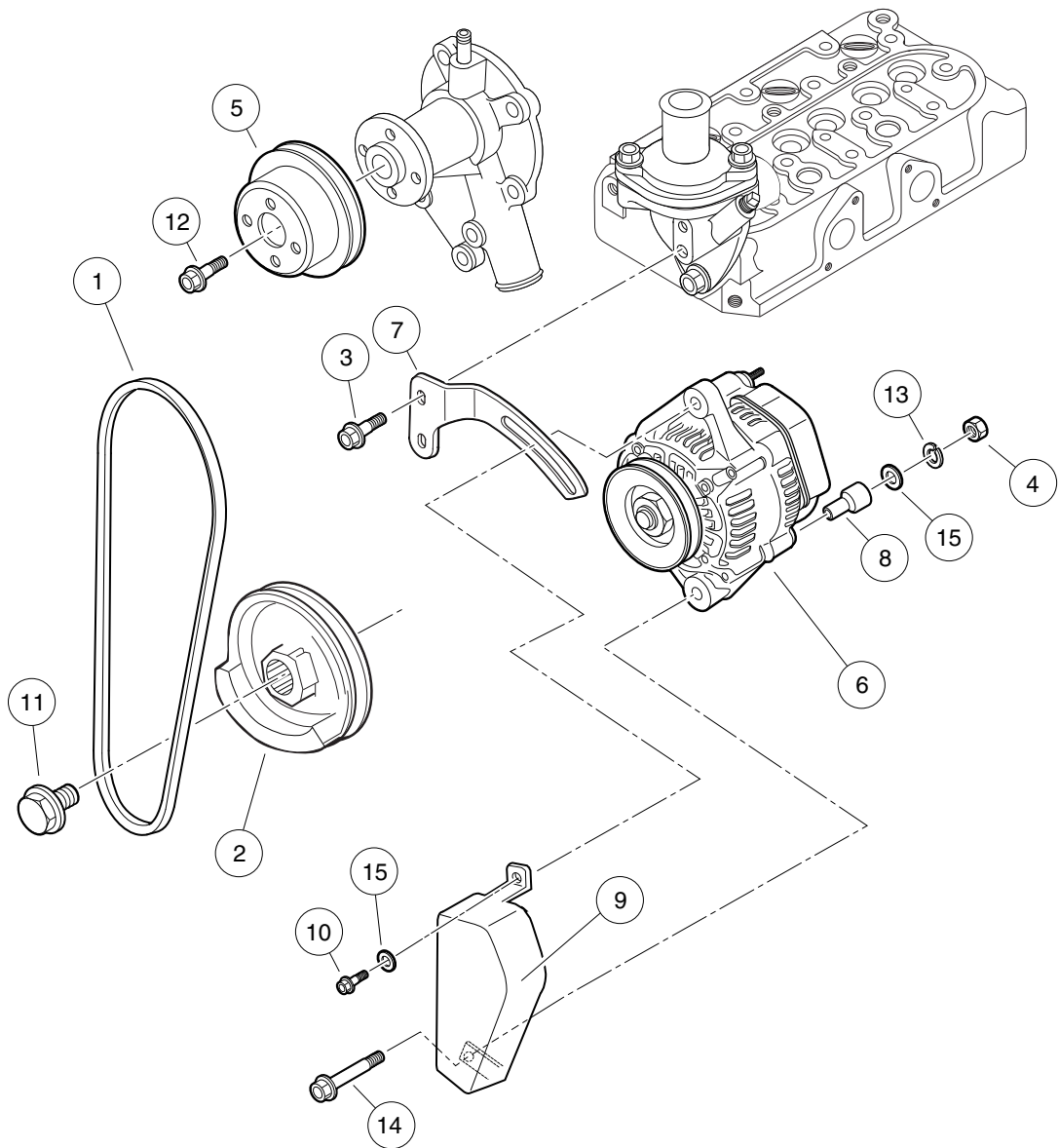
ITEM	PART NO.	DESCRIPTION	QTY
		1 2 3 4	
1	<u>102640601</u>	Washer, Spring, M6, D722	2
2	<u>102729101</u>	Bolt, Solenoid, Stop, D722	2
3	<u>102799601</u>	Solenoid, Stop	1
4	<u>102799701</u>	Stay, Stop Solenoid	1
5	<u>102799801</u>	O-Ring, Stop Solenoid	1
6	<u>102799901</u>	Bolt, Stop Solenoid	2

10

D

10

D



000057-002

40-AMP ALTERNATOR, BELT AND PULLEYS

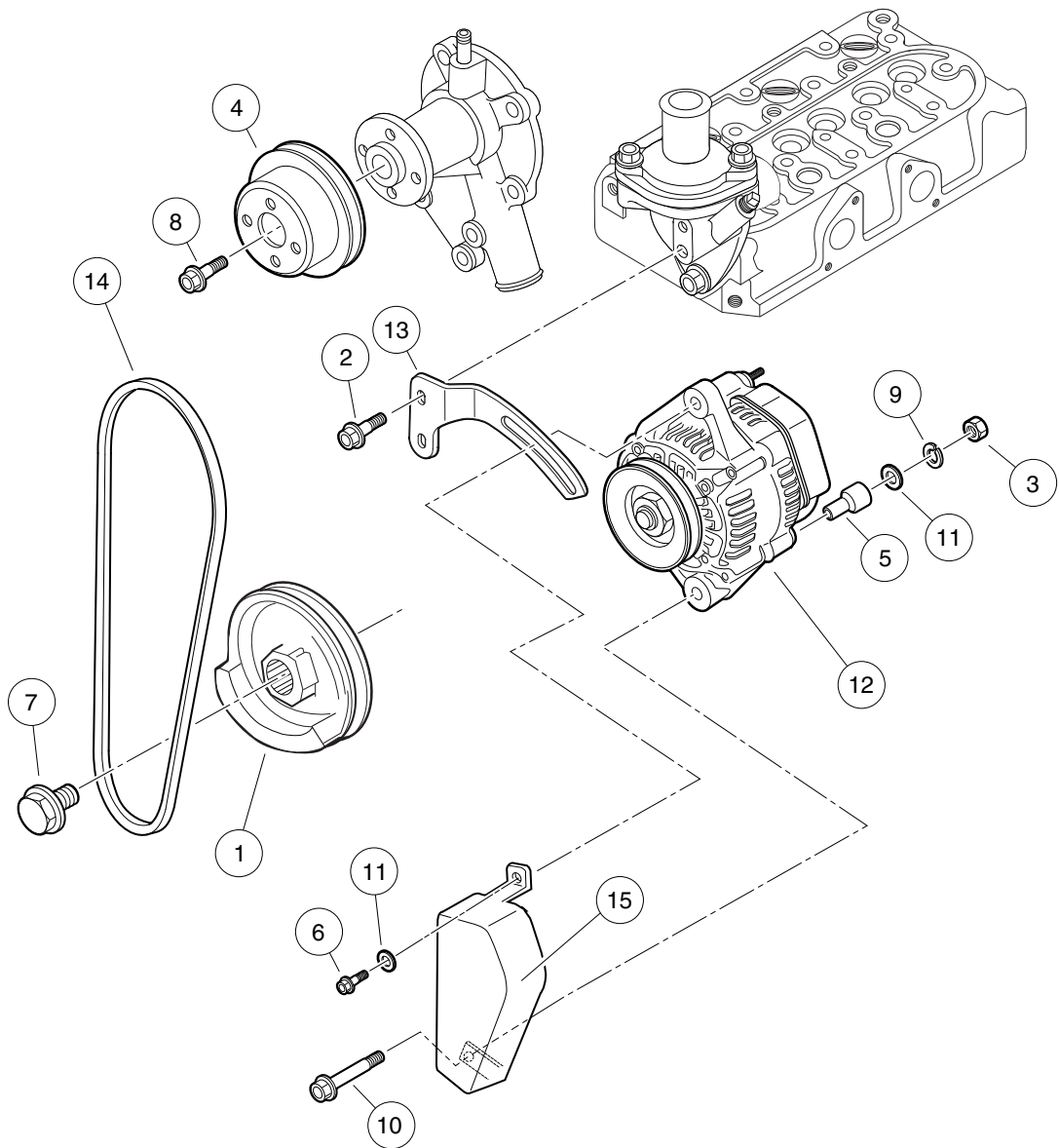
ITEM	PART NO.	DESCRIPTION	QTY
		1 2 3 4	
1	<u>102601101</u>	V-Belt	1
2	<u>102630601</u>	Pulley, Fan Drive	1
3	<u>102631601</u>	Bolt, M6 X 1 X 20	2
4	<u>102647701</u>	Nut, M8, Plate	1
5	<u>102701201</u>	Pulley, Water Pump	1
6	<u>102730001</u>	Alternator, 40-Amp	1
7	<u>102730101</u>	Stay, Alternator Assy, D722	1
8	<u>102730201</u>	Collar, Alternator Assy, D722	1
9	<u>102730301</u>	Cover, Alternator Assy, D722	1
10	<u>102730401</u>	Bolt, Alt, D722, Adjuster	1
11	<u>102730601</u>	Bolt, Alt, D722, Drive Pulley	1
12	<u>102731301</u>	Bolt, D722, Drive Pulley	4
13	<u>102732501</u>	Washer, Spring, D722, Starter	1
14	<u>102800701</u>	Bolt, Alternator, Lower	1
15	<u>102801001</u>	Washer, Alternator, Upper	2

10

D

10

D



000057-003

60-AMP ALTERNATOR, BELT AND PULLEYS

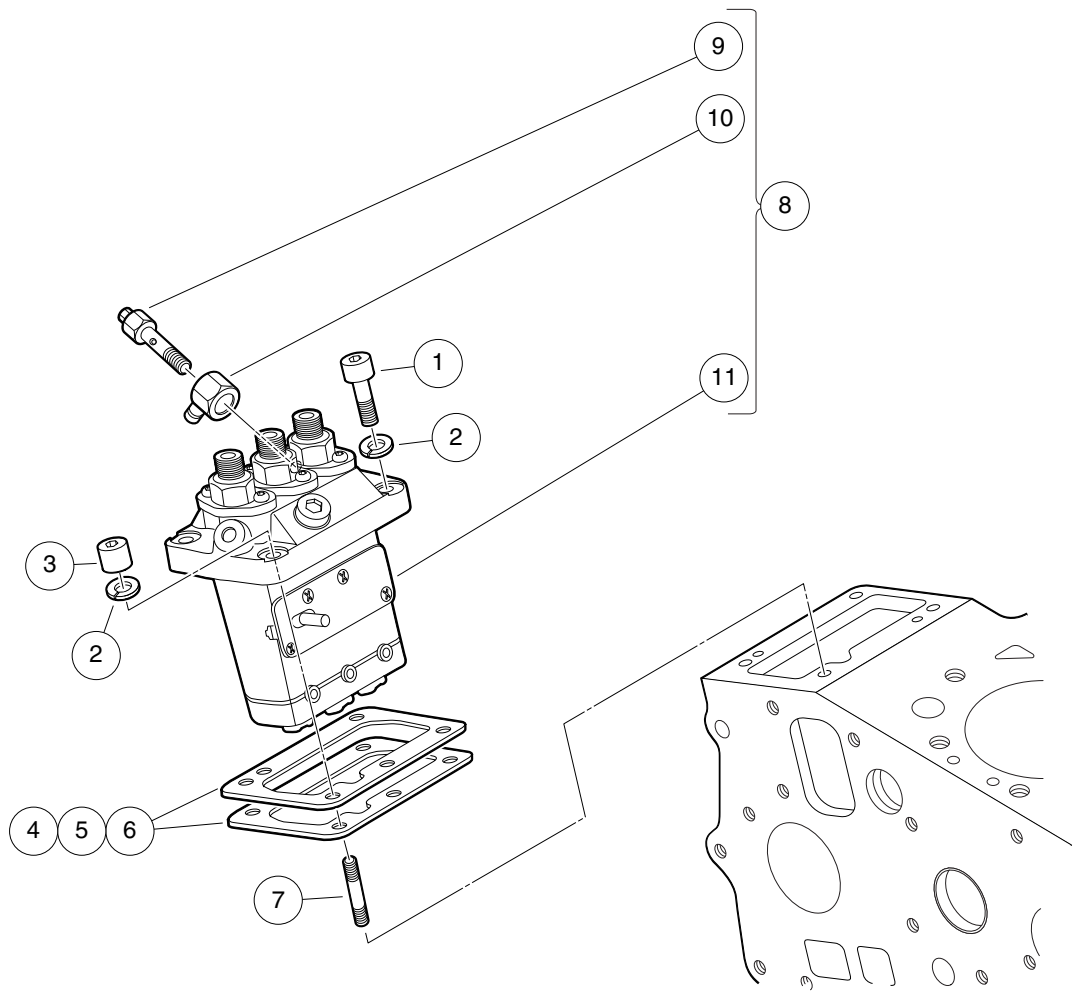
ITEM	PART NO.	DESCRIPTION	QTY
		1 2 3 4	
1	<u>102630601</u>	Pulley, Fan Drive	1
2	<u>102631601</u>	Bolt, M6 X 1 X 20	2
3	<u>102647701</u>	Nut, M8, Plate	1
4	<u>102701201</u>	Pulley, Water Pump	1
5	<u>102730201</u>	Collar, Alternator Assy, D722	1
6	<u>102730401</u>	Bolt, Alt, D722, Adjuster	1
7	<u>102730601</u>	Bolt, Alt, D722, Drive Pulley	1
8	<u>102731301</u>	Bolt, D722, Drive Pulley	4
9	<u>102732501</u>	Washer, Spring, D722, Starter	1
10	<u>102800701</u>	Bolt, Alternator, Lower	1
11	<u>102801001</u>	Washer, Alternator, Upper	2
12	<u>102934701</u>	Alternator, 60 Amp	1
13	<u>102934801</u>	Bracket, Alternator, D722, 60 Amp	1
14	<u>102934901</u>	Belt, Accessory Drive, D722, 60 Amp	1
15	<u>103239901</u>	Guard, Accessory Belt	1

10

D

10

D



000053-002

FUEL INJECTION PUMP

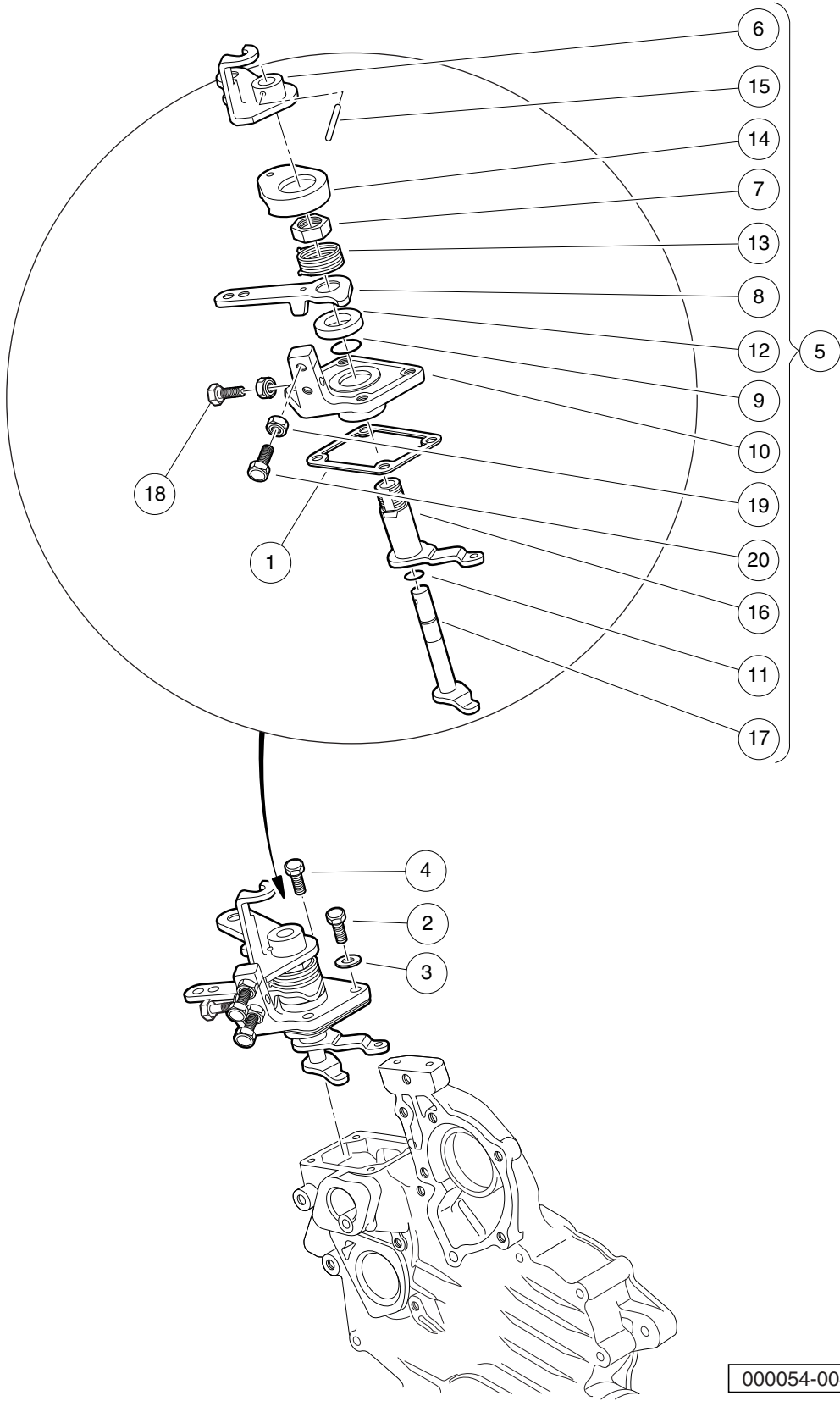
ITEM	PART NO.	DESCRIPTION	QTY
		1 2 3 4	
1	<u>102640501</u>	Bolt, Hex-Head, M5 X 0.75 X	2
2	<u>102640601</u>	Washer, Spring, M6, D722	4
3	<u>102640701</u>	Nut, Special	2
4	<u>102640901</u>	Shim, Injection Pump, 0.20 mm	1
5	<u>102641001</u>	Shim, Injection Pump, 0.25 mm	1
6	102641101	Shim, Injection Pump, 0.30 mm	1
7	<u>102641201</u>	Stud, M5 X 25	2
8	<u>102800101</u>	Assembly, Fuel Injection Pump (includes items 9 through 11)	1
9	<u>102637701</u>	Screw, Hollow, D722, Inj Pump	1
10	<u>102640401</u>	Joint, Eye	1
11	N/A	Pump, Injection	1

10

D

10

D



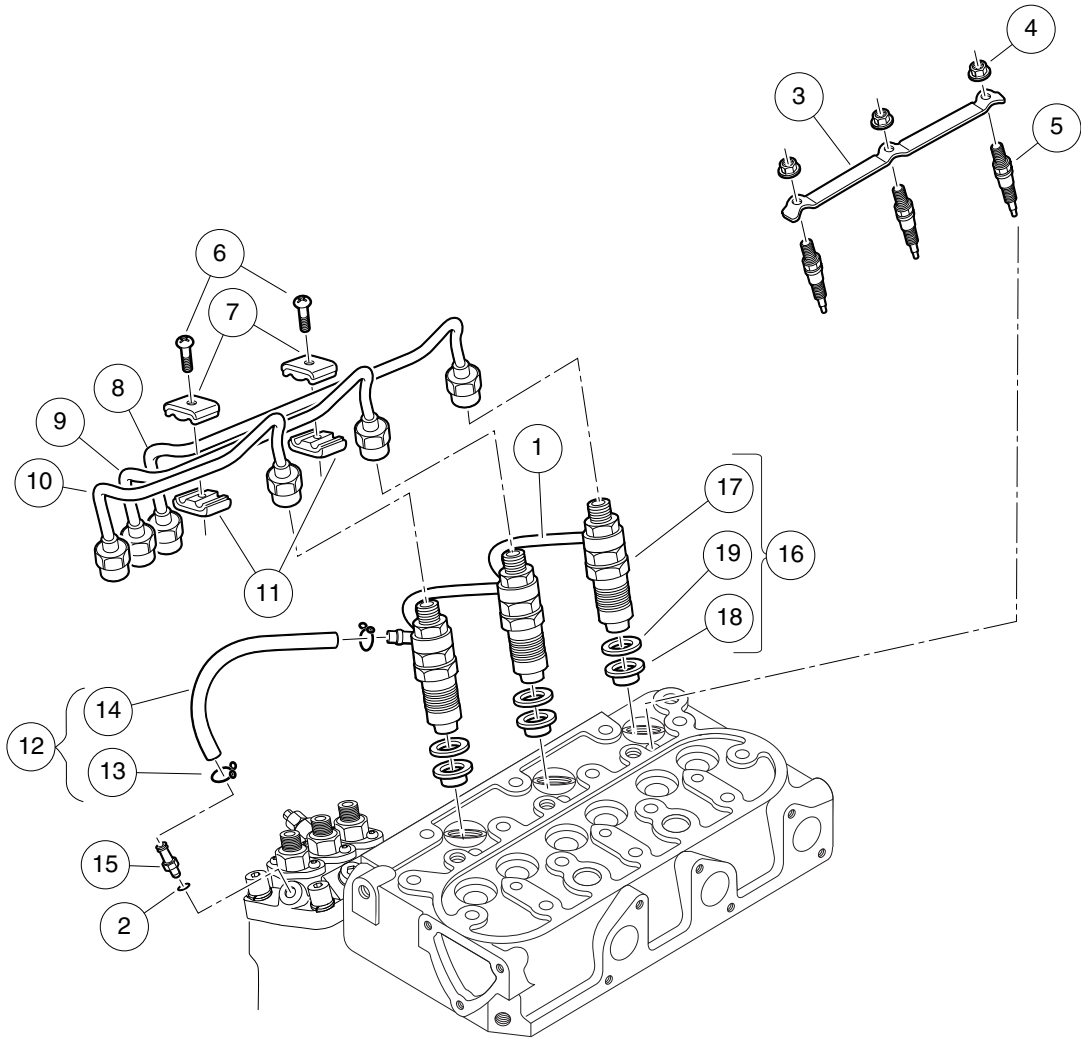
000054-004

SPEED CONTROL

ITEM	PART NO.	DESCRIPTION	QTY
		1 2 3 4	
1	<u>102634501</u>	Gasket, Control Plate	1
2	<u>102635201</u>	Bolt, M6 X 1 X 30	2
3	<u>102635301</u>	Gasket, 6 X 10	2
4	<u>102654301</u>	Bolt, D722 Intake Manifold Lower	2
5	<u>102800401</u>	Assembly, Speed Plate (includes items 6 through 20)	1
6	<u>102633701</u>	Lever, Engine Stop	1
7	<u>102633801</u>	Nut, Speed Control	1
8	<u>102633901</u>	Lever, Speed Control	1
9	<u>102634001</u>	O Ring, 19 X 16	1
10	<u>102634101</u>	Plate, Speed Control	1
11	<u>102634401</u>	O Ring, 9 X 7	1
12	<u>102634601</u>	Collar, Lever	1
13	<u>102634701</u>	Spring, Return	1
14	<u>102729401</u>	Cap, Speed Cntrl Plate Rtrn	1
15	<u>102729501</u>	Pin, Spring, Speed Plate	1
16	<u>102800501</u>	Lever, Governor	1
17	<u>102800601</u>	Shaft, Governor Lever	1
18	<u>105222301</u>	Bolt, Speed Control, D722	1
19	<u>105222401</u>	Nut, Speed Control, D722	3
20	<u>105222501</u>	Bolt, Speed Control, D722	2

10

D



000055-001

NOZZLE HOLDERS AND GLOW PLUGS

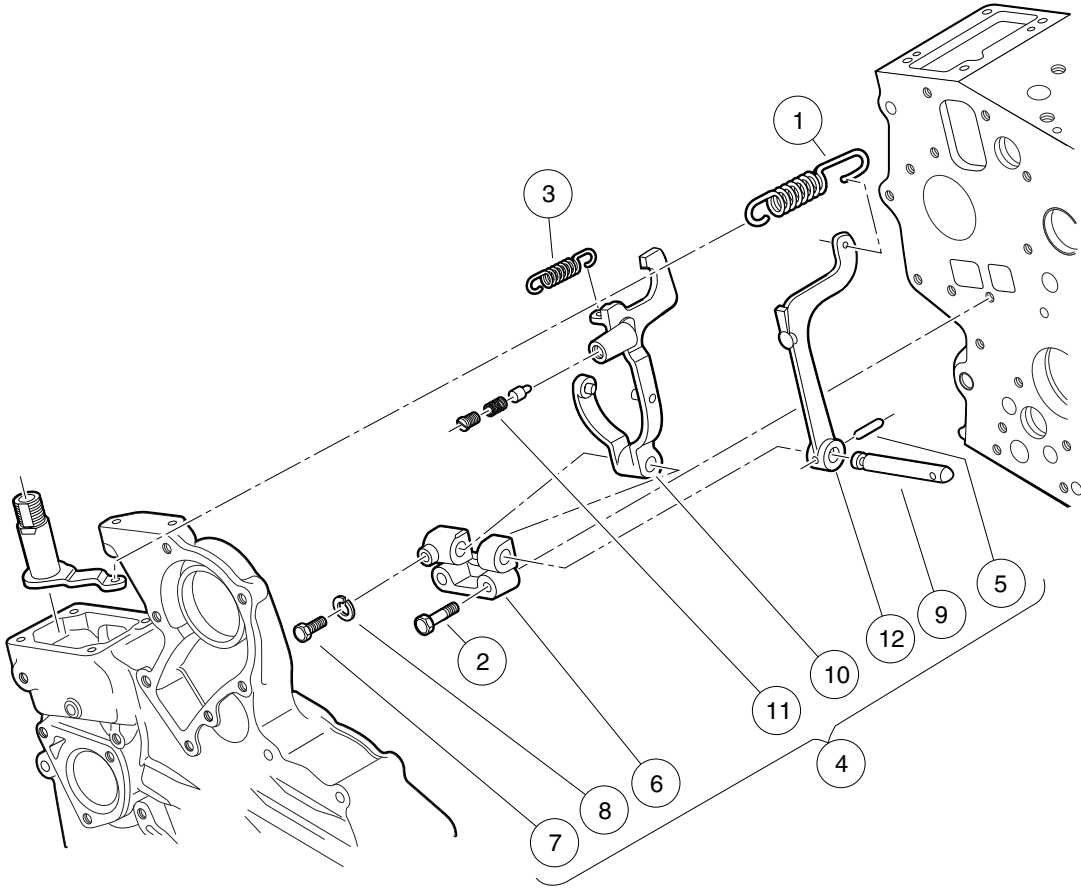
ITEM	PART NO.	DESCRIPTION	QTY
		1 2 3 4	
1	<u>102605701</u>	Assy Pipe, D722 Fuel Over Flow	1
2	<u>102635301</u>	Gasket, 6 X 10	1
3	<u>102642401</u>	Cord, Glow Plug	1
4	<u>102642501</u>	Nut, Flange,m4	3
5	<u>102642601</u>	Glow Plug	3
6	<u>102642801</u>	Screw, Washer	2
7	<u>102642901</u>	Clamp, Pipe, Top	2
8	<u>102643001</u>	Pipe, Injection, Left	1
9	<u>102643101</u>	Pipe, Injection, Right	1
10	<u>102643201</u>	Pipe, Injection, Middle	1
11	<u>102643301</u>	Clamp, Pipe, Bottom	2
12	<u>102643401</u>	Assy Pipe, Over Flow (includes items 13 and 14)	1
13	<u>102729601</u>	Clip, Pipe, Return	2
14	<u>105222901</u>	Pipe, Fuel Overflow, D722	1
15	<u>102643701</u>	Screw, Air Bleeder	1
16	<u>102729701</u>	Kit, Holder, Nozzle (includes items 17 through 19)	3
17	<u>102641501</u>	Assembly, Nozzle Holder	3
18	<u>102642701</u>	Seal, Heat	3
19	<u>102643601</u>	Gasket, Nozzle	3

10

D

10

D



000056-005

GOVERNOR COMPONENTS

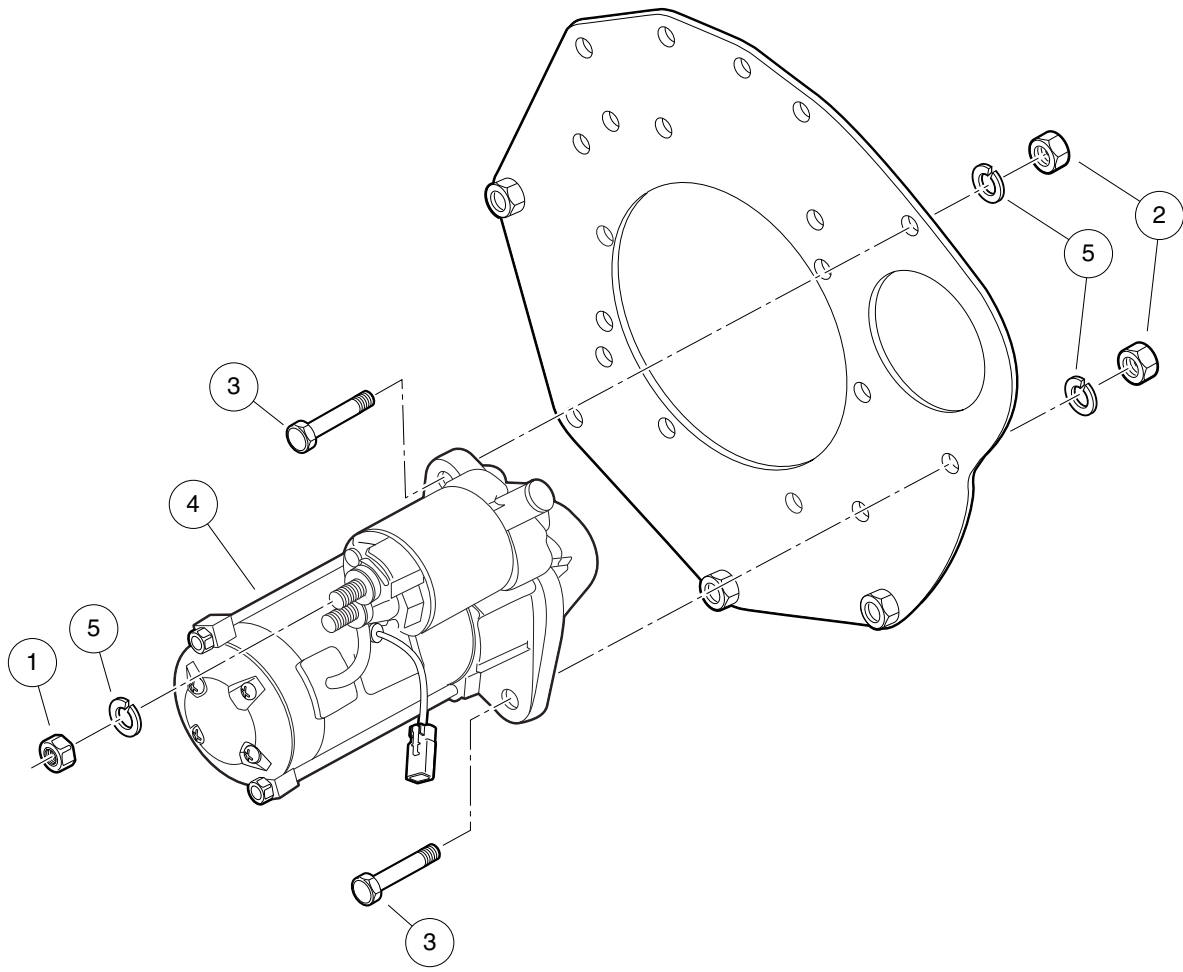
ITEM	PART NO.	DESCRIPTION	QTY
		1 2 3 4	
1	<u>102635101</u>	Spring, Governor	1
2	<u>102636301</u>	Bolt, M5 X 0.75 X 25	2
3	<u>102800201</u>	Spring, Start	1
4	<u>102800301</u>	Assembly, Governor Fork (includes items 5 through 12)	1
5	<u>102633601</u>	Pin, Spring	1
6	<u>102636201</u>	Holder, Fork Lever	1
7	<u>102636401</u>	Bolt, M5 X 0.75 X 11	1
8	<u>102636501</u>	Washer, Spring, M5	1
9	<u>102636601</u>	Shaft, Fork Lever	1
10	N/A	Lever, Fork, Middle, D722 CB (includes item 11)	1
11	<u>102701601</u>	Spring, Lever	1
12	N/A	Lever, Fork, End, D722 CB	1

10

D

10

D



000058-001

STARTER

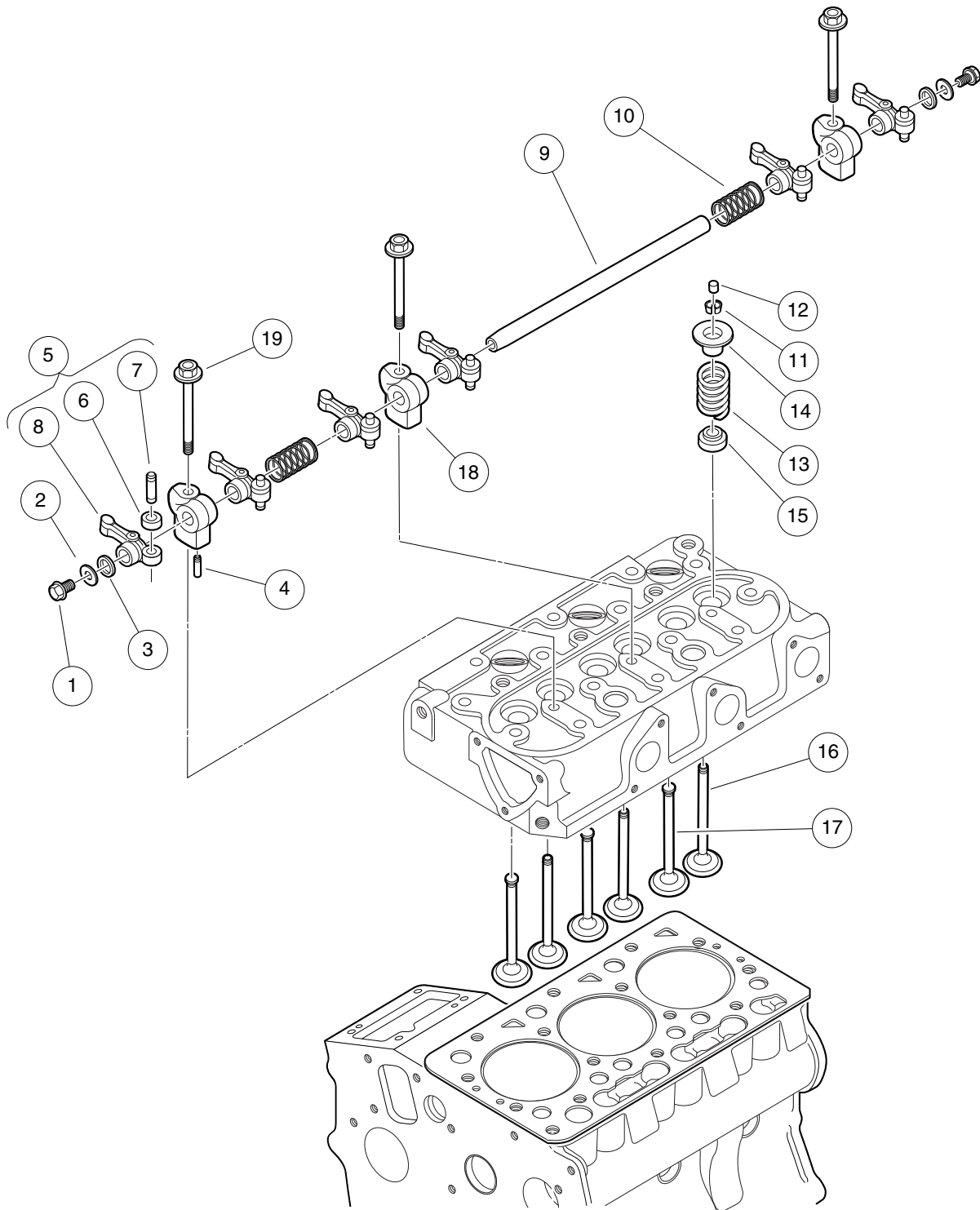
ITEM	PART NO.	DESCRIPTION	QTY
		1 2 3 4	
1	<u>102645501</u>	Nut, D722, Starter	2
2	<u>102647701</u>	Nut, M8, Plate	2
3	<u>102648401</u>	Bolt, M8 X 1.25 X 28	2
4	<u>102648501</u>	Motor, Starter	1
5	<u>102732501</u>	Washer, Spring, D722, Starter	4

10

D

10

D



000062-002

VALVES AND ROCKER ARMS

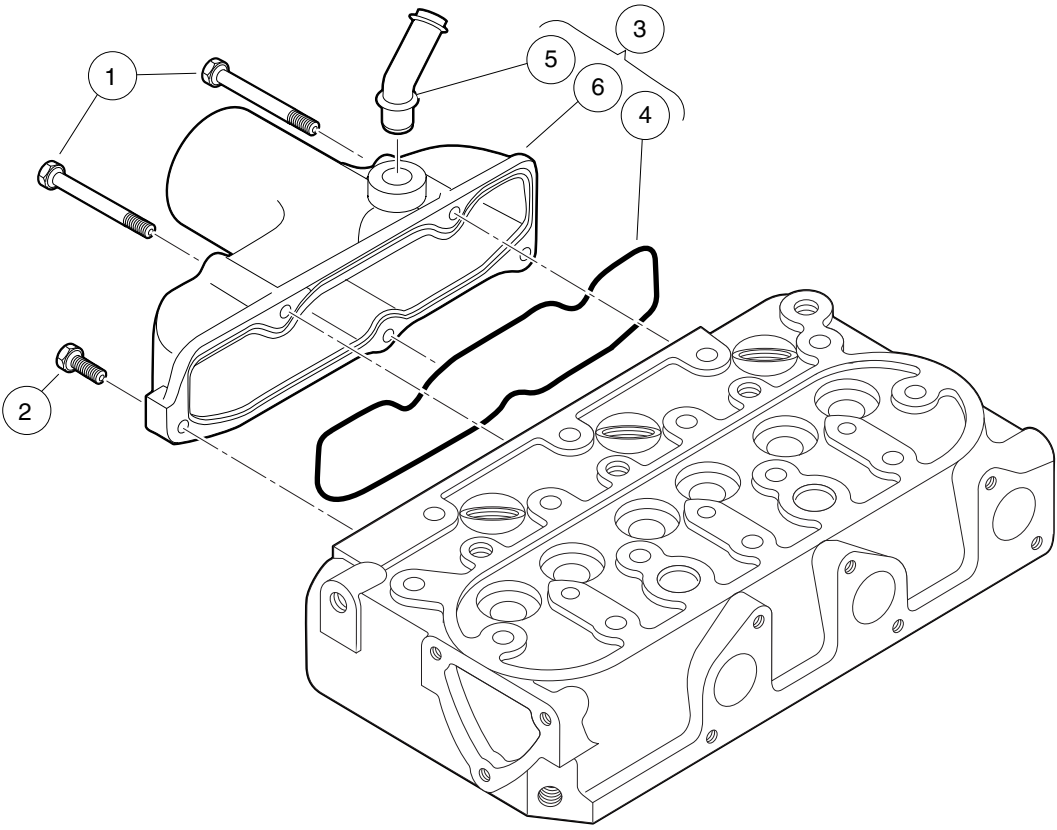
ITEM	PART NO.	DESCRIPTION	QTY
		1 2 3 4	
1	<u>102646401</u>	Bolt, M6 X 1 X 8	2
2	<u>102651301</u>	Washer, D722, Plain, Rocker	2
3	<u>102651601</u>	Washer, Rocker Arm	2
4	<u>102651801</u>	Pin, Spring, D722, Rocker	1
5	<u>102652001</u>	Assy, Rocker Arm (includes items 6 through 8)	6
6	<u>102651501</u>	Nut, M6	6
7	<u>102651701</u>	Screw-Adjusting	6
8	N/A	Arm, Rocker	1
9	<u>102652601</u>	Shaft, Rocker Arm	1
10	<u>102652701</u>	Spring, Rocker Arm	2
11	<u>102652901</u>	Collet, Valve Spring, Set	6
12	<u>102653001</u>	Cap, Valve, D722	6
13	<u>102653101</u>	Spring, Valve	6
14	<u>102653201</u>	Retainer, Spring	6
15	<u>102653301</u>	Seal, Valve Stem	6
16	<u>102653601</u>	Valve, Exhaust	3
17	<u>102653701</u>	Valve, Intake	3
18	<u>102801101</u>	Bracket, Rocker Arm, D722 Closed-Breather	3
19	<u>102801201</u>	Bolt, Rocker Arm	3

10

D

10

D



000063-002

INTAKE MANIFOLD

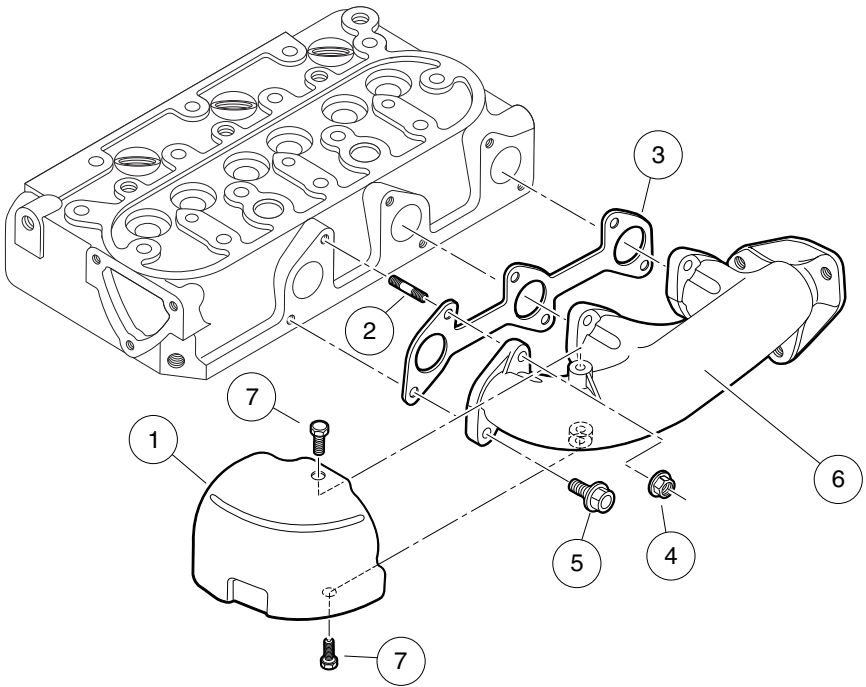
ITEM	PART NO.	DESCRIPTION	QTY
		1 2 3 4	
1	<u>102646101</u>	Bolt, M6 X 1 X 45	3
2	<u>102654301</u>	Bolt, D722 Intake Manifold Lower	2
3	<u>102801301</u>	Assembly, Intake Manifold (includes items 4 through 6)	1
4	<u>102646001</u>	Gasket, Intake Manifold	1
5	<u>102801401</u>	Pipe, Breather	1
6	<u>102801501</u>	Manifold, Intake	1

10

D

10

D



000064-001

EXHAUST MANIFOLD

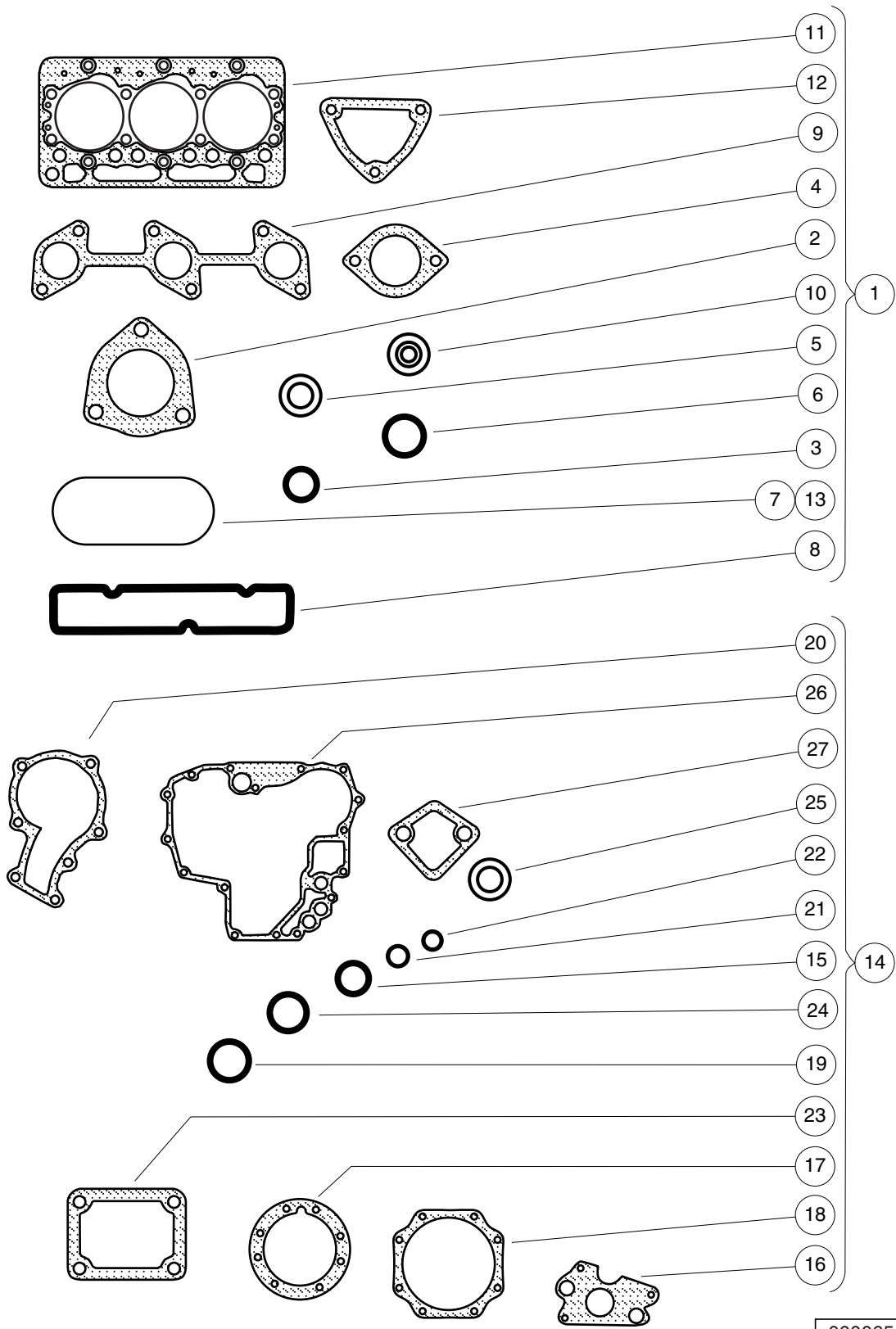
ITEM	PART NO.	DESCRIPTION	QTY
		1 2 3 4	
1	<u>102646301</u>	Cover, Heat Proof	1
2	<u>102646501</u>	Stud, M6 X 26	3
3	<u>102646601</u>	Gasket, Exhaust Manifold	1
4	<u>102647101</u>	Nut, Flange, M6, Ubs	3
5	<u>102647201</u>	Bolt, Flange Head, M6 X 1 X 16	3
6	<u>102731501</u>	Manifold, Exhaust, D722	1
7	<u>102731601</u>	Bolt, D722, Exhaust Manifold Cover	2

10

D

10

D



000065-001

GASKET KITS

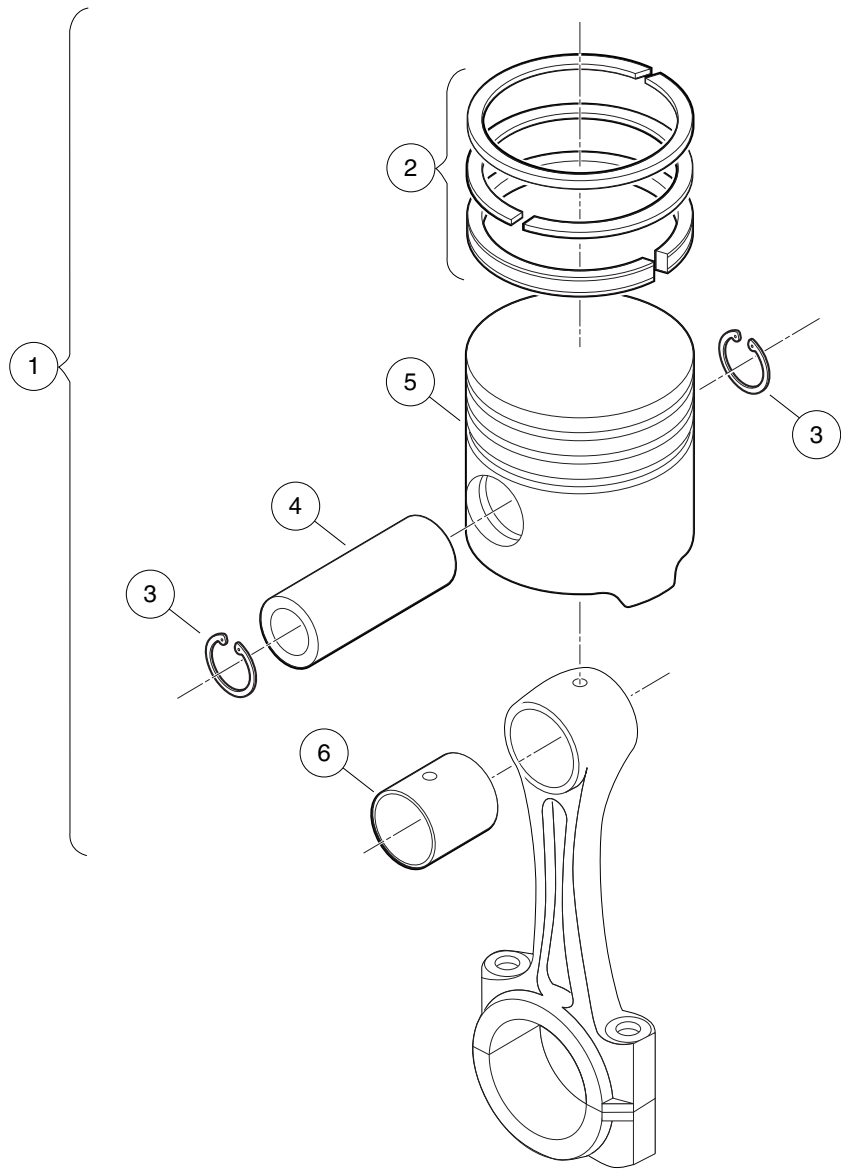
ITEM	PART NO.	DESCRIPTION	QTY
		1 2 3 4	
1	<u>102731801</u>	Kit, Gasket Upper, D722 (includes items 2 through 13)	1
2	<u>102422301</u>	Gasket, Exhaust Diesel	1
3	<u>102600301</u>	O Ring, 8 X 7	1
4	<u>102633401</u>	Gasket, Thermostat	1
5	<u>102635301</u>	Gasket, 6 X 10	3
6	<u>102644001</u>	O Ring, 30 X 36	1
7	<u>102644501</u>	Gasket, Head Cover	1
8	<u>102646001</u>	Gasket, Intake Manifold	1
9	<u>102646601</u>	Gasket, Exhaust Manifold	1
10	<u>102653301</u>	Seal, Valve Stem	6
11	<u>102654101</u>	Gasket, Cylinder Head	1
12	<u>102654701</u>	Gasket, Water Flange	1
13	<u>102798501</u>	Gasket, Cylinder Head Cover	1
14	<u>102731901</u>	Kit, Gasket Lower, D722 (includes items 15 through 27)	1
15	<u>102601801</u>	O Ring, 18 X 13	3
16	<u>102606601</u>	Gasket, Oil Pump	1
17	<u>102608201</u>	Gasket, Bearing Case	1
18	<u>102608301</u>	Gasket, Cover	1
19	<u>102630301</u>	O Ring, 23 X 26	1
20	<u>102632701</u>	Gasket, Water Pump, D722	1
21	<u>102634001</u>	O Ring, 19 X 16	1
22	<u>102634401</u>	O Ring, 9 X 7	1
23	<u>102634501</u>	Gasket, Control Plate	1
24	<u>102654601</u>	O Ring, 20 X 17	1
25	<u>102728801</u>	Gasket, Idle Apparatus, Rear	2
26	<u>102729301</u>	Gasket, Gearcase, D722	1
27	<u>102732601</u>	Gasket, Fuel Pump, D722	1

10

D

10

D



000066-001

PISTON REBUILD KIT

ITEM	PART NO.	DESCRIPTION	QTY
		1 2 3 4	
1	<u>102732001</u>	Kit, Piston Rebuild, D722 (includes items 2 through 6)	1
2	<u>102607601</u>	Assy Piston Ring, D722 Std	1
3	<u>102630901</u>	Circlip, Piston Pin	2
4	<u>102631001</u>	Pin, Piston	1
5	<u>102728101</u>	Piston, D722, Std	1
6	<u>102732201</u>	Bushing, Piston Pin, D722	1

10

D

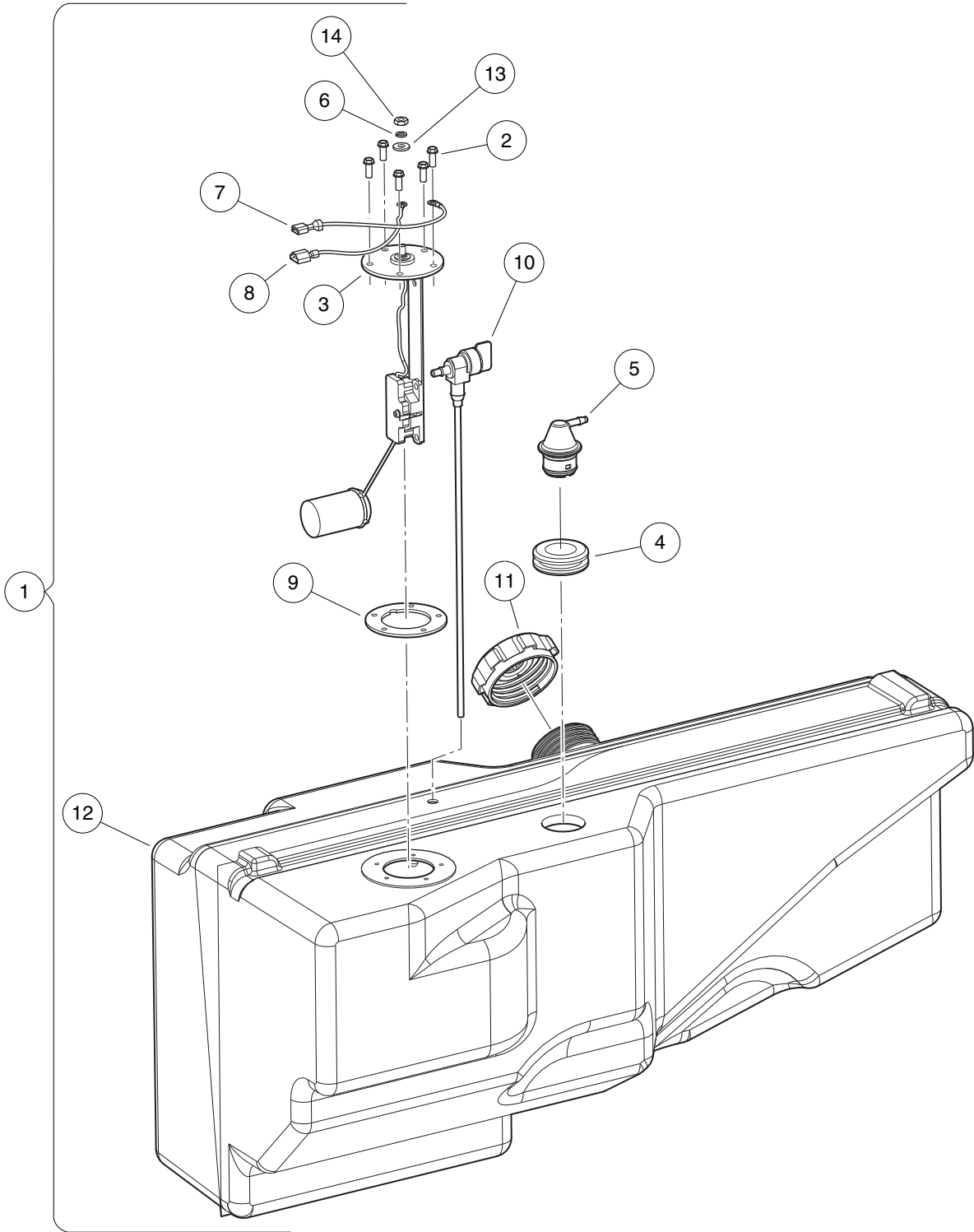
10

D

FUEL, INTAKE, ACCELERATOR & GOVERNOR SYSTEMS – HONDA GAS

11

G



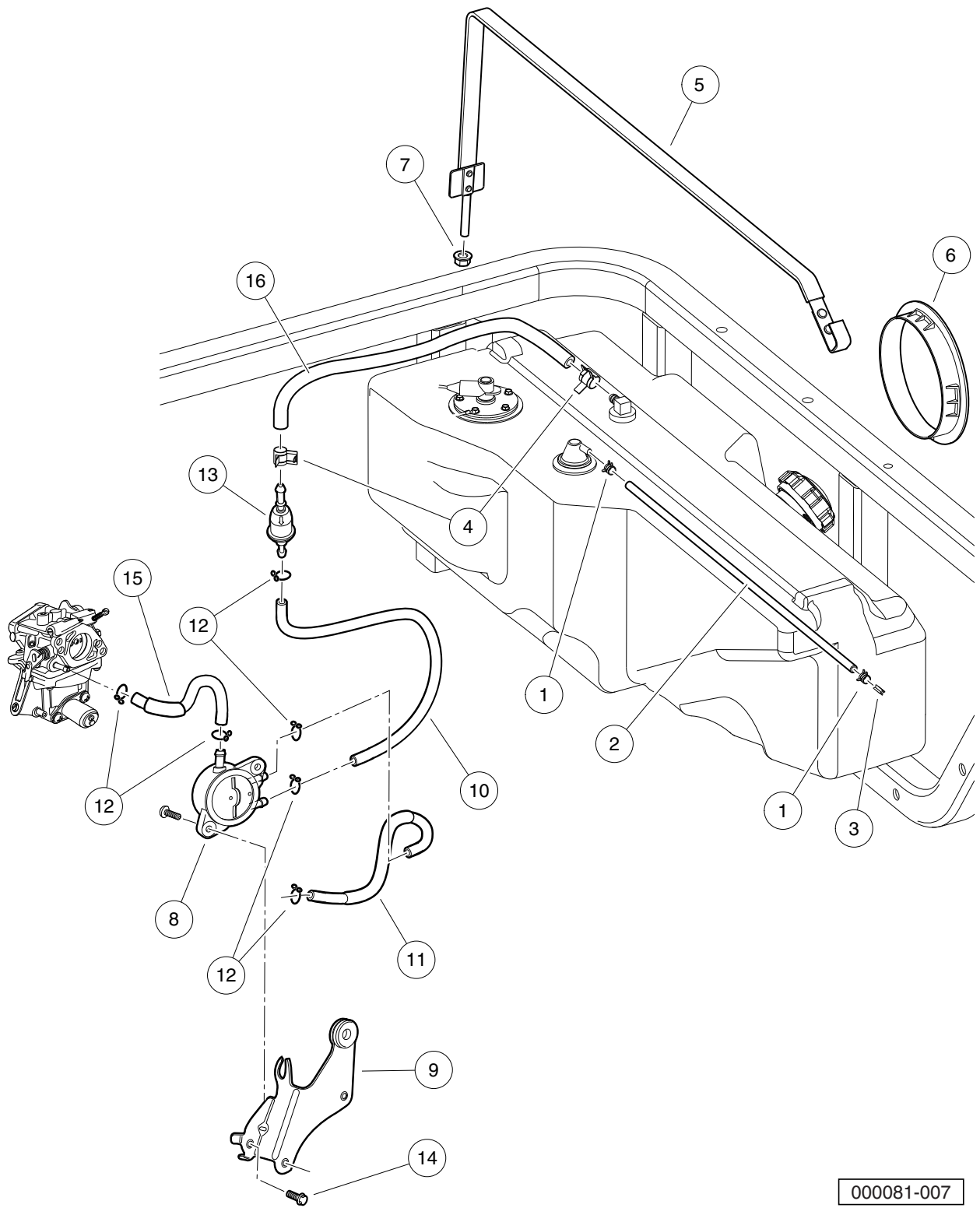
000082-004

FUEL TANK – GASOLINE VEHICLE

ITEM	PART NO.	DESCRIPTION	QTY
		1 2 3 4	
1	<u>102952102</u>	Asm, Tank, Fuel, Gas, 4x4 (includes items 2 through 14)	1
2	<u>1013461</u>	Screw, #10-16 Hex-Head Hi-Lo	5
3	<u>1013462</u>	Sending Unit, Fuel Level *	1
4	<u>1015139</u>	Insulation Grommet	1
5	<u>1015143</u>	Vent, Fuel Tank	1
6	<u>1016</u>	Lockwasher, #10 Split	1
7	N/A	Wire Asm, Blk, 170mm	1
8	N/A	Wire Asm, Org, 170mm	1
9	<u>102522001</u>	Gasket, Rubber	1
10	<u>102670901</u>	Valve, Pickup Tube, Fuel	1
11	<u>102751601</u>	Cap, Fuel Tank, Gasoline	1
12	N/A	Tank, Fuel, Gas, 4x4	1
13	<u>183</u>	Washer, #10, Type A, Flat	1
14	<u>8797</u>	Nut, #10-32 Brass Hex	1
		* Note: Must replace fuel sending unit gasket when servicing this component.	

11

G

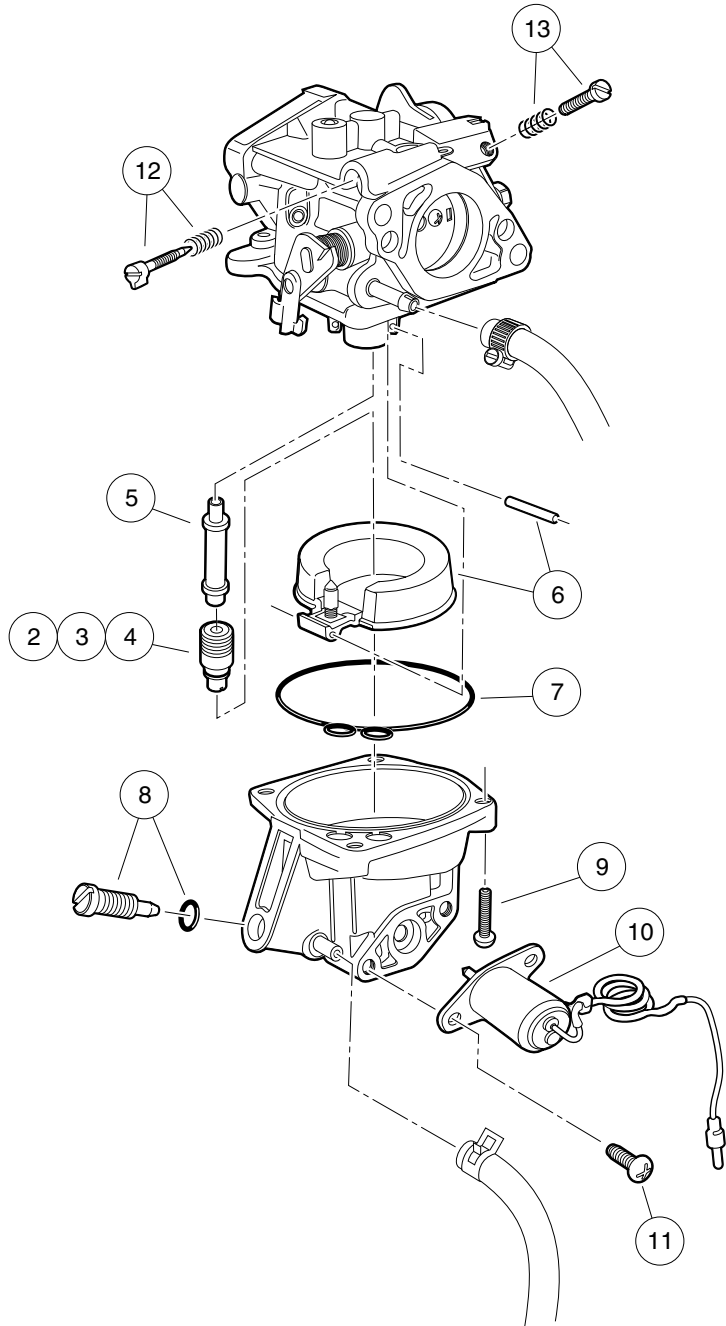


000081-007

FUEL PUMP, FILTER AND HOSE – HONDA GASOLINE ENGINE

ITEM	PART NO.	DESCRIPTION	QTY
		1 2 3 4	
1	<u>1013746</u>	Clamp, 0.301 ID Hose	2
2	<u>101587703</u>	Hose, Fuel, Vent, 22" Long	1
3	<u>101824401</u>	Vent Barb	1
4	<u>102411202</u>	Clamp, Hose, Ctb 13mm	2
5	<u>102426301</u>	Strap, Tank, Fuel	1
6	<u>102466201</u>	Bezel, Fuel Fill	1
7	<u>102618601</u>	Lock Nut, Flange, M8 X 1.25 Nylon	1
8	<u>102656402</u>	Pump Assy., Fuel, Sup	1
9	<u>102656601</u>	Stay, Fuel Pump	1
10	<u>102657001</u>	Tube B, Fuel	1
11	<u>102657101</u>	Tube, Diaphragm	1
12	<u>102657201</u>	Clip, Tube, B10	6
13	<u>102657301</u>	Filter, Fuel	1
14	<u>102657501</u>	Bolt, Flange Head, M6 X 11 X 4	2
15	<u>102725401</u>	Tube A, Fuel	1
16	<u>103307901</u>	Hose, Fuel, Tank To Filter	1

11
G



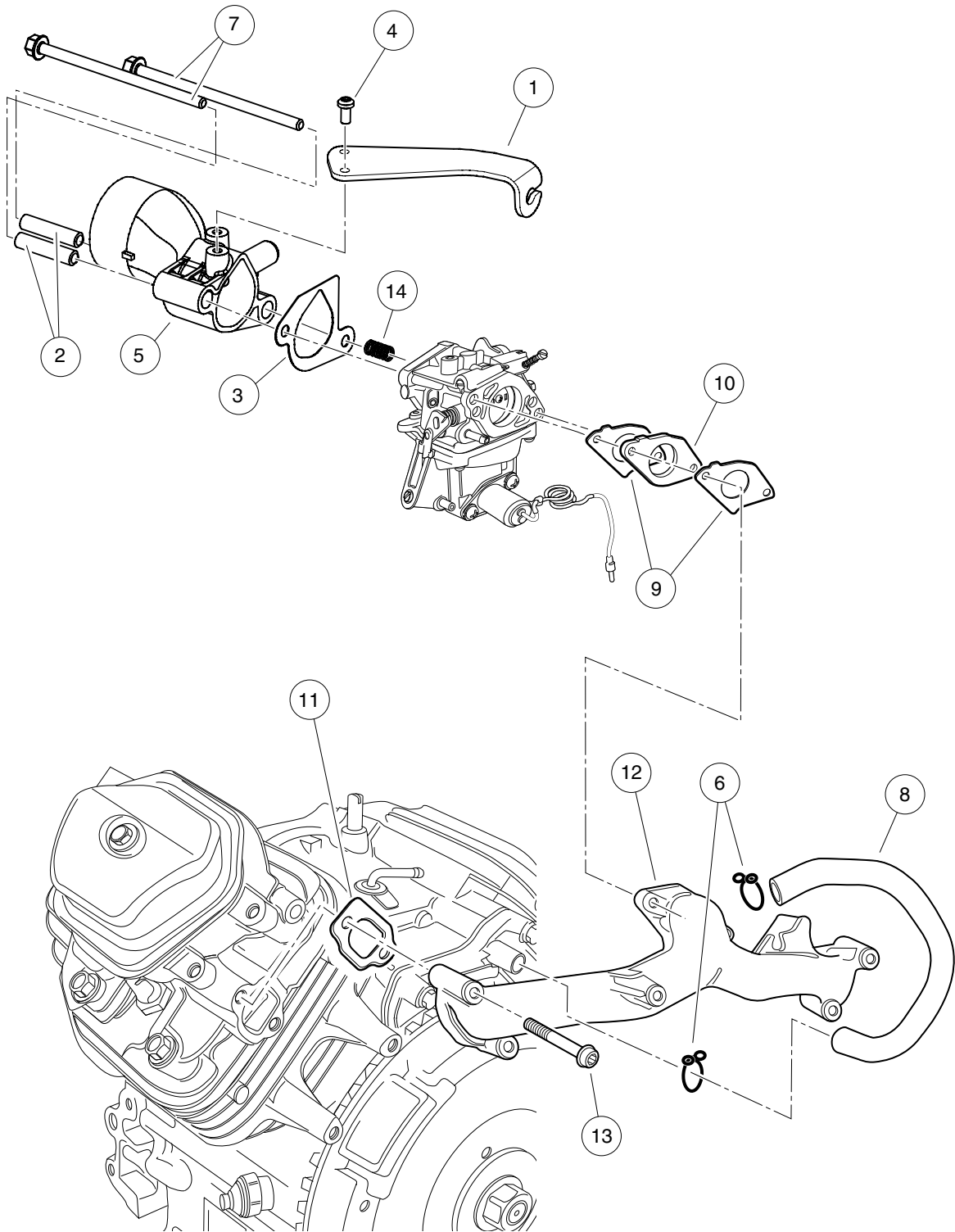
000020-001

CARBURETOR – HONDA GASOLINE ENGINE

ITEM	PART NO.	DESCRIPTION	QTY
		1 2 3 4	
1	<u>103201601</u>	Carburetor, Seal Shaft (includes items 2 through 13)	1
2	<u>102623802</u>	Jet, GX620, #102 (8000 ft. and higher (2438 m and higher))	1
3	<u>102623805</u>	Jet, GX620, #105 (5000-8000 ft. (1524-2438 m))	1
4	<u>102623808</u>	Jet, GX620, #108 (0-5000 ft. (0-1524 m))	1
5	<u>102655401</u>	Nozzle, Main	1
6	<u>102655501</u>	Float Set	1
7	<u>102655601</u>	Gasket Set	1
8	<u>102655701</u>	Screw Set, Drain	1
9	<u>102655801</u>	Screw-Washer, M4 X 14	4
10	<u>102655901</u>	Valve Assy., Solenoid	1
11	<u>102656001</u>	Screw-Washer, M5 X 12	2
12	<u>102724101</u>	Screw Set, Left	1
13	<u>102724201</u>	Screw Set, Right	1

11
G

11
G

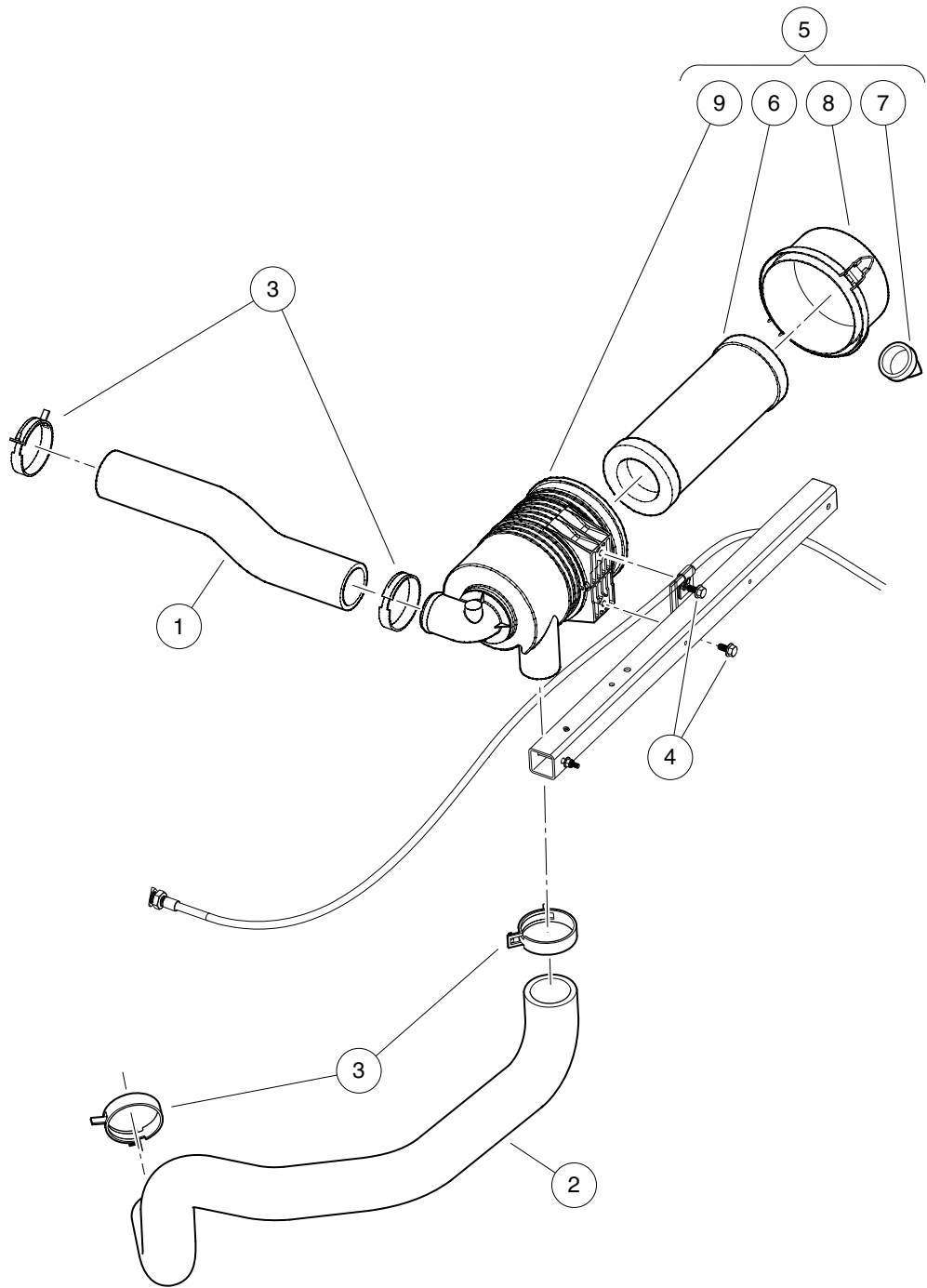


000021-002

CARBURETOR MOUNTING – HONDA GASOLINE ENGINE

ITEM	PART NO.	DESCRIPTION	QTY
		1 2 3 4	
1	<u>102385801</u>	Bracket, Choke Cable	1
2	<u>102462601</u>	Insert, Adapter, Carburetor	2
3	<u>102493001</u>	Gasket, Adapter, Carburetor	1
4	<u>102617301</u>	Screw Tapping, M5 X 0.8x10	2
5	<u>102620801</u>	Adapter, Intake Honda GX620	1
6	<u>102656101</u>	Clip, Breather Tube	1
7	<u>102656301</u>	Bolt, Flange Head, M6 X 1 X 120	2
8	<u>102656501</u>	Tube, Breather	1
9	<u>102656701</u>	Gasket, Carburetor	2
10	<u>102656801</u>	Insulator, Carburetor	1
11	<u>102657601</u>	Gasket, Intake Manifold	2
12	<u>102657701</u>	Manifold, Intake	1
13	<u>102657801</u>	Bolt, Socket, M8 X 1.25 X 45	4
14	<u>102710501</u>	Spring, Continuity, Solenoid	1

11
G



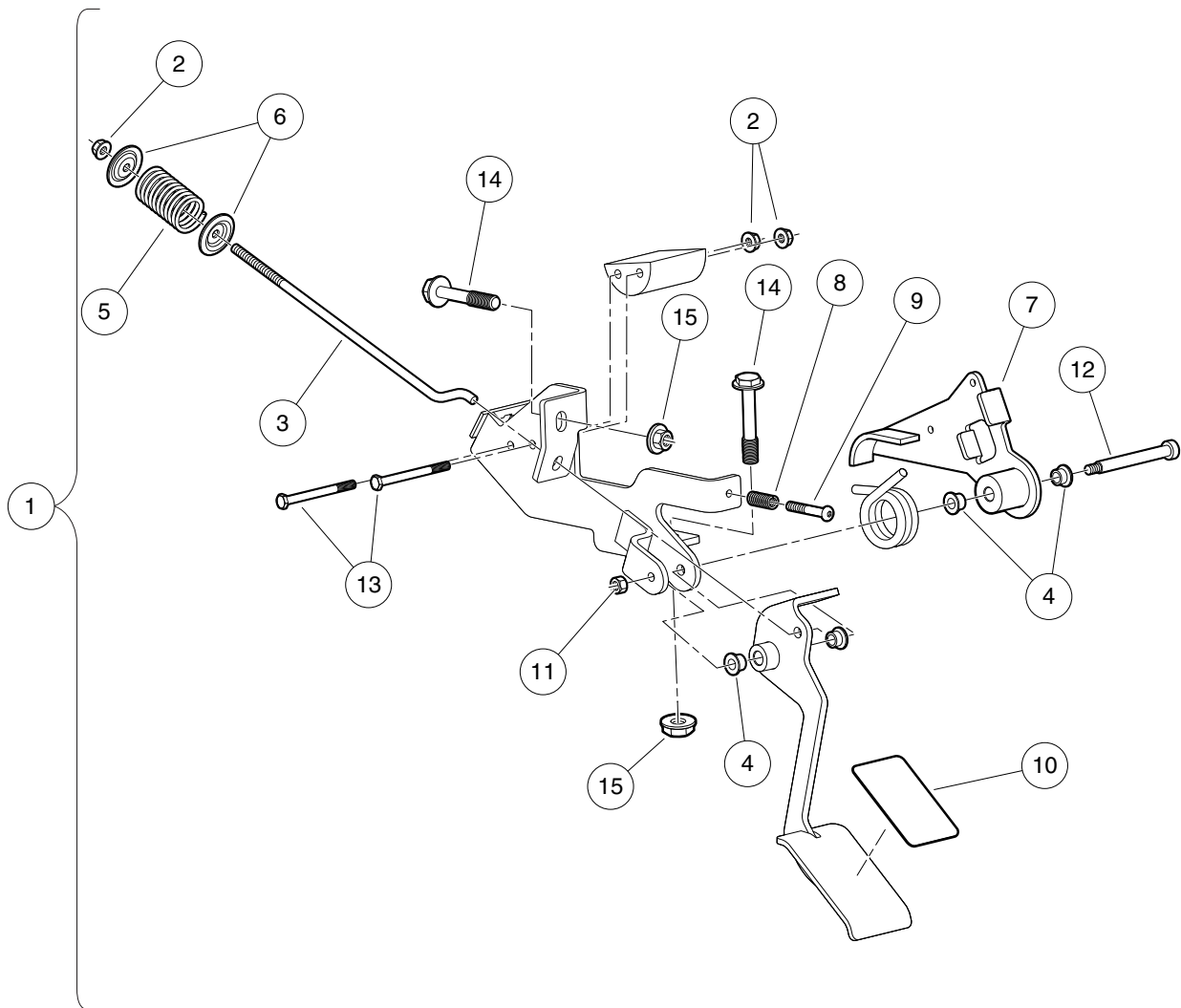
000090-008

INTAKE HOSES AND AIR FILTER – HONDA GASOLINE ENGINE

ITEM	PART NO.	DESCRIPTION	QTY
		1 2 3 4	
1	<u>102378901</u>	Hose, Intake, GX620	1
2	<u>102395601</u>	Hose, Intake, Primary	1
3	<u>102411210</u>	Clamp, Hose, Ctb 64mm	4
4	<u>102621201</u>	Bolt, Flanged Head, M8 X1.25x 16, with Loctite	2
5	<u>102810701</u>	Filter, Air, Canister, with Label (includes items 6 through 9)	1
6	<u>102498601</u>	Element, Filter, Air, 5 Inch	1
7	<u>102725501</u>	Valve, Evacuator, Filter Air	1
8	<u>102725601</u>	Cap, Latch Lock, Filter, Air	1
9	N/A	Body, Canister, Filter, Air	1

11

G



000026-004

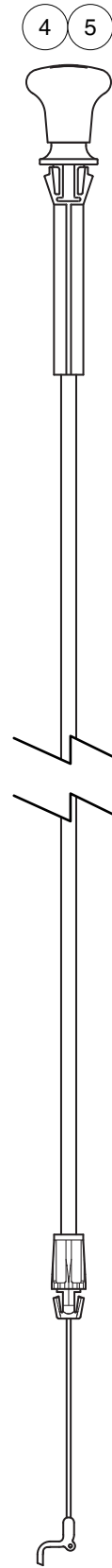
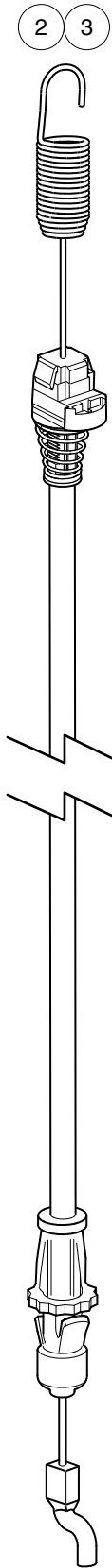
ACCELERATOR PEDAL – HONDA GASOLINE ENGINE

ITEM	PART NO.	DESCRIPTION	QTY
		1 2 3 4	
1	<u>102489901</u>	Asm, Pedal, Accelerator (includes items 2 through 13)	1
2	<u>102296401</u>	Nut, M6x1.0, Flange, Metal Lock	3
3	<u>102416501</u>	Pullrod, Spring, Compression	1
4	<u>102442901</u>	Bushing, Greaseless	4
5	<u>102445201</u>	Spring, Comp, Pedal, Pullrod	1
6	<u>102461401</u>	Washer, Retaining Spring, 7mm	2
7	<u>102469401</u>	Weldment, Lever, Motion, Lost	1
8	<u>102476301</u>	Spring, Stop, Pedal	1
9	<u>102476401</u>	Bolt, Stop, Pedal	1
10	<u>102479301</u>	Pad, Grip Tape, Accelerator	1
11	<u>102618101</u>	Nut, M6x1, Mechanically Deformed	1
12	<u>103273101</u>	Bolt, Shoulder, M8 X 70, Hc	2
13	<u>96706825</u>	Bolt, M6 X 1 X 70	2
14	<u>102618301</u>	Bolt, Flanged Head, M8 X 1.25 X 65	2
15	<u>102618601</u>	Lock Nut, Flange, M8 X 1.25 Nylon	2

11

G

11
G



000536-009

ACCELERATOR AND CHOKE CABLES – HONDA GASOLINE ENGINE

ITEM	PART NO.	DESCRIPTION	QTY
		1 2 3 4	
1	<u>102475701</u>	Clip, Brake Line	5
2	<u>102952801</u>	Cable, Accelerator, AWD, Honda, Gas, 295/1550	1
3	<u>102952901</u>	Cable, Accelerator, AWD, Honda, Gas, 295 SE/1550 SE	1
4	<u>103204001</u>	Cable, Choke, AWD, Honda, Gas, 295/1550	1
5	<u>103204101</u>	Cable, Choke, AWD, Honda, Gas, 295 SE/1550 SE	1

11

G

11

G

FUEL, INTAKE, ACCELERATOR & GOVERNOR SYSTEMS – KAWASAKI

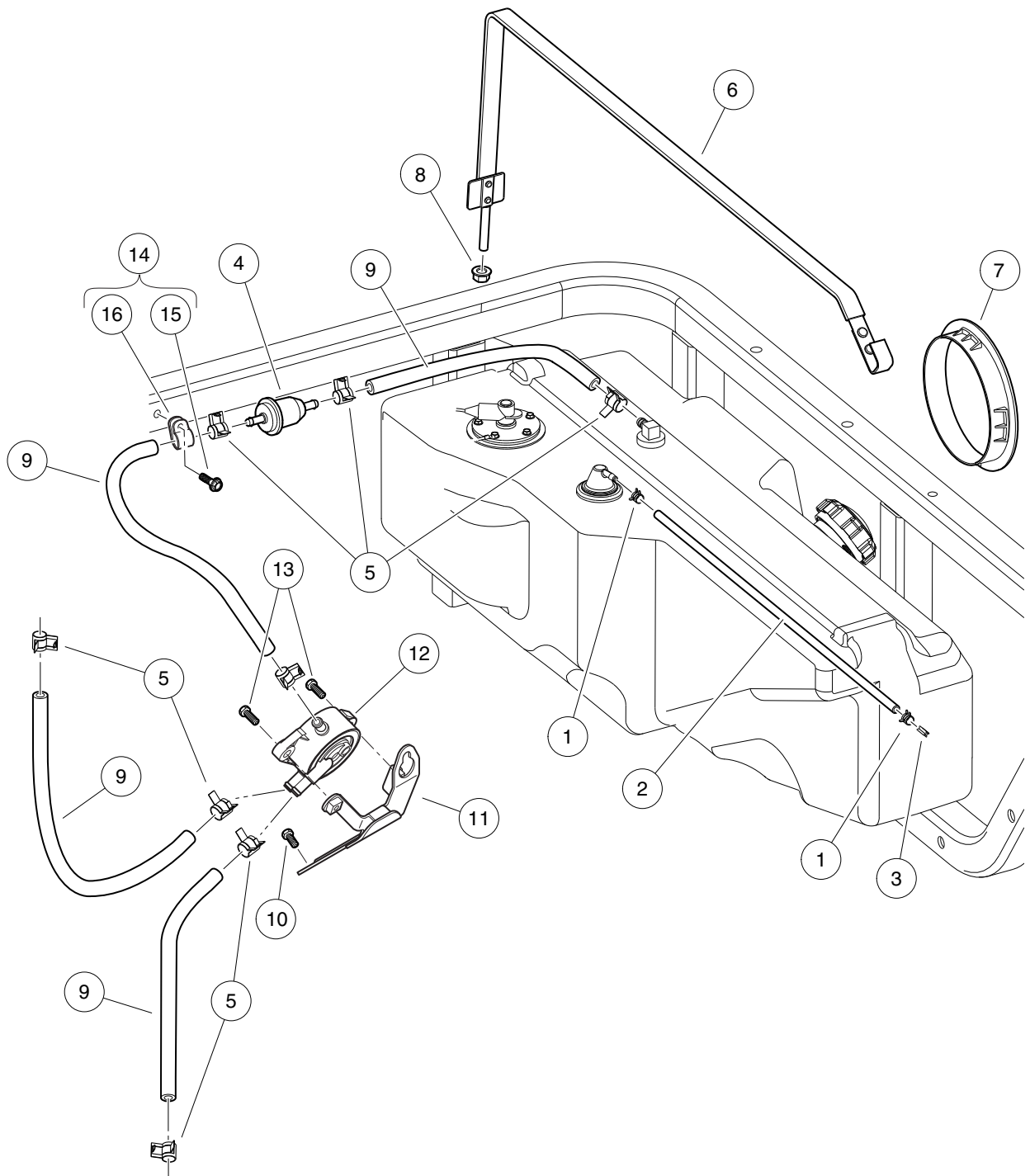
12

G

FUEL TANK – GASOLINE VEHICLE

ITEM	PART NO.	DESCRIPTION	QTY
		1 2 3 4	
1	<u>102952102</u>	Asm, Tank, Fuel, Gas, 4x4 (includes items 2 through 14)	1
2	<u>1013461</u>	Screw, #10-16 Hex-Head Hi-Lo	5
3	<u>1013462</u>	Sending Unit, Fuel Level *	1
4	<u>1015139</u>	Insulation Grommet	1
5	<u>1015143</u>	Vent, Fuel Tank	1
6	<u>1016</u>	Lockwasher, #10 Split	1
7	N/A	Wire Asm, Blk, 170mm	1
8	N/A	Wire Asm, Org, 170mm	1
9	<u>102522001</u>	Gasket, Rubber	1
10	<u>102670901</u>	Valve, Pickup Tube, Fuel	1
11	<u>102751601</u>	Cap, Fuel Tank, Gasoline	1
12	N/A	Tank, Fuel, Gas, 4x4	1
13	<u>183</u>	Washer, #10, Type A, Flat	1
14	<u>8797</u>	Nut, #10-32 Brass Hex	1
		* Note: Must replace fuel sending unit gasket when servicing this component.	

12
G



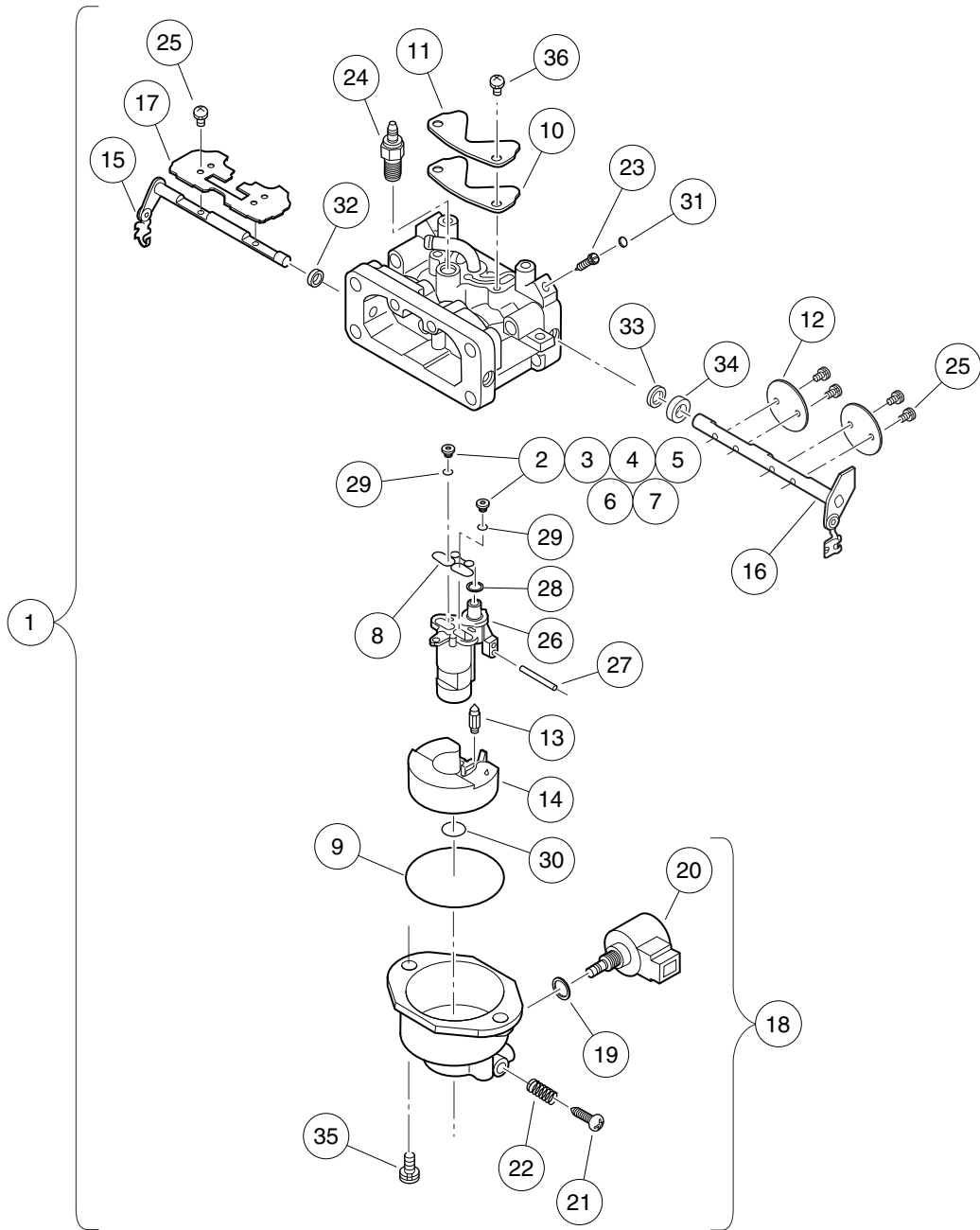
000672-004

FUEL PUMP, FILTER AND HOSE – GASOLINE ENGINE

ITEM	PART NO.	DESCRIPTION	QTY
		1 2 3 4	
1	<u>1013746</u>	Clamp, 0.301 ID Hose	2
2	<u>101587703</u>	Hose, Fuel, Vent, 22" Long	1
3	<u>101824401</u>	Vent Barb	1
4	<u>102003201</u>	Filter, Fuel, 30 Micron	1
5	<u>102411202</u>	Clamp, Hose, Ctb 13mm	8
6	<u>102426301</u>	Strap, Tank, Fuel	1
7	<u>102466201</u>	Bezel, Fuel Fill	1
8	<u>102618601</u>	Lock Nut, Flange, M8 X 1.25 Nylon	1
9	<u>102865101</u>	Fuel Line, 1/4 (available by the foot)	A/R
10	<u>102992501</u>	Bolt, Flg, M6 X 1.0 X 16	1
11	<u>103009901</u>	Bracket, Fuel Pump, Fh	1
12	<u>103010101</u>	Pump, Fuel, Impulse, Fh	1
13	<u>103298501</u>	Bolt, Flanged, M6 X 20, Kaw	2
14	<u>103387501</u>	Kit, Fuel Line Clamp, 4x4 Khi (includes items 15 and 16)	1
15	<u>102289001</u>	Screw, M8X1.25X30, Hex	1
16	<u>102410604</u>	P-clamp, Insulated, 0.625 Inch	1

12

G



000673-005

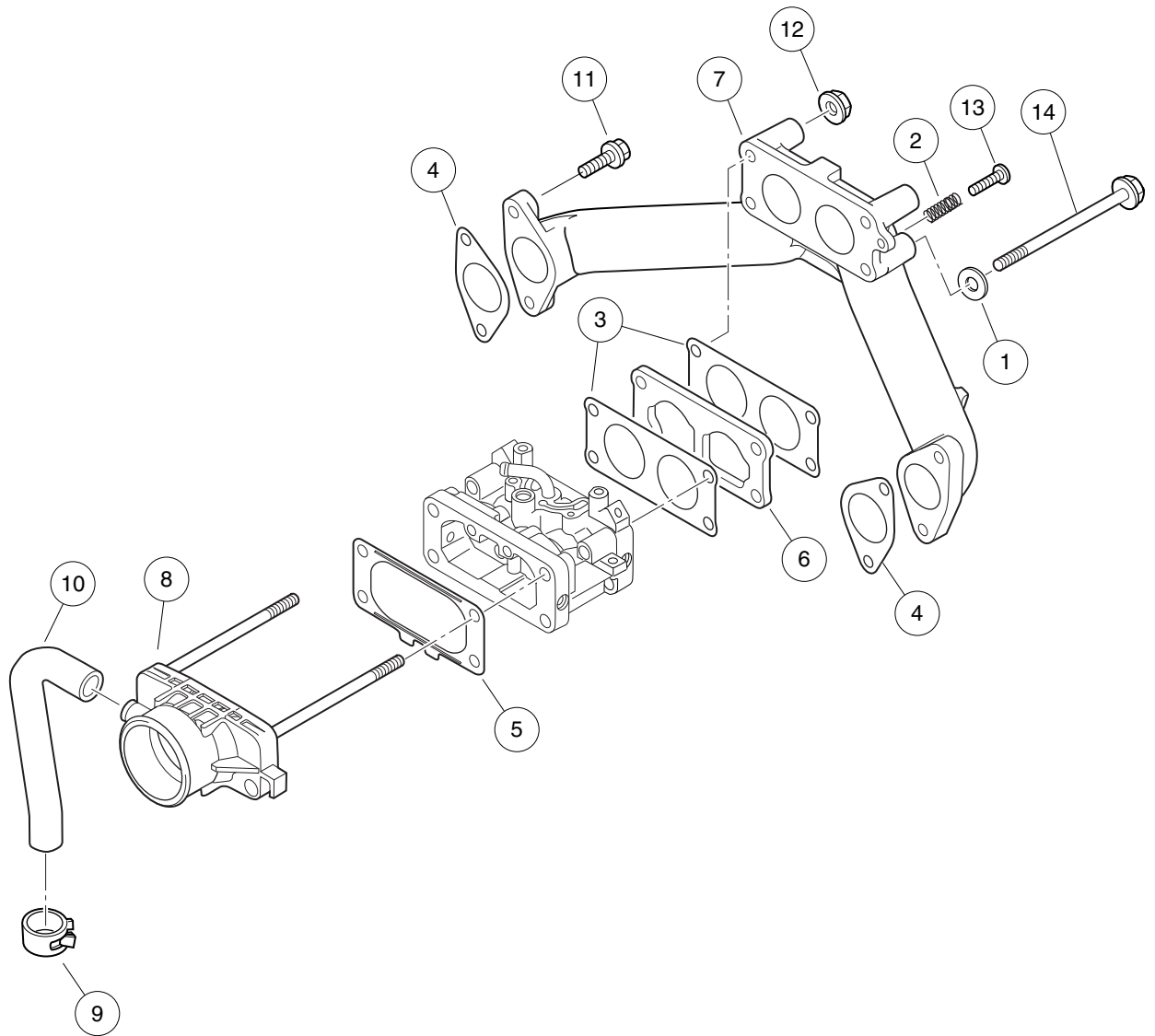
CARBURETOR – KAWASAKI GASOLINE ENGINE

ITEM	PART NO.	DESCRIPTION	QTY
		1 2 3 4	
1	<u>103341001</u>	Asm, Carburetor, Fh680d (includes items 2 through 37)	1
2	<u>103307201</u>	Kit, Jet, 6600 Ft +, Fh680d (includes item 3)	1
3	<u>103306801</u>	Jet, Push In #96, FH680D (6600 ft and higher (2000 m and higher))	2
4	<u>103307301</u>	Kit, Jet, 3300-6600 Ft, Fh680d (includes item 5)	1
5	<u>103306901</u>	Jet, Push In #99, FH680D (3300-6600 ft (1000-2000 m))	2
6	<u>103307401</u>	Kit, Jet, 0-3300 Ft, Fh680d (includes item 7)	1
7	<u>103307001</u>	Jet, Push In #102, FH680D (0-3300 ft (0-1000 m))	2
8	<u>103340601</u>	Gasket, Fh680d	1
9	<u>103340701</u>	Gasket, Carburetor, Dia. 52	1
10	<u>103340801</u>	Gasket, Cover, Fh680d	1
11	<u>103340901</u>	Cover, Slow Passage, Fh680d	1
12	<u>103341101</u>	Valve, Throttle, Fh680d	2
13	<u>103341201</u>	Valve, Float, Fh680d	1
14	<u>103341301</u>	Float, Carburetor, Fh680d	1
15	<u>103341401</u>	Shaft, Carburetor, Fh680d	1
16	<u>103341501</u>	Shaft, Carburetor, Throttle	1
17	<u>103341601</u>	Valve, Carburetor, Fh680d	1
18	<u>103341701</u>	Asm, Chamber, Float, Fh680d (includes items 19 through 22)	1
19	<u>103340501</u>	Gasket, Carburetor, Fh680d	1
20	<u>103341901</u>	Solenoid, Carburetor, Fh680d	1
21	<u>103342201</u>	Screw, Drain, Carburetor	1
22	<u>103343601</u>	Spring, Carburetor, Fh680d	1
23	<u>103341801</u>	Needle, Jet, Fh680d	2
24	<u>103342001</u>	Heater, Carburetor, Fh680d	1
25	<u>103342101</u>	Screw, Carburetor, M3 X 6	6
26	<u>103342301</u>	Spacer, Carburetor, Fh680d	1
27	N/A	Pin, Carburetor, Fh680d	1
28	<u>103342501</u>	O-ring, Carburetor, Dia. 6.5	1
29	<u>103342601</u>	O-ring, Carburetor, Fh680d	2
30	<u>103342701</u>	O-ring, Carburetor, Dia. 9	1
31	<u>103343301</u>	Plug, Expansion, Carburetor	2
32	<u>103343401</u>	Seal, Carburetor, Dia. 5.9	1
33	<u>103343501</u>	Seal, Carburetor, Fh680d	1
34	<u>103343701</u>	Collar, Carburetor, Fh680d	1
35	<u>103343801</u>	Screw, Carburetor, M5	2
36	<u>103343901</u>	Screw, Carburetor, M4	2
37	<u>103596701</u>	Kit, Jet, 1-3300 Ft, Fh680d-cs (includes items 38 and 39)	1
38	<u>103307001</u>	Jet, Push In #102, FH680D (0-3300 ft (0-1000 m))	1
39	<u>103596601</u>	Jet, Push In, #104 FH680D (0-3000 ft (0-1000m))	1

12

G

12
G

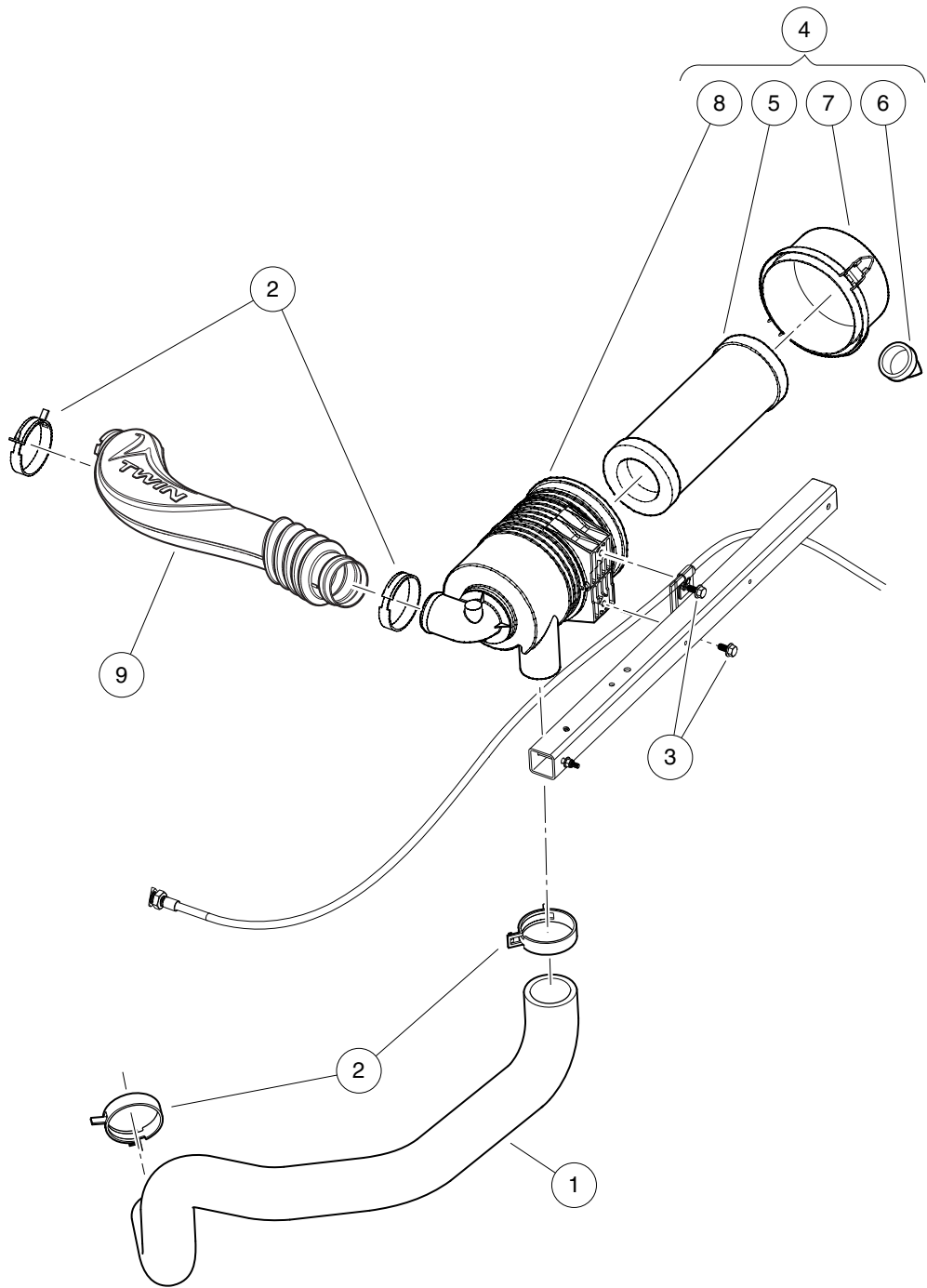


000673-002

CARBURETOR MOUNTING – GASOLINE ENGINE

ITEM	PART NO.	DESCRIPTION	QTY
		1 2 3 4	
1	<u>1016513</u>	Washer, M6 Flat	2
2	<u>103002801</u>	Spring, Fh	1
3	<u>103003801</u>	Gasket, Carburetor, Fh	2
4	<u>103003901</u>	Gasket, Manifold, Fh	2
5	<u>103004201</u>	Gasket, Air Filter, Fh	1
6	<u>103005001</u>	Insulator, Manifold, Fh	1
7	<u>103005601</u>	Manifold, Intake, Fh	1
8	<u>103297101</u>	Pipe, Intake Adapter, Fh	1
9	<u>103297201</u>	Clamp, Crankcase Vent, Fh	1
10	<u>103297301</u>	Tube, Crankcase Vent, Fh	1
11	<u>103298501</u>	Bolt, Flanged, M6 X 20, Kaw	4
12	<u>103320201</u>	Nut, Carburetor, M6	2
13	<u>103320301</u>	Screw, Carburetor, M4 X 20	1
14	<u>103320401</u>	Bolt, Flg, Carburetor, M6x105	2

12
G

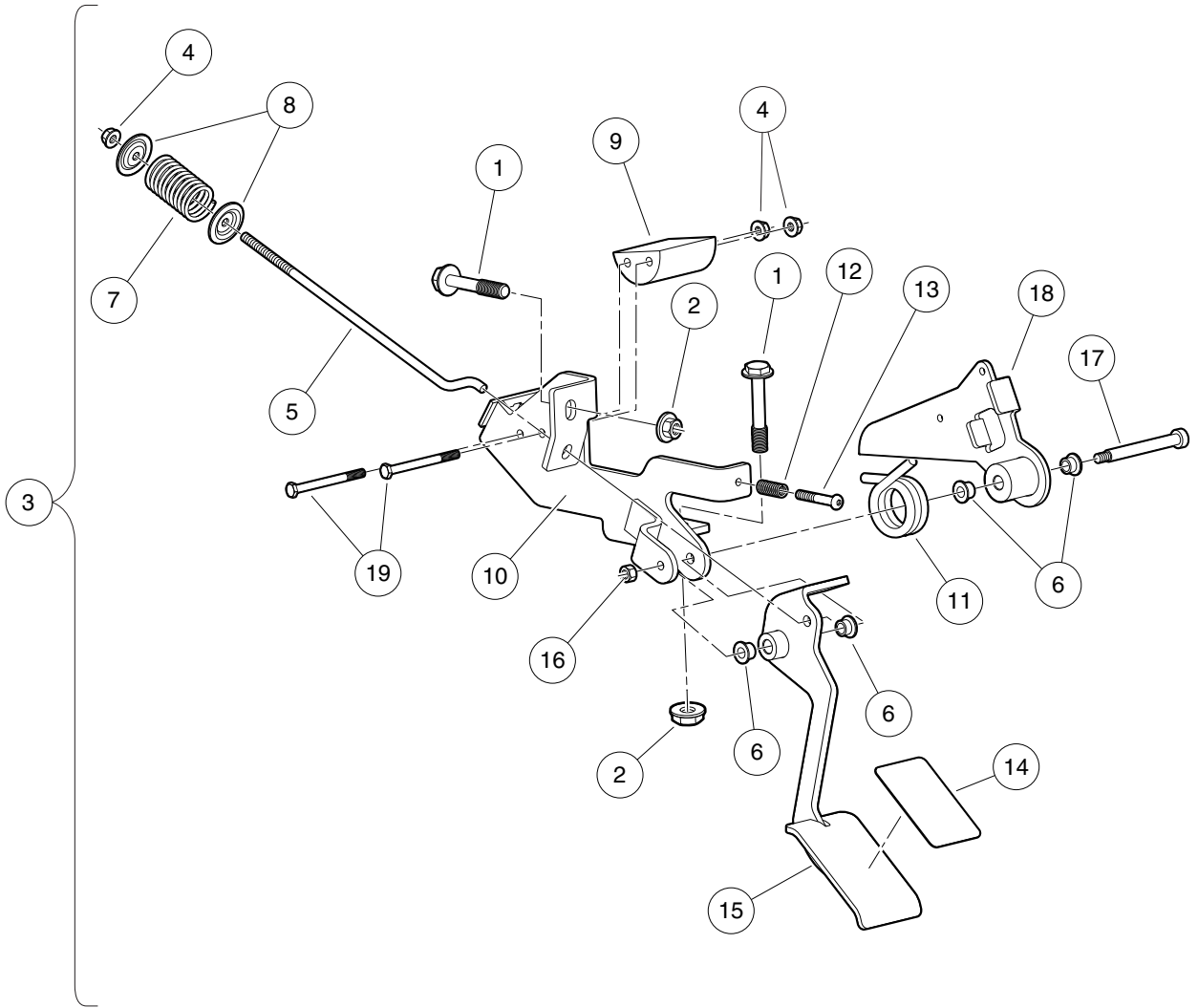


000090-009

INTAKE HOSES AND AIR FILTER – KAWASAKI GASOLINE ENGINE

ITEM	PART NO.	DESCRIPTION	QTY
		1 2 3 4	
1	<u>102395601</u>	Hose, Intake, Primary	1
2	<u>102411210</u>	Clamp, Hose, Ctb 64mm	4
3	<u>102621201</u>	Bolt, Flanged Head, M8 X1.25x 16, with Loctite	2
4	<u>102810701</u>	Filter, Air, Canister, with Label (includes items 5 through 8)	1
5	<u>102498601</u>	Element, Filter, Air, 5 Inch	1
6	<u>102725501</u>	Valve, Evacuator, Filter Air	1
7	<u>102725601</u>	Cap, Latch Lock, Filter, Air	1
8	N/A	Body, Canister, Filter, Air	1
9	<u>103198901</u>	Hose, Intake, Fh680d	1

12
G



000026-002

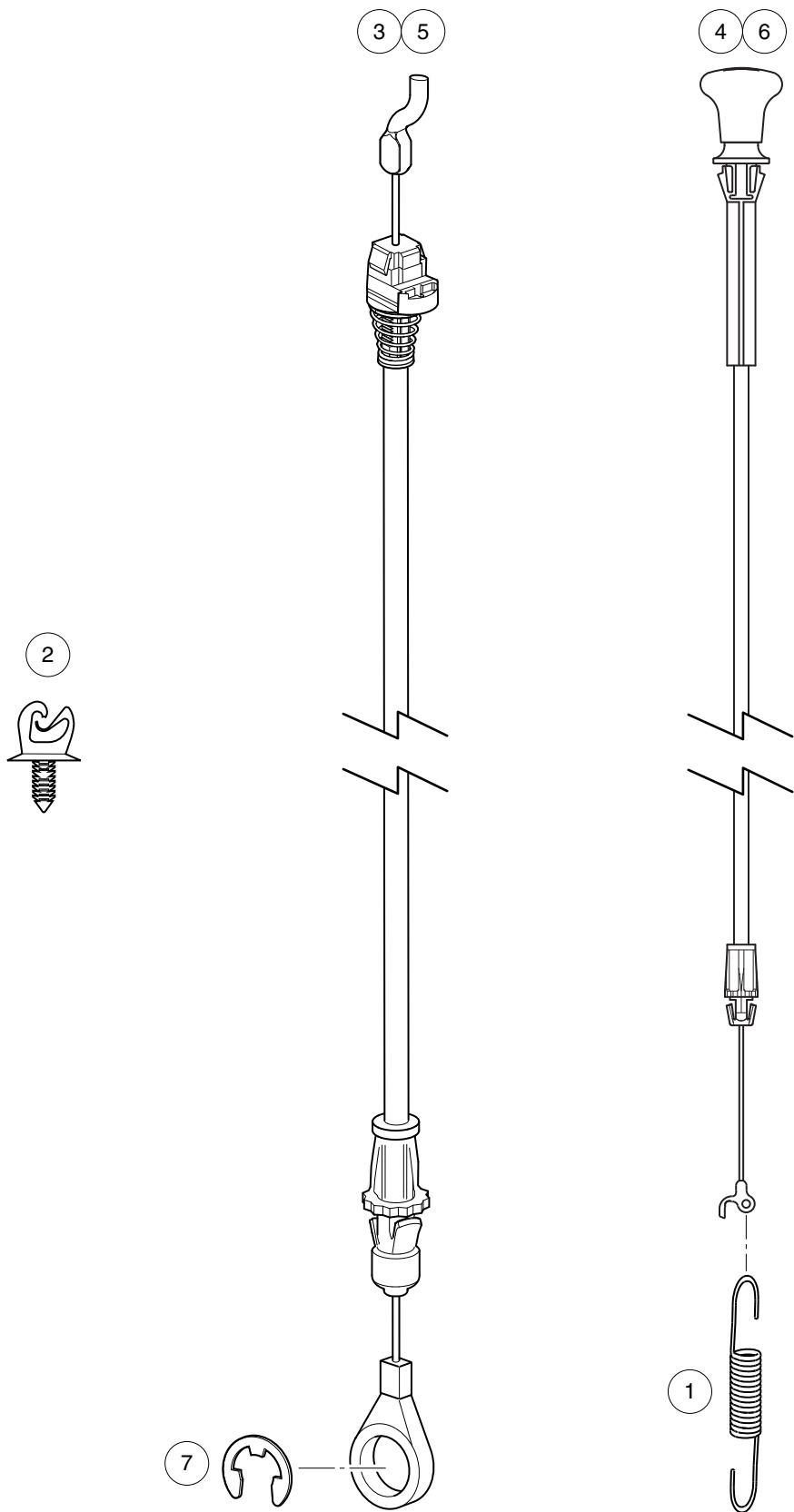
ACCELERATOR PEDAL – KAWASAKI GASOLINE ENGINE

ITEM	PART NO.	DESCRIPTION	QTY
		1 2 3 4	
1	<u>102618301</u>	Bolt, Flanged Head, M8 X 1.25 X 65	2
2	<u>102618601</u>	Lock Nut, Flange, M8 X 1.25 Nylon	2
3	<u>103278101</u>	Asm, Accelerator Pedal (includes items 4 through 19)	1
4	<u>102296401</u>	Nut, M6x1.0, Flange, Metal Lock	3
5	<u>102416501</u>	Pullrod, Spring, Compression	1
6	<u>102442901</u>	Bushing, Greaseless	4
7	<u>102445201</u>	Spring, Comp, Pedal, Pullrod	1
8	<u>102461401</u>	Washer, Retaining Spring, 7mm	2
9	N/A	Guide, Cable, Accelerator	1
10	N/A	Weldment, Bracket, Pedal	1
11	N/A	Spring, Torsion	1
12	<u>102476301</u>	Spring, Stop, Pedal	1
13	<u>102476401</u>	Bolt, Stop, Pedal	1
14	<u>102479301</u>	Pad, Grip Tape, Accelerator	1
15	N/A	Weldment, Pedal, Accel	1
16	<u>102618101</u>	Nut, M6x1, Mechanically Deformed	1
17	<u>103273101</u>	Bolt, Shoulder, M8 X 70, Hc	1
18	N/A	Weldment, Lever, Lost Motion	1
19	<u>96706825</u>	Bolt, M6 X 1 X 70	2

12

G

12
G



000536-010

ACCELERATOR AND CHOKE CABLES – GASOLINE VEHICLE

ITEM	PART NO.	DESCRIPTION	QTY
		1 2 3 4	
1	<u>102457001</u>	Spring	1
2	<u>102475701</u>	Clip, Brake Line	4
3	<u>103277301</u>	Cable, Accelerator, AWD, Gas, FH680D, 295/1550	1
4	<u>103277401</u>	Cable, Choke, AWD, FH680D, 295/1550	1
5	<u>103293301</u>	Cable, Accelerator, AWD, Gas, FH680D, 295 SE/1550 SE	1
6	<u>103293401</u>	Cable, Choke, AWD, FH680D, 295 SE/1550 SE	1
7	<u>96950126</u>	Ring, Retaining	1

12

G

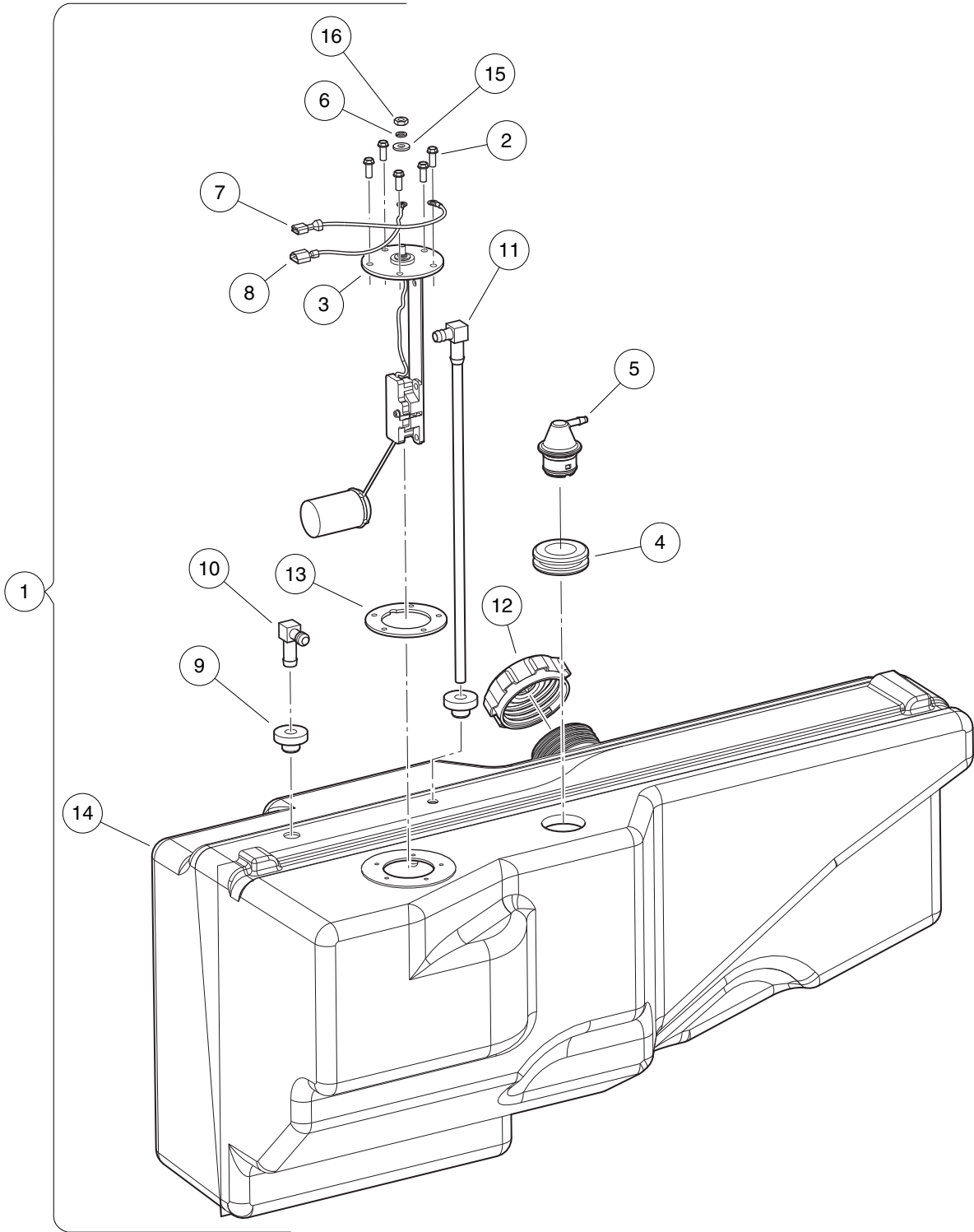
12

G

FUEL, INTAKE & ACCELERATOR SYSTEMS – KUBOTA DIESEL ENGINE

13

D



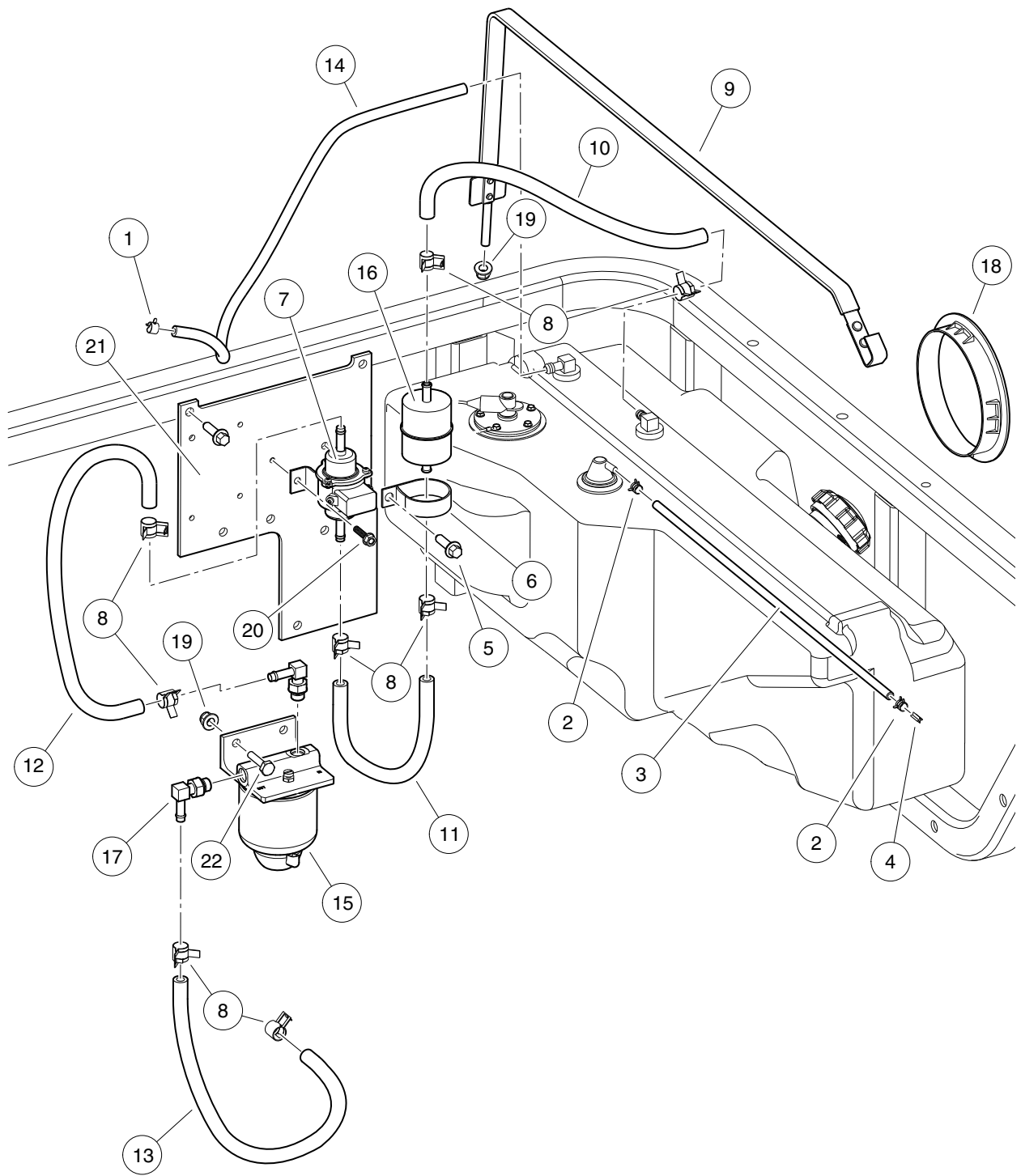
000082-009

FUEL TANK – DIESEL VEHICLE

ITEM	PART NO.	DESCRIPTION	QTY
		1 2 3 4	
1	<u>102952101</u>	Assembly, Tank, Fuel, Diesel, AWD (includes items 2 through 16)	1
2	<u>1013461</u>	Screw, #10-16 Hex-Head Hi-Lo	5
3	<u>1013462</u>	Sending Unit, Fuel Level *	1
4	<u>1015139</u>	Insulation Grommet	1
5	<u>1015143</u>	Vent, Fuel Tank	1
6	<u>1016</u>	Lockwasher, #10 Split	1
7	N/A	Wire Asm, Blk, 170mm	1
8	N/A	Wire Asm, Org, 170mm	1
9	<u>102406701</u>	Bushing, Line, Return	2
10	<u>102406801</u>	Elbow, 90 Degree, Barbed	1
11	<u>102478501</u>	Pickup Tube, Fuel	1
12	<u>102494701</u>	Cap, Fuel (Diesel)	1
13	<u>102522001</u>	Gasket, Rubber	1
14	N/A	Tank, Fuel, Diesel, AWD	1
15	<u>183</u>	Washer, #10, Type A, Flat	1
16	<u>8797</u>	Nut, #10-32 Brass Hex	1
		* Note: Must replace fuel sending unit gasket when servicing this component.	

13

D



000081-006

FUEL PUMP, FILTER AND HOSE – DIESEL

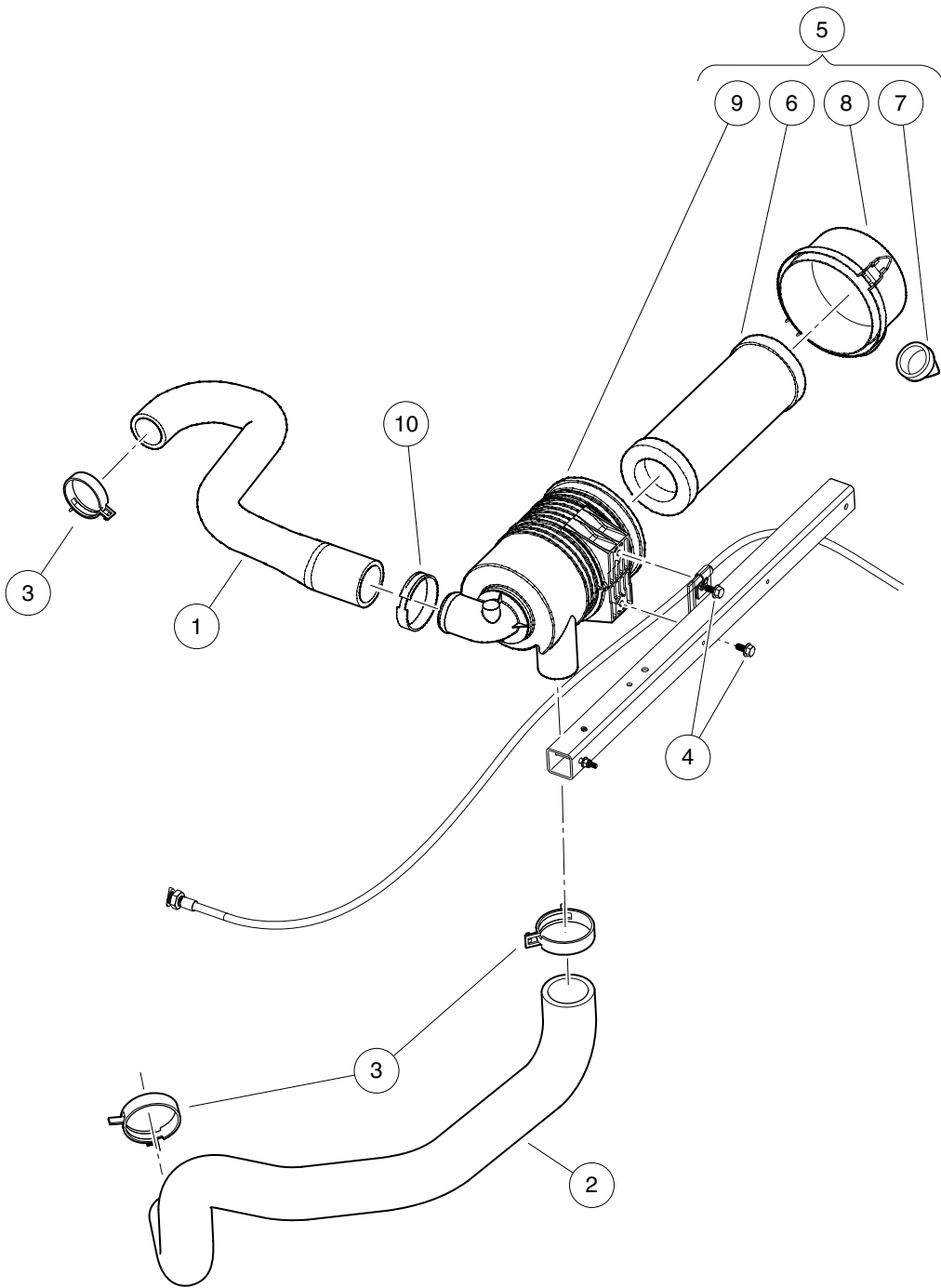
ITEM	PART NO.	DESCRIPTION	QTY
		1 2 3 4	
1	<u>101313402</u>	Clamp, Green Hose	1
2	<u>1013746</u>	Clamp, 0.301 ID Hose	2
3	<u>101587703</u>	Hose, Fuel, Vent, 22" Long	1
4	<u>101824401</u>	Vent Barb	1
5	<u>102289001</u>	Screw, M8X1.25X30, Hex	5
6	<u>102410602</u>	P-Clamp, Insulated 1.75 In	1
7	<u>102410801</u>	Pump, Diesel Fuel, Electric	1
8	<u>102411203</u>	Clamp, Hose, Ctb 14mm Dia.	8
9	<u>102426301</u>	Strap, Tank, Fuel	1
10	<u>102430001</u>	Hose, Tank To Prefilter Diesel	1
11	<u>102430101</u>	Hose, Fuel Prefilter To Pump	1
12	<u>102430201</u>	Hose, Fuel Pump To Filter	1
13	<u>102430301</u>	Hose, Fuel Filter To Eng	1
14	<u>102430401</u>	Hose, Fuel Return	1
15	<u>102434601</u>	Filter Assy, Fuel and Water (includes item 16)	1
16	102703401	Filter, Water Separator	1
17	<u>102434701</u>	Filter, Fuel	1
18	<u>102434801</u>	Adapter, 90 Degree, 5/16 Tube	2
19	<u>102466201</u>	Bezel, Fuel Fill	1
20	102618601	Lock Nut, Flange, M8 X 1.25 Nylon	3
21	<u>102670801</u>	Screw, M6 X 1 X 25 Thd Form	1
22	<u>102710301</u>	Plate, Filter Mounting	1
23	<u>96705587</u>	Bolt, M8 X 1.25 X 30	2

13

D

13

D



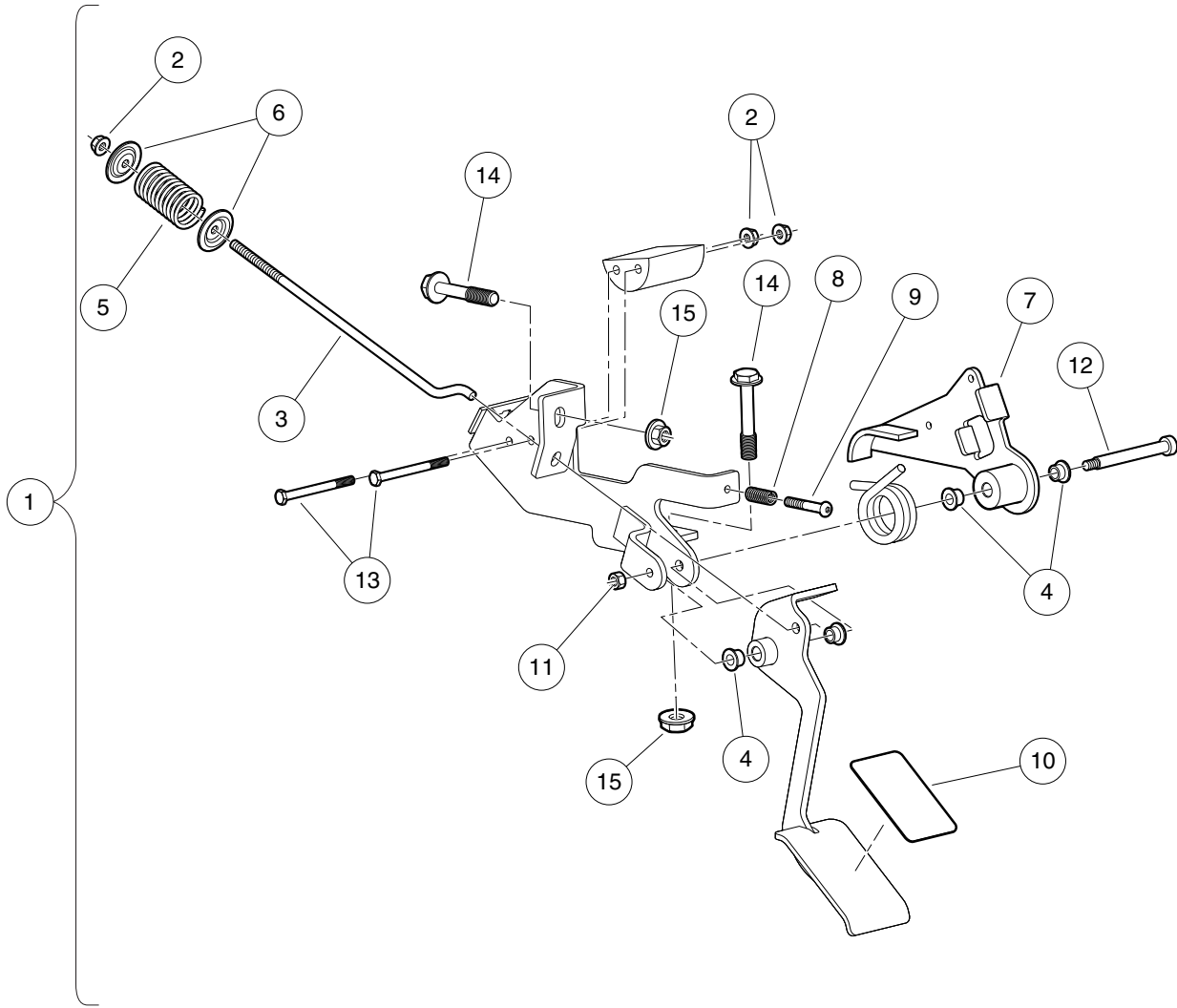
000090-007

INTAKE HOSES AND AIR FILTER – DIESEL VEHICLE

ITEM	PART NO.	DESCRIPTION	QTY
		1 2 3 4	
1	<u>102379001</u>	Hose, Intake, Kubota, Diesel, Engine	1
2	<u>102395601</u>	Hose, Intake, Primary	1
3	<u>102411209</u>	Clamp, Hose, Ctb 55mm Dia.	3
4	<u>102621201</u>	Bolt, Flanged Head, M8 X1.25x 16, with Loctite	2
5	<u>102810701</u>	Filter, Air, Canister, with Label (includes items 6 through 9)	1
6	<u>102498601</u>	Element, Filter, Air, 5 Inch	1
7	<u>102725501</u>	Valve, Evacuator, Filter Air	1
8	<u>102725601</u>	Cap, Latch Lock, Filter, Air	1
9	N/A	Body, Canister, Filter, Air	1
10	<u>103441401</u>	Clamp, Worm Screw, Hose, 2"	1

13

D



000026-004

ACCELERATOR PEDAL – DIESEL VEHICLE

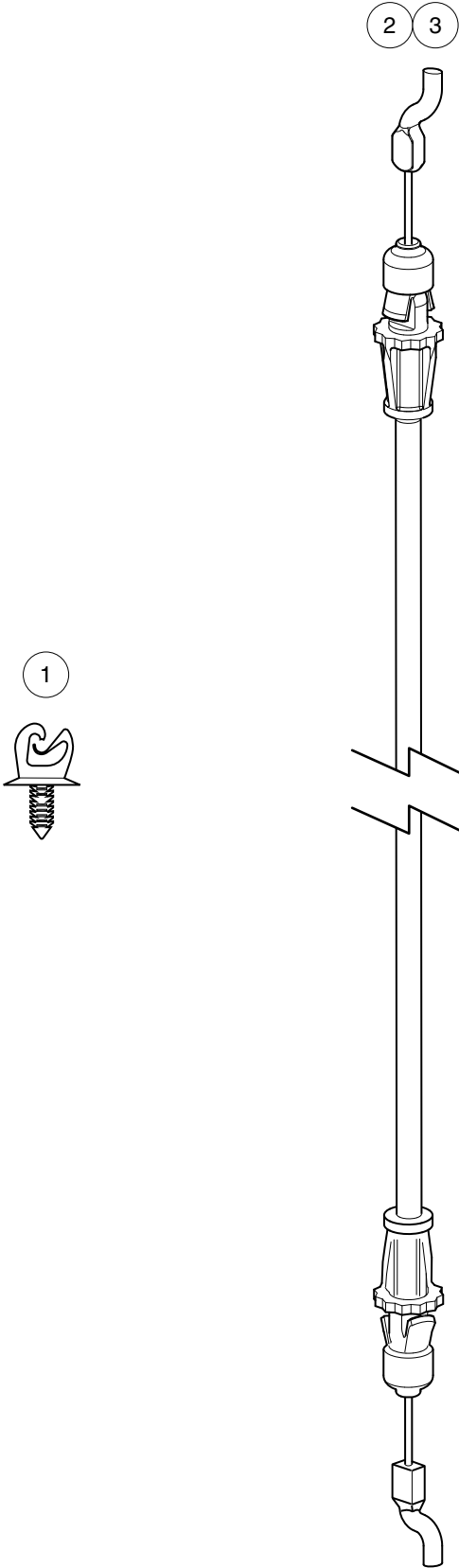
ITEM	PART NO.	DESCRIPTION	QTY
		1 2 3 4	
1	<u>102489901</u>	Asm, Pedal, Accelerator (includes items 2 through 13)	1
2	<u>102296401</u>	Nut, M6x1.0, Flange, Metal Lock	3
3	<u>102416501</u>	Pullrod, Spring, Compression	1
4	<u>102442901</u>	Bushing, Greaseless	4
5	<u>102445201</u>	Spring, Comp, Pedal, Pullrod	1
6	<u>102461401</u>	Washer, Retaining Spring, 7mm	2
7	<u>102469401</u>	Weldment, Lever, Motion, Lost	1
8	<u>102476301</u>	Spring, Stop, Pedal	1
9	<u>102476401</u>	Bolt, Stop, Pedal	1
10	<u>102479301</u>	Pad, Grip Tape, Accelerator	1
11	<u>102618101</u>	Nut, M6x1, Mechanically Deformed	1
12	<u>103273101</u>	Bolt, Shoulder, M8 X 70, Hc	2
13	<u>96706825</u>	Bolt, M6 X 1 X 70	2
14	<u>102618301</u>	Bolt, Flanged Head, M8 X 1.25 X 65	2
15	<u>102618601</u>	Lock Nut, Flange, M8 X 1.25 Nylon	2

13

D

13

D



000536-008

ACCELERATOR CABLE – DIESEL VEHICLE

ITEM	PART NO.	DESCRIPTION	QTY
		1 2 3 4	
1	<u>102475701</u>	Clip, Brake Line	3
2	<u>102498801</u>	Cable, Accelerator, AWD, Diesel, 295/1550	1
3	<u>102767401</u>	Cable, Accelerator, AWD, Diesel, 295 SE/1550 SE	1

13

D

13

D

EXHAUST SYSTEM – GAS & DIESEL

14

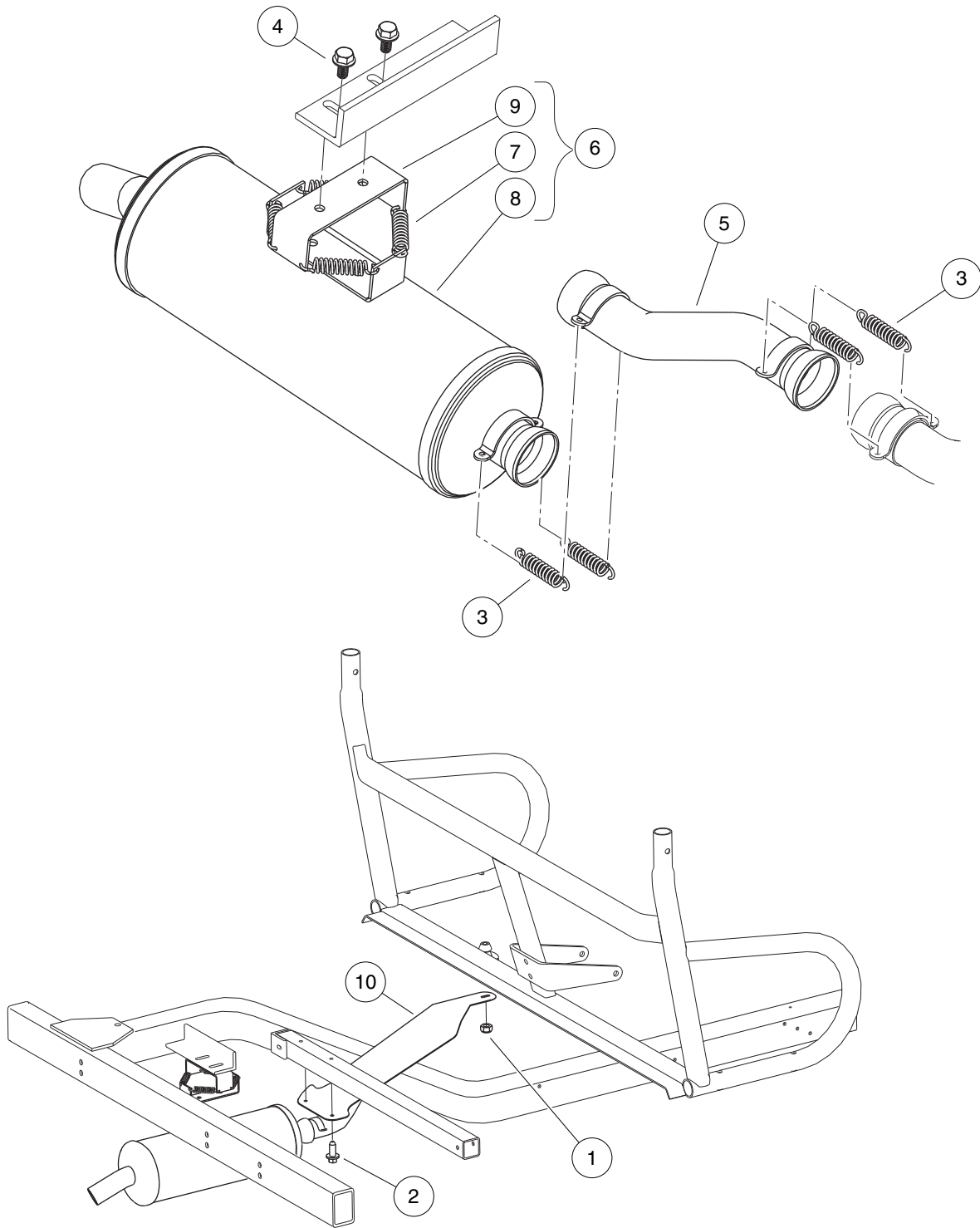
G

D

14

G

D



000538-006

EXHAUST SYSTEM

ITEM	PART NO.	DESCRIPTION	QTY
		1 2 3 4	
1	<u>101887601</u>	Locknut, M6-1.00 Nylon Insert	1
2	<u>102298720</u>	Screw, M8-1.25x20, Taptite	1
3	<u>102409501</u>	Spring, Exhaust	4
4	<u>102621201</u>	Bolt, Flanged Head, M8 X1.25x 16, with Loctite	2
5	<u>102786201</u>	Pipe, Exhaust, Int, Offset	1
6	<u>102812801</u>	Asm, Muffler, AWD Homologation (includes items 7 through 9)	1
7	<u>102409501</u>	Spring, Exhaust	4
8	N/A	Muffler	1
9	N/A	Bracket, Muffler	1
10	<u>102930901</u>	Shield, Exhaust, Clearance	1

14

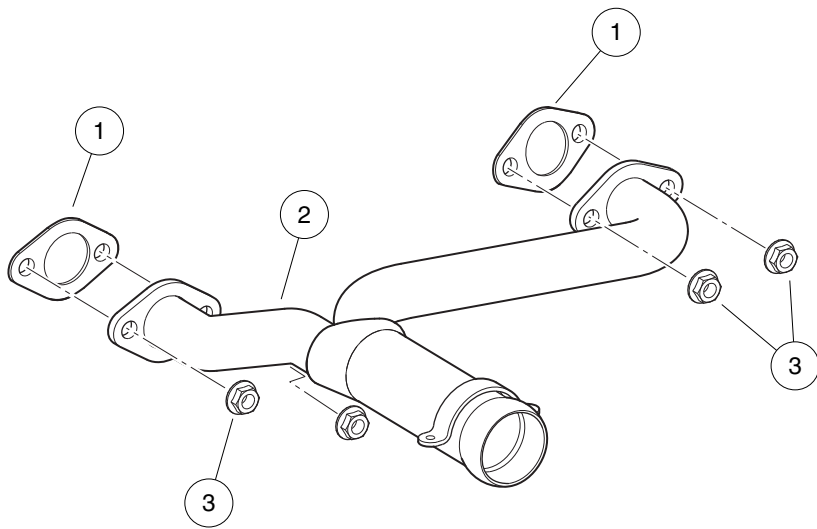
G

D

14

G

D



000538-004

EXHAUST HEADER – GASOLINE VEHICLE

ITEM	PART NO.	DESCRIPTION	QTY
		1 2 3 4	
1	<u>102949301</u>	Gasket, Exhaust Header, Fh680d	2
2	<u>103268101</u>	Header, Exhaust, Gas, Fh680d	1
3	<u>96704416</u>	Nut, Flange, M8 X 1.25 Serrated	4

14

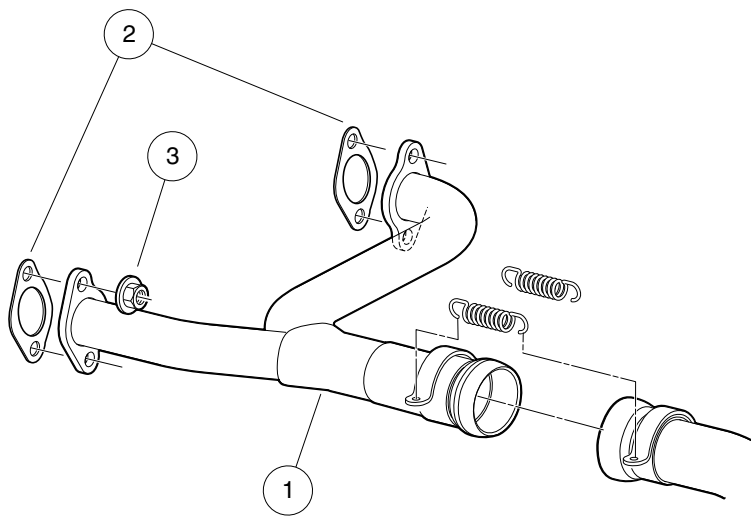
G

D

14

G

D



000538-002

EXHAUST HEADER – HONDA GAS

ITEM	PART NO.	DESCRIPTION	QTY
		1 2 3 4	
1	<u>102409601</u>	Header, Exhaust, Gas	1
2	<u>102834901</u>	Gasket, Exhaust, Gx620	2
3	<u>96704416</u>	Nut, Flange, M8 X 1.25 Serrated	4

14

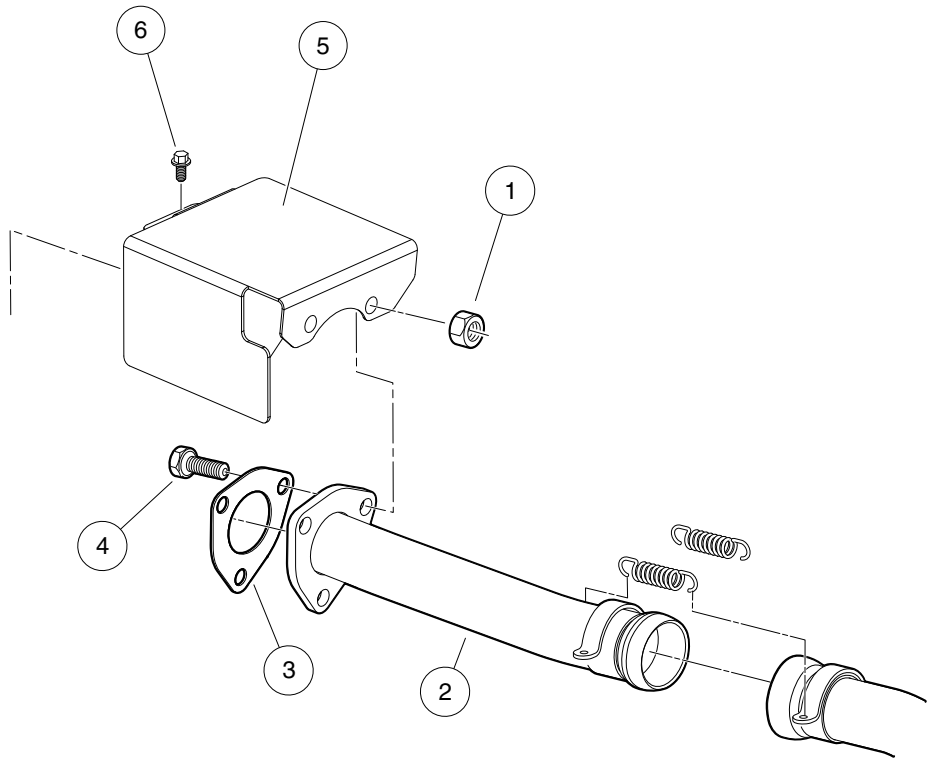
G

D

14

G

D



000538-003

EXHAUST PIPES – DIESEL VEHICLE

ITEM	PART NO.	DESCRIPTION	QTY
		1 2 3 4	
1	<u>102298401</u>	Nut,m8,all Metal Lock	3
2	<u>102409301</u>	Pipe, Exhaust Diesel Main	1
3	<u>102422301</u>	Gasket, Exhaust Diesel	1
4	<u>102621301</u>	Bolt, M8 X 1.25 X 40 with Loctite	3
5	<u>102628101</u>	Shield, Diesel Exhaust	1
6	<u>102731601</u>	Bolt, D722, Exhaust Manifold Cover	1

14

G

D

14

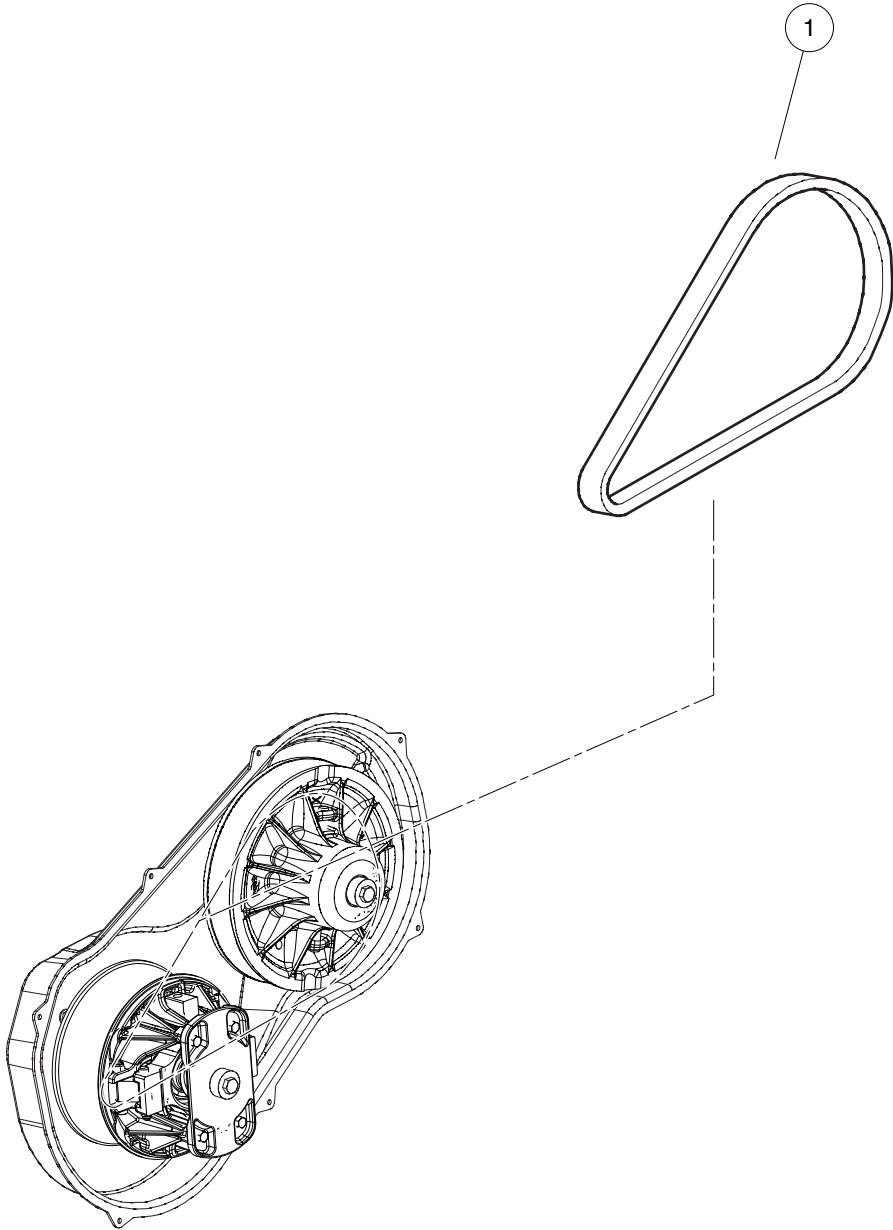
G

D

CLUTCHES – HONDA GAS ENGINE

15

G

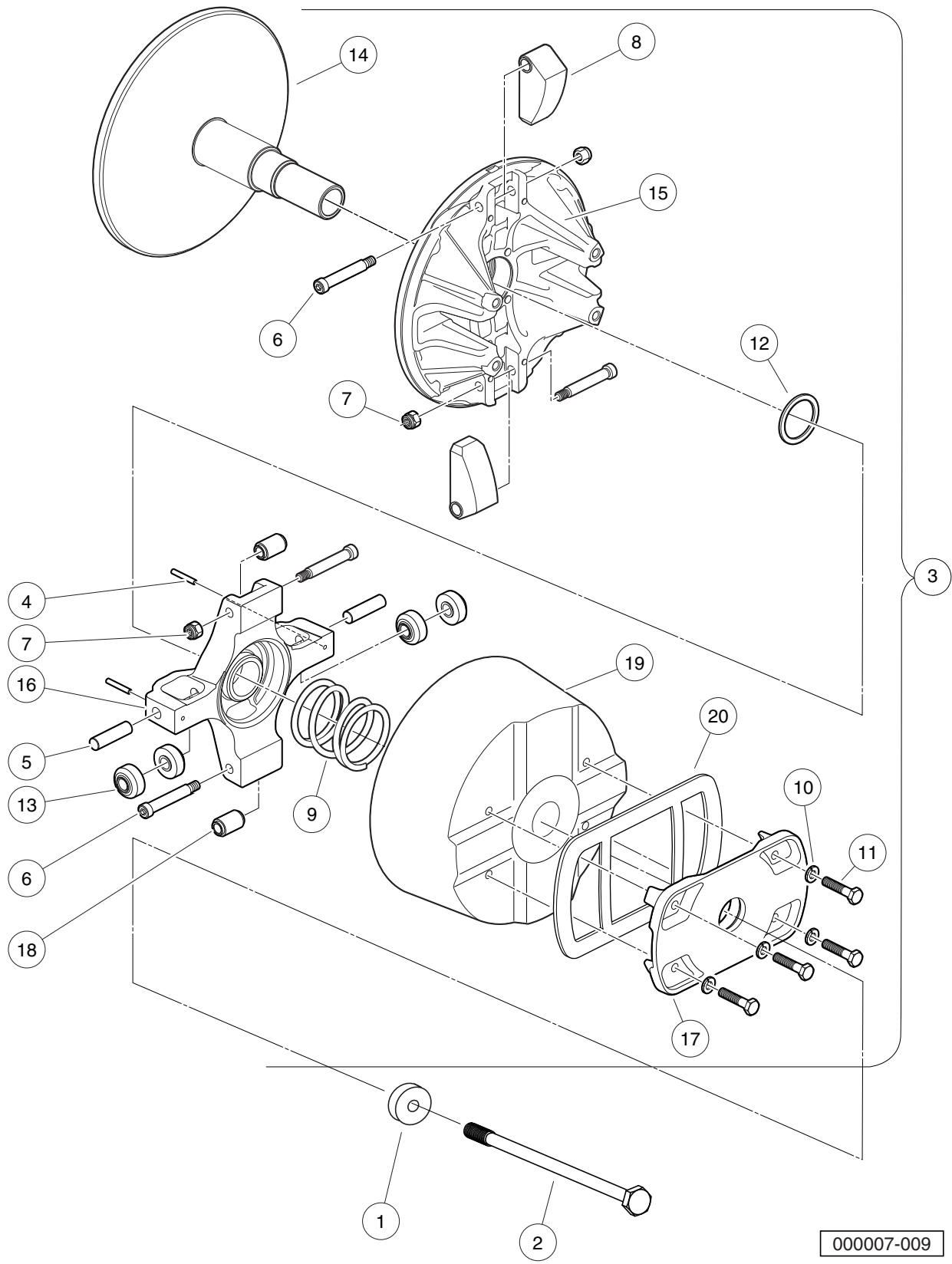


000084-001

DRIVE BELT

ITEM	PART NO.	DESCRIPTION	QTY
1	<u>102374901</u>	1 2 3 4 Belt, Drive	1

15
G

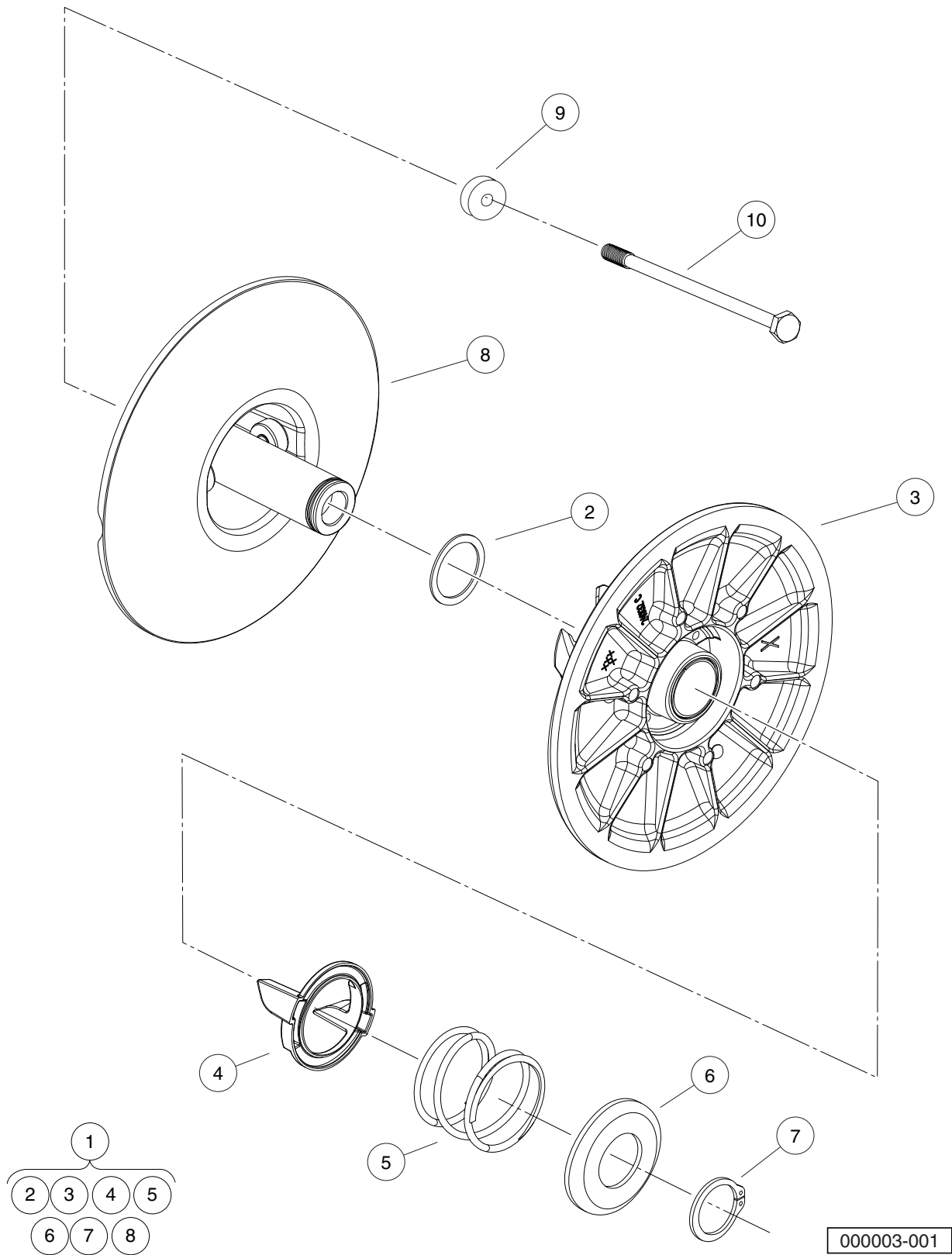


000007-009

DRIVE CLUTCH – HONDA GASOLINE ENGINE

ITEM	PART NO.	DESCRIPTION	QTY
		1 2 3 4	
1	<u>102385601</u>	Washer, Stepped	1
2	<u>102490001</u>	Bolt, M10x1.25x200 Loctite	1
3	<u>103185401</u>	Clutch, 4x4, Gas, W/cover (includes items 4 through 20)	1
4	<u>102690201</u>	Pin, Spring Slotted, 1.25 X 1.0	2
5	<u>102690301</u>	Pin, Dowel, .375 X 1.50	2
6	<u>102690501</u>	Screw, Shlder Hex, .312 X 1.75	4
7	<u>102690701</u>	Nut, Lock Hex, 1/14-20, Flexlc	4
8	<u>102691001</u>	Sub Assy, Wt Clutch, Gas	2
9	<u>102691401</u>	Spring, Compression, Primary	1
10	<u>102691601</u>	Washer, Lock, H-Spring, 1/4	4
11	<u>102691701</u>	Screw, Cap, Hex Hd, 1/4 X 1.25	4
12	<u>102691801</u>	Shim, 1.63 X 1.33	1
13	<u>102691901</u>	Roller, Torque, Gas	4
14	N/A	Subassembly, Drive Clutch	1
15	N/A	Subassembly, Moveable, Drive Clutch	1
16	N/A	Spider, Drive Clutch	1
17	N/A	Cover, Drive Clutch	1
18	<u>102839401</u>	Sub Assy, Roller Weight	2
19	<u>103185801</u>	Cover, Clutch, 4x4	1
20	<u>103185901</u>	Gasket, Cover, Clutch, 4x4	1

15
G

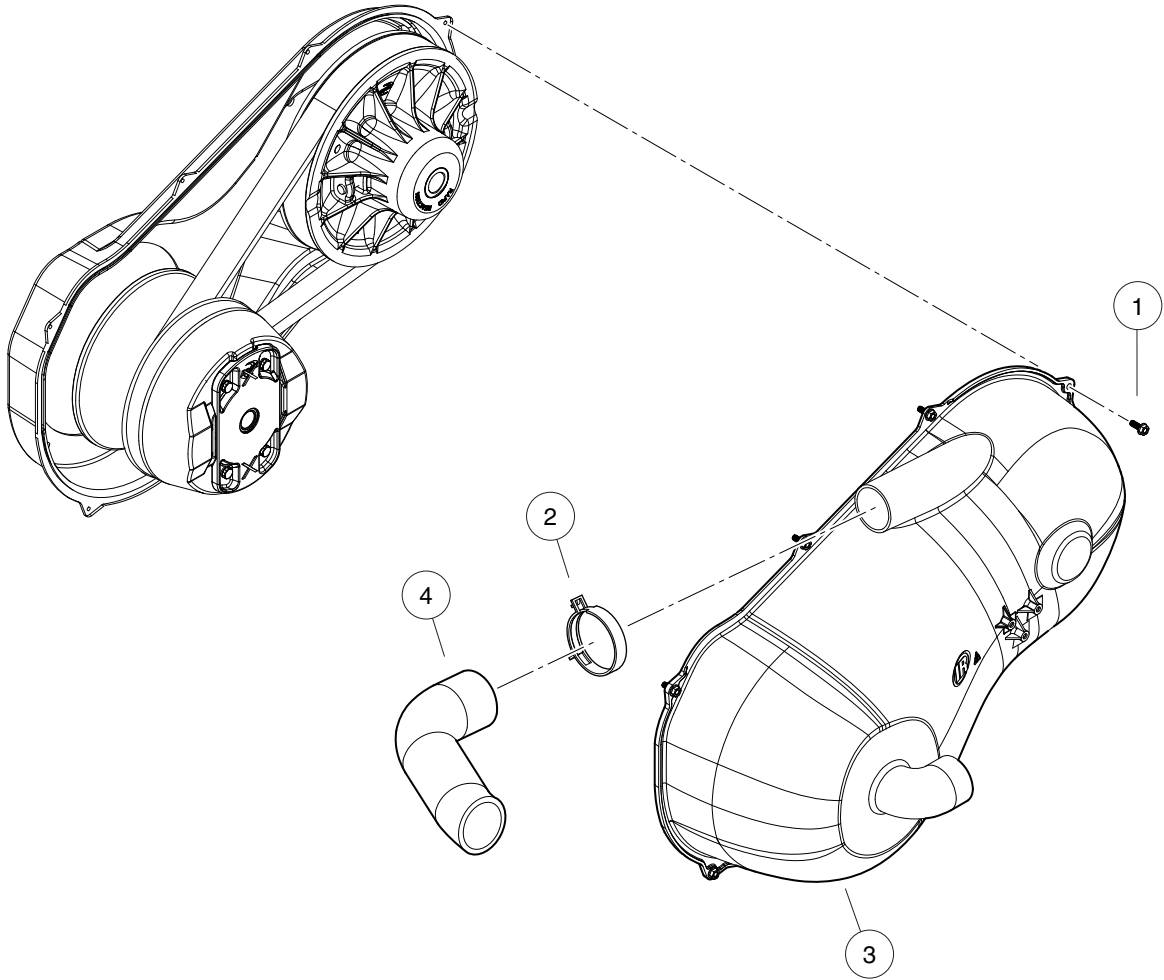


000003-001

DRIVEN CLUTCH

ITEM	PART NO.	DESCRIPTION	QTY
		1 2 3 4	
1	<u>102369901</u>	CVT, Secondary (includes items 2 through 8)	1
2	<u>102695401</u>	Washer, Thrust, 1.53 X 1.92	1
3	N/A	Sheave, Driven Clutch	1
4	<u>102695601</u>	Retainer, Spring, Inner	1
5	<u>102695701</u>	Spring, Compression, Secondary	1
6	<u>102695801</u>	Retainer, Spring, Outer	1
7	<u>102695901</u>	Ring, Retaining, External	1
8	N/A	Driven Clutch Base Sheave	1
9	<u>102385701</u>	Washer, Stepped	1
10	<u>102719301</u>	Bolt, M10 X 1.50 X 90, Loctite	1

15
G



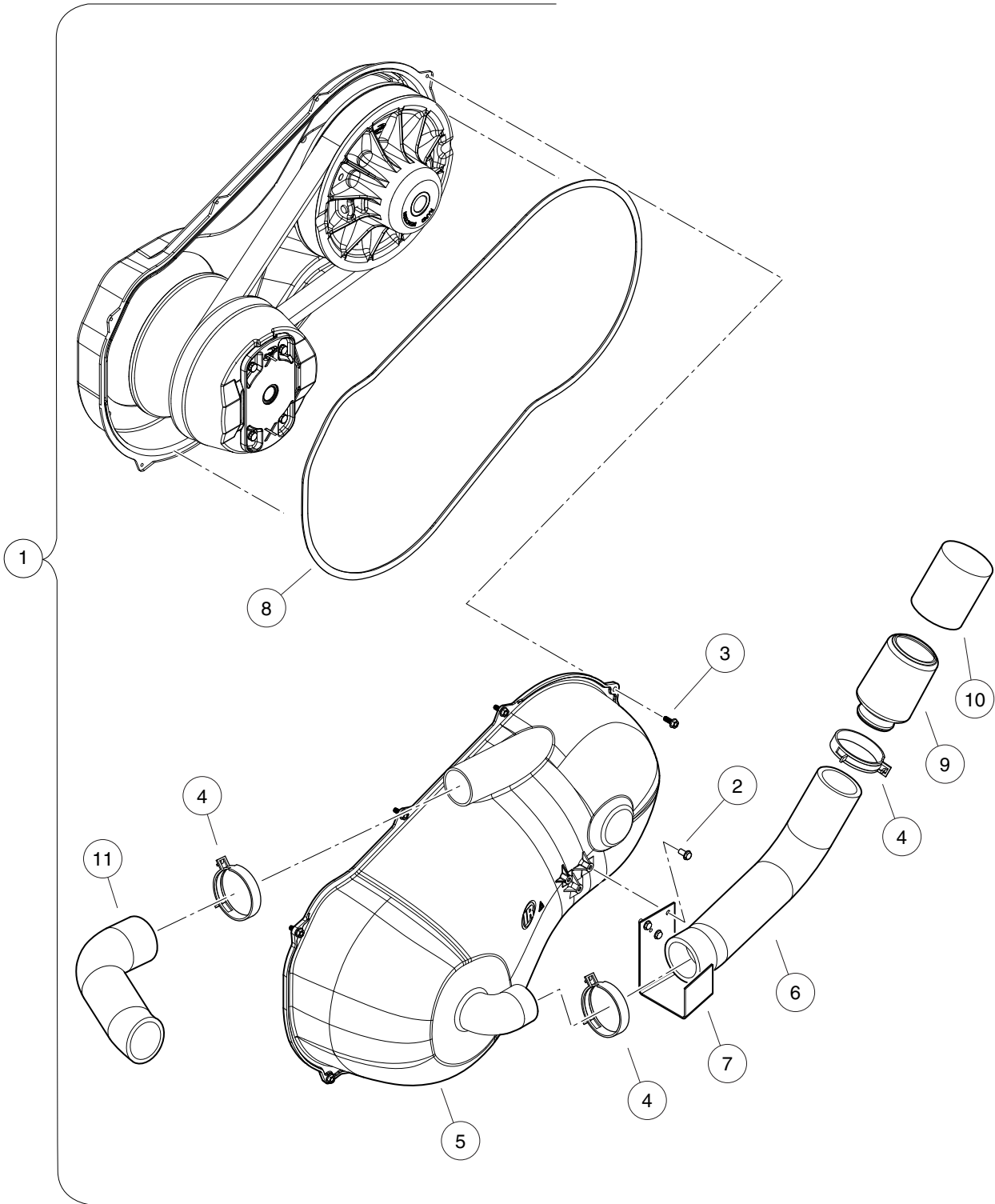
000008-003

CLUTCH COVER (NON-SEALED)

ITEM	PART NO.	DESCRIPTION	QTY
		1 2 3 4	
1	<u>102296716</u>	Screw, M6 X 16 Tt Hx Fl Hd	7
2	<u>102411210</u>	Clamp, Hose, Ctb 64mm	1
3	<u>102628301</u>	Cover, Cvt, Open	1
4	<u>103320601</u>	Hose, Outlet, Cvt	1

15

G



000008-004

CLUTCH COVER (SEALED)

ITEM	PART NO.	DESCRIPTION	QTY
		1 2 3 4	
1	<u>102616003</u>	Kit, Sealed CVT Cover (includes items 2 through 11)	1
2	<u>101856101</u>	Screw, 1/4-15 X .50 Hi-lo Hex	3
3	<u>102296716</u>	Screw, M6 X 16 Tt Hx Fl Hd	7
4	<u>102411210</u>	Clamp, Hose, Ctb 64mm	2
5	<u>102414501</u>	Cover, CVT Outer	1
6	<u>102481001</u>	Hose, Inlet, Cover, CVT	1
7	<u>102481201</u>	Bracket, Inlet, Cover, CVT	1
8	<u>102481301</u>	Gasket, Cover, CVT	1
9	<u>102616101</u>	Cap, Inlet, Cover, CVT	1
10	<u>102628001</u>	Filter, Inlet, Cover, CVT	1
11	<u>103320601</u>	Hose, Outlet, Cvt	1

15

G

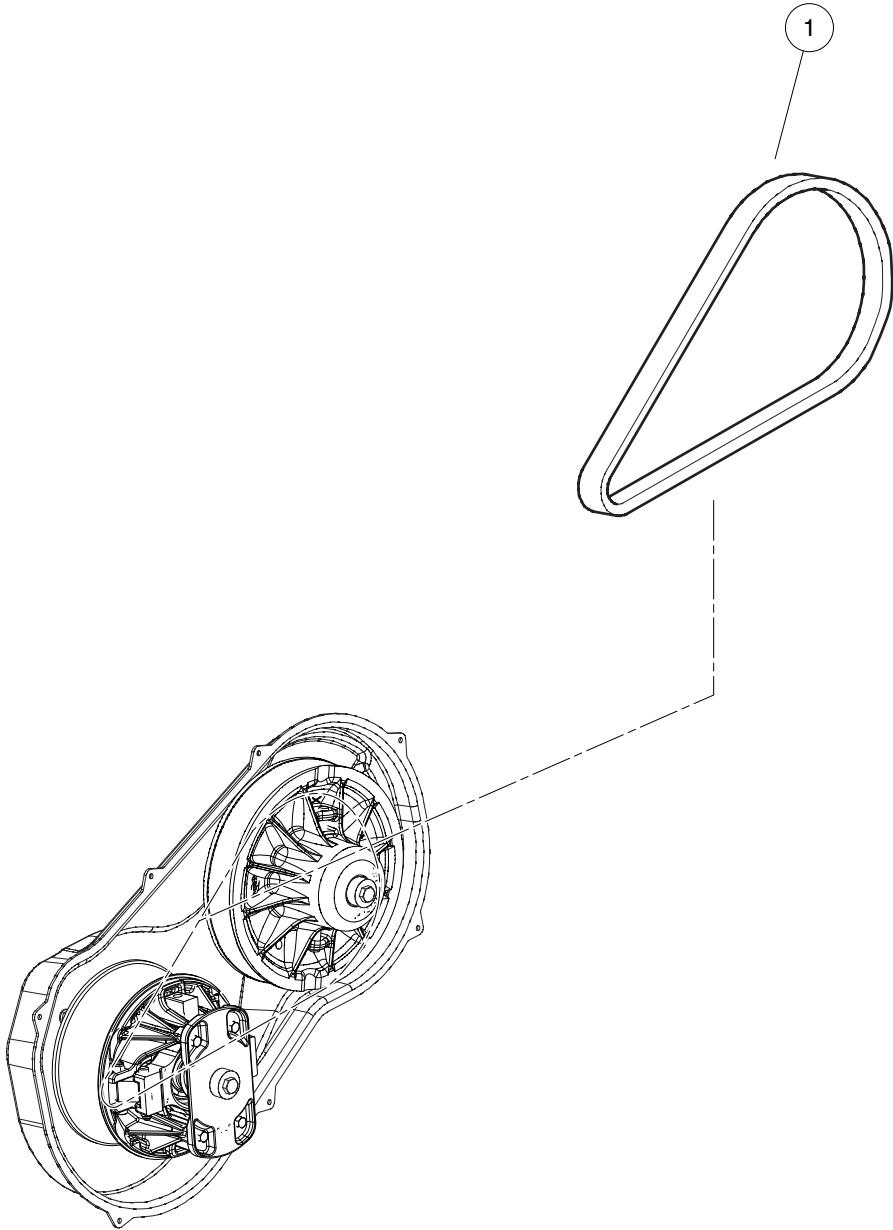
15

G

CLUTCHES – KAWASAKI GAS ENGINE

16

G

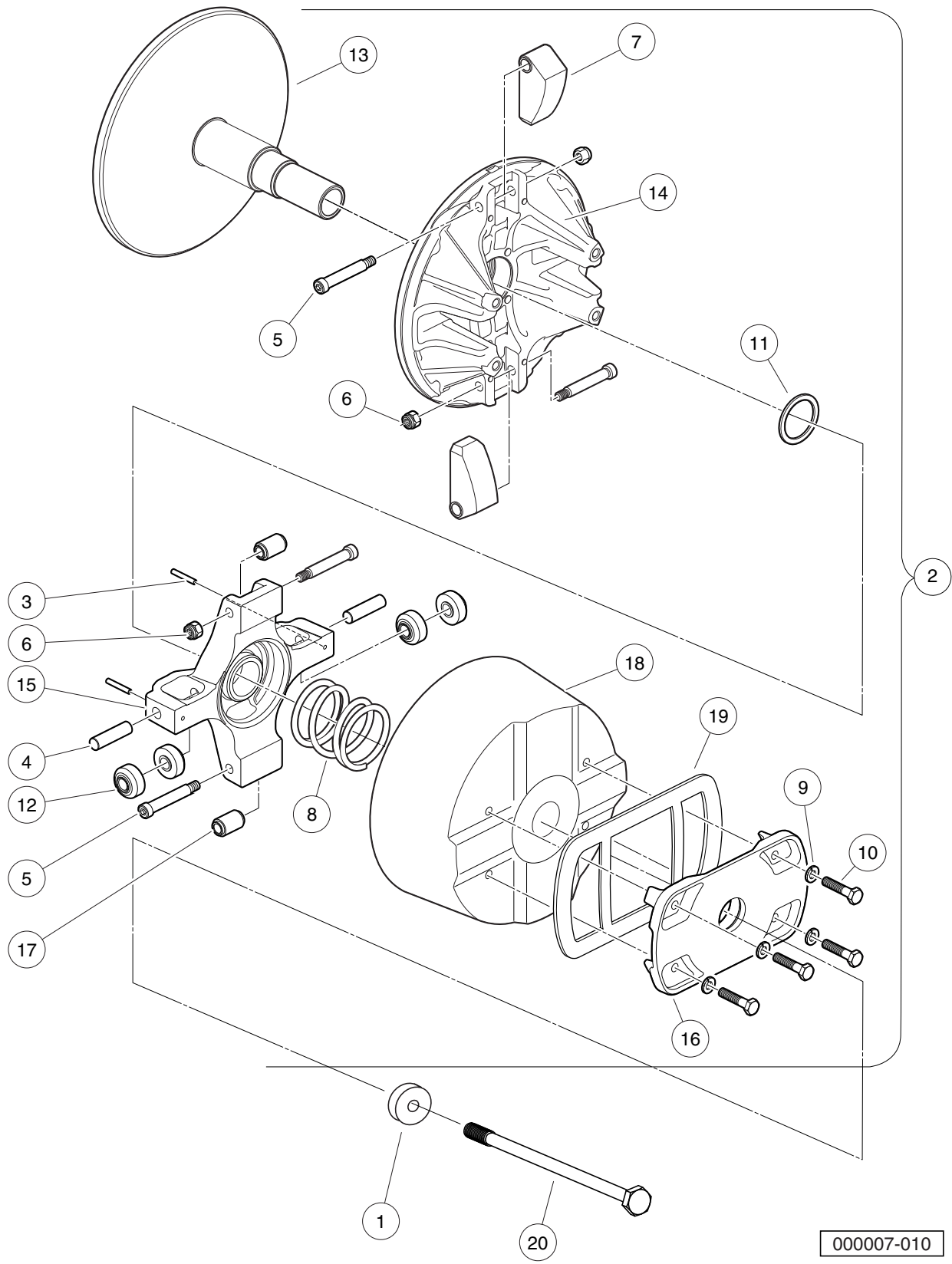


000084-001

DRIVE BELT

ITEM	PART NO.	DESCRIPTION	QTY
1	<u>102374901</u>	1 2 3 4 Belt, Drive	1

16
G



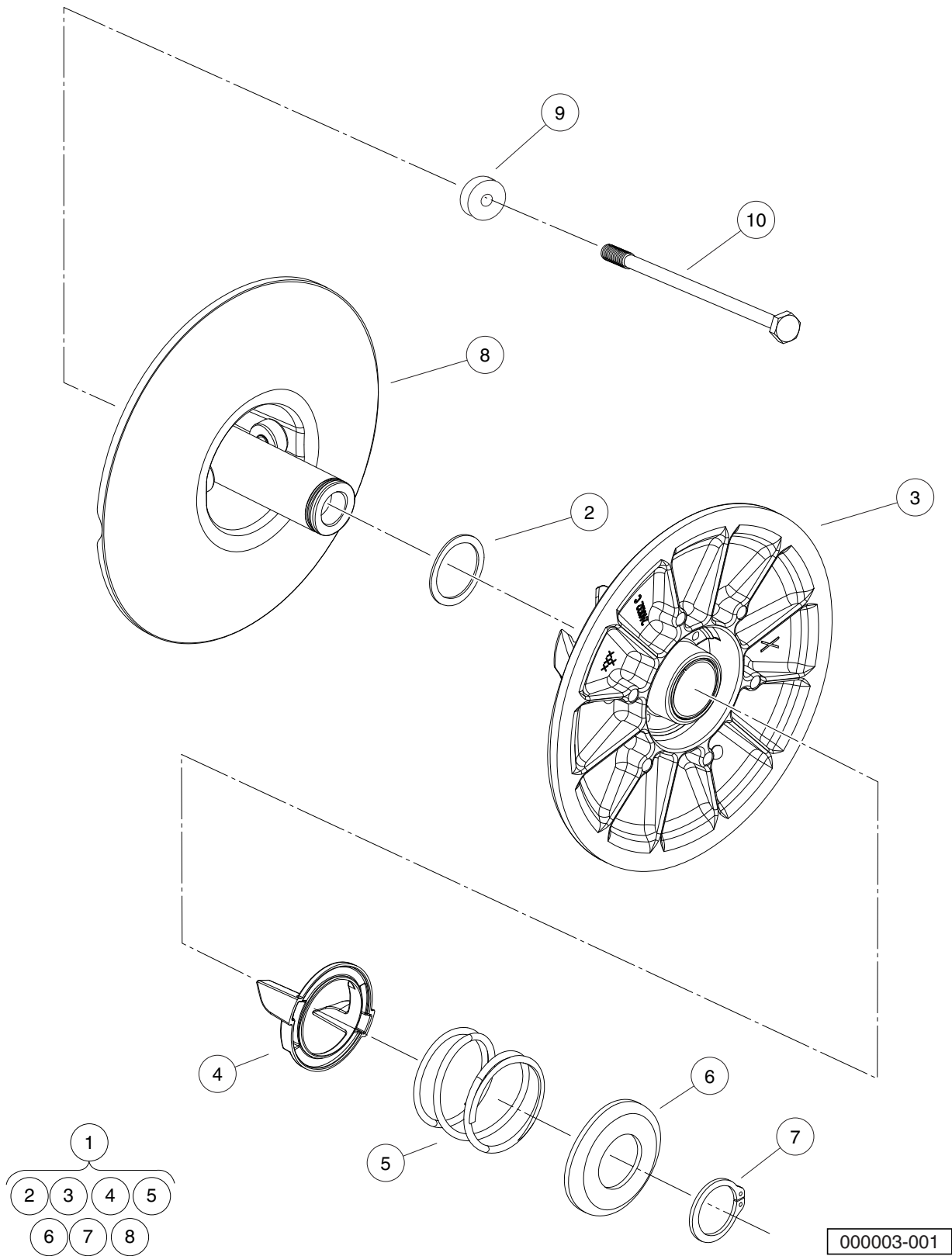
000007-010

DRIVE CLUTCH – KAWASAKI GAS ENGINE

ITEM	PART NO.	DESCRIPTION	QTY
		1 2 3 4	
1	<u>102385601</u>	Washer, Stepped	1
2	<u>103185401</u>	Clutch, 4x4, Gas, W/cover (includes items 3 through 19)	1
3	<u>102690201</u>	Pin, Spring Slotted, 1.25 X 1.0	2
4	<u>102690301</u>	Pin, Dowel, .375 X 1.50	2
5	<u>102690501</u>	Screw, Shlder Hex, .312 X 1.75	4
6	<u>102690701</u>	Nut, Lock Hex, 1/14-20, Flexlc	4
7	<u>102691001</u>	Sub Assy, Wt Clutch, Gas	2
8	<u>102691401</u>	Spring, Compression, Primary	1
9	<u>102691601</u>	Washer, Lock, H-Spring, 1/4	4
10	<u>102691701</u>	Screw, Cap, Hex Hd, 1/4 X 1.25	4
11	<u>102691801</u>	Shim, 1.63 X 1.33	1
12	<u>102691901</u>	Roller, Torque, Gas	4
13	N/A	Subassembly, Drive Clutch	1
14	N/A	Subassembly, Moveable, Drive Clutch	1
15	N/A	Spider, Drive Clutch	1
16	N/A	Cover, Drive Clutch	1
17	<u>102839401</u>	Sub Assy, Roller Weight	2
18	<u>103185801</u>	Cover, Clutch, 4x4	1
19	<u>103185901</u>	Gasket, Cover, Clutch, 4x4	1
20	<u>103201501</u>	Bolt, M8 X 1.25 X 200, Loctite	1

16

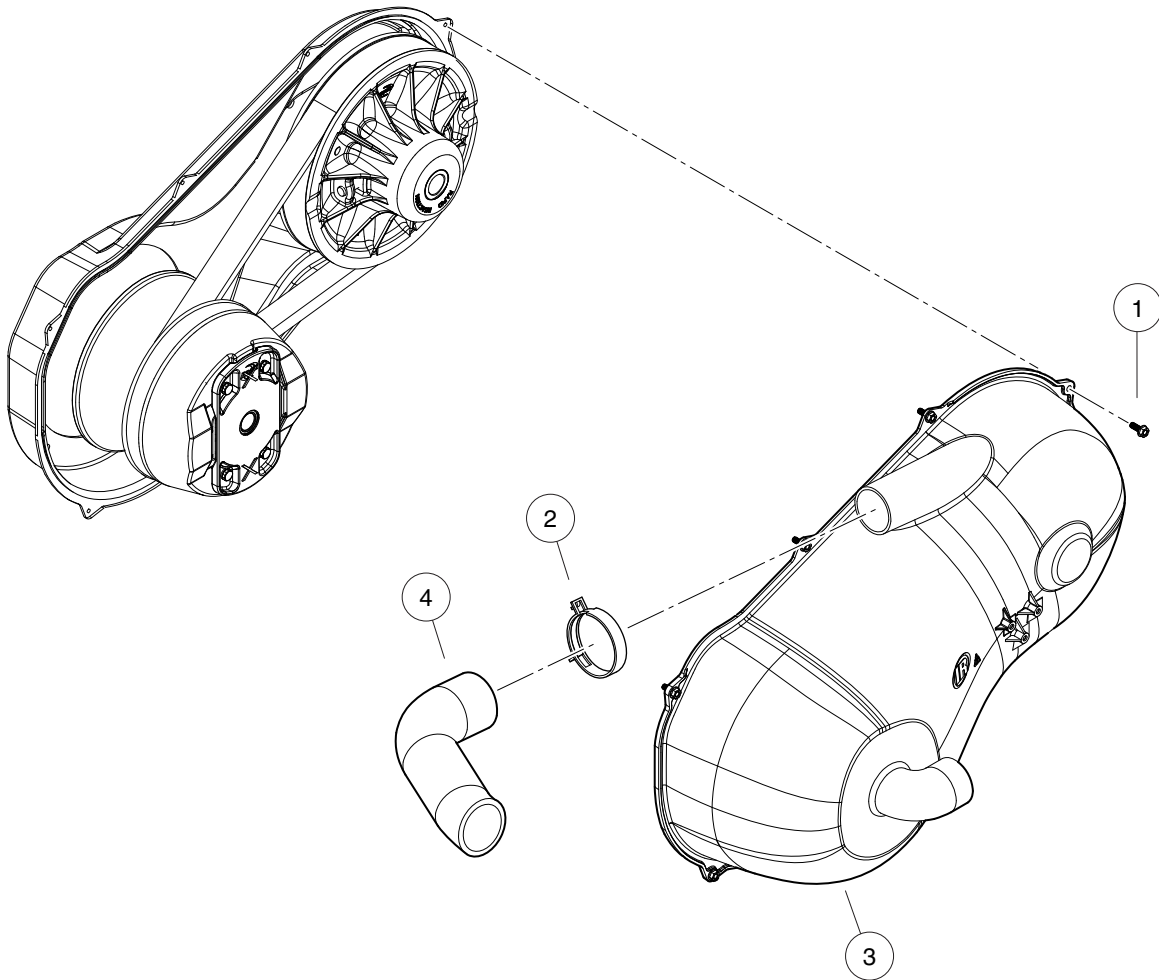
G



DRIVEN CLUTCH

ITEM	PART NO.	DESCRIPTION	QTY
		1 2 3 4	
1	<u>102369901</u>	CVT, Secondary (includes items 2 through 8)	1
2	<u>102695401</u>	Washer, Thrust, 1.53 X 1.92	1
3	N/A	Sheave, Driven Clutch	1
4	<u>102695601</u>	Retainer, Spring, Inner	1
5	<u>102695701</u>	Spring, Compression, Secondary	1
6	<u>102695801</u>	Retainer, Spring, Outer	1
7	<u>102695901</u>	Ring, Retaining, External	1
8	N/A	Driven Clutch Base Sheave	1
9	<u>102385701</u>	Washer, Stepped	1
10	<u>102719301</u>	Bolt, M10 X 1.50 X 90, Loctite	1

16
G



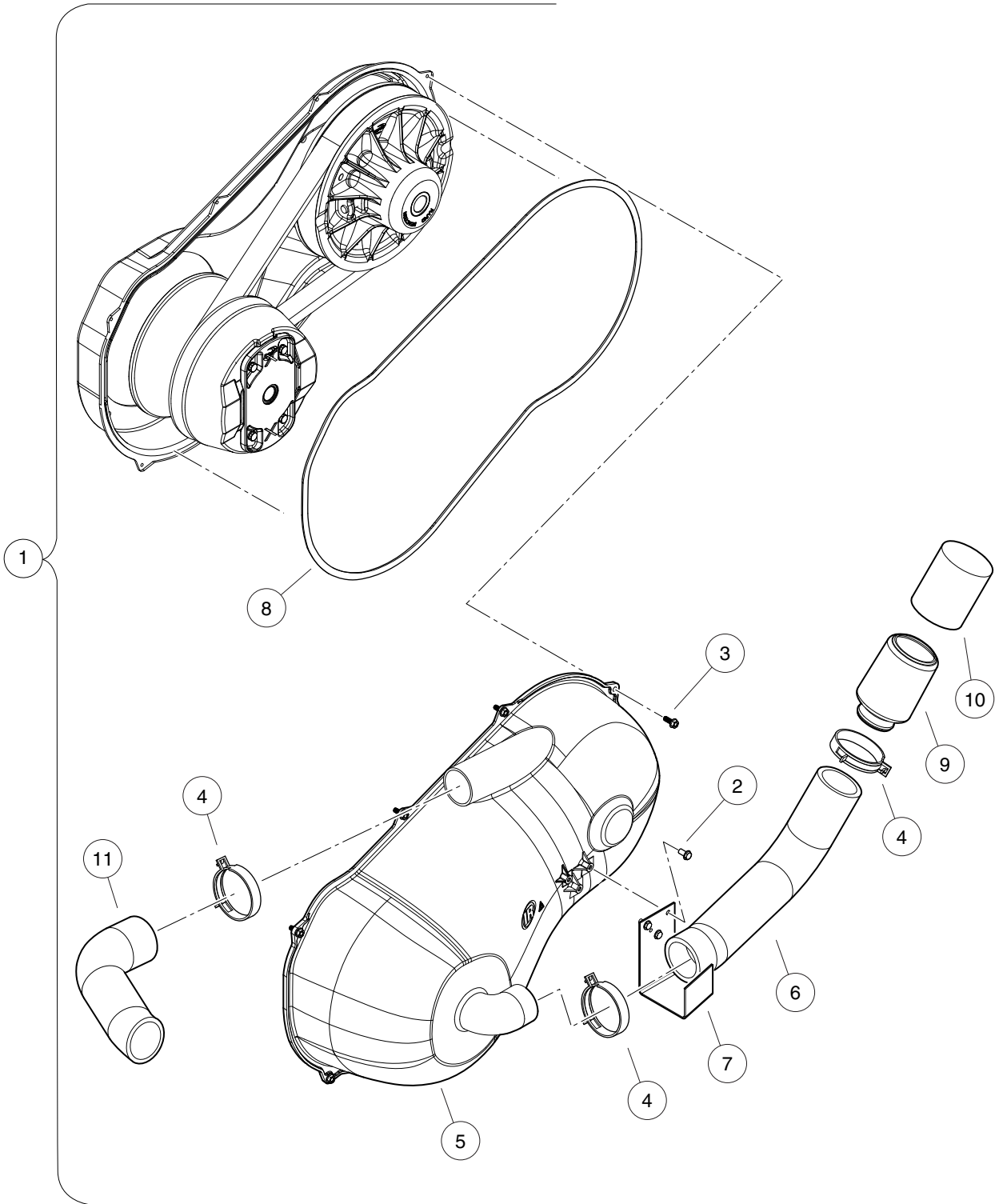
000008-003

CLUTCH COVER (NON-SEALED)

ITEM	PART NO.	DESCRIPTION	QTY
		1 2 3 4	
1	<u>102296716</u>	Screw, M6 X 16 Tt Hx Fl Hd	7
2	<u>102411210</u>	Clamp, Hose, Ctb 64mm	1
3	<u>102628301</u>	Cover, Cvt, Open	1
4	<u>103320601</u>	Hose, Outlet, Cvt	1

16

G



000008-004

CLUTCH COVER (SEALED)

ITEM	PART NO.	DESCRIPTION	QTY
		1 2 3 4	
1	<u>102616003</u>	Kit, Sealed CVT Cover (includes items 2 through 11)	1
2	<u>101856101</u>	Screw, 1/4-15 X .50 Hi-lo Hex	3
3	<u>102296716</u>	Screw, M6 X 16 Tt Hx Fl Hd	7
4	<u>102411210</u>	Clamp, Hose, Ctb 64mm	2
5	<u>102414501</u>	Cover, CVT Outer	1
6	<u>102481001</u>	Hose, Inlet, Cover, CVT	1
7	<u>102481201</u>	Bracket, Inlet, Cover, CVT	1
8	<u>102481301</u>	Gasket, Cover, CVT	1
9	<u>102616101</u>	Cap, Inlet, Cover, CVT	1
10	<u>102628001</u>	Filter, Inlet, Cover, CVT	1
11	<u>103320601</u>	Hose, Outlet, Cvt	1

16

G

16

G

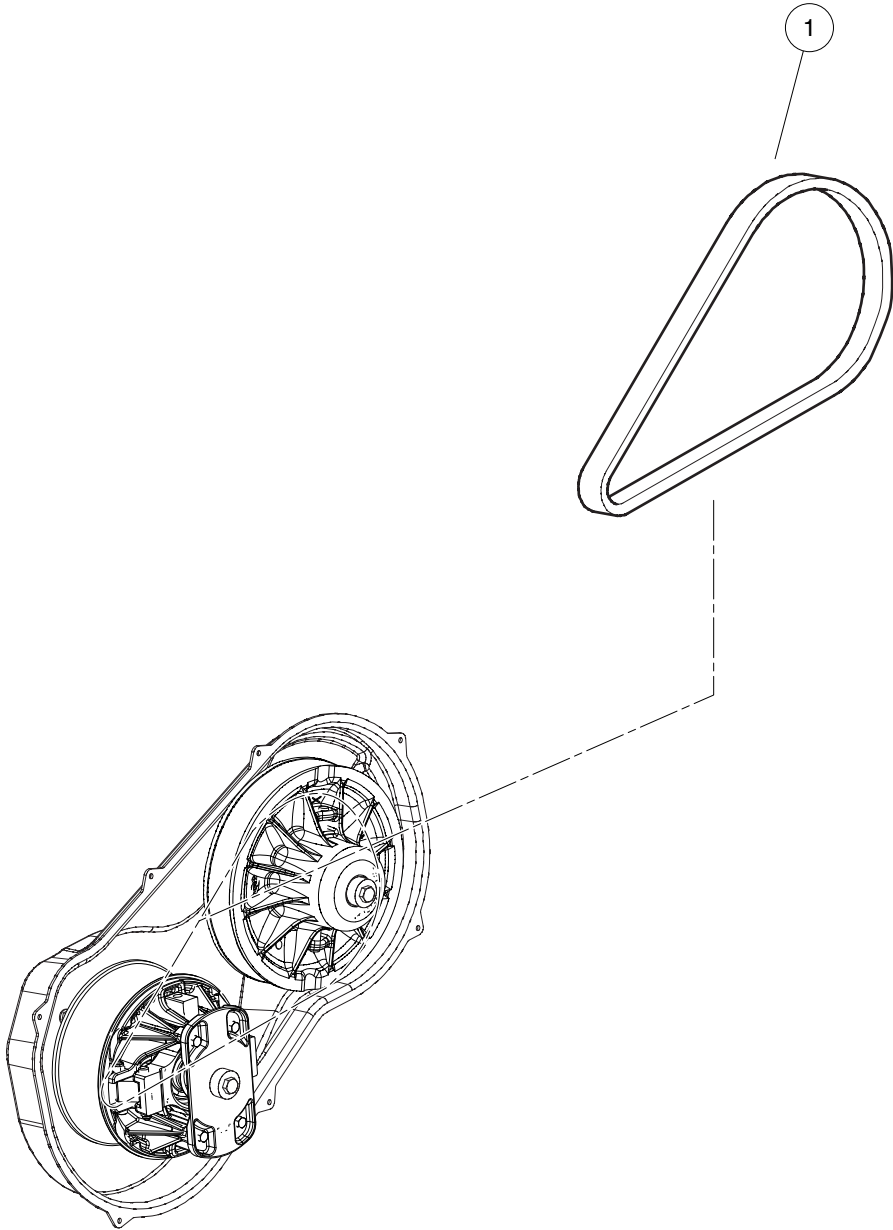
CLUTCHES – KUBOTA DIESEL ENGINE

17

D

17

D



000084-001

DRIVE BELT

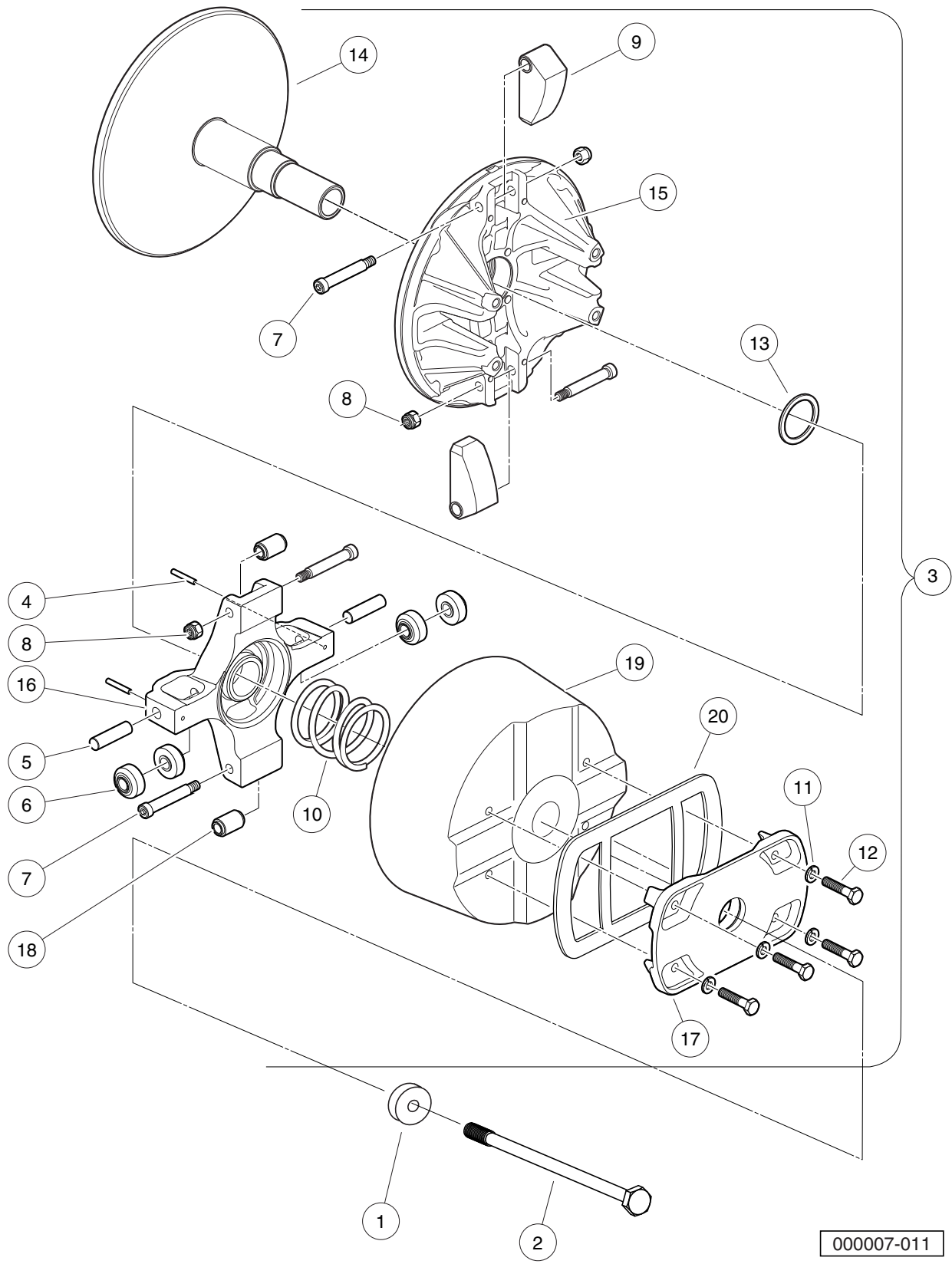
ITEM	PART NO.	DESCRIPTION	QTY
1	<u>102374901</u>	1 2 3 4 Belt, Drive	1

17

D

17

D



000007-011

DRIVE CLUTCH – DIESEL ENGINE

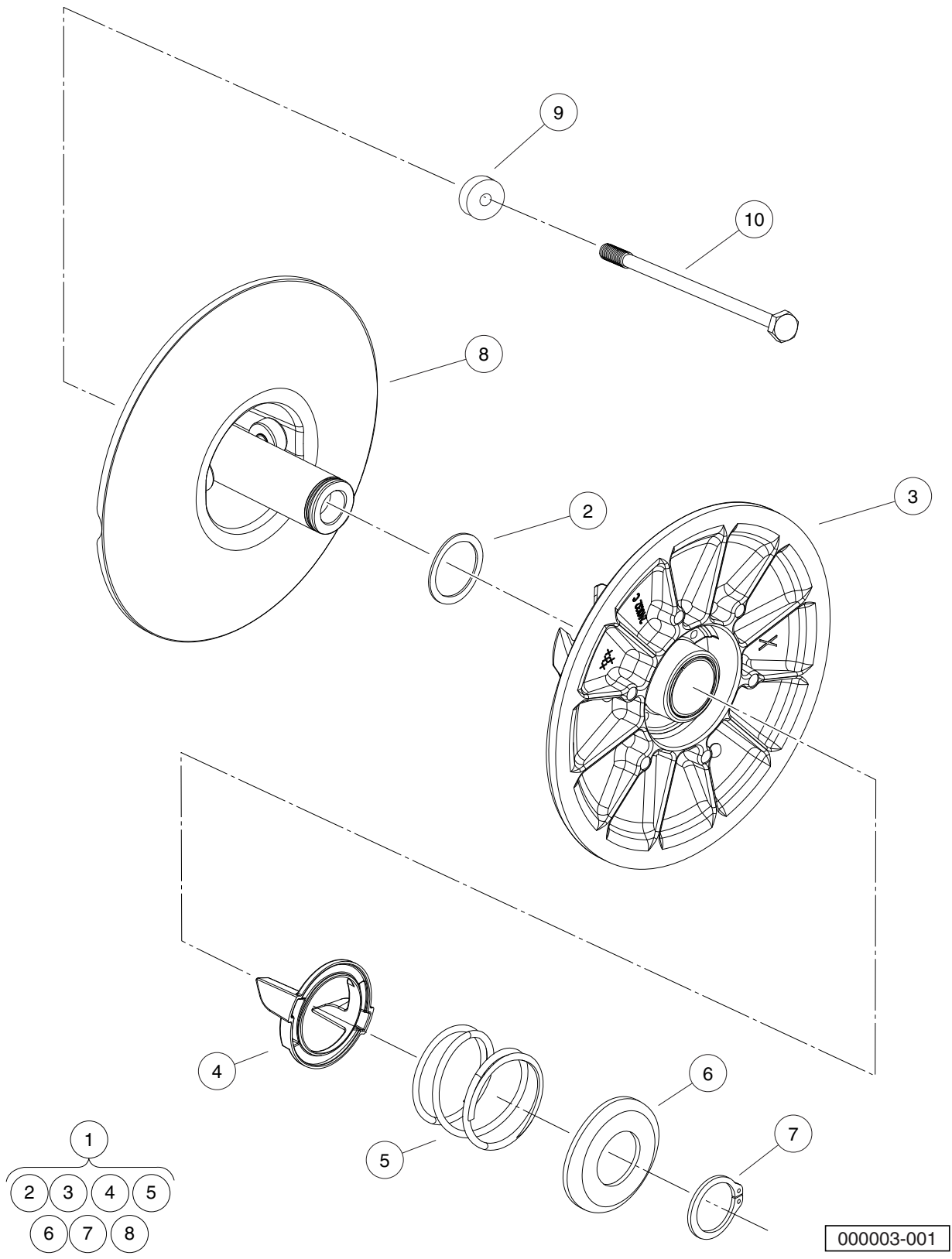
ITEM	PART NO.	DESCRIPTION	QTY
		1 2 3 4	
1	<u>102385601</u>	Washer, Stepped	1
2	<u>102616501</u>	Bolt, M10 X 1.5 X 160	1
3	<u>103185501</u>	Clutch, 4x4, Diesel, W/cover (includes items 4 through 20)	1
4	<u>102690201</u>	Pin, Spring Slotted, 1.25 X 1.0	2
5	<u>102690301</u>	Pin, Dowel, .375 X 1.50	2
6	<u>102690401</u>	Roller, Torque, Diesel	4
7	<u>102690501</u>	Screw, Shlder Hex, .312 X 1.75	4
8	<u>102690701</u>	Nut, Lock Hex, 1/14-20, Flexlc	4
9	<u>102690801</u>	Sub Assy, Wt Clutch, Diesel	2
10	<u>102691401</u>	Spring, Compression, Primary	1
11	<u>102691601</u>	Washer, Lock, H-Spring, 1/4	4
12	<u>102691701</u>	Screw, Cap, Hex Hd, 1/4 X 1.25	4
13	<u>102691801</u>	Shim, 1.63 X 1.33	1
14	N/A	Subassembly, Drive Clutch	1
15	N/A	Subassembly, Moveable, Drive Clutch	1
16	N/A	Spider, Drive Clutch	1
17	N/A	Cover, Drive Clutch	1
18	<u>102839401</u>	Sub Assy, Roller Weight	2
19	<u>103185801</u>	Cover, Clutch, 4x4	1
20	<u>103185901</u>	Gasket, Cover, Clutch, 4x4	1

17

D

17

D



DRIVEN CLUTCH

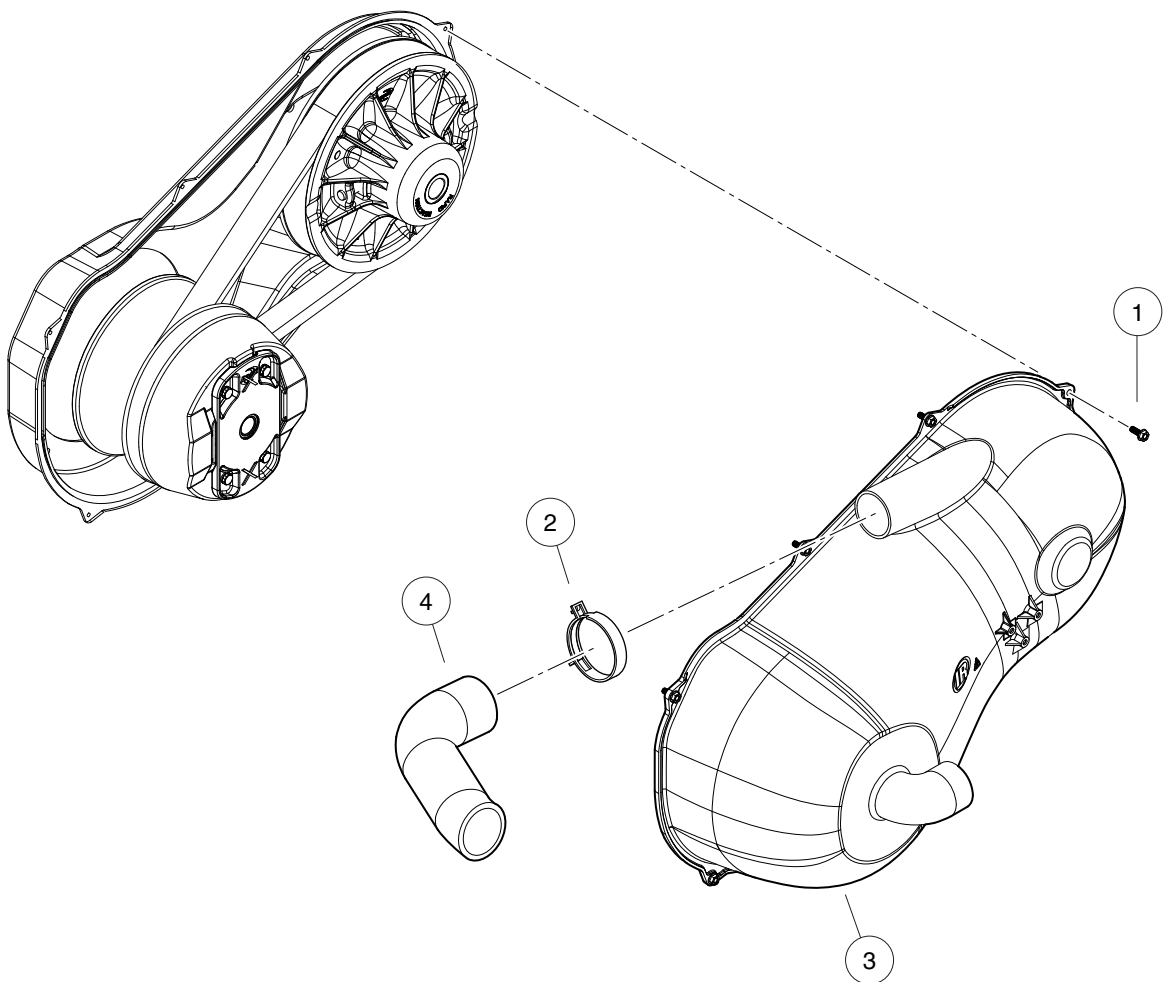
ITEM	PART NO.	DESCRIPTION	QTY
		1 2 3 4	
1	<u>102369901</u>	CVT, Secondary (includes items 2 through 8)	1
2	<u>102695401</u>	Washer, Thrust, 1.53 X 1.92	1
3	N/A	Sheave, Driven Clutch	1
4	<u>102695601</u>	Retainer, Spring, Inner	1
5	<u>102695701</u>	Spring, Compression, Secondary	1
6	<u>102695801</u>	Retainer, Spring, Outer	1
7	<u>102695901</u>	Ring, Retaining, External	1
8	N/A	Driven Clutch Base Sheave	1
9	<u>102385701</u>	Washer, Stepped	1
10	<u>102719301</u>	Bolt, M10 X 1.50 X 90, Loctite	1

17

D

17

D



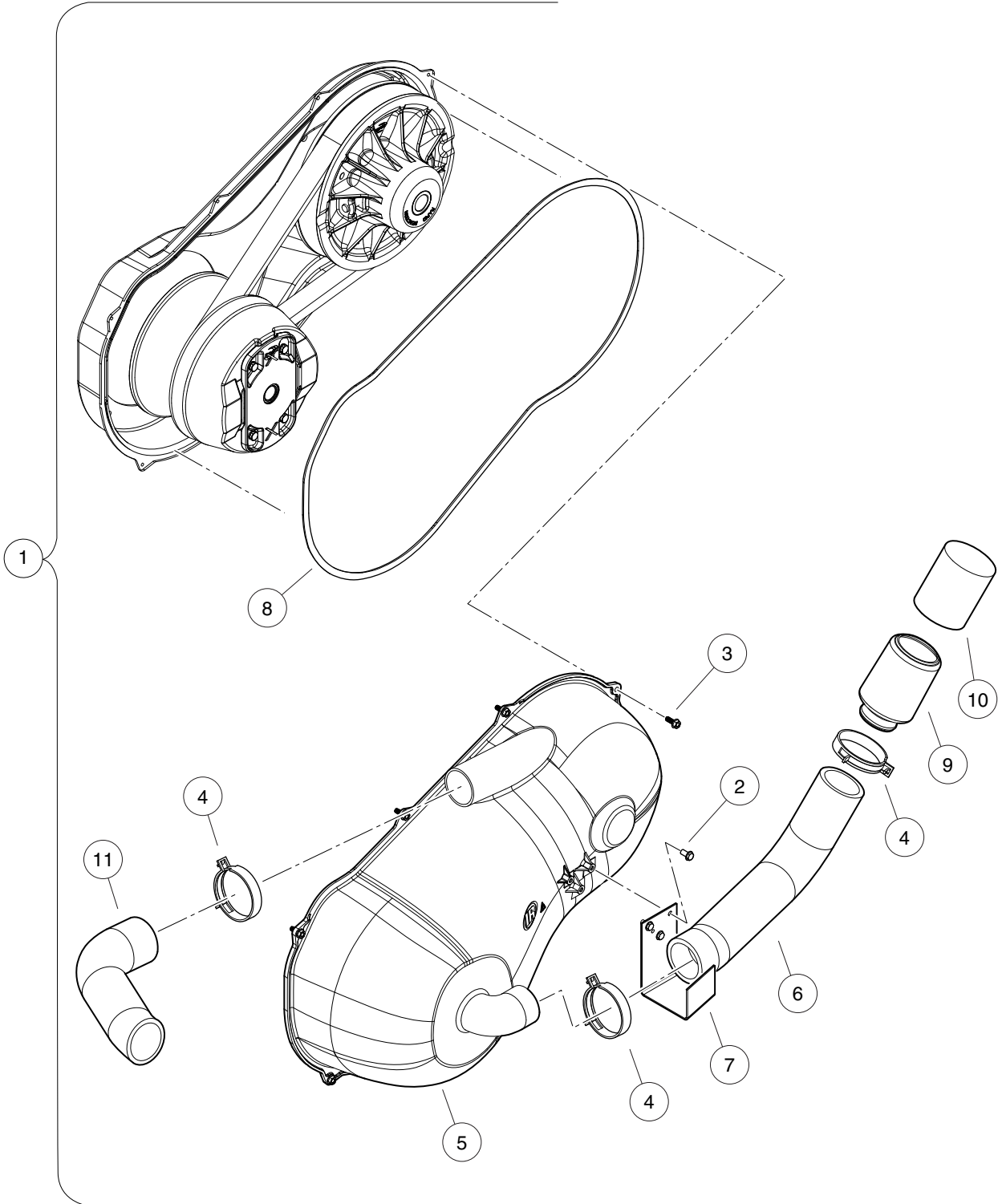
000008-003

CLUTCH COVER (NON-SEALED)

ITEM	PART NO.	DESCRIPTION	QTY
		1 2 3 4	
1	<u>102296716</u>	Screw, M6 X 16 Tt Hx Fl Hd	7
2	<u>102411210</u>	Clamp, Hose, Ctb 64mm	1
3	<u>102628301</u>	Cover, Cvt, Open	1
4	<u>103320601</u>	Hose, Outlet, Cvt	1

17

D



000008-004

CLUTCH COVER (SEALED)

ITEM	PART NO.	DESCRIPTION	QTY
		1 2 3 4	
1	<u>102616003</u>	Kit, Sealed CVT Cover (includes items 2 through 11)	1
2	<u>101856101</u>	Screw, 1/4-15 X .50 Hi-lo Hex	3
3	<u>102296716</u>	Screw, M6 X 16 Tt Hx Fl Hd	7
4	<u>102411210</u>	Clamp, Hose, Ctb 64mm	2
5	<u>102414501</u>	Cover, CVT Outer	1
6	<u>102481001</u>	Hose, Inlet, Cover, CVT	1
7	<u>102481201</u>	Bracket, Inlet, Cover, CVT	1
8	<u>102481301</u>	Gasket, Cover, CVT	1
9	<u>102616101</u>	Cap, Inlet, Cover, CVT	1
10	<u>102628001</u>	Filter, Inlet, Cover, CVT	1
11	<u>103320601</u>	Hose, Outlet, Cvt	1

17

D

17

D

DRIVETRAIN COMPONENTS – GAS & DIESEL

18

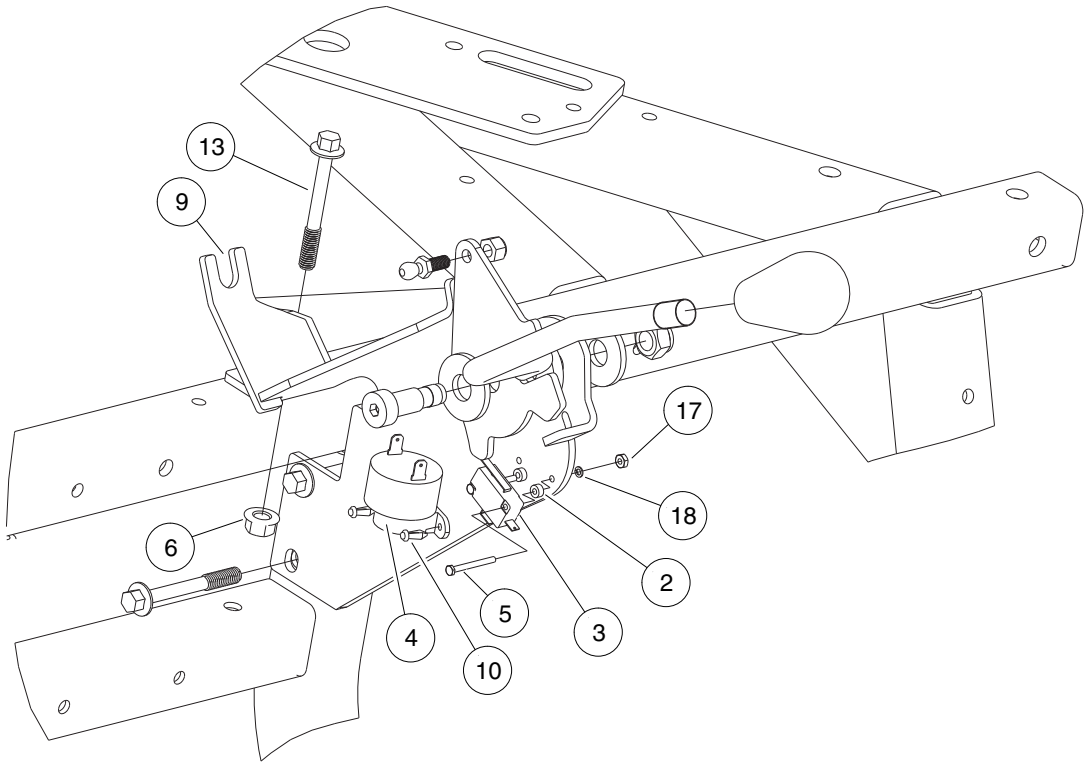
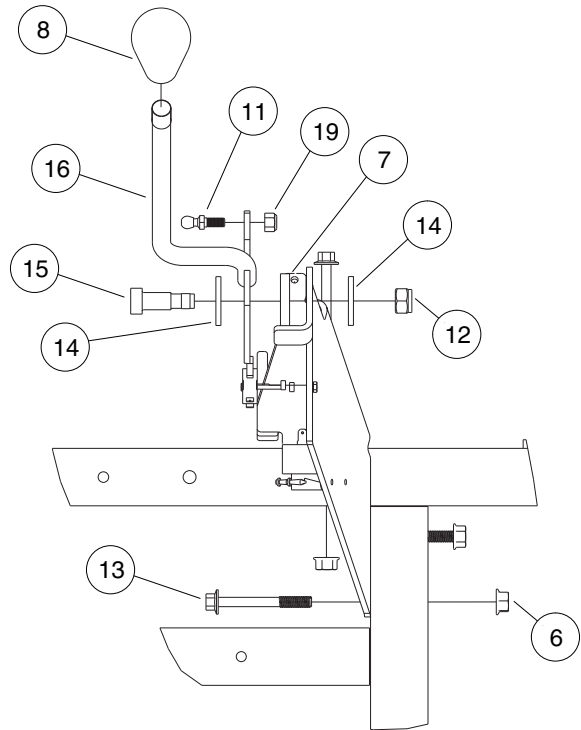
G

D

18

G

D



000030-002

FORWARD/REVERSE SHIFTER

ITEM	PART NO.	DESCRIPTION	QTY
		1 2 3 4	
1	<u>102868201</u>	Asm, FNR (includes items 2 through 19)	1
2	<u>1014727</u>	Washer, Flat, #4, Nylon	2
3	<u>1014808</u>	Switch, Limit	1
4	<u>1016851</u>	Buzzer, Reverse (9-48 VDC)	1
5	<u>1016896</u>	Screw, #4-40 X 1.125 Hx Hd Mch	2
6	<u>102298401</u>	Nut,m8,all Metal Lock	3
7	<u>102375901</u>	Bushing, Fnr	1
8	<u>102376001</u>	Knob, FNR, Shifter	1
9	N/A	Weldment, FNR Shifter Bracket	1
10	<u>102499001</u>	Rivet, Micro Tuflok	2
11	<u>102615701</u>	Stud, Ball, .346 Dia	1
12	<u>102616701</u>	Locknut, M10x1.5 Nylon Insert	1
13	<u>102618301</u>	Bolt, Flanged Head, M8 X 1.25 X 65	3
14	<u>102684501</u>	Washer, M12 Hard Regular	2
15	<u>102684601</u>	Shoulder Bolt,m12 X 20 M10 Thd	1
16	<u>103187501</u>	Weldment, FNR Shifter	1
17	<u>8057</u>	Nut, #4-40 Hex Machine	2
18	<u>8058</u>	Lockwasher, #4 Split	2
19	<u>8717</u>	Locknut, Nylon Insert, 1/4-28	1

18

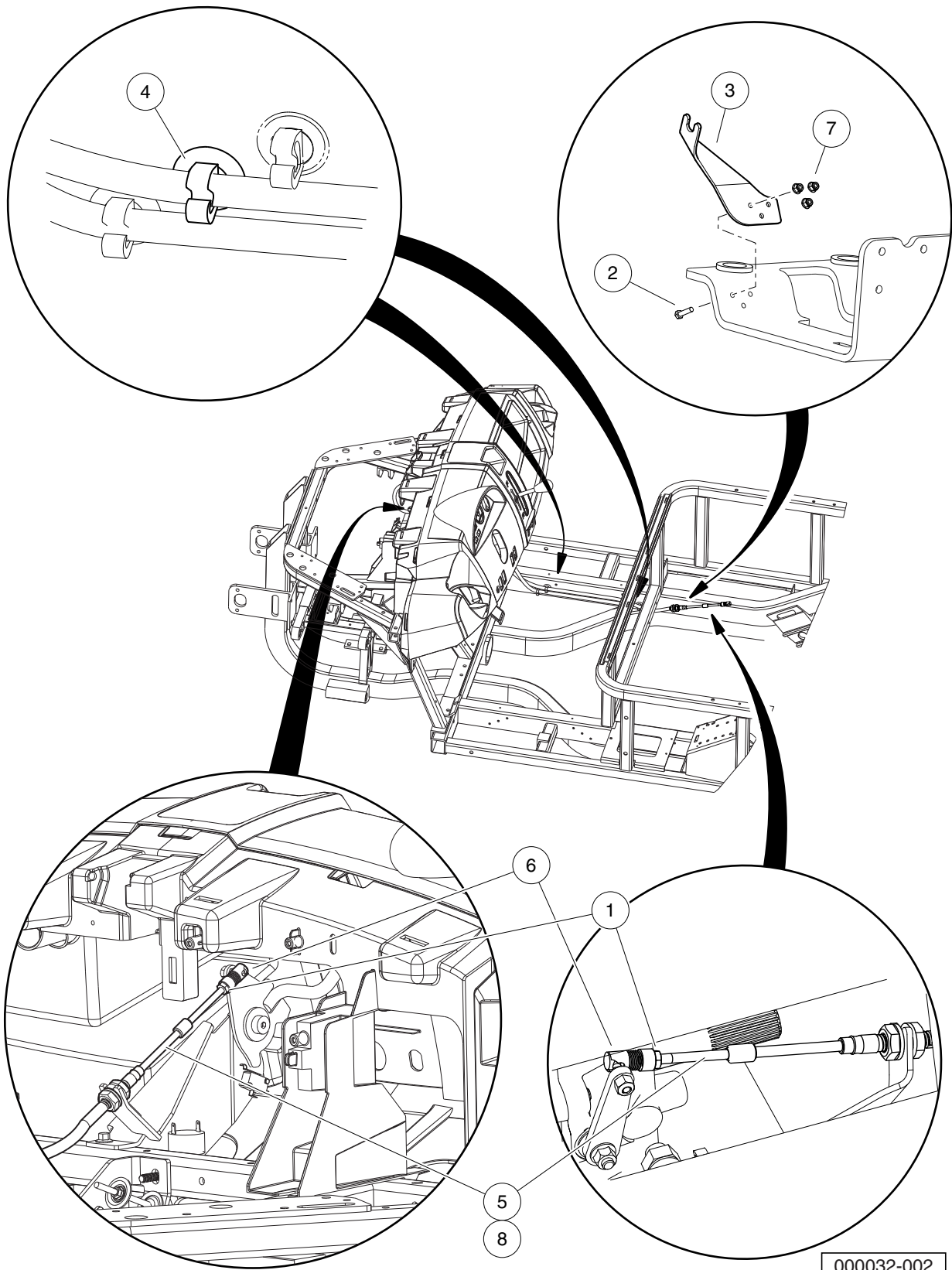
G

D

18

G

D



SHIFTER CABLES

ITEM	PART NO.	DESCRIPTION	QTY
		1 2 3 4	
1	<u>1011084</u>	Nut, 1/4-28 Hex Jam	2
2	<u>1012769</u>	Screw, M6-1.00 X 25mm Hex Cap	3
3	<u>102382401</u>	Bracket, FNR Trans Cable	1
4	<u>102475701</u>	Clip, Brake Line	2
5	<u>102495801</u>	Cable, Transmission Shift, 295/1550	1
6	<u>102615801</u>	Joint, Ball, .346 Dia	2
7	<u>102621501</u>	Nut, Flange, M6 X 1.0, Nylon	3
8	<u>102767101</u>	Cable, Transmission Shift, 295 SE/1550 SE	1

18

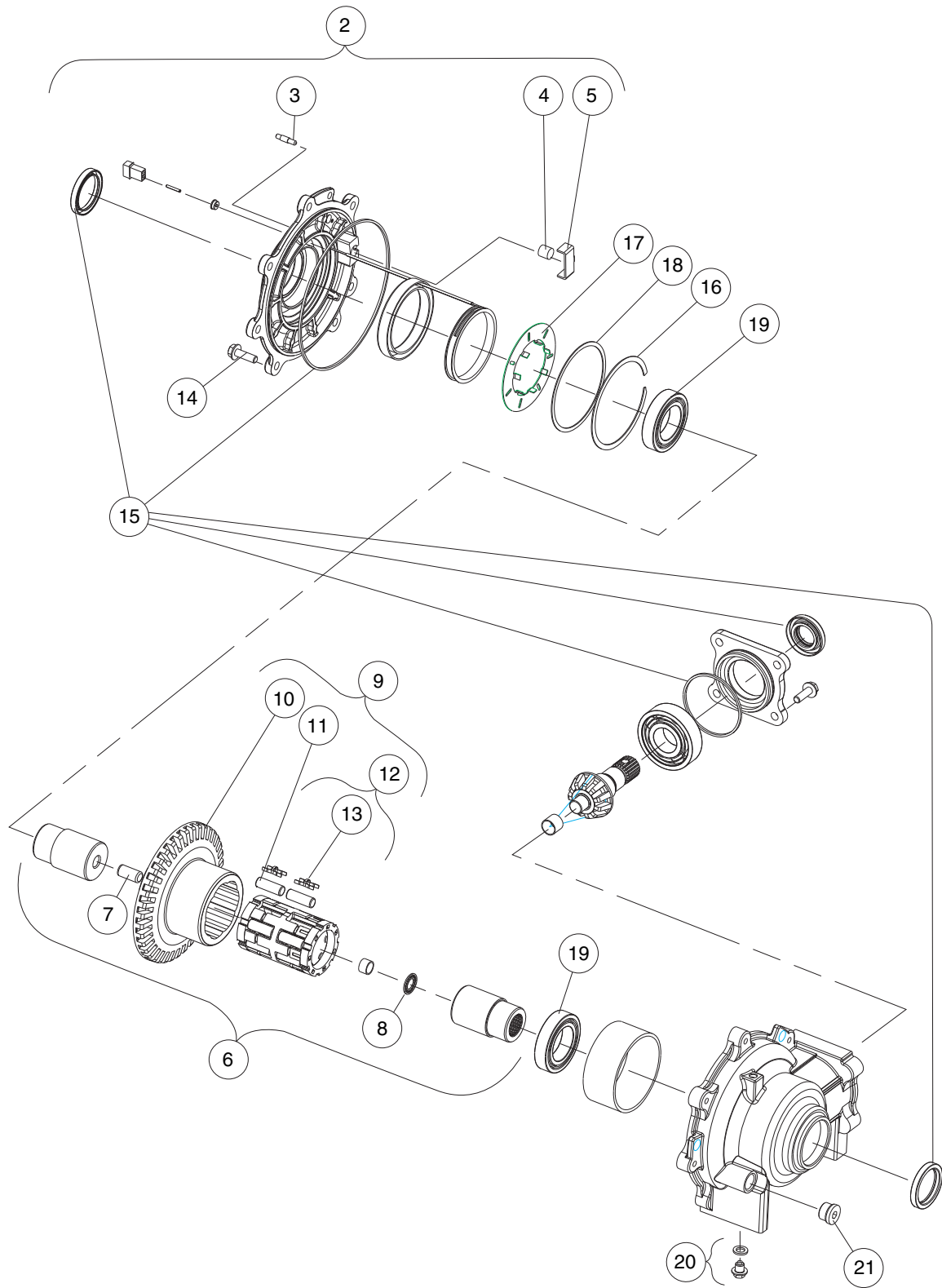
G

D

18

G

D



000010-003

FRONT DIFFERENTIAL (OUTPUT COMPONENTS)

ITEM	PART NO.	DESCRIPTION	QTY
		1 2 3 4	
1	<u>102371801</u>	Differential, Front * (includes items 2 through 21)	1
2	<u>102438201</u>	Kit, Assy, Output Cover Plate (includes items 3 through 5)	1
3	<u>102439001</u>	Set Screw, #10-24 UNC-3A with Patch	1
4	<u>102439101</u>	Thrust Button	1
5	<u>102439201</u>	Thrust Plate	1
6	<u>102438301</u>	Kit, Assy, Race Output Hub (includes items 7 and 8)	1
7	<u>102439401</u>	Pin, Dowel	1
8	<u>102439501</u>	Bearing, Needle	1
9	<u>102438401</u>	Kit, Assy, Clutch (includes items 10 through 12)	1
10	<u>102439601</u>	Clutch Hsg/Ring Gear, Machined	1
11	<u>102439801</u>	Kit, Roller (contains 14 rollers)	1
12	<u>102439901</u>	Kit, Assy, Roll Cage (includes item 13)	1
13	<u>102439701</u>	Kit, H-Clip Spring (contains 14 clips)	1
14	<u>102438501</u>	Kit, Bolt (contains 7 bolts)	1
15	<u>102438601</u>	Kit, Minor Repair (contains oil seals and O-rings)	1
16	<u>102438701</u>	Retaining, Ring Internal	1
17	<u>102438801</u>	Plate, Armature	1
18	<u>102438901</u>	Shim, Armature, Plate	1
19	<u>102439301</u>	Bearing, Ball	12
20	<u>102440101</u>	Kit, Assy, Drain Plug	1
21	<u>102440301</u>	Plug, Oil Fill	1
		* Note: This assembly also contains components listed on the following two pages.	

18

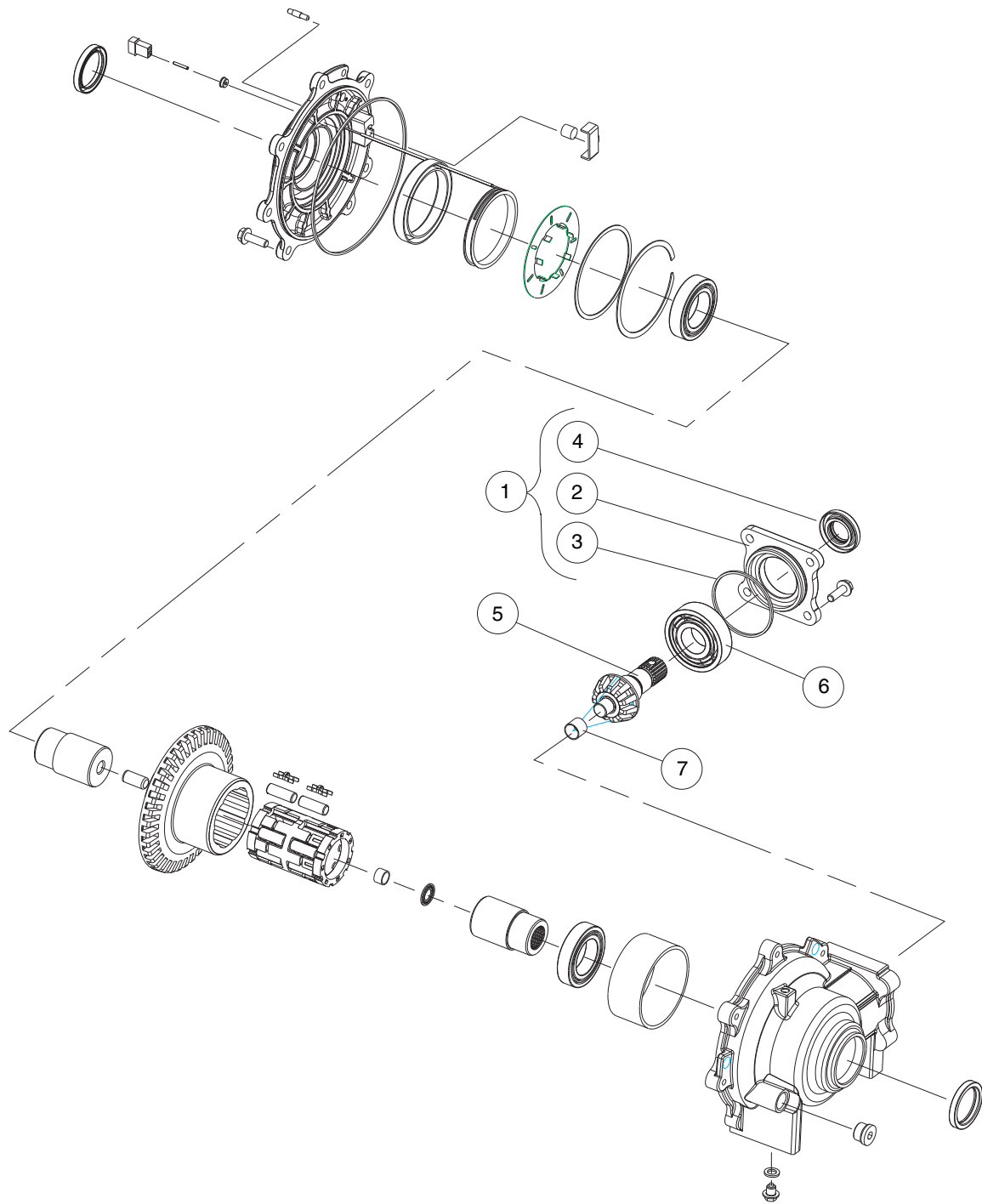
G

D

18

G

D



000010-002

FRONT DIFFERENTIAL (INPUT COMPONENTS)

ITEM	PART NO.	DESCRIPTION	QTY
		1 2 3 4	
1	<u>102440201</u>	Kit, Assy, Input Cover Plate (includes items 2 through 4)	1
2	<u>102440601</u>	Cover, Input, Machined	1
3	N/A	O-Ring	1
4	N/A	Oil Seal, Triple-Lipped	1
5	<u>102440401</u>	Shaft, Pinion, Machined	1
6	<u>102440501</u>	Bearing, Ball	1
7	N/A	Bushing, Plain 16 Id X 15 Wide	1
<p>Note: This page contains a list of components internal to the front differential. See the previous pages for other front differential components.</p>			

18

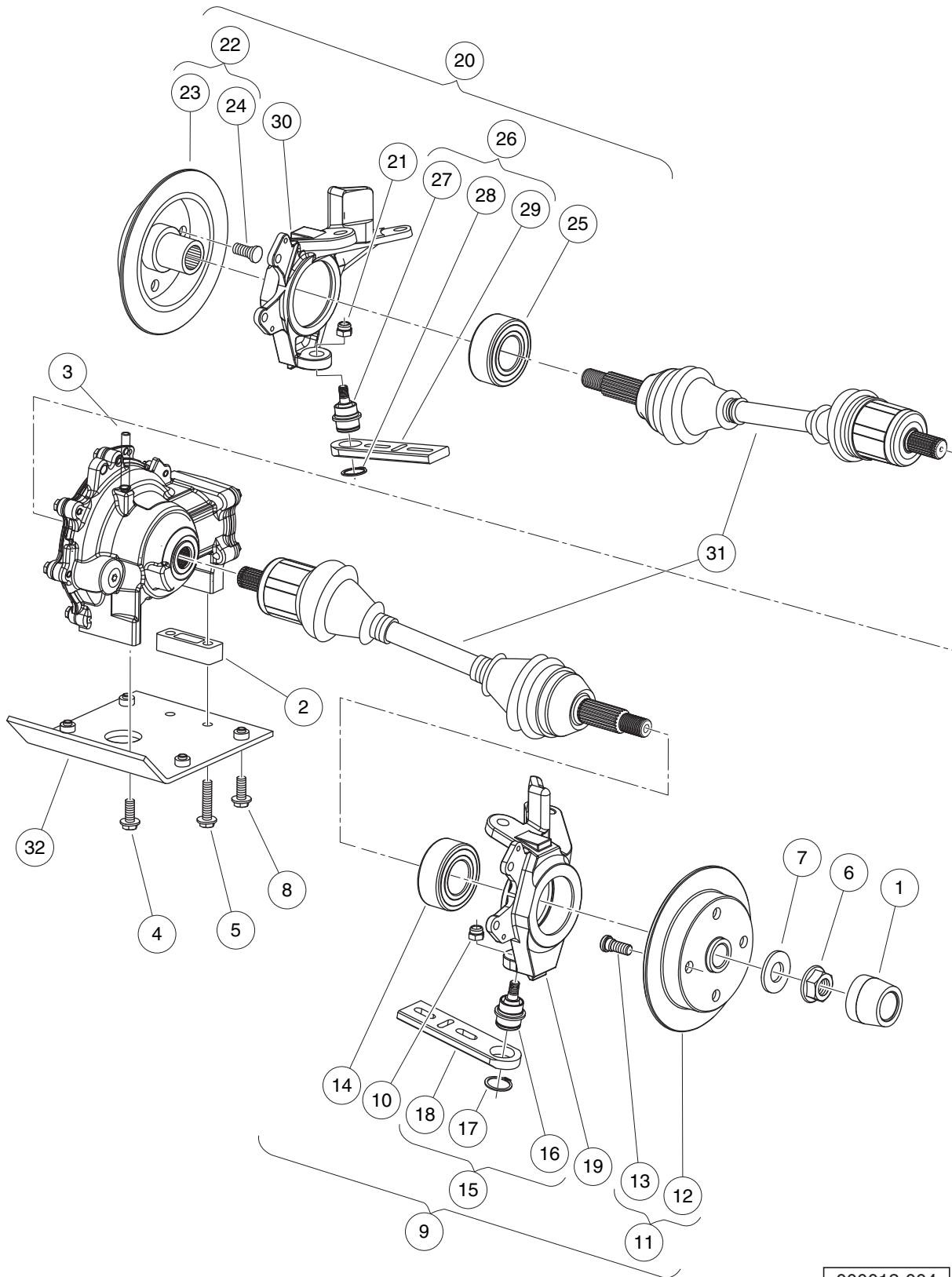
G

D

18

G

D



000012-004

FRONT DIFFERENTIAL MOUNTING AND HALF SHAFTS – S/N'S LOWER THAN 770484

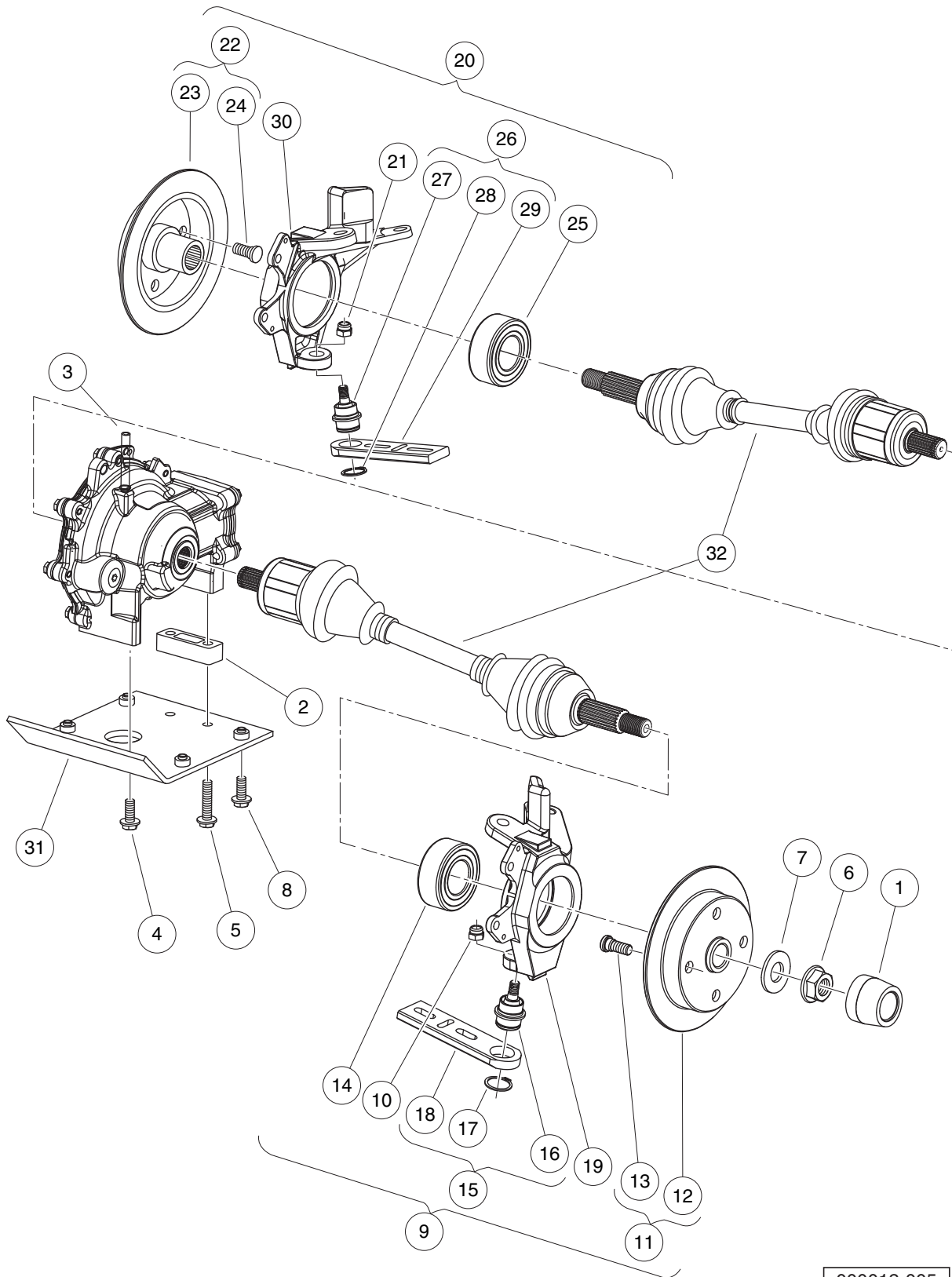
ITEM	PART NO.	DESCRIPTION	QTY
		1 2 3 4	
1	102274101	Center Cap, Rubber	2
2	<u>102381701</u>	Spacer Block, Diff	1
3	<u>102462401</u>	Hose, Vent, Front Diff	1
4	<u>102491001</u>	Bolt, Flanged Head, 3/8-16x1.0 with Loctite	2
5	<u>102491101</u>	Bolt, Flanged Head, 3/8-16x1.500 with Loctite	2
6	<u>102617501</u>	Nut, Flange, M22 X 1.5 Mech Def	2
7	<u>102617801</u>	Washer, Hard, M22	2
8	<u>102711601</u>	Bolt, Flange Head, M10 X 1.5 X 25	4
9	102791701	Upright, Left-Hand (includes items 10 through 19)	1
10	<u>102022901</u>	Locknut, M12-1.25 Nylon	1
11	<u>102376603</u>	Assy, Rotor, Brake, Front, Wt (includes items 12 and 13)	1
12	N/A	Rotor, Brake, Front, Wt	1
13	<u>102475801</u>	Stud, Wheel Lug	4
14	<u>102464301</u>	Bearing	1
15	<u>102874301</u>	Asm, Adjuster, Slide (includes items 16 through 18)	1
16	<u>102361901</u>	Joint, Ball	1
17	<u>102722301</u>	Ring, Retaining, Ext, 1-1/4"	1
18	N/A	Slide, Adjuster	1
19	N/A	Upright, Left, 40 X 74 X 40	1
20	<u>102791702</u>	Upright, Right-Hand (includes items 21 through 30)	1
21	<u>102022901</u>	Locknut, M12-1.25 Nylon	1
22	<u>102376603</u>	Assy, Rotor, Brake, Front, Wt (includes items 23 and 24)	1
23	N/A	Rotor, Brake, Front, Wt	1
24	<u>102475801</u>	Stud, Wheel Lug	4
25	<u>102464301</u>	Bearing	1
26	<u>102874301</u>	Asm, Adjuster, Slide (includes items 27 through 29)	1
27	<u>102361901</u>	Joint, Ball	1
28	<u>102722301</u>	Ring, Retaining, Ext, 1-1/4"	1
29	N/A	Slide, Adjuster	1
30	N/A	Upright, Right, 40 X 74 X 40	1
31	<u>102793701</u>	Half Shaft	2
32	<u>103244701</u>	Asm, Mount, Diff Plate	1
		Note: Halfshaft (item 31) was used in vehicles with serial numbers lower than 770484. Effective February 1, 2007, supplier and part number changed (see next page for newer halfshaft).	

18
G
D

18

G

D



000012-005

FRONT DIFFERENTIAL MOUNTING AND HALF SHAFTS – S/N 770484 AND GREATER

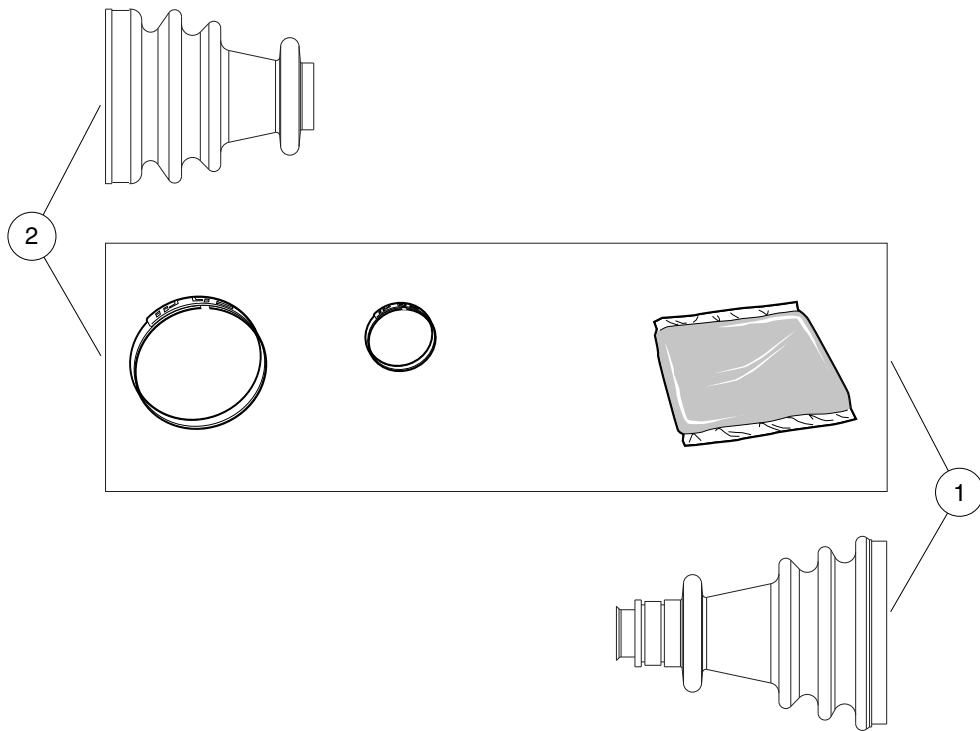
ITEM	PART NO.	DESCRIPTION	QTY
		1 2 3 4	
1	102274101	Center Cap, Rubber	2
2	102381701	Spacer Block, Diff	1
3	102462401	Hose, Vent, Front Diff	1
4	102491001	Bolt, Flanged Head, 3/8-16x1.0 with Loctite	2
5	102491101	Bolt, Flanged Head, 3/8-16x1.500 with Loctite	2
6	102617501	Nut, Flange, M22 X 1.5 Mech Def	2
7	102617801	Washer, Hard, M22	2
8	102711601	Bolt, Flange Head, M10 X 1.5 X 25	4
9	102791701	Upright, Left-Hand (includes items 10 through 19)	1
10	102022901	Locknut, M12-1.25 Nylon	1
11	102376603	Assy, Rotor, Brake, Front, Wt (includes items 12 and 13)	1
12	N/A	Rotor, Brake, Front, Wt	1
13	102475801	Stud, Wheel Lug	4
14	102464301	Bearing	1
15	102874301	Asm, Adjuster, Slide (includes items 16 through 18)	1
16	102361901	Joint, Ball	1
17	102722301	Ring, Retaining, Ext, 1-1/4"	1
18	N/A	Slide, Adjuster	1
19	N/A	Upright, Left, 40 X 74 X 40	1
20	102791702	Upright, Right-Hand (includes items 21 through 30)	1
21	102022901	Locknut, M12-1.25 Nylon	1
22	102376603	Assy, Rotor, Brake, Front, Wt (includes items 23 and 24)	1
23	N/A	Rotor, Brake, Front, Wt	1
24	102475801	Stud, Wheel Lug	4
25	102464301	Bearing	1
26	102874301	Asm, Adjuster, Slide (includes items 27 through 29)	1
27	102361901	Joint, Ball	1
28	102722301	Ring, Retaining, Ext, 1-1/4"	1
29	N/A	Slide, Adjuster	1
30	N/A	Upright, Right, 40 X 74 X 40	1
31	103244701	Asm, Mount, Diff Plate	1
32	103296201	Half Shaft, Wide, Awd	2
		Note: Halfshaft (item 32) was used in vehicles with serial number 770484 and higher. Effective February 1, 2007, supplier and part number changed (see previous page for older halfshaft).	

18
G
D

18

G

D



000791-002

CV BOOT REPAIR KITS – S/N'S LOWER THAN 770484

ITEM	PART NO.	DESCRIPTION	QTY
1	<u>AM11807</u>	1 2 3 4 Kit, Outer Boot	1
2	AM11808	Kit, Inner Boot	1
<p>Note: Items 1 and 2 are for halfshafts used till February 1, 2007 with serial numbers below 770484. For halfshafts used starting February 1, 2007 with serial number 770484 and higher, see next page.</p>			

18

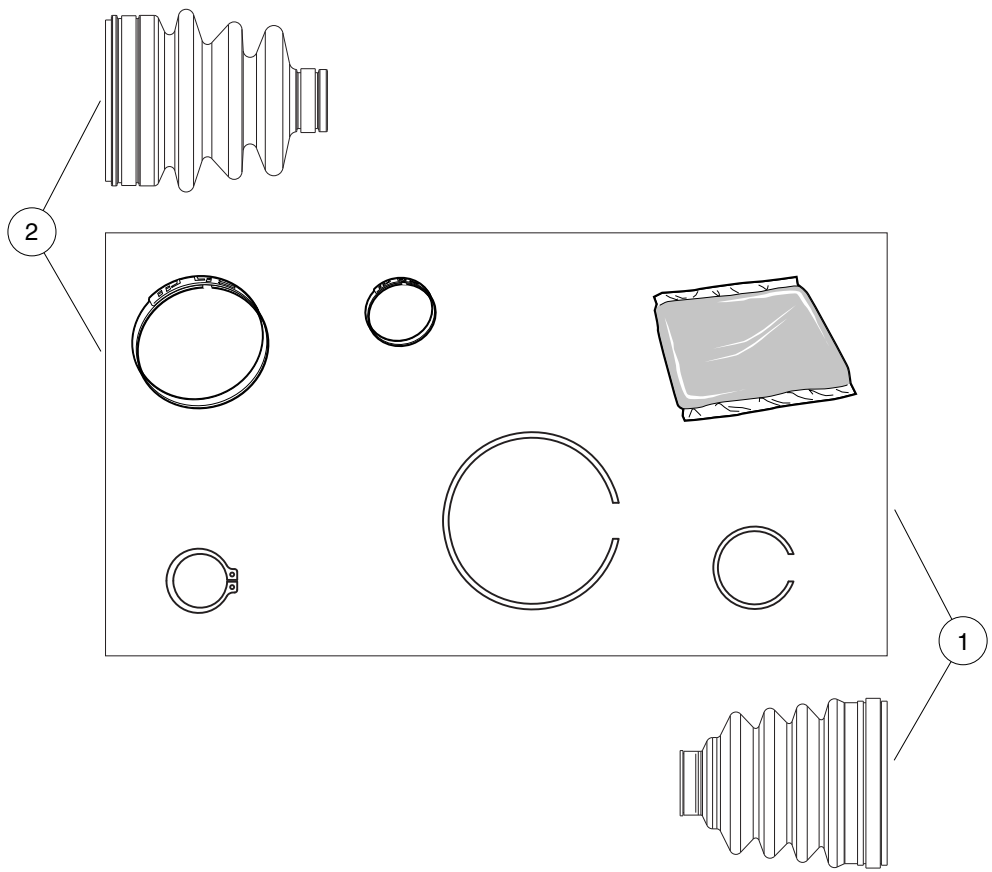
G

D

18

G

D



000791-003

CV BOOT REPAIR KITS – S/N 770484 AND GREATER

ITEM	PART NO.	DESCRIPTION	QTY
1	<u>AM1241201</u>	1 2 3 4 Kit, Outer Boot	1
2	<u>AM1241301</u>	Kit, Inner Boot	1
<p>Note: Items 1 and 2 are for halfshafts used starting February 1, 2007 with serial number 770484 and higher. For halfshafts used till February 1, 2007 with serial numbers below 770484, see previous page.</p>			

18

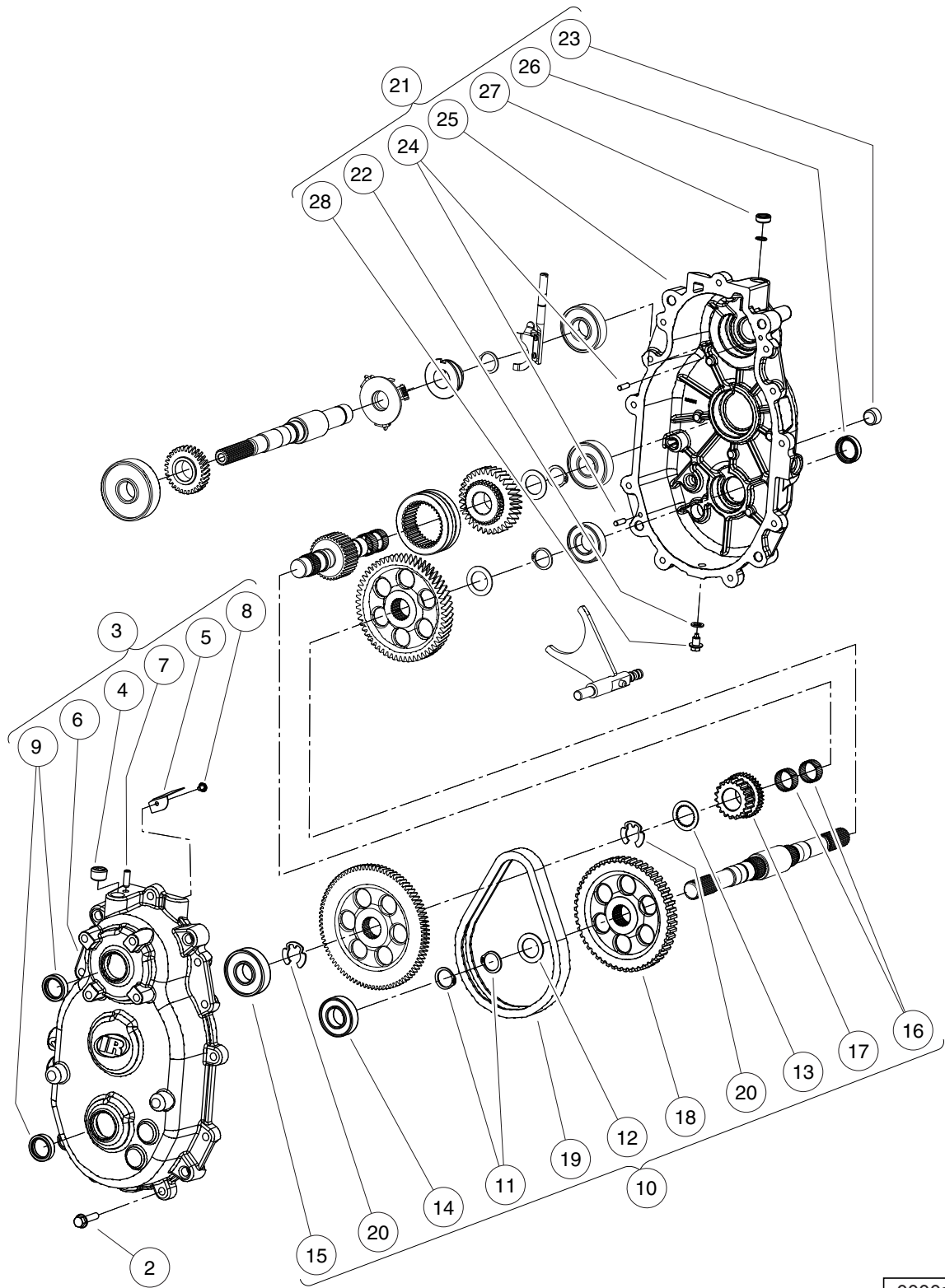
G

D

18

G

D



000016-014

TRANSMISSION, HONDA GAS ENGINE – PAGE 1 OF 3

ITEM	PART NO.	DESCRIPTION	QTY
		1 2 3 4	
1	<u>103178401</u>	Transmission, with Governor (includes items 2 through 21)	1
2	<u>102693301</u>	Screw, hex Flange, M8 X 35	11
3	<u>102764201</u>	Asm, Gear Case, Rear (includes items 4 through 9)	1
4	<u>102694201</u>	Plug, Square Skt, 1/12-14, Ptf	1
5	N/A	Oil, Deflector	1
6	N/A	Gearcase, Rear	1
7	N/A	Vent, Trans	1
8	N/A	Screw, Tapping # 10-24 X .375	1
9	<u>102699401</u>	Seal, Triple, 25 X 35 X 7.8	2
10	<u>102765201</u>	Kit, Reverse Gear Repair (includes items 11 through 20)	1
11	<u>102696201</u>	Ring, Retaining, Basic External	2
12	<u>102696501</u>	Washer, Thrust, 1.007 X .062	1
13	<u>102696701</u>	Washer, 26.231 X 39.167 X 1.57	1
14	<u>102696801</u>	Bearing, Ball	1
15	<u>102696901</u>	Bearing, Ball	1
16	<u>102697101</u>	Bearing, Needle	2
17	N/A	Sprocket, 19-Tooth	1
18	N/A	Sprocket, 51-Tooth	1
19	N/A	Chain, .375p, .75 Wide, 60ptch	1
20	<u>102699701</u>	Ring, Retaining, E-Ring	2
21	<u>103250301</u>	Asm, Case, Gear, Front (includes items 22 through 28)	1
22	<u>102693501</u>	Washer, .625 X .382 X .60	1
23	<u>102694201</u>	Plug, Square Skt, 1/12-14, Ptf	1
24	<u>102696101</u>	Pin, Dowel, 6 X 20	2
25	N/A	Gearcase, Front	1
26	<u>102699401</u>	Seal, Triple, 25 X 35 X 7.8	1
27	<u>102721501</u>	Seal, Dual-Lip	1
28	<u>103250401</u>	Plug, 3/4-16	1
Note: This assembly also contains components listed on the following four pages.			

18

G

D

TRANSMISSION, HONDA GAS ENGINE – PAGE 2 OF 3

ITEM	PART NO.	DESCRIPTION	QTY
		1 2 3 4	
1	<u>102696001</u>	Nut, Lock Hex, Nylon, 5/16-24	1
2	<u>102696201</u>	Ring, Retaining, Basic External	2
3	<u>102696401</u>	Ring, Retaining, External 9/16	1
4	<u>102696501</u>	Washer, Thrust, 1.007 X .062	2
5	<u>102696601</u>	Washer, Flat, .58 X 1.08 X .05	1
6	<u>102696801</u>	Bearing, Ball	1
7	<u>102696901</u>	Bearing, Ball	1
8	<u>102697101</u>	Bearing, Needle	2
9	<u>102697501</u>	Dog, Engagement	1
10	<u>102698701</u>	Shaft, Intermediate	1
11	<u>102699601</u>	Seal, Dual Lip, .88 X .56 X .19	1
12	<u>102765101</u>	Kit, Neutral Switch Repair (includes items 13 through 16)	1
13	N/A	Spring, .484 X .340 X 1.076	1
14	N/A	Guide, Detent Bullet	1
15	<u>102698601</u>	Bullet, Detent	1
16	N/A	Switch, Indicator, Pollak	1
17	<u>103239501</u>	Bellcrank, Alum	1
18	<u>103239601</u>	Gear, 35t, Spur	1
19	N/A	Gear, 65t Spur	1
20	<u>103239801</u>	Shaft, Shift	1
<p>Note: This page contains a list of components internal to the transmission. See the previous and next page for other transmission components.</p>			

18

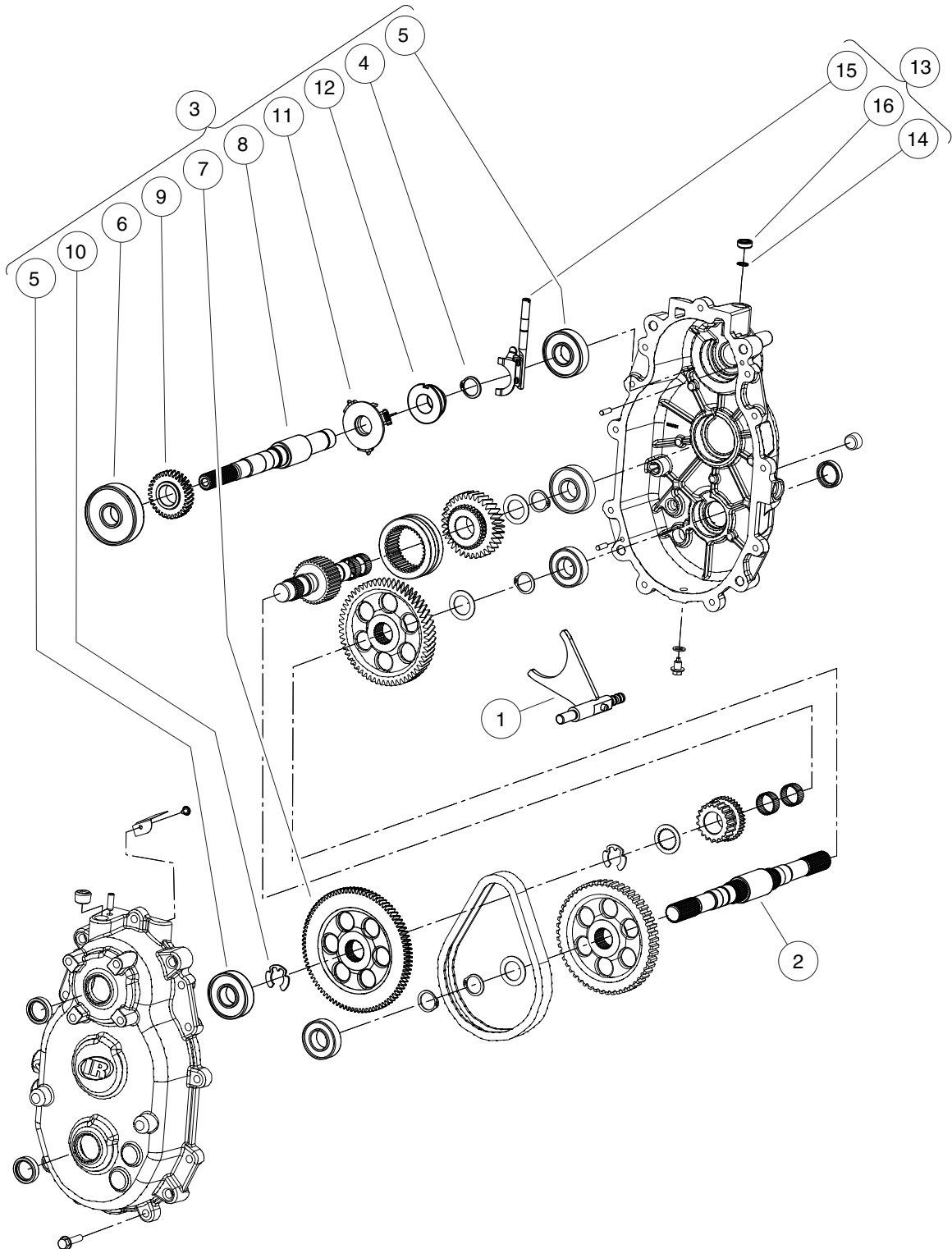
G

D

18

G

D



000016-016

TRANSMISSION, HONDA GAS ENGINE – PAGE 3 OF 3

ITEM	PART NO.	DESCRIPTION	QTY
		1 2 3 4	
1	<u>102697801</u>	Fork, Transmission	1
2	<u>102698801</u>	Shaft, Output	1
3	<u>102764701</u>	Kit, Input Shaft Repair (includes items 4 through 12)	1
4	<u>102696201</u>	Ring, Retaining, Basic External	1
5	<u>102696901</u>	Bearing, Ball	2
6	<u>102697001</u>	Bearing, Ball	1
7	N/A	Gear, Helical 90-Tooth	1
8	N/A	Shaft, Input	1
9	N/A	Gear, Helical, 31-tooth	1
10	<u>102699701</u>	Ring, Retaining, E-Ring	1
11	<u>102700201</u>	Sub Assy, Fly Weight	1
12	<u>102700301</u>	Sub Assy, Governor Spool	1
13	<u>102764801</u>	Kit, Governor Shaft Repair (includes items 14 through 16)	1
14	<u>102700001</u>	Ring, Retaining	1
15	<u>102700101</u>	Assy, Governor Arm	1
16	<u>102721501</u>	Seal, Dual-Lip	1
Note: This page contains a list of components internal to the transmission. See the previous pages for other transmission components.			

18

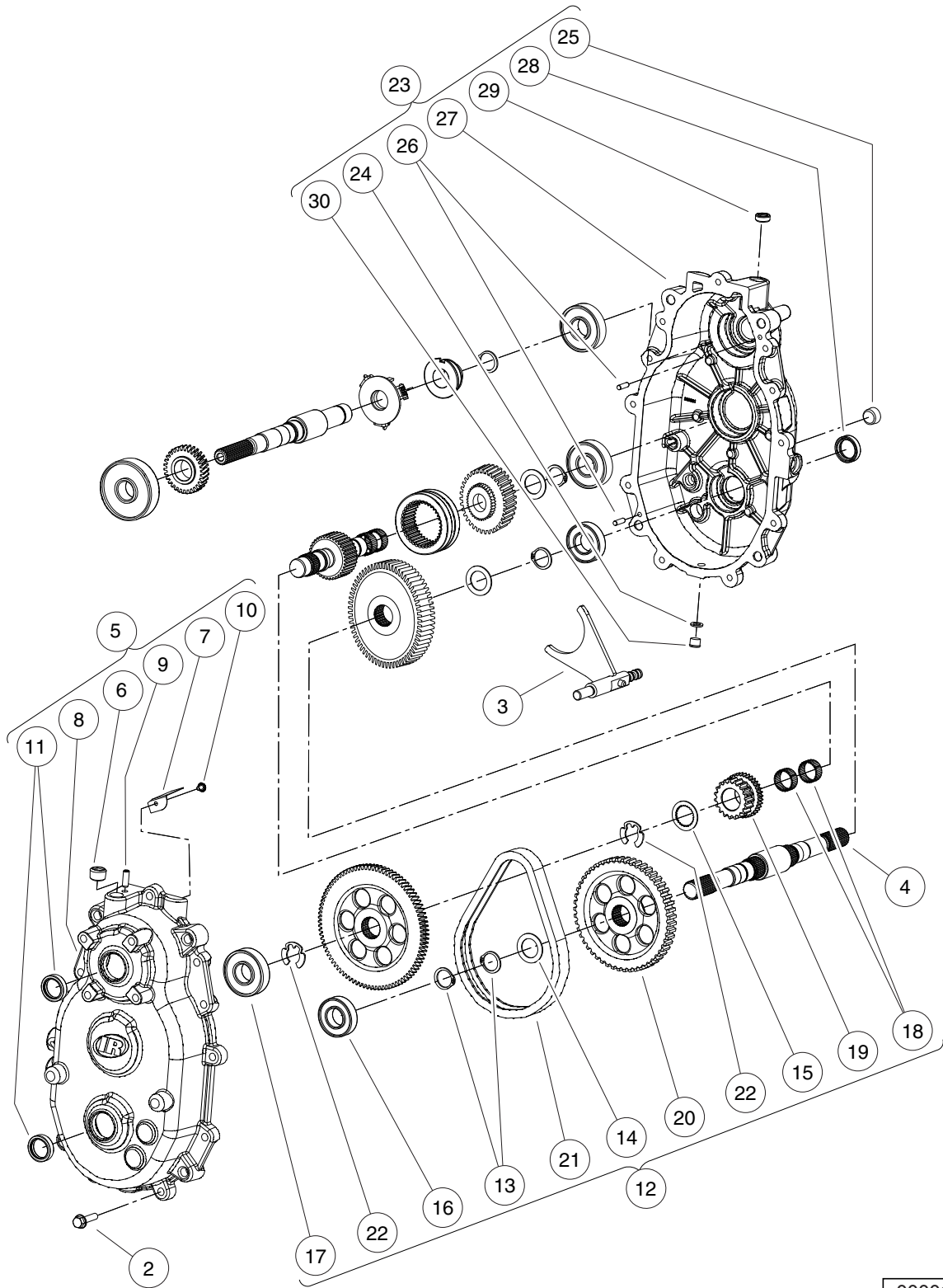
G

D

18

G

D



000016-012

TRANSMISSION, KAWASAKI & KUBOTA ENGINES – PAGE 1 OF 3

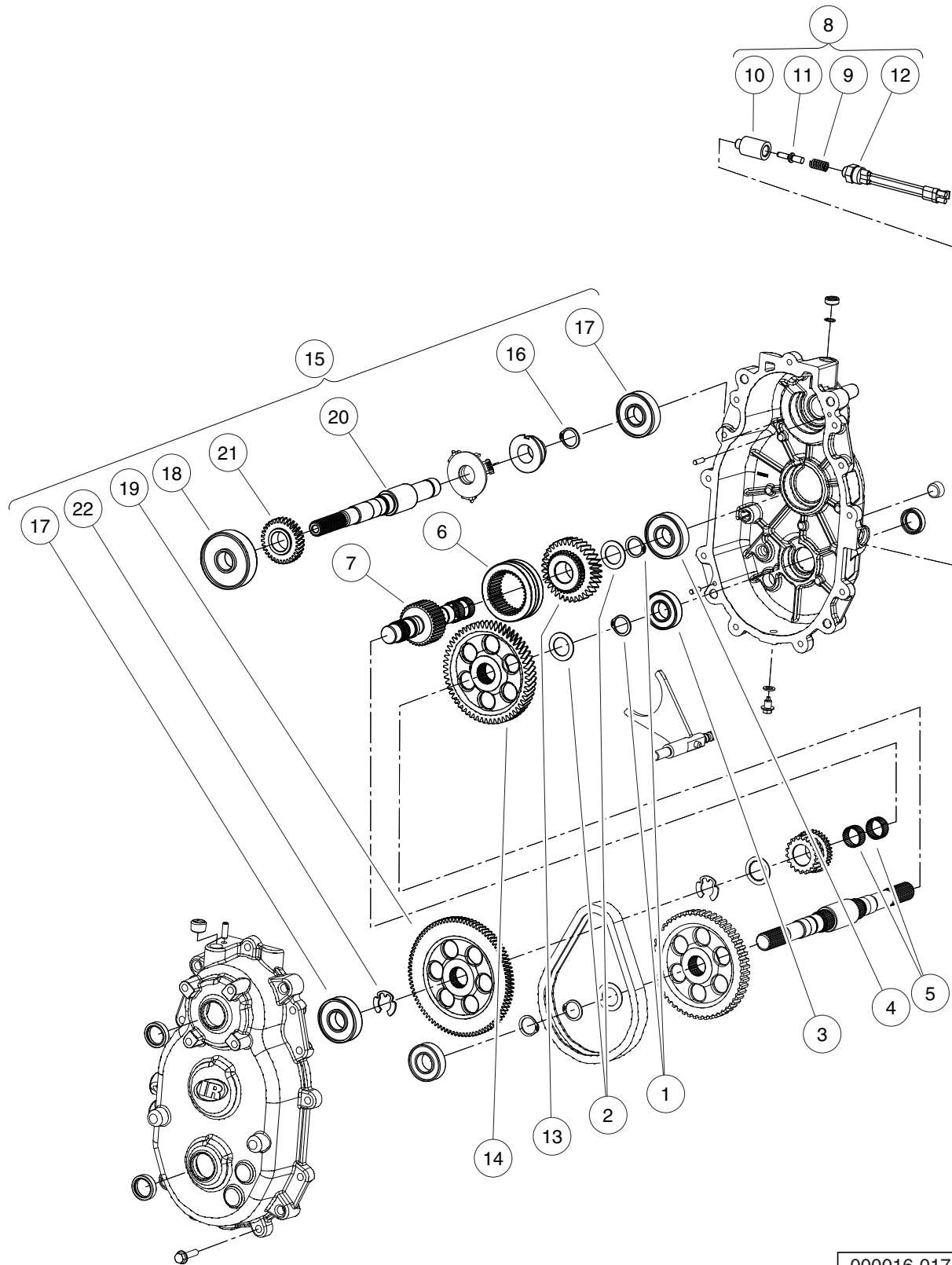
ITEM	PART NO.	DESCRIPTION	QTY
		1 2 3 4	
1	<u>102943201</u>	Transmission, w/o Governor (includes items 2 through 23)	1
2	<u>102693301</u>	Screw, hex Flange, M8 X 35	11
3	<u>102697801</u>	Fork, Transmission	1
4	<u>102698801</u>	Shaft, Output	1
5	<u>102764201</u>	Asm, Gear Case, Rear (includes items 6 through 11)	1
6	<u>102694201</u>	Plug, Square Skt, 1/12-14, Ptf	1
7	N/A	Oil, Deflector	1
8	N/A	Gearcase, Rear	1
9	N/A	Vent, Trans	1
10	N/A	Screw, Tapping # 10-24 X .375	1
11	<u>102699401</u>	Seal, Triple, 25 X 35 X 7.8	2
12	<u>102765201</u>	Kit, Reverse Gear Repair (includes items 13 through 22)	1
13	<u>102696201</u>	Ring, Retaining, Basic External	2
14	<u>102696501</u>	Washer, Thrust, 1.007 X .062	1
15	<u>102696701</u>	Washer, 26.231 X 39.167 X 1.57	1
16	<u>102696801</u>	Bearing, Ball	1
17	<u>102696901</u>	Bearing, Ball	1
18	<u>102697101</u>	Bearing, Needle	2
19	N/A	Sprocket, 19-Tooth	1
20	N/A	Sprocket, 51-Tooth	1
21	N/A	Chain, .375p, .75 Wide, 60ptch	1
22	<u>102699701</u>	Ring, Retaining, E-Ring	2
23	<u>103250301</u>	Asm, Case, Gear, Front (includes items 24 through 30)	1
24	<u>102693501</u>	Washer, .625 X .382 X .60	1
25	<u>102694201</u>	Plug, Square Skt, 1/12-14, Ptf	1
26	<u>102696101</u>	Pin, Dowel, 6 X 20	2
27	N/A	Gearcase, Front	1
28	<u>102699401</u>	Seal, Triple, 25 X 35 X 7.8	1
29	<u>102721501</u>	Seal, Dual-Lip	1
30	<u>103250401</u>	Plug, 3/4-16	1

18
G
D

18

G

D



000016-017

TRANSMISSION, KAWASAKI & KUBOTA ENGINES – PAGE 2 OF 3

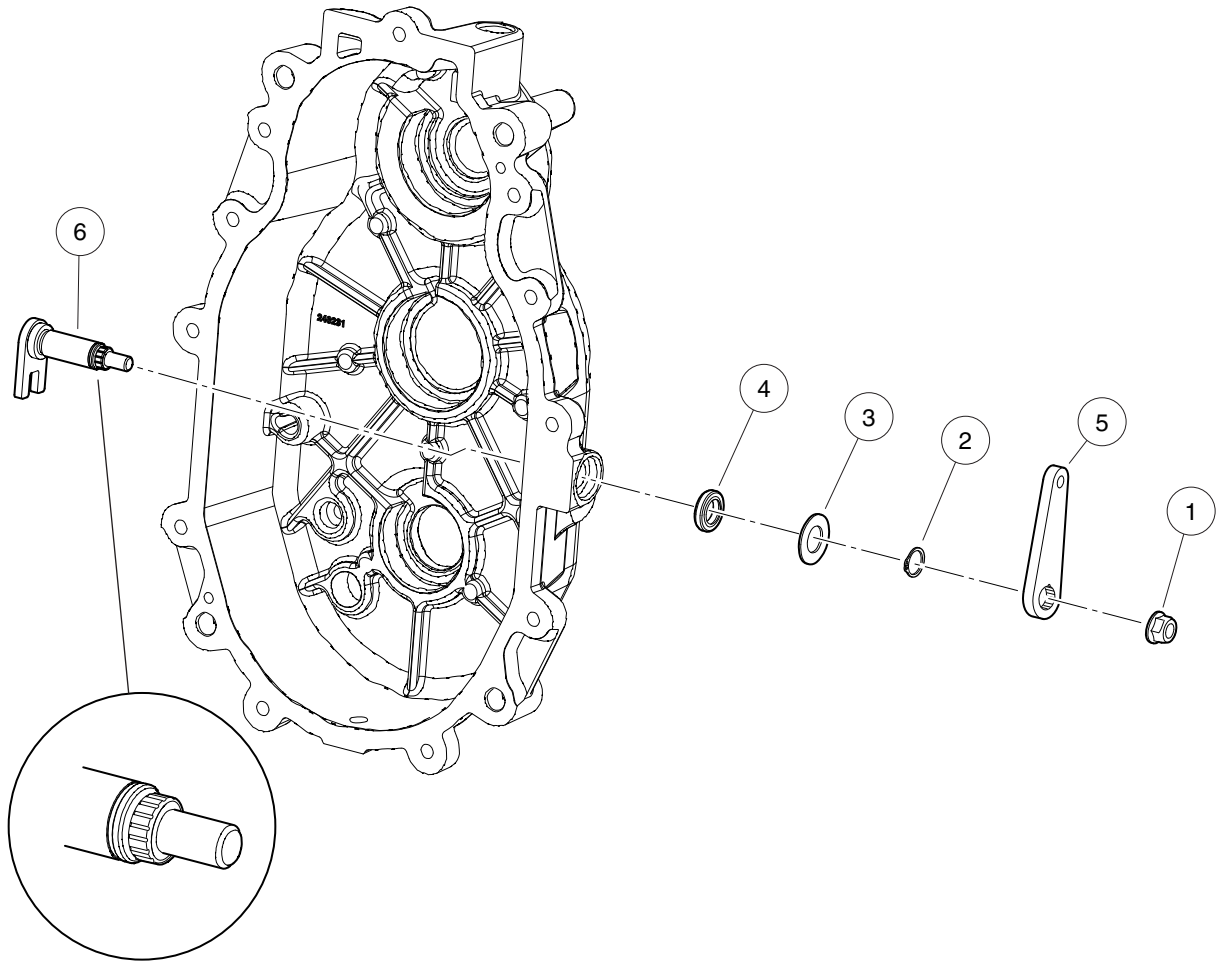
ITEM	PART NO.	DESCRIPTION	QTY
		1 2 3 4	
1	<u>102696201</u>	Ring, Retaining, Basic External	2
2	<u>102696501</u>	Washer, Thrust, 1.007 X .062	2
3	<u>102696801</u>	Bearing, Ball	1
4	<u>102696901</u>	Bearing, Ball	1
5	<u>102697101</u>	Bearing, Needle	2
6	<u>102697501</u>	Dog, Engagement	1
7	<u>102698701</u>	Shaft, Intermediate	1
8	<u>102765101</u>	Kit, Neutral Switch Repair (includes items 9 through 12)	1
9	N/A	Spring, .484 X .340 X 1.076	1
10	N/A	Guide, Detent Bullet	1
11	<u>102698601</u>	Bullet, Detent	1
12	N/A	Switch, Indicator, Pollak	1
13	<u>103239601</u>	Gear, 35t, Spur	1
14	N/A	Gear, 65t Spur	1
15	<u>103721801</u>	Kit, Input Shaft Repair (includes items 16 through 22)	1
16	<u>102696201</u>	Ring, Retaining, Basic External	1
17	<u>102696901</u>	Bearing, Ball	2
18	<u>102697001</u>	Bearing, Ball	1
19	N/A	Gear, Helical 90-Tooth	1
20	N/A	Shaft, Input	1
21	N/A	Gear, Helical, 31-tooth	1
22	<u>102699701</u>	Ring, Retaining, E-Ring	1

18
G
D

18

G

D



000016-010

TRANSMISSION, KAWASAKI & KUBOTA ENGINES – PAGE 3 OF 3

ITEM	PART NO.	DESCRIPTION	QTY
		1 2 3 4	
1	<u>102696001</u>	Nut, Lock Hex, Nylon, 5/16-24	1
2	<u>102696401</u>	Ring, Retaining, External 9/16	1
3	<u>102696601</u>	Washer, Flat, .58 X 1.08 X .05	1
4	<u>102699601</u>	Seal, Dual Lip, .88 X .56 X .19	1
5	<u>103239501</u>	Bellcrank, Alum	1
6	<u>103239801</u>	Shaft, Shift	1

18

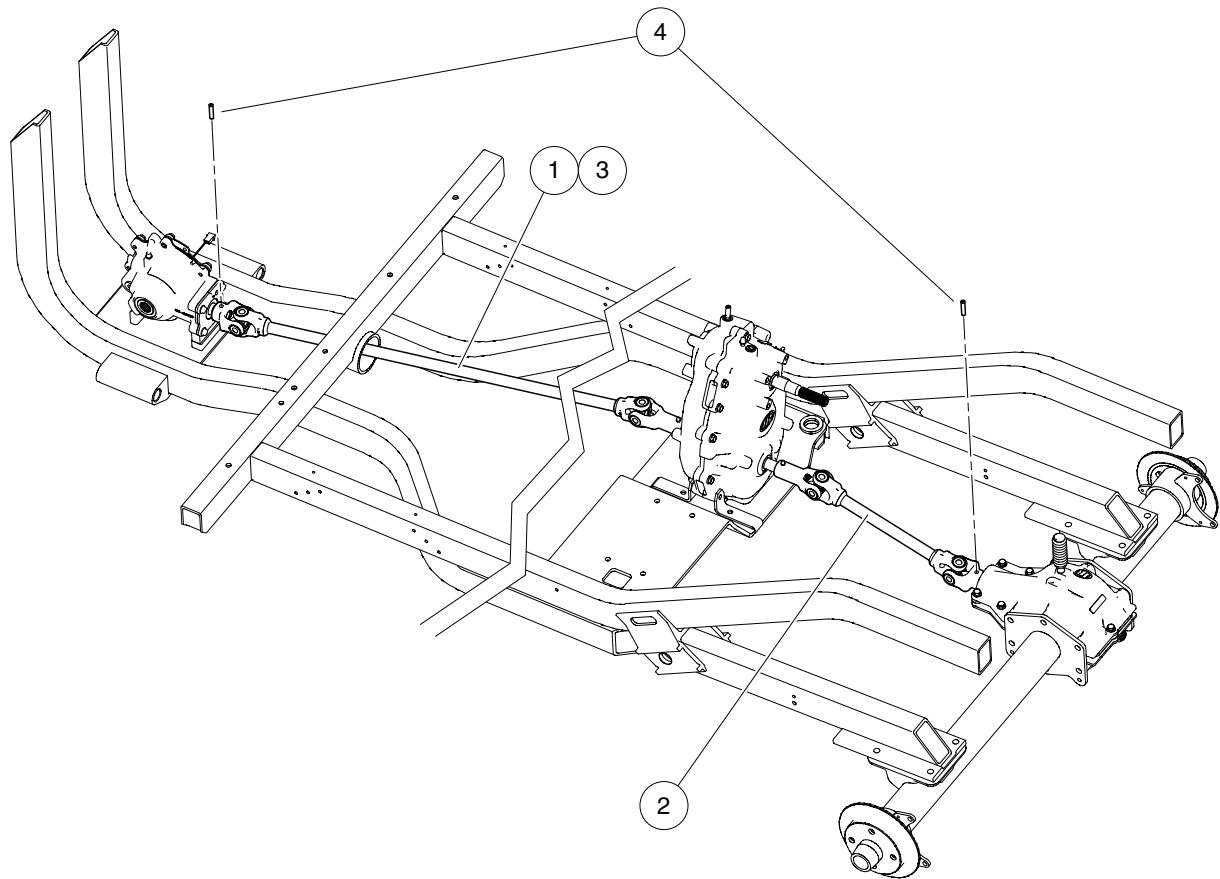
G

D

18

G

D



000091-004

PROP SHAFTS

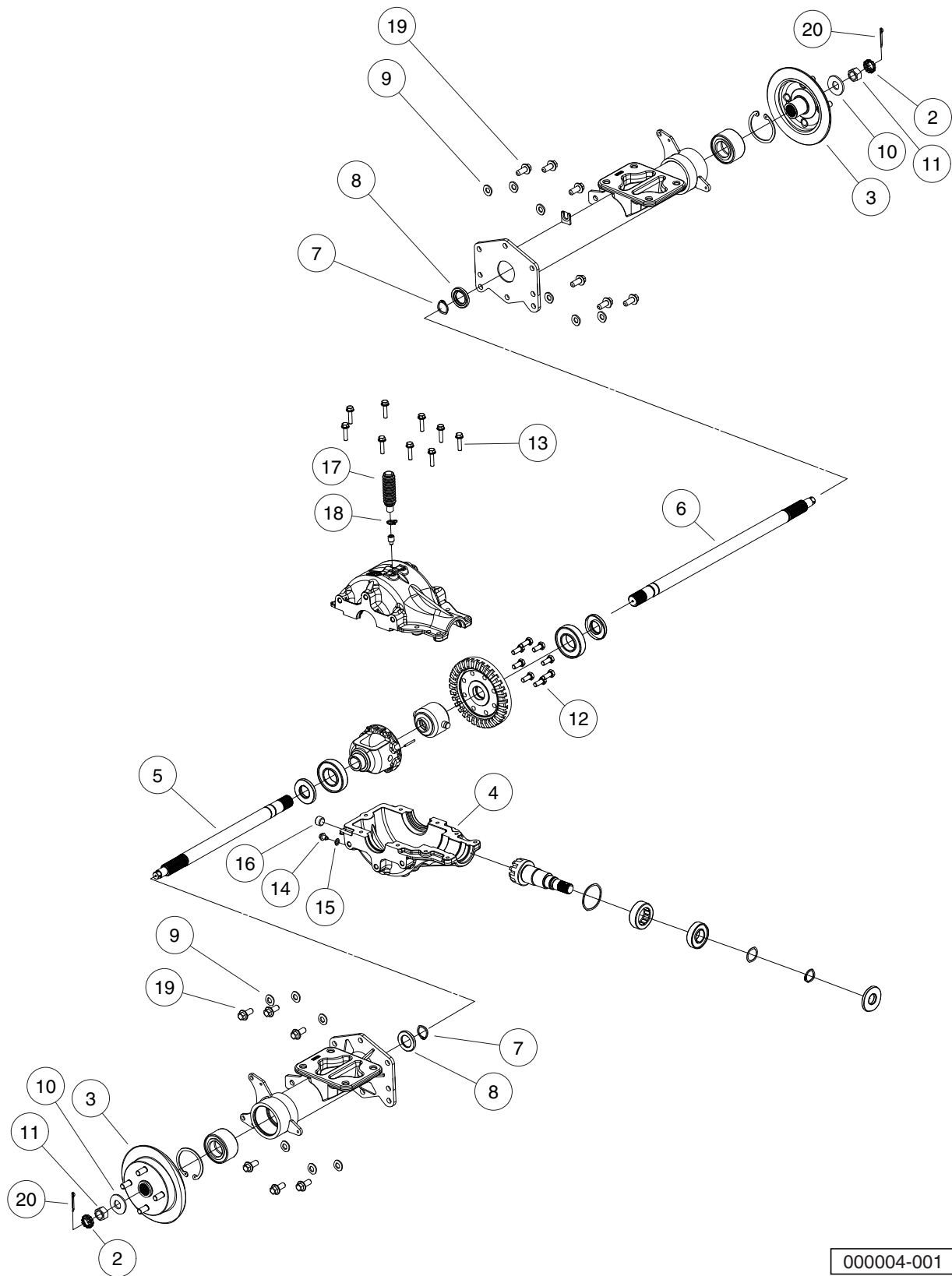
ITEM	PART NO.	DESCRIPTION	QTY
		1 2 3 4	
1	<u>102371701</u>	Prop Shaft, Front, 295/1550	1
2	102372101	Prop Shaft, Rear, 295/295 SE/1550/1550 SE	1
3	<u>102767701</u>	Prop Shaft, Front, 295 SE/1550 SE	1
4	95293643	Pin, Spring, 5/16 X 1-1/2 Hd	2
<p>Note: Item 1 is for 81.5 in. (207 cm) wheelbase vehicle only. Item 3 is for 114 in. (289.5 cm) wheelbase vehicle only.</p>			

18
G
D

18

G

D



000004-001

REAR DIFFERENTIAL AND AXLES – PAGE 1 OF 2

ITEM	PART NO.	DESCRIPTION	QTY
		1 2 3 4	
1	<u>102831501</u>	Axle, Rear (Complete Assembly) (includes items 2 through 20)	1
2	<u>102276001</u>	Locking Cap, Nut	2
3	<u>102376602</u>	Assy, Rotor, Brake, Rear	2
4	<u>102449101</u>	Gearcase, Lower, Machined	1
5	<u>102463501</u>	Axle, Right-hand	1
6	<u>102463601</u>	Axle, Left-Hand	1
7	<u>102463901</u>	Ring, Retaining, External	2
8	<u>102672101</u>	Washer, counterbored 51 X 30	2
9	<u>102672201</u>	Washer, Belleville, 1.063 X .043	12
10	<u>102672301</u>	Washer, Belleville, 49 X 4	2
11	<u>102672401</u>	Nut, Hex, M20 X 1.5 , Modified	2
12	<u>102693201</u>	Screw, M10 X 25	8
13	<u>102693301</u>	Screw, hex Flange, M8 X 35	9
14	<u>102693401</u>	Plug, 3/8-16, Hex Flange	1
15	<u>102693501</u>	Washer, .625 X .382 X .60	1
16	<u>102694201</u>	Plug, Square Skt, 1/12-14, Ptf	1
17	<u>102694301</u>	Bellows, Vent, Upper Housing	1
18	<u>102694401</u>	Clamp, Hose, Dw-9.5	1
19	<u>102694701</u>	Screw, Hex Fl, M12 X 1.75 X 30	12
20	<u>102694801</u>	Pin, Cotter, 5/32 X 1.25	2

18

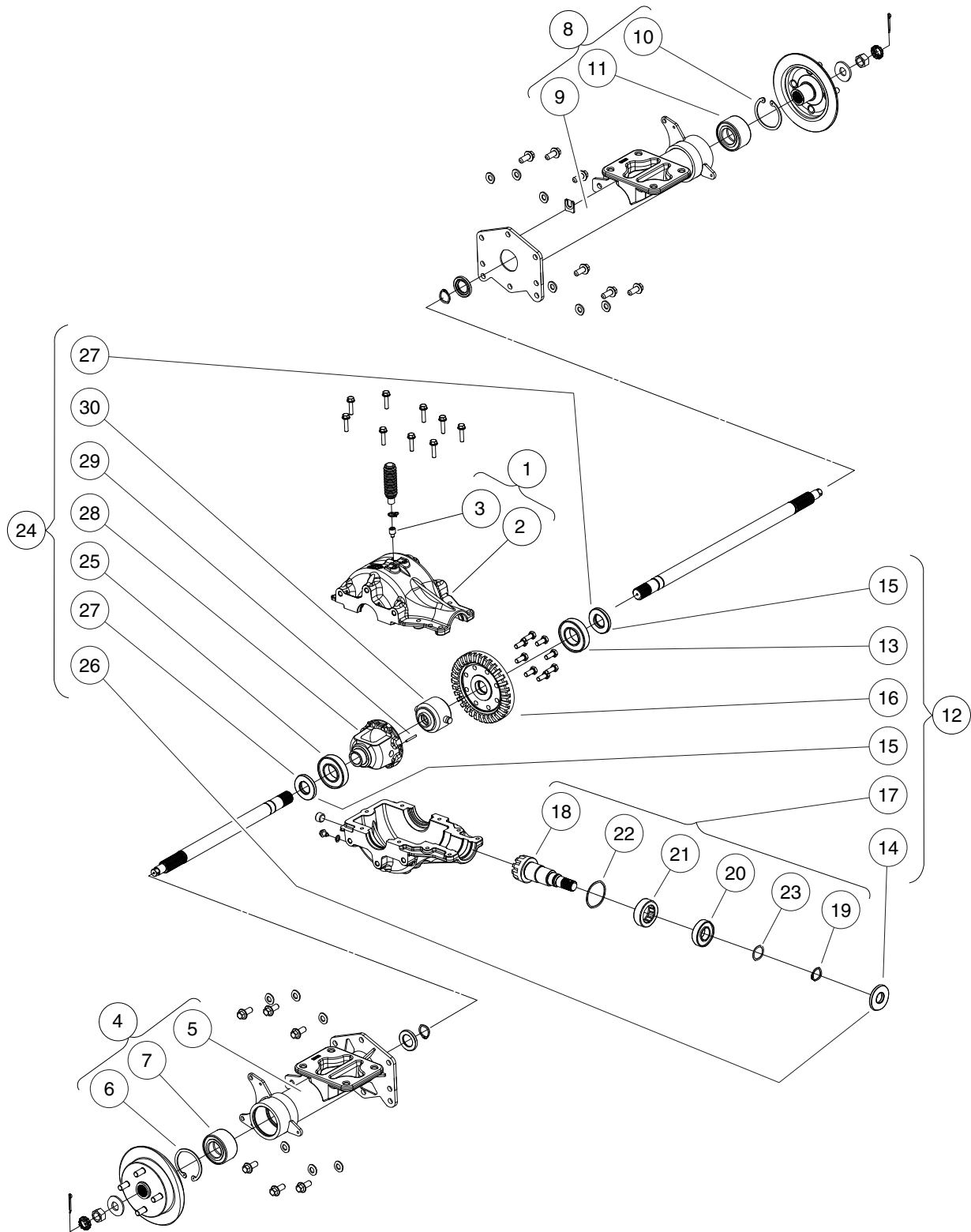
G

D

18

G

D



000004-002

REAR DIFFERENTIAL AND AXLES – PAGE 2 OF 2

ITEM	PART NO.	DESCRIPTION	QTY
		1 2 3 4	
1	<u>102765301</u>	Asm, Gearcase, Upper (includes items 2 and 3)	1
2	N/A	Gearcase, Upper, Machined	1
3	<u>102694001</u>	Vent, Top, Upper Housing	1
4	<u>102765401</u>	Asm, Axle Tube, RH (includes items 5 through 7)	1
5	<u>102463401</u>	Weldment, Axle Tube Rh	1
6	<u>102463801</u>	Ring, Retaining, Internal	1
7	<u>102464301</u>	Bearing	1
8	<u>102765501</u>	Asm, Axle Tube, LH (includes items 9 through 11)	1
9	<u>102463301</u>	Weldment, Axle Tube Lh	1
10	<u>102463801</u>	Ring, Retaining, Internal	1
11	<u>102464301</u>	Bearing	1
12	<u>102765801</u>	Kit, Rear Axle Gear Repair (includes items 13 through 17)	1
13	<u>102464201</u>	Bearing, Ball	1
14	<u>102464401</u>	Seal, Dual-Lip 25x 62x 7tc	1
15	<u>102464501</u>	Seal, Dual-Lip 30x 62x 8tc	2
16	<u>102762601</u>	Gear, Ring, 33-Tooth	1
17	<u>102765701</u>	Asm, Pinion W/ Bearings (includes items 18 through 23)	1
18	<u>102463101</u>	Pinion, 10t Machined	1
19	<u>102463901</u>	Ring, Retaining, External	1
20	<u>102464001</u>	Bearing, Ball	1
21	<u>102464101</u>	Bearing, Needle, Drawn Shell	1
22	<u>102693601</u>	Washer, 2.625 X 2.367 X .06	1
23	<u>102694502</u>	Shim, 1.50 X 1.189 X .008	1
24	<u>102961501</u>	Asm, Differential & Carrier (includes items 25 through 30)	1
25	<u>102464201</u>	Bearing, Ball	1
26	<u>102464401</u>	Seal, Dual-Lip 25x 62x 7tc	1
27	<u>102464501</u>	Seal, Dual-Lip 30x 62x 8tc	2
28	<u>102961301</u>	Housing, Differential, Mach	1
29	<u>102961401</u>	Pin, Dowel, 4 X 35	1
30	N/A	Asm, Locker, Nongrease/Spacers	1

18

G

D

18

G

D

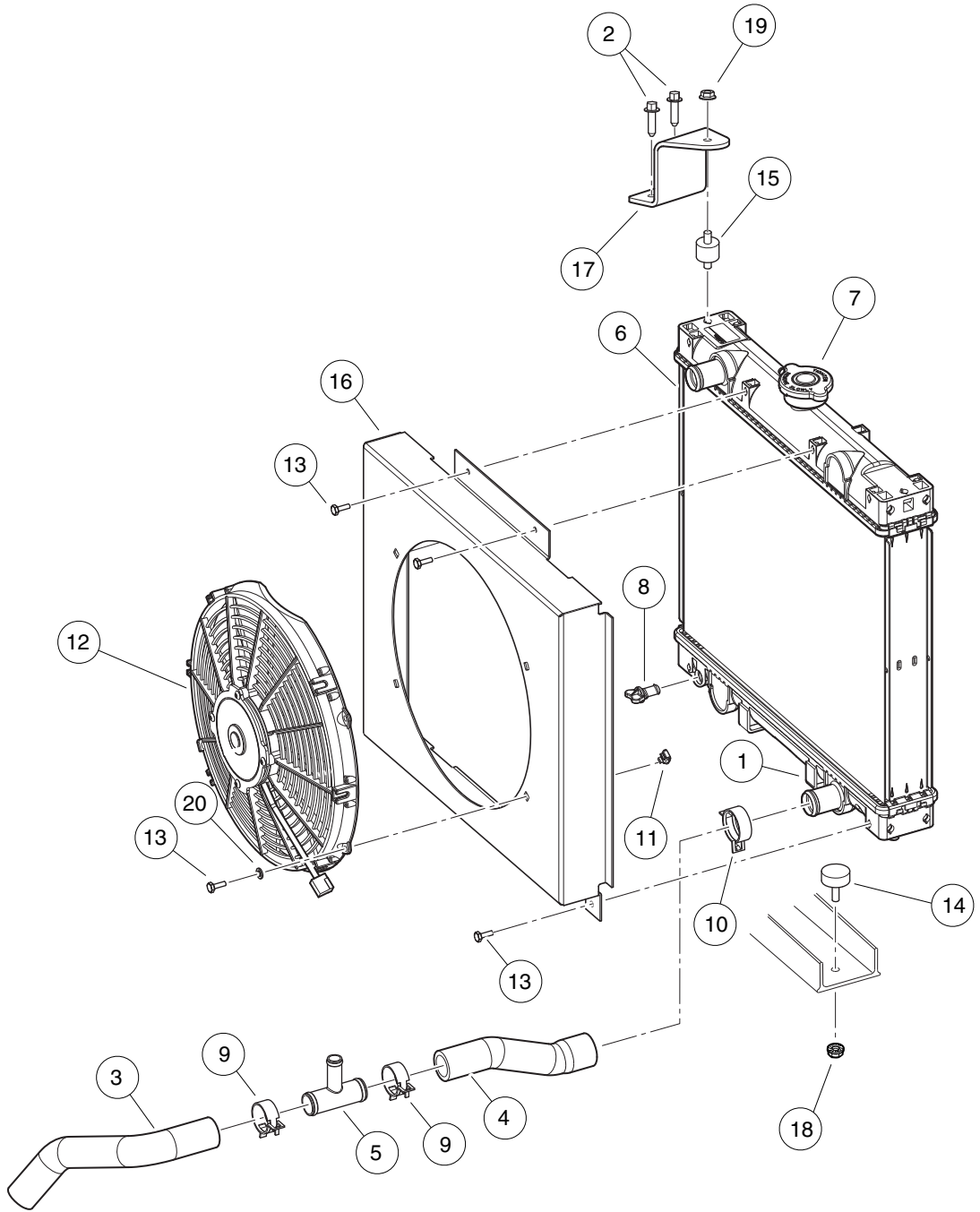
RADIATOR AND COOLANT SYSTEM – DIESEL VEHICLES

19

D

19

D



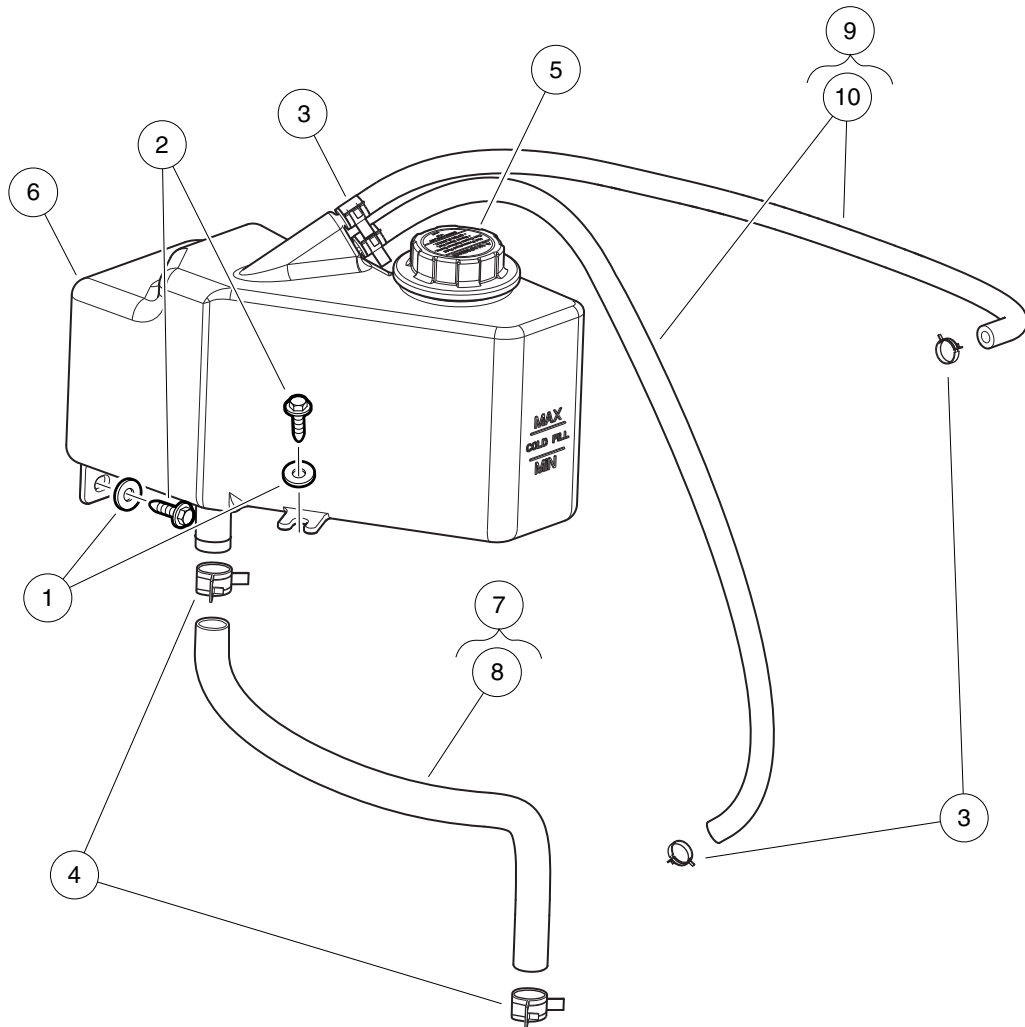
000541-002

RADIATOR

19

D

ITEM	PART NO.	DESCRIPTION	QTY
		1 2 3 4	
1	<u>1014471</u>	Tape, Vinyl Foam 1/8" x 3/4"	1
2	<u>102289001</u>	Screw, M8X1.25X30, Hex	4
3	<u>102377801</u>	Hose, Coolant Lower Pipe	1
4	<u>102377901</u>	Hose, Coolant Lower Rad	1
5	<u>102380301</u>	Tee, Coolant Fill	1
6	<u>102410301</u>	Radiator (includes items 7 and 8)	1
7	<u>102737301</u>	Cap, Radiator	1
8	N/A	Drain Cock, Radiator	1
9	<u>102411207</u>	Clamp, Hose, Ctb 35mm	2
10	<u>102411208</u>	Clamp, Hose, Ctb 38mm	1
11	<u>102411301</u>	Nut, Self Retaining	4
12	<u>102436701</u>	Fan, Cooling 12 In Elect	1
13	<u>102490301</u>	Bolt, M6 X 1 X 16, Loctite	8
14	<u>102684901</u>	Bumper, 19mm Stud	2
15	<u>102685001</u>	Isolator, Twin-Stud	2
16	<u>102855501</u>	Shroud, Radiator Fan	1
17	<u>102946701</u>	Bracket, Radiator Support	2
18	<u>96704176</u>	Nut, Flanged, M6 X 1, Serrated	2
19	<u>96704416</u>	Nut, Flange, M8 X 1.25 Serrated	2
20	<u>96705199</u>	Washer, M6	4



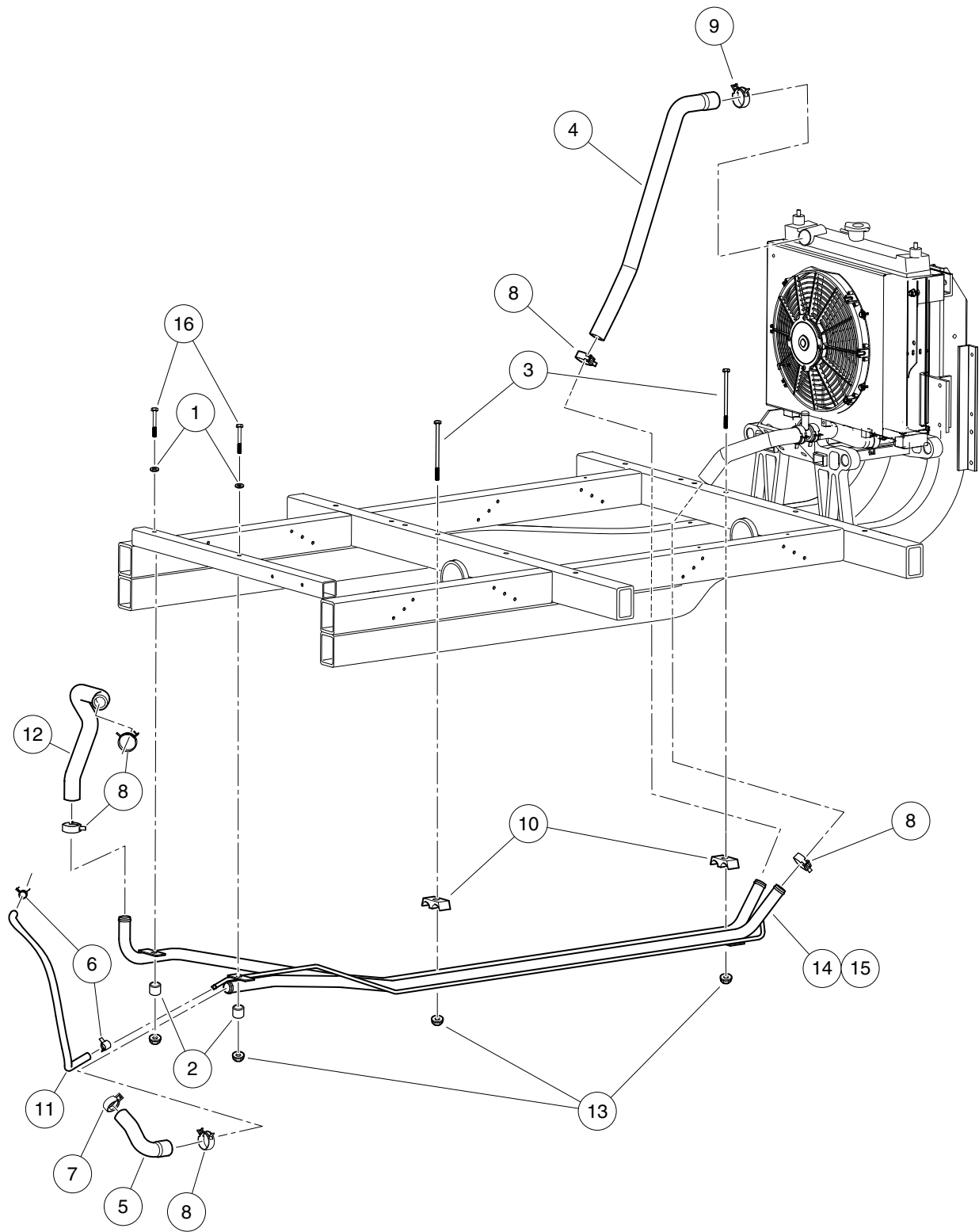
000540-002

COOLANT EXPANSION TANK

ITEM	PART NO.	DESCRIPTION	QTY
		1 2 3 4	
1	<u>1011578</u>	Washer, 5/16 Type B Flat	2
2	<u>102298720</u>	Screw, M8-1.25x20, Taptite	2
3	<u>102411204</u>	Clamp, Hose, CTB 15mm	4
4	<u>102411205</u>	Clamp, Hose, CTB 22mm	2
5	<u>102427501</u>	Cap, Radiator	1
6	<u>102973201</u>	Bottle, Coolant	1
7	N/A	Hose, Coolant, 5/8, Cut, 450MM (includes item 8)	1
8	<u>102807601</u>	Hose, Coolant, 5/8 SAE J20r3 Bulk	2
9	N/A	Hose, Coolant, 5/16, Cut, 1100MM (includes item 10)	2
10	<u>102807801</u>	Hose, Coolant, 5/16 SAE J20r3 Bulk	4

19

D



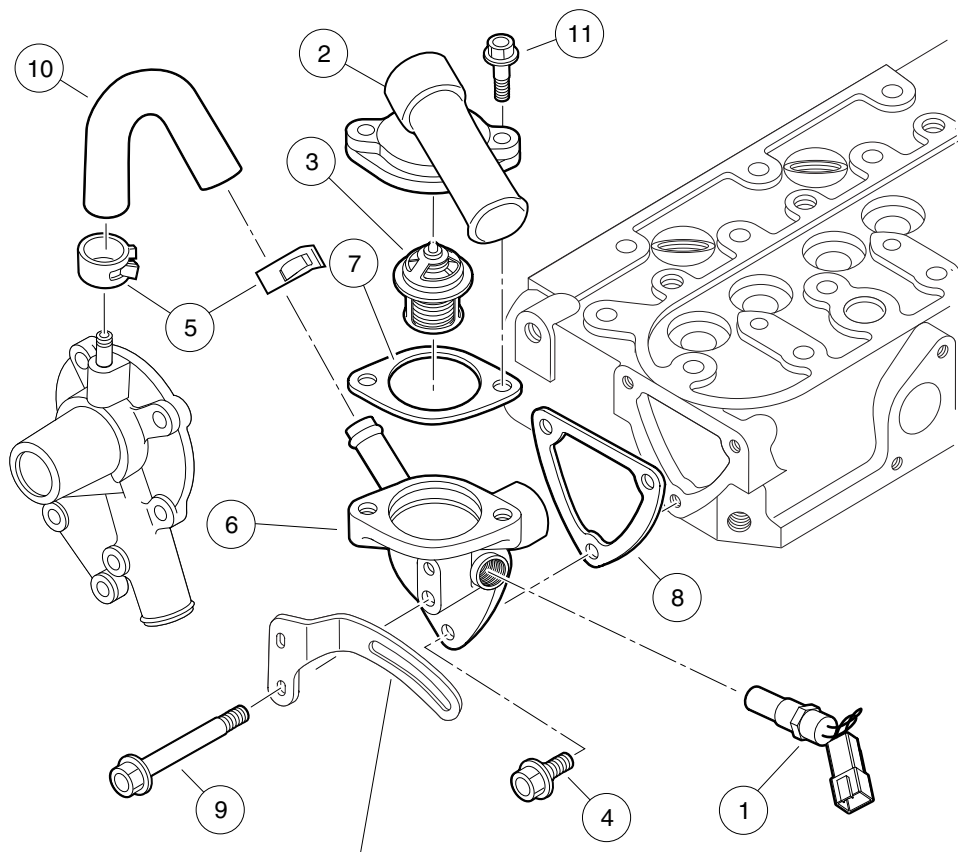
000079-006

COOLANT PIPES, CLAMPS, HOSES AND HARDWARE

ITEM	PART NO.	DESCRIPTION	QTY
		1 2 3 4	
1	<u>1011578</u>	Washer, 5/16 Type B Flat	2
2	<u>1015457</u>	Spacer, 0.720"	2
3	<u>102288901</u>	Bolt, Hex, M8x1.25 X 135	1
4	<u>102377501</u>	Hose, Coolant Upper Rad	1
5	<u>102377601</u>	Hose, Coolant Lower Eng	1
6	<u>102411204</u>	Clamp, Hose, CTB 15mm	2
7	<u>102411206</u>	Clamp, Hose, Ctb 30mm	1
8	<u>102411207</u>	Clamp, Hose, Ctb 35mm	5
9	<u>102411208</u>	Clamp, Hose, Ctb 38mm	1
10	<u>102427601</u>	Clamp, Bar	1
11	<u>102435001</u>	Hose, Vent Tube To Eng, Coolnt	1
12	<u>102480501</u>	Hose, Coolant, Return, Engine	1
13	<u>102618601</u>	Lock Nut, Flange, M8 X 1.25 Nylon	3
14	<u>102628701</u>	Coolant Pipe Assembly, 2-passenger	1
15	<u>102767601</u>	Coolant Pipe Assembly, 4-passenger	1
16	<u>103423701</u>	Bolt, M8 X 1.25 X 110	2
		<p>Note: For 295 SE and 1550 SE vehicles, double the quantity of clamp (item 10) and bolt (item 3) and the quantity of lock nuts (item 13) changes from 3 to 4.</p>	

19

D



For bracket, see
Alternator pages
in the Diesel Engine
section

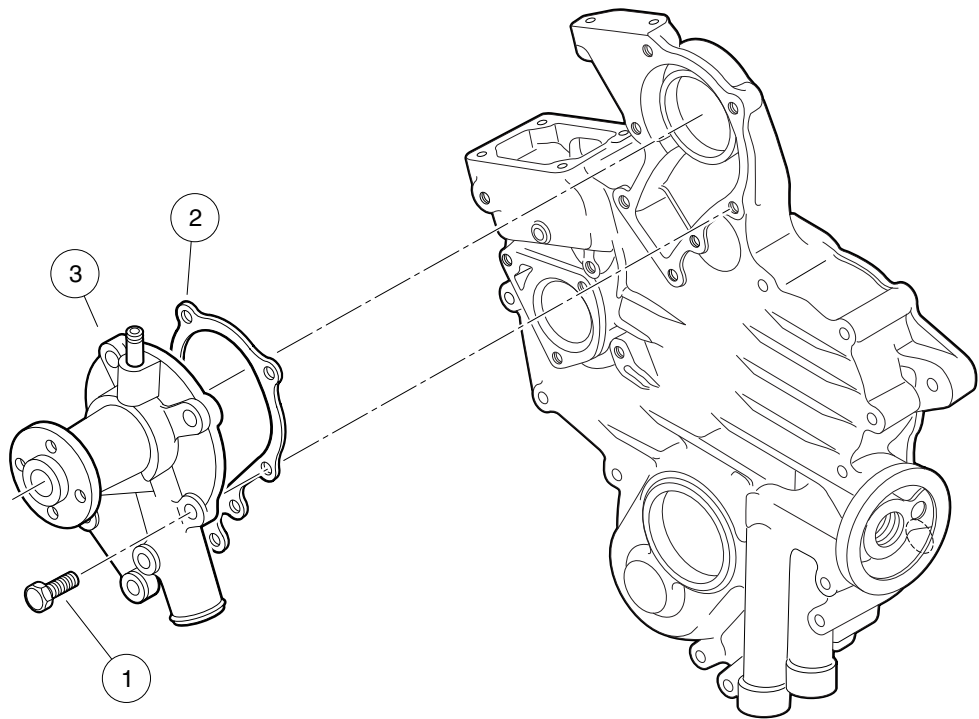
000059-002

WATER FLANGE AND THERMOSTAT

ITEM	PART NO.	DESCRIPTION	QTY
		1 2 3 4	
1	<u>102410001</u>	Sensor, Coolant Temp	1
2	<u>102631301</u>	Cover, Thermostat	1
3	<u>102631401</u>	Thermostat	1
4	<u>102631601</u>	Bolt, M6 X 1 X 20	2
5	<u>102633001</u>	Band, Pipe	2
6	<u>102633201</u>	Flange, Water	1
7	<u>102633401</u>	Gasket, Thermostat	1
8	<u>102654701</u>	Gasket, Water Flange	1
9	<u>102730901</u>	Bolt, Alt, D722, Stay Lower	1
10	<u>102731001</u>	Pipe, Water Return, D722	1
11	<u>102731101</u>	Bolt, D722, Thermostat Cover	2

19

D



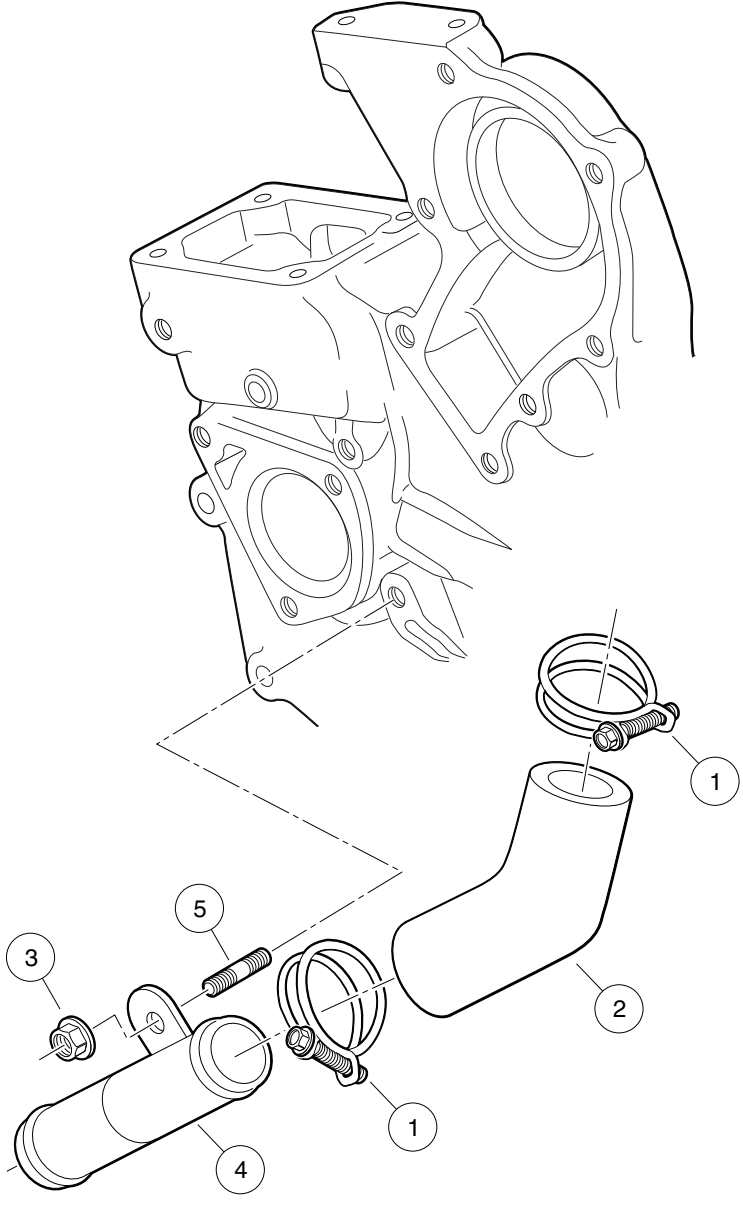
000060-001

WATER PUMP

ITEM	PART NO.	DESCRIPTION	QTY
		1 2 3 4	
1	<u>102608701</u>	Bolt, M6 X 1 X 22	4
2	<u>102632701</u>	Gasket, Water Pump, D722	1
3	<u>102731201</u>	Water Pump Assembly	1

19

D



000061-001

BLOCK COOLANT PIPE

ITEM	PART NO.	DESCRIPTION	QTY
		1 2 3 4	
1	<u>102631701</u>	Band, Pipe, with Nut	2
2	<u>102631801</u>	Hose, Coolant	1
3	<u>102632001</u>	Nut, Flange, M6	1
4	<u>102632101</u>	Pipe, Coolant	1
5	<u>102632201</u>	Stud, M6 X 15	1

19

D

19

D

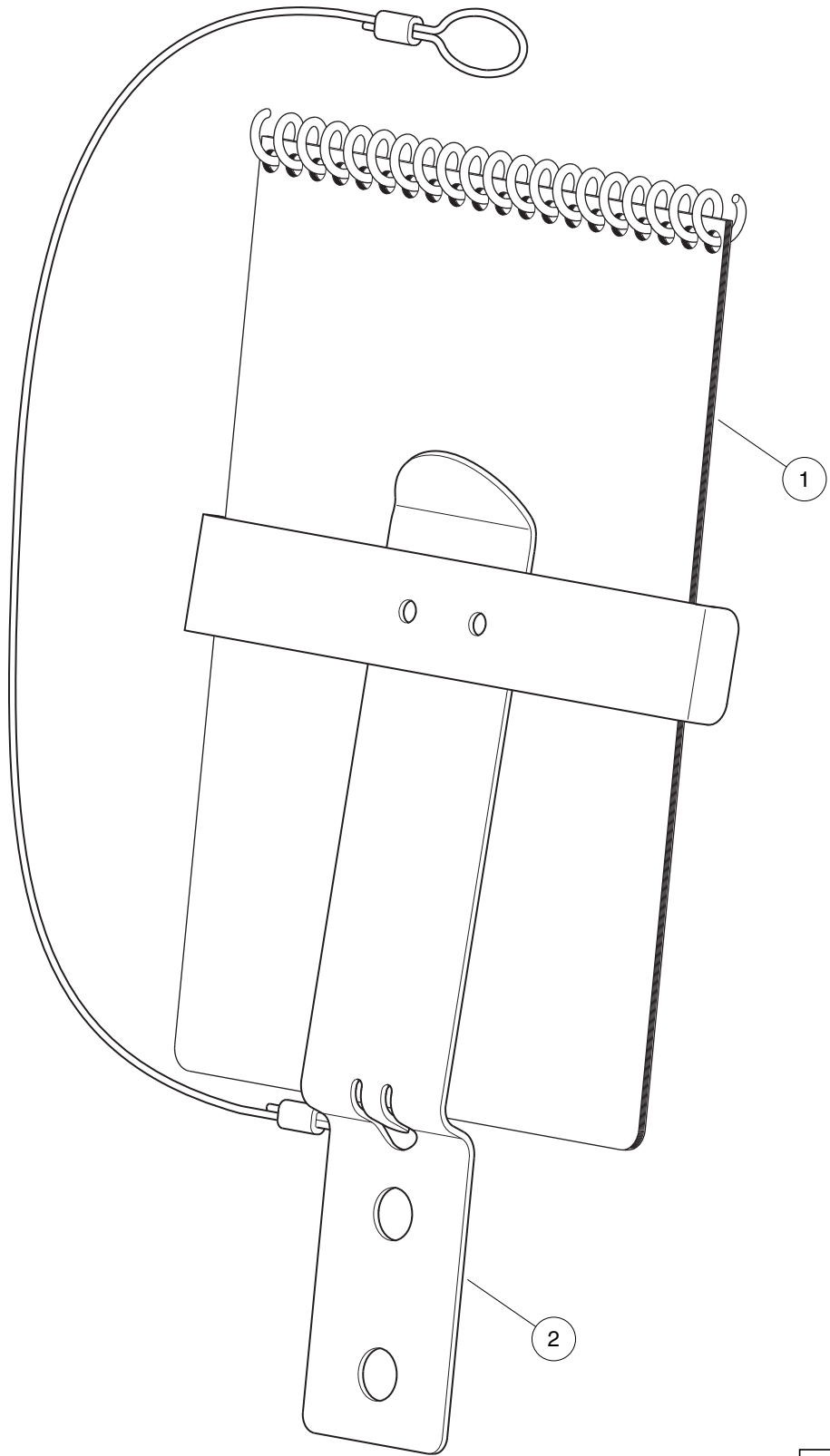
HYDRAULIC ATTACHMENT SYSTEM AND ACCESSORIES

20

D

20

D



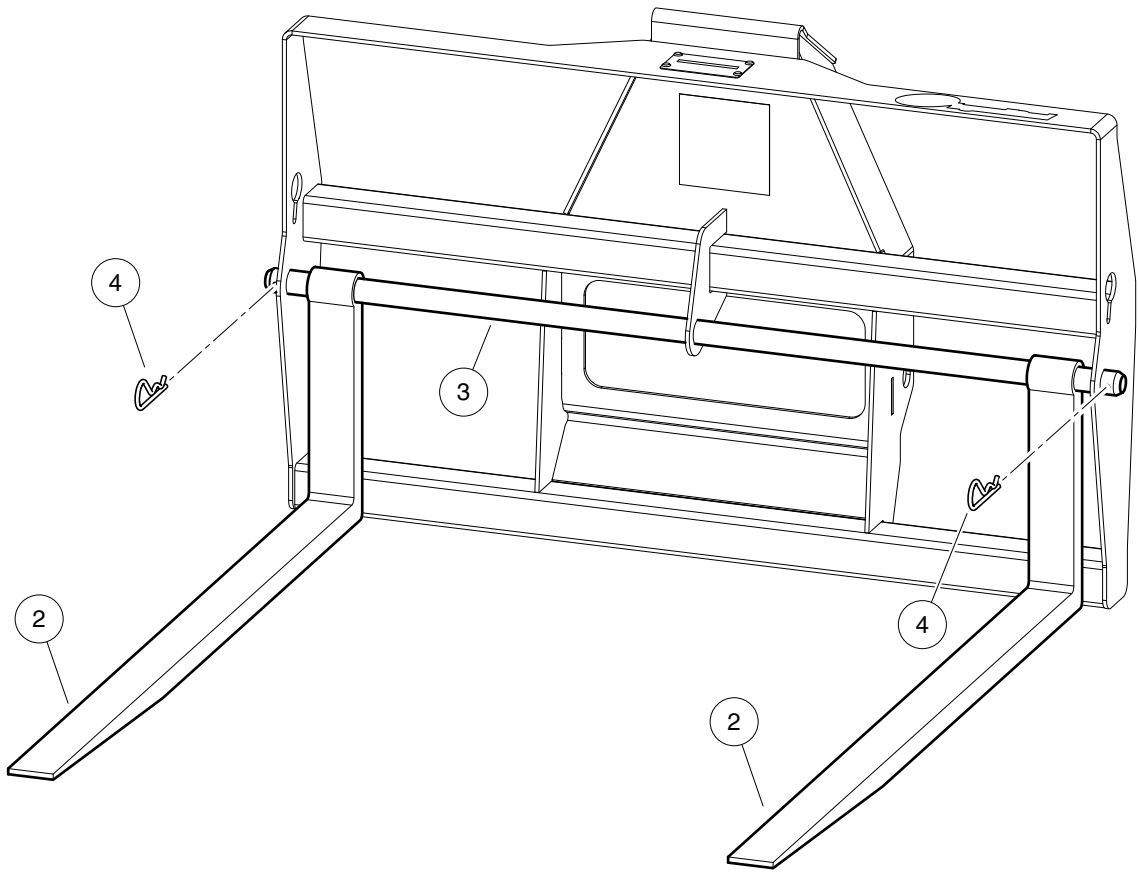
000558-002

HANDBOOK

ITEM	PART NO.	DESCRIPTION	QTY
1	<u>103237501</u>	1 2 3 4 Handbook, Operator, Club Car	1
2	<u>103237701</u>	Weldment, Clip, Handbook	1

20

D



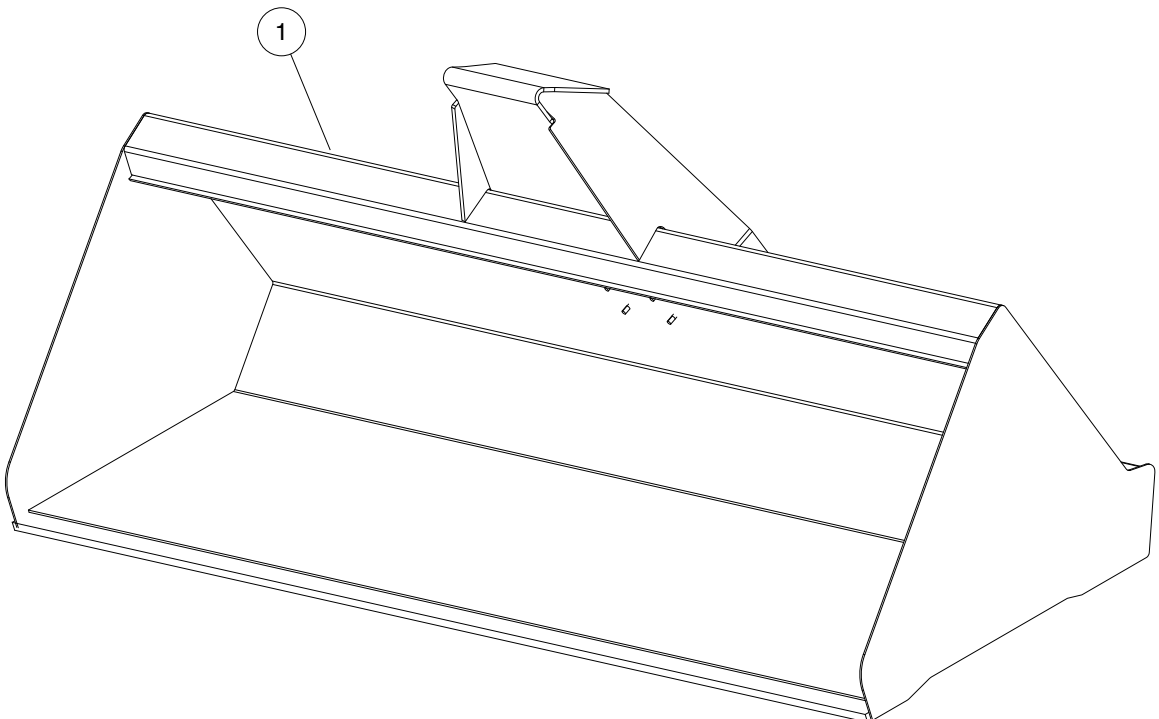
000555-001

ATTACHMENT – PALLET FORK

ITEM	PART NO.	DESCRIPTION	QTY
		1 2 3 4	
1	<u>102930001</u>	Attachment, Fork, Pallet (includes items 2 through 4)	1
2	<u>102927201</u>	Pallet Fork	2
3	<u>102927301</u>	Bar, Fork Mount	1
4	<u>102927401</u>	Pin, Hair	2

20

D



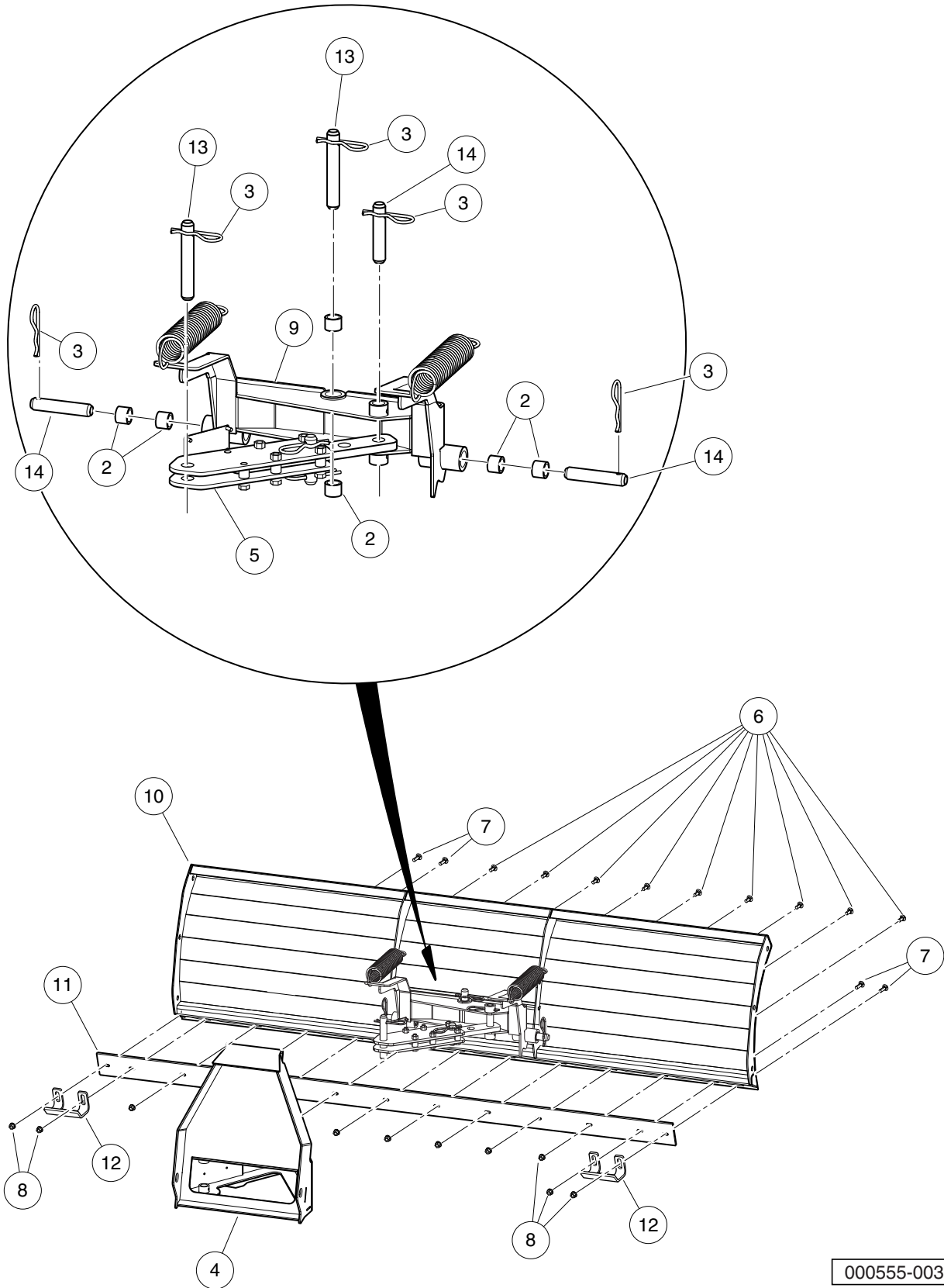
000555-002

ATTACHMENT – BUCKET

ITEM	PART NO.	DESCRIPTION	QTY
1	<u>102930101</u>	<div style="display: flex; justify-content: space-between; margin-bottom: 5px;"> 1 2 3 4 </div> Attachment, Bucket	1

20

D



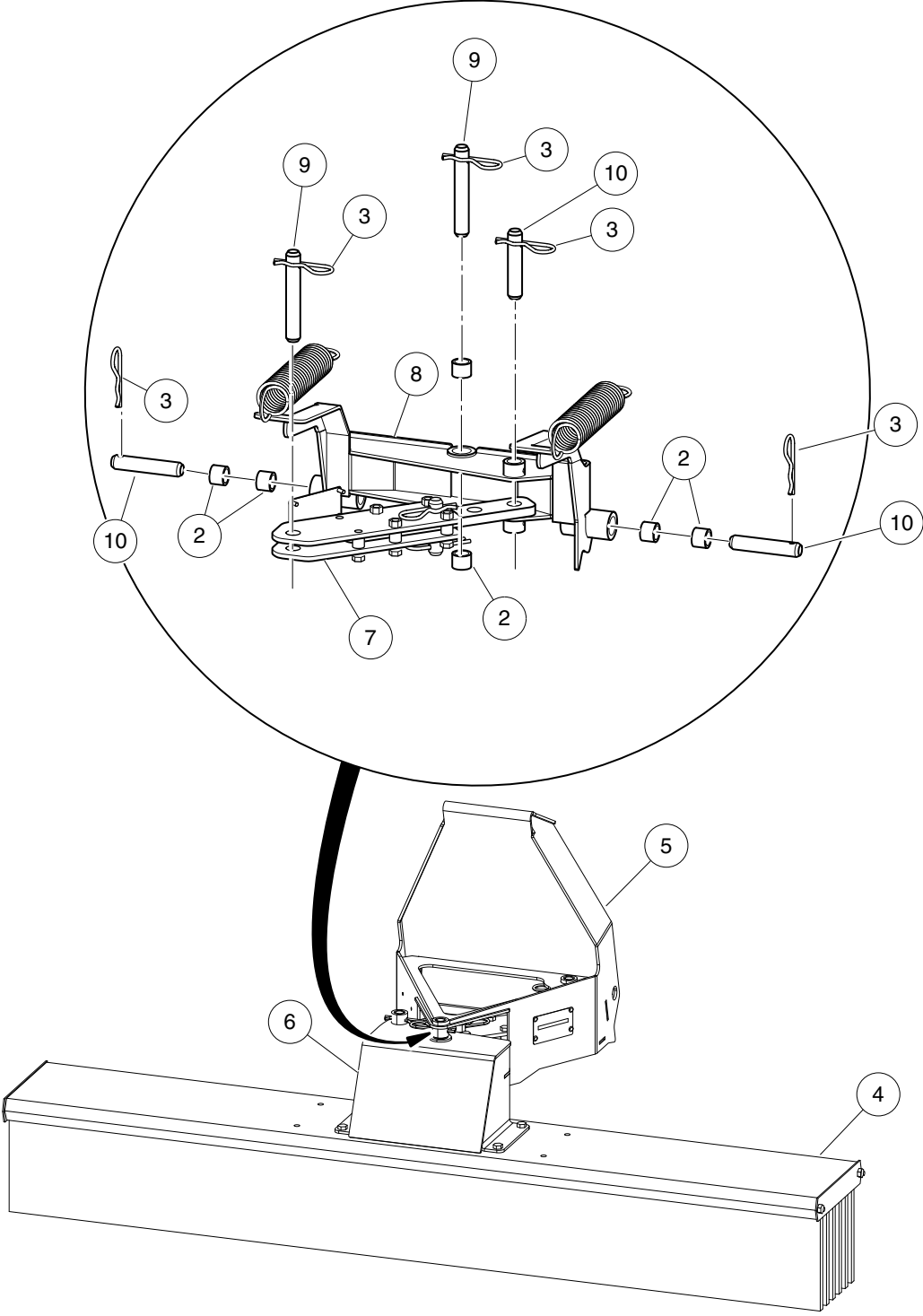
000555-003

ATTACHMENT – SNOW BLADE

ITEM	PART NO.	DESCRIPTION	QTY
		1 2 3 4	
1	<u>102930201</u>	Attachment, Blade, Snow (includes items 2 through 14)	1
2	<u>102926601</u>	Bearing, Fiber, -12	6
3	<u>102927401</u>	Pin, Hair	5
4	<u>102929601</u>	Weldment, Mount, Angle	1
5	N/A	Asm, Adjust, Manual	1
6	<u>103243001</u>	Bolt, Carriage	9
7	<u>103243101</u>	Bolt, Carriage	4
8	<u>103243201</u>	Nut, Pretrq, Hex Lock	13
9	<u>103243501</u>	Weldment, Head, Angle	1
10	<u>103243601</u>	Weldment, Blade, Snow	1
11	<u>103243701</u>	Edge, Cutting	1
12	<u>103243801</u>	Shoe, Skid	2
13	<u>103243901</u>	Pin, 5 In	2
14	<u>103244001</u>	Pin, 3.9 In	3

20

D



000555-004

ATTACHMENT – BROOM

ITEM	PART NO.	DESCRIPTION	QTY
		1 2 3 4	
1	<u>102930301</u>	Attachment, Broom, Push (includes items 2 through 10)	1
2	<u>102926601</u>	Bearing, Fiber, -12	6
3	<u>102927401</u>	Pin, Hair	5
4	<u>102929501</u>	Broom, Whisker, 60 In	1
5	<u>102929601</u>	Weldment, Mount, Angle	1
6	<u>102929701</u>	Wldmnt, Mount, Whisker	1
7	N/A	Asm, Adjust, Manual	1
8	<u>103243501</u>	Weldment, Head, Angle	1
9	<u>103243901</u>	Pin, 5 In	2
10	<u>103244001</u>	Pin, 3.9 In	3

20

D



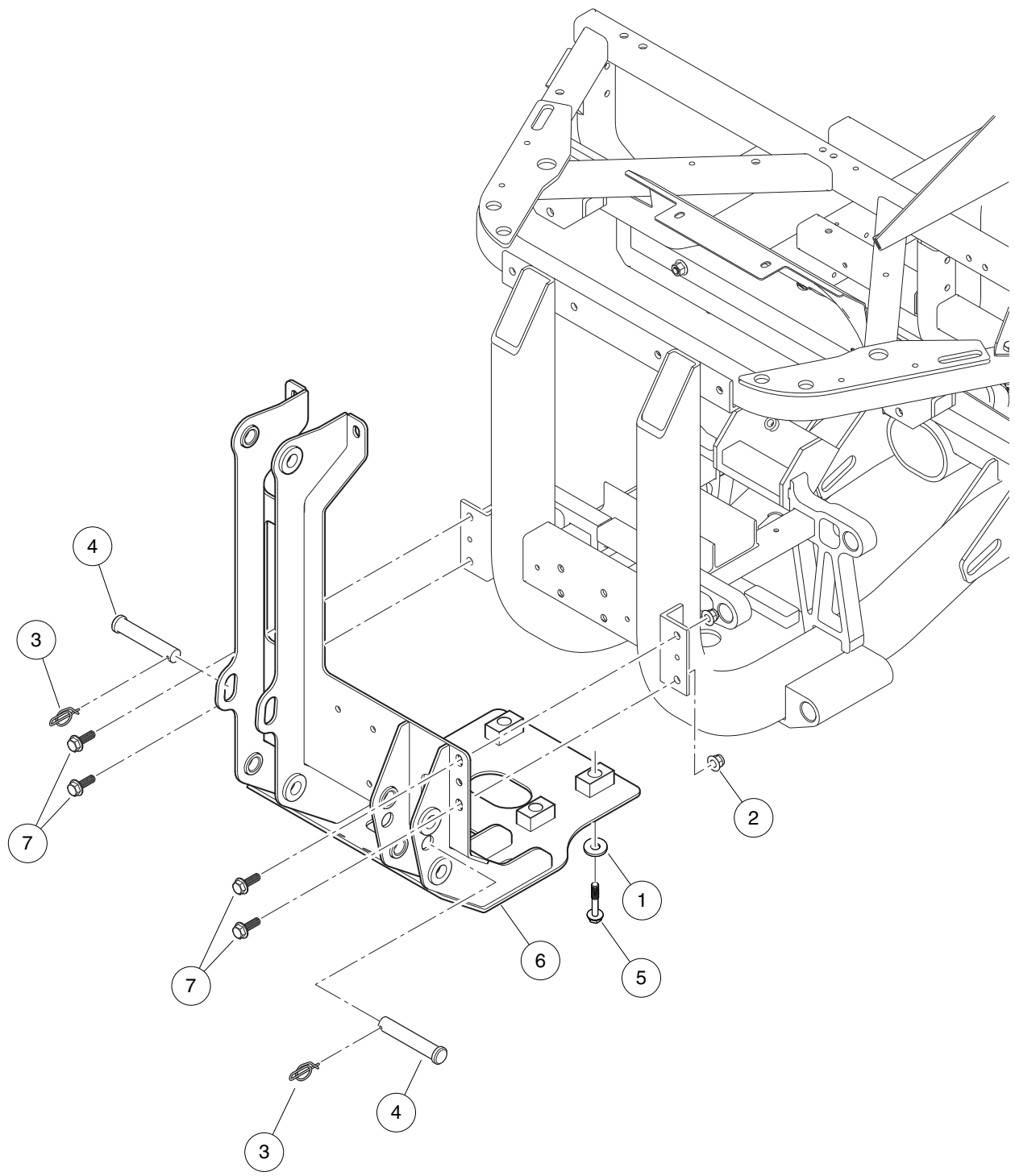
000555-005

ATTACHMENT – MOWER

ITEM	PART NO.	DESCRIPTION	QTY
1	<u>102930401</u>	1 2 3 4 Attachment, Mower	1

20

D



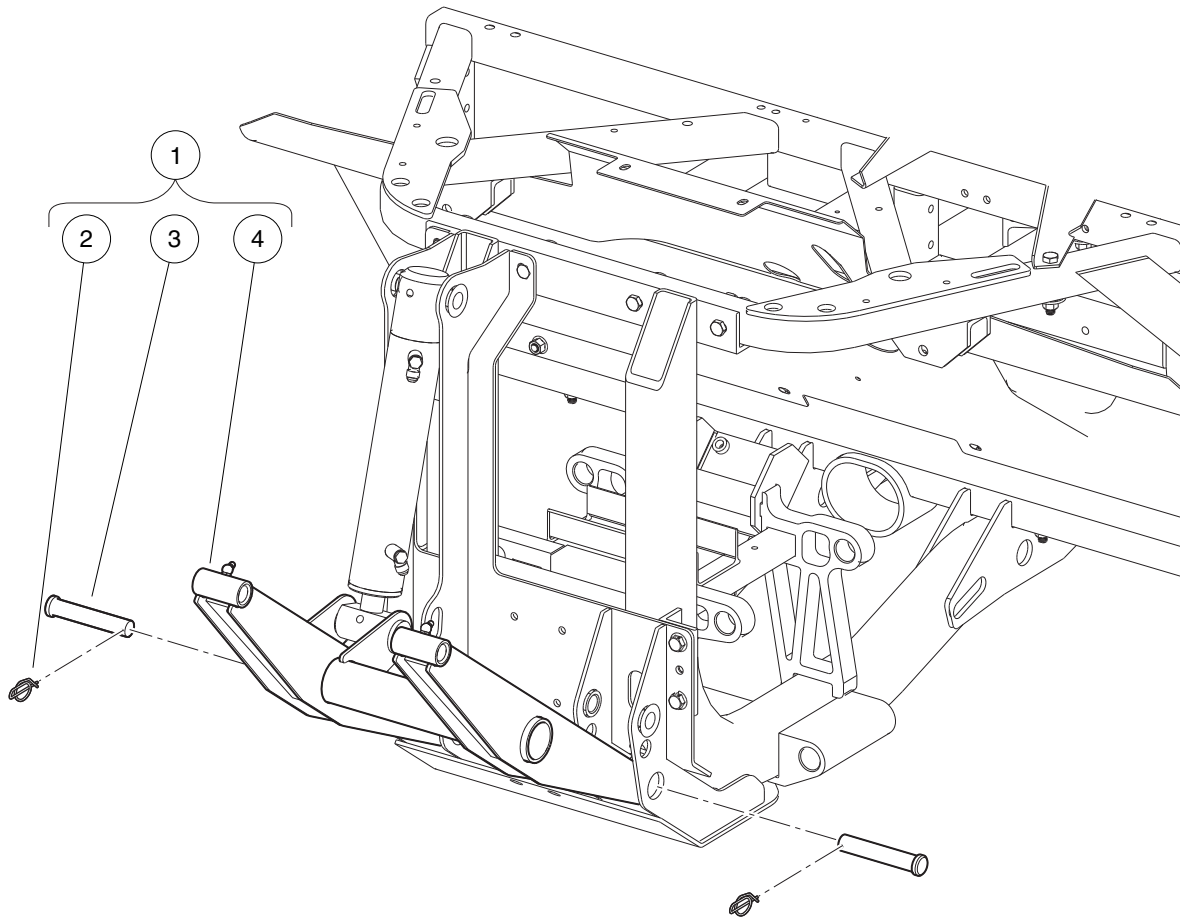
000552-002

ACCESSORY MOUNTING WELDMENT

ITEM	PART NO.	DESCRIPTION	QTY
		1 2 3 4	
1	<u>102491501</u>	Washer, Hard, M10	4
2	<u>102670701</u>	Nut, Flange, M10 X 1.5 Nylon	4
3	<u>102786101</u>	Ring, Rue, 3/4, Heavy	2
4	<u>102921601</u>	Pin, Clevis, 3/4 X 4	2
5	<u>102925201</u>	Bolt, Flg, M10x1.5x55, Patch	4
6	<u>103355401</u>	Weldment, Front Mount	1
7	<u>96727003</u>	Bolt Flg, M10 X 1.5 X 30	4

20

D



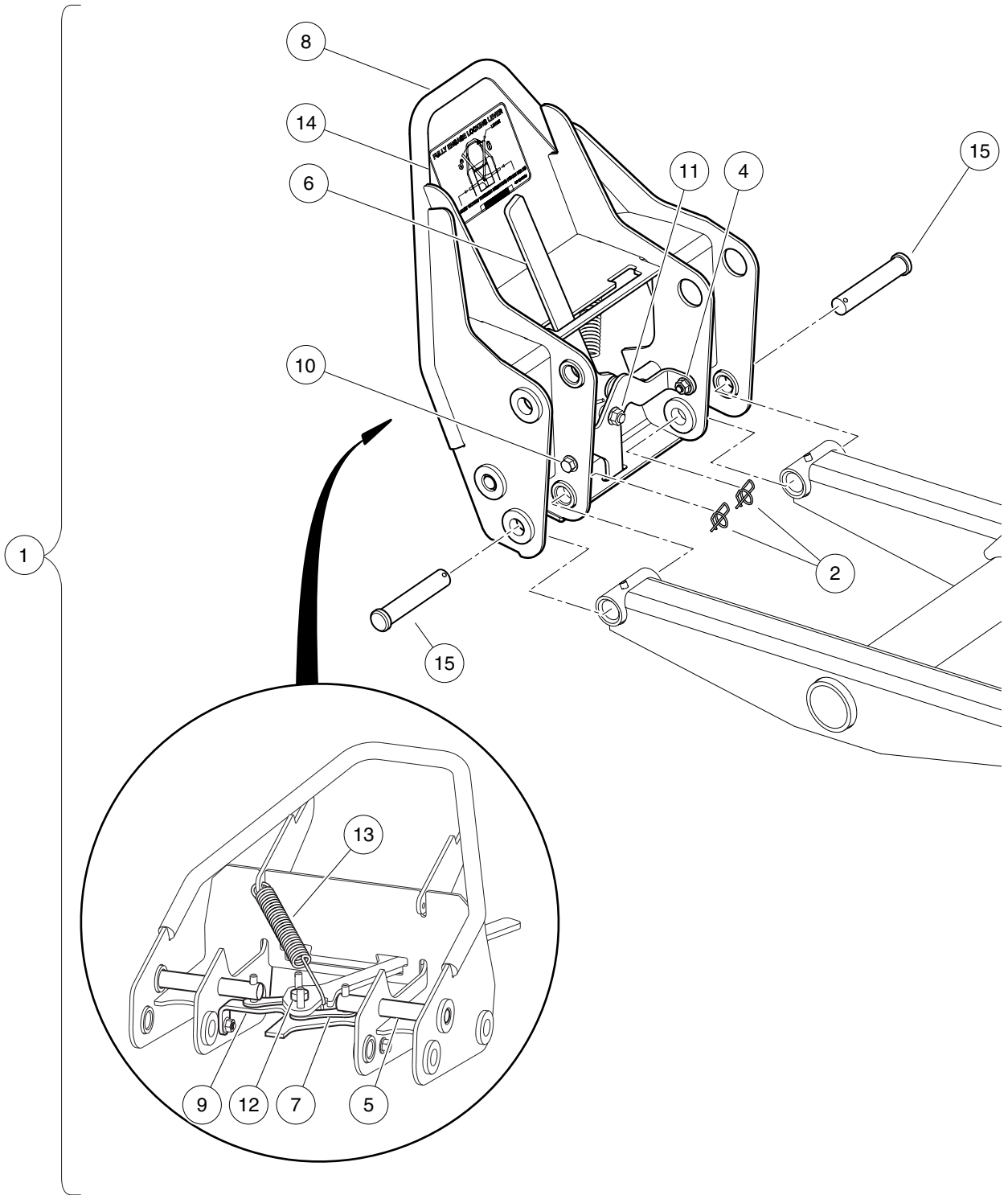
000786-001

ATTACHMENT ARM KIT

ITEM	PART NO.	DESCRIPTION	QTY
		1 2 3 4	
1	<u>102923201</u>	Kit, Arm, Attachment (includes items 2 through 4)	1
2	<u>102786101</u>	Ring, Rue, 3/4, Heavy	2
3	<u>102921601</u>	Pin, Clevis, 3/4 X 4	2
4	<u>102923401</u>	Asm, Arm, Attachment	1

20

D



000787-002

ATTACHMENT INTERFACE

ITEM	PART NO.	DESCRIPTION	QTY
		1 2 3 4	
1	<u>102923301</u>	Kit, Interface, Attachment (includes items 2 through 15)	1
2	<u>102786101</u>	Ring, Rue, 3/4, Heavy	2
3	102789001	Asm, Interface, Attachment (includes items 4 through 14)	1
4	<u>102617001</u>	Nut Flg, M8 X 1.25 Mech Def	2
5	<u>102789101</u>	Pin, Latch	2
6	<u>102789201</u>	Lever, Release	1
7	<u>102789301</u>	Link, Chain 2080	2
8	N/A	Interface, Attachment	1
9	<u>102790001</u>	Brace, Cross	1
10	<u>102790801</u>	Bolt Flg, M8 X 1.25 X 20	2
11	<u>102790901</u>	Nut, Flg, 3/8-16 Gr8	1
12	<u>102791001</u>	Screw, Shoulder Hex Skt	1
13	<u>102791301</u>	Spring, Ext, Interface	1
14	N/A	Decal, Attachment Locking	1
15	<u>102921601</u>	Pin, Clevis, 3/4 X 4	2

20

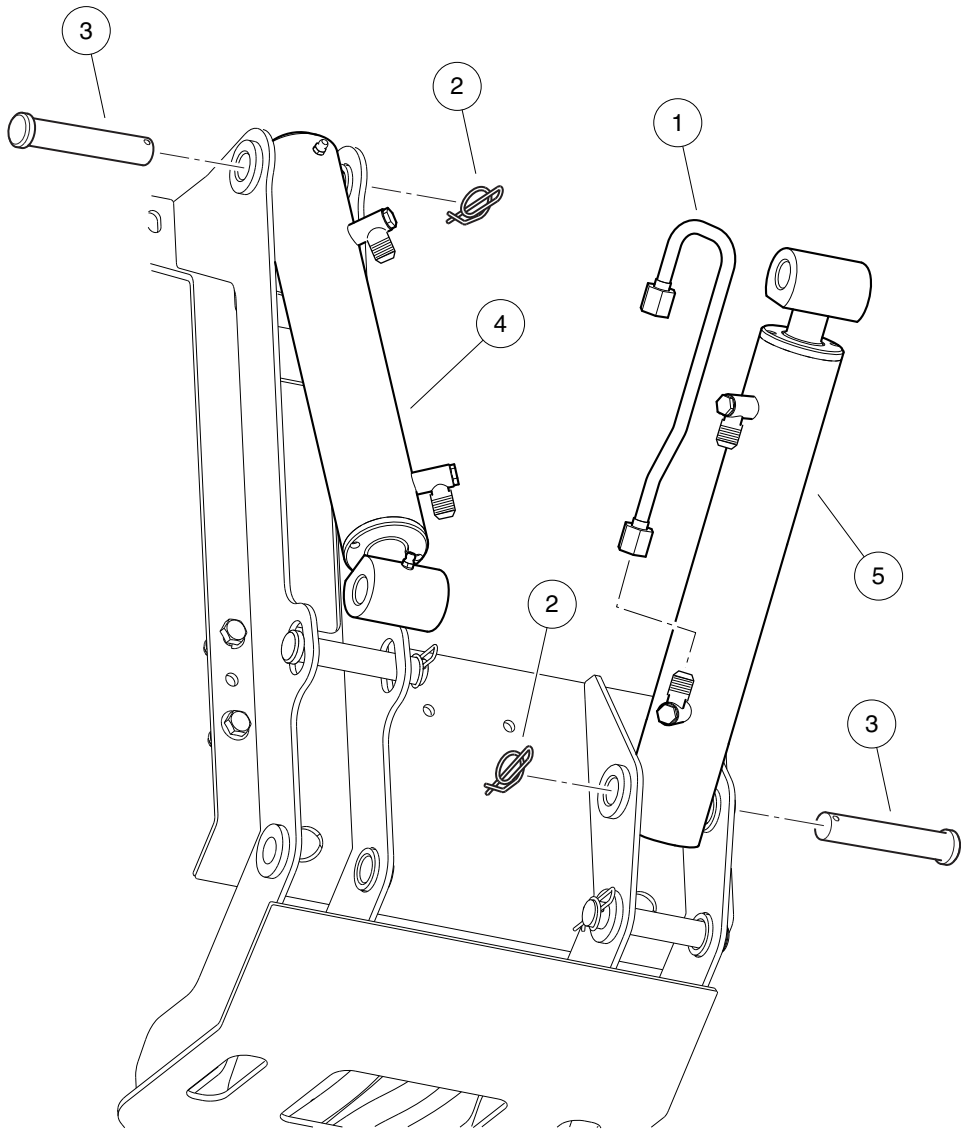
D

HYDRAULIC CONTROLS

ITEM	PART NO.	DESCRIPTION	QTY
		1 2 3 4	
1	<u>1012438</u>	Locknut, #10-24 Nylon Insert	4
2	<u>1015720</u>	Screw, #6-32 X 1/2 Hex Washer-Head	4
3	<u>1016103</u>	Screw, Pan Hd Tx, Taptite 6-32	4
4	<u>1017</u>	Nut, #10-24 Stainless-Steel Hex Machine	2
5	<u>101932201</u>	Locknut, #6-32 Nylon	4
6	<u>102420201</u>	Relay, Mini ISO, SPDT	2
7	<u>102442001</u>	Pan, Center, Closeout	1
8	<u>102849801</u>	Decal, Controls, Bt	1
9	<u>102850501</u>	Screw, Phillips Pn Hd	2
10	<u>102854401</u>	Switch, Rocker, Sealed, DPDT Momentary	1
11	<u>102854501</u>	Switch, Rocker, Sealed, SPDT, Lighted	1
12	<u>102854601</u>	Base, Control Box, Joystick	1
13	<u>102854801</u>	Console, Center, Insulator	1
14	<u>102854901</u>	Cover, Control Box, Joystick	1
15	<u>102918501</u>	Joystick, 4 Way, W/ Boot	1
16	<u>102967901</u>	Rivet, Removable, Tuflok 1/4"	4
17	<u>103215201</u>	Switch, Rocker, Svr, On-off	1
18	<u>103319901</u>	Decal, Joystick, On Off	1
19	<u>1631</u>	Screw, #10-24 X 0.75 Phillips Pan-Head	4
20	<u>8990</u>	Tie Wrap, 8" Nylon	8
Note: Item 20, Tie Wrap, not shown.			

20

D



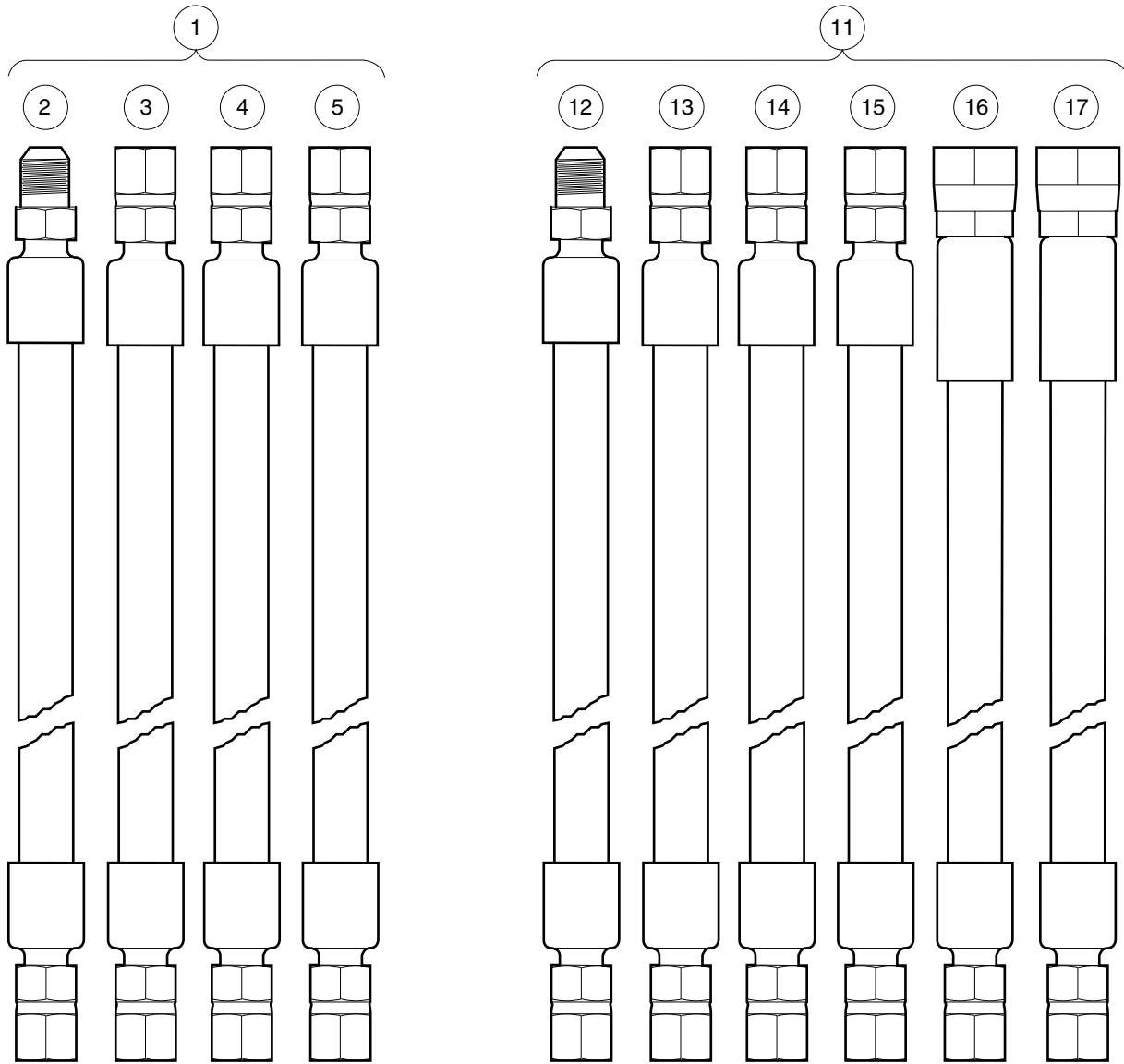
000990-001

HYDRAULIC CYLINDERS

ITEM	PART NO.	DESCRIPTION	QTY
		1 2 3 4	
1	<u>102784201</u>	Tube, Hydraulic -6 JIC 180 End	1
2	<u>102786101</u>	Ring, Rue, 3/4, Heavy	2
3	<u>102921601</u>	Pin, Clevis, 3/4 X 4	2
4	<u>102923001</u>	Cylinder, Hydraulic, Lift	1
5	<u>102923101</u>	Cylinder, Hydraulic, Tilt	1

20

D



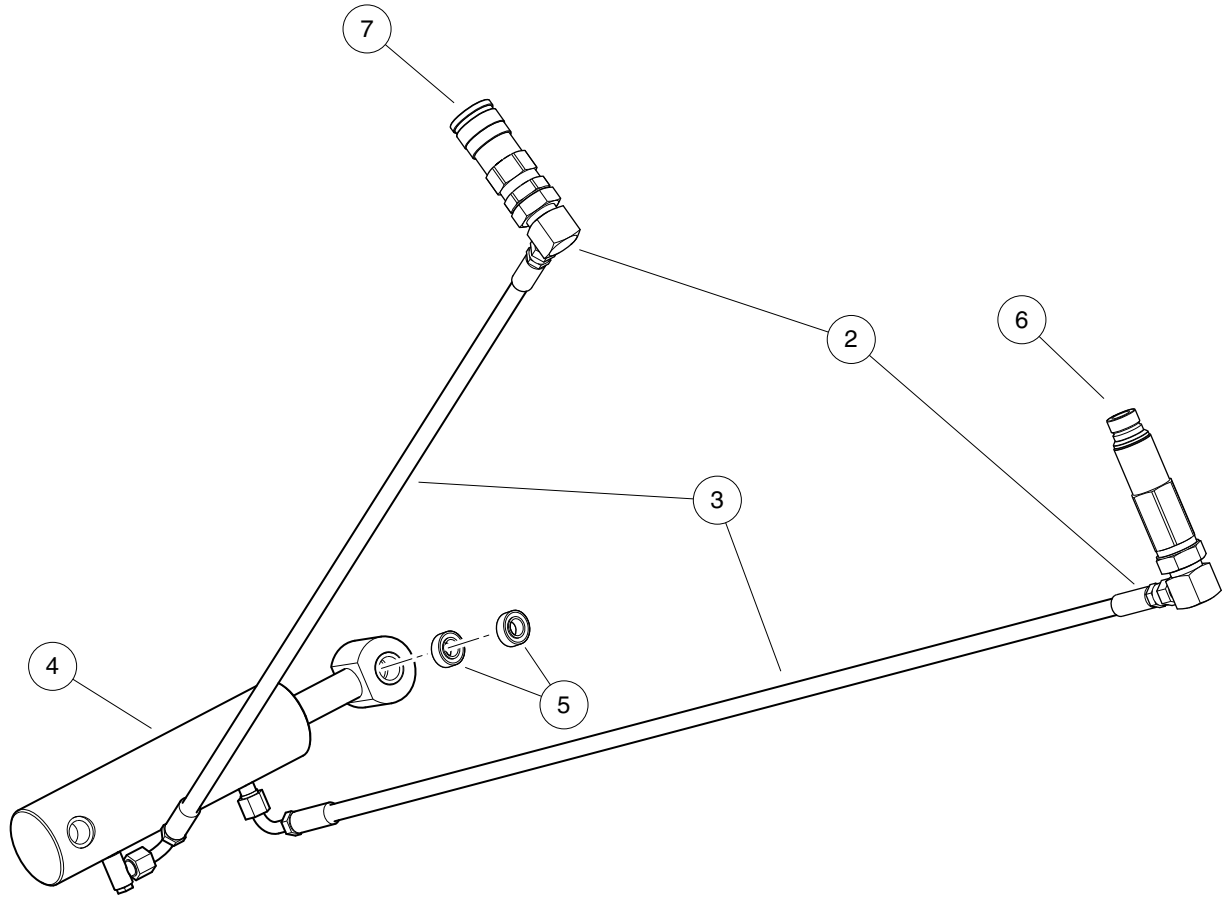
000991-001

HYDRAULIC HOSES

20

D

ITEM	PART NO.	DESCRIPTION	QTY
		1 2 3 4	
1	<u>102787601</u>	Asm, Hoses, Hydraulic (includes items 2 through 10)	1
2	<u>102784601</u>	Hose, Hydraulic, Pink Marking	1
3	<u>102784701</u>	Hose, Hydraulic, w/o Marking	1
4	<u>102784801</u>	Hose, Hydraulic, Green Marking	1
5	<u>102784901</u>	Hose, Hydraulic, Blue Marking	1
6	N/A	Mount, Cable Tie, 8mm Std Trq	1
7	N/A	Mount, Hd, Cable Tie, 8mm Bolt	1
8	<u>102787101</u>	Mount, Fir Tree, Cable Tie	1
9	N/A	Mount, Standoff, Dual Tie	1
10	<u>102787701</u>	Tie, Wide Strap	2
11	<u>102787602</u>	Asm, Hoses, Hydraulic W/aux (includes items 12 through 22)	1
12	<u>102784601</u>	Hose, Hydraulic, Pink Marking	1
13	<u>102784701</u>	Hose, Hydraulic, w/o Marking	1
14	<u>102784801</u>	Hose, Hydraulic, Green Marking	1
15	<u>102784901</u>	Hose, Hydraulic, Blue Marking	1
16	<u>102785001</u>	Hose, Hydraulic, Auxiliary, White Marking	1
17	<u>102785101</u>	Hose, Hydraulic, Auxiliary, Red Marking	1
18	N/A	Mount, Cable Tie, 8mm Std Trq	1
19	N/A	Mount, Hd, Cable Tie, 8mm Bolt	1
20	<u>102787101</u>	Mount, Fir Tree, Cable Tie	1
21	N/A	Mount, Standoff, Dual Tie	1
22	<u>102787701</u>	Tie, Wide Strap	2
<p style="text-align: center;">Note: Items 6 - 10 and items 18 - 22 not shown.</p>			



000556-001

HYDRAULIC ATTACHMENT ANGLE KIT

ITEM	PART NO.	DESCRIPTION	QTY
		1 2 3 4	
1	<u>102930501</u>	Kit, Angle, Hydraulic, Attachment (includes items 2 through 7)	1
2	<u>102926301</u>	Fitting, Elbow, 90, Hyd	2
3	<u>102926401</u>	Hose, Hydraulic, Angle kit	2
4	<u>102926501</u>	Cylinder, Hydraulic, Angle kit	1
5	<u>102926601</u>	Bearing, Fiber, -12	4
6	<u>102926701</u>	Coupler, Ff, Male, 1/2	1
7	<u>102926801</u>	Coupler, Ff, Fem, 1/2	1

20

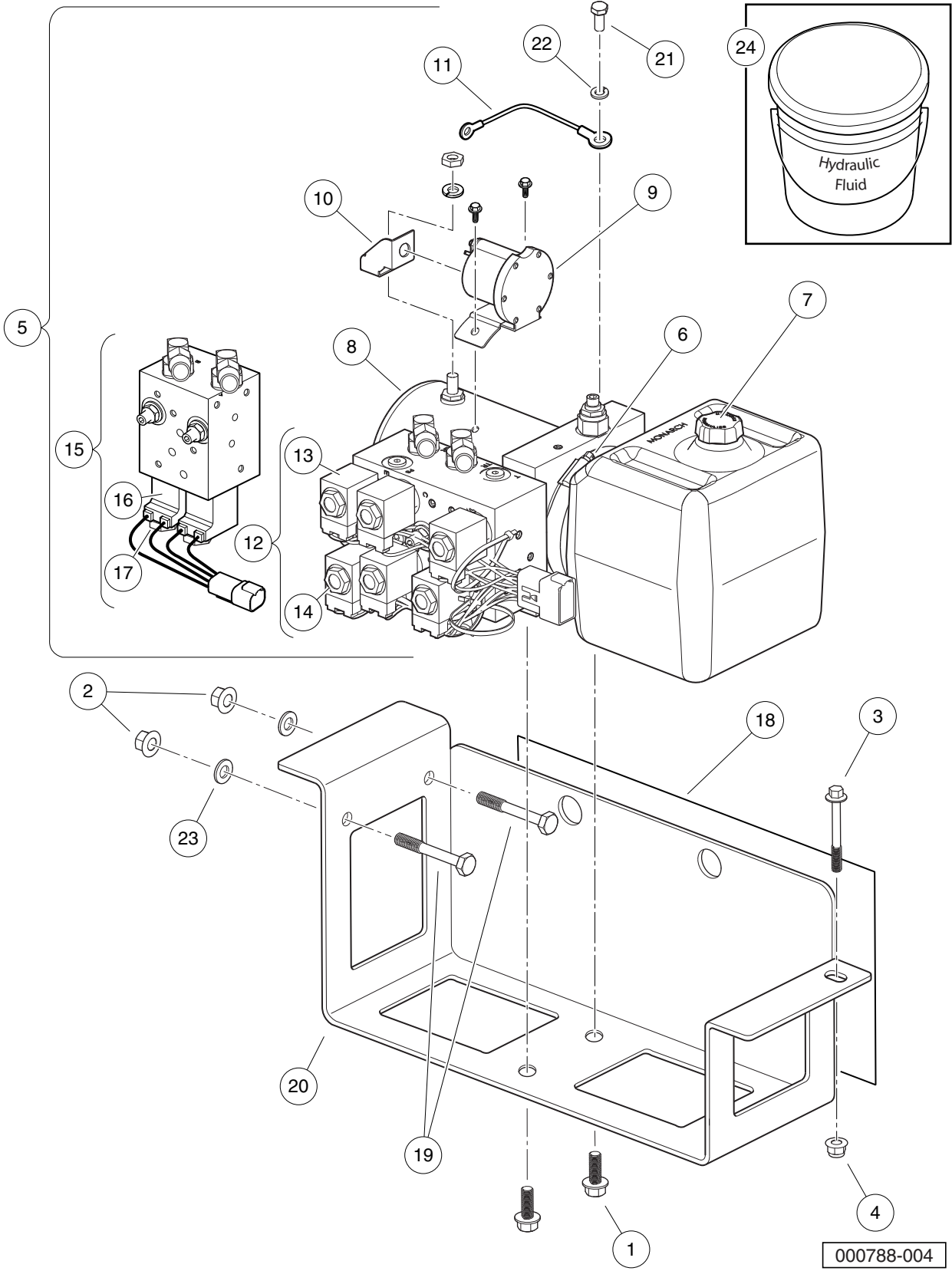
D

HYDRAULIC POWER UNIT – STANDARD

ITEM	PART NO.	DESCRIPTION	QTY
		1 2 3 4	
1	<u>102491001</u>	Bolt, Flanged Head, 3/8-16x1.0 with Loctite	2
2	<u>102617201</u>	Nut, Flanged, M10 X 1.5, Mechanically Deformed	2
3	<u>102618301</u>	Bolt, Flanged Head, M8 X 1.25 X 65	1
4	<u>102618601</u>	Lock Nut, Flange, M8 X 1.25 Nylon	1
5	<u>102784001</u>	Power Unit, Hydraulic, Std (includes items 6 through 12)	1
6	<u>102928001</u>	Clamp	1
7	<u>102928101</u>	Plug, Reservoir, Breather-Filler	1
8	<u>102928201</u>	Motor, Electric, DC, 12v, 4.5 In	1
9	<u>102928301</u>	Switch, Solenoid, 12vdc	1
10	<u>102928401</u>	Strap, Motor-Solenoid Connector	1
11	<u>102928501</u>	Assembly, Control Wire, 16 GA, Hs, Ring	1
12	<u>102928601</u>	Assembly, Control Valve, Std (includes items 13 and 14)	1
13	<u>102928901</u>	Coil, 10vdc, #8, 2lead, Diode	6
14	<u>1308</u>	Nut, 1/2-20 Hex	6
15	<u>102785501</u>	Barrier, Heat, Powerunit	1
16	<u>102859101</u>	Bolt, M10 X 1.50 X 70	2
17	<u>102921701</u>	Bracket, Mounting, Hydraulic Powerunit	1
18	<u>7173</u>	Screw, 5/16-18 X 0.75, Hex-Head Cap	1
19	<u>7174</u>	Lockwasher, 5/16 Split	1
20	<u>96741046</u>	Washer, M10, Hard	2
21	<u>AM1245401</u>	Fluid, Hydraulic, 5 Gallon	1

20

D

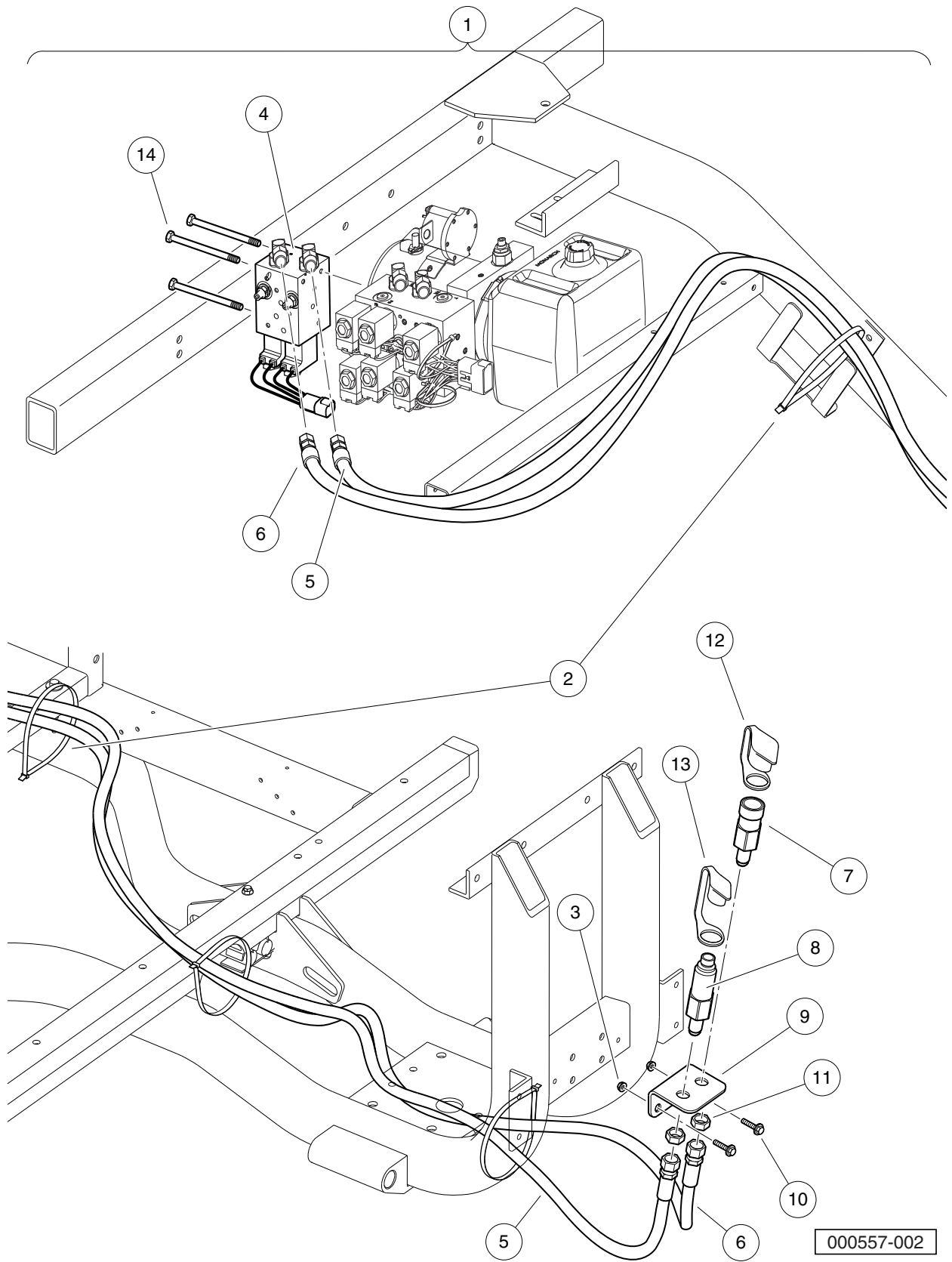


HYDRAULIC POWER UNIT – WITH AUXILIARY

ITEM	PART NO.	DESCRIPTION	QTY
		1 2 3 4	
1	<u>102491001</u>	Bolt, Flanged Head, 3/8-16x1.0 with Loctite	2
2	<u>102617201</u>	Nut, Flanged, M10 X 1.5, Mechanically Deformed	2
3	<u>102618301</u>	Bolt, Flanged Head, M8 X 1.25 X 65	1
4	<u>102618601</u>	Lock Nut, Flange, M8 X 1.25 Nylon	1
5	<u>102784002</u>	Power Unit, Hydraulic with Auxiliary (includes items 6 through 15)	1
6	<u>102928001</u>	Clamp	1
7	<u>102928101</u>	Plug, Reservoir, Breather-Filler	1
8	<u>102928201</u>	Motor, Electric, DC, 12v, 4.5 In	1
9	<u>102928301</u>	Switch, Solenoid, 12vdc	1
10	<u>102928401</u>	Strap, Motor-Solenoid Connector	1
11	<u>102928501</u>	Assembly, Control Wire, 16 GA, Hs, Ring	1
12	<u>102928601</u>	Assembly, Control Valve, Std (includes items 13 and 14)	1
13	<u>102928901</u>	Coil, 10vdc, #8, 2lead, Diode	6
14	<u>1308</u>	Nut, 1/2-20 Hex	6
15	<u>102928701</u>	Assembly, Control Valve, Auxiliary (includes items 16 and 17)	1
16	<u>102928901</u>	Coil, 10vdc, #8, 2lead, Diode	2
17	<u>1308</u>	Nut, 1/2-20 Hex	2
18	<u>102785501</u>	Barrier, Heat, Powerunit	1
19	<u>102859101</u>	Bolt, M10 X 1.50 X 70	2
20	<u>102921701</u>	Bracket, Mounting, Hydraulic Powerunit	1
21	<u>7173</u>	Screw, 5/16-18 X 0.75, Hex-Head Cap	1
22	<u>7174</u>	Lockwasher, 5/16 Split	1
23	<u>96741046</u>	Washer, M10, Hard	2
24	<u>AM1245401</u>	Fluid, Hydraulic, 5 Gallon	1

20

D



000557-002

STANDARD TO AUXILIARY HYDRAULIC CONVERSION KIT

ITEM	PART NO.	DESCRIPTION	QTY
		1 2 3 4	
1	<u>102785401</u>	Kit, Hydraulic, Aux (includes items 2 through 14)	1
2	<u>102025401</u>	Tie Wrap, Heavy Duty	8
3	<u>102741601</u>	Nut Flg M8 X 1.25 Gr 10	2
4	<u>102784003</u>	Power Unit, DC Hydraulic, Auxillary	1
5	<u>102785001</u>	Hose, Hydraulic, Auxiliary, White Marking	1
6	<u>102785101</u>	Hose, Hydraulic, Auxiliary, Red Marking	1
7	<u>102794801</u>	Coupling, Female Quick -6jic	1
8	<u>102794901</u>	Coupling, Male Quick -6jic	1
9	<u>102922601</u>	Bracket, Hydraulic, Auxiliary	1
10	<u>102922701</u>	Bolt, Flanged Head, M8x1.25x20 Lock Patch	2
11	<u>102923801</u>	Nut, Lock, Hyd Tube, 3/4-16	2
12	<u>102973501</u>	Cap, Quick Connect, Female	1
13	<u>102973601</u>	Cap, Quick Connect, Male	1
14	<u>103409001</u>	Screw, 1/4-20 X 3.5 Hex, Cap	3

20

D

20

D

MAINTENANCE AND SERVICE TOOLS

21

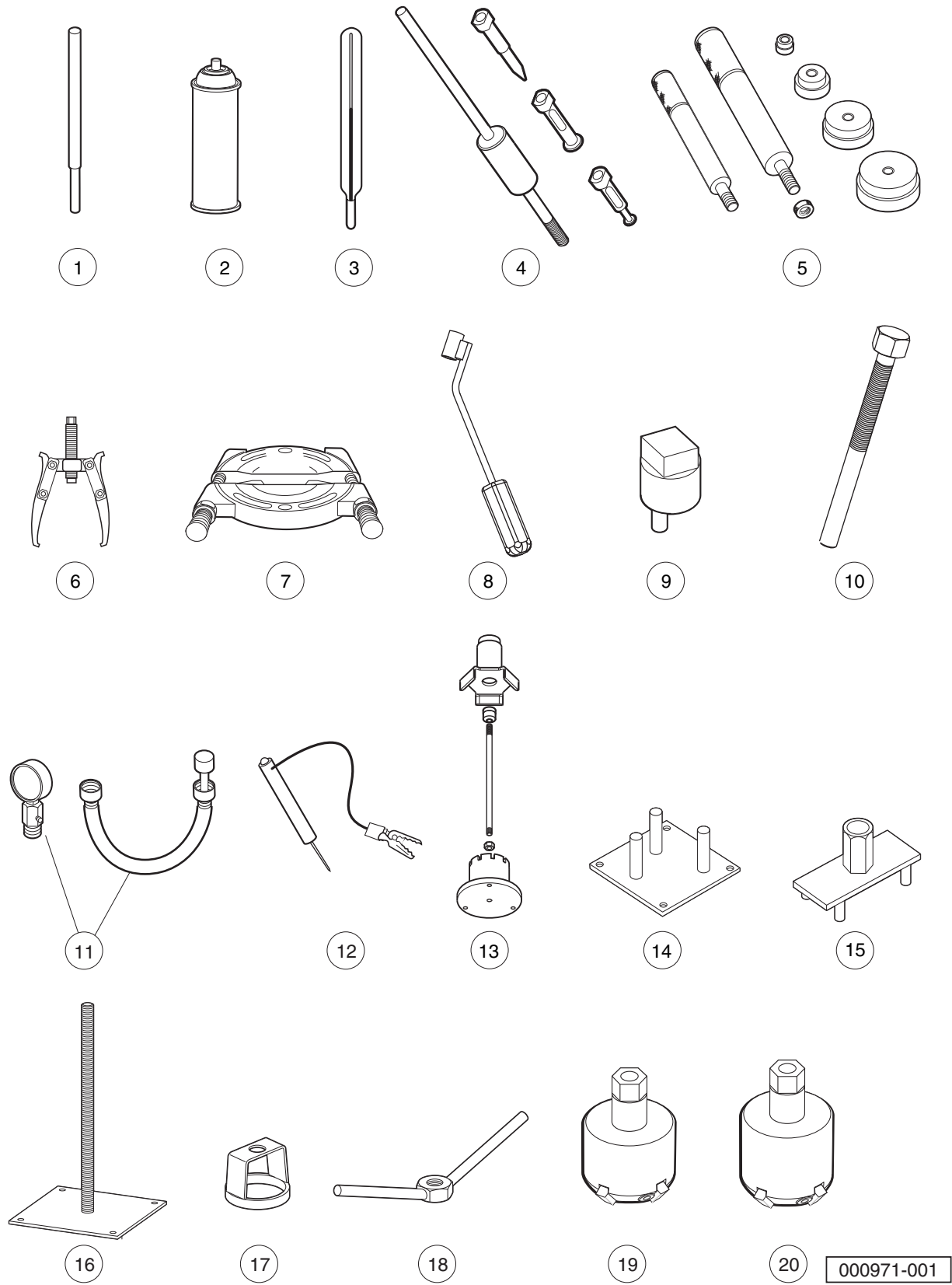
G

D

21

G

D



MAINTENANCE AND SERVICE TOOLS – AWD/950

ITEM	PART NO.	DESCRIPTION	QTY GAS	QTY DIESEL
		<p>1 2 3 4</p> <p>The following tool list includes all tools available from Club Car for maintenance and service procedures on AWD-based and XRT950-based utility vehicles, both past and present models. Be sure to carefully examine the tool list for applicability to your vehicle before ordering.</p>		
1	<u>101641202</u>	Arbor	1	1
2	<u>1014305</u>	Battery Terminal Protector Spray	1	1
3	<u>1011767</u>	Battery Thermometer	1	1
4	<u>1016417</u>	Bearing and Oil Seal Remover Assembly	1	1
5	<u>1016416</u>	Bearing Driver Set	1	1
6	<u>1012811</u>	Bearing Puller	1	1
7	<u>1012812</u>	Bearing Puller Wedge Attachment	1	1
8	<u>102555501</u>	Brake Cable Release Tool	1	1
9	<u>102447101</u>	Camber Adjustment Tool (for AWD vehicles)	1	1
10	<u>102686101</u>	Clutch Removal Tool (for AWD vehicles)	1	1
11	<u>101641002</u>	Compression Gauge and Adapter	1	
12	<u>1011273</u>	Continuity Tester	1	1
13	<u>103865301</u>	Drive Clutch Service Tool (for AWD vehicles with 3-weight drive clutch)	1	1
14	<u>102601501</u>	Drive ClutchFixed Sheave Tool (for AWD vehicles with 2-weight drive clutch)	1	1
15	<u>102607501</u>	Drive Clutch Spider Removal Tool (for AWD vehicles with 2-weight drive clutch)	1	1
16	<u>102603501</u>	Driven Clutch Spring Compression Base (for use with items 17 and 18) (for AWD vehicles)	1	1
17	<u>102605201</u>	Driven Clutch Spring Compression Collar (for use with items 16 and 18) (for AWD vehicles)	1	1
18	<u>102606101</u>	Driven Clutch Spring Compression Nut (for use with items 16 and 17) (for AWD vehicles)	1	1
19	<u>102773801</u>	Cutter, Valve Seat, #122	1	
20	<u>102773901</u>	Cutter, Valve Seat #115	1	
		<p>Items 19 and 20 are for AWD vehicles with Honda GX620 gasoline engines.</p> <p>Please refer to the maintenance and service manual for proper tool application.</p>		

21

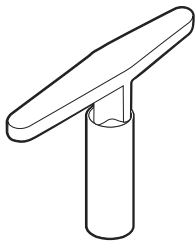
G

D

21

G

D



21



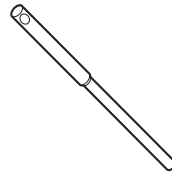
22



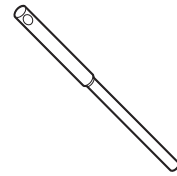
23



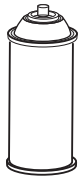
24



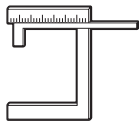
25



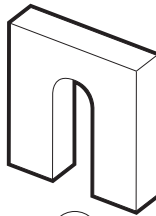
26



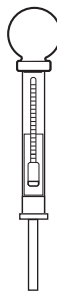
27



28



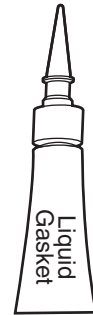
29



30



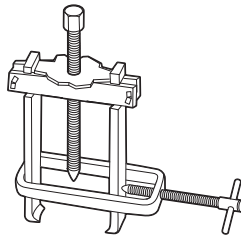
31



32



33



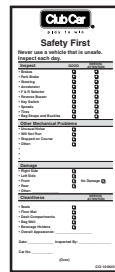
34



35



36



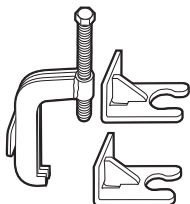
37



38



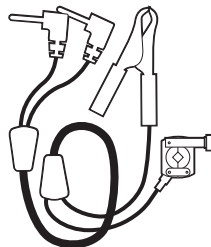
39



40



41



42



46



47

000971-002

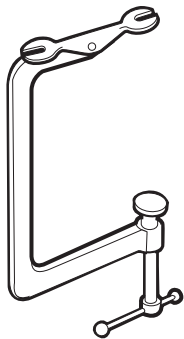
MAINTENANCE AND SERVICE TOOLS – AWD/950, CONTINUED

ITEM	PART NO.	DESCRIPTION	QTY GAS	QTY DIESEL	
		1 2 3 4			21
21	<u>102774101</u>	Wrench, T, #505.....	1		G
22	<u>102774101</u>	Adapter, T-Wrench.....	1		
23	<u>102675401</u>	Cutter, Valve Seat, 60 Degree.....	1		
24	<u>102774201</u>	Pilot, 6.6 MM.....	1		D
25	<u>102774301</u>	Pilot, 6.62 MM.....	1		
26	<u>102774401</u>	Pilot, 6.65 MM.....	1		
27	<u>1012151</u>	Dry Moly Lubricant.....	1	1	
28	<u>102669901</u>	Gauge, Carburetor Float Level (for AWD vehicles with Honda GX620 Gasoline Engines).....	1		
29	<u>1016418</u>	Gear Yoke.....	1	1	
30	<u>1011478</u>	Hydrometer.....	1	1	
31	<u>1013593</u>	Internal Retaining Ring Pliers.....	1	1	
32	<u>101928701</u>	Liquid Gasket (transaxle case).....	1	1	
33	<u>101997207</u>	Paint, Touch-Up – Black.....	1	1	
33	<u>101997205</u>	Paint, Touch-Up – Dark Gray.....	1	1	
33	<u>101997209</u>	Paint, Touch-Up – Dark Green.....	1	1	
33	<u>101997204</u>	Paint, Touch-Up – Gray.....	1	1	
33	<u>101997203</u>	Paint, Touch-Up – Red.....	1	1	
34	<u>102668801</u>	Puller, Special Use (for AWD vehicles with Kubota D722 Diesel Engines).....		1	
35	<u>1012549</u>	Retaining Ring Pliers, 45° External.....	1	1	
36	<u>1012560</u>	Retaining Ring Pliers, 90° Internal.....	1	1	
37	<u>101823101</u>	Safety First Card (50 per pack).....	1	1	
38	<u>1012809</u>	Seal Puller.....	1	1	
39	<u>102330901</u>	Spanner Wrench (for coil over shock front suspension vehicles only).....	1	1	
40	<u>102061201</u>	Steering Wheel Puller Tool.....	1	1	
41	<u>AM10753</u>	Tachometer (includes gasoline engine pick up lead only).....	1	1	
42	<u>AM10771</u>	Tachometer Diesel Probe (for use with item 41).....		1	
43	<u>AM11804</u>	Tune-Up Kit, Gx620 (for Honda Engines) (includes air filter, spark plug, oil filter, fuel filters) (not shown).....	1		
44	<u>AM11805</u>	Tune-Up Kit, D722 (for Kubota Engines) (includes air filter, oil filter, fuel filters, water separator filter) (not shown).....		1	
45	<u>AM1232401</u>	Tune-Up Kit, FH680D (for Kawasaki V-Twin Engines) (includes oil filter, fuel filter, air filter, and spark plugs) (not shown).....	1		
46	<u>102674601</u>	Valve Guide Driver (for AWD vehicles with Honda GX620 Gasoline Engines).....	1		
47	<u>102674401</u>	Valve Guide Reamer, 6.6 mm (for AWD vehicles with Honda GX620 Gasoline Engines).....	1		
		Items 21 through 26, 28, 46 and 47 are for AWD vehicles with Honda GX620 gasoline engines.			
		Please refer to the maintenance and service manual for proper tool application.			

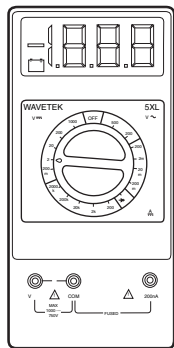
21

G

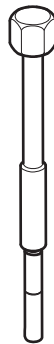
D



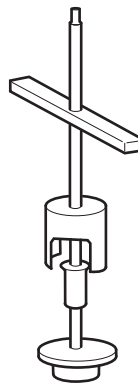
48



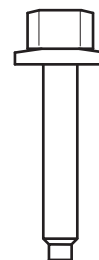
49



50



51



52

000971-003

MAINTENANCE AND SERVICE TOOLS – AWD/950, CONTINUED

ITEM	PART NO.	DESCRIPTION	QTY GAS	QTY DIESEL
		1 2 3 4		
48	<u>101641101</u>	Valve Spring Compressor	1	
49	1011480	Volt Ohm Meter	1	1
50	<u>103601401</u>	Puller, Drive Clutch* (for XRT 950 vehicles only).....	1	
51	<u>103601701</u>	Tool, Disassembly, Driven Clutch (for XRT 950 vehicles only).....	1	
52	<u>103600501</u>	Screw, Driven Clutch, M6* (for XRT 950 vehicles only).....	1	
<p style="margin-left: 40px;">Items 50 through 52 are for XRT 950 vehicles only.</p> <p style="margin-left: 40px;">*Note: The XRT 950 Drive Clutch Puller (item 50) requires the use of Screw, Driven Clutch (item 52) to remove the drive belt.</p>				

21

G

D

INDEX

Part Number and Page

AM10753	21-5	1010436	1-55	1015258	1-49
AM10771	21-5	1010521	4-11	1015277	1-47
AM11805	10-3	101082903	4-5	1015313	1-53
AM11807	18-15	1010934	1-53, 6-19, 7-27	1015356	1-49
AM11808	18-15	1011084	18-5	1015363	1-53
AM1210002	1-7	1011273	21-3	1015390	1-53
AM1210801	1-7	1011478	21-5	1015391	1-49
AM1211003	1-7	1011480	21-7	1015392	1-19, 1-21, 1-23, 1-25
AM1211401	1-7	1011553	3-3, 3-7, 3-15, 3-23	1015399	1-49, 1-53, 1-55
AM1215701	1-7	1011578	1-9, 1-11, 1-13, 19-5, 19-7	1015400	1-49, 1-53
AM1215801	1-7	1011652	1-27, 1-29, 1-31	1015457	19-7
AM1232301	8-7, 8-11, 9-3, 9-9	1011767	21-3	101547601	3-5, 3-17
AM1232401	9-3	1011779	4-11	1015521	6-19, 7-27
AM1241201	18-17	1011931	7-17	1015583	1-49
AM1241301	18-17	1011990	1-53	1015597	5-13
AM1245401	20-29, 20-31	1012151	21-5	1015720	20-21
183	11-3, 12-3, 13-3	1012295	6-17, 7-25	1015741	6-17, 7-25
332	1-29, 1-31, 1-53, 1-55, 6-19, 7-27	1012303	1-49	101587703	11-5, 12-5, 13-5
334	1-47	1012328	6-19, 7-27	1016078	1-47
357	1-19, 1-23, 1-51	1012438	20-21	101609401	3-3, 3-7, 3-15, 3-23
403	1-49	1012549	21-5	1016103	20-21
451	1-29, 1-31	1012560	21-5	1016183	5-11
706	1-19, 1-23	1012769	8-3, 10-5, 18-5	101641002	21-3
808	1-9, 1-11, 1-13, 1-19, 1-23	1012809	21-5	101641101	21-7
1016	11-3, 12-3, 13-3	1012811	21-3	101641202	21-3
1017	20-21	1012812	21-3	1016416	21-3
1032	1-53	1012830	1-29, 1-31	1016417	21-3
1035	4-11, 4-13	1012986	6-15, 7-21, 7-23	1016418	21-5
1108	6-19, 7-27	1013035	5-5	1016423	7-17
1231	1-53	1013042	5-5	1016467	9-13
1241	6-19, 7-27	1013044	5-5	101648203	9-13
1308	20-29, 20-31	1013052	5-5	1016513	9-11, 12-9
1631	20-21	101313402	13-5	1016544	9-9
7049	1-53	1013317	1-53	1016603	1-51
7173	20-29, 20-31	1013366	1-55	1016630	6-15, 7-21, 7-23
7174	20-29, 20-31	1013461	11-3, 12-3, 13-3	1016851	6-15, 7-21, 7-23, 18-3
7310	2-3	1013462	11-3, 12-3, 13-3	1016896	6-15, 7-21, 7-23, 18-3
7473	1-49, 1-55, 6-19, 7-27	1013531	4-11	1016916	1-15
7561	1-49	1013593	21-5	1016967	1-15
7973	1-53	1013734	1-29, 1-31	1017162	1-51
8056	6-15, 7-21, 7-23	1013746	11-5, 12-5, 13-5	1017167	1-51
8057	6-15, 7-21, 7-23, 18-3	1014063	7-17	1017774	1-51
8058	6-15, 7-21, 7-23, 18-3	1014305	21-3	101802601	6-15, 7-21, 7-23
8233	1-15, 1-53, 1-55	1014306	1-43, 1-45, 1-55, 4-5	101804301	1-15
8251	1-43, 1-45	1014321	1-53	101823101	21-5
8639	4-7, 4-11	1014375	6-19, 7-27	101824401	11-5, 12-5, 13-5
8717	7-17, 18-3	1014387	1-53	101833101	10-5
8754	1-49, 1-51, 5-11	1014415	1-53, 1-55	101833201	10-5
8755	1-49, 1-51	1014471	1-49, 19-3	101835601	1-47, 1-49
8797	11-3, 12-3, 13-3	1014537	1-53, 1-55	101856101	15-11, 16-11, 17-11
8990	1-51, 5-5, 20-21	1014727	6-15, 7-21, 7-23, 18-3	101879401	5-5
1010200	1-51	1014808	6-15, 7-21, 7-23, 18-3	101879701	5-5
1010434	1-53	1015139	11-3, 12-3, 13-3	101879801	5-5
1010435	1-49, 1-53, 1-55	1015143	11-3, 12-3, 13-3	101879901	5-5
		1015245	1-53	101880201	5-5
		1015246	1-53	101887601	1-29, 1-31, 4-7, 14-3

INDEX

101894304	1-55	102274101	5-7, 5-13, 18-11, 18-13	102380601	4-9
101898001	6-19, 7-27	102276001	18-33	102381701	18-11, 18-13
101928701	21-5	102288901	19-7	102382401	8-3, 10-5, 18-5
101932201	20-21	102289001	1-5, 1-9, 1-11, 1-13, 1-15, 8-15, 9-15, 12-5, 13-5, 19-3	102385601	15-5, 16-5, 17-5
101958602	1-47	102290120	5-3	102385701	15-7, 16-7, 17-7
101963401	1-53, 1-55	102292356	1-9, 1-11, 1-13	102385801	11-9
101972003	21-5	102292701	1-9, 1-11, 1-13	102393501	5-13
101972004	21-5	102292801	1-9, 1-11, 1-13	102395601	11-11, 12-11, 13-7
101972005	21-5	102296140	4-7	102398901	5-13
101972007	21-5	102296401	11-13, 12-13, 13-9	102399201	4-15
101972009	21-5	102296601	9-5	102399202	4-15
101987901	6-3, 6-5, 7-3, 7-5	102296716	4-7, 15-9, 15-11, 16-9, 16-11, 17-9, 17-11	102402701	8-3
101988101	6-3, 7-3	102296920	9-5	102402801	4-5
101988201	6-3, 7-3	102297230	1-9, 1-11, 1-13, 1-15, 1-17	102402901	4-5
101990802	4-11	102298130	1-29, 1-31, 5-3, 5-11	102406701	13-3
101991101	6-15, 7-21, 7-23	102298401	1-29, 1-31, 4-9, 5-3, 8-3, 9-15, 10-5, 14-9, 18-3	102406801	13-3
102003201	9-3, 12-5	102298580	1-15	102407801	4-7
102010102	5-5	102298720	1-15, 14-3, 19-5	102408401	5-7
102022601	5-5	102301401	1-47	102409301	14-9
102022901	5-5, 5-7, 18-11, 18-13	102323101	1-47	102409501	14-3
102023703	1-29, 1-31	102323501	1-15, 4-13	102409601	14-7
102025401	20-33	102324401	1-41	102410001	19-9
102025701	1-9, 1-11, 1-13	102330901	21-5	102410301	19-3
102025801	1-19, 1-21, 1-23, 1-25	102331401	8-15	102410602	13-5
102030101	1-53	102335301	6-19, 7-27	102410603	4-7, 8-3, 10-5
102030201	1-53	102361901	5-7, 18-11, 18-13	102410604	12-5
102044702	6-15	102363802	5-3	102410801	13-5
102044801	6-15	102365601	5-9	102411202	11-5, 12-5
102045001	1-15	102365602	5-11	102411203	13-5
102047001	1-29, 1-31	102367101	5-3	102411204	19-5, 19-7
102048401	1-15	102367601	4-3	102411205	19-5
102051401	4-5	102369901	15-7, 16-7, 17-7	102411206	19-7
102051601	6-15, 7-21, 7-23	102370101	10-5	102411207	19-3, 19-7
102051701	6-15, 7-21, 7-23	102370501	8-3, 9-5, 10-5	102411208	19-3, 19-7
102052801	4-11	102371401	8-15, 9-15	102411209	13-7
102059001	1-29, 1-31	102371701	18-31	102411210	11-11, 12-11, 15-9, 15-11, 16-9, 16-11, 17-9, 17-11
102059401	1-29, 1-31	102371801	18-7	102411301	19-3
102061101	1-29, 1-31	102372101	18-31	102414501	15-11, 16-11, 17-11
102061201	21-5	102374901	15-3, 16-3, 17-3	102414701	10-5
102065901	1-49	102375401	7-21, 7-23	102414801	10-5
102066001	1-49, 1-51	102375901	18-3	102414901	8-3
102171503	1-49	102376001	18-3	102416501	11-13, 12-13, 13-9
102176901	4-5	102376602	4-15, 18-33	102418101	1-47
102185401	1-19, 1-23	102376603	4-3, 18-11, 18-13	102420201	6-17, 7-25, 20-21
102198001	6-15, 7-21, 7-23	102376605	5-7	102420301	6-17, 7-25
102221301	1-55	102377501	19-7	102420401	6-17, 7-25
102221401	1-55	102377601	19-7	102420501	6-17, 7-25
102221501	1-55	102377801	19-3	102422301	10-55, 14-9
102221701	1-55	102377901	19-3	102426301	11-5, 12-5, 13-5
102221801	1-55	102378901	11-11	102426601	1-47, 1-51
102222001	1-55	102379001	13-7	102426901	1-49
102222101	1-55	102380301	19-3	102427501	19-5
102222201	1-55			102427601	19-7
102224001	3-3, 3-7, 3-17, 3-23			102430001	13-5
102231601	3-5, 3-9, 3-17			102430101	13-5
102239901	1-55				

INDEX

102430201	13-5	102459101	3-5, 3-9, 3-17, 3-25	102490401	8-15
102430301	13-5	102459201	3-9, 3-17, 3-25	102490501	8-3, 10-5
102430401	13-5	102459301	3-3, 3-7, 3-15, 3-23	102490801	5-7
102434601	10-3, 13-5	102459401	3-3, 3-7, 3-15, 3-23	102491001	9-5, 18-11, 18-13, 20-29, 20-31
102434701	10-3, 13-5	102459501	3-5, 3-9, 3-17, 3-25	102491101	18-11, 18-13
102434801	8-15, 13-5	102460201	3-7, 3-9, 3-17, 3-25	102491301	1-15, 1-33, 1-37
102435001	19-7	102461401	11-13, 12-13, 13-9	102491302	1-15
102436701	19-3	102462301	8-3, 10-5	102491501	1-15, 1-33, 1-37, 20-15
102437001	5-7	102462401	18-11, 18-13	102491601	4-3, 4-15
102438201	18-7	102462501	10-5	102491701	1-21, 1-25, 1-43, 1-45
102438301	18-7	102462502	8-3	102492201	6-17, 7-25
102438401	18-7	102462601	11-9	102492301	7-25
102438501	18-7	102463101	18-35	102493001	11-9
102438601	18-7	102463301	18-35	102493301	4-3, 4-15
102438701	18-7	102463401	18-35	102493801	1-47
102438801	18-7	102463501	18-33	102494401	8-3, 10-5
102438901	18-7	102463601	18-33	102494701	13-3
102439001	18-7	102463801	18-35	102495001	5-11
102439101	18-7	102463901	18-33, 18-35	102495701	7-21
102439201	18-7	102464001	18-35	102495801	18-5
102439301	18-7	102464101	18-35	102498201	7-27, 10-5
102439401	18-7	102464201	18-35	102498601	9-3, 10-3, 11-11, 12-11, 13-7
102439501	18-7	102464301	5-7, 18-11, 18-13, 18-35	102498801	13-11
102439601	18-7	102464401	18-35	102499001	6-15, 7-21, 7-23, 18-3
102439701	18-7	102464501	18-35	102522001	11-3, 12-3, 13-3
102439801	18-7	102464601	5-11	102535101	6-5, 7-5
102439901	18-7	102465701	1-51	102538501	6-9, 6-13
102440101	18-7	102465901	10-5	102555501	21-3
102440201	18-9	102466201	11-5, 12-5, 13-5	102571301	5-3
102440301	18-7	102469401	11-13, 13-9	102600001	10-7
102440401	18-9	102470101	5-11	102600101	10-7
102440501	18-9	102470501	5-11	102600201	10-7
102440601	18-9	102470601	5-11	102600301	10-7, 10-11, 10-55
102442001	1-29, 1-31, 20-21	102473501	1-29, 1-31	102600401	10-7
102442201	6-19, 7-27	102473601	1-29, 1-31	102600601	10-7
102442301	6-19	102473701	1-31	102600701	10-7
102442401	6-19	102474301	4-7	102600801	10-7, 10-11
102442901	4-9, 11-13, 12-13, 13-9	102475301	8-15	102601001	10-7, 10-13
102443501	8-15	102475701	4-7, 11-15, 12-15, 13-11, 18-5	102601101	10-35
102443601	8-15, 9-15	102475801	4-3, 4-15, 18-11, 18-13	102601301	10-7
102445201	11-13, 12-13, 13-9	102475901	1-29, 1-31	102601401	10-7
102446601	5-11	102476301	11-13, 12-13, 13-9	102601501	21-3
102447101	21-3	102476401	11-13, 12-13, 13-9	102601801	10-13, 10-55
102447601	1-35, 1-41	102477001	5-13	102601901	10-13
102447602	1-35	102478501	13-3	102602001	10-13
102447901	6-17, 7-25	102479301	11-13, 12-13, 13-9	102602101	10-13
102448001	6-17, 7-25	102480501	19-7	102602301	10-13
102448401	7-27	102481001	15-11, 16-11, 17-11	102602401	10-13
102448501	7-27, 9-15	102481201	15-11, 16-11, 17-11	102602601	10-13
102449101	18-33	102481301	15-11, 16-11, 17-11	102602701	10-13
102456001	1-29, 1-31	102488001	4-3, 4-15	102602801	10-13
102457001	12-15	102489901	11-13, 13-9	102603201	10-23
102457501	8-15, 9-15	102490001	15-5	102603501	21-3
102457601	8-15	102490101	1-39, 8-3, 10-5	102603601	10-29
102458901	1-29, 1-31, 3-5, 3-9, 3-17, 3-25	102490201	8-3, 10-5	102603701	10-29
102459001	3-9, 3-17, 3-25	102490301	6-19, 19-3	102603801	10-29

INDEX

102603901	10-29	102609101	10-21	102630701	10-25
102604001	10-29	102609301	10-21	102630702	10-25
102604101	10-29	102609401	10-21	102630703	10-25
102604201	10-23, 10-29	102609601	10-21	102630901	10-25, 10-57
102604301	10-29	102609801	10-25	102631001	10-25, 10-57
102604401	10-25, 10-29	102609802	10-25	102631301	19-9
102604501	10-29	102609803	10-25	102631401	19-9
102604701	10-29	102610001	10-25	102631601	10-7, 10-35, 10-37, 19-9
102604801	10-29	102614101	1-49, 1-51	102631701	19-13
102604901	10-23	102614401	1-55	102631801	19-13
102605001	10-23	102615701	18-3	102632001	19-13
102605101	10-9, 10-23	102615801	18-5	102632101	19-13
102605201	21-3	102616003	15-11, 16-11, 17-11	102632201	19-13
102605301	10-23	102616101	15-11, 16-11, 17-11	102632701	10-55, 19-11
102605401	10-23	102616301	5-7, 5-9, 5-11	102633001	19-9
102605501	10-23	102616501	17-5	102633201	19-9
102605601	10-23	102616701	18-3	102633301	10-15
102605701	10-43	102616801	5-3	102633401	10-55, 19-9
102605801	10-23	102617001	20-19	102633601	10-45
102605901	10-23	102617201	1-15, 1-33, 1-37, 20-29, 20-31	102633701	10-41
102606001	10-23	102617301	11-9	102633801	10-41
102606101	21-3	102617501	5-7, 18-11, 18-13	102633901	10-41
102606201	10-19	102617701	5-7	102634001	10-41, 10-55
102606301	10-19	102617801	5-7, 18-11, 18-13	102634101	10-41
102606401	10-19	102618101	4-9, 11-13, 12-13, 13-9	102634401	10-41, 10-55
102606501	10-19	102618301	1-47, 4-9, 4-11, 4-13, 5-3, 11-13, 12-13, 13-9, 18-3, 20-29, 20-31	102634501	10-41, 10-55
102606601	10-19, 10-55	102618401	4-5	102634601	10-41
102606701	10-17	102618601	1-15, 1-47, 1-51, 4-5, 4-11, 4-13, 5-3, 5-11, 8-3, 8-15, 9-15, 10-5, 11-5, 11-13, 12-5, 12-13, 13-5, 13-9, 19-7, 20-29, 20-31	102634701	10-41
102606901	10-9	102619801	5-13	102635101	10-45
102607001	10-9	102620301	1-35	102635201	10-41
102607201	10-9	102620401	5-13	102635301	10-31, 10-41, 10-43, 10-55
102607301	10-9	102620501	5-7, 5-9, 5-11, 5-13	102635501	10-31
102607401	10-9	102620801	11-9	102635701	10-31
102607501	21-3	102621201	11-11, 12-11, 13-7, 14-3	102635801	10-31
102607601	10-25, 10-57	102621301	9-15, 10-5, 14-9	102635901	10-31
102607602	10-25	102621501	8-3, 10-5, 18-5	102636201	10-45
102607801	10-25	102623802	11-7	102636301	10-45
102607901	10-25	102623805	11-7	102636401	10-45
102608001	10-25	102623808	11-7	102636501	10-45
102608101	10-25	102626201	4-9	102636601	10-45
102608201	10-21, 10-55	102628001	15-11, 16-11, 17-11	102636901	10-31
102608301	10-21, 10-55	102628101	14-9	102637001	10-31
102608401	10-21	102628301	15-9, 16-9, 17-9	102637101	10-31
102608501	10-21	102628701	19-7	102637701	10-39
102608601	10-21	102629001	1-51	102640401	10-39
102608701	10-21, 19-11	102630001	10-25	102640501	10-39
102608801	10-25	102630002	10-25	102640601	10-33, 10-39
102608802	10-25	102630003	10-25	102640701	10-39
102608803	10-25	102630101	10-25	102640901	10-39
102608804	10-25	102630201	10-25	102641001	10-39
102608805	10-25	102630301	10-25, 10-55	102641101	10-39
102608806	10-25	102630401	10-25	102641201	10-39
102608901	10-21	102630601	10-35, 10-37	102641501	10-43
102609001	10-25			102642401	10-43
102609002	10-25			102642501	10-43
102609003	10-25			102642601	10-43

INDEX

102642701	10-43	102655601	11-7	102661101	8-13
102642801	10-43	102655701	11-7	102661201	8-13
102642901	10-43	102655801	11-7	102661202	8-13
102643001	10-43	102655901	11-7	102661301	8-13
102643101	10-43	102656001	11-7	102661401	8-13
102643201	10-43	102656101	11-9	102661501	8-13
102643301	10-43	102656301	11-9	102661601	8-13
102643401	10-43	102656402	11-5	102661701	8-13
102643601	10-43	102656501	11-9	102661801	8-13
102643701	10-43	102656601	11-5	102661901	8-7, 8-13
102644001	10-15, 10-55	102656701	11-9	102662101	8-11
102644101	10-15	102656801	11-9	102662102	8-11
102644501	10-55	102657001	11-5	102662201	8-11
102645501	10-47	102657101	11-5	102662301	8-11
102646001	10-51, 10-55	102657201	11-5	102662401	8-11
102646101	10-51	102657301	11-5	102662601	8-11
102646301	10-53	102657501	8-5, 11-5	102662701	8-11
102646401	10-49	102657601	8-11, 11-9	102662801	8-11
102646501	10-53	102657701	8-11, 11-9	102662802	8-11
102646601	10-53, 10-55	102657801	8-11, 11-9	102662901	8-11
102647101	10-53	102658001	8-9	102663001	8-11
102647201	10-53	102658101	8-9	102663101	8-11
102647501	10-27	102658201	8-9	102663201	8-11
102647701	10-35, 10-37, 10-47	102658301	8-9	102663301	8-11
102647801	10-27	102658401	8-9	102663401	8-11
102647901	10-27	102658501	8-9	102663501	8-11
102648001	10-27	102658601	8-9	102663801	8-11
102648401	10-47	102658701	8-9	102663901	8-11
102648501	10-47	102658801	8-9	102664001	8-11
102651301	10-49	102658901	8-9	102664101	8-11
102651501	10-49	102659001	8-9	102664301	8-11
102651601	10-49	102659101	8-9	102664401	8-11
102651701	10-49	102659201	8-9	102664601	8-7
102651801	10-49	102659301	8-9	102664701	8-7
102652001	10-49	102659401	8-9	102664801	8-7
102652601	10-49	102659501	8-9	102664901	8-7, 8-13
102652701	10-49	102659601	8-9	102665001	8-7
102652801	10-11	102659801	8-13	102665101	8-7
102652901	10-49	102659901	8-13	102665301	8-7
102653001	10-49	102660001	8-13	102665401	8-7
102653101	10-49	102660101	8-13	102665501	8-7
102653201	10-49	102660201	8-13	102665601	8-7
102653301	10-49, 10-55	102660301	8-13	102665701	8-7
102653401	10-11	102660401	8-13	102665901	8-7
102653501	10-11	102660402	8-13	102666001	8-7
102653601	10-49	102660403	8-13	102666201	8-5, 8-7
102653701	10-49	102660404	8-13	102666801	8-5
102653901	10-11	102660501	8-13	102666901	8-5
102654101	10-11, 10-55	102660601	8-13	102667001	8-5
102654301	10-13, 10-41, 10-51	102660701	8-13	102667101	8-5
102654401	10-23	102660801	8-13	102667201	8-5
102654601	10-9, 10-55	102660802	8-13	102667301	8-5
102654701	10-55, 19-9	102660803	8-13	102667401	8-5
102655301	8-7	102660804	8-13	102667501	8-5
102655401	11-7	102660901	8-13	102667601	8-5
102655501	11-7	102661001	8-13	102667701	8-5

INDEX

102667901	8-5	102694001	18-35	102722901	8-11
102668001	8-5	102694201	18-19, 18-25, 18-33	102724101	11-7
102668101	8-5	102694301	18-33	102724201	11-7
102668201	8-7, 8-13	102694401	18-33	102724301	8-9
102668301	8-5	102694502	18-35	102724401	8-9
102668401	8-5	102694701	18-33	102724501	8-9
102668801	21-5	102694801	18-33	102724601	8-9
102669901	21-5	102695401	15-7, 16-7, 17-7	102724701	8-9
102670601	1-29, 1-31	102695601	15-7, 16-7, 17-7	102725101	8-13
102670701	1-7, 8-3, 10-5, 20-15	102695701	15-7, 16-7, 17-7	102725201	8-13
102670801	8-15, 13-5	102695801	15-7, 16-7, 17-7	102725401	11-5
102670901	11-3, 12-3	102695901	15-7, 16-7, 17-7	102725501	11-11, 12-11, 13-7
102671201	1-35, 1-41	102696001	18-21, 18-29	102725601	11-11, 12-11, 13-7
102672101	18-33	102696101	18-19, 18-25	102726201	10-7
102672201	18-33	102696201	18-19, 18-21, 18-23, 18-25, 18-27	102726301	10-7
102672301	18-33	102696401	18-21, 18-29	102726401	10-7
102672401	18-33	102696501	18-19, 18-21, 18-25, 18-27	102726501	10-7
102673201	1-55	102696601	18-21, 18-29	102726601	10-7
102674001	21-3	102696701	18-19, 18-25	102726701	10-11
102674101	21-3	102696801	18-19, 18-21, 18-25, 18-27	102726901	10-11
102674201	21-5	102696901	18-19, 18-21, 18-23, 18-25, 18-27	102727001	10-11
102674401	21-5	102697001	18-23, 18-27	102727101	10-11
102674601	21-5	102697101	18-19, 18-21, 18-25, 18-27	102727401	10-13
102675001	21-5	102697501	18-21, 18-27	102727501	10-13
102675101	21-5	102697801	18-23, 18-25	102727601	10-13
102675201	21-5	102698601	18-21, 18-27	102727701	10-17
102675301	21-5	102698701	18-21, 18-27	102727901	10-19
102675401	21-5	102698801	18-23, 18-25	102728001	10-21
102682901	5-13	102699401	18-19, 18-25	102728101	10-25, 10-57
102684501	5-13, 18-3	102699601	18-21, 18-29	102728102	10-25
102684601	18-3	102699701	18-19, 18-23, 18-25, 18-27	102728301	10-27
102684901	19-3	102700001	18-23	102728401	10-29
102685001	19-3	102700101	18-23	102728501	10-29
102685601	5-13	102700201	18-23	102728601	10-31
102686101	21-3	102700301	18-23	102728701	10-31
102687801	5-5	102700801	10-7	102728801	10-31, 10-55
102689001	4-7	102701001	10-11	102728901	10-31
102689101	5-9, 5-11	102701201	10-35, 10-37	102729101	10-33
102689102	5-9, 5-11	102701601	10-45	102729301	10-13, 10-55
102690201	15-5, 16-5, 17-5	102703301	10-3, 10-13	102729401	10-41
102690301	15-5, 16-5, 17-5	102703401	10-3, 13-5	102729501	10-41
102690401	17-5	102710301	8-15, 13-5	102729601	10-43
102690501	15-5, 16-5, 17-5	102710501	11-9	102729701	10-43
102690701	15-5, 16-5, 17-5	102711601	18-11, 18-13	102730001	10-35
102690801	17-5	102712601	4-11	102730101	10-35
102691001	15-5, 16-5	102714001	4-3, 4-15	102730201	10-35, 10-37
102691401	15-5, 16-5, 17-5	102716001	4-13	102730301	10-35
102691601	15-5, 16-5, 17-5	102718101	1-7, 1-27, 1-29, 1-31, 1-33, 1-37, 1-39	102730401	10-35, 10-37
102691701	15-5, 16-5, 17-5	102719301	1-7, 15-7, 16-7, 17-7	102730601	10-35, 10-37
102691801	15-5, 16-5, 17-5	102721501	18-19, 18-23, 18-25	102730801	10-7
102691901	15-5, 16-5	102721901	8-15	102730901	19-9
102693201	18-33	102722001	8-15, 9-15	102731001	19-9
102693301	18-19, 18-25, 18-33	102722301	5-7, 18-11, 18-13	102731101	19-9
102693401	18-33	102722701	8-11	102731201	19-11
102693501	18-19, 18-25, 18-33	102722801	8-11	102731301	10-35, 10-37
102693601	18-35			102731501	10-53

INDEX

102731601	10-53, 14-9	102787101	20-25	102827901	8-15
102731801	10-55	102787601	20-25	102831201	8-7
102731901	10-55	102787602	20-25	102831501	18-33
102732001	10-57	102787701	20-25	102834401	1-39
102732201	10-25, 10-57	102788701	5-9, 5-11	102834901	14-7
102732401	1-27, 1-29, 1-31, 1-39	102789001	20-19	102839401	15-5, 16-5, 17-5
102732501	10-35, 10-37, 10-47	102789101	20-19	102849401	8-15
102732601	10-7, 10-55	102789201	20-19	102849801	20-21
102736901	2-3	102789301	20-19	102850501	20-21
102737101	5-13	102790001	20-19	102854401	20-21
102737301	19-3	102790801	20-19	102854501	20-21
102740401	9-5	102790901	20-19	102854601	20-21
102741501	4-13	102791001	20-19	102854801	20-21
102741601	4-13, 20-33	102791301	20-19	102854901	20-21
102751301	4-13	102791701	5-7, 18-11, 18-13	102855501	19-3
102751501	4-13	102791702	5-7, 18-11, 18-13	102859101	20-29, 20-31
102751601	11-3, 12-3	102792001	5-7	102865101	12-5
102759401	8-5	102792002	5-7	102866510	1-9, 1-11, 1-13
102759601	1-27	102793701	18-11	102866514	1-9, 1-13
102759901	1-27	102794801	20-33	102866515	1-11
102762601	18-35	102794901	20-33	102866518	1-9, 1-11, 1-13
102763301	4-11	102798001	10-11	102866610	1-9, 1-11, 1-13
102763401	4-11	102798101	10-13	102866614	1-9, 1-13
102763701	1-29, 1-31	102798201	10-13	102866615	1-11
102764201	18-19, 18-25	102798401	10-15	102866618	1-9, 1-11, 1-13
102764701	18-23	102798501	10-15, 10-55	102866710	1-9, 1-11, 1-13
102764801	18-23	102798601	10-15	102866714	1-9, 1-13
102765101	18-21, 18-27	102798701	10-15	102866715	1-11
102765201	18-19, 18-25	102798801	10-15	102866718	1-9, 1-11, 1-13
102765301	18-35	102798901	10-15	102866810	1-9, 1-11, 1-13
102765401	18-35	102799001	10-15	102866814	1-9, 1-13
102765501	18-35	102799101	10-15	102866815	1-11
102765701	18-35	102799201	10-15	102866818	1-9, 1-11, 1-13
102765801	18-35	102799401	10-23	102866901	1-9, 1-11, 1-13
102767001	4-7	102799601	10-33	102867001	1-9, 1-11, 1-13
102767101	18-5	102799701	10-33	102867101	1-15
102767401	13-11	102799801	10-33	102867202	1-17
102767601	19-7	102799901	10-33	102867301	1-15
102767701	18-31	102800101	10-39	102867401	1-11
102772201	1-45	102800201	10-45	102867501	1-9
102784001	20-29	102800301	10-45	102867602	1-13
102784002	20-31	102800401	10-41	102868201	18-3
102784003	20-33	102800501	10-41	102869401	6-15, 7-21, 7-23
102784201	20-23	102800601	10-41	102874301	5-7, 18-11, 18-13
102784601	20-25	102800701	10-35, 10-37	102874501	5-7
102784701	20-25	102801001	10-35, 10-37	102879201	1-27
102784801	20-25	102801101	10-49	102879401	1-27
102784901	20-25	102801201	10-49	102882301	1-5
102785001	20-25, 20-33	102801301	10-51	102882401	1-9, 1-11, 1-13
102785101	20-25, 20-33	102801401	10-51	102882501	1-51, 6-15, 7-21
102785401	20-33	102801501	10-51	102883401	1-17
102785501	20-29, 20-31	102807601	19-5	102883601	3-11, 3-13, 3-19, 3-21
102786101	20-15, 20-17, 20-19, 20-23	102807801	19-5	102884301	3-5, 3-9, 3-15
102786201	14-3	102810701	11-11, 12-11, 13-7	102884401	3-3, 3-7, 3-15
102786301	5-9, 5-11	102812801	14-3	102885001	7-7
102786401	7-17	102816801	5-5	102889201	3-15

INDEX

102892401	4-13	102930301	20-11	102986001	7-11
102894401	6-5, 7-5	102930401	20-13	102986101	7-11
102894501	6-5, 7-5	102930501	20-27	102988701	1-33, 1-37, 1-39, 1-41
102895101	1-9, 1-11, 1-13	102930801	3-23	102989801	5-3
102895401	1-9, 1-11, 1-13	102930901	14-3	102990101	9-17
102895701	1-19, 1-21, 1-23, 1-25	102934601	10-5	102990201	9-17
102896401	1-9, 1-11, 1-13	102934701	10-37	102990301	9-17
102896501	1-9, 1-11, 1-13	102934801	10-37	102990401	9-17
102896601	4-13	102934901	10-37	102990501	9-17
102912301	1-27	102935501	1-15	102990601	9-17
102913801	1-43, 1-45	102936801	7-17	102990701	9-17
102913901	1-43, 1-45	102937401	7-17	102990801	9-17
102914001	1-43, 1-45	102937501	7-17	102990901	9-17
102914101	1-43, 1-45	102937601	7-17	102991101	9-17
102914102	1-43, 1-45	102943101	2-3	102991201	9-17
102914104	1-45	102943201	18-25	102991301	9-17
102914105	1-45	102943807	2-3	102991401	9-17
102918501	20-21	102943808	2-3	102991501	9-17
102921601	20-15, 20-17, 20-19, 20-23	102943809	2-3	102991601	9-17
102921701	20-29, 20-31	102945701	2-3	102991801	9-17
102922601	20-33	102946701	19-3	102991901	9-17
102922701	20-33	102949301	14-5	102992001	9-17
102923001	20-23	102950402	1-19, 1-23	102992101	9-17
102923101	20-23	102950501	1-19	102992201	9-17
102923201	20-17	102950502	1-23	102992301	9-17
102923301	20-19	102950503	1-19	102992401	9-7, 9-11, 9-13, 9-17
102923401	20-17	102950504	1-23	102992501	9-7, 12-5
102923801	20-33	102950601	3-23	102992601	9-17
102925201	20-15	102951901	9-5	102992701	9-17
102925601	3-31	102952101	13-3	102992801	9-17
102926301	20-27	102952102	11-3, 12-3	102992901	9-17
102926401	20-27	102952801	11-15	102993201	9-21
102926501	20-27	102952901	11-15	102993301	9-21
102926601	20-9, 20-11, 20-27	102958301	9-15	102993401	9-21
102926701	20-27	102958401	9-15	102993501	9-21
102926801	20-27	102958501	9-15	102993601	9-21
102927101	5-7	102958601	9-15	102993701	9-21
102927102	5-7	102960201	9-5	102993901	9-21
102927201	20-5	102961201	3-3, 3-7, 3-15, 3-23	102994101	9-21
102927301	20-5	102961301	18-35	102994301	9-9
102927401	20-5, 20-9, 20-11	102961401	18-35	102994401	9-21
102928001	20-29, 20-31	102961501	18-35	102994601	9-19
102928101	20-29, 20-31	102967901	1-29, 1-31, 20-21	102994701	9-19
102928201	20-29, 20-31	102973201	19-5	102994801	9-19
102928301	20-29, 20-31	102973501	20-33	102994901	9-19
102928401	20-29, 20-31	102973601	20-33	102995001	9-19
102928501	20-29, 20-31	102977101	5-3	102995101	9-19
102928601	20-29, 20-31	102977501	7-23	102995201	9-19
102928701	20-31	102978801	1-13	102995301	9-19
102928901	20-29, 20-31	102978901	1-13	102995401	9-19
102929501	20-11	102979301	1-11	102995501	9-19
102929601	20-9, 20-11	102979401	1-9	102995601	9-19
102929701	20-11	102983201	1-33, 1-37	102995701	9-19
102930001	20-5	102983601	1-33, 1-37	102995801	9-19
102930101	20-7	102985001	6-9	102995901	9-19
102930201	20-9	102985101	6-9	102996001	9-19

INDEX

102996101	9-19	103182702	1-17	103227001	1-51
102996201	9-19	103182801	1-17	103231701	1-3
102996301	9-19	103185401	15-5, 16-5	103231801	1-3
102996401	9-19	103185501	17-5	103233001	1-15
102996501	9-19	103185801	15-5, 16-5, 17-5	103233410	3-13, 3-27
102996601	9-19	103185901	15-5, 16-5, 17-5	103233415	3-13, 3-27
102996701	9-19	103187501	18-3	103233417	3-13, 3-27
102996901	9-13	103188601	3-23	103233510	3-13, 3-27
102997001	9-13	103188701	3-25	103233515	3-13, 3-27
102997101	9-13	103189001	4-11	103233517	3-13, 3-27
102997201	9-13	103189501	1-23, 1-25	103233614	3-11, 3-29
102997401	9-13	103191201	1-53	103233617	3-11, 3-29
102997601	9-13	103191301	1-53	103233714	3-11, 3-29
102997701	9-13	103191401	1-53	103233717	3-11, 3-29
102997801	9-13	103191501	1-53	103234001	7-23
102997901	9-13	103192101	1-33, 1-37	103234201	3-11, 3-13, 3-19, 3-21, 3-27, 3-29
102998001	9-13	103197201	9-15	103234401	7-21, 7-23
102998101	9-13	103198901	12-11	103234503	2-3
102998201	9-13	103200501	1-43, 1-45	103236001	1-3
102998301	9-13	103201501	16-5	103237501	20-3
102998401	9-13	103201601	11-7	103237701	20-3
102998601	9-7	103202601	3-3, 3-7	103239501	18-21, 18-29
102998701	9-7	103204001	11-15	103239601	18-21, 18-27
102999101	9-7	103204101	11-15	103239801	18-21, 18-29
102999201	9-7	103205801	7-23	103239901	10-37
102999301	9-7	103206801	7-11	103240601	9-15
102999501	9-7	103207001	6-9	103240814	3-19
102999601	9-7	103208701	9-5	103240817	3-19
103000001	9-7	103208801	7-21, 7-23	103240914	3-19
103000401	9-9	103210401	3-3, 3-7	103240917	3-19
103000501	9-9	103210501	3-15	103241010	3-21
103000601	9-9	103210801	1-41	103241015	3-21
103000801	9-9	103210802	1-41	103241017	3-21
103000901	9-9	103210901	1-41	103241110	3-21
103001301	9-9	103211101	1-41	103241115	3-21
103001501	9-9	103213201	7-7	103241117	3-21
103002001	9-11	103213301	6-3, 6-5, 7-3, 7-5	103243001	20-9
103002101	9-11	103213401	7-19	103243101	20-9
103002301	9-11	103213501	7-7	103243201	20-9
103002401	9-11	103214901	1-37	103243501	20-9, 20-11
103002501	9-11	103215001	1-37	103243601	20-9
103002801	9-11, 12-9	103215101	1-37	103243701	20-9
103002901	9-11	103215201	20-21	103243801	20-9
103003801	12-9	103215401	1-3	103243901	20-9, 20-11
103003901	12-9	103215901	1-33, 1-37	103244001	20-9, 20-11
103004201	12-9	103216201	1-37	103244701	18-11, 18-13
103005001	12-9	103216401	1-27, 1-29, 1-31, 1-33, 1-37, 1-39, 1-41	103245101	1-35
103005601	12-9	103216801	1-37	103245801	7-17
103009901	12-5	103218104	6-5, 7-5	103246901	9-15
103010101	12-5	103218107	1-9, 1-11, 1-13, 6-5, 7-5	103250301	18-19, 18-25
103174301	4-7	103218113	6-5, 7-5	103250401	18-19, 18-25
103178401	18-19	103218213	4-5	103253801	1-15
103180101	6-15, 7-21, 7-23	103218501	4-11	103256401	5-7
103181001	1-27	103218901	1-29	103256501	5-7
103181101	1-27	103225801	1-33, 1-37	103256701	5-7
103182701	1-17			103262201	1-27

INDEX

103262601	1-27	103300301	9-7, 9-13	103348501	6-15, 7-21
103262901	9-5	103305001	4-13	103355401	20-15
103267001	1-31	103305101	4-13	103361701	1-33, 1-37
103267002	1-29	103305701	6-13	103377501	1-41
103268001	1-15	103305801	6-13	103379401	1-53
103268101	14-5	103306801	12-7	103387501	12-5
103273101	4-9, 11-13, 12-13, 13-9	103306901	12-7	103406501	1-53
103274502	1-39	103307001	12-7	103406502	1-53
103274602	1-39	103307201	12-7	103406601	1-53
103276201	9-15	103307301	12-7	103409001	20-33
103277301	12-15	103307401	12-7	103418701	4-15
103277401	12-15	103307901	11-5	103418801	4-3, 4-15
103277501	7-15	103310701	7-21	103423701	19-7
103277701	7-15	103319501	1-45	103441401	13-7
103278101	12-13	103319901	3-25, 20-21	103478801	5-3
103279201	9-5	103320201	12-9	103485501	1-21
103282301	5-13	103320301	12-9	103487501	1-21, 1-25
103283801	1-39	103320401	12-9	103488801	1-25
103289001	1-43, 1-45	103320601	15-9, 15-11, 16-9, 16-11, 17-9, 17-11	103488802	1-25
103289002	1-43, 1-45	103324901	7-21	103521001	6-5, 7-5
103289101	1-43, 1-45	103326401	9-15	103596601	12-7
103289102	1-43, 1-45	103327201	6-15, 7-21, 7-23	103596701	12-7
103289103	1-43, 1-45	103331201	1-43, 1-45	103687401	9-9
103289104	1-43, 1-45	103340501	12-7	103721801	18-27
103289107	1-45	103340601	12-7	103762501	7-7
103289108	1-45	103340701	12-7	103865301	21-3
103289109	1-45	103340801	12-7	103887901	9-3
103289110	1-45	103340901	12-7	105222301	10-41
103293201	4-5	103341001	12-7	105222401	10-41
103293301	12-15	103341101	12-7	105222501	10-41
103293401	12-15	103341201	12-7	105222901	10-43
103296001	1-15	103341301	12-7	95293643	18-31
103296201	18-13	103341401	12-7	96701412	8-3, 9-5, 10-5
103297101	12-9	103341501	12-7	96704176	19-3
103297201	12-9	103341601	12-7	96704416	6-19, 7-27, 14-5, 14-7, 19-3
103297301	12-9	103341701	12-7	96704622	8-3, 10-5
103297401	9-11	103341801	12-7	96704721	8-3, 9-5, 10-5
103297501	9-11	103341901	12-7	96704960	8-3, 9-5
103297601	9-11	103342001	12-7	96705199	19-3
103297701	9-11	103342101	12-7	96705587	8-15, 9-15, 13-5
103297801	9-11	103342201	12-7	96706825	11-13, 12-13, 13-9
103298001	9-11	103342301	12-7	96715552	1-15, 1-33, 1-37
103298101	9-11	103342501	12-7	96718978	8-3, 10-5
103298201	9-11	103342601	12-7	96727003	20-15
103298301	9-11	103342701	12-7	96741038	8-3, 10-5
103298501	9-9, 9-11, 12-5, 12-9	103343301	12-7	96741046	1-39, 8-3, 9-5, 10-5, 20-29, 20-31
103298601	9-11, 9-17	103343401	12-7	96742515	1-29, 1-31
103298901	9-17	103343501	12-7	96950126	12-15
103299301	9-7	103343601	12-7		
103299401	9-7	103343701	12-7		
103299501	9-9	103343801	12-7		
103299601	9-9	103343901	12-7		
103299701	9-9	103345501	9-9		
103299801	9-9	103348101	6-15, 7-21		
103299901	9-9	103348201	6-15, 7-21, 7-23		
103300101	9-9				

A

A-arm	5-7
accelerator cable	11-15, 12-15, 13-11
accelerator pedal	11-13, 12-13, 13-9
accessory receptacle	6-15, 7-21, 7-23
actuator	1-51
adapter	

INDEX

- actuator 1-51
 - hose 8-15, 9-15
 - intake, engine 11-9
 - oil filter 9-15
 - tube 8-15, 9-15, 13-5
 - adapter, oil filter 8-15
 - adjuster, forward/aft 1-29, 1-31
 - adjuster, slide 5-7, 18-11, 18-13
 - adjuster, slider 1-29, 1-31
 - air filter 9-3, 10-3, 11-11, 12-11, 13-7
 - air filter canister 11-11, 12-11, 13-7
 - air filter evacuator 11-11, 12-11, 13-7
 - air filter gasket 12-9
 - alternator 10-35, 10-37
 - alternator belt 10-35, 10-37
 - arbor 21-3
 - arm
 - A 5-7
 - A- 5-7
 - governor 18-23
 - governor link 9-11
 - governor shaft 9-11
 - rocker 9-19, 10-49
 - swing 5-13
 - valve rocker 8-11
 - arm attachment 20-17
 - assembly
 - accelerator pedal 11-13, 13-9
 - adjusting bolt 10-31
 - alternator 10-35, 10-37
 - bearing case cover 10-21
 - brake line 4-7
 - brake pedal 4-9, 4-13
 - brake rotor 4-3, 4-15, 18-11, 18-13, 18-33
 - bucket seat 1-31
 - camshaft 8-13, 10-23
 - case, main bearing 10-21
 - connecting rod 8-13, 10-25
 - crankcase cover 8-9
 - cylinder head cover 10-15
 - drain cock 10-7
 - filler cap 4-5
 - forward/reverse 18-3
 - fuel camshaft 10-29
 - fuel cap 13-3
 - fuel filter 10-3, 13-5
 - fuel injection pump 10-39
 - fuel pump 11-5, 12-5, 13-5
 - fuel tank vent 11-3, 12-3, 13-3
 - gear case 18-19, 18-25, 18-35
 - governor 8-9
 - governor arm 18-23
 - governor fork lever 10-45
 - headlight harness 6-3, 6-5, 7-3, 7-5
 - hinge, tilt bed 1-49
 - idle apparatus 10-31
 - inner ball joint 5-5
 - intake manifold 10-51
 - latch, tilt bed 1-49
 - muffler 18-11, 18-13
 - nozzle holder 10-43
 - oil pump 10-19
 - oil pump cover 8-9
 - overflow pipe 10-43
 - pinion 18-35
 - piston ring 10-25, 10-57
 - reservoir, remote 4-5
 - rocker arm 10-49
 - speed plate 10-41
 - tailgate 1-55
 - tether 1-55
 - thermostat 19-9
 - tilt bed 1-49
 - valve, lifter 8-13
 - valve, solenoid 11-7
 - water pump 19-11
 - wire 6-19, 7-27, 9-15, 11-3, 12-3, 13-3
 - assembly, sub-
 - fly weight 18-23
 - front differential upright 18-11, 18-13
 - governor spool 18-23
 - moveable drive clutch 15-5, 16-5, 17-5
 - stationary 15-5, 16-5, 17-5
 - weight clutch 15-5, 16-5, 17-5
 - attachment
 - bucket 20-7
 - mower 20-13
 - pallet fork 20-5
 - push broom 20-11
 - snow blade 20-9
 - attachment arm 20-17
 - attachment interface 20-19
 - axle 18-33
 - axle tube 18-35
 - axle, rear 18-33
- ## B
- ball
 - check 10-23
 - crankshaft 10-25
 - governor 10-29
 - injection pump 10-29
 - steel 8-9
 - valve 10-13
 - ball joint 5-7, 18-5, 18-11, 18-13
 - ball stud 18-3
 - band, pipe 19-9, 19-13
 - banjo bolt 4-3, 4-15
 - bar clamp 19-7
 - bar, sway 5-11
 - barb, vent 11-5, 12-5, 13-5
 - barrel, plastic 1-53
 - barrier, heat 20-29, 20-31
 - base, seat holder 1-29, 1-31
 - battery clamp 6-19, 7-27
 - battery terminal protector spray 21-3
 - battery thermometer 21-3
 - battery, 12-volt 6-19, 7-27
 - bearing
 - ball (steering pinion) 5-5
 - hub 5-7, 18-11, 18-13, 18-35
 - lower pinion 5-5
 - needle 8-13, 18-7, 18-19, 18-21, 18-25, 18-27, 18-35
 - radial ball 8-13
 - bearing and oil seal remover 21-3
 - bearing case cover 10-21
 - bearing case, main 10-21
 - bearing driver set 21-3
 - bearing puller 21-3
 - bearing puller wedge 21-3
 - bed floor plate 1-49
 - bed latch 1-53
 - bed latch spring 1-53
 - bed, tilt 1-49
 - bell crank cable 4-11
 - bellcrank 4-13, 18-21, 18-29
 - bellows 5-5, 18-33
 - belt guard 10-37
 - belt, alternator 10-35, 10-37
 - belt, drive 15-3, 16-3, 17-3
 - belt, V- 10-35, 10-37
 - bench seat back 1-27
 - bench seat bottom 1-27
 - bezel, fuel fill 11-5, 12-5, 13-5
 - blade, snow 20-9
 - block, differential spacer 18-11, 18-13
 - block, engine 10-7
 - block, fuse 6-17, 7-25
 - bolt
 - adjusting 10-31
 - banjo 4-3, 4-15
 - drain plug 8-9
 - boot replacement kit, inner 18-15, 18-17
 - boot replacement kit, outer 18-15, 18-17
 - bottle, coolant 19-5
 - box, hydraulic control 20-21
 - bracket
 - actuator 1-51
 - anti-sway bar 5-11
 - bed latch 1-47
 - brake line 4-7
 - brake pedal 4-9
 - choke cable 11-9
 - cover inlet 15-11, 16-11, 17-11
 - draw latch 1-9, 1-11, 1-13
 - equalizer 4-11
 - hood support 1-15

INDEX

- hydraulic line 4-7, 5-9, 5-11
 - muffler 14-3
 - oil filter 9-15
 - oil filter mount 8-15, 9-15
 - park brake 4-13
 - radiator support 19-3
 - rocker arm 10-49
 - seat back 1-27
 - seat belt 1-27
 - seatbelt 1-29, 1-31
 - transmission cable 8-3, 10-5, 18-5
 - transmission mounting 8-3, 10-5
 - brake cable 4-11
 - brake cable release tool 21-3
 - brake caliper 4-3, 4-15
 - brake caliper return spring 4-15
 - brake fluid reservoir 4-5
 - brake line 4-7
 - brake line, front 4-7
 - brake line, rear 4-7
 - brake pads
 - rear 4-3, 4-15
 - brake pedal 4-9, 4-13
 - brake return spring 4-11
 - brake rotor 4-3, 4-15, 18-11, 18-13, 18-33
 - breaker, circuit 7-17
 - breather cover 10-15
 - breather gasket 9-17
 - breather shield 10-15
 - breather tube 10-15, 11-9
 - breather valve 8-13, 10-15
 - broom weldment 20-11
 - broom, push 20-11
 - brush, FNR 1-15
 - bucket attachment 20-7
 - bucket seat 1-29, 1-31
 - buckle, seatbelt 1-35, 1-41
 - bulb, headlight 6-3, 6-5, 7-3, 7-5
 - bulb, signal 6-5, 7-5
 - bullet, detent 18-21, 18-27
 - bumper 19-3
 - bed 1-47, 1-51
 - front 1-3
 - rubber 1-55
 - bushing 1-51
 - A-arm 5-7
 - anti-sway bar 5-11
 - flanged bronze 10-23
 - forward/reverse 18-3
 - greaseless 4-9, 11-13, 12-13, 13-9
 - link 5-11
 - lower arm 5-7
 - nylon 1-53
 - piston pin 10-25, 10-57
 - pivot, urethane 5-13
 - plain 18-9
 - return line 13-3
 - snap-in 1-53
 - steel 1-49
 - teflon 5-13
 - urethane 1-49
 - button, thrust 18-7
 - buzzer, reverse 6-15, 7-21, 7-23, 18-3
- ## C
- cable
 - accelerator 11-15, 12-15, 13-11
 - bell crank 4-11, 4-13
 - brake 4-11
 - choke 11-15, 12-15
 - FNR shifter 18-5
 - main bell crank 4-11
 - transmission 18-5
 - caliper slide pin 4-3, 4-15
 - caliper, brake 4-3, 4-15
 - camber adjustment tool 21-3
 - camshaft 8-13, 9-19, 10-23
 - camshaft guide 9-19
 - camshaft kit 9-19
 - camshaft plate 9-19
 - camshaft spring 9-19
 - camshaft, fuel 10-29
 - canister, air filter 11-11, 12-11, 13-7
 - cap
 - air filter 11-11, 12-11, 13-7
 - bolt assembly 10-31
 - connecting rod 8-13
 - corner 1-53
 - filler 4-5
 - front corner 1-55
 - fuel 13-3
 - fuel tank 11-3, 12-3
 - inlet 15-11, 16-11, 17-11
 - noise suppressor 8-5, 8-7
 - oil fill 9-13
 - oil filler 8-9
 - pressure 19-5
 - radiator 19-3
 - rubber 5-7, 5-13, 18-11, 18-13
 - sealing 10-7, 10-11
 - spark plug 8-5, 8-7
 - speed control plate 10-41
 - steering wheel 5-3
 - valve 10-49
 - carburetor 11-7, 12-7
 - carburetor air vent tube 11-5, 12-5, 13-5
 - carburetor float level tool 21-5
 - carburetor gasket 12-7, 12-9
 - carburetor heater 12-7
 - carburetor jet 12-7
 - carburetor seal 12-7
 - carburetor shaft 12-7
 - carburetor solenoid 12-7
 - carburetor spring 12-7
 - carburetor throttle shaft 12-7
 - carburetor valve 12-7
 - card, safety first 21-5
 - case
 - gear 10-13, 18-19, 18-25, 18-33, 18-35
 - governor ball 10-29
 - main bearing 10-21
 - case cover, bearing 10-21
 - center console 20-21
 - center console cover 1-29, 1-31
 - chain, transmission 18-19, 18-25
 - charge coil 8-7, 9-9
 - choke cable 11-15, 12-15
 - circuit breaker 7-17
 - clamp
 - bar 19-7
 - battery 6-19, 7-27
 - breather tube 10-15
 - hose 11-5, 12-5, 13-5, 13-7
 - hose, green 13-5
 - p- (fuel filter) 4-7, 8-3, 10-5, 12-5, 13-5
 - pipe 10-43
 - wire 8-7, 8-13
 - clevis pin 4-5
 - clip
 - body trim 1-9, 1-11, 1-13
 - brake line 4-7, 11-15, 12-15, 13-11, 18-5
 - breather tube 11-9
 - governor 8-9
 - hair pin 1-55
 - meter 6-15, 7-21, 7-23
 - piston pin 8-13
 - return pipe 10-43
 - tube 11-5
 - closeout 1-43, 1-45
 - clutch cover (drive) 15-5, 16-5, 17-5
 - clutch cover (non-sealed)
 - CVT 15-9, 16-9, 17-9
 - clutch cover (sealed) 15-11, 16-11, 17-11
 - clutch housing 18-7
 - clutch removal tool 21-3
 - clutch, drive, diesel 17-5
 - clutch, drive, gas 15-5, 16-5
 - clutch, driven 15-7, 16-7, 17-7
 - coil
 - charge 8-7, 9-9
 - ignition 8-7, 9-9
 - coil over shock 5-9, 5-11
 - collar, alternator assembly 10-35, 10-37
 - collar, crankshaft 10-25
 - collar, idle gear 10-23
 - collar, lever 10-41
 - collet 10-49
 - column, steering 5-3

INDEX

- compression gauge 21-3
 - compressor, valve spring 21-7
 - connecting rod 8-13, 9-21, 10-25
 - connector, relay 6-17, 7-25
 - console, center 20-21
 - continuity tester 21-3
 - control box, hydraulic 20-21
 - control panel 9-11
 - coolant bottle 19-5
 - coolant exchanger 19-3
 - coolant fill tee 19-3
 - coolant lamp sensor 19-9
 - coolant pipe 19-7
 - coolant pipe assembly 19-7
 - coolant temperature indicator light 7-21, 7-23
 - cooling fan 8-5, 9-7, 19-3
 - cord, glow plug 10-43
 - corner cap 1-55
 - cotter, rue ring 5-13
 - coupling 20-27, 20-33
 - cover 8-9
 - alternator assembly 10-35
 - bearing case 10-21
 - breather 8-13, 10-15
 - CCI dash storage 1-17
 - clutch 15-5, 16-5, 17-5
 - crankcase 8-9, 9-17
 - CVT 8-3, 9-5, 10-5, 15-5, 15-11, 16-5, 16-11, 17-5, 17-11
 - cylinder head 10-15
 - electrical 6-17, 7-25
 - engine 9-5
 - fan 8-5
 - fuel camshaft 10-7
 - head 8-11
 - head filler 8-11
 - heat proof 10-53
 - input 18-9
 - oil filter 8-9
 - oil pump 8-9
 - rocker 9-17
 - rocker switch hole 6-15, 7-21, 7-23
 - steering column 5-3
 - thermostat 19-9
 - cover gasket 12-7
 - cowl panel 1-9, 1-11, 1-13
 - cowl panel, driver-side 1-9, 1-11, 1-13
 - cowl panel, passenger-side 1-9, 1-11, 1-13
 - crank 10-25
 - crank oil seal 9-17
 - crankcase 8-9, 9-17
 - crankcase cover 8-9, 9-17
 - crankcase cover gasket 9-17
 - crankcase vent tube 12-9
 - crankshaft 8-13, 9-21, 10-25
 - C-type stop ring 5-5
 - cup holder 1-17
 - cup holder, seat 1-29, 1-31
 - cutter, valve seat 21-5
 - CVT 15-7, 16-7, 17-7
 - CVT cover 15-9, 16-9, 17-9
 - CVT cover kit, sealed 15-11, 16-11, 17-11
 - CVT cover kit, unsealed 15-11, 16-11, 17-11
 - cylinder head 8-11, 9-17, 10-11
 - cylinder head cover 10-15
 - cylinder, hydraulic, lift 20-23
 - cylinder, hydraulic, tilt 20-23
 - cylinder, master 4-5
- ## D
- dash 1-15
 - dash weldment 1-15
 - decal
 - 4x4 3-11, 3-13, 3-19, 3-21, 3-27, 3-29
 - bed 3-13, 3-27
 - bed warning 3-23
 - CA 295 3-11, 3-29
 - CA 295 SE 3-19
 - CA 295SE 3-19
 - Club Car tailgate 1-55
 - crush area warning 3-3, 3-7, 3-15, 3-23
 - driver/passenger 3-5, 3-9, 3-17, 3-25
 - ground warning 3-5, 3-9, 3-17, 3-25
 - hot manifold warning 3-9, 3-17, 3-25
 - hot surface warning 1-29, 1-31, 3-5, 3-9, 3-17, 3-25
 - hydraulic controls 20-21
 - hydraulic pump 3-23
 - IntelliTach 3-31
 - joystick on/off 3-25, 20-21
 - lock lever 3-23, 20-19
 - nameplate 3-11, 3-13, 3-19, 3-21
 - on/off 3-25, 20-21
 - operating instructions 3-5, 3-9, 3-15, 3-25
 - operator warning 3-3, 3-7, 3-15
 - rollover warning 3-23
 - ROPS warning 3-3, 3-7, 3-15, 3-23
 - rotating parts 3-3, 3-7, 3-17, 3-23
 - rotating parts and hot manifold 3-5, 3-9, 3-17, 3-25
 - rotating parts warning 3-7, 3-9, 3-17, 3-25
 - tailgate 1-53
 - trailer hitch 3-3, 3-7, 3-15, 3-23
 - under 16 warning 3-3, 3-7, 3-15, 3-23
 - vehicle loading 3-3, 3-7, 3-15
 - warning 3-15
 - winch cable warning 3-5, 3-9, 3-17
 - XRT 1550SE 3-21
 - deflector oil 18-19, 18-25
 - diaphragm tube 11-5
 - diesel tachometer probe 21-5
 - differential housing 18-35
 - differential, front 18-7
 - differential, rear 18-35
 - diode 6-9, 6-13
 - diode, engine stop 8-7
 - dipstick, oil 8-9, 10-17
 - dowel pin 18-7
 - drag link 5-5
 - drain cock 10-7
 - drive belt 15-3, 16-3, 17-3
 - drive clutch fixed sheave tool 21-3
 - drive clutch service tool 21-3
 - drive clutch spider removal tool 21-3
 - drive clutch, moveable 15-5, 16-5, 17-5
 - drive shaft 18-31
 - driven clutch base sheave 15-7, 16-7, 17-7
 - driven clutch spring compression base tool 21-3
 - driven clutch spring compression collar tool 21-3
 - driven clutch spring compression nut tool 21-3
 - dry moly lubricant 21-5
- ## E
- E-clip 4-11
 - elbow 13-3
 - electric motor 20-29, 20-31
 - end, tie rod 5-5
 - engine block 10-7
 - engine cover 9-5
 - engine shroud 9-7
 - engine starter motor 9-9
 - engine, diesel, Kubota D722 with closed breather 10-5
 - engine, gasoline, Honda GX620 8-3
 - engine, Kawasaki FH680D 9-5
 - equalizer 4-11
 - exchanger, engine coolant 19-3
 - exhaust gasket 10-55, 14-5, 14-7, 14-9
 - exhaust header 14-5, 14-7
 - exhaust header gasket 14-5
 - exhaust pipe 14-3, 14-9
 - exhaust shield 14-3, 14-9
 - exhaust valve 8-11, 9-19, 10-49
 - extension, spring latch 1-49
- ## F
- fan housing plate 9-7
 - fan shroud 19-3
 - fan, cooling 8-5, 9-7, 19-3
 - fascia 1-9, 1-11, 1-13
 - fastener, push-in 6-17, 7-25
 - fender, front 1-9, 1-11, 1-13
 - fender, left rear 1-43, 1-45
 - fender, rear 1-43, 1-45
 - filler cap 4-5

INDEX

- filter
 - air 9-3, 10-3, 11-11, 12-11, 13-7
 - fuel 9-3, 10-3, 11-5, 12-5, 13-5
 - inlet cover 15-11, 16-11, 17-11
 - oil 8-15, 9-3, 9-13, 10-3, 10-13
 - oil pick up 10-9
 - water separator 10-3, 13-5
- fitting, thread-forming grease 5-13
- flange, water 19-9
- float set 11-7
- float valve 12-7
- floor mat 1-19, 1-21, 1-23, 1-25
- floor plate, bed 1-49
- fluid, hydraulic 20-29, 20-31
- fly weight 18-23
- flywheel 8-7, 9-9, 10-27
- FNR brush 1-15
- FNR brush strip 1-15
- FNR shifter bracket 8-3, 10-5, 18-5
- FNR shifter cable 18-5
- fork, pallet 20-5
- fork, transmission 18-23, 18-25
- forward/reverse assembly 18-3
- Forward/Reverse shifter 18-3
- frame, tilt bed 1-49
- front brake line 4-7
- front bumper 1-3
- front differential 18-7
- front gear case 18-19, 18-25
- front panel 1-53
- fuel camshaft 10-29
- fuel cap 13-3
- fuel filter 9-3, 10-3, 11-5, 12-5, 13-5
- fuel gauge sending unit 11-3, 12-3, 13-3
- fuel gauge/hour meter 6-15, 7-21
- fuel gauge/hour meter/seatbelt timer 7-23
- fuel injection pump 10-39
- fuel line 12-5
- fuel pickup tube 13-3
- fuel pump 11-5, 12-5, 13-5
- fuel tank (diesel) 13-3
- fuel tank cap 11-3, 12-3
- fuel tank strap 11-5, 12-5, 13-5
- fuel tank vent 11-3, 12-3, 13-3
- fuel tank, diesel 13-3
- fuel tank, gas 11-3, 12-3
- fuel tube 11-5
- fuse
 - 10-amp 6-17, 7-25
 - 20-amp 7-17
 - 25-amp 6-17, 7-25
 - 30-amp 7-25
- fuse block 6-17, 7-25
- G**
- gasket 12-7
- air filter 12-9
- bearing case 10-21, 10-55
- breather 9-17
- breather cover 8-13
- carburetor 11-9, 12-7, 12-9
- carburetor adapter 11-9
- carburetor bowl 11-7
- case cover 8-9
- clutch cover 15-5, 16-5, 17-5
- control plate 10-41, 10-55
- cover 10-21, 10-55, 12-7, 15-11, 16-11, 17-11
- crankcase cover 9-17
- cylinder head 8-11, 10-11, 10-55
- cylinder head cover 8-11, 10-15, 10-55
- drain plug 10-9
- exhaust 10-55, 14-7, 14-9
- exhaust header 14-5
- exhaust-manifold 10-53, 10-55
- fuel pump 10-7, 10-55
- gearcase 10-13, 10-55
- head 9-17
- head cover 10-55
- head cover nut 10-31, 10-41, 10-43, 10-55
- idle apparatus 10-31, 10-55
- intake manifold 8-11, 10-51, 10-55, 11-9
- liquid 21-5
- manifold 12-9
- nozzle 10-43
- oil pump 10-19, 10-55
- rocker cover 9-17
- sending unit 11-3, 12-3, 13-3
- thermostat 10-55, 19-9
- water flange 10-55, 19-9
- water pump 10-55, 19-11
- gauge
 - compression 21-3
 - fuel-hour 6-15, 7-21
 - fuel-hour-timer 7-23
 - oil dipstick 9-13
- gauge, fuel-hour-timer 7-23
- gear
 - 35t spur 18-21, 18-27
 - 64t spur 18-21, 18-27
 - cam 10-23
 - case 10-13, 18-19, 18-25, 18-33, 18-35
 - crank 10-25
 - helical 18-23, 18-27
 - idle 10-23
 - injection pump 10-29
 - oil pump 9-13
 - oil pump drive 10-19
 - ring 10-27, 18-7, 18-35
- gear case, front 18-19, 18-25
- gear ring engagement 18-21, 18-27
- gear yoke 21-5
- glow plug 10-43
- glow plug cord 10-43
- governor 8-9
- governor arm 18-23
- governor control lever 9-11
- governor fork lever 10-45
- governor lever 10-41
- governor link arm 9-11
- governor oil seal 9-17
- governor plate 9-11
- governor return spring 9-11
- governor shaft 9-11
- governor shaft arm 9-11
- governor spool 18-23
- governor spring 9-11
- grid, screen 8-5
- grill 1-9, 1-11, 1-13
- grip tape, accelerator pad 11-13, 12-13, 13-9
- grip, tilt latch hand 1-49, 1-53
- grommet 11-3, 12-3, 13-3
- grommet tool 8-7
- guard, belt 10-37
- guard, oil filter 9-15
- guard, splash 1-15
- guide
 - accelerator cable 12-13
 - camshaft 9-19
 - detent bullet 18-21, 18-27
 - exhaust valve 10-11
 - inlet valve 10-11
 - oil dipstick 10-17
 - rocker arm 9-19
- H**
- hair pin clip 1-55
- half shaft 18-11, 18-13
- handbook, operator 20-3
- handle, park brake 4-13
- handle, tilt steering 5-3
- hanger, engine 8-5
- harness 1-51, 6-13, 7-7, 7-11, 7-15, 9-9
- harness, control panel wire 7-17
- harness, headlight 7-7
- harness, hydraulic power unit 7-17
- harness, jumper 6-9, 7-11
- harness, seatbelt light 7-19
- harness, wire 6-3, 6-5, 6-9, 7-3, 7-5, 7-11
- harness, wire - Kawasaki FH680 6-13
- head gasket 9-17
- head restraint 1-39
- head restraint kit 1-39
- head, cylinder 8-11, 9-17, 10-11
- header, exhaust 14-5, 14-7
- headlight 6-3, 6-5, 7-3, 7-5, 7-7
- headlight bulb 6-3, 6-5, 7-3, 7-5
- headlight harness 6-3, 6-5, 7-3, 7-5, 7-7

INDEX

heat barrier 20-29, 20-31
heat seal 10-43
heater, carburetor 12-7
helical gear 18-23, 18-27
high beam switch 7-21
hinge plate 1-27, 1-29, 1-31
hinge, hood 1-9, 1-11, 1-13
hinge, tilt bed 1-49
holder
 cup 1-17
 FNR strip brush 1-15
 fork lever 10-45
 screen grid 8-5
hood 1-9, 1-11, 1-13
hood hinge 1-9, 1-11, 1-13
hood latch 1-9, 1-11, 1-13
hood prop 1-9, 1-11, 1-13
hook, engine 10-11
hose 19-5, 20-25, 20-33
 coolant 19-3, 19-5, 19-7, 19-13
 fuel 12-5
 fuel filter 13-5
 fuel pump 13-5
 fuel return 13-5
 hydraulic 20-25, 20-27
 inlet 15-11, 16-11, 17-11
 intake 11-11, 12-11, 13-7
 oil, remote 8-15
 outlet 15-9, 15-11, 16-9, 16-11, 17-9, 17-11
 vent 8-3, 10-5, 18-11, 18-13, 19-7
hose clamp, green 13-5
hour meter 6-15, 7-21, 7-23
housing
 clutch 18-7
 differential 18-35
 steering gear 5-5
hydraulic control box 20-21
hydraulic fluid 20-29, 20-31
hydraulic hose 20-25, 20-27
hydraulic power unit 20-29, 20-31, 20-33
hydraulic power unit harness 7-17
hydraulic tube 20-23
hydrometer 21-5

I

idle apparatus 10-31
idle gear 10-23
ignition coil 8-7, 9-9
indicator, turn signal 7-21
injection pump gear 10-29
insert, carburetor adapter 11-9
insulation, heat barrier 20-29, 20-31
insulator, carburetor 11-9
insulator, manifold 12-9
intake adapter pipe 12-9
intake adapter, engine 11-9

intake hose 12-11
intake manifold 8-11, 10-51, 11-9, 12-9
intake valve 8-11, 9-19, 10-49
internal retaining ring pliers 21-5
isolator ring and bushing 8-3, 9-5, 10-5
isolator, twin stud 19-3

J

jet kit
 0-3300 ft 12-7
 0-5000 ft 11-7
 3300-6600 ft 12-7
 5000-8000 ft 11-7
 6600+ ft 12-7
 8000+ ft 11-7
jet needle 12-7
jet, carburetor 12-7
jet, main 11-7
joint
 ball 5-7, 18-5, 18-11, 18-13
 eye 10-39
 pipe 10-13
joystick control 20-21
joystick control box 20-21

K

keeper, push-close latch 1-17
key 9-9
 feather 10-19, 10-23, 10-25, 10-29
 woodruff 8-7, 8-13
key (pair) 6-15, 7-21, 7-23
key switch 6-15, 7-21, 7-23
key switch spacer 6-15, 7-21, 7-23
keyswitch nut 6-15, 7-21, 7-23
kick panel 1-43, 1-45
kit

 auxiliary hydraulic 20-33
 bolt 18-7
 carburetor jet 11-7, 12-7
 clutch 18-7
 connecting rod 9-21
 cover plate, input 18-9
 cover plate, output 18-7
 drain plug 18-7
 front skidplate hardware 1-7
 front steel skidplate 1-7
 gasket 10-55
 governor shaft repair 18-23
 H-clip spring 18-7
 head restraint 1-39
 hydraulic angle attachment 20-27
 inner boot replacement 18-15, 18-17
 input shaft repair 18-23
 neutral switch repair 18-21, 18-27
 nozzle holder 10-43

outer boot replacement 18-15, 18-17
piston rebuild 10-57
race output hub 18-7
rear axle gear repair 18-35
repair, minor 18-7
reverse gear repair 18-19, 18-25
roll cage 18-7
roller 18-7
ROPS 1-33, 1-37
tailgate mounting 1-53
tube bumper 1-3
tune-up 9-3, 10-3, 21-5
knob, forward/reverse 18-3

L

latch 1-17
latch bracket 1-9, 1-11, 1-13
latch keeper 1-17
latch plate, tilt bed 1-47
latch, bed 1-53
latch, hood draw 1-9, 1-11, 1-13
latch, slam 1-55
latch, spring 1-55
latch, tilt bed 1-49
lens, headlight 6-3, 7-3
lever
 engine stop 10-41
 fork 10-45
 governor 10-41
 governor control 9-11
 lost motion 11-13, 13-9
 speed control 10-41
light
 coolant temperature indicator 7-21, 7-23
 oil 6-15, 7-21, 7-23
 seat belt 7-23
 turn signal 6-5, 7-5
light switch, high beam 7-21
limit switch 6-15, 7-21, 7-23, 18-3
line, brake reservoir 4-5
link, drag 5-5
liquid gasket 21-5
low oil warning light 6-15, 7-21, 7-23
lubricant, dry moly 21-5

M

main jet 11-7
manifold
 exhaust 10-53
 intake 8-11, 10-51, 11-9, 12-9
manifold gasket 12-9
manifold insulator 12-9
mat, floor 1-19, 1-21, 1-23, 1-25
meter clip 6-15, 7-21, 7-23
meter, volt ohm 21-7

INDEX

motor 20-29, 20-31
 starter 8-7, 10-47
moveable drive clutch 15-5, 16-5, 17-5
mower attachment 20-13
muffler 14-3, 18-11, 18-13

N

nameplate decal 3-11, 3-13, 3-19, 3-21
needle, jet 12-7
nipple, remote oil 8-15
noise suppressor cap 8-5, 8-7
nongrease/spacers locker 18-35
nozzle holder 10-43
nozzle, main 11-7
nut, keyswitch 6-15, 7-21, 7-23

O

oil cap 9-13
oil deflector 18-19, 18-25
oil dipstick 8-9
oil dipstick gauge 9-13
oil drain plug 9-13
oil filter 8-15, 9-3, 9-13, 10-3, 10-13
oil filter adapter 9-15
oil filter bracket 9-15
oil filter guard 9-15
oil filter nipple 9-17
oil filter pick up 10-9
oil filter screen 8-9
oil pan 10-9
oil pickup 9-13
oil pickup screen 9-13
oil pressure switch 8-7, 9-9, 10-7
oil pump 9-13, 10-19
oil pump and rotor 9-13
oil pump drive gear 10-19
oil pump plate 9-13
oil pump rotor 9-13
oil pump shaft 9-13
oil pump spring 9-13
oil pump spur gear 9-13
oil seal 8-9, 8-13, 10-13, 10-21, 18-9
oil seal, crank 9-17
oil seal, governor 9-17
oil slinger 10-25
oil valve seal 9-17
oil warning light, low 6-15, 7-21, 7-23
operator handbook 20-3
O-ring 8-15, 9-13, 9-15, 10-7, 10-9, 10-11, 10-13,
 10-15, 10-25, 10-33, 10-41, 10-55, 12-7, 18-9
overflow pipe 10-43

P

pad
 brake rear 4-3, 4-15

pallet fork 20-5
pan
 center 1-29, 1-31, 20-21
 oil 10-9
 seat 1-29, 1-31
panel
 center cowl 1-9, 1-11, 1-13
 control 9-11
 driver-side 1-43, 1-45
 driver-side cowl 1-9, 1-11, 1-13
 front 1-53, 1-55
 front kick 1-43, 1-45
 left 1-55
 passenger-side 1-43, 1-45
 passenger-side cowl 1-9, 1-11, 1-13
 right 1-55
 side 1-43, 1-45, 1-53
park brake pedal 4-13
p-clamp (fuel filter) 4-7, 8-3, 10-5, 12-5, 13-5
pedal, accelerator 11-13, 12-13, 13-9
pedal, brake 4-9, 4-13
pickup, oil 9-13
pin
 bow tie locking 1-9, 1-11, 1-13
pin, clevis 4-5
pin, dowel 18-7
pin, piston 8-13, 10-25, 10-57
pinion 18-35
pinion, steering 5-5
pipe
 breather 10-51
 coolant 19-7, 19-13
 exhaust 14-3, 14-9
 injection 10-43
 intake adapter 12-9
 overflow 10-43
 water return 10-15, 19-9
pipe band 19-9, 19-13
pipe clamp 10-43
piston 8-13, 9-21, 10-25, 10-57
piston pin 8-13, 10-25, 10-57
piston ring 10-25, 10-57
piston ring set 8-13
piston ring set 0.50 9-21
pivot, rocker arm 8-11
plate
 armature 18-7
 back 1-49, 1-51
 camshaft 9-19
 closeout 1-43, 1-45
 electrical 6-17, 7-25
 engine block 10-7
 engine mounting 8-3, 10-5
 engine, left side 8-5
 fan housing 9-7
 fuel/oil 8-15, 13-5

governor 9-11
hinge 1-27, 1-29, 1-31
latch 1-47
oil pump 9-13
push rod guide 8-11
shroud 8-5, 10-27
skid 1-5, 1-7
speed 10-41
speed control 10-41
tailgate latch wear 1-53
thrust 18-7
pliers
 internal retaining ring 21-5
 retaining ring 21-5
plug 18-19, 18-25, 20-29, 20-31
 drain 10-9
 engine block 10-7, 10-11, 10-13, 18-33
 expansion 10-7
 gearcase 18-19, 18-25, 18-33
 glow 10-43
 hole 6-15, 7-21, 7-23
 oil drain 9-13
 oil fill 18-7
 oil filler 10-15
 spark 8-7, 8-11, 9-3, 9-9
 tube 1-3
power unit, hydraulic 20-31, 20-33
prop rod 1-47
prop shaft 18-31
prop, hood 1-9, 1-11, 1-13
protector spray, battery terminal 21-3
puller
 bearing 21-3
 clutch 21-3
 seal 21-5
 special use tool 21-5
pulley
 fan drive 10-35, 10-37
 water pump 10-35, 10-37
pullrod, compression spring 11-13, 12-13, 13-9
pump
 fuel 11-5, 12-5, 13-5
 fuel injection 10-39
 oil 10-19
 water 19-11
push broom 20-11
push rod 8-11, 9-19, 10-23
push rod tappet 9-19

R

rack guide pressure spring 5-5
rack, steering 5-5
radiator 19-3
radiator cap 19-3
radiator pipe assembly 19-7
rear differential 18-35

INDEX

- receiver, rear 5-13
 - receptacle, accessory 6-15, 7-21, 7-23
 - reed valve assembly 9-17
 - regulator, voltage 8-15, 9-9
 - relay 6-17, 7-25, 20-21
 - relay connector 6-17, 7-25
 - remover, bearing and oil seal 21-3
 - reservoir, brake fluid 4-5
 - reservoir, remote 4-5
 - restraint, head 1-39
 - retainer
 - spring (driven clutch) 15-7, 16-7, 17-7
 - valve spring 8-11, 9-19, 10-49
 - retaining ring pliers 21-5
 - retractor, seat belt 1-35
 - reverse buzzer 6-15, 7-21, 7-23, 18-3
 - ring
 - C-type stop 5-5
 - piston 10-25, 10-57
 - retaining, ext 5-7, 18-11, 18-13
 - snap 5-5
 - ring gear 10-27, 18-7, 18-35
 - ring set, piston 8-13
 - rivet, blind push 1-15
 - Rivet, Removable 1-29, 1-31, 20-21
 - rocker arm 9-19, 10-49
 - rocker arm guide 9-19
 - rocker arm pivot 8-11
 - rocker arm stud 9-19
 - rocker cover 9-17
 - rocker cover gasket 9-17
 - rocker switch 1-51, 6-15, 7-21, 20-21
 - rocker switch (lights) 6-15, 7-21, 7-23
 - rod
 - connecting 8-13, 10-25
 - crank crank rod 10-25
 - prop 1-47
 - push 8-11, 9-19, 10-23
 - roller weight 15-5, 16-5, 17-5
 - roller, torque 15-5, 16-5, 17-5
 - ROPS front base weldment 1-33, 1-37
 - ROPS kit 1-33, 1-37
 - ROPS seat support 1-33, 1-37
 - ROPS support tube 1-33, 1-37
 - ROPS top 1-33, 1-37
 - ROPS warning decal 3-3, 3-7, 3-15, 3-23
 - ROPS weldment 1-37
 - ROPS, 4 Pass 1-37
 - ROPS, Rear Handle 1-39
 - rotator, valve 8-11
 - rotor, brake 4-3, 4-15, 18-11, 18-13, 18-33
 - rotor, oil pump 8-9, 9-13
 - rubber bumper 1-55
- S**
- safety first card 21-5
 - screen grid 8-5
 - screen, oil filter 8-9
 - screen, oil pickup 9-13
 - seal
 - carburetor 12-7
 - dual lip 18-19, 18-21, 18-23, 18-25, 18-29, 18-35
 - heat 10-43
 - oil 8-9, 8-13, 10-13, 10-21, 18-9
 - oil valve 9-17
 - steering pinion dust 5-5
 - triple lip 18-19, 18-25
 - valve stem 8-11, 10-49, 10-55
 - seal puller 21-5
 - seat
 - bucket 1-29, 1-31
 - valve 10-13
 - valve spring 8-11
 - seat back, bench 1-27
 - seat belt light 7-23
 - seat belt retractor 1-35
 - seat bottom, bench 1-27
 - seat holder base 1-29, 1-31
 - seat, bucket 1-29
 - seatbelt buckle 1-35, 1-41
 - seatbelt light harness 7-19
 - sending unit, fuel gauge 11-3, 12-3, 13-3
 - sensor, coolant lamp 19-9
 - shaft
 - carburetor 12-7
 - CVT adapter 10-5
 - drive 18-31
 - fork lever 10-45
 - governor 9-11
 - governor arm 8-13
 - governor lever 10-41
 - half 18-11, 18-13
 - idle gear 10-23
 - input 18-23, 18-27
 - intermediate 18-21, 18-27
 - oil pump 9-13
 - output 18-23, 18-25
 - pinion 18-9
 - prop 18-31
 - rock arm 10-49
 - shift 18-21, 18-29
 - sheave, drive clutch base 15-7, 16-7, 17-7
 - sheave, driven clutch 15-7, 16-7, 17-7
 - shield, breather 10-15
 - shield, exhaust 14-3, 14-9
 - shim 15-5, 16-5, 17-5, 18-35
 - shim, armature plate 18-7
 - shim, injection pump 10-39
 - shim, latch plate 1-47
 - shock absorber 5-9, 5-11
 - shock absorber, coil over 5-9, 5-11
 - shoe, skid 20-9
 - shroud 8-5
 - head 8-5
 - steering column 5-3
 - shroud, engine 9-7
 - shroud, fan 19-3
 - side panel 1-43, 1-45
 - side panel weldment 1-53
 - side stringer 1-19, 1-21
 - signal bulb 6-5, 7-5
 - skid plate 1-5, 1-7
 - skid shoe 20-9
 - skidplate hardware kit 1-7
 - skidplate kit 1-7
 - slam latch 1-55
 - sleeve
 - crankshaft 10-25
 - governor 10-29
 - link 5-11
 - lower arm 5-7
 - upper suspension 5-7
 - slide adjuster 5-7, 18-11, 18-13
 - slider, governor 8-9
 - slinger, oil 10-25
 - snap ring 5-5
 - snow blade 20-9
 - snow blade weldment 20-9
 - solenoid, carburetor 12-7
 - solenoid, stop 10-33
 - spacer 1-7
 - engine 10-5
 - key switch 6-15, 7-21, 7-23
 - spacer block, differential 18-11, 18-13
 - spanner wrench 21-5
 - spark plug 8-7, 8-11, 9-3, 9-9
 - spark plug cap 8-5, 8-7
 - speed plate 10-41
 - spider 15-5, 16-5, 17-5
 - splash guard 1-15
 - spray, battery terminal protector 21-3
 - spring 9-13, 9-19
 - brake caliper return 4-15
 - brake return 4-11
 - carburetor 12-7
 - choke spring 12-15
 - compression 15-5, 15-7, 16-5, 16-7, 17-5, 17-7
 - continuity 11-9
 - detent bullet 18-21, 18-27
 - exhaust 14-3
 - extension 1-49
 - governor 9-11, 10-45
 - governor idle 12-15
 - governor return 9-11
 - idle apparatus 10-31
 - latch tilt 1-53

INDEX

- pedal 11-13, 12-13, 13-9
 - pedal stop 11-13, 12-13, 13-9
 - rack guide pressure 5-5
 - relief valve 8-9
 - return 10-41
 - rocker arm 10-49
 - start 10-11, 10-45
 - torsion 12-13
 - valve 8-11, 9-19, 10-13, 10-49
 - spring latch 1-55
 - sprocket 18-19, 18-25
 - start spring 10-45
 - starter motor 8-7, 10-47
 - starter motor, engine 9-9
 - stay
 - alternator assembly 10-35
 - cylinder head 10-11
 - fuel pump 11-5
 - spring 10-13
 - stop solenoid 10-33
 - steel bushing 1-49
 - steering
 - upper A-arm 5-7
 - steering column 5-3
 - steering column cover 5-3
 - steering column shroud 5-3
 - steering gear housing 5-5
 - steering pinion dust seal 5-5
 - steering rack 5-5
 - steering wheel 5-3
 - steering wheel puller tool 21-5
 - stem, valve 2-3
 - stop solenoid stay 10-33
 - stopper, camshaft 10-23
 - stopper, fuel camshaft 10-29
 - strap, fuel tank 11-5, 12-5, 13-5
 - stringer, side 1-19, 1-21, 1-23, 1-25
 - strip, FNR brush 1-15
 - stud 10-5, 10-39, 10-53, 19-13
 - engine 8-7
 - idle adjustment 10-31
 - self-clinching 1-53, 1-55
 - stud, ball 18-3
 - support yoke (steering) 5-5
 - support, structural 1-15
 - sway bar 5-11
 - swingarm 5-13
 - switch 20-29, 20-31
 - high beam 7-21
 - indicator (transmission) 18-21, 18-27
 - key 6-15, 7-21, 7-23
 - light rocker 6-15, 7-21, 7-23
 - limit 6-15, 7-21, 7-23, 18-3
 - oil pressure 8-7, 9-9, 10-7
 - rocker 1-51, 6-15, 7-21
 - three-position 7-21
 - switch, rocker 20-21
- ## T
- 12-volt battery 6-19, 7-27
 - tachometer 21-5
 - tachometer probe, diesel 21-5
 - tailgate 1-53, 1-55
 - tailgate angle 1-53, 1-55
 - tailgate latch wear plate 1-53
 - tailgate mounting kit 1-53
 - tank, fuel 11-3, 12-3, 13-3
 - tank, fuel (diesel) 13-3
 - tank, fuel (gasoline) 11-3, 12-3
 - tape 1-19, 1-23
 - tape, double-sided 1-27
 - tape, grip, accelerator pad 11-13, 12-13, 13-9
 - tape, vinyl foam 1-49, 19-3
 - tappet 10-23
 - tappet, push rod 9-19
 - tee, coolant fill 19-3
 - temperature indicator light, coolant 7-21, 7-23
 - tester, continuity 21-3
 - tether 1-55
 - thermometer, battery 21-3
 - thermostat 19-9
 - thread-forming grease fitting 5-13
 - throttle shaft, carburetor 12-7
 - throttle valve 12-7
 - thrust button 18-7
 - thrust plate 18-7
 - tie rod end 5-5
 - tie wrap 1-51, 4-7, 4-11, 5-5, 20-21
 - tilt bed 1-49
 - tilt bed frame 1-49
 - tilt latch hand grip 1-49, 1-53
 - tire
 - all-terrain 2-3
 - mud 2-3
 - tire assembly, black 2-3
 - tool
 - brake cable release 21-3
 - camber adjustment 21-3
 - carburetor float level 21-5
 - CT-wrench 21-5
 - drive clutch fixed sheave 21-3
 - drive clutch service 21-3
 - drive clutch spider removal 21-3
 - driven clutch spring compression base 21-3
 - driven clutch spring compression collar 21-3
 - driven clutch spring compression nut 21-3
 - grommet 8-7
 - puller, special use 21-5
 - steering wheel puller 21-5
 - valve guide driver 21-5
 - valve seat cutter 21-3
 - torque converter 15-7, 16-7, 17-7
 - torque roller 15-5, 16-5, 17-5
 - track, prop rod 1-47
 - transaxle housing 18-35
 - transmission cable 18-5
 - transmission cable bracket 8-3, 10-5, 18-5
 - transmission chain 18-19, 18-25
 - transmission fork 18-23, 18-25
 - transmission, for Honda engine 18-19
 - transmission, for Kubota & Kawasaki engines 18-25
 - tube
 - axle 18-35
 - breather 10-15, 11-9
 - carburetor air vent 11-5, 12-5, 13-5
 - crankcase vent 12-9
 - diaphragm 11-5
 - fuel 11-5
 - fuel pickup 13-3
 - hydraulic 20-23
 - ROPS support 1-33, 1-37
 - tube bumper kit 1-3
 - Tuflok 1-29, 1-31, 20-21
 - tune-up kit 9-3, 10-3, 21-5
 - turn signal indicator 7-21
 - turn signal light 6-5, 7-5
 - T-wrench tool 21-5
- ## U
- upright 5-7, 18-11, 18-13
 - upright, front differential 18-11, 18-13
 - urethane bushing 1-49
- ## V
- valve 11-11, 12-11, 13-7, 20-29, 20-31
 - breather 8-13, 10-15
 - carburetor 12-7
 - exhaust 8-11, 9-19, 10-49
 - float 12-7
 - fuel pickup tube 11-3, 12-3
 - intake 8-11, 9-19, 10-49
 - lifter 8-13
 - rocker arm 8-11
 - rotator 8-11
 - seat 10-13
 - solenoid 11-7
 - spring seat 8-11
 - throttle 12-7
 - valve assembly, reed 9-17
 - valve guide driver tool 21-5
 - valve seat cutter 21-5
 - valve seat cutter tool 21-3
 - valve spring 9-19
 - valve spring compressor 21-7
 - valve spring retainer 9-19

INDEX

valve stem 2-3
V-belt 10-35, 10-37
vent barb 11-5, 12-5, 13-5
vent, housing, upper 18-35
vent, transmission 18-19, 18-25
volt ohm meter 21-7
voltage regulator 8-15, 9-9

W

warning light, low oil 6-15, 7-21, 7-23
water flange 19-9
water pump 19-11
wedge, bearing puller 21-3
weight clutch 15-5, 16-5, 17-5
weldment
 accelerator pedal 12-13
 accelerator pedal bracket 12-13
 actuator bracket 1-51
 brake pedal 4-9
 coolant pipe 19-7
 Forward/Reverse shifter 18-3
 Forward/Reverse shifter bracket 18-3
 front dash 1-15
 lever, lost motion 11-13, 13-9
 receiver 5-13
 ROPS base front 1-33, 1-37
 seat support ROPS 1-33, 1-37
 tilt bed frame 1-49
wheel
 steel 2-3
 steering 5-3
wire assembly 6-19, 7-27, 9-15, 11-3, 12-3, 13-3
wire harness 1-51, 6-3, 6-5, 6-9, 6-13, 7-3, 7-5,
 7-7, 7-11, 7-15, 9-9
wire harness - Kawasaki FH680 6-13
wire harness, control panel 7-17
wire harness, headlight 7-7
wire harness, hydraulic power unit 7-17
wrap, tie 1-51, 4-7, 4-11, 5-5, 20-21
wrench, spanner 21-5

Y

yoke, gear 21-5
yoke, support (steering) 5-5



Club Car, Inc.
P.O. Box 204658
Augusta, GA 30917-4658
USA

Web www.clubcar.com
Phone 1.706.863.3000
1.800.ClubCar
Int'l +1 706.863.3000
Fax 1.706.863.5808