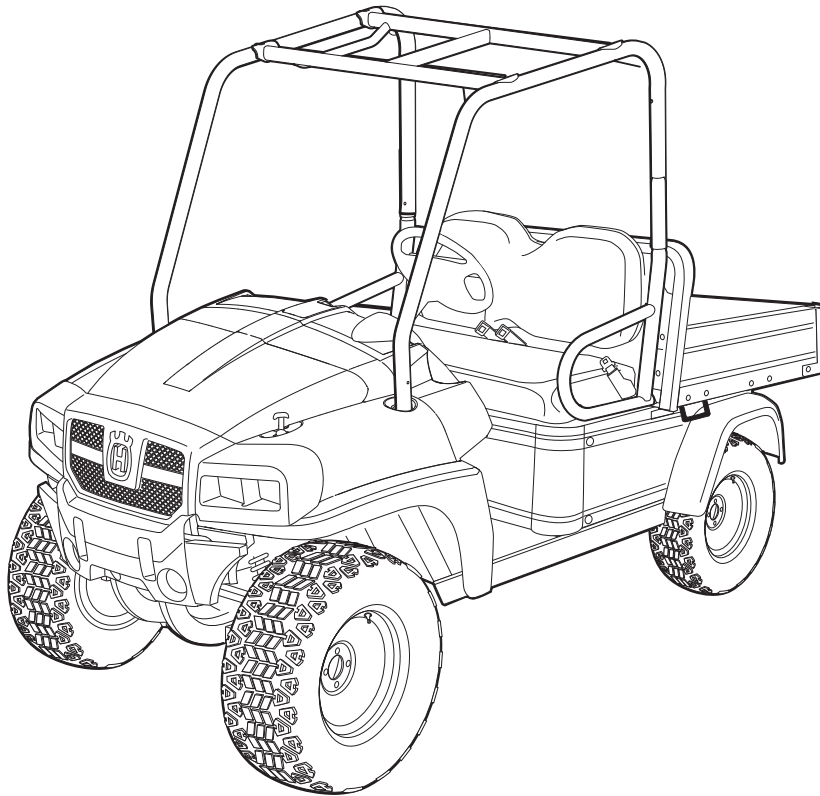




2008 HUV 4421 Illustrated Parts List



**HUV4421G, HUV4421GX, HUV4421D, and HUV4421DX
Gasoline and Diesel Vehicles**

Manual Number 103373024
Edition Code 1207K0112J

USING THE ILLUSTRATED PARTS LIST

⚠ WARNING

- **This manual is to be used only for identification and ordering of service parts. Be sure to read and use the maintenance and service manual before attempting any vehicle repairs.**

This manual covers HUV4421G and HUV4421GX gasoline and HUV4421D and HUV4421DX diesel vehicles.

The manual is divided into sections. Note that there are two or three flags on the outside edge of each page. The first flag contains the section number of which that page is a part. The other flag (or flags) contains the letter D, E, or G, signifying that the page pertains to the diesel, electric, or gasoline vehicles only.

Use the Table of Contents to find the sections and pages that contain the parts and assemblies you seek. The Table of Contents lists section numbers, and under them, the individual page titles and numbers to be found in that section. The index can be used to find specific parts and assemblies. The index is divided into numerical and alphabetical listings with the page numbers in italic text.

There is a two-page spread for each individual page title in the Table of Contents. On the left-hand page is an illustration showing the parts in their relative positions; the parts are each tagged with an item number in a balloon. The right-hand page is the parts list page, and gives the page title at the top, then the item numbers (corresponding to the numbers on the illustration), part descriptions, and quantity of parts used.

Note that a part description may be indented. This indentation corresponds to a parts assembly level indicated by the numbers 1, 2, 3, and 4 at the top left corner of the parts description area of the parts list page. A part that is indented to *level 2* is a component of the *level 1* part (assembly) that it is listed under. A *level 3* part is a component of the *level 2* part that it is listed under, and a *level 4* part is a component of the *level 3* part preceding it. In each case, the part quantity given for a level 2, 3, or 4 part is the quantity used per next higher level assembly of which it is a component. A part that is not indented is a *level 1* part. This means that the quantity given is the quantity used per the portion of the vehicle illustrated on that particular spread.

HOW TO ORDER PARTS

Replacement parts and accessories can be obtained from our network of authorized dealers and distributors. For the name and address of the Husqvarna representative nearest you, logon to our web site at www.usa.husqvarna.com. If you would prefer to write to us, direct your letter to: Husqvarna, Attention: Marketing Services, 7349 Statesville Rd., Charlotte, NC 28269 USA. Your local authorized Husqvarna representative can also provide technical advice, parts, and service manuals.



Husqvarna Professional Products, inc.
7349 Statesville Rd.
Charlotte, NC 28269
USA
www.husqvarna.com

NOTE: *This illustrated parts list represents the most current information at the time of publication. Husqvarna is continually working to further improve its vehicles and other products. These improvements may affect the parts used to service the vehicle. Any modification and/or significant change in specifications will be forwarded to all Husqvarna distributors/dealers and will, when applicable, appear in future editions of this illustrated parts list.*

Husqvarna reserves the right to change specifications and designs at any time without notice and without the obligation of making changes to units previously sold.

CONTENTS

SECTION 1 – BODY AND TRIM

Brush Guard	1-3
Bumper Plate	1-5
Facia and Fenders	1-7
Cowl Assembly	1-9
Front Body Components	1-11
Plastic Skid Plate	1-13
Steel Skid Plate	1-15
Dash	1-17
Glove Box	1-19
Side Stringers	1-21
Floor Mat	1-23
Floorboard	1-25
Bench Seats	1-27
Bucket Seats – Gray	1-29
Bucket Seats – Black	1-31
Bench Seat Conversion Kit	1-33
Seat Belts and Lower ROPS	1-35
ROPS	1-37
Latch Plate and Prop Rod	1-39
Tilt Bed, Hinge, and Latch	1-41
Electric Bed Lift	1-43
Cargo Box	1-45
Side Panels and Rear Fenders	1-47

SECTION 2 – WHEELS AND TIRES

Wheels and Tires	2-3
------------------------	-----

SECTION 3 – DECALS

Safety Decals	3-3
Safety Decals, Continued	3-5
Badging Decals, HUV 4421-G	3-7
Badging Decals, HUV 4421-GX	3-9
Badging Decals, HUV 4421-D	3-11
Badging Decals, HUV 4421-DX	3-13

SECTION 4 – BRAKE SYSTEMS

Front Brake Assembly	4-3
----------------------------	-----

CONTENTS

Rear Brake Assembly	4-5
Master Cylinder with Remote Reservoir	4-7
Master Cylinder with Integral Reservoir	4-9
Hydraulic Brake Lines and Clips	4-11
Brake Pedal Assembly	4-13
Park Brake System	4-15
Park Brake Pedal Assembly	4-17
Front Brake Assembly (Style B)	4-19
Rear Brake Assembly (Style B)	4-21

SECTION 5 – STEERING AND SUSPENSION

Steering Column	5-3
Steering Gear Assembly	5-5
Front Suspension – A-Arms	5-7
Cv Boot Repair Kits	5-9
Shock Absorbers – Standard	5-11
Shock Absorbers – High Capacity	5-13
Rear Suspension – Standard	5-15

SECTION 6 – ELECTRICAL SYSTEM

Wiring – Gasoline Vehicles, Single Piece	6-5
Wiring – Diesel Vehicle, Single Piece	6-9
Electrical Component Box, Gasoline Vehicles	6-11
Electrical Component Box, Diesel Vehicles	6-13
Electrical Components – Gas	6-15
Electrical Components – Diesel	6-17
Battery – Gasoline Vehicles	6-19
Battery – Diesel Vehicles	6-21

SECTION 7 – DIESEL ENGINE – CLOSED BREATHER

Kubota D722 Diesel Engine Mounting	7-3
Crankcase	7-5
Oil Pan	7-7
Cylinder Head	7-9
Gear Case	7-11
Head Cover	7-13
Dipstick and Guide	7-15
Oil Pump	7-17
Main Bearing Case	7-19

CONTENTS

Camshaft and Idle Gear	7-21
Piston and Crankshaft	7-23
Flywheel	7-25
Shaft	7-27
Idle Apparatus	7-29
Stop Solenoid	7-31
60-Amp Alternator	7-33
Injection Pump	7-35
Speed Control Plate	7-37
Nozzle Holders and Glow Plugs	7-39
Governor Components	7-41
Starter	7-43
Valves and Rocker Arms	7-45
Diesel Inlet Manifold	7-47
Exhaust Manifold	7-49
Gasket Kits	7-51
Piston Kit	7-53

SECTION 8 – KAWASAKI FH680D GASOLINE ENGINE

Kawasaki FH680D Gasoline Engine Mounting	8-3
Shrouds and Brackets	8-5
Ignition Components and Flywheel	8-7
Governor Arm and Springs	8-9
Oil and Lubrication Components	8-11
Oil Filter Adapter	8-13
Cylinder Head and Crankcase	8-15
Valves and Camshaft	8-17
Pistons and Crankshaft	8-19

SECTION 9 – FUEL, INTAKE, & GOVERNOR SYSTEM

Fuel System – Kawasaki Gasoline Vehicles	9-3
Fuel Tank – Gasoline Vehicles	9-5
Fuel System – Diesel	9-7
Fuel Tank – Diesel Vehicles	9-9
Carburetor Assembly, Kawasaki Gasoline Vehicles	9-11
Carburetor Installation – Kawasaki Gasoline Vehicles	9-13
Cables – Kawasaki Gasoline Vehicles	9-15
Cables – Diesel Vehicle	9-17
Accelerator Pedal Assembly	9-19

CONTENTS

Accelerator Pedal Assembly – Style B	9-21
Intake Duct and Air Box Assembly – Kawasaki Gasoline Vehicles	9-23
Intake Duct and Air Box Assembly – Diesel Vehicles	9-25

SECTION 10 – EXHAUST SYSTEM

Exhaust System	10-3
Exhaust Header – Kawasaki Gas	10-5
Exhaust Pipes – Diesel Vehicles	10-7

SECTION 11 – CLUTCHES

Clutch Cover (Standard)	11-3
Clutch Cover (Sealed)	11-5
Drive Belt	11-7
Drive Clutch – Diesel Vehicles	11-9
Driven Clutch	11-11
Drive Clutch – Gasoline Vehicles	11-13
Drive Clutch – Gasoline Vehicles	11-15
Drive Clutch – Diesel Vehicles	11-17
Driven Clutch	11-19

SECTION 12 – DRIVETRAIN COMPONENTS

Forward/Reverse Shifter Assembly	12-3
Front Differential Mounting Plate	12-5
Front Differential (Output Components)	12-7
Front Differential (Input Components)	12-9
Prop Shafts	12-11
Transmission – Gasoline Vehicles	12-13
Transmission, Continued	12-15
Transmission Shift Shaft and Bell Crank Transmission Shift Shaft and Bell Crank (Style A)	12-17
Transmission Shift Shaft and Bell Crank (Style B)	12-19
Rear Differential	12-21
Rear Differential, Continued	12-23
Transmission – Diesel Vehicles	12-25
Transmission – Diesel Vehicles, Continued	12-27
Transmission – Diesel Vehicles, Shift Shaft and Bell Crank (Style A)	12-29
Transmission – Diesel Vehicles, Shift Shaft and Bell Crank (Style B)	12-31

CONTENTS

SECTION 13 – RADIATOR AND COOLANT SYSTEM – DIESEL VEHICLES

Radiator	13-3
Coolant Expansion Tank	13-5
Coolant Pipes and Hoses	13-7
Cooling System Clamps, Hoses, and Hardware	13-9
Water Flange and Thermostat	13-11
Water Pump	13-13
Block Coolant Pipe	13-15

SECTION 14 – MAINTENANCE AND SERVICE TOOLS

Maintenance and Service Tools	14-3
Maintenance and Service Tools, Continued	14-5
Maintenance and Service Tools, Continued	14-7
Maintenance and Service Tools, Continued	14-9
Maintenance and Service Tools, Continued	14-11

SECTION i – INDEX

BODY AND TRIM

1

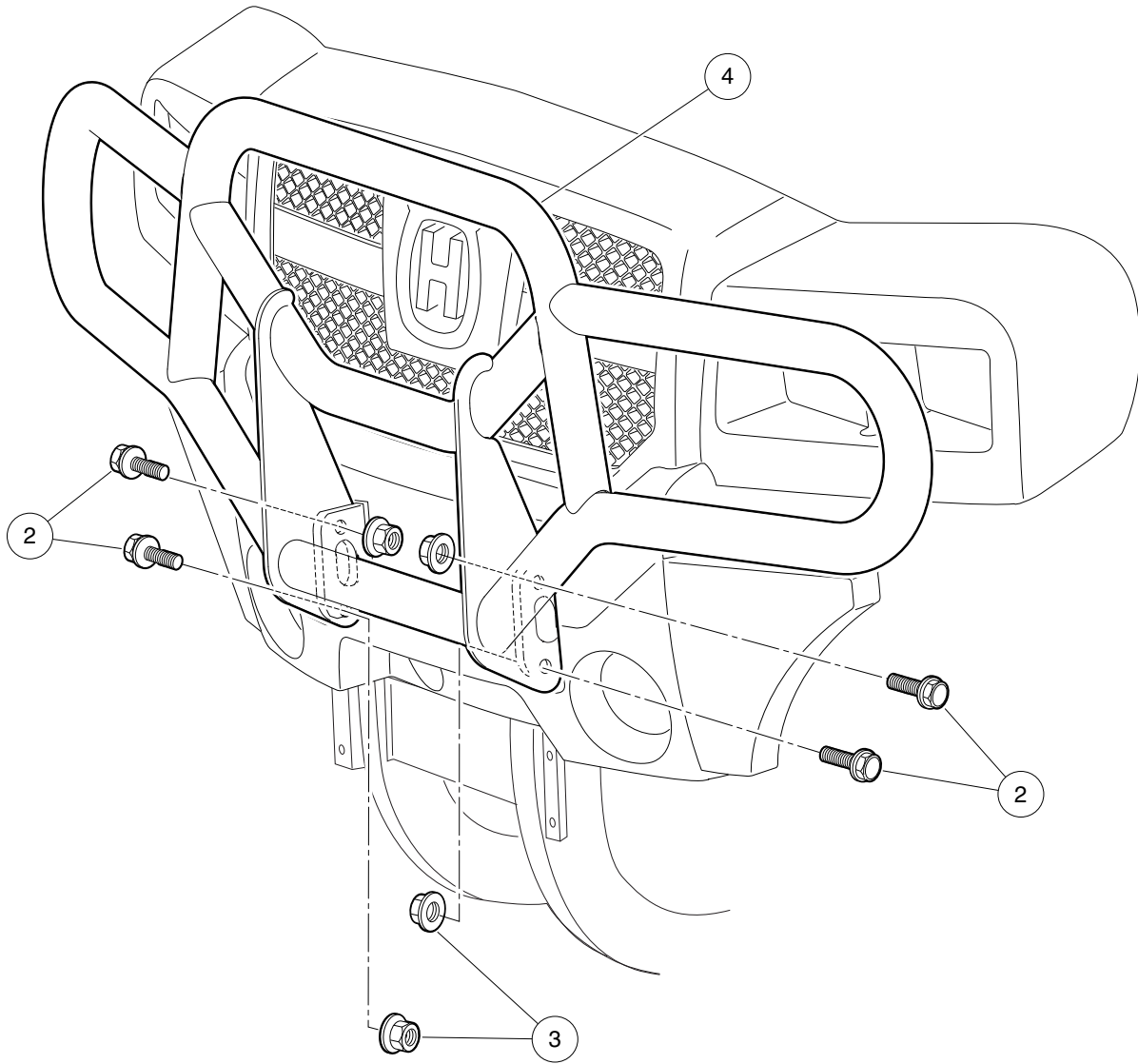
G

D

1

G

D



000526-003

BRUSH GUARD

ITEM	PART NO.	DESCRIPTION	QTY
1	<u>103218401</u>	1 2 3 4 Kit, Brush Guard Hus (includes items 2 through 4)	1
2	<u>103231701</u>	Screw, M10 X 1.25 X 30 Hex Blk	4
3	<u>103231801</u>	Nut, Flg, M10 X 1.25 Hex Blk	4
4	N/A	Weldment, Brushguard, HUV 4421	1

1

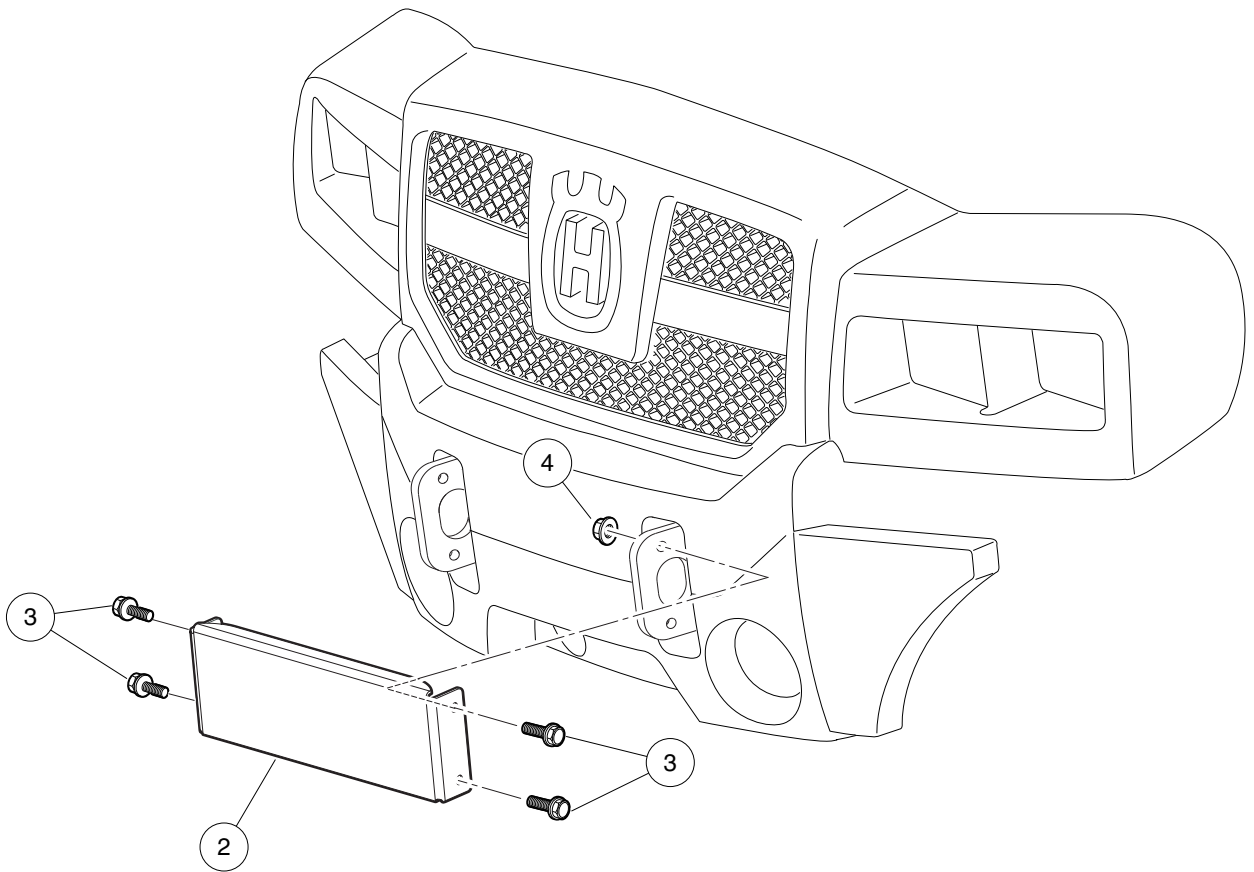
G

D

1

G

D



000549-001

BUMPER PLATE

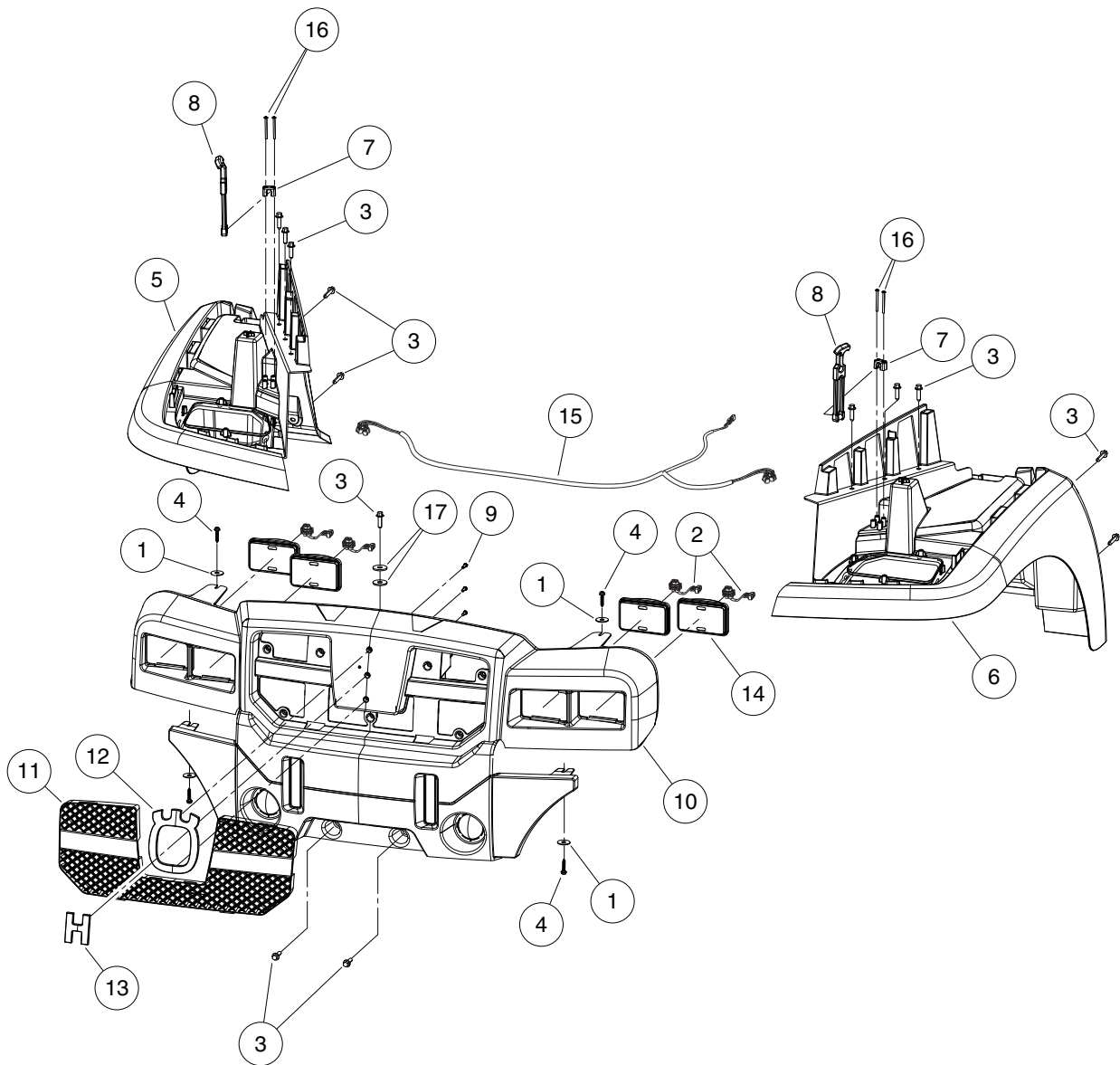
ITEM	PART NO.	DESCRIPTION	QTY
1	N/A	1 2 3 4 Instl, Bumper Plate, Huv (includes items 2 through 4)	1
2	<u>103220001</u>	Bumper Plate, Huv	1
3	<u>103231701</u>	Screw, M10 X 1.25 X 30 Hex Blk	4
4	<u>103231801</u>	Nut, Flg, M10 X 1.25 Hex Blk	4

1
G
D

1

G

D



000507-002

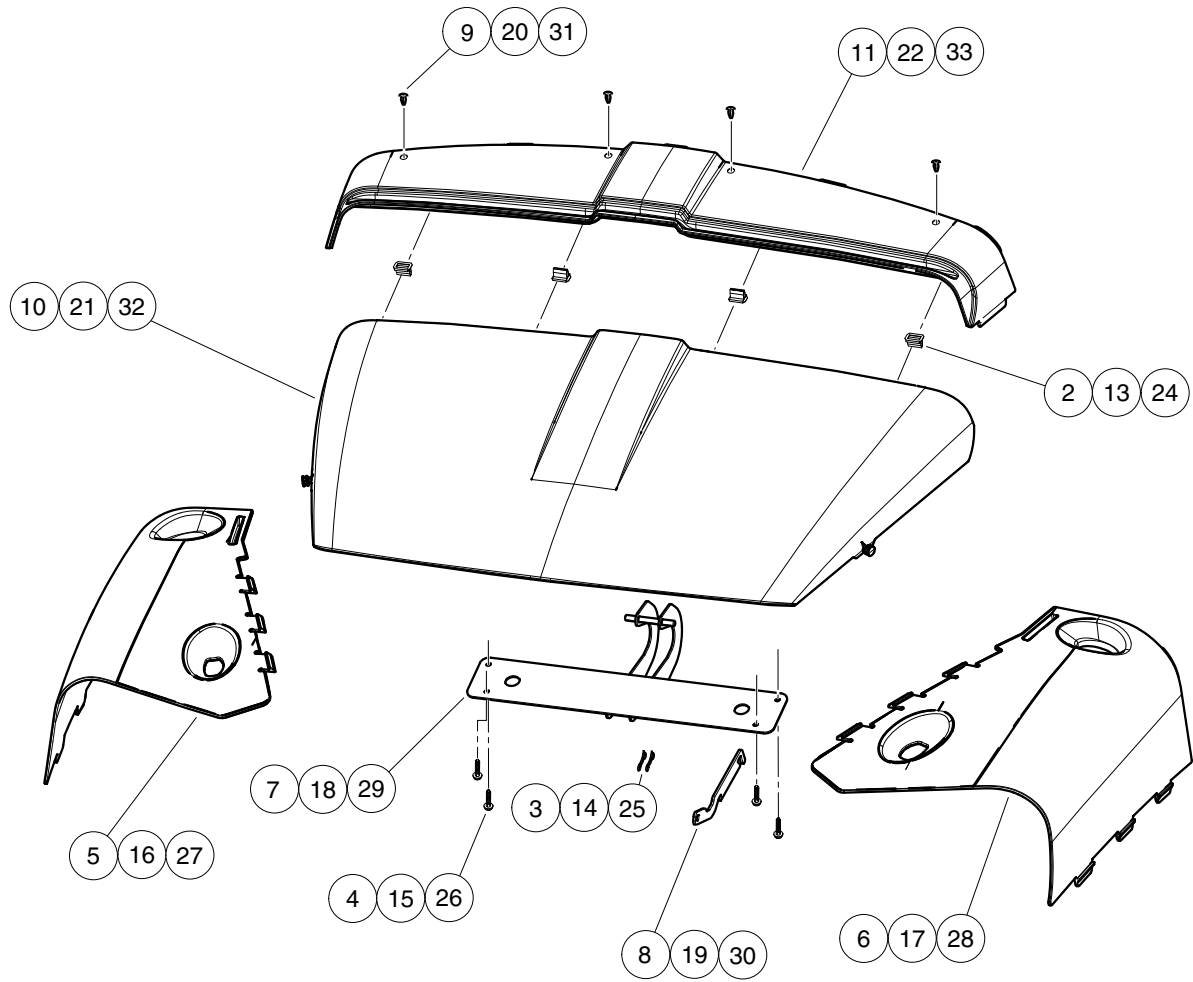
FACIA AND FENDERS

ITEM	PART NO.	DESCRIPTION	QTY	
		1 2 3 4		1
1	<u>1011578</u>	Washer, 5/16 Type B Flat	4	G
2	<u>101987901</u>	Connector Harness Assembly, Headlight	4	
3	<u>102289001</u>	Screw, M8X1.25X30, Hex	13	
4	<u>102297230</u>	Screw,m6,torx,interlock,thread	4	D
5	<u>102866901</u>	Fender, Front, Pass, AWD	1	
6	<u>102867001</u>	Fender, Front, Drv, AWD	1	
7	<u>102882401</u>	Bracket, Latch, Draw	2	
8	<u>102895101</u>	Latch, Draw, Hood	2	
9	<u>102895401</u>	Screw, D50x16, Torx PN Hd PT	3	
10	<u>102981601</u>	Fascia, Husqvarna	1	
11	<u>102981701</u>	Grill, Husqvarna	1	
12	<u>102989301</u>	Emblem, Husqvarna, Outer	1	
13	<u>102989302</u>	Emblem, Husqvarna, Inner	1	
14	<u>103203801</u>	Headlamp, 3x5 Rectangular	4	
15	<u>103213201</u>	Harness, Bct/huv Restyle Headlight	1	
16	<u>103218107</u>	Screw, #8x2.00 AB Thd, Hex Hd	4	
17	<u>808</u>	Washer, 3/8 Type B Flat	2	

1

G

D



000508-003

COWL ASSEMBLY

ITEM	PART NO.	DESCRIPTION	QTY
		1 2 3 4	
1	N/A	Option, Color, Huv, Camo (includes items 2 through 11)	1
2	<u>102292701</u>	Clip-body-trim	2
3	<u>102292801</u>	Pin, Bow Tie Locking - .072	2
4	<u>102297230</u>	Screw,m6,torx,interlock,thread	4
5	<u>102866718</u>	Panel, Cowl, Passenger-Side, Real Tree Camo	1
6	<u>102866818</u>	Panel, Cowl, Driver-Side, Real Tree Camo	1
7	<u>102896401</u>	Weldment, Hinge, Hood	1
8	<u>102896501</u>	Prop, Hood	1
9	<u>102967901</u>	Rivet, Removable, Tuflok 1/4"	4
10	<u>102981818</u>	Hood, Design B, Moff	1
11	<u>102981918</u>	Panel, Cowl, Upper, B,moff	1
12	N/A	Option, Color, HUV, Orange (includes items 13 through 22)	1
13	<u>102292701</u>	Clip-body-trim	4
14	<u>102292801</u>	Pin, Bow Tie Locking - .072	2
15	<u>102297230</u>	Screw,m6,torx,interlock,thread	4
16	<u>102866753</u>	Panel, Cowl, Ps, Orange	1
17	<u>102866853</u>	Panel, Cowl, Drv, Orange	1
18	<u>102896401</u>	Weldment, Hinge, Hood	1
19	<u>102896501</u>	Prop, Hood	1
20	<u>102967901</u>	Rivet, Removable, Tuflok 1/4"	2
21	<u>102981853</u>	Hood, Design B, Orange	1
22	<u>102981953</u>	Panel, Cowl, Upper, B, Orange	1
23	N/A	Option, Color, Huv, Olive Grn (includes items 24 through 33)	1
24	<u>102292701</u>	Clip-body-trim	4
25	<u>102292801</u>	Pin, Bow Tie Locking - .072	2
26	<u>102297230</u>	Screw,m6,torx,interlock,thread	4
27	<u>102866754</u>	Panel, Cowl, Ps, Olive Green	1
28	<u>102866854</u>	Panel, Cowl, Drv, Olive Green	1
29	<u>102896401</u>	Weldment, Hinge, Hood	1
30	<u>102896501</u>	Prop, Hood	1
31	<u>102967901</u>	Rivet, Removable, Tuflok 1/4"	4
32	<u>102981854</u>	Hood, Design B, Olive Grn	1
33	<u>102981954</u>	Panel, Cowl, Upper, B, Olv Grn	1

1

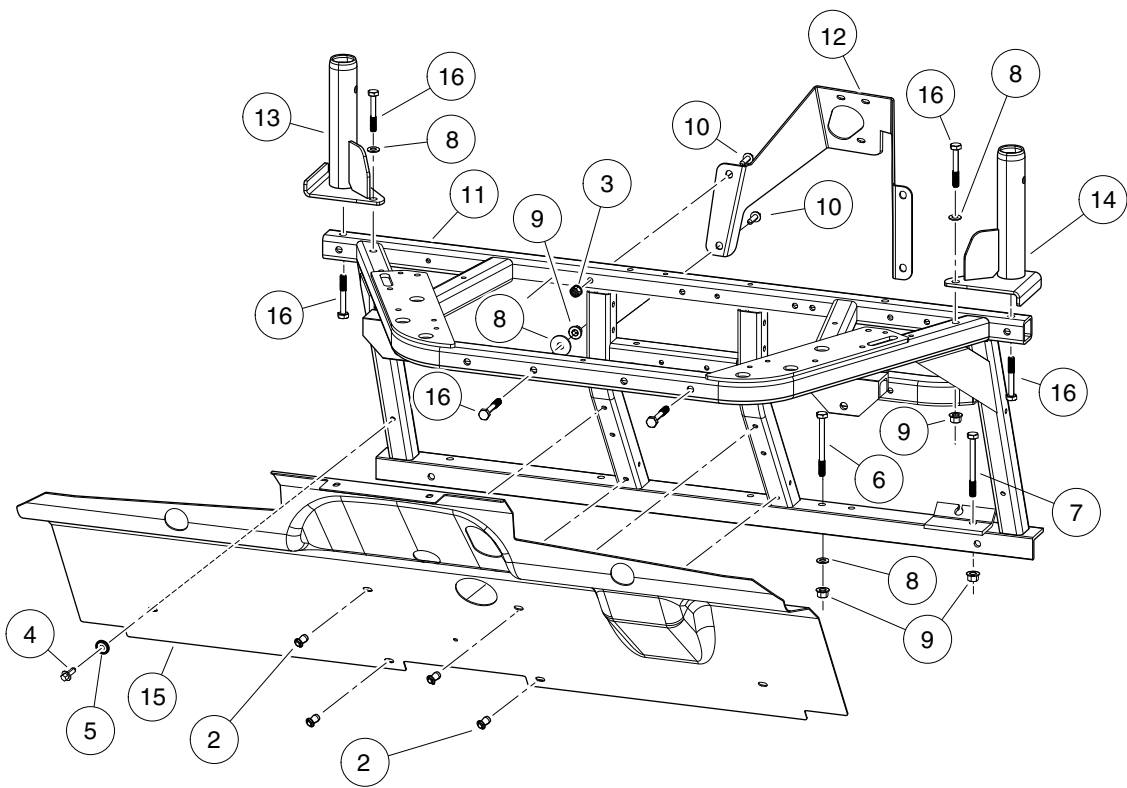
G

D

1

G

D



000521-001

FRONT BODY COMPONENTS

ITEM	PART NO.	DESCRIPTION	QTY
		1 2 3 4	
1	N/A	Instl, Cowl Weldmnt/Splash Guard (includes items 2 through 16)	1
2	<u>1016967</u>	Blind Rivet, Push Type	4
3	<u>102298401</u>	Nut,m8,all Metal Lock	2
4	<u>102298720</u>	M8-1.25x20 Taptite	2
5	<u>102323501</u>	Washer, Flat, 3/8, Blk Fin	2
6	<u>102491301</u>	Bolt, M10x1.50x100 (Black)	3
7	<u>102491302</u>	Bolt, M10 X 1.50 X 110 Black	1
8	<u>102491501</u>	Washer Hard,m10	12
9	<u>102617201</u>	Nut Flg M10 X 1.5 Mech Def	10
10	<u>102618301</u>	Bolt Flanged Head, M8 X 1.25 X 65	2
11	<u>102935501</u>	Weldment, Dash, Front	1
12	<u>102977201</u>	Bracket, Column, Steering	1
13	<u>102983201</u>	Weldment, Front, Base, ROPS, Right-Hand	1
14	<u>102983601</u>	Weldment, Front, Base, ROPS, Left-Hand	1
15	<u>103296001</u>	Guard, Splash, Gas Injection	1
16	<u>96715552</u>	Bolt, M10 X 1.50 X 65	8

1

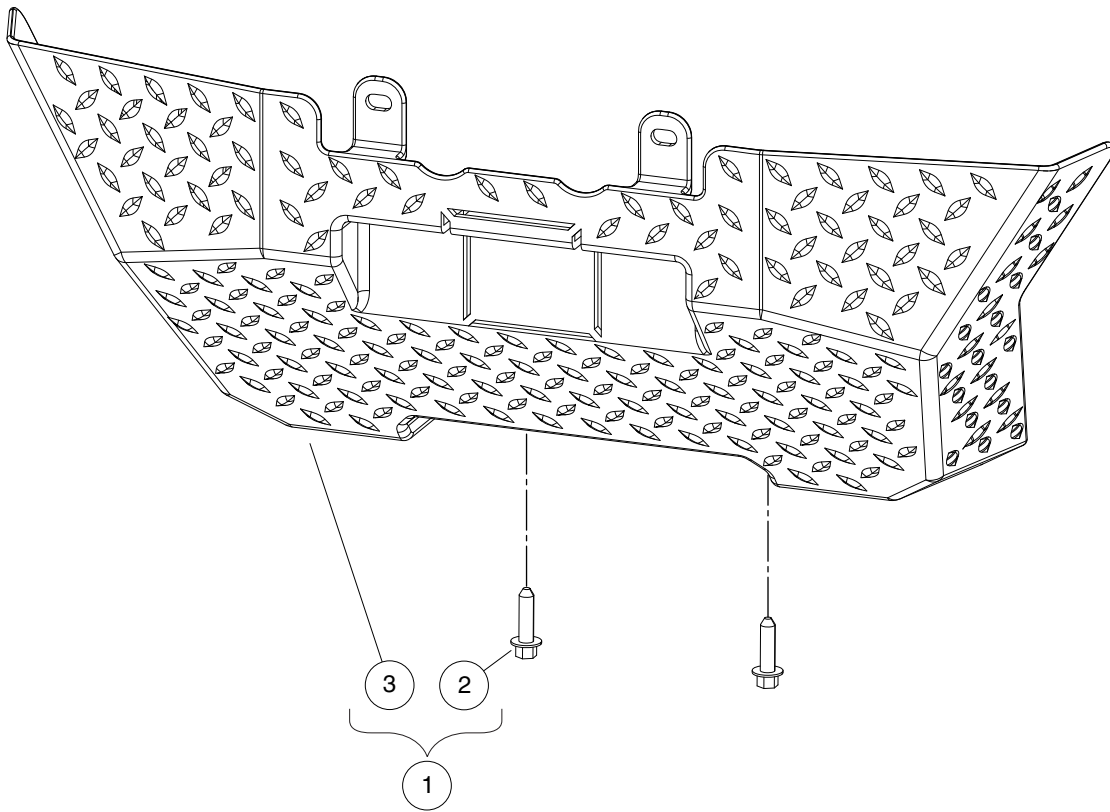
G

D

1

G

D



000537-002

PLASTIC SKID PLATE

ITEM	PART NO.	DESCRIPTION	QTY
		1 2 3 4	
1	N/A	Instl, Skid, Std (includes items 2 and 3)	1
2	<u>102289001</u>	Screw, M8X1.25X30, Hex	2
3	<u>102882301</u>	Plate, Skid, Std	1

1

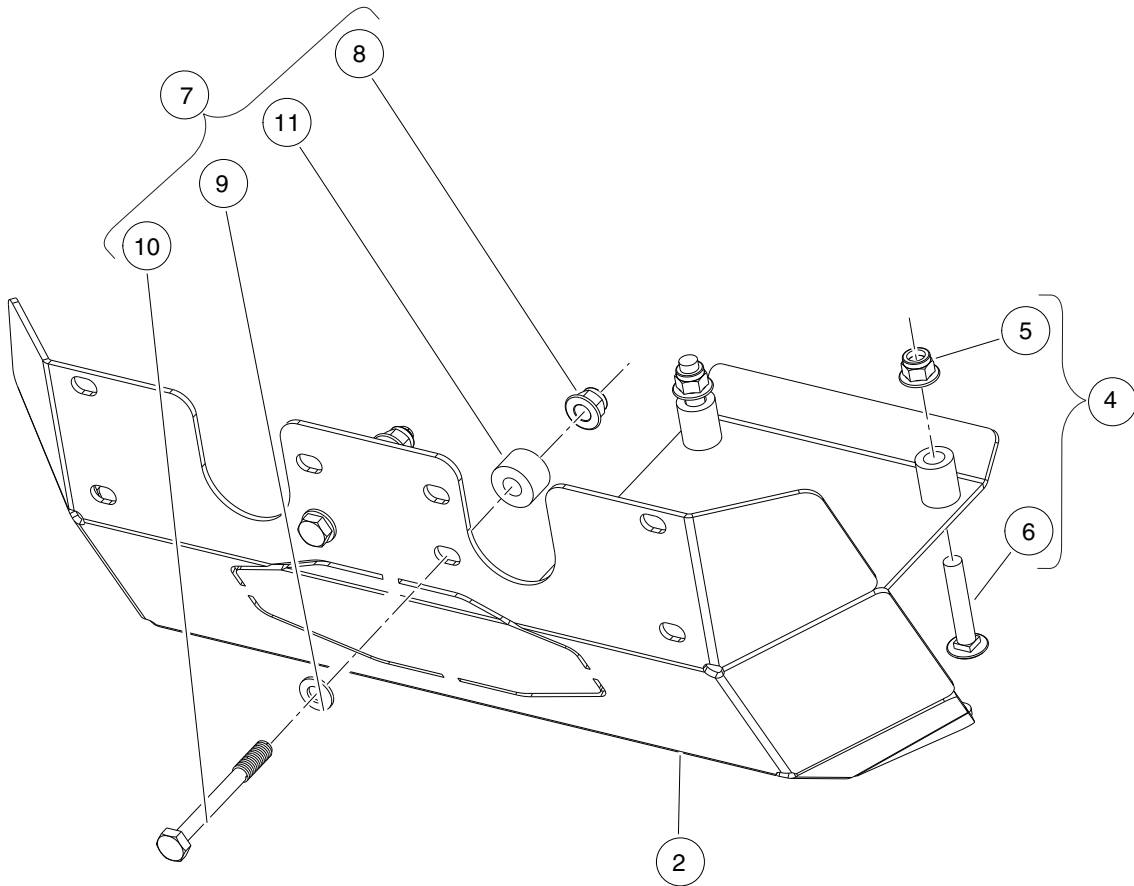
G

D

1

G

D



000537-001

STEEL SKID PLATE

ITEM	PART NO.	DESCRIPTION	QTY
		1 2 3 4	
1	AM1211003	Kit, Skidplate, Front, Steel (includes items 2 through 7)	1
2	<u>AM1210002</u>	Skid Plate, Front, Steel	1
3	N/A	Instructions, Front Skidplate	1
4	<u>AM1215701</u>	Kit, Hardware, Skidplate, Front, A (includes items 5 and 6)	1
5	<u>102670701</u>	Nut Flg M10 X 1.5 Nylon	2
6	AM1210801	Bolt, Carriage, M10x1.5x55	2
7	<u>AM1215801</u>	Kit, Hardware, Skidplate, Front, B (includes items 8 through 11)	1
8	<u>102670701</u>	Nut Flg M10 X 1.5 Nylon	2
9	<u>102718101</u>	Washer, Hard, M10, Zn-Ni/Blk	2
10	<u>102719301</u>	Bolt, M10 X 1.50 X 90, Loctite	2
11	AM1211401	Spacer, 17mm Long, Skidplate	2

1

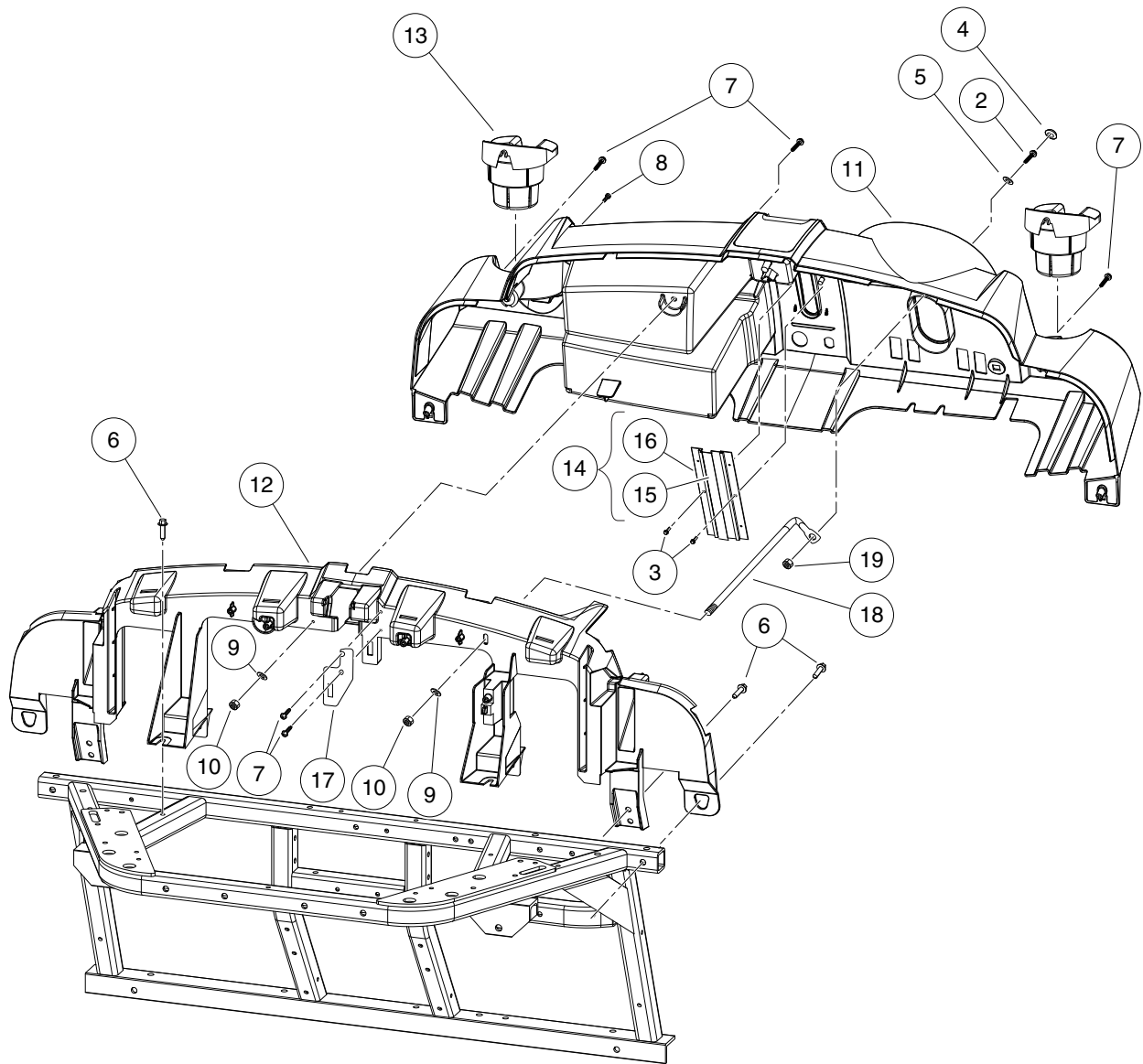
G

D

1

G

D



000519-001

DASH

ITEM	PART NO.	DESCRIPTION	QTY
		1 2 3 4	
1	N/A	Instl, Dash (includes items 2 through 19)	1
2	1016916	Screw, 1/4-20 X 1.50 Hex-Head Cap	1
3	<u>101804301</u>	Screw, #8 X 0.500, Hex-Head Hi-Lo	2
4	<u>102045001</u>	Cap, 1/4" Plastic Screw Head	1
5	<u>102048401</u>	Washer, 1/4 Id Scalloped Plast	1
6	<u>102289001</u>	Screw, M8X1.25X30, Hex	6
7	<u>102297230</u>	Screw,m6,torx,interlock,thread	5
8	<u>102298580</u>	M8-1.25 X 80 Sems	1
9	<u>102491501</u>	Washer Hard,m10	2
10	102618601	Lock Nut, Flg M8 X 1.25 Nylon	2
11	<u>102867101</u>	Dash, Design A	1
12	<u>102867301</u>	Support, Structural	1
13	<u>102883401</u>	Cup Holder, Utility	2
14	<u>103233001</u>	Asm, Brush, Fnr (includes items 15 and 16)	2
15	<u>103179901</u>	Brush, Strip, FNR	2
16	<u>103180001</u>	Holder, Brush, Strip, Fnr	2
17	<u>103253801</u>	Bracket, Hood Support	1
18	<u>103268001</u>	Rod, Connection, Dash	1
19	<u>8233</u>	Locknut, 1/4-20 Nylon Insert	1

1

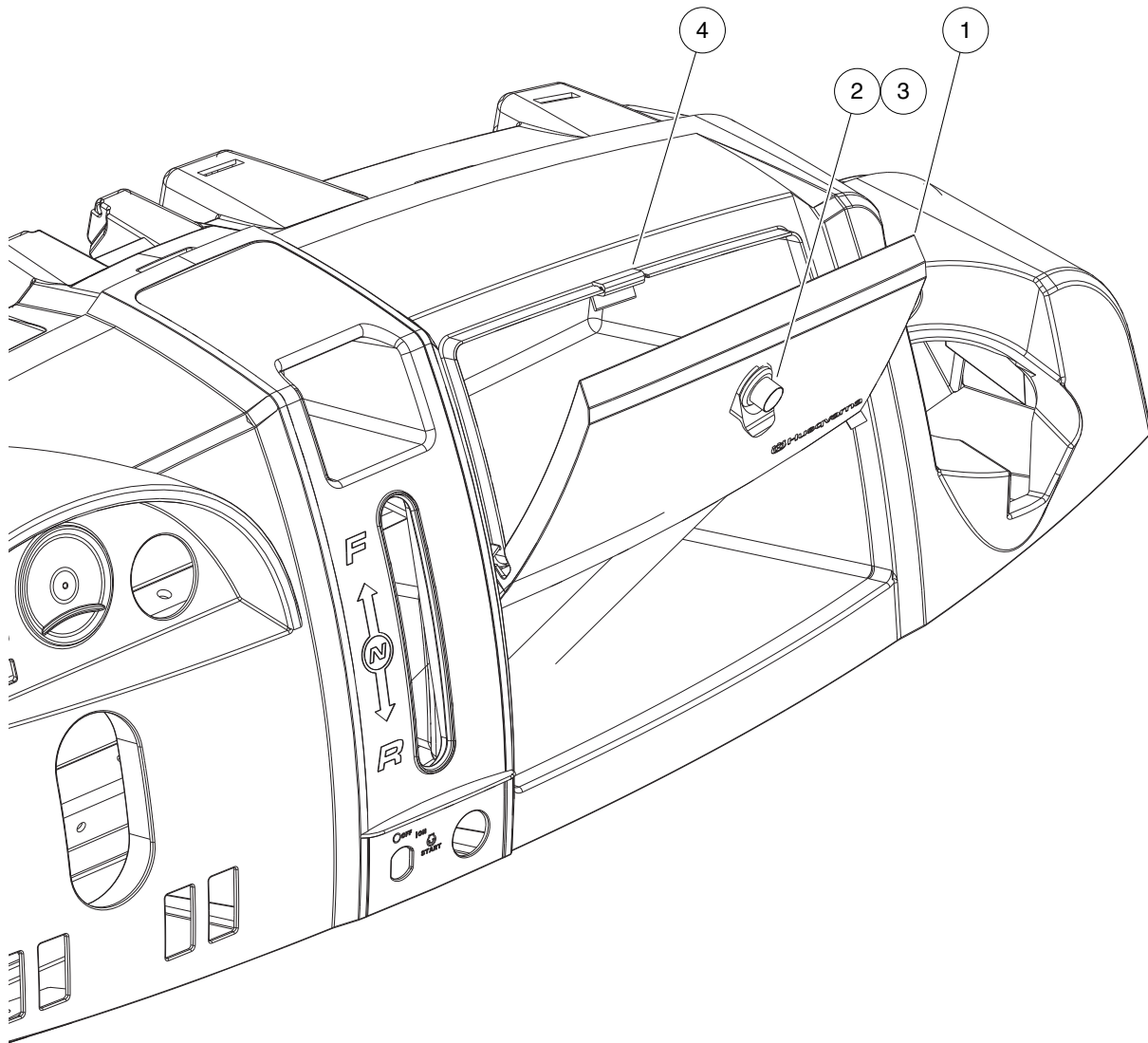
G

D

1

G

D



000789-003

GLOVE BOX

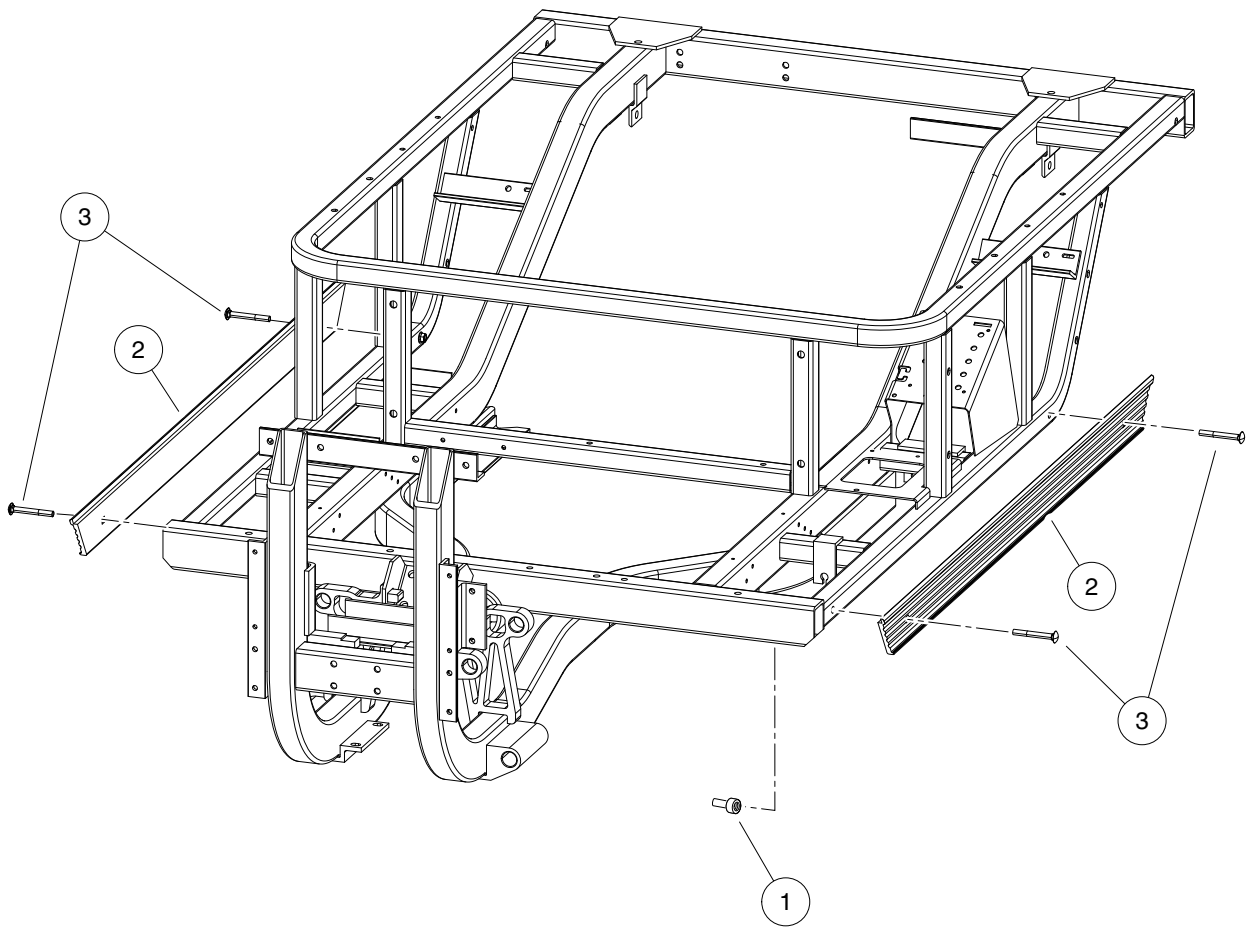
ITEM	PART NO.	DESCRIPTION	QTY
		1 2 3 4	
1	<u>102867202</u>	Cover, Storage, Dash, Blk, Cci	1
2	<u>103182701</u>	Latch, Push Close	1
3	<u>103182702</u>	Latch, Push Close W/ Key	1
4	<u>103182801</u>	Keeper, Latch, Push Close	1

1
G
D

1

G

D



000527-001

SIDE STRINGERS

ITEM	PART NO.	DESCRIPTION	QTY
		1 2 3 4	
1	<u>102491701</u>	Well Nut 1/4-20	8
2	<u>103485501</u>	Stringer, Side, 1200mm	2
3	<u>103487501</u>	Screw, 1/4-20 X 1.0, Black	8

1

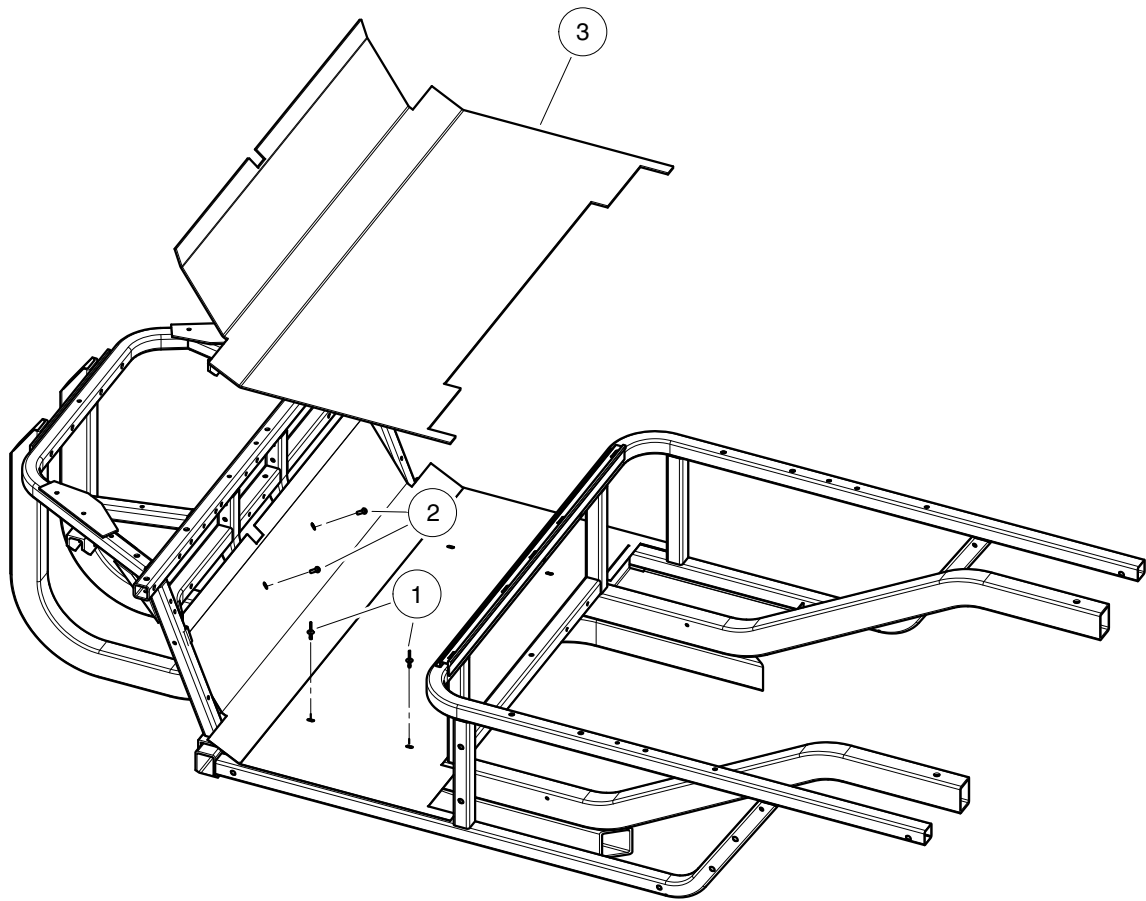
G

D

1

G

D



000520-001

FLOOR MAT

ITEM	PART NO.	DESCRIPTION	QTY
		1 2 3 4	
1	<u>1015392</u>	Rivet, 3/16 Pop	4
2	<u>102025801</u>	Screw, 1/4-20 X .75 Torx Pn Hd	2
3	<u>102895701</u>	Floor Mat	1

1

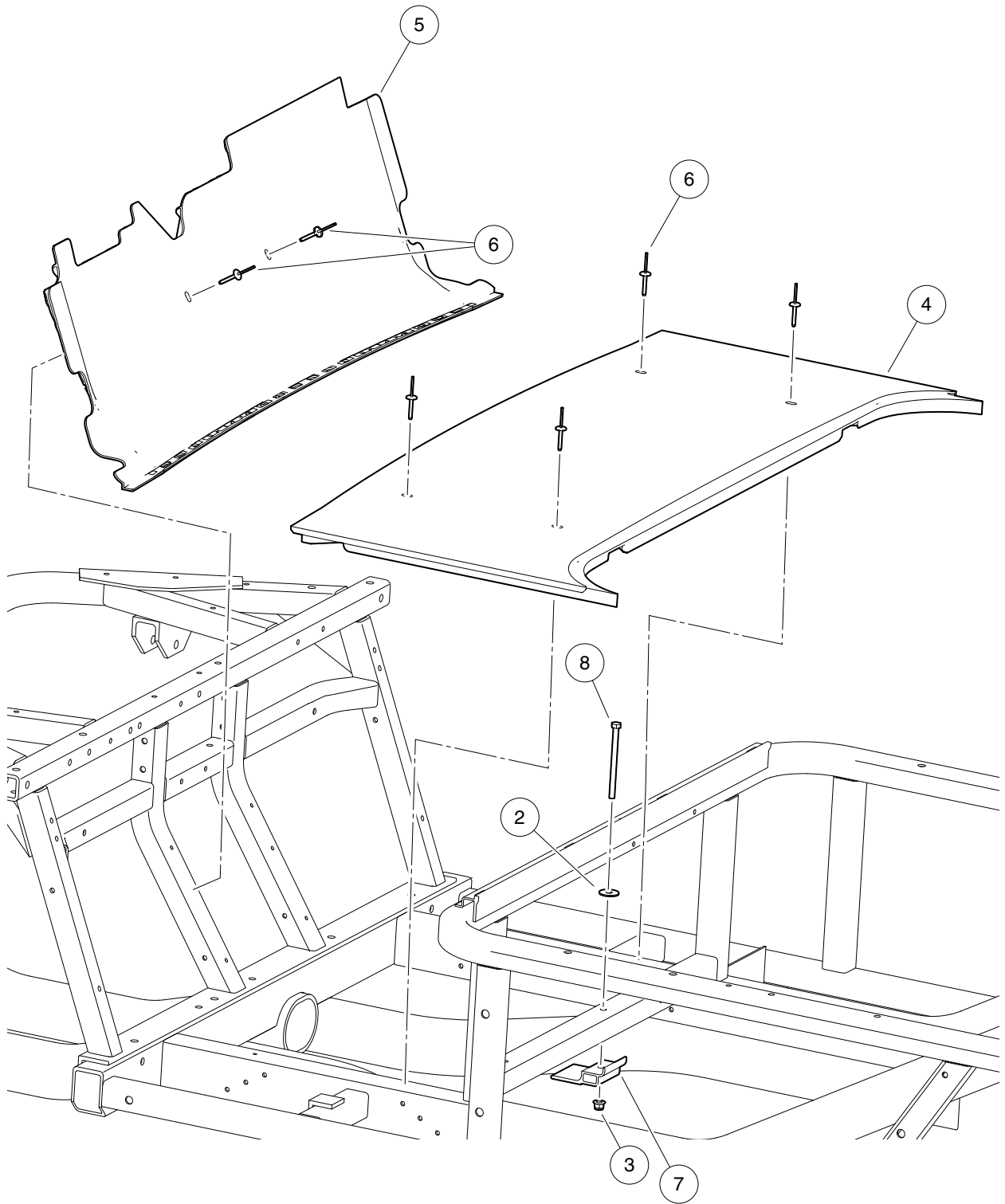
G

D

1

G

D



000790-001

FLOORBOARD

ITEM	PART NO.	DESCRIPTION	QTY
		1 2 3 4	
1	N/A	Instl, Floorboard (includes items 2 through 8)	1
2	<u>1011578</u>	Washer, 5/16 Type B Flat	1
3	102618601	Lock Nut, Flg M8 X 1.25 Nylon	1
4	<u>103319601</u>	Floorboard, Lower	1
5	<u>103319701</u>	Floorboard, Upper	1
6	<u>103400001</u>	3/16 X 1.19 Alum Rivet, Blk	6
7	N/A	Bracket, Support, Floorboard	1
8	<u>103423701</u>	Bolt, M8 X 1.25 X 110	1

1

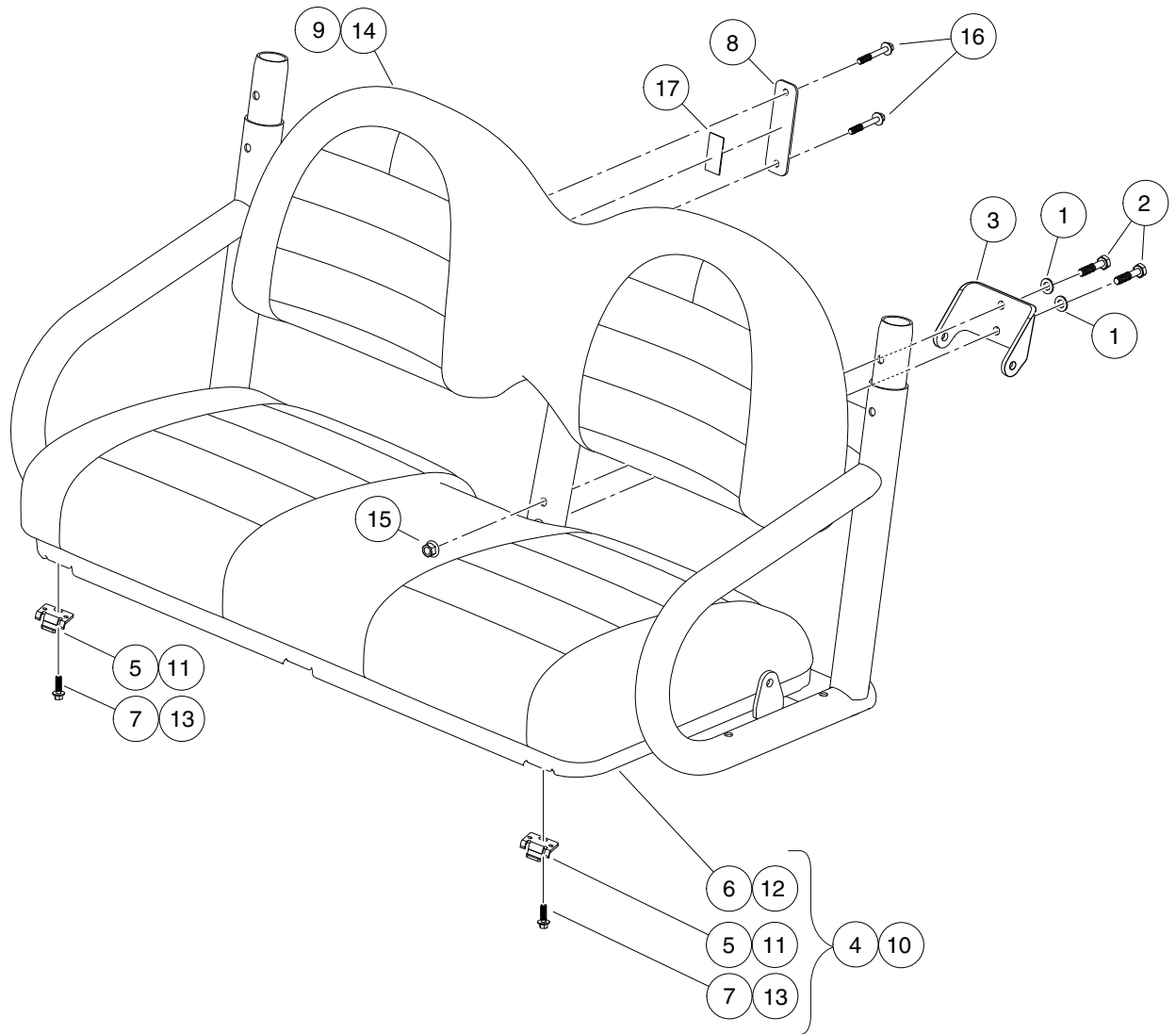
G

D

1

G

D



000523-001

BENCH SEATS

ITEM	PART NO.	DESCRIPTION	QTY
		1 2 3 4	
1	<u>102718101</u>	Washer, Hard, M10, Zn-Ni/Blk	2
2	<u>102732401</u>	Bolt, M10 X 45, Zn-Ni (Black)	2
3	<u>102759901</u>	Bracket, Seat Belt, Bench	1
4	<u>102879201</u>	Asm, Seat Bottom, Bench, Gray (includes items 5 through 7)	1
5	<u>1011652</u>	Hinge Plate	2
6	<u>102759601</u>	Asm, Seat Bottom, Bench	1
7	<u>103262201</u>	Bolt Flg Blk, M8 X 25, Loctite	2
8	<u>102879401</u>	Bracket, Seat Back, AWD	2
9	<u>102912301</u>	Seat Back, Bench, Gray	1
10	<u>103181001</u>	Asm, Seat Bottom, Bench, Black (includes items 11 through 13)	1
11	<u>1011652</u>	Hinge Plate	2
12	N/A	Seat Bottom, Bench, Black	1
13	<u>103262201</u>	Bolt Flg Blk, M8 X 25, Loctite	2
14	<u>103181101</u>	Seat Back, Bench, Black	1
15	<u>103216401</u>	Nut, Flanged, M10 x 1.5, Black	2
16	<u>103262601</u>	Bolt Flg Blk, M8 X 55, Loctite	4
17	N/A	Tape, Double-Sided, VHB, 1"x 2"	1

1
G
D

BUCKET SEATS – GRAY

ITEM	PART NO.	DESCRIPTION	QTY
		1 2 3 4	
1	<u>101887601</u>	Locknut, M6-1.00 Nylon Insert	2
2	<u>102059001</u>	Seat Holder Base	2
3	<u>102442001</u>	Pan, Center, Closeout	1
4	<u>102473701</u>	Asm, Bucket Seat Adjustable (includes items 5 through 17)	1
5	<u>1011652</u>	Hinge Plate	2
6	<u>102047001</u>	Rivet, 1/4 X .438 Blind	4
7	<u>102059401</u>	Screw, 6m-1.00 X 10mm Hex Head	1
8	<u>102061101</u>	Seat Holder Cup	1
9	<u>102298130</u>	Bolt, Flange Head, M8 X 30.0	4
10	<u>102298401</u>	Nut,m8,all Metal Lock	4
11	<u>102456001</u>	Pan, Seat, Driver Asm	1
12	<u>102458901</u>	Decal, Hot Surface Warning	1
13	<u>102473501</u>	Adjuster, Forward/Aft	1
14	<u>102473601</u>	Adjuster, Slider	1
15	<u>102475901</u>	Washer, Bell	4
16	<u>103267001</u>	Seat, Bucket, Gray	1
17	<u>451</u>	Lockwasher, 1/4 Split	1
18	N/A	Assembly, Bucket Seat w/Spacers (includes items 19 through 28)	1
19	<u>1011652</u>	Hinge Plate	2
20	<u>1012830</u>	Screw, M8-125 X 22 Hex-Head	4
21	<u>1013734</u>	Lockwasher, 8mm Split	4
22	<u>102023703</u>	Pan, Seat, Passenger	1
23	<u>102047001</u>	Rivet, 1/4 X .438 Blind	4
24	<u>102059401</u>	Screw, 6m-1.00 X 10mm Hex Head	1
25	<u>102061101</u>	Seat Holder Cup	1
26	<u>102458901</u>	Decal, Hot Surface Warning	1
27	<u>103267001</u>	Seat, Bucket, Gray	1
28	<u>451</u>	Lockwasher, 1/4 Split	1
29	<u>102670601</u>	Bracket, Seatbelt, Bolt-On	1
30	<u>102718101</u>	Washer, Hard, M10, Zn-Ni/Blk	2
31	<u>102732401</u>	Bolt, M10 X 45, Zn-Ni (Black)	2
32	<u>102763701</u>	Cover, Center Console	1
33	<u>102967901</u>	Rivet, Removable, Tuflok 1/4"	4
34	<u>103216401</u>	Nut, Flanged, M10 x 1.5, Black	2
35	<u>332</u>	Washer, 1/4 Type A Narrow Flat	2
36	<u>96742515</u>	Bolt, M6 X 1 X 45	2

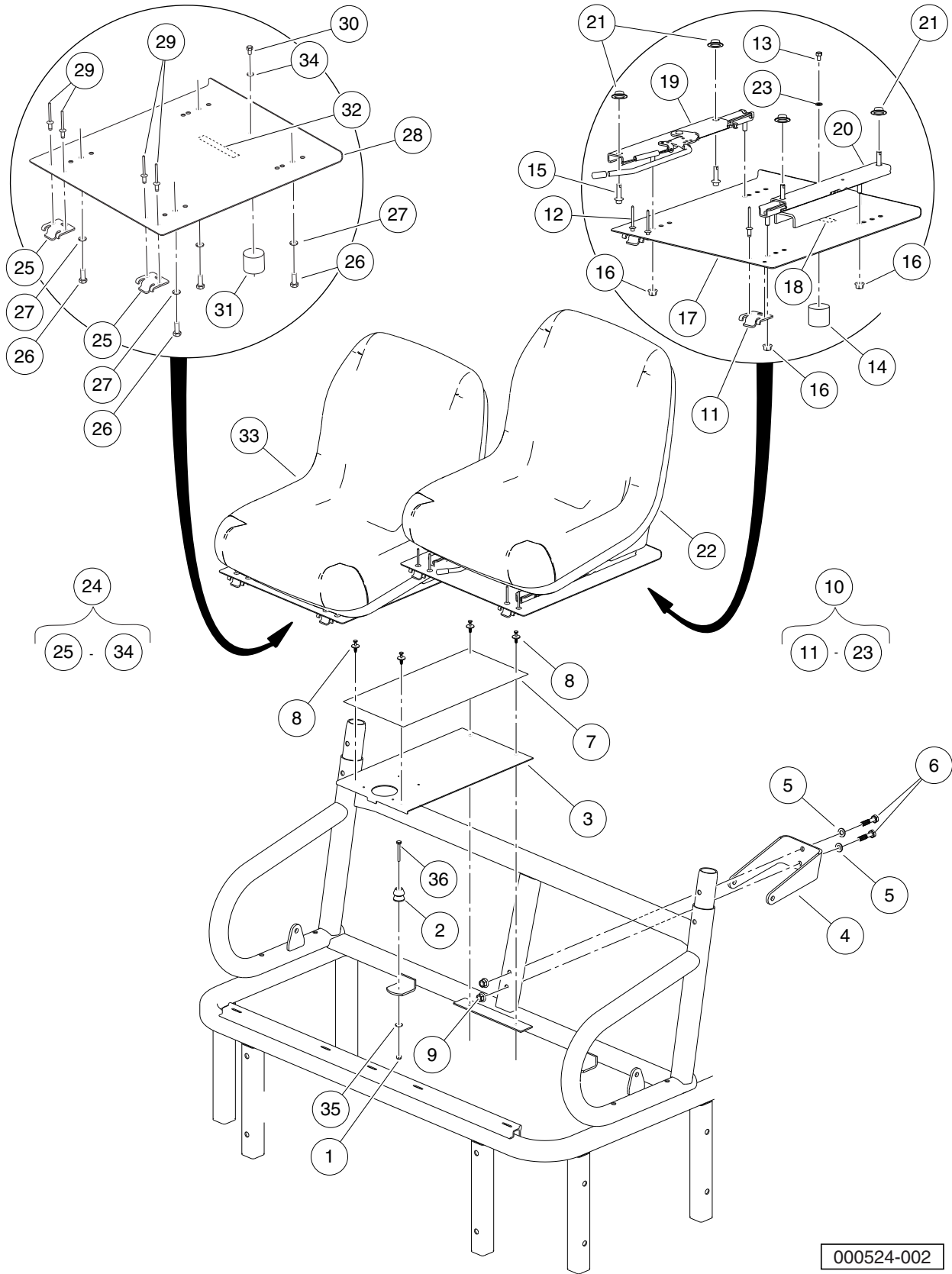
1

G

D

1
G

D



000524-002

BUCKET SEATS – BLACK

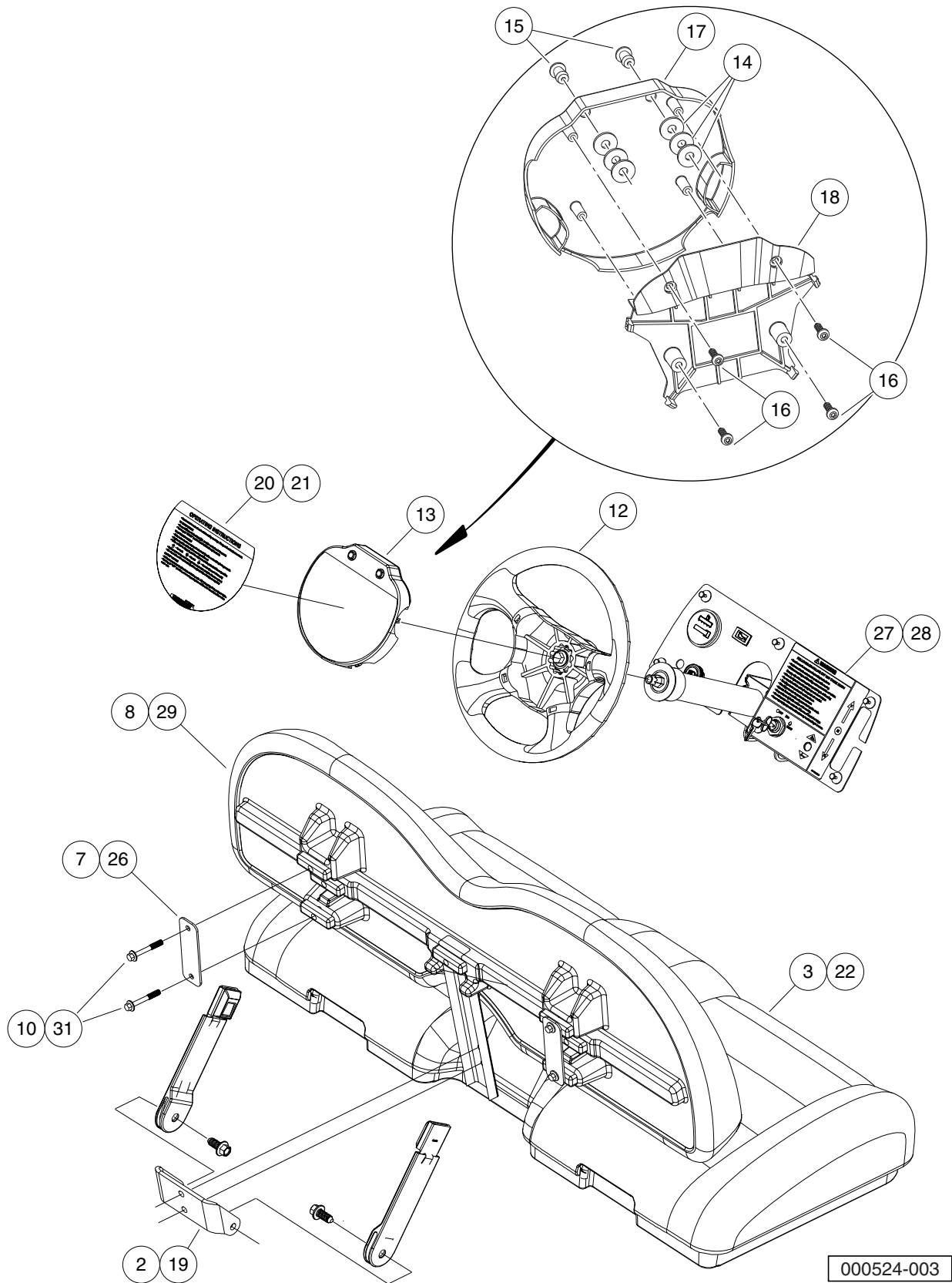
ITEM	PART NO.	DESCRIPTION	QTY
		1 2 3 4	
1	<u>101887601</u>	Locknut, M6-1.00 Nylon Insert	2
2	<u>102059001</u>	Seat Holder Base	2
3	<u>102442001</u>	Pan, Center, Closeout	1
4	<u>102670601</u>	Bracket, Seatbelt, Bolt-On	1
5	<u>102718101</u>	Washer, Hard, M10, Zn-Ni/Blk	2
6	<u>102732401</u>	Bolt, M10 X 45, Zn-Ni (Black)	2
7	<u>102763701</u>	Cover, Center Console	1
8	<u>102967901</u>	Rivet, Removable, Tuflok 1/4"	4
9	<u>103216401</u>	Nut, Flanged, M10 x 1.5, Black	2
10	<u>103218901</u>	Asm, Bracket Seat, Adj, Blk (includes items 11 through 23)	1
11	<u>1011652</u>	Hinge Plate	2
12	<u>102047001</u>	Rivet, 1/4 X .438 Blind	4
13	<u>102059401</u>	Screw, 6m-1.00 X 10mm Hex Head	1
14	<u>102061101</u>	Seat Holder Cup	1
15	<u>102298130</u>	Bolt, Flange Head, M8 X 30.0	4
16	<u>102298401</u>	Nut,m8,all Metal Lock	4
17	<u>102456001</u>	Pan, Seat, Driver Asm	1
18	<u>102458901</u>	Decal, Hot Surface Warning	1
19	<u>102473501</u>	Adjuster, Forward/Aft	1
20	<u>102473601</u>	Adjuster, Slider	1
21	<u>102475901</u>	Washer, Bell	4
22	<u>103267002</u>	Seat, Bucket, Black	1
23	<u>451</u>	Lockwasher, 1/4 Split	1
24	N/A	Asm, Bracket Seat, Passenger, Blk (includes items 25 through 34)	1
25	<u>1011652</u>	Hinge Plate	2
26	<u>1012830</u>	Screw, M8-125 X 22 Hex-Head	4
27	<u>1013734</u>	Lockwasher, 8mm Split	4
28	<u>102023703</u>	Pan, Seat, Passenger	1
29	<u>102047001</u>	Rivet, 1/4 X .438 Blind	4
30	<u>102059401</u>	Screw, 6m-1.00 X 10mm Hex Head	1
31	<u>102061101</u>	Seat Holder Cup	1
32	<u>102458901</u>	Decal, Hot Surface Warning	1
33	<u>103267002</u>	Seat, Bucket, Black	1
34	<u>451</u>	Lockwasher, 1/4 Split	1
35	<u>332</u>	Washer, 1/4 Type A Narrow Flat	2
36	<u>96742515</u>	Bolt, M6 X 1 X 45	2

1
G
D

1

G

D



BENCH SEAT CONVERSION KIT

ITEM	PART NO.	DESCRIPTION	QTY
		1 2 3 4	
1	<u>103183101</u>	Kit, Bench Seat, Seat Only (includes items 2 through 10)	1
2	<u>102759901</u>	Bracket, Seat Belt, Bench	1
3	<u>102879201</u>	Asm, Seat Bottom, Bench, Gray (includes items 4 through 6)	1
4	<u>1011652</u>	Hinge Plate	2
5	<u>102759601</u>	Asm, Seat Bottom, Bench	1
6	<u>103262201</u>	Bolt Flg Blk, M8 X 25, Loctite	2
7	<u>102879401</u>	Bracket, Seat Back, AWD	2
8	<u>102912301</u>	Seat Back, Bench, Gray	1
9	N/A	Instructions, Bench Seat	1
10	<u>103262601</u>	Bolt Flg Blk, M8 X 55, Loctite	4
11	<u>103183201</u>	Kit, Bench Seat, Complete (includes items 12 through 31)	1
12	<u>102537801</u>	Steering Wheel, Comfort Grip, Hex	1
13	<u>102540802</u>	Center, Plate, Steering Wheel (includes items 14 through 18)	1
14	<u>1011697</u>	Washer, 5/16 Flat	6
15	<u>1016967</u>	Blind Rivet, Push Type	2
16	<u>102296020</u>	Screw, Torx Pan Hd Pt, M6 X 20	4
17	N/A	Scorecard Plate, Comfort Grip	1
18	N/A	Scorecard Back Plate	1
19	<u>102759901</u>	Bracket, Seat Belt, Bench	1
20	<u>102873901</u>	Decal, Oper Instr, Awd Se Dsl	1
21	<u>102878301</u>	Decal, Oper Instr, Awd Se Gas	1
22	<u>102879201</u>	Asm, Seat Bottom, Bench, Gray (includes items 23 through 25)	1
23	<u>1011652</u>	Hinge Plate	2
24	<u>102759601</u>	Asm, Seat Bottom, Bench	1
25	<u>103262201</u>	Bolt Flg Blk, M8 X 25, Loctite	2
26	<u>102879401</u>	Bracket, Seat Back, AWD	2
27	<u>102889001</u>	Decal, Warning, Instrument Panel, AWD Gas	1
28	<u>102889101</u>	Decal, Warning, Instrument Panel, AWD Diesel	1
29	<u>102912301</u>	Seat Back, Bench, Gray	1
30	N/A	Instructions, Bench Seat	1
31	<u>103262601</u>	Bolt Flg Blk, M8 X 55, Loctite	4

1

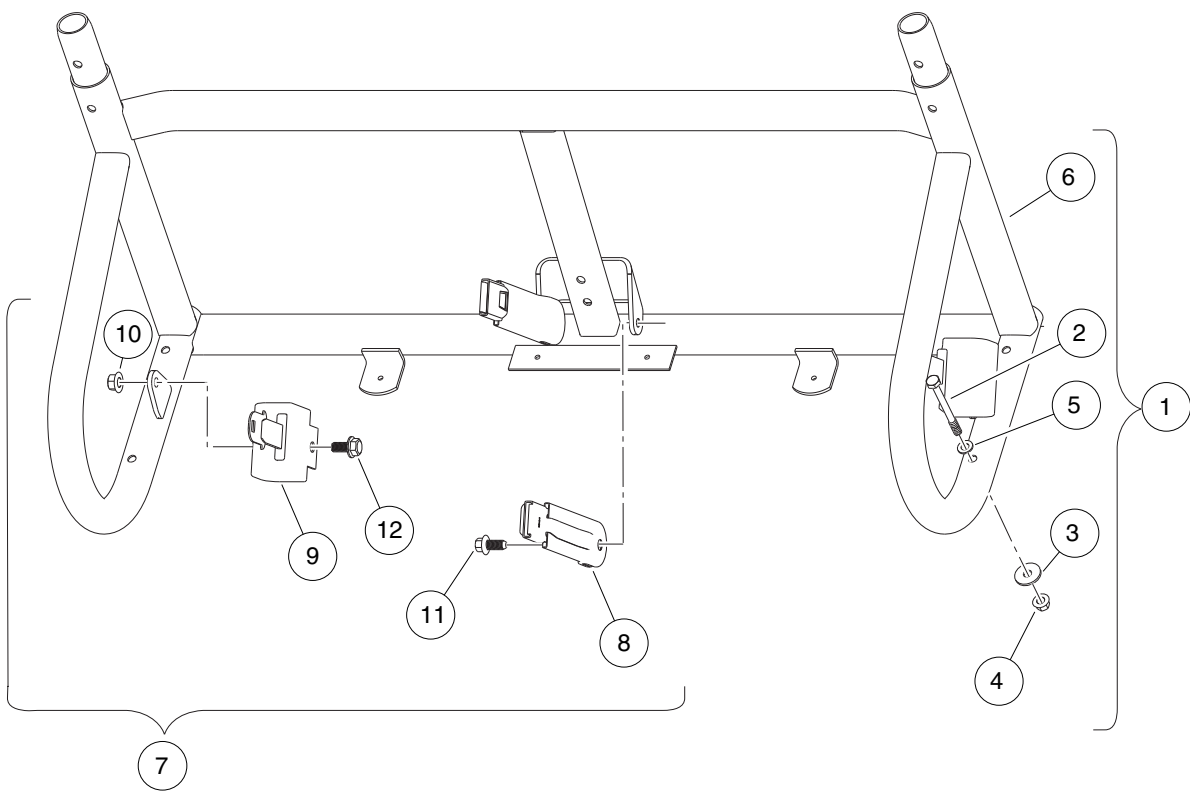
G

D

1

G

D



000029-002

SEAT BELTS AND LOWER ROPS

ITEM	PART NO.	DESCRIPTION	QTY
		1 2 3 4	
1	N/A	Instl, Rops, Lower (includes items 2 through 6)	1
2	<u>102491301</u>	Bolt, M10x1.50x100 (Black)	4
3	<u>102491501</u>	Washer Hard,m10	4
4	<u>102617201</u>	Nut Flg M10 X 1.5 Mech Def	4
5	<u>102718101</u>	Washer, Hard, M10, Zn-Ni/Blk	4
6	<u>103361701</u>	Weldment,seat Support,hs,rops	1
7	N/A	Instl, Seat Belt, Restyle (includes items 8 through 12)	1
8	<u>102447601</u>	Buckle, Seat Belt with Sleeve	2
9	<u>102447602</u>	Retractor, Seat Belt	2
10	<u>102620301</u>	Ln Flg, M12 X 1.75, Md, Black	2
11	<u>102671201</u>	Screw,m12x1.75x30 Thd Form Blk	2
12	<u>103245101</u>	Bolt Flg, M12x1.75 X 25 Black	2

1

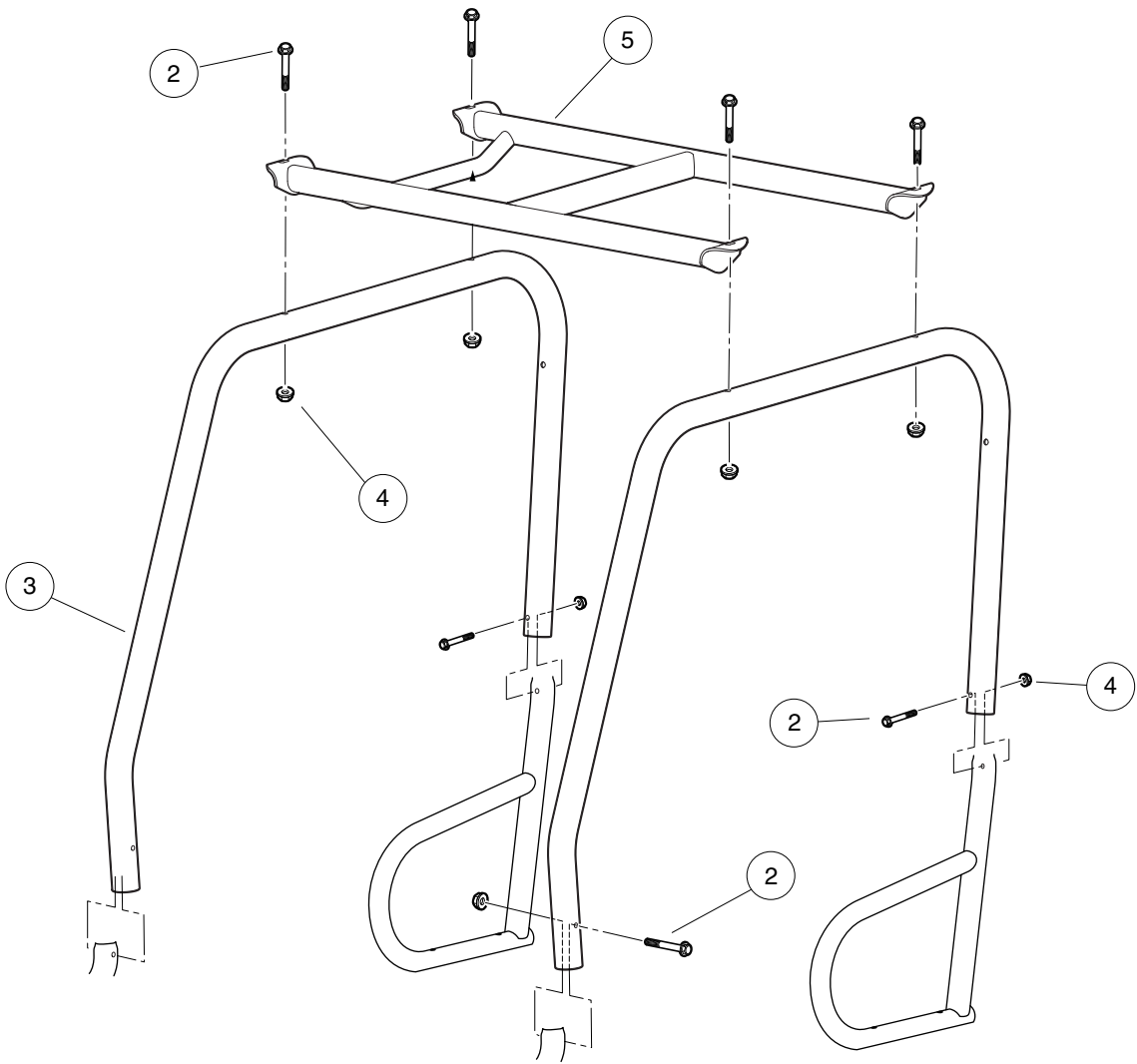
G

D

1

G

D



000029-003

ROPS

ITEM	PART NO.	DESCRIPTION	QTY
		1 2 3 4	
1	<u>103215901</u>	Kit, ROPS, Domestic (includes items 2 through 4)	1
2	<u>102988701</u>	Bolt, Flanged, M10 X 1.5 X 65	8
3	<u>103192101</u>	Tube, Side Support Short, ROPS	2
4	<u>103216401</u>	Nut, Flanged, M10 x 1.5, Black	8
5	<u>103225801</u>	Asm, Top, ROPS	1

1

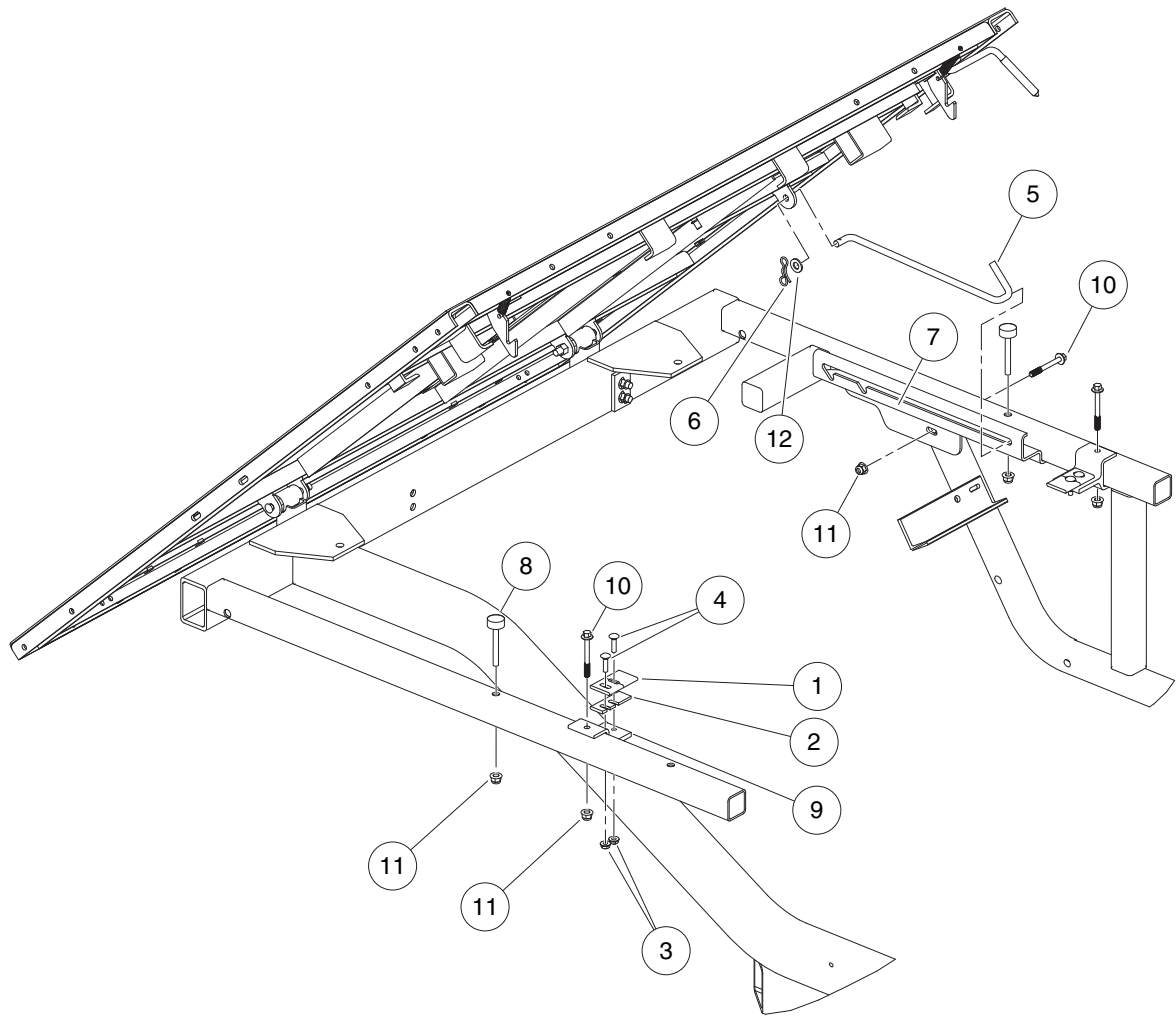
G

D

1

G

D



000036-001

LATCH PLATE AND PROP ROD

ITEM	PART NO.	DESCRIPTION	QTY
		1 2 3 4	
1	<u>1015277</u>	Latch Plate, Tilt Bed	2
2	<u>1016078</u>	Latch Plate Shim	1
3	<u>101835601</u>	Locknut, 1/4-20 Hex Whiz	4
4	<u>101958602</u>	Bolt, Carriage, 1/4-20 X 1.0	4
5	<u>102301401</u>	Rod, Prop	1
6	<u>102323101</u>	Pin, Bow Tie Locking	1
7	<u>102418101</u>	Track, Prop Rod	1
8	<u>102426601</u>	Bumper, Bed, Mtg, Front	2
9	<u>102493801</u>	Bracket, Latch, Bed	2
10	<u>102618301</u>	Bolt Flanged Head, M8 X 1.25 X 65	3
11	102618601	Lock Nut, Flg M8 X 1.25 Nylon	5
12	<u>334</u>	Washer, 3/8 Type A Flat	1

1

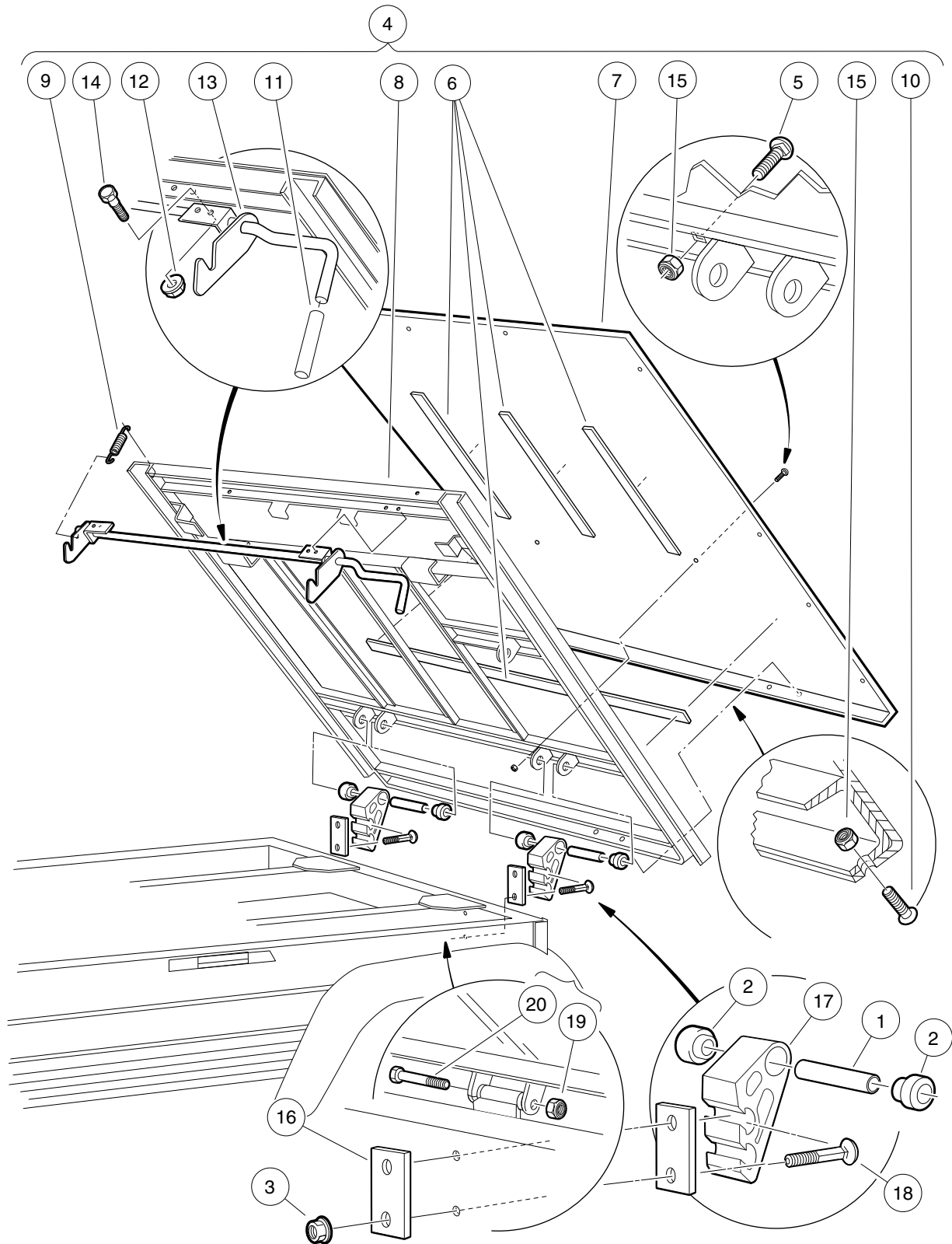
G

D

1

G

D



000037-001

TILT BED, HINGE, AND LATCH

ITEM	PART NO.	DESCRIPTION	QTY
		1 2 3 4	
1	<u>1012303</u>	Bushing, Steel	2
2	<u>1015583</u>	Bushing, Urethane	2
3	<u>102065901</u>	Locknut, 3/8-16 Flanged Dimple	4
4	<u>102171503</u>	Tilt Bed Assembly (includes items 5 through 15)	1
5	<u>1010435</u>	Bolt, Carriage, 5/16-18 X 1.00	4
6	<u>1014471</u>	Tape, Vinyl Foam 1/8" x 3/4" *	1
7	<u>1015258</u>	Plate, Floor Bed	1
8	N/A	Frame Assembly	1
9	N/A	Extension, Spring Latch	2
10	1015399	Screw, 5/16-18 X 0.88 Torx Truss-Head	4
11	<u>1015400</u>	Grip, Tilt Latch Hand	1
12	<u>101835601</u>	Locknut, 1/4-20 Hex Whiz	4
13	<u>102426901</u>	Ltch Weld Asm Tlt Bd	1
14	<u>403</u>	Screw, 1/4-20 X 0.625 Hex-Head Cap	4
15	<u>7473</u>	Locknut, 5/16-18 Nylon Insert	8
16	<u>102614101</u>	Plate, Back	2
17	<u>103538701</u>	Extra, Bracket, Hinge, Bed	2
18	<u>103538901</u>	3/8-16 X 3.5 Carr Blt Gr5 Zn	4
19	<u>8754</u>	Locknut, 3/8-16 Hex	2
20	<u>8755</u>	Screw, 3/8-16 X 3.375 Hex Cap	2
		* Note: Item not shown.	

1

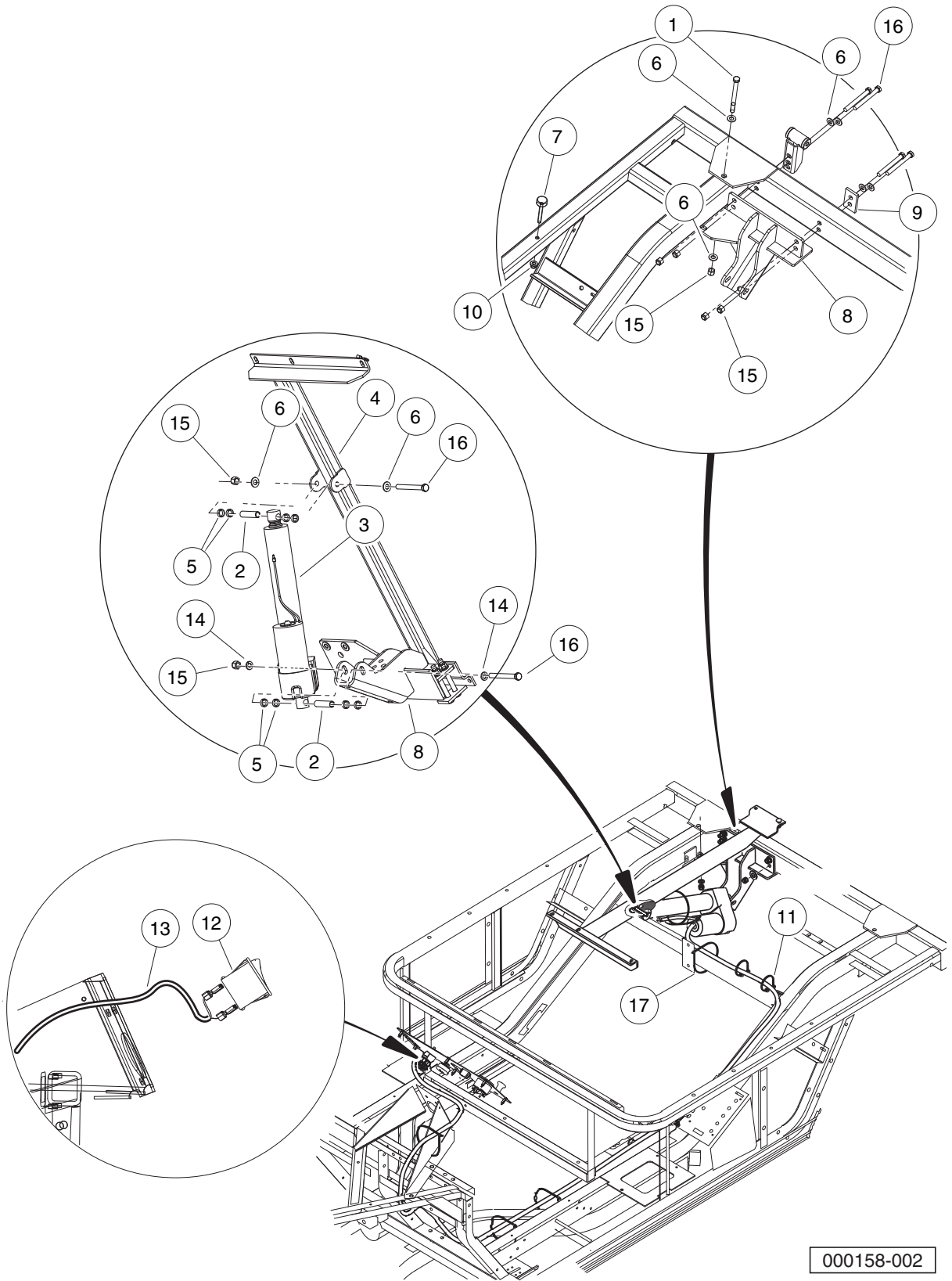
G

D

1

G

D



000158-002

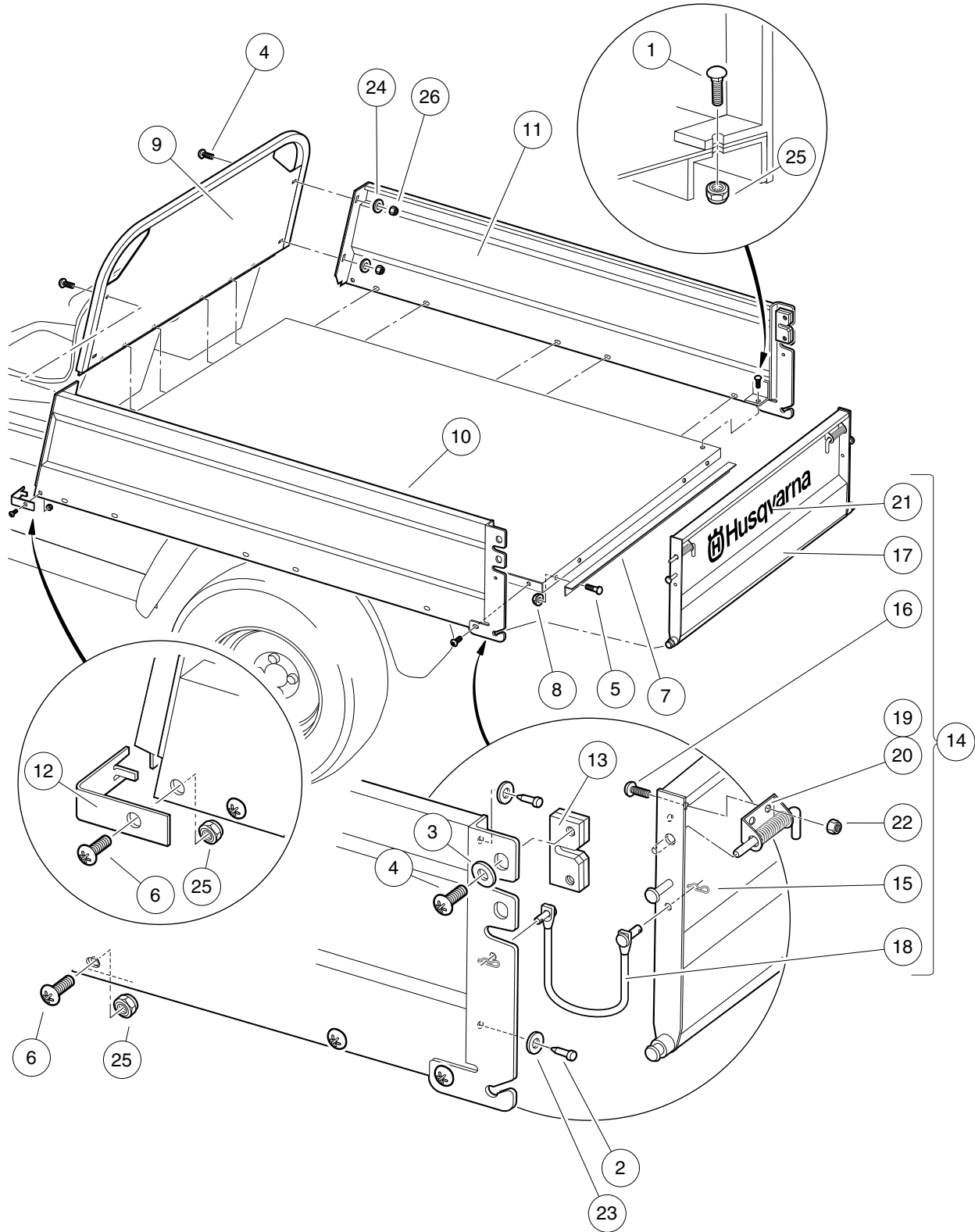
ELECTRIC BED LIFT

ITEM	PART NO.	DESCRIPTION	QTY	
		1 2 3 4		1
1	<u>1010200</u>	Bolt, 3/8-16 X 4.25 Hex Head	1	G
2	<u>1016603</u>	Bushing Long	2	
3	<u>1017162</u>	Actuator Assembly, Electric	1	
4	<u>1017167</u>	Actuator Adapter	1	D
5	<u>1017774</u>	Body Spacer	8	
6	<u>102066001</u>	Washer, 3/8 Type B Hard Flat	8	
7	<u>102426601</u>	Bumper, Bed, Mtg, Front	2	
8	<u>102465701</u>	Weldment, Bracket, Actuator	1	
9	<u>102614101</u>	Plate, Back	1	
10	<u>102618601</u>	Lock Nut, Flg M8 X 1.25 Nylon	2	
11	<u>102629001</u>	Tie Wrap, 8.00" With Mount	2	
12	<u>102882501</u>	Switch, Rocker, Spring Return, Bed Lift	1	
13	<u>103227001</u>	Harness, AWD Bedlift	1	
14	<u>357</u>	Lockwasher, 3/8 Split	2	
15	<u>8754</u>	Locknut, 3/8-16 Hex	9	
16	<u>8755</u>	Screw, 3/8-16 X 3.375 Hex Cap	6	
17	<u>8990</u>	Tie Wrap, 8" Nylon	5	

1

G

D



000038-002

CARGO BOX

ITEM	PART NO.	DESCRIPTION	QTY
		1 2 3 4	
1	<u>1010435</u>	Bolt, Carriage, 5/16-18 X 1.00	13
2	<u>1010436</u>	Bumper, Rubber	4
3	<u>1014306</u>	Washer, 1/4" Type B Flat	4
4	<u>1014415</u>	Screw, 1/4-20 X 0.75 Torx Truss-Head	8
5	<u>1014537</u>	Stud, Self-Clinching Flush Head	4
6	<u>1015399</u>	Screw, 5/16-18 X 0.88 Torx Truss-Head	18
7	<u>101894304</u>	Box Bed Tailgate Angle	1
8	<u>101963401</u>	Locknut, 5/16-18 Hex Flange	4
9	<u>102221301</u>	Front Panel Weldment	1
10	<u>102221401</u>	Left Panel Weldment	1
11	<u>102221501</u>	Right Panel Weldment	1
12	<u>102221701</u>	Front Corner Cap	2
13	<u>102222001</u>	Slam Latch	2
14	<u>102229904</u>	Assembly, Tailgate (includes items 15 through 22)	1
15	<u>1013366</u>	Hair Pin Clip	4
16	<u>1014415</u>	Screw, 1/4-20 X 0.75 Torx Truss-Head	4
17	N/A	Tailgate, Weldment	1
18	<u>102221801</u>	Tether Assembly	2
19	<u>102222101</u>	Spring Latch Left	1
20	<u>102222201</u>	Spring Latch Right	1
21	<u>102768801</u>	Decal, Husqvarna, Tailgate	1
22	<u>8233</u>	Locknut, 1/4-20 Nylon Insert	4
23	<u>102239901</u>	Washer, Rubber, 3/8	4
24	<u>332</u>	Washer, 1/4 Type A Narrow Flat	4
25	<u>7473</u>	Locknut, 5/16-18 Nylon Insert	31
26	<u>8233</u>	Locknut, 1/4-20 Nylon Insert	4

1

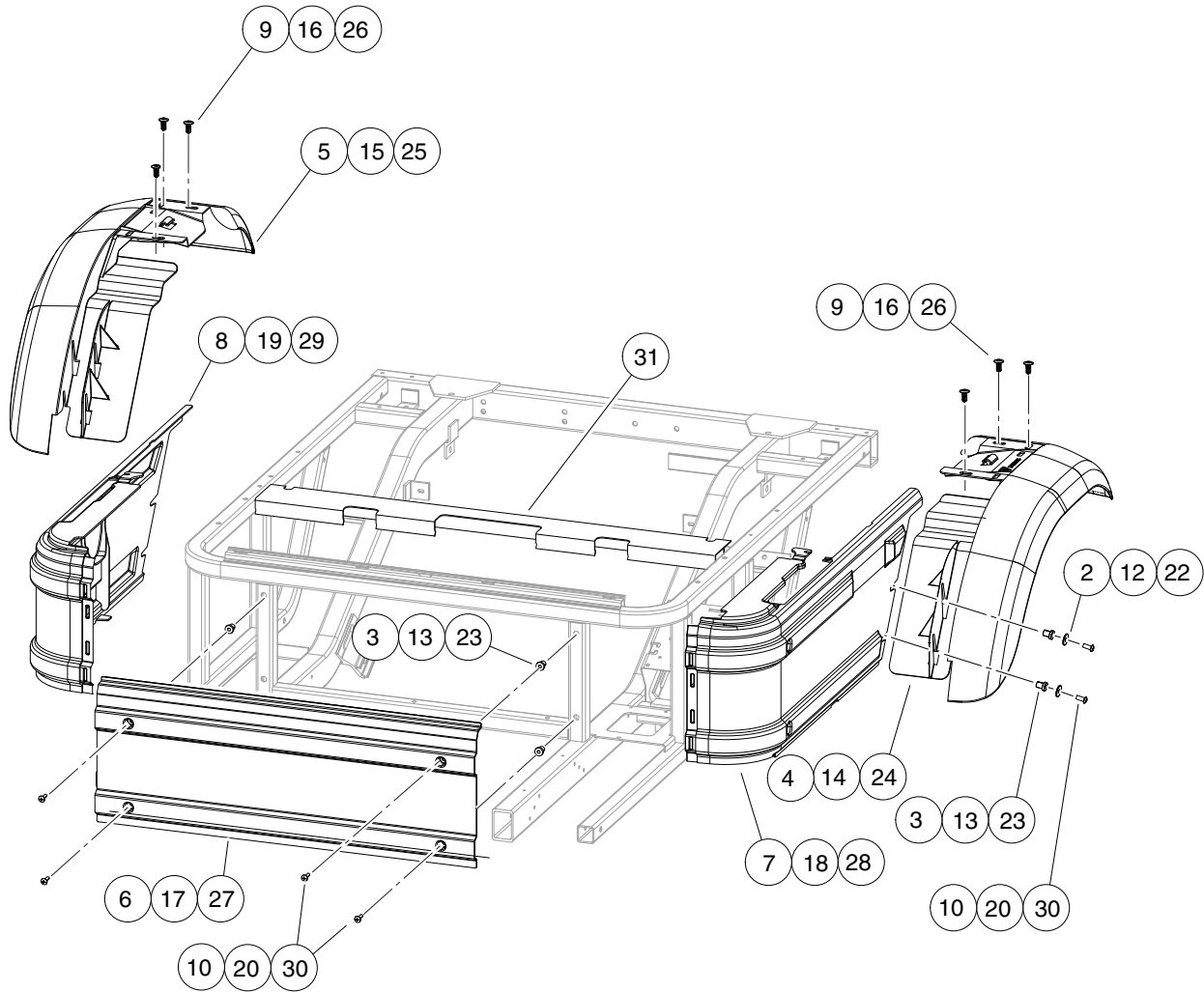
G

D

1

G

D



000518-001

SIDE PANELS AND REAR FENDERS

ITEM	PART NO.	DESCRIPTION	QTY
		1 2 3 4	
1	N/A	Instl, Panels, Fenders, Blk (includes items 2 through 10)	1
2	<u>1014306</u>	Washer, 1/4" Type B Flat	4
3	<u>102491701</u>	Well Nut 1/4-20	8
4	<u>102913801</u>	Left Rear Fender (Black)	1
5	<u>102913901</u>	Right Rear Fender (Black)	1
6	<u>102914001</u>	Panel, Front, Kick (Black)	1
7	<u>102914101</u>	Panel, Side, Molded, Driver (Black)	1
8	<u>102914102</u>	Panel, Side, Molded, Passenger (Black)	1
9	<u>103200501</u>	Screw, Tuflok, 10mm	6
10	<u>8251</u>	Screw, 1/4-20 X 1.0 Truss-Head Machine	8
11	N/A	Instl, Panels, Fenders, Rthwd (includes items 12 through 20)	1
12	<u>1014306</u>	Washer, 1/4" Type B Flat	4
13	<u>102491701</u>	Well Nut 1/4-20	8
14	<u>102913801</u>	Left Rear Fender (Black)	1
15	<u>102913901</u>	Right Rear Fender (Black)	1
16	<u>103200501</u>	Screw, Tuflok, 10mm	6
17	<u>103289001</u>	Panel, Front, Kick (Realtree Camo)	1
18	<u>103289101</u>	Panel, Side, Molded, Driver (Realtree Camo)	1
19	<u>103289103</u>	Panel, Side, Molded, Passenger (Realtree Camo)	1
20	<u>8251</u>	Screw, 1/4-20 X 1.0 Truss-Head Machine	8
21	N/A	Instl, Panels, Fenders, Moff (includes items 22 through 30)	1
22	<u>1014306</u>	Washer, 1/4" Type B Flat	4
23	<u>102491701</u>	Well Nut 1/4-20	8
24	<u>102913801</u>	Left Rear Fender (Black)	1
25	<u>102913901</u>	Right Rear Fender (Black)	1
26	<u>103200501</u>	Screw, Tuflok, 10mm	6
27	<u>103289002</u>	Panel, Front, Kick, Moff	1
28	<u>103289102</u>	Pnl, Side, Mld, Drv, Moff	1
29	<u>103289104</u>	Pnl, Side, Mld, Pass, Moff	1
30	<u>8251</u>	Screw, 1/4-20 X 1.0 Truss-Head Machine	8
31	<u>103331201</u>	Closeout, Extrusion	1

1

G

D

1

G

D

WHEELS AND TIRES

2

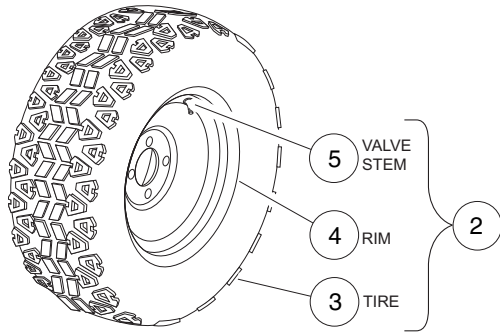
G

D

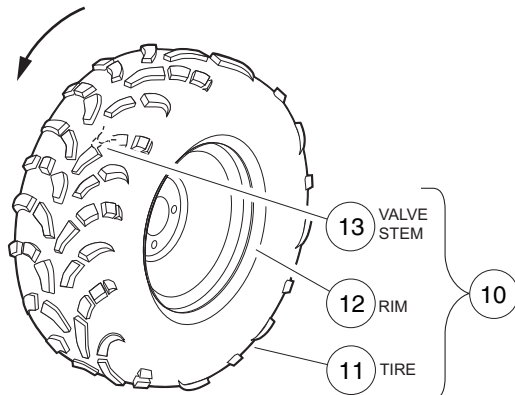
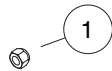
2

G

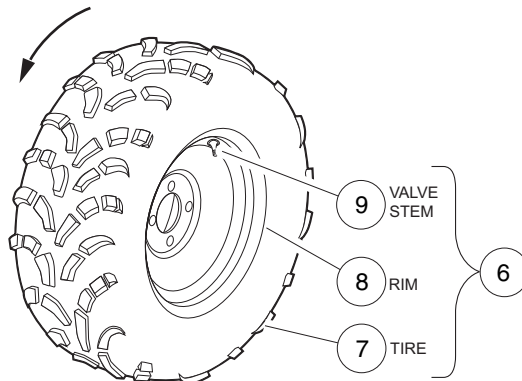
D



FOR DRIVERS OR PASSENGERS SIDE



FOR PASSENGERS SIDE ONLY



FOR DRIVERS SIDE ONLY

000506-001

WHEELS AND TIRES

ITEM	PART NO.	DESCRIPTION	QTY
		1 2 3 4	
1	<u>102736901</u>	Nut, Lug, 1/2-20 SAE J2283	16
2	<u>102943807</u>	Black Tire Asm HDAT 10.5 In (includes items 3 through 5)	4
3	<u>102943101</u>	Heavy Duty All Terrain Tire, 25"	1
4	<u>103234503</u>	Wheel, All trail, 10 Window, Black	1
5	<u>7310</u>	Valve Stem	1
6	N/A	Black Tire Asm Mud 11.0 In Left-Hand (includes items 7 through 9)	2
7	<u>102945701</u>	Mud Tire, 25"	1
8	<u>103234503</u>	Wheel, All trail, 10 Window, Black	1
9	<u>7310</u>	Valve Stem	1
10	N/A	Black Tire Asm Mud 11.0 In Right-Hand (includes items 11 through 13)	2
11	<u>102945701</u>	Mud Tire, 25"	1
12	<u>103234503</u>	Wheel, All trail, 10 Window, Black	1
13	<u>7310</u>	Valve Stem	1

2

G

D

2

G

D

DECALS

3

G

D

3
G

D

UNDER 16

WARNING
YOUNG DRIVERS INCREASE CHANCE OF DEATH

- Young drivers may not be able to control vehicle.
- No drivers younger than 16 years old.
- Do not leave children unattended on vehicle.

CCI 10245401

WARNING
ROLLOVER OR FALLING OFF MAY CAUSE DEATH

- Read owner's manual and operating instructions.
- Fasten seat belts and remain seated while moving.
- Children requiring a child safety seat must not ride on vehicle. Comply with state and local laws pertaining to child safety.
- Drive slowly in turns and straight up and down slopes.
- Do not start vehicle until all occupants are seated.
- Two (2) persons per bench seat maximum.
- One (1) person per bucket seat maximum.
- Operate from driver side only and not on public roads.
- Keep entire body inside vehicle while moving.
- Do not operate while under the influence of alcohol or drugs.
- Never attempt jumps and avoid extreme braking in reverse.

CCI 102864401

WARNING

- Do not modify or remove Roll-over Protective Structure (ROPS).
- Replace ROPS if damaged. Do not attempt repair.
- Use seat belts during operation. Do not jump from vehicle.
- Keep away from drop-offs, steep slopes, and unstable surfaces.

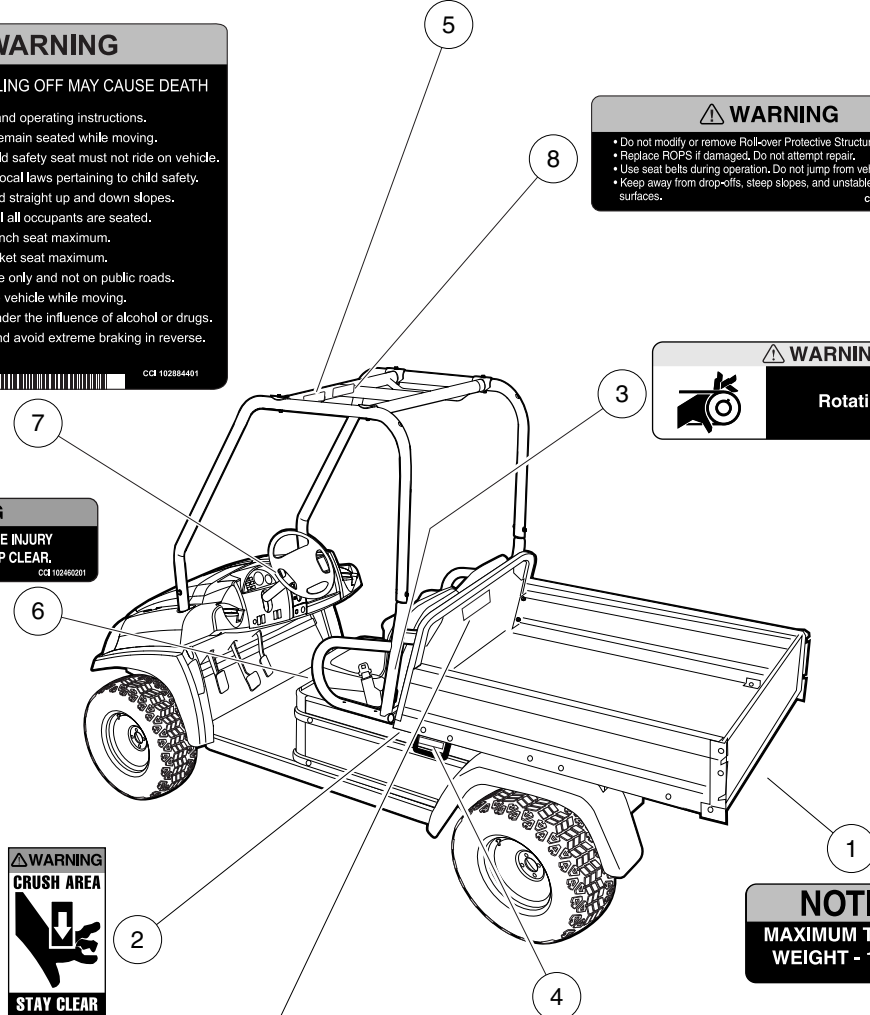
CCI 102961201

WARNING
Rotating Parts

CCI 102224001

WARNING
CAN CAUSE SEVERE INJURY
Rotating parts. KEEP CLEAR.

CCI 102462001



NOTICE
MAXIMUM TONGUE
WEIGHT - 150 lbs.

CCI 1011553

WARNING
CRUSH AREA
STAY CLEAR

CCI 101609401

WARNING
Crush area. Can cause severe injury.
Stay clear when closing bed.

CCI 102462001

WARNING
RIDING IN CARGO BED CAN CAUSE SEVERE INJURY OR DEATH.

- Do not ride in cargo bed.

VEHICLE LOADING

- Read owner's manual and warnings on dash.
- Maximum gross vehicle weight: 2750 lb. (1247 kg)
- Maximum cargo load: 800 lb. (363 kg)
- Includes cargo bed load and gross trailer weight.
- Maximum cargo load is reduced by the weight of optional equipment.
- Maximum trailer hitch tongue weight: 150 lb. force (667 N).

PREVENT VEHICLE ROLL-OVER.

- Place cargo forward in the cargo bed and distribute evenly side to side. Secure load.
- On uneven or steep terrain reduce speed and load. Avoid stopping on or backing down steep hills.
- Avoid top-heavy loads. See owner's manual.

CCI 103202001

WARNING
RIDING IN CARGO BED CAN CAUSE SEVERE INJURY OR DEATH.

- Do not ride in cargo bed.

HIGH CAPACITY VEHICLE LOADING

- Read owner's manual and warnings on dash.
- Maximum gross vehicle weight: 3012 lb. (1366 kg)
- Maximum cargo load: 1050 lb. (476 kg)
- Includes cargo bed load and gross trailer weight.
- Maximum cargo load is reduced by the weight of optional equipment.
- Maximum trailer hitch tongue weight: 150 lb. force (667 N).

PREVENT VEHICLE ROLL-OVER.

- Place cargo forward in the cargo bed and distribute evenly side to side. Secure load.
- On uneven or steep terrain reduce speed and load. Avoid stopping on or backing down steep hills.
- Avoid top heavy loads. See owner's manual.

CCI 103210401

000551-001

SAFETY DECALS

ITEM	PART NO.	DESCRIPTION	QTY
		1 2 3 4	
1	<u>1011553</u>	Decal, Trailer Hitch	1
2	<u>101609401</u>	Decal, Crush Area Warning	2
3	<u>102224001</u>	Decal, Rotating Parts Warning	1
4	<u>102459301</u>	Decal, Bed Crush Area Warning	1
5	<u>102459401</u>	Decal, Young Driver Warning	1
6	<u>102460201</u>	Decal, Rotating Parts Warning	1
7	<u>102884401</u>	Decal, Warning, Rollover	1
8	<u>102961201</u>	Decal, Warning, AWD ROPS	1
9	<u>103202601</u>	Decal, Vehicles Loading, Standard Vehicle	1
10	<u>103210401</u>	Decal, Loading Capacity, High Capacity Option	1

3

G

D

3

G

D

WARNING

DIESEL FUEL EXPLOSION / FIRE.

- Can cause severe injury or death.
- No smoking, sparks, or open flame.
- Stop engine, allow to cool before refueling.

CCI 102459201

WARNING

GASOLINE EXPLOSION / FIRE.

- Can cause severe injury or death.
- No smoking, sparks, or open flame.
- Stop engine, allow to cool before refueling.
- Turn fuel valve (→) on during operation.
- (←) off during storage or transport.

CCI 101517901

OPERATING INSTRUCTIONS

- Read owner's manual and vehicle safety warnings. Study and understand controls.

TO START ENGINE

- Place shift lever in NEUTRAL (N) and press brake pedal.
- Turn key to START and hold until engine starts.

Diesel Vehicles Only:

- If required, turn key to PREHEAT and hold for 10-15 seconds.

TO OPERATE VEHICLE

- Ensure wheels are turned in desired direction and path is clear.
- With vehicle stopped and engine at idle, select vehicle direction.

↑ Forward N Neutral ↓ Reverse (Buzzer will sound)

- Release park brake and slowly press accelerator pedal to increase speed.
- All-wheel drive will automatically drive appropriate wheel(s).

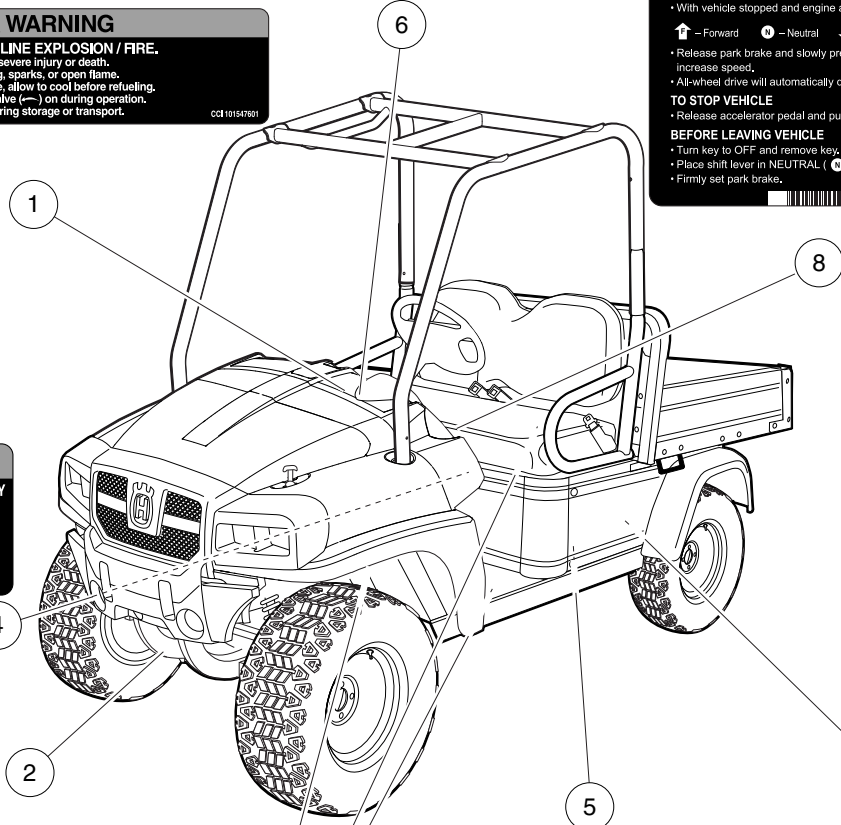
TO STOP VEHICLE

- Release accelerator pedal and push brake pedal.

BEFORE LEAVING VEHICLE

- Turn key to OFF and remove key.
- Place shift lever in NEUTRAL (N).
- Firmly set park brake.

CCI 102584301



WARNING

CAN CAUSE SEVERE INJURY

HOT manifold

KEEP CLEAR

CCI 102459001

WARNING

WINCH CABLE FRACTURE COULD RESULT IN SERIOUS INJURY OR DEATH.

- Do not use winch while persons are seated on the vehicle.
- Use remote operation switch for winch control.
- Stand to the side and away from the vehicle to operate winch.
- Read winch operator manual before operating winch.

102231601

WARNING

Negative frame ground. Can cause severe injury. Do not contact positive (+) battery post or cable to frame. Disconnect negative (-) battery cable first.

CCI 102459101

WARNING

CAN CAUSE SEVERE BURNS

Hot Surface

CCI 102458901

WARNING

CAN CAUSE SEVERE INJURY

Rotating parts. KEEP CLEAR.

WARNING

CAN CAUSE SEVERE INJURY

Hot manifold and muffler. KEEP CLEAR.

CCI 102459501

000551-002

SAFETY DECALS, CONTINUED

ITEM	PART NO.	DESCRIPTION	QTY
		1 2 3 4	
1	<u>101547601</u>	Decal, Gasoline Explosion/Fire Warning	1
2	<u>102231601</u>	Decal, Winch Cable Fracture Warning	1
3	<u>102458901</u>	Decal, Hot Surface Warning	3
4	<u>102459001</u>	Decal, Hot Manifold Warning	1
5	<u>102459101</u>	Decal, Frame Ground Warning	1
6	<u>102459201</u>	Decal, Diesel Explosion/Fire Warning	1
7	<u>102459501</u>	Decal, Rotating Parts and Hot Exhaust Warning	1
8	<u>102884301</u>	Decal, Operating Instr, AWD	1

3

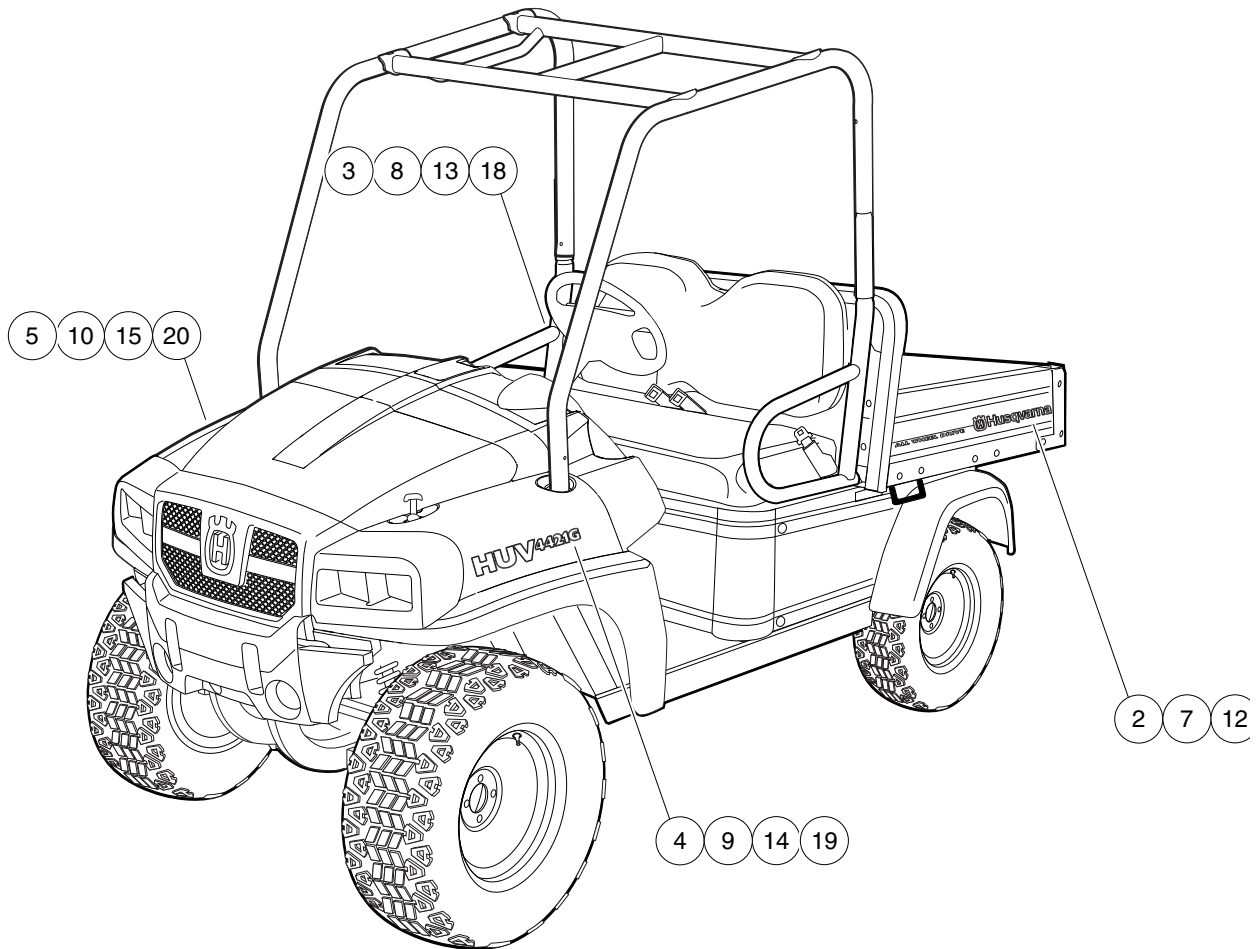
G

D

3

G

D



000550-001

BADGING DECALS, HUV 4421-G

ITEM	PART NO.	DESCRIPTION	QTY
		1 2 3 4	
1	N/A	Instl, Decal, Huv4421g,moff (includes items 2 through 5)	1
2	<u>103252418</u>	Decal, Bed, 4421,huv, Moff, Ds	1
3	<u>103252518</u>	Decal, Bed, 4421,huv, Moff, Ps	1
4	103252618	Decal, Bct2200s, Driver-Side, Camo	1
5	103252718	Decal, Bct2200s, Passenger-Side, Camo	1
6	N/A	Instl,decal,huv4421g,rtgrn (includes items 7 through 10)	1
7	N/A	Decal, Bed, 4421,huv,rtgrn, Ds	1
8	N/A	Decal, Bed,4421,huv, Rtgrn, Ps	1
9	<u>103271618</u>	Decal, Huv 4421g, Moff, Ds	1
10	<u>103271718</u>	Decal, Huv 4421g, Moff, Ps	1
11	N/A	Instl,decal,huv4421g,orange (includes items 12 through 15)	1
12	<u>103252453</u>	Decal, Bed, 4421,huv,orange,ds	1
13	<u>103252553</u>	Decal, Bed,4421,huv, Orange,ps	1
14	<u>103271653</u>	Decal, Huv 4421g, Orange, Ds	1
15	<u>103271753</u>	Decal, Huv 4421g, Orange, Ps	1
16	N/A	Instl,decal,huv4421g,olv Grn (includes items 17 through 20)	1
17	<u>103252454</u>	Decal, Bed,4421,huv,olv Grn,ds	1
18	<u>103252554</u>	Decal, Bed,4421,huv,olv Grn,ps	1
19	<u>103271654</u>	Decal, Huv 4421g, Olv Grn, Ds	1
20	<u>103271754</u>	Decal, Huv 4421g, Olv Grn, Ps	1

3

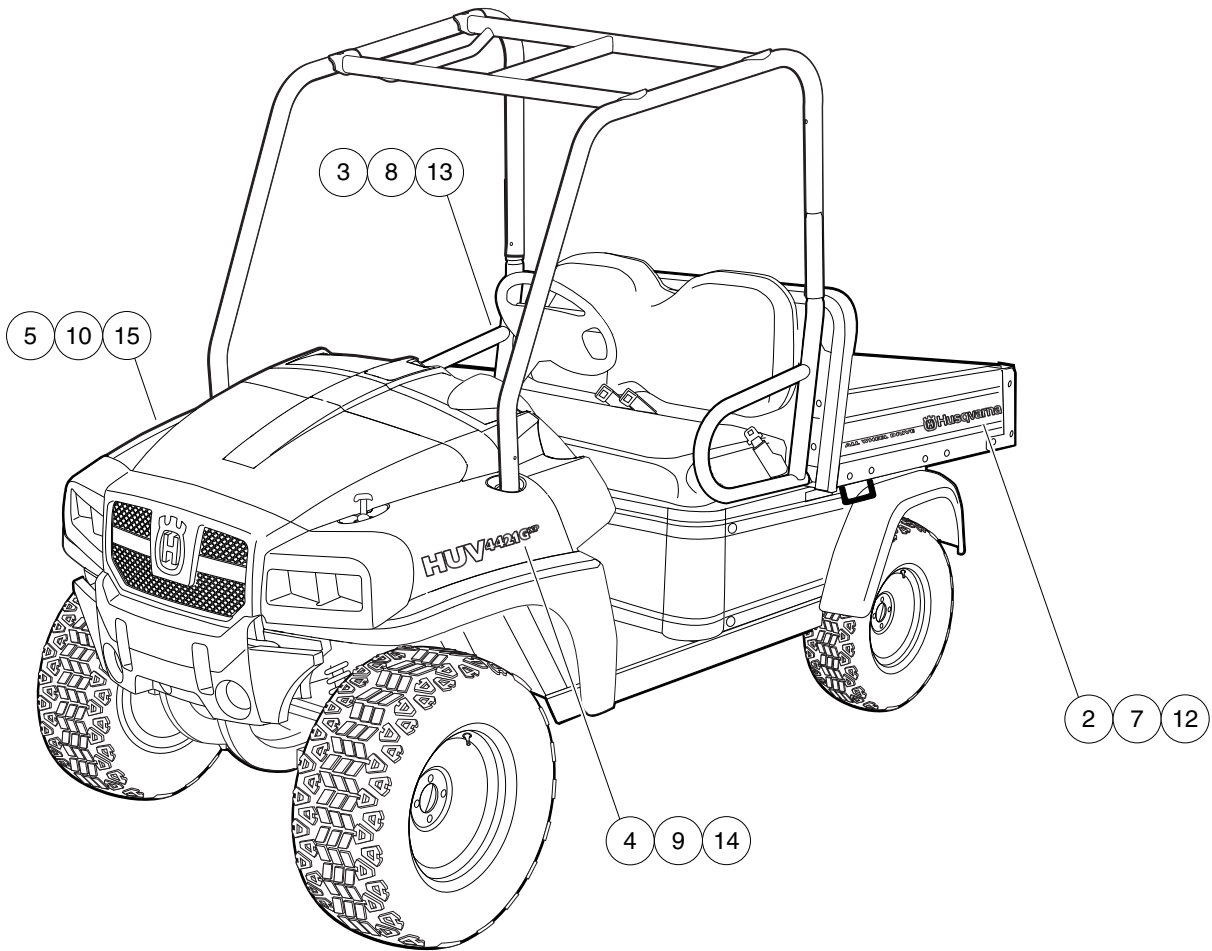
G

D

3

G

D



000550-002

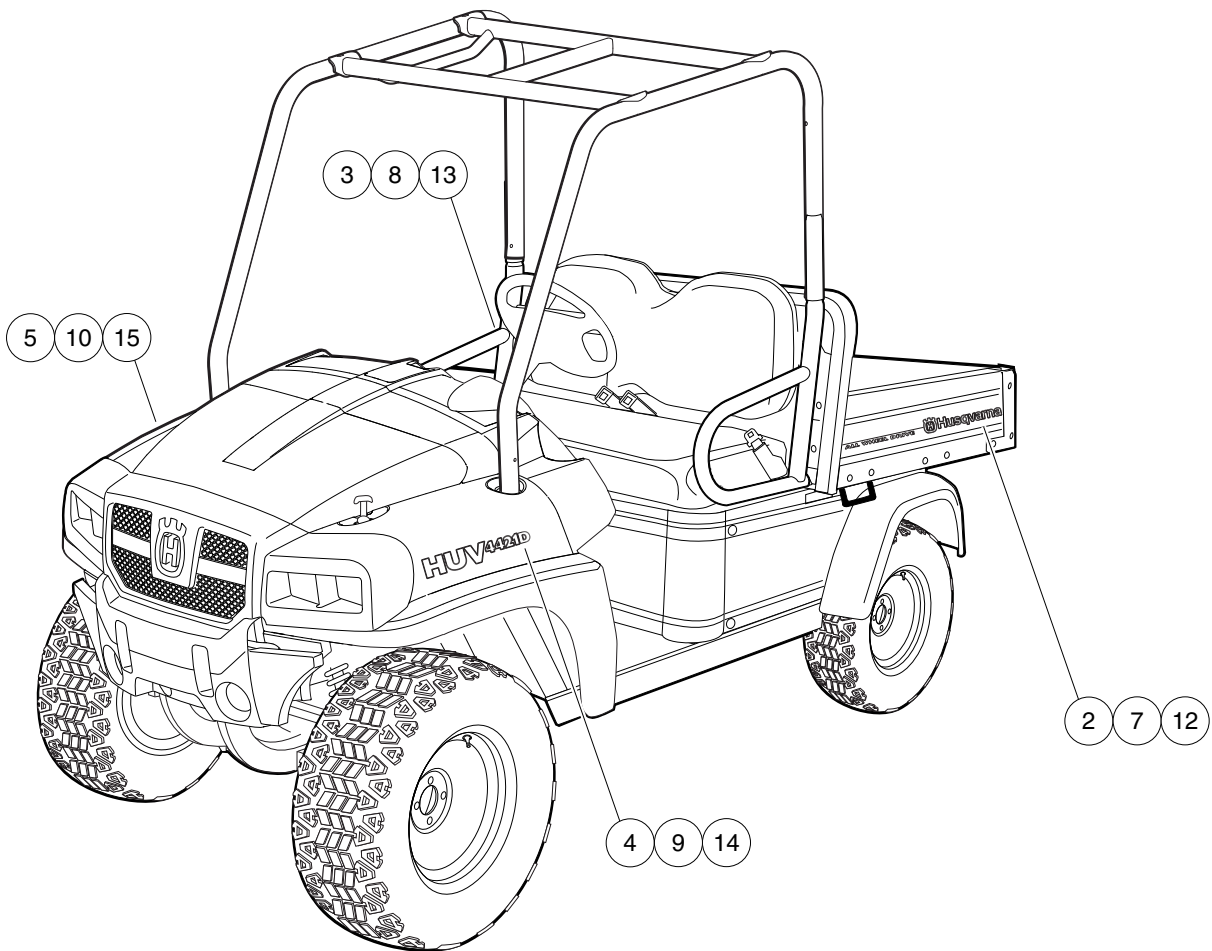
BADGING DECALS, HUV 4421-GX

ITEM	PART NO.	DESCRIPTION	QTY	
		1 2 3 4		3
1	N/A	Instl,decal,huv4421gx,moff (includes items 2 through 5)	1	G
2	<u>103252418</u>	Decal, Bed, 4421,huv, Moff, Ds	1	
3	<u>103252518</u>	Decal, Bed, 4421,huv, Moff, Ps	1	
4	103272018	Decal, Huv 4421gx, Moff, Ds	1	
5	103272118	Decal, Huv 4421gx, Moff, Ps	1	D
6	N/A	Instl,decal,huv4421gx,orange (includes items 7 through 10)	1	
7	<u>103252453</u>	Decal, Bed, 4421,huv,orange,ds	1	
8	<u>103252553</u>	Decal, Bed,4421,huv, Orange,ps	1	
9	103272053	Decal,huv 4421gx, Orange, Ds	1	
10	103272153	Decal,huv 4421gx, Orange, Ps	1	
11	N/A	Instl,decal,huv4421gx,olv Grn (includes items 12 through 15)	1	
12	<u>103252454</u>	Decal, Bed,4421,huv,olv Grn,ds	1	
13	<u>103252554</u>	Decal, Bed,4421,huv,olv Grn,ps	1	
14	103272054	Decal,huv 4421gx, Olv Grn, Ds	1	
15	<u>103272154</u>	Decal,huv 4421gx, Olv Grn, Ps	1	

3

G

D



000550-003

BADGING DECALS, HUV 4421-D

ITEM	PART NO.	DESCRIPTION	QTY
		1 2 3 4	
1	N/A	Instl,decal,huv4421d, Moff (includes items 2 through 5)	1
2	<u>103252418</u>	Decal, Bed, 4421,huv, Moff, Ds	1
3	<u>103252518</u>	Decal, Bed, 4421,huv, Moff, Ps	1
4	<u>103271818</u>	Decal, Huv 4421d, Moff, Ds	1
5	<u>103271918</u>	Decal, Huv 4421d, Moff, Ps	1
6	N/A	Instl,decal,huv4421d,orange (includes items 7 through 10)	1
7	<u>103252453</u>	Decal, Bed, 4421,huv,orange,ds	1
8	<u>103252553</u>	Decal, Bed,4421,huv, Orange,ps	1
9	<u>103271853</u>	Decal, Huv 4421d, Orange, Ds	1
10	<u>103271953</u>	Decal, Huv 4421d, Orange, Ps	1
11	N/A	Instl,decal,huv4421d,olv Grn (includes items 12 through 15)	1
12	<u>103252454</u>	Decal, Bed,4421,huv,olv Grn,ds	1
13	<u>103252554</u>	Decal, Bed,4421,huv,olv Grn,ps	1
14	<u>103271854</u>	Decal, Huv 4421d, Olv Grn, Ds	1
15	<u>103271954</u>	Decal, Huv 4421d, Olv Grn, Ps	1

3

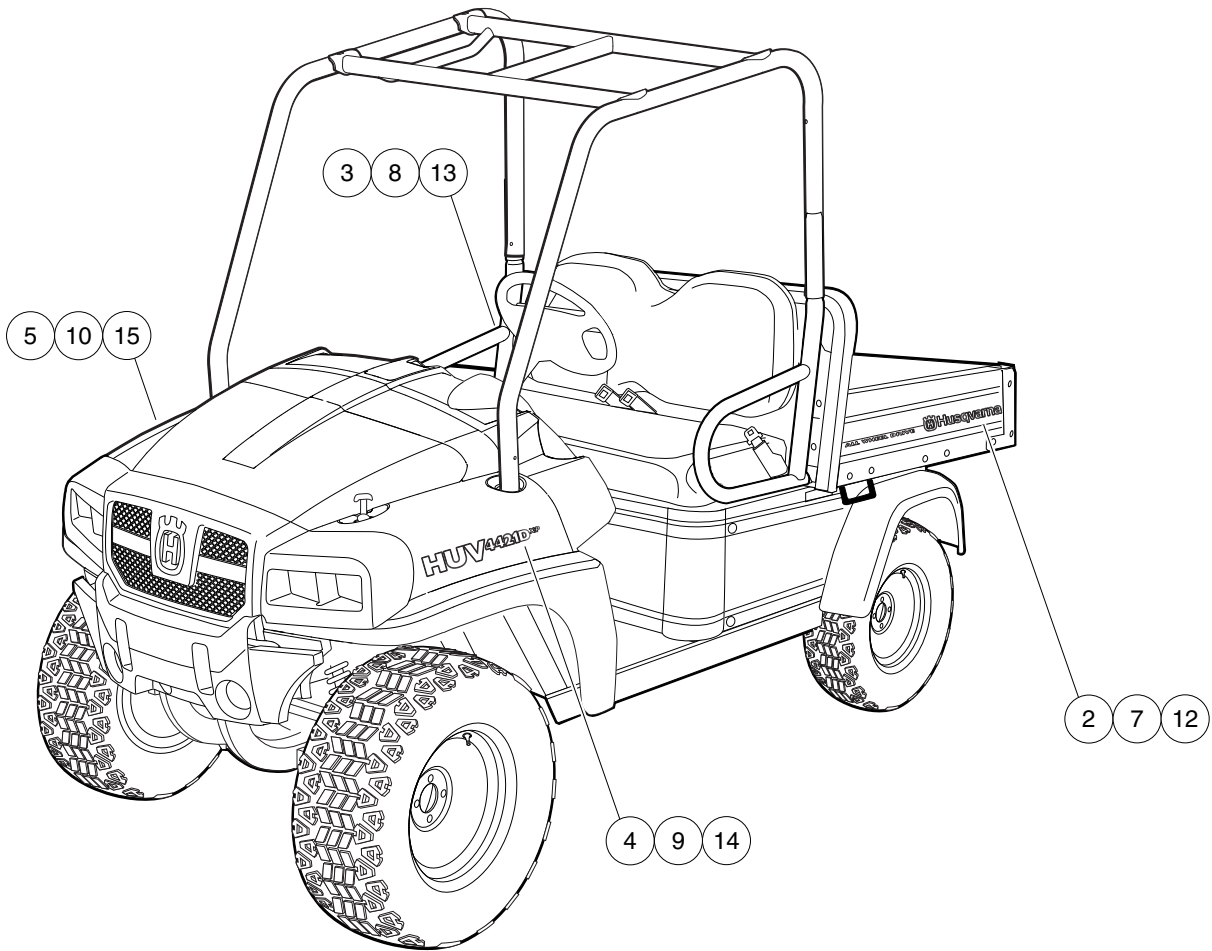
G

D

3

G

D



000550-004

BADGING DECALS, HUV 4421-DX

ITEM	PART NO.	DESCRIPTION	QTY
		1 2 3 4	
1	N/A	Instl,decal,huv4421 dx,moff (includes items 2 through 5)	1
2	<u>103252418</u>	Decal, Bed, 4421,huv, Moff, Ds	1
3	<u>103252518</u>	Decal, Bed, 4421,huv, Moff, Ps	1
4	103272218	Decal, Huv, 4421 dx, Moff, Ds	1
5	103272318	Decal, Huv, 4421 dx, Moff, Ps	1
6	N/A	Instl,decal,huv4421 dx,orange (includes items 7 through 10)	1
7	<u>103252453</u>	Decal, Bed, 4421,huv,orange,ds	1
8	<u>103252553</u>	Decal, Bed,4421,huv, Orange,ps	1
9	103272253	Decal,huv 4421 dx, Orange, Ds	1
10	103272353	Decal,huv 4421 dx, Orange, Ps	1
11	N/A	Instl,decal,huv4421 dx,olv Grn (includes items 12 through 15)	1
12	<u>103252454</u>	Decal, Bed,4421,huv,olv Grn,ds	1
13	<u>103252554</u>	Decal, Bed,4421,huv,olv Grn,ps	1
14	103272254	Decal,huv 4421 dx, Olv Grn, Ds	1
15	103272354	Decal,huv 4421 dx, Olv Grn, Ps	1

3

G

D

3

G

D

BRAKE SYSTEMS

4

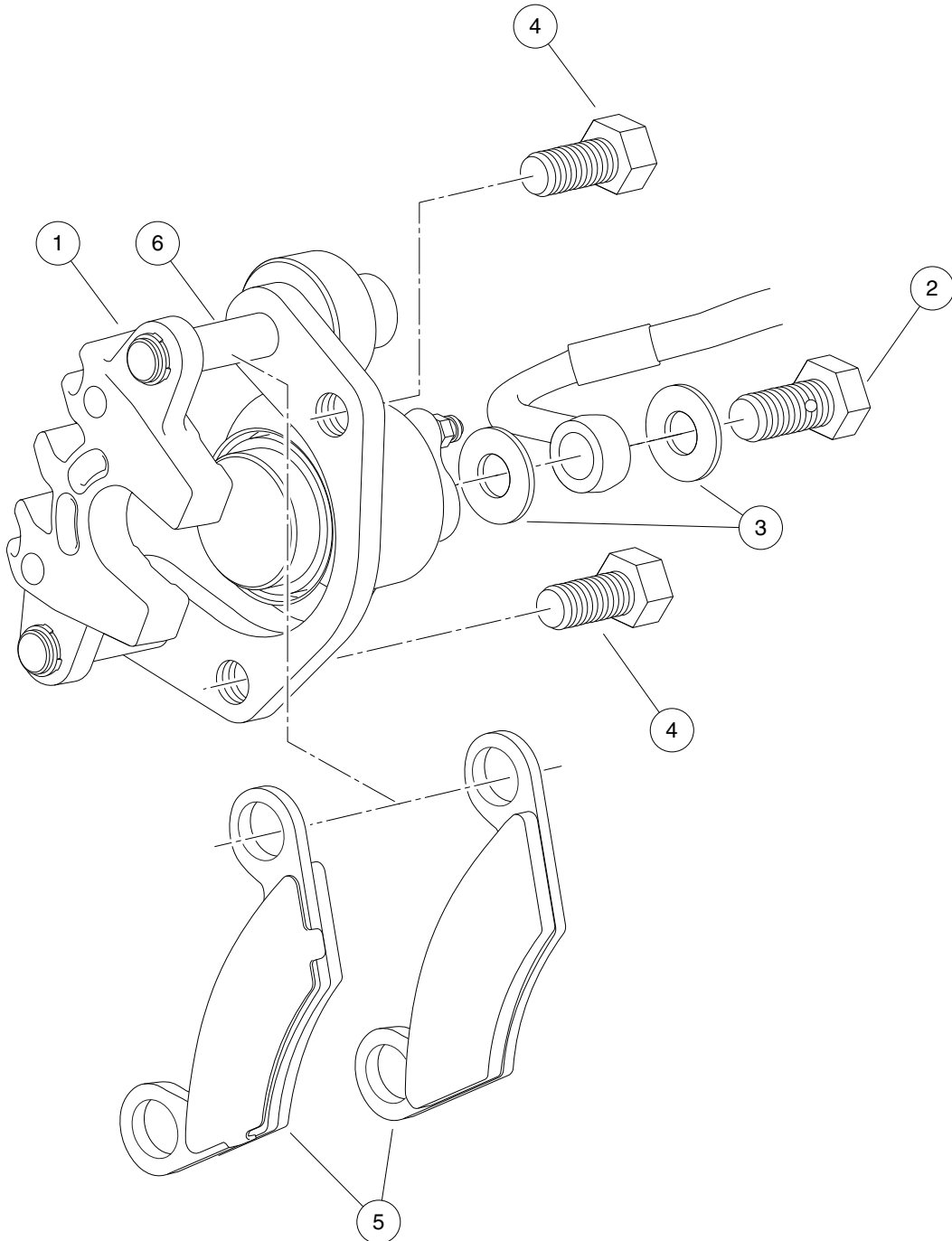
G

D

4

G

D



000067-001

FRONT BRAKE ASSEMBLY

ITEM	PART NO.	DESCRIPTION	QTY
		1 2 3 4	
1	<u>102367601</u>	Brake Caliper, Front, with Brake Pads	2
2	<u>102488001</u>	Bolt, Banjo, M10x1x19	2
3	<u>102491601</u>	Washer, Copper, M10 Crush	4
4	<u>102493301</u>	Bolt Flange Head, 3/8-24x.750 with Loctite	4
5	<u>102714001</u>	Service Kit, Brake Pad (4 Pads)	1
6	<u>103418801</u>	Pin, Slide, 7/16	2

4

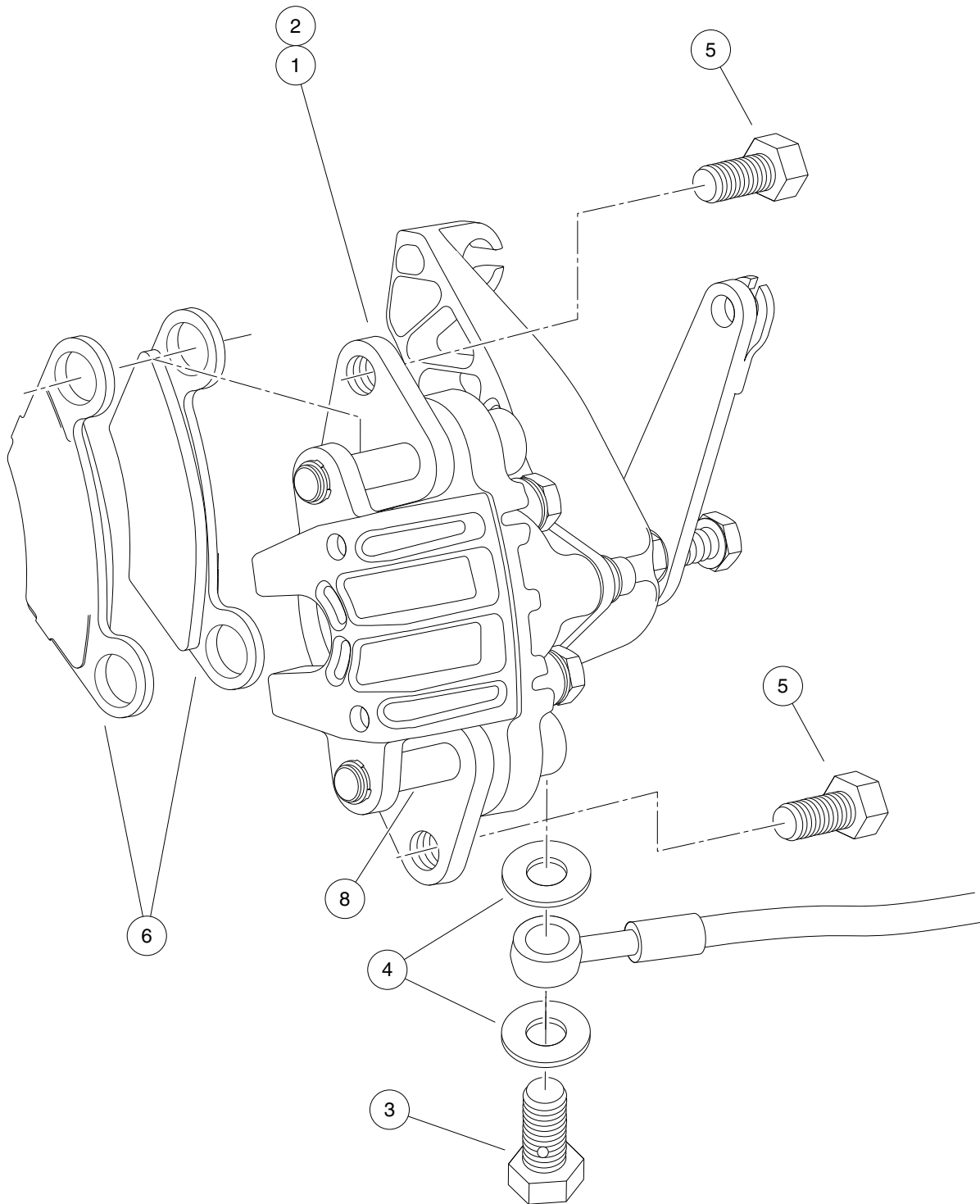
G

D

4

G

D



000068-001

REAR BRAKE ASSEMBLY

ITEM	PART NO.	DESCRIPTION	QTY
		1 2 3 4	
1	<u>102399201</u>	Caliper, Brake, Hydro-Mechanical, LH	1
2	<u>102399202</u>	Caliper, Brake, Hydro-Mechanical, RH	1
3	<u>102488001</u>	Bolt, Banjo, M10x1x19	2
4	<u>102491601</u>	Washer, Copper, M10 Crush	4
5	<u>102493301</u>	Bolt Flange Head, 3/8-24x.750 with Loctite	4
6	<u>102714001</u>	Service Kit, Brake Pad (4 Pads)	1
7	<u>103418701</u>	Spring, Brake Caliper, Return	1
8	<u>103418801</u>	Pin, Slide, 7/16	2

4

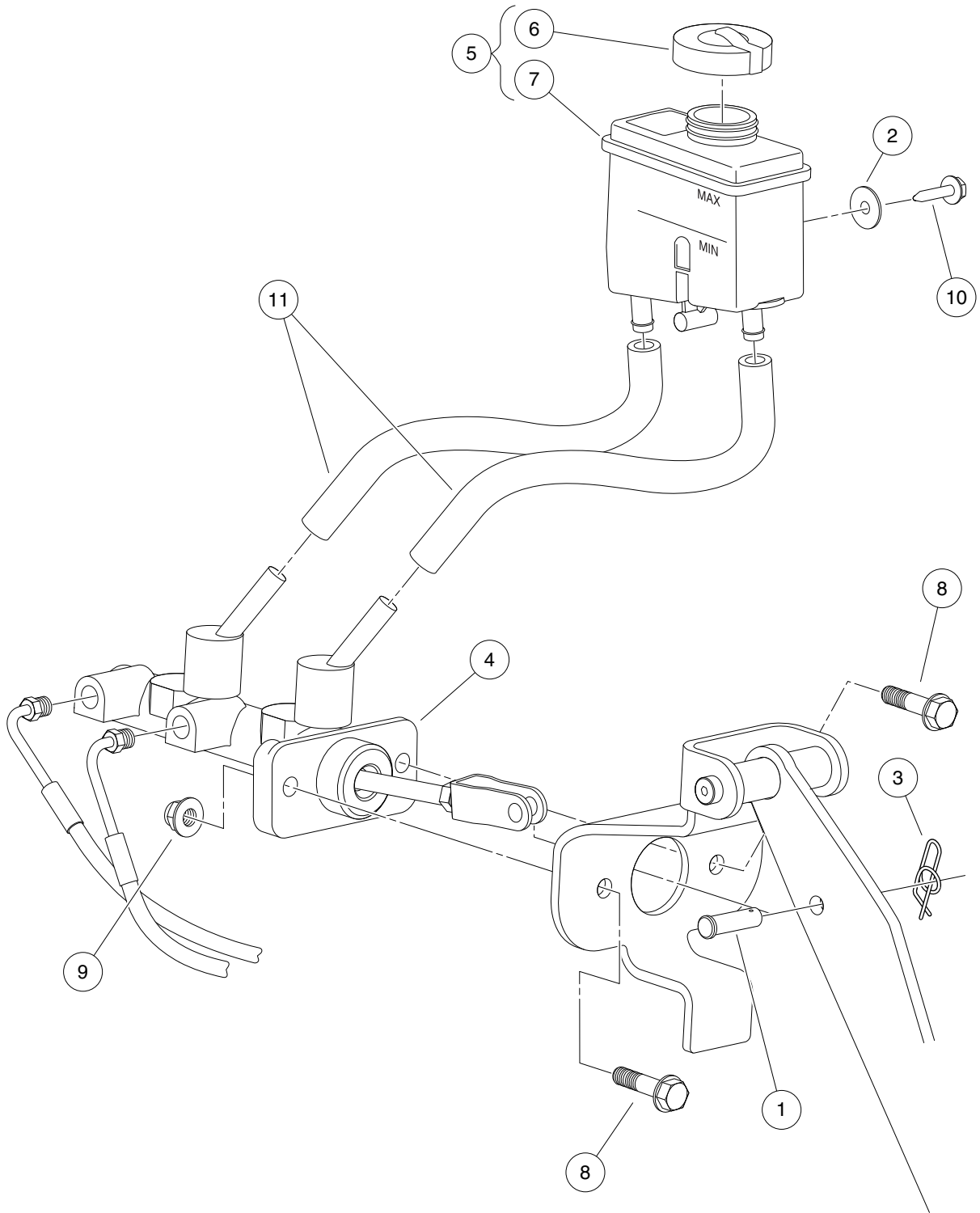
G

D

4

G

D



000069-002

MASTER CYLINDER WITH REMOTE RESERVOIR

ITEM	PART NO.	DESCRIPTION	QTY
		1 2 3 4	
1	<u>101082903</u>	Clevis Pin, 5/16 X 1	1
2	<u>1014306</u>	Washer, 1/4" Type B Flat	1
3	<u>102176901</u>	Pin, Rue	1
4	<u>102402801</u>	Cylinder, Master, Tandem	1
5	<u>102402901</u>	Assembly, Reservoir, Remote (includes items 6 and 7)	1
6	<u>102051401</u>	Filler Cap Asm	1
7	N/A	Reservoir, Brake Fluid, Without Cap	1
8	<u>102618401</u>	Bolt Flanged Head, M8 X 1.25 X 35	2
9	<u>102618601</u>	Lock Nut, Flg M8 X 1.25 Nylon	2
10	<u>103218213</u>	Screw, #10x3.50 Ab Thd, Hex Hd	1
11	<u>103293201</u>	Hose, Reservoir, Brake Fluid	2

4

G

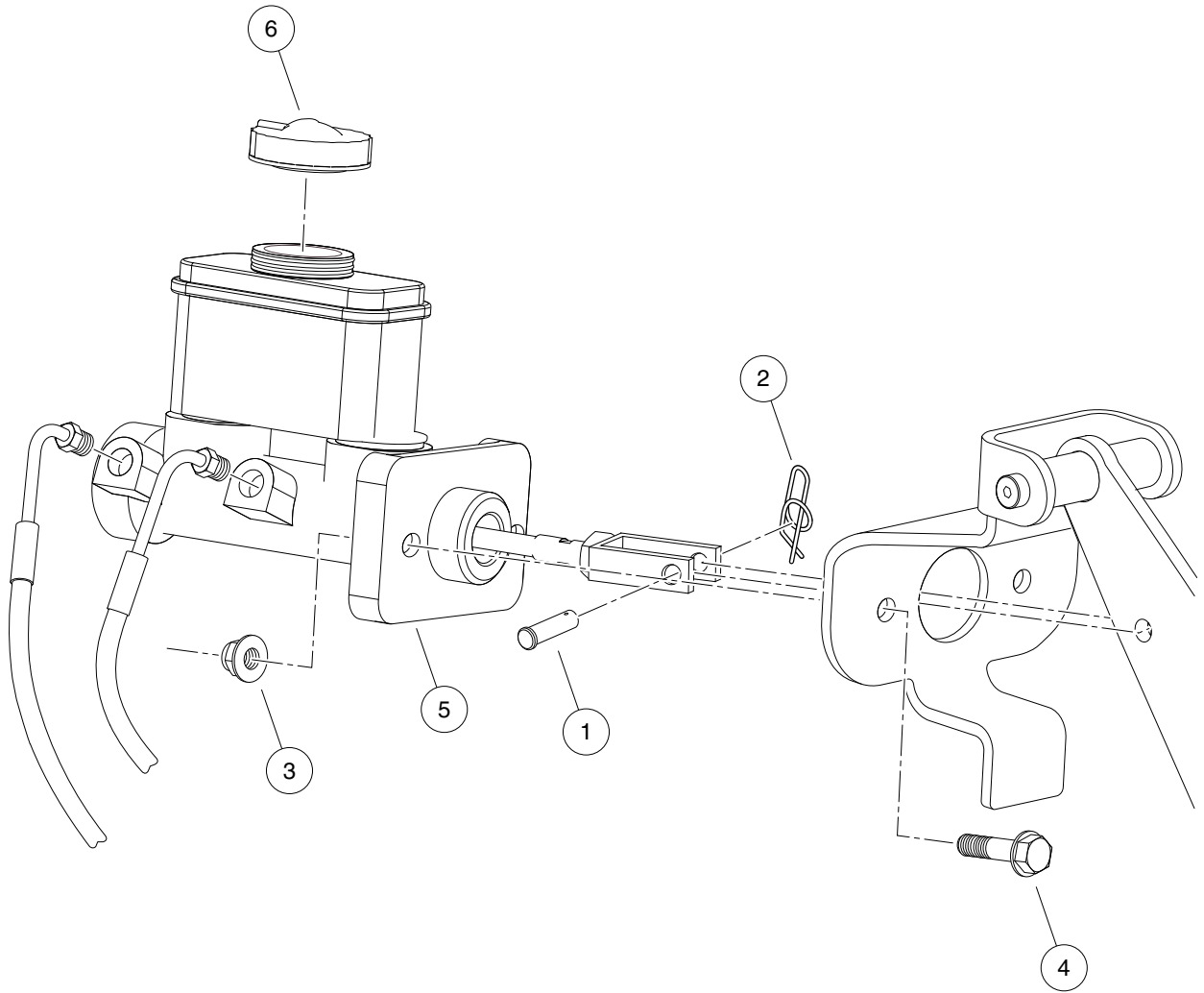
D

4

G



D



000792-001

MASTER CYLINDER WITH INTEGRAL RESERVOIR

ITEM	PART NO.	DESCRIPTION	QTY
		1 2 3 4	
1	<u>101082903</u>	Clevis Pin, 5/16 X 1	1
2	<u>102176901</u>	Pin, Rue	1
3	<u>102298401</u>	Nut,m8,all Metal Lock	2
4	<u>102618401</u>	Bolt Flanged Head, M8 X 1.25 X 35	2
5	<u>103376101</u>	Cylinder, Master, Integral Res	1
6	<u>103380701</u>	Filler Cap Asm Integral Res	1

4

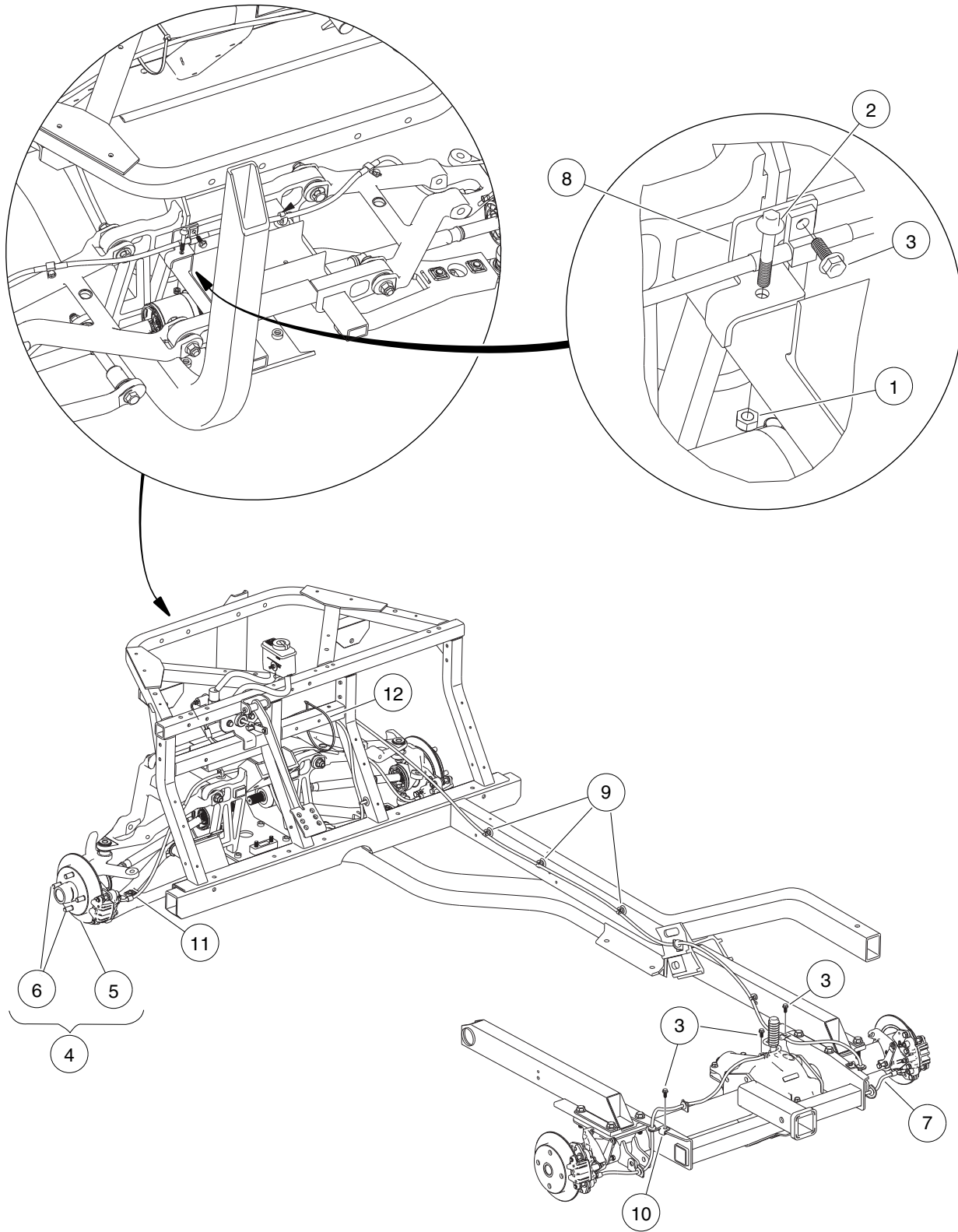
G

D

4

G

D



000015-003

HYDRAULIC BRAKE LINES AND CLIPS

ITEM	PART NO.	DESCRIPTION	QTY
		1 2 3 4	
1	<u>101887601</u>	Locknut, M6-1.00 Nylon Insert	2
2	<u>102296140</u>	Bolt, Flanged Head, M6x1.0x40	1
3	<u>102296716</u>	Screw, M6 X 16 Tt Hx Fl Hd	8
4	<u>102376601</u>	Assy, Rotor, Brake, Front (includes items 5 and 6)	1
5	N/A	Rotor, Brake, Front	1
6	<u>102475801</u>	Stud, Wheel Lug	4
7	<u>102407801</u>	Assembly, Brake Line, Rear	1
8	<u>102474301</u>	Bracket, Tee, Brakeline	1
9	<u>102475701</u>	Clip, Brake Line	6
10	<u>102689001</u>	Bracket, Line, Hydraulic	2
11	<u>103174301</u>	Brakeline, Front, Assembly	1
12	<u>8639</u>	Tie Wrap, 11" Nylon	1

4

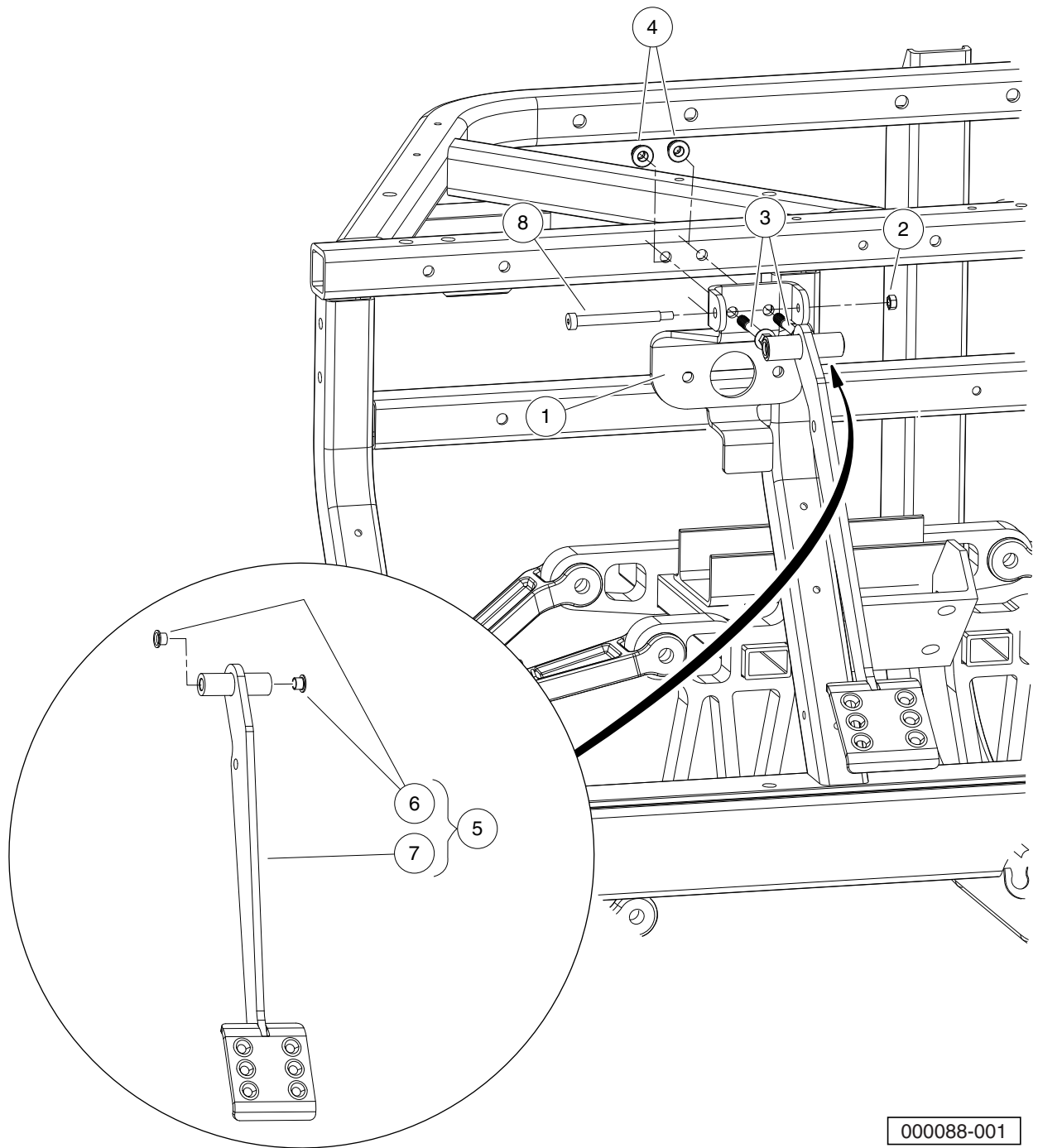
G

D

4

G

D



000088-001

BRAKE PEDAL ASSEMBLY

ITEM	PART NO.	DESCRIPTION	QTY
		1 2 3 4	
1	<u>102380601</u>	Bracket, Pedal, Brake	1
2	<u>102618101</u>	Nut M6x1 Mech Def Center	1
3	<u>102618301</u>	Bolt Flanged Head, M8 X 1.25 X 65	2
4	102618601	Lock Nut, Flg M8 X 1.25 Nylon	2
5	N/A	Asm, Pedal, Brake, Hung (includes items 6 and 7)	1
6	<u>102442901</u>	Bushing, Greaseless	2
7	<u>102626201</u>	Weldment, Pedal, Brake, Hung	1
8	<u>103273101</u>	Bolt, Shoulder, M8 X 70, Hc	1

4

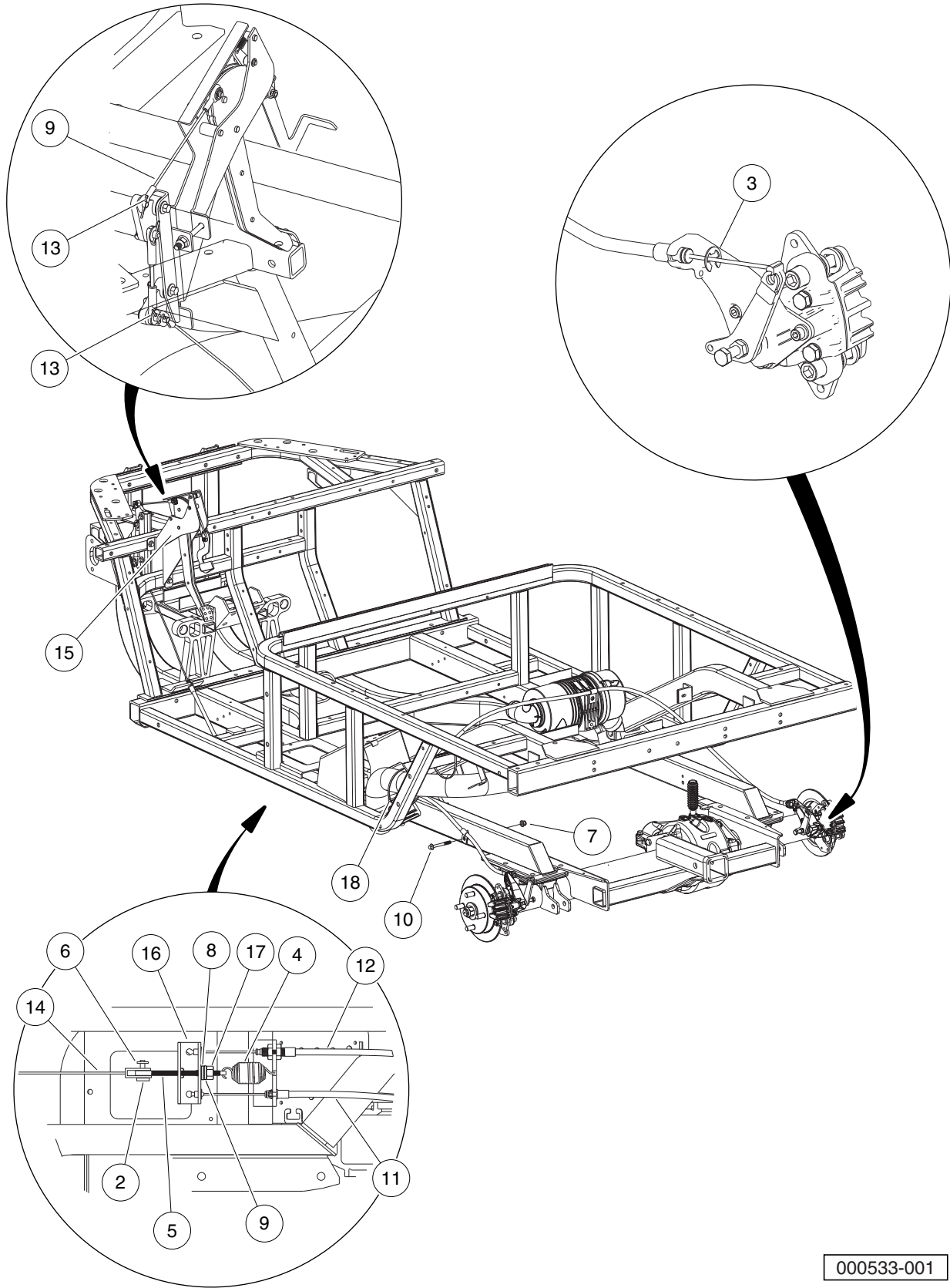
G

D

4

G

D



000533-001

PARK BRAKE SYSTEM

ITEM	PART NO.	DESCRIPTION	QTY
		1 2 3 4	
1	N/A	Instl, Brake, Park, AWD (includes items 2 through 18)	1
2	<u>101082903</u>	Clevis Pin, 5/16 X 1	2
3	<u>1011779</u>	E-Clip, 1/2	2
4	<u>1013531</u>	Spring, Brake Return	1
5	<u>101953101</u>	Rod, Equalizer, 8.91"	1
6	<u>102292801</u>	Pin, Bow Tie Locking - .072	2
7	<u>102298401</u>	Nut,m8,all Metal Lock	4
8	<u>102551901</u>	Washer, 5/16, Self Comp, Cup	1
9	<u>102552001</u>	Washer, 5/16, Self Comp, Cone	1
10	<u>102618301</u>	Bolt Flanged Head, M8 X 1.25 X 65	4
11	<u>102763301</u>	Cable, Noncoated, Pbrake, Left	1
12	<u>102763401</u>	Cable, Noncoated, Pbrake, Right	1
13	<u>103500901</u>	Brkt, Cable, Park Brake	1
14	<u>103505301</u>	Cable, Main, Park Brake	1
15	<u>103505401</u>	Asm, Pedal, Park Brake	1
16	<u>103535001</u>	Bracket, Equalizer, Prec Awd	1
17	<u>1242</u>	Nut, 5/16-18 Hex	2
18	<u>8639</u>	Tie Wrap, 11" Nylon	2

4

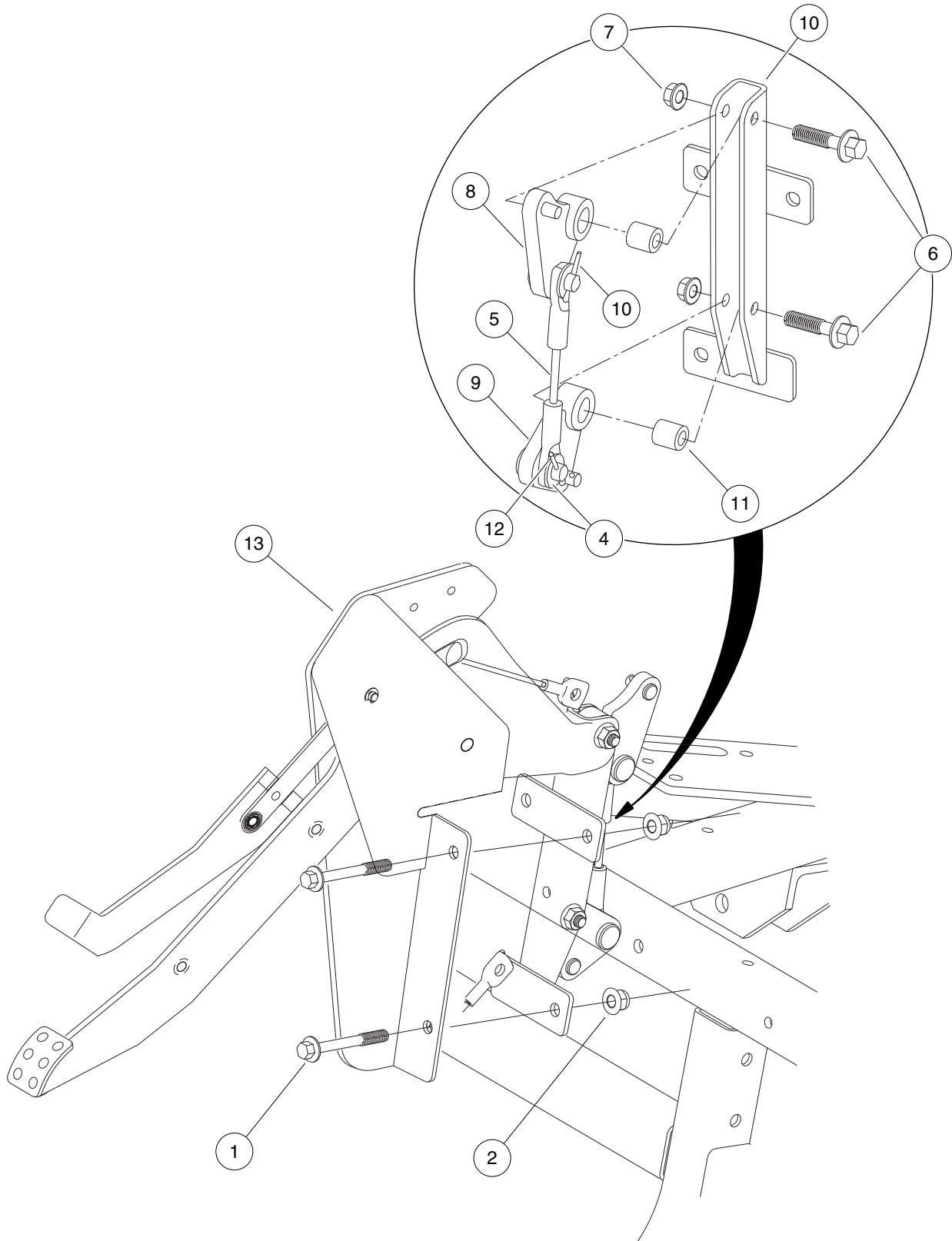
G

D

4

G

D



000086-002

PARK BRAKE PEDAL ASSEMBLY

ITEM	PART NO.	DESCRIPTION	QTY
		1 2 3 4	
1	<u>102618301</u>	Bolt Flanged Head, M8 X 1.25 X 65	3
2	<u>102618601</u>	Lock Nut, Flg M8 X 1.25 Nylon	3
3	<u>102751501</u>	Asm, Sub, Bracket, Park Brake (includes items 4 through 12)	1
4	<u>102323501</u>	Washer, Flat, 3/8, Blk Fin	2
5	<u>102716001</u>	Cable, Crank, Bell	1
6	<u>102741501</u>	Bolt Flg, M8x1.25 X 35, Gr10.9	2
7	<u>102741601</u>	Nut Flg M8 X 1.25 Gr 10	2
8	<u>102751301</u>	Asm, Bellcrank, Upper	1
9	<u>102751401</u>	Asm, Bellcrank, Lower	1
10	<u>103305001</u>	Brkt, Bellcrank, Prk Brk, Awd	1
11	<u>103305101</u>	Spacer, Pivot, Park Brk, Awd	2
12	<u>1035</u>	Cotter Pin, 3/32 x 1	2
13	<u>103505401</u>	Asm, Pedal, Park Brake	1

4

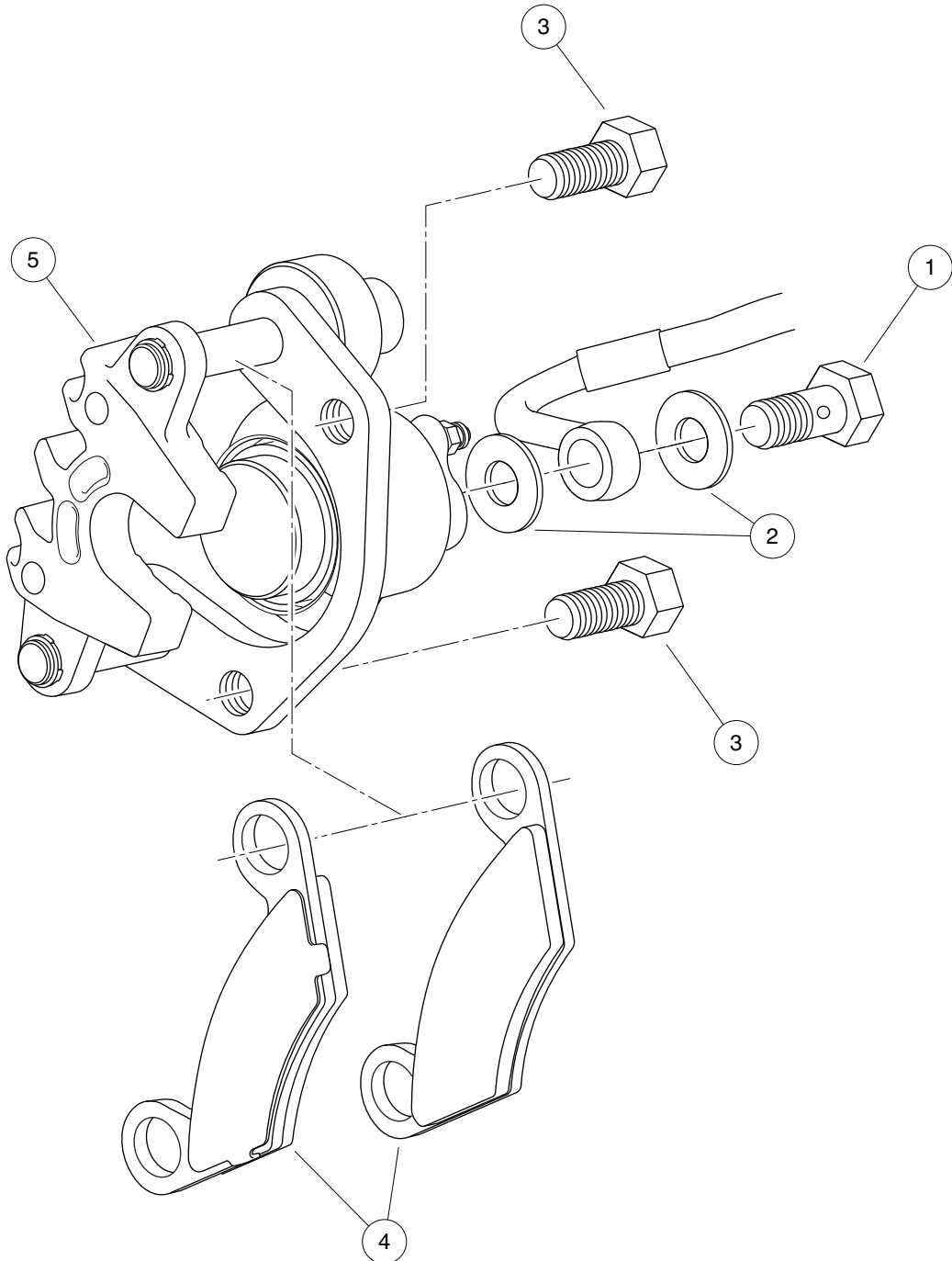
G

D

4

G

D



000067-002

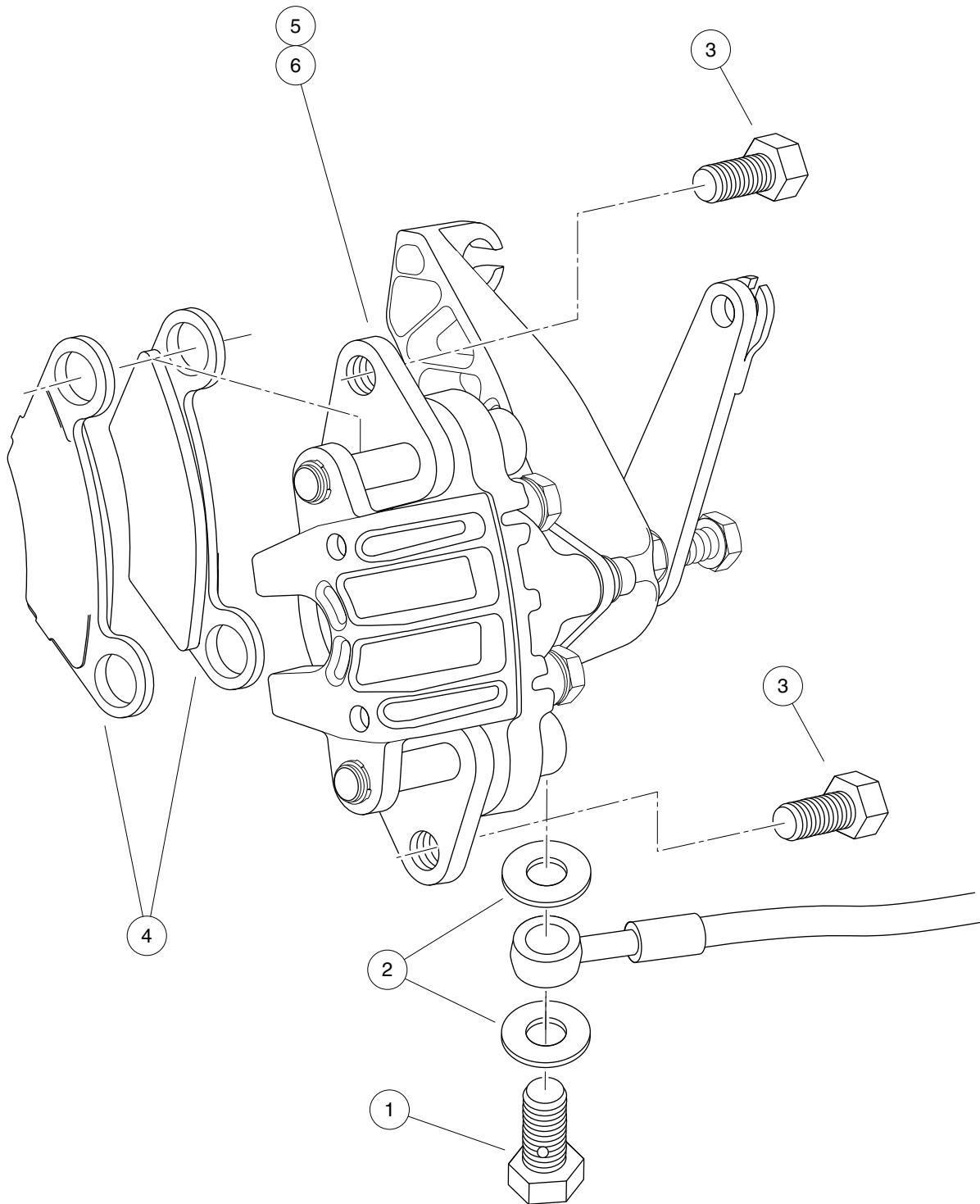
FRONT BRAKE ASSEMBLY (STYLE B)

ITEM	PART NO.	DESCRIPTION	QTY	
		1 2 3 4		4
1	<u>102488001</u>	Bolt, Banjo, M10x1x19	2	G
2	<u>102491601</u>	Washer, Copper, M10 Crush	2	
3	<u>102493301</u>	Bolt Flange Head, 3/8-24x.750 with Loctite	4	
4	<u>103160101</u>	Kit, Brake Pad, 7646 (not shown)	1	D
5	<u>103574301</u>	Brk Caliper, Front, W/pad 7646	2	

4

G

D



000068-002

REAR BRAKE ASSEMBLY (STYLE B)

ITEM	PART NO.	DESCRIPTION	QTY
		1 2 3 4	
1	<u>102488001</u>	Bolt, Banjo, M10x1x19	2
2	<u>102491601</u>	Washer, Copper, M10 Crush	4
3	<u>102493301</u>	Bolt Flange Head, 3/8-24x.750 with Loctite	4
4	<u>102714001</u>	Service Kit, Brake Pad (4 Pads)	1
5	<u>103523602</u>	Caliper, H-m, Rear, Lh, 1550	1
6	<u>103523702</u>	Caliper, H-m, Rear, Rh, 1550	1

4

G

D

4

G

D

STEERING AND SUSPENSION

5

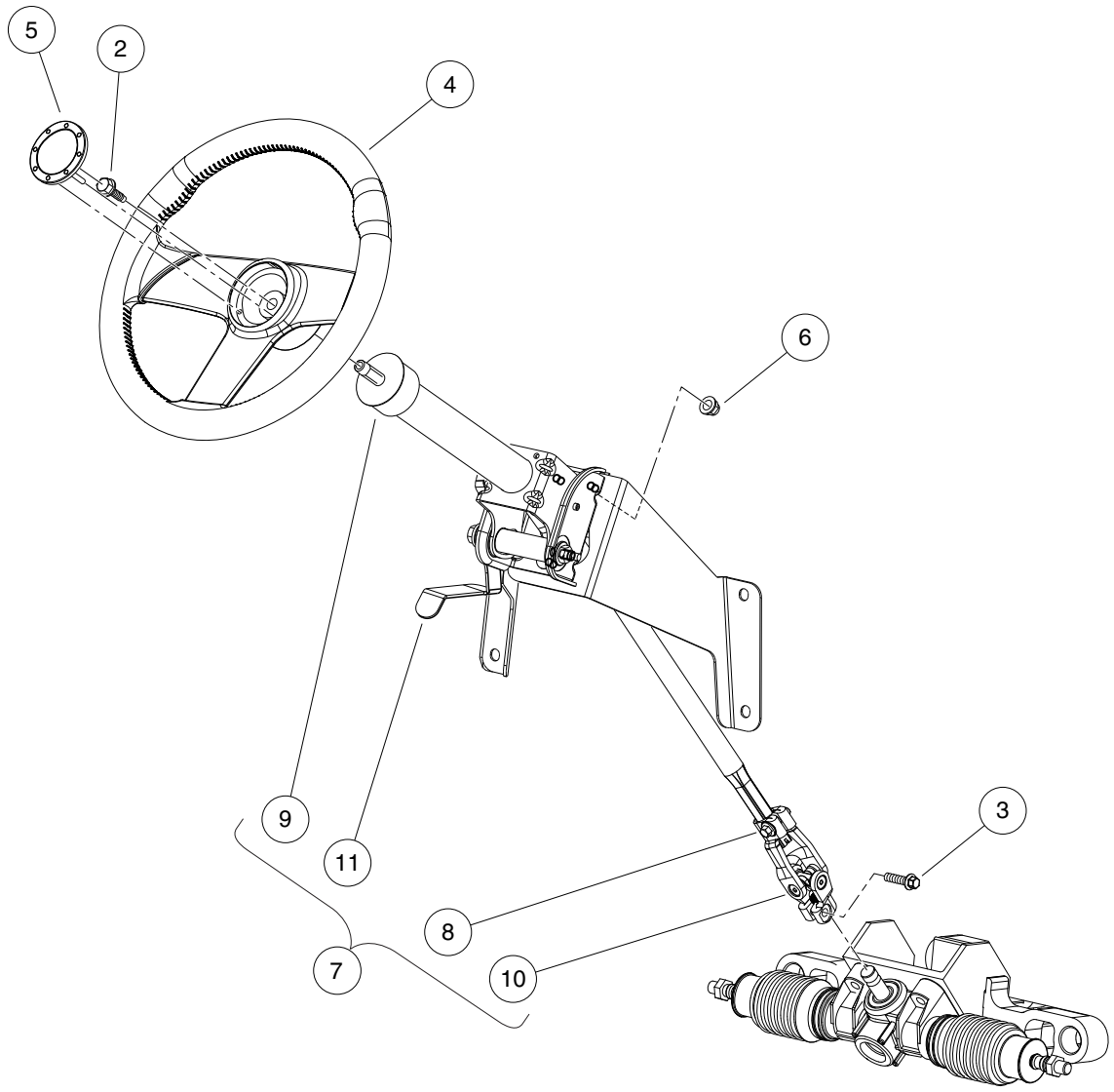
G

D

5

G

D



000070-002

STEERING COLUMN

ITEM	PART NO.	DESCRIPTION	QTY
		1 2 3 4	
1	N/A	Instl, Steering System (includes items 2 through 7)	1
2	102290120	Bolt, M10 X 20 Hex Washer Hd	1
3	<u>102298130</u>	Bolt, Flange Head, M8 X 30.0	1
4	<u>102363802</u>	Steering Wheel, Viper, Hex Hub	1
5	<u>102367101</u>	Cap, Steering Wheel, Viper	1
6	102618601	Lock Nut, Flg M8 X 1.25 Nylon	3
7	<u>102989801</u>	Steering Column (includes items 8 through 11)	1
8	<u>102298130</u>	Bolt, Flange Head, M8 X 30.0	1
9	<u>102571301</u>	Shroud, Steering Column	1
10	<u>102616801</u>	Bolt, M4 X .7 X 60	1
11	<u>102977101</u>	Handle, Steering, Tilt	1

5

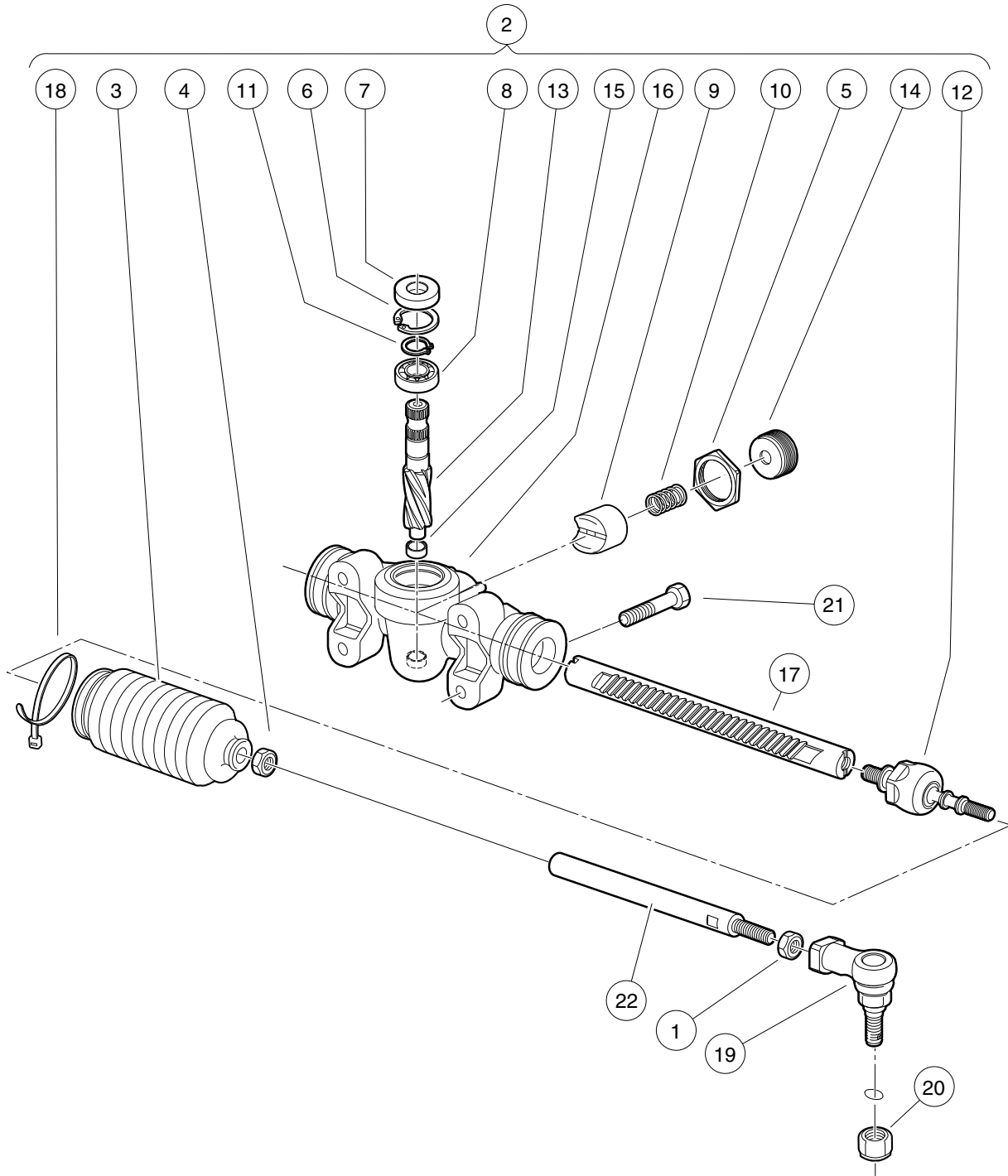
G

D

5

G

D



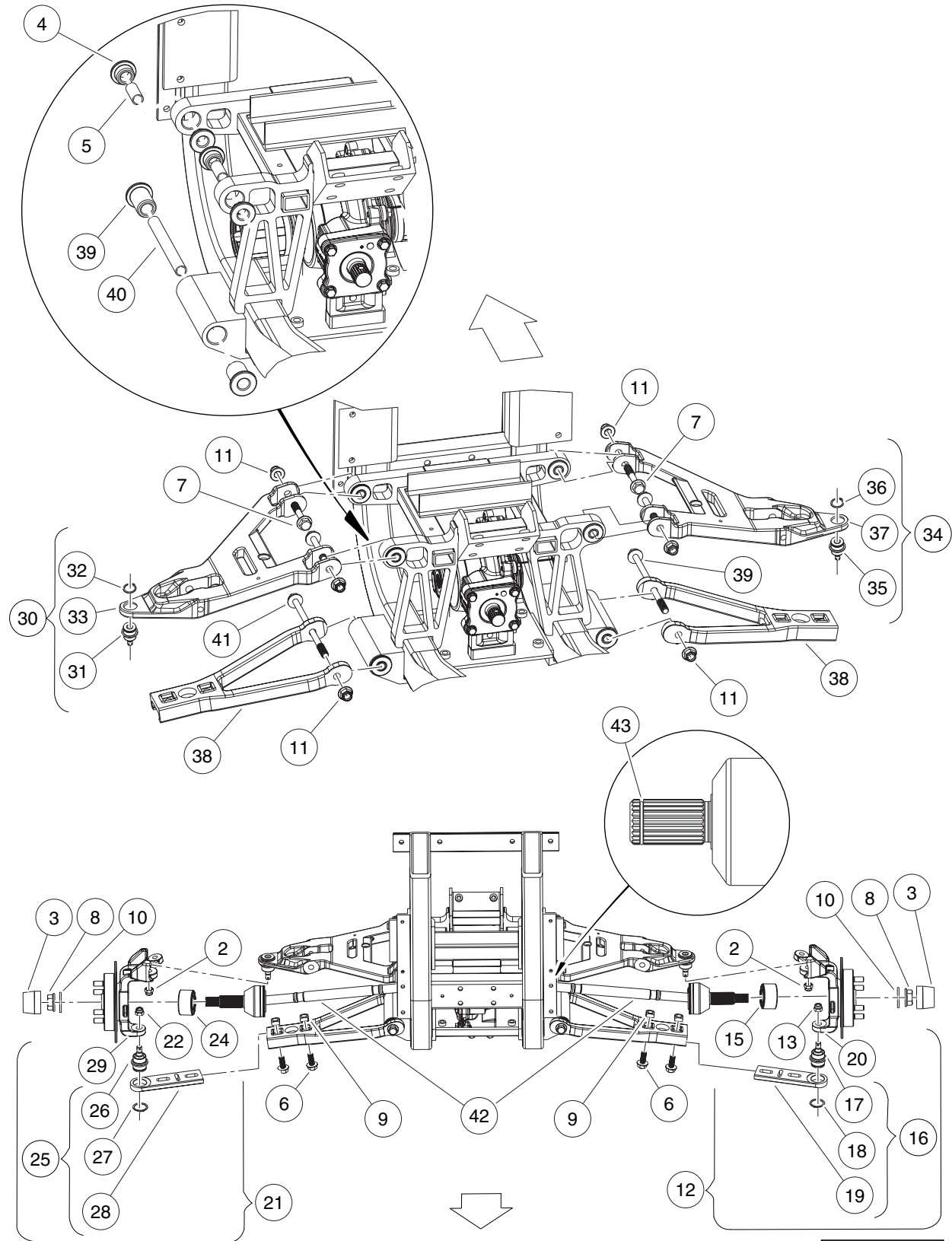
000071-001

STEERING GEAR ASSEMBLY

ITEM	PART NO.	DESCRIPTION	QTY	
		1 2 3 4		5
1	1013042	Nut, 12mm Hex	2	G
2	<u>102010102</u>	Steering Rack (includes items 3 through 18)	1	
3	<u>1013035</u>	Bellows, Long	2	
4	1013042	Nut, 12mm Hex	2	D
5	<u>1013044</u>	Rack Screw Locknut	1	
6	1013051	Snap Ring	1	
7	<u>1013052</u>	Seal, Steering Pinion Dust	1	
8	<u>101879401</u>	Bearing, Ball	1	
9	<u>101879701</u>	Support Yoke	1	
10	<u>101879801</u>	Rack Guide Pressure Spring	1	
11	<u>101879901</u>	Ring, Stop, C-Type	1	
12	<u>101880201</u>	Inner Ball Joint Asm	2	
13	N/A	Pinion, Steering	1	
14	N/A	Bearing, Lower Pinion	1	
15	N/A	Screw, Rack Guide	1	
16	N/A	Housing, Steering Gear	1	
17	N/A	Rack, Steering	1	
18	<u>8990</u>	Tie Wrap, 8" Nylon	2	
19	<u>102022601</u>	End, Tie Rod M12 X 1.25 Rh	2	
20	<u>102022901</u>	Locknut, M12-1.25 Nylon	2	
21	<u>102687801</u>	Bolt, Flange Head, M10x 1.5 X 40 with Loctite	4	
22	<u>102816801</u>	Link, Drag, Wt	2	

5
G

D



000534-001

FRONT SUSPENSION – A-ARMS

ITEM	PART NO.	DESCRIPTION	QTY
		1 2 3 4	
1	N/A	Suspension, AWD, Wide (includes items 2 through 42)	1
2	<u>102022901</u>	Locknut, M12-1.25 Nylon	2
3	<u>102274101</u>	Center Cap, Rubber	2
4	<u>102408401</u>	Bushing, A-Arm	8
5	<u>102437001</u>	Sleeve, Upper	4
6	<u>102490801</u>	Bolt, Flange Head, M12x 1.75x 30 with Loctite	4
7	<u>102616301</u>	Bolt, Flange Head, M12 X 1.75 X 70	4
8	<u>102617501</u>	Nut Flg, M22 X 1.5 Mech Def	2
9	<u>102617701</u>	Nut, Square, M12x 1.75	4
10	<u>102617801</u>	Washer Hard, M22	2
11	<u>102620501</u>	Nut Flg, M12x1.75, Nylon Gr 10	6
12	<u>102791701</u>	Upright, Left-Hand (includes items 13 through 20)	1
13	<u>102022901</u>	Locknut, M12-1.25 Nylon	1
14	<u>102376605</u>	Assy, Rotor, Brake, Front, Gr	1
15	<u>102464301</u>	Bearing	1
16	<u>102874301</u>	Asm, Adjuster, Slide (includes items 17 through 19)	1
17	<u>102361901</u>	Joint, Ball	1
18	<u>102722301</u>	Ring, Retaining, Ext, 1-1/4"	1
19	N/A	Slide, Adjuster	1
20	<u>103277001</u>	Upright, Finished, Lh	1
21	<u>102791702</u>	Upright, Right-Hand (includes items 22 through 29)	1
22	<u>102022901</u>	Locknut, M12-1.25 Nylon	1
23	<u>102376605</u>	Assy, Rotor, Brake, Front, Gr	1
24	<u>102464301</u>	Bearing	1
25	<u>102874301</u>	Asm, Adjuster, Slide (includes items 26 through 28)	1
26	<u>102361901</u>	Joint, Ball	1
27	<u>102722301</u>	Ring, Retaining, Ext, 1-1/4"	1
28	N/A	Slide, Adjuster	1
29	<u>103277002</u>	Upright, Finished, Rh	1
30	<u>102792001</u>	Asm, A-Arm, Upper, Left (includes items 31 through 33)	1
31	<u>102361901</u>	Joint, Ball	1
32	<u>102722301</u>	Ring, Retaining, Ext, 1-1/4"	1
33	<u>102927101</u>	Arm, Upper, Wide, Machined, Lh	1
34	<u>102792002</u>	Asm, A-arm, Upper, Right (includes items 35 through 37)	1
35	<u>102361901</u>	Joint, Ball	1
36	<u>102722301</u>	Ring, Retaining, Ext, 1-1/4"	1
37	<u>102927102</u>	Arm, Upper, Wide, Machined,rh	1
38	<u>102874501</u>	A-Arm, Lower	2
39	<u>103148501</u>	Bushing, A-arm Front	2
40	<u>103256401</u>	Sleeve, Lower Arm	2
41	<u>103256701</u>	Bolt Flg, M12 X 1.75 X 200 10.	2
42	<u>103762201</u>	Front Halfshaft, Awd	2
43	<u>103345801</u>	Ring, Hog, Half Shaft	2

5

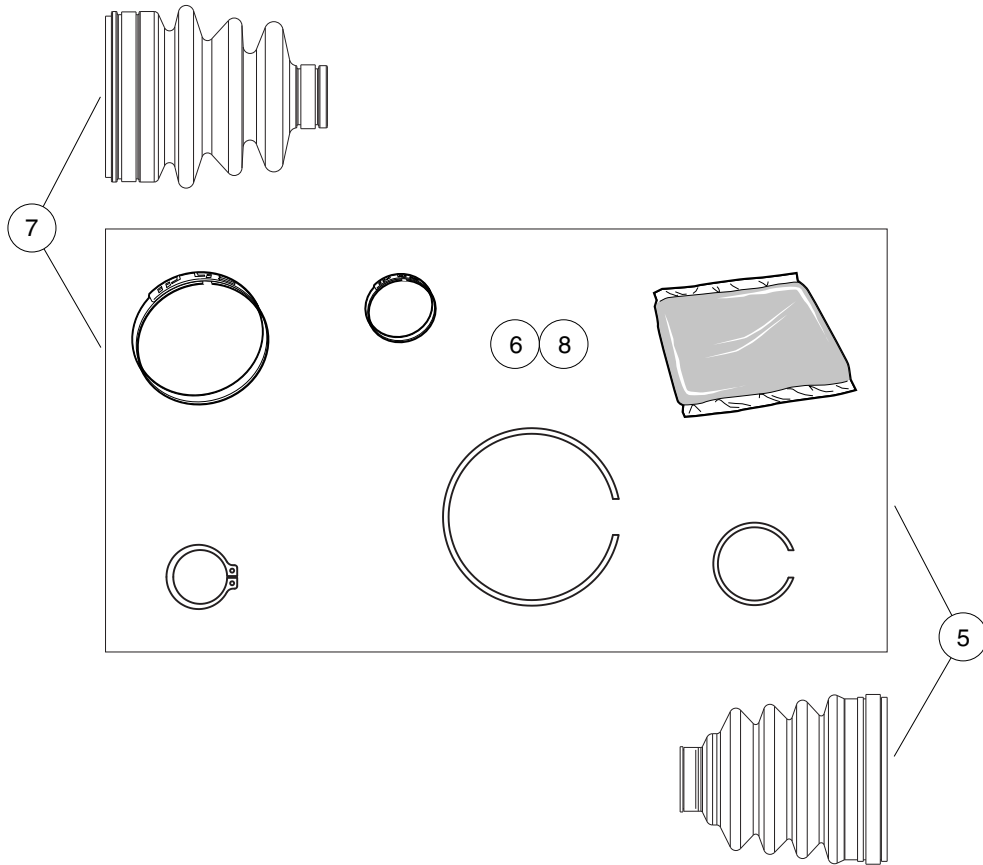
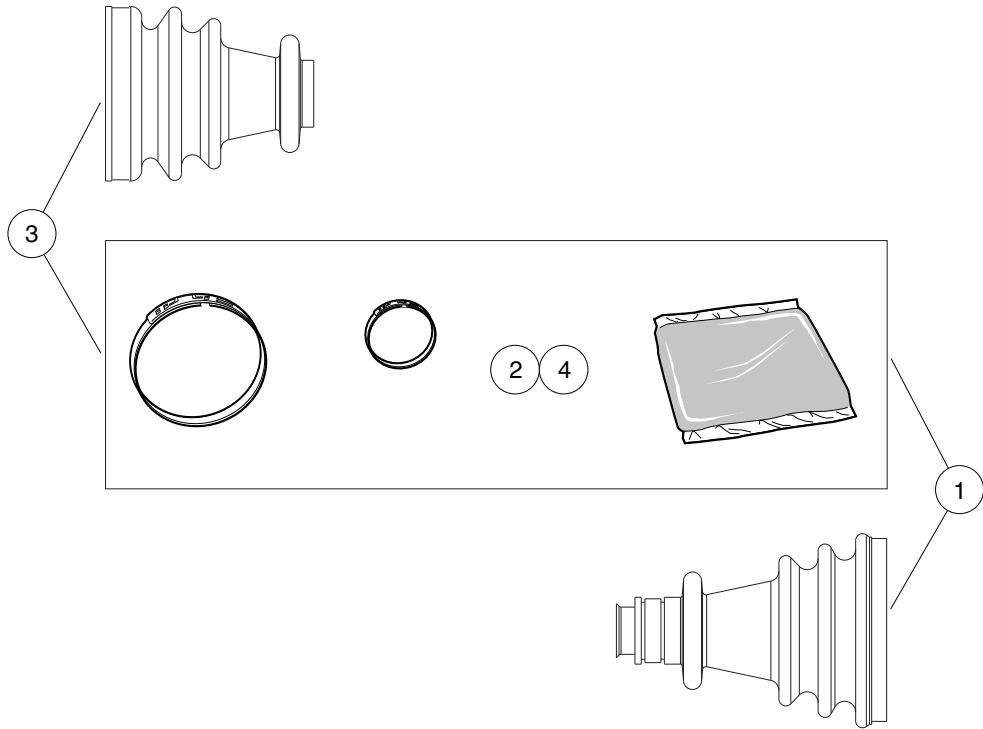
G

D

5

G

D



000791-001

CV BOOT REPAIR KITS

ITEM	PART NO.	DESCRIPTION	QTY
		1 2 3 4	
1	<u>AM11807</u>	Boxed Outboard Boot Kit (includes item 2)	1
2	N/A	Half Shaft Boot Instl. Instr.	1
3	AM11808	Boxed Inboard Boot Kit (includes item 4)	1
4	N/A	Half Shaft Boot Instl. Instr.	1
5	<u>AM1241201</u>	Kit, Outer Boot, Gen 2 (includes item 6)	1
6	N/A	Instructions, Boot Replacement	1
7	<u>AM1241301</u>	Kit, Inner Boot, Gen 2 (includes item 8)	1
8	N/A	Instructions, Boot Replacement	1

5

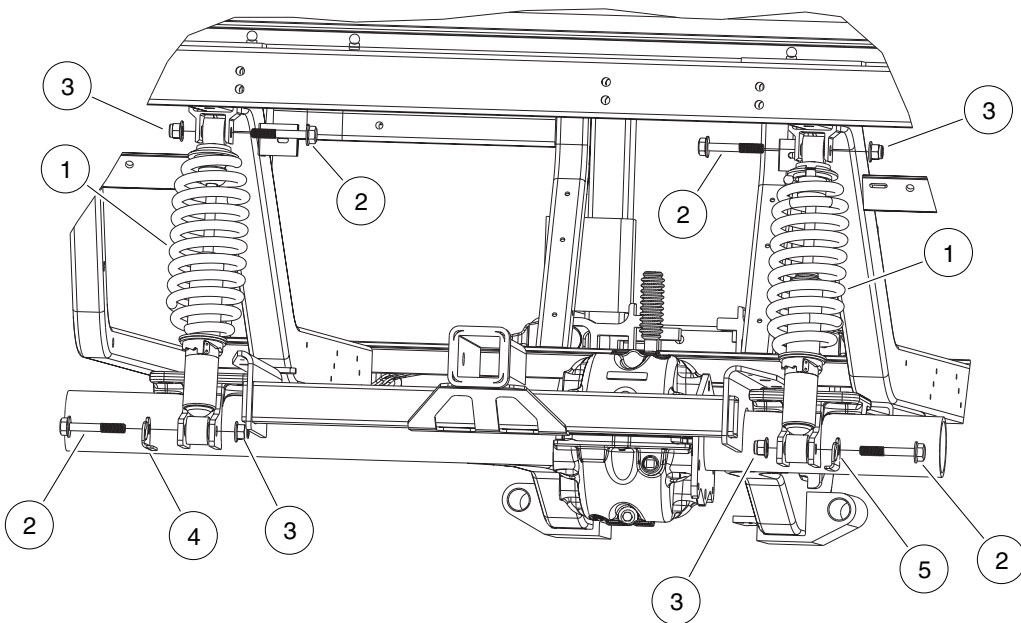
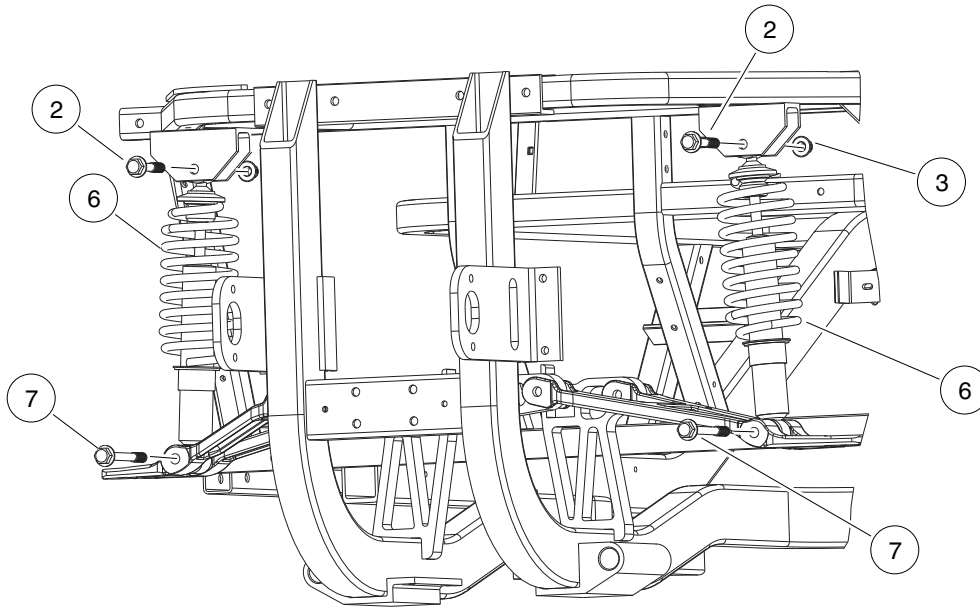
G

D

5

G

D



000530-001

SHOCK ABSORBERS – STANDARD

ITEM	PART NO.	DESCRIPTION	QTY
		1 2 3 4	
1	102365601	Shock, Coil Over Rear	2
2	<u>102616301</u>	Bolt, Flange Head, M12 X 1.75 X 70	6
3	<u>102620501</u>	Nut Flg, M12x1.75, Nylon Gr 10	6
4	<u>102689101</u>	Brkt, Line, Hyd, Shk Mnt, Drv	1
5	<u>102689102</u>	Brkt, Line, Hyd, Shk Mnt, Pass	1
6	<u>102786301</u>	Shock, Coil Over, 330 Lb/in	2
7	<u>102788701</u>	Bolt Flg, M12x1.75x100, Patch	2
		<p>Note: Shock, coil over 102792101 has been superceded by <u>102786301</u> and must be installed as matched pairs.</p>	

5

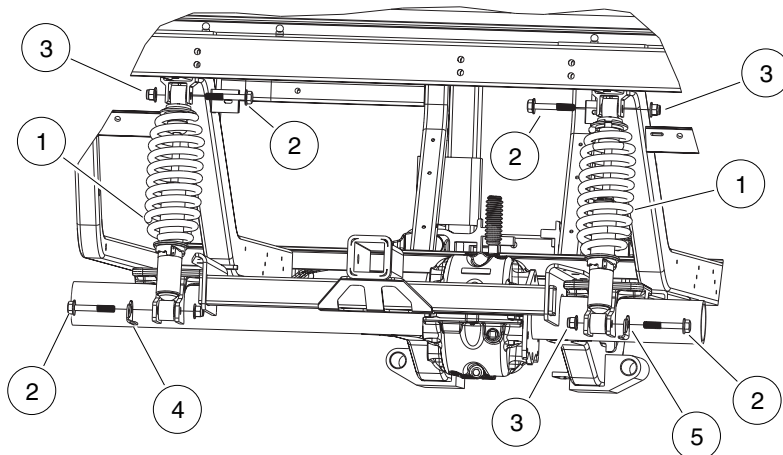
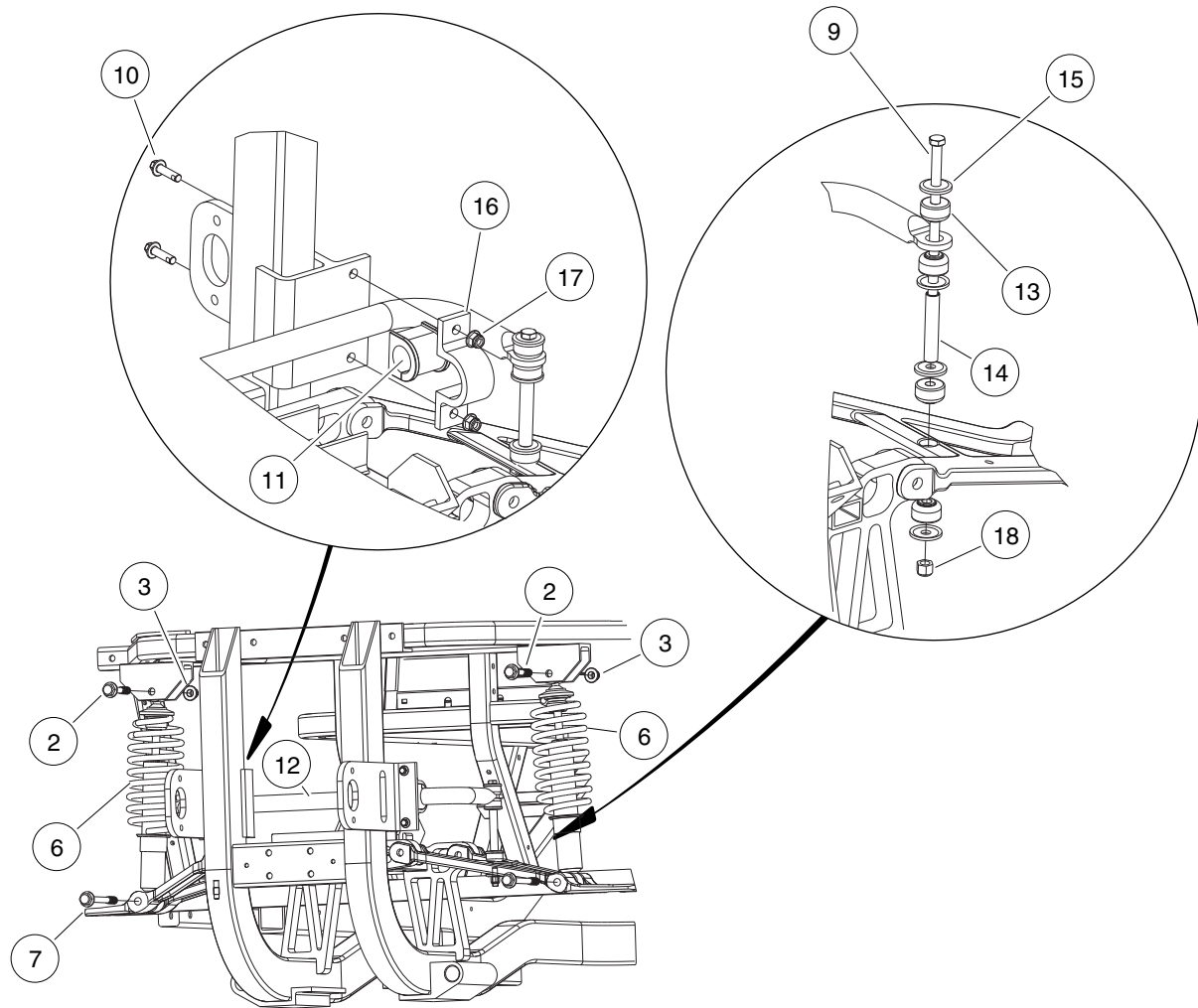
G

D

5

G

D



000530-002

SHOCK ABSORBERS – HIGH CAPACITY

ITEM	PART NO.	DESCRIPTION	QTY
		1 2 3 4	
1	<u>102365602</u>	Shock, Coil Over, Rear HD	2
2	<u>102616301</u>	Bolt, Flange Head, M12 X 1.75 X 70	6
3	<u>102620501</u>	Nut Flg, M12x1.75, Nylon Gr 10	6
4	<u>102689101</u>	Brkt, Line, Hyd, Shk Mnt, Drv	1
5	<u>102689102</u>	Brkt, Line, Hyd, Shk Mnt, Pass	1
6	<u>102786301</u>	Shock, Coil Over, 330 Lb/in	2
7	<u>102788701</u>	Bolt Flg, M12x1.75x100, Patch	2
8	N/A	Instl, Bar, Antisway, Wide Frt (includes items 9 through 18)	1
9	<u>1016183</u>	Screw, 3/8-16 X 7.00 Hex Cap	2
10	<u>102298130</u>	Bolt, Flange Head, M8 X 30.0	4
11	<u>102446601</u>	Bushing, Anti-Sway Bar, 1-1/8	1
12	<u>102464601</u>	Bar, Sway, Formed	1
13	<u>102470101</u>	Bushing, Link	8
14	<u>102470501</u>	Sleeve, Link	2
15	<u>102470601</u>	Washer, Cup, Bushing	8
16	<u>102495001</u>	Bracket, Anti-Sway Bar	2
17	<u>102618601</u>	Lock Nut, Flg M8 X 1.25 Nylon	4
18	<u>8754</u>	Locknut, 3/8-16 Hex	2
Note: Shock, coil over 102792101 has been superceded by <u>102786301</u> and must be installed as matched pairs.			

5

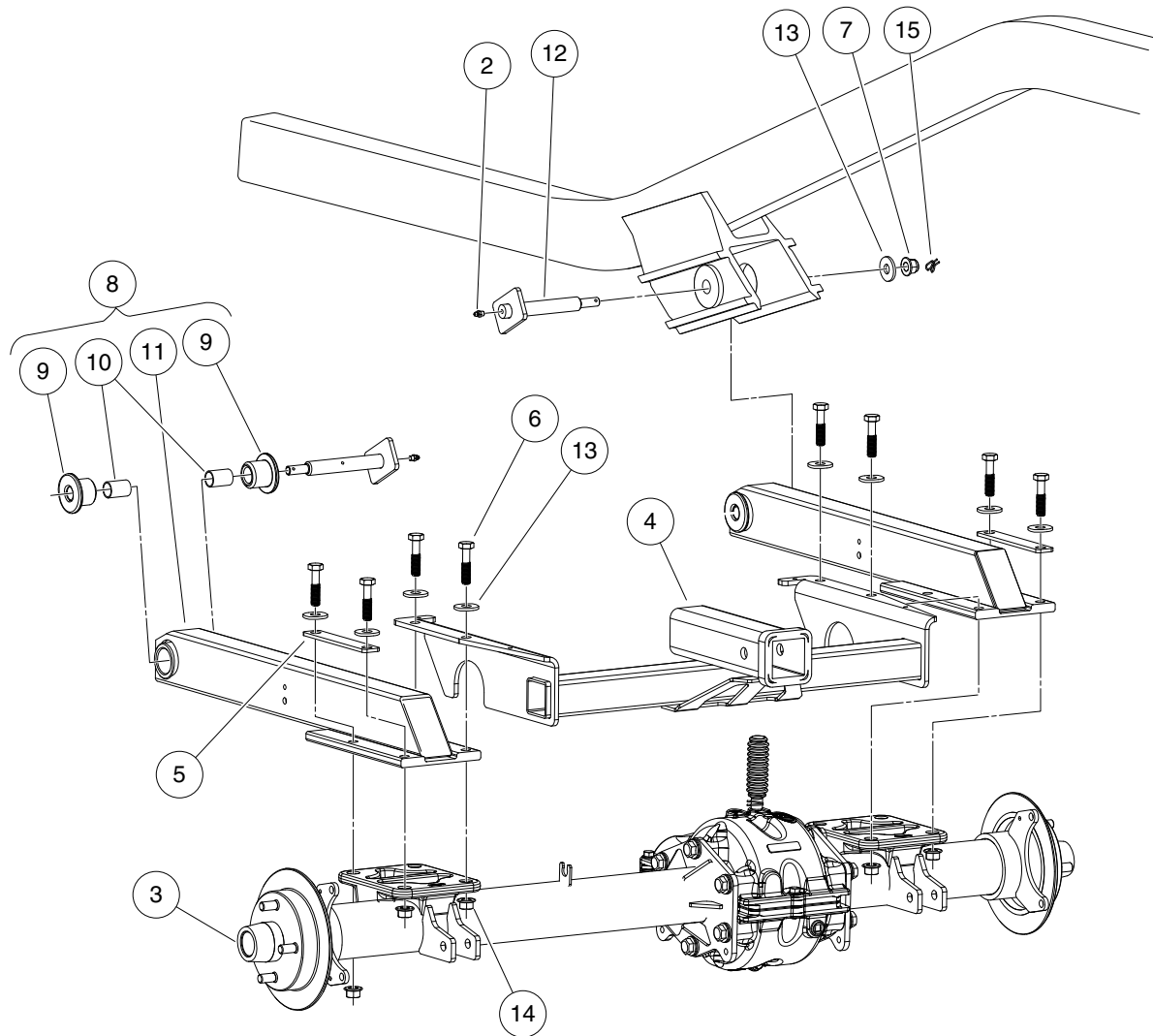
G

D

5

G

D



000031-002

REAR SUSPENSION – STANDARD

ITEM	PART NO.	DESCRIPTION	QTY
		1 2 3 4	
1	N/A	Instl, Rear Suspension (includes items 2 through 15)	1
2	<u>1015597</u>	Fitting, 1/4-28 Thread-Forming Grease	2
3	<u>102274101</u>	Center Cap, Rubber	2
4	<u>102393501</u>	Weldment, Receiver, Rear	1
5	<u>102619801</u>	Washer, Strip, Swingarm	2
6	<u>102620401</u>	Bolt Flanged Head, M12 X 1.75 X 50	8
7	<u>102620501</u>	Nut Flg, M12x1.75, Nylon Gr 10	2
8	N/A	Sub Asm Swingarm (includes items 9 through 11)	2
9	<u>102398901</u>	Bushing, Pivot, Urethane	2
10	<u>102477001</u>	Bushing, Teflon	2
11	<u>103282301</u>	Swingarm, Rear, Awd	1
12	<u>102682901</u>	Pin, Swingarm, Weldment	2
13	<u>102684501</u>	Washer, M12 Hard Regular	10
14	<u>102685601</u>	Nut Flg M12 X 1.75 Cl10	8
15	<u>102737101</u>	Cotter, Rue Ring, 1/2"	2

5

G

D

5

G

D

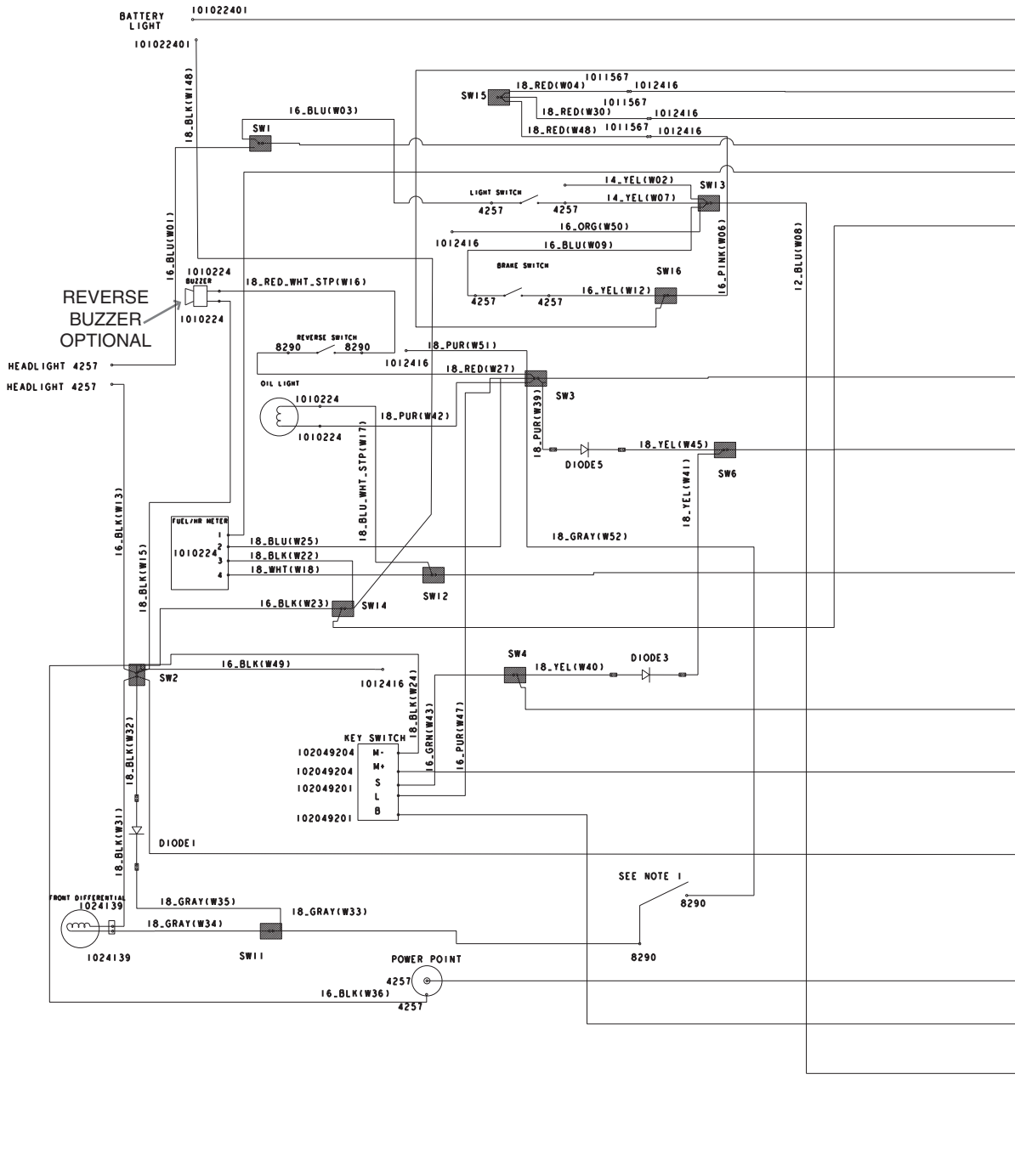
ELECTRICAL SYSTEM

6

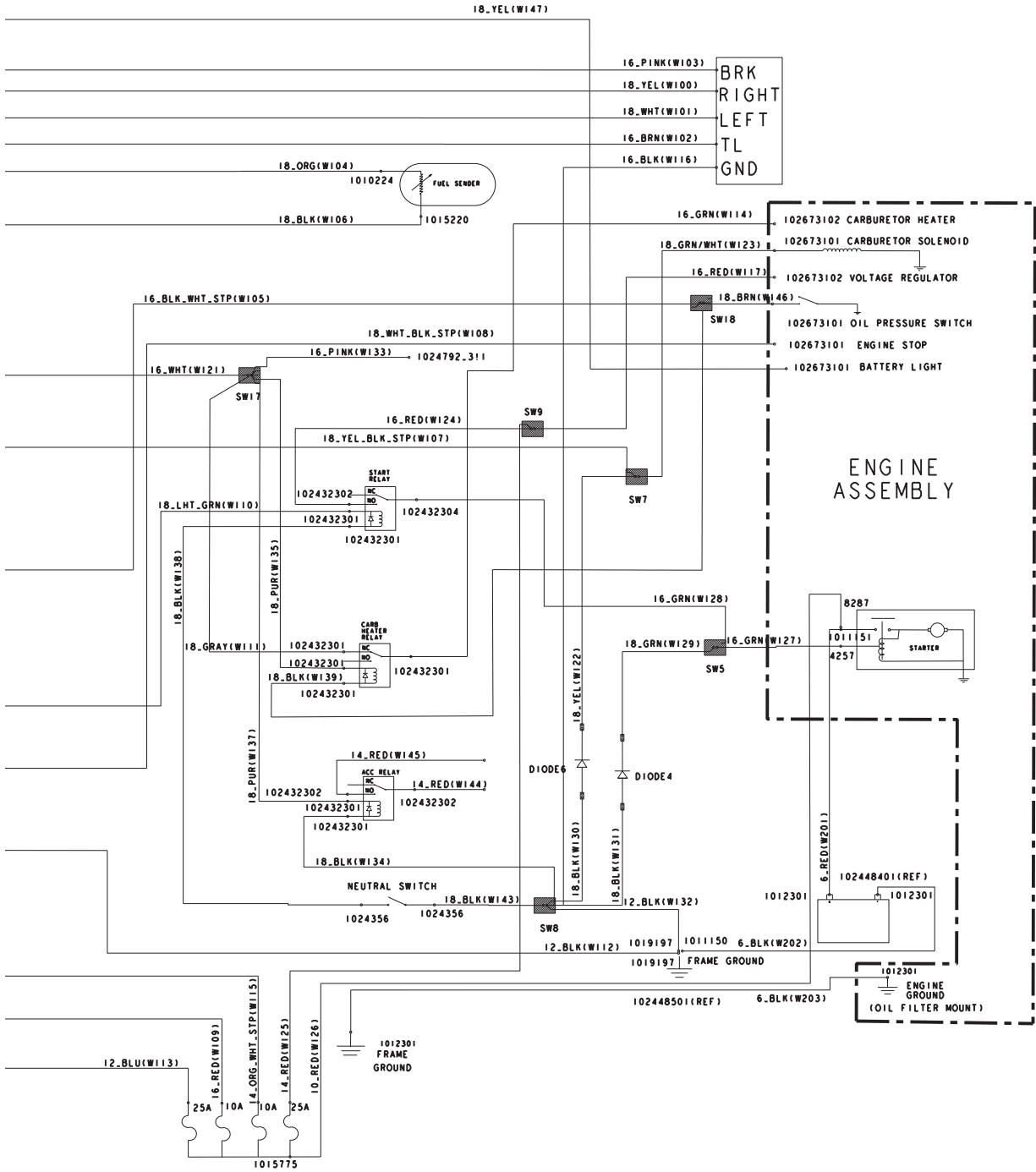
G

D

KAWASAKI GASOLINE VEHICLE



000662-001



000662-001

6

G

D

See previous two pages for illustration.

WIRING – GASOLINE VEHICLES, SINGLE PIECE

ITEM	PART NO.	DESCRIPTION	QTY
		1 2 3 4	
1	<u>102538501</u>	Diode, General Purpose, 6.0a	1
2	<u>103305701</u>	Harness, AWD, Kawasaki	1
3	<u>103327201</u>	Asm, Switch, Limit, Awd	1

6

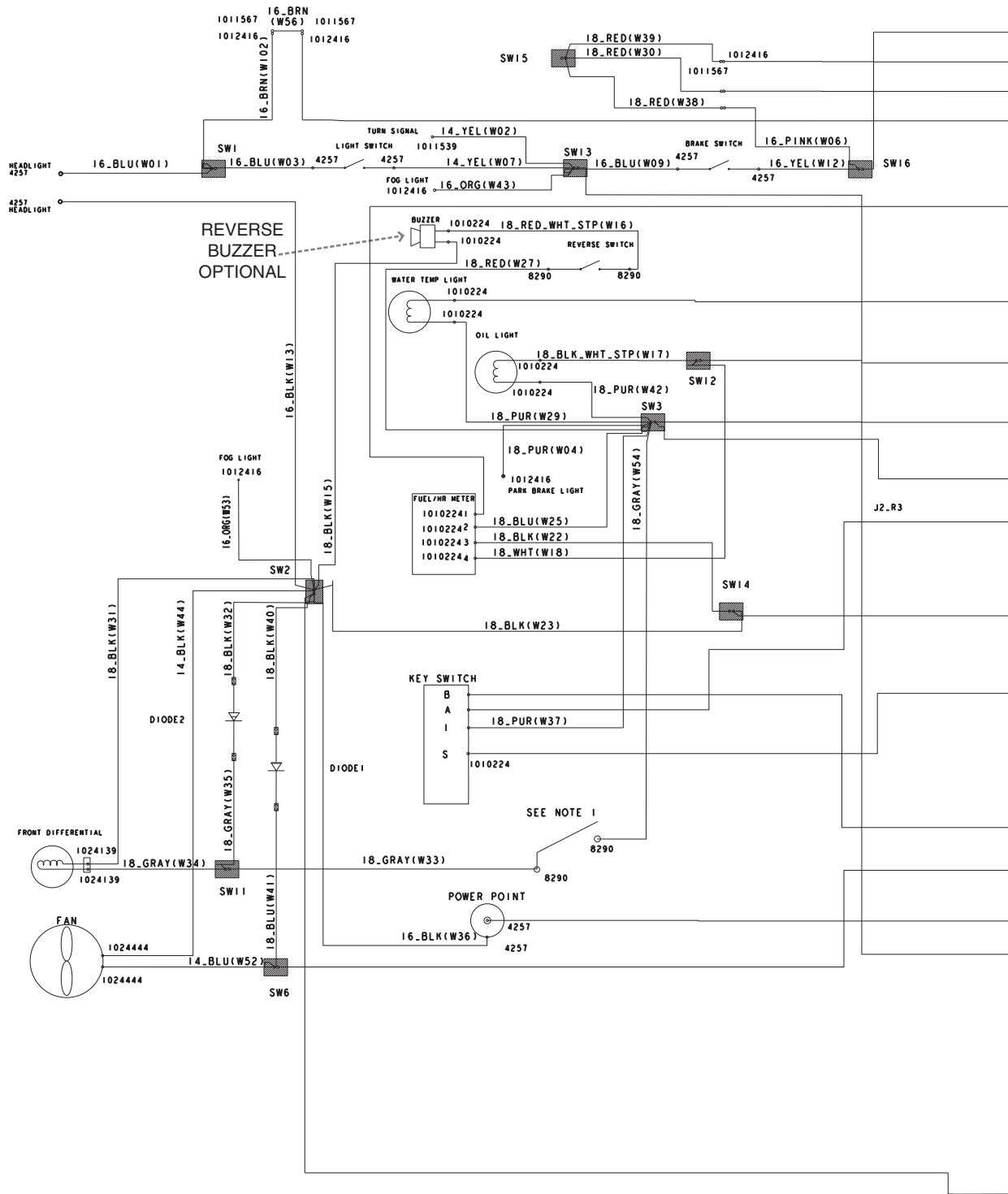
G

D

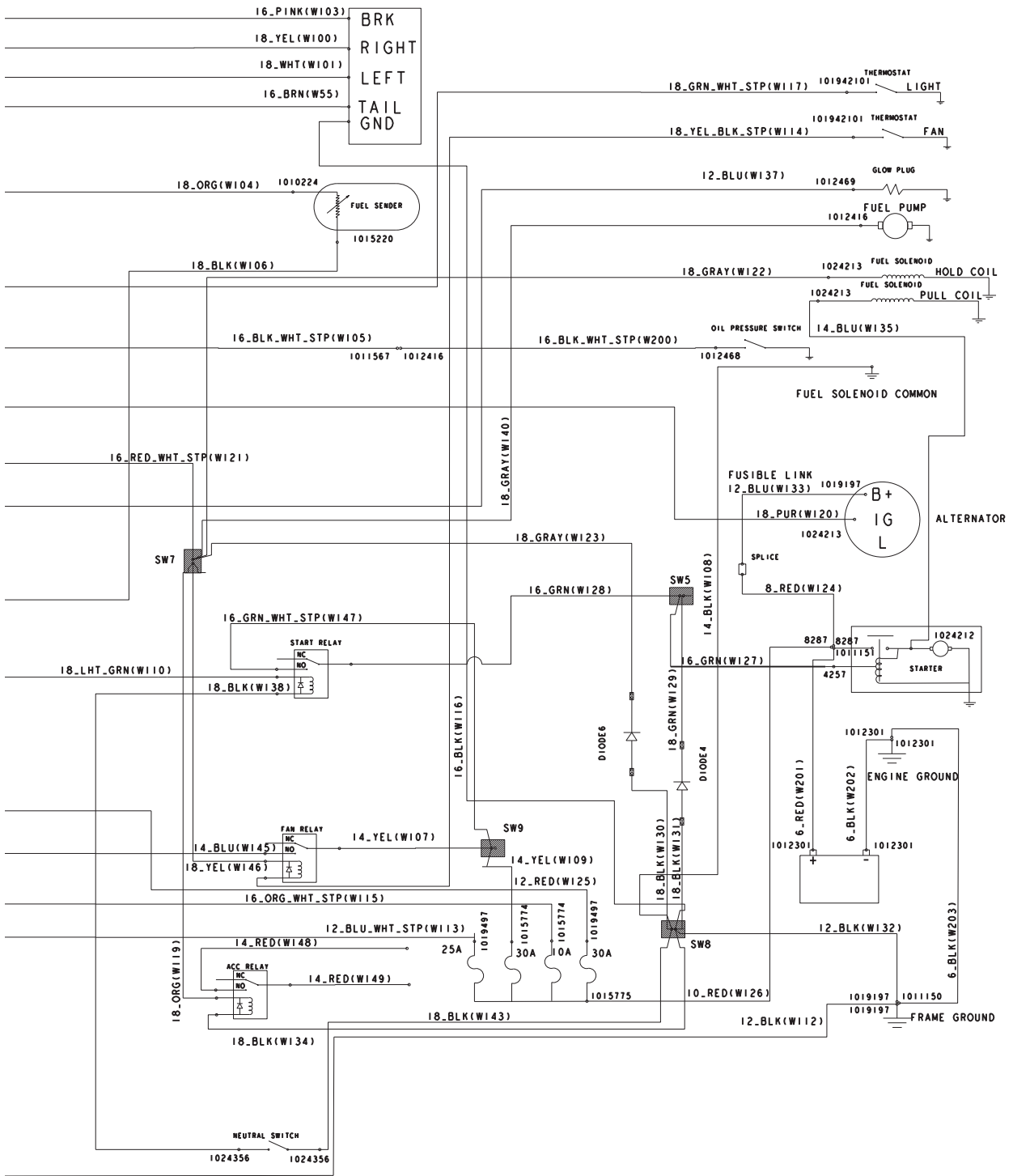
6
G

DIESEL VEHICLE

D



000662-002



000662-002

6

G

D

See previous two pages for illustration.

WIRING – DIESEL VEHICLE, SINGLE PIECE

ITEM	PART NO.	DESCRIPTION	QTY
1	<u>102538501</u>	1 2 3 4 Diode, General Purpose, 6.0a	1
2	<u>103277501</u>	Harness, Diesel AWD	1
3	<u>103327201</u>	Asm, Switch, Limit, Awd	1

6

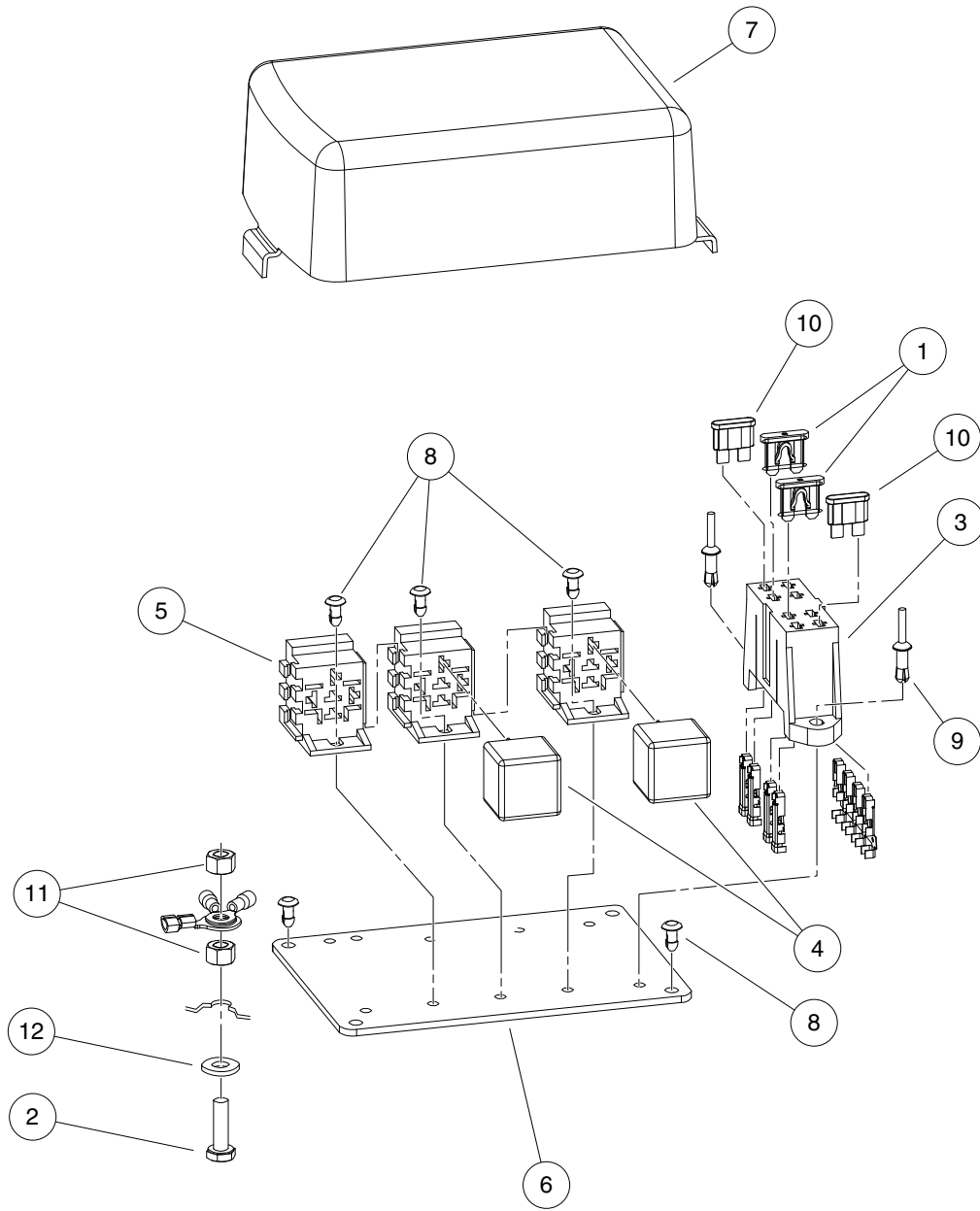
G

D

6

G

D



000076-001

ELECTRICAL COMPONENT BOX, GASOLINE VEHICLES

ITEM	PART NO.	DESCRIPTION	QTY
		1 2 3 4	
1	<u>1012295</u>	Fuse, 10-Amp	2
2	<u>1015521</u>	Screw, 1/4-20 X .88 Hex Hd Cap	1
3	<u>1015741</u>	Fuse Block	1
4	<u>102420201</u>	Relay, Mini ISO, SPDT	2
5	****	Connector, Relay	3
6	<u>102420401</u>	Plate, Electrical	1
7	<u>102420501</u>	Cover, Electrical	1
8	<u>102447901</u>	Fastener, Push-in	7
9	<u>102448001</u>	Rivet, Drive	2
10	<u>102492201</u>	Fuse, 25-Amp	2
11	<u>1108</u>	Locknut, 1/4-20 Dimpled	2
12	<u>332</u>	Washer, 1/4 Type A Narrow Flat	1
		**** Special order item available upon request.	

6

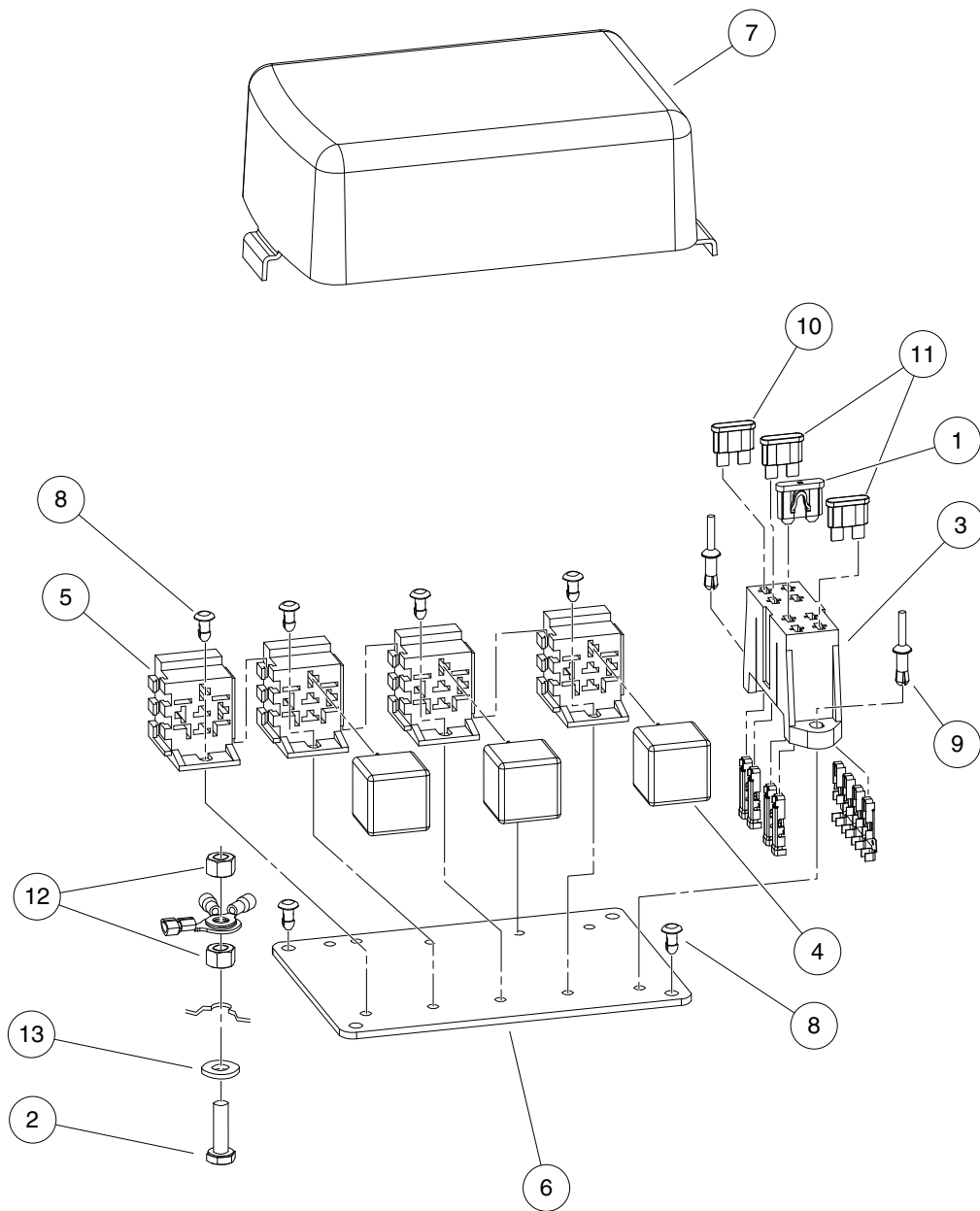
G

D

6

G

D



000076-002

ELECTRICAL COMPONENT BOX, DIESEL VEHICLES

ITEM	PART NO.	DESCRIPTION	QTY
		1 2 3 4	
1	<u>1012295</u>	Fuse, 10-Amp	1
2	<u>1015521</u>	Screw, 1/4-20 X .88 Hex Hd Cap	1
3	<u>1015741</u>	Fuse Block	1
4	<u>102420201</u>	Relay, Mini ISO, SPDT	3
5	****	Connector, Relay	4
6	<u>102420401</u>	Plate, Electrical	1
7	<u>102420501</u>	Cover, Electrical	1
8	<u>102447901</u>	Fastener, Push-in	8
9	<u>102448001</u>	Rivet, Drive	2
10	<u>102492201</u>	Fuse, 25-Amp	1
11	<u>102492301</u>	Fuse, 30-Amp	2
12	<u>1108</u>	Locknut, 1/4-20 Dimpled	2
13	<u>332</u>	Washer, 1/4 Type A Narrow Flat	1
		**** Special order item available upon request.	

6

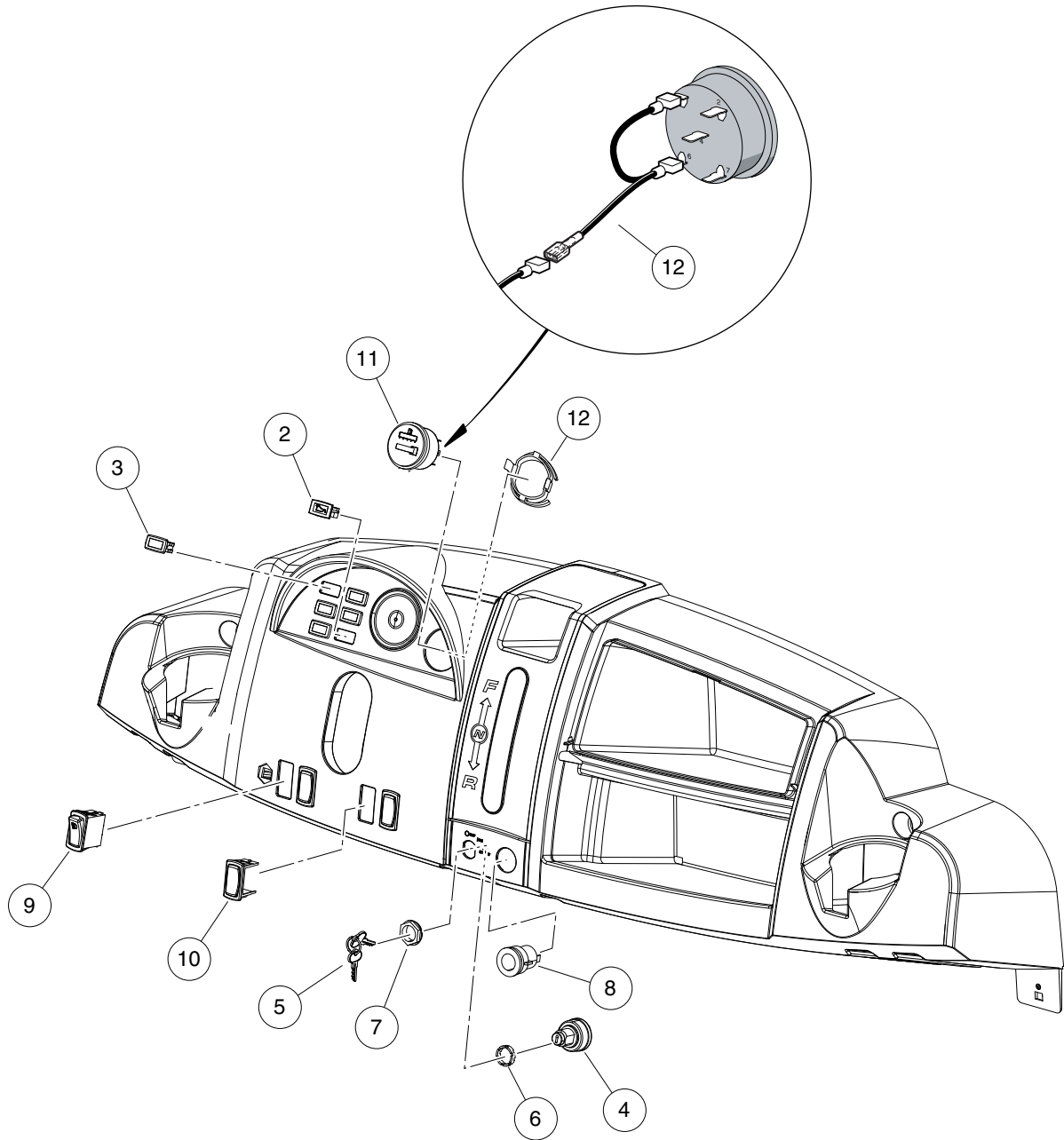
G

D

6

G

D



000543-006

ELECTRICAL COMPONENTS – GAS

ITEM	PART NO.	DESCRIPTION	QTY
		1 2 3 4	
1	N/A	Instl, Elec Sys Awd Gas Fh680d (includes items 2 through 13)	1
2	<u>1016630</u>	Light, Oil	1
3	<u>101802601</u>	Plug, Hole	5
4	<u>102044702</u>	Key Switch 12v Key Start	1
5	102044801	Key Set	1
6	<u>102051601</u>	Spacer, Keyswitch	1
7	<u>102051701</u>	Nut, Key Switch	1
8	<u>102198001</u>	Receptacle, Accessory	1
9	<u>102869401</u>	Switch, Rocker, Light	1
10	<u>103180101</u>	Cover, Hole, Switch, Rocker	3
11	<u>103348101</u>	Gauge Fuel-hour Sep Gnd	1
12	<u>103348201</u>	Clip, Meter, Round	1
13	<u>103348501</u>	Asm Wire Meter F-h Jumper	1

6

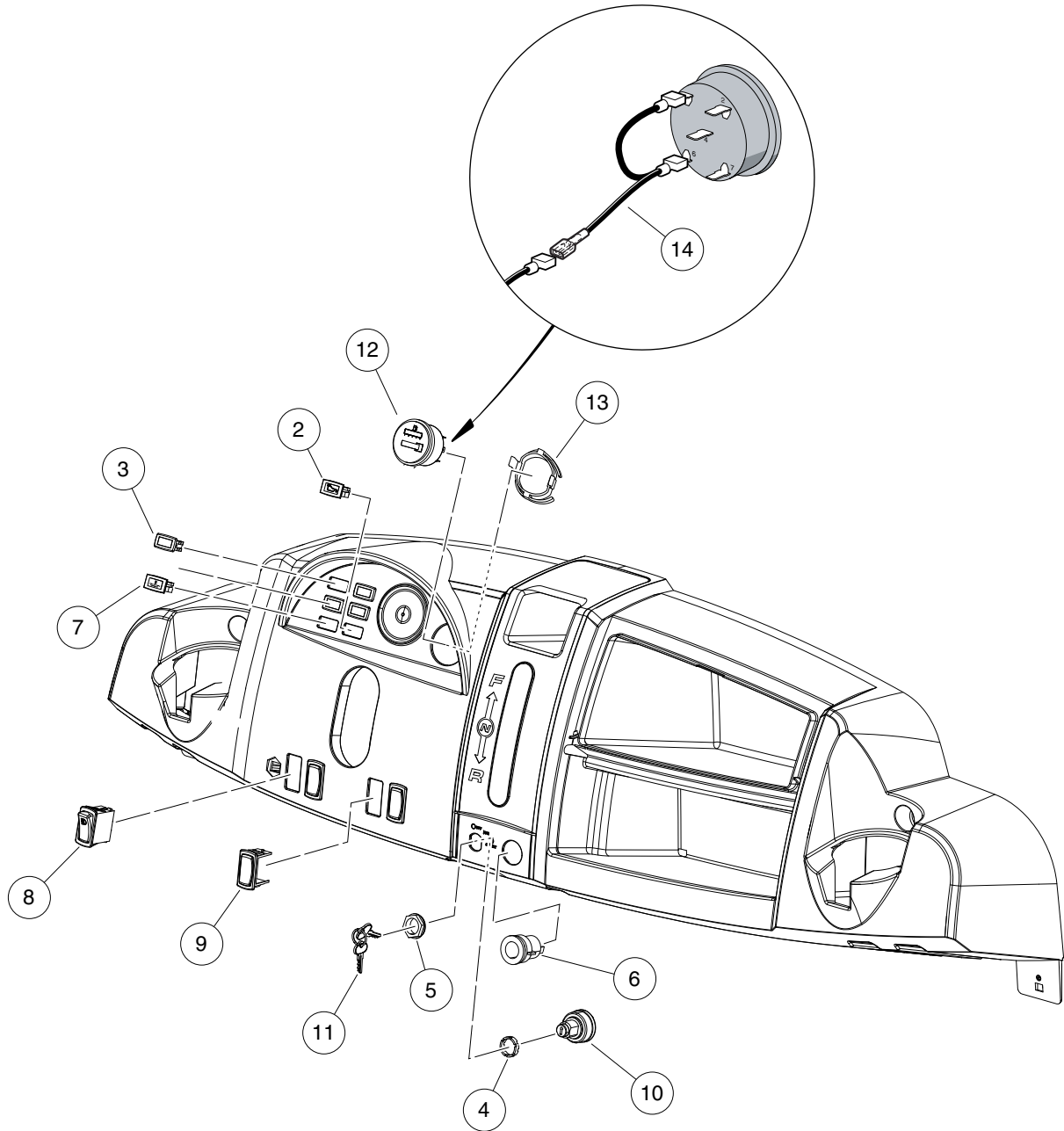
G

D

6

G

D



000543-002

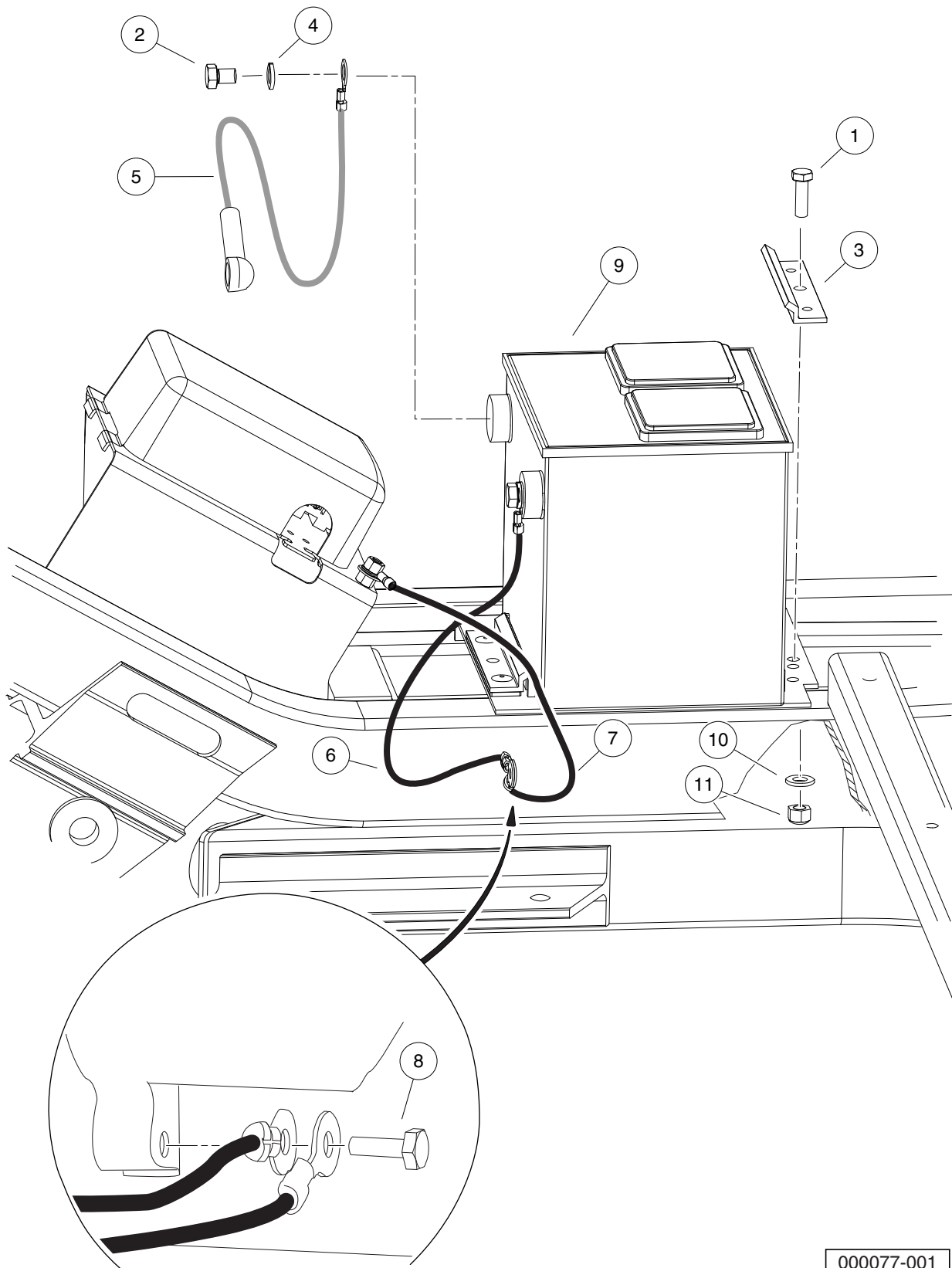
ELECTRICAL COMPONENTS – DIESEL

ITEM	PART NO.	DESCRIPTION	QTY	6
		1 2 3 4		
1	N/A	Instl, Elec Sys, Restyle Diesl (includes items 2 through 14)	1	G
2	<u>1016630</u>	Light, Oil	1	
3	<u>101802601</u>	Plug, Hole	4	
4	<u>102051601</u>	Spacer, Keyswitch	1	D
5	<u>102051701</u>	Nut, Key Switch	1	
6	<u>102198001</u>	Receptacle, Accessory	1	
7	<u>102375401</u>	Light, Indicator, Coolant Temp	1	
8	<u>102869401</u>	Switch, Rocker, Light	1	
9	<u>103180101</u>	Cover, Hole, Switch, Rocker	3	
10	<u>103208801</u>	Keyswitch, 12v, Diesel	1	
11	<u>103234401</u>	Keys (set of 2)	1	
12	<u>103348101</u>	Gauge Fuel-hour Sep Gnd	1	
13	<u>103348201</u>	Clip, Meter, Round	1	
14	<u>103348501</u>	Asm Wire Meter F-h Jumper	1	

6

G

D



000077-001

BATTERY – GASOLINE VEHICLES

ITEM	PART NO.	DESCRIPTION	QTY
		1 2 3 4	
1	<u>1010934</u>	Screw, 5/16-18 X 1.00 Hex Cap	1
2	<u>1014375</u>	Screw, 3/8-16 X 0.50 Stainless Steel Hex-Head	2
3	<u>101898001</u>	Clamp, Battery	1
4	<u>102355301</u>	Lockwasher, #10 Split Ss	2
5	<u>102442201</u>	Asm, #6 Red Wire	1
6	<u>102442301</u>	Asm, #6 Blk Wire	1
7	<u>102442401</u>	Asm, #6 Blk Wire	1
8	<u>102490301</u>	Bolt, M6 X 1 X 16 Loctite	1
9	N/A	Battery, Start, 12v	1
10	<u>1241</u>	Washer, 5/16 Type A Flat	1
11	<u>7473</u>	Locknut, 5/16-18 Nylon Insert	1

6

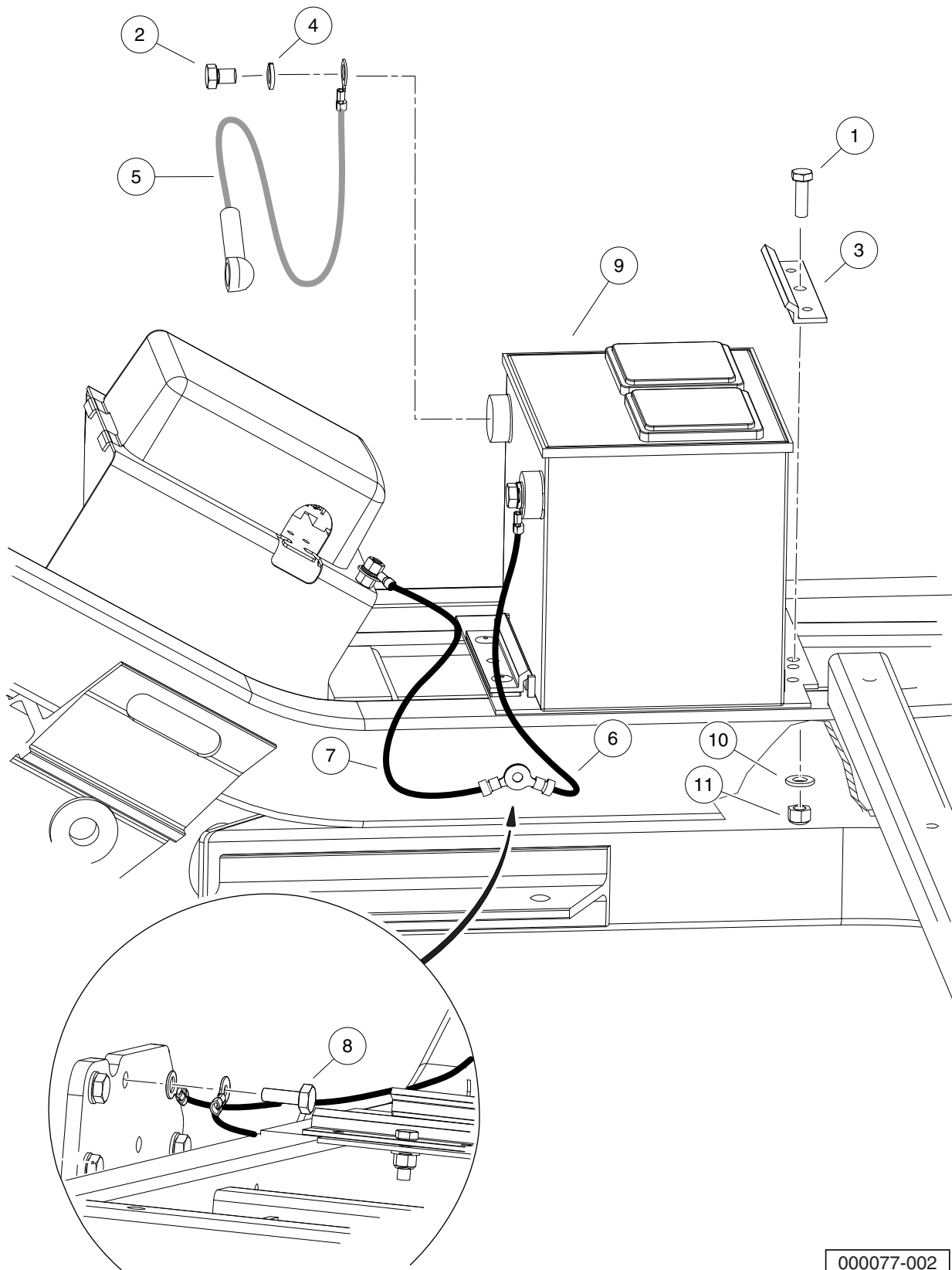
G

D

6

G

D



000077-002

BATTERY – DIESEL VEHICLES

ITEM	PART NO.	DESCRIPTION	QTY
		1 2 3 4	
1	<u>1010934</u>	Screw, 5/16-18 X 1.00 Hex Cap	1
2	<u>1014375</u>	Screw, 3/8-16 X 0.50 Stainless Steel Hex-Head	2
3	<u>101898001</u>	Clamp, Battery	1
4	<u>102355301</u>	Lockwasher, #10 Split Ss	2
5	<u>102442201</u>	Asm, #6 Red Wire	1
6	<u>102448401</u>	Wire Asm, #6 Blk, Awd, 350	1
7	<u>102448501</u>	Wire Asm, #6 Blk, Awd, 325	1
8	<u>102498201</u>	Bolt, M10 X 1.25 X 25 Loctite	1
9	N/A	Battery, Start, 12v	1
10	<u>1241</u>	Washer, 5/16 Type A Flat	1
11	<u>7473</u>	Locknut, 5/16-18 Nylon Insert	1

6

G

D

6

G

D

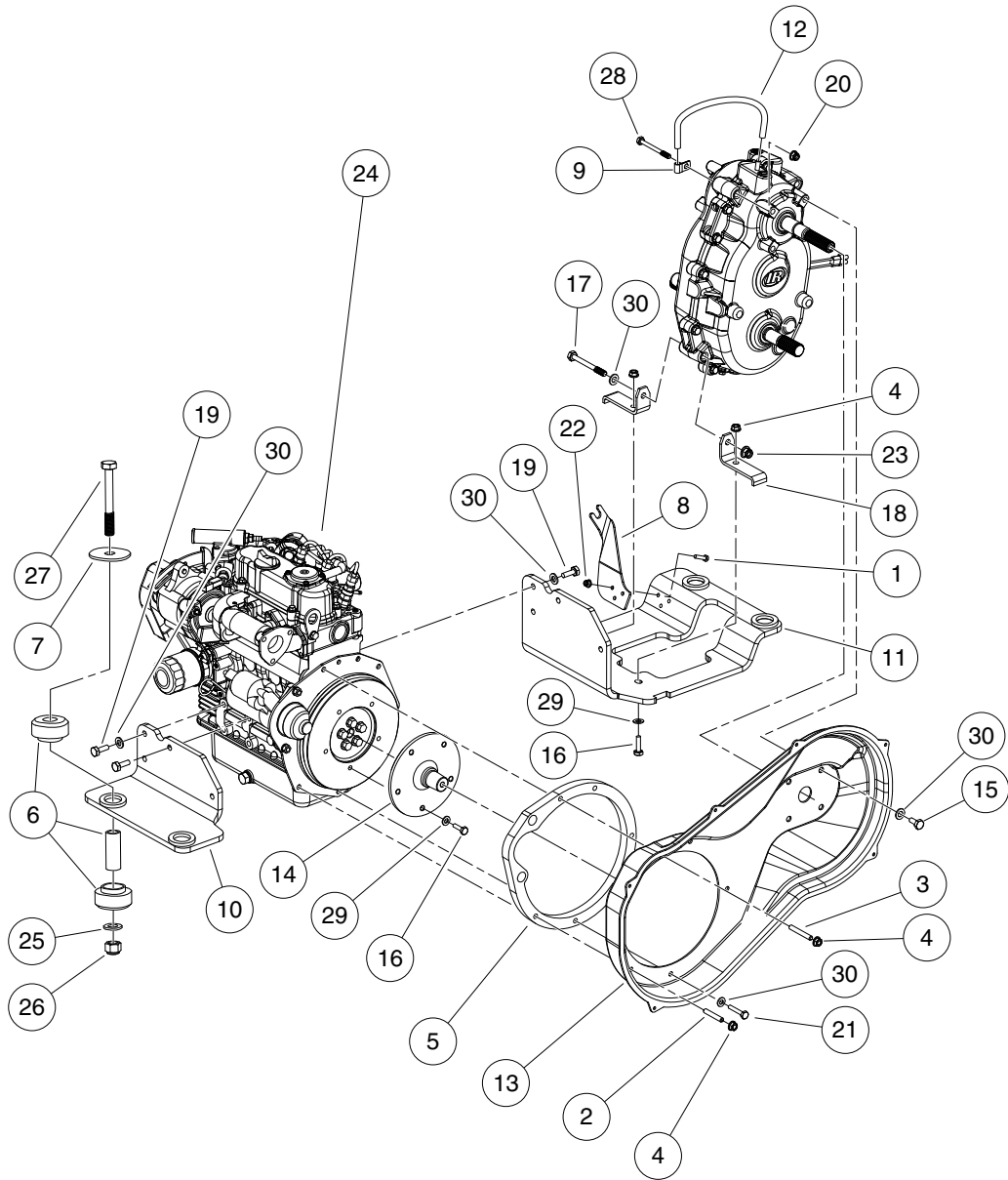
DIESEL ENGINE – CLOSED BREATHER

7

D

7

D



000025-002

KUBOTA D722 DIESEL ENGINE MOUNTING

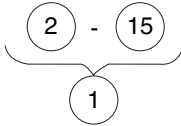
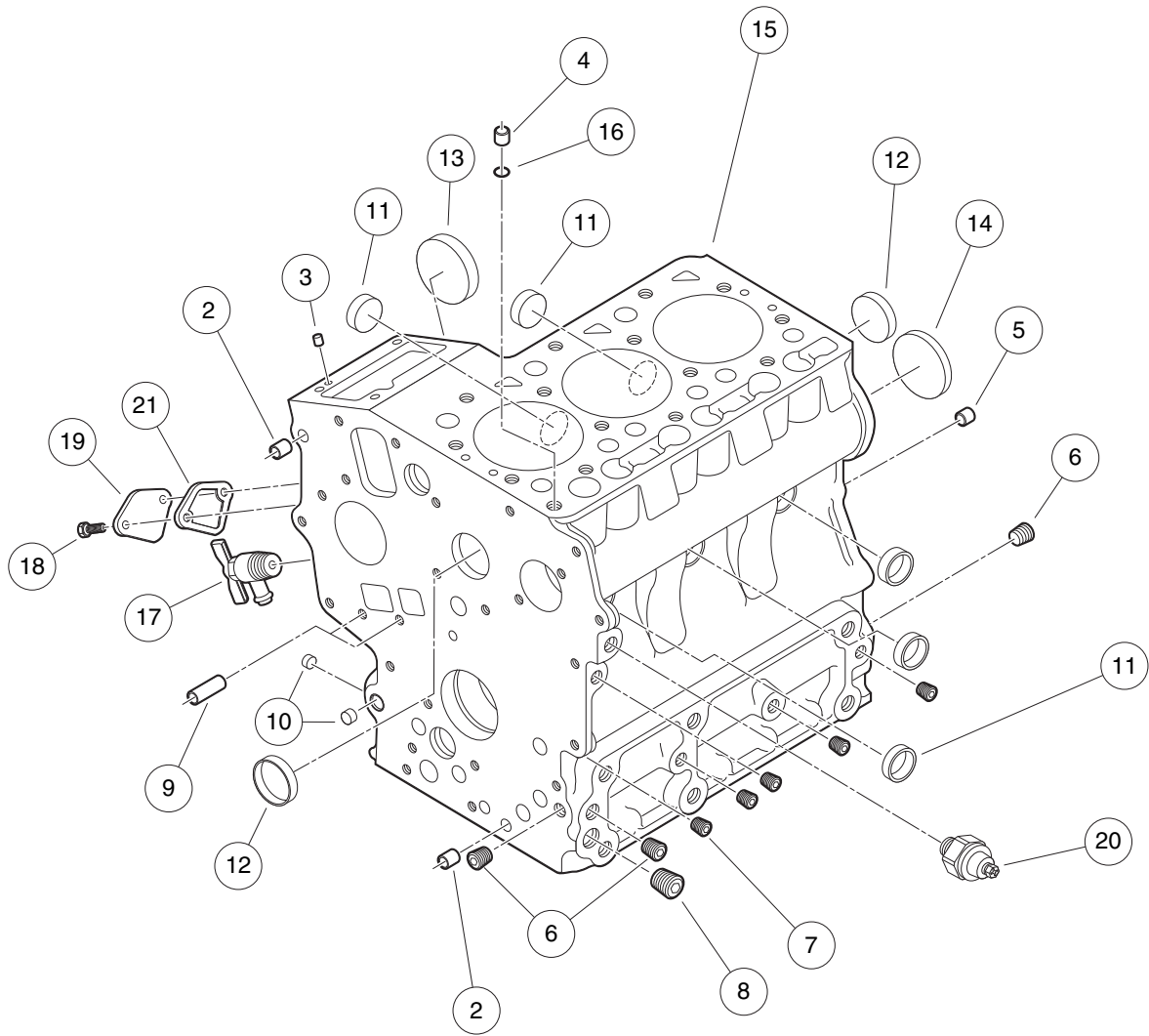
ITEM	PART NO.	DESCRIPTION	QTY
		1 2 3 4	
1	<u>1012769</u>	Screw, M6-1.00 X 25mm Hex Cap	3
2	<u>101833101</u>	Stud, M8-1.25 X 50 mm Two-Ended	1
3	<u>101833201</u>	Stud, M8-1.25 X 60mm Two-Ended	1
4	<u>102298401</u>	Nut,m8,all Metal Lock	7
5	<u>102370101</u>	Spacer, Engine, Diesel	1
6	<u>102370501</u>	Isolator Ring and Bushing	4
7	<u>102370601</u>	Washer, Snubbing, Ring N Bush	4
8	<u>102382401</u>	Bracket, FNR Trans Cable	1
9	<u>102410603</u>	P-Clamp, Insulated .312 In	1
10	<u>102414701</u>	Plate, Engine Mounting, Weld, Left-Hand	1
11	<u>102414801</u>	Plate, Engine Mounting, Weld, Right-Hand	1
12	<u>102462301</u>	Hose, Vent, Transmission	1
13	<u>102462501</u>	Cover, CVT Inner, Diesel	1
14	<u>102465901</u>	Shaft, CVT Adapter	1
15	<u>102490101</u>	Bolt, M10 X 1.5 X 20 Loctite	4
16	<u>102490201</u>	Bolt, M8 X 1.25 X 25 Loctite	7
17	<u>102490501</u>	Bolt, M10 X 1.5 X 100 Loctite	1
18	<u>102494401</u>	Bracket, Transmission Mounting	2
19	<u>102498201</u>	Bolt, M10 X 1.25 X 25 Loctite	8
20	<u>102618601</u>	Lock Nut, Flg M8 X 1.25 Nylon	1
21	<u>102621301</u>	Bolt, M8 X 1.25 X 40 with Loctite	3
22	<u>102621501</u>	Nut Flg, M6 X 1.0 Nylon	3
23	<u>102670701</u>	Nut Flg M10 X 1.5 Nylon	1
24	<u>102934601</u>	Engine, Kubota, D722, with Closed Breather, 60a	1
25	<u>96701412</u>	Washer, M12 Hard	4
26	<u>96704622</u>	Locknut, M12x1.75 Nylon Insert	4
27	<u>96704721</u>	Bolt, M12 X 1.75 X 90	4
28	<u>96718978</u>	Bolt, M8 X 1.25 X 80	1
29	<u>96741038</u>	Washer, M8 Hard	10
30	<u>96741046</u>	Washer, M10 Hard	12

7

D

7

D



000039-001

CRANKCASE

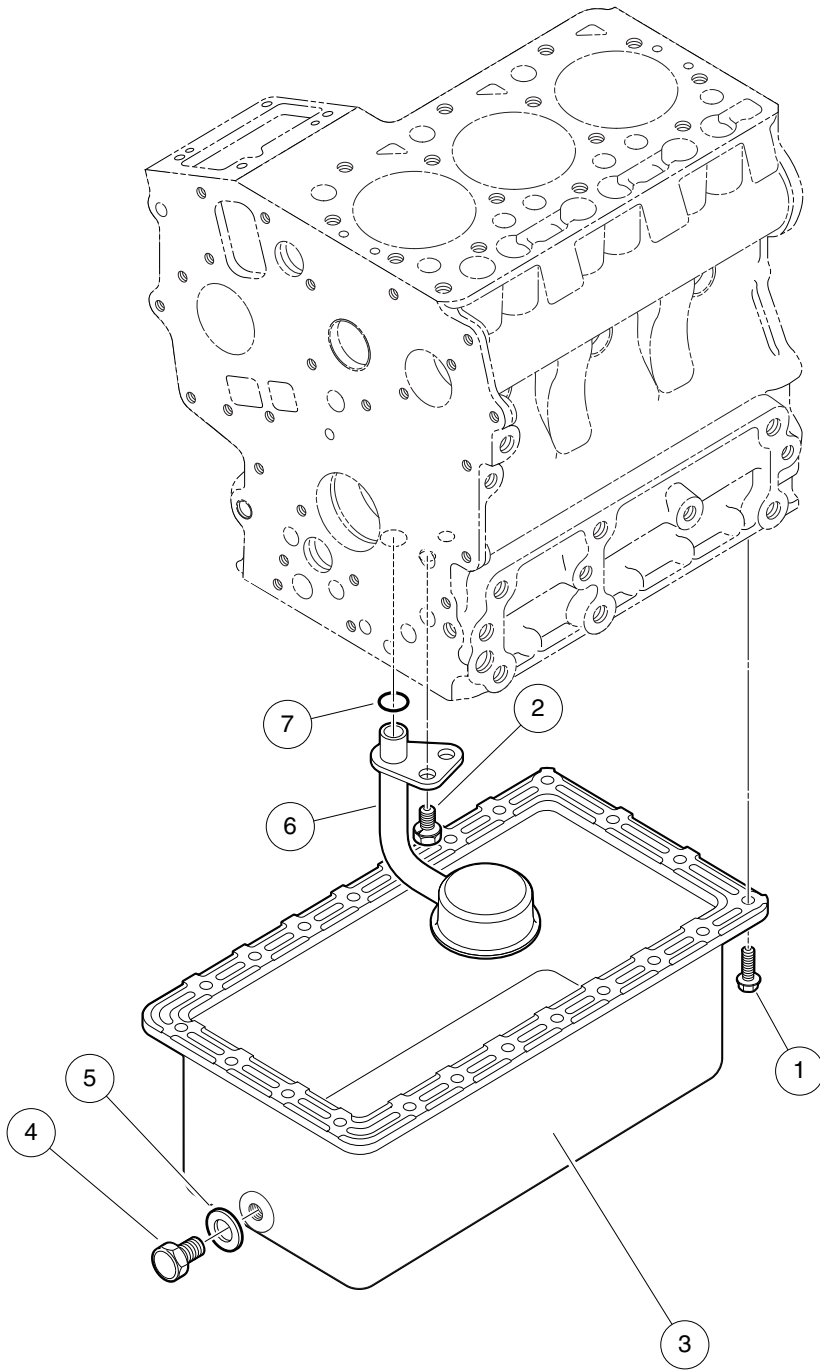
7

D

ITEM	PART NO.	DESCRIPTION	QTY
		1 2 3 4	
1	<u>102600001</u>	Engine Block (includes items 2 through 15)	1
2	<u>102600101</u>	Pin, Pipe, Dia 8 X 14	2
3	<u>102600201</u>	Pin, Straight, Dia 5 X 10	2
4	<u>102600401</u>	Pin, Pipe, Dia 7 X 14	1
5	<u>102600601</u>	Pin, Straight, Dia 8 X 16	2
6	<u>102600701</u>	Plug, 1/8"	3
7	<u>102600801</u>	Plug, 3/32"	5
8	<u>102601001</u>	Plug, 1/4"	1
9	<u>102601301</u>	Pin, Pipe, Dia 8 X 11	2
10	<u>102726201</u>	Cap, Sealing, Small	3
11	<u>102726301</u>	Cap, Sealing, Med	5
12	<u>102726401</u>	Cap, Sealing, Large	2
13	<u>102726501</u>	Cover, Fuel Camshaft	1
14	<u>102726601</u>	Plug, Expansion	1
15	N/A	Block, Engine	1
16	<u>102600301</u>	O Ring, 8 X 7	1
17	<u>102601401</u>	Cock, Drain	1
18	<u>102631601</u>	Bolt, M6 X 1 X 20	2
19	N/A	Plate, Engine Block	1
20	<u>102730801</u>	Switch, Oil Pressure	1
21	<u>102732601</u>	Gasket, Fuel Pump, D722	1

7

D



000040-001

OIL PAN

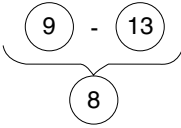
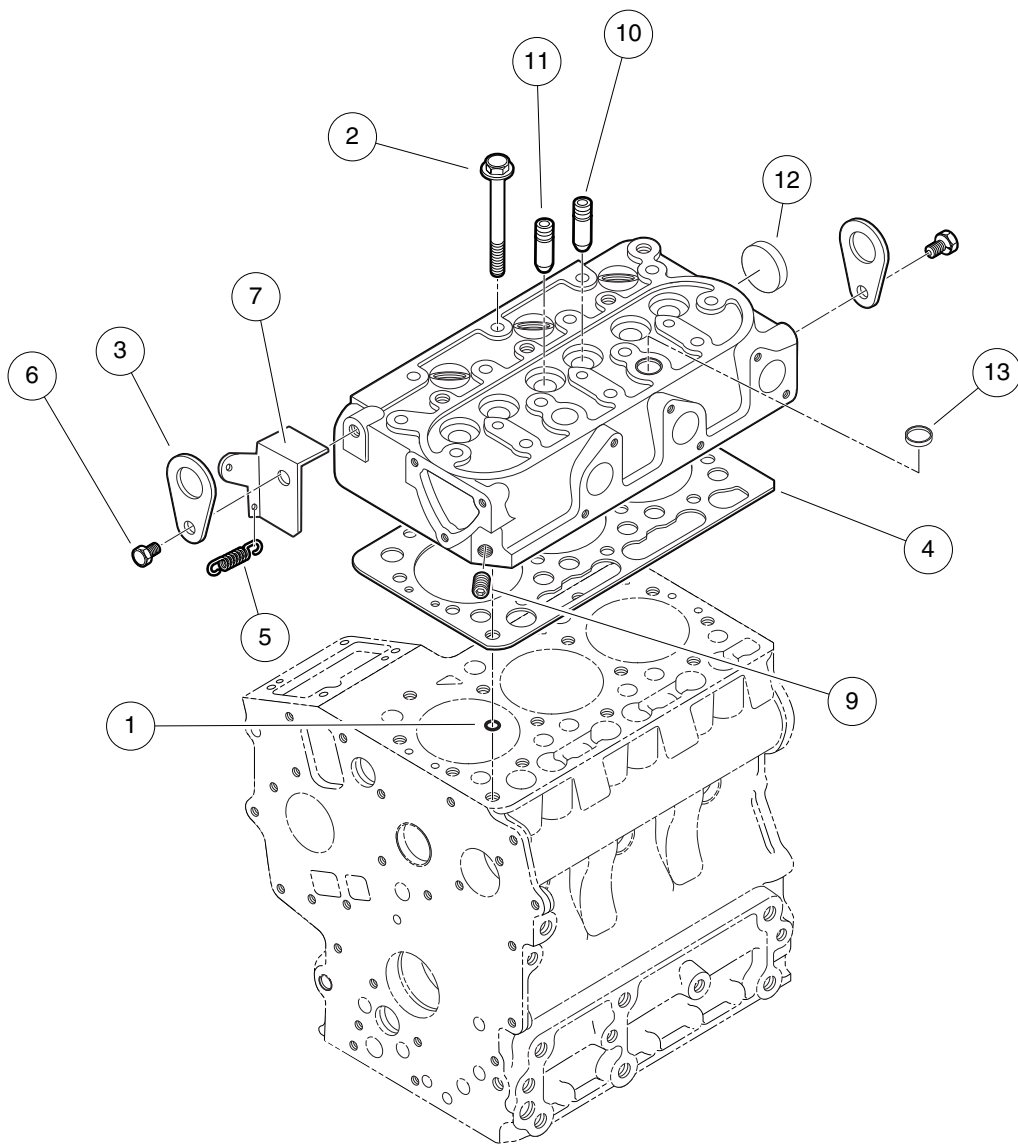
ITEM	PART NO.	DESCRIPTION	QTY
		1 2 3 4	
1	<u>102605101</u>	Bolt, M6 X 1 X 14	22
2	<u>102606901</u>	Bolt, M8 X 1.25 X 15	1
3	102607001	Oil Pan	1
4	<u>102607201</u>	Plug, Drain, M12 X 14	1
5	<u>102607301</u>	Gasket, 20 X 13	1
6	<u>102607401</u>	Filter, Oil, Pick Up	1
7	<u>102654601</u>	O Ring, 20 X 17	1

7

D

7

D



000041-002

CYLINDER HEAD

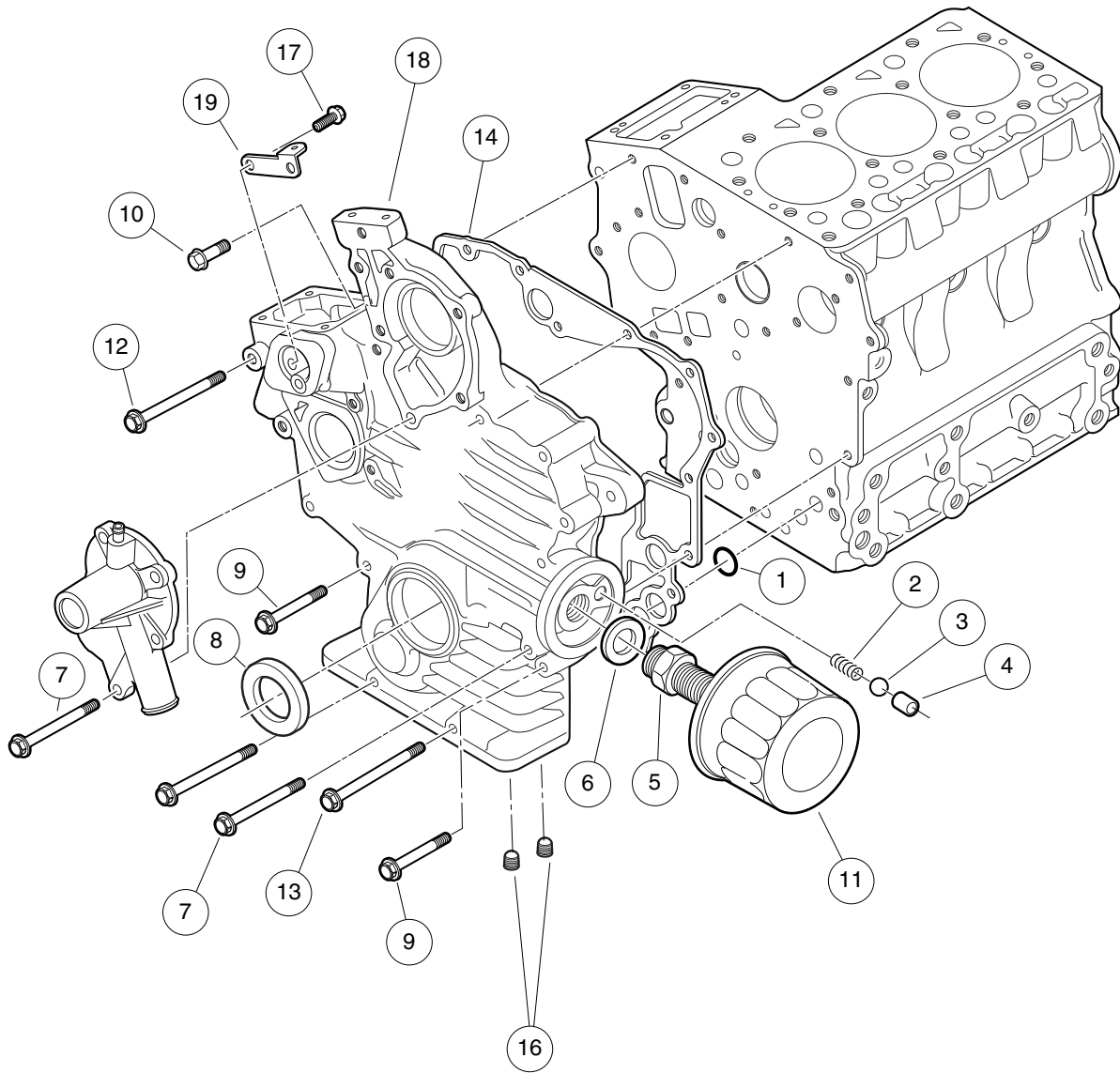
ITEM	PART NO.	DESCRIPTION	QTY
		1 2 3 4	
1	<u>102600301</u>	O Ring, 8 X 7	1
2	<u>102652801</u>	Bolt, Cylinder Head	14
3	<u>102653901</u>	Hook, Engine	2
4	<u>102654101</u>	Gasket, Cylinder Head	1
5	<u>102701001</u>	Spring, Start	1
6	<u>102726701</u>	Bolt, Engine Hook	2
7	<u>102727101</u>	Stay, Cylinder Head	1
8	<u>102798001</u>	Head, Cylinder, Complete (includes items 9 through 13)	1
9	<u>102600801</u>	Plug, 3/32"	1
10	<u>102653401</u>	Guide, Exhaust Valve	3
11	<u>102653501</u>	Guide, Inlet Valve	3
12	<u>102726901</u>	Cap, Sealing, Head	1
13	<u>102727001</u>	Cap, Sealing, Head, Top	2

7

D

7

D



000042-002

GEAR CASE

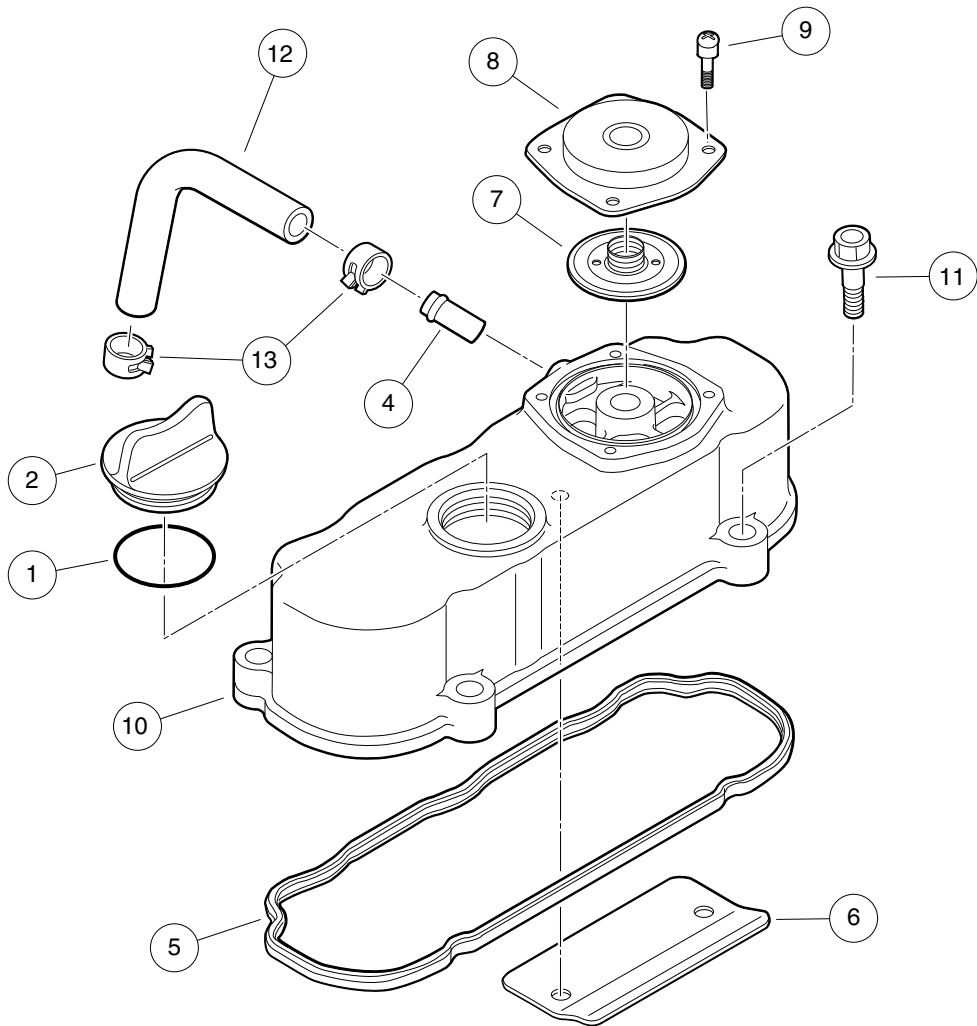
7

D

ITEM	PART NO.	DESCRIPTION	QTY
		1 2 3 4	
1	<u>102601801</u>	O Ring, 18 X 13	3
2	<u>102601901</u>	Spring, Valve	1
3	<u>102602001</u>	Ball, Valve	1
4	<u>102602101</u>	Seat, Valve	1
5	<u>102602301</u>	Joint, Pipe	1
6	<u>102602401</u>	Washer, Plain, Special	1
7	<u>102602601</u>	Bolt, M6 X 1 X 60	2
8	<u>102602701</u>	Seal, Oil	1
9	<u>102602801</u>	Bolt, D722, Front Case	9
10	<u>102654301</u>	Bolt, D722 Intake Manfld Lower	1
11	<u>102703301</u>	Filter, Engine Oil, D722	1
12	<u>102727401</u>	Bolt, Gearcase, Top	2
13	<u>102727501</u>	Bolt, Gearcase, Lower	1
14	<u>102729301</u>	Gasket, Gearcase, D722	1
15	N/A	Case, Gear (includes items 16 through 19)	1
16	<u>102601001</u>	Plug, 1/4"	2
17	<u>102727601</u>	Screw, Breather	2
18	N/A	Case, Gear	1
19	<u>102798201</u>	Stay, Spring	1

7

D



000181-001

HEAD COVER

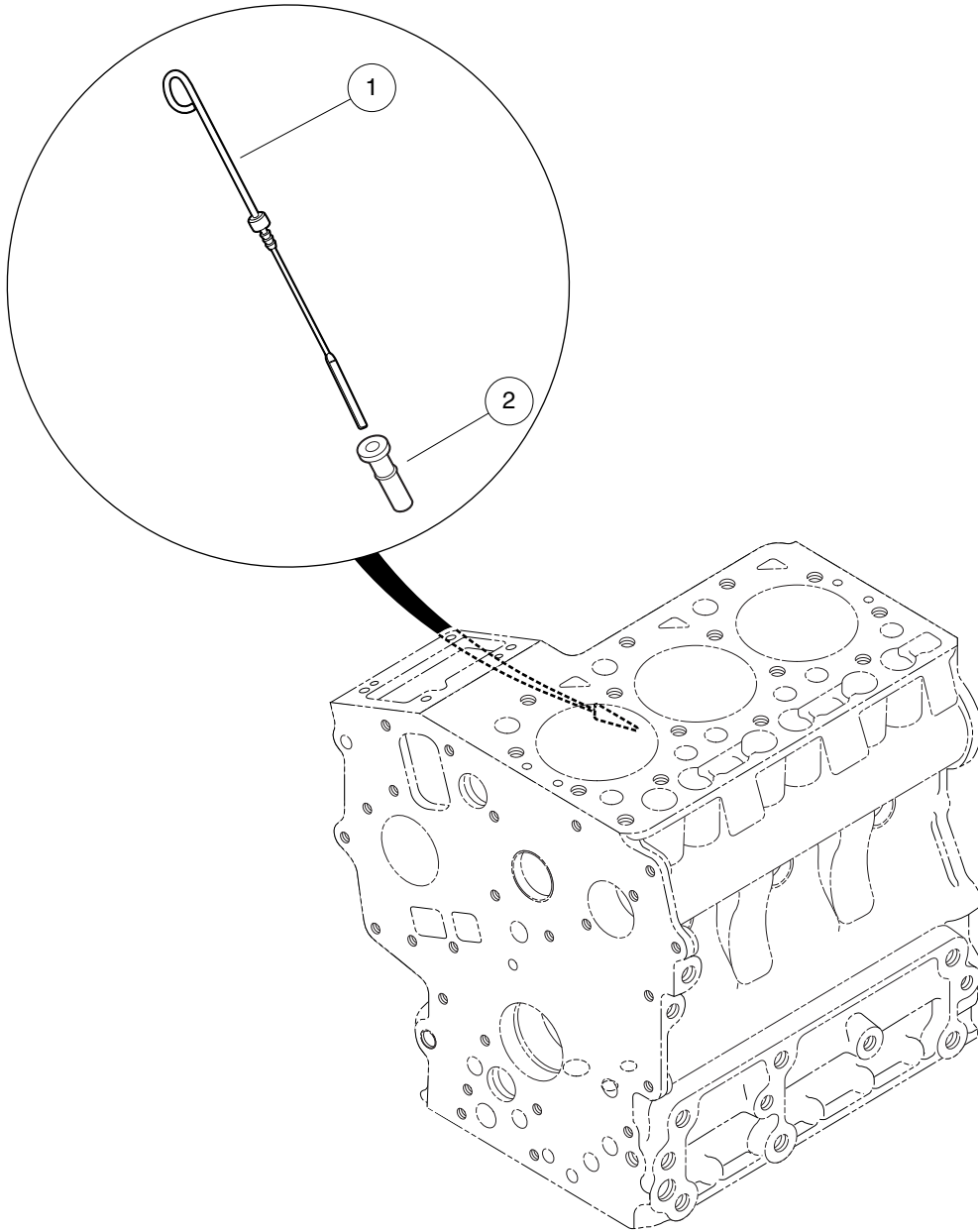
ITEM	PART NO.	DESCRIPTION	QTY
		1 2 3 4	
1	<u>102644001</u>	O Ring, 30 X 36	1
2	<u>102644101</u>	Plug, Oil Filler	1
3	<u>102798401</u>	Assembly, Cylinder Head Cover (includes items 4 through 10)	1
4	<u>102633301</u>	Pipe, Water Return, D722	1
5	<u>102798501</u>	Gasket, Cylinder Head Cover	1
6	<u>102798601</u>	Shield, Breather	1
7	<u>102799001</u>	Valve, Breather	1
8	<u>102799101</u>	Cover, Breather	1
9	<u>102799201</u>	Screw, Breather	4
10	N/A	Cover, Cylinder Head	1
11	<u>102798701</u>	Bolt, Cylinder Head Cover	4
12	<u>102798801</u>	Tube, Breather	1
13	<u>102798901</u>	Clamp, Breather Tube	2

7

D

7

D



000044-002

DIPSTICK AND GUIDE

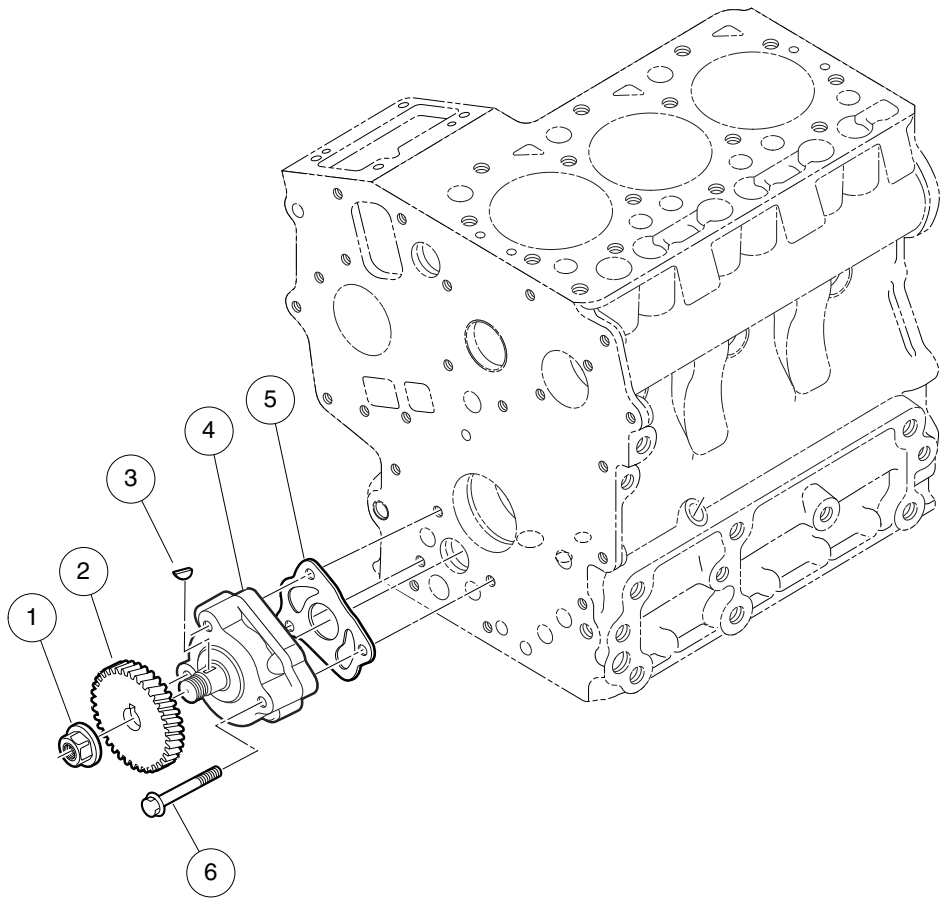
ITEM	PART NO.	DESCRIPTION	QTY
		1 2 3 4	
1	<u>102606701</u>	Gauge, Oil	1
2	<u>102727701</u>	Guide, Oil Gauge	1

7

D

7

D



000045-001

OIL PUMP

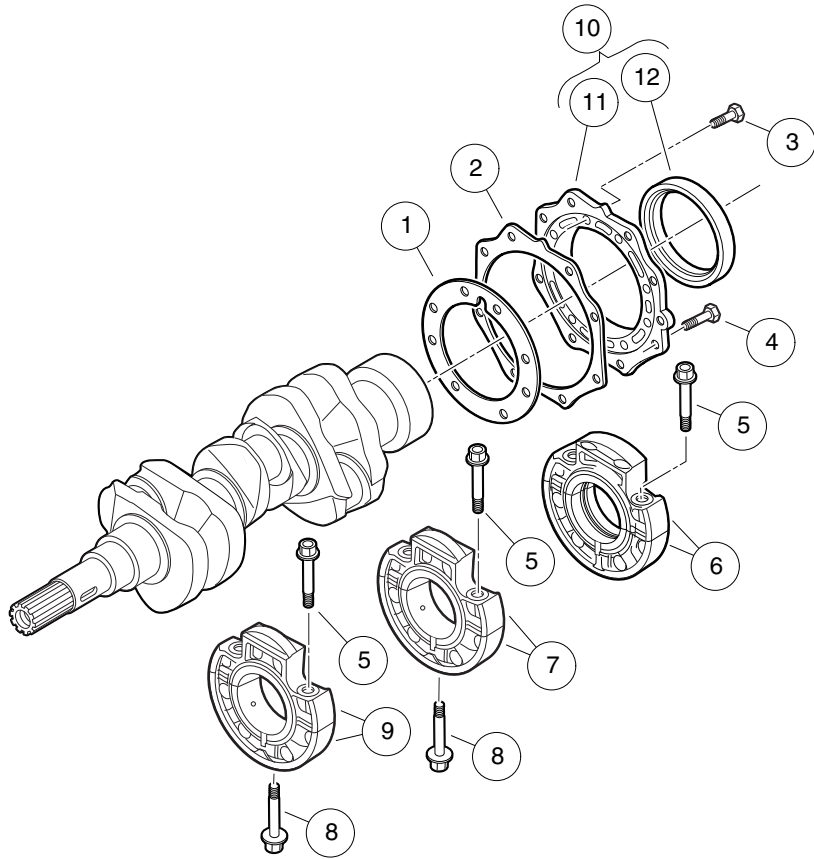
ITEM	PART NO.	DESCRIPTION	QTY
		1 2 3 4	
1	<u>102606201</u>	Nut, Flange, D722 Oil Pump	1
2	<u>102606301</u>	Gear, Oil Pump Drive	1
3	<u>102606401</u>	Key, Feather, 8x4	1
4	<u>102606501</u>	Assy, Pump, Oil	1
5	<u>102606601</u>	Gasket, Oil Pump	1
6	<u>102727901</u>	Bolt, Oil Pump	3

7

D

7

D



000046-001

MAIN BEARING CASE

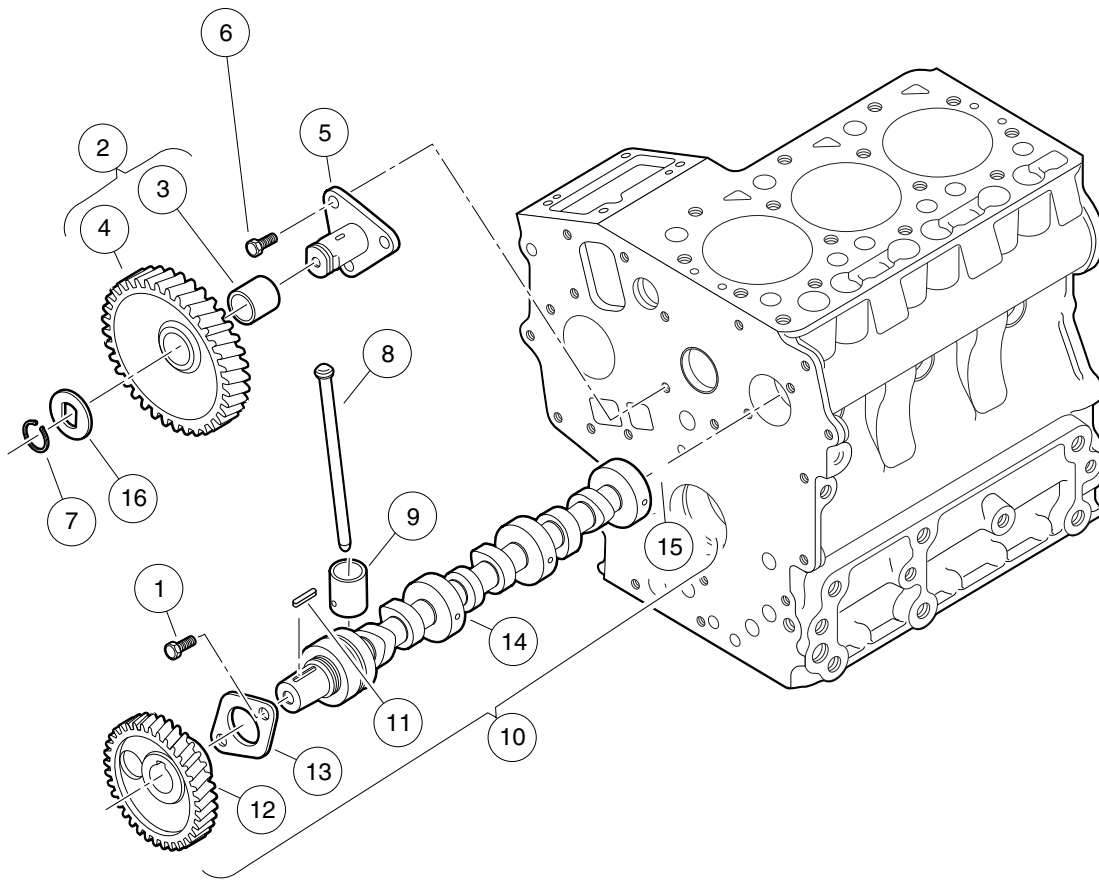
ITEM	PART NO.	DESCRIPTION	QTY
		1 2 3 4	
1	<u>102608201</u>	Gasket, Bearing Case	1
2	<u>102608301</u>	Gasket, Cover	1
3	<u>102608601</u>	Bolt, M6 X 1 X 20	8
4	<u>102608701</u>	Bolt, M6 X 1 X 22	8
5	<u>102608901</u>	Bolt, Bearing Case, Top	6
6	<u>102609101</u>	Assy Case, Main Brg, First	1
7	<u>102609301</u>	Assy Case, Main Brg, Sec	1
8	<u>102609401</u>	Bolt, Bearing Case, Bottom	2
9	<u>102609601</u>	Assy Case, Main Brg, Third	1
10	<u>102728001</u>	Assy, Cover, Bearing Case (includes items 11 and 12)	1
11	<u>102608401</u>	Cover, Bearing Case	1
12	<u>102608501</u>	Seal, Oil	1

7

D

7

D



000047-002

CAMSHAFT AND IDLE GEAR

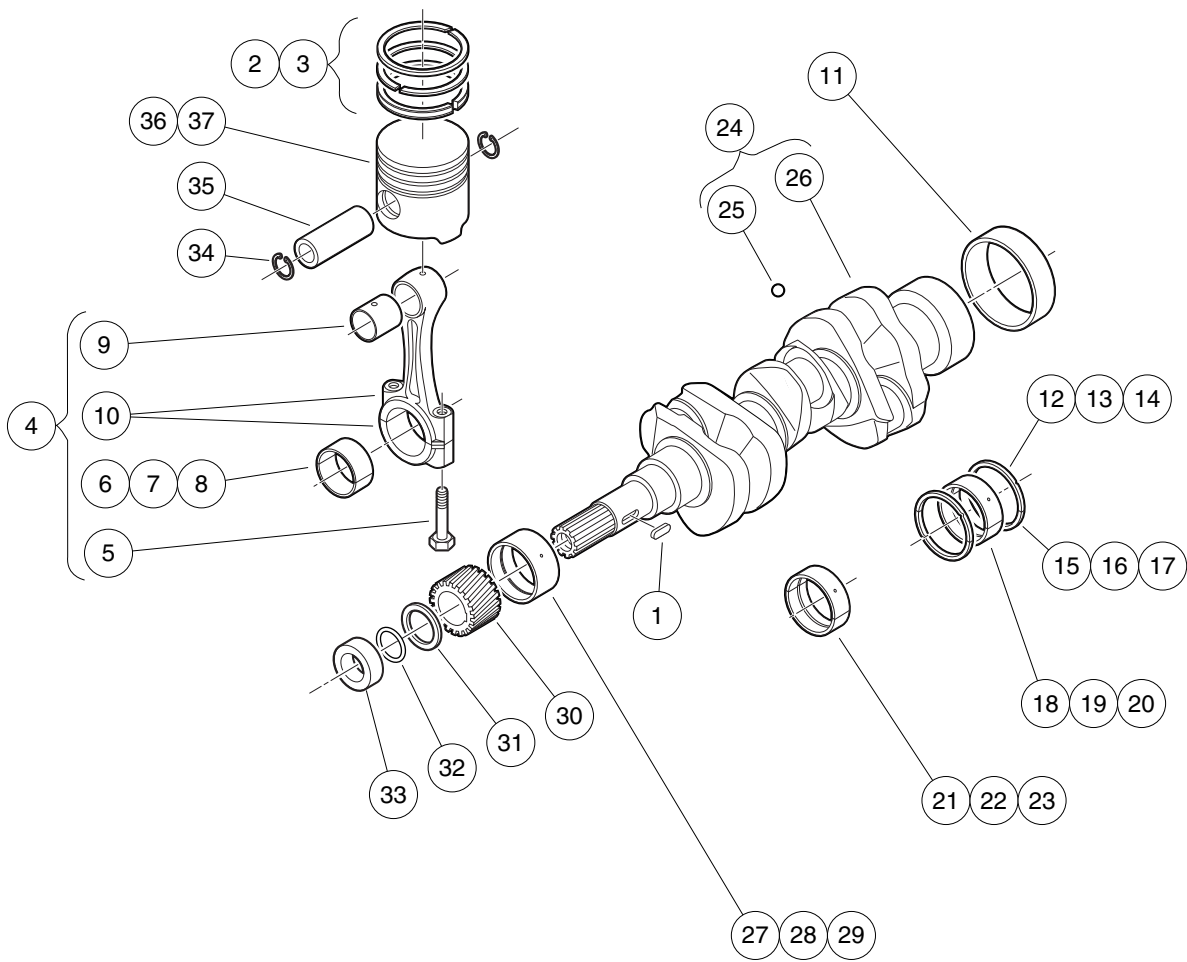
ITEM	PART NO.	DESCRIPTION	QTY
		1 2 3 4	
1	<u>102604201</u>	Bolt, D722, Cam End	2
2	<u>102604901</u>	Gear, Idle (includes items 3 and 4)	1
3	<u>102603201</u>	Bushing, D722 Idle Gear	1
4	N/A	Gear, Idle	1
5	<u>102605001</u>	Shaft, Idle Gear	1
6	<u>102605101</u>	Bolt, M6 X 1 X 14	3
7	<u>102605301</u>	Ring, Snap	1
8	102605401	Push Rod	6
9	<u>102605501</u>	Tappet	6
10	<u>102605801</u>	Assy Camshaft, Long (includes items 11 through 15)	1
11	<u>102605601</u>	Key, Feather, Long Camshaft	1
12	<u>102605901</u>	Gear, Cam	1
13	102606001	Stopper, Camshaft	1
14	N/A	Camshaft	1
15	<u>102799401</u>	Ball, Check	1
16	<u>102654401</u>	Collar, Idle Gear	1

7

D

7

D



000048-002

PISTON AND CRANKSHAFT

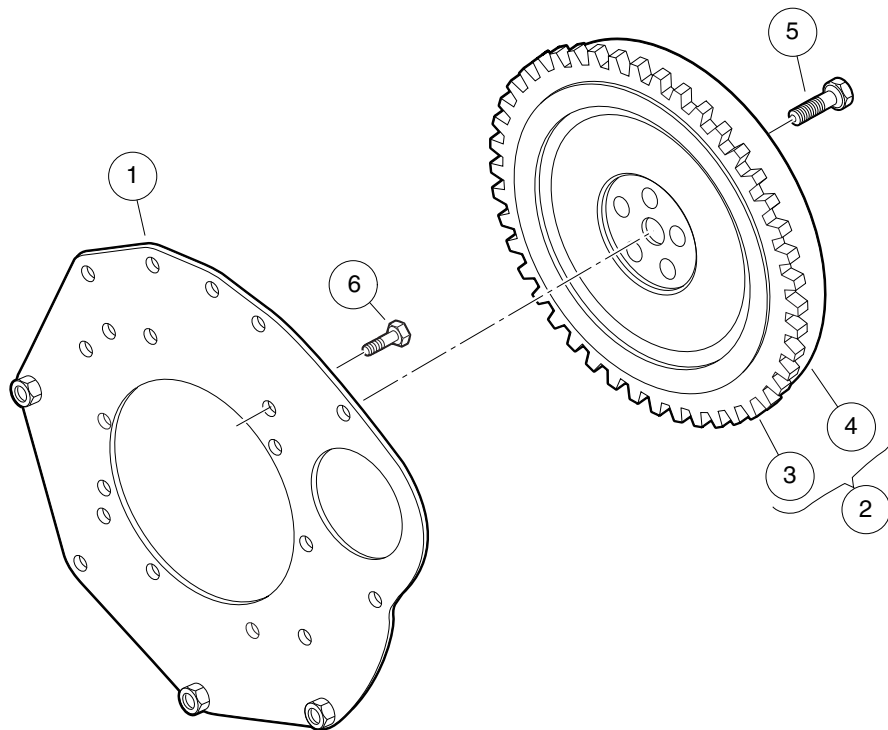
ITEM	PART NO.	DESCRIPTION	QTY
		1 2 3 4	
1	<u>102604401</u>	Key, Feather, Short Camshaft	1
2	<u>102607601</u>	Assy Piston Ring, D722 Std	3
3	<u>102607602</u>	Assy Piston Ring, D722 +.025	3
4	<u>102607801</u>	Assy, Connecting Rod (includes items 5 through 10)	3
5	<u>102607901</u>	Bolt, Connecting Rod	6
6	<u>102630701</u>	Metal, Crank, Rod, D722, Std	3
7	N/A	Metal, Crank, Rod, D722, .020	3
8	<u>102630703</u>	Metal, Crank, Rod, D722, .040	3
9	<u>102732201</u>	Bushing, Piston Pin, D722	3
10	N/A	Rod, Connecting	1
11	<u>102608101</u>	Sleeve, Crankshaft	1
12	<u>102608801</u>	Metal,crank, O Side, Std	2
13	N/A	Metal,crank, O Side, +.020	2
14	<u>102608803</u>	Metal,crank, O Side, +.040	2
15	<u>102608804</u>	Metal,crank, I Side, Std	2
16	N/A	Metal,crank, I Side, +.020	2
17	<u>102608806</u>	Metal,crank, I Side, +.040	2
18	<u>102609001</u>	Metal, Crank, Main, Rear Std	1
19	N/A	Metal, Crank, Main, Rear -.020	1
20	<u>102609003</u>	Metal, Crank, Main, Rear -.040	1
21	<u>102609801</u>	Metal, Crank, Main, Mid Std	4
22	N/A	Metal, Crank, Main, Mid +.020	2
23	<u>102609803</u>	Metal, Crank, Main, Mid +.040	2
24	<u>102610001</u>	Crankshaft (includes items 25 and 26)	1
25	<u>102608001</u>	Ball, Crankshaft	3
26	N/A	Crankshaft	1
27	<u>102630001</u>	Metal, Crank, D722, Frnt, Std	1
28	N/A	Metal, Crank, 722, Frnt, -.020	1
29	<u>102630003</u>	Metal, Crank, 722, Frnt, -.040	1
30	<u>102630101</u>	Gear, Crank	1
31	<u>102630201</u>	Slinger, Oil	1
32	<u>102630301</u>	O Ring, 23 X 26	1
33	<u>102630401</u>	Collar, Crankshaft	1
34	<u>102630901</u>	Circlip, Piston Pin	6
35	<u>102631001</u>	Pin, Piston	3
36	<u>102728101</u>	Piston, D722, Std	3
37	<u>102728102</u>	Piston, D722, +0.25	3

7

D

7

D



000049-001

FLYWHEEL

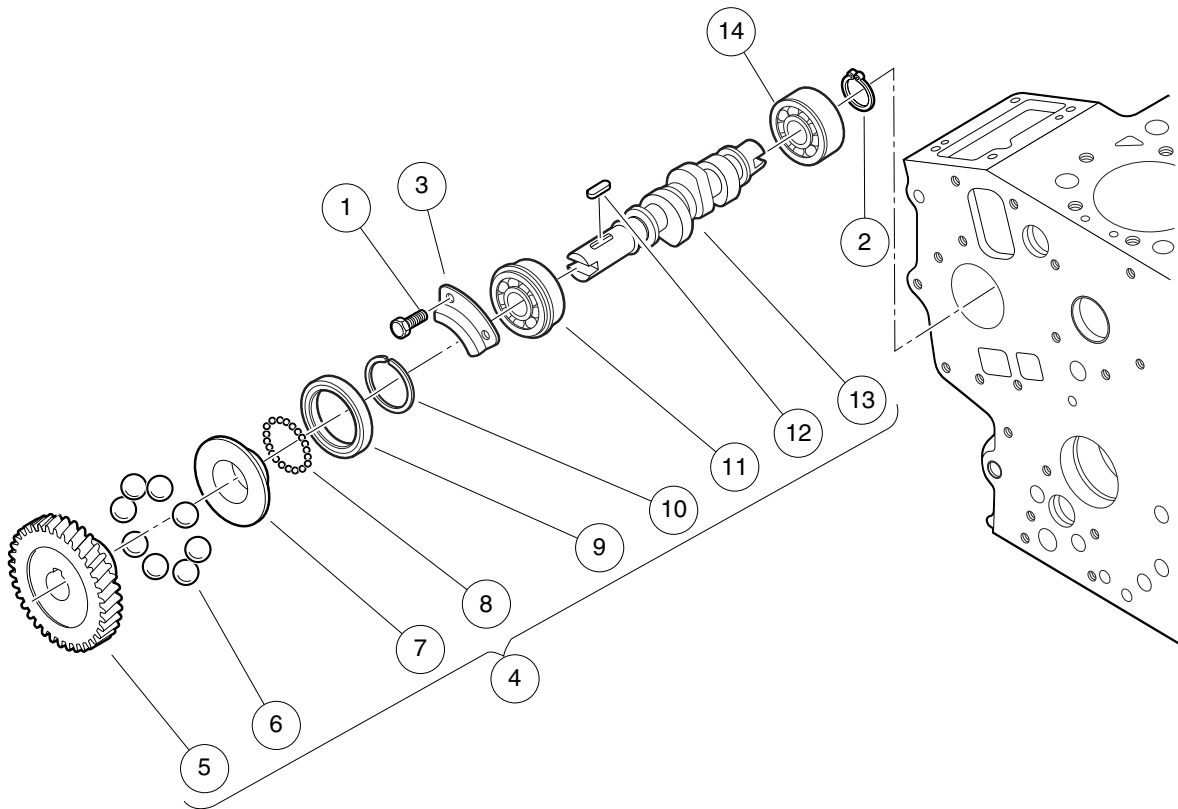
ITEM	PART NO.	DESCRIPTION	QTY
		1 2 3 4	
1	<u>102647501</u>	Plate, Rear End	1
2	<u>102647801</u>	Flywheel (includes items 3 and 4)	1
3	<u>102647901</u>	Gear, Ring, D722	1
4	N/A	Flywheel	1
5	<u>102648001</u>	Bolt, Flange Head, M10 X 1.5 X 25	5
6	<u>102728301</u>	Bolt, End Plate	10

7

D

7

D



000050-001

SHAFT

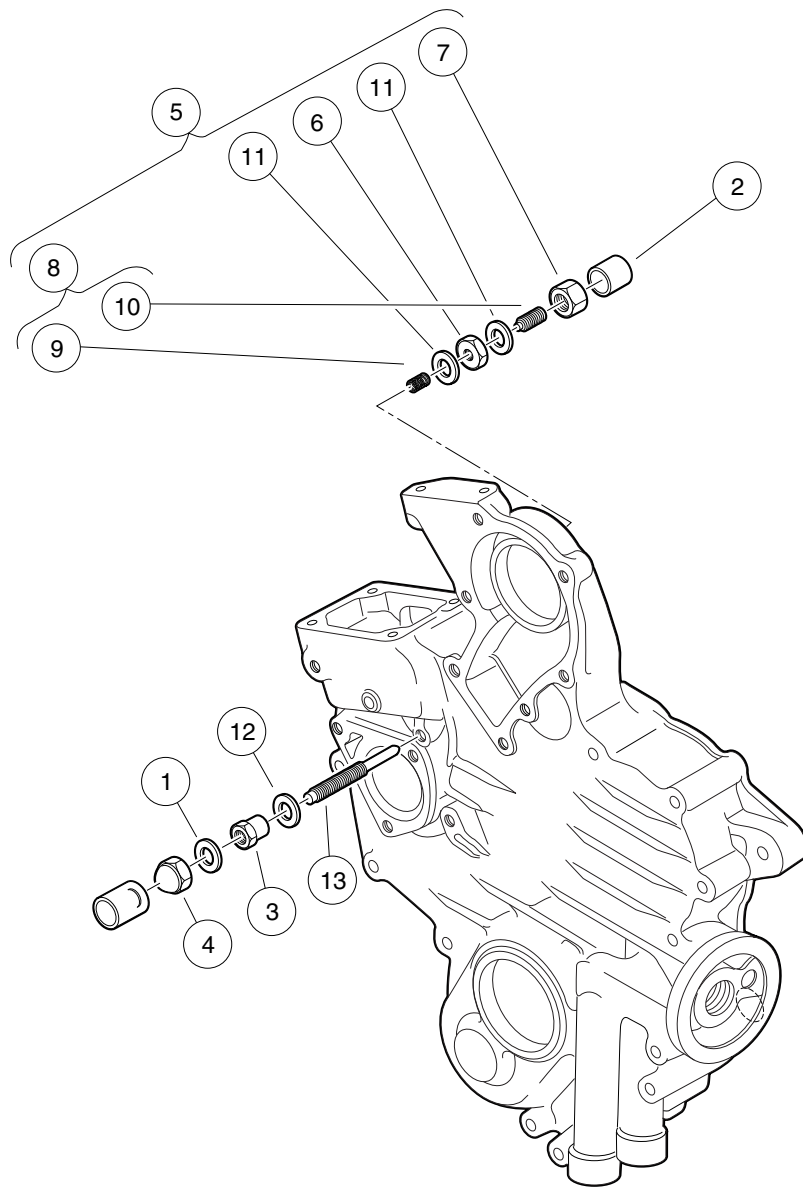
7

ITEM	PART NO.	DESCRIPTION	QTY
		1 2 3 4	
1	<u>102604201</u>	Bolt, D722, Cam End	2
2	<u>102604701</u>	Circlip, External	1
3	N/A	Stopper, Fuel, C/shaft	1
4	<u>102728401</u>	Assy, Fuel Camshaft (includes items 5 through 13)	1
5	<u>102603601</u>	Gear, Injection Pump	1
6	<u>102603701</u>	Ball, Injection Pump	8
7	<u>102603801</u>	Sleeve, Governor	1
8	<u>102603901</u>	Ball, Governor	32
9	<u>102604001</u>	Case, Governor Ball	1
10	<u>102604101</u>	Circlip	1
11	<u>102604301</u>	Bearing, Ball	1
12	<u>102604401</u>	Key, Feather, Short Camshaft	1
13	<u>102604501</u>	Camshaft, Fuel, Short	1
14	<u>102728501</u>	Bearing, Ball	1

D

7

D



000051-002

IDLE APPARATUS

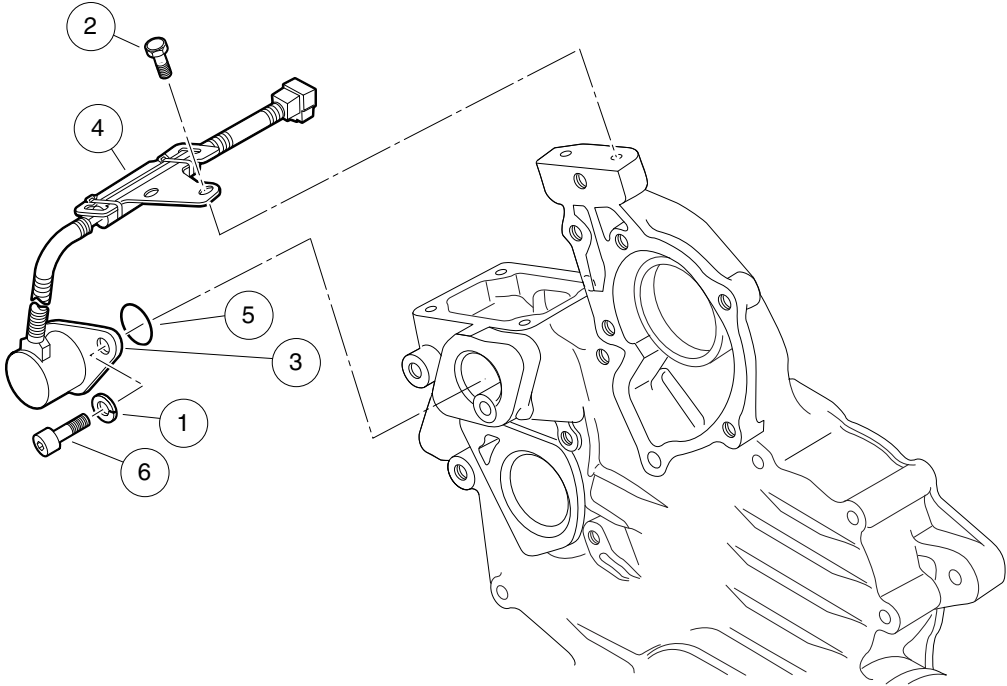
7

ITEM	PART NO.	DESCRIPTION	QTY
		1 2 3 4	
1	<u>102635301</u>	Gasket, 6 X 10	1
2	<u>102635701</u>	Cap, Bolt Assy	1
3	<u>102637001</u>	Nut, Lock, Special	1
4	<u>102637101</u>	Nut, Special	1
5	<u>102728601</u>	Assy, Idle Apparatus (includes items 6 through 11)	1
6	<u>102635501</u>	Nut, M8, D722 Idle App, Specl	1
7	<u>102635801</u>	Nut, M8, D722 Idle App	1
8	<u>102635901</u>	Assy, Bolt, Adjusting (includes items 9 and 10)	1
9	<u>102728701</u>	Spring, Idle Apparatus	1
10	N/A	Stud, Idle Adjustment	1
11	<u>102728801</u>	Gasket, Idle Apparatus, Rear	2
12	<u>102728901</u>	Gasket, Idle Apparatus, Front	1
13	<u>102799501</u>	Bolt, Idle Adjusting	1

D

7

D



000182-001

STOP SOLENOID

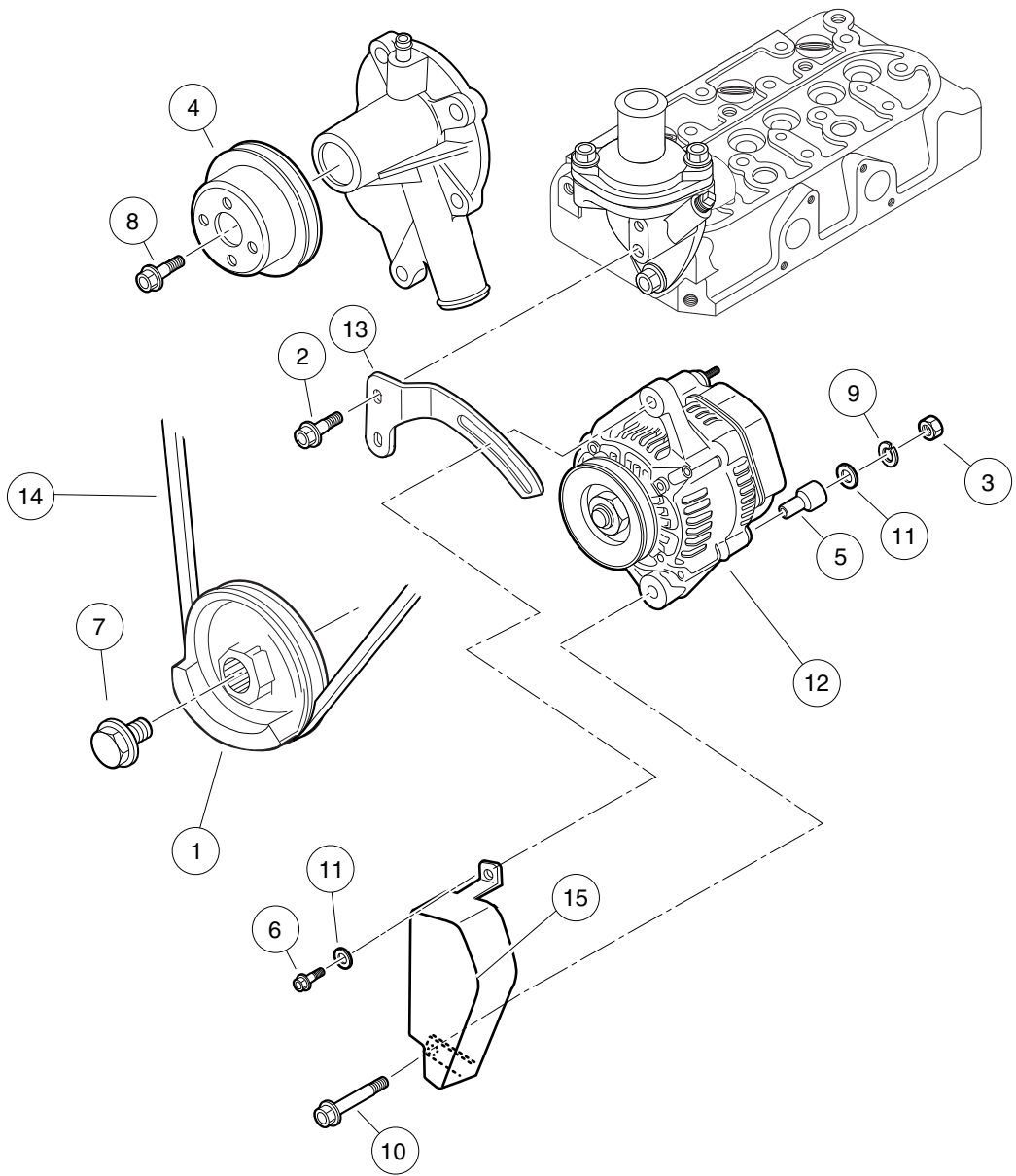
ITEM	PART NO.	DESCRIPTION	QTY
		1 2 3 4	
1	<u>102640601</u>	Washer, Spring, M6, D722	2
2	<u>102729101</u>	Bolt, Solenoid, Stop, D722	2
3	<u>102799601</u>	Solenoid, Stop	1
4	<u>102799701</u>	Stay, Stop Solenoid	1
5	<u>102799801</u>	O-Ring, Stop Solenoid	1
6	N/A	Bolt, Stop Solenoid	2

7

D

7

D



000057-003

60-AMP ALTERNATOR

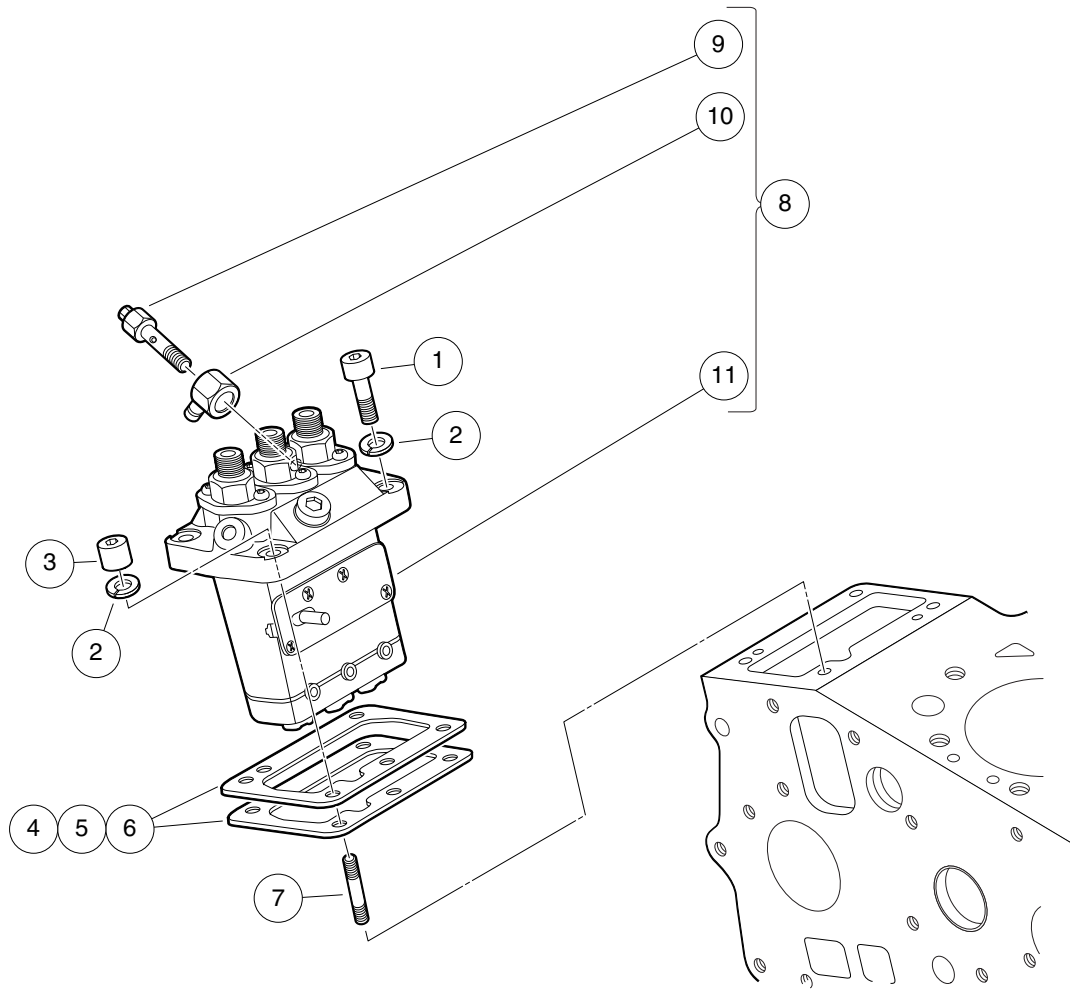
ITEM	PART NO.	DESCRIPTION	QTY
		1 2 3 4	
1	<u>102630601</u>	Pulley, Fan Drive	1
2	<u>102631601</u>	Bolt, M6 X 1 X 20	2
3	<u>102647701</u>	Nut, M8, Plate	1
4	<u>102701201</u>	Pulley, Water Pump	1
5	<u>102730201</u>	Collar, Alternator Assy, D722	1
6	<u>102730401</u>	Bolt, Alt, D722, Adjuster	1
7	<u>102730601</u>	Bolt, Alt, D722, Drive Pulley	1
8	<u>102731301</u>	Bolt, D722, Drive Pulley	4
9	<u>102732501</u>	Washer, Spring, D722, Starter	1
10	<u>102800701</u>	Bolt, Alternator, Lower	1
11	<u>102801001</u>	Washer, Alternator, Upper	2
12	<u>102934701</u>	Alternator, 60 Amp	1
13	<u>102934801</u>	Brkt, Alt, D722, 60 Amp	1
14	<u>102934901</u>	Belt, Acc Drive, D722, 60 Amp	1
15	<u>103239901</u>	Guard, Acc Belt	1

7

D

7

D



000053-002

INJECTION PUMP

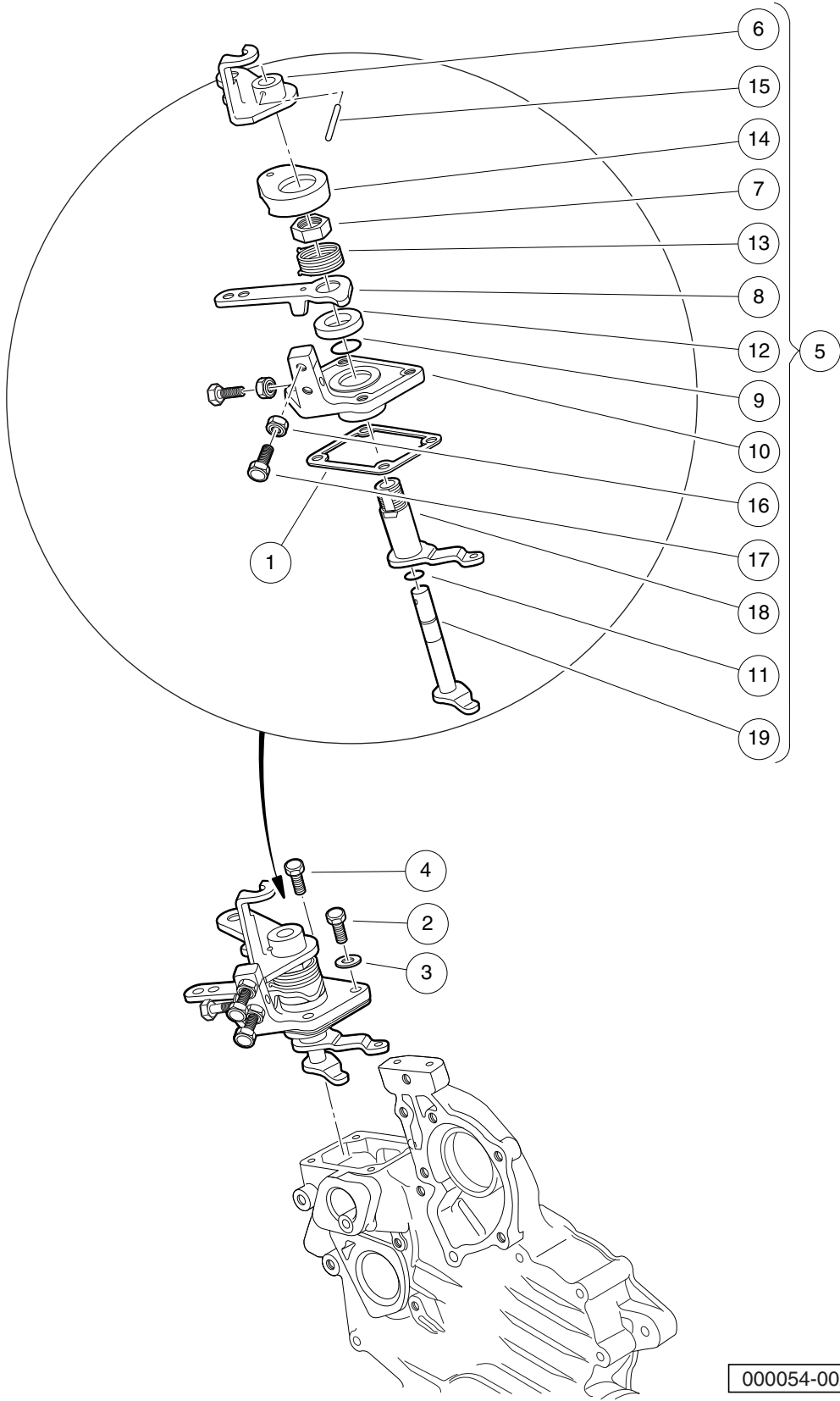
ITEM	PART NO.	DESCRIPTION	QTY
		1 2 3 4	
1	<u>102640501</u>	Bolt, Hex-Head, M5 X 0.75 X	2
2	<u>102640601</u>	Washer, Spring, M6, D722	4
3	<u>102640701</u>	Nut, Special	2
4	<u>102640901</u>	Shim, Injection Pump, 0.20 mm	1
5	<u>102641001</u>	Shim, Injection Pump, 0.25 mm	1
6	<u>102641101</u>	Shim, Injection Pump, 0.30 mm	1
7	<u>102641201</u>	Stud, M5 X 25	2
8	<u>102800101</u>	Assembly, Fuel Injection Pump (includes items 9 through 11)	1
9	<u>102637701</u>	Screw, Hollow, D722, Inj Pump	1
10	<u>102640401</u>	Joint, Eye	1
11	N/A	Pump, Injection	1

7

D

7

D



SPEED CONTROL PLATE

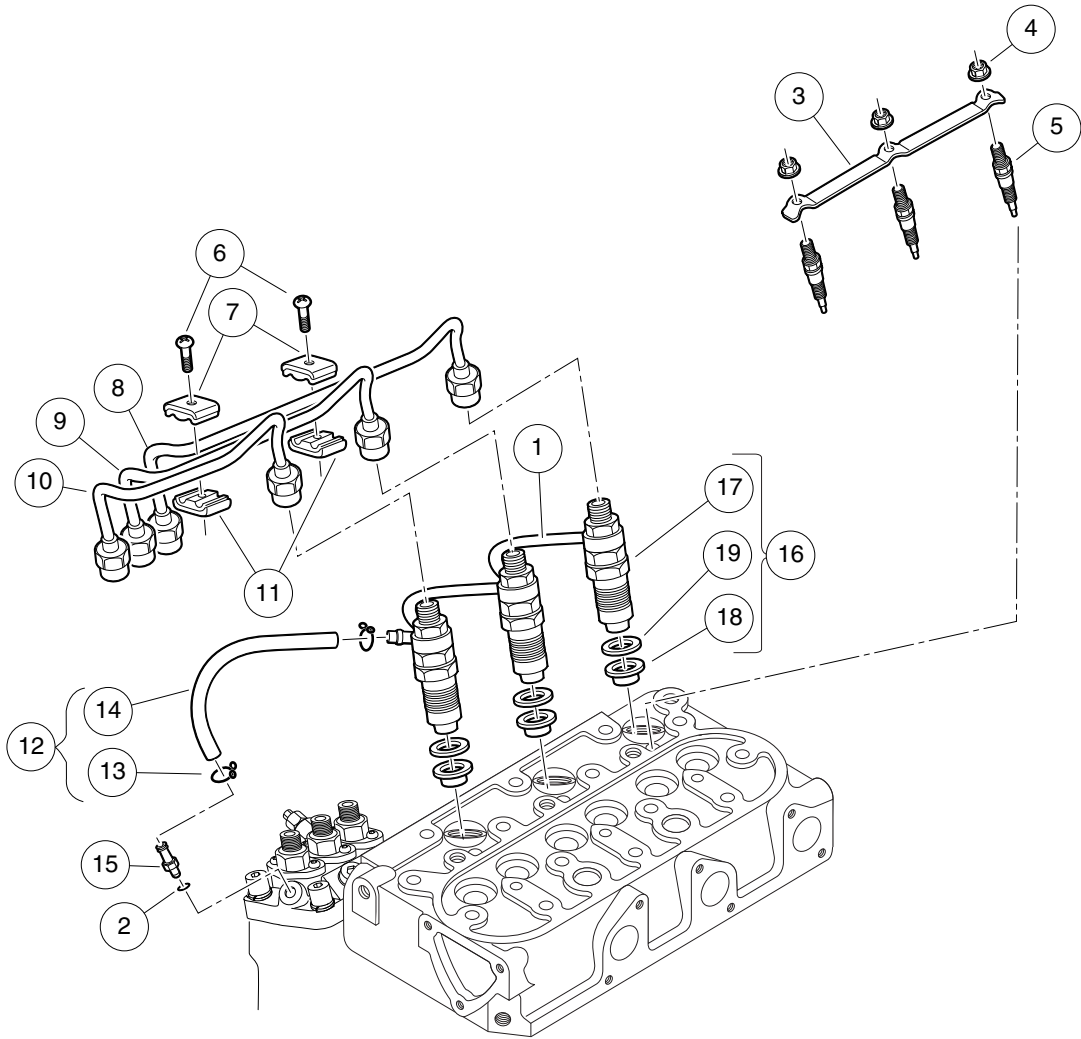
ITEM	PART NO.	DESCRIPTION	QTY
		1 2 3 4	
1	<u>102634501</u>	Gasket, Control Plate	1
2	<u>102635201</u>	Bolt, M6 X 1 X 30	2
3	<u>102635301</u>	Gasket, 6 X 10	2
4	<u>102654301</u>	Bolt, D722 Intake Manfld Lower	2
5	<u>102800401</u>	Assembly, Speed Plate (includes items 6 through 19)	1
6	<u>102633701</u>	Lever, Engine Stop	1
7	<u>102633801</u>	Nut, Speed Control	1
8	<u>102633901</u>	Lever, Speed Control	1
9	<u>102634001</u>	O Ring, 19 X 16	1
10	<u>102634101</u>	Plate, Speed Control	1
11	<u>102634401</u>	O Ring, 9 X 7	1
12	<u>102634601</u>	Collar, Lever	1
13	<u>102634701</u>	Spring, Return	1
14	<u>102729401</u>	Cap, Speed Cntrl Plate Rtrn	1
15	<u>102729501</u>	Pin, Spring, Speed Plate	1
16	N/A	Nut, Speed Control	2
17	N/A	Bolt, Speed Control	2
18	<u>102800501</u>	Lever, Governor	1
19	<u>102800601</u>	Shaft, Governor Lever	1

7

D

7

D



000055-001

NOZZLE HOLDERS AND GLOW PLUGS

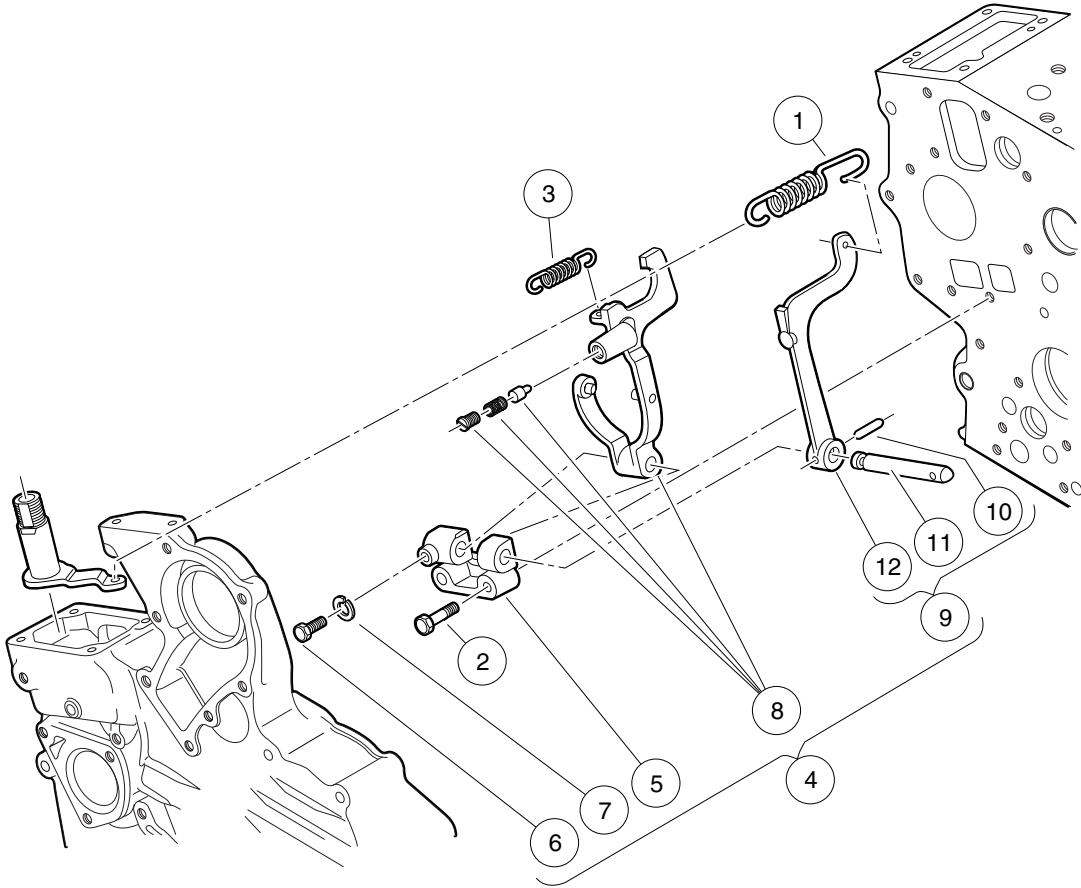
ITEM	PART NO.	DESCRIPTION	QTY
		1 2 3 4	
1	<u>102605701</u>	Assy Pipe, D722 Fuel Over Flow	1
2	<u>102635301</u>	Gasket, 6 X 10	1
3	<u>102642401</u>	Cord, Glow Plug	1
4	<u>102642501</u>	Nut, Flange,m4	3
5	<u>102642601</u>	Glow Plug	3
6	<u>102642801</u>	Screw, Washer	2
7	<u>102642901</u>	Clamp, Pipe, Top	2
8	<u>102643001</u>	Pipe, Injection, Left	1
9	<u>102643101</u>	Pipe, Injection, Right	1
10	<u>102643201</u>	Pipe, Injection, Middle	1
11	<u>102643301</u>	Clamp, Pipe, Bottom	2
12	<u>102643401</u>	Assy Pipe, Over Flow (includes items 13 and 14)	1
13	<u>102729601</u>	Clip, Pipe, Return	2
14	N/A	Hose, Overflow	1
15	<u>102643701</u>	Screw, Air Bleeder	1
16	<u>102729701</u>	Kit, Holder, Nozzle (includes items 17 through 19)	3
17	<u>102641501</u>	Assembly, Nozzle Holder	3
18	<u>102642701</u>	Seal, Heat	3
19	<u>102643601</u>	Gasket, Nozzle	3

7

D

7

D



000056-002

GOVERNOR COMPONENTS

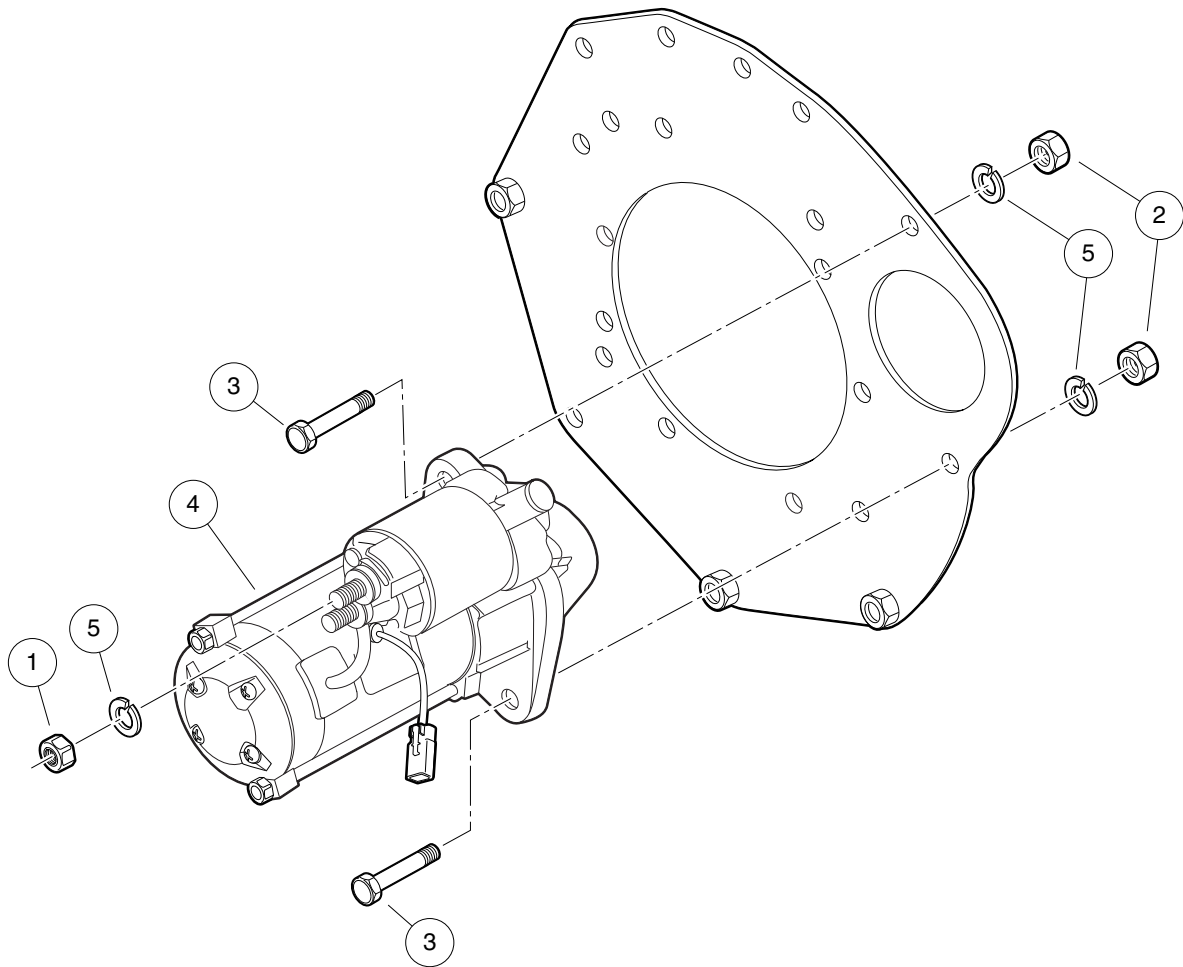
ITEM	PART NO.	DESCRIPTION	QTY
		1 2 3 4	
1	<u>102635101</u>	Spring, Governor	1
2	<u>102636301</u>	Bolt, M5 X 0.75 X 25	2
3	<u>102800201</u>	Spring, Start	1
4	<u>102800301</u>	Assembly, Governor Fork (includes items 5 through 9)	1
5	<u>102636201</u>	Holder, Fork Lever	1
6	<u>102636401</u>	Bolt, M5 X 0.75 X 11	1
7	<u>102636501</u>	Washer, Spring, M5	1
8	N/A	Lever, Fork, Middle, D722 CB	1
9	N/A	Assembly, Governor Fork Level, Lower, D722 CB (includes items 10 through 12)	1
10	<u>102633601</u>	Pin, Spring	1
11	<u>102636601</u>	Shaft, Fork Lever	1
12	N/A	Lever, Fork, End, D722 CB	1

7

D

7

D



000058-001

STARTER

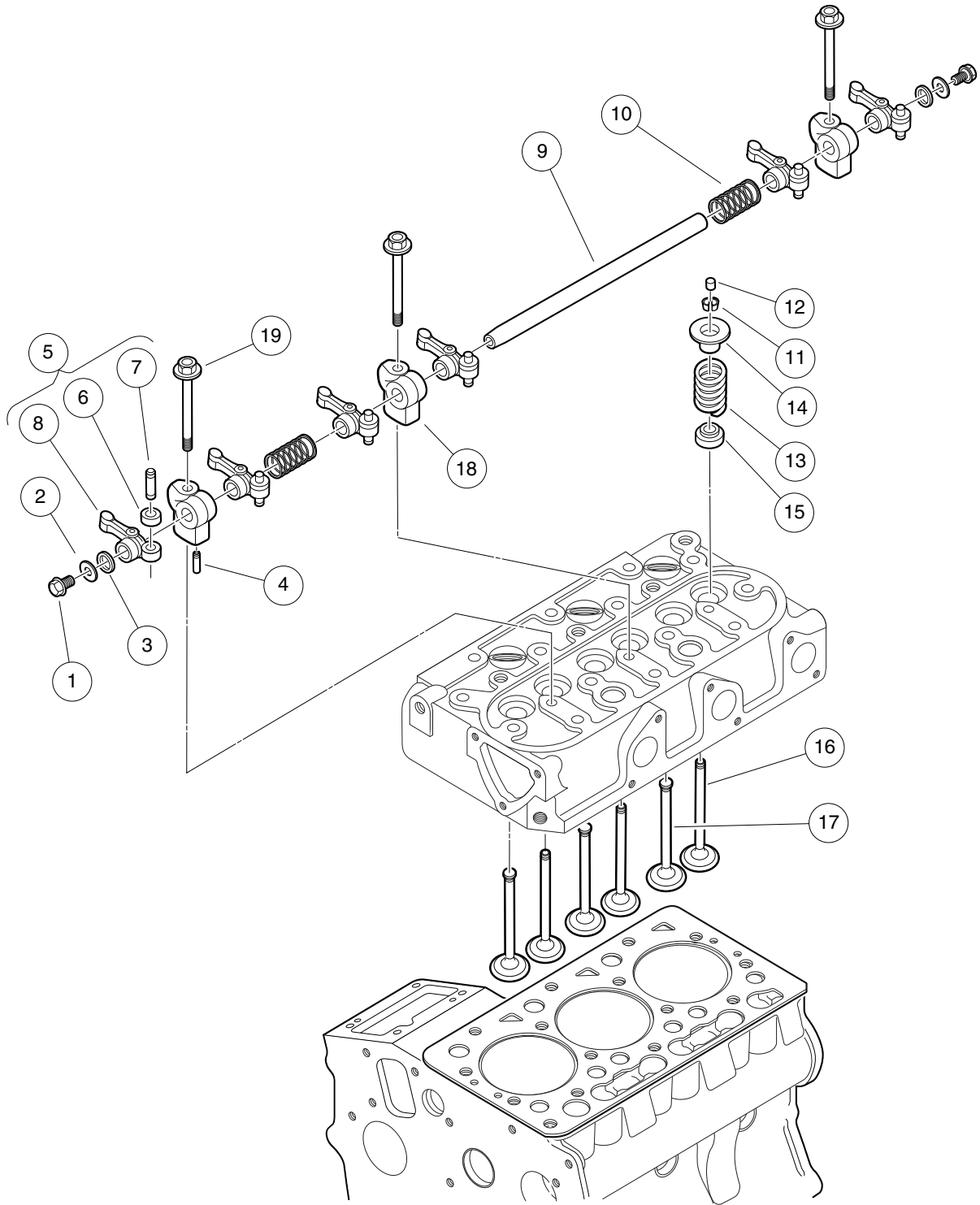
ITEM	PART NO.	DESCRIPTION	QTY
		1 2 3 4	
1	<u>102645501</u>	Nut, D722, Starter	2
2	<u>102647701</u>	Nut, M8, Plate	2
3	<u>102648401</u>	Bolt, M8 X 1.25 X 28	2
4	<u>102648501</u>	Motor, Starter	1
5	<u>102732501</u>	Washer, Spring, D722, Starter	4

7

D

7

D



000062-002

VALVES AND ROCKER ARMS

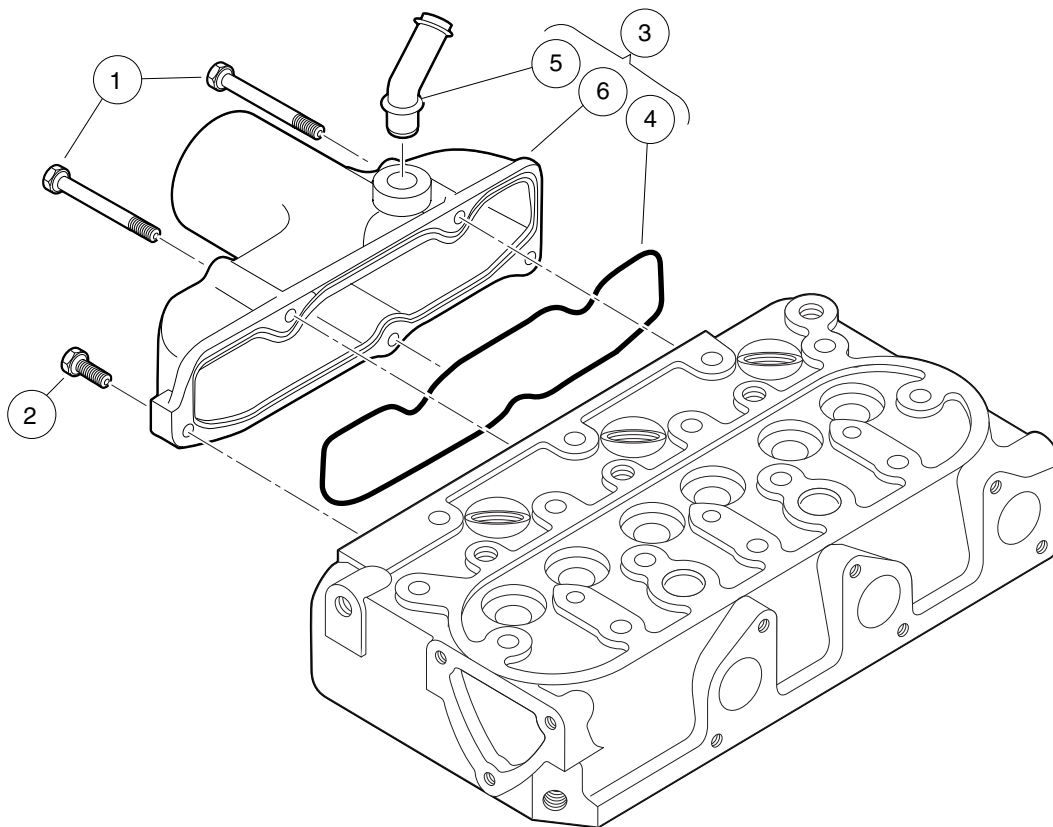
ITEM	PART NO.	DESCRIPTION	QTY
		1 2 3 4	
1	<u>102646401</u>	Bolt, M6 X 1 X 8	2
2	<u>102651301</u>	Washer, D722, Plain, Rocker	2
3	<u>102651601</u>	Washer, Rocker Arm	2
4	<u>102651801</u>	Pin, Spring, D722, Rocker	1
5	<u>102652001</u>	Assy Rocker Arm (includes items 6 through 8)	6
6	<u>102651501</u>	Nut, M6	6
7	<u>102651701</u>	Screw-Adjusting	6
8	N/A	Arm, Rocker	1
9	<u>102652601</u>	Shaft, Rocker Arm	1
10	<u>102652701</u>	Spring, Rocker Arm	2
11	<u>102652901</u>	Collet, Valve Spring, Set	6
12	<u>102653001</u>	Cap, Valve, D722	6
13	<u>102653101</u>	Spring, Valve	6
14	<u>102653201</u>	Retainer, Spring	6
15	<u>102653301</u>	Seal, Valve Stem	6
16	<u>102653601</u>	Valve, Exhaust	3
17	<u>102653701</u>	Valve, Inlet	3
18	<u>102801101</u>	Bracket, Rocker Arm, D722 Closed-Breather	3
19	<u>102801201</u>	Bolt, Rocker Arm	3

7

D

7

D



000063-002

DIESEL INLET MANIFOLD

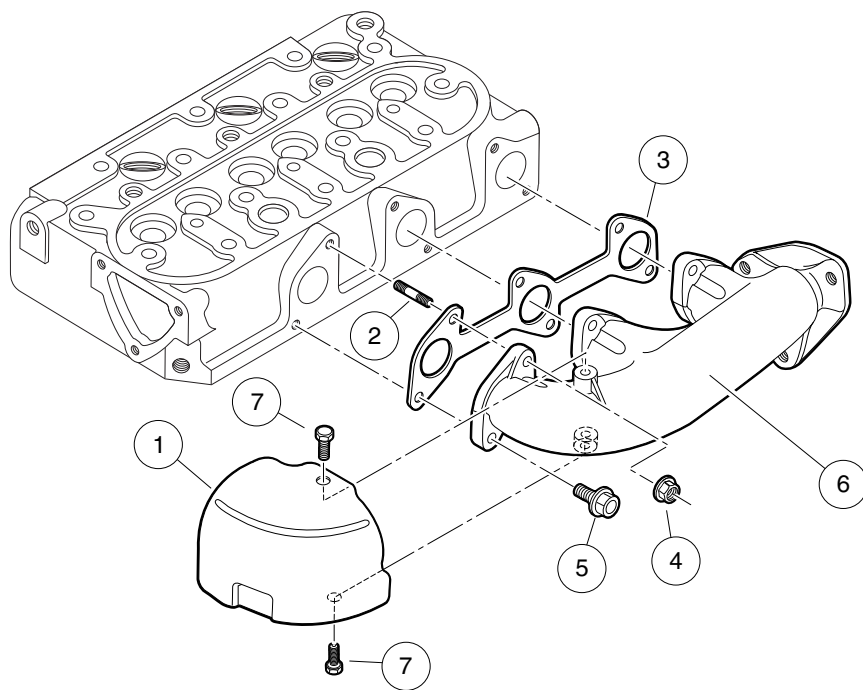
ITEM	PART NO.	DESCRIPTION	QTY
		1 2 3 4	
1	<u>102646101</u>	Bolt, M6 X 1 X 45	3
2	<u>102654301</u>	Bolt, D722 Intake Manfld Lower	2
3	<u>102801301</u>	Assembly, Intake Manifold (includes items 4 through 6)	1
4	<u>102646001</u>	Gasket, Intake Manifold	1
5	<u>102801401</u>	Pipe, Breather	1
6	<u>102801501</u>	Manifold, Intake	1

7

D

7

D



000064-001

EXHAUST MANIFOLD

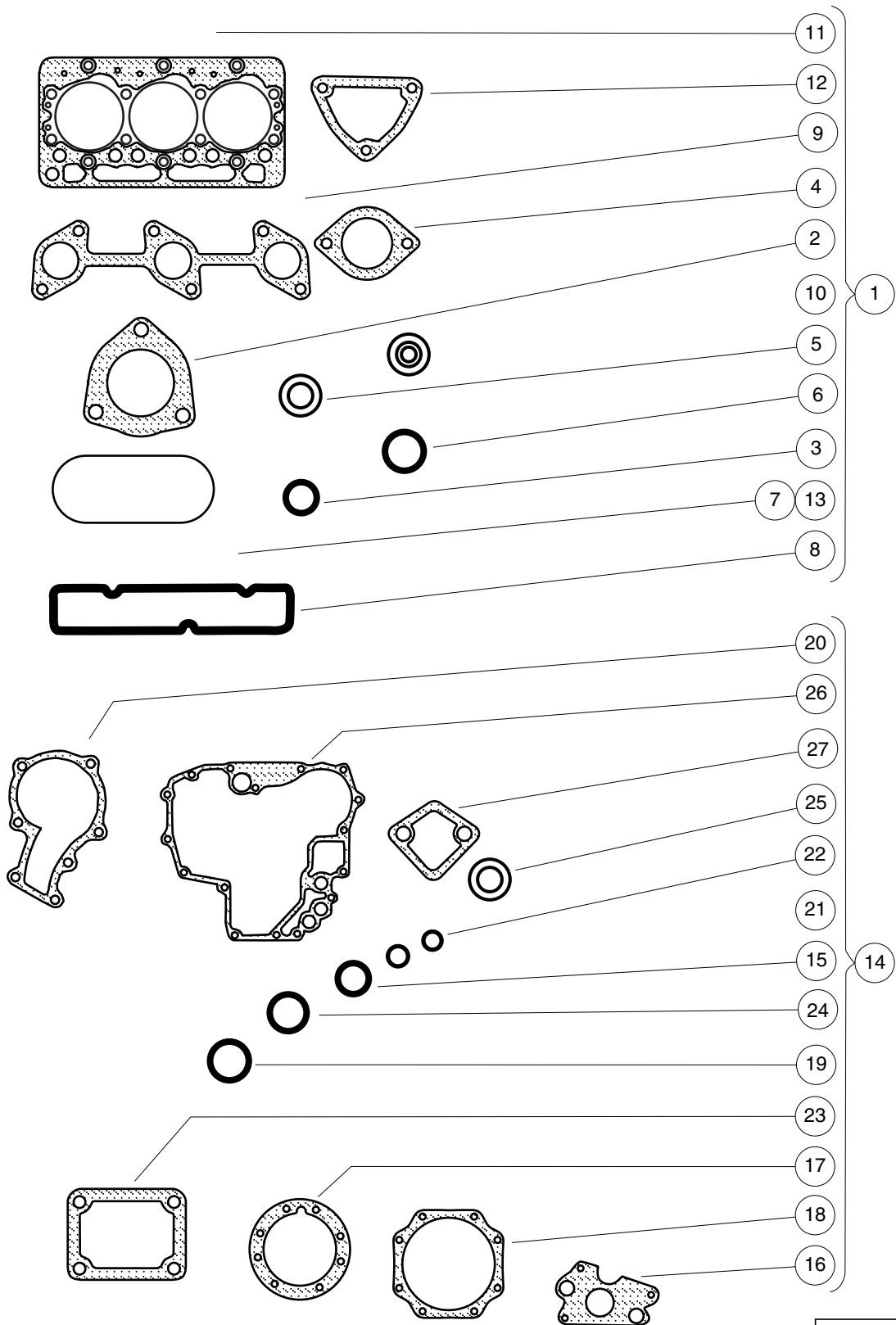
ITEM	PART NO.	DESCRIPTION	QTY
		1 2 3 4	
1	<u>102646301</u>	Cover, Heat Proof	1
2	<u>102646501</u>	Stud, M6 X 26	3
3	<u>102646601</u>	Gasket, Ex-manifold	1
4	<u>102647101</u>	Nut, Flange, M6, Ubs	3
5	<u>102647201</u>	Bolt, Flange Head, M6 X 1 X 16	3
6	<u>102731501</u>	Manifold, Exhaust, D722	1
7	<u>102731601</u>	Bolt, D722, Exhst Manfld Cover	2

7

D

7

D



000065-001

GASKET KITS

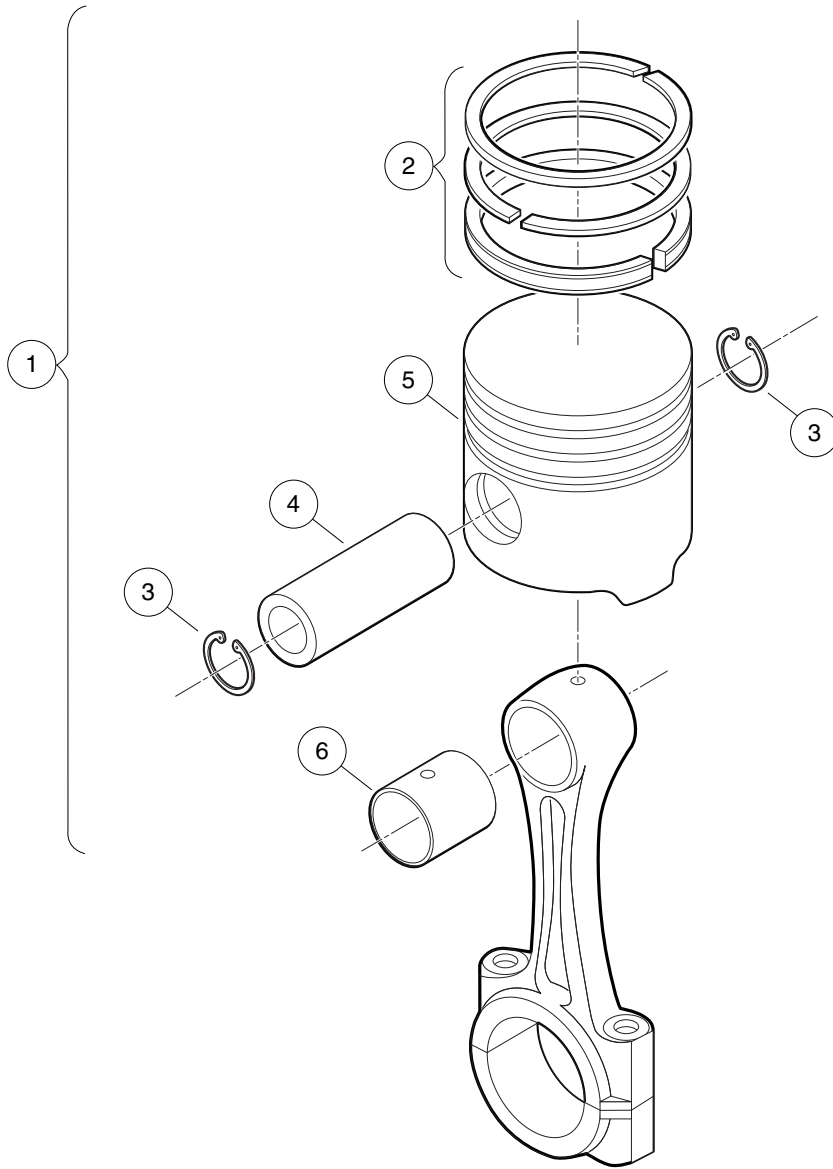
ITEM	PART NO.	DESCRIPTION	QTY
		1 2 3 4	
1	<u>102731801</u>	Kit, Gasket Upper, D722 (includes items 2 through 13)	1
2	<u>102422301</u>	Gasket, Exhaust Diesel	1
3	<u>102600301</u>	O Ring, 8 X 7	1
4	<u>102633401</u>	Gasket, Thermostat	1
5	<u>102635301</u>	Gasket, 6 X 10	3
6	<u>102644001</u>	O Ring, 30 X 36	1
7	<u>102644501</u>	Gasket, Head Cover	1
8	<u>102646001</u>	Gasket, Intake Manifold	1
9	<u>102646601</u>	Gasket, Ex-manifold	1
10	<u>102653301</u>	Seal, Valve Stem	6
11	<u>102654101</u>	Gasket, Cylinder Head	1
12	<u>102654701</u>	Gasket, Water Flange	1
13	<u>102798501</u>	Gasket, Cylinder Head Cover	1
14	<u>102731901</u>	Kit, Gasket Lower, D722 (includes items 15 through 27)	1
15	<u>102601801</u>	O Ring, 18 X 13	3
16	<u>102606601</u>	Gasket, Oil Pump	1
17	<u>102608201</u>	Gasket, Bearing Case	1
18	<u>102608301</u>	Gasket, Cover	1
19	<u>102630301</u>	O Ring, 23 X 26	1
20	<u>102632701</u>	Gasket, Water Pump, D722	1
21	<u>102634001</u>	O Ring, 19 X 16	1
22	<u>102634401</u>	O Ring, 9 X 7	1
23	<u>102634501</u>	Gasket, Control Plate	1
24	<u>102654601</u>	O Ring, 20 X 17	1
25	<u>102728801</u>	Gasket, Idle Apparatus, Rear	2
26	<u>102729301</u>	Gasket, Gearcase, D722	1
27	<u>102732601</u>	Gasket, Fuel Pump, D722	1

7

D

7

D



000066-001

PISTON KIT

7

ITEM	PART NO.	DESCRIPTION	QTY
		1 2 3 4	
1	<u>102732001</u>	Kit, Piston Rebuild, D722 (includes items 2 through 6)	1
2	<u>102607601</u>	Assy Piston Ring, D722 Std	1
3	<u>102630901</u>	Circlip, Piston Pin	2
4	<u>102631001</u>	Pin, Piston	1
5	<u>102728101</u>	Piston, D722, Std	1
6	<u>102732201</u>	Bushing, Piston Pin, D722	1

D

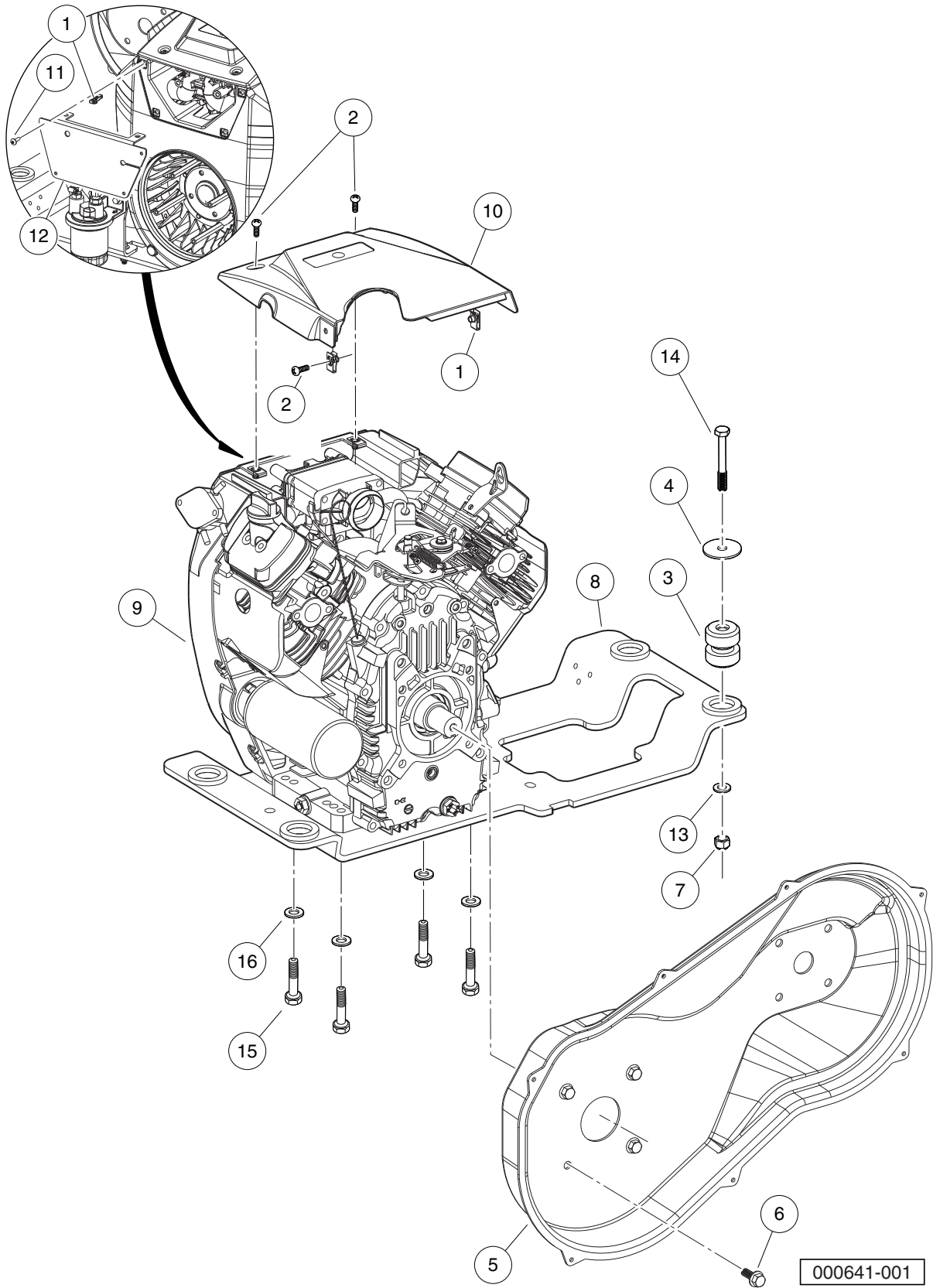
7

D

KAWASAKI FH680D GASOLINE ENGINE

8

G



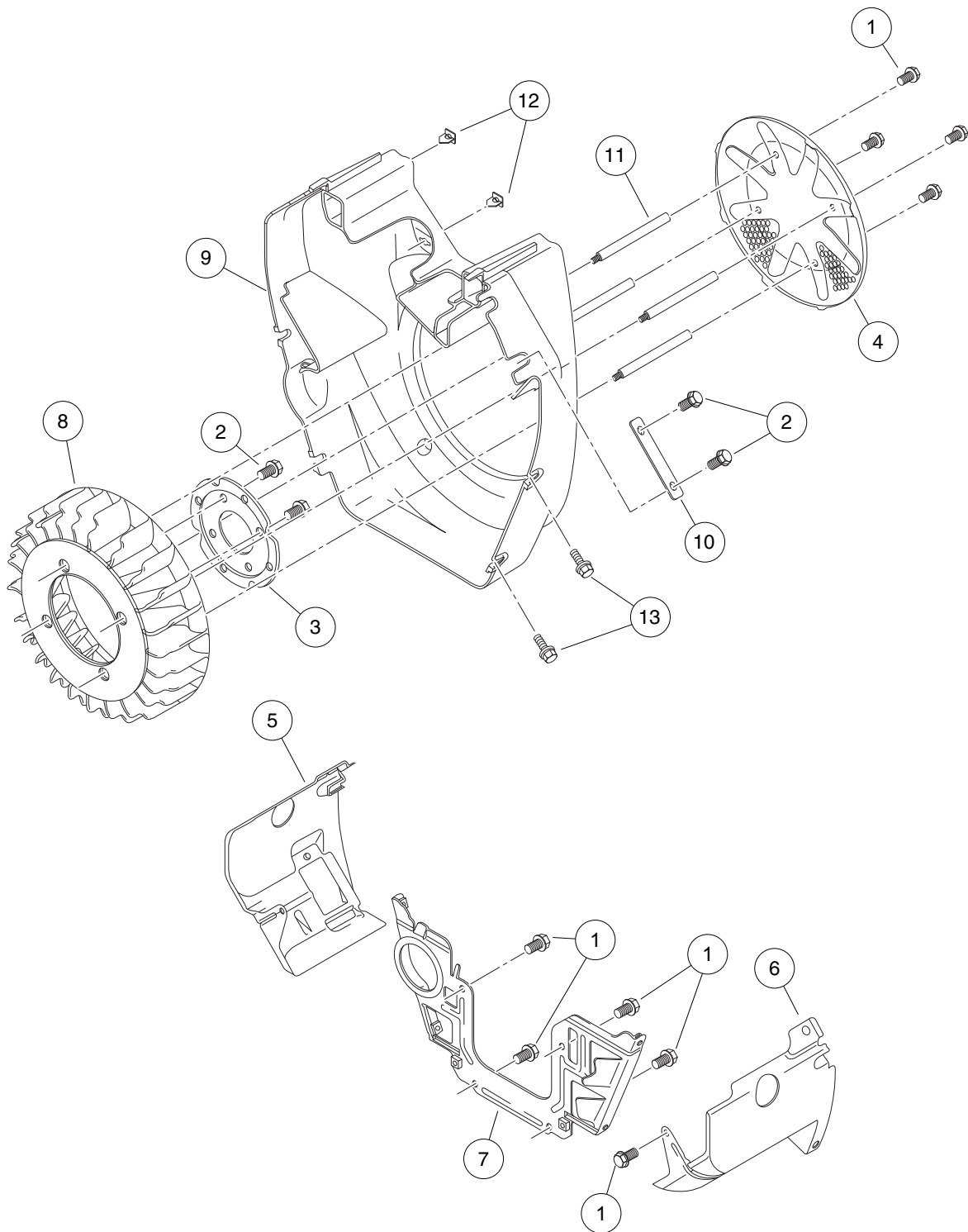
000641-001

KAWASAKI FH680D GASOLINE ENGINE MOUNTING

ITEM	PART NO.	DESCRIPTION	QTY
		1 2 3 4	
1	<u>102296601</u>	U-nut, M6-1.0 Prev Torque	4
2	<u>102296920</u>	Screw, M6 Torx Bttn Hd Sems	4
3	<u>102370501</u>	Isolator Ring and Bushing	4
4	<u>102370601</u>	Washer, Snubbing, Ring N Bush	4
5	N/A	Cover, CVT Inner, FH680D	1
6	<u>102491001</u>	Bolt Flanged Head, 3/8-16x1.0 with Loctite	4
7	<u>102740401</u>	Locknut, M12x1.75 Nylon Insert	4
8	<u>102951901</u>	Weldment, Eng Mnt, Kaw, Fh680d	1
9	<u>102960201</u>	Engine, Kawasaki, FH680D	1
10	<u>103262901</u>	Cover, Engine, Top	1
11	<u>103279201</u>	Screw, Pn Hd Blk, 10-16 X .625	4
12	<u>103332201</u>	Cover, Engine, Frt, Fh680d	1
13	<u>96701412</u>	Washer, M12 Hard	4
14	<u>96704721</u>	Bolt, M12 X 1.75 X 90	4
15	<u>96704960</u>	Bolt, M10 X 1.5 X 60	4
16	<u>96741046</u>	Washer, M10 Hard	4

8

G



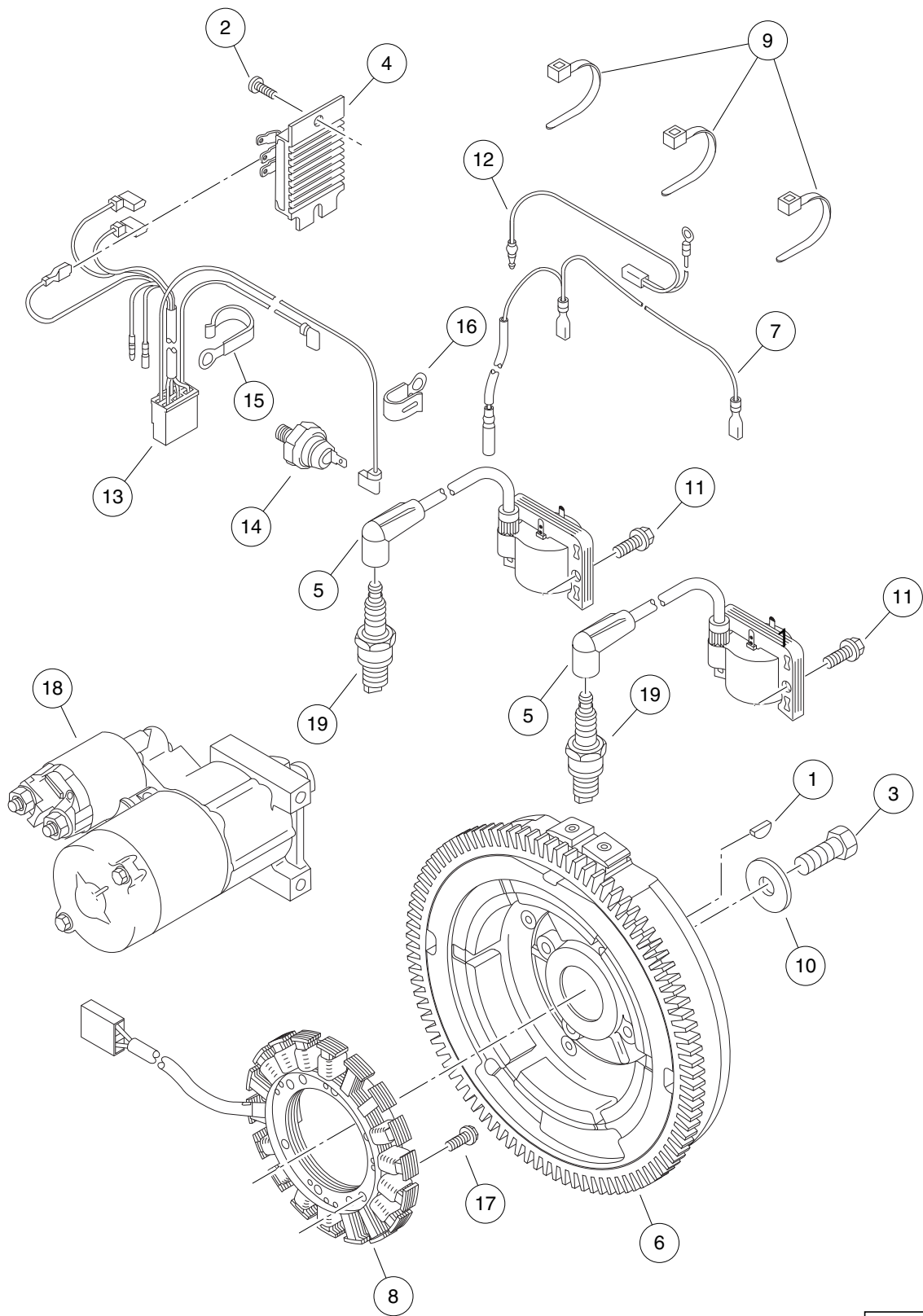
000625-001

SHROUDS AND BRACKETS

ITEM	PART NO.	DESCRIPTION	QTY
		1 2 3 4	
1	<u>102992401</u>	Bolt, Flg, M6 X 1.0 X 12	9
2	<u>102992501</u>	Bolt, Flg, M6 X 1.0 X 16	4
3	<u>102998601</u>	Plate, Housing, Fan, Fh	1
4	<u>102998701</u>	Screen, Fan, Fh	1
5	<u>102999101</u>	Shroud, Engine, Rh, Fh	1
6	<u>102999201</u>	Shroud, Engine, Lh, Fh	1
7	<u>102999301</u>	Shroud, Engine, Front, Fh	1
8	<u>102999501</u>	Fan, Cooling, Fh	1
9	<u>102999601</u>	Housing, Engine, Fh	1
10	<u>103000001</u>	Washer, Housing, Fan, Fh	1
11	<u>103299301</u>	Stud, Fan Screen, Fh	4
12	<u>103299401</u>	Nut, Press In, Front Cover, Fh	4
13	<u>103300301</u>	Bolt, Oil Pickup, Fh	4

8

G



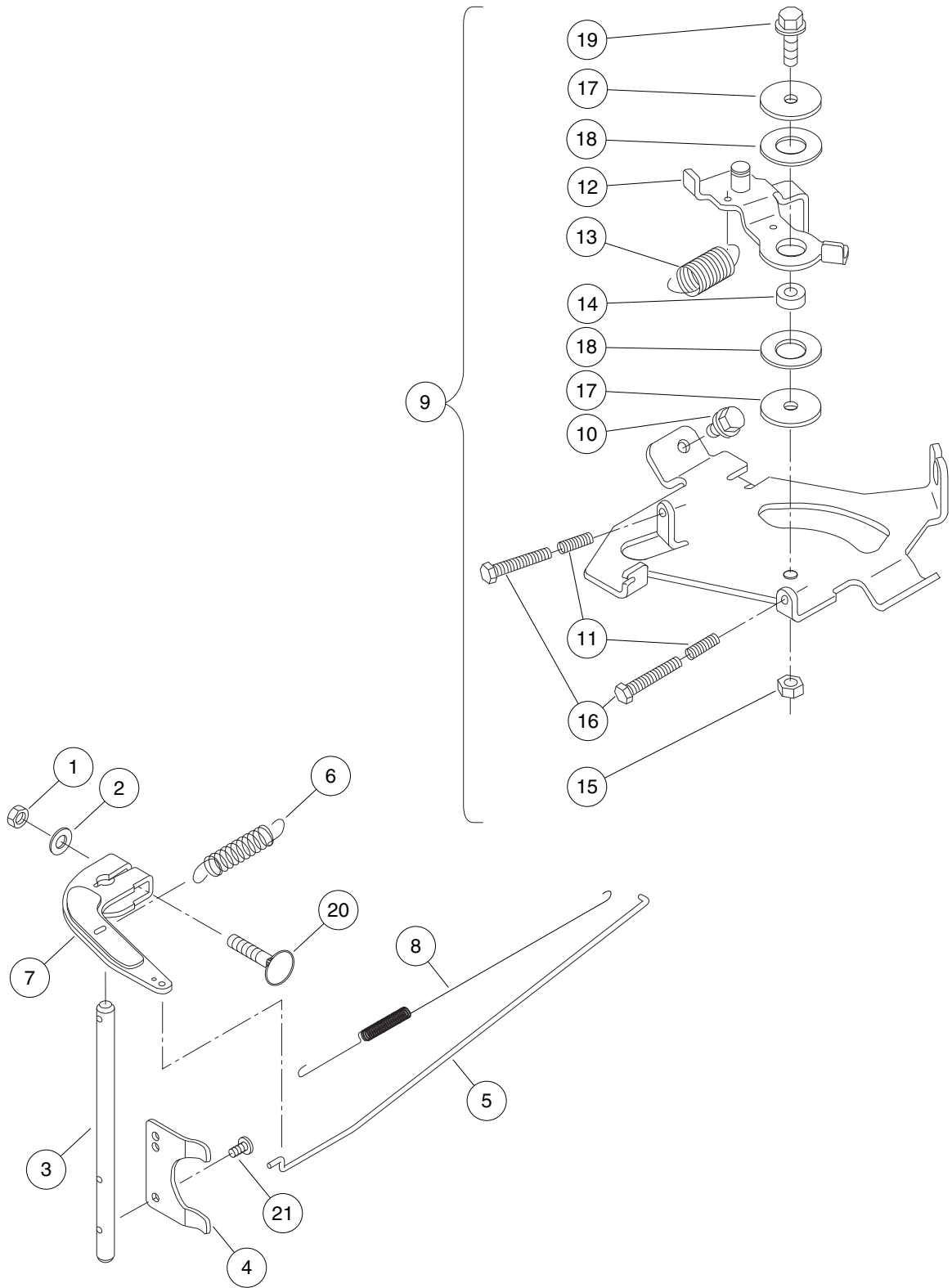
000626-001

IGNITION COMPONENTS AND FLYWHEEL

ITEM	PART NO.	DESCRIPTION	QTY
		1 2 3 4	
1	<u>1012871</u>	Key	1
2	<u>1016544</u>	Screw	1
3	<u>102994301</u>	Bolt, Flg, M12 X 1.25 X 30	1
4	<u>103000401</u>	Regulator, Voltage, Fh	1
5	<u>103000501</u>	Asm, Coil, Ignition, Fh	2
6	<u>103000601</u>	Flywheel, Assy, Fh	1
7	<u>103000801</u>	Harness, Regulator, Fh	1
8	<u>103000901</u>	Coil, Charging, Fh	1
9	<u>103001301</u>	Band, Harness, Fh	3
10	<u>103001501</u>	Washer, Flywheel, Fh	1
11	<u>103298501</u>	Bolt, Flanged, M6 X 20, Kaw	4
12	<u>103299501</u>	Harness, Ignition, Fh	1
13	<u>103299601</u>	Harness, Engine, Main, Fh	1
14	<u>103299701</u>	Switch, Oil Pressure, Fh	1
15	<u>103299801</u>	Clamp, Harness, Large, Fh	1
16	<u>103299901</u>	Clamp, Harness, Small, Fh	1
17	<u>103300101</u>	Screw, Pan, Coil Mount, Fh	4
18	<u>103345501</u>	Starter, Electric, Fh680d	1
19	<u>AM1232301</u>	Spark Plug, BPR2ES	2

8

G



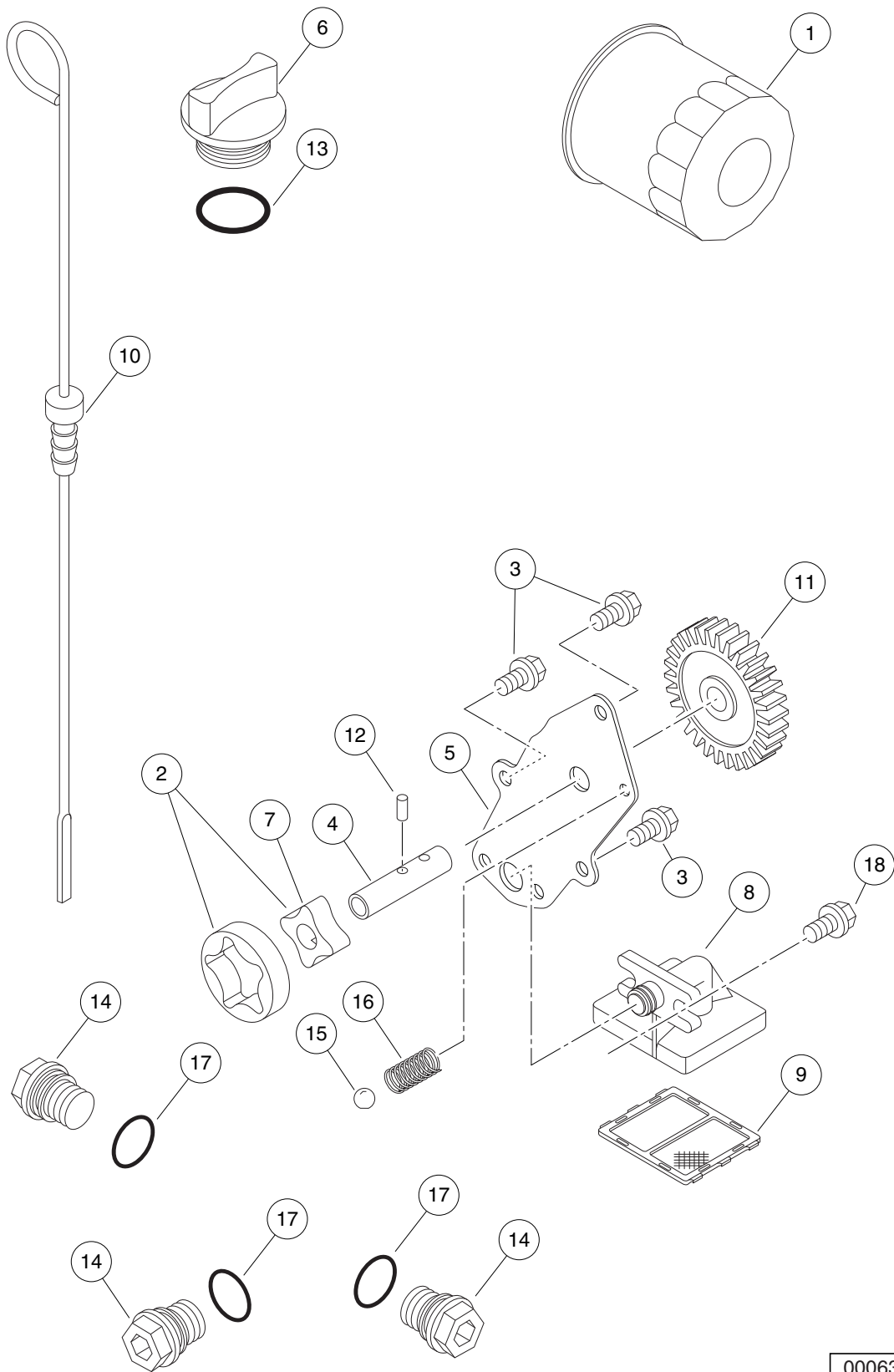
000636-001

GOVERNOR ARM AND SPRINGS

ITEM	PART NO.	DESCRIPTION	QTY
		1 2 3 4	
1	<u>1012919</u>	Nut -6mm-	1
2	<u>1016513</u>	Washer, M6 Flat	1
3	<u>103002001</u>	Shaft, Governor, Fh	1
4	<u>103002101</u>	Plate, Governor, Fh	1
5	<u>103002301</u>	Link, Arm, Governor, Fh	1
6	<u>103002401</u>	Spring, Governor, Fh	1
7	<u>103002501</u>	Arm, Governor, Shaft	1
8	<u>103002901</u>	Spring, Arm, Governor, Fh	1
9	<u>103297701</u>	Panel, Control, Complete, Fh (includes items 10 through 19)	1
10	<u>102992401</u>	Bolt, Flg, M6 X 1.0 X 12	2
11	<u>103002801</u>	Spring, Fh	2
12	<u>103297401</u>	Lever, Governor, Control, Fh	1
13	<u>103297501</u>	Spring, Governor Return, Fh	1
14	<u>103297601</u>	Collar, Governor, Fh	1
15	<u>103297801</u>	Nut, Governor, Fh	1
16	<u>103298001</u>	Bolt, Speed Control, Fh	2
17	<u>103298201</u>	Washer, Governor, Lower, Fh	2
18	<u>103298301</u>	Washer, Governor, Middle, Fh	2
19	<u>103298501</u>	Bolt, Flanged, M6 X 20, Kaw	1
20	<u>103298101</u>	Bolt, M6 X 35, Kawasaki	1
21	<u>103298601</u>	Screw, Pan, Governor, Fh	2

8

G

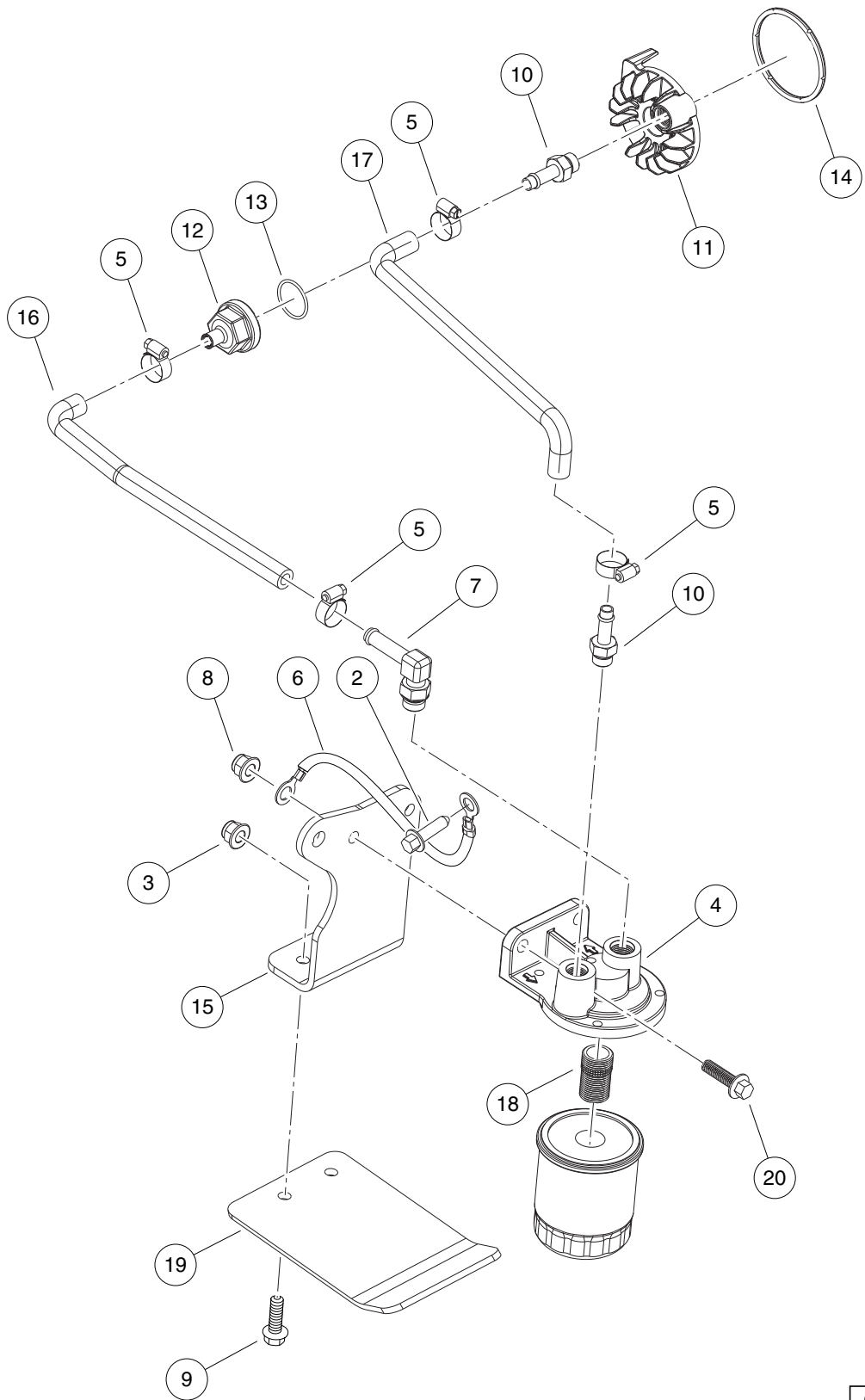


000637-001

OIL AND LUBRICATION COMPONENTS

ITEM	PART NO.	DESCRIPTION	QTY
		1 2 3 4	
1	<u>1016467</u>	Filter, Oil	1
2	<u>101648203</u>	Oil Pump And Rotor	1
3	<u>102992401</u>	Bolt, Flg, M6 X 1.0 X 12	3
4	<u>102996901</u>	Shaft, Oil Pump, Fh	1
5	<u>102997001</u>	Plate, Oil Pump, Fh	1
6	<u>102997101</u>	Cap, Oil, Fill, Fh	1
7	<u>102997201</u>	Rotor, Pump, Oil, In, Fh	1
8	<u>102997401</u>	Pickup, Oil, Fh	1
9	<u>102997601</u>	Screen, Pickup, Oil, Fh	1
10	<u>102997701</u>	Gauge, Oil, Fh	1
11	<u>102997801</u>	Gear, Spur, Oil Pump, Fh	1
12	<u>102997901</u>	Pin, Oil Pump, Fh	2
13	<u>102998001</u>	O-ring, Cap, Oil, Fill, Fh	1
14	<u>102998101</u>	Plug, Oil Drain, Fh	3
15	<u>102998201</u>	Ball, Oil Pump, Fh	1
16	<u>102998301</u>	Spring, Oil Pump, Fh	1
17	<u>102998401</u>	O-ring, Drain Plug, Oil, Fh	3
18	<u>103300301</u>	Bolt, Oil Pickup, Fh	2
		Note: Item 2 contains item 7.	

8
G



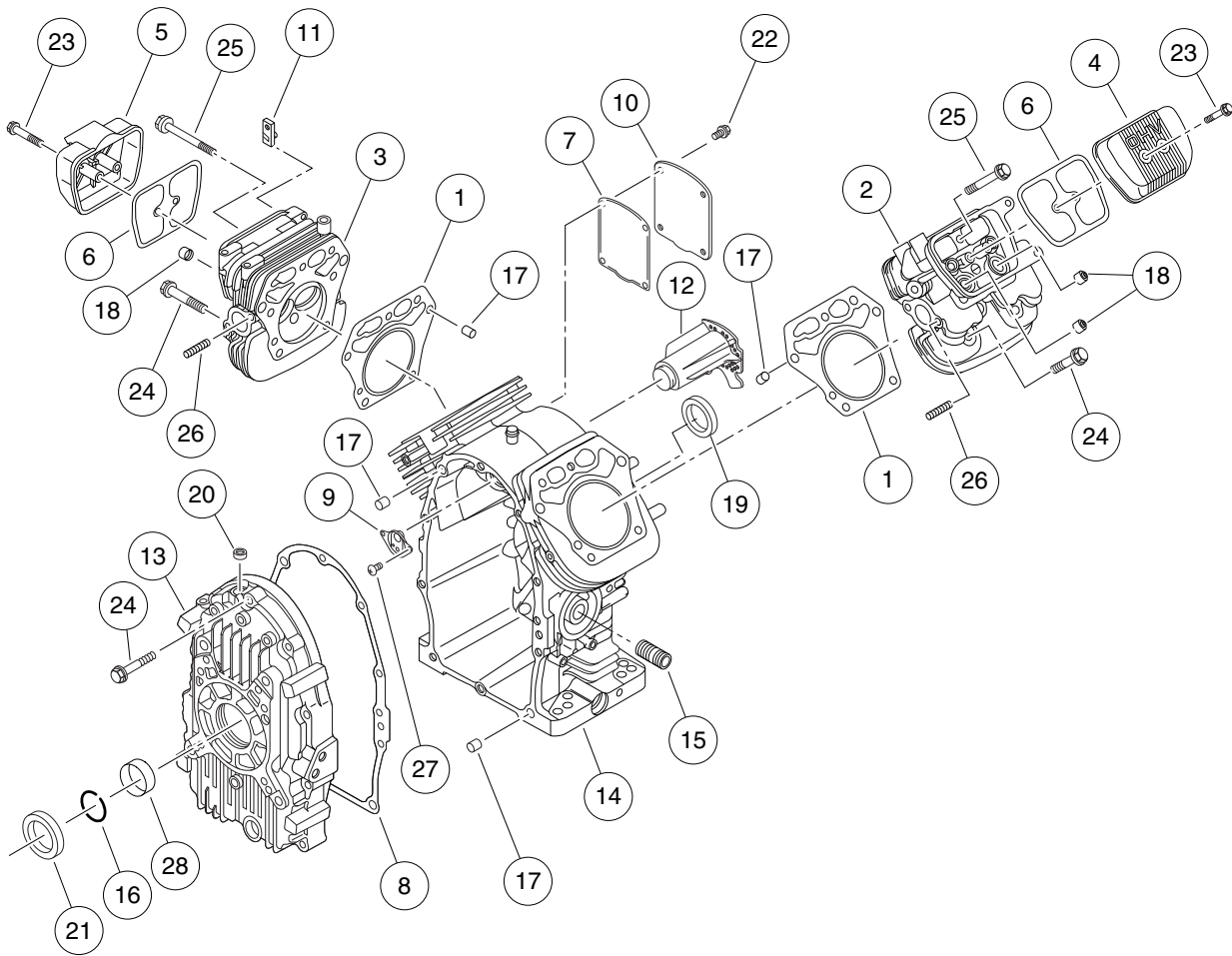
000671-001

OIL FILTER ADAPTER

ITEM	PART NO.	DESCRIPTION	QTY
		1 2 3 4	
1	N/A	Instl, Oil Fltr Adapter Fh680d (includes items 2 through 20)	1
2	<u>102289001</u>	Screw, M8X1.25X30, Hex	1
3	<u>102298401</u>	Nut,m8,all Metal Lock	2
4	<u>102371401</u>	Bracket, Oil Filter Mount	1
5	<u>102443601</u>	Clamp, Hose	4
6	<u>102448501</u>	Wire Asm, #6 Blk, Awd, 325	1
7	<u>102457501</u>	Adapter, 90, 3/8 Tube	1
8	<u>102618601</u>	Lock Nut, Flg M8 X 1.25 Nylon	2
9	<u>102621301</u>	Bolt, M8 X 1.25 X 40 with Loctite	2
10	<u>102722001</u>	Adapter, 5/16 Hose	2
11	<u>102958301</u>	Adapter, Special, Oil Filter	1
12	<u>102958401</u>	Nut, Special, Hose Adapter	1
13	<u>102958501</u>	O-ring, 23.52 X 1.78mm	1
14	<u>102958601</u>	O-ring, Oil Filter Adapter	1
15	<u>103197201</u>	Bracket, Oil Filter, Fh680d	1
16	<u>103240601</u>	Hose, Formed, Oil, 5/16"	1
17	<u>103246901</u>	Hose, Formed, Oil, 5/16", Ret	1
18	<u>103276201</u>	Nipple, 3/4-16 X M20 X 1.5-6g	1
19	<u>103326401</u>	Guard, Oil Filter, Fh680d	1
20	<u>96705587</u>	Bolt, M8 X 1.25 X 30	2

8

G

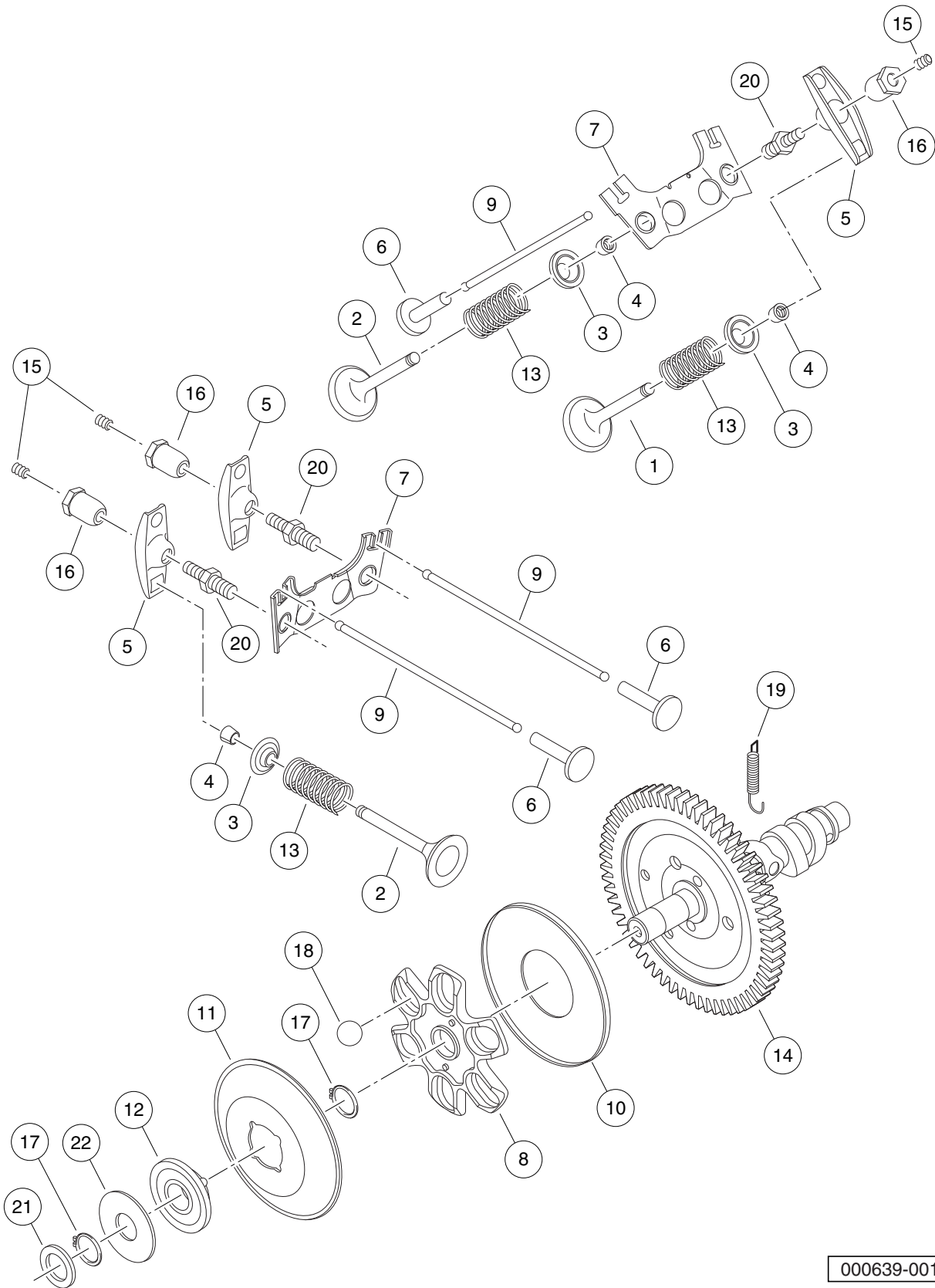


000638-001

CYLINDER HEAD AND CRANKCASE

ITEM	PART NO.	DESCRIPTION	QTY
		1 2 3 4	
1	<u>102990101</u>	Gasket, Head, Cyl, Fh	2
2	<u>102990201</u>	Head, Cyld 1, Fh	1
3	<u>102990301</u>	Head, Cyld 2, Fh	1
4	<u>102990401</u>	Cover, Rocker, Cyld 1, Fh	1
5	<u>102990501</u>	Cover, Rocker, Cyld 2, Fh	1
6	<u>102990601</u>	Gasket, Rocker, Cover, FH	2
7	<u>102990701</u>	Gasket, Breather, Fh	1
8	<u>102990801</u>	Gasket, Cover, Crank, Fh	1
9	<u>102990901</u>	Valve, Assy, Reed, Fh	1
10	<u>102991101</u>	Cover, Crkcase, Comp, Fh	1
11	<u>102991201</u>	Pipe, Head, Comp, Clyd, Fh	1
12	<u>102991301</u>	Pipe, Crkcase, Comp, Fh	1
13	<u>102991401</u>	Cover, Crankcase, Fh	1
14	<u>102991501</u>	Crankcase, Comp, Fh	1
15	<u>102991601</u>	Nipple, Oil Filter, Fh	1
16	<u>102991801</u>	Ring, Snap, Fh	1
17	<u>102991901</u>	Pin, Head, Fh	6
18	<u>102992001</u>	Seal, Oil, Valve, Fh	4
19	<u>102992101</u>	Seal, Oil, Crank, Rear, Fh	1
20	<u>102992201</u>	Seal, Oil, Governor, Fh	1
21	<u>102992301</u>	Seal, Oil, Crank, Front, Fh	1
22	<u>102992401</u>	Bolt, Flg, M6 X 1.0 X 12	4
23	<u>102992601</u>	Bolt, Flg, M6 X 1.0 X 40	4
24	<u>102992701</u>	Bolt, Flg, M8 X 1.25 X 50	18
25	<u>102992801</u>	Bolt, Flg, M8 X 1.25 X 75	2
26	<u>102992901</u>	Stud, M8 X 1.25, Exhaust, Fh	4
27	<u>103298601</u>	Screw, Pan, Governor, Fh	2
28	<u>103298901</u>	Bushing, Main, Fh	1

8
G



000639-001

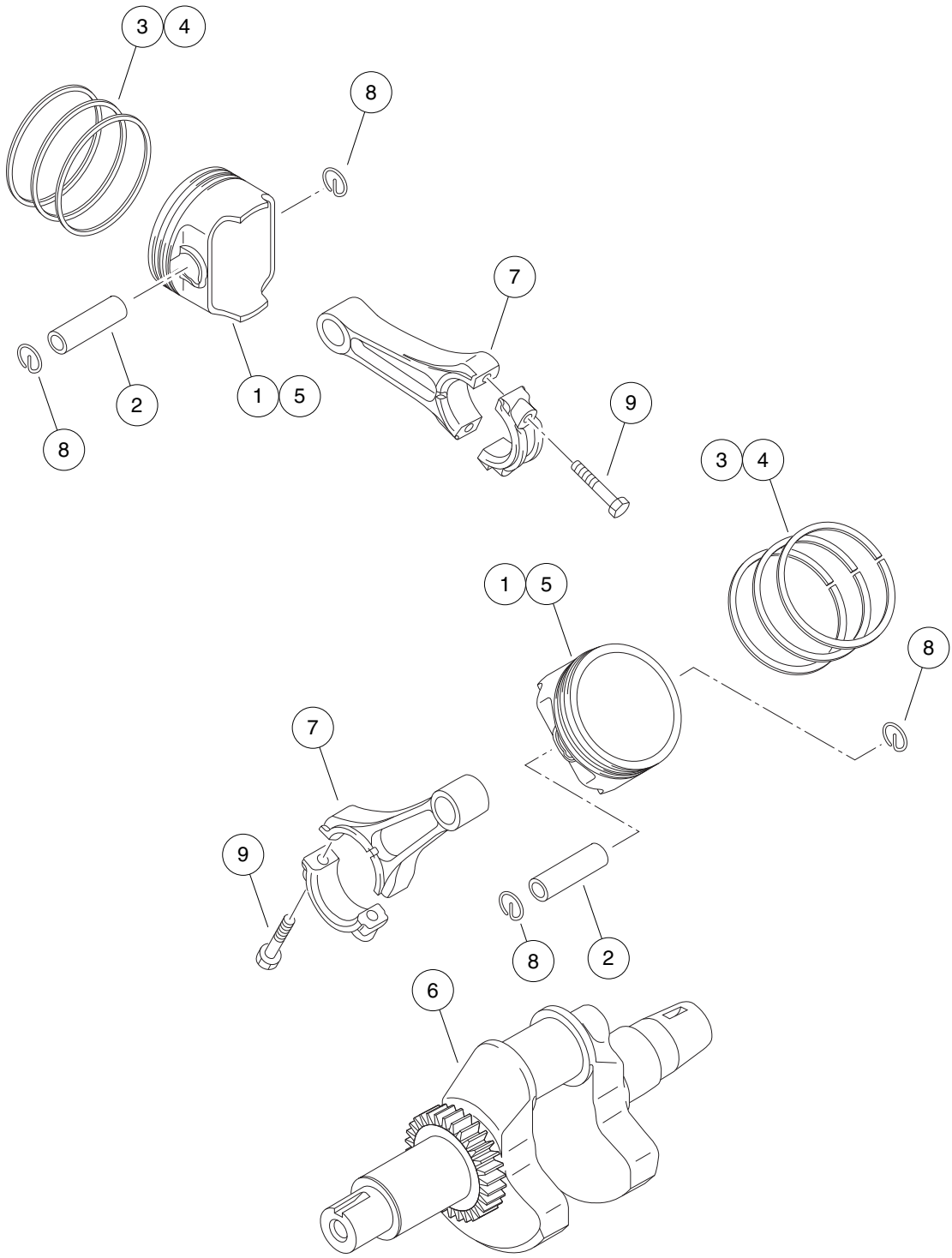
VALVES AND CAMSHAFT

ITEM	PART NO.	DESCRIPTION	QTY
		1 2 3 4	
1	<u>102994601</u>	Valve, Intake, Fh	2
2	<u>102994701</u>	Valve, Exhaust, Fh	2
3	<u>102994801</u>	Retainer, Valve Spring, Fh	4
4	<u>102994901</u>	Collet, Spring, Valve, Fh	8
5	<u>102995001</u>	Arm, Rocker	4
6	<u>102995101</u>	Tappet, Rod, Push, Fh	4
7	<u>102995201</u>	Guide, Arm, Rocker, Fh	2
8	<u>102995301</u>	Guide, Camshaft, Gov, Fh	1
9	<u>102995401</u>	Rod, Push, Fh	4
10	<u>102995501</u>	Plate, Camshaft, Gov, Fh	1
11	<u>102995601</u>	Plate, Ring, Gov, Fh	1
12	<u>102995701</u>	Sleeve, Plate, Gov, Fh	1
13	<u>102995801</u>	Spring, Valve, Fh	4
14	<u>102995901</u>	Kit, Camshaft, Comp, Fh	1
15	<u>102996001</u>	Screw, Rocker Arm, Fh	4
16	<u>102996101</u>	Nut, Arm, Rocker, Fh	4
17	<u>102996201</u>	Ring, Snap, Gov, Fh	2
18	<u>102996301</u>	Ball, Guide, Gov, Fh	6
19	<u>102996401</u>	Spring, Camshaft, Fh	1
20	<u>102996501</u>	Stud, Rocker Arm, Fh	4
21	<u>102996601</u>	Washer, Sleeve, Gov, Fh	1
22	<u>102996701</u>	Washer, Gov, Fh	1

8

G

8
G



000640-001

PISTONS AND CRANKSHAFT

ITEM	PART NO.	DESCRIPTION	QTY
		1 2 3 4	
1	<u>102993201</u>	Piston, Engine, Right, Fh	2
2	<u>102993301</u>	Pin, Piston, Engine, Fh	2
3	<u>102993401</u>	Ring, Set, Piston, Fh	2
4	<u>102993501</u>	Ring, Set, Piston L, 0.50, Fh	1
5	<u>102993601</u>	Piston, Engine L, 0.50, Fh	1
6	<u>102993701</u>	Crankshaft, Comp, Fh	1
7	<u>102993901</u>	Kit, Rod, Connecting, Fh	2
8	<u>102994101</u>	Ring, Snap, Pin, Piston, Fh	4
9	<u>102994401</u>	Bolt, Flg, M6 X 1.00 X 35	4

8

G

8

G

FUEL, INTAKE, & GOVERNOR SYSTEM

9

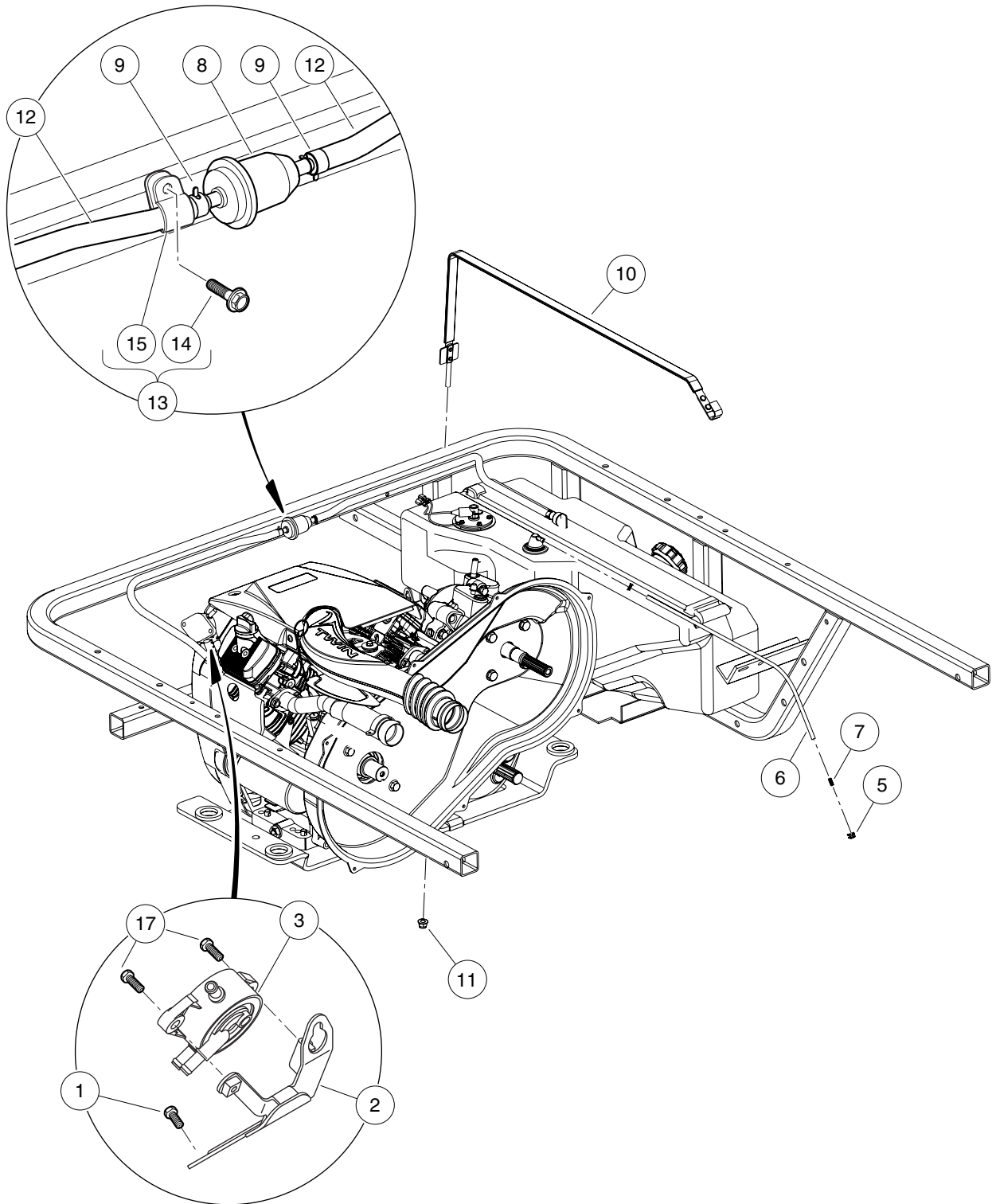
G

D

9

G

D



000672-002

FUEL SYSTEM – KAWASAKI GASOLINE VEHICLES

ITEM	PART NO.	DESCRIPTION	QTY
		1 2 3 4	
1	<u>102992501</u>	Bolt, Flg, M6 X 1.0 X 16	1
2	<u>103009901</u>	Bracket, Fuel Pump, Fh	1
3	<u>103010101</u>	Pump, Fuel, Impulse, Fh	1
4	N/A	Instl, Fuel System, Fh680d (includes items 5 through 13)	1
5	<u>1013746</u>	Clamp, 0.301 ID Hose	2
6	<u>101587703</u>	Hose, Fuel, Vent, 22" Long	1
7	<u>101824401</u>	Vent Barb	1
8	<u>102003201</u>	Filter, Fuel, 30 Micron	1
9	<u>102411202</u>	Clamp, Hose, Ctb 13mm	4
10	<u>102426301</u>	Strap, Tank, Fuel	1
11	<u>102618601</u>	Lock Nut, Flg M8 X 1.25 Nylon	1
12	<u>102865101</u>	Fuel Line	1
13	<u>103387501</u>	Kit, Fuel Line Clamp, 4x4 Khi (includes items 14 through 16)	1
14	<u>102289001</u>	Screw, M8X1.25X30, Hex	1
15	<u>102410604</u>	P-clamp, Insulated 0.625 In	1
16	N/A	Instr, Kit Fuel Line 4x4 Khi	1
17	<u>103298501</u>	Bolt, Flanged, M6 X 20, Kaw	2

9

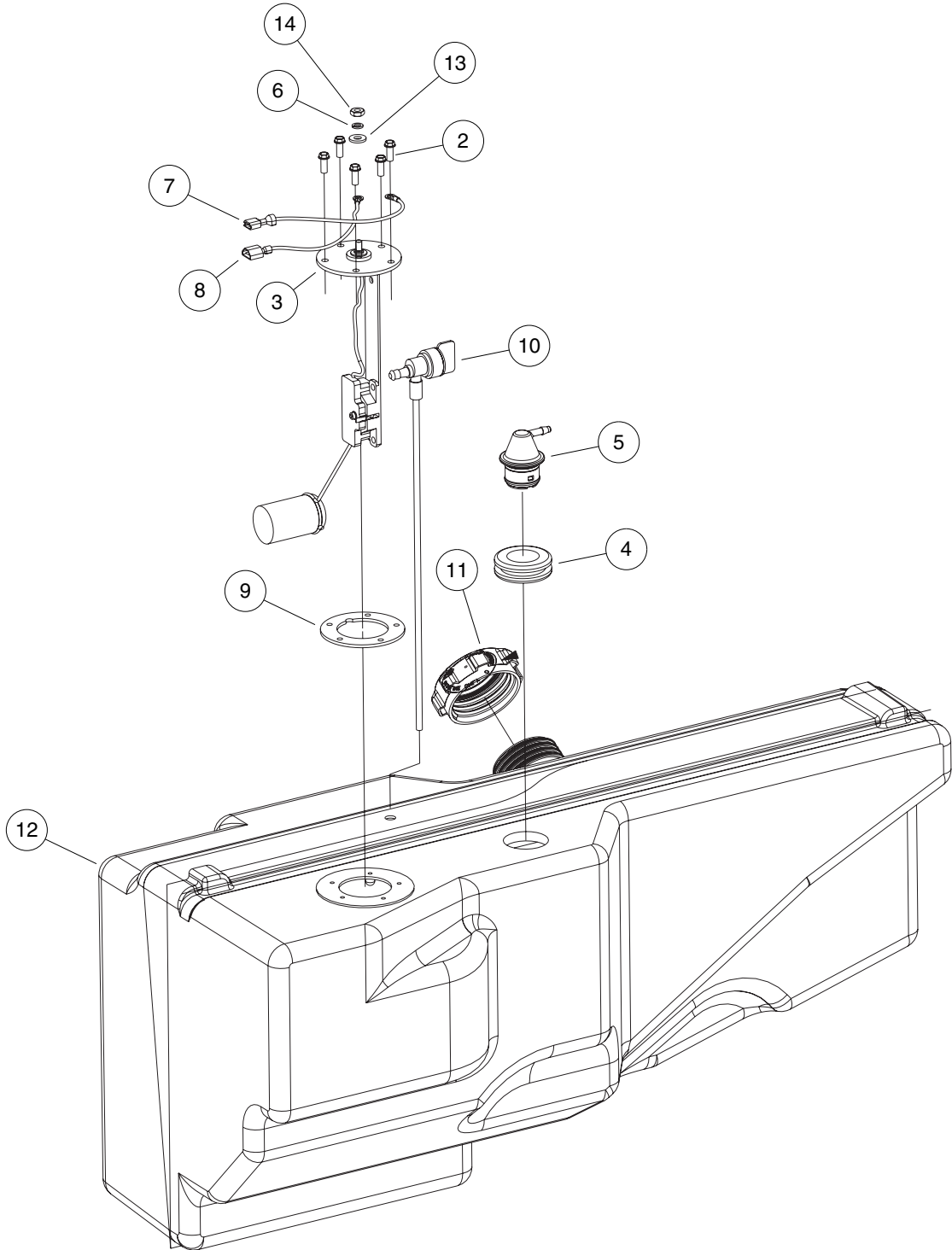
G

D

9

G

D



000082-004

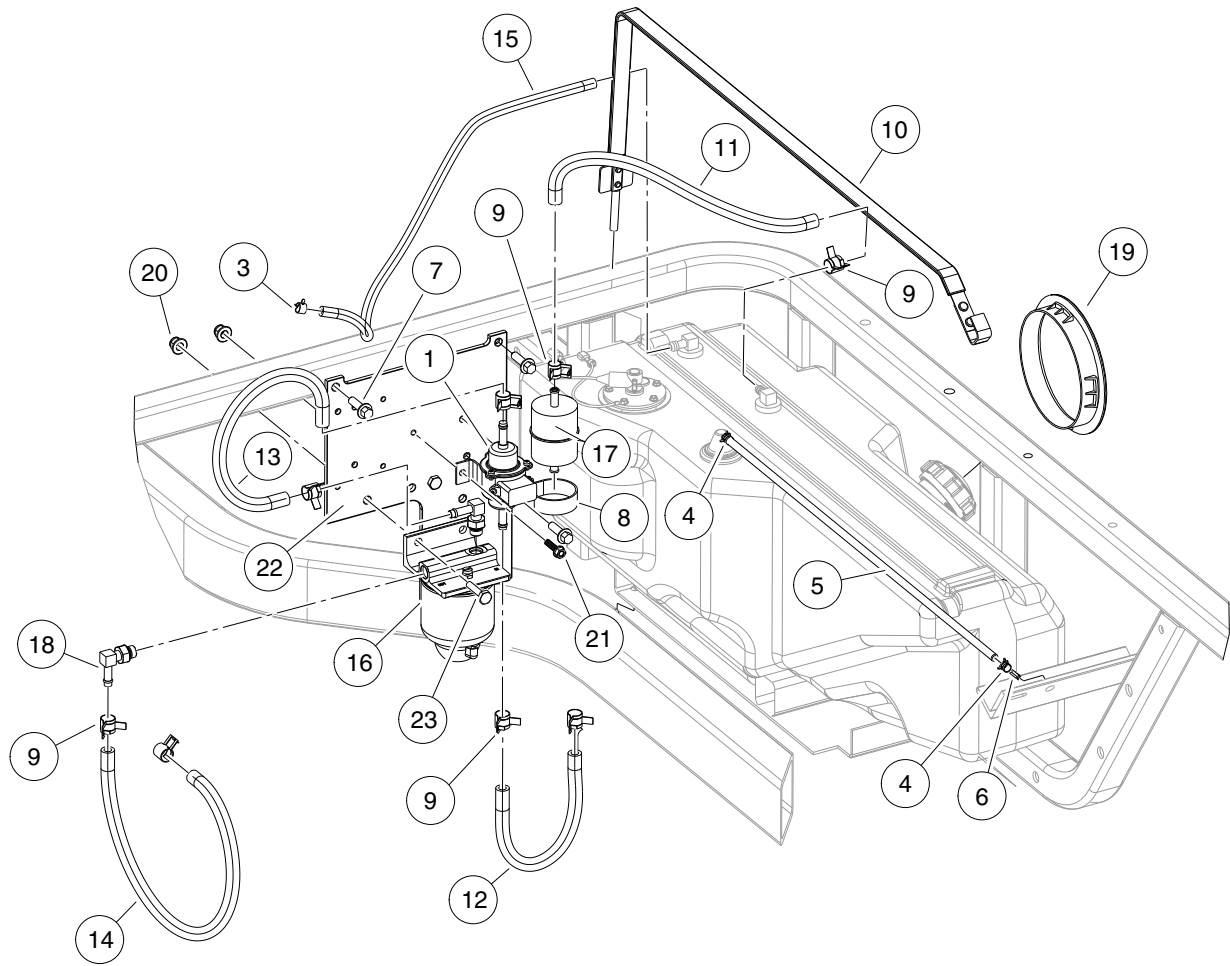
FUEL TANK – GASOLINE VEHICLES

ITEM	PART NO.	DESCRIPTION	QTY	
		1 2 3 4		9
1	<u>102952102</u>	Asm, Tank, Fuel, Gas, 4x4 (includes items 2 through 14)	1	G
2	<u>1013461</u>	Screw, #10-16 Hex-Head Hi-Lo	5	
3	<u>1013462</u>	Sending Unit, Fuel Level *	1	
4	<u>1015139</u>	Insulation Grommet	1	D
5	<u>1015143</u>	Vent, Fuel Tank	1	
6	<u>1016</u>	Lockwasher, #10 Split	1	
7	N/A	Wire Asm, Blk, 170mm	1	
8	N/A	Wire Asm, Org, 170mm	1	
9	<u>102522001</u>	Gasket, Rubber	1	
10	<u>102670901</u>	Valve, Pickup Tube, Fuel	1	
11	<u>102751601</u>	Cap, Fuel Tank, Gasoline	1	
12	N/A	Tank, Fuel, Gas, 4x4	1	
13	<u>183</u>	Washer, #10 Type A Flat	1	
14	<u>8797</u>	Nut, #10-32 Brass Hex	1	
		* Note: Must replace fuel sending unit gasket when servicing this component.		

9

G

D



000081-003

FUEL SYSTEM – DIESEL

ITEM	PART NO.	DESCRIPTION	QTY
		1 2 3 4	
1	<u>102410801</u>	Pump, Diesel Fuel Electric	1
2	N/A	Asm, Fuel System, Kubota (includes items 3 through 23)	1
3	<u>101313402</u>	Clamp, Green Hose	1
4	<u>1013746</u>	Clamp, 0.301 ID Hose	2
5	<u>101587703</u>	Hose, Fuel, Vent, 22" Long	1
6	<u>101824401</u>	Vent Barb	1
7	<u>102289001</u>	Screw, M8X1.25X30, Hex	5
8	<u>102410602</u>	P-Clamp, Insulated 1.75 In	1
9	<u>102411203</u>	Clamp, Hose, Ctb 14mm	6
10	<u>102426301</u>	Strap, Tank, Fuel	1
11	<u>102430001</u>	Hose, Tank To Prefilter Diesel	1
12	<u>102430101</u>	Hose, Fuel Prefilter To Pump	1
13	<u>102430201</u>	Hose, Fuel Pump To Filter	1
14	<u>102430301</u>	Hose, Fuel Filter To Eng	1
15	<u>102430401</u>	Hose, Fuel Return	1
16	<u>102434601</u>	Filter Assy, Fuel	1
17	<u>102434701</u>	Filter, Fuel	1
18	<u>102434801</u>	Adapter, 90, 5/16 Tube	2
19	<u>102466201</u>	Bezel, Fuel Fill	1
20	<u>102618601</u>	Lock Nut, Flg M8 X 1.25 Nylon	3
21	<u>102670801</u>	Screw, M6 X 1 X 25 Thd Form	1
22	<u>102710301</u>	Plate, Fuel/Oil System	1
23	<u>96705587</u>	Bolt, M8 X 1.25 X 30	2

9

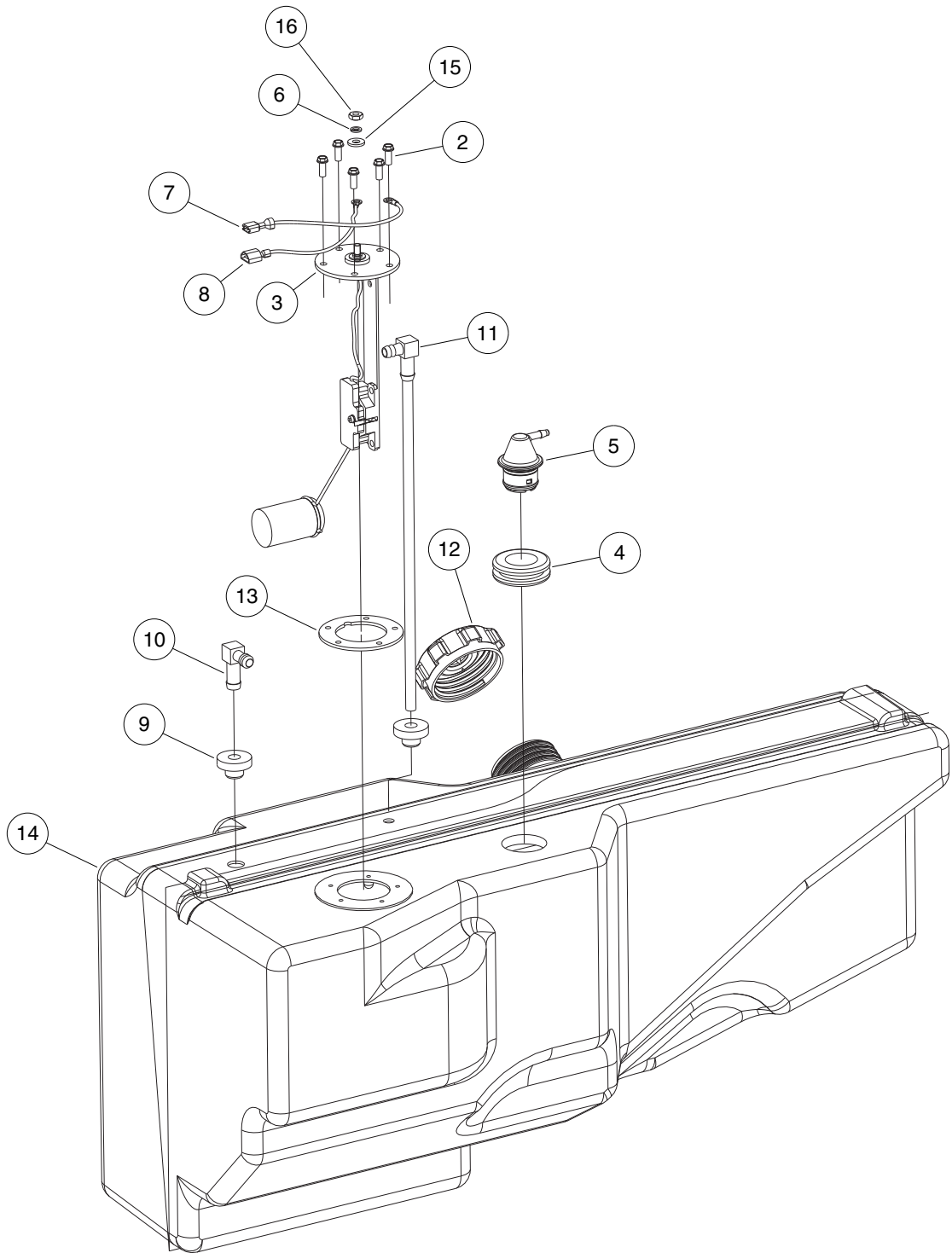
G

D

9

G

D



000082-005

FUEL TANK – DIESEL VEHICLES

ITEM	PART NO.	DESCRIPTION	QTY
		1 2 3 4	
1	<u>102952101</u>	Asm, Tank, Fuel, Diesel, 4x4 (includes items 2 through 16)	1
2	<u>1013461</u>	Screw, #10-16 Hex-Head Hi-Lo	5
3	<u>1013462</u>	Sending Unit, Fuel Level *	1
4	<u>1015139</u>	Insulation Grommet	1
5	<u>1015143</u>	Vent, Fuel Tank	1
6	<u>1016</u>	Lockwasher, #10 Split	1
7	N/A	Wire Asm, Blk, 170mm	1
8	N/A	Wire Asm, Org, 170mm	1
9	<u>102406701</u>	Bushing, Line, Return	2
10	<u>102406801</u>	Elbow, 90 Barbed	1
11	<u>102478501</u>	Pickup Tube, Fuel	1
12	<u>102494701</u>	Cap, Fuel (Diesel)	1
13	<u>102522001</u>	Gasket, Rubber	1
14	N/A	Tank, Fuel, Diesel, 4x4	1
15	<u>183</u>	Washer, #10 Type A Flat	1
16	<u>8797</u>	Nut, #10-32 Brass Hex	1
		* Note: Must replace fuel sending unit gasket when servicing this component.	

9

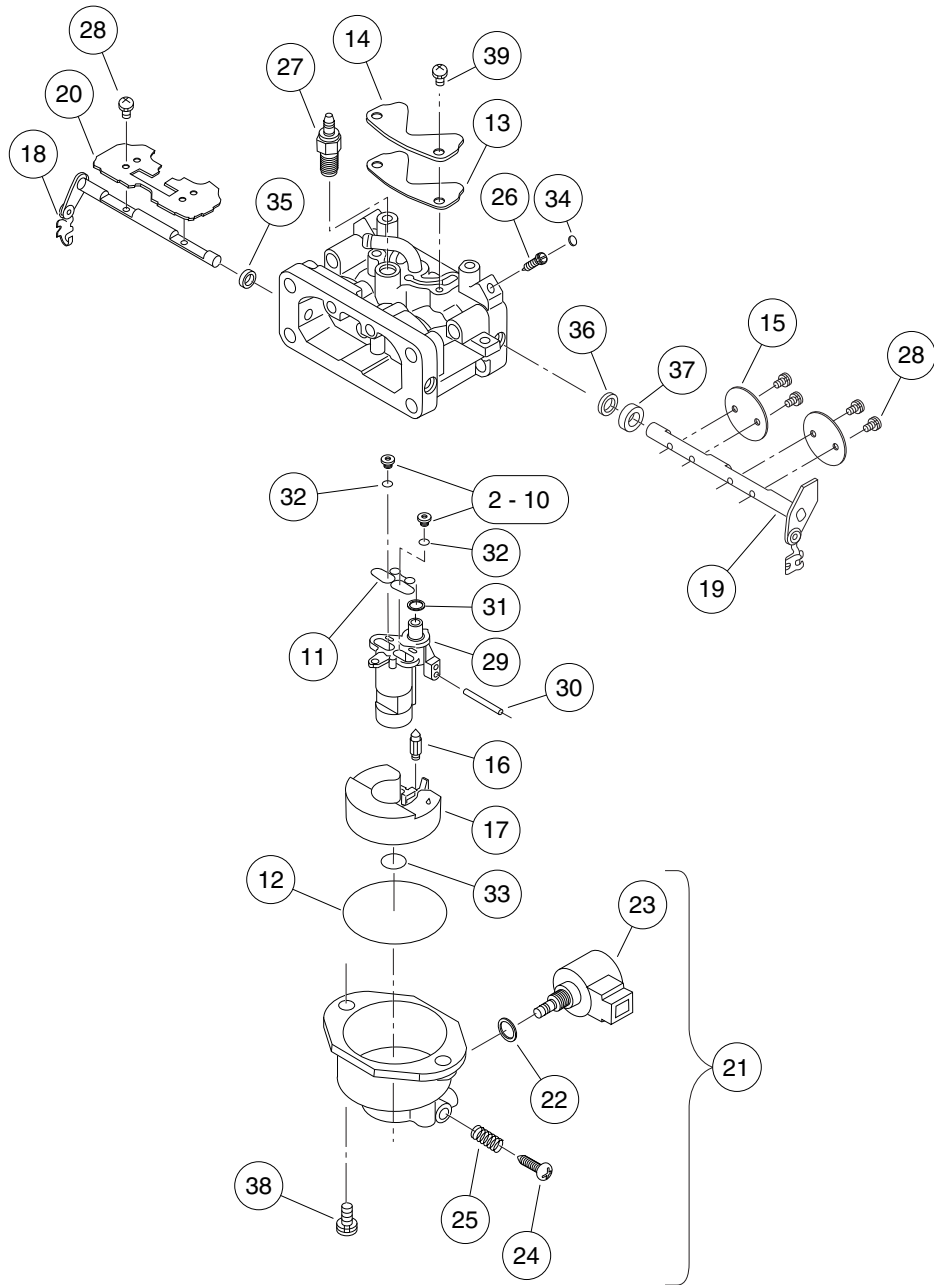
G

D

9

G

D



000673-001

CARBURETOR ASSEMBLY, KAWASAKI GASOLINE VEHICLES

ITEM	PART NO.	DESCRIPTION	QTY
		1 2 3 4	
1	<u>103341001</u>	Asm, Carburetor, Fh680d (includes items 2 through 39)	1
2	<u>103307201</u>	Kit, Jet, 6600 Ft +, Fh680d (includes items 3 and 4)	1
3	<u>103306801</u>	Jet, Push In #96, FH680D (6600 ft and higher (2000 m and higher))	2
4	N/A	Instructions, Kit, Jet, Push In	1
5	<u>103307301</u>	Kit, Jet, 3300-6600 Ft, Fh680d (includes items 6 and 7)	1
6	<u>103306901</u>	Jet, Push In #99, FH680D (3300-6600 ft (1000-2000 m))	2
7	N/A	Instructions, Kit, Jet, Push In	1
8	<u>103307401</u>	Kit, Jet, 0-3300 Ft, Fh680d (includes items 9 and 10)	1
9	<u>103307001</u>	Jet, Push In #102, FH680D (0-3300 ft (0-1000 m))	2
10	N/A	Instructions, Kit, Jet, Push In	1
11	<u>103340601</u>	Gasket, Fh680d	1
12	<u>103340701</u>	Gasket, Carburetor, Dia. 52	1
13	<u>103340801</u>	Gasket, Cover, Fh680d	1
14	<u>103340901</u>	Cover, Slow Passage, Fh680d	1
15	<u>103341101</u>	Valve, Throttle, Fh680d	2
16	<u>103341201</u>	Valve, Float, Fh680d	1
17	<u>103341301</u>	Float, Carburetor, Fh680d	1
18	<u>103341401</u>	Shaft, Carburetor, Fh680d	1
19	<u>103341501</u>	Shaft, Carburetor, Throttle	1
20	<u>103341601</u>	Valve, Carburetor, Fh680d	1
21	<u>103341701</u>	Asm, Chamber, Float, Fh680d (includes items 22 through 25)	1
22	<u>103340501</u>	Gasket, Carburetor, Fh680d	1
23	<u>103341901</u>	Solenoid, Carburetor, Fh680d	1
24	<u>103342201</u>	Screw, Drain, Carburetor	1
25	<u>103343601</u>	Spring, Carburetor, Fh680d	1
26	<u>103341801</u>	Needle, Jet, Fh680d	2
27	<u>103342001</u>	Heater, Carburetor, Fh680d	1
28	<u>103342101</u>	Screw, Carburetor, M3 X 6	6
29	<u>103342301</u>	Spacer, Carburetor, Fh680d	1
30	N/A	Pin, Carburetor, Fh680d	1
31	<u>103342501</u>	O-ring, Carburetor, Dia. 6.5	1
32	<u>103342601</u>	O-ring, Carburetor, Fh680d	2
33	<u>103342701</u>	O-ring, Carburetor, Dia. 9	1
34	<u>103343301</u>	Plug, Expansion, Carburetor	2
35	<u>103343401</u>	Seal, Carburetor, Dia. 5.9	1
36	<u>103343501</u>	Seal, Carburetor, Fh680d	1
37	<u>103343701</u>	Collar, Carburetor, Fh680d	1
38	<u>103343801</u>	Screw, Carburetor, M5	2
39	<u>103343901</u>	Screw, Carburetor, M4	2

9

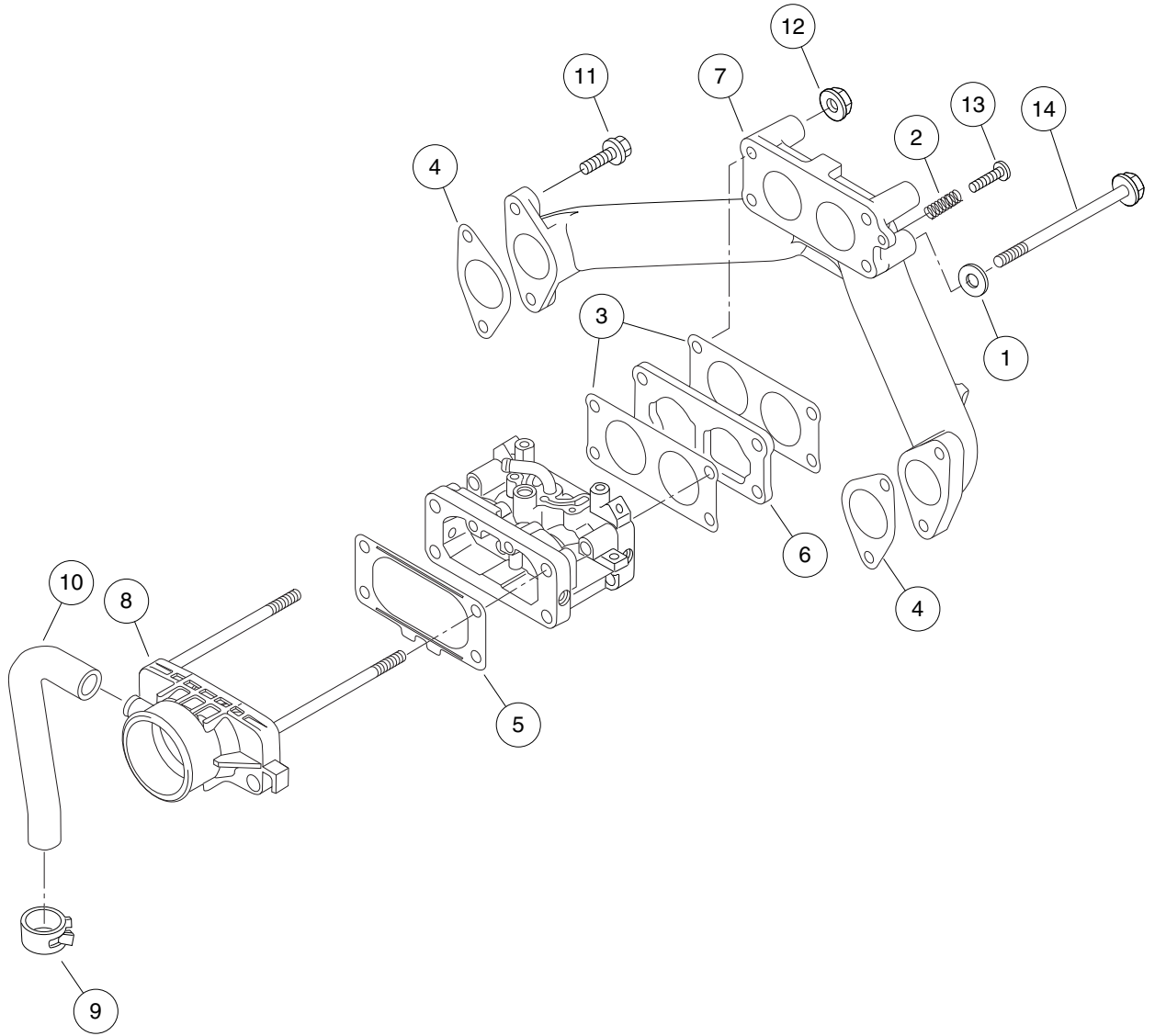
G

D

9

G

D



000673-002

CARBURETOR INSTALLATION – KAWASAKI GASOLINE VEHICLES

ITEM	PART NO.	DESCRIPTION	QTY
		1 2 3 4	
1	<u>1016513</u>	Washer, M6 Flat	2
2	<u>103002801</u>	Spring, Fh	1
3	<u>103003801</u>	Gasket, Carburetor, Fh	2
4	<u>103003901</u>	Gasket, Manifold, Fh	2
5	<u>103004201</u>	Gasket, Air Filter, Fh	1
6	<u>103005001</u>	Insulator, Manifold, Fh	1
7	<u>103005601</u>	Manifold, Intake, Fh	1
8	<u>103297101</u>	Pipe, Intake Adapter, Fh	1
9	<u>103297201</u>	Clamp, Crankcase Vent, Fh	1
10	<u>103297301</u>	Tube, Crankcase Vent, Fh	1
11	<u>103298501</u>	Bolt, Flanged, M6 X 20, Kaw	4
12	<u>103320201</u>	Nut, Carburetor, M6	2
13	<u>103320301</u>	Screw, Carburetor, M4 X 20	1
14	<u>103320401</u>	Bolt, Flg, Carburetor, M6x105	2

9

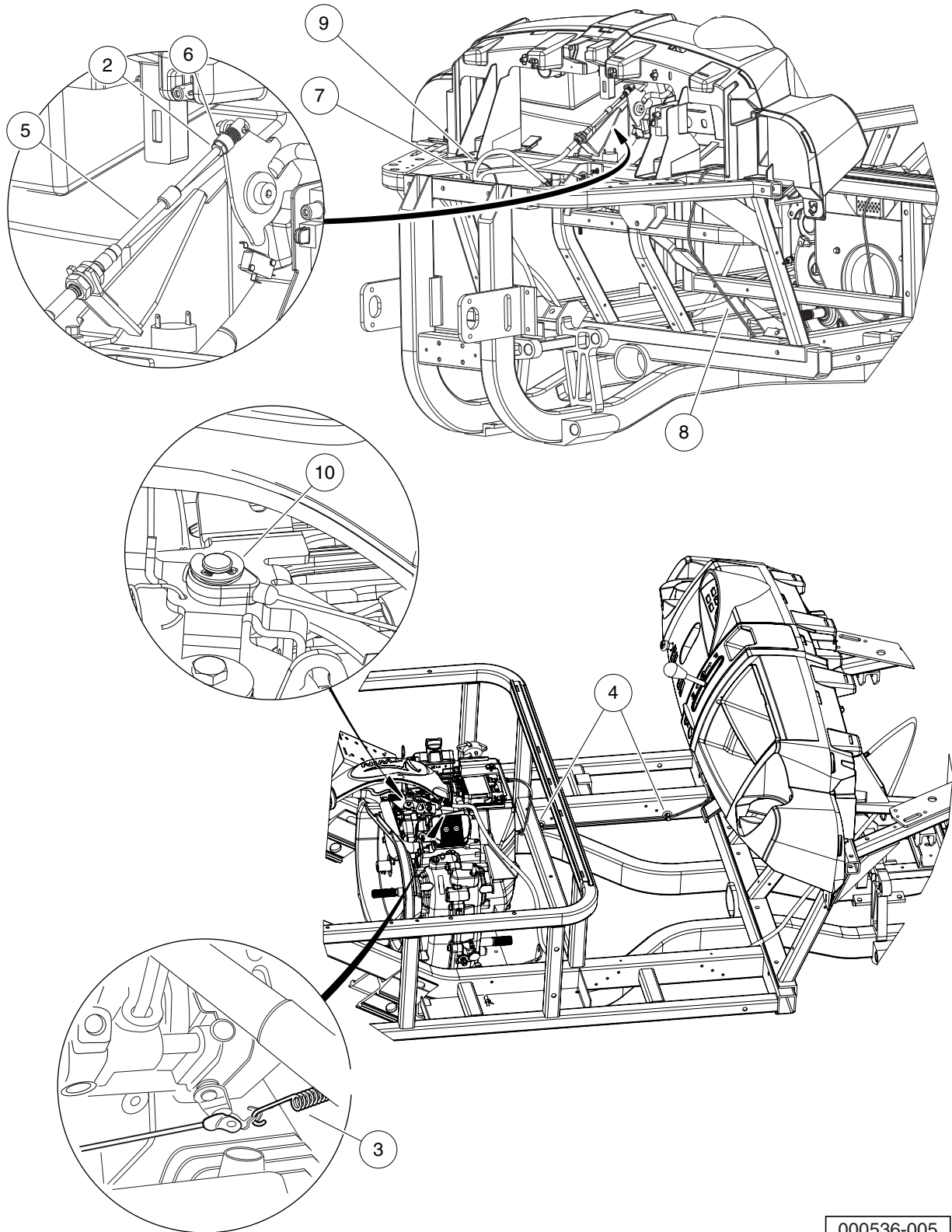
G

D

9

G

D



000536-005

CABLES – KAWASAKI GASOLINE VEHICLES

ITEM	PART NO.	DESCRIPTION	QTY
		1 2 3 4	
1	N/A	Instl, Cable, Awd, Fh680d (includes items 2 through 10)	1
2	<u>1011084</u>	Nut, 1/4-28 Hex Jam	2
3	<u>102457001</u>	Spring	1
4	<u>102475701</u>	Clip, Brake Line	4
5	<u>102495801</u>	Cable, Transmission Shift	1
6	<u>102615801</u>	Joint, Ball, .346 Dia	2
7	<u>103277301</u>	Cable, Accel, AWD, Gas, FH680D	1
8	<u>103277401</u>	Cable, Choke, AWD, FH680D	1
9	<u>8990</u>	Tie Wrap, 8" Nylon	1
10	<u>96950126</u>	Ring, Retaining	1

9

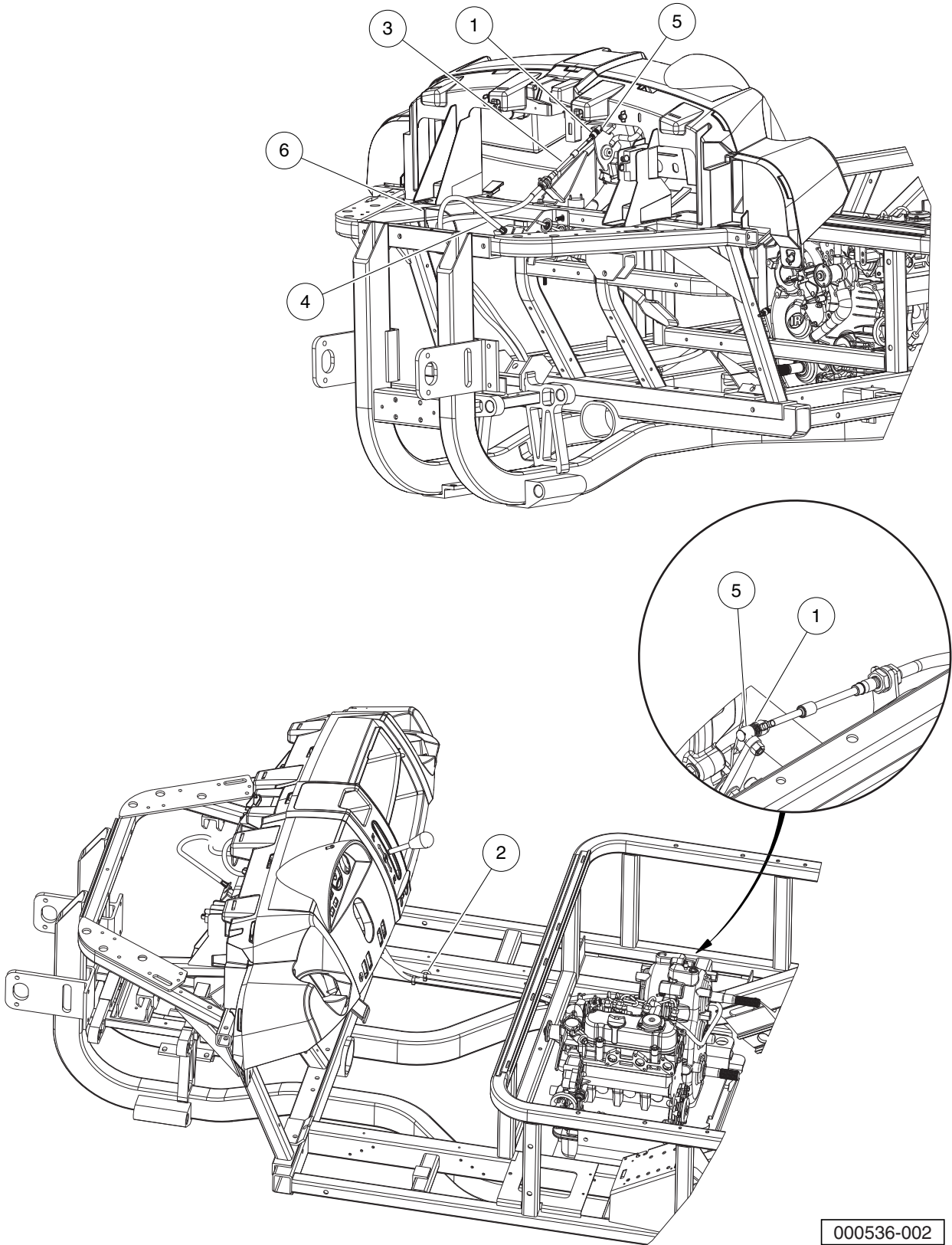
G

D

9

G

D



000536-002

CABLES – DIESEL VEHICLE

ITEM	PART NO.	DESCRIPTION	QTY
		1 2 3 4	
1	<u>1011084</u>	Nut, 1/4-28 Hex Jam	2
2	<u>102475701</u>	Clip, Brake Line	3
3	<u>102495801</u>	Cable, Transmission Shift	1
4	<u>102498801</u>	Cable, Accelerator, Diesel	1
5	<u>102615801</u>	Joint, Ball, .346 Dia	2
6	<u>8990</u>	Tie Wrap, 8" Nylon	1

9

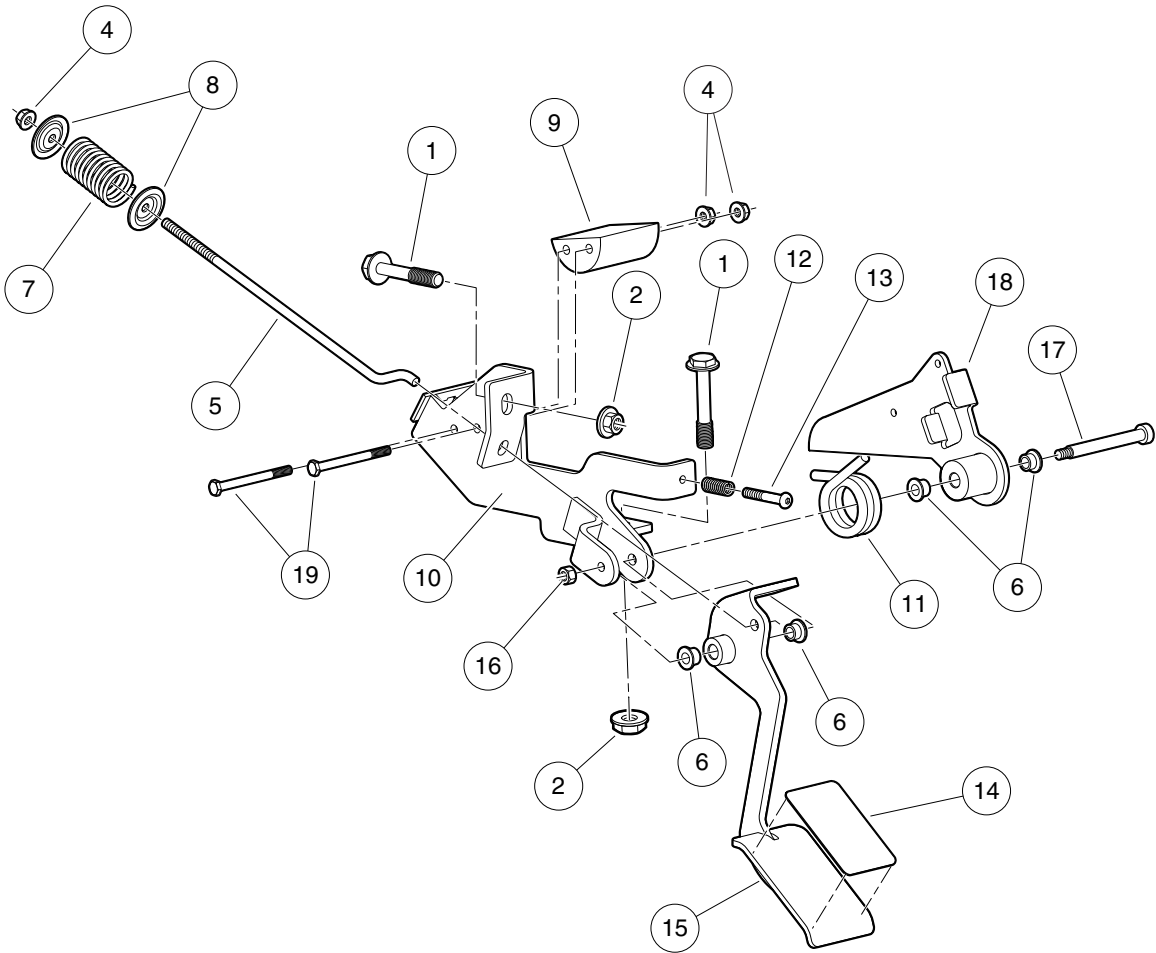
G

D

9

G

D



000026-002

ACCELERATOR PEDAL ASSEMBLY

ITEM	PART NO.	DESCRIPTION	QTY
		1 2 3 4	
1	<u>102618301</u>	Bolt Flanged Head, M8 X 1.25 X 65	2
2	<u>102618601</u>	Lock Nut, Flg M8 X 1.25 Nylon	2
3	<u>103278101</u>	Asm, Accelerator Pedal (includes items 4 through 19)	1
4	<u>102296401</u>	Nut-m6x1.0 Flng All Mtl Lock	3
5	N/A	Pullrod, Spring, Compression	1
6	<u>102442901</u>	Bushing, Greaseless	4
7	<u>102445201</u>	Spring, Comp, Pedal, Pullrod	1
8	N/A	Washer, Retaining Spring, 7mm	2
9	N/A	Guide, Cable, Accelerator	1
10	N/A	Weldment, Bracket, Pedal	1
11	N/A	Spring, Torsion	1
12	<u>102476301</u>	Spring, Stop, Pedal	1
13	<u>102476401</u>	Bolt, Stop, Pedal	1
14	<u>102479301</u>	Pad, Grip Tape, Accelerator	1
15	N/A	Weldment, Pedal, Accel	1
16	<u>102618101</u>	Nut M6x1 Mech Def Center	1
17	<u>103273101</u>	Bolt, Shoulder, M8 X 70, Hc	1
18	<u>103283201</u>	Weldment, Lever, Lost Motion	1
19	<u>96706825</u>	Bolt, M6 X 1 X 70	2

9

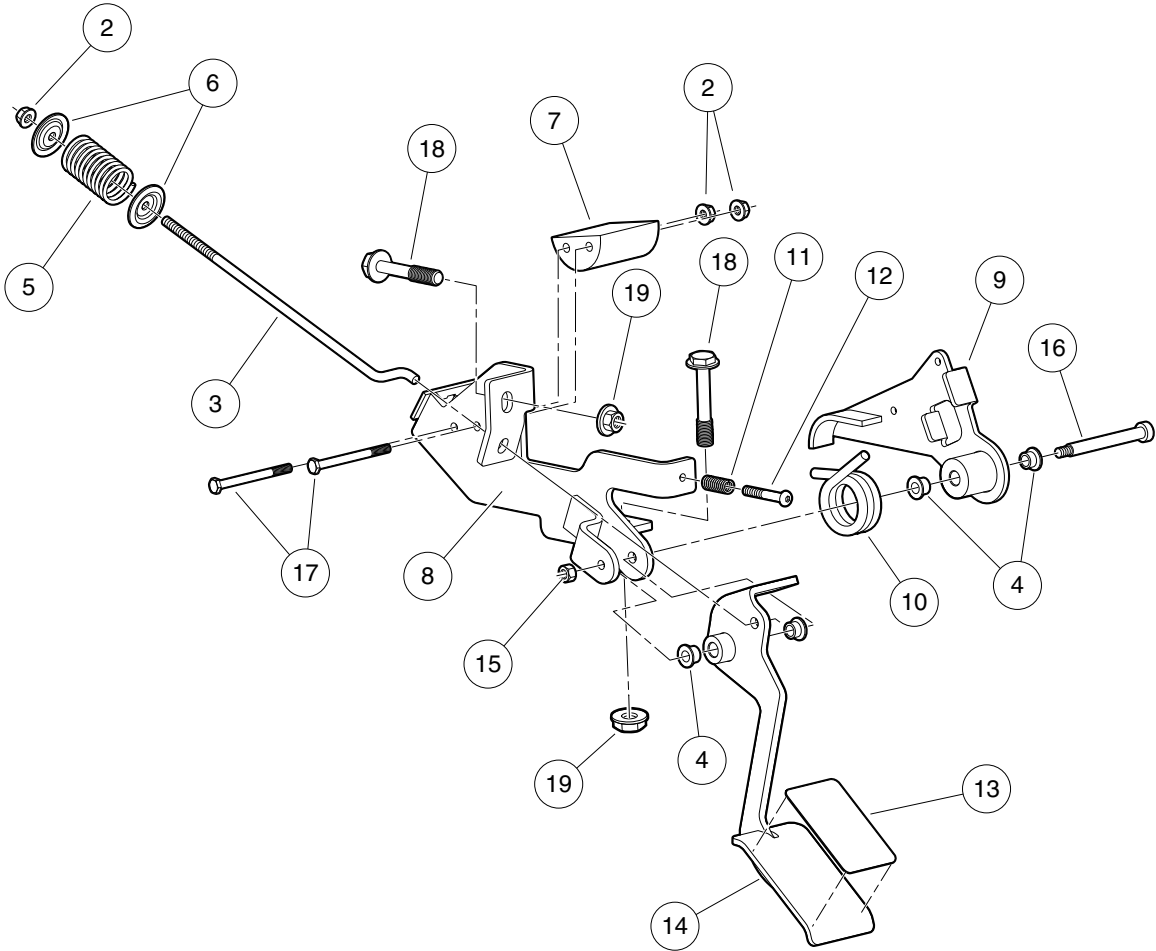
G

D

9

G

D



000026-001

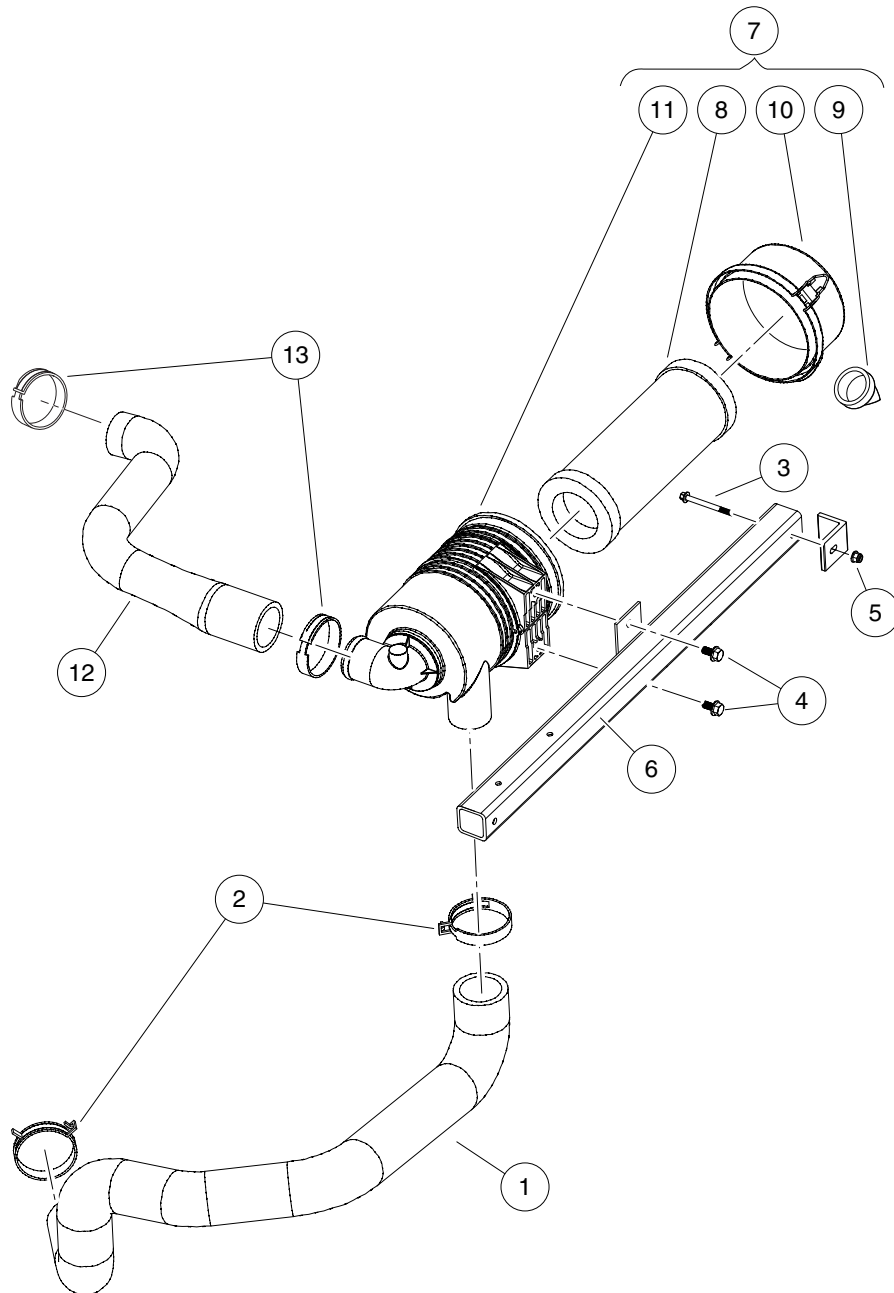
ACCELERATOR PEDAL ASSEMBLY – STYLE B

ITEM	PART NO.	DESCRIPTION	QTY	
		1 2 3 4		9
1	<u>102489901</u>	Asm, Pedal, Accelerator (includes items 2 through 17)	1	G
2	<u>102296401</u>	Nut-m6x1.0 Flng All Mtl Lock	3	
3	N/A	Pullrod, Spring, Compression	1	
4	<u>102442901</u>	Bushing, Greaseless	4	D
5	<u>102445201</u>	Spring, Comp, Pedal, Pullrod	1	
6	N/A	Washer, Retaining Spring, 7mm	2	
7	N/A	Guide, Cable, Accelerator	1	
8	N/A	Weldment, Bracket, Pedal	1	
9	<u>102469401</u>	Weldment, Lever, Motion, Lost	1	
10	N/A	Spring, Torsion	1	
11	<u>102476301</u>	Spring, Stop, Pedal	1	
12	<u>102476401</u>	Bolt, Stop, Pedal	1	
13	<u>102479301</u>	Pad, Grip Tape, Accelerator	1	
14	N/A	Weldment, Pedal, Accel	1	
15	<u>102618101</u>	Nut M6x1 Mech Def Center	1	
16	<u>103273101</u>	Bolt, Shoulder, M8 X 70, Hc	1	
17	<u>96706825</u>	Bolt, M6 X 1 X 70	2	
18	<u>102618301</u>	Bolt Flanged Head, M8 X 1.25 X 65	2	
19	<u>102618601</u>	Lock Nut, Flg M8 X 1.25 Nylon	2	

9

G

D



000090-005

INTAKE DUCT AND AIR BOX ASSEMBLY – KAWASAKI GASOLINE VEHICLES

ITEM	PART NO.	DESCRIPTION	QTY
		1 2 3 4	
1	<u>102395601</u>	Hose, Intake, Primary	1
2	<u>102411210</u>	Clamp, Hose, Ctb 64mm	2
3	<u>102541465</u>	Bolt, M 6 X 1.0 X 65 Hex, Flange, Head, Black	2
4	<u>102621201</u>	Bolt Flanged Head, M8 X1.25x 16 with Loctite	2
5	<u>102621501</u>	Nut Flg, M6 X 1.0 Nylon	2
6	N/A	Weldment, Support, Air Cleaner	1
7	<u>102810701</u>	Filter, Air, Canister, W/labe (includes items 8 through 11)	1
8	<u>102498601</u>	Element, Filter, Air, 5 In	1
9	<u>102725501</u>	Valve, Evacuator, Filter Air	1
10	<u>102725601</u>	Cap, Latch Lock, Filter, Air	1
11	N/A	Body, Canister, Filter, Air	1
12	<u>103438201</u>	Intake Awd Hose Gas	1
13	<u>103441401</u>	Clamp, Worm Screw, Hose, 2"	2

9

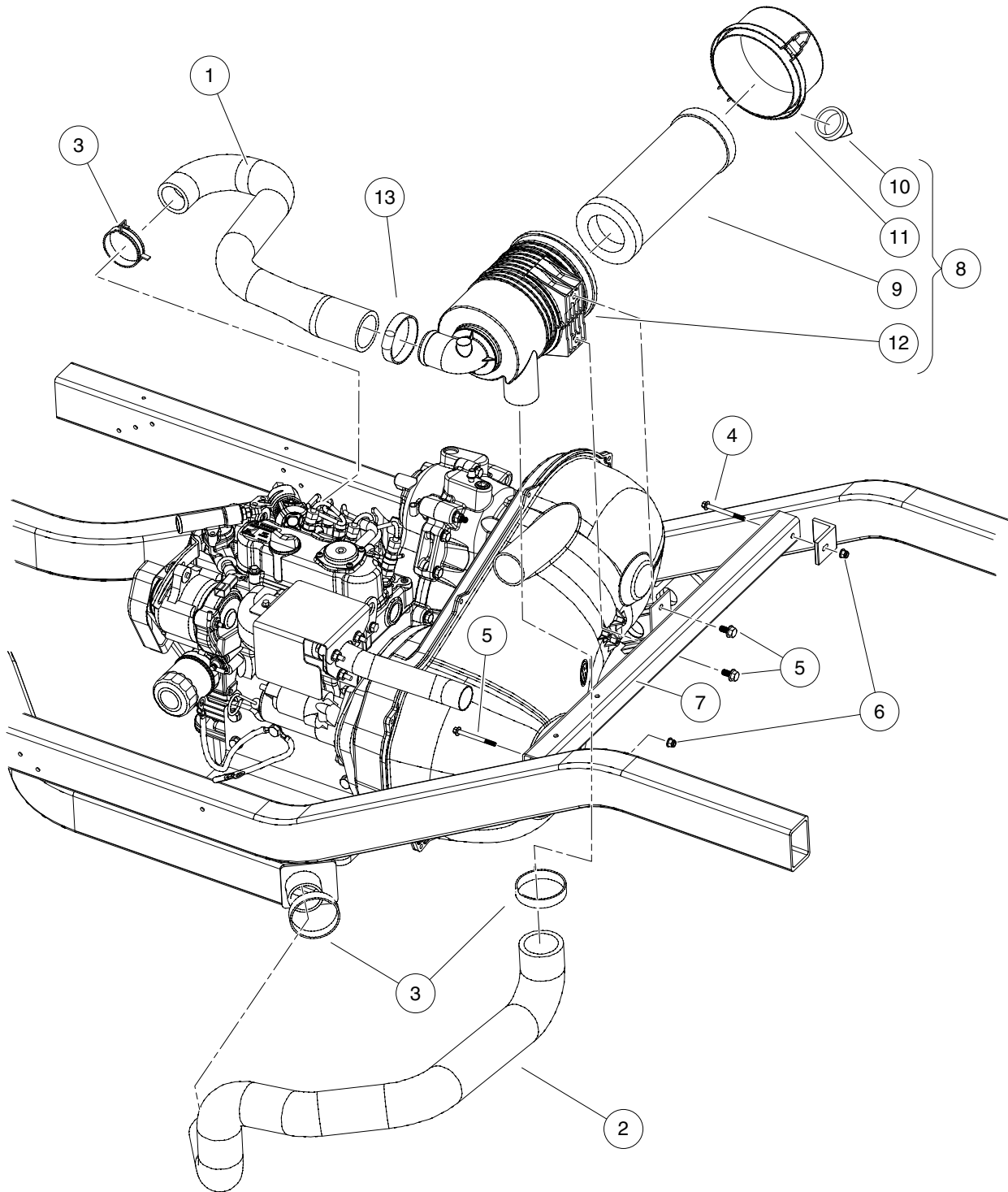
G

D

9

G

D



000090-002

INTAKE DUCT AND AIR BOX ASSEMBLY – DIESEL VEHICLES

ITEM	PART NO.	DESCRIPTION	QTY
		1 2 3 4	
1	<u>102379001</u>	Hose, Intake, D722	1
2	<u>102395601</u>	Hose, Intake, Primary	1
3	<u>102411209</u>	Clamp, Hose, Ctb 55mm	3
4	<u>102541465</u>	Bolt, M 6 X 1.0 X 65 Hex, Flange, Head, Black	2
5	<u>102621201</u>	Bolt Flanged Head, M8 X1.25x 16 with Loctite	2
6	<u>102621501</u>	Nut Flg, M6 X 1.0 Nylon	2
7	N/A	Weldment, Support, Air Cleaner	1
8	<u>102810701</u>	Filter, Air, Canister, W/labe (includes items 9 through 12)	1
9	<u>102498601</u>	Element, Filter, Air, 5 In	1
10	<u>102725501</u>	Valve, Evacuator, Filter Air	1
11	<u>102725601</u>	Cap, Latch Lock, Filter, Air	1
12	N/A	Body, Canister, Filter, Air	1
13	<u>103441401</u>	Clamp, Worm Screw, Hose, 2"	1

9

G

D

9

G

D

EXHAUST SYSTEM

10

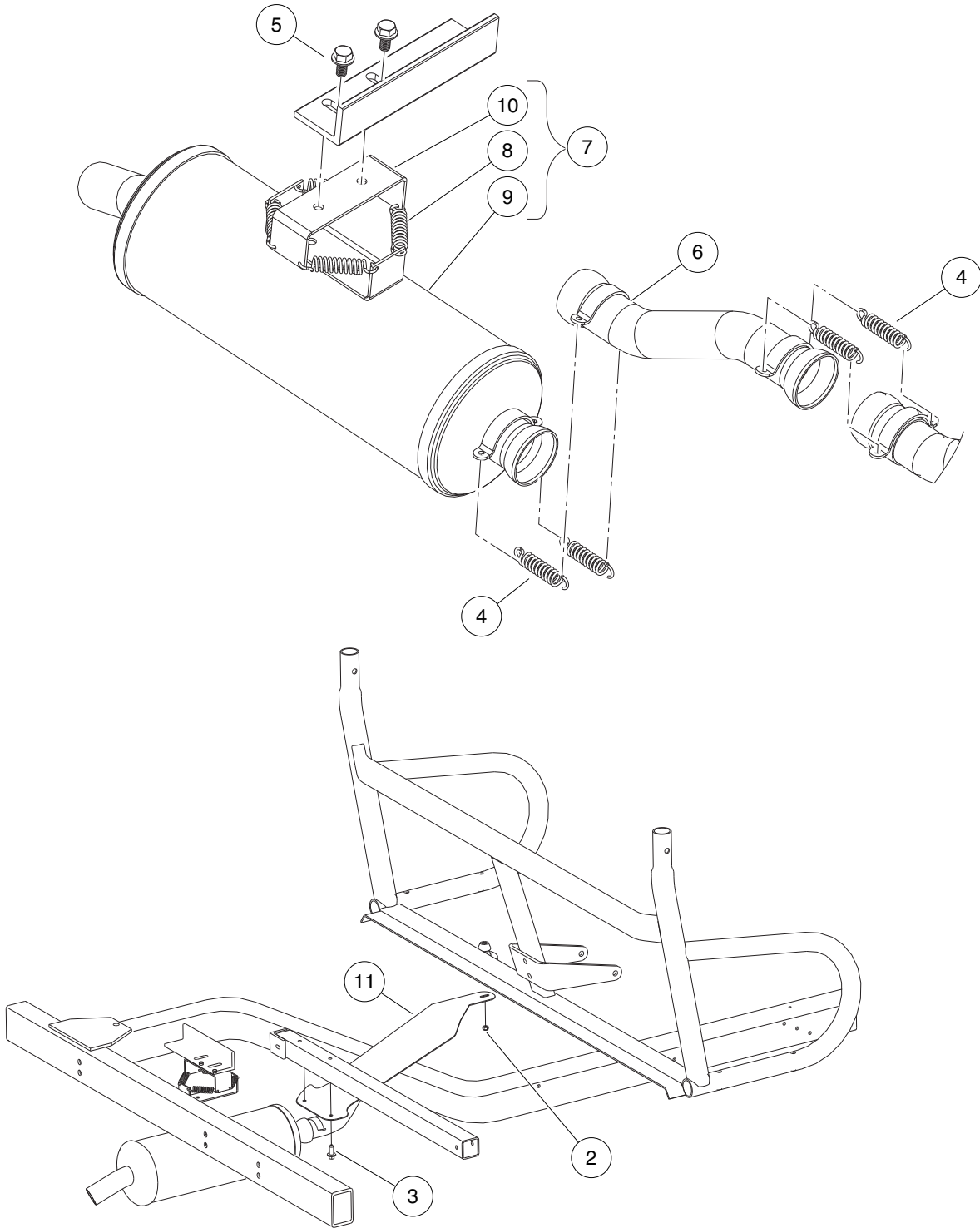
G

D

10

G

D



000538-001

EXHAUST SYSTEM

ITEM	PART NO.	DESCRIPTION	QTY
		1 2 3 4	
1	N/A	Instl, Exhaust, AWD (includes items 2 through 11)	1
2	<u>101887601</u>	Locknut, M6-1.00 Nylon Insert	1
3	<u>102298720</u>	M8-1.25x20 Taptite	2
4	<u>102409501</u>	Spring, Exhaust	4
5	<u>102621201</u>	Bolt Flanged Head, M8 X1.25x 16 with Loctite	2
6	<u>102786201</u>	Pipe, Exhaust, Int, Offset	1
7	<u>102812801</u>	Asm, Muffler, AWD Homologation (includes items 8 through 10)	1
8	<u>102409501</u>	Spring, Exhaust	4
9	N/A	Muffler	1
10	N/A	Bracket, Muffler	1
11	<u>102930901</u>	Shield, Exhaust, Clearance	1

10

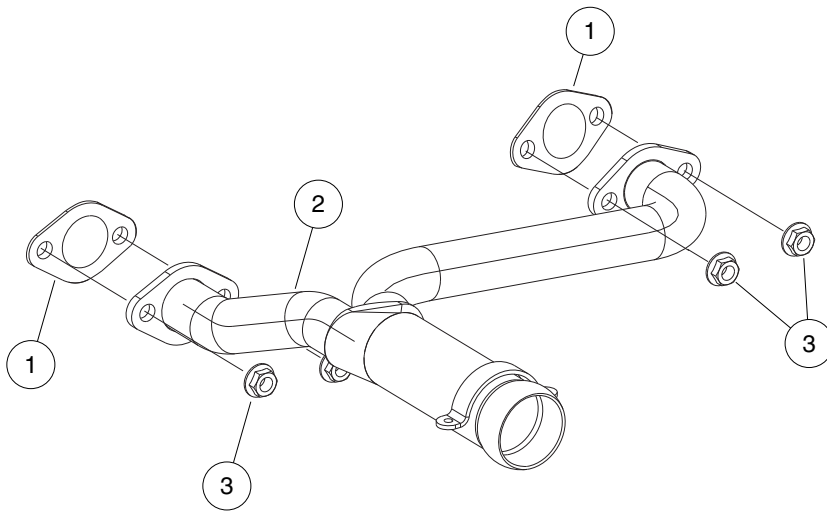
G

D

10

G

D



000538-004

EXHAUST HEADER – KAWASAKI GAS

ITEM	PART NO.	DESCRIPTION	QTY
		1 2 3 4	
1	<u>102949301</u>	Gasket, Exhaust Header, Fh680d	2
2	<u>103268101</u>	Header, Exhaust, Gas, Fh680d	1
3	<u>96704416</u>	Nut Flg, M8 X 1.25 Serrated	4

10

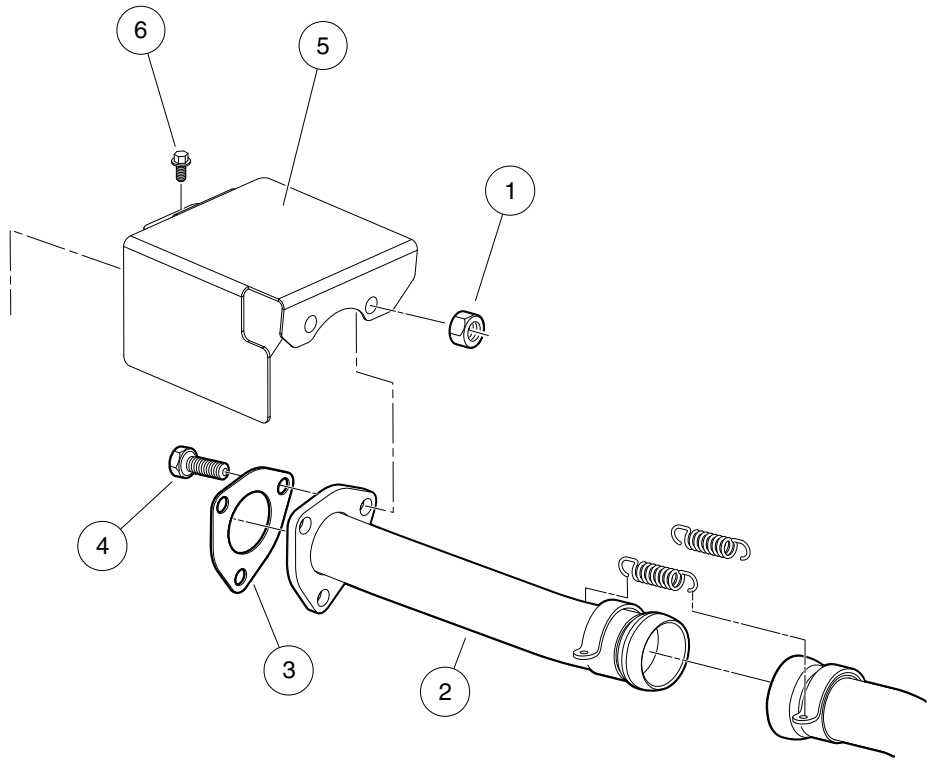
G

D

10

G

D



000538-003

EXHAUST PIPES – DIESEL VEHICLES

ITEM	PART NO.	DESCRIPTION	QTY
		1 2 3 4	
1	<u>102298401</u>	Nut,m8,all Metal Lock	3
2	<u>102409301</u>	Pipe, Exhaust Diesel Main	1
3	<u>102422301</u>	Gasket, Exhaust Diesel	1
4	<u>102621301</u>	Bolt, M8 X 1.25 X 40 with Loctite	3
5	<u>102628101</u>	Shield, Diesel Exhaust	1
6	<u>102731601</u>	Bolt, D722, Exhst Manfld Cover	1

10

G

D

10

G

D

CLUTCHES

11

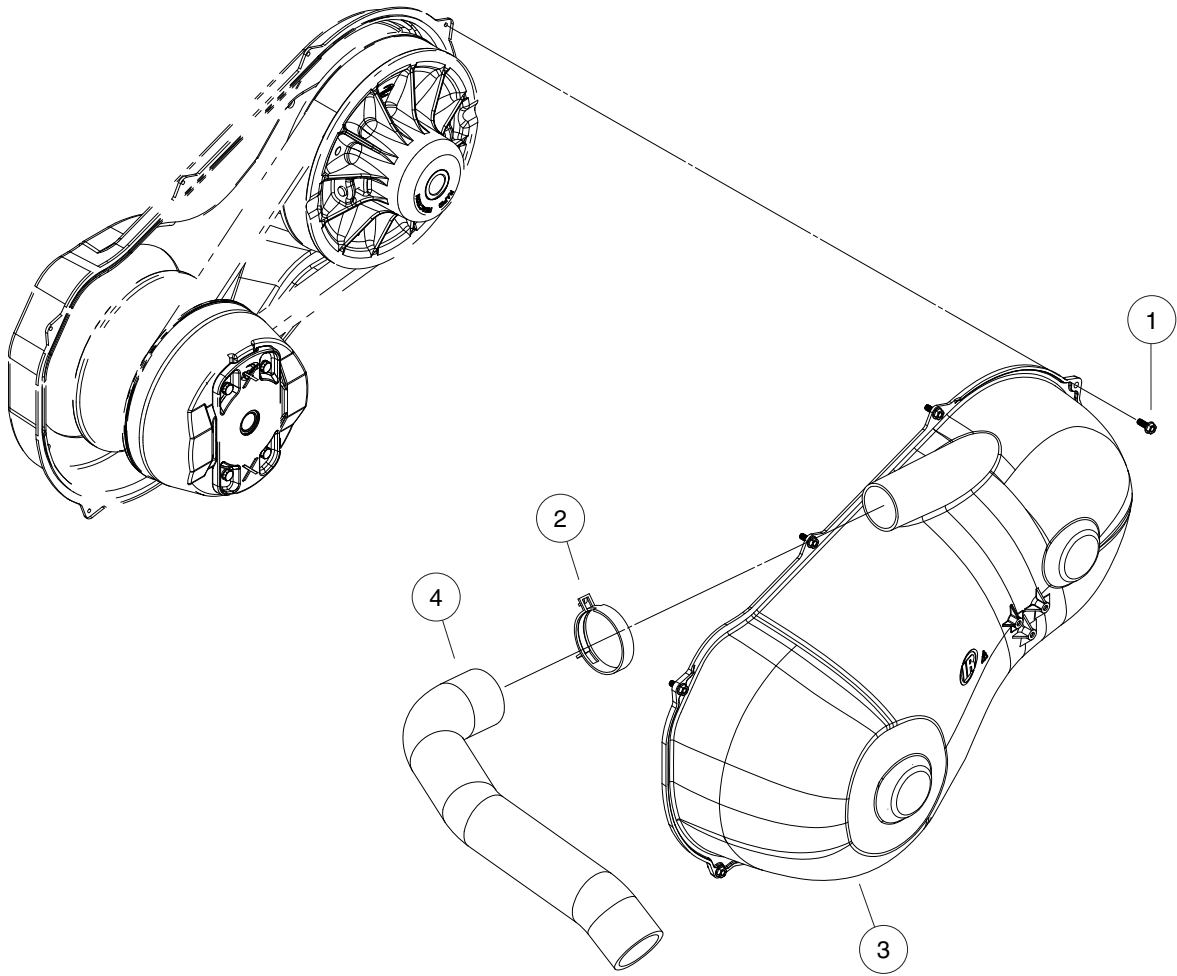
G

D

11

G

D



000008-002

CLUTCH COVER (STANDARD)

ITEM	PART NO.	DESCRIPTION	QTY
		1 2 3 4	
1	<u>102296716</u>	Screw, M6 X 16 Tt Hx Fl Hd	7
2	<u>102411210</u>	Clamp, Hose, Ctb 64mm	1
3	N/A	Cover, Cvt, Open	1
4	<u>103320601</u>	Hose, Outlet, Cvt	1

11

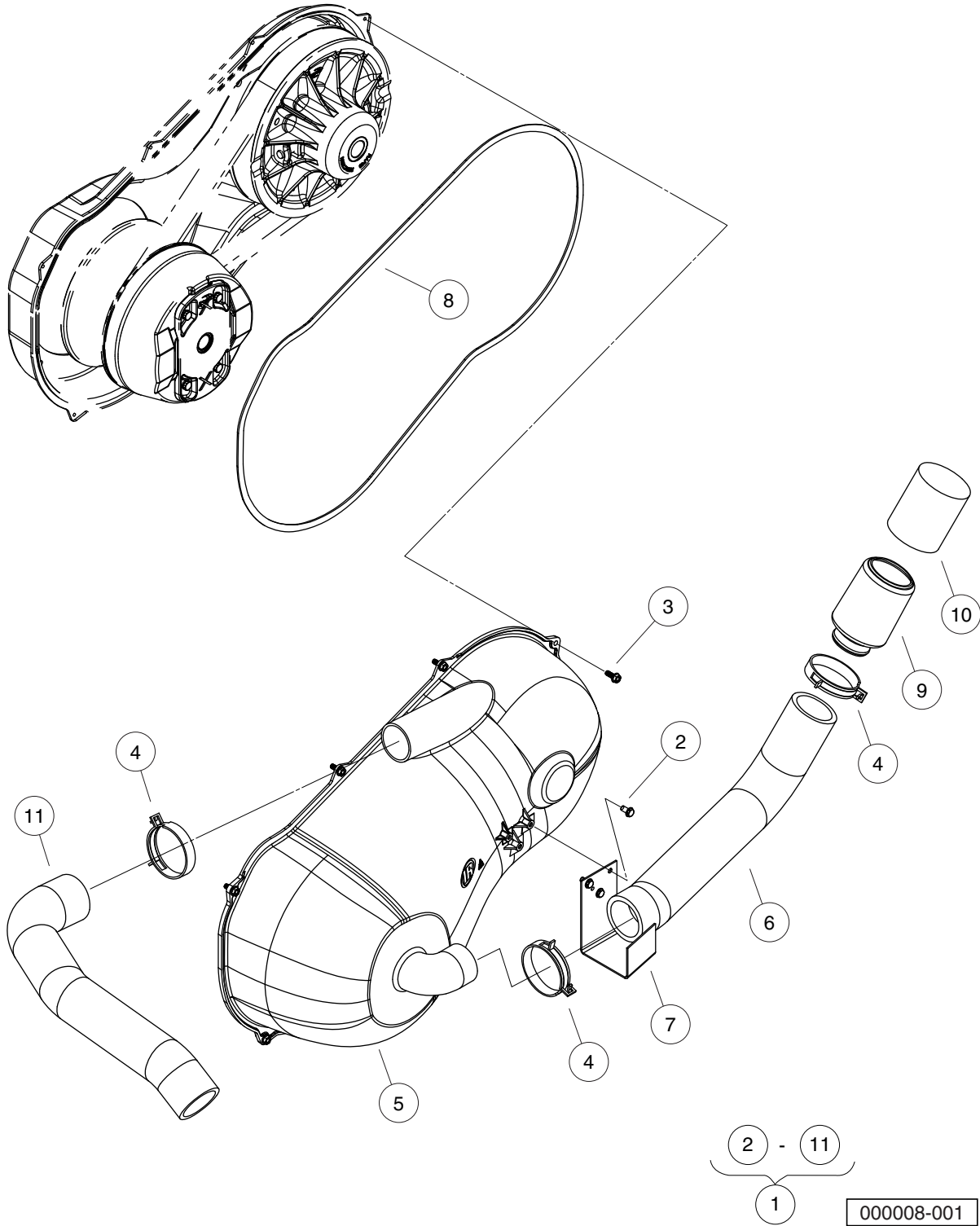
G

D

11

G

D



CLUTCH COVER (SEALED)

ITEM	PART NO.	DESCRIPTION	QTY
		1 2 3 4	
1	<u>102616003</u>	Kit, Sealed CVT Cover (includes items 2 through 11)	1
2	<u>101856102</u>	Screw, 1/4-15 X 1.50 Hi-lo Hex	3
3	<u>102296716</u>	Screw, M6 X 16 Tt Hx Fl Hd	7
4	<u>102411210</u>	Clamp, Hose, Ctb 64mm	2
5	<u>102414501</u>	Cover, CVT Outer	1
6	<u>102481001</u>	Hose, Inlet, Cover, CVT	1
7	<u>102481201</u>	Bracket, Inlet, Cover, CVT	1
8	<u>102481301</u>	Gasket, Cover, CVT	1
9	<u>102616101</u>	Cap, Inlet, Cover, CVT	1
10	<u>102628001</u>	Filter, Inlet, Cover, CVT	1
11	<u>103320601</u>	Hose, Outlet, Cvt	1

11

G

D

11

G

D



000084-001

DRIVE BELT

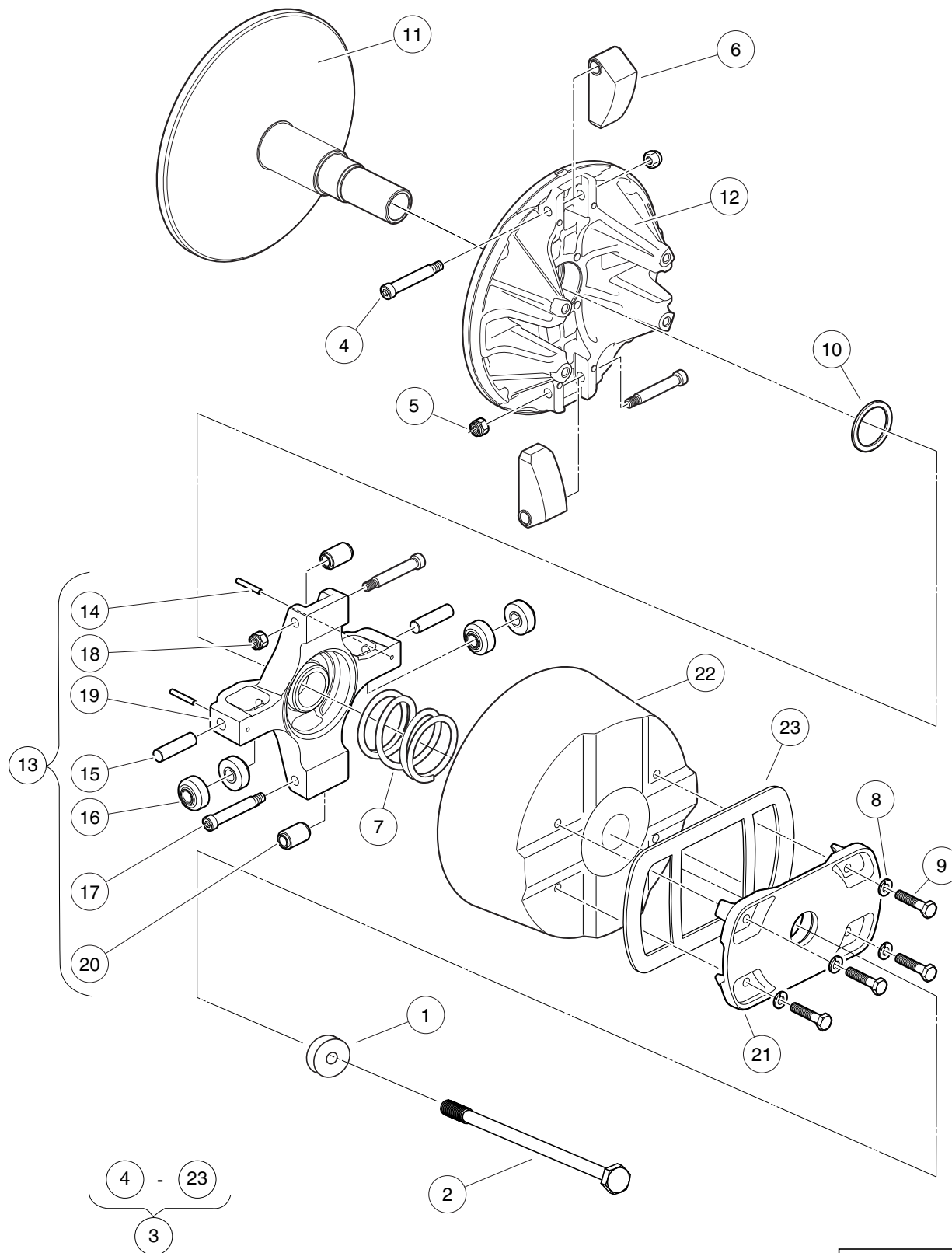
ITEM	PART NO.	DESCRIPTION	QTY
1	<u>102374901</u>	1 2 3 4 Belt, Drive	1

11
G
D

11

G

D



000007-004

DRIVE CLUTCH – DIESEL VEHICLES

ITEM	PART NO.	DESCRIPTION	QTY
		1 2 3 4	
1	<u>102385601</u>	Washer, Stepped	1
2	<u>102616501</u>	Bolt, M10 X 1.5 X 160	1
3	<u>103185501</u>	Clutch, 4x4, Diesel, W/cover (includes items 4 through 23)	1
4	<u>102690501</u>	Screw, Shlder Hex, .312 X 1.75	2
5	<u>102690701</u>	Nut, Lock Hex, 1/14-20, Flexlc	2
6	<u>102690801</u>	Sub Assy, Wt Clutch, Diesel	2
7	<u>102691401</u>	Spring, Compression, Primary	1
8	<u>102691601</u>	Washer, Lock, H-Spring, 1/4	4
9	<u>102691701</u>	Screw, Cap, Hex Hd, 1/4 X 1.25	4
10	<u>102691801</u>	Shim, 1.63 X 1.33	1
11	N/A	Subassembly, Drive Clutch	1
12	N/A	Subassembly, Moveable, Drive Clutch	1
13	N/A	Subassembly, Spider Utility, Diesel (includes items 14 through 20)	1
14	<u>102690201</u>	Pin, Spring Slotted, 1.25 X 1.0	2
15	<u>102690301</u>	Pin, Dowel, .375 X 1.50	2
16	<u>102690401</u>	Roller, Torque, Diesel	4
17	<u>102690501</u>	Screw, Shlder Hex, .312 X 1.75	2
18	<u>102690701</u>	Nut, Lock Hex, 1/14-20, Flexlc	2
19	N/A	Spider, Drive Clutch	1
20	<u>102839401</u>	Sub Assy, Roller Weight	2
21	N/A	Cover, Drive Clutch	1
22	<u>103185801</u>	Cover, Clutch, 4x4	1
23	<u>103185901</u>	Gasket, Cover, Clutch, 4x4	1

11

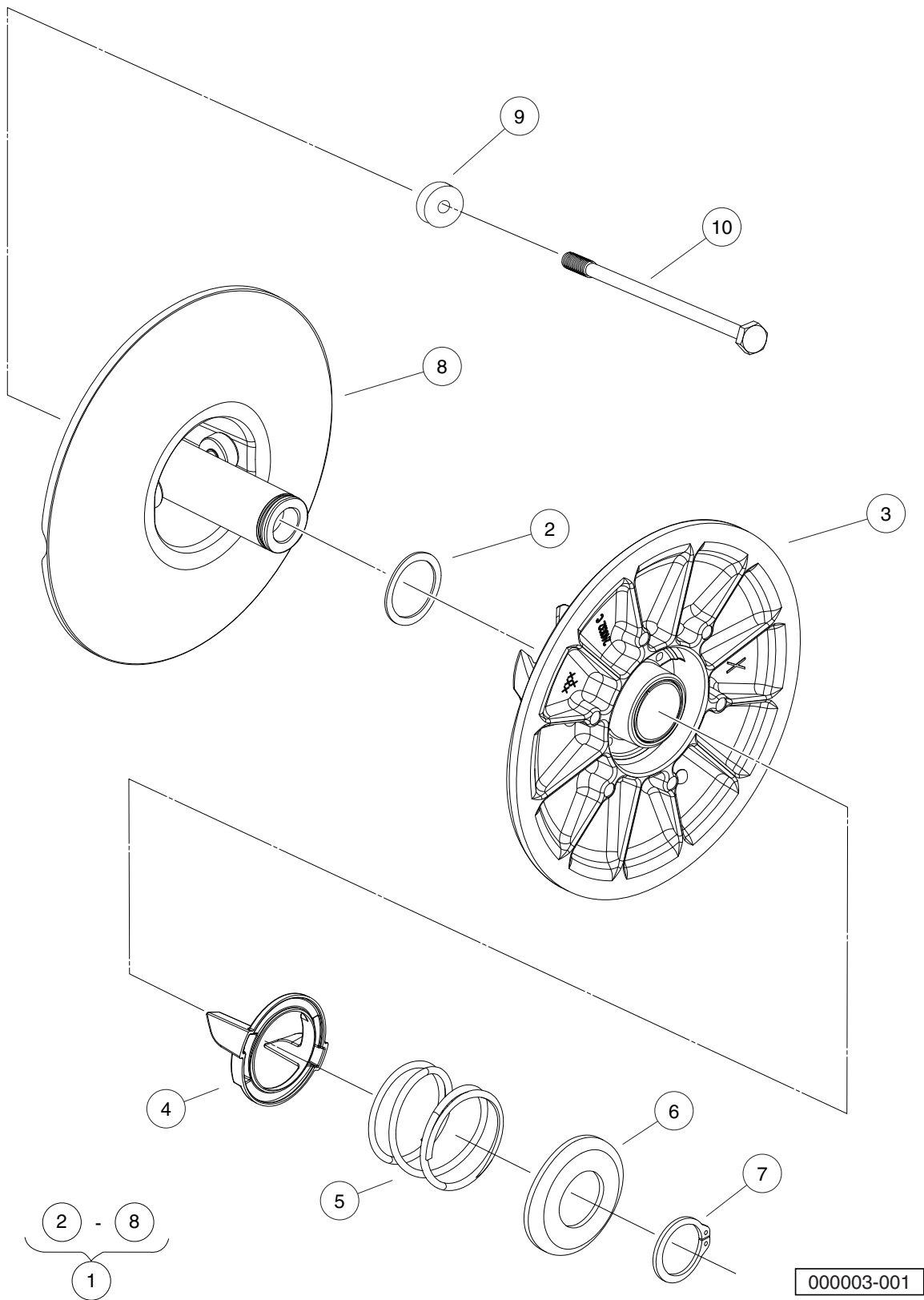
G

D

11

G

D



000003-001

DRIVEN CLUTCH

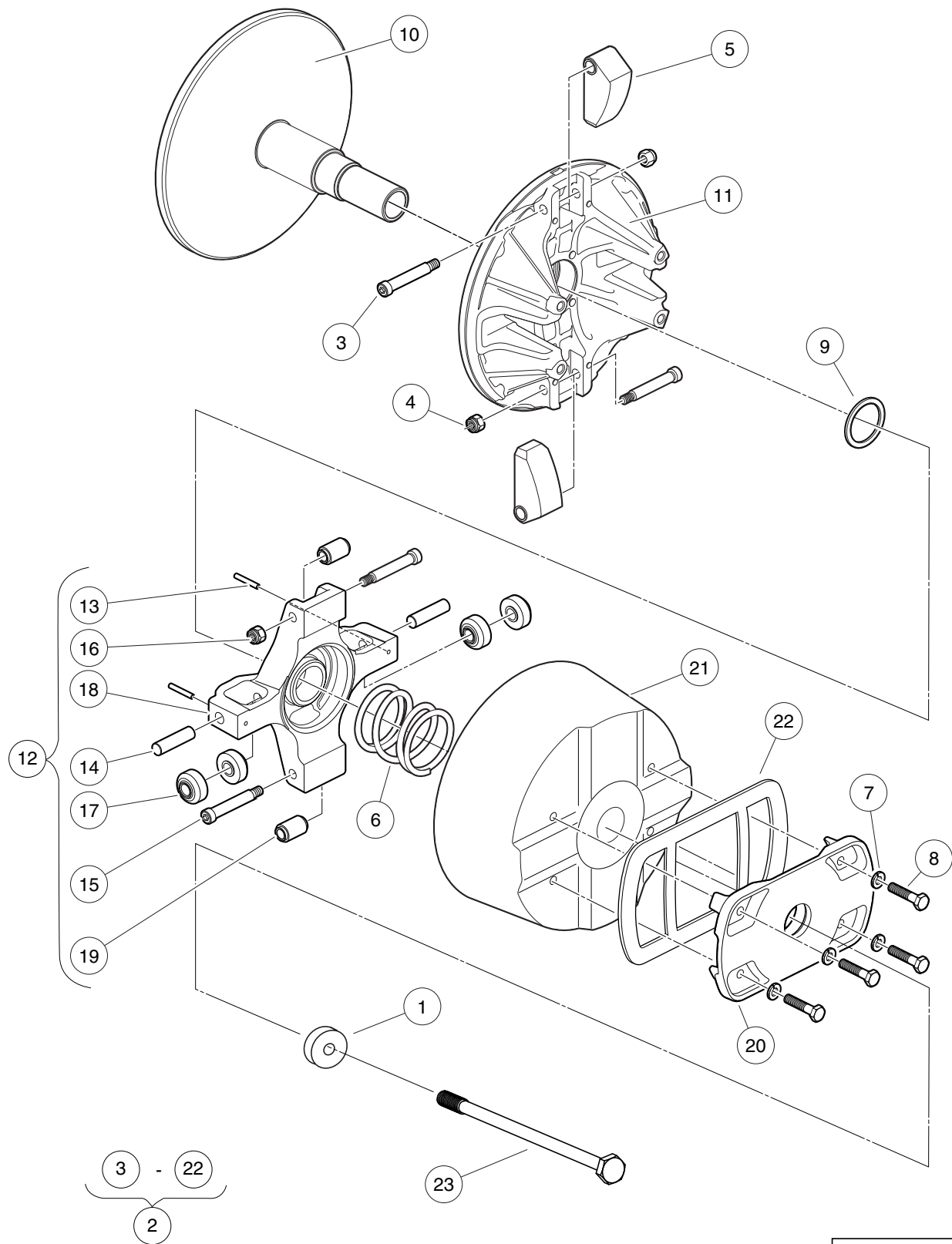
ITEM	PART NO.	DESCRIPTION	QTY
		1 2 3 4	
1	<u>102369901</u>	CVT, Secondary (includes items 2 through 8)	1
2	<u>102695401</u>	Washer, Thrust, 1.53 X 1.92	1
3	N/A	Sheave, Driven Clutch	1
4	<u>102695601</u>	Retainer, Spring, Inner	1
5	<u>102695701</u>	Spring, Compression, Secondary	1
6	<u>102695801</u>	Retainer, Spring, Outer	1
7	<u>102695901</u>	Ring, Retaining, External	1
8	N/A	Driven Clutch Base Sheave	1
9	<u>102385701</u>	Washer, Stepped	1
10	<u>102719301</u>	Bolt, M10 X 1.50 X 90, Loctite	1

11
G
D

11

G

D



000007-005

DRIVE CLUTCH – GASOLINE VEHICLES

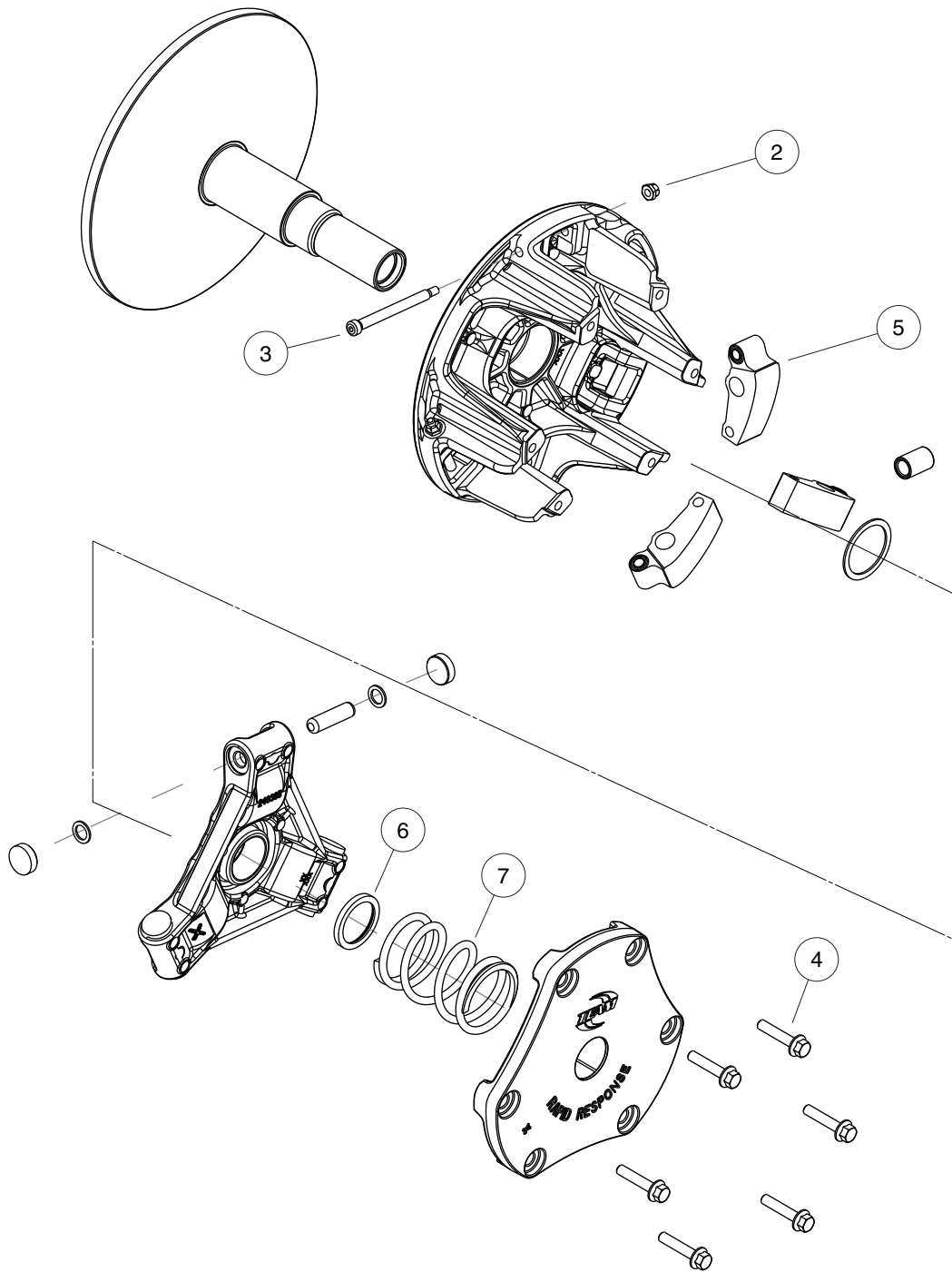
ITEM	PART NO.	DESCRIPTION	QTY
		1 2 3 4	
1	<u>102385601</u>	Washer, Stepped	1
2	<u>103185401</u>	Clutch, 4x4, Gas, W/cover (includes items 3 through 22)	1
3	<u>102690501</u>	Screw, Shlder Hex, .312 X 1.75	2
4	<u>102690701</u>	Nut, Lock Hex, 1/14-20, Flexlc	2
5	<u>102691001</u>	Sub Assy, Wt Clutch, Gas	2
6	<u>102691401</u>	Spring, Compression, Primary	1
7	<u>102691601</u>	Washer, Lock, H-Spring, 1/4	4
8	<u>102691701</u>	Screw, Cap, Hex Hd, 1/4 X 1.25	4
9	<u>102691801</u>	Shim, 1.63 X 1.33	1
10	N/A	Subassembly, Drive Clutch	1
11	N/A	Subassembly, Moveable, Drive Clutch	1
12	N/A	Spider Subassembly (Gasoline) (includes items 13 through 19)	1
13	<u>102690201</u>	Pin, Spring Slotted, 1.25 X 1.0	2
14	<u>102690301</u>	Pin, Dowel, .375 X 1.50	2
15	<u>102690501</u>	Screw, Shlder Hex, .312 X 1.75	2
16	<u>102690701</u>	Nut, Lock Hex, 1/14-20, Flexlc	2
17	<u>102691901</u>	Roller, Torque, Gas	4
18	N/A	Spider, Drive Clutch	1
19	<u>102839401</u>	Sub Assy, Roller Weight	2
20	N/A	Cover, Drive Clutch	1
21	<u>103185801</u>	Cover, Clutch, 4x4	1
22	<u>103185901</u>	Gasket, Cover, Clutch, 4x4	1
23	<u>103201501</u>	Bolt, M8 X 1.25 X 200, Loctite	1

11
G
D

11

G

D



000007-006

DRIVE CLUTCH – GASOLINE VEHICLES

ITEM	PART NO.	DESCRIPTION	QTY
		1 2 3 4	
1	<u>103848001</u>	Clutch, Drive, Gas, 3 Weight (includes items 2 through 7)	1
2	<u>103829601</u>	Nut, Lock, Hex #10-24 Flexloc	3
3	<u>103829701</u>	Screw, Shldr, Hex Skt .25x2.5	1
4	<u>103829801</u>	Screw, Hex Flg Hd, 1/4-20x1.25	6
5	<u>103829901</u>	Weight, Clutch, D-153 G	3
6	<u>103830001</u>	Spacer, Clutch 1.44x1.125x.150	1
7	<u>103856101</u>	Spring, Comp, 2.0 Od Black/slv	1

11

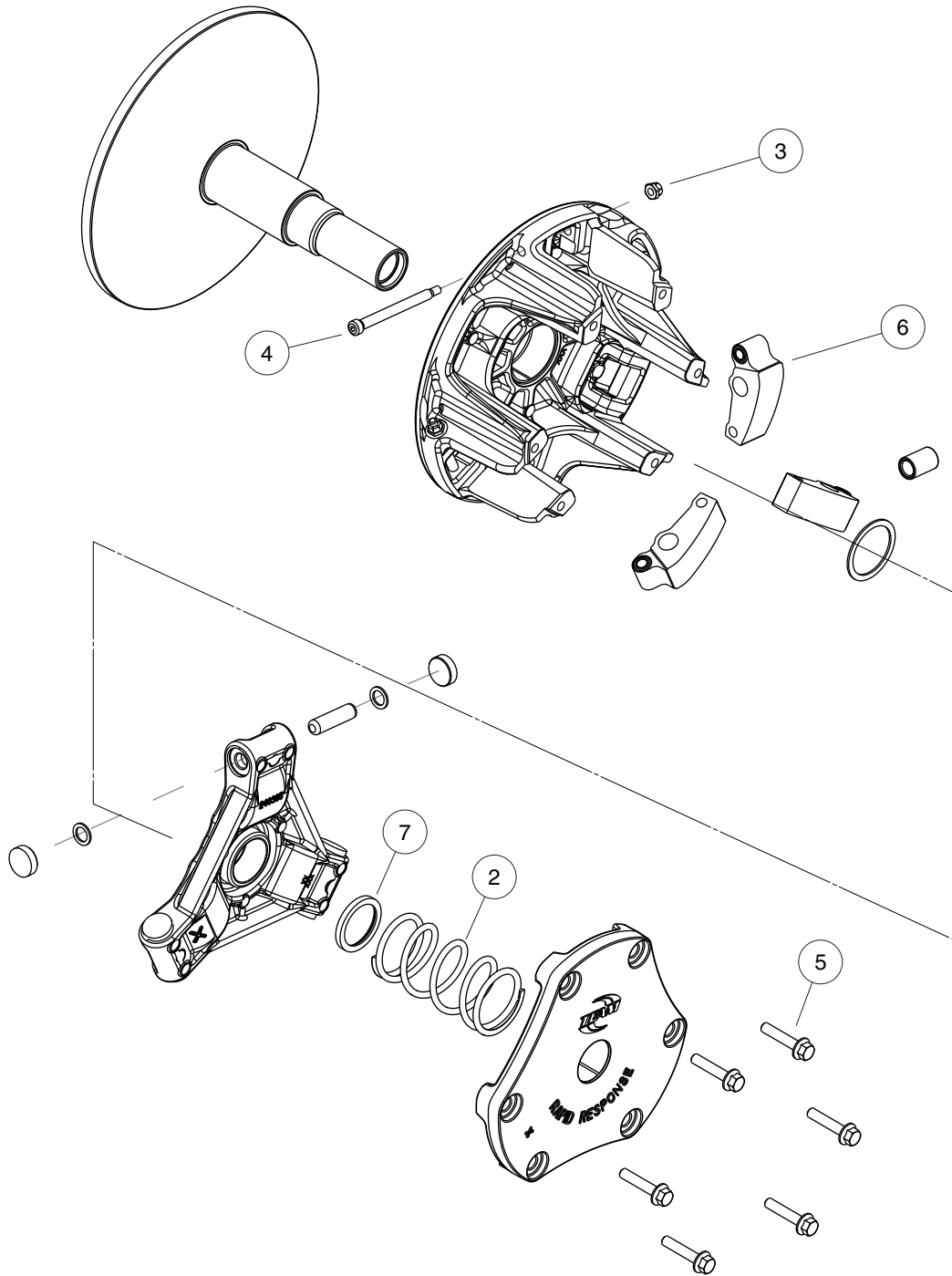
G

D

11

G

D



000007-007

DRIVE CLUTCH – DIESEL VEHICLES

ITEM	PART NO.	DESCRIPTION	QTY
		1 2 3 4	
1	<u>103828101</u>	Clutch, Drive, Dsl, 3 Weight (includes items 2 through 7)	1
2	<u>103829501</u>	Spring, Comp, 2.0 Od Black/or	1
3	<u>103829601</u>	Nut, Lock, Hex #10-24 Flexloc	3
4	<u>103829701</u>	Screw, Shldr, Hex Skt .25x2.5	3
5	<u>103829801</u>	Screw, Hex Flg Hd, 1/4-20x1.25	6
6	<u>103829901</u>	Weight, Clutch, D-153 G	3
7	<u>103830001</u>	Spacer, Clutch 1.44x1.125x.150	1

11

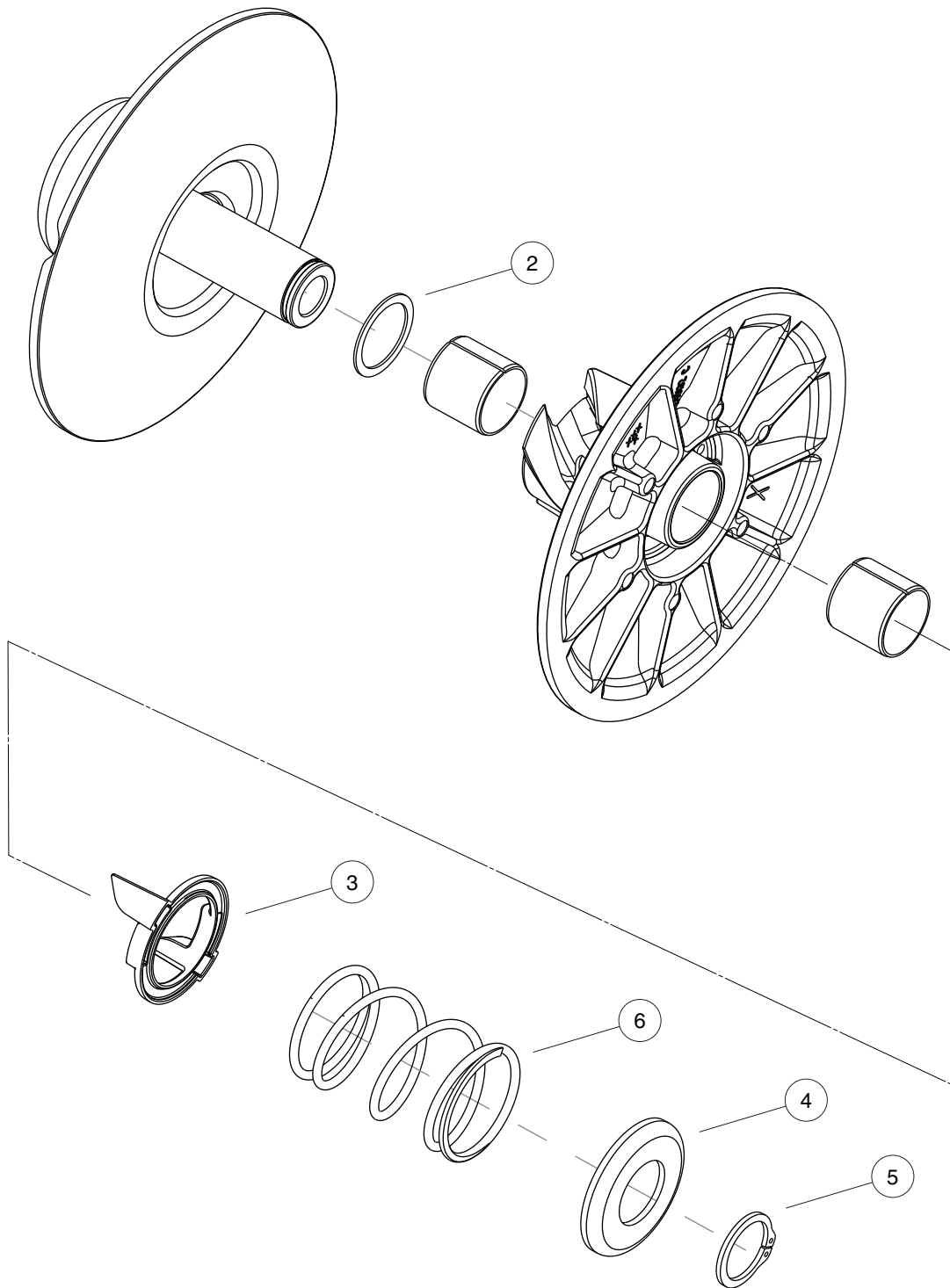
G

D

11

G

D



000003-002

DRIVEN CLUTCH

ITEM	PART NO.	DESCRIPTION	QTY
		1 2 3 4	
1	<u>103828201</u>	Clutch, Driven, 3 Weight (includes items 2 through 6)	1
2	<u>102695401</u>	Washer, Thrust, 1.53 X 1.92	1
3	<u>102695601</u>	Retainer, Spring, Inner	1
4	<u>102695801</u>	Retainer, Spring, Outer	1
5	<u>102695901</u>	Ring, Retaining, External	1
6	<u>103829001</u>	Spring, Comp, 2.7 Od, Almd/blk	1

11
G
D

11

G

D

DRIVETRAIN COMPONENTS

12

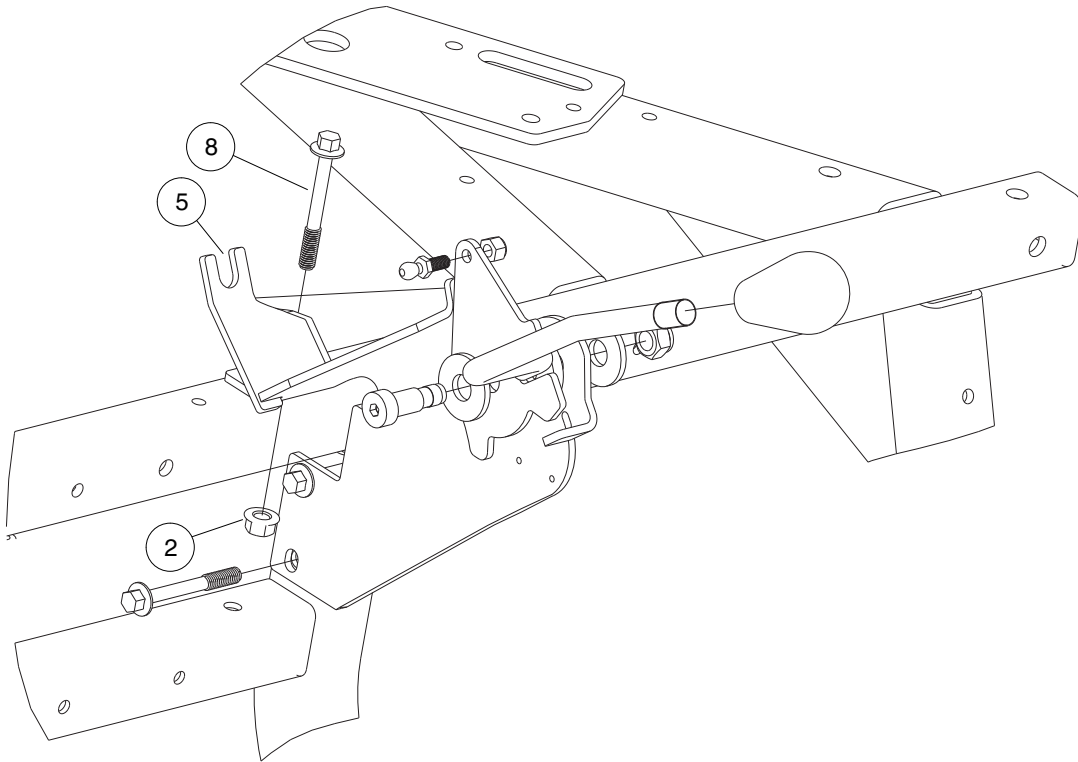
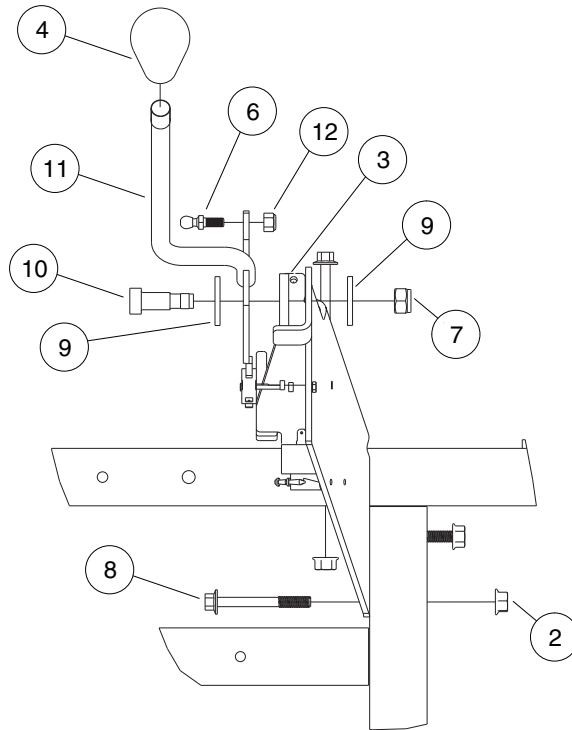
G

D

12

G

D



000030-003

FORWARD/REVERSE SHIFTER ASSEMBLY

ITEM	PART NO.	DESCRIPTION	QTY
		1 2 3 4	
1	N/A	Instl, Fnr, Shifter, Dom (includes items 2 through 13)	1
2	<u>102298401</u>	Nut,m8,all Metal Lock	3
3	<u>102375901</u>	Bushing, Fnr	1
4	<u>102376001</u>	Knob, Fnr	1
5	N/A	Weldment, FNR Shifter Bracket	1
6	<u>102615701</u>	Stud, Ball, .346 Dia	1
7	<u>102616701</u>	Locknut, M10x1.5 Nylon Insert	1
8	<u>102618301</u>	Bolt Flanged Head, M8 X 1.25 X 65	3
9	<u>102684501</u>	Washer, M12 Hard Regular	2
10	<u>102684601</u>	Shoulder Bolt,m12 X 20 M10 Thd	1
11	<u>103187501</u>	Weldment, FNR Shifter	1
12	<u>8717</u>	Locknut, 1/4-28 Nylon Insert	1
13	<u>8990</u>	Tie Wrap, 8" Nylon	2

12

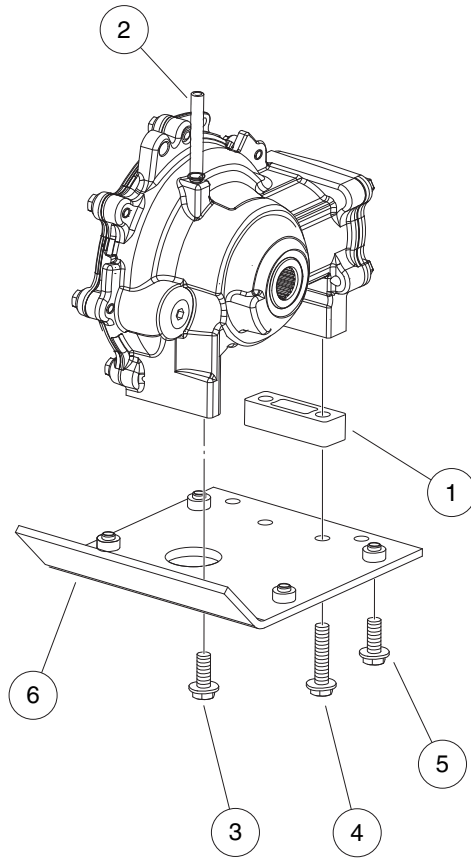
G

D

12

G

D



000012-003

FRONT DIFFERENTIAL MOUNTING PLATE

ITEM	PART NO.	DESCRIPTION	QTY
		1 2 3 4	
1	<u>102381701</u>	Spacer Block, Diff	1
2	<u>102462401</u>	Hose, Vent, Front Diff	1
3	<u>102491001</u>	Bolt Flanged Head, 3/8-16x1.0 with Loctite	2
4	<u>102491101</u>	Bolt Flanged Head, 3/8-16x1.500 with Loctite	2
5	<u>102711601</u>	Bolt, Flange Head, M10 X 1.5 X 25	4
6	<u>103244701</u>	Asm, Mount, Diff Plate	1

12

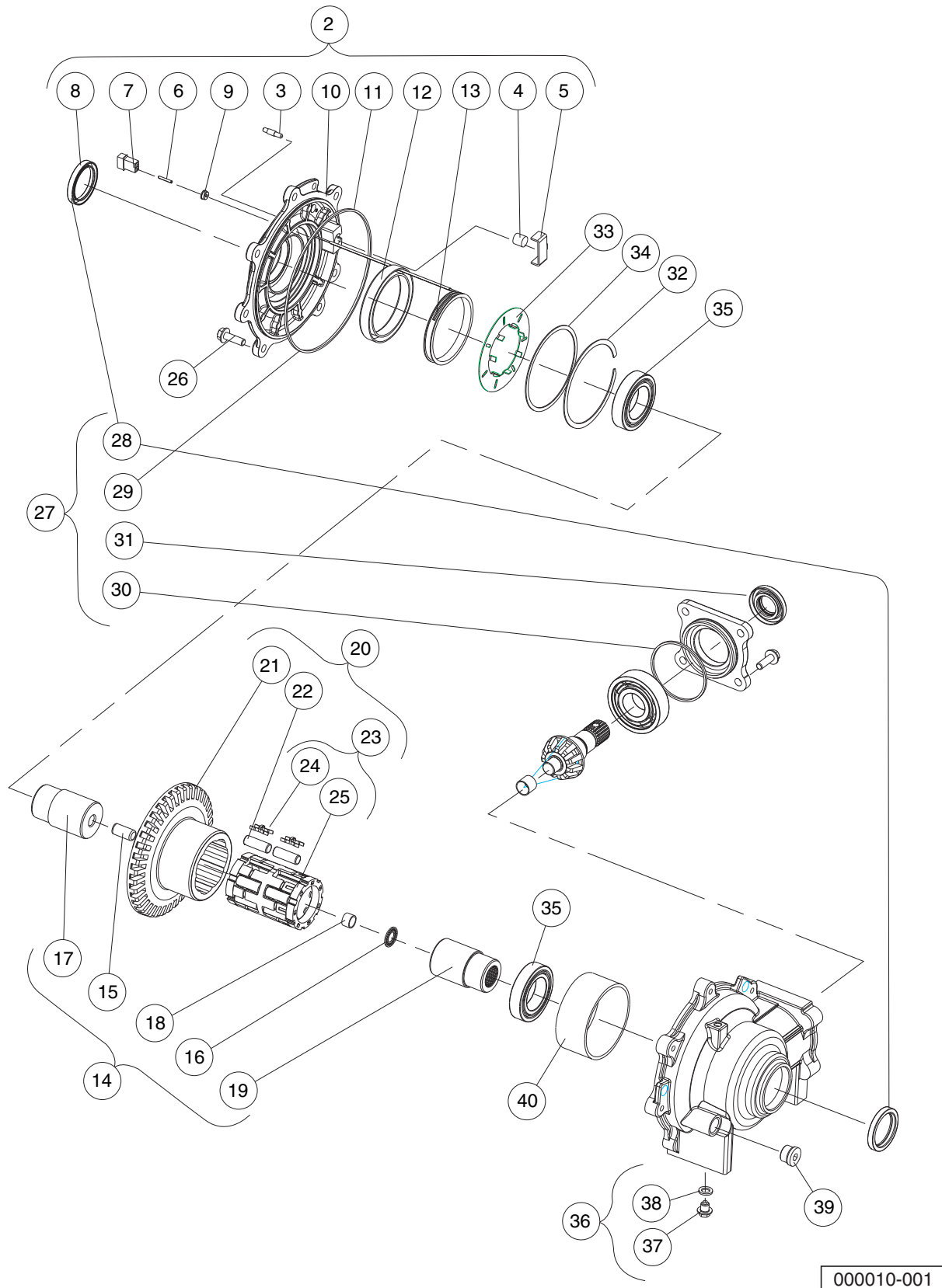
G

D

12

G

D



FRONT DIFFERENTIAL (OUTPUT COMPONENTS)

ITEM	PART NO.	DESCRIPTION	QTY
		1 2 3 4	
1	<u>102371801</u>	Differential, Front * (includes items 2 through 40)	1
2	<u>102438201</u>	Kit, Assy, Output Cover Plate (includes items 3 through 13)	1
3	<u>102439001</u>	Set Screw, #10-24 UNC-3A with Patch	1
4	<u>102439101</u>	Thrust Button	1
5	<u>102439201</u>	Thrust Plate	1
6	N/A	Mate-N-Lock Pin	2
7	N/A	Mate-N-Lock Housing	1
8	N/A	Oil Seal	1
9	N/A	Grommet	1
10	N/A	Plate, Output Cover	1
11	N/A	O-Ring	1
12	N/A	Coil, Pocket Insert	1
13	N/A	Coil with Press-Fit Bobbin	1
14	<u>102438301</u>	Kit, Assy, Race Output Hub (includes items 15 through 19)	1
15	<u>102439401</u>	Pin, Dowel	1
16	<u>102439501</u>	Bearing, Needle	1
17	N/A	Race/Output Hub, Male	1
18	N/A	Bushing, PermiGlide	1
19	N/A	Race/Output Hub, Female	1
20	<u>102438401</u>	Kit, Assy, Clutch (includes items 21 through 23)	1
21	<u>102439601</u>	Clutch Hsg/Ring Gear, Machined	1
22	<u>102439801</u>	Kit, Roller (contains 14 rollers)	1
23	<u>102439901</u>	Kit, Assy, Roll Cage (includes items 24 and 25)	1
24	<u>102439701</u>	Kit, H-Clip Spring (contains 14 clips)	1
25	N/A	Roll Cage, Plastic	1
26	<u>102438501</u>	Kit, Bolt (contains 7 bolts)	1
27	<u>102438601</u>	Kit, Minor Repair (includes items 28 through 31)	1
28	N/A	Oil Seal	1
29	N/A	O-Ring	1
30	N/A	O-Ring	1
31	N/A	Oil Seal, Triple-Lipped	1
32	<u>102438701</u>	Retaining, Ring Internal	1
33	<u>102438801</u>	Plate, Armature	1
34	<u>102438901</u>	Shim, Armature, Plate	1
35	<u>102439301</u>	Bearing, Ball	12
36	<u>102440101</u>	Kit, Assy, Drain Plug (includes items 37 and 38)	1
37	N/A	Plug, Oil Drain	1
38	N/A	Washer, Nylon, 0.625 x 0.382 x 0.06	1
39	<u>102440301</u>	Plug, Oil Fill	1
40	N/A	Bushing, Self-Lubricating, 80 x 85 x 20	1
		* Note: This assembly also contains components listed on the following two pages.	

12

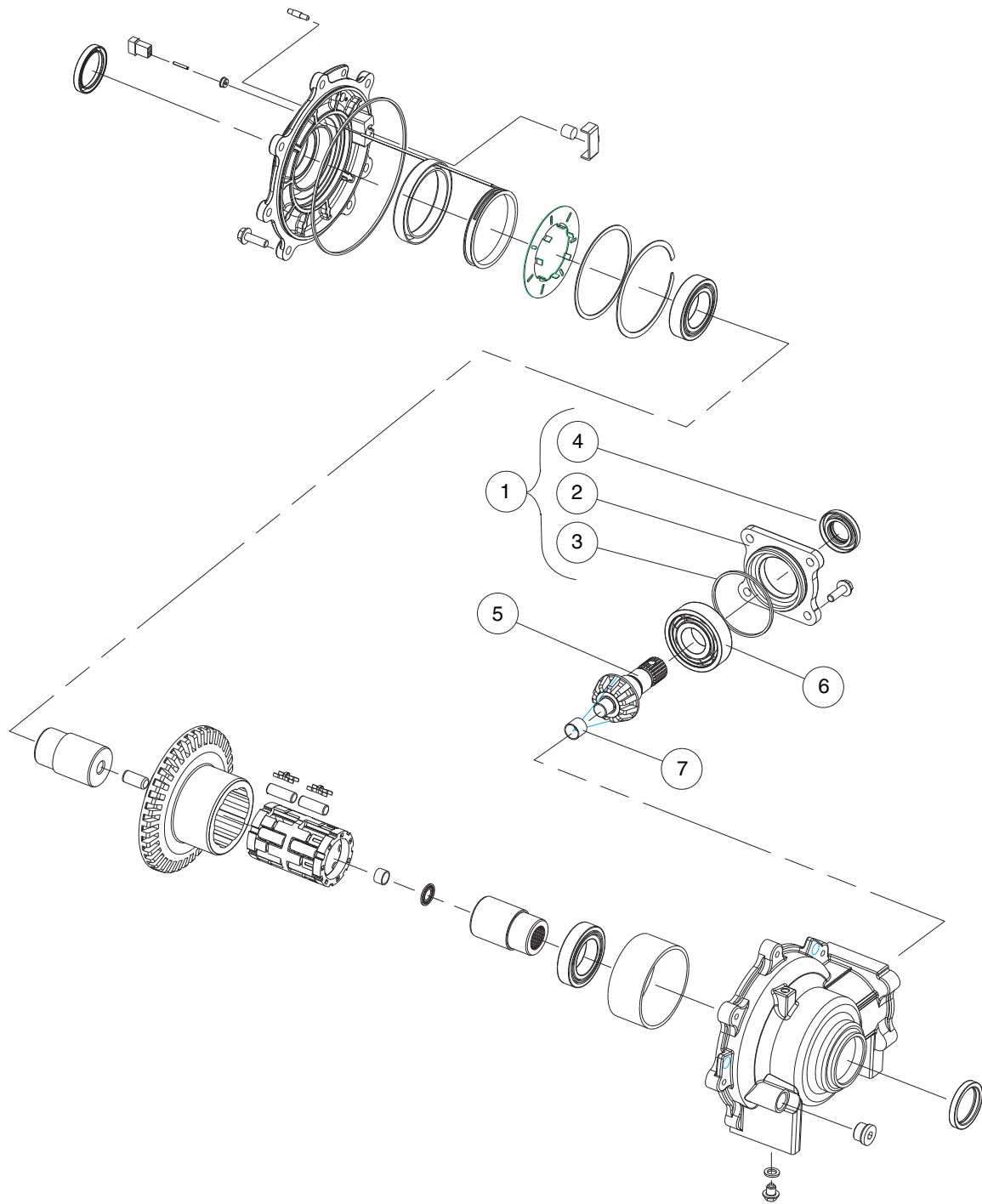
G

D

12

G

D



000010-002

FRONT DIFFERENTIAL (INPUT COMPONENTS)

ITEM	PART NO.	DESCRIPTION	QTY
		1 2 3 4	
1	<u>102440201</u>	Kit, Assy, Input Cover Plate (includes items 2 through 4)	1
2	<u>102440601</u>	Cover, Input, Machined	1
3	N/A	O-Ring	1
4	N/A	Oil Seal, Triple-Lipped	1
5	<u>102440401</u>	Shaft, Pinion, Machined	1
6	<u>102440501</u>	Bearing, Ball	1
7	N/A	Bushing, Plain 16 Id X 15 Wide	1
<p>Note: This page contains a list of components internal to the front differential. See the previous pages for other front differential components.</p>			

12

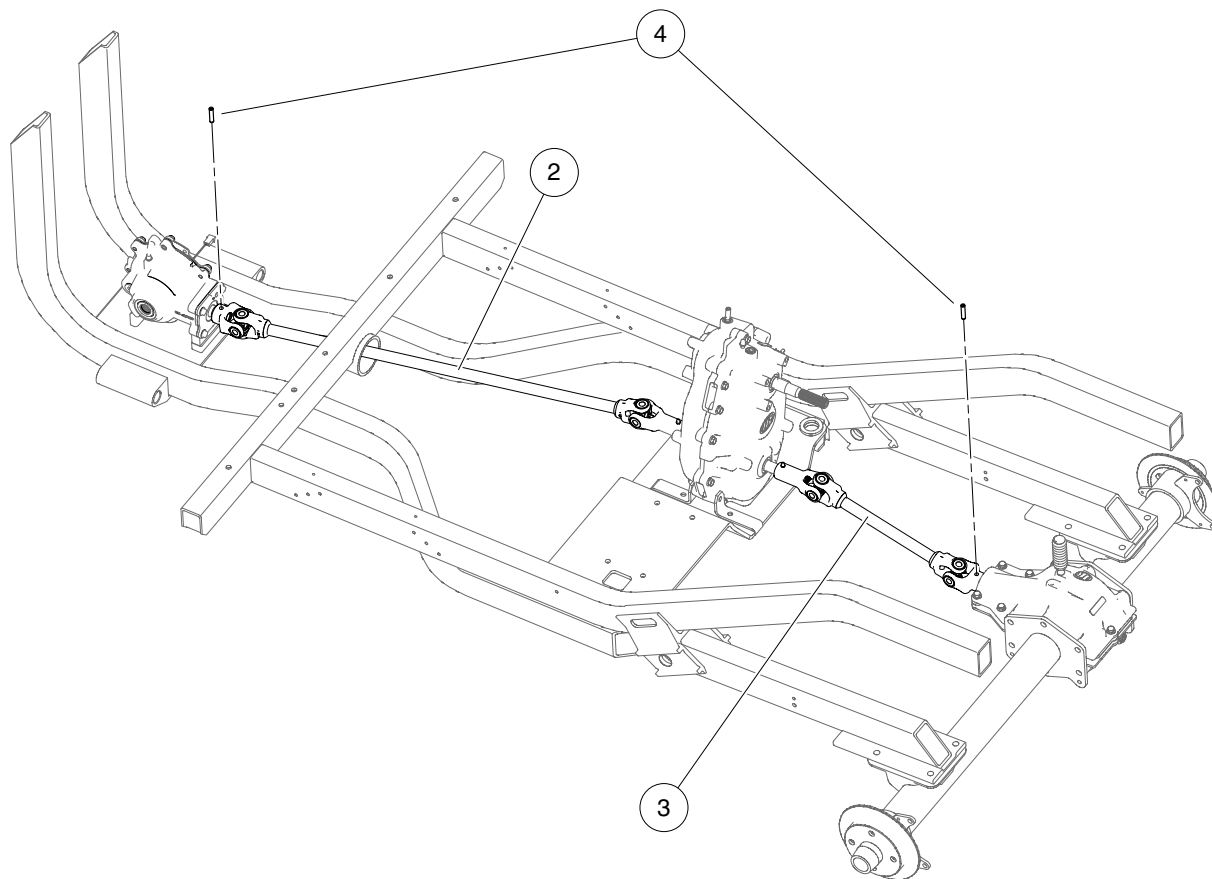
G

D

12

G

D



000091-001

PROP SHAFTS

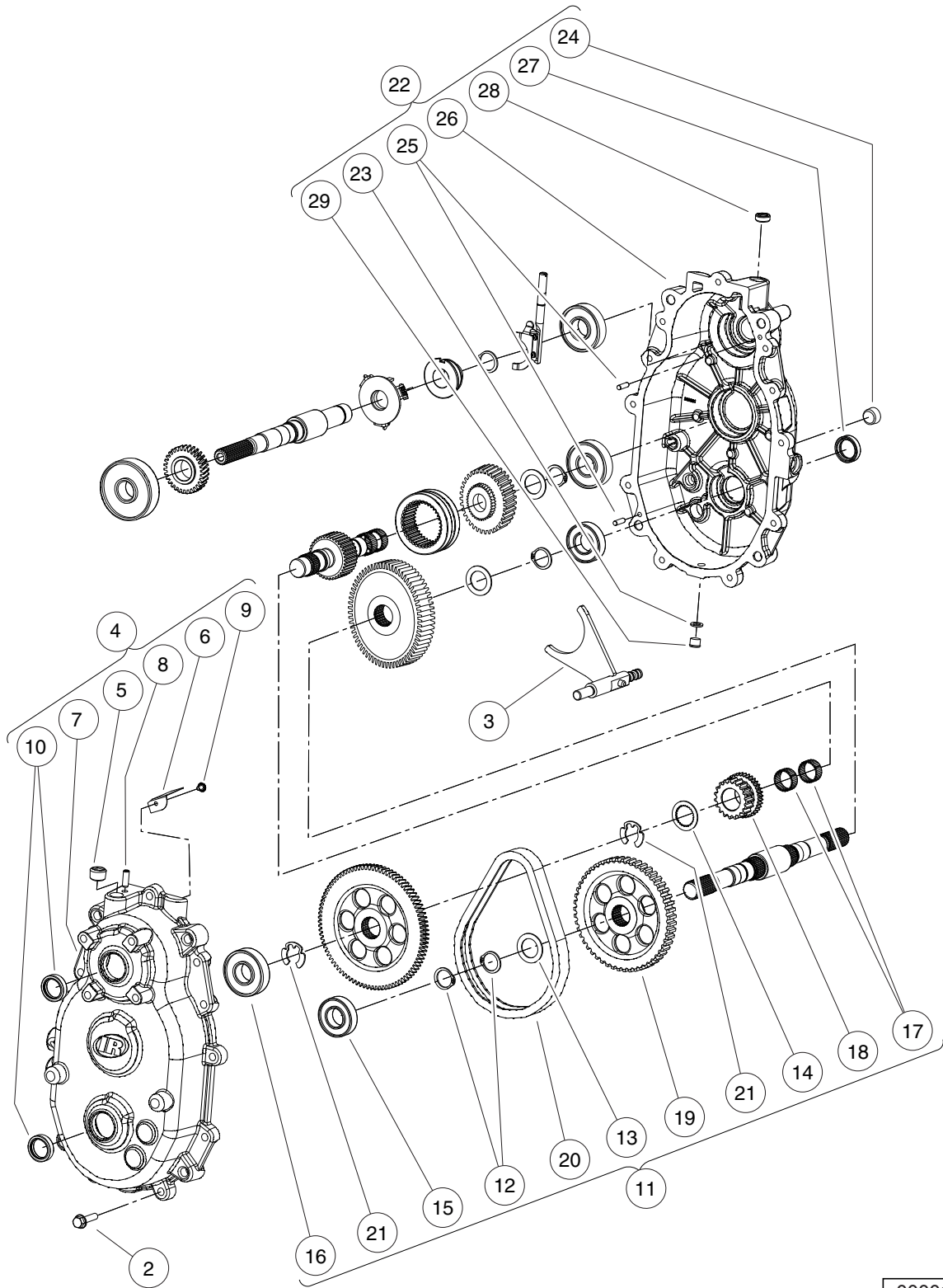
ITEM	PART NO.	DESCRIPTION	QTY
1	N/A	1 2 3 4 Inst, Prop Shafts, Awd (includes items 2 through 4)	1
2	<u>102371701</u>	Prop Shaft, Front	1
3	102372101	Prop Shaft, Rear	1
4	95293643	Pin, Spring, 5/16 X 1-1/2 Hd	2

12
G
D

12

G

D



000016-004

TRANSMISSION – GASOLINE VEHICLES

ITEM	PART NO.	DESCRIPTION	QTY
		1 2 3 4	
1	<u>103178401</u>	Transmission, Parallel Shaft (includes items 2 through 22)	1
2	<u>102693301</u>	Screw,hex Flange, M8 X 35	11
3	<u>102697801</u>	Fork, Transmission	1
4	<u>102764201</u>	Asm, Gear Case, Rear (includes items 5 through 10)	1
5	<u>102694201</u>	Plug, Square Skt, 1/12-14, Ptf	1
6	<u>102696301</u>	Oil, Deflector	1
7	<u>102697401</u>	Gearcase, Rear	1
8	<u>102698301</u>	Vent, Trans	1
9	<u>102698901</u>	Screw, Tapping # 10-24 X .375	1
10	<u>102699401</u>	Seal, Triple, 25 X 35 X 7.8	2
11	<u>102765201</u>	Kit, Reverse Gear Repair (includes items 12 through 21)	1
12	<u>102696201</u>	Ring, Retaining, Basic External	2
13	<u>102696501</u>	Washer, Thrust, 1.007 X .062	1
14	<u>102696701</u>	Washer, 26.231 X 39.167 X 1.57	1
15	<u>102696801</u>	Bearing, Ball	1
16	<u>102696901</u>	Bearing, Ball	1
17	<u>102697101</u>	Bearing, Needle	2
18	<u>102697601</u>	Sprocket, 19-Tooth	1
19	<u>102697701</u>	Sprocket, 51-Tooth	1
20	<u>102699201</u>	Chain, .375p, .75 Wide, 60ptch	1
21	<u>102699701</u>	Ring, Retaining, E-Ring	2
22	<u>103250301</u>	Asm, Case, Gear, Front (includes items 23 through 29)	1
23	<u>102693501</u>	Washer, .625 X .382 X .60	1
24	<u>102694201</u>	Plug, Square Skt, 1/12-14, Ptf	1
25	<u>102696101</u>	Pin, Dowel, 6 X 20	2
26	<u>102697301</u>	Gearcase, Front	1
27	<u>102699401</u>	Seal, Triple, 25 X 35 X 7.8	1
28	<u>102721501</u>	Seal, Dual-Lip	1
29	<u>103250401</u>	Plug, 3/4-16	1

12

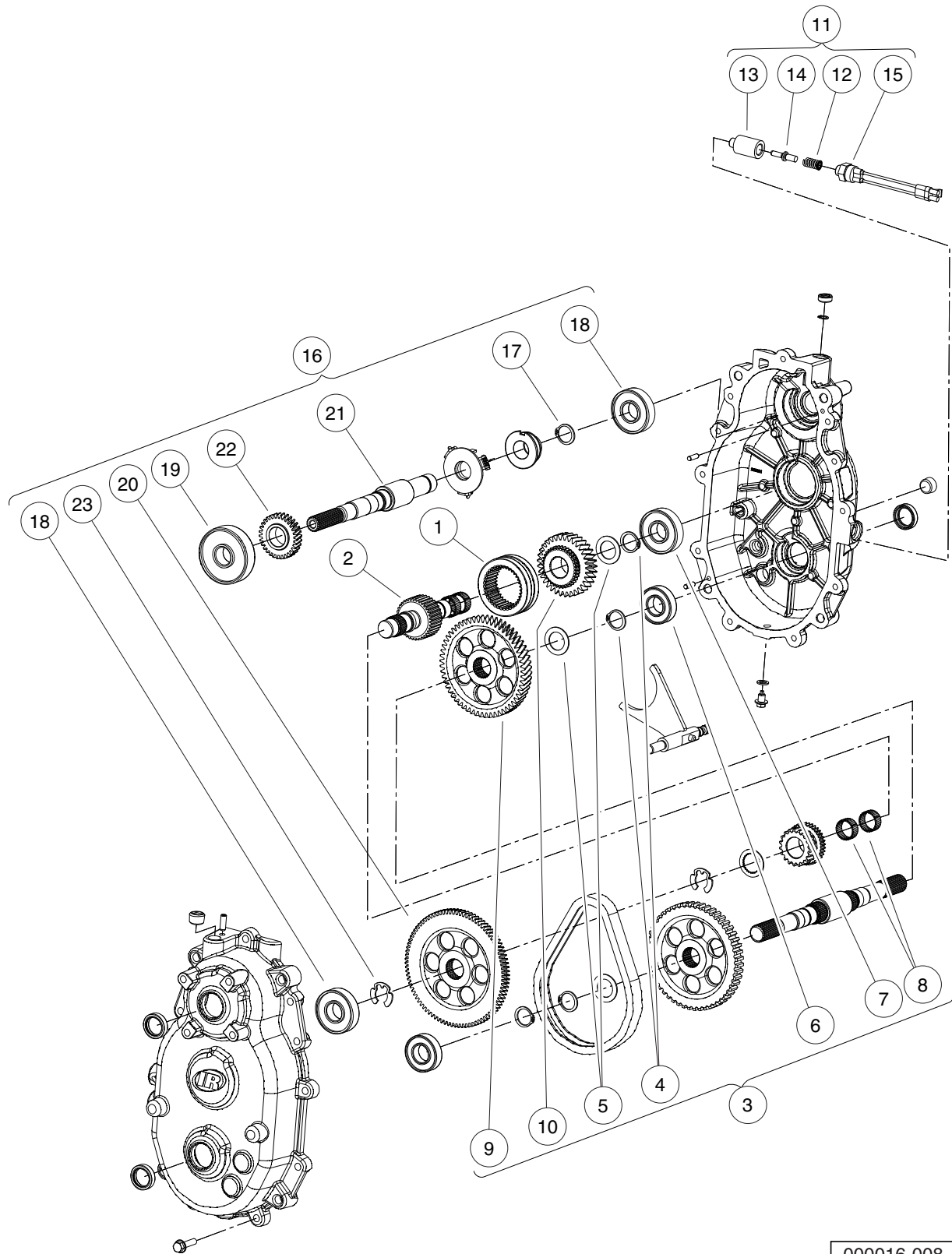
G

D

12

G

D



000016-008

TRANSMISSION, CONTINUED

ITEM	PART NO.	DESCRIPTION	QTY
		1 2 3 4	
1	<u>102697501</u>	Dog, Engagement	1
2	<u>102698701</u>	Shaft, Intermediate	1
3	<u>102764901</u>	Kit, Forward Gear Repair (includes items 4 through 10)	1
4	<u>102696201</u>	Ring, Retaining, Basic External	2
5	<u>102696501</u>	Washer, Thrust, 1.007 X .062	2
6	<u>102696801</u>	Bearing, Ball	1
7	<u>102696901</u>	Bearing, Ball	1
8	<u>102697101</u>	Bearing, Needle	2
9	<u>102697901</u>	Gear, Helical 58-Tooth	1
10	<u>102698001</u>	Gear, Helical 34-Tooth	1
11	<u>102765101</u>	Kit, Neutral Switch Repair (includes items 12 through 15)	1
12	<u>102697201</u>	Spring, .484 X .340 X 1.076	1
13	N/A	Guide, Detent Bullet	1
14	<u>102698601</u>	Bullet, Detent	1
15	<u>102699301</u>	Switch, Indicator, Pollak	1
<p>Note: This page contains a list of components internal to the transmission. See the previous pages for other transmission components.</p>			

12

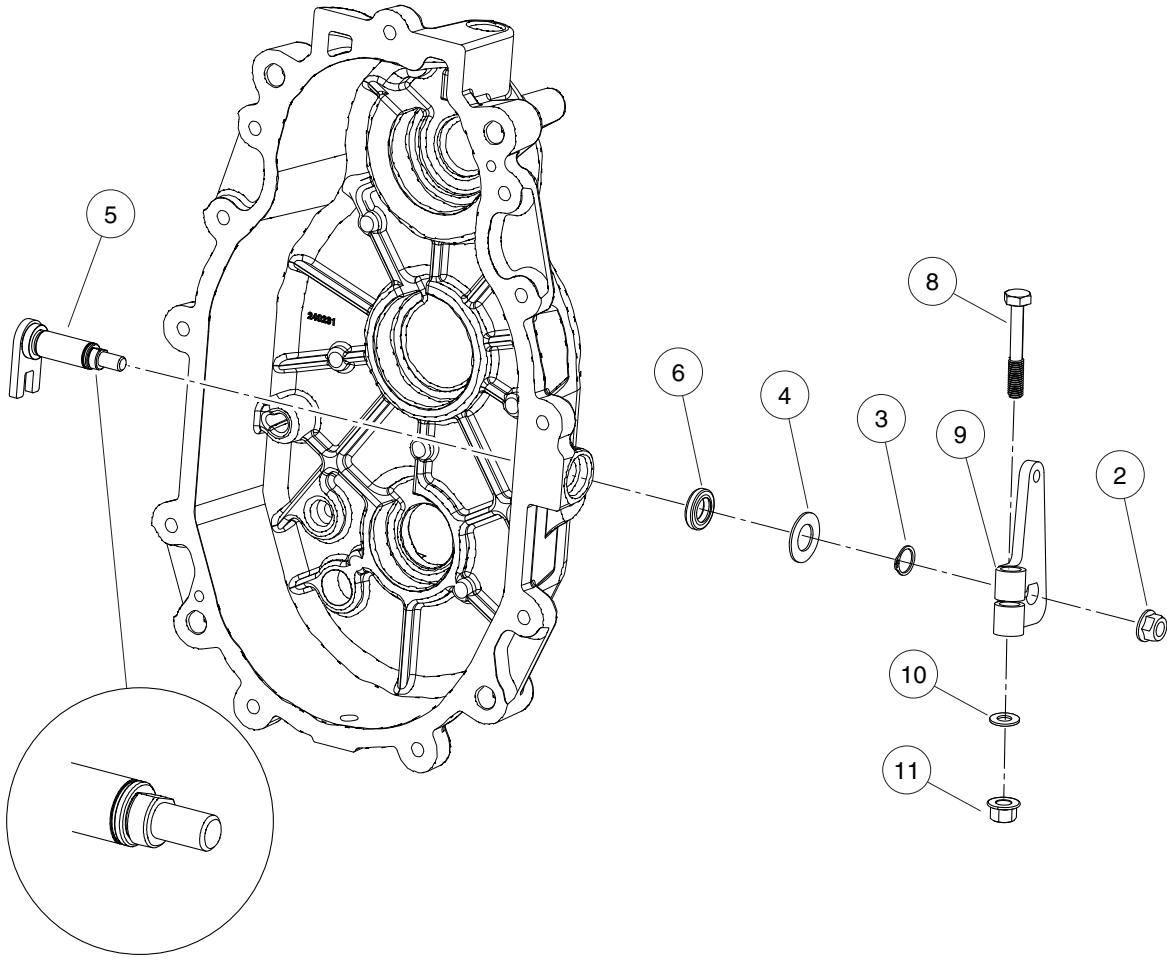
G

D

12

G

D



000016-009

TRANSMISSION SHIFT SHAFT AND BELL CRANK TRANSMISSION SHIFT SHAFT AND BELL CRANK (STYLE

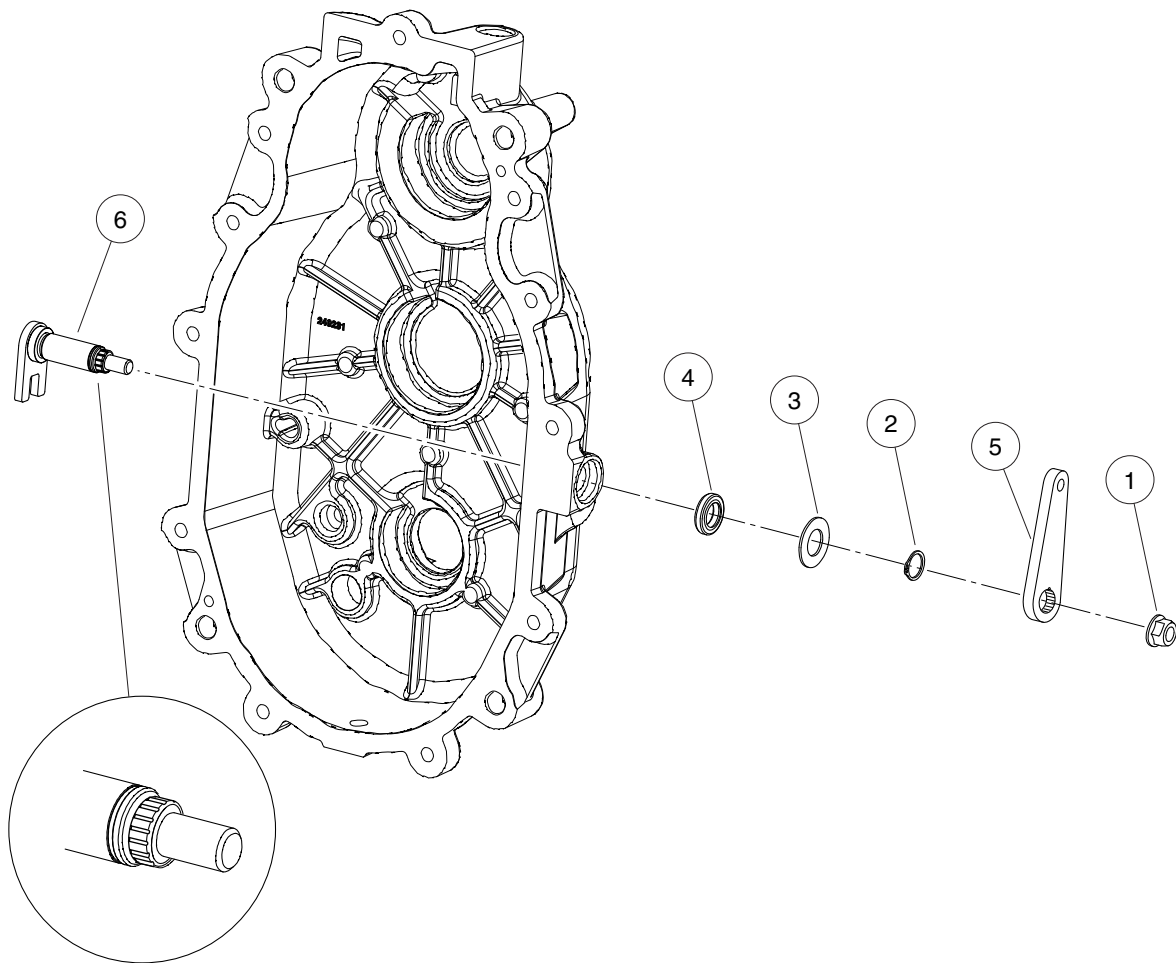
ITEM	PART NO.	DESCRIPTION	QTY
		1 2 3 4	
1	102765001	Kit, Trans Shift Shaft Repair (includes items 2 through 6)	1
2	<u>102696001</u>	Nut, Lock Hex, Nylon, 5/16-24	1
3	<u>102696401</u>	Ring, Retaining, External 9/16	1
4	<u>102696601</u>	Washer, Flat, .58 X 1.08 X .05	1
5	N/A	Weldment, Shift, Shaft	1
6	<u>102699601</u>	Seal, Dul Lip, .88 X .56 X .19	1
7	103294301	Kit, Bellcrank, D Shape, Clamp (includes items 8 through 11)	1
8	<u>1010177</u>	Bolt, 3/8-16 X 2.00 Hex Head	1
9	N/A	Asm, Bellcrank, D Shape, Clamp	1
10	<u>334</u>	Washer, 3/8 Type A Flat	1
11	<u>8754</u>	Locknut, 3/8-16 Hex	1

12
G
D

12

G

D



000016-010

TRANSMISSION SHIFT SHAFT AND BELL CRANK (STYLE B)

ITEM	PART NO.	DESCRIPTION	QTY
		1 2 3 4	
1	<u>102696001</u>	Nut, Lock Hex, Nylon, 5/16-24	1
2	<u>102696401</u>	Ring, Retaining, External 9/16	1
3	<u>102696601</u>	Washer, Flat, .58 X 1.08 X .05	1
4	<u>102699601</u>	Seal, Dul Lip, .88 X .56 X .19	1
5	<u>103239501</u>	Bellcrank, Alum	1
6	<u>103239801</u>	Shaft, Shift	1

12

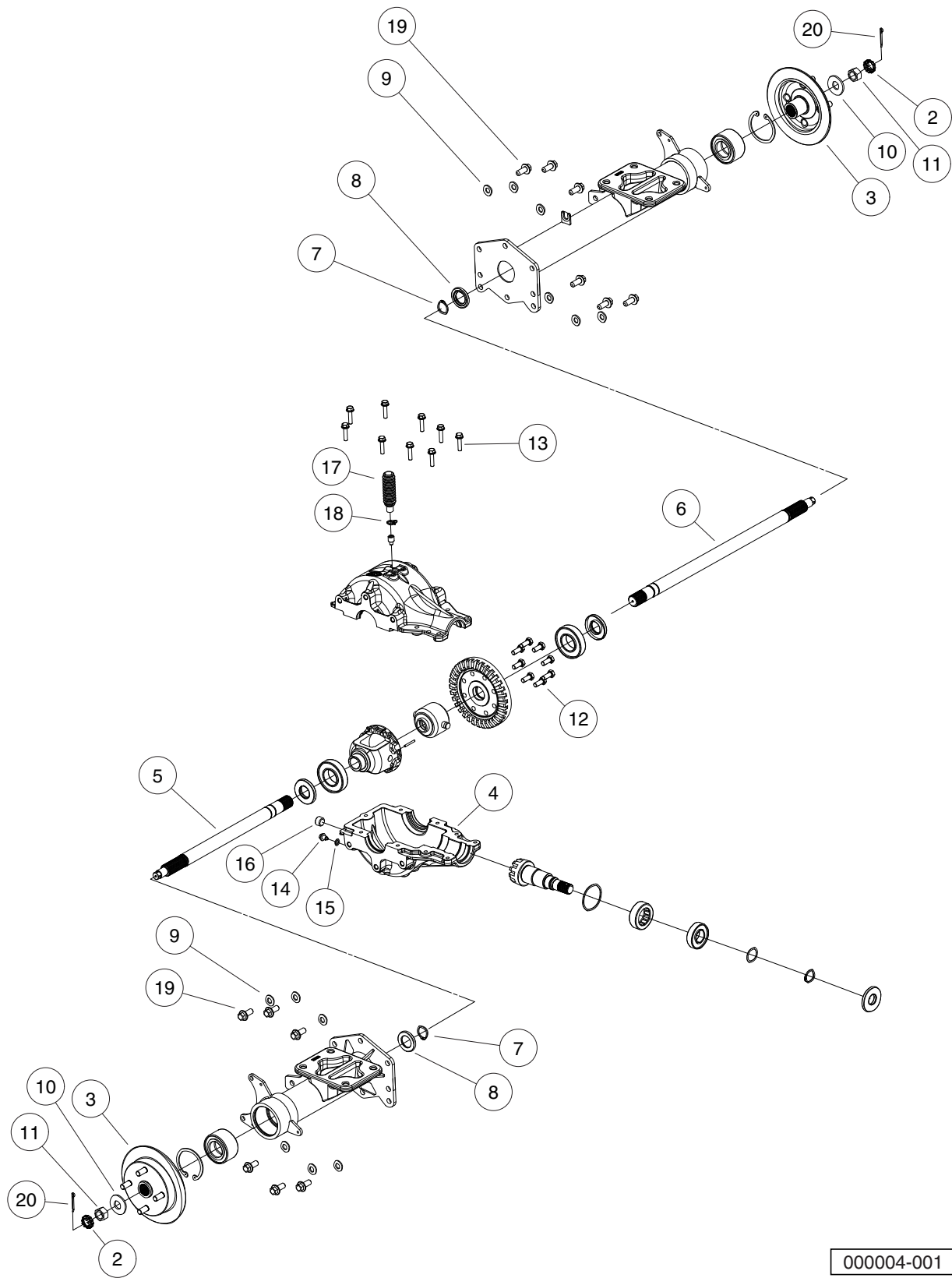
G

D

12

G

D



000004-001

REAR DIFFERENTIAL

ITEM	PART NO.	DESCRIPTION	QTY
		1 2 3 4	
1	<u>102831501</u>	Axle, Rear, Guard Mounts (Complete Assembly) (includes items 2 through 20)	1
2	<u>102276001</u>	Locking Cap, Nut	2
3	<u>102376602</u>	Assy, Rotor, Brake, Rear	2
4	<u>102449101</u>	Gearcase, Lower, Machined	1
5	<u>102463501</u>	Axle, Right-hand	1
6	<u>102463601</u>	Axle, Left-Hand	1
7	<u>102463801</u>	Ring, Retaining, Internal	2
8	<u>102672101</u>	Washer, counterbored 51 X 30	2
9	<u>102672201</u>	Washer, Belleville, 1.063 X .043	12
10	<u>102672301</u>	Washer, Belleville, 49 X 4	2
11	<u>102672401</u>	Nut, Hex, M20 X 1.5 , Modified	2
12	N/A	Screw, M10 X 25	8
13	<u>102693301</u>	Screw, hex Flange, M8 X 35	9
14	<u>102693401</u>	Plug, 3/8-16, Hex Flange	1
15	<u>102693501</u>	Washer, .625 X .382 X .60	1
16	<u>102694201</u>	Plug, Square Skt, 1/12-14, Ptf	1
17	<u>102694301</u>	Bellows, Vent, Upper Housing	1
18	<u>102694401</u>	Clamp, Hose, Dw-9.5	1
19	<u>102694701</u>	Screw, Hex Fl, M12 X 1.75 X 30	12
20	<u>102694801</u>	Pin, Cotter, 5/32 X 1.25	2

12

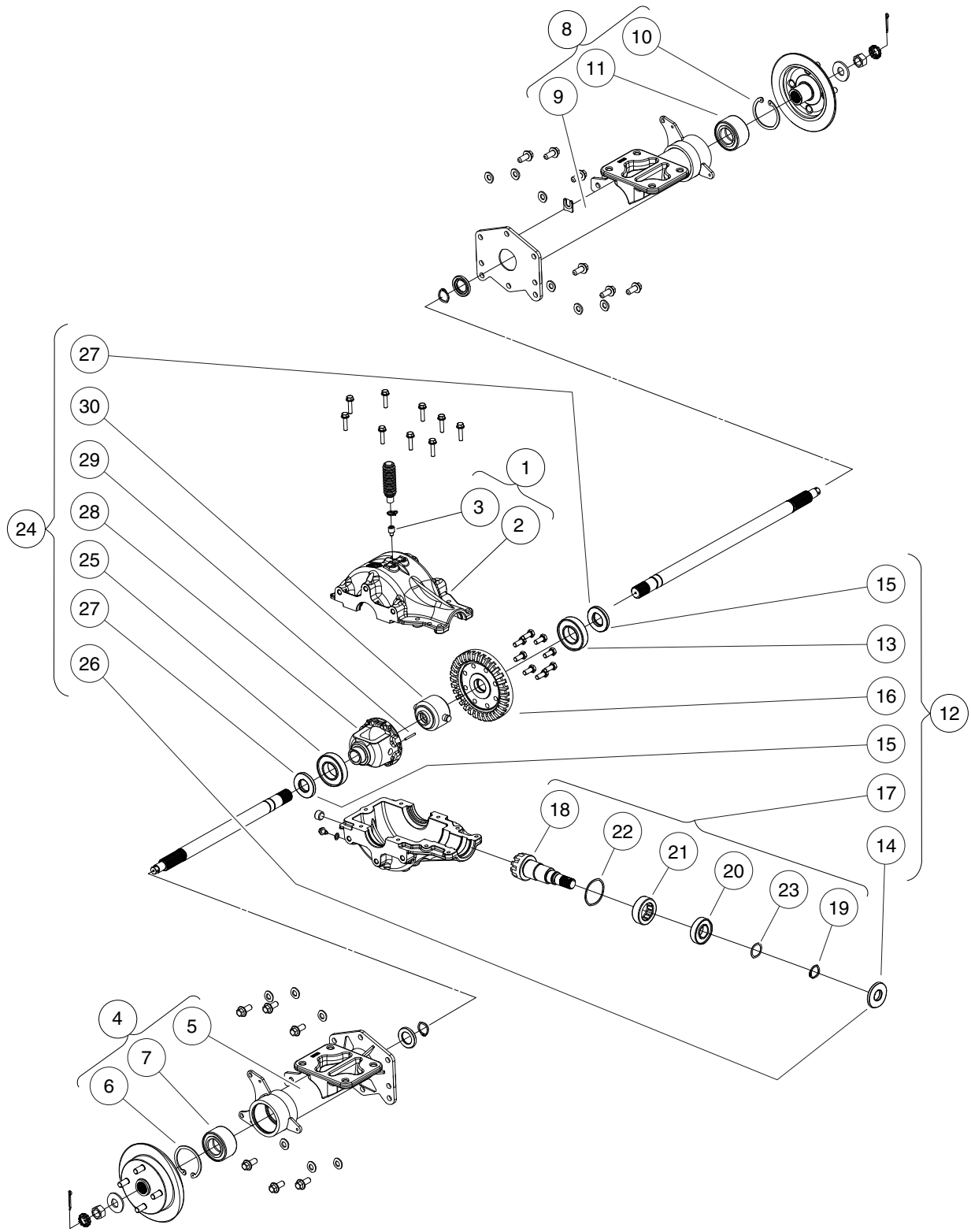
G

D

12

G

D



000004-002

REAR DIFFERENTIAL, CONTINUED

ITEM	PART NO.	DESCRIPTION	QTY
		1 2 3 4	
1	<u>102765301</u>	Asm, Gearcase, Upper (includes items 2 and 3)	1
2	<u>102449201</u>	Gearcase, Upper, Machined	1
3	<u>102694001</u>	Vent, Top, Upper Housing	1
4	<u>102765401</u>	Asm, Axle Tube, RH (includes items 5 through 7)	1
5	<u>102463401</u>	Weldment, Axle Tube Rh	1
6	<u>102463801</u>	Ring, Retaining, Internal	1
7	<u>102464301</u>	Bearing	1
8	<u>102765501</u>	Asm, Axle Tube, LH (includes items 9 through 11)	1
9	<u>102463301</u>	Weldment, Axle Tube Lh	1
10	<u>102463801</u>	Ring, Retaining, Internal	1
11	<u>102464301</u>	Bearing	1
12	<u>102765801</u>	Kit, Rear Axle Gear Repair (includes items 13 through 17)	1
13	<u>102464201</u>	Bearing, Ball	1
14	<u>102464401</u>	Seal, Dual-Lip 25x 62x 7tc	1
15	<u>102464501</u>	Seal, Dual-Lip 30x 62x 8tc	2
16	<u>102762601</u>	Gear, Ring, 33-Tooth	1
17	<u>102765701</u>	Asm, Pinion W/ Bearings (includes items 18 through 23)	1
18	<u>102463101</u>	Pinion, 10t Machined	1
19	<u>102463901</u>	Ring, Retaining, External	1
20	<u>102464001</u>	Bearing, Ball	1
21	<u>102464101</u>	Bearing, Needle, Drawn Shell	1
22	<u>102693601</u>	Washer, 2.625 X 2.367 X .06	1
23	<u>102694502</u>	Shim, 1.50 X 1.189 X .008	1
24	<u>102961501</u>	Asm, Differential & Carrier (includes items 25 through 30)	1
25	<u>102464201</u>	Bearing, Ball	1
26	<u>102464401</u>	Seal, Dual-Lip 25x 62x 7tc	1
27	<u>102464501</u>	Seal, Dual-Lip 30x 62x 8tc	2
28	<u>102961301</u>	Housing, Differential, Mach	1
29	<u>102961401</u>	Pin, Dowel, 4 X 35	1
30	<u>102961601</u>	Asm, Locker, Nongrease/Spacers	1

12

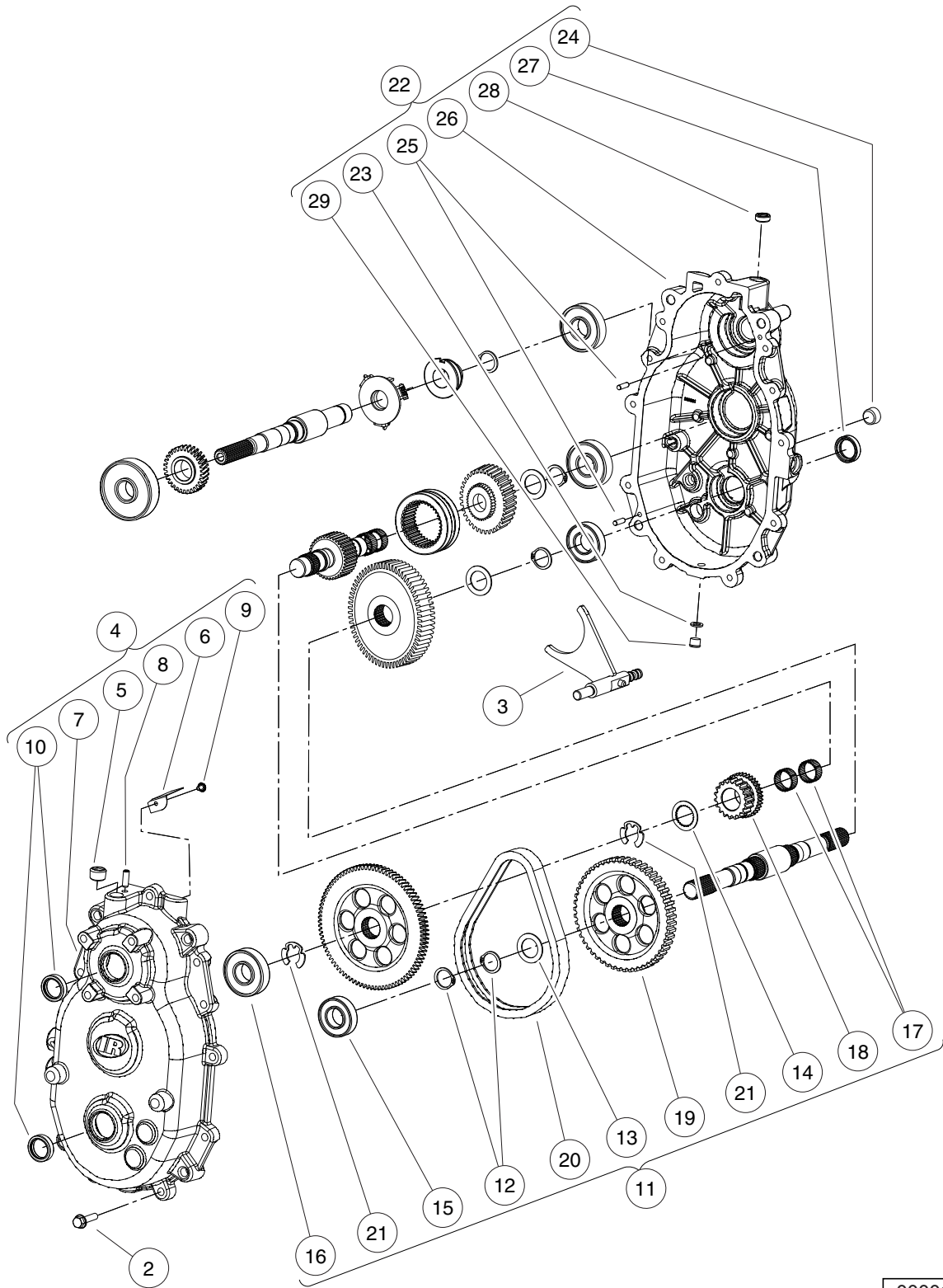
G

D

12

G

D



000016-006

TRANSMISSION – DIESEL VEHICLES

ITEM	PART NO.	DESCRIPTION	QTY
		1 2 3 4	
1	<u>102943201</u>	Transmission, Diesel, Parallel Shaft (includes items 2 through 22)	1
2	<u>102693301</u>	Screw,hex Flange, M8 X 35	11
3	<u>102697801</u>	Fork, Transmission	1
4	<u>102764201</u>	Asm, Gear Case, Rear (includes items 5 through 10)	1
5	<u>102694201</u>	Plug, Square Skt, 1/12-14, Ptf	1
6	<u>102696301</u>	Oil, Deflector	1
7	<u>102697401</u>	Gearcase, Rear	1
8	<u>102698301</u>	Vent, Trans	1
9	<u>102698901</u>	Screw, Tapping # 10-24 X .375	1
10	<u>102699401</u>	Seal, Triple, 25 X 35 X 7.8	2
11	<u>102765201</u>	Kit, Reverse Gear Repair (includes items 12 through 21)	1
12	<u>102696201</u>	Ring, Retaining, Basic External	2
13	<u>102696501</u>	Washer, Thrust, 1.007 X .062	1
14	<u>102696701</u>	Washer, 26.231 X 39.167 X 1.57	1
15	<u>102696801</u>	Bearing, Ball	1
16	<u>102696901</u>	Bearing, Ball	1
17	<u>102697101</u>	Bearing, Needle	2
18	<u>102697601</u>	Sprocket, 19-Tooth	1
19	<u>102697701</u>	Sprocket, 51-Tooth	1
20	<u>102699201</u>	Chain, .375p, .75 Wide, 60ptch	1
21	<u>102699701</u>	Ring, Retaining, E-Ring	2
22	<u>103250301</u>	Asm, Case, Gear, Front (includes items 23 through 29)	1
23	<u>102693501</u>	Washer, .625 X .382 X .60	1
24	<u>102694201</u>	Plug, Square Skt, 1/12-14, Ptf	1
25	<u>102696101</u>	Pin, Dowel, 6 X 20	2
26	<u>102697301</u>	Gearcase, Front	1
27	<u>102699401</u>	Seal, Triple, 25 X 35 X 7.8	1
28	<u>102721501</u>	Seal, Dual-Lip	1
29	<u>103250401</u>	Plug, 3/4-16	1

12

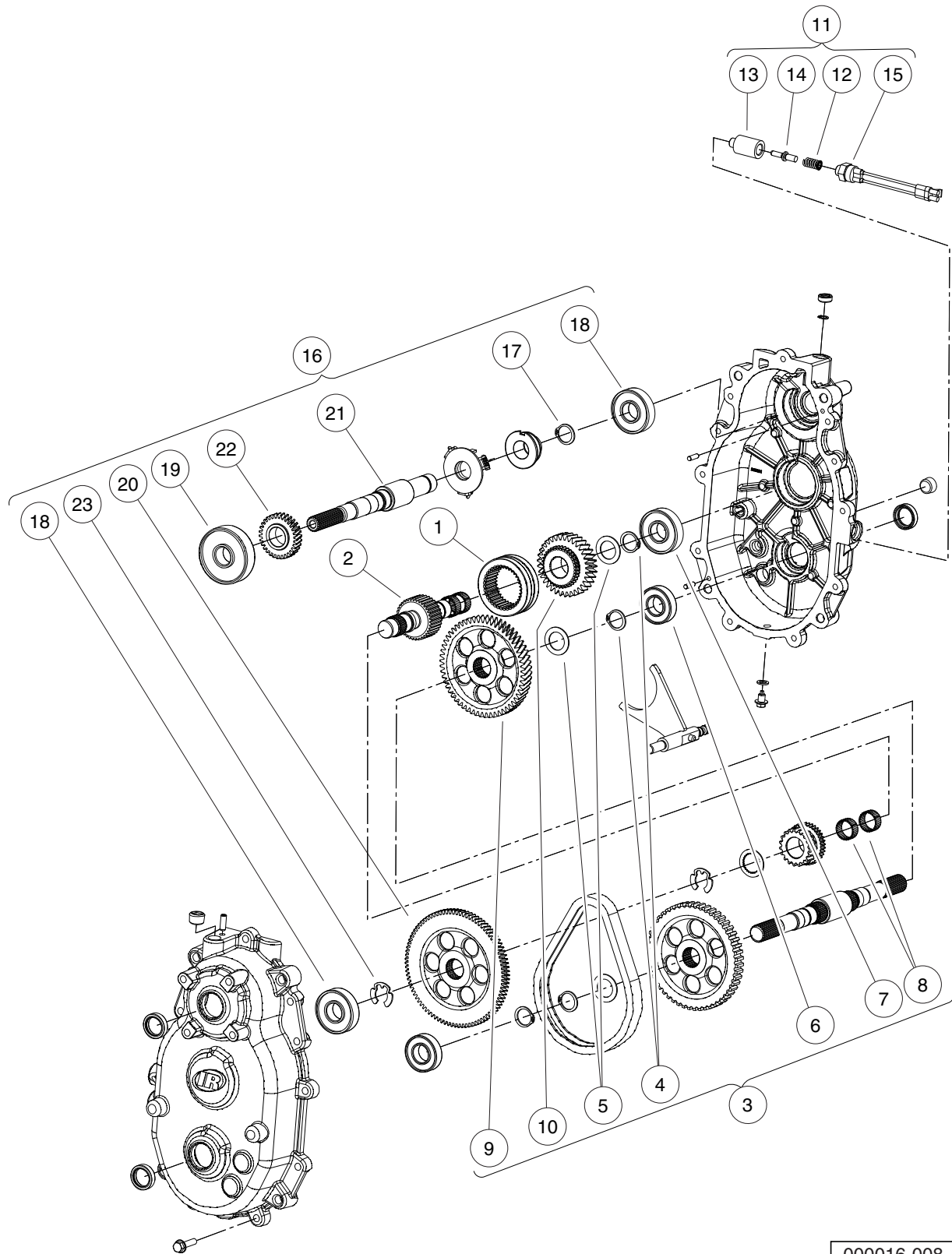
G

D

12

G

D



000016-008

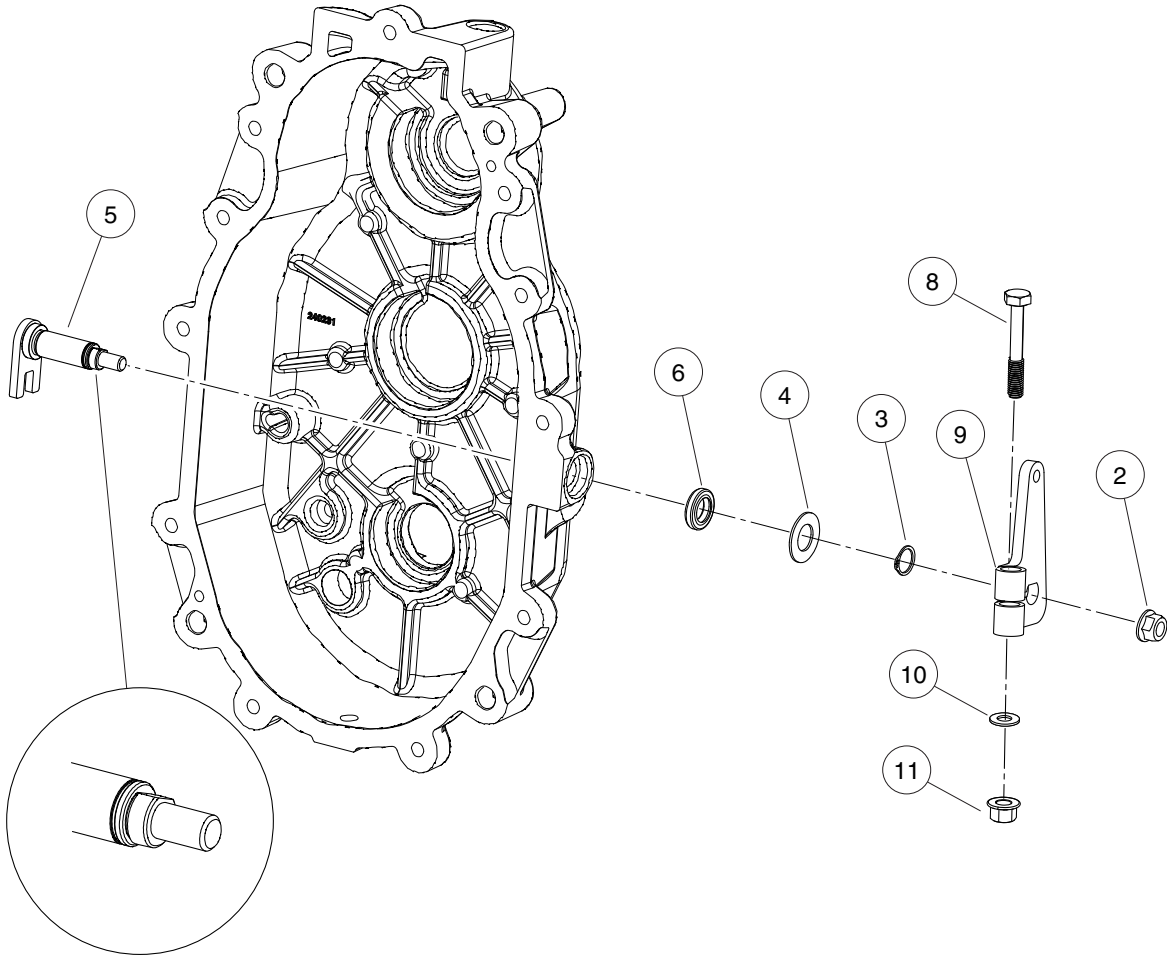
TRANSMISSION – DIESEL VEHICLES, CONTINUED

ITEM	PART NO.	DESCRIPTION	QTY	
		1 2 3 4		12
1	<u>102697501</u>	Dog, Engagement	1	G
2	<u>102698701</u>	Shaft, Intermediate	1	
3	<u>102764901</u>	Kit, Forward Gear Repair (includes items 4 through 10)	1	
4	<u>102696201</u>	Ring, Retaining, Basic External	2	D
5	<u>102696501</u>	Washer, Thrust, 1.007 X .062	2	
6	<u>102696801</u>	Bearing, Ball	1	
7	<u>102696901</u>	Bearing, Ball	1	
8	<u>102697101</u>	Bearing, Needle	2	
9	<u>102697901</u>	Gear, Helical 58-Tooth	1	
10	<u>102698001</u>	Gear, Helical 34-Tooth	1	
11	<u>102765101</u>	Kit, Neutral Switch Repair (includes items 12 through 15)	1	
12	<u>102697201</u>	Spring, .484 X .340 X 1.076	1	
13	N/A	Guide, Detent Bullet	1	
14	<u>102698601</u>	Bullet, Detent	1	
15	<u>102699301</u>	Switch, Indicator, Pollak	1	
16	<u>103721801</u>	Kit, Input Shaft Repair (includes items 17 through 23)	1	
17	<u>102696201</u>	Ring, Retaining, Basic External	1	
18	<u>102696901</u>	Bearing, Ball	1	
19	<u>102697001</u>	Bearing, Ball	2	
20	<u>102698101</u>	Gear, Helical 90-Tooth	1	
21	<u>102698401</u>	Shaft, Input	1	
22	<u>102699001</u>	Gear, Helical, 31-tooth	1	
23	<u>102699701</u>	Ring, Retaining, E-Ring	1	

12

G

D



000016-009

TRANSMISSION – DIESEL VEHICLES, SHIFT SHAFT AND BELL CRANK (STYLE A)

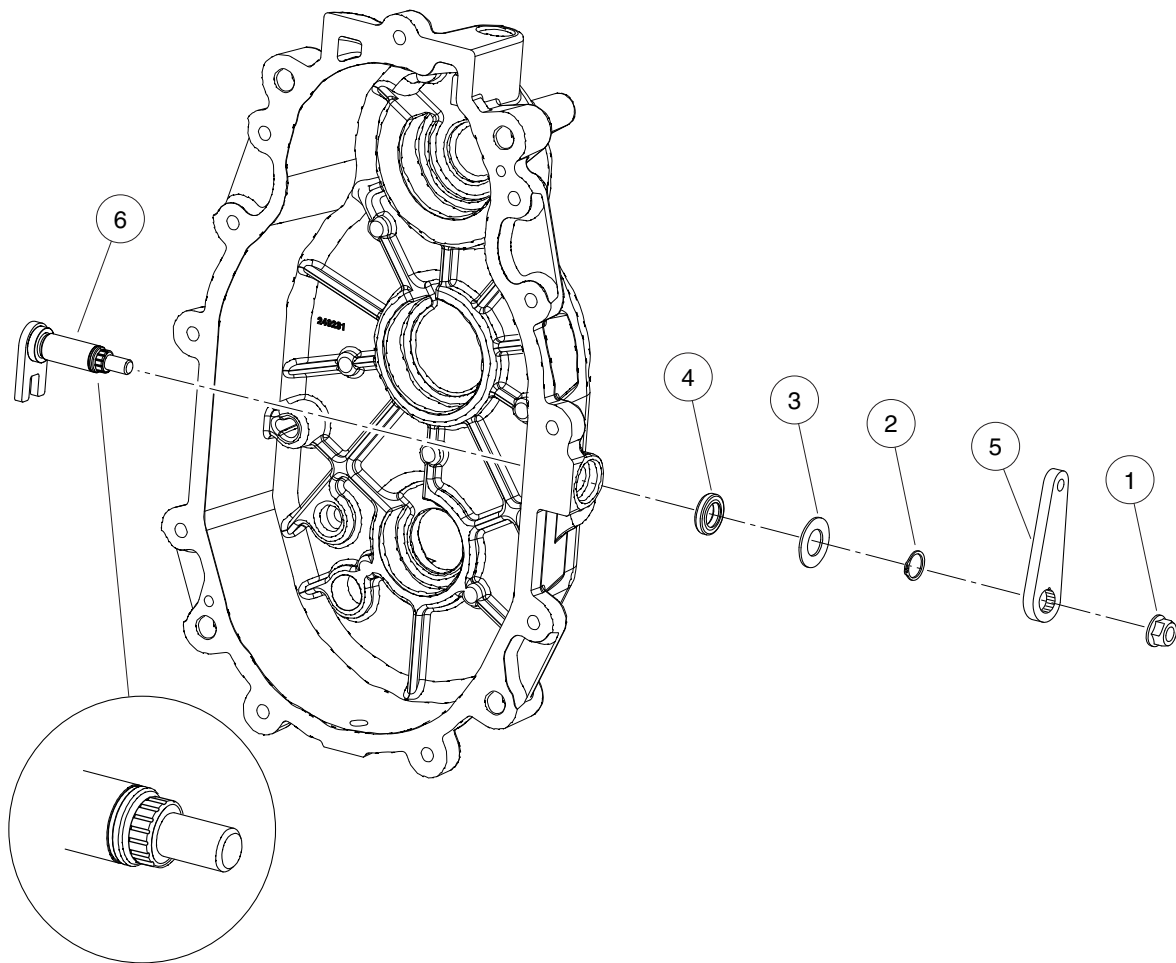
ITEM	PART NO.	DESCRIPTION	QTY
		1 2 3 4	
1	102765001	Kit, Trans Shift Shaft Repair (includes items 2 through 6)	1
2	<u>102696001</u>	Nut, Lock Hex, Nylon, 5/16-24	1
3	<u>102696401</u>	Ring, Retaining, External 9/16	1
4	<u>102696601</u>	Washer, Flat, .58 X 1.08 X .05	1
5	N/A	Weldment, Shift, Shaft	1
6	<u>102699601</u>	Seal, Dul Lip, .88 X .56 X .19	1
7	103294301	Kit, Bellcrank, D Shape, Clamp (includes items 8 through 11)	1
8	<u>1010177</u>	Bolt, 3/8-16 X 2.00 Hex Head	1
9	N/A	Asm, Bellcrank, D Shape, Clamp	1
10	<u>334</u>	Washer, 3/8 Type A Flat	1
11	<u>8754</u>	Locknut, 3/8-16 Hex	1

12
G
D

12

G

D



000016-010

TRANSMISSION – DIESEL VEHICLES, SHIFT SHAFT AND BELL CRANK (STYLE B)

ITEM	PART NO.	DESCRIPTION	QTY
		1 2 3 4	
1	<u>102696001</u>	Nut, Lock Hex, Nylon, 5/16-24	1
2	<u>102696401</u>	Ring, Retaining, External 9/16	1
3	<u>102696601</u>	Washer, Flat, .58 X 1.08 X .05	1
4	<u>102699601</u>	Seal, Dul Lip, .88 X .56 X .19	1
5	<u>103239501</u>	Bellcrank, Alum	1
6	<u>103239801</u>	Shaft, Shift	1

12
G
D

12

G

D

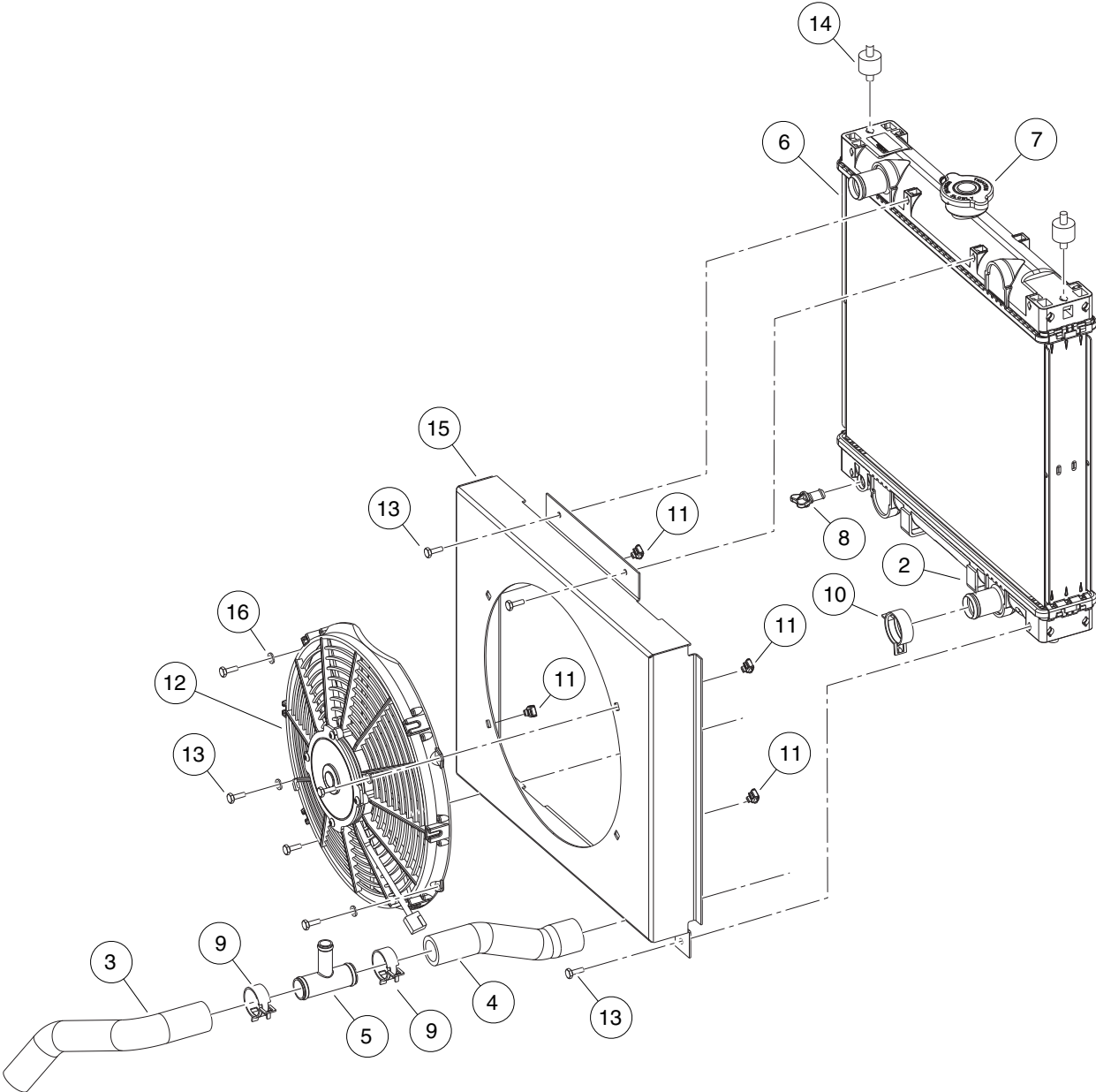
RADIATOR AND COOLANT SYSTEM – DIESEL VEHICLES

13

D

13

D



000541-001

RADIATOR

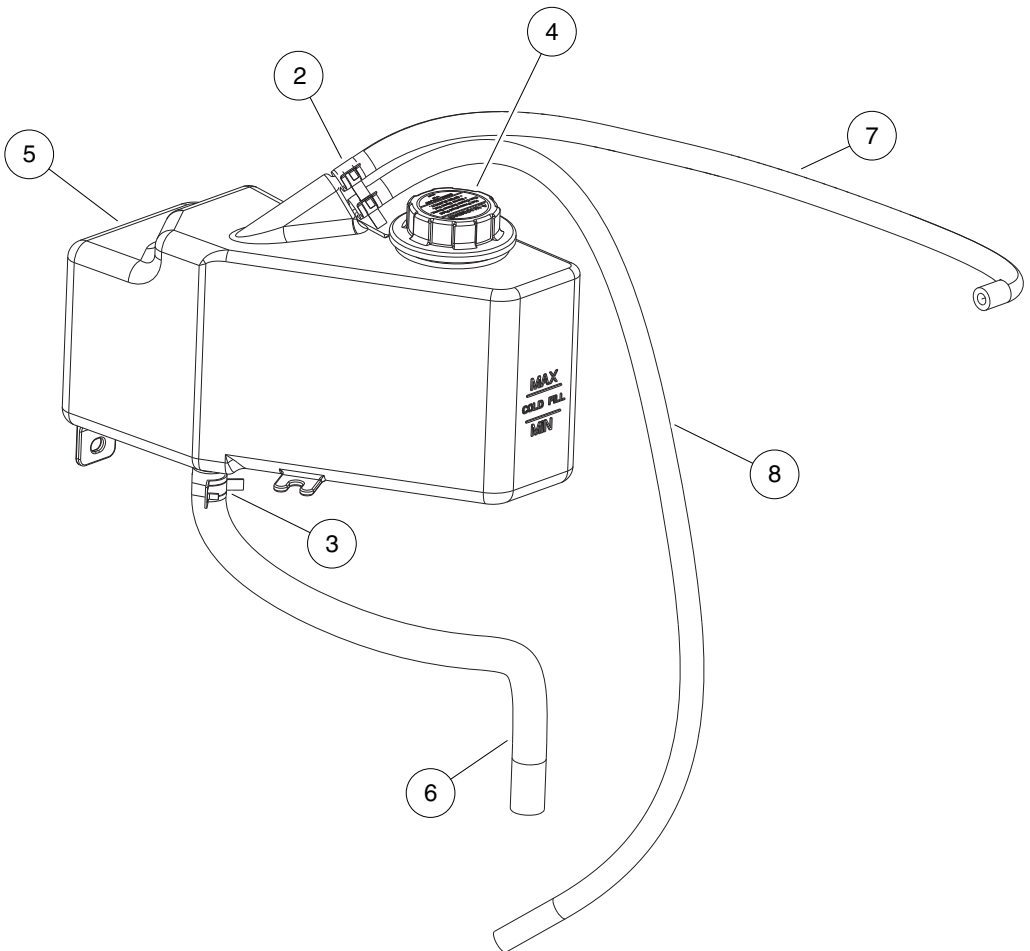
13

D

ITEM	PART NO.	DESCRIPTION	QTY
		1 2 3 4	
1	N/A	Asm, Radiator (includes items 2 through 16)	1
2	<u>1014471</u>	Tape, Vinyl Foam 1/8" x 3/4" *	1
3	<u>102377801</u>	Hose, Coolant Lower Pipe	1
4	<u>102377901</u>	Hose, Coolant Lower Rad	1
5	<u>102380301</u>	Tee, Coolant Fill	1
6	<u>102410301</u>	Exchanger, Engine Coolant (includes items 7 and 8)	1
7	<u>102737301</u>	Cap, Radiator	1
8	<u>102737401</u>	Drain Cock, Radiator	1
9	<u>102411207</u>	Clamp, Hose, Ctb 35mm	2
10	<u>102411208</u>	Clamp, Hose, Ctb 38mm	1
11	<u>102411301</u>	Nut, Self Retaining	4
12	<u>102436701</u>	Fan, Cooling 12 In Elect	1
13	<u>102490301</u>	Bolt, M6 X 1 X 16 Loctite	8
14	<u>102685001</u>	Isolator, Twin-Stud	2
15	<u>102855501</u>	Shroud, Radiator Fan	1
16	<u>96705199</u>	Washer, M6	4
		 * Note: Item not shown.	

13

D



000540-001

COOLANT EXPANSION TANK

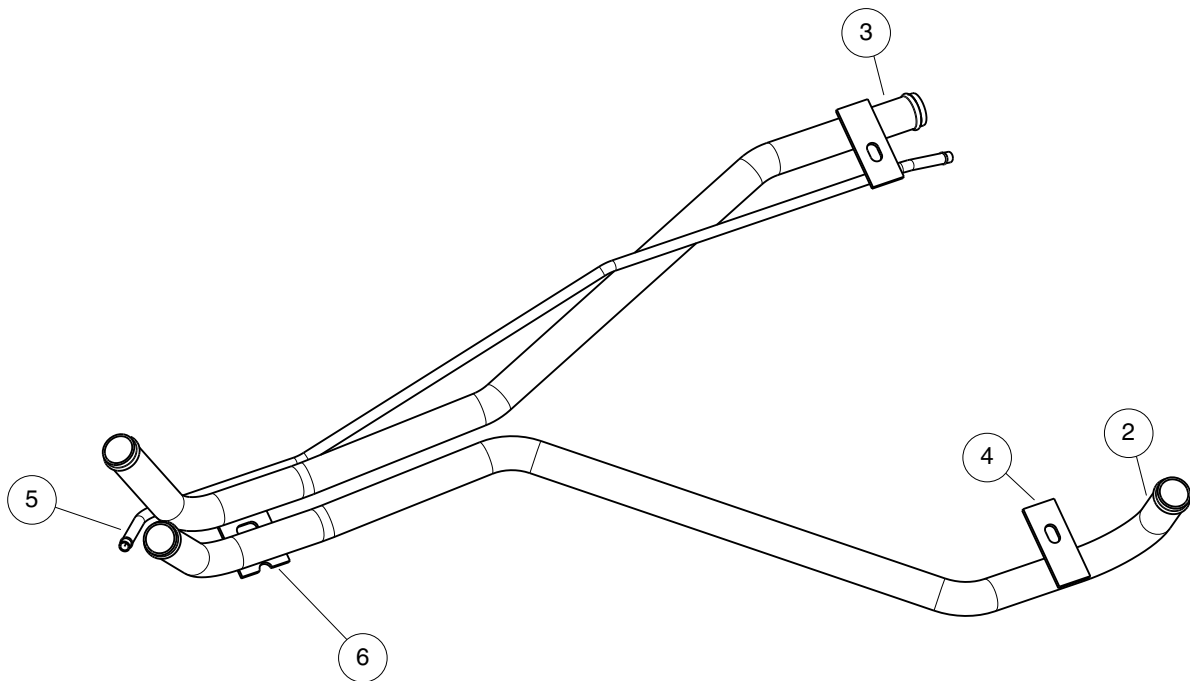
ITEM	PART NO.	DESCRIPTION	QTY
		1 2 3 4	
1	N/A	Asm, Coolant Bottle (includes items 2 through 8)	1
2	<u>102411204</u>	Clamp, Hose, CTB 15mm	2
3	N/A	Clamp, Hose, Ctb 25mm	1
4	<u>102427501</u>	Cap, Radiator	1
5	<u>102973201</u>	Bottle, Coolant	1
6	N/A	Hose, Cut, 5/8, 445	1
7	N/A	Hose, Cut, Coolant, 700	1
8	N/A	Hose, Cut, Coolant, 1100	1

13

D

13

D



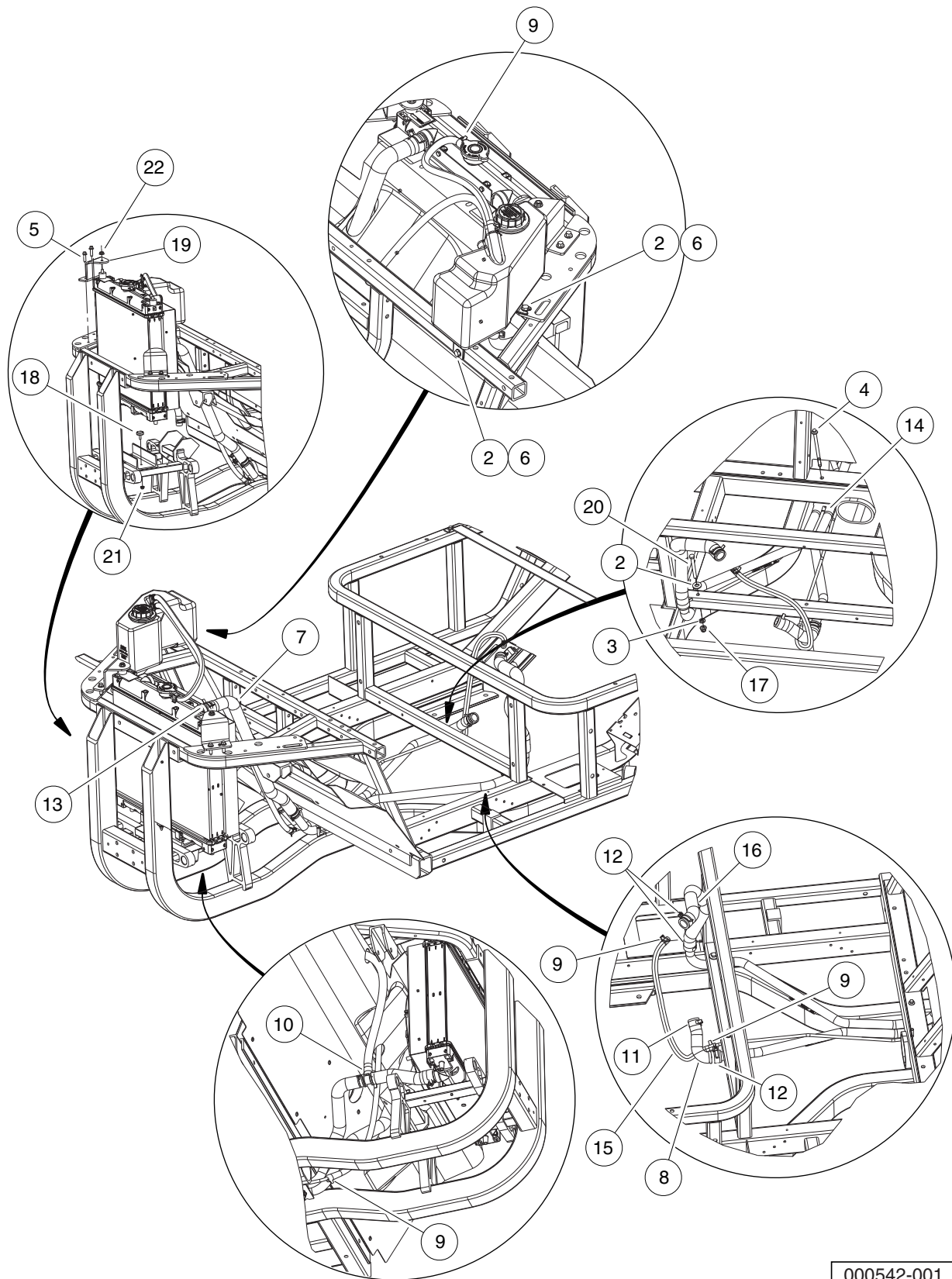
000539-001

COOLANT PIPES AND HOSES

ITEM	PART NO.	DESCRIPTION	QTY
		1 2 3 4	
1	<u>102628701</u>	Weldment, Group, Coolant Pipe (includes items 2 through 6)	1
2	<u>102377401</u>	Pipe, Coolant Upper	1
3	<u>102377701</u>	Pipe, Coolant Lower	1
4	N/A	Tab, Rear Mntg, Coolant Pipe	2
5	N/A	Pipe, Vent, Coolant	1
6	N/A	Tab, Cooling Pipe Mount	1

13

D



000542-001

COOLING SYSTEM CLAMPS, HOSES, AND HARDWARE

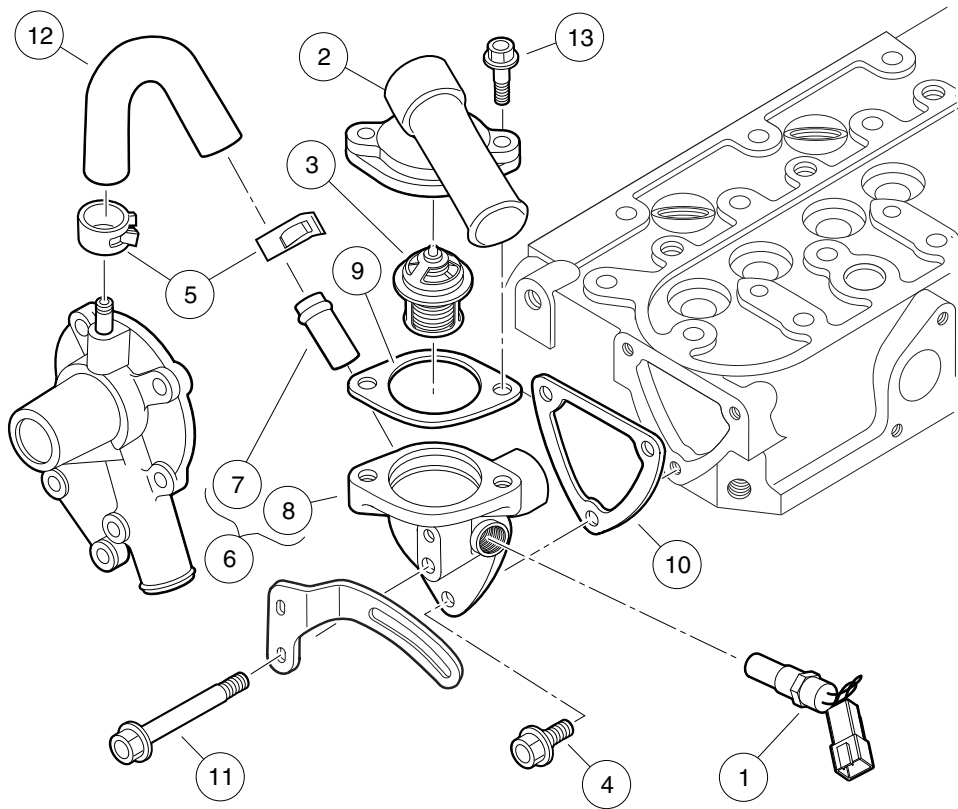
ITEM	PART NO.	DESCRIPTION	QTY
		1 2 3 4	
1	N/A	Instl, System, Cooling, Diesel (includes items 2 through 22)	1
2	<u>1011578</u>	Washer, 5/16 Type B Flat	3
3	<u>1015457</u>	Spacer, 0.720"	1
4	<u>102288901</u>	Bolt - Hex, M8x1.25 X 135	1
5	<u>102289001</u>	Screw, M8X1.25X30, Hex	4
6	<u>102298720</u>	M8-1.25x20 Taptite	2
7	<u>102377501</u>	Hose, Coolant Upper Rad	1
8	<u>102377601</u>	Hose, Coolant Lower Eng	1
9	<u>102411204</u>	Clamp, Hose, CTB 15mm	4
10	<u>102411205</u>	Clamp, Hose, CTB 22mm	1
11	<u>102411206</u>	Clamp, Hose, Ctb 30mm	1
12	<u>102411207</u>	Clamp, Hose, Ctb 35mm	5
13	<u>102411208</u>	Clamp, Hose, Ctb 38mm	1
14	<u>102427601</u>	Clamp, Bar	1
15	<u>102435001</u>	Hose, Vent Tube To Eng, Coolnt	1
16	<u>102480501</u>	Hose, Coolant, Return, Engine	1
17	102618601	Lock Nut, Flg M8 X 1.25 Nylon	3
18	<u>102684901</u>	Bumper, 19mm Stud	2
19	<u>102946701</u>	Bracket, Radiator Support	2
20	<u>103423701</u>	Bolt, M8 X 1.25 X 110	1
21	<u>96704176</u>	Nut Flg, M6 X 1 Serrated	2
22	<u>96704416</u>	Nut Flg, M8 X 1.25 Serrated	2

13

D

13

D



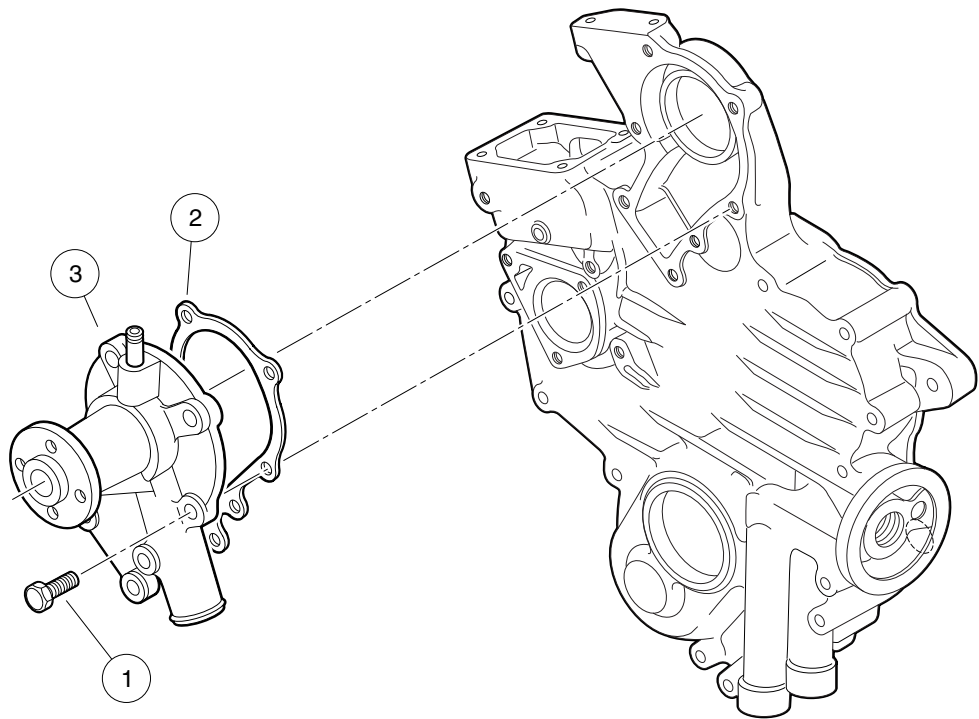
000059-001

WATER FLANGE AND THERMOSTAT

ITEM	PART NO.	DESCRIPTION	QTY
		1 2 3 4	
1	<u>102410001</u>	Sensor, Coolant Temp	1
2	<u>102631301</u>	Cover, Thermostat	1
3	<u>102631401</u>	Assy, Thermostat	1
4	<u>102631601</u>	Bolt, M6 X 1 X 20	2
5	<u>102633001</u>	Band, Pipe	2
6	<u>102633201</u>	Flange, Water (includes items 7 and 8)	1
7	<u>102633301</u>	Pipe, Water Return, D722	1
8	N/A	Flange, Water	1
9	<u>102633401</u>	Gasket, Thermostat	1
10	<u>102654701</u>	Gasket, Water Flange	1
11	<u>102730901</u>	Bolt, Alt, D722, Stay Lower	1
12	<u>102731001</u>	Pipe, Water Return, D722	1
13	<u>102731101</u>	Bolt, D722, Thermostat Cover	2

13

D



000060-001

WATER PUMP

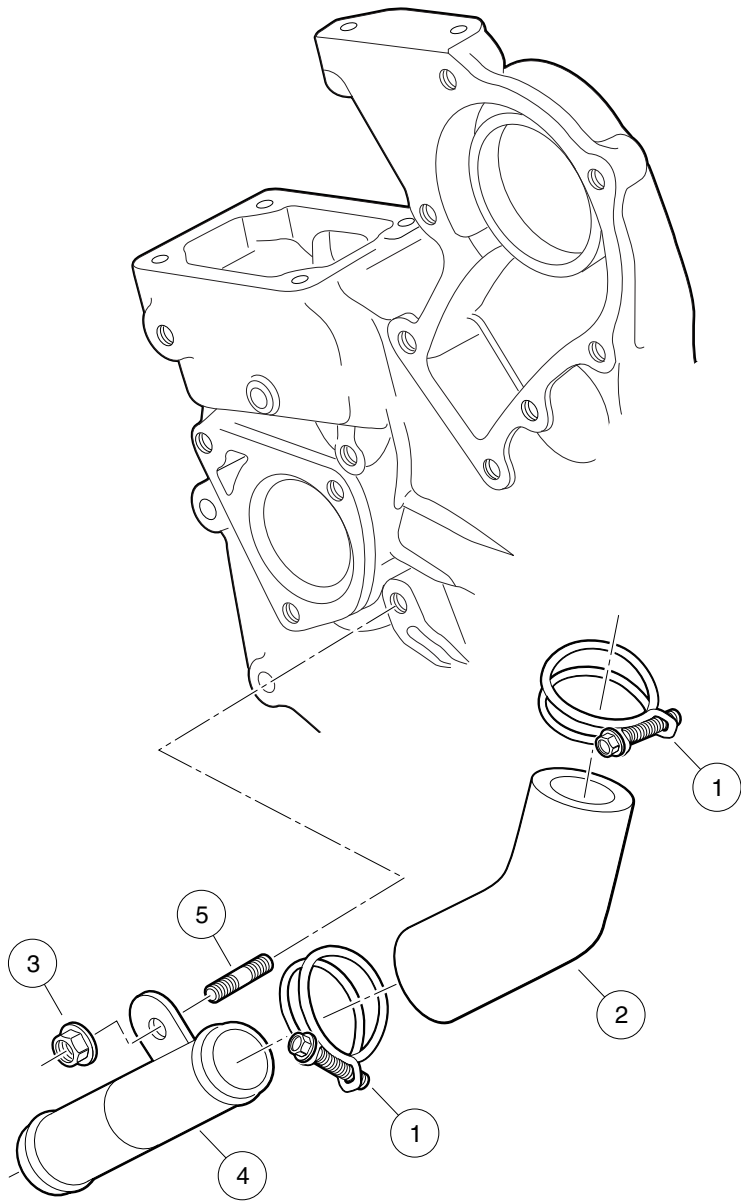
13

ITEM	PART NO.	DESCRIPTION	QTY
		1 2 3 4	
1	<u>102608701</u>	Bolt, M6 X 1 X 22	4
2	<u>102632701</u>	Gasket, Water Pump, D722	1
3	<u>102731201</u>	Water Pump Assembly	1

D

13

D



000061-001

BLOCK COOLANT PIPE

ITEM	PART NO.	DESCRIPTION	QTY
		1 2 3 4	
1	<u>102631701</u>	Band, Pipe, with Nut	2
2	<u>102631801</u>	Pipe, Water, Bent	1
3	<u>102632001</u>	Nut, Flange, M6	1
4	<u>102632101</u>	Pipe, Water, Bent	1
5	<u>102632201</u>	Stud, M6 X 15	1

13

D

13

D

MAINTENANCE AND SERVICE TOOLS

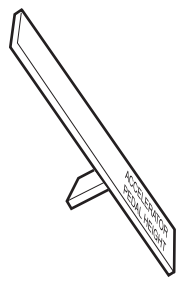
14

G

E

D

14
G
E
D



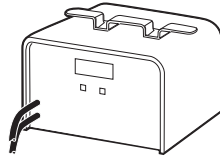
1



2



3



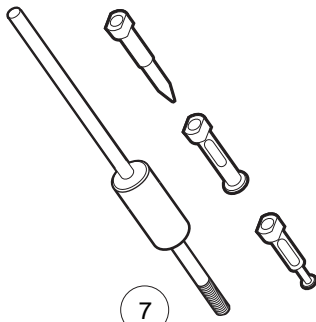
4



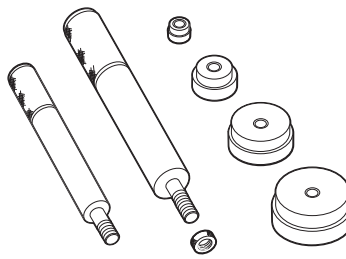
5



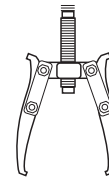
6



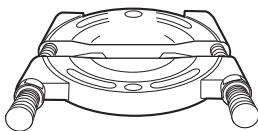
7



8



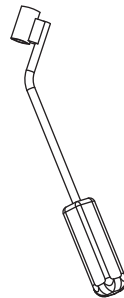
9



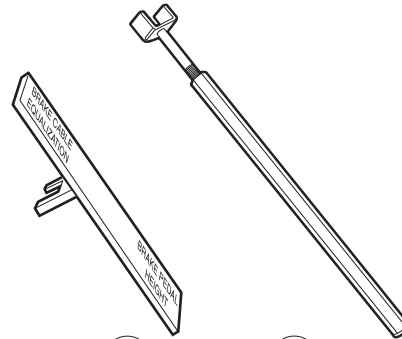
10



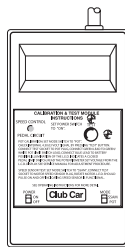
11



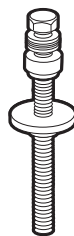
12



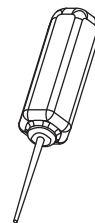
14 15
13



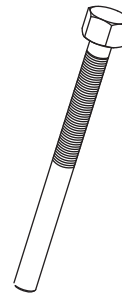
16



17



18



19

MAINTENANCE AND SERVICE TOOLS

ITEM	PART NO.	DESCRIPTION	QTY DIESEL	QTY GAS	QTY ELEC
		<p style="text-align: center;">1 2 3 4</p> <p>The following tool list includes all tools available from Club Car for maintenance and service procedures for gasoline, electric, and/or diesel vehicles, both past and present models. Be sure to carefully examine the tool list for applicability to your vehicle before ordering.</p>			
1	<u>101871001</u>	Accelerator Pedal Adjustment Tool		1	1
2	<u>101813202</u>	Adhesive, Guide Ring, 3-Gram Tube			1
3	<u>101641202</u>	Arbor		1	
4	<u>101831901</u>	Battery Discharge Machine, 36/48 Volt			1
5	<u>1014305</u>	Battery Terminal Protector Spray	1	1	1
6	1011767	Battery Thermometer	1	1	1
7	<u>1016417</u>	Bearing and Oil Seal Remover Assembly	1	1	1
8	<u>1016416</u>	Bearing Driver Set	1	1	1
9	<u>1012811</u>	Bearing Puller	1	1	1
10	<u>1012812</u>	Bearing Puller Wedge Attachment	1	1	1
11	1013582	Brake Adjustment Tool (used only on vehicles with manually adjusted mechanical brakes)			
12	<u>102555501</u>	Brake Cable Release Tool	1	1	1
13	102249901	Brake Pedal Adjustment Tool Kit (used for the Carryall Electric Industrial Truck only) (includes items 14 and 15).....			1
14	****	Brake Pedal Adjustment Tool			1
15	****	Brake Pedal Tension Tool			1
16	<u>101887101</u>	Calibration Test Module			1
17	<u>101808401</u>	Cam Installation Tool		1	
18	<u>102562401</u>	Charger Bezel Tool			1
19	<u>102686101</u>	Clutch Removal Tool (for 4x4 vehicles)	1	1	
		Please refer to the maintenance and service manual for proper tool application.			
	****	Special order item available upon request			

14

G

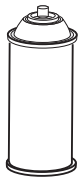
E

D

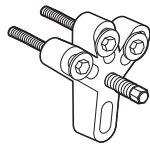
MAINTENANCE AND SERVICE TOOLS, CONTINUED

ITEM	PART NO.	DESCRIPTION	QTY DIESEL	QTY GAS	QTY ELEC	14
		1 2 3 4				G
20	<u>1014510</u>	Clutch Tool Kit (includes items 21 - 27)		1		E
21	<u>1014498</u>	Clutch Alignment Tool (for pre-unitized transaxle vehicles built prior to 1997 model year)		1		D
22	<u>1014496</u>	Drive Clutch Puller (for Kawasaki engines only)		1		
23	<u>1014497</u>	Drive Clutch Hub Puller (for Kawasaki engines only)		1		
24	<u>1014508</u>	Driven Clutch Cam Puller (for Kawasaki engines only)		1		
25	<u>1014507</u>	Driven Clutch Puller Plug (for Kawasaki engines only)		1		
26	<u>1015524</u>	Drive Clutch Holder Tool Assembly (for Kawasaki engines only)		1		
27	<u>101809101</u>	Press Weldment (for Kawasaki engines only)		1		
28	<u>102601501</u>	Drive ClutchFixed Sheave Tool (for 4x4 vehicles)	1	1		
29	<u>102603501</u>	Driven Clutch Spring Compression Base (for use with items 30 and 31) (for 4x4 vehicles)	1	1		
30	<u>102605201</u>	Driven Clutch Spring Compression Collar (for use with items 29 and 31) (for 4x4 vehicles)	1	1		
31	<u>102606101</u>	Driven Clutch Spring Compression Nut (for use with items 29 and 30) (for 4x4 vehicles)	1	1		
32	<u>102607501</u>	Drive Clutch Spider Removal Tool (for 4x4 vehicles)	1	1		
33	101831801	Communication Display Module			1	
34	101641002	Compression Gauge and Adapter		1		
35	1011273	Continuity Tester		1	1	
36	<u>102773801</u>	Cutter, Valve Seat, #122		1		
37	<u>102773901</u>	Cutter, Valve Seat #115		1		
38	<u>102774101</u>	Wrench, T, #505.....		1		
39	<u>102774101</u>	Adapter, T-Wrench		1		
40	102675401	Cutter, Valve Seat, 60 Degree (requires item 51) (for Honda GX620 Gasoline Engines)		1		
41	<u>102774201</u>	Pilot, 6.6 MM		1		
42	<u>102774301</u>	Pilot, 6.62 MM.....		1		
43	<u>102774401</u>	Pilot, 6.65 MM.....		1		
		Please refer to the maintenance and service manual for proper tool application.				

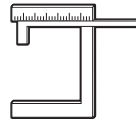
14
G
E
D



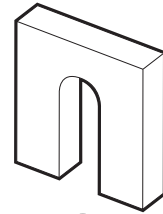
44



45



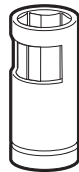
46



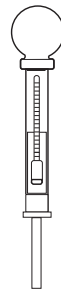
47



48



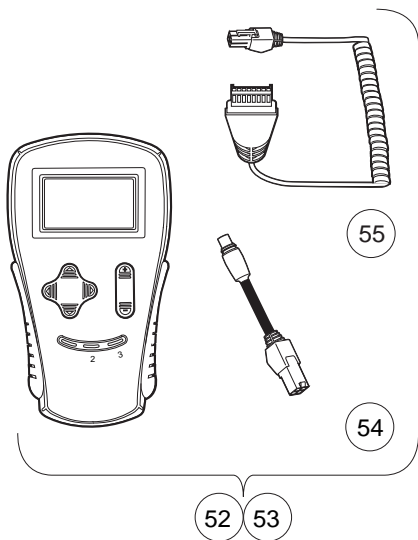
49



50



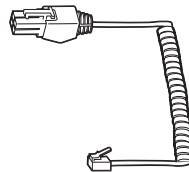
51



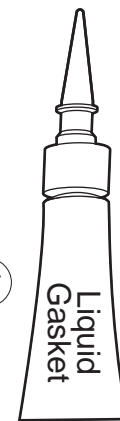
52 53

55

54



56



57



58



59 60



61

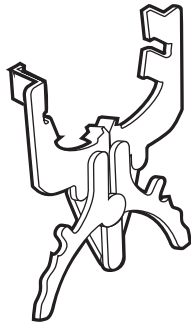
MAINTENANCE AND SERVICE TOOLS, CONTINUED

ITEM	PART NO.	DESCRIPTION	QTY DIESEL	QTY GAS	QTY ELEC	14
		1 2 3 4				
44	<u>1012151</u>	Dry Moly Lubricant	1	1	1	G
45	<u>1016627</u>	Flywheel Puller Kit (for Kawasaki Engines)		1		E
46	<u>102669901</u>	Gauge, Carburetor Float Level (for Honda GX620 Gasoline Engines)		1		D
47	<u>1016418</u>	Gear Yoke	1	1	1	
48	<u>101933101</u>	Governor Shaft Installation Tool (for Kawasaki Engine Vehicles)		1		
49	<u>102169401</u>	Hydraulic Brake Adjuster (for Turf/CA 272/472, Pioneer/XRT 1200, Bobcat 2100, HUV 4213)			1	
50	<u>1011478</u>	Hydrometer	1	1	1	
51	<u>1013593</u>	Internal Retaining Ring Pliers	1	1	1	
52	<u>102248803</u>	IQ Display Module (IQDM) Kit (IQ System and IQ Plus vehicles)			1	
		(includes items 54 and 55)				
53	<u>102248804</u>	IQ Display Module (IQDM-P) Kit (IQ System and IQ Plus vehicles)			1	
		(includes items 54 and 55)				
54	<u>102251501</u>	Adaptor, Cable			1	
55	<u>102241502</u>	IQDM Series 2 Cable			1	
56	<u>102241501</u>	IQDM Series 1 Cable (replacement)			1	
57	<u>101928701</u>	Liquid Gasket (transaxle case)	1	1	1	
58	<u>102243402</u>	Moly-Teflon Lubricant (4-oz. (113-gram) tube)			1	
59	<u>101997201</u>	Paint, Touch-Up – Beige*		1	1	
59	<u>101997207</u>	Paint, Touch-Up – Black*		1	1	
59	<u>101997212</u>	Paint, Touch-Up – Burgundy*		1	1	
59	<u>101997211</u>	Paint, Touch-Up – Classic Blue (Navy)*		1	1	
59	<u>101997205</u>	Paint, Touch-Up – Dark Gray*	1	1	1	
59	<u>101997209</u>	Paint, Touch-Up – Dark Green*	1	1	1	
59	<u>101997204</u>	Paint, Touch-Up – Gray*	1	1	1	
59	<u>101997203</u>	Paint, Touch-Up – Red*	1	1	1	
59	<u>101997206</u>	Paint, Touch-Up – Royal Blue (Pacific Blue)*		1	1	
59	<u>101997202</u>	Paint, Touch-Up – White*	1	1	1	
60	<u>102562301</u>	Paint, Precedent Underbody – Gray		1	1	
61	<u>102587201</u>	Paint Pen, Touch-Up, Precedent Underbody – Black		1	1	
		Please refer to the maintenance and service manual for proper tool application.				
		* Item 59 is not for use on Surlyn [®] body material, which is used on Precedent vehicles.				

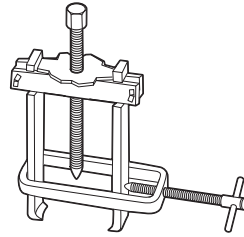
14
G
E
D



62



63



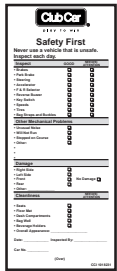
64



65



66



67



68



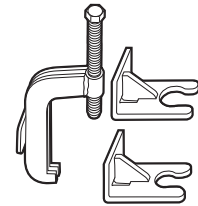
69



70



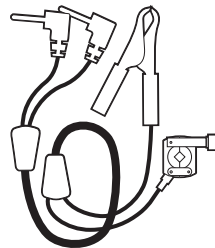
71



72



73



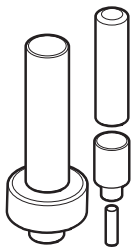
74



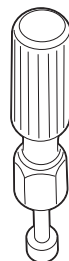
75



76



77



83



84



85



86

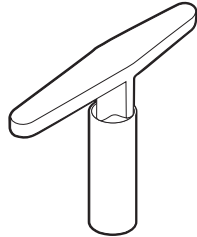
MAINTENANCE AND SERVICE TOOLS, CONTINUED

ITEM	PART NO.	DESCRIPTION	QTY	QTY	QTY	14
			DIESEL	GAS	ELEC	
		1 2 3 4				G
62	<u>1016414</u>	Piston Ring Compressor Kit (FE290, FE350 and FE400 engines)		1		E
63	<u>1016415</u>	Piston Ring Pliers (for Kawasaki Engines)		1		D
64	<u>102668801</u>	Puller, Special Use (for Kubota D722 Diesel Engines)	1			
65	<u>1012549</u>	Retaining Ring Pliers, 45° External	1	1	1	
66	<u>1012560</u>	Retaining Ring Pliers, 90° Internal	1	1	1	
67	<u>101823101</u>	Safety First Card (50 per pack)	1	1	1	
68	<u>1012809</u>	Seal Puller	1	1	1	
69	<u>102330901</u>	Spanner Wrench (for coil over shock front suspension vehicles only)	1	1		
70	<u>1014264</u>	Steering Column Bearing Press Tool		1	1	
71	<u>1014259</u>	Steering Column Retaining Ring Tool		1	1	
72	<u>102061201</u>	Steering Wheel Puller Tool	1	1	1	
73	<u>AM10753</u>	Tachometer (includes gasoline engine pick up lead only)	1	1		
74	<u>AM10771</u>	Tachometer Diesel Probe (for use with item 73)	1			
75	<u>1014162</u>	Transaxle Axle Seal Tool		1		
76	<u>1014161</u>	Transaxle Pinion Seal Tool		1		
77	<u>1014115</u>	Transmission Tool Kit		1		
78	<u>101611003</u>	Tune-Up Kit, All OHV (for FE290, FE350, FE400 only) (includes air filter, spark plug, oil filter, fuel filters) (not shown)		1		
79	<u>AM11804</u>	Tune-Up Kit, Gx620 (for Honda Engines) (includes air filter, spark plug, oil filter, fuel filters) (not shown)		1		
80	<u>AM11805</u>	Tune-Up Kit, D722 (for Kubota Engines) (includes air filter, oil filter, fuel filters, water separator filter) (not shown)	1			
81	<u>AM1220301</u>	Tune-Up Kit, Precedent (for FE290/350 Engines) (includes air filter, spark plug, oil filter, fuel filters) (not shown)		1		
82	<u>AM1232401</u>	Tune-Up Kit, FH680D (for Kawasaki V-Twin Engines) (includes oil filter, fuel filter, air filter, and spark plugs) (not shown)		1		
83	<u>1016413</u>	Valve Clearance Adjuster Screw Holder (for FE290 engines only)		1		
84	<u>102674601</u>	Valve Guide Driver (for Honda GX620 Gasoline Engines)		1		
85	<u>101641201</u>	Valve Guide Reamer (FE290, FE350, and FE400 only)		1		
86	<u>102674401</u>	Valve Guide Reamer, 6.6 mm (for Honda GX620 Gasoline Engines)		1		

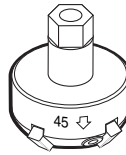
14
G
E
D



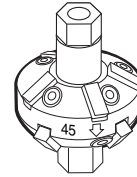
87



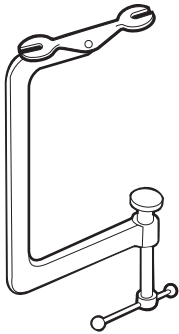
88



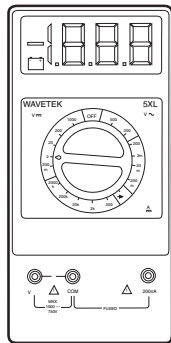
89



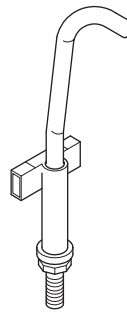
90



91



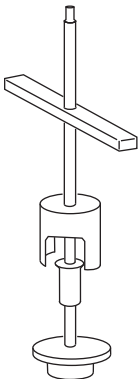
92



93



94



95



96

MAINTENANCE AND SERVICE TOOLS, CONTINUED

ITEM	PART NO.	DESCRIPTION	QTY DIESEL	QTY GAS	QTY ELEC	14
		1 2 3 4				G
87	<u>1016552</u>	Valve Seat Cutter Guide		1		E
88	<u>1016551</u>	Valve Seat Cutter T-Wrench		1		D
89	<u>1016553</u>	Valve Seat Cutter, 45° (32 mm diameter) (for FE290 engines only)		1		
90	<u>1016554</u>	Valve Seat Cutter, 45°/30° (35 mm diameter)		1		
91	<u>101641101</u>	Valve Spring Compressor		1		
92	1011480	Volt Ohm Meter	1	1	1	
93	<u>102570401</u>	Tool, Tensioning, Starter Generator (For Precedent vehicles)		1		
94	<u>103601401</u>	Puller, Drive Clutch, XRT 950*		1		
95	<u>103601701</u>	Tool, Disassembly, Driven Clutch, XRT 950		1		
96	<u>103600501</u>	Screw, Driven Clutch Disassembly, M6, XRT 950		1		
<p>*Note: The XRT 950 Drive Clutch Puller requires the use of Screw, Driven Clutch Disassembly, CCI Part Number <u>103600501</u>.</p>						

INDEX

Part Number and Page

AM10753	14-9	1012549	14-9	101609401	3-3
AM10771	14-9	1012560	14-9	101611003	14-9
AM11807	5-9	1012769	7-3	1016183	5-13
AM11808	5-9	1012809	14-9	101641002	14-5
AM1210002	1-15	1012811	14-3	101641101	14-11
AM1210801	1-15	1012812	14-3	101641201	14-9
AM1211003	1-15	1012830	1-29, 1-31	101641202	14-3
AM1211401	1-15	1012871	8-7	1016413	14-9
AM1215701	1-15	1012919	8-9	1016414	14-9
AM1215801	1-15	1013035	5-5	1016415	14-9
AM1232301	8-7	1013042	5-5	1016416	14-3
AM1241201	5-9	1013044	5-5	1016417	14-3
AM1241301	5-9	1013051	5-5	1016418	14-7
183	9-5, 9-9	1013052	5-5	1016467	8-11
332	1-29, 1-31, 1-45, 6-11, 6-13	101313402	9-7	101648203	8-11
334	1-39, 12-17, 12-29	1013366	1-45	1016513	8-9, 9-13
357	1-43	1013461	9-5, 9-9	1016544	8-7
403	1-41	1013462	9-5, 9-9	1016551	14-11
451	1-29, 1-31	1013531	4-15	1016552	14-11
808	1-7	1013582	14-3	1016553	14-11
1016	9-5, 9-9	1013593	14-7	1016554	14-11
1035	4-17	1013734	1-29, 1-31	1016603	1-43
1108	6-11, 6-13	1013746	9-3, 9-7	1016627	14-7
1241	6-19, 6-21	1014115	14-9	1016630	6-15, 6-17
1242	4-15	1014161	14-9	1016916	1-17
7310	2-3	1014162	14-9	1016967	1-11, 1-33
7473	1-41, 1-45, 6-19, 6-21	1014259	14-9	1017162	1-43
8233	1-17, 1-45	1014264	14-9	1017167	1-43
8251	1-47	1014305	14-3	1017774	1-43
8639	4-11, 4-15	1014306	1-45, 1-47, 4-7	101802601	6-15, 6-17
8717	12-3	1014375	6-19, 6-21	101804301	1-17
8754	1-41, 1-43, 5-13, 12-17, 12-29	1014415	1-45	101808401	14-3
8755	1-41, 1-43	1014471	1-41, 13-3	101809101	14-5
8797	9-5, 9-9	1014496	14-5	101813202	14-3
8990	1-43, 5-5, 9-15, 9-17, 12-3	1014497	14-5	101823101	14-9
1010177	12-17, 12-29	1014498	14-5	101824401	9-3, 9-7
1010200	1-43	1014507	14-5	101831801	14-5
1010435	1-41, 1-45	1014508	14-5	101831901	14-3
1010436	1-45	1014510	14-5	101833101	7-3
101082903	4-7, 4-9, 4-15	1014537	1-45	101833201	7-3
1010934	6-19, 6-21	1015139	9-5, 9-9	101835601	1-39, 1-41
1011084	9-15, 9-17	1015143	9-5, 9-9	101856102	11-5
1011273	14-5	1015258	1-41	101871001	14-3
1011478	14-7	1015277	1-39	101879401	5-5
1011480	14-11	1015392	1-23	101879701	5-5
1011553	3-3	1015399	1-41, 1-45	101879801	5-5
1011578	1-7, 1-25, 13-9	1015400	1-41	101879901	5-5
1011652	1-27, 1-29, 1-31, 1-33	1015457	13-9	101880201	5-5
1011697	1-33	101547601	3-5	101887101	14-3
1011767	14-3	1015521	6-11, 6-13	101887601	1-29, 1-31, 4-11, 10-3
1011779	4-15	1015524	14-5	101894304	1-45
1012151	14-7	1015583	1-41	101898001	6-19, 6-21
1012295	6-11, 6-13	1015597	5-15	101928701	14-7
1012303	1-41	1015741	6-11, 6-13	101933101	14-7
		101587703	9-3, 9-7	101953101	4-15
		1016078	1-39	101958602	1-39

INDEX

101963401	1-45	102288901	13-9	102393501	5-15
101972001	14-7	102289001	1-7, 1-13, 1-17, 8-13, 9-3, 9-7, 13-9	102395601	9-23, 9-25
101972002	14-7	102290120	5-3	102398901	5-15
101972003	14-7	102292701	1-9	102399201	4-5
101972004	14-7	102292801	1-9, 4-15	102399202	4-5
101972005	14-7	102296020	1-33	102402801	4-7
101972006	14-7	102296140	4-11	102402901	4-7
101972007	14-7	102296401	9-19, 9-21	102406701	9-9
101972009	14-7	102296601	8-3	102406801	9-9
101972011	14-7	102296716	4-11, 11-3, 11-5	102407801	4-11
101972012	14-7	102296920	8-3	102408401	5-7
101987901	1-7	102297230	1-7, 1-9, 1-17	102409301	10-7
102003201	9-3	102298130	1-29, 1-31, 5-3, 5-13	102409501	10-3
102010102	5-5	102298401	1-11, 1-29, 1-31, 4-9, 4-15, 7-3, 8-13, 10-7, 12-3	102410001	13-11
102022601	5-5	102298580	1-17	102410301	13-3
102022901	5-5, 5-7	102298720	1-11, 10-3, 13-9	102410602	9-7
102023703	1-29, 1-31	102301401	1-39	102410603	7-3
102025801	1-23	102323101	1-39	102410604	9-3
102044702	6-15	102323501	1-11, 4-17	102410801	9-7
102044801	6-15	102330901	14-9	102411202	9-3
102045001	1-17	102335301	6-19, 6-21	102411203	9-7
102047001	1-29, 1-31	102361901	5-7	102411204	13-5, 13-9
102048401	1-17	102363802	5-3	102411205	13-9
102051401	4-7	102365601	5-11	102411206	13-9
102051601	6-15, 6-17	102365602	5-13	102411207	13-3, 13-9
102051701	6-15, 6-17	102367101	5-3	102411208	13-3, 13-9
102059001	1-29, 1-31	102367601	4-3	102411209	9-25
102059401	1-29, 1-31	102369901	11-11	102411210	9-23, 11-3, 11-5
102061101	1-29, 1-31	102370101	7-3	102411301	13-3
102061201	14-9	102370501	7-3, 8-3	102414501	11-5
102065901	1-41	102370601	7-3, 8-3	102414701	7-3
102066001	1-43	102371401	8-13	102414801	7-3
102169401	14-7	102371701	12-11	102418101	1-39
102171503	1-41	102371801	12-7	102420201	6-11, 6-13
102176901	4-7, 4-9	102372101	12-11	102420401	6-11, 6-13
102198001	6-15, 6-17	102374901	11-7	102420501	6-11, 6-13
102221301	1-45	102375401	6-17	102422301	7-51, 10-7
102221401	1-45	102375901	12-3	102426301	9-3, 9-7
102221501	1-45	102376001	12-3	102426601	1-39, 1-43
102221701	1-45	102376601	4-11	102426901	1-41
102221801	1-45	102376602	12-21	102427501	13-5
102222001	1-45	102376605	5-7	102427601	13-9
102222101	1-45	102377401	13-7	102430001	9-7
102222201	1-45	102377501	13-9	102430101	9-7
102224001	3-3	102377601	13-9	102430201	9-7
102229904	1-45	102377701	13-7	102430301	9-7
102231601	3-5	102377801	13-3	102430401	9-7
102239901	1-45	102377901	13-3	102434601	9-7
102241501	14-7	102379001	9-25	102434701	9-7
102241502	14-7	102380301	13-3	102434801	9-7
102243402	14-7	102380601	4-13	102435001	13-9
102248803	14-7	102381701	12-5	102436701	13-3
102249901	14-3	102382401	7-3	102437001	5-7
102251501	14-7	102385601	11-9, 11-13	102438201	12-7
102274101	5-7, 5-15	102385701	11-11	102438301	12-7
102276001	12-21			102438401	12-7

INDEX

102438501	12-7	102463801	12-21, 12-23	102498801	9-17
102438601	12-7	102463901	12-23	102522001	9-5, 9-9
102438701	12-7	102464001	12-23	102537801	1-33
102438801	12-7	102464101	12-23	102538501	6-5, 6-9
102438901	12-7	102464201	12-23	102540802	1-33
102439001	12-7	102464301	5-7, 12-23	102541465	9-23, 9-25
102439101	12-7	102464401	12-23	102551901	4-15
102439201	12-7	102464501	12-23	102552001	4-15
102439301	12-7	102464601	5-13	102555501	14-3
102439401	12-7	102465701	1-43	102562401	14-3
102439501	12-7	102465901	7-3	102570401	14-11
102439601	12-7	102466201	9-7	102571301	5-3
102439701	12-7	102469401	9-21	102600001	7-5
102439801	12-7	102470101	5-13	102600101	7-5
102439901	12-7	102470501	5-13	102600201	7-5
102440101	12-7	102470601	5-13	102600301	7-5, 7-9, 7-51
102440201	12-9	102473501	1-29, 1-31	102600401	7-5
102440301	12-7	102473601	1-29, 1-31	102600601	7-5
102440401	12-9	102473701	1-29	102600701	7-5
102440501	12-9	102474301	4-11	102600801	7-5, 7-9
102440601	12-9	102475701	4-11, 9-15, 9-17	102601001	7-5, 7-11
102442001	1-29, 1-31	102475801	4-11	102601301	7-5
102442201	6-19, 6-21	102475901	1-29, 1-31	102601401	7-5
102442301	6-19	102476301	9-19, 9-21	102601501	14-5
102442401	6-19	102476401	9-19, 9-21	102601801	7-11, 7-51
102442901	4-13, 9-19, 9-21	102477001	5-15	102601901	7-11
102443601	8-13	102478501	9-9	102602001	7-11
102445201	9-19, 9-21	102479301	9-19, 9-21	102602101	7-11
102446601	5-13	102480501	13-9	102602301	7-11
102447601	1-35	102481001	11-5	102602401	7-11
102447602	1-35	102481201	11-5	102602601	7-11
102447901	6-11, 6-13	102481301	11-5	102602701	7-11
102448001	6-11, 6-13	102488001	4-3, 4-5, 4-19, 4-21	102602801	7-11
102448401	6-21	102489901	9-21	102603201	7-21
102448501	6-21, 8-13	102490101	7-3	102603501	14-5
102449101	12-21	102490201	7-3	102603601	7-27
102449201	12-23	102490301	6-19, 13-3	102603701	7-27
102456001	1-29, 1-31	102490501	7-3	102603801	7-27
102457001	9-15	102490801	5-7	102603901	7-27
102457501	8-13	102491001	8-3, 12-5	102604001	7-27
102458901	1-29, 1-31, 3-5	102491101	12-5	102604101	7-27
102459001	3-5	102491301	1-11, 1-35	102604201	7-21, 7-27
102459101	3-5	102491302	1-11	102604301	7-27
102459201	3-5	102491501	1-11, 1-17, 1-35	102604401	7-23, 7-27
102459301	3-3	102491601	4-3, 4-5, 4-19, 4-21	102604501	7-27
102459401	3-3	102491701	1-21, 1-47	102604701	7-27
102459501	3-5	102492201	6-11, 6-13	102604901	7-21
102460201	3-3	102492301	6-13	102605001	7-21
102462301	7-3	102493301	4-3, 4-5, 4-19, 4-21	102605101	7-7, 7-21
102462401	12-5	102493801	1-39	102605201	14-5
102462501	7-3	102494401	7-3	102605301	7-21
102463101	12-23	102494701	9-9	102605401	7-21
102463301	12-23	102495001	5-13	102605501	7-21
102463401	12-23	102495801	9-15, 9-17	102605601	7-21
102463501	12-21	102498201	6-21, 7-3	102605701	7-39
102463601	12-21	102498601	9-23, 9-25	102605801	7-21

INDEX

102605901	7-21	9-21, 12-3	102635801	7-29	
102606001	7-21	102618401	4-7, 4-9	102635901	7-29
102606101	14-5	102618601	1-17, 1-25, 1-39, 1-43, 4-7, 4-13, 4-17, 5-3, 5-13, 7-3, 8-13, 9-3, 9-7, 9-19, 9-21, 13-9	102636201	7-41
102606201	7-17	102619801	5-15	102636301	7-41
102606301	7-17	102620301	1-35	102636401	7-41
102606401	7-17	102620401	5-15	102636501	7-41
102606501	7-17	102620501	5-7, 5-11, 5-13, 5-15	102636601	7-41
102606601	7-17, 7-51	102621201	9-23, 9-25, 10-3	102637001	7-29
102606701	7-15	102621301	7-3, 8-13, 10-7	102637101	7-29
102606901	7-7	102621501	7-3, 9-23, 9-25	102637701	7-35
102607001	7-7	102626201	4-13	102640401	7-35
102607201	7-7	102628001	11-5	102640501	7-35
102607301	7-7	102628101	10-7	102640601	7-31, 7-35
102607401	7-7	102628701	13-7	102640701	7-35
102607501	14-5	102629001	1-43	102640901	7-35
102607601	7-23, 7-53	102630001	7-23	102641001	7-35
102607602	7-23	102630003	7-23	102641101	7-35
102607801	7-23	102630101	7-23	102641201	7-35
102607901	7-23	102630201	7-23	102641501	7-39
102608001	7-23	102630301	7-23, 7-51	102642401	7-39
102608101	7-23	102630401	7-23	102642501	7-39
102608201	7-19, 7-51	102630601	7-33	102642601	7-39
102608301	7-19, 7-51	102630701	7-23	102642701	7-39
102608401	7-19	102630703	7-23	102642801	7-39
102608501	7-19	102630901	7-23, 7-53	102642901	7-39
102608601	7-19	102631001	7-23, 7-53	102643001	7-39
102608701	7-19, 13-13	102631301	13-11	102643101	7-39
102608801	7-23	102631401	13-11	102643201	7-39
102608803	7-23	102631601	7-5, 7-33, 13-11	102643301	7-39
102608804	7-23	102631701	13-15	102643401	7-39
102608806	7-23	102631801	13-15	102643601	7-39
102608901	7-19	102632001	13-15	102643701	7-39
102609001	7-23	102632101	13-15	102644001	7-13, 7-51
102609003	7-23	102632201	13-15	102644101	7-13
102609101	7-19	102632701	7-51, 13-13	102644501	7-51
102609301	7-19	102633001	13-11	102645501	7-43
102609401	7-19	102633201	13-11	102646001	7-47, 7-51
102609601	7-19	102633301	7-13, 13-11	102646101	7-47
102609801	7-23	102633401	7-51, 13-11	102646301	7-49
102609803	7-23	102633601	7-41	102646401	7-45
102610001	7-23	102633701	7-37	102646501	7-49
102614101	1-41, 1-43	102633801	7-37	102646601	7-49, 7-51
102615701	12-3	102633901	7-37	102647101	7-49
102615801	9-15, 9-17	102634001	7-37, 7-51	102647201	7-49
102616003	11-5	102634101	7-37	102647501	7-25
102616101	11-5	102634401	7-37, 7-51	102647701	7-33, 7-43
102616301	5-7, 5-11, 5-13	102634501	7-37, 7-51	102647801	7-25
102616501	11-9	102634601	7-37	102647901	7-25
102616701	12-3	102634701	7-37	102648001	7-25
102616801	5-3	102635101	7-41	102648401	7-43
102617201	1-11, 1-35	102635201	7-37	102648501	7-43
102617501	5-7	102635301	7-29, 7-37, 7-39, 7-51	102651301	7-45
102617701	5-7	102635501	7-29	102651501	7-45
102617801	5-7	102635701	7-29	102651601	7-45
102618101	4-13, 9-19, 9-21			102651701	7-45
102618301	1-11, 1-39, 4-13, 4-15, 4-17, 9-19,			102651801	7-45

INDEX

102652001	7-45	102690801	11-9	102701001	7-9
102652601	7-45	102691001	11-13	102701201	7-33
102652701	7-45	102691401	11-9, 11-13	102703301	7-11
102652801	7-9	102691601	11-9, 11-13	102710301	9-7
102652901	7-45	102691701	11-9, 11-13	102711601	12-5
102653001	7-45	102691801	11-9, 11-13	102714001	4-3, 4-5, 4-21
102653101	7-45	102691901	11-13	102716001	4-17
102653201	7-45	102693301	12-13, 12-21, 12-25	102718101	1-15, 1-27, 1-29, 1-31, 1-35
102653301	7-45, 7-51	102693401	12-21	102719301	1-15, 11-11
102653401	7-9	102693501	12-13, 12-21, 12-25	102721501	12-13, 12-25
102653501	7-9	102693601	12-23	102722001	8-13
102653601	7-45	102694001	12-23	102722301	5-7
102653701	7-45	102694201	12-13, 12-21, 12-25	102725501	9-23, 9-25
102653901	7-9	102694301	12-21	102725601	9-23, 9-25
102654101	7-9, 7-51	102694401	12-21	102726201	7-5
102654301	7-11, 7-37, 7-47	102694502	12-23	102726301	7-5
102654401	7-21	102694701	12-21	102726401	7-5
102654601	7-7, 7-51	102694801	12-21	102726501	7-5
102654701	7-51, 13-11	102695401	11-11, 11-19	102726601	7-5
102668801	14-9	102695601	11-11, 11-19	102726701	7-9
102669901	14-7	102695701	11-11	102726901	7-9
102670601	1-29, 1-31	102695801	11-11, 11-19	102727001	7-9
102670701	1-15, 7-3	102695901	11-11, 11-19	102727101	7-9
102670801	9-7	102696001	12-17, 12-19, 12-29, 12-31	102727401	7-11
102670901	9-5	102696101	12-13, 12-25	102727501	7-11
102671201	1-35	102696201	12-13, 12-15, 12-25, 12-27	102727601	7-11
102672101	12-21	102696301	12-13, 12-25	102727701	7-15
102672201	12-21	102696401	12-17, 12-19, 12-29, 12-31	102727901	7-17
102672301	12-21	102696501	12-13, 12-15, 12-25, 12-27	102728001	7-19
102672401	12-21	102696601	12-17, 12-19, 12-29, 12-31	102728101	7-23, 7-53
102674001	14-5	102696701	12-13, 12-25	102728102	7-23
102674101	14-5	102696801	12-13, 12-15, 12-25, 12-27	102728301	7-25
102674201	14-5	102696901	12-13, 12-15, 12-25, 12-27	102728401	7-27
102674401	14-9	102697001	12-27	102728501	7-27
102674601	14-9	102697101	12-13, 12-15, 12-25, 12-27	102728601	7-29
102675001	14-5	102697201	12-15, 12-27	102728701	7-29
102675101	14-5	102697301	12-13, 12-25	102728801	7-29, 7-51
102675201	14-5	102697401	12-13, 12-25	102728901	7-29
102675301	14-5	102697501	12-15, 12-27	102729101	7-31
102675401	14-5	102697601	12-13, 12-25	102729301	7-11, 7-51
102682901	5-15	102697701	12-13, 12-25	102729401	7-37
102684501	5-15, 12-3	102697801	12-13, 12-25	102729501	7-37
102684601	12-3	102697901	12-15, 12-27	102729601	7-39
102684901	13-9	102698001	12-15, 12-27	102729701	7-39
102685001	13-3	102698101	12-27	102730201	7-33
102685601	5-15	102698301	12-13, 12-25	102730401	7-33
102686101	14-3	102698401	12-27	102730601	7-33
102687801	5-5	102698601	12-15, 12-27	102730801	7-5
102689001	4-11	102698701	12-15, 12-27	102730901	13-11
102689101	5-11, 5-13	102698901	12-13, 12-25	102731001	13-11
102689102	5-11, 5-13	102699001	12-27	102731101	13-11
102690201	11-9, 11-13	102699201	12-13, 12-25	102731201	13-13
102690301	11-9, 11-13	102699301	12-15, 12-27	102731301	7-33
102690401	11-9	102699401	12-13, 12-25	102731501	7-49
102690501	11-9, 11-13	102699601	12-17, 12-19, 12-29, 12-31	102731601	7-49, 10-7
102690701	11-9, 11-13	102699701	12-13, 12-25, 12-27	102731801	7-51

INDEX

102731901	7-51	102799801	7-31	102914101	1-47
102732001	7-53	102800101	7-35	102914102	1-47
102732201	7-23, 7-53	102800201	7-41	102927101	5-7
102732401	1-27, 1-29, 1-31	102800301	7-41	102927102	5-7
102732501	7-33, 7-43	102800401	7-37	102930901	10-3
102732601	7-5, 7-51	102800501	7-37	102934601	7-3
102736901	2-3	102800601	7-37	102934701	7-33
102737101	5-15	102800701	7-33	102934801	7-33
102737301	13-3	102801001	7-33	102934901	7-33
102737401	13-3	102801101	7-45	102935501	1-11
102740401	8-3	102801201	7-45	102943101	2-3
102741501	4-17	102801301	7-47	102943201	12-25
102741601	4-17	102801401	7-47	102943807	2-3
102751301	4-17	102801501	7-47	102945701	2-3
102751401	4-17	102810701	9-23, 9-25	102946701	13-9
102751501	4-17	102812801	10-3	102949301	10-5
102751601	9-5	102816801	5-5	102951901	8-3
102759601	1-27, 1-33	102831501	12-21	102952101	9-9
102759901	1-27, 1-33	102839401	11-9, 11-13	102952102	9-5
102762601	12-23	102855501	13-3	102958301	8-13
102763301	4-15	102865101	9-3	102958401	8-13
102763401	4-15	102866718	1-9	102958501	8-13
102763701	1-29, 1-31	102866753	1-9	102958601	8-13
102764201	12-13, 12-25	102866754	1-9	102960201	8-3
102764901	12-15, 12-27	102866818	1-9	102961201	3-3
102765001	12-17, 12-29	102866853	1-9	102961301	12-23
102765101	12-15, 12-27	102866854	1-9	102961401	12-23
102765201	12-13, 12-25	102866901	1-7	102961501	12-23
102765301	12-23	102867001	1-7	102961601	12-23
102765401	12-23	102867101	1-17	102967901	1-9, 1-29, 1-31
102765501	12-23	102867202	1-19	102973201	13-5
102765701	12-23	102867301	1-17	102977101	5-3
102765801	12-23	102869401	6-15, 6-17	102977201	1-11
102768801	1-45	102873901	1-33	102981601	1-7
102786201	10-3	102874301	5-7	102981701	1-7
102786301	5-11, 5-13	102874501	5-7	102981818	1-9
102788701	5-11, 5-13	102878301	1-33	102981853	1-9
102791701	5-7	102879201	1-27, 1-33	102981854	1-9
102791702	5-7	102879401	1-27, 1-33	102981918	1-9
102792001	5-7	102882301	1-13	102981953	1-9
102792002	5-7	102882401	1-7	102981954	1-9
102798001	7-9	102882501	1-43	102983201	1-11
102798201	7-11	102883401	1-17	102983601	1-11
102798401	7-13	102884301	3-5	102988701	1-37
102798501	7-13, 7-51	102884401	3-3	102989301	1-7
102798601	7-13	102889001	1-33	102989302	1-7
102798701	7-13	102889101	1-33	102989801	5-3
102798801	7-13	102895101	1-7	102990101	8-15
102798901	7-13	102895401	1-7	102990201	8-15
102799001	7-13	102895701	1-23	102990301	8-15
102799101	7-13	102896401	1-9	102990401	8-15
102799201	7-13	102896501	1-9	102990501	8-15
102799401	7-21	102912301	1-27, 1-33	102990601	8-15
102799501	7-29	102913801	1-47	102990701	8-15
102799601	7-31	102913901	1-47	102990801	8-15
102799701	7-31	102914001	1-47	102990901	8-15

INDEX

102991101	8-15	102997701	8-11	103192101	1-37
102991201	8-15	102997801	8-11	103197201	8-13
102991301	8-15	102997901	8-11	103200501	1-47
102991401	8-15	102998001	8-11	103201501	11-13
102991501	8-15	102998101	8-11	103202601	3-3
102991601	8-15	102998201	8-11	103203801	1-7
102991801	8-15	102998301	8-11	103208801	6-17
102991901	8-15	102998401	8-11	103210401	3-3
102992001	8-15	102998601	8-5	103213201	1-7
102992101	8-15	102998701	8-5	103215901	1-37
102992201	8-15	102999101	8-5	103216401	1-27, 1-29, 1-31, 1-37
102992301	8-15	102999201	8-5	103218107	1-7
102992401	8-5, 8-9, 8-11, 8-15	102999301	8-5	103218213	4-7
102992501	8-5, 9-3	102999501	8-5	103218401	1-3
102992601	8-15	102999601	8-5	103218901	1-31
102992701	8-15	103000001	8-5	103220001	1-5
102992801	8-15	103000401	8-7	103225801	1-37
102992901	8-15	103000501	8-7	103227001	1-43
102993201	8-19	103000601	8-7	103231701	1-3, 1-5
102993301	8-19	103000801	8-7	103231801	1-3, 1-5
102993401	8-19	103000901	8-7	103233001	1-17
102993501	8-19	103001301	8-7	103234401	6-17
102993601	8-19	103001501	8-7	103234503	2-3
102993701	8-19	103002001	8-9	103239501	12-19, 12-31
102993901	8-19	103002101	8-9	103239801	12-19, 12-31
102994101	8-19	103002301	8-9	103239901	7-33
102994301	8-7	103002401	8-9	103240601	8-13
102994401	8-19	103002501	8-9	103244701	12-5
102994601	8-17	103002801	8-9, 9-13	103245101	1-35
102994701	8-17	103002901	8-9	103246901	8-13
102994801	8-17	103003801	9-13	103250301	12-13, 12-25
102994901	8-17	103003901	9-13	103250401	12-13, 12-25
102995001	8-17	103004201	9-13	103252418	3-7, 3-9, 3-11, 3-13
102995101	8-17	103005001	9-13	103252453	3-7, 3-9, 3-11, 3-13
102995201	8-17	103005601	9-13	103252454	3-7, 3-9, 3-11, 3-13
102995301	8-17	103009901	9-3	103252518	3-7, 3-9, 3-11, 3-13
102995401	8-17	103010101	9-3	103252553	3-7, 3-9, 3-11, 3-13
102995501	8-17	103148501	5-7	103252554	3-7, 3-9, 3-11, 3-13
102995601	8-17	103160101	4-19	103252618	3-7
102995701	8-17	103174301	4-11	103252718	3-7
102995801	8-17	103178401	12-13	103253801	1-17
102995901	8-17	103179901	1-17	103256401	5-7
102996001	8-17	103180001	1-17	103256701	5-7
102996101	8-17	103180101	6-15, 6-17	103262201	1-27, 1-33
102996201	8-17	103181001	1-27	103262601	1-27, 1-33
102996301	8-17	103181101	1-27	103262901	8-3
102996401	8-17	103182701	1-19	103267001	1-29
102996501	8-17	103182702	1-19	103267002	1-31
102996601	8-17	103182801	1-19	103268001	1-17
102996701	8-17	103183101	1-33	103268101	10-5
102996901	8-11	103183201	1-33	103271618	3-7
102997001	8-11	103185401	11-13	103271653	3-7
102997101	8-11	103185501	11-9	103271654	3-7
102997201	8-11	103185801	11-9, 11-13	103271718	3-7
102997401	8-11	103185901	11-9, 11-13	103271753	3-7
102997601	8-11	103187501	12-3	103271754	3-7

INDEX

103271818	3-11	103299601	8-7	103348101	6-15, 6-17
103271853	3-11	103299701	8-7	103348201	6-15, 6-17
103271854	3-11	103299801	8-7	103348501	6-15, 6-17
103271918	3-11	103299901	8-7	103361701	1-35
103271953	3-11	103300101	8-7	103376101	4-9
103271954	3-11	103300301	8-5, 8-11	103380701	4-9
103272018	3-9	103305001	4-17	103387501	9-3
103272053	3-9	103305101	4-17	103400001	1-25
103272054	3-9	103305701	6-5	103418701	4-5
103272118	3-9	103306801	9-11	103418801	4-3, 4-5
103272153	3-9	103306901	9-11	103423701	1-25, 13-9
103272154	3-9	103307001	9-11	103438201	9-23
103272218	3-13	103307201	9-11	103441401	9-23, 9-25
103272253	3-13	103307301	9-11	103485501	1-21
103272254	3-13	103307401	9-11	103487501	1-21
103272318	3-13	103319601	1-25	103500901	4-15
103272353	3-13	103319701	1-25	103505301	4-15
103272354	3-13	103320201	9-13	103505401	4-15, 4-17
103273101	4-13, 9-19, 9-21	103320301	9-13	103523602	4-21
103276201	8-13	103320401	9-13	103523702	4-21
103277001	5-7	103320601	11-3, 11-5	103535001	4-15
103277002	5-7	103326401	8-13	103538701	1-41
103277301	9-15	103327201	6-5, 6-9	103538901	1-41
103277401	9-15	103331201	1-47	103574301	4-19
103277501	6-9	103332201	8-3	103721801	12-27
103278101	9-19	103340501	9-11	103762201	5-7
103279201	8-3	103340601	9-11	103828101	11-17
103282301	5-15	103340701	9-11	103828201	11-19
103283201	9-19	103340801	9-11	103829001	11-19
103289001	1-47	103340901	9-11	103829501	11-17
103289002	1-47	103341001	9-11	103829601	11-15, 11-17
103289101	1-47	103341101	9-11	103829701	11-15, 11-17
103289102	1-47	103341201	9-11	103829801	11-15, 11-17
103289103	1-47	103341301	9-11	103829901	11-15, 11-17
103289104	1-47	103341401	9-11	103830001	11-15, 11-17
103293201	4-7	103341501	9-11	103848001	11-15
103294301	12-17, 12-29	103341601	9-11	103856101	11-15
103296001	1-11	103341701	9-11	95293643	12-11
103297101	9-13	103341801	9-11	96701412	7-3, 8-3
103297201	9-13	103341901	9-11	96704176	13-9
103297301	9-13	103342001	9-11	96704416	10-5, 13-9
103297401	8-9	103342101	9-11	96704622	7-3
103297501	8-9	103342201	9-11	96704721	7-3, 8-3
103297601	8-9	103342301	9-11	96704960	8-3
103297701	8-9	103342501	9-11	96705199	13-3
103297801	8-9	103342601	9-11	96705587	8-13, 9-7
103298001	8-9	103342701	9-11	96706825	9-19, 9-21
103298101	8-9	103343301	9-11	96715552	1-11
103298201	8-9	103343401	9-11	96718978	7-3
103298301	8-9	103343501	9-11	96741038	7-3
103298501	8-7, 8-9, 9-3, 9-13	103343601	9-11	96741046	7-3, 8-3
103298601	8-9, 8-15	103343701	9-11	96742515	1-29, 1-31
103298901	8-15	103343801	9-11	96950126	9-15
103299301	8-5	103343901	9-11		
103299401	8-5	103345501	8-7		
103299501	8-7	103345801	5-7		

A

A-arm 5-7

INDEX

- accelerator cable 9-15, 9-17
 - accelerator pedal 9-19, 9-21
 - accelerator pedal adjustment tool 14-3
 - accessory receptacle 6-15, 6-17
 - actuator 1-43
 - adapter
 - actuator 1-43
 - cable (IQDM) 14-7
 - hose 8-13
 - tube 8-13, 9-7
 - adapter, oil filter 8-13
 - adhesive, guide ring 14-3
 - adjuster
 - hydraulic brake 14-7
 - adjuster, forward/aft 1-29, 1-31
 - adjuster, slide 5-7
 - adjuster, slider 1-29, 1-31
 - air clean support 9-23, 9-25
 - air filter 9-23, 9-25
 - air filter canister 9-23, 9-25
 - air filter evacuator 9-23, 9-25
 - air filter gasket 9-13
 - alternator 7-33
 - alternator belt 7-33
 - arbor 14-3
 - arm
 - A- 5-7
 - governor shaft 8-9
 - rocker 7-45, 8-17
 - arm, governor lock 8-9
 - arm, swing 5-15
 - assembly
 - accelerator pedal 9-21
 - adjusting bolt 7-29
 - bearing case cover 7-19
 - brake line 4-11
 - brake pedal 4-13
 - brake rotor 4-11, 12-21
 - bucket seat 1-29
 - camshaft 7-21
 - case, main bearing 7-19
 - connecting rod 7-23
 - cylinder head cover 7-13
 - drain cock 7-5
 - filler cap 4-7
 - fuel camshaft 7-27
 - fuel cap 9-9
 - fuel filter 9-7
 - fuel injection pump 7-35
 - fuel pump 9-7
 - fuel tank vent 9-5, 9-9
 - gear case 12-13, 12-23, 12-25
 - governor fork 7-41
 - governor fork lever 7-41
 - headlight harness 1-7
 - idle apparatus 7-29
 - inner ball joint 5-5
 - intake manifold 7-47
 - latch, tilt bed 1-41
 - muffler 12-5
 - nozzle holder 7-39
 - oil pump 7-17
 - overflow pipe 7-39
 - pinion 12-23
 - piston ring 7-23, 7-53
 - reservoir, remote 4-7
 - rocker arm 7-45
 - speed plate 7-37
 - tailgate 1-45
 - tether 1-45
 - thermostat 13-11
 - tilt bed 1-41
 - tire 2-3
 - water pump 13-13
 - wire 6-19, 6-21, 8-13, 9-5, 9-9
 - assembly, sub-
 - gear case 12-13, 12-25
 - moveable drive clutch 11-9, 11-13
 - spider 11-9, 11-13
 - stationary 11-9, 11-13
 - swingarm 5-15
 - weight clutch 11-9, 11-13
 - axle 12-21
 - axle tube 12-23
 - axle, rear, guard mounts 12-21
- ## B
- ball
 - check 7-21
 - crankshaft 7-23
 - governor 7-27
 - injection pump 7-27
 - valve 7-11
 - ball joint 5-7, 9-15, 9-17
 - ball stud 12-3
 - band, pipe 13-11, 13-15
 - banjo bolt 4-3, 4-5, 4-19, 4-21
 - bar clamp 13-9
 - bar, sway 5-13
 - barb, vent 9-3, 9-7
 - base, seat holder 1-29, 1-31
 - battery 6-19, 6-21
 - battery clamp 6-19, 6-21
 - battery discharge machine 14-3
 - battery terminal protector spray 14-3
 - battery thermometer 14-3
 - bearing 5-7, 12-23
 - ball (steering pinion) 5-5
 - lower pinion 5-5
 - needle 12-7, 12-13, 12-15, 12-23, 12-25, 12-27
 - bearing and oil seal remover 14-3
 - bearing case cover 7-19
 - bearing case, main 7-19
 - bearing driver set 14-3
 - bearing puller 14-3
 - bearing puller wedge 14-3
 - bed floor plate 1-41
 - bed, tilt 1-41
 - bellcrank 4-17, 12-17, 12-19, 12-29, 12-31
 - bellows 5-5, 12-21
 - belt guard 7-33
 - belt, alternator 7-33
 - belt, drive 11-7
 - bench seat back 1-27, 1-33
 - bench seat bottom 1-27, 1-33
 - bench seat kit 1-33
 - bezel, fuel fill 9-7
 - block, differential spacer 12-5
 - block, engine 7-5
 - block, fuse 6-11, 6-13
 - bobbin, coil with press fit 12-7
 - body, fascia 1-7
 - body, front cowl 1-9
 - bolt
 - adjusting 7-29
 - banjo 4-3, 4-5, 4-19, 4-21
 - boot kit, boxed 5-9
 - boot replacement kit 5-9
 - boot, half shaft 5-9
 - bottle, coolant 13-5
 - bracket
 - actuator 1-43
 - anti-sway bar 5-13
 - bed latch 1-39
 - brake line 4-11
 - brake pedal 4-13
 - cover inlet 11-5
 - draw latch 1-7
 - hood support 1-17
 - hydraulic line 4-11, 5-11, 5-13
 - muffler 10-3
 - oil filter mount 8-13
 - park brake 4-17
 - radiator support 13-9
 - rocker arm 7-45
 - seat back 1-27, 1-33
 - seat belt 1-27, 1-33
 - seatbelt 1-29, 1-31
 - steering column 1-11
 - transmission cable 7-3
 - transmission mounting 7-3
 - bracket caliper, front 4-19
 - bracket, oil filter 8-13
 - brake adjustment tool 14-3
 - brake cable 4-15
 - brake cable release tool 14-3
 - brake caliper 4-3, 4-5

INDEX

- brake caliper return spring 4-5
 - brake fluid reservoir 4-7
 - brake line 4-11
 - brake line, front 4-11
 - brake pad service kit 4-3, 4-5, 4-21
 - brake pedal 4-13
 - brake pedal adjustment tool 14-3
 - brake pedal tension tool 14-3
 - brake return spring 4-15
 - brake rotor 4-11, 12-21
 - breather cover 7-13
 - breather gasket 8-15
 - breather shield 7-13
 - breather tube 7-13
 - breather valve 7-13
 - brush, FNR 1-17
 - brushguard 1-3
 - brushguard kit 1-3
 - bucket seat 1-29, 1-31
 - buckle, seatbelt 1-35
 - bullet, detent 12-15, 12-27
 - bumper 13-9
 - bed 1-39, 1-43
 - rubber 1-45
 - bumper plate 1-5
 - bushing 1-43
 - A-arm 5-7
 - anti-sway bar 5-13
 - flanged bronze 7-21
 - forward/reverse 12-3
 - greaseless 4-13, 9-19, 9-21
 - link 5-13
 - PermiGlide 12-7
 - piston pin 7-23, 7-53
 - pivot, urethane 5-15
 - plain 12-9
 - return line 9-9
 - self-lubricating 12-7
 - steel 1-41
 - teflon 5-15
 - urethane 1-41
 - button, thrust 12-7
- C**
- cable
 - accelerator 9-15, 9-17
 - bell crank 4-17
 - brake 4-15
 - choke 9-15
 - IQDM 14-7
 - transmission 9-15, 9-17
 - cage, roll 12-7
 - calibration test module 14-3
 - caliper bracket, front 4-19
 - caliper, brake 4-3, 4-5
 - cam installation tool 14-3
 - camshaft 7-21, 8-17
 - camshaft guide 8-17
 - camshaft kit 8-17
 - camshaft plate 8-17
 - camshaft spring 8-17
 - camshaft, fuel 7-27
 - canister, air filter 9-23, 9-25
 - cap
 - air filter 9-23, 9-25
 - bolt assembly 7-29
 - filler 4-7
 - fuel 9-9
 - fuel tank 9-5
 - inlet 11-5
 - oil fill 8-11
 - pressure 13-5
 - radiator 13-3
 - rubber 5-7, 5-15
 - sealing 7-5, 7-9
 - speed control plate 7-37
 - steering wheel 5-3
 - valve 7-45
 - cap, filler 4-9
 - cap, front corner 1-45
 - carburetor 9-11
 - carburetor air vent tube 9-3, 9-7
 - carburetor float level tool 14-7
 - carburetor gasket 9-11, 9-13
 - carburetor heater 9-11
 - carburetor jet 9-11
 - carburetor seal 9-11
 - carburetor shaft 9-11
 - carburetor solenoid 9-11
 - carburetor spring 9-11
 - carburetor throttle shaft 9-11
 - carburetor valve 9-11
 - card, safety first 14-9
 - case
 - gear 7-11, 12-13, 12-21, 12-23, 12-25
 - governor ball 7-27
 - main bearing 7-19
 - case cover, bearing 7-19
 - center console cover 1-29, 1-31
 - chain, transmission 12-13, 12-25
 - charge coil 8-7
 - charger bezel tool 14-3
 - choke cable 9-15
 - clamp
 - bar 13-9
 - battery 6-19, 6-21
 - breather tube 7-13
 - hose 9-3, 9-7
 - p- (fuel filter) 7-3, 9-3, 9-7
 - pipe 7-39
 - clevis pin 4-7, 4-9, 4-15
 - clip
 - hair pin 1-45
 - clip, body trim 1-9
 - clip, brake line 4-11, 9-15, 9-17
 - clip, meter 6-15, 6-17
 - clip, return pipe 7-39
 - closeout 1-47
 - clutch 11-11
 - clutch alignment tool 14-5
 - clutch cover 11-9, 11-13
 - clutch housing 12-7
 - clutch removal tool 14-3
 - clutch tool kit 14-5
 - clutch, diesel 11-9
 - clutch, gas 11-13
 - coil
 - charge 8-7
 - ignition 8-7
 - pocket insert 12-7
 - coil over shock 5-11, 5-13
 - coil with press-fit bobbin 12-7
 - collar, alternator assembly 7-33
 - collar, crankshaft 7-23
 - collar, idle gear 7-21
 - collar, lever 7-37
 - collet 7-45
 - column, steering 5-3
 - communication display module 14-5
 - compression gauge 14-5
 - compressor, piston ring 14-9
 - compressor, valve spring 14-11
 - connecting rod 7-23
 - connecting rod kit 8-19
 - connector, relay 6-11, 6-13
 - continuity tester 14-5
 - control panel 8-9
 - coolant bottle 13-5
 - coolant exchanger 13-3
 - coolant fill tee 13-3
 - coolant lamp sensor 13-11
 - coolant pipe 13-7
 - coolant pipe mounting tab 13-7
 - coolant temperature indicator light 6-17
 - cooling fan 8-5, 13-3
 - cord, glow plug 7-39
 - corner cap 1-45
 - cotter, rue ring 5-15
 - cover
 - bearing case 7-19
 - breather 7-13
 - CCI dash storage 1-19
 - clutch 11-9, 11-13
 - CVT 7-3, 8-3, 11-3, 11-5, 11-9, 11-13
 - cylinder head 7-13
 - electrical 6-11, 6-13
 - engine 8-3
 - fuel camshaft 7-5

INDEX

heat proof 7-49
input 12-9
rocker 8-15
rocker switch hole 6-15, 6-17
thermostat 13-11
cover gasket 9-11
cover plate, output 12-7
cover, crankcase 8-15
cover, steering column 5-3
cowl panel, driver-side 1-9
cowl panel, passenger-side 1-9
cowl, front body 1-9
crank 7-23
crank oil seal 8-15
crankcase 8-15
crankcase cover 8-15
crankcase cover gasket 8-15
crankcase vent tube 9-13
crankshaft 7-23, 8-19
C-type stop ring 5-5
cup holder 1-17
cup holder, seat 1-29, 1-31
cutter, valve seat 14-5, 14-11
CVT 11-11
CVT cover 11-3
CVT cover kit, sealed 11-5
CVT cover kit, unsealed 11-5
cylinder head 7-9, 8-15
cylinder head cover 7-13
cylinder, master 4-7, 4-9

D

dash 1-17
Decal
Bobcat 2200 3-7
decal
4421D 3-11
4421DXP 3-13
4421GXP 3-9
bed 3-7, 3-9, 3-11, 3-13
crush area warning 3-3
driver/passenger 3-5
ground warning 3-5
hot manifold warning 3-5
hot surface warning 1-29, 1-31, 3-5
Husqvarna tailgate 1-45
HUV 3-7, 3-9, 3-11, 3-13
instrument panel warning 1-33
operating instructions 1-33, 3-5
operator warning 3-3
ROPS warning 3-3
rotating parts 3-3
rotating parts and hot manifold 3-5
rotating parts warning 3-3
trailer hitch 3-3
under 16 warning 3-3

vehicle loading 3-3
winch cable warning 3-5
deflector oil 12-13, 12-25
diesel tachometer probe 14-9
differential housing 12-23
differential, front 12-7
diode 6-5, 6-9
dowel pin 12-7
drag link 5-5
drain cock 7-5
drive belt 11-7
drive clutch fixed sheave tool 14-5
drive clutch holder tool 14-5
drive clutch hub puller 14-5
drive clutch puller 14-5
drive clutch spider removal tool 14-5
drive clutch, moveable 11-9, 11-13
drive shaft 12-11
driven clutch base sheave 11-11
driven clutch cam puller 14-5
driven clutch puller plug 14-5
driven clutch spring compression base tool 14-5
driven clutch spring compression collar tool 14-5
driven clutch spring compression nut tool 14-5
dry moly lubricant 14-7

E

E-clip 4-15
elbow 9-9
emblem, Husqvarna 1-7
end, tie rod 5-5
engine block 7-5
engine cover 8-3
engine shroud 8-5
engine starter motor 8-7
engine, diesel, Kubota D722 with closed breather 7-3
engine, Kawasaki FH680D 8-3
equalizer rod 4-15
exchanger, engine coolant 13-3
exhaust header 10-5
exhaust header gasket 10-5
exhaust installation 10-3
exhaust pipe 10-3
exhaust valve 7-45, 8-17
extension, spring latch 1-41

F

fan housing plate 8-5
fan shroud 13-3
fan, cooling 8-5, 13-3
fascia 1-7
fastener, push-in 6-11, 6-13

fender, front 1-7
fender, left rear 1-47
fender, rear 1-47
filler cap 4-7, 4-9
filter
air 9-23, 9-25
fuel 9-3, 9-7
inlet cover 11-5
oil 7-7, 7-11, 8-11
filter, air, canister 9-23, 9-25
fitting, thread-forming grease 5-15
flange, water 13-11
float valve 9-11
floor mat 1-23
floor plate, bed 1-41
floorboard 1-25
flywheel 7-25, 8-7
flywheel puller 14-7
FNR brush 1-17
FNR brush strip 1-17
FNR shifter bracket 7-3
fork, transmission 12-13, 12-25
Forward/Reverse shifter 12-3
frame, tilt bed 1-41
front body cowl 1-9
front brake line 4-11
front differential 12-7
front gear case 12-13, 12-25
front panel 1-47
fuel camshaft 7-27
fuel cap 9-9
fuel filter 9-3, 9-7
fuel gauge sending unit 9-5, 9-9
fuel injection pump 7-35
fuel line 9-3
fuel pickup tube 9-9
fuel pump 9-7
fuel system 9-7
fuel tank (diesel) 9-9
fuel tank (gasoline) 9-5
fuel tank cap 9-5
fuel tank strap 9-3, 9-7
fuel tank vent 9-5, 9-9
fuel tank, diesel 9-9
fuel tank, gas 9-5
fuel-hour gauge 6-15, 6-17
fuse
10-amp 6-11, 6-13
25-amp 6-11, 6-13
30-amp 6-13
fuse block 6-11, 6-13

G

gasket 9-11
air filter 9-13
bearing case 7-19, 7-51

INDEX

- breather 8-15
 - carburetor 9-11, 9-13
 - clutch cover 11-9, 11-13
 - control plate 7-37, 7-51
 - cover 7-19, 7-51, 9-11, 11-5
 - crankcase cover 8-15
 - cylinder head 7-9, 7-51
 - cylinder head cover 7-13, 7-51
 - drain plug 7-7
 - exhaust 7-51, 10-7
 - exhaust header 10-5
 - ex-manifold 7-49, 7-51
 - fuel pump 7-5, 7-51
 - gearcase 7-11, 7-51
 - head 8-15
 - head cover 7-51
 - head cover nut 7-29, 7-37, 7-39, 7-51
 - idle apparatus 7-29, 7-51
 - intake manifold 7-47, 7-51
 - liquid 14-7
 - manifold 9-13
 - nozzle 7-39
 - oil pump 7-17, 7-51
 - rocker cover 8-15
 - sending unit 9-5, 9-9
 - thermostat 7-51, 13-11
 - water flange 7-51, 13-11
 - water pump 7-51, 13-13
 - gasket, carburetor 9-11
 - gauge, compression 14-5
 - gauge, fuel-hour 6-15, 6-17
 - gauge, oil 7-15, 8-11
 - gear
 - cam 7-21
 - case 7-11, 12-13, 12-21, 12-23, 12-25
 - crank 7-23
 - helical 12-15, 12-27
 - idle 7-21
 - injection pump 7-27
 - oil pump drive 7-17
 - ring 7-25, 12-7, 12-23
 - gear case, front 12-13, 12-25
 - gear ring engagement 12-15, 12-27
 - gear yoke 14-7
 - gear, oil pump 8-11
 - glow plug 7-39
 - glow plug cord 7-39
 - governor control lever 8-9
 - governor fork lever 7-41
 - governor lever 7-37
 - governor lock arm 8-9
 - governor oil seal 8-15
 - governor plate 8-9
 - governor return spring 8-9
 - governor shaft 8-9
 - governor shaft arm 8-9
 - governor shaft installation tool 14-7
 - governor shield 10-3
 - governor spring 8-9
 - grill 1-7
 - grip tape, accelerator pad 9-19, 9-21
 - grip, tilt latch hand 1-41
 - grommet 9-5, 9-9, 12-7
 - guard, belt 7-33
 - guard, brush 1-3
 - guard, brush, kit 1-3
 - guard, oil filet 8-13
 - guard, splash 1-11
 - guide
 - accelerator cable 9-19, 9-21
 - detent bullet 12-15, 12-27
 - exhaust valve 7-9
 - inlet valve 7-9
 - oil gauge 7-15
 - valve seat cutter 14-11
 - guide ring adhesive 14-3
 - guide, camshaft 8-17
 - guide, rocker arm 8-17
- ## H
- hair pin clip 1-45
 - half shaft boot 5-9
 - handle, tilt steering 5-3
 - harness 1-43, 6-5, 6-9, 8-7
 - harness, headlight 1-7
 - head gasket 8-15
 - head, cylinder 7-9, 8-15
 - header, exhaust 10-5
 - headlamp 1-7
 - headlight harness 1-7
 - heat seal 7-39
 - heater, carburetor 9-11
 - helical gear 12-15, 12-27
 - hinge plate 1-27, 1-29, 1-31, 1-33
 - hinge, hood 1-9
 - holder
 - FNR strip brush 1-17
 - fork lever 7-41
 - holder, cup 1-17
 - hood 1-9
 - hood hinge 1-9
 - hood latch 1-7
 - hood prop 1-9
 - hook, engine 7-9
 - hose 13-5
 - coolant 13-3, 13-5, 13-9
 - fuel filter 9-7
 - fuel pump 9-7
 - fuel return 9-7
 - inlet cover 11-5
 - intake 9-23, 9-25
 - overflow 7-39
 - vent 7-3, 12-5, 13-9
 - hose, fuel 9-3
 - hose, outlet 11-3, 11-5
 - housing
 - clutch 12-7
 - differential 12-23
 - Mate-N-Lock 12-7
 - steering gear 5-5
 - hub, race/output 12-7
 - hydraulic brake adjuster 14-7
 - hydrometer 14-7
- ## I
- idle apparatus 7-29
 - idle gear 7-21
 - ignition coil 8-7
 - injection pump gear 7-27
 - inlet valve 7-45
 - instructions, bench seat 1-33
 - instructions, front skidplate 1-15
 - insulator, manifold 9-13
 - intake adapter pipe 9-13
 - intake manifold 7-47, 9-13
 - intake valve 8-17
 - internal retaining ring pliers 14-7
 - IQ display module (IQDM) 14-7
 - isolator ring and bushing 7-3, 8-3
 - isolator, twin stud 13-3
- ## J
- jet kit
 - 0-3300 ft 9-11
 - 3300-6600 ft 9-11
 - 6600+ ft 9-11
 - jet needle 9-11
 - jet, carburetor 9-11
 - joint
 - ball 5-7, 9-15, 9-17
 - eye 7-35
 - pipe 7-11
- ## K
- keeper, push-close latch 1-19
 - key 8-7
 - feather 7-17, 7-21, 7-23, 7-27
 - key (pair) 6-15, 6-17
 - key switch 6-15, 6-17
 - key switch spacer 6-15, 6-17
 - keyswitch nut 6-15, 6-17
 - kick panel 1-47
 - kit
 - bench seat 1-33
 - bolt 12-7
 - brake pad service 4-3, 4-5, 4-21
 - brake pedal adjustment tool 14-3

INDEX

clutch 12-7
complete bench seat 1-33
cover plate, input 12-9
cover plate, output 12-7
drain plug 12-7
forward gear repair 12-15, 12-27
front skidplate hardware 1-15
front steel skidplate 1-15
gasket 7-51
H-clip spring 12-7
IQ display module (IQDM) 14-7
neutral switch repair 12-15, 12-27
nozzle holder 7-39
piston rebuild 7-53
race output hub 12-7
rear axle gear repair 12-23
repair, minor 12-7
reverse gear repair 12-13, 12-25
roll cage 12-7
roller 12-7
ROPS 1-37
transmission shift shaft repair 12-17, 12-29
tune-up 14-9
kit, boot replacement 5-9
knob, forward/reverse 12-3

L

latch 1-19
latch bracket 1-7
latch keeper 1-19
latch plate, tilt bed 1-39
latch, hood draw 1-7
latch, slam 1-45
latch, spring 1-45
latch, tilt bed 1-41
lever
engine stop 7-37
fork 7-41
governor 7-37
lost motion 9-21
speed control 7-37
lever, governor control 8-9
light
oil 6-15, 6-17
light, coolant temperature indicator 6-17
line, brake reservoir 4-7
line, fuel 9-3
link, drag 5-5
liquid gasket 14-7
low oil warning light 6-15, 6-17
lubricant, dry moly 14-7
lubricant, moly-teflon 14-7

M

manifold

exhaust 7-49
intake 7-47
manifold gasket 9-13
manifold insulator 9-13
manifold, intake 9-13
master cylinder 4-9
mat, floor 1-23
Mate-N-Lock housing 12-7
Mate-N-Lock pin 12-7
meter clip 6-15, 6-17
meter, volt ohm 14-11
module
calibration test 14-3
communication display 14-5
moly-teflon lubricant 14-7
motor
starter 7-43
moveable drive clutch 11-9, 11-13
muffler 10-3, 12-5

N

needle, jet 9-11
nongrease/spacers locker 12-23
nozzle holder 7-39
nut, keyswitch 6-15, 6-17

O

oil cap 8-11
oil deflector 12-13, 12-25
oil drain plug 8-11
oil filter 7-7, 7-11, 8-11
oil filter adapter 8-13
oil filter bracket 8-13
oil filter guard 8-13
oil filter nipple 8-15
oil gauge 8-11
oil pan 7-7
oil pickup 8-11
oil pickup screen 8-11
oil pressure switch 7-5, 8-7
oil pump 7-17, 8-11
oil pump and rotor 8-11
oil pump drive gear 7-17
oil pump plate 8-11
oil pump rotor 8-11
oil pump shaft 8-11
oil pump spring 8-11
oil pump spur gear 8-11
oil seal 7-11, 7-19, 12-7, 12-9
oil seal, crank 8-15
oil seal, governor 8-15
oil slinger 7-23
oil valve seal 8-15
oil warning light, low 6-15, 6-17
O-ring 7-5, 7-7, 7-9, 7-11, 7-13, 7-23, 7-31, 7-37, 7-51, 8-11, 8-13, 9-11, 12-7, 12-9

overflow pipe 7-39

P

paint, touch-up 14-7
pan
center 1-29, 1-31
oil 7-7
seat 1-29, 1-31
panel
driver-side 1-47
driver-side cowl 1-9
front kick 1-47
left 1-45
passenger-side 1-47
passenger-side cowl 1-9
right 1-45
panel, control 8-9
panel, front 1-45, 1-47
panel, side 1-47
p-clamp (fuel filter) 7-3, 9-3, 9-7
pedal, accelerator 9-19, 9-21
pedal, brake 4-13
pickup, oil 8-11
pin, clevis 4-7, 4-9, 4-15
pin, dowel 12-7
pin, Mate-N-Lock 12-7
pin, piston 7-23, 7-53
pin, slide, caliper slide pin 4-3, 4-5
pinion 12-23
pinion, steering 5-5
pipe
breather 7-47
coolant 13-7
exhaust 10-3, 10-7
injection 7-39
overflow 7-39
water 13-15
water return 7-13, 13-11
pipe band 13-11, 13-15
pipe clamp 7-39
pipe, coolant 13-7
pipe, intake adapter 9-13
piston 7-23, 7-53, 8-19
piston pin 7-23, 7-53
piston ring 7-23, 7-53
piston ring compressor 14-9
piston ring pliers 14-9
plate
armature 12-7
back 1-41, 1-43
camshaft 8-17
cover, output 12-7
electrical 6-11, 6-13
engine block 7-5
engine mounting 7-3
fan housing 8-5

INDEX

fuel/oil 9-7
governor 8-9
hinge 1-27, 1-29, 1-31, 1-33
latch 1-39
oil pump 8-11
shroud 7-25
skid 1-13, 1-15
speed 7-37
speed control 7-37
thrust 12-7
plate, closeout 1-47
plate, steering wheel center 1-33
pliers
 internal retaining ring 14-7
 piston ring 14-9
 retaining ring 14-9
plug 12-13, 12-25
 drain 7-7
 driven clutch puller 14-5
 engine block 7-5, 7-9, 7-11, 12-21
 expansion 7-5
 gearcase 12-13, 12-21, 12-25
 glow 7-39
 hole 6-15, 6-17
 oil drain 12-7
 oil fill 12-7
 oil filler 7-13
plug, oil drain 8-11
plug, spark 8-7
press weldment 14-5
prop rod 1-39
prop shaft 12-11
prop, hood 1-9
protector spray, battery terminal 14-3
puller
 bearing 14-3
 clutch 14-3
 drive clutch 14-5
 drive clutch hub 14-5
 driven clutch cam 14-5
 flywheel 14-7
 seal 14-9
 special use tool 14-9
pulley
 fan drive 7-33
 water pump 7-33
pullrod, compression spring 9-19, 9-21
pump
 fuel 9-7
 fuel injection 7-35
 oil 7-17
 water 13-13
push rod 7-21, 8-17
push rod tappet 8-17

R

rack guide pressure spring 5-5
rack, steering 5-5
radiator 13-3
radiator cap 13-3
radiator pipe 13-7
reamer, valve guide 14-9
receiver, rear 5-15
receptacle, accessory 6-15, 6-17
reed valve assembly 8-15
regulator, voltage 8-7
relay 6-11, 6-13
relay connector 6-11, 6-13
remover, bearing and oil seal 14-3
reservoir, brake fluid 4-7
reservoir, remote 4-7
retainer
 spring (driven clutch) 11-11, 11-19
 valve spring 7-45
retainer, valve spring 8-17
retaining ring pliers 14-9
retractor, seat belt 1-35
ring
 piston 7-23, 7-53
 snap 5-5
ring gear 7-25, 12-7, 12-23
ring, C-type stop 5-5
ring, retaining, ext 5-7
rivet, blind push 1-11, 1-33
rocker arm 7-45, 8-17
rocker arm guide 8-17
rocker arm stud 8-17
rocker cover 8-15
rocker cover gasket 8-15
rocker switch 1-43
rocker switch (lights) 6-15, 6-17
rod
 connecting 7-23
 crank crank rod 7-23
 equalizer 4-15
 prop 1-39
 push 7-21
rod, push 8-17
roll cage 12-7
roller weight 11-9, 11-13
roller, torque 11-9, 11-13
ROPS front base weldment 1-11
ROPS kit 1-37
ROPS support tube 1-37
ROPS top 1-37
ROPS warning decal 3-3
rotor, brake 4-11, 12-21
rotor, oil pump 8-11
rotor, oil pump and 8-11
rubber bumper 1-45

S

safety first card 14-9
score card plate 1-33
screen, oil pickup 8-11
screw, valve clearance adjuster 14-9
seal
 dual lip 12-13, 12-17, 12-19, 12-23, 12-25,
 12-29, 12-31
 heat 7-39
 oil 7-11, 7-19, 12-7, 12-9
 oil valve 8-15
 steering pinion dust 5-5
 triple lip 12-13, 12-25
 valve stem 7-45, 7-51
seal puller 14-9
seal, carburetor 9-11
seat
 bucket 1-29
 valve 7-11
seat back, bench 1-27, 1-33
seat belt retractor 1-35
seat bottom 1-27, 1-33
seat bottom, bench 1-27, 1-33
seat holder base 1-29, 1-31
seat, bucket 1-29, 1-31
 bucket seat 1-31
seatbelt buckle 1-35
sending unit, fuel gauge 9-5, 9-9
sensor, coolant lamp 13-11
service kit, brake pad 4-3, 4-5, 4-21
shaft
 carburetor 9-11
 CVT adapter 7-3
 drive 12-11
 fork lever 7-41
 governor 8-9
 governor lever 7-37
 idle gear 7-21
 input 12-27
 intermediate 12-15, 12-27
 oil pump 8-11
 output 12-27
 pinion 12-9
 prop 12-11
 rock arm 7-45
 shift 12-19, 12-31
shaft shift 12-17, 12-29
sheave, drive clutch base 11-11
sheave, driven clutch 11-11
shield, breather 7-13
shield, exhaust 10-7
shield, governor 10-3
shift, shaft 12-17, 12-29
shim 11-9, 11-13, 12-23
shim, armature plate 12-7
shim, injection pump 7-35

INDEX

- shim, latch plate 1-39
 - shock absorber 5-11, 5-13
 - shock absorber, coil over 5-11, 5-13
 - shroud, engine 8-5
 - shroud, fan 13-3
 - side panel 1-47
 - skid plate 1-13, 1-15
 - skidplate hardware kit 1-15
 - skidplate kit 1-15
 - slam latch 1-45
 - sleeve
 - crankshaft 7-23
 - governor 7-27
 - link 5-13
 - lower arm 5-7
 - upper suspension 5-7
 - slide adjuster 5-7
 - slide pin 4-3, 4-5
 - slide, adjuster 5-7
 - slinger, oil 7-23
 - snap ring 5-5
 - solenoid, carburetor 9-11
 - solenoid, stop 7-31
 - spacer 1-15
 - engine 7-3
 - key switch 6-15, 6-17
 - spacer block, differential 12-5
 - spanner wrench 14-9
 - spark plug 8-7
 - speed plate 7-37
 - spider 11-9, 11-13
 - splash guard 1-11
 - spray, battery terminal protector 14-3
 - spring 8-11, 8-17
 - brake caliper return 4-5
 - brake return 4-15
 - carburetor 9-11
 - choke spring 9-15
 - compression 11-9, 11-11, 11-13
 - detent bullet 12-15, 12-27
 - exhaust 10-3
 - governor 7-41, 8-9
 - governor idle 9-15
 - governor return 8-9
 - idle apparatus 7-29
 - pedal 9-19, 9-21
 - pedal stop 9-19, 9-21
 - rack guide pressure 5-5
 - return 7-37
 - rocker arm 7-45
 - start 7-9, 7-41
 - torsion 9-19, 9-21
 - valve 7-11, 7-45, 8-17
 - spring latch 1-45
 - sprocket 12-13, 12-25
 - start spring 7-41
 - starter motor 7-43
 - starter motor, engine 8-7
 - stay
 - cylinder head 7-9
 - spring 7-11
 - stop solenoid 7-31
 - steel bushing 1-41
 - steering column 5-3
 - steering column bearing press tool 14-9
 - steering column bracket 1-11
 - steering column cover 5-3
 - steering column retaining ring tool 14-9
 - steering gear housing 5-5
 - steering pinion dust seal 5-5
 - steering rack 5-5
 - steering wheel 1-33, 5-3
 - steering wheel puller tool 14-9
 - stem, valve 2-3
 - stop solenoid stay 7-31
 - stopper, camshaft 7-21
 - stopper, fuel camshaft 7-27
 - strap, fuel tank 9-3, 9-7
 - strip, FNR brush 1-17
 - stud 7-3, 7-35, 7-49, 13-15
 - idle adjustment 7-29
 - self-clinching 1-45
 - stud, ball 12-3
 - support yoke (steering) 5-5
 - support, structural 1-17
 - sway bar 5-13
 - swingarm 5-15
 - switch
 - indicator (transmission) 12-15, 12-27
 - key 6-15, 6-17
 - light rocker 6-15, 6-17
 - oil pressure 7-5, 8-7
 - switch, rocker 1-43
- T**
- tab, coolant pipe mounting 13-7
 - tachometer 14-9
 - tachometer probe, diesel 14-9
 - tailgate 1-45
 - tailgate angle 1-45
 - tank, fuel 9-5, 9-9
 - tank, fuel (diesel) 9-9
 - tank, fuel (gasoline) 9-5
 - tape, double-sided 1-27
 - tape, grip, accelerator pad 9-19, 9-21
 - tape, vinyl foam 1-41, 13-3
 - tappet 7-21
 - tappet, push rod 8-17
 - tee, coolant fill 13-3
 - temperature indicator light, coolant 6-17
 - tester, continuity 14-5
 - tether 1-45
 - thermometer, battery 14-3
 - thermostat 13-11
 - thread-forming grease fitting 5-15
 - throttle shaft, carburetor 9-11
 - throttle valve 9-11
 - thrust button 12-7
 - thrust plate 12-7
 - tie rod end 5-5
 - tie wrap 1-43, 4-11, 4-15, 5-5, 9-15, 9-17, 12-3
 - tilt bed 1-41
 - tilt bed frame 1-41
 - tilt latch hand grip 1-41
 - tire 2-3
 - tire assembly, black 2-3
 - tire, mud 2-3
 - tool
 - accelerator pedal adjustment 14-3
 - belt tensioning, starter/generator 14-11
 - brake adjustment 14-3
 - brake cable release 14-3
 - brake pedal adjustment 14-3
 - brake pedal tension 14-3
 - cam installation 14-3
 - carburetor float level 14-7
 - charger bezel 14-3
 - clutch alignment 14-5
 - cT-wrench 14-5
 - drive clutch fixed sheave 14-5
 - drive clutch holder 14-5
 - drive clutch spider removal 14-5
 - driven clutch spring compression base 14-5
 - driven clutch spring compression collar 14-5
 - driven clutch spring compression nut 14-5
 - governor shaft installation 14-7
 - puller, special use 14-9
 - steering column bearing press 14-9
 - steering column retaining ring 14-9
 - steering wheel puller 14-9
 - transaxle axle seal 14-9
 - transaxle pinion seal 14-9
 - transmission 14-9
 - valve guide driver 14-9
 - valve seat cutter 14-5
 - tool kit, clutch 14-5
 - torque converter 11-11
 - torque roller 11-9, 11-13
 - touch-up paint 14-7
 - track, prop rod 1-39
 - transaxle axle seal tool 14-9
 - transaxle housing 12-23
 - transaxle pinion seal tool 14-9
 - transmission cable 9-15, 9-17
 - transmission cable bracket 7-3
 - transmission chain 12-13, 12-25

INDEX

transmission fork 12-13, 12-25
transmission tool 14-9
transmission, diesel, parallel shaft 12-25
transmission, gasoline, parallel shaft 12-13
tube
 axle 12-23
 breather 7-13
 carburetor air vent 9-3, 9-7
 crankcase vent 9-13
 fuel pickup 9-9
 ROPS support 1-37
tune-up kit 14-9
T-wrench tool 14-5

U

upright 5-7
urethane bushing 1-41

V

valve 9-23, 9-25
 breather 7-13
 exhaust 7-45
 fuel pickup tube 9-5
 inlet 7-45
 seat 7-11
valve assembly, reed 8-15
valve clearance adjuster screw 14-9
valve guide driver tool 14-9
valve guide reamer 14-9
valve seat cutter 14-5, 14-11
valve seat cutter guide 14-11
valve seat cutter tool 14-5
valve seat t-wrench 14-11
valve spring 8-17
valve spring compressor 14-11
valve spring retainer 8-17
valve stem 2-3
valve, carburetor 9-11
valve, exhaust 8-17
valve, float 9-11
valve, intake 8-17
valve, throttle 9-11
vent barb 9-3, 9-7
vent, housing, upper 12-23
vent, transmission 12-13, 12-25
volt ohm meter 14-11
voltage regulator 8-7

W

warning light, low oil 6-15, 6-17
water flange 13-11
water pump 13-13
wedge, bearing puller 14-3
weight clutch 11-9, 11-13
weldment

press 14-5
 ROPS base front 1-11
weldment, accelerator pedal 9-19, 9-21
weldment, accelerator pedal bracket 9-19,
 9-21
weldment, actuator bracket 1-43
weldment, air cleaner support 9-23, 9-25
weldment, brake pedal 4-13
weldment, coolant pipe 13-7
weldment, Forward/Reverse shifter 12-3
weldment, Forward/Reverse shifter bracket
 12-3
weldment, front dash
 dash weldment 1-11
weldment, lever, lost motion 9-21
weldment, receiver 5-15
weldment, shaft shift 12-17, 12-29
weldment, tilt bed frame 1-41
wheel 2-3
wheel, steering 1-33, 5-3
wire assembly 6-19, 6-21, 8-13, 9-5, 9-9
wire harness 1-43, 6-5, 6-9, 8-7
wire harness, headlight 1-7
wrap, tie 1-43, 4-11, 4-15, 5-5, 9-15, 9-17, 12-3
wrench, spanner 14-9

Y

yoke, gear 14-7
yoke, support (steering) 5-5

Husqvarna Forest and Garden

7349 Statesville Rd.

Charlotte, NC 28269

USA

www.usa.husqvarna.com/huv