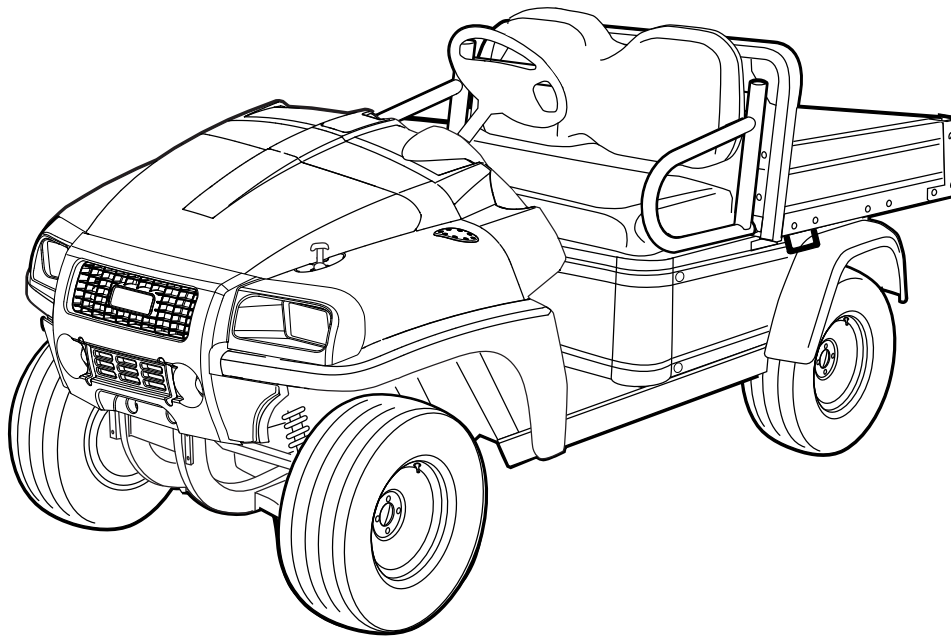




2015
Carryall 1500 2WD
Illustrated Parts List



Gasoline Utility Vehicle

Manual Number 105157109
Edition Code D

USING THE ILLUSTRATED PARTS LIST

⚠ WARNING

- **This manual is to be used only for identification and ordering of service parts. Be sure to read and use the maintenance and service manual before attempting any vehicle repairs.**

This manual covers all 2015 Carryall 1500 two-wheel drive vehicles.

The manual is divided into sections. Note that there are two or three flags on the outside edge of each page. The first flag contains the section number of which that page is a part. The other flag (or flags) contains the letter D, E, or G, signifying that the page pertains to the diesel, electric, or gasoline vehicles only.

Use the Table of Contents to find the sections and pages that contain the parts and assemblies you seek. The Table of Contents lists section numbers, and under them, the individual page titles and numbers to be found in that section. The index can be used to find specific parts and assemblies. The index is divided into numerical and alphabetical listings with the page numbers in italic text.

There is a two-page spread for each individual page title in the Table of Contents. On the left-hand page is an illustration showing the parts in their relative positions; the parts are each tagged with an item number in a balloon. The right-hand page is the parts list page, and gives the page title at the top, then the item numbers (corresponding to the numbers on the illustration), part descriptions, and quantity of parts used.

Note that a part description may be indented. This indention corresponds to a parts assembly level indicated by the numbers 1, 2, 3, and 4 at the top left corner of the parts description area of the parts list page. A part that is indented to *level 2* is a component of the *level 1* part (assembly) that it is listed under. A *level 3* part is a component of the *level 2* part that it is listed under, and a *level 4* part is a component of the *level 3* part preceding it. In each case, the part quantity given for a level 2, 3, or 4 part is the quantity used per next higher level assembly of which it is a component. A part that is not indented is a *level 1* part. This means that the quantity given is the quantity used per the portion of the vehicle illustrated on that particular spread.



P. O. Box 204658
Augusta, Georgia 30917-4658 USA
Telephone 706-863-3000
Service Parts Fax 706-855-7413
www.clubcar.com

HOW TO ORDER PARTS

Replacement parts and accessories can be obtained from our network of authorized dealers and distributors. You can obtain the name and phone number of your closest authorized Club Car dealer or distributor by visiting our web site at www.clubcardealer.com, by calling our toll-free Service Parts and Technical Assistance hotline at (800) 872-2246 or (706) 863-3000, extension 3887, or by scanning this Quick Response (QR) code to be taken to the Club Car dealer locator. **Refer to Figure 1.** Download a QR code reader such as RedLaser or Barcode Scanner to your cell phone or tablet.



Figure 1 Dealer Locator QR Code

CUSTOMER SATISFACTION SURVEY

Let your voice be heard!

Please take time to participate in the Technical Publications satisfaction survey. Obtaining feedback from our customers is important to the department's continuous improvement process. The online survey takes less than five minutes and responses will help the department to examine current performance as well as identify areas for future improvement.

Our top priority is to provide timely, accurate, and user friendly manuals.

The online satisfaction survey can be found at: <http://bit.ly/1w9uFMh>



Figure 2 Survey QR Code

NOTE: *This illustrated parts list represents the most current information at the time of publication. Club Car, LLC is continually working to further improve its vehicles and other products. These improvements may affect the parts used to service the vehicle. Any modification and/or significant change in specifications will be forwarded to all Club Car and Carryall distributors/dealers and will, when applicable, appear in future editions of this illustrated parts list.*

Club Car, LLC reserves the right to change specifications and designs at any time without notice and without the obligation of making changes to units previously sold.

Copyright © 2018 Club Car, LLC.

Club Car is a registered trademark of Club Car, LLC.

This manual effective January, 2018.

CONTENTS

SECTION 1 – BODY AND TRIM

Glove Box	1-3
Tilt Bed, Hinge, and Latch	1-5
Fascia, Fenders, and Cowls (Molded in Color) – Carryall	1-7
Cowl Plug	1-9
Dash and Splash Guard	1-11
Side Stringers – 2 Passenger	1-13
Floorboard	1-15
Seat Support- Vehicle without ROPS	1-17
Bench Seat – Gray	1-19
Bench Seat – Black	1-21
Bench Seat – Tan	1-23
Bucket Seats – Gray	1-25
Bucket Seats – Black	1-27
Bench Seat Conversion Kit	1-29
2-Point Seat Belts	1-31
ROPS and Seat Support	1-33
Canopy (Vehicle with ROPS)	1-35
Canopy and Supports – Vehicle without ROPS	1-37
Latch Plates and Prop Rod	1-39
Box Bed – Aluminum	1-41
Side Panels and Rear Fenders	1-43

SECTION 2 – WHEELS AND TIRES

Wheels and Tires – Steel with Turf	2-3
Wheels and Tires – Steel with All-Terrain/Mud	2-5
Wheels and Tires – Alloy with All-Terrain/Mud	2-7

SECTION 3 – DECALS

Safety Decals	3-3
Safety Decals, Continued (without ROPS Option)	3-5
Safety Decals, Continued (with ROPS Option)	3-7
Badging Decals	3-9

SECTION 4 – BRAKE SYSTEMS AND PEDALS – WITH SINGLE-PISTON FRONT CALIPERS

Master Cylinder with Integral Reservoir	4-3
Front Brakes	4-5
Brake Pedal	4-7

Park Brake System	4-9
Rear Brakes	4-11
Hydraulic Brake Lines and Clips	4-13

SECTION 5 – BRAKE SYSTEMS AND PEDALS – WITH DUAL-PISTON FRONT CALIPERS

Front Brakes	5-3
Master Cylinder with Integral Reservoir	5-5
Hydraulic Brake Lines and Clips	5-7
Brake Pedal	5-9
Park Brake System	5-11
Rear Brakes	5-13
Park Brake Indicator and Buzzer	5-15

SECTION 6 – STEERING AND SUSPENSION – WITH SINGLE-PISTON FRONT CALIPERS

Steering Wheel and Column	6-3
Steering Gear	6-5
Front Suspension – Page 1 of 2	6-7
Front Suspension – Page 2 of 2	6-9
Shock Absorbers – 1050 lb Capacity	6-11
Shock Absorbers – 1500 lb Capacity	6-13
Rear Suspension (4-Link)	6-15

SECTION 7 – STEERING AND SUSPENSION – WITH DUAL-PISTON FRONT CALIPERS

Steering Wheel and Column	7-3
Steering Gear	7-5
Front Suspension – Page 1 of 2	7-7
Front Suspension – Page 2 of 2	7-9
Shock Absorbers – 1050 lb Capacity	7-11
Shock Absorbers – 1500 lb Capacity	7-13
Rear Suspension (4-Link)	7-15

SECTION 8 – ELECTRICAL SYSTEM

Headlights – Carryall	8-3
Electrical Components, Front Body – Gas Vehicle	8-5
Wiring – Gasoline Vehicle	8-7
Electrical Component Box, Gasoline Vehicle	8-9
Battery – Gasoline Vehicle	8-11
Top-Post Battery – Gasoline Vehicle	8-13

CONTENTS

SECTION 9 – KAWASAKI FH680D GASOLINE ENGINE

Shrouds and Brackets	9-3
Valves and Camshaft	9-5
Tune-Up Kit – Kawasaki FH680	9-7
Kawasaki FH680D Gasoline Engine and Mounting	9-9
Oil and Lubrication Components	9-11
Oil Filter Adapter – Kawasaki FH680	9-13
Ignition Components and Flywheel – Kawasaki FH680	9-15
Cylinder Head and Crankcase	9-17
Pistons and Crankshaft	9-19

SECTION 10 – FUEL, INTAKE, ACCELERATOR AND GOVERNOR SYSTEMS

Governor Arm and Springs	10-3
Fuel Tank – Gasoline Vehicle	10-5
Fuel Pump, Filter and Hose – Kawasaki FH680	10-7
Carbon Canister – Gasoline Vehicle	10-9
Intake Hoses and Air Filter – Kawasaki FH680	10-11
Carburetor – Kawasaki FH680	10-13
Intake Manifold and Carburetor Mounting – Kawasaki FH680	10-15
Accelerator Pedal	10-17
Accelerator and Choke Cables – Kawasaki FH680	10-19

SECTION 11 – EXHAUST SYSTEM

Exhaust Pipe and Muffler	11-3
Exhaust Header – Kawasaki FH680	11-5

SECTION 12 – CLUTCHES

Drive Belt	12-3
Drive Clutch (3 Weight) – Gas Vehicle	12-5
Driven Clutch (for 3 Weight Drive Clutch)	12-7
Clutch Cover (Non-Sealed)	12-9
Clutch Cover (Sealed)	12-11

SECTION 13 – DRIVETRAIN COMPONENTS

Oil, Differential and Transmission	13-3
Forward/Reverse Shifter	13-5
Shifter Cable	13-7
Prop Shaft	13-9

CONTENTS

Transmission – Page 1 of 3	13-11
Transmission – Page 2 of 3	13-13
Transmission – Page 3 of 3	13-15
Rear Differential and Axles – Page 1 of 2	13-17
Rear Differential and Axles – Page 2 of 2	13-19

SECTION 14 – MAINTENANCE AND SERVICE TOOLS

Maintenance and Service Tools – 1500/1550/1700	14-3
Maintenance and Service Tools – 1500/1550/1700 Continued	14-5

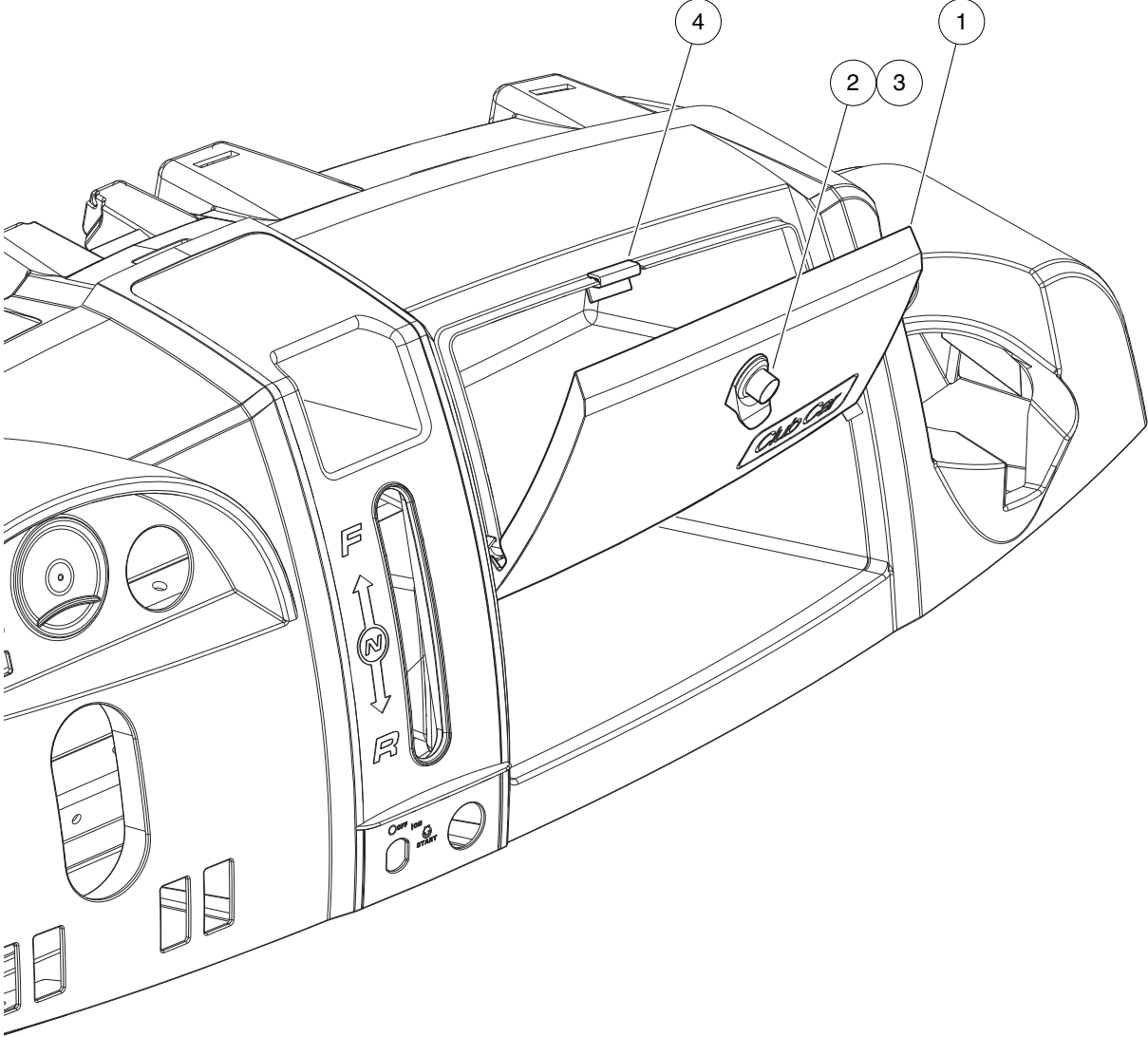
SECTION i – INDEX

BODY AND TRIM

1

G

1
G

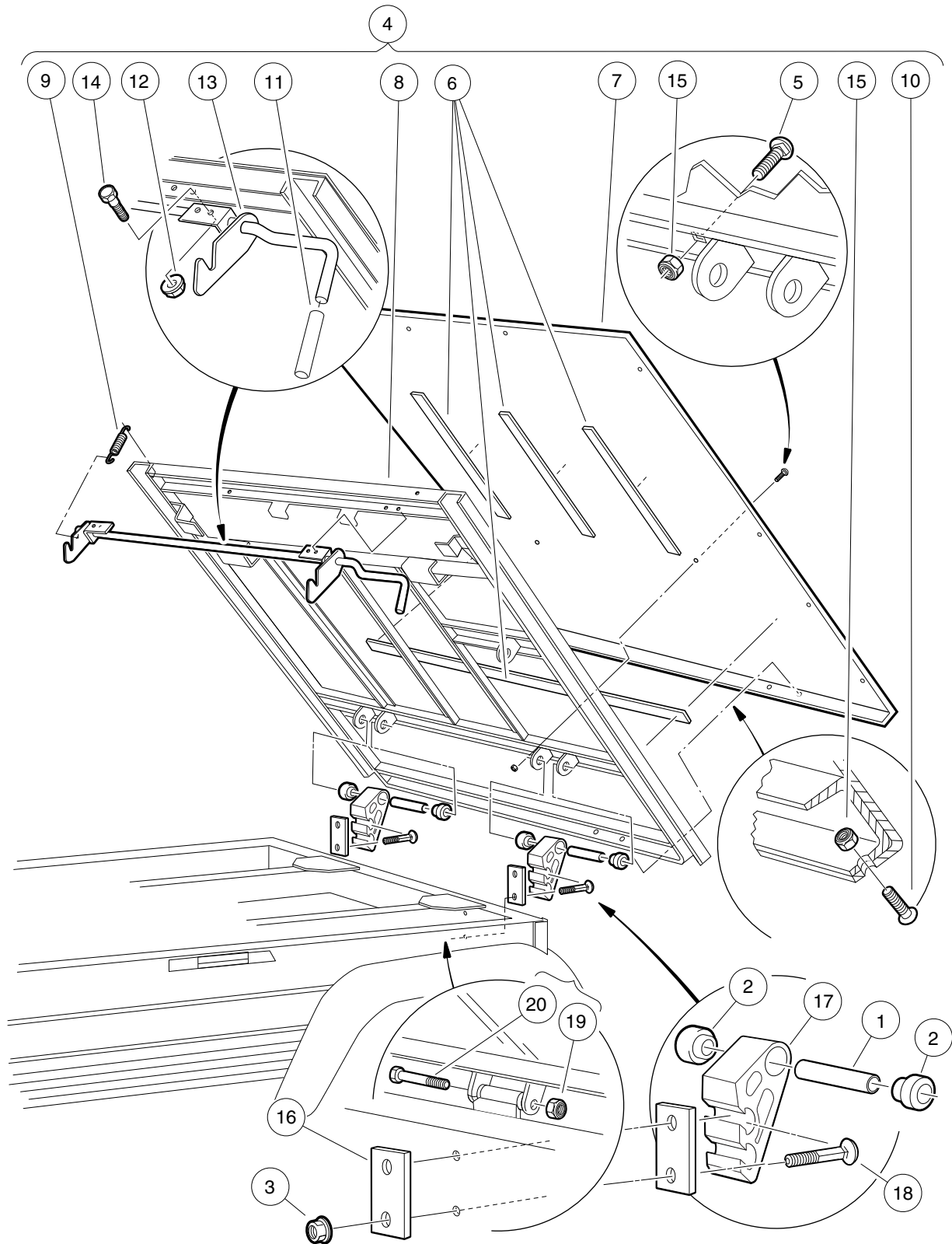


000789-001

GLOVE BOX

ITEM	PART NO.	DESCRIPTION	QTY
		1 2 3 4	
1	<u>102867202</u>	Cover, Storage, Dash, Blk, Cci	1
2	<u>103182701</u>	Latch, Push Close	1
3	<u>103182702</u>	Latch, Push Close W/ Key	1
4	<u>103182801</u>	Keeper, Latch, Push Close	1

1
G

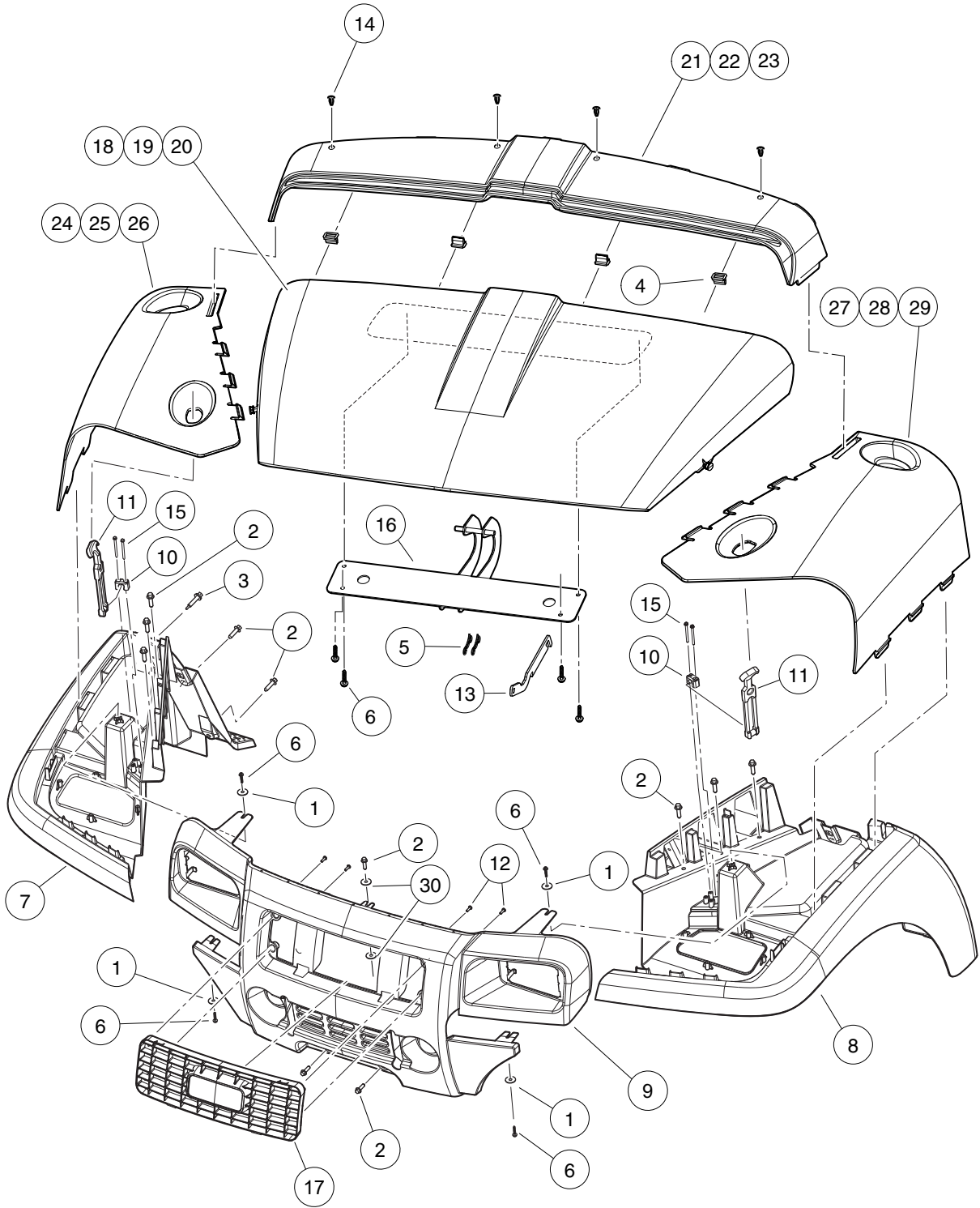


000037-001

TILT BED, HINGE, AND LATCH

ITEM	PART NO.	DESCRIPTION	QTY
		1 2 3 4	
1	<u>1012303</u>	Bushing, Steel	2
2	<u>1015583</u>	Bushing, Urethane	2
3	<u>102065901</u>	Locknut, 3/8-16 Flanged Dimple	4
4	<u>102171503</u>	Tilt Bed Assembly (includes items 5 through 15)	1
5	<u>1010435</u>	Bolt, Carriage, 5/16-18 X 1.00	4
6	<u>1014471</u>	Tape, Vinyl Foam 1/8" x 3/4"	1
7	<u>1015258</u>	Plate, Floor Bed	1
8	N/A	Frame Assembly	1
9	<u>1015391</u>	Extension, Spring Latch	2
10	<u>1015399</u>	Screw, 5/16-18 X 0.88 Torx Truss-Head	4
11	<u>1015400</u>	Grip, Tilt Latch Hand	1
12	<u>101835601</u>	Locknut, 1/4-20 Hex Whiz	4
13	<u>102426901</u>	Ltch Weld Asm Tlt Bd	1
14	<u>403</u>	Screw, 1/4-20 X 0.625 Hex-Head Cap	4
15	<u>7473</u>	Locknut, 5/16-18 Nylon Insert	8
16	<u>102614101</u>	Plate, Back	2
17	<u>103538701</u>	Bracket, Bed Hinge, Extruded	2
18	<u>103538901</u>	Bolt, Carriage, 3/8-16 x 3.5" Grade 5	4
19	<u>8754</u>	Locknut, 3/8-16 Hex	2
20	<u>8755</u>	Screw, 3/8-16 X 3.375 Hex Cap	2

1
G



000507-006

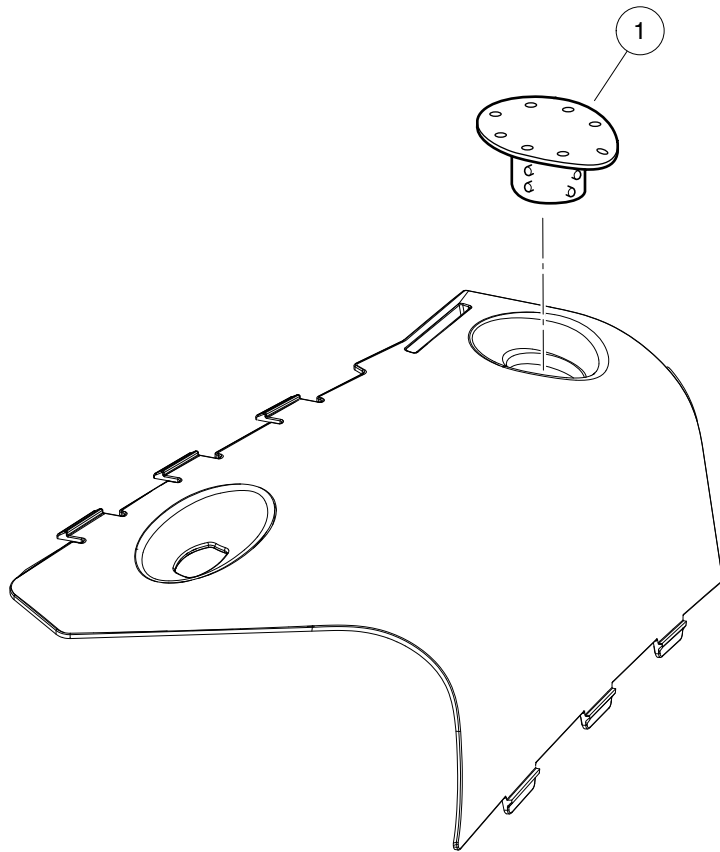
FASCIA, FENDERS, AND COWLS (MOLDED IN COLOR) – CARRYALL

ITEM	PART NO.	DESCRIPTION	QTY
		1 2 3 4	
1	<u>1011578</u>	Washer, 5/16 Type B Flat	4
2	<u>102289001</u>	Screw, M8X1.25X30, Hex	13
3	<u>102292356</u>	Screw-1/4-20x56 Hwh Self Drill	2
4	<u>102292701</u>	Clip-body-trim	4
5	<u>102292801</u>	Pin, Bow Tie Locking - .072	2
6	<u>102297230</u>	Screw, M6, Torx, Interlock Thread	8
7	<u>102866901</u>	Fender, Front, Pass, AWD	1
8	<u>102867001</u>	Fender, Front, Drv, AWD	1
9	<u>102867501</u>	Fascia, Front, CA, AWD	1
10	<u>102882401</u>	Bracket, Latch, Draw	2
11	<u>102895101</u>	Latch, Draw, Hood	2
12	<u>102895401</u>	Screw, D50x16, Torx PN Hd PT	4
13	<u>102896501</u>	Prop, Hood	1
14	<u>102967901</u>	Rivet, Removable, Tuflok 1/4"	4
15	<u>103218107</u>	Screw, #8x2.00 AB Thd, Hex Hd	4
16	<u>103588001</u>	Asm, Hood Hinge	1
17	<u>103760601</u>	Grill, Carryall	1
18	<u>103959210</u>	Hood, Dark Green	1
19	<u>103959214</u>	Hood, Dark Gray	1
20	<u>103959218</u>	Hood, Real Tree Camo	1
21	<u>103959310</u>	Panel, Cowl, Center, Dark Green	1
22	<u>103959314</u>	Panel, Cowl, Center, Dark Gray	1
23	<u>103959318</u>	Panel, Cowl, Center, Real Tree Camo	1
24	<u>103959410</u>	Panel, Cowl, Passenger-Side, Dark Green	1
25	<u>103959414</u>	Panel, Cowl, Passenger-Side, Dark Gray	1
26	<u>103959418</u>	Panel, Cowl, Passenger-Side, Real Tree Camo	1
27	<u>103959510</u>	Panel, Cowl, Driver-Side, Dark Green	1
28	<u>103959514</u>	Panel, Cowl, Driver-Side, Dark Gray	1
29	<u>103959518</u>	Panel, Cowl, Driver-Side, Real Tree Camo	1
30	<u>808</u>	Washer, 3/8 Type B Flat	2
		Note: These color body panels are molded in color except for black and camo.	

1
G

1

G



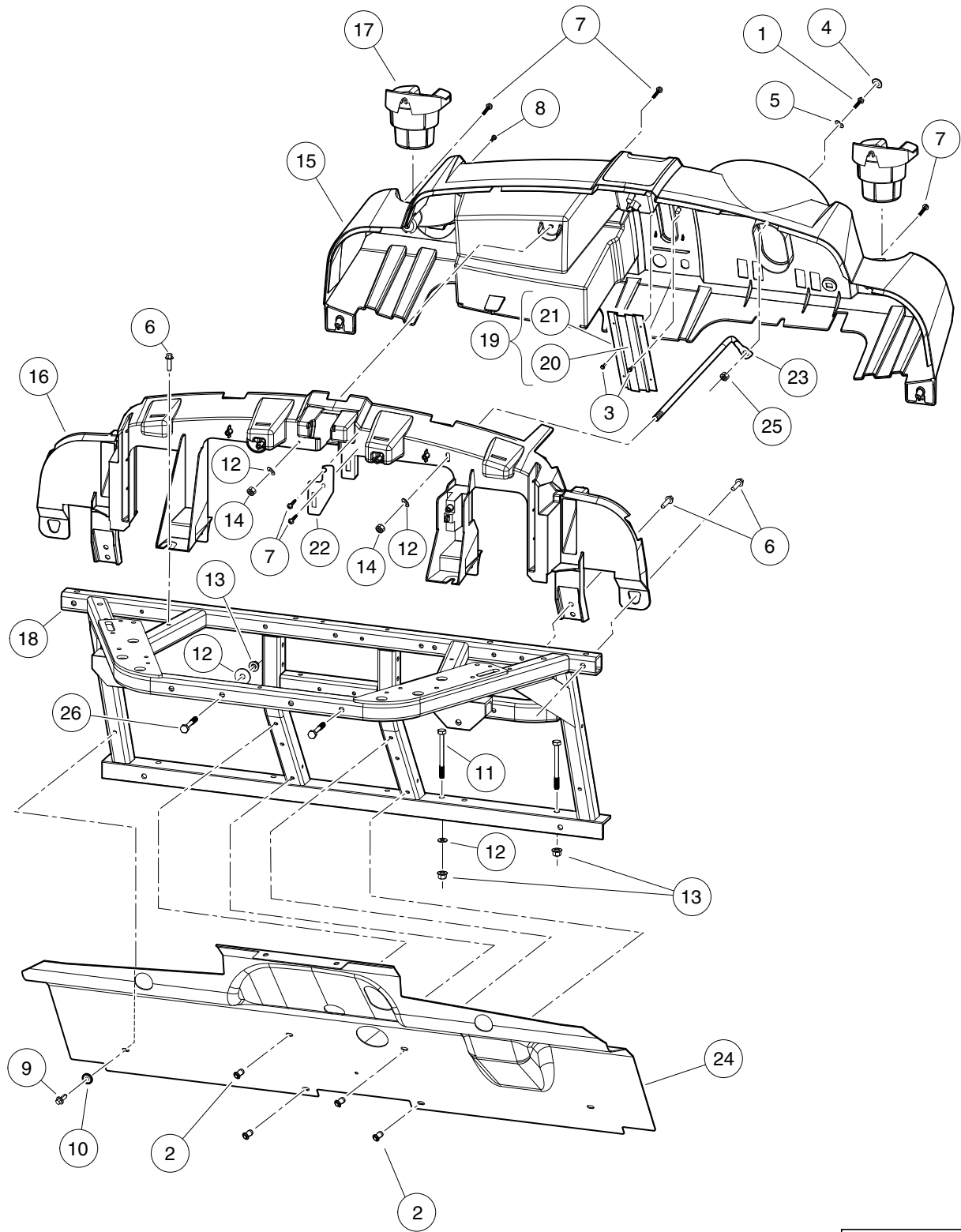
000508-006

COWL PLUG

ITEM	PART NO.	DESCRIPTION	QTY
1	<u>103954001</u>	1 2 3 4 Plug, Panel, Cowl	2

1
G

1
G



000519-003

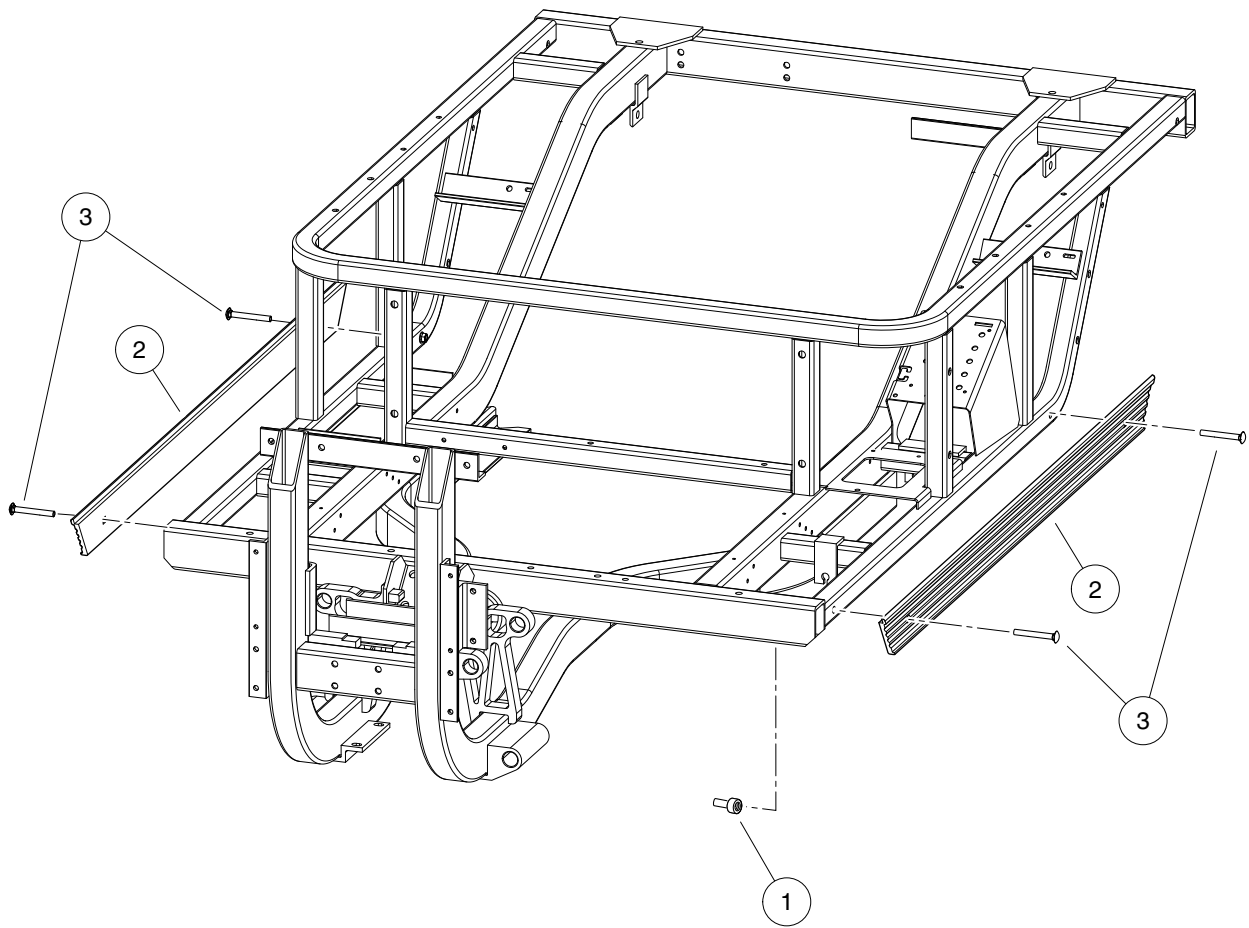
DASH AND SPLASH GUARD

ITEM	PART NO.	DESCRIPTION	QTY
		1 2 3 4	
1	1016916	Screw, 1/4-20 X 1.50 Hex-Head Cap	1
2	<u>1016967</u>	Blind Rivet, Push Type	4
3	<u>101804301</u>	Screw, #8 X 0.500, Hex-Head Hi-Lo	2
4	<u>102045001</u>	Cap, 1/4" Plastic Screw Head	1
5	<u>102048401</u>	Washer, 1/4 Id Scalloped Plast	1
6	<u>102289001</u>	Screw, M8X1.25X30, Hex	6
7	<u>102297230</u>	Screw, M6, Torx, Interlock Thread	5
8	<u>102298580</u>	M8-1.25 X 80 Sems	1
9	<u>102298720</u>	Screw, M8-1.25x20, Taptite	2
10	<u>102323501</u>	Washer, Flat, 3/8, Blk Fin	2
11	<u>102491301</u>	Bolt, M10x1.50x100 (Black)	4
12	<u>102491501</u>	Washer, Hard, M10	10
13	<u>102617201</u>	Nut, Flanged, M10 X 1.5, Mechanically Deformed	8
14	102618601	Lock Nut, Flange, M8 X 1.25 Nylon	2
15	<u>102867101</u>	Dash, Design A	1
16	<u>102867301</u>	Support, Structural	1
17	<u>102883401</u>	Cup Holder, Utility	2
18	<u>102935501</u>	Weldment, Dash, Front	1
19	<u>103233001</u>	Asm, Brush, Fnr (includes items 20 and 21)	2
20	N/A	Brush, Strip, FNR	2
21	N/A	Holder, Brush, Strip, FNR	2
22	<u>103253801</u>	Bracket, Hood Support	1
23	<u>103268001</u>	Rod, Connection, Dash	1
24	<u>103296001</u>	Guard, Splash, Gas Injection	1
25	<u>8233</u>	Locknut, 1/4-20, Nylon Insert	1
26	<u>96715552</u>	Bolt, M10 X 1.50 X 65	4

1

G

1
G



000527-001

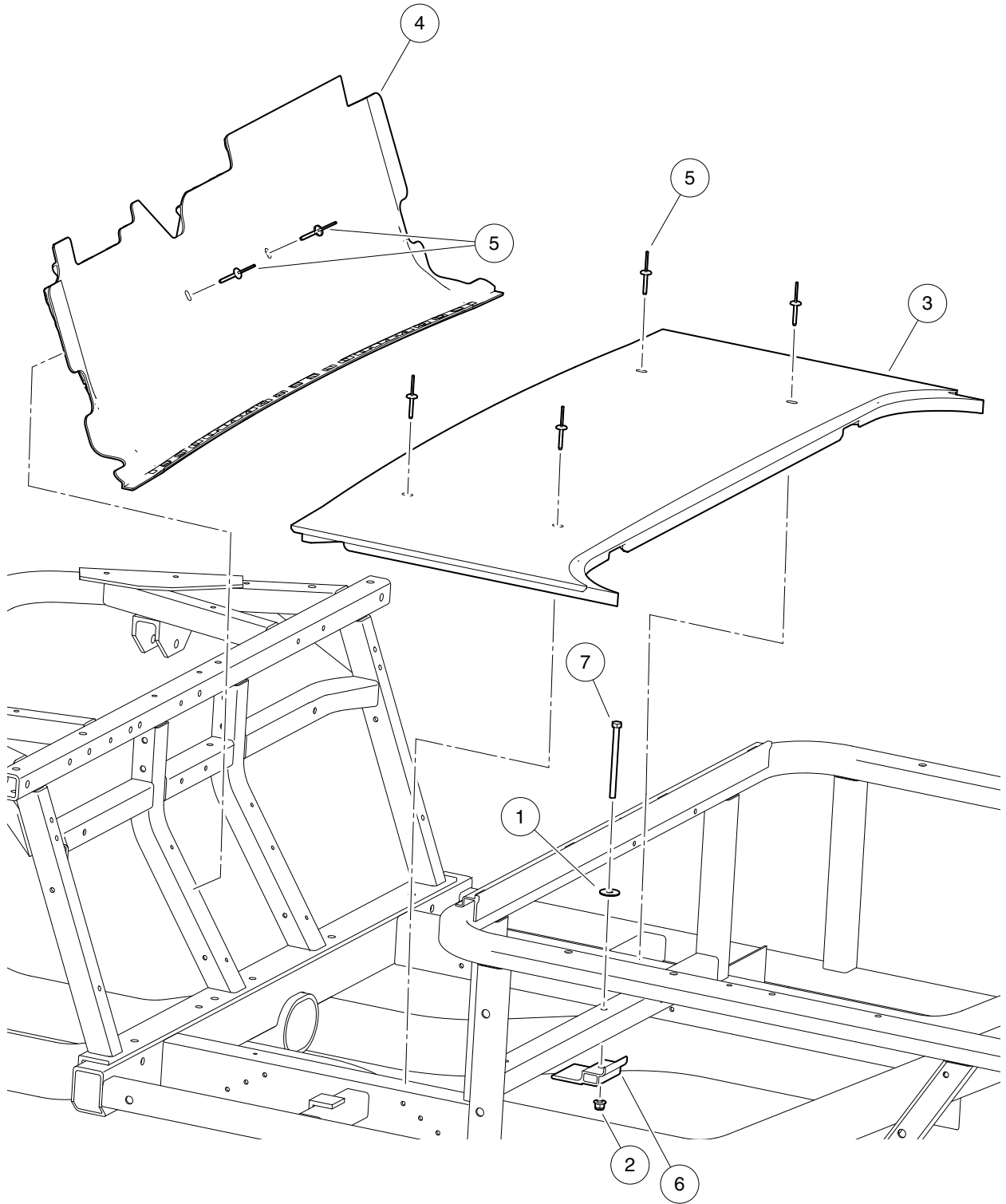
SIDE STRINGERS – 2 PASSENGER

ITEM	PART NO.	DESCRIPTION	QTY
		1 2 3 4	
1	<u>102491701</u>	Well Nut 1/4-20	8
2	<u>103485501</u>	Stringer, Side, 1200mm	2
3	<u>103487501</u>	Screw, 1/4-20 X 1.0, Black	8

1

G

1
G



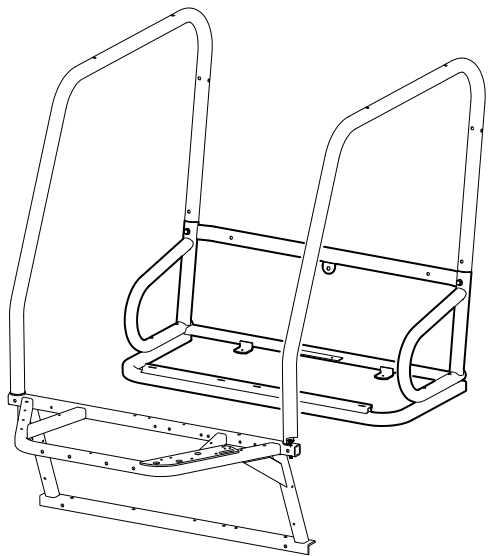
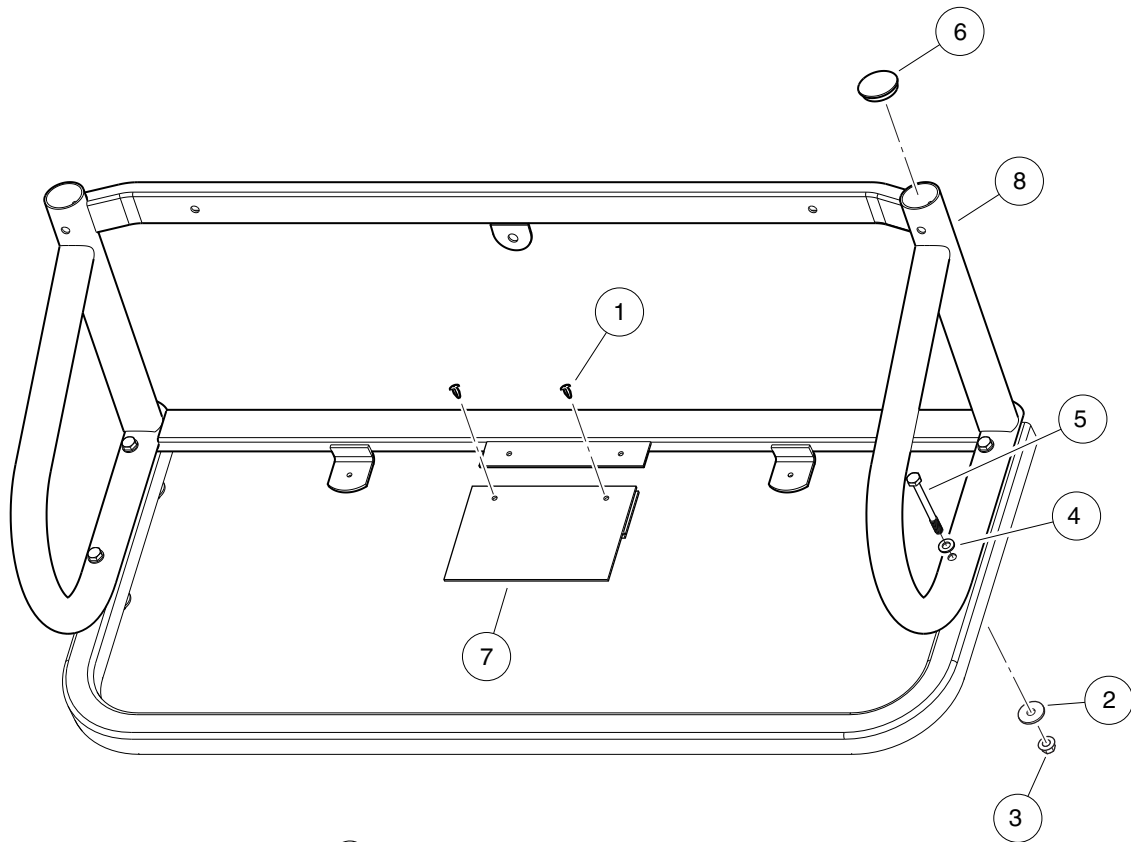
000790-003

FLOORBOARD

ITEM	PART NO.	DESCRIPTION	QTY
		1 2 3 4	
1	<u>1011578</u>	Washer, 5/16 Type B Flat	1
2	102618601	Lock Nut, Flange, M8 X 1.25 Nylon	1
3	<u>103319601</u>	Floorboard, Lower	1
4	<u>103319701</u>	Floorboard, Upper	1
5	<u>103400001</u>	3/16 X 1.19 Alum Rivet, Blk	6
6	<u>103417401</u>	Bracket, Support, Floorboard	1
7	<u>103423701</u>	Bolt, M8 X 1.25 X 110	1

1
G

1
G



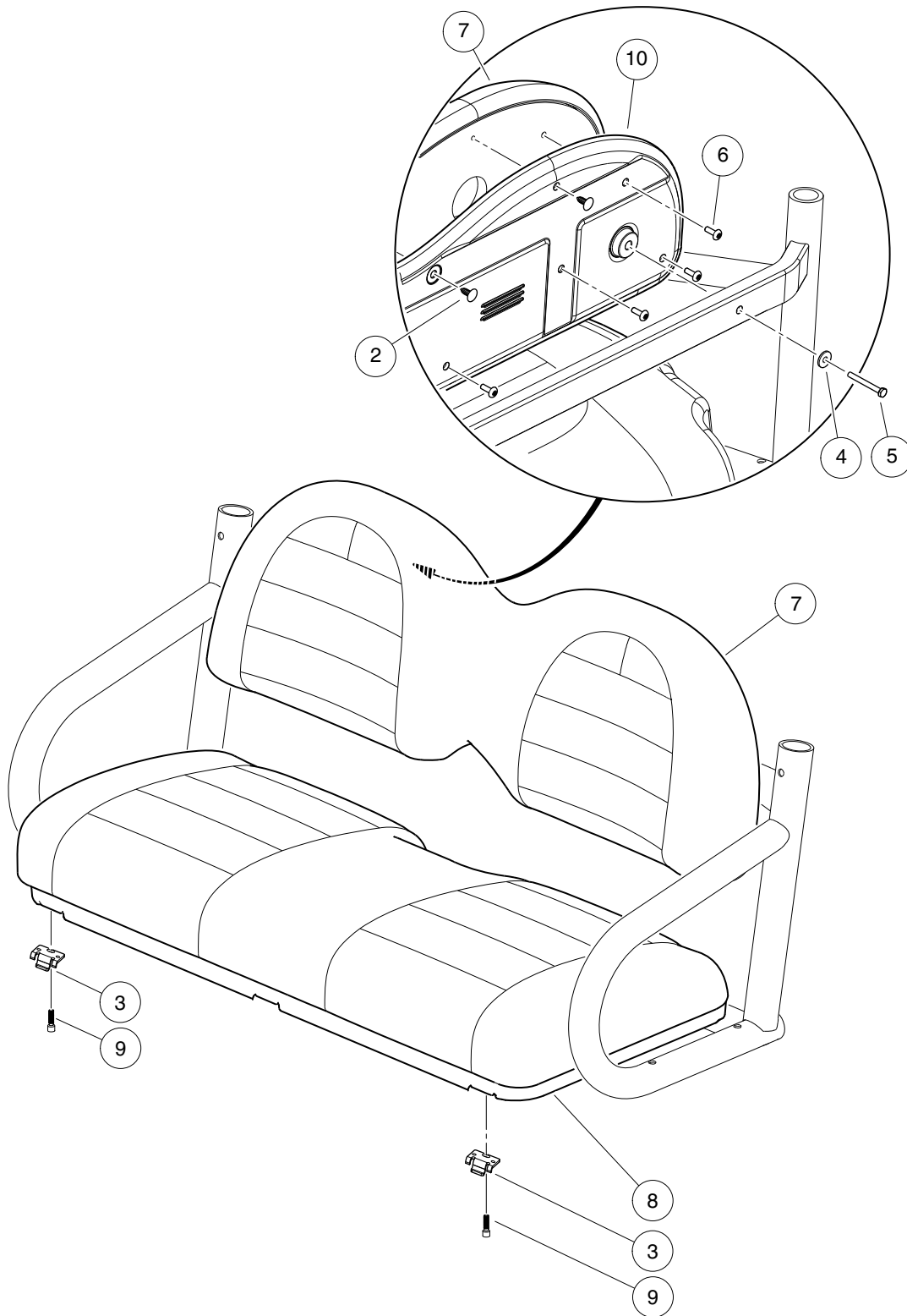
000029-006

SEAT SUPPORT- VEHICLE WITHOUT ROPS

ITEM	PART NO.	DESCRIPTION	QTY
		1 2 3 4	
1	<u>102025701</u>	Screw, Tuflok Panel, 1/4	2
2	<u>102491501</u>	Washer, Hard, M10	4
3	<u>102617201</u>	Nut, Flanged, M10 X 1.5, Mechanically Deformed	4
4	<u>102718101</u>	Washer, Hard, M10, Zn-Ni/Blk	4
5	<u>102732301</u>	Bolt, M10 X 100, Zn-Ni (Black)	4
6	<u>103215301</u>	Plug, Tube, Round, 2"	2
7	<u>103636701</u>	Closeout, Center, Style B	1
8	<u>103954101</u>	Weldment, Seat Support, 2wd	1

1
G

1
G



000523-002

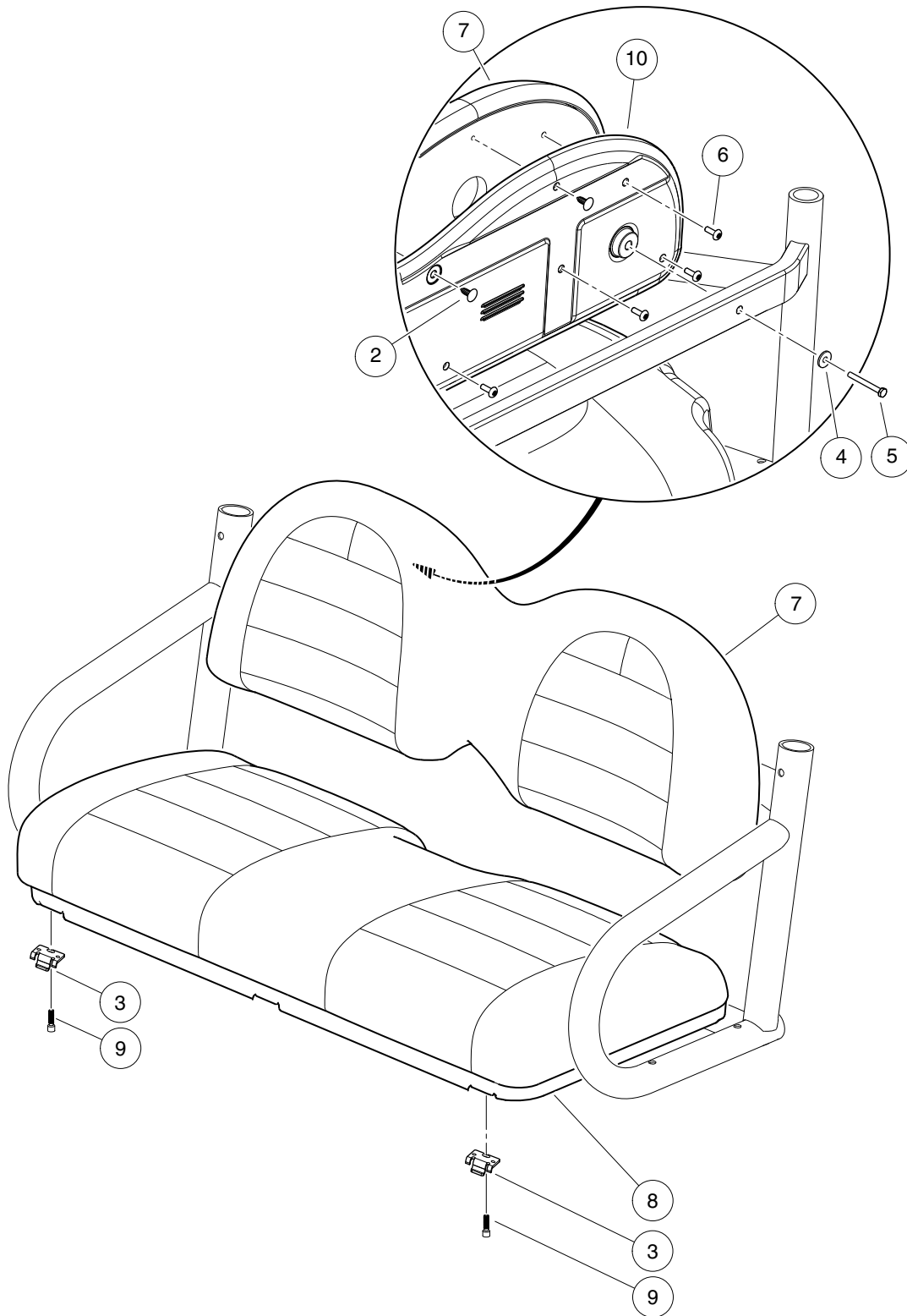
BENCH SEAT – GRAY

ITEM	PART NO.	DESCRIPTION	QTY
		1 2 3 4	
1	<u>103647201</u>	Kit, Bench Seat, Gray (includes items 2 through 10)	1
2	<u>1010434</u>	Barrel - Plastic	8
3	<u>1011652</u>	Hinge Plate	2
4	<u>1011697</u>	Washer, 5/16 Flat	3
5	1014201	Screw, 1/4-20 X 2.25 Hex Cap	3
6	<u>1014415</u>	Screw, 1/4-20 X 0.75 Torx Truss-Head	4
7	<u>103456001</u>	Seat Back, Bench, Gray	1
8	<u>103629102</u>	Seat, Bench, Bottom, Gray	1
9	<u>103629501</u>	Screw, 1/4-20 X .75 Shcs	4
10	<u>103831101</u>	Cap, Seatback, Vented	1

1

G

1
G



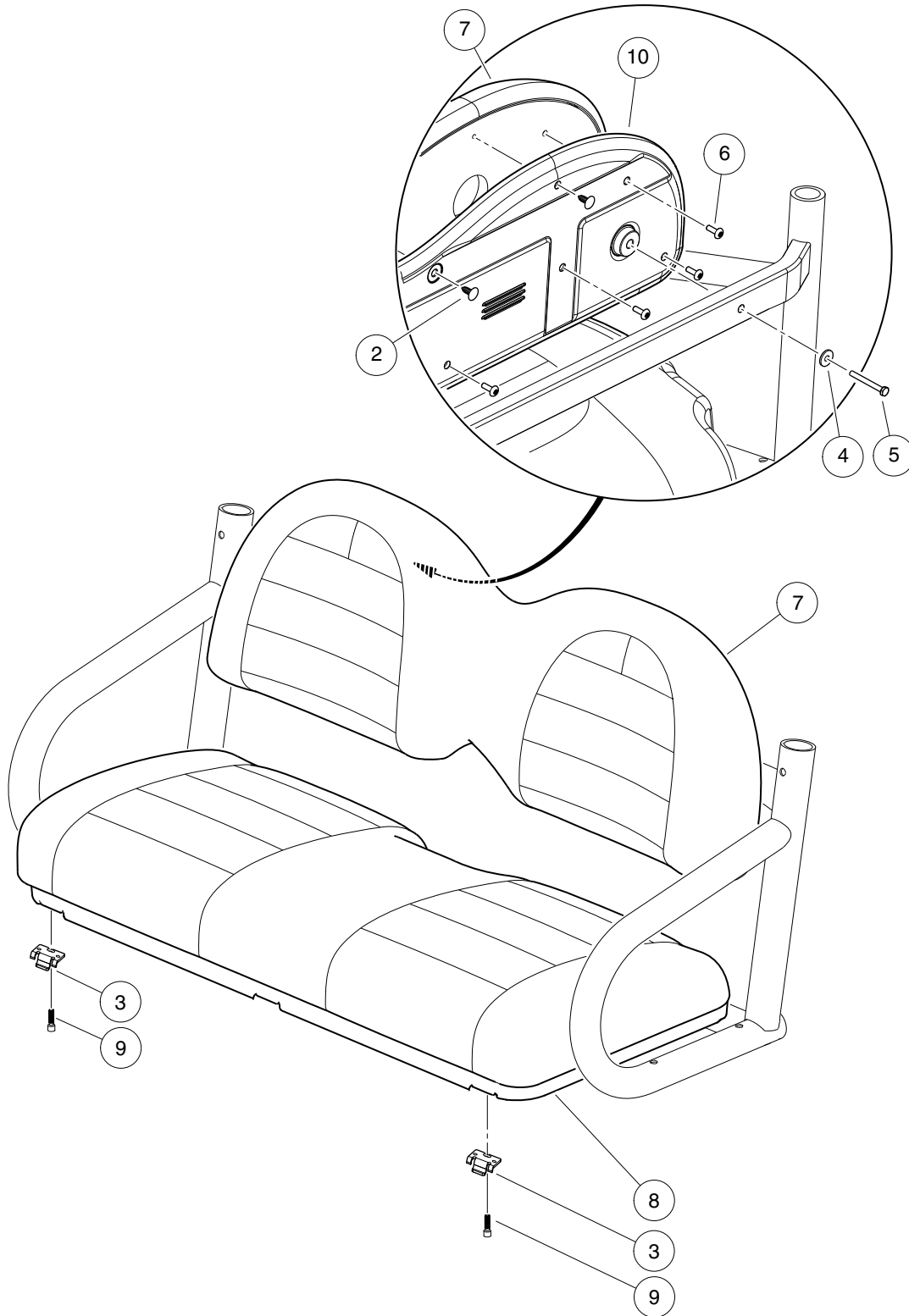
000523-002

BENCH SEAT – BLACK

1
G

ITEM	PART NO.	DESCRIPTION	QTY
		1 2 3 4	
1	<u>103647202</u>	Kit, Bench Seat, Blk (includes items 2 through 10)	1
2	<u>1010434</u>	Barrel - Plastic	8
3	<u>1011652</u>	Hinge Plate	2
4	<u>1011697</u>	Washer, 5/16 Flat	3
5	1014201	Screw, 1/4-20 X 2.25 Hex Cap	3
6	<u>1014415</u>	Screw, 1/4-20 X 0.75 Torx Truss-Head	4
7	<u>103456002</u>	Seat Back, Bench, Black	1
8	<u>103629101</u>	Seat, Bench, Bottom, Blk	1
9	<u>103629501</u>	Screw, 1/4-20 X .75 Shcs	4
10	<u>103831101</u>	Cap, Seatback, Vented	1
<p style="margin-left: 40px;">Note: For other colors, order -02 Kit for Black; -03 Kit for Tan.</p>			

1
G



000523-002

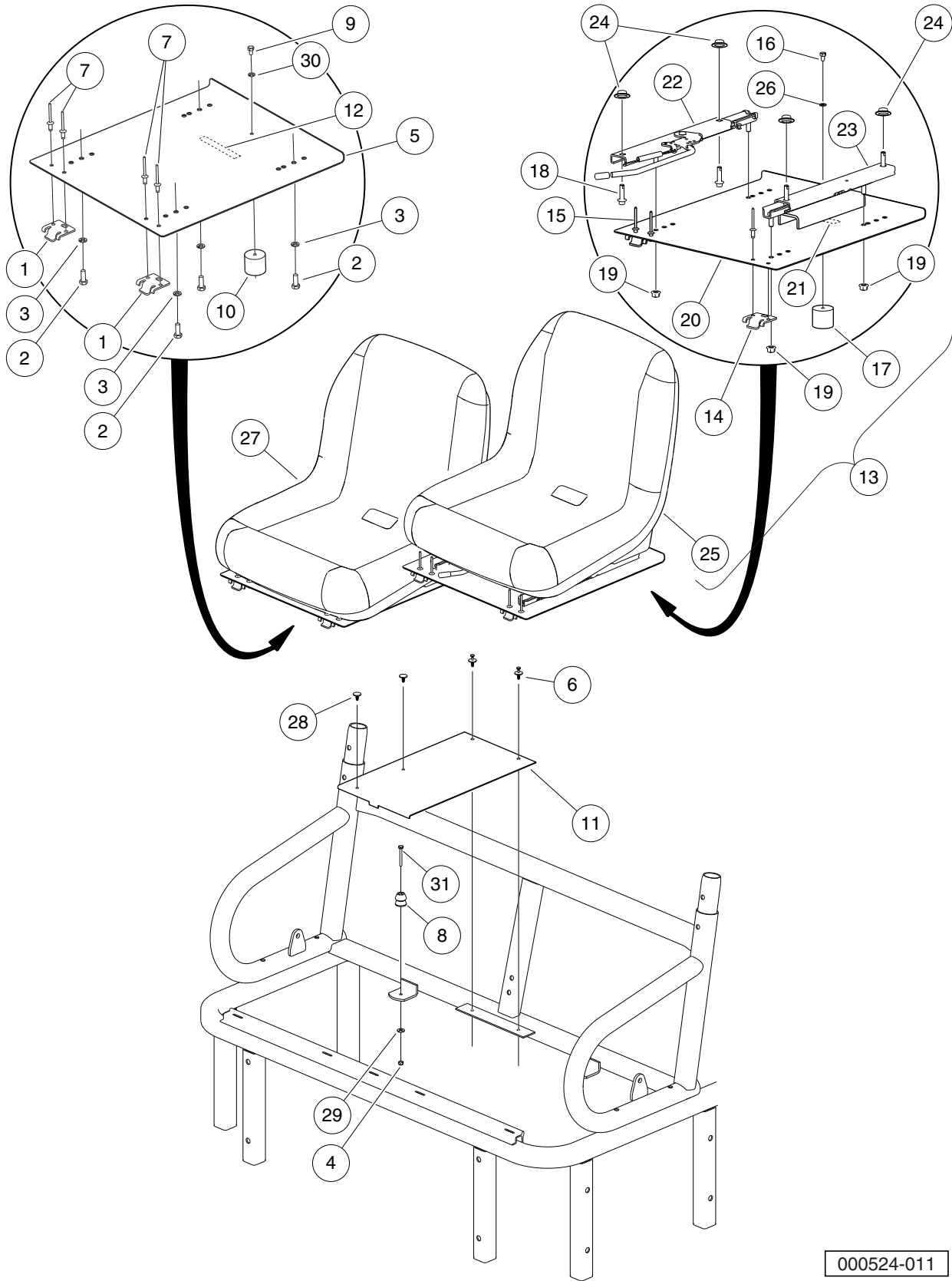
BENCH SEAT – TAN

ITEM	PART NO.	DESCRIPTION	QTY
		1 2 3 4	
1	<u>103647203</u>	Kit, Bench Seat, Tan (includes items 2 through 10)	1
2	<u>1010434</u>	Barrel - Plastic	8
3	<u>1011652</u>	Hinge Plate	2
4	<u>1011697</u>	Washer, 5/16 Flat	3
5	1014201	Screw, 1/4-20 X 2.25 Hex Cap	3
6	<u>1014415</u>	Screw, 1/4-20 X 0.75 Torx Truss-Head	4
7	103456003	Seat Back, Bench, Tan	1
8	<u>103629103</u>	Seat, Bench, Bottom, Tan	1
9	<u>103629501</u>	Screw, 1/4-20 X .75 Shcs	4
10	<u>103831101</u>	Cap, Seatback, Vented	1
<p style="text-align: center;">Note: For other colors, order -02 Kit for Black; -03 Kit for Tan.</p>			

1

G

1
G



000524-011

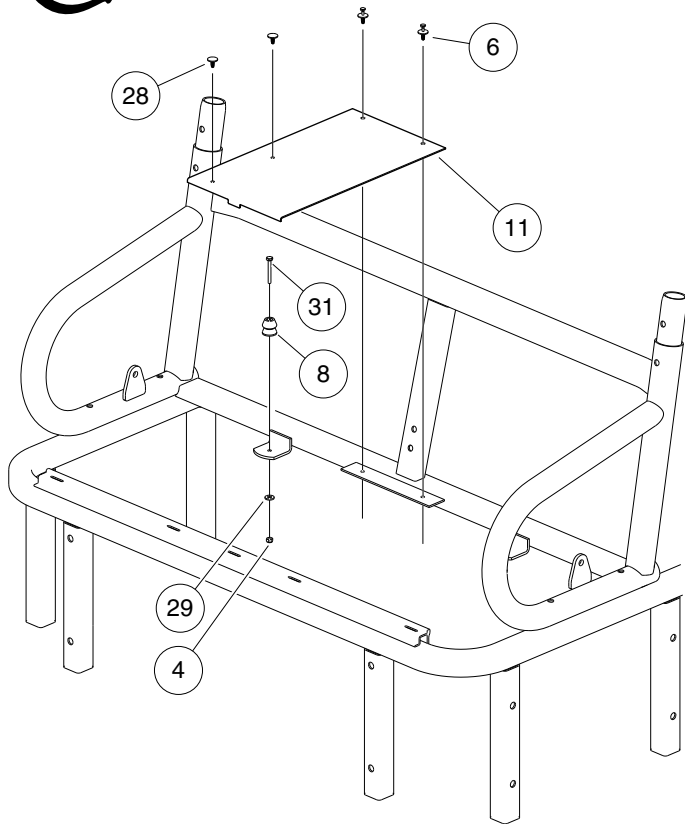
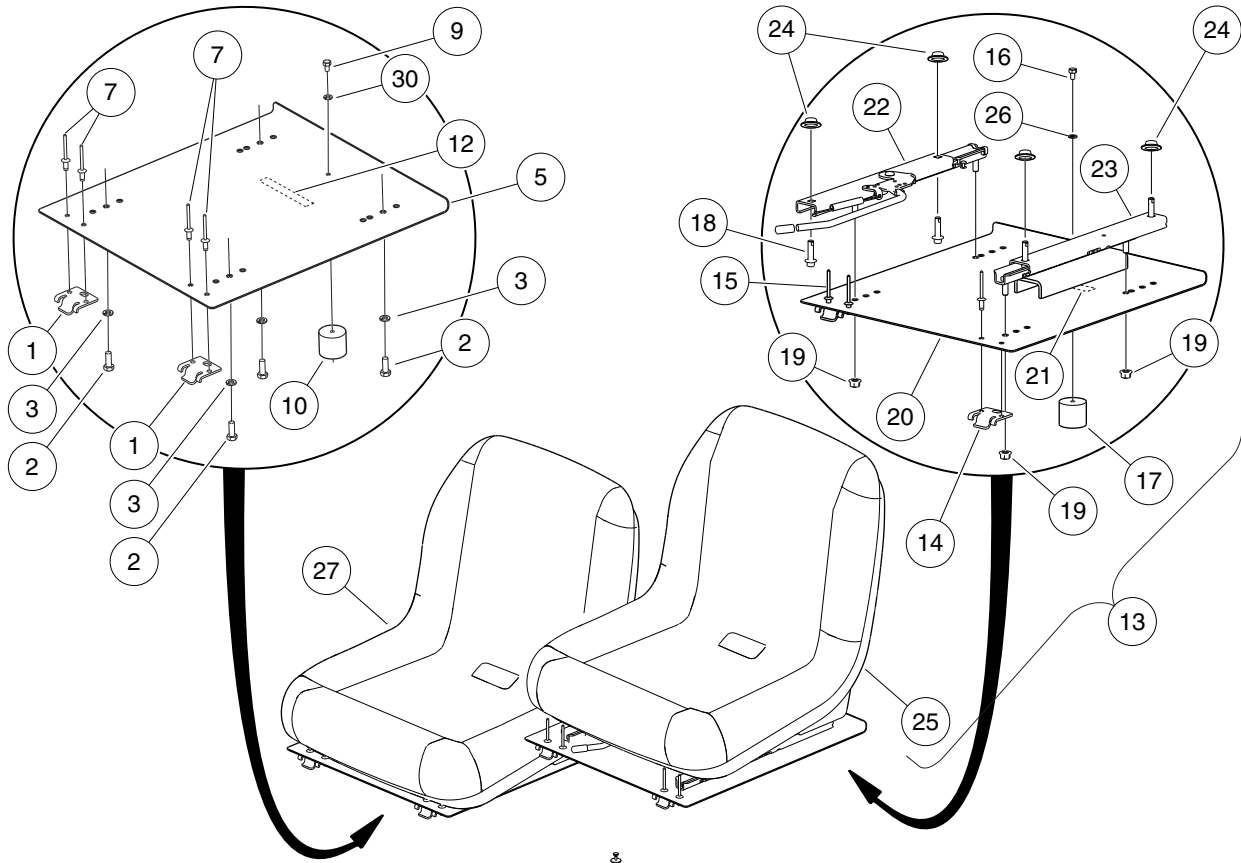
BUCKET SEATS – GRAY

ITEM	PART NO.	DESCRIPTION	QTY
		1 2 3 4	
1	<u>1011652</u>	Hinge Plate	2
2	<u>1012830</u>	Screw, M8-125 X 22 Hex-Head	4
3	<u>1013734</u>	Lockwasher, 8mm Split	4
4	<u>101887601</u>	Locknut, M6-1.00 Nylon Insert	2
5	<u>102023703</u>	Pan, Seat, Passenger	1
6	<u>102025701</u>	Screw, Tuflok Panel, 1/4	2
7	<u>102047001</u>	Rivet, 1/4 X .438 Blind	4
8	<u>102059001</u>	Seat Holder Base	2
9	<u>102059401</u>	Screw, 6m-1.00 X 10mm Hex Head	1
10	<u>102061101</u>	Seat Holder Cup	1
11	<u>102442002</u>	Pan, Center, Closeout, Pfex	1
12	<u>102458901</u>	Decal, Hot Surface Warning	1
13	<u>102473701</u>	Asm, Bucket Seat Adjustable (includes items 14 through 26)	1
14	<u>1011652</u>	Hinge Plate	2
15	<u>102047001</u>	Rivet, 1/4 X .438 Blind	4
16	<u>102059401</u>	Screw, 6m-1.00 X 10mm Hex Head	1
17	<u>102061101</u>	Seat Holder Cup	1
18	<u>102298130</u>	Bolt, Flange Head, M8 X 30.0	4
19	<u>102298401</u>	Nut,m8,all Metal Lock	4
20	<u>102456001</u>	Pan, Seat, Driver Asm	1
21	<u>102458901</u>	Decal, Hot Surface Warning	1
22	<u>102473501</u>	Adjuster, Forward/Aft	1
23	<u>102473601</u>	Adjuster, Slider	1
24	<u>102475901</u>	Washer, Bell	4
25	<u>103267001</u>	Seat, Bucket, Gray	1
26	<u>451</u>	Lockwasher, 1/4 Split	1
27	<u>103267001</u>	Seat, Bucket, Gray	1
28	<u>103978801</u>	Barrel-push 6mm	2
29	<u>332</u>	Washer, 1/4 Type A Narrow Flat	2
30	<u>451</u>	Lockwasher, 1/4 Split	1
31	<u>96742515</u>	Bolt, M6 X 1 X 45	2

1

G

1
G

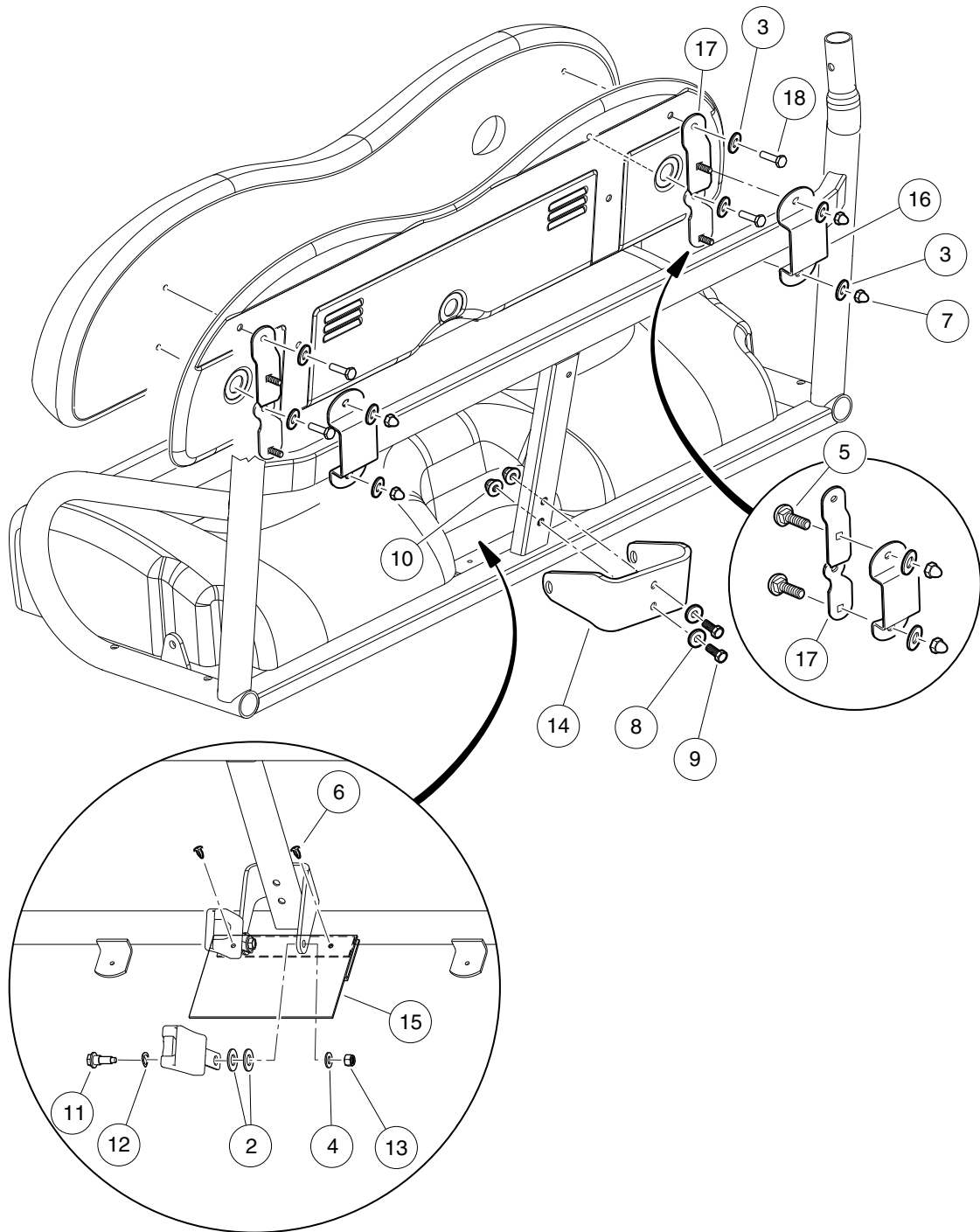


000524-011

BUCKET SEATS – BLACK

ITEM	PART NO.	DESCRIPTION	QTY
		1 2 3 4	
1	<u>1011652</u>	Hinge Plate	2
2	<u>1012830</u>	Screw, M8-125 X 22 Hex-Head	4
3	<u>1013734</u>	Lockwasher, 8mm Split	4
4	<u>101887601</u>	Locknut, M6-1.00 Nylon Insert	2
5	<u>102023703</u>	Pan, Seat, Passenger	1
6	<u>102025701</u>	Screw, Tuflok Panel, 1/4	2
7	<u>102047001</u>	Rivet, 1/4 X .438 Blind	4
8	<u>102059001</u>	Seat Holder Base	2
9	<u>102059401</u>	Screw, 6m-1.00 X 10mm Hex Head	1
10	<u>102061101</u>	Seat Holder Cup	1
11	<u>102442002</u>	Pan, Center, Closeout, Pfex	1
12	<u>102458901</u>	Decal, Hot Surface Warning	1
13	<u>103218901</u>	Asm, Bucket Seat, Adj, Blk (includes items 14 through 26)	1
14	<u>1011652</u>	Hinge Plate	2
15	<u>102047001</u>	Rivet, 1/4 X .438 Blind	4
16	<u>102059401</u>	Screw, 6m-1.00 X 10mm Hex Head	1
17	<u>102061101</u>	Seat Holder Cup	1
18	<u>102298130</u>	Bolt, Flange Head, M8 X 30.0	4
19	<u>102298401</u>	Nut,m8,all Metal Lock	4
20	<u>102456001</u>	Pan, Seat, Driver Asm	1
21	<u>102458901</u>	Decal, Hot Surface Warning	1
22	<u>102473501</u>	Adjuster, Forward/Aft	1
23	<u>102473601</u>	Adjuster, Slider	1
24	<u>102475901</u>	Washer, Bell	4
25	<u>103267002</u>	Seat, Bucket, Black	1
26	<u>451</u>	Lockwasher, 1/4 Split	1
27	<u>103267002</u>	Seat, Bucket, Black	1
28	<u>103978801</u>	Barrel-push 6mm	2
29	<u>332</u>	Washer, 1/4 Type A Narrow Flat	2
30	<u>451</u>	Lockwasher, 1/4 Split	1
31	<u>96742515</u>	Bolt, M6 X 1 X 45	2

1
G



000523-003

BENCH SEAT CONVERSION KIT

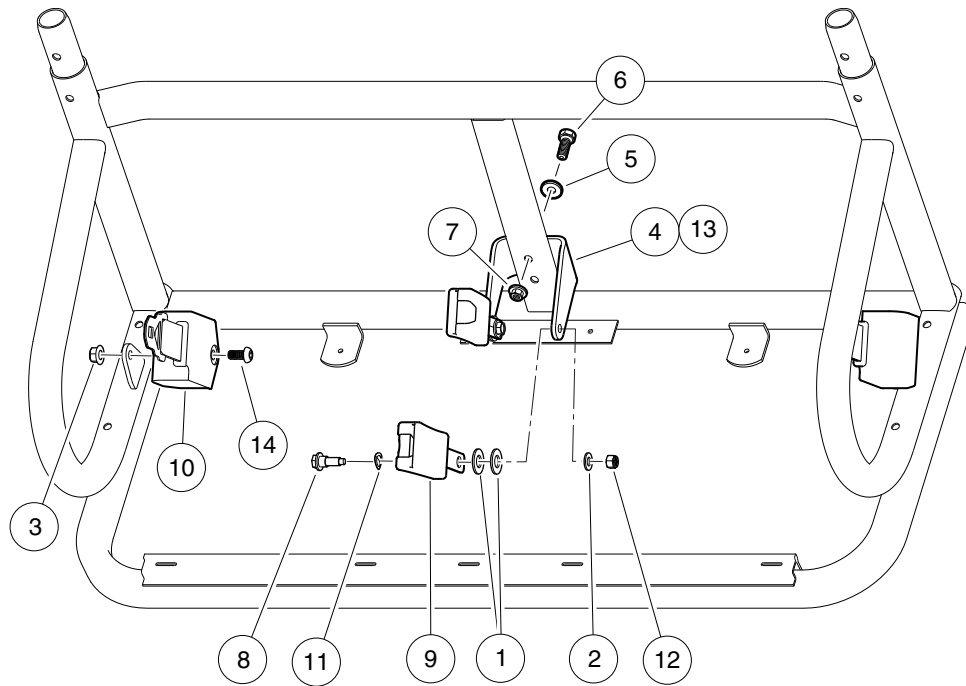
ITEM	PART NO.	DESCRIPTION	QTY
		1 2 3 4	
1	<u>103643901</u>	Kit, Seat, Bench, Conv (includes items 2 through 18)	1
2	<u>1010193</u>	Washer, 5/8 Type A Plain Flat	4
3	<u>1011964</u>	Washer, 1/4 Flat	8
4	<u>1014557</u>	Washer, 7/16 Flat	2
5	<u>101958601</u>	Carriage Bolt, 1/4-20 X 0.75	4
6	<u>102025701</u>	Screw, Tuflok Panel, 1/4	2
7	<u>102242401</u>	Nut - Nylon Insert W/cap	4
8	<u>102718101</u>	Washer, Hard, M10, Zn-Ni/Blk	2
9	<u>102732401</u>	Bolt, M10 X 45, Zn-Ni (Black)	2
10	<u>103216401</u>	Nut, Flanged, M10 x 1.5, Black	2
11	<u>103529601</u>	Bolt, Shoulder, 15 Mm	2
12	<u>103530701</u>	Washer, Spring, 15 Mm Id	2
13	<u>103534201</u>	Lock Nut, 7/16-20 Nylon	2
14	<u>103635101</u>	Bracket, Seatbelt, Style H, Bolt-On (for Bench Seat)	1
15	<u>103636701</u>	Closeout, Center, Style B	1
16	<u>103646501</u>	Bracket - Seat Clamp	2
17	<u>103646601</u>	Bracket - Seat Adapt	2
18	<u>304</u>	Screw, 1/4-20 X 1.0 Hex-Head Cap	4
Note: <u>103643901</u> Bench Seat Conversion Kit is required to be used with 103647201, 02, and 03 Bench Seat Kits.			

1

G

1

G



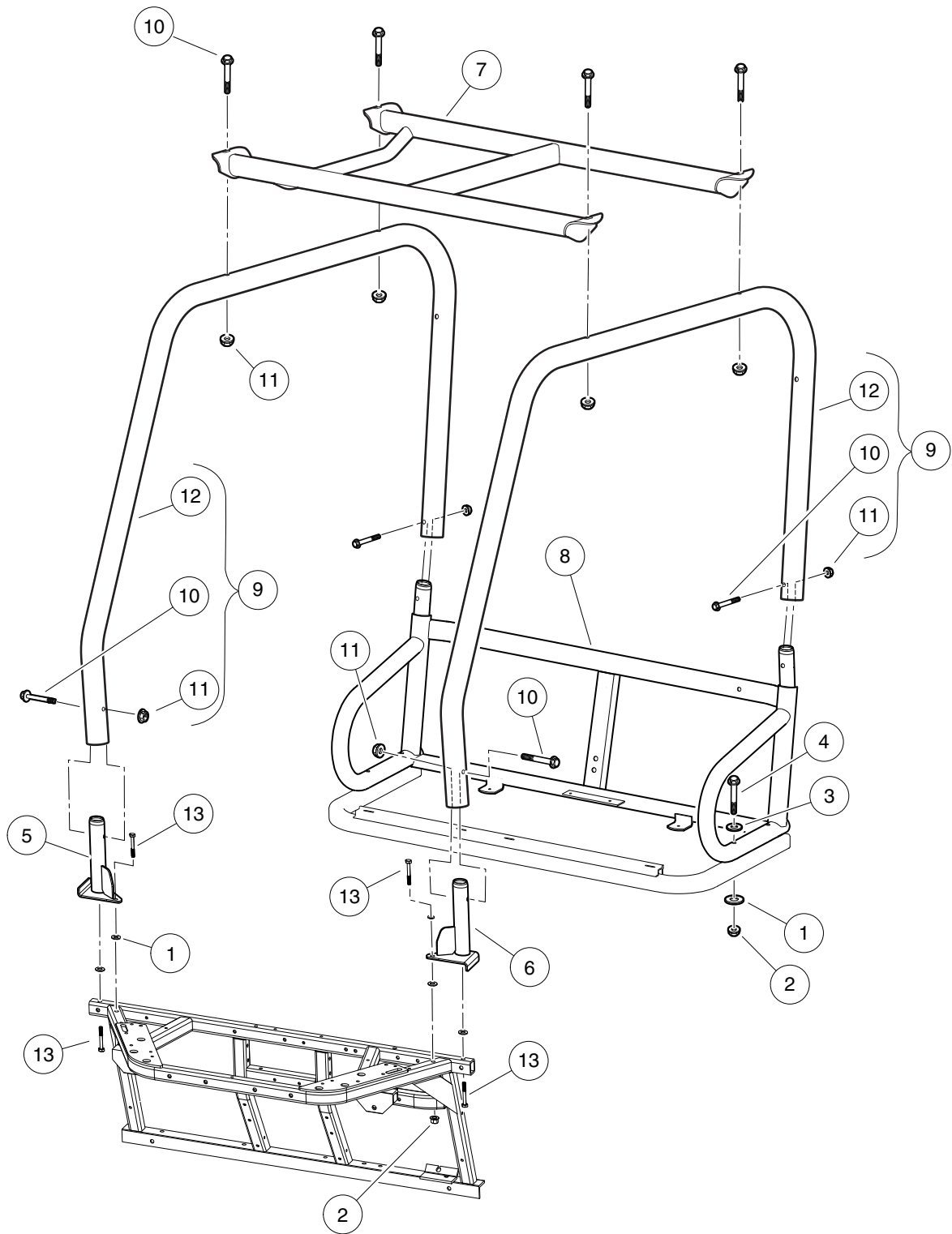
000029-007

2-POINT SEAT BELTS

ITEM	PART NO.	DESCRIPTION	QTY
		1 2 3 4	
1	<u>1010193</u>	Washer, 5/8 Type A Plain Flat	4
2	<u>1014557</u>	Washer, 7/16 Flat	2
3	<u>102620301</u>	Ln Flg, M12 X 1.75, Md, Black	2
4	<u>102670601</u>	Bracket, Seatbelt, Bolt-On (for Bucket Seats)	1
5	<u>102718101</u>	Washer, Hard, M10, Zn-Ni/Blk	2
6	<u>102732401</u>	Bolt, M10 X 45, Zn-Ni (Black)	2
7	<u>103216401</u>	Nut, Flanged, M10 x 1.5, Black	2
8	<u>103529601</u>	Bolt, Shoulder, 15 Mm	2
9	<u>103529701</u>	Asm, Buckle, Seat-belt	2
10	<u>103529801</u>	Retractor, Seat-belt	2
11	<u>103530701</u>	Washer, Spring, 15 Mm Id	2
12	<u>103534201</u>	Lock Nut, 7/16-20 Nylon	2
13	<u>103635101</u>	Bracket, Seatbelt, Style H, Bolt-On (for Bench Seat)	1
14	<u>103806401</u>	Bolt Btn, M12x1.75 X 25 Black	2
Note: Item 4 bracket is for bucket seats. Item 13 bracket is for bench seat.			

1

G



000029-008

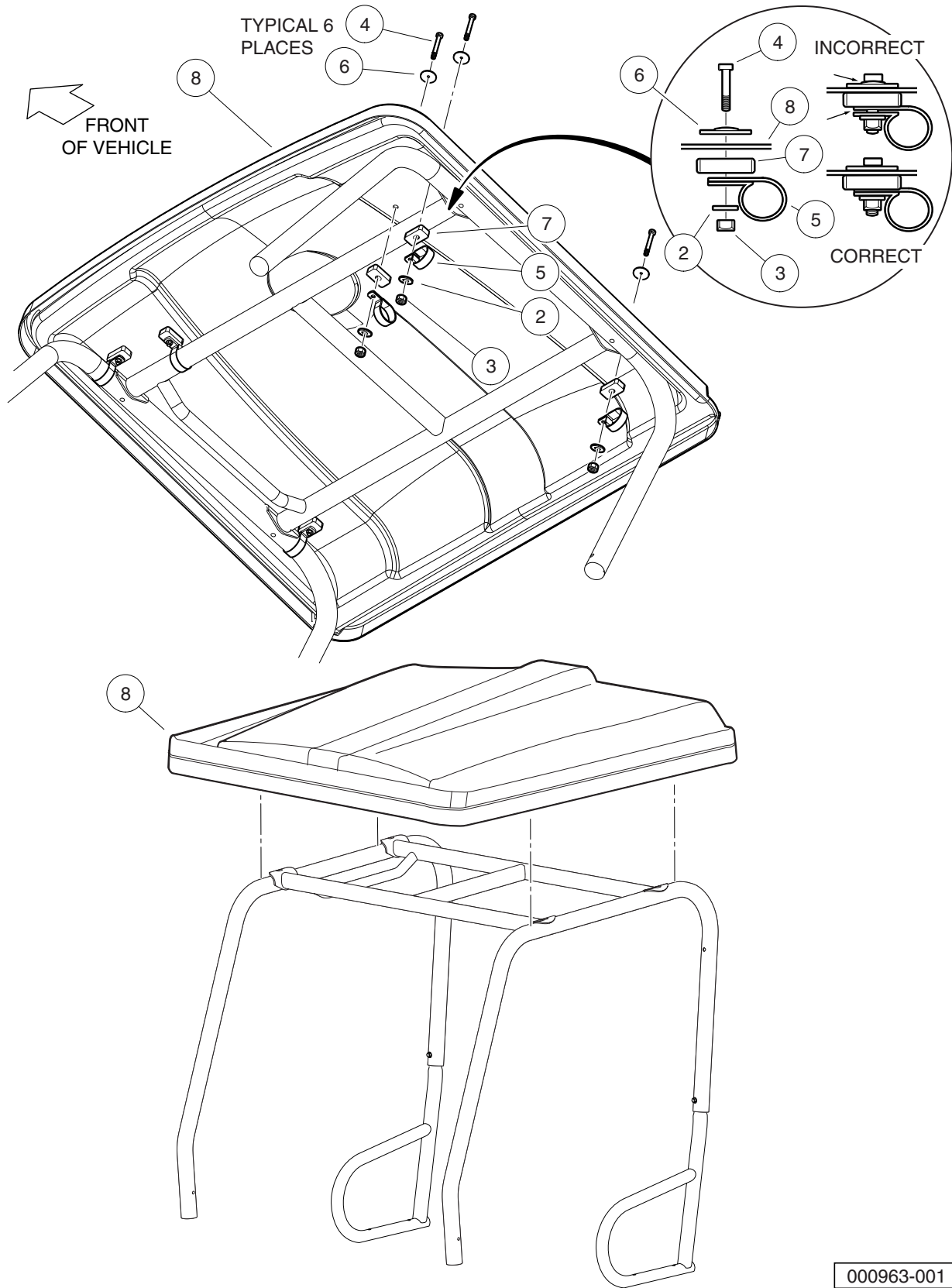
ROPS AND SEAT SUPPORT

ITEM	PART NO.	DESCRIPTION	QTY
		1 2 3 4	
1	<u>102491501</u>	Washer, Hard, M10	8
2	<u>102617201</u>	Nut, Flanged, M10 X 1.5, Mechanically Deformed	4
3	<u>102718101</u>	Washer, Hard, M10, Zn-Ni/Blk	4
4	<u>102732301</u>	Bolt, M10 X 100, Zn-Ni (Black)	4
5	<u>102983201</u>	Weldment, Front, Base, ROPS, Right-Hand	1
6	<u>102983601</u>	Weldment, Front, Base, ROPS, Left-Hand	1
7	<u>103225801</u>	Asm, Top, ROPS	1
8	<u>103361701</u>	Weldment, Seat Support, ROPS	1
9	<u>103511201</u>	Kit, Side Rops, Awd, Domestic (includes items 10 through 12)	1
10	<u>102988701</u>	Bolt, Flanged, M10 X 1.5 X 65	8
11	<u>103216401</u>	Nut, Flanged, M10 x 1.5, Black	8
12	N/A	Tube, Rops, Side Support, Awd	2
13	<u>96715552</u>	Bolt, M10 X 1.50 X 65	4

1

G

1
G



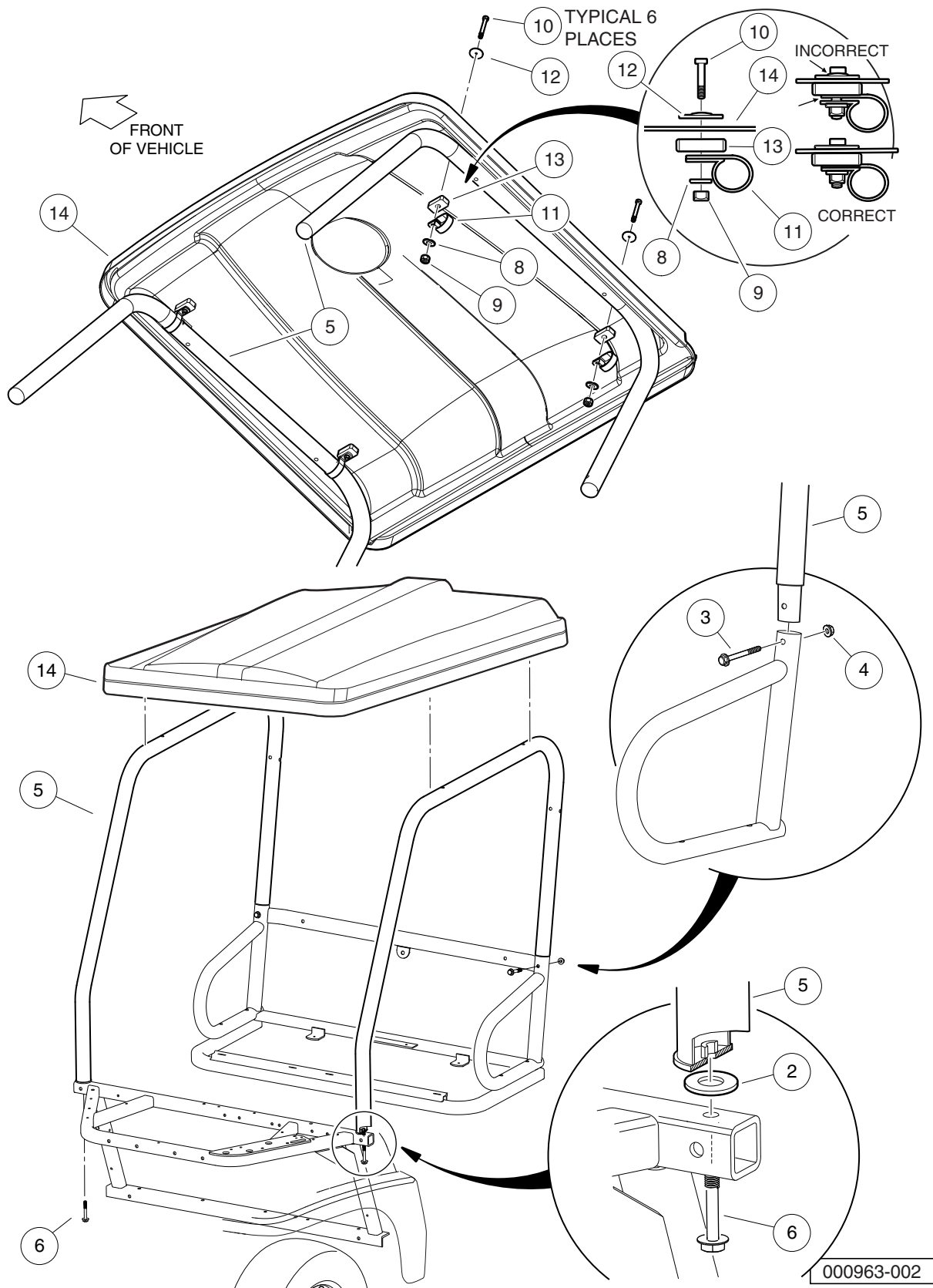
000963-001

CANOPY (VEHICLE WITH ROPS)

ITEM	PART NO.	DESCRIPTION	QTY
		1 2 3 4	
1	<u>103955901</u>	Kit, Canopy, Black, 4wd (includes items 2 through 8)	1
2	1011964	Washer, 1/4 Flat	6
3	1015068	Locknut, 1/4-20 Nylon	6
4	<u>102343601</u>	Screw, 1/4-20 X 1 3/4 Ss Hx Ca	6
5	<u>103223101</u>	P Clamp Insul 50.8 Dia	6
6	<u>103844301</u>	Washer, Sealing, 0.25 X 1.50	6
7	<u>103844401</u>	Spacer, 0.625 X 2.25 X 1.25	6
8	N/A	Canopy, Black, 4wd	1

1
G

1
G

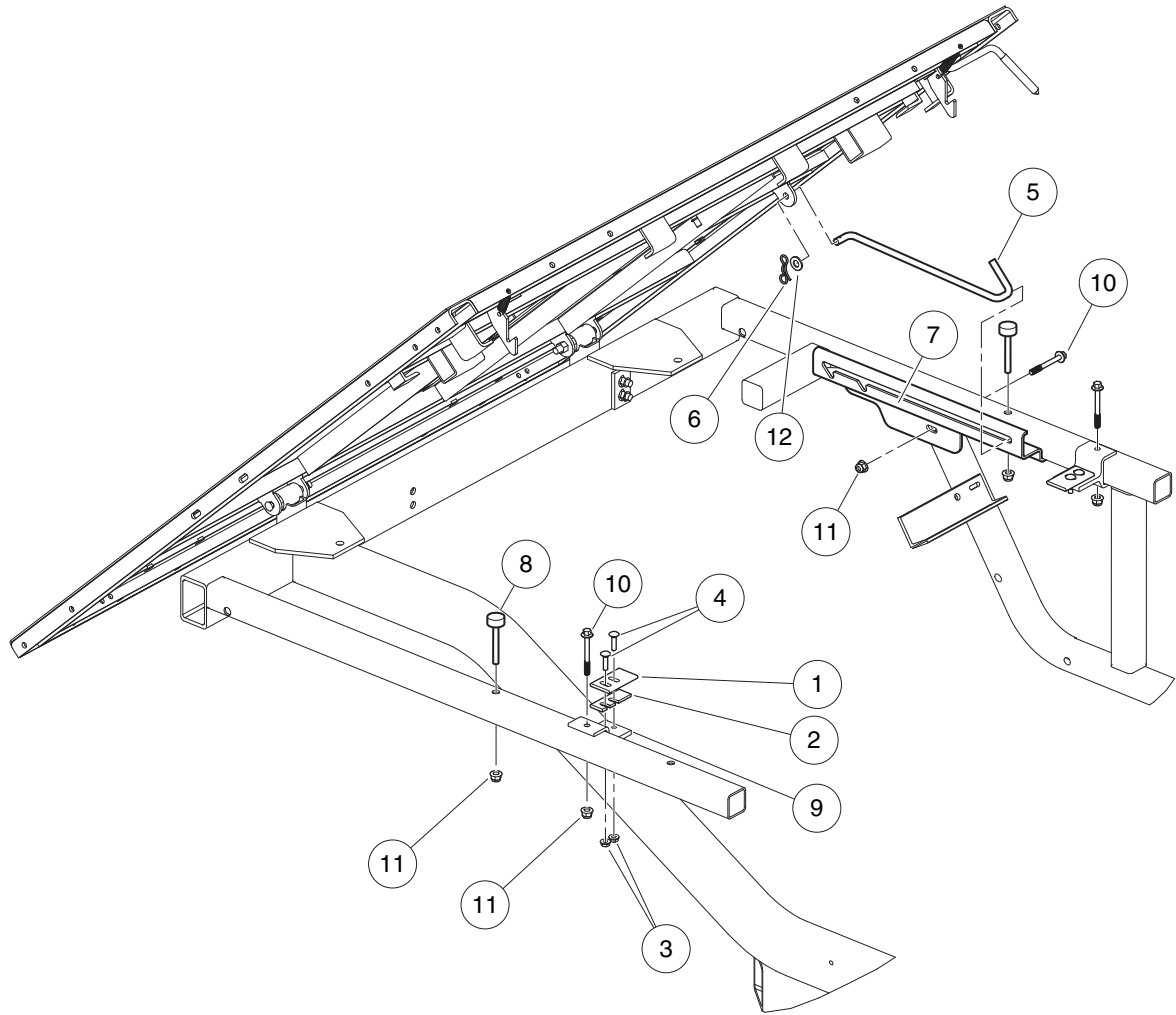


CANOPY AND SUPPORTS – VEHICLE WITHOUT ROPS

ITEM	PART NO.	DESCRIPTION	QTY
		1 2 3 4	
1	103948601	Kit, Support, Canopy/windshld (includes items 2 through 6)	1
2	<u>102491501</u>	Washer, Hard, M10	2
3	<u>102988701</u>	Bolt, Flanged, M10 X 1.5 X 65	2
4	<u>103216401</u>	Nut, Flanged, M10 x 1.5, Black	2
5	103948501	Weldment, Canopy/windshld	2
6	<u>96715552</u>	Bolt, M10 X 1.50 X 65	2
7	<u>103955902</u>	Kit, Canopy, Black, 2wd (includes items 8 through 14)	1
8	1011964	Washer, 1/4 Flat	4
9	1015068	Locknut, 1/4-20 Nylon	4
10	<u>102343601</u>	Screw, 1/4-20 X 1 3/4 Ss Hx Ca	4
11	<u>103223101</u>	P Clamp Insul 50.8 Dia	4
12	<u>103844301</u>	Washer, Sealing, 0.25 X 1.50	4
13	<u>103844401</u>	Spacer, 0.625 X 2.25 X 1.25	4
14	N/A	Canopy, Black, 2wd	1

1

G

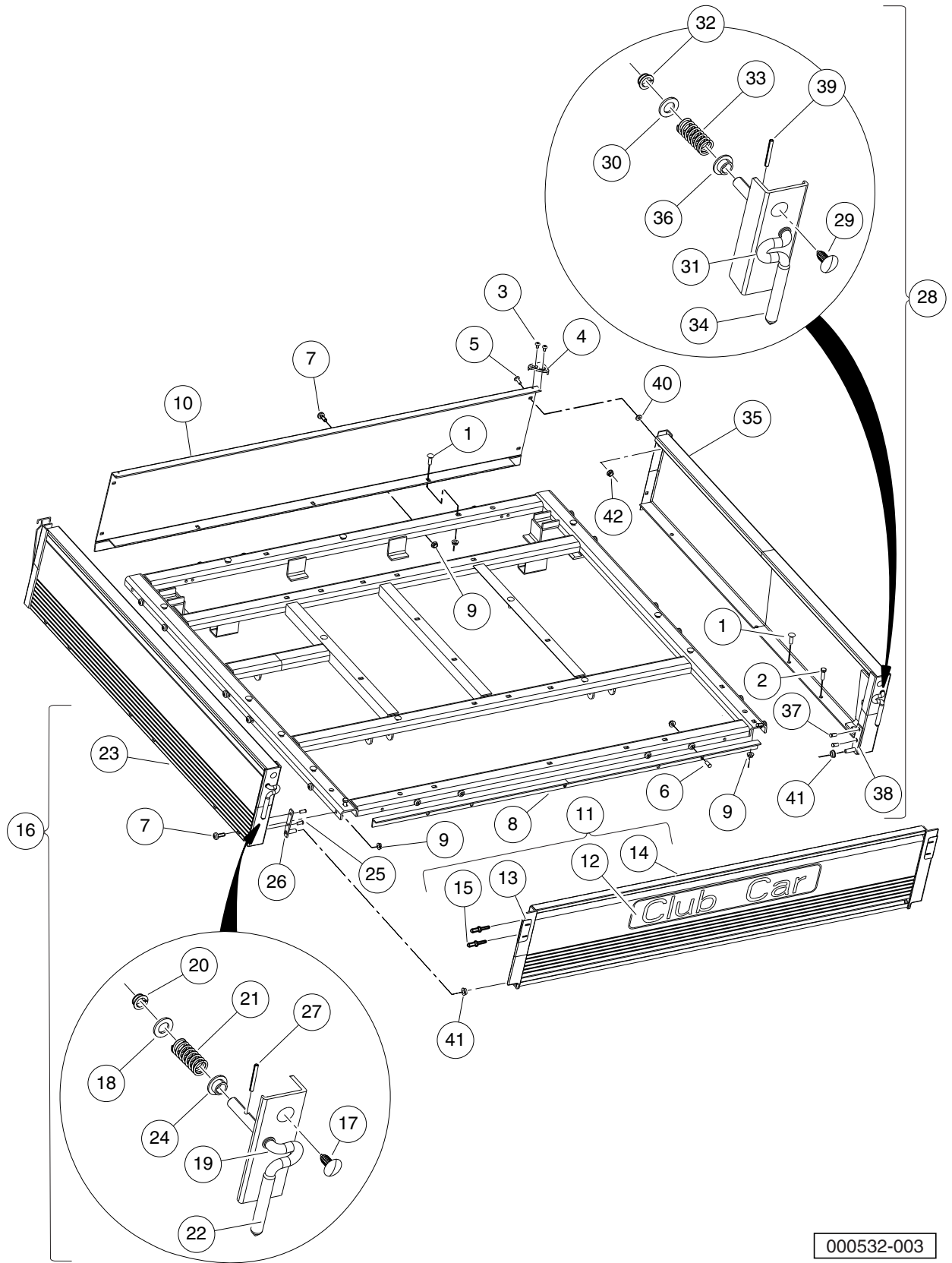


000036-001

LATCH PLATES AND PROP ROD

ITEM	PART NO.	DESCRIPTION	QTY
		1 2 3 4	
1	<u>1015277</u>	Latch Plate, Tilt Bed	2
2	<u>1016078</u>	Latch Plate Shim	1
3	<u>101835601</u>	Locknut, 1/4-20 Hex Whiz	4
4	<u>101958602</u>	Bolt, Carriage, 1/4-20 X 1.0	4
5	<u>102301401</u>	Rod, Prop	1
6	<u>102323101</u>	Pin, Bow Tie Locking	1
7	<u>102418101</u>	Track, Prop Rod	1
8	<u>102426601</u>	Bumper, Bed, Mtg, Front	2
9	<u>102493801</u>	Bracket, Latch, Bed	2
10	<u>102618301</u>	Bolt, Flanged Head, M8 X 1.25 X 65	3
11	102618601	Lock Nut, Flange, M8 X 1.25 Nylon	5
12	<u>334</u>	Washer, 3/8, Type A, Flat	1

1
G

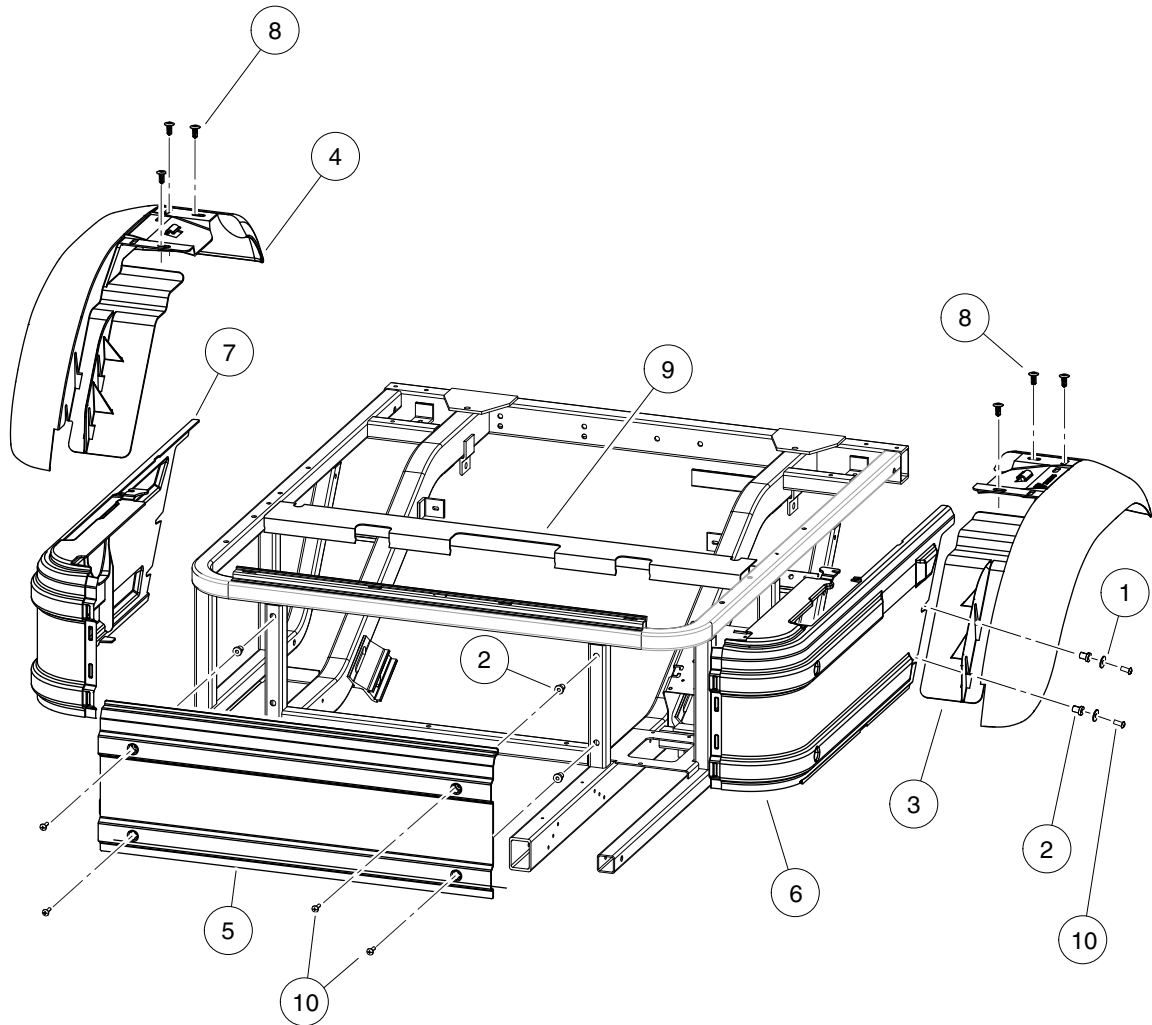


000532-003

BOX BED – ALUMINUM

ITEM	PART NO.	DESCRIPTION	QTY
		1 2 3 4	
1	<u>1010435</u>	Bolt, Carriage, 5/16-18 X 1.00	11
2	<u>1010934</u>	Screw, 5/16-18 X 1.00 Hex Cap	2
3	<u>1014321</u>	Screw, #10 Truss-Head Torx	4
4	<u>1014387</u>	Cap, Corner	2
5	<u>1014415</u>	Screw, 1/4-20 X 0.75 Torx Truss-Head	4
6	<u>1014537</u>	Stud, Self-Clinching Flush Head	2
7	<u>1015399</u>	Screw, 5/16-18 X 0.88 Torx Truss-Head	16
8	N/A	Box Bed Tailgate Angle	1
9	<u>101963401</u>	Locknut, 5/16-18 Hex Flange	33
10	<u>102030101</u>	Panel, Front	1
11	<u>102030201</u>	Tailgate Asm (includes items 12 through 15)	1
12	<u>1013317</u>	Decal, Logo, Tailgate	1
13	<u>1015246</u>	Plate, Tailgate Latch Wear	2
14	N/A	Tailgate Weldment	1
15	<u>7973</u>	Rivet, 3/16 X .400 Blind	4
16	<u>103191401</u>	Asm, Panel, Side, Left (includes items 17 through 28)	1
17	<u>1010434</u>	Barrel - Plastic	1
18	<u>1011990</u>	Washer, 3/8 Flat	1
19	<u>1015313</u>	Latch, Tailgate, Left-Hand	1
20	<u>1015363</u>	Bushing, Snap-In	1
21	<u>1015390</u>	Compression Spring Latch Tilt	1
22	<u>1015400</u>	Grip, Tilt Latch Hand	1
23	<u>103191201</u>	Weldment, Panel, Side, Left	1
24	<u>1032</u>	Bushing, Nylon	1
25	<u>103379401</u>	Rivet, 1/4 X 0.30, Blind	2
26	<u>103406501</u>	Kit, Tailgate Mounting Bracket, CA, LH (includes item 27)	1
27	<u>103406601</u>	Stud, 1/4 Self-clnchg Flush	2
28	<u>1231</u>	Pin, 1/8 X 1.00 Split Roll	1
29	<u>103191501</u>	Asm, Panel, Side, Right (includes items 30 through 41)	1
30	<u>1010434</u>	Barrel - Plastic	1
31	<u>1011990</u>	Washer, 3/8 Flat	1
32	<u>1015245</u>	Latch, Tailgate, Right-Hand	1
33	<u>1015363</u>	Bushing, Snap-In	1
34	<u>1015390</u>	Compression Spring Latch Tilt	1
35	<u>1015400</u>	Grip, Tilt Latch Hand	1
36	<u>103191301</u>	Weldment, Panel, Side, Right	1
37	<u>1032</u>	Bushing, Nylon	1
38	<u>103379401</u>	Rivet, 1/4 X 0.30, Blind	2
39	<u>103406502</u>	Kit, Tailgate Mounting Bracket, CA, RH (includes item 40)	1
40	<u>103406601</u>	Stud, 1/4 Self-clnchg Flush	2
41	<u>1231</u>	Pin, 1/8 X 1.00 Split Roll	1
42	<u>332</u>	Washer, 1/4 Type A Narrow Flat	4
43	<u>7049</u>	Bushing, Nylon	2
44	<u>8233</u>	Locknut, 1/4-20, Nylon Insert	4

1
G



000518-005

SIDE PANELS AND REAR FENDERS

ITEM	PART NO.	DESCRIPTION	QTY
		1 2 3 4	
1	<u>1014306</u>	Washer, 1/4" Type B Flat	4
2	<u>102491701</u>	Well Nut 1/4-20	8
3	<u>102913801</u>	Left Rear Fender (Black)	1
4	<u>102913901</u>	Right Rear Fender (Black)	1
5	<u>102914001</u>	Panel, Front, Kick (Black)	1
6	<u>102914101</u>	Panel, Side, Molded, Driver (Black)	1
7	<u>102914102</u>	Panel, Side, Molded, Passenger (Black)	1
8	<u>103200501</u>	Screw, Tuflok, 10mm	6
9	<u>103331201</u>	Closeout, Extrusion	1
10	<u>8251</u>	Screw, 1/4-20 X 1.0 Truss-Head Machine	8

1
G

1

G

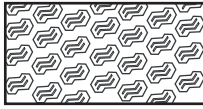
WHEELS AND TIRES

2

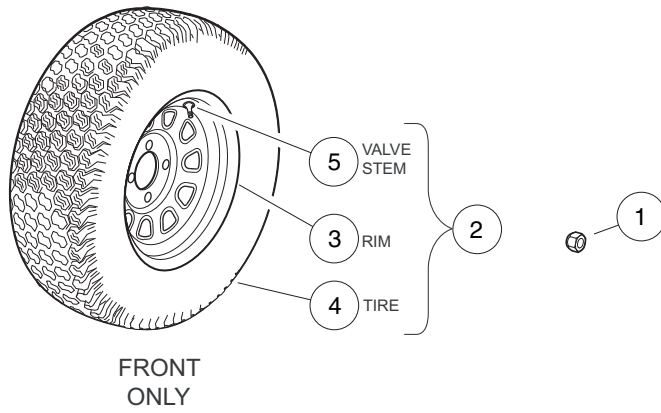
G

2

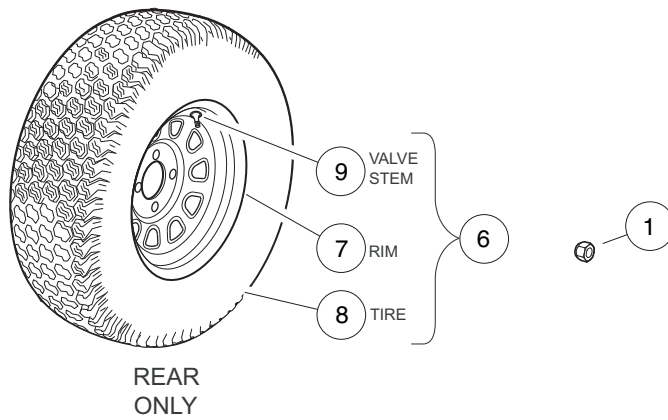
G



Turf



FRONT ONLY



REAR ONLY

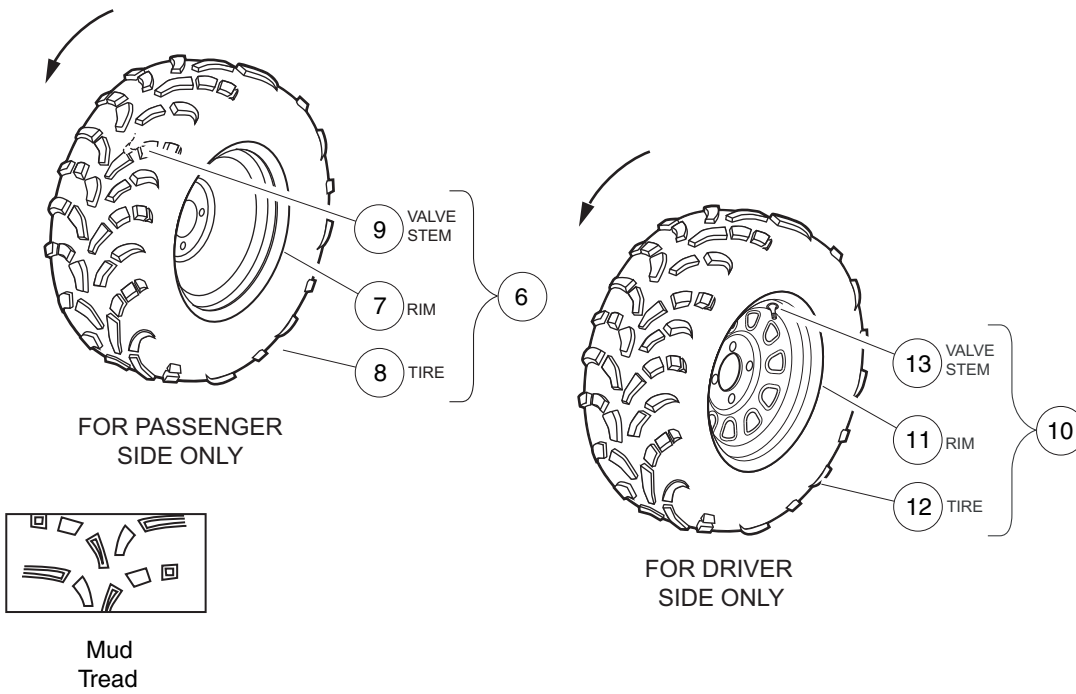
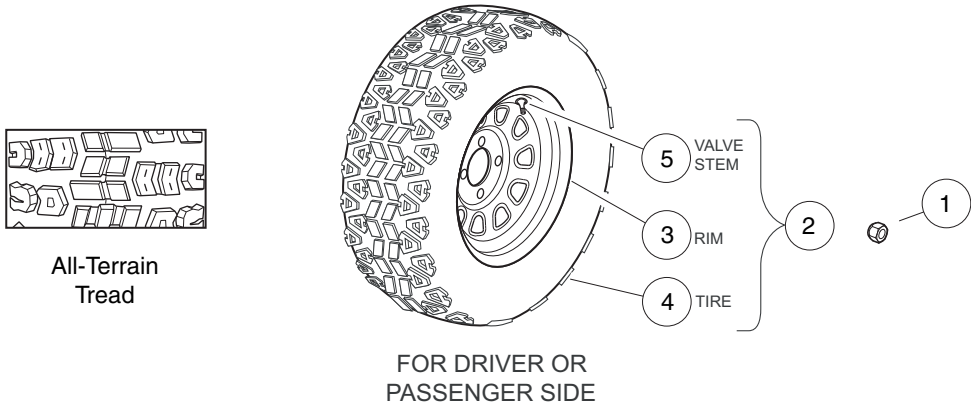
000506-004

WHEELS AND TIRES – STEEL WITH TURF

ITEM	PART NO.	DESCRIPTION	QTY
		1 2 3 4	
1	<u>102736901</u>	Nut, Lug, 1/2-20 SAE J2283	16
2	<u>103971001</u>	Wheel/Tire Assy, Turf, 23x10.5-12 K500, Black Wheel (includes items 3 through 5)	2
3	<u>103234503</u>	Wheel, 10 Window, Black	1
4	<u>103971101</u>	Tire, Turf K500, 23x10.5-12 4p	1
5	<u>7310</u>	Valve Stem, Black Plastic	1
6	<u>103971201</u>	Wheel/Tire Assy, Turf, 24x12-12 K500, Black Wheel (includes items 7 through 9)	2
7	<u>103234503</u>	Wheel, 10 Window, Black	1
8	<u>103971301</u>	Tire, Turf K500, 24x12-12 4p	1
9	<u>7310</u>	Valve Stem, Black Plastic	1
<p style="margin-left: 40px;">Note: Must use Item 2 on front; Item 6 on rear.</p>			

2

G

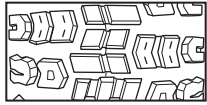


000506-002

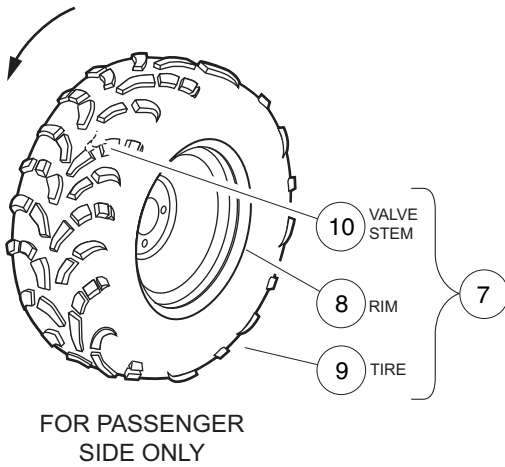
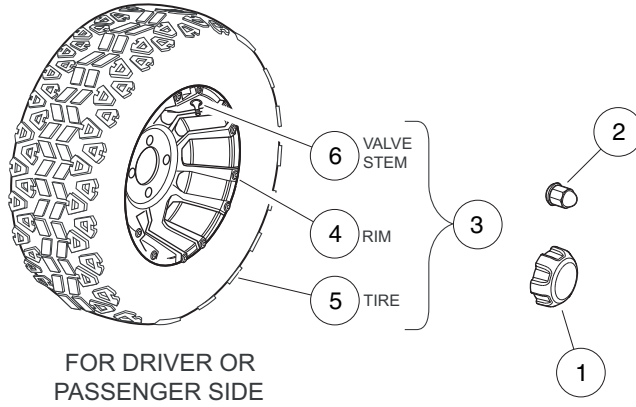
WHEELS AND TIRES – STEEL WITH ALL-TERRAIN/MUD

ITEM	PART NO.	DESCRIPTION	QTY
		1 2 3 4	
1	<u>102736901</u>	Nut, Lug, 1/2-20 SAE J2283	16
2	<u>103779001</u>	Wheel/Tire Assy, All Terrain, 25x11-12 K502, Black Wheel (includes items 3 through 5) .	4
3	<u>103234503</u>	Wheel, 10 Window, Black	1
4	<u>103778601</u>	Tire, All Terrain, K502, 25x11-12	1
5	<u>7310</u>	Valve Stem, Black Plastic	1
6	<u>103901101</u>	Wheel/Tire Assy, Pass. Side, Mud, 25x11-12 OTR 440, Black (includes items 7 through 9)	2
7	<u>103234503</u>	Wheel, 10 Window, Black	1
8	<u>103901001</u>	Tire, Mud, 6ply, 25x11-12, 440	1
9	<u>7310</u>	Valve Stem, Black Plastic	1
10	<u>103901102</u>	Wheel/Tire Assy, Driver Side, Mud, 25x11-12 OTR 440, Black (includes items 11 through 13)	2
11	<u>103234503</u>	Wheel, 10 Window, Black	1
12	<u>103901001</u>	Tire, Mud, 6ply, 25x11-12, 440	1
13	<u>7310</u>	Valve Stem, Black Plastic	1
Note: Must use Item 6 on passenger side; Item 10 on driver side.			

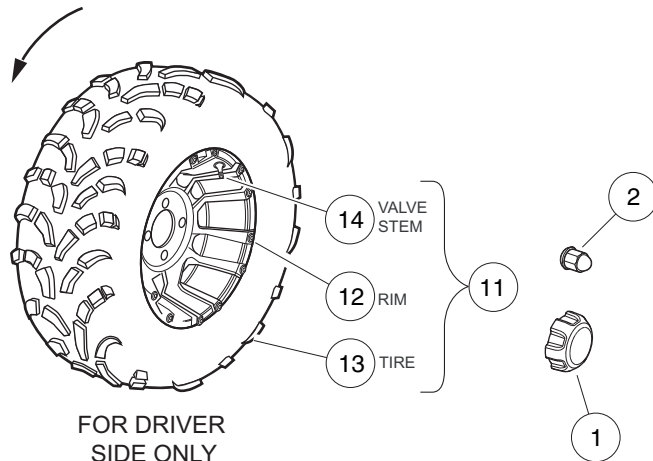
2
G



All-Terrain



Mud



000506-003

WHEELS AND TIRES – ALLOY WITH ALL-TERRAIN/MUD

ITEM	PART NO.	DESCRIPTION	QTY
		1 2 3 4	
1	<u>103532801</u>	Cap, Center, Chrome	4
2	<u>103699801</u>	Lug Nut, 13/16 X 1/2-20, CE	16
3	<u>103779004</u>	Wheel/Tire Assy, All Terrain, 25x11-12 K502, Alloy Wheel (includes items 4 through 6) ..	4
4	<u>103525002</u>	Wheel, Alloy	1
5	<u>103778601</u>	Tire, All Terrain, K502, 25x11-12	1
6	<u>7310</u>	Valve Stem, Black Plastic	1
7	103901107	Wheel/Tire Assy, Pass. Side, Mud, 25x11-12 OTR 440, Alloy (includes items 8 through 10)	2
8	<u>103525002</u>	Wheel, Alloy	1
9	<u>103901001</u>	Tire, Mud, 6ply, 25x11-12, 440	1
10	<u>7310</u>	Valve Stem, Black Plastic	1
11	103901108	Wheel/Tire Assy, Driver Side, Mud, 25x11-12 OTR 440, Alloy (includes items 12 through 14)	2
12	<u>103525002</u>	Wheel, Alloy	1
13	<u>103901001</u>	Tire, Mud, 6ply, 25x11-12, 440	1
14	<u>7310</u>	Valve Stem, Black Plastic	1
Note: Must use Item 7 on passenger side; Item 11 on driver side.			

2

G

2

G

DECALS

3

G

⚠ WARNING
GASOLINE EXPLOSION / FIRE.

- Can cause severe injury or death.
- No smoking, sparks, or open flames.
- Stop engine, allow to cool before refueling.
- Turn fuel valve (—) on during operation, (—) off during storage or transport.

CCI 10245901

OPERATING INSTRUCTIONS

- Read owner's manual and vehicle safety warnings. Study and understand controls.

TO START ENGINE

- Place shift lever in NEUTRAL (N) and press brake pedal.
- Turn key to START and hold until engine starts.

Diesel Vehicles Only:

- If required, turn key to PREHEAT and hold for 10-15 seconds.

TO OPERATE VEHICLE

- Ensure wheels are turned in desired direction and path is clear.
- With vehicle stopped and engine at idle, select vehicle direction.

Forward
 Neutral
 Reverse (Buzzer will sound)

- Release park brake and slowly press accelerator pedal to increase speed.
- All-wheel drive will automatically drive appropriate wheel(s).

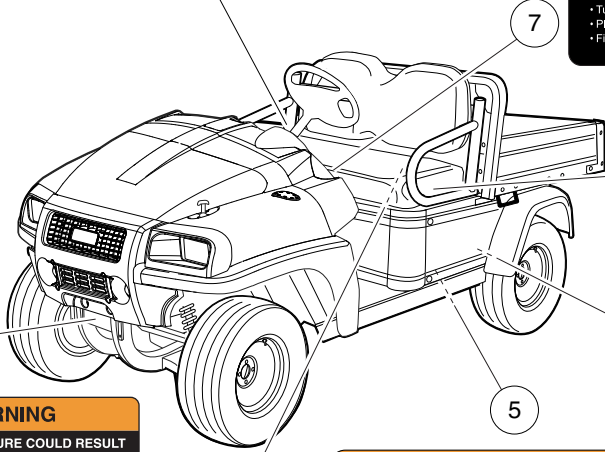
TO STOP VEHICLE

- Release accelerator pedal and push brake pedal.

BEFORE LEAVING VEHICLE

- Turn key to OFF and remove key.
- Place shift lever in NEUTRAL (N).
- Firmly set park brake.

CCI 102884301



⚠ WARNING
CAN CAUSE SEVERE INJURY

HOT manifold

KEEP CLEAR

CCI 102459001

⚠ WARNING
WINCH CABLE FRACTURE COULD RESULT IN SERIOUS INJURY OR DEATH.

- Do not use winch while persons are seated on the vehicle.
- Use remote operation switch for winch control.
- Stand to the side and away from the vehicle to operate winch.
- Read winch operator manual before operating winch.

102231601

⚠ WARNING
CAN CAUSE SEVERE BURNS

Hot Surface

CCI 102458901

⚠ WARNING

Negative frame ground. Can cause severe injury. Do not contact positive (+) battery post or cable to frame. Disconnect negative (-) battery cable first.

CCI 102459101

<p>⚠ WARNING CAN CAUSE SEVERE INJURY</p> <p>Rotating parts. KEEP CLEAR.</p>	<p>⚠ WARNING CAN CAUSE SEVERE INJURY</p> <p>Hot manifold and muffler. KEEP CLEAR.</p>	<p>⚠ WARNING CAN CAUSE SEVERE INJURY</p> <p>Hot manifold and muffler. KEEP CLEAR.</p>
---	---	---

CCI 102459501

SAFETY DECALS

ITEM	PART NO.	DESCRIPTION	QTY
		1 2 3 4	
1	<u>101547601</u>	Decal, Gasoline Explosion/Fire Warning	1
2	<u>102231601</u>	Decal, Winch Cable Fracture Warning	1
3	<u>102458901</u>	Decal, Hot Surface Warning	2
4	<u>102459001</u>	Decal, Hot Manifold Warning	1
5	<u>102459101</u>	Decal, Frame Ground Warning	1
6	<u>102459501</u>	Decal, Rotating Parts and Hot Exhaust Warning	1
7	<u>102884301</u>	Decal, Operating Instr, AWD	1

3

G

⚠ WARNING

UNINTENDED MOVEMENT, ROLLOVER, OR FALLING OUT CAN CAUSE SERIOUS INJURY OR DEATH.

- Young drivers increase chance of death.
 - No drivers younger than 16 years old.
 - Vehicle to be operated by licensed and authorized persons only.
- Use in authorized areas only. Do not operate on public roads.
- One (1) person per bucket seat maximum.
- Two (2) persons per bench seat maximum.
- Operate from driver's seat only.
- Do not start vehicle until all occupants are fully seated.
- Drive slowly in turns and straight up and down slopes.
- Remain fully seated while moving.
- Hold on and keep entire body inside vehicle while moving.
- Never attempt jumps and avoid extreme braking in reverse.
- Do not leave children unattended in vehicle at any time.
- Children requiring a child safety seat must not ride in vehicle.
- Never operate under the influence of alcohol or drugs.

NOTICE

The canopy support is not certified as a rollover protective structure.

CCI 10392801



⚠ WARNING

CAN CAUSE SEVERE INJURY

Rotating parts. **KEEP CLEAR.**

CCI 10209001

NOTICE

MAXIMUM TONGUE WEIGHT - 150 lbs.

CCI 1011553

⚠ WARNING

CRUSH AREA

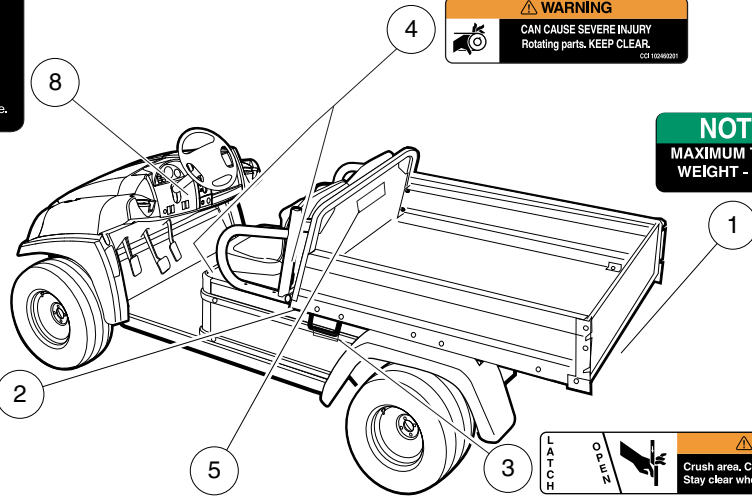
STAY CLEAR

CCI 101609401

⚠ WARNING

Crush area. Can cause severe injury. Stay clear when closing bed.

CCI 10308001



⚠ WARNING

RIDING IN CARGO BED CAN CAUSE SERIOUS INJURY OR DEATH.

Do not ride in cargo bed.

⚠ WARNING

ROLLOVER CAN CAUSE SERIOUS INJURY OR DEATH.

- Place cargo forward in the cargo bed and distribute evenly side to side. Secure load.
- On uneven or steep terrain, reduce speed and load.
- Avoid stopping on or backing down steep hills.
- Avoid top-heavy loads.

VEHICLE LOADING

- Read owner's manual and warnings on dash.
- Vehicle rated capacity: 1200 lb. (544 kg) on level surface only.
- Includes occupants and cargo load.
- Maximum cargo load: 800 lb. (363 kg).
- Includes cargo, bed load, optional equipment, and trailer tongue weight.

103202001

⚠ WARNING

RIDING IN CARGO BED CAN CAUSE SERIOUS INJURY OR DEATH.

Do not ride in cargo bed.

⚠ WARNING

ROLLOVER CAN CAUSE SERIOUS INJURY OR DEATH.

- Place cargo forward in the cargo bed and distribute evenly side to side. Secure load.
- On uneven or steep terrain, reduce speed and load.
- Avoid stopping on or backing down steep hills.
- Avoid top-heavy loads.

HIGH-CAPACITY VEHICLE LOADING

- Read owner's manual and warnings on dash.
- Vehicle rated capacity: 1450 lb. (658 kg) on level surface only.
- Includes occupants and cargo load.
- Maximum cargo load: 1050 lb. (476 kg).
- Includes cargo, bed load, optional equipment, and trailer tongue weight.

103204001

⚠ WARNING

RIDING IN CARGO BED CAN CAUSE SERIOUS INJURY OR DEATH.

Do not ride in cargo bed.

⚠ WARNING

ROLLOVER CAN CAUSE SERIOUS INJURY OR DEATH.

- Reduce speed when heavily loaded.
- Place cargo forward in the cargo bed and distribute evenly side to side. Secure load.
- On uneven or steep terrain, reduce speed and load.
- Avoid stopping on or backing down steep hills.
- Avoid top-heavy loads.

HIGH-CAPACITY VEHICLE LOADING

- Read owner's manual and warnings on dash.
- Vehicle rated capacity: 1900 lb. (862 kg) on level surface only.
- Includes occupants and cargo load.
- Maximum cargo load: 1500 lb. (680 kg) - Includes cargo, bed load, optional equipment, and trailer tongue weight.
- Towing not allowed when cargo load exceeds 1050 lb. (476 kg).

103951301

000509-007

SAFETY DECALS, CONTINUED (WITHOUT ROPS OPTION)

ITEM	PART NO.	DESCRIPTION	QTY
		1 2 3 4	
1	<u>1011553</u>	Decal, Trailer Hitch	1
2	<u>101609401</u>	Decal, Crush Area Warning	1
3	<u>102459301</u>	Decal, Bed Crush Area Warning	1
4	<u>102460201</u>	Decal, Rotating Parts Warning	2
5	<u>103202601</u>	Decal, Vehicle Loading, 800 lbs	1
6	<u>103210401</u>	Decal, Vehicle Loading, 1050 lbs	1
7	<u>103951301</u>	Decal, Vehicle Loading, 1500 lbs	1
8	<u>103962801</u>	Decal, Warning, Occ, 2wd No ROPS	1

3

G

WARNING

ROLLOVER OR FALLING OFF MAY CAUSE DEATH

- Read owner's manual and operating instructions.
- Fasten seat belts and remain seated while moving.
- Children requiring a child safety seat must not ride on vehicle. Comply with state and local laws pertaining to child safety.
- Drive slowly in turns and straight up and down slopes.
- Do not start vehicle until all occupants are seated.
- Two (2) persons per bench seat maximum.
- One (1) person per bucket seat maximum.
- Operate from driver side only and not on public roads.
- Keep entire body inside vehicle while moving.
- Do not operate while under the influence of alcohol or drugs.
- Never attempt jumps and avoid extreme braking in reverse.

CCI 102884401

UNDER 16

WARNING

YOUNG DRIVERS INCREASE CHANCE OF DEATH

- Young drivers may not be able to control vehicle.
- No drivers younger than 16 years old.
- Do not leave children unattended on vehicle.

CCI 102899401

WARNING

- Do not modify or remove Roll-over Protective Structure (ROPS).
- Replace ROPS if damaged. Do not attempt repair.
- Use seat belts during operation. Do not jump from vehicle.
- Keep away from drop-offs, steep slopes, and unstable surfaces.

CCI 102961201

WARNING

CAN CAUSE SEVERE INJURY

Rotating parts. KEEP CLEAR.

CCI 10146001

NOTICE

MAXIMUM TONGUE WEIGHT - 150 lbs.

CCI 1011553

WARNING

CRUSH AREA

STAY CLEAR

CCI 101093401

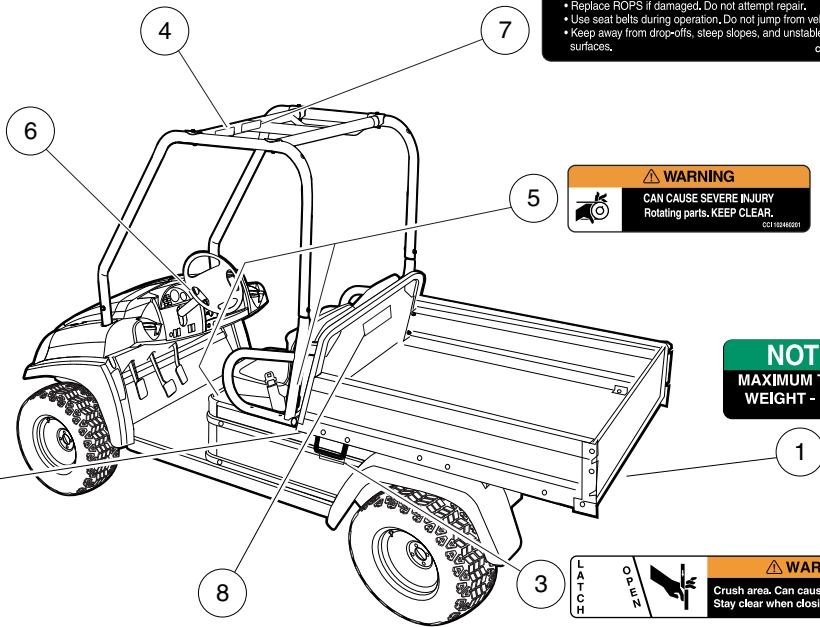
WARNING

Crush area. Can cause severe injury. Stay clear when closing bed.

CCI 10146001

<p>WARNING</p> <p>RIDING IN CARGO BED CAN CAUSE SERIOUS INJURY OR DEATH.</p> <p>• Do not ride in cargo bed.</p>	<p>WARNING</p> <p>ROLLOVER CAN CAUSE SERIOUS INJURY OR DEATH.</p> <ul style="list-style-type: none"> • Place cargo forward in the cargo bed and distribute evenly side to side. Secure load. • On uneven or steep terrain, reduce speed and load. • Avoid stopping on or backing down steep hills. • Avoid top-heavy loads. 	<p>HIGH-CAPACITY VEHICLE LOADING</p> <ul style="list-style-type: none"> • Read owner's manual and warnings on dash. • Vehicle rated capacity: 1450 lb. (658 kg) on level surface only. • Includes occupants and cargo load. • Maximum cargo load: 1050 lb. (476 kg). • Includes cargo, bed load, optional equipment, and trailer tongue weight.
---	---	---

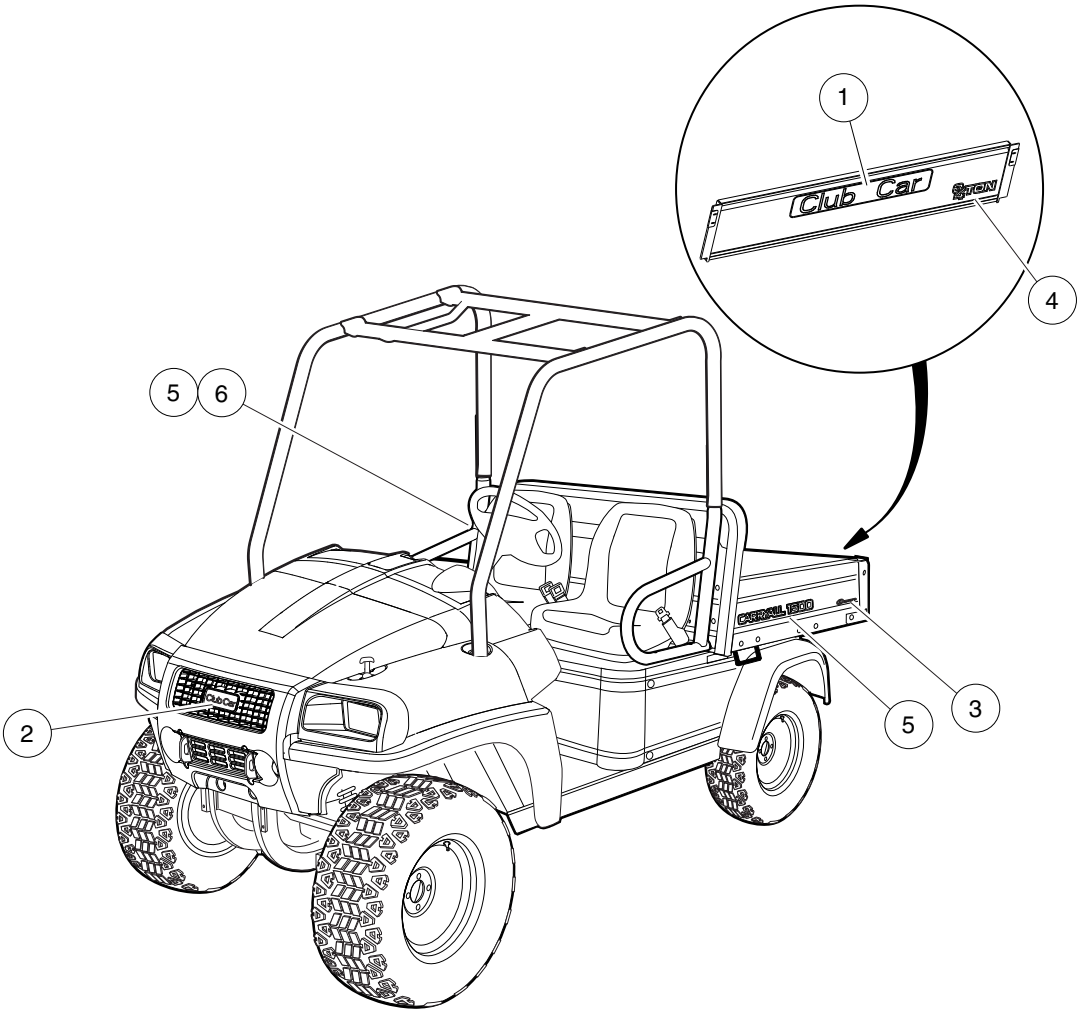
<p>WARNING</p> <p>RIDING IN CARGO BED CAN CAUSE SERIOUS INJURY OR DEATH.</p> <p>• Do not ride in cargo bed.</p>	<p>WARNING</p> <p>ROLLOVER CAN CAUSE SERIOUS INJURY OR DEATH.</p> <ul style="list-style-type: none"> • Reduce speed when heavily loaded. • Place cargo forward in the cargo bed and distribute evenly side to side. Secure load. • On uneven or steep terrain, reduce speed and load. • Avoid stopping on or backing down steep hills. • Avoid top-heavy loads. 	<p>HIGH-CAPACITY VEHICLE LOADING</p> <ul style="list-style-type: none"> • Read owner's manual and warnings on dash. • Vehicle rated capacity: 1900 lb. (862 kg) on level surface only. • Includes occupants and cargo load. • Maximum cargo load: 1500 lb. (680 kg) - Includes cargo, bed load, optional equipment, and trailer tongue weight. • Towing not allowed when cargo load exceeds 1050 lb. (476 kg).
---	--	--



SAFETY DECALS, CONTINUED (WITH ROPS OPTION)

ITEM	PART NO.	DESCRIPTION	QTY
		1 2 3 4	
1	<u>1011553</u>	Decal, Trailer Hitch	1
2	<u>101609401</u>	Decal, Crush Area Warning	1
3	<u>102459301</u>	Decal, Bed Crush Area Warning	1
4	<u>102459401</u>	Decal, Young Driver Warning	1
5	<u>102460201</u>	Decal, Rotating Parts Warning	2
6	<u>102884401</u>	Decal, Warning, Rollover	1
7	<u>102961201</u>	Decal, Warning, AWD ROPS	1
8	<u>103210401</u>	Decal, Vehicle Loading, 1050 lbs	1
9	<u>103951301</u>	Decal, Vehicle Loading, 1500 lbs	1

3
G



000531-010

BADGING DECALS

ITEM	PART NO.	DESCRIPTION	QTY
		1 2 3 4	
1	<u>1013317</u>	Decal, Logo, Tailgate	1
2	<u>102883601</u>	Decal, Nameplate, CCI, Front	1
3	<u>103234304</u>	Decal, Badge, lr, Red	2
4	<u>104006401</u>	Decal, Capacity, 3/4 Ton	1
5	<u>105200501</u>	Decal, Badge, CA1500	2

3

G

3

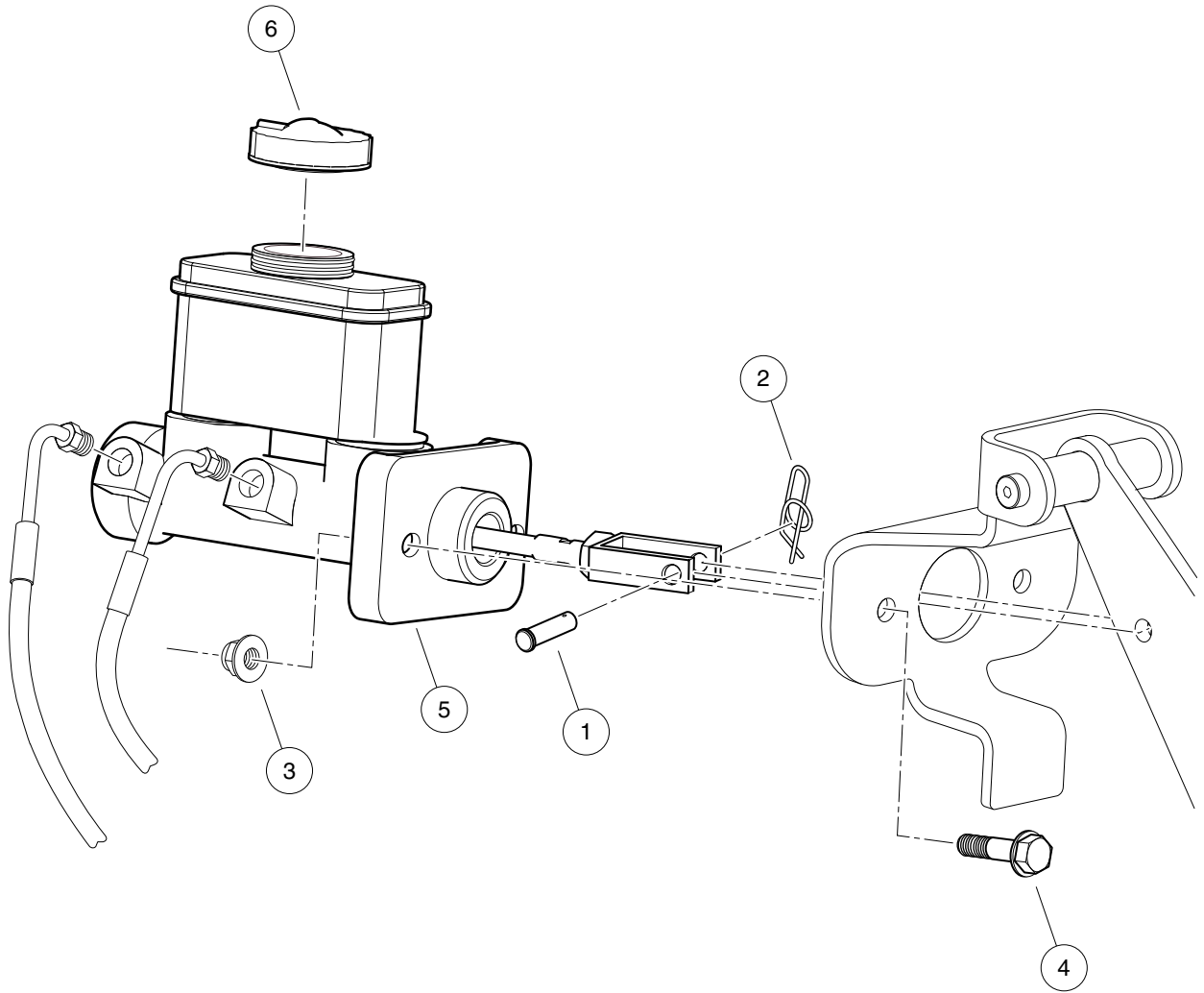
G

BRAKE SYSTEMS AND PEDALS – WITH SINGLE-PISTON FRONT CALIPERS

4

G

4
G



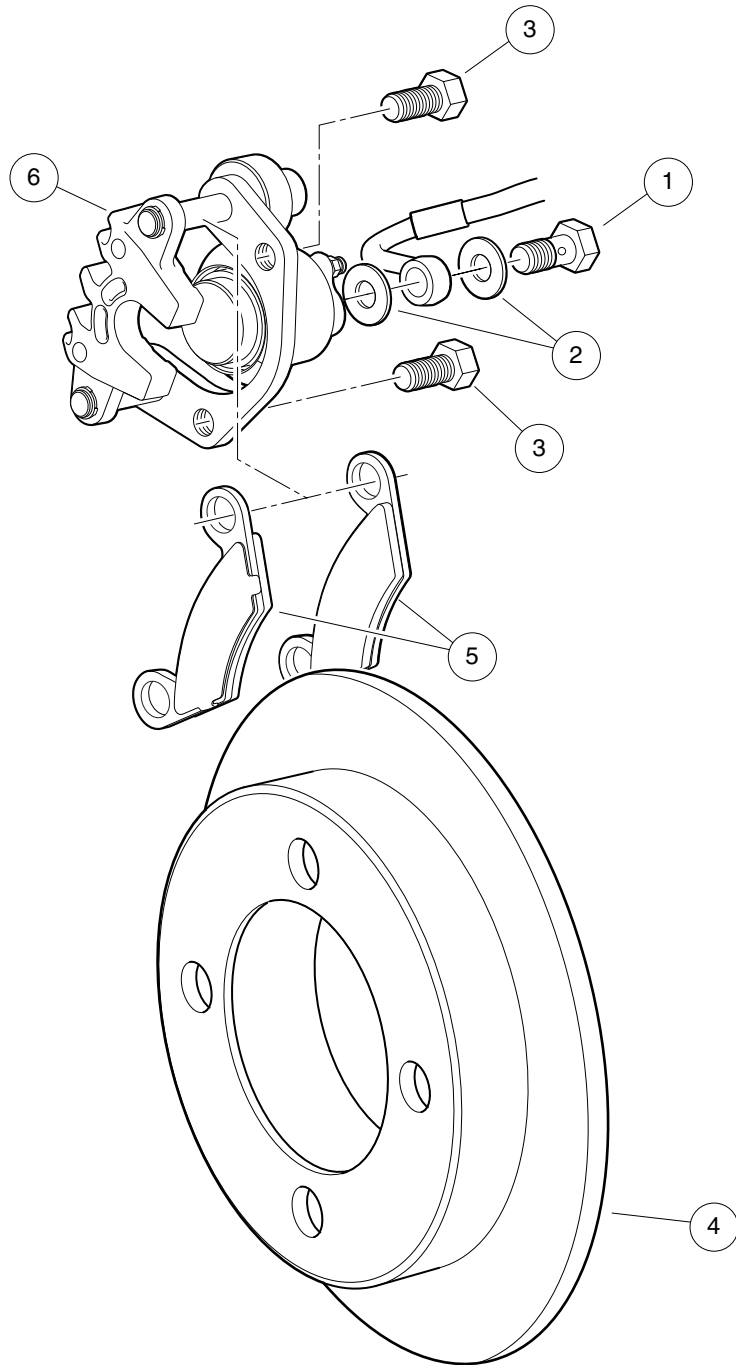
000792-001

MASTER CYLINDER WITH INTEGRAL RESERVOIR

ITEM	PART NO.	DESCRIPTION	QTY
		1 2 3 4	
1	<u>101082903</u>	Pin, Clevis, 5/16 X 1	1
2	<u>102176901</u>	Pin, Rue	1
3	<u>102298401</u>	Nut,m8,all Metal Lock	2
4	<u>102618401</u>	Bolt Flanged Head, M8 X 1.25 X 35	2
5	<u>103376101</u>	Cylinder, Master, Integral Res	1
6	<u>103380701</u>	Cap, Filler, Master Cylinder	1

4

G



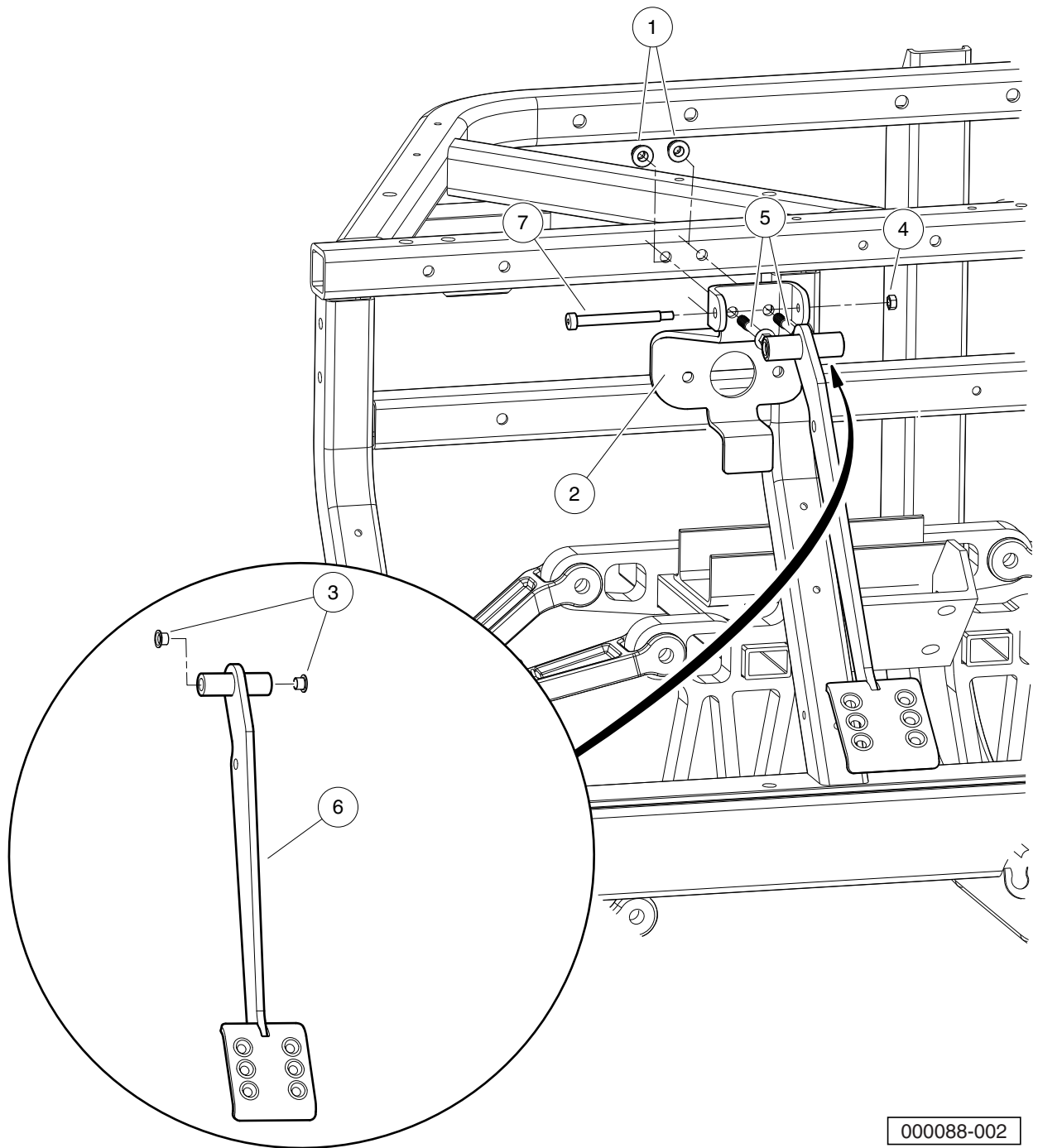
000067-003

FRONT BRAKES

ITEM	PART NO.	DESCRIPTION	QTY
		1 2 3 4	
1	<u>102488001</u>	Bolt, Banjo, M10x1x19	2
2	<u>102491601</u>	Washer, Copper, M10 Crush	2
3	<u>102493301</u>	Bolt, Flange Head, 3/8-24x.750 with Loctite	4
4	<u>103077501</u>	Rotor, Disc, Brake	2
5	<u>103160101</u>	Kit, Brake Pad, 7646	1
6	<u>103574301</u>	Caliper, Brake, Front, w/pad 7646	2

4

G

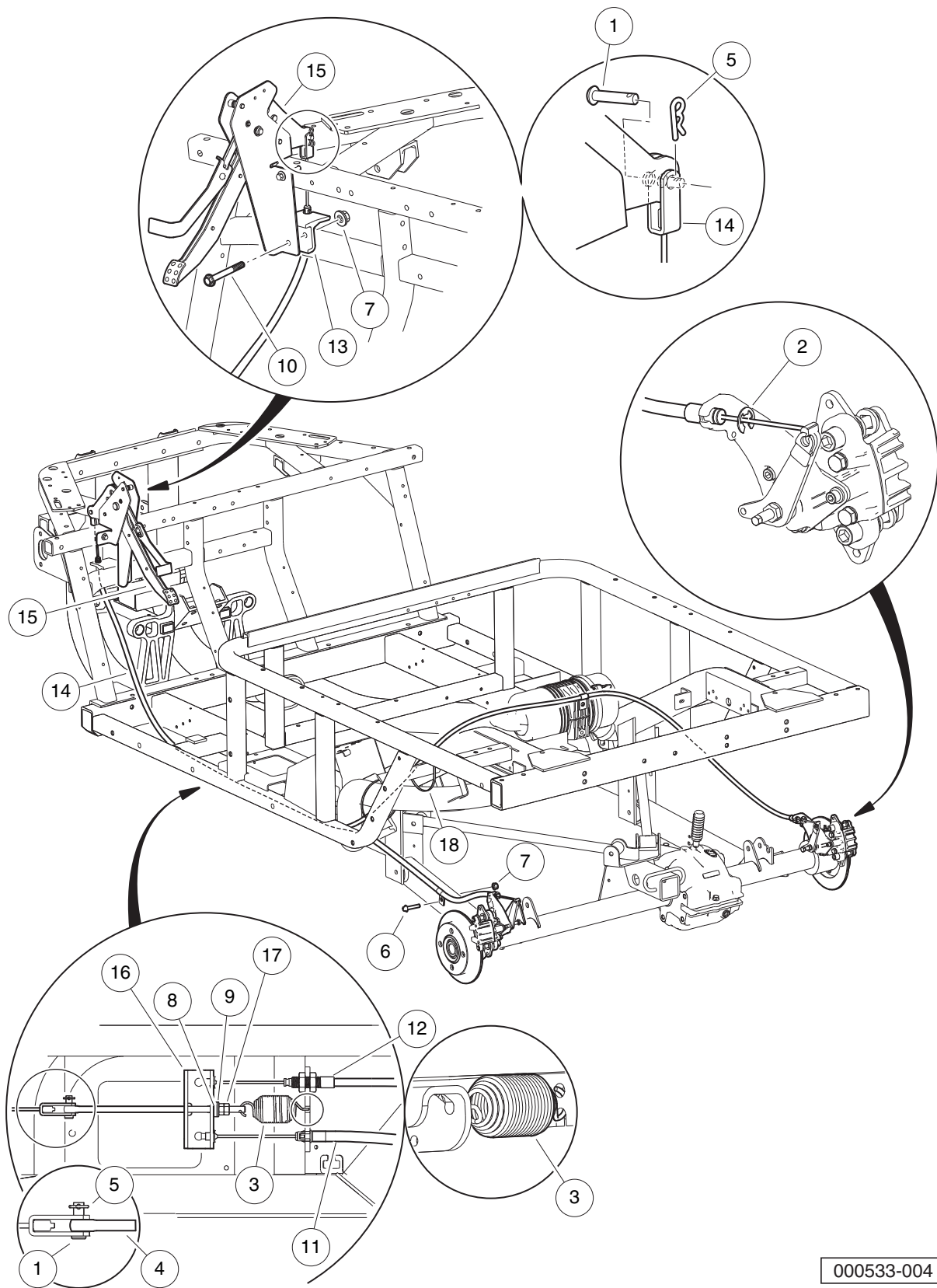


000088-002

BRAKE PEDAL

ITEM	PART NO.	DESCRIPTION	QTY
		1 2 3 4	
1	<u>102298401</u>	Nut,m8,all Metal Lock	2
2	<u>102380601</u>	Bracket, Pedal, Brake	1
3	<u>102442901</u>	Bushing, Greaseless	2
4	<u>102618101</u>	Nut, M6x1, Mechanically Deformed	1
5	<u>102618301</u>	Bolt, Flanged Head, M8 X 1.25 X 65	2
6	<u>102626201</u>	Weldment, Pedal, Brake, Hung	1
7	<u>103273101</u>	Bolt, Shoulder, M8 X 70, Hc	1

4
G



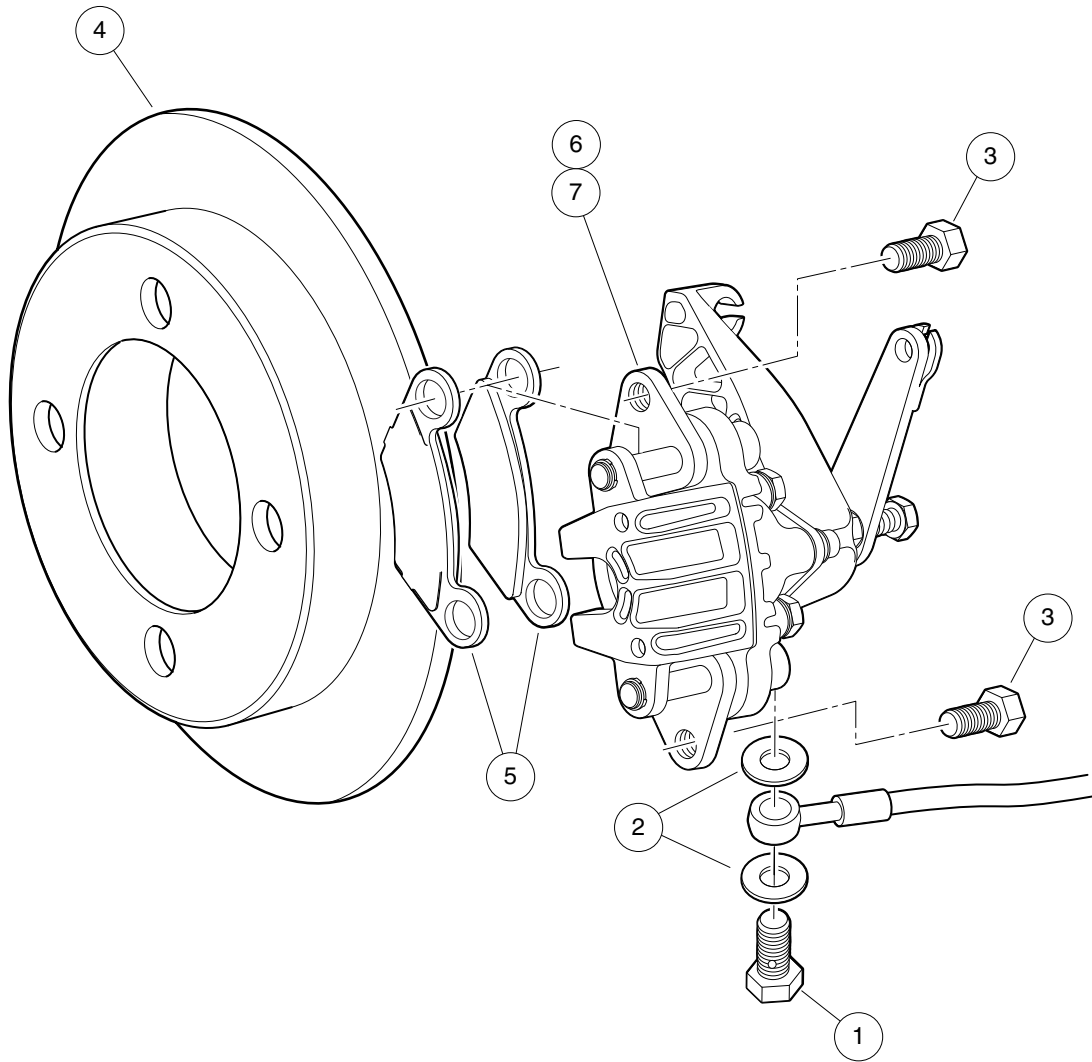
000533-004

PARK BRAKE SYSTEM

ITEM	PART NO.	DESCRIPTION	QTY
		1 2 3 4	
1	<u>101082903</u>	Pin, Clevis, 5/16 X 1	2
2	<u>1011779</u>	E-Clip, 1/2	2
3	<u>1013531</u>	Spring, Brake Return	1
4	<u>101953101</u>	Rod, Equalizer, 8.91"	1
5	<u>102292801</u>	Pin, Bow Tie Locking - .072	2
6	<u>102298240</u>	Bolt, Flange Head, M8-1.25 X 40	1
7	<u>102298401</u>	Nut,m8,all Metal Lock	4
8	<u>102551901</u>	Washer, 5/16, Self Comp, Cup	1
9	<u>102552001</u>	Washer, 5/16, Self Comp, Cone	1
10	<u>102618301</u>	Bolt, Flanged Head, M8 X 1.25 X 65	3
11	<u>102763301</u>	Cable, Noncoated, Pbrake, Left	1
12	<u>102763401</u>	Cable, Noncoated, Pbrake, Right	1
13	<u>103500901</u>	Bracket, Cable, Park Brake	1
14	<u>103505301</u>	Cable, Main Park Brake, 295/1550	1
15	<u>103505401</u>	Asm, Pedal, Park Brake	1
16	<u>103535001</u>	Bracket, Equalizer	1
17	<u>1242</u>	Nut, 5/16-18 Hex	2
18	<u>8639</u>	Tie Wrap, 11" Nylon	2

4

G



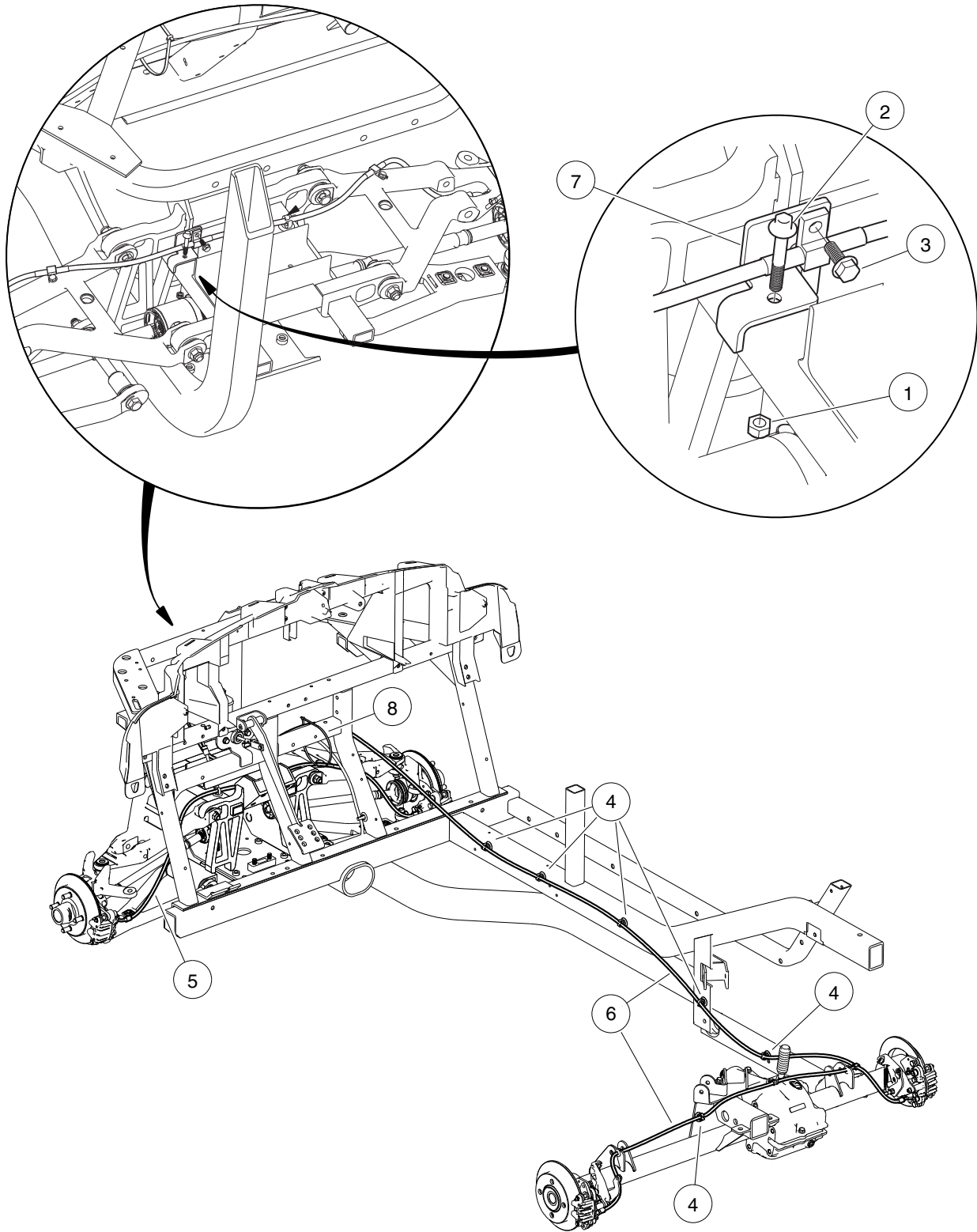
000068-005

REAR BRAKES

ITEM	PART NO.	DESCRIPTION	QTY
		1 2 3 4	
1	<u>102488001</u>	Bolt, Banjo, M10x1x19	2
2	<u>102491601</u>	Washer, Copper, M10 Crush	4
3	<u>102493301</u>	Bolt, Flange Head, 3/8-24x.750 with Loctite	4
4	<u>103077501</u>	Rotor, Disc, Brake	2
5	<u>103160101</u>	Kit, Brake Pad, 7646	1
6	<u>103523602</u>	Caliper, Brake, Rear, LH, with Park Brake	1
7	<u>103523702</u>	Caliper, Brake, Rear, RH, with Park Brake	1

4
G

4
G



000015-010

HYDRAULIC BRAKE LINES AND CLIPS

ITEM	PART NO.	DESCRIPTION	QTY
		1 2 3 4	
1	<u>101887601</u>	Locknut, M6-1.00 Nylon Insert	1
2	<u>102296140</u>	Bolt, Flanged Head, M6x1.0x40	1
3	<u>102296716</u>	Screw, M6 X 16 Tt Hx Fl Hd	4
4	<u>102475701</u>	Clip, Brake Line	9
5	<u>103174302</u>	Brake Line, Front, 295/295 SE/1550/1550 SE	1
6	<u>103842501</u>	Brake Line, Rear, 295/1550	1
7	105282201	Bracket, Brakeline, Front, Awd	1
8	<u>8639</u>	Tie Wrap, 11" Nylon	1

4

G

4

G

BRAKE SYSTEMS AND PEDALS – WITH DUAL-PISTON FRONT CALIPERS

5

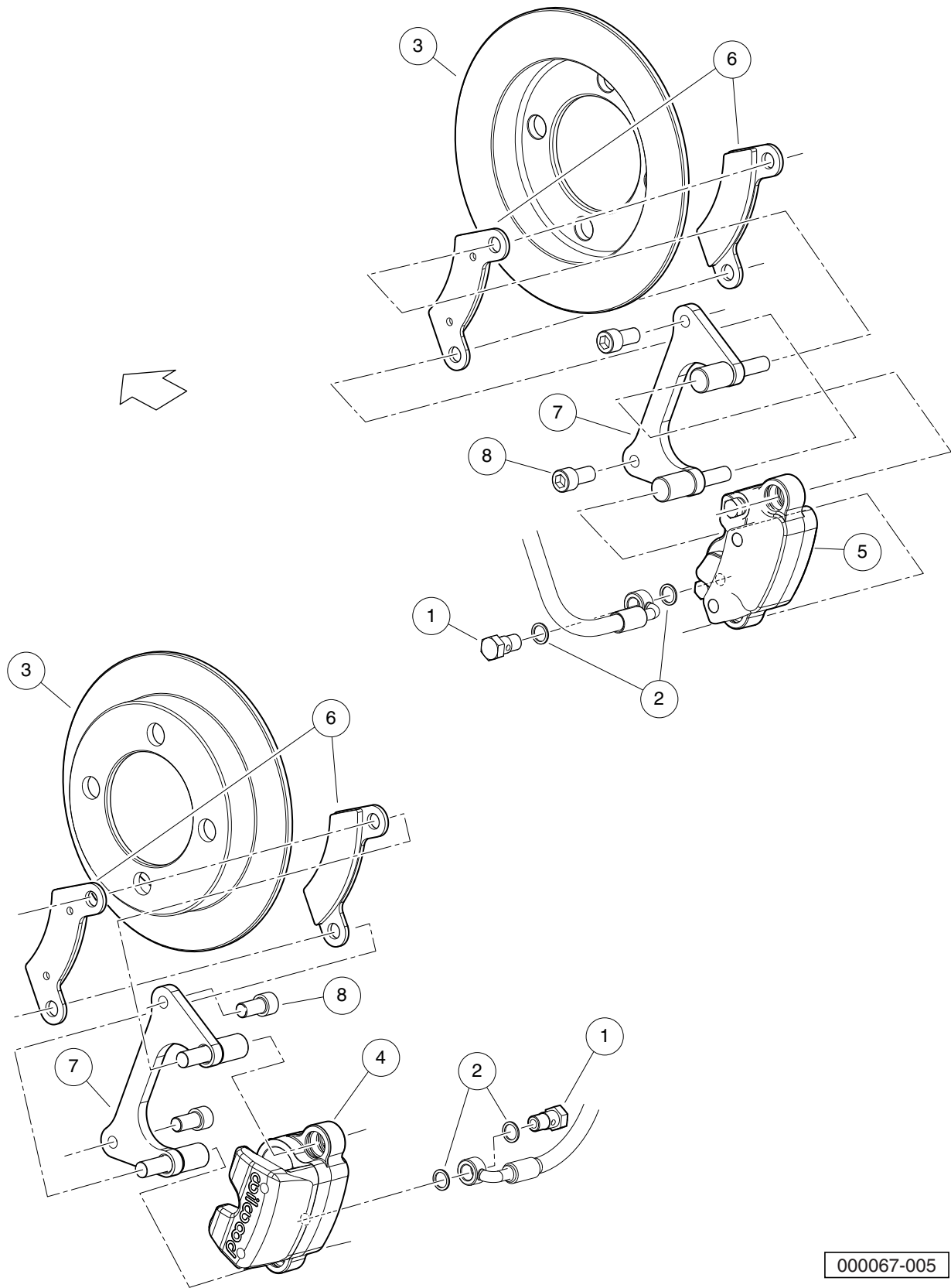
G

D

5

G

D



000067-005

FRONT BRAKES

ITEM	PART NO.	DESCRIPTION	QTY
		1 2 3 4	
1	<u>102488001</u>	Bolt, Banjo, M10x1x19	2
2	<u>102491601</u>	Washer, Copper, M10 Crush	4
3	<u>103077501</u>	Rotor, Disc, Brake	2
4	<u>103967601</u>	Caliper, Brake, Front, LH	1
5	<u>103967602</u>	Caliper, Brake, Front, RH	1
6	<u>103993701</u>	Brake Pad Set, Front (Four Pads)	1
7	103993801	Bracket, Caliper, Brake	2
8	104025201	Bolt, 3/8-24 x .75 SHCS, Patch	4
<p>Note: <u>103967601</u> and <u>103967602</u> calipers are not compatible with MY2013 or earlier, and are specific to steering upright assemblies 103980901 and 103980902, which were introduced at MY 2014.</p>			

5

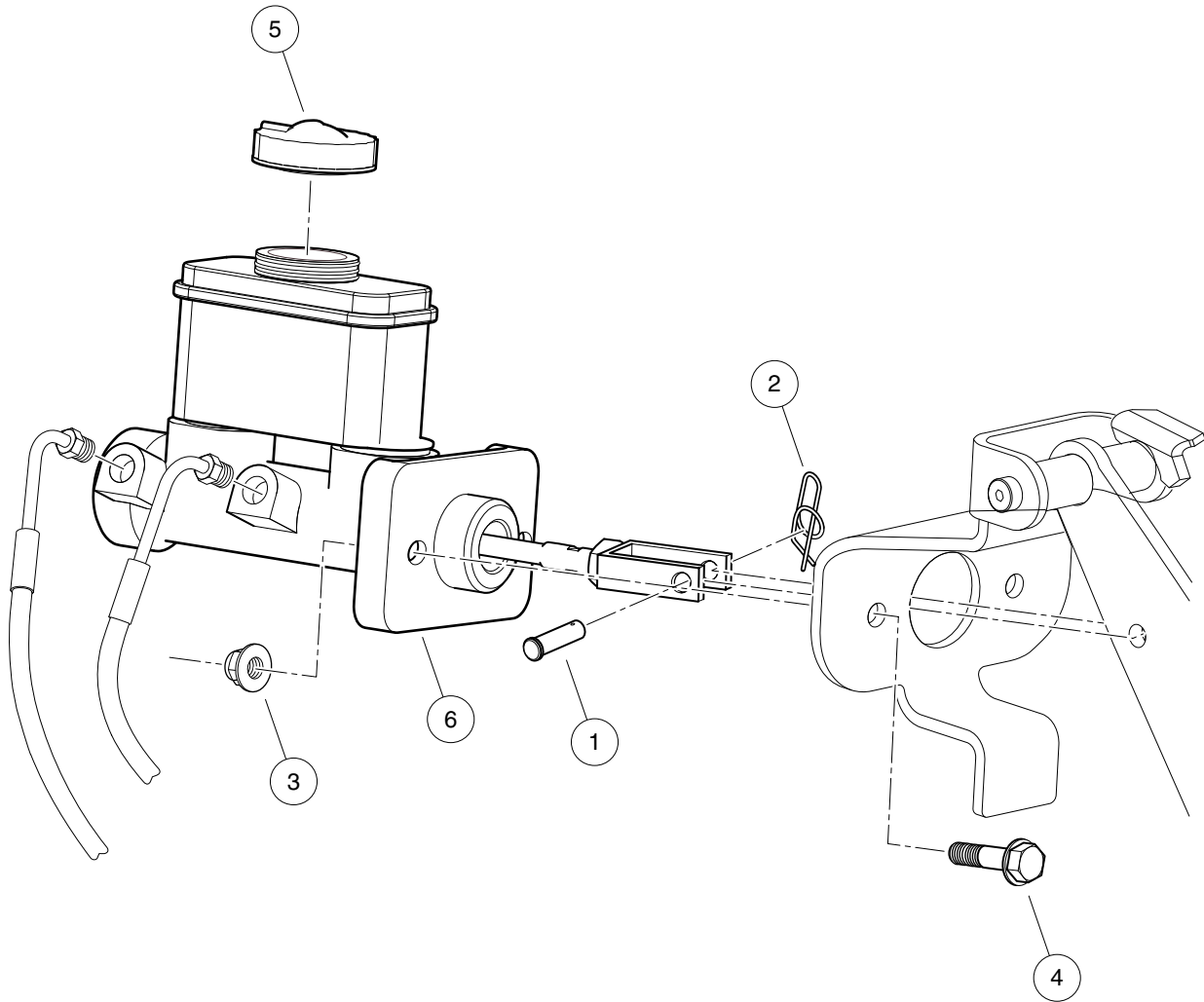
G

D

5

G

D



000792-002

MASTER CYLINDER WITH INTEGRAL RESERVOIR

ITEM	PART NO.	DESCRIPTION	QTY
		1 2 3 4	
1	<u>101082903</u>	Pin, Clevis, 5/16 X 1	1
2	<u>102176901</u>	Pin, Rue	1
3	<u>102298401</u>	Nut,m8,all Metal Lock	2
4	<u>102618401</u>	Bolt Flanged Head, M8 X 1.25 X 35	2
5	<u>103380701</u>	Cap, Filler, Master Cylinder	1
6	<u>103987001</u>	Cylinder,Master,7/8 Bore	1

5

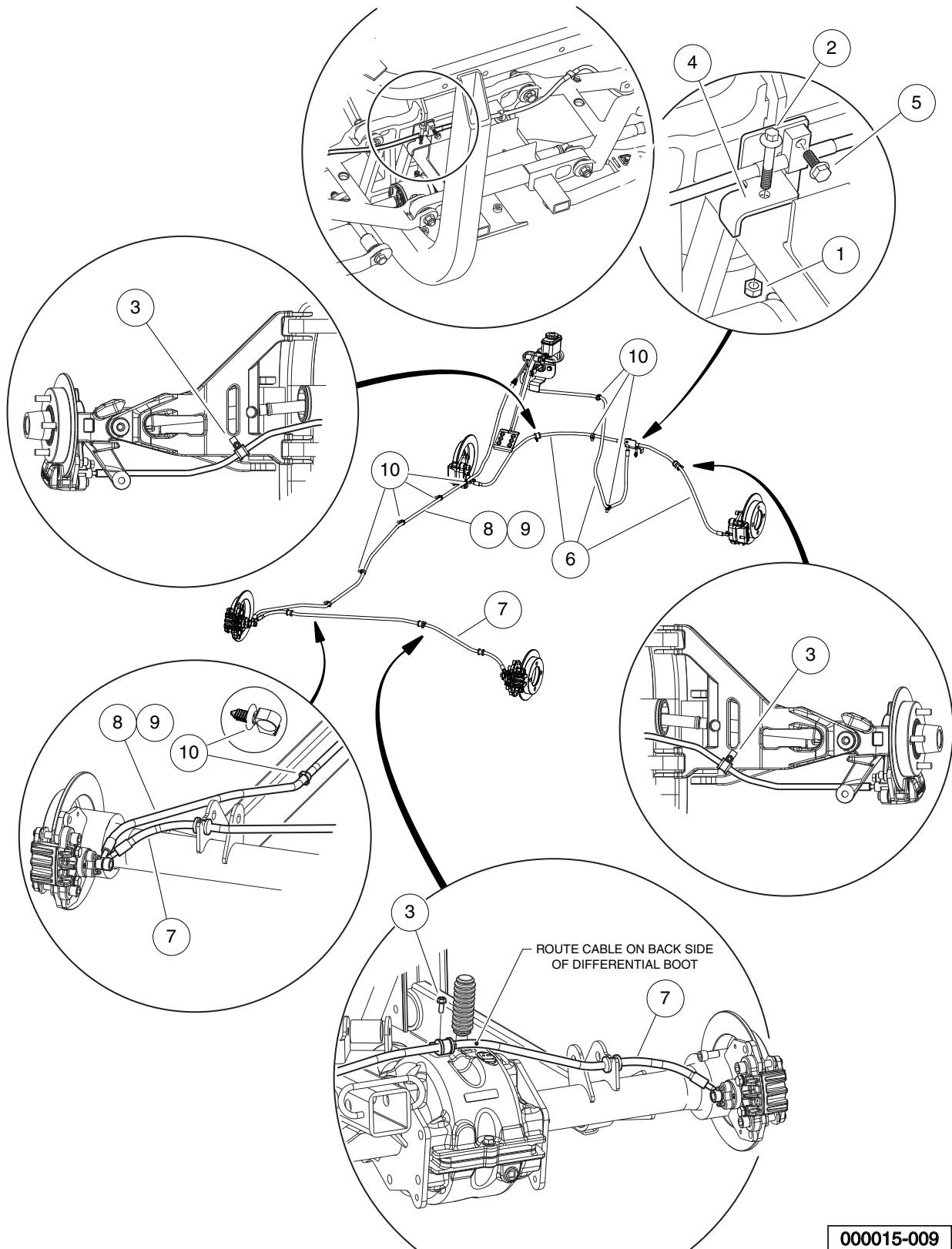
G

D

5

G

D



HYDRAULIC BRAKE LINES AND CLIPS

ITEM	PART NO.	DESCRIPTION	QTY
		1 2 3 4	
1	<u>101887601</u>	Locknut, M6-1.00 Nylon Insert	1
2	<u>102296140</u>	Bolt, Flanged Head, M6x1.0x40	1
3	<u>102296716</u>	Screw, M6 X 16 Tt Hx Fl Hd	3
4	<u>102474301</u>	Bracket, Tee, Brakeline	1
5	<u>102670801</u>	Screw, M6 X 1 X 25 Thd Form	1
6	<u>103967201</u>	Brake Line, Front, AWD	1
7	<u>103967301</u>	Brake Line, Rear, AWD	1
8	<u>103967401</u>	Brake Line, Mid, AWD Std	1
9	<u>103967501</u>	Brake Line, Mid, AWD SE	1
10	<u>103973101</u>	Clip, Snap-close 10mm	8

5

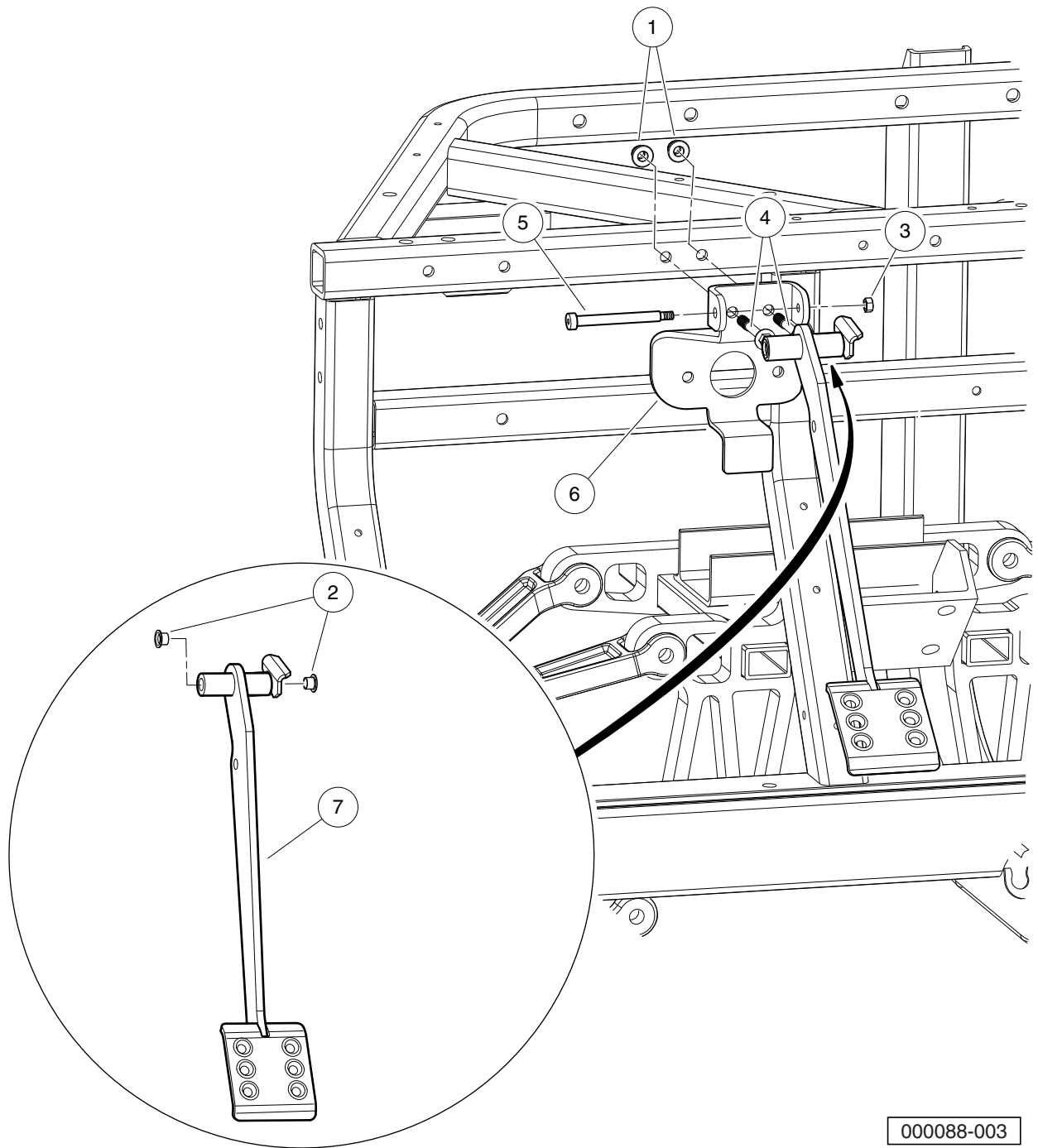
G

D

5

G

D



000088-003

BRAKE PEDAL

ITEM	PART NO.	DESCRIPTION	QTY
		1 2 3 4	
1	<u>102298401</u>	Nut,m8,all Metal Lock	2
2	<u>102442901</u>	Bushing, Greaseless	2
3	<u>102618101</u>	Nut, M6x1, Mechanically Deformed	1
4	<u>102618301</u>	Bolt, Flanged Head, M8 X 1.25 X 65	2
5	<u>103273101</u>	Bolt, Shoulder, M8 X 70, Hc	1
6	103986601	Bracket, Mtg, Brake Pedal	1
7	103986901	Pedal, Brake	1

5

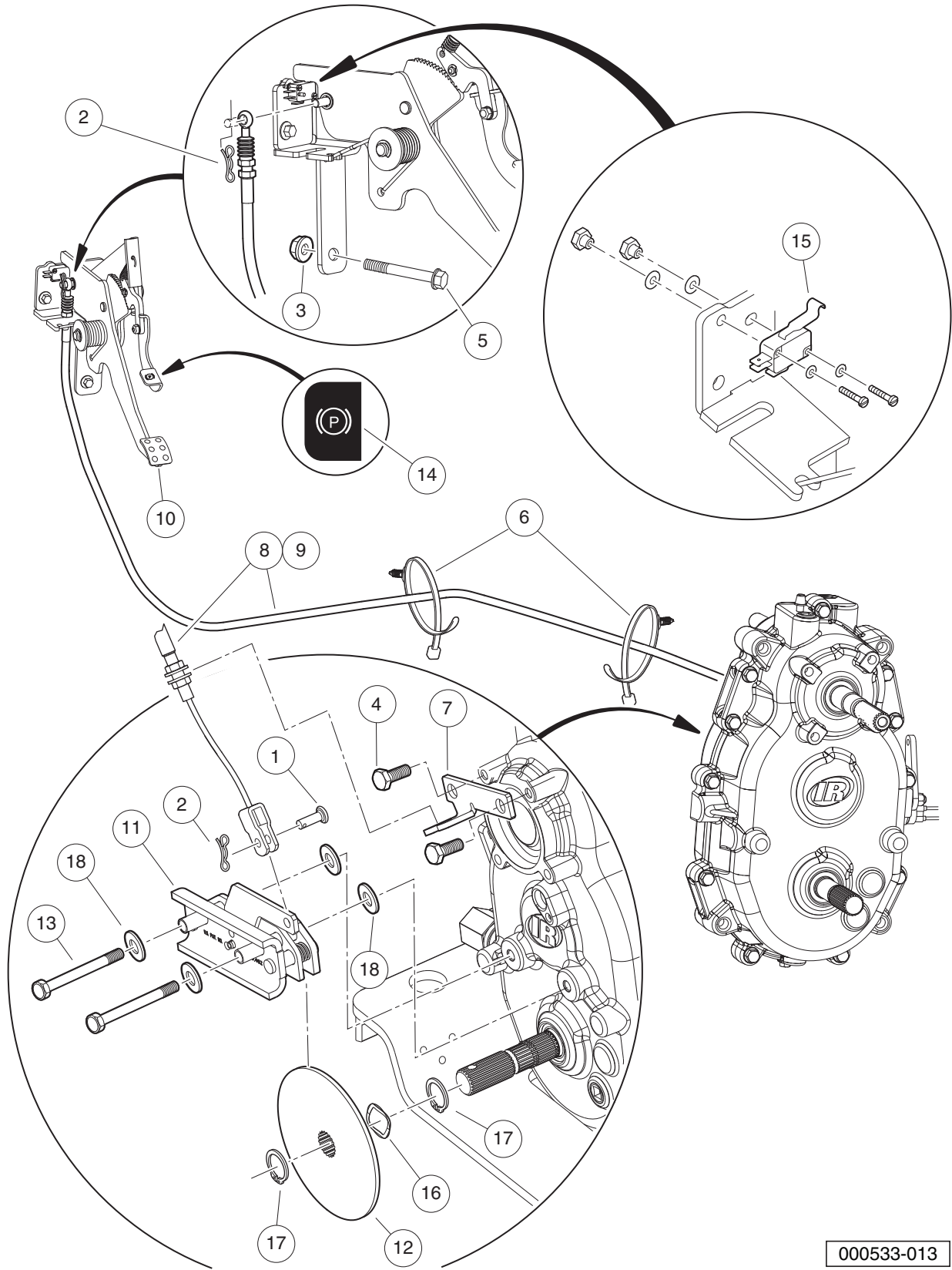
G

D

5

G

D



000533-013

PARK BRAKE SYSTEM

ITEM	PART NO.	DESCRIPTION	QTY
		1 2 3 4	
1	<u>101082903</u>	Pin, Clevis, 5/16 X 1	1
2	<u>102292801</u>	Pin, Bow Tie Locking - .072	2
3	<u>102298401</u>	Nut,m8,all Metal Lock	3
4	<u>102490101</u>	Bolt, M10 X 1.5 X 20 Loctite	2
5	<u>102618301</u>	Bolt, Flanged Head, M8 X 1.25 X 65	3
6	<u>102629001</u>	Tie Wrap, 8.00" With Mount	2
7	<u>103968401</u>	Bracket, Park Brake	1
8	<u>103968501</u>	Cable, Park Brake, 1500/1550	1
9	<u>103968601</u>	Cable, Park Brake, 1700/1550 SE	1
10	<u>103968701</u>	Pedal, Foot, Park Brake	1
11	<u>103968801</u>	Caliper, Mech, Park Brake	1
12	<u>103968902</u>	Rotor, Park Brake	1
13	<u>103983301</u>	M10-1.5 X 90 Hh Ft Pc 8.8 Zidi	2
14	<u>103986501</u>	Decal, Brake, Park	1
15	<u>104005501</u>	Switch, Micro, Plunger Only	1
16	<u>104005601</u>	Spring,Wave,0.96-in ID	1
17	<u>104005701</u>	Ring, Snap, Ext, 63/64-in	2
18	<u>96741046</u>	Washer, M10, Hard	4

5

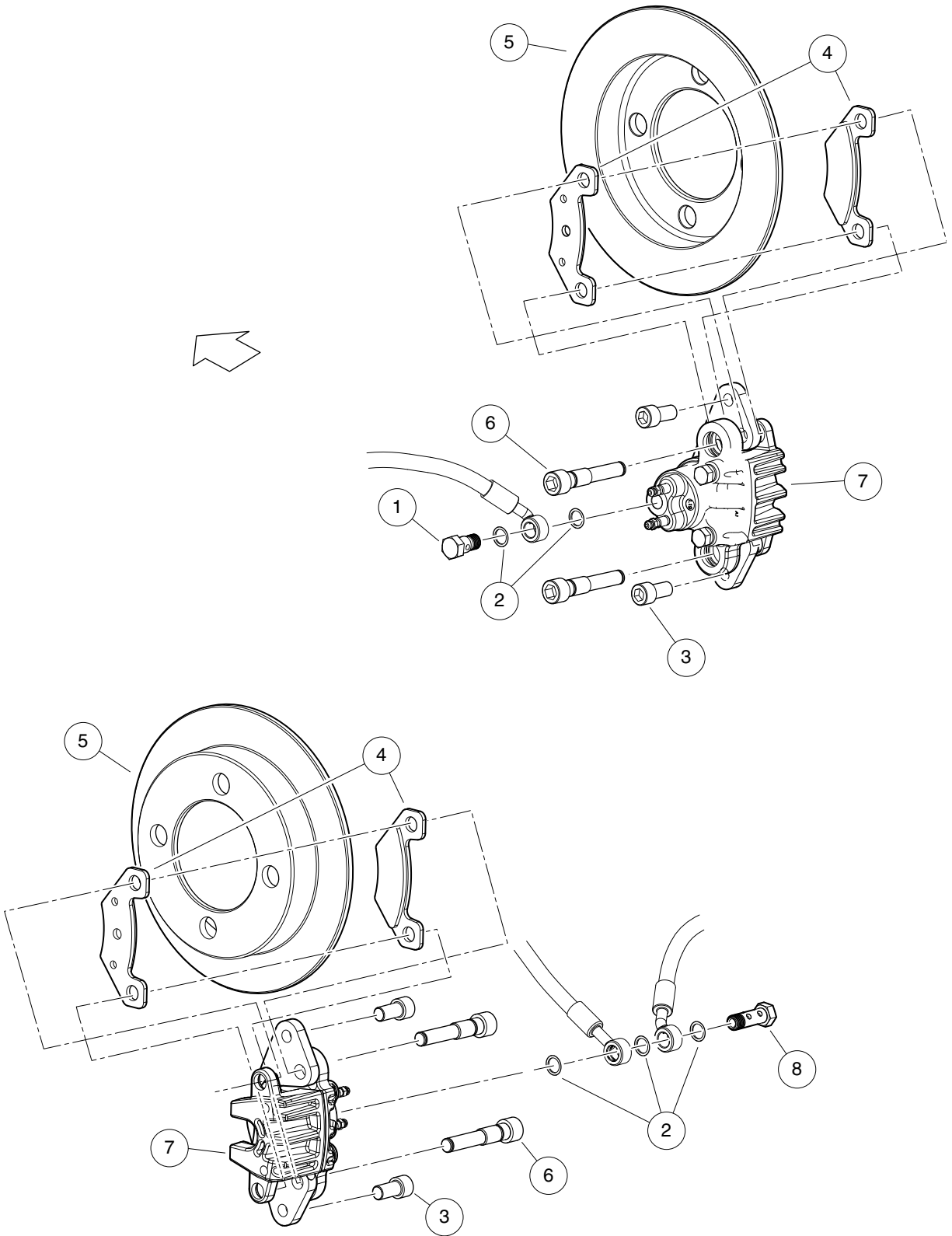
G

D

5

G

D



000068-006

REAR BRAKES

ITEM	PART NO.	DESCRIPTION	QTY
		1 2 3 4	
1	<u>102488001</u>	Bolt, Banjo, M10x1x19	1
2	<u>102491601</u>	Washer, Copper, M10 Crush	4
3	<u>102493301</u>	Bolt, Flange Head, 3/8-24x.750 with Loctite	4
4	<u>102714001</u>	Brake Pad Set, Rear (Four Pads)	1
5	<u>103077501</u>	Rotor, Disc, Brake	2
6	<u>103418801</u>	Pin, Slide, 7/16	4
7	<u>103967701</u>	Caliper, Brake, Rear	2
8	<u>103967901</u>	Bolt, Banjo, Double, M10 X 1	1

5

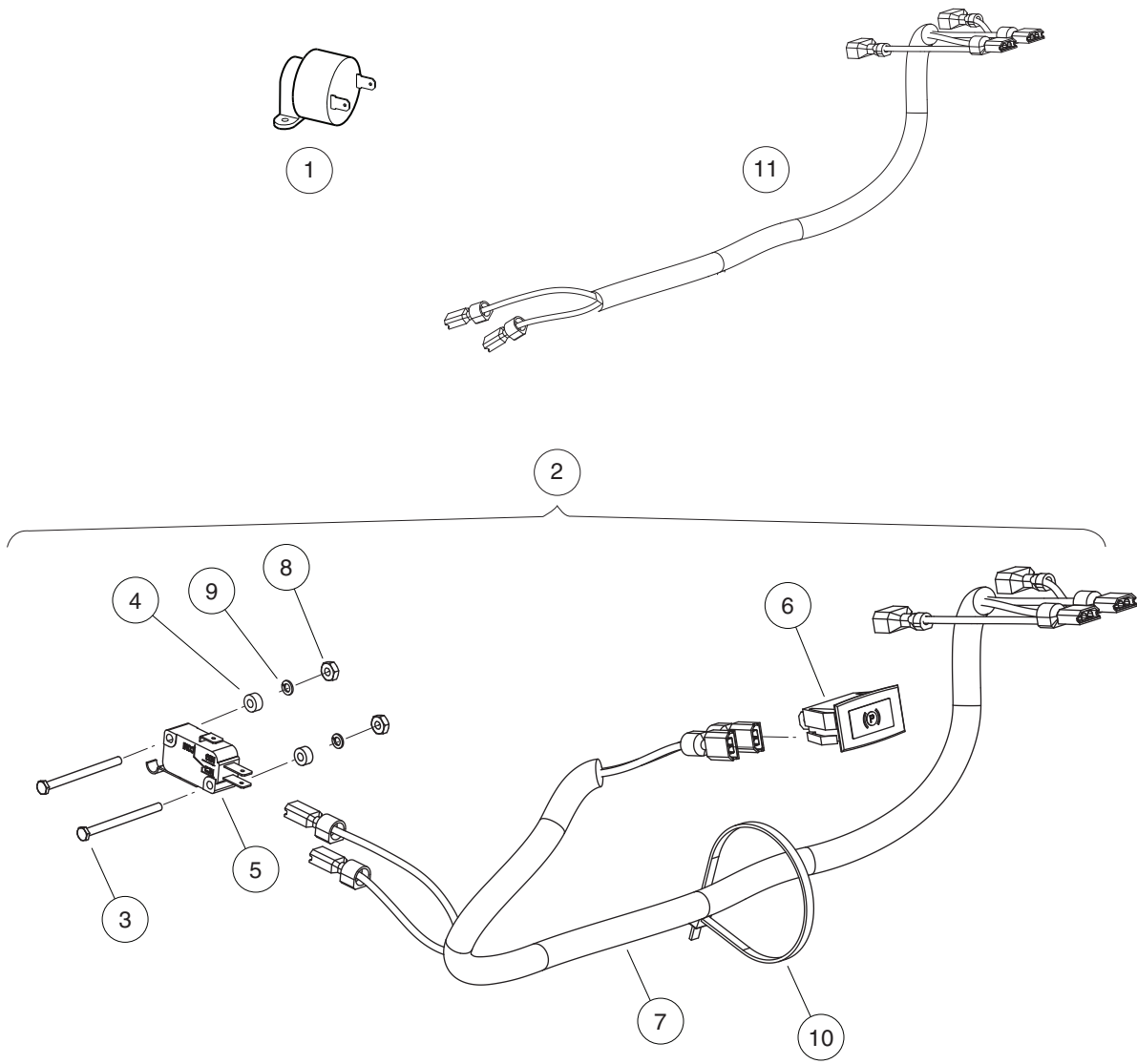
G

D

5

G

D



000533-009

PARK BRAKE INDICATOR AND BUZZER

ITEM	PART NO.	DESCRIPTION	QTY
		1 2 3 4	
1	<u>1016851</u>	Buzzer, Reverse (9-48 VDC)	1
2	<u>103836302</u>	Kit, Light, Dash, Park Brake, (includes items 3 through 10)	1
3	<u>1012594</u>	Screw, #4-40 Machine	2
4	<u>1014727</u>	Washer, Flat, #4, Nylon	2
5	<u>1014807</u>	Switch, Limit	1
6	<u>103685901</u>	Light, Indicator, Park Brake	1
7	<u>103836501</u>	Harness, Pk Brake Lt	1
8	<u>8057</u>	Nut, #4-40 Hex Machine	2
9	<u>8058</u>	Lockwasher, #4 Split	2
10	<u>8990</u>	Tie Wrap, 8" Nylon	1
11	<u>103895701</u>	Harness, Jumper, Pb Buzzer	1

5

G

D

5

G

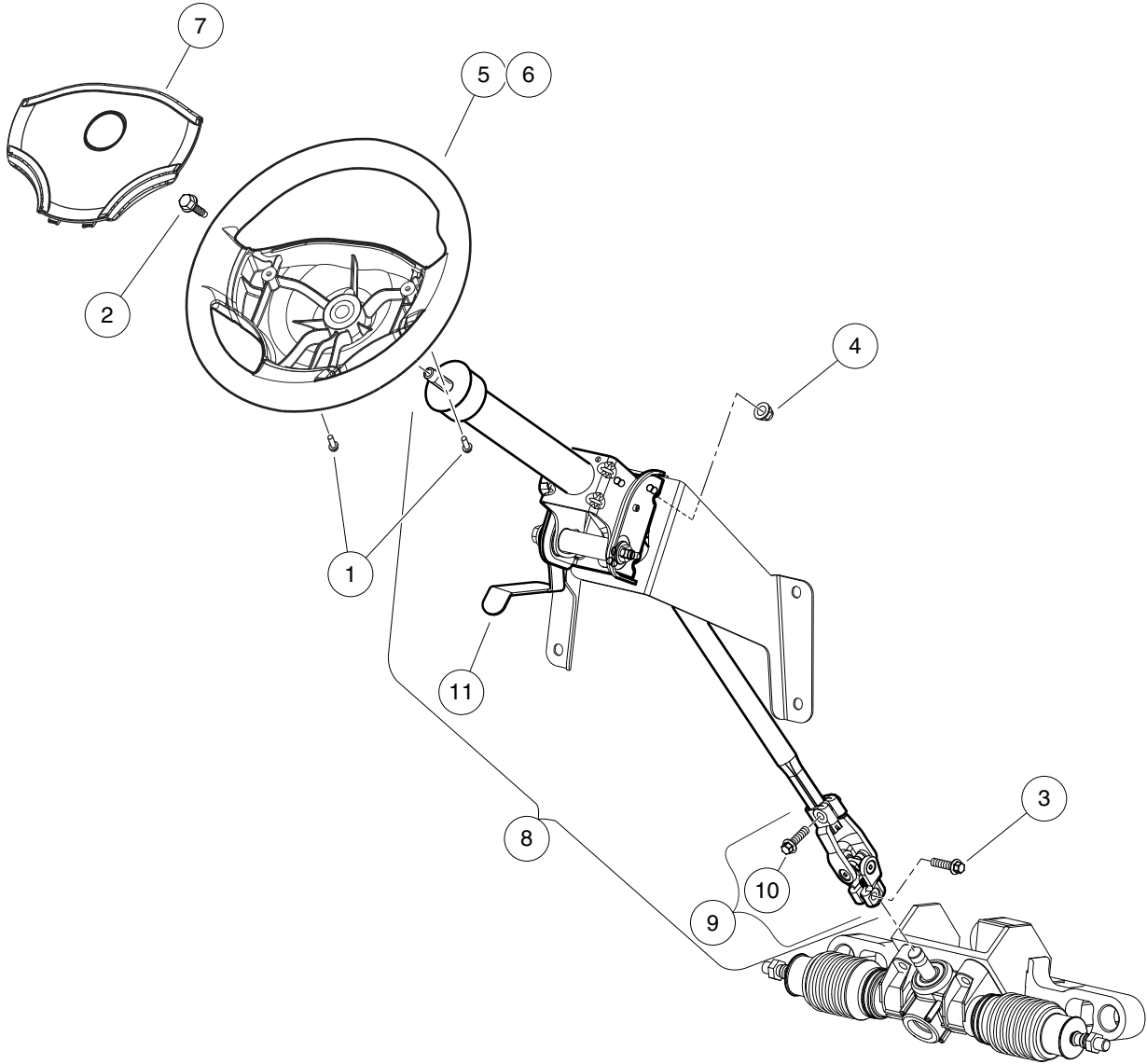
D

STEERING AND SUSPENSION – WITH SINGLE-PISTON FRONT CALIPERS

6

G

6
G



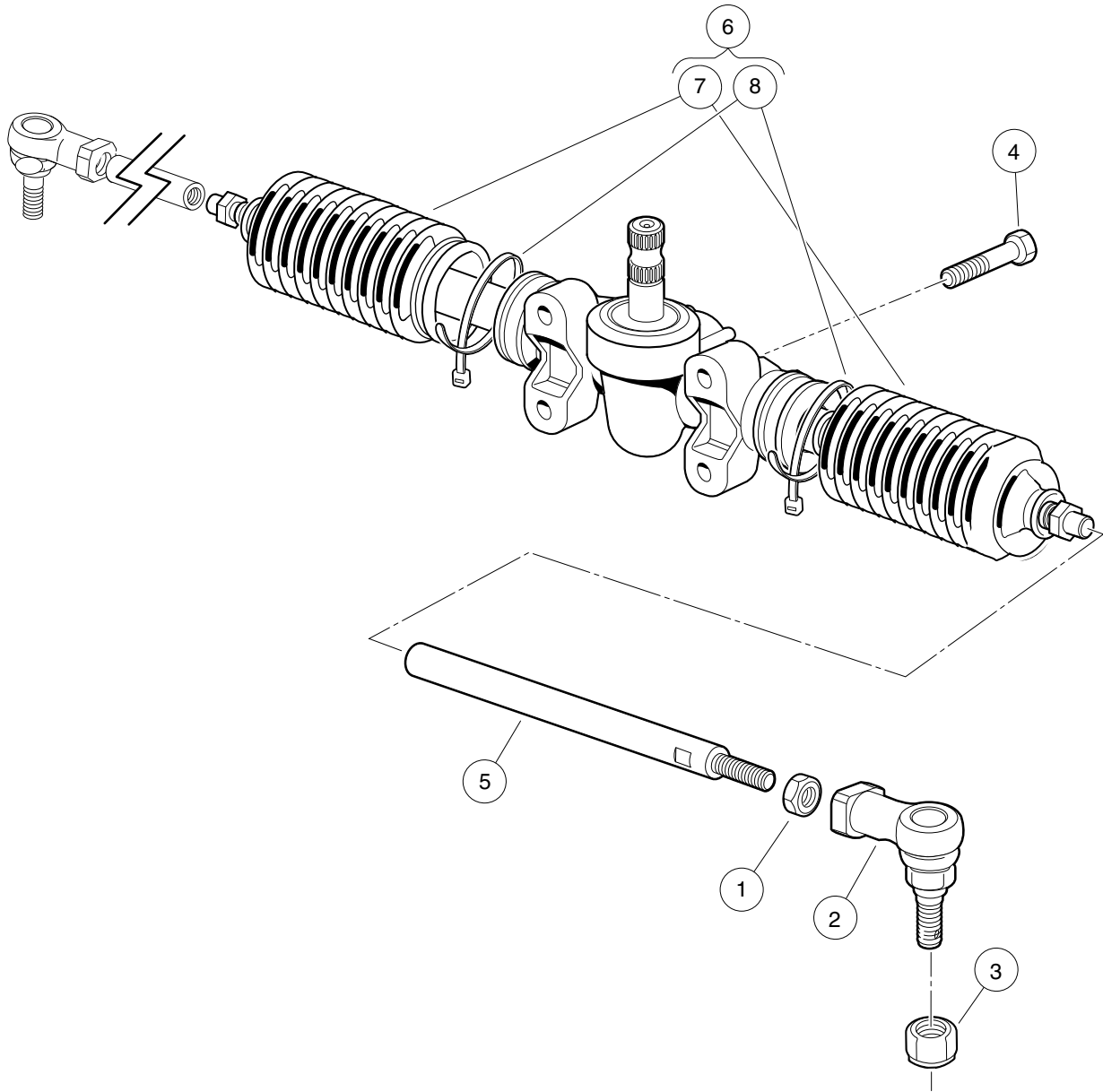
000070-006

STEERING WHEEL AND COLUMN

ITEM	PART NO.	DESCRIPTION	QTY
		1 2 3 4	
1	<u>101850301</u>	Screw, #12-16 X 0.50 Washer-Head Hi-Lo	2
2	<u>102290120</u>	Bolt, M10 X 20 Hex Washer Hd	1
3	<u>102298130</u>	Bolt, Flange Head, M8 X 30.0	1
4	<u>102298401</u>	Nut,m8,all Metal Lock	3
5	<u>103724501</u>	Steering Wheel, Hex	1
6	<u>103724503</u>	Steering Wheel, Soft Grip, Hex	1
7	<u>103724602</u>	Cover, Steering Wheel, Generic	1
8	<u>103859901</u>	Column, Steering, Awd (includes items 9 through 11)	1
9	<u>103810201</u>	Kit, Lower Yoke, Wanda (includes item 10)	1
10	<u>102298130</u>	Bolt, Flange Head, M8 X 30.0	1
11	<u>103862701</u>	Handle, Steering, Tilt, Awd	1

6
G

6
G



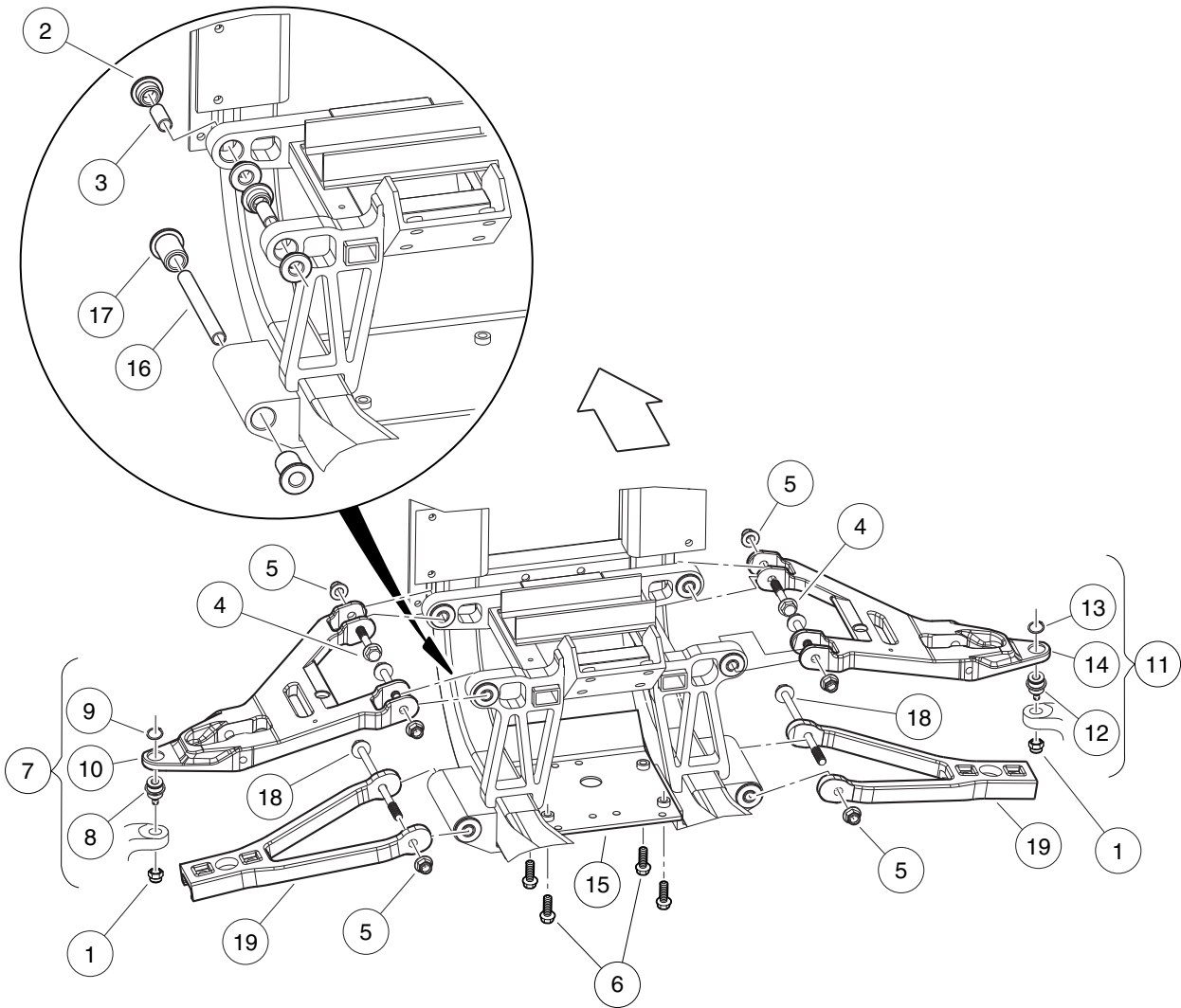
000071-004

STEERING GEAR

ITEM	PART NO.	DESCRIPTION	QTY
		1 2 3 4	
1	1013042	Nut, 12mm Hex	2
2	<u>102022601</u>	End, Tie Rod M12 X 1.25 Rh	2
3	<u>102022901</u>	Locknut, M12-1.25 Nylon	2
4	<u>102687801</u>	Bolt, Flange Head, M10x 1.5 X 40 with Loctite	4
5	<u>102816801</u>	Link, Drag, Wt	2
6	<u>103866601</u>	Gear, Steering, AWD (includes items 7 and 8)	1
7	<u>1013035</u>	Bellows, Long	2
8	<u>8990</u>	Tie Wrap, 8" Nylon	2

6
G

6
G



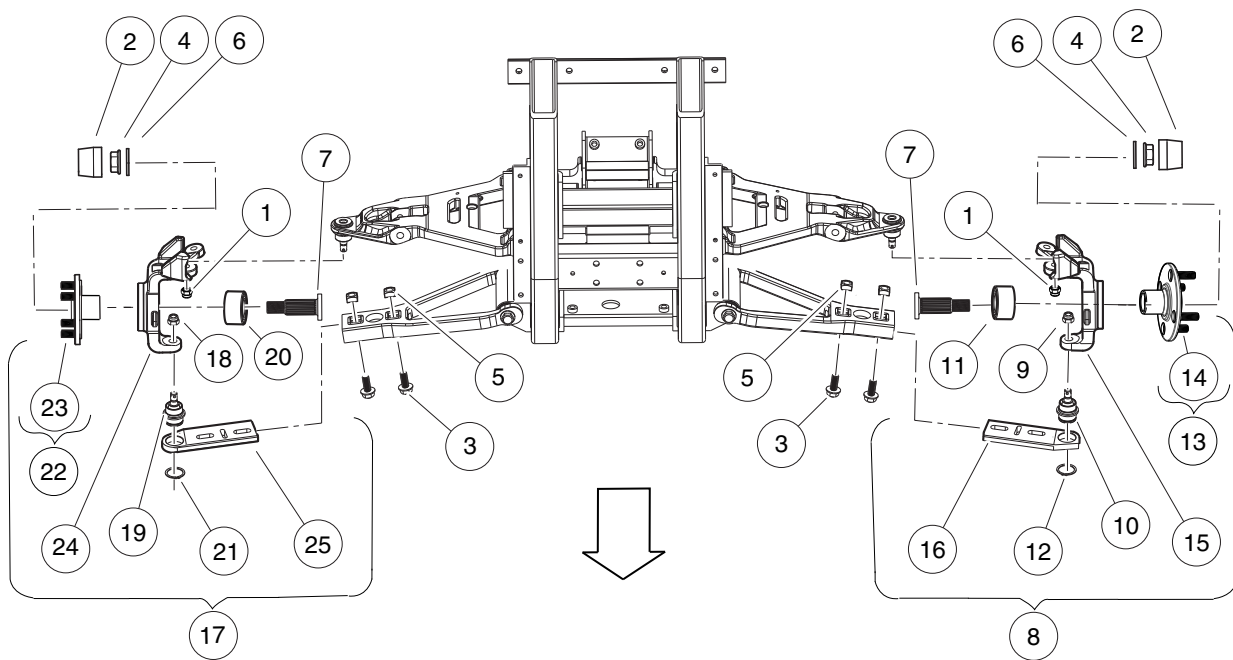
000534-011

FRONT SUSPENSION – PAGE 1 OF 2

ITEM	PART NO.	DESCRIPTION	QTY
		1 2 3 4	
1	<u>102022901</u>	Locknut, M12-1.25 Nylon	2
2	<u>102408401</u>	Bushing, A-Arm	8
3	<u>102437001</u>	Sleeve, Upper	4
4	<u>102616301</u>	Bolt, Flange Head, M12 X 1.75 X 70	4
5	<u>102620501</u>	Nut, Flange, M12x1.75, Nylon Grade 10	6
6	<u>102711601</u>	Bolt, Flange Head, M10 X 1.5 X 25	4
7	<u>102792001</u>	Asm, A-Arm, Upper, Left (includes items 8 through 10)	1
8	<u>102361901</u>	Joint, Ball	1
9	<u>102722301</u>	Ring, Retaining, Ext, 1-1/4"	1
10	<u>102927101</u>	Arm, Upper, Wide, Machined, LH	1
11	102792002	Asm, A-arm, Upper, Right (includes items 12 through 14)	1
12	<u>102361901</u>	Joint, Ball	1
13	<u>102722301</u>	Ring, Retaining, Ext, 1-1/4"	1
14	<u>102927102</u>	Arm, Upper, Wide, Machined, RH	1
15	<u>103244701</u>	Asm, Mount, Diff Plate	1
16	<u>103256401</u>	Sleeve, Lower Arm	2
17	<u>103256501</u>	Bushing, Lower Arm	4
18	<u>103256701</u>	Bolt, Flange, M12 X 1.75 X 200 10	2
19	<u>103969801</u>	Lower Control Arm, Machined	2

6

G

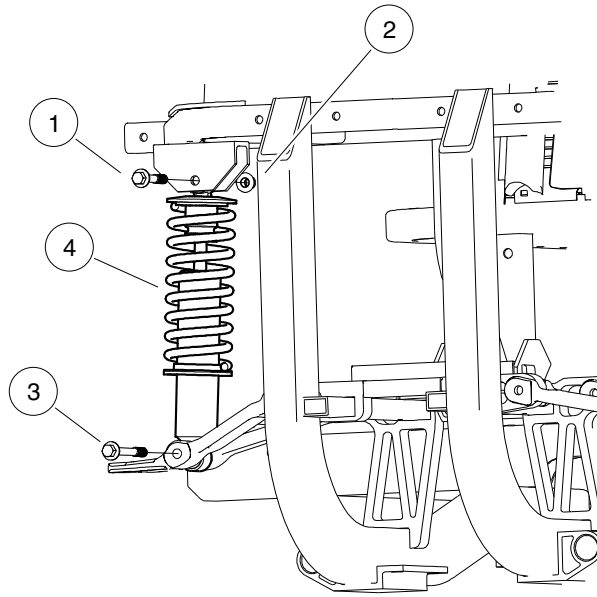


000534-012

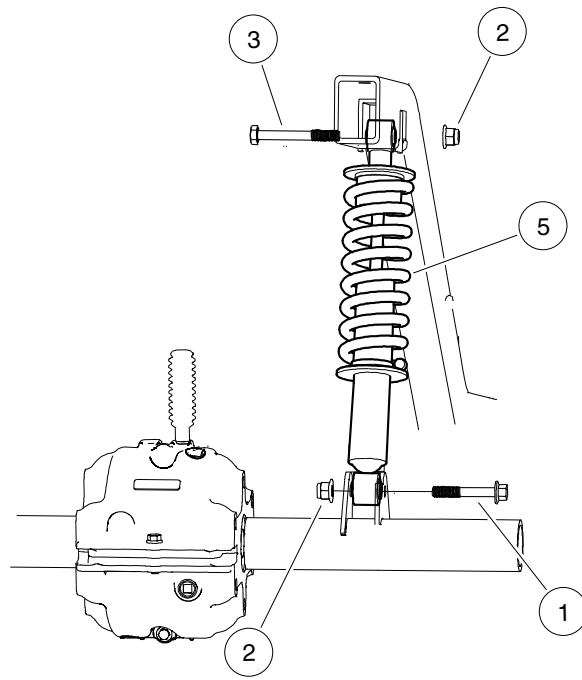
FRONT SUSPENSION – PAGE 2 OF 2

ITEM	PART NO.	DESCRIPTION	QTY
		1 2 3 4	
1	<u>102022901</u>	Locknut, M12-1.25 Nylon	2
2	<u>102274101</u>	Center Cap, Rubber	2
3	<u>102490801</u>	Bolt, Flange Head, M12x 1.75x 30 with Loctite	4
4	<u>102617501</u>	Nut, Flange, M22 X 1.5 Mech Def	2
5	<u>102617701</u>	Nut, Square, M12x 1.75	4
6	<u>102617801</u>	Washer, Hard, M22	2
7	<u>103948401</u>	Retainer, Front Wheel Bearing	2
8	<u>103980901</u>	Asm, Upright, AWD, Caster, Driver-Side, for Single-Piston Caliper (includes items 9 through 16) 1	16
9	<u>102022901</u>	Locknut, M12-1.25 Nylon	1
10	<u>102361901</u>	Joint, Ball	1
11	<u>102464301</u>	Bearing	1
12	<u>102722301</u>	Ring, Retaining, Ext, 1-1/4"	1
13	<u>103146204</u>	Wheel Hub, Front, 1550, Service (includes item 14)	1
14	<u>103951501</u>	Lug Stud, 1/2-20 UNF, SAE J1102	4
15	N/A	Upright, Finished, LH	1
16	<u>103939301</u>	Slide, Adjuster, 5 Degree, Ds	1
17	<u>103980902</u>	Asm, Upright, AWD, Caster, Passenger-Side, for Single-Piston Caliper (includes items 18 through 25) 1	1
18	<u>102022901</u>	Locknut, M12-1.25 Nylon	1
19	<u>102361901</u>	Joint, Ball	1
20	<u>102464301</u>	Bearing	1
21	<u>102722301</u>	Ring, Retaining, Ext, 1-1/4"	1
22	<u>103146204</u>	Wheel Hub, Front, 1550, Service (includes item 23)	1
23	<u>103951501</u>	Lug Stud, 1/2-20 UNF, SAE J1102	4
24	N/A	Upright, Finished, RH	1
25	<u>103939302</u>	Slide, Adjuster, 5 Degree, Ps	1

6
G



Front



Rear

000530-005

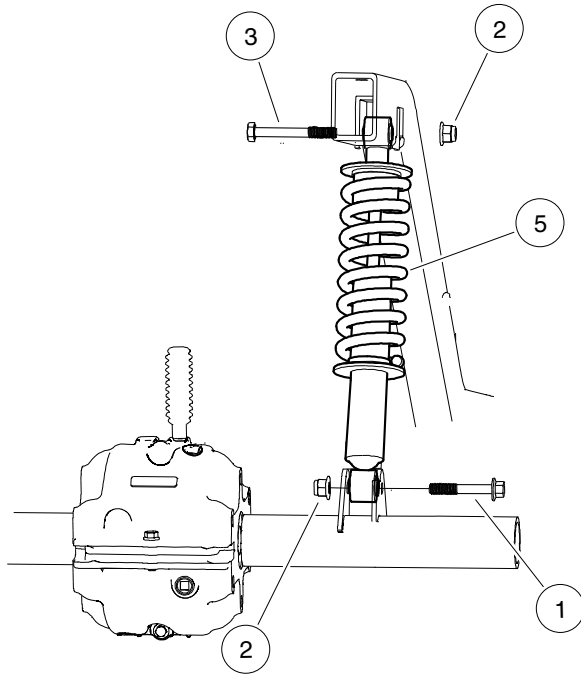
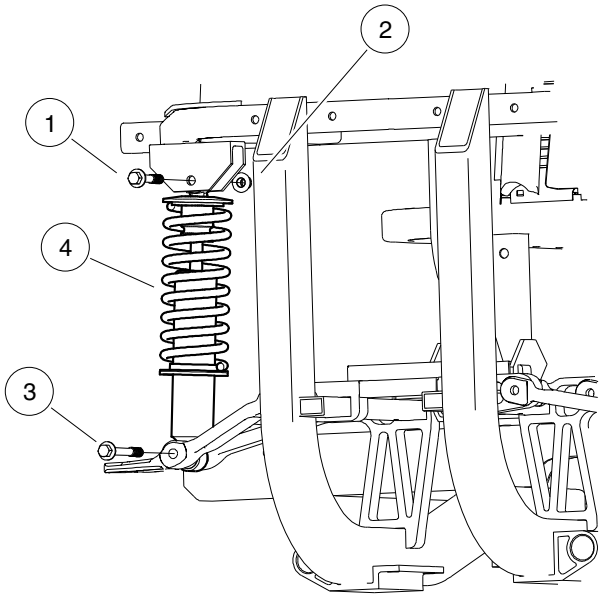
SHOCK ABSORBERS – 1050 LB CAPACITY

ITEM	PART NO.	DESCRIPTION	QTY
		1 2 3 4	
1	<u>102616301</u>	Bolt, Flange Head, M12 X 1.75 X 70	4
2	<u>102620501</u>	Nut, Flange, M12x1.75, Nylon Grade 10	6
3	<u>102788701</u>	Bolt, Flange, M12x1.75x100, Patch	4
4	<u>103841801</u>	Shock Absorber, Coil-over, Front, 1050 lb Capacity	2
5	<u>103930501</u>	Shock Absorber, Coil-over, Rear, 1050 lb Capacity	2
<p>Note: Shocks must be installed as matched pairs.</p>			

6

G

6
G



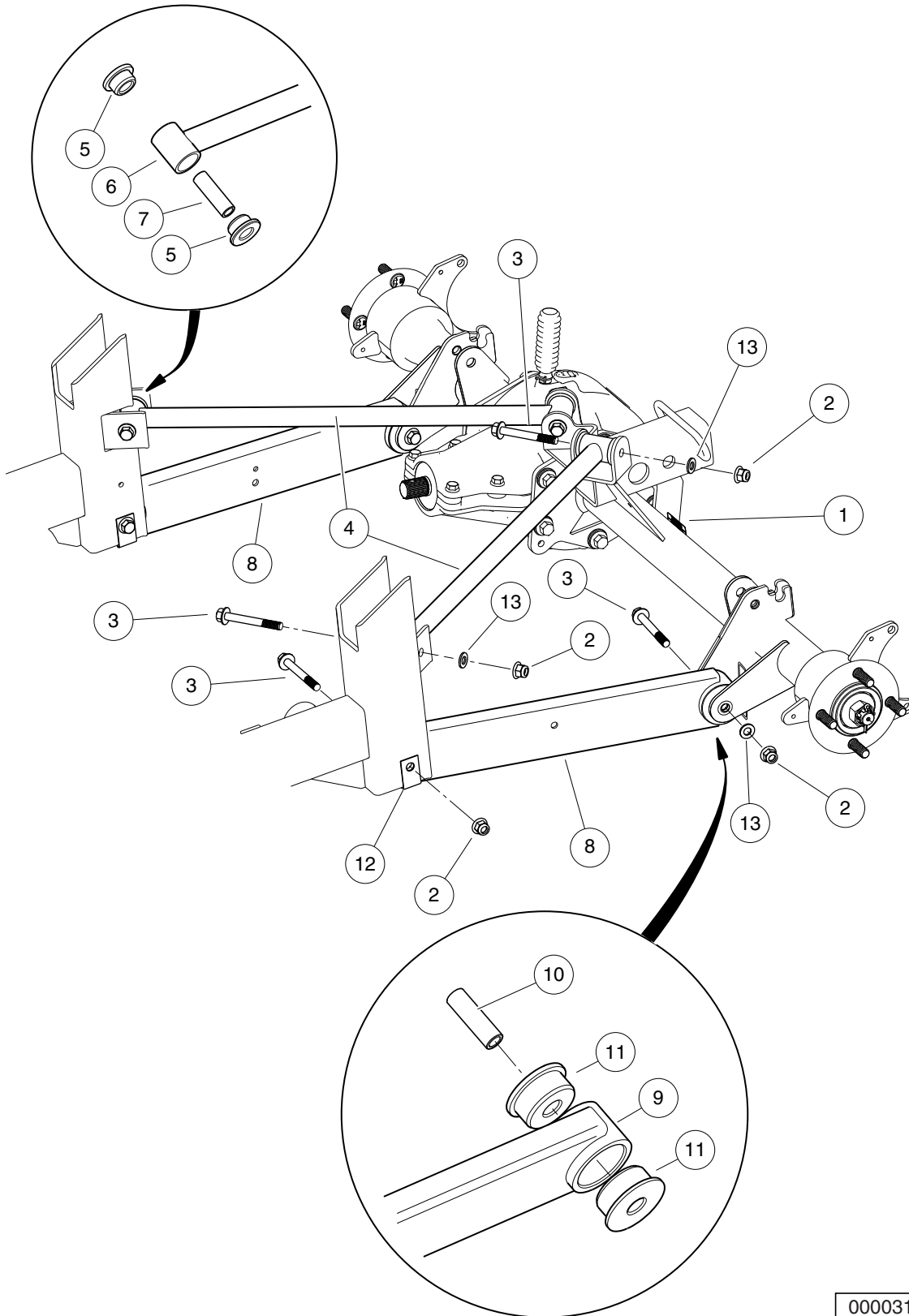
000530-006

SHOCK ABSORBERS – 1500 LB CAPACITY

ITEM	PART NO.	DESCRIPTION	QTY
		1 2 3 4	
1	<u>102616301</u>	Bolt, Flange Head, M12 X 1.75 X 70	4
2	<u>102620501</u>	Nut, Flange, M12x1.75, Nylon Grade 10	6
3	<u>102788701</u>	Bolt, Flange, M12x1.75x100, Patch	4
4	<u>103951601</u>	Shock Absorber, Coil-over, Front, 1500 lb Capacity	2
5	<u>103951701</u>	Shock Absorber, Coil-over, Rear, 1500 lb Capacity	2
		Note: Shocks must be installed as matched pairs.	

6
G

6
G



000031-005

REAR SUSPENSION (4-LINK)

ITEM	PART NO.	DESCRIPTION	QTY
		1 2 3 4	
1	<u>1011553</u>	Decal, Trailer Hitch	1
2	<u>102670701</u>	Nut, Flange, M10 X 1.5 Nylon	8
3	<u>103147001</u>	Bolt, Flg, M10 X 1.5 X 80	8
4	103860302	Assy, Lateral Link, Service Replacement, 4-Link Susp (includes items 5 through 7)	2
5	<u>102408401</u>	Bushing, A-Arm	4
6	N/A	Link, Lateral, Awd	1
7	<u>103845501</u>	Sleeve, Inner, 4link	2
8	103860402	Assy, Trailing Link, Service Replacement, 4-Link Susp (includes items 9 through 11)	2
9	N/A	Link, Trailing, Awd	1
10	<u>103845501</u>	Sleeve, Inner, 4link	2
11	<u>103886201</u>	Bushing, Poly, 4-link	4
12	<u>103923001</u>	Clip, Wear, Trail Link	4
13	<u>96741046</u>	Washer, M10, Hard	6

6
G

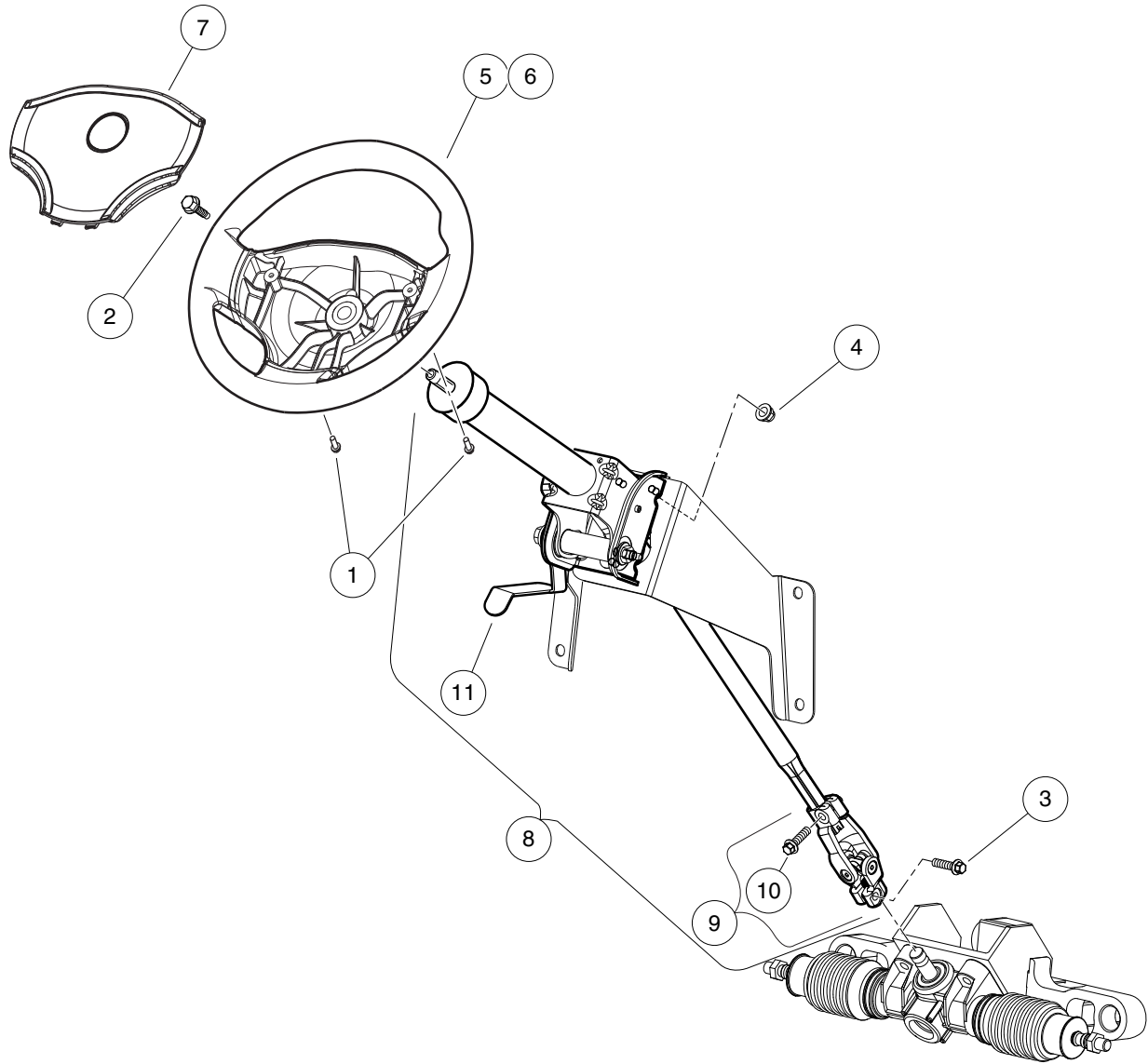
6

G

STEERING AND SUSPENSION – WITH DUAL-PISTON FRONT CALIPERS

7

G



000070-006

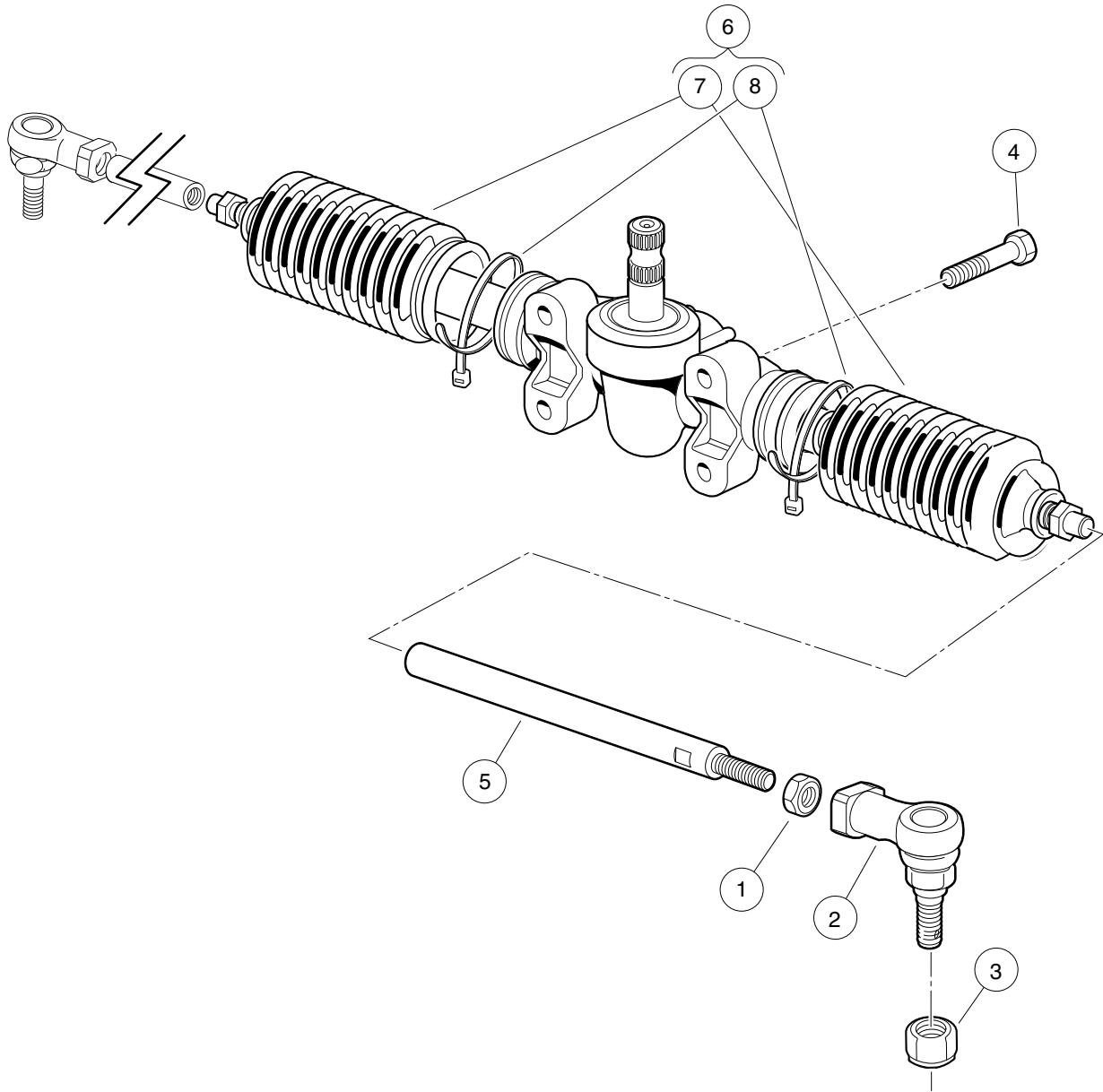
STEERING WHEEL AND COLUMN

ITEM	PART NO.	DESCRIPTION	QTY
		1 2 3 4	
1	<u>101850301</u>	Screw, #12-16 X 0.50 Washer-Head Hi-Lo	2
2	<u>102290120</u>	Bolt, M10 X 20 Hex Washer Hd	1
3	<u>102298130</u>	Bolt, Flange Head, M8 X 30.0	1
4	<u>102298401</u>	Nut,m8,all Metal Lock	3
5	<u>103724501</u>	Steering Wheel, Hex	1
6	<u>103724503</u>	Steering Wheel, Soft Grip, Hex	1
7	<u>103724602</u>	Cover, Steering Wheel, Generic	1
8	<u>103859901</u>	Column, Steering, Awd (includes items 9 through 11)	1
9	<u>103810201</u>	Kit, Lower Yoke, Wanda (includes item 10)	1
10	<u>102298130</u>	Bolt, Flange Head, M8 X 30.0	1
11	<u>103862701</u>	Handle, Steering, Tilt, Awd	1

7

G

7
G

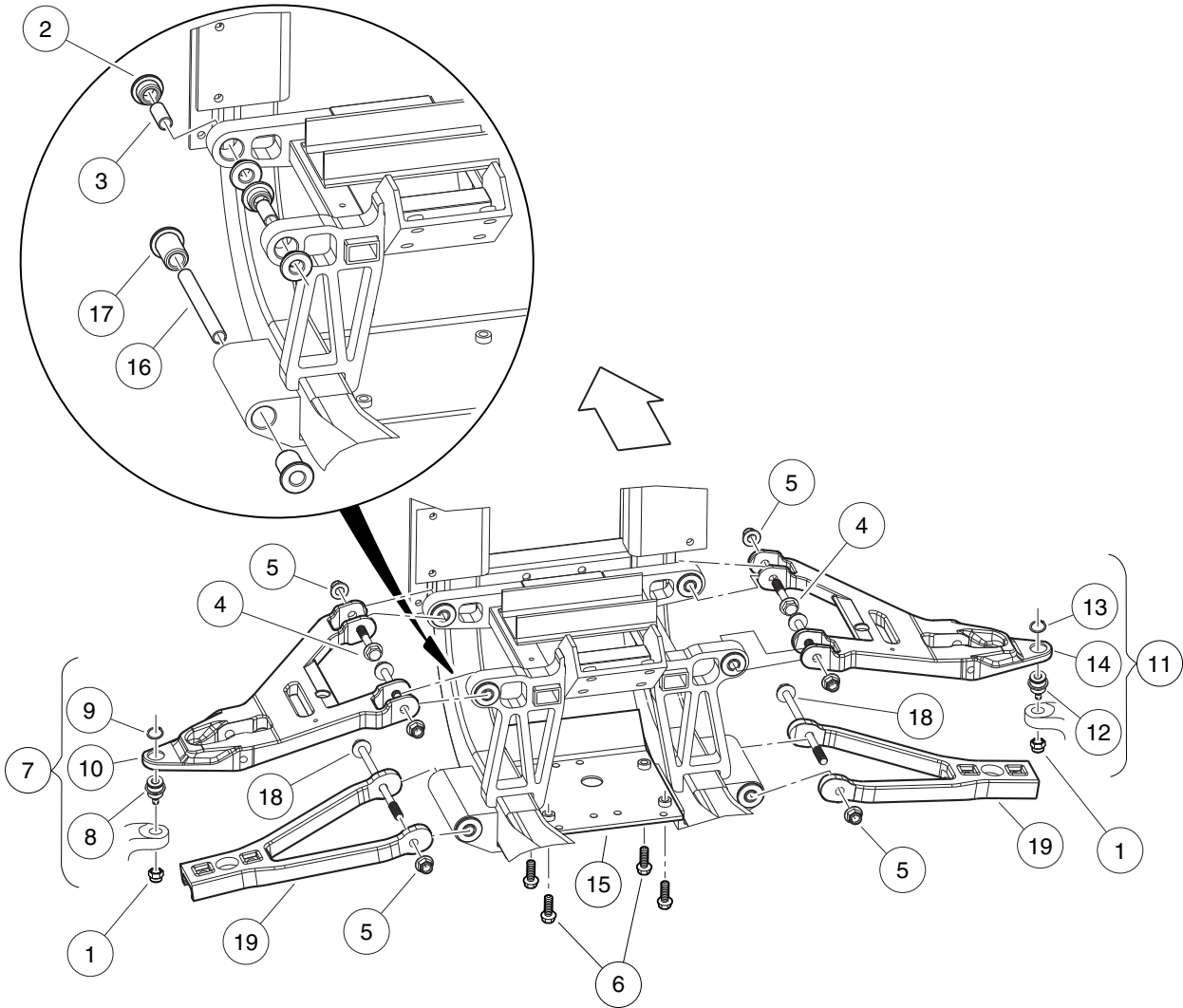


000071-004

STEERING GEAR

ITEM	PART NO.	DESCRIPTION	QTY
		1 2 3 4	
1	1013042	Nut, 12mm Hex	2
2	<u>102022601</u>	End, Tie Rod M12 X 1.25 Rh	2
3	<u>102022901</u>	Locknut, M12-1.25 Nylon	2
4	<u>102687801</u>	Bolt, Flange Head, M10x 1.5 X 40 with Loctite	4
5	<u>102816801</u>	Link, Drag, Wt	2
6	<u>103866601</u>	Gear, Steering, AWD (includes items 7 and 8)	1
7	<u>1013035</u>	Bellows, Long	2
8	<u>8990</u>	Tie Wrap, 8" Nylon	2

7
G



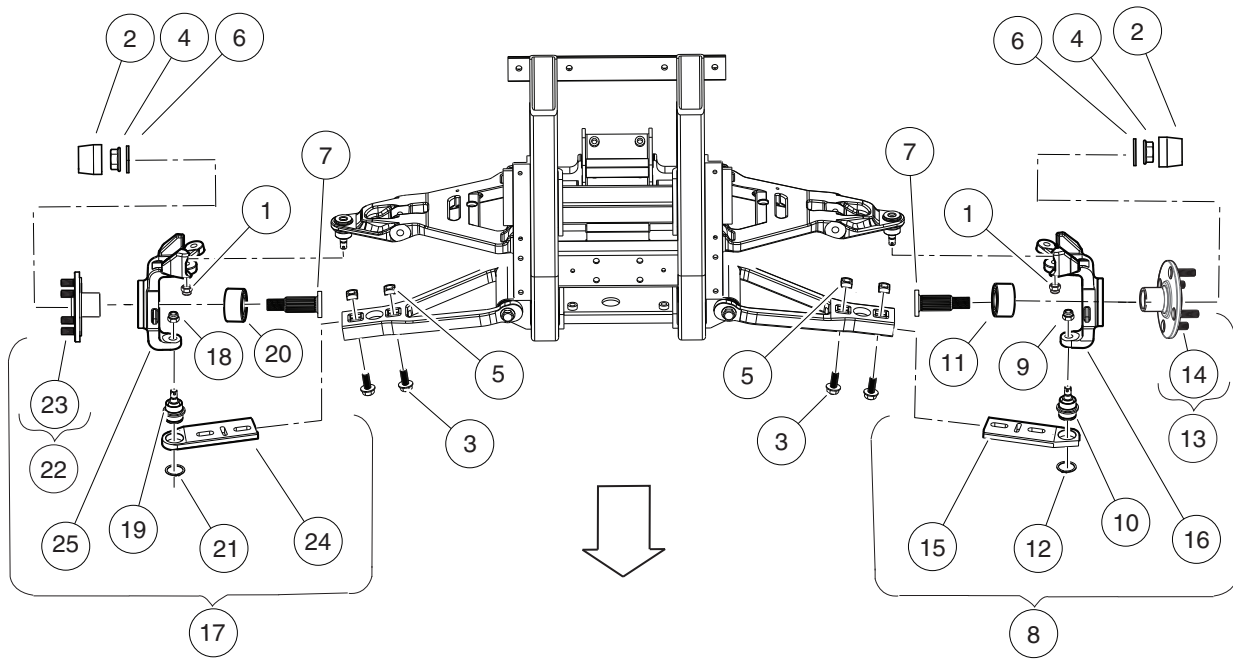
000534-011

FRONT SUSPENSION – PAGE 1 OF 2

ITEM	PART NO.	DESCRIPTION	QTY
		1 2 3 4	
1	<u>102022901</u>	Locknut, M12-1.25 Nylon	2
2	<u>102408401</u>	Bushing, A-Arm	8
3	<u>102437001</u>	Sleeve, Upper	4
4	<u>102616301</u>	Bolt, Flange Head, M12 X 1.75 X 70	4
5	<u>102620501</u>	Nut, Flange, M12x1.75, Nylon Grade 10	6
6	<u>102711601</u>	Bolt, Flange Head, M10 X 1.5 X 25	4
7	<u>102792001</u>	Asm, A-Arm, Upper, Left (includes items 8 through 10)	1
8	<u>102361901</u>	Joint, Ball	1
9	<u>102722301</u>	Ring, Retaining, Ext, 1-1/4"	1
10	<u>102927101</u>	Arm, Upper, Wide, Machined, LH	1
11	<u>102792002</u>	Asm, A-arm, Upper, Right (includes items 12 through 14)	1
12	<u>102361901</u>	Joint, Ball	1
13	<u>102722301</u>	Ring, Retaining, Ext, 1-1/4"	1
14	<u>102927102</u>	Arm, Upper, Wide, Machined, RH	1
15	<u>103244701</u>	Asm, Mount, Diff Plate	1
16	<u>103256401</u>	Sleeve, Lower Arm	2
17	<u>103256501</u>	Bushing, Lower Arm	4
18	<u>103256701</u>	Bolt, Flange, M12 X 1.75 X 200 10	2
19	<u>103969801</u>	Lower Control Arm, Machined	2

7

G



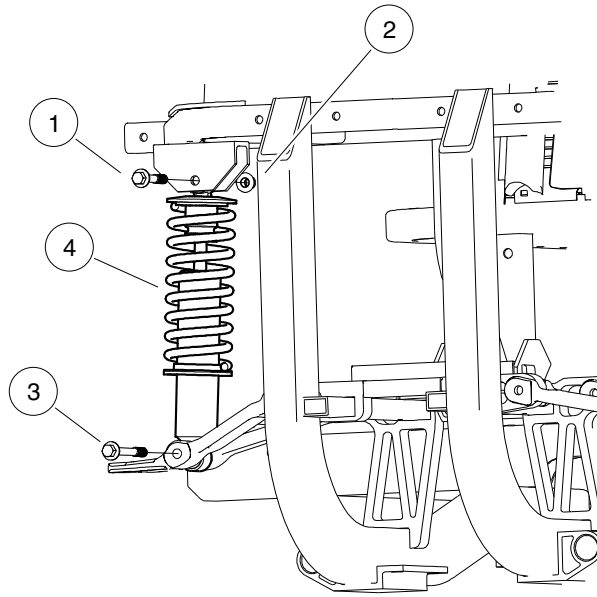
000534-013

FRONT SUSPENSION – PAGE 2 OF 2

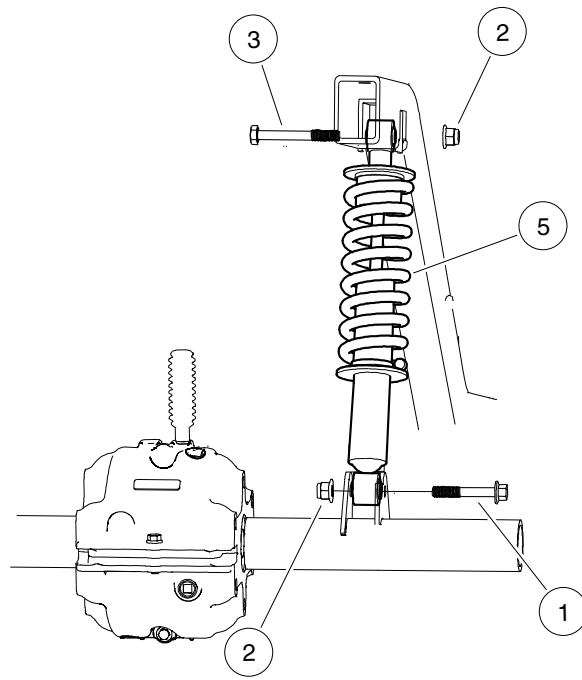
ITEM	PART NO.	DESCRIPTION	QTY
		1 2 3 4	
1	<u>102022901</u>	Locknut, M12-1.25 Nylon	2
2	<u>102274101</u>	Center Cap, Rubber	2
3	<u>102490801</u>	Bolt, Flange Head, M12x 1.75x 30 with Loctite	4
4	<u>102617501</u>	Nut, Flange, M22 X 1.5 Mech Def	2
5	<u>102617701</u>	Nut, Square, M12x 1.75	4
6	<u>102617801</u>	Washer, Hard, M22	2
7	<u>103948401</u>	Retainer, Front Wheel Bearing	2
8	<u>105283703</u>	Asm, Upright, AWD, Driver-Side, for Dual-Piston Caliper (includes items 9 through 16) .	1
9	<u>102022901</u>	Locknut, M12-1.25 Nylon	1
10	<u>102361901</u>	Joint, Ball	1
11	<u>102464301</u>	Bearing	1
12	<u>102722301</u>	Ring, Retaining, Ext, 1-1/4"	1
13	<u>103146204</u>	Wheel Hub, Front, 1550, Service (includes item 14)	1
14	<u>103951501</u>	Lug Stud, 1/2-20 UNF, SAE J1102	4
15	<u>103939301</u>	Slide, Adjuster, 5 Degree, Ds	1
16	N/A	Upright, Finished, Left	1
17	<u>105283704</u>	Asm, Upright, AWD, Passenger-Side, for Dual-Piston Caliper (includes items 18 through 25)	1
18	<u>102022901</u>	Locknut, M12-1.25 Nylon	1
19	<u>102361901</u>	Joint, Ball	1
20	<u>102464301</u>	Bearing	1
21	<u>102722301</u>	Ring, Retaining, Ext, 1-1/4"	1
22	<u>103146204</u>	Wheel Hub, Front, 1550, Service (includes item 23)	1
23	<u>103951501</u>	Lug Stud, 1/2-20 UNF, SAE J1102	4
24	<u>103939302</u>	Slide, Adjuster, 5 Degree, Ps	1
25	N/A	Upright, Finished, Right	1

7

G



Front



Rear

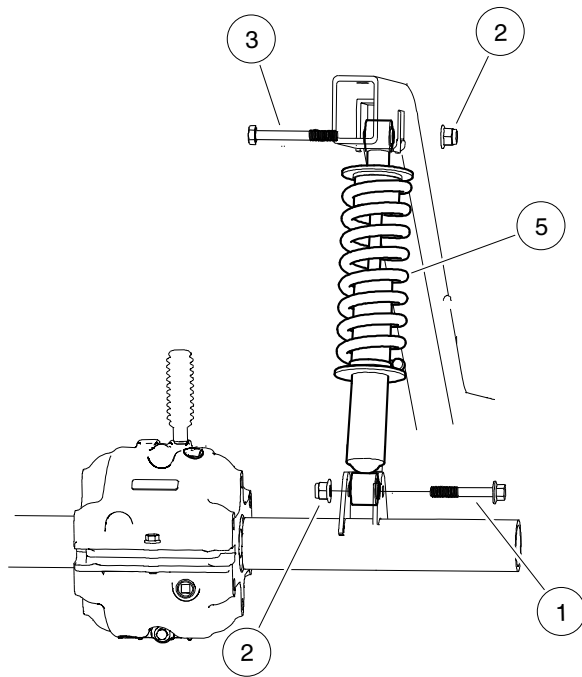
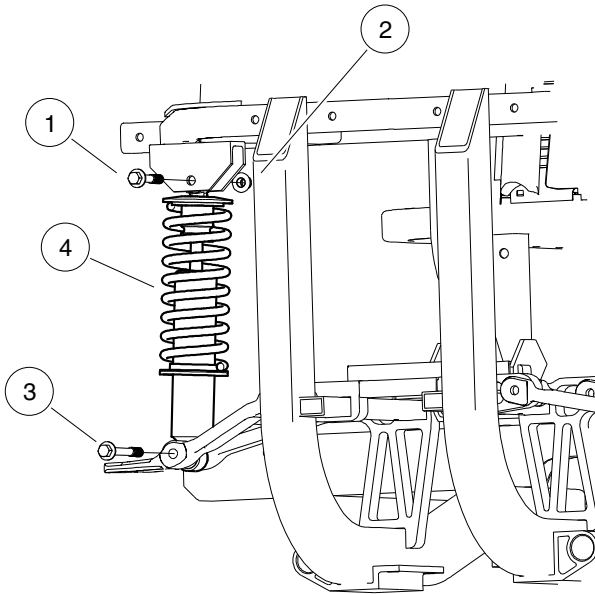
000530-005

SHOCK ABSORBERS – 1050 LB CAPACITY

ITEM	PART NO.	DESCRIPTION	QTY
		1 2 3 4	
1	<u>102616301</u>	Bolt, Flange Head, M12 X 1.75 X 70	4
2	<u>102620501</u>	Nut, Flange, M12x1.75, Nylon Grade 10	6
3	<u>102788701</u>	Bolt, Flange, M12x1.75x100, Patch	4
4	<u>103841801</u>	Shock Absorber, Coil-over, Front, 1050 lb Capacity	2
5	<u>103930501</u>	Shock Absorber, Coil-over, Rear, 1050 lb Capacity	2
		Note: Shocks must be installed as matched pairs.	

7
G

7
G

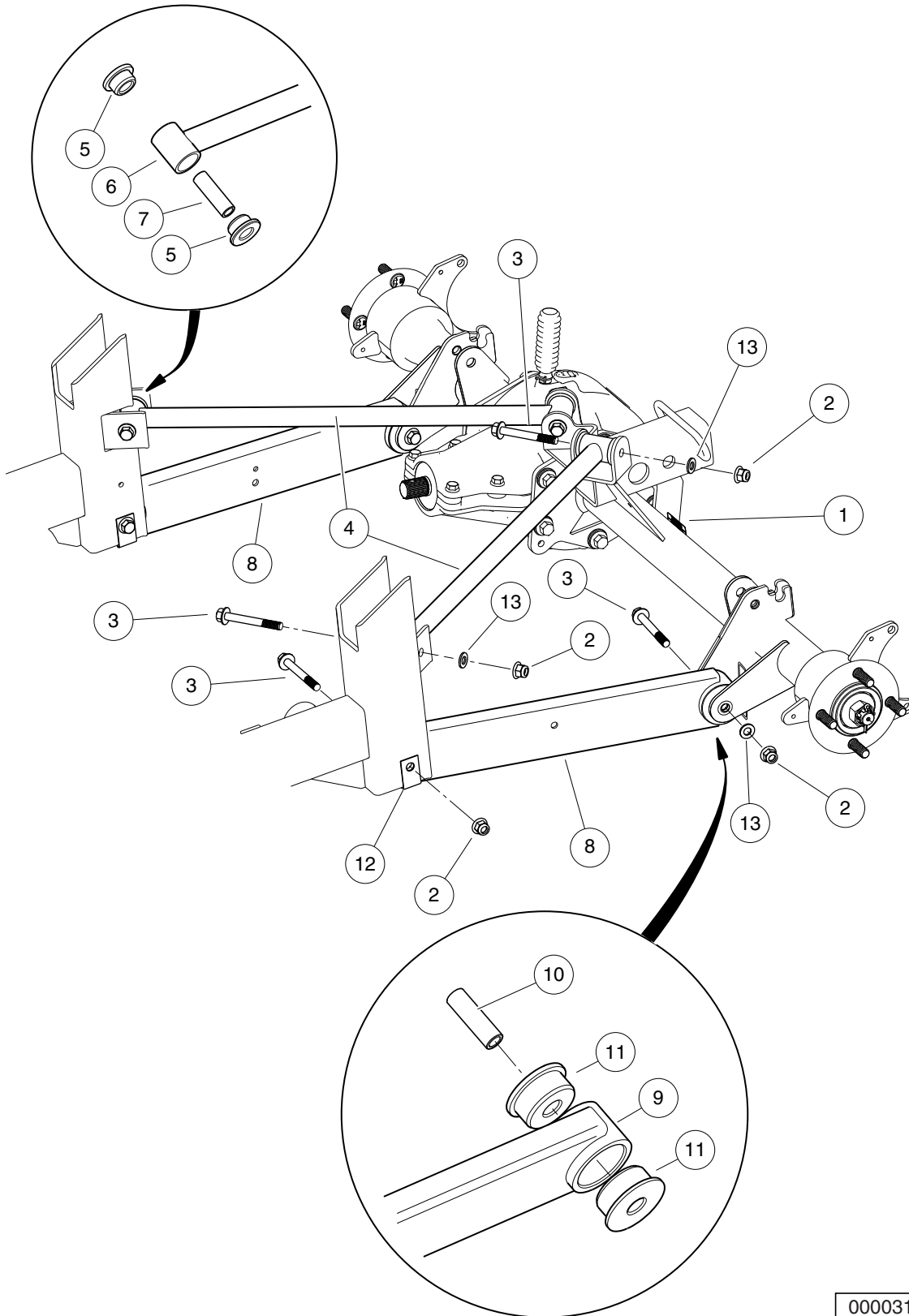


000530-006

SHOCK ABSORBERS – 1500 LB CAPACITY

ITEM	PART NO.	DESCRIPTION	QTY
		1 2 3 4	
1	<u>102616301</u>	Bolt, Flange Head, M12 X 1.75 X 70	4
2	<u>102620501</u>	Nut, Flange, M12x1.75, Nylon Grade 10	6
3	<u>102788701</u>	Bolt, Flange, M12x1.75x100, Patch	4
4	<u>103951601</u>	Shock Absorber, Coil-over, Front, 1500 lb Capacity	2
5	<u>103951701</u>	Shock Absorber, Coil-over, Rear, 1500 lb Capacity	2
		Note: Shocks must be installed as matched pairs.	

7
G



000031-005

REAR SUSPENSION (4-LINK)

ITEM	PART NO.	DESCRIPTION	QTY
		1 2 3 4	
1	<u>1011553</u>	Decal, Trailer Hitch	1
2	<u>102670701</u>	Nut, Flange, M10 X 1.5 Nylon	8
3	<u>103147001</u>	Bolt, Flg, M10 X 1.5 X 80	8
4	103860302	Assy, Lateral Link, Service Replacement, 4-Link Susp (includes items 5 through 7)	2
5	<u>102408401</u>	Bushing, A-Arm	4
6	N/A	Link, Lateral, Awd	1
7	<u>103845501</u>	Sleeve, Inner, 4link	2
8	103860402	Assy, Trailing Link, Service Replacement, 4-Link Susp (includes items 9 through 11)	2
9	N/A	Link, Trailing, Awd	1
10	<u>103845501</u>	Sleeve, Inner, 4link	2
11	<u>103886201</u>	Bushing, Poly, 4-link	4
12	<u>103923001</u>	Clip, Wear, Trail Link	4
13	<u>96741046</u>	Washer, M10, Hard	6

7

G

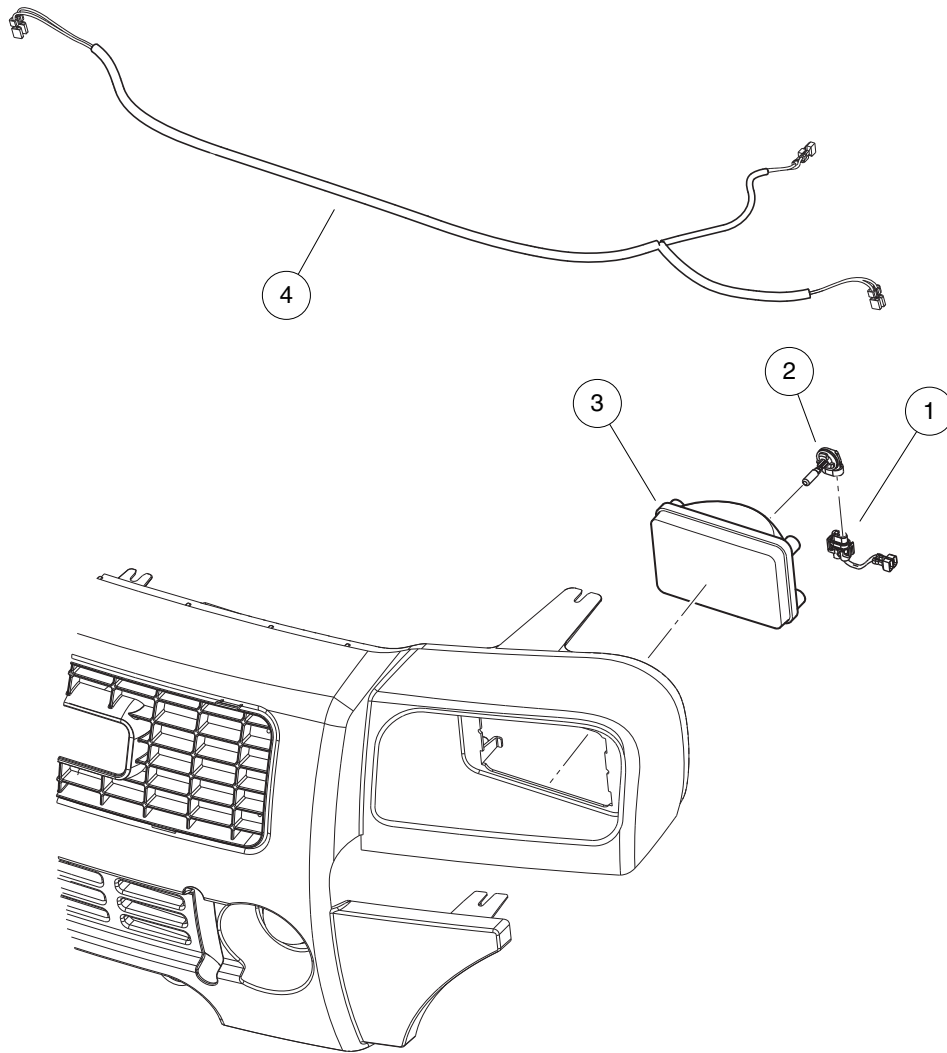
7

G

ELECTRICAL SYSTEM

8

G



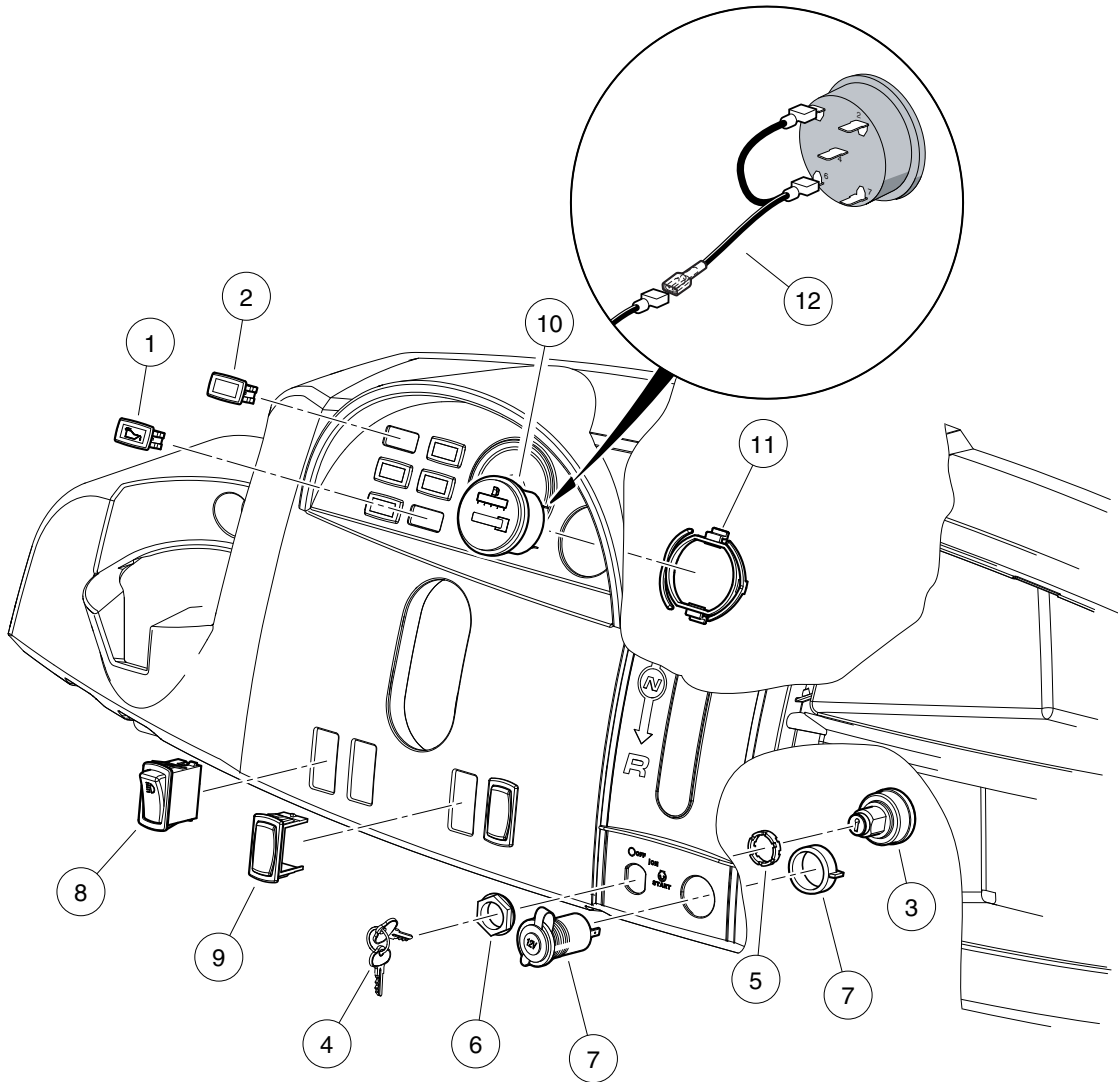
000880-003

HEADLIGHTS – CARRYALL

ITEM	PART NO.	DESCRIPTION	QTY
		1 2 3 4	
1	<u>101987901</u>	Connector, Harness Assembly, Headlight	2
2	<u>101988101</u>	Bulb, Headlight	2
3	<u>101988201</u>	Lens, Headlight	2
4	<u>103213301</u>	Harness, Wire, XRT/CA Restyle Headlights	1

8

G

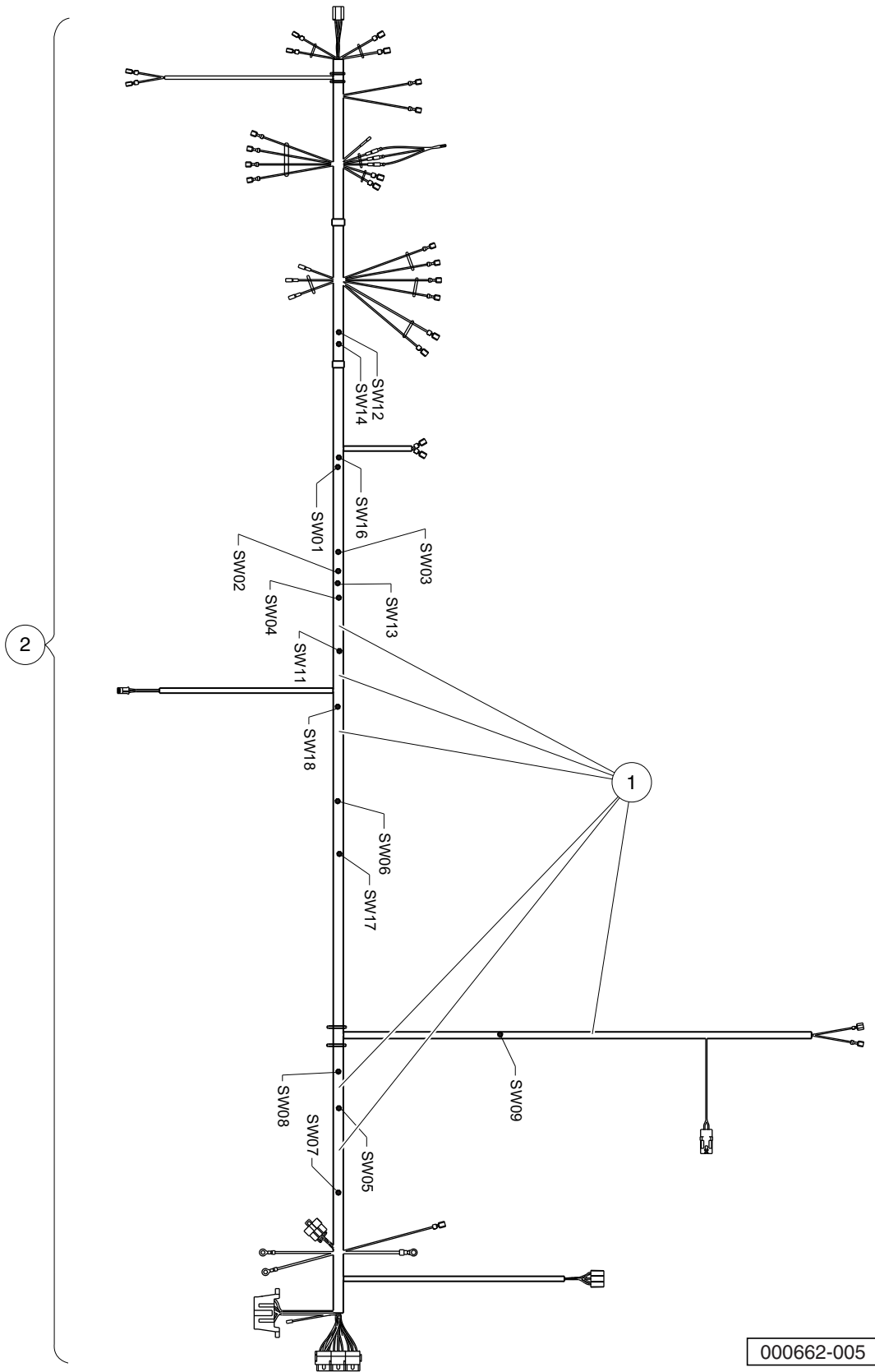


000543-009

ELECTRICAL COMPONENTS, FRONT BODY – GAS VEHICLE

ITEM	PART NO.	DESCRIPTION	QTY
		1 2 3 4	
1	<u>1016630</u>	Light, Oil	1
2	<u>101802601</u>	Plug, Hole	5
3	<u>102044702</u>	Key Switch 12v Key Start	1
4	102044801	Key Set	1
5	<u>102051601</u>	Spacer, Keyswitch	1
6	<u>102051701</u>	Nut, Key Switch	1
7	<u>102198001</u>	Receptacle, Accessory	1
8	<u>102869401</u>	Switch, Rocker, Light	1
9	<u>103180101</u>	Cover, Hole, Switch, Rocker	3
10	<u>103348101</u>	Gauge, Fuel-hour, Sep Gnd	1
11	<u>103348201</u>	Clip, Meter, Round	1
12	<u>103348501</u>	Asm, Wire Meter, F-h Jumper	1

8
G

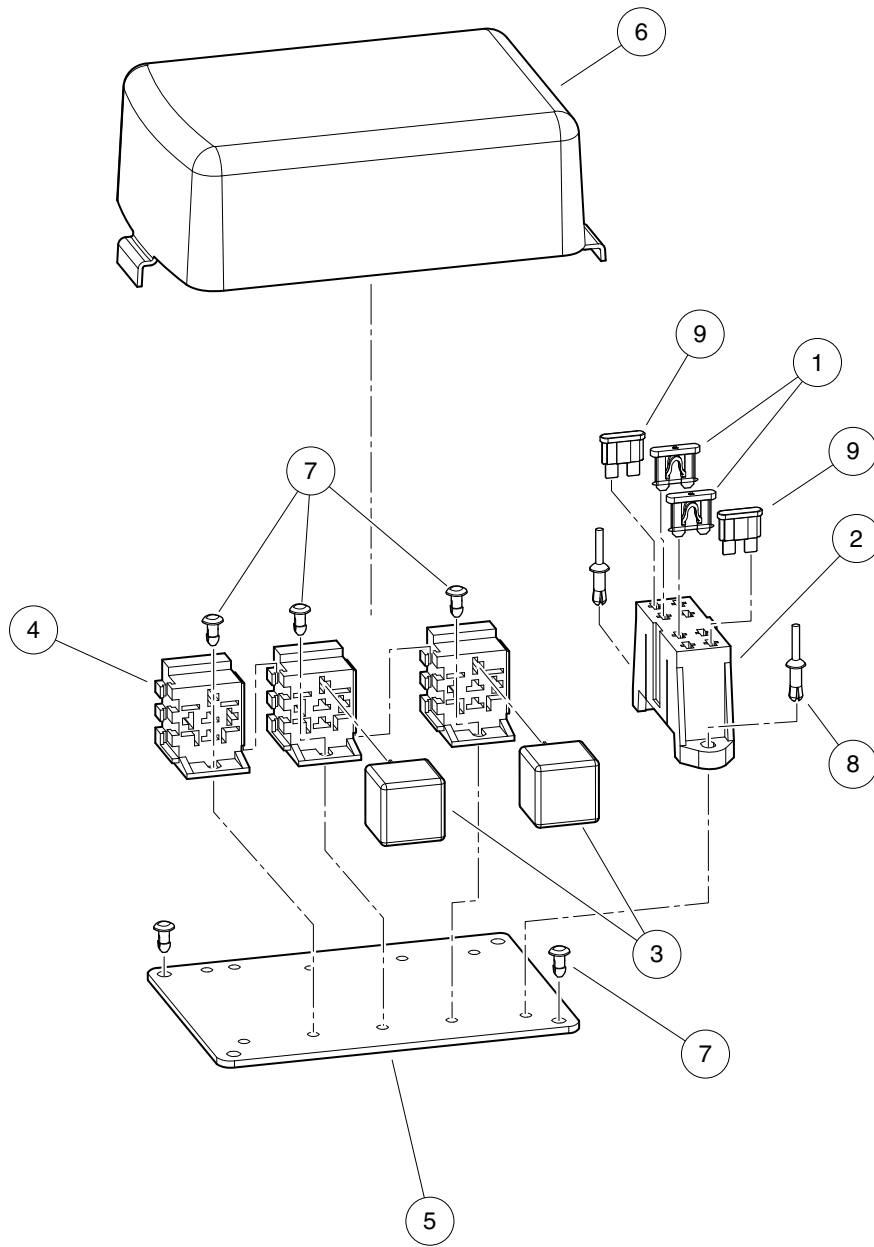


000662-005

WIRING – GASOLINE VEHICLE

ITEM	PART NO.	DESCRIPTION	QTY
1	<u>1014789</u>	1 2 3 4 Diode, General Purpose, 3.0-Amp	6
2	<u>103305701</u>	Harness, Wire, AWD, Kawasaki FH680, 295/1550	1

8
G

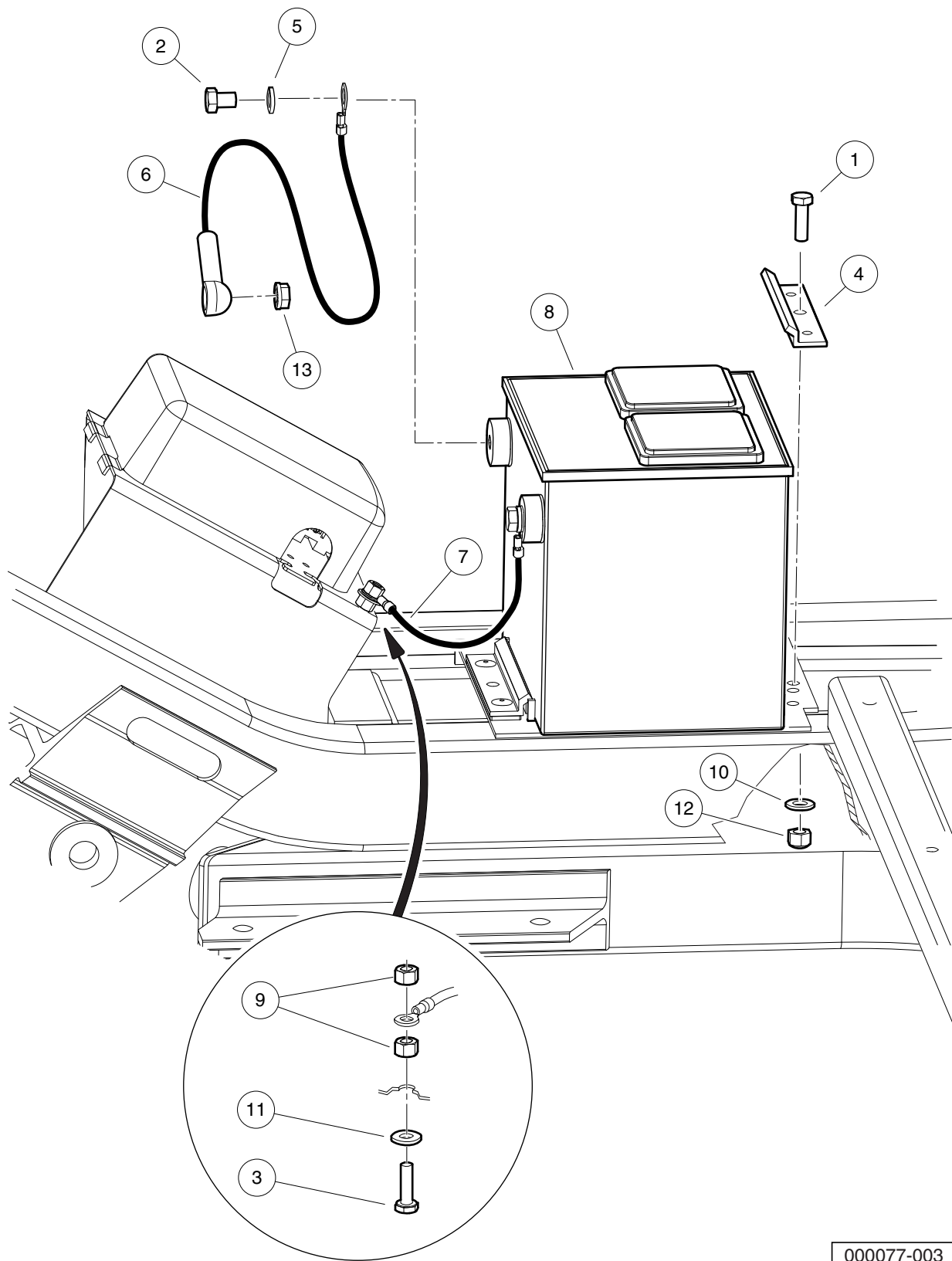


000076-003

ELECTRICAL COMPONENT BOX, GASOLINE VEHICLE

ITEM	PART NO.	DESCRIPTION	QTY
		1 2 3 4	
1	<u>1012295</u>	Fuse, 10-Amp	2
2	<u>1015741</u>	Fuse Block	1
3	<u>102420201</u>	Relay, Mini ISO, SPDT	3
4	<u>102420301</u>	Connector, Relay	3
5	<u>102420401</u>	Plate, Electrical	1
6	<u>102420501</u>	Cover, Electrical	1
7	<u>102447901</u>	Fastener, Push-in	7
8	<u>102448001</u>	Rivet, Drive	2
9	<u>102492201</u>	Fuse, 25-Amp	2

8
G



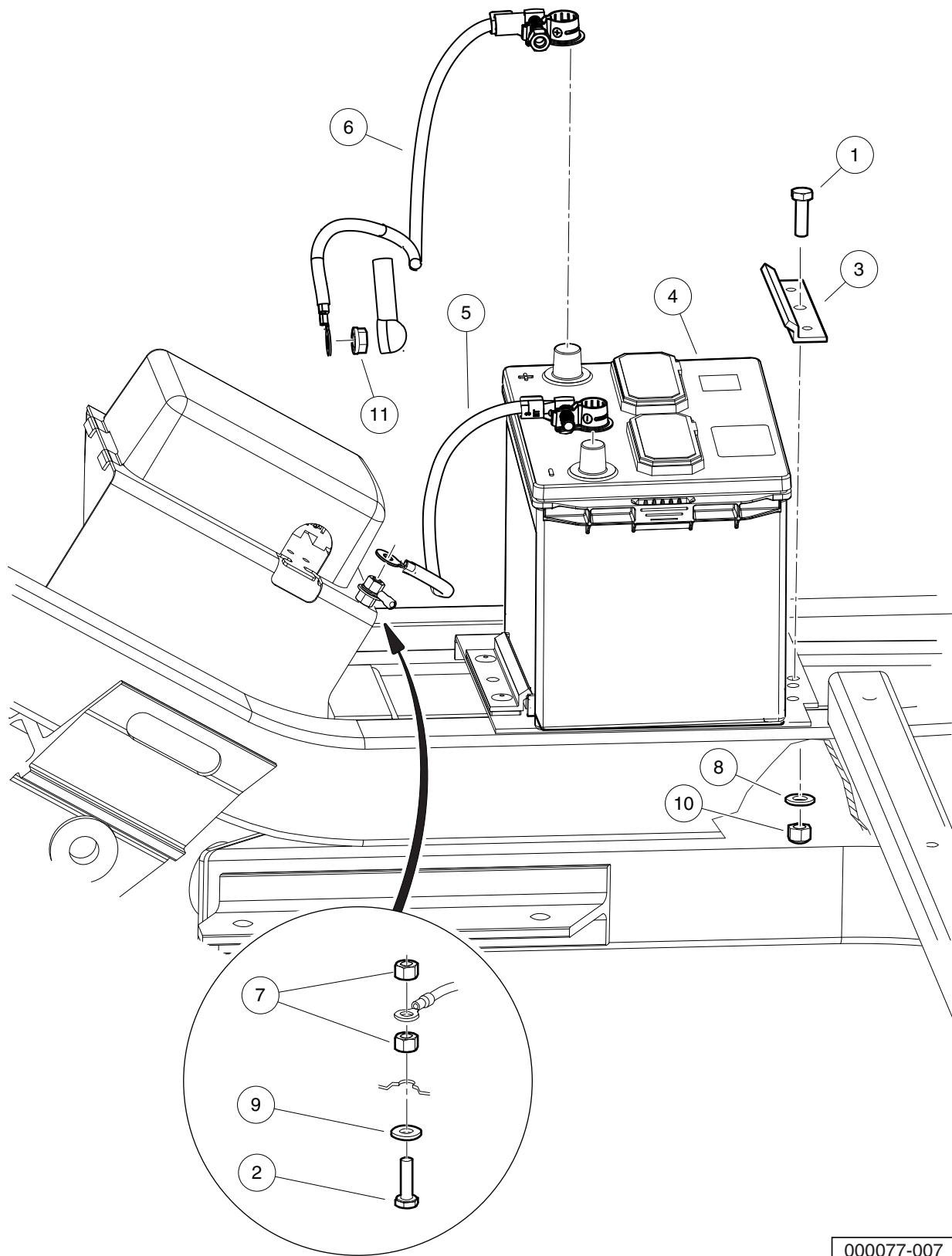
000077-003

BATTERY – GASOLINE VEHICLE

ITEM	PART NO.	DESCRIPTION	QTY
		1 2 3 4	
1	<u>1010934</u>	Screw, 5/16-18 X 1.00 Hex Cap	1
2	<u>1014375</u>	Screw, 3/8-16 X 0.50, Stainless Steel, Hex-Head	2
3	<u>1015521</u>	Screw, 1/4-20 X .88 Hex Hd Cap	1
4	<u>101898001</u>	Clamp, Battery	1
5	<u>102355301</u>	Lockwasher, 3/8 Split Ss	2
6	<u>102442201</u>	Asm, #6 Red Wire	1
7	<u>102448401</u>	Wire Asm, #6 Blk, Awd, 350	1
8	<u>103496801</u>	Battery, Start, 12v	1
9	<u>1108</u>	Locknut, 1/4-20 Dimpled	2
10	<u>1241</u>	Washer, 5/16 Type A Flat	1
11	<u>332</u>	Washer, 1/4 Type A Narrow Flat	1
12	<u>7473</u>	Locknut, 5/16-18 Nylon Insert	1
13	<u>96704416</u>	Nut, Flange, M8 X 1.25 Serrated	1

8

G



000077-007

TOP-POST BATTERY – GASOLINE VEHICLE

ITEM	PART NO.	DESCRIPTION	QTY
		1 2 3 4	
1	<u>1010934</u>	Screw, 5/16-18 X 1.00 Hex Cap	1
2	<u>1015521</u>	Screw, 1/4-20 X .88 Hex Hd Cap	1
3	<u>101898001</u>	Clamp, Battery	1
4	<u>105237301</u>	Battery, Start, 12v, Type 26	1
5	<u>105256201</u>	Wire Asm, #6 Blk, (top-post battery) Awd, 426	1
6	<u>105256601</u>	Wire Asm, #6 Red, (top-post battery) Awd, 476	1
7	<u>1108</u>	Locknut, 1/4-20 Dimpled	2
8	<u>1241</u>	Washer, 5/16 Type A Flat	1
9	<u>332</u>	Washer, 1/4 Type A Narrow Flat	1
10	<u>7473</u>	Locknut, 5/16-18 Nylon Insert	1
11	<u>96704416</u>	Nut, Flange, M8 X 1.25 Serrated	1

8

G

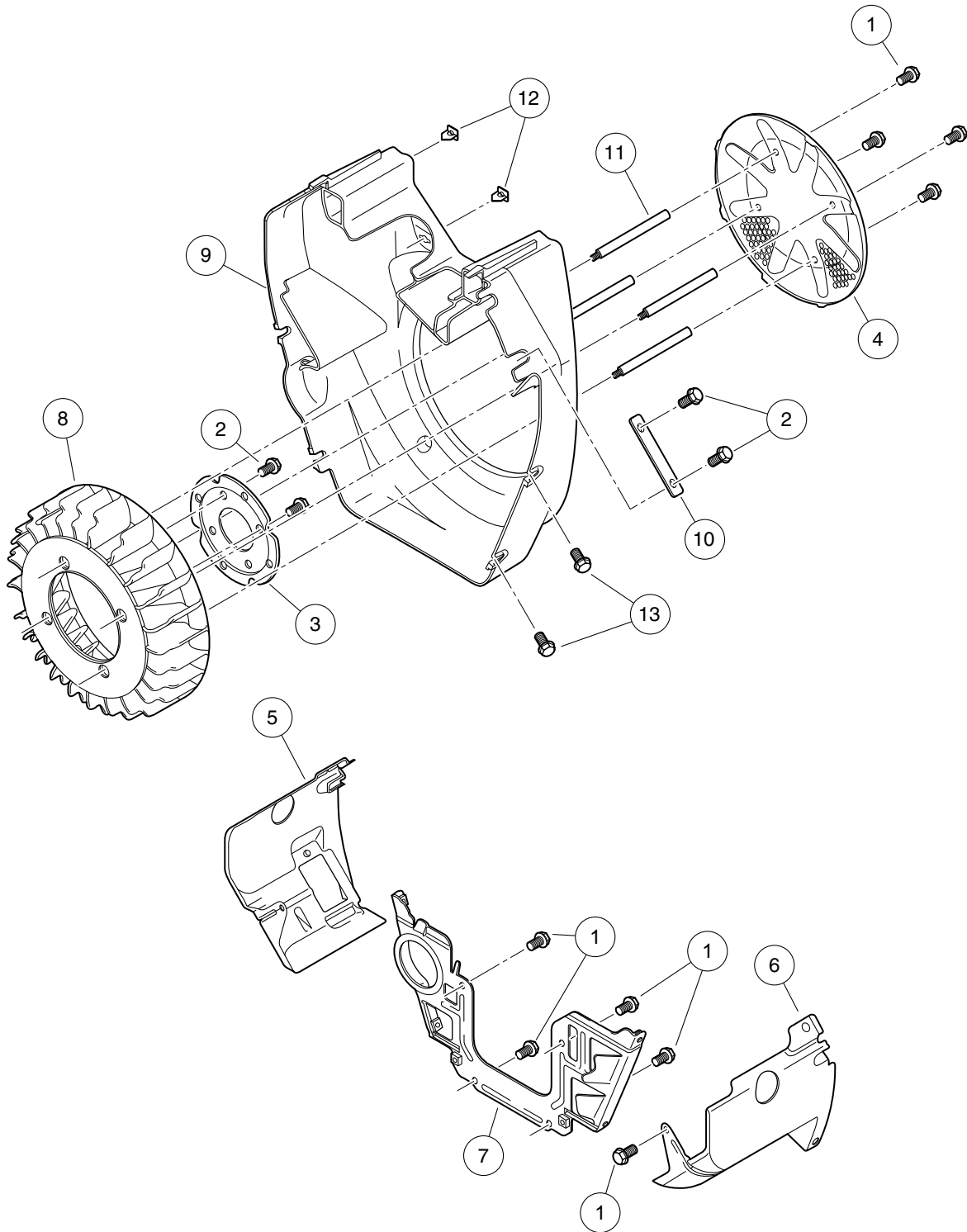
8

G

KAWASAKI FH680D GASOLINE ENGINE

9

G

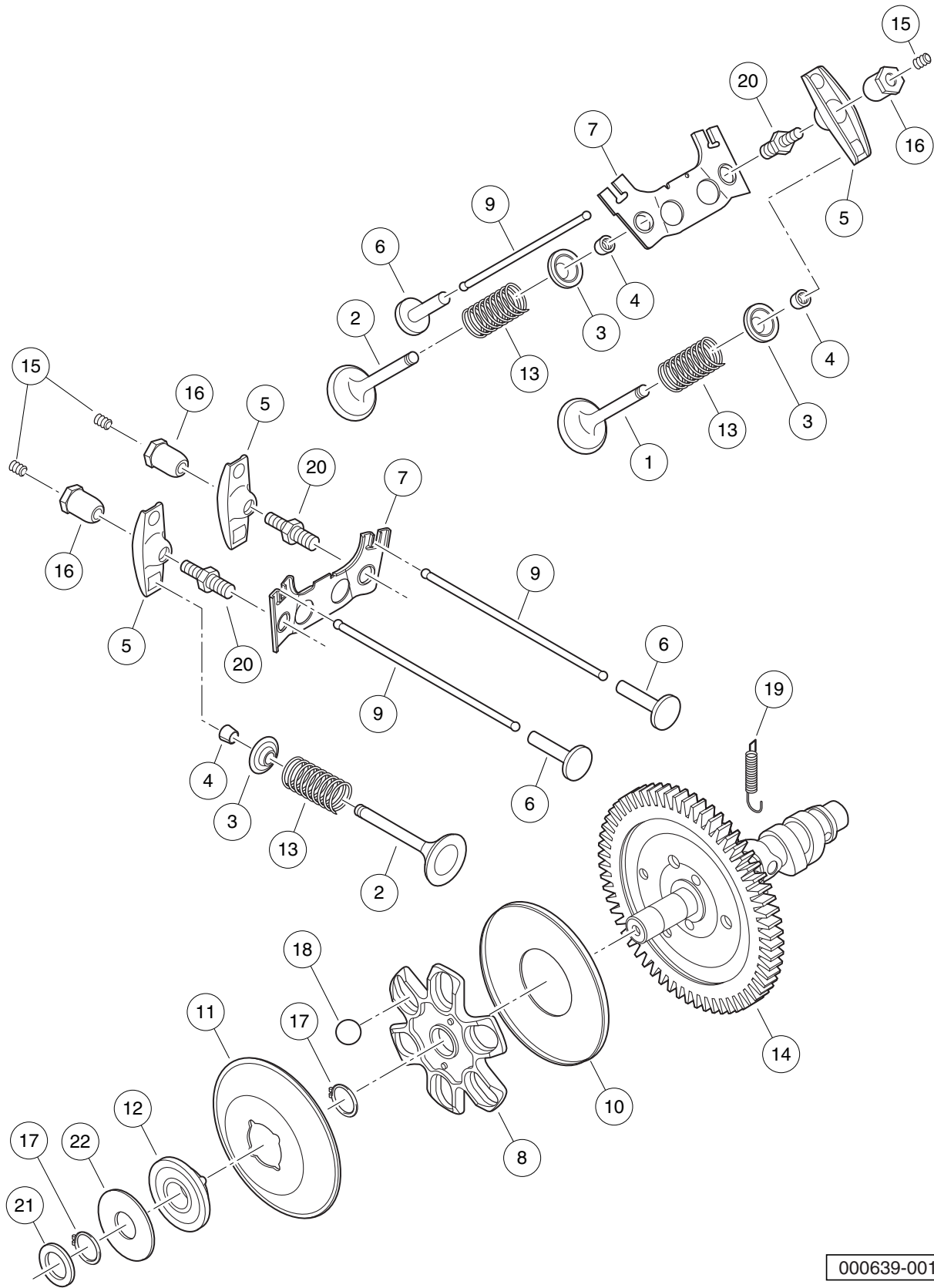


000625-001

SHROUDS AND BRACKETS

ITEM	PART NO.	DESCRIPTION	QTY
		1 2 3 4	
1	<u>102992401</u>	Bolt, Flg, M6 X 1.0 X 12	9
2	<u>102992501</u>	Bolt, Flg, M6 X 1.0 X 16	4
3	<u>102998601</u>	Plate, Housing, Fan, Fh	1
4	<u>102998701</u>	Screen, Fan, Fh	1
5	<u>102999101</u>	Shroud, Engine, Rh, Fh	1
6	<u>102999201</u>	Shroud, Engine, Lh, Fh	1
7	<u>102999301</u>	Shroud, Engine, Front, Fh	1
8	<u>102999501</u>	Fan, Cooling, Fh	1
9	<u>102999601</u>	Housing, Engine, Fh	1
10	<u>103000001</u>	Washer, Housing, Fan, Fh	1
11	<u>103299301</u>	Stud, Fan Screen, Fh	4
12	<u>103299401</u>	Nut, Press In, Front Cover, Fh	4
13	<u>103300301</u>	Bolt, Oil Pickup, Fh	4

9
G



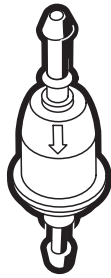
000639-001

VALVES AND CAMSHAFT

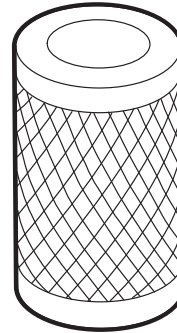
ITEM	PART NO.	DESCRIPTION	QTY
		1 2 3 4	
1	<u>102994601</u>	Valve, Intake, Fh	2
2	<u>102994701</u>	Valve, Exhaust, Fh	2
3	<u>102994801</u>	Retainer, Valve Spring, Fh	4
4	<u>102994901</u>	Collet, Spring, Valve, Fh	8
5	<u>102995001</u>	Arm, Rocker	4
6	<u>102995101</u>	Tappet, Rod, Push, Fh	4
7	<u>102995201</u>	Guide, Arm, Rocker, Fh	2
8	<u>102995301</u>	Guide, Camshaft, Gov, Fh	1
9	<u>102995401</u>	Rod, Push, Fh	4
10	<u>102995501</u>	Plate, Camshaft, Gov, Fh	1
11	<u>102995601</u>	Plate, Ring, Gov, Fh	1
12	<u>102995701</u>	Sleeve, Plate, Gov, Fh	1
13	<u>102995801</u>	Spring, Valve, Fh	4
14	<u>102995901</u>	Kit, Camshaft, Comp, Fh	1
15	<u>102996001</u>	Screw, Rocker Arm, Fh	4
16	<u>102996101</u>	Nut, Arm, Rocker, Fh	4
17	<u>102996201</u>	Ring, Snap, Gov, Fh	2
18	<u>102996301</u>	Ball, Guide, Gov, Fh	6
19	<u>102996401</u>	Spring, Camshaft, Fh	1
20	<u>102996501</u>	Stud, Rocker Arm, Fh	4
21	<u>102996601</u>	Washer, Sleeve, Gov, Fh	1
22	<u>102996701</u>	Washer, Gov, Fh	1

9

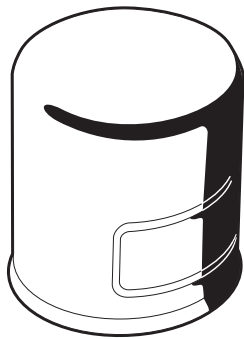
G



2



3



4



5

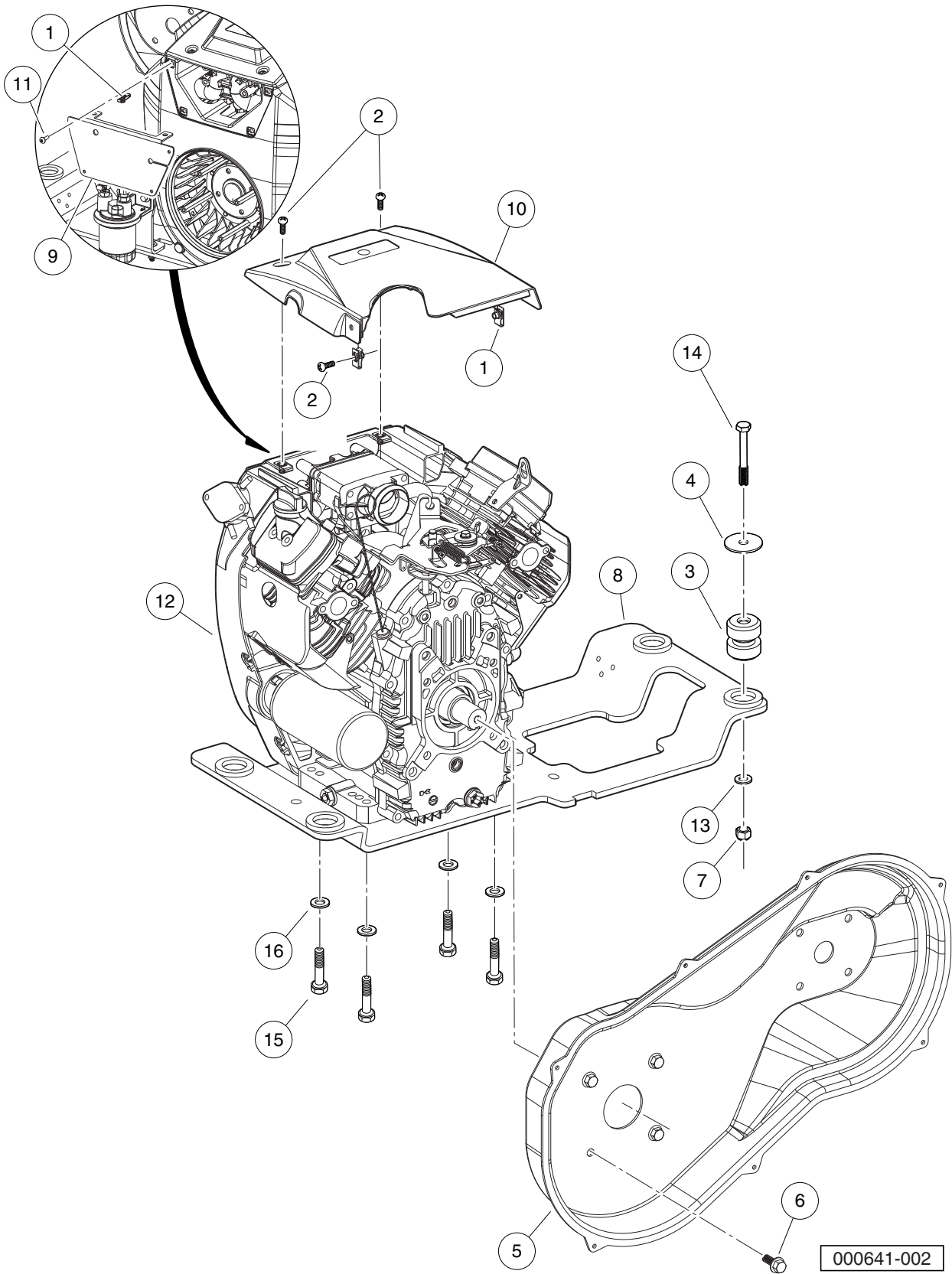
000992-001

TUNE-UP KIT – KAWASAKI FH680

ITEM	PART NO.	DESCRIPTION	QTY
		1 2 3 4	
1	<u>AM1232401</u>	Kit, Tune-Up (For Kawasaki V-twin engines) (includes items 2 through 5)	1
2	<u>102003201</u>	Filter, Fuel, 30 Micron	1
3	<u>102498601</u>	Element, Filter, Air, 5 Inch	1
4	<u>103887901</u>	Filter, Oil, Kawasaki	1
5	<u>AM1232301</u>	Spark Plug, BPR2ES	2

9

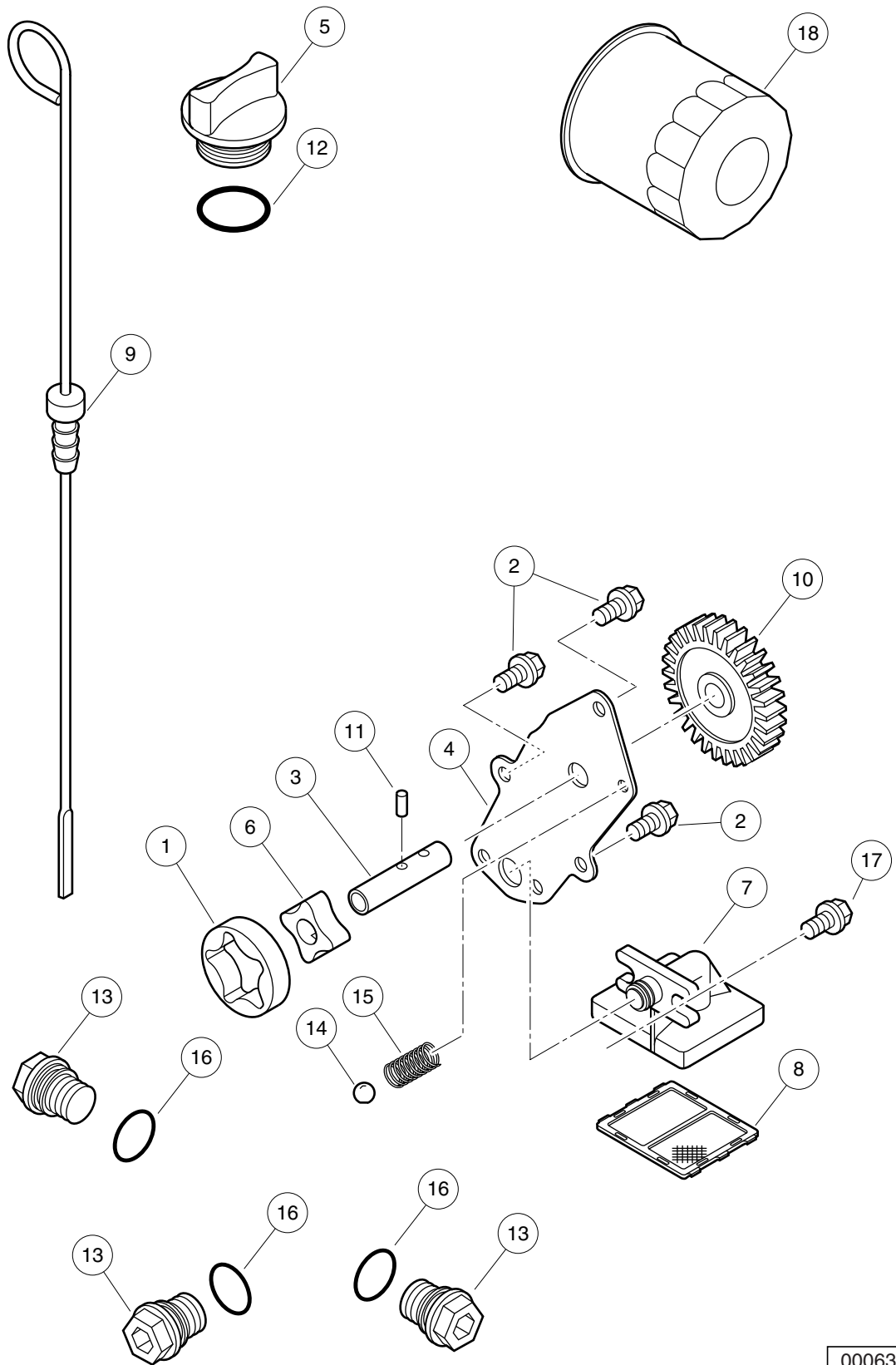
G



KAWASAKI FH680D GASOLINE ENGINE AND MOUNTING

ITEM	PART NO.	DESCRIPTION	QTY
		1 2 3 4	
1	<u>102296601</u>	U-Nut, M6-1.0, Prevailing Torque	4
2	<u>102296920</u>	Screw, M6, Torx Button Head, Sems	4
3	<u>102370501</u>	Isolator Ring and Bushing	4
4	<u>102370601</u>	Washer, Snubbing, Ring N Bush	4
5	<u>102462504</u>	Cover, Cvt, Inner Fh680d	1
6	<u>102491001</u>	Bolt, Flanged Head, 3/8-16x1.0 with Loctite	4
7	<u>102740401</u>	Locknut, M12x1.75 Nylon Insert	4
8	<u>102951901</u>	Weldment, Eng Mnt, Kaw, Fh680d	1
9	<u>103208701</u>	Engine, Front Cover, Fh680d	1
10	<u>103262901</u>	Cover, Engine, Top	1
11	<u>103279201</u>	Screw, Pn Hd Blk, 10-16 X .625	4
12	<u>103528201</u>	Engine, Kawasaki, FH680D	1
13	<u>96701412</u>	Washer, M12 Hard	4
14	<u>96704721</u>	Bolt, M12 X 1.75 X 90	4
15	<u>96704960</u>	Bolt, M10 X 1.5 X 60	4
16	<u>96741046</u>	Washer, M10, Hard	4

9
G



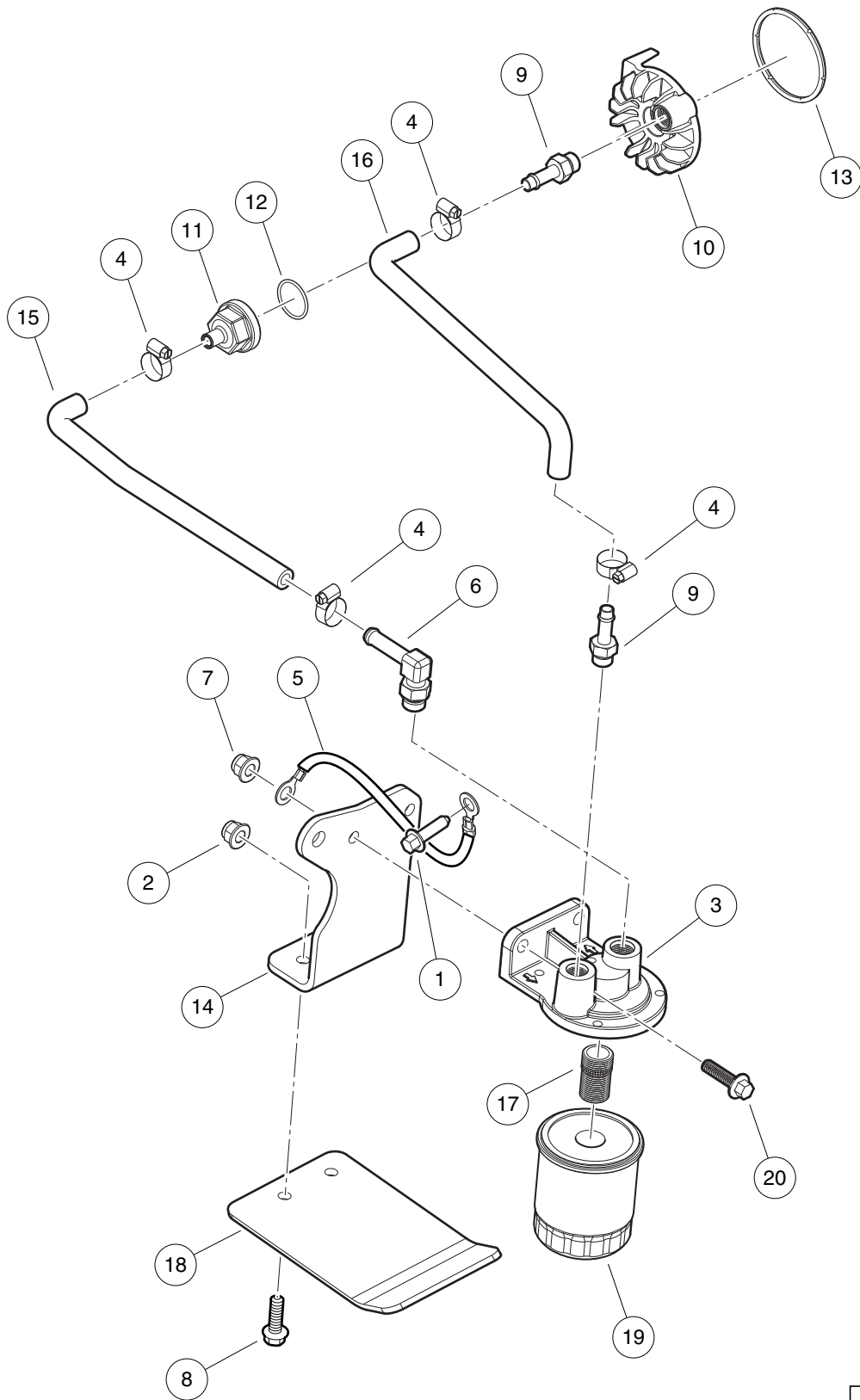
000637-004

OIL AND LUBRICATION COMPONENTS

ITEM	PART NO.	DESCRIPTION	QTY
		1 2 3 4	
1	101648201	Rotor, Pump, Oil, Outer	1
2	<u>102992401</u>	Bolt, Flg, M6 X 1.0 X 12	3
3	<u>102996901</u>	Shaft, Oil Pump, Fh	1
4	<u>102997001</u>	Plate, Oil Pump, Fh	1
5	<u>102997101</u>	Cap, Oil, Fill, Fh	1
6	<u>102997201</u>	Rotor, Pump, Oil, Inner, Fh	1
7	<u>102997401</u>	Pickup, Oil, Fh	1
8	<u>102997601</u>	Screen, Pickup, Oil, Fh	1
9	<u>102997701</u>	Gauge, Oil, Fh	1
10	<u>102997801</u>	Gear, Spur, Oil Pump, Fh	1
11	<u>102997901</u>	Pin, Oil Pump, Fh	2
12	<u>102998001</u>	O-ring, Cap, Oil, Fill, Fh	1
13	<u>102998101</u>	Plug, Oil Drain, Fh	3
14	<u>102998201</u>	Ball, Oil Pump, Fh	1
15	<u>102998301</u>	Spring, Oil Pump, Fh	1
16	<u>102998401</u>	O-ring, Drain Plug, Oil, Fh	3
17	<u>103300301</u>	Bolt, Oil Pickup, Fh	2
18	<u>103887901</u>	Filter, Oil, Kawasaki	1

9

G



000671-004

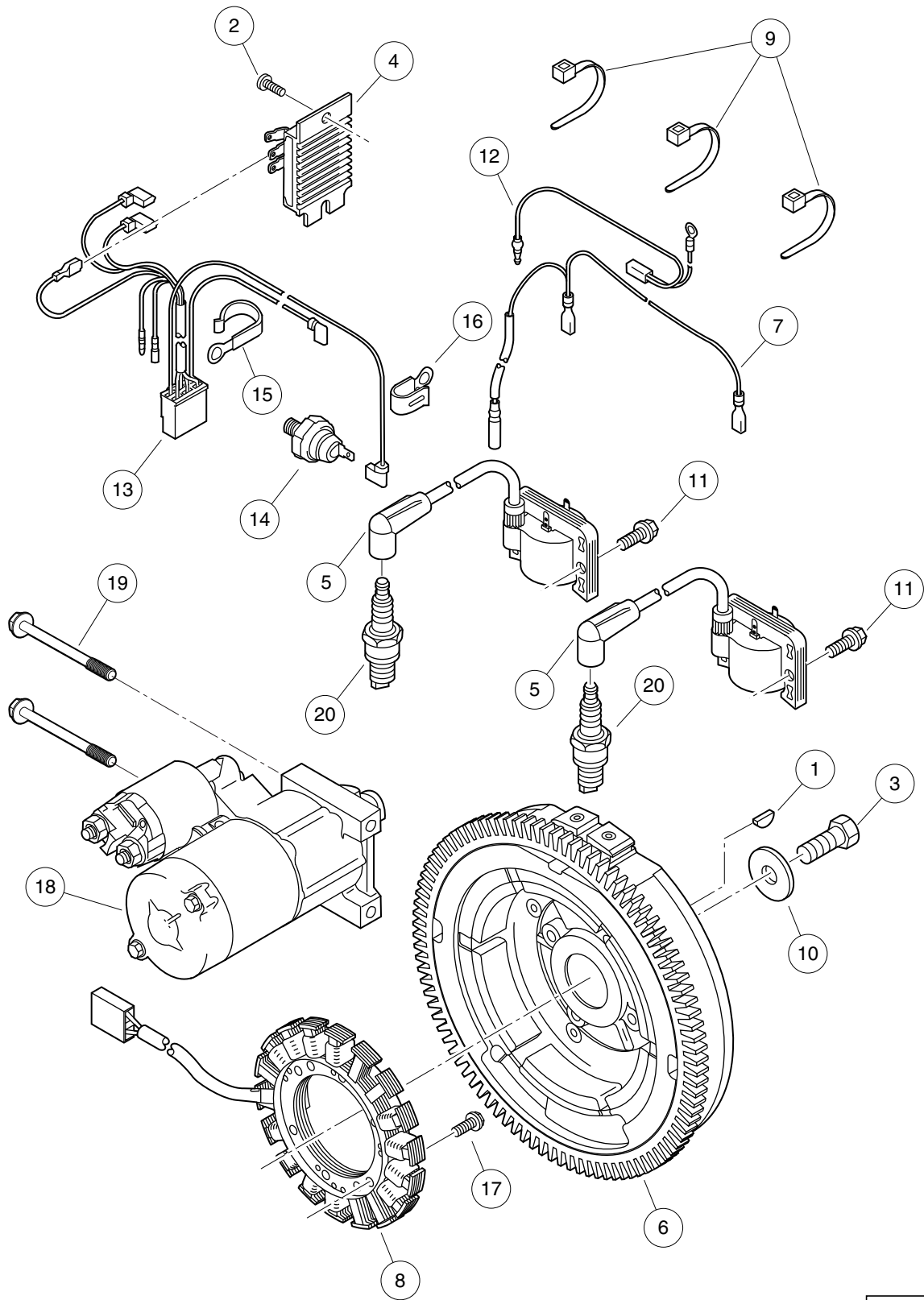
OIL FILTER ADAPTER – KAWASAKI FH680

ITEM	PART NO.	DESCRIPTION	QTY
		1 2 3 4	
1	<u>102289001</u>	Screw, M8X1.25X30, Hex	1
2	<u>102298401</u>	Nut,m8,all Metal Lock	2
3	<u>102371401</u>	Bracket, Oil Filter Mount	1
4	<u>102443601</u>	Clamp, Hose	4
5	<u>102448501</u>	Wire Asm, #6 Blk, Awd, 325	1
6	<u>102457501</u>	Adapter, 90, 3/8 Tube	1
7	<u>102618601</u>	Lock Nut, Flange, M8 X 1.25 Nylon	2
8	<u>102621301</u>	Bolt, M8 X 1.25 X 40 with Loctite	2
9	<u>102722001</u>	Adapter, 5/16 Hose	2
10	<u>102958301</u>	Adapter, Special, Oil Filter	1
11	<u>102958401</u>	Nut, Special, Hose Adapter	1
12	<u>102958501</u>	O-ring, 23.52 X 1.78mm	1
13	<u>102958601</u>	O-ring, Oil Filter Adapter	1
14	<u>103197201</u>	Bracket, Oil Filter, Fh680d	1
15	<u>103240601</u>	Hose, Formed, Oil, 5/16"	1
16	<u>103246901</u>	Hose, Formed, Oil, 5/16", Ret	1
17	<u>103276201</u>	Nipple, 3/4-16 X M20 X 1.5-6g	1
18	<u>103326401</u>	Guard, Oil Filter, Fh680d	1
19	<u>103887901</u>	Filter, Oil, Kawasaki	1
20	<u>96705587</u>	Bolt, M8 X 1.25 X 30	2

9

G

9
G

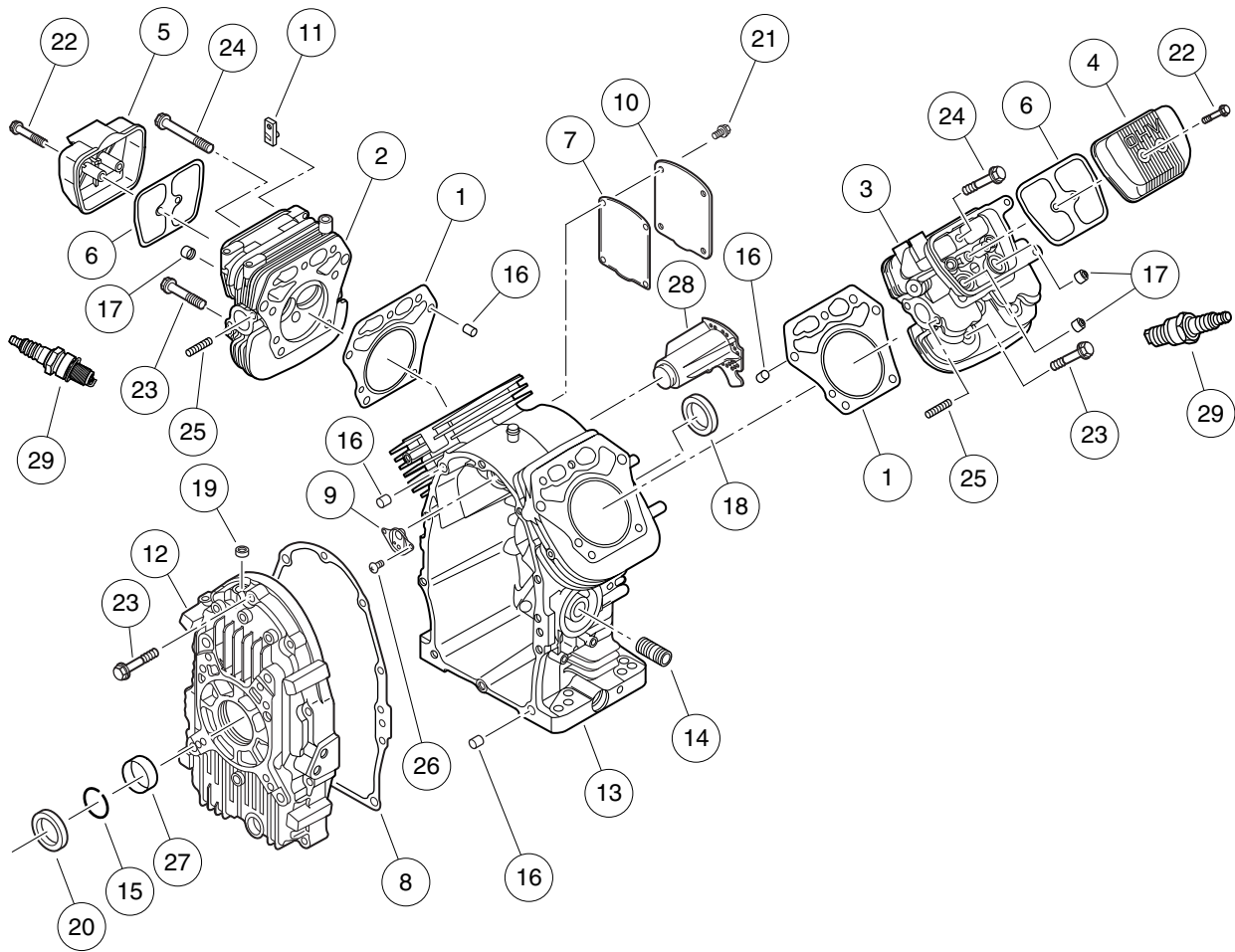


000626-002

IGNITION COMPONENTS AND FLYWHEEL – KAWASAKI FH680

ITEM	PART NO.	DESCRIPTION	QTY
		1 2 3 4	
1	N/A	Key	1
2	<u>1016544</u>	Screw	1
3	<u>102994301</u>	Bolt, Flg, M12 X 1.25 X 30	1
4	<u>103000401</u>	Regulator, Voltage, Fh	1
5	<u>103000501</u>	Asm, Coil, Ignition, Fh	2
6	<u>103000601</u>	Flywheel, Assy, Fh	1
7	<u>103000801</u>	Harness, Regulator, Fh	1
8	<u>103000901</u>	Coil, Charging, Fh	1
9	<u>103001301</u>	Band, Harness, Fh	3
10	<u>103001501</u>	Washer, Flywheel, Fh	1
11	<u>103298501</u>	Bolt, Flanged, M6 X 20, Kaw	4
12	<u>103299501</u>	Harness, Ignition, Fh	1
13	<u>103299601</u>	Harness, Engine, Main, Fh	1
14	<u>103299701</u>	Switch, Oil Pressure, Fh	1
15	<u>103299801</u>	Clamp, Harness, Large, Fh	1
16	<u>103299901</u>	Clamp, Harness, Small, Fh	1
17	<u>103300101</u>	Screw, Pan, Coil Mount, Fh	4
18	<u>103345501</u>	Starter, Electric, Fh680d	1
19	<u>103687401</u>	Bolt, Flg, M8 X 1.25 X 83	2
20	<u>AM1232301</u>	Spark Plug, BPR2ES	2

9
G



000638-003

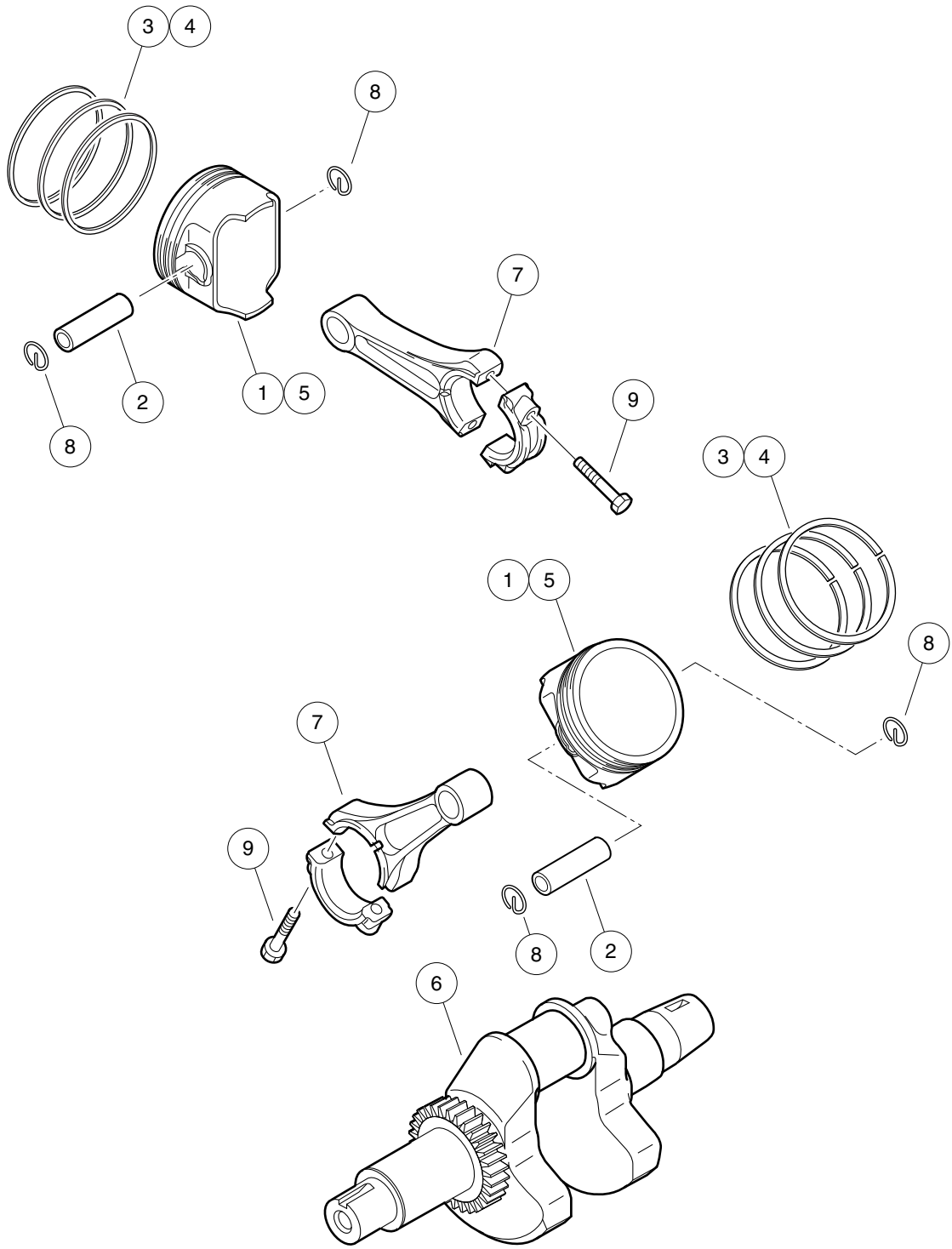
CYLINDER HEAD AND CRANKCASE

ITEM	PART NO.	DESCRIPTION	QTY
		1 2 3 4	
1	<u>102990101</u>	Gasket, Head, Cyl, Fh	2
2	<u>102990201</u>	Head, Cylid 1, Fh	1
3	<u>102990301</u>	Head, Cylid 2, Fh	1
4	<u>102990401</u>	Cover, Rocker, Cylid 1, Fh	1
5	<u>102990501</u>	Cover, Rocker, Cylid 2, Fh	1
6	<u>102990601</u>	Gasket, Rocker, Cover, FH	2
7	<u>102990701</u>	Gasket, Breather, Fh	1
8	<u>102990801</u>	Gasket, Cover, Crank, Fh	1
9	<u>102990901</u>	Valve, Assy, Reed, Fh	1
10	<u>102991101</u>	Cover, Crkcase, Comp, Fh	1
11	<u>102991201</u>	Pipe, Head, Comp, Clyd, Fh	1
12	<u>102991401</u>	Cover, Crankcase, Fh	1
13	<u>102991501</u>	Crankcase, Comp, Fh	1
14	<u>102991601</u>	Nipple, Oil Filter, Fh	1
15	<u>102991801</u>	Ring, Snap, Fh	1
16	<u>102991901</u>	Pin, Head, Fh	6
17	<u>102992001</u>	Seal, Oil, Valve, Fh	4
18	<u>102992101</u>	Seal, Oil, Crank, Rear, Fh	1
19	<u>102992201</u>	Seal, Oil, Governor, Fh	1
20	<u>102992301</u>	Seal, Oil, Crank, Front, Fh	1
21	<u>102992401</u>	Bolt, Flg, M6 X 1.0 X 12	4
22	<u>102992601</u>	Bolt, Flg, M6 X 1.0 X 40	4
23	<u>102992701</u>	Bolt, Flg, M8 X 1.25 X 50	18
24	<u>102992801</u>	Bolt, Flg, M8 X 1.25 X 75	2
25	<u>102992901</u>	Stud, M8 X 1.25, Exhaust, Fh	4
26	<u>103298601</u>	Screw, Pan, Governor, Fh	2
27	<u>103298901</u>	Bushing, Main, Fh	1
28	<u>103981201</u>	Pipe, Crankcase Breather, Fh680 (with O-Ring)	1
29	<u>AM1232301</u>	Spark Plug, BPR2ES	2

9

G

9
G



000640-001

PISTONS AND CRANKSHAFT

ITEM	PART NO.	DESCRIPTION	QTY
		1 2 3 4	
1	<u>102993201</u>	Piston, Engine, Fh	2
2	<u>102993301</u>	Pin, Piston, Engine, Fh	2
3	<u>102993401</u>	Ring, Set, Piston, Fh	2
4	<u>102993501</u>	Ring, Set, Piston, 0.50, Fh	A/R
5	<u>102993601</u>	Piston, Engine, 0.50, Fh	A/R
6	<u>102993701</u>	Crankshaft, Comp, Fh	1
7	<u>102993901</u>	Kit, Rod, Connecting, Fh	2
8	<u>102994101</u>	Ring, Snap, Pin, Piston, Fh	4
9	<u>102994401</u>	Bolt, Flg, M6 X 1.00 X 35	4

9
G

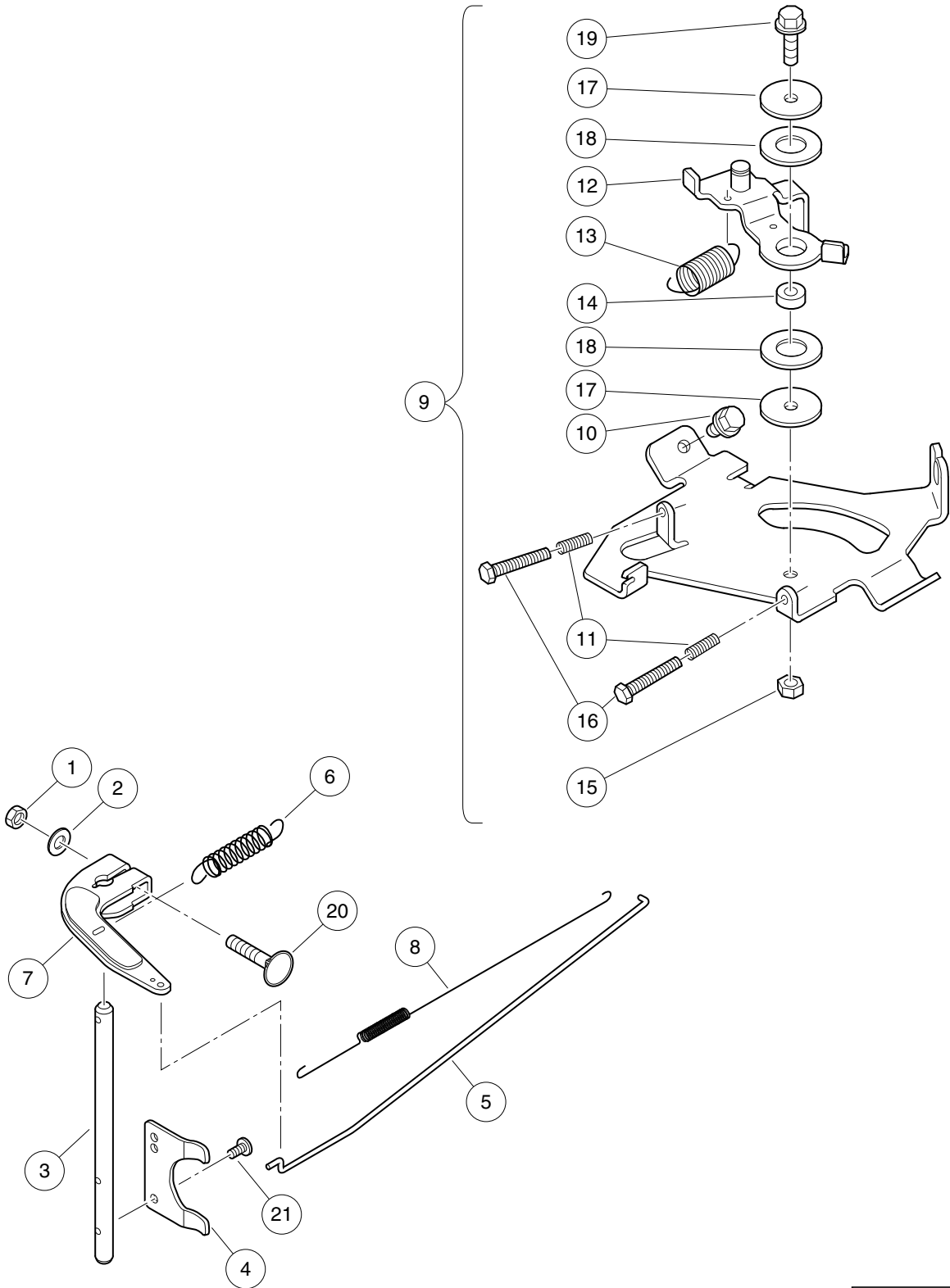
9

G

FUEL, INTAKE, ACCELERATOR AND GOVERNOR SYSTEMS

10

G



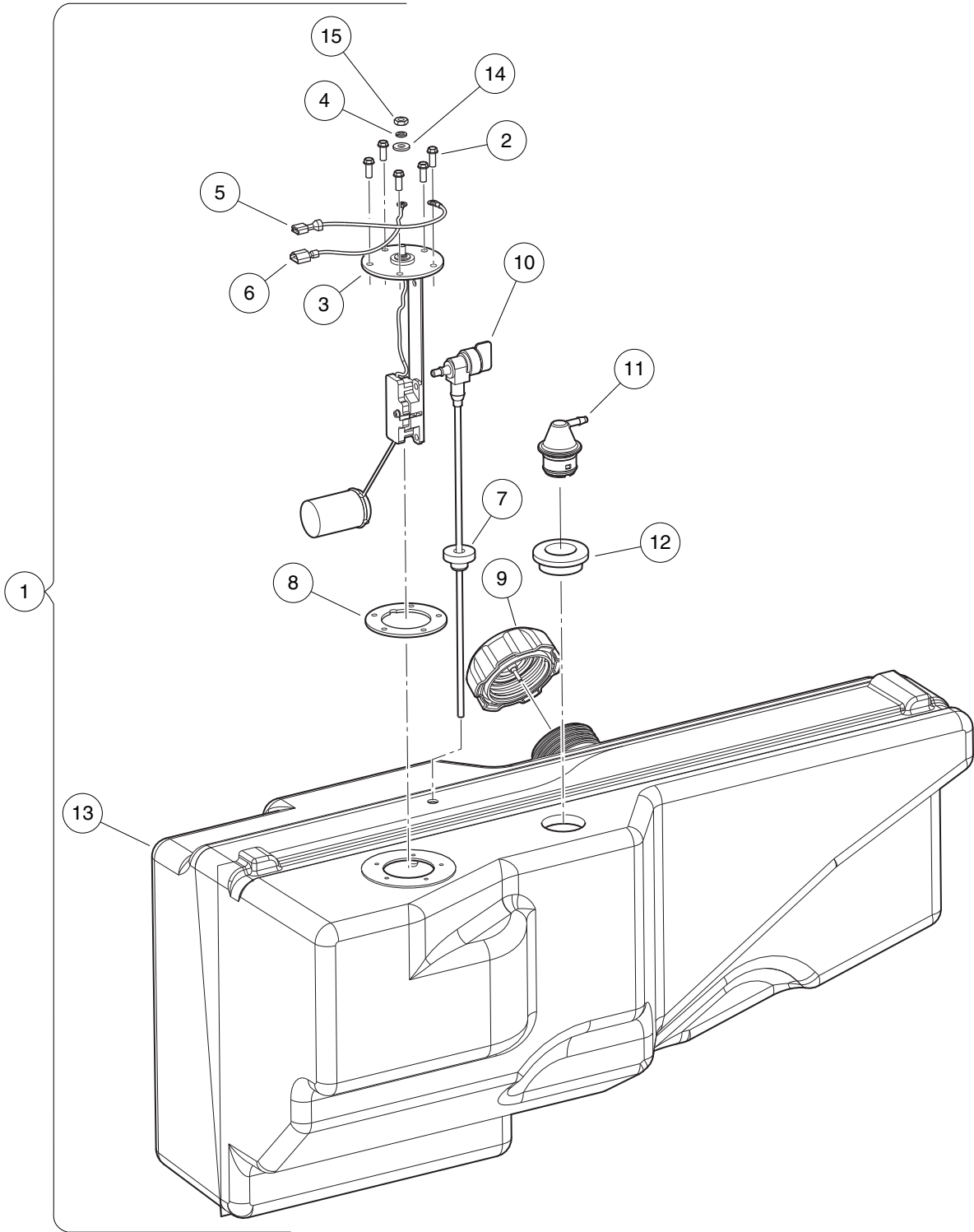
000636-001

GOVERNOR ARM AND SPRINGS

ITEM	PART NO.	DESCRIPTION	QTY
		1 2 3 4	
1	N/A	Nut, M6	1
2	<u>1016513</u>	Washer, M6 Flat	1
3	<u>103002001</u>	Shaft, Governor, Fh	1
4	<u>103002101</u>	Plate, Governor, Fh	1
5	<u>103002301</u>	Link, Arm, Governor, Fh	1
6	<u>103002401</u>	Spring, Governor, Fh	1
7	<u>103002501</u>	Arm, Governor, Shaft	1
8	<u>103002901</u>	Spring, Arm, Governor, Fh	1
9	<u>103297701</u>	Panel, Control, Complete, Fh (includes items 10 through 19)	1
10	<u>102992401</u>	Bolt, Flg, M6 X 1.0 X 12	2
11	<u>103002801</u>	Spring, Fh	2
12	<u>103297401</u>	Lever, Governor, Control, Fh	1
13	<u>103297501</u>	Spring, Governor Return, Fh	1
14	<u>103297601</u>	Collar, Governor, Fh	1
15	<u>103297801</u>	Nut, Governor, Fh	1
16	<u>103298001</u>	Bolt, Speed Control, Fh	2
17	<u>103298201</u>	Washer, Governor, Lower, Fh	2
18	<u>103298301</u>	Washer, Governor, Middle, Fh	2
19	<u>103298501</u>	Bolt, Flanged, M6 X 20, Kaw	1
20	<u>103298101</u>	Bolt, M6 X 35, Kawasaki	1
21	<u>103298601</u>	Screw, Pan, Governor, Fh	2

10

G



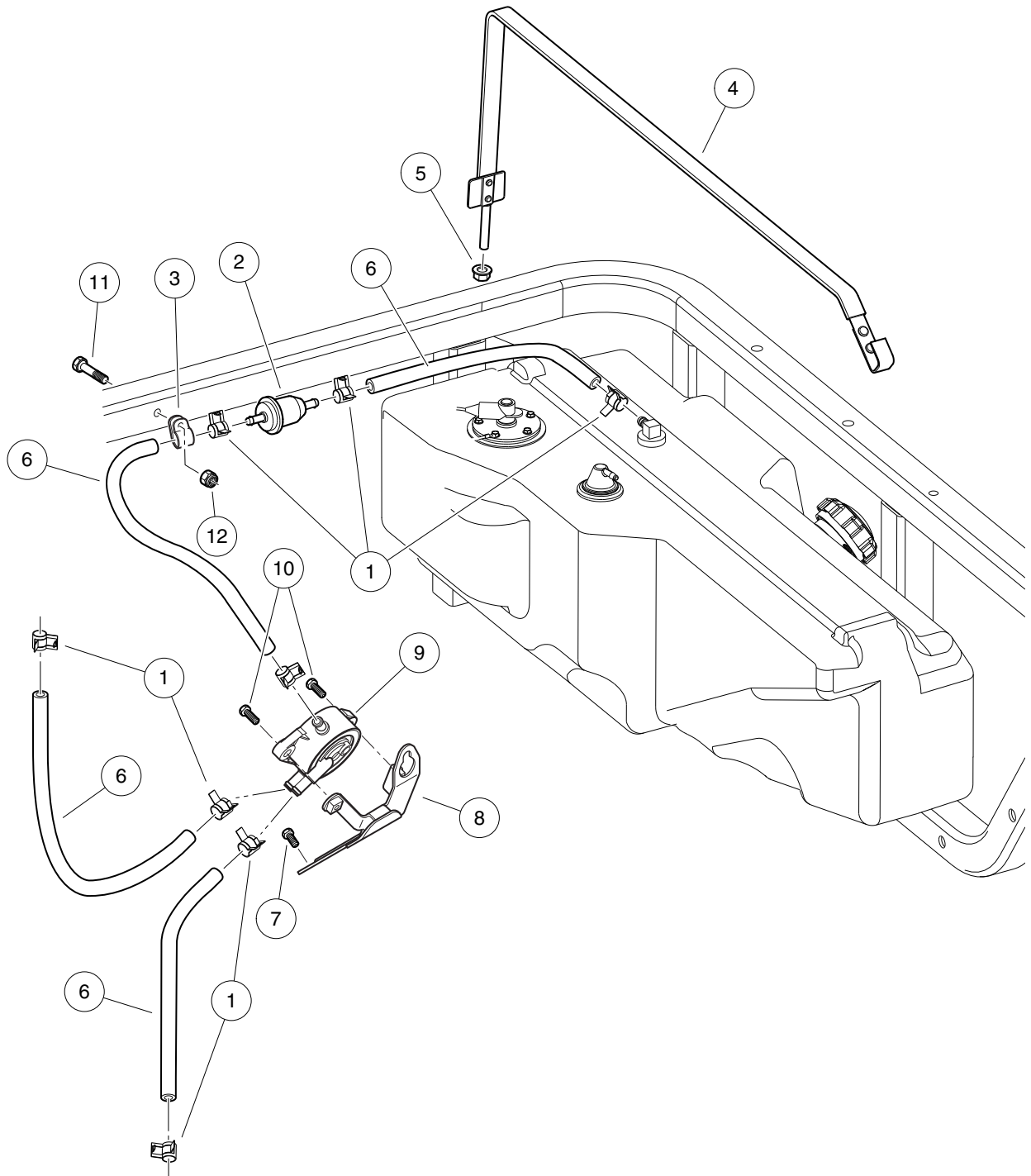
000082-008

FUEL TANK – GASOLINE VEHICLE

ITEM	PART NO.	DESCRIPTION	QTY
		1 2 3 4	
1	<u>103963701</u>	Asm, Tank Fuel, Gas 4x4 Nano (includes items 2 through 15)	1
2	<u>1013461</u>	Screw, #10-16 Hex-Head Hi-Lo	5
3	<u>1013462</u>	Sending Unit, Fuel Level *	1
4	<u>1016</u>	Lockwasher, #10 Split	1
5	N/A	Wire Asm, Blk, 170mm	1
6	N/A	Wire Asm, Org, 170mm	1
7	<u>102406701</u>	Bushing, Line, Return	1
8	<u>102522001</u>	Gasket, Rubber	1
9	<u>103372101</u>	Cap, Fuel Tank, Gas, Ratchet	1
10	<u>103372302</u>	Valve, Fuel, 288mm	1
11	<u>103905201</u>	Assembly, Vent, Fuel, 1/4 Inch O.D.	1
12	<u>103944301</u>	Grommet, Fuel Tank, Vent	1
13	N/A	Tank, Fuel, Gas, 4x4 Nano	1
14	<u>183</u>	Washer, #10, Type A, Flat	1
15	<u>8797</u>	Nut, #10-32 Brass Hex	1
		* Note: Must replace fuel sending unit gasket when servicing this component.	

10

G



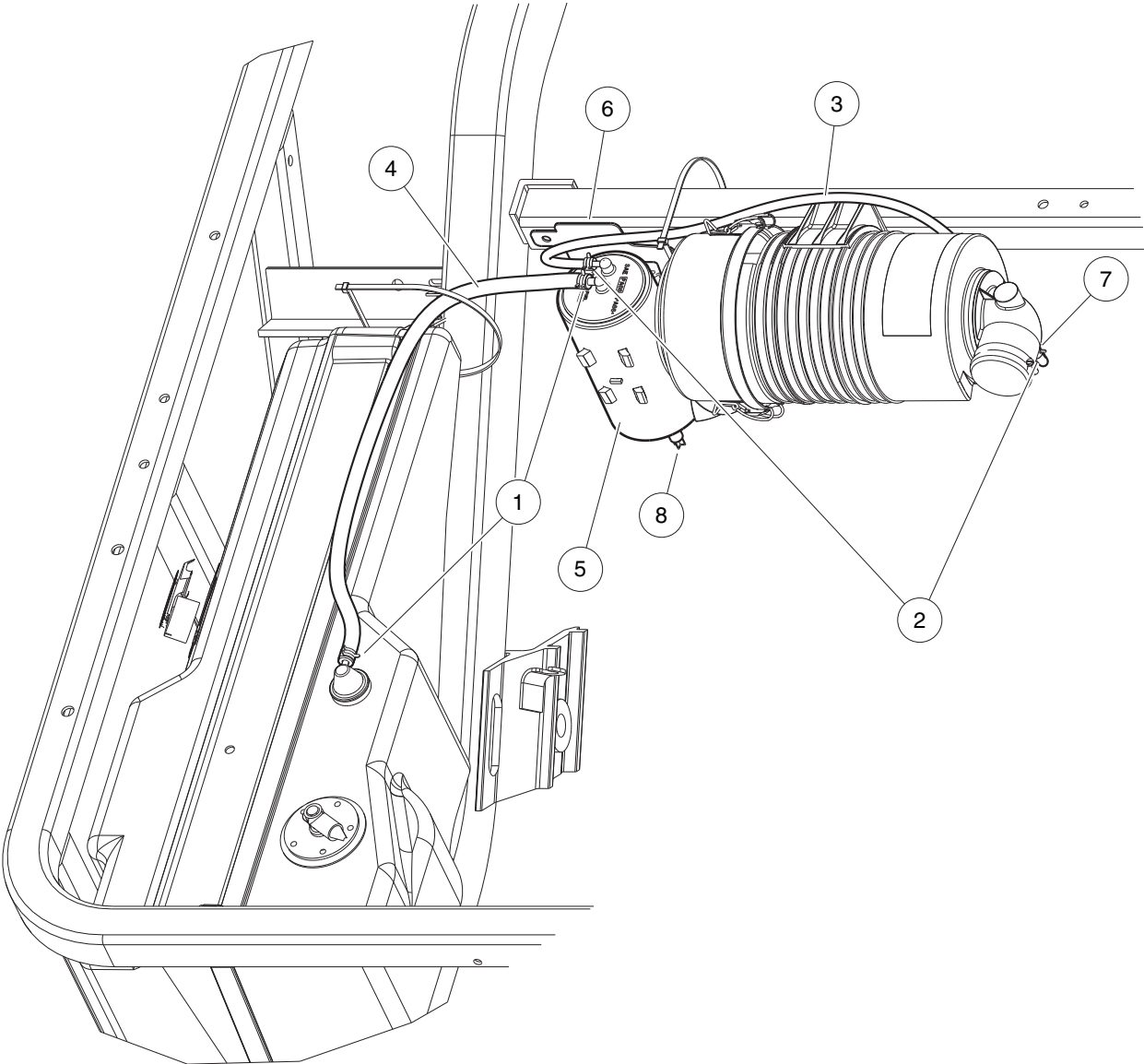
000672-003

FUEL PUMP, FILTER AND HOSE – KAWASAKI FH680

ITEM	PART NO.	DESCRIPTION	QTY
		1 2 3 4	
1	<u>1012649</u>	Clamp, 0.460 Red Hose	4
2	<u>102003201</u>	Filter, Fuel, 30 Micron	1
3	<u>102410604</u>	P-clamp, Insulated, 0.625 Inch	1
4	<u>102426301</u>	Strap, Tank, Fuel	1
5	<u>102618601</u>	Lock Nut, Flange, M8 X 1.25 Nylon	1
6	<u>102865101</u>	Fuel Line, 1/4 (available by the foot)	A/R
7	<u>102992501</u>	Bolt, Flg, M6 X 1.0 X 16	1
8	<u>103009901</u>	Bracket, Fuel Pump, Fh	1
9	<u>103010101</u>	Pump, Fuel, Impulse, Fh	1
10	<u>103298501</u>	Bolt, Flanged, M6 X 20, Kaw	2
11	<u>324</u>	Screw, 1/4-20 X 2.50 Hx Hd Cap	1
12	<u>8233</u>	Locknut, 1/4-20, Nylon Insert	1

10

G

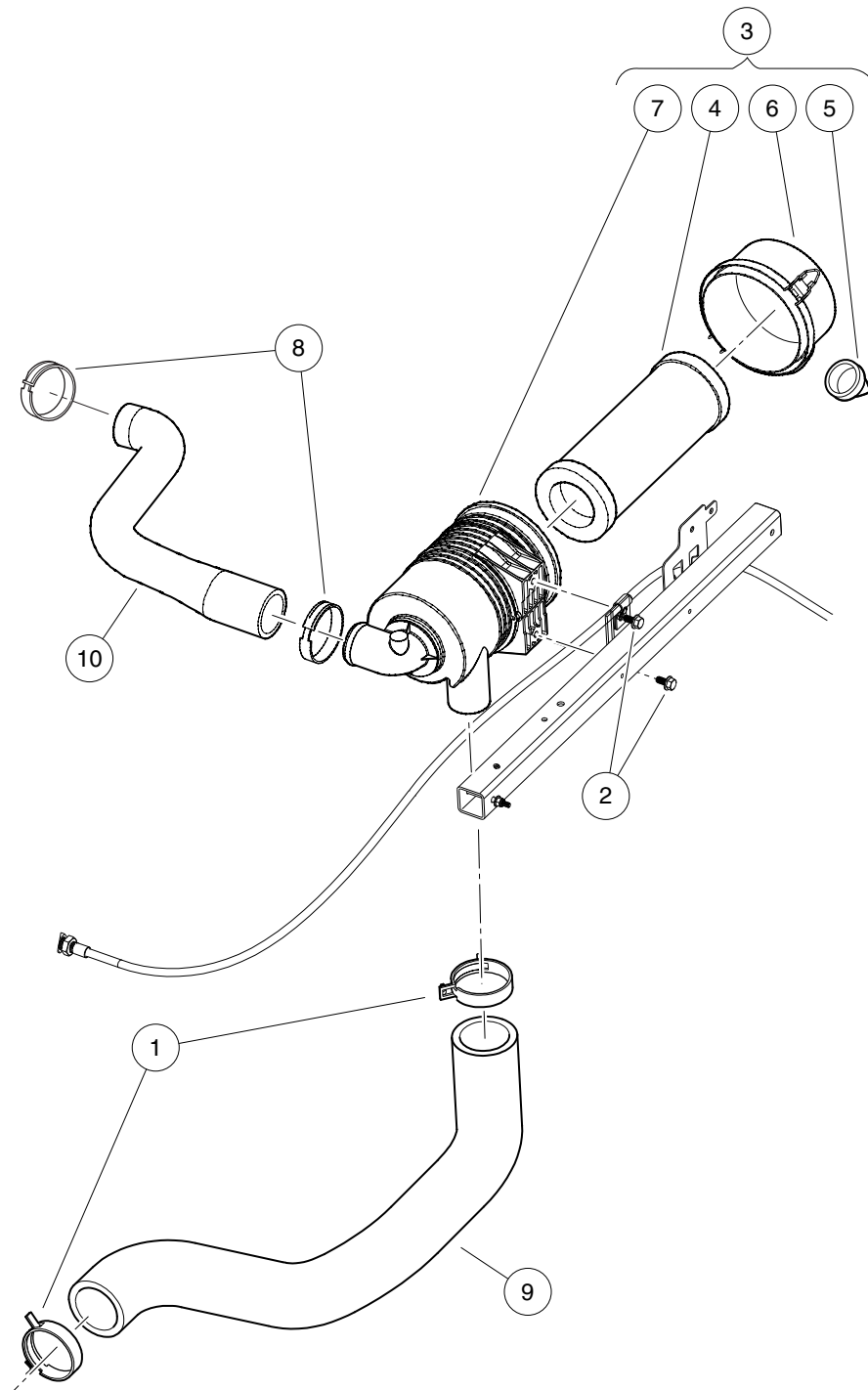


000972-001

CARBON CANISTER – GASOLINE VEHICLE

ITEM	PART NO.	DESCRIPTION	QTY
		1 2 3 4	
1	<u>1012649</u>	Clamp, 0.460 Red Hose	2
2	<u>101313402</u>	Clamp, Green Hose	2
3	<u>1015137</u>	Fuel Line, 3/16 (available by the foot)	3
4	<u>102865101</u>	Fuel Line, 1/4 (available by the foot)	2
5	<u>103372401</u>	Canister, Carbon	1
6	<u>103452001</u>	Brkt, Mtg, Carbon Canister	1
7	<u>103701301</u>	Adapter, 1/8 Npt X 3/16 Barb	1
8	<u>103756401</u>	Asm, Vent Line, Carbon Canister (includes items 9 and 10)	1
9	N/A	Hose, Vent, 5/16 I.D., Bulk	1
10	N/A	Vent, Barb, 5/16 I.D. Hose	1

10
G

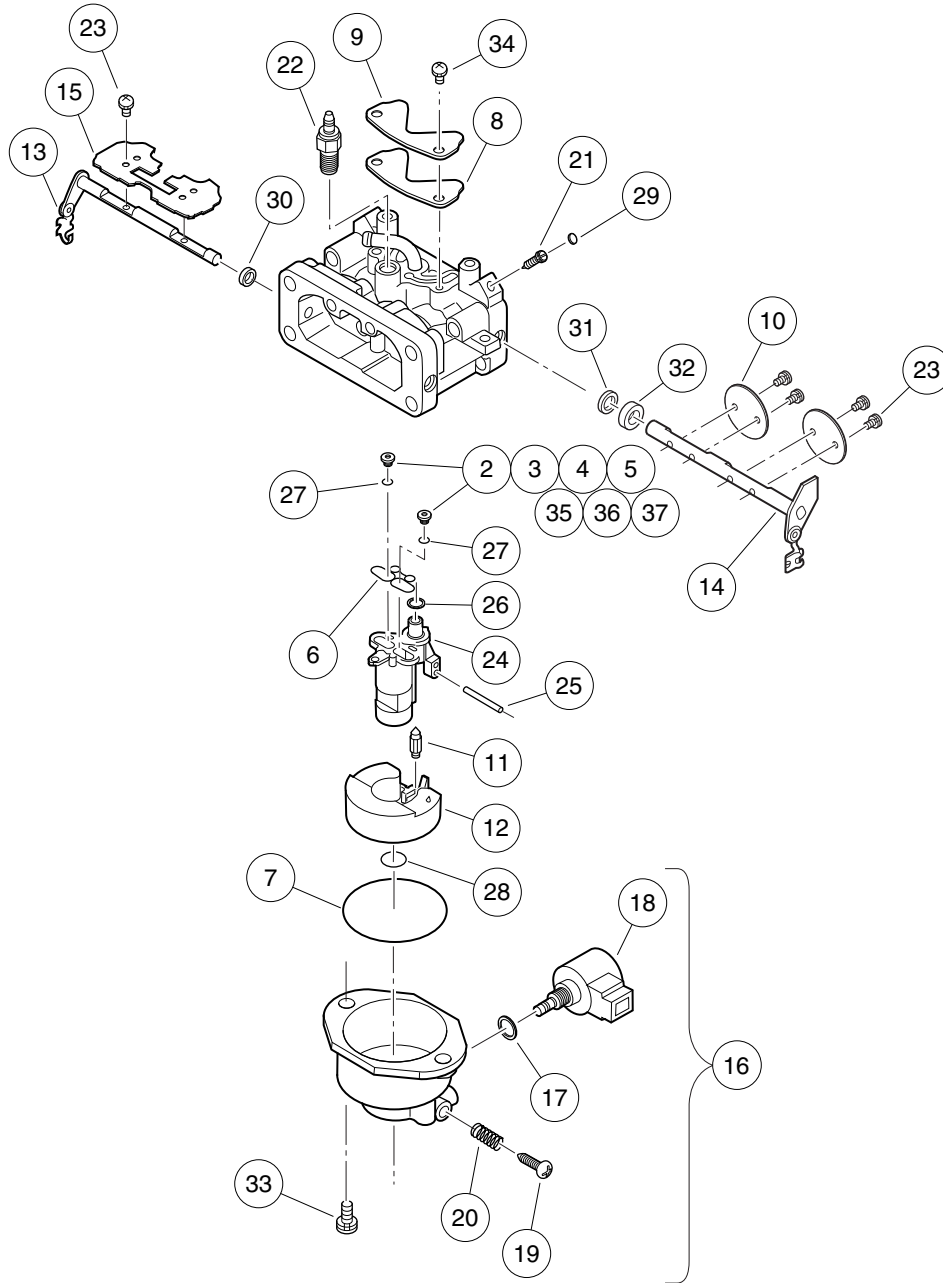


000090-006

INTAKE HOSES AND AIR FILTER – KAWASAKI FH680

ITEM	PART NO.	DESCRIPTION	QTY
		1 2 3 4	
1	<u>102411210</u>	Clamp, Hose, Ctb 64mm	2
2	<u>102621201</u>	Bolt, Flanged Head, M8 X1.25x 16, with Loctite	2
3	<u>102810701</u>	Filter, Air, Canister, with Label (includes items 4 through 7)	1
4	<u>102498601</u>	Element, Filter, Air, 5 Inch	1
5	<u>102725501</u>	Valve, Evacuator, Filter Air	1
6	<u>102725601</u>	Cap, Latch Lock, Filter, Air	1
7	N/A	Body, Canister, Filter, Air	1
8	<u>103441401</u>	Clamp, Worm Screw, Hose, 2"	2
9	<u>103848401</u>	Hose, Intake, Air	1
10	<u>103924701</u>	Hose, Air Intake, Awd, Gas	1

10
G

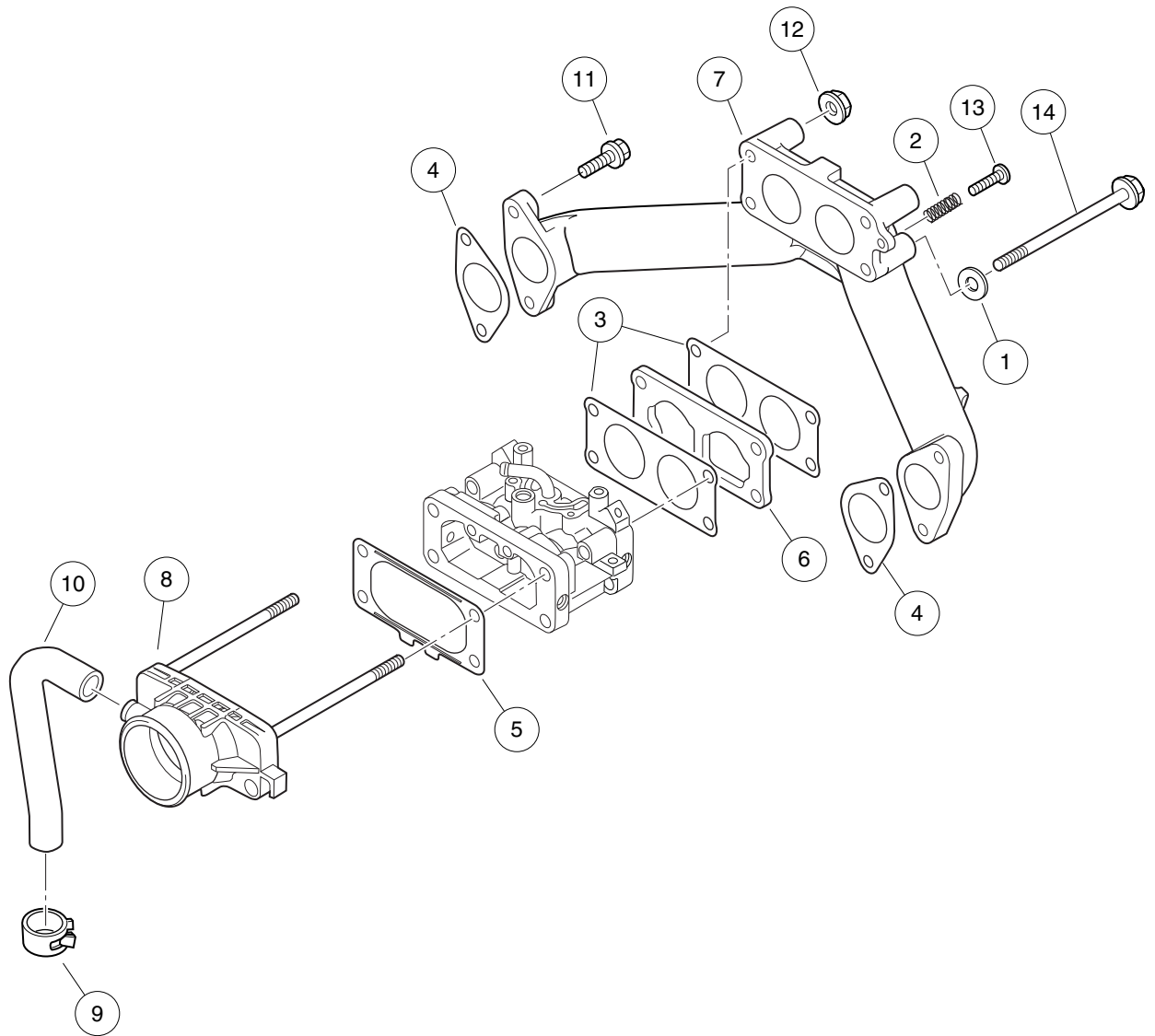


000673-004

CARBURETOR – KAWASAKI FH680

ITEM	PART NO.	DESCRIPTION	QTY
		1 2 3 4	
1	<u>103596801</u>	Asm, Carburetor, FH680D (includes items 2 through 35)	1
2	<u>103307201</u>	Kit, Jet, 6600 Ft +, Fh680d (includes item 3)	1
3	<u>103306801</u>	Jet, Push In #96, FH680D (6600 ft and higher (2000 m and higher))	2
4	<u>103307301</u>	Kit, Jet, 3300-6600 Ft, Fh680d (includes item 5)	1
5	<u>103306901</u>	Jet, Push In #99, FH680D (3300-6600 ft (1000-2000 m))	2
6	<u>103340601</u>	Gasket, Fh680d	1
7	<u>103340701</u>	Gasket, Carburetor, Dia. 52	1
8	<u>103340801</u>	Gasket, Cover, Fh680d	1
9	<u>103340901</u>	Cover, Slow Passage, Fh680d	1
10	<u>103341101</u>	Valve, Throttle, Fh680d	2
11	<u>103341201</u>	Valve, Float, Fh680d	1
12	<u>103341301</u>	Float, Carburetor, Fh680d	1
13	<u>103341401</u>	Shaft, Carburetor, Fh680d	1
14	<u>103341501</u>	Shaft, Carburetor, Throttle	1
15	<u>103341601</u>	Valve, Carburetor, Fh680d	1
16	<u>103341701</u>	Asm, Chamber, Float, Fh680d (includes items 17 through 20)	1
17	<u>103340501</u>	Gasket, Carburetor, Fh680d	1
18	<u>103341901</u>	Solenoid, Carburetor, Fh680d	1
19	<u>103342201</u>	Screw, Drain, Carburetor	1
20	<u>103343601</u>	Spring, Carburetor, Fh680d	1
21	<u>103341801</u>	Needle, Jet, Fh680d	2
22	<u>103342001</u>	Heater, Carburetor, Fh680d	1
23	<u>103342101</u>	Screw, Carburetor, M3 X 6	6
24	<u>103342301</u>	Spacer, Carburetor, Fh680d	1
25	N/A	Pin, Carburetor, Fh680d	1
26	<u>103342501</u>	O-ring, Carburetor, Dia. 6.5	1
27	<u>103342601</u>	O-ring, Carburetor, Fh680d	2
28	<u>103342701</u>	O-ring, Carburetor, Dia. 9	1
29	<u>103343301</u>	Plug, Expansion, Carburetor	2
30	<u>103343401</u>	Seal, Carburetor, Dia. 5.9	1
31	<u>103343501</u>	Seal, Carburetor, Fh680d	1
32	<u>103343701</u>	Collar, Carburetor, Fh680d	1
33	<u>103343801</u>	Screw, Carburetor, M5	2
34	<u>103343901</u>	Screw, Carburetor, M4	2
35	<u>103596701</u>	Kit, Jet, 0-3300 ft. FH680D (includes items 36 and 37)	1
36	<u>103307001</u>	Jet, Push In #102, FH680D (0-3300 ft (0-1000 m))	1
37	<u>103596601</u>	Jet, Push In, #104 FH680D (0-3000 ft (0-1000m))	1

10
G



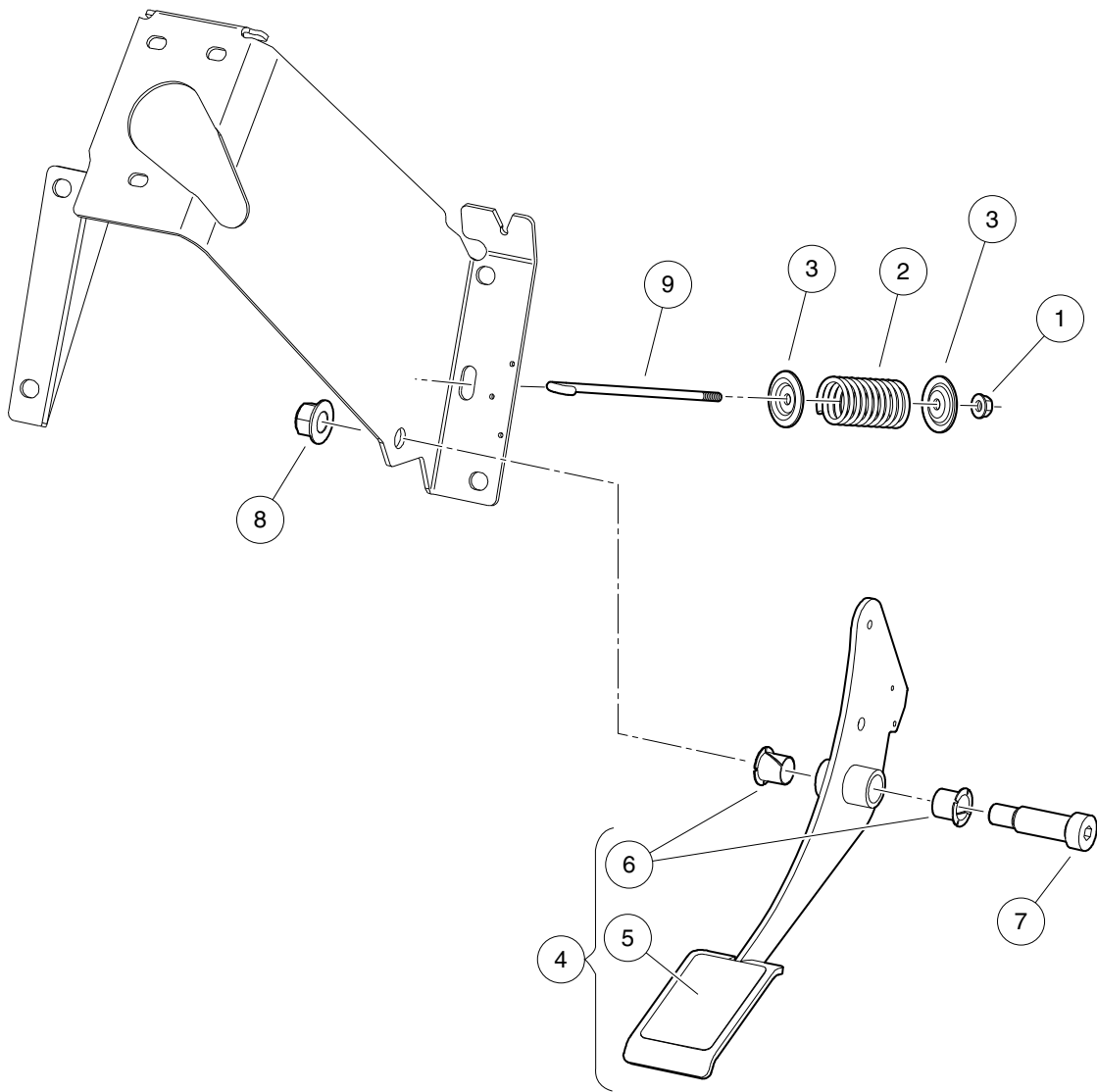
000673-002

INTAKE MANIFOLD AND CARBURETOR MOUNTING – KAWASAKI FH680

ITEM	PART NO.	DESCRIPTION	QTY
		1 2 3 4	
1	<u>1016513</u>	Washer, M6 Flat	2
2	<u>103002801</u>	Spring, Fh	1
3	<u>103003801</u>	Gasket, Carburetor, Fh	2
4	<u>103003901</u>	Gasket, Manifold, Fh	2
5	<u>103004201</u>	Gasket, Air Filter, Fh	1
6	<u>103005001</u>	Insulator, Manifold, Fh	1
7	<u>103005601</u>	Manifold, Intake, Fh	1
8	<u>103297101</u>	Pipe, Intake Adapter, Fh	1
9	<u>103297201</u>	Clamp, Crankcase Vent, Fh	1
10	<u>103297301</u>	Tube, Crankcase Vent, Fh	1
11	<u>103298501</u>	Bolt, Flanged, M6 X 20, Kaw	4
12	<u>103320201</u>	Nut, Carburetor, M6	2
13	<u>103320301</u>	Screw, Carburetor, M4 X 20	1
14	<u>103320401</u>	Bolt, Flg, Carburetor, M6x105	2

10
G

10
G



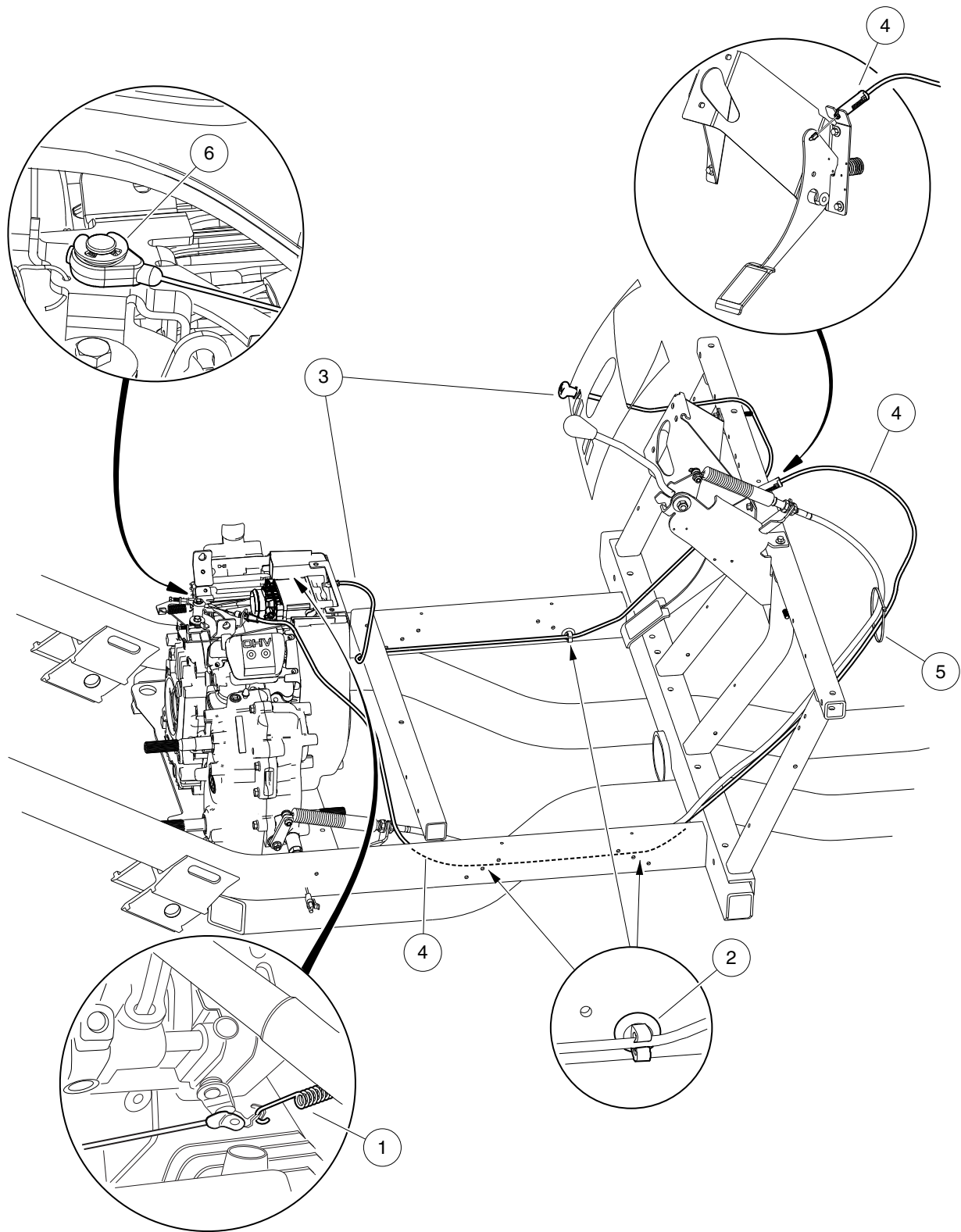
000026-005

ACCELERATOR PEDAL

ITEM	PART NO.	DESCRIPTION	QTY
		1 2 3 4	
1	<u>102296401</u>	Nut, M6x1.0, Flange, Metal Lock	1
2	<u>102445201</u>	Spring, Comp, Pedal, Pullrod	1
3	<u>102461401</u>	Washer, Retaining Spring, 7mm	2
4	<u>103478901</u>	Asm, Pedal, Accelerator (includes items 5 and 6)	1
5	<u>102479301</u>	Pad, Grip Tape, Accelerator	1
6	<u>103479101</u>	Bushing, Nyliner, 5/8"	2
7	<u>103479201</u>	Bolt, Shoulder, 5/8 X 1 1/2	1
8	<u>103479301</u>	Nut Hex Flg 1/2-13 Nylock Gr G	1
9	<u>103883201</u>	Rod, Accelerator Return, J	1

10

G



000536-007

ACCELERATOR AND CHOKE CABLES – KAWASAKI FH680

ITEM	PART NO.	DESCRIPTION	QTY
		1 2 3 4	
1	<u>102457001</u>	Spring	1
2	<u>102475701</u>	Clip, Brake Line	3
3	<u>103277402</u>	Cable, Choke, 1550, Fh680d	1
4	<u>103922001</u>	Cable, Accelerator, AWD, Gas	1
5	<u>8990</u>	Tie Wrap, 8" Nylon	1
6	<u>96950126</u>	Ring, Retaining	1

10

G

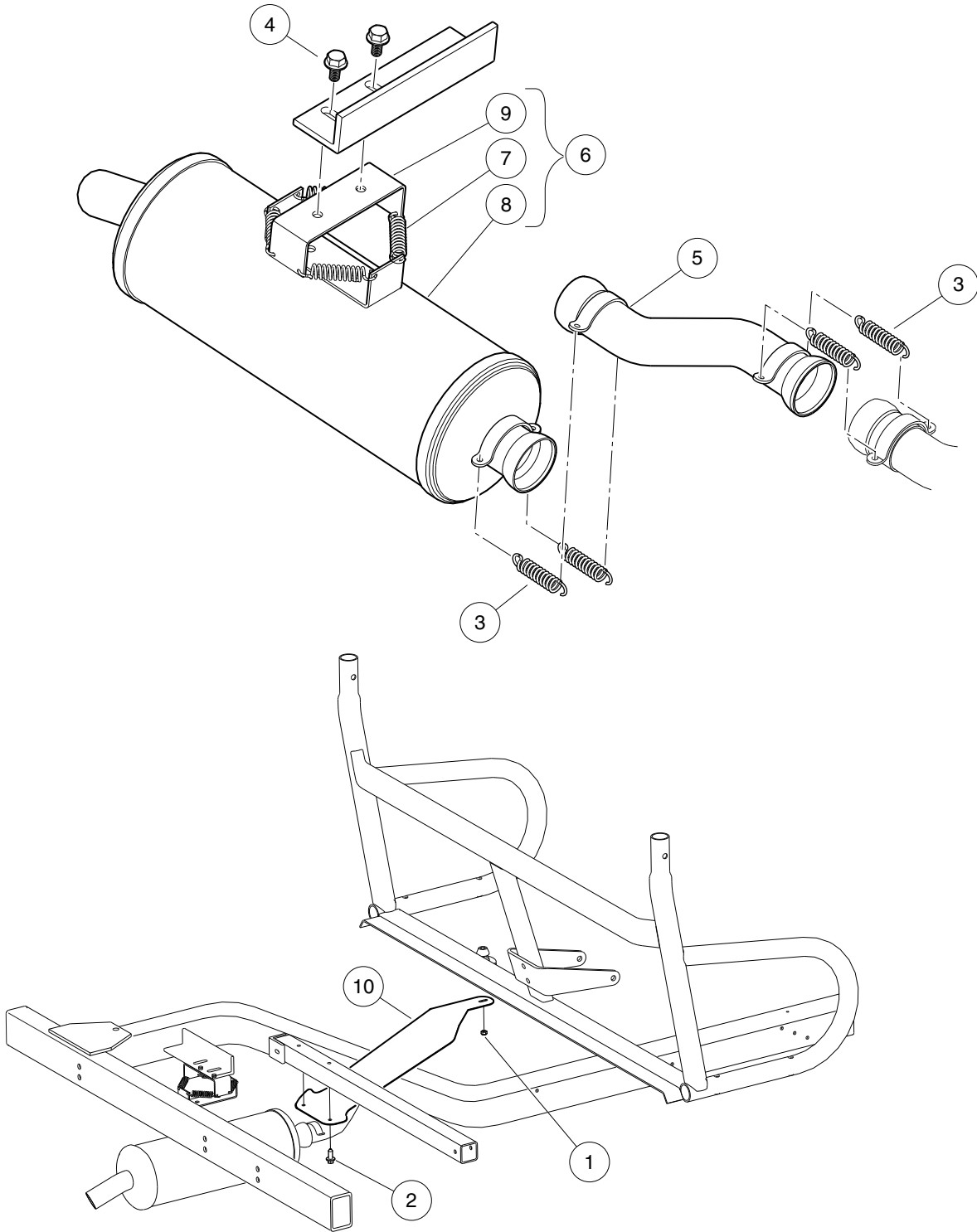
10

G

EXHAUST SYSTEM

11

G



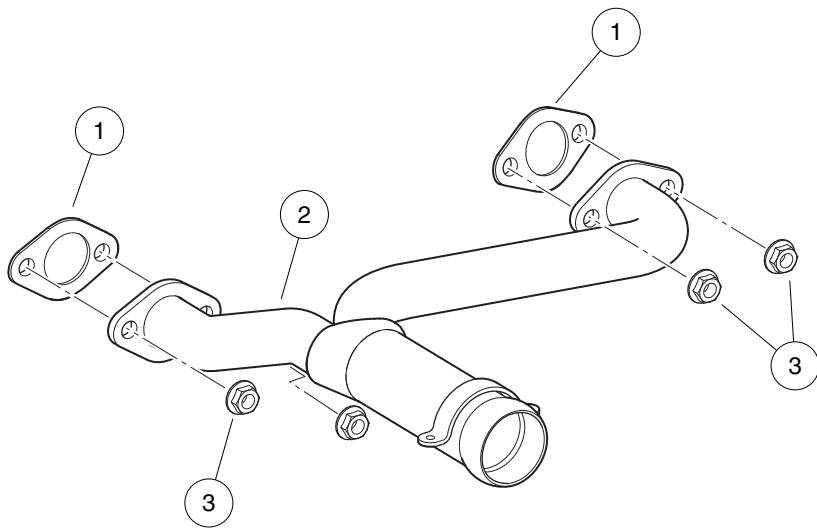
000538-005

EXHAUST PIPE AND MUFFLER

ITEM	PART NO.	DESCRIPTION	QTY
		1 2 3 4	
1	<u>101887601</u>	Locknut, M6-1.00 Nylon Insert	1
2	<u>102298720</u>	Screw, M8-1.25x20, Taptite	2
3	<u>102409501</u>	Spring, Exhaust	4
4	<u>102621201</u>	Bolt, Flanged Head, M8 X1.25x 16, with Loctite	2
5	<u>102786201</u>	Pipe, Exhaust, Int, Offset	1
6	<u>102812801</u>	Asm, Muffler, AWD Homologation (includes items 7 through 9)	1
7	<u>102409501</u>	Spring, Exhaust	4
8	N/A	Muffler	1
9	N/A	Bracket, Muffler	1
10	<u>102930901</u>	Shield, Exhaust, Clearance	1

11

G



000538-004

EXHAUST HEADER – KAWASAKI FH680

ITEM	PART NO.	DESCRIPTION	QTY
		1 2 3 4	
1	<u>102949301</u>	Gasket, Exhaust Header, Fh680d	2
2	<u>103268101</u>	Header, Exhaust, Gas, Fh680d	1
3	<u>96704416</u>	Nut, Flange, M8 X 1.25 Serrated	4

11

G

11

G

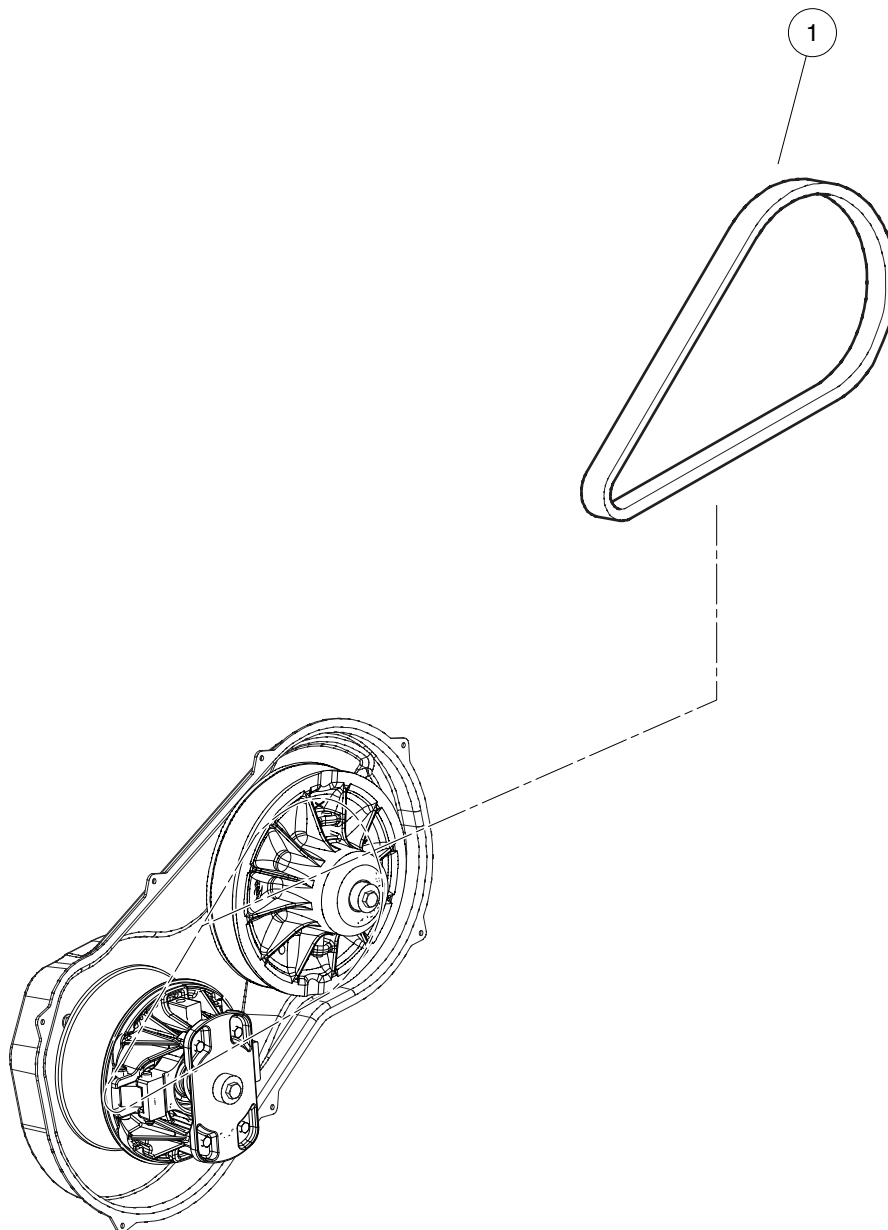
CLUTCHES

12

G

12

G

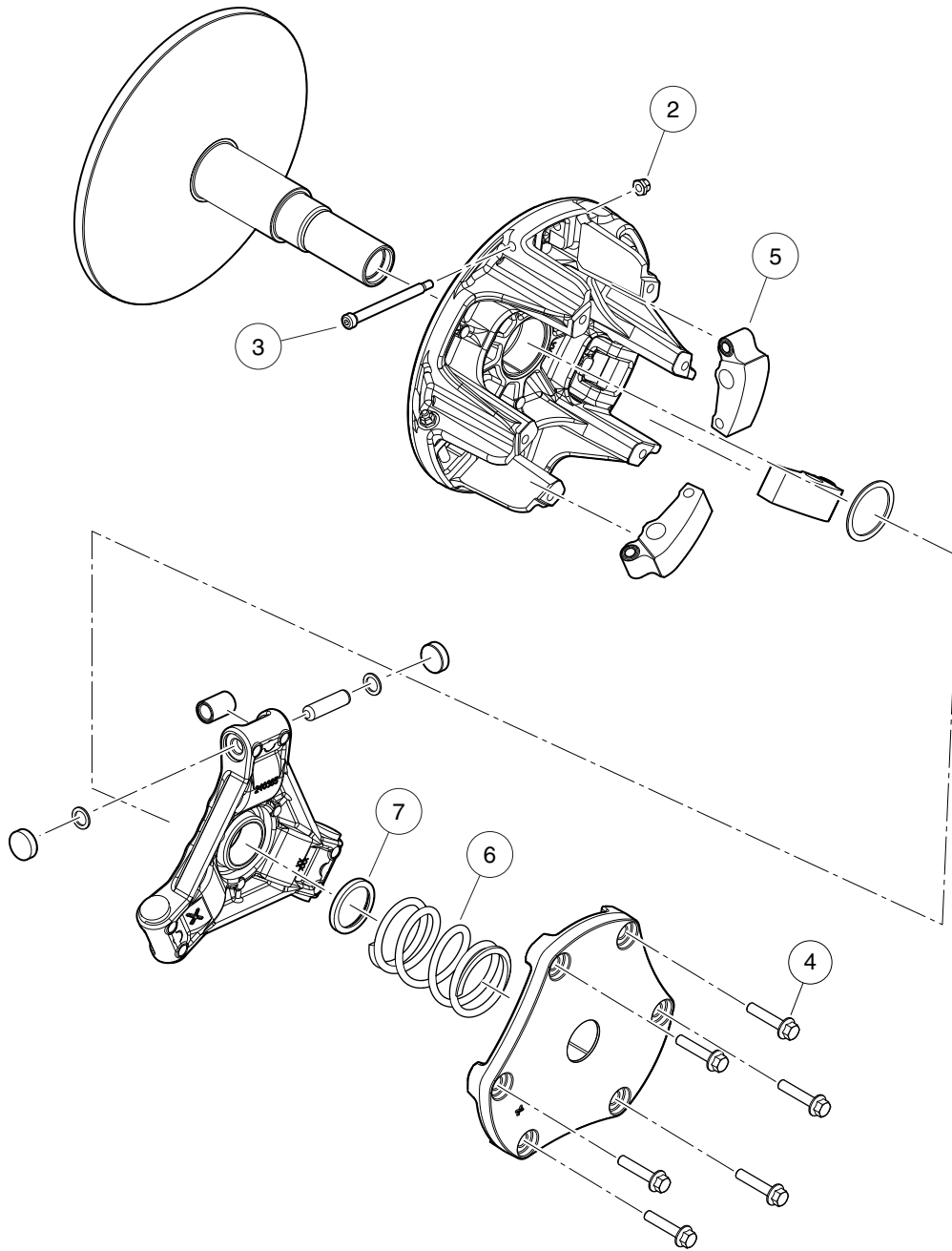


000084-001

DRIVE BELT

ITEM	PART NO.	DESCRIPTION	QTY
1	<u>102374901</u>	1 2 3 4 Belt, Drive	1

12
G

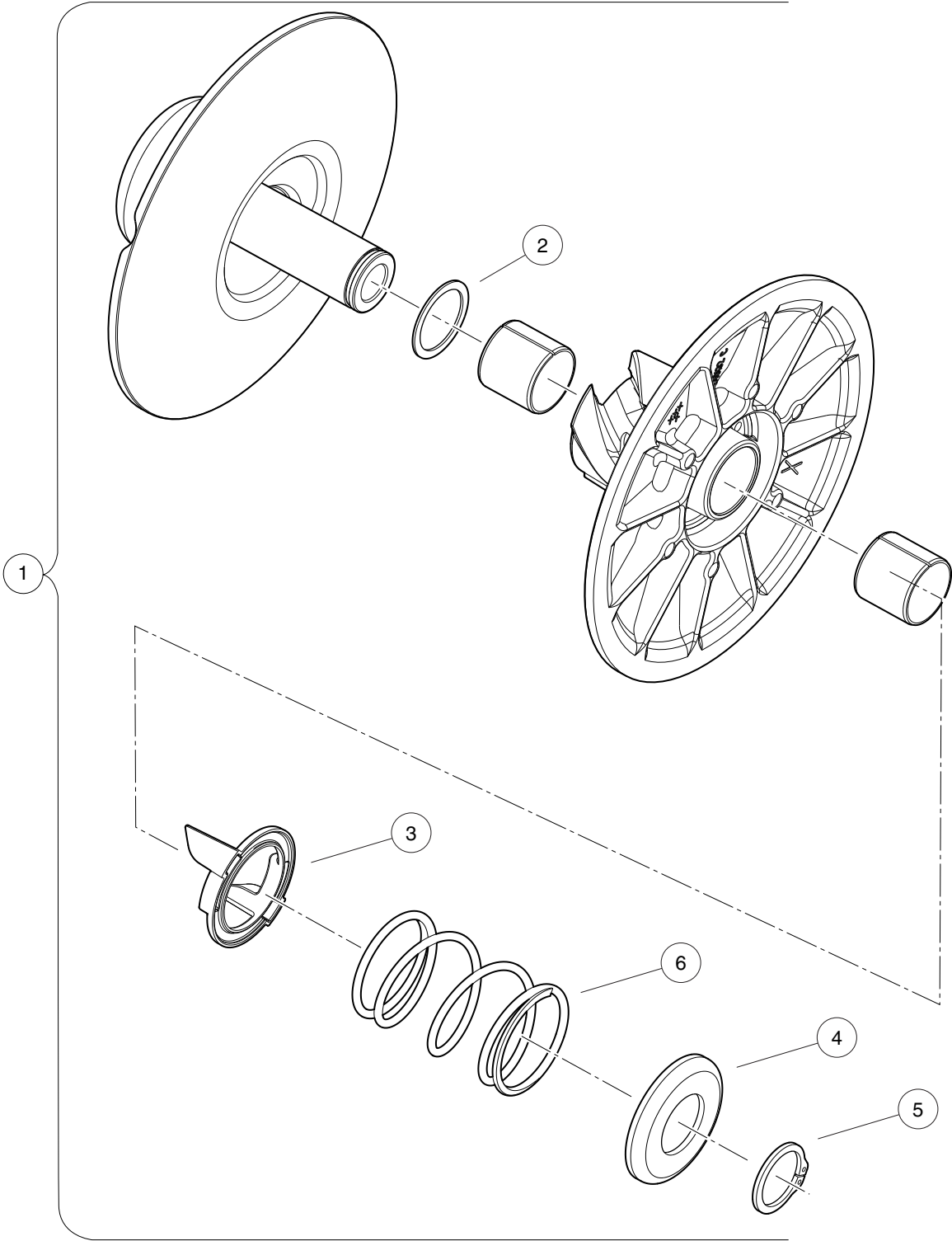


000007-008

DRIVE CLUTCH (3 WEIGHT) – GAS VEHICLE

ITEM	PART NO.	DESCRIPTION	QTY
		1 2 3 4	
1	<u>103948801</u>	Clutch, Drive, Gas, 3wt. 19mph (includes items 2 through 7)	1
2	<u>103829601</u>	Nut, Lock, Hex #10-24 Flexloc	3
3	<u>103829701</u>	Screw, Shldr, Hex Skt .25x2.5	3
4	<u>103829801</u>	Screw, Hex Flg Hd, 1/4-20x1.25	6
5	<u>103829901</u>	Weight, Clutch, D-153 G	3
6	<u>103856101</u>	Spring, Comp, 2.0 Od Black/slv	1
7	103957501	Spacer, 3wt CVT	1

12
G



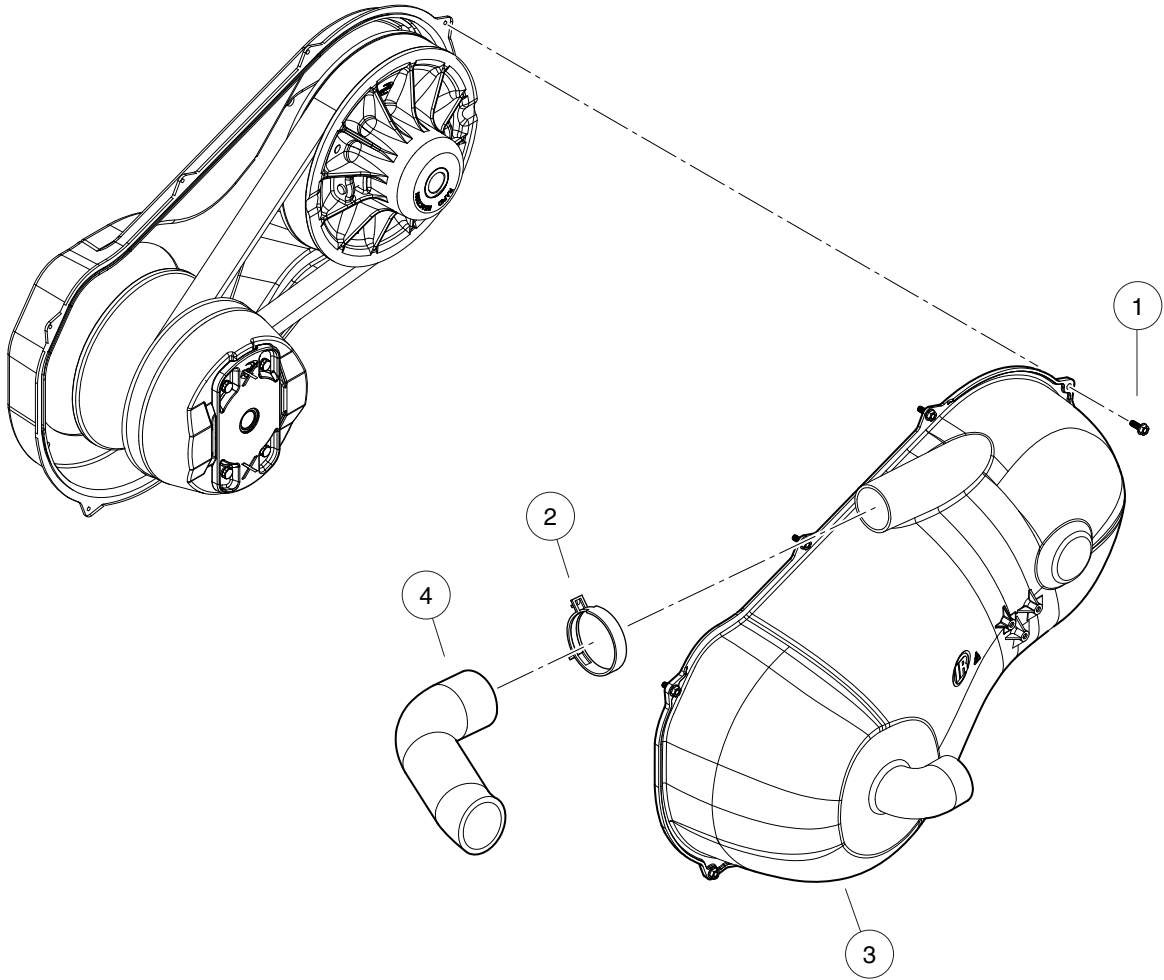
000003-002

DRIVEN CLUTCH (FOR 3 WEIGHT DRIVE CLUTCH)

ITEM	PART NO.	DESCRIPTION	QTY
		1 2 3 4	
1	<u>103828201</u>	Clutch, Driven, 3 Weight (includes items 2 through 6)	1
2	<u>102695401</u>	Washer, Thrust, 1.53 X 1.92	1
3	<u>102695601</u>	Retainer, Spring, Inner	1
4	<u>102695801</u>	Retainer, Spring, Outer	1
5	<u>102695901</u>	Ring, Retaining, External	1
6	<u>103829001</u>	Spring, Comp, 2.7 Od, Almd/blk	1

12

G



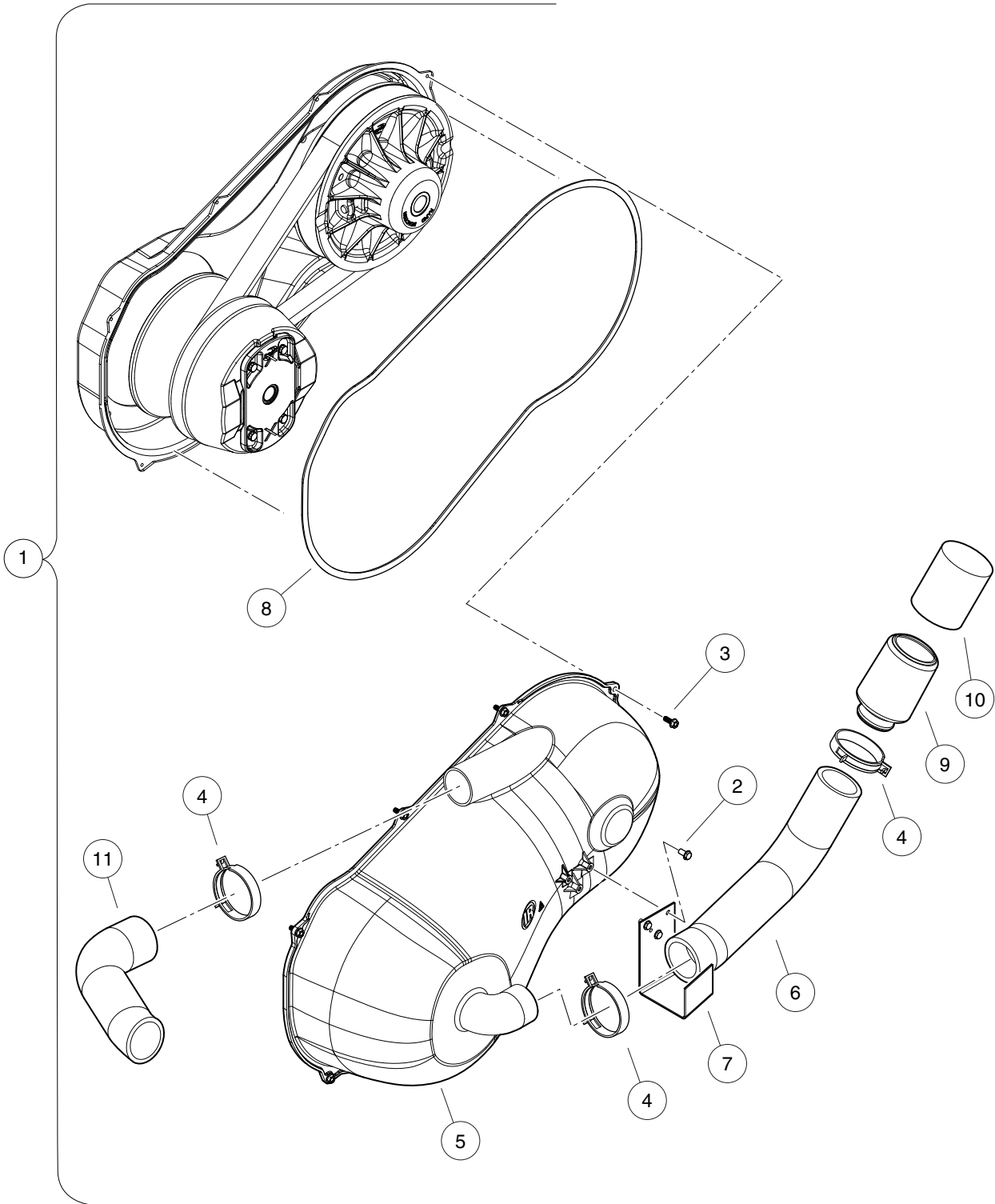
000008-003

CLUTCH COVER (NON-SEALED)

ITEM	PART NO.	DESCRIPTION	QTY
		1 2 3 4	
1	<u>102296716</u>	Screw, M6 X 16 Tt Hx Fl Hd	7
2	<u>102411210</u>	Clamp, Hose, Ctb 64mm	1
3	<u>102628301</u>	Cover, Cvt, Open	1
4	<u>103320601</u>	Hose, Outlet, Cvt	1

12

G



000008-004

CLUTCH COVER (SEALED)

ITEM	PART NO.	DESCRIPTION	QTY
		1 2 3 4	
1	<u>102616003</u>	Kit, Sealed CVT Cover (includes items 2 through 11)	1
2	<u>101856101</u>	Screw, 1/4-15 X .50 Hi-lo Hex	3
3	<u>102296716</u>	Screw, M6 X 16 Tt Hx Fl Hd	7
4	<u>102411210</u>	Clamp, Hose, Ctb 64mm	2
5	<u>102414501</u>	Cover, CVT Outer	1
6	<u>102481001</u>	Hose, Inlet, Cover, CVT	1
7	<u>102481201</u>	Bracket, Inlet, Cover, CVT	1
8	<u>102481301</u>	Gasket, Cover, CVT	1
9	<u>102616101</u>	Cap, Inlet, Cover, CVT	1
10	<u>102628001</u>	Filter, Inlet, Cover, CVT	1
11	<u>103320601</u>	Hose, Outlet, Cvt	1

12

G

12

G

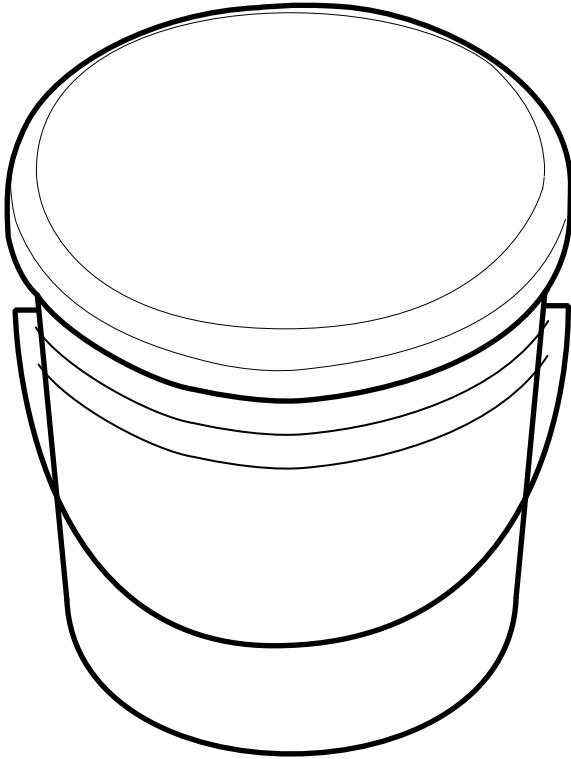
DRIVETRAIN COMPONENTS

13

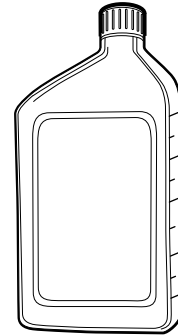
G

13

G



1



2

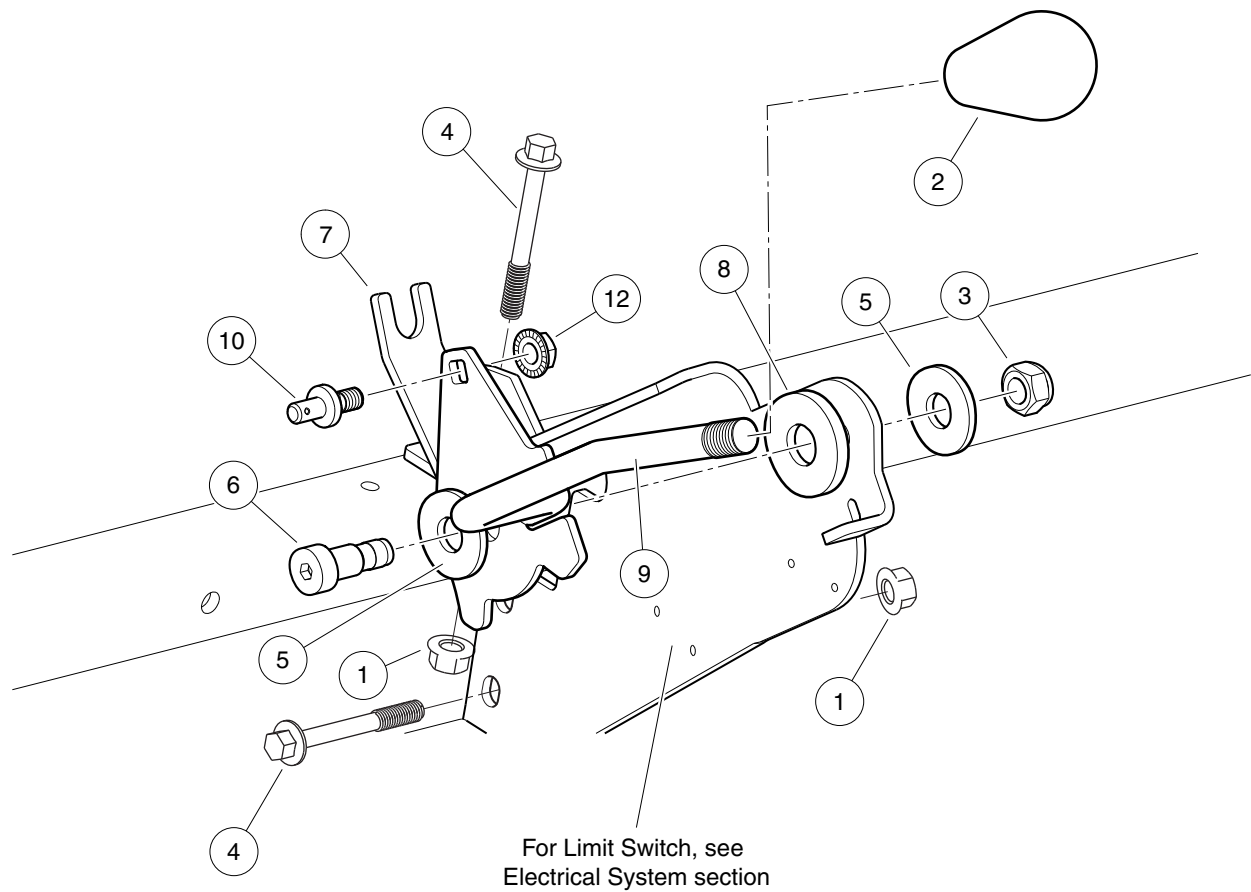
001069-001

OIL, DIFFERENTIAL AND TRANSMISSION

ITEM	PART NO.	DESCRIPTION	QTY
1	<u>102723901</u>	1 2 3 4 Oil, Locking Diff, 5 Gallon	A/R
2	<u>AM1216101</u>	Oil, Locking Diff, Quart	A/R
		<p>Note: Use this oil for both front and rear differentials and the transmission. Available in 5-Gallon or Quart.</p>	

13

G



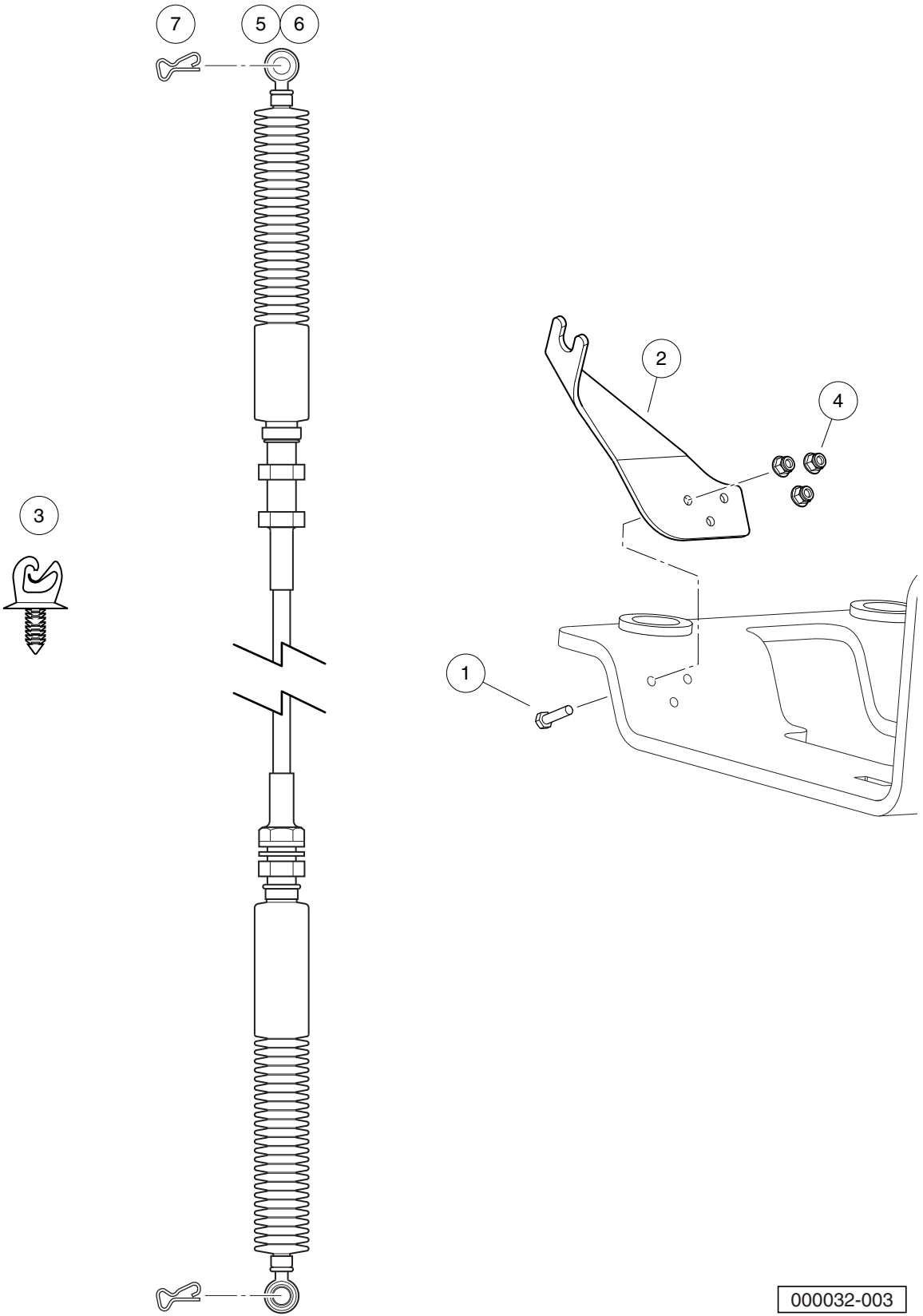
000030-004

FORWARD/REVERSE SHIFTER

ITEM	PART NO.	DESCRIPTION	QTY
		1 2 3 4	
1	<u>102298401</u>	Nut,m8,all Metal Lock	3
2	<u>102376001</u>	Knob, FNR, Shifter	1
3	<u>102616701</u>	Locknut, M10x1.5 Nylon Insert	1
4	<u>102618301</u>	Bolt, Flanged Head, M8 X 1.25 X 65	3
5	<u>102684501</u>	Washer, M12 Hard Regular	2
6	<u>102684603</u>	Shoulder Bolt, M12 X 16	1
7	N/A	Weldment, FNR Shift-Bracket, AWD	1
8	<u>103873001</u>	Bushing, Fnr, Awd	1
9	<u>103886001</u>	Weldment, Shifter, FNR, AWD	1
10	<u>103886101</u>	Pin, Cable, Fnr	1
11	<u>8990</u>	Tie Wrap, 8" Nylon	2
12	<u>96704416</u>	Nut, Flange, M8 X 1.25 Serrated	1
		Note: Item 11 not shown.	

13

G

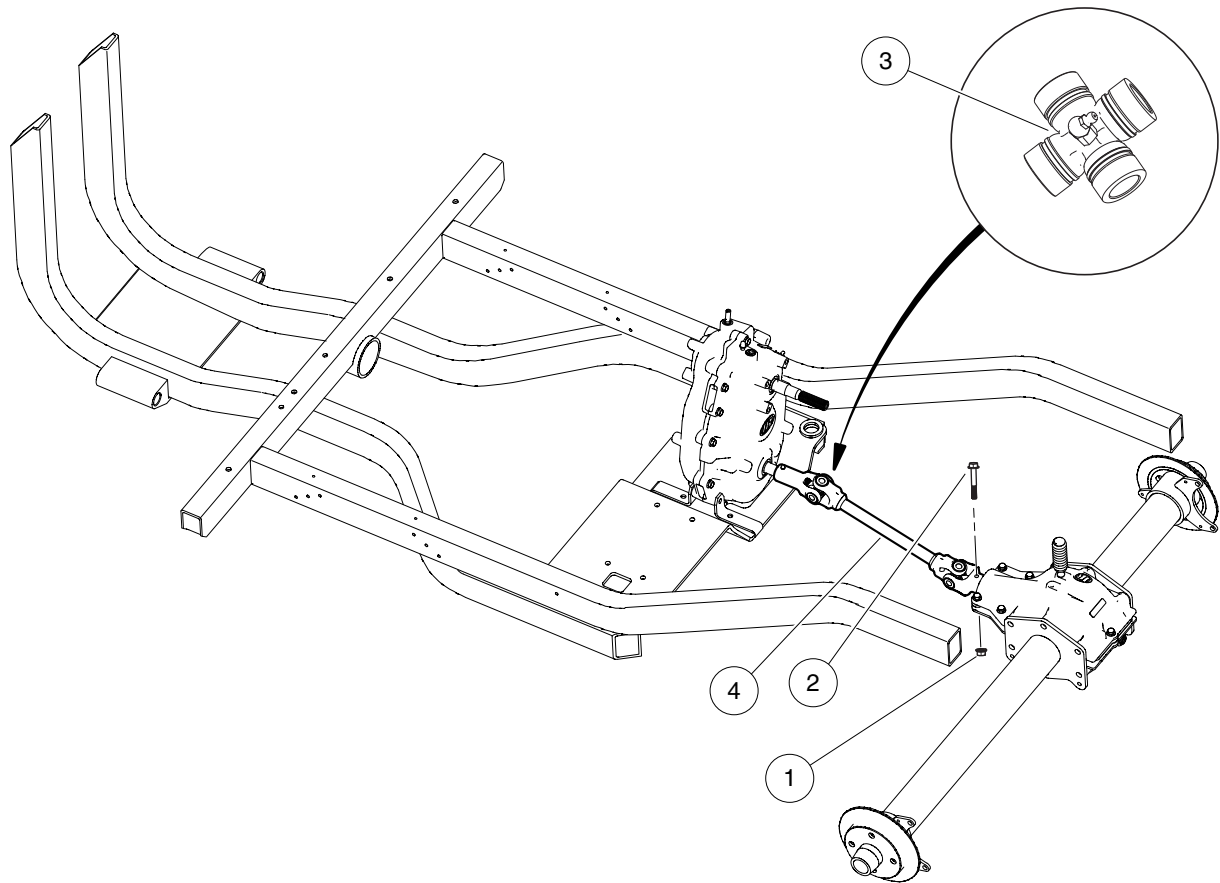


000032-003

SHIFTER CABLE

ITEM	PART NO.	DESCRIPTION	QTY
		1 2 3 4	
1	<u>1012769</u>	Screw, M6-1.00 X 25mm Hex Cap	3
2	<u>102382401</u>	Bracket, FNR Trans Cable	1
3	<u>102475701</u>	Clip, Brake Line	1
4	<u>102621501</u>	Nut, Flange, M6 X 1.0, Nylon	3
5	<u>103879301</u>	Cable, Transmission Shift, 295/1550	1
6	<u>103879401</u>	Cable, Transmission Shift, 295 SE/1550 SE	1
7	<u>103886601</u>	Clip, Bowtie	2

13
G

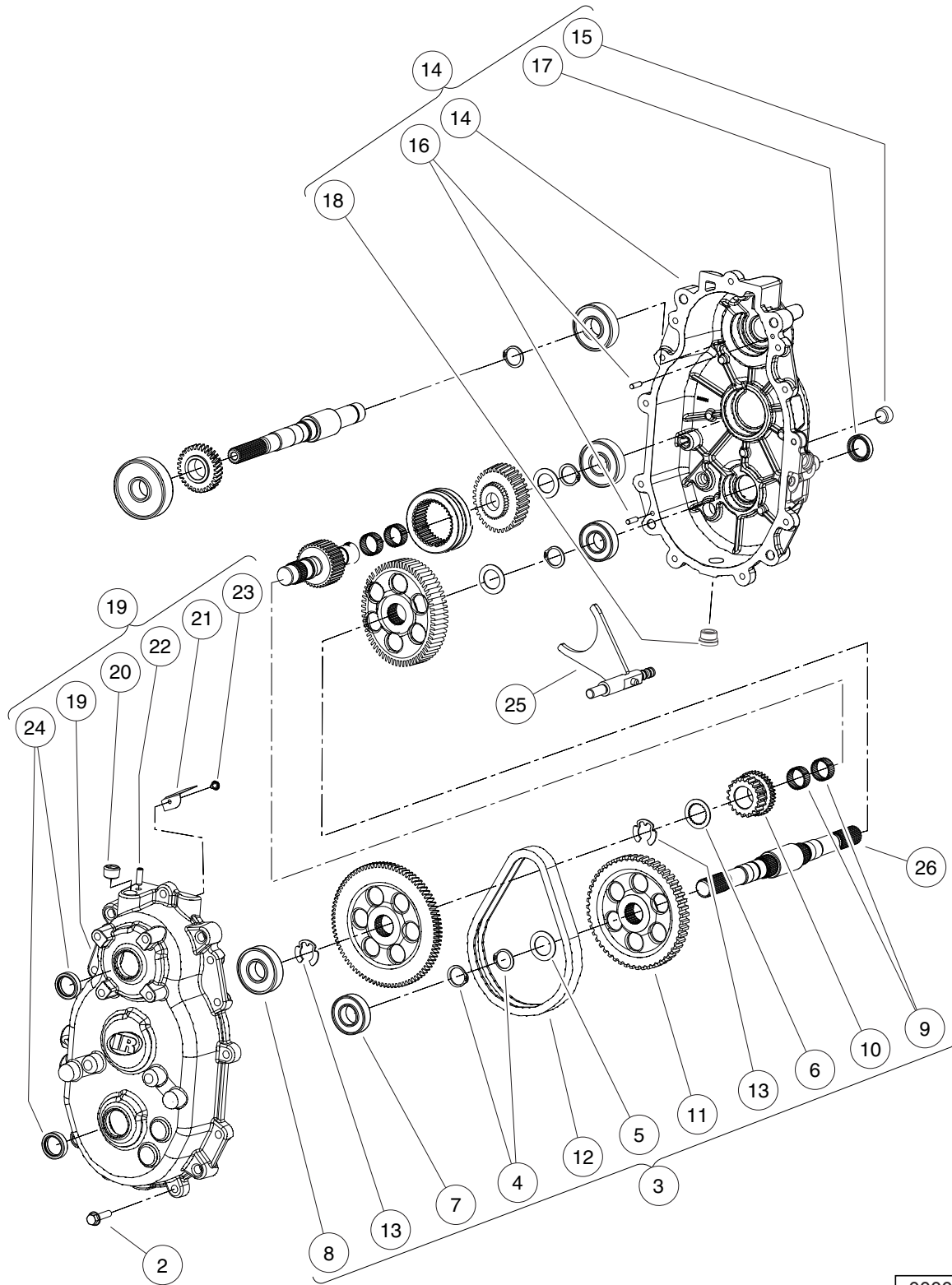


000091-005

PROP SHAFT

ITEM	PART NO.	DESCRIPTION	QTY
		1 2 3 4	
1	<u>102298401</u>	Nut,m8,all Metal Lock	1
2	<u>103990201</u>	Bolt, M8 X 1.25 X 50 Hh Cap	1
3	<u>105100901</u>	Kit, Universal Joint Replacement	1
4	<u>105173301</u>	Propshaft, Rear, No Spln Zerk	1

13
G



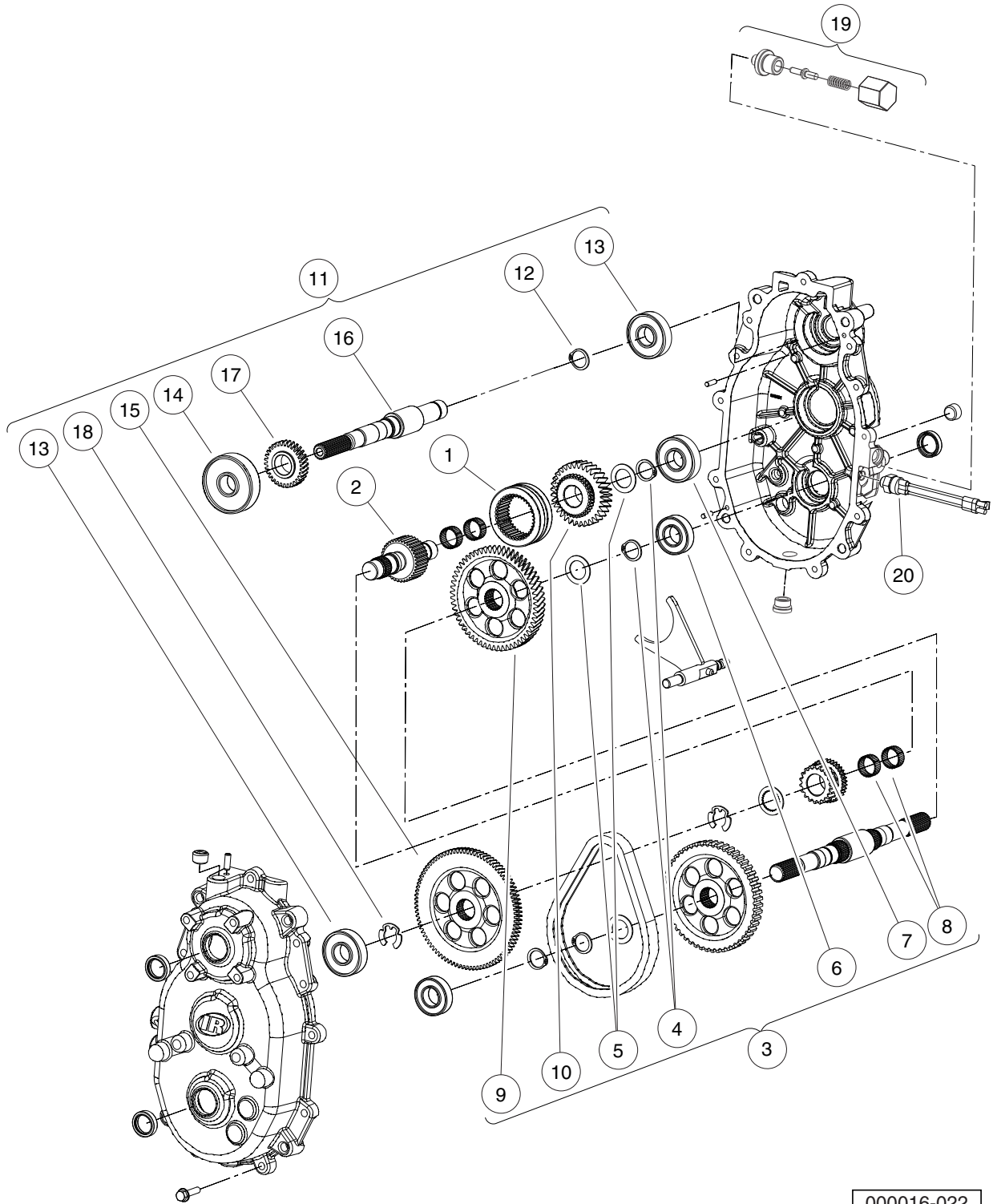
000016-018

TRANSMISSION – PAGE 1 OF 3

ITEM	PART NO.	DESCRIPTION	QTY
		1 2 3 4	
1	103969001	Transmission, Awd, 422046 (includes items 2 through 26)	1
2	<u>102693301</u>	Screw, hex Flange, M8 X 35	11
3	102765201	Kit, Reverse Gear Repair (includes items 4 through 13)	1
4	<u>102696201</u>	Ring, Retaining, Basic External	2
5	<u>102696501</u>	Washer, Thrust, 1.007 X .062	1
6	<u>102696701</u>	Washer, 26.231 X 39.167 X 1.57	1
7	<u>102696801</u>	Bearing, Ball	1
8	<u>102696901</u>	Bearing, Ball	1
9	<u>102697101</u>	Bearing, Needle	2
10	N/A	Sprocket, 19-Tooth	1
11	N/A	Sprocket, 51-Tooth	1
12	N/A	Chain, .375p, .75 Wide, 60ptch	1
13	<u>102699701</u>	Ring, Retaining, E-Ring	2
14	<u>105125301</u>	Asm, Gear Case, Front (includes items 15 through 18)	1
15	<u>102694201</u>	Plug, Square Skt, 1/12-14, Ptf	1
16	<u>102696101</u>	Pin, Dowel, 6 X 20	2
17	<u>102699401</u>	Seal, Triple, 25 X 35 X 7.8	1
18	<u>103250401</u>	Plug, 3/4-16	1
19	<u>105125401</u>	Asm, Gear Case, Rear (includes items 20 through 24)	1
20	<u>102694201</u>	Plug, Square Skt, 1/12-14, Ptf	1
21	N/A	Oil, Deflector	1
22	N/A	Vent, Trans	1
23	N/A	Screw, Tapping # 10-24 X .375	1
24	<u>102699401</u>	Seal, Triple, 25 X 35 X 7.8	2
25	<u>105125701</u>	Fork,Transmission	1
26	<u>105125801</u>	Shaft,Output	1

13

G



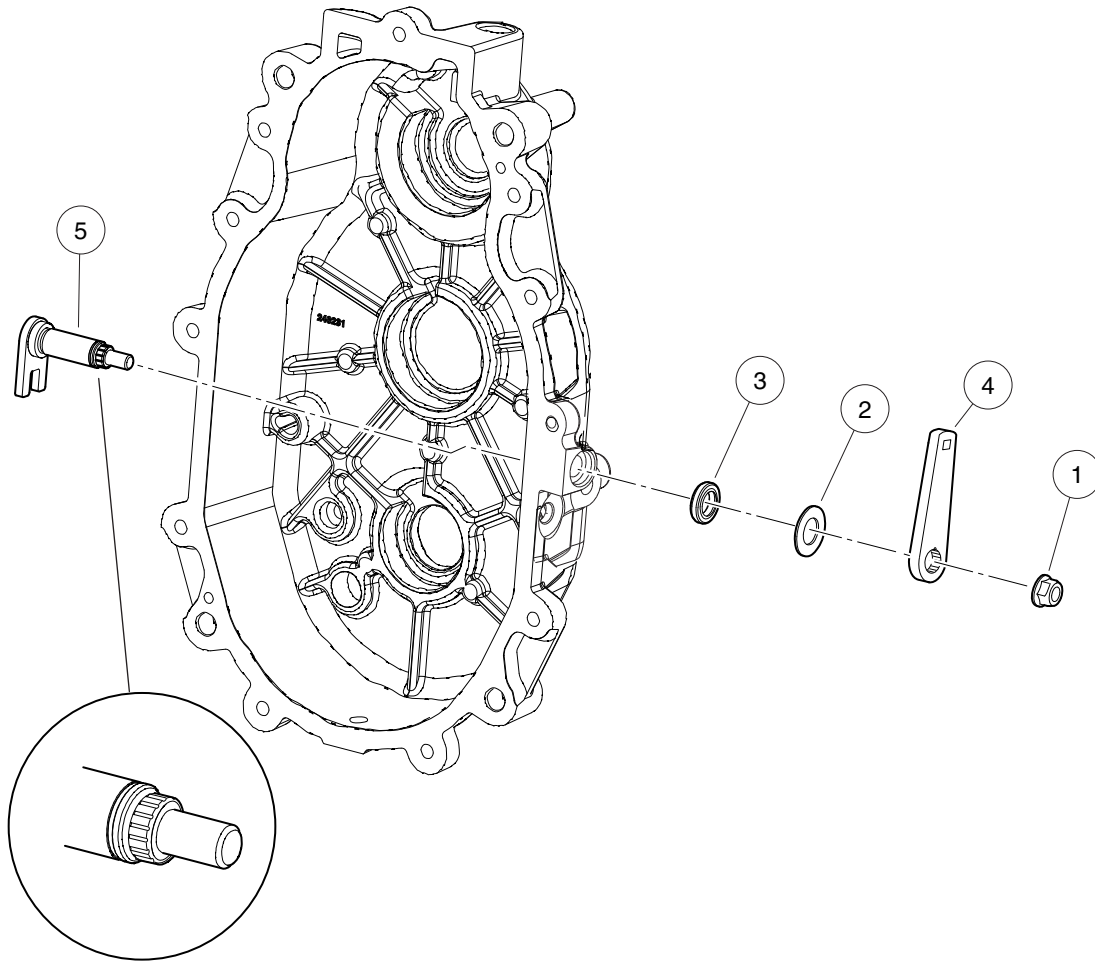
000016-022

TRANSMISSION – PAGE 2 OF 3

ITEM	PART NO.	DESCRIPTION	QTY
		1 2 3 4	
1	<u>102697501</u>	Dog, Engagement	1
2	<u>102698701</u>	Shaft, Intermediate	1
3	102764901	Kit, Forward Gear Repair (includes items 4 through 10)	1
4	<u>102696201</u>	Ring, Retaining, Basic External	2
5	<u>102696501</u>	Washer, Thrust, 1.007 X .062	2
6	<u>102696801</u>	Bearing, Ball	1
7	<u>102696901</u>	Bearing, Ball	1
8	<u>102697101</u>	Bearing, Needle	2
9	N/A	Gear, Helical 58-Tooth	1
10	N/A	Gear, Helical 34-Tooth	1
11	<u>103721801</u>	Kit, Input Shaft Repair (includes items 12 through 18)	1
12	<u>102696201</u>	Ring, Retaining, Basic External	1
13	<u>102696901</u>	Bearing, Ball	2
14	<u>102697001</u>	Bearing, Ball	1
15	N/A	Gear, Helical 90-Tooth	1
16	N/A	Shaft, Input	1
17	N/A	Gear, Helical, 31-tooth	1
18	<u>102699701</u>	Ring, Retaining, E-Ring	1
19	<u>105125501</u>	Kit, Detent Repair	1
20	<u>105125601</u>	Switch, Indicator, Pollak	1

13

G



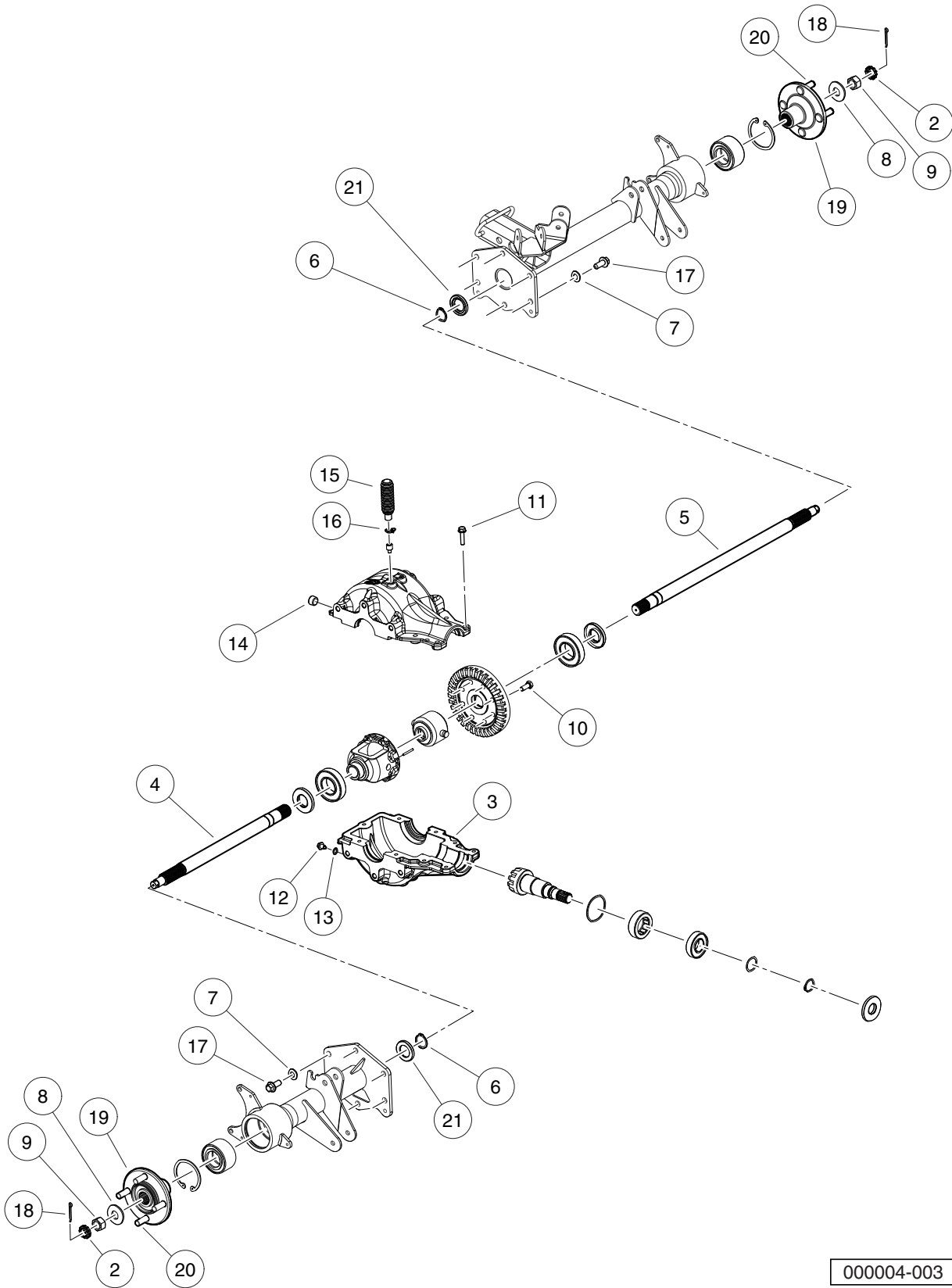
000016-021

TRANSMISSION – PAGE 3 OF 3

ITEM	PART NO.	DESCRIPTION	QTY
		1 2 3 4	
1	<u>102696001</u>	Nut, Lock Hex, Nylon, 5/16-24	1
2	<u>102696601</u>	Washer, Flat, .58 X 1.08 X .05	1
3	<u>102699601</u>	Seal, Dual Lip, .88 X .56 X .19	1
4	<u>103883001</u>	Bellcrank, Square-hole	1
5	<u>105125901</u>	Shaft, Shift	1

13

G



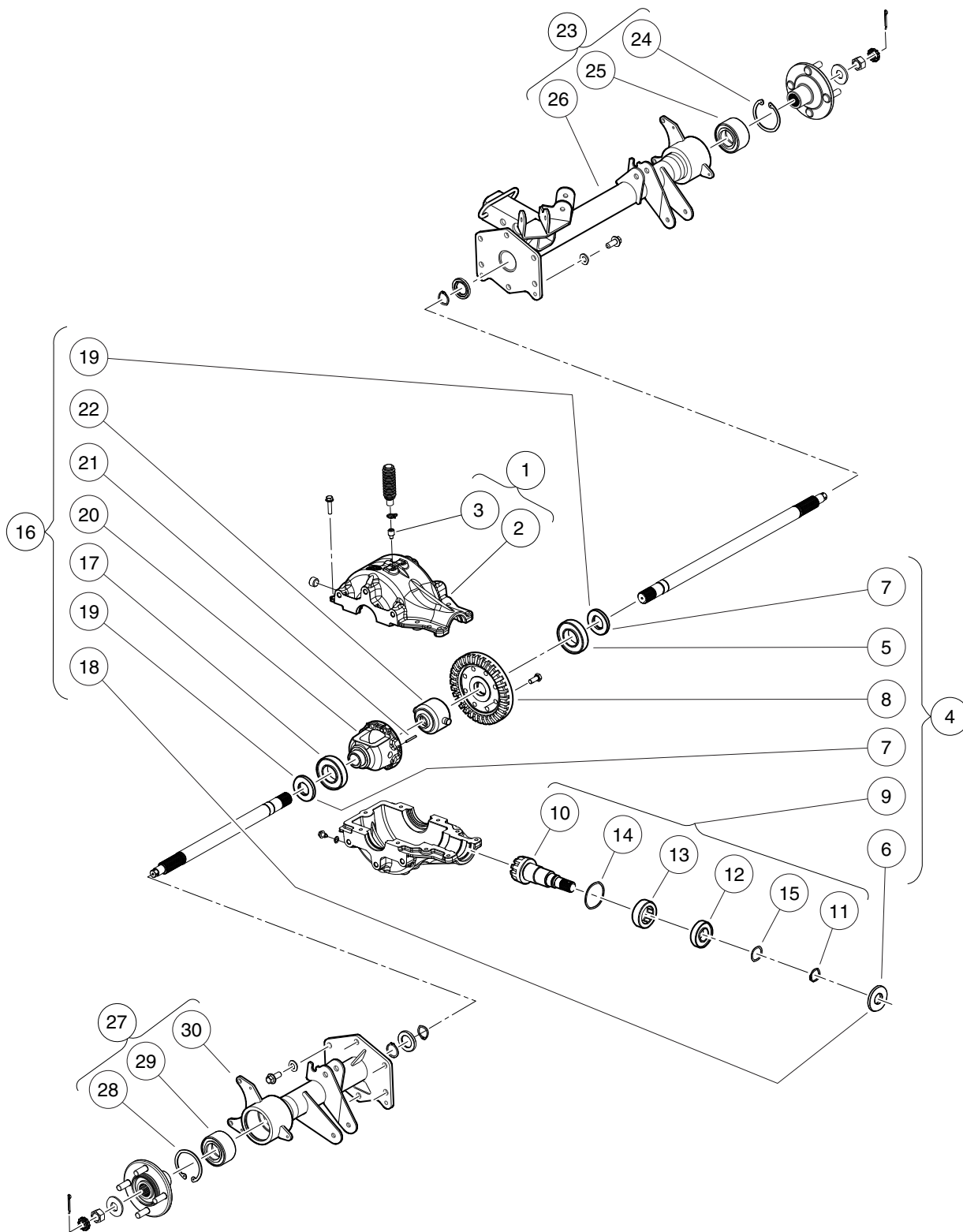
000004-003

REAR DIFFERENTIAL AND AXLES – PAGE 1 OF 2

ITEM	PART NO.	DESCRIPTION	QTY
		1 2 3 4	
1	<u>103843901</u>	Axle, Rear, Awd, 4link (includes items 2 through 21)	1
2	<u>102276001</u>	Locking Cap, Nut	2
3	<u>102449101</u>	Gearcase, Lower, Machined	1
4	<u>102463501</u>	Axle, Right-hand	1
5	<u>102463601</u>	Axle, Left-Hand	1
6	<u>102463901</u>	Ring, Retaining, External	2
7	<u>102672201</u>	Washer, Belleville, 1.063 X .043	12
8	<u>102672301</u>	Washer, Belleville, 49 X 4	2
9	<u>102672401</u>	Nut, Hex, M20 X 1.5 , Modified	2
10	<u>102693201</u>	Screw, M10 X 25	8
11	<u>102693301</u>	Screw, hex Flange, M8 X 35	9
12	<u>102693401</u>	Plug,3/8-16, Hex Flange	1
13	<u>102693501</u>	Washer, .625 X .382 X .60	1
14	<u>102694201</u>	Plug, Square Skt, 1/12-14, Ptf	1
15	<u>102694301</u>	Bellows, Vent, Upper Housing	1
16	<u>102694401</u>	Clamp, Hose, Dw-9.5	1
17	<u>102694701</u>	Screw, Hex Fl, M12 X 1.75 X 30	12
18	<u>102694801</u>	Pin, Cotter, 5/32 X 1.25	2
19	<u>103146203</u>	Asm, Wheel Hub, Rear, 1550 (includes item 20)	2
20	<u>103951501</u>	Lug Stud, 1/2-20 UNF, SAE J1102	4
21	<u>103879501</u>	Washer, C-bored 60.5 X 30.3	2

13

G



000004-004

REAR DIFFERENTIAL AND AXLES – PAGE 2 OF 2

ITEM	PART NO.	DESCRIPTION	QTY
		1 2 3 4	
1	<u>102765301</u>	Asm, Gearcase, Upper (includes items 2 and 3)	1
2	N/A	Gearcase, Upper, Machined	1
3	<u>102694001</u>	Vent, Top, Upper Housing	1
4	<u>102765801</u>	Kit, Rear Axle Gear Repair (includes items 5 through 9)	1
5	<u>102464201</u>	Bearing, Ball	1
6	<u>102464401</u>	Seal, Dual-Lip 25x 62x 7tc	1
7	<u>102464501</u>	Seal, Dual-Lip 30x 62x 8tc	2
8	<u>102762601</u>	Gear, Ring, 33-Tooth	1
9	<u>102765701</u>	Asm, Pinion W/ Bearings (includes items 10 through 15)	1
10	<u>102463101</u>	Pinion, 10t Machined	1
11	<u>102463901</u>	Ring, Retaining, External	1
12	<u>102464001</u>	Bearing, Ball	1
13	<u>102464101</u>	Bearing, Needle, Drawn Shell	1
14	<u>102693601</u>	Washer, 2.625 X 2.367 X .06	1
15	<u>102694502</u>	Shim, 1.50 X 1.189 X .008	1
16	<u>103871801</u>	Asm, Carrier, Etched Locker (includes items 17 through 22)	1
17	<u>102464201</u>	Bearing, Ball	1
18	<u>102464401</u>	Seal, Dual-Lip 25x 62x 7tc	1
19	<u>102464501</u>	Seal, Dual-Lip 30x 62x 8tc	2
20	<u>102961301</u>	Housing, Differential, Mach	1
21	<u>102961401</u>	Pin, Dowel, 4 X 35	1
22	N/A	Asm, Locker, Nongrease/Spacers	1
23	<u>103922801</u>	Assy, Axle Tube, Rear, LH (includes items 24 through 26)	1
24	<u>102463801</u>	Ring, Retaining, Internal	1
25	<u>102464301</u>	Bearing	1
26	<u>103868201</u>	Weldment, Axle Tube, LH, 4-Link Susp	1
27	<u>103922901</u>	Assy, Axle Tube, Rear, RH (includes items 28 through 30)	1
28	<u>102463801</u>	Ring, Retaining, Internal	1
29	<u>102464301</u>	Bearing	1
30	<u>103868301</u>	Weldment, Axle Tube, RH, 4-Link Susp	1

13

G

13

G

MAINTENANCE AND SERVICE TOOLS

14

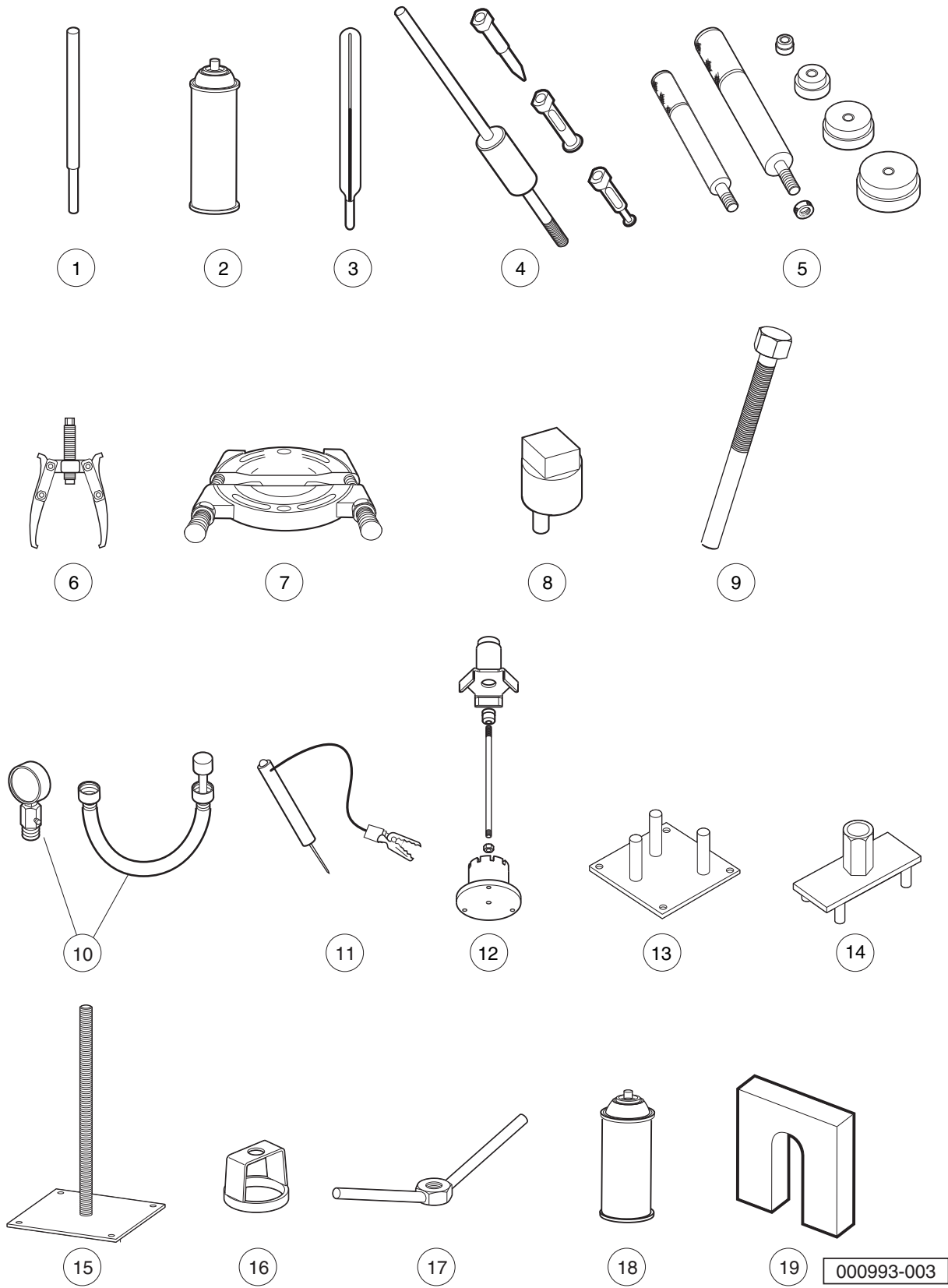
G

D

14

G

D



000993-003

MAINTENANCE AND SERVICE TOOLS – 1500/1550/1700

ITEM	PART NO.	DESCRIPTION	QTY GAS	QTY DIESEL
		<p style="text-align: center;">1 2 3 4</p> <p>The following list includes all tools available from Club Car for maintenance and service procedures on all variants of the Carryall 1500/1700 and XRT 1550 utility vehicles equipped with either the Kawasaki FH680 or Kubota D722 engines, both past and present models. Be sure to carefully examine the tool list for applicability to your vehicle before ordering.</p>		
1	<u>101641202</u>	Arbor	1	1
2	<u>1014305</u>	Battery Terminal Protector Spray	1	1
3	<u>1011767</u>	Battery Thermometer	1	1
4	<u>1016417</u>	Bearing and Oil Seal Remover Assembly	1	1
5	<u>1016416</u>	Bearing Driver Set	1	1
6	<u>1012811</u>	Bearing Puller	1	1
7	<u>1012812</u>	Bearing Puller Wedge Attachment	1	1
8	<u>102447101</u>	Camber Adjustment Tool (for AWD vehicles).....	1	1
9	<u>102686101</u>	Clutch Removal Tool (for AWD vehicles).....	1	1
10	<u>101641002</u>	Compression Gauge and Adapter	1	
11	<u>1011273</u>	Continuity Tester	1	1
12	<u>103865301</u>	Drive Clutch Service Tool (for AWD vehicles with 3-weight drive clutch)	1	1
13	<u>102601501</u>	Drive ClutchFixed Sheave Tool (for AWD vehicles with 2-weight drive clutch)	1	1
14	<u>102607501</u>	Drive Clutch Spider Removal Tool (for AWD vehicles with 2-weight drive clutch)	1	1
15	<u>102603501</u>	Driven Clutch Spring Compression Base (for use with items 17 and 18) (for AWD vehicles)	1	1
16	<u>102605201</u>	Driven Clutch Spring Compression Collar (for use with items 16 and 18) (for AWD vehicles)	1	1
17	<u>102606101</u>	Driven Clutch Spring Compression Nut (for use with items 16 and 17) (for AWD vehicles)	1	1
18	<u>1012151</u>	Dry Moly Lubricant	1	1
19	<u>1016418</u>	Gear Yoke	1	1
		Please refer to the maintenance and service manual for proper tool application.		

14

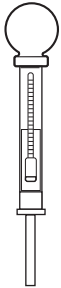
G

D

14

G

D



20



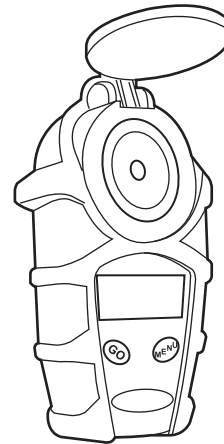
21



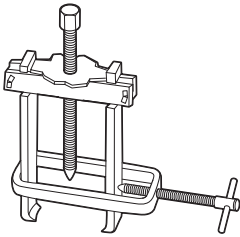
22



23



24



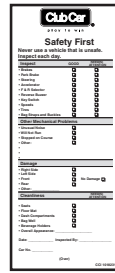
25



26



27



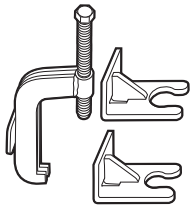
28



29



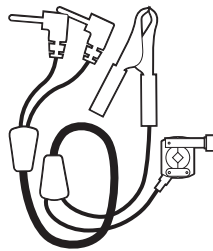
30



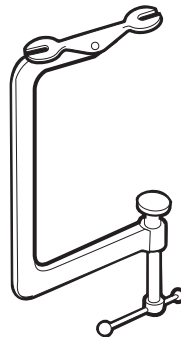
31



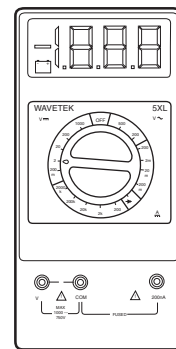
32



33



34



35

000993-004

MAINTENANCE AND SERVICE TOOLS – 1500/1550/1700 CONTINUED

ITEM	PART NO.	DESCRIPTION	QTY GAS	QTY DIESEL
		1 2 3 4		
20	<u>1011478</u>	Hydrometer	1	1
21	<u>1013593</u>	Internal Retaining Ring Pliers	1	1
22	<u>101928701</u>	Liquid Gasket (transaxle case)	1	1
23	<u>101997207</u>	Paint, Touch-Up, Æi Black	1	1
23	<u>101997205</u>	Paint, Touch-Up, Æi Dark Gray	1	1
23	<u>101997209</u>	Paint, Touch-Up, Æi Dark Green	1	1
23	<u>101997204</u>	Paint, Touch-Up, Æi Gray	1	1
23	<u>101997203</u>	Paint, Touch-Up, Æi Red	1	1
24	<u>AM1285701</u>	Refractometer	1	1
25	<u>102668801</u>	Puller, Special Use (for AWD vehicles with Kubota D722 Diesel Engines)		1
26	<u>1012549</u>	Retaining Ring Pliers, 45→x External	1	1
27	<u>1012560</u>	Retaining Ring Pliers, 90→x Internal	1	1
28	<u>101823101</u>	Safety First Card (50 per pack)	1	1
29	<u>1012809</u>	Seal Puller	1	1
30	<u>102330901</u>	Spanner Wrench (for coil over shock front suspension vehicles only)	1	1
31	<u>102061201</u>	Steering Wheel Puller Tool	1	1
32	<u>AM10753</u>	Tachometer (includes gasoline engine pick up lead only)	1	1
33	<u>AM10771</u>	Tachometer Diesel Probe (for use with item 32)		1
34	<u>101641101</u>	Valve Spring Compressor	1	
35	<u>1011480</u>	Volt Ohm Meter	1	1
		Please refer to the maintenance and service manual for proper tool application.		

14

G

D

INDEX

Part Number and Page

AM10753	14-5	1012649	10-7, 10-9	1016851	5-15
AM10771	14-5	1012769	13-7	1016916	1-11
AM1216101	13-3	1012809	14-5	1016967	1-11
AM1232301	9-7, 9-15, 9-17	1012811	14-3	101802601	8-5
AM1232401	9-7	1012812	14-3	101804301	1-11
183	10-5	1012830	1-25, 1-27	101823101	14-5
304	1-29	1013035	6-5, 7-5	101835601	1-5, 1-39
324	10-7	1013042	6-5, 7-5	101850301	6-3, 7-3
332	1-25, 1-27, 1-41, 8-11, 8-13	101313402	10-9	101856101	12-11
334	1-39	1013317	1-41, 3-9	101887601	1-25, 1-27, 4-13, 5-7, 11-3
403	1-5	1013461	10-5	101898001	8-11, 8-13
451	1-25, 1-27	1013462	10-5	101928701	14-5
808	1-7	1013531	4-9	101953101	4-9
1016	10-5	1013593	14-5	101958601	1-29
1032	1-41	1013734	1-25, 1-27	101958602	1-39
1108	8-11, 8-13	1014201	1-19, 1-21, 1-23	101963401	1-41
1231	1-41	1014305	14-3	101972003	14-5
1241	8-11, 8-13	1014306	1-43	101972004	14-5
1242	4-9	1014321	1-41	101972005	14-5
7049	1-41	1014375	8-11	101972007	14-5
7310	2-3, 2-5, 2-7	1014387	1-41	101972009	14-5
7473	1-5, 8-11, 8-13	1014415	1-19, 1-21, 1-23, 1-41	101987901	8-3
7973	1-41	1014471	1-5	101988101	8-3
8057	5-15	1014537	1-41	101988201	8-3
8058	5-15	1014557	1-29, 1-31	102003201	9-7, 10-7
8233	1-11, 1-41, 10-7	1014727	5-15	102022601	6-5, 7-5
8251	1-43	1014789	8-7	102022901	6-5, 6-7, 6-9, 7-5, 7-7, 7-9
8639	4-9, 4-13	1014807	5-15	102023703	1-25, 1-27
8754	1-5	1015068	1-35, 1-37	102025701	1-17, 1-25, 1-27, 1-29
8755	1-5	1015137	10-9	102030101	1-41
8797	10-5	1015245	1-41	102030201	1-41
8990	5-15, 6-5, 7-5, 10-19, 13-5	1015246	1-41	102044702	8-5
1010193	1-29, 1-31	1015258	1-5	102044801	8-5
1010434	1-19, 1-21, 1-23, 1-41	1015277	1-39	102045001	1-11
1010435	1-5, 1-41	1015313	1-41	102047001	1-25, 1-27
101082903	4-3, 4-9, 5-5, 5-11	1015363	1-41	102048401	1-11
1010934	1-41, 8-11, 8-13	1015390	1-41	102051601	8-5
1011273	14-3	1015391	1-5	102051701	8-5
1011478	14-5	1015399	1-5, 1-41	102059001	1-25, 1-27
1011480	14-5	1015400	1-5, 1-41	102059401	1-25, 1-27
1011553	3-5, 3-7, 6-15, 7-15	101547601	3-3	102061101	1-25, 1-27
1011578	1-7, 1-15	1015521	8-11, 8-13	102061201	14-5
1011652	1-19, 1-21, 1-23, 1-25, 1-27	1015583	1-5	102065901	1-5
1011697	1-19, 1-21, 1-23	1015741	8-9	102171503	1-5
1011767	14-3	1016078	1-39	102176901	4-3, 5-5
1011779	4-9	101609401	3-5, 3-7	102198001	8-5
1011964	1-29, 1-35, 1-37	101641002	14-3	102231601	3-3
1011990	1-41	101641101	14-5	102242401	1-29
1012151	14-3	101641202	14-3	102274101	6-9, 7-9
1012295	8-9	1016416	14-3	102276001	13-17
1012303	1-5	1016417	14-3	102289001	1-7, 1-11, 9-13
1012549	14-5	1016418	14-3	102290120	6-3, 7-3
1012560	14-5	101648201	9-11	102292356	1-7
1012594	5-15	1016513	10-3, 10-15	102292701	1-7
		1016544	9-15	102292801	1-7, 4-9, 5-11
		1016630	8-5	102296140	4-13, 5-7

102296401	10-17	102459101	3-3	102617801	6-9, 7-9
102296601	9-9	102459301	3-5, 3-7	102618101	4-7, 5-9
102296716	4-13, 5-7, 12-9, 12-11	102459401	3-7	102618301	1-39, 4-7, 4-9, 5-9, 5-11, 13-5
102296920	9-9	102459501	3-3	102618401	4-3, 5-5
102297230	1-7, 1-11	102460201	3-5, 3-7	102618601	1-11, 1-15, 1-39, 9-13, 10-7
102298130	1-25, 1-27, 6-3, 7-3	102461401	10-17	102620301	1-31
102298240	4-9	102462504	9-9	102620501	6-7, 6-11, 6-13, 7-7, 7-11, 7-13
102298401	1-25, 1-27, 4-3, 4-7, 4-9, 5-5, 5-9, 5-11, 6-3, 7-3, 9-13, 13-5, 13-9	102463101	13-19	102621201	10-11, 11-3
102298580	1-11	102463501	13-17	102621301	9-13
102298720	1-11, 11-3	102463601	13-17	102621501	13-7
102301401	1-39	102463801	13-19	102626201	4-7
102323101	1-39	102463901	13-17, 13-19	102628001	12-11
102323501	1-11	102464001	13-19	102628301	12-9
102330901	14-5	102464101	13-19	102629001	5-11
102343601	1-35, 1-37	102464201	13-19	102668801	14-5
102355301	8-11	102464301	6-9, 7-9, 13-19	102670601	1-31
102361901	6-7, 6-9, 7-7, 7-9	102464401	13-19	102670701	6-15, 7-15
102370501	9-9	102464501	13-19	102670801	5-7
102370601	9-9	102473501	1-25, 1-27	102672201	13-17
102371401	9-13	102473601	1-25, 1-27	102672301	13-17
102374901	12-3	102473701	1-25	102672401	13-17
102376001	13-5	102474301	5-7	102684501	13-5
102380601	4-7	102475701	4-13, 10-19, 13-7	102684603	13-5
102382401	13-7	102475901	1-25, 1-27	102686101	14-3
102406701	10-5	102479301	10-17	102687801	6-5, 7-5
102408401	6-7, 6-15, 7-7, 7-15	102481001	12-11	102693201	13-17
102409501	11-3	102481201	12-11	102693301	13-11, 13-17
102410604	10-7	102481301	12-11	102693401	13-17
102411210	10-11, 12-9, 12-11	102488001	4-5, 4-11, 5-3, 5-13	102693501	13-17
102414501	12-11	102490101	5-11	102693601	13-19
102418101	1-39	102490801	6-9, 7-9	102694001	13-19
102420201	8-9	102491001	9-9	102694201	13-11, 13-17
102420301	8-9	102491301	1-11	102694301	13-17
102420401	8-9	102491501	1-11, 1-17, 1-33, 1-37	102694401	13-17
102420501	8-9	102491601	4-5, 4-11, 5-3, 5-13	102694502	13-19
102426301	10-7	102491701	1-13, 1-43	102694701	13-17
102426601	1-39	102492201	8-9	102694801	13-17
102426901	1-5	102493301	4-5, 4-11, 5-13	102695401	12-7
102437001	6-7, 7-7	102493801	1-39	102695601	12-7
102442002	1-25, 1-27	102498601	9-7, 10-11	102695801	12-7
102442201	8-11	102522001	10-5	102695901	12-7
102442901	4-7, 5-9	102551901	4-9	102696001	13-15
102443601	9-13	102552001	4-9	102696101	13-11
102445201	10-17	102601501	14-3	102696201	13-11, 13-13
102447101	14-3	102603501	14-3	102696501	13-11, 13-13
102447901	8-9	102605201	14-3	102696601	13-15
102448001	8-9	102606101	14-3	102696701	13-11
102448401	8-11	102607501	14-3	102696801	13-11, 13-13
102448501	9-13	102614101	1-5	102696901	13-11, 13-13
102449101	13-17	102616003	12-11	102697001	13-13
102456001	1-25, 1-27	102616101	12-11	102697101	13-11, 13-13
102457001	10-19	102616301	6-7, 6-11, 6-13, 7-7, 7-11, 7-13	102697501	13-13
102457501	9-13	102616701	13-5	102698701	13-13
102458901	1-25, 1-27, 3-3	102617201	1-11, 1-17, 1-33	102699401	13-11
102459001	3-3	102617501	6-9, 7-9	102699601	13-15
		102617701	6-9, 7-9	102699701	13-11, 13-13

INDEX

102711601	6-7, 7-7	102958501	9-13	102995701	9-5
102714001	5-13	102958601	9-13	102995801	9-5
102718101	1-17, 1-29, 1-31, 1-33	102961201	3-7	102995901	9-5
102722001	9-13	102961301	13-19	102996001	9-5
102722301	6-7, 6-9, 7-7, 7-9	102961401	13-19	102996101	9-5
102723901	13-3	102967901	1-7	102996201	9-5
102725501	10-11	102983201	1-33	102996301	9-5
102725601	10-11	102983601	1-33	102996401	9-5
102732301	1-17, 1-33	102988701	1-33, 1-37	102996501	9-5
102732401	1-29, 1-31	102990101	9-17	102996601	9-5
102736901	2-3, 2-5	102990201	9-17	102996701	9-5
102740401	9-9	102990301	9-17	102996901	9-11
102762601	13-19	102990401	9-17	102997001	9-11
102763301	4-9	102990501	9-17	102997101	9-11
102763401	4-9	102990601	9-17	102997201	9-11
102764901	13-13	102990701	9-17	102997401	9-11
102765201	13-11	102990801	9-17	102997601	9-11
102765301	13-19	102990901	9-17	102997701	9-11
102765701	13-19	102991101	9-17	102997801	9-11
102765801	13-19	102991201	9-17	102997901	9-11
102786201	11-3	102991401	9-17	102998001	9-11
102788701	6-11, 6-13, 7-11, 7-13	102991501	9-17	102998101	9-11
102792001	6-7, 7-7	102991601	9-17	102998201	9-11
102792002	6-7, 7-7	102991801	9-17	102998301	9-11
102810701	10-11	102991901	9-17	102998401	9-11
102812801	11-3	102992001	9-17	102998601	9-3
102816801	6-5, 7-5	102992101	9-17	102998701	9-3
102865101	10-7, 10-9	102992201	9-17	102999101	9-3
102866901	1-7	102992301	9-17	102999201	9-3
102867001	1-7	102992401	9-3, 9-11, 9-17, 10-3	102999301	9-3
102867101	1-11	102992501	9-3, 10-7	102999501	9-3
102867202	1-3	102992601	9-17	102999601	9-3
102867301	1-11	102992701	9-17	103000001	9-3
102867501	1-7	102992801	9-17	103000401	9-15
102869401	8-5	102992901	9-17	103000501	9-15
102882401	1-7	102993201	9-19	103000601	9-15
102883401	1-11	102993301	9-19	103000801	9-15
102883601	3-9	102993401	9-19	103000901	9-15
102884301	3-3	102993501	9-19	103001301	9-15
102884401	3-7	102993601	9-19	103001501	9-15
102895101	1-7	102993701	9-19	103002001	10-3
102895401	1-7	102993901	9-19	103002101	10-3
102896501	1-7	102994101	9-19	103002301	10-3
102913801	1-43	102994301	9-15	103002401	10-3
102913901	1-43	102994401	9-19	103002501	10-3
102914001	1-43	102994601	9-5	103002801	10-3, 10-15
102914101	1-43	102994701	9-5	103002901	10-3
102914102	1-43	102994801	9-5	103003801	10-15
102927101	6-7, 7-7	102994901	9-5	103003901	10-15
102927102	6-7, 7-7	102995001	9-5	103004201	10-15
102930901	11-3	102995101	9-5	103005001	10-15
102935501	1-11	102995201	9-5	103005601	10-15
102949301	11-5	102995301	9-5	103009901	10-7
102951901	9-9	102995401	9-5	103010101	10-7
102958301	9-13	102995501	9-5	103077501	4-5, 4-11, 5-3, 5-13
102958401	9-13	102995601	9-5	103146203	13-17

INDEX

103146204	6-9, 7-9	103298301	10-3	103348101	8-5
103147001	6-15, 7-15	103298501	9-15, 10-3, 10-7, 10-15	103348201	8-5
103160101	4-5, 4-11	103298601	9-17, 10-3	103348501	8-5
103174302	4-13	103298901	9-17	103361701	1-33
103180101	8-5	103299301	9-3	103372101	10-5
103182701	1-3	103299401	9-3	103372302	10-5
103182702	1-3	103299501	9-15	103372401	10-9
103182801	1-3	103299601	9-15	103376101	4-3
103191201	1-41	103299701	9-15	103379401	1-41
103191301	1-41	103299801	9-15	103380701	4-3, 5-5
103191401	1-41	103299901	9-15	103400001	1-15
103191501	1-41	103300101	9-15	103406501	1-41
103197201	9-13	103300301	9-3, 9-11	103406502	1-41
103200501	1-43	103305701	8-7	103406601	1-41
103202601	3-5	103306801	10-13	103417401	1-15
103208701	9-9	103306901	10-13	103418801	5-13
103210401	3-5, 3-7	103307001	10-13	103423701	1-15
103213301	8-3	103307201	10-13	103441401	10-11
103215301	1-17	103307301	10-13	103452001	10-9
103216401	1-29, 1-31, 1-33, 1-37	103319601	1-15	103456001	1-19
103218107	1-7	103319701	1-15	103456002	1-21
103218901	1-27	103320201	10-15	103456003	1-23
103223101	1-35, 1-37	103320301	10-15	103478901	10-17
103225801	1-33	103320401	10-15	103479101	10-17
103233001	1-11	103320601	12-9, 12-11	103479201	10-17
103234304	3-9	103326401	9-13	103479301	10-17
103234503	2-3, 2-5	103331201	1-43	103485501	1-13
103240601	9-13	103340501	10-13	103487501	1-13
103244701	6-7, 7-7	103340601	10-13	103496801	8-11
103246901	9-13	103340701	10-13	103500901	4-9
103250401	13-11	103340801	10-13	103505301	4-9
103253801	1-11	103340901	10-13	103505401	4-9
103256401	6-7, 7-7	103341101	10-13	103511201	1-33
103256501	6-7, 7-7	103341201	10-13	103523602	4-11
103256701	6-7, 7-7	103341301	10-13	103523702	4-11
103262901	9-9	103341401	10-13	103525002	2-7
103267001	1-25	103341501	10-13	103528201	9-9
103267002	1-27	103341601	10-13	103529601	1-29, 1-31
103268001	1-11	103341701	10-13	103529701	1-31
103268101	11-5	103341801	10-13	103529801	1-31
103273101	4-7, 5-9	103341901	10-13	103530701	1-29, 1-31
103276201	9-13	103342001	10-13	103532801	2-7
103277402	10-19	103342101	10-13	103534201	1-29, 1-31
103279201	9-9	103342201	10-13	103535001	4-9
103296001	1-11	103342301	10-13	103538701	1-5
103297101	10-15	103342501	10-13	103538901	1-5
103297201	10-15	103342601	10-13	103574301	4-5
103297301	10-15	103342701	10-13	103588001	1-7
103297401	10-3	103343301	10-13	103596601	10-13
103297501	10-3	103343401	10-13	103596701	10-13
103297601	10-3	103343501	10-13	103596801	10-13
103297701	10-3	103343601	10-13	103629101	1-21
103297801	10-3	103343701	10-13	103629102	1-19
103298001	10-3	103343801	10-13	103629103	1-23
103298101	10-3	103343901	10-13	103629501	1-19, 1-21, 1-23
103298201	10-3	103345501	9-15	103635101	1-29, 1-31

INDEX

103636701	1-17, 1-29	103886201	6-15, 7-15	103968601	5-11
103643901	1-29	103886601	13-7	103968701	5-11
103646501	1-29	103887901	9-7, 9-11, 9-13	103968801	5-11
103646601	1-29	103895701	5-15	103968902	5-11
103647201	1-19	103901001	2-5, 2-7	103969001	13-11
103647202	1-21	103901101	2-5	103969801	6-7, 7-7
103647203	1-23	103901102	2-5	103971001	2-3
103685901	5-15	103901107	2-7	103971101	2-3
103687401	9-15	103901108	2-7	103971201	2-3
103699801	2-7	103905201	10-5	103971301	2-3
103701301	10-9	103922001	10-19	103973101	5-7
103721801	13-13	103922801	13-19	103978801	1-25, 1-27
103724501	6-3, 7-3	103922901	13-19	103980901	6-9
103724503	6-3, 7-3	103923001	6-15, 7-15	103980902	6-9
103724602	6-3, 7-3	103924701	10-11	103981201	9-17
103756401	10-9	103930501	6-11, 7-11	103983301	5-11
103760601	1-7	103939301	6-9, 7-9	103986501	5-11
103778601	2-5, 2-7	103939302	6-9, 7-9	103986601	5-9
103779001	2-5	103944301	10-5	103986901	5-9
103779004	2-7	103948401	6-9, 7-9	103987001	5-5
103806401	1-31	103948501	1-37	103990201	13-9
103810201	6-3, 7-3	103948601	1-37	103993701	5-3
103828201	12-7	103948801	12-5	103993801	5-3
103829001	12-7	103951301	3-5, 3-7	104005501	5-11
103829601	12-5	103951501	6-9, 7-9, 13-17	104005601	5-11
103829701	12-5	103951601	6-13, 7-13	104005701	5-11
103829801	12-5	103951701	6-13, 7-13	104006401	3-9
103829901	12-5	103954001	1-9	104025201	5-3
103831101	1-19, 1-21, 1-23	103954101	1-17	105100901	13-9
103836302	5-15	103955901	1-35	105125301	13-11
103836501	5-15	103955902	1-37	105125401	13-11
103841801	6-11, 7-11	103957501	12-5	105125501	13-13
103842501	4-13	103959210	1-7	105125601	13-13
103843901	13-17	103959214	1-7	105125701	13-11
103844301	1-35, 1-37	103959218	1-7	105125801	13-11
103844401	1-35, 1-37	103959310	1-7	105125901	13-15
103845501	6-15, 7-15	103959314	1-7	105173301	13-9
103848401	10-11	103959318	1-7	105200501	3-9
103856101	12-5	103959410	1-7	105237301	8-13
103859901	6-3, 7-3	103959414	1-7	105256201	8-13
103860302	6-15, 7-15	103959418	1-7	105256601	8-13
103860402	6-15, 7-15	103959510	1-7	105282201	4-13
103862701	6-3, 7-3	103959514	1-7	105283703	7-9
103865301	14-3	103959518	1-7	105283704	7-9
103866601	6-5, 7-5	103962801	3-5	96701412	9-9
103868201	13-19	103963701	10-5	96704416	8-11, 8-13, 11-5, 13-5
103868301	13-19	103967201	5-7	96704721	9-9
103871801	13-19	103967301	5-7	96704960	9-9
103873001	13-5	103967401	5-7	96705587	9-13
103879301	13-7	103967501	5-7	96715552	1-11, 1-33, 1-37
103879401	13-7	103967601	5-3	96741046	5-11, 6-15, 7-15, 9-9
103879501	13-17	103967602	5-3	96742515	1-25, 1-27
103883001	13-15	103967701	5-13	96950126	10-19
103883201	10-17	103967901	5-13		
103886001	13-5	103968401	5-11	A	
103886101	13-5	103968501	5-11	A-arm	6-7, 7-7

INDEX

- accelerator cable 10-19
- accelerator pedal 10-17
- accessory receptacle 8-5
- adapter
 - hose 9-13
 - oil filter 9-13
 - tube 9-13
- adjuster, forward/aft 1-25, 1-27
- adjuster, slider 1-25, 1-27
- air filter 9-7, 10-11
- air filter canister 10-11
- air filter evacuator 10-11
- air filter gasket 10-15
- AM1285701 14-5
- arbor 14-3
- arm
 - A 6-7, 7-7
 - A- 6-7, 7-7
 - governor link 10-3
 - governor shaft 10-3
 - rocker 9-5
- assembly
 - accelerator pedal 10-17
 - brake line 4-13
 - brake pedal 4-7, 5-9
 - bucket seat 1-25
 - filler cap 4-3, 5-5
 - forward/reverse 13-5
 - fuel cap 10-5
 - fuel pump 10-7
 - gear case 13-19
 - headlight harness 8-3
 - latch, tilt bed 1-5
 - muffler 6-7, 7-7
 - pinion 13-19
 - tilt bed 1-5
 - wire 8-11, 9-13, 10-5
- axle 13-17
- axle tube 13-19
- axle, rear 13-17
- B**
- ball joint 6-7, 6-9, 7-7, 7-9
- banjo bolt 4-5, 4-11, 5-3, 5-13
- barrel, plastic 1-19, 1-21, 1-23, 1-41
- base, seat holder 1-25, 1-27
- battery
 - 12-volt, side-post 8-11
 - 12-volt, top-post 8-13
- battery clamp 8-11, 8-13
- battery terminal protector spray 14-3
- battery thermometer 14-3
- bearing
 - hub 6-9, 7-9, 13-19
 - needle 13-11, 13-13, 13-19
- bearing and oil seal remover 14-3
- bearing driver set 14-3
- bearing puller 14-3
- bearing puller wedge 14-3
- bed floor plate 1-5
- bed latch 1-41
- bed latch spring 1-41
- bed, tilt 1-5
- bellcrank 13-15
- bellows 6-5, 7-5, 13-17
- belt, drive 12-3
- bench seat back 1-19
- bench seat back cap 1-19, 1-21, 1-23
- bench seat bottom 1-19
- bench seat conversion kit 1-29
- black bench seat kit 1-21
- block, fuse 8-9
- bolt
 - banjo 4-5, 4-11, 5-3, 5-13
- bracket
 - bed latch 1-39
 - brake line 5-7
 - brake pedal 4-7
 - carbon canister 10-9
 - cover inlet 12-11
 - draw latch 1-7
 - equalizer 4-9
 - hood support 1-11
 - muffler 11-3
 - oil filter 9-13
 - oil filter mount 9-13
 - seatbelt 1-31
 - transmission cable 13-7
- bracket, hinge, bed 1-5
- brake cable 4-9
- brake caliper bracket 5-3
- brake caliper, front 4-5
- brake caliper, rear 4-11, 5-13
- brake front lh caliper 5-3
- brake front rh caliper 5-3
- brake line, front 4-13, 5-7
- brake line, mid 5-7
- brake line, rear 4-13, 5-7
- brake master cylinder 5-5
- brake pad service kit 4-5, 4-11
- brake pads
 - front 5-3
 - rear 5-13
- brake pedal 4-7, 5-9
- brake return spring 4-9
- brake rotor 4-5, 4-11, 5-3, 5-13
- breather gasket 9-17
- brush, FNR 1-11
- bucket seat 1-25, 1-27
- buckle, seat-belt 1-31
- bulb, headlight 8-3
- bumper
 - bed 1-39
- bushing
 - A-arm 6-7, 6-15, 7-7, 7-15
 - forward/reverse 13-5
 - greaseless 4-7, 5-9
 - lower arm 6-7, 7-7
 - nylon 1-41
 - return line 10-5
 - snap-in 1-41
 - steel 1-5
 - urethane 1-5
- buzzer, reverse 5-15
- C**
- cable
 - accelerator 10-19
 - brake 4-9
 - FNR shifter 13-7
 - main park brake 4-9
 - park brake 5-11
- caliper
 - brake, front lh 5-3
 - brake, front rh 5-3
 - brake, rear 5-13
- caliper brake park 5-11
- caliper slide pin 5-13
- caliper, brake, front 4-5
- caliper, brake, rear 4-11
- camber adjustment tool 14-3
- camshaft 9-5
- camshaft guide 9-5
- camshaft kit 9-5
- camshaft plate 9-5
- camshaft spring 9-5
- canister, air filter 10-11
- canister, carbon, fuel tank 10-9
- canopy 1-35, 1-37
- canopy support kit 1-37
- cap
 - air filter 10-11
 - center, alloy wheel 2-7
 - corner 1-41
 - filler 4-3, 5-5
 - fuel, gas, ratchet 10-5
 - inlet 12-11
 - oil fill 9-11
 - rubber 6-9, 7-9
- carbon canister 10-9
- carburetor 10-13
- carburetor gasket 10-13, 10-15
- carburetor heater 10-13
- carburetor jet 10-13
- carburetor seal 10-13
- carburetor shaft 10-13
- carburetor solenoid 10-13
- carburetor spring 10-13

INDEX

- carburetor throttle shaft 10-13
 - carburetor valve 10-13
 - card, safety first 14-5
 - carrier, differential 13-19
 - case
 - gear 13-17, 13-19
 - center closeout 1-17, 1-29
 - chain, transmission 13-11
 - charge coil 9-15
 - clamp
 - battery 8-11, 8-13
 - hose 10-7, 10-9
 - hose, green 10-9
 - p- (fuel filter) 10-7
 - clevis pin 4-3, 4-9, 5-5, 5-11
 - clip
 - body trim 1-7
 - brake line 4-13, 10-19, 13-7
 - meter 8-5
 - snap-close 5-7
 - wear 6-15, 7-15
 - closeout 1-43
 - closeout, center 1-17, 1-29
 - clutch 12-5, 12-7
 - clutch cover (non-sealed)
 - CVT 12-9
 - clutch cover (sealed) 12-11
 - clutch removal tool 14-3
 - coil
 - charge 9-15
 - ignition 9-15
 - coil over shock 6-11, 6-13, 7-11, 7-13
 - column, steering 6-3, 7-3
 - compression gauge 14-3
 - compressor, valve spring 14-5
 - connecting rod 9-19
 - connector, relay 8-9
 - continuity tester 14-3
 - control panel 10-3
 - cooling fan 9-3
 - cover
 - CCI dash storage 1-3
 - crankcase 9-17
 - CVT 9-9, 12-11
 - electrical 8-9
 - engine 9-9
 - rocker 9-17
 - rocker switch hole 8-5
 - cover gasket 10-13
 - cowl panel 1-7
 - cowl panel, driver-side 1-7
 - cowl panel, passenger-side 1-7
 - cowl plug 1-9
 - crank oil seal 9-17
 - crankcase 9-17
 - crankcase cover 9-17
 - crankcase cover gasket 9-17
 - crankcase vent tube 10-15
 - crankshaft 9-19
 - cup holder 1-11
 - cup holder, seat 1-25, 1-27
 - CVT cover 9-9, 12-9
 - CVT cover kit, sealed 12-11
 - CVT cover kit, unsealed 12-11
 - cylinder head 9-17
 - cylinder, master 4-3
- ## D
- dash 1-11
 - dash weldment 1-11
 - dash, park light 5-15
 - decal
 - 3/4 ton 3-9
 - crush area warning 3-5, 3-7
 - driver/passenger 3-3
 - ground warning 3-3
 - hot manifold warning 3-3
 - hot surface warning 1-25, 1-27, 3-3
 - nameplate 3-9
 - occupant warning 3-5
 - operating instructions 3-3
 - operator warning 3-7
 - park brake 5-11
 - ROPS warning 3-7
 - rotating parts and hot manifold 3-3
 - rotating parts warning 3-5, 3-7
 - tailgate 1-41, 3-9
 - trailer hitch 3-5, 3-7, 6-15, 7-15
 - under 16 warning 3-7
 - vehicle loading 3-5, 3-7
 - winch cable warning 3-3
 - deflector oil 13-11
 - detent, repair 13-13
 - diesel tachometer probe 14-5
 - differential housing 13-19
 - differential oil 13-3
 - differential, rear 13-17, 13-19
 - diode 8-7
 - drag link 6-5, 7-5
 - drive belt 12-3
 - drive clutch 12-5
 - drive clutch fixed sheave tool 14-3
 - drive clutch service tool 14-3
 - drive clutch spacer 12-5
 - drive clutch spider removal tool 14-3
 - driven clutch 12-7
 - driven clutch spring compression base tool 14-3
 - driven clutch spring compression collar tool 14-3
 - driven clutch spring compression nut tool 14-3
- ## E
- E-clip 4-9
 - end, tie rod 6-5, 7-5
 - engine cover 9-9
 - engine shroud 9-3
 - engine starter motor 9-15
 - engine, gasoline, Kawasaki FH680 9-9
 - equalizer 4-9
 - equalizer rod 4-9
 - exhaust gasket 11-5
 - exhaust header 11-5
 - exhaust header gasket 11-5
 - exhaust pipe 11-3
 - exhaust shield 11-3
 - exhaust valve 9-5
 - extension, spring latch 1-5
- ## F
- fan housing plate 9-3
 - fan, cooling 9-3
 - fascia 1-7
 - fastener, push-in 8-9
 - fender, front 1-7
 - fender, left rear 1-43
 - fender, rear 1-43
 - filler cap 4-3, 5-5
 - filter
 - air 9-7, 10-11
 - fuel 9-7, 10-7
 - inlet cover 12-11
 - oil 9-7, 9-11, 9-13
 - float valve 10-13
 - floor plate, bed 1-5
 - floorboard 1-15
 - flywheel 9-15
 - FNR brush 1-11
 - FNR brush strip 1-11
 - FNR shifter 13-5
 - FNR shifter bracket 13-7
 - FNR shifter cable 13-7
 - fork, transmission 13-11
 - frame, tilt bed 1-5
 - front panel 1-41
 - fuel filter 9-7, 10-7
 - fuel gauge sending unit 10-5
 - fuel gauge/hour meter 8-5
 - fuel line 10-7, 10-9
 - fuel pump 10-7
 - fuel tank (gasoline) 10-5
 - fuel tank strap 10-7
 - fuse
 - 10-amp 8-9
 - 25-amp 8-9

INDEX

fuse block 8-9

G

gasket 10-13

air filter 10-15

breather 9-17

carburetor 10-13, 10-15

cover 10-13, 12-11

crankcase cover 9-17

exhaust header 11-5

head 9-17

liquid 14-5

manifold 10-15

rocker cover 9-17

sending unit 10-5

gauge

compression 14-3

fuel-hour 8-5

oil dipstick 9-11

gear

case 13-17, 13-19

helical 13-13

oil pump 9-11

ring 13-19

steering 6-5, 7-5

gear case assembly, rear 13-11

gear case, front 13-11

gear ring engagement 13-13

gear yoke 14-3

governor control lever 10-3

governor link arm 10-3

governor oil seal 9-17

governor plate 10-3

governor return spring 10-3

governor shaft 10-3

governor shaft arm 10-3

governor spring 10-3

gray bench seat kit 1-19

grill 1-7

grip tape, accelerator pad 10-17

grip, tilt latch hand 1-5, 1-41

grommet 10-5

guard, oil filter 9-13

guard, splash 1-11

guide

camshaft 9-5

rocker arm 9-5

H

harness 9-15

Harness, Jumper, ParkBrake Buzzer 5-15

harness, wire 8-3

harness, wire - Kawasaki FH680 8-7

head gasket 9-17

head, cylinder 9-17

header, exhaust 11-5

headlight 8-3

headlight bulb 8-3

headlight harness 8-3

heater, carburetor 10-13

helical gear 13-13

hinge plate 1-19, 1-21, 1-23, 1-25, 1-27

hinge, hood 1-7

holder

cup 1-11

FNR strip brush 1-11

hood 1-7

hood latch 1-7

hood prop 1-7

hose

fuel 10-7, 10-9

inlet 12-11

intake 10-11

outlet 12-9, 12-11

vent 10-9

hose clamp, green 10-9

hour meter 8-5

housing

differential 13-19

hub

wheel 6-9, 7-9

hydrometer 14-5

I

ignition coil 9-15

insulator, manifold 10-15

intake adapter pipe 10-15

intake hose 10-11

intake manifold 10-15

intake valve 9-5

internal retaining ring pliers 14-5

isolator ring and bushing 9-9

J

jet kit

0-3300 ft 10-13

3300-6600 ft 10-13

6600+ ft 10-13

jet needle 10-13

jet, carburetor 10-13

joint

ball 6-7, 6-9, 7-7, 7-9

K

keeper, push-close latch 1-3

key 9-15

key (pair) 8-5

key switch 8-5

key switch spacer 8-5

keyswitch nut 8-5

kick panel 1-43

kit

bench seat black 1-21

bench seat conversion 1-29

bench seat gray 1-19

bench seat tan 1-23

brake pad service 4-5, 4-11

canopy 1-35, 1-37

canopy support 1-37

carburetor jet 10-13

connecting rod 9-19

forward gear repair 13-13

rear axle gear repair 13-19

reverse gear repair 13-11

tailgate mounting 1-41

tune-up 9-7

knob, forward/reverse 13-5

L

latch 1-3

latch bracket 1-7

latch keeper 1-3

latch plate, tilt bed 1-39

latch, bed 1-41

latch, hood draw 1-7

latch, tilt bed 1-5

lateral link, rear suspension 6-15, 7-15

lens, headlight 8-3

lever

governor control 10-3

light

oil 8-5

limit switch 5-15

line, fuel 10-9

link, drag 6-5, 7-5

liquid gasket 14-5

low oil warning light 8-5

lubricant, dry moly 14-3

lug stud 6-9, 7-9, 13-17

M

manifold

intake 10-15

manifold gasket 10-15

manifold insulator 10-15

master cylinder 4-3, 5-5

meter clip 8-5

meter, volt ohm 14-5

muffler 6-7, 7-7, 11-3

N

nameplate decal 3-9

needle, jet 10-13

nongrease/spacers locker 13-19

nut, keyswitch 8-5

INDEX

O

oil cap 9-11
oil deflector 13-11
oil dipstick gauge 9-11
oil drain plug 9-11
oil filter 9-7, 9-11, 9-13
oil filter adapter 9-13
oil filter bracket 9-13
oil filter guard 9-13
oil filter nipple 9-17
oil pickup 9-11
oil pickup screen 9-11
oil pressure switch 9-15
oil pump 9-11
oil pump plate 9-11
oil pump rotor 9-11
oil pump shaft 9-11
oil pump spring 9-11
oil pump spur gear 9-11
oil seal, crank 9-17
oil seal, governor 9-17
oil valve seal 9-17
oil warning light, low 8-5
oil, locking differential 13-3
O-ring 9-11, 9-13, 10-13

P

pad
 brake rear 5-13
 brake, front 5-3
pan
 center 1-25, 1-27
 seat 1-25, 1-27
panel
 center cowl 1-7
 control 10-3
 driver-side 1-43
 driver-side cowl 1-7
 front 1-41
 front kick 1-43
 passenger-side 1-43
 passenger-side cowl 1-7
 side 1-41
park brake bracket 5-11
park brake cable 4-9, 5-11
park brake caliper 5-11
park brake foot pedal 5-11
park brake rotor 5-11
p-clamp (fuel filter) 10-7
pedal, accelerator 10-17
pedal, brake 4-7, 5-9
pedal, park brake 4-9
pickup, oil 9-11
pin
 bow tie locking 1-7, 4-9, 5-11

pin, cable 13-5
pin, clevis 4-3, 4-9, 5-5, 5-11
pinion 13-19
pipe
 exhaust 11-3
 intake adapter 10-15
piston 9-19
piston ring set 0.50 9-19
plate
 back 1-5
 camshaft 9-5
 closeout 1-43
 electrical 8-9
 fan housing 9-3
 governor 10-3
 hinge 1-19, 1-21, 1-23, 1-25, 1-27
 latch 1-39
 oil pump 9-11
 tailgate latch wear 1-41
pliers
 internal retaining ring 14-5
 retaining ring 14-5
plug 13-11
 2 inch tube 1-17
 engine block 13-17
 gearcase 13-11, 13-17
 hole 8-5
 oil drain 9-11
 spark 9-7, 9-15, 9-17

plug, cowl 1-9
prop rod 1-39
prop, hood 1-7
protector spray, battery terminal 14-3
puller
 bearing 14-3
 clutch 14-3
 seal 14-5
 special use tool 14-5
pump
 fuel 10-7
pump, oil 9-11
push rod 9-5
push rod tappet 9-5

R

rear axle 13-17
rear differential 13-17, 13-19
receptacle, accessory 8-5
reed valve assembly 9-17
refractometer 14-5
regulator, voltage 9-15
relay 8-9
relay connector 8-9
remover, bearing and oil seal 14-3
retainer
 spring (driven clutch) 12-7

valve spring 9-5
retaining ring pliers 14-5
retractor, seat-belt 1-31
reverse buzzer 5-15
ring
 retaining, ext 6-7, 6-9, 7-7, 7-9
 snap 5-11
ring gear 13-19
rivet, blind push 1-11
Rivet, Removable 1-7
rocker arm 9-5
rocker arm guide 9-5
rocker arm stud 9-5
rocker cover 9-17
rocker cover gasket 9-17
rocker switch (lights) 8-5
rod
 "J" 10-17
 equalizer 4-9
 prop 1-39
 push 9-5
ROPS front base weldment 1-33
ROPS seat support 1-33
ROPS side 1-33
ROPS top 1-33
ROPS warning decal 3-7
rotor disc brake 4-5, 4-11, 5-3, 5-13
rotor, oil pump 9-11

S

safety first card 14-5
screen, oil pickup 9-11
seal
 carburetor 10-13
 dual lip 13-15, 13-19
 oil valve 9-17
 triple lip 13-11
seal puller 14-5
seat
 bucket 1-25, 1-27
 seat back cap, bench 1-19, 1-21, 1-23
 seat back, bench 1-19, 1-21
 seat belt buckle 1-31
 seat bottom, bench 1-19
 seat holder base 1-25, 1-27
 seat, bucket 1-27
 seat-belt retainer 1-31
 sending unit, fuel gauge 10-5
shaft
 carburetor 10-13
 governor 10-3
 input 13-13
 intermediate 13-13
 oil pump 9-11
 output 13-11
 shift 13-15

INDEX

shield, exhaust 11-3
shim 13-19
shim, latch plate 1-39
shock absorber, coil over 6-11, 6-13, 7-11, 7-13
shroud, engine 9-3
side panel weldment 1-41
side stringer 1-13
sleeve
 lower arm 6-7, 7-7
 upper suspension 6-7, 7-7
solenoid, carburetor 10-13
spacer
 5/8 x 2 1/4 x 1 1/4 1-35, 1-37
 drive clutch 12-5
 key switch 8-5
spanner wrench 14-5
spark plug 9-7, 9-15, 9-17
splash guard 1-11
spray, battery terminal protector 14-3
spring 9-5, 9-11
 brake return 4-9
 carburetor 10-13
 choke spring 10-19
 compression 12-5, 12-7
 exhaust 11-3
 extension 1-5
 governor 10-3
 governor idle 10-19
 governor return 10-3
 latch tilt 1-41
 pedal 10-17
 valve 9-5
 wave 5-11
sprocket 13-11
starter motor, engine 9-15
steel bushing 1-5
steering
 lower control arm 6-7, 7-7
 slide adjuster 6-9, 7-9
 upper A-arm 6-7, 7-7
 upright 6-9, 7-9
steering column 6-3, 7-3
steering gear 6-5, 7-5
steering wheel 6-3, 7-3
steering wheel puller tool 14-5
stem, valve 2-3, 2-5, 2-7
strap, fuel tank 10-7
stringer, side 1-13
strip, FNR brush 1-11
stud
 lug 6-9, 7-9, 13-17
 self-clinching 1-41
support, structural 1-11
switch
 key 8-5
 light rocker 8-5

limit 5-15
 oil pressure 9-15
switch, indicator 13-13
T
tachometer 14-5
tachometer probe, diesel 14-5
tailgate 1-41
tailgate angle 1-41
tailgate latch wear plate 1-41
tailgate mounting kit 1-41
tan bench seat kit 1-23
tank, fuel (gasoline) 10-5
tape, grip, accelerator pad 10-17
tape, vinyl foam 1-5
tappet, push rod 9-5
tester, continuity 14-3
thermometer, battery 14-3
throttle shaft, carburetor 10-13
throttle valve 10-13
tie rod end 6-5, 7-5
tie wrap 4-9, 4-13, 5-15, 6-5, 7-5, 10-19, 13-5
tilt bed 1-5
tilt bed frame 1-5
tilt latch hand grip 1-5, 1-41
tire
 all-terrain 2-5, 2-7
 mud 2-5, 2-7
 turf 2-3
tool
 camber adjustment 14-3
 drive clutch fixed sheave 14-3
 drive clutch service 14-3
 drive clutch spider removal 14-3
 driven clutch spring compression base 14-3
 driven clutch spring compression collar 14-3
 driven clutch spring compression nut 14-3
 puller, special use 14-5
 steering wheel puller 14-5
track, prop rod 1-39
trailing link, rear suspension 6-15, 7-15
transaxle housing 13-19
transmission 13-11
transmission cable bracket 13-7
transmission chain 13-11
transmission fork 13-11
tube
 axle 13-19
 crankcase vent 10-15
Tuflok 1-7
tune-up kit 9-7

U
u-joint

replacement kit 13-9
urethane bushing 1-5

V
valve 10-11
 carburetor 10-13
 exhaust 9-5
 float 10-13
 intake 9-5
 throttle 10-13
valve assembly, reed 9-17
valve spring 9-5
valve spring compressor 14-5
valve spring retainer 9-5
valve stem 2-3, 2-5, 2-7
vent
 fuel tank 10-5
vent, barb 10-9
vent, housing, upper 13-19
vent, transmission 13-11
volt ohm meter 14-5
voltage regulator 9-15

W
warning light, low oil 8-5
wear clip 6-15, 7-15
wedge, bearing puller 14-3
weldment
 brake pedal 4-7, 5-9
 front dash 1-11
 ROPS base front 1-33
 seat support 1-17
 seat support ROPS 1-33
 tilt bed frame 1-5
weldment, seat 1-17
wheel
 alloy 2-7
 hub 6-9, 7-9
 steel 2-3, 2-5
 steering 6-3, 7-3
wheel cap, alloy 2-7
wire assembly 8-11, 9-13, 10-5
wire harness 8-3, 9-15
wire harness - Kawasaki FH680 8-7
wrap, tie 4-9, 4-13, 5-15, 6-5, 7-5, 10-19, 13-5
wrench, spanner 14-5

Y
yoke, gear 14-3



Club Car, Inc.
P.O. Box 204658
Augusta, GA 30917-4658
USA

Web www.clubcar.com
Phone 1.706.863.3000
1.800.ClubCar
Int'l +1 706.863.3000
Fax 1.706.863.5808