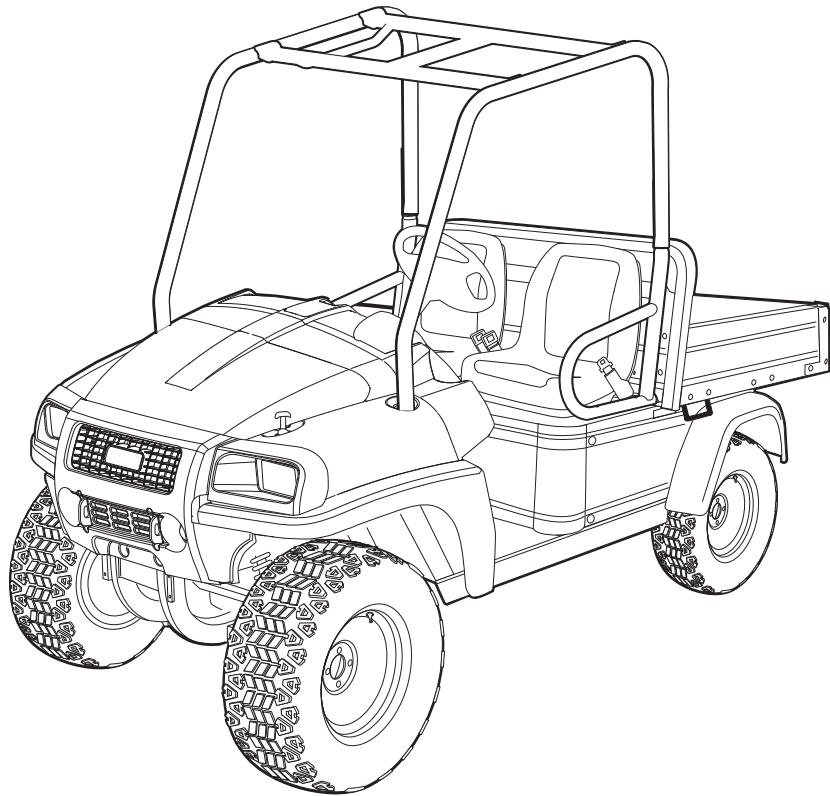




2020 Carryall 1500/1700 and XRT 1550 Illustrated Parts List



Gasoline and Diesel Engines

Manual Number 86753090021

Edition Code B

USING THE ILLUSTRATED PARTS LIST

⚠ WARNING

- **This manual is to be used only for identification and ordering of service parts. Be sure to read and use the maintenance and service manual before attempting any vehicle repairs.**

This manual covers the XRT 1550, 1550 SE, 1550 IntelliTach, and Carryall 1500, 1700, Carryall 1500 IntelliTach vehicles.

The manual is divided into sections. Note that there are two or three flags on the outside edge of each page. The first flag contains the section number of which that page is a part. The other flag (or flags) contains the letter D, E, or G, signifying that the page pertains to the diesel, electric, or gasoline vehicles only.

Use the Table of Contents to find the sections and pages that contain the parts and assemblies you seek. The Table of Contents lists section numbers, and under them, the individual page titles and numbers to be found in that section. The index can be used to find specific parts and assemblies. The index is divided into numerical and alphabetical listings with the page numbers in italic text.

There is a two-page spread for each individual page title in the Table of Contents. On the left-hand page is an illustration showing the parts in their relative positions; the parts are each tagged with an item number in a balloon. The right-hand page is the parts list page, and gives the page title at the top, then the item numbers (corresponding to the numbers on the illustration), part descriptions, and quantity of parts used.

Note that a part description may be indented. This indentation corresponds to a parts assembly level indicated by the numbers 1, 2, 3, and 4 at the top left corner of the parts description area of the parts list page. A part that is indented to *level 2* is a component of the *level 1* part (assembly) that it is listed under. A *level 3* part is a component of the *level 2* part that it is listed under, and a *level 4* part is a component of the *level 3* part preceding it. In each case, the part quantity given for a level 2, 3, or 4 part is the quantity used per next higher level assembly of which it is a component. A part that is not indented is a *level 1* part. This means that the quantity given is the quantity used per the portion of the vehicle illustrated on that particular spread.



P. O. Box 204658
Augusta, Georgia 30917-4658 USA
Telephone 706-863-3000
Service Parts Fax 706-855-7413
www.clubcar.com

HOW TO ORDER PARTS

Replacement parts and accessories can be obtained from our network of authorized dealers and distributors. You can obtain the name and phone number of your closest authorized Club Car dealer or distributor by visiting our web site at www.clubcardealer.com, by calling our toll-free Service Parts and Technical Assistance hotline at (800) 872-2246 or (706) 863-3000, extension 3887, or by scanning this Quick Response (QR) code to be taken to the Club Car dealer locator. **Refer to Figure 1.** Download a QR code reader such as RedLaser or Barcode Scanner to your cell phone or tablet.



Figure 1 Dealer Locator QR Code

CUSTOMER SATISFACTION SURVEY

Let your voice be heard!

Please take time to participate in the Technical Publications satisfaction survey. Obtaining feedback from our customers is important to the department's continuous improvement process. The online survey takes less than five minutes and responses will help the department to examine current performance as well as identify areas for future improvement.

Our top priority is to provide timely, accurate, and user friendly manuals.

The online satisfaction survey can be found at: <http://bit.ly/1w9uFMh>



Figure 2 Survey QR Code

NOTE: *This illustrated parts list represents the most current information at the time of publication. Club Car, LLC is continually working to further improve its vehicles and other products. These improvements may affect the parts used to service the vehicle. Any modification and/or significant change in specifications will be forwarded to all Club Car and Carryall distributors/dealers and will, when applicable, appear in future editions of this illustrated parts list.*

Club Car, LLC reserves the right to change specifications and designs at any time without notice and without the obligation of making changes to units previously sold.

Copyright © 2018 Club Car, LLC
Club Car is a registered trademark of Club Car, LLC.
This manual effective July 1, 2020

CONTENTS

SECTION 1 – BODY AND TRIM

Brush Guard	1-3
Glove Box	1-5
Tilt Bed, Hinge, and Latch	1-7
Electric Bed Lift	1-9
Tow Hook Plates	1-11
Plastic Skid Plate	1-13
Steel Skid Plate	1-15
Fascia, Fenders, and Cowls (Molded in Color) – Carryall	1-17
Dash and Splash Guard	1-19
Fascia, Fenders, and Cowls (Molded in Color) – XRT	1-21
Fascia, Fenders, and Cowl (Molded in Color) – IntelliTach	1-23
Side Stringers – 2 Passenger	1-25
Side Stringers – 4 Passenger	1-27
Floorboard	1-29
Floorboard – Rear	1-31
Bench Seat	1-33
Bench Seat, Rear – 4 Pass	1-35
Bucket Seats – Gray	1-37
Bucket Seats – Black	1-39
Windshield – Solid	1-41
2-Point Seat Belts	1-43
3-Point Seat Belts	1-45
ROPS – 4 Pass	1-47
ROPS and Seat Support	1-49
Head Rests and Rear Seat Handle – 4 Pass	1-51
Canopy (Vehicle with ROPS)	1-53
Side Panels and Rear Fenders – 2 Pass	1-55
Side Panels and Rear Fenders – 4 Pass	1-57
Latch Plates and Prop Rod	1-59
Box Bed – Aluminum	1-61
Box Bed – Steel	1-63

SECTION 2 – WHEELS AND TIRES

Wheels and Tires – Kenda	2-3
Wheels and Tires – OTR	2-5

CONTENTS

SECTION 3 – DECALS

Safety Decals – Carryall and XRT 2-Passenger	3-3
Safety Decals – Carryall and XRT 2-Passenger, Continued	3-5
Badging Decals – Carryall 2-Passenger	3-7
Badging Decals – XRT 2-Passenger	3-9
Safety Decals – Carryall and XRT 4-Passenger	3-11
Safety Decals – Carryall and XRT 4-Passenger, Continued	3-13
Badging Decals – Carryall 4-Passenger	3-15
Badging Decals – XRT 4-Passenger	3-17
Safety Decals – IntelliTach	3-19
Safety Decals – IntelliTach, Continued	3-21
Badging Decals – Carryall Intellitach	3-23
Badging Decals – XRT Intellitach	3-25
Badging Decals – Intellitach	3-27

SECTION 4 – BRAKE SYSTEMS AND PEDALS – WITH DUAL-PISTON FRONT CALIPERS

Front Brakes	4-3
Master Cylinder with Integral Reservoir	4-5
Hydraulic Brake Lines and Clips	4-7
Brake Pedal	4-9
Park Brake System	4-11
Rear Brakes	4-13

SECTION 5 – STEERING AND SUSPENSION – WITH DUAL-PISTON FRONT CALIPERS

Steering Wheel and Column	5-3
Steering Gear	5-5
Front Suspension – Page 1 of 2	5-7
Front Suspension – Page 2 of 2	5-9
Shock Absorbers – 800 lb. Capacity	5-11
Shock Absorbers – 1050 lb. Capacity	5-13
Rear Suspension (4-Link)	5-15

SECTION 6 – ELECTRICAL SYSTEM – GAS VEHICLES

Headlights – Carryall	6-3
Headlights – XRT	6-5
Ignition Interlock and Limit Switch – Gasoline	6-7
Electrical Component Box, Gasoline Vehicle	6-9
Wiring – Kawasaki Gas Engine	6-11

CONTENTS

Electrical Components, Front Body – Gas Vehicle	6-13
Top-Post Battery – Gasoline Vehicle	6-15

SECTION 7 – ELECTRICAL SYSTEM – DIESEL VEHICLES

Headlights – Carryall	7-3
Headlights – XRT	7-5
Ignition Interlock and Limit Switch – Diesel	7-7
Headlights – IntelliTach	7-9
Wiring Harness – Kubota Diesel Engine – 1500/1550	7-11
Wiring Harness – Kubota Diesel Engine – 1700	7-13
Wiring – Hydraulic Attachment (IntelliTach)	7-15
Wiring – Seat Belt Reminder (IntelliTach)	7-17
Electrical Components, Front Body – Diesel Vehicle	7-19
Electrical Components, Front Body – IntelliTach	7-21
Electrical Component Box, Diesel Vehicle	7-23
Top-Post Battery – Diesel Vehicle	7-25

SECTION 8 – ENGINE – KAWASAKI FH680D GASOLINE

Shrouds and Brackets	8-3
Valves and Camshaft	8-5
Tune-Up Kit – Kawasaki FH680	8-7
Kawasaki FH680D Gasoline Engine and Mounting	8-9
Oil and Lubrication Components	8-11
Oil Filter Adapter – Kawasaki FH680	8-13
Ignition Components and Flywheel – Kawasaki FH680	8-15
Cylinder Head and Crankcase	8-17
Pistons and Crankshaft	8-19

SECTION 9 – ENGINE – KUBOTA DIESEL, D722, E4B SERIES

Tune-Up Kit – Kubota D722	9-3
Diesel Engine and Engine Mounting (D722 – E4B)	9-5
Crankcase (D722 – E4B)	9-7
Oil Pan (D722 – E4B)	9-9
Cylinder Head (D722 – E4B)	9-11
Gear Case (D722 – E4B)	9-13
Head Cover (D722 – E4B)	9-15
Dipstick and Guide (D722 – E4B)	9-17
Oil Pump (D722 – E4B)	9-19
Main Bearings and Bearing Cases (D722 – E4B)	9-21

CONTENTS

Crankshaft (D722 – E4B)	9-23
Piston, Piston Rings and Connecting Rod (D722 – E4B)	9-25
Flywheel (D722 – E4B)	9-27
Camshaft and Idle Gear (D722 – E4B)	9-29
Fuel Camshaft (D722 – E4B)	9-31
Idle Apparatus (D722 – E4B)	9-33
Stop Solenoid (D722-E4B)	9-35
40-Amp Alternator, Belt and Pulleys (D722 – E4B)	9-37
60-Amp Alternator, Belt and Pulleys (D722 – E4B)	9-39
Fuel Injection Pump (D722 – E4B)	9-41
Speed Control (D722 – E4B)	9-43
Nozzle Holders and Glow Plugs (D722 – E4B)	9-45
Governor Components (D722 – E4B)	9-47
Starter – Sealed (D722 – E4B)	9-49
Valves and Rocker Arms (D722 – E4B)	9-51
Intake Manifold (D722 – E4B)	9-53
Exhaust Manifold (D722 – E4B)	9-55

SECTION 10 – FUEL, INTAKE, ACCELERATOR & GOVERNOR SYSTEMS – KAWASAKI GAS ENGINES

Governor Arm and Springs	10-3
Fuel Tank – Gasoline Vehicle	10-5
Fuel Pump, Filter and Hose – Kawasaki FH680	10-7
Carbon Canister – Gasoline Vehicle	10-9
Intake Hoses and Air Filter – Kawasaki FH680	10-11
Carburetor – Kawasaki FH680	10-13
Intake Manifold and Carburetor Mounting – Kawasaki FH680	10-15
Accelerator Pedal	10-17
Accelerator and Choke Cables – Kawasaki FH680	10-19

SECTION 11 – FUEL, INTAKE & ACCELERATOR SYSTEMS – KUBOTA DIESEL ENGINE

Fuel Tank – Diesel Vehicle	11-3
Fuel Pump, Filter and Hose – Diesel	11-5
Intake Hoses and Air Filter – Diesel Vehicle	11-7
Accelerator Pedal	11-9
Accelerator Cable – Diesel Vehicle	11-11

SECTION 12 – EXHAUST SYSTEM – GAS & DIESEL

Exhaust Pipes – Diesel Vehicles	12-3
---------------------------------------	------

CONTENTS

Exhaust Pipe and Muffler	12-5
Exhaust Header – Kawasaki FH680	12-7

SECTION 13 – CLUTCHES – KAWASAKI GAS ENGINE

Drive Belt	13-3
Drive Clutch (3 Weight) – Gas Vehicle	13-5
Driven Clutch (for 3 Weight Drive Clutch)	13-7
Clutch Cover (Non-Sealed)	13-9
Clutch Cover (Sealed)	13-11

SECTION 14 – CLUTCHES – KUBOTA DIESEL ENGINE

Drive Belt	14-3
Drive Clutch (3 Weight) – Diesel Vehicle	14-5
Driven Clutch (for 3 Weight Drive Clutch)	14-7
Clutch Cover (Non-Sealed)	14-9
Clutch Cover (Sealed)	14-11

SECTION 15 – DRIVETRAIN COMPONENTS – GAS & DIESEL

Front Differential	15-3
Front Differential Output Cover Assembly	15-5
Front Differential Race/Output Assembly	15-7
Front Differential Minor Repair Kit	15-9
Front Differential Input Cover Assembly	15-11
Front Differential Gear Kit	15-13
Front Differential Gearcase Assembly	15-15
Oil, Differential and Transmission	15-17
Forward/Reverse Shifter	15-19
Shifter Cable	15-21
Front Differential Mounting and Half Shafts	15-23
CV Boot Repair Kits	15-25
Transmission – Page 1 of 3	15-27
Transmission – Page 2 of 3	15-29
Transmission – Page 3 of 3	15-31
Prop Shafts	15-33
Rear Differential and Axles – Page 1 of 2	15-35
Rear Differential and Axles – Page 2 of 2	15-37

CONTENTS

SECTION 16 – RADIATOR AND COOLANT SYSTEM – DIESEL VEHICLES

Water Pump	16-3
Block Coolant Pipe	16-5
Radiator	16-7
Coolant Expansion Tank	16-9
Coolant Pipes, Clamps, Hoses and Hardware, 2-Passenger	16-11
Coolant Pipes, Clamps, Hoses and Hardware, 4-Passenger	16-13
Water Flange and Thermostat	16-15

SECTION 17 – HYDRAULIC ATTACHMENT SYSTEM AND ACCESSORIES

Handbook	17-3
Attachment – Pallet Fork	17-5
Attachment – Bucket	17-7
Attachment – Snow Blade	17-9
Attachment – Broom	17-11
Accessory Mounting Weldment	17-13
Attachment Arm Kit	17-15
Attachment Interface	17-17
Hydraulic Controls	17-19
Hydraulic Cylinders	17-21
Hydraulic Hoses	17-23
Hydraulic Attachment Angle Kit	17-25
Hydraulic Power Unit – Standard	17-27
Hydraulic Power Unit – with Auxiliary	17-29
Standard to Auxiliary Hydraulic Conversion Kit	17-31

SECTION 18 – MAINTENANCE AND SERVICE TOOLS

Maintenance and Service Tools – 1500/1550/1700	18-3
Maintenance and Service Tools – 1500/1550/1700 Continued	18-5

SECTION i – INDEX

BODY AND TRIM

1

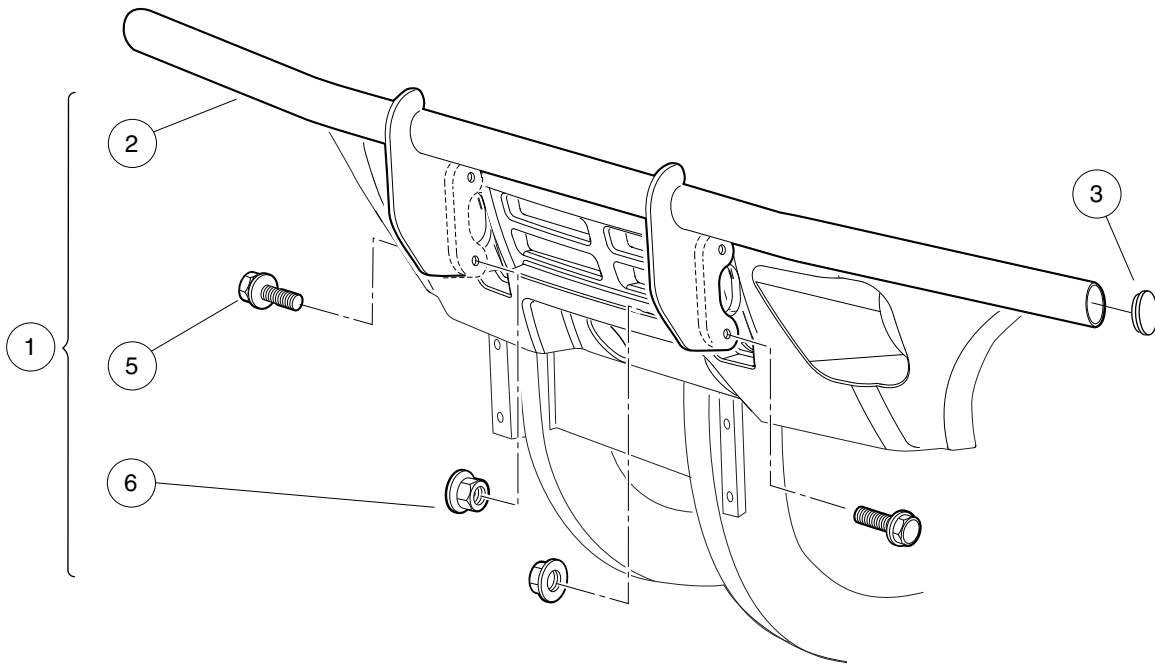
G

D

1

G

D



000526-001

BRUSH GUARD

ITEM	PART NO.	DESCRIPTION	QTY
		1 2 3 4	
1	<u>103236001</u>	Kit, Tube Bumper CCI (includes items 2 through 5)	1
2	N/A	Weldment, Frt Bumper, Restyle	1
3	<u>103215401</u>	Plug, Tube, Round, 1-3/4"	2
4	<u>103231701</u>	Screw, M10 X 1.25 X 30 Hex Blk	4
5	<u>103231801</u>	Nut, Flg, M10 X 1.25 Hex Blk	4
		Note: Brushguard is standard on XRT vehicles and is optional on Carryall vehicles.	

1

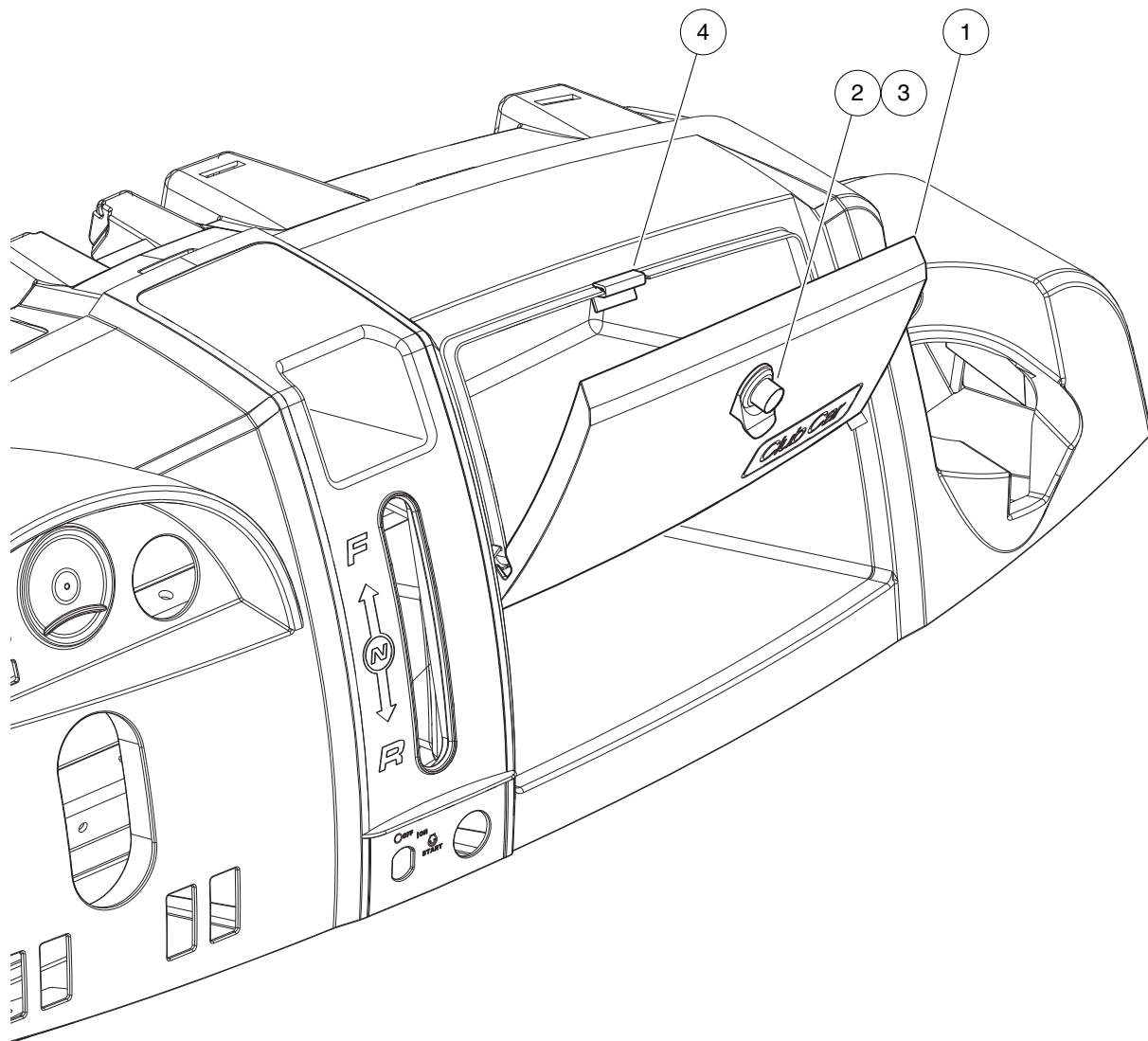
G

D

1

G

D



000789-001

GLOVE BOX

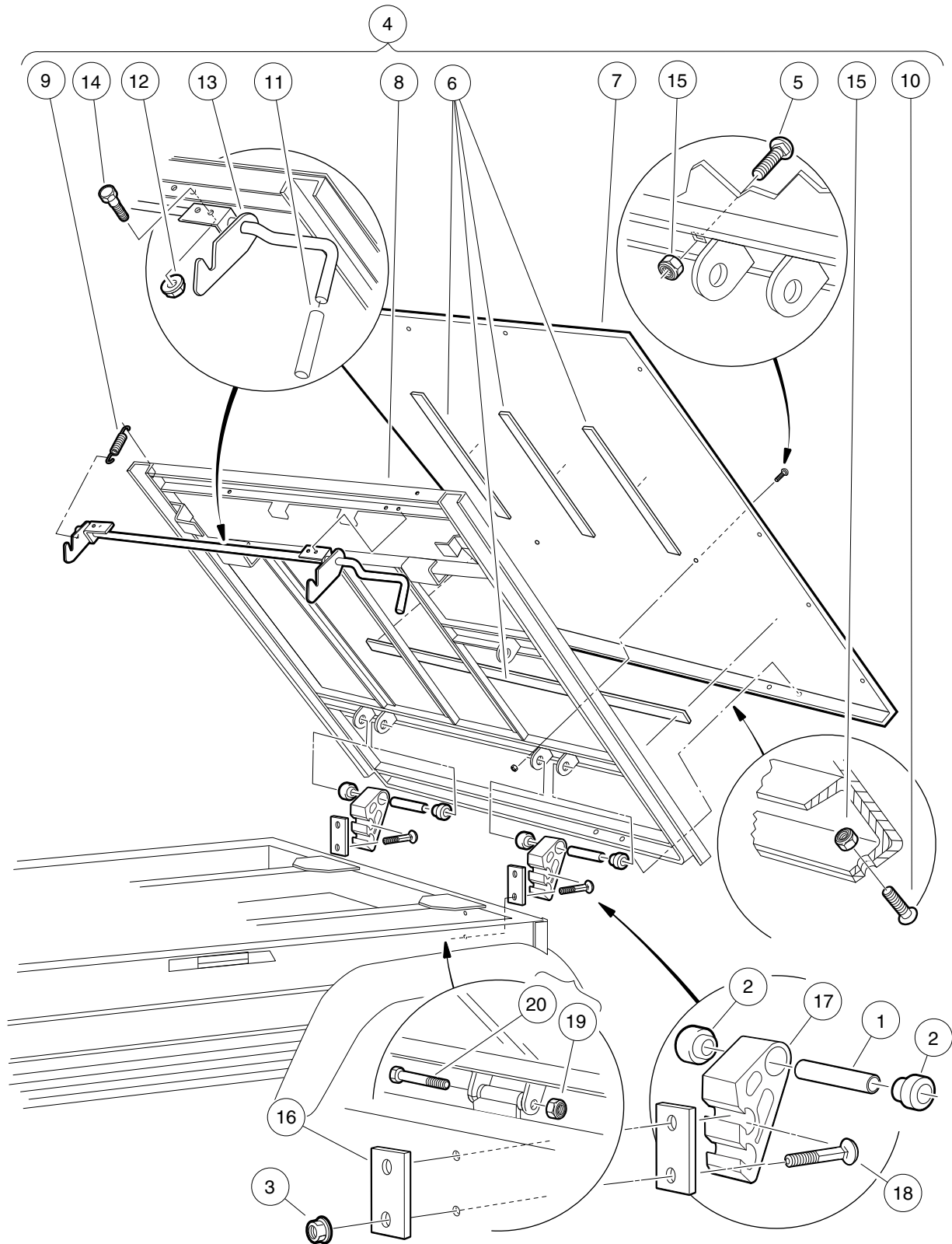
ITEM	PART NO.	DESCRIPTION	QTY
		1 2 3 4	
1	<u>102867202</u>	Cover, Storage, Dash, Blk, Cci	1
2	<u>103182701</u>	Latch, Push Close	1
3	<u>103182702</u>	Latch, Push Close W/ Key	1
4	<u>103182801</u>	Keeper, Latch, Push Close	1

1
G
D

1

G

D



000037-001

TILT BED, HINGE, AND LATCH

ITEM	PART NO.	DESCRIPTION	QTY
		1 2 3 4	
1	<u>1012303</u>	Bushing, Steel	2
2	<u>1015583</u>	Bushing, Urethane	2
3	<u>102065901</u>	Locknut, 3/8-16 Flanged Dimple	4
4	<u>102171503</u>	Tilt Bed Assembly (includes items 5 through 15)	1
5	<u>1010435</u>	Bolt, Carriage, 5/16-18 X 1.00	4
6	<u>1014471</u>	Tape, Vinyl Foam 1/8" x 3/4"	1
7	<u>1015258</u>	Plate, Floor Bed	1
8	N/A	Frame Assembly	1
9	<u>1015391</u>	Extension, Spring Latch	2
10	<u>1015399</u>	Screw, 5/16-18 X 0.88 Torx Truss-Head	4
11	<u>1015400</u>	Grip, Tilt Latch Hand	1
12	<u>101835601</u>	Locknut, 1/4-20 Hex Whiz	4
13	<u>102426901</u>	Ltch Weld Asm Tlt Bd	1
14	<u>403</u>	Screw, 1/4-20 X 0.625 Hex-Head Cap	4
15	<u>7473</u>	Locknut, 5/16-18 Nylon Insert	8
16	<u>102614101</u>	Plate, Back	2
17	<u>103538701</u>	Bracket, Bed Hinge, Extruded	2
18	<u>103538901</u>	Bolt, Carriage, 3/8-16 x 3.5" Grade 5	4
19	<u>8754</u>	Locknut, 3/8-16 Hex	2
20	<u>8755</u>	Screw, 3/8-16 X 3.375 Hex Cap	2

1

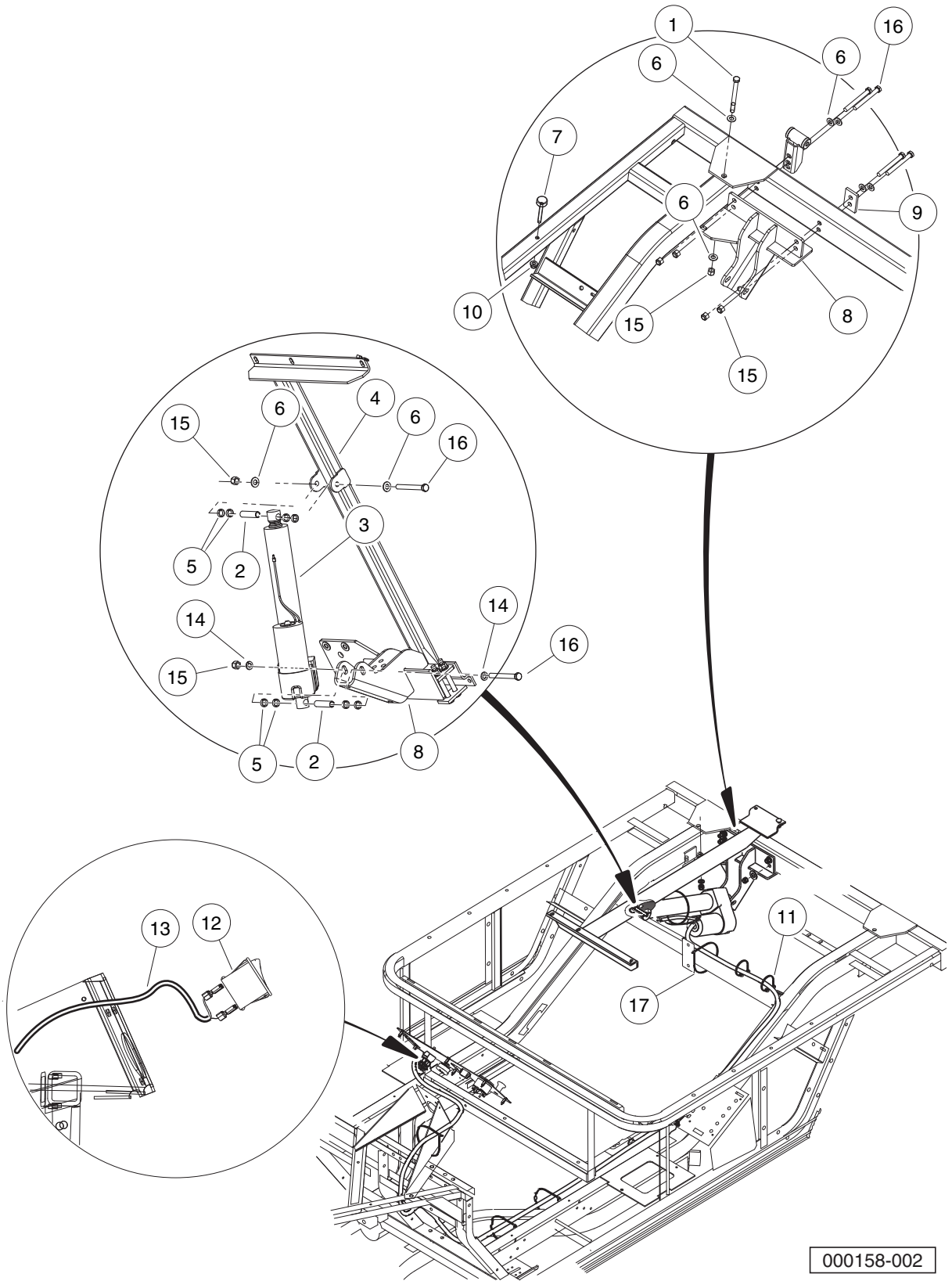
G

D

1

G

D



000158-002

ELECTRIC BED LIFT

ITEM	PART NO.	DESCRIPTION	QTY
		1 2 3 4	
1	<u>1010200</u>	Bolt, 3/8-16 X 4.25 Hex Head	1
2	<u>1016603</u>	Bushing Long	2
3	<u>1017162</u>	Actuator Assembly, Electric	1
4	<u>1017167</u>	Actuator Adapter	1
5	1017774	Body Spacer	8
6	<u>102066001</u>	Washer, 3/8 Type B Hard Flat	8
7	<u>102426601</u>	Bumper, Bed, Mtg, Front	2
8	<u>102465701</u>	Weldment, Bracket, Actuator	1
9	<u>102614101</u>	Plate, Back	1
10	102618601	Lock Nut, Flange, M8 X 1.25 Nylon	2
11	<u>102629001</u>	Tie Wrap, 8.00" With Mount	2
12	<u>102882501</u>	Switch, Rocker, Bed Lift	1
13	<u>103227001</u>	Harness, AWD Bedlift	1
14	<u>357</u>	Lockwasher, 3/8 Split	2
15	<u>8754</u>	Locknut, 3/8-16 Hex	9
16	<u>8755</u>	Screw, 3/8-16 X 3.375 Hex Cap	6
17	<u>8990</u>	Tie Wrap, 8" Nylon	5

1

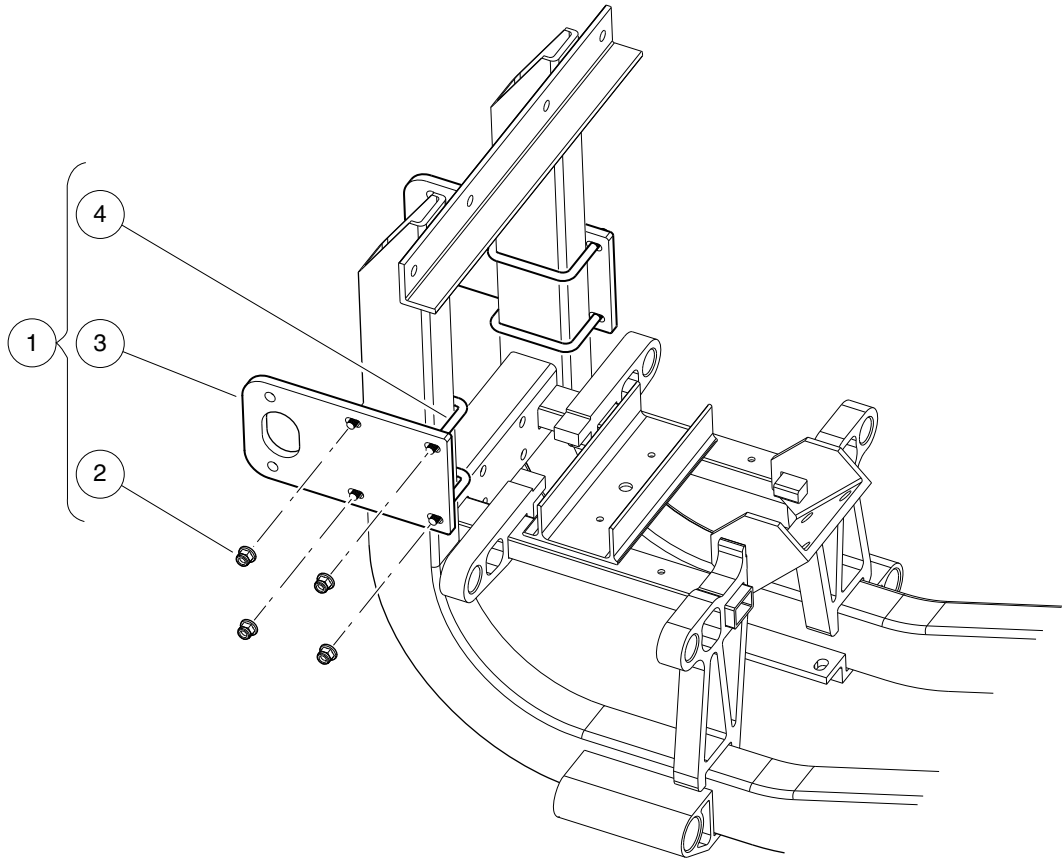
G

D

1

G

D



001068-001

TOW HOOK PLATES

ITEM	PART NO.	DESCRIPTION	QTY
		1 2 3 4	
1	103947102	Kit, Tow Hook (includes items 2 through 4)	1
2	102618601	Lock Nut, Flange, M8 X 1.25 Nylon	8
3	103892501	Plate, Tow Hook	2
4	103892601	Bolt, U, Sq. Bend, M8-1.25	4

1

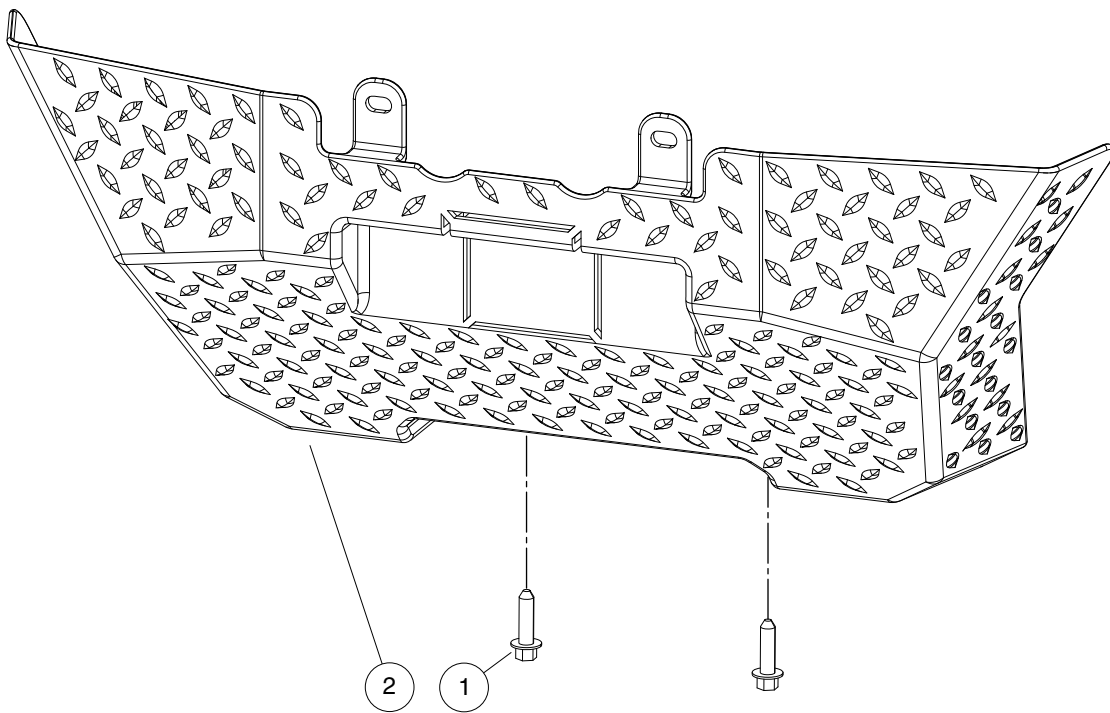
G

D

1

G

D



000537-003

PLASTIC SKID PLATE

ITEM	PART NO.	DESCRIPTION	QTY
1	<u>102289001</u>	1 2 3 4 Screw, M8X1.25X30, Hex	2
2	<u>102882301</u>	Plate, Skid, Std	1

1

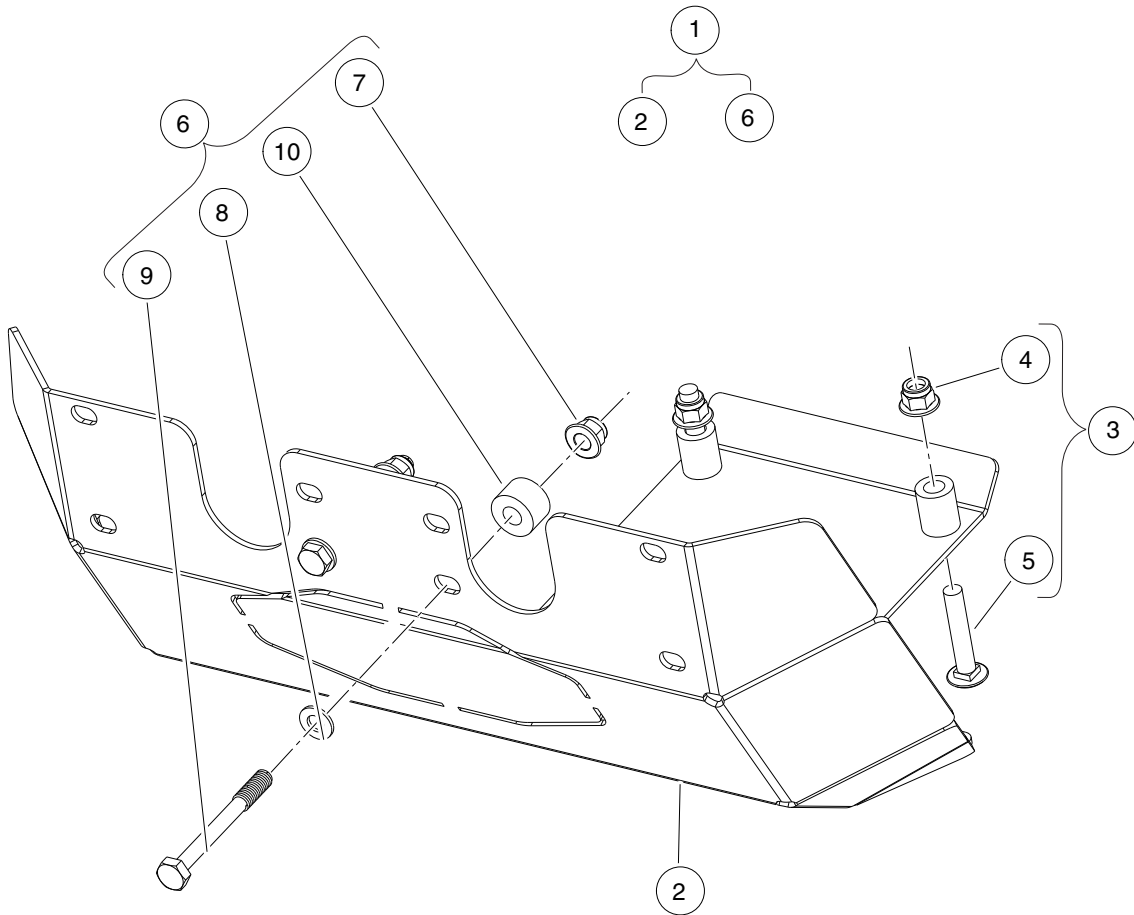
G

D

1

G

D



000537-004

STEEL SKID PLATE

ITEM	PART NO.	DESCRIPTION	QTY
		1 2 3 4	
1	AM1211003	Kit, Skidplate, Front, Steel (includes items 2 through 6)	1
2	<u>AM1210002</u>	Skid Plate, Front, Steel	1
3	<u>AM1215701</u>	Kit, Hardware, Skidplate, Front, A (includes items 4 and 5)	1
4	<u>102670701</u>	Nut, Flange, M10 X 1.5 Nylon	2
5	AM1210801	Bolt, Carriage, M10x1.5x55	2
6	<u>AM1215801</u>	Kit, Hardware, Skidplate, Front, B (includes items 7 through 10)	1
7	<u>102670701</u>	Nut, Flange, M10 X 1.5 Nylon	2
8	<u>102718101</u>	Washer, Hard, M10, Zn-Ni/Blk	2
9	<u>102719301</u>	Bolt, M10 X 1.50 X 90, Loctite	2
10	AM1211401	Spacer, 17mm Long, Skidplate	2

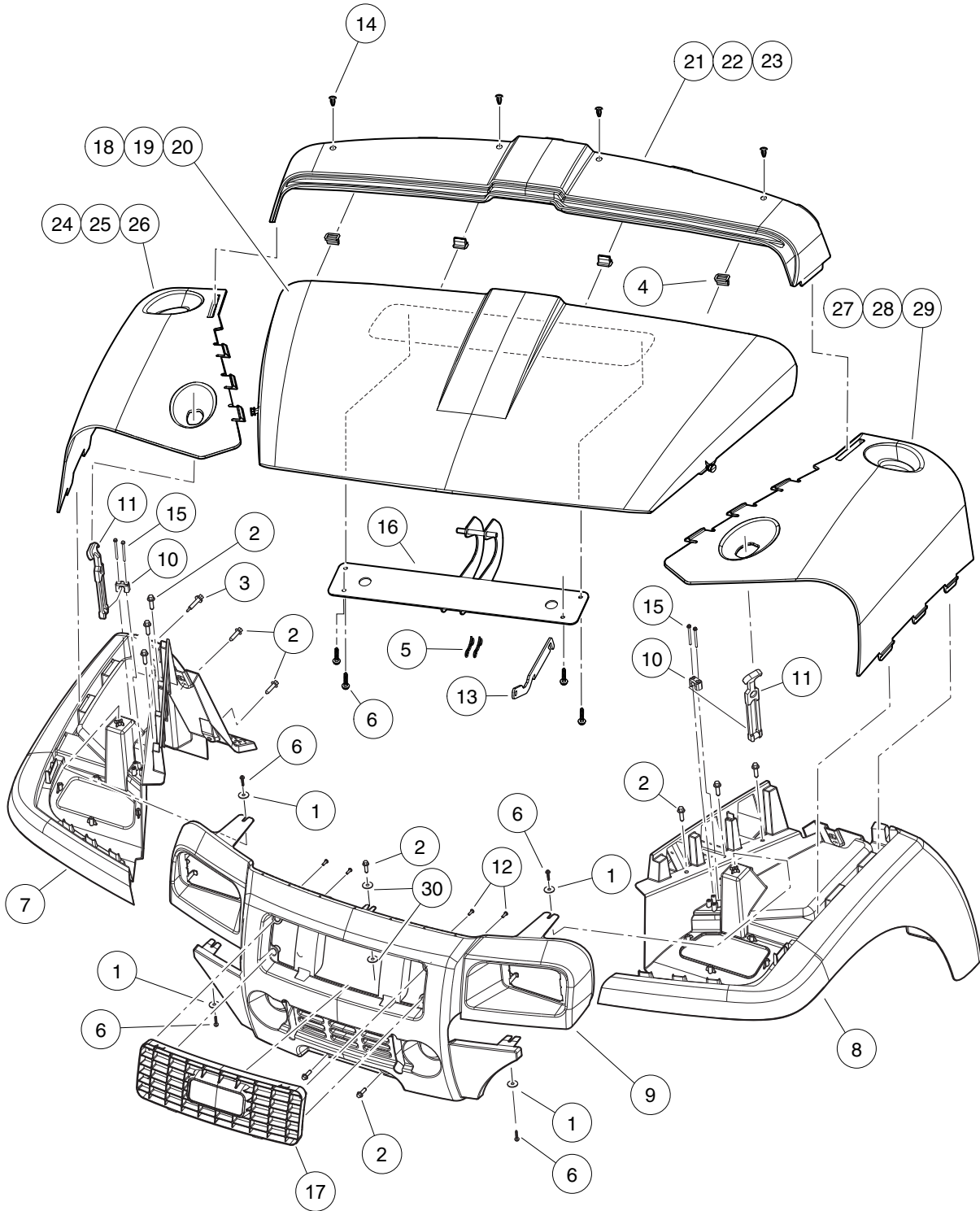
1

G

D

1
G

D



000507-006

FASCIA, FENDERS, AND COWLS (MOLDED IN COLOR) – CARRYALL

ITEM	PART NO.	DESCRIPTION	QTY
		1 2 3 4	
1	<u>1011578</u>	Washer, 5/16 Type B Flat	4
2	<u>102289001</u>	Screw, M8X1.25X30, Hex	13
3	<u>102292356</u>	Screw-1/4-20x56 Hwh Self Drill	2
4	<u>102292701</u>	Clip-body-trim	4
5	<u>102292801</u>	Pin, Bow Tie Locking - .072	2
6	<u>102297230</u>	Screw, M6, Torx, Interlock Thread	8
7	<u>102866901</u>	Fender, Front, Pass, AWD	1
8	<u>102867001</u>	Fender, Front, Drv, AWD	1
9	<u>102867501</u>	Fascia, Front, CA, AWD	1
10	<u>102882401</u>	Bracket, Latch, Draw	2
11	<u>102895101</u>	Latch, Draw, Hood	2
12	<u>102895401</u>	Screw, D50x16, Torx PN Hd PT	4
13	<u>102896501</u>	Prop, Hood	1
14	<u>102967901</u>	Rivet, Removable, Tuflok 1/4"	4
15	<u>103218107</u>	Screw, #8x2.00 AB Thd, Hex Hd	4
16	<u>103588001</u>	Asm, Hood Hinge	1
17	<u>103760601</u>	Grill, Carryall	1
18	<u>103959210</u>	Hood, Dark Green	1
19	<u>103959214</u>	Hood, Dark Gray	1
20	<u>103959218</u>	Hood, Real Tree Camo	1
21	<u>103959310</u>	Panel, Cowl, Center, Dark Green	1
22	<u>103959314</u>	Panel, Cowl, Center, Dark Gray	1
23	<u>103959318</u>	Panel, Cowl, Center, Real Tree Camo	1
24	<u>103959410</u>	Panel, Cowl, Passenger-Side, Dark Green	1
25	<u>103959414</u>	Panel, Cowl, Passenger-Side, Dark Gray	1
26	<u>103959418</u>	Panel, Cowl, Passenger-Side, Real Tree Camo	1
27	<u>103959510</u>	Panel, Cowl, Driver-Side, Dark Green	1
28	<u>103959514</u>	Panel, Cowl, Driver-Side, Dark Gray	1
29	<u>103959518</u>	Panel, Cowl, Driver-Side, Real Tree Camo	1
30	<u>808</u>	Washer, 3/8 Type B Flat	2

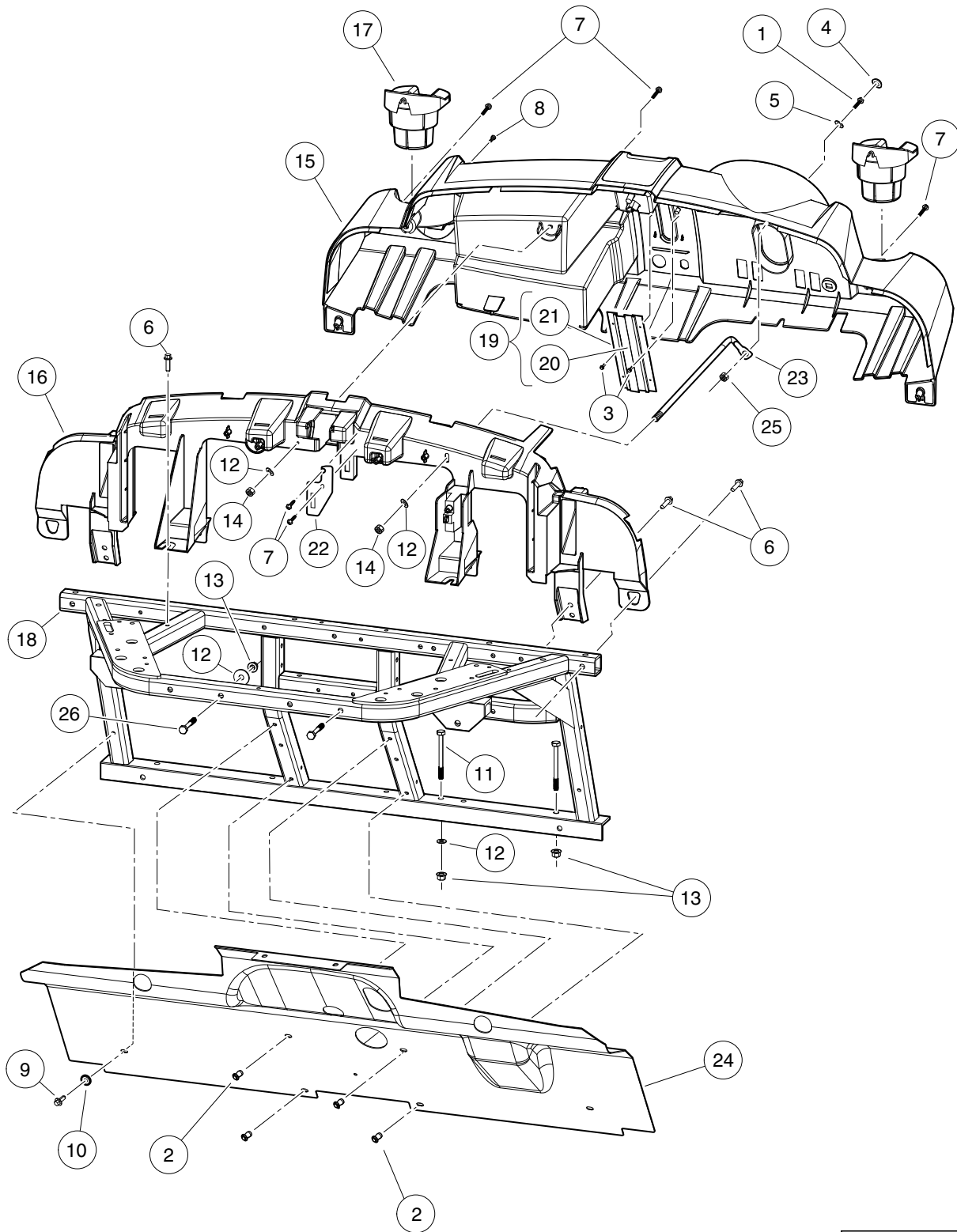
Note: These color body panels are molded in color except for black and camo.

1
G
D

1

G

D



000519-003

DASH AND SPLASH GUARD

ITEM	PART NO.	DESCRIPTION	QTY
		1 2 3 4	
1	1016916	Screw, 1/4-20 X 1.50 Hex-Head Cap	1
2	1016967	Blind Rivet, Push Type	4
3	101804301	Screw, #8 X 0.500, Hex-Head Hi-Lo	2
4	102045001	Cap, 1/4" Plastic Screw Head	1
5	102048401	Washer, 1/4 Id Scalloped Plast	1
6	102289001	Screw, M8X1.25X30, Hex	6
7	102297230	Screw, M6, Torx, Interlock Thread	5
8	102298580	M8-1.25 X 80 Sems	1
9	102298720	Screw, M8-1.25x20, Taptite	2
10	102323501	Washer, Flat, 3/8, Blk Fin	2
11	102491301	Bolt, M10x1.50x100 (Black)	4
12	102491501	Washer, Hard, M10	10
13	102617201	Nut, Flanged, M10 X 1.5, Mechanically Deformed	8
14	102618601	Lock Nut, Flange, M8 X 1.25 Nylon	2
15	102867102	Dash, Design A, Dd F/h	1
16	102867301	Support, Structural	1
17	102883401	Cup Holder, Utility	2
18	102935501	Weldment, Dash, Front	1
19	103233001	Asm, Brush, Fnr (includes items 20 and 21)	2
20	N/A	Brush, Strip, FNR	2
21	N/A	Holder, Brush, Strip, FNR	2
22	103253801	Bracket, Hood Support	1
23	103268001	Rod, Connection, Dash	1
24	103296001	Guard, Splash, Gas Injection	1
25	8233	Locknut, 1/4-20, Nylon Insert	1
26	96715552	Bolt, M10 X 1.50 X 65	4

1

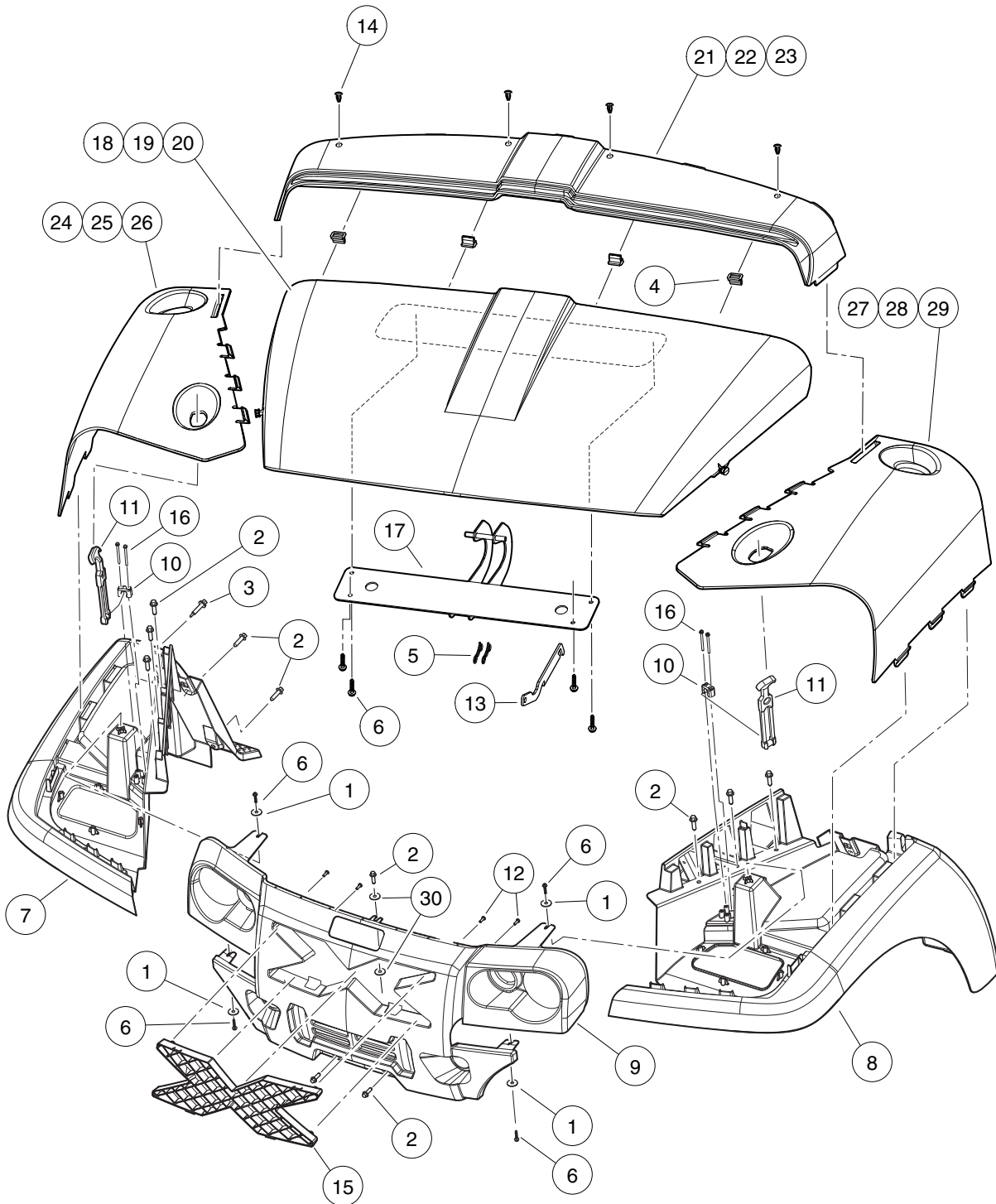
G

D

1

G

D



000522-004

FASCIA, FENDERS, AND COWLS (MOLDED IN COLOR) – XRT

ITEM	PART NO.	DESCRIPTION	QTY
		1 2 3 4	
1	<u>1011578</u>	Washer, 5/16 Type B Flat	4
2	<u>102289001</u>	Screw, M8X1.25X30, Hex	13
3	<u>102292356</u>	Screw-1/4-20x56 Hwh Self Drill	2
4	<u>102292701</u>	Clip-body-trim	4
5	<u>102292801</u>	Pin, Bow Tie Locking - .072	2
6	<u>102297230</u>	Screw, M6, Torx, Interlock Thread	8
7	<u>102866901</u>	Fender, Front, Pass, AWD	1
8	<u>102867001</u>	Fender, Front, Drv, AWD	1
9	<u>102867401</u>	Fascia, Front, XRT, AWD	1
10	<u>102882401</u>	Bracket, Latch, Draw	2
11	<u>102895101</u>	Latch, Draw, Hood	2
12	<u>102895401</u>	Screw, D50x16, Torx PN Hd PT	4
13	<u>102896501</u>	Prop, Hood	1
14	<u>102967901</u>	Rivet, Removable, Tuflok 1/4"	4
15	<u>102979301</u>	Grill, XRT	1
16	<u>103218107</u>	Screw, #8x2.00 AB Thd, Hex Hd	4
17	<u>103588001</u>	Asm, Hood Hinge	1
18	<u>103959210</u>	Hood, Dark Green	1
19	<u>103959218</u>	Hood, Real Tree Camo	1
20	<u>103959230</u>	Hood, Awd Red	1
21	<u>103959310</u>	Panel, Cowl, Center, Dark Green	1
22	<u>103959318</u>	Panel, Cowl, Center, Real Tree Camo	1
23	<u>103959330</u>	Panel, Cowl, Center, Awd Red	1
24	<u>103959410</u>	Panel, Cowl, Passenger-Side, Dark Green	1
25	<u>103959418</u>	Panel, Cowl, Passenger-Side, Real Tree Camo	1
26	<u>103959430</u>	Panel, Cowl, Passenger-Side, Awd Red	1
27	<u>103959510</u>	Panel, Cowl, Driver-Side, Dark Green	1
28	<u>103959518</u>	Panel, Cowl, Driver-Side, Real Tree Camo	1
29	<u>103959530</u>	Panel, Cowl, Driver-Side, Awd Red	1
30	<u>808</u>	Washer, 3/8 Type B Flat	2
		Note: These color body panels are molded in color except for black and camo.	

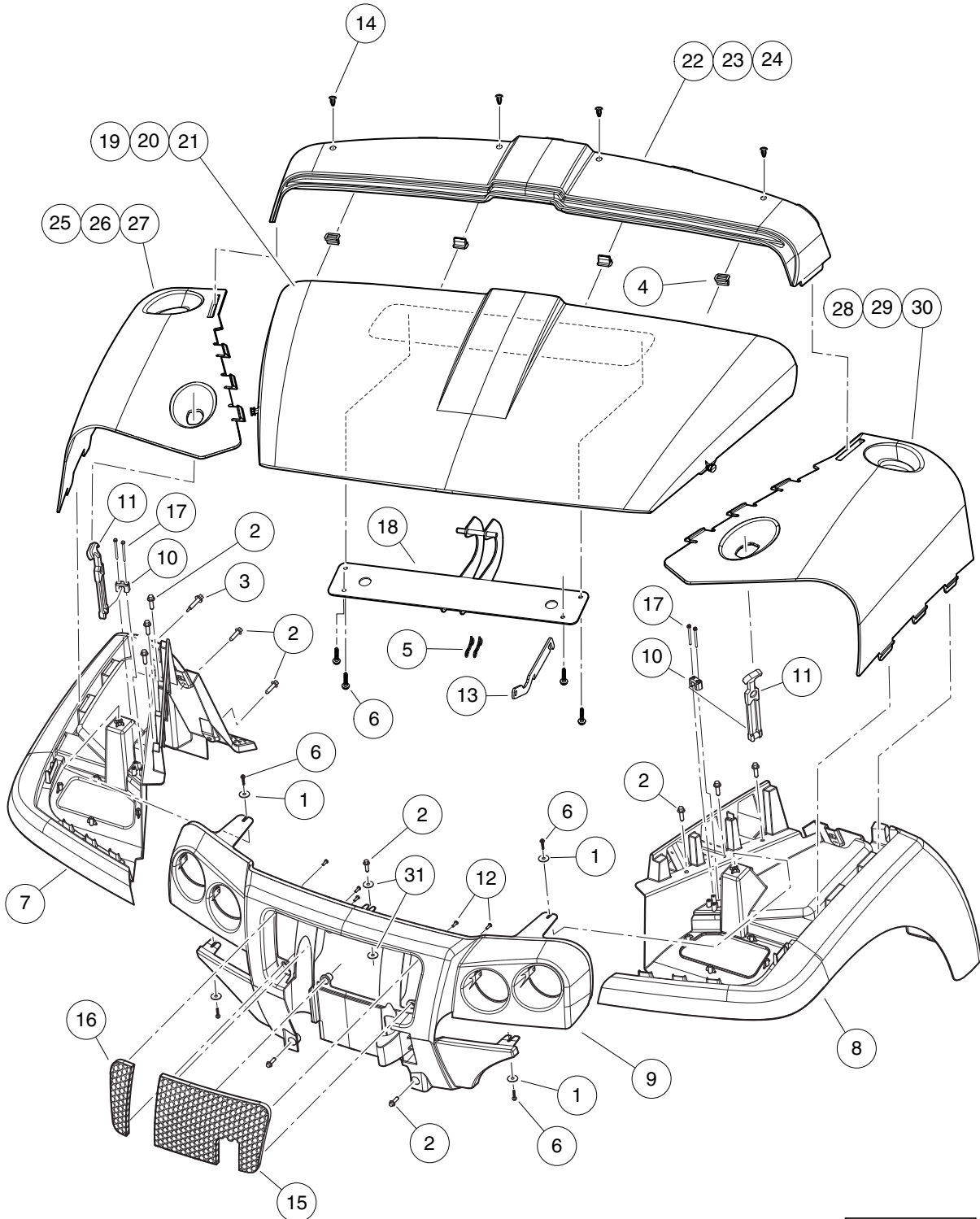
1

G

D

1
G

D



000559-006

FASCIA, FENDERS, AND COWL (MOLDED IN COLOR) – INTELLITACH

ITEM	PART NO.	DESCRIPTION	QTY
		1 2 3 4	
1	<u>1011578</u>	Washer, 5/16 Type B Flat	4
2	<u>102289001</u>	Screw, M8X1.25X30, Hex	13
3	<u>102292356</u>	Screw-1/4-20x56 Hwh Self Drill	2
4	<u>102292701</u>	Clip-body-trim	4
5	<u>102292801</u>	Pin, Bow Tie Locking - .072	2
6	<u>102297230</u>	Screw, M6, Torx, Interlock Thread	8
7	<u>102866901</u>	Fender, Front, Pass, AWD	1
8	<u>102867001</u>	Fender, Front, Drv, AWD	1
9	<u>102867602</u>	Fascia, Dual Round w/ Cut	1
10	<u>102882401</u>	Bracket, Latch, Draw	2
11	<u>102895101</u>	Latch, Draw, Hood	2
12	<u>102895401</u>	Screw, D50x16, Torx PN Hd PT	6
13	<u>102896501</u>	Prop, Hood	1
14	<u>102967901</u>	Rivet, Removable, Tuflok 1/4"	4
15	<u>102978801</u>	Grill, Hex Cut, DS	1
16	<u>102978901</u>	Grill, Hex, Cut, PS	1
17	<u>103218107</u>	Screw, #8x2.00 AB Thd, Hex Hd	4
18	<u>103588001</u>	Asm, Hood Hinge	1
19	<u>103959210</u>	Hood, Dark Green	1
20	<u>103959214</u>	Hood, Dark Gray	1
21	<u>103959218</u>	Hood, Real Tree Camo	1
22	<u>103959310</u>	Panel, Cowl, Center, Dark Green	1
23	<u>103959314</u>	Panel, Cowl, Center, Dark Gray	1
24	<u>103959318</u>	Panel, Cowl, Center, Real Tree Camo	1
25	<u>103959410</u>	Panel, Cowl, Passenger-Side, Dark Green	1
26	<u>103959414</u>	Panel, Cowl, Passenger-Side, Dark Gray	1
27	<u>103959418</u>	Panel, Cowl, Passenger-Side, Real Tree Camo	1
28	<u>103959510</u>	Panel, Cowl, Driver-Side, Dark Green	1
29	<u>103959514</u>	Panel, Cowl, Driver-Side, Dark Gray	1
30	<u>103959518</u>	Panel, Cowl, Driver-Side, Real Tree Camo	1
31	<u>808</u>	Washer, 3/8 Type B Flat	2
		Note: These color body panels are molded in color except for black and camo.	

1

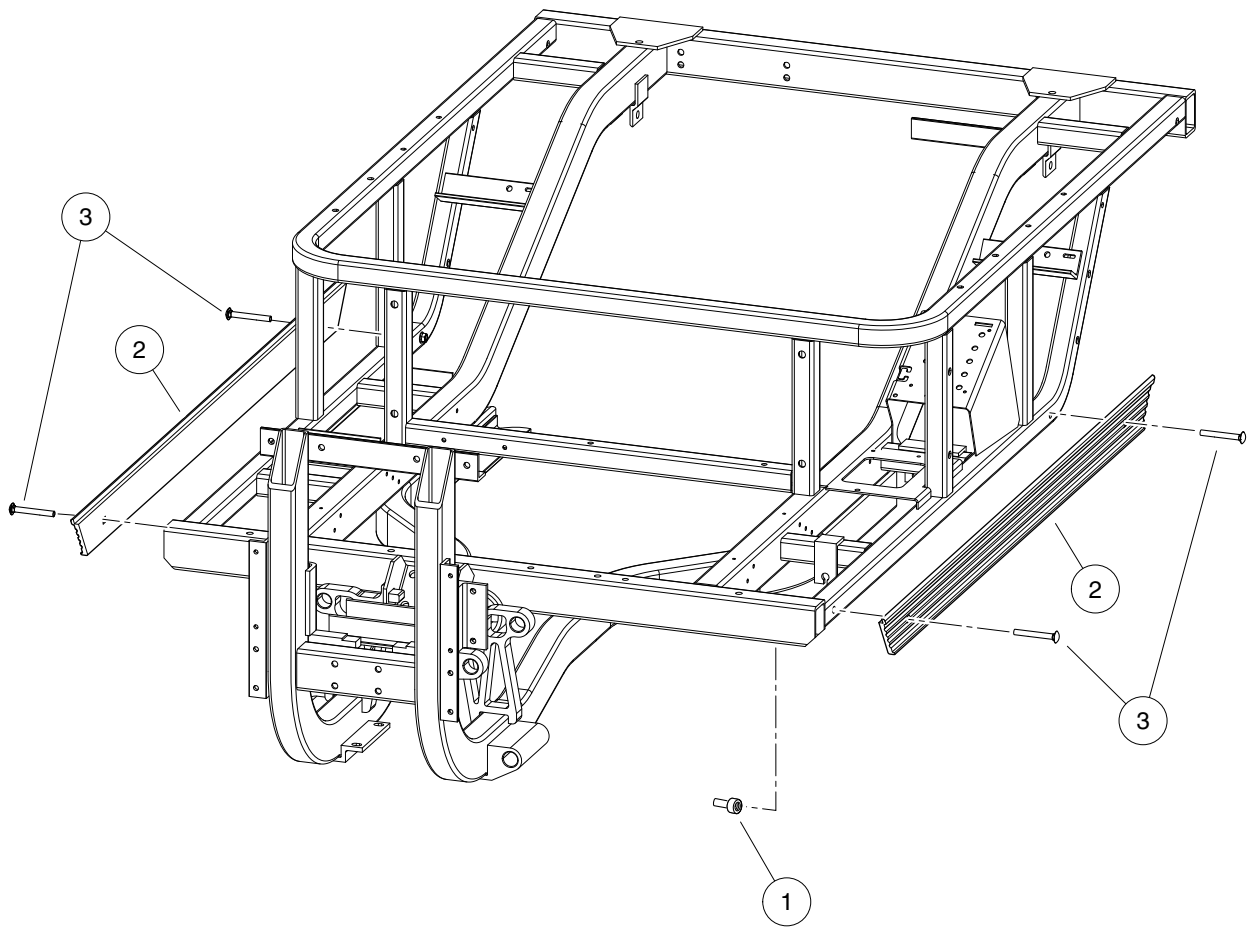
G

D

1

G

D



000527-001

SIDE STRINGERS – 2 PASSENGER

ITEM	PART NO.	DESCRIPTION	QTY
1	<u>102491701</u>	Well Nut 1/4-20	8
2	<u>103485501</u>	Stringer, Side, 1200mm	2
3	<u>103487501</u>	Screw, 1/4-20 X 1.0, Black	8

1

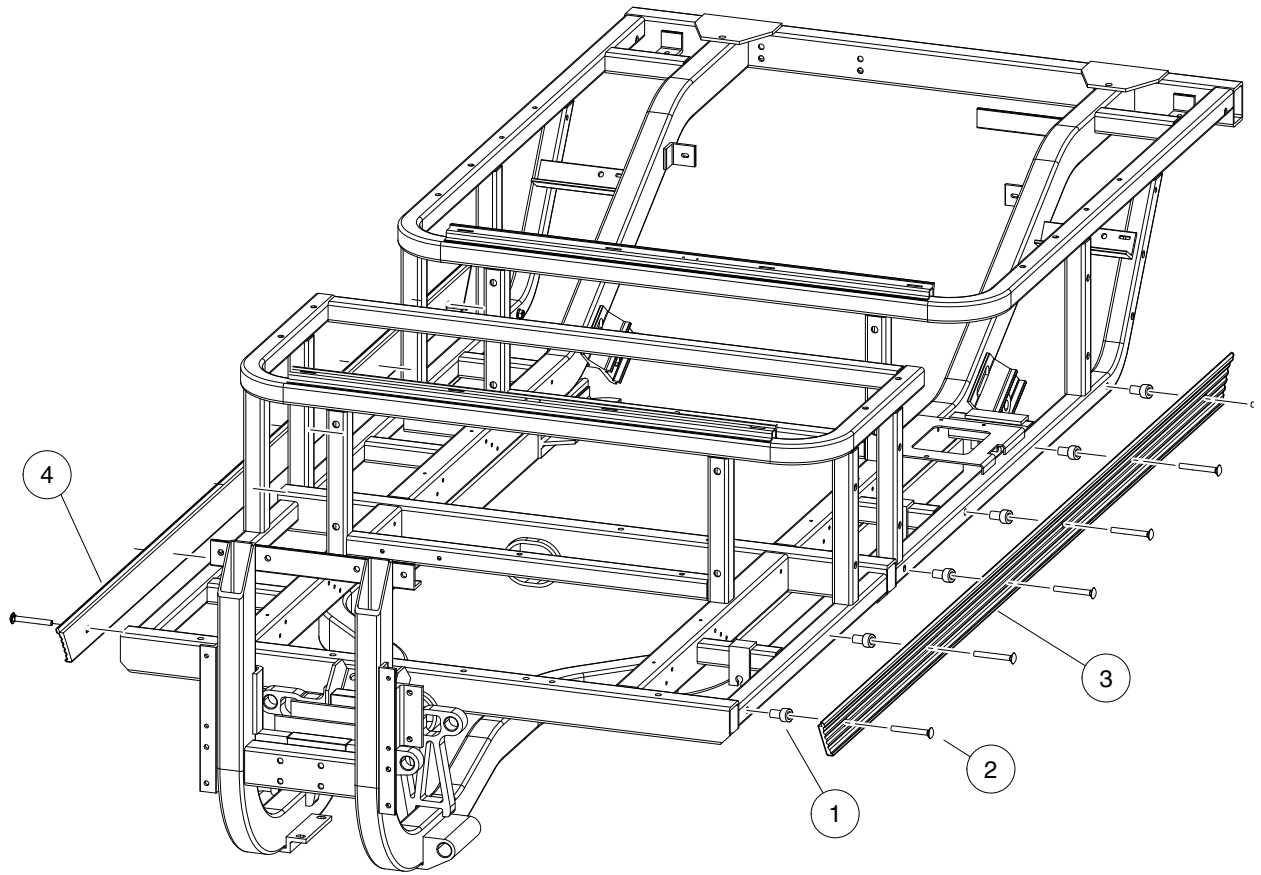
G

D

1

G

D



000527-003

SIDE STRINGERS – 4 PASSENGER

ITEM	PART NO.	DESCRIPTION	QTY
		1 2 3 4	
1	<u>102491701</u>	Well Nut 1/4-20	12
2	<u>103487501</u>	Screw, 1/4-20 X 1.0, Black	12
3	<u>103488801</u>	Stringer, Side, Awd, Se, Ds	1
4	<u>103488802</u>	Stringer, Side, Awd, Se, Ps	1

1

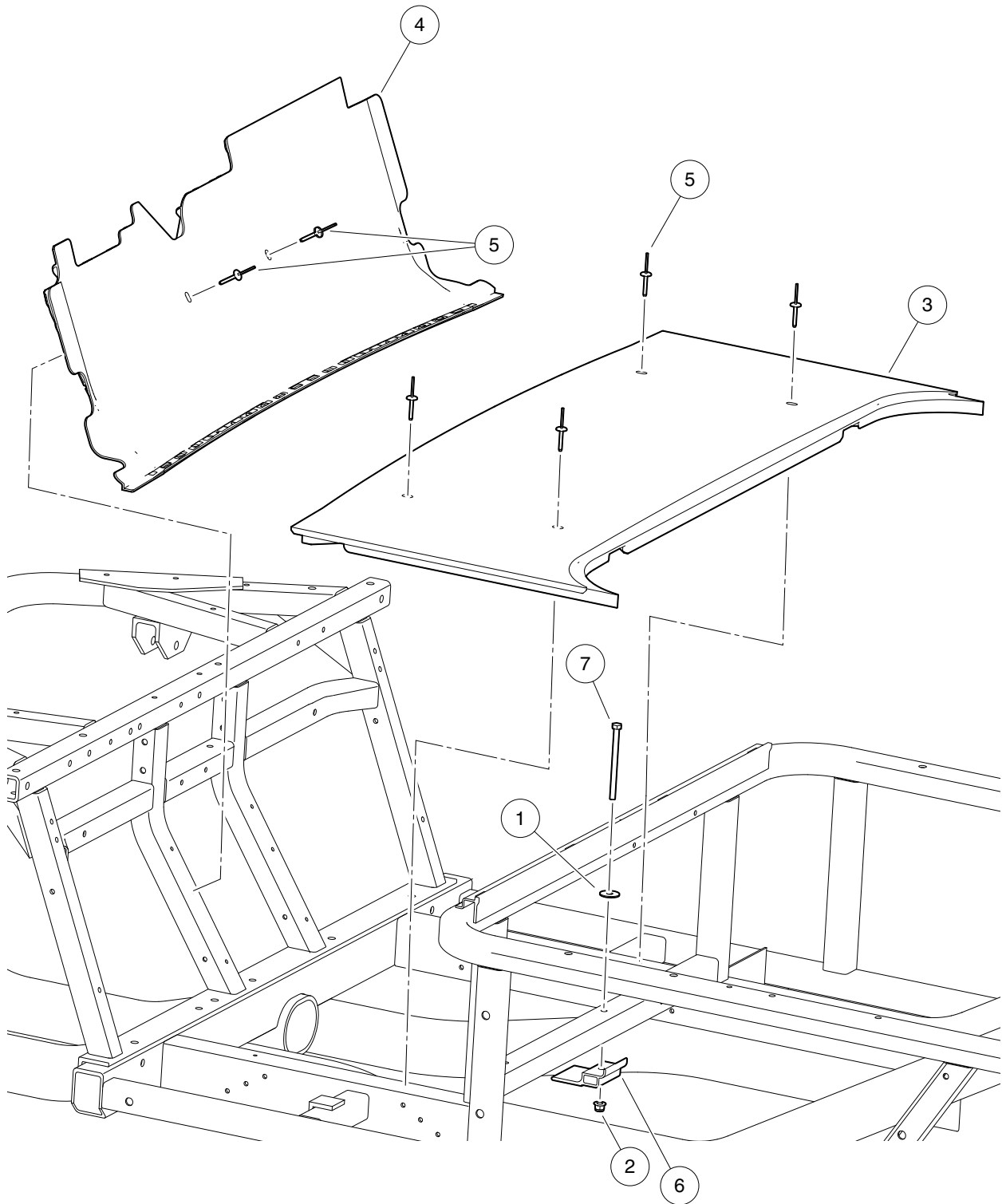
G

D

1

G

D



000790-003

FLOORBOARD

ITEM	PART NO.	DESCRIPTION	QTY
		1 2 3 4	
1	<u>1011578</u>	Washer, 5/16 Type B Flat	1
2	102618601	Lock Nut, Flange, M8 X 1.25 Nylon	1
3	<u>103319601</u>	Floorboard, Lower	1
4	<u>103319701</u>	Floorboard, Upper	1
5	<u>103400001</u>	3/16 X 1.19 Alum Rivet, Blk	6
6	<u>103417401</u>	Bracket, Support, Floorboard	1
7	<u>103423701</u>	Bolt, M8 X 1.25 X 110	1

1

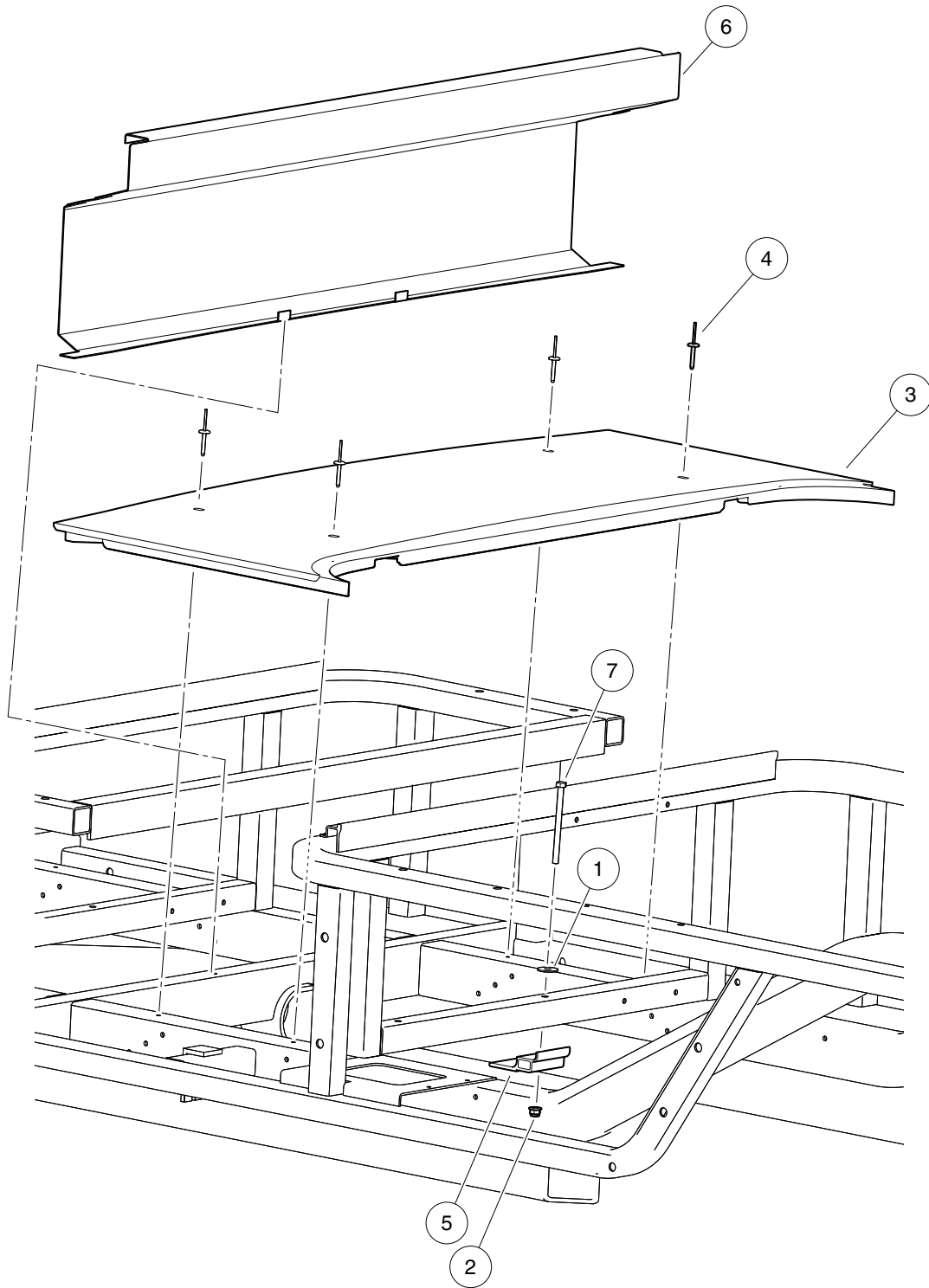
G

D

1

G

D



000790-004

FLOORBOARD – REAR

ITEM	PART NO.	DESCRIPTION	QTY
		1 2 3 4	
1	<u>1011578</u>	Washer, 5/16 Type B Flat	1
2	102618601	Lock Nut, Flange, M8 X 1.25 Nylon	1
3	<u>103319601</u>	Floorboard, Lower	1
4	<u>103400001</u>	3/16 X 1.19 Alum Rivet, Blk	4
5	<u>103417401</u>	Bracket, Support, Floorboard	1
6	103418001	Plate, Footwell, Rear	1
7	<u>103423701</u>	Bolt, M8 X 1.25 X 110	1

1

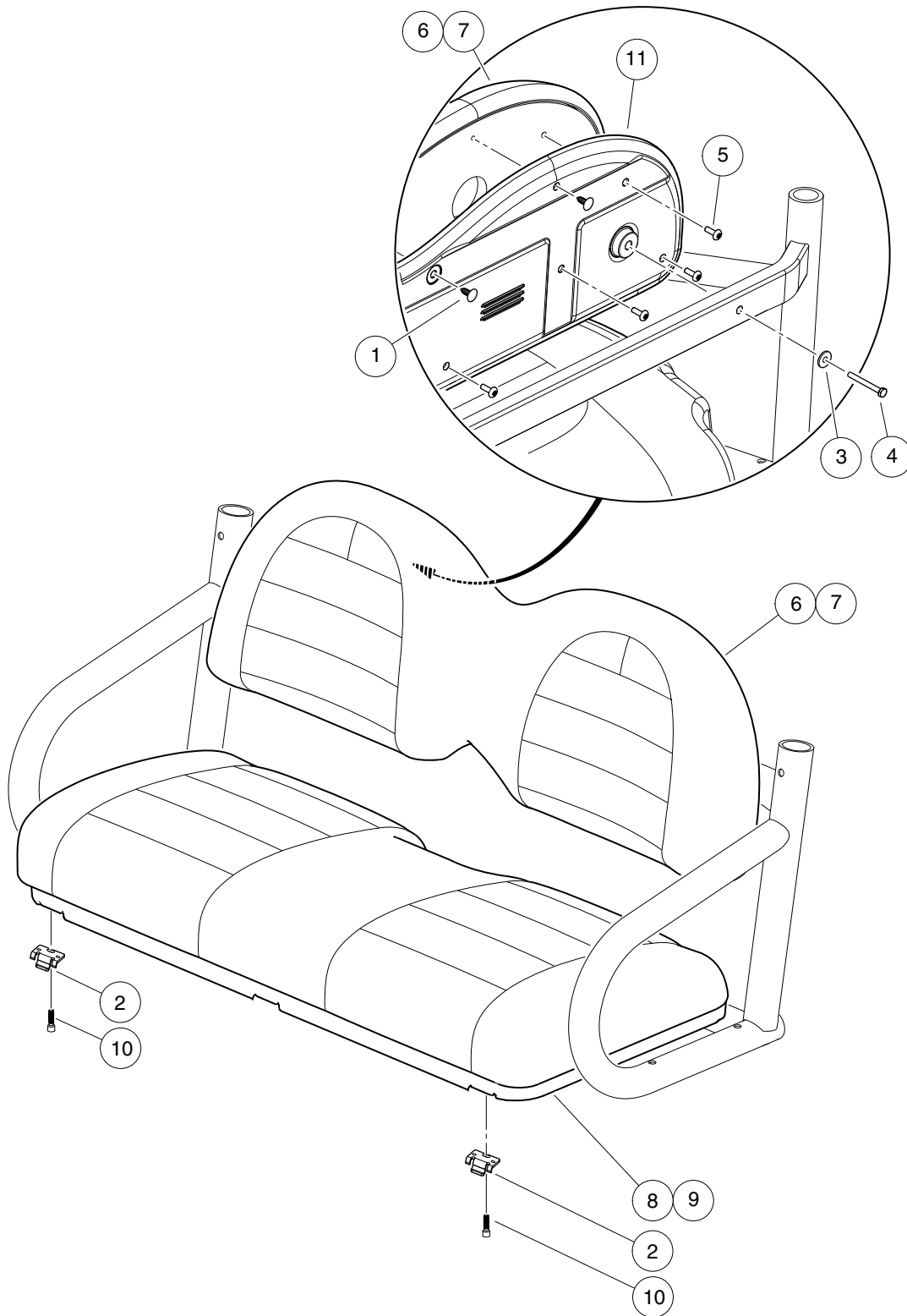
G

D

1

G

D



000523-005

BENCH SEAT

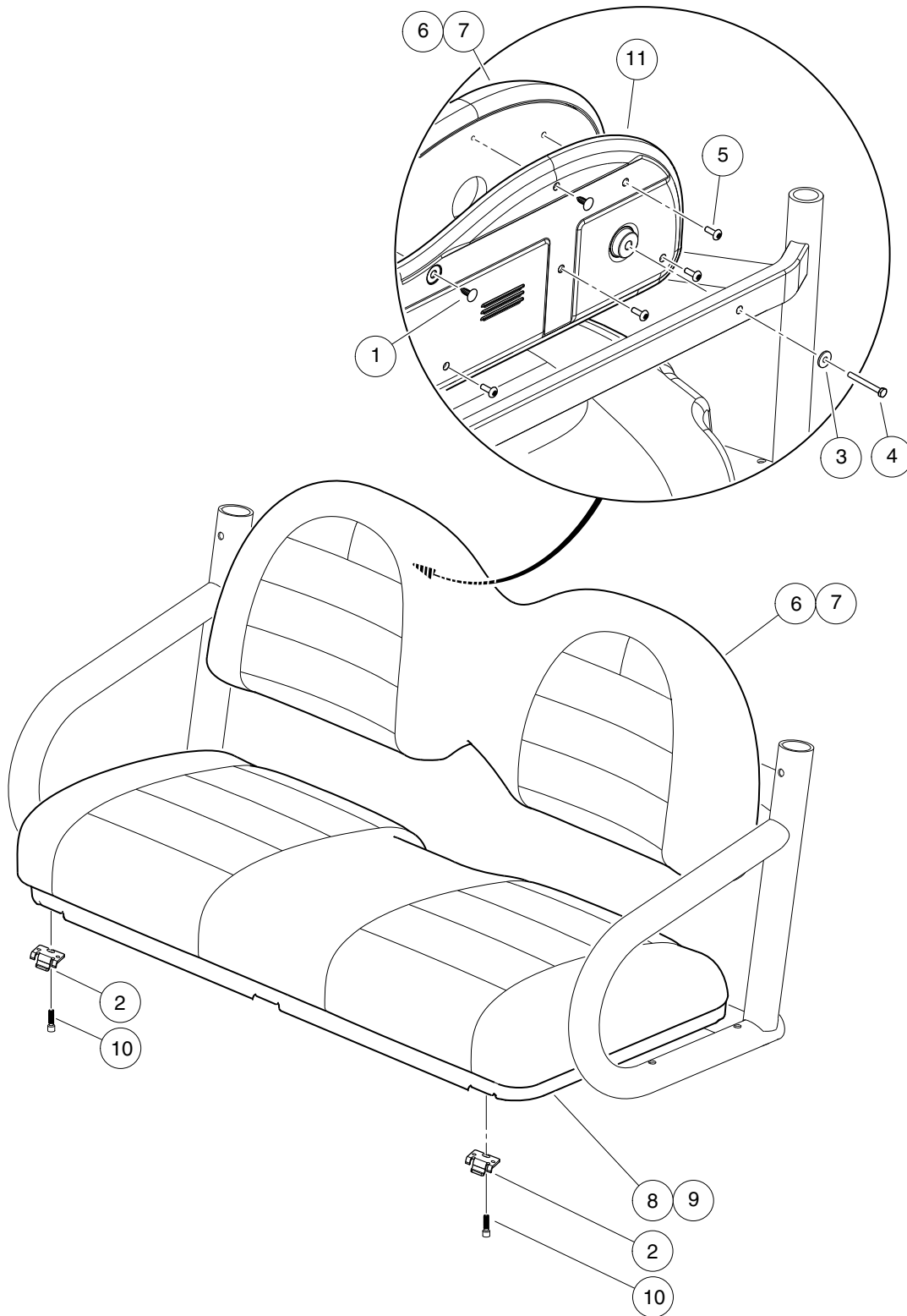
ITEM	PART NO.	DESCRIPTION	QTY
		1 2 3 4	
1	<u>1010434</u>	Barrel - Plastic	8
2	<u>1011652</u>	Hinge Plate	2
3	<u>1011697</u>	Washer, 5/16 Flat	3
4	1014201	Screw, 1/4-20 X 2.25 Hex Cap	3
5	<u>1014415</u>	Screw, 1/4-20 X 0.75 Torx Truss-Head	4
6	<u>103456001</u>	Seat Back, Bench, Gray	1
7	<u>103456002</u>	Seat Back, Bench, Black	1
8	<u>103629101</u>	Seat, Bench, Bottom, Blk	1
9	<u>103629102</u>	Seat, Bench, Bottom, Gray	1
10	<u>103629501</u>	Screw, 1/4-20 X .75 Shcs	4
11	<u>103831101</u>	Cap, Seatback, Vented	1

1
G
D

1

G

D



000523-005

BENCH SEAT, REAR – 4 PASS

ITEM	PART NO.	DESCRIPTION	QTY
		1 2 3 4	
1	<u>1010434</u>	Barrel - Plastic	8
2	<u>1011652</u>	Hinge Plate	2
3	<u>1011697</u>	Washer, 5/16 Flat	3
4	1014201	Screw, 1/4-20 X 2.25 Hex Cap	3
5	<u>1014415</u>	Screw, 1/4-20 X 0.75 Torx Truss-Head	4
6	<u>103456001</u>	Seat Back, Bench, Gray	1
7	<u>103456002</u>	Seat Back, Bench, Black	1
8	<u>103629101</u>	Seat, Bench, Bottom, Blk	1
9	<u>103629102</u>	Seat, Bench, Bottom, Gray	1
10	<u>103629501</u>	Screw, 1/4-20 X .75 Shcs	4
11	<u>103831101</u>	Cap, Seatback, Vented	1

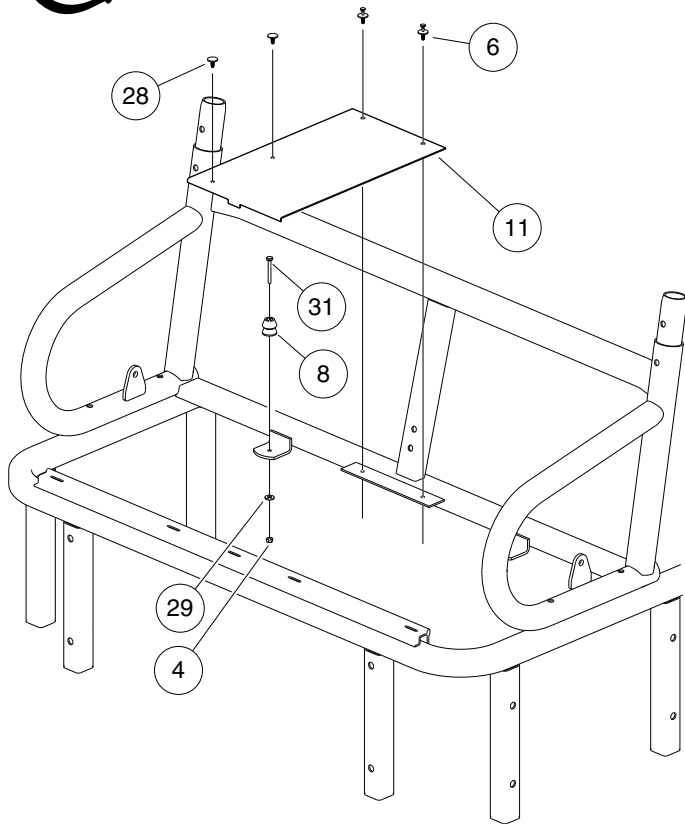
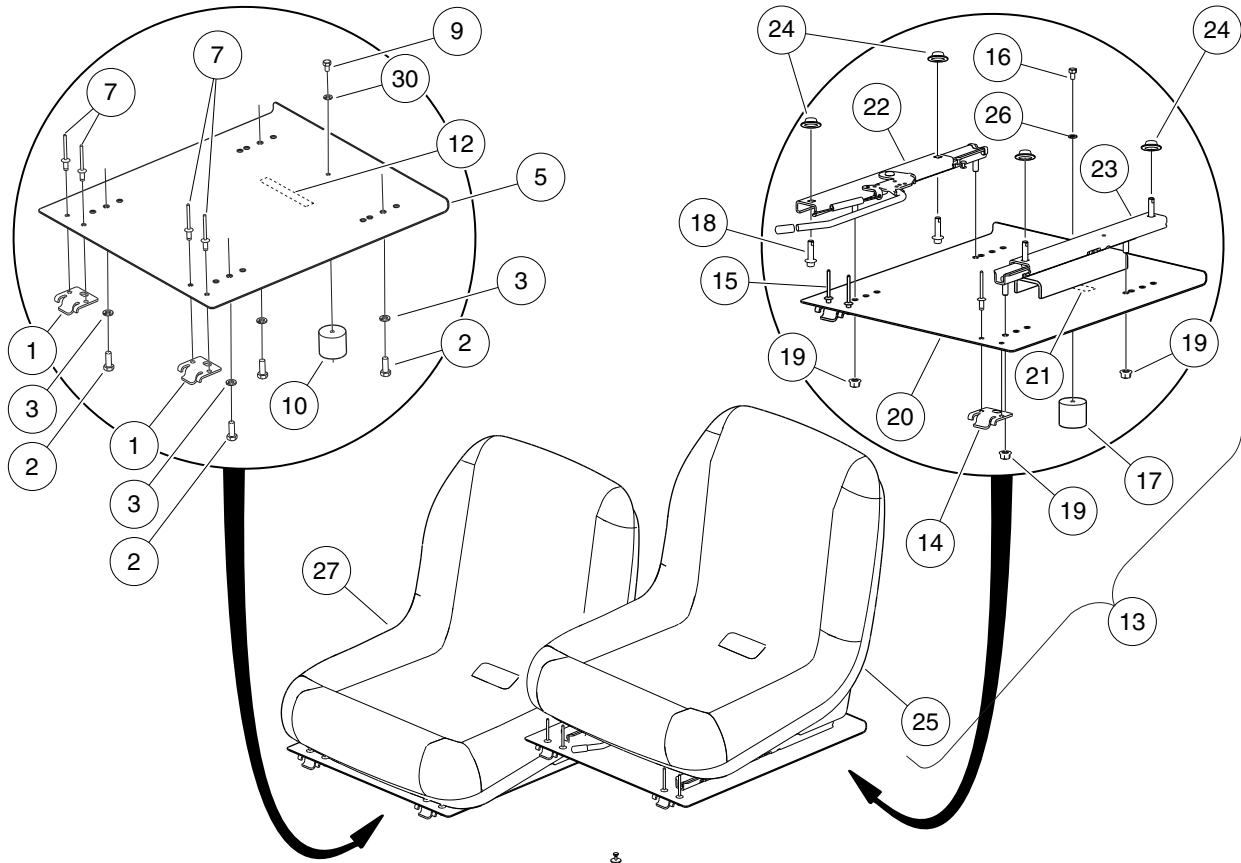
1

G

D

1
G

D



000524-011

BUCKET SEATS – GRAY

ITEM	PART NO.	DESCRIPTION	QTY
		1 2 3 4	
1	<u>1011652</u>	Hinge Plate	2
2	<u>1012830</u>	Screw, M8-125 X 22 Hex-Head	4
3	<u>1013734</u>	Lockwasher, 8mm Split	4
4	<u>101887601</u>	Locknut, M6-1.00 Nylon Insert	2
5	<u>102023703</u>	Pan, Seat, Passenger	1
6	<u>102025701</u>	Screw, Tuflok Panel, 1/4	2
7	<u>102047001</u>	Rivet, 1/4 X .438 Blind	4
8	<u>102059001</u>	Seat Holder Base	2
9	<u>102059401</u>	Screw, 6m-1.00 X 10mm Hex Head	1
10	<u>102061101</u>	Seat Holder Cup	1
11	<u>102442002</u>	Pan, Center, Closeout, Pfex	1
12	<u>102458901</u>	Decal, Hot Surface Warning	1
13	<u>102473701</u>	Asm, Bucket Seat Adjustable (includes items 14 through 26)	1
14	<u>1011652</u>	Hinge Plate	2
15	<u>102047001</u>	Rivet, 1/4 X .438 Blind	4
16	<u>102059401</u>	Screw, 6m-1.00 X 10mm Hex Head	1
17	<u>102061101</u>	Seat Holder Cup	1
18	<u>102298130</u>	Bolt, Flange Head, M8 X 30.0	4
19	<u>102298401</u>	Nut,m8,all Metal Lock	4
20	<u>102456001</u>	Pan, Seat, Driver Asm	1
21	<u>102458901</u>	Decal, Hot Surface Warning	1
22	<u>102473501</u>	Adjuster, Forward/Aft	1
23	<u>102473601</u>	Adjuster, Slider	1
24	<u>102475901</u>	Washer, Bell	4
25	<u>103267001</u>	Seat, Bucket, Gray	1
26	<u>451</u>	Lockwasher, 1/4 Split	1
27	<u>103267001</u>	Seat, Bucket, Gray	1
28	<u>103978801</u>	Barrel-push 6mm	2
29	<u>332</u>	Washer, 1/4 Type A Narrow Flat	2
30	<u>451</u>	Lockwasher, 1/4 Split	1
31	<u>96742515</u>	Bolt, M6 X 1 X 45	2

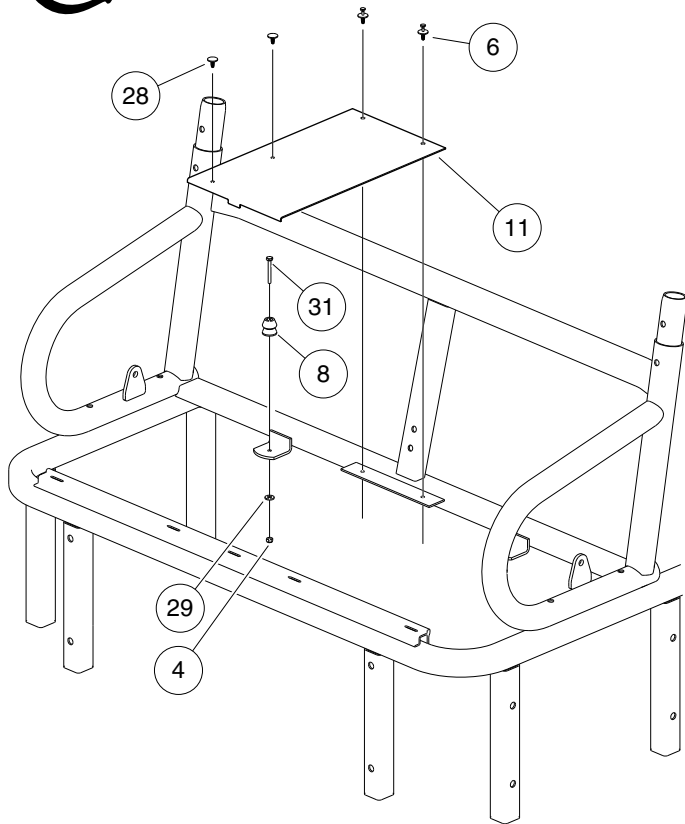
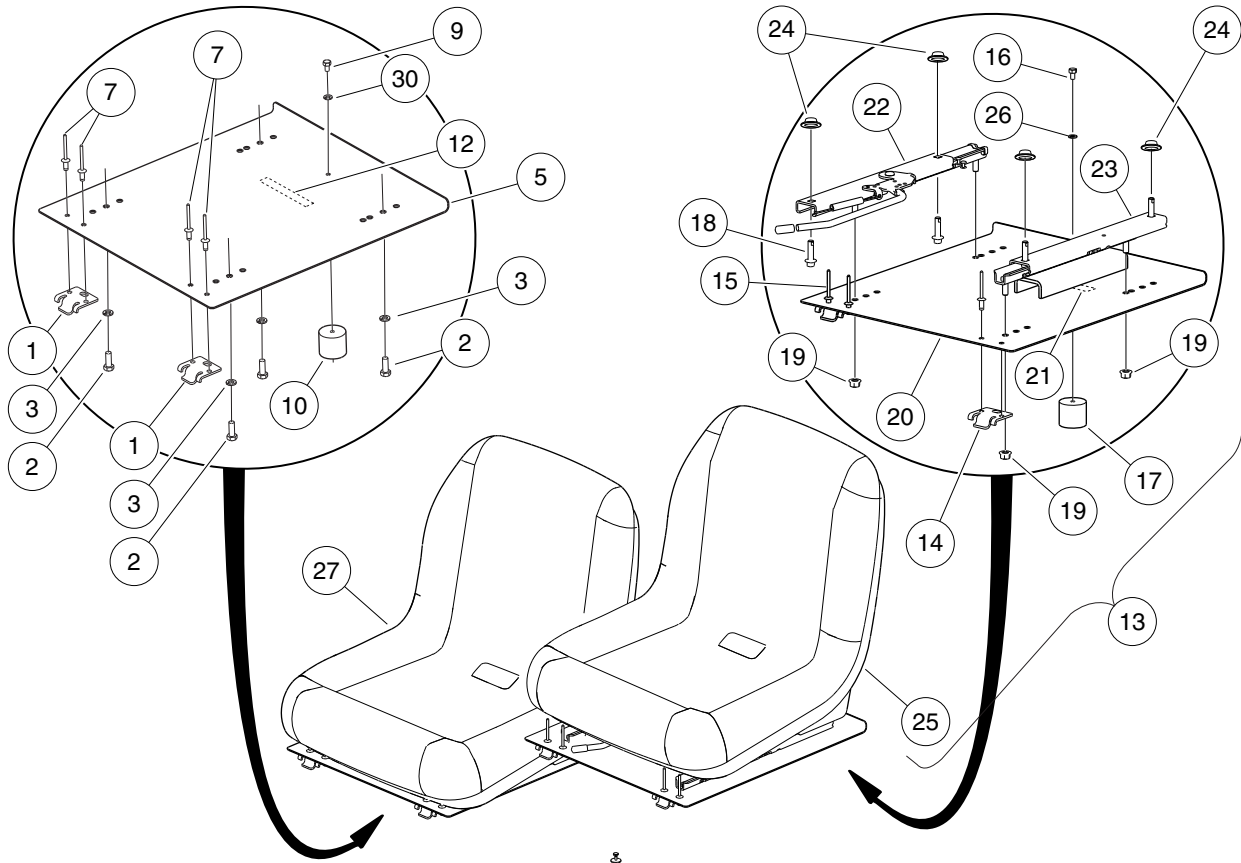
1

G

D

1
G

D



000524-011

BUCKET SEATS – BLACK

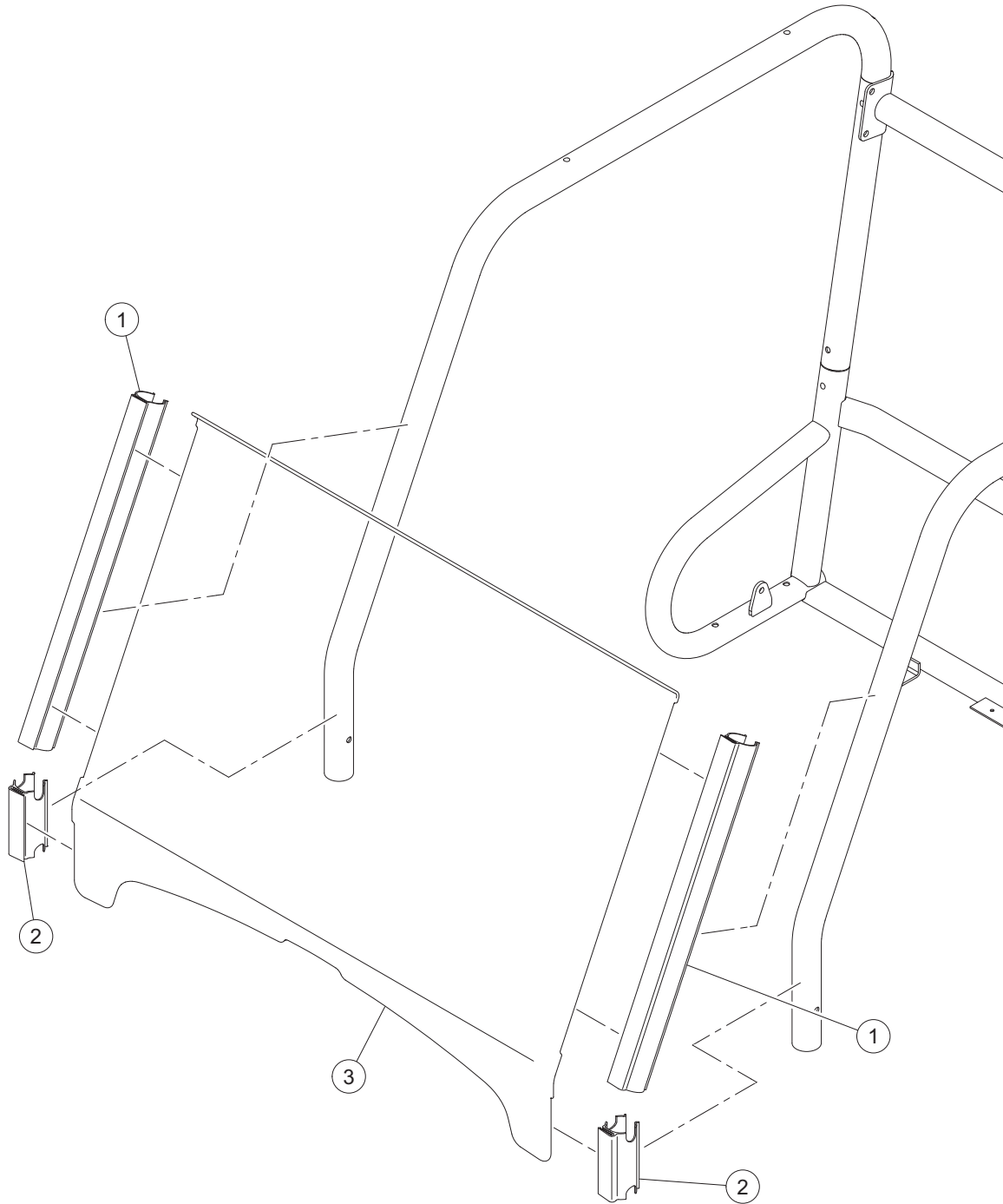
ITEM	PART NO.	DESCRIPTION	QTY
		1 2 3 4	
1	<u>1011652</u>	Hinge Plate	2
2	<u>1012830</u>	Screw, M8-125 X 22 Hex-Head	4
3	<u>1013734</u>	Lockwasher, 8mm Split	4
4	<u>101887601</u>	Locknut, M6-1.00 Nylon Insert	2
5	<u>102023703</u>	Pan, Seat, Passenger	1
6	<u>102025701</u>	Screw, Tuflok Panel, 1/4	2
7	<u>102047001</u>	Rivet, 1/4 X .438 Blind	4
8	<u>102059001</u>	Seat Holder Base	2
9	<u>102059401</u>	Screw, 6m-1.00 X 10mm Hex Head	1
10	<u>102061101</u>	Seat Holder Cup	1
11	<u>102442002</u>	Pan, Center, Closeout, Pfex	1
12	<u>102458901</u>	Decal, Hot Surface Warning	1
13	<u>103218901</u>	Asm, Bucket Seat, Adj, Blk (includes items 14 through 26)	1
14	<u>1011652</u>	Hinge Plate	2
15	<u>102047001</u>	Rivet, 1/4 X .438 Blind	4
16	<u>102059401</u>	Screw, 6m-1.00 X 10mm Hex Head	1
17	<u>102061101</u>	Seat Holder Cup	1
18	<u>102298130</u>	Bolt, Flange Head, M8 X 30.0	4
19	<u>102298401</u>	Nut,m8,all Metal Lock	4
20	<u>102456001</u>	Pan, Seat, Driver Asm	1
21	<u>102458901</u>	Decal, Hot Surface Warning	1
22	<u>102473501</u>	Adjuster, Forward/Aft	1
23	<u>102473601</u>	Adjuster, Slider	1
24	<u>102475901</u>	Washer, Bell	4
25	<u>103267002</u>	Seat, Bucket, Black	1
26	<u>451</u>	Lockwasher, 1/4 Split	1
27	<u>103267002</u>	Seat, Bucket, Black	1
28	<u>103978801</u>	Barrel-push 6mm	2
29	<u>332</u>	Washer, 1/4 Type A Narrow Flat	2
30	<u>451</u>	Lockwasher, 1/4 Split	1
31	<u>96742515</u>	Bolt, M6 X 1 X 45	2

1
G
D

1

G

D



G-140899-000003

WINDSHIELD – SOLID

ITEM	PART NO.	DESCRIPTION	QTY
		1 2 3 4	
1	<u>103186302</u>	Clip, Windshield, 660 Mm	2
2	<u>103255801</u>	Clip, Windshield, 140 Mm Slots	2
3	105076401	Windshield, Clear, Solid, Oem	1
<p>Note: For complete windshield kit with instructions, order p/n 105080801.</p>			

1

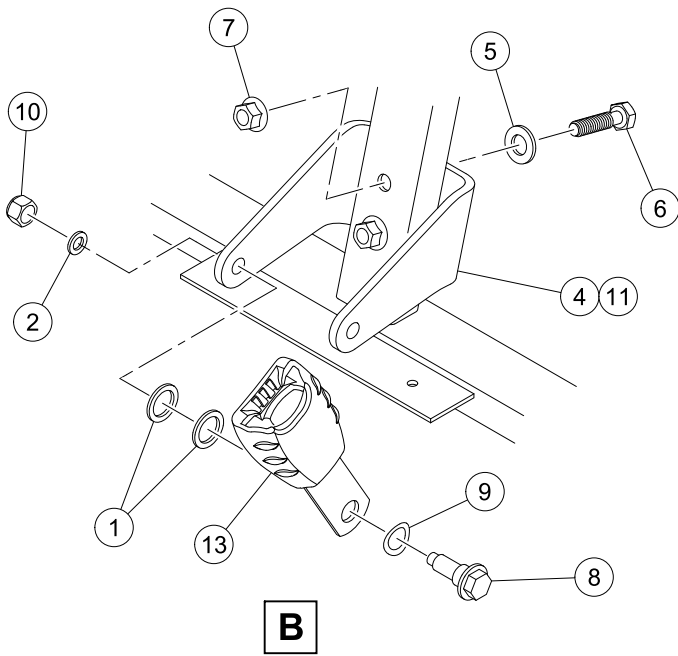
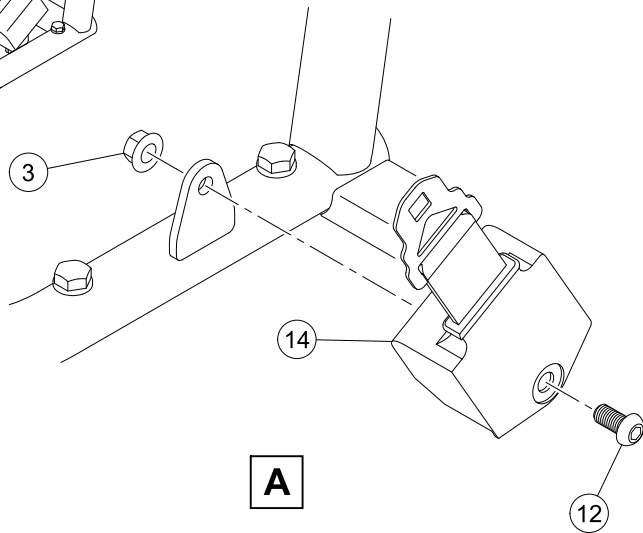
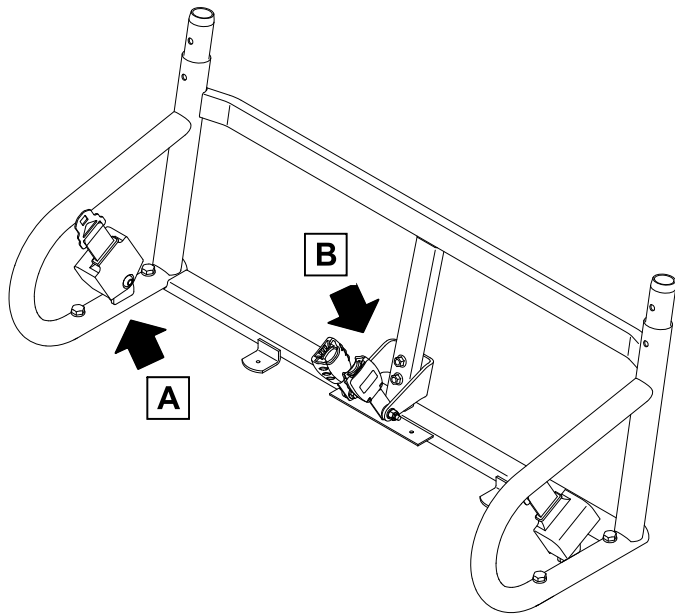
G

D

1

G

D



G-140699-000010

2-POINT SEAT BELTS

ITEM	PART NO.	DESCRIPTION	QTY
		1 2 3 4	
1	<u>1012604</u>	Washer, 0.675 ID X 1.19 OD	4
2	<u>1014557</u>	Washer, 7/16 Flat	2
3	<u>102620301</u>	Ln Flg, M12 X 1.75, Md, Black	2
4	<u>102670601</u>	Bracket, Seatbelt, Bolt-On (for Bucket Seats)	1
5	<u>102718101</u>	Washer, Hard, M10, Zn-Ni/Blk	2
6	<u>102732401</u>	Bolt, M10 X 45, Zn-Ni (Black)	2
7	<u>103216401</u>	Nut, Flanged, M10 x 1.5, Black	2
8	<u>103529601</u>	Bolt, Shoulder, 15 Mm	2
9	<u>103530701</u>	Washer, Spring, 15 Mm Id	2
10	<u>103534201</u>	Lock Nut, 7/16-20 Nylon	2
11	<u>103635101</u>	Bracket, Seatbelt, Style H, Bolt-On (for Bench Seat)	1
12	<u>103806401</u>	Bolt Btn, M12x1.75 X 25 Black	2
13	47637182001	Asm, Seat Belt, Buckle, Shield	2
14	47637183001	Asm, Seat Belt, Retractor, 2pt	2
Note: Item 4 bracket is for bucket seats. Item 11 bracket is for bench seat.			

1

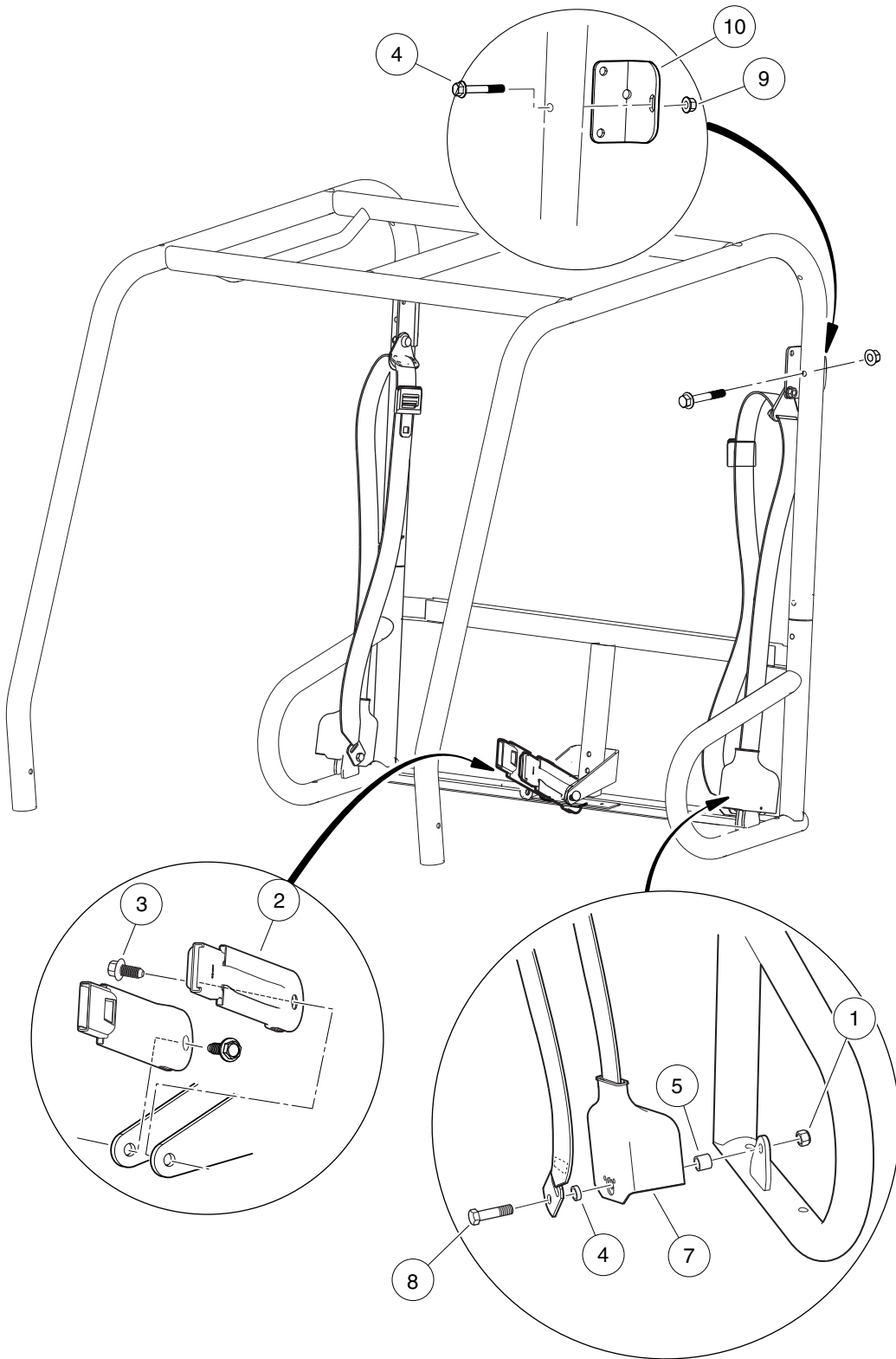
G

D

1

G

D



000560-002

3-POINT SEAT BELTS

ITEM	PART NO.	DESCRIPTION	QTY
		1 2 3 4	
1	<u>102324401</u>	Lock Nut, 7/16-20 Nylon Black	2
2	<u>102447601</u>	Buckle, Seat Belt with Sleeve	2
3	<u>102671201</u>	Screw,m12x1.75x30 Thd Form Blk	2
4	<u>102988701</u>	Bolt, Flanged, M10 X 1.5 X 65	2
5	<u>103210801</u>	Spacer, .69 Od X .5 Id X .60	2
6	<u>103210802</u>	Spacer, .69 Od X .5 Id X .20	2
7	<u>103210901</u>	Seat Belt, 3 Pt, Lock Tongue	2
8	<u>103211101</u>	Screw, 7/16-20 X 1.75	2
9	<u>103216401</u>	Nut, Flanged, M10 x 1.5, Black	2
10	<u>103377501</u>	Bracket, Support, Rear, ROPS	2

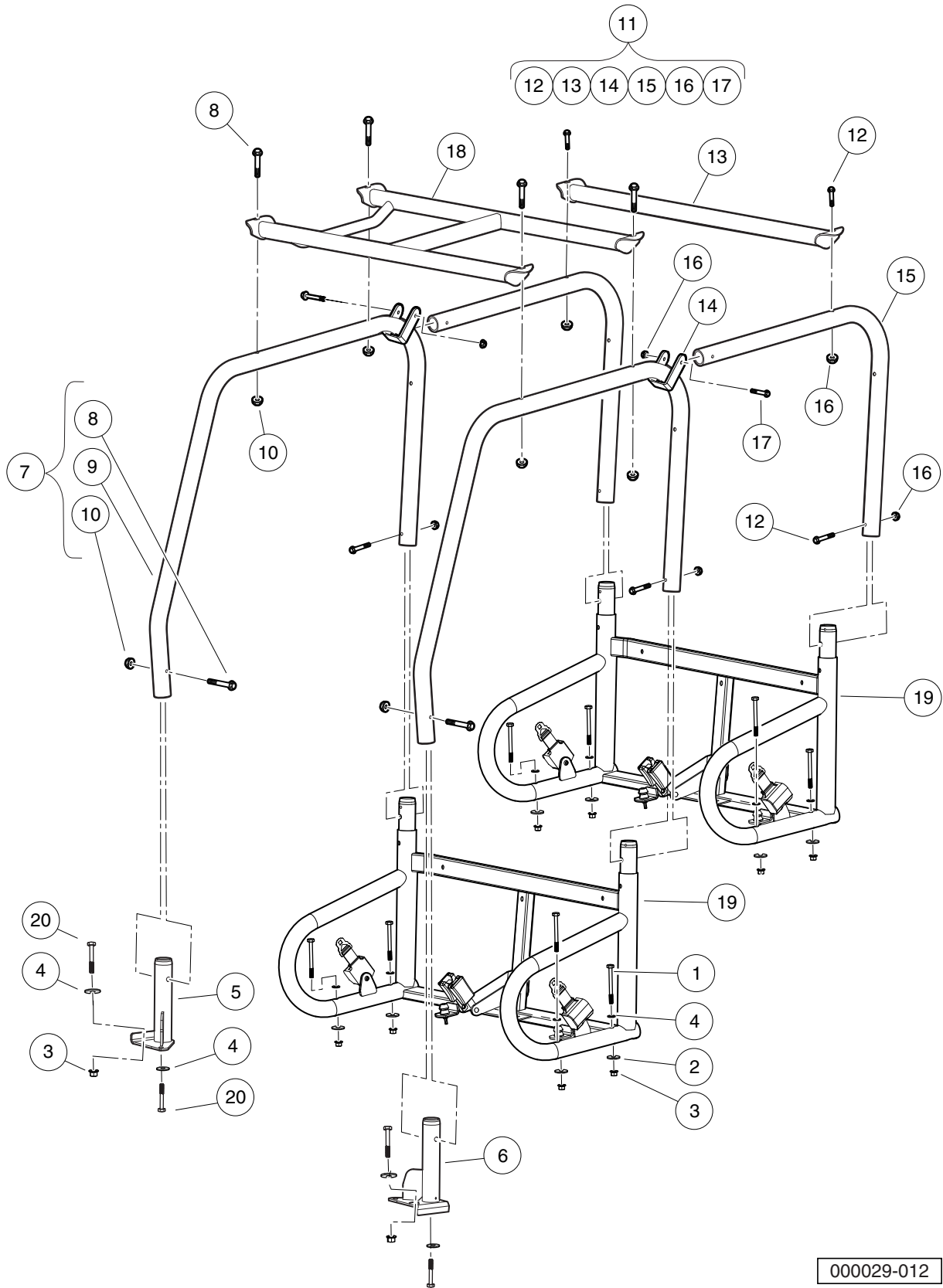
1

G

D

1
G

D



000029-012

ROPS – 4 PASS

ITEM	PART NO.	DESCRIPTION	QTY
		1 2 3 4	
1	<u>102491301</u>	Bolt, M10x1.50x100 (Black)	8
2	<u>102491501</u>	Washer, Hard, M10	10
3	<u>102617201</u>	Nut, Flanged, M10 X 1.5, Mechanically Deformed	10
4	<u>102718101</u>	Washer, Hard, M10, Zn-Ni/Blk	10
5	<u>102983201</u>	Weldment, Front, Base, ROPS, Right-Hand	1
6	<u>102983601</u>	Weldment, Front, Base, ROPS, Left-Hand	1
7	<u>103215901</u>	Kit, ROPS Sides, Domestic (includes items 8 through 10)	1
8	<u>102988701</u>	Bolt, Flanged, M10 X 1.5 X 65	8
9	<u>103192101</u>	Tube, Side Support Short, ROPS	2
10	<u>103216401</u>	Nut, Flanged, M10 x 1.5, Black	8
11	<u>103216201</u>	Kit, ROPS, Four Passenger (includes items 12 through 17)	1
12	<u>102988701</u>	Bolt, Flanged, M10 X 1.5 X 65	4
13	<u>103214901</u>	Weldment, ROPS, Top, 4 Pass	1
14	<u>103215001</u>	Bracket, ROPS, Rear, 4 Pass	2
15	<u>103215101</u>	Tube, Rear, 4 Pass	2
16	<u>103216401</u>	Nut, Flanged, M10 x 1.5, Black	6
17	<u>103216801</u>	Bolt, Flanged, M10 X 1.5 X 70	2
18	<u>103225801</u>	Asm, Top, ROPS	1
19	<u>103361701</u>	Weldment, Seat Support, ROPS	2
20	<u>96715552</u>	Bolt, M10 X 1.50 X 65	4

1

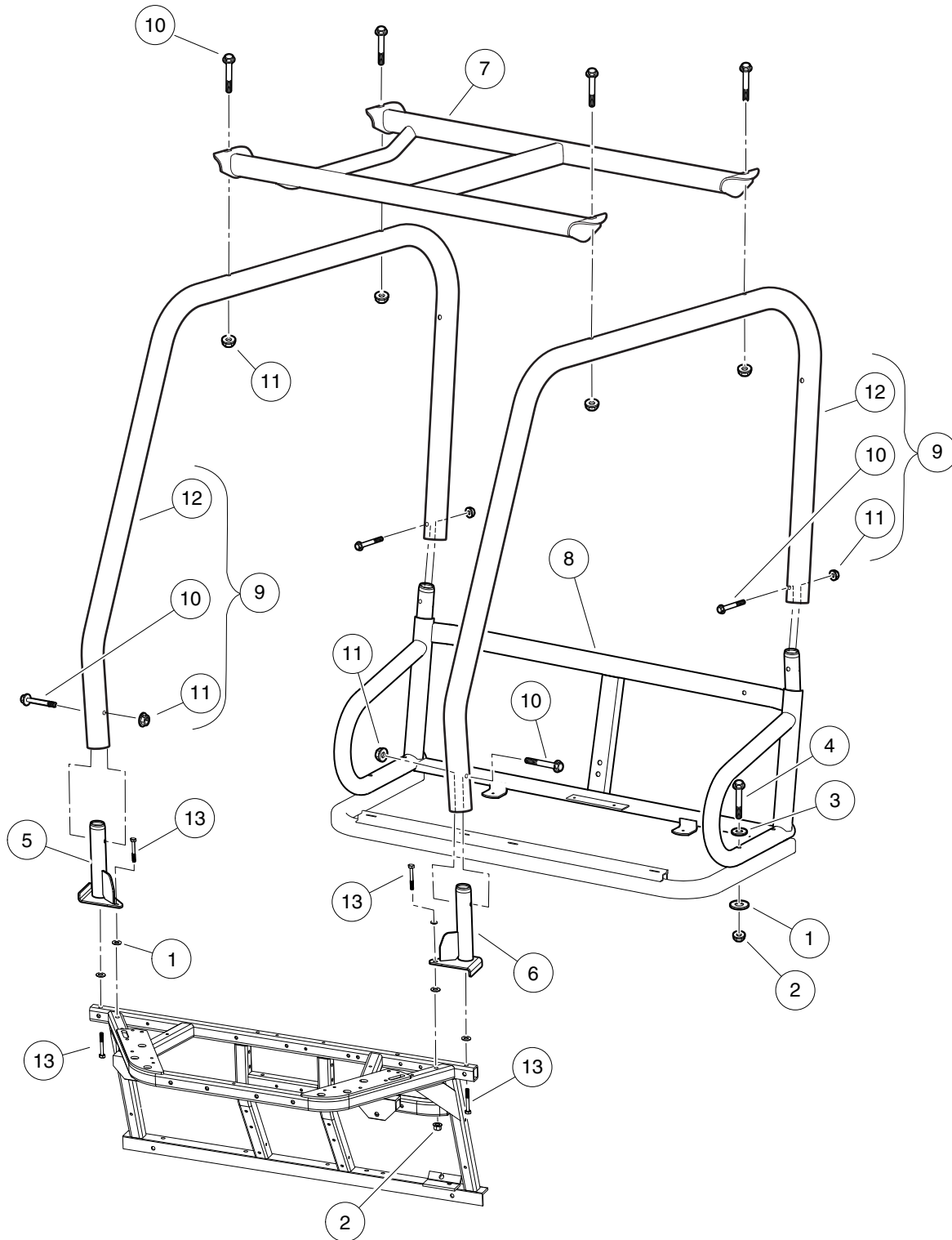
G

D

1

G

D



000029-008

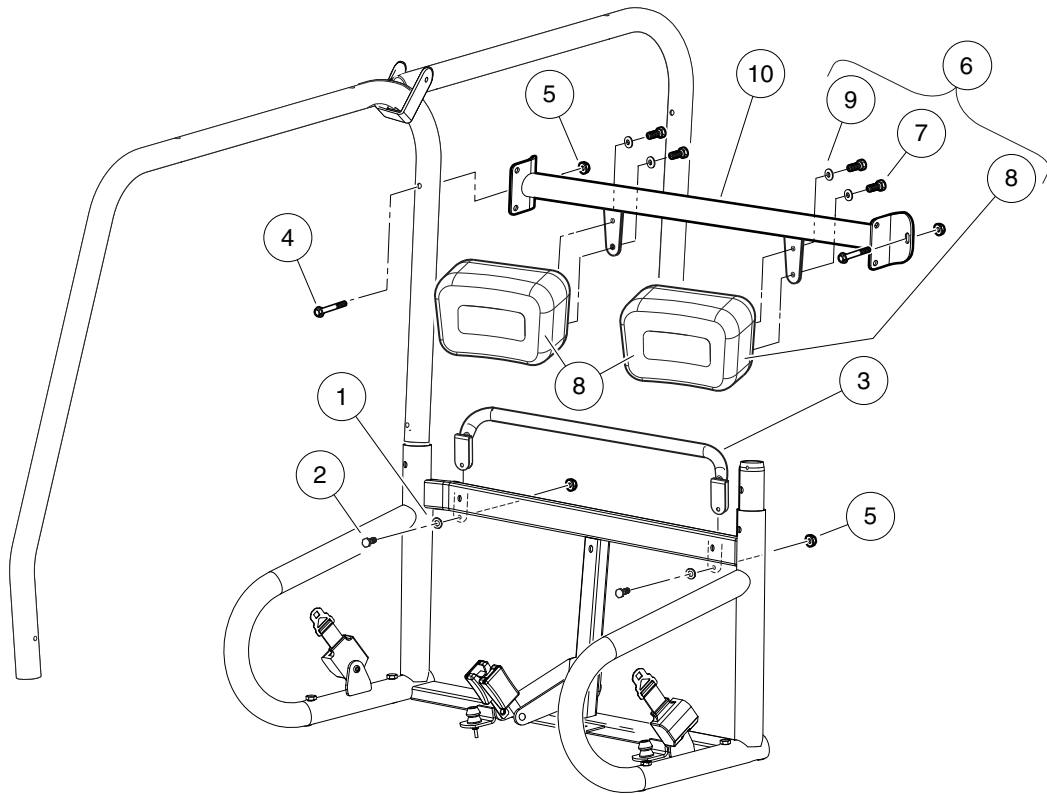
ROPS AND SEAT SUPPORT

ITEM	PART NO.	DESCRIPTION	QTY	
		1 2 3 4		1
1	<u>102491501</u>	Washer, Hard, M10	8	G
2	<u>102617201</u>	Nut, Flanged, M10 X 1.5, Mechanically Deformed	4	
3	<u>102718101</u>	Washer, Hard, M10, Zn-Ni/Blk	4	
4	<u>102732301</u>	Bolt, M10 X 100, Zn-Ni (Black)	4	D
5	<u>102983201</u>	Weldment, Front, Base, ROPS, Right-Hand	1	
6	<u>102983601</u>	Weldment, Front, Base, ROPS, Left-Hand	1	
7	<u>103225801</u>	Asm, Top, ROPS	1	
8	<u>103361701</u>	Weldment, Seat Support, ROPS	1	
9	<u>103511201</u>	Kit, Side Rops, Awd, Domestic (includes items 10 through 12)	1	
10	<u>102988701</u>	Bolt, Flanged, M10 X 1.5 X 65	8	
11	<u>103216401</u>	Nut, Flanged, M10 x 1.5, Black	8	
12	N/A	Tube, Rops, Side Support, Awd	2	
13	<u>96715552</u>	Bolt, M10 X 1.50 X 65	4	

1

G

D



000029-013

HEAD RESTS AND REAR SEAT HANDLE – 4 PASS

ITEM	PART NO.	DESCRIPTION	QTY
		1 2 3 4	
1	<u>102718101</u>	Washer, Hard, M10, Zn-Ni/Blk	2
2	<u>102732401</u>	Bolt, M10 X 45, Zn-Ni (Black)	2
3	<u>102834401</u>	Weldment, Handle, ROPS, Rear	1
4	<u>102988701</u>	Bolt, Flanged, M10 X 1.5 X 65	2
5	<u>103216401</u>	Nut, Flanged, M10 x 1.5, Black	4
6	<u>103274602</u>	Kit, Head Restraint, Black (includes items 7 through 9)	1
7	<u>102490101</u>	Bolt, M10 X 1.5 X 20 Loctite	4
8	<u>103274502</u>	Asm, Head Restraint, Black	2
9	<u>96741046</u>	Washer, M10, Hard	4
10	<u>103283801</u>	Asm, Rear Brace	1

1

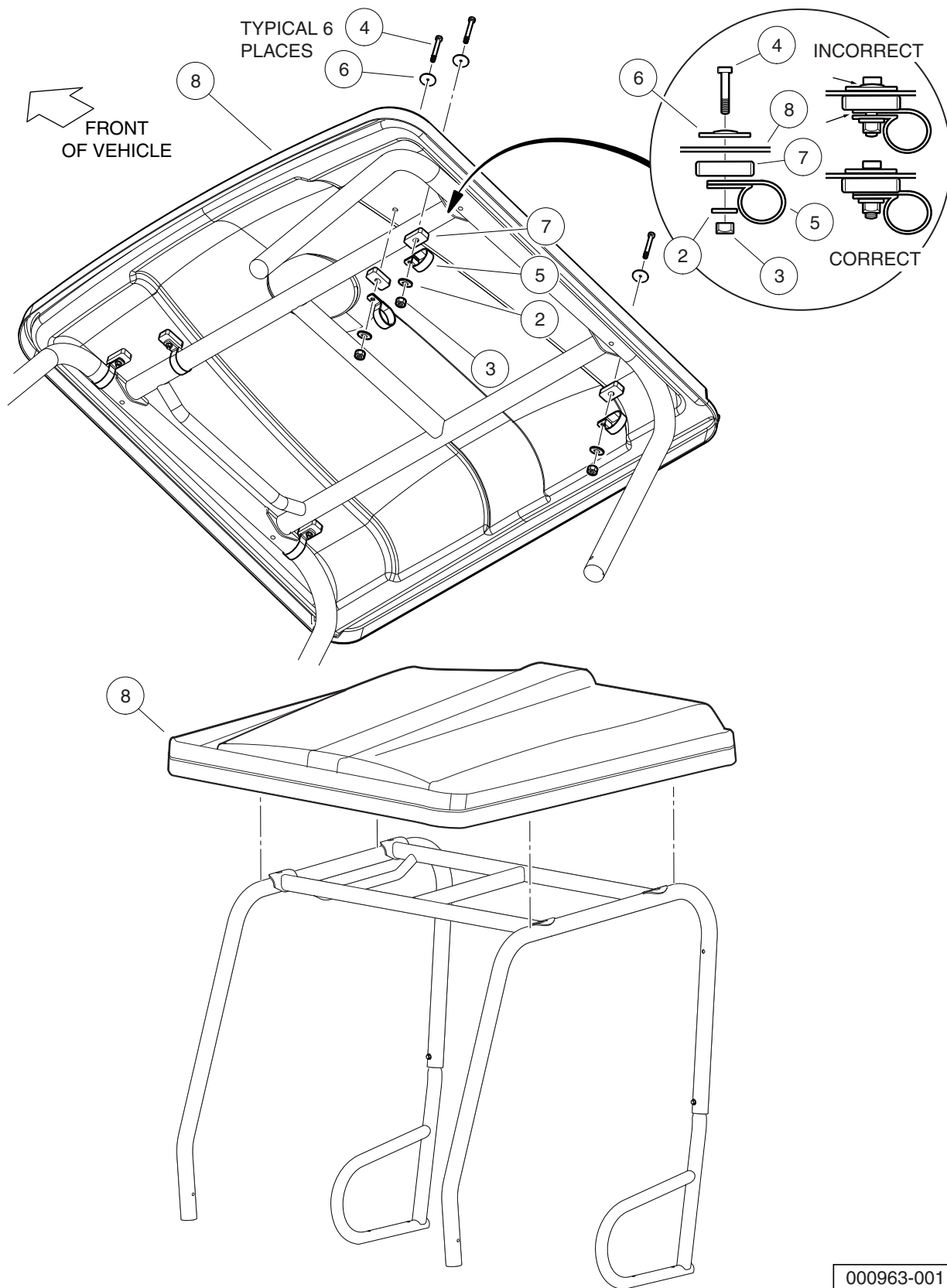
G

D

1

G

D



000963-001

CANOPY (VEHICLE WITH ROPS)

ITEM	PART NO.	DESCRIPTION	QTY
		1 2 3 4	
1	<u>103955901</u>	Kit, Canopy, Black, 4wd (includes items 2 through 8)	1
2	1011964	Washer, 1/4 Flat	6
3	1015068	Locknut, 1/4-20 Nylon	6
4	<u>102343601</u>	Screw, 1/4-20 X 1 3/4 Ss Hx Ca	6
5	<u>103223101</u>	P Clamp Insul 50.8 Dia	6
6	<u>103844301</u>	Washer, Sealing, 0.25 X 1.50	6
7	<u>103844401</u>	Spacer, 0.625 X 2.25 X 1.25	6
8	N/A	Canopy, Black, 4wd	1

1

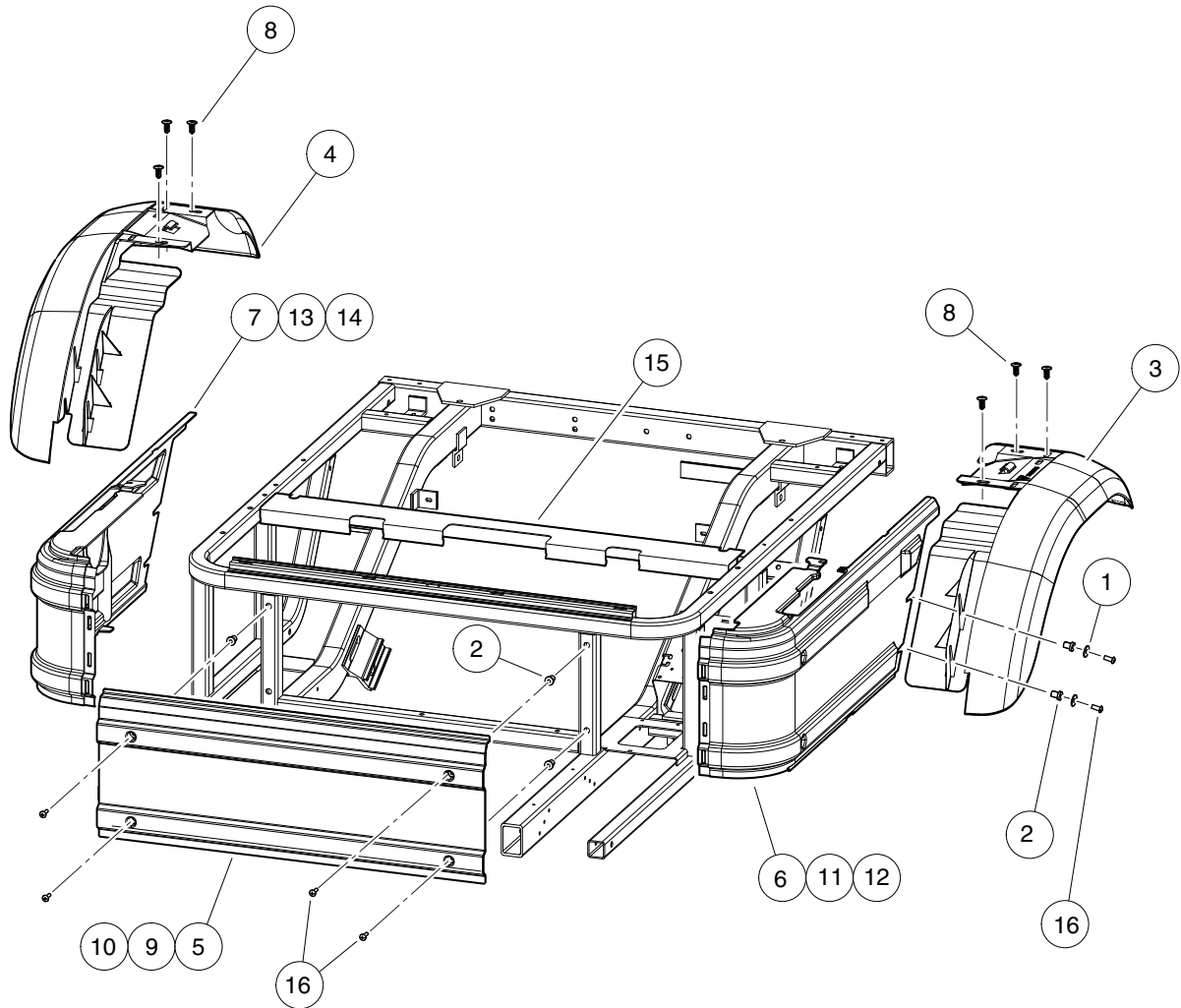
G

D

1

G

D



000518-006

SIDE PANELS AND REAR FENDERS – 2 PASS

ITEM	PART NO.	DESCRIPTION	QTY
		1 2 3 4	
1	<u>1014306</u>	Washer, 1/4" Type B Flat	4
2	<u>102491701</u>	Well Nut 1/4-20	8
3	<u>102913801</u>	Left Rear Fender (Black)	1
4	<u>102913901</u>	Right Rear Fender (Black)	1
5	<u>102914001</u>	Panel, Front, Kick (Black)	1
6	<u>102914101</u>	Panel, Side, Molded, Driver (Black)	1
7	<u>102914102</u>	Panel, Side, Molded, Passenger (Black)	1
8	<u>103200501</u>	Screw, Tuflok, 10mm	6
9	<u>103289001</u>	Panel, Front, Kick (Realtree Camo)	1
10	103289002	Panel, Front, Kick, Moff	1
11	<u>103289101</u>	Panel, Side, Molded, Driver (Realtree Camo)	1
12	103289102	Panel, Side, Molded, Drv, Moff	1
13	<u>103289103</u>	Panel, Side, Molded, Passenger (Realtree Camo)	1
14	103289104	Panel, Side, Molded, Pass, Moff	1
15	<u>103331201</u>	Closeout, Extrusion	1
16	<u>8251</u>	Screw, 1/4-20 X 1.0 Truss-Head Machine	8

1

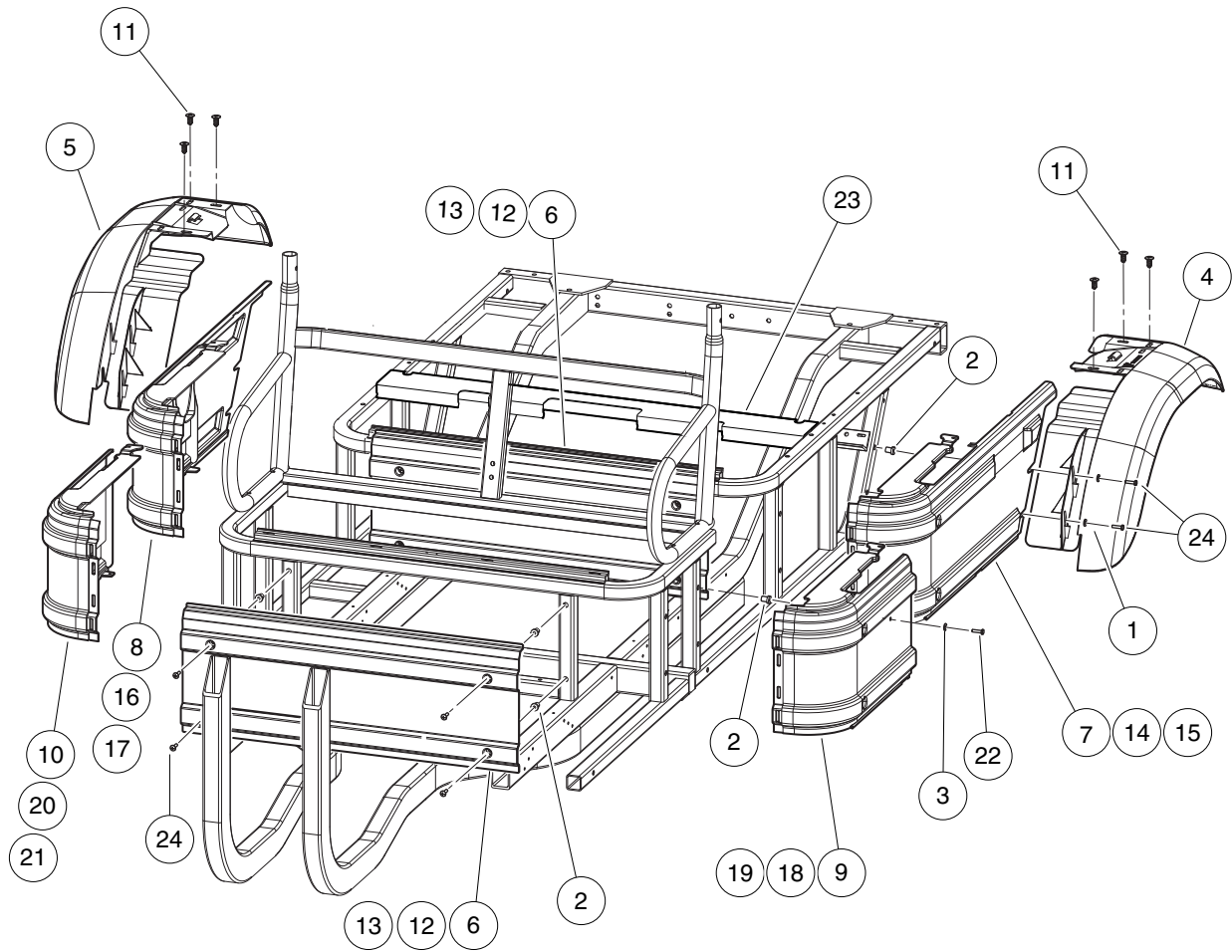
G

D

1

G

D



000518-007

SIDE PANELS AND REAR FENDERS – 4 PASS

ITEM	PART NO.	DESCRIPTION	QTY
		1 2 3 4	
1	<u>1014306</u>	Washer, 1/4" Type B Flat	4
2	<u>102491701</u>	Well Nut 1/4-20	14
3	<u>102772201</u>	Washer, Flat, 5/16, Black	2
4	<u>102913801</u>	Left Rear Fender (Black)	1
5	<u>102913901</u>	Right Rear Fender (Black)	1
6	<u>102914001</u>	Panel, Front, Kick (Black)	2
7	<u>102914101</u>	Panel, Side, Molded, Driver (Black)	1
8	<u>102914102</u>	Panel, Side, Molded, Passenger (Black)	1
9	<u>102914104</u>	Panel, Side, Cut, Driver (Black)	1
10	<u>102914105</u>	Panel, Side, Cut, Passenger (Black)	1
11	<u>103200501</u>	Screw, Tuflok, 10mm	6
12	<u>103289001</u>	Panel, Front, Kick (Realtree Camo)	2
13	103289002	Panel, Front, Kick, Moff	2
14	<u>103289101</u>	Panel, Side, Molded, Driver (Realtree Camo)	1
15	103289102	Panel, Side, Molded, Drv, Moff	1
16	<u>103289103</u>	Panel, Side, Molded, Passenger (Realtree Camo)	1
17	103289104	Panel, Side, Molded, Pass, Moff	1
18	<u>103289107</u>	Panel, Cut, Driver (Realtree Camo)	1
19	103289108	Panel, Side, Cut, Drv, Moff	1
20	<u>103289109</u>	Panel, Cut, Passenger (Realtree Camo)	1
21	103289110	Panel, Side, Cut, Pass, Moff	1
22	<u>103319501</u>	Screw, Pn Hd Blk, 1/4 - 20 X 1	2
23	<u>103331201</u>	Closeout, Extrusion	1
24	<u>8251</u>	Screw, 1/4-20 X 1.0 Truss-Head Machine	12

1

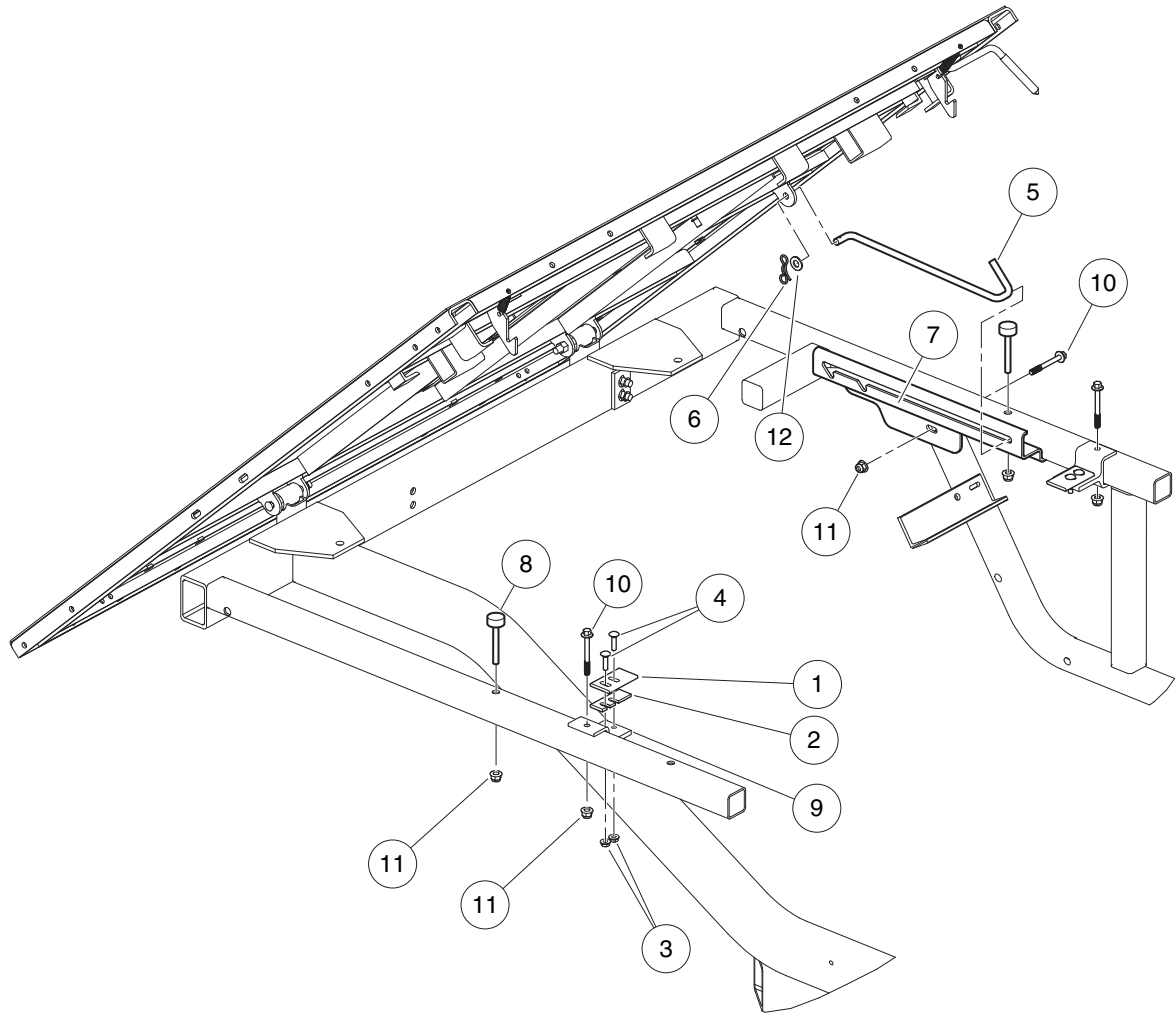
G

D

1

G

D



000036-001

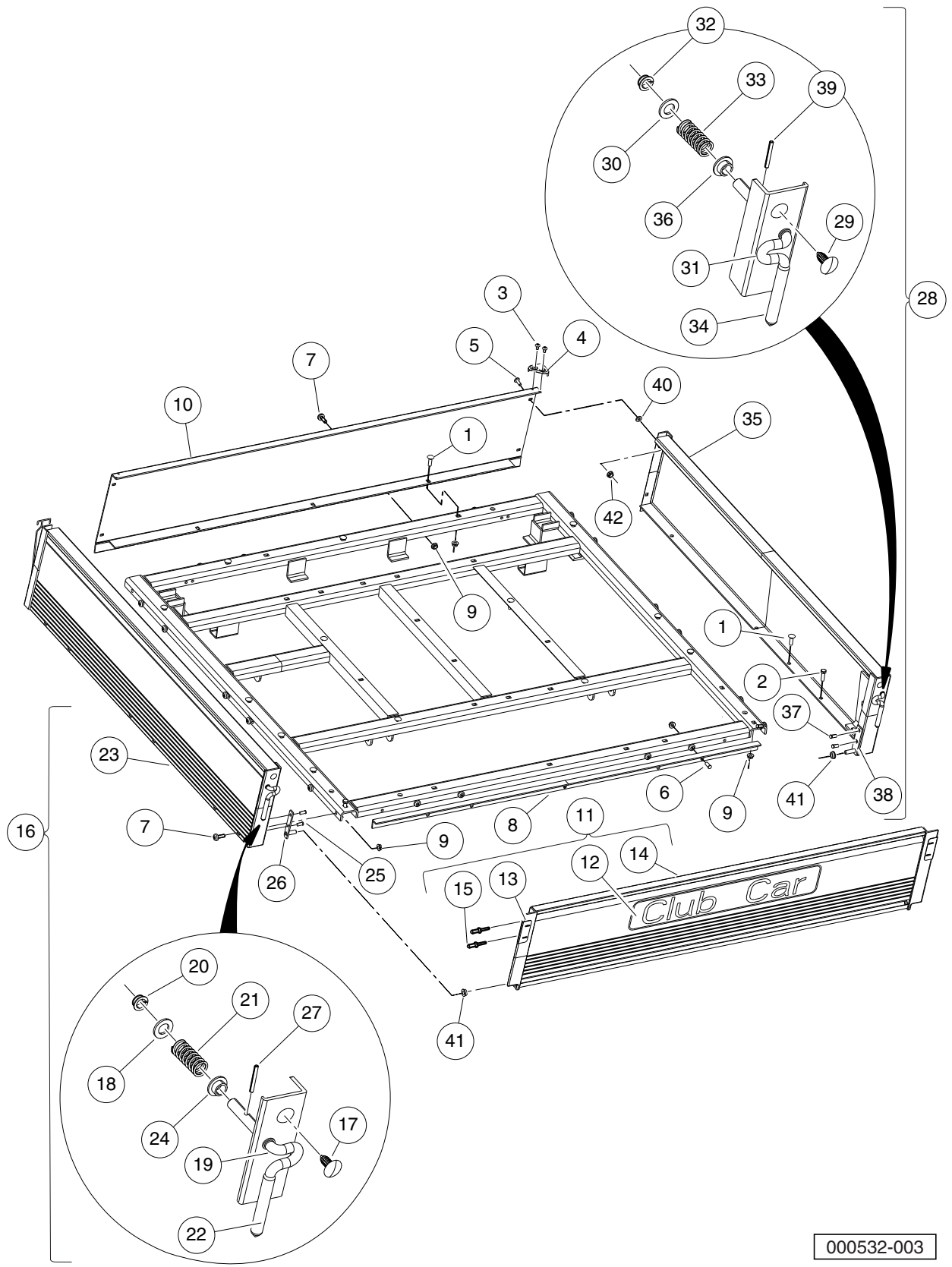
LATCH PLATES AND PROP ROD

ITEM	PART NO.	DESCRIPTION	QTY	
		1 2 3 4		1
1	<u>1015277</u>	Latch Plate, Tilt Bed	2	G
2	<u>1016078</u>	Latch Plate Shim	1	
3	<u>101835601</u>	Locknut, 1/4-20 Hex Whiz	4	
4	<u>101958602</u>	Bolt, Carriage, 1/4-20 X 1.0	4	D
5	<u>102301401</u>	Rod, Prop	1	
6	<u>102323101</u>	Pin, Bow Tie Locking	1	
7	<u>102418101</u>	Track, Prop Rod	1	
8	<u>102426601</u>	Bumper, Bed, Mtg, Front	2	
9	<u>102493801</u>	Bracket, Latch, Bed	2	
10	<u>102618301</u>	Bolt, Flanged Head, M8 X 1.25 X 65	3	
11	<u>102618601</u>	Lock Nut, Flange, M8 X 1.25 Nylon	5	
12	<u>334</u>	Washer, 3/8, Type A, Flat	1	

1

G

D



000532-003

BOX BED – ALUMINUM

ITEM	PART NO.	DESCRIPTION	QTY
		1 2 3 4	
1	<u>1010435</u>	Bolt, Carriage, 5/16-18 X 1.00	11
2	<u>1010934</u>	Screw, 5/16-18 X 1.00 Hex Cap	2
3	<u>1014321</u>	Screw, #10 Truss-Head Torx	4
4	<u>1014387</u>	Cap, Corner	2
5	<u>1014415</u>	Screw, 1/4-20 X 0.75 Torx Truss-Head	4
6	<u>1014537</u>	Stud, Self-Clinching Flush Head	2
7	<u>1015399</u>	Screw, 5/16-18 X 0.88 Torx Truss-Head	16
8	N/A	Box Bed Tailgate Angle	1
9	<u>101963401</u>	Locknut, 5/16-18 Hex Flange	33
10	<u>102030101</u>	Panel, Front	1
11	<u>102030201</u>	Tailgate Asm (includes items 12 through 15)	1
12	<u>1013317</u>	Decal, Logo, Tailgate	1
13	<u>1015246</u>	Plate, Tailgate Latch Wear	2
14	N/A	Tailgate Weldment	1
15	<u>7973</u>	Rivet, 3/16 X .400 Blind	4
16	<u>103191401</u>	Asm, Panel, Side, Left (includes items 17 through 28)	1
17	<u>1010434</u>	Barrel - Plastic	1
18	<u>1011990</u>	Washer, 3/8 Flat	1
19	<u>1015313</u>	Latch, Tailgate, Left-Hand	1
20	<u>1015363</u>	Bushing, Snap-In	1
21	<u>1015390</u>	Compression Spring Latch Tilt	1
22	<u>1015400</u>	Grip, Tilt Latch Hand	1
23	<u>103191201</u>	Weldment, Panel, Side, Left	1
24	<u>1032</u>	Bushing, Nylon	1
25	<u>103379401</u>	Rivet, 1/4 X 0.30, Blind	2
26	<u>103406501</u>	Kit, Tailgate Mounting Bracket, CA, LH (includes item 27)	1
27	<u>103406601</u>	Stud, 1/4 Self-clnchg Flush	2
28	<u>1231</u>	Pin, 1/8 X 1.00 Split Roll	1
29	<u>103191501</u>	Asm, Panel, Side, Right (includes items 30 through 41)	1
30	<u>1010434</u>	Barrel - Plastic	1
31	<u>1011990</u>	Washer, 3/8 Flat	1
32	<u>1015245</u>	Latch, Tailgate, Right-Hand	1
33	<u>1015363</u>	Bushing, Snap-In	1
34	<u>1015390</u>	Compression Spring Latch Tilt	1
35	<u>1015400</u>	Grip, Tilt Latch Hand	1
36	<u>103191301</u>	Weldment, Panel, Side, Right	1
37	<u>1032</u>	Bushing, Nylon	1
38	<u>103379401</u>	Rivet, 1/4 X 0.30, Blind	2
39	<u>103406502</u>	Kit, Tailgate Mounting Bracket, CA, RH (includes item 40)	1
40	<u>103406601</u>	Stud, 1/4 Self-clnchg Flush	2
41	<u>1231</u>	Pin, 1/8 X 1.00 Split Roll	1
42	<u>332</u>	Washer, 1/4 Type A Narrow Flat	4
43	<u>7049</u>	Bushing, Nylon	2
44	<u>8233</u>	Locknut, 1/4-20, Nylon Insert	4

1

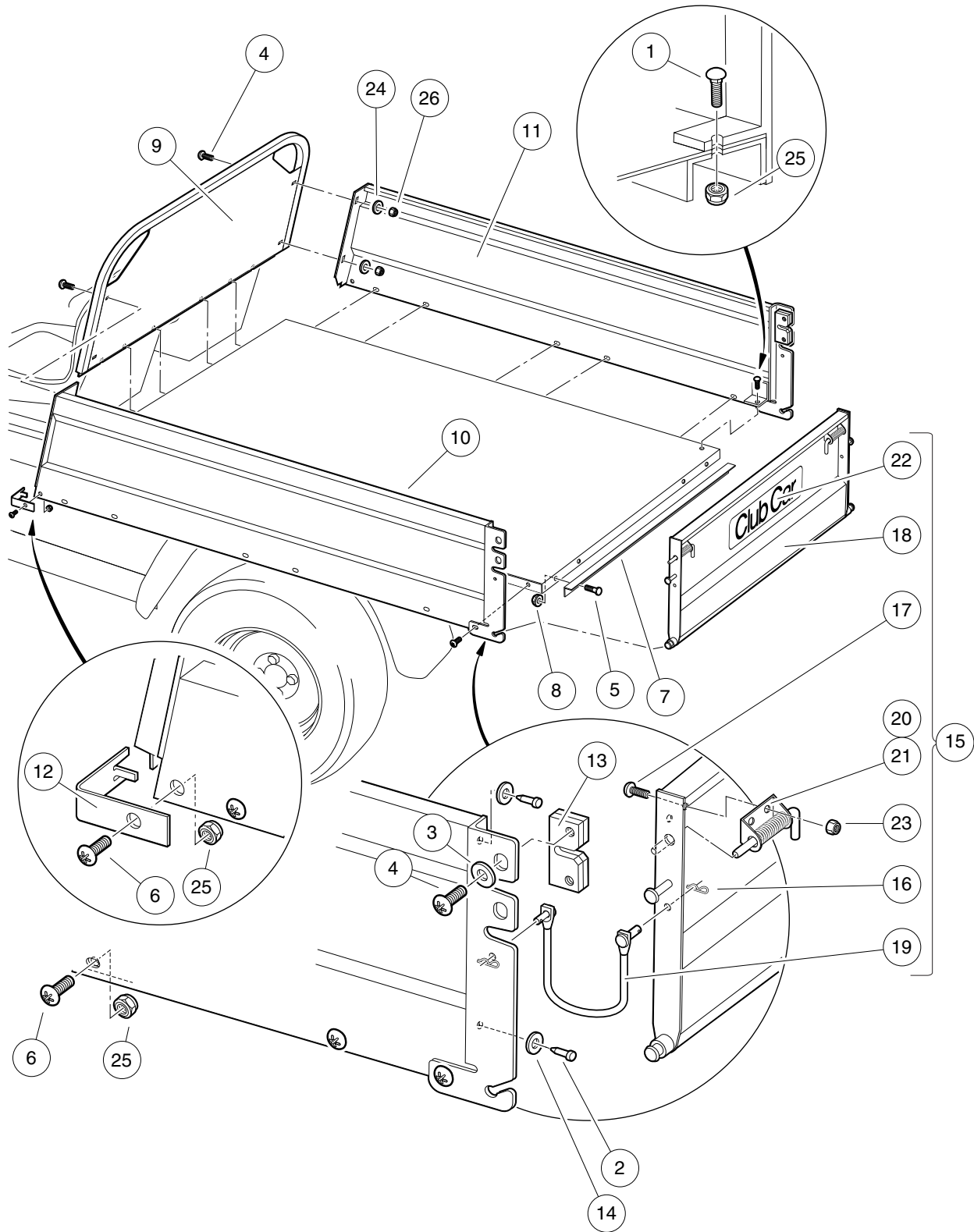
G

D

1

G

D



000038-006

BOX BED – STEEL

ITEM	PART NO.	DESCRIPTION	QTY
		1 2 3 4	
1	<u>1010435</u>	Bolt, Carriage, 5/16-18 X 1.00	13
2	<u>1010436</u>	Bumper, Rubber	4
3	<u>1014306</u>	Washer, 1/4" Type B Flat	4
4	<u>1014415</u>	Screw, 1/4-20 X 0.75 Torx Truss-Head	8
5	<u>1014537</u>	Stud, Self-Clinching Flush Head	4
6	<u>1015399</u>	Screw, 5/16-18 X 0.88 Torx Truss-Head	18
7	<u>101894304</u>	Box Bed Tailgate Angle	1
8	<u>101963401</u>	Locknut, 5/16-18 Hex Flange	4
9	<u>102221301</u>	Front Panel Weldment	1
10	<u>102221401</u>	Left Panel Weldment	1
11	<u>102221501</u>	Right Panel Weldment	1
12	<u>102221701</u>	Front Corner Cap	2
13	<u>102222001</u>	Slam Latch	2
14	<u>102239901</u>	Washer, Rubber, 3/8	4
15	<u>102614401</u>	Assembly, Tailgate (includes items 16 through 23)	1
16	<u>1013366</u>	Hair Pin Clip	4
17	<u>1014415</u>	Screw, 1/4-20 X 0.75 Torx Truss-Head	4
18	N/A	Tailgate, Weldment	1
19	<u>102221801</u>	Tether Assembly	2
20	<u>102222101</u>	Spring Latch Right	1
21	<u>102222201</u>	Spring Latch Left	1
22	<u>102673201</u>	Decal, Club Car Tailgate	1
23	<u>8233</u>	Locknut, 1/4-20, Nylon Insert	4
24	<u>332</u>	Washer, 1/4 Type A Narrow Flat	4
25	<u>7473</u>	Locknut, 5/16-18 Nylon Insert	31
26	<u>8233</u>	Locknut, 1/4-20, Nylon Insert	4

1
G
D

1

G

D

WHEELS AND TIRES

2

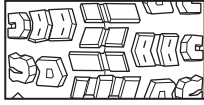
G

D

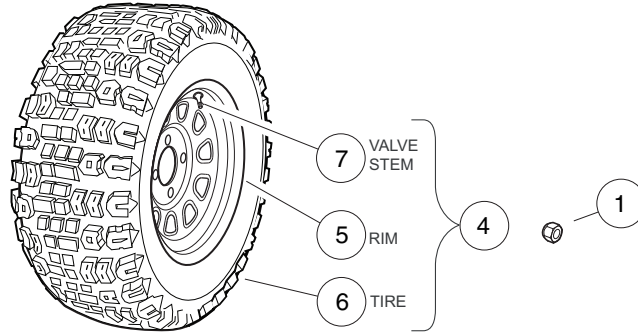
2

G

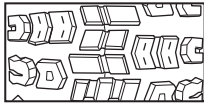
D



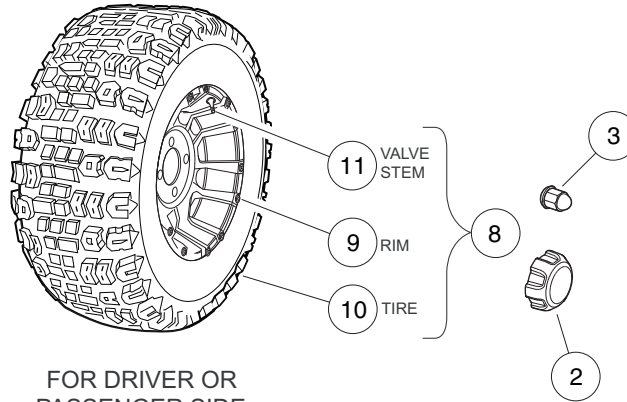
Kenda
All-Terrain
Tread



FOR DRIVER OR
PASSENGER SIDE



Kenda
All-Terrain
Tread



FOR DRIVER OR
PASSENGER SIDE

000506-006

WHEELS AND TIRES – KENDA

ITEM	PART NO.	DESCRIPTION	QTY
		1 2 3 4	
1	<u>102736901</u>	Nut, Lug, 1/2-20 SAE J2283	16
2	<u>103532801</u>	Cap, Center, Chrome	4
3	<u>103699801</u>	Lug Nut, 13/16 X 1/2-20, CE	16
4	<u>103779001</u>	Wheel/Tire Assy, All Terrain, 25x11-12 K502, Black Wheel (includes items 5 through 7) .	4
5	<u>103234503</u>	Wheel, 10 Window, Black	1
6	<u>103778601</u>	Tire, All Terrain, K502, 25x11-12	1
7	<u>7310</u>	Valve Stem, Black Plastic	1
8	<u>103779004</u>	Wheel/Tire Assy, All Terrain, 25x11-12 K502, Alloy Wheel (includes items 9 through 11)	4
9	<u>103525002</u>	Wheel, Alloy	1
10	<u>103778601</u>	Tire, All Terrain, K502, 25x11-12	1
11	<u>7310</u>	Valve Stem, Black Plastic	1
Note: The tires listed above are Kenda brand.			

2

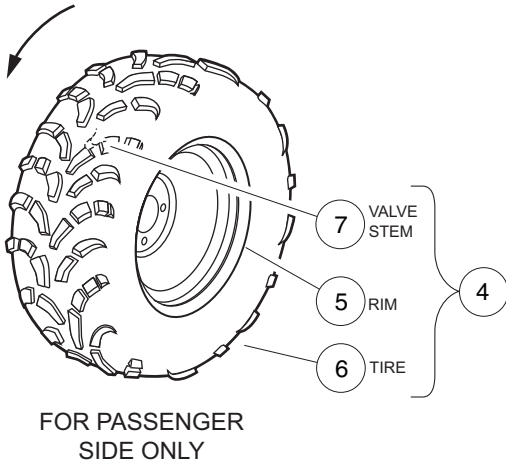
G

D

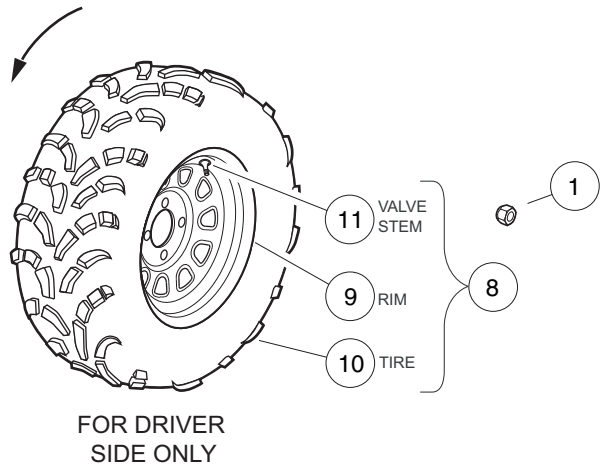
2

G

D



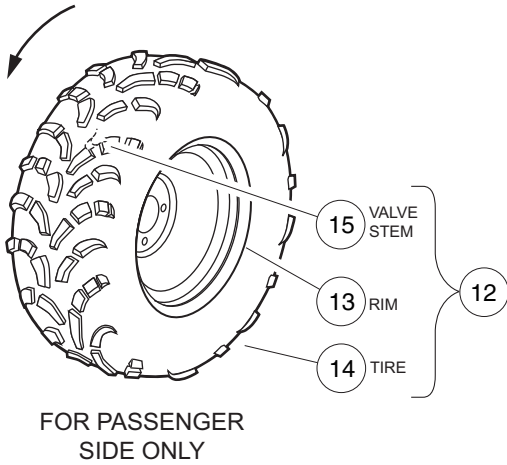
FOR PASSENGER SIDE ONLY



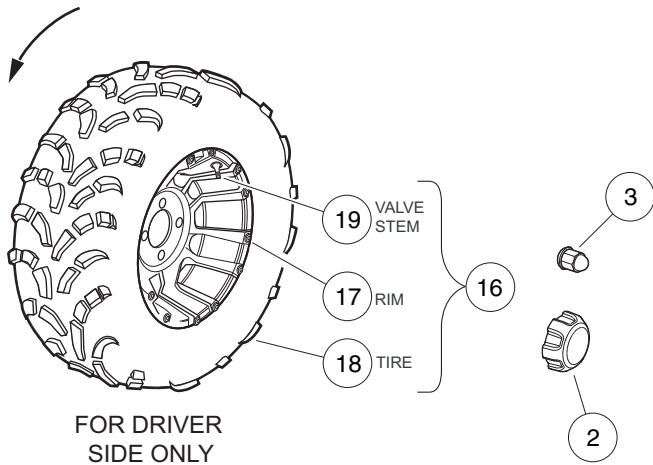
FOR DRIVER SIDE ONLY



OTR Mud Tread



FOR PASSENGER SIDE ONLY



FOR DRIVER SIDE ONLY



OTR Mud Tread

000506-007

WHEELS AND TIRES – OTR

ITEM	PART NO.	DESCRIPTION	QTY
		1 2 3 4	
1	<u>102736901</u>	Nut, Lug, 1/2-20 SAE J2283	16
2	<u>103532801</u>	Cap, Center, Chrome	4
3	<u>103699801</u>	Lug Nut, 13/16 X 1/2-20, CE	16
4	<u>103901101</u>	Wheel/Tire Assy, Pass. Side, Mud, 25x11-12 OTR 440, Black (includes items 5 through 7)	2
5	<u>103234503</u>	Wheel, 10 Window, Black	1
6	<u>103901001</u>	Tire, Mud, 6ply, 25x11-12, 440	1
7	<u>7310</u>	Valve Stem, Black Plastic	1
8	<u>103901102</u>	Wheel/Tire Assy, Driver Side, Mud, 25x11-12 OTR 440, Black (includes items 9 through 11)	2
9	<u>103234503</u>	Wheel, 10 Window, Black	1
10	<u>103901001</u>	Tire, Mud, 6ply, 25x11-12, 440	1
11	<u>7310</u>	Valve Stem, Black Plastic	1
12	<u>103901107</u>	Wheel/Tire Assy, Pass. Side, Mud, 25x11-12 OTR 440, Alloy (includes items 13 through 15)	2
13	<u>103525002</u>	Wheel, Alloy	1
14	<u>103901001</u>	Tire, Mud, 6ply, 25x11-12, 440	1
15	<u>7310</u>	Valve Stem, Black Plastic	1
16	<u>103901108</u>	Wheel/Tire Assy, Driver Side, Mud, 25x11-12 OTR 440, Alloy (includes items 17 through 19)	2
17	<u>103525002</u>	Wheel, Alloy	1
18	<u>103901001</u>	Tire, Mud, 6ply, 25x11-12, 440	1
19	<u>7310</u>	Valve Stem, Black Plastic	1
Note: The tires listed above are OTR brand. NOTE 2: Must use Items 4 and 12 on passenger side; Items 8 and 16 on driver side.			

2

G

D

2

G

D

DECALS

3

G

D

3

G

D

WARNING
GASOLINE EXPLOSION / FIRE.
 • Can cause severe injury or death.
 • No smoking, sparks, or open flames.
 • Stop engine, allow to cool before refueling.
 • Turn fuel valve (—) on during operation.
 • (→) off during storage or transport.

WARNING
DIESEL FUEL EXPLOSION / FIRE.
 • Can cause severe injury or death.
 • No smoking, sparks, or open flames.
 • Stop engine, allow to cool before refueling.

OPERATING INSTRUCTIONS

- Read owner's manual and vehicle safety warnings. Study and understand controls.

TO START ENGINE

- Place shift lever in NEUTRAL (N) and press brake pedal.
- Turn key to START and hold until engine starts.

Diesel Vehicles Only:

- If required, turn key to PREHEAT and hold for 10-15 seconds.

TO OPERATE VEHICLE

- Ensure wheels are turned in desired direction and path is clear.
- With vehicle stopped and engine at idle, select vehicle direction.

↑ Forward N Neutral ↓ Reverse (Buzzer will sound)

- Release park brake and slowly press accelerator pedal to increase speed.
- All-wheel drive will automatically drive appropriate wheel(s).

TO STOP VEHICLE

- Release accelerator pedal and push brake pedal.

BEFORE LEAVING VEHICLE

- Turn key to OFF and remove key.
- Place shift lever in NEUTRAL (N).
- Firmly set park brake.

CCI 102459201



WARNING
 CAN CAUSE SEVERE INJURY
HOT manifold
 KEEP CLEAR

WARNING
WINCH CABLE FRACTURE COULD RESULT IN SERIOUS INJURY OR DEATH.
 • Do not use winch while persons are seated on the vehicle.
 • Use remote operation switch for winch control.
 • Stand to the side and away from the vehicle to operate winch.
 • Read winch operator manual before operating winch.

WARNING
 CAN CAUSE SEVERE BURNS
 Hot Surface

WARNING
 Negative frame ground. Can cause severe injury. Do not contact positive (+) battery post or cable to frame. Disconnect negative (-) battery cable first.

WARNING
 CAN CAUSE SEVERE INJURY
 Rotating parts. KEEP CLEAR.

WARNING
 CAN CAUSE SEVERE INJURY
 Hot manifold and muffler. KEEP CLEAR.

3006

SAFETY DECALS – CARRYALL AND XRT 2-PASSENGER

ITEM	PART NO.	DESCRIPTION	QTY
		1 2 3 4	
1	<u>101547601</u>	Decal, Gasoline Explosion/Fire Warning	1
2	<u>102231601</u>	Decal, Winch Cable Fracture Warning	1
3	<u>102427501</u>	Cap, Radiator	1
4	<u>102458901</u>	Decal, Hot Surface Warning	2
5	<u>102459001</u>	Decal, Hot Manifold Warning	1
6	<u>102459101</u>	Decal, Frame Ground Warning	1
7	<u>102459201</u>	Decal, Diesel Explosion/Fire Warning	1
8	<u>102459501</u>	Decal, Rotating Parts and Hot Exhaust Warning	1
9	<u>102884301</u>	Decal, Operating Instr, AWD	1

3

G

D

3

G

D

WARNING

ROLLOVER OR FALLING OFF MAY CAUSE DEATH

- Read owner's manual and operating instructions.
- Fasten seat belts and remain seated while moving.
- Children requiring a child safety seat must not ride on vehicle.
- Comply with state and local laws pertaining to child safety.
- Drive slowly in turns and straight up and down slopes.
- Do not start vehicle until all occupants are seated.
- Two (2) persons per bench seat maximum.
- One (1) person per bucket seat maximum.
- Operate from driver side only and not on public roads.
- Keep entire body inside vehicle while moving.
- Do not operate while under the influence of alcohol or drugs.
- Never attempt jumps and avoid extreme braking in reverse.

CCI 10288461

UNDER 16

WARNING

YOUNG DRIVERS INCREASE CHANCE OF DEATH

- Young drivers may not be able to control vehicle.
- No drivers younger than 16 years old.
- Do not leave children unattended on vehicle.

CCI 10288461

WARNING

- Do not modify or remove Roll-over Protective Structure (ROPS).
- Replace ROPS if damaged. Do not attempt repair.
- Use seat belts during operation. Do not jump from vehicle.
- Keep away from drop-offs, steep slopes, and unstable surfaces.

CCI 102961201

WARNING

CAN CAUSE SEVERE INJURY

Rotating parts. KEEP CLEAR.

CCI 101040201

NOTICE

MAXIMUM TONGUE WEIGHT - 150 lbs.

CCI 1011553

WARNING

CRUSH AREA

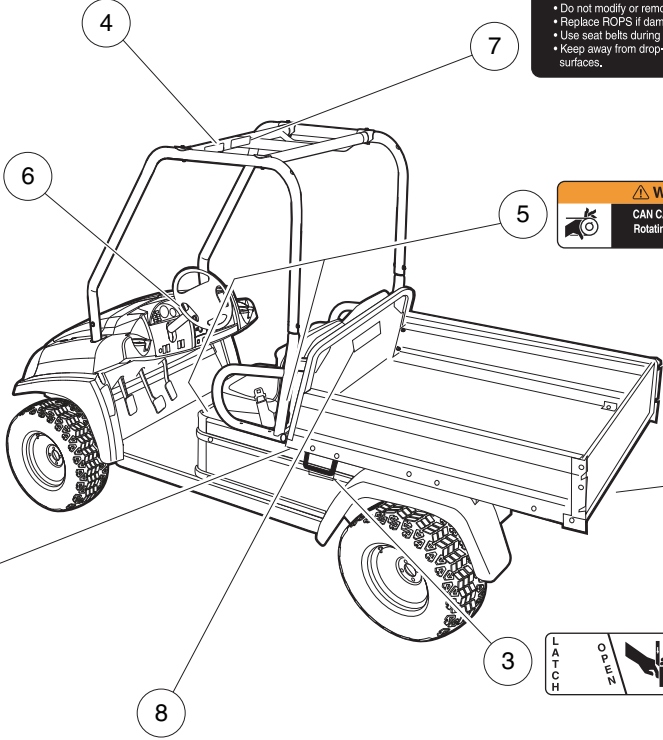
STAY CLEAR

CCI 101609401

WARNING

Crush area. Can cause severe injury. Stay clear when closing bed.

CCI 10105801



<p>WARNING</p> <p>RIDING IN CARGO BED CAN CAUSE SERIOUS INJURY OR DEATH.</p> <ul style="list-style-type: none"> • Do not ride in cargo bed. 	<p>WARNING</p> <p>ROLLOVER CAN CAUSE SERIOUS INJURY OR DEATH.</p> <ul style="list-style-type: none"> • Place cargo forward in the cargo bed and distribute evenly side to side. Secure load. • On uneven or steep terrain, reduce speed and load. • Avoid stopping on or backing down steep hills. • Avoid top-heavy loads. 	<p>VEHICLE LOADING</p> <ul style="list-style-type: none"> • Read owner's manual and warnings on dash. • Vehicle rated capacity: 1200 lb. (544 kg) on level surface only. • Includes occupants and cargo load. • Maximum cargo load: 800 lb. (363 kg). • Includes cargo, bed load, optional equipment, and trailer tongue weight. <p>103202691</p>
--------------------------------------------------------------------------------------------------------------------------------------------------------------------------	-------------------------------------------------------------------------------------------------------------------------------------------------------------------------------------------------------------------------------------------------------------------------------------------------------------------------------------------------------------------------------------	-------------------------------------------------------------------------------------------------------------------------------------------------------------------------------------------------------------------------------------------------------------------------------------------------------------------------------------------------------------------------------------------------------------

<p>WARNING</p> <p>RIDING IN CARGO BED CAN CAUSE SERIOUS INJURY OR DEATH.</p> <ul style="list-style-type: none"> • Do not ride in cargo bed. 	<p>WARNING</p> <p>ROLLOVER CAN CAUSE SERIOUS INJURY OR DEATH.</p> <ul style="list-style-type: none"> • Place cargo forward in the cargo bed and distribute evenly side to side. Secure load. • On uneven or steep terrain, reduce speed and load. • Avoid stopping on or backing down steep hills. • Avoid top-heavy loads. 	<p>HIGH-CAPACITY VEHICLE LOADING</p> <ul style="list-style-type: none"> • Read owner's manual and warnings on dash. • Vehicle rated capacity: 1450 lb. (653 kg) on level surface only. • Includes occupants and cargo load. • Maximum cargo load: 1050 lb. (476 kg). • Includes cargo, bed load, optional equipment, and trailer tongue weight. <p>103210461</p>
--------------------------------------------------------------------------------------------------------------------------------------------------------------------------	-------------------------------------------------------------------------------------------------------------------------------------------------------------------------------------------------------------------------------------------------------------------------------------------------------------------------------------------------------------------------------------	----------------------------------------------------------------------------------------------------------------------------------------------------------------------------------------------------------------------------------------------------------------------------------------------------------------------------------------------------------------------------------------------------------------------------

2705

SAFETY DECALS – CARRYALL AND XRT 2-PASSENGER, CONTINUED

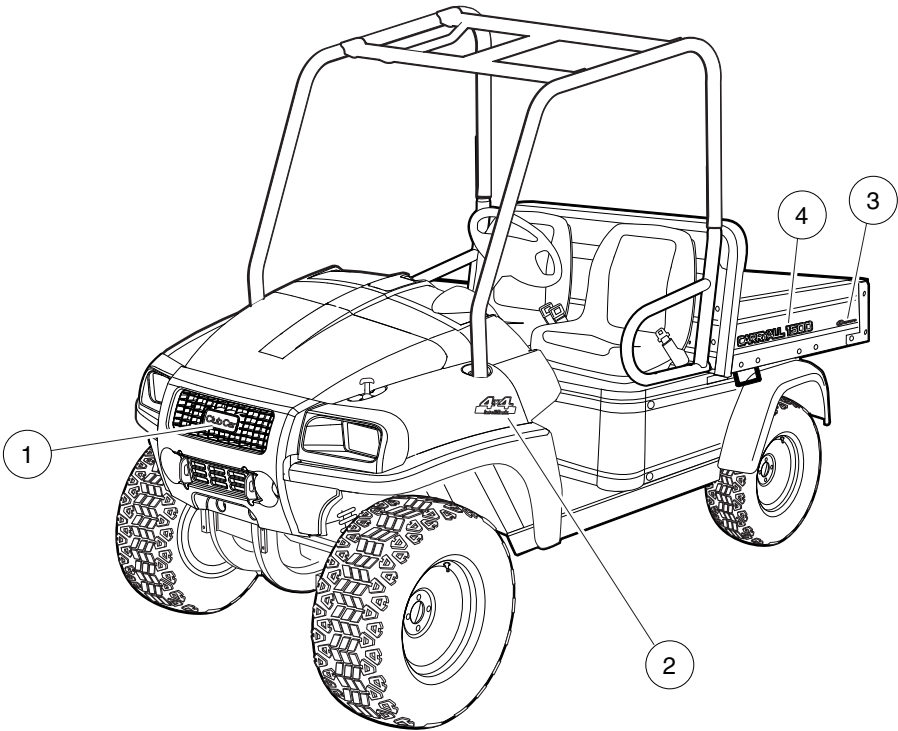
ITEM	PART NO.	DESCRIPTION	QTY
		1 2 3 4	
1	<u>1011553</u>	Decal, Trailer Hitch	1
2	<u>101609401</u>	Decal, Crush Area Warning	2
3	<u>102459301</u>	Decal, Bed Crush Area Warning	1
4	<u>102459401</u>	Decal, Young Driver Warning	1
5	<u>102460201</u>	Decal, Rotating Parts Warning	2
6	<u>102884401</u>	Decal, Warning, Rollover	1
7	<u>102961201</u>	Decal, Warning, AWD ROPS	1
8	<u>103202601</u>	Decal, Vehicle Loading, 800 lbs	1
9	<u>103210401</u>	Decal, Vehicle Loading, 1050 lbs	1

3
G
D

3

G

D



000531-009

BADGING DECALS – CARRYALL 2-PASSENGER

ITEM	PART NO.	DESCRIPTION	QTY
		1 2 3 4	
1	<u>102883601</u>	Decal, Nameplate, CCI, Front	1
2	<u>103234201</u>	Decal, Badge, 4x4	2
3	<u>103234304</u>	Decal, Badge, lr, Red	2
4	<u>105200501</u>	Decal, Badge, CA1500	2

3

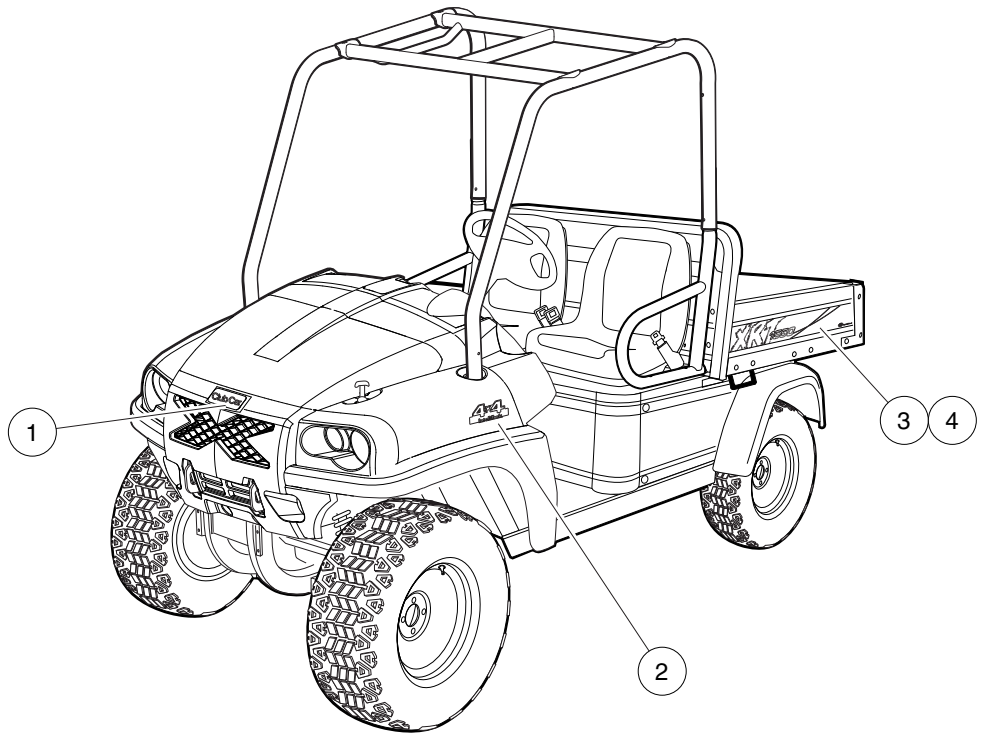
G

D

3

G

D



000531-008

BADGING DECALS – XRT 2-PASSENGER

ITEM	PART NO.	DESCRIPTION	QTY
		1 2 3 4	
1	<u>102883601</u>	Decal, Nameplate, CCI, Front	1
2	<u>103234201</u>	Decal, Badge, 4x4	2
3	<u>103945601</u>	Decal, Side, Bed, 1550, Ds	1
4	<u>103945602</u>	Decal, Side, Bed, 1550, Ps	1

3

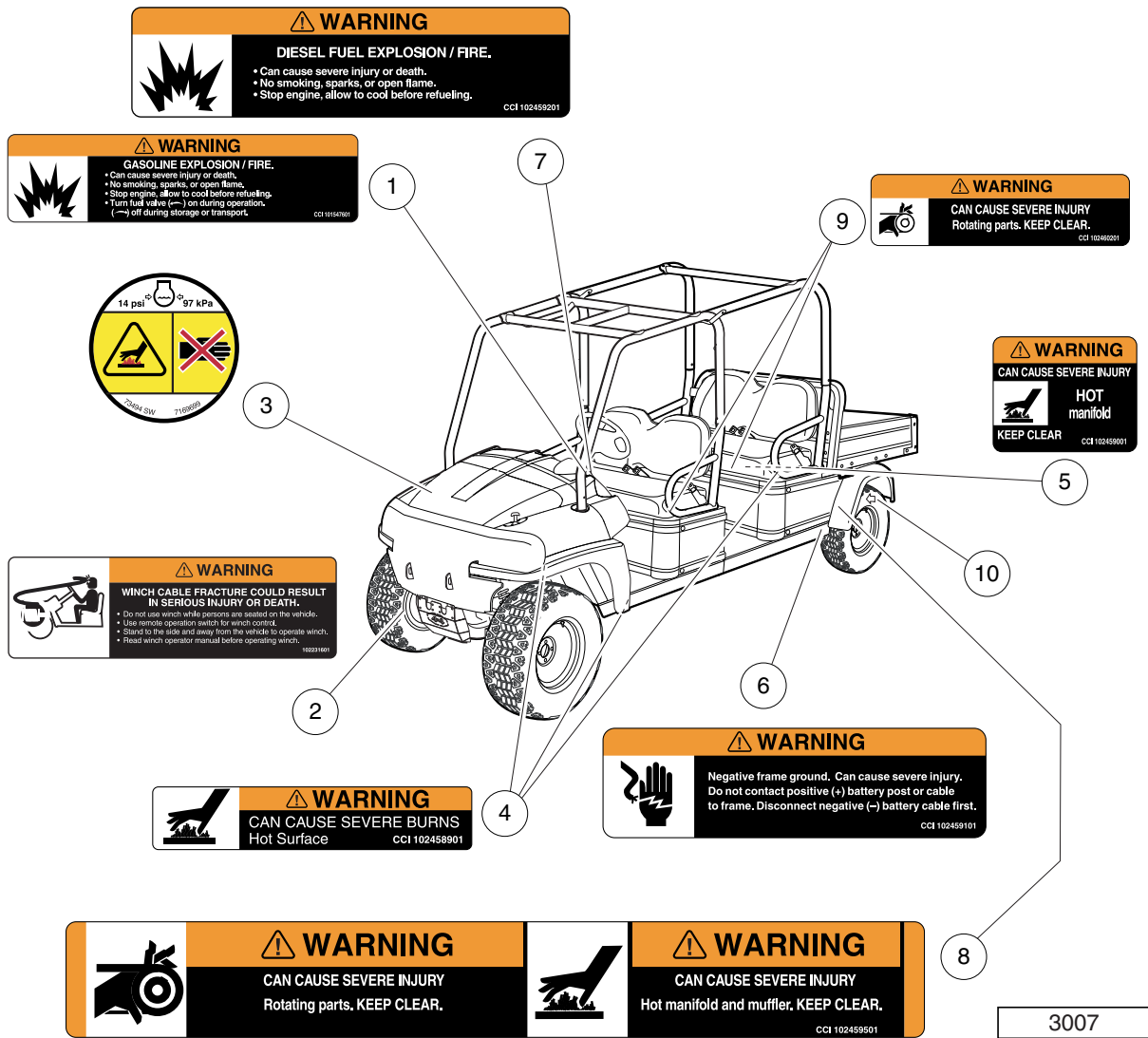
G

D

3

G

D



3007

SAFETY DECALS – CARRYALL AND XRT 4-PASSENGER

ITEM	PART NO.	DESCRIPTION	QTY
		1 2 3 4	
1	<u>101547601</u>	Decal, Gasoline Explosion/Fire Warning	1
2	<u>102231601</u>	Decal, Winch Cable Fracture Warning	1
3	<u>102427501</u>	Cap, Radiator	1
4	<u>102458901</u>	Decal, Hot Surface Warning	3
5	<u>102459001</u>	Decal, Hot Manifold Warning	1
6	<u>102459101</u>	Decal, Frame Ground Warning	1
7	<u>102459201</u>	Decal, Diesel Explosion/Fire Warning	1
8	<u>102459501</u>	Decal, Rotating Parts and Hot Exhaust Warning	1
9	<u>102460201</u>	Decal, Rotating Parts Warning	2

3

G

D

3

G

D

OPERATING INSTRUCTIONS

- Read owner's manual and vehicle safety warnings. Study and understand controls.

TO START ENGINE

- Place shift lever in NEUTRAL (N) and press brake pedal.
- Turn key to START and hold until engine starts.

Diesel Vehicles Only:

- If required, turn key to PREHEAT and hold for 10-15 seconds.

TO OPERATE VEHICLE

- Ensure wheels are turned in desired direction and path is clear.
- With vehicle stopped and engine at idle, select vehicle direction.

Forward Neutral Reverse (Buzzer will sound)

- Release park brake and slowly press accelerator pedal to increase speed.
- Allowed drive will automatically drive appropriate wheel(s).

TO STOP VEHICLE

- Release accelerator pedal and push brake pedal.

BEFORE LEAVING VEHICLE

- Turn key to OFF and remove key.
- Place shift lever in NEUTRAL (N).
- Firmly set park brake.

CCI 10284301

WARNING

ROLLOVER OR FALLING OFF MAY CAUSE DEATH

- Read owner's manual and operating instructions.
- Fasten seat belts and remain seated while moving.
- Children requiring a child safety seat must not ride on vehicle.

Comply with state and local laws pertaining to child safety.

- Drive slowly in turns and straight up and down slopes.
- Do not start vehicle until all occupants are seated.
- Two (2) persons per bench seat maximum.
- One (1) person per bucket seat maximum.
- Operate from driver side only and not on public roads.
- Keep entire body inside vehicle while moving.
- Do not operate while under the influence of alcohol or drugs.
- Never attempt jumps and avoid extreme braking in reverse.

CCI 10284301

WARNING

UNDER 16

YOUNG DRIVERS INCREASE CHANCE OF DEATH

- Young drivers may not be able to control vehicle.
- No drivers younger than 16 years old.
- Do not leave children unattended on vehicle.

CCI 10284301

WARNING

- Do not modify or remove Roll-Over Protective Structure (ROPS).
- Replace ROPS if damaged. Do not attempt repair.
- Use seat belts during operation. Do not jump from vehicle.
- Keep away from drop-offs, steep slopes, and unstable surfaces.

CCI 10284301

WARNING

CAN CAUSE SEVERE INJURY

Rotating parts, KEEP CLEAR.

CCI 102460201

NOTICE

MAXIMUM TONGUE WEIGHT - 150 lbs.

CCI 1011553

WARNING

FALLING OFF COULD RESULT IN SEVERE INJURY OR DEATH

- Fasten seat belt and remain seated while moving.
- One (1) person per bucket seat maximum.
- Do not leave children unattended on vehicle at any time.
- Two (2) persons per bench seat maximum.
- Never drive in front of or behind vehicle.

CCI 101609401

WARNING

CRUSH AREA

STAY CLEAR

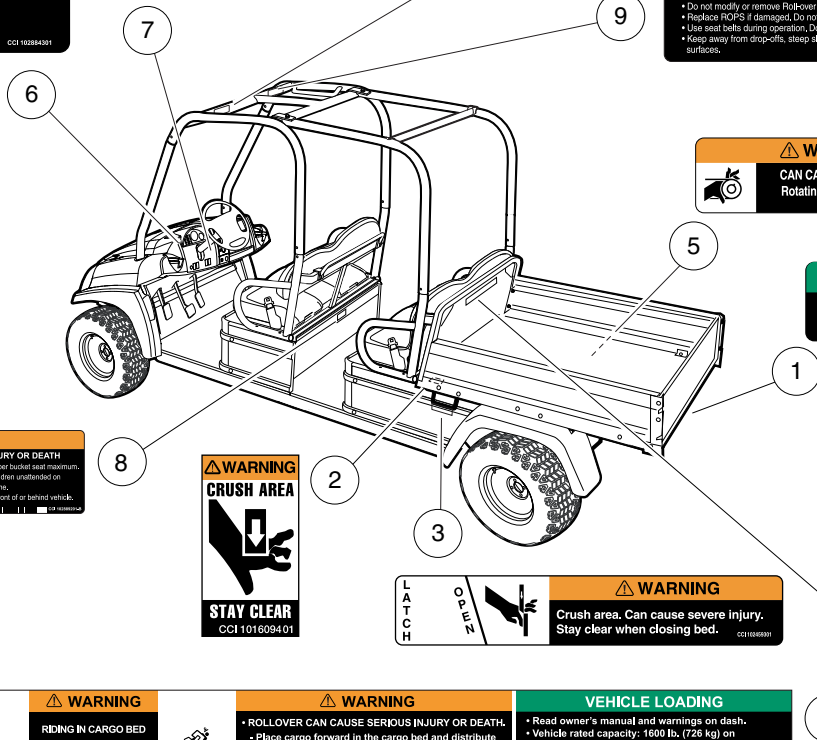
CCI 101609401

WARNING

Crush area. Can cause severe injury. Stay clear when closing bed.

CCI 101609401

<p>WARNING</p> <p>RIDING IN CARGO BED CAN CAUSE SERIOUS INJURY OR DEATH.</p> <ul style="list-style-type: none"> • Do not ride in cargo bed. 	<p>WARNING</p> <p>ROLLOVER CAN CAUSE SERIOUS INJURY OR DEATH.</p> <ul style="list-style-type: none"> • Place cargo forward in the cargo bed and distribute evenly side to side. Secure load. • On uneven or steep terrain, reduce speed and load. • Avoid stopping on or backing down steep hills. • Avoid top-heavy loads. 	<p>VEHICLE LOADING</p> <ul style="list-style-type: none"> • Read owner's manual and warnings on dash. • Vehicle rated capacity: 1600 lb. (726 kg) on level surface only. • Includes occupants and cargo load. • Maximum cargo load: 800 lb. (363 kg). • Includes cargo, bed load, optional equipment, and trailer tongue weight. <p>103219501</p>
--------------------------------------------------------------------------------------------------------------------------------------------------------------------------	-------------------------------------------------------------------------------------------------------------------------------------------------------------------------------------------------------------------------------------------------------------------------------------------------------------------------------------------------------------------------------------	-------------------------------------------------------------------------------------------------------------------------------------------------------------------------------------------------------------------------------------------------------------------------------------------------------------------------------------------------------------------------------------------------------------



2706

SAFETY DECALS – CARRYALL AND XRT 4-PASSENGER, CONTINUED

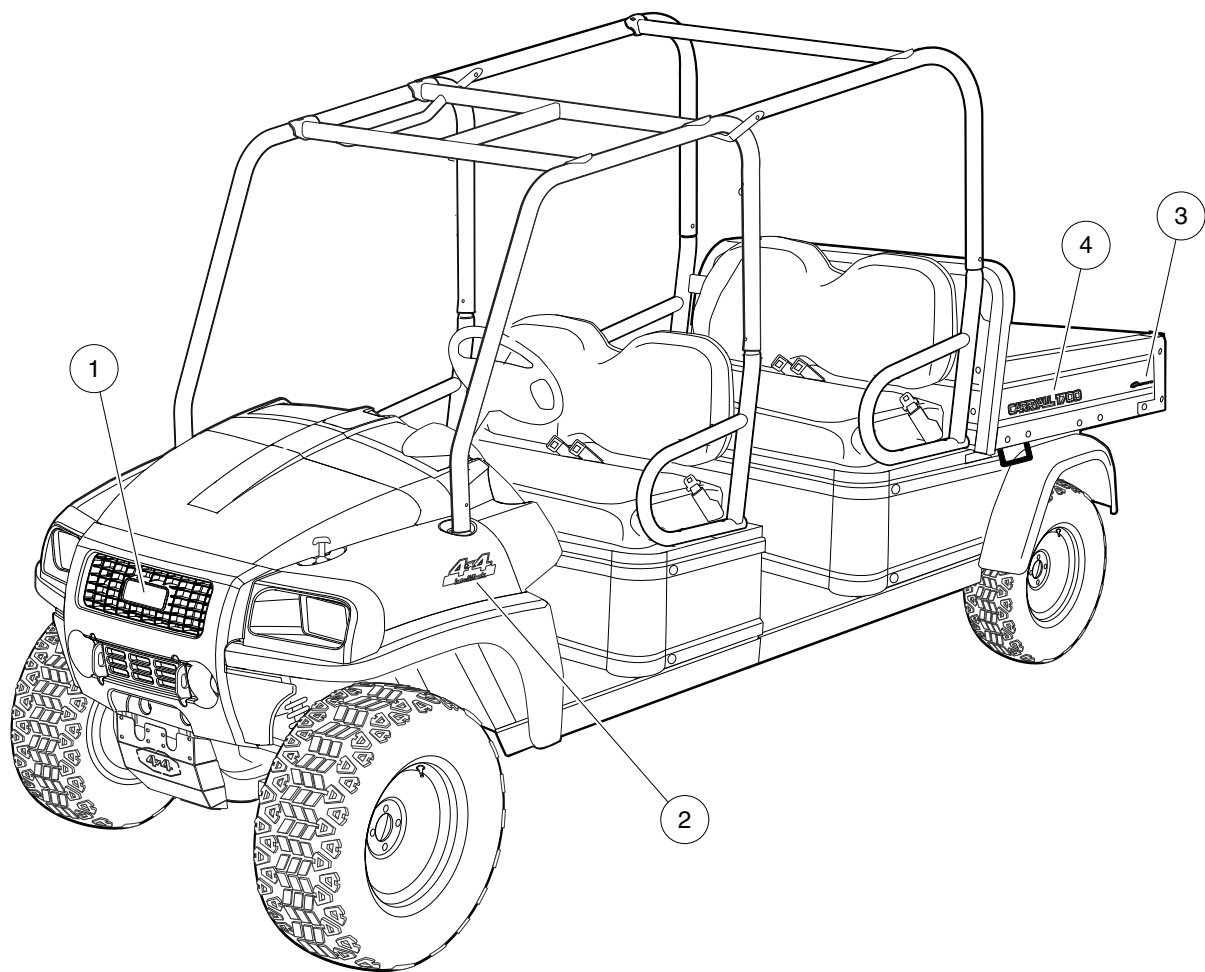
ITEM	PART NO.	DESCRIPTION	QTY
		1 2 3 4	
1	<u>1011553</u>	Decal, Trailer Hitch	1
2	<u>101609401</u>	Decal, Crush Area Warning	2
3	<u>102459301</u>	Decal, Bed Crush Area Warning	1
4	<u>102459401</u>	Decal, Young Driver Warning	1
5	<u>102460201</u>	Decal, Rotating Parts Warning	2
6	<u>102884301</u>	Decal, Operating Instr, AWD	1
7	<u>102884401</u>	Decal, Warning, Rollover	1
8	<u>102889201</u>	Decal, Warning, Passenger	1
9	<u>102961201</u>	Decal, Warning, AWD ROPS	1
10	<u>103210501</u>	Decal, Load, Vehicle, 3350 Lbs	1

3
G
D

3

G

D



000547-007

BADGING DECALS – CARRYALL 4-PASSENGER

ITEM	PART NO.	DESCRIPTION	QTY
		1 2 3 4	
1	<u>102883601</u>	Decal, Nameplate, CCI, Front	1
2	<u>103234201</u>	Decal, Badge, 4x4	2
3	<u>103234304</u>	Decal, Badge, lr, Red	2
4	105200601	Decal, Badge, CA1700	2

3

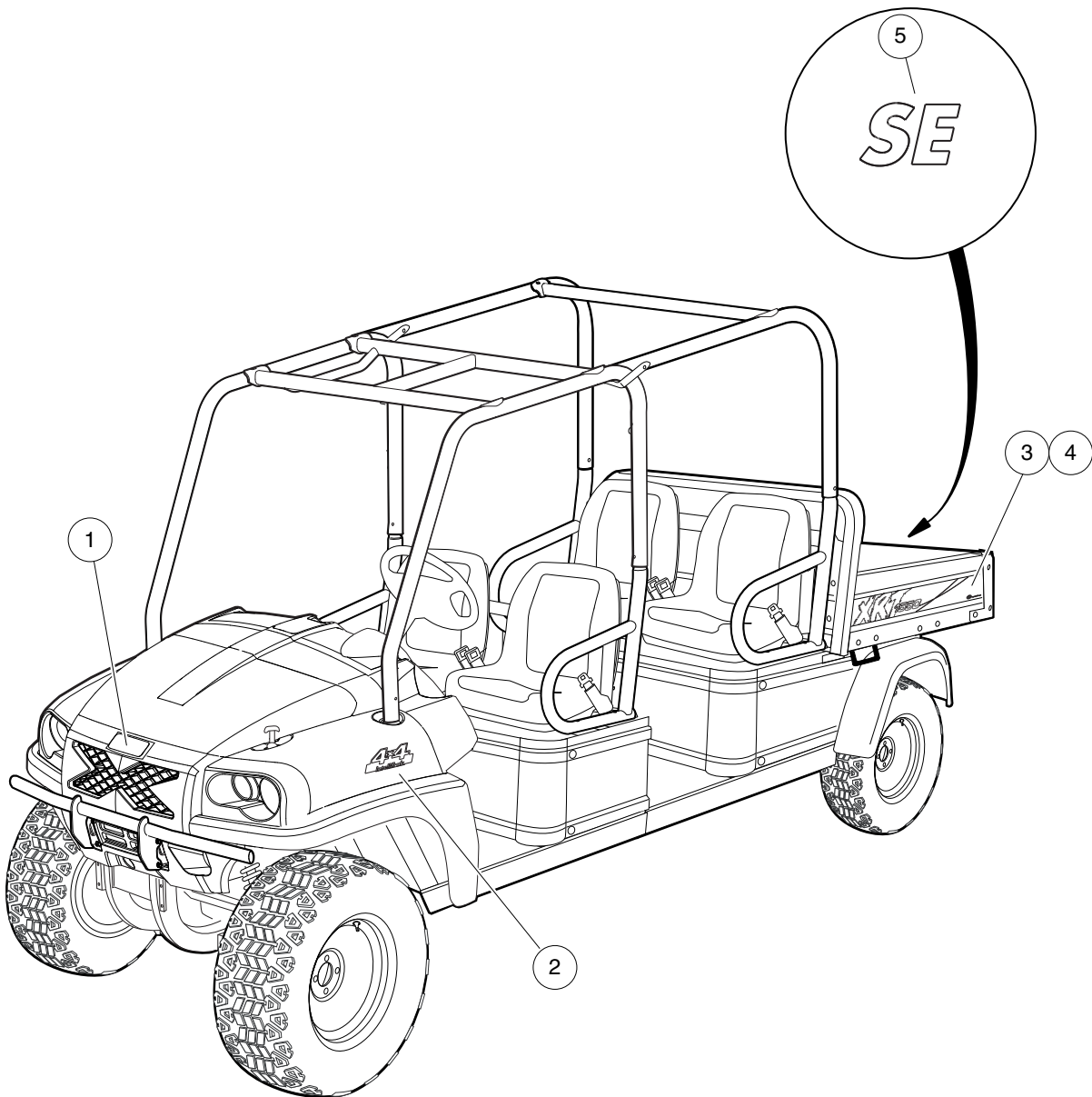
G

D

3

G

D



000547-006

BADGING DECALS – XRT 4-PASSENGER

ITEM	PART NO.	DESCRIPTION	QTY
		1 2 3 4	
1	<u>102883601</u>	Decal, Nameplate, CCI, Front	1
2	<u>103234201</u>	Decal, Badge, 4x4	2
3	<u>103945601</u>	Decal, Side, Bed, 1550, Ds	1
4	<u>103945602</u>	Decal, Side, Bed, 1550, Ps	1
5	103945701	Decal, Se	1

3

G

D

3

G

D

WARNING
CAN CAUSE SEVERE INJURY
Rotating parts. KEEP CLEAR.
CCI 102459201

14 psi 97 kPa

WARNING
DIESEL FUEL EXPLOSION / FIRE.
• Can cause severe injury or death.
• No smoking, sparks, or open flame.
• Stop engine, allow to cool before refueling.
CCI 102459201

OPERATING INSTRUCTIONS

- Read owner's manual, HANDBOOK, and vehicle safety warnings. Study and understand controls.

TO START ENGINE

- Place shift lever in NEUTRAL (N) and press brake pedal.
- If required, turn key to PREHEAT and hold for 10-15 seconds.
- Turn key to START and hold until engine starts.

TO OPERATE VEHICLE

- Ensure wheels are turned in desired direction and path is clear.
- Raise attachment to provide adequate ground clearance.
- With vehicle stopped and engine at idle, select vehicle direction.
 ↑ - Forward N - Neutral ↓ - Reverse (Buzzer will sound)
- Release park brake and slowly press accelerator pedal to increase speed.
- All-wheel drive will automatically drive appropriate wheel(s).

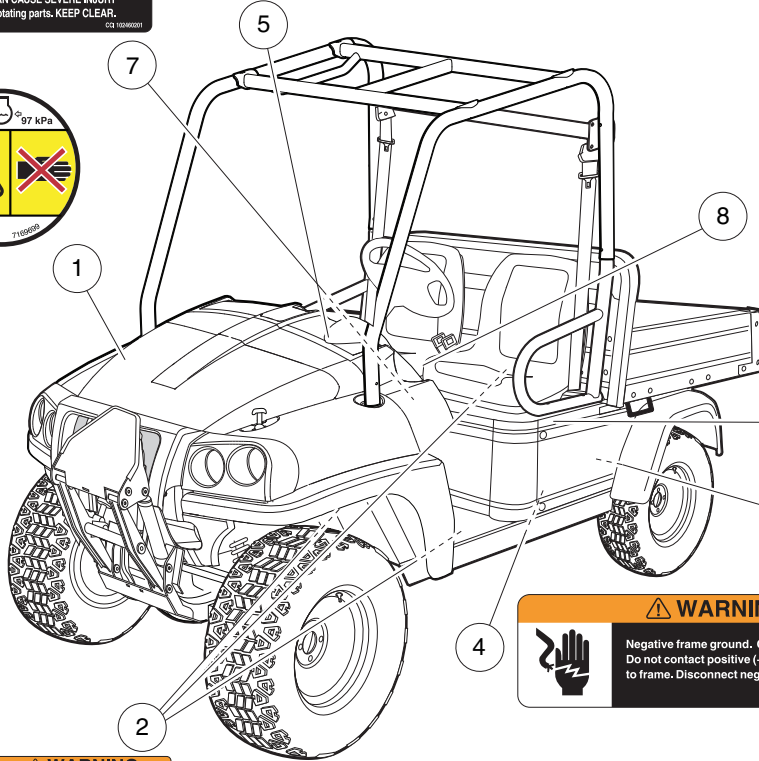
TO STOP VEHICLE

- Release accelerator pedal and push brake pedal.

BEFORE LEAVING VEHICLE

- Lower attachment arm until attachment is flat on the ground.
- Turn key to OFF and remove key.
- Place shift lever in NEUTRAL (N).
- Firmly set park brake.

CCI 103185701



WARNING
CAN CAUSE SEVERE INJURY
HOT manifold
KEEP CLEAR
CCI 102459001

WARNING
Negative frame ground. Can cause severe injury. Do not contact positive (+) battery post or cable to frame. Disconnect negative (-) battery cable first.
CCI 102459101

WARNING
CAN CAUSE SEVERE BURNS
Hot Surface
CCI 102458901

WARNING
CAN CAUSE SEVERE INJURY
Rotating parts. KEEP CLEAR.
CCI 102459501

WARNING
CAN CAUSE SEVERE INJURY
Hot manifold and muffler. KEEP CLEAR.
CCI 102459501

3010

SAFETY DECALS – INTELLITACH

ITEM	PART NO.	DESCRIPTION	QTY
		1 2 3 4	
1	<u>102427501</u>	Cap, Radiator	1
2	<u>102458901</u>	Decal, Hot Surface Warning	3
3	<u>102459001</u>	Decal, Hot Manifold Warning	1
4	<u>102459101</u>	Decal, Frame Ground Warning	1
5	<u>102459201</u>	Decal, Diesel Explosion/Fire Warning	1
6	<u>102459501</u>	Decal, Rotating Parts and Hot Exhaust Warning	1
7	<u>102460201</u>	Decal, Rotating Parts Warning	1
8	<u>103188701</u>	Decal, Operator Instructions, Intellitach	1

3

G

D

3

G

D

WARNING

ROLLOVER OR FALLING OFF MAY CAUSE DEATH

- Read owner's manual and HANDBOOK.
- Fasten seat belts and remain seated while moving.
- Children requiring a child safety seat must not ride on vehicle.
- Comply with state and local laws pertaining to child safety.
- Drive slowly in turns and straight up and down slopes.
- Do not start vehicle until all occupants are seated.
- One (1) person per bucket seat maximum.
- Operate from driver side only and not on public roads.
- Keep entire body inside vehicle while moving.
- Do not operate while under the influence of alcohol or drugs.
- Never attempt jumps and avoid extreme braking in reverse.

ATTACHMENT ARM CAN CAUSE SEVERE INJURY OR DEATH

- Keep bystanders away.
- Keep hands and body from under attachment.
- Always carry attachment as low as possible.
- Do not exceed attachment arm rated capacity.
- Do not modify the attachment arm or attachments.
- Before leaving vehicle, lower attachment arm until attachment is flat on the ground.

CCI 10318801

UNDER 16

WARNING

YOUNG DRIVERS INCREASE CHANCE OF DEATH

- Young drivers may not be able to control vehicle.
- No drivers younger than 16 years old.
- Do not leave children unattended on vehicle.

CCI 10309401

WARNING

- Do not modify or remove Roll-over Protective Structure (ROPS).
- Replace ROPS if damaged. Do not attempt repair.
- Use seat belts during operation. Do not jump from vehicle.
- Keep away from drop-offs, steep slopes, and unstable surfaces.

CCI 102561201

WARNING

Crush area. Can cause severe injury. Stay clear when closing bed.

CCI 10256001

FULLY ENGAGE LOCKING LEVER

LEVER

PINS MUST EXTEND THROUGH MOUNTING FRAME HOLES

CCI 10256001

WARNING

CAN CAUSE SEVERE INJURY

Rotating parts. KEEP CLEAR.

CCI 10256001

NOTICE

MAXIMUM TONGUE WEIGHT - 150 lbs.

CCI 1011553

WARNING

CRUSH AREA

STAY CLEAR

CCI 101029401

WARNING

HIGH PRESSURE FLUIDS COULD CAUSE SERIOUS INJURY OR DEATH

- Read maintenance and service manual before performing repairs on hydraulic system.
- Do not attempt to repair hydraulic pump or lines while engine or pump is in operation.
- Relieve pressure before disconnecting hydraulic lines or fittings.

102950601

WARNING

RIDING IN CARGO BED CAN CAUSE SERIOUS INJURY OR DEATH.

- Do not ride in cargo bed.

WARNING

ROLLOVER CAN CAUSE SERIOUS INJURY OR DEATH.

- Place cargo forward in the cargo bed and distribute evenly side to side. Secure load.
- On uneven or steep terrain, reduce speed and load.
- Avoid stopping on or backing down steep hills.
- Avoid top-heavy loads.

VEHICLE LOADING

- Read owner's manual, HANDBOOK, and warnings on dash.
- Vehicle rated capacity: 1500 lbs. (684 kg) on level surface only.
- Includes occupants and cargo load.
- Maximum attachment arm load: 500 lbs. (227 kg).
- Includes attachment weight and attachment load.

- Maximum cargo load: 800 lbs. (363 kg).
- Includes cargo, bed load, attachment arm load, optional equipment, and trailer tongue weight.

102950001



SAFETY DECALS – INTELLITACH, CONTINUED

ITEM	PART NO.	DESCRIPTION	QTY
		1 2 3 4	
1	<u>1011553</u>	Decal, Trailer Hitch	1
2	<u>101609401</u>	Decal, Crush Area Warning	2
3	<u>102459301</u>	Decal, Bed Crush Area Warning	1
4	<u>102459401</u>	Decal, Young Driver Warning	1
5	<u>102460201</u>	Decal, Rotating Parts Warning	2
6	N/A	Decal, Attachment Locking	1
7	<u>102930801</u>	Decal, Loading, Intellitach	1
8	<u>102950601</u>	Decal, Hydra Pump	1
9	<u>102961201</u>	Decal, Warning, AWD ROPS	1
10	<u>103188601</u>	Decal, Warn, Rollover & Attach	1

3

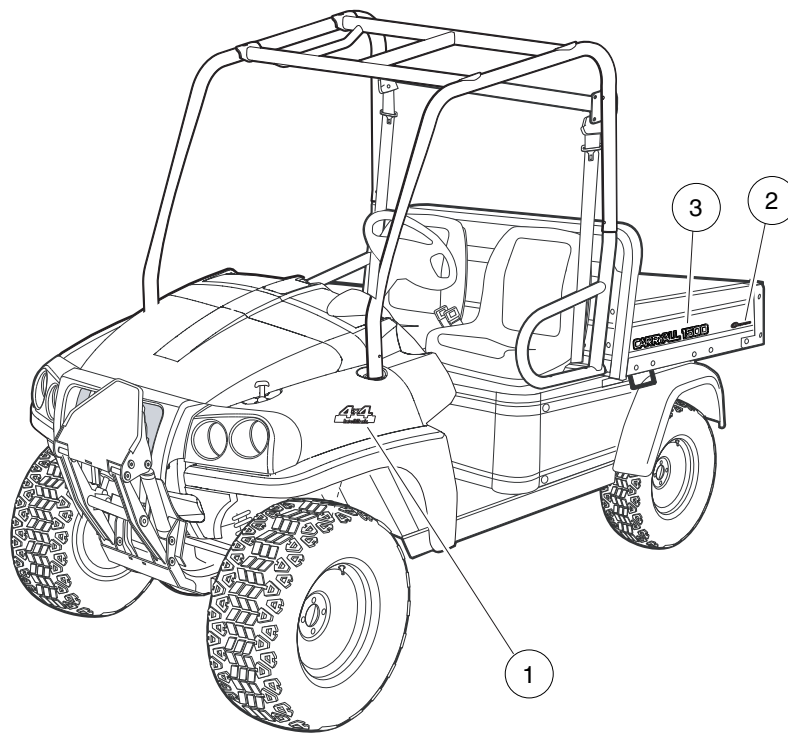
G

D

3

G

D



000562-008

BADGING DECALS – CARRYALL INTELLITACH

ITEM	PART NO.	DESCRIPTION	QTY
		1 2 3 4	
1	<u>103234201</u>	Decal, Badge, 4x4	2
2	<u>103234304</u>	Decal, Badge, lr, Red	2
3	<u>105200501</u>	Decal, Badge, CA1500	2

3

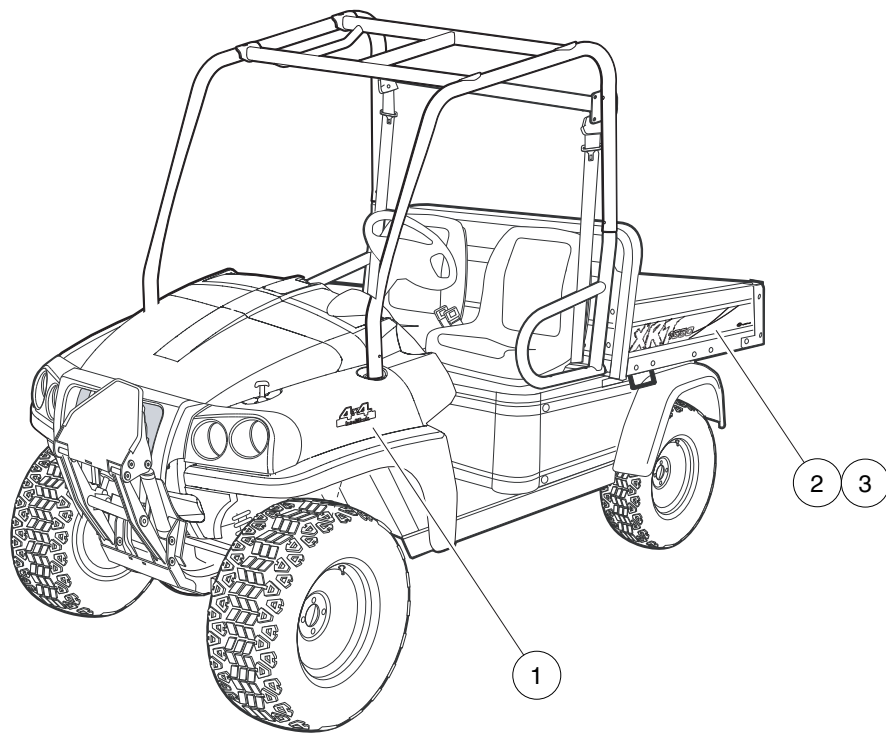
G

D

3

G

D



000562-007

BADGING DECALS – XRT INTELLITACH

ITEM	PART NO.	DESCRIPTION	QTY
		1 2 3 4	
1	<u>103234201</u>	Decal, Badge, 4x4	2
2	<u>103945601</u>	Decal, Side, Bed, 1550, Ds	1
3	<u>103945602</u>	Decal, Side, Bed, 1550, Ps	1

3

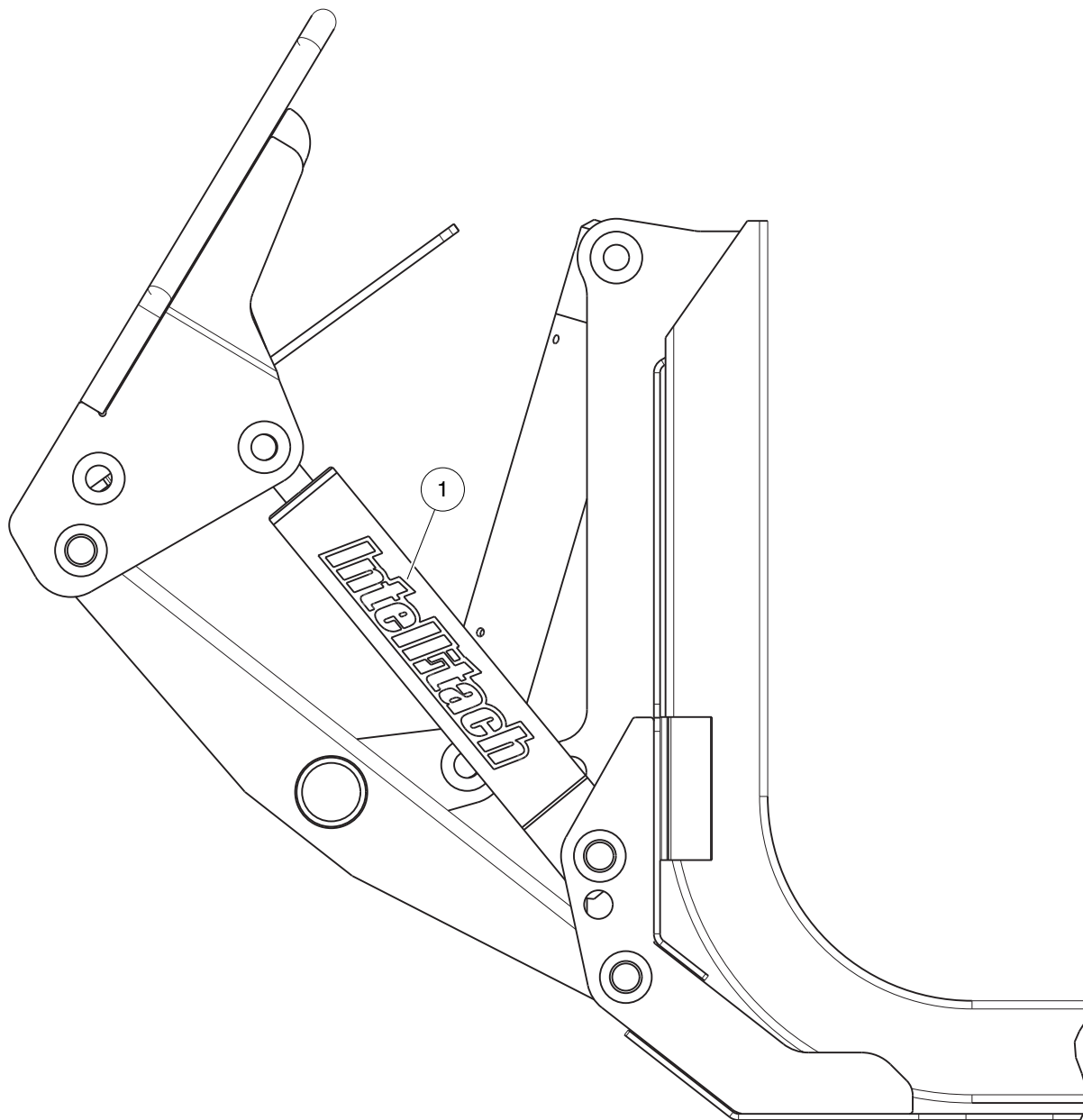
G

D

3

G

D



000562-006

BADGING DECALS – INTELLITACH

ITEM	PART NO.	DESCRIPTION	QTY
1	<u>102925601</u>	1 2 3 4 Decal, Brand, IntelliTach	1

3

G

D

3

G

D

BRAKE SYSTEMS AND PEDALS – WITH DUAL-PISTON FRONT CALIPERS

4

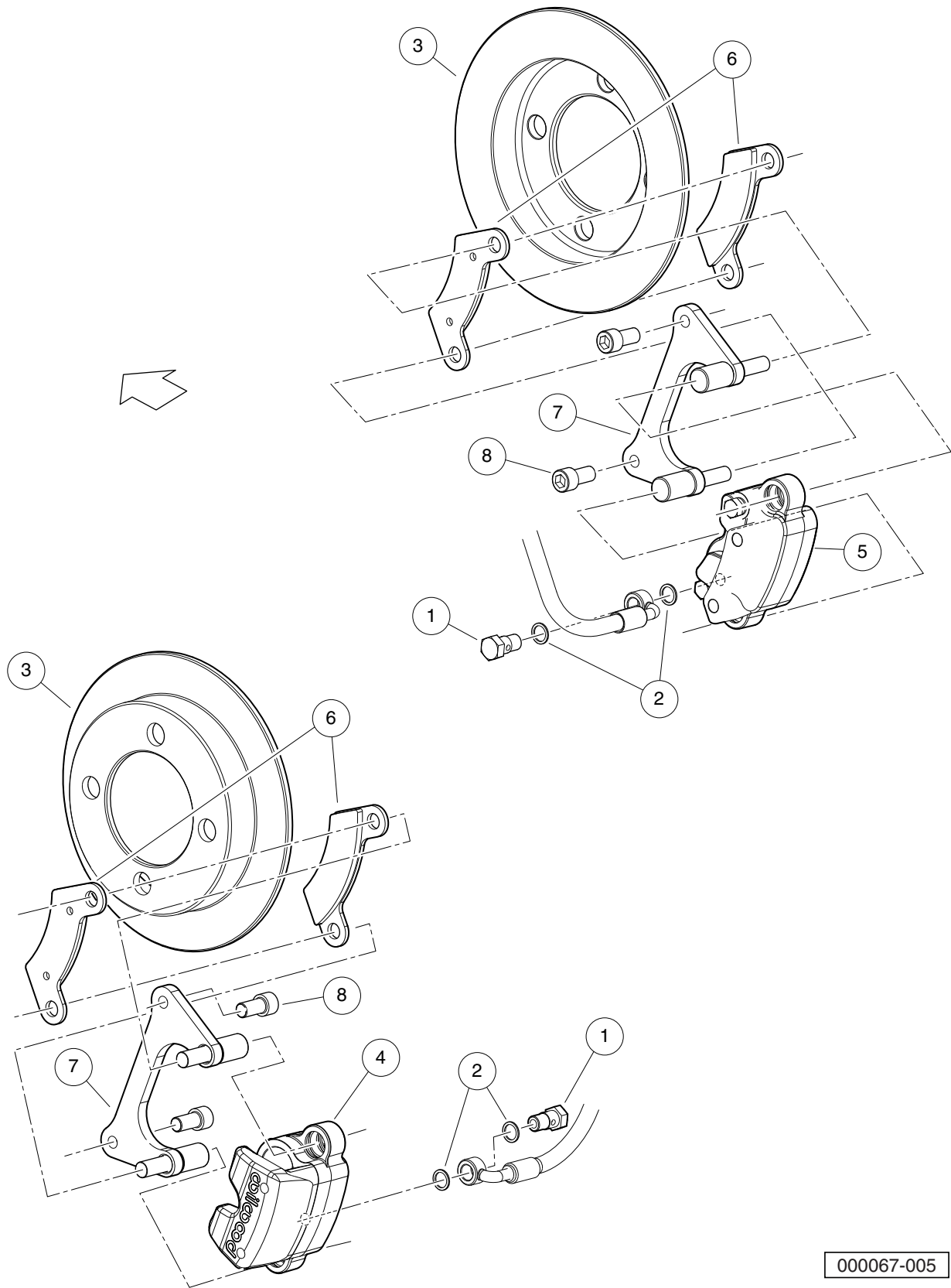
G

D

4

G

D



000067-005

FRONT BRAKES

ITEM	PART NO.	DESCRIPTION	QTY
		1 2 3 4	
1	<u>102488001</u>	Bolt, Banjo, M10x1x19	2
2	<u>102491601</u>	Washer, Copper, M10 Crush	4
3	<u>103077501</u>	Rotor, Disc, Brake	2
4	<u>103967601</u>	Caliper, Brake, Front, LH	1
5	<u>103967602</u>	Caliper, Brake, Front, RH	1
6	<u>103993701</u>	Brake Pad Set, Front (Four Pads)	1
7	103993801	Bracket, Caliper, Brake	2
8	104025201	Bolt, 3/8-24 x .75 SHCS, Patch	4
<p>Note: <u>103967601</u> and <u>103967602</u> calipers are not compatible with MY2013 or earlier, and are specific to steering upright assemblies 103980901 and 103980902, which were introduced at MY 2014.</p>			

4

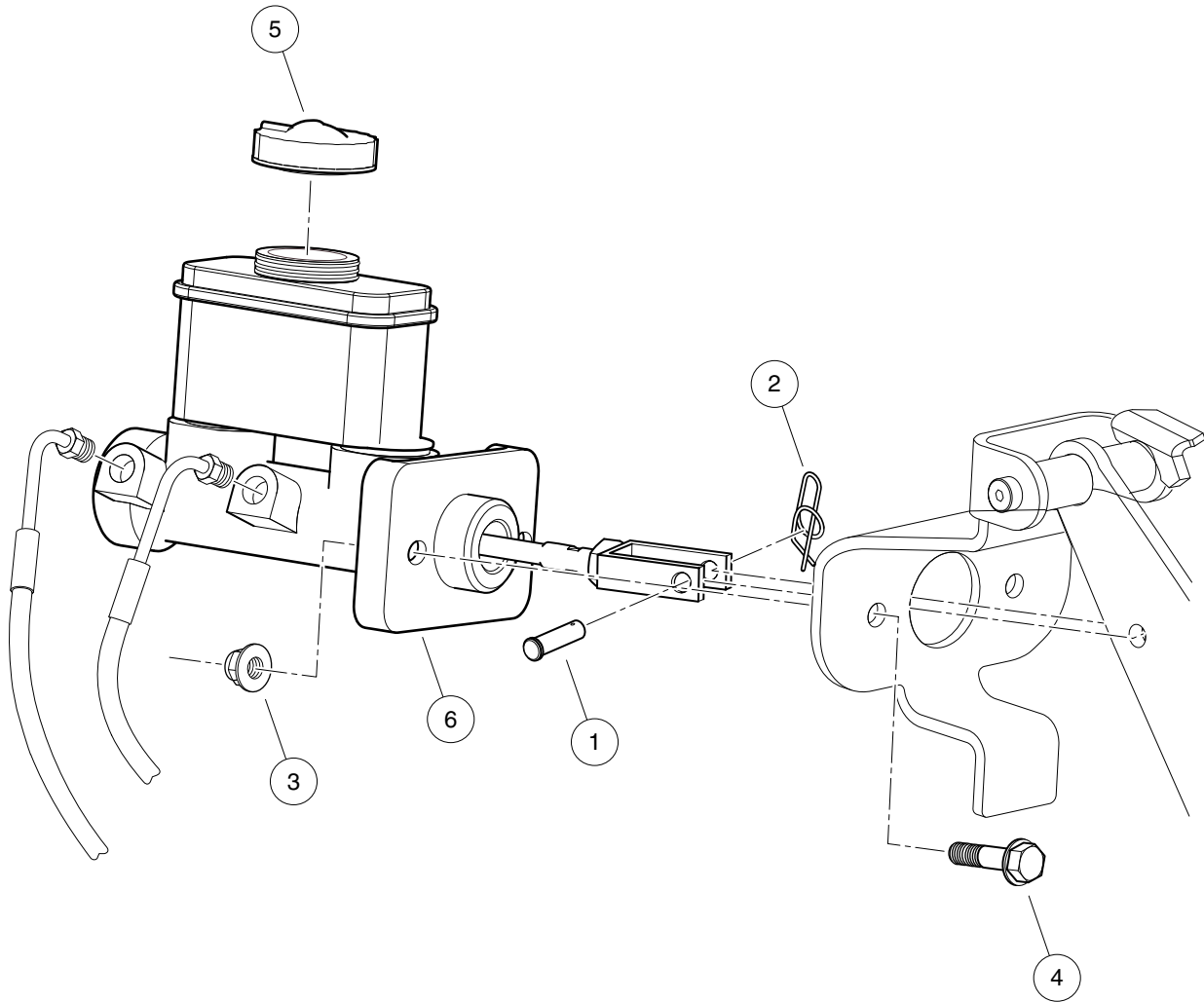
G

D

4

G

D



000792-002

MASTER CYLINDER WITH INTEGRAL RESERVOIR

ITEM	PART NO.	DESCRIPTION	QTY
		1 2 3 4	
1	<u>101082903</u>	Pin, Clevis, 5/16 X 1	1
2	<u>102176901</u>	Pin, Rue	1
3	<u>102298401</u>	Nut,m8,all Metal Lock	2
4	<u>102618401</u>	Bolt Flanged Head, M8 X 1.25 X 35	2
5	<u>103380701</u>	Cap, Filler, Master Cylinder	1
6	<u>103987001</u>	Cylinder,Master,7/8 Bore	1

4

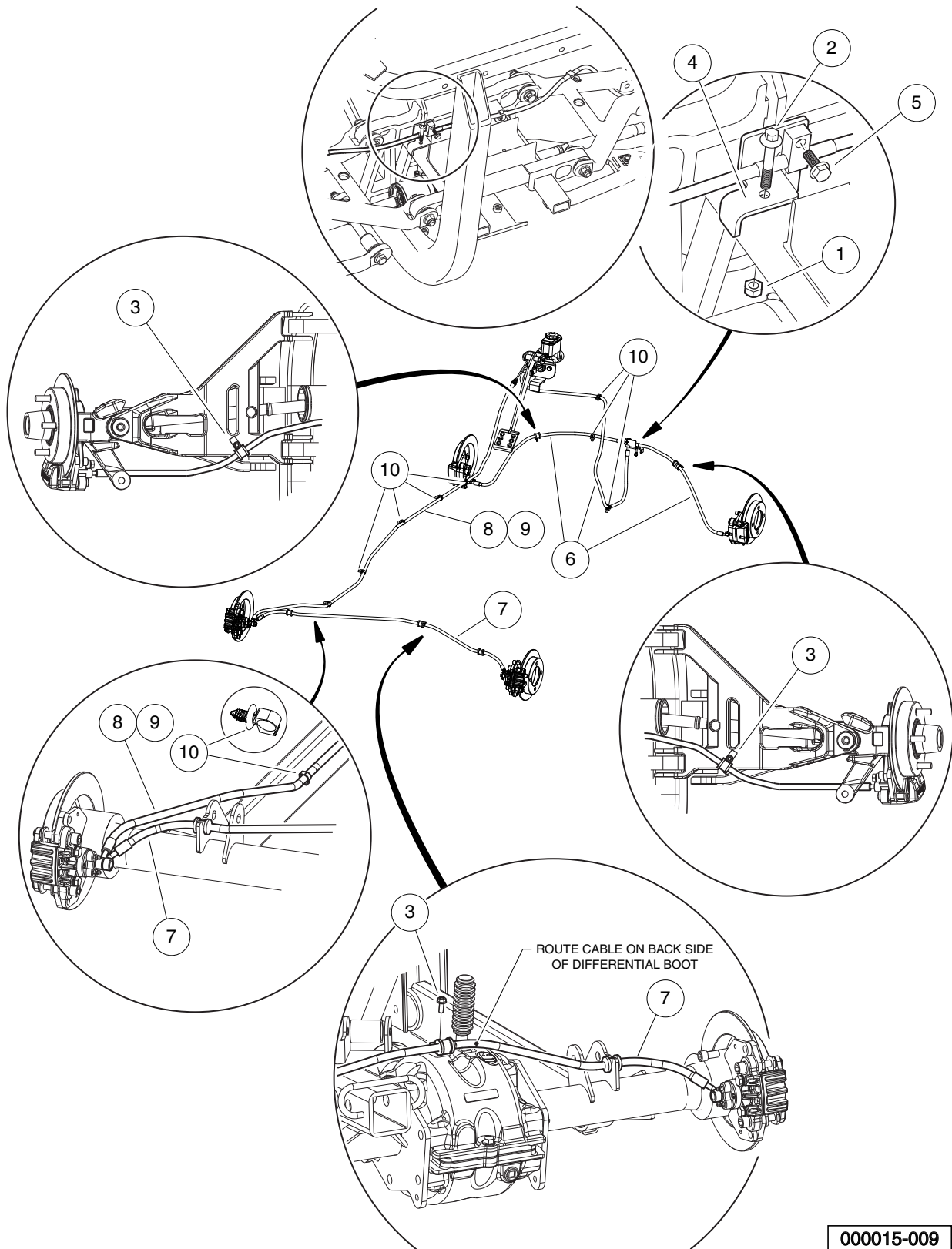
G

D

4

G

D



000015-009

HYDRAULIC BRAKE LINES AND CLIPS

ITEM	PART NO.	DESCRIPTION	QTY
		1 2 3 4	
1	<u>101887601</u>	Locknut, M6-1.00 Nylon Insert	1
2	<u>102296140</u>	Bolt, Flanged Head, M6x1.0x40	1
3	<u>102296716</u>	Screw, M6 X 16 Tt Hx Fl Hd	3
4	<u>102474301</u>	Bracket, Tee, Brakeline	1
5	<u>102670801</u>	Screw, M6 X 1 X 25 Thd Form	1
6	<u>103967201</u>	Brake Line, Front, AWD	1
7	<u>103967301</u>	Brake Line, Rear, AWD	1
8	<u>103967401</u>	Brake Line, Mid, AWD Std	1
9	<u>103967501</u>	Brake Line, Mid, AWD SE	1
10	<u>103973101</u>	Clip, Snap-close 10mm	8

4

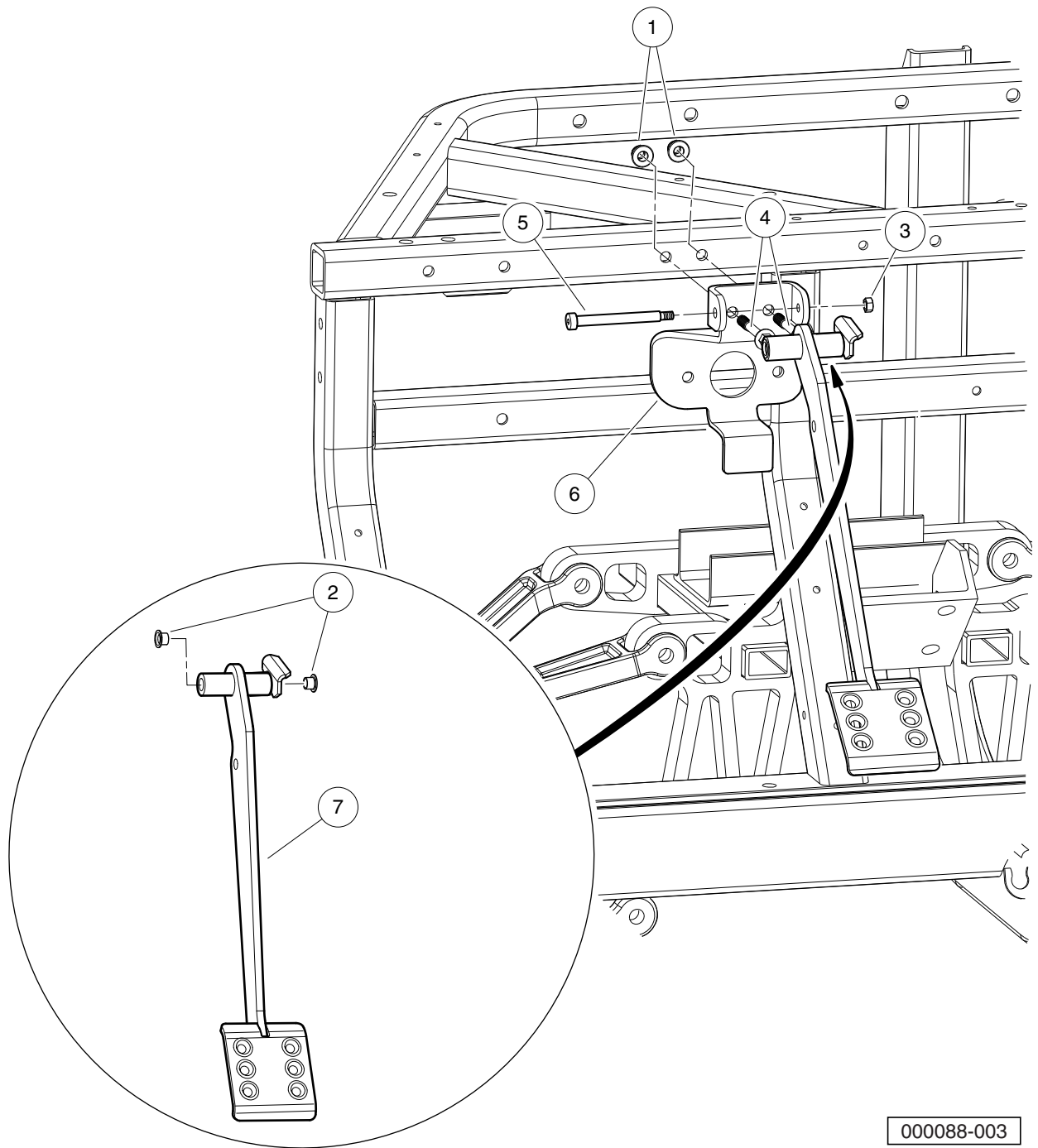
G

D

4

G

D



000088-003

BRAKE PEDAL

ITEM	PART NO.	DESCRIPTION	QTY
		1 2 3 4	
1	<u>102298401</u>	Nut,m8,all Metal Lock	2
2	<u>102442901</u>	Bushing, Greaseless	2
3	<u>102618101</u>	Nut, M6x1, Mechanically Deformed	1
4	<u>102618301</u>	Bolt, Flanged Head, M8 X 1.25 X 65	2
5	<u>103273101</u>	Bolt, Shoulder, M8 X 70, Hc	1
6	103986601	Bracket, Mtg, Brake Pedal	1
7	103986901	Pedal, Brake	1

4

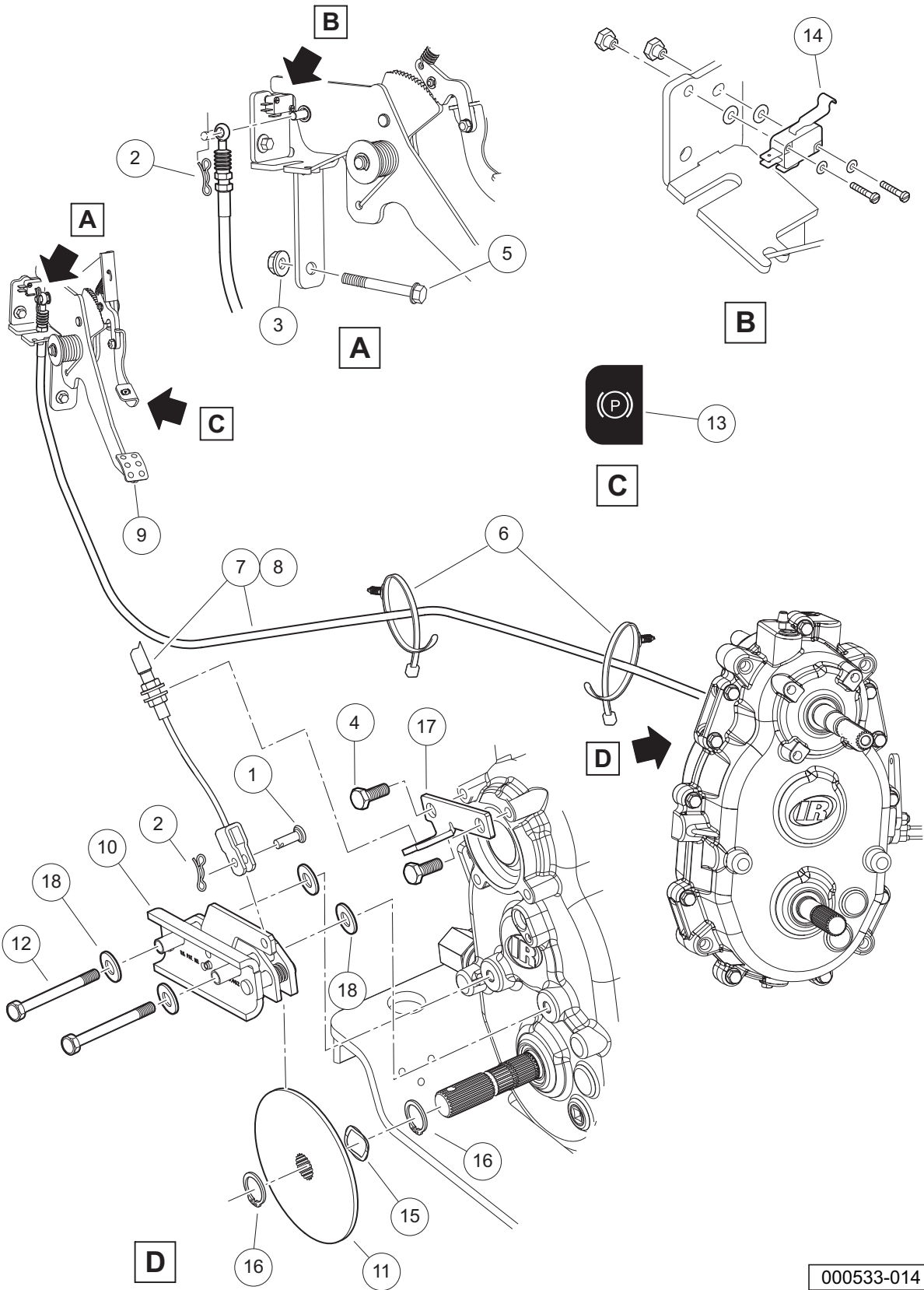
G

D

4

G

D



000533-014

PARK BRAKE SYSTEM

ITEM	PART NO.	DESCRIPTION	QTY
		1 2 3 4	
1	<u>101082903</u>	Pin, Clevis, 5/16 X 1	1
2	<u>102292801</u>	Pin, Bow Tie Locking - .072	2
3	<u>102298401</u>	Nut,m8,all Metal Lock	3
4	<u>102490101</u>	Bolt, M10 X 1.5 X 20 Loctite	2
5	<u>102618301</u>	Bolt, Flanged Head, M8 X 1.25 X 65	3
6	<u>102629001</u>	Tie Wrap, 8.00" With Mount	2
7	<u>103968501</u>	Cable, Park Brake, 1500/1550	1
8	<u>103968601</u>	Cable, Park Brake, 1700/1550 SE	1
9	<u>103968701</u>	Pedal, Foot, Park Brake	1
10	<u>103968801</u>	Caliper, Mech, Park Brake	1
11	<u>103968903</u>	Rotor, Park Brake, Duct Iron	1
12	<u>103983301</u>	M10-1.5 X 90 Hh Ft Pc 8.8 Zidi	2
13	<u>103986501</u>	Decal, Brake, Park	1
14	<u>104005501</u>	Switch, Micro, Plunger Only	1
15	<u>104005601</u>	Spring,Wave,0.96-in ID	1
16	<u>104005701</u>	Ring, Snap, Ext, 63/64-in	2
17	<u>105265501</u>	Brkt, Mtg, Park Brake, Xrt1550	1
18	<u>96741046</u>	Washer, M10, Hard	4

4

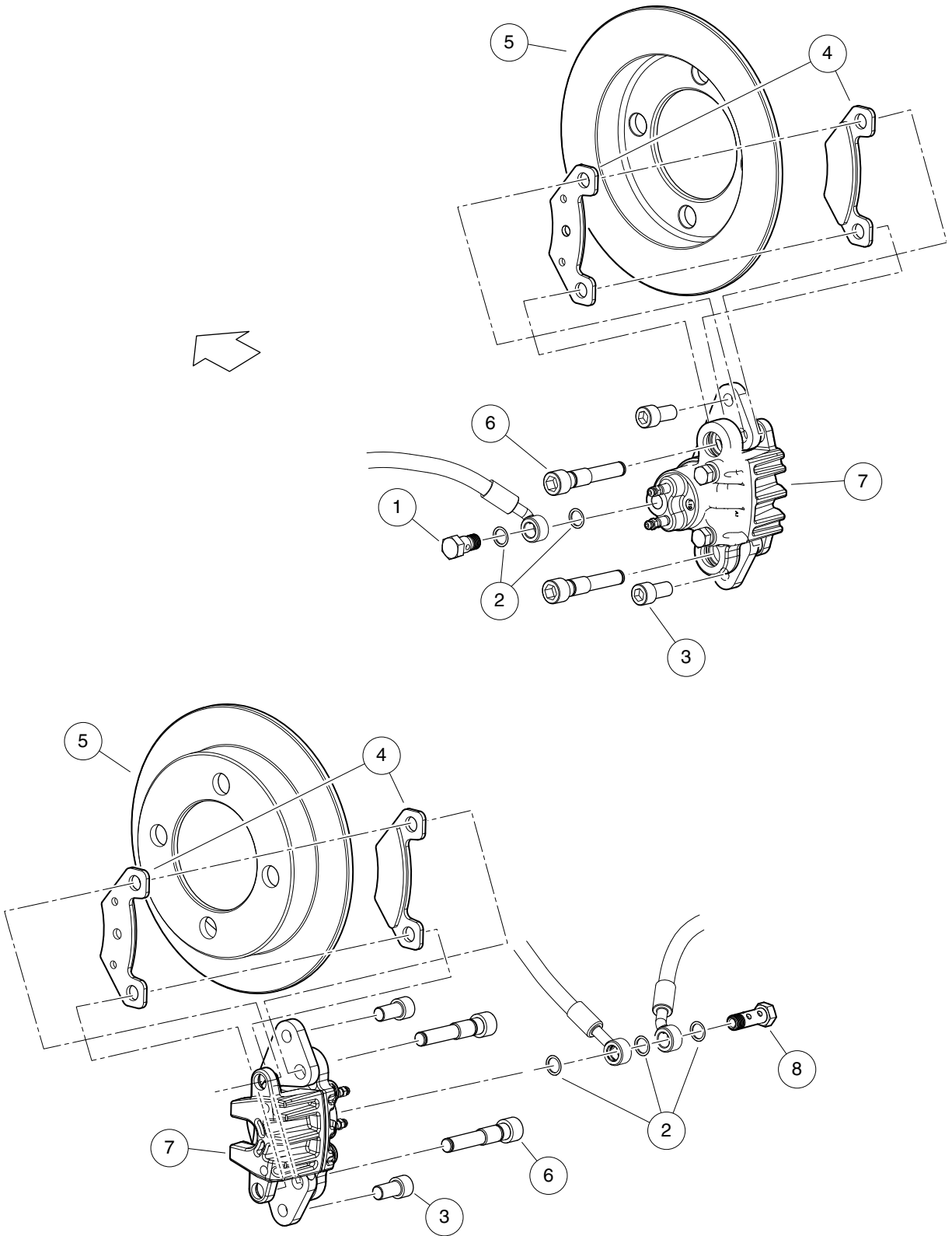
G

D

4

G

D



000068-006

REAR BRAKES

ITEM	PART NO.	DESCRIPTION	QTY
		1 2 3 4	
1	<u>102488001</u>	Bolt, Banjo, M10x1x19	1
2	<u>102491601</u>	Washer, Copper, M10 Crush	4
3	<u>102493301</u>	Bolt, Flange Head, 3/8-24x.750 with Loctite	4
4	<u>102714001</u>	Brake Pad Set, Rear (Four Pads)	1
5	<u>103077501</u>	Rotor, Disc, Brake	2
6	<u>103418801</u>	Pin, Slide, 7/16	4
7	<u>103967701</u>	Caliper, Brake, Rear	2
8	<u>103967901</u>	Bolt, Banjo, Double, M10 X 1	1

4

G

D

4

G

D

STEERING AND SUSPENSION – WITH DUAL-PISTON FRONT CALIPERS

5

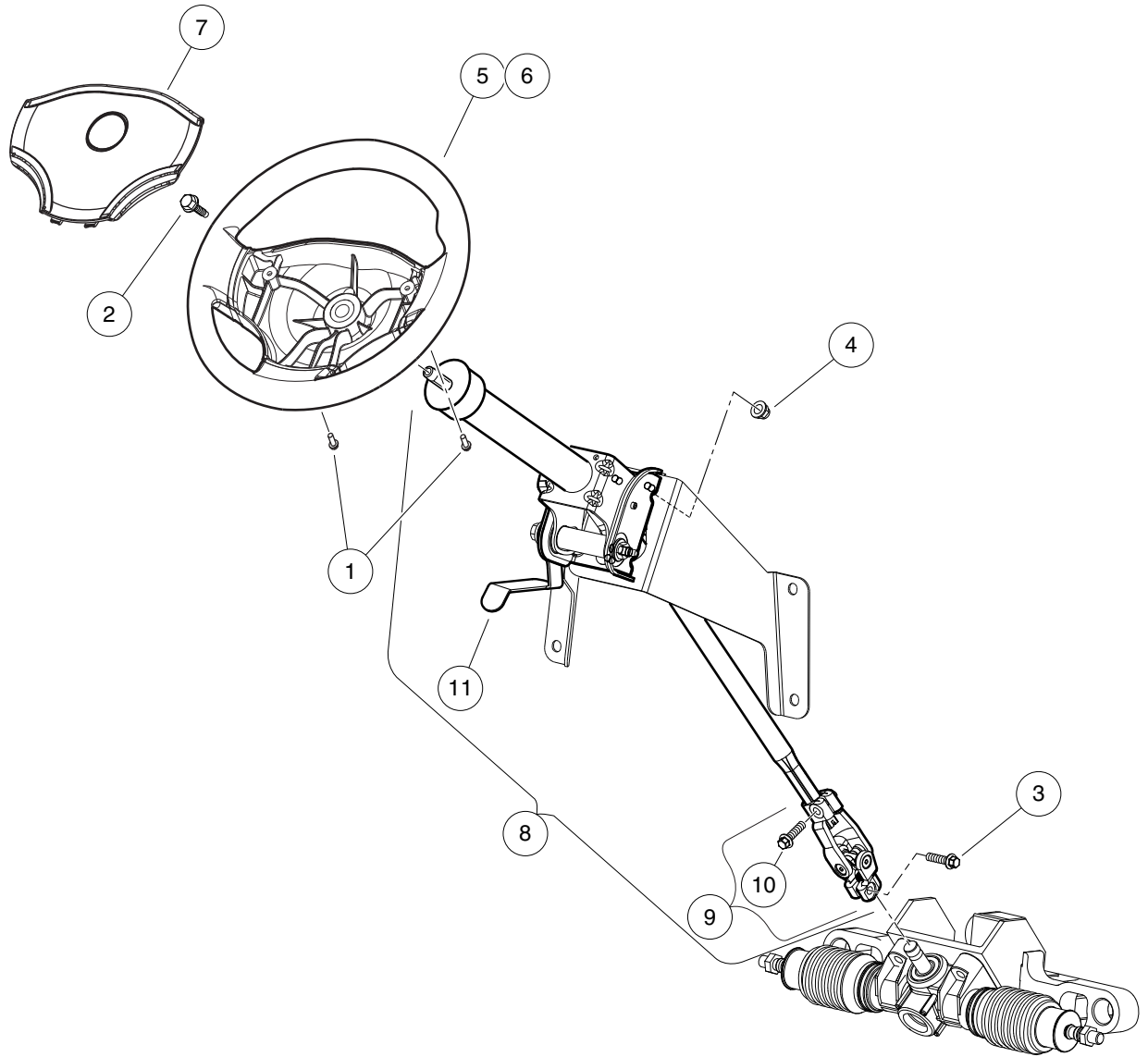
G

D

5

G

D



000070-006

STEERING WHEEL AND COLUMN

ITEM	PART NO.	DESCRIPTION	QTY
		1 2 3 4	
1	<u>101850301</u>	Screw, #12-16 X 0.50 Washer-Head Hi-Lo	2
2	<u>102290120</u>	Bolt, M10 X 20 Hex Washer Hd	1
3	<u>102298130</u>	Bolt, Flange Head, M8 X 30.0	1
4	<u>102298401</u>	Nut,m8,all Metal Lock	3
5	<u>103724501</u>	Steering Wheel, Hex	1
6	<u>103724503</u>	Steering Wheel, Soft Grip, Hex	1
7	<u>103724602</u>	Cover, Steering Wheel, Generic	1
8	<u>103859901</u>	Column, Steering, Awd (includes items 9 through 11)	1
9	<u>103810201</u>	Kit, Lower Yoke, Wanda (includes item 10)	1
10	<u>102298130</u>	Bolt, Flange Head, M8 X 30.0	1
11	<u>103862701</u>	Handle, Steering, Tilt, Awd	1

5

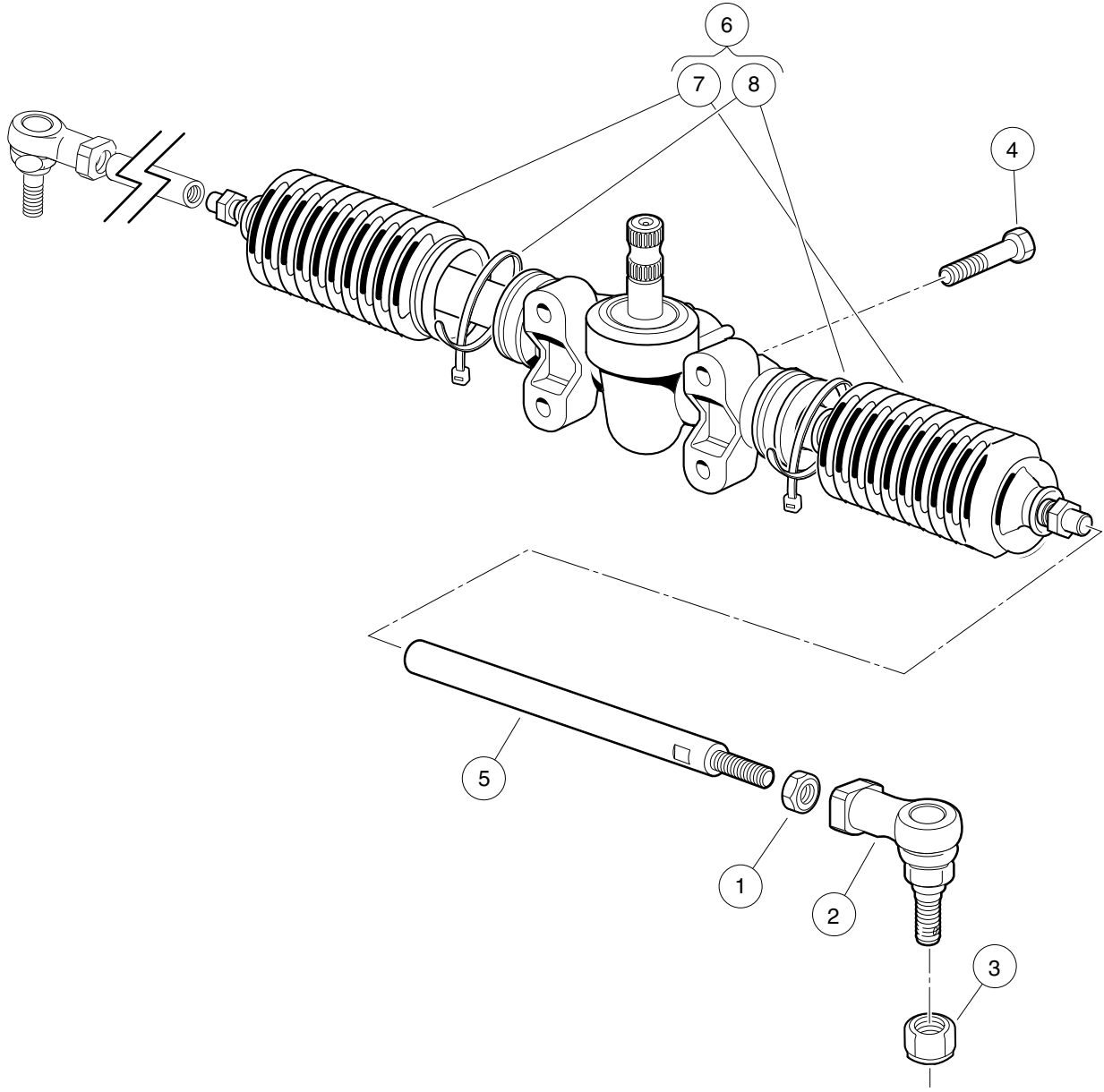
G

D

5

G

D



000071-004

STEERING GEAR

ITEM	PART NO.	DESCRIPTION	QTY
		1 2 3 4	
1	1013042	Nut, 12mm Hex	2
2	<u>102022601</u>	End, Tie Rod M12 X 1.25 Rh	2
3	<u>102022901</u>	Locknut, M12-1.25 Nylon	2
4	<u>102687801</u>	Bolt, Flange Head, M10x 1.5 X 40 with Loctite	4
5	<u>102816801</u>	Link, Drag, Wt	2
6	<u>103866601</u>	Gear, Steering, AWD (includes items 7 and 8)	1
7	<u>1013035</u>	Bellows, Long	2
8	<u>8990</u>	Tie Wrap, 8" Nylon	2

5

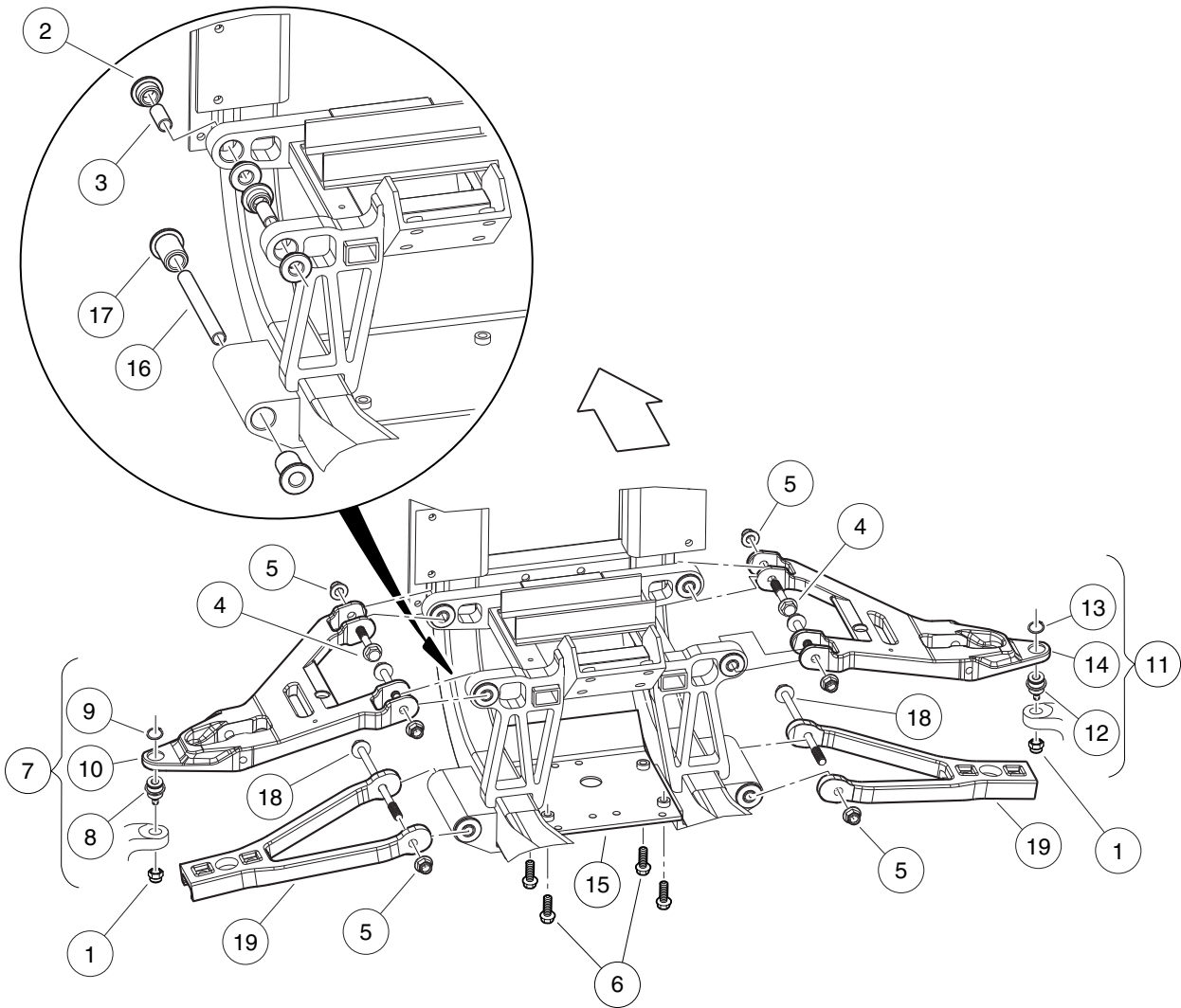
G

D

5

G

D



000534-011

FRONT SUSPENSION – PAGE 1 OF 2

ITEM	PART NO.	DESCRIPTION	QTY
		1 2 3 4	
1	<u>102022901</u>	Locknut, M12-1.25 Nylon	2
2	<u>102408401</u>	Bushing, A-Arm	8
3	<u>102437001</u>	Sleeve, Upper	4
4	<u>102616301</u>	Bolt, Flange Head, M12 X 1.75 X 70	4
5	<u>102620501</u>	Nut, Flange, M12x1.75, Nylon Grade 10	6
6	<u>102711601</u>	Bolt, Flange Head, M10 X 1.5 X 25	4
7	<u>102792001</u>	Asm, A-Arm, Upper, Left (includes items 8 through 10)	1
8	<u>102361901</u>	Joint, Ball	1
9	<u>102722301</u>	Ring, Retaining, Ext, 1-1/4"	1
10	<u>102927101</u>	Arm, Upper, Wide, Machined, LH	1
11	<u>102792002</u>	Asm, A-arm, Upper, Right (includes items 12 through 14)	1
12	<u>102361901</u>	Joint, Ball	1
13	<u>102722301</u>	Ring, Retaining, Ext, 1-1/4"	1
14	<u>102927102</u>	Arm, Upper, Wide, Machined, RH	1
15	<u>103244701</u>	Asm, Mount, Diff Plate	1
16	<u>103256401</u>	Sleeve, Lower Arm	2
17	<u>103256501</u>	Bushing, Lower Arm	4
18	<u>103256701</u>	Bolt, Flange, M12 X 1.75 X 200 10	2
19	<u>103969801</u>	Lower Control Arm, Machined	2

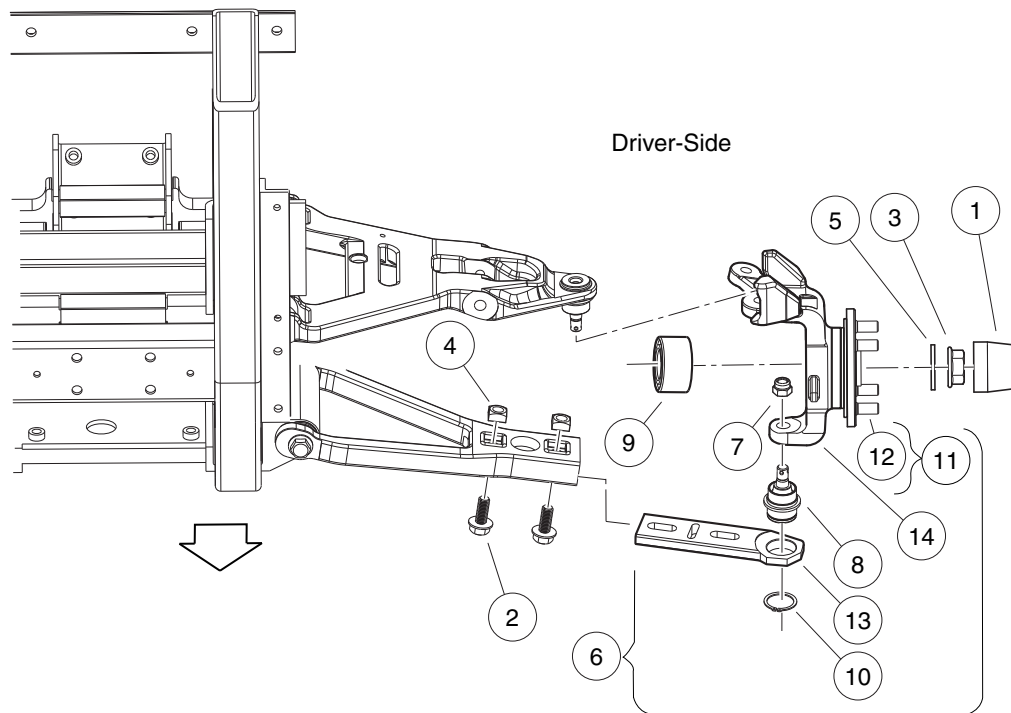
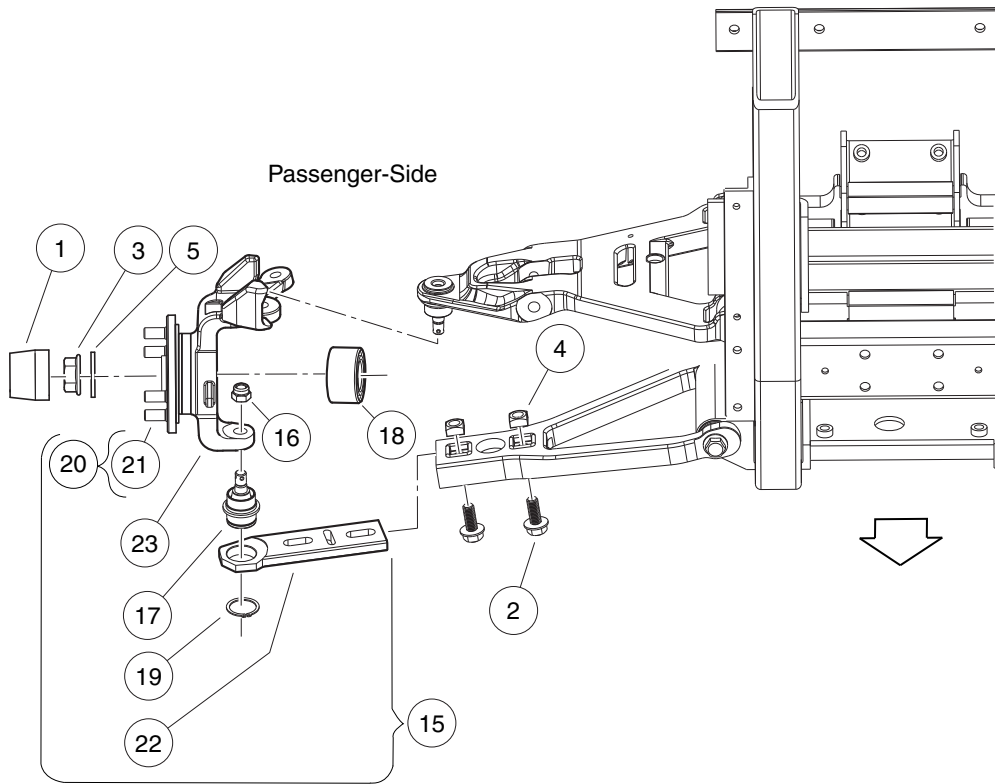
5

G

D

5
G

D



000534-009

FRONT SUSPENSION – PAGE 2 OF 2

ITEM	PART NO.	DESCRIPTION	QTY
		1 2 3 4	
1	102274101	Center Cap, Rubber	2
2	<u>102490801</u>	Bolt, Flange Head, M12x 1.75x 30 with Loctite	4
3	<u>102617501</u>	Nut, Flange, M22 X 1.5 Mech Def	2
4	<u>102617701</u>	Nut, Square, M12x 1.75	4
5	<u>102617801</u>	Washer, Hard, M22	2
6	105283703	Asm, Upright, AWD, Driver-Side, for Dual-Piston Caliper (includes items 7 through 14) .	1
7	<u>102022901</u>	Locknut, M12-1.25 Nylon	1
8	<u>102361901</u>	Joint, Ball	1
9	<u>102464301</u>	Bearing	1
10	<u>102722301</u>	Ring, Retaining, Ext, 1-1/4"	1
11	<u>103146204</u>	Wheel Hub, Front, 1550, Service (includes item 12)	1
12	<u>103951501</u>	Lug Stud, 1/2-20 UNF, SAE J1102	4
13	103939301	Slide, Adjuster, 5 Degree, Ds	1
14	N/A	Upright, Finished, Left	1
15	105283704	Asm, Upright, AWD, Passenger-Side, for Dual-Piston Caliper (includes items 16 through 23)	1
16	<u>102022901</u>	Locknut, M12-1.25 Nylon	1
17	<u>102361901</u>	Joint, Ball	1
18	<u>102464301</u>	Bearing	1
19	<u>102722301</u>	Ring, Retaining, Ext, 1-1/4"	1
20	<u>103146204</u>	Wheel Hub, Front, 1550, Service (includes item 21)	1
21	<u>103951501</u>	Lug Stud, 1/2-20 UNF, SAE J1102	4
22	103939302	Slide, Adjuster, 5 Degree, Ps	1
23	N/A	Upright, Finished, Right	1

5

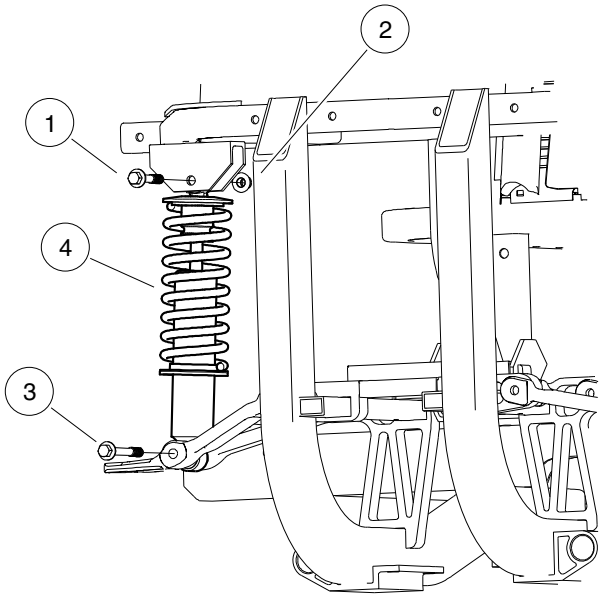
G

D

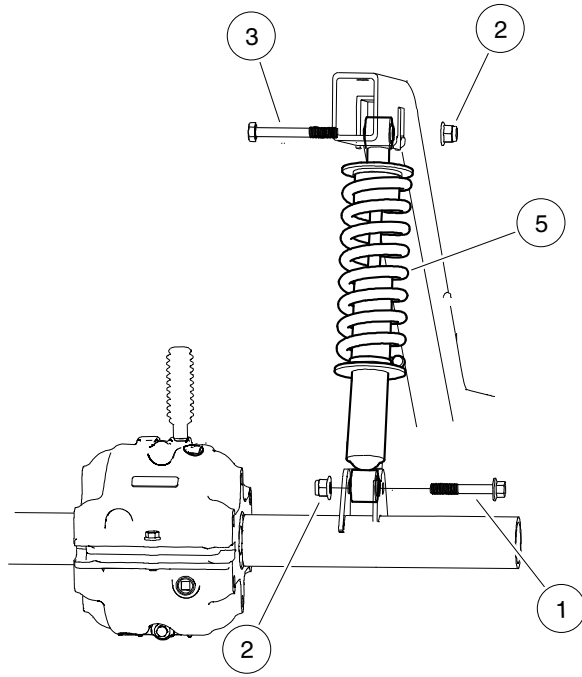
5

G

D



Front



Rear

000530-005

SHOCK ABSORBERS – 800 LB. CAPACITY

ITEM	PART NO.	DESCRIPTION	QTY
		1 2 3 4	
1	<u>102616301</u>	Bolt, Flange Head, M12 X 1.75 X 70	4
2	<u>102620501</u>	Nut, Flange, M12x1.75, Nylon Grade 10	6
3	<u>102788701</u>	Bolt, Flange, M12x1.75x100, Patch	4
4	<u>103841701</u>	Shock Absorber, Coil-over, Front, 800 lb Capacity	2
5	<u>103930401</u>	Shock Absorber, Coil-over, Rear, 800 lb Capacity	2
		Note: Shocks must be installed as matched pairs.	

5

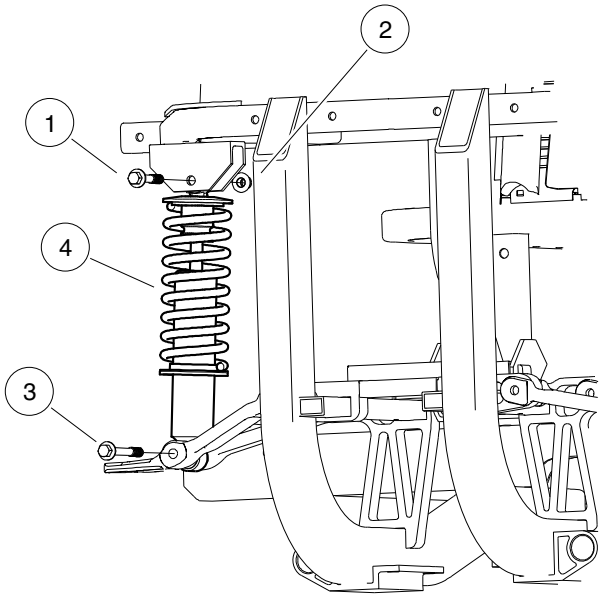
G

D

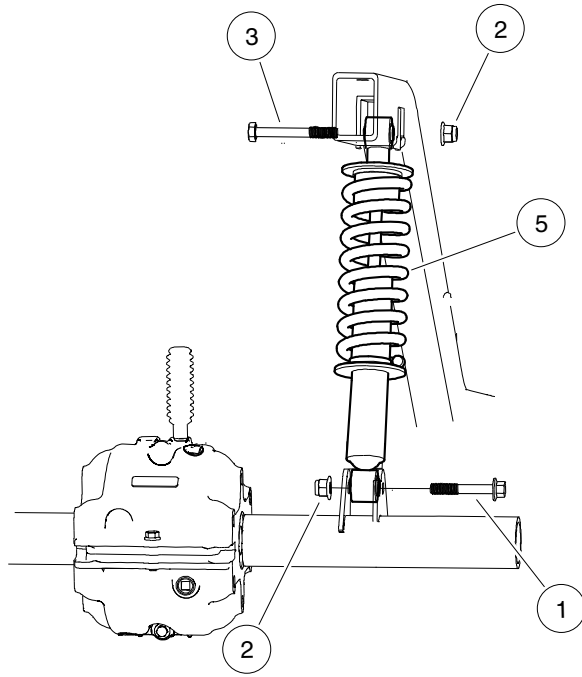
5

G

D



Front



Rear

000530-005

SHOCK ABSORBERS – 1050 LB. CAPACITY

ITEM	PART NO.	DESCRIPTION	QTY
		1 2 3 4	
1	<u>102616301</u>	Bolt, Flange Head, M12 X 1.75 X 70	4
2	<u>102620501</u>	Nut, Flange, M12x1.75, Nylon Grade 10	6
3	<u>102788701</u>	Bolt, Flange, M12x1.75x100, Patch	4
4	<u>103841801</u>	Shock Absorber, Coil-over, Front, 1050 lb Capacity	2
5	<u>103930501</u>	Shock Absorber, Coil-over, Rear, 1050 lb Capacity	2
<p>Note: Shocks must be installed as matched pairs.</p>			

5

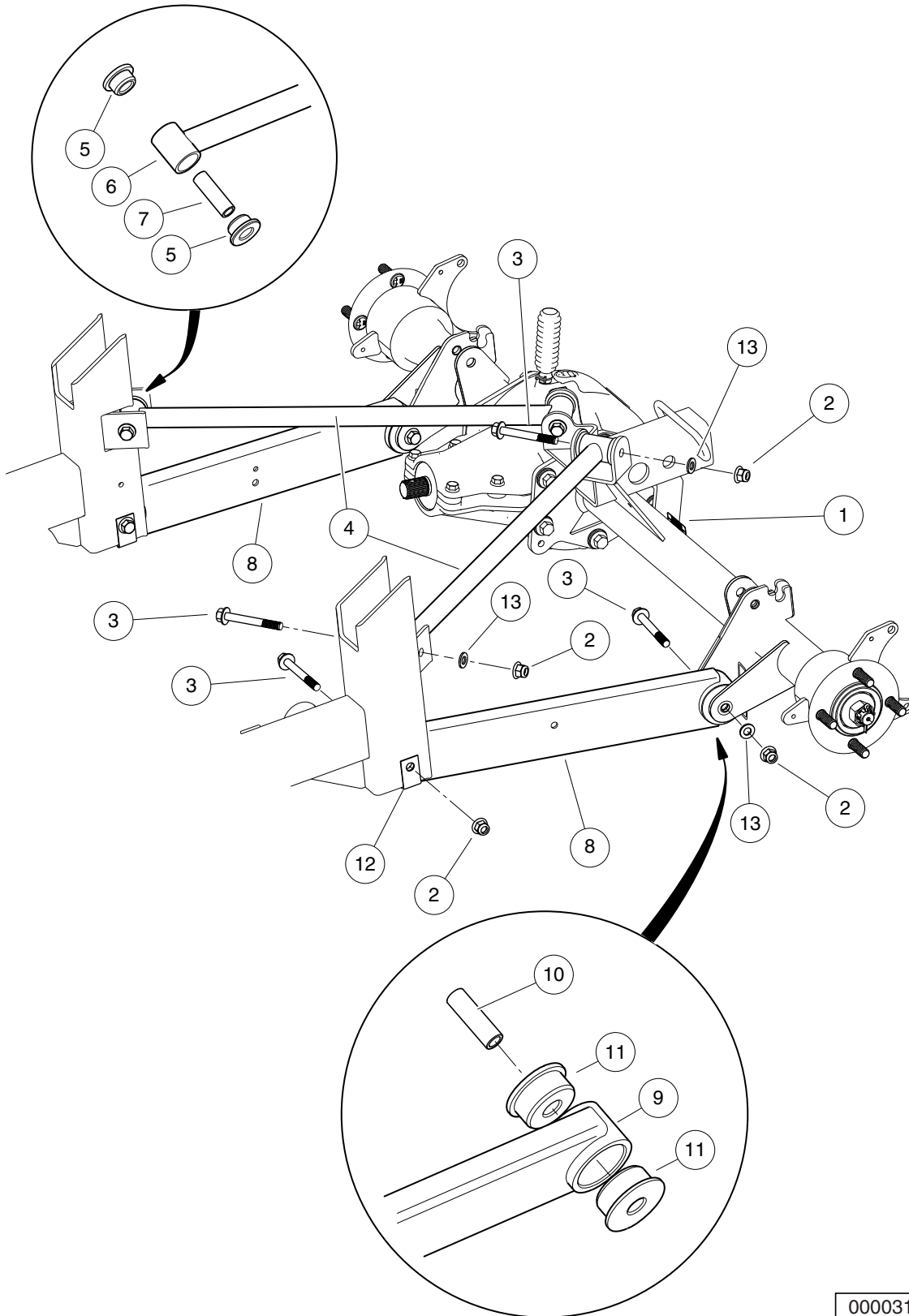
G

D

5

G

D



000031-005

REAR SUSPENSION (4-LINK)

ITEM	PART NO.	DESCRIPTION	QTY
		1 2 3 4	
1	<u>1011553</u>	Decal, Trailer Hitch	1
2	<u>102670701</u>	Nut, Flange, M10 X 1.5 Nylon	8
3	<u>103147001</u>	Bolt, Flg, M10 X 1.5 X 80	8
4	103860302	Assy, Lateral Link, Service Replacement, 4-Link Susp (includes items 5 through 7)	2
5	<u>102408401</u>	Bushing, A-Arm	4
6	N/A	Link, Lateral, Awd	1
7	<u>103845501</u>	Sleeve, Inner, 4link	2
8	103860402	Assy, Trailing Link, Service Replacement, 4-Link Susp (includes items 9 through 11)	2
9	N/A	Link, Trailing, Awd	1
10	<u>103845501</u>	Sleeve, Inner, 4link	2
11	<u>103886201</u>	Bushing, Poly, 4-link	4
12	<u>103923001</u>	Clip, Wear, Trail Link	4
13	<u>96741046</u>	Washer, M10, Hard	6

5

G

D

5

G

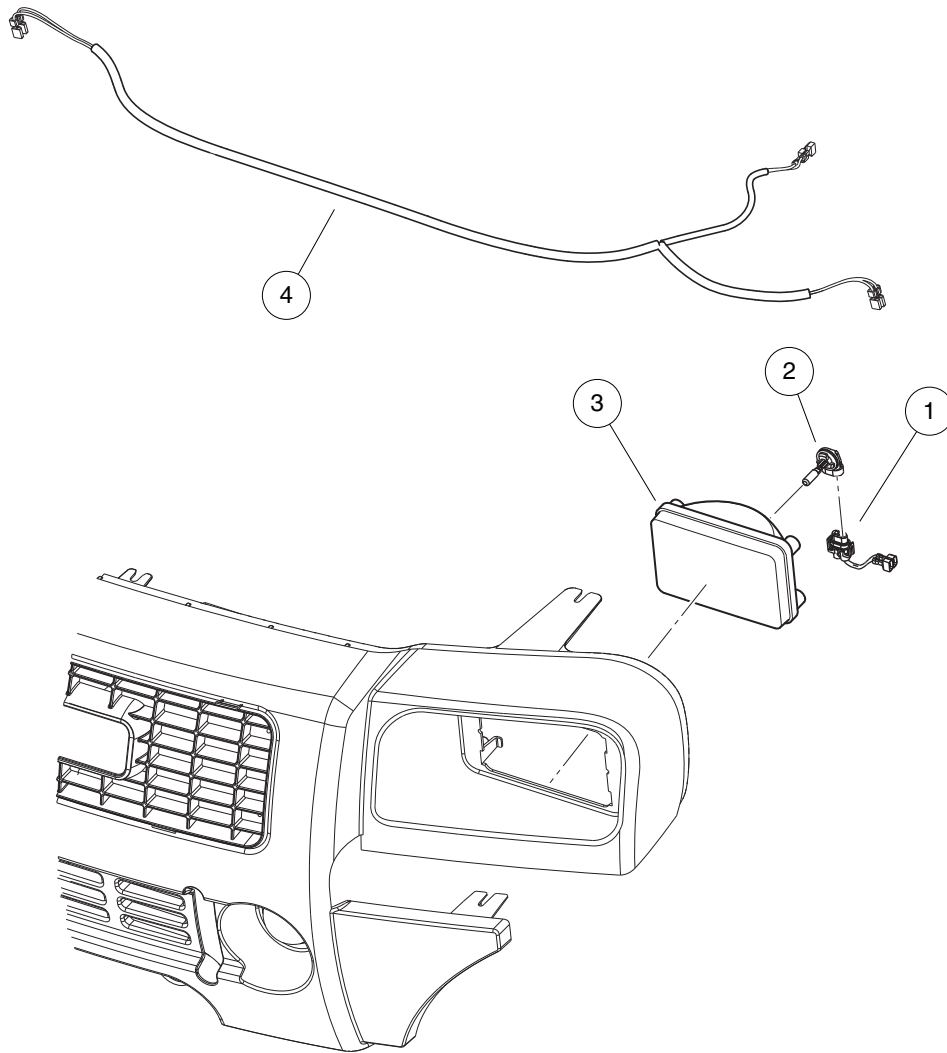
D

ELECTRICAL SYSTEM – GAS VEHICLES

6

G

6
G



000880-003

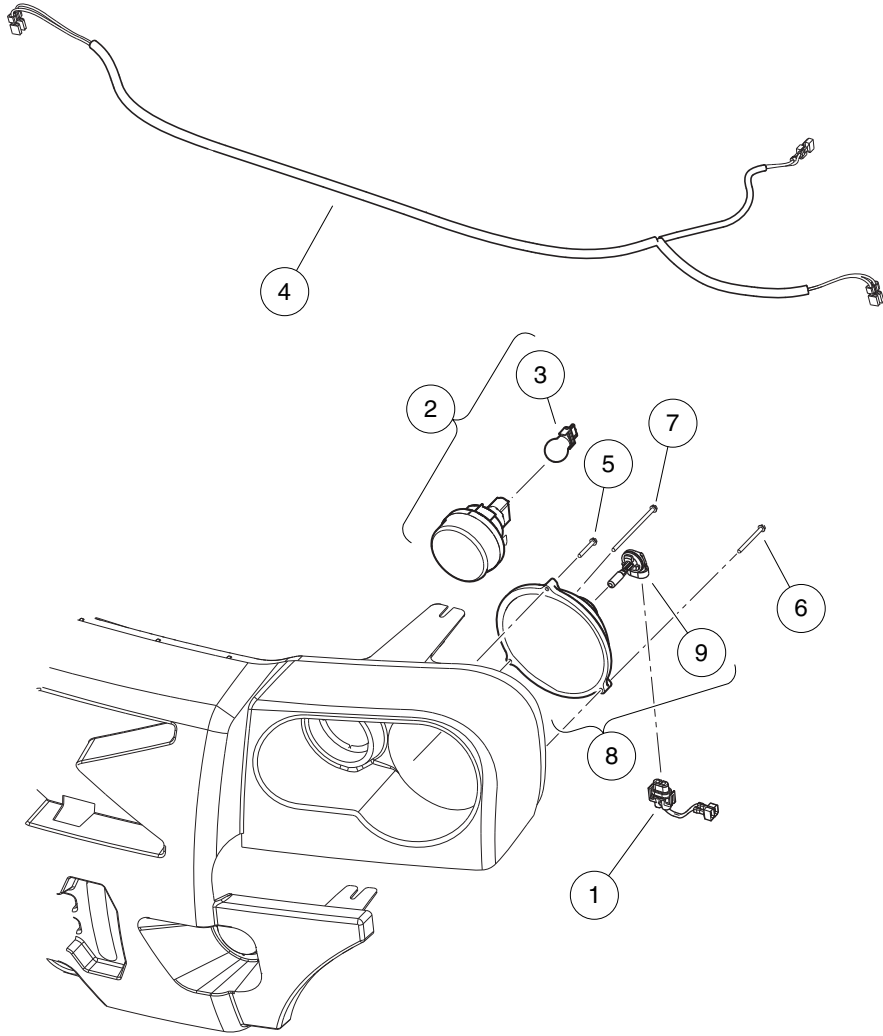
HEADLIGHTS – CARRYALL

ITEM	PART NO.	DESCRIPTION	QTY
		1 2 3 4	
1	<u>101987901</u>	Connector, Harness Assembly, Headlight	2
2	<u>101988101</u>	Bulb, Headlight	2
3	<u>101988201</u>	Lens, Headlight	2
4	<u>103213301</u>	Harness, Wire, XRT/CA Restyle Headlights	1

6

G

6
G



000880-008

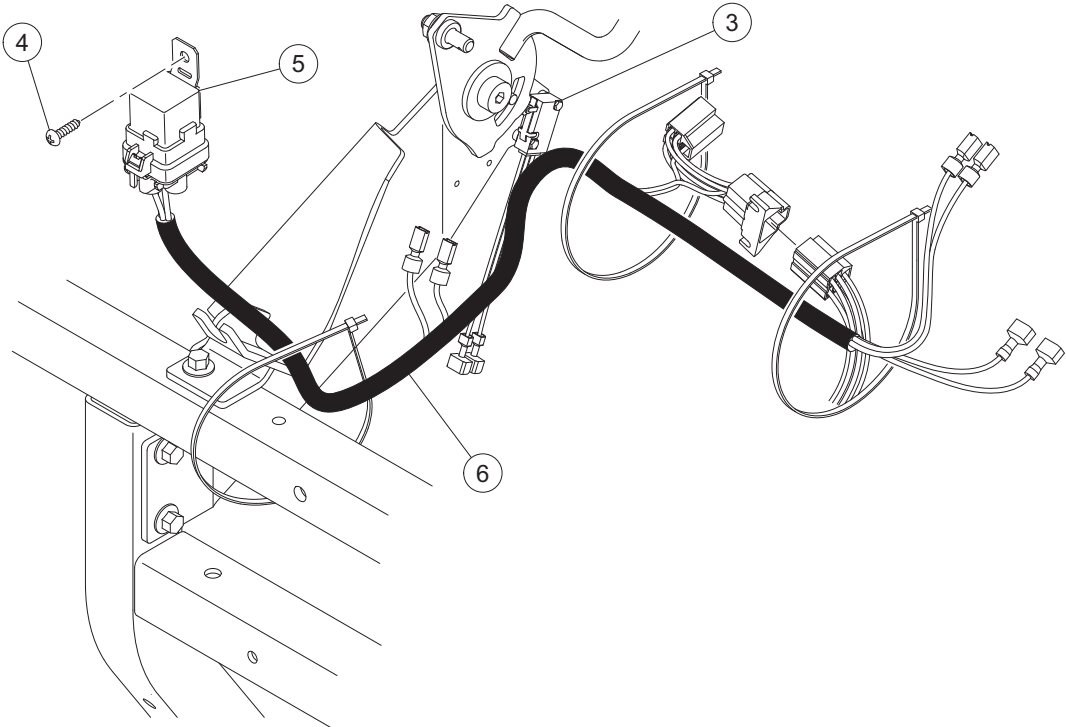
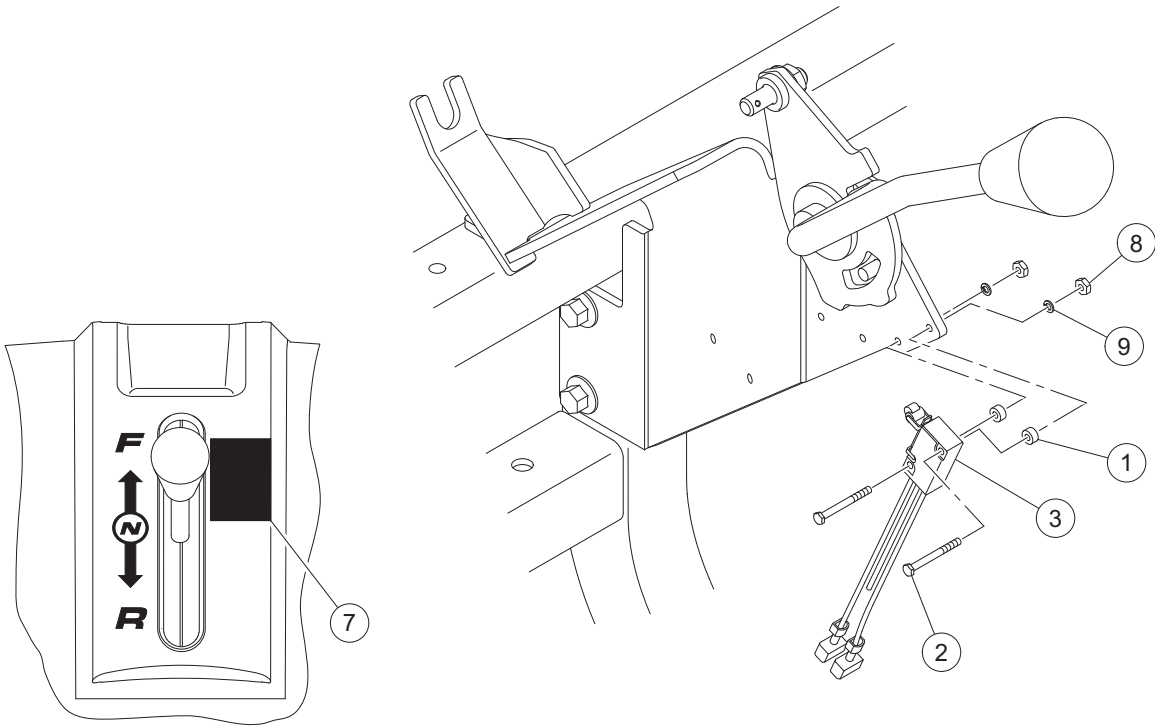
HEADLIGHTS – XRT

ITEM	PART NO.	DESCRIPTION	QTY
		1 2 3 4	
1	<u>101987901</u>	Connector, Harness Assembly, Headlight	2
2	<u>102894501</u>	Light, Turn Signal, Round, 3" (includes item 3)	2
3	<u>103521001</u>	Bulb, Signal, Marker	1
4	<u>103213301</u>	Harness, Wire, XRT/CA Restyle Headlights	1
5	<u>103218104</u>	Screw, #8x1.25 Ab Thd, Hex Hd	2
6	<u>103218107</u>	Screw, #8x2.00 AB Thd, Hex Hd	2
7	<u>103218113</u>	Screw, #8x3.50 Ab Thd, Hex Hd	2
8	<u>103966401</u>	Headlight, Round, 6", 8610 (includes item 9)	2
9	<u>102535101</u>	Bulb, Headlight, 37.5 W	1
		Note: This headlight is made of polycarbonate.	

6

G

6
G



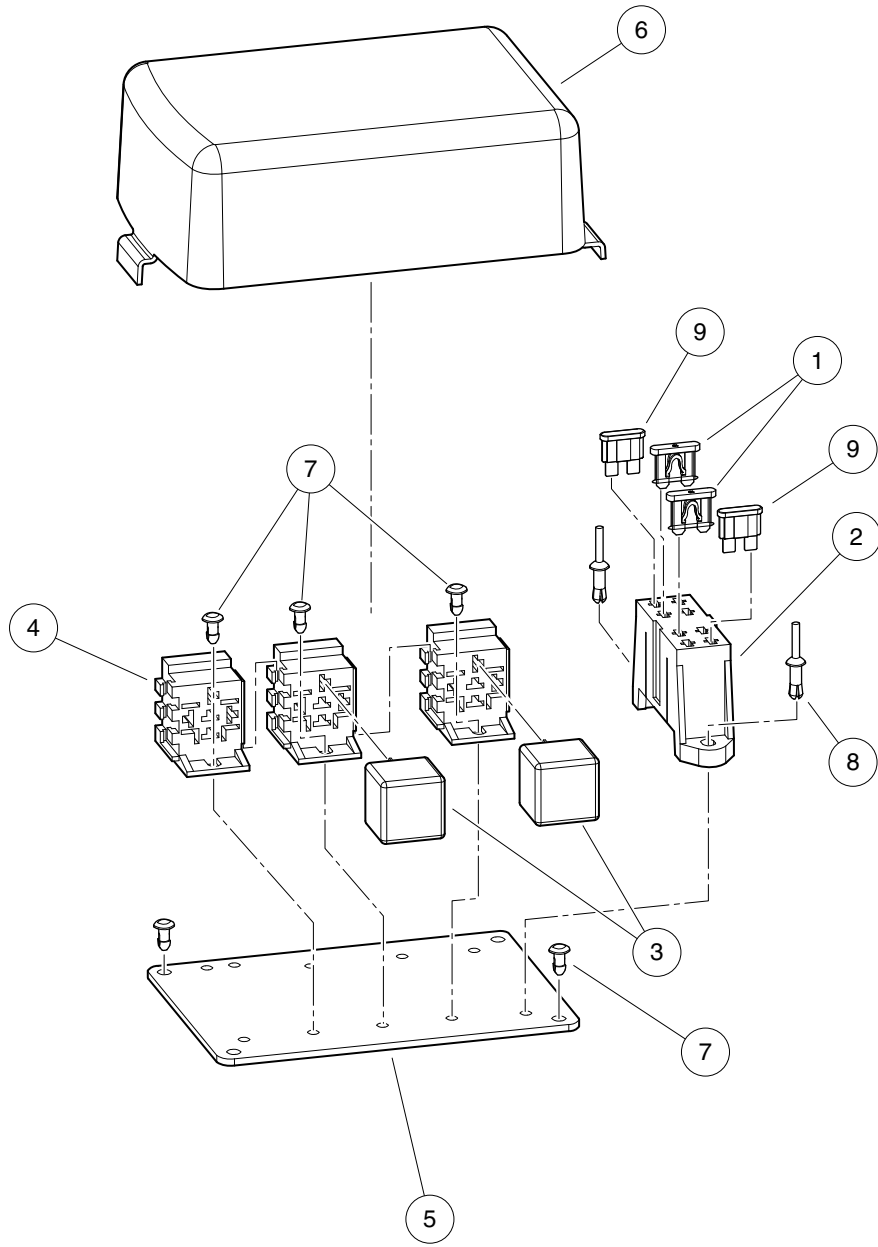
G-131299-000001

IGNITION INTERLOCK AND LIMIT SWITCH – GASOLINE

ITEM	PART NO.	DESCRIPTION	QTY
		1 2 3 4	
1	<u>1014727</u>	Washer, Flat, #4, Nylon	2
2	<u>1016896</u>	Screw, #4-40 X 1.125 Hx Hd Mch	2
3	<u>103327201</u>	Asm, Switch, Limit, Awd	1
4	1620	Screw, #10-16 X 0.75 Pan-Head Tap	1
5	<u>47623281001</u>	Relay, Mini 630 Spdt,40a/30a	1
6	<u>47674660001</u>	Harness, Ign Interlock, Gas	1
7	<u>47676144001</u>	Decal, Park Brake, Notice	1
8	<u>8057</u>	Nut, #4-40 Hex Machine	2
9	<u>8058</u>	Lockwasher, #4 Split	2

6
G

6
G

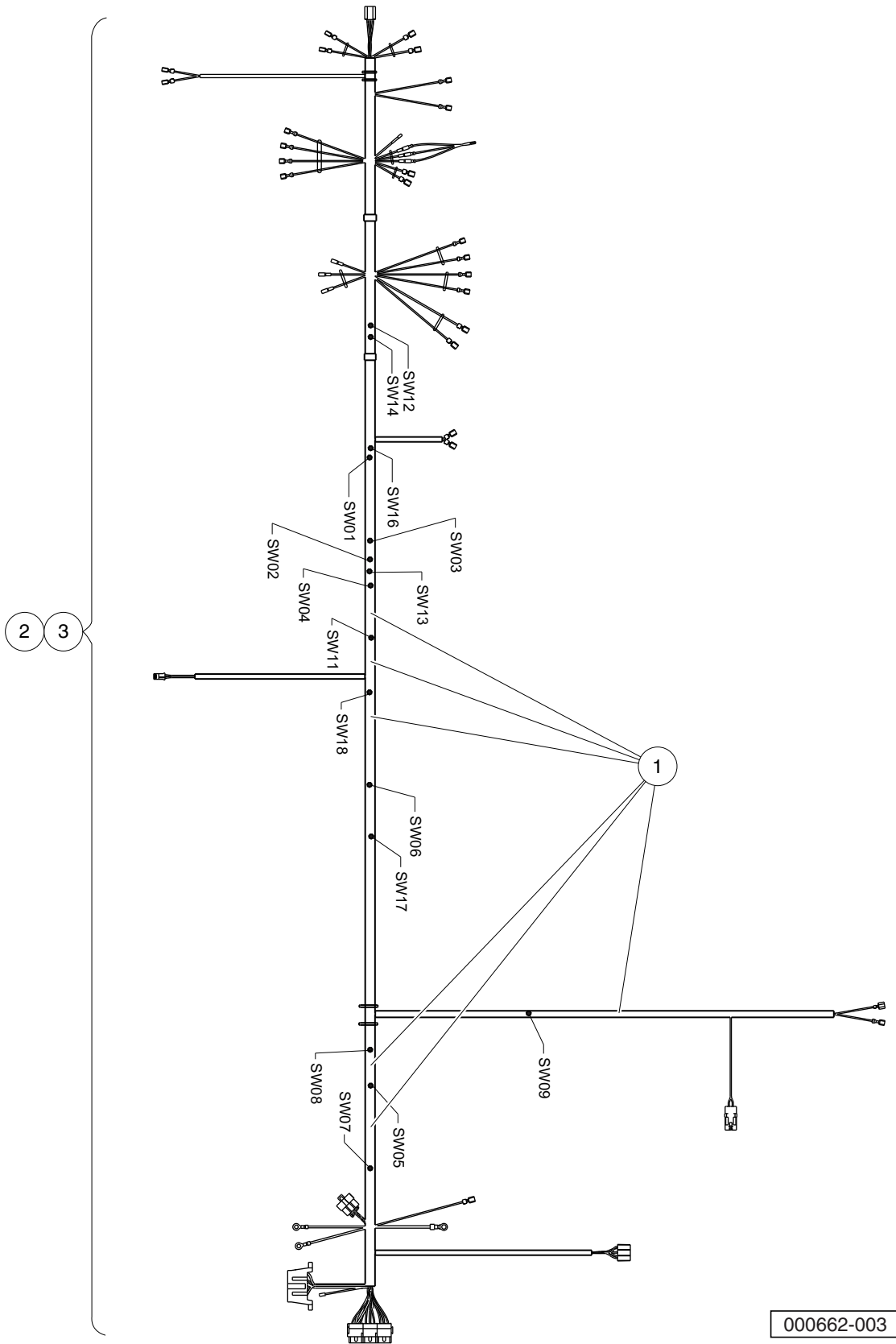


000076-003

ELECTRICAL COMPONENT BOX, GASOLINE VEHICLE

ITEM	PART NO.	DESCRIPTION	QTY
		1 2 3 4	
1	<u>1012295</u>	Fuse, 10-Amp	2
2	<u>1015741</u>	Fuse Block	1
3	<u>102420201</u>	Relay, Mini ISO, SPDT	3
4	<u>102420301</u>	Connector, Relay	3
5	<u>102420401</u>	Plate, Electrical	1
6	<u>102420501</u>	Cover, Electrical	1
7	<u>102447901</u>	Fastener, Push-in	7
8	<u>102448001</u>	Rivet, Drive	2
9	<u>102492201</u>	Fuse, 25-Amp	2

6
G



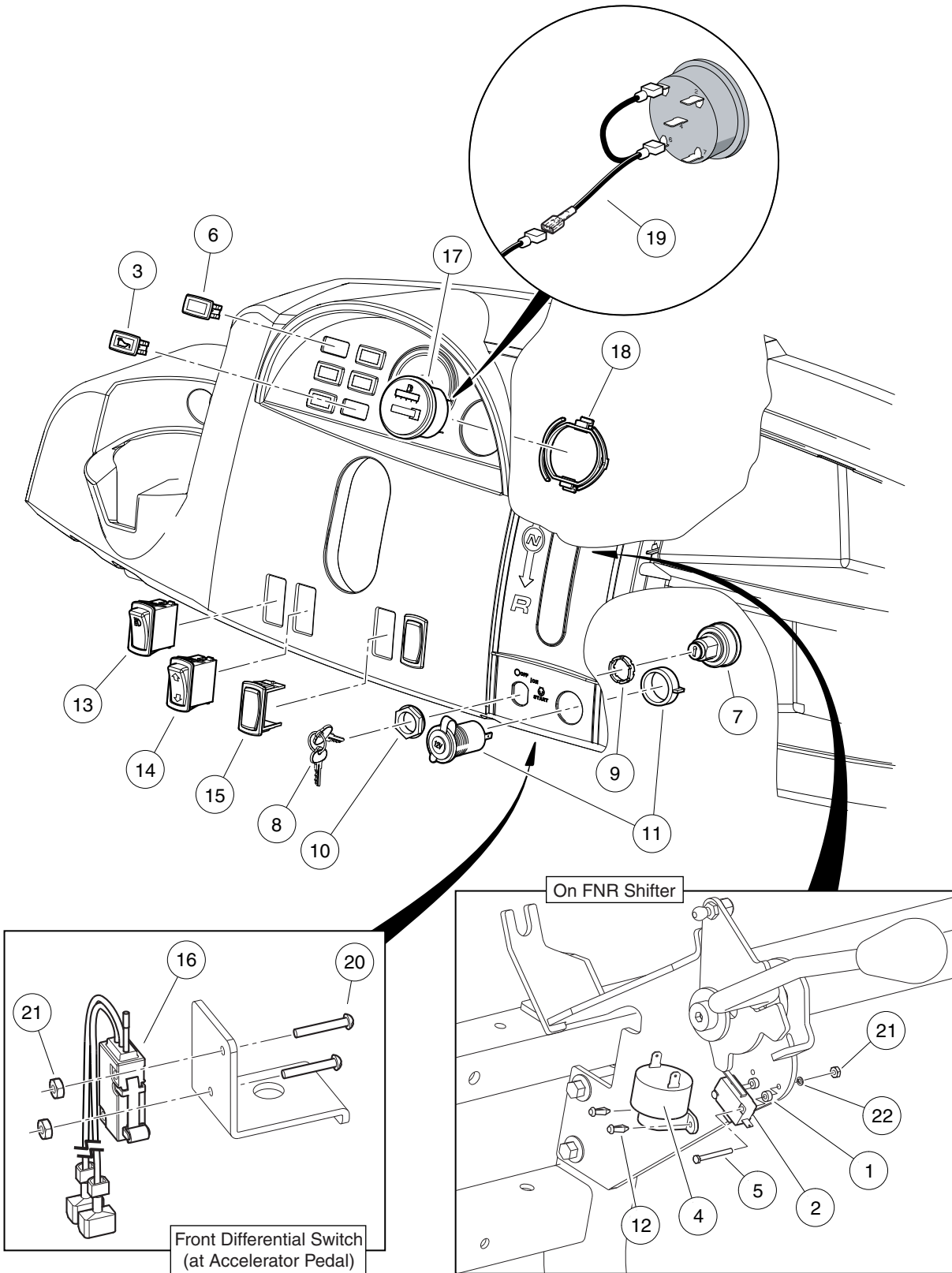
000662-003

WIRING – KAWASAKI GAS ENGINE

ITEM	PART NO.	DESCRIPTION	QTY
		1 2 3 4	
1	<u>1014789</u>	Diode, General Purpose, 3.0-Amp	6
2	<u>103305701</u>	Harness, Wire, AWD, Kawasaki FH680, 295/1550	1
3	<u>103305801</u>	Harness, Wire, AWD, Kawasaki FH680, 295 SE/1550 SE	1
<p style="text-align: center;">Note: Item 2 is for use with 81.5 in. (207 cm) wheelbase vehicle. Item 3 is for use with 114 in. (289.5 cm) wheelbase vehicle.</p>			

6

G



Front Differential Switch
(at Accelerator Pedal)

On FNR Shifter

000543-013

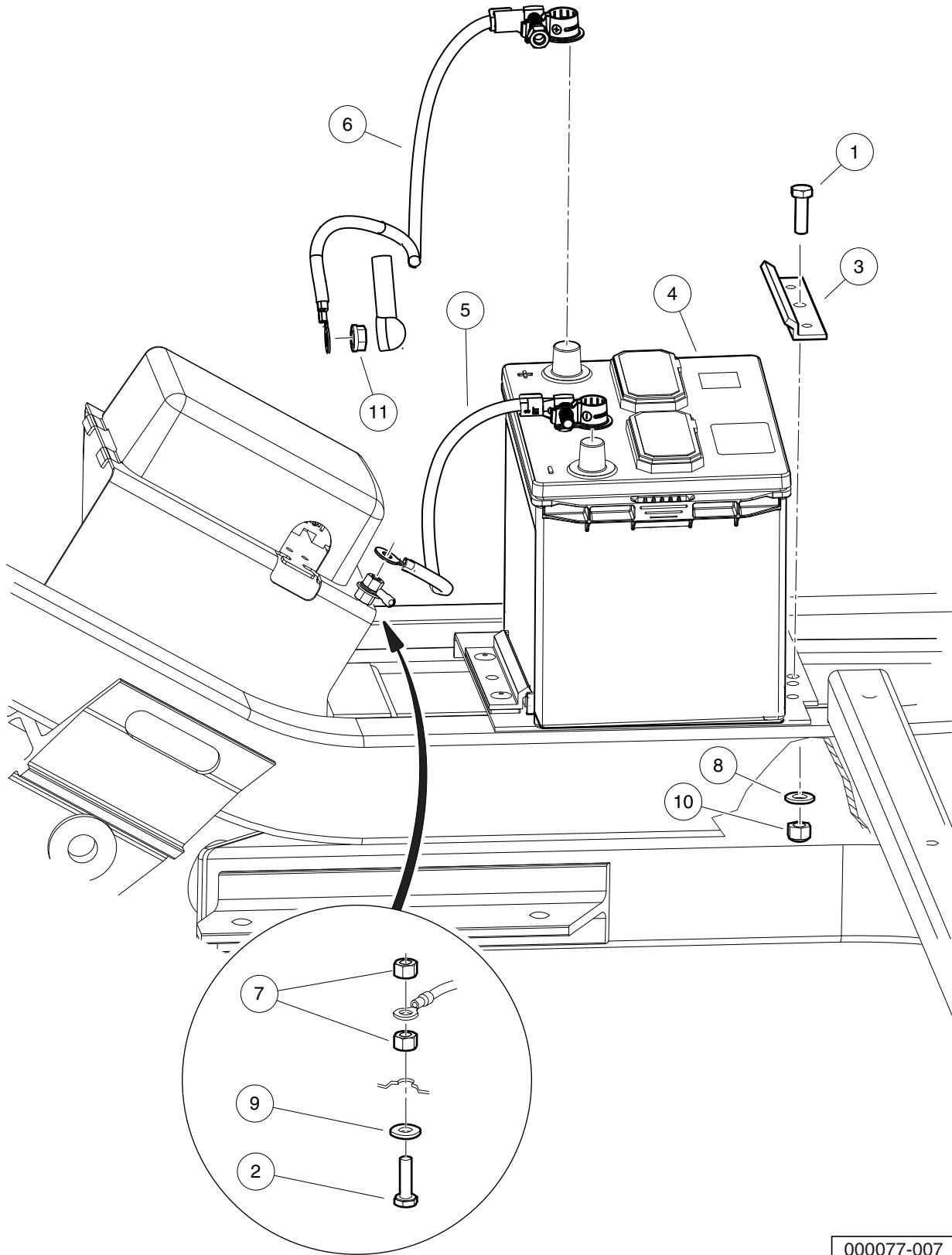
ELECTRICAL COMPONENTS, FRONT BODY – GAS VEHICLE

ITEM	PART NO.	DESCRIPTION	QTY
		1 2 3 4	
1	<u>1014727</u>	Washer, Flat, #4, Nylon	2
2	<u>1014808</u>	Switch, Limit	1
3	<u>1016630</u>	Light, Oil	1
4	<u>1016851</u>	Multi-Purpose Buzzer (9-48 VDC)	1
5	<u>1016896</u>	Screw, #4-40 X 1.125 Hx Hd Mch	2
6	<u>101802601</u>	Plug, Hole	5
7	<u>102044702</u>	Key Switch 12v Key Start	1
8	<u>102044801</u>	Key Set	1
9	<u>102051601</u>	Spacer, Keyswitch	1
10	<u>102051701</u>	Nut, Key Switch	1
11	<u>102198001</u>	Receptacle, Accessory	1
12	<u>102499001</u>	Rivet, Micro Tuflok	2
13	<u>102869401</u>	Switch, Rocker, Light	1
14	<u>102882501</u>	Switch, Rocker, Bed Lift	1
15	<u>103180101</u>	Cover, Hole, Switch, Rocker	3
16	<u>103327201</u>	Asm, Switch, Limit, Awd	1
17	<u>103348101</u>	Gauge, Fuel-hour, Sep Gnd	1
18	<u>103348201</u>	Clip, Meter, Round	1
19	<u>103348501</u>	Asm, Wire Meter, F-h Jumper	1
20	<u>8056</u>	Screw, #4-40 X 0.75 Round-Head Machine	2
21	<u>8057</u>	Nut, #4-40 Hex Machine	4
22	<u>8058</u>	Lockwasher, #4 Split	2
<p>Note: Item 4, reverse buzzer, is only if equipped. NOTE 2: Item 14, bed lift switch, is only if equipped. NOTE 3: Items 18, clip, and 19, jumper wire, are required with item 17, fuel/hour gauge.</p>			

6

G

6
G



000077-007

TOP-POST BATTERY – GASOLINE VEHICLE

ITEM	PART NO.	DESCRIPTION	QTY
		1 2 3 4	
1	<u>1010934</u>	Screw, 5/16-18 X 1.00 Hex Cap	1
2	<u>1015521</u>	Screw, 1/4-20 X .88 Hex Hd Cap	1
3	<u>101898001</u>	Clamp, Battery	1
4	<u>105237301</u>	Battery, Start, 12v, Type 26	1
5	105256201	Wire Asm, #6 Blk, (top-post battery) Awd, 426	1
6	105256601	Wire Asm, #6 Red, (top-post battery) Awd, 476	1
7	<u>1108</u>	Locknut, 1/4-20 Dimpled	2
8	<u>1241</u>	Washer, 5/16 Type A Flat	1
9	<u>332</u>	Washer, 1/4 Type A Narrow Flat	1
10	<u>7473</u>	Locknut, 5/16-18 Nylon Insert	1
11	<u>96704416</u>	Nut, Flange, M8 X 1.25 Serrated	1

6

G

6

G

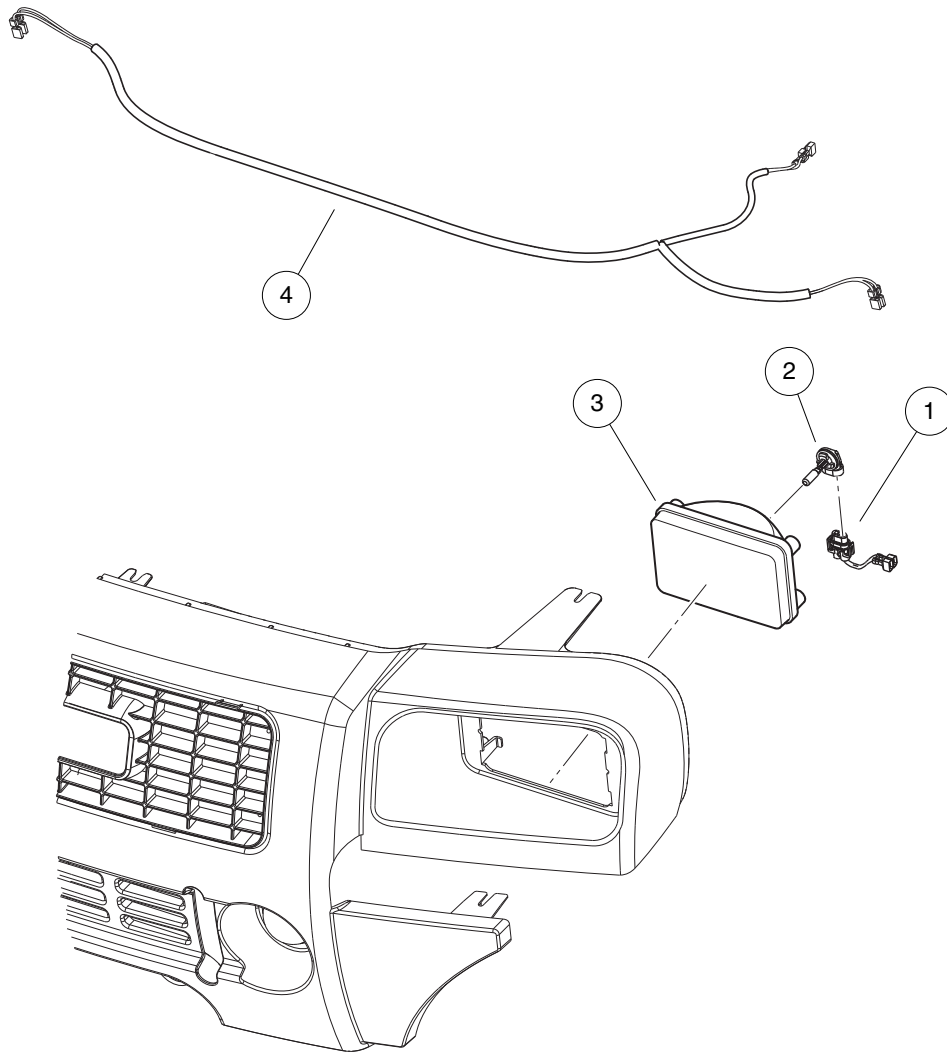
ELECTRICAL SYSTEM – DIESEL VEHICLES

7

D

7

D



000880-003

HEADLIGHTS – CARRYALL

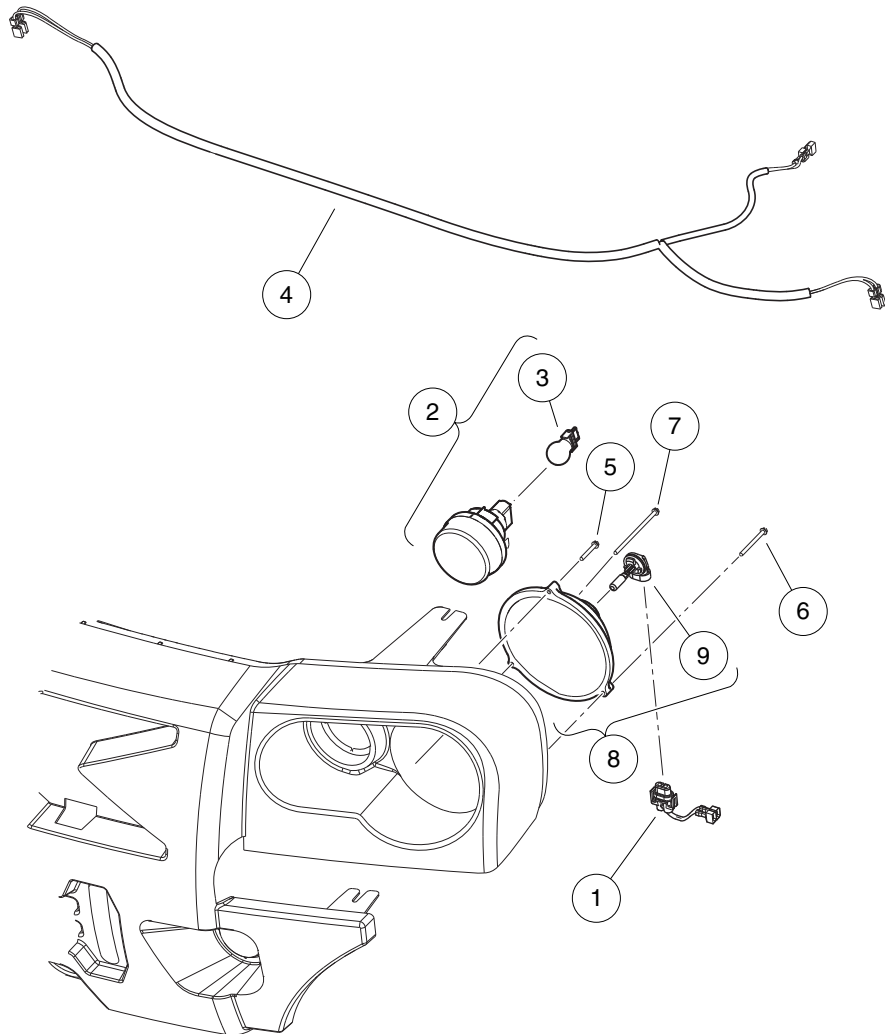
ITEM	PART NO.	DESCRIPTION	QTY
		1 2 3 4	
1	<u>101987901</u>	Connector, Harness Assembly, Headlight	2
2	<u>101988101</u>	Bulb, Headlight	2
3	<u>101988201</u>	Lens, Headlight	2
4	<u>103213301</u>	Harness, Wire, XRT/CA Restyle Headlights	1

7

D

7

D



000880-008

HEADLIGHTS – XRT

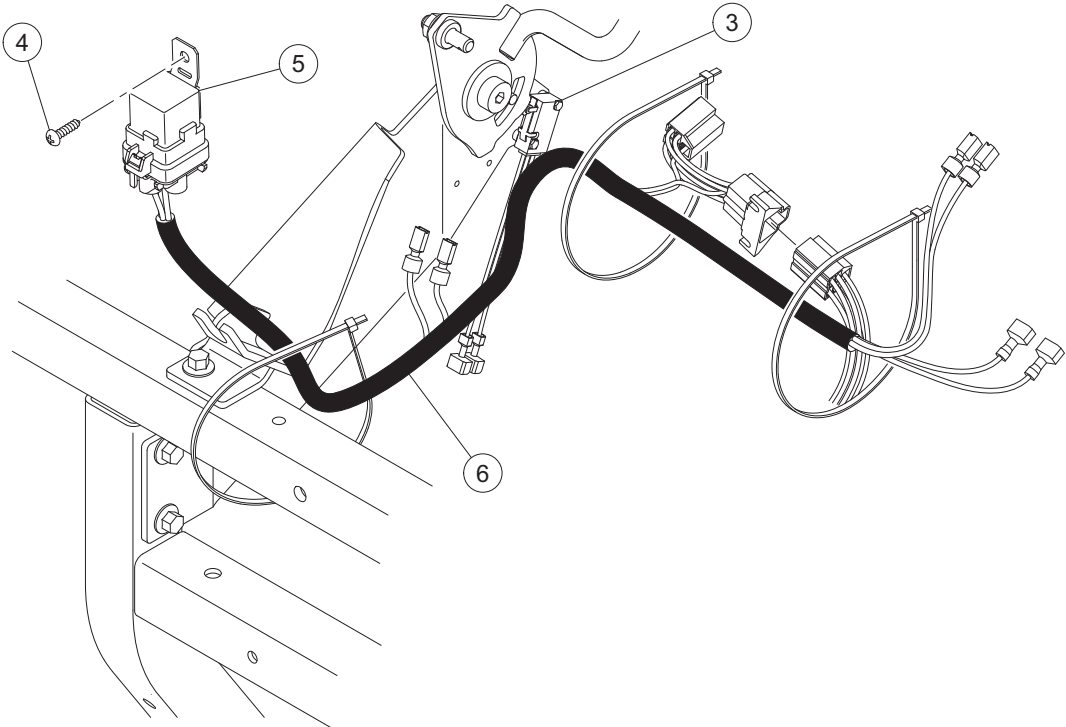
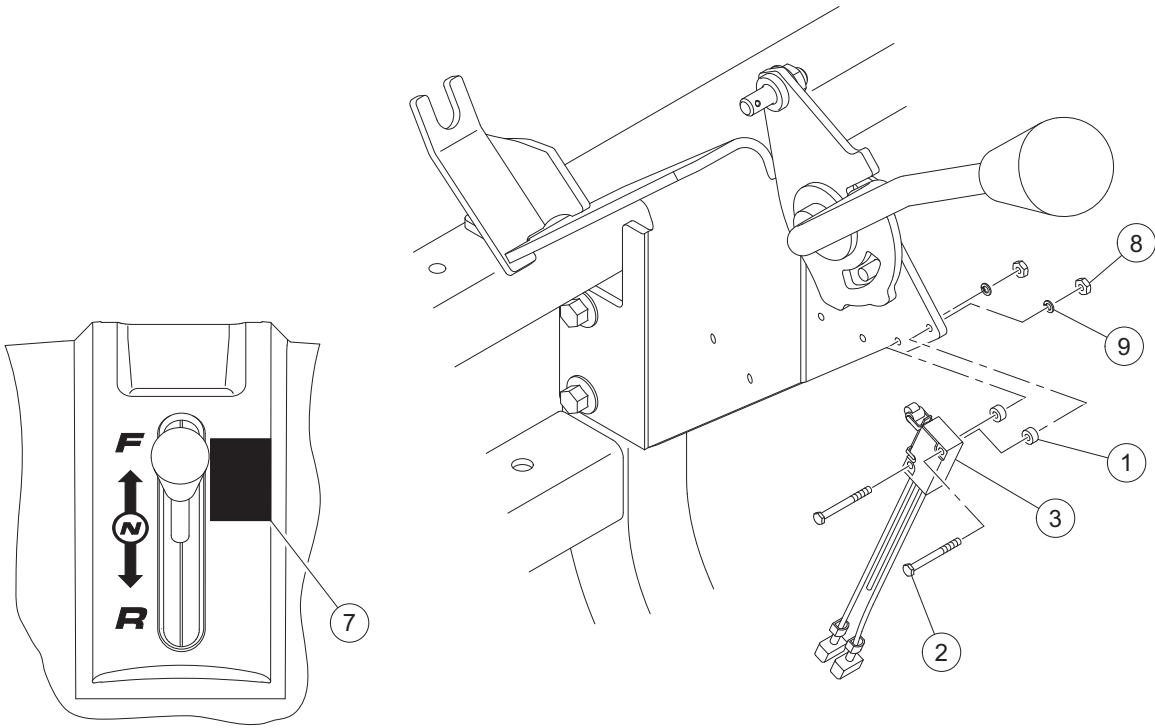
ITEM	PART NO.	DESCRIPTION	QTY
		1 2 3 4	
1	<u>101987901</u>	Connector, Harness Assembly, Headlight	2
2	<u>102894501</u>	Light, Turn Signal, Round, 3" (includes item 3)	2
3	<u>103521001</u>	Bulb, Signal, Marker	1
4	<u>103213301</u>	Harness, Wire, XRT/CA Restyle Headlights	1
5	<u>103218104</u>	Screw, #8x1.25 Ab Thd, Hex Hd	2
6	<u>103218107</u>	Screw, #8x2.00 AB Thd, Hex Hd	2
7	<u>103218113</u>	Screw, #8x3.50 Ab Thd, Hex Hd	2
8	<u>103966401</u>	Headlight, Round, 6", 8610 (includes item 9)	2
9	<u>102535101</u>	Bulb, Headlight, 37.5 W	1
<p style="margin-left: 40px;">Note: This headlight is made of polycarbonate.</p>			

7

D

7

D



G-131299-000001

IGNITION INTERLOCK AND LIMIT SWITCH – DIESEL

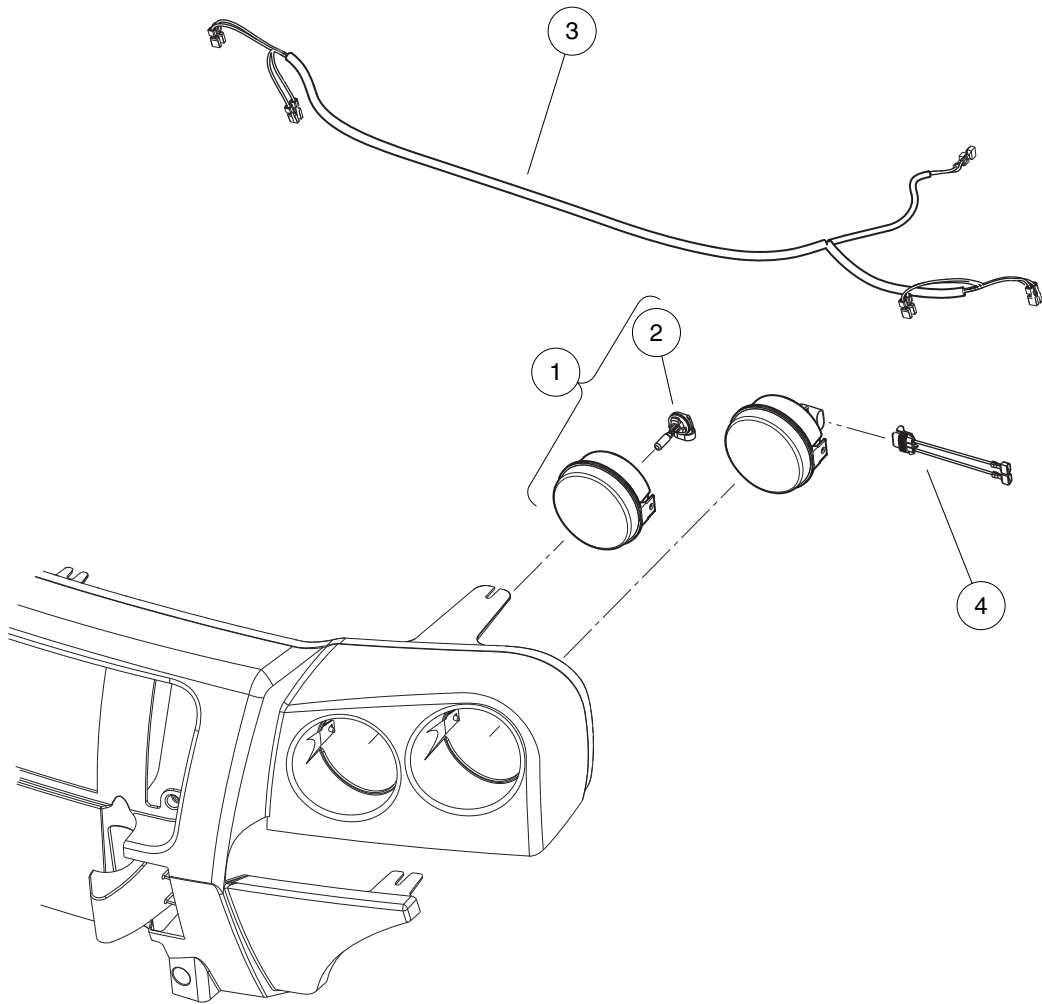
ITEM	PART NO.	DESCRIPTION	QTY
		1 2 3 4	
1	<u>1014727</u>	Washer, Flat, #4, Nylon	2
2	<u>1016896</u>	Screw, #4-40 X 1.125 Hx Hd Mch	2
3	<u>103327201</u>	Asm, Switch, Limit, Awd	1
4	1620	Screw, #10-16 X 0.75 Pan-Head Tap	1
5	<u>47623281001</u>	Relay, Mini 630 Spdt,40a/30a	1
6	<u>47666420001</u>	Harness, Ign Interlock, Diesel	1
7	<u>47676144001</u>	Decal, Park Brake, Notice	1
8	<u>8057</u>	Nut, #4-40 Hex Machine	2
9	<u>8058</u>	Lockwasher, #4 Split	2

7

D

7

D



000880-009

HEADLIGHTS – INTELLITACH

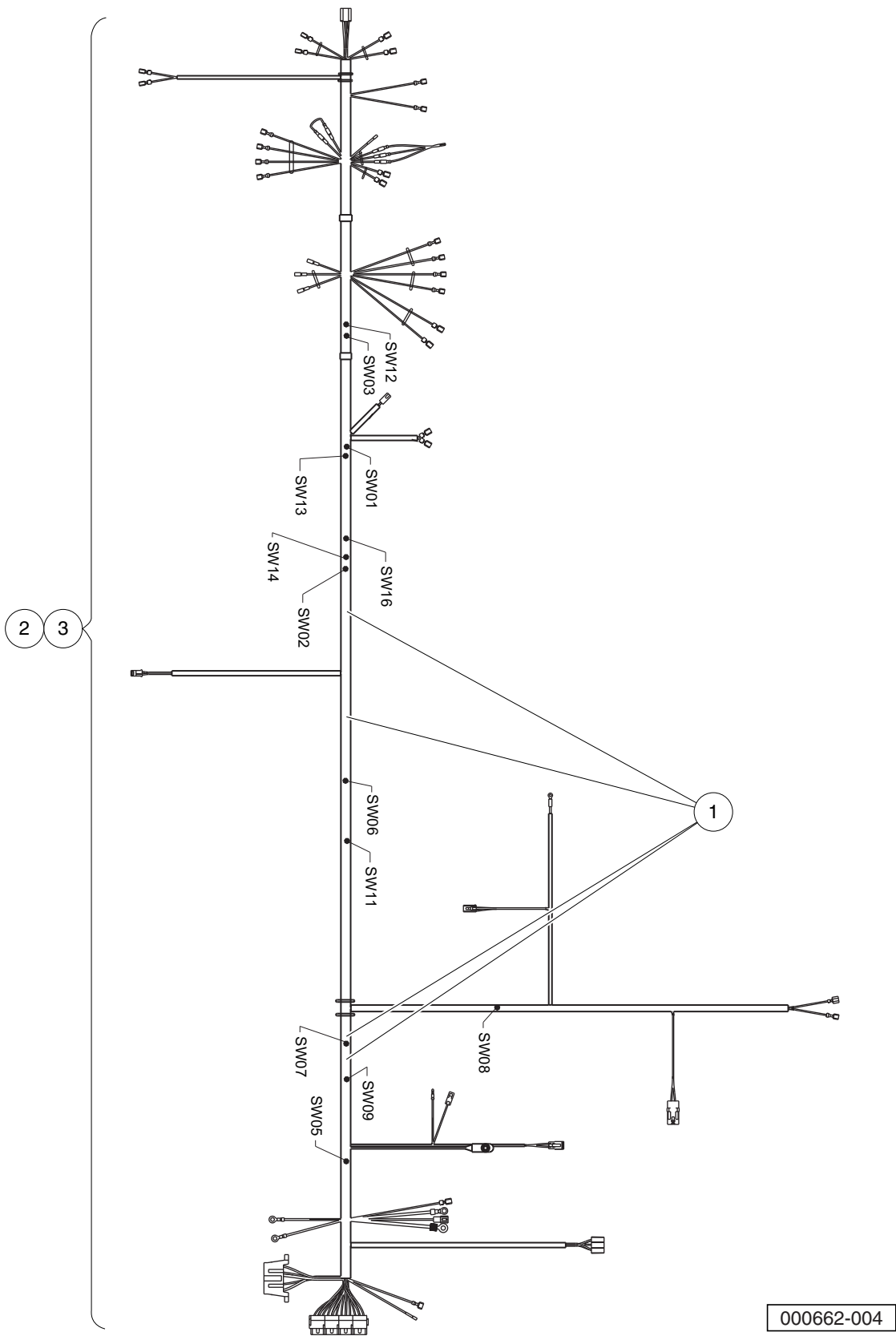
ITEM	PART NO.	DESCRIPTION	QTY
		1 2 3 4	
1	<u>102885001</u>	Headlight, Round, 4" (includes item 2)	4
2	<u>103762501</u>	Bulb, Halogen, 35/35 Hi/lo	1
3	<u>103213201</u>	Harness, Wire, IntelliTach Headlights	1
4	<u>103213501</u>	Harness, Wire, Headlight Connector	4

7

D

7

D



WIRING HARNESS – KUBOTA DIESEL ENGINE – 1500/1550

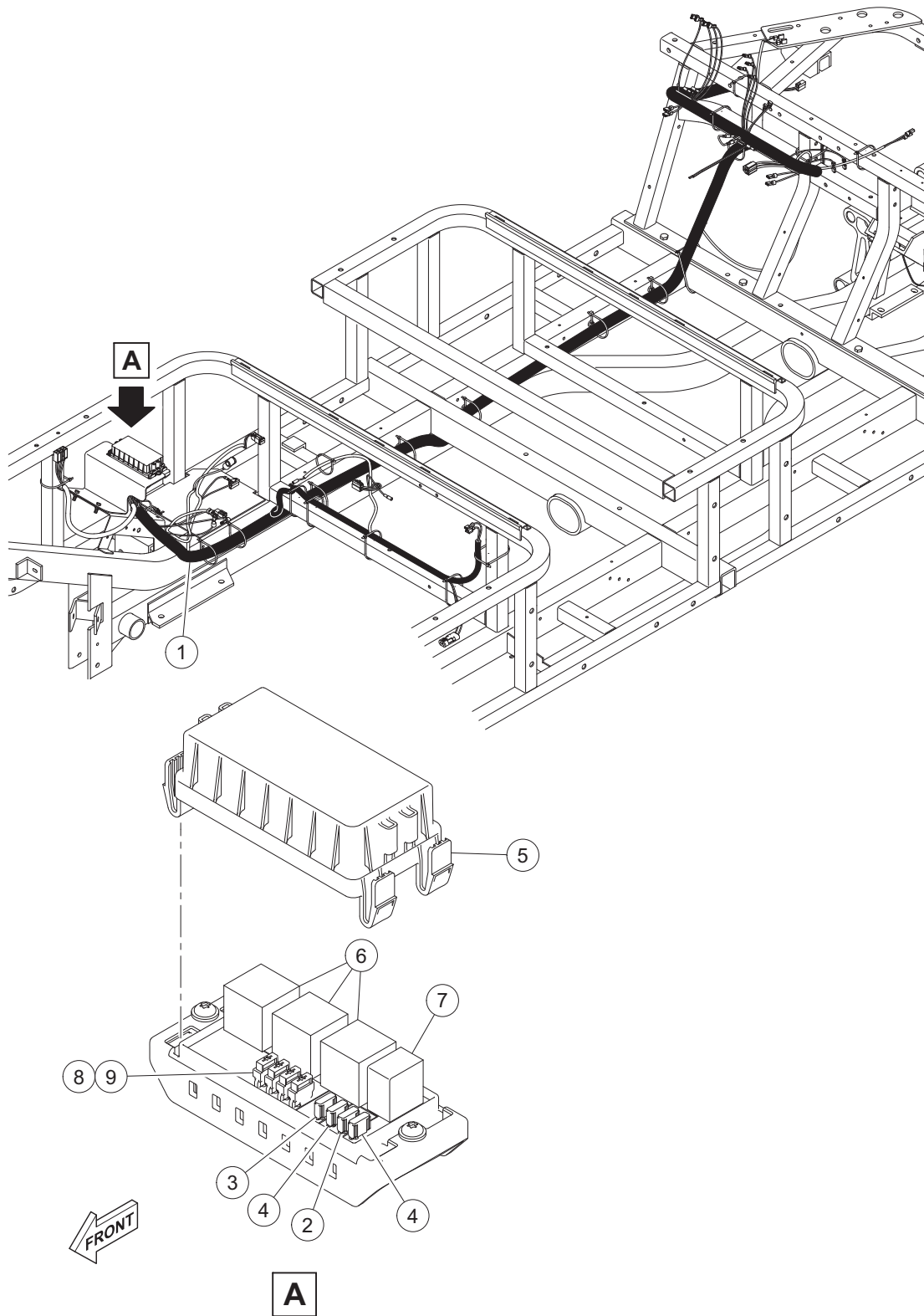
ITEM	PART NO.	DESCRIPTION	QTY
		1 2 3 4	
1	<u>1014789</u>	Diode, General Purpose, 3.0-Amp	4
2	<u>103277501</u>	Harness, Wire, AWD, Diesel, 295/1550	1
3	<u>103277701</u>	Harness, Wire, AWD, Diesel, 295 SE/1550 SE	1
<p>Note: Item 2 is for use with 81.5 in. (207 cm) wheelbase vehicle. Item 3 is for use with 114 in. (289.5 cm) wheelbase vehicle.</p>			

7

D

7

D



G-131099-00012

WIRING HARNESS – KUBOTA DIESEL ENGINE – 1700

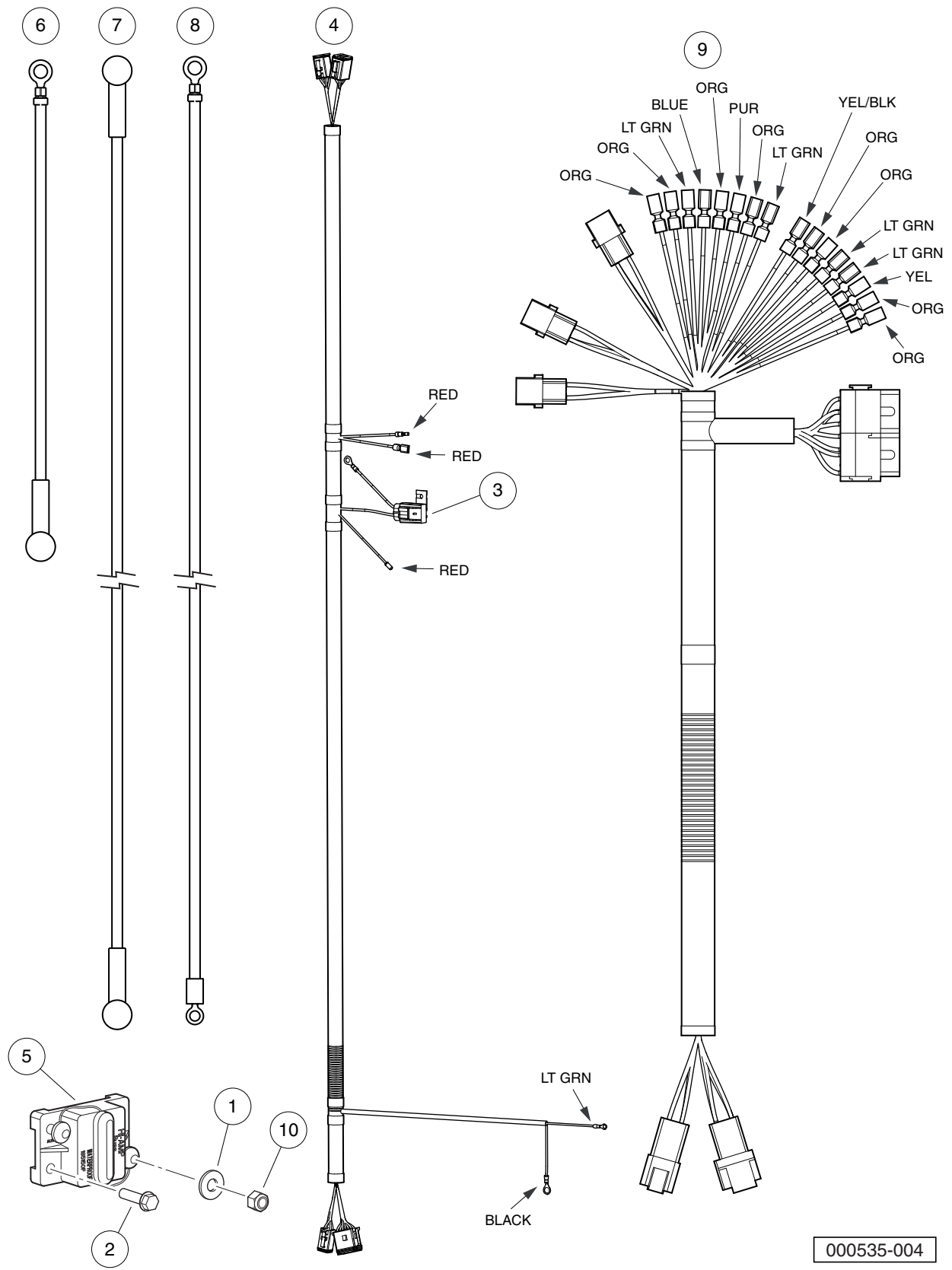
ITEM	PART NO.	DESCRIPTION	QTY
		1 2 3 4	
1	47610581001	Harness, Diesel Awd, Pdm (includes items 2 through 9)	1
2	<u>105114806</u>	Fuse, Mini, Atm, 10 Amp	1
3	<u>105114809</u>	Fuse, Mini, Atm, 25 Amp	1
4	<u>105114810</u>	Fuse, Mini, Atm, 30 Amp	2
5	47605993001	Asm, PDM Cover	1
6	<u>47616611003</u>	Relay, Mini 280 Spst, 50a	3
7	<u>47616611004</u>	Relay, Micro 280 Spst, 35a	1
8	47619337001	Diode, Key, PDM	4
9	47620397001	Diode, 1a, Mini, Pdm	4

7

D

7

D



000535-004

WIRING – HYDRAULIC ATTACHMENT (INTELLITACH)

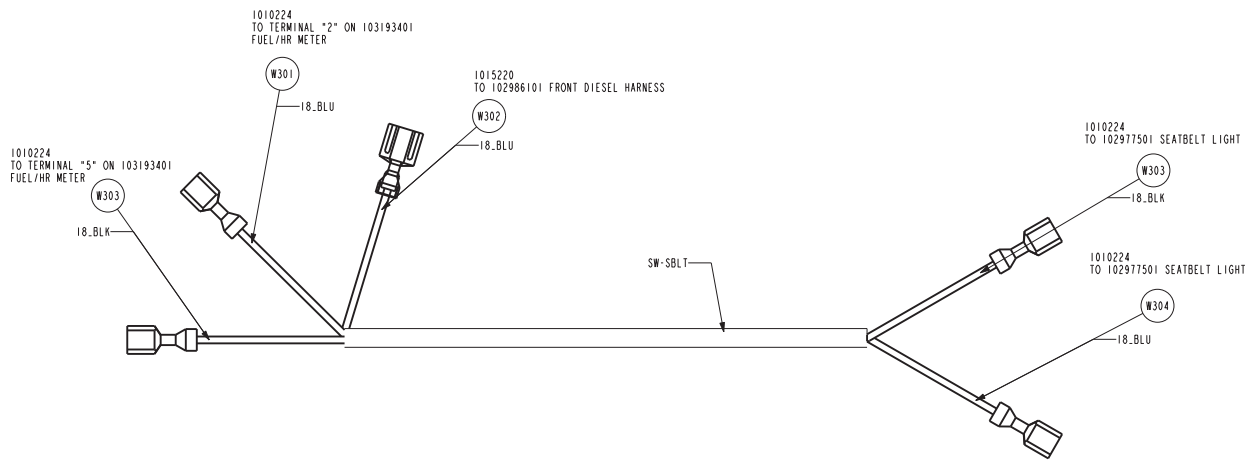
ITEM	PART NO.	DESCRIPTION	QTY
		1 2 3 4	
1	<u>1011931</u>	Washer, 1/4 Flat	2
2	<u>1014063</u>	Screw, 1/4-20 X 1.00, Hex Head	2
3	<u>1016423</u>	Fuse, 20-Amp	1
4	<u>102786401</u>	Wire Harness, Powerunit	1
5	<u>102936801</u>	Breaker, Circuit, 150-Amp	1
6	<u>102937401</u>	Wire Asm, #6, Red, Bt	1
7	<u>102937501</u>	Wire Asm, #6, Red, Bt	1
8	<u>102937601</u>	Wire Asm, #6, Black, Bt	1
9	<u>103245801</u>	Wire Harness, Control Panel	1
10	<u>8717</u>	Locknut, Nylon Insert, 1/4-28	2

7

D

7

D



000535-005

WIRING – SEAT BELT REMINDER (INTELLITACH)

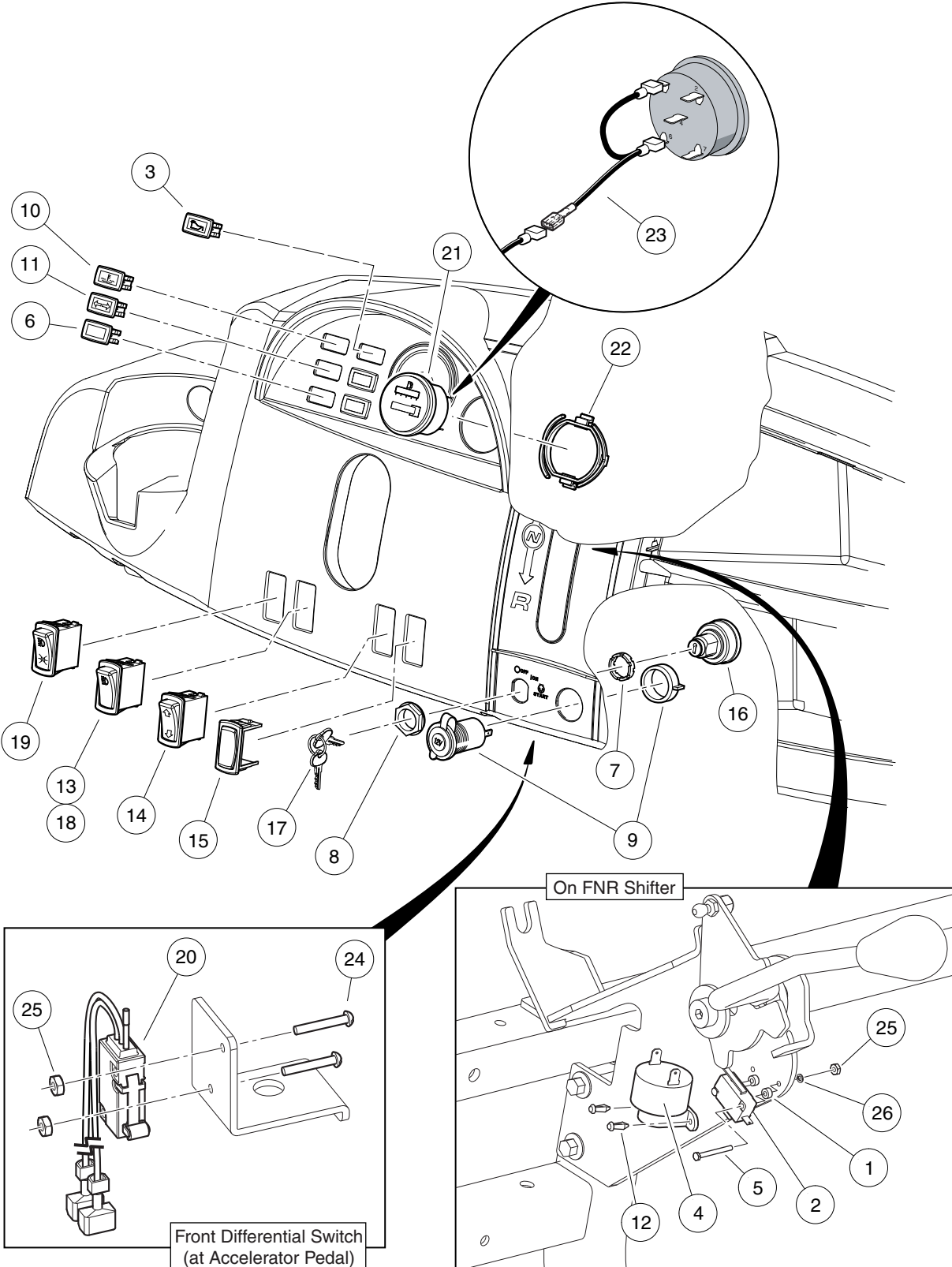
ITEM	PART NO.	DESCRIPTION	QTY
1	<u>103213401</u>	1 2 3 4 Harness, Wire, Seatbelt Light	1

7

D

7

D



Front Differential Switch (at Accelerator Pedal)

On FNR Shifter

000543-014

ELECTRICAL COMPONENTS, FRONT BODY – DIESEL VEHICLE

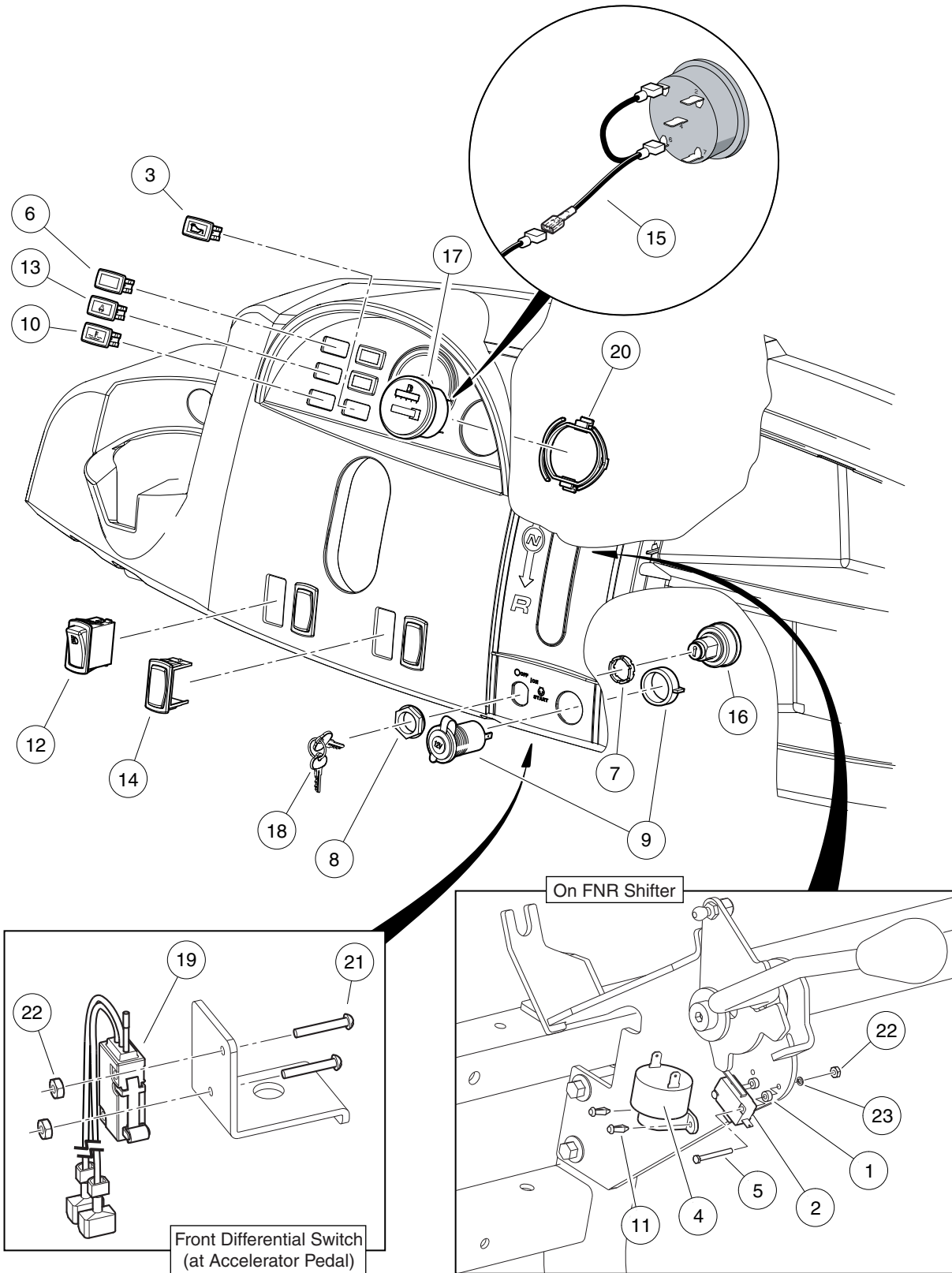
ITEM	PART NO.	DESCRIPTION	QTY
		1 2 3 4	
1	<u>1014727</u>	Washer, Flat, #4, Nylon	2
2	<u>1014808</u>	Switch, Limit	1
3	<u>1016630</u>	Light, Oil	1
4	<u>1016851</u>	Multi-Purpose Buzzer (9-48 VDC)	1
5	<u>1016896</u>	Screw, #4-40 X 1.125 Hx Hd Mch	2
6	<u>101802601</u>	Plug, Hole	5
7	<u>102051601</u>	Spacer, Keyswitch	1
8	<u>102051701</u>	Nut, Key Switch	1
9	<u>102198001</u>	Receptacle, Accessory	1
10	<u>102375401</u>	Light, Indicator, Coolant Temp	1
11	<u>102495701</u>	Light, Indicator, Turn Signals	1
12	<u>102499001</u>	Rivet, Micro Tuflok	2
13	<u>102869401</u>	Switch, Rocker, Light	1
14	<u>102882501</u>	Switch, Rocker, Bed Lift	1
15	<u>103180101</u>	Cover, Hole, Switch, Rocker	3
16	<u>103208801</u>	Keyswitch, 12v, Diesel	1
17	<u>103234401</u>	Keys (set of 2)	1
18	<u>103310701</u>	Switch, High Beam, Homologatn	1
19	<u>103324901</u>	Switch, 3-pos, Euro, Restyle	1
20	<u>103327201</u>	Asm, Switch, Limit, Awd	1
21	<u>103348101</u>	Gauge, Fuel-hour, Sep Gnd	1
22	<u>103348201</u>	Clip, Meter, Round	1
23	<u>103348501</u>	Asm, Wire Meter, F-h Jumper	1
24	<u>8056</u>	Screw, #4-40 X 0.75 Round-Head Machine	2
25	<u>8057</u>	Nut, #4-40 Hex Machine	4
26	<u>8058</u>	Lockwasher, #4 Split	2
<p>Note: Item 4, reverse buzzer, is only if equipped. NOTE 2: Items 22, clip, and 23, jumper wire, are required with item 21, fuel/hour gauge. NOTE 3: Item 14, bed lift switch, is only if equipped.</p>			

7

D

7

D



000543-015

ELECTRICAL COMPONENTS, FRONT BODY – INTELLITACH

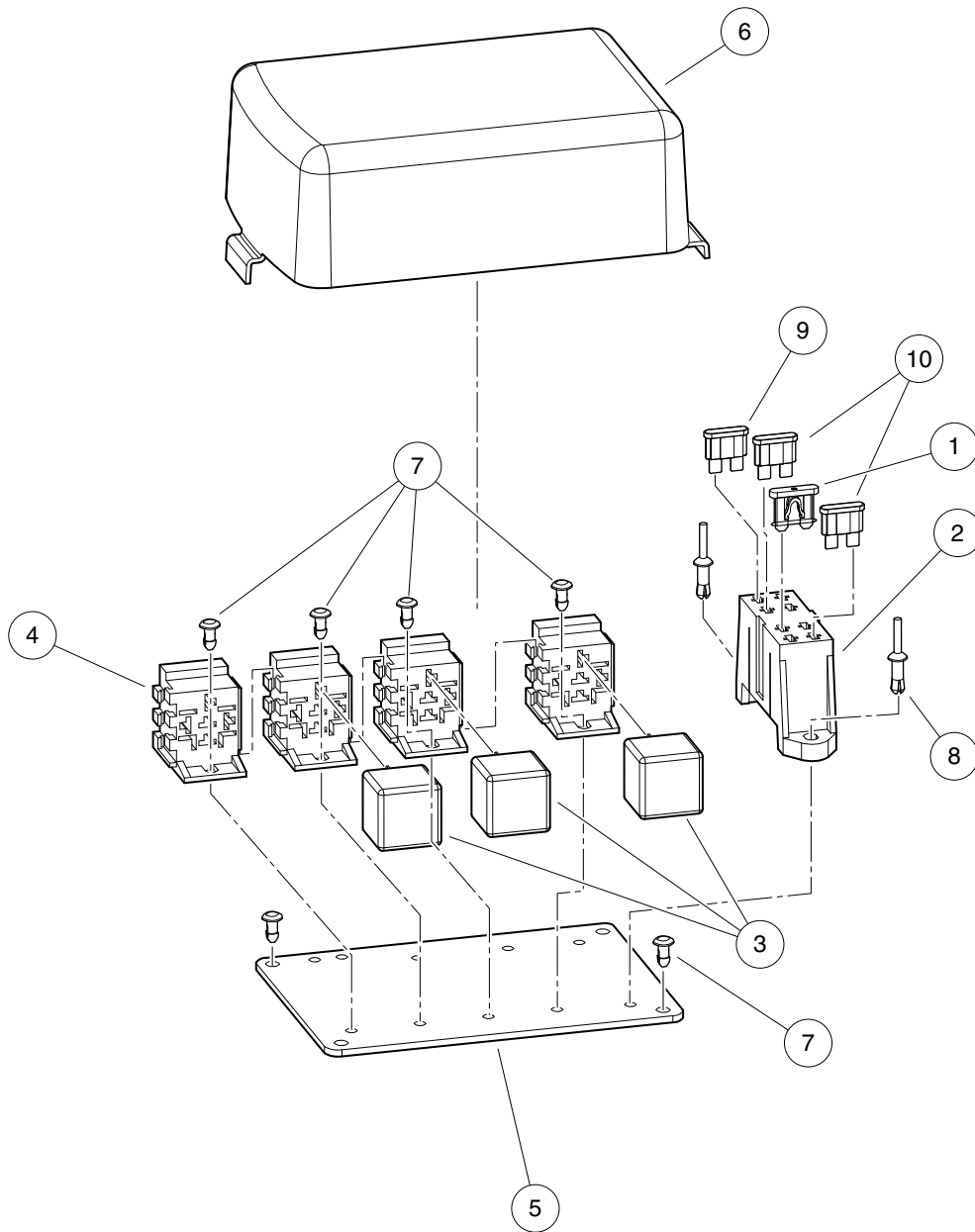
ITEM	PART NO.	DESCRIPTION	QTY
		1 2 3 4	
1	<u>1014727</u>	Washer, Flat, #4, Nylon	2
2	<u>1014808</u>	Switch, Limit	1
3	<u>1016630</u>	Light, Oil	1
4	<u>1016851</u>	Multi-Purpose Buzzer (9-48 VDC)	1
5	<u>1016896</u>	Screw, #4-40 X 1.125 Hx Hd Mch	2
6	<u>101802601</u>	Plug, Hole	5
7	<u>102051601</u>	Spacer, Keyswitch	1
8	<u>102051701</u>	Nut, Key Switch	1
9	<u>102198001</u>	Receptacle, Accessory	1
10	<u>102375401</u>	Light, Indicator, Coolant Temp	1
11	<u>102499001</u>	Rivet, Micro Tuflok	2
12	<u>102869401</u>	Switch, Rocker, Light	1
13	<u>102977501</u>	Light, Indicator, Seat Belt	1
14	<u>103180101</u>	Cover, Hole, Switch, Rocker	3
15	<u>103205801</u>	Asm, Wire, Meter F/h/sb Jumpr	1
16	<u>103208801</u>	Keyswitch, 12v, Diesel	1
17	<u>103234001</u>	Gauge, F/h, Sep Gnd Timer	1
18	<u>103234401</u>	Keys (set of 2)	1
19	<u>103327201</u>	Asm, Switch, Limit, Awd	1
20	<u>103348201</u>	Clip, Meter, Round	1
21	<u>8056</u>	Screw, #4-40 X 0.75 Round-Head Machine	2
22	<u>8057</u>	Nut, #4-40 Hex Machine	4
23	<u>8058</u>	Lockwasher, #4 Split	2
Note: Item 4, reverse buzzer, is only if equipped. NOTE 2: Items 15, jumper wire, and 20, clip, are required with item 17, fuel/hour gauge.			

7

D

7

D



000076-004

ELECTRICAL COMPONENT BOX, DIESEL VEHICLE

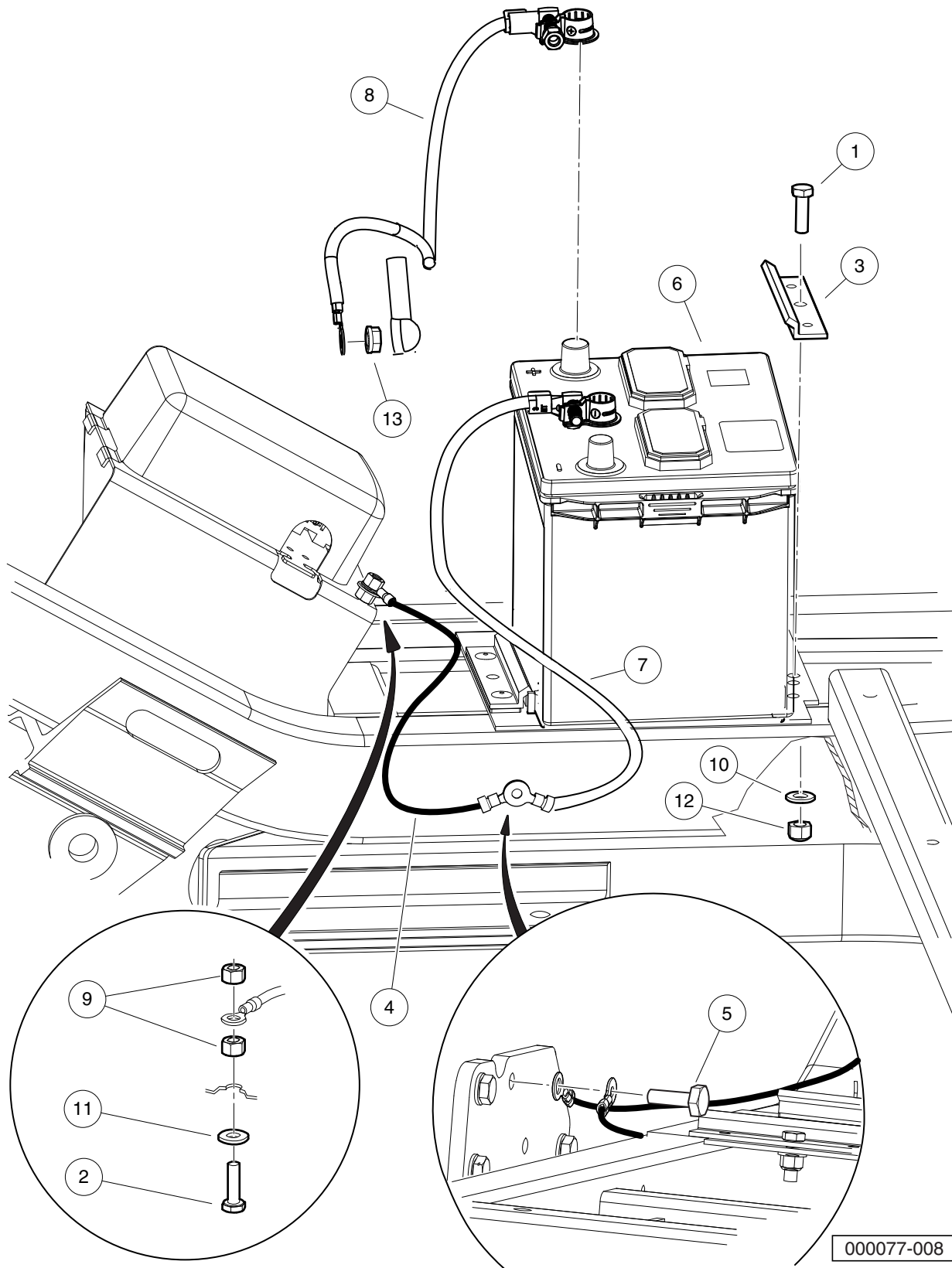
ITEM	PART NO.	DESCRIPTION	QTY
		1 2 3 4	
1	<u>1012295</u>	Fuse, 10-Amp	1
2	<u>1015741</u>	Fuse Block	1
3	<u>102420201</u>	Relay, Mini ISO, SPDT	3
4	<u>102420301</u>	Connector, Relay	4
5	<u>102420401</u>	Plate, Electrical	1
6	<u>102420501</u>	Cover, Electrical	1
7	<u>102447901</u>	Fastener, Push-in	8
8	<u>102448001</u>	Rivet, Drive	2
9	<u>102492201</u>	Fuse, 25-Amp	1
10	<u>102492301</u>	Fuse, 30-Amp	2

7

D

7

D



000077-008

TOP-POST BATTERY – DIESEL VEHICLE

ITEM	PART NO.	DESCRIPTION	QTY
		1 2 3 4	
1	<u>1010934</u>	Screw, 5/16-18 X 1.00 Hex Cap	1
2	<u>1015521</u>	Screw, 1/4-20 X .88 Hex Hd Cap	1
3	<u>101898001</u>	Clamp, Battery	1
4	<u>102448501</u>	Wire Asm, #6 Blk, Awd, 325	1
5	<u>102498201</u>	Bolt, M10 X 1.25 X 25, Loctite	1
6	<u>105237301</u>	Battery, Start, 12v, Type 26	1
7	105256201	Wire Asm, #6 Blk, (top-post battery) Awd, 426	1
8	105256601	Wire Asm, #6 Red, (top-post battery) Awd, 476	1
9	<u>1108</u>	Locknut, 1/4-20 Dimpled	2
10	<u>1241</u>	Washer, 5/16 Type A Flat	1
11	<u>332</u>	Washer, 1/4 Type A Narrow Flat	1
12	<u>7473</u>	Locknut, 5/16-18 Nylon Insert	1
13	<u>96704416</u>	Nut, Flange, M8 X 1.25 Serrated	1

7

D

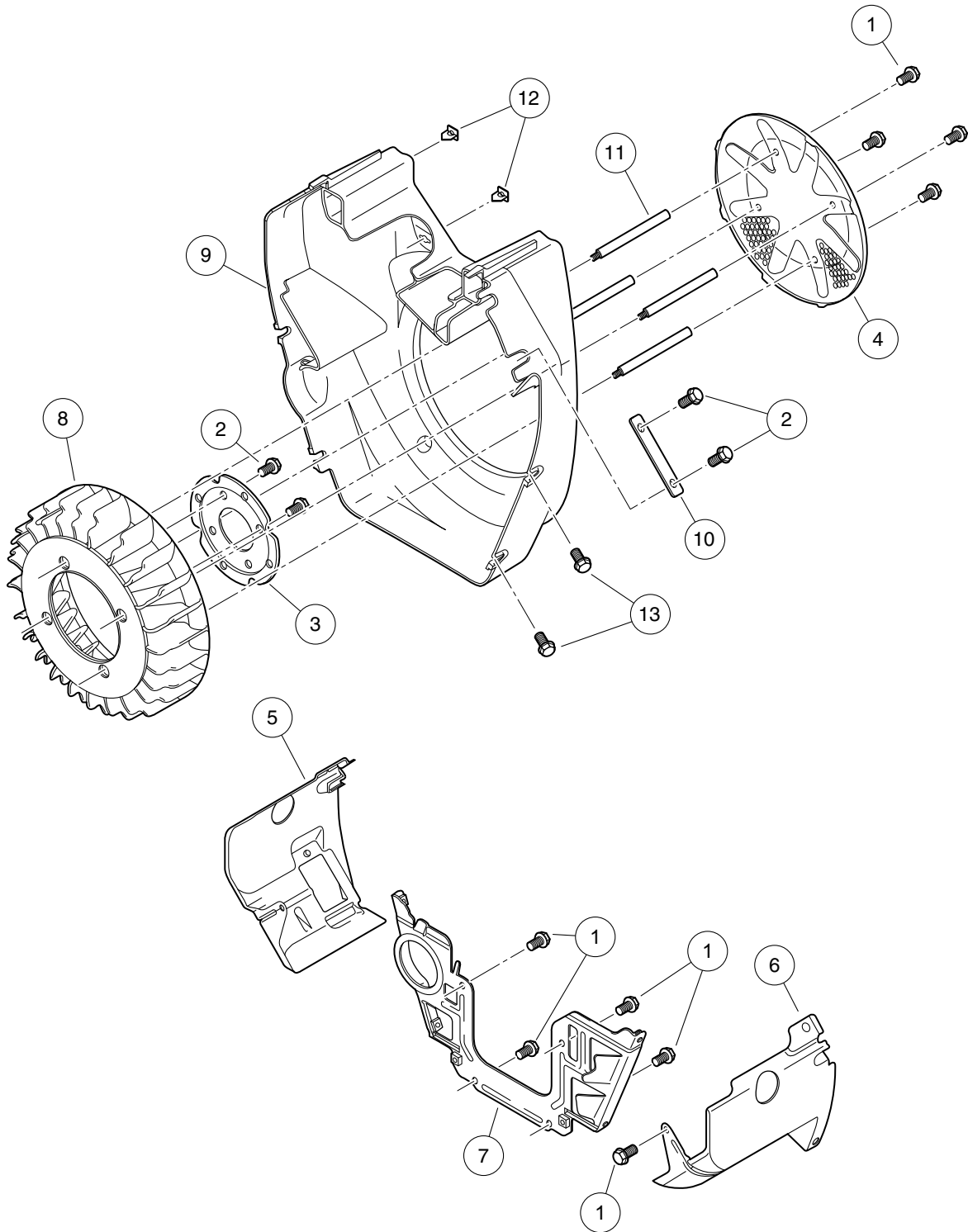
7

D

ENGINE – KAWASAKI FH680D GASOLINE

8

G



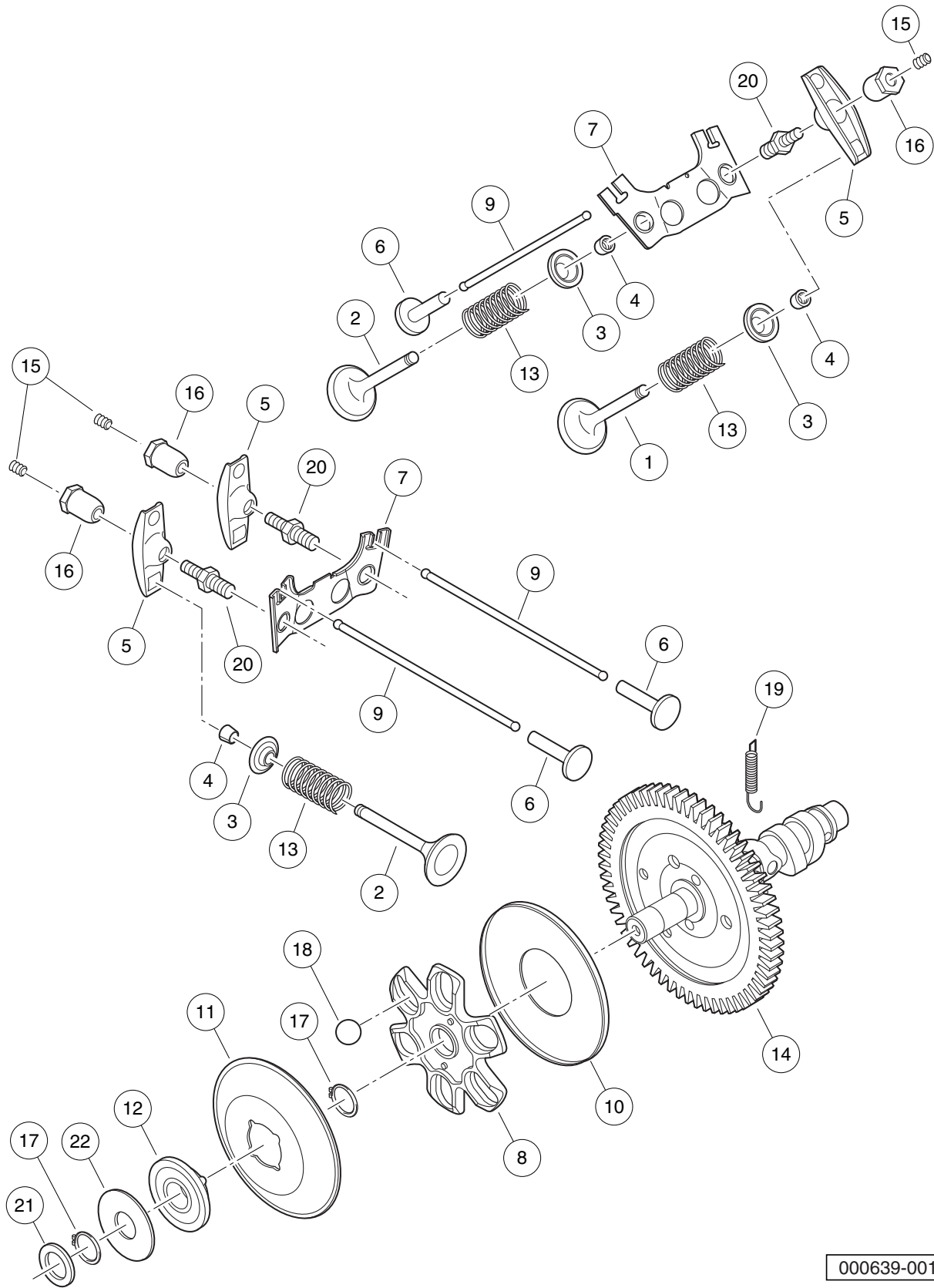
000625-001

SHROUDS AND BRACKETS

ITEM	PART NO.	DESCRIPTION	QTY
		1 2 3 4	
1	<u>102992401</u>	Bolt, Flg, M6 X 1.0 X 12	9
2	<u>102992501</u>	Bolt, Flg, M6 X 1.0 X 16	4
3	<u>102998601</u>	Plate, Housing, Fan, Fh	1
4	<u>102998701</u>	Screen, Fan, Fh	1
5	<u>102999101</u>	Shroud, Engine, Rh, Fh	1
6	<u>102999201</u>	Shroud, Engine, Lh, Fh	1
7	<u>102999301</u>	Shroud, Engine, Front, Fh	1
8	<u>102999501</u>	Fan, Cooling, Fh	1
9	<u>102999601</u>	Housing, Engine, Fh	1
10	<u>103000001</u>	Washer, Housing, Fan, Fh	1
11	<u>103299301</u>	Stud, Fan Screen, Fh	4
12	<u>103299401</u>	Nut, Press In, Front Cover, Fh	4
13	<u>103300301</u>	Bolt, Oil Pickup, Fh	4

8

G



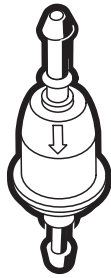
000639-001

VALVES AND CAMSHAFT

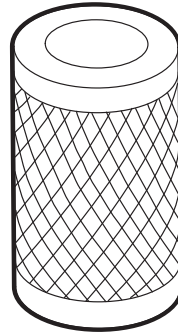
ITEM	PART NO.	DESCRIPTION	QTY
		1 2 3 4	
1	<u>102994601</u>	Valve, Intake, Fh	2
2	<u>102994701</u>	Valve, Exhaust, Fh	2
3	<u>102994801</u>	Retainer, Valve Spring, Fh	4
4	<u>102994901</u>	Collet, Spring, Valve, Fh	8
5	<u>102995001</u>	Arm, Rocker	4
6	<u>102995101</u>	Tappet, Rod, Push, Fh	4
7	<u>102995201</u>	Guide, Arm, Rocker, Fh	2
8	<u>102995301</u>	Guide, Camshaft, Gov, Fh	1
9	<u>102995401</u>	Rod, Push, Fh	4
10	<u>102995501</u>	Plate, Camshaft, Gov, Fh	1
11	<u>102995601</u>	Plate, Ring, Gov, Fh	1
12	<u>102995701</u>	Sleeve, Plate, Gov, Fh	1
13	<u>102995801</u>	Spring, Valve, Fh	4
14	<u>102995901</u>	Kit, Camshaft, Comp, Fh	1
15	<u>102996001</u>	Screw, Rocker Arm, Fh	4
16	<u>102996101</u>	Nut, Arm, Rocker, Fh	4
17	<u>102996201</u>	Ring, Snap, Gov, Fh	2
18	<u>102996301</u>	Ball, Guide, Gov, Fh	6
19	<u>102996401</u>	Spring, Camshaft, Fh	1
20	<u>102996501</u>	Stud, Rocker Arm, Fh	4
21	<u>102996601</u>	Washer, Sleeve, Gov, Fh	1
22	<u>102996701</u>	Washer, Gov, Fh	1

8

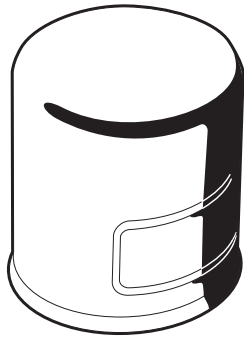
G



2



3



4



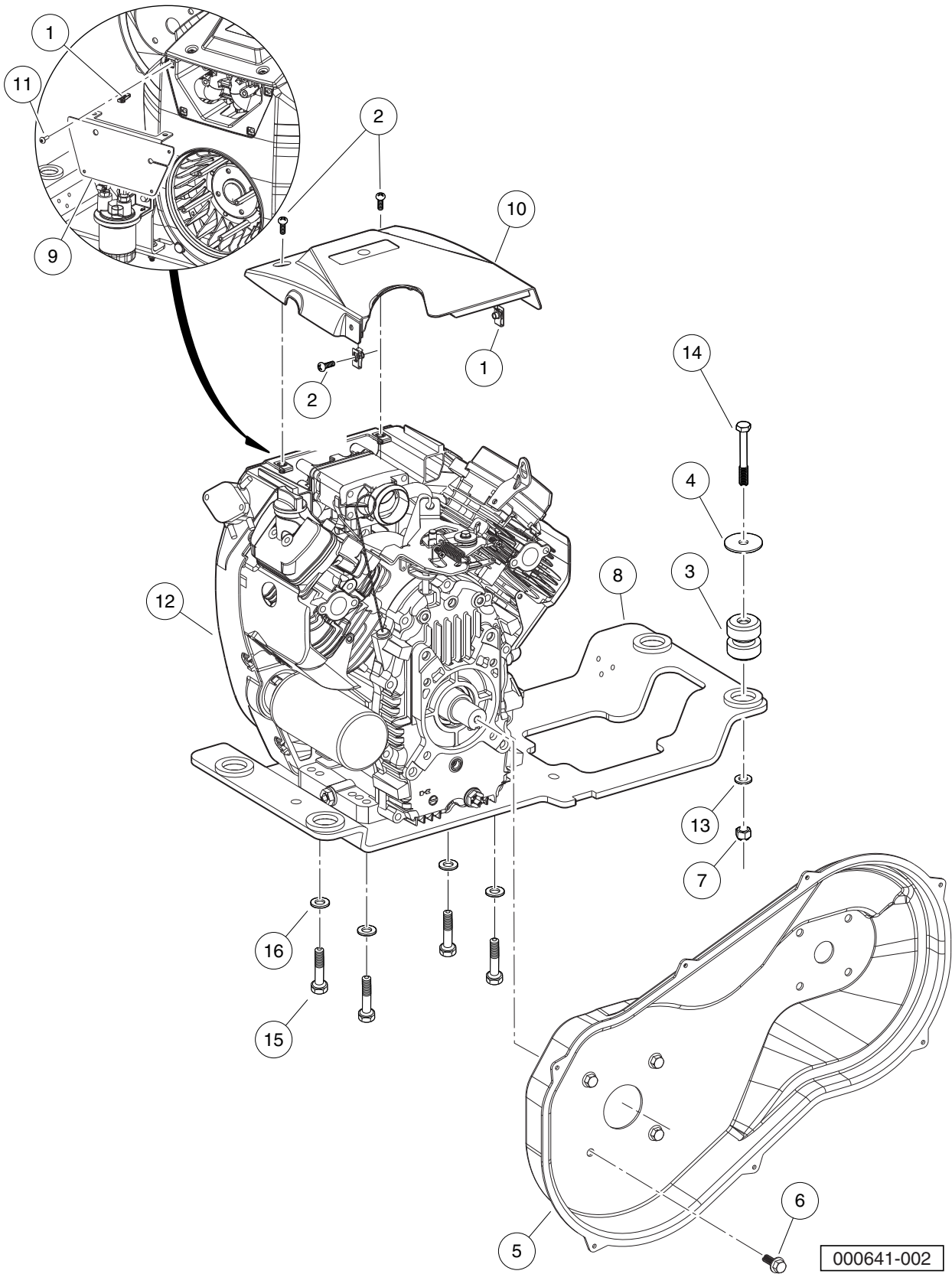
5

000992-001

TUNE-UP KIT – KAWASAKI FH680

ITEM	PART NO.	DESCRIPTION	QTY
		1 2 3 4	
1	<u>AM1232401</u>	Kit, Tune-Up (For Kawasaki V-twin engines) (includes items 2 through 5)	1
2	<u>102003201</u>	Filter, Fuel, 30 Micron	1
3	<u>102498601</u>	Element, Filter, Air, 5 Inch	1
4	<u>103887901</u>	Filter, Oil, Kawasaki	1
5	<u>AM1232301</u>	Spark Plug, BPR2ES	2

8
G

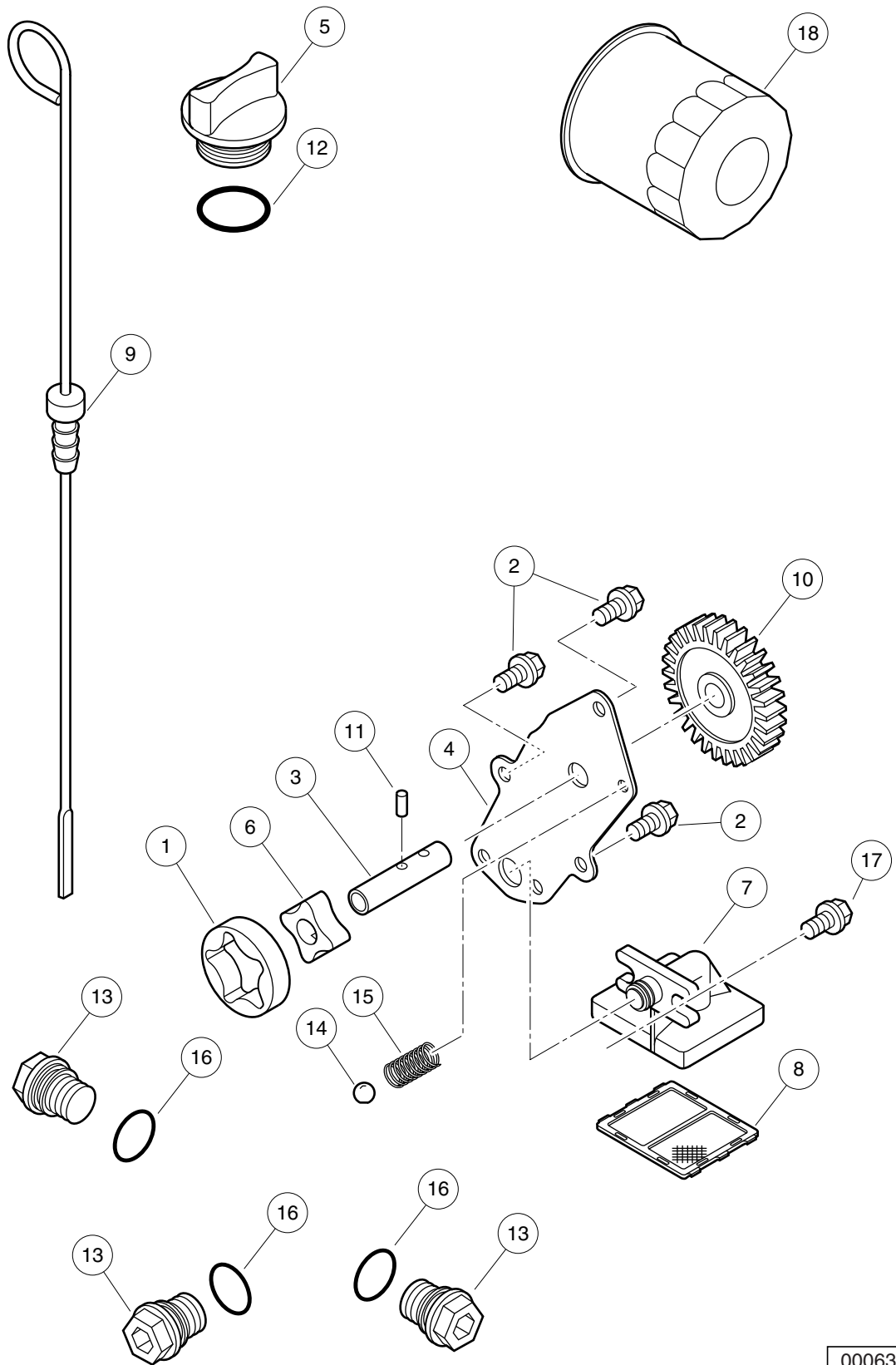


KAWASAKI FH680D GASOLINE ENGINE AND MOUNTING

ITEM	PART NO.	DESCRIPTION	QTY
		1 2 3 4	
1	<u>102296601</u>	U-Nut, M6-1.0, Prevailing Torque	4
2	<u>102296920</u>	Screw, M6, Torx Button Head, Sems	4
3	<u>102370501</u>	Isolator Ring and Bushing	4
4	<u>102370601</u>	Washer, Snubbing, Ring N Bush	4
5	<u>102462504</u>	Cover, Cvt, Inner Fh680d	1
6	<u>102491001</u>	Bolt, Flanged Head, 3/8-16x1.0 with Loctite	4
7	<u>102740401</u>	Locknut, M12x1.75 Nylon Insert	4
8	<u>102951901</u>	Weldment, Eng Mnt, Kaw, Fh680d	1
9	<u>103208701</u>	Engine, Front Cover, Fh680d	1
10	<u>103262901</u>	Cover, Engine, Top	1
11	<u>103279201</u>	Screw, Pn Hd Blk, 10-16 X .625	4
12	<u>103528201</u>	Engine, Kawasaki, FH680D	1
13	<u>96701412</u>	Washer, M12 Hard	4
14	<u>96704721</u>	Bolt, M12 X 1.75 X 90	4
15	<u>96704960</u>	Bolt, M10 X 1.5 X 60	4
16	<u>96741046</u>	Washer, M10, Hard	4

8

G

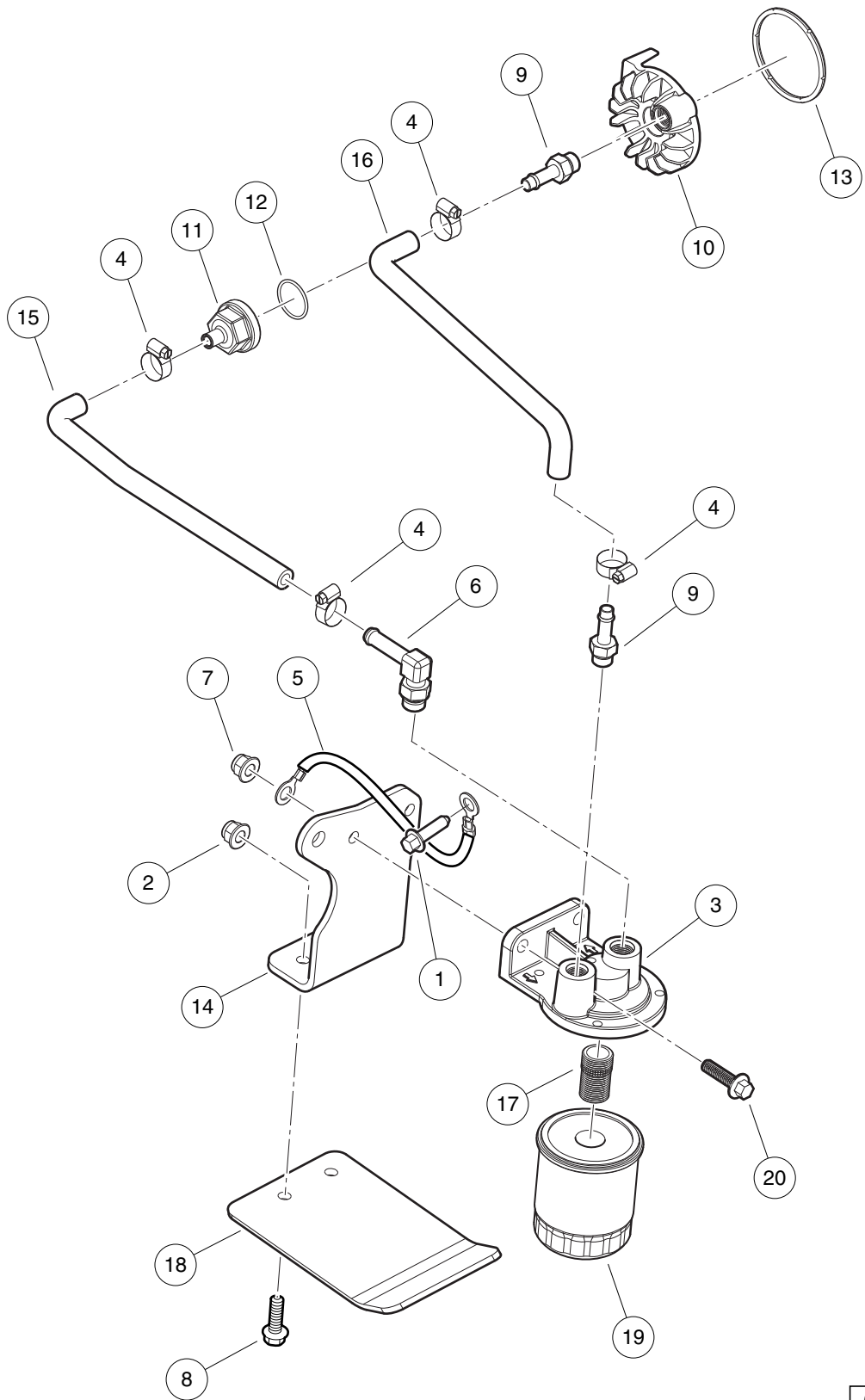


000637-004

OIL AND LUBRICATION COMPONENTS

ITEM	PART NO.	DESCRIPTION	QTY
		1 2 3 4	
1	101648201	Rotor, Pump, Oil, Outer	1
2	<u>102992401</u>	Bolt, Flg, M6 X 1.0 X 12	3
3	<u>102996901</u>	Shaft, Oil Pump, Fh	1
4	<u>102997001</u>	Plate, Oil Pump, Fh	1
5	<u>102997101</u>	Cap, Oil, Fill, Fh	1
6	<u>102997201</u>	Rotor, Pump, Oil, Inner, Fh	1
7	<u>102997401</u>	Pickup, Oil, Fh	1
8	<u>102997601</u>	Screen, Pickup, Oil, Fh	1
9	<u>102997701</u>	Gauge, Oil, Fh	1
10	<u>102997801</u>	Gear, Spur, Oil Pump, Fh	1
11	<u>102997901</u>	Pin, Oil Pump, Fh	2
12	<u>102998001</u>	O-ring, Cap, Oil, Fill, Fh	1
13	<u>102998101</u>	Plug, Oil Drain, Fh	3
14	<u>102998201</u>	Ball, Oil Pump, Fh	1
15	<u>102998301</u>	Spring, Oil Pump, Fh	1
16	<u>102998401</u>	O-ring, Drain Plug, Oil, Fh	3
17	<u>103300301</u>	Bolt, Oil Pickup, Fh	2
18	<u>103887901</u>	Filter, Oil, Kawasaki	1

8
G



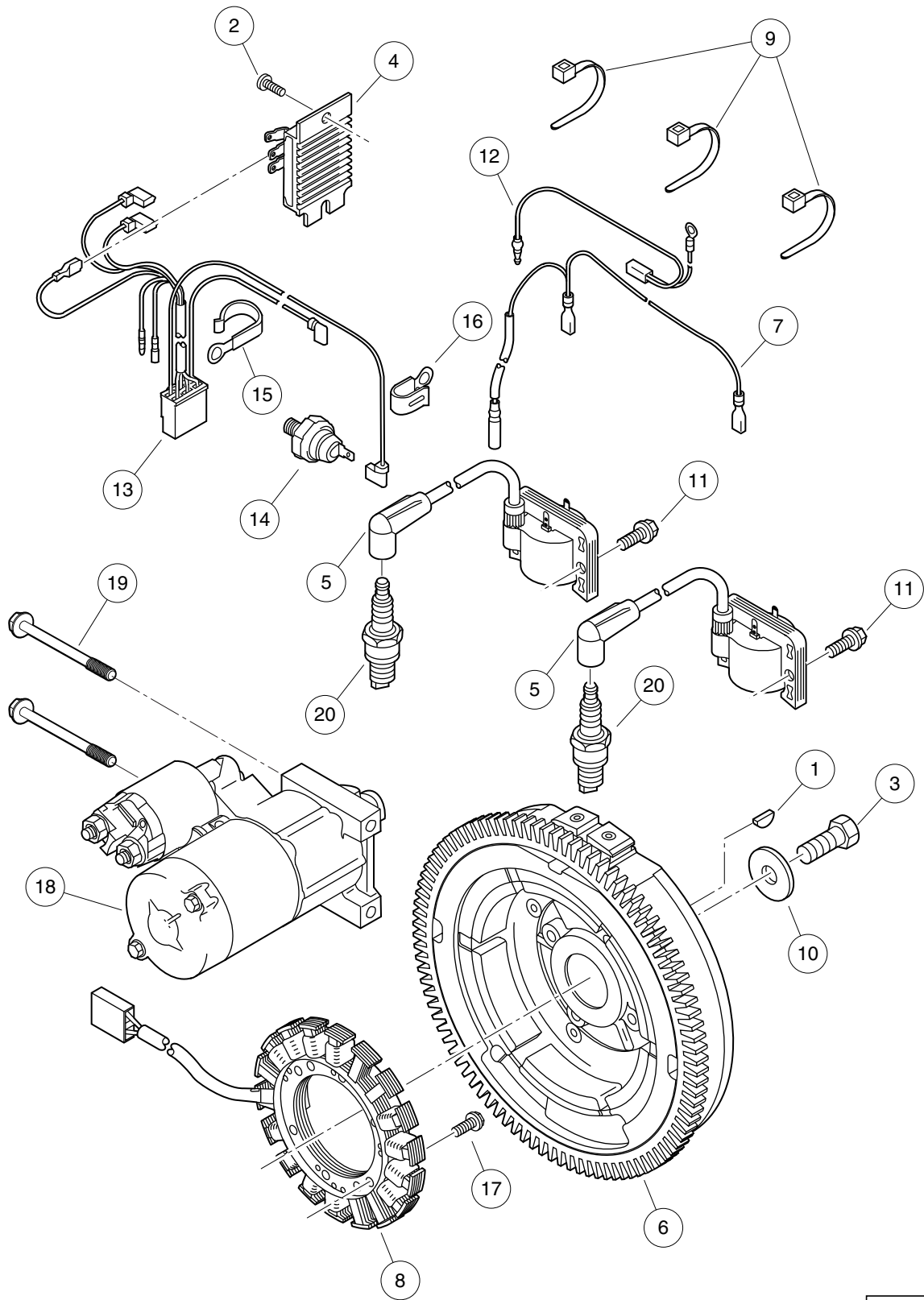
000671-004

OIL FILTER ADAPTER – KAWASAKI FH680

ITEM	PART NO.	DESCRIPTION	QTY
		1 2 3 4	
1	<u>102289001</u>	Screw, M8X1.25X30, Hex	1
2	<u>102298401</u>	Nut,m8,all Metal Lock	2
3	<u>102371401</u>	Bracket, Oil Filter Mount	1
4	<u>102443601</u>	Clamp, Hose	4
5	<u>102448501</u>	Wire Asm, #6 Blk, Awd, 325	1
6	<u>102457501</u>	Adapter, 90, 3/8 Tube	1
7	<u>102618601</u>	Lock Nut, Flange, M8 X 1.25 Nylon	2
8	<u>102621301</u>	Bolt, M8 X 1.25 X 40 with Loctite	2
9	<u>102722001</u>	Adapter, 5/16 Hose	2
10	<u>102958301</u>	Adapter, Special, Oil Filter	1
11	<u>102958401</u>	Nut, Special, Hose Adapter	1
12	<u>102958501</u>	O-ring, 23.52 X 1.78mm	1
13	<u>102958601</u>	O-ring, Oil Filter Adapter	1
14	<u>103197201</u>	Bracket, Oil Filter, Fh680d	1
15	<u>103240601</u>	Hose, Formed, Oil, 5/16"	1
16	<u>103246901</u>	Hose, Formed, Oil, 5/16", Ret	1
17	<u>103276201</u>	Nipple, 3/4-16 X M20 X 1.5-6g	1
18	<u>103326401</u>	Guard, Oil Filter, Fh680d	1
19	<u>103887901</u>	Filter, Oil, Kawasaki	1
20	<u>96705587</u>	Bolt, M8 X 1.25 X 30	2

8

G



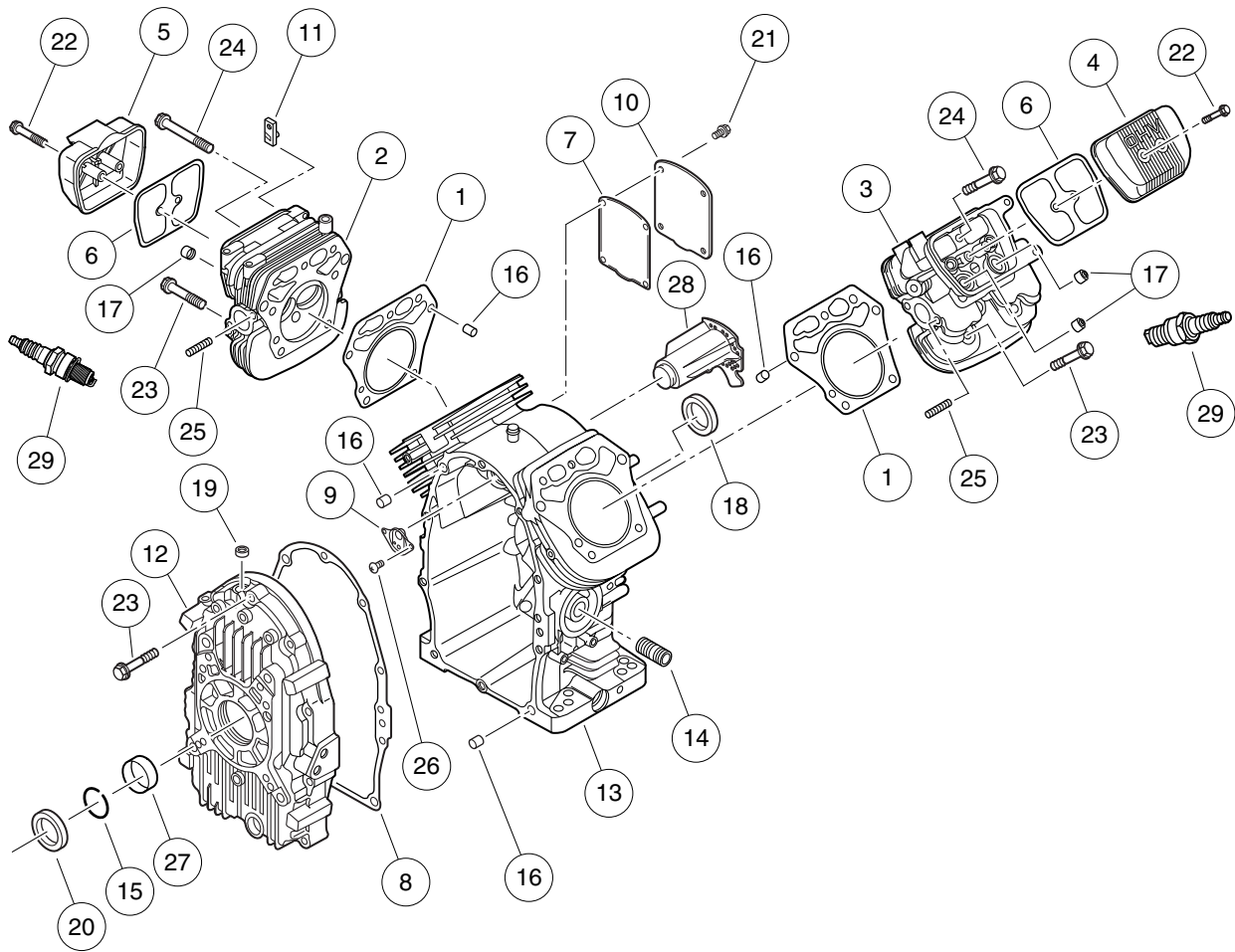
000626-002

IGNITION COMPONENTS AND FLYWHEEL – KAWASAKI FH680

ITEM	PART NO.	DESCRIPTION	QTY
		1 2 3 4	
1	N/A	Key	1
2	<u>1016544</u>	Screw	1
3	<u>102994301</u>	Bolt, Flg, M12 X 1.25 X 30	1
4	<u>103000401</u>	Regulator, Voltage, Fh	1
5	<u>103000501</u>	Asm, Coil, Ignition, Fh	2
6	<u>103000601</u>	Flywheel, Assy, Fh	1
7	<u>103000801</u>	Harness, Regulator, Fh	1
8	<u>103000901</u>	Coil, Charging, Fh	1
9	<u>103001301</u>	Band, Harness, Fh	3
10	<u>103001501</u>	Washer, Flywheel, Fh	1
11	<u>103298501</u>	Bolt, Flanged, M6 X 20, Kaw	4
12	<u>103299501</u>	Harness, Ignition, Fh	1
13	<u>103299601</u>	Harness, Engine, Main, Fh	1
14	<u>103299701</u>	Switch, Oil Pressure, Fh	1
15	<u>103299801</u>	Clamp, Harness, Large, Fh	1
16	<u>103299901</u>	Clamp, Harness, Small, Fh	1
17	<u>103300101</u>	Screw, Pan, Coil Mount, Fh	4
18	<u>103345501</u>	Starter, Electric, Fh680d	1
19	<u>103687401</u>	Bolt, Flg, M8 X 1.25 X 83	2
20	<u>AM1232301</u>	Spark Plug, BPR2ES	2

8

G



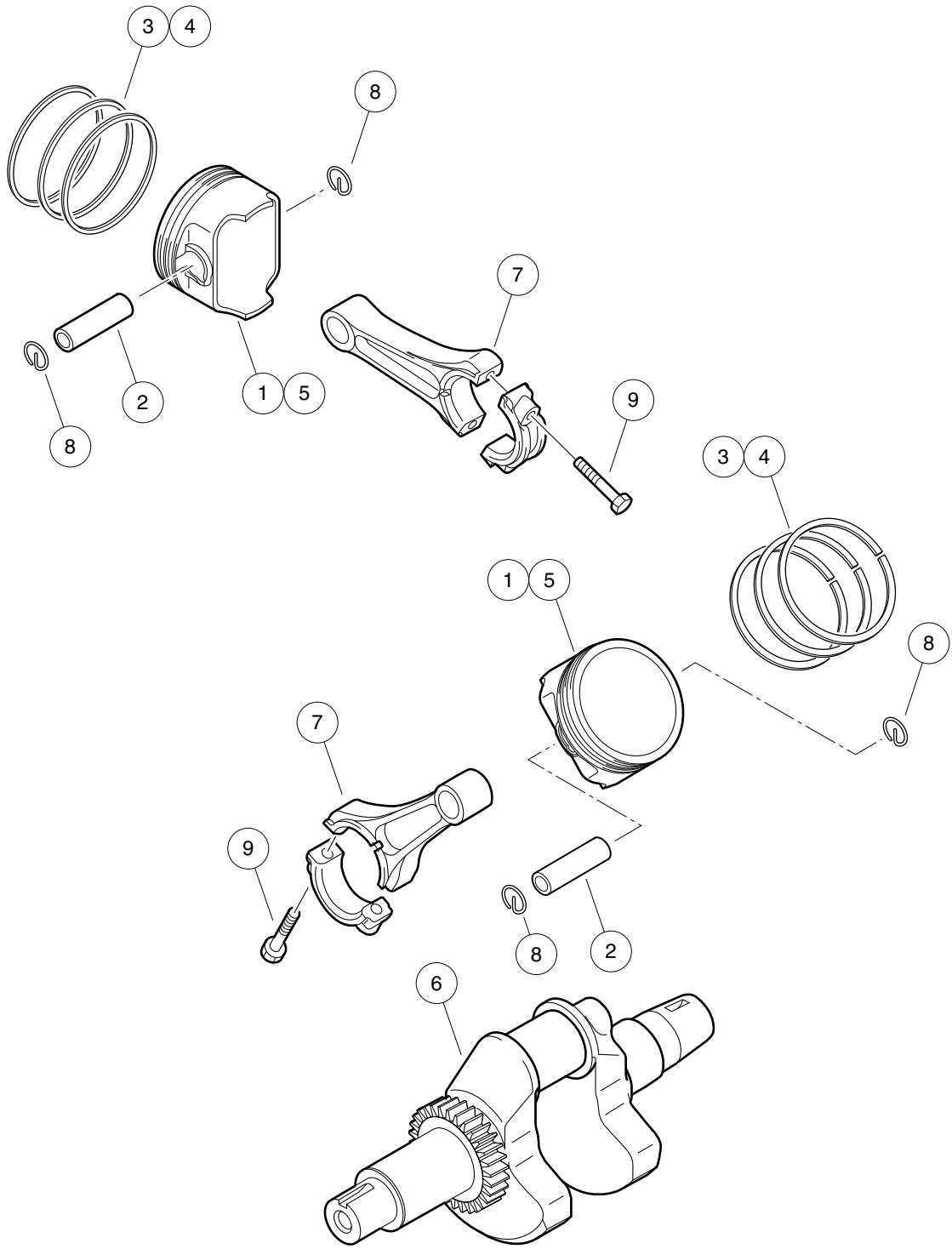
000638-003

CYLINDER HEAD AND CRANKCASE

ITEM	PART NO.	DESCRIPTION	QTY
		1 2 3 4	
1	<u>102990101</u>	Gasket, Head, Cyl, Fh	2
2	<u>102990201</u>	Head, Cylid 1, Fh	1
3	<u>102990301</u>	Head, Cylid 2, Fh	1
4	<u>102990401</u>	Cover, Rocker, Cylid 1, Fh	1
5	<u>102990501</u>	Cover, Rocker, Cylid 2, Fh	1
6	<u>102990601</u>	Gasket, Rocker, Cover, FH	2
7	<u>102990701</u>	Gasket, Breather, Fh	1
8	<u>102990801</u>	Gasket, Cover, Crank, Fh	1
9	<u>102990901</u>	Valve, Assy, Reed, Fh	1
10	<u>102991101</u>	Cover, Crkcase, Comp, Fh	1
11	<u>102991201</u>	Pipe, Head, Comp, Clyd, Fh	1
12	<u>102991401</u>	Cover, Crankcase, Fh	1
13	<u>102991501</u>	Crankcase, Comp, Fh	1
14	<u>102991601</u>	Nipple, Oil Filter, Fh	1
15	<u>102991801</u>	Ring, Snap, Fh	1
16	<u>102991901</u>	Pin, Head, Fh	6
17	<u>102992001</u>	Seal, Oil, Valve, Fh	4
18	<u>102992101</u>	Seal, Oil, Crank, Rear, Fh	1
19	<u>102992201</u>	Seal, Oil, Governor, Fh	1
20	<u>102992301</u>	Seal, Oil, Crank, Front, Fh	1
21	<u>102992401</u>	Bolt, Flg, M6 X 1.0 X 12	4
22	<u>102992601</u>	Bolt, Flg, M6 X 1.0 X 40	4
23	<u>102992701</u>	Bolt, Flg, M8 X 1.25 X 50	18
24	<u>102992801</u>	Bolt, Flg, M8 X 1.25 X 75	2
25	<u>102992901</u>	Stud, M8 X 1.25, Exhaust, Fh	4
26	<u>103298601</u>	Screw, Pan, Governor, Fh	2
27	<u>103298901</u>	Bushing, Main, Fh	1
28	<u>103981201</u>	Pipe, Crankcase Breather, Fh680 (with O-Ring)	1
29	<u>AM1232301</u>	Spark Plug, BPR2ES	2

8
G

8
G



000640-001

PISTONS AND CRANKSHAFT

ITEM	PART NO.	DESCRIPTION	QTY
		1 2 3 4	
1	<u>102993201</u>	Piston, Engine, Fh	2
2	<u>102993301</u>	Pin, Piston, Engine, Fh	2
3	<u>102993401</u>	Ring, Set, Piston, Fh	2
4	<u>102993501</u>	Ring, Set, Piston, 0.50, Fh	A/R
5	<u>102993601</u>	Piston, Engine, 0.50, Fh	A/R
6	<u>102993701</u>	Crankshaft, Comp, Fh	1
7	<u>102993901</u>	Kit, Rod, Connecting, Fh	2
8	<u>102994101</u>	Ring, Snap, Pin, Piston, Fh	4
9	<u>102994401</u>	Bolt, Flg, M6 X 1.00 X 35	4

8

G

8

G

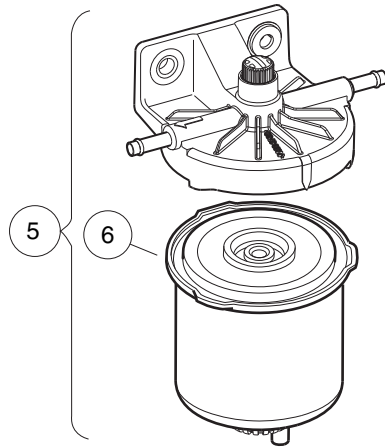
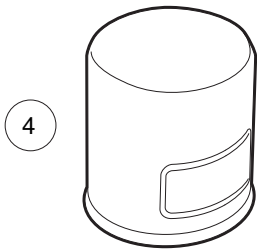
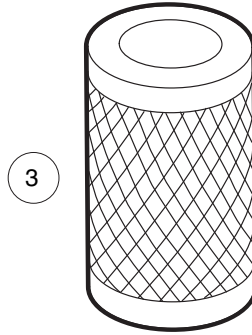
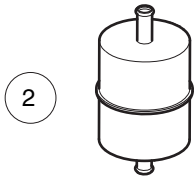
ENGINE – KUBOTA DIESEL, D722, E4B SERIES

9

D

9

D



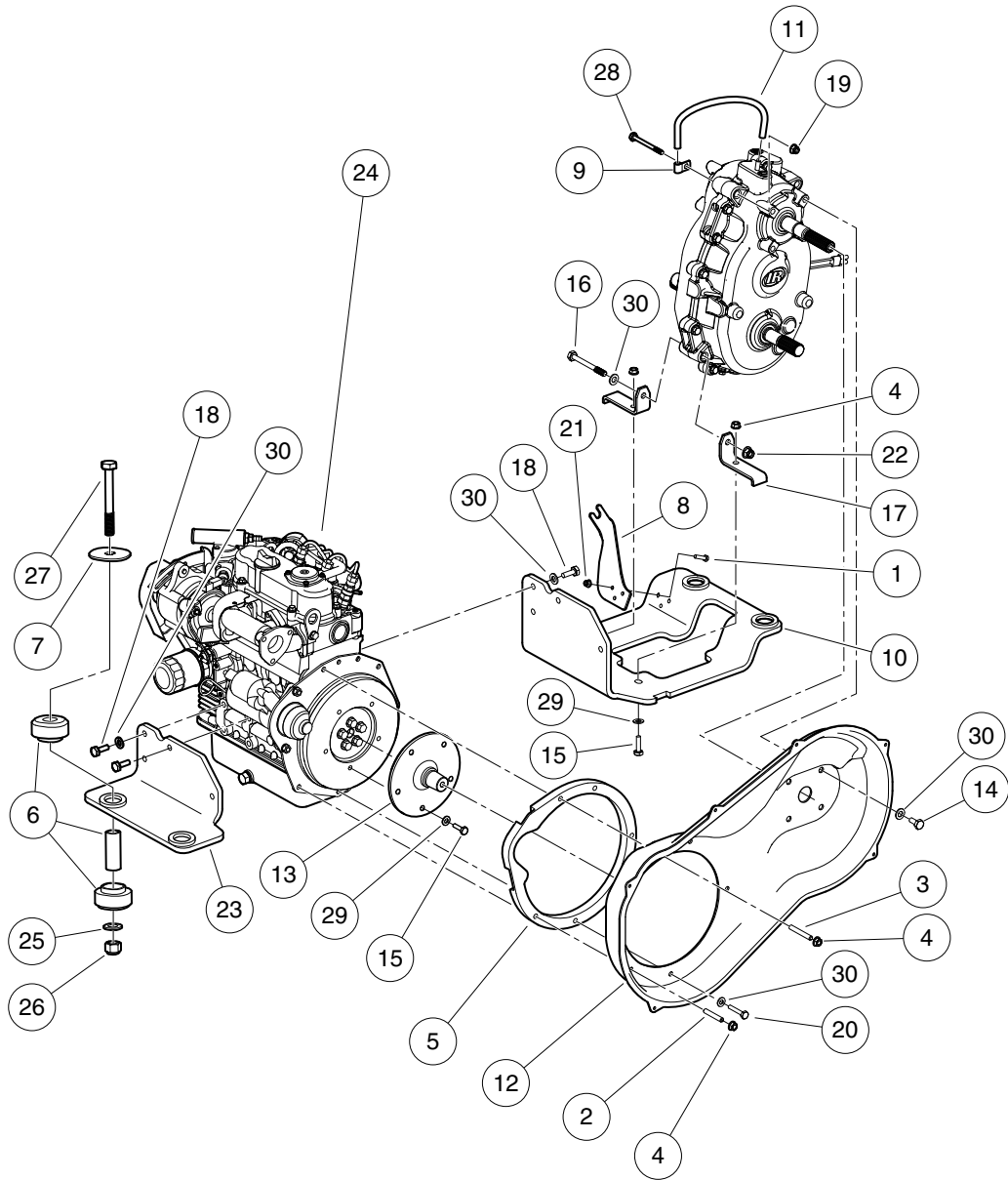
000992-002

TUNE-UP KIT – KUBOTA D722

ITEM	PART NO.	DESCRIPTION	QTY
		1 2 3 4	
1	<u>AM11805</u>	Kit, Tune-Up (For Kubota engines) (includes items 2 through 5)	1
2	<u>102434701</u>	Filter, Fuel	1
3	<u>102498601</u>	Element, Filter, Air, 5 Inch	1
4	<u>102703301</u>	Filter, Engine Oil, D722	1
5	<u>103747301</u>	Assembly, Filter/Bracket, Fuel, Diesel (includes item 6)	1
6	<u>103761801</u>	Filter, Fuel, Diesel	1

9

D



000025-005

DIESEL ENGINE AND ENGINE MOUNTING (D722 – E4B)

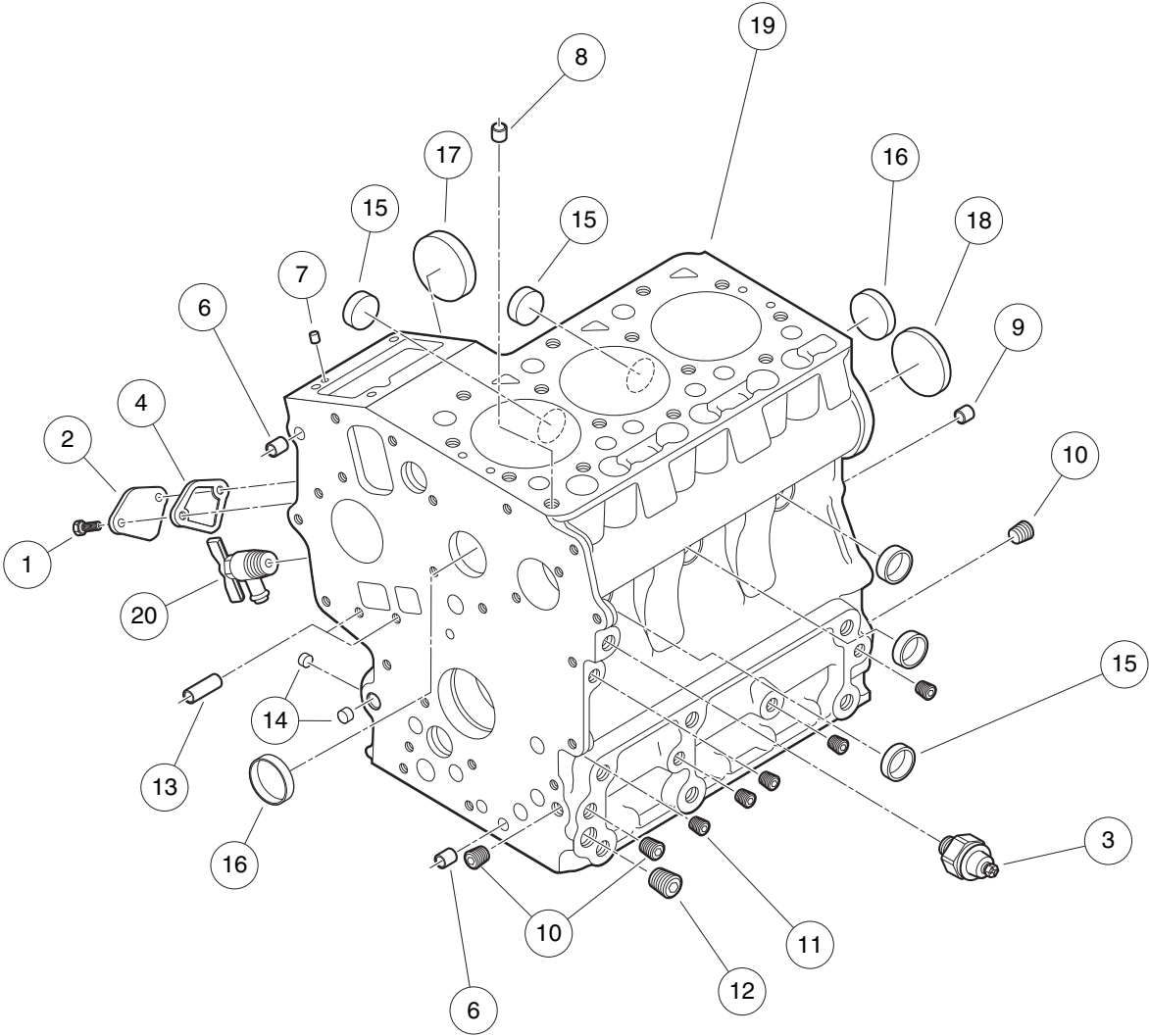
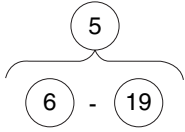
ITEM	PART NO.	DESCRIPTION	QTY
		1 2 3 4	
1	<u>1012769</u>	Screw, M6-1.00 X 25mm Hex Cap	3
2	<u>101833101</u>	Stud, M8-1.25 X 50 mm Two-Ended	1
3	<u>101833201</u>	Stud, M8-1.25 X 60mm Two-Ended	1
4	<u>102298401</u>	Nut,m8,all Metal Lock	7
5	<u>102370101</u>	Spacer, Engine, Diesel	1
6	<u>102370501</u>	Isolator Ring and Bushing	4
7	<u>102370601</u>	Washer, Snubbing, Ring N Bush	4
8	<u>102382401</u>	Bracket, FNR Trans Cable	1
9	<u>102410603</u>	P-Clamp, Insulated .312 In	1
10	<u>102414801</u>	Plate, Engine Mounting, Weld, Right-Hand	1
11	<u>102462301</u>	Hose, Vent, Transmission	1
12	<u>102462501</u>	Cover, CVT Inner, Diesel	1
13	<u>102465901</u>	Shaft, CVT Adapter	1
14	<u>102490101</u>	Bolt, M10 X 1.5 X 20 Loctite	4
15	<u>102490201</u>	Bolt, M8 X 1.25 X 25 Loctite	7
16	<u>102490501</u>	Bolt, M10 X 1.5 X 100 Loctite	1
17	<u>102494401</u>	Bracket, Transmission Mounting	2
18	<u>102498201</u>	Bolt, M10 X 1.25 X 25, Loctite	8
19	<u>102618601</u>	Lock Nut, Flange, M8 X 1.25 Nylon	1
20	<u>102621301</u>	Bolt, M8 X 1.25 X 40 with Loctite	3
21	<u>102621501</u>	Nut, Flange, M6 X 1.0, Nylon	3
22	<u>102670701</u>	Nut, Flange, M10 X 1.5 Nylon	1
23	<u>102959001</u>	Plate, Eng Mtg, Diesel, Lh	1
24	<u>105159201</u>	Engine, Diesel, Kubota, Tier4	1
25	<u>96701412</u>	Washer, M12 Hard	4
26	<u>96704622</u>	Locknut, M12x1.75 Nylon Insert	4
27	<u>96704721</u>	Bolt, M12 X 1.75 X 90	4
28	<u>96718978</u>	Bolt, M8 X 1.25 X 80	1
29	<u>96741038</u>	Washer, M8 Hard	10
30	<u>96741046</u>	Washer, M10, Hard	12

9

D

9

D



000039-002

CRANKCASE (D722 – E4B)

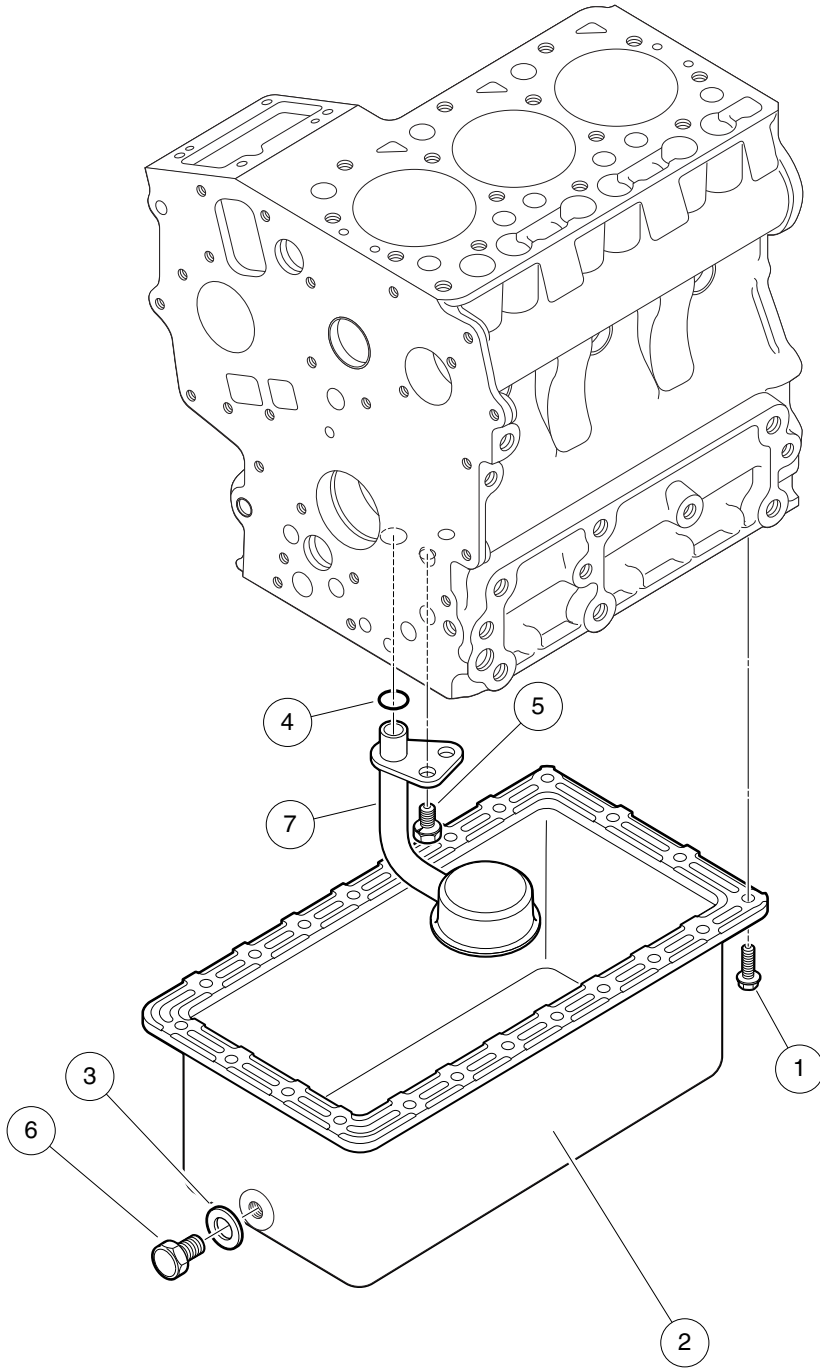
ITEM	PART NO.	DESCRIPTION	QTY
		1 2 3 4	
1	<u>102631601</u>	Bolt, M6 X 1 X 20	2
2	<u>102700801</u>	Plate, Engine Block	1
3	<u>102730801</u>	Switch, Oil Pressure	1
4	<u>102732601</u>	Gasket, Fuel Pump, D722	1
5	<u>105205901</u>	Engine Block, Kubota, D722 (includes items 6 through 19)	1
6	<u>102600101</u>	Pin, Pipe, Dia 8 X 14	2
7	<u>102600201</u>	Pin, Straight, Dia 5 X 10	2
8	<u>102600401</u>	Pin, Pipe, Dia 7 X 14	1
9	<u>102600601</u>	Pin, Straight, Dia 8 X 16	2
10	<u>102600701</u>	Plug, 1/8"	3
11	<u>102600801</u>	Plug, 3/32"	5
12	<u>102601001</u>	Plug, 1/4"	1
13	<u>102601301</u>	Pin, Pipe, Dia 8 X 11	2
14	<u>102726201</u>	Cap, Sealing, Small	3
15	<u>102726301</u>	Cap, Sealing, Med	5
16	<u>102726401</u>	Cap, Sealing, Large	2
17	<u>102726501</u>	Cover, Fuel Camshaft	1
18	<u>102726601</u>	Plug, Expansion	1
19	N/A	Block, Engine	1
20	<u>105231101</u>	Cock, Drain, D722	1

9

D

9

D



000040-002

OIL PAN (D722 – E4B)

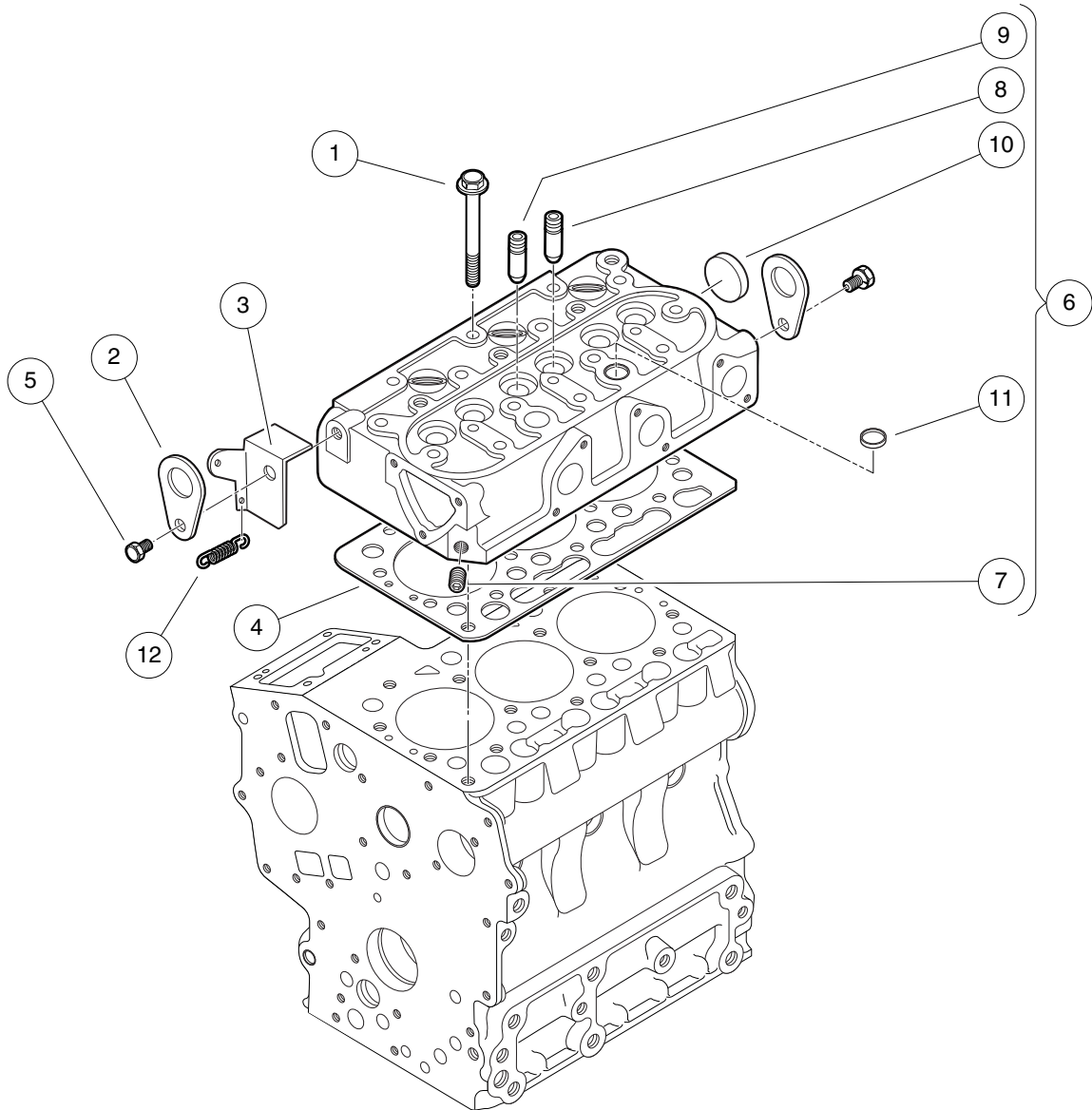
ITEM	PART NO.	DESCRIPTION	QTY
		1 2 3 4	
1	<u>102604201</u>	Bolt, D722, Cam End	22
2	102607001	Oil Pan	1
3	<u>102607301</u>	Gasket, 20 X 13	1
4	<u>102654601</u>	O Ring, 20 X 17	1
5	105206101	Bolt, Mntg, Oil Pkup, D722	1
6	105218401	Plug, Drain, D722	1
7	105218501	Filter, Oil, Pick Up, D722, Tier 4	1

9

D

9

D



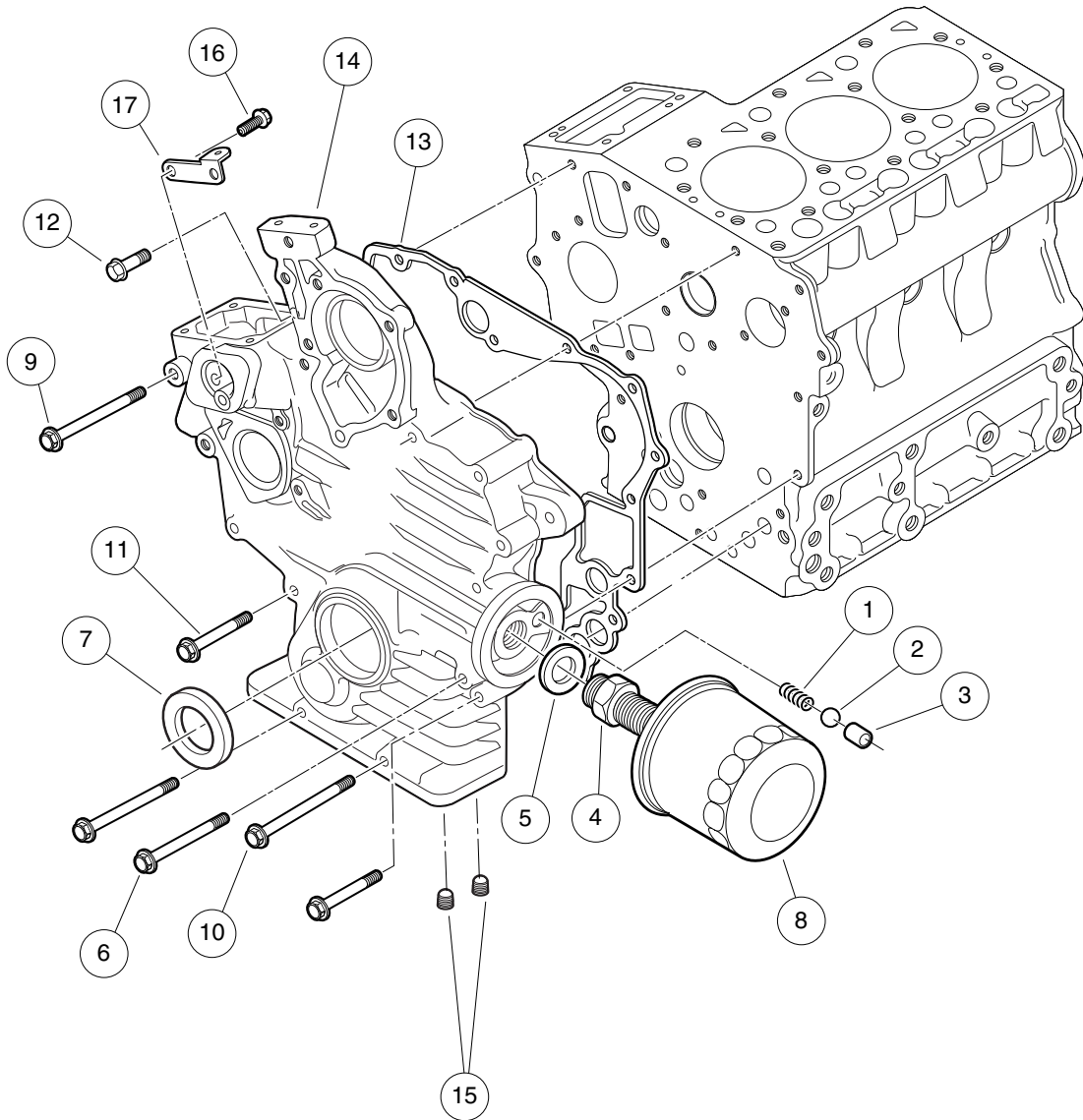
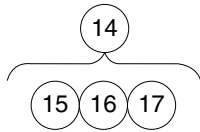
000041-003

CYLINDER HEAD (D722 – E4B)

ITEM	PART NO.	DESCRIPTION	QTY
		1 2 3 4	
1	<u>102652801</u>	Bolt, Cylinder Head	14
2	<u>102653901</u>	Hook, Engine	2
3	<u>102727101</u>	Stay, Cylinder Head	1
4	<u>105206201</u>	Gasket, Cylinder Hd, D722	1
5	105206301	Bolt, Engine Hook, D722	2
6	105206401	Cylinder Head, Comp, D722 (includes items 7 through 11)	1
7	<u>102600801</u>	Plug, 3/32"	1
8	<u>102653401</u>	Guide, Exhaust Valve	3
9	<u>102653501</u>	Guide, Inlet Valve	3
10	<u>102726901</u>	Cap, Sealing, Head	1
11	<u>102727001</u>	Cap, Sealing, Head, Top	2
12	105218601	Spring, Return, D722	1

9

D



000042-004

GEAR CASE (D722 – E4B)

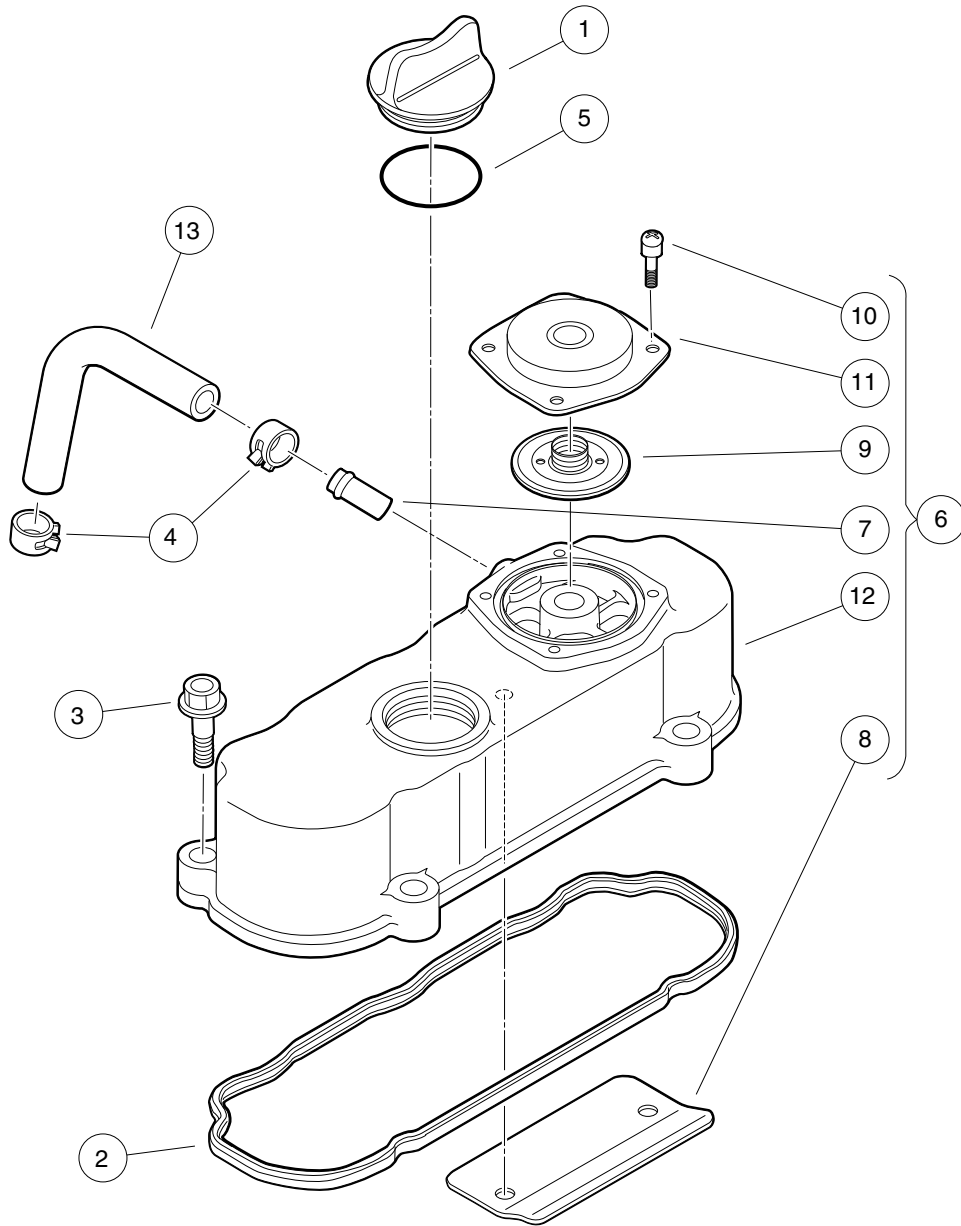
ITEM	PART NO.	DESCRIPTION	QTY
		1 2 3 4	
1	<u>102601901</u>	Spring, Valve	1
2	<u>102602001</u>	Ball, Valve	1
3	<u>102602101</u>	Seat, Valve	1
4	<u>102602301</u>	Joint, Pipe	1
5	<u>102602401</u>	Washer, Plain, Special	1
6	<u>102602601</u>	Bolt, M6 X 1 X 60	2
7	<u>102602701</u>	Seal, Oil	1
8	<u>102703301</u>	Filter, Engine Oil, D722	1
9	<u>102727401</u>	Bolt, Gearcase, Top	2
10	<u>102727501</u>	Bolt, Gearcase, Lower	1
11	105206501	Bolt, Front Case, D722	9
12	105206601	Bolt, Intake Manfld, D722	1
13	105218701	Gasket, Gearcase, D722	1
14	105218801	Case, Gear, D722 (includes items 15 through 17)	1
15	<u>102601001</u>	Plug, 1/4"	2
16	<u>102727601</u>	Screw, Breather	2
17	<u>102798201</u>	Stay, Spring	1

9

D

9

D



000181-002

HEAD COVER (D722 – E4B)

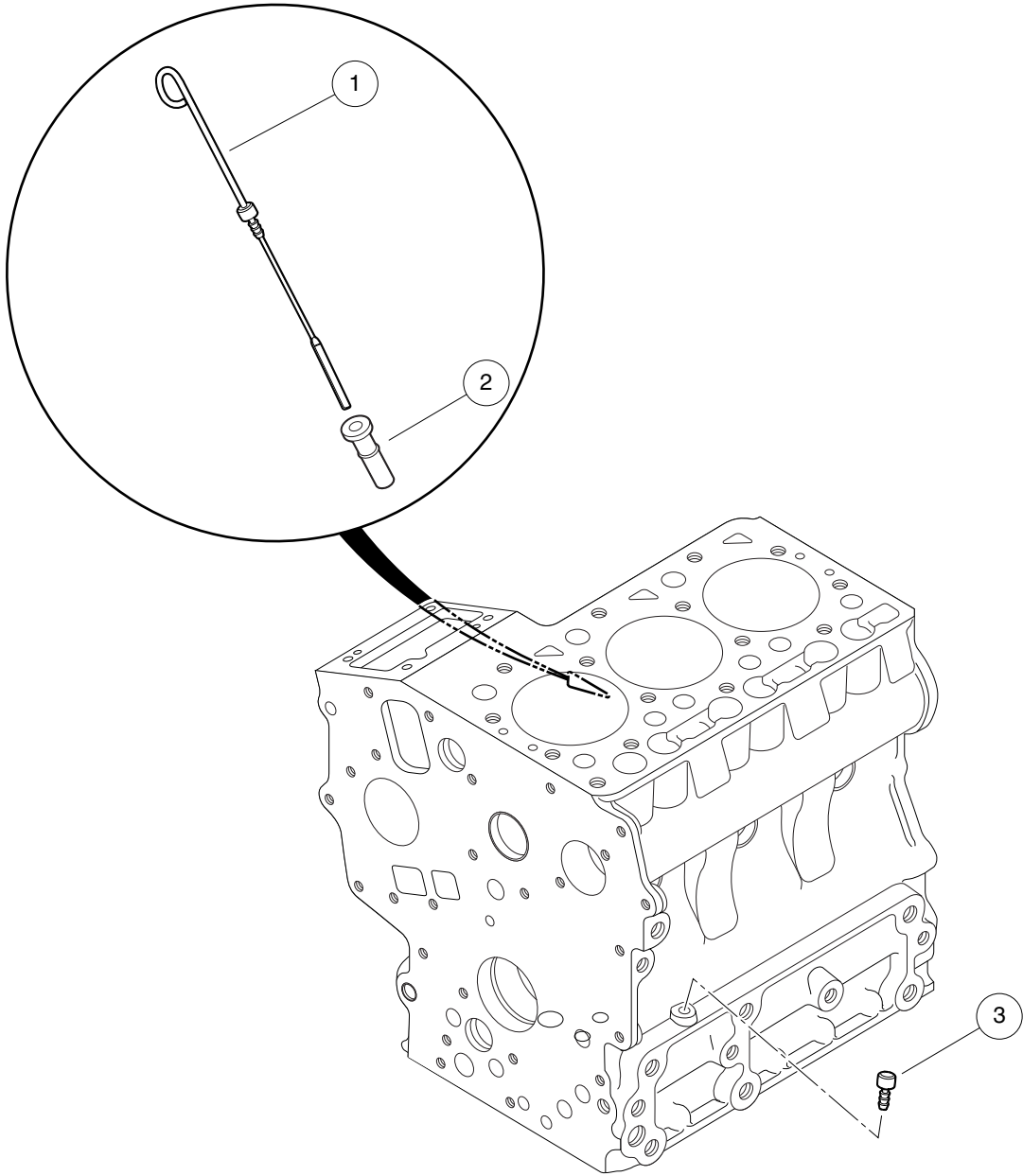
ITEM	PART NO.	DESCRIPTION	QTY
		1 2 3 4	
1	<u>102644101</u>	Plug, Oil Filler	1
2	<u>102798501</u>	Gasket, Cylinder Head Cover	1
3	<u>102798701</u>	Bolt, Cylinder Head Cover	4
4	<u>102798901</u>	Clamp, Breather Tube	2
5	105206701	O Ring, Oil Fill, D722	1
6	105218901	Assy, Cyl Head Cover, D722 (includes items 7 through 12)	1
7	<u>102633301</u>	Pipe, Water Return, D722	1
8	<u>102798601</u>	Shield, Breather	1
9	<u>102799001</u>	Valve, Breather	1
10	<u>102799201</u>	Screw, Breather	4
11	105219001	Cover, Breather, D722	1
12	105219101	Cover, Cyl Head, D722	1
13	105219201	Tube, Breather, D722	1

9

D

9

D



000044-004

DIPSTICK AND GUIDE (D722 – E4B)

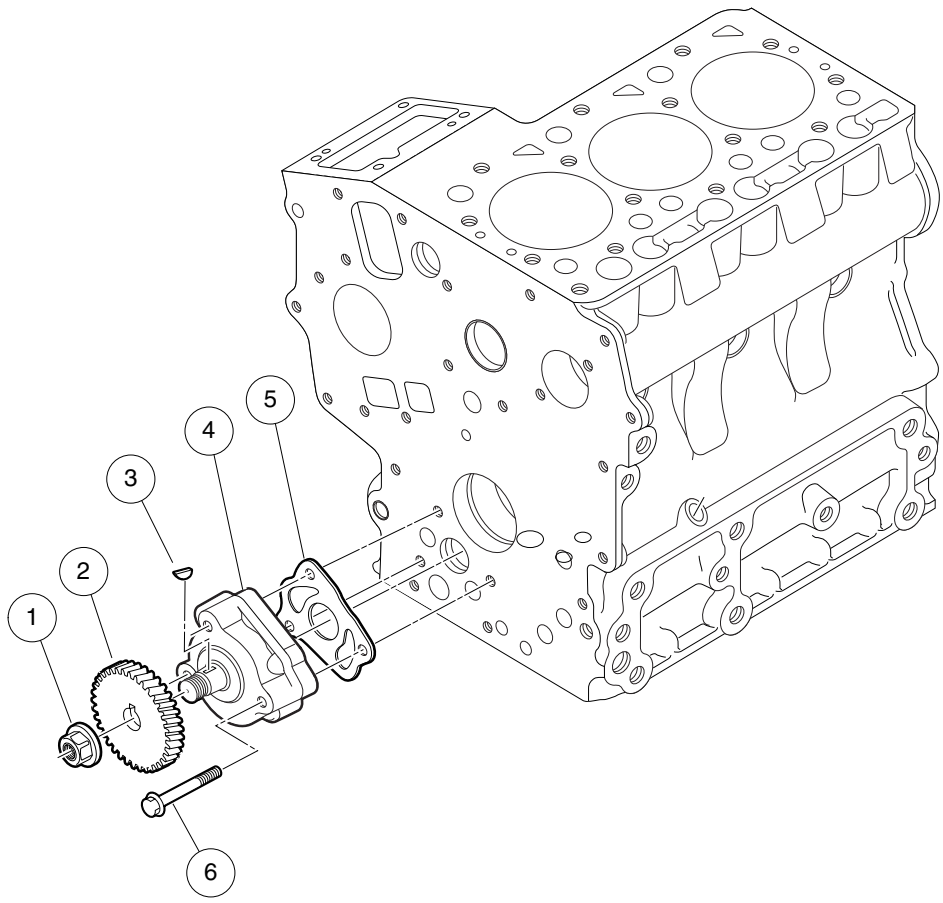
ITEM	PART NO.	DESCRIPTION	QTY
		1 2 3 4	
1	<u>102606701</u>	Dipstick, Oil	1
2	<u>102727701</u>	Guide, Oil Dipstick	1
3	105219401	Plug, Oil Gauge, D722	1

9

D

9

D



000045-001

OIL PUMP (D722 – E4B)

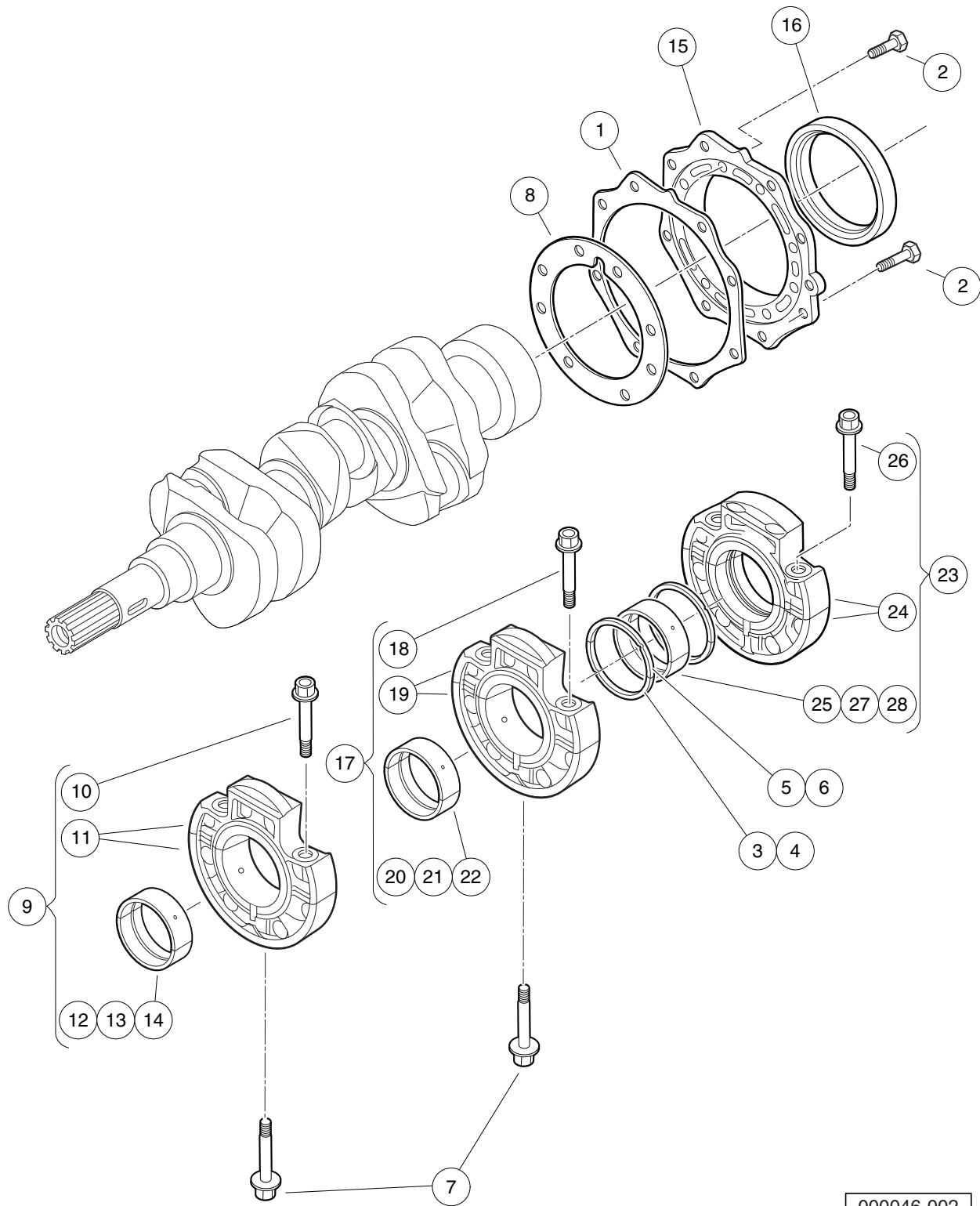
ITEM	PART NO.	DESCRIPTION	QTY
		1 2 3 4	
1	<u>102606201</u>	Nut, Flange, D722 Oil Pump	1
2	<u>102606301</u>	Gear, Oil Pump Drive	1
3	<u>102606401</u>	Key, Feather, 8x4	1
4	<u>102606501</u>	Assy, Pump, Oil	1
5	<u>102606601</u>	Gasket, Oil Pump	1
6	<u>102727901</u>	Bolt, Oil Pump	3

9

D

9

D



000046-002

MAIN BEARINGS AND BEARING CASES (D722 – E4B)

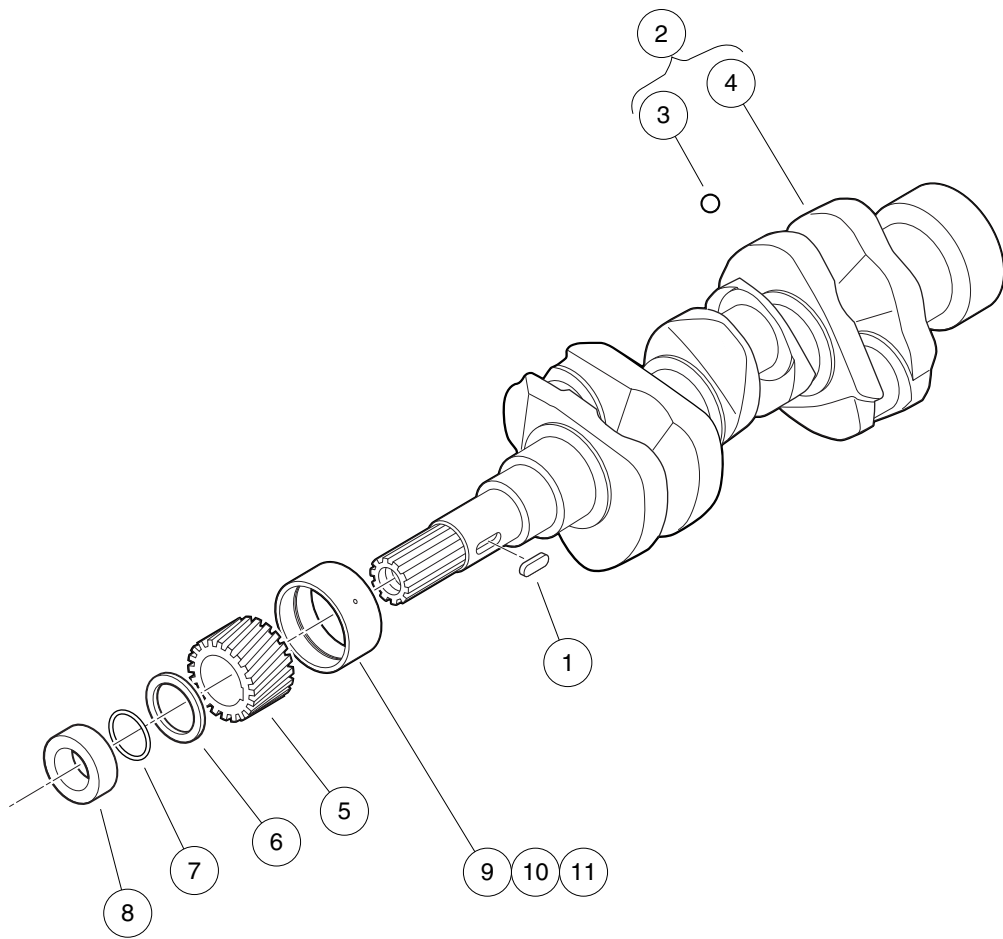
ITEM	PART NO.	DESCRIPTION	QTY
		1 2 3 4	
1	<u>102608301</u>	Gasket, Cover	1
2	<u>102608701</u>	Bolt, M6 X 1 X 22	16
3	<u>102608801</u>	Metal,crank, O Side, Std	2
4	<u>102608802</u>	Metal,crank, O Side, +.020	2
5	<u>102608804</u>	Metal,crank, I Side, Std	2
6	<u>102608805</u>	Metal,crank, I Side, +.020	2
7	<u>102609401</u>	Bolt, Bearing Case, Bottom	2
8	105219501	Gasket, Bearing Case, D722	1
9	105219801	Assy, Brg Case, D722 (includes items 10 through 14)	1
10	<u>102608901</u>	Bolt, Bearing Case, Top	2
11	105206901	Asm Case, Mn Brg, Third, D722	1
12	105220101	Metal, Crankshaft, Std, D722	1
13	105221701	Metal, Crankshaft, -0.20, D722	1
14	105221801	Metal, Crankshaft, -0.40, D722	1
15	105219901	Cover, Brg Case, D722	1
16	105220001	Seal, Oil, D722	1
17	105220201	Assy, Brg Case, D722 (includes items 18 through 22)	1
18	<u>102608901</u>	Bolt, Bearing Case, Top	2
19	<u>102609301</u>	Assy, Case, Main Bearing, Second	1
20	105220101	Metal, Crankshaft, Std, D722	1
21	105221701	Metal, Crankshaft, -0.20, D722	1
22	105221801	Metal, Crankshaft, -0.40, D722	1
23	105220301	Assy, Brg Case, D722 (includes items 24 through 28)	1
24	N/A	Assy, Case, Main Bearing, First	1
25	105219601	Metal, Crankshaft, Std, D722	1
26	105219701	Bolt, Flange, D722	2
27	105221501	Metal, Crankshaft, -0.20, D722	1
28	105221601	Metal, Crankshaft, -0.40, D722	1

9

D

9

D



000048-003

CRANKSHAFT (D722 – E4B)

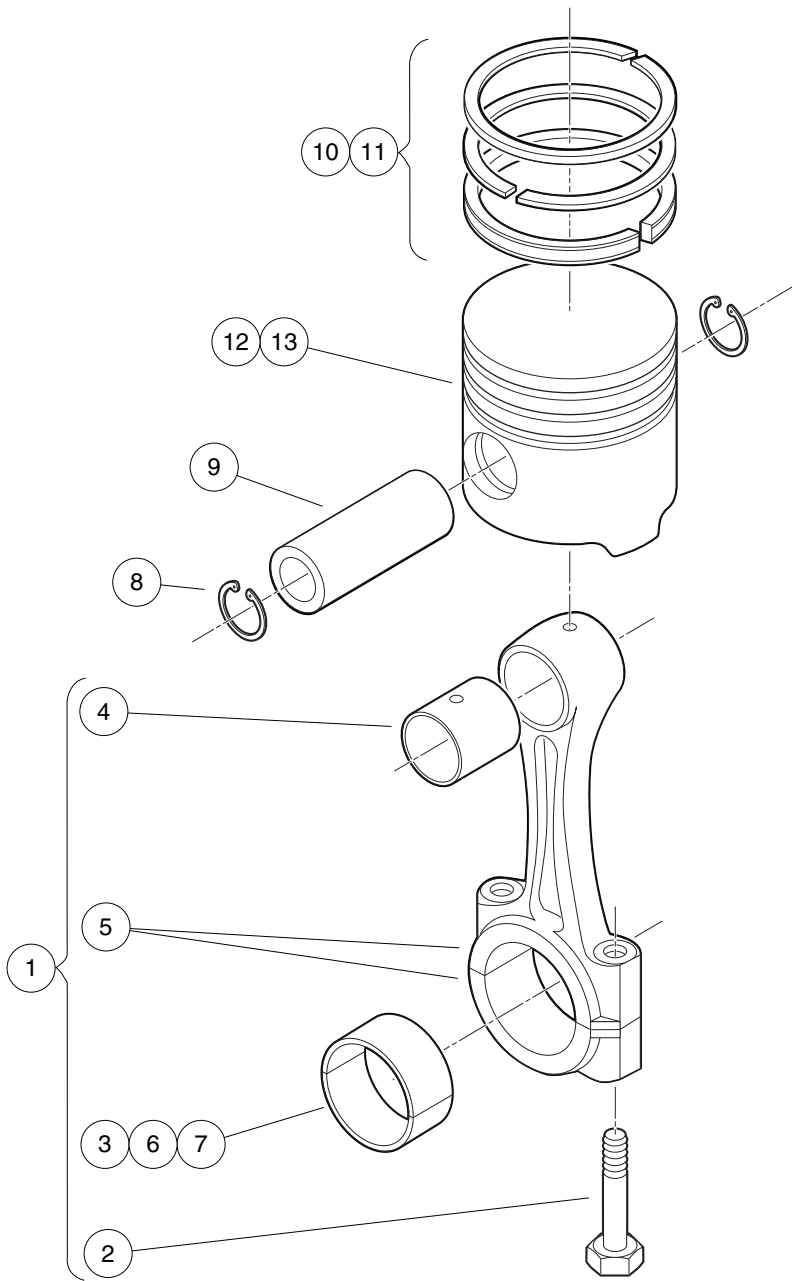
ITEM	PART NO.	DESCRIPTION	QTY
		1 2 3 4	
1	<u>102604401</u>	Key, Feather, Short Camshaft	1
2	<u>102610001</u>	Crankshaft (includes items 3 and 4)	1
3	<u>102608001</u>	Ball, Crankshaft	3
4	N/A	Crankshaft	1
5	<u>102630101</u>	Gear, Crank	1
6	<u>102630201</u>	Slinger, Oil	1
7	<u>102630301</u>	O Ring, 23 X 26	1
8	<u>102630401</u>	Collar, Crankshaft	1
9	105221101	Metal, Crank, Fr, Std, D722	1
10	105221201	Metal, Crank, Fr, -0.20, D722	1
11	105221301	Metal, Crank, Fr, -0.40, D722	1

9

D

9

D



000066-002

PISTON, PISTON RINGS AND CONNECTING ROD (D722 – E4B)

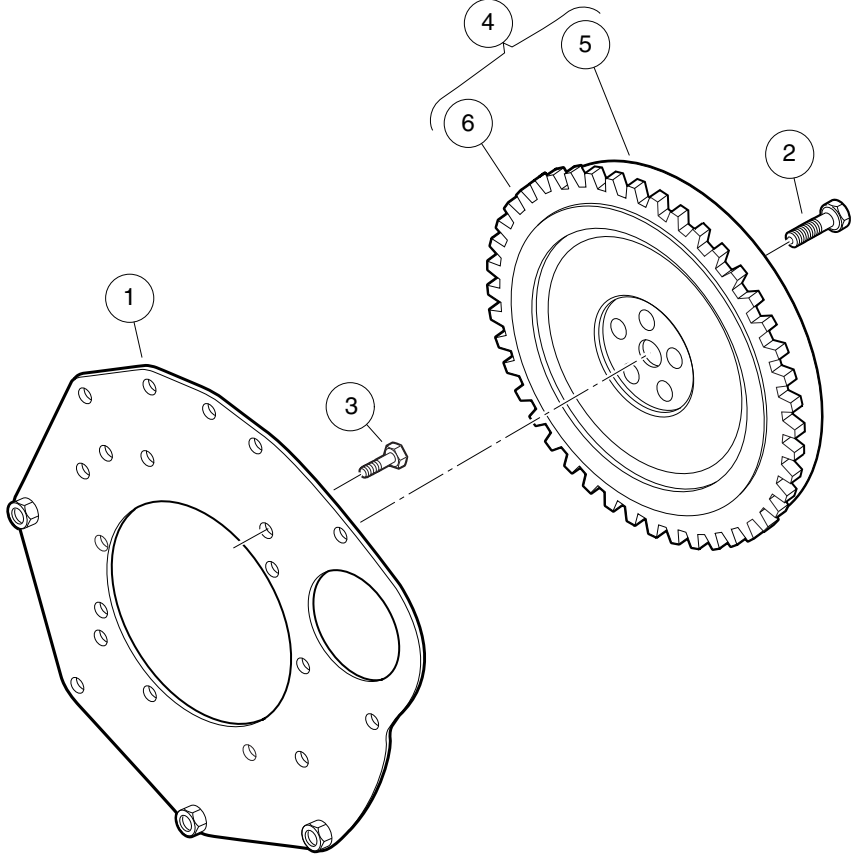
ITEM	PART NO.	DESCRIPTION	QTY
		1 2 3 4	
1	<u>102607801</u>	Assy, Connecting Rod (includes items 2 through 7)	3
2	<u>102607901</u>	Bolt, Connecting Rod	2
3	<u>102630701</u>	Metal, Crank, Rod, D722, Std	1
4	<u>102732201</u>	Bushing, Piston Pin, D722	1
5	N/A	Rod, Connecting	1
6	105220901	Metal, Crank, Rod, -0.20, D722	1
7	105221001	Metal, Crank, Rod, -0.40, D722	1
8	<u>102630901</u>	Circlip, Piston Pin	6
9	<u>102631001</u>	Pin, Piston	3
10	105207101	Assy, Piston Ring, Std, D722	3
11	105207201	Assy, Piston Ring, +0.25, D722	3
12	105207301	Piston, Std, D722	3
13	105207401	Piston, +0.25, D722	3

9

D

9

D



000049-002

FLYWHEEL (D722 – E4B)

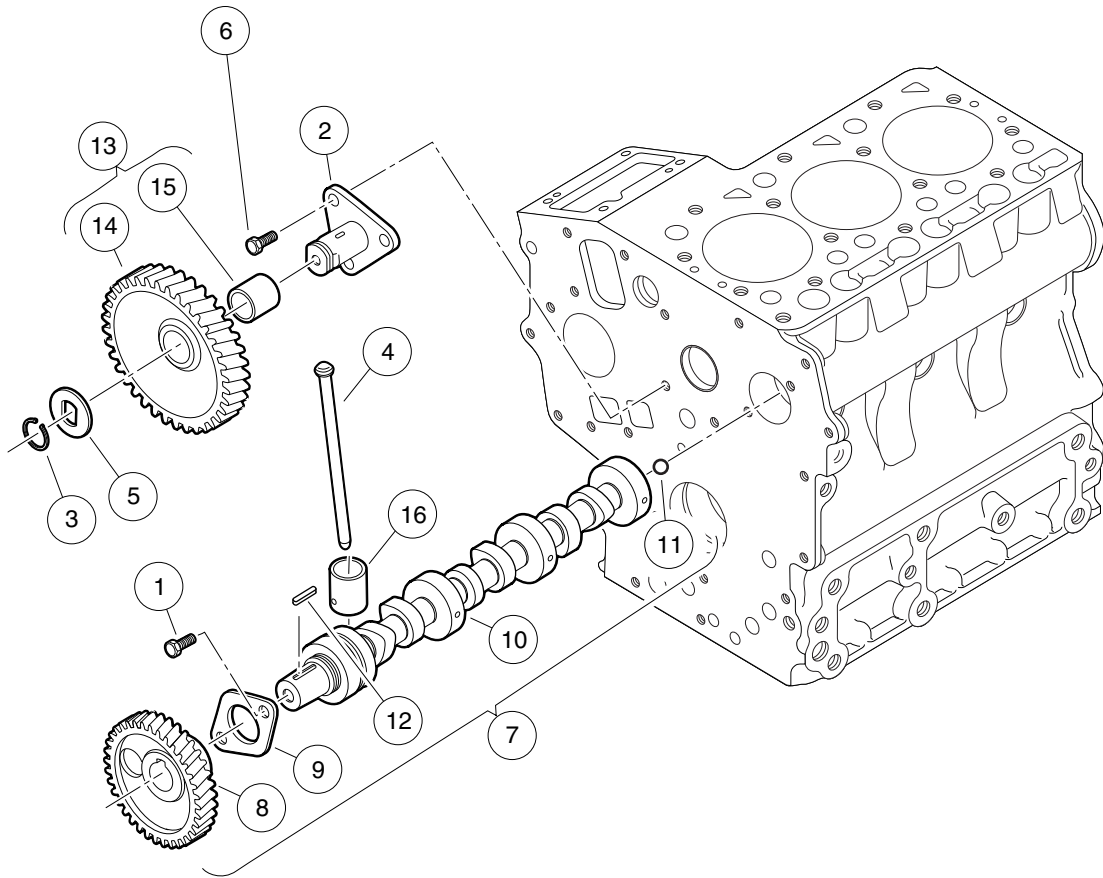
ITEM	PART NO.	DESCRIPTION	QTY
		1 2 3 4	
1	<u>102647501</u>	Plate, Rear End	1
2	<u>102648001</u>	Bolt, Flange Head, M10 X 1.5 X 25	5
3	<u>102728301</u>	Bolt, End Plate	10
4	105207501	Comp, Flywheel, D722 (includes items 5 and 6)	1
5	N/A	Flywheel	1
6	105207601	Gear, Ring, D722	1

9

D

9

D



000047-003

CAMSHAFT AND IDLE GEAR (D722 – E4B)

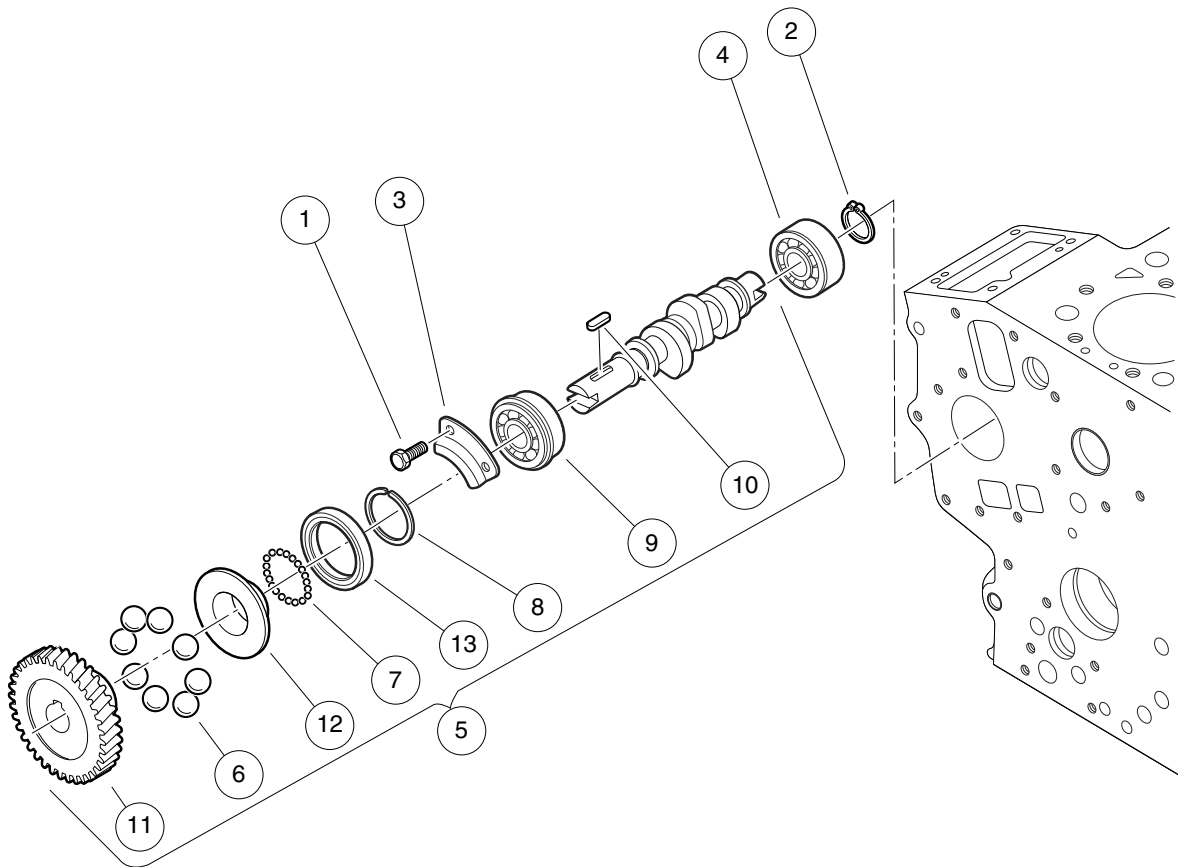
ITEM	PART NO.	DESCRIPTION	QTY
		1 2 3 4	
1	<u>102604201</u>	Bolt, D722, Cam End	2
2	<u>102605001</u>	Shaft, Idle Gear	1
3	<u>102605301</u>	Ring, Snap	1
4	102605401	Push Rod	6
5	<u>102654401</u>	Collar, Idle Gear	1
6	<u>102729101</u>	Bolt, Solenoid, Stop, D722	3
7	105207001	Assy, Camshaft, Long, D722 (includes items 8 through 12)	1
8	<u>102605901</u>	Gear, Cam	1
9	102606001	Stopper, Camshaft	1
10	N/A	Camshaft	1
11	<u>102799401</u>	Ball, Check	1
12	105220701	Key, Feather, D722	1
13	105220401	Gear, Idle, D722 (includes items 14 and 15)	1
14	N/A	Gear, Idle	1
15	105220501	Bushing, Idle Gear, D722	1
16	105220601	Tappet, D722	6

9

D

9

D



000050-002

FUEL CAMSHAFT (D722 – E4B)

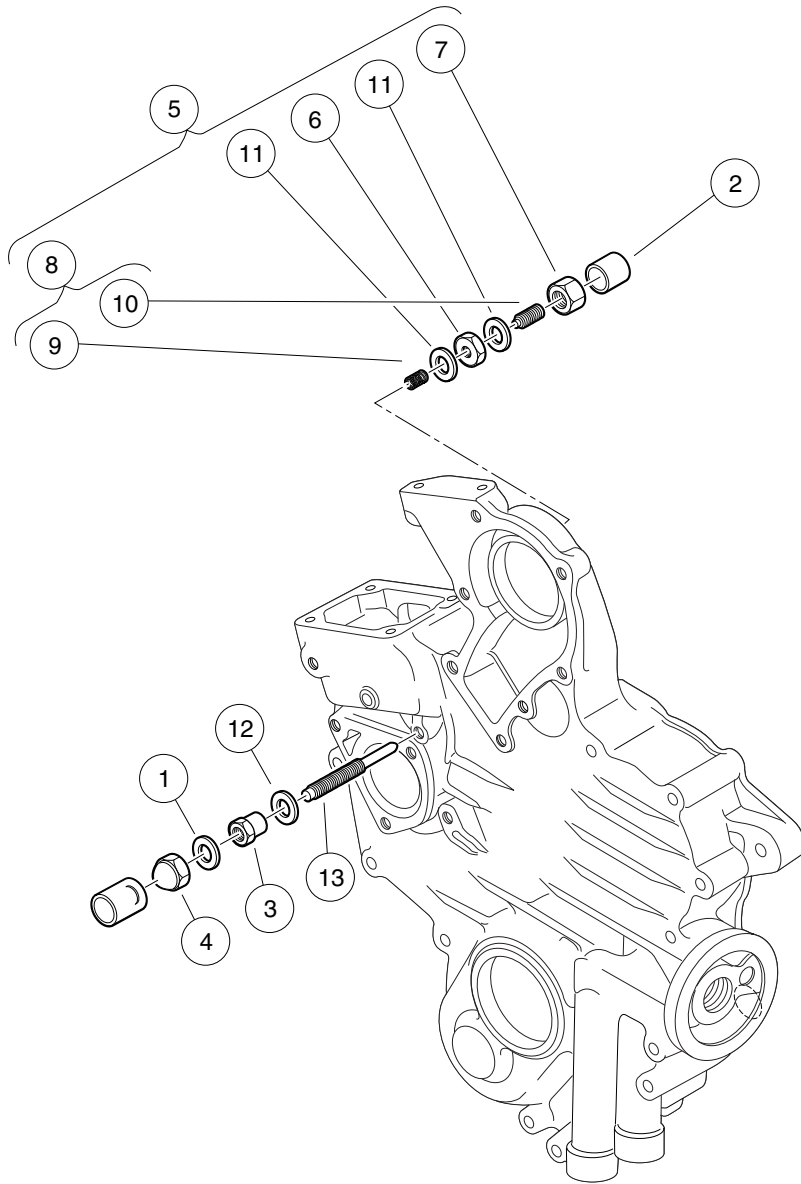
ITEM	PART NO.	DESCRIPTION	QTY
		1 2 3 4	
1	<u>102604201</u>	Bolt, D722, Cam End	2
2	<u>102604701</u>	Circlip, External	1
3	<u>102604801</u>	Stopper, Fuel, Camshaft	1
4	<u>102728501</u>	Bearing, Ball	1
5	105207701	Assy, Fuel Camshaft, D722 (includes items 6 through 13)	1
6	<u>102603701</u>	Ball, Injection Pump	8
7	<u>102603901</u>	Ball, Governor	32
8	<u>102604101</u>	Circlip	1
9	<u>102604301</u>	Bearing, Ball	1
10	<u>102604401</u>	Key, Feather, Short Camshaft	1
11	105207801	Gear, Injection Pump, D722	1
12	105221401	Sleeve, Governor, D722	1
13	105231201	Case, Governor Ball, D722	1

9

D

9

D



000051-002

IDLE APPARATUS (D722 – E4B)

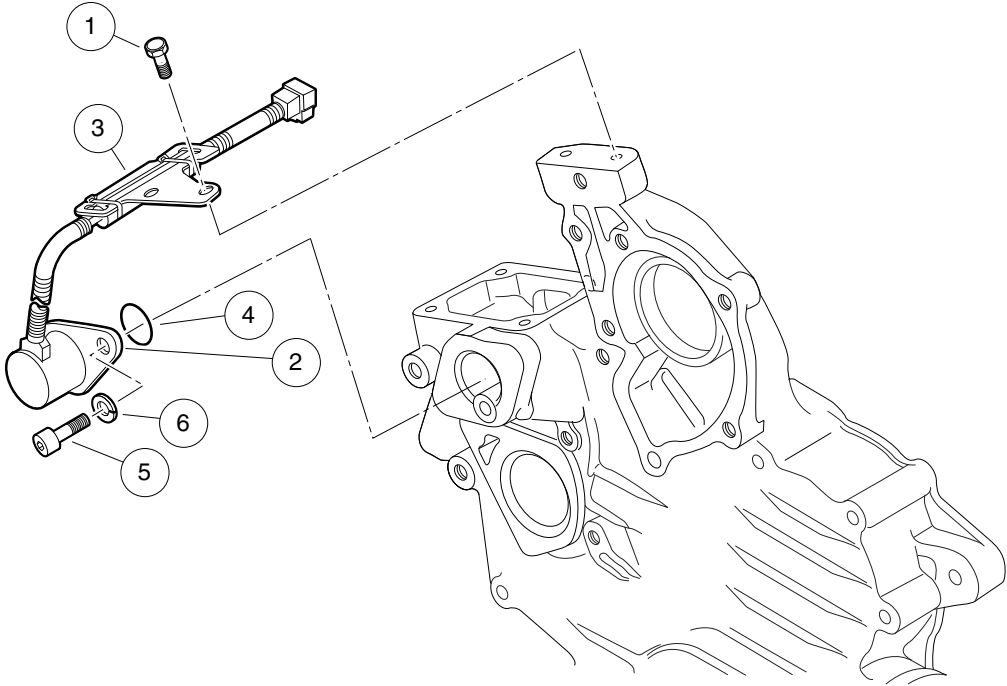
ITEM	PART NO.	DESCRIPTION	QTY
		1 2 3 4	
1	<u>102635301</u>	Gasket, 6 X 10	1
2	<u>102635701</u>	Cap, Bolt Assy	1
3	<u>102637001</u>	Nut, Lock, Special	1
4	<u>102637101</u>	Nut, Special	1
5	<u>102728601</u>	Assy, Idle Apparatus (includes items 6 through 11)	1
6	<u>102635501</u>	Nut, M8, D722 Idle App, Specl	1
7	<u>102635801</u>	Nut, M8, D722 Idle App	1
8	<u>102635901</u>	Assy, Bolt, Adjusting (includes items 9 and 10)	1
9	<u>102728701</u>	Spring, Idle Apparatus	1
10	N/A	Stud, Idle Adjustment	1
11	<u>102728801</u>	Gasket, Idle Apparatus, Rear	2
12	<u>102728901</u>	Gasket, Idle Apparatus, Front	1
13	<u>102799501</u>	Bolt, Idle Adjusting	1

9

D

9

D



000182-002

STOP SOLENOID (D722-E4B)

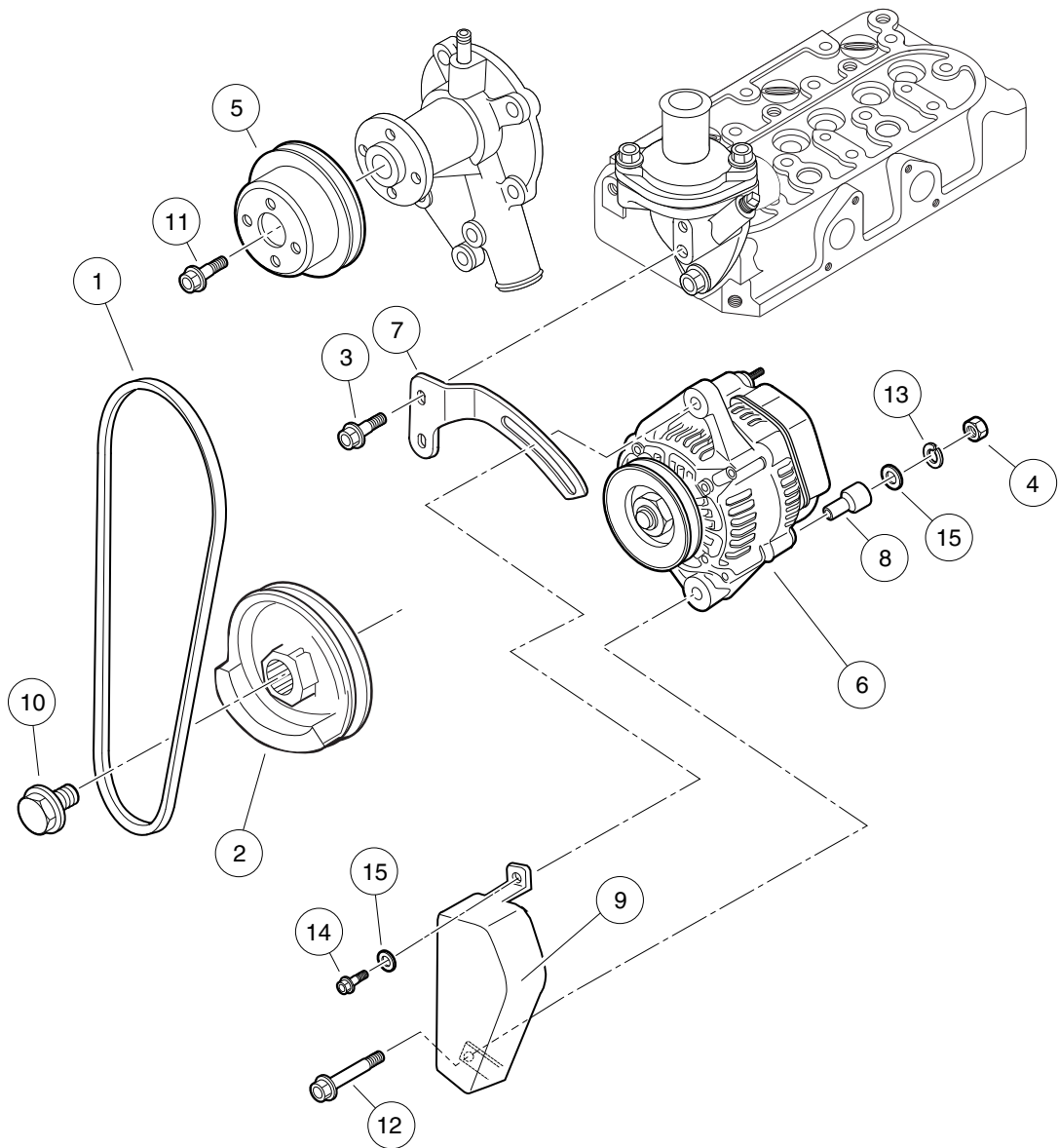
ITEM	PART NO.	DESCRIPTION	QTY
		1 2 3 4	
1	<u>102729101</u>	Bolt, Solenoid, Stop, D722	2
2	<u>102799601</u>	Solenoid, Stop	1
3	<u>102799701</u>	Stay, Stop Solenoid	1
4	<u>102799801</u>	O-Ring, Stop Solenoid	1
5	<u>102799901</u>	Bolt, Stop Solenoid	2
6	105207901	Washer, Spring, M6, D722	2

9

D

9

D



000057-004

40-AMP ALTERNATOR, BELT AND PULLEYS (D722 – E4B)

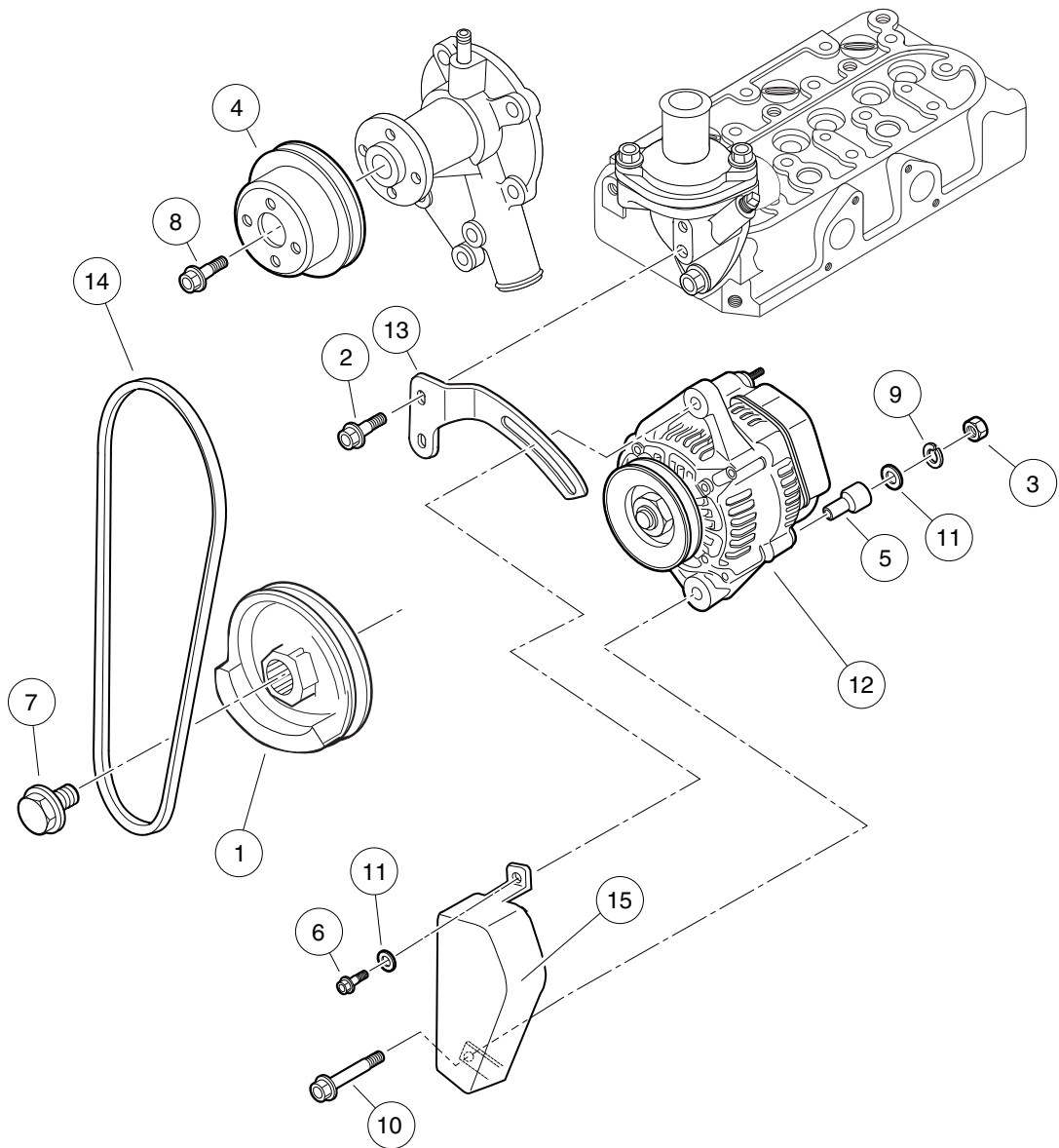
ITEM	PART NO.	DESCRIPTION	QTY
		1 2 3 4	
1	<u>102601101</u>	V-Belt	1
2	<u>102630601</u>	Pulley, Fan Drive	1
3	<u>102631601</u>	Bolt, M6 X 1 X 20	2
4	<u>102647701</u>	Nut, M8, Plate	1
5	<u>102701201</u>	Pulley, Water Pump	1
6	<u>102730001</u>	Alternator, 40-Amp	1
7	<u>102730101</u>	Stay, Alternator Assy, D722	1
8	<u>102730201</u>	Collar, Alternator Assy, D722	1
9	<u>102730301</u>	Cover, Alternator Assy, D722	1
10	<u>102730601</u>	Bolt, Alt, D722, Drive Pulley	1
11	<u>102731301</u>	Bolt, D722, Drive Pulley	4
12	<u>102800701</u>	Bolt, Alternator, Lower	1
13	105208001	Washer, Sprng, Strtr, D722	1
14	105221901	Bolt, Alt, Adjuster, D722	1
15	105222001	Washer, Alt, Upper, D722	2

9

D

9

D



000057-003

60-AMP ALTERNATOR, BELT AND PULLEYS (D722 – E4B)

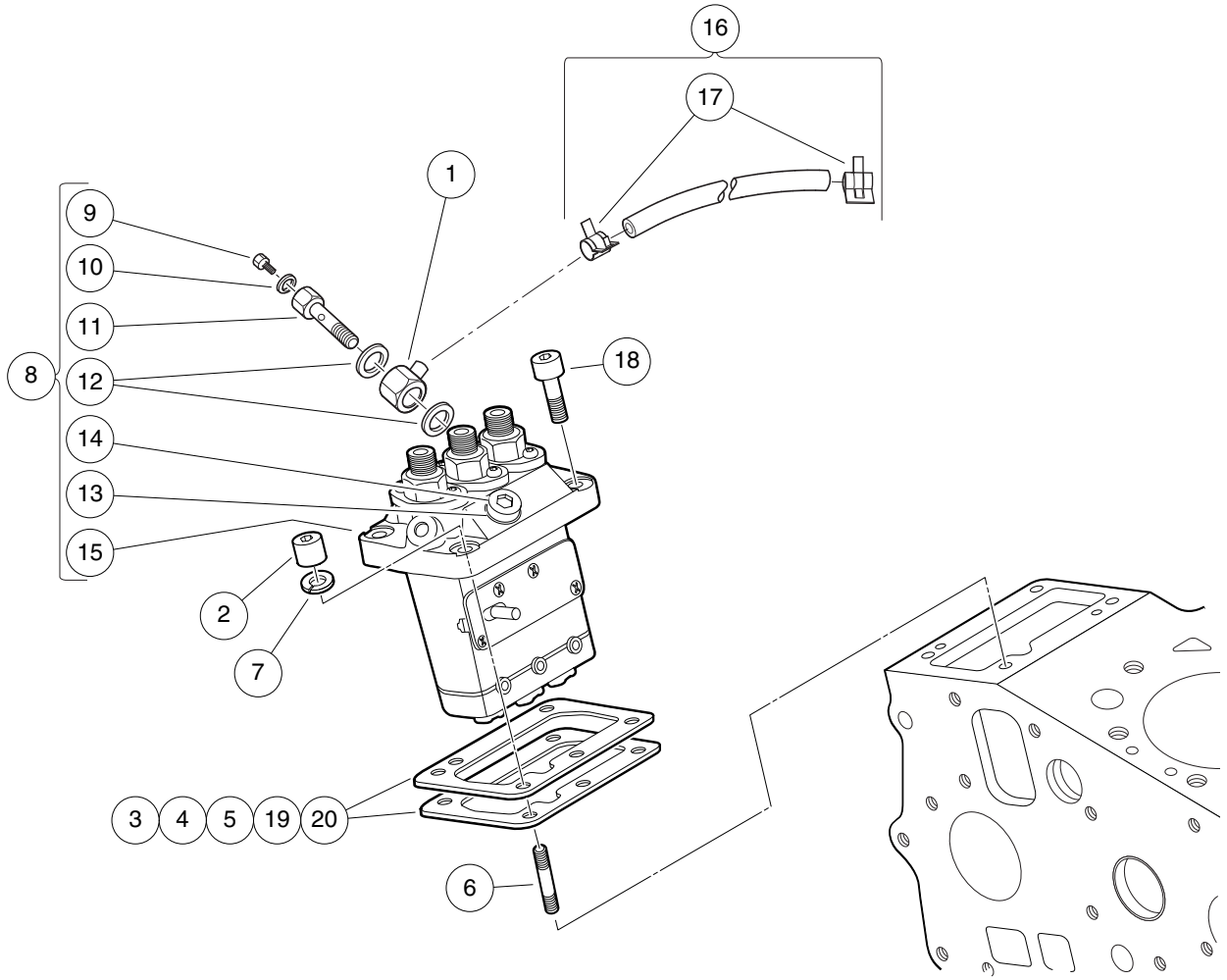
ITEM	PART NO.	DESCRIPTION	QTY
		1 2 3 4	
1	<u>102630601</u>	Pulley, Fan Drive	1
2	<u>102631601</u>	Bolt, M6 X 1 X 20	2
3	<u>102647701</u>	Nut, M8, Plate	1
4	<u>102701201</u>	Pulley, Water Pump	1
5	<u>102730201</u>	Collar, Alternator Assy, D722	1
6	<u>102730401</u>	Bolt, Alt, D722, Adjuster	1
7	<u>102730601</u>	Bolt, Alt, D722, Drive Pulley	1
8	<u>102731301</u>	Bolt, D722, Drive Pulley	4
9	<u>102732501</u>	Washer, Spring, D722, Starter	1
10	<u>102800701</u>	Bolt, Alternator, Lower	1
11	<u>102801001</u>	Washer, Alternator, Upper	2
12	<u>102934701</u>	Alternator, 60 Amp	1
13	<u>102934801</u>	Bracket, Alternator, D722, 60 Amp	1
14	<u>102934901</u>	Belt, Accessory Drive, D722, 60 Amp	1
15	<u>103239901</u>	Guard, Accessory Belt	1

9

D

9

D



000053-003

FUEL INJECTION PUMP (D722 – E4B)

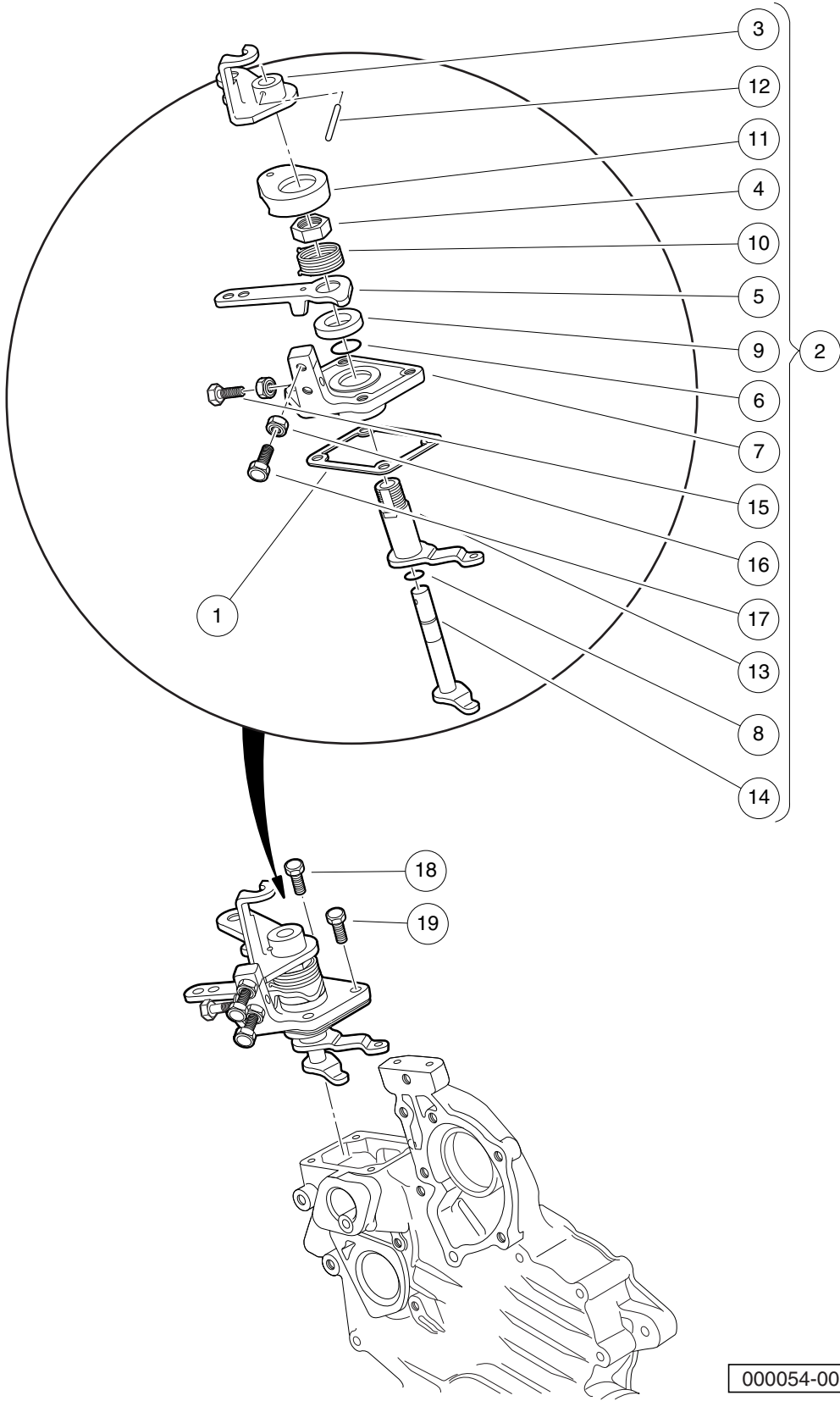
ITEM	PART NO.	DESCRIPTION	QTY
		1 2 3 4	
1	<u>102640401</u>	Joint, Eye	1
2	<u>102640701</u>	Nut, Special	2
3	<u>102640901</u>	Shim, Injection Pump, 0.20 mm	1
4	<u>102641001</u>	Shim, Injection Pump, 0.25 mm	1
5	102641101	Shim, Injection Pump, 0.30 mm	1
6	<u>102641201</u>	Stud, M5 X 25	2
7	105207901	Washer, Spring, M6, D722	2
8	105225401	Assy, Pump Injection, D722 (includes items 9 through 15)	1
9	<u>102637501</u>	Screw, D722, Injection Pump	1
10	<u>102637601</u>	Gasket, D722, Inj Pump, Top	1
11	<u>102637701</u>	Screw, Hollow, D722, Inj Pump	1
12	<u>102637801</u>	Gasket, D722, Inj Pump, Lower	2
13	<u>102639101</u>	Gasket, D722, Inj Pump, Plug	1
14	<u>102729201</u>	Plug, Injection Pump	1
15	N/A	Pump, Injection	1
16	105225501	Assy, Fuel Pipe, D722 (includes item 17)	1
17	105225601	Clip, Pipe, D722	2
18	105225701	Bolt, Hex Head, D722	2
19	105225801	Shim, Inj Pump, 0.175, D722	1
20	105225901	Shim, Inj Pump, 0.350, D722	1

9

D

9

D



000054-003

SPEED CONTROL (D722 – E4B)

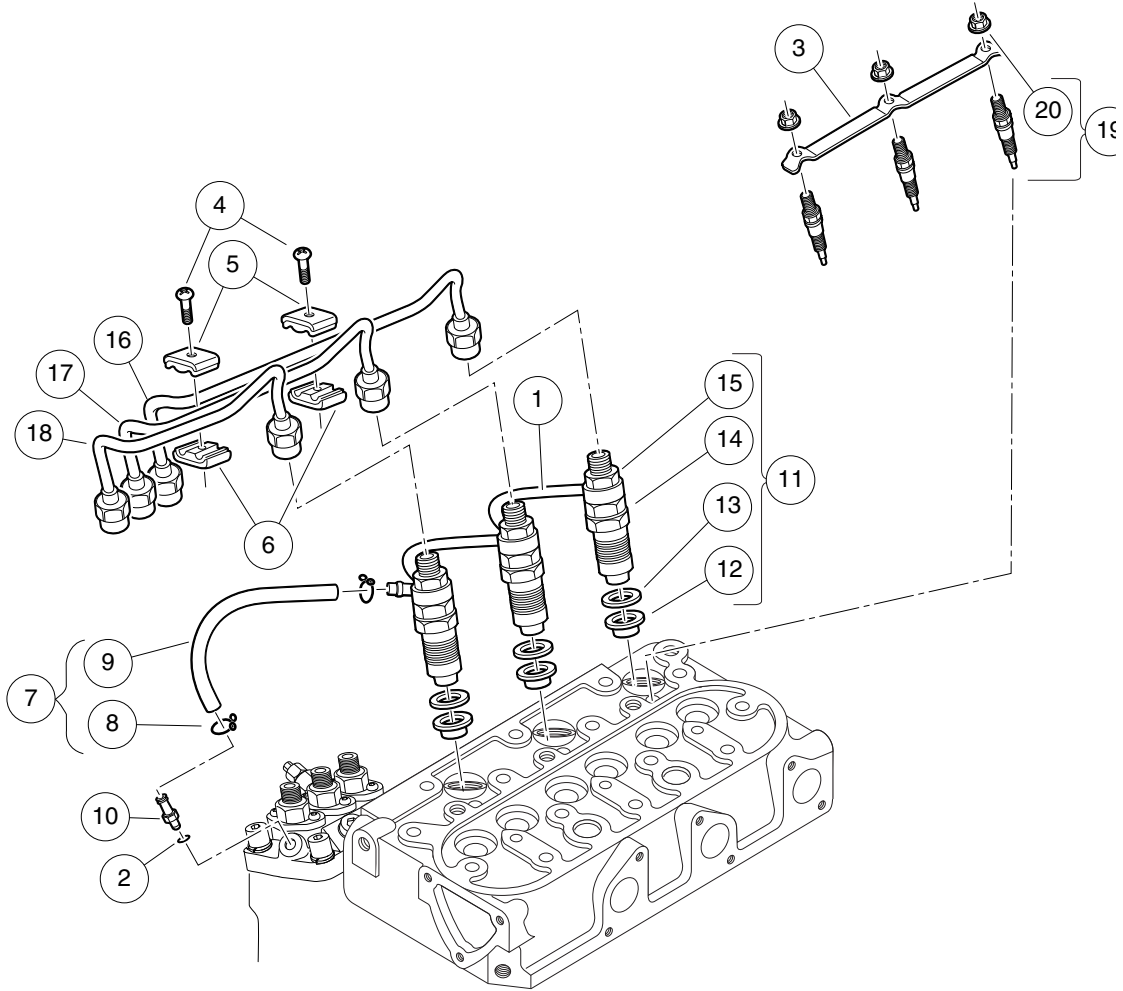
ITEM	PART NO.	DESCRIPTION	QTY
		1 2 3 4	
1	<u>102634501</u>	Gasket, Control Plate	1
2	<u>102800401</u>	Assembly, Speed Plate (includes items 3 through 17)	1
3	<u>102633701</u>	Lever, Engine Stop	1
4	<u>102633801</u>	Nut, Speed Control	1
5	<u>102633901</u>	Lever, Speed Control	1
6	<u>102634001</u>	O Ring, 19 X 16	1
7	<u>102634101</u>	Plate, Speed Control	1
8	<u>102634401</u>	O Ring, 9 X 7	1
9	<u>102634601</u>	Collar, Lever	1
10	<u>102634701</u>	Spring, Return	1
11	<u>102729401</u>	Cap, Speed Cntrl Plate Rtrn	1
12	<u>102729501</u>	Pin, Spring, Speed Plate	1
13	<u>102800501</u>	Lever, Governor	1
14	<u>102800601</u>	Shaft, Governor Lever	1
15	105222301	Bolt, Speed Control, D722	1
16	105222401	Nut, Speed Control, D722	3
17	105222501	Bolt, Speed Control, D722	2
18	105206601	Bolt, Intake Manfld, D722	2
19	105222201	Bolt, Flange, D722	2

9

D

9

D



000055-002

NOZZLE HOLDERS AND GLOW PLUGS (D722 – E4B)

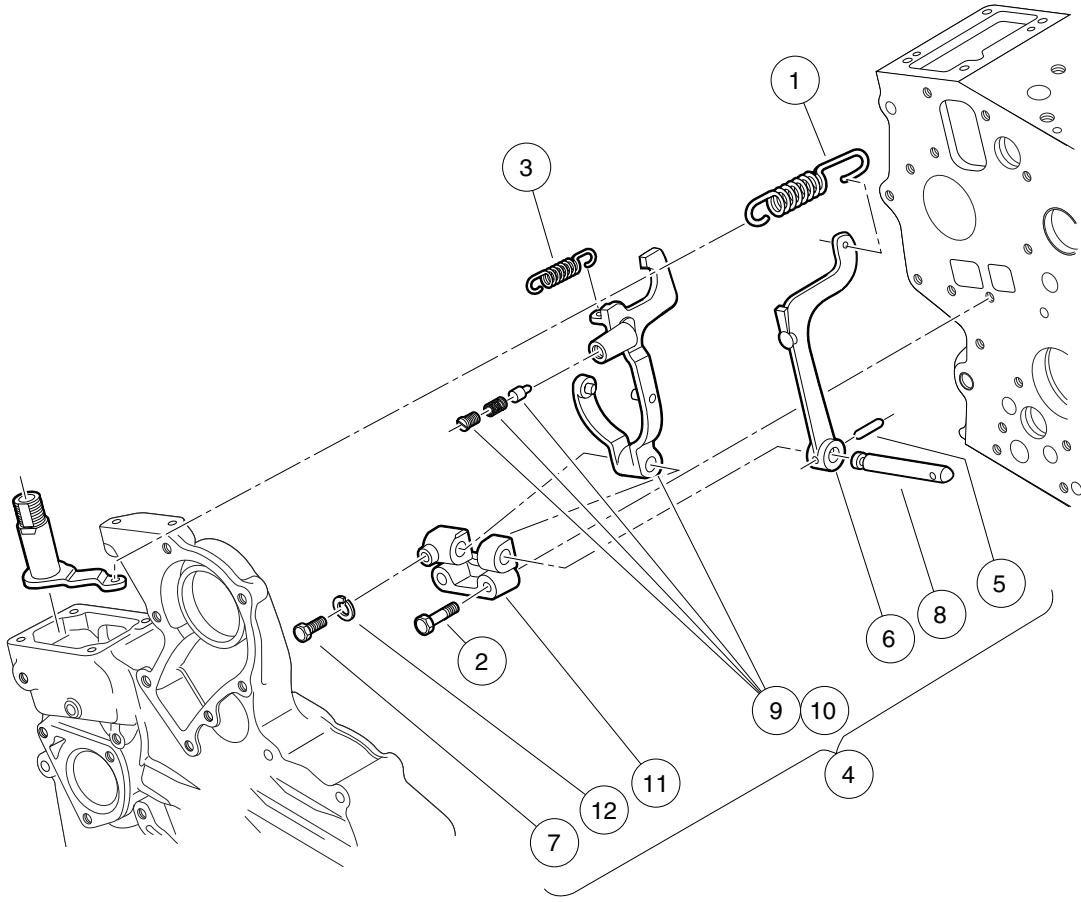
ITEM	PART NO.	DESCRIPTION	QTY
		1 2 3 4	
1	<u>102605701</u>	Assy Pipe, D722 Fuel Over Flow	1
2	<u>102635301</u>	Gasket, 6 X 10	1
3	<u>102642401</u>	Cord, Glow Plug	1
4	<u>102642801</u>	Screw, Washer	2
5	<u>102642901</u>	Clamp, Pipe, Top	2
6	<u>102643301</u>	Clamp, Pipe, Bottom	2
7	<u>102643401</u>	Assy Pipe, Over Flow (includes items 8 and 9)	1
8	<u>102729601</u>	Clip, Pipe, Return	2
9	105222901	Pipe, Fuel Overflow, D722	1
10	<u>102643701</u>	Screw, Air Bleeder	1
11	105208201	Kit, Holder, Nozzle, D722 (includes items 12 through 15)	3
12	<u>102642701</u>	Seal, Heat	3
13	<u>102643601</u>	Gasket, Nozzle	3
14	105208301	Assy Holder, Nozzle, D722	3
15	105223001	Nut, Hex, D722	3
16	105222601	Pipe, Injection, D722	1
17	105222701	Pipe, Injection, D722	1
18	105222801	Pipe, Injection, D722	1
19	105223101	Plug, Glow, D722 (includes item 20)	3
20	<u>102642501</u>	Nut, Flange,m4	3

9

D

9

D



000056-004

GOVERNOR COMPONENTS (D722 – E4B)

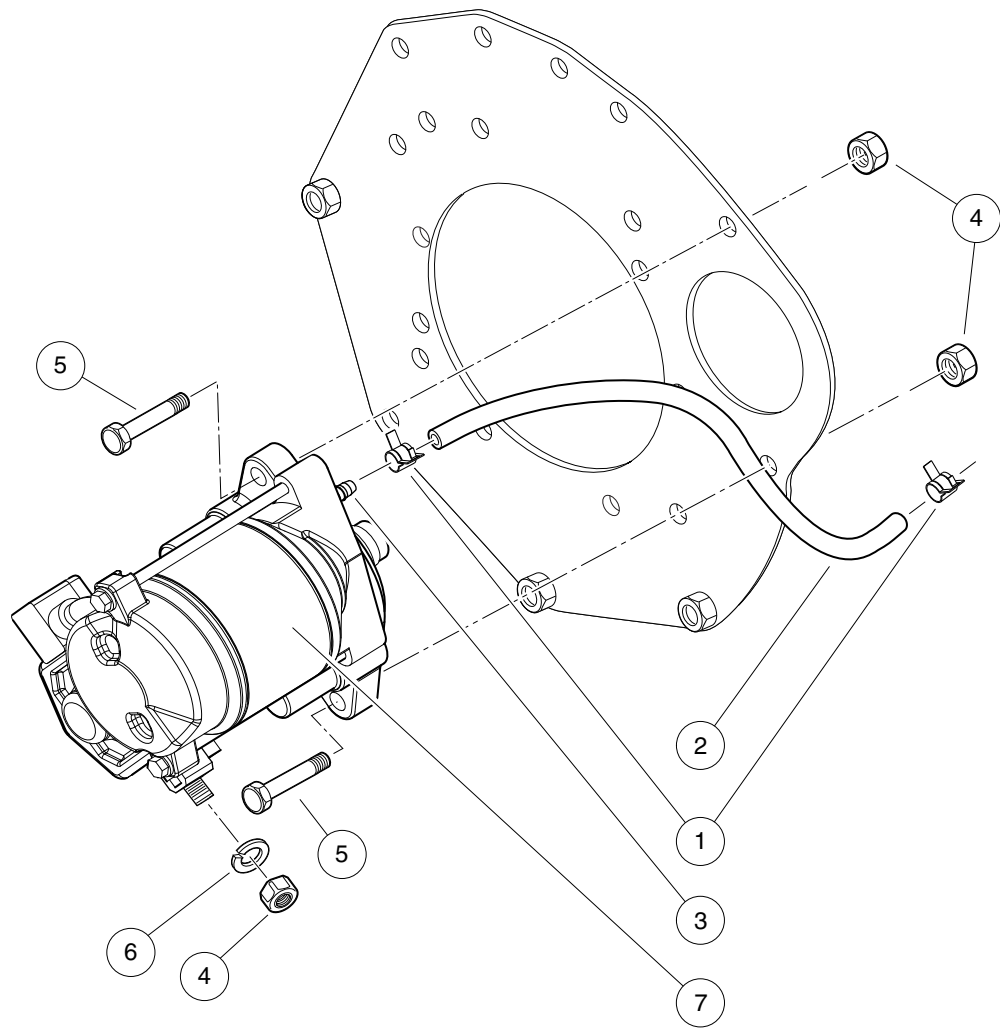
ITEM	PART NO.	DESCRIPTION	QTY
		1 2 3 4	
1	<u>102635101</u>	Spring, Governor	1
2	<u>102636301</u>	Bolt, M5 X 0.75 X 25	2
3	<u>102800201</u>	Spring, Start	1
4	105208401	Assy, Gov Fork, D722 (includes items 5 through 12)	1
5	<u>102633601</u>	Pin, Spring	1
6	<u>102636101</u>	Lever, Fork, End	1
7	<u>102636401</u>	Bolt, M5 X 0.75 X 11	1
8	<u>102636601</u>	Shaft, Fork Lever	1
9	N/A	Lever, Fork, Middle, D722 CB (includes item 10)	1
10	<u>102701601</u>	Spring, Lever	1
11	105208501	Holder, Fork Lever, D722	1
12	105208601	Washer, Spring, M5, D722	1

9

D

9

D



000058-003

STARTER – SEALED (D722 – E4B)

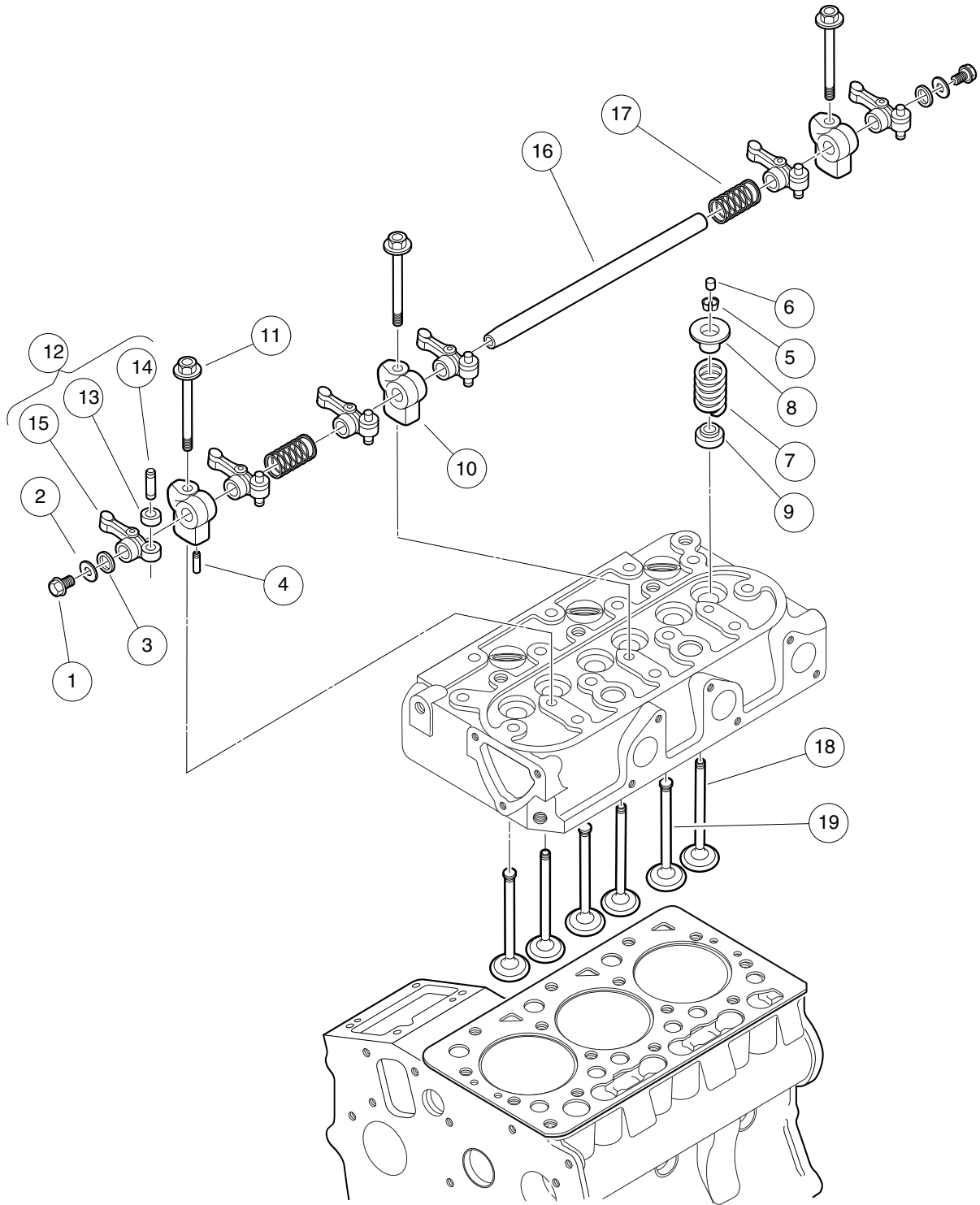
ITEM	PART NO.	DESCRIPTION	QTY
		1 2 3 4	
1	<u>1013746</u>	Clamp, 0.301 ID Hose	2
2	<u>101587703</u>	Hose, Fuel, Vent, 22" Long	1
3	<u>101824401</u>	Vent Barb	1
4	<u>102647701</u>	Nut, M8, Plate	3
5	<u>102730401</u>	Bolt, Alt, D722, Adjuster	2
6	<u>105208001</u>	Washer, Sprng, Strtr, D722	3
7	<u>105226001</u>	Assy, Sealed Starter, D722	1

9

D

9

D



000062-003

VALVES AND ROCKER ARMS (D722 – E4B)

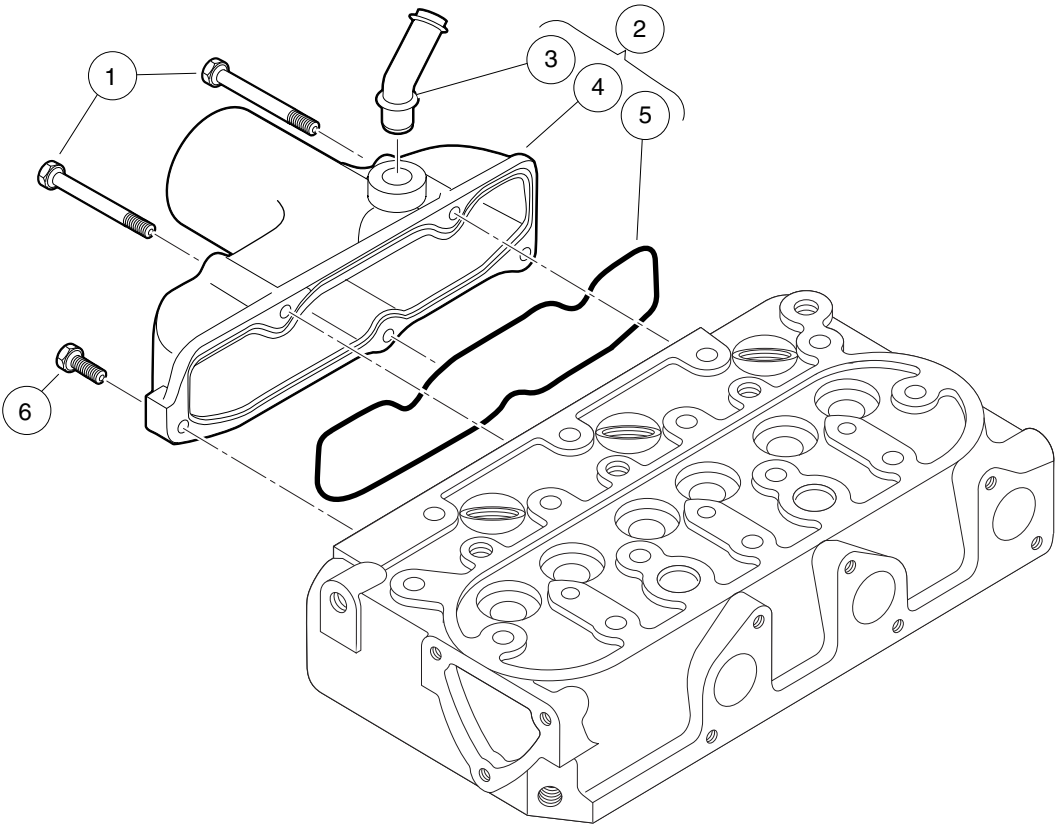
ITEM	PART NO.	DESCRIPTION	QTY
		1 2 3 4	
1	<u>102646401</u>	Bolt, M6 X 1 X 8	2
2	<u>102651301</u>	Washer, D722, Plain, Rocker	2
3	<u>102651601</u>	Washer, Rocker Arm	2
4	<u>102651801</u>	Pin, Spring, D722, Rocker	1
5	<u>102652901</u>	Collet, Valve Spring, Set	6
6	<u>102653001</u>	Cap, Valve, D722	6
7	<u>102653101</u>	Spring, Valve	6
8	<u>102653201</u>	Retainer, Spring	6
9	<u>102653301</u>	Seal, Valve Stem	6
10	<u>102801101</u>	Bracket, Rocker Arm, D722 Closed-Breather	3
11	<u>102801201</u>	Bolt, Rocker Arm	3
12	<u>105208701</u>	Assy, Rocker Arm, D722 (includes items 13 through 15)	6
13	<u>102651501</u>	Nut, M6	6
14	<u>102651701</u>	Screw-Adjusting	6
15	N/A	Arm, Rocker	6
16	<u>105226101</u>	Shaft, Rocker Arm, D722	1
17	<u>105226201</u>	Spring, Rocker Arm, D722	2
18	<u>105226301</u>	Valve, Exhaust, D722	3
19	<u>105226401</u>	Valve, Intake, D722	3

9

D

9

D



000063-003

INTAKE MANIFOLD (D722 – E4B)

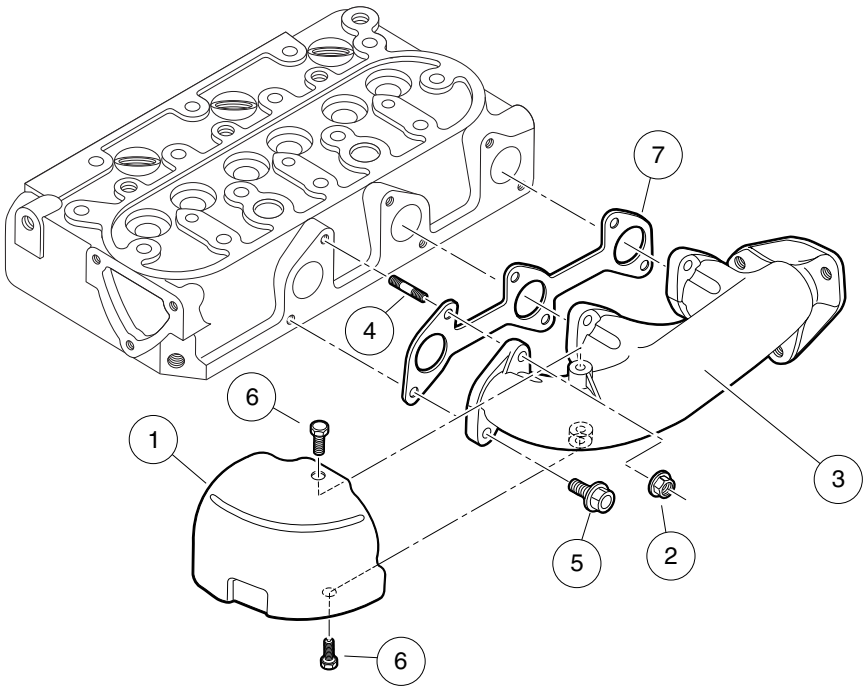
ITEM	PART NO.	DESCRIPTION	QTY
		1 2 3 4	
1	<u>102646101</u>	Bolt, M6 X 1 X 45	3
2	<u>102801301</u>	Assembly, Intake Manifold (includes items 3 through 5)	1
3	<u>102801401</u>	Pipe, Breather	1
4	<u>102801501</u>	Manifold, Intake	1
5	105226501	Gasket, Intake Manifold, D722	1
6	105206601	Bolt, Intake Manfld, D722	2

9

D

9

D



000064-002

EXHAUST MANIFOLD (D722 – E4B)

ITEM	PART NO.	DESCRIPTION	QTY
		1 2 3 4	
1	<u>102646301</u>	Cover, Heat Proof	1
2	<u>102647101</u>	Nut, Flange, M6, Ubs	3
3	<u>102731501</u>	Manifold, Exhaust, D722	1
4	105208801	Stud, M6 X 26, D722	3
5	105208901	Bolt, Exhst Manfld, D722	3
6	105209001	Bolt, Exhst Manfld Cvr, D722	2
7	105226601	Gasket, Exhaust Manifold, D722	1

9

D

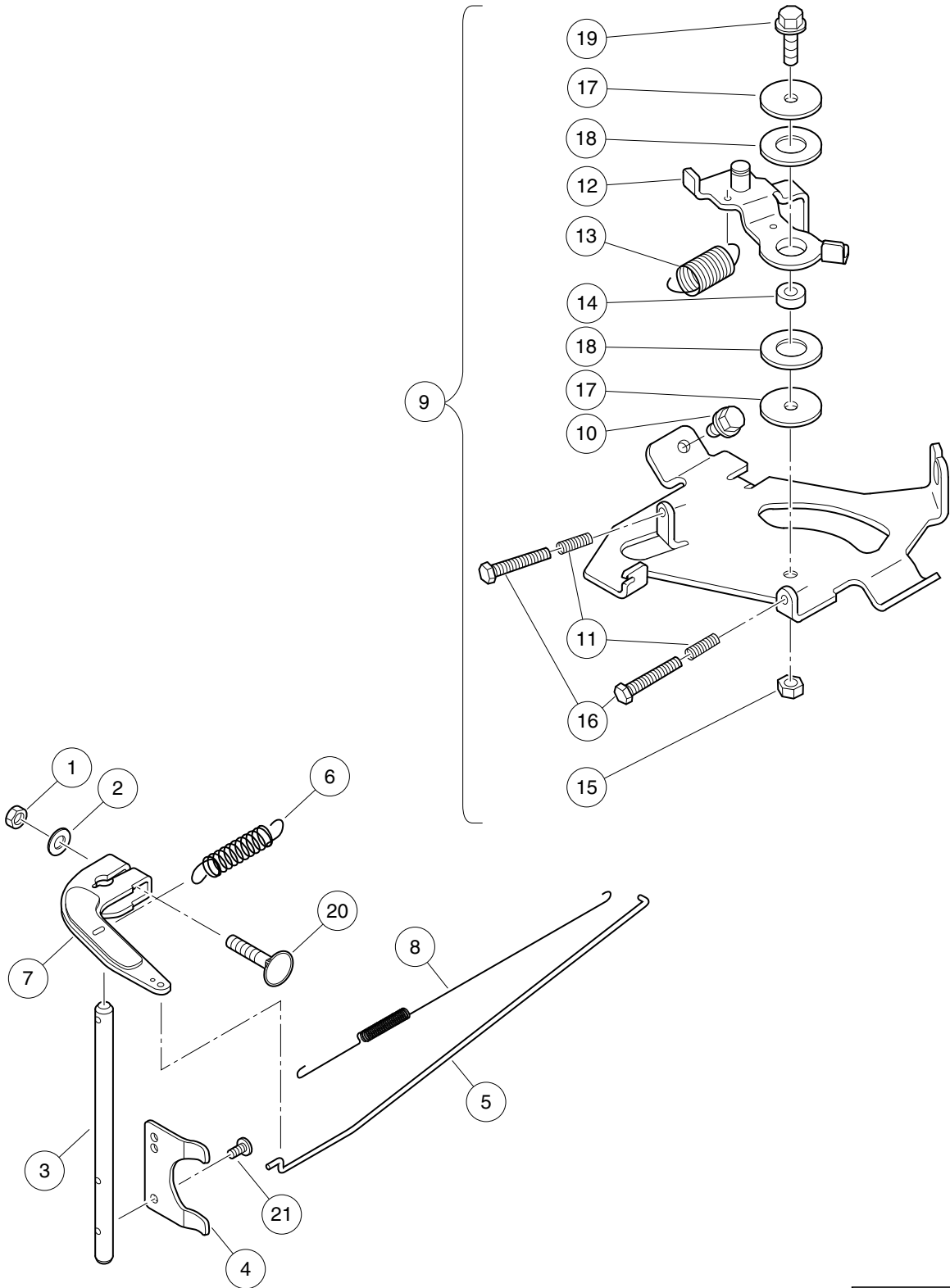
9

D

FUEL, INTAKE, ACCELERATOR & GOVERNOR SYSTEMS – KAWASAKI

10

G



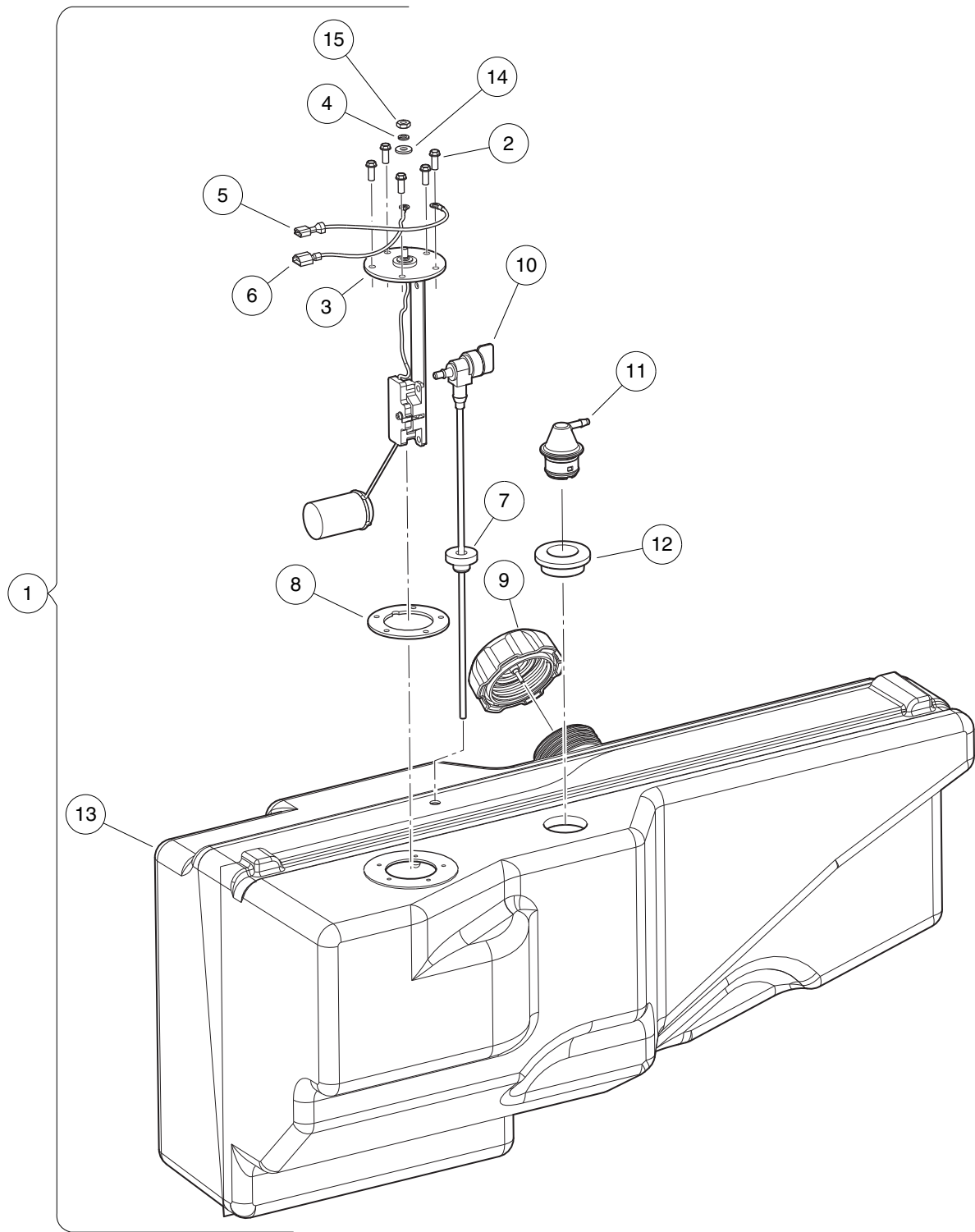
000636-001

GOVERNOR ARM AND SPRINGS

ITEM	PART NO.	DESCRIPTION	QTY
		1 2 3 4	
1	N/A	Nut, M6	1
2	<u>1016513</u>	Washer, M6 Flat	1
3	<u>103002001</u>	Shaft, Governor, Fh	1
4	<u>103002101</u>	Plate, Governor, Fh	1
5	<u>103002301</u>	Link, Arm, Governor, Fh	1
6	<u>103002401</u>	Spring, Governor, Fh	1
7	<u>103002501</u>	Arm, Governor, Shaft	1
8	<u>103002901</u>	Spring, Arm, Governor, Fh	1
9	<u>103297701</u>	Panel, Control, Complete, Fh (includes items 10 through 19)	1
10	<u>102992401</u>	Bolt, Flg, M6 X 1.0 X 12	2
11	<u>103002801</u>	Spring, Fh	2
12	<u>103297401</u>	Lever, Governor, Control, Fh	1
13	<u>103297501</u>	Spring, Governor Return, Fh	1
14	<u>103297601</u>	Collar, Governor, Fh	1
15	<u>103297801</u>	Nut, Governor, Fh	1
16	<u>103298001</u>	Bolt, Speed Control, Fh	2
17	<u>103298201</u>	Washer, Governor, Lower, Fh	2
18	<u>103298301</u>	Washer, Governor, Middle, Fh	2
19	<u>103298501</u>	Bolt, Flanged, M6 X 20, Kaw	1
20	<u>103298101</u>	Bolt, M6 X 35, Kawasaki	1
21	<u>103298601</u>	Screw, Pan, Governor, Fh	2

10

G



000082-008

FUEL TANK – GASOLINE VEHICLE

ITEM	PART NO.	DESCRIPTION	QTY
		1 2 3 4	
1	<u>103963701</u>	Asm, Tank Fuel, Gas 4x4 Nano (includes items 2 through 15)	1
2	<u>1013461</u>	Screw, #10-16 Hex-Head Hi-Lo	5
3	<u>1013462</u>	Sending Unit, Fuel Level *	1
4	<u>1016</u>	Lockwasher, #10 Split	1
5	N/A	Wire Asm, Blk, 170mm	1
6	N/A	Wire Asm, Org, 170mm	1
7	<u>102406701</u>	Bushing, Line, Return	1
8	<u>102522001</u>	Gasket, Rubber	1
9	<u>103372101</u>	Cap, Fuel Tank, Gas, Ratchet	1
10	<u>103372302</u>	Valve, Fuel, 288mm	1
11	<u>103905201</u>	Assembly, Vent, Fuel, 1/4 Inch O.D.	1
12	<u>103944301</u>	Grommet, Fuel Tank, Vent	1
13	N/A	Tank, Fuel, Gas, 4x4 Nano	1
14	<u>183</u>	Washer, #10, Type A, Flat	1
15	<u>8797</u>	Nut, #10-32 Brass Hex	1
		* Note: Must replace fuel sending unit gasket when servicing this component.	

10
G

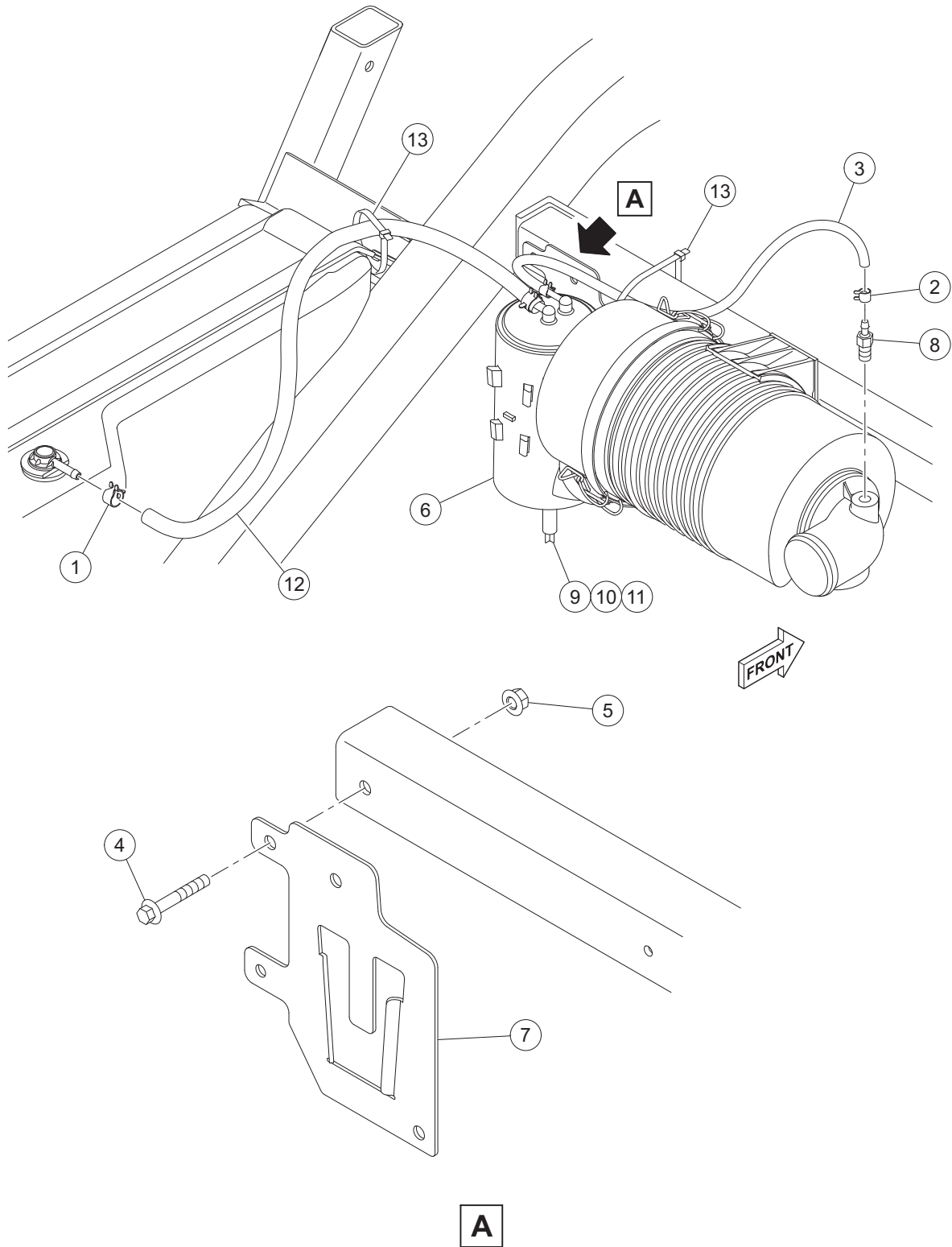
FUEL PUMP, FILTER AND HOSE – KAWASAKI FH680

ITEM	PART NO.	DESCRIPTION	QTY
		1 2 3 4	
1	<u>1012649</u>	Clamp, 0.460 Red Hose	4
2	<u>102003201</u>	Filter, Fuel, 30 Micron	1
3	<u>102410604</u>	P-clamp, Insulated, 0.625 Inch	1
4	<u>102426301</u>	Strap, Tank, Fuel	1
5	<u>102618601</u>	Lock Nut, Flange, M8 X 1.25 Nylon	1
6	<u>102865101</u>	Fuel Line, 1/4 (available by the foot)	A/R
7	<u>102992501</u>	Bolt, Flg, M6 X 1.0 X 16	1
8	<u>103009901</u>	Bracket, Fuel Pump, Fh	1
9	<u>103010101</u>	Pump, Fuel, Impulse, Fh	1
10	<u>103298501</u>	Bolt, Flanged, M6 X 20, Kaw	2
11	<u>324</u>	Screw, 1/4-20 X 2.50 Hx Hd Cap	1
12	<u>8233</u>	Locknut, 1/4-20, Nylon Insert	1

10

G

10
G

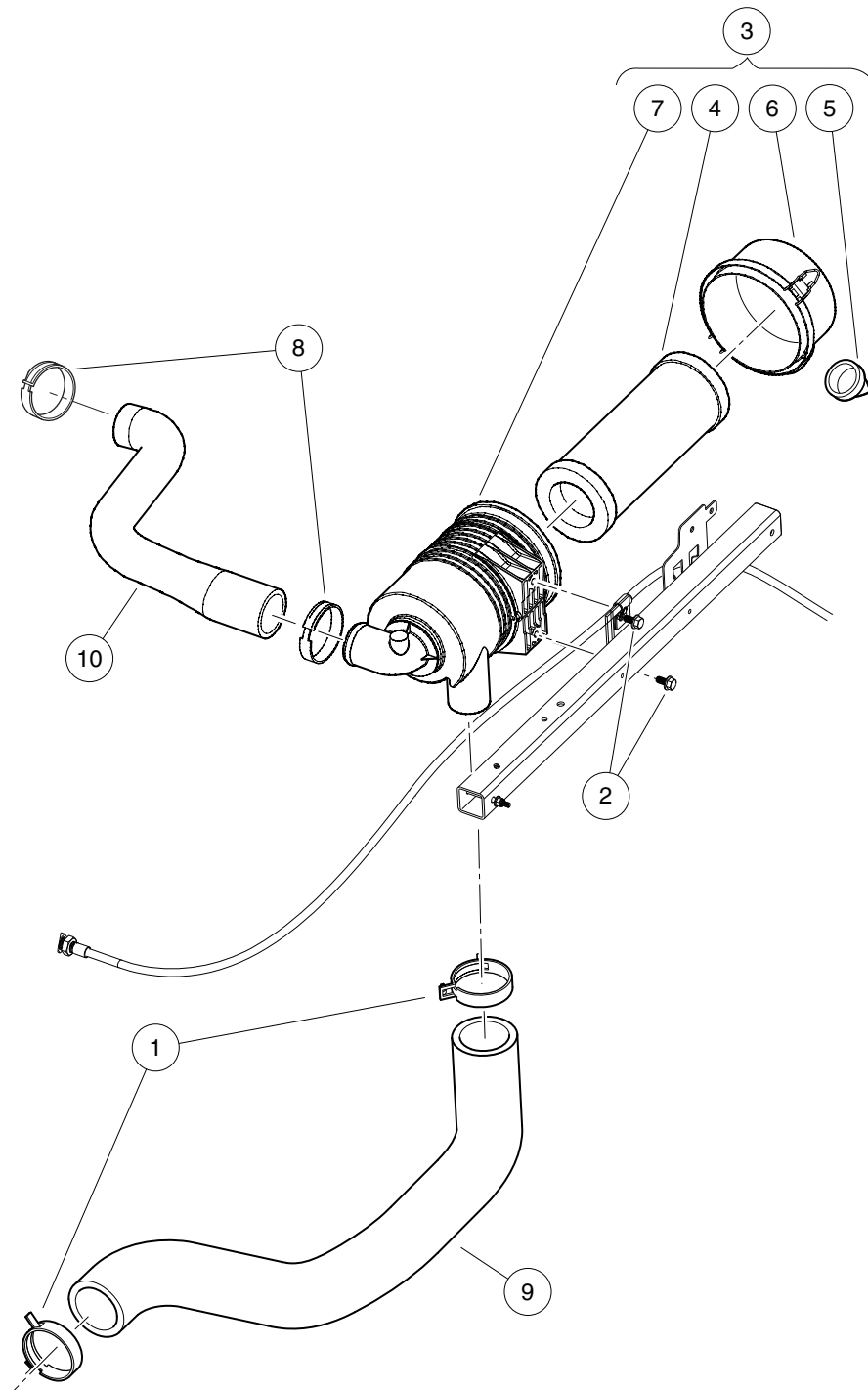


G-100499-000002

CARBON CANISTER – GASOLINE VEHICLE

ITEM	PART NO.	DESCRIPTION	QTY
		1 2 3 4	
1	<u>1012649</u>	Clamp, 0.460 Red Hose	2
2	<u>1013746</u>	Clamp, 0.301 ID Hose	2
3	101587709	Hose, Fuel, Vent, 26" Long	1
4	<u>102541465</u>	Bolt, M 6 X 1.0 X 65 Hex, Flange, Head, Black	2
5	<u>102621501</u>	Nut, Flange, M6 X 1.0, Nylon	2
6	<u>103372401</u>	Canister, Carbon	1
7	<u>103452001</u>	Brkt, Mtg, Carbon Canister	1
8	<u>103701301</u>	Adapter, 1/8 Npt X 3/16 Barb	1
9	<u>103756401</u>	Asm, Vent Line, Carbon Canister (includes items 10 and 11)	1
10	N/A	Hose, Vent, 5/16 I.D., Bulk	1
11	N/A	Vent, Barb, 5/16 I.D. Hose	1
12	103896603	Hose, Vent, 1/4 Id, 22 In	1
13	<u>8639</u>	Tie Wrap, 11" Nylon	2

10
G

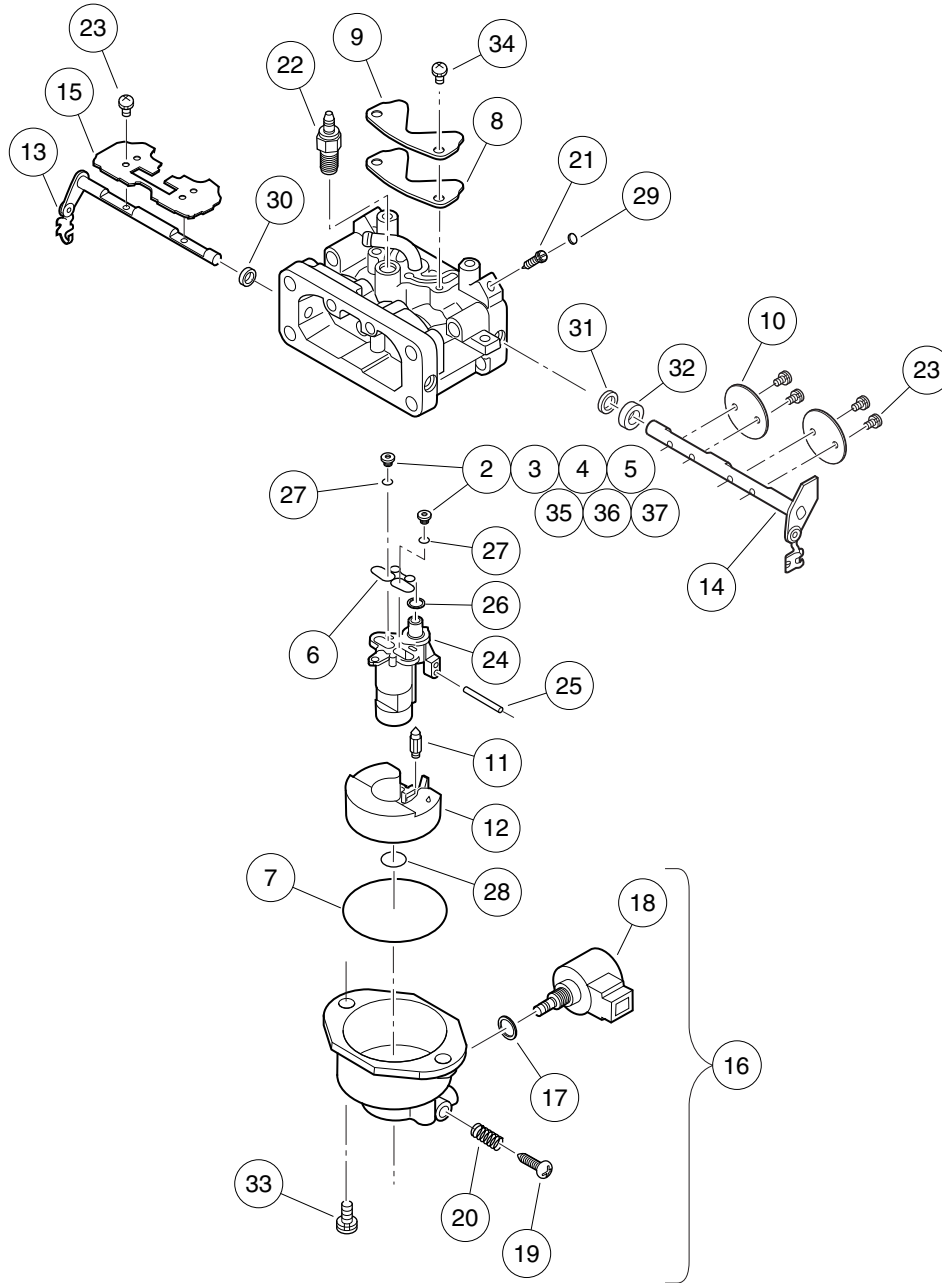


000090-006

INTAKE HOSES AND AIR FILTER – KAWASAKI FH680

ITEM	PART NO.	DESCRIPTION	QTY
		1 2 3 4	
1	<u>102411210</u>	Clamp, Hose, Ctb 64mm	2
2	<u>102621201</u>	Bolt, Flanged Head, M8 X1.25x 16, with Loctite	2
3	<u>102810701</u>	Filter, Air, Canister, with Label (includes items 4 through 7)	1
4	<u>102498601</u>	Element, Filter, Air, 5 Inch	1
5	<u>102725501</u>	Valve, Evacuator, Filter Air	1
6	<u>102725601</u>	Cap, Latch Lock, Filter, Air	1
7	N/A	Body, Canister, Filter, Air	1
8	<u>103441401</u>	Clamp, Worm Screw, Hose, 2"	2
9	<u>103848401</u>	Hose, Intake, Air	1
10	<u>103924701</u>	Hose, Air Intake, Awd, Gas	1

10
G

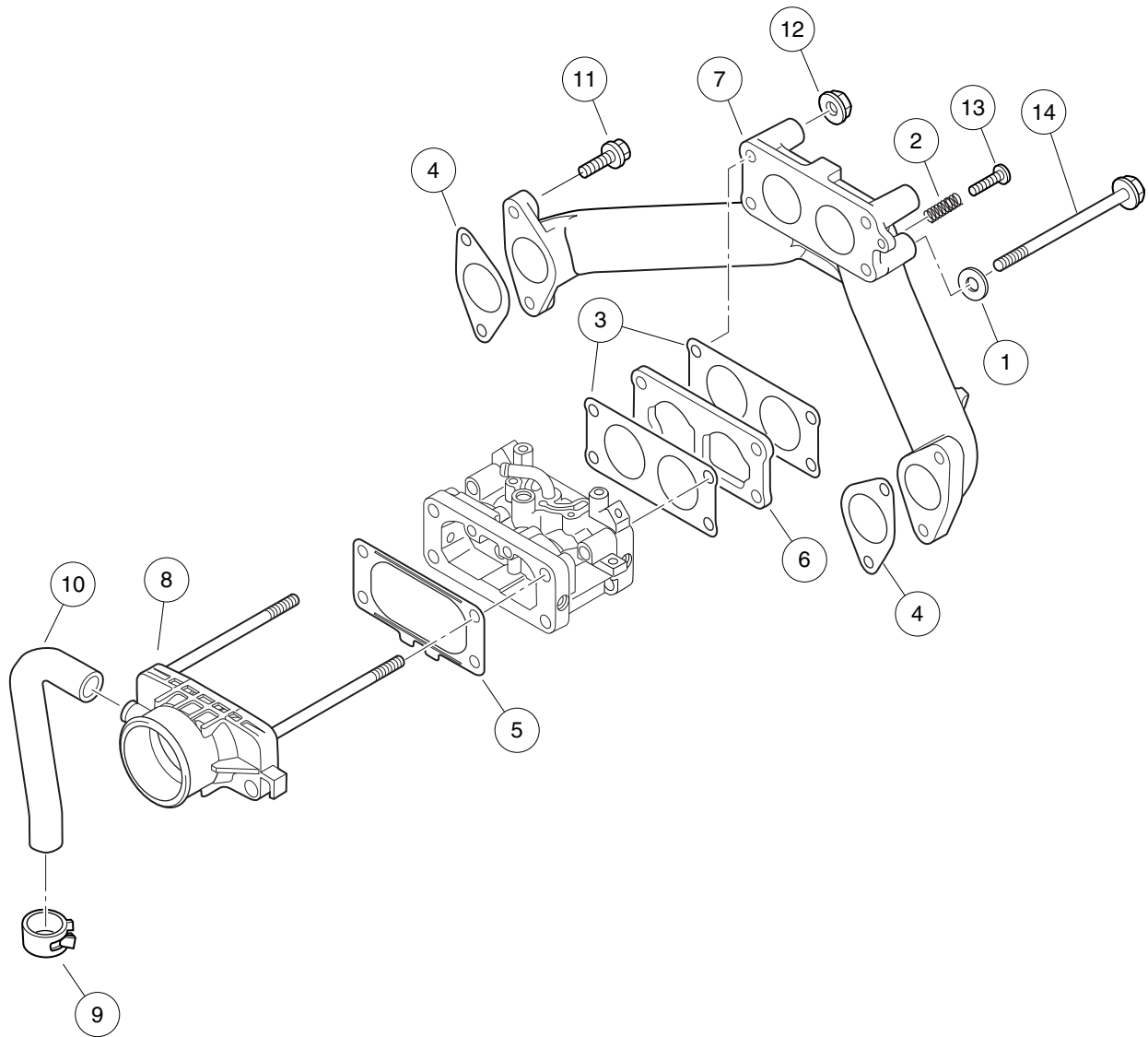


000673-004

CARBURETOR – KAWASAKI FH680

ITEM	PART NO.	DESCRIPTION	QTY
		1 2 3 4	
1	<u>103596801</u>	Asm, Carburetor, FH680D (includes items 2 through 35)	1
2	<u>103307201</u>	Kit, Jet, 6600 Ft +, Fh680d (includes item 3)	1
3	<u>103306801</u>	Jet, Push In #96, FH680D (6600 ft and higher (2000 m and higher))	2
4	<u>103307301</u>	Kit, Jet, 3300-6600 Ft, Fh680d (includes item 5)	1
5	<u>103306901</u>	Jet, Push In #99, FH680D (3300-6600 ft (1000-2000 m))	2
6	<u>103340601</u>	Gasket, Fh680d	1
7	<u>103340701</u>	Gasket, Carburetor, Dia. 52	1
8	<u>103340801</u>	Gasket, Cover, Fh680d	1
9	<u>103340901</u>	Cover, Slow Passage, Fh680d	1
10	<u>103341101</u>	Valve, Throttle, Fh680d	2
11	<u>103341201</u>	Valve, Float, Fh680d	1
12	<u>103341301</u>	Float, Carburetor, Fh680d	1
13	<u>103341401</u>	Shaft, Carburetor, Fh680d	1
14	<u>103341501</u>	Shaft, Carburetor, Throttle	1
15	<u>103341601</u>	Valve, Carburetor, Fh680d	1
16	<u>103341701</u>	Asm, Chamber, Float, Fh680d (includes items 17 through 20)	1
17	<u>103340501</u>	Gasket, Carburetor, Fh680d	1
18	<u>103341901</u>	Solenoid, Carburetor, Fh680d	1
19	<u>103342201</u>	Screw, Drain, Carburetor	1
20	<u>103343601</u>	Spring, Carburetor, Fh680d	1
21	<u>103341801</u>	Needle, Jet, Fh680d	2
22	<u>103342001</u>	Heater, Carburetor, Fh680d	1
23	<u>103342101</u>	Screw, Carburetor, M3 X 6	6
24	<u>103342301</u>	Spacer, Carburetor, Fh680d	1
25	N/A	Pin, Carburetor, Fh680d	1
26	<u>103342501</u>	O-ring, Carburetor, Dia. 6.5	1
27	<u>103342601</u>	O-ring, Carburetor, Fh680d	2
28	<u>103342701</u>	O-ring, Carburetor, Dia. 9	1
29	<u>103343301</u>	Plug, Expansion, Carburetor	2
30	<u>103343401</u>	Seal, Carburetor, Dia. 5.9	1
31	<u>103343501</u>	Seal, Carburetor, Fh680d	1
32	<u>103343701</u>	Collar, Carburetor, Fh680d	1
33	<u>103343801</u>	Screw, Carburetor, M5	2
34	<u>103343901</u>	Screw, Carburetor, M4	2
35	<u>103596701</u>	Kit, Jet, 0-3300 ft. FH680D (includes items 36 and 37)	1
36	<u>103307001</u>	Jet, Push In #102, FH680D (0-3300 ft (0-1000 m))	1
37	<u>103596601</u>	Jet, Push In, #104 FH680D (0-3000 ft (0-1000m))	1

10
G



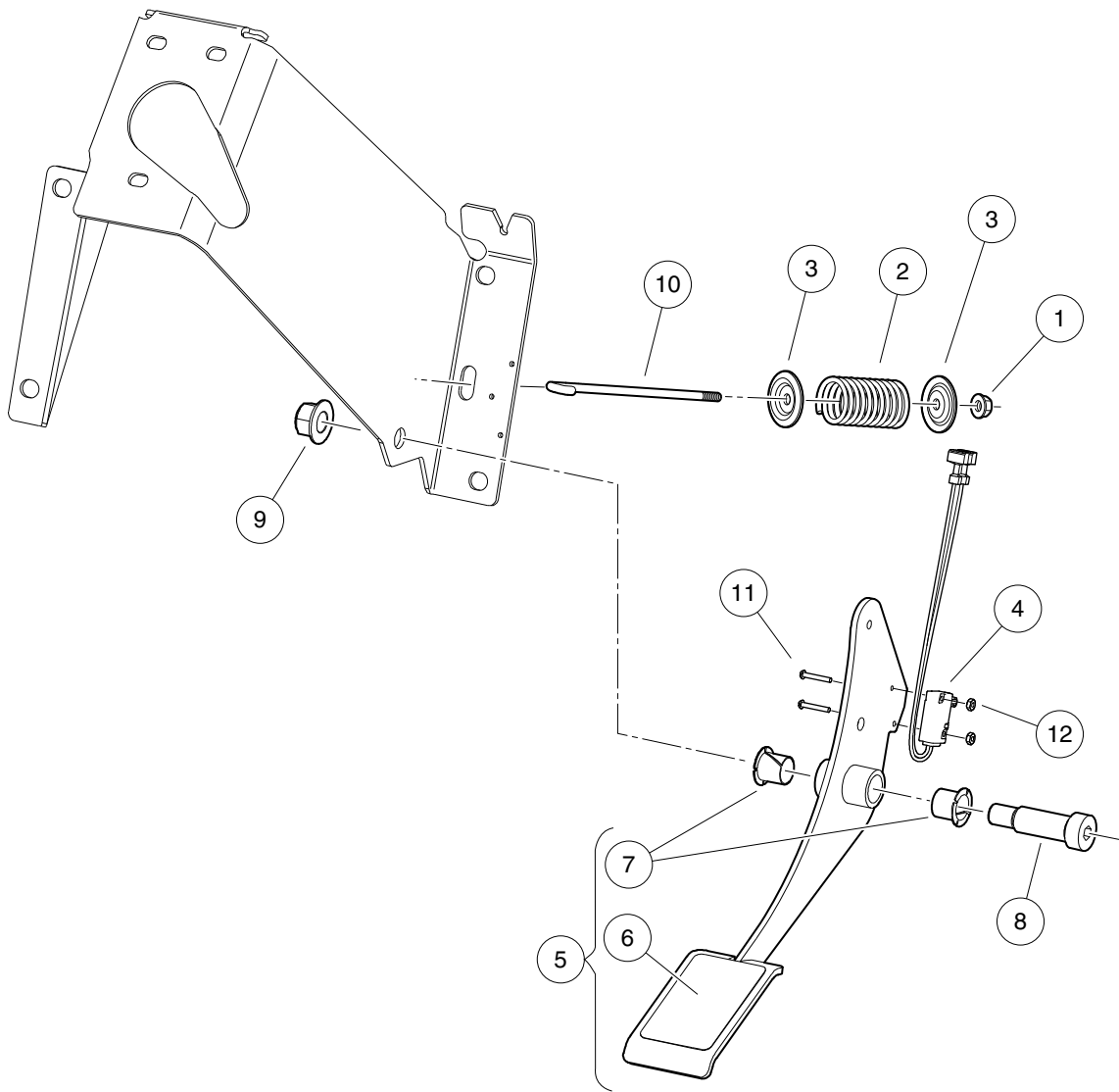
000673-002

INTAKE MANIFOLD AND CARBURETOR MOUNTING – KAWASAKI FH680

ITEM	PART NO.	DESCRIPTION	QTY
		1 2 3 4	
1	<u>1016513</u>	Washer, M6 Flat	2
2	<u>103002801</u>	Spring, Fh	1
3	<u>103003801</u>	Gasket, Carburetor, Fh	2
4	<u>103003901</u>	Gasket, Manifold, Fh	2
5	<u>103004201</u>	Gasket, Air Filter, Fh	1
6	<u>103005001</u>	Insulator, Manifold, Fh	1
7	<u>103005601</u>	Manifold, Intake, Fh	1
8	<u>103297101</u>	Pipe, Intake Adapter, Fh	1
9	<u>103297201</u>	Clamp, Crankcase Vent, Fh	1
10	<u>103297301</u>	Tube, Crankcase Vent, Fh	1
11	<u>103298501</u>	Bolt, Flanged, M6 X 20, Kaw	4
12	<u>103320201</u>	Nut, Carburetor, M6	2
13	<u>103320301</u>	Screw, Carburetor, M4 X 20	1
14	<u>103320401</u>	Bolt, Flg, Carburetor, M6x105	2

10
G

10
G



000026-003

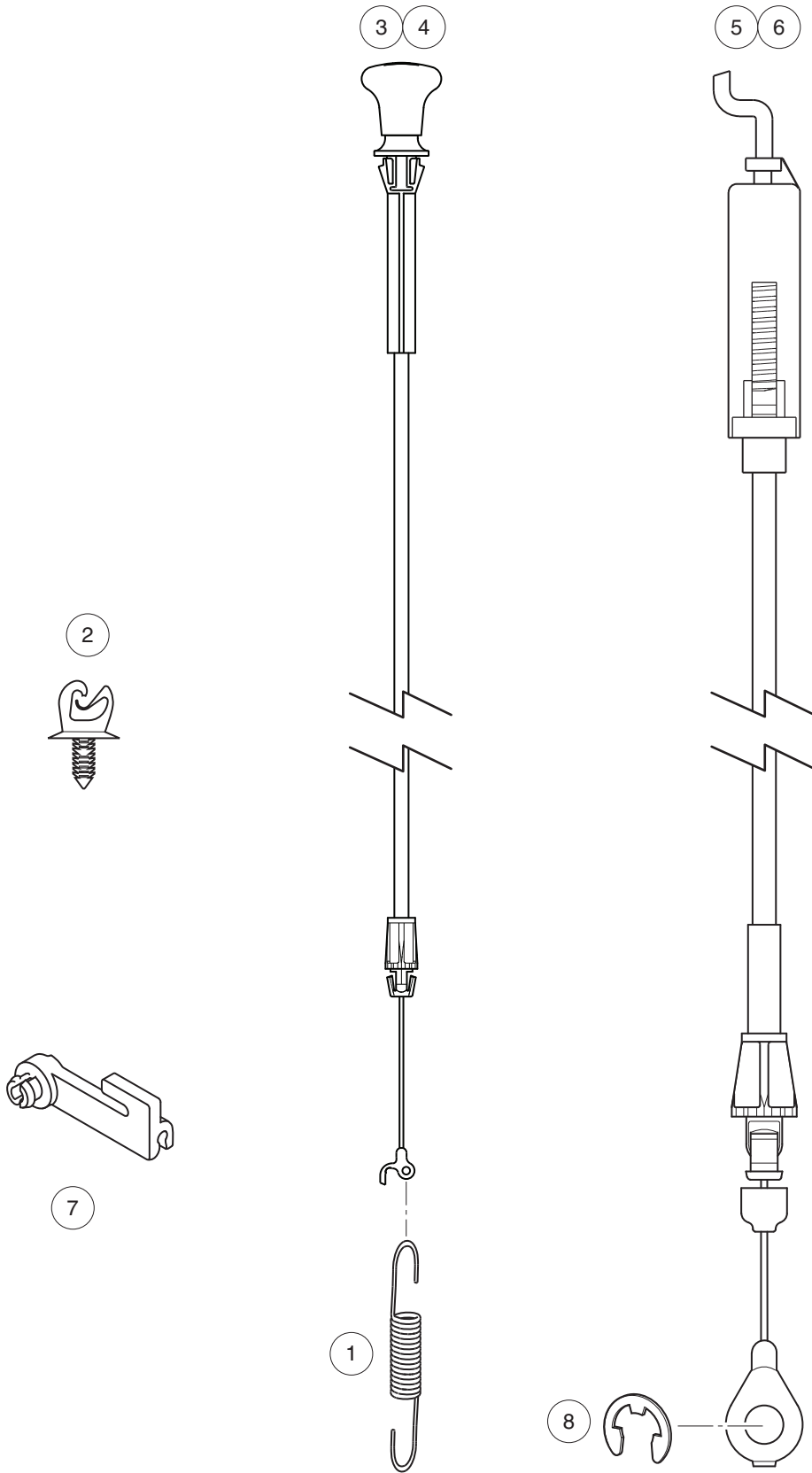
ACCELERATOR PEDAL

ITEM	PART NO.	DESCRIPTION	QTY
		1 2 3 4	
1	<u>102296401</u>	Nut, M6x1.0, Flange, Metal Lock	1
2	<u>102445201</u>	Spring, Comp, Pedal, Pullrod	1
3	<u>102461401</u>	Washer, Retaining Spring, 7mm	2
4	<u>103327201</u>	Asm, Switch, Limit, Awd	1
5	<u>103478901</u>	Asm, Pedal, Accelerator (includes items 6 and 7)	1
6	<u>102479301</u>	Pad, Grip Tape, Accelerator	1
7	<u>103479101</u>	Bushing, Nyliner, 5/8"	2
8	<u>103479201</u>	Bolt, Shoulder, 5/8 X 1 1/2	1
9	<u>103479301</u>	Nut Hex Flg 1/2-13 Nylock Gr G	1
10	103883201	Rod, Accelerator Return, J	1
11	<u>8056</u>	Screw, #4-40 X 0.75 Round-Head Machine	2
12	<u>8057</u>	Nut, #4-40 Hex Machine	2
		Note: Items 4 (switch), 11 (screw) and 12 (nut) are not used in two-wheel drive vehicle.	

10

G

10
G



000536-011

ACCELERATOR AND CHOKE CABLES – KAWASAKI FH680

ITEM	PART NO.	DESCRIPTION	QTY
		1 2 3 4	
1	<u>102457001</u>	Spring	1
2	<u>102475701</u>	Clip, Brake Line	4
3	<u>103277402</u>	Cable, Choke, 1550, Fh680d	1
4	<u>103293402</u>	Cable, Choke, 1550, Fh680d, Se	1
5	<u>103921801</u>	Cable, Accelerator, AWD, Gas, SE	1
6	<u>103922001</u>	Cable, Accelerator, AWD, Gas	1
7	<u>105315101</u>	Clip, Choke Cable, Fh680d	1
8	<u>96950126</u>	Ring, Retaining	1

10

G

10

G

FUEL, INTAKE & ACCELERATOR SYSTEMS – KUBOTA DIESEL ENGINE

11

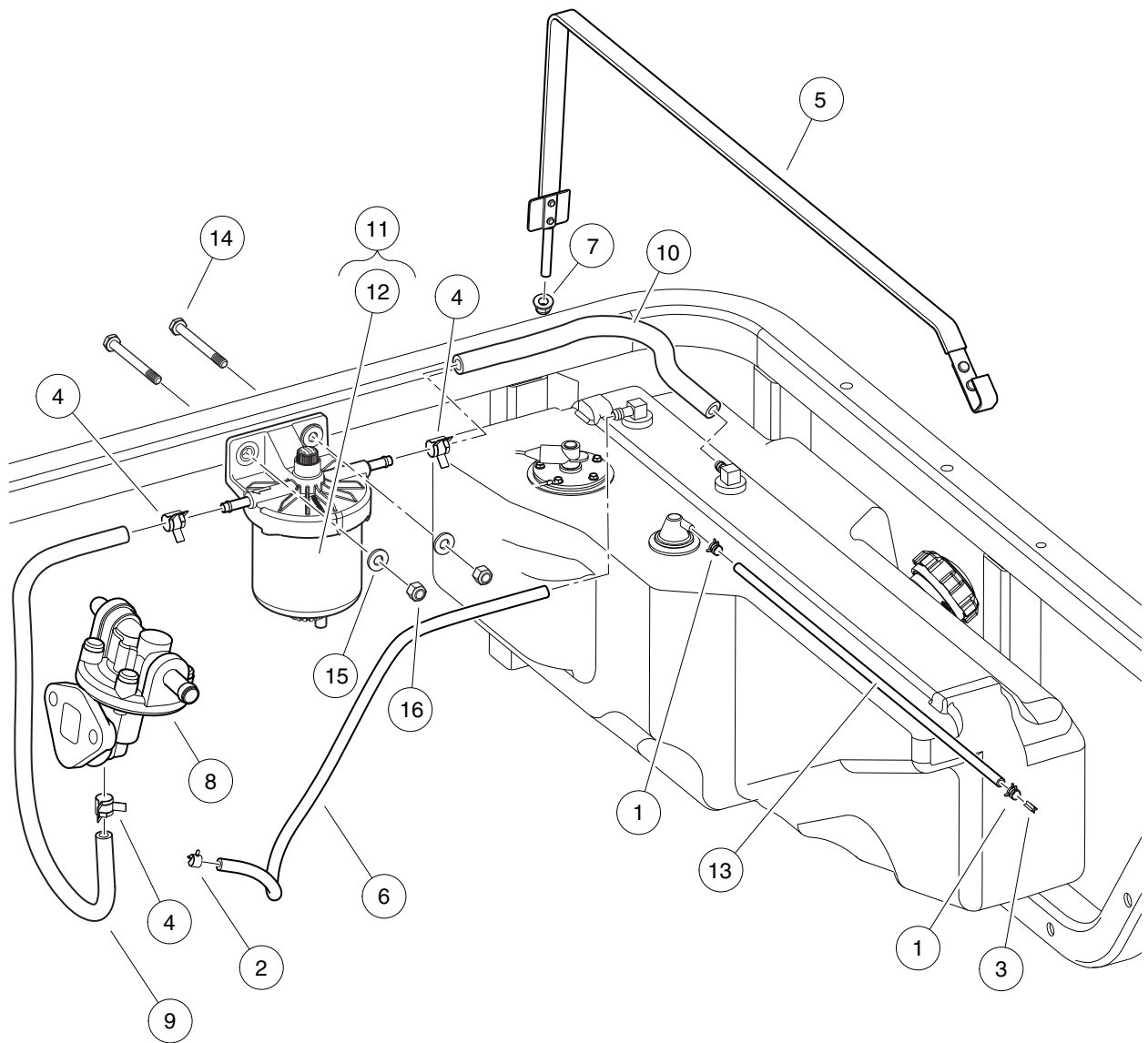
D

FUEL TANK – DIESEL VEHICLE

ITEM	PART NO.	DESCRIPTION	QTY
		1 2 3 4	
1	<u>103963501</u>	Asm, Tank Fuel, Diesel, 4x4 (includes items 2 through 16)	1
2	<u>1013461</u>	Screw, #10-16 Hex-Head Hi-Lo	5
3	<u>1013462</u>	Sending Unit, Fuel Level *	1
4	<u>1016</u>	Lockwasher, #10 Split	1
5	N/A	Wire Asm, Blk, 170mm	1
6	N/A	Wire Asm, Org, 170mm	1
7	<u>102406701</u>	Bushing, Line, Return	2
8	<u>102406801</u>	Elbow, 90 Degree, Barbed	1
9	<u>102478501</u>	Pickup Tube, Fuel	1
10	<u>102494701</u>	Cap, Fuel (Diesel)	1
11	<u>102522001</u>	Gasket, Rubber	1
12	<u>103905201</u>	Assembly, Vent, Fuel, 1/4 Inch O.D.	1
13	<u>103944301</u>	Grommet, Fuel Tank, Vent	1
14	103950101	Tank, Fuel, Dsl, 4x4	1
15	<u>183</u>	Washer, #10, Type A, Flat	1
16	<u>8797</u>	Nut, #10-32 Brass Hex	1
		* Note: Must replace fuel sending unit gasket when servicing this component.	

11

D



000081-008

FUEL PUMP, FILTER AND HOSE – DIESEL

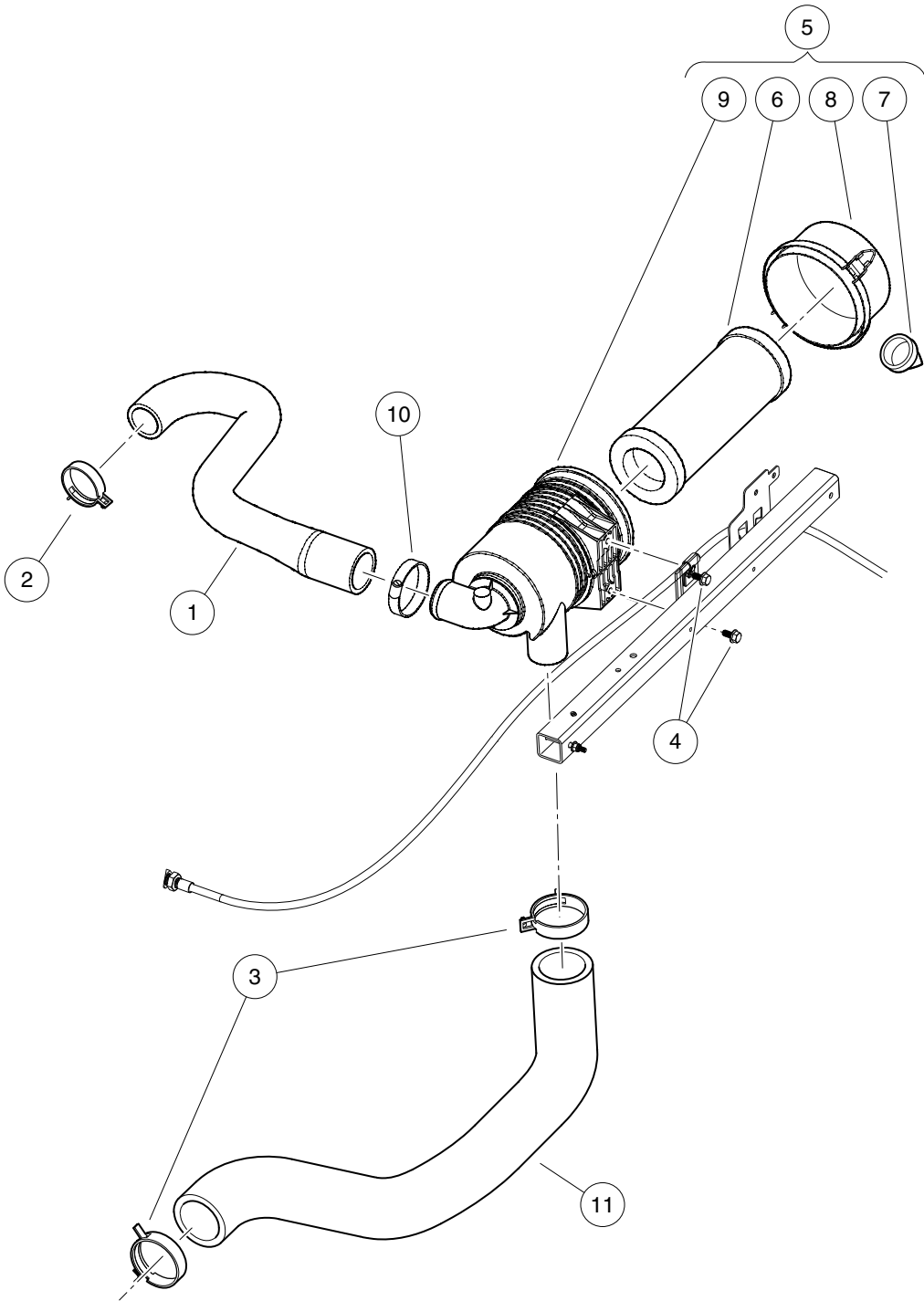
ITEM	PART NO.	DESCRIPTION	QTY
		1 2 3 4	
1	<u>1012649</u>	Clamp, 0.460 Red Hose	2
2	<u>101313402</u>	Clamp, Green Hose	1
3	<u>101824401</u>	Vent Barb	1
4	<u>102411203</u>	Clamp, Hose, Ctb 14mm Dia.	3
5	<u>102426301</u>	Strap, Tank, Fuel	1
6	<u>102430401</u>	Hose, Fuel Return	1
7	<u>102618601</u>	Lock Nut, Flange, M8 X 1.25 Nylon	1
8	<u>103591301</u>	Pump, Diesel Fuel, Mechanical	1
9	<u>103593201</u>	Hose, Awd Water Sep To Mech Fp	1
10	<u>103593301</u>	Hose, Awd Water Sep To Tank	1
11	<u>103747301</u>	Assembly, Filter/Bracket, Fuel, Diesel (includes item 12)	1
12	<u>103761801</u>	Filter, Fuel, Diesel	1
13	<u>103896603</u>	Hose, Vent, 1/4 Id, 22 In	1
14	<u>324</u>	Screw, 1/4-20 X 2.50 Hx Hd Cap	2
15	<u>332</u>	Washer, 1/4 Type A Narrow Flat	2
16	<u>8233</u>	Locknut, 1/4-20, Nylon Insert	2

11

D

11

D



000090-010

INTAKE HOSES AND AIR FILTER – DIESEL VEHICLE

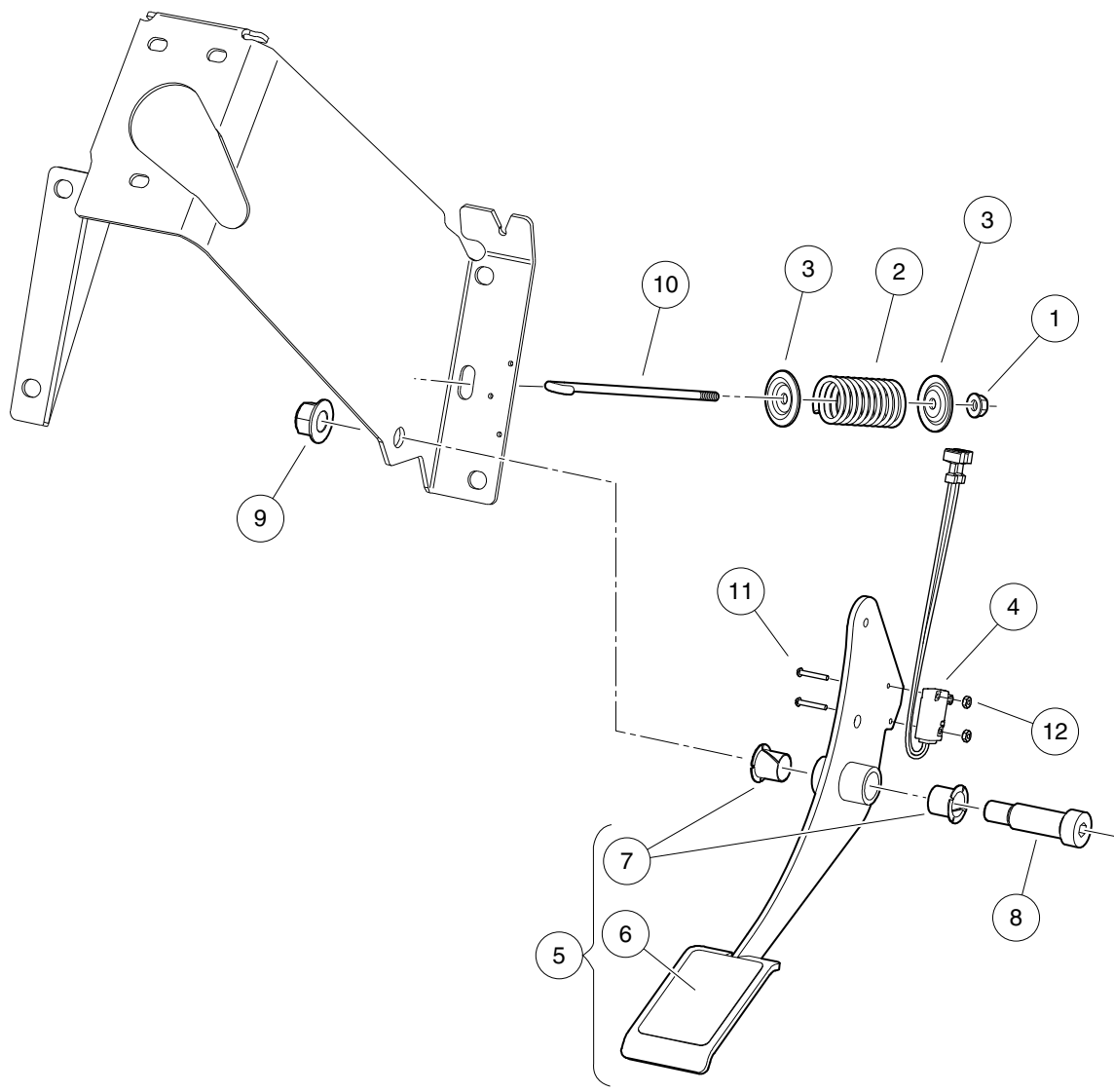
ITEM	PART NO.	DESCRIPTION	QTY
		1 2 3 4	
1	<u>102379001</u>	Hose, Intake, Kubota, Diesel, Engine	1
2	<u>102411209</u>	Clamp, Hose, Ctb 55mm Dia.	1
3	<u>102411210</u>	Clamp, Hose, Ctb 64mm	2
4	<u>102621201</u>	Bolt, Flanged Head, M8 X1.25x 16, with Loctite	2
5	<u>102810701</u>	Filter, Air, Canister, with Label (includes items 6 through 9)	1
6	<u>102498601</u>	Element, Filter, Air, 5 Inch	1
7	<u>102725501</u>	Valve, Evacuator, Filter Air	1
8	<u>102725601</u>	Cap, Latch Lock, Filter, Air	1
9	N/A	Body, Canister, Filter, Air	1
10	<u>103441401</u>	Clamp, Worm Screw, Hose, 2"	1
11	<u>103848401</u>	Hose, Intake, Air	1

11

D

11

D



000026-003

ACCELERATOR PEDAL

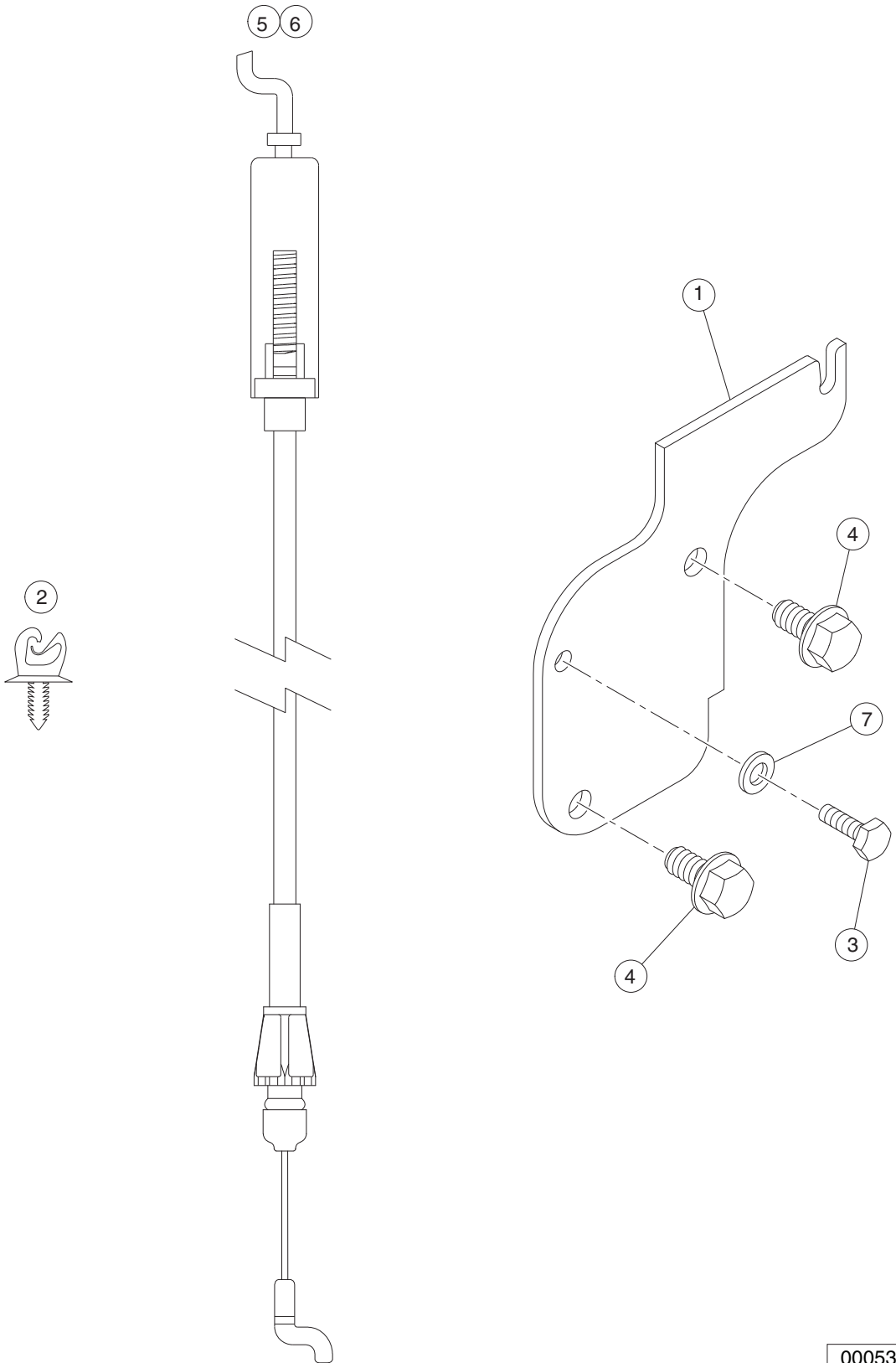
ITEM	PART NO.	DESCRIPTION	QTY
		1 2 3 4	
1	<u>102296401</u>	Nut, M6x1.0, Flange, Metal Lock	1
2	<u>102445201</u>	Spring, Comp, Pedal, Pullrod	1
3	<u>102461401</u>	Washer, Retaining Spring, 7mm	2
4	<u>103327201</u>	Asm, Switch, Limit, Awd	1
5	<u>103478901</u>	Asm, Pedal, Accelerator (includes items 6 and 7)	1
6	<u>102479301</u>	Pad, Grip Tape, Accelerator	1
7	<u>103479101</u>	Bushing, Nyliner, 5/8"	2
8	<u>103479201</u>	Bolt, Shoulder, 5/8 X 1 1/2	1
9	<u>103479301</u>	Nut Hex Flg 1/2-13 Nylock Gr G	1
10	103883201	Rod, Accelerator Return, J	1
11	<u>8056</u>	Screw, #4-40 X 0.75 Round-Head Machine	2
12	<u>8057</u>	Nut, #4-40 Hex Machine	2
		Note: Items 4 (switch), 11 (screw) and 12 (nut) are not used in two-wheel drive vehicle.	

11

D

11

D



000536-014

ACCELERATOR CABLE – DIESEL VEHICLE

ITEM	PART NO.	DESCRIPTION	QTY
		1 2 3 4	
1	<u>102423201</u>	Bracket, Accel Cable, Diesel	1
2	<u>102475701</u>	Clip, Brake Line	3
3	<u>102490301</u>	Bolt, M6 X 1 X 16, Loctite	1
4	<u>102621201</u>	Bolt, Flanged Head, M8 X1.25x 16, with Loctite	2
5	<u>103921701</u>	Cable, Accelerator, AWD, Diesel, 295 SE/1550 SE	1
6	<u>103921901</u>	Cable, Accelerator, AWD, Diesel, 295/1550	1
7	<u>96705199</u>	Washer, M6	1

11

D

11

D

EXHAUST SYSTEM – GAS & DIESEL

12

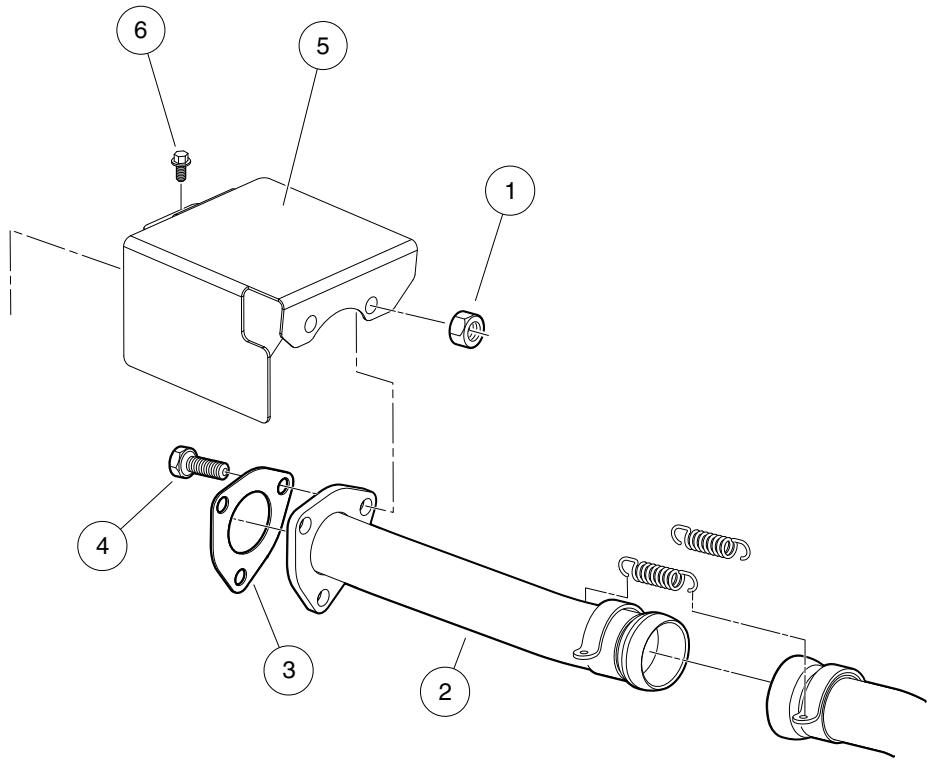
G

D

12

G

D



000538-003

EXHAUST PIPES – DIESEL VEHICLES

ITEM	PART NO.	DESCRIPTION	QTY
		1 2 3 4	
1	<u>102298401</u>	Nut,m8,all Metal Lock	3
2	<u>102409301</u>	Pipe, Exhaust Diesel Main	1
3	<u>102422301</u>	Gasket, Exhaust Diesel	1
4	<u>102621301</u>	Bolt, M8 X 1.25 X 40 with Loctite	3
5	<u>102628101</u>	Shield, Diesel Exhaust	1
6	<u>102731601</u>	Bolt, D722, Exhaust Manifold Cover	1

12

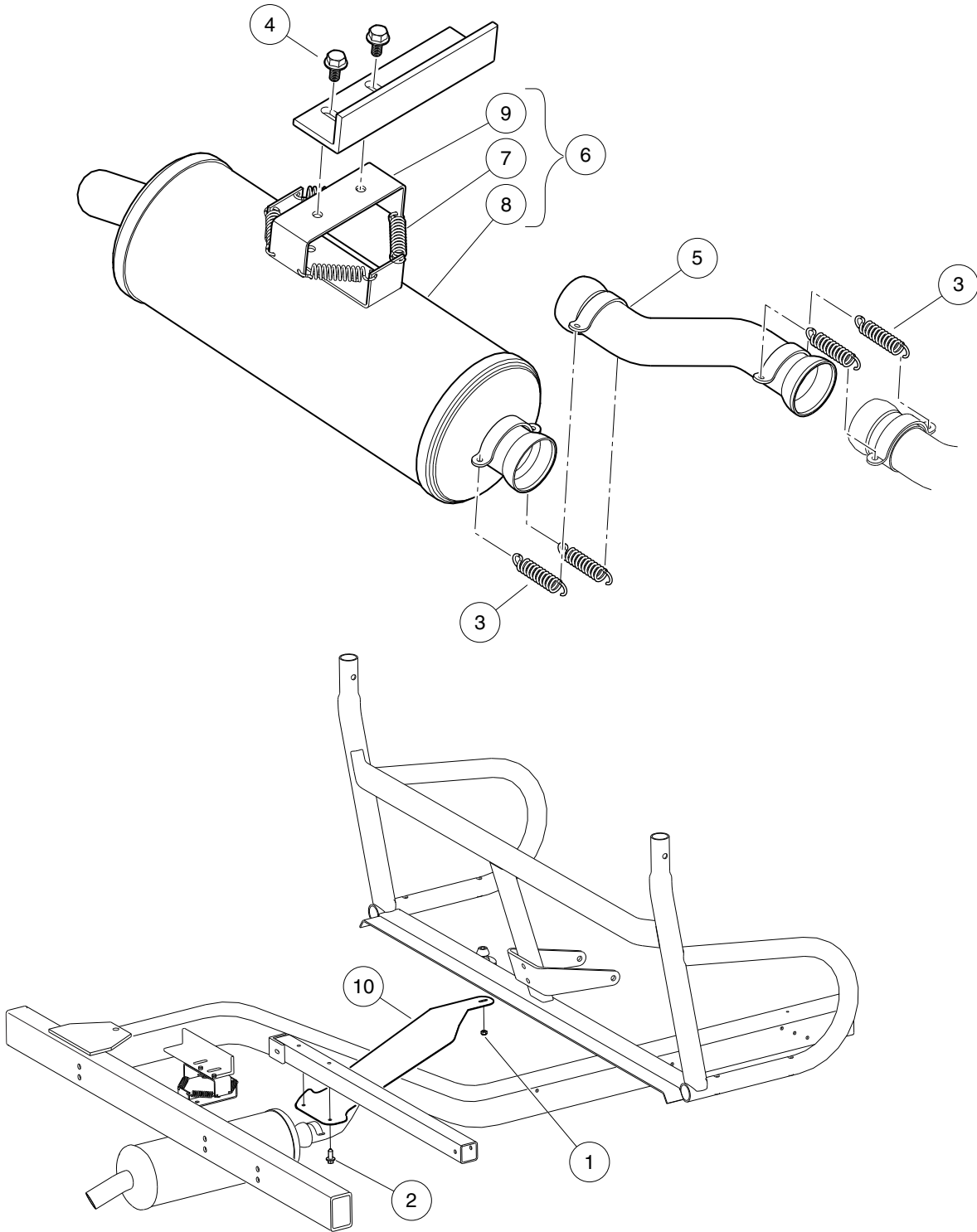
G

D

12

G

D



000538-005

EXHAUST PIPE AND MUFFLER

ITEM	PART NO.	DESCRIPTION	QTY
		1 2 3 4	
1	<u>101887601</u>	Locknut, M6-1.00 Nylon Insert	1
2	<u>102298720</u>	Screw, M8-1.25x20, Taptite	2
3	<u>102409501</u>	Spring, Exhaust	4
4	<u>102621201</u>	Bolt, Flanged Head, M8 X1.25x 16, with Loctite	2
5	<u>102786201</u>	Pipe, Exhaust, Int, Offset	1
6	<u>102812801</u>	Asm, Muffler, AWD Homologation (includes items 7 through 9)	1
7	<u>102409501</u>	Spring, Exhaust	4
8	N/A	Muffler	1
9	N/A	Bracket, Muffler	1
10	<u>102930901</u>	Shield, Exhaust, Clearance	1

12

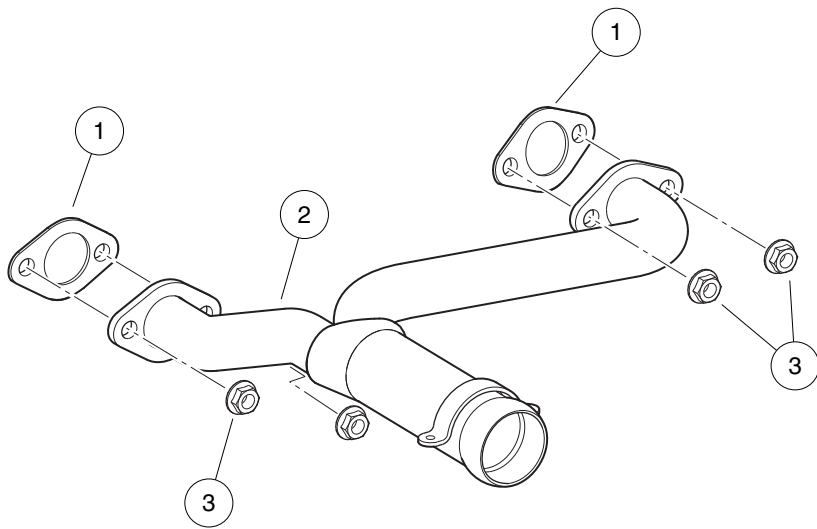
G

D

12

G

D



000538-004

EXHAUST HEADER – KAWASAKI FH680

ITEM	PART NO.	DESCRIPTION	QTY
		1 2 3 4	
1	<u>102949301</u>	Gasket, Exhaust Header, Fh680d	2
2	<u>103268101</u>	Header, Exhaust, Gas, Fh680d	1
3	<u>96704416</u>	Nut, Flange, M8 X 1.25 Serrated	4

12

G

D

12

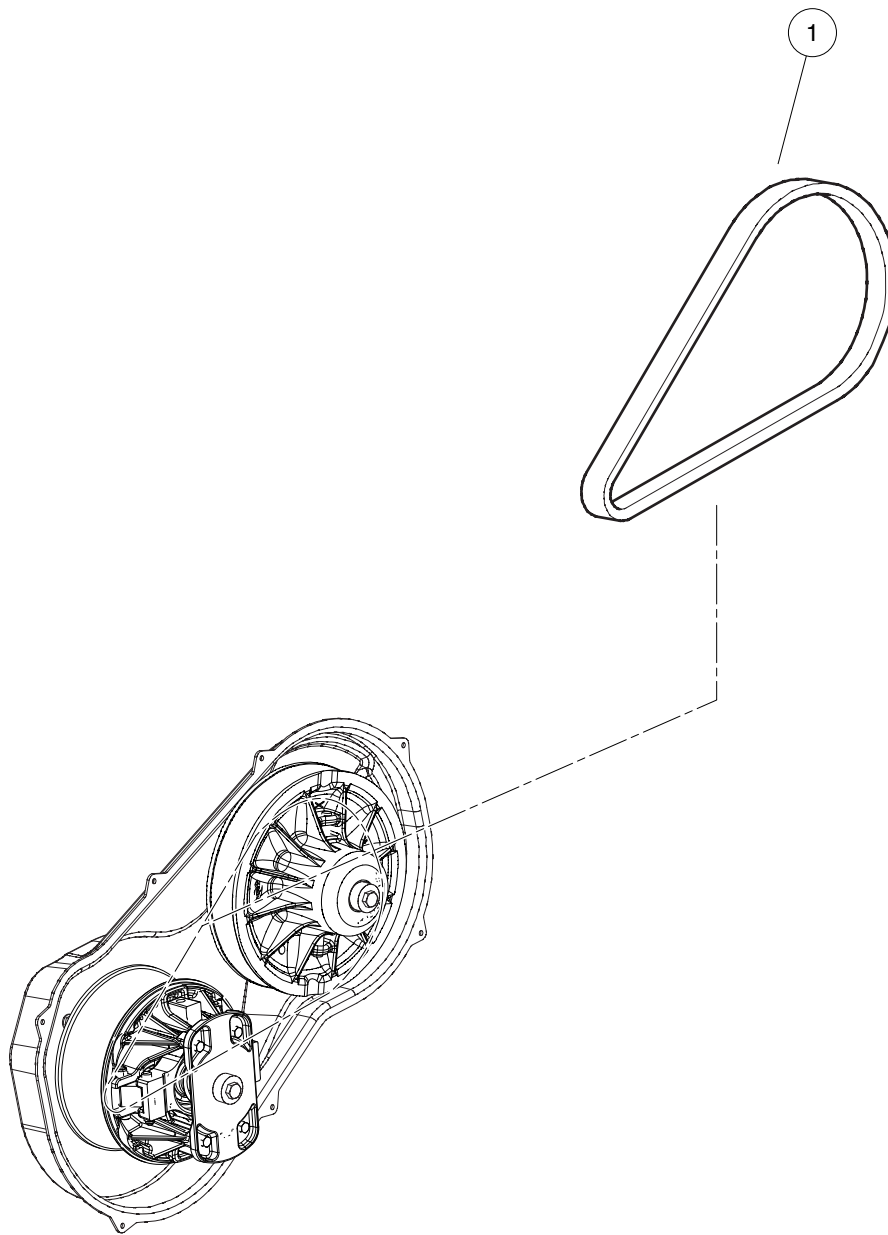
G

D

CLUTCHES – KAWASAKI GAS ENGINE

13

G

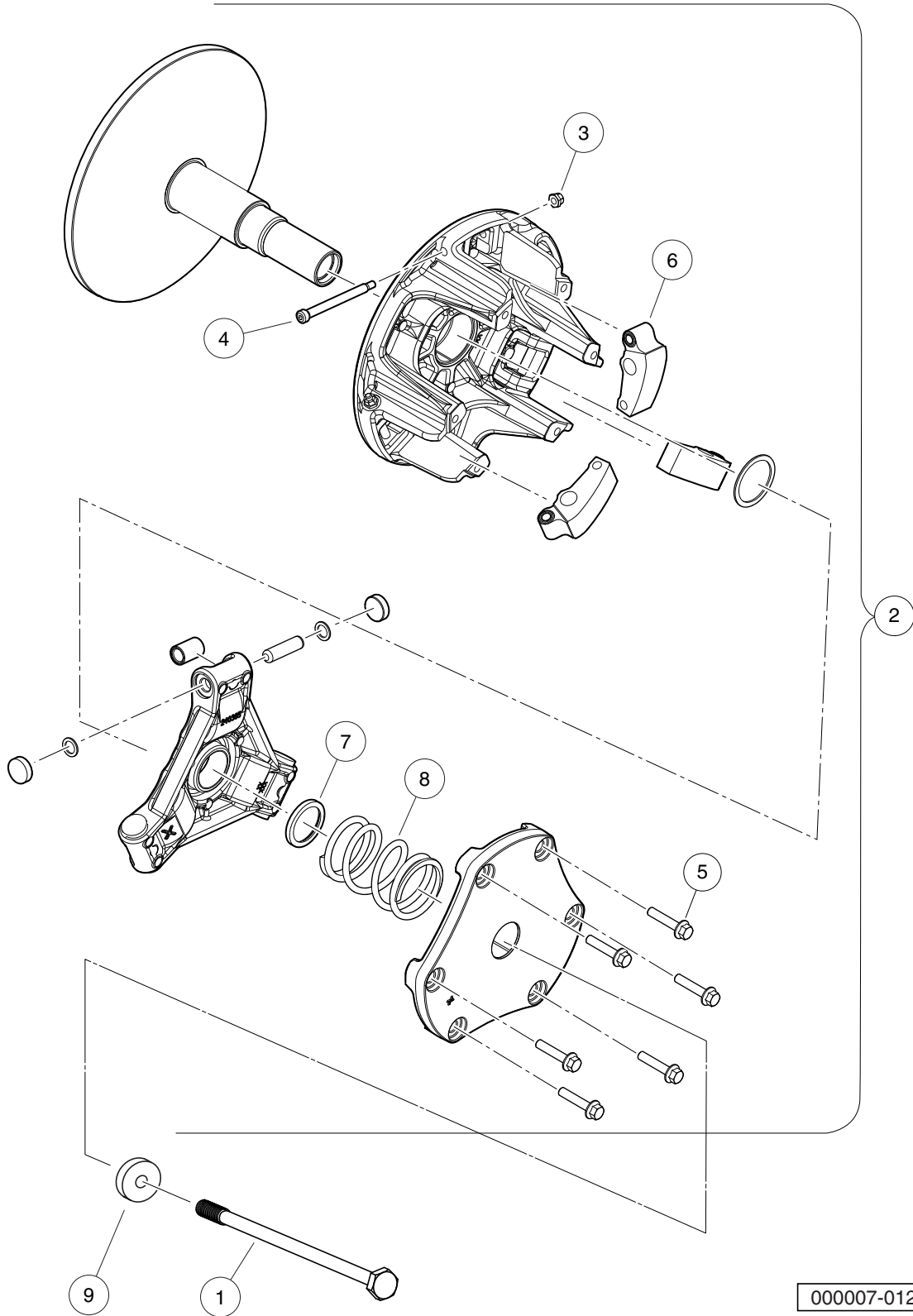


000084-001

DRIVE BELT

ITEM	PART NO.	DESCRIPTION	QTY
1	<u>102374901</u>	1 2 3 4 Belt, Drive	1

13
G

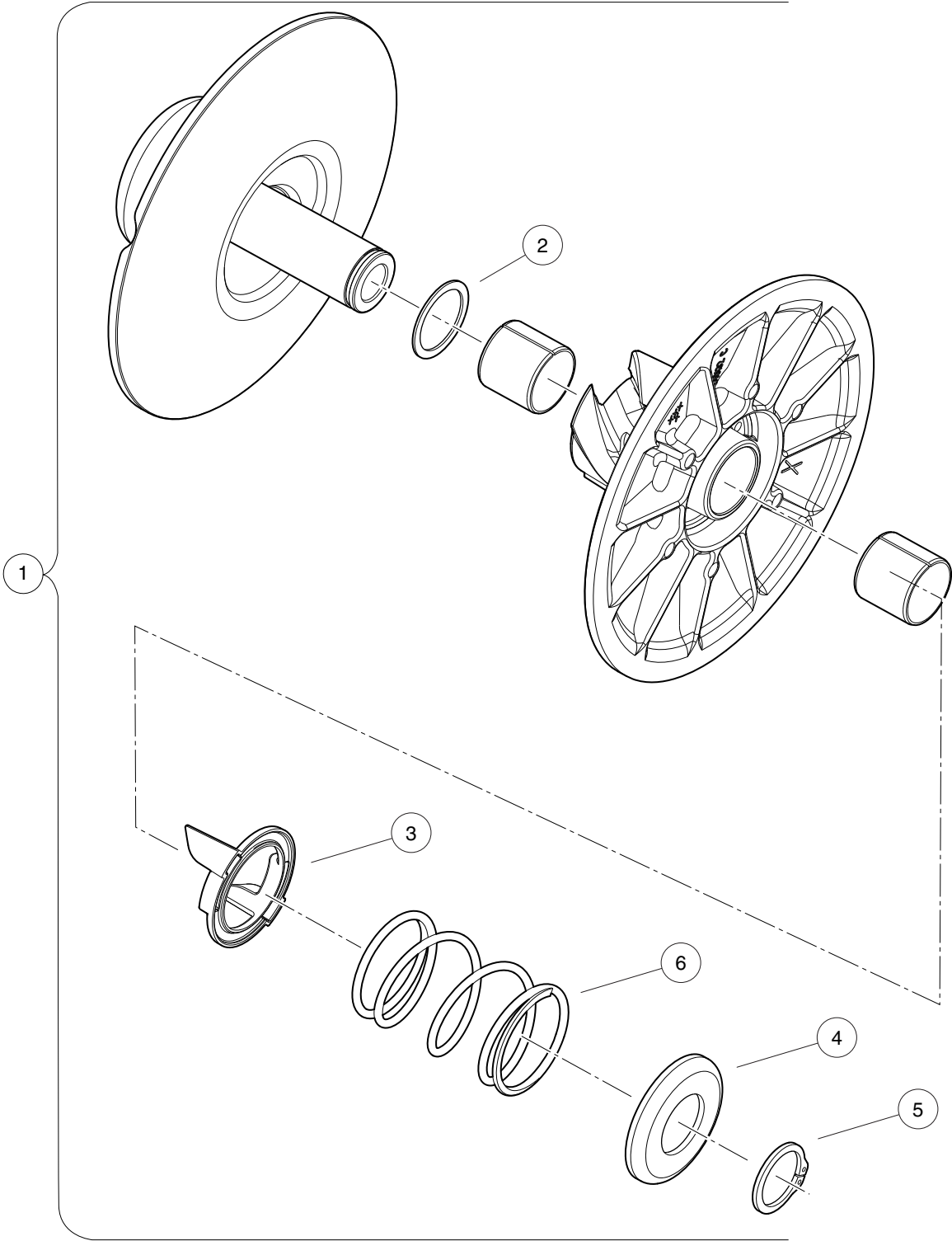


000007-012

DRIVE CLUTCH (3 WEIGHT) – GAS VEHICLE

ITEM	PART NO.	DESCRIPTION	QTY
		1 2 3 4	
1	<u>103201501</u>	Bolt, M8 X 1.25 X 200, Loctite	1
2	<u>103848001</u>	Clutch, Drive, Gas, 3 Weight (includes items 3 through 8)	1
3	<u>103829601</u>	Nut, Lock, Hex #10-24 Flexloc	3
4	<u>103829701</u>	Screw, Shldr, Hex Skt .25x2.5	3
5	<u>103829801</u>	Screw, Hex Flg Hd, 1/4-20x1.25	6
6	<u>103829901</u>	Weight, Clutch, D-153 G	3
7	<u>103830001</u>	Spacer, Clutch 1.44x1.125x.150	1
8	<u>103856101</u>	Spring, Comp, 2.0 Od Black/slv	1
9	<u>103856501</u>	Washer, Drv, 3-post, Gas	1

13
G



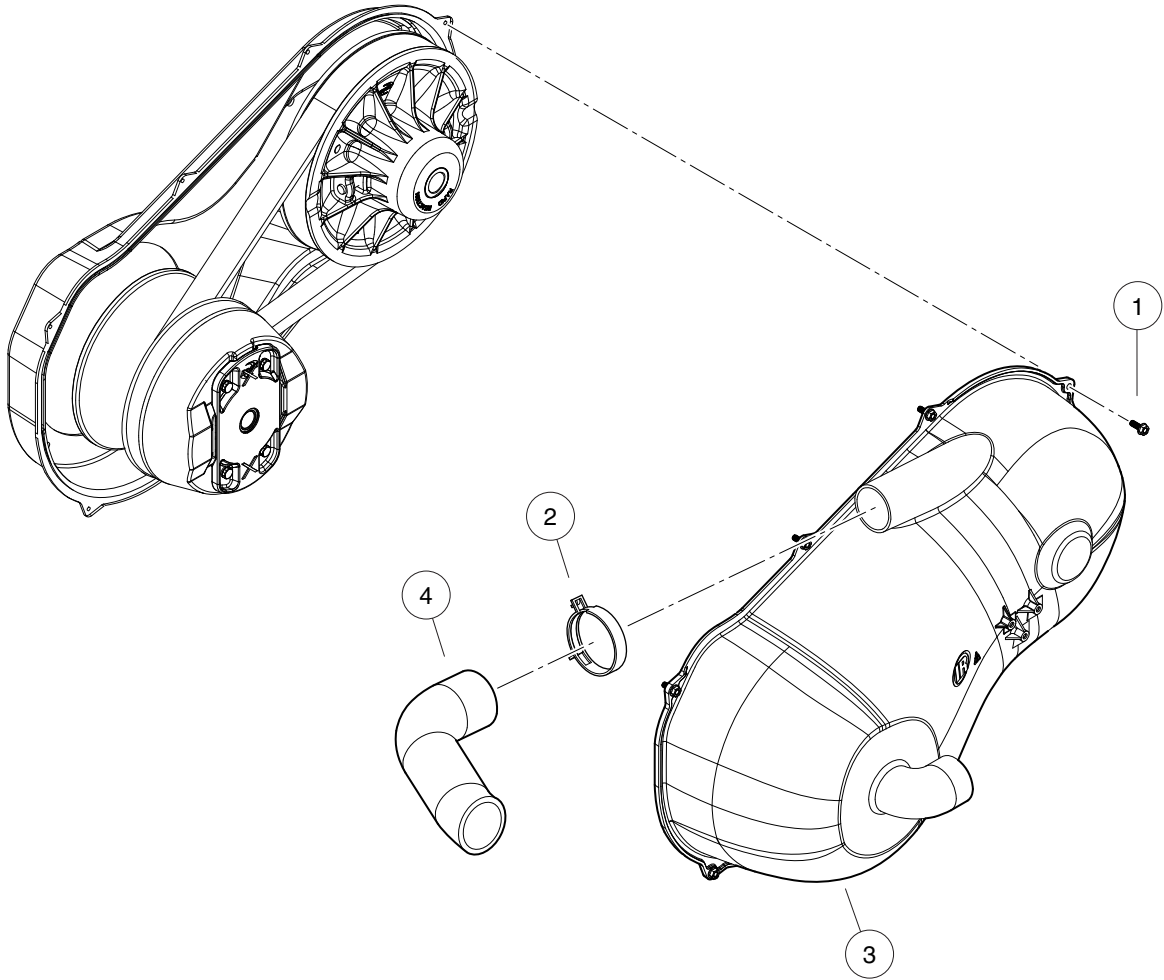
000003-002

DRIVEN CLUTCH (FOR 3 WEIGHT DRIVE CLUTCH)

ITEM	PART NO.	DESCRIPTION	QTY
		1 2 3 4	
1	<u>103828201</u>	Clutch, Driven, 3 Weight (includes items 2 through 6)	1
2	<u>102695401</u>	Washer, Thrust, 1.53 X 1.92	1
3	<u>102695601</u>	Retainer, Spring, Inner	1
4	<u>102695801</u>	Retainer, Spring, Outer	1
5	<u>102695901</u>	Ring, Retaining, External	1
6	<u>103829001</u>	Spring, Comp, 2.7 Od, Almd/blk	1

13

G



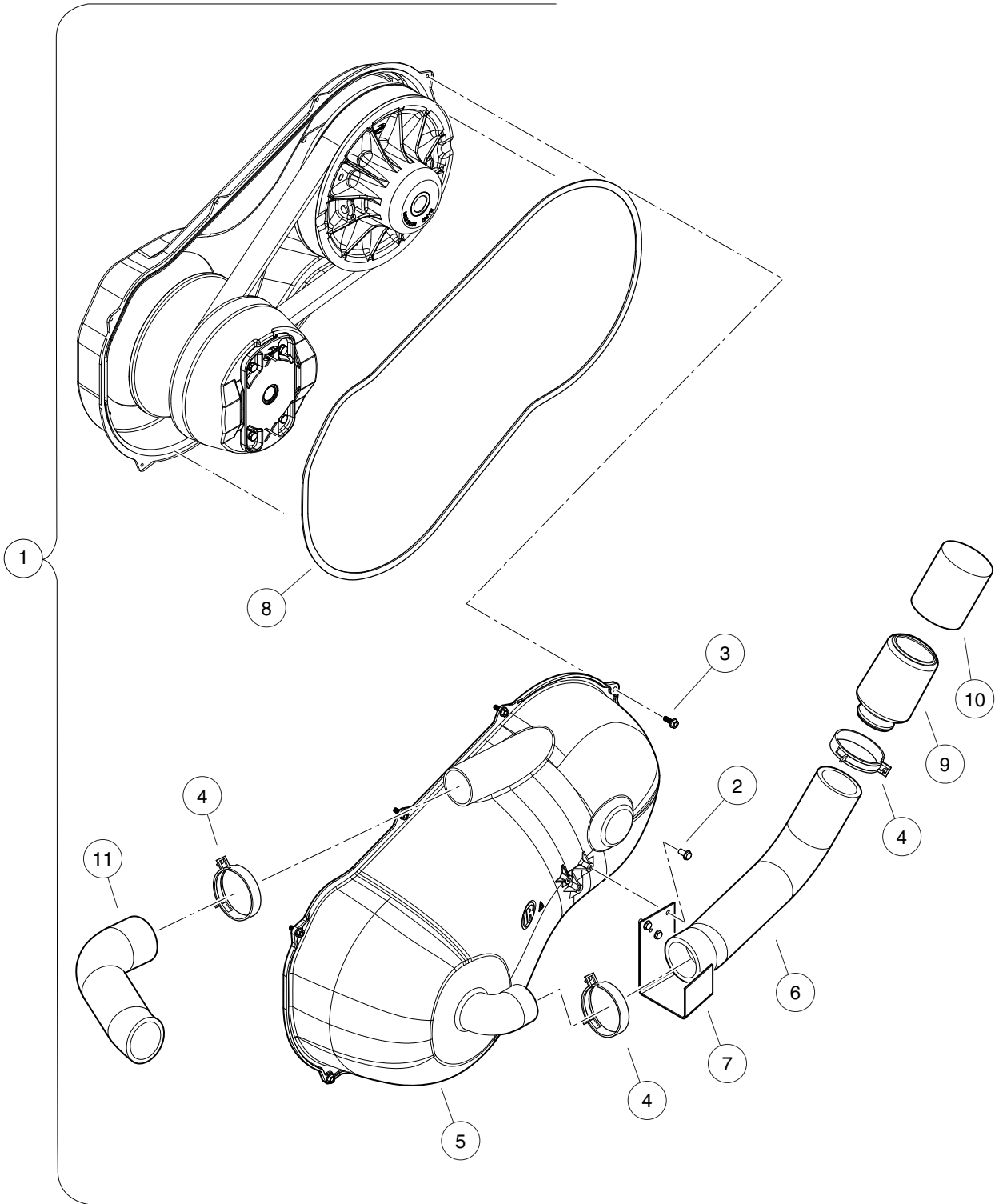
000008-003

CLUTCH COVER (NON-SEALED)

ITEM	PART NO.	DESCRIPTION	QTY
		1 2 3 4	
1	<u>102296716</u>	Screw, M6 X 16 Tt Hx Fl Hd	7
2	<u>102411210</u>	Clamp, Hose, Ctb 64mm	1
3	<u>102628301</u>	Cover, Cvt, Open	1
4	<u>103320601</u>	Hose, Outlet, Cvt	1

13

G



000008-004

CLUTCH COVER (SEALED)

ITEM	PART NO.	DESCRIPTION	QTY
		1 2 3 4	
1	<u>102616003</u>	Kit, Sealed CVT Cover (includes items 2 through 11)	1
2	<u>101856101</u>	Screw, 1/4-15 X .50 Hi-lo Hex	3
3	<u>102296716</u>	Screw, M6 X 16 Tt Hx Fl Hd	7
4	<u>102411210</u>	Clamp, Hose, Ctb 64mm	2
5	<u>102414501</u>	Cover, CVT Outer	1
6	<u>102481001</u>	Hose, Inlet, Cover, CVT	1
7	<u>102481201</u>	Bracket, Inlet, Cover, CVT	1
8	<u>102481301</u>	Gasket, Cover, CVT	1
9	<u>102616101</u>	Cap, Inlet, Cover, CVT	1
10	<u>102628001</u>	Filter, Inlet, Cover, CVT	1
11	<u>103320601</u>	Hose, Outlet, Cvt	1

13

G

13

G

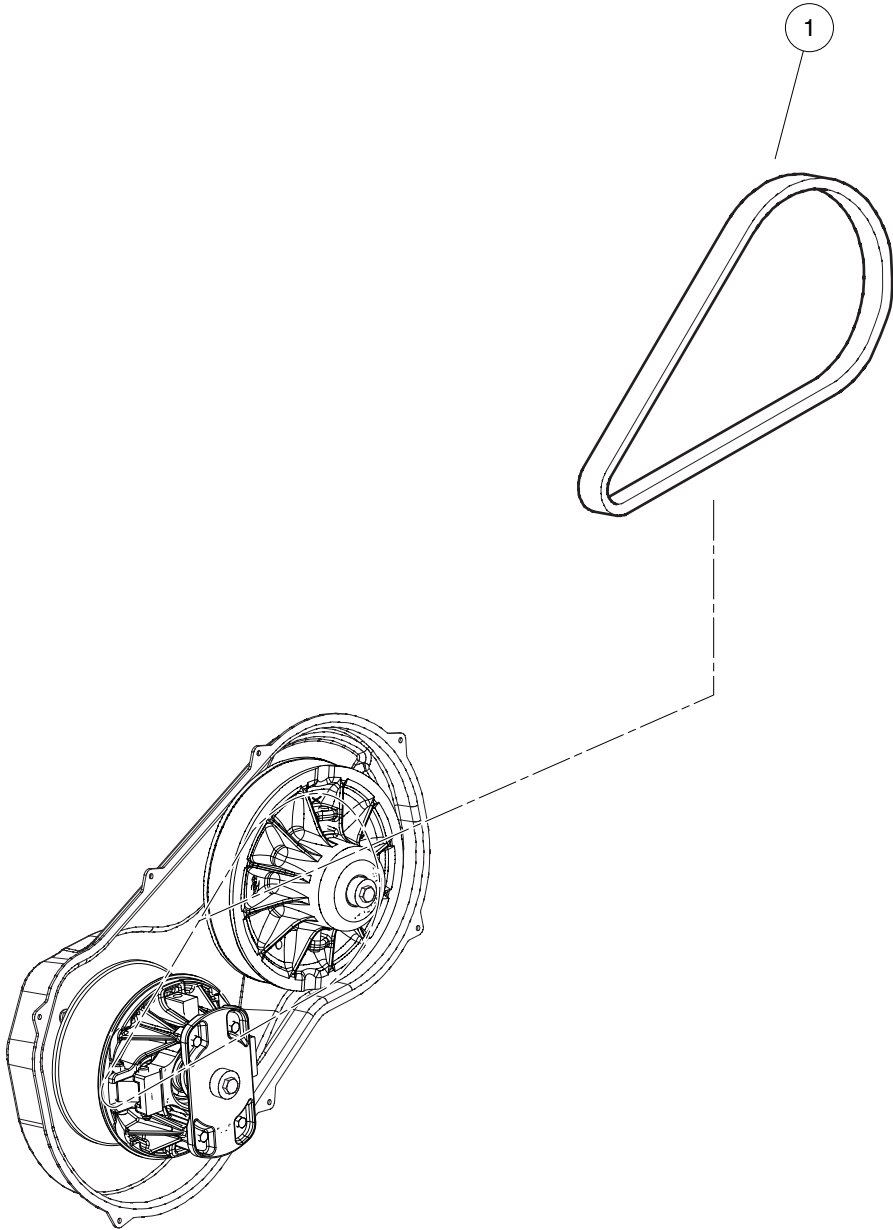
CLUTCHES – KUBOTA DIESEL ENGINE

14

D

14

D



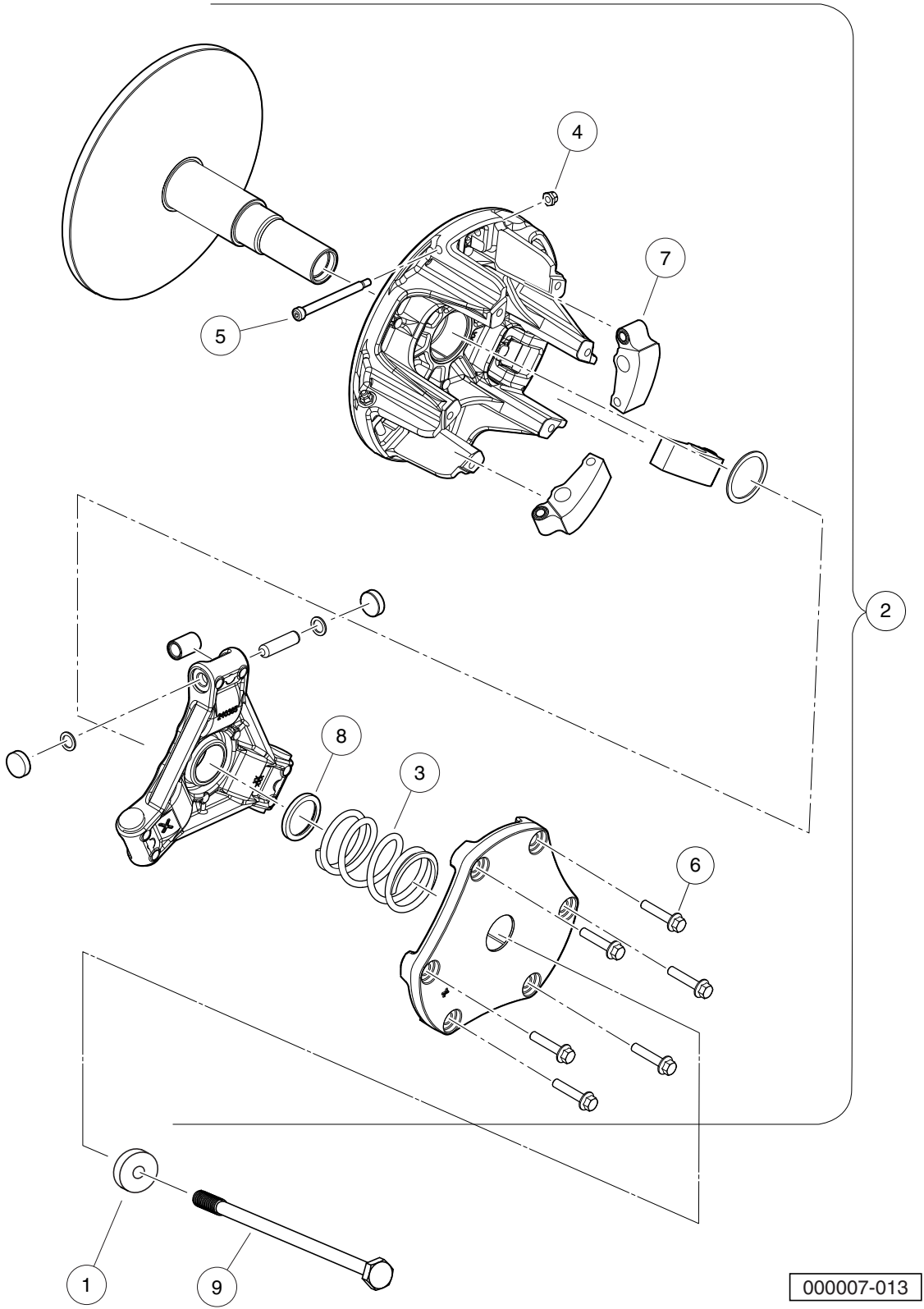
000084-001

DRIVE BELT

ITEM	PART NO.	DESCRIPTION	QTY
1	<u>102374901</u>	1 2 3 4 Belt, Drive	1

14

D



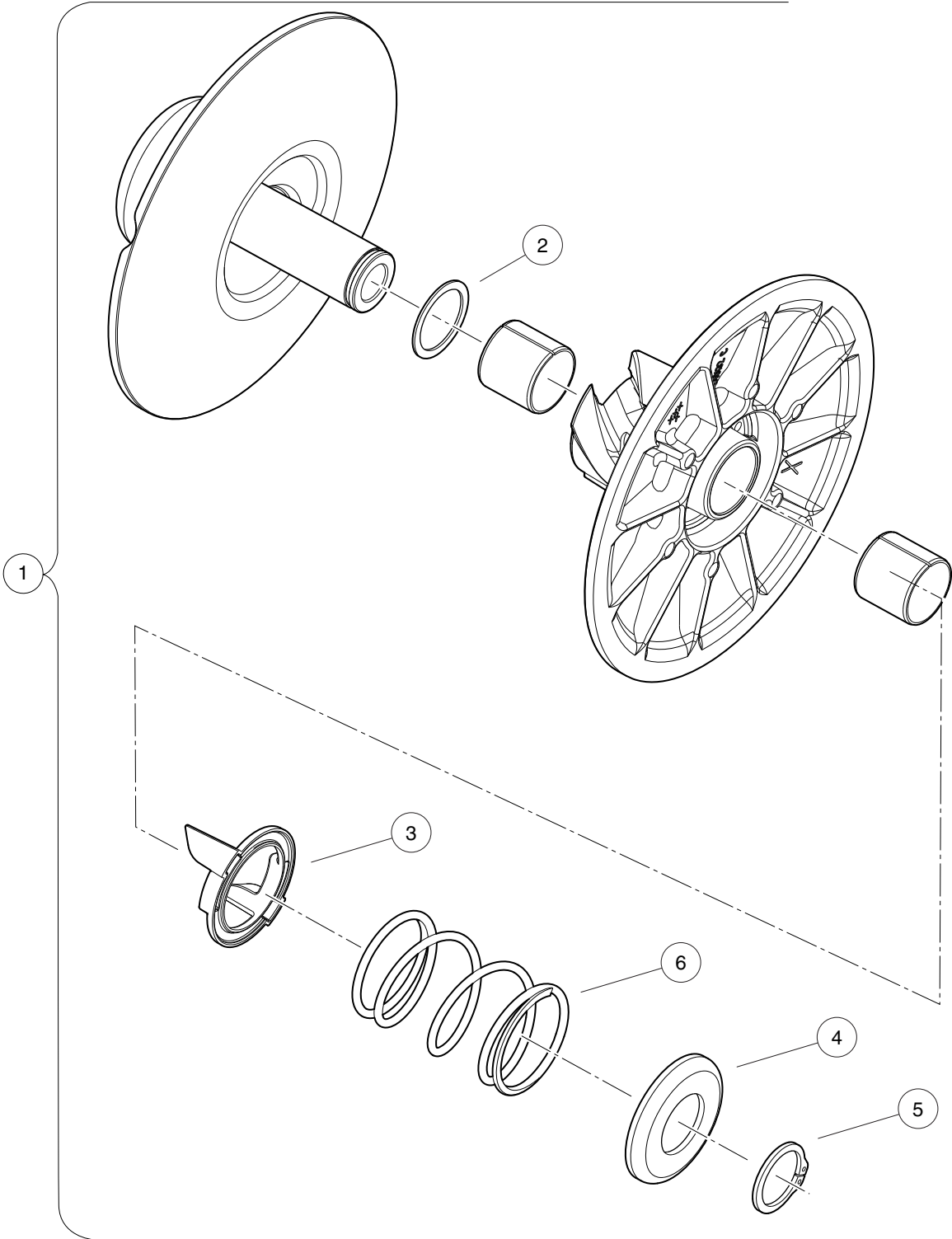
000007-013

DRIVE CLUTCH (3 WEIGHT) – DIESEL VEHICLE

ITEM	PART NO.	DESCRIPTION	QTY
		1 2 3 4	
1	<u>102385601</u>	Washer, Stepped	1
2	<u>103828101</u>	Clutch, Drive, Dsl, 3 Weight (includes items 3 through 8)	1
3	<u>103829501</u>	Spring, Comp, 2.0 Od Black/or	1
4	<u>103829601</u>	Nut, Lock, Hex #10-24 Flexloc	3
5	<u>103829701</u>	Screw, Shldr, Hex Skt .25x2.5	3
6	<u>103829801</u>	Screw, Hex Flg Hd, 1/4-20x1.25	6
7	<u>103829901</u>	Weight, Clutch, D-153 G	3
8	<u>103830001</u>	Spacer, Clutch 1.44x1.125x.150	1
9	<u>103884001</u>	Bolt, M10 X 1.5 X 170 Patch	1

14

D



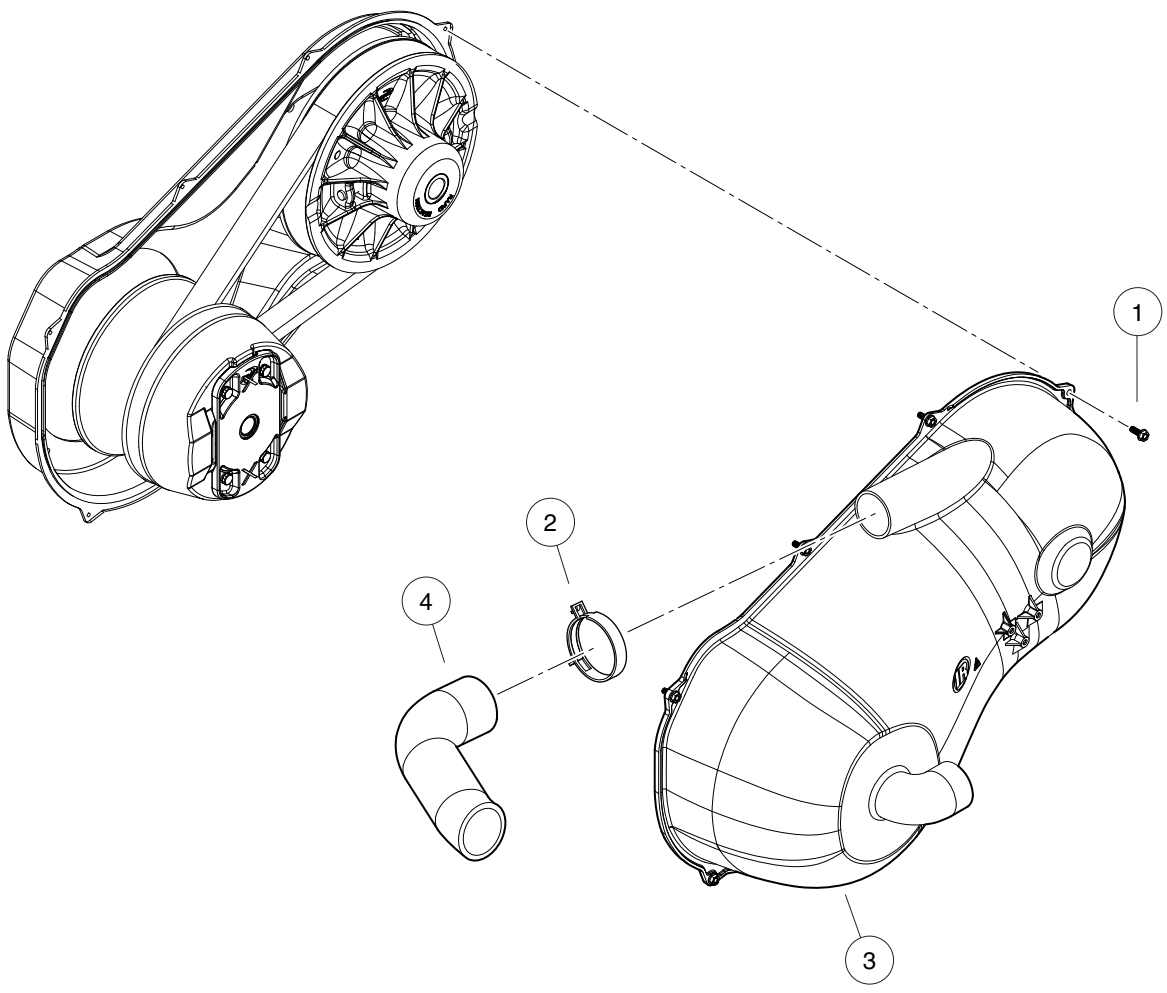
000003-002

DRIVEN CLUTCH (FOR 3 WEIGHT DRIVE CLUTCH)

ITEM	PART NO.	DESCRIPTION	QTY
		1 2 3 4	
1	<u>103828201</u>	Clutch, Driven, 3 Weight (includes items 2 through 6)	1
2	<u>102695401</u>	Washer, Thrust, 1.53 X 1.92	1
3	<u>102695601</u>	Retainer, Spring, Inner	1
4	<u>102695801</u>	Retainer, Spring, Outer	1
5	<u>102695901</u>	Ring, Retaining, External	1
6	<u>103829001</u>	Spring, Comp, 2.7 Od, Almd/blk	1

14

D



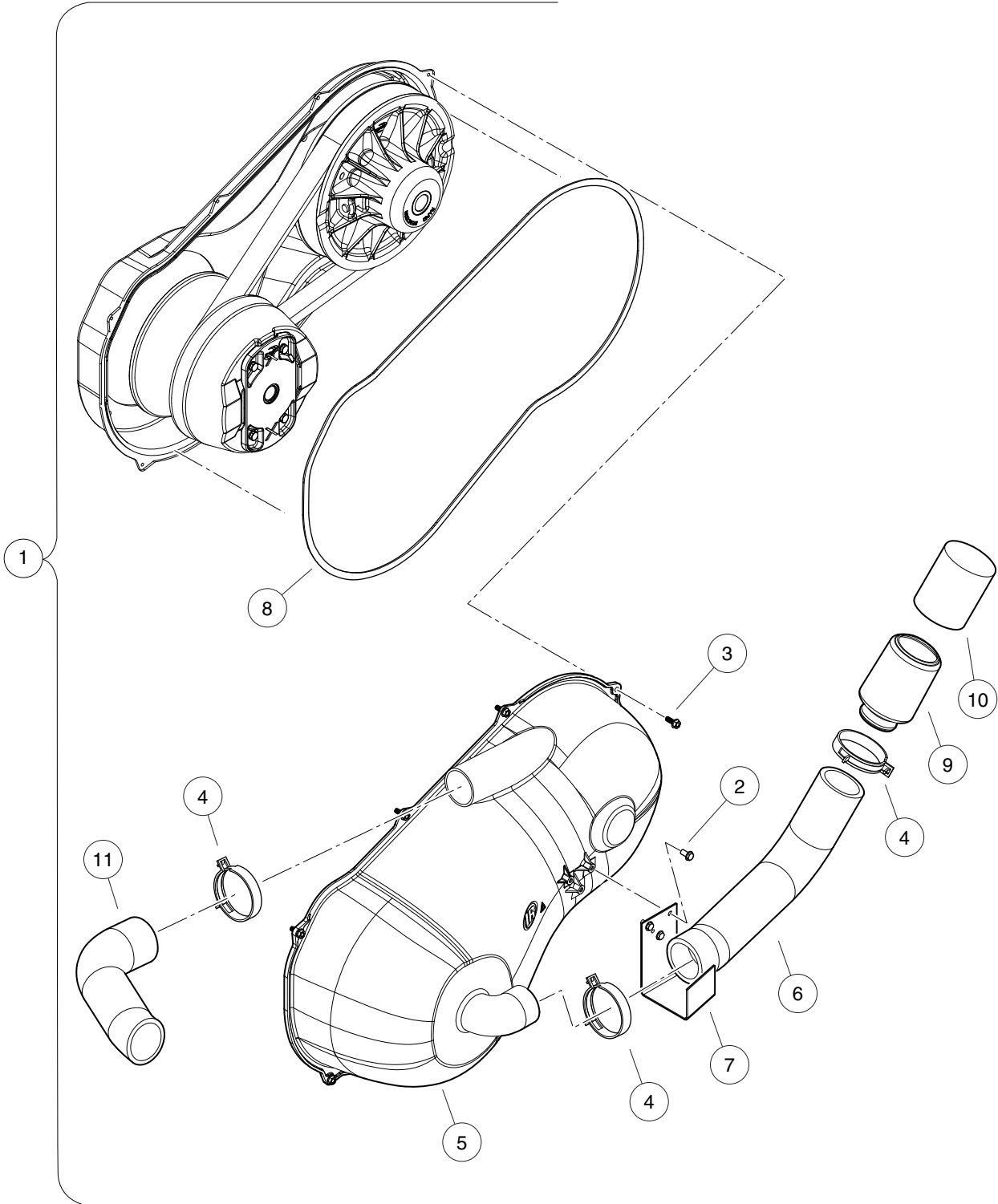
000008-003

CLUTCH COVER (NON-SEALED)

ITEM	PART NO.	DESCRIPTION	QTY
		1 2 3 4	
1	<u>102296716</u>	Screw, M6 X 16 Tt Hx Fl Hd	7
2	<u>102411210</u>	Clamp, Hose, Ctb 64mm	1
3	<u>102628301</u>	Cover, Cvt, Open	1
4	<u>103320601</u>	Hose, Outlet, Cvt	1

14

D



000008-004

CLUTCH COVER (SEALED)

ITEM	PART NO.	DESCRIPTION	QTY
		1 2 3 4	
1	<u>102616003</u>	Kit, Sealed CVT Cover (includes items 2 through 11)	1
2	<u>101856101</u>	Screw, 1/4-15 X .50 Hi-lo Hex	3
3	<u>102296716</u>	Screw, M6 X 16 Tt Hx Fl Hd	7
4	<u>102411210</u>	Clamp, Hose, Ctb 64mm	2
5	<u>102414501</u>	Cover, CVT Outer	1
6	<u>102481001</u>	Hose, Inlet, Cover, CVT	1
7	<u>102481201</u>	Bracket, Inlet, Cover, CVT	1
8	<u>102481301</u>	Gasket, Cover, CVT	1
9	<u>102616101</u>	Cap, Inlet, Cover, CVT	1
10	<u>102628001</u>	Filter, Inlet, Cover, CVT	1
11	<u>103320601</u>	Hose, Outlet, Cvt	1

14

D

14

D

DRIVETRAIN COMPONENTS – GAS & DIESEL

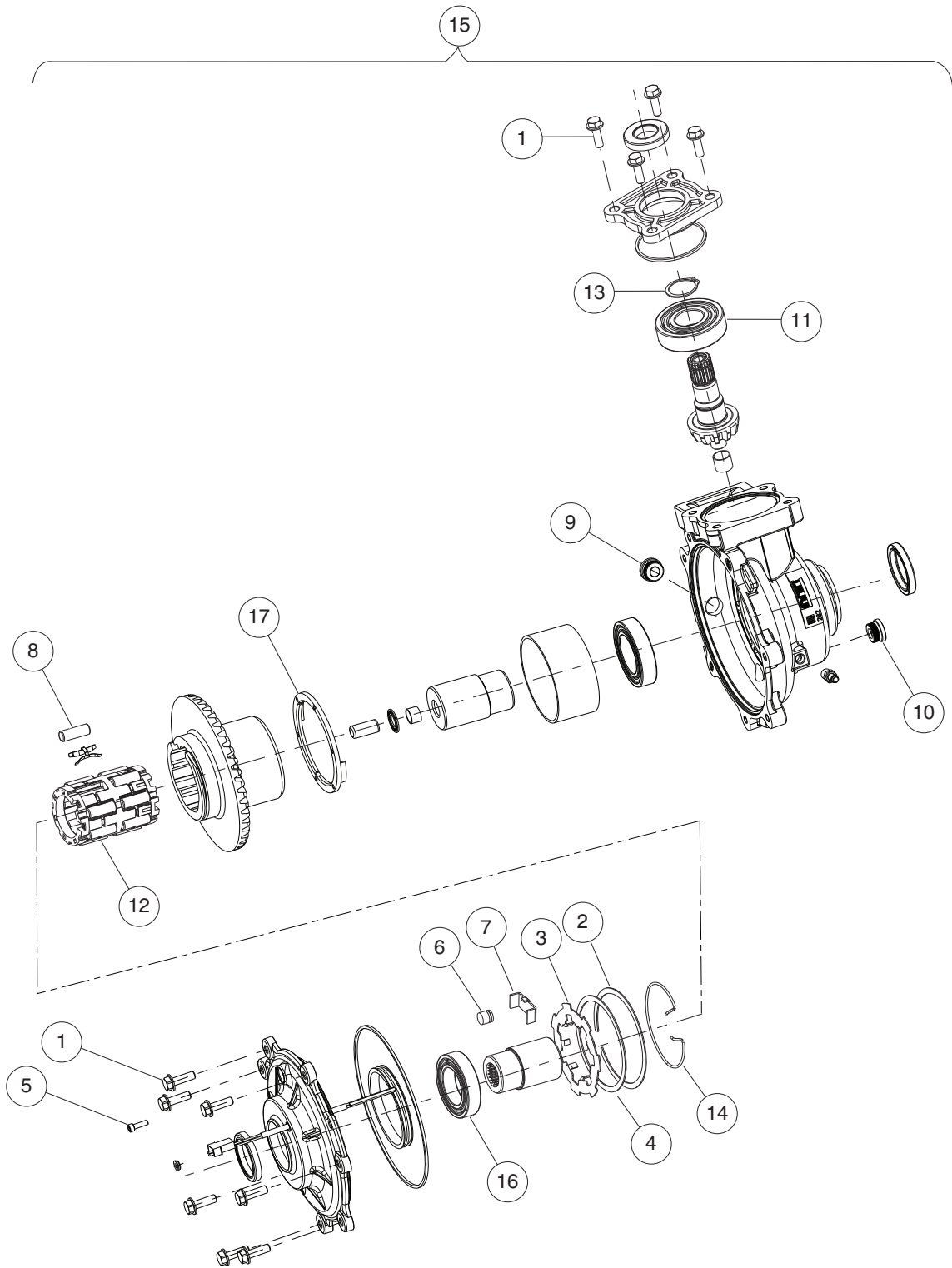
15

G

D

15
G

D



104025601

FRONT DIFFERENTIAL

ITEM	PART NO.	DESCRIPTION	QTY
		1 2 3 4	
1	<u>102438501</u>	Kit, Bolt (contains 7 bolts)	1
2	<u>102438701</u>	Retaining, Ring Internal	1
3	<u>102438801</u>	Plate, Armature	1
4	<u>102438901</u>	Shim, Armature, Plate	1
5	<u>102439001</u>	Set Screw, #10-24 UNC-3A with Patch	1
6	<u>102439101</u>	Thrust Button	1
7	<u>102439201</u>	Thrust Plate	1
8	<u>102439801</u>	Kit, Roller (contains 14 rollers)	1
9	<u>102440101</u>	Kit, Assy, Drain Plug	1
10	<u>102440301</u>	Plug, Oil Fill	1
11	<u>102440501</u>	Bearing, Ball	1
12	<u>103898801</u>	Roll Cage Assembly, Front Diff	1
13	<u>103898901</u>	Retaining Ring, Input Shaft	1
14	<u>103899201</u>	Torsion Return Spring, Fd	1
15	<u>104025601</u>	Diff, Front, Auto, Ccw	1
16	<u>104026301</u>	Kit, Bearing, Ccw Fd Output	1
17	<u>104026501</u>	Kit, Shim, Gear, Ccw Fd	1

15

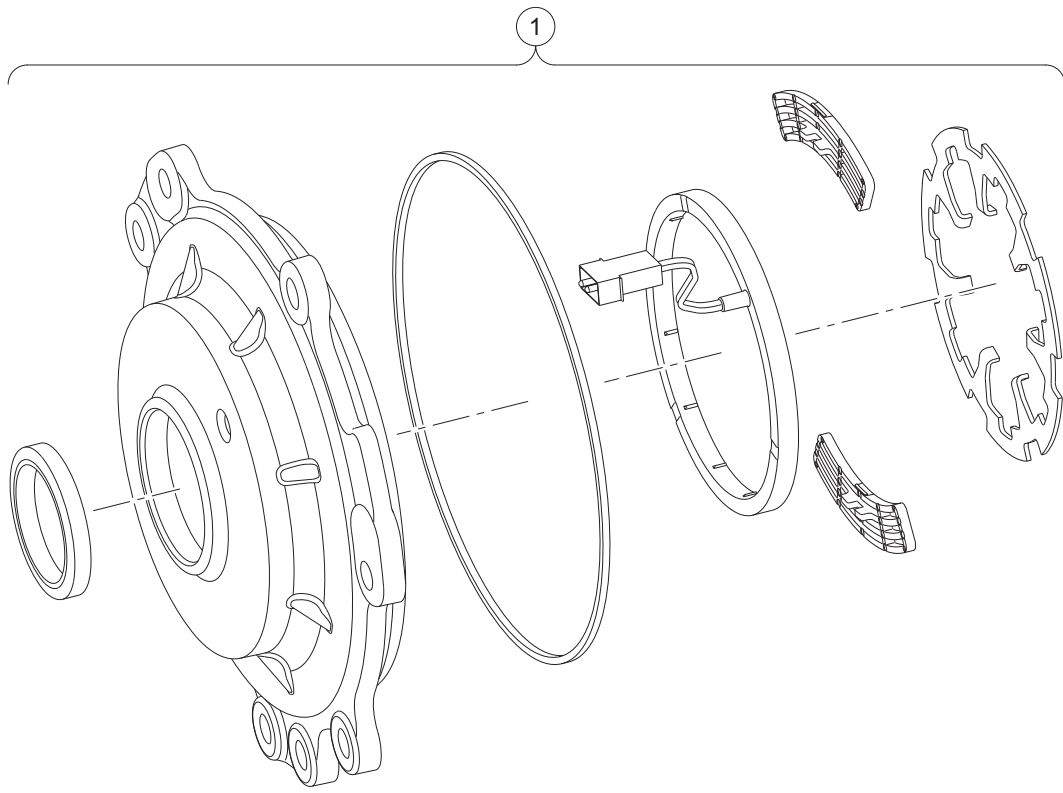
G

D

15

G

D



G-190299-000002

FRONT DIFFERENTIAL OUTPUT COVER ASSEMBLY

ITEM	PART NO.	DESCRIPTION	QTY
1	47638511001	1 2 3 4 Kit, Output Cover Asm, Ccw Fd	1

15

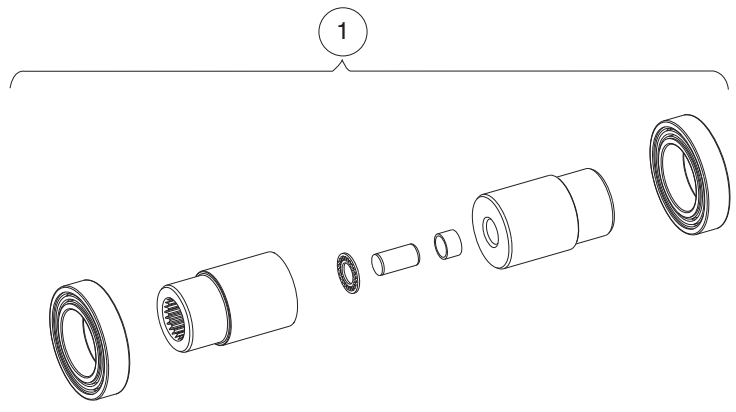
G

D

15

G

D



103898601

FRONT DIFFERENTIAL RACE/OUTPUT ASSEMBLY

ITEM	PART NO.	DESCRIPTION	QTY
1	<u>103898601</u>	1 2 3 4 Race/output Hub Assy, Frt Diff	1

15

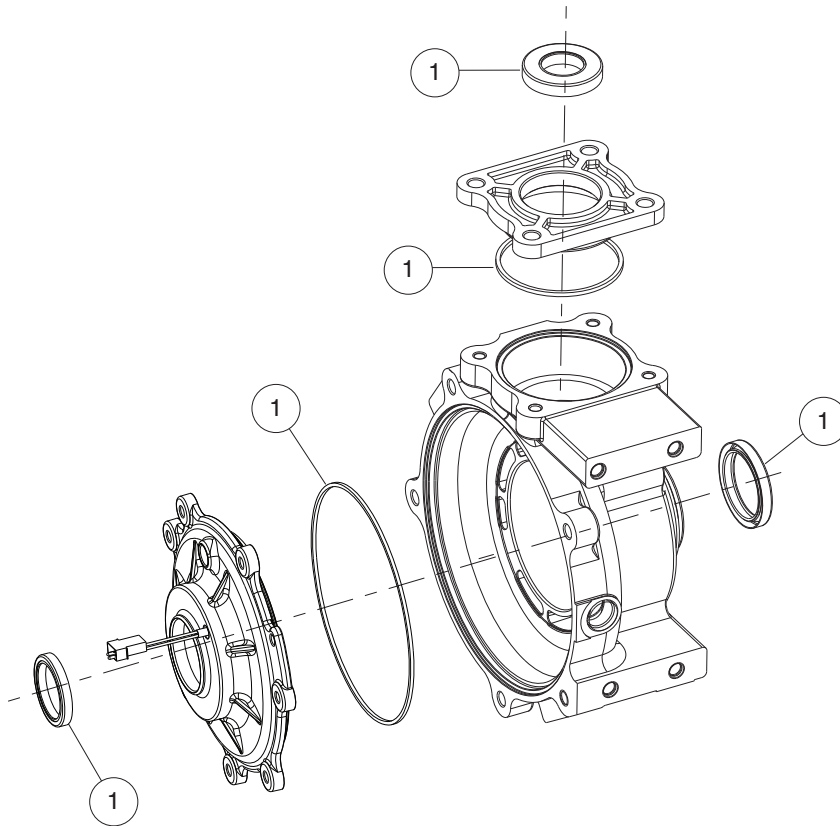
G

D

15

G

D



102438601

FRONT DIFFERENTIAL MINOR REPAIR KIT

ITEM	PART NO.	DESCRIPTION	QTY
1	<u>102438601</u>	<p>1 2 3 4</p> <p>Kit, Minor Repair (contains oil seals and O-rings)</p>	1

15

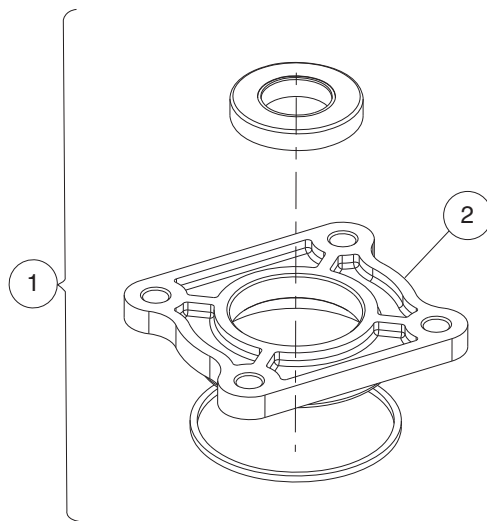
G

D

15

G

D



102440201

FRONT DIFFERENTIAL INPUT COVER ASSEMBLY

ITEM	PART NO.	DESCRIPTION	QTY
		1 2 3 4	
1	<u>102440201</u>	Kit, Assy, Input Cover Plate (includes items 2 through 4)	1
2	<u>102440601</u>	Cover, Input, Machined	1
3	N/A	O-Ring	1
4	N/A	Oil Seal, Triple-Lipped	1

15

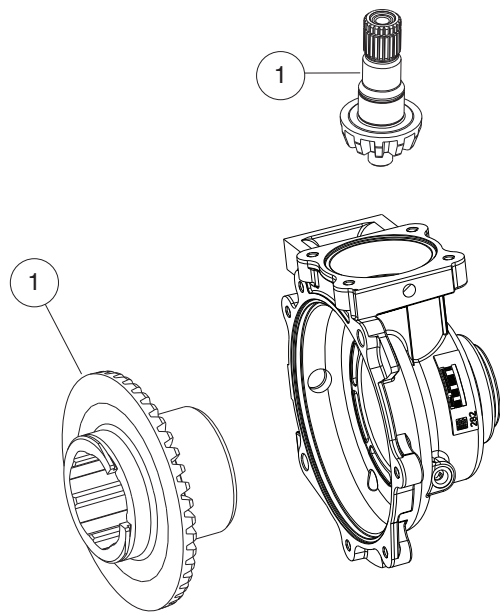
G

D

15

G

D



104026401

FRONT DIFFERENTIAL GEAR KIT

ITEM	PART NO.	DESCRIPTION	QTY
1	<u>104026401</u>	<p>1 2 3 4</p> <p>Kit, Gear, Ccw Fd</p>	1

15

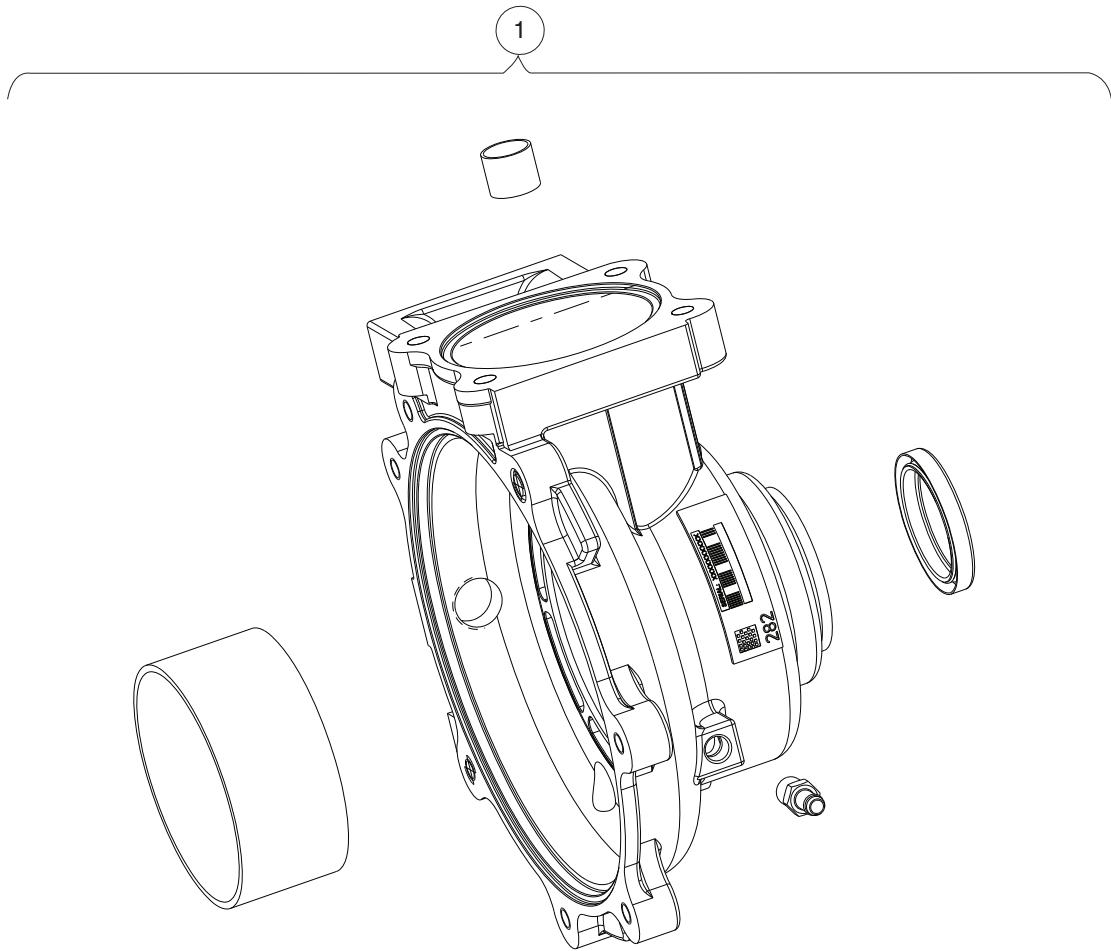
G

D

15

G

D



104026601

FRONT DIFFERENTIAL GEARCASE ASSEMBLY

ITEM	PART NO.	DESCRIPTION	QTY
1	<u>104026601</u>	<div style="display: flex; justify-content: space-between; margin-bottom: 5px;"> 1 2 3 4 </div> Kit, Gearcase Asm, Ccw Fd	1

15

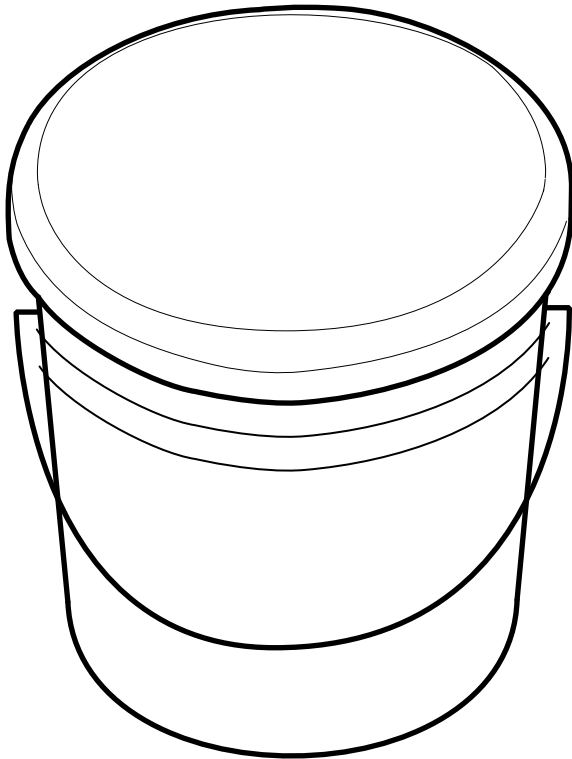
G

D

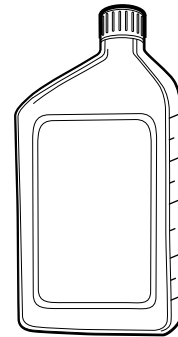
15

G

D



1



2

001069-001

OIL, DIFFERENTIAL AND TRANSMISSION

ITEM	PART NO.	DESCRIPTION	QTY
1	<u>102723901</u>	1 2 3 4 Oil, Locking Diff, 5 Gallon	A/R
2	<u>AM1216101</u>	Oil, Locking Diff, Quart	A/R
<p>Note: Use this oil for both front and rear differentials and the transmission. Available in 5-Gallon or Quart.</p>			

15

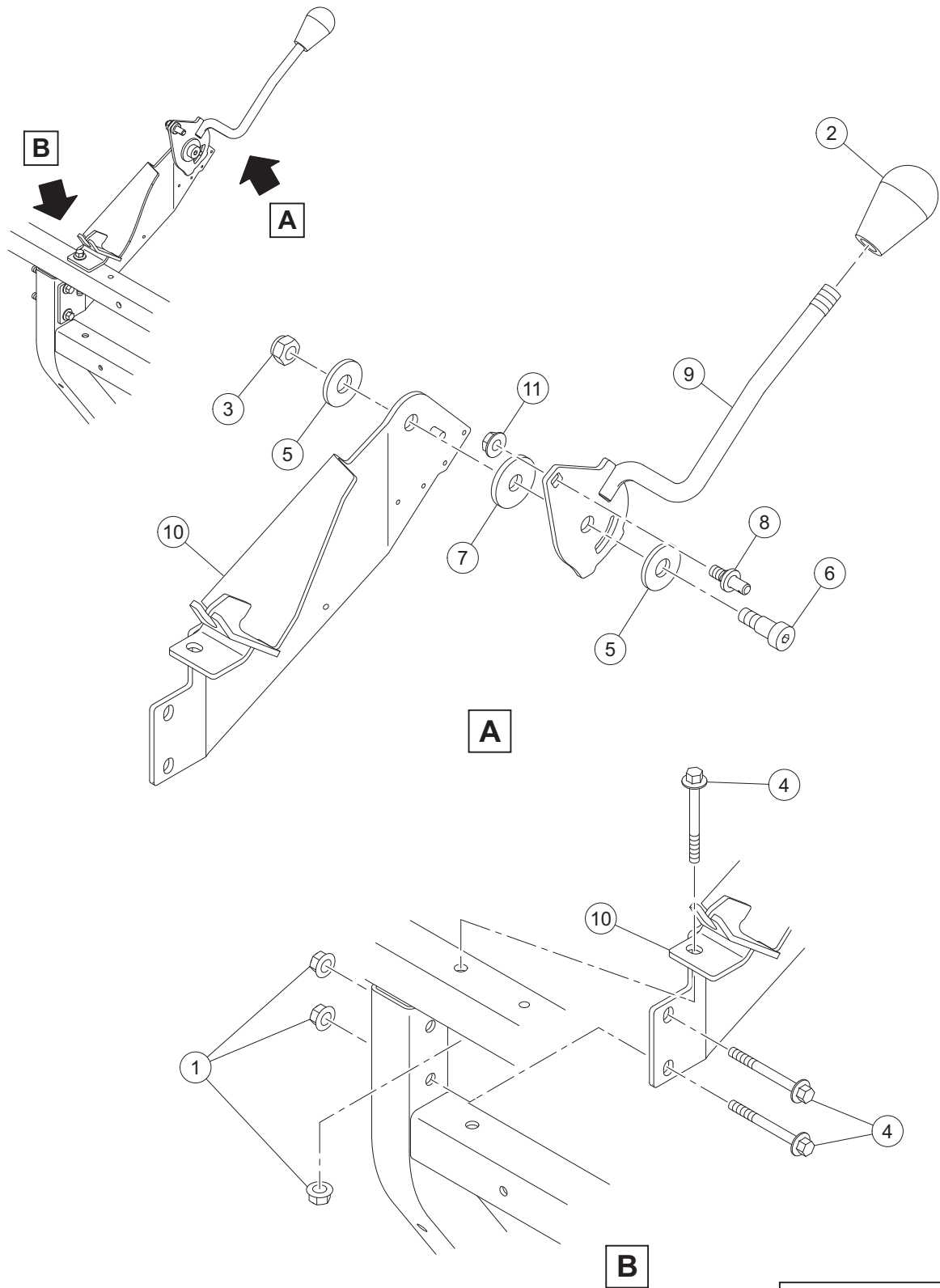
G

D

15

G

D



G-070299-000003

FORWARD/REVERSE SHIFTER

ITEM	PART NO.	DESCRIPTION	QTY
		1 2 3 4	
1	<u>102298401</u>	Nut,m8,all Metal Lock	3
2	<u>102376001</u>	Knob, FNR, Shifter	1
3	<u>102616701</u>	Locknut, M10x1.5 Nylon Insert	1
4	<u>102618301</u>	Bolt, Flanged Head, M8 X 1.25 X 65	3
5	<u>102684501</u>	Washer, M12 Hard Regular	2
6	<u>102684603</u>	Shoulder Bolt, M12 X 16	1
7	<u>103873001</u>	Bushing, Fnr, Awd	1
8	<u>103886101</u>	Pin, Cable, Fnr	1
9	47651702001	Weldment, Shifter, Fnr	1
10	47651930001	Weldment, Fnr Shift Brkt	1
11	<u>96704416</u>	Nut, Flange, M8 X 1.25 Serrated	1

15

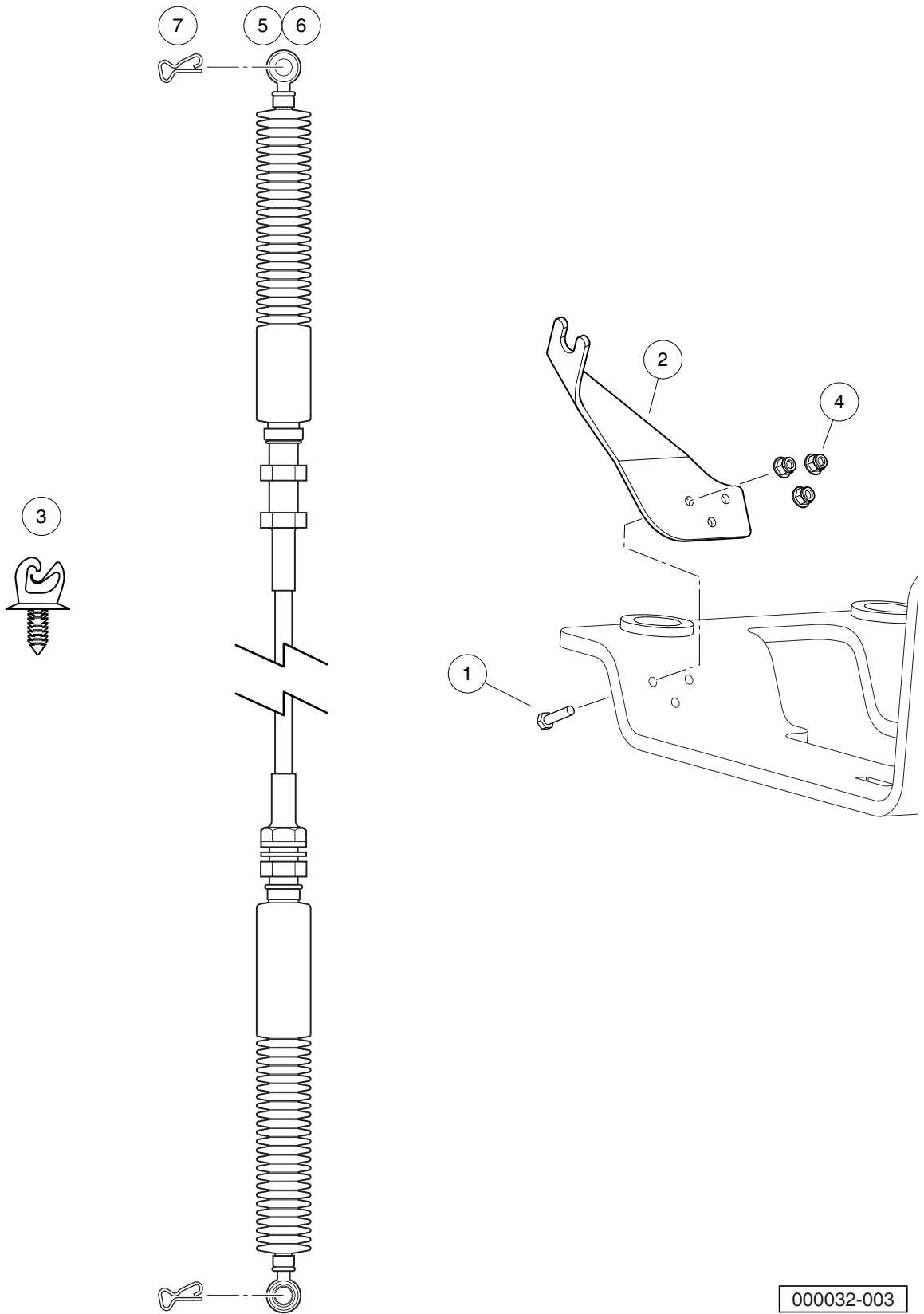
G

D

15

G

D



000032-003

SHIFTER CABLE

ITEM	PART NO.	DESCRIPTION	QTY
		1 2 3 4	
1	<u>1012769</u>	Screw, M6-1.00 X 25mm Hex Cap	3
2	<u>102382401</u>	Bracket, FNR Trans Cable	1
3	<u>102475701</u>	Clip, Brake Line	1
4	<u>102621501</u>	Nut, Flange, M6 X 1.0, Nylon	3
5	<u>103879301</u>	Cable, Transmission Shift, 295/1550	1
6	<u>103879401</u>	Cable, Transmission Shift, 295 SE/1550 SE	1
7	<u>103886601</u>	Clip, Bowtie	2

15

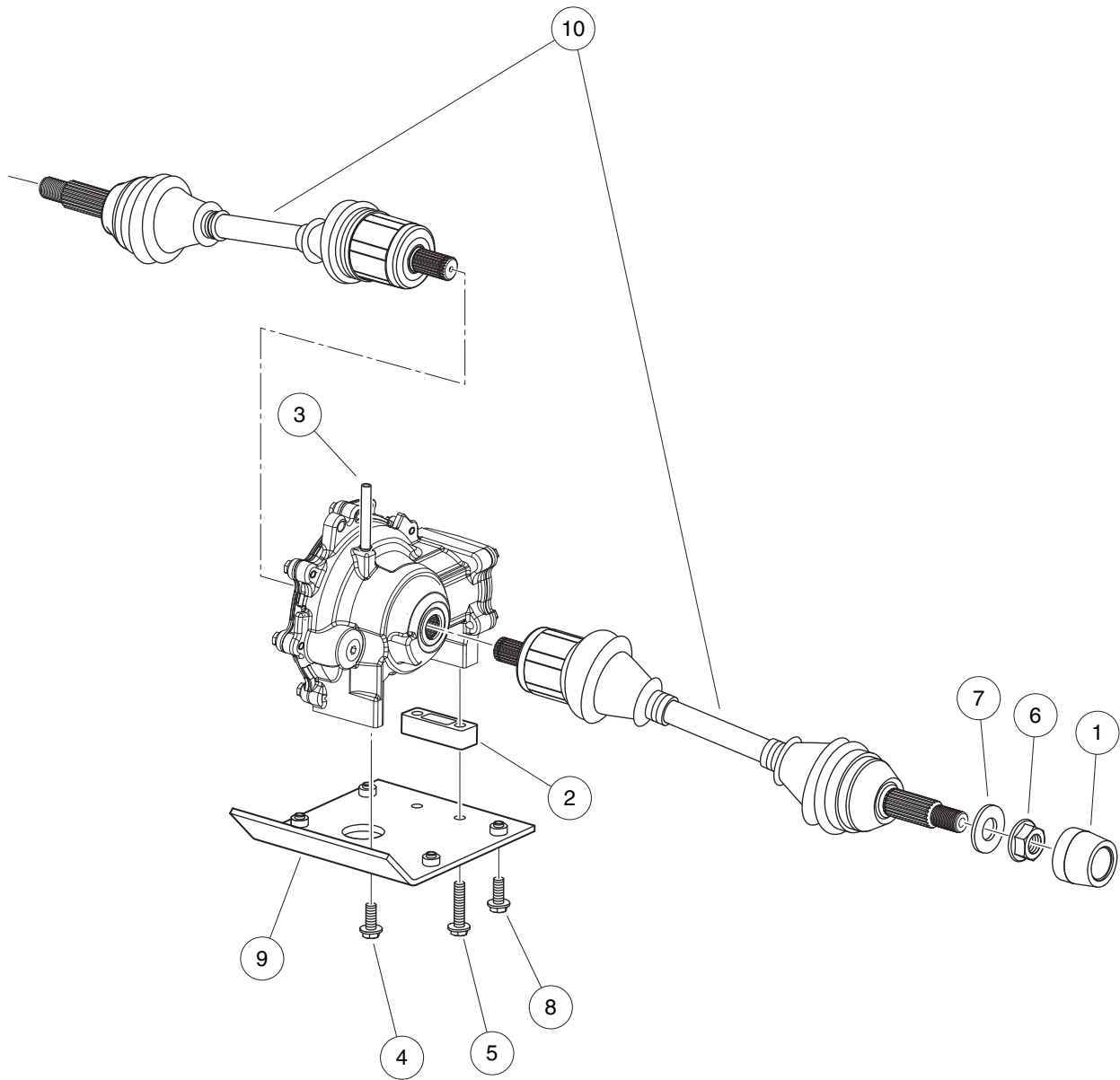
G

D

15

G

D



000012-006

FRONT DIFFERENTIAL MOUNTING AND HALF SHAFTS

ITEM	PART NO.	DESCRIPTION	QTY
		1 2 3 4	
1	102274101	Center Cap, Rubber	2
2	<u>102381701</u>	Spacer Block, Diff	1
3	<u>102462401</u>	Hose, Vent, Front Diff	1
4	<u>102491001</u>	Bolt, Flanged Head, 3/8-16x1.0 with Loctite	2
5	<u>102491101</u>	Bolt, Flanged Head, 3/8-16x1.500 with Loctite	2
6	<u>102617501</u>	Nut, Flange, M22 X 1.5 Mech Def	2
7	<u>102617801</u>	Washer, Hard, M22	2
8	<u>102711601</u>	Bolt, Flange Head, M10 X 1.5 X 25	4
9	<u>103244701</u>	Asm, Mount, Diff Plate	1
10	<u>103762201</u>	Half Shaft, Front, AWD	2

15

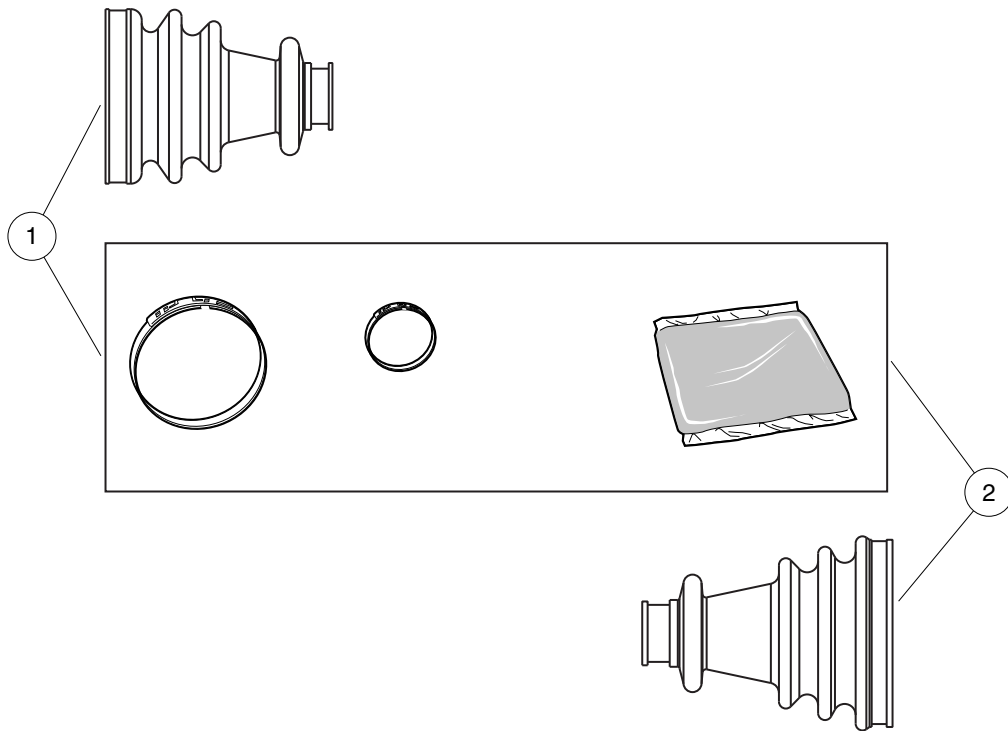
G

D

15

G

D



000791-004

CV BOOT REPAIR KITS

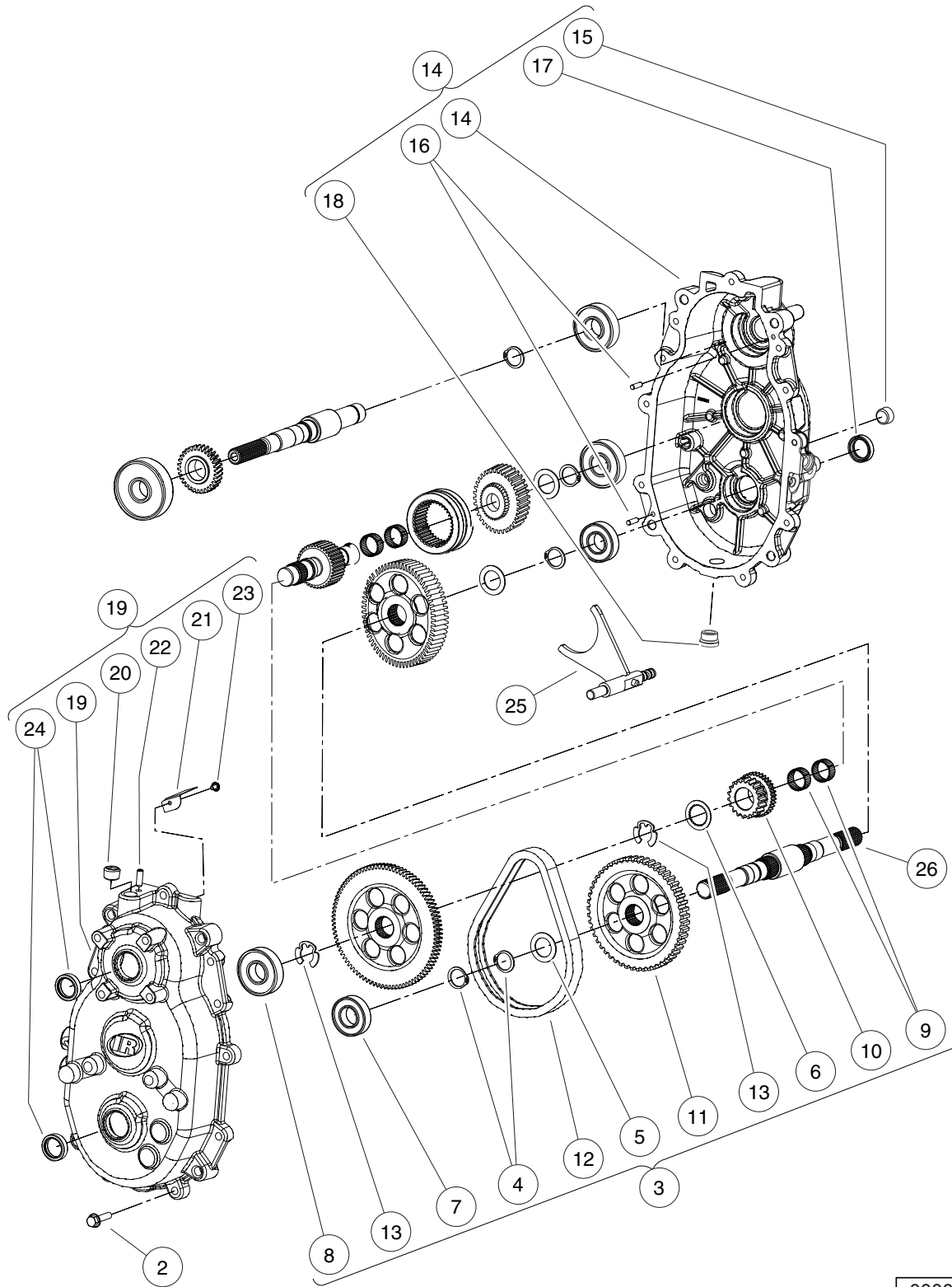
ITEM	PART NO.	DESCRIPTION	QTY
1	<u>AM1291501</u>	1 2 3 4 Kit, Outer Boot	1
2	<u>AM1291601</u>	Kit, Inner Boot	1

15
G
D

15

G

D



000016-018

TRANSMISSION – PAGE 1 OF 3

ITEM	PART NO.	DESCRIPTION	QTY
		1 2 3 4	
1	103969001	Transmission, Awd, 422046 (includes items 2 through 26)	1
2	<u>102693301</u>	Screw, hex Flange, M8 X 35	11
3	102765201	Kit, Reverse Gear Repair (includes items 4 through 13)	1
4	<u>102696201</u>	Ring, Retaining, Basic External	2
5	<u>102696501</u>	Washer, Thrust, 1.007 X .062	1
6	<u>102696701</u>	Washer, 26.231 X 39.167 X 1.57	1
7	<u>102696801</u>	Bearing, Ball	1
8	<u>102696901</u>	Bearing, Ball	1
9	<u>102697101</u>	Bearing, Needle	2
10	N/A	Sprocket, 19-Tooth	1
11	N/A	Sprocket, 51-Tooth	1
12	N/A	Chain, .375p, .75 Wide, 60ptch	1
13	<u>102699701</u>	Ring, Retaining, E-Ring	2
14	<u>105125301</u>	Asm, Gear Case, Front (includes items 15 through 18)	1
15	<u>102694201</u>	Plug, Square Skt, 1/12-14, Ptf	1
16	<u>102696101</u>	Pin, Dowel, 6 X 20	2
17	<u>102699401</u>	Seal, Triple, 25 X 35 X 7.8	1
18	<u>103250401</u>	Plug, 3/4-16	1
19	<u>105125401</u>	Asm, Gear Case, Rear (includes items 20 through 24)	1
20	<u>102694201</u>	Plug, Square Skt, 1/12-14, Ptf	1
21	N/A	Oil, Deflector	1
22	N/A	Vent, Trans	1
23	N/A	Screw, Tapping # 10-24 X .375	1
24	<u>102699401</u>	Seal, Triple, 25 X 35 X 7.8	2
25	<u>105125701</u>	Fork,Transmission	1
26	<u>105125801</u>	Shaft,Output	1

15

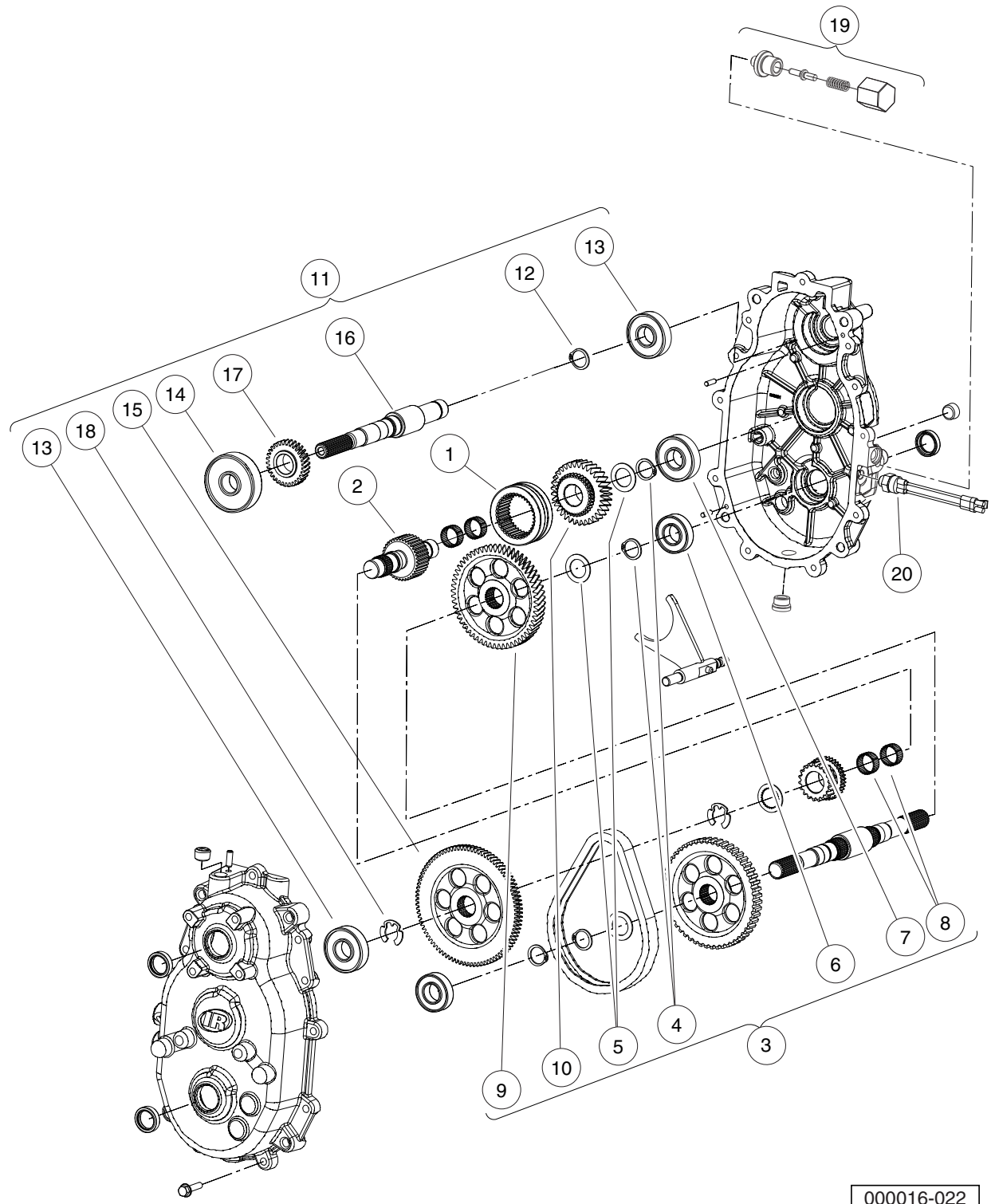
G

D

15

G

D



000016-022

TRANSMISSION – PAGE 2 OF 3

ITEM	PART NO.	DESCRIPTION	QTY
		1 2 3 4	
1	<u>102697501</u>	Dog, Engagement	1
2	<u>102698701</u>	Shaft, Intermediate	1
3	102764901	Kit, Forward Gear Repair (includes items 4 through 10)	1
4	<u>102696201</u>	Ring, Retaining, Basic External	2
5	<u>102696501</u>	Washer, Thrust, 1.007 X .062	2
6	<u>102696801</u>	Bearing, Ball	1
7	<u>102696901</u>	Bearing, Ball	1
8	<u>102697101</u>	Bearing, Needle	2
9	N/A	Gear, Helical 58-Tooth	1
10	N/A	Gear, Helical 34-Tooth	1
11	<u>103721801</u>	Kit, Input Shaft Repair (includes items 12 through 18)	1
12	<u>102696201</u>	Ring, Retaining, Basic External	1
13	<u>102696901</u>	Bearing, Ball	2
14	<u>102697001</u>	Bearing, Ball	1
15	N/A	Gear, Helical 90-Tooth	1
16	N/A	Shaft, Input	1
17	N/A	Gear, Helical, 31-tooth	1
18	<u>102699701</u>	Ring, Retaining, E-Ring	1
19	<u>105125501</u>	Kit, Detent Repair	1
20	<u>105125601</u>	Switch, Indicator, Pollak	1

15

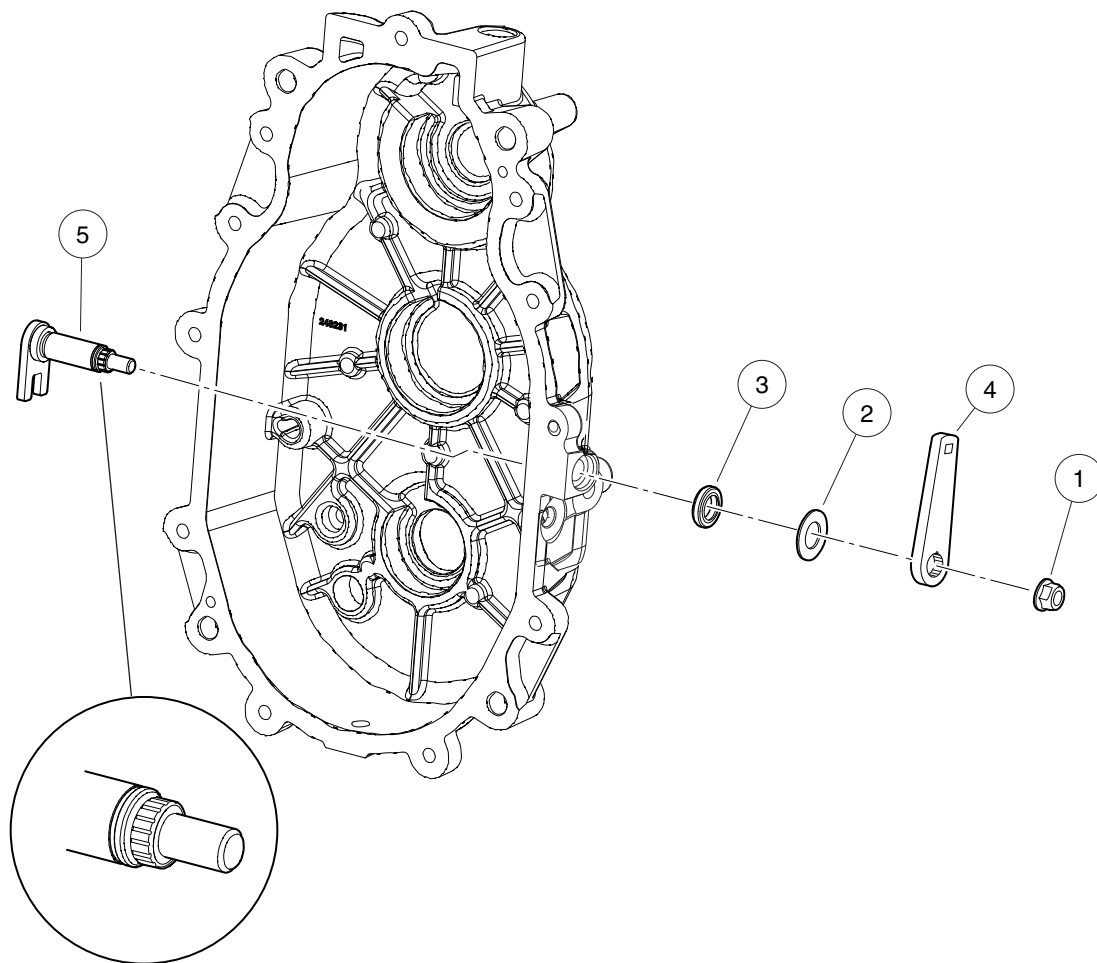
G

D

15

G

D



000016-021

TRANSMISSION – PAGE 3 OF 3

ITEM	PART NO.	DESCRIPTION	QTY
		1 2 3 4	
1	<u>102696001</u>	Nut, Lock Hex, Nylon, 5/16-24	1
2	<u>102696601</u>	Washer, Flat, .58 X 1.08 X .05	1
3	<u>102699601</u>	Seal, Dual Lip, .88 X .56 X .19	1
4	<u>103883001</u>	Bellcrank, Square-hole	1
5	<u>105125901</u>	Shaft, Shift	1

15

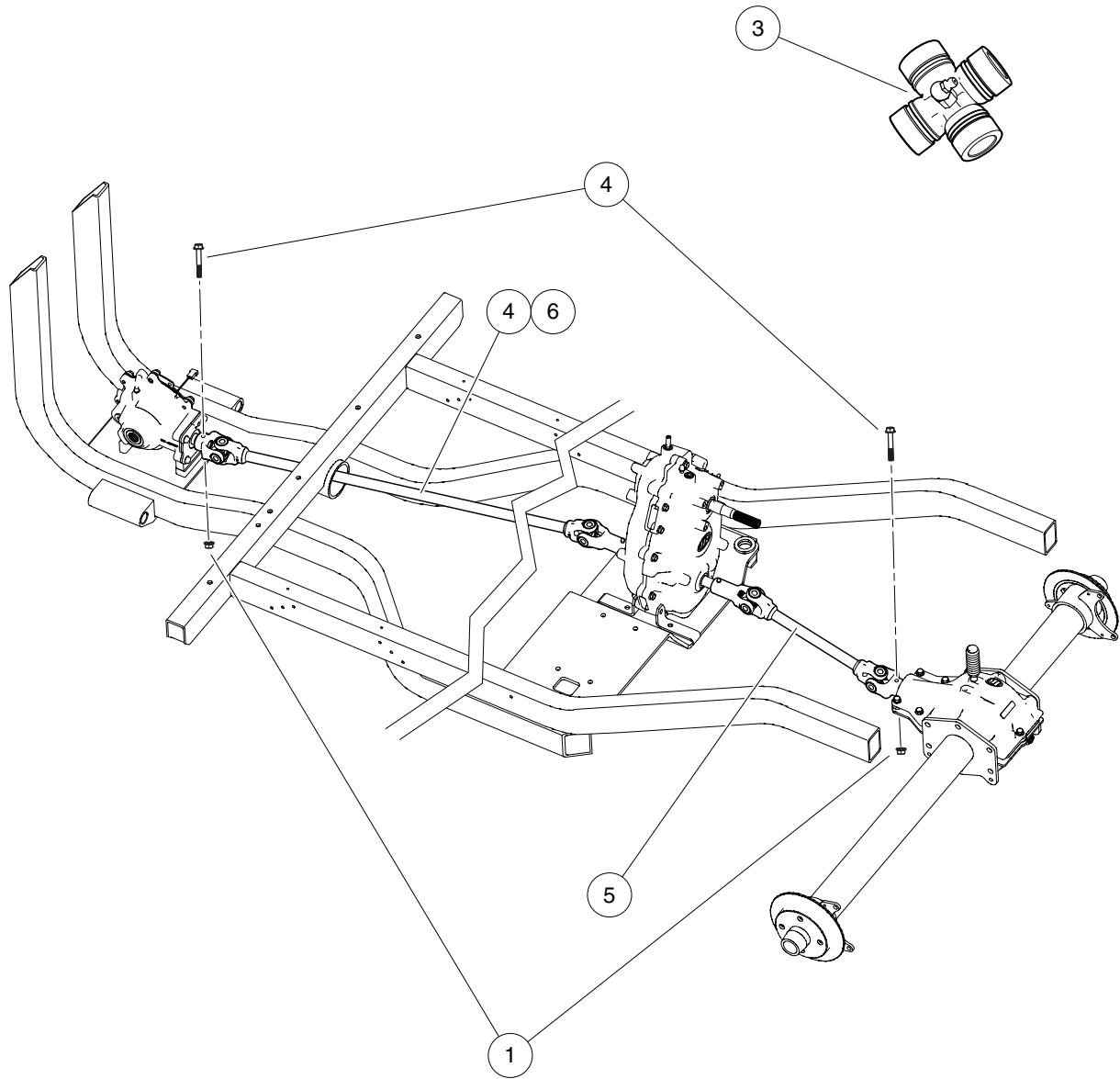
G

D

15

G

D



000091-006

PROP SHAFTS

ITEM	PART NO.	DESCRIPTION	QTY
		1 2 3 4	
1	<u>102298401</u>	Nut,m8,all Metal Lock	2
2	<u>103990201</u>	Bolt, M8 X 1.25 X 50 Hh Cap	2
3	<u>105100901</u>	Kit, Universal Joint Replacement	A/R
4	<u>105173201</u>	Propshaft, Front, No Spln Zerk	1
5	<u>105173301</u>	Propshaft, Rear, No Spln Zerk	1
6	<u>105173401</u>	Propshaft,frnt,lng,no Spln Zrk	1
		Note: Item 4 is for 81.5 in. (207 cm) wheelbase vehicle only. Item 6 is for 114 in. (289.5 cm) wheelbase vehicle only.	

15

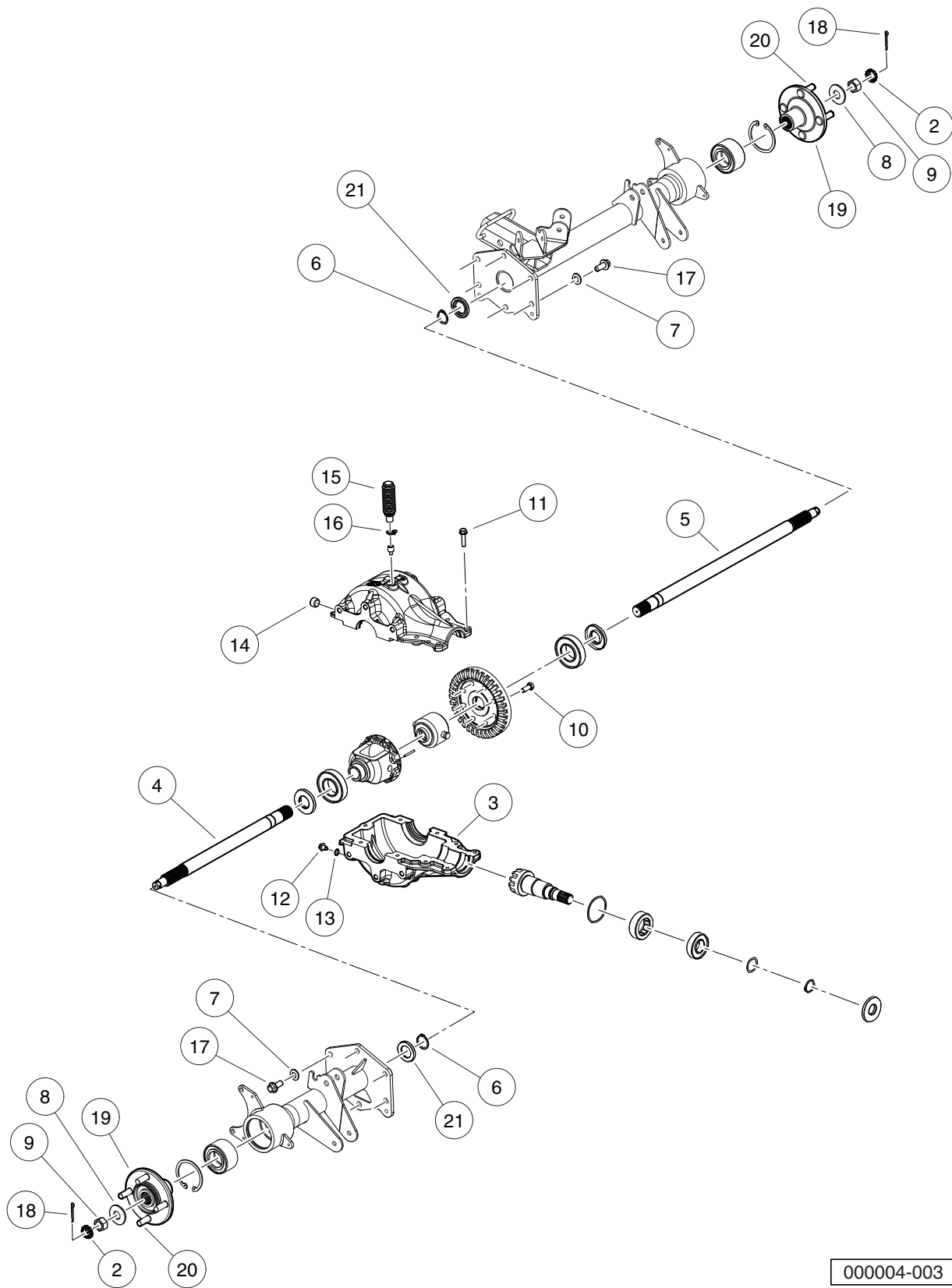
G

D

15

G

D



000004-003

REAR DIFFERENTIAL AND AXLES – PAGE 1 OF 2

ITEM	PART NO.	DESCRIPTION	QTY
		1 2 3 4	
1	<u>103843901</u>	Axle, Rear, Awd, 4link (includes items 2 through 21)	1
2	<u>102276001</u>	Locking Cap, Nut	2
3	<u>102449101</u>	Gearcase, Lower, Machined	1
4	<u>102463501</u>	Axle, Right-hand	1
5	<u>102463601</u>	Axle, Left-Hand	1
6	<u>102463901</u>	Ring, Retaining, External	2
7	<u>102672201</u>	Washer, Belleville, 1.063 X .043	12
8	<u>102672301</u>	Washer, Belleville, 49 X 4	2
9	<u>102672401</u>	Nut, Hex, M20 X 1.5 , Modified	2
10	<u>102693201</u>	Screw, M10 X 25	8
11	<u>102693301</u>	Screw, hex Flange, M8 X 35	9
12	<u>102693401</u>	Plug,3/8-16, Hex Flange	1
13	<u>102693501</u>	Washer, .625 X .382 X .60	1
14	<u>102694201</u>	Plug, Square Skt, 1/12-14, Ptf	1
15	<u>102694301</u>	Bellows, Vent, Upper Housing	1
16	<u>102694401</u>	Clamp, Hose, Dw-9.5	1
17	<u>102694701</u>	Screw, Hex Fl, M12 X 1.75 X 30	12
18	<u>102694801</u>	Pin, Cotter, 5/32 X 1.25	2
19	<u>103146203</u>	Asm, Wheel Hub, Rear, 1550 (includes item 20)	2
20	<u>103951501</u>	Lug Stud, 1/2-20 UNF, SAE J1102	4
21	<u>103879501</u>	Washer, C-bored 60.5 X 30.3	2

15

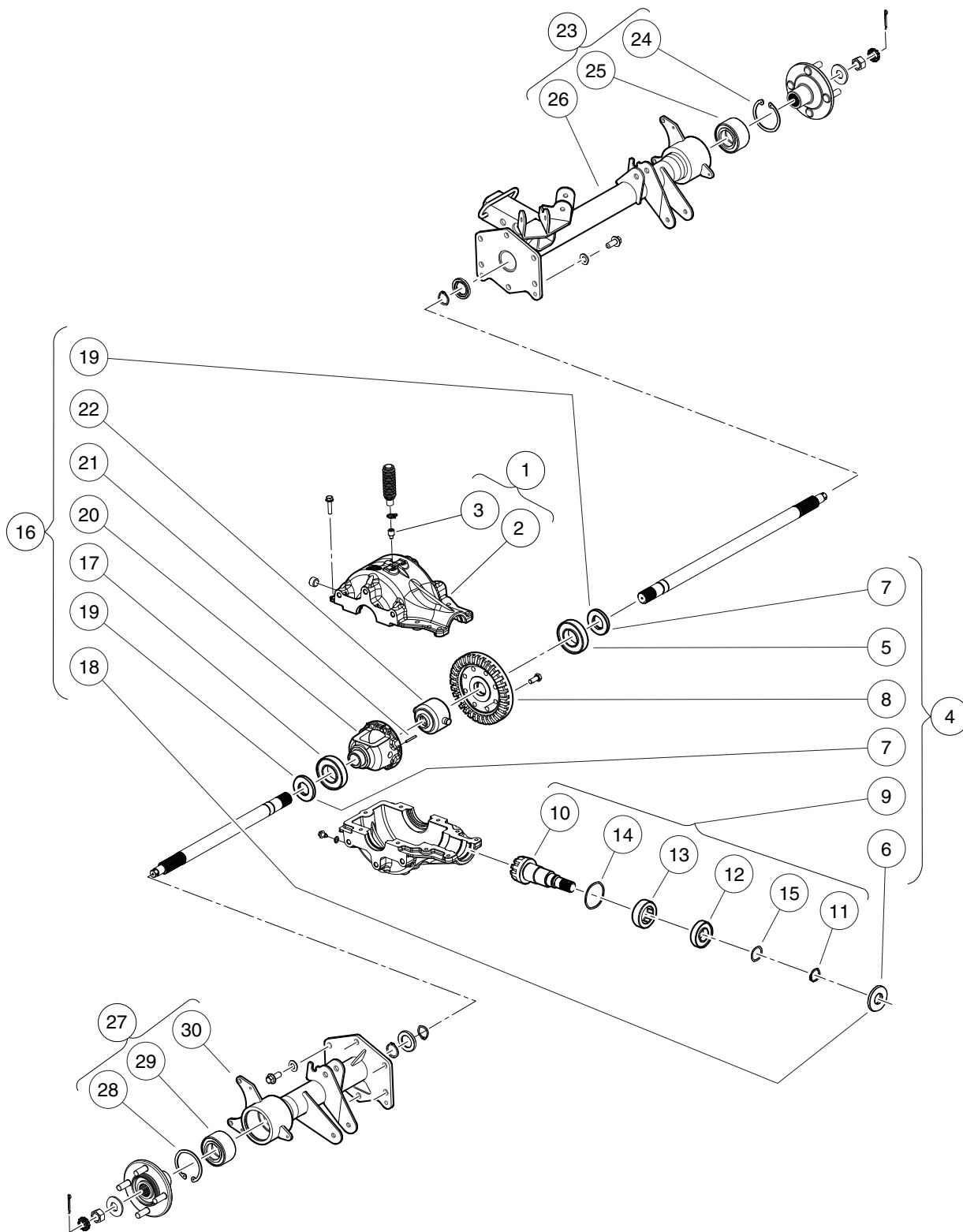
G

D

15

G

D



000004-004

REAR DIFFERENTIAL AND AXLES – PAGE 2 OF 2

ITEM	PART NO.	DESCRIPTION	QTY
		1 2 3 4	
1	<u>102765301</u>	Asm, Gearcase, Upper (includes items 2 and 3)	1
2	N/A	Gearcase, Upper, Machined	1
3	<u>102694001</u>	Vent, Top, Upper Housing	1
4	<u>102765801</u>	Kit, Rear Axle Gear Repair (includes items 5 through 9)	1
5	<u>102464201</u>	Bearing, Ball	1
6	<u>102464401</u>	Seal, Dual-Lip 25x 62x 7tc	1
7	<u>102464501</u>	Seal, Dual-Lip 30x 62x 8tc	2
8	<u>102762601</u>	Gear, Ring, 33-Tooth	1
9	<u>102765701</u>	Asm, Pinion W/ Bearings (includes items 10 through 15)	1
10	<u>102463101</u>	Pinion, 10t Machined	1
11	<u>102463901</u>	Ring, Retaining, External	1
12	<u>102464001</u>	Bearing, Ball	1
13	<u>102464101</u>	Bearing, Needle, Drawn Shell	1
14	<u>102693601</u>	Washer, 2.625 X 2.367 X .06	1
15	<u>102694502</u>	Shim, 1.50 X 1.189 X .008	1
16	<u>103871801</u>	Asm, Carrier, Etched Locker (includes items 17 through 22)	1
17	<u>102464201</u>	Bearing, Ball	1
18	<u>102464401</u>	Seal, Dual-Lip 25x 62x 7tc	1
19	<u>102464501</u>	Seal, Dual-Lip 30x 62x 8tc	2
20	<u>102961301</u>	Housing, Differential, Mach	1
21	<u>102961401</u>	Pin, Dowel, 4 X 35	1
22	N/A	Asm, Locker, Nongrease/Spacers	1
23	<u>103922801</u>	Assy, Axle Tube, Rear, LH (includes items 24 through 26)	1
24	<u>102463801</u>	Ring, Retaining, Internal	1
25	<u>102464301</u>	Bearing	1
26	<u>103868201</u>	Weldment, Axle Tube, LH, 4-Link Susp	1
27	<u>103922901</u>	Assy, Axle Tube, Rear, RH (includes items 28 through 30)	1
28	<u>102463801</u>	Ring, Retaining, Internal	1
29	<u>102464301</u>	Bearing	1
30	<u>103868301</u>	Weldment, Axle Tube, RH, 4-Link Susp	1

15

G

D

15

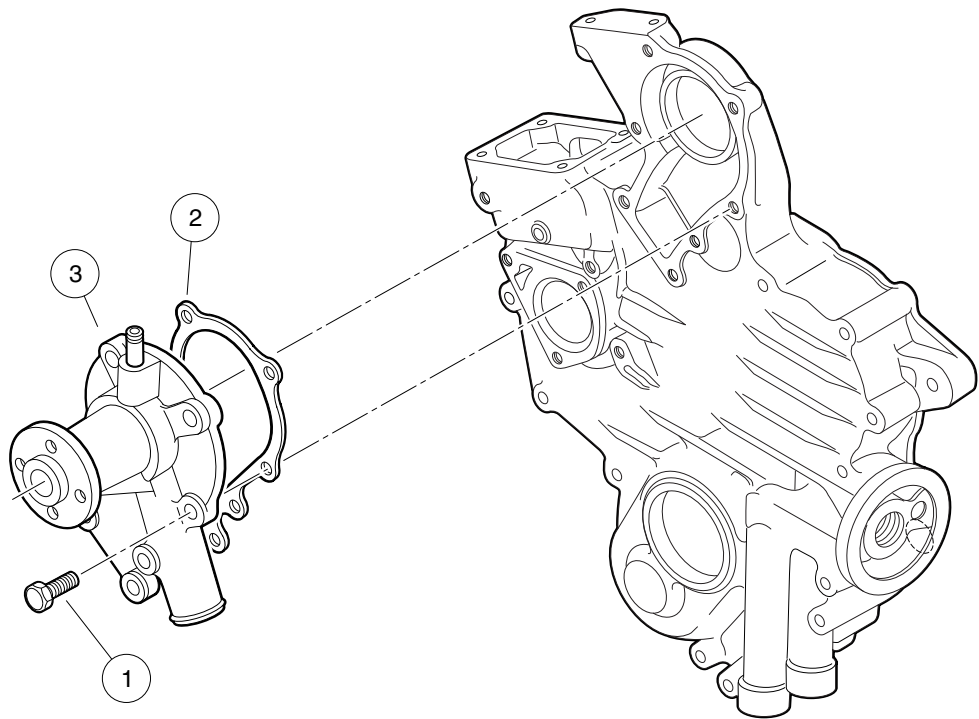
G

D

RADIATOR AND COOLANT SYSTEM – DIESEL VEHICLES

16

D



000060-001

WATER PUMP

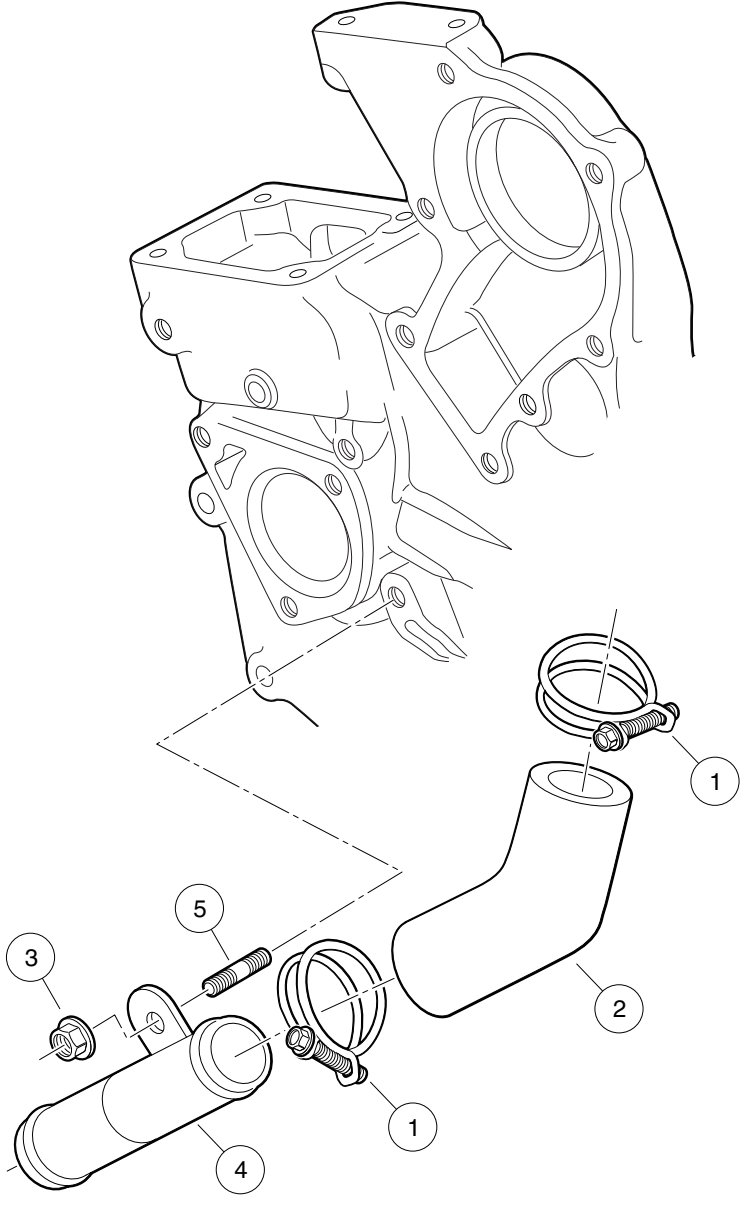
16

ITEM	PART NO.	DESCRIPTION	QTY
		1 2 3 4	
1	<u>102608701</u>	Bolt, M6 X 1 X 22	4
2	<u>102632701</u>	Gasket, Water Pump, D722	1
3	<u>102731201</u>	Water Pump Assembly	1

D

16

D



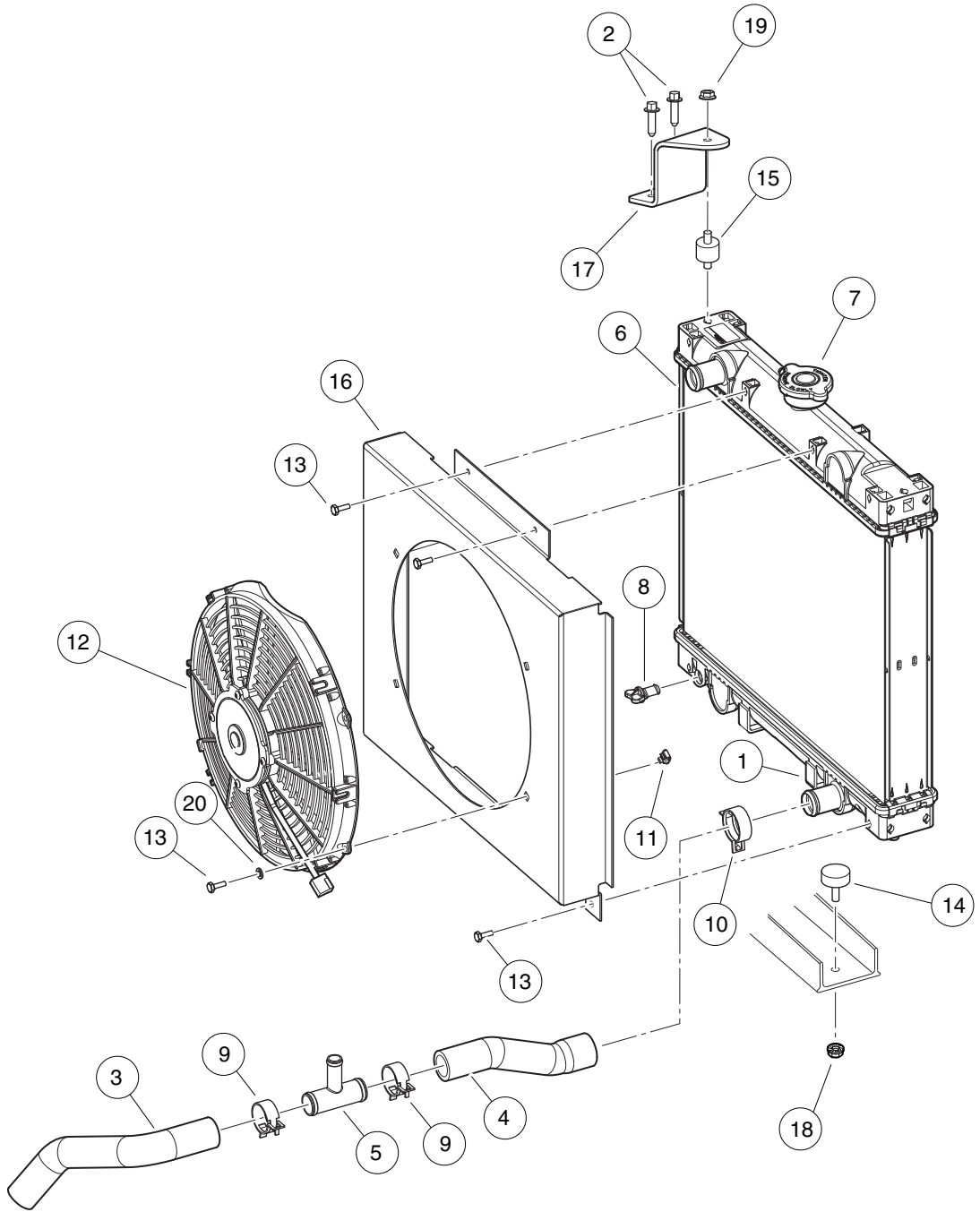
000061-001

BLOCK COOLANT PIPE

ITEM	PART NO.	DESCRIPTION	QTY
		1 2 3 4	
1	<u>102631701</u>	Band, Pipe, with Nut	2
2	<u>102631801</u>	Hose, Coolant	1
3	<u>102632001</u>	Nut, Flange, M6	1
4	<u>102632101</u>	Pipe, Coolant	1
5	<u>102632201</u>	Stud, M6 X 15	1

16

D



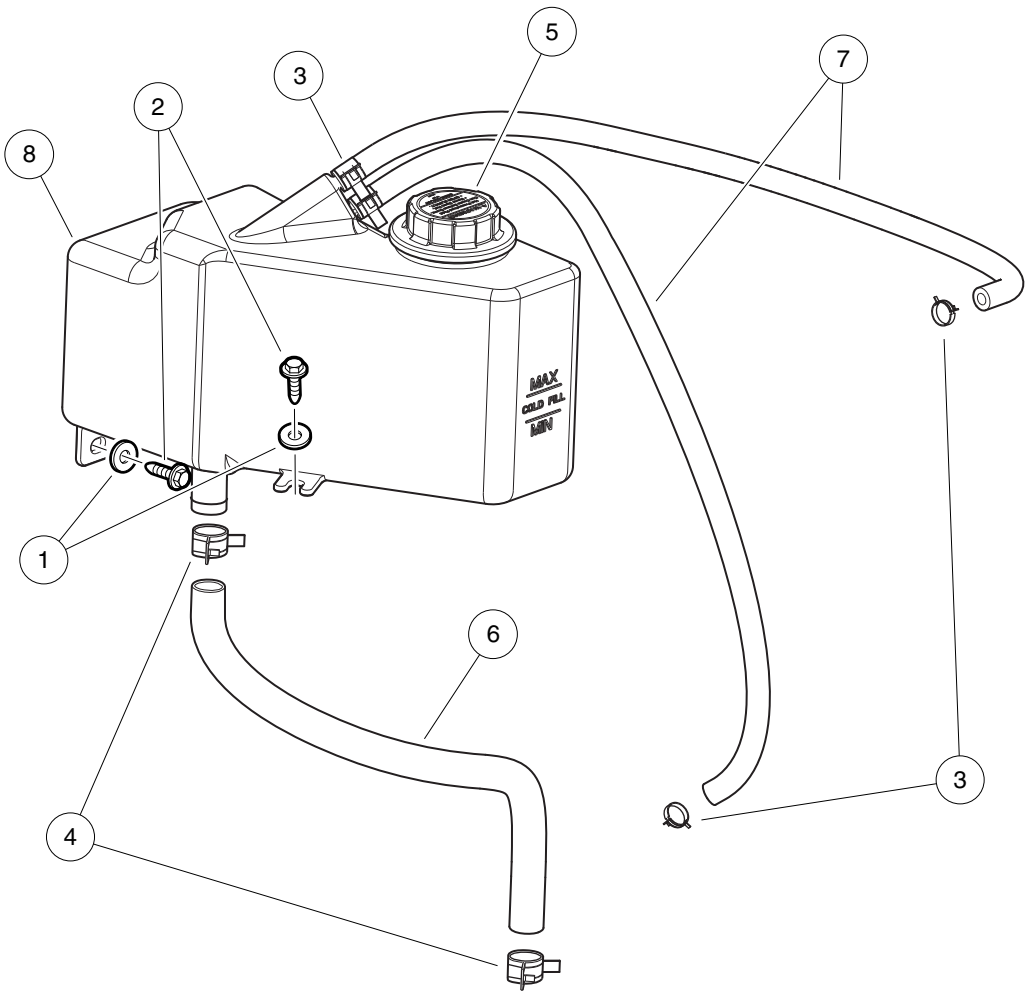
000541-002

RADIATOR

16

D

ITEM	PART NO.	DESCRIPTION	QTY
		1 2 3 4	
1	<u>1014471</u>	Tape, Vinyl Foam 1/8" x 3/4"	1
2	<u>102289001</u>	Screw, M8X1.25X30, Hex	4
3	<u>102377801</u>	Hose, Coolant Lower Pipe	1
4	<u>102377901</u>	Hose, Coolant Lower Rad	1
5	<u>102380301</u>	Tee, Coolant Fill	1
6	<u>102410301</u>	Radiator (includes items 7 and 8)	1
7	<u>102737301</u>	Cap, Radiator	1
8	N/A	Drain Cock, Radiator	1
9	<u>102411207</u>	Clamp, Hose, Ctb 35mm	2
10	<u>102411208</u>	Clamp, Hose, Ctb 38mm	1
11	<u>102411301</u>	Nut, Self Retaining	4
12	<u>102436701</u>	Fan, Cooling 12 In Elect	1
13	<u>102490301</u>	Bolt, M6 X 1 X 16, Loctite	8
14	<u>102684901</u>	Bumper, 19mm Stud	2
15	<u>102685001</u>	Isolator, Twin-Stud	2
16	<u>102855501</u>	Shroud, Radiator Fan	1
17	<u>102946701</u>	Bracket, Radiator Support	2
18	<u>96704176</u>	Nut, Flanged, M6 X 1, Serrated	2
19	<u>96704416</u>	Nut, Flange, M8 X 1.25 Serrated	2
20	<u>96705199</u>	Washer, M6	4



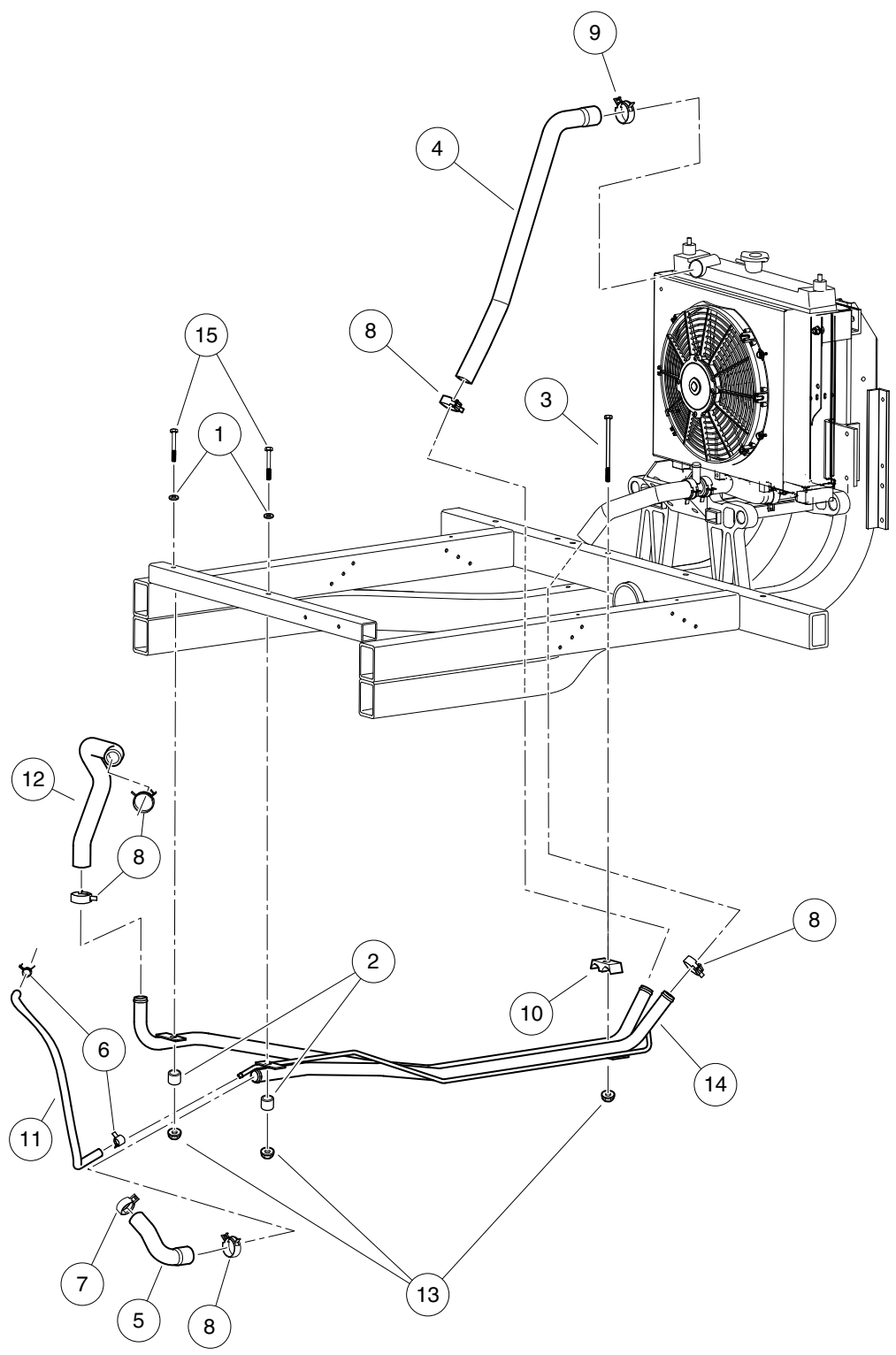
000540-003

COOLANT EXPANSION TANK

ITEM	PART NO.	DESCRIPTION	QTY
		1 2 3 4	
1	<u>1011578</u>	Washer, 5/16 Type B Flat	2
2	<u>102298720</u>	Screw, M8-1.25x20, Taptite	2
3	<u>102411204</u>	Clamp, Hose, CTB 15mm	4
4	<u>102411205</u>	Clamp, Hose, CTB 22mm	2
5	<u>102427501</u>	Cap, Radiator	1
6	<u>102807601</u>	Hose, Coolant, 5/8 SAE J20r3 Bulk	2
7	<u>102807801</u>	Hose, Coolant, 5/16 SAE J20r3 Bulk	8
8	<u>102973201</u>	Bottle, Coolant	1
Note: For hoses (items 6 and 7), quantity shown is length in feet per vehicle.			

16

D



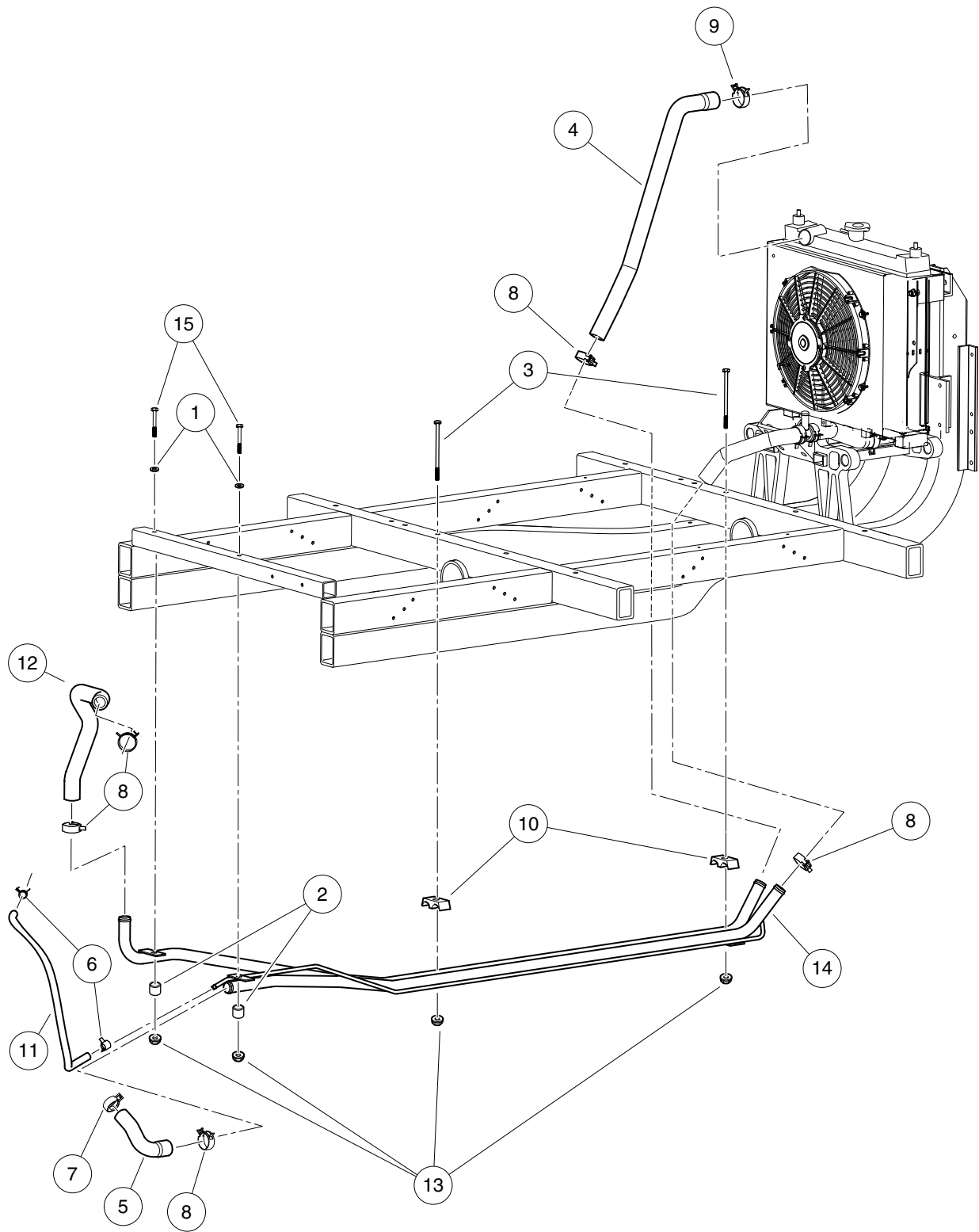
000079-004

COOLANT PIPES, CLAMPS, HOSES AND HARDWARE, 2-PASSENGER

ITEM	PART NO.	DESCRIPTION	QTY
		1 2 3 4	
1	<u>1011578</u>	Washer, 5/16 Type B Flat	2
2	<u>1015457</u>	Spacer, 0.720"	2
3	<u>102288901</u>	Bolt, Hex, M8x1.25 X 135	1
4	<u>102377501</u>	Hose, Coolant Upper Rad	1
5	<u>102377601</u>	Hose, Coolant Lower Eng	1
6	<u>102411204</u>	Clamp, Hose, CTB 15mm	2
7	<u>102411206</u>	Clamp, Hose, Ctb 30mm	1
8	<u>102411207</u>	Clamp, Hose, Ctb 35mm	5
9	<u>102411208</u>	Clamp, Hose, Ctb 38mm	1
10	<u>102427601</u>	Clamp, Bar	1
11	<u>102435001</u>	Hose, Vent Tube To Eng, Coolnt	1
12	<u>102480501</u>	Hose, Coolant, Return, Engine	1
13	<u>102618601</u>	Lock Nut, Flange, M8 X 1.25 Nylon	3
14	<u>102628701</u>	Coolant Pipe Assembly, 2-passenger	1
15	<u>103423701</u>	Bolt, M8 X 1.25 X 110	2

16

D



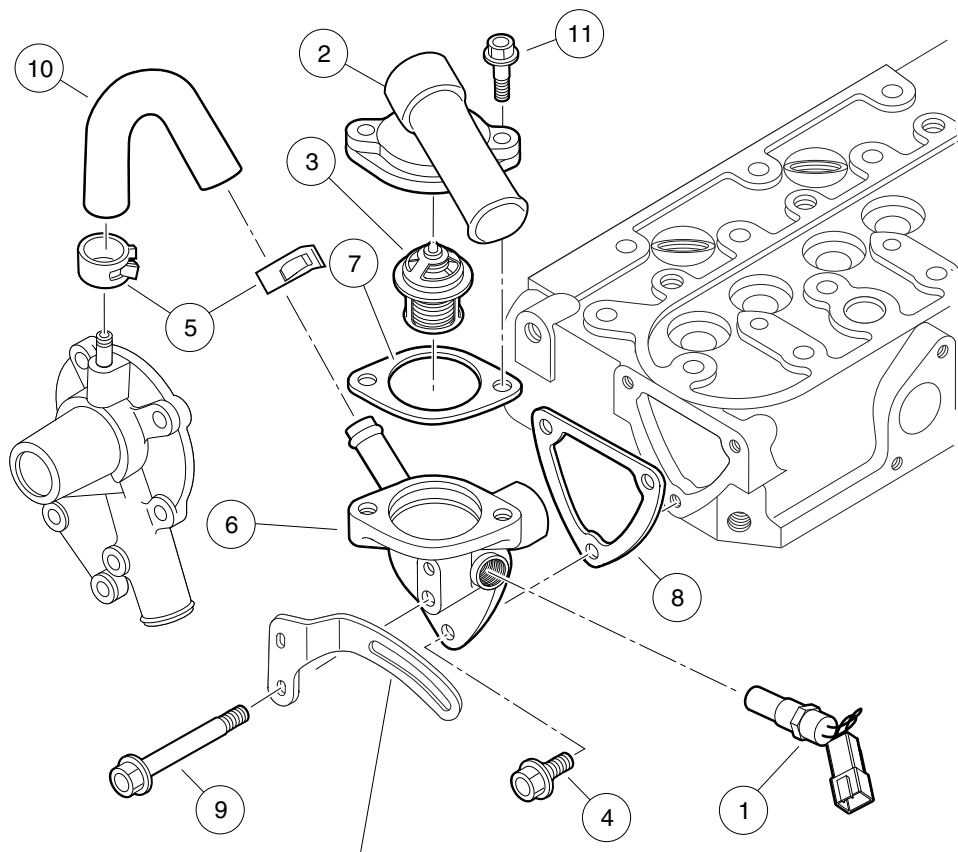
000079-005

COOLANT PIPES, CLAMPS, HOSES AND HARDWARE, 4-PASSENGER

ITEM	PART NO.	DESCRIPTION	QTY
		1 2 3 4	
1	<u>1011578</u>	Washer, 5/16 Type B Flat	2
2	<u>1015457</u>	Spacer, 0.720"	2
3	<u>102288901</u>	Bolt, Hex, M8x1.25 X 135	2
4	<u>102377501</u>	Hose, Coolant Upper Rad	1
5	<u>102377601</u>	Hose, Coolant Lower Eng	1
6	<u>102411204</u>	Clamp, Hose, CTB 15mm	2
7	<u>102411206</u>	Clamp, Hose, Ctb 30mm	1
8	<u>102411207</u>	Clamp, Hose, Ctb 35mm	5
9	<u>102411208</u>	Clamp, Hose, Ctb 38mm	1
10	<u>102427601</u>	Clamp, Bar	2
11	<u>102435001</u>	Hose, Vent Tube To Eng, Coolnt	1
12	<u>102480501</u>	Hose, Coolant, Return, Engine	1
13	<u>102618601</u>	Lock Nut, Flange, M8 X 1.25 Nylon	4
14	<u>102767601</u>	Coolant Pipe Assembly, 4-passenger	1
15	<u>103423701</u>	Bolt, M8 X 1.25 X 110	2

16

D



For bracket, see
Alternator pages
in the Diesel Engine
section

000059-002

WATER FLANGE AND THERMOSTAT

ITEM	PART NO.	DESCRIPTION	QTY
		1 2 3 4	
1	<u>102410001</u>	Sensor, Coolant Temp	1
2	<u>102631301</u>	Cover, Thermostat	1
3	<u>102631401</u>	Thermostat	1
4	<u>102631601</u>	Bolt, M6 X 1 X 20	2
5	<u>102633001</u>	Band, Pipe	2
6	<u>102633201</u>	Flange, Water	1
7	<u>102633401</u>	Gasket, Thermostat	1
8	<u>102654701</u>	Gasket, Water Flange	1
9	<u>102730901</u>	Bolt, Alt, D722, Stay Lower	1
10	<u>102731001</u>	Pipe, Water Return, D722	1
11	<u>102731101</u>	Bolt, D722, Thermostat Cover	2

16

D

16

D

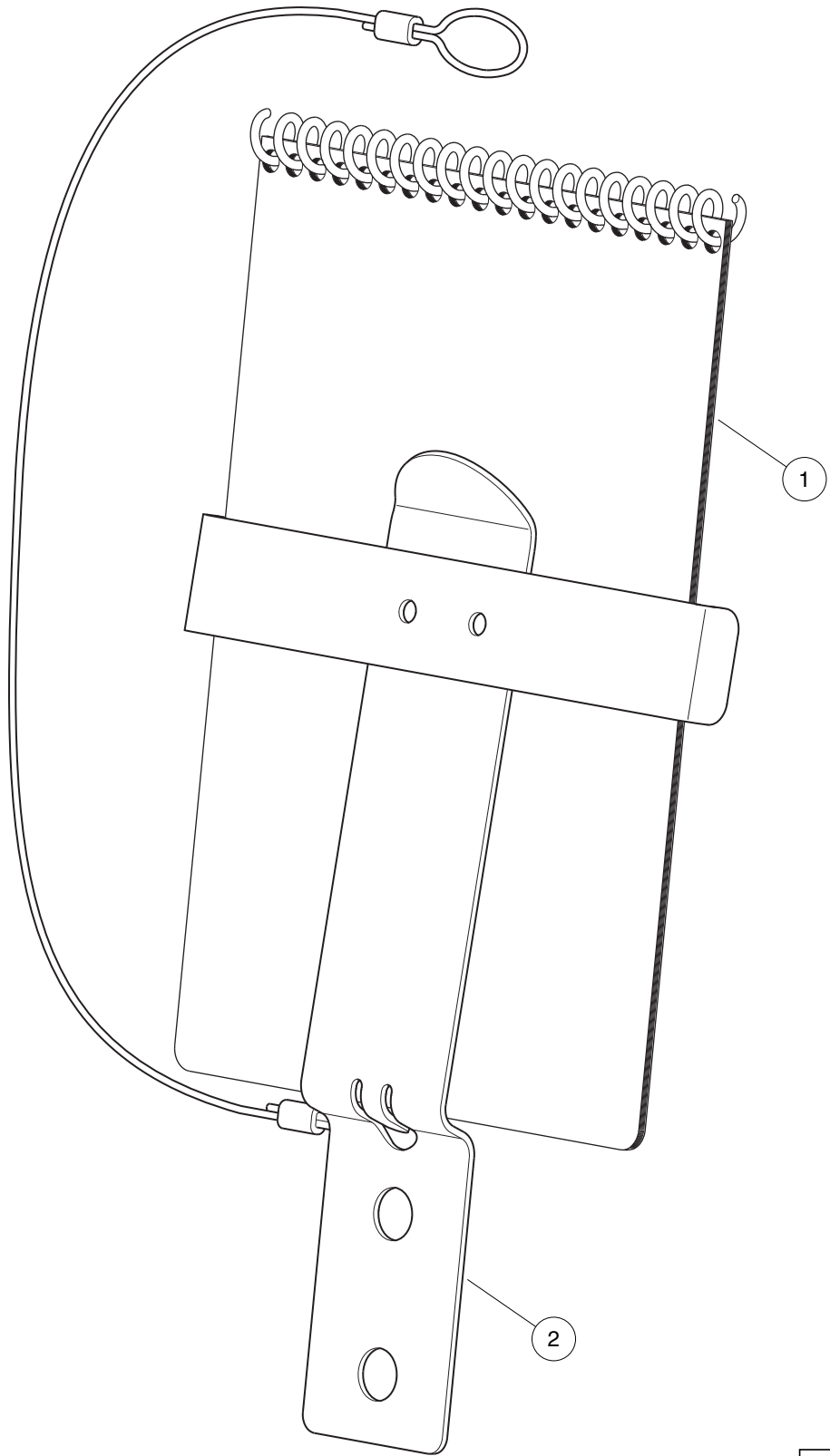
HYDRAULIC ATTACHMENT SYSTEM AND ACCESSORIES

17

D

17

D



000558-002

HANDBOOK

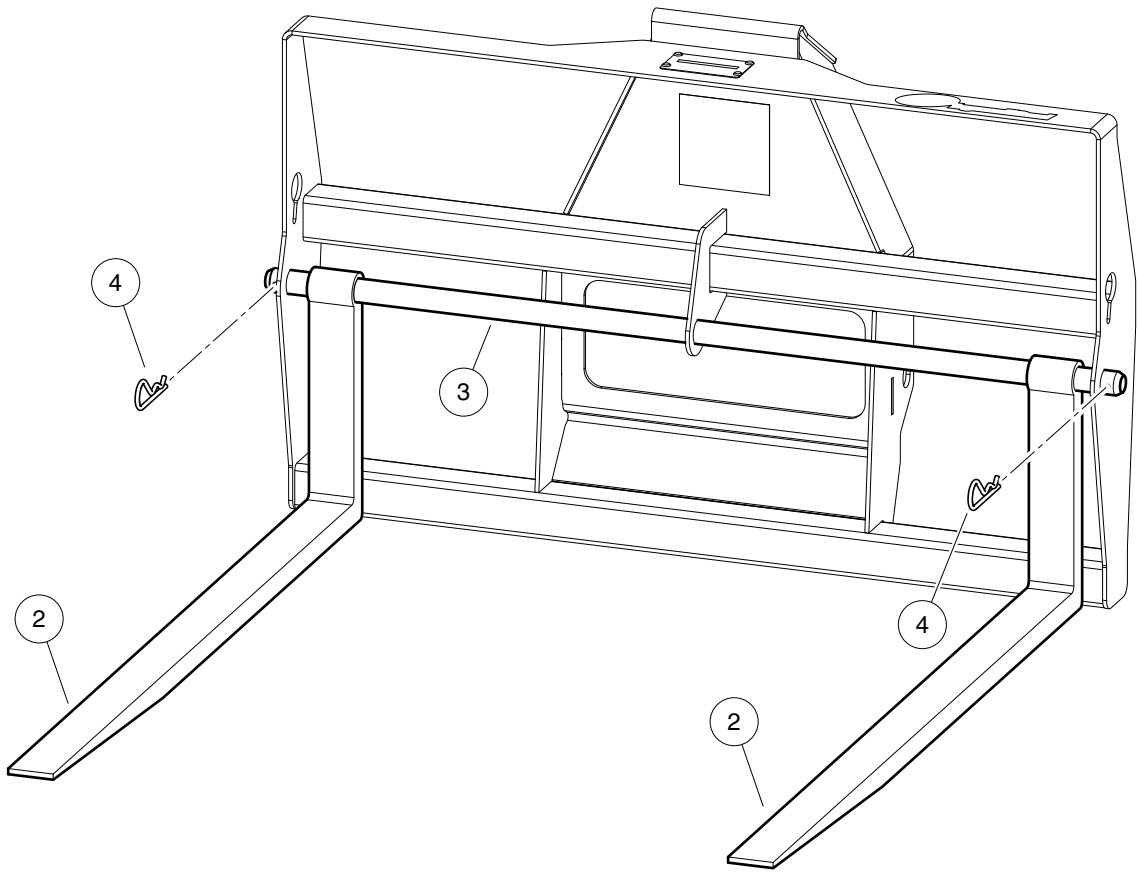
17

ITEM	PART NO.	DESCRIPTION	QTY
1	<u>103237501</u>	1 2 3 4 Handbook, Operator, Club Car	1
2	<u>103237701</u>	Weldment, Clip, Handbook	1

D

17

D



000555-001

ATTACHMENT – PALLET FORK

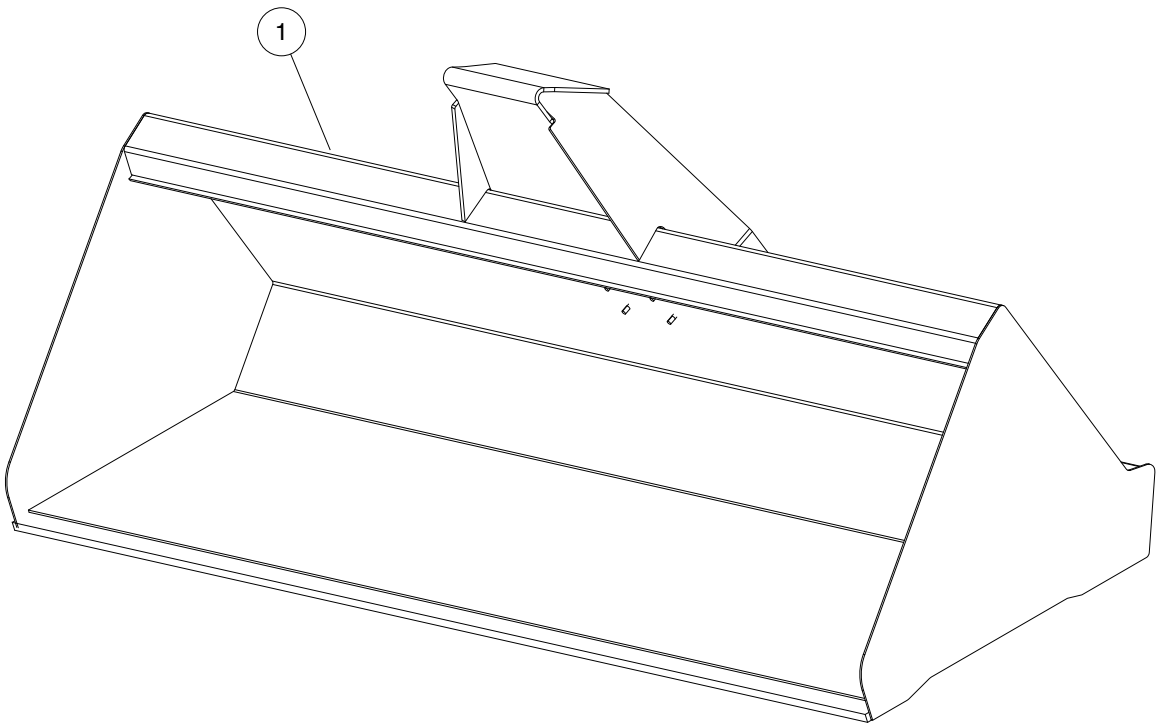
ITEM	PART NO.	DESCRIPTION	QTY
		1 2 3 4	
1	<u>102930001</u>	Attachment, Fork, Pallet (includes items 2 through 4)	1
2	<u>102927201</u>	Pallet Fork	2
3	<u>102927301</u>	Bar, Fork Mount	1
4	<u>102927401</u>	Pin, Hair	2

17

D

17

D



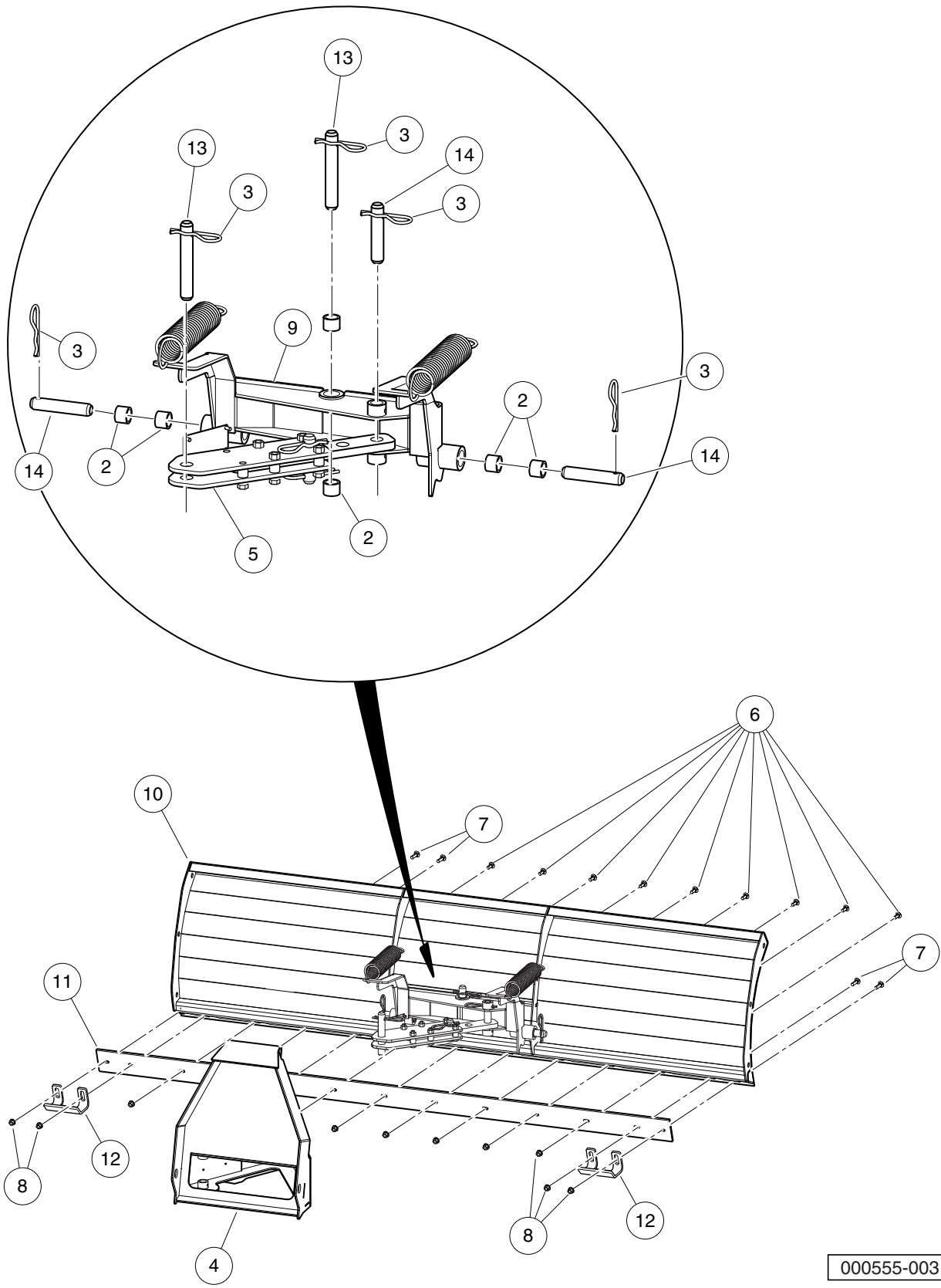
000555-002

ATTACHMENT – BUCKET

ITEM	PART NO.	DESCRIPTION	QTY
1	<u>102930101</u>	1 2 3 4 Attachment, Bucket	1

17

D



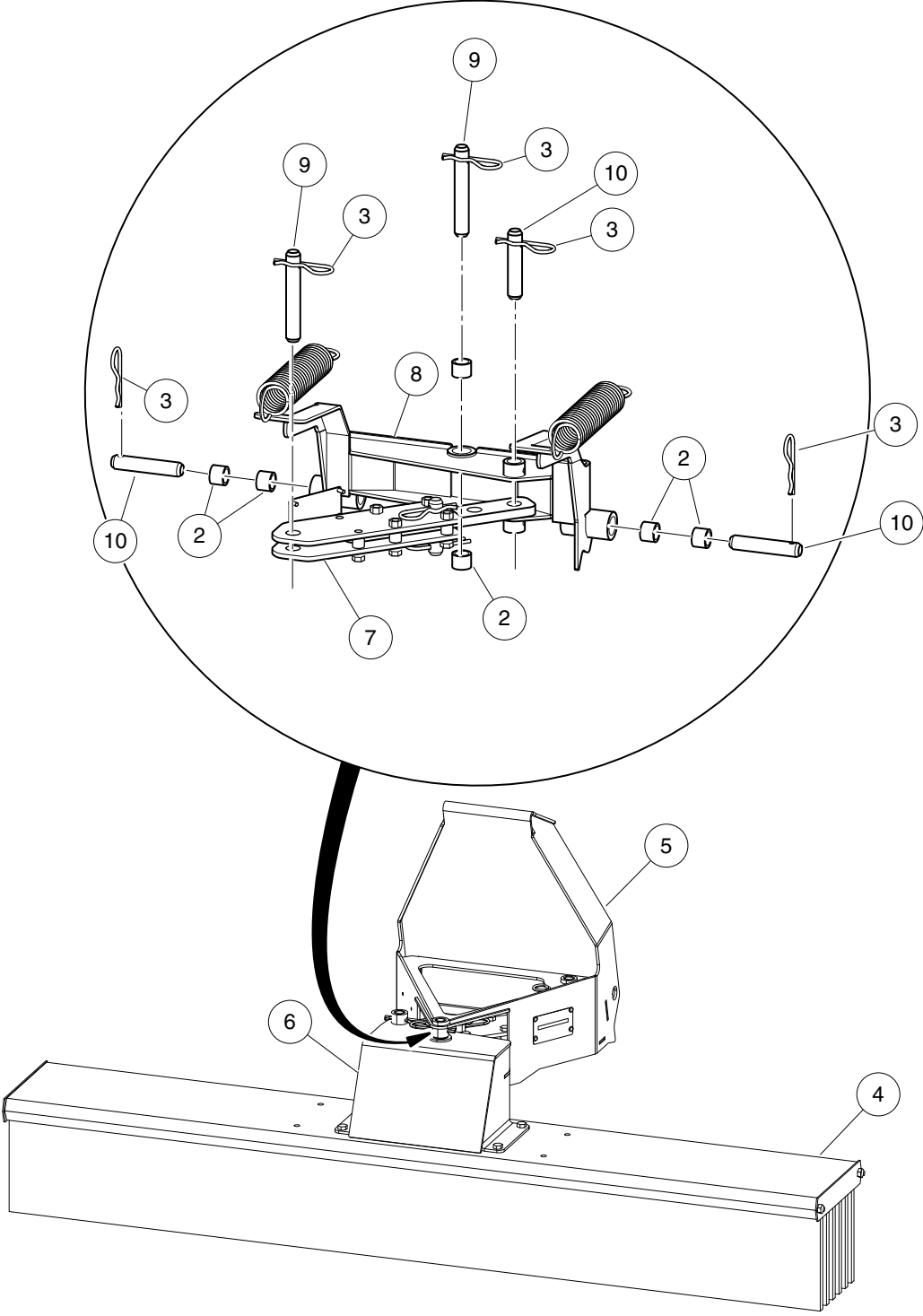
000555-003

ATTACHMENT – SNOW BLADE

ITEM	PART NO.	DESCRIPTION	QTY
		1 2 3 4	
1	<u>102930201</u>	Attachment, Blade, Snow (includes items 2 through 14)	1
2	<u>102926601</u>	Bearing, Fiber, -12	6
3	<u>102927401</u>	Pin, Hair	5
4	<u>102929601</u>	Weldment, Mount, Angle	1
5	N/A	Asm, Adjust, Manual	1
6	<u>103243001</u>	Bolt, Carriage	9
7	<u>103243101</u>	Bolt, Carriage	4
8	<u>103243201</u>	Nut, Pretrq, Hex Lock	13
9	<u>103243501</u>	Weldment, Head, Angle	1
10	<u>103243601</u>	Weldment, Blade, Snow	1
11	<u>103243701</u>	Edge, Cutting	1
12	<u>103243801</u>	Shoe, Skid	2
13	<u>103243901</u>	Pin, 5 In	2
14	<u>103244001</u>	Pin, 3.9 In	3

17

D



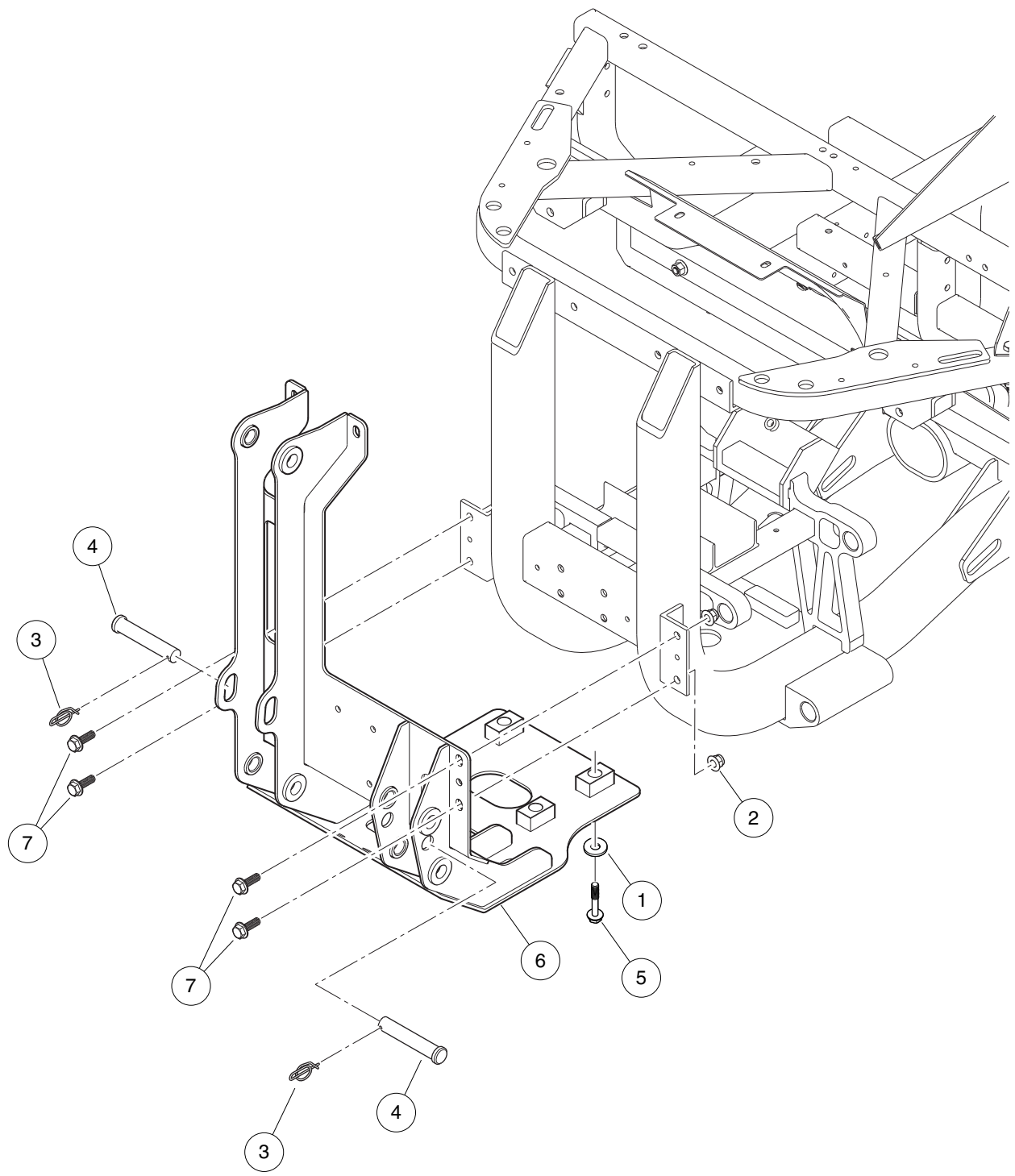
000555-004

ATTACHMENT – BROOM

ITEM	PART NO.	DESCRIPTION	QTY
		1 2 3 4	
1	<u>102930301</u>	Attachment, Broom, Push (includes items 2 through 10)	1
2	<u>102926601</u>	Bearing, Fiber, -12	6
3	<u>102927401</u>	Pin, Hair	5
4	<u>102929501</u>	Broom, Whisker, 60 In	1
5	<u>102929601</u>	Weldment, Mount, Angle	1
6	<u>102929701</u>	Wldmnt, Mount, Whisker	1
7	N/A	Asm, Adjust, Manual	1
8	<u>103243501</u>	Weldment, Head, Angle	1
9	<u>103243901</u>	Pin, 5 In	2
10	<u>103244001</u>	Pin, 3.9 In	3

17

D



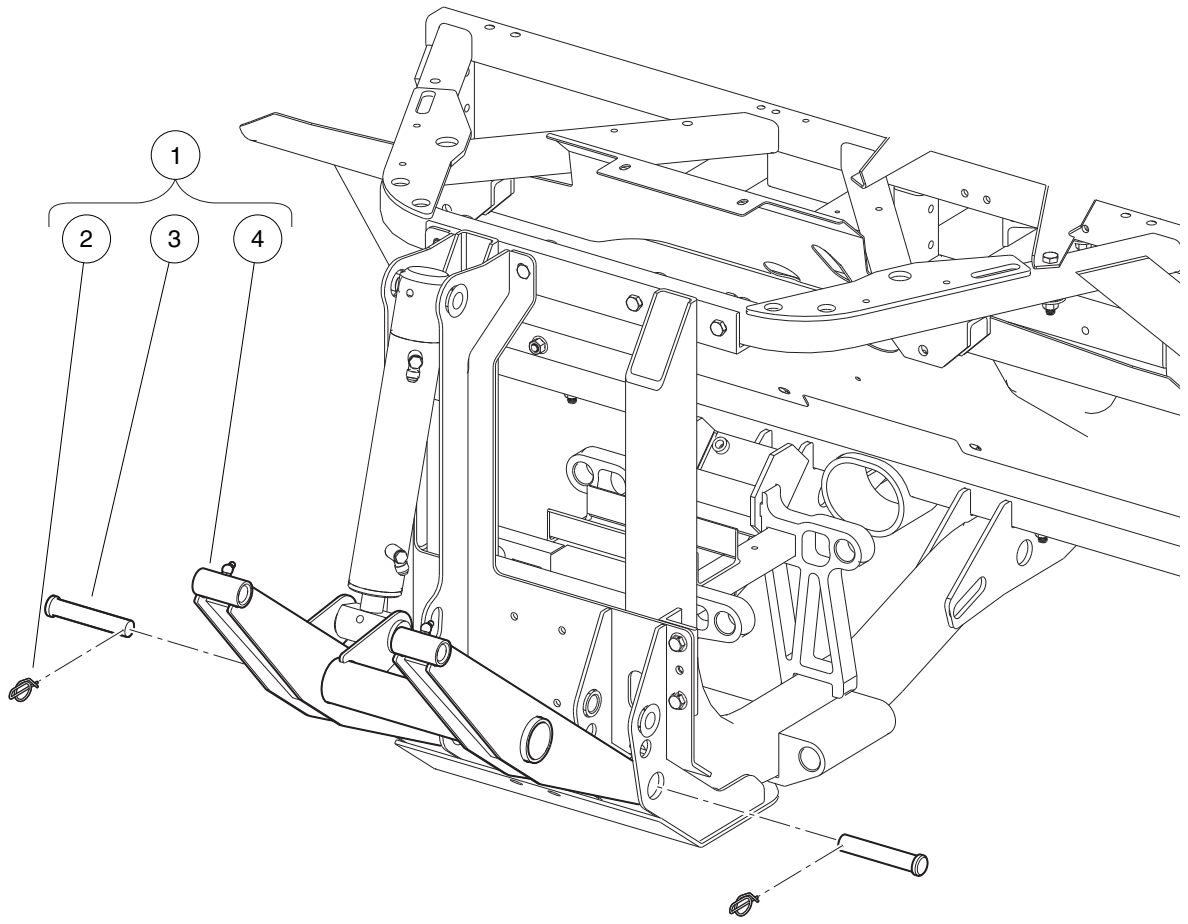
000552-002

ACCESSORY MOUNTING WELDMENT

ITEM	PART NO.	DESCRIPTION	QTY
		1 2 3 4	
1	<u>102491501</u>	Washer, Hard, M10	4
2	<u>102670701</u>	Nut, Flange, M10 X 1.5 Nylon	4
3	<u>102786101</u>	Ring, Rue, 3/4, Heavy	2
4	<u>102921601</u>	Pin, Clevis, 3/4 X 4	2
5	<u>102925201</u>	Bolt, Flg, M10x1.5x55, Patch	4
6	<u>103355401</u>	Weldment, Front Mount	1
7	<u>96727003</u>	Bolt Flg, M10 X 1.5 X 30	4

17

D



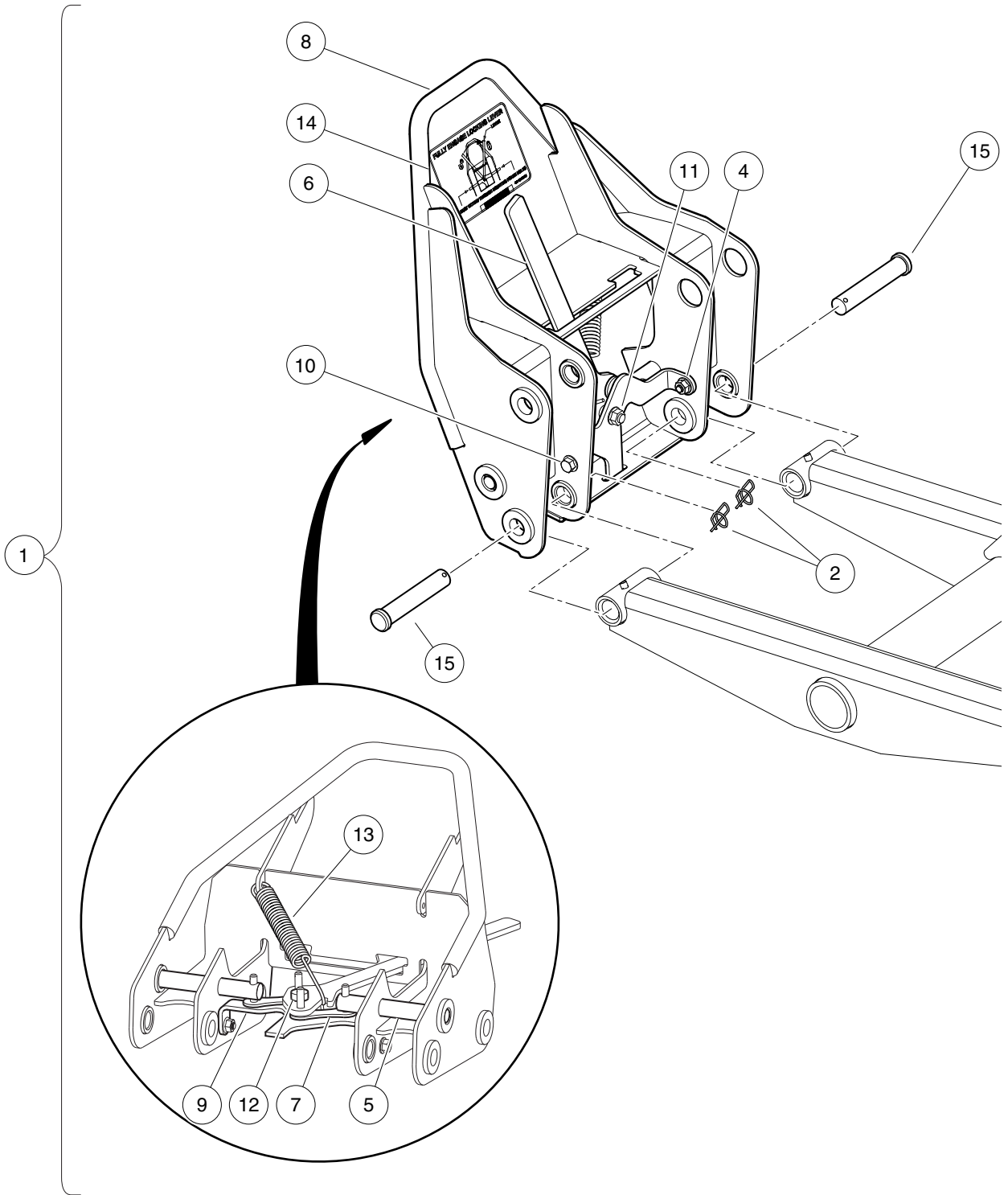
000786-001

ATTACHMENT ARM KIT

ITEM	PART NO.	DESCRIPTION	QTY
		1 2 3 4	
1	<u>102923201</u>	Kit, Arm, Attachment (includes items 2 through 4)	1
2	<u>102786101</u>	Ring, Rue, 3/4, Heavy	2
3	<u>102921601</u>	Pin, Clevis, 3/4 X 4	2
4	<u>102923401</u>	Asm, Arm, Attachment	1

17

D



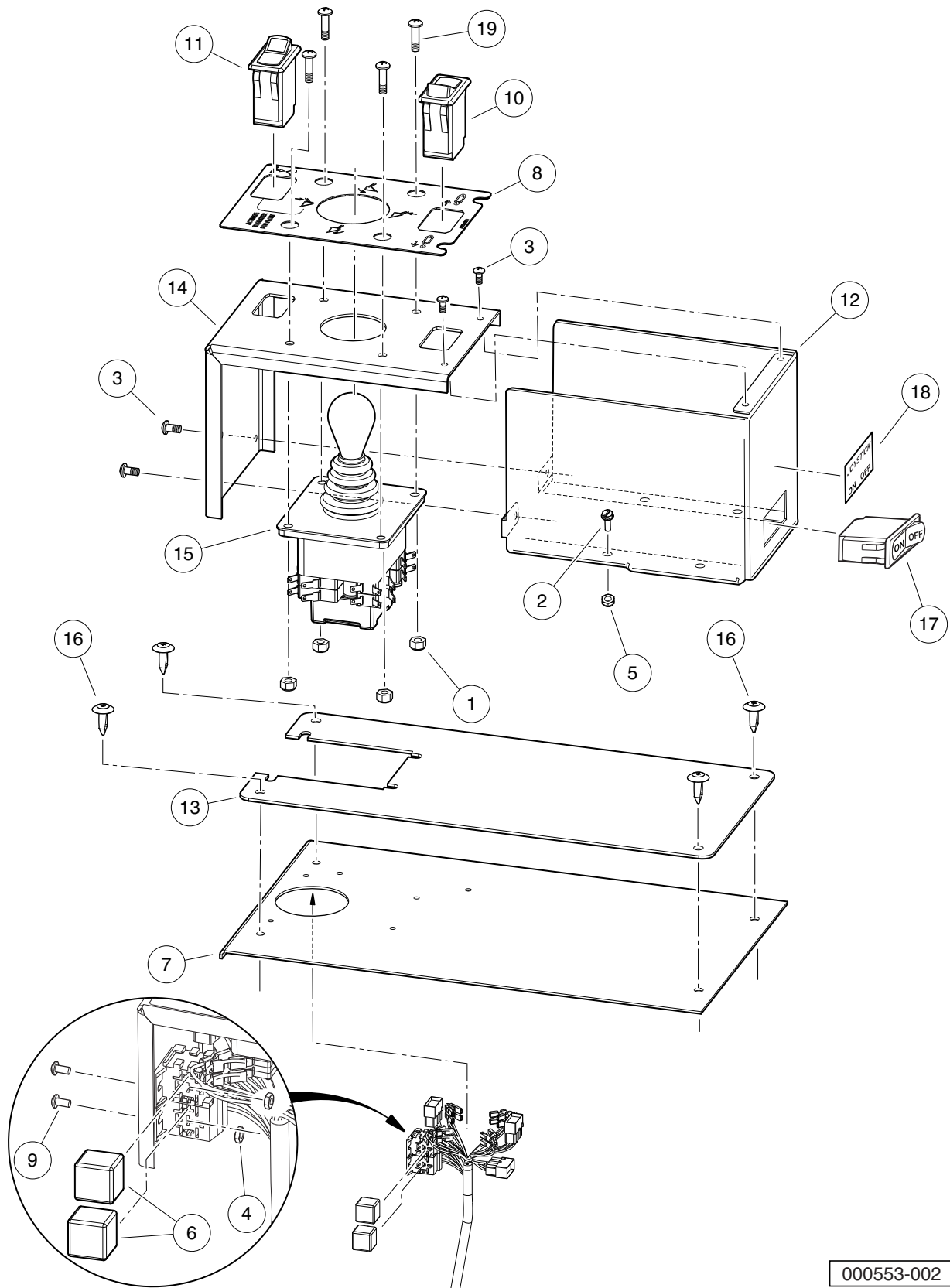
000787-002

ATTACHMENT INTERFACE

ITEM	PART NO.	DESCRIPTION	QTY
		1 2 3 4	
1	<u>102923301</u>	Kit, Interface, Attachment (includes items 2 through 15)	1
2	<u>102786101</u>	Ring, Rue, 3/4, Heavy	2
3	102789001	Asm, Interface, Attachment (includes items 4 through 14)	1
4	<u>102617001</u>	Nut Flg, M8 X 1.25 Mech Def	2
5	<u>102789101</u>	Pin, Latch	2
6	<u>102789201</u>	Lever, Release	1
7	<u>102789301</u>	Link, Chain 2080	2
8	N/A	Interface, Attachment	1
9	<u>102790001</u>	Brace, Cross	1
10	<u>102790801</u>	Bolt Flg, M8 X 1.25 X 20	2
11	<u>102790901</u>	Nut, Flg, 3/8-16 Gr8	1
12	<u>102791001</u>	Screw, Shoulder Hex Skt	1
13	<u>102791301</u>	Spring, Ext, Interface	1
14	N/A	Decal, Attachment Locking	1
15	<u>102921601</u>	Pin, Clevis, 3/4 X 4	2

17

D



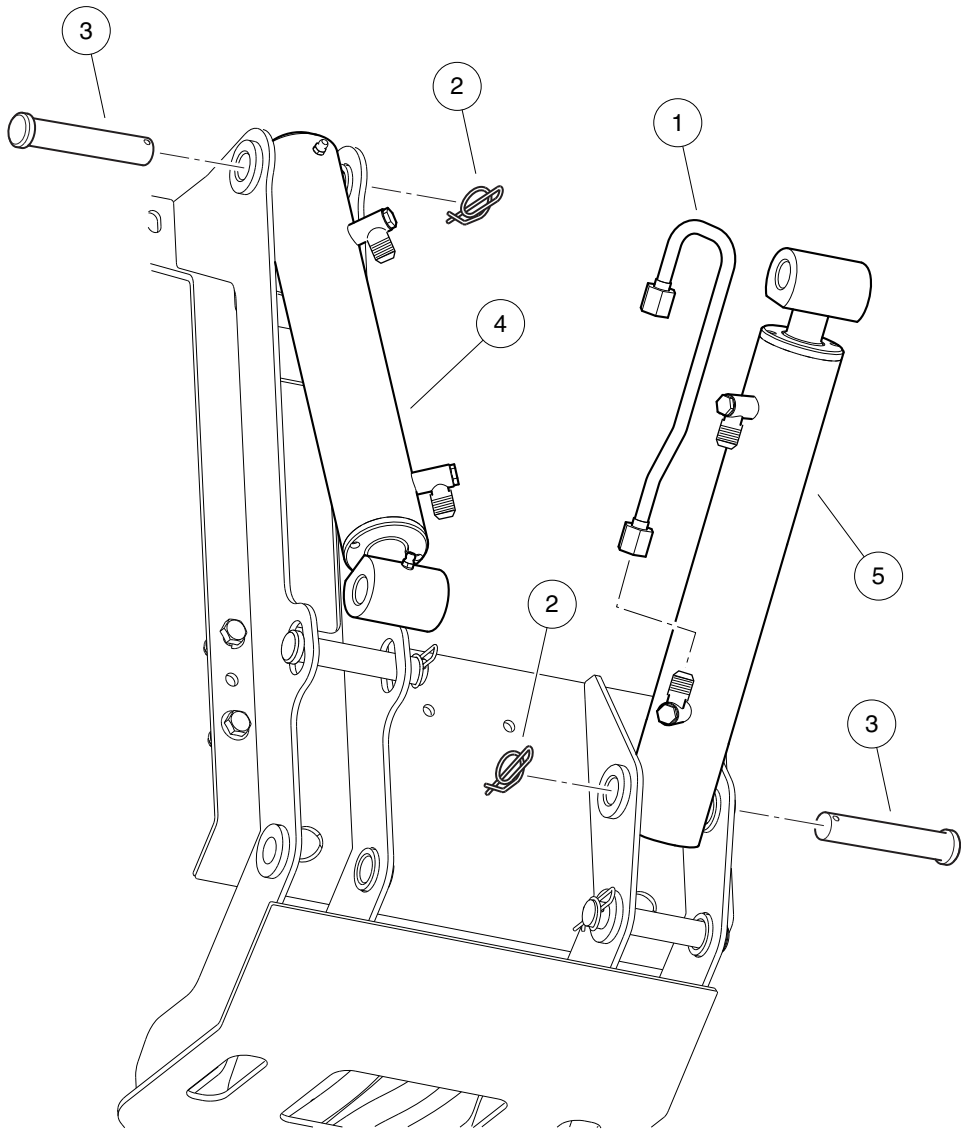
000553-002

HYDRAULIC CONTROLS

17

D

ITEM	PART NO.	DESCRIPTION	QTY
		1 2 3 4	
1	<u>1012438</u>	Locknut, #10-24 Nylon Insert	4
2	<u>1015720</u>	Screw, #6-32 X 1/2 Hex Washer-Head	4
3	<u>1016103</u>	Screw, Pan Hd Tx, Taptite 6-32	4
4	<u>1017</u>	Nut, #10-24 Stainless-Steel Hex Machine	2
5	<u>101932201</u>	Locknut, #6-32 Nylon	4
6	<u>102420201</u>	Relay, Mini ISO, SPDT	2
7	<u>102442001</u>	Pan, Center, Closeout	1
8	<u>102849801</u>	Decal, Controls, Bt	1
9	<u>102850501</u>	Screw, Phillips Pn Hd	2
10	<u>102854401</u>	Switch, Rocker, Sealed, DPDT Momentary	1
11	<u>102854501</u>	Switch, Rocker, Sealed, SPDT, Lighted	1
12	<u>102854601</u>	Base, Control Box, Joystick	1
13	<u>102854801</u>	Console, Center, Insulator	1
14	<u>102854901</u>	Cover, Control Box, Joystick	1
15	<u>102918501</u>	Joystick, 4 Way, W/ Boot	1
16	<u>102967901</u>	Rivet, Removable, Tuflok 1/4"	4
17	<u>103215201</u>	Switch, Rocker, Svr, On-off	1
18	<u>103319901</u>	Decal, Joystick, On Off	1
19	<u>1631</u>	Screw, #10-24 X 0.75 Phillips Pan-Head	4
20	<u>8990</u>	Tie Wrap, 8" Nylon	8
Note: Item 20, Tie Wrap, not shown.			



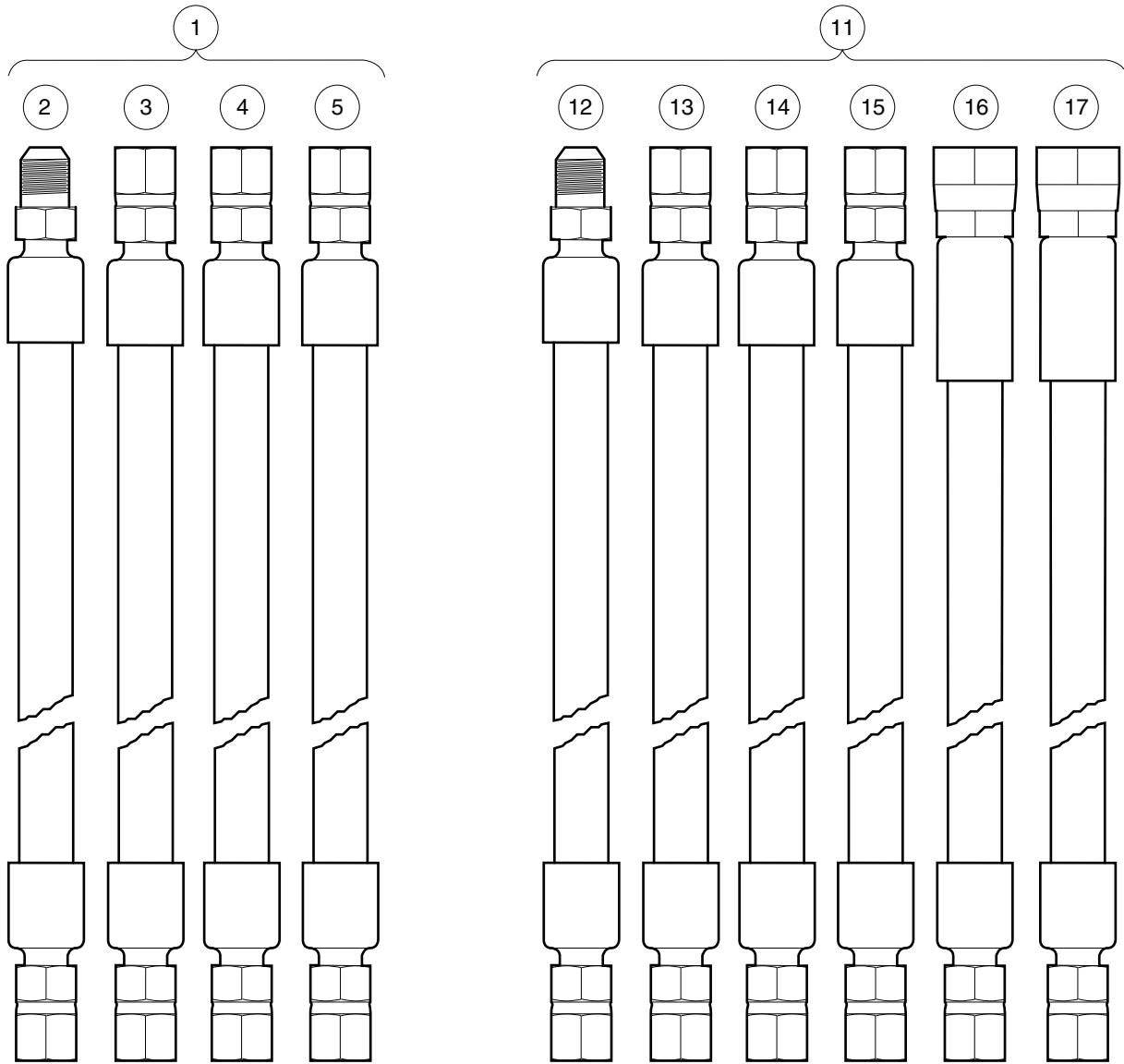
000990-001

HYDRAULIC CYLINDERS

ITEM	PART NO.	DESCRIPTION	QTY
		1 2 3 4	
1	<u>102784201</u>	Tube, Hydraulic -6 JIC 180 End	1
2	<u>102786101</u>	Ring, Rue, 3/4, Heavy	2
3	<u>102921601</u>	Pin, Clevis, 3/4 X 4	2
4	<u>102923001</u>	Cylinder, Hydraulic, Lift	1
5	<u>102923101</u>	Cylinder, Hydraulic, Tilt	1

17

D



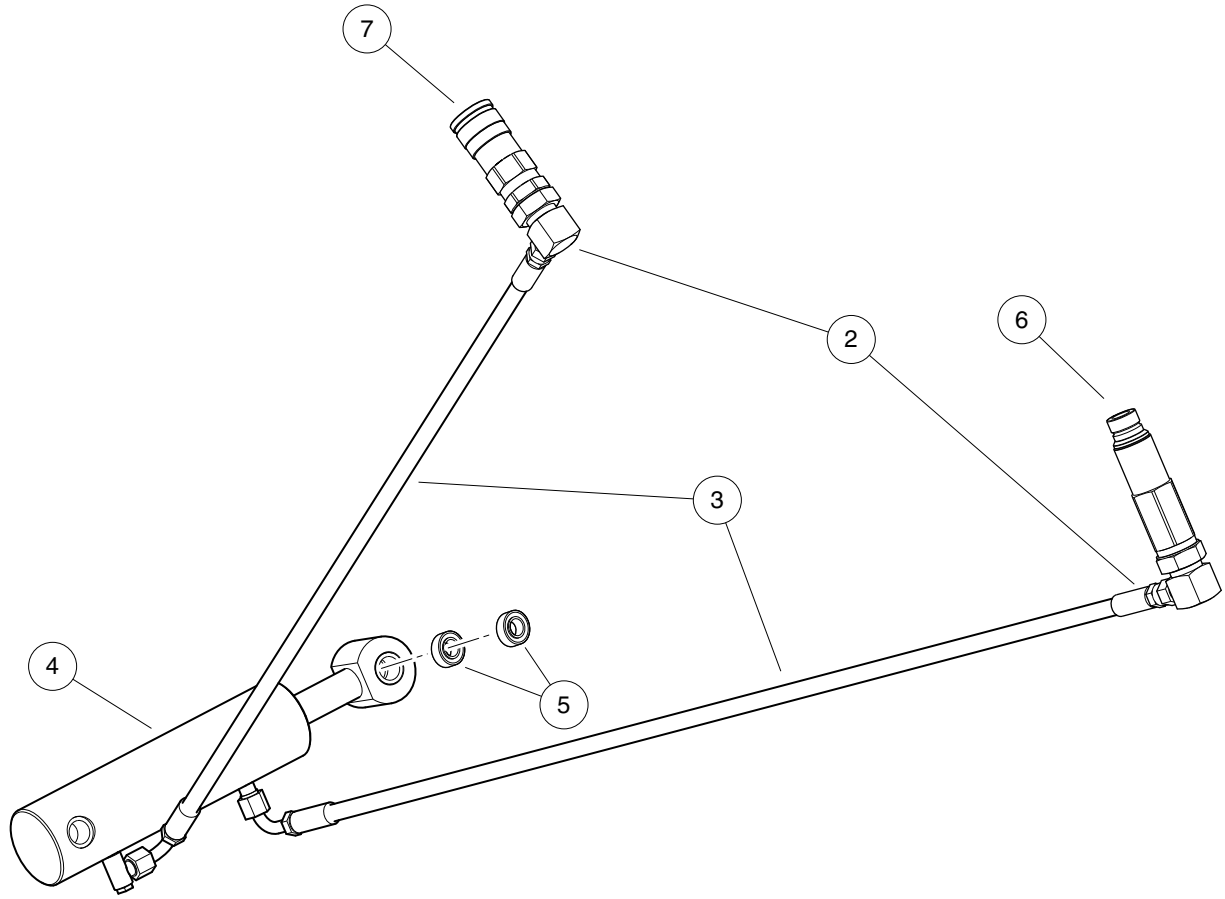
000991-001

HYDRAULIC HOSES

17

D

ITEM	PART NO.	DESCRIPTION	QTY
		1 2 3 4	
1	<u>102787601</u>	Asm, Hoses, Hydraulic (includes items 2 through 10)	1
2	<u>102784601</u>	Hose, Hydraulic, Pink Marking	1
3	<u>102784701</u>	Hose, Hydraulic, w/o Marking	1
4	<u>102784801</u>	Hose, Hydraulic, Green Marking	1
5	<u>102784901</u>	Hose, Hydraulic, Blue Marking	1
6	N/A	Mount, Cable Tie, 8mm Std Trq	1
7	N/A	Mount, Hd, Cable Tie, 8mm Bolt	1
8	<u>102787101</u>	Mount, Fir Tree, Cable Tie	1
9	N/A	Mount, Standoff, Dual Tie	1
10	<u>102787701</u>	Tie, Wide Strap	2
11	<u>102787602</u>	Asm, Hoses, Hydraulic W/aux (includes items 12 through 22)	1
12	<u>102784601</u>	Hose, Hydraulic, Pink Marking	1
13	<u>102784701</u>	Hose, Hydraulic, w/o Marking	1
14	<u>102784801</u>	Hose, Hydraulic, Green Marking	1
15	<u>102784901</u>	Hose, Hydraulic, Blue Marking	1
16	<u>102785001</u>	Hose, Hydraulic, Auxiliary, White Marking	1
17	<u>102785101</u>	Hose, Hydraulic, Auxiliary, Red Marking	1
18	N/A	Mount, Cable Tie, 8mm Std Trq	1
19	N/A	Mount, Hd, Cable Tie, 8mm Bolt	1
20	<u>102787101</u>	Mount, Fir Tree, Cable Tie	1
21	N/A	Mount, Standoff, Dual Tie	1
22	<u>102787701</u>	Tie, Wide Strap	2
<p>Note: Items 6 - 10 and items 18 - 22 not shown.</p>			



000556-001

HYDRAULIC ATTACHMENT ANGLE KIT

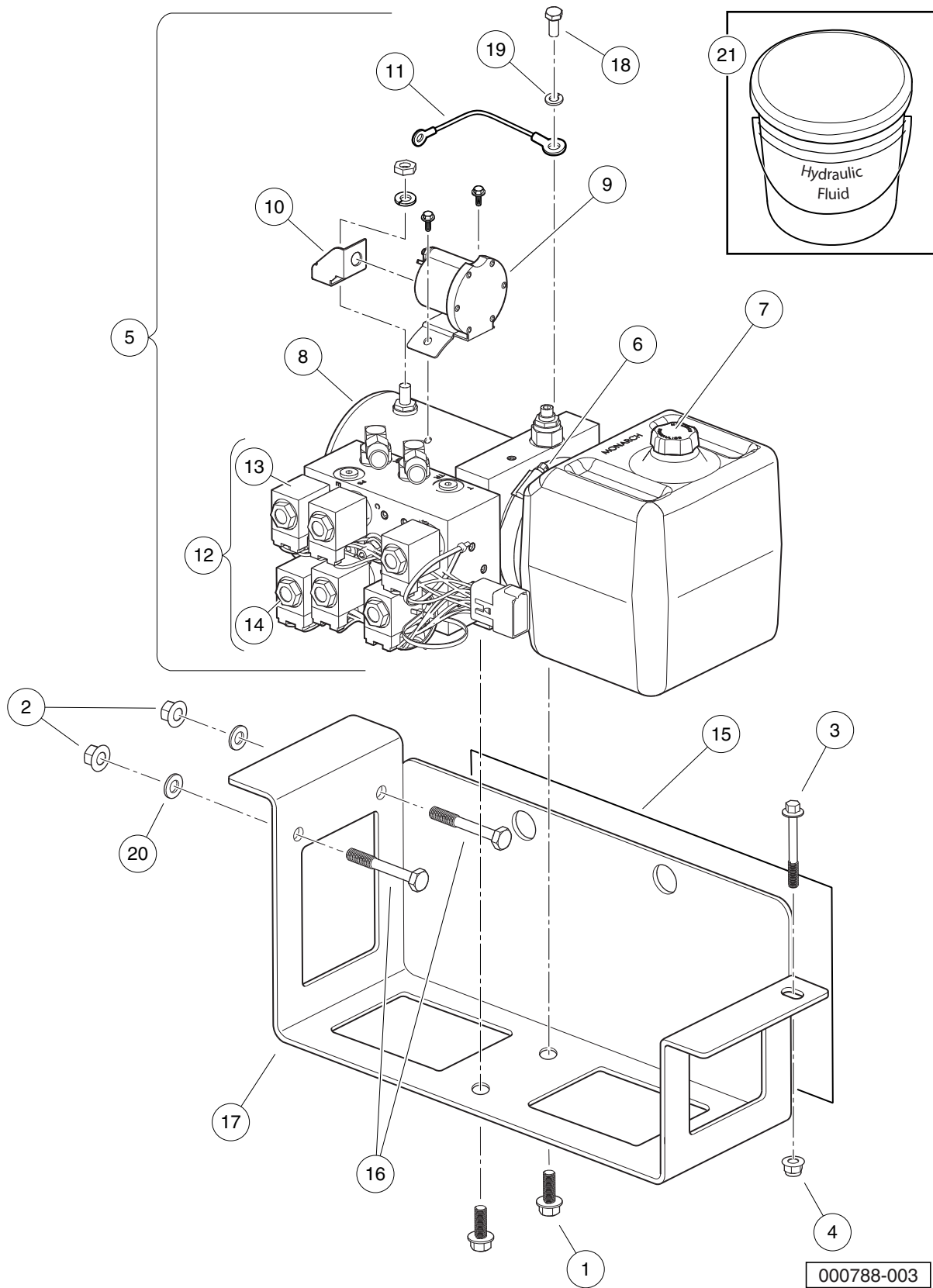
ITEM	PART NO.	DESCRIPTION	QTY
		1 2 3 4	
1	<u>102930501</u>	Kit, Angle, Hydraulic, Attachment (includes items 2 through 7)	1
2	<u>102926301</u>	Fitting, Elbow, 90, Hyd	2
3	<u>102926401</u>	Hose, Hydraulic, Angle kit	2
4	<u>102926501</u>	Cylinder, Hydraulic, Angle kit	1
5	<u>102926601</u>	Bearing, Fiber, -12	4
6	<u>102926701</u>	Coupler, Ff, Male, 1/2	1
7	<u>102926801</u>	Coupler, Ff, Fem, 1/2	1

17

D

17

D



HYDRAULIC POWER UNIT – STANDARD

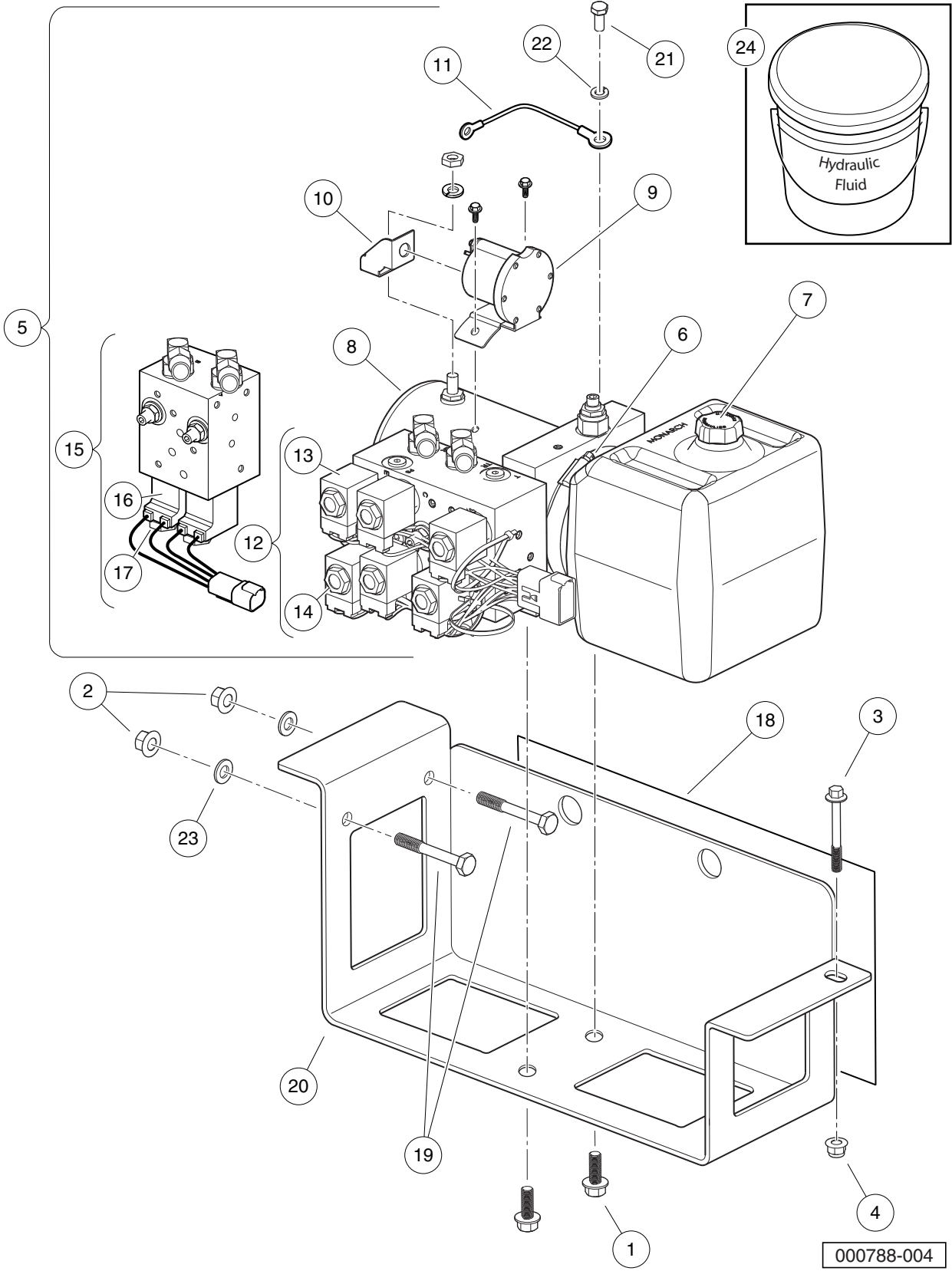
ITEM	PART NO.	DESCRIPTION	QTY
		1 2 3 4	
1	<u>102491001</u>	Bolt, Flanged Head, 3/8-16x1.0 with Loctite	2
2	<u>102617201</u>	Nut, Flanged, M10 X 1.5, Mechanically Deformed	2
3	<u>102618301</u>	Bolt, Flanged Head, M8 X 1.25 X 65	1
4	<u>102618601</u>	Lock Nut, Flange, M8 X 1.25 Nylon	1
5	<u>102784001</u>	Power Unit, Hydraulic, Std (includes items 6 through 12)	1
6	<u>102928001</u>	Clamp	1
7	<u>102928101</u>	Plug, Reservoir, Breather-Filler	1
8	<u>102928201</u>	Motor, Electric, DC, 12v, 4.5 In	1
9	<u>102928301</u>	Switch, Solenoid, 12vdc	1
10	<u>102928401</u>	Strap, Motor-Solenoid Connector	1
11	<u>102928501</u>	Assembly, Control Wire, 16 GA, Hs, Ring	1
12	<u>102928601</u>	Assembly, Control Valve, Std (includes items 13 and 14)	1
13	<u>102928901</u>	Coil, 10vdc, #8, 2lead, Diode	6
14	<u>1308</u>	Nut, 1/2-20 Hex	6
15	<u>102785501</u>	Barrier, Heat, Powerunit	1
16	<u>102859101</u>	Bolt, M10 X 1.50 X 70	2
17	<u>102921701</u>	Bracket, Mounting, Hydraulic Powerunit	1
18	<u>7173</u>	Screw, 5/16-18 X 0.75, Hex-Head Cap	1
19	<u>7174</u>	Lockwasher, 5/16 Split	1
20	<u>96741046</u>	Washer, M10, Hard	2
21	<u>AM1245401</u>	Fluid, Hydraulic, 5 Gallon	A/R

17

D

17

D

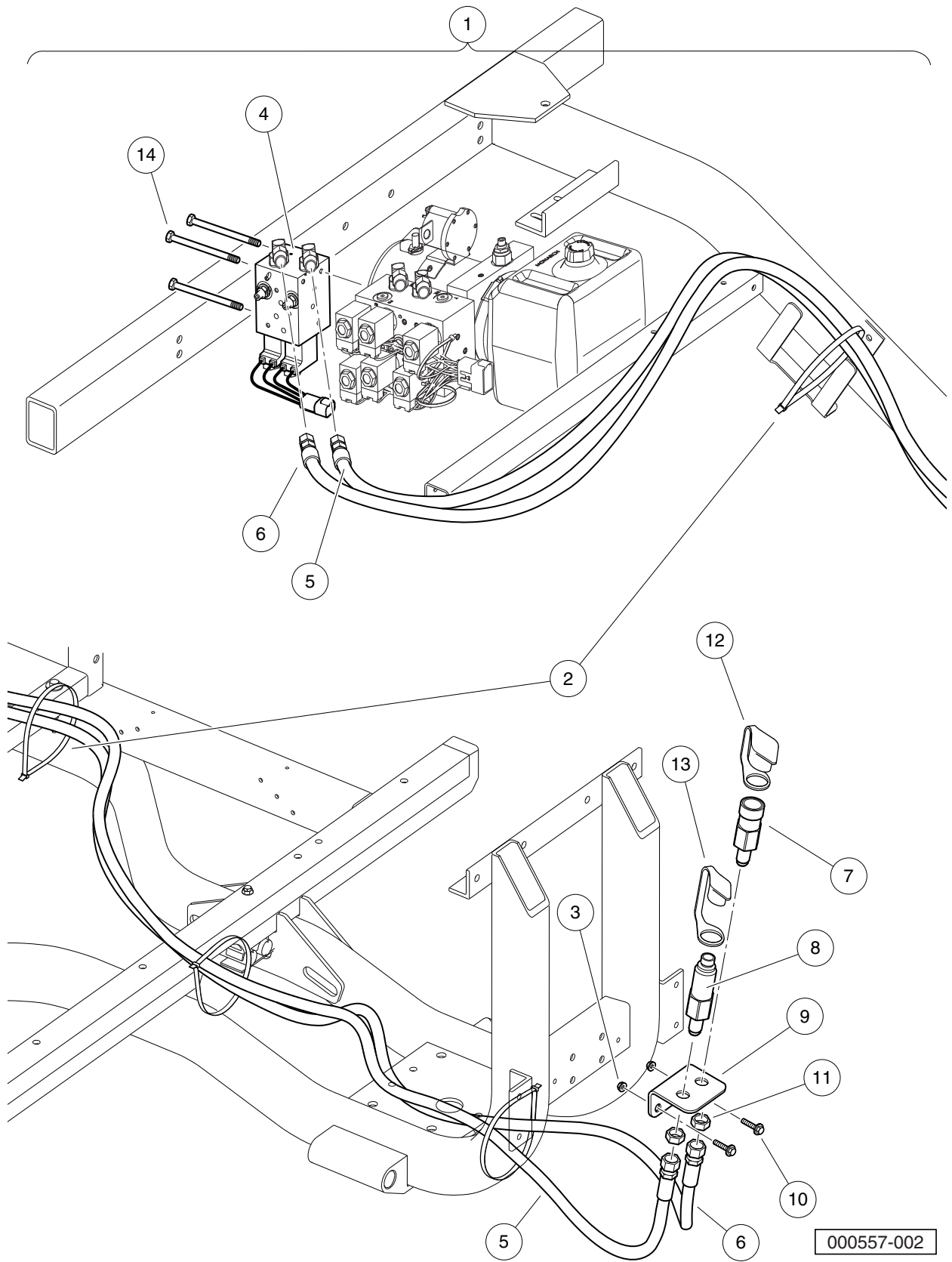


HYDRAULIC POWER UNIT – WITH AUXILIARY

ITEM	PART NO.	DESCRIPTION	QTY
		1 2 3 4	
1	<u>102491001</u>	Bolt, Flanged Head, 3/8-16x1.0 with Loctite	2
2	<u>102617201</u>	Nut, Flanged, M10 X 1.5, Mechanically Deformed	2
3	<u>102618301</u>	Bolt, Flanged Head, M8 X 1.25 X 65	1
4	<u>102618601</u>	Lock Nut, Flange, M8 X 1.25 Nylon	1
5	<u>102784002</u>	Power Unit, Hydraulic with Auxiliary (includes items 6 through 15)	1
6	<u>102928001</u>	Clamp	1
7	<u>102928101</u>	Plug, Reservoir, Breather-Filler	1
8	<u>102928201</u>	Motor, Electric, DC, 12v, 4.5 In	1
9	<u>102928301</u>	Switch, Solenoid, 12vdc	1
10	<u>102928401</u>	Strap, Motor-Solenoid Connector	1
11	<u>102928501</u>	Assembly, Control Wire, 16 GA, Hs, Ring	1
12	<u>102928601</u>	Assembly, Control Valve, Std (includes items 13 and 14)	1
13	<u>102928901</u>	Coil, 10vdc, #8, 2lead, Diode	6
14	<u>1308</u>	Nut, 1/2-20 Hex	6
15	<u>102928701</u>	Assembly, Control Valve, Auxiliary (includes items 16 and 17)	1
16	<u>102928901</u>	Coil, 10vdc, #8, 2lead, Diode	2
17	<u>1308</u>	Nut, 1/2-20 Hex	2
18	<u>102785501</u>	Barrier, Heat, Powerunit	1
19	<u>102859101</u>	Bolt, M10 X 1.50 X 70	2
20	<u>102921701</u>	Bracket, Mounting, Hydraulic Powerunit	1
21	<u>7173</u>	Screw, 5/16-18 X 0.75, Hex-Head Cap	1
22	<u>7174</u>	Lockwasher, 5/16 Split	1
23	<u>96741046</u>	Washer, M10, Hard	2
24	<u>AM1245401</u>	Fluid, Hydraulic, 5 Gallon	A/R

17

D



000557-002

STANDARD TO AUXILIARY HYDRAULIC CONVERSION KIT

ITEM	PART NO.	DESCRIPTION	QTY
		1 2 3 4	
1	<u>102785401</u>	Kit, Hydraulic, Aux (includes items 2 through 14)	1
2	<u>102025401</u>	Tie Wrap, Heavy Duty	8
3	<u>102741601</u>	Nut Flg M8 X 1.25 Gr 10	2
4	<u>102784003</u>	Power Unit, DC Hydraulic, Auxillary	1
5	<u>102785001</u>	Hose, Hydraulic, Auxiliary, White Marking	1
6	<u>102785101</u>	Hose, Hydraulic, Auxiliary, Red Marking	1
7	<u>102794801</u>	Coupling, Female Quick -6jic	1
8	<u>102794901</u>	Coupling, Male Quick -6jic	1
9	<u>102922601</u>	Bracket, Hydraulic, Auxiliary	1
10	<u>102922701</u>	Bolt, Flanged Head, M8x1.25x20 Lock Patch	2
11	<u>102923801</u>	Nut, Lock, Hyd Tube, 3/4-16	2
12	<u>102973501</u>	Cap, Quick Connect, Female	1
13	<u>102973601</u>	Cap, Quick Connect, Male	1
14	<u>103409001</u>	Screw, 1/4-20 X 3.5 Hex, Cap	3

17

D

17

D

MAINTENANCE AND SERVICE TOOLS

18

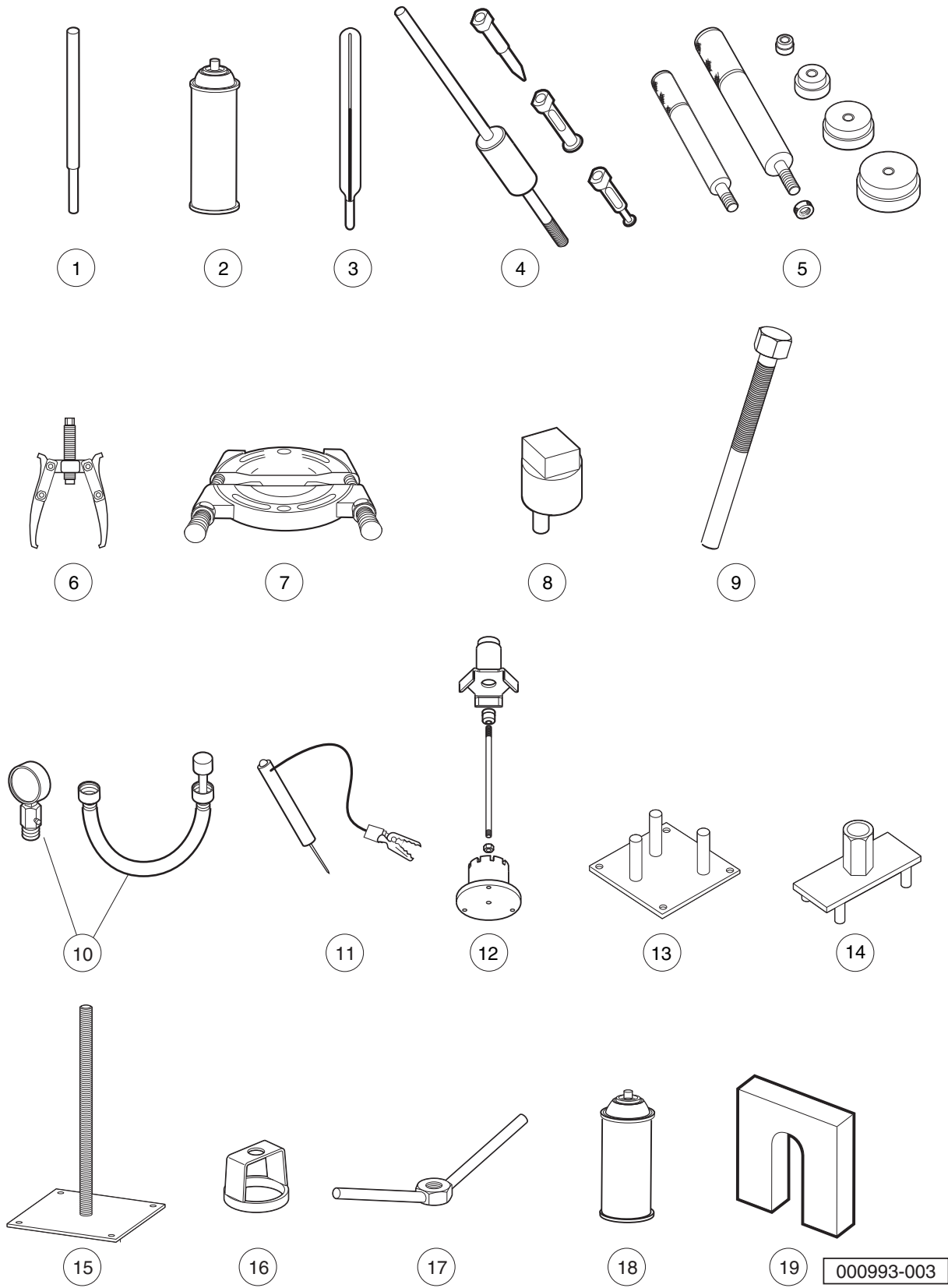
G

D

18

G

D



MAINTENANCE AND SERVICE TOOLS – 1500/1550/1700

ITEM	PART NO.	DESCRIPTION	QTY GAS	QTY DIESEL
		<p style="text-align: center;">1 2 3 4</p> <p>The following list includes all tools available from Club Car for maintenance and service procedures on all variants of the Carryall 1500/1700 and XRT 1550 utility vehicles equipped with either the Kawasaki FH680 or Kubota D722 engines, both past and present models. Be sure to carefully examine the tool list for applicability to your vehicle before ordering.</p>		
1	<u>101641202</u>	Arbor	1	1
2	<u>1014305</u>	Battery Terminal Protector Spray	1	1
3	<u>1011767</u>	Battery Thermometer	1	1
4	<u>1016417</u>	Bearing and Oil Seal Remover Assembly	1	1
5	<u>1016416</u>	Bearing Driver Set	1	1
6	<u>1012811</u>	Bearing Puller	1	1
7	<u>1012812</u>	Bearing Puller Wedge Attachment	1	1
8	<u>102447101</u>	Camber Adjustment Tool (for AWD vehicles)	1	1
9	<u>102686101</u>	Clutch Removal Tool (for AWD vehicles)	1	1
10	<u>101641002</u>	Compression Gauge and Adapter	1	
11	<u>1011273</u>	Continuity Tester	1	1
12	<u>103865301</u>	Drive Clutch Service Tool (for AWD vehicles with 3-weight drive clutch)	1	1
13	<u>102601501</u>	Drive ClutchFixed Sheave Tool (for AWD vehicles with 2-weight drive clutch)	1	1
14	<u>102607501</u>	Drive Clutch Spider Removal Tool (for AWD vehicles with 2-weight drive clutch)	1	1
15	<u>102603501</u>	Driven Clutch Spring Compression Base (for use with items 17 and 18) (for AWD vehicles)	1	1
16	<u>102605201</u>	Driven Clutch Spring Compression Collar (for use with items 16 and 18) (for AWD vehicles)	1	1
17	<u>102606101</u>	Driven Clutch Spring Compression Nut (for use with items 16 and 17) (for AWD vehicles)	1	1
18	<u>1012151</u>	Dry Moly Lubricant	1	1
19	<u>1016418</u>	Gear Yoke	1	1
		Please refer to the maintenance and service manual for proper tool application.		

18

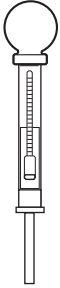
G

D

18

G

D



20



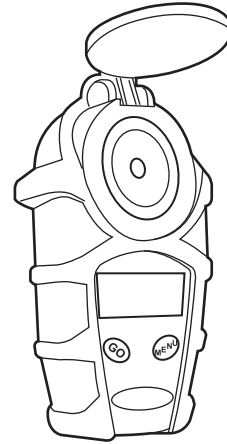
21



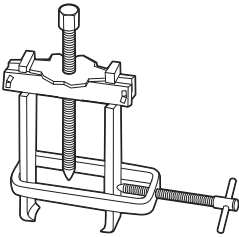
22



23



24



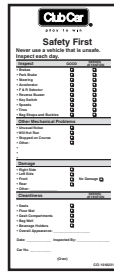
25



26



27



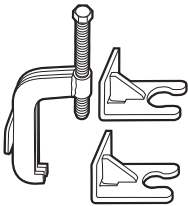
28



29



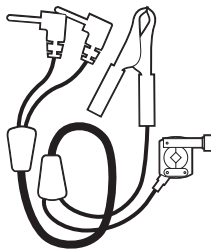
30



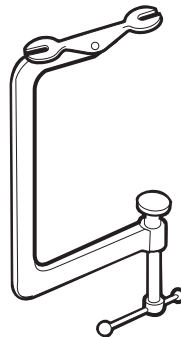
31



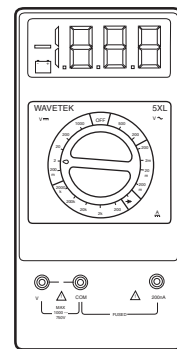
32



33



34



35

000993-004

MAINTENANCE AND SERVICE TOOLS – 1500/1550/1700 CONTINUED

ITEM	PART NO.	DESCRIPTION	QTY GAS	QTY DIESEL
		1 2 3 4		
20	<u>1011478</u>	Hydrometer	1	1
21	<u>1013593</u>	Internal Retaining Ring Pliers	1	1
22	<u>101928701</u>	Liquid Gasket (transaxle case)	1	1
23	<u>101997207</u>	Paint, Touch-Up ,Äi Black.....	1	1
23	<u>101997205</u>	Paint, Touch-Up ,Äi Dark Gray	1	1
23	<u>101997209</u>	Paint, Touch-Up ,Äi Dark Green.....	1	1
23	<u>101997204</u>	Paint, Touch-Up ,Äi Gray	1	1
23	<u>101997203</u>	Paint, Touch-Up ,Äi Red	1	1
24	<u>AM1285701</u>	Refractometer	1	1
25	<u>102668801</u>	Puller, Special Use (for AWD vehicles with Kubota D722 Diesel Engines)		1
26	<u>1012549</u>	Retaining Ring Pliers, 45→x External	1	1
27	<u>1012560</u>	Retaining Ring Pliers, 90→x Internal	1	1
28	<u>101823101</u>	Safety First Card (50 per pack)	1	1
29	<u>1012809</u>	Seal Puller	1	1
30	<u>102330901</u>	Spanner Wrench (for coil over shock front suspension vehicles only)	1	1
31	102061201	Steering Wheel Puller Tool	1	1
32	<u>AM10753</u>	Tachometer (includes gasoline engine pick up lead only)	1	1
33	<u>AM10771</u>	Tachometer Diesel Probe (for use with item 32)		1
34	<u>101641101</u>	Valve Spring Compressor	1	
35	1011480	Volt Ohm Meter	1	1
		Please refer to the maintenance and service manual for proper tool application.		

18

G

D

INDEX

Part Number and Page

AM10753	18-5	1010934	1-61, 6-15, 7-25	1015390	1-61
AM10771	18-5	1011273	18-3	1015391	1-7
AM11805	9-3	1011478	18-5	1015399	1-7, 1-61, 1-63
AM1210002	1-15	1011480	18-5	1015400	1-7, 1-61
AM1210801	1-15	1011553	3-5, 3-13, 3-21, 5-15	1015457	16-11, 16-13
AM1211003	1-15	1011578	1-17, 1-21, 1-23, 1-29, 1-31, 16-9, 16-11, 16-13	101547601	3-3, 3-11
AM1211401	1-15	1011652	1-33, 1-35, 1-37, 1-39	1015521	6-15, 7-25
AM1215701	1-15	1011697	1-33, 1-35	1015583	1-7
AM1215801	1-15	1011767	18-3	1015720	17-19
AM1216101	15-17	1011931	7-15	1015741	6-9, 7-23
AM1232301	8-7, 8-15, 8-17	1011964	1-53	101587703	9-49
AM1232401	8-7	1011990	1-61	101587709	10-9
AM1245401	17-27, 17-29	1012151	18-3	1016078	1-59
AM1291501	15-25	1012295	6-9, 7-23	101609401	3-5, 3-13, 3-21
AM1291601	15-25	1012303	1-7	1016103	17-19
183	10-5, 11-3	1012438	17-19	101641002	18-3
324	10-7, 11-5	1012549	18-5	101641101	18-5
332	1-37, 1-39, 1-61, 1-63, 6-15, 7-25, 11-5	1012560	18-5	101641202	18-3
334	1-59	1012604	1-43	1016416	18-3
357	1-9	1012649	10-7, 10-9, 11-5	1016417	18-3
403	1-7	1012769	9-5, 15-21	1016418	18-3
451	1-37, 1-39	1012809	18-5	1016423	7-15
808	1-17, 1-21, 1-23	1012811	18-3	101648201	8-11
1016	10-5, 11-3	1012812	18-3	1016513	10-3, 10-15
1017	17-19	1012830	1-37, 1-39	1016544	8-15
1032	1-61	1013035	5-5	1016603	1-9
1108	6-15, 7-25	1013042	5-5	1016630	6-13, 7-19, 7-21
1231	1-61	101313402	11-5	1016851	6-13, 7-19, 7-21
1241	6-15, 7-25	1013317	1-61	1016896	6-7, 6-13, 7-7, 7-19, 7-21
1308	17-27, 17-29	1013366	1-63	1016916	1-19
1620	6-7, 7-7	1013461	10-5, 11-3	1016967	1-19
1631	17-19	1013462	10-5, 11-3	1017162	1-9
7049	1-61	1013593	18-5	1017167	1-9
7173	17-27, 17-29	1013734	1-37, 1-39	1017774	1-9
7174	17-27, 17-29	1013746	9-49, 10-9	101802601	6-13, 7-19, 7-21
7310	2-3, 2-5	1014063	7-15	101804301	1-19
7473	1-7, 1-63, 6-15, 7-25	1014201	1-33, 1-35	101823101	18-5
7973	1-61	1014305	18-3	101824401	9-49, 11-5
8056	6-13, 7-19, 7-21, 10-17, 11-9	1014306	1-55, 1-57, 1-63	101833101	9-5
8057	6-7, 6-13, 7-7, 7-19, 7-21, 10-17, 11-9	1014321	1-61	101833201	9-5
8058	6-7, 6-13, 7-7, 7-19, 7-21	1014387	1-61	101835601	1-7, 1-59
8233	1-19, 1-61, 1-63, 10-7, 11-5	1014415	1-33, 1-35, 1-61, 1-63	101850301	5-3
8251	1-55, 1-57	1014471	1-7, 16-7	101856101	13-11, 14-11
8639	10-9	1014537	1-61, 1-63	101887601	1-37, 1-39, 4-7, 12-5
8717	7-15	1014557	1-43	101894304	1-63
8754	1-7, 1-9	1014727	6-7, 6-13, 7-7, 7-19, 7-21	101898001	6-15, 7-25
8755	1-7, 1-9	1014789	6-11, 7-11	101928701	18-5
8797	10-5, 11-3	1014808	6-13, 7-19, 7-21	101932201	17-19
8990	1-9, 5-5, 17-19	1015068	1-53	101958602	1-59
1010200	1-9	1015245	1-61	101963401	1-61, 1-63
1010434	1-33, 1-35, 1-61	1015246	1-61	101972003	18-5
1010435	1-7, 1-61, 1-63	1015258	1-7	101972004	18-5
1010436	1-63	1015277	1-59	101972005	18-5
101082903	4-5, 4-11	1015313	1-61	101972007	18-5
		1015363	1-61	101972009	18-5
				101987901	6-3, 6-5, 7-3, 7-5

INDEX

101988101	6-3, 7-3	102301401	1-59	102430401	11-5
101988201	6-3, 7-3	102323101	1-59	102434701	9-3
102003201	8-7, 10-7	102323501	1-19	102435001	16-11, 16-13
102022601	5-5	102324401	1-45	102436701	16-7
102022901	5-5, 5-7, 5-9	102330901	18-5	102437001	5-7
102023703	1-37, 1-39	102343601	1-53	102438501	15-3
102025401	17-31	102361901	5-7, 5-9	102438601	15-9
102025701	1-37, 1-39	102370101	9-5	102438701	15-3
102030101	1-61	102370501	8-9, 9-5	102438801	15-3
102030201	1-61	102370601	8-9, 9-5	102438901	15-3
102044702	6-13	102371401	8-13	102439001	15-3
102044801	6-13	102374901	13-3, 14-3	102439101	15-3
102045001	1-19	102375401	7-19, 7-21	102439201	15-3
102047001	1-37, 1-39	102376001	15-19	102439801	15-3
102048401	1-19	102377501	16-11, 16-13	102440101	15-3
102051601	6-13, 7-19, 7-21	102377601	16-11, 16-13	102440201	15-11
102051701	6-13, 7-19, 7-21	102377801	16-7	102440301	15-3
102059001	1-37, 1-39	102377901	16-7	102440501	15-3
102059401	1-37, 1-39	102379001	11-7	102440601	15-11
102061101	1-37, 1-39	102380301	16-7	102442001	17-19
102061201	18-5	102381701	15-23	102442002	1-37, 1-39
102065901	1-7	102382401	9-5, 15-21	102442901	4-9
102066001	1-9	102385601	14-5	102443601	8-13
102171503	1-7	102406701	10-5, 11-3	102445201	10-17, 11-9
102176901	4-5	102406801	11-3	102447101	18-3
102198001	6-13, 7-19, 7-21	102408401	5-7, 5-15	102447601	1-45
102221301	1-63	102409301	12-3	102447901	6-9, 7-23
102221401	1-63	102409501	12-5	102448001	6-9, 7-23
102221501	1-63	102410001	16-15	102448501	7-25, 8-13
102221701	1-63	102410301	16-7	102449101	15-35
102221801	1-63	102410603	9-5	102456001	1-37, 1-39
102222001	1-63	102410604	10-7	102457001	10-19
102222101	1-63	102411203	11-5	102457501	8-13
102222201	1-63	102411204	16-9, 16-11, 16-13	102458901	1-37, 1-39, 3-3, 3-11, 3-19
102231601	3-3, 3-11	102411205	16-9	102459001	3-3, 3-11, 3-19
102239901	1-63	102411206	16-11, 16-13	102459101	3-3, 3-11, 3-19
102274101	5-9, 15-23	102411207	16-7, 16-11, 16-13	102459201	3-3, 3-11, 3-19
102276001	15-35	102411208	16-7, 16-11, 16-13	102459301	3-5, 3-13, 3-21
102288901	16-11, 16-13	102411209	11-7	102459401	3-5, 3-13, 3-21
102289001	1-13, 1-17, 1-19, 1-21, 1-23, 8-13, 16-7	102411210	10-11, 11-7, 13-9, 13-11, 14-9, 14-11	102459501	3-3, 3-11, 3-19
102290120	5-3	102411301	16-7	102460201	3-5, 3-11, 3-13, 3-19, 3-21
102292356	1-17, 1-21, 1-23	102414501	13-11, 14-11	102461401	10-17, 11-9
102292701	1-17, 1-21, 1-23	102414801	9-5	102462301	9-5
102292801	1-17, 1-21, 1-23, 4-11	102418101	1-59	102462401	15-23
102296140	4-7	102420201	6-9, 7-23, 17-19	102462501	9-5
102296401	10-17, 11-9	102420301	6-9, 7-23	102462504	8-9
102296601	8-9	102420401	6-9, 7-23	102463101	15-37
102296716	4-7, 13-9, 13-11, 14-9, 14-11	102420501	6-9, 7-23	102463501	15-35
102296920	8-9	102422301	12-3	102463601	15-35
102297230	1-17, 1-19, 1-21, 1-23	102423201	11-11	102463801	15-37
102298130	1-37, 1-39, 5-3	102423201	11-11	102463901	15-35, 15-37
102298401	1-37, 1-39, 4-5, 4-9, 4-11, 5-3, 8-13, 9-5, 12-3, 15-19, 15-33	102426301	10-7, 11-5	102464001	15-37
102298580	1-19	102426601	1-9, 1-59	102464101	15-37
102298720	1-19, 12-5, 16-9	102426901	1-7	102464201	15-37
		102427501	3-3, 3-11, 3-19, 16-9	102464301	5-9, 15-37
		102427601	16-11, 16-13	102464401	15-37

INDEX

102464501	15-37	102602701	9-13	17-29	
102465701	1-9	102603501	18-3	102620301	1-43
102465901	9-5	102603701	9-31	102620501	5-7, 5-11, 5-13
102473501	1-37, 1-39	102603901	9-31	102621201	10-11, 11-7, 11-11, 12-5
102473601	1-37, 1-39	102604101	9-31	102621301	8-13, 9-5, 12-3
102473701	1-37	102604201	9-9, 9-29, 9-31	102621501	9-5, 10-9, 15-21
102474301	4-7	102604301	9-31	102628001	13-11, 14-11
102475701	10-19, 11-11, 15-21	102604401	9-23, 9-31	102628101	12-3
102475901	1-37, 1-39	102604701	9-31	102628301	13-9, 14-9
102478501	11-3	102604801	9-31	102628701	16-11
102479301	10-17, 11-9	102605001	9-29	102629001	1-9, 4-11
102480501	16-11, 16-13	102605201	18-3	102630101	9-23
102481001	13-11, 14-11	102605301	9-29	102630201	9-23
102481201	13-11, 14-11	102605401	9-29	102630301	9-23
102481301	13-11, 14-11	102605701	9-45	102630401	9-23
102488001	4-3, 4-13	102605901	9-29	102630601	9-37, 9-39
102490101	1-51, 4-11, 9-5	102606001	9-29	102630701	9-25
102490201	9-5	102606101	18-3	102630901	9-25
102490301	11-11, 16-7	102606201	9-19	102631001	9-25
102490501	9-5	102606301	9-19	102631301	16-15
102490801	5-9	102606401	9-19	102631401	16-15
102491001	8-9, 15-23, 17-27, 17-29	102606501	9-19	102631601	9-7, 9-37, 9-39, 16-15
102491101	15-23	102606601	9-19	102631701	16-5
102491301	1-19, 1-47	102606701	9-17	102631801	16-5
102491501	1-19, 1-47, 1-49, 17-13	102607001	9-9	102632001	16-5
102491601	4-3, 4-13	102607301	9-9	102632101	16-5
102491701	1-25, 1-27, 1-55, 1-57	102607501	18-3	102632201	16-5
102492201	6-9, 7-23	102607801	9-25	102632701	16-3
102492301	7-23	102607901	9-25	102633001	16-15
102493301	4-13	102608001	9-23	102633201	16-15
102493801	1-59	102608301	9-21	102633301	9-15
102494401	9-5	102608701	9-21, 16-3	102633401	16-15
102494701	11-3	102608801	9-21	102633601	9-47
102495701	7-19	102608802	9-21	102633701	9-43
102498201	7-25, 9-5	102608804	9-21	102633801	9-43
102498601	8-7, 9-3, 10-11, 11-7	102608805	9-21	102633901	9-43
102499001	6-13, 7-19, 7-21	102608901	9-21	102634001	9-43
102522001	10-5, 11-3	102609301	9-21	102634101	9-43
102535101	6-5, 7-5	102609401	9-21	102634401	9-43
102541465	10-9	102610001	9-23	102634501	9-43
102600101	9-7	102614101	1-7, 1-9	102634601	9-43
102600201	9-7	102614401	1-63	102634701	9-43
102600401	9-7	102616003	13-11, 14-11	102635101	9-47
102600601	9-7	102616101	13-11, 14-11	102635301	9-33, 9-45
102600701	9-7	102616301	5-7, 5-11, 5-13	102635501	9-33
102600801	9-7, 9-11	102616701	15-19	102635701	9-33
102601001	9-7, 9-13	102617001	17-17	102635801	9-33
102601101	9-37	102617201	1-19, 1-47, 1-49, 17-27, 17-29	102635901	9-33
102601301	9-7	102617501	5-9, 15-23	102636101	9-47
102601501	18-3	102617701	5-9	102636301	9-47
102601901	9-13	102617801	5-9, 15-23	102636401	9-47
102602001	9-13	102618101	4-9	102636601	9-47
102602101	9-13	102618301	1-59, 4-9, 4-11, 15-19, 17-27, 17-29	102637001	9-33
102602301	9-13	102618401	4-5	102637101	9-33
102602401	9-13	102618601	1-9, 1-11, 1-19, 1-29, 1-31, 1-59, 8-13, 9-5, 10-7, 11-5, 16-11, 16-13, 17-27,	102637501	9-41
102602601	9-13			102637601	9-41

INDEX

102637701	9-41	102686101	18-3	102727601	9-13
102637801	9-41	102687801	5-5	102727701	9-17
102639101	9-41	102693201	15-35	102727901	9-19
102640401	9-41	102693301	15-27, 15-35	102728301	9-27
102640701	9-41	102693401	15-35	102728501	9-31
102640901	9-41	102693501	15-35	102728601	9-33
102641001	9-41	102693601	15-37	102728701	9-33
102641101	9-41	102694001	15-37	102728801	9-33
102641201	9-41	102694201	15-27, 15-35	102728901	9-33
102642401	9-45	102694301	15-35	102729101	9-29, 9-35
102642501	9-45	102694401	15-35	102729201	9-41
102642701	9-45	102694502	15-37	102729401	9-43
102642801	9-45	102694701	15-35	102729501	9-43
102642901	9-45	102694801	15-35	102729601	9-45
102643301	9-45	102695401	13-7, 14-7	102730001	9-37
102643401	9-45	102695601	13-7, 14-7	102730101	9-37
102643601	9-45	102695801	13-7, 14-7	102730201	9-37, 9-39
102643701	9-45	102695901	13-7, 14-7	102730301	9-37
102644101	9-15	102696001	15-31	102730401	9-39, 9-49
102646101	9-53	102696101	15-27	102730601	9-37, 9-39
102646301	9-55	102696201	15-27, 15-29	102730801	9-7
102646401	9-51	102696501	15-27, 15-29	102730901	16-15
102647101	9-55	102696601	15-31	102731001	16-15
102647501	9-27	102696701	15-27	102731101	16-15
102647701	9-37, 9-39, 9-49	102696801	15-27, 15-29	102731201	16-3
102648001	9-27	102696901	15-27, 15-29	102731301	9-37, 9-39
102651301	9-51	102697001	15-29	102731501	9-55
102651501	9-51	102697101	15-27, 15-29	102731601	12-3
102651601	9-51	102697501	15-29	102732201	9-25
102651701	9-51	102698701	15-29	102732301	1-49
102651801	9-51	102699401	15-27	102732401	1-43, 1-51
102652801	9-11	102699601	15-31	102732501	9-39
102652901	9-51	102699701	15-27, 15-29	102732601	9-7
102653001	9-51	102700801	9-7	102736901	2-3, 2-5
102653101	9-51	102701201	9-37, 9-39	102737301	16-7
102653201	9-51	102701601	9-47	102740401	8-9
102653301	9-51	102703301	9-3, 9-13	102741601	17-31
102653401	9-11	102711601	5-7, 15-23	102762601	15-37
102653501	9-11	102714001	4-13	102764901	15-29
102653901	9-11	102718101	1-15, 1-43, 1-47, 1-49, 1-51	102765201	15-27
102654401	9-29	102719301	1-15	102765301	15-37
102654601	9-9	102722001	8-13	102765701	15-37
102654701	16-15	102722301	5-7, 5-9	102765801	15-37
102668801	18-5	102723901	15-17	102767601	16-13
102670601	1-43	102725501	10-11, 11-7	102772201	1-57
102670701	1-15, 5-15, 9-5, 17-13	102725601	10-11, 11-7	102784001	17-27
102670801	4-7	102726201	9-7	102784002	17-29
102671201	1-45	102726301	9-7	102784003	17-31
102672201	15-35	102726401	9-7	102784201	17-21
102672301	15-35	102726501	9-7	102784601	17-23
102672401	15-35	102726601	9-7	102784701	17-23
102673201	1-63	102726901	9-11	102784801	17-23
102684501	15-19	102727001	9-11	102784901	17-23
102684603	15-19	102727101	9-11	102785001	17-23, 17-31
102684901	16-7	102727401	9-13	102785101	17-23, 17-31
102685001	16-7	102727501	9-13	102785401	17-31

INDEX

102785501	17-27, 17-29	102854601	17-19	102927201	17-5
102786101	17-13, 17-15, 17-17, 17-21	102854801	17-19	102927301	17-5
102786201	12-5	102854901	17-19	102927401	17-5, 17-9, 17-11
102786401	7-15	102855501	16-7	102928001	17-27, 17-29
102787101	17-23	102859101	17-27, 17-29	102928101	17-27, 17-29
102787601	17-23	102865101	10-7	102928201	17-27, 17-29
102787602	17-23	102866901	1-17, 1-21, 1-23	102928301	17-27, 17-29
102787701	17-23	102867001	1-17, 1-21, 1-23	102928401	17-27, 17-29
102788701	5-11, 5-13	102867102	1-19	102928501	17-27, 17-29
102789001	17-17	102867202	1-5	102928601	17-27, 17-29
102789101	17-17	102867301	1-19	102928701	17-29
102789201	17-17	102867401	1-21	102928901	17-27, 17-29
102789301	17-17	102867501	1-17	102929501	17-11
102790001	17-17	102867602	1-23	102929601	17-9, 17-11
102790801	17-17	102869401	6-13, 7-19, 7-21	102929701	17-11
102790901	17-17	102882301	1-13	102930001	17-5
102791001	17-17	102882401	1-17, 1-21, 1-23	102930101	17-7
102791301	17-17	102882501	1-9, 6-13, 7-19	102930201	17-9
102792001	5-7	102883401	1-19	102930301	17-11
102792002	5-7	102883601	3-7, 3-9, 3-15, 3-17	102930501	17-25
102794801	17-31	102884301	3-3, 3-13	102930801	3-21
102794901	17-31	102884401	3-5, 3-13	102930901	12-5
102798201	9-13	102885001	7-9	102934701	9-39
102798501	9-15	102889201	3-13	102934801	9-39
102798601	9-15	102894501	6-5, 7-5	102934901	9-39
102798701	9-15	102895101	1-17, 1-21, 1-23	102935501	1-19
102798901	9-15	102895401	1-17, 1-21, 1-23	102936801	7-15
102799001	9-15	102896501	1-17, 1-21, 1-23	102937401	7-15
102799201	9-15	102913801	1-55, 1-57	102937501	7-15
102799401	9-29	102913901	1-55, 1-57	102937601	7-15
102799501	9-33	102914001	1-55, 1-57	102946701	16-7
102799601	9-35	102914101	1-55, 1-57	102949301	12-7
102799701	9-35	102914102	1-55, 1-57	102950601	3-21
102799801	9-35	102914104	1-57	102951901	8-9
102799901	9-35	102914105	1-57	102958301	8-13
102800201	9-47	102918501	17-19	102958401	8-13
102800401	9-43	102921601	17-13, 17-15, 17-17, 17-21	102958501	8-13
102800501	9-43	102921701	17-27, 17-29	102958601	8-13
102800601	9-43	102922601	17-31	102959001	9-5
102800701	9-37, 9-39	102922701	17-31	102961201	3-5, 3-13, 3-21
102801001	9-39	102923001	17-21	102961301	15-37
102801101	9-51	102923101	17-21	102961401	15-37
102801201	9-51	102923201	17-15	102967901	1-17, 1-21, 1-23, 17-19
102801301	9-53	102923301	17-17	102973201	16-9
102801401	9-53	102923401	17-15	102973501	17-31
102801501	9-53	102923801	17-31	102973601	17-31
102807601	16-9	102925201	17-13	102977501	7-21
102807801	16-9	102925601	3-27	102978801	1-23
102810701	10-11, 11-7	102926301	17-25	102978901	1-23
102812801	12-5	102926401	17-25	102979301	1-21
102816801	5-5	102926501	17-25	102983201	1-47, 1-49
102834401	1-51	102926601	17-9, 17-11, 17-25	102983601	1-47, 1-49
102849801	17-19	102926701	17-25	102988701	1-45, 1-47, 1-49, 1-51
102850501	17-19	102926801	17-25	102990101	8-17
102854401	17-19	102927101	5-7	102990201	8-17
102854501	17-19	102927102	5-7	102990301	8-17

INDEX

102990401	8-17	102997001	8-11	103191501	1-61
102990501	8-17	102997101	8-11	103192101	1-47
102990601	8-17	102997201	8-11	103197201	8-13
102990701	8-17	102997401	8-11	103200501	1-55, 1-57
102990801	8-17	102997601	8-11	103201501	13-5
102990901	8-17	102997701	8-11	103202601	3-5
102991101	8-17	102997801	8-11	103205801	7-21
102991201	8-17	102997901	8-11	103208701	8-9
102991401	8-17	102998001	8-11	103208801	7-19, 7-21
102991501	8-17	102998101	8-11	103210401	3-5
102991601	8-17	102998201	8-11	103210501	3-13
102991801	8-17	102998301	8-11	103210801	1-45
102991901	8-17	102998401	8-11	103210802	1-45
102992001	8-17	102998601	8-3	103210901	1-45
102992101	8-17	102998701	8-3	103211101	1-45
102992201	8-17	102999101	8-3	103213201	7-9
102992301	8-17	102999201	8-3	103213301	6-3, 6-5, 7-3, 7-5
102992401	8-3, 8-11, 8-17, 10-3	102999301	8-3	103213401	7-17
102992501	8-3, 10-7	102999501	8-3	103213501	7-9
102992601	8-17	102999601	8-3	103214901	1-47
102992701	8-17	103000001	8-3	103215001	1-47
102992801	8-17	103000401	8-15	103215101	1-47
102992901	8-17	103000501	8-15	103215201	17-19
102993201	8-19	103000601	8-15	103215401	1-3
102993301	8-19	103000801	8-15	103215901	1-47
102993401	8-19	103000901	8-15	103216201	1-47
102993501	8-19	103001301	8-15	103216401	1-43, 1-45, 1-47, 1-49, 1-51
102993601	8-19	103001501	8-15	103216801	1-47
102993701	8-19	103002001	10-3	103218104	6-5, 7-5
102993901	8-19	103002101	10-3	103218107	1-17, 1-21, 1-23, 6-5, 7-5
102994101	8-19	103002301	10-3	103218113	6-5, 7-5
102994301	8-15	103002401	10-3	103218901	1-39
102994401	8-19	103002501	10-3	103223101	1-53
102994601	8-5	103002801	10-3, 10-15	103225801	1-47, 1-49
102994701	8-5	103002901	10-3	103227001	1-9
102994801	8-5	103003801	10-15	103231701	1-3
102994901	8-5	103003901	10-15	103231801	1-3
102995001	8-5	103004201	10-15	103233001	1-19
102995101	8-5	103005001	10-15	103234001	7-21
102995201	8-5	103005601	10-15	103234201	3-7, 3-9, 3-15, 3-17, 3-23, 3-25
102995301	8-5	103009901	10-7	103234304	3-7, 3-15, 3-23
102995401	8-5	103010101	10-7	103234401	7-19, 7-21
102995501	8-5	103077501	4-3, 4-13	103234503	2-3, 2-5
102995601	8-5	103146203	15-35	103236001	1-3
102995701	8-5	103146204	5-9	103237501	17-3
102995801	8-5	103147001	5-15	103237701	17-3
102995901	8-5	103180101	6-13, 7-19, 7-21	103239901	9-39
102996001	8-5	103182701	1-5	103240601	8-13
102996101	8-5	103182702	1-5	103243001	17-9
102996201	8-5	103182801	1-5	103243101	17-9
102996301	8-5	103186302	1-41	103243201	17-9
102996401	8-5	103188601	3-21	103243501	17-9, 17-11
102996501	8-5	103188701	3-19	103243601	17-9
102996601	8-5	103191201	1-61	103243701	17-9
102996701	8-5	103191301	1-61	103243801	17-9
102996901	8-11	103191401	1-61	103243901	17-9, 17-11

INDEX

103244001	17-9, 17-11	103299801	8-15	103348501	6-13, 7-19
103244701	5-7, 15-23	103299901	8-15	103355401	17-13
103245801	7-15	103300101	8-15	103361701	1-47, 1-49
103246901	8-13	103300301	8-3, 8-11	103372101	10-5
103250401	15-27	103305701	6-11	103372302	10-5
103253801	1-19	103305801	6-11	103372401	10-9
103255801	1-41	103306801	10-13	103377501	1-45
103256401	5-7	103306901	10-13	103379401	1-61
103256501	5-7	103307001	10-13	103380701	4-5
103256701	5-7	103307201	10-13	103400001	1-29, 1-31
103262901	8-9	103307301	10-13	103406501	1-61
103267001	1-37	103310701	7-19	103406502	1-61
103267002	1-39	103319501	1-57	103406601	1-61
103268001	1-19	103319601	1-29, 1-31	103409001	17-31
103268101	12-7	103319701	1-29	103417401	1-29, 1-31
103273101	4-9	103319901	17-19	103418001	1-31
103274502	1-51	103320201	10-15	103418801	4-13
103274602	1-51	103320301	10-15	103423701	1-29, 1-31, 16-11, 16-13
103276201	8-13	103320401	10-15	103441401	10-11, 11-7
103277402	10-19	103320601	13-9, 13-11, 14-9, 14-11	103452001	10-9
103277501	7-11	103324901	7-19	103456001	1-33, 1-35
103277701	7-11	103326401	8-13	103456002	1-33, 1-35
103279201	8-9	103327201	6-7, 6-13, 7-7, 7-19, 7-21, 10-17, 11-9	103478901	10-17, 11-9
103283801	1-51	103331201	1-55, 1-57	103479101	10-17, 11-9
103289001	1-55, 1-57	103340501	10-13	103479201	10-17, 11-9
103289002	1-55, 1-57	103340601	10-13	103479301	10-17, 11-9
103289101	1-55, 1-57	103340701	10-13	103485501	1-25
103289102	1-55, 1-57	103340801	10-13	103487501	1-25, 1-27
103289103	1-55, 1-57	103340901	10-13	103488801	1-27
103289104	1-55, 1-57	103341101	10-13	103488802	1-27
103289107	1-57	103341201	10-13	103511201	1-49
103289108	1-57	103341301	10-13	103521001	6-5, 7-5
103289109	1-57	103341301	10-13	103525002	2-3, 2-5
103289110	1-57	103341401	10-13	103528201	8-9
103293402	10-19	103341501	10-13	103529601	1-43
103296001	1-19	103341601	10-13	103530701	1-43
103297101	10-15	103341701	10-13	103532801	2-3, 2-5
103297201	10-15	103341801	10-13	103534201	1-43
103297301	10-15	103341901	10-13	103538701	1-7
103297401	10-3	103342001	10-13	103538901	1-7
103297501	10-3	103342101	10-13	103588001	1-17, 1-21, 1-23
103297601	10-3	103342201	10-13	103591301	11-5
103297701	10-3	103342301	10-13	103593201	11-5
103297801	10-3	103342501	10-13	103593301	11-5
103298001	10-3	103342601	10-13	103596601	10-13
103298101	10-3	103342701	10-13	103596701	10-13
103298201	10-3	103343301	10-13	103596801	10-13
103298301	10-3	103343401	10-13	103629101	1-33, 1-35
103298501	8-15, 10-3, 10-7, 10-15	103343501	10-13	103629102	1-33, 1-35
103298601	8-17, 10-3	103343601	10-13	103629501	1-33, 1-35
103298901	8-17	103343701	10-13	103635101	1-43
103299301	8-3	103343801	10-13	103687401	8-15
103299401	8-3	103343901	10-13	103699801	2-3, 2-5
103299501	8-15	103345501	8-15	103701301	10-9
103299601	8-15	103348101	6-13, 7-19	103721801	15-29
103299701	8-15	103348201	6-13, 7-19, 7-21	103724501	5-3

INDEX

103724503	5-3	103898601	15-7	103967901	4-13
103724602	5-3	103898801	15-3	103968501	4-11
103747301	9-3, 11-5	103898901	15-3	103968601	4-11
103756401	10-9	103899201	15-3	103968701	4-11
103760601	1-17	103901001	2-5	103968801	4-11
103761801	9-3, 11-5	103901101	2-5	103968903	4-11
103762201	15-23	103901102	2-5	103969001	15-27
103762501	7-9	103901107	2-5	103969801	5-7
103778601	2-3	103901108	2-5	103973101	4-7
103779001	2-3	103905201	10-5, 11-3	103978801	1-37, 1-39
103779004	2-3	103921701	11-11	103981201	8-17
103806401	1-43	103921801	10-19	103983301	4-11
103810201	5-3	103921901	11-11	103986501	4-11
103828101	14-5	103922001	10-19	103986601	4-9
103828201	13-7, 14-7	103922801	15-37	103986901	4-9
103829001	13-7, 14-7	103922901	15-37	103987001	4-5
103829501	14-5	103923001	5-15	103990201	15-33
103829601	13-5, 14-5	103924701	10-11	103993701	4-3
103829701	13-5, 14-5	103930401	5-11	103993801	4-3
103829801	13-5, 14-5	103930501	5-13	104005501	4-11
103829901	13-5, 14-5	103939301	5-9	104005601	4-11
103830001	13-5, 14-5	103939302	5-9	104005701	4-11
103831101	1-33, 1-35	103944301	10-5, 11-3	104025201	4-3
103841701	5-11	103945601	3-9, 3-17, 3-25	104025601	15-3
103841801	5-13	103945602	3-9, 3-17, 3-25	104026301	15-3
103843901	15-35	103945701	3-17	104026401	15-13
103844301	1-53	103947102	1-11	104026501	15-3
103844401	1-53	103950101	11-3	104026601	15-15
103845501	5-15	103951501	5-9, 15-35	105076401	1-41
103848001	13-5	103955901	1-53	105100901	15-33
103848401	10-11, 11-7	103959201	1-17, 1-21, 1-23	105114806	7-13
103856101	13-5	103959214	1-17, 1-23	105114809	7-13
103856501	13-5	103959218	1-17, 1-21, 1-23	105114810	7-13
103859901	5-3	103959230	1-21	105125301	15-27
103860302	5-15	103959310	1-17, 1-21, 1-23	105125401	15-27
103860402	5-15	103959314	1-17, 1-23	105125501	15-29
103862701	5-3	103959318	1-17, 1-21, 1-23	105125601	15-29
103865301	18-3	103959330	1-21	105125701	15-27
103866601	5-5	103959410	1-17, 1-21, 1-23	105125801	15-27
103868201	15-37	103959414	1-17, 1-23	105125901	15-31
103868301	15-37	103959418	1-17, 1-21, 1-23	105159201	9-5
103871801	15-37	103959430	1-21	105173201	15-33
103873001	15-19	103959510	1-17, 1-21, 1-23	105173301	15-33
103879301	15-21	103959514	1-17, 1-23	105173401	15-33
103879401	15-21	103959518	1-17, 1-21, 1-23	105200501	3-7, 3-23
103879501	15-35	103959530	1-21	105200601	3-15
103883001	15-31	103963501	11-3	105205901	9-7
103883201	10-17, 11-9	103963701	10-5	105206101	9-9
103884001	14-5	103966401	6-5, 7-5	105206201	9-11
103886101	15-19	103967201	4-7	105206301	9-11
103886201	5-15	103967301	4-7	105206401	9-11
103886601	15-21	103967401	4-7	105206501	9-13
103887901	8-7, 8-11, 8-13	103967501	4-7	105206601	9-13, 9-43, 9-53
103892501	1-11	103967601	4-3	105206701	9-15
103892601	1-11	103967602	4-3	105206901	9-21
103896603	10-9, 11-5	103967701	4-13	105207001	9-29

INDEX

105207101	9-25	105222401	9-43	96741038	9-5
105207201	9-25	105222501	9-43	96741046	1-51, 4-11, 5-15, 8-9, 9-5, 17-27, 17-29
105207301	9-25	105222601	9-45	96742515	1-37, 1-39
105207401	9-25	105222701	9-45	96950126	10-19
105207501	9-27	105222801	9-45		
105207601	9-27	105222901	9-45		
105207701	9-31	105223001	9-45		
105207801	9-31	105223101	9-45		
105207901	9-35, 9-41	105225401	9-41		
105208001	9-37, 9-49	105225501	9-41		
105208201	9-45	105225601	9-41		
105208301	9-45	105225701	9-41		
105208401	9-47	105225801	9-41		
105208501	9-47	105225901	9-41		
105208601	9-47	105226001	9-49		
105208701	9-51	105226101	9-51		
105208801	9-55	105226201	9-51		
105208901	9-55	105226301	9-51		
105209001	9-55	105226401	9-51		
105218401	9-9	105226501	9-53		
105218501	9-9	105226601	9-55		
105218601	9-11	105231101	9-7		
105218701	9-13	105231201	9-31		
105218801	9-13	105237301	6-15, 7-25		
105218901	9-15	105256201	6-15, 7-25		
105219001	9-15	105256601	6-15, 7-25		
105219101	9-15	105265501	4-11		
105219201	9-15	105283703	5-9		
105219401	9-17	105283704	5-9		
105219501	9-21	105315101	10-19		
105219601	9-21	47605993001	7-13		
105219701	9-21	47610581001	7-13		
105219801	9-21	47616611003	7-13		
105219901	9-21	47616611004	7-13		
105220001	9-21	47619337001	7-13		
105220101	9-21	47620397001	7-13		
105220201	9-21	47623281001	6-7, 7-7		
105220301	9-21	47637182001	1-43		
105220401	9-29	47637183001	1-43		
105220501	9-29	47638511001	15-5		
105220601	9-29	47651702001	15-19		
105220701	9-29	47651930001	15-19		
105220901	9-25	47666420001	7-7		
105221001	9-25	47674660001	6-7		
105221101	9-23	47676144001	6-7, 7-7		
105221201	9-23	96701412	8-9, 9-5		
105221301	9-23	96704176	16-7		
105221401	9-31	96704416	6-15, 7-25, 12-7, 15-19, 16-7		
105221501	9-21	96704622	9-5		
105221601	9-21	96704721	8-9, 9-5		
105221701	9-21	96704960	8-9		
105221801	9-21	96705199	11-11, 16-7		
105221901	9-37	96705587	8-13		
105222001	9-37	96715552	1-19, 1-47, 1-49		
105222201	9-43	96718978	9-5		
105222301	9-43	96727003	17-13		
				A	
				A-arm	5-7
				accelerator cable	10-19, 11-11
				accelerator cable bracket	11-11
				accelerator pedal	10-17, 11-9
				accessory receptacle	6-13, 7-19, 7-21
				actuator	1-9
				adapter	
				actuator	1-9
				hose	8-13
				oil filter	8-13
				tube	8-13
				adjuster, forward/aft	1-37, 1-39
				adjuster, slider	1-37, 1-39
				air filter	8-7, 9-3, 10-11, 11-7
				air filter canister	10-11, 11-7
				air filter evacuator	10-11, 11-7
				air filter gasket	10-15
				alternator	9-37, 9-39
				alternator belt	9-37, 9-39
				AM1285701	18-5
				arbor	18-3
				arm	
				A	5-7
				A-	5-7
				governor link	10-3
				governor shaft	10-3
				rocker	8-5, 9-51
				arm attachment	17-15
				assembly	
				accelerator pedal	10-17, 11-9
				adjusting bolt	9-33
				alternator	9-37, 9-39
				bearing case cover	9-21
				brake pedal	4-9
				bucket seat	1-37
				camshaft	9-29
				case, main bearing	9-21
				connecting rod	9-25
				cylinder head cover	9-15
				drain cock	9-7
				filler cap	4-5
				fuel camshaft	9-31
				fuel cap	10-5, 11-3
				fuel filter/bracket	9-3, 11-5
				fuel injection pump	9-41
				fuel pump	10-7, 11-5
				gear case	15-37
				governor fork lever	9-47
				headlight harness	6-3, 6-5, 7-3, 7-5

INDEX

- idle apparatus 9-33
 - intake manifold 9-53
 - latch, tilt bed 1-7
 - muffler 5-7, 15-23
 - nozzle holder 9-45
 - oil pump 9-19
 - overflow pipe 9-45
 - pinion 15-37
 - piston ring 9-25
 - rocker arm 9-51
 - speed plate 9-43
 - tailgate 1-63
 - tether 1-63
 - thermostat 16-15
 - tilt bed 1-7
 - water pump 16-3
 - wire 7-25, 8-13, 10-5, 11-3
 - attachment
 - bucket 17-7
 - pallet fork 17-5
 - push broom 17-11
 - snow blade 17-9
 - attachment arm 17-15
 - attachment interface 17-17
 - axle 15-35
 - axle tube 15-37
 - axle, rear 15-35
- ## B
- ball
 - check 9-29
 - crankshaft 9-23
 - governor 9-31
 - injection pump 9-31
 - valve 9-13
 - ball joint 5-7, 5-9
 - band, pipe 16-5, 16-15
 - banjo bolt 4-3, 4-13
 - bar clamp 16-11, 16-13
 - barb, vent 9-49, 11-5
 - barrel, plastic 1-33, 1-35, 1-61
 - barrier, heat 17-27, 17-29
 - base, seat holder 1-37, 1-39
 - battery
 - 12-volt, top-post 6-15, 7-25
 - battery clamp 6-15, 7-25
 - battery terminal protector spray 18-3
 - battery thermometer 18-3
 - bearing
 - hub 5-9, 15-37
 - needle 15-27, 15-29, 15-37
 - bearing and oil seal remover 18-3
 - bearing case cover 9-21
 - bearing case, main 9-21
 - bearing driver set 18-3
 - bearing puller 18-3
 - bearing puller wedge 18-3
 - bed floor plate 1-7
 - bed latch 1-61
 - bed latch spring 1-61
 - bed, tilt 1-7
 - bellcrank 15-31
 - bellows 5-5, 15-35
 - belt guard 9-39
 - belt, alternator 9-37, 9-39
 - belt, drive 13-3, 14-3
 - belt, V- 9-37, 9-39
 - bench seat back 1-33, 1-35
 - bench seat back cap 1-33, 1-35
 - bench seat bottom 1-33, 1-35
 - blade, snow 17-9
 - block, differential spacer 15-23
 - block, engine 9-7
 - block, fuse 6-9, 7-23
 - bolt
 - adjusting 9-33
 - banjo 4-3, 4-13
 - boot replacement kit, inner 15-25
 - boot replacement kit, outer 15-25
 - bottle, coolant 16-9
 - box, hydraulic control 17-19
 - bracket
 - actuator 1-9
 - bed latch 1-59
 - brake line 4-7
 - carbon canister 10-9
 - cover inlet 13-11, 14-11
 - draw latch 1-17, 1-21, 1-23
 - hood support 1-19
 - muffler 12-5
 - oil filter 8-13
 - oil filter mount 8-13
 - radiator support 16-7
 - rocker arm 9-51
 - seatbelt 1-43
 - transmission cable 9-5, 15-21
 - transmission mounting 9-5
 - bracket, hinge, bed 1-7
 - brake caliper bracket 4-3
 - brake caliper, rear 4-13
 - brake front lh caliper 4-3
 - brake front rh caliper 4-3
 - brake line, front 4-7
 - brake line, mid 4-7
 - brake line, rear 4-7
 - brake master cylinder 4-5
 - brake pads
 - front 4-3
 - rear 4-13
 - brake pedal 4-9
 - brake rotor 4-3, 4-13
 - breaker, circuit 7-15
 - breather cover 9-15
 - breather gasket 8-17
 - breather shield 9-15
 - breather tube 9-15
 - breather valve 9-15
 - broom weldment 17-11
 - broom, push 17-11
 - brush, FNR 1-19
 - bucket attachment 17-7
 - bucket seat 1-37, 1-39
 - buckle, seatbelt 1-45
 - bulb, headlight 6-3, 6-5, 7-3, 7-5
 - bulb, signal 6-5, 7-5
 - bumper 16-7
 - bed 1-9, 1-59
 - front 1-3
 - rubber 1-63
 - bushing 1-9
 - A-arm 5-7, 5-15
 - flanged 9-29
 - forward/reverse 15-19
 - greaseless 4-9
 - lower arm 5-7
 - nylon 1-61
 - piston pin 9-25
 - return line 10-5, 11-3
 - snap-in 1-61
 - steel 1-7
 - urethane 1-7
 - button, thrust 15-3
 - buzzer, reverse 6-13, 7-19, 7-21
- ## C
- cable
 - accelerator 10-19, 11-11
 - FNR shifter 15-21
 - park brake 4-11
 - cable bracket, accelerator 11-11
 - caliper
 - brake, front lh 4-3
 - brake, front rh 4-3
 - brake, rear 4-13
 - caliper brake park 4-11
 - caliper slide pin 4-13
 - camber adjustment tool 18-3
 - camshaft 8-5, 9-29
 - camshaft guide 8-5
 - camshaft kit 8-5
 - camshaft plate 8-5
 - camshaft spring 8-5
 - camshaft, fuel 9-31
 - canister, air filter 10-11, 11-7
 - canister, carbon, fuel tank 10-9
 - canopy 1-53
 - cap
 - air filter 10-11, 11-7

INDEX

- bolt assembly 9-33
 - center, alloy wheel 2-3, 2-5
 - corner 1-61
 - filler 4-5
 - front corner 1-63
 - fuel 11-3
 - fuel, gas, ratchet 10-5
 - inlet 13-11, 14-11
 - oil fill 8-11
 - pressure 3-3, 3-11, 3-19, 16-9
 - radiator 16-7
 - rubber 5-9, 15-23
 - sealing 9-7, 9-11
 - speed control plate 9-43
 - valve 9-51
 - carbon canister 10-9
 - carburetor 10-13
 - carburetor air vent tube 9-49
 - carburetor gasket 10-13, 10-15
 - carburetor heater 10-13
 - carburetor jet 10-13
 - carburetor seal 10-13
 - carburetor shaft 10-13
 - carburetor solenoid 10-13
 - carburetor spring 10-13
 - carburetor throttle shaft 10-13
 - carburetor valve 10-13
 - card, safety first 18-5
 - carrier, differential 15-37
 - case
 - gear 9-13, 15-35, 15-37
 - governor ball 9-31
 - main bearing 9-21
 - case cover, bearing 9-21
 - center console 17-19
 - chain, transmission 15-27
 - charge coil 8-15
 - circuit breaker 7-15
 - clamp
 - bar 16-11, 16-13
 - battery 6-15, 7-25
 - breather tube 9-15
 - hose 9-49, 10-7, 10-9, 11-5, 11-7
 - hose, green 11-5
 - p- (fuel filter) 9-5, 10-7
 - pipe 9-45
 - clevis pin 4-5, 4-11
 - clip
 - body trim 1-17, 1-21, 1-23
 - brake line 10-19, 11-11, 15-21
 - hair pin 1-63
 - meter 6-13, 7-19, 7-21
 - return pipe 9-45
 - snap-close 4-7
 - wear 5-15
 - closeout 1-55, 1-57
 - clutch 13-5, 13-7, 14-5, 14-7
 - clutch cover (non-sealed)
 - CVT 13-9, 14-9
 - clutch cover (sealed) 13-11, 14-11
 - clutch removal tool 18-3
 - coil
 - charge 8-15
 - ignition 8-15
 - coil over shock 5-11, 5-13
 - collar, alternator assembly 9-37, 9-39
 - collar, crankshaft 9-23
 - collar, idle gear 9-29
 - collar, lever 9-43
 - collet 9-51
 - column, steering 5-3
 - compression gauge 18-3
 - compressor, valve spring 18-5
 - connecting rod 8-19, 9-25
 - connector, relay 6-9, 7-23
 - console, center 17-19
 - continuity tester 18-3
 - control box, hydraulic 17-19
 - control panel 10-3
 - coolant bottle 16-9
 - coolant exchanger 16-7
 - coolant fill tee 16-7
 - coolant lamp sensor 16-15
 - coolant pipe 16-11
 - coolant pipe assembly 16-13
 - coolant temperature indicator light 7-19, 7-21
 - cooling fan 8-3, 16-7
 - cord, glow plug 9-45
 - corner cap 1-63
 - coupling 17-25, 17-31
 - cover
 - alternator assembly 9-37
 - bearing case 9-21
 - breather 9-15
 - CCI dash storage 1-5
 - crankcase 8-17
 - CVT 8-9, 9-5, 13-11, 14-11
 - cylinder head 9-15
 - electrical 6-9, 7-23
 - engine 8-9
 - fuel camshaft 9-7
 - heat proof 9-55
 - input 15-11
 - rocker 8-17
 - rocker switch hole 6-13, 7-19, 7-21
 - thermostat 16-15
 - cover gasket 10-13
 - Cover, PDM 7-13
 - cowl panel 1-17, 1-21, 1-23
 - cowl panel, driver-side 1-17, 1-21, 1-23
 - cowl panel, passenger-side 1-17, 1-21, 1-23
 - crank 9-21
 - crank oil seal 8-17
 - crankcase 8-17
 - crankcase cover 8-17
 - crankcase cover gasket 8-17
 - crankcase vent tube 10-15
 - crankshaft 8-19, 9-23
 - cup holder 1-19
 - cup holder, seat 1-37, 1-39
 - CVT cover 8-9, 13-9, 14-9
 - CVT cover kit, sealed 13-11, 14-11
 - CVT cover kit, unsealed 13-11, 14-11
 - cylinder head 8-17, 9-11
 - cylinder head cover 9-15
 - cylinder, hydraulic, lift 17-21
 - cylinder, hydraulic, tilt 17-21
- ## D
- dash weldment 1-19
 - decal
 - 4x4 3-7, 3-9, 3-15, 3-17, 3-23, 3-25
 - bed warning 3-21
 - Club Car tailgate 1-63
 - crush area warning 3-5, 3-13, 3-21
 - driver/passenger 3-3, 3-11, 3-19
 - ground warning 3-3, 3-11, 3-19
 - hot manifold warning 3-3, 3-11, 3-19
 - hot surface warning 1-37, 1-39, 3-3, 3-11, 3-19
 - hydraulic controls 17-19
 - hydraulic pump 3-21
 - IntelliTach 3-27
 - joystick on/off 17-19
 - lock lever 3-21, 17-17
 - nameplate 3-7, 3-9, 3-15, 3-17
 - on/off 17-19
 - operating instructions 3-3, 3-13, 3-19
 - operator warning 3-5, 3-13
 - park brake 4-11
 - rollover warning 3-21
 - ROPS warning 3-5, 3-13, 3-21
 - rotating parts and hot manifold 3-3, 3-11, 3-19
 - rotating parts warning 3-5, 3-11, 3-13, 3-19, 3-21
 - tailgate 1-61
 - trailer hitch 3-5, 3-13, 3-21, 5-15
 - under 16 warning 3-5, 3-13, 3-21
 - vehicle loading 3-5, 3-13
 - warning 3-13
 - winch cable warning 3-3, 3-11
 - deflector oil 15-27
 - detent, repair 15-29
 - diesel tachometer probe 18-5
 - differential housing 15-37
 - differential oil 15-17
 - differential, rear 15-35, 15-37

INDEX

diode 6-11, 7-11
dipstick, oil 9-17
drag link 5-5
drain cock 9-7
drive belt 13-3, 14-3
drive clutch 13-5, 14-5
drive clutch fixed sheave tool 18-3
drive clutch service tool 18-3
drive clutch spider removal tool 18-3
driven clutch 13-7, 14-7
driven clutch spring compression base tool 18-3
driven clutch spring compression collar tool 18-3
driven clutch spring compression nut tool 18-3
dry moly lubricant 18-3

E

elbow 11-3
electric motor 17-27, 17-29
end, tie rod 5-5
engine block 9-7
engine cover 8-9
engine shroud 8-3
engine starter motor 8-15
engine, gasoline, Kawaski FH680 8-9
exchanger, engine coolant 16-7
exhaust gasket 12-3, 12-7
exhaust header 12-7
exhaust header gasket 12-7
exhaust pipe 12-3, 12-5
exhaust shield 12-3, 12-5
exhaust valve 8-5, 9-51
extension, spring latch 1-7

F

fan housing plate 8-3
fan shroud 16-7
fan, cooling 8-3, 16-7
fascia 1-17, 1-21, 1-23
fastener, push-in 6-9, 7-23
fender, front 1-17, 1-21, 1-23
fender, left rear 1-55, 1-57
fender, rear 1-55, 1-57
filler cap 4-5
filter
 air 8-7, 9-3, 10-11, 11-7
 fuel 8-7, 9-3, 10-7, 11-5
 inlet cover 13-11, 14-11
 oil 8-7, 8-11, 8-13, 9-3, 9-13
 oil pick up 9-9
flange, water 16-15
float valve 10-13
floor plate, bed 1-7
floorboard 1-29, 1-31

fluid, hydraulic 17-27, 17-29
flywheel 8-15, 9-27
FNR brush 1-19
FNR brush strip 1-19
FNR shifter bracket 9-5, 15-21
FNR shifter cable 15-21
foot well plate 1-31
fork, pallet 17-5
fork, transmission 15-27
frame, tilt bed 1-7
front bumper 1-3
front panel 1-61
fuel camshaft 9-31
fuel cap 11-3
fuel filter 8-7, 9-3, 10-7, 11-5
fuel gauge sending unit 10-5, 11-3
fuel gauge/hour meter 6-13, 7-19
fuel gauge/hour meter/seatbelt timer 7-21
fuel injection pump 9-41
fuel line 10-7
fuel pickup tube 11-3
fuel pump 10-7, 11-5
fuel tank (diesel) 11-3
fuel tank (gasoline) 10-5
fuel tank strap 10-7, 11-5
fuse
 10-amp 6-9, 7-23
 20-amp 7-15
 25-amp 6-9, 7-23
 30-amp 7-23
fuse block 6-9, 7-23
fuse, mini,10A 7-13

G

gasket 10-13
 air filter 10-15
 bearing case 9-21
 breather 8-17
 carburetor 10-13, 10-15
 control plate 9-43
 cover 9-21, 10-13, 13-11, 14-11
 crankcase cover 8-17
 cylinder head 9-11
 cylinder head cover 9-15
 drain plug 9-9
 exhaust 12-3
 exhaust header 12-7
 exhaust-manifold 9-55
 fuel pump 9-7
 gearcase 9-13
 head 8-17
 head cover nut 9-33, 9-45
 idle apparatus 9-33
 injection pump 9-41
 liquid 18-5
 manifold 10-15

nozzle 9-45
oil pump 9-19
rocker cover 8-17
sending unit 10-5, 11-3
thermostat 16-15
water flange 16-15
water pump 16-3
gauge
 compression 18-3
 fuel-hour 6-13, 7-19
 fuel-hour-timer 7-21
 oil dipstick 8-11
gear
 cam 9-29
 case 9-13, 15-35, 15-37
 crank 9-23
 helical 15-29
 idle 9-29
 injection pump 9-31
 oil pump 8-11
 oil pump drive 9-19
 ring 9-27, 15-37
 steering 5-5
gear case assembly, rear 15-27
gear case, front 15-27
gear ring engagement 15-29
gear yoke 18-3
glow plug 9-45
glow plug cord 9-45
governor control lever 10-3
governor fork lever 9-47
governor lever 9-43
governor link arm 10-3
governor oil seal 8-17
governor plate 10-3
governor return spring 10-3
governor shaft 10-3
governor shaft arm 10-3
governor spring 10-3
grill 1-17, 1-21, 1-23
grip tape, accelerator pad 10-17, 11-9
grip, tilt latch hand 1-7, 1-61
grommet 10-5, 11-3
guard, belt 9-39
guard, oil filter 8-13
guard, splash 1-19
guide
 camshaft 8-5
 exhaust valve 9-11
 inlet valve 9-11
 oil dipstick 9-17
 rocker arm 8-5

H

hair pin clip 1-63
half shaft 15-23

INDEX

handbook, operator 17-3
harness 1-9, 6-11, 7-9, 7-11, 8-15
harness, control panel wire 7-15
harness, headlight 7-9
harness, hydraulic power unit 7-15
harness, seatbelt light 7-17
harness, wire 6-3, 6-5, 7-3, 7-5
harness, wire - Kawasaki FH680 6-11
head gasket 8-17
head restraint 1-51
head restraint kit 1-51
head, cylinder 8-17, 9-11
header, exhaust 12-7
headlight 6-3, 6-5, 7-3, 7-5, 7-9
headlight bulb 6-3, 6-5, 7-3, 7-5
headlight harness 6-3, 6-5, 7-3, 7-5, 7-9
heat barrier 17-27, 17-29
heat seal 9-45
heater, carburetor 10-13
helical gear 15-29
high beam switch 7-19
hinge plate 1-33, 1-35, 1-37, 1-39
hinge, hood 1-17, 1-21, 1-23
holder
 cup 1-19
 FNR strip brush 1-19
 fork lever 9-47
hood 1-17, 1-21, 1-23
hood latch 1-17, 1-21, 1-23
hood prop 1-17, 1-21, 1-23
hook, engine 9-11
hose 16-9, 17-23, 17-31
 coolant 16-5, 16-7, 16-11, 16-13
 fuel 10-7
 fuel return 11-5
 hydraulic 17-23, 17-25
 inlet 13-11, 14-11
 intake 10-11, 11-7
 outlet 13-9, 13-11, 14-9, 14-11
 vent 9-5, 10-9, 15-23, 16-11, 16-13
hose clamp, green 11-5
hour meter 6-13, 7-19, 7-21
housing
 differential 15-37
hub
 wheel 5-9
hydraulic control box 17-19
hydraulic fluid 17-27, 17-29
hydraulic hose 17-23, 17-25
hydraulic power unit 17-27, 17-29, 17-31
hydraulic power unit harness 7-15
hydraulic tube 17-21
hydrometer 18-5

I

idle apparatus 9-33

idle gear 9-29
ignition coil 8-15
indicator, turn signal 7-19
injection pump gear 9-31
insulation, heat barrier 17-27, 17-29
insulator, manifold 10-15
intake adapter pipe 10-15
intake hose 10-11, 11-7
intake manifold 9-53, 10-15
intake valve 8-5, 9-51
internal retaining ring pliers 18-5
isolator ring and bushing 8-9, 9-5
isolator, twin stud 16-7

J

jet kit
 0-3300 ft 10-13
 3300-6600 ft 10-13
 6600+ ft 10-13
jet needle 10-13
jet, carburetor 10-13
joint
 ball 5-7, 5-9
 eye 9-41
 pipe 9-13
joystick control 17-19
joystick control box 17-19

K

keeper, push-close latch 1-5
key 8-15
 feather 9-19, 9-23, 9-31
key (pair) 6-13, 7-19, 7-21
key switch 6-13, 7-19, 7-21
key switch spacer 6-13, 7-19, 7-21
keyswitch nut 6-13, 7-19, 7-21
kick panel 1-55, 1-57
kit
 auxiliary hydraulic 17-31
 bolt 15-3
 canopy 1-53
 carburetor jet 10-13
 connecting rod 8-19
 cover plate, input 15-11
 drain plug 15-3
 forward gear repair 15-29
 front skidplate hardware 1-15
 front steel skidplate 1-15
 head restraint 1-51
 hydraulic angle attachment 17-25
 inner boot replacement 15-25
 nozzle holder 9-45
 outer boot replacement 15-25
 rear axle gear repair 15-37
 repair, minor 15-9

reverse gear repair 15-27
roller 15-3
ROPS 1-47
tailgate mounting 1-61
tube bumper 1-3
tune-up 8-7, 9-3
knob, forward/reverse 15-19

L

latch 1-5
latch bracket 1-17, 1-21, 1-23
latch keeper 1-5
latch plate, tilt bed 1-59
latch, bed 1-61
latch, hood draw 1-17, 1-21, 1-23
latch, slam 1-63
latch, spring 1-63
latch, tilt bed 1-7
lateral link, rear suspension 5-15
lens, headlight 6-3, 7-3
lever
 engine stop 9-43
 fork 9-47
 governor 9-43
 governor control 10-3
 speed control 9-43
light
 coolant temperature indicator 7-19, 7-21
 oil 6-13, 7-19, 7-21
 seat belt 7-21
 turn signal 6-5, 7-5
light switch, high beam 7-19
limit switch 6-7, 6-13, 7-7, 7-19, 7-21, 10-17,
 11-9
link, drag 5-5
liquid gasket 18-5
low oil warning light 6-13, 7-19, 7-21
lubricant, dry moly 18-3
lug stud 5-9, 15-35

M

manifold
 exhaust 9-55
 intake 9-53, 10-15
manifold gasket 10-15
manifold insulator 10-15
master cylinder 4-5
meter clip 6-13, 7-19, 7-21
meter, volt ohm 18-5
motor 17-27, 17-29
 starter 9-49
muffler 5-7, 12-5, 15-23

N

nameplate decal 3-7, 3-9, 3-15, 3-17

INDEX

needle, jet 10-13
nongrease/spacers locker 15-37
nozzle holder 9-45
nut, keyswitch 6-13, 7-19, 7-21

O

oil cap 8-11
oil deflector 15-27
oil dipstick gauge 8-11
oil drain plug 8-11
oil filter 8-7, 8-11, 8-13, 9-3, 9-13
oil filter adapter 8-13
oil filter bracket 8-13
oil filter guard 8-13
oil filter nipple 8-17
oil filter pick up 9-9
oil pan 9-9
oil pickup 8-11
oil pickup screen 8-11
oil pressure switch 8-15, 9-7
oil pump 8-11, 9-19
oil pump drive gear 9-19
oil pump plate 8-11
oil pump rotor 8-11
oil pump shaft 8-11
oil pump spring 8-11
oil pump spur gear 8-11
oil seal 9-13, 15-11
oil seal, crank 8-17
oil seal, governor 8-17
oil slinger 9-23
oil valve seal 8-17
oil warning light, low 6-13, 7-19, 7-21
oil, locking differential 15-17
operator handbook 17-3
O-ring 8-11, 8-13, 9-9, 9-23, 9-35, 9-43, 10-13, 15-11
overflow pipe 9-45

P

pad
brake rear 4-13
brake, front 4-3
pallet fork 17-5
pan
center 1-37, 1-39, 17-19
oil 9-9
seat 1-37, 1-39
panel
center cowl 1-17, 1-21, 1-23
control 10-3
driver-side 1-55, 1-57
driver-side cowl 1-17, 1-21, 1-23
front 1-61, 1-63
front kick 1-55, 1-57
left 1-63

passenger-side 1-55, 1-57
passenger-side cowl 1-17, 1-21, 1-23
right 1-63
side 1-55, 1-57, 1-61
park brake cable 4-11
park brake caliper 4-11
park brake foot pedal 4-11
p-clamp (fuel filter) 9-5, 10-7
pedal, accelerator 10-17, 11-9
pedal, brake 4-9
pickup, oil 8-11
pin
bow tie locking 1-17, 1-21, 1-23, 4-11
pin, cable 15-19
pin, clevis 4-5, 4-11
pin, piston 9-25
pinion 15-37
pipe
breather 9-53
coolant 16-5, 16-11
exhaust 12-3, 12-5
injection 9-45
intake adapter 10-15
overflow 9-45
water return 9-15, 16-15
pipe band 16-5, 16-15
pipe clamp 9-45
piston 8-19, 9-25
piston pin 9-25
piston ring 9-25
piston ring set 0.50 8-19
plate
armature 15-3
back 1-7, 1-9
camshaft 8-5
closeout 1-55, 1-57
electrical 6-9, 7-23
engine block 9-7
engine mounting 9-5
fan housing 8-3
foot well 1-31
governor 10-3
hinge 1-33, 1-35, 1-37, 1-39
latch 1-59
oil pump 8-11
shroud 9-27
skid 1-13, 1-15
speed 9-43
speed control 9-43
tailgate latch wear 1-61
thrust 15-3
pliers
internal retaining ring 18-5
retaining ring 18-5
plug 15-27, 17-27, 17-29
drain 9-9

engine block 9-7, 9-11, 9-13, 15-35
expansion 9-7
gearcase 15-27, 15-35
glow 9-45
hole 6-13, 7-19, 7-21
oil drain 8-11
oil fill 15-3
oil filler 9-15
spark 8-7, 8-15, 8-17
tube 1-3
power unit, hydraulic 17-29, 17-31
prop rod 1-59
prop, hood 1-17, 1-21, 1-23
protector spray, battery terminal 18-3
puller
bearing 18-3
clutch 18-3
seal 18-5
special use tool 18-5
pulley
fan drive 9-37, 9-39
water pump 9-37, 9-39
pump
fuel 10-7, 11-5
fuel injection 9-41
oil 9-19
water 16-3
pump, oil 8-11
push broom 17-11
push rod 8-5, 9-29
push rod tappet 8-5

R

radiator 16-7
radiator cap 16-7
radiator pipe assembly 16-13
rear axle 15-35
rear differential 15-35, 15-37
receptacle, accessory 6-13, 7-19, 7-21
reed valve assembly 8-17
refractometer 18-5
regulator, voltage 8-15
Relay 7-13
relay 6-9, 7-23, 17-19
relay connector 6-9, 7-23
remover, bearing and oil seal 18-3
restraint, head 1-51
retainer
spring (driven clutch) 13-7, 14-7
valve spring 8-5, 9-51
retaining ring pliers 18-5
reverse buzzer 6-13, 7-19, 7-21
ring
piston 9-25
retaining, ext 5-7, 5-9
snap 4-11

INDEX

- ring gear 9-27, 15-37
 - rivet, blind push 1-19
 - Rivet, Removable 1-17, 1-21, 1-23, 17-19
 - rocker arm 8-5, 9-51
 - rocker arm guide 8-5
 - rocker arm stud 8-5
 - rocker cover 8-17
 - rocker cover gasket 8-17
 - rocker switch 1-9, 6-13, 7-19, 17-19
 - rocker switch (lights) 6-13, 7-19, 7-21
 - rod
 - "J" 10-17, 11-9
 - connecting 9-25
 - crank crank rod 9-25
 - prop 1-59
 - push 8-5, 9-29
 - ROPS front base weldment 1-47, 1-49
 - ROPS kit 1-47
 - ROPS seat support 1-47, 1-49
 - ROPS side 1-49
 - ROPS support tube 1-47
 - ROPS top 1-47, 1-49
 - ROPS warning decal 3-5, 3-13, 3-21
 - ROPS weldment 1-47
 - ROPS, 4 Pass 1-47
 - ROPS,Rear Handle 1-51
 - rotor disc brake 4-3, 4-13
 - rotor, oil pump 8-11
 - rubber bumper 1-63
- ## S
- safety first card 18-5
 - screen, oil pickup 8-11
 - seal
 - carburetor 10-13
 - dual lip 15-31, 15-37
 - heat 9-45
 - oil 9-13, 15-11
 - oil valve 8-17
 - triple lip 15-27
 - valve stem 9-51
 - seal puller 18-5
 - seat
 - bucket 1-37, 1-39
 - valve 9-13
 - seat back cap, bench 1-33, 1-35
 - seat back, bench 1-33, 1-35
 - seat belt light 7-21
 - seat bottom, bench 1-33, 1-35
 - seat holder base 1-37, 1-39
 - seat, bucket 1-39
 - seatbelt buckle 1-45
 - seatbelt light harness 7-17
 - sending unit, fuel gauge 10-5, 11-3
 - sensor, coolant lamp 16-15
 - shaft
 - carburetor 10-13
 - CVT adapter 9-5
 - fork lever 9-47
 - governor 10-3
 - governor lever 9-43
 - half 15-23
 - idle gear 9-29
 - input 15-29
 - intermediate 15-29
 - oil pump 8-11
 - output 15-27
 - rock arm 9-51
 - shift 15-31
 - shield, breather 9-15
 - shield, exhaust 12-3, 12-5
 - shim 15-37
 - shim, armature plate 15-3
 - shim, injection pump 9-41
 - shim, latch plate 1-59
 - shock absorber, coil over 5-11, 5-13
 - shoe, skid 17-9
 - shroud, engine 8-3
 - shroud, fan 16-7
 - side panel 1-55, 1-57
 - side panel weldment 1-61
 - side stringer 1-25
 - signal bulb 6-5, 7-5
 - skid plate 1-13, 1-15
 - skid shoe 17-9
 - skidplate hardware kit 1-15
 - skidplate kit 1-15
 - slam latch 1-63
 - sleeve
 - governor 9-31
 - lower arm 5-7
 - upper suspension 5-7
 - slinger, oil 9-23
 - snow blade 17-9
 - snow blade weldment 17-9
 - solenoid, carburetor 10-13
 - solenoid, stop 9-35
 - spacer 1-15
 - 5/8 x 2 1/4 x 1 1/4 1-53
 - engine 9-5
 - key switch 6-13, 7-19, 7-21
 - spacer block, differential 15-23
 - spanner wrench 18-5
 - spark plug 8-7, 8-15, 8-17
 - speed plate 9-43
 - splash guard 1-19
 - spray, battery terminal protector 18-3
 - spring 8-5, 8-11
 - carburetor 10-13
 - choke spring 10-19
 - compression 13-5, 13-7, 14-7
 - exhaust 12-5
 - extension 1-7
 - governor 9-47, 10-3
 - governor idle 10-19
 - governor return 10-3
 - idle apparatus 9-33
 - latch tilt 1-61
 - pedal 10-17, 11-9
 - return 9-43
 - rocker arm 9-51
 - start 9-47
 - valve 8-5, 9-13, 9-51
 - wave 4-11
 - spring latch 1-63
 - sprocket 15-27
 - start spring 9-47
 - starter motor 9-49
 - starter motor, engine 8-15
 - stay
 - alternator assembly 9-37
 - cylinder head 9-11
 - spring 9-13
 - stop solenoid 9-35
 - steel bushing 1-7
 - steering
 - lower control arm 5-7
 - slide adjuster 5-9
 - upper A-arm 5-7
 - upright 5-9
 - steering column 5-3
 - steering gear 5-5
 - steering wheel 5-3
 - steering wheel puller tool 18-5
 - stem, valve 2-3, 2-5
 - stop solenoid stay 9-35
 - stopper, camshaft 9-29
 - stopper, fuel camshaft 9-31
 - strap, fuel tank 10-7, 11-5
 - stringer, side 1-25, 1-27
 - strip, FNR brush 1-19
 - stud 9-5, 9-41, 16-5
 - idle adjustment 9-33
 - lug 5-9, 15-35
 - self-clinching 1-61, 1-63
 - support, structural 1-19
 - switch 17-27, 17-29
 - high beam 7-19
 - key 6-13, 7-19, 7-21
 - light rocker 6-13, 7-19, 7-21
 - limit 6-7, 6-13, 7-7, 7-19, 7-21, 10-17, 11-9
 - oil pressure 8-15, 9-7
 - rocker 1-9, 6-13, 7-19
 - three-position 7-19
 - switch, rocker 17-19
 - switch,indicator 15-29

INDEX

- T**
tachometer 18-5
tachometer probe, diesel 18-5
tailgate 1-61, 1-63
tailgate angle 1-61, 1-63
tailgate latch wear plate 1-61
tailgate mounting kit 1-61
tank, fuel (diesel) 11-3
tank, fuel (gasoline) 10-5
tape, grip, accelerator pad 10-17, 11-9
tape, vinyl foam 1-7, 16-7
tappet 9-29
tappet, push rod 8-5
tee, coolant fill 16-7
temperature indicator light, coolant 7-19, 7-21
tester, continuity 18-3
tether 1-63
thermometer, battery 18-3
thermostat 16-15
throttle shaft, carburetor 10-13
throttle valve 10-13
thrust button 15-3
thrust plate 15-3
tie rod end 5-5
tie wrap 1-9, 5-5, 10-9, 17-19
tilt bed 1-7
tilt bed frame 1-7
tilt latch hand grip 1-7, 1-61
tire
 all-terrain 2-3
 mud 2-5
tool
 camber adjustment 18-3
 drive clutch fixed sheave 18-3
 drive clutch service 18-3
 drive clutch spider removal 18-3
 driven clutch spring compression base 18-3
 driven clutch spring compression collar 18-3
 driven clutch spring compression nut 18-3
 puller, special use 18-5
 steering wheel puller 18-5
track, prop rod 1-59
trailing link, rear suspension 5-15
transaxle housing 15-37
transmission 15-27
transmission cable bracket 9-5, 15-21
transmission chain 15-27
transmission fork 15-27
tube
 axle 15-37
 breather 9-15
 carburetor air vent 9-49
 crankcase vent 10-15
 fuel pickup 11-3
 hydraulic 17-21
 ROPS support 1-47
tube bumper kit 1-3
Tuflok 1-17, 1-21, 1-23, 17-19
tune-up kit 8-7, 9-3
turn signal indicator 7-19
turn signal light 6-5, 7-5
- U**
u-joint
 replacement kit 15-33
urethane bushing 1-7
- V**
valve 10-11, 11-7, 17-27, 17-29
 breather 9-15
 carburetor 10-13
 exhaust 8-5, 9-51
 float 10-13
 intake 8-5, 9-51
 seat 9-13
 throttle 10-13
valve assembly, reed 8-17
valve spring 8-5
valve spring compressor 18-5
valve spring retainer 8-5
valve stem 2-3, 2-5
V-belt 9-37, 9-39
vent
 fuel tank 10-5, 11-3
vent barb 9-49, 11-5
vent, barb 10-9
vent, housing, upper 15-37
vent, transmission 15-27
volt ohm meter 18-5
voltage regulator 8-15
- W**
warning light, low oil 6-13, 7-19, 7-21
water flange 16-15
water pump 16-3
wear clip 5-15
wedge, bearing puller 18-3
weldment
 actuator bracket 1-9
 brake pedal 4-9
 coolant pipe 16-11
 front dash 1-19
 ROPS base front 1-47, 1-49
 seat support ROPS 1-47, 1-49
 tilt bed frame 1-7
wheel
 alloy 2-3, 2-5
 hub 5-9
 steel 2-3, 2-5
 steering 5-3
wheel cap, alloy 2-3, 2-5
wire assembly 7-25, 8-13, 10-5, 11-3
wire harness 1-9, 6-3, 6-5, 6-11, 7-3, 7-5, 7-9, 7-11, 8-15
wire harness - Kawasaki FH680 6-11
wire harness, control panel 7-15
wire harness, headlight 7-9
wire harness, hydraulic power unit 7-15
wrap, tie 1-9, 5-5, 10-9, 17-19
wrench, spanner 18-5
- Y**
yoke, gear 18-3



Club Car, Inc.
P.O. Box 204658
Augusta, GA 30917-4658
USA

Web www.clubcar.com
Phone 1.706.863.3000
1.800.ClubCar
Int'l +1 706.863.3000
Fax 1.706.863.5808