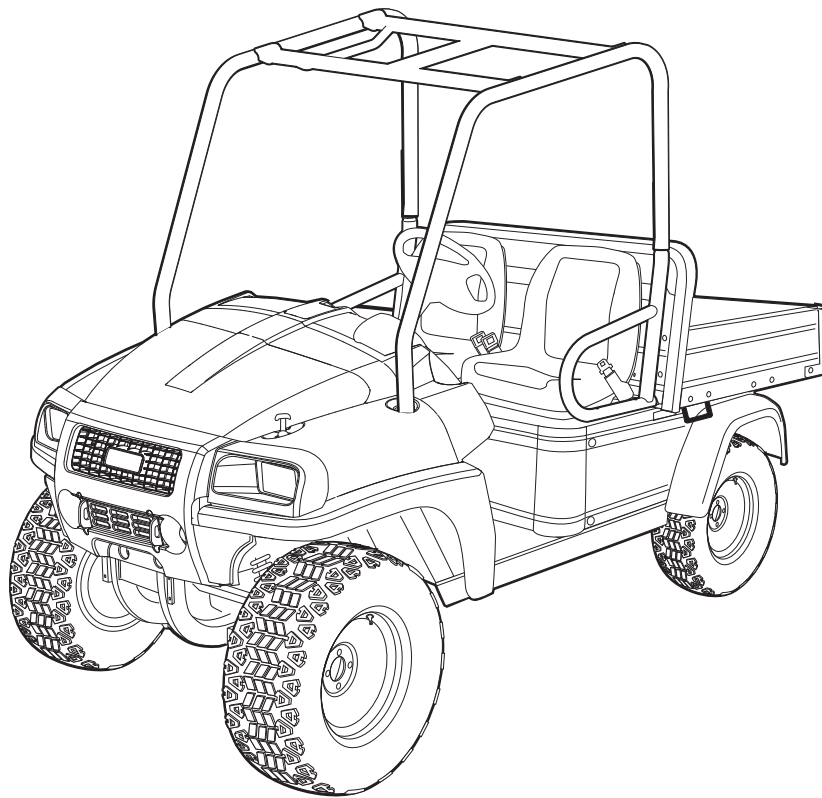




2017
Carryall 1500/1700
and XRT 1550
Illustrated Parts List



Carryall 1500/1700 and XRT 1550/1550 SE
Gasoline and Diesel

Manual Number 105342110
Edition Code D

USING THE ILLUSTRATED PARTS LIST

⚠ WARNING

- **This manual is to be used only for identification and ordering of service parts. Be sure to read and use the maintenance and service manual before attempting any vehicle repairs.**

This manual covers 2017 XRT 1550, 1550 SE, 1550 IntelliTach, and Carryall 1500, 1700, Carryall 1500 IntelliTach vehicles.

The manual is divided into sections. Note that there are two or three flags on the outside edge of each page. The first flag contains the section number of which that page is a part. The other flag (or flags) contains the letter D, E, or G, signifying that the page pertains to the diesel, electric, or gasoline vehicles only.

Use the Table of Contents to find the sections and pages that contain the parts and assemblies you seek. The Table of Contents lists section numbers, and under them, the individual page titles and numbers to be found in that section. The index can be used to find specific parts and assemblies. The index is divided into numerical and alphabetical listings with the page numbers in italic text.

There is a two-page spread for each individual page title in the Table of Contents. On the left-hand page is an illustration showing the parts in their relative positions; the parts are each tagged with an item number in a balloon. The right-hand page is the parts list page, and gives the page title at the top, then the item numbers (corresponding to the numbers on the illustration), part descriptions, and quantity of parts used.

Note that a part description may be indented. This indentation corresponds to a parts assembly level indicated by the numbers 1, 2, 3, and 4 at the top left corner of the parts description area of the parts list page. A part that is indented to *level 2* is a component of the *level 1* part (assembly) that it is listed under. A *level 3* part is a component of the *level 2* part that it is listed under, and a *level 4* part is a component of the *level 3* part preceding it. In each case, the part quantity given for a level 2, 3, or 4 part is the quantity used per next higher level assembly of which it is a component. A part that is not indented is a *level 1* part. This means that the quantity given is the quantity used per the portion of the vehicle illustrated on that particular spread.



P. O. Box 204658
Augusta, Georgia 30917-4658 USA
Telephone 706-863-3000
Service Parts Fax 706-855-7413
www.clubcar.com

HOW TO ORDER PARTS

Replacement parts and accessories can be obtained from our network of authorized dealers and distributors. You can obtain the name and phone number of your closest authorized Club Car dealer or distributor by visiting our web site at www.clubcardealer.com, by calling our toll-free Service Parts and Technical Assistance hotline at (800) 872-2246 or (706) 863-3000, extension 3887, or by scanning this Quick Response (QR) code to be taken to the Club Car dealer locator. **Refer to Figure 1.** Download a QR code reader such as RedLaser or Barcode Scanner to your cell phone or tablet.



Figure 1 Dealer Locator QR Code

CUSTOMER SATISFACTION SURVEY

Let your voice be heard!

Please take time to participate in the Technical Publications satisfaction survey. Obtaining feedback from our customers is important to the department's continuous improvement process. The online survey takes less than five minutes and responses will help the department to examine current performance as well as identify areas for future improvement.

Our top priority is to provide timely, accurate, and user friendly manuals.

The online satisfaction survey can be found at: <http://bit.ly/1w9uFMh>



Figure 2 Survey QR Code

NOTE: *This illustrated parts list represents the most current information at the time of publication. Club Car, LLC is continually working to further improve its vehicles and other products. These improvements may affect the parts used to service the vehicle. Any modification and/or significant change in specifications will be forwarded to all Club Car and Carryall distributors/dealers and will, when applicable, appear in future editions of this illustrated parts list.*

Club Car, LLC reserves the right to change specifications and designs at any time without notice and without the obligation of making changes to units previously sold.

Copyright © 2016 Club Car, LLC
Club Car is a registered trademark of Club Car, LLC.
This manual effective July 1, 2020

2017 Carryall 1500/1700 and XRT 1550/1550 SE Gasoline Illustrated Parts List

CONTENTS

SECTION 1 – BODY AND TRIM

Brush Guard	1-3
Glove Box	1-5
Tilt Bed, Hinge, and Latch	1-7
Electric Bed Lift	1-9
Tow Hook Plates	1-11
Plastic Skid Plate	1-13
Steel Skid Plate	1-15
Fascia, Fenders, and Cowls (Molded in Color) – Carryall	1-17
Dash and Splash Guard	1-19
Fascia, Fenders, and Cowls (Molded in Color) – XRT	1-21
Fascia, Fenders, and Cowl (Molded in Color) – IntelliTach	1-23
Side Stringers – 2 Passenger	1-25
Side Stringers – 4 Passenger	1-27
Floorboard	1-29
Floorboard – Rear	1-31
Bench Seat	1-33
Bench Seat, Rear – 4 Pass	1-35
Bucket Seats – Gray	1-37
Bucket Seats – Black	1-39
2-Point Seat Belts	1-41
3-Point Seat Belts	1-43
ROPS – 4 Pass	1-45
ROPS and Seat Support	1-47
Head Rests and Rear Seat Handle – 4 Pass	1-49
Canopy (Vehicle with ROPS)	1-51
Side Panels and Rear Fenders – 2 Pass	1-53
Side Panels and Rear Fenders – 4 Pass	1-55
Latch Plates and Prop Rod	1-57
Box Bed – Aluminum	1-59
Box Bed – Steel	1-61

SECTION 2 – WHEELS AND TIRES

Wheels and Tires – Kenda	2-3
Wheels and Tires – OTR	2-5

SECTION 3 – DECALS

Safety Decals – Carryall and XRT 2-Passenger	3-3
--	-----

CONTENTS

Safety Decals – Carryall and XRT 2-Passenger, Continued	3-5
Badging Decals – Carryall 2-Passenger	3-7
Badging Decals – XRT 2-Passenger	3-9
Safety Decals – Carryall and XRT 4-Passenger	3-11
Safety Decals – Carryall and XRT 4-Passenger, Continued	3-13
Badging Decals – Carryall 4-Passenger	3-15
Badging Decals – XRT 4-Passenger	3-17
Safety Decals – IntelliTach	3-19
Safety Decals – IntelliTach, Continued	3-21
Badging Decals – Carryall Intellitach	3-23
Badging Decals – XRT Intellitach	3-25
Badging Decals – Intellitach	3-27

SECTION 4 – BRAKE SYSTEMS AND PEDALS – WITH DUAL-PISTON FRONT CALIPERS

Front Brakes	4-3
Master Cylinder with Integral Reservoir	4-5
Hydraulic Brake Lines and Clips	4-7
Brake Pedal	4-9
Park Brake System	4-11
Rear Brakes	4-13

SECTION 5 – STEERING AND SUSPENSION – WITH DUAL-PISTON FRONT CALIPERS

Steering Wheel and Column	5-3
Steering Gear	5-5
Front Suspension – Page 1 of 2	5-7
Front Suspension – Page 2 of 2	5-9
Shock Absorbers – 800 lb. Capacity	5-11
Shock Absorbers – 1050 lb. Capacity	5-13
Rear Suspension (4-Link)	5-15

SECTION 6 – ELECTRICAL SYSTEM – GAS VEHICLES

Headlights – Carryall	6-3
Headlights – XRT	6-5
Electrical Component Box, Gasoline Vehicle	6-7
Battery – Gasoline Vehicle	6-9
Wiring – Kawasaki Gas Engine	6-11
Electrical Components, Front Body – Gas Vehicle	6-13
Top-Post Battery – Gasoline Vehicle	6-15

CONTENTS

SECTION 7 – ELECTRICAL SYSTEM – DIESEL VEHICLES

Headlights – Carryall	7-3
Headlights – XRT	7-5
Headlights – IntelliTach	7-7
Wiring – Kubota Diesel Engine, One-Piece Harness	7-9
Wiring – Hydraulic Attachment (IntelliTach)	7-11
Wiring – Seat Belt Reminder (IntelliTach)	7-13
Electrical Components, Front Body – Diesel Vehicle	7-15
Electrical Components, Front Body – IntelliTach	7-17
Electrical Component Box, Diesel Vehicle	7-19
Battery – Diesel Vehicle	7-21
Top-Post Battery – Diesel Vehicle	7-23

SECTION 8 – ENGINE – KAWASAKI FH680D GASOLINE

Shrouds and Brackets	8-3
Valves and Camshaft	8-5
Tune-Up Kit – Kawasaki FH680	8-7
Kawasaki FH680D Gasoline Engine and Mounting	8-9
Oil and Lubrication Components	8-11
Oil Filter Adapter – Kawasaki FH680	8-13
Ignition Components and Flywheel – Kawasaki FH680	8-15
Cylinder Head and Crankcase	8-17
Pistons and Crankshaft	8-19

SECTION 9 – ENGINE – KUBOTA DIESEL, D722, E3B SERIES

Tune-Up Kit – Kubota D722	9-3
DIESEL ENGINE AND ENGINE MOUNTING (D722 – E3B)	9-5
Crankcase (D722 – E3B)	9-7
Oil Pan (D722 – E3B)	9-9
Cylinder Head (D722 – E3B)	9-11
Gear Case (D722 – E3B)	9-13
Head Cover (D722 – E3B)	9-15
Dipstick and Guide (D722 – E3B)	9-17
Oil Pump (D722 – E3B)	9-19
Main Bearing Case (D722 – E3B)	9-21
Camshaft and Idle Gear (D722 – E3B)	9-23
Piston and Crankshaft (D722 – E3B)	9-25
Flywheel (D722 – E3B)	9-27

CONTENTS

Fuel Camshaft (D722 – E3B)	9-29
Idle Apparatus (D722 – E3B)	9-31
Stop Solenoid (D722 – E3B)	9-33
40-Amp Alternator, Belt and Pulleys (D722 – E3B)	9-35
60-Amp Alternator, Belt and Pulleys (D722 – E3B)	9-37
Fuel Injection Pump (D722 – E3B)	9-39
Speed Control (D722 – E3B)	9-41
Nozzle Holders and Glow Plugs (D722 – E3B)	9-43
Governor Components (D722 – E3B)	9-45
Starter – Sealed (D722 – E3B)	9-47
Valves and Rocker Arms (D722 – E3B)	9-49
Intake Manifold (D722 – E3B)	9-51
Exhaust Manifold (D722 – E3B)	9-53
Gasket Kits (D722 – E3B)	9-55
Piston Rebuild Kit (D722 – E3B)	9-57

SECTION 10 – ENGINE – KUBOTA DIESEL, D722, E4B SERIES

Tune-Up Kit – Kubota D722	10-3
Diesel Engine and Engine Mounting (D722 – E4B)	10-5
Crankcase (D722 – E4B)	10-7
Oil Pan (D722 – E4B)	10-9
Cylinder Head (D722 – E4B)	10-11
Gear Case (D722 – E4B)	10-13
Head Cover (D722 – E4B)	10-15
Dipstick and Guide (D722 – E4B)	10-17
Oil Pump (D722 – E4B)	10-19
Main Bearings and Bearing Cases (D722 – E4B)	10-21
Crankshaft (D722 – E4B)	10-23
Piston, Piston Rings and Connecting Rod (D722 – E4B)	10-25
Flywheel (D722 – E4B)	10-27
Camshaft and Idle Gear (D722 – E4B)	10-29
Fuel Camshaft (D722 – E4B)	10-31
Idle Apparatus (D722 – E4B)	10-33
Stop Solenoid (D722-E4B)	10-35
40-Amp Alternator, Belt and Pulleys (D722 – E4B)	10-37
60-Amp Alternator, Belt and Pulleys (D722 – E4B)	10-39
Fuel Injection Pump (D722 – E4B)	10-41
Speed Control (D722 – E4B)	10-43
Nozzle Holders and Glow Plugs (D722 – E4B)	10-45
Governor Components (D722 – E4B)	10-47

CONTENTS

Starter – Sealed (D722 – E4B)	10-49
Valves and Rocker Arms (D722 – E4B)	10-51
Intake Manifold (D722 – E4B)	10-53
Exhaust Manifold (D722 – E4B)	10-55

SECTION 11 – FUEL, INTAKE, ACCELERATOR & GOVERNOR SYSTEMS – KAWASAKI GAS ENGINES

Governor Arm and Springs	11-3
Fuel Tank – Gasoline Vehicle	11-5
Fuel Pump, Filter and Hose – Kawasaki FH680	11-7
Carbon Canister – Gasoline Vehicle	11-9
Intake Hoses and Air Filter – Kawasaki FH680	11-11
Carburetor – Kawasaki FH680	11-13
Intake Manifold and Carburetor Mounting – Kawasaki FH680	11-15
Accelerator Pedal	11-17
Accelerator and Choke Cables – Kawasaki FH680	11-19

SECTION 12 – FUEL, INTAKE & ACCELERATOR SYSTEMS – KUBOTA DIESEL ENGINE

Fuel Tank – Diesel Vehicle	12-3
Fuel Pump, Filter and Hose – Diesel	12-5
Intake Hoses and Air Filter – Diesel Vehicle	12-7
Accelerator Pedal	12-9
Accelerator Cable – Diesel Vehicle	12-11

SECTION 13 – EXHAUST SYSTEM – GAS & DIESEL

Exhaust Pipes – Diesel Vehicles	13-3
Exhaust Pipe and Muffler	13-5
Exhaust Header – Kawasaki FH680	13-7

SECTION 14 – CLUTCHES – KAWASAKI GAS ENGINE

Drive Belt	14-3
Drive Clutch (3 Weight) – Gas Vehicle	14-5
Driven Clutch (for 3 Weight Drive Clutch)	14-7
Clutch Cover (Non-Sealed)	14-9
Clutch Cover (Sealed)	14-11

SECTION 15 – CLUTCHES – KUBOTA DIESEL ENGINE

Drive Belt	15-3
------------------	------

CONTENTS

Drive Clutch (3 Weight) – Diesel Vehicle	15-5
Driven Clutch (for 3 Weight Drive Clutch)	15-7
Clutch Cover (Non-Sealed)	15-9
Clutch Cover (Sealed)	15-11

SECTION 16 – DRIVETRAIN COMPONENTS – GAS & DIESEL

Front Differential	16-3
Front Differential Output Cover Assembly	16-5
Front Differential Race/Output Assembly	16-7
Front Differential Minor Repair Kit	16-9
Front Differential Input Cover Assembly	16-11
Front Differential Gear Kit	16-13
Front Differential Gearcase Assembly	16-15
Oil, Differential and Transmission	16-17
Forward/Reverse Shifter	16-19
Shifter Cable	16-21
Front Differential Mounting and Half Shafts	16-23
CV Boot Repair Kits	16-25
Transmission – Page 1 of 3	16-27
Transmission – Page 2 of 3	16-29
Transmission – Page 3 of 3	16-31
Prop Shafts	16-33
Rear Differential and Axles – Page 1 of 2	16-35
Rear Differential and Axles – Page 2 of 2	16-37

SECTION 17 – RADIATOR AND COOLANT SYSTEM – DIESEL VEHICLES

Water Pump	17-3
Block Coolant Pipe	17-5
Radiator	17-7
Coolant Expansion Tank	17-9
Coolant Pipes, Clamps, Hoses and Hardware, 2-Passenger	17-11
Coolant Pipes, Clamps, Hoses and Hardware, 4-Passenger	17-13
Water Flange and Thermostat	17-15

SECTION 18 – HYDRAULIC ATTACHMENT SYSTEM AND ACCESSORIES

Handbook	18-3
Attachment – Pallet Fork	18-5
Attachment – Bucket	18-7
Attachment – Snow Blade	18-9

CONTENTS

Attachment – Broom	18-11
Accessory Mounting Weldment	18-13
Attachment Arm Kit	18-15
Attachment Interface	18-17
Hydraulic Controls	18-19
Hydraulic Cylinders	18-21
Hydraulic Hoses	18-23
Hydraulic Attachment Angle Kit	18-25
Hydraulic Power Unit – Standard	18-27
Hydraulic Power Unit – with Auxiliary	18-29
Standard to Auxiliary Hydraulic Conversion Kit	18-31

SECTION 19 – MAINTENANCE AND SERVICE TOOLS

Maintenance and Service Tools – 1500/1550/1700	19-3
Maintenance and Service Tools – 1500/1550/1700 Continued	19-5

SECTION i – INDEX

BODY AND TRIM

1

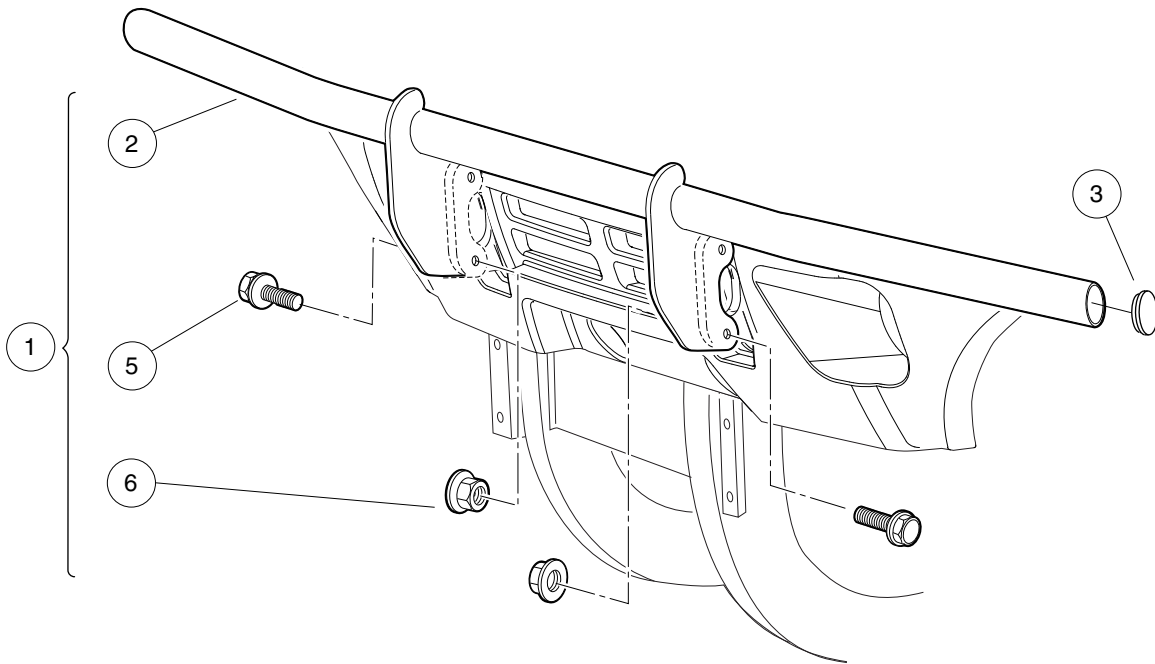
G

D

1

G

D



000526-001

BRUSH GUARD

ITEM	PART NO.	DESCRIPTION	QTY
		1 2 3 4	
1	<u>103236001</u>	Kit, Tube Bumper CCI (includes items 2 through 5)	1
2	N/A	Weldment, Frt Bumper, Restyle	1
3	<u>103215401</u>	Plug, Tube, Round, 1-3/4"	2
4	<u>103231701</u>	Screw, M10 X 1.25 X 30 Hex Blk	4
5	<u>103231801</u>	Nut, Flg, M10 X 1.25 Hex Blk	4
		Note: Brushguard is standard on XRT vehicles and is optional on Carryall vehicles.	

1

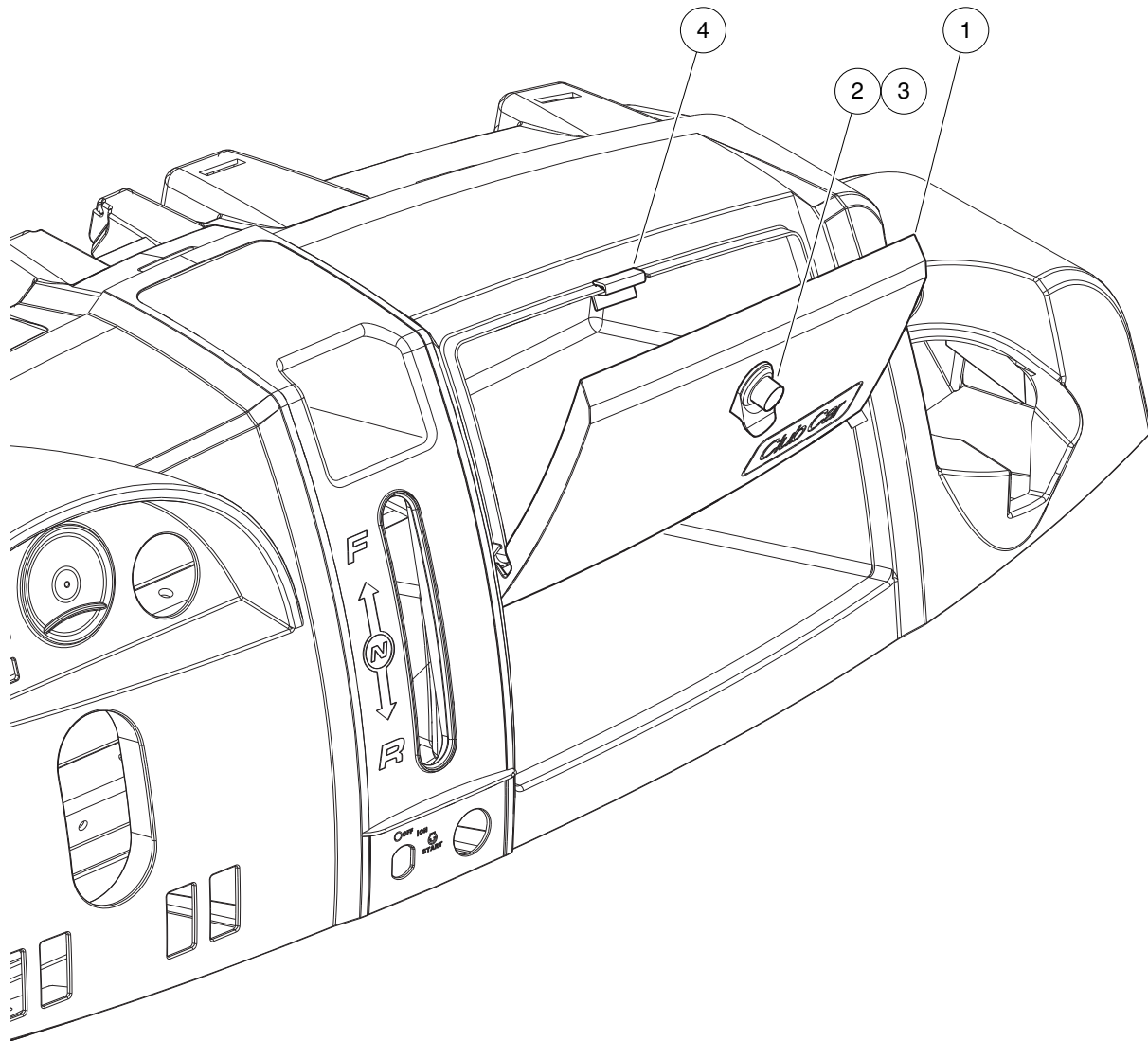
G

D

1

G

D



000789-001

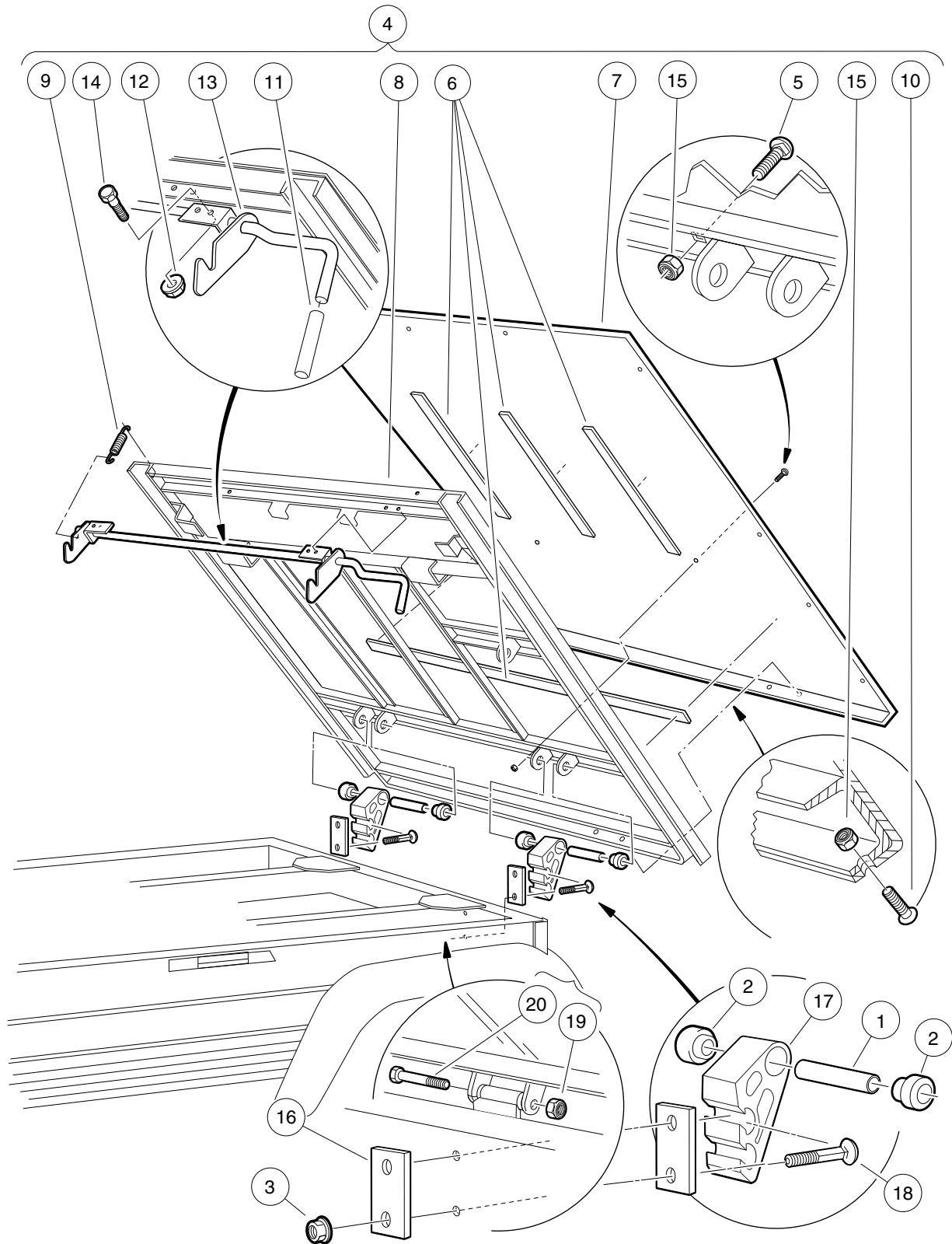
GLOVE BOX

ITEM	PART NO.	DESCRIPTION	QTY
		1 2 3 4	
1	<u>102867202</u>	Cover, Storage, Dash, Blk, Cci	1
2	<u>103182701</u>	Latch, Push Close	1
3	<u>103182702</u>	Latch, Push Close W/ Key	1
4	<u>103182801</u>	Keeper, Latch, Push Close	1

1
G
D

1
G

D



000037-001

TILT BED, HINGE, AND LATCH

ITEM	PART NO.	DESCRIPTION	QTY
		1 2 3 4	
1	<u>1012303</u>	Bushing, Steel	2
2	<u>1015583</u>	Bushing, Urethane	2
3	<u>102065901</u>	Locknut, 3/8-16 Flanged Dimple	4
4	<u>102171503</u>	Tilt Bed Assembly (includes items 5 through 15)	1
5	<u>1010435</u>	Bolt, Carriage, 5/16-18 X 1.00	4
6	<u>1014471</u>	Tape, Vinyl Foam 1/8" x 3/4"	1
7	<u>1015258</u>	Plate, Floor Bed	1
8	N/A	Frame Assembly	1
9	<u>1015391</u>	Extension, Spring Latch	2
10	<u>1015399</u>	Screw, 5/16-18 X 0.88 Torx Truss-Head	4
11	<u>1015400</u>	Grip, Tilt Latch Hand	1
12	<u>101835601</u>	Locknut, 1/4-20 Hex Whiz	4
13	<u>102426901</u>	Ltch Weld Asm Tlt Bd	1
14	<u>403</u>	Screw, 1/4-20 X 0.625 Hex-Head Cap	4
15	<u>7473</u>	Locknut, 5/16-18 Nylon Insert	8
16	<u>102614101</u>	Plate, Back	2
17	<u>103538701</u>	Bracket, Bed Hinge, Extruded	2
18	<u>103538901</u>	Bolt, Carriage, 3/8-16 x 3.5" Grade 5	4
19	<u>8754</u>	Locknut, 3/8-16 Hex	2
20	<u>8755</u>	Screw, 3/8-16 X 3.375 Hex Cap	2

1

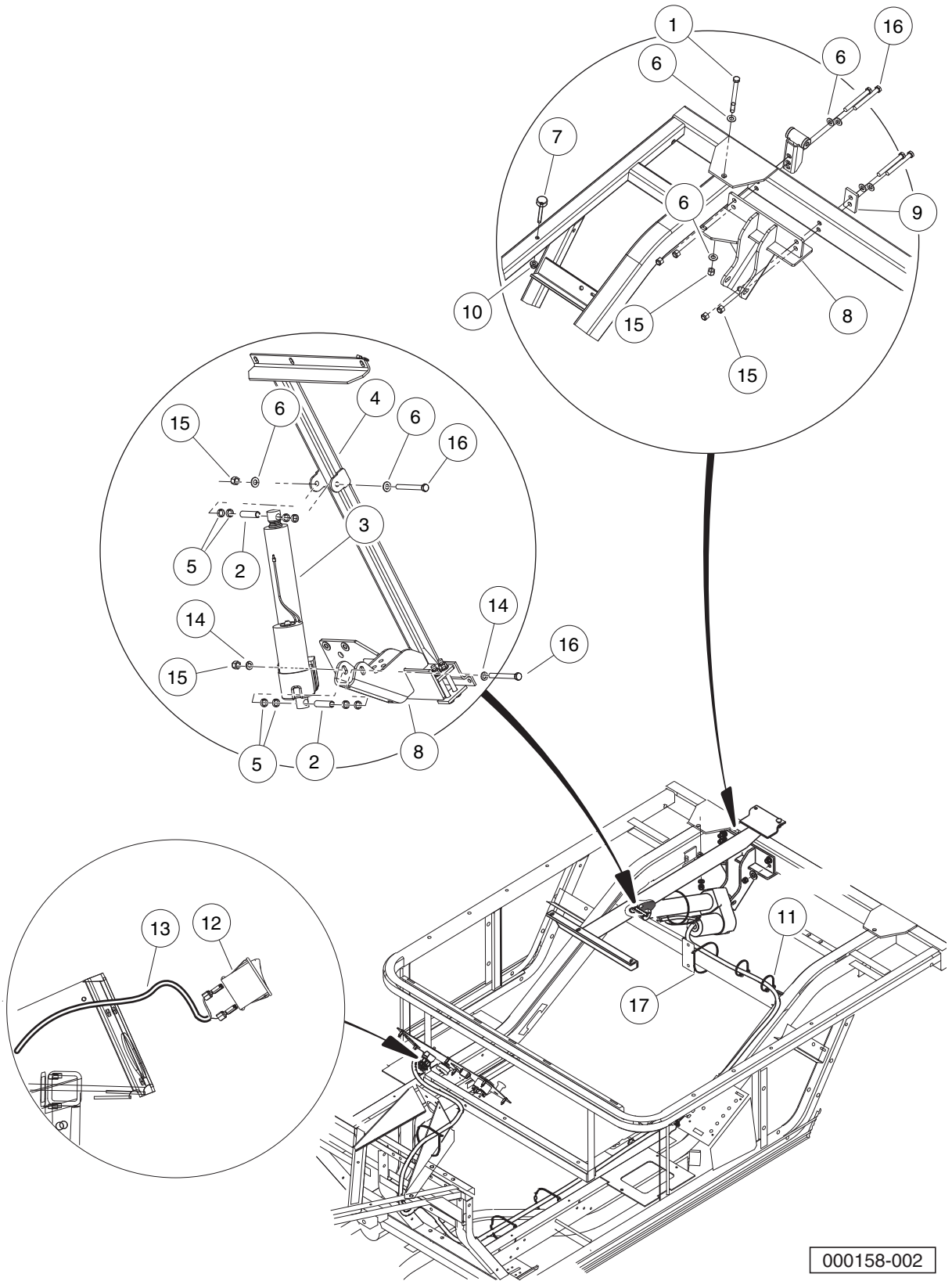
G

D

1

G

D



000158-002

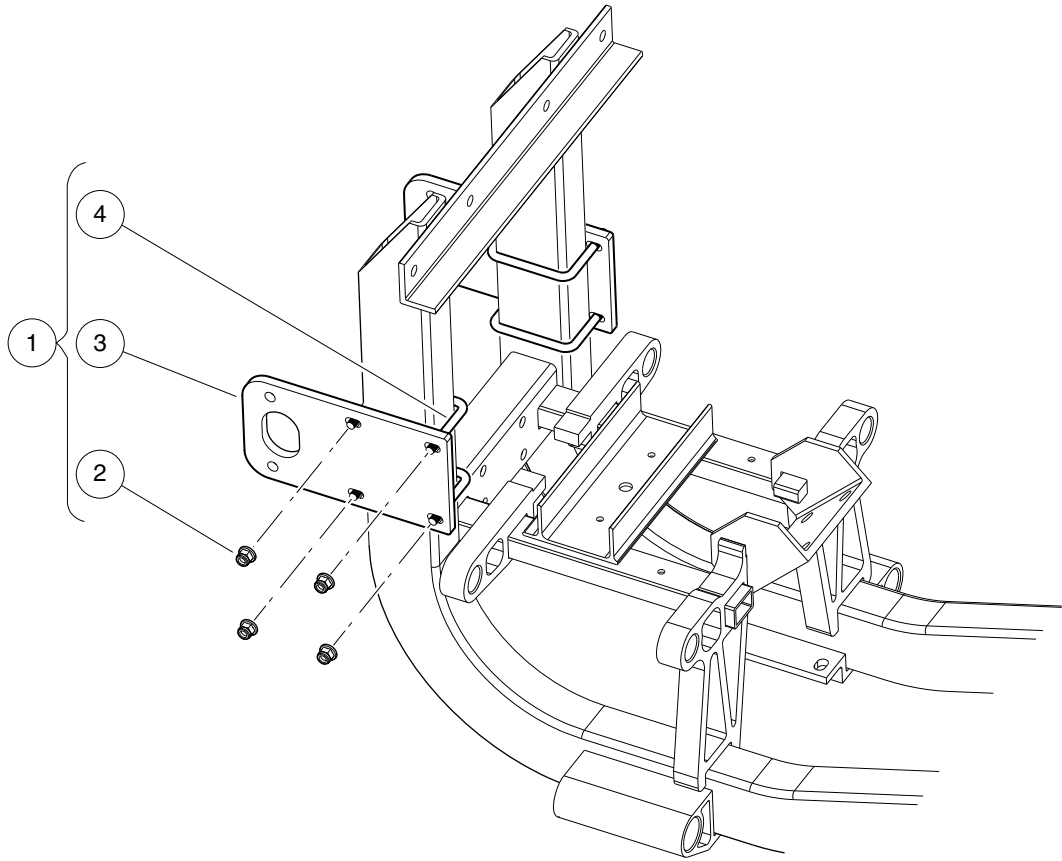
ELECTRIC BED LIFT

ITEM	PART NO.	DESCRIPTION	QTY	
		1 2 3 4		1
1	<u>1010200</u>	Bolt, 3/8-16 X 4.25 Hex Head	1	G
2	<u>1016603</u>	Bushing Long	2	
3	<u>1017162</u>	Actuator Assembly, Electric	1	
4	<u>1017167</u>	Actuator Adapter	1	D
5	<u>1017774</u>	Body Spacer	8	
6	<u>102066001</u>	Washer, 3/8 Type B Hard Flat	8	
7	<u>102426601</u>	Bumper, Bed, Mtg, Front	2	
8	<u>102465701</u>	Weldment, Bracket, Actuator	1	
9	<u>102614101</u>	Plate, Back	1	
10	<u>102618601</u>	Lock Nut, Flange, M8 X 1.25 Nylon	2	
11	<u>102629001</u>	Tie Wrap, 8.00" With Mount	2	
12	<u>102882501</u>	Switch, Rocker, Bed Lift	1	
13	<u>103227001</u>	Harness, AWD Bedlift	1	
14	<u>357</u>	Lockwasher, 3/8 Split	2	
15	<u>8754</u>	Locknut, 3/8-16 Hex	9	
16	<u>8755</u>	Screw, 3/8-16 X 3.375 Hex Cap	6	
17	<u>8990</u>	Tie Wrap, 8" Nylon	5	

1

G

D



001068-001

TOW HOOK PLATES

ITEM	PART NO.	DESCRIPTION	QTY
		1 2 3 4	
1	103947102	Kit, Tow Hook (includes items 2 through 4)	1
2	102618601	Lock Nut, Flange, M8 X 1.25 Nylon	8
3	103892501	Plate, Tow Hook	2
4	103892601	Bolt, U, Sq. Bend, M8-1.25	4

1

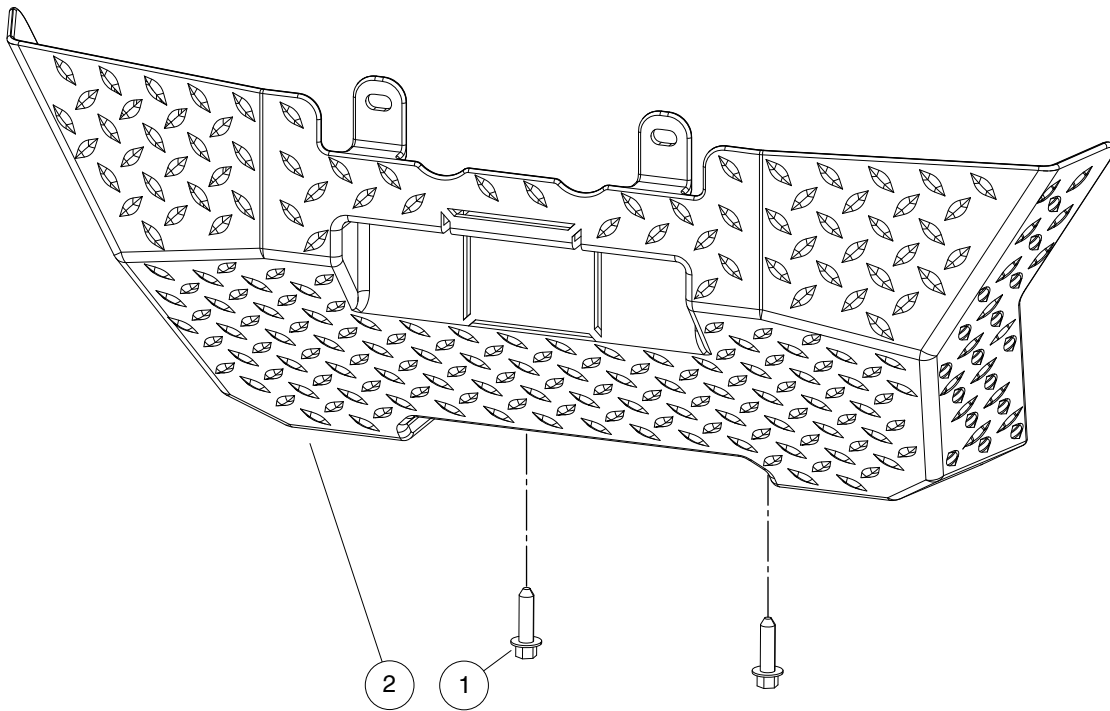
G

D

1

G

D



000537-003

PLASTIC SKID PLATE

ITEM	PART NO.	DESCRIPTION	QTY
1	<u>102289001</u>	1 2 3 4 Screw, M8X1.25X30, Hex	2
2	<u>102882301</u>	Plate, Skid, Std	1

1

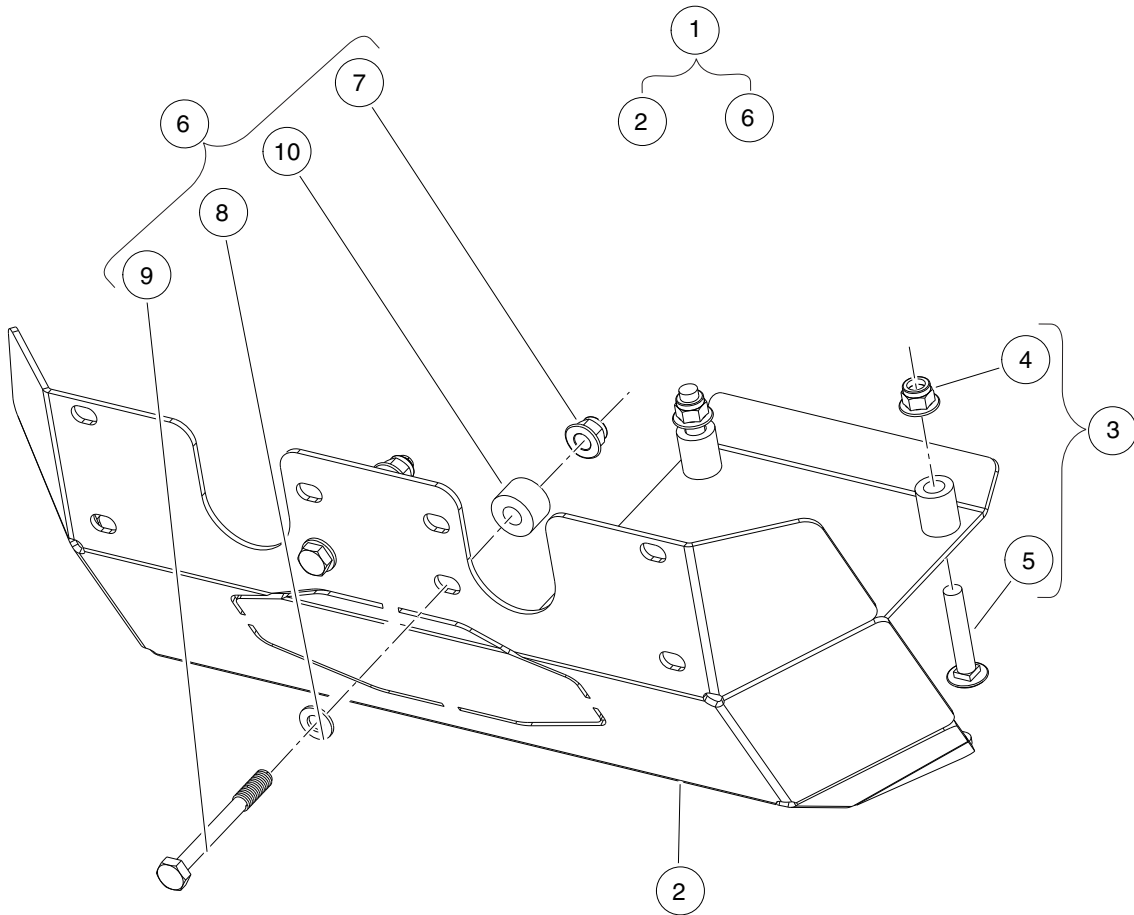
G

D

1

G

D



000537-004

STEEL SKID PLATE

ITEM	PART NO.	DESCRIPTION	QTY
		1 2 3 4	
1	AM1211003	Kit, Skidplate, Front, Steel (includes items 2 through 6)	1
2	<u>AM1210002</u>	Skid Plate, Front, Steel	1
3	<u>AM1215701</u>	Kit, Hardware, Skidplate, Front, A (includes items 4 and 5)	1
4	<u>102670701</u>	Nut, Flange, M10 X 1.5 Nylon	2
5	AM1210801	Bolt, Carriage, M10x1.5x55	2
6	<u>AM1215801</u>	Kit, Hardware, Skidplate, Front, B (includes items 7 through 10)	1
7	<u>102670701</u>	Nut, Flange, M10 X 1.5 Nylon	2
8	<u>102718101</u>	Washer, Hard, M10, Zn-Ni/Blk	2
9	<u>102719301</u>	Bolt, M10 X 1.50 X 90, Loctite	2
10	AM1211401	Spacer, 17mm Long, Skidplate	2

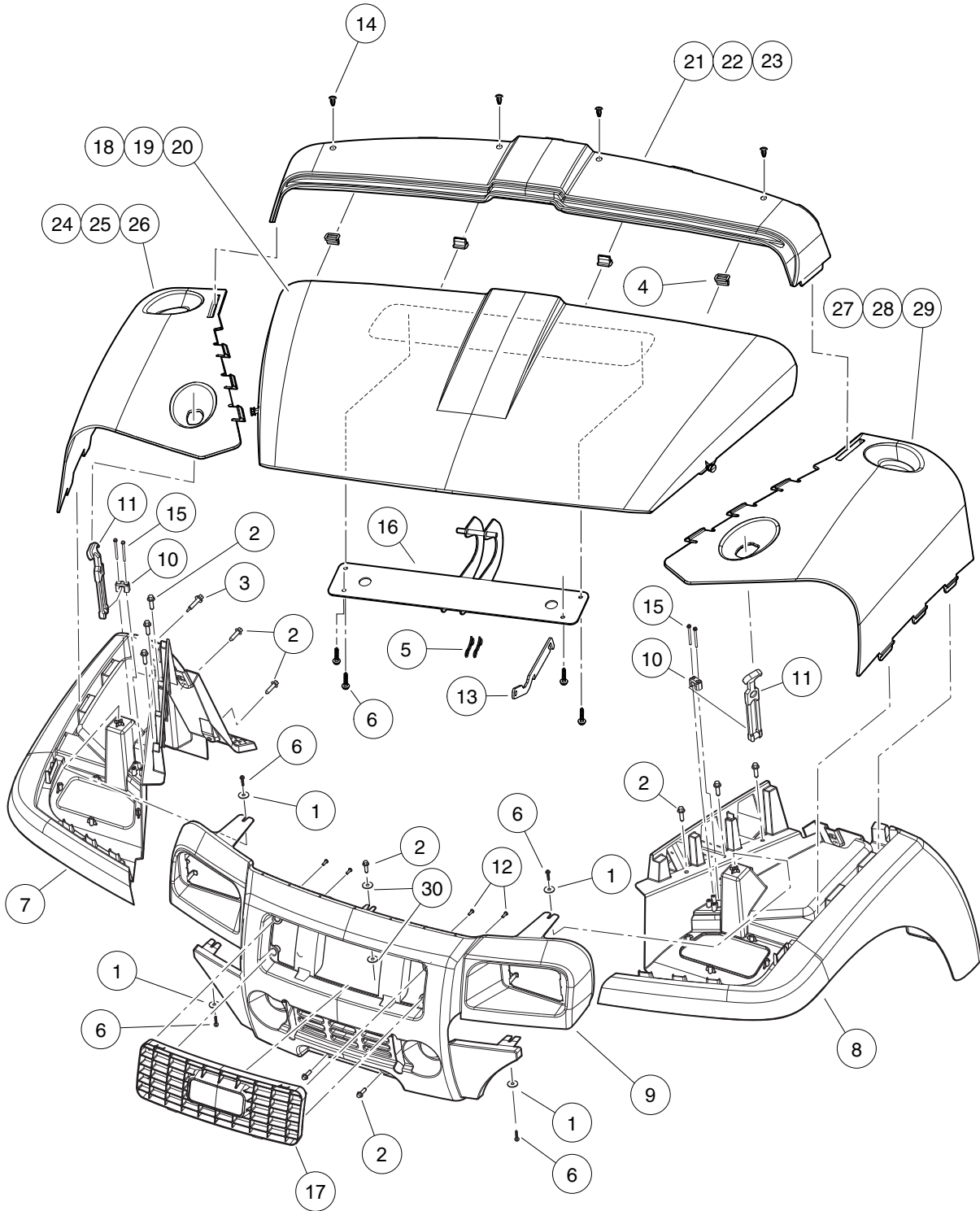
1

G

D

1
G

D



000507-006

FASCIA, FENDERS, AND COWLS (MOLDED IN COLOR) – CARRYALL

ITEM	PART NO.	DESCRIPTION	QTY
		1 2 3 4	
1	<u>1011578</u>	Washer, 5/16 Type B Flat	4
2	<u>102289001</u>	Screw, M8X1.25X30, Hex	13
3	<u>102292356</u>	Screw-1/4-20x56 Hwh Self Drill	2
4	<u>102292701</u>	Clip-body-trim	4
5	<u>102292801</u>	Pin, Bow Tie Locking - .072	2
6	<u>102297230</u>	Screw, M6, Torx, Interlock Thread	8
7	<u>102866901</u>	Fender, Front, Pass, AWD	1
8	<u>102867001</u>	Fender, Front, Drv, AWD	1
9	<u>102867501</u>	Fascia, Front, CA, AWD	1
10	<u>102882401</u>	Bracket, Latch, Draw	2
11	<u>102895101</u>	Latch, Draw, Hood	2
12	<u>102895401</u>	Screw, D50x16, Torx PN Hd PT	4
13	<u>102896501</u>	Prop, Hood	1
14	<u>102967901</u>	Rivet, Removable, Tuflok 1/4"	4
15	<u>103218107</u>	Screw, #8x2.00 AB Thd, Hex Hd	4
16	<u>103588001</u>	Asm, Hood Hinge	1
17	<u>103760601</u>	Grill, Carryall	1
18	<u>103959210</u>	Hood, Dark Green	1
19	<u>103959214</u>	Hood, Dark Gray	1
20	<u>103959218</u>	Hood, Real Tree Camo	1
21	<u>103959310</u>	Panel, Cowl, Center, Dark Green	1
22	<u>103959314</u>	Panel, Cowl, Center, Dark Gray	1
23	<u>103959318</u>	Panel, Cowl, Center, Real Tree Camo	1
24	<u>103959410</u>	Panel, Cowl, Passenger-Side, Dark Green	1
25	<u>103959414</u>	Panel, Cowl, Passenger-Side, Dark Gray	1
26	<u>103959418</u>	Panel, Cowl, Passenger-Side, Real Tree Camo	1
27	<u>103959510</u>	Panel, Cowl, Driver-Side, Dark Green	1
28	<u>103959514</u>	Panel, Cowl, Driver-Side, Dark Gray	1
29	<u>103959518</u>	Panel, Cowl, Driver-Side, Real Tree Camo	1
30	<u>808</u>	Washer, 3/8 Type B Flat	2

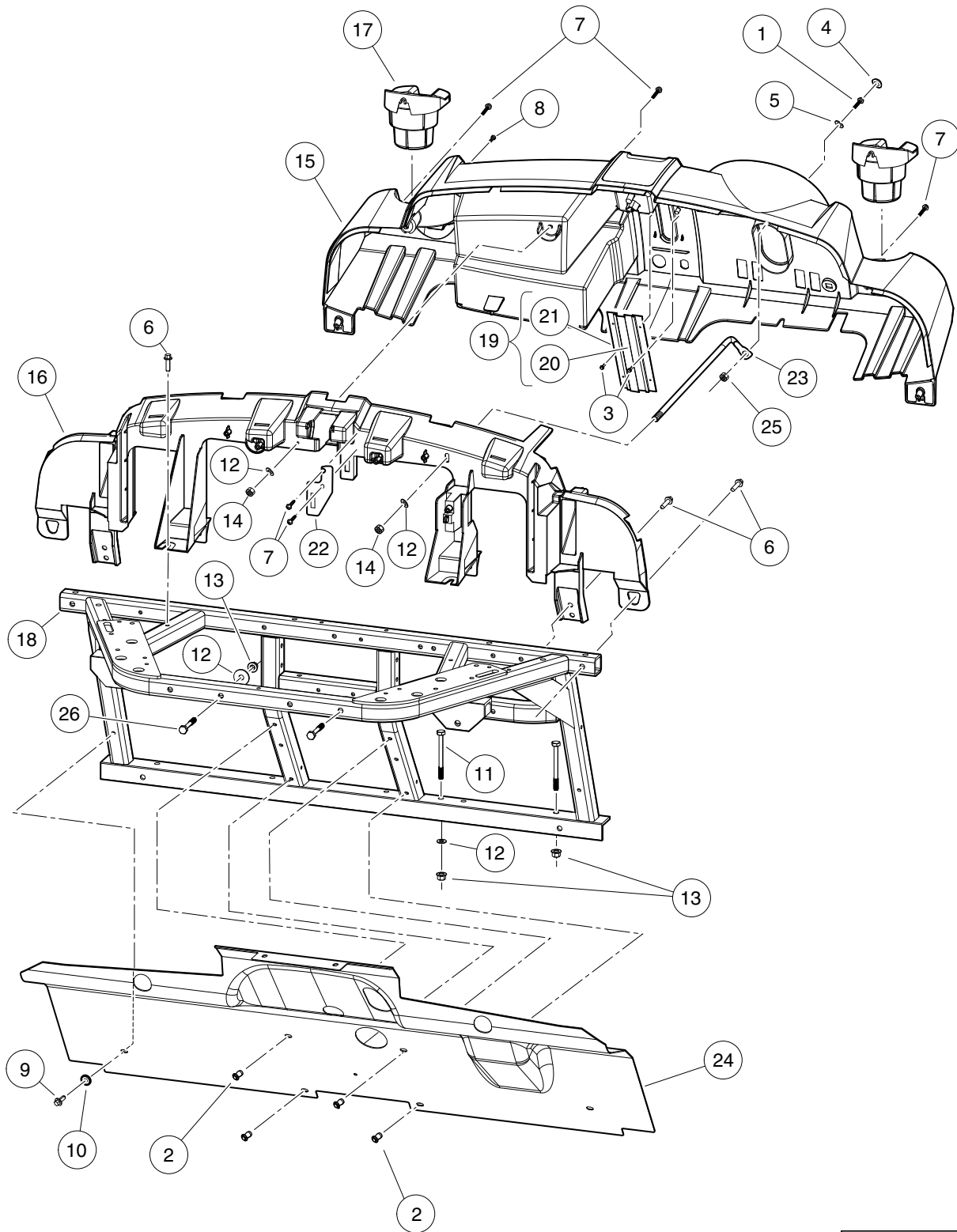
Note: These color body panels are molded in color except for black and camo.

1
G
D

1

G

D



000519-003

DASH AND SPLASH GUARD

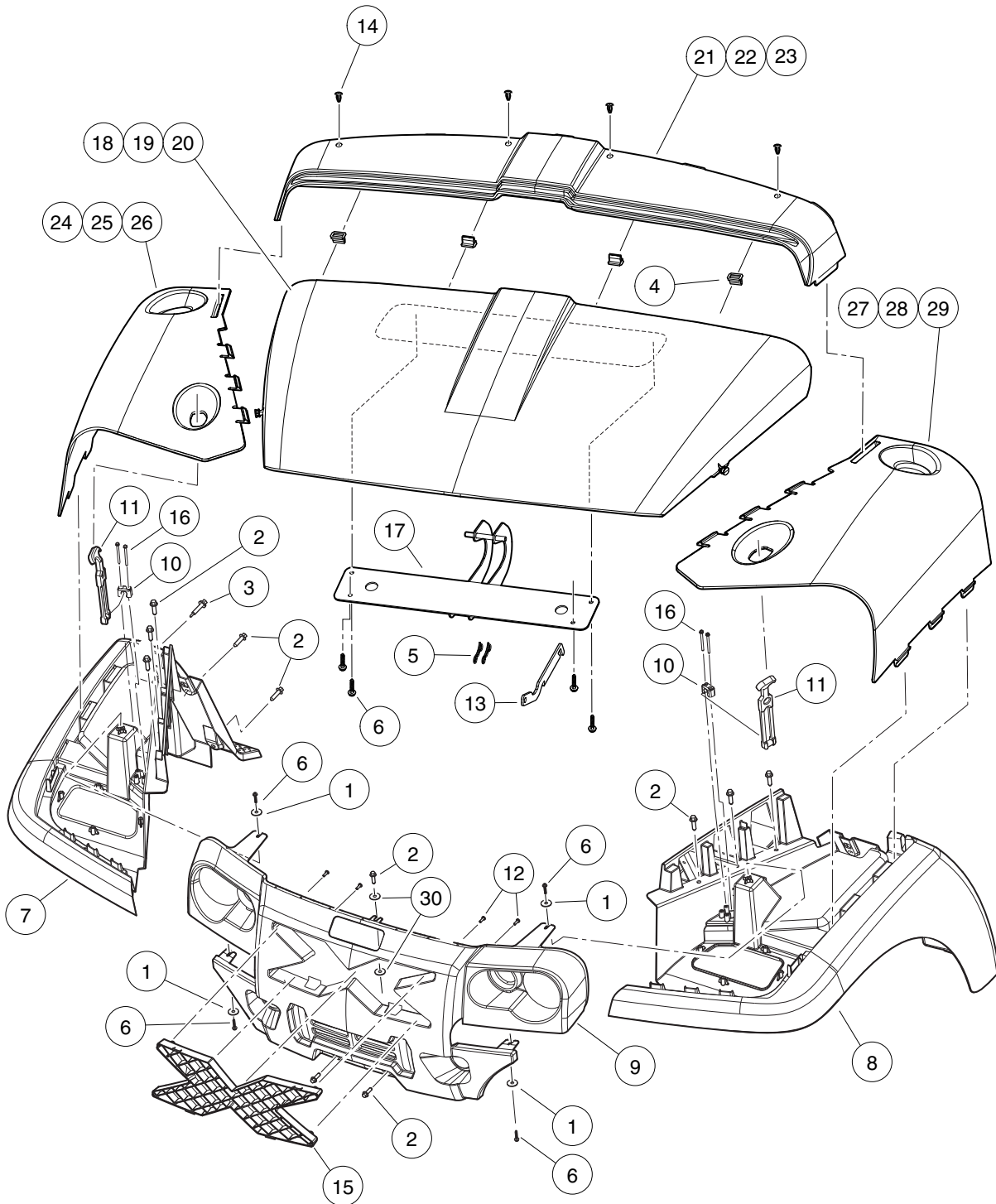
ITEM	PART NO.	DESCRIPTION	QTY
		1 2 3 4	
1	1016916	Screw, 1/4-20 X 1.50 Hex-Head Cap	1
2	1016967	Blind Rivet, Push Type	4
3	101804301	Screw, #8 X 0.500, Hex-Head Hi-Lo	2
4	102045001	Cap, 1/4" Plastic Screw Head	1
5	102048401	Washer, 1/4 Id Scalloped Plast	1
6	102289001	Screw, M8X1.25X30, Hex	6
7	102297230	Screw, M6, Torx, Interlock Thread	5
8	102298580	M8-1.25 X 80 Sems	1
9	102298720	Screw, M8-1.25x20, Taptite	2
10	102323501	Washer, Flat, 3/8, Blk Fin	2
11	102491301	Bolt, M10x1.50x100 (Black)	4
12	102491501	Washer, Hard, M10	10
13	102617201	Nut, Flanged, M10 X 1.5, Mechanically Deformed	8
14	102618601	Lock Nut, Flange, M8 X 1.25 Nylon	2
15	102867102	Dash, Design A, Dd F/h	1
16	102867301	Support, Structural	1
17	102883401	Cup Holder, Utility	2
18	102935501	Weldment, Dash, Front	1
19	103233001	Asm, Brush, Fnr (includes items 20 and 21)	2
20	N/A	Brush, Strip, FNR	2
21	N/A	Holder, Brush, Strip, FNR	2
22	103253801	Bracket, Hood Support	1
23	103268001	Rod, Connection, Dash	1
24	103296001	Guard, Splash, Gas Injection	1
25	8233	Locknut, 1/4-20, Nylon Insert	1
26	96715552	Bolt, M10 X 1.50 X 65	4

1
G
D

1

G

D



000522-004

FASCIA, FENDERS, AND COWLS (MOLDED IN COLOR) – XRT

ITEM	PART NO.	DESCRIPTION	QTY
		1 2 3 4	
1	<u>1011578</u>	Washer, 5/16 Type B Flat	4
2	<u>102289001</u>	Screw, M8X1.25X30, Hex	13
3	<u>102292356</u>	Screw-1/4-20x56 Hwh Self Drill	2
4	<u>102292701</u>	Clip-body-trim	4
5	<u>102292801</u>	Pin, Bow Tie Locking - .072	2
6	<u>102297230</u>	Screw, M6, Torx, Interlock Thread	8
7	<u>102866901</u>	Fender, Front, Pass, AWD	1
8	<u>102867001</u>	Fender, Front, Drv, AWD	1
9	<u>102867401</u>	Fascia, Front, XRT, AWD	1
10	<u>102882401</u>	Bracket, Latch, Draw	2
11	<u>102895101</u>	Latch, Draw, Hood	2
12	<u>102895401</u>	Screw, D50x16, Torx PN Hd PT	4
13	<u>102896501</u>	Prop, Hood	1
14	<u>102967901</u>	Rivet, Removable, Tuflok 1/4"	4
15	<u>102979301</u>	Grill, XRT	1
16	<u>103218107</u>	Screw, #8x2.00 AB Thd, Hex Hd	4
17	<u>103588001</u>	Asm, Hood Hinge	1
18	<u>103959210</u>	Hood, Dark Green	1
19	<u>103959218</u>	Hood, Real Tree Camo	1
20	<u>103959230</u>	Hood, Awd Red	1
21	<u>103959310</u>	Panel, Cowl, Center, Dark Green	1
22	<u>103959318</u>	Panel, Cowl, Center, Real Tree Camo	1
23	<u>103959330</u>	Panel, Cowl, Center, Awd Red	1
24	<u>103959410</u>	Panel, Cowl, Passenger-Side, Dark Green	1
25	<u>103959418</u>	Panel, Cowl, Passenger-Side, Real Tree Camo	1
26	<u>103959430</u>	Panel, Cowl, Passenger-Side, Awd Red	1
27	<u>103959510</u>	Panel, Cowl, Driver-Side, Dark Green	1
28	<u>103959518</u>	Panel, Cowl, Driver-Side, Real Tree Camo	1
29	<u>103959530</u>	Panel, Cowl, Driver-Side, Awd Red	1
30	<u>808</u>	Washer, 3/8 Type B Flat	2
		Note: These color body panels are molded in color except for black and camo.	

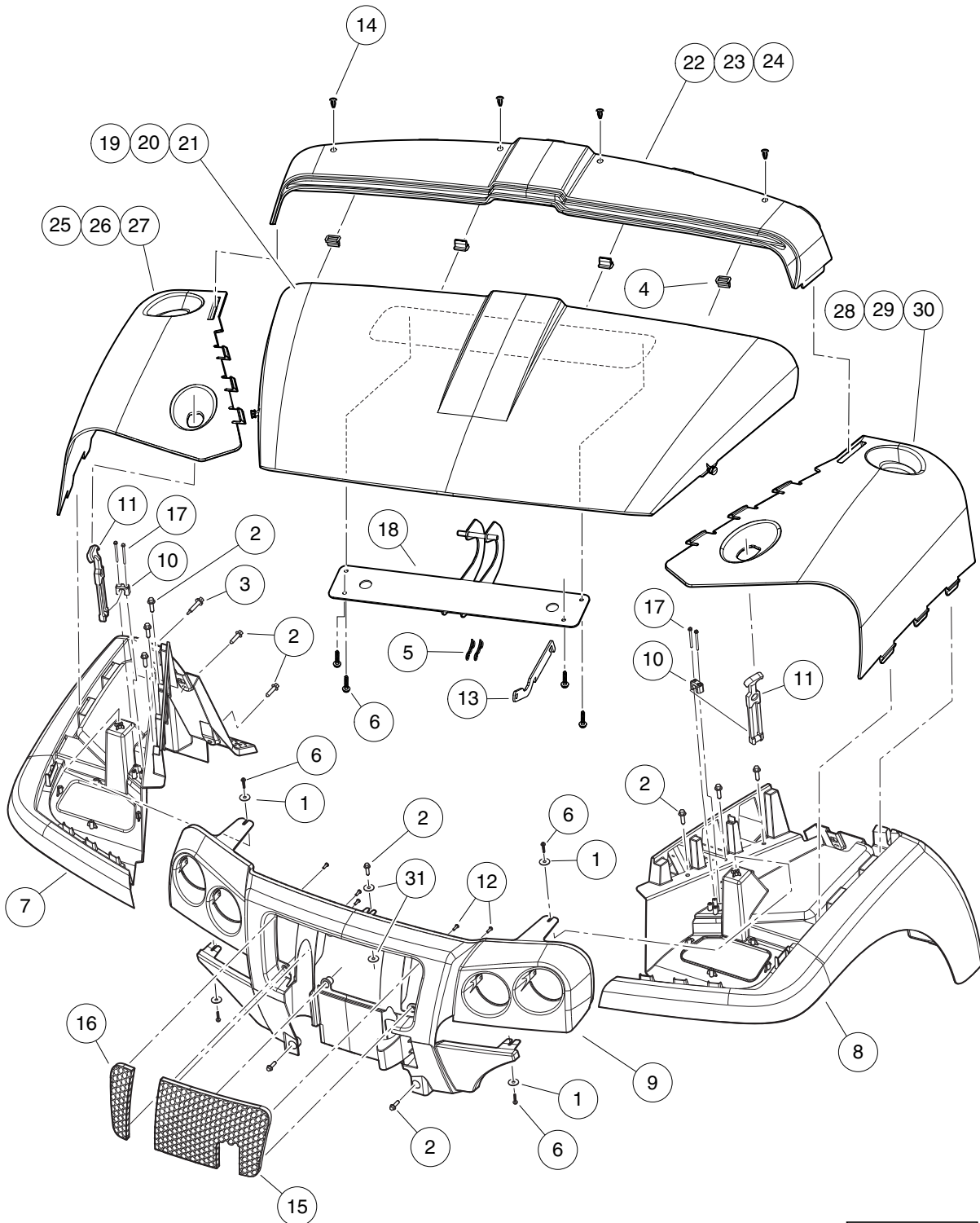
1

G

D

1
G

D



000559-006

FASCIA, FENDERS, AND COWL (MOLDED IN COLOR) – INTELLITACH

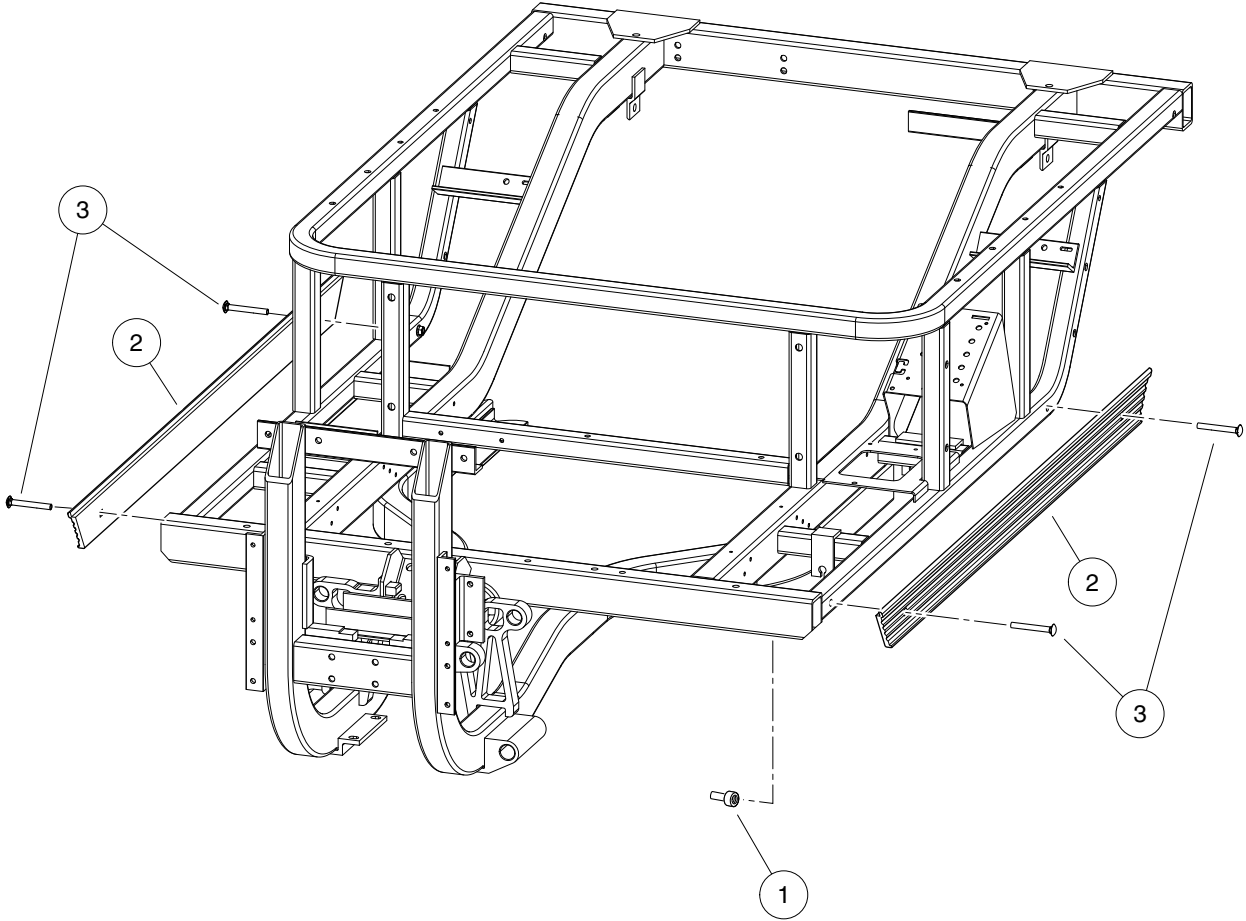
ITEM	PART NO.	DESCRIPTION	QTY
		1 2 3 4	
1	<u>1011578</u>	Washer, 5/16 Type B Flat	4
2	<u>102289001</u>	Screw, M8X1.25X30, Hex	13
3	<u>102292356</u>	Screw-1/4-20x56 Hwh Self Drill	2
4	<u>102292701</u>	Clip-body-trim	4
5	<u>102292801</u>	Pin, Bow Tie Locking - .072	2
6	<u>102297230</u>	Screw, M6, Torx, Interlock Thread	8
7	<u>102866901</u>	Fender, Front, Pass, AWD	1
8	<u>102867001</u>	Fender, Front, Drv, AWD	1
9	<u>102867602</u>	Fascia, Dual Round w/ Cut	1
10	<u>102882401</u>	Bracket, Latch, Draw	2
11	<u>102895101</u>	Latch, Draw, Hood	2
12	<u>102895401</u>	Screw, D50x16, Torx PN Hd PT	6
13	<u>102896501</u>	Prop, Hood	1
14	<u>102967901</u>	Rivet, Removable, Tuflok 1/4"	4
15	<u>102978801</u>	Grill, Hex Cut, DS	1
16	<u>102978901</u>	Grill, Hex, Cut, PS	1
17	<u>103218107</u>	Screw, #8x2.00 AB Thd, Hex Hd	4
18	<u>103588001</u>	Asm, Hood Hinge	1
19	<u>103959210</u>	Hood, Dark Green	1
20	<u>103959214</u>	Hood, Dark Gray	1
21	<u>103959218</u>	Hood, Real Tree Camo	1
22	<u>103959310</u>	Panel, Cowl, Center, Dark Green	1
23	<u>103959314</u>	Panel, Cowl, Center, Dark Gray	1
24	<u>103959318</u>	Panel, Cowl, Center, Real Tree Camo	1
25	<u>103959410</u>	Panel, Cowl, Passenger-Side, Dark Green	1
26	<u>103959414</u>	Panel, Cowl, Passenger-Side, Dark Gray	1
27	<u>103959418</u>	Panel, Cowl, Passenger-Side, Real Tree Camo	1
28	<u>103959510</u>	Panel, Cowl, Driver-Side, Dark Green	1
29	<u>103959514</u>	Panel, Cowl, Driver-Side, Dark Gray	1
30	<u>103959518</u>	Panel, Cowl, Driver-Side, Real Tree Camo	1
31	<u>808</u>	Washer, 3/8 Type B Flat	2
		Note: These color body panels are molded in color except for black and camo.	

1
G
D

1

G

D



000527-001

SIDE STRINGERS – 2 PASSENGER

ITEM	PART NO.	DESCRIPTION	QTY
		1 2 3 4	
1	<u>102491701</u>	Well Nut 1/4-20	8
2	<u>103485501</u>	Stringer, Side, 1200mm	2
3	<u>103487501</u>	Screw, 1/4-20 X 1.0, Black	8

1

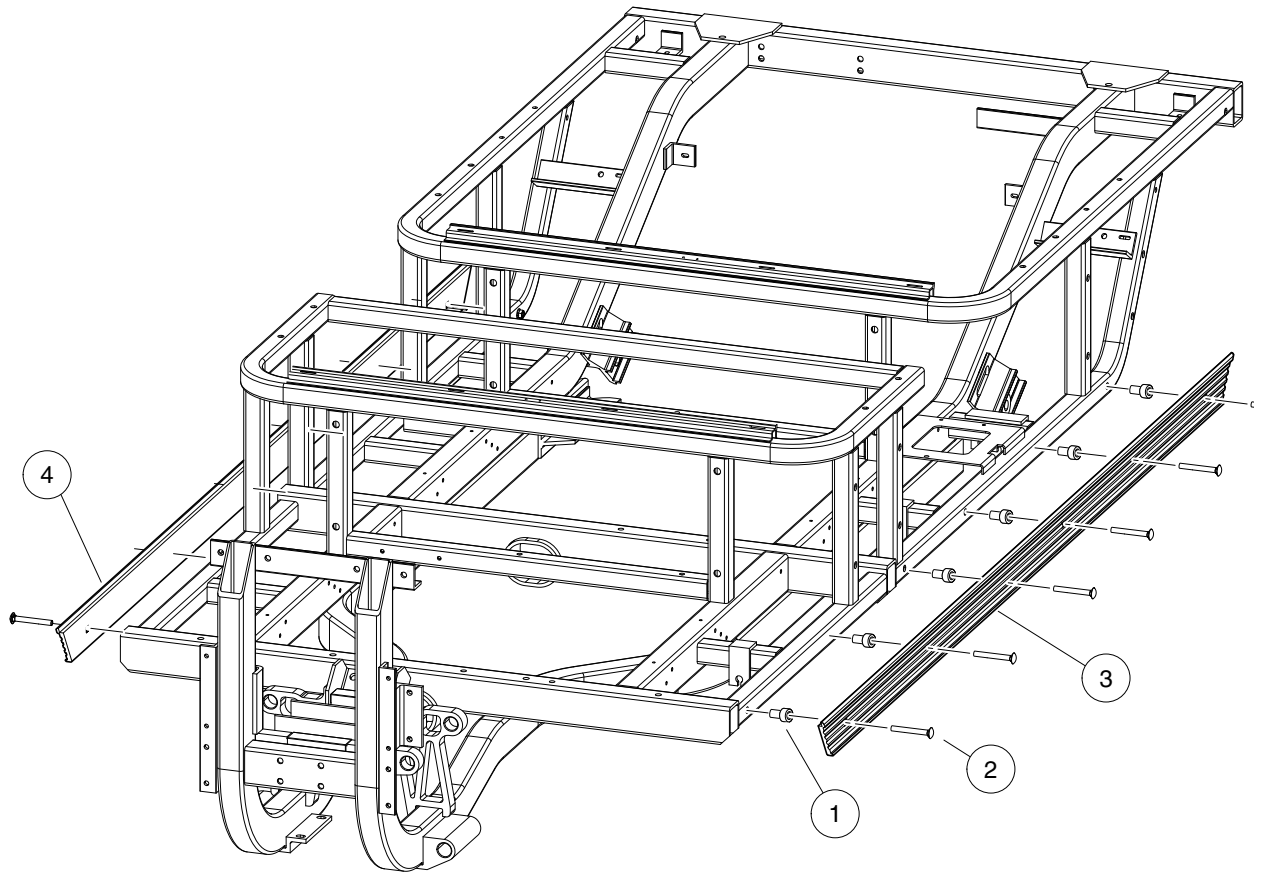
G

D

1

G

D



000527-003

SIDE STRINGERS – 4 PASSENGER

ITEM	PART NO.	DESCRIPTION	QTY
		1 2 3 4	
1	<u>102491701</u>	Well Nut 1/4-20	12
2	<u>103487501</u>	Screw, 1/4-20 X 1.0, Black	12
3	<u>103488801</u>	Stringer, Side, Awd, Se, Ds	1
4	<u>103488802</u>	Stringer, Side, Awd, Se, Ps	1

1

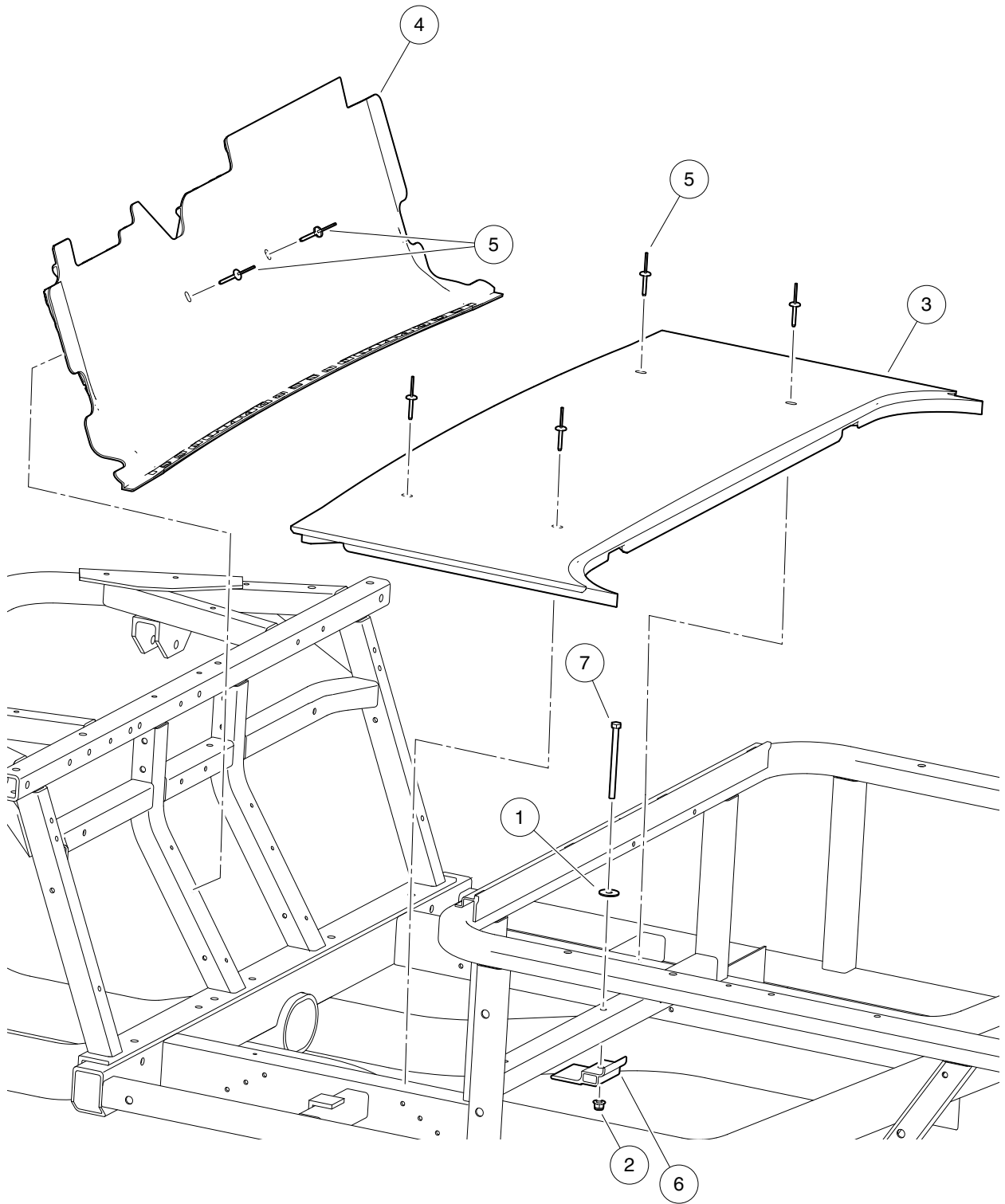
G

D

1

G

D



000790-003

FLOORBOARD

ITEM	PART NO.	DESCRIPTION	QTY
		1 2 3 4	
1	<u>1011578</u>	Washer, 5/16 Type B Flat	1
2	102618601	Lock Nut, Flange, M8 X 1.25 Nylon	1
3	<u>103319601</u>	Floorboard, Lower	1
4	<u>103319701</u>	Floorboard, Upper	1
5	<u>103400001</u>	3/16 X 1.19 Alum Rivet, Blk	6
6	<u>103417401</u>	Bracket, Support, Floorboard	1
7	<u>103423701</u>	Bolt, M8 X 1.25 X 110	1

1

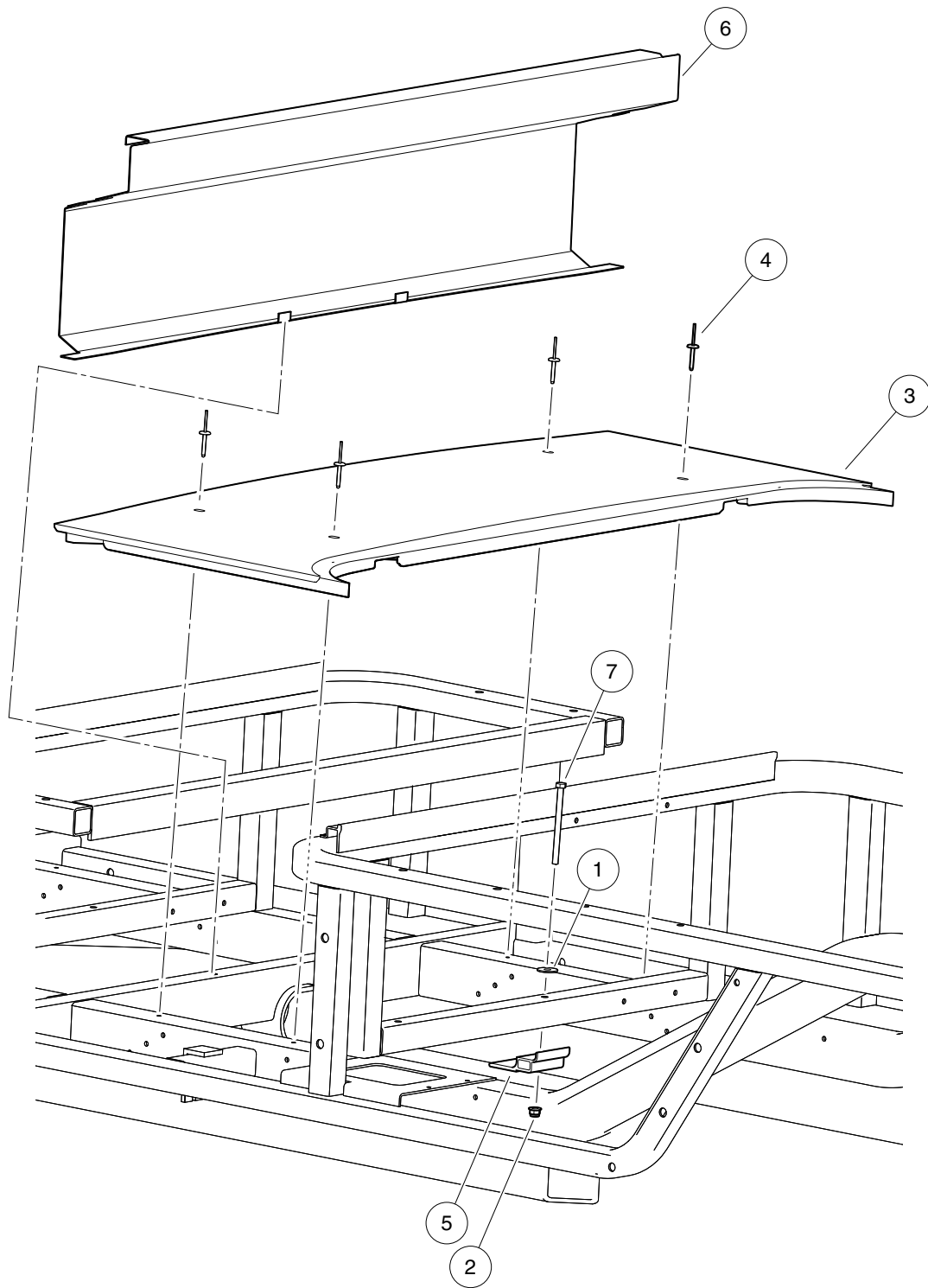
G

D

1

G

D



000790-004

FLOORBOARD – REAR

ITEM	PART NO.	DESCRIPTION	QTY
		1 2 3 4	
1	<u>1011578</u>	Washer, 5/16 Type B Flat	1
2	102618601	Lock Nut, Flange, M8 X 1.25 Nylon	1
3	<u>103319601</u>	Floorboard, Lower	1
4	<u>103400001</u>	3/16 X 1.19 Alum Rivet, Blk	4
5	<u>103417401</u>	Bracket, Support, Floorboard	1
6	103418001	Plate, Footwell, Rear	1
7	<u>103423701</u>	Bolt, M8 X 1.25 X 110	1

1

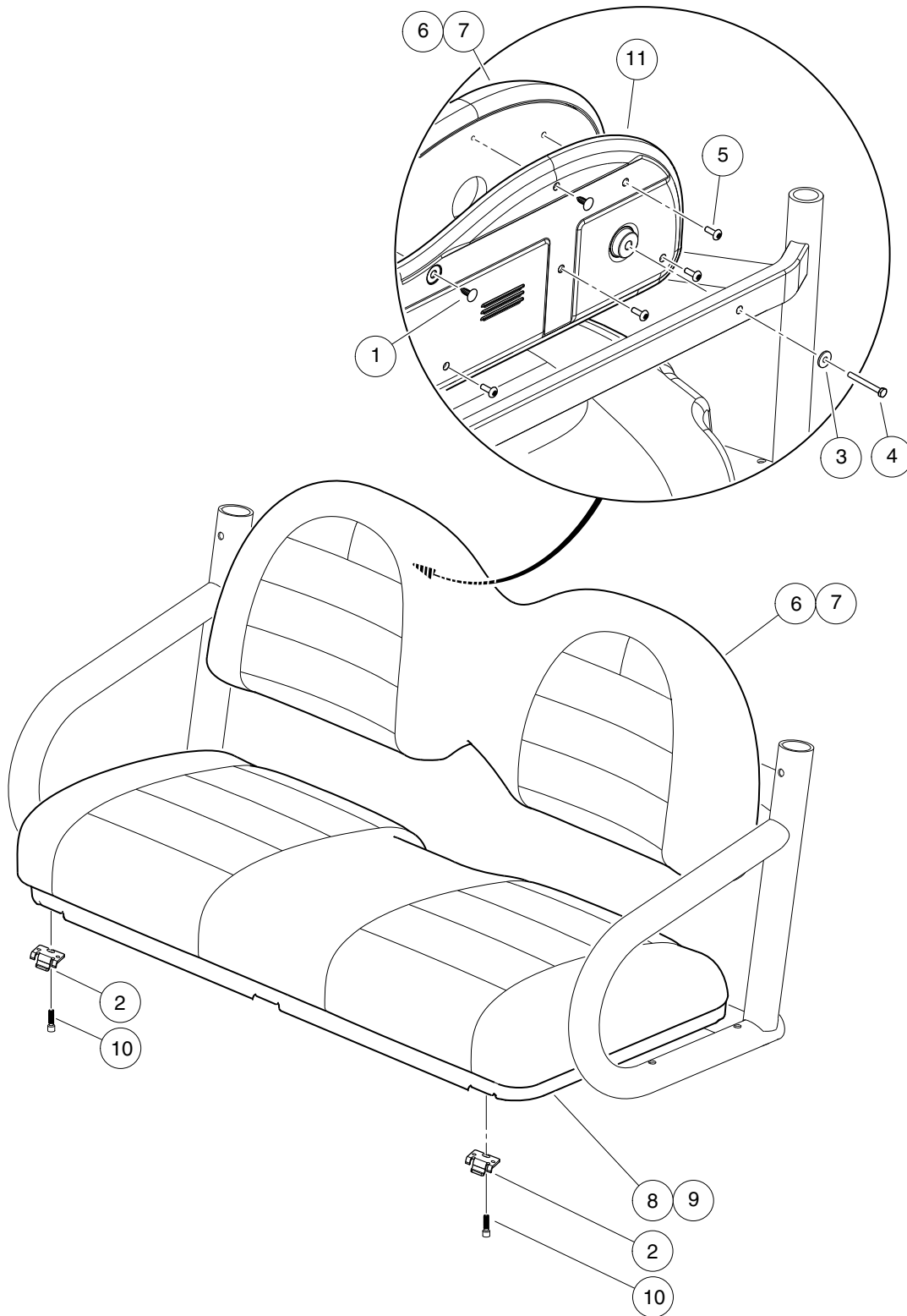
G

D

1

G

D



000523-005

BENCH SEAT

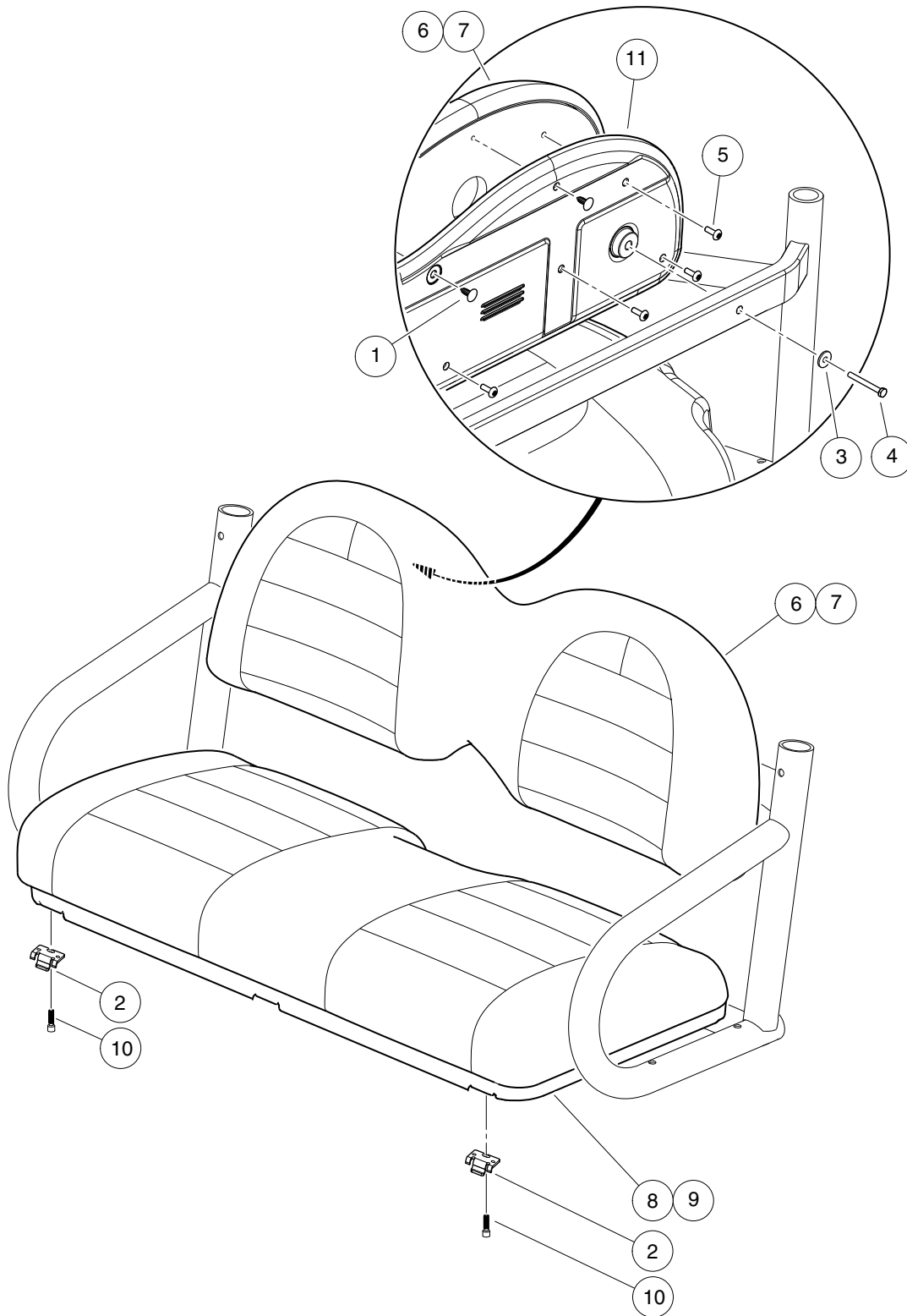
ITEM	PART NO.	DESCRIPTION	QTY
		1 2 3 4	
1	<u>1010434</u>	Barrel - Plastic	8
2	<u>1011652</u>	Hinge Plate	2
3	<u>1011697</u>	Washer, 5/16 Flat	3
4	1014201	Screw, 1/4-20 X 2.25 Hex Cap	3
5	<u>1014415</u>	Screw, 1/4-20 X 0.75 Torx Truss-Head	4
6	<u>103456001</u>	Seat Back, Bench, Gray	1
7	<u>103456002</u>	Seat Back, Bench, Black	1
8	<u>103629101</u>	Seat, Bench, Bottom, Blk	1
9	<u>103629102</u>	Seat, Bench, Bottom, Gray	1
10	<u>103629501</u>	Screw, 1/4-20 X .75 Shcs	4
11	<u>103831101</u>	Cap, Seatback, Vented	1

1
G
D

1

G

D



000523-005

BENCH SEAT, REAR – 4 PASS

ITEM	PART NO.	DESCRIPTION	QTY
		1 2 3 4	
1	<u>1010434</u>	Barrel - Plastic	8
2	<u>1011652</u>	Hinge Plate	2
3	<u>1011697</u>	Washer, 5/16 Flat	3
4	1014201	Screw, 1/4-20 X 2.25 Hex Cap	3
5	<u>1014415</u>	Screw, 1/4-20 X 0.75 Torx Truss-Head	4
6	<u>103456001</u>	Seat Back, Bench, Gray	1
7	<u>103456002</u>	Seat Back, Bench, Black	1
8	<u>103629101</u>	Seat, Bench, Bottom, Blk	1
9	<u>103629102</u>	Seat, Bench, Bottom, Gray	1
10	<u>103629501</u>	Screw, 1/4-20 X .75 Shcs	4
11	<u>103831101</u>	Cap, Seatback, Vented	1

1

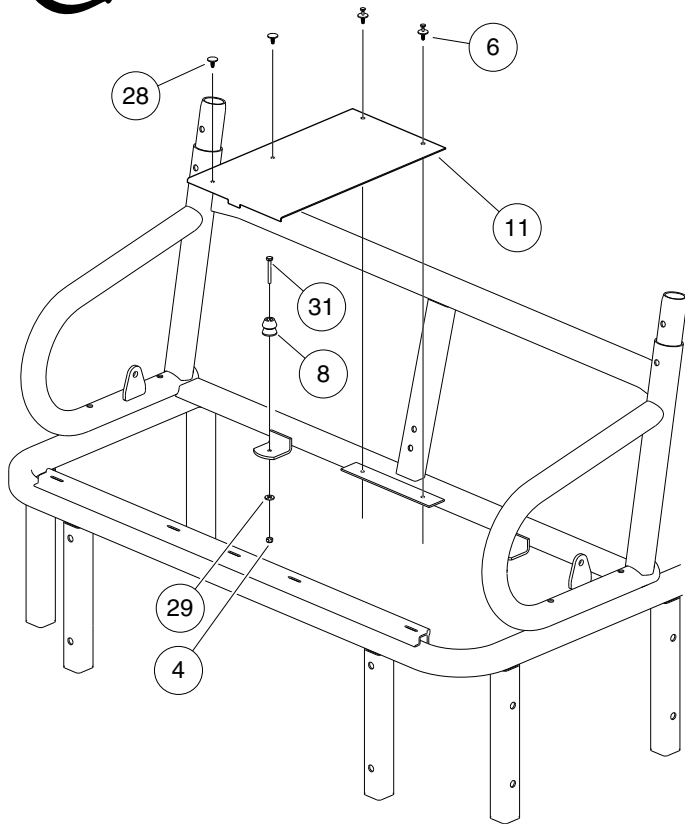
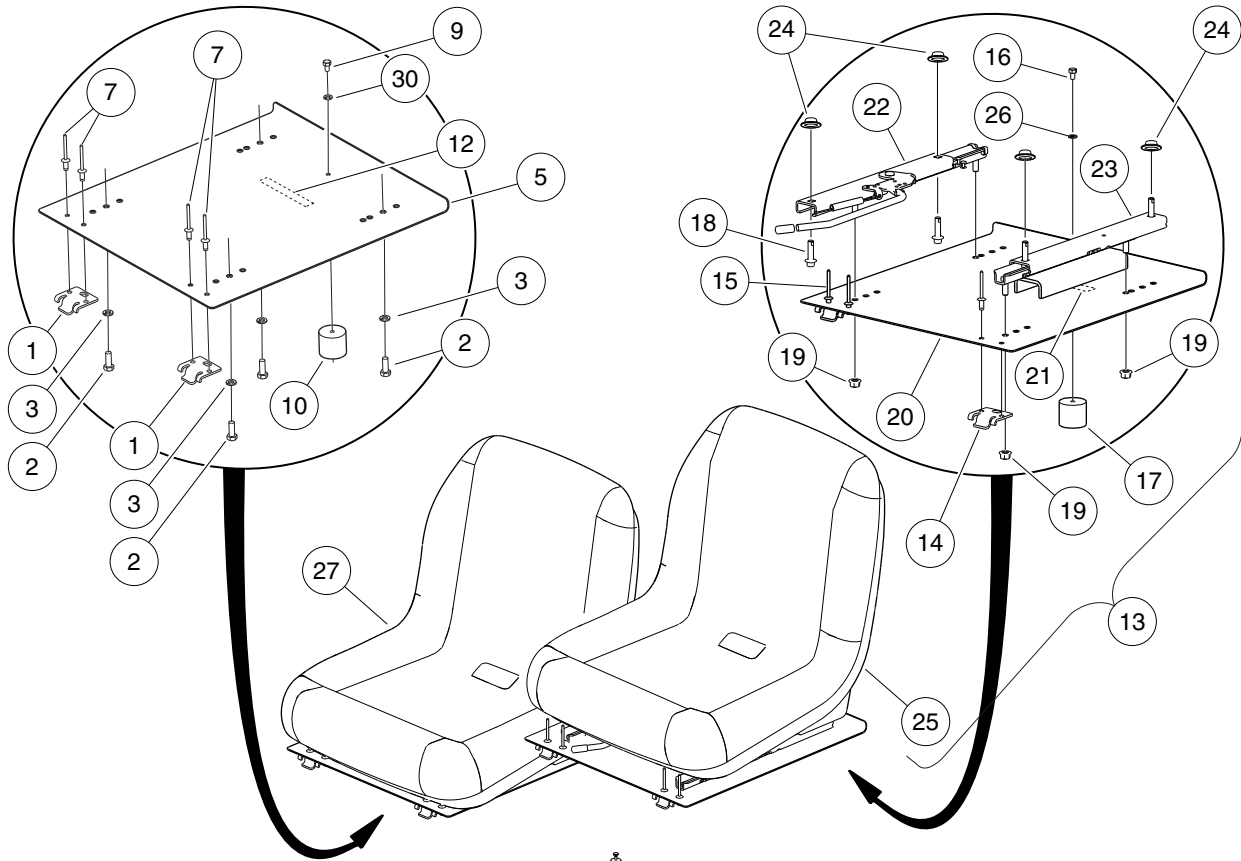
G

D

1

G

D



000524-011

BUCKET SEATS – GRAY

ITEM	PART NO.	DESCRIPTION	QTY
		1 2 3 4	
1	<u>1011652</u>	Hinge Plate	2
2	<u>1012830</u>	Screw, M8-125 X 22 Hex-Head	4
3	<u>1013734</u>	Lockwasher, 8mm Split	4
4	<u>101887601</u>	Locknut, M6-1.00 Nylon Insert	2
5	<u>102023703</u>	Pan, Seat, Passenger	1
6	<u>102025701</u>	Screw, Tuflok Panel, 1/4	2
7	<u>102047001</u>	Rivet, 1/4 X .438 Blind	4
8	<u>102059001</u>	Seat Holder Base	2
9	<u>102059401</u>	Screw, 6m-1.00 X 10mm Hex Head	1
10	<u>102061101</u>	Seat Holder Cup	1
11	<u>102442002</u>	Pan, Center, Closeout, Pfex	1
12	<u>102458901</u>	Decal, Hot Surface Warning	1
13	<u>102473701</u>	Asm, Bucket Seat Adjustable (includes items 14 through 26)	1
14	<u>1011652</u>	Hinge Plate	2
15	<u>102047001</u>	Rivet, 1/4 X .438 Blind	4
16	<u>102059401</u>	Screw, 6m-1.00 X 10mm Hex Head	1
17	<u>102061101</u>	Seat Holder Cup	1
18	<u>102298130</u>	Bolt, Flange Head, M8 X 30.0	4
19	<u>102298401</u>	Nut,m8,all Metal Lock	4
20	<u>102456001</u>	Pan, Seat, Driver Asm	1
21	<u>102458901</u>	Decal, Hot Surface Warning	1
22	<u>102473501</u>	Adjuster, Forward/Aft	1
23	<u>102473601</u>	Adjuster, Slider	1
24	<u>102475901</u>	Washer, Bell	4
25	<u>103267001</u>	Seat, Bucket, Gray	1
26	<u>451</u>	Lockwasher, 1/4 Split	1
27	<u>103267001</u>	Seat, Bucket, Gray	1
28	<u>103978801</u>	Barrel-push 6mm	2
29	<u>332</u>	Washer, 1/4 Type A Narrow Flat	2
30	<u>451</u>	Lockwasher, 1/4 Split	1
31	<u>96742515</u>	Bolt, M6 X 1 X 45	2

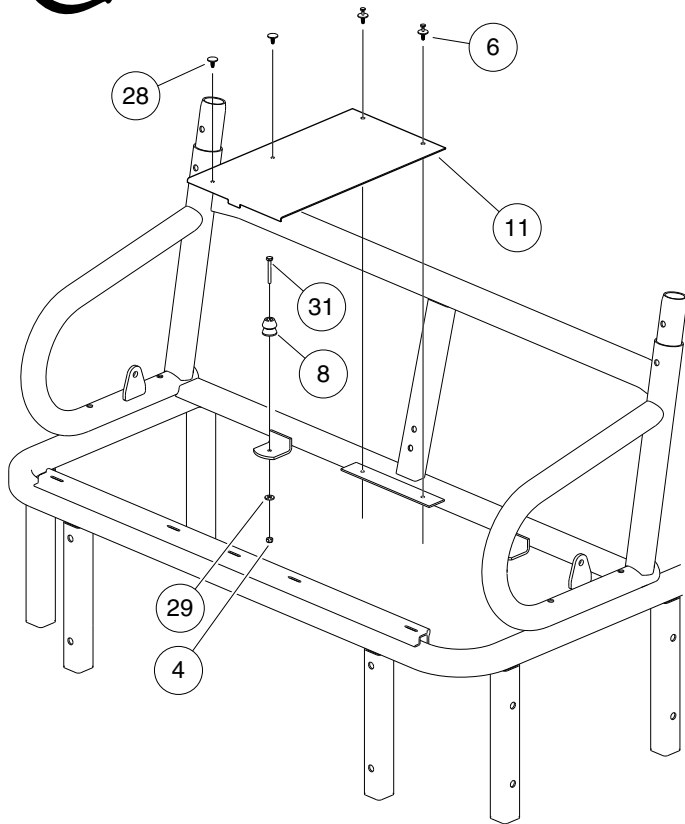
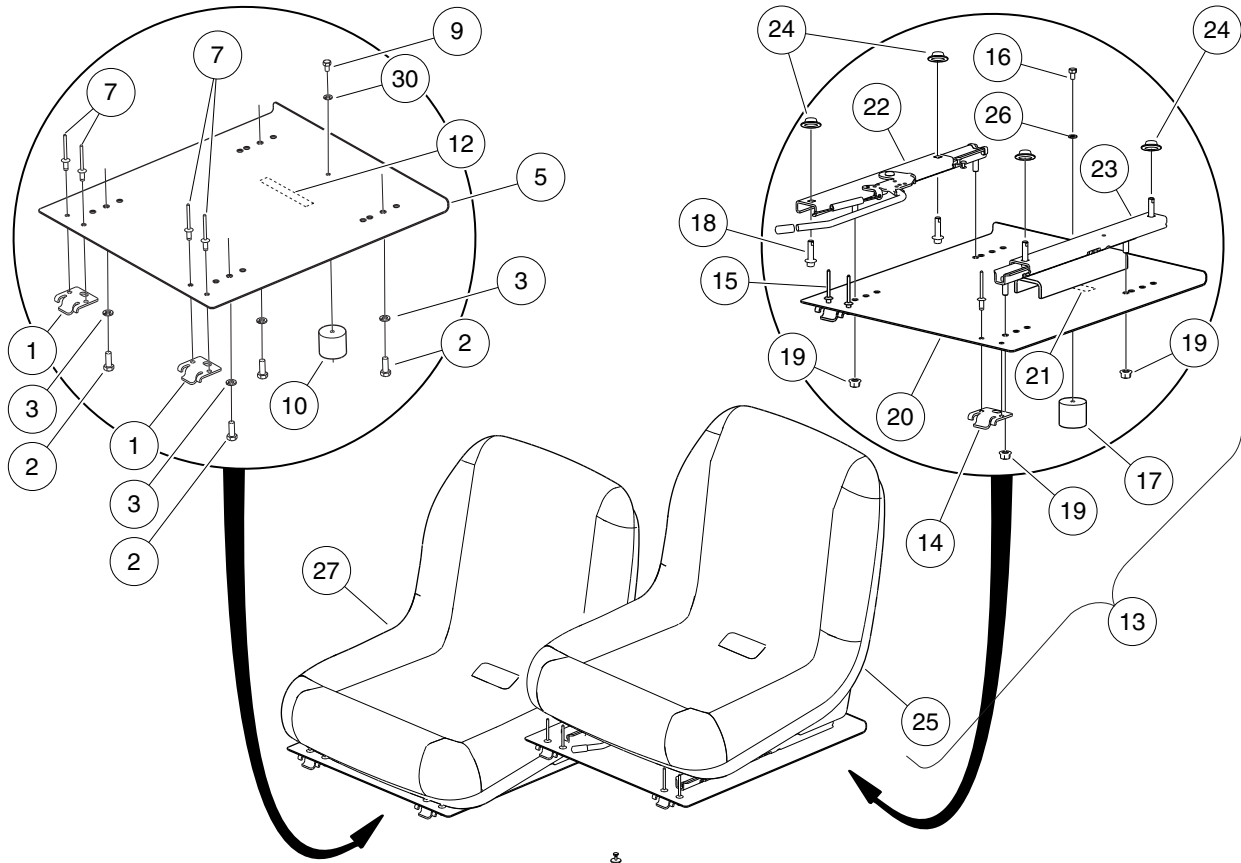
1

G

D

1
G

D



000524-011

BUCKET SEATS – BLACK

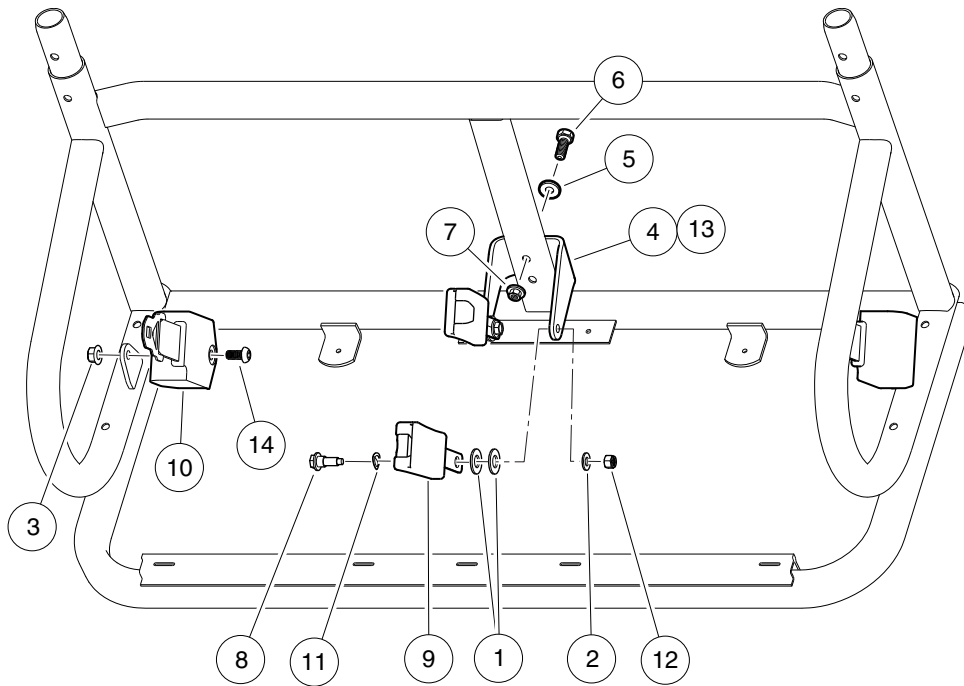
ITEM	PART NO.	DESCRIPTION	QTY
		1 2 3 4	
1	<u>1011652</u>	Hinge Plate	2
2	<u>1012830</u>	Screw, M8-125 X 22 Hex-Head	4
3	<u>1013734</u>	Lockwasher, 8mm Split	4
4	<u>101887601</u>	Locknut, M6-1.00 Nylon Insert	2
5	<u>102023703</u>	Pan, Seat, Passenger	1
6	<u>102025701</u>	Screw, Tuflok Panel, 1/4	2
7	<u>102047001</u>	Rivet, 1/4 X .438 Blind	4
8	<u>102059001</u>	Seat Holder Base	2
9	<u>102059401</u>	Screw, 6m-1.00 X 10mm Hex Head	1
10	<u>102061101</u>	Seat Holder Cup	1
11	<u>102442002</u>	Pan, Center, Closeout, Pfex	1
12	<u>102458901</u>	Decal, Hot Surface Warning	1
13	<u>103218901</u>	Asm, Bucket Seat, Adj, Blk (includes items 14 through 26)	1
14	<u>1011652</u>	Hinge Plate	2
15	<u>102047001</u>	Rivet, 1/4 X .438 Blind	4
16	<u>102059401</u>	Screw, 6m-1.00 X 10mm Hex Head	1
17	<u>102061101</u>	Seat Holder Cup	1
18	<u>102298130</u>	Bolt, Flange Head, M8 X 30.0	4
19	<u>102298401</u>	Nut,m8,all Metal Lock	4
20	<u>102456001</u>	Pan, Seat, Driver Asm	1
21	<u>102458901</u>	Decal, Hot Surface Warning	1
22	<u>102473501</u>	Adjuster, Forward/Aft	1
23	<u>102473601</u>	Adjuster, Slider	1
24	<u>102475901</u>	Washer, Bell	4
25	<u>103267002</u>	Seat, Bucket, Black	1
26	<u>451</u>	Lockwasher, 1/4 Split	1
27	<u>103267002</u>	Seat, Bucket, Black	1
28	<u>103978801</u>	Barrel-push 6mm	2
29	<u>332</u>	Washer, 1/4 Type A Narrow Flat	2
30	<u>451</u>	Lockwasher, 1/4 Split	1
31	<u>96742515</u>	Bolt, M6 X 1 X 45	2

1
G
D

1

G

D



000029-007

2-POINT SEAT BELTS

ITEM	PART NO.	DESCRIPTION	QTY
		1 2 3 4	
1	<u>1010193</u>	Washer, 5/8 Type A Plain Flat	4
2	<u>1014557</u>	Washer, 7/16 Flat	2
3	<u>102620301</u>	Ln Flg, M12 X 1.75, Md, Black	2
4	<u>102670601</u>	Bracket, Seatbelt, Bolt-On (for Bucket Seats)	1
5	<u>102718101</u>	Washer, Hard, M10, Zn-Ni/Blk	2
6	<u>102732401</u>	Bolt, M10 X 45, Zn-Ni (Black)	2
7	<u>103216401</u>	Nut, Flanged, M10 x 1.5, Black	2
8	<u>103529601</u>	Bolt, Shoulder, 15 Mm	2
9	<u>103529701</u>	Asm, Buckle, Seat-belt	2
10	<u>103529801</u>	Retractor, Seat-belt	2
11	<u>103530701</u>	Washer, Spring, 15 Mm Id	2
12	<u>103534201</u>	Lock Nut, 7/16-20 Nylon	2
13	<u>103635101</u>	Bracket, Seatbelt, Style H, Bolt-On (for Bench Seat)	1
14	<u>103806401</u>	Bolt Btn, M12x1.75 X 25 Black	2
Note: Item 4 bracket is for bucket seats. Item 13 bracket is for bench seat.			

1

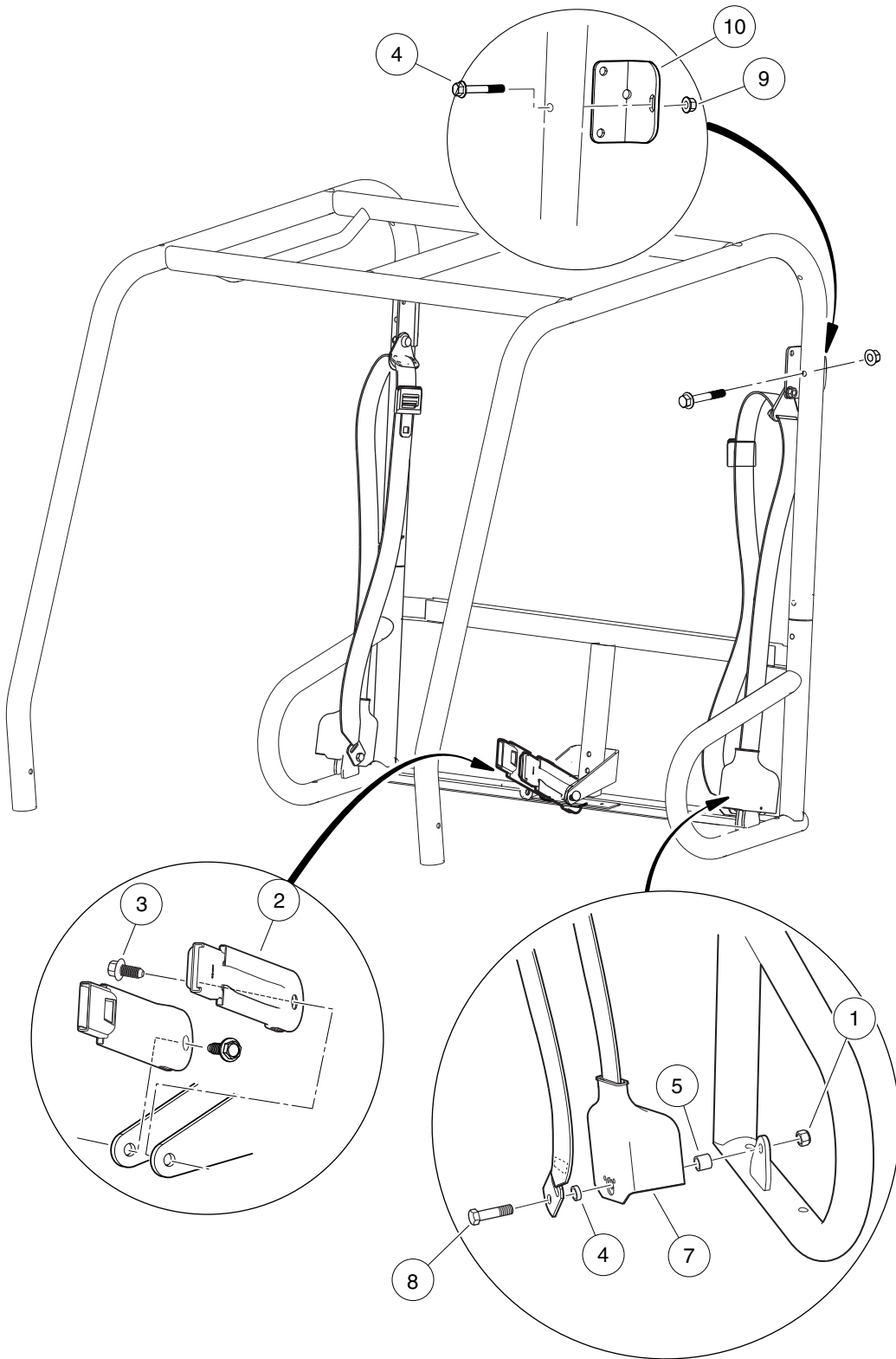
G

D

1

G

D



000560-002

3-POINT SEAT BELTS

ITEM	PART NO.	DESCRIPTION	QTY
		1 2 3 4	
1	<u>102324401</u>	Lock Nut, 7/16-20 Nylon Black	2
2	<u>102447601</u>	Buckle, Seat Belt with Sleeve	2
3	<u>102671201</u>	Screw,m12x1.75x30 Thd Form Blk	2
4	<u>102988701</u>	Bolt, Flanged, M10 X 1.5 X 65	2
5	<u>103210801</u>	Spacer, .69 Od X .5 Id X .60	2
6	<u>103210802</u>	Spacer, .69 Od X .5 Id X .20	2
7	<u>103210901</u>	Seat Belt, 3 Pt, Lock Tongue	2
8	<u>103211101</u>	Screw, 7/16-20 X 1.75	2
9	<u>103216401</u>	Nut, Flanged, M10 x 1.5, Black	2
10	<u>103377501</u>	Bracket, Support, Rear, ROPS	2

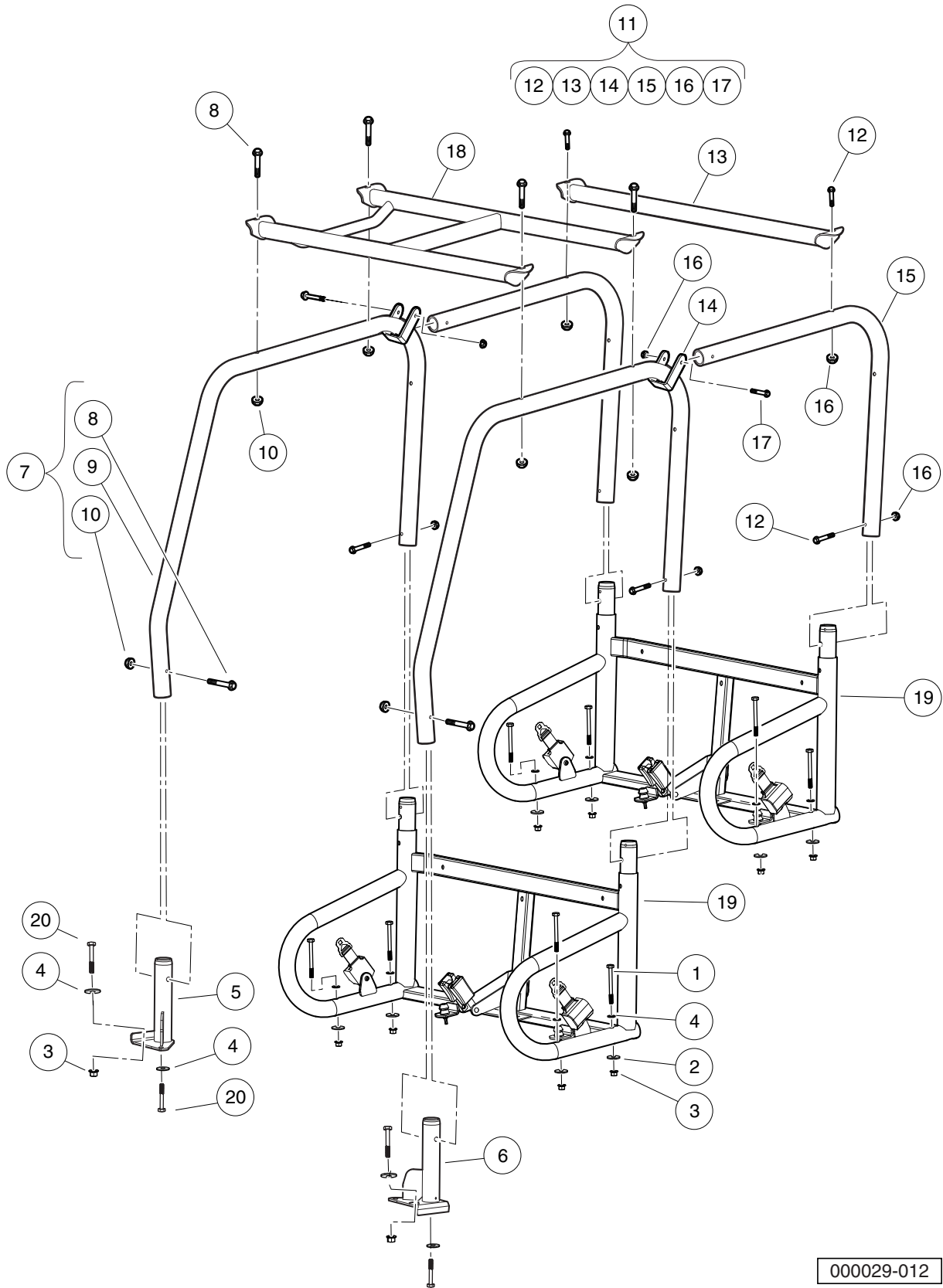
1

G

D

1
G

D



000029-012

ROPS – 4 PASS

ITEM	PART NO.	DESCRIPTION	QTY
		1 2 3 4	
1	<u>102491301</u>	Bolt, M10x1.50x100 (Black)	8
2	<u>102491501</u>	Washer, Hard, M10	10
3	<u>102617201</u>	Nut, Flanged, M10 X 1.5, Mechanically Deformed	10
4	<u>102718101</u>	Washer, Hard, M10, Zn-Ni/Blk	10
5	<u>102983201</u>	Weldment, Front, Base, ROPS, Right-Hand	1
6	<u>102983601</u>	Weldment, Front, Base, ROPS, Left-Hand	1
7	<u>103215901</u>	Kit, ROPS Sides, Domestic (includes items 8 through 10)	1
8	<u>102988701</u>	Bolt, Flanged, M10 X 1.5 X 65	8
9	<u>103192101</u>	Tube, Side Support Short, ROPS	2
10	<u>103216401</u>	Nut, Flanged, M10 x 1.5, Black	8
11	<u>103216201</u>	Kit, ROPS, Four Passenger (includes items 12 through 17)	1
12	<u>102988701</u>	Bolt, Flanged, M10 X 1.5 X 65	4
13	<u>103214901</u>	Weldment, ROPS, Top, 4 Pass	1
14	<u>103215001</u>	Bracket, ROPS, Rear, 4 Pass	2
15	<u>103215101</u>	Tube, Rear, 4 Pass	2
16	<u>103216401</u>	Nut, Flanged, M10 x 1.5, Black	6
17	<u>103216801</u>	Bolt, Flanged, M10 X 1.5 X 70	2
18	<u>103225801</u>	Asm, Top, ROPS	1
19	<u>103361701</u>	Weldment, Seat Support, ROPS	2
20	<u>96715552</u>	Bolt, M10 X 1.50 X 65	4

1

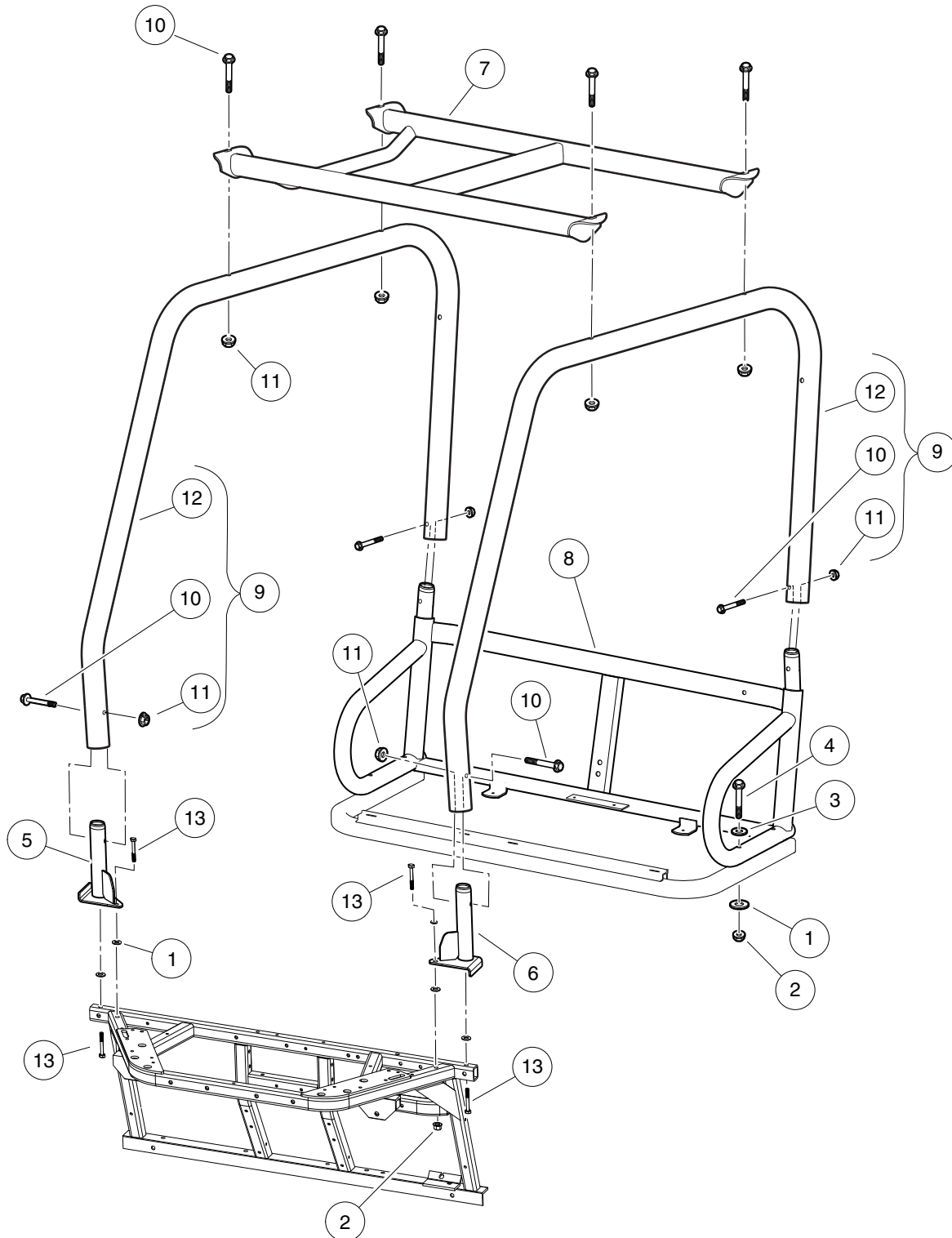
G

D

1

G

D



000029-008

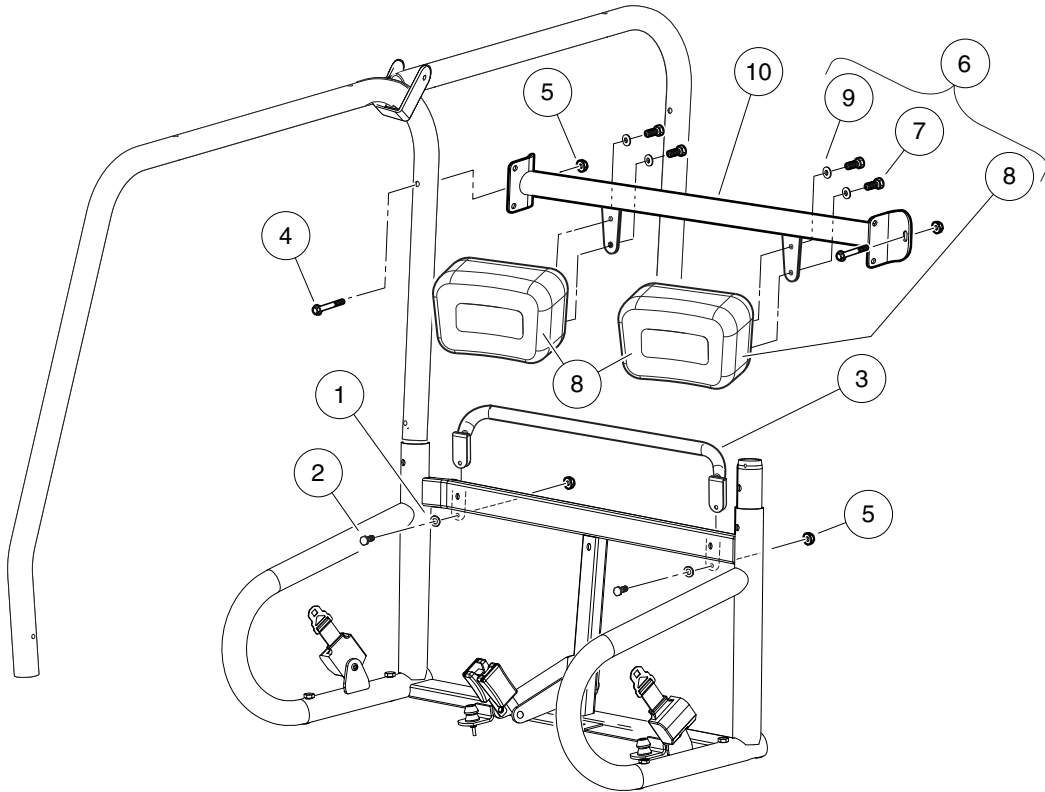
ROPS AND SEAT SUPPORT

ITEM	PART NO.	DESCRIPTION	QTY	
		1 2 3 4		1
1	<u>102491501</u>	Washer, Hard, M10	8	G
2	<u>102617201</u>	Nut, Flanged, M10 X 1.5, Mechanically Deformed	4	
3	<u>102718101</u>	Washer, Hard, M10, Zn-Ni/Blk	4	
4	<u>102732301</u>	Bolt, M10 X 100, Zn-Ni (Black)	4	D
5	<u>102983201</u>	Weldment, Front, Base, ROPS, Right-Hand	1	
6	<u>102983601</u>	Weldment, Front, Base, ROPS, Left-Hand	1	
7	<u>103225801</u>	Asm, Top, ROPS	1	
8	<u>103361701</u>	Weldment, Seat Support, ROPS	1	
9	<u>103511201</u>	Kit, Side Rops, Awd, Domestic (includes items 10 through 12)	1	
10	<u>102988701</u>	Bolt, Flanged, M10 X 1.5 X 65	8	
11	<u>103216401</u>	Nut, Flanged, M10 x 1.5, Black	8	
12	N/A	Tube, Rops, Side Support, Awd	2	
13	<u>96715552</u>	Bolt, M10 X 1.50 X 65	4	

1

G

D



000029-013

HEAD RESTS AND REAR SEAT HANDLE – 4 PASS

ITEM	PART NO.	DESCRIPTION	QTY
		1 2 3 4	
1	<u>102718101</u>	Washer, Hard, M10, Zn-Ni/Blk	2
2	<u>102732401</u>	Bolt, M10 X 45, Zn-Ni (Black)	2
3	<u>102834401</u>	Weldment, Handle, ROPS, Rear	1
4	<u>102988701</u>	Bolt, Flanged, M10 X 1.5 X 65	2
5	<u>103216401</u>	Nut, Flanged, M10 x 1.5, Black	4
6	<u>103274602</u>	Kit, Head Restraint, Black (includes items 7 through 9)	1
7	<u>102490101</u>	Bolt, M10 X 1.5 X 20 Loctite	4
8	<u>103274502</u>	Asm, Head Restraint, Black	2
9	<u>96741046</u>	Washer, M10, Hard	4
10	<u>103283801</u>	Asm, Rear Brace	1

1

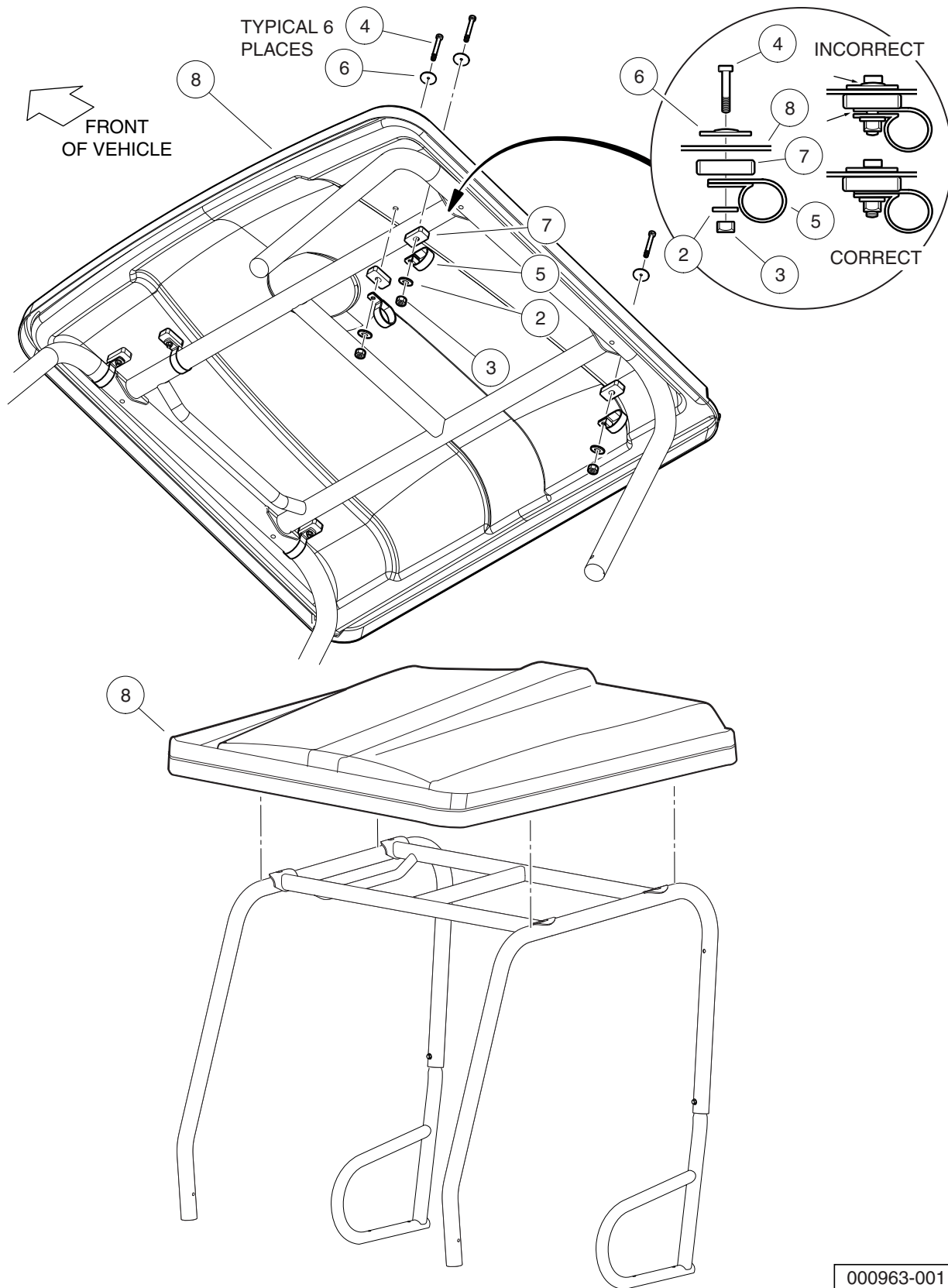
G

D

1

G

D



000963-001

CANOPY (VEHICLE WITH ROPS)

ITEM	PART NO.	DESCRIPTION	QTY
		1 2 3 4	
1	<u>103955901</u>	Kit, Canopy, Black, 4wd (includes items 2 through 8)	1
2	1011964	Washer, 1/4 Flat	6
3	1015068	Locknut, 1/4-20 Nylon	6
4	<u>102343601</u>	Screw, 1/4-20 X 1 3/4 Ss Hx Ca	6
5	<u>103223101</u>	P Clamp Insul 50.8 Dia	6
6	<u>103844301</u>	Washer, Sealing, 0.25 X 1.50	6
7	<u>103844401</u>	Spacer, 0.625 X 2.25 X 1.25	6
8	N/A	Canopy, Black, 4wd	1

1

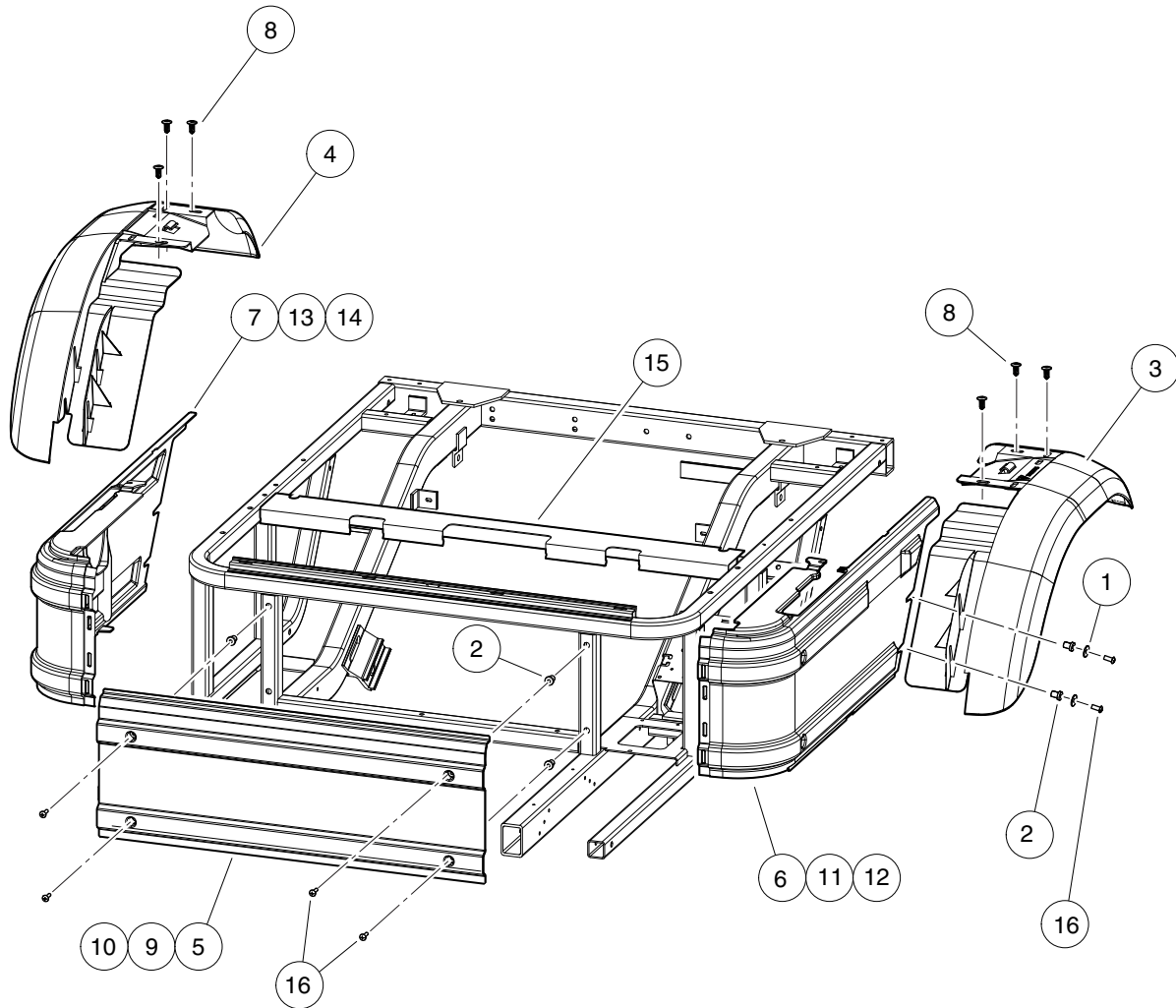
G

D

1

G

D



000518-006

SIDE PANELS AND REAR FENDERS – 2 PASS

ITEM	PART NO.	DESCRIPTION	QTY
		1 2 3 4	
1	<u>1014306</u>	Washer, 1/4" Type B Flat	4
2	<u>102491701</u>	Well Nut 1/4-20	8
3	<u>102913801</u>	Left Rear Fender (Black)	1
4	<u>102913901</u>	Right Rear Fender (Black)	1
5	<u>102914001</u>	Panel, Front, Kick (Black)	1
6	<u>102914101</u>	Panel, Side, Molded, Driver (Black)	1
7	<u>102914102</u>	Panel, Side, Molded, Passenger (Black)	1
8	<u>103200501</u>	Screw, Tuflok, 10mm	6
9	<u>103289001</u>	Panel, Front, Kick (Realtree Camo)	1
10	103289002	Panel, Front, Kick, Moff	1
11	<u>103289101</u>	Panel, Side, Molded, Driver (Realtree Camo)	1
12	103289102	Panel, Side, Molded, Drv, Moff	1
13	<u>103289103</u>	Panel, Side, Molded, Passenger (Realtree Camo)	1
14	103289104	Panel, Side, Molded, Pass, Moff	1
15	<u>103331201</u>	Closeout, Extrusion	1
16	<u>8251</u>	Screw, 1/4-20 X 1.0 Truss-Head Machine	8

1

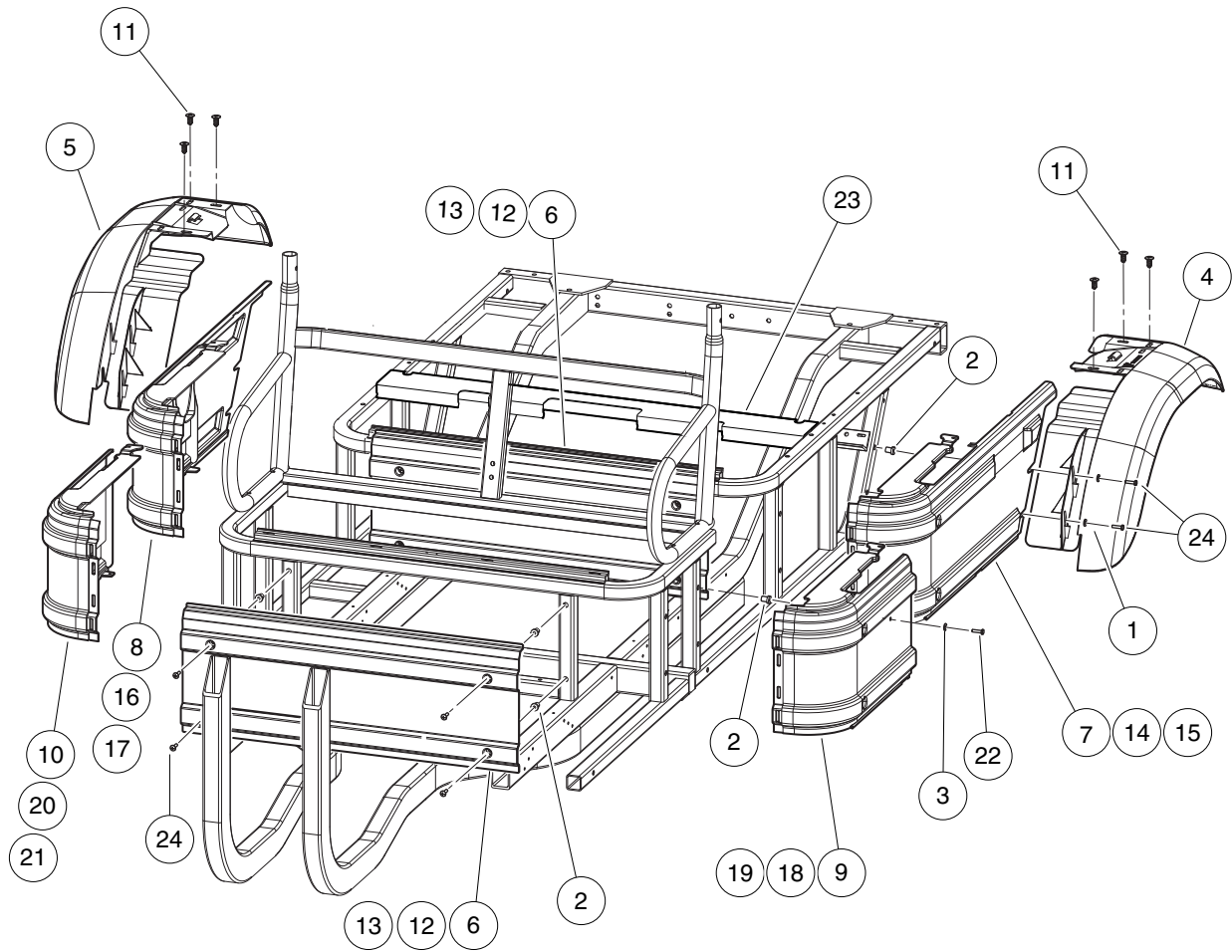
G

D

1

G

D



000518-007

SIDE PANELS AND REAR FENDERS – 4 PASS

ITEM	PART NO.	DESCRIPTION	QTY
		1 2 3 4	
1	<u>1014306</u>	Washer, 1/4" Type B Flat	4
2	<u>102491701</u>	Well Nut 1/4-20	14
3	<u>102772201</u>	Washer, Flat, 5/16, Black	2
4	<u>102913801</u>	Left Rear Fender (Black)	1
5	<u>102913901</u>	Right Rear Fender (Black)	1
6	<u>102914001</u>	Panel, Front, Kick (Black)	2
7	<u>102914101</u>	Panel, Side, Molded, Driver (Black)	1
8	<u>102914102</u>	Panel, Side, Molded, Passenger (Black)	1
9	<u>102914104</u>	Panel, Side, Cut, Driver (Black)	1
10	<u>102914105</u>	Panel, Side, Cut, Passenger (Black)	1
11	<u>103200501</u>	Screw, Tuflok, 10mm	6
12	<u>103289001</u>	Panel, Front, Kick (Realtree Camo)	2
13	103289002	Panel, Front, Kick, Moff	2
14	<u>103289101</u>	Panel, Side, Molded, Driver (Realtree Camo)	1
15	103289102	Panel, Side, Molded, Drv, Moff	1
16	<u>103289103</u>	Panel, Side, Molded, Passenger (Realtree Camo)	1
17	103289104	Panel, Side, Molded, Pass, Moff	1
18	<u>103289107</u>	Panel, Cut, Driver (Realtree Camo)	1
19	103289108	Panel, Side, Cut, Drv, Moff	1
20	<u>103289109</u>	Panel, Cut, Passenger (Realtree Camo)	1
21	103289110	Panel, Side, Cut, Pass, Moff	1
22	<u>103319501</u>	Screw, Pn Hd Blk, 1/4 - 20 X 1	2
23	<u>103331201</u>	Closeout, Extrusion	1
24	<u>8251</u>	Screw, 1/4-20 X 1.0 Truss-Head Machine	12

1

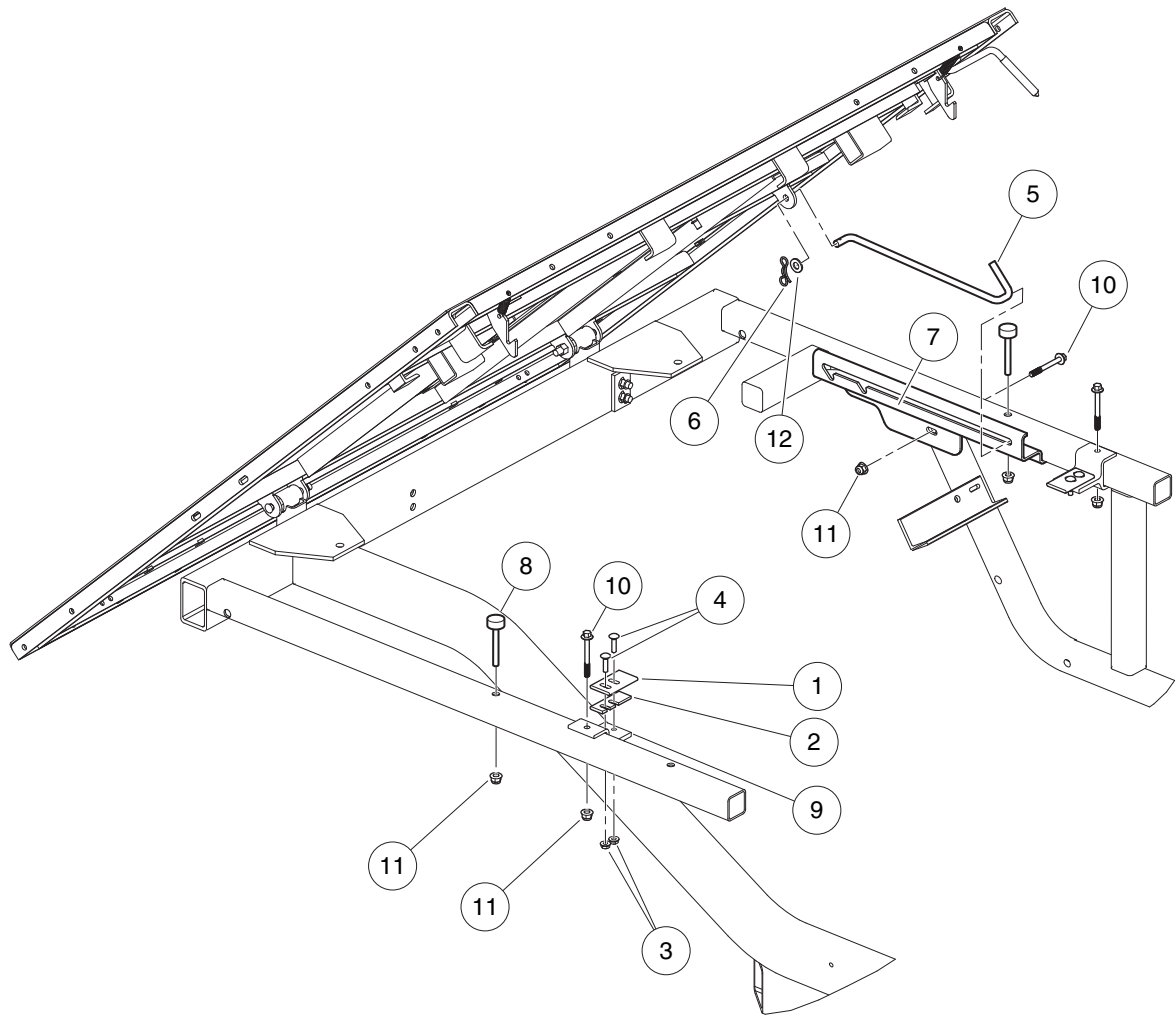
G

D

1

G

D



000036-001

LATCH PLATES AND PROP ROD

ITEM	PART NO.	DESCRIPTION	QTY
		1 2 3 4	
1	<u>1015277</u>	Latch Plate, Tilt Bed	2
2	<u>1016078</u>	Latch Plate Shim	1
3	<u>101835601</u>	Locknut, 1/4-20 Hex Whiz	4
4	<u>101958602</u>	Bolt, Carriage, 1/4-20 X 1.0	4
5	<u>102301401</u>	Rod, Prop	1
6	<u>102323101</u>	Pin, Bow Tie Locking	1
7	<u>102418101</u>	Track, Prop Rod	1
8	<u>102426601</u>	Bumper, Bed, Mtg, Front	2
9	<u>102493801</u>	Bracket, Latch, Bed	2
10	<u>102618301</u>	Bolt, Flanged Head, M8 X 1.25 X 65	3
11	<u>102618601</u>	Lock Nut, Flange, M8 X 1.25 Nylon	5
12	<u>334</u>	Washer, 3/8, Type A, Flat	1

1

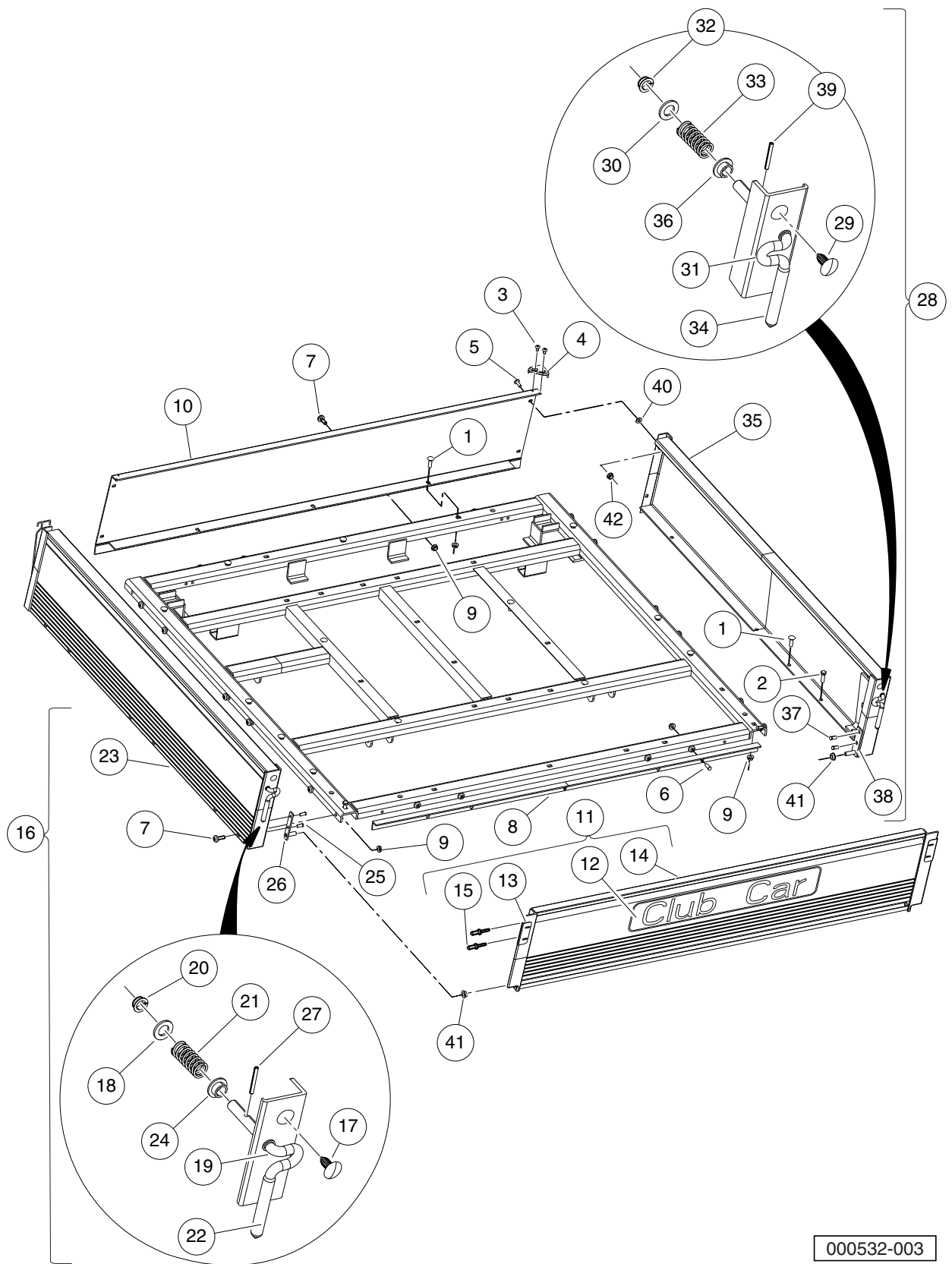
G

D

1

G

D



000532-003

BOX BED – ALUMINUM

ITEM	PART NO.	DESCRIPTION	QTY
		1 2 3 4	
1	<u>1010435</u>	Bolt, Carriage, 5/16-18 X 1.00	11
2	<u>1010934</u>	Screw, 5/16-18 X 1.00 Hex Cap	2
3	<u>1014321</u>	Screw, #10 Truss-Head Torx	4
4	<u>1014387</u>	Cap, Corner	2
5	<u>1014415</u>	Screw, 1/4-20 X 0.75 Torx Truss-Head	4
6	<u>1014537</u>	Stud, Self-Clinching Flush Head	2
7	<u>1015399</u>	Screw, 5/16-18 X 0.88 Torx Truss-Head	16
8	N/A	Box Bed Tailgate Angle	1
9	<u>101963401</u>	Locknut, 5/16-18 Hex Flange	33
10	<u>102030101</u>	Panel, Front	1
11	<u>102030201</u>	Tailgate Asm (includes items 12 through 15)	1
12	<u>1013317</u>	Decal, Logo, Tailgate	1
13	<u>1015246</u>	Plate, Tailgate Latch Wear	2
14	N/A	Tailgate Weldment	1
15	<u>7973</u>	Rivet, 3/16 X .400 Blind	4
16	<u>103191401</u>	Asm, Panel, Side, Left (includes items 17 through 28)	1
17	<u>1010434</u>	Barrel - Plastic	1
18	<u>1011990</u>	Washer, 3/8 Flat	1
19	<u>1015313</u>	Latch, Tailgate, Left-Hand	1
20	<u>1015363</u>	Bushing, Snap-In	1
21	<u>1015390</u>	Compression Spring Latch Tilt	1
22	<u>1015400</u>	Grip, Tilt Latch Hand	1
23	<u>103191201</u>	Weldment, Panel, Side, Left	1
24	<u>1032</u>	Bushing, Nylon	1
25	<u>103379401</u>	Rivet, 1/4 X 0.30, Blind	2
26	<u>103406501</u>	Kit, Tailgate Mounting Bracket, CA, LH (includes item 27)	1
27	<u>103406601</u>	Stud, 1/4 Self-clnchg Flush	2
28	<u>1231</u>	Pin, 1/8 X 1.00 Split Roll	1
29	<u>103191501</u>	Asm, Panel, Side, Right (includes items 30 through 41)	1
30	<u>1010434</u>	Barrel - Plastic	1
31	<u>1011990</u>	Washer, 3/8 Flat	1
32	<u>1015245</u>	Latch, Tailgate, Right-Hand	1
33	<u>1015363</u>	Bushing, Snap-In	1
34	<u>1015390</u>	Compression Spring Latch Tilt	1
35	<u>1015400</u>	Grip, Tilt Latch Hand	1
36	<u>103191301</u>	Weldment, Panel, Side, Right	1
37	<u>1032</u>	Bushing, Nylon	1
38	<u>103379401</u>	Rivet, 1/4 X 0.30, Blind	2
39	<u>103406502</u>	Kit, Tailgate Mounting Bracket, CA, RH (includes item 40)	1
40	<u>103406601</u>	Stud, 1/4 Self-clnchg Flush	2
41	<u>1231</u>	Pin, 1/8 X 1.00 Split Roll	1
42	<u>332</u>	Washer, 1/4 Type A Narrow Flat	4
43	<u>7049</u>	Bushing, Nylon	2
44	<u>8233</u>	Locknut, 1/4-20, Nylon Insert	4

1

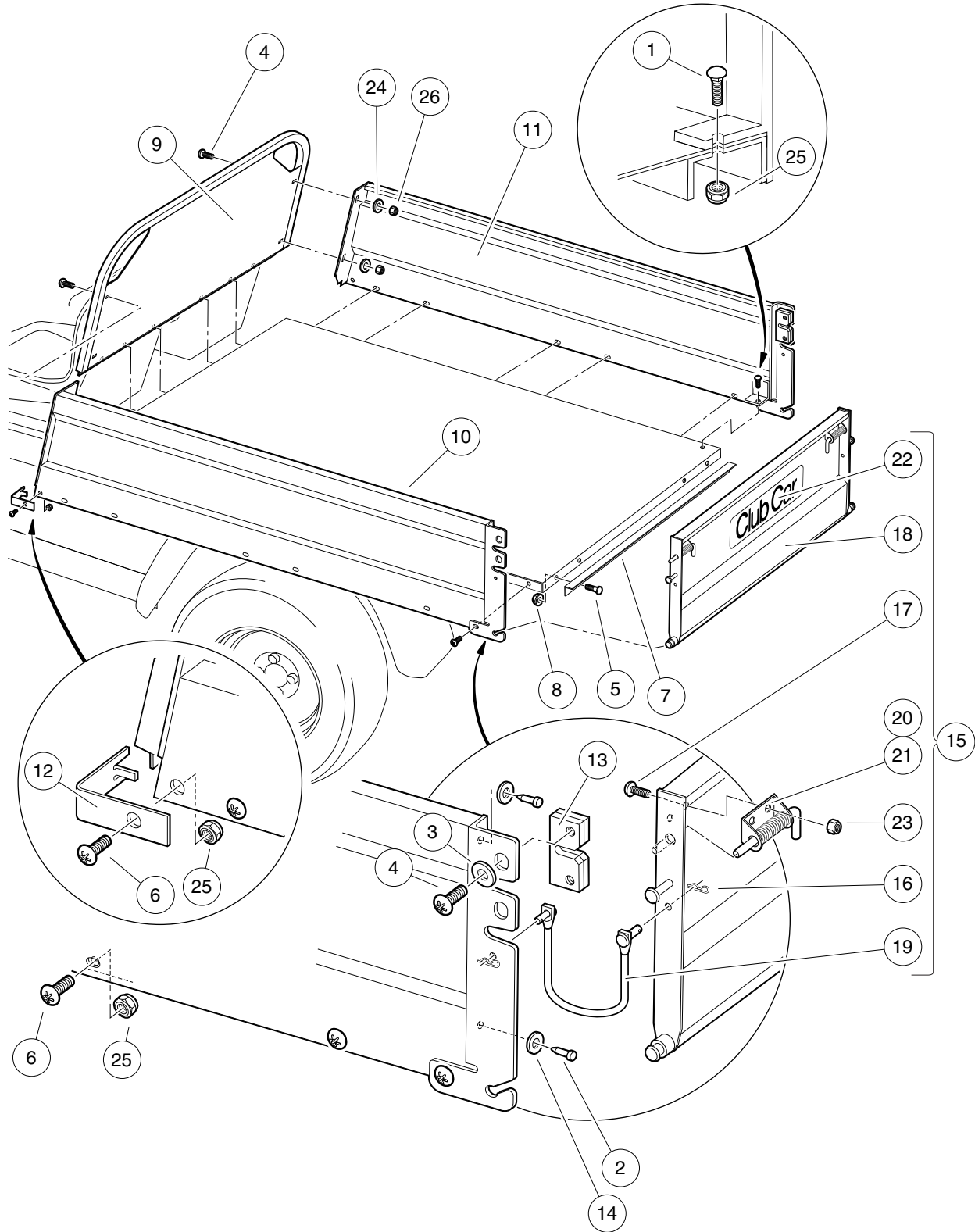
G

D

1

G

D



000038-006

BOX BED – STEEL

ITEM	PART NO.	DESCRIPTION	QTY
		1 2 3 4	
1	<u>1010435</u>	Bolt, Carriage, 5/16-18 X 1.00	13
2	<u>1010436</u>	Bumper, Rubber	4
3	<u>1014306</u>	Washer, 1/4" Type B Flat	4
4	<u>1014415</u>	Screw, 1/4-20 X 0.75 Torx Truss-Head	8
5	<u>1014537</u>	Stud, Self-Clinching Flush Head	4
6	<u>1015399</u>	Screw, 5/16-18 X 0.88 Torx Truss-Head	18
7	<u>101894304</u>	Box Bed Tailgate Angle	1
8	<u>101963401</u>	Locknut, 5/16-18 Hex Flange	4
9	<u>102221301</u>	Front Panel Weldment	1
10	<u>102221401</u>	Left Panel Weldment	1
11	<u>102221501</u>	Right Panel Weldment	1
12	<u>102221701</u>	Front Corner Cap	2
13	<u>102222001</u>	Slam Latch	2
14	<u>102239901</u>	Washer, Rubber, 3/8	4
15	<u>102614401</u>	Assembly, Tailgate (includes items 16 through 23)	1
16	<u>1013366</u>	Hair Pin Clip	4
17	<u>1014415</u>	Screw, 1/4-20 X 0.75 Torx Truss-Head	4
18	N/A	Tailgate, Weldment	1
19	<u>102221801</u>	Tether Assembly	2
20	<u>102222101</u>	Spring Latch Right	1
21	<u>102222201</u>	Spring Latch Left	1
22	<u>102673201</u>	Decal, Club Car Tailgate	1
23	<u>8233</u>	Locknut, 1/4-20, Nylon Insert	4
24	<u>332</u>	Washer, 1/4 Type A Narrow Flat	4
25	<u>7473</u>	Locknut, 5/16-18 Nylon Insert	31
26	<u>8233</u>	Locknut, 1/4-20, Nylon Insert	4

1

G

D

1

G

D

WHEELS AND TIRES

2

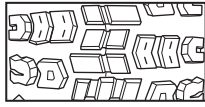
G

D

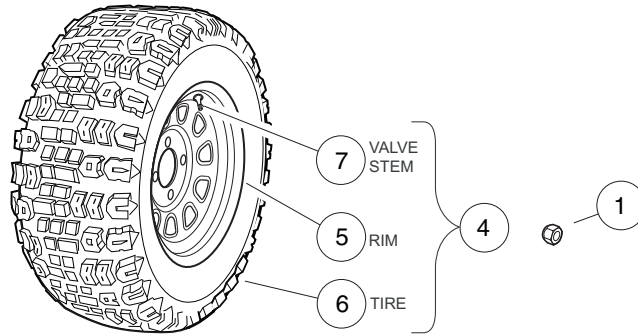
2

G

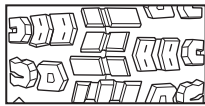
D



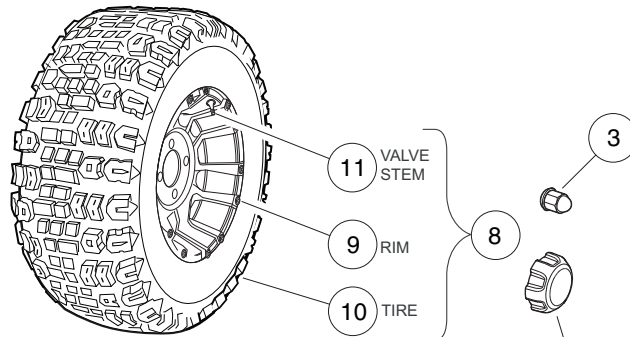
Kenda
All-Terrain
Tread



FOR DRIVER OR
PASSENGER SIDE



Kenda
All-Terrain
Tread



FOR DRIVER OR
PASSENGER SIDE

000506-006

WHEELS AND TIRES – KENDA

ITEM	PART NO.	DESCRIPTION	QTY
		1 2 3 4	
1	<u>102736901</u>	Nut, Lug, 1/2-20 SAE J2283	16
2	<u>103532801</u>	Cap, Center, Chrome	4
3	<u>103699801</u>	Lug Nut, 13/16 X 1/2-20, CE	16
4	<u>103779001</u>	Wheel/Tire Assy, All Terrain, 25x11-12 K502, Black Wheel (includes items 5 through 7) .	4
5	<u>103234503</u>	Wheel, 10 Window, Black	1
6	<u>103778601</u>	Tire, All Terrain, K502, 25x11-12	1
7	<u>7310</u>	Valve Stem, Black Plastic	1
8	<u>103779004</u>	Wheel/Tire Assy, All Terrain, 25x11-12 K502, Alloy Wheel (includes items 9 through 11)	4
9	<u>103525002</u>	Wheel, Alloy	1
10	<u>103778601</u>	Tire, All Terrain, K502, 25x11-12	1
11	<u>7310</u>	Valve Stem, Black Plastic	1
<p style="text-align: center;">Note: The tires listed above are Kenda brand.</p>			

2

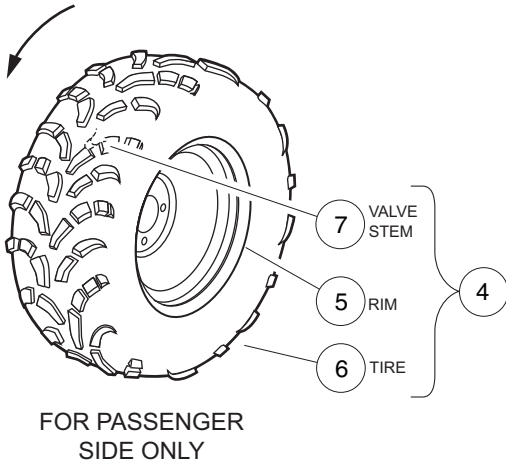
G

D

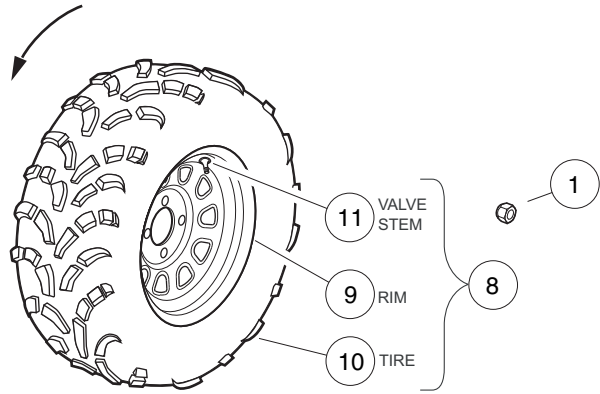
2

G

D



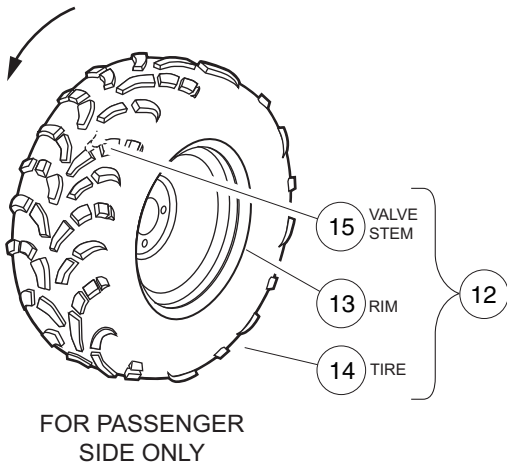
FOR PASSENGER SIDE ONLY



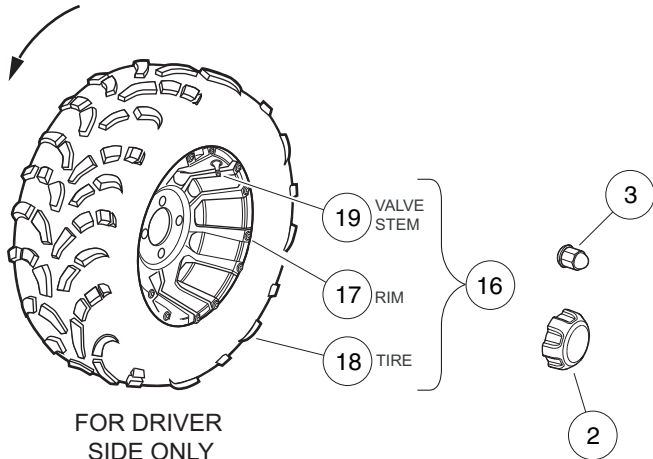
FOR DRIVER SIDE ONLY



OTR Mud Tread



FOR PASSENGER SIDE ONLY



FOR DRIVER SIDE ONLY



OTR Mud Tread

000506-007

WHEELS AND TIRES – OTR

ITEM	PART NO.	DESCRIPTION	QTY
		1 2 3 4	
1	<u>102736901</u>	Nut, Lug, 1/2-20 SAE J2283	16
2	<u>103532801</u>	Cap, Center, Chrome	4
3	<u>103699801</u>	Lug Nut, 13/16 X 1/2-20, CE	16
4	<u>103901101</u>	Wheel/Tire Assy, Pass. Side, Mud, 25x11-12 OTR 440, Black (includes items 5 through 7)	2
5	<u>103234503</u>	Wheel, 10 Window, Black	1
6	<u>103901001</u>	Tire, Mud, 6ply, 25x11-12, 440	1
7	<u>7310</u>	Valve Stem, Black Plastic	1
8	<u>103901102</u>	Wheel/Tire Assy, Driver Side, Mud, 25x11-12 OTR 440, Black (includes items 9 through 11)	2
9	<u>103234503</u>	Wheel, 10 Window, Black	1
10	<u>103901001</u>	Tire, Mud, 6ply, 25x11-12, 440	1
11	<u>7310</u>	Valve Stem, Black Plastic	1
12	<u>103901107</u>	Wheel/Tire Assy, Pass. Side, Mud, 25x11-12 OTR 440, Alloy (includes items 13 through 15)	2
13	<u>103525002</u>	Wheel, Alloy	1
14	<u>103901001</u>	Tire, Mud, 6ply, 25x11-12, 440	1
15	<u>7310</u>	Valve Stem, Black Plastic	1
16	<u>103901108</u>	Wheel/Tire Assy, Driver Side, Mud, 25x11-12 OTR 440, Alloy (includes items 17 through 19)	2
17	<u>103525002</u>	Wheel, Alloy	1
18	<u>103901001</u>	Tire, Mud, 6ply, 25x11-12, 440	1
19	<u>7310</u>	Valve Stem, Black Plastic	1
Note: The tires listed above are OTR brand. NOTE 2: Must use Items 4 and 12 on passenger side; Items 8 and 16 on driver side.			

2

G

D

2

G

D

DECALS

3

G

D

3

G

D

WARNING
GASOLINE EXPLOSION / FIRE.
 • Can cause severe injury or death.
 • No smoking, sparks, or open flames.
 • Stop engine, allow to cool before refueling.
 • Turn fuel valve (—) on during operation.
 • (—) off during storage or transport.
 CCI 101545901

WARNING
DIESEL FUEL EXPLOSION / FIRE.
 • Can cause severe injury or death.
 • No smoking, sparks, or open flames.
 • Stop engine, allow to cool before refueling.
 CCI 102459201

OPERATING INSTRUCTIONS

- Read owner's manual and vehicle safety warnings. Study and understand controls.

TO START ENGINE

- Place shift lever in NEUTRAL (N) and press brake pedal.
- Turn key to START and hold until engine starts.

Diesel Vehicles Only:

- If required, turn key to PREHEAT and hold for 10-15 seconds.

TO OPERATE VEHICLE

- Ensure wheels are turned in desired direction and path is clear.
- With vehicle stopped and engine at idle, select vehicle direction.

↑ Forward N Neutral ↓ Reverse (Buzzer will sound)

- Release park brake and slowly press accelerator pedal to increase speed.
- All-wheel drive will automatically drive appropriate wheel(s).

TO STOP VEHICLE

- Release accelerator pedal and push brake pedal.

BEFORE LEAVING VEHICLE

- Turn key to OFF and remove key.
- Place shift lever in NEUTRAL (N).
- Firmly set park brake.

CCI 10284301



WARNING
 CAN CAUSE SEVERE INJURY
HOT manifold
 KEEP CLEAR
 CCI 102459001

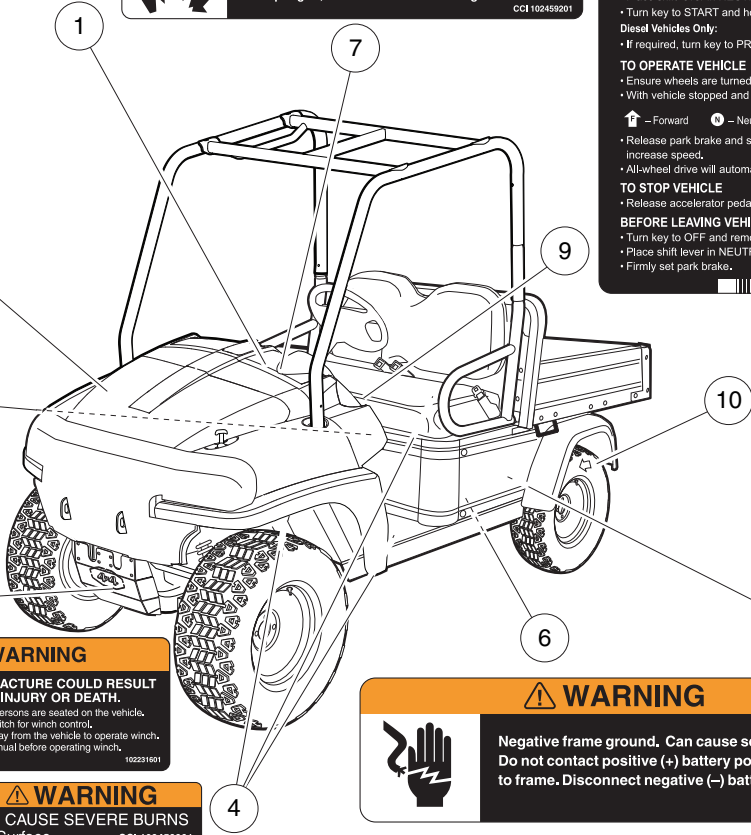
WARNING
WINCH CABLE FRACTURE COULD RESULT IN SERIOUS INJURY OR DEATH.
 • Do not use winch while persons are seated on the vehicle.
 • Use remote operation switch for winch control.
 • Stand to the side and away from the vehicle to operate winch.
 • Read winch operator manual before operating winch.
 102231601

WARNING
 CAN CAUSE SEVERE BURNS
 Hot Surface
 CCI 102458901

WARNING
 Negative frame ground. Can cause severe injury. Do not contact positive (+) battery post or cable to frame. Disconnect negative (-) battery cable first.
 CCI 102459101

WARNING
 CAN CAUSE SEVERE INJURY
 Rotating parts. KEEP CLEAR.
 CCI 102459501

WARNING
 CAN CAUSE SEVERE INJURY
 Hot manifold and muffler. KEEP CLEAR.
 CCI 102459501



3006

SAFETY DECALS – CARRYALL AND XRT 2-PASSENGER

ITEM	PART NO.	DESCRIPTION	QTY
		1 2 3 4	
1	<u>101547601</u>	Decal, Gasoline Explosion/Fire Warning	1
2	<u>102231601</u>	Decal, Winch Cable Fracture Warning	1
3	<u>102427501</u>	Cap, Radiator	1
4	<u>102458901</u>	Decal, Hot Surface Warning	2
5	<u>102459001</u>	Decal, Hot Manifold Warning	1
6	<u>102459101</u>	Decal, Frame Ground Warning	1
7	<u>102459201</u>	Decal, Diesel Explosion/Fire Warning	1
8	<u>102459501</u>	Decal, Rotating Parts and Hot Exhaust Warning	1
9	<u>102884301</u>	Decal, Operating Instr, AWD	1

3

G

D

3

G

D

WARNING

ROLLOVER OR FALLING OFF MAY CAUSE DEATH

- Read owner's manual and operating instructions.
- Fasten seat belts and remain seated while moving.
- Children requiring a child safety seat must not ride on vehicle.
- Comply with state and local laws pertaining to child safety.
- Drive slowly in turns and straight up and down slopes.
- Do not start vehicle until all occupants are seated.
- Two (2) persons per bench seat maximum.
- One (1) person per bucket seat maximum.
- Operate from driver side only and not on public roads.
- Keep entire body inside vehicle while moving.
- Do not operate while under the influence of alcohol or drugs.
- Never attempt jumps and avoid extreme braking in reverse.

CCI 10288461

UNDER 16

WARNING

YOUNG DRIVERS INCREASE CHANCE OF DEATH

- Young drivers may not be able to control vehicle.
- No drivers younger than 16 years old.
- Do not leave children unattended on vehicle.

CCI 10288461

WARNING

- Do not modify or remove Roll-over Protective Structure (ROPS).
- Replace ROPS if damaged. Do not attempt repair.
- Use seat belts during operation. Do not jump from vehicle.
- Keep away from drop-offs, steep slopes, and unstable surfaces.

CCI 102961201

WARNING

CAN CAUSE SEVERE INJURY

Rotating parts. KEEP CLEAR.

CCI 101040201

NOTICE

MAXIMUM TONGUE WEIGHT - 150 lbs.

CCI 1011553

WARNING

CRUSH AREA

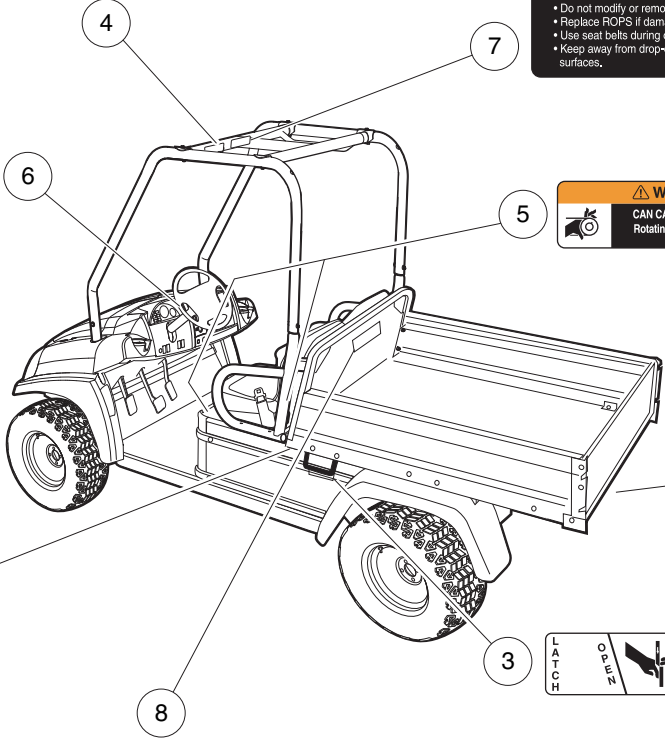
STAY CLEAR

CCI 101609401

WARNING

Crush area. Can cause severe injury. Stay clear when closing bed.

CCI 10105901



<p>WARNING</p> <p>RIDING IN CARGO BED CAN CAUSE SERIOUS INJURY OR DEATH.</p> <p>• Do not ride in cargo bed.</p>	<p>WARNING</p> <p>ROLLOVER CAN CAUSE SERIOUS INJURY OR DEATH.</p> <ul style="list-style-type: none"> • Place cargo forward in the cargo bed and distribute evenly side to side. Secure load. • On uneven or steep terrain, reduce speed and load. • Avoid stopping on or backing down steep hills. • Avoid top-heavy loads. 	<p>VEHICLE LOADING</p> <ul style="list-style-type: none"> • Read owner's manual and warnings on dash. • Vehicle rated capacity: 1200 lb. (544 kg) on level surface only. • Includes occupants and cargo load. • Maximum cargo load: 800 lb. (363 kg). • Includes cargo, bed load, optional equipment, and trailer tongue weight. <p>103202691</p>
---	---	---

<p>WARNING</p> <p>RIDING IN CARGO BED CAN CAUSE SERIOUS INJURY OR DEATH.</p> <p>• Do not ride in cargo bed.</p>	<p>WARNING</p> <p>ROLLOVER CAN CAUSE SERIOUS INJURY OR DEATH.</p> <ul style="list-style-type: none"> • Place cargo forward in the cargo bed and distribute evenly side to side. Secure load. • On uneven or steep terrain, reduce speed and load. • Avoid stopping on or backing down steep hills. • Avoid top-heavy loads. 	<p>HIGH-CAPACITY VEHICLE LOADING</p> <ul style="list-style-type: none"> • Read owner's manual and warnings on dash. • Vehicle rated capacity: 1450 lb. (653 kg) on level surface only. • Includes occupants and cargo load. • Maximum cargo load: 1050 lb. (476 kg). • Includes cargo, bed load, optional equipment, and trailer tongue weight. <p>103210461</p>
---	---	--

2705

SAFETY DECALS – CARRYALL AND XRT 2-PASSENGER, CONTINUED

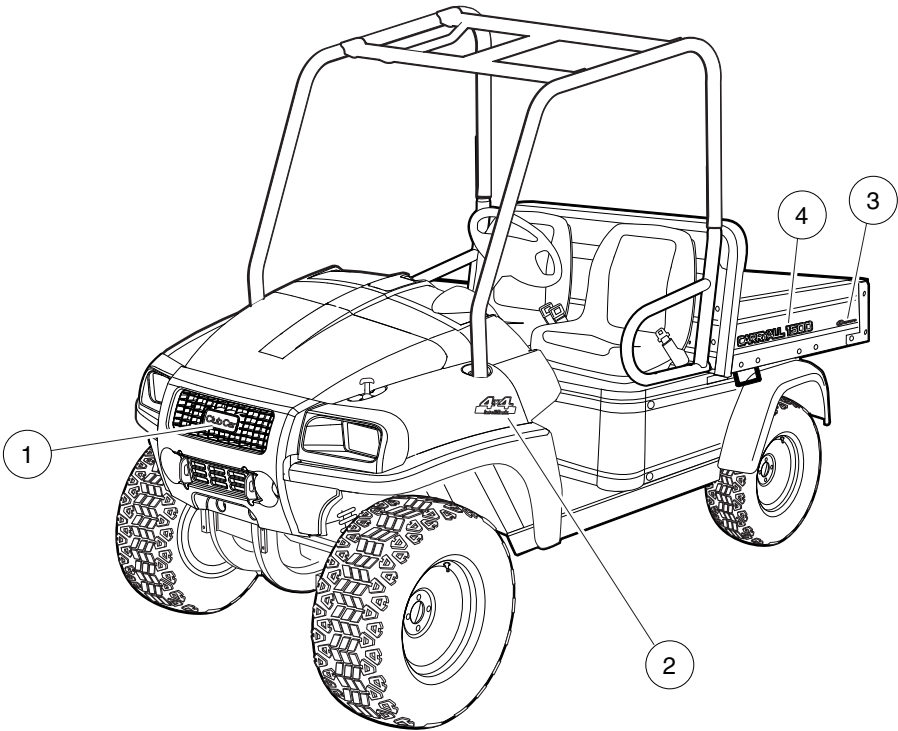
ITEM	PART NO.	DESCRIPTION	QTY
		1 2 3 4	
1	<u>1011553</u>	Decal, Trailer Hitch	1
2	<u>101609401</u>	Decal, Crush Area Warning	2
3	<u>102459301</u>	Decal, Bed Crush Area Warning	1
4	<u>102459401</u>	Decal, Young Driver Warning	1
5	<u>102460201</u>	Decal, Rotating Parts Warning	2
6	<u>102884401</u>	Decal, Warning, Rollover	1
7	<u>102961201</u>	Decal, Warning, AWD ROPS	1
8	<u>103202601</u>	Decal, Vehicle Loading, 800 lbs	1
9	<u>103210401</u>	Decal, Vehicle Loading, 1050 lbs	1

3
G
D

3

G

D



000531-009

BADGING DECALS – CARRYALL 2-PASSENGER

ITEM	PART NO.	DESCRIPTION	QTY
		1 2 3 4	
1	<u>102883601</u>	Decal, Nameplate, CCI, Front	1
2	<u>103234201</u>	Decal, Badge, 4x4	2
3	<u>103234304</u>	Decal, Badge, lr, Red	2
4	<u>105200501</u>	Decal, Badge, CA1500	2

3

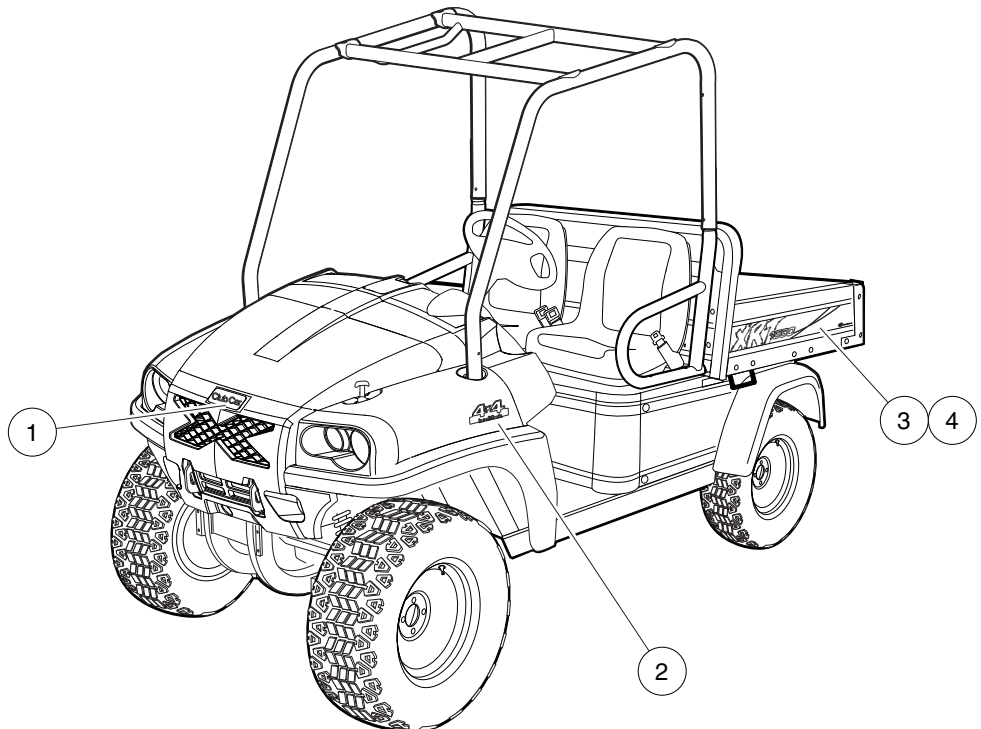
G

D

3

G

D



000531-008

BADGING DECALS – XRT 2-PASSENGER

ITEM	PART NO.	DESCRIPTION	QTY
		1 2 3 4	
1	<u>102883601</u>	Decal, Nameplate, CCI, Front	1
2	<u>103234201</u>	Decal, Badge, 4x4	2
3	<u>103945601</u>	Decal, Side, Bed, 1550, Ds	1
4	<u>103945602</u>	Decal, Side, Bed, 1550, Ps	1

3

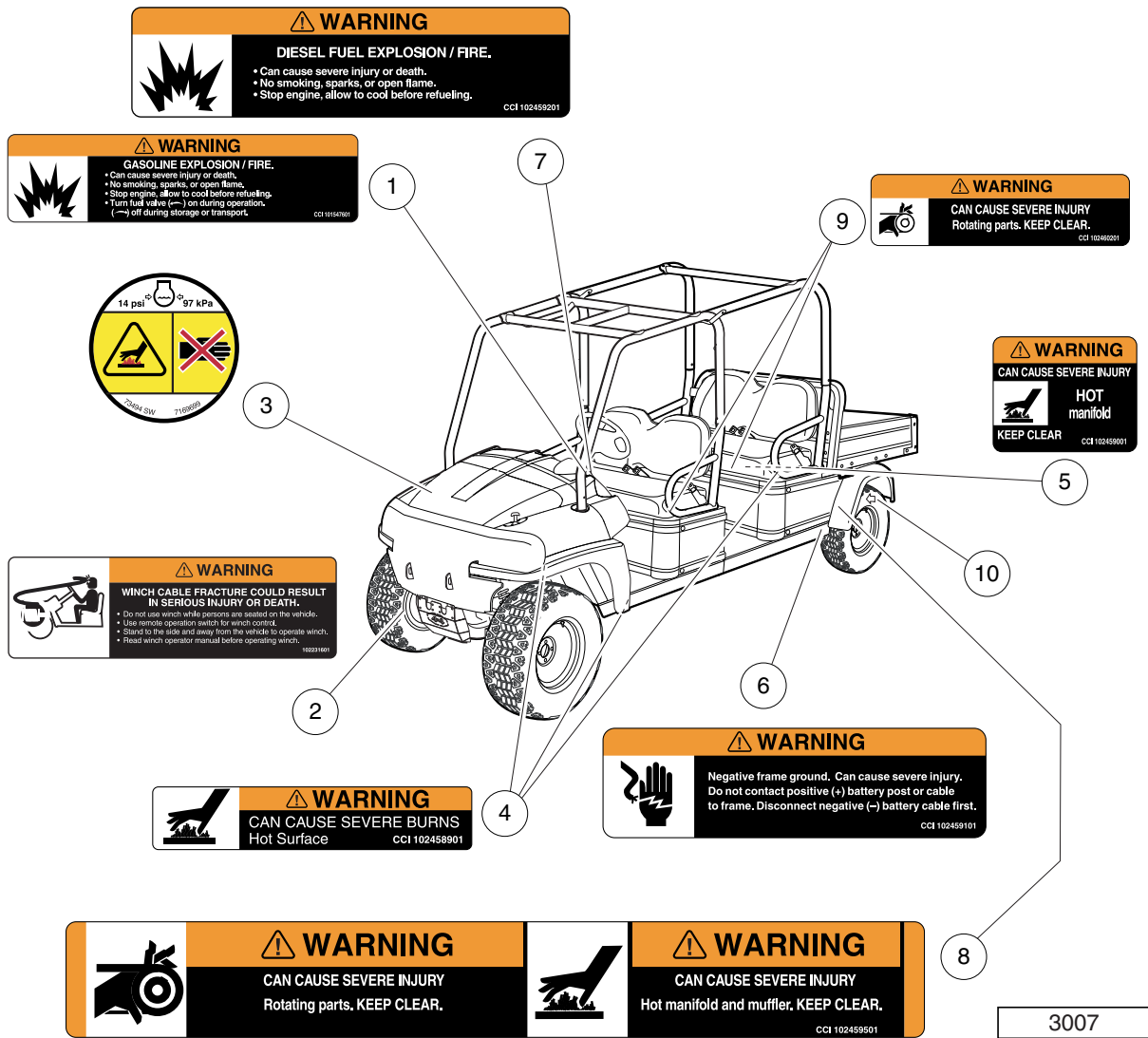
G

D

3

G

D



3007

SAFETY DECALS – CARRYALL AND XRT 4-PASSENGER

ITEM	PART NO.	DESCRIPTION	QTY
		1 2 3 4	
1	<u>101547601</u>	Decal, Gasoline Explosion/Fire Warning	1
2	<u>102231601</u>	Decal, Winch Cable Fracture Warning	1
3	<u>102427501</u>	Cap, Radiator	1
4	<u>102458901</u>	Decal, Hot Surface Warning	3
5	<u>102459001</u>	Decal, Hot Manifold Warning	1
6	<u>102459101</u>	Decal, Frame Ground Warning	1
7	<u>102459201</u>	Decal, Diesel Explosion/Fire Warning	1
8	<u>102459501</u>	Decal, Rotating Parts and Hot Exhaust Warning	1
9	<u>102460201</u>	Decal, Rotating Parts Warning	2

3

G

D

3

G

D

OPERATING INSTRUCTIONS

- Read owner's manual and vehicle safety warnings. Study and understand controls.

TO START ENGINE

- Place shift lever in NEUTRAL (N) and press brake pedal.
- Turn key to START and hold until engine starts.

Dead Vehicles Only:

- If required, turn key to PREHEAT and hold for 10-15 seconds.

TO OPERATE VEHICLE

- Ensure wheels are turned in desired direction and path is clear.
- With vehicle stopped and engine at idle, select vehicle direction.

Forward
 Neutral
 Reverse (Buzzer will sound)

- Release park brake and slowly press accelerator pedal to increase speed.
- Allowed drive will automatically drive appropriate wheel(s).

TO STOP VEHICLE

- Release accelerator pedal and push brake pedal.

BEFORE LEAVING VEHICLE

- Turn key to OFF and remove key.
- Place shift lever in NEUTRAL (N).
- Firmly set park brake.

CCI 10284301

WARNING

ROLLOVER OR FALLING OFF MAY CAUSE DEATH

- Read owner's manual and operating instructions.
- Fasten seat belts and remain seated while moving.
- Children requiring a child safety seat must not ride on vehicle.

Comply with state and local laws pertaining to child safety.

- Drive slowly in turns and straight up and down slopes.
- Do not start vehicle until all occupants are seated.
- Two (2) persons per bench seat maximum.
- One (1) person per bucket seat maximum.
- Operate from driver side only and not on public roads.
- Keep entire body inside vehicle while moving.
- Do not operate while under the influence of alcohol or drugs.
- Never attempt jumps and avoid extreme braking in reverse.

CCI 10284301

UNDER 16

WARNING

YOUNG DRIVERS INCREASE CHANCE OF DEATH

- Young drivers may not be able to control vehicle.
- No drivers younger than 16 years old.
- Do not leave children unattended on vehicle.

CCI 10284301

WARNING

- Do not modify or remove Rollover Protective Structure (ROPS).
- Replace ROPS if damaged. Do not attempt repair.
- Use seat belts during operation. Do not jump from vehicle.
- Keep away from drop-offs, steep slopes, and unstable surfaces.

CCI 10284301

WARNING

CAN CAUSE SEVERE INJURY

Rotating parts, KEEP CLEAR.

CCI 10246001

NOTICE

MAXIMUM TONGUE WEIGHT - 150 lbs.

CCI 1011553

WARNING

FALLING OFF COULD RESULT IN SEVERE INJURY OR DEATH

- Fasten seat belt and remain seated while moving.
- One (1) person per bucket seat maximum.
- Do not leave children unattended on vehicle at any time.
- Two (2) persons per bench seat maximum.
- Never drive in front of or behind vehicle.

CCI 101609401

WARNING

CRUSH AREA

STAY CLEAR

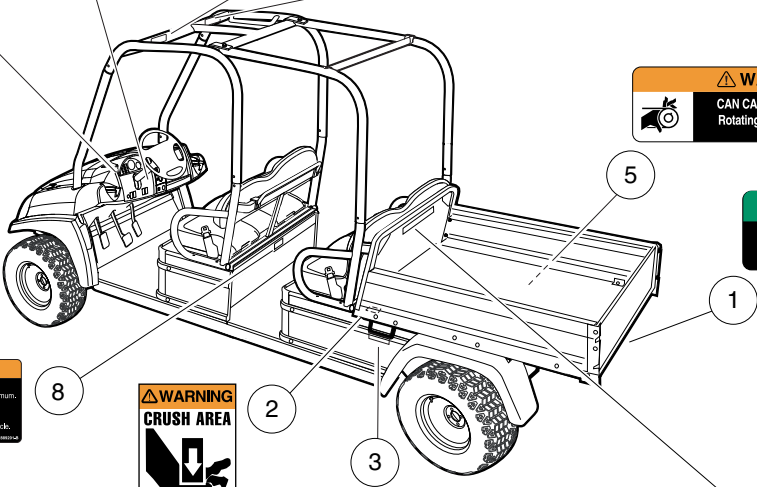
CCI 101609401

WARNING

Crush area. Can cause severe injury. Stay clear when closing bed.

CCI 101609401

<p>WARNING</p> <p>RIDING IN CARGO BED CAN CAUSE SERIOUS INJURY OR DEATH.</p> <ul style="list-style-type: none"> Do not ride in cargo bed. 	<p>WARNING</p> <p>ROLLOVER CAN CAUSE SERIOUS INJURY OR DEATH.</p> <ul style="list-style-type: none"> Place cargo forward in the cargo bed and distribute evenly side to side. Secure load. On uneven or steep terrain, reduce speed and load. Avoid stopping on or backing down steep hills. Avoid top-heavy loads. 	<p>VEHICLE LOADING</p> <ul style="list-style-type: none"> Read owner's manual and warnings on dash. Vehicle rated capacity: 1600 lb. (726 kg) on level surface only. Includes occupants and cargo load. Maximum cargo load: 800 lb. (363 kg). Includes cargo, bed load, optional equipment, and trailer tongue weight. <p>103219501</p>
--	---	---



2706

SAFETY DECALS – CARRYALL AND XRT 4-PASSENGER, CONTINUED

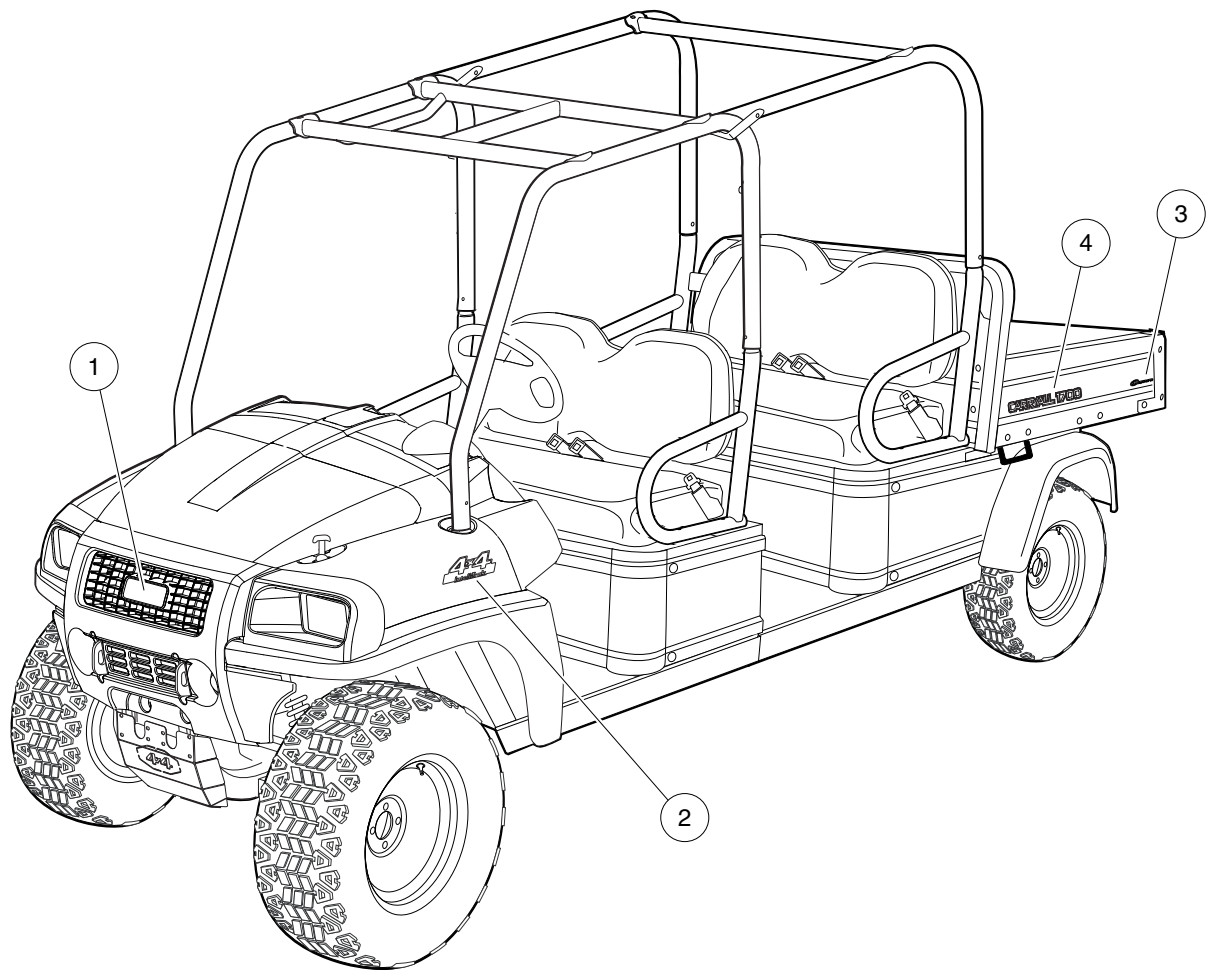
ITEM	PART NO.	DESCRIPTION	QTY
		1 2 3 4	
1	<u>1011553</u>	Decal, Trailer Hitch	1
2	<u>101609401</u>	Decal, Crush Area Warning	2
3	<u>102459301</u>	Decal, Bed Crush Area Warning	1
4	<u>102459401</u>	Decal, Young Driver Warning	1
5	<u>102460201</u>	Decal, Rotating Parts Warning	2
6	<u>102884301</u>	Decal, Operating Instr, AWD	1
7	<u>102884401</u>	Decal, Warning, Rollover	1
8	<u>102889201</u>	Decal, Warning, Passenger	1
9	<u>102961201</u>	Decal, Warning, AWD ROPS	1
10	<u>103210501</u>	Decal, Load, Vehicle, 3350 Lbs	1

3
G
D

3

G

D



000547-007

BADGING DECALS – CARRYALL 4-PASSENGER

ITEM	PART NO.	DESCRIPTION	QTY
		1 2 3 4	
1	<u>102883601</u>	Decal, Nameplate, CCI, Front	1
2	<u>103234201</u>	Decal, Badge, 4x4	2
3	<u>103234304</u>	Decal, Badge, lr, Red	2
4	105200601	Decal, Badge, CA1700	2

3

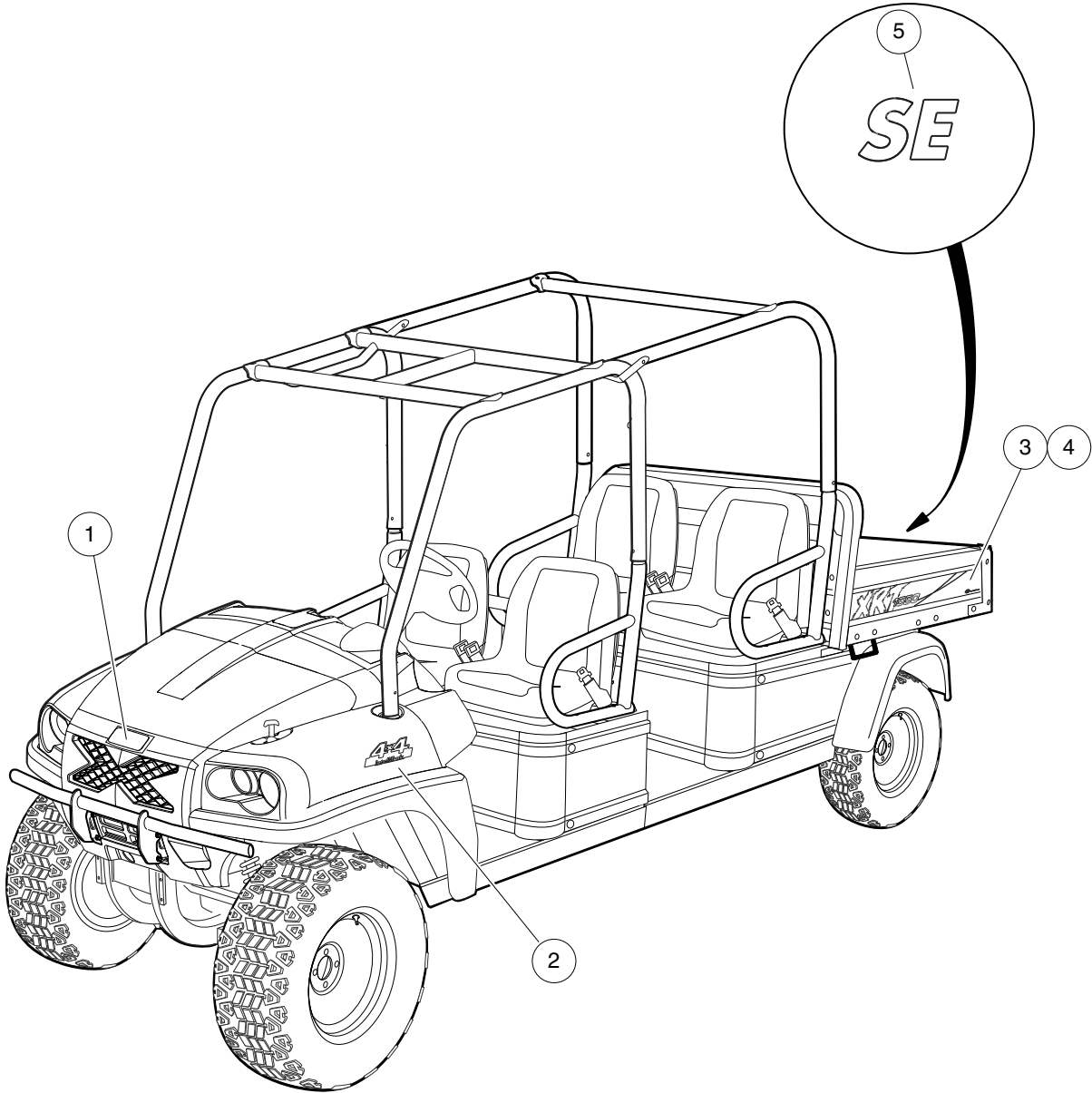
G

D

3

G

D



000547-006

BADGING DECALS – XRT 4-PASSENGER

ITEM	PART NO.	DESCRIPTION	QTY
		1 2 3 4	
1	<u>102883601</u>	Decal, Nameplate, CCI, Front	1
2	<u>103234201</u>	Decal, Badge, 4x4	2
3	<u>103945601</u>	Decal, Side, Bed, 1550, Ds	1
4	<u>103945602</u>	Decal, Side, Bed, 1550, Ps	1
5	<u>103945701</u>	Decal, Se	1

3

G

D

3

G

D

WARNING
 CAN CAUSE SEVERE INJURY
 Rotating parts. KEEP CLEAR.
 CCI 102459201



WARNING
DIESEL FUEL EXPLOSION / FIRE.
 • Can cause severe injury or death.
 • No smoking, sparks, or open flame.
 • Stop engine, allow to cool before refueling.
 CCI 102459201

OPERATING INSTRUCTIONS

- Read owner's manual, HANDBOOK, and vehicle safety warnings. Study and understand controls.

TO START ENGINE

- Place shift lever in NEUTRAL (N) and press brake pedal.
- If required, turn key to PREHEAT and hold for 10-15 seconds.
- Turn key to START and hold until engine starts.

TO OPERATE VEHICLE

- Ensure wheels are turned in desired direction and path is clear.
- Raise attachment to provide adequate ground clearance.
- With vehicle stopped and engine at idle, select vehicle direction.
 ↑ - Forward N - Neutral ↓ - Reverse (Buzzer will sound)
- Release park brake and slowly press accelerator pedal to increase speed.
- All-wheel drive will automatically drive appropriate wheel(s).

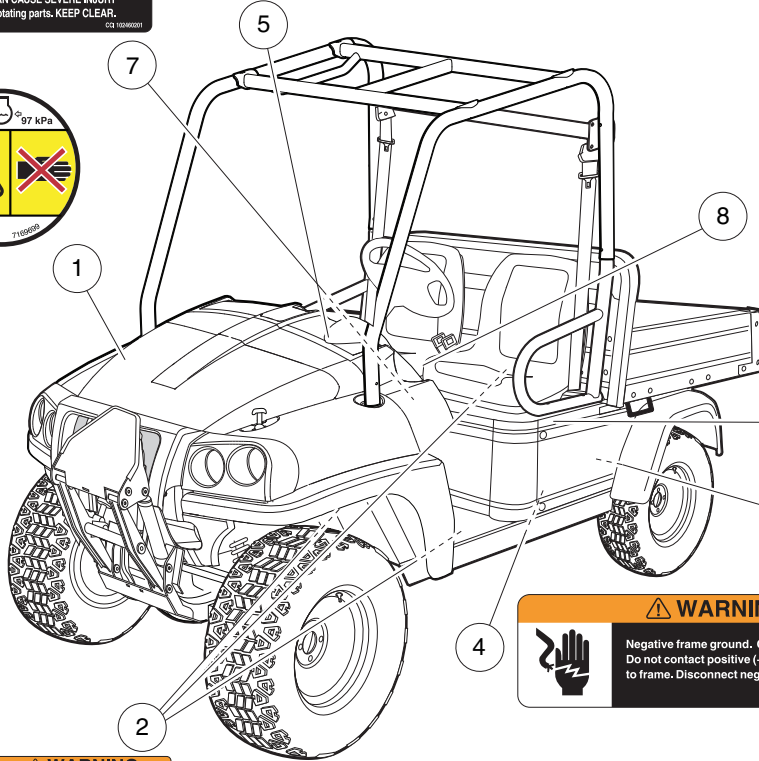
TO STOP VEHICLE

- Release accelerator pedal and push brake pedal.

BEFORE LEAVING VEHICLE

- Lower attachment arm until attachment is flat on the ground.
- Turn key to OFF and remove key.
- Place shift lever in NEUTRAL (N).
- Firmly set park brake.

CCI 103185701



WARNING
 CAN CAUSE SEVERE INJURY
HOT manifold
 KEEP CLEAR
 CCI 102459001

WARNING
 Negative frame ground. Can cause severe injury. Do not contact positive (+) battery post or cable to frame. Disconnect negative (-) battery cable first.
 CCI 102459101

WARNING
 CAN CAUSE SEVERE BURNS
 Hot Surface
 CCI 102458901

WARNING
 CAN CAUSE SEVERE INJURY
 Rotating parts. KEEP CLEAR.
 CCI 102459501

WARNING
 CAN CAUSE SEVERE INJURY
 Hot manifold and muffler. KEEP CLEAR.
 CCI 102459501

6
 3010

SAFETY DECALS – INTELLITACH

ITEM	PART NO.	DESCRIPTION	QTY
		1 2 3 4	
1	<u>102427501</u>	Cap, Radiator	1
2	<u>102458901</u>	Decal, Hot Surface Warning	3
3	<u>102459001</u>	Decal, Hot Manifold Warning	1
4	<u>102459101</u>	Decal, Frame Ground Warning	1
5	<u>102459201</u>	Decal, Diesel Explosion/Fire Warning	1
6	<u>102459501</u>	Decal, Rotating Parts and Hot Exhaust Warning	1
7	<u>102460201</u>	Decal, Rotating Parts Warning	1
8	<u>103188701</u>	Decal, Operator Instructions, Intellitach	1

3

G

D

3

G

D

WARNING

ROLLOVER OR FALLING OFF MAY CAUSE DEATH

- Read owner's manual and HANDBOOK.
- Fasten seat belts and remain seated while moving.
- Children requiring a child safety seat must not ride on vehicle.
- Comply with state and local laws pertaining to child safety.
- Drive slowly in turns and straight up and down slopes.
- Do not start vehicle until all occupants are seated.
- One (1) person per bucket seat maximum.
- Operate from driver side only and not on public roads.
- Keep entire body inside vehicle while moving.
- Do not operate while under the influence of alcohol or drugs.
- Never attempt jumps and avoid extreme braking in reverse.

ATTACHMENT ARM CAN CAUSE SEVERE INJURY OR DEATH

- Keep bystanders away.
- Keep hands and body from under attachment.
- Always carry attachment as low as possible.
- Do not exceed attachment arm rated capacity.
- Do not modify the attachment arm or attachments.
- Before leaving vehicle, lower attachment arm until attachment is flat on the ground.

CCI 10318801

UNDER 16

WARNING

YOUNG DRIVERS INCREASE CHANCE OF DEATH

- Young drivers may not be able to control vehicle.
- No drivers younger than 16 years old.
- Do not leave children unattended on vehicle.

CCI 10309401

WARNING

- Do not modify or remove Roll-over Protective Structure (ROPS).
- Replace ROPS if damaged. Do not attempt repair.
- Use seat belts during operation. Do not jump from vehicle.
- Keep away from drop-offs, steep slopes, and unstable surfaces.

CCI 102561201

WARNING

Crush area. Can cause severe injury. Stay clear when closing bed.

CCI 10256001

FULLY ENGAGE LOCKING LEVER

LEVER

PINS MUST EXTEND THROUGH MOUNTING FRAME HOLES

CCI 10256001

WARNING

CAN CAUSE SEVERE INJURY

Rotating parts. KEEP CLEAR.

CCI 10256001

NOTICE

MAXIMUM TONGUE WEIGHT - 150 lbs.

CCI 1011553

WARNING

CRUSH AREA

STAY CLEAR

CCI 101029401

WARNING

HIGH PRESSURE FLUIDS COULD CAUSE SERIOUS INJURY OR DEATH

- Read maintenance and service manual before performing repairs on hydraulic system.
- Do not attempt to repair hydraulic pump or lines while engine or pump is in operation.
- Relieve pressure before disconnecting hydraulic lines or fittings.

102950601

WARNING

RIDING IN CARGO BED CAN CAUSE SERIOUS INJURY OR DEATH.

- Do not ride in cargo bed.

WARNING

ROLLOVER CAN CAUSE SERIOUS INJURY OR DEATH.

- Place cargo forward in the cargo bed and distribute evenly side to side. Secure load.
- On uneven or steep terrain, reduce speed and load.
- Avoid stopping on or backing down steep hills.
- Avoid top-heavy loads.

VEHICLE LOADING

- Read owner's manual, HANDBOOK, and warnings on dash.
- Vehicle rated capacity: 1500 lbs. (684 kg) on level surface only.
- Includes occupants and cargo load.
- Maximum attachment arm load: 500 lbs. (227 kg).
- Includes attachment weight and attachment load.

- Maximum cargo load: 800 lbs. (363 kg).
- Includes cargo, bed load, attachment arm load, optional equipment, and trailer tongue weight.

102501001



SAFETY DECALS – INTELLITACH, CONTINUED

ITEM	PART NO.	DESCRIPTION	QTY
		1 2 3 4	
1	<u>1011553</u>	Decal, Trailer Hitch	1
2	<u>101609401</u>	Decal, Crush Area Warning	2
3	<u>102459301</u>	Decal, Bed Crush Area Warning	1
4	<u>102459401</u>	Decal, Young Driver Warning	1
5	<u>102460201</u>	Decal, Rotating Parts Warning	2
6	N/A	Decal, Attachment Locking	1
7	<u>102930801</u>	Decal, Loading, Intellitach	1
8	<u>102950601</u>	Decal, Hydra Pump	1
9	<u>102961201</u>	Decal, Warning, AWD ROPS	1
10	<u>103188601</u>	Decal, Warn, Rollover & Attach	1

3

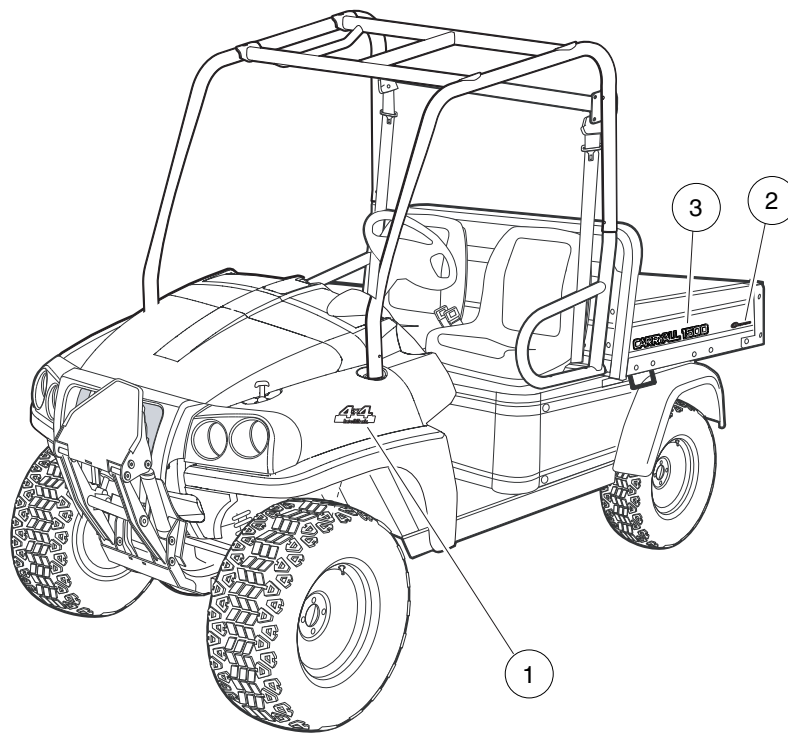
G

D

3

G

D



000562-008

BADGING DECALS – CARRYALL INTELLITACH

ITEM	PART NO.	DESCRIPTION	QTY
		1 2 3 4	
1	<u>103234201</u>	Decal, Badge, 4x4	2
2	<u>103234304</u>	Decal, Badge, lr, Red	2
3	<u>105200501</u>	Decal, Badge, CA1500	2

3

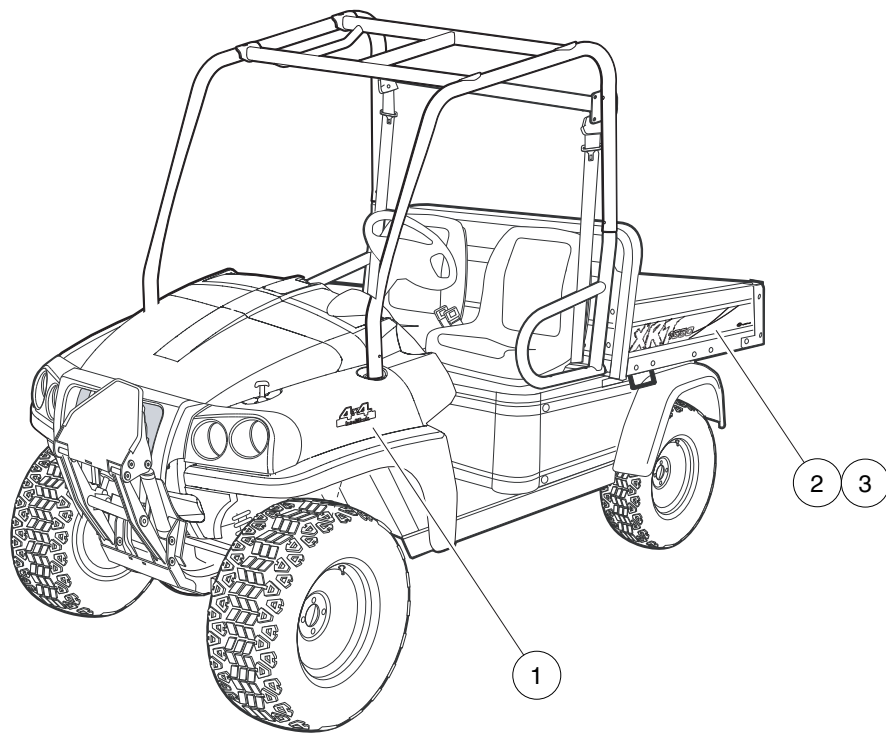
G

D

3

G

D



000562-007

BADGING DECALS – XRT INTELLITACH

ITEM	PART NO.	DESCRIPTION	QTY
		1 2 3 4	
1	<u>103234201</u>	Decal, Badge, 4x4	2
2	<u>103945601</u>	Decal, Side, Bed, 1550, Ds	1
3	<u>103945602</u>	Decal, Side, Bed, 1550, Ps	1

3

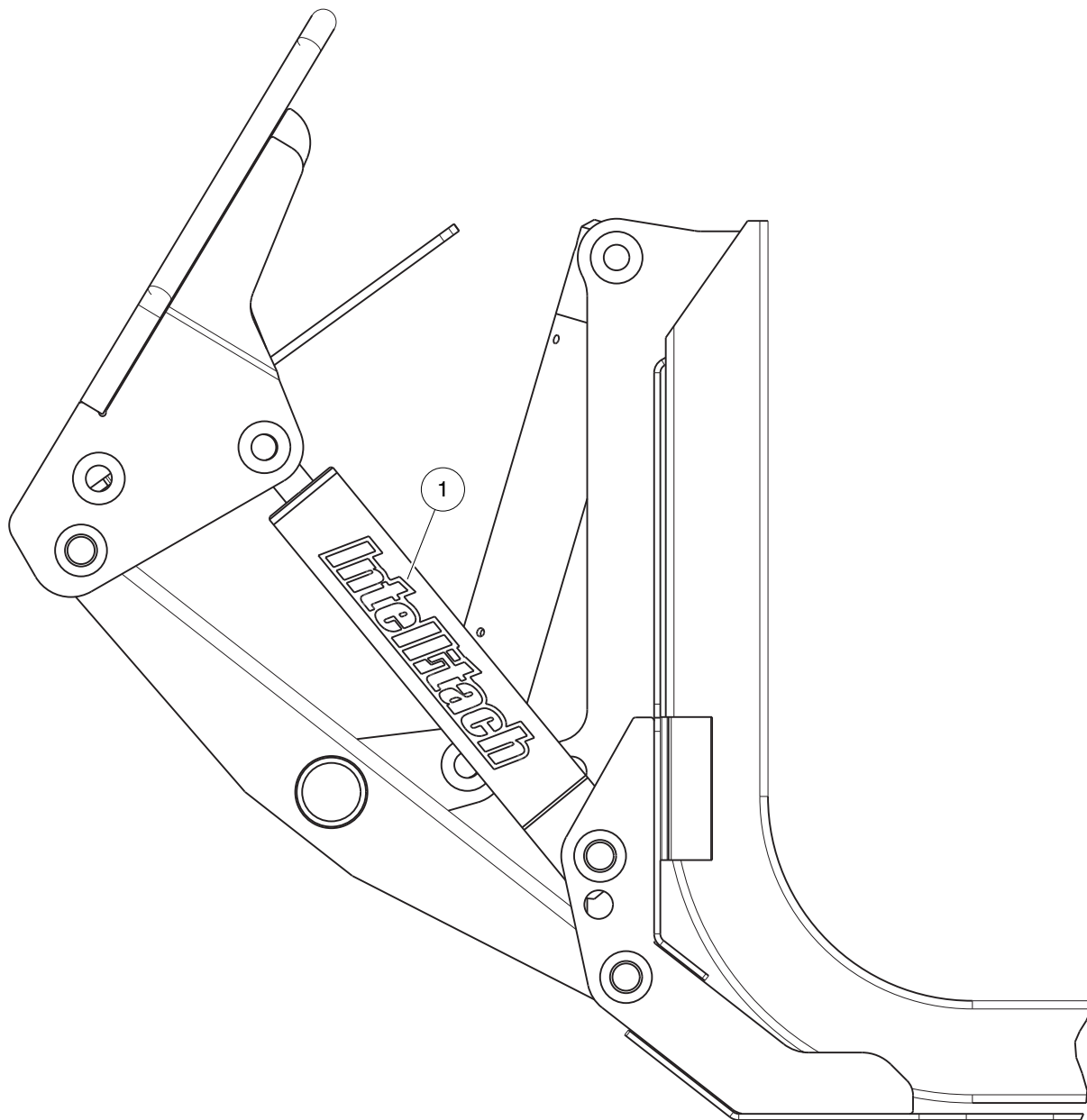
G

D

3

G

D



000562-006

BADGING DECALS – INTELLITACH

ITEM	PART NO.	DESCRIPTION	QTY
1	<u>102925601</u>	1 2 3 4 Decal, Brand, IntelliTach	1

3

G

D

3

G

D

BRAKE SYSTEMS AND PEDALS – WITH DUAL-PISTON FRONT CALIPERS

4

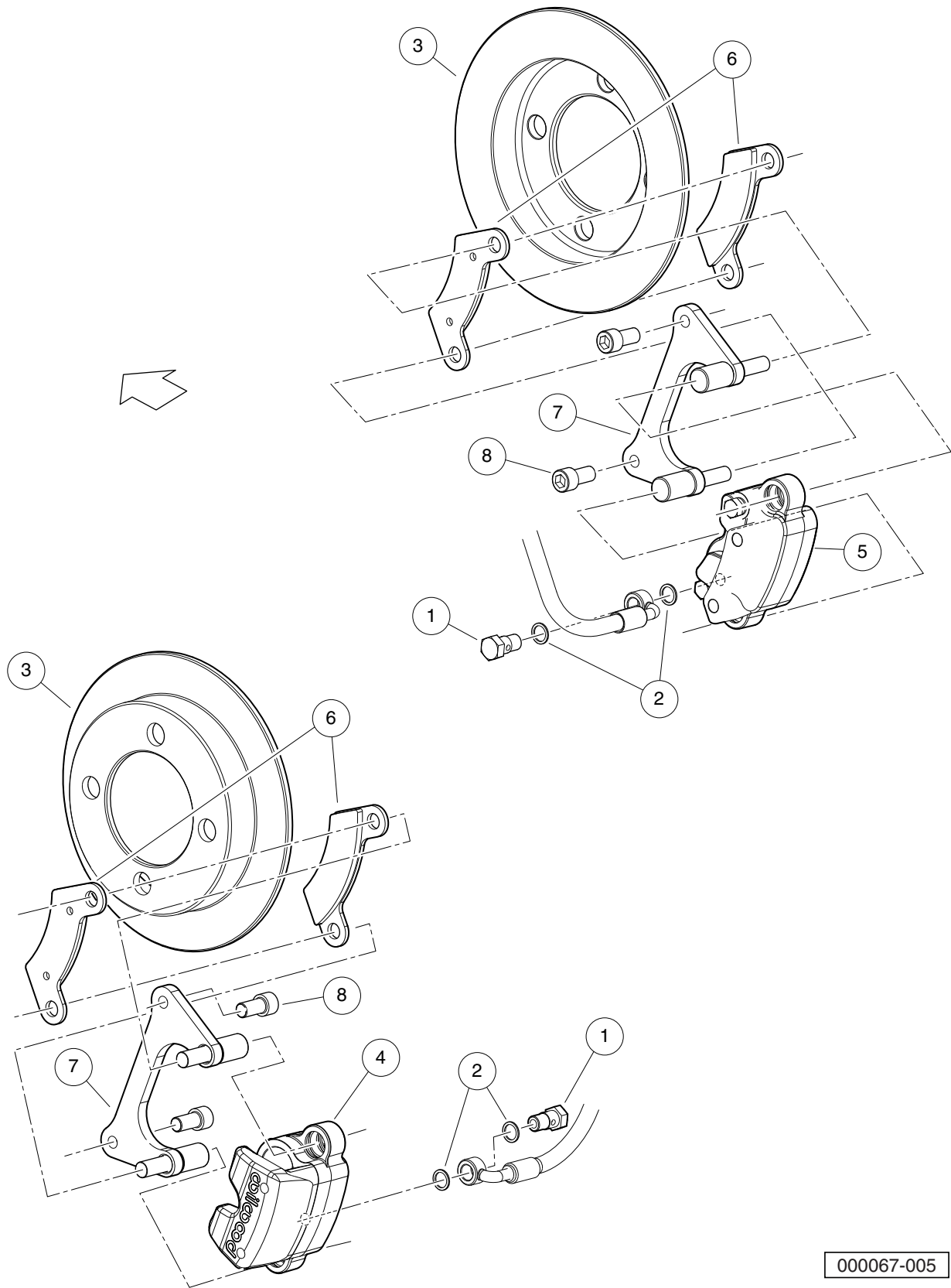
G

D

4

G

D



000067-005

FRONT BRAKES

ITEM	PART NO.	DESCRIPTION	QTY
		1 2 3 4	
1	<u>102488001</u>	Bolt, Banjo, M10x1x19	2
2	<u>102491601</u>	Washer, Copper, M10 Crush	4
3	<u>103077501</u>	Rotor, Disc, Brake	2
4	<u>103967601</u>	Caliper, Brake, Front, LH	1
5	<u>103967602</u>	Caliper, Brake, Front, RH	1
6	<u>103993701</u>	Brake Pad Set, Front (Four Pads)	1
7	103993801	Bracket, Caliper, Brake	2
8	104025201	Bolt, 3/8-24 x .75 SHCS, Patch	4
<p>Note: <u>103967601</u> and <u>103967602</u> calipers are not compatible with MY2013 or earlier, and are specific to steering upright assemblies 103980901 and 103980902, which were introduced at MY 2014.</p>			

4

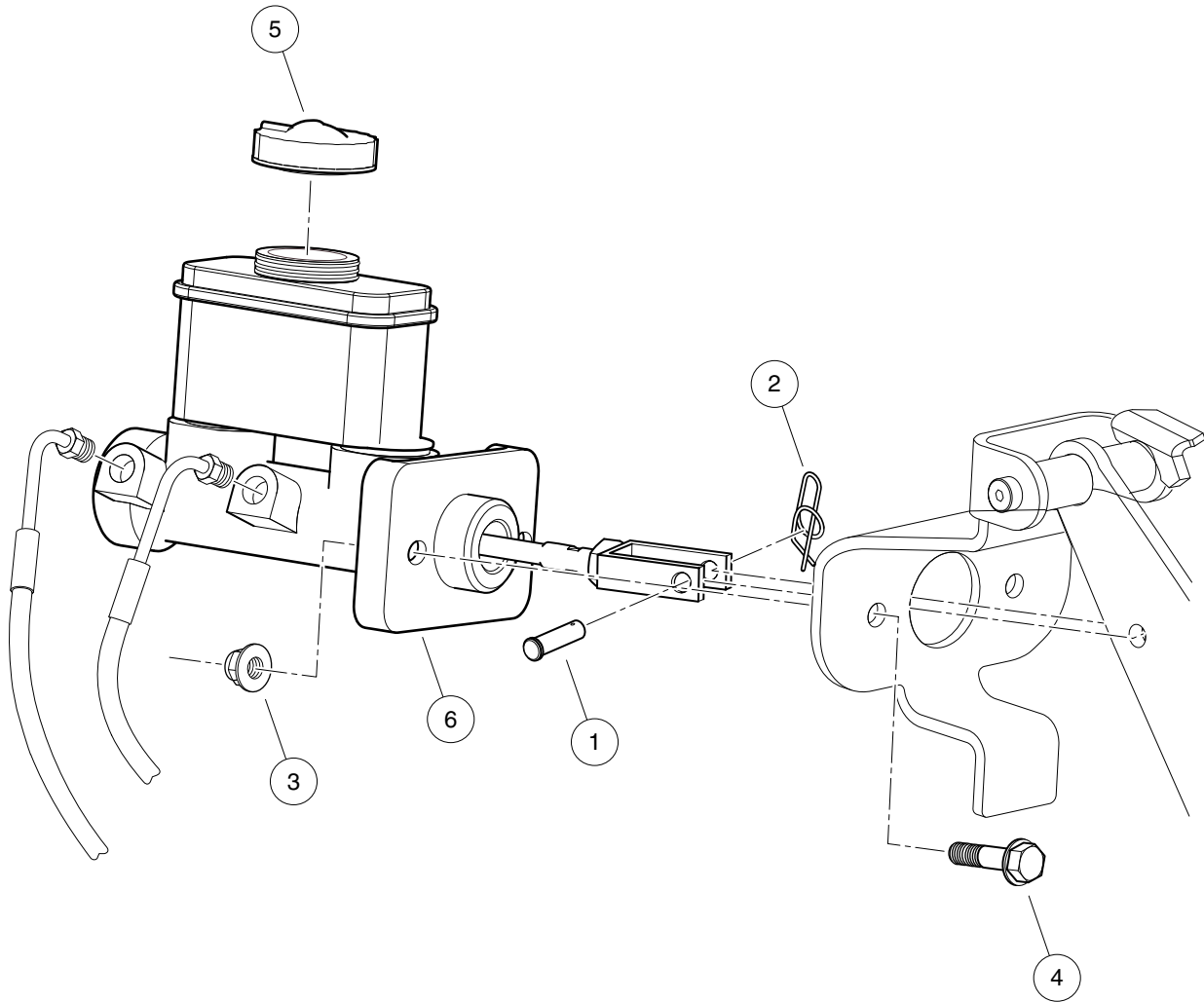
G

D

4

G

D



000792-002

MASTER CYLINDER WITH INTEGRAL RESERVOIR

ITEM	PART NO.	DESCRIPTION	QTY
		1 2 3 4	
1	<u>101082903</u>	Pin, Clevis, 5/16 X 1	1
2	<u>102176901</u>	Pin, Rue	1
3	<u>102298401</u>	Nut,m8,all Metal Lock	2
4	<u>102618401</u>	Bolt Flanged Head, M8 X 1.25 X 35	2
5	<u>103380701</u>	Cap, Filler, Master Cylinder	1
6	<u>103987001</u>	Cylinder,Master,7/8 Bore	1

4

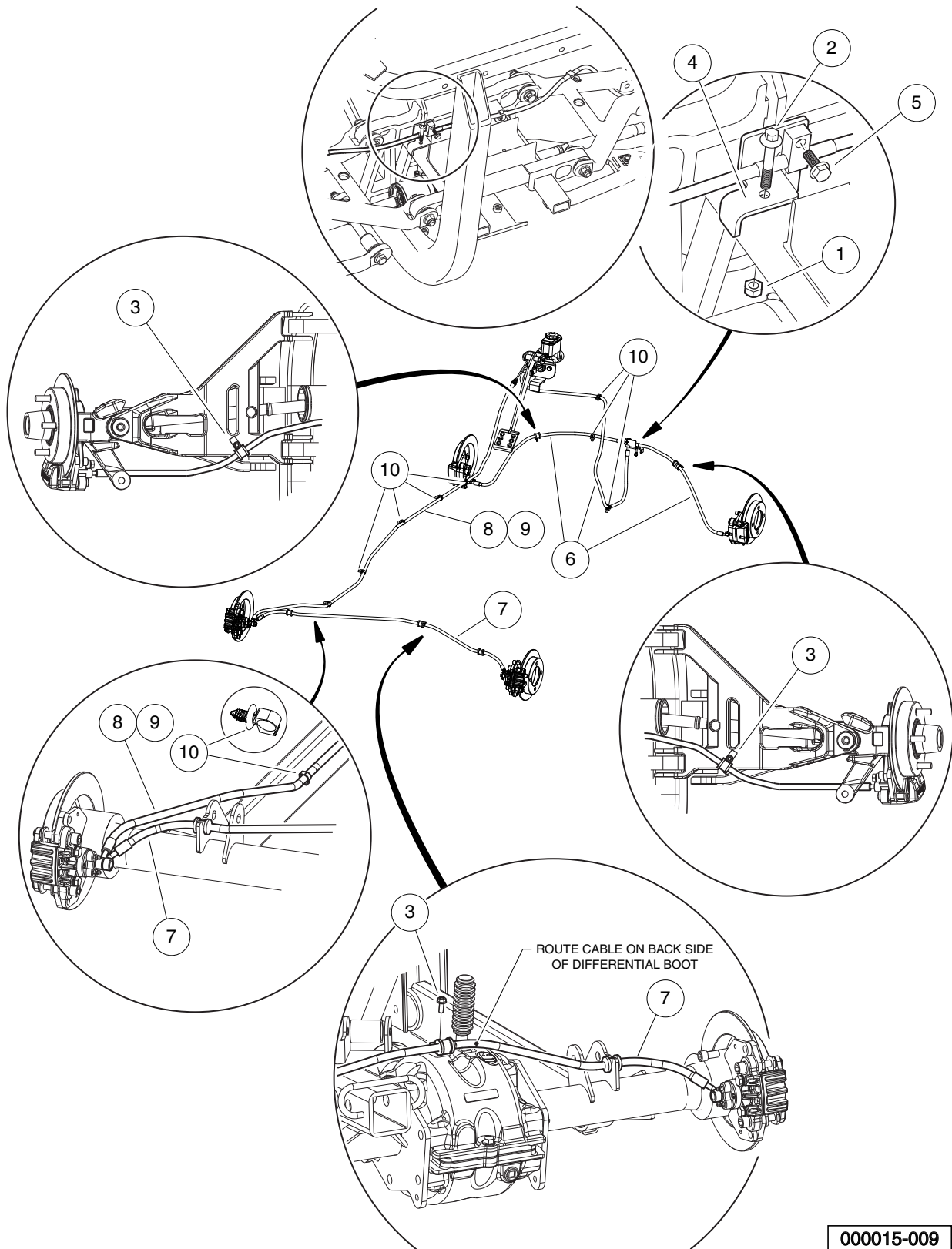
G

D

4

G

D



000015-009

HYDRAULIC BRAKE LINES AND CLIPS

ITEM	PART NO.	DESCRIPTION	QTY
		1 2 3 4	
1	<u>101887601</u>	Locknut, M6-1.00 Nylon Insert	1
2	<u>102296140</u>	Bolt, Flanged Head, M6x1.0x40	1
3	<u>102296716</u>	Screw, M6 X 16 Tt Hx Fl Hd	3
4	<u>102474301</u>	Bracket, Tee, Brakeline	1
5	<u>102670801</u>	Screw, M6 X 1 X 25 Thd Form	1
6	<u>103967201</u>	Brake Line, Front, AWD	1
7	<u>103967301</u>	Brake Line, Rear, AWD	1
8	<u>103967401</u>	Brake Line, Mid, AWD Std	1
9	<u>103967501</u>	Brake Line, Mid, AWD SE	1
10	<u>103973101</u>	Clip, Snap-close 10mm	8

4

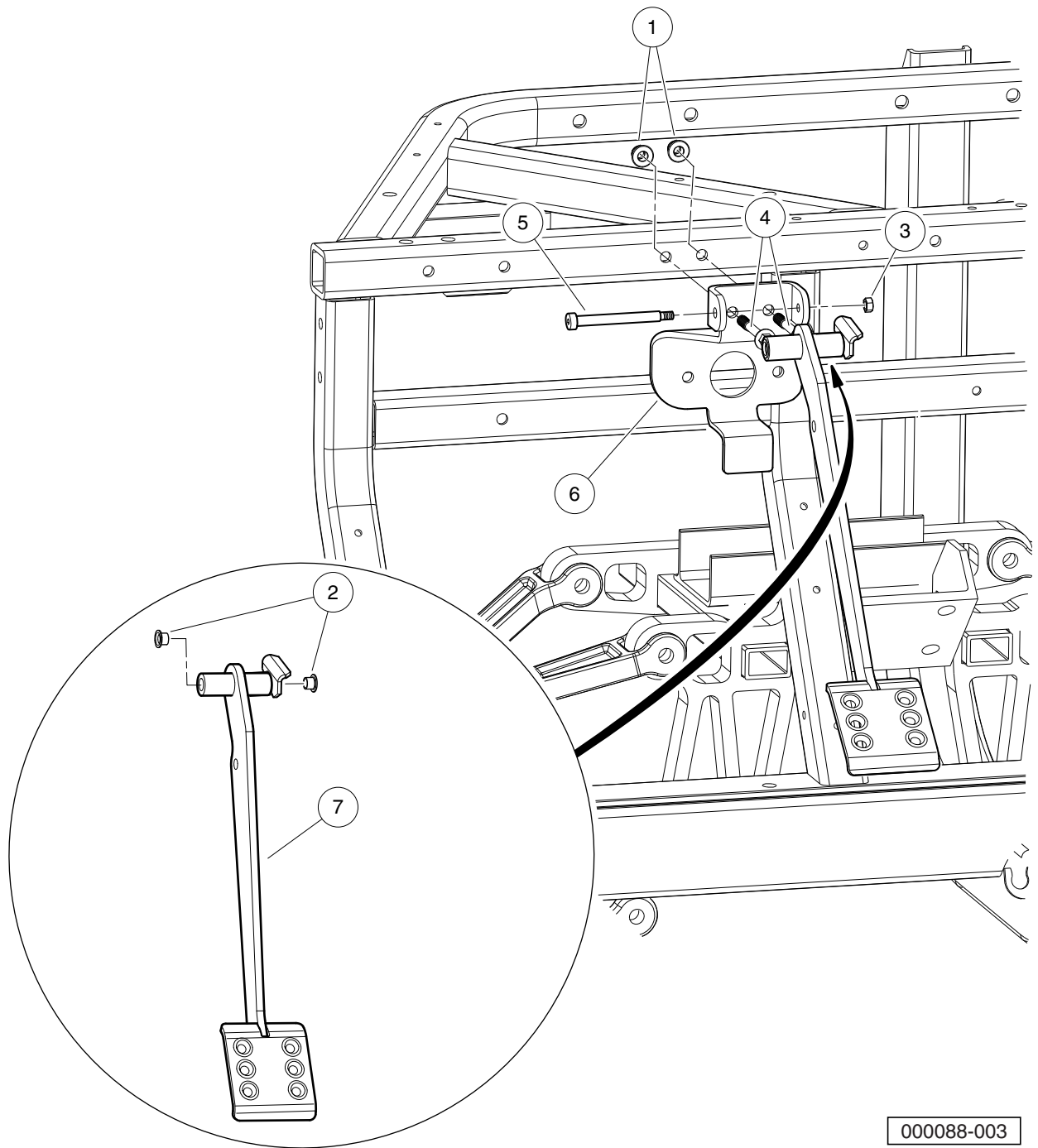
G

D

4

G

D



000088-003

BRAKE PEDAL

ITEM	PART NO.	DESCRIPTION	QTY
		1 2 3 4	
1	<u>102298401</u>	Nut,m8,all Metal Lock	2
2	<u>102442901</u>	Bushing, Greaseless	2
3	<u>102618101</u>	Nut, M6x1, Mechanically Deformed	1
4	<u>102618301</u>	Bolt, Flanged Head, M8 X 1.25 X 65	2
5	<u>103273101</u>	Bolt, Shoulder, M8 X 70, Hc	1
6	103986601	Bracket, Mtg, Brake Pedal	1
7	103986901	Pedal, Brake	1

4

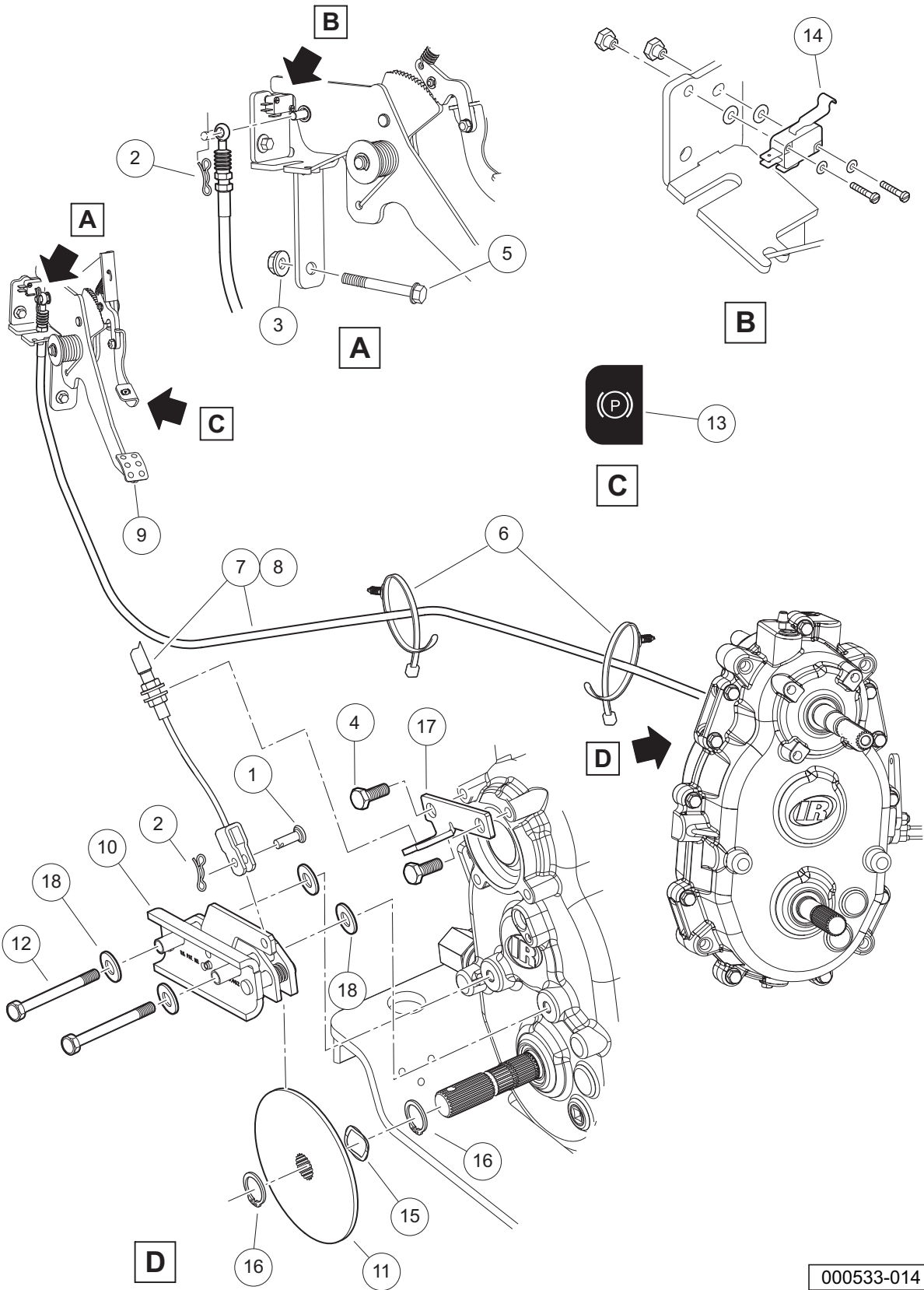
G

D

4

G

D



000533-014

PARK BRAKE SYSTEM

ITEM	PART NO.	DESCRIPTION	QTY
		1 2 3 4	
1	<u>101082903</u>	Pin, Clevis, 5/16 X 1	1
2	<u>102292801</u>	Pin, Bow Tie Locking - .072	2
3	<u>102298401</u>	Nut,m8,all Metal Lock	3
4	<u>102490101</u>	Bolt, M10 X 1.5 X 20 Loctite	2
5	<u>102618301</u>	Bolt, Flanged Head, M8 X 1.25 X 65	3
6	<u>102629001</u>	Tie Wrap, 8.00" With Mount	2
7	<u>103968501</u>	Cable, Park Brake, 1500/1550	1
8	<u>103968601</u>	Cable, Park Brake, 1700/1550 SE	1
9	<u>103968701</u>	Pedal, Foot, Park Brake	1
10	<u>103968801</u>	Caliper, Mech, Park Brake	1
11	<u>103968903</u>	Rotor, Park Brake, Duct Iron	1
12	<u>103983301</u>	M10-1.5 X 90 Hh Ft Pc 8.8 Zidi	2
13	<u>103986501</u>	Decal, Brake, Park	1
14	<u>104005501</u>	Switch, Micro, Plunger Only	1
15	<u>104005601</u>	Spring,Wave,0.96-in ID	1
16	<u>104005701</u>	Ring, Snap, Ext, 63/64-in	2
17	<u>105265501</u>	Brkt, Mtg, Park Brake, Xrt1550	1
18	<u>96741046</u>	Washer, M10, Hard	4

4

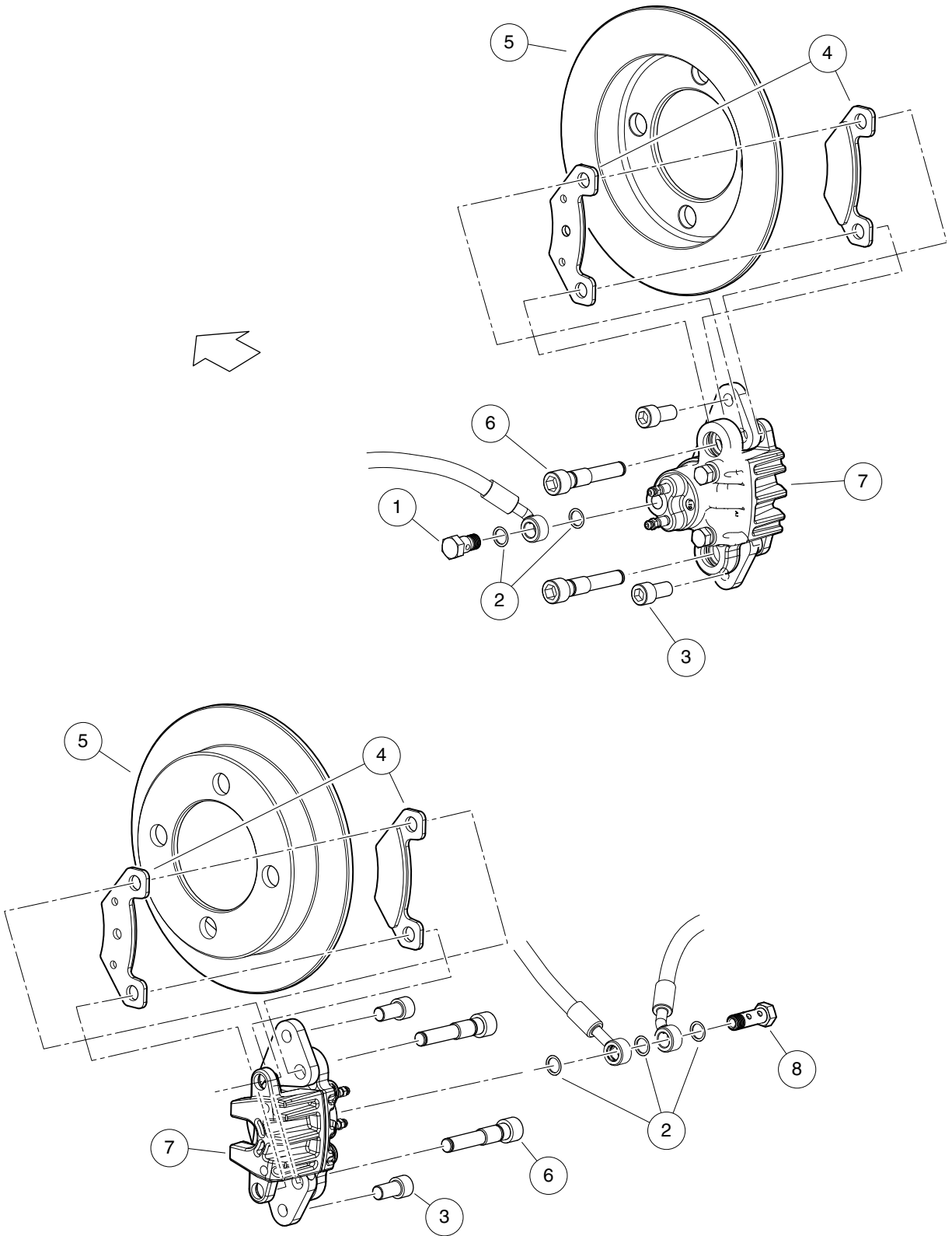
G

D

4

G

D



000068-006

REAR BRAKES

ITEM	PART NO.	DESCRIPTION	QTY
		1 2 3 4	
1	<u>102488001</u>	Bolt, Banjo, M10x1x19	1
2	<u>102491601</u>	Washer, Copper, M10 Crush	4
3	<u>102493301</u>	Bolt, Flange Head, 3/8-24x.750 with Loctite	4
4	<u>102714001</u>	Brake Pad Set, Rear (Four Pads)	1
5	<u>103077501</u>	Rotor, Disc, Brake	2
6	<u>103418801</u>	Pin, Slide, 7/16	4
7	<u>103967701</u>	Caliper, Brake, Rear	2
8	<u>103967901</u>	Bolt, Banjo, Double, M10 X 1	1

4

G

D

4

G

D

STEERING AND SUSPENSION – WITH DUAL-PISTON FRONT CALIPERS

5

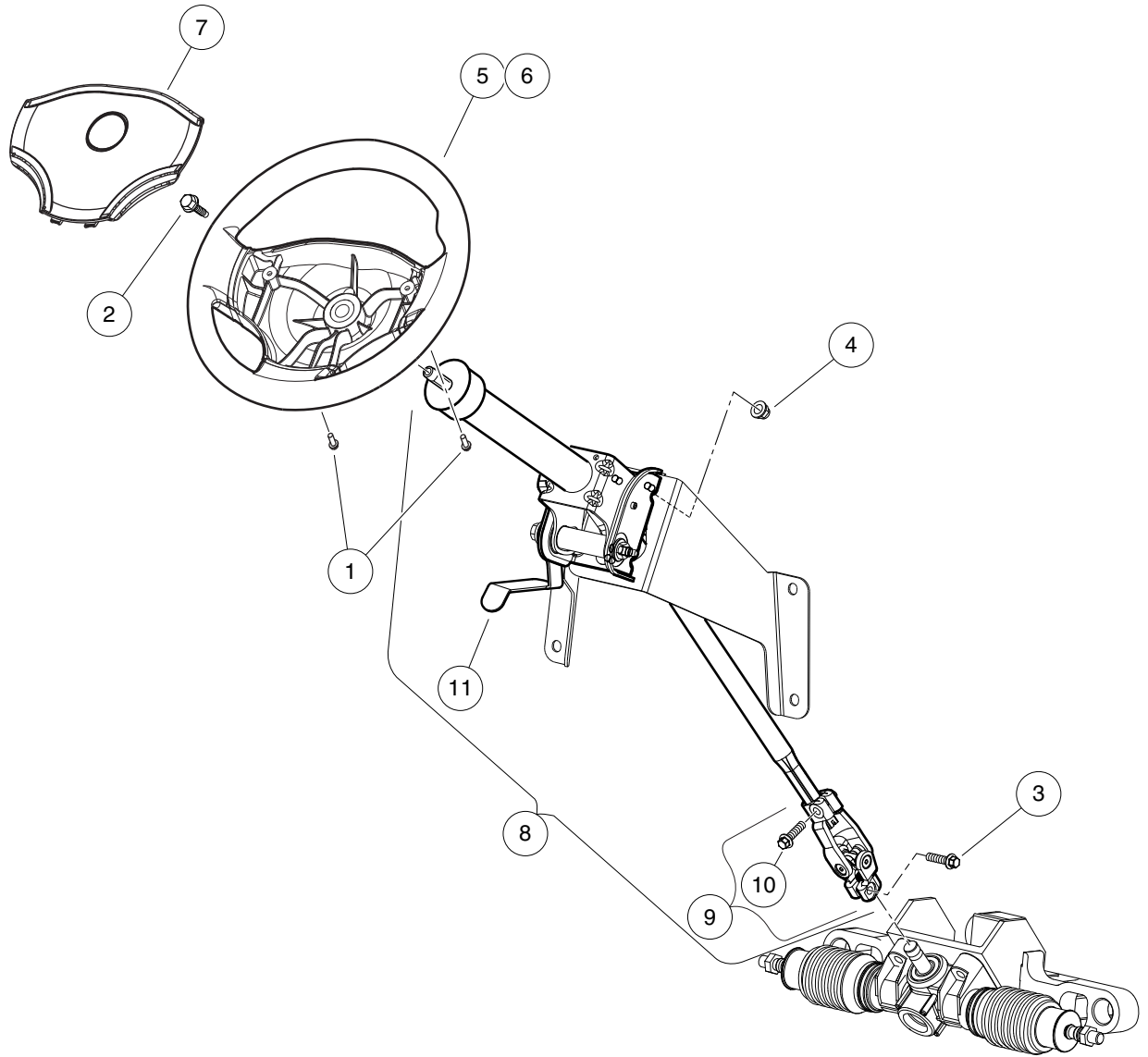
G

D

5

G

D



000070-006

STEERING WHEEL AND COLUMN

ITEM	PART NO.	DESCRIPTION	QTY
		1 2 3 4	
1	<u>101850301</u>	Screw, #12-16 X 0.50 Washer-Head Hi-Lo	2
2	<u>102290120</u>	Bolt, M10 X 20 Hex Washer Hd	1
3	<u>102298130</u>	Bolt, Flange Head, M8 X 30.0	1
4	<u>102298401</u>	Nut,m8,all Metal Lock	3
5	<u>103724501</u>	Steering Wheel, Hex	1
6	<u>103724503</u>	Steering Wheel, Soft Grip, Hex	1
7	<u>103724602</u>	Cover, Steering Wheel, Generic	1
8	<u>103859901</u>	Column, Steering, Awd (includes items 9 through 11)	1
9	<u>103810201</u>	Kit, Lower Yoke, Wanda (includes item 10)	1
10	<u>102298130</u>	Bolt, Flange Head, M8 X 30.0	1
11	<u>103862701</u>	Handle, Steering, Tilt, Awd	1

5

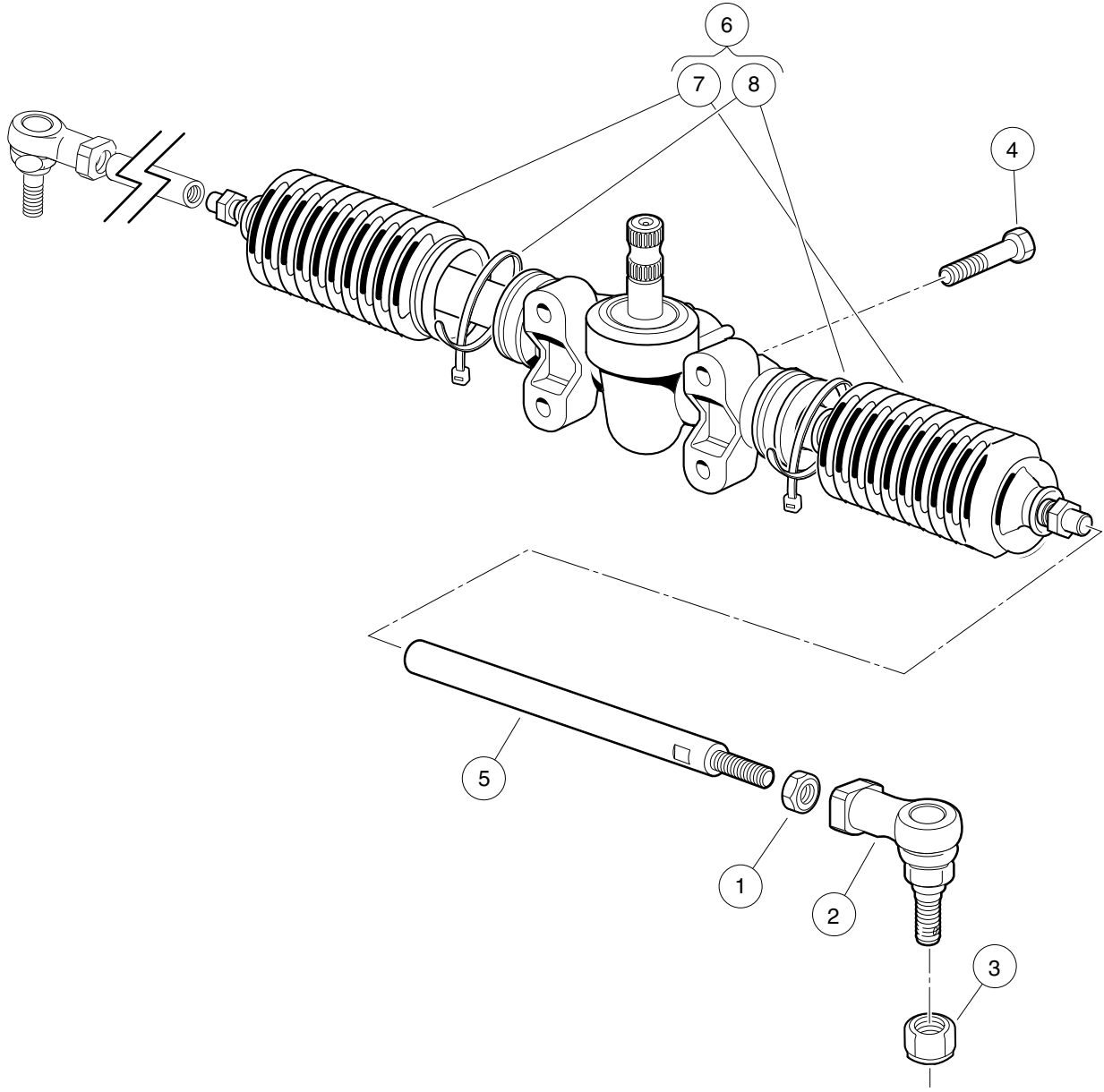
G

D

5

G

D



000071-004

STEERING GEAR

ITEM	PART NO.	DESCRIPTION	QTY
		1 2 3 4	
1	1013042	Nut, 12mm Hex	2
2	<u>102022601</u>	End, Tie Rod M12 X 1.25 Rh	2
3	<u>102022901</u>	Locknut, M12-1.25 Nylon	2
4	<u>102687801</u>	Bolt, Flange Head, M10x 1.5 X 40 with Loctite	4
5	<u>102816801</u>	Link, Drag, Wt	2
6	<u>103866601</u>	Gear, Steering, AWD (includes items 7 and 8)	1
7	<u>1013035</u>	Bellows, Long	2
8	<u>8990</u>	Tie Wrap, 8" Nylon	2

5

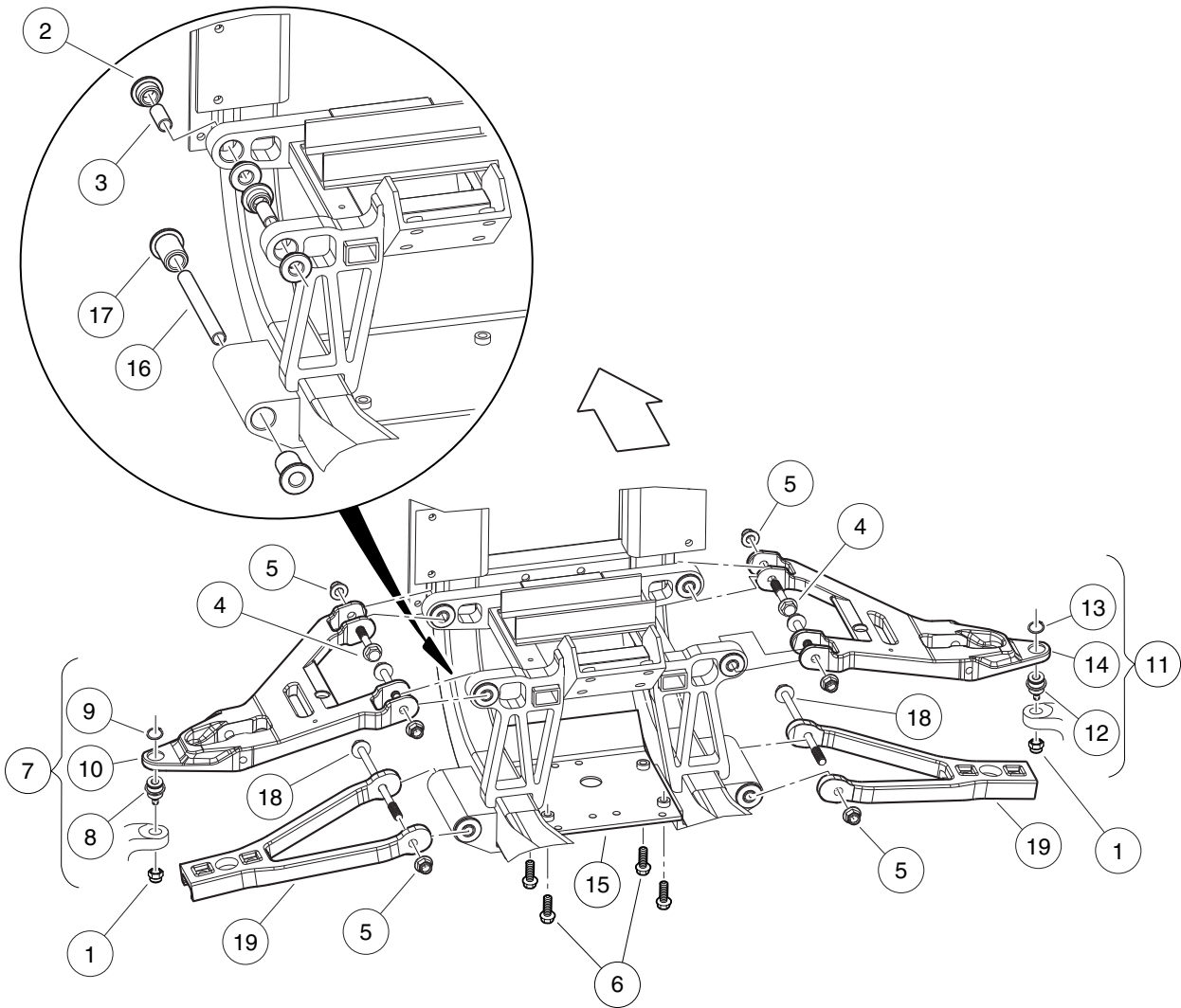
G

D

5

G

D



000534-011

FRONT SUSPENSION – PAGE 1 OF 2

ITEM	PART NO.	DESCRIPTION	QTY
		1 2 3 4	
1	<u>102022901</u>	Locknut, M12-1.25 Nylon	2
2	<u>102408401</u>	Bushing, A-Arm	8
3	<u>102437001</u>	Sleeve, Upper	4
4	<u>102616301</u>	Bolt, Flange Head, M12 X 1.75 X 70	4
5	<u>102620501</u>	Nut, Flange, M12x1.75, Nylon Grade 10	6
6	<u>102711601</u>	Bolt, Flange Head, M10 X 1.5 X 25	4
7	<u>102792001</u>	Asm, A-Arm, Upper, Left (includes items 8 through 10)	1
8	<u>102361901</u>	Joint, Ball	1
9	<u>102722301</u>	Ring, Retaining, Ext, 1-1/4"	1
10	<u>102927101</u>	Arm, Upper, Wide, Machined, LH	1
11	<u>102792002</u>	Asm, A-arm, Upper, Right (includes items 12 through 14)	1
12	<u>102361901</u>	Joint, Ball	1
13	<u>102722301</u>	Ring, Retaining, Ext, 1-1/4"	1
14	<u>102927102</u>	Arm, Upper, Wide, Machined, RH	1
15	<u>103244701</u>	Asm, Mount, Diff Plate	1
16	<u>103256401</u>	Sleeve, Lower Arm	2
17	<u>103256501</u>	Bushing, Lower Arm	4
18	<u>103256701</u>	Bolt, Flange, M12 X 1.75 X 200 10	2
19	<u>103969801</u>	Lower Control Arm, Machined	2

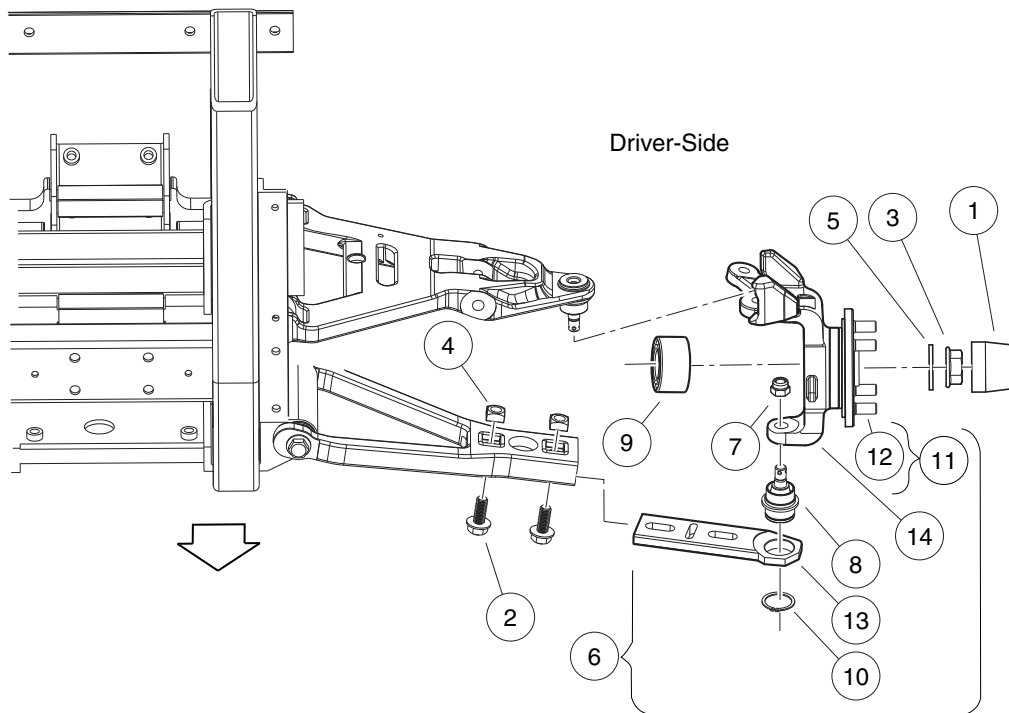
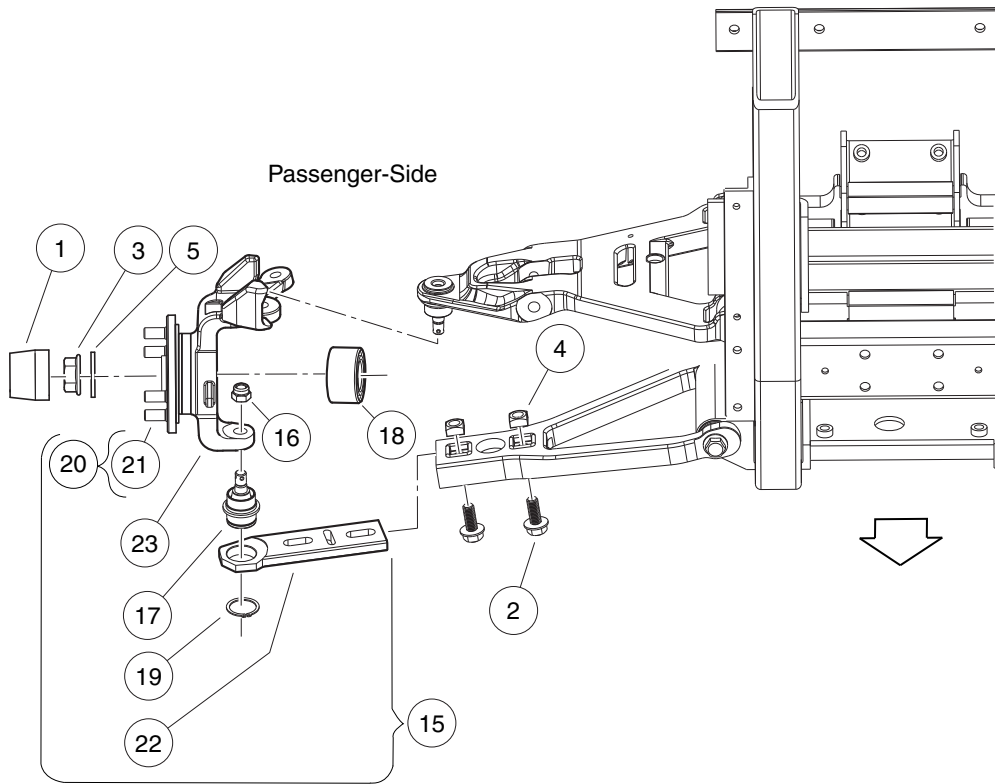
5

G

D

5
G

D



000534-009

FRONT SUSPENSION – PAGE 2 OF 2

ITEM	PART NO.	DESCRIPTION	QTY
		1 2 3 4	
1	102274101	Center Cap, Rubber	2
2	<u>102490801</u>	Bolt, Flange Head, M12x 1.75x 30 with Loctite	4
3	<u>102617501</u>	Nut, Flange, M22 X 1.5 Mech Def	2
4	<u>102617701</u>	Nut, Square, M12x 1.75	4
5	<u>102617801</u>	Washer, Hard, M22	2
6	105283703	Asm, Upright, AWD, Driver-Side, for Dual-Piston Caliper (includes items 7 through 14) .	1
7	<u>102022901</u>	Locknut, M12-1.25 Nylon	1
8	<u>102361901</u>	Joint, Ball	1
9	<u>102464301</u>	Bearing	1
10	<u>102722301</u>	Ring, Retaining, Ext, 1-1/4"	1
11	<u>103146204</u>	Wheel Hub, Front, 1550, Service (includes item 12)	1
12	<u>103951501</u>	Lug Stud, 1/2-20 UNF, SAE J1102	4
13	103939301	Slide, Adjuster, 5 Degree, Ds	1
14	N/A	Upright, Finished, Left	1
15	105283704	Asm, Upright, AWD, Passenger-Side, for Dual-Piston Caliper (includes items 16 through 23)	1
16	<u>102022901</u>	Locknut, M12-1.25 Nylon	1
17	<u>102361901</u>	Joint, Ball	1
18	<u>102464301</u>	Bearing	1
19	<u>102722301</u>	Ring, Retaining, Ext, 1-1/4"	1
20	<u>103146204</u>	Wheel Hub, Front, 1550, Service (includes item 21)	1
21	<u>103951501</u>	Lug Stud, 1/2-20 UNF, SAE J1102	4
22	103939302	Slide, Adjuster, 5 Degree, Ps	1
23	N/A	Upright, Finished, Right	1

5

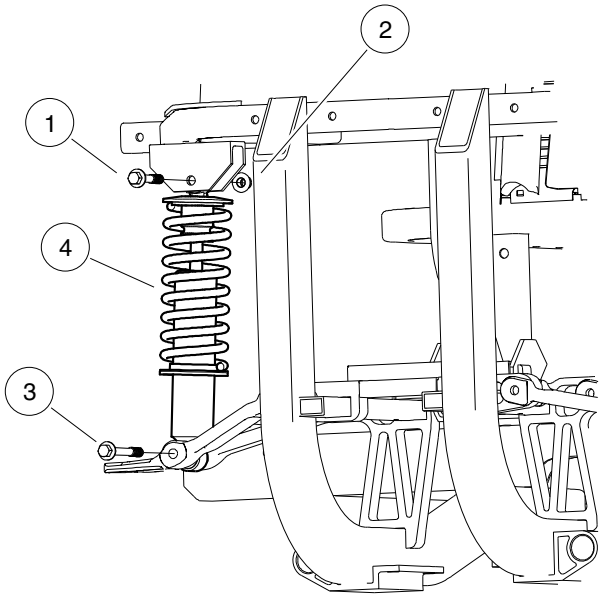
G

D

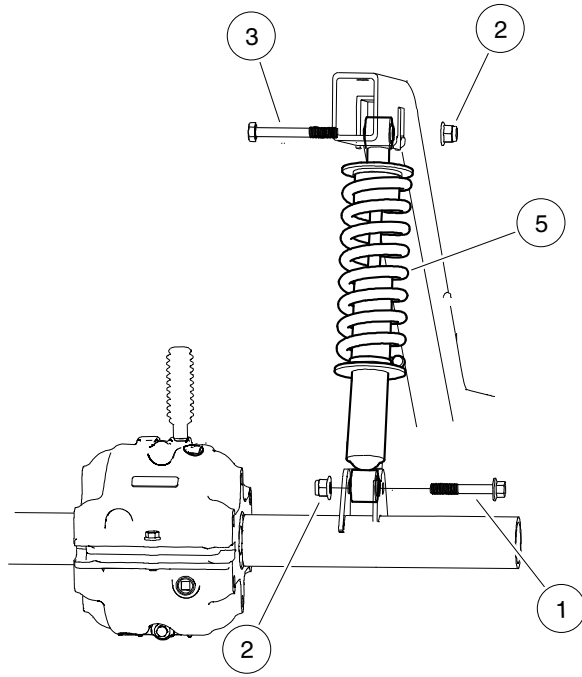
5

G

D



Front



Rear

000530-005

SHOCK ABSORBERS – 800 LB. CAPACITY

ITEM	PART NO.	DESCRIPTION	QTY
		1 2 3 4	
1	<u>102616301</u>	Bolt, Flange Head, M12 X 1.75 X 70	4
2	<u>102620501</u>	Nut, Flange, M12x1.75, Nylon Grade 10	6
3	<u>102788701</u>	Bolt, Flange, M12x1.75x100, Patch	4
4	<u>103841701</u>	Shock Absorber, Coil-over, Front, 800 lb Capacity	2
5	<u>103930401</u>	Shock Absorber, Coil-over, Rear, 800 lb Capacity	2
		Note: Shocks must be installed as matched pairs.	

5

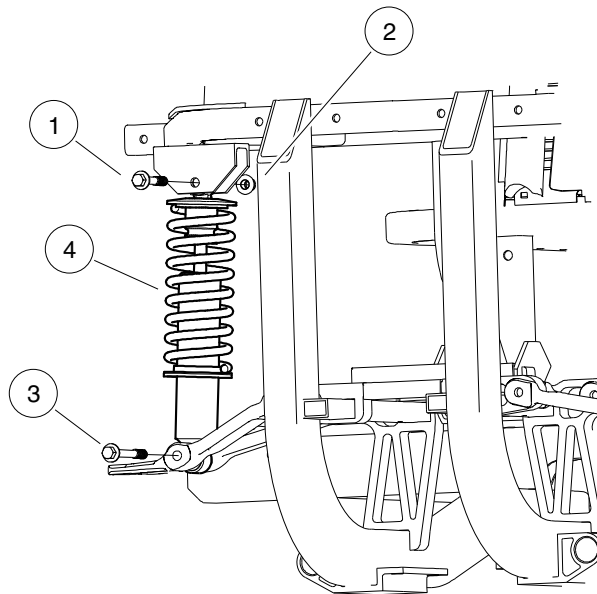
G

D

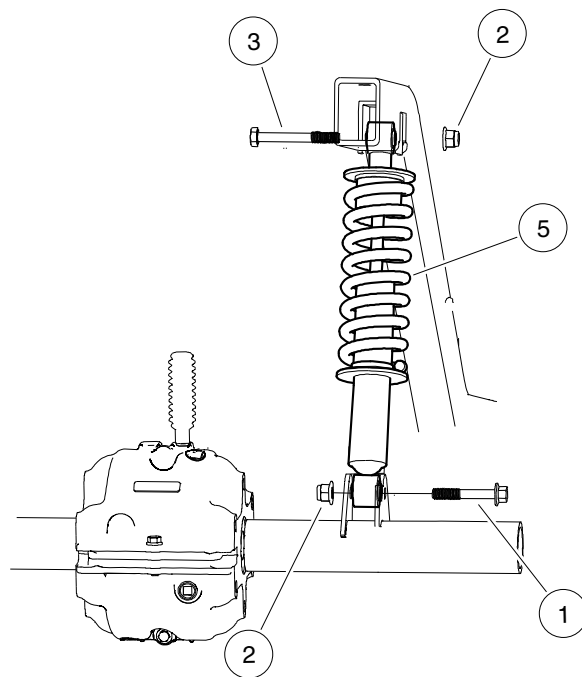
5

G

D



Front



Rear

000530-005

SHOCK ABSORBERS – 1050 LB. CAPACITY

ITEM	PART NO.	DESCRIPTION	QTY
		1 2 3 4	
1	<u>102616301</u>	Bolt, Flange Head, M12 X 1.75 X 70	4
2	<u>102620501</u>	Nut, Flange, M12x1.75, Nylon Grade 10	6
3	<u>102788701</u>	Bolt, Flange, M12x1.75x100, Patch	4
4	<u>103841801</u>	Shock Absorber, Coil-over, Front, 1050 lb Capacity	2
5	<u>103930501</u>	Shock Absorber, Coil-over, Rear, 1050 lb Capacity	2
<p>Note: Shocks must be installed as matched pairs.</p>			

5

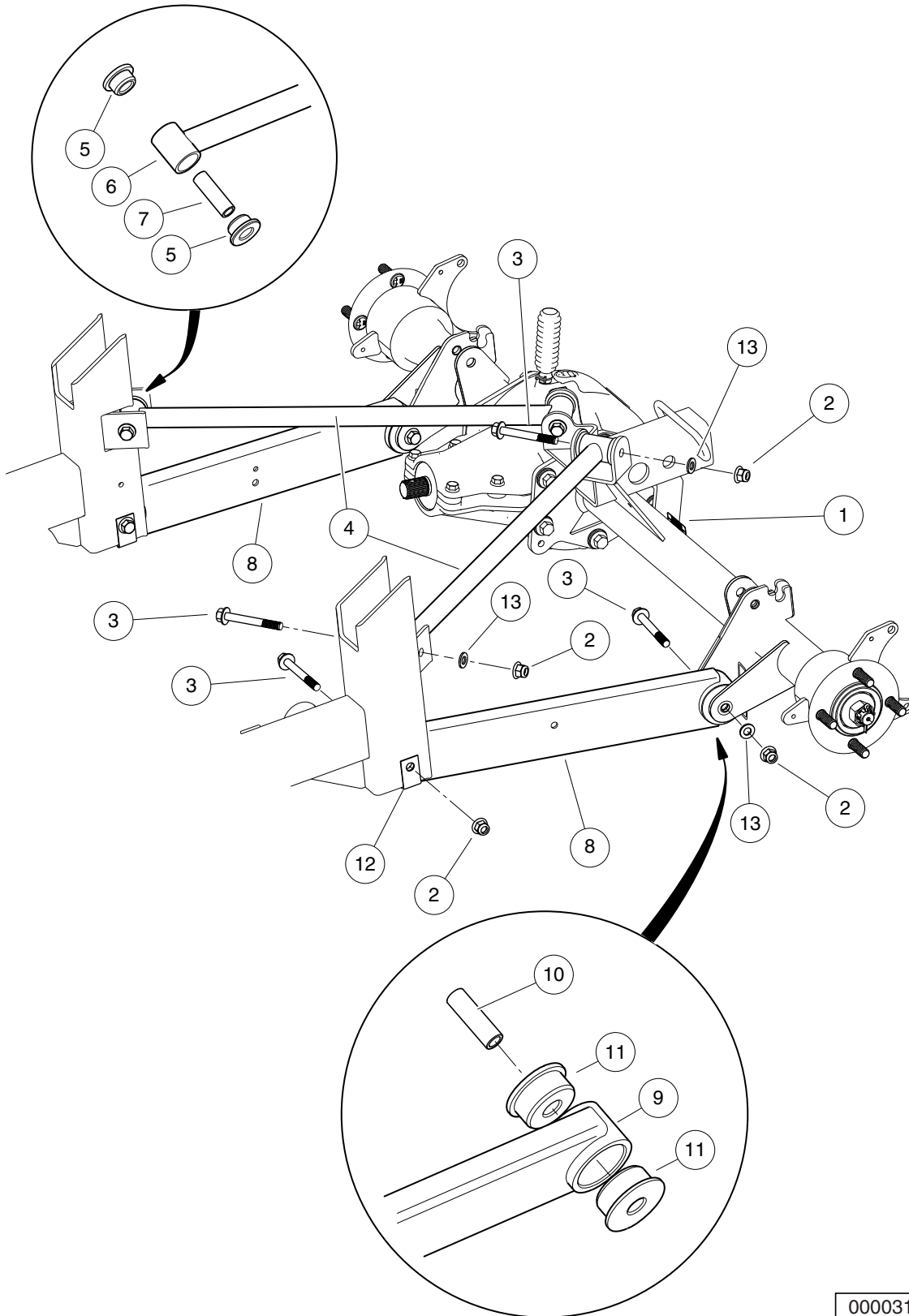
G

D

5

G

D



000031-005

REAR SUSPENSION (4-LINK)

ITEM	PART NO.	DESCRIPTION	QTY
		1 2 3 4	
1	<u>1011553</u>	Decal, Trailer Hitch	1
2	<u>102670701</u>	Nut, Flange, M10 X 1.5 Nylon	8
3	<u>103147001</u>	Bolt, Flg, M10 X 1.5 X 80	8
4	103860302	Assy, Lateral Link, Service Replacement, 4-Link Susp (includes items 5 through 7)	2
5	<u>102408401</u>	Bushing, A-Arm	4
6	N/A	Link, Lateral, Awd	1
7	<u>103845501</u>	Sleeve, Inner, 4link	2
8	103860402	Assy, Trailing Link, Service Replacement, 4-Link Susp (includes items 9 through 11)	2
9	N/A	Link, Trailing, Awd	1
10	<u>103845501</u>	Sleeve, Inner, 4link	2
11	<u>103886201</u>	Bushing, Poly, 4-link	4
12	<u>103923001</u>	Clip, Wear, Trail Link	4
13	<u>96741046</u>	Washer, M10, Hard	6

5

G

D

5

G

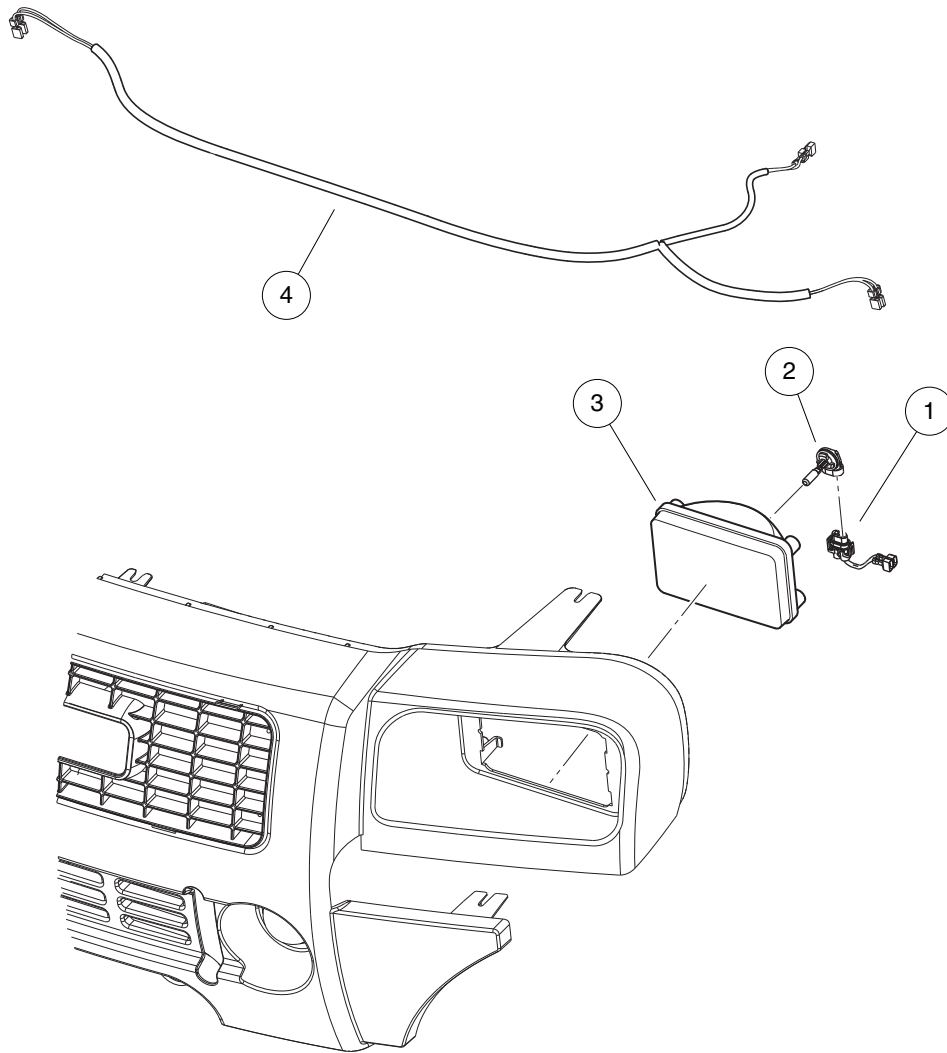
D

ELECTRICAL SYSTEM – GAS VEHICLES

6

G

6
G



000880-003

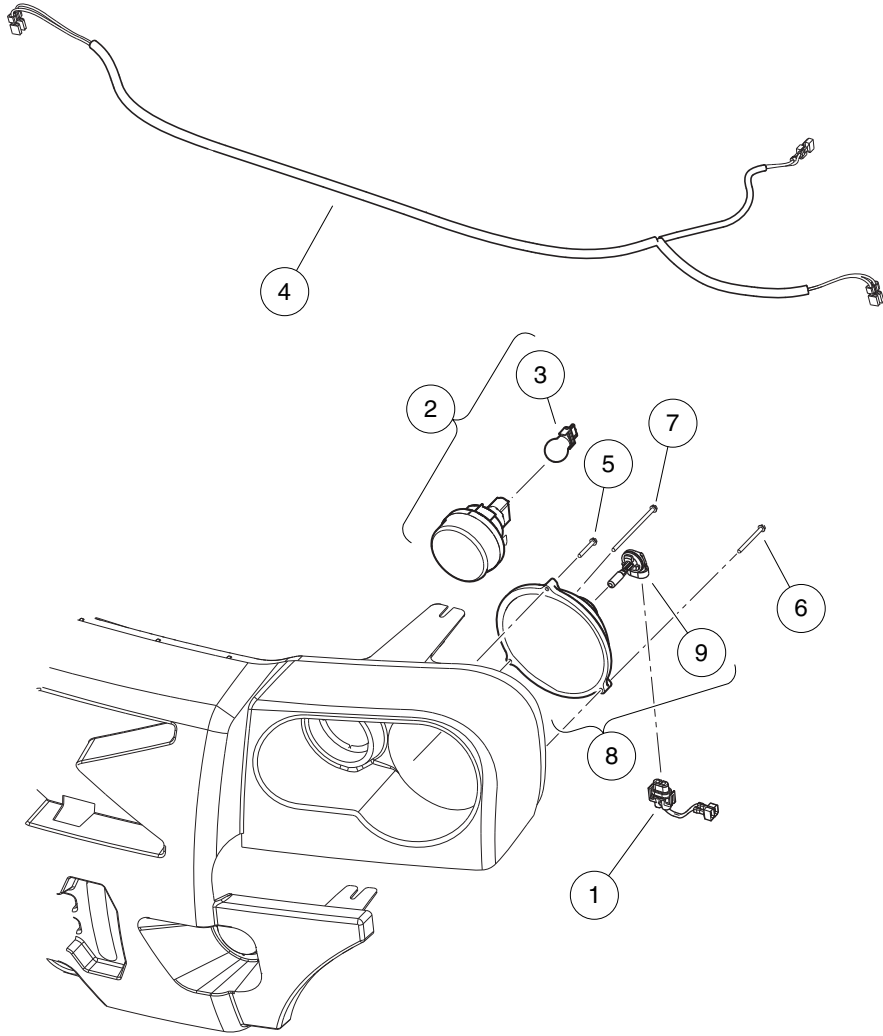
HEADLIGHTS – CARRYALL

ITEM	PART NO.	DESCRIPTION	QTY
		1 2 3 4	
1	<u>101987901</u>	Connector, Harness Assembly, Headlight	2
2	<u>101988101</u>	Bulb, Headlight	2
3	<u>101988201</u>	Lens, Headlight	2
4	<u>103213301</u>	Harness, Wire, XRT/CA Restyle Headlights	1

6

G

6
G



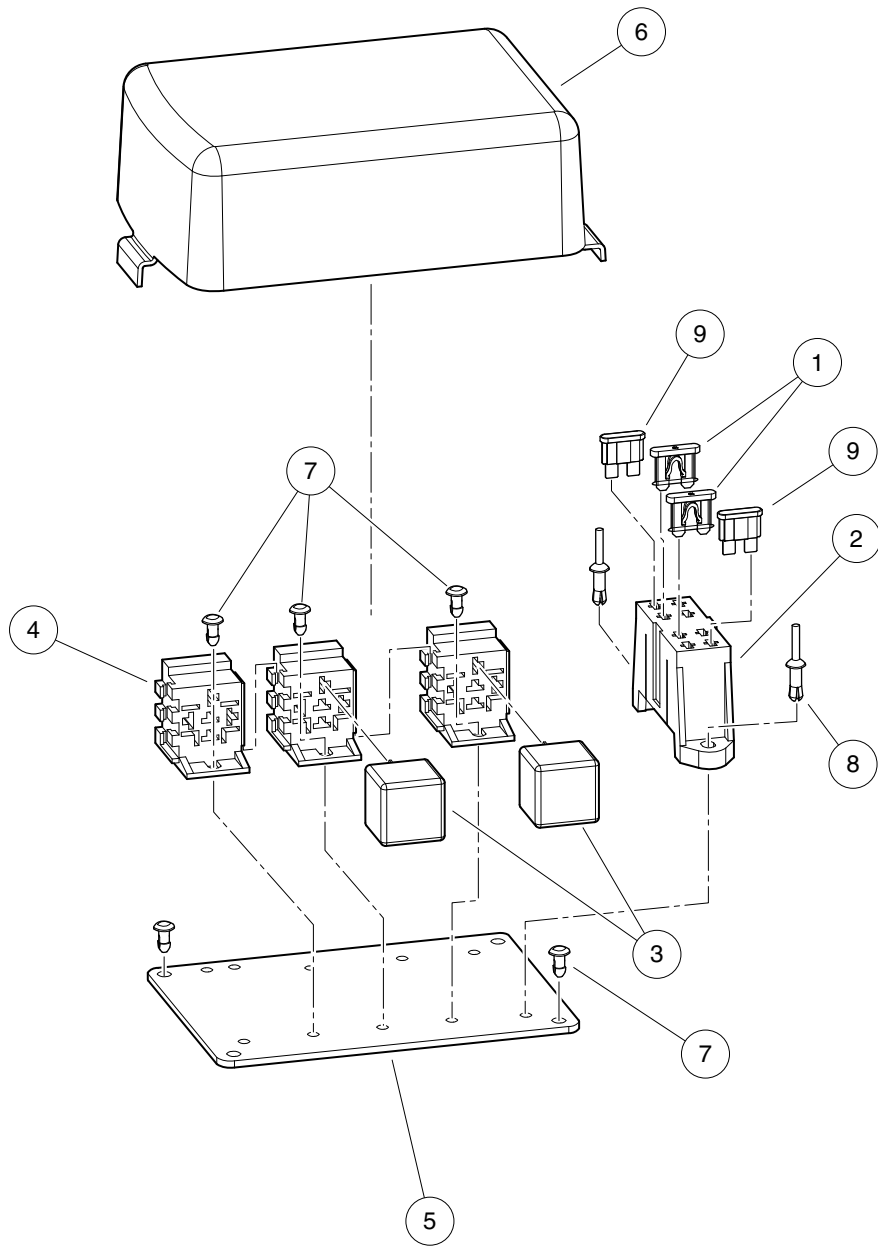
000880-008

HEADLIGHTS – XRT

ITEM	PART NO.	DESCRIPTION	QTY
		1 2 3 4	
1	<u>101987901</u>	Connector, Harness Assembly, Headlight	2
2	<u>102894501</u>	Light, Turn Signal, Round, 3" (includes item 3)	2
3	<u>103521001</u>	Bulb, Signal, Marker	1
4	<u>103213301</u>	Harness, Wire, XRT/CA Restyle Headlights	1
5	<u>103218104</u>	Screw, #8x1.25 Ab Thd, Hex Hd	2
6	<u>103218107</u>	Screw, #8x2.00 AB Thd, Hex Hd	2
7	<u>103218113</u>	Screw, #8x3.50 Ab Thd, Hex Hd	2
8	<u>103966401</u>	Headlight, Round, 6", 8610 (includes item 9)	2
9	<u>102535101</u>	Bulb, Headlight, 37.5 W	1
		Note: This headlight is made of polycarbonate.	

6

G



000076-003

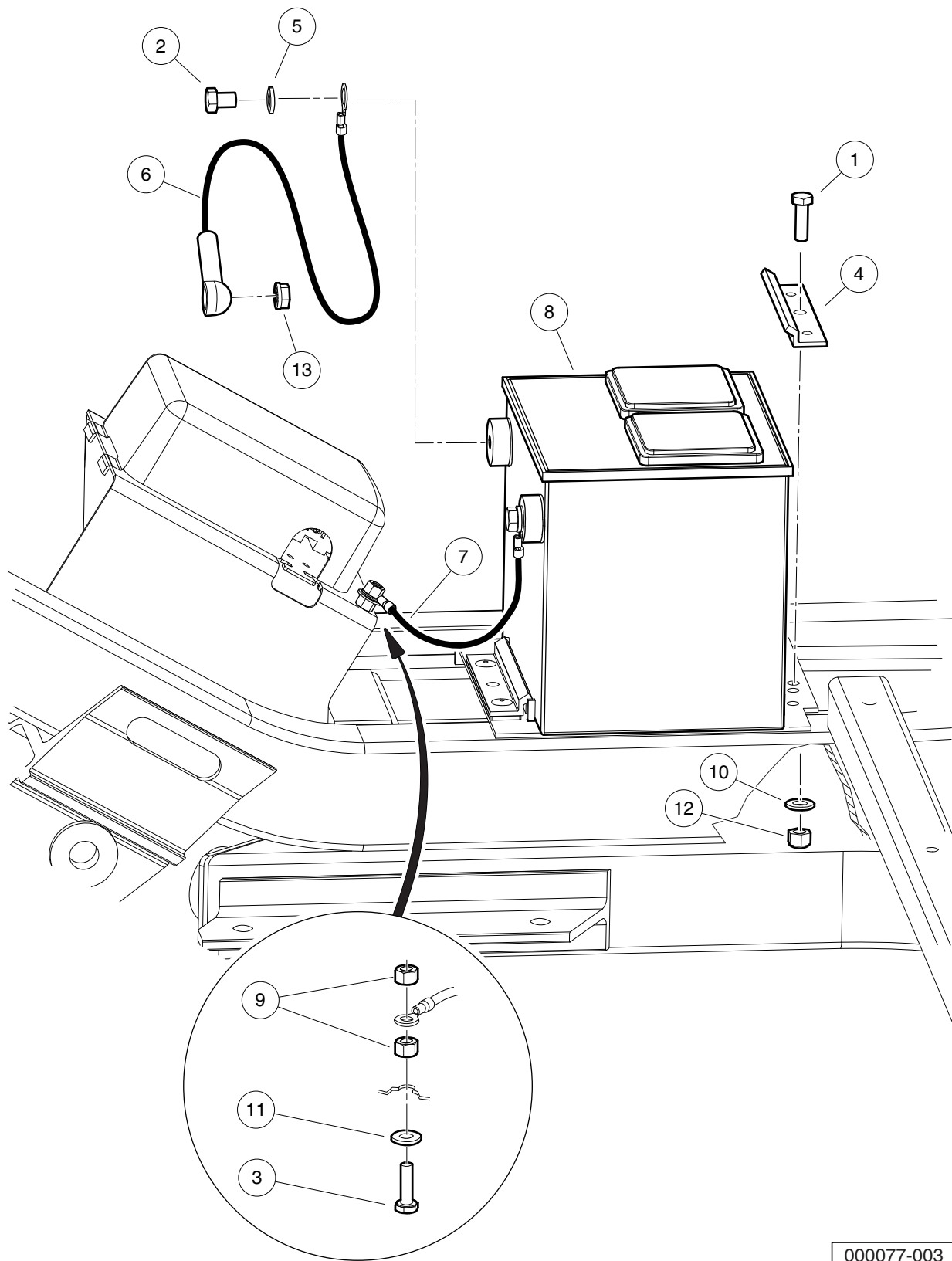
ELECTRICAL COMPONENT BOX, GASOLINE VEHICLE

ITEM	PART NO.	DESCRIPTION	QTY
		1 2 3 4	
1	<u>1012295</u>	Fuse, 10-Amp	2
2	<u>1015741</u>	Fuse Block	1
3	<u>102420201</u>	Relay, Mini ISO, SPDT	3
4	<u>102420301</u>	Connector, Relay	3
5	<u>102420401</u>	Plate, Electrical	1
6	<u>102420501</u>	Cover, Electrical	1
7	<u>102447901</u>	Fastener, Push-in	7
8	<u>102448001</u>	Rivet, Drive	2
9	<u>102492201</u>	Fuse, 25-Amp	2

6

G

6
G

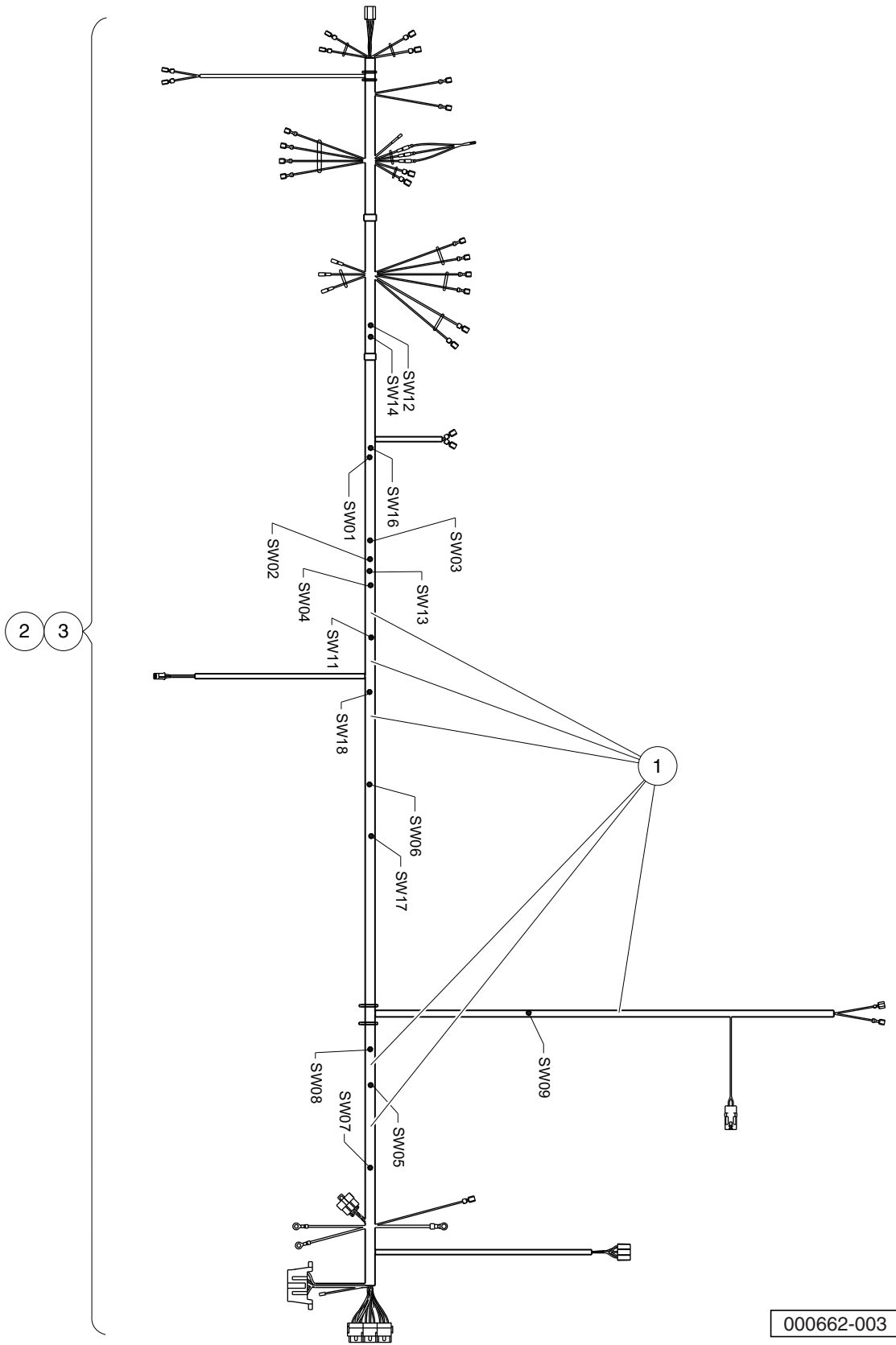


000077-003

BATTERY – GASOLINE VEHICLE

ITEM	PART NO.	DESCRIPTION	QTY
		1 2 3 4	
1	<u>1010934</u>	Screw, 5/16-18 X 1.00 Hex Cap	1
2	<u>1014375</u>	Screw, 3/8-16 X 0.50, Stainless Steel, Hex-Head	2
3	<u>1015521</u>	Screw, 1/4-20 X .88 Hex Hd Cap	1
4	<u>101898001</u>	Clamp, Battery	1
5	<u>102355301</u>	Lockwasher, 3/8 Split Ss	2
6	<u>102442201</u>	Asm, #6 Red Wire	1
7	<u>102448401</u>	Wire Asm, #6 Blk, Awd, 350	1
8	<u>103496801</u>	Battery, Start, 12v	1
9	<u>1108</u>	Locknut, 1/4-20 Dimpled	2
10	<u>1241</u>	Washer, 5/16 Type A Flat	1
11	<u>332</u>	Washer, 1/4 Type A Narrow Flat	1
12	<u>7473</u>	Locknut, 5/16-18 Nylon Insert	1
13	<u>96704416</u>	Nut, Flange, M8 X 1.25 Serrated	1

6
G



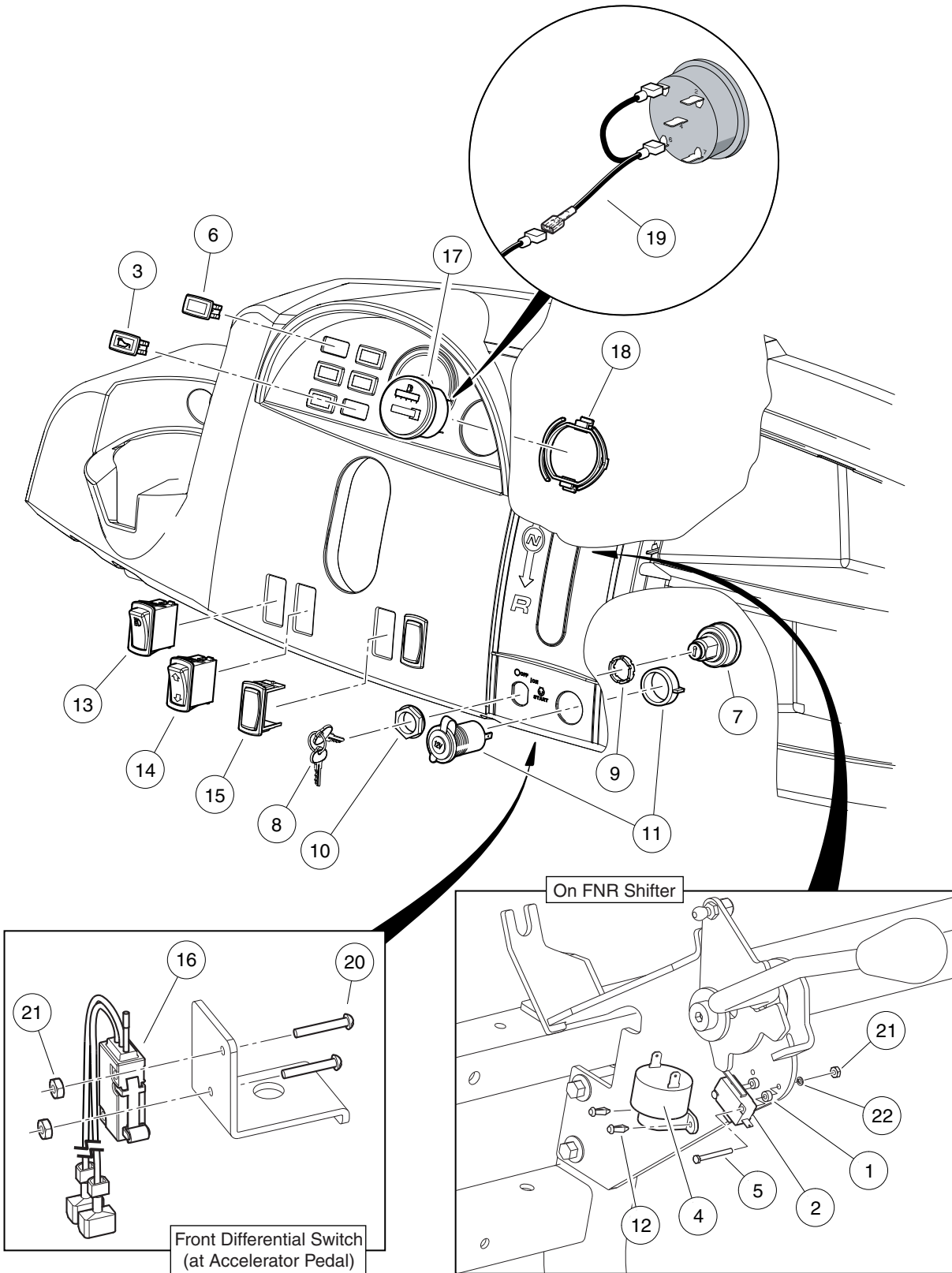
000662-003

WIRING – KAWASAKI GAS ENGINE

ITEM	PART NO.	DESCRIPTION	QTY
		1 2 3 4	
1	<u>1014789</u>	Diode, General Purpose, 3.0-Amp	6
2	<u>103305701</u>	Harness, Wire, AWD, Kawasaki FH680, 295/1550	1
3	<u>103305801</u>	Harness, Wire, AWD, Kawasaki FH680, 295 SE/1550 SE	1
<p style="text-align: center;">Note: Item 2 is for use with 81.5 in. (207 cm) wheelbase vehicle. Item 3 is for use with 114 in. (289.5 cm) wheelbase vehicle.</p>			

6

G



000543-013

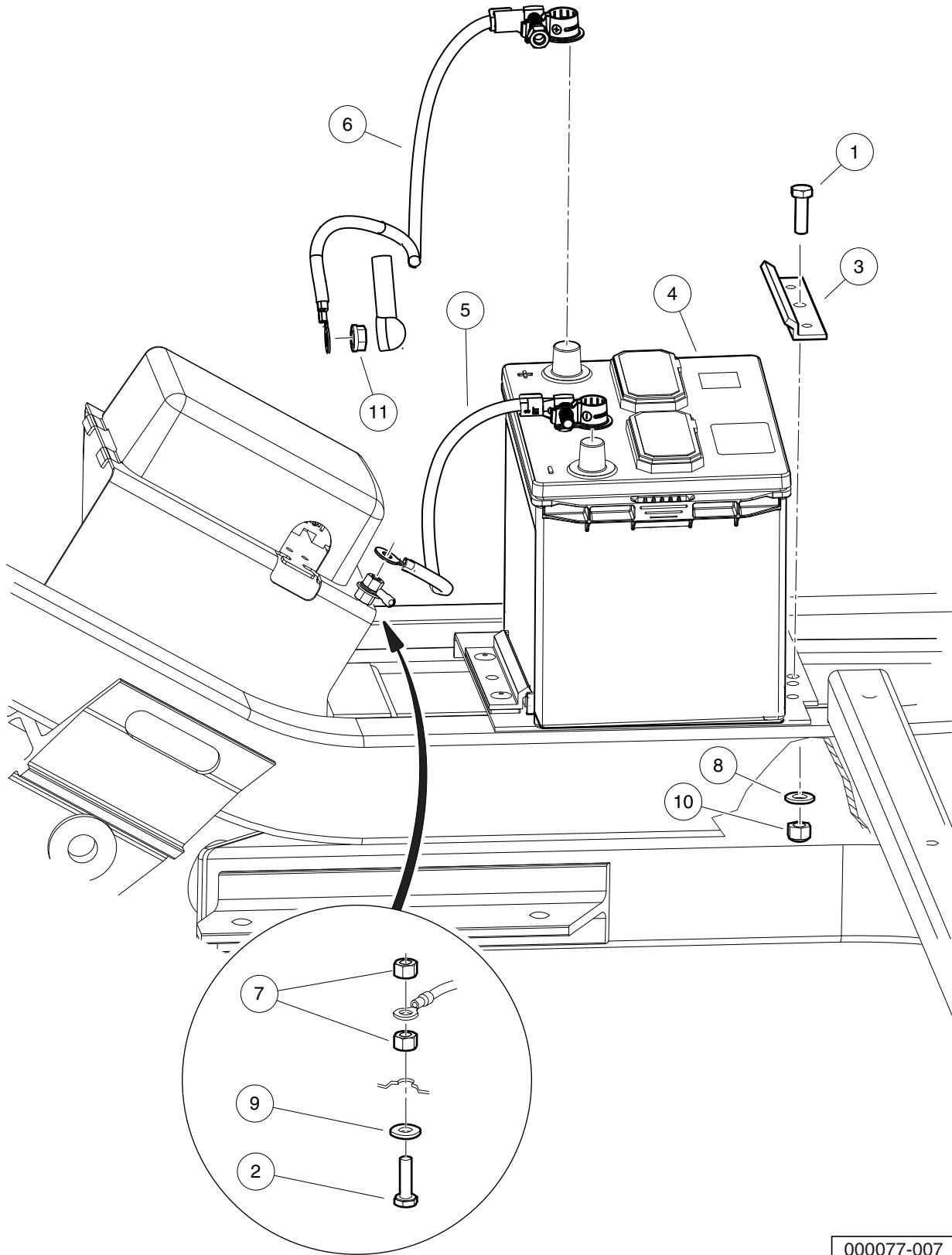
ELECTRICAL COMPONENTS, FRONT BODY – GAS VEHICLE

ITEM	PART NO.	DESCRIPTION	QTY
		1 2 3 4	
1	<u>1014727</u>	Washer, Flat, #4, Nylon	2
2	<u>1014808</u>	Switch, Limit	1
3	<u>1016630</u>	Light, Oil	1
4	<u>1016851</u>	Multi-Purpose Buzzer (9-48 VDC)	1
5	<u>1016896</u>	Screw, #4-40 X 1.125 Hx Hd Mch	2
6	<u>101802601</u>	Plug, Hole	5
7	<u>102044702</u>	Key Switch 12v Key Start	1
8	<u>102044801</u>	Key Set	1
9	<u>102051601</u>	Spacer, Keyswitch	1
10	<u>102051701</u>	Nut, Key Switch	1
11	<u>102198001</u>	Receptacle, Accessory	1
12	<u>102499001</u>	Rivet, Micro Tuflok	2
13	<u>102869401</u>	Switch, Rocker, Light	1
14	<u>102882501</u>	Switch, Rocker, Bed Lift	1
15	<u>103180101</u>	Cover, Hole, Switch, Rocker	3
16	<u>103327201</u>	Asm, Switch, Limit, Awd	1
17	<u>103348101</u>	Gauge, Fuel-hour, Sep Gnd	1
18	<u>103348201</u>	Clip, Meter, Round	1
19	<u>103348501</u>	Asm, Wire Meter, F-h Jumper	1
20	<u>8056</u>	Screw, #4-40 X 0.75 Round-Head Machine	2
21	<u>8057</u>	Nut, #4-40 Hex Machine	4
22	<u>8058</u>	Lockwasher, #4 Split	2
<p>Note: Item 4, reverse buzzer, is only if equipped. NOTE 2: Item 14, bed lift switch, is only if equipped. NOTE 3: Items 18, clip, and 19, jumper wire, are required with item 17, fuel/hour gauge.</p>			

6

G

6
G



000077-007

TOP-POST BATTERY – GASOLINE VEHICLE

ITEM	PART NO.	DESCRIPTION	QTY
		1 2 3 4	
1	<u>1010934</u>	Screw, 5/16-18 X 1.00 Hex Cap	1
2	<u>1015521</u>	Screw, 1/4-20 X .88 Hex Hd Cap	1
3	<u>101898001</u>	Clamp, Battery	1
4	<u>105237301</u>	Battery, Start, 12v, Type 26	1
5	105256201	Wire Asm, #6 Blk, (top-post battery) Awd, 426	1
6	105256601	Wire Asm, #6 Red, (top-post battery) Awd, 476	1
7	<u>1108</u>	Locknut, 1/4-20 Dimpled	2
8	<u>1241</u>	Washer, 5/16 Type A Flat	1
9	<u>332</u>	Washer, 1/4 Type A Narrow Flat	1
10	<u>7473</u>	Locknut, 5/16-18 Nylon Insert	1
11	<u>96704416</u>	Nut, Flange, M8 X 1.25 Serrated	1

6
G

6

G

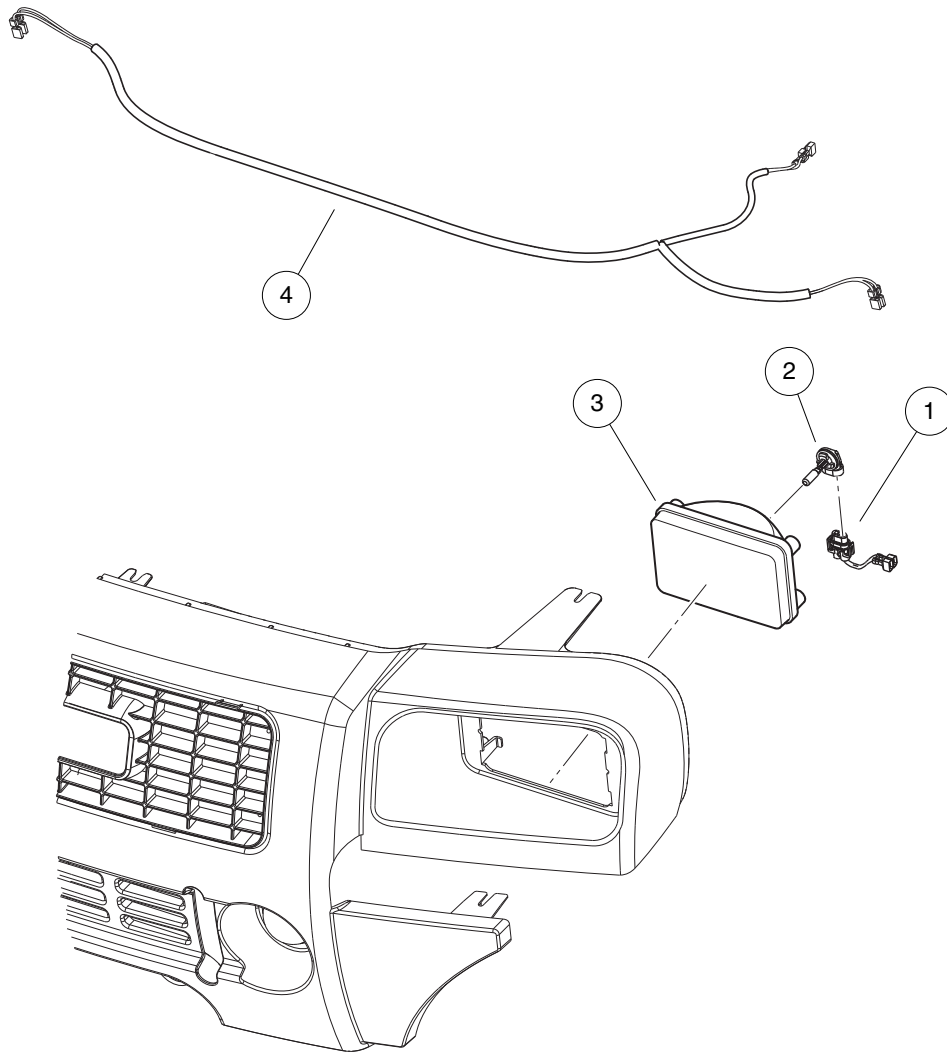
ELECTRICAL SYSTEM – DIESEL VEHICLES

7

D

7

D



000880-003

HEADLIGHTS – CARRYALL

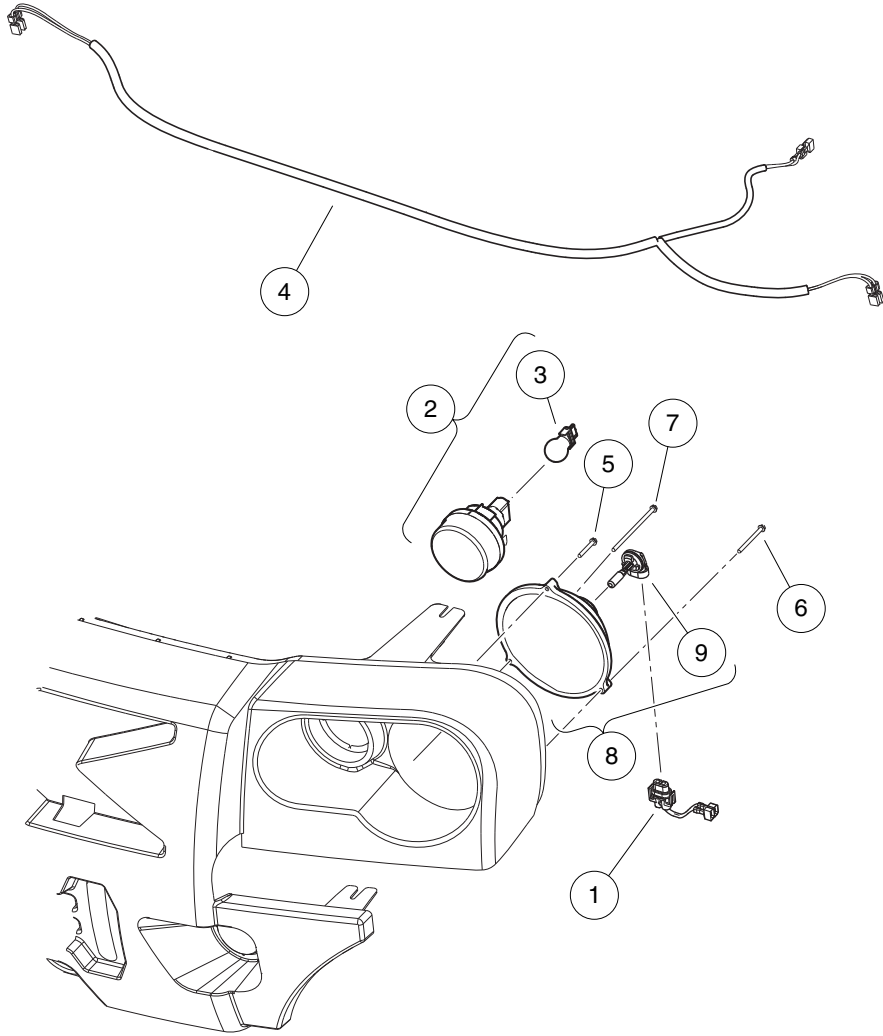
ITEM	PART NO.	DESCRIPTION	QTY
		1 2 3 4	
1	<u>101987901</u>	Connector, Harness Assembly, Headlight	2
2	<u>101988101</u>	Bulb, Headlight	2
3	<u>101988201</u>	Lens, Headlight	2
4	<u>103213301</u>	Harness, Wire, XRT/CA Restyle Headlights	1

7

D

7

D



000880-008

HEADLIGHTS – XRT

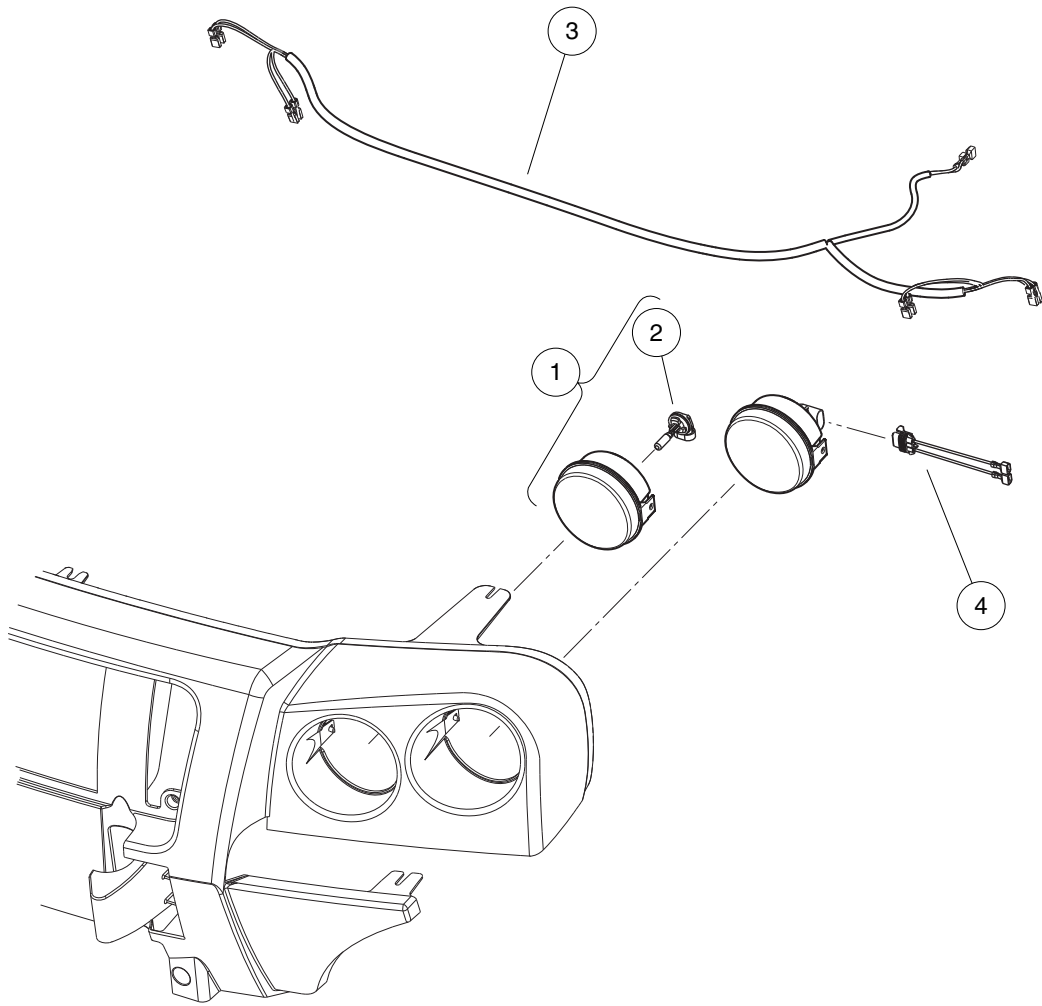
ITEM	PART NO.	DESCRIPTION	QTY
		1 2 3 4	
1	<u>101987901</u>	Connector, Harness Assembly, Headlight	2
2	<u>102894501</u>	Light, Turn Signal, Round, 3" (includes item 3)	2
3	<u>103521001</u>	Bulb, Signal, Marker	1
4	<u>103213301</u>	Harness, Wire, XRT/CA Restyle Headlights	1
5	<u>103218104</u>	Screw, #8x1.25 Ab Thd, Hex Hd	2
6	<u>103218107</u>	Screw, #8x2.00 AB Thd, Hex Hd	2
7	<u>103218113</u>	Screw, #8x3.50 Ab Thd, Hex Hd	2
8	<u>103966401</u>	Headlight, Round, 6", 8610 (includes item 9)	2
9	<u>102535101</u>	Bulb, Headlight, 37.5 W	1
<p style="margin-left: 40px;">Note: This headlight is made of polycarbonate.</p>			

7

D

7

D



000880-009

HEADLIGHTS – INTELLITACH

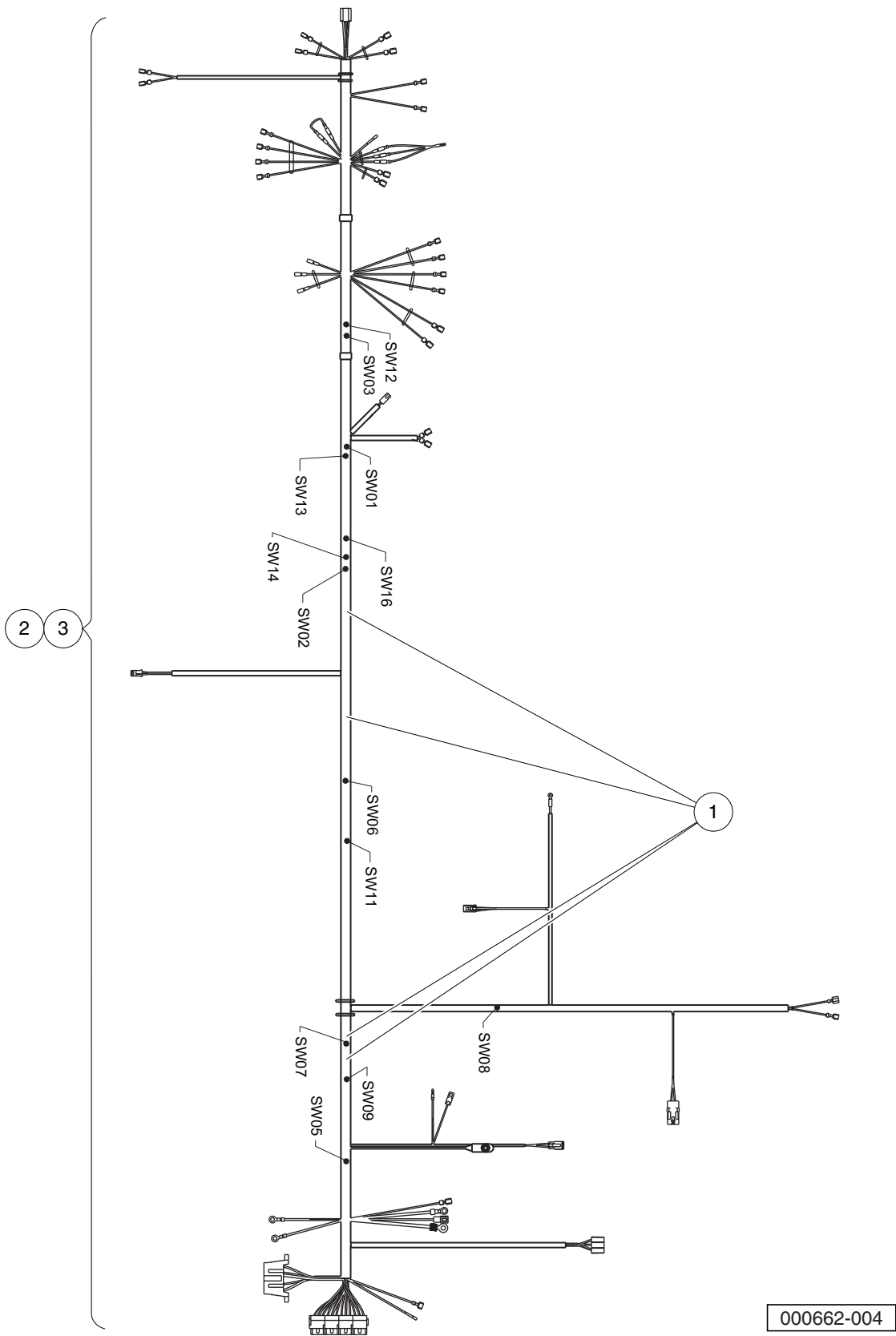
ITEM	PART NO.	DESCRIPTION	QTY
		1 2 3 4	
1	<u>102885001</u>	Headlight, Round, 4" (includes item 2)	4
2	<u>103762501</u>	Bulb, Halogen, 35/35 Hi/lo	1
3	<u>103213201</u>	Harness, Wire, IntelliTach Headlights	1
4	<u>103213501</u>	Harness, Wire, Headlight Connector	4

7

D

7

D



WIRING – KUBOTA DIESEL ENGINE, ONE-PIECE HARNESS

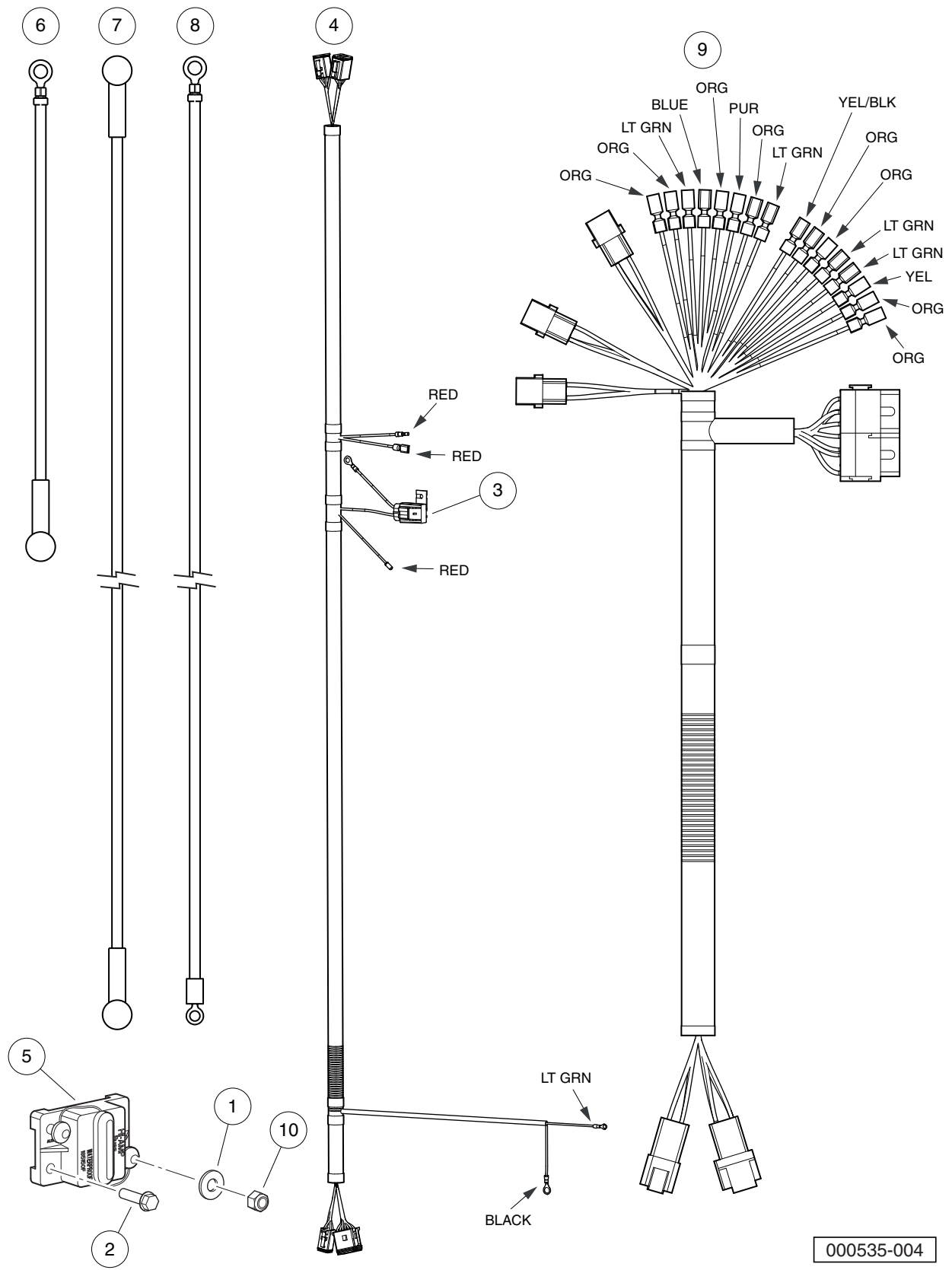
ITEM	PART NO.	DESCRIPTION	QTY
		1 2 3 4	
1	<u>1014789</u>	Diode, General Purpose, 3.0-Amp	4
2	<u>103277501</u>	Harness, Wire, AWD, Diesel, 295/1550	1
3	<u>103277701</u>	Harness, Wire, AWD, Diesel, 295 SE/1550 SE	1
<p style="text-align: center;">Note: Item 2 is for use with 81.5 in. (207 cm) wheelbase vehicle. Item 3 is for use with 114 in. (289.5 cm) wheelbase vehicle.</p>			

7

D

7

D



000535-004

WIRING – HYDRAULIC ATTACHMENT (INTELLITACH)

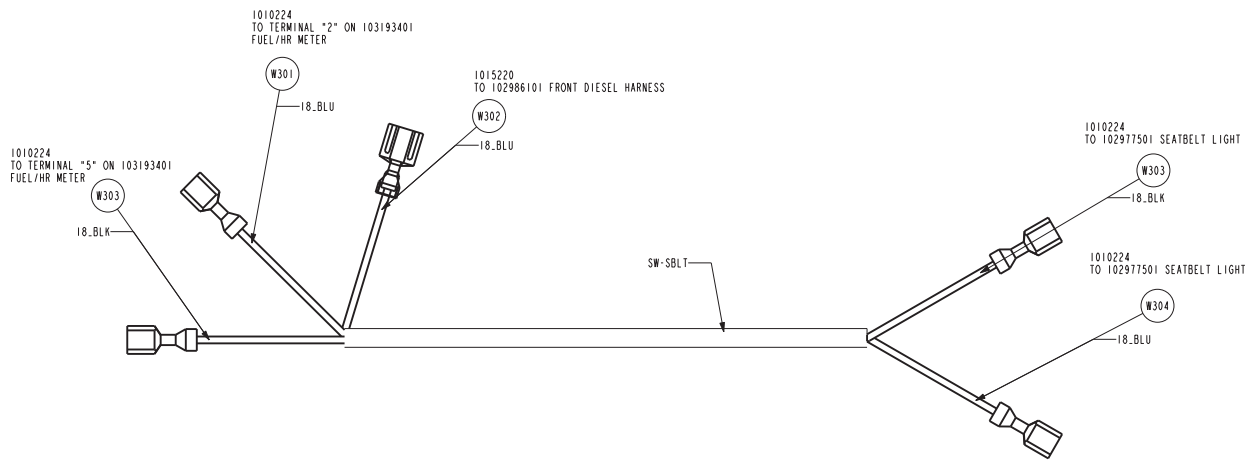
ITEM	PART NO.	DESCRIPTION	QTY
		1 2 3 4	
1	<u>1011931</u>	Washer, 1/4 Flat	2
2	<u>1014063</u>	Screw, 1/4-20 X 1.00, Hex Head	2
3	<u>1016423</u>	Fuse, 20-Amp	1
4	<u>102786401</u>	Wire Harness, Powerunit	1
5	<u>102936801</u>	Breaker, Circuit, 150-Amp	1
6	<u>102937401</u>	Wire Asm, #6, Red, Bt	1
7	<u>102937501</u>	Wire Asm, #6, Red, Bt	1
8	<u>102937601</u>	Wire Asm, #6, Black, Bt	1
9	<u>103245801</u>	Wire Harness, Control Panel	1
10	<u>8717</u>	Locknut, Nylon Insert, 1/4-28	2

7

D

7

D



000535-005

WIRING – SEAT BELT REMINDER (INTELLITACH)

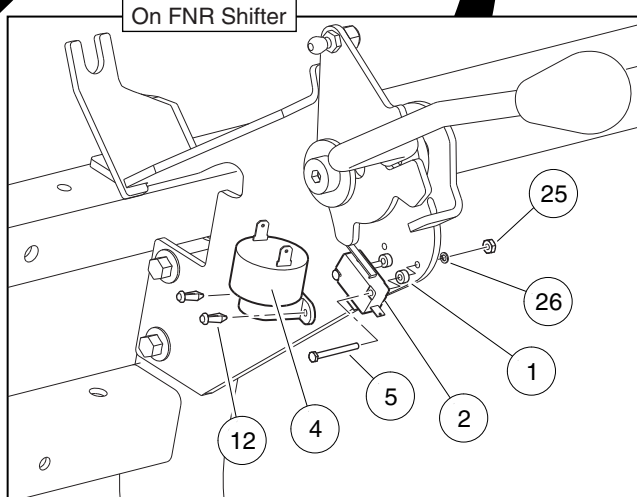
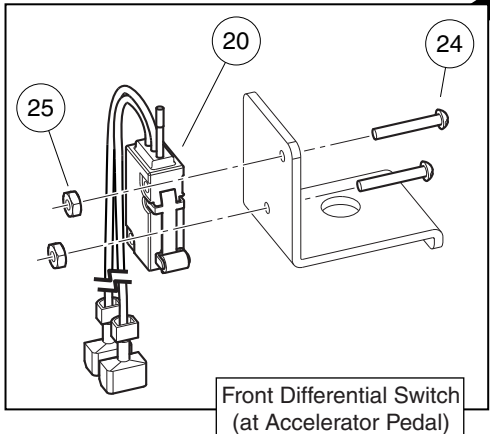
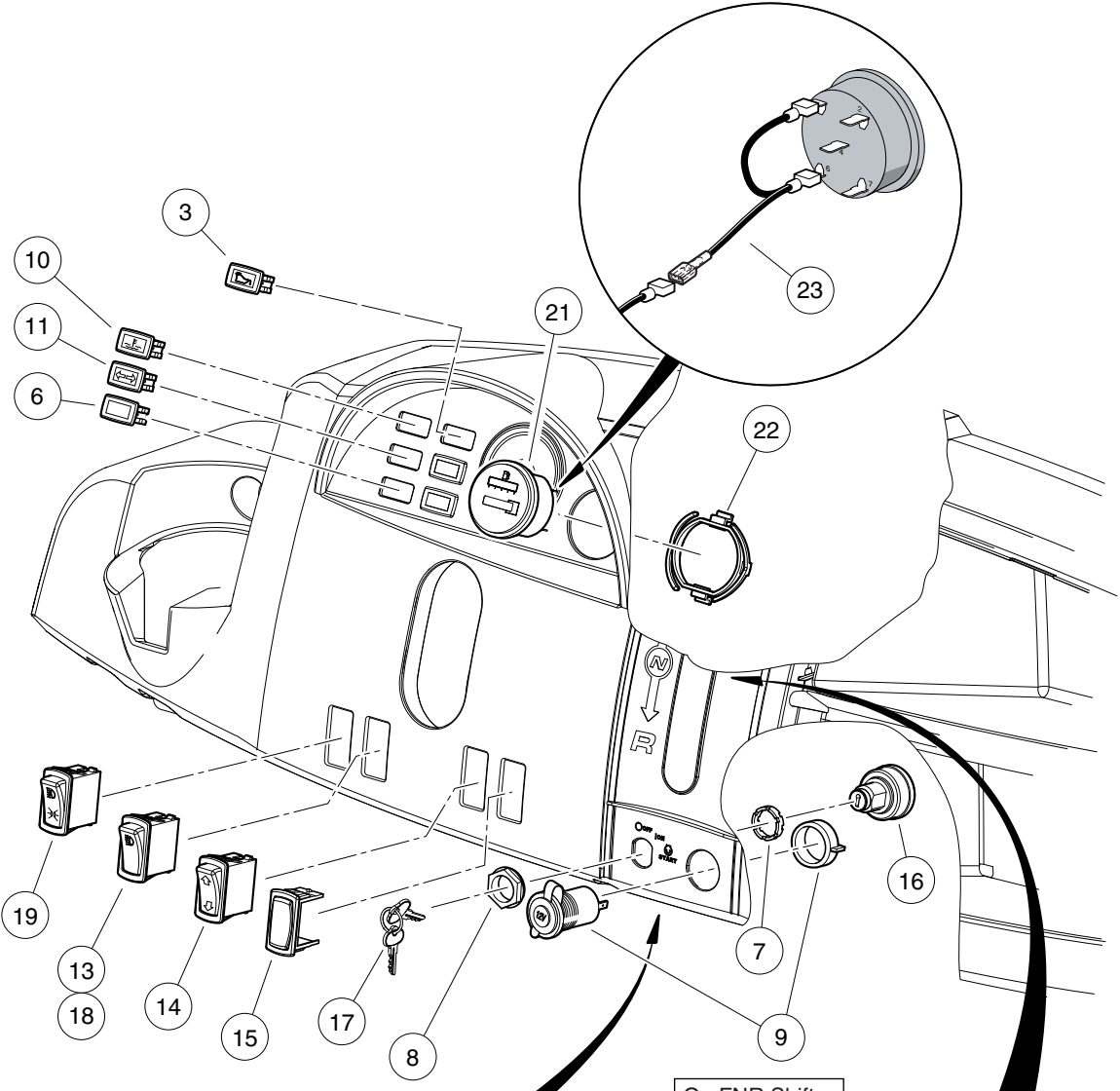
ITEM	PART NO.	DESCRIPTION	QTY
1	<u>103213401</u>	1 2 3 4 Harness, Wire, Seatbelt Light	1

7

D

7

D



000543-014

ELECTRICAL COMPONENTS, FRONT BODY – DIESEL VEHICLE

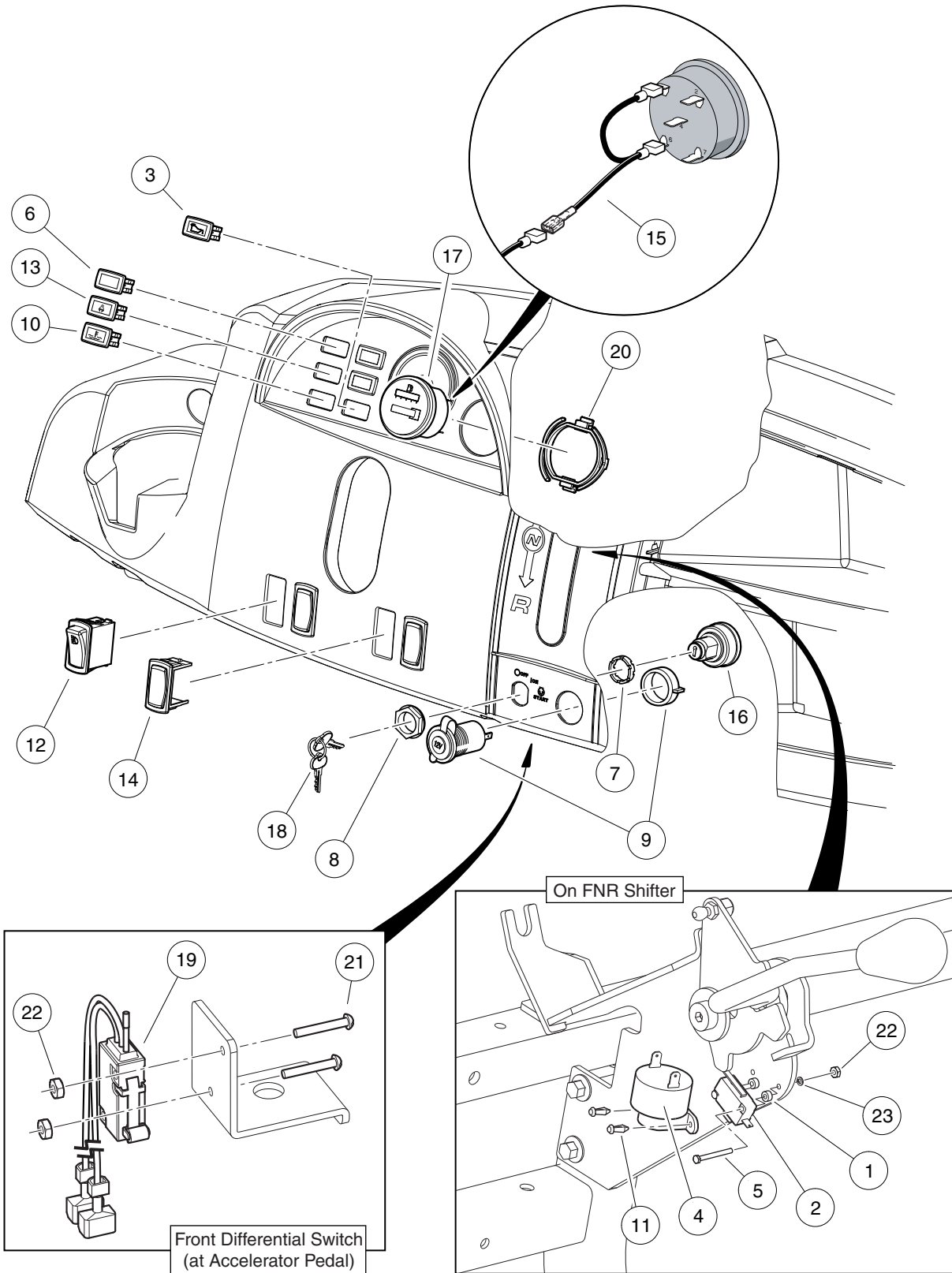
ITEM	PART NO.	DESCRIPTION	QTY
		1 2 3 4	
1	<u>1014727</u>	Washer, Flat, #4, Nylon	2
2	<u>1014808</u>	Switch, Limit	1
3	<u>1016630</u>	Light, Oil	1
4	<u>1016851</u>	Multi-Purpose Buzzer (9-48 VDC)	1
5	<u>1016896</u>	Screw, #4-40 X 1.125 Hx Hd Mch	2
6	<u>101802601</u>	Plug, Hole	5
7	<u>102051601</u>	Spacer, Keyswitch	1
8	<u>102051701</u>	Nut, Key Switch	1
9	<u>102198001</u>	Receptacle, Accessory	1
10	<u>102375401</u>	Light, Indicator, Coolant Temp	1
11	<u>102495701</u>	Light, Indicator, Turn Signals	1
12	<u>102499001</u>	Rivet, Micro Tuflok	2
13	<u>102869401</u>	Switch, Rocker, Light	1
14	<u>102882501</u>	Switch, Rocker, Bed Lift	1
15	<u>103180101</u>	Cover, Hole, Switch, Rocker	3
16	<u>103208801</u>	Keyswitch, 12v, Diesel	1
17	<u>103234401</u>	Keys (set of 2)	1
18	<u>103310701</u>	Switch, High Beam, Homologatn	1
19	<u>103324901</u>	Switch, 3-pos, Euro, Restyle	1
20	<u>103327201</u>	Asm, Switch, Limit, Awd	1
21	<u>103348101</u>	Gauge, Fuel-hour, Sep Gnd	1
22	<u>103348201</u>	Clip, Meter, Round	1
23	<u>103348501</u>	Asm, Wire Meter, F-h Jumper	1
24	<u>8056</u>	Screw, #4-40 X 0.75 Round-Head Machine	2
25	<u>8057</u>	Nut, #4-40 Hex Machine	4
26	<u>8058</u>	Lockwasher, #4 Split	2
<p>Note: Item 4, reverse buzzer, is only if equipped. NOTE 2: Items 22, clip, and 23, jumper wire, are required with item 21, fuel/hour gauge. NOTE 3: Item 14, bed lift switch, is only if equipped.</p>			

7

D

7

D



000543-015

ELECTRICAL COMPONENTS, FRONT BODY – INTELLITACH

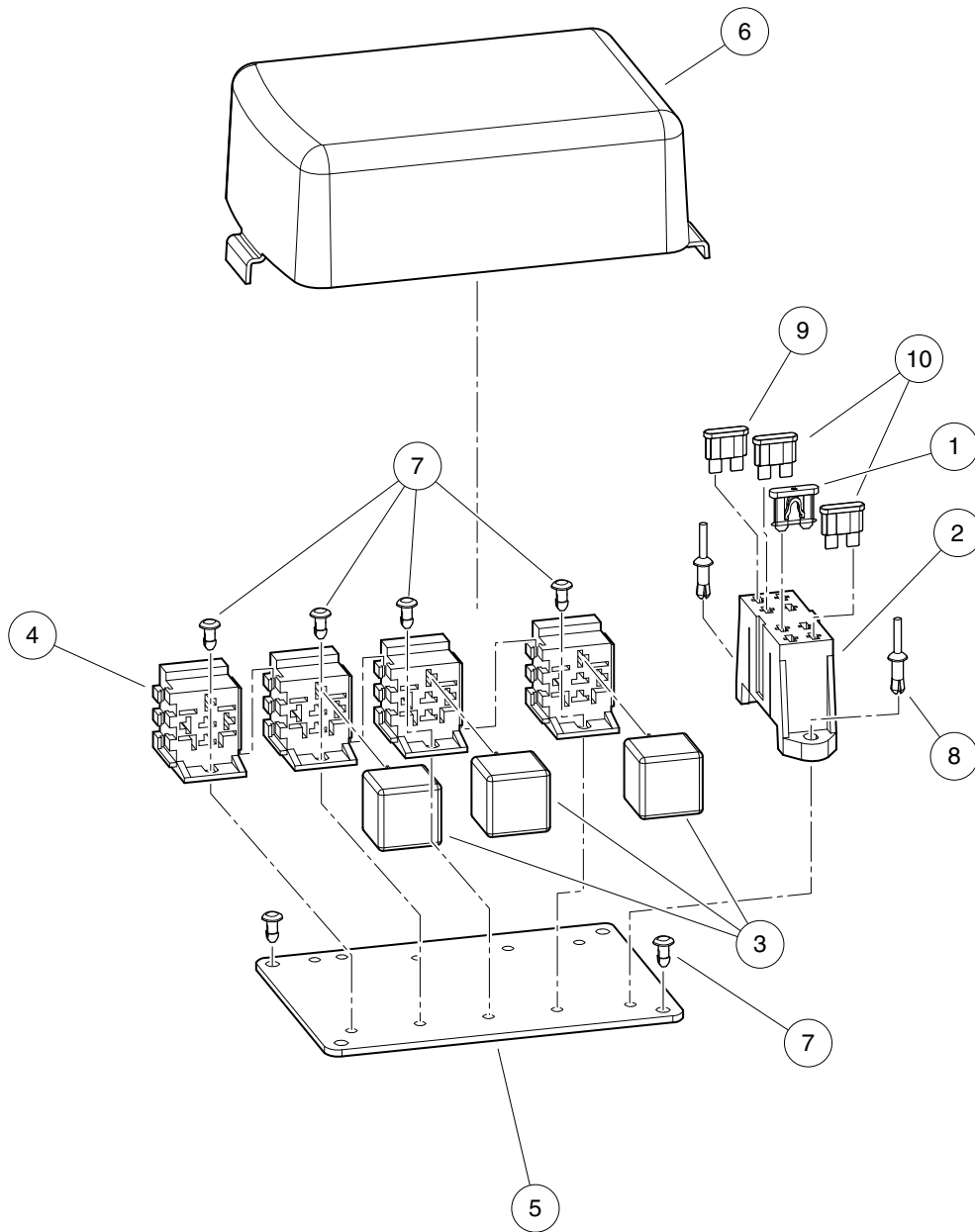
ITEM	PART NO.	DESCRIPTION	QTY
		1 2 3 4	
1	<u>1014727</u>	Washer, Flat, #4, Nylon	2
2	<u>1014808</u>	Switch, Limit	1
3	<u>1016630</u>	Light, Oil	1
4	<u>1016851</u>	Multi-Purpose Buzzer (9-48 VDC)	1
5	<u>1016896</u>	Screw, #4-40 X 1.125 Hx Hd Mch	2
6	<u>101802601</u>	Plug, Hole	5
7	<u>102051601</u>	Spacer, Keyswitch	1
8	<u>102051701</u>	Nut, Key Switch	1
9	<u>102198001</u>	Receptacle, Accessory	1
10	<u>102375401</u>	Light, Indicator, Coolant Temp	1
11	<u>102499001</u>	Rivet, Micro Tuflok	2
12	<u>102869401</u>	Switch, Rocker, Light	1
13	<u>102977501</u>	Light, Indicator, Seat Belt	1
14	<u>103180101</u>	Cover, Hole, Switch, Rocker	3
15	<u>103205801</u>	Asm, Wire, Meter F/h/sb Jumpr	1
16	<u>103208801</u>	Keyswitch, 12v, Diesel	1
17	<u>103234001</u>	Gauge, F/h, Sep Gnd Timer	1
18	<u>103234401</u>	Keys (set of 2)	1
19	<u>103327201</u>	Asm, Switch, Limit, Awd	1
20	<u>103348201</u>	Clip, Meter, Round	1
21	<u>8056</u>	Screw, #4-40 X 0.75 Round-Head Machine	2
22	<u>8057</u>	Nut, #4-40 Hex Machine	4
23	<u>8058</u>	Lockwasher, #4 Split	2
Note: Item 4, reverse buzzer, is only if equipped. NOTE 2: Items 15, jumper wire, and 20, clip, are required with item 17, fuel/hour gauge.			

7

D

7

D



000076-004

ELECTRICAL COMPONENT BOX, DIESEL VEHICLE

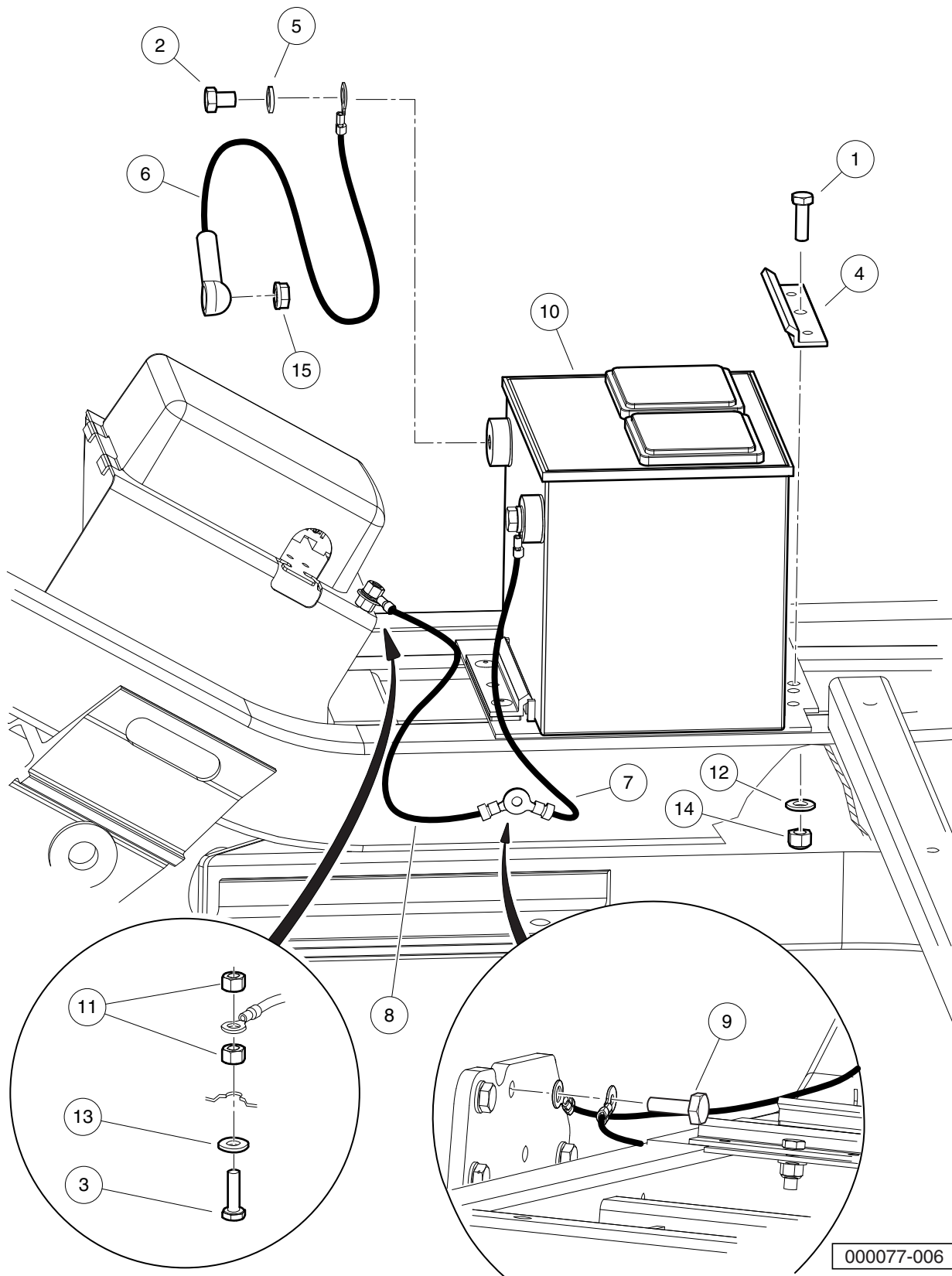
ITEM	PART NO.	DESCRIPTION	QTY
		1 2 3 4	
1	<u>1012295</u>	Fuse, 10-Amp	1
2	<u>1015741</u>	Fuse Block	1
3	<u>102420201</u>	Relay, Mini ISO, SPDT	3
4	<u>102420301</u>	Connector, Relay	4
5	<u>102420401</u>	Plate, Electrical	1
6	<u>102420501</u>	Cover, Electrical	1
7	<u>102447901</u>	Fastener, Push-in	8
8	<u>102448001</u>	Rivet, Drive	2
9	<u>102492201</u>	Fuse, 25-Amp	1
10	<u>102492301</u>	Fuse, 30-Amp	2

7

D

7

D



000077-006

BATTERY – DIESEL VEHICLE

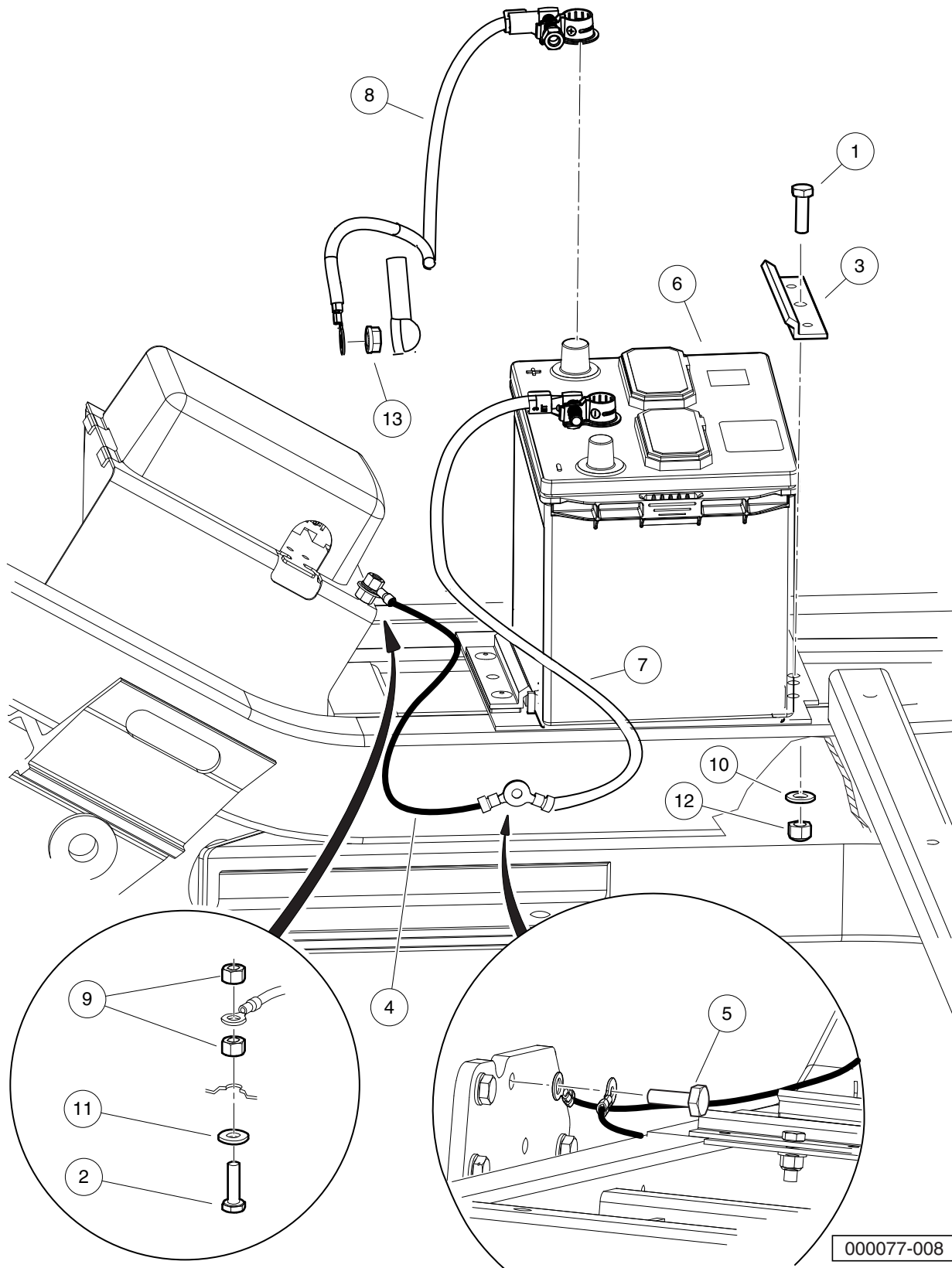
ITEM	PART NO.	DESCRIPTION	QTY
		1 2 3 4	
1	<u>1010934</u>	Screw, 5/16-18 X 1.00 Hex Cap	1
2	<u>1014375</u>	Screw, 3/8-16 X 0.50, Stainless Steel, Hex-Head	2
3	<u>1015521</u>	Screw, 1/4-20 X .88 Hex Hd Cap	1
4	<u>101898001</u>	Clamp, Battery	1
5	<u>102355301</u>	Lockwasher, 3/8 Split Ss	2
6	<u>102442201</u>	Asm, #6 Red Wire	1
7	<u>102448401</u>	Wire Asm, #6 Blk, Awd, 350	1
8	<u>102448501</u>	Wire Asm, #6 Blk, Awd, 325	1
9	<u>102498201</u>	Bolt, M10 X 1.25 X 25, Loctite	1
10	<u>103496801</u>	Battery, Start, 12v	1
11	<u>1108</u>	Locknut, 1/4-20 Dimpled	2
12	<u>1241</u>	Washer, 5/16 Type A Flat	1
13	<u>332</u>	Washer, 1/4 Type A Narrow Flat	1
14	<u>7473</u>	Locknut, 5/16-18 Nylon Insert	1
15	<u>96704416</u>	Nut, Flange, M8 X 1.25 Serrated	1

7

D

7

D



TOP-POST BATTERY – DIESEL VEHICLE

ITEM	PART NO.	DESCRIPTION	QTY
		1 2 3 4	
1	<u>1010934</u>	Screw, 5/16-18 X 1.00 Hex Cap	1
2	<u>1015521</u>	Screw, 1/4-20 X .88 Hex Hd Cap	1
3	<u>101898001</u>	Clamp, Battery	1
4	<u>102448501</u>	Wire Asm, #6 Blk, Awd, 325	1
5	<u>102498201</u>	Bolt, M10 X 1.25 X 25, Loctite	1
6	<u>105237301</u>	Battery, Start, 12v, Type 26	1
7	105256201	Wire Asm, #6 Blk, (top-post battery) Awd, 426	1
8	105256601	Wire Asm, #6 Red, (top-post battery) Awd, 476	1
9	<u>1108</u>	Locknut, 1/4-20 Dimpled	2
10	<u>1241</u>	Washer, 5/16 Type A Flat	1
11	<u>332</u>	Washer, 1/4 Type A Narrow Flat	1
12	<u>7473</u>	Locknut, 5/16-18 Nylon Insert	1
13	<u>96704416</u>	Nut, Flange, M8 X 1.25 Serrated	1

7

D

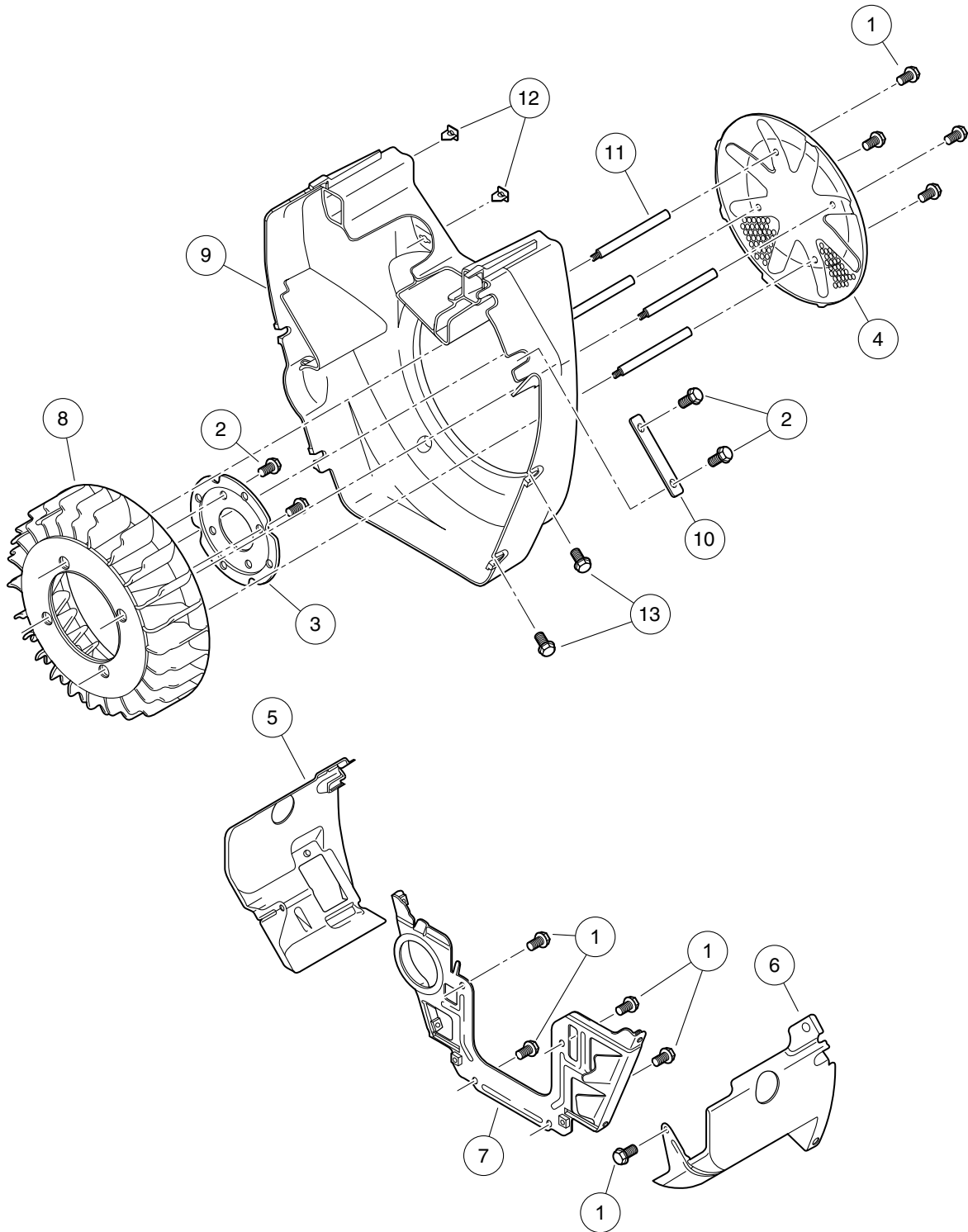
7

D

ENGINE – KAWASAKI FH680D GASOLINE

8

G



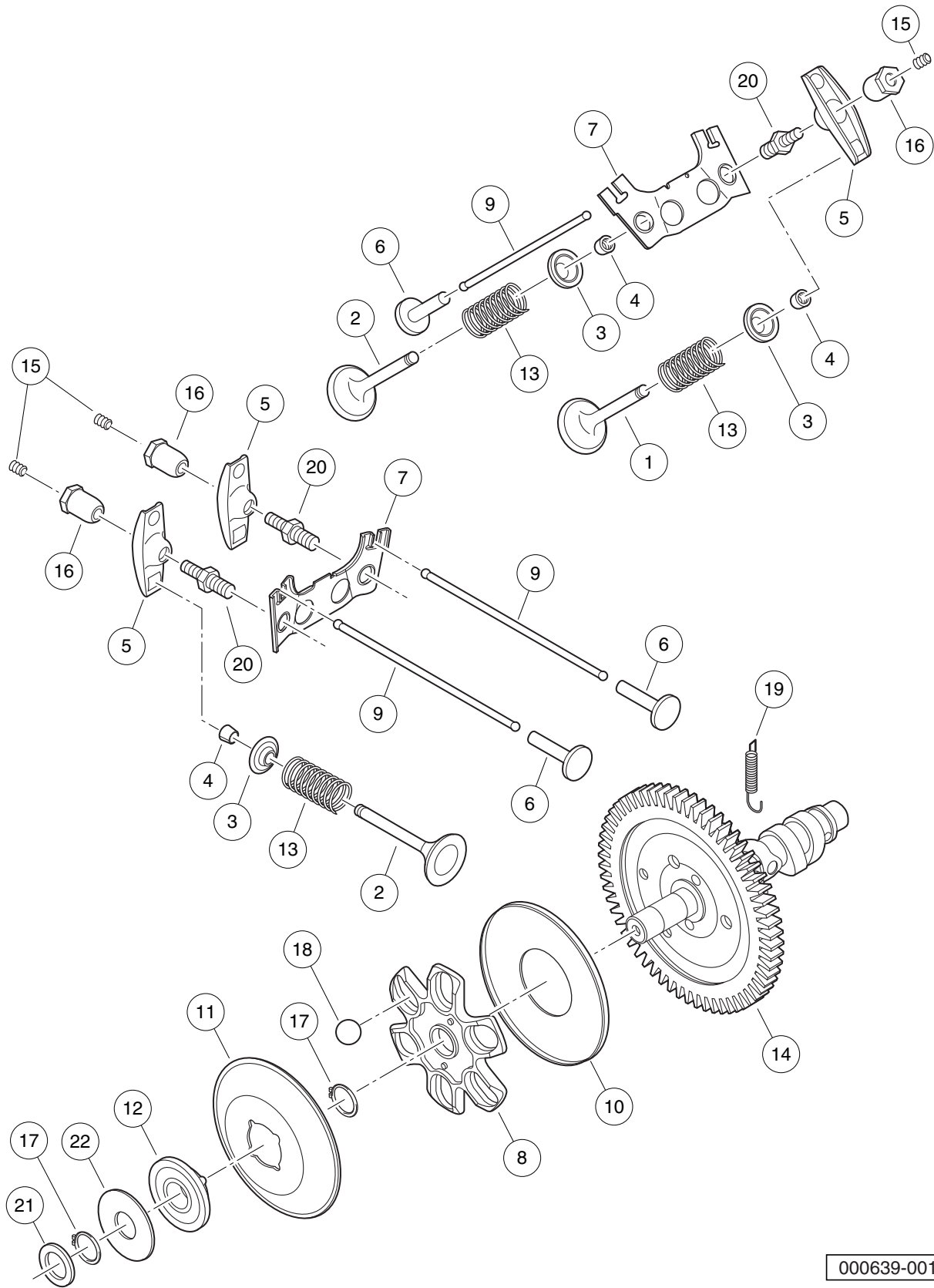
000625-001

SHROUDS AND BRACKETS

ITEM	PART NO.	DESCRIPTION	QTY
		1 2 3 4	
1	<u>102992401</u>	Bolt, Flg, M6 X 1.0 X 12	9
2	<u>102992501</u>	Bolt, Flg, M6 X 1.0 X 16	4
3	<u>102998601</u>	Plate, Housing, Fan, Fh	1
4	<u>102998701</u>	Screen, Fan, Fh	1
5	<u>102999101</u>	Shroud, Engine, Rh, Fh	1
6	<u>102999201</u>	Shroud, Engine, Lh, Fh	1
7	<u>102999301</u>	Shroud, Engine, Front, Fh	1
8	<u>102999501</u>	Fan, Cooling, Fh	1
9	<u>102999601</u>	Housing, Engine, Fh	1
10	<u>103000001</u>	Washer, Housing, Fan, Fh	1
11	<u>103299301</u>	Stud, Fan Screen, Fh	4
12	<u>103299401</u>	Nut, Press In, Front Cover, Fh	4
13	<u>103300301</u>	Bolt, Oil Pickup, Fh	4

8

G



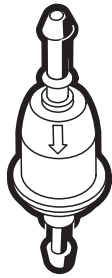
000639-001

VALVES AND CAMSHAFT

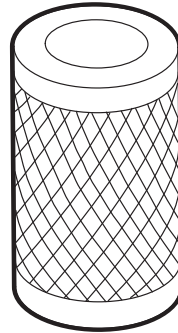
ITEM	PART NO.	DESCRIPTION	QTY
		1 2 3 4	
1	<u>102994601</u>	Valve, Intake, Fh	2
2	<u>102994701</u>	Valve, Exhaust, Fh	2
3	<u>102994801</u>	Retainer, Valve Spring, Fh	4
4	<u>102994901</u>	Collet, Spring, Valve, Fh	8
5	<u>102995001</u>	Arm, Rocker	4
6	<u>102995101</u>	Tappet, Rod, Push, Fh	4
7	<u>102995201</u>	Guide, Arm, Rocker, Fh	2
8	<u>102995301</u>	Guide, Camshaft, Gov, Fh	1
9	<u>102995401</u>	Rod, Push, Fh	4
10	<u>102995501</u>	Plate, Camshaft, Gov, Fh	1
11	<u>102995601</u>	Plate, Ring, Gov, Fh	1
12	<u>102995701</u>	Sleeve, Plate, Gov, Fh	1
13	<u>102995801</u>	Spring, Valve, Fh	4
14	<u>102995901</u>	Kit, Camshaft, Comp, Fh	1
15	<u>102996001</u>	Screw, Rocker Arm, Fh	4
16	<u>102996101</u>	Nut, Arm, Rocker, Fh	4
17	<u>102996201</u>	Ring, Snap, Gov, Fh	2
18	<u>102996301</u>	Ball, Guide, Gov, Fh	6
19	<u>102996401</u>	Spring, Camshaft, Fh	1
20	<u>102996501</u>	Stud, Rocker Arm, Fh	4
21	<u>102996601</u>	Washer, Sleeve, Gov, Fh	1
22	<u>102996701</u>	Washer, Gov, Fh	1

8

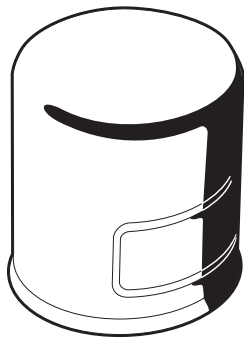
G



2



3



4



5

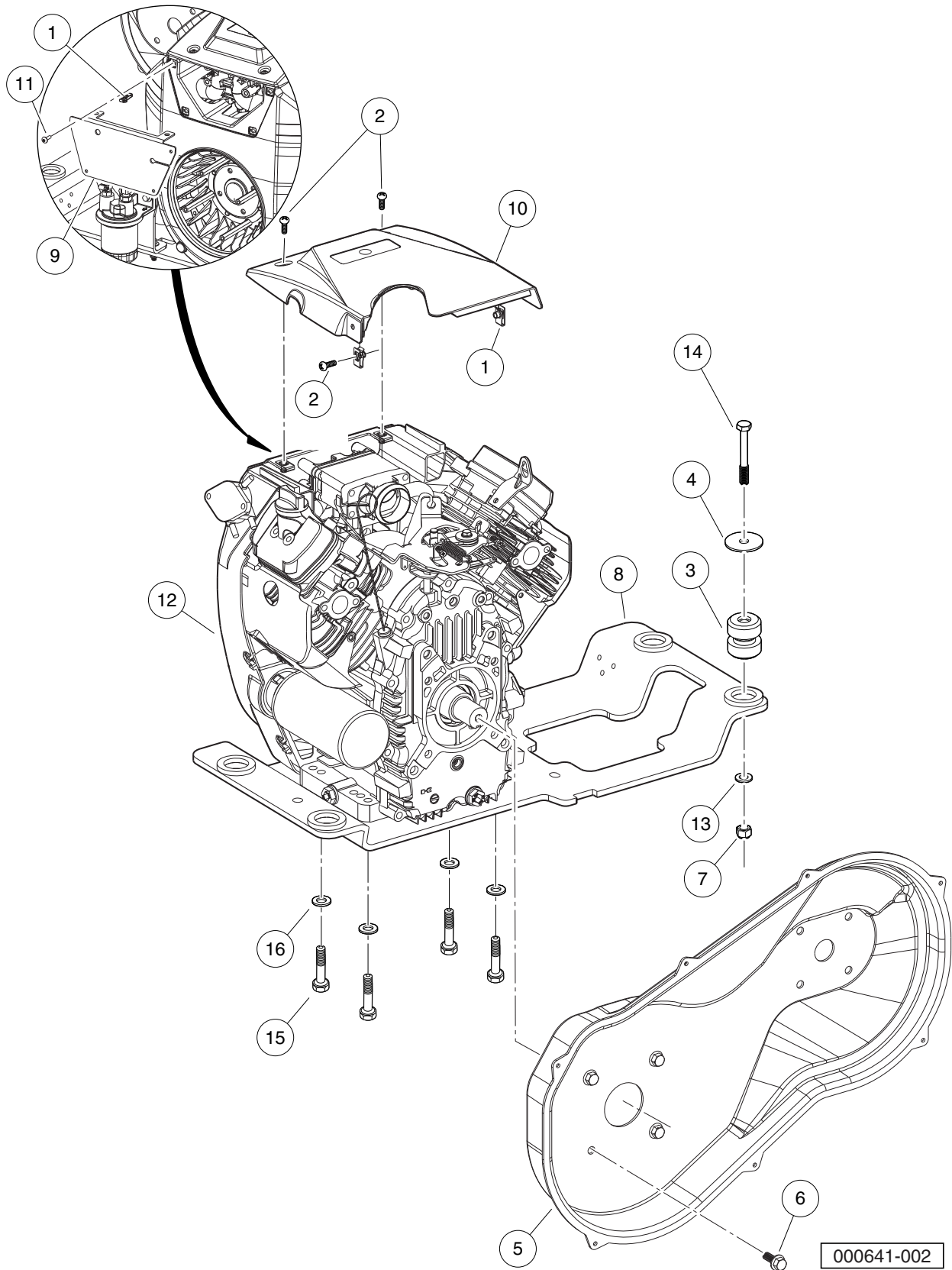
000992-001

TUNE-UP KIT – KAWASAKI FH680

ITEM	PART NO.	DESCRIPTION	QTY
		1 2 3 4	
1	<u>AM1232401</u>	Kit, Tune-Up (For Kawasaki V-twin engines) (includes items 2 through 5)	1
2	<u>102003201</u>	Filter, Fuel, 30 Micron	1
3	<u>102498601</u>	Element, Filter, Air, 5 Inch	1
4	<u>103887901</u>	Filter, Oil, Kawasaki	1
5	<u>AM1232301</u>	Spark Plug, BPR2ES	2

8

G

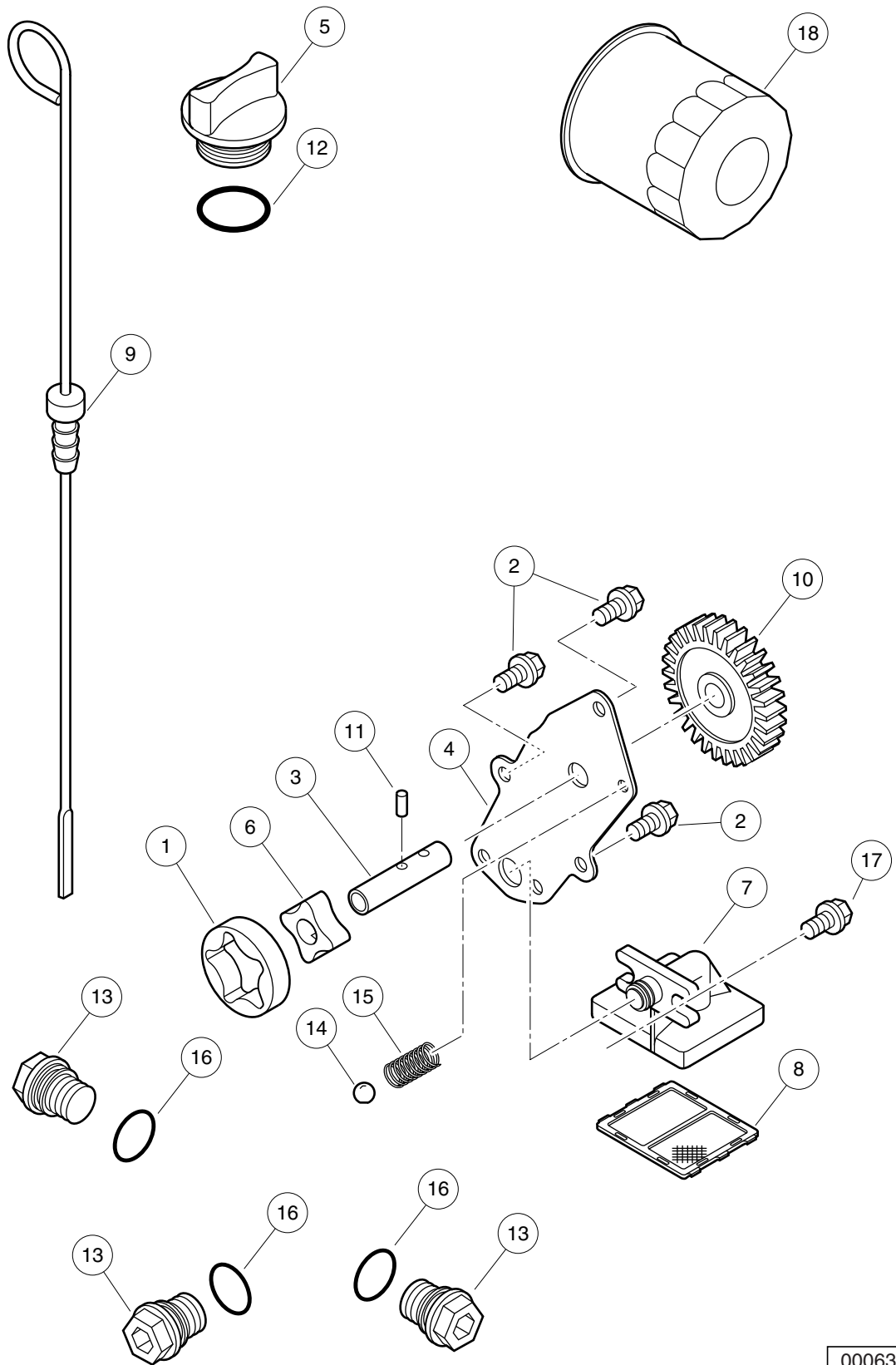


KAWASAKI FH680D GASOLINE ENGINE AND MOUNTING

ITEM	PART NO.	DESCRIPTION	QTY
		1 2 3 4	
1	<u>102296601</u>	U-Nut, M6-1.0, Prevailing Torque	4
2	<u>102296920</u>	Screw, M6, Torx Button Head, Sems	4
3	<u>102370501</u>	Isolator Ring and Bushing	4
4	<u>102370601</u>	Washer, Snubbing, Ring N Bush	4
5	<u>102462504</u>	Cover, Cvt, Inner Fh680d	1
6	<u>102491001</u>	Bolt, Flanged Head, 3/8-16x1.0 with Loctite	4
7	<u>102740401</u>	Locknut, M12x1.75 Nylon Insert	4
8	<u>102951901</u>	Weldment, Eng Mnt, Kaw, Fh680d	1
9	<u>103208701</u>	Engine, Front Cover, Fh680d	1
10	<u>103262901</u>	Cover, Engine, Top	1
11	<u>103279201</u>	Screw, Pn Hd Blk, 10-16 X .625	4
12	<u>103528201</u>	Engine, Kawasaki, FH680D	1
13	<u>96701412</u>	Washer, M12 Hard	4
14	<u>96704721</u>	Bolt, M12 X 1.75 X 90	4
15	<u>96704960</u>	Bolt, M10 X 1.5 X 60	4
16	<u>96741046</u>	Washer, M10, Hard	4

8

G



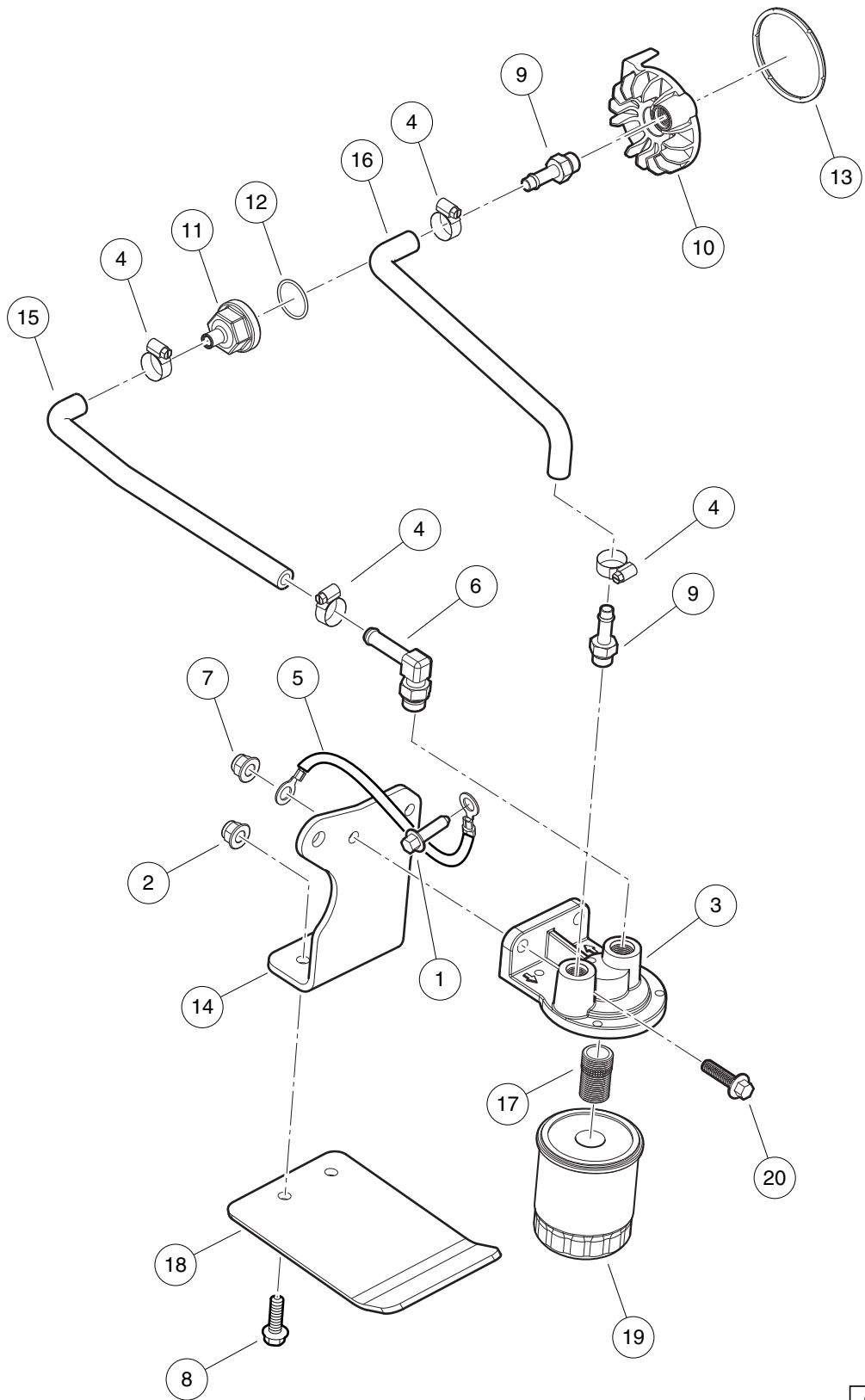
000637-004

OIL AND LUBRICATION COMPONENTS

ITEM	PART NO.	DESCRIPTION	QTY
		1 2 3 4	
1	101648201	Rotor, Pump, Oil, Outer	1
2	<u>102992401</u>	Bolt, Flg, M6 X 1.0 X 12	3
3	<u>102996901</u>	Shaft, Oil Pump, Fh	1
4	<u>102997001</u>	Plate, Oil Pump, Fh	1
5	<u>102997101</u>	Cap, Oil, Fill, Fh	1
6	<u>102997201</u>	Rotor, Pump, Oil, Inner, Fh	1
7	<u>102997401</u>	Pickup, Oil, Fh	1
8	<u>102997601</u>	Screen, Pickup, Oil, Fh	1
9	<u>102997701</u>	Gauge, Oil, Fh	1
10	<u>102997801</u>	Gear, Spur, Oil Pump, Fh	1
11	<u>102997901</u>	Pin, Oil Pump, Fh	2
12	<u>102998001</u>	O-ring, Cap, Oil, Fill, Fh	1
13	<u>102998101</u>	Plug, Oil Drain, Fh	3
14	<u>102998201</u>	Ball, Oil Pump, Fh	1
15	<u>102998301</u>	Spring, Oil Pump, Fh	1
16	<u>102998401</u>	O-ring, Drain Plug, Oil, Fh	3
17	<u>103300301</u>	Bolt, Oil Pickup, Fh	2
18	<u>103887901</u>	Filter, Oil, Kawasaki	1

8

G



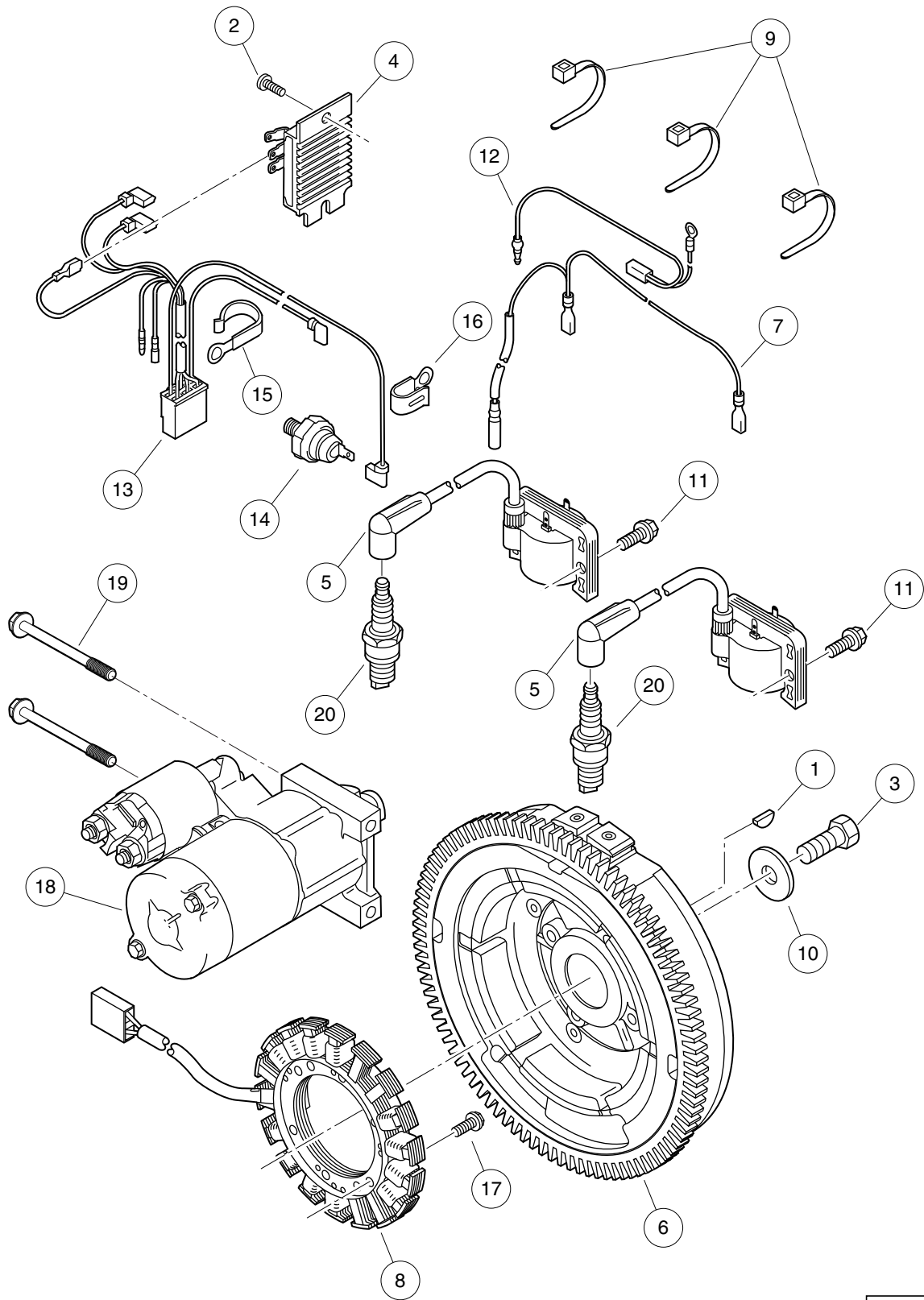
000671-004

OIL FILTER ADAPTER – KAWASAKI FH680

ITEM	PART NO.	DESCRIPTION	QTY
		1 2 3 4	
1	<u>102289001</u>	Screw, M8X1.25X30, Hex	1
2	<u>102298401</u>	Nut,m8,all Metal Lock	2
3	<u>102371401</u>	Bracket, Oil Filter Mount	1
4	<u>102443601</u>	Clamp, Hose	4
5	<u>102448501</u>	Wire Asm, #6 Blk, Awd, 325	1
6	<u>102457501</u>	Adapter, 90, 3/8 Tube	1
7	<u>102618601</u>	Lock Nut, Flange, M8 X 1.25 Nylon	2
8	<u>102621301</u>	Bolt, M8 X 1.25 X 40 with Loctite	2
9	<u>102722001</u>	Adapter, 5/16 Hose	2
10	<u>102958301</u>	Adapter, Special, Oil Filter	1
11	<u>102958401</u>	Nut, Special, Hose Adapter	1
12	<u>102958501</u>	O-ring, 23.52 X 1.78mm	1
13	<u>102958601</u>	O-ring, Oil Filter Adapter	1
14	<u>103197201</u>	Bracket, Oil Filter, Fh680d	1
15	<u>103240601</u>	Hose, Formed, Oil, 5/16"	1
16	<u>103246901</u>	Hose, Formed, Oil, 5/16", Ret	1
17	<u>103276201</u>	Nipple, 3/4-16 X M20 X 1.5-6g	1
18	<u>103326401</u>	Guard, Oil Filter, Fh680d	1
19	<u>103887901</u>	Filter, Oil, Kawasaki	1
20	<u>96705587</u>	Bolt, M8 X 1.25 X 30	2

8

G



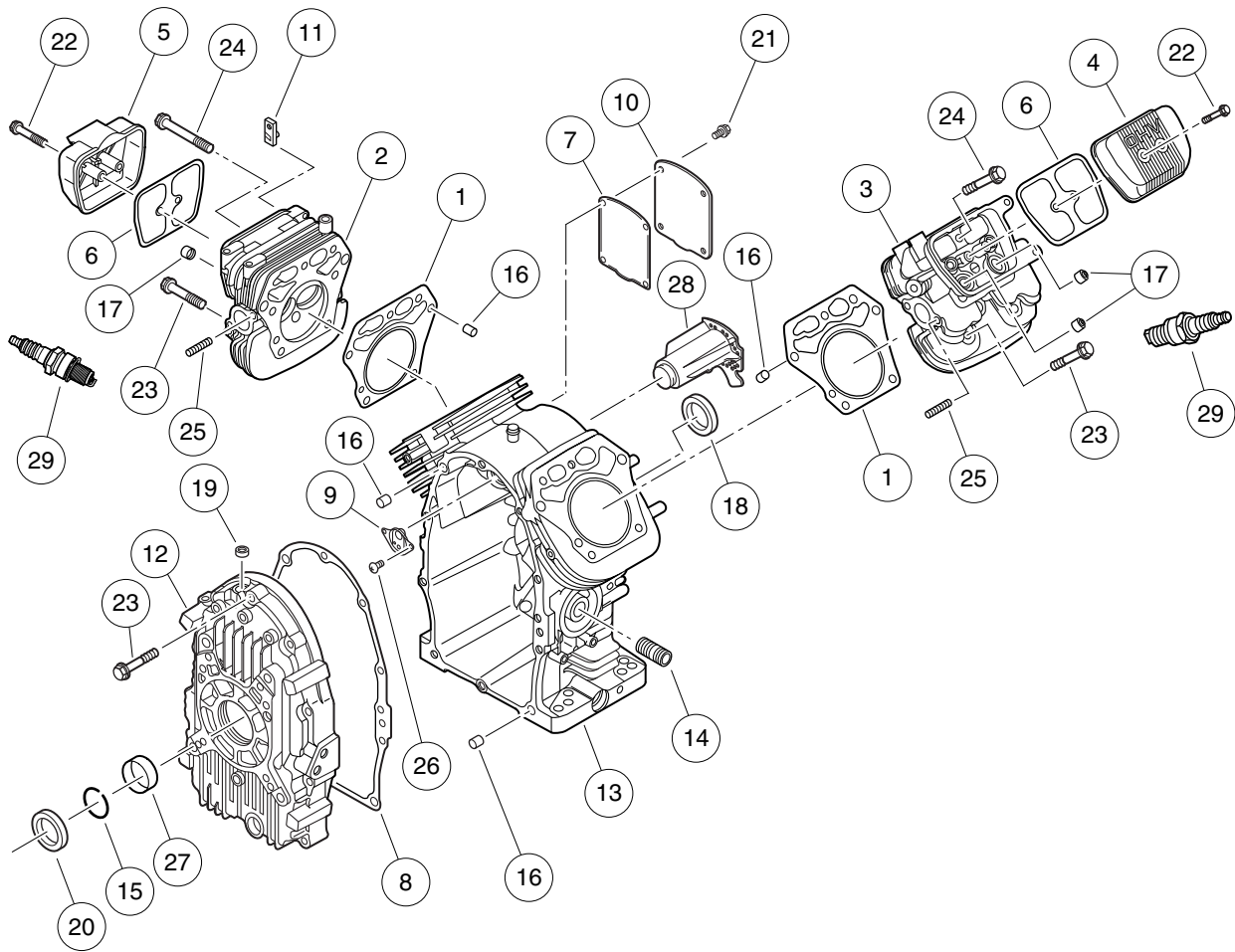
000626-002

IGNITION COMPONENTS AND FLYWHEEL – KAWASAKI FH680

ITEM	PART NO.	DESCRIPTION	QTY
		1 2 3 4	
1	N/A	Key	1
2	<u>1016544</u>	Screw	1
3	<u>102994301</u>	Bolt, Flg, M12 X 1.25 X 30	1
4	<u>103000401</u>	Regulator, Voltage, Fh	1
5	<u>103000501</u>	Asm, Coil, Ignition, Fh	2
6	<u>103000601</u>	Flywheel, Assy, Fh	1
7	<u>103000801</u>	Harness, Regulator, Fh	1
8	<u>103000901</u>	Coil, Charging, Fh	1
9	<u>103001301</u>	Band, Harness, Fh	3
10	<u>103001501</u>	Washer, Flywheel, Fh	1
11	<u>103298501</u>	Bolt, Flanged, M6 X 20, Kaw	4
12	<u>103299501</u>	Harness, Ignition, Fh	1
13	<u>103299601</u>	Harness, Engine, Main, Fh	1
14	<u>103299701</u>	Switch, Oil Pressure, Fh	1
15	<u>103299801</u>	Clamp, Harness, Large, Fh	1
16	<u>103299901</u>	Clamp, Harness, Small, Fh	1
17	<u>103300101</u>	Screw, Pan, Coil Mount, Fh	4
18	<u>103345501</u>	Starter, Electric, Fh680d	1
19	<u>103687401</u>	Bolt, Flg, M8 X 1.25 X 83	2
20	<u>AM1232301</u>	Spark Plug, BPR2ES	2

8

G



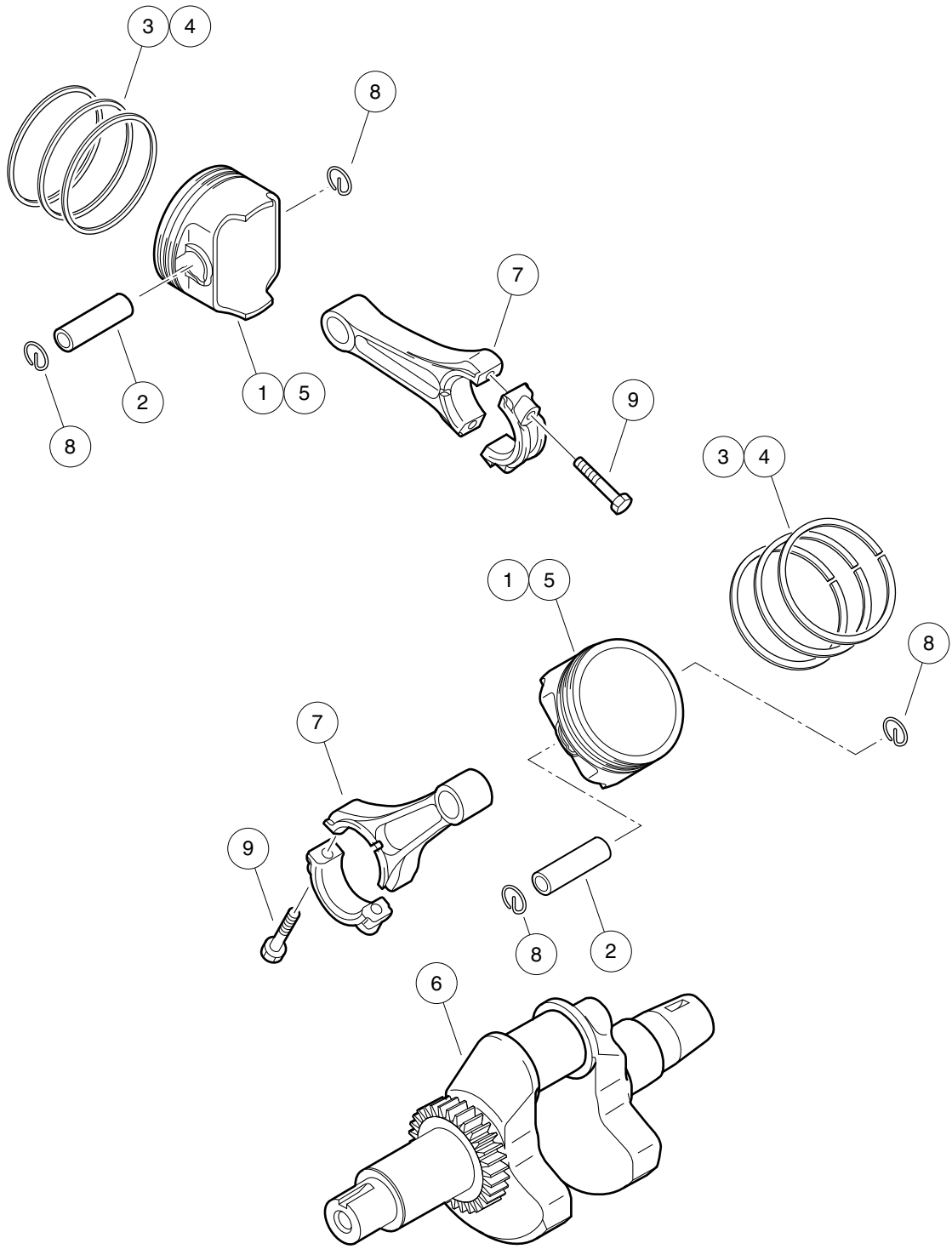
000638-003

CYLINDER HEAD AND CRANKCASE

ITEM	PART NO.	DESCRIPTION	QTY
		1 2 3 4	
1	<u>102990101</u>	Gasket, Head, Cyl, Fh	2
2	<u>102990201</u>	Head, Cylid 1, Fh	1
3	<u>102990301</u>	Head, Cylid 2, Fh	1
4	<u>102990401</u>	Cover, Rocker, Cylid 1, Fh	1
5	<u>102990501</u>	Cover, Rocker, Cylid 2, Fh	1
6	<u>102990601</u>	Gasket, Rocker, Cover, FH	2
7	<u>102990701</u>	Gasket, Breather, Fh	1
8	<u>102990801</u>	Gasket, Cover, Crank, Fh	1
9	<u>102990901</u>	Valve, Assy, Reed, Fh	1
10	<u>102991101</u>	Cover, Crkcase, Comp, Fh	1
11	<u>102991201</u>	Pipe, Head, Comp, Clyd, Fh	1
12	<u>102991401</u>	Cover, Crankcase, Fh	1
13	<u>102991501</u>	Crankcase, Comp, Fh	1
14	<u>102991601</u>	Nipple, Oil Filter, Fh	1
15	<u>102991801</u>	Ring, Snap, Fh	1
16	<u>102991901</u>	Pin, Head, Fh	6
17	<u>102992001</u>	Seal, Oil, Valve, Fh	4
18	<u>102992101</u>	Seal, Oil, Crank, Rear, Fh	1
19	<u>102992201</u>	Seal, Oil, Governor, Fh	1
20	<u>102992301</u>	Seal, Oil, Crank, Front, Fh	1
21	<u>102992401</u>	Bolt, Flg, M6 X 1.0 X 12	4
22	<u>102992601</u>	Bolt, Flg, M6 X 1.0 X 40	4
23	<u>102992701</u>	Bolt, Flg, M8 X 1.25 X 50	18
24	<u>102992801</u>	Bolt, Flg, M8 X 1.25 X 75	2
25	<u>102992901</u>	Stud, M8 X 1.25, Exhaust, Fh	4
26	<u>103298601</u>	Screw, Pan, Governor, Fh	2
27	<u>103298901</u>	Bushing, Main, Fh	1
28	<u>103981201</u>	Pipe, Crankcase Breather, Fh680 (with O-Ring)	1
29	<u>AM1232301</u>	Spark Plug, BPR2ES	2

8
G

8
G



000640-001

PISTONS AND CRANKSHAFT

ITEM	PART NO.	DESCRIPTION	QTY
		1 2 3 4	
1	<u>102993201</u>	Piston, Engine, Fh	2
2	<u>102993301</u>	Pin, Piston, Engine, Fh	2
3	<u>102993401</u>	Ring, Set, Piston, Fh	2
4	<u>102993501</u>	Ring, Set, Piston, 0.50, Fh	A/R
5	<u>102993601</u>	Piston, Engine, 0.50, Fh	A/R
6	<u>102993701</u>	Crankshaft, Comp, Fh	1
7	<u>102993901</u>	Kit, Rod, Connecting, Fh	2
8	<u>102994101</u>	Ring, Snap, Pin, Piston, Fh	4
9	<u>102994401</u>	Bolt, Flg, M6 X 1.00 X 35	4

8

G

8

G

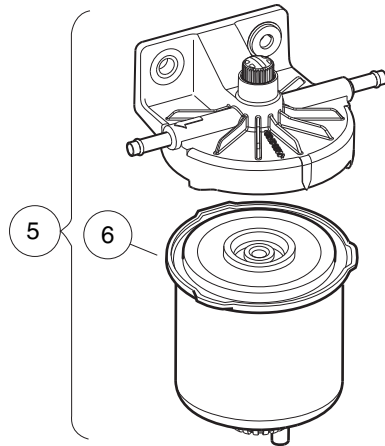
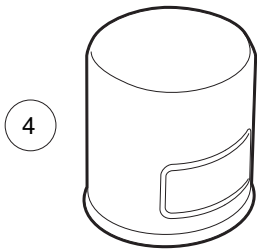
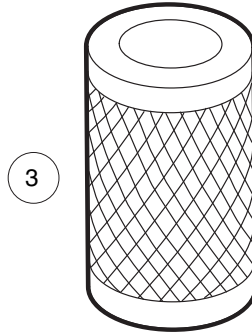
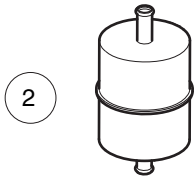
ENGINE – KUBOTA DIESEL, D722, E3B SERIES

9

D

9

D



000992-002

TUNE-UP KIT – KUBOTA D722

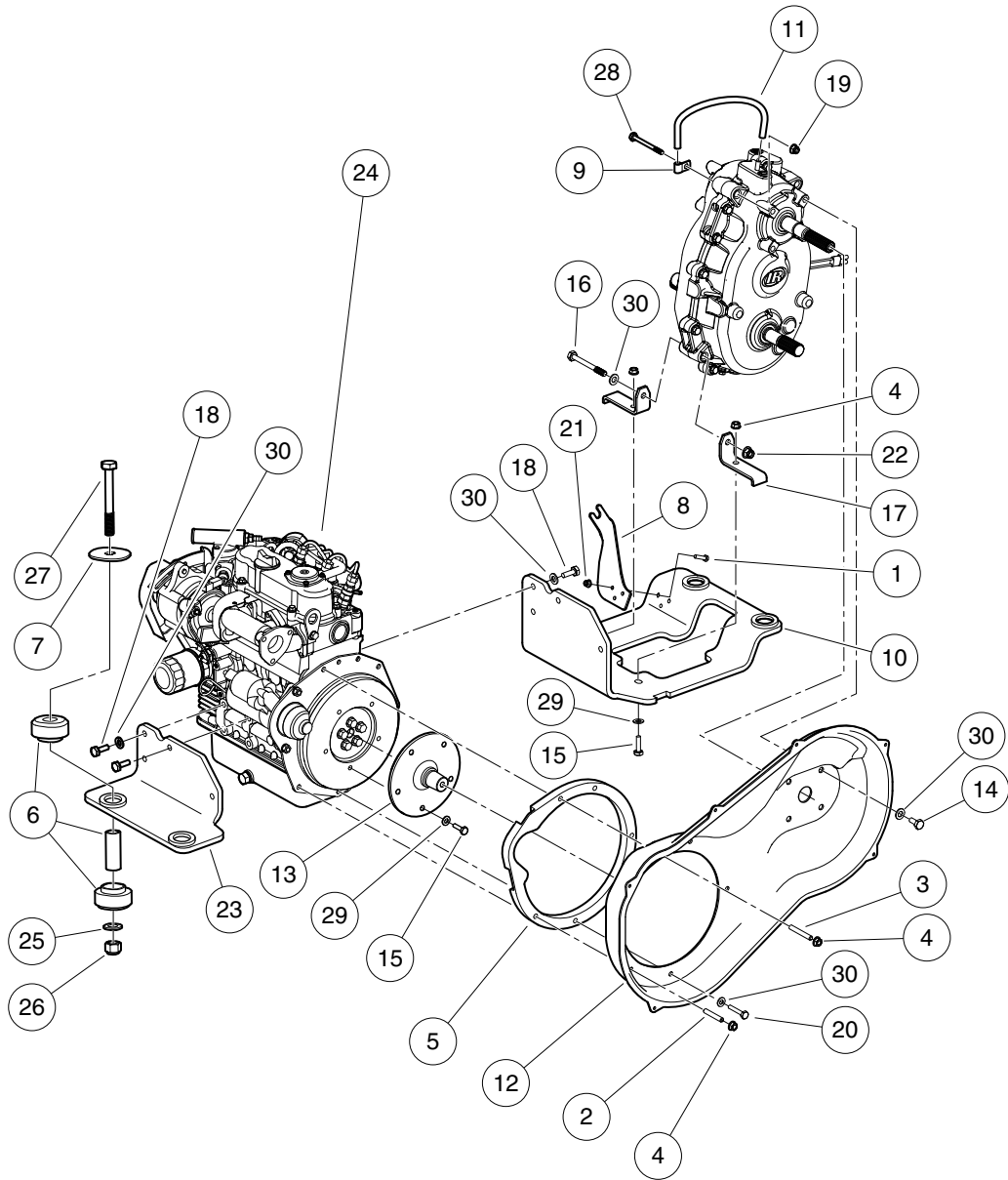
ITEM	PART NO.	DESCRIPTION	QTY
		1 2 3 4	
1	<u>AM11805</u>	Kit, Tune-Up (For Kubota engines) (includes items 2 through 5)	1
2	<u>102434701</u>	Filter, Fuel	1
3	<u>102498601</u>	Element, Filter, Air, 5 Inch	1
4	<u>102703301</u>	Filter, Engine Oil, D722	1
5	<u>103747301</u>	Assembly, Filter/Bracket, Fuel, Diesel (includes item 6)	1
6	<u>103761801</u>	Filter, Fuel, Diesel	1

9

D

9

D



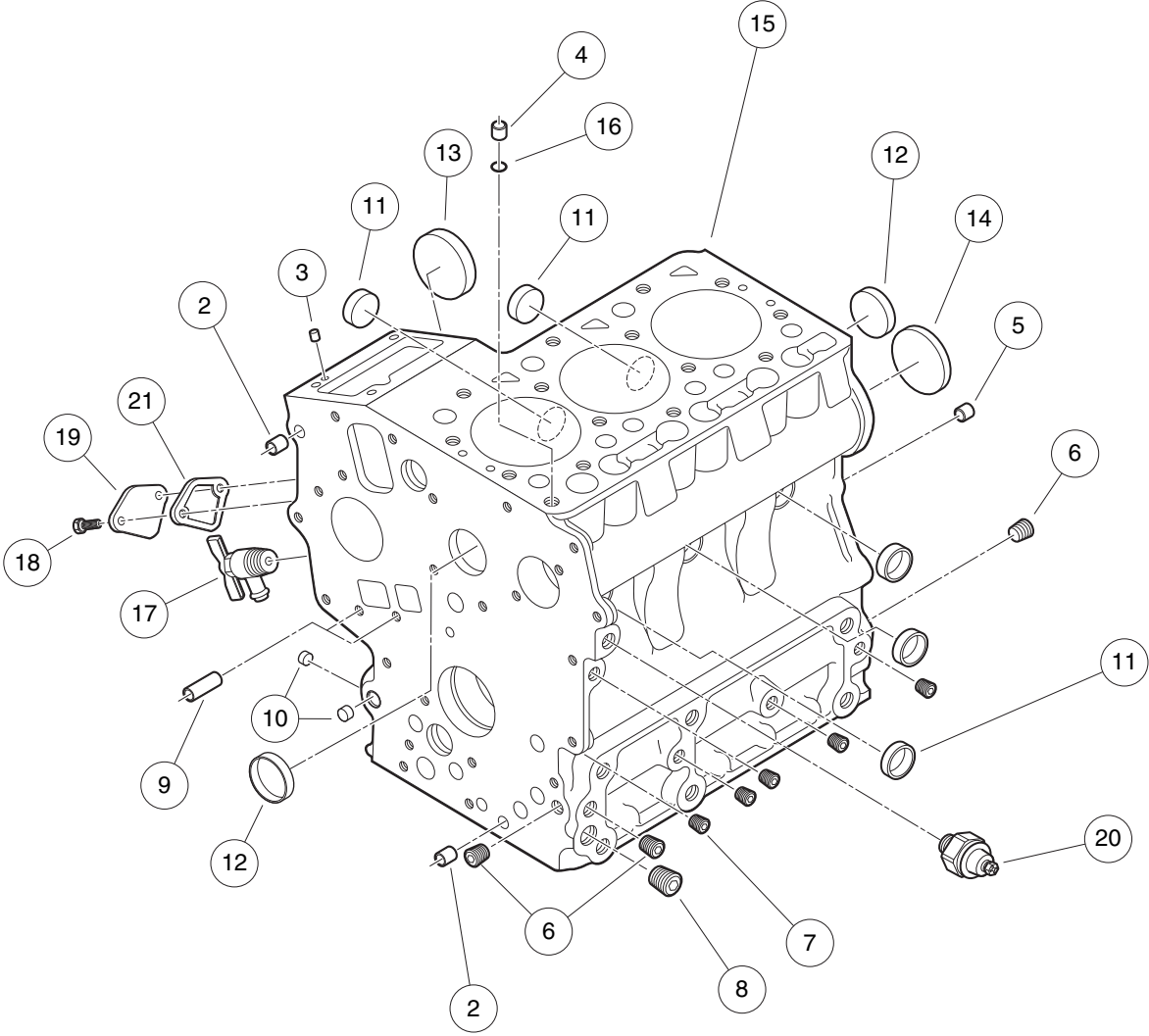
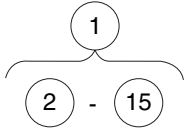
000025-005

DIESEL ENGINE AND ENGINE MOUNTING (D722 – E3B)

ITEM	PART NO.	DESCRIPTION	QTY
		1 2 3 4	
1	<u>1012769</u>	Screw, M6-1.00 X 25mm Hex Cap	3
2	<u>101833101</u>	Stud, M8-1.25 X 50 mm Two-Ended	1
3	<u>101833201</u>	Stud, M8-1.25 X 60mm Two-Ended	1
4	<u>102298401</u>	Nut,m8,all Metal Lock	7
5	<u>102370101</u>	Spacer, Engine, Diesel	1
6	<u>102370501</u>	Isolator Ring and Bushing	4
7	<u>102370601</u>	Washer, Snubbing, Ring N Bush	4
8	<u>102382401</u>	Bracket, FNR Trans Cable	1
9	<u>102410603</u>	P-Clamp, Insulated .312 In	1
10	<u>102414801</u>	Plate, Engine Mounting, Weld, Right-Hand	1
11	<u>102462301</u>	Hose, Vent, Transmission	1
12	<u>102462501</u>	Cover, CVT Inner, Diesel	1
13	<u>102465901</u>	Shaft, CVT Adapter	1
14	<u>102490101</u>	Bolt, M10 X 1.5 X 20 Loctite	4
15	<u>102490201</u>	Bolt, M8 X 1.25 X 25 Loctite	7
16	<u>102490501</u>	Bolt, M10 X 1.5 X 100 Loctite	1
17	<u>102494401</u>	Bracket, Transmission Mounting	2
18	<u>102498201</u>	Bolt, M10 X 1.25 X 25, Loctite	8
19	<u>102618601</u>	Lock Nut, Flange, M8 X 1.25 Nylon	1
20	<u>102621301</u>	Bolt, M8 X 1.25 X 40 with Loctite	3
21	<u>102621501</u>	Nut, Flange, M6 X 1.0, Nylon	3
22	<u>102670701</u>	Nut, Flange, M10 X 1.5 Nylon	1
23	<u>102959001</u>	Plate, Eng Mtg, Diesel, Lh	1
24	<u>103883801</u>	Engine, Kubota, D722, Mech, Ss	1
25	<u>96701412</u>	Washer, M12 Hard	4
26	<u>96704622</u>	Locknut, M12x1.75 Nylon Insert	4
27	<u>96704721</u>	Bolt, M12 X 1.75 X 90	4
28	<u>96718978</u>	Bolt, M8 X 1.25 X 80	1
29	<u>96741038</u>	Washer, M8 Hard	10
30	<u>96741046</u>	Washer, M10, Hard	12

9

D



000039-001

CRANKCASE (D722 – E3B)

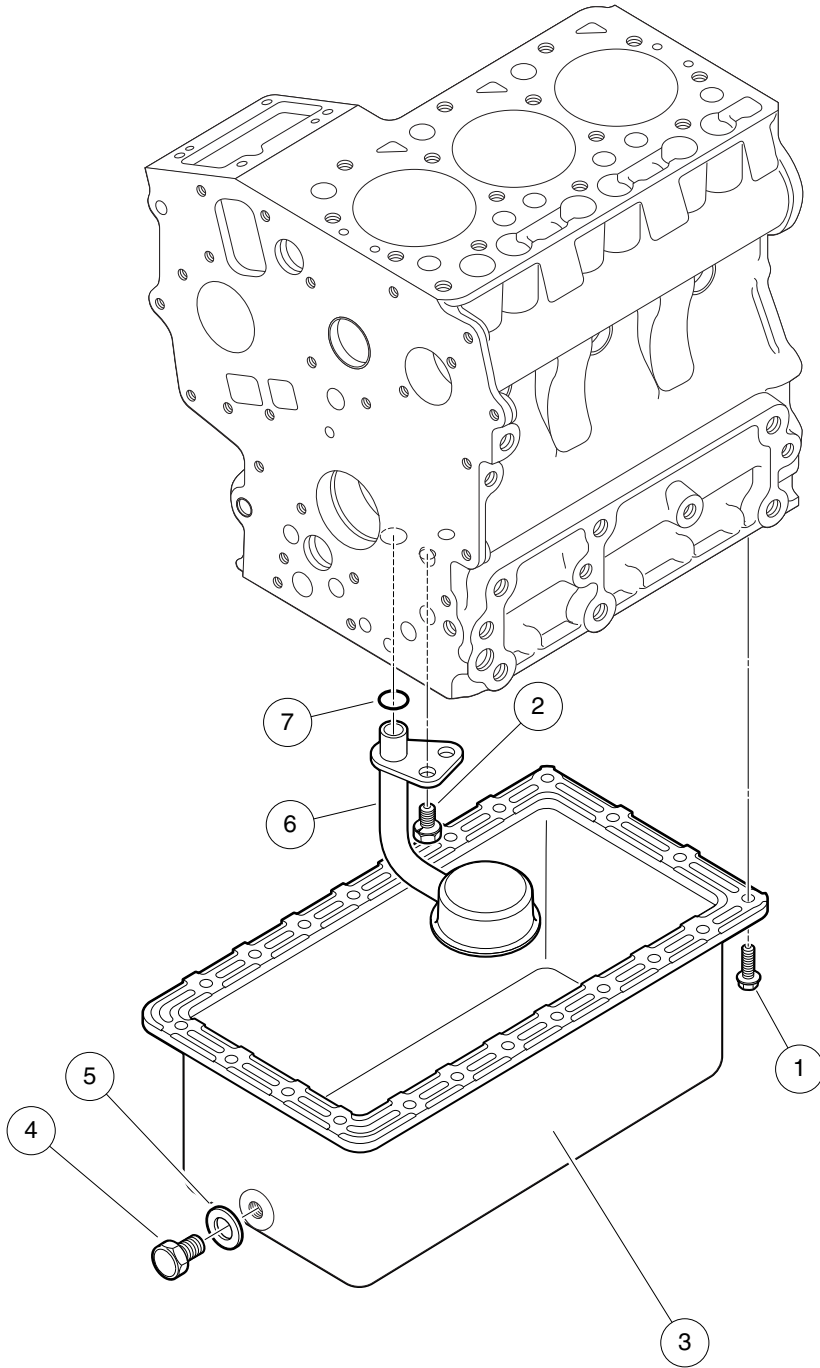
ITEM	PART NO.	DESCRIPTION	QTY
		1 2 3 4	
1	<u>102600001</u>	Engine Block (includes items 2 through 15)	1
2	<u>102600101</u>	Pin, Pipe, Dia 8 X 14	2
3	<u>102600201</u>	Pin, Straight, Dia 5 X 10	2
4	<u>102600401</u>	Pin, Pipe, Dia 7 X 14	1
5	<u>102600601</u>	Pin, Straight, Dia 8 X 16	2
6	<u>102600701</u>	Plug, 1/8"	3
7	<u>102600801</u>	Plug, 3/32"	5
8	<u>102601001</u>	Plug, 1/4"	1
9	<u>102601301</u>	Pin, Pipe, Dia 8 X 11	2
10	<u>102726201</u>	Cap, Sealing, Small	3
11	<u>102726301</u>	Cap, Sealing, Med	5
12	<u>102726401</u>	Cap, Sealing, Large	2
13	<u>102726501</u>	Cover, Fuel Camshaft	1
14	<u>102726601</u>	Plug, Expansion	1
15	N/A	Block, Engine	1
16	<u>102600301</u>	O Ring, 8 X 7	1
17	<u>102601401</u>	Cock, Drain	1
18	<u>102631601</u>	Bolt, M6 X 1 X 20	2
19	<u>102700801</u>	Plate, Engine Block	1
20	<u>102730801</u>	Switch, Oil Pressure	1
21	<u>102732601</u>	Gasket, Fuel Pump, D722	1

9

D

9

D



000040-001

OIL PAN (D722 – E3B)

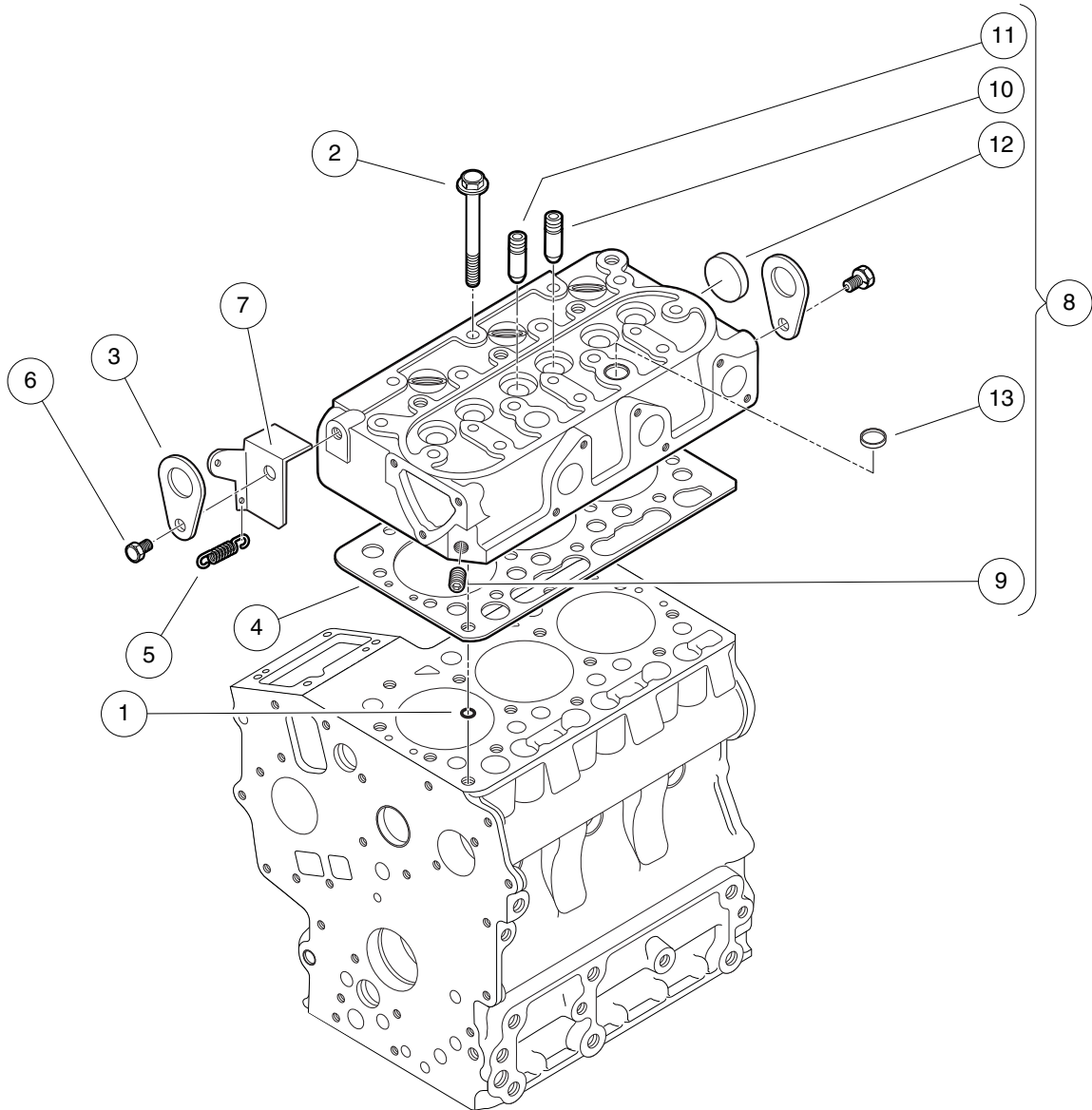
ITEM	PART NO.	DESCRIPTION	QTY
		1 2 3 4	
1	<u>102605101</u>	Bolt, M6 X 1 X 14	22
2	<u>102606901</u>	Bolt, M8 X 1.25 X 15	1
3	<u>102607001</u>	Oil Pan	1
4	<u>102607201</u>	Plug, Drain, M12 X 14	1
5	<u>102607301</u>	Gasket, 20 X 13	1
6	<u>102607401</u>	Filter, Oil, Pick Up	1
7	<u>102654601</u>	O Ring, 20 X 17	1

9

D

9

D



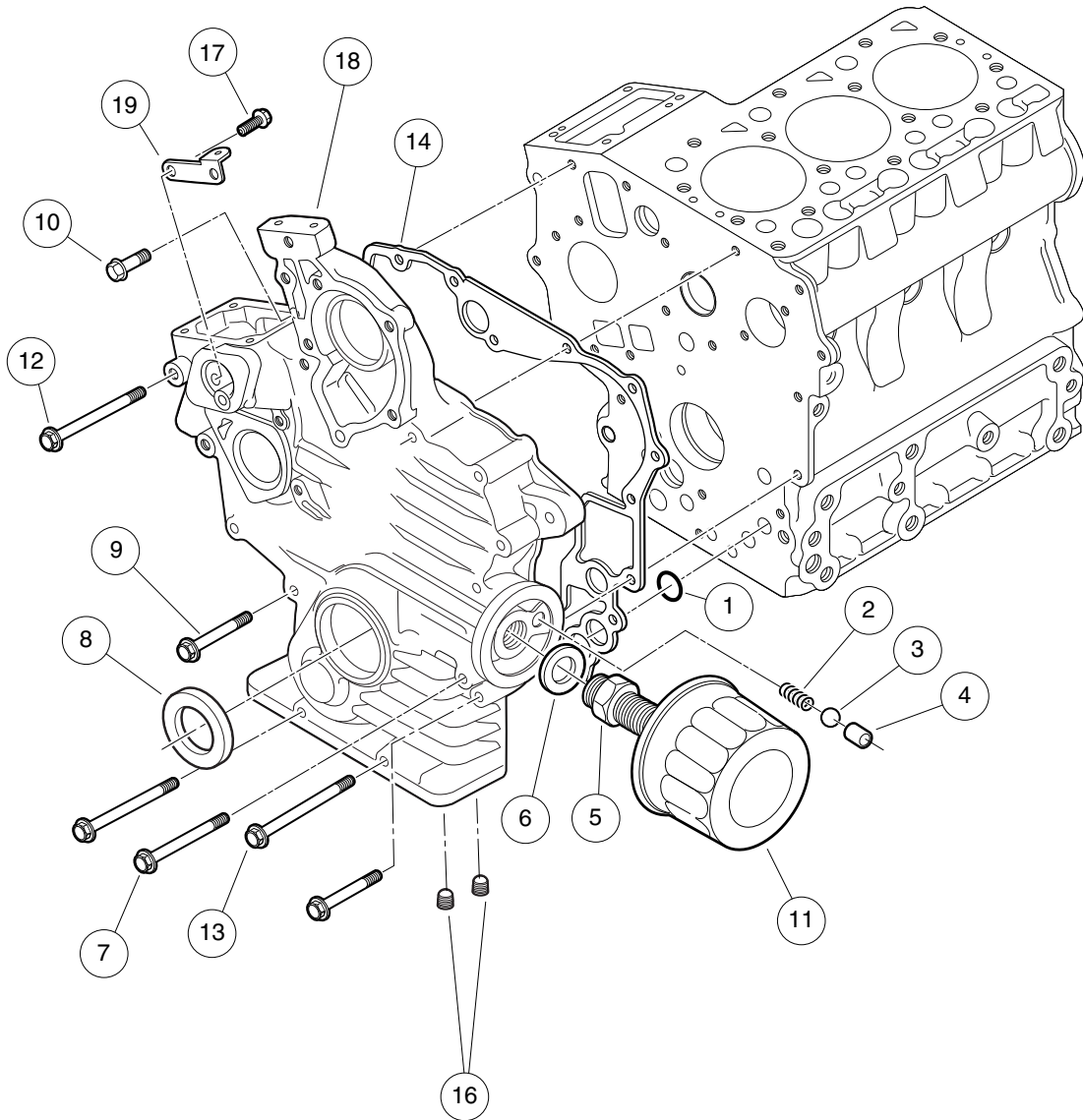
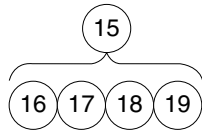
000041-002

CYLINDER HEAD (D722 – E3B)

ITEM	PART NO.	DESCRIPTION	QTY
		1 2 3 4	
1	<u>102600301</u>	O Ring, 8 X 7	1
2	<u>102652801</u>	Bolt, Cylinder Head	14
3	<u>102653901</u>	Hook, Engine	2
4	<u>102654101</u>	Gasket, Cylinder Head	1
5	<u>102701001</u>	Spring, Start	1
6	<u>102726701</u>	Bolt, Engine Hook	2
7	<u>102727101</u>	Stay, Cylinder Head	1
8	<u>102798001</u>	Head, Cylinder, Complete (includes items 9 through 13)	1
9	<u>102600801</u>	Plug, 3/32"	1
10	<u>102653401</u>	Guide, Exhaust Valve	3
11	<u>102653501</u>	Guide, Inlet Valve	3
12	<u>102726901</u>	Cap, Sealing, Head	1
13	<u>102727001</u>	Cap, Sealing, Head, Top	2

9

D



000042-003

GEAR CASE (D722 – E3B)

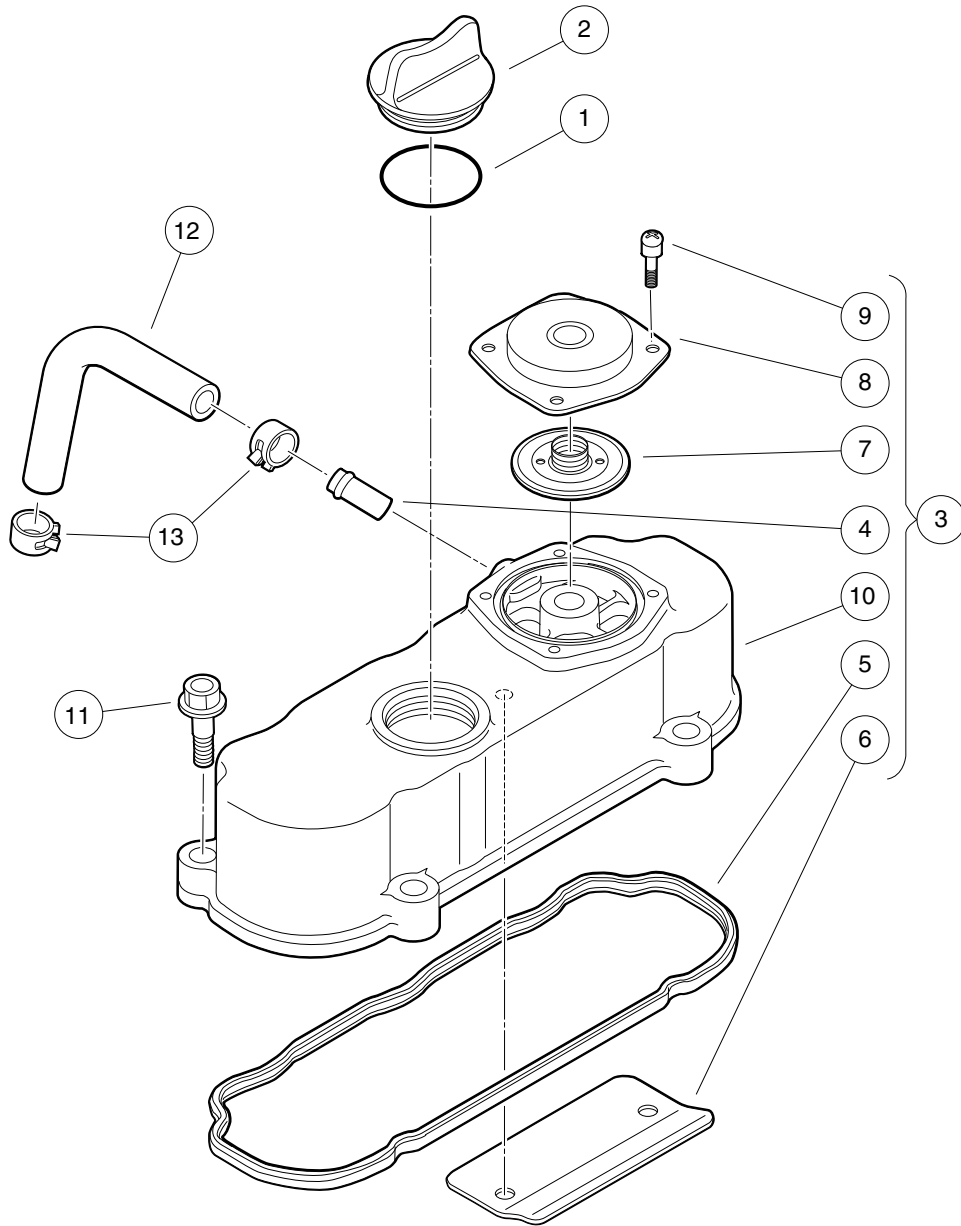
ITEM	PART NO.	DESCRIPTION	QTY
		1 2 3 4	
1	<u>102601801</u>	O Ring, 18 X 13	3
2	<u>102601901</u>	Spring, Valve	1
3	<u>102602001</u>	Ball, Valve	1
4	<u>102602101</u>	Seat, Valve	1
5	<u>102602301</u>	Joint, Pipe	1
6	<u>102602401</u>	Washer, Plain, Special	1
7	<u>102602601</u>	Bolt, M6 X 1 X 60	2
8	<u>102602701</u>	Seal, Oil	1
9	<u>102602801</u>	Bolt, D722, Front Case	9
10	<u>102654301</u>	Bolt, D722 Intake Manifold Lower	1
11	<u>102703301</u>	Filter, Engine Oil, D722	1
12	<u>102727401</u>	Bolt, Gearcase, Top	2
13	<u>102727501</u>	Bolt, Gearcase, Lower	1
14	<u>102729301</u>	Gasket, Gearcase, D722	1
15	<u>102798101</u>	Case, Gear (includes items 16 through 19)	1
16	<u>102601001</u>	Plug, 1/4"	2
17	<u>102727601</u>	Screw, Breather	2
18	N/A	Case, Gear	1
19	<u>102798201</u>	Stay, Spring	1

9

D

9

D



000181-001

HEAD COVER (D722 – E3B)

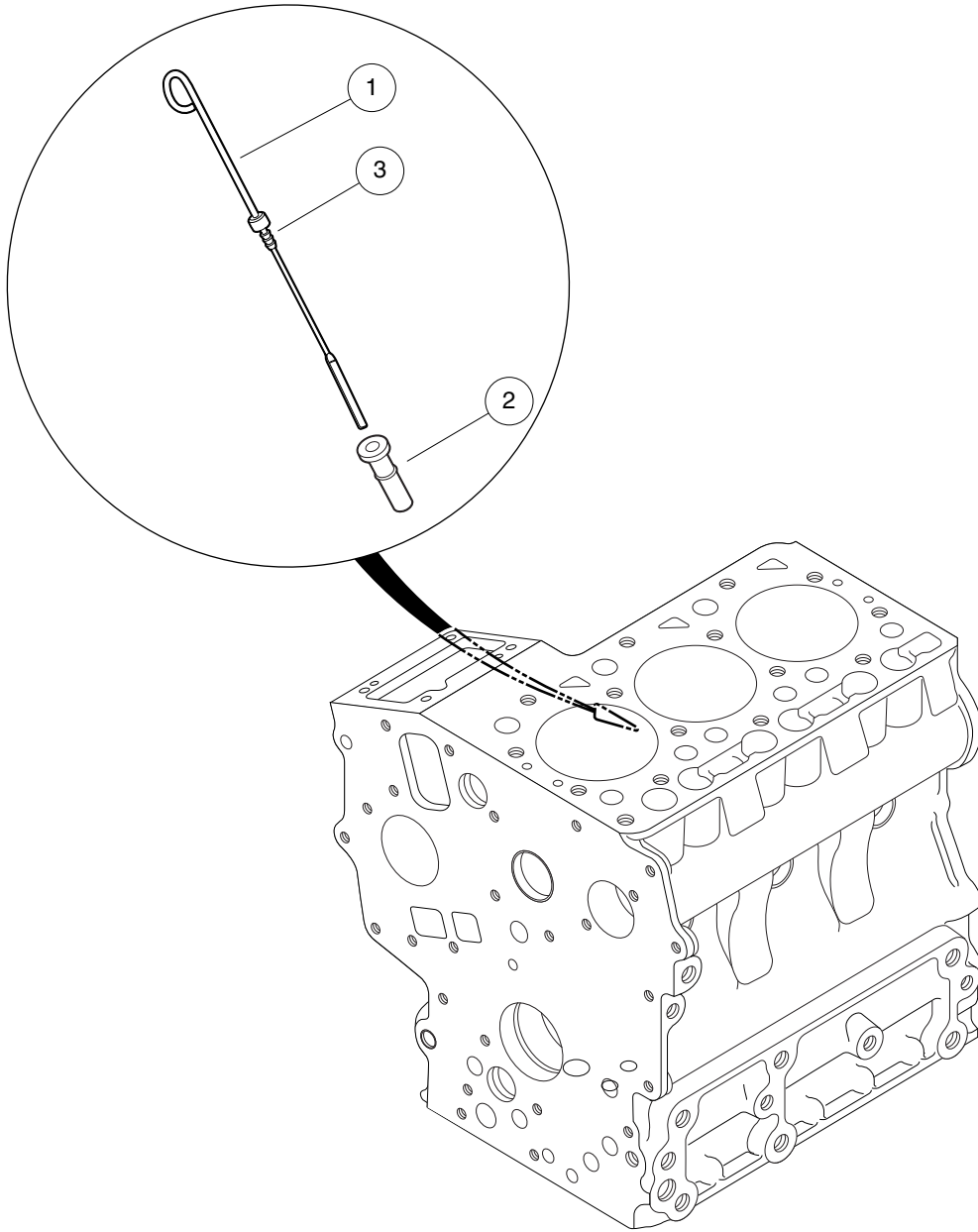
ITEM	PART NO.	DESCRIPTION	QTY
		1 2 3 4	
1	<u>102644001</u>	O Ring, 30 X 36	1
2	<u>102644101</u>	Plug, Oil Filler	1
3	<u>102798401</u>	Assembly, Cylinder Head Cover (includes items 4 through 10)	1
4	<u>102633301</u>	Pipe, Water Return, D722	1
5	<u>102798501</u>	Gasket, Cylinder Head Cover	1
6	<u>102798601</u>	Shield, Breather	1
7	<u>102799001</u>	Valve, Breather	1
8	<u>102799101</u>	Cover, Breather	1
9	<u>102799201</u>	Screw, Breather	4
10	N/A	Cover, Cylinder Head	1
11	<u>102798701</u>	Bolt, Cylinder Head Cover	4
12	<u>102798801</u>	Tube, Breather	1
13	<u>102798901</u>	Clamp, Breather Tube	2

9

D

9

D



000044-003

DIPSTICK AND GUIDE (D722 – E3B)

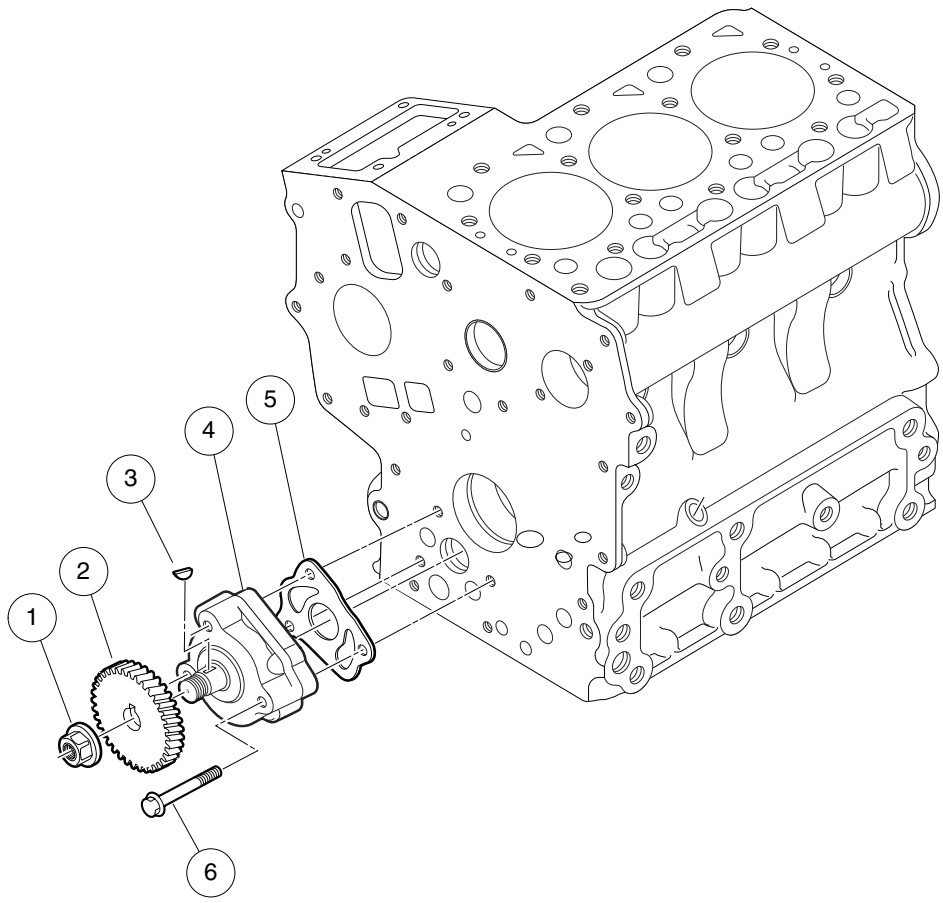
ITEM	PART NO.	DESCRIPTION	QTY
		1 2 3 4	
1	<u>102606701</u>	Dipstick, Oil	1
2	<u>102727701</u>	Guide, Oil Dipstick	1
3	103941901	Plug, Dipstick, Kubota	1

9

D

9

D



000045-001

OIL PUMP (D722 – E3B)

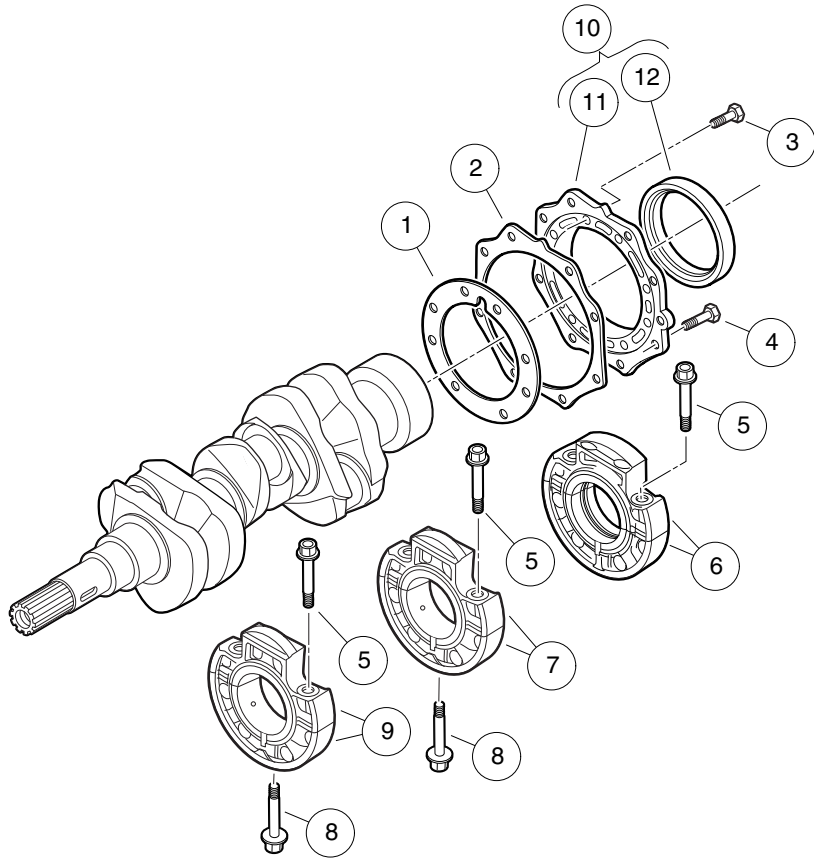
ITEM	PART NO.	DESCRIPTION	QTY
		1 2 3 4	
1	<u>102606201</u>	Nut, Flange, D722 Oil Pump	1
2	<u>102606301</u>	Gear, Oil Pump Drive	1
3	<u>102606401</u>	Key, Feather, 8x4	1
4	<u>102606501</u>	Assy, Pump, Oil	1
5	<u>102606601</u>	Gasket, Oil Pump	1
6	<u>102727901</u>	Bolt, Oil Pump	3

9

D

9

D



000046-001

MAIN BEARING CASE (D722 – E3B)

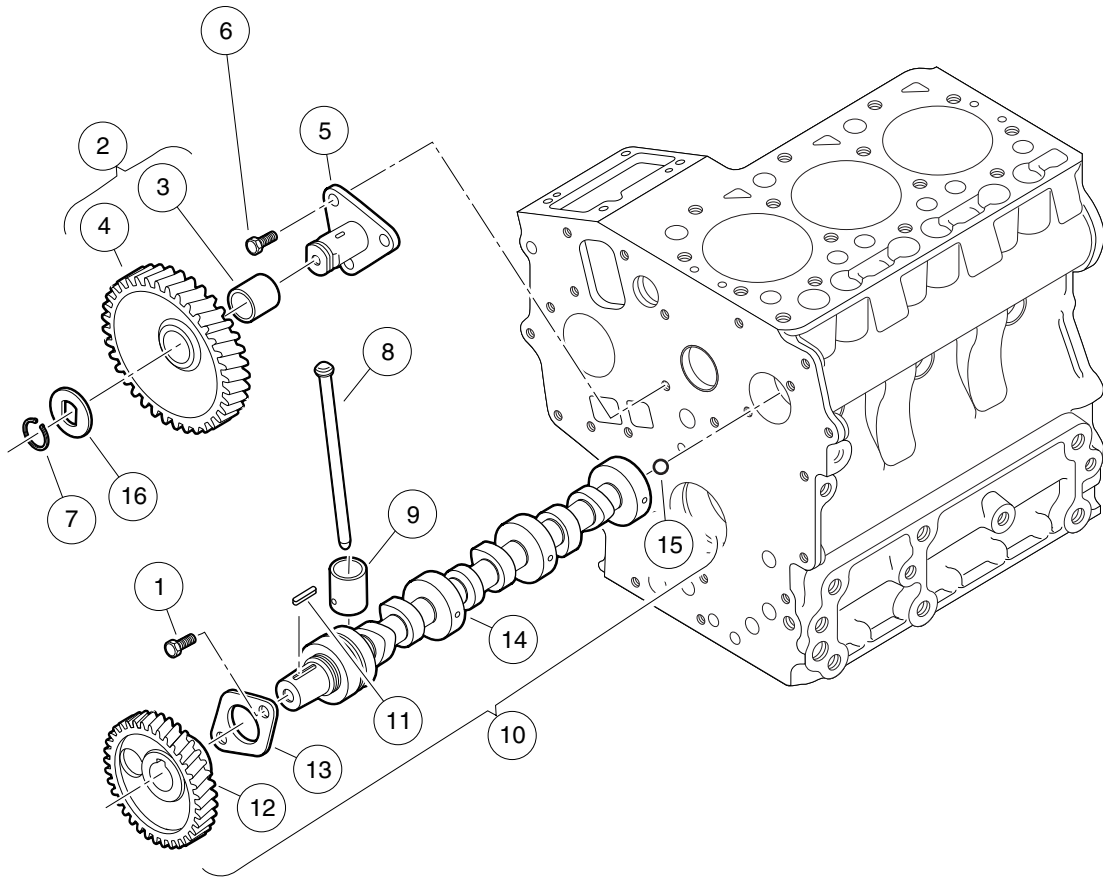
ITEM	PART NO.	DESCRIPTION	QTY
		1 2 3 4	
1	<u>102608201</u>	Gasket, Bearing Case	1
2	<u>102608301</u>	Gasket, Cover	1
3	<u>102608601</u>	Bolt, M6 X 1 X 20	8
4	<u>102608701</u>	Bolt, M6 X 1 X 22	8
5	<u>102608901</u>	Bolt, Bearing Case, Top	6
6	<u>102609101</u>	Assy Case, Main Brg, First	1
7	<u>102609301</u>	Assy, Case, Main Bearing, Second	1
8	<u>102609401</u>	Bolt, Bearing Case, Bottom	2
9	<u>102609601</u>	Assy Case, Main Brg, Third	1
10	<u>102728001</u>	Assy, Cover, Bearing Case (includes items 11 and 12)	1
11	<u>102608401</u>	Cover, Bearing Case	1
12	<u>102608501</u>	Seal, Oil	1

9

D

9

D



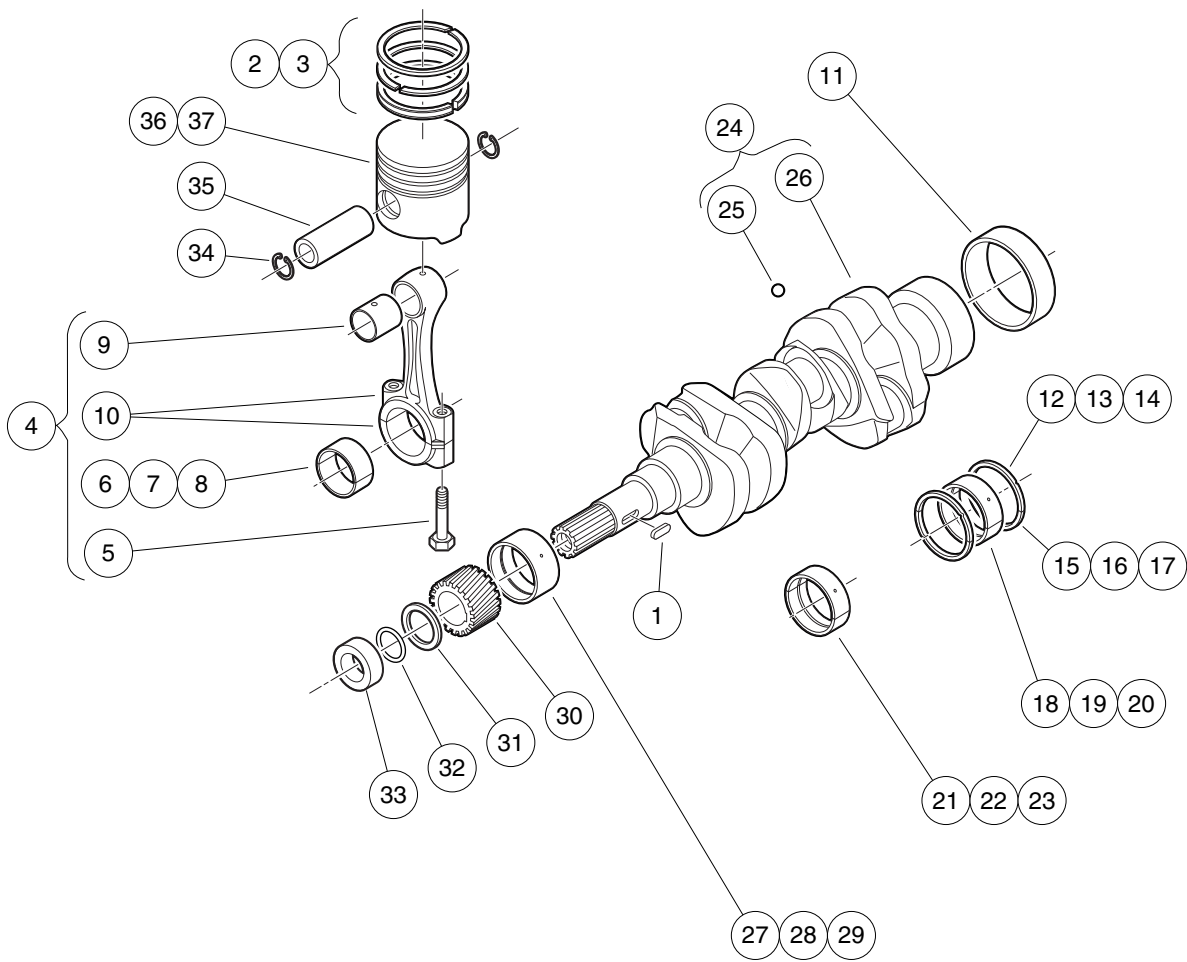
000047-002

CAMSHAFT AND IDLE GEAR (D722 – E3B)

ITEM	PART NO.	DESCRIPTION	QTY
		1 2 3 4	
1	<u>102604201</u>	Bolt, D722, Cam End	2
2	<u>102604901</u>	Gear, Idle (includes items 3 and 4)	1
3	<u>102603201</u>	Bushing, D722 Idle Gear	1
4	N/A	Gear, Idle	1
5	<u>102605001</u>	Shaft, Idle Gear	1
6	<u>102605101</u>	Bolt, M6 X 1 X 14	3
7	<u>102605301</u>	Ring, Snap	1
8	<u>102605401</u>	Push Rod	6
9	<u>102605501</u>	Tappet	6
10	<u>102605801</u>	Assy Camshaft, Long (includes items 11 through 15)	1
11	<u>102605601</u>	Key, Feather, Long Camshaft	1
12	<u>102605901</u>	Gear, Cam	1
13	<u>102606001</u>	Stopper, Camshaft	1
14	N/A	Camshaft	1
15	<u>102799401</u>	Ball, Check	1
16	<u>102654401</u>	Collar, Idle Gear	1

9

D



000048-002

PISTON AND CRANKSHAFT (D722 – E3B)

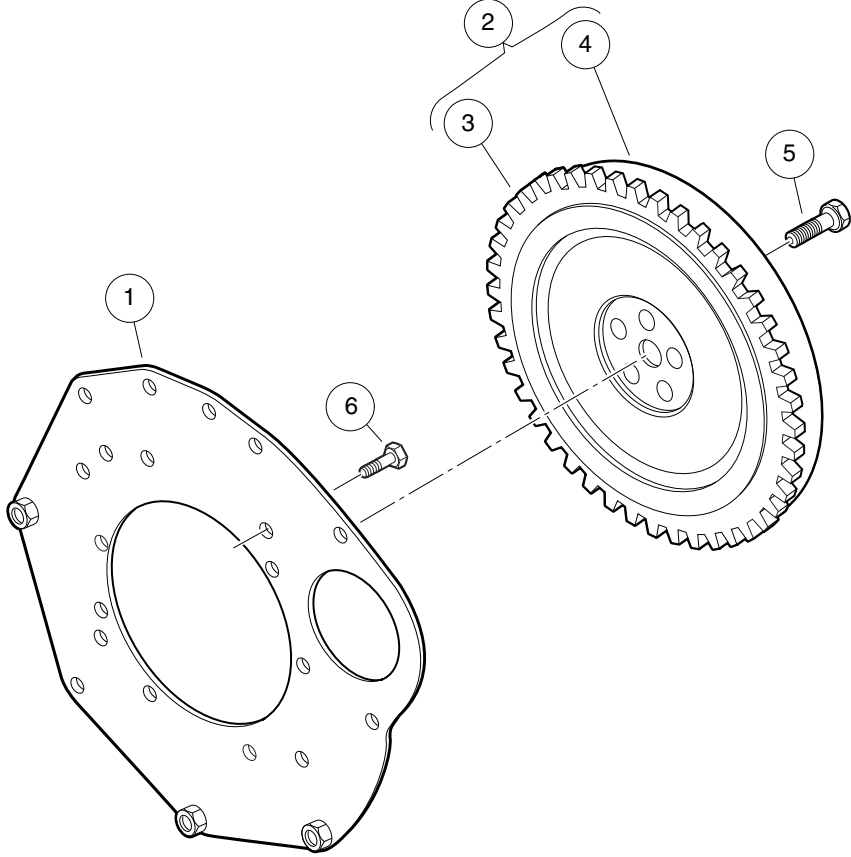
ITEM	PART NO.	DESCRIPTION	QTY
		1 2 3 4	
1	<u>102604401</u>	Key, Feather, Short Camshaft	1
2	<u>102607601</u>	Assy Piston Ring, D722 Std	3
3	<u>102607602</u>	Assy Piston Ring, D722 +.025	3
4	<u>102607801</u>	Assy, Connecting Rod (includes items 5 through 10)	3
5	<u>102607901</u>	Bolt, Connecting Rod	6
6	<u>102630701</u>	Metal, Crank, Rod, D722, Std	3
7	<u>102630702</u>	Metal, Crank, Rod, D722, .020	3
8	<u>102630703</u>	Metal, Crank, Rod, D722, .040	3
9	<u>102732201</u>	Bushing, Piston Pin, D722	3
10	N/A	Rod, Connecting	1
11	<u>102608101</u>	Sleeve, Crankshaft	1
12	<u>102608801</u>	Metal,crank, O Side, Std	2
13	<u>102608802</u>	Metal,crank, O Side, +.020	2
14	<u>102608803</u>	Metal,crank, O Side, +.040	2
15	<u>102608804</u>	Metal,crank, I Side, Std	2
16	<u>102608805</u>	Metal,crank, I Side, +.020	2
17	<u>102608806</u>	Metal,crank, I Side, +.040	2
18	<u>102609001</u>	Metal, Crank, Main, Rear Std	1
19	<u>102609002</u>	Metal, Crank, Main, Rear -.020	1
20	<u>102609003</u>	Metal, Crank, Main, Rear -.040	1
21	<u>102609801</u>	Metal, Crank, Main, Mid Std	4
22	<u>102609802</u>	Metal, Crank, Main, Mid +.020	2
23	<u>102609803</u>	Metal, Crank, Main, Mid +.040	2
24	<u>102610001</u>	Crankshaft (includes items 25 and 26)	1
25	<u>102608001</u>	Ball, Crankshaft	3
26	N/A	Crankshaft	1
27	<u>102630001</u>	Metal, Crank, D722, Frnt, Std	1
28	<u>102630002</u>	Metal, Crank, 722, Frnt, -.020	1
29	<u>102630003</u>	Metal, Crank, 722, Frnt, -.040	1
30	<u>102630101</u>	Gear, Crank	1
31	<u>102630201</u>	Slinger, Oil	1
32	<u>102630301</u>	O Ring, 23 X 26	1
33	<u>102630401</u>	Collar, Crankshaft	1
34	<u>102630901</u>	Circlip, Piston Pin	6
35	<u>102631001</u>	Pin, Piston	3
36	<u>102728101</u>	Piston, D722, Std	3
37	<u>102728102</u>	Piston, D722, +0.25	3

9

D

9

D



000049-001

FLYWHEEL (D722 – E3B)

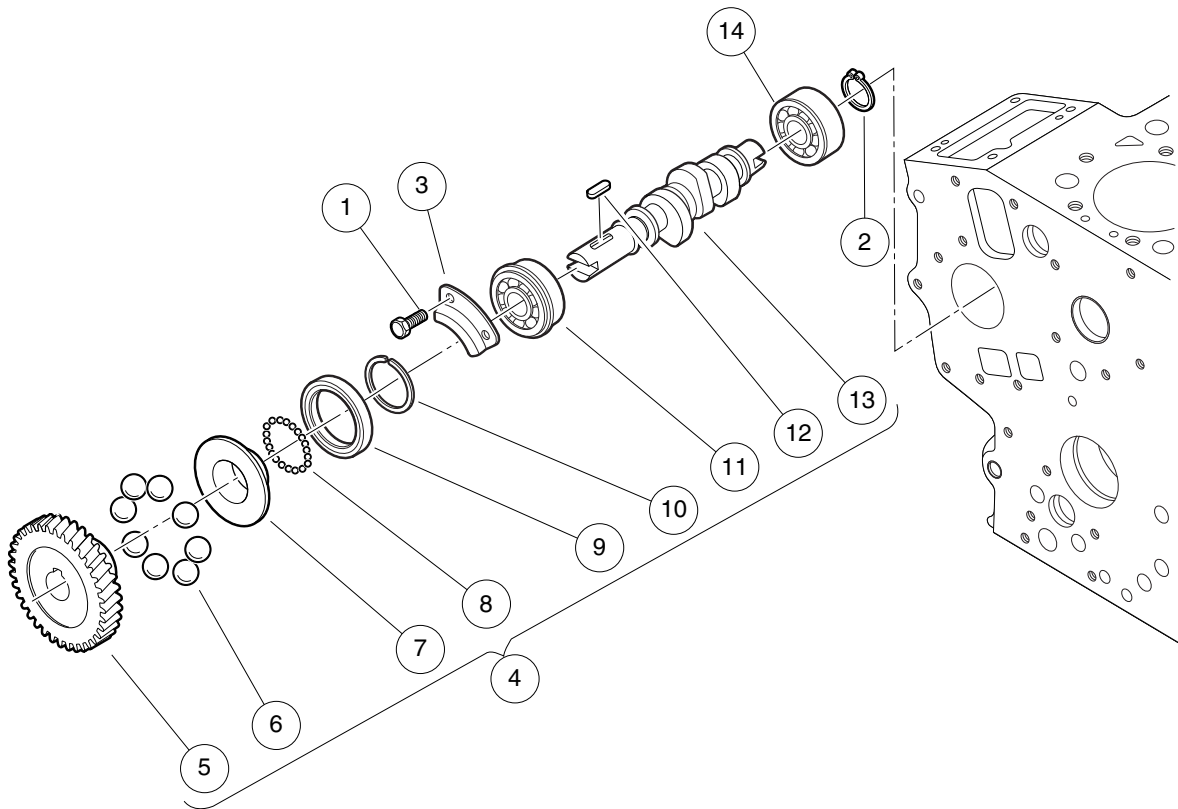
ITEM	PART NO.	DESCRIPTION	QTY
		1 2 3 4	
1	<u>102647501</u>	Plate, Rear End	1
2	<u>102647801</u>	Flywheel (includes items 3 and 4)	1
3	<u>102647901</u>	Gear, Ring, D722	1
4	N/A	Flywheel	1
5	<u>102648001</u>	Bolt, Flange Head, M10 X 1.5 X 25	5
6	<u>102728301</u>	Bolt, End Plate	10

9

D

9

D



000050-001

FUEL CAMSHAFT (D722 – E3B)

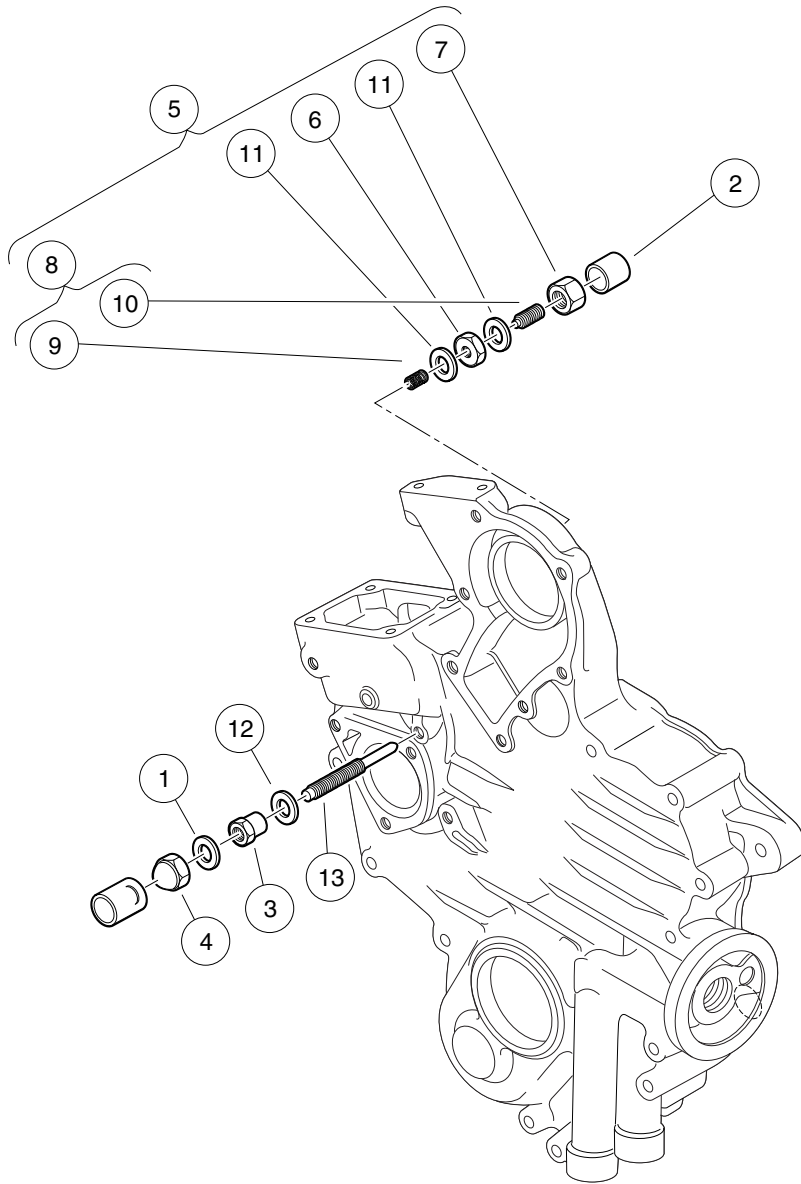
ITEM	PART NO.	DESCRIPTION	QTY
		1 2 3 4	
1	<u>102604201</u>	Bolt, D722, Cam End	2
2	<u>102604701</u>	Circlip, External	1
3	<u>102604801</u>	Stopper, Fuel, Camshaft	1
4	<u>102728401</u>	Assy, Fuel Camshaft (includes items 5 through 13)	1
5	<u>102603601</u>	Gear, Injection Pump	1
6	<u>102603701</u>	Ball, Injection Pump	8
7	<u>102603801</u>	Sleeve, Governor	1
8	<u>102603901</u>	Ball, Governor	32
9	<u>102604001</u>	Case, Governor Ball	1
10	<u>102604101</u>	Circlip	1
11	<u>102604301</u>	Bearing, Ball	1
12	<u>102604401</u>	Key, Feather, Short Camshaft	1
13	<u>102604501</u>	Camshaft, Fuel, Short	1
14	<u>102728501</u>	Bearing, Ball	1

9

D

9

D



000051-002

IDLE APPARATUS (D722 – E3B)

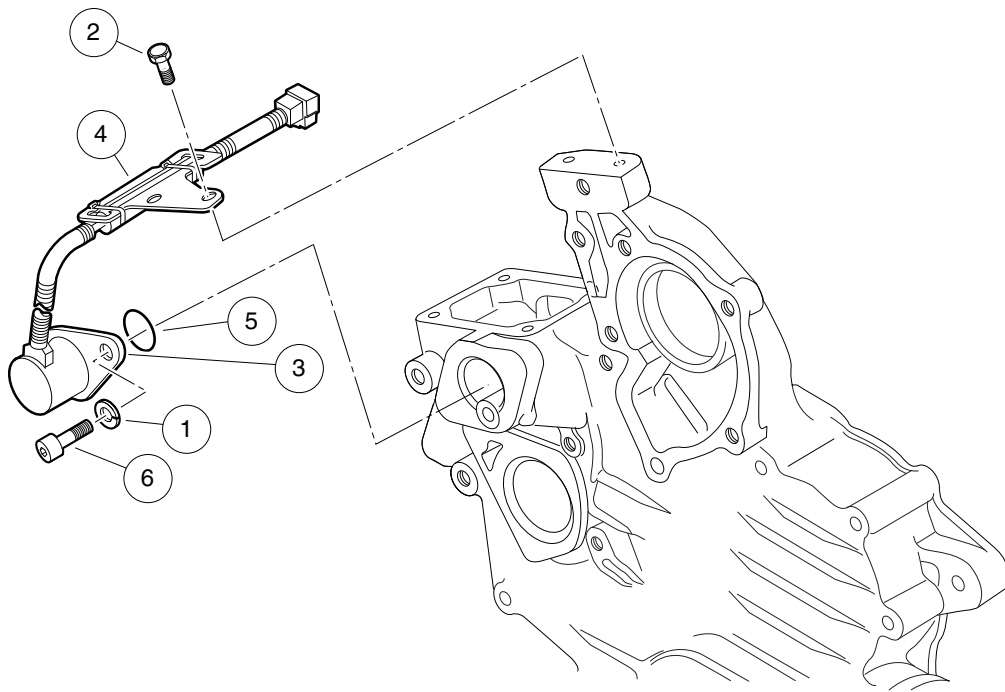
ITEM	PART NO.	DESCRIPTION	QTY
		1 2 3 4	
1	<u>102635301</u>	Gasket, 6 X 10	1
2	<u>102635701</u>	Cap, Bolt Assy	1
3	<u>102637001</u>	Nut, Lock, Special	1
4	<u>102637101</u>	Nut, Special	1
5	<u>102728601</u>	Assy, Idle Apparatus (includes items 6 through 11)	1
6	<u>102635501</u>	Nut, M8, D722 Idle App, Specl	1
7	<u>102635801</u>	Nut, M8, D722 Idle App	1
8	<u>102635901</u>	Assy, Bolt, Adjusting (includes items 9 and 10)	1
9	<u>102728701</u>	Spring, Idle Apparatus	1
10	N/A	Stud, Idle Adjustment	1
11	<u>102728801</u>	Gasket, Idle Apparatus, Rear	2
12	<u>102728901</u>	Gasket, Idle Apparatus, Front	1
13	<u>102799501</u>	Bolt, Idle Adjusting	1

9

D

9

D



000182-001

STOP SOLENOID (D722 – E3B)

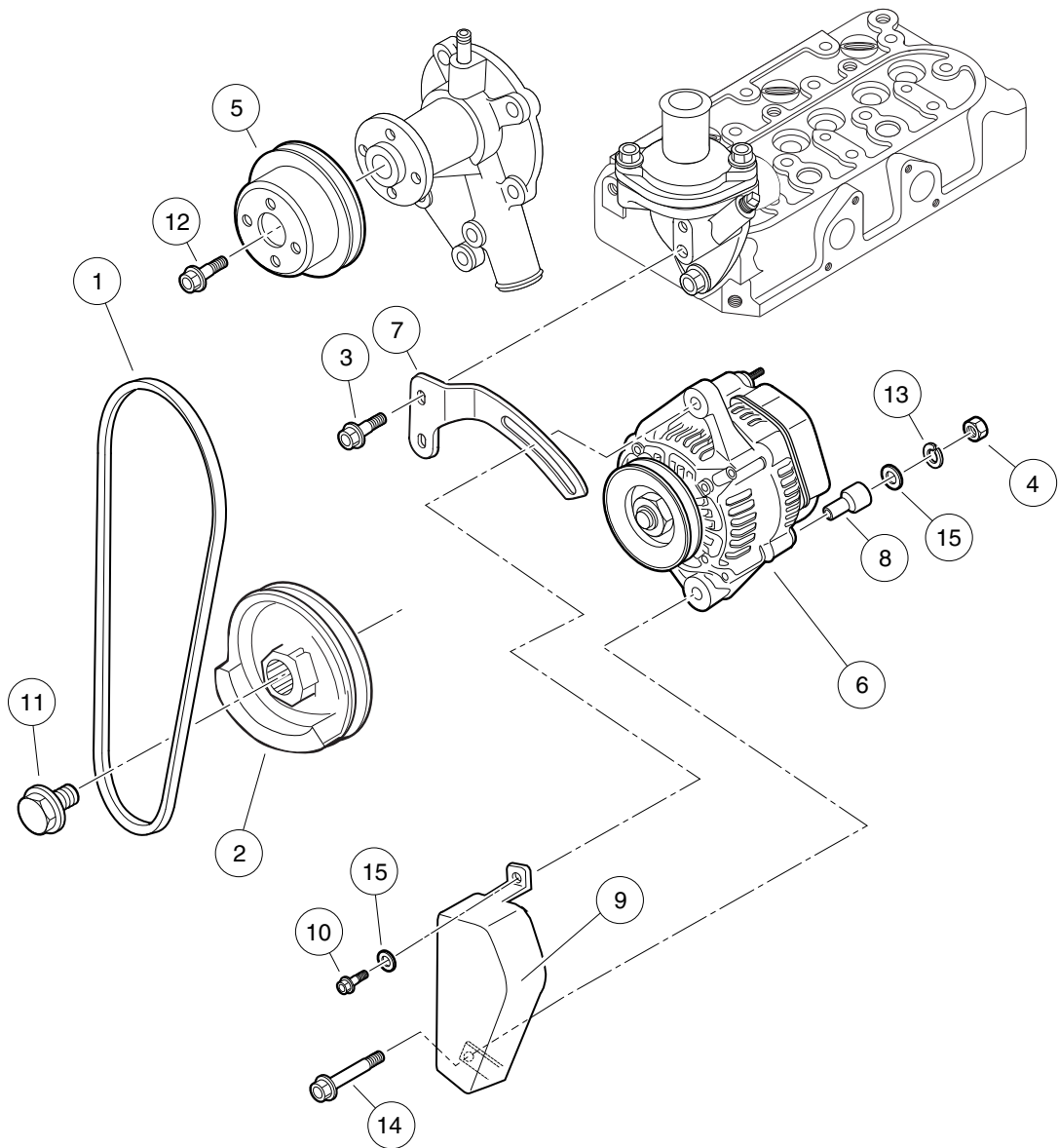
ITEM	PART NO.	DESCRIPTION	QTY
		1 2 3 4	
1	<u>102640601</u>	Washer, Spring, M6, D722	2
2	<u>102729101</u>	Bolt, Solenoid, Stop, D722	2
3	<u>102799601</u>	Solenoid, Stop	1
4	<u>102799701</u>	Stay, Stop Solenoid	1
5	<u>102799801</u>	O-Ring, Stop Solenoid	1
6	<u>102799901</u>	Bolt, Stop Solenoid	2

9

D

9

D



000057-002

40-AMP ALTERNATOR, BELT AND PULLEYS (D722 – E3B)

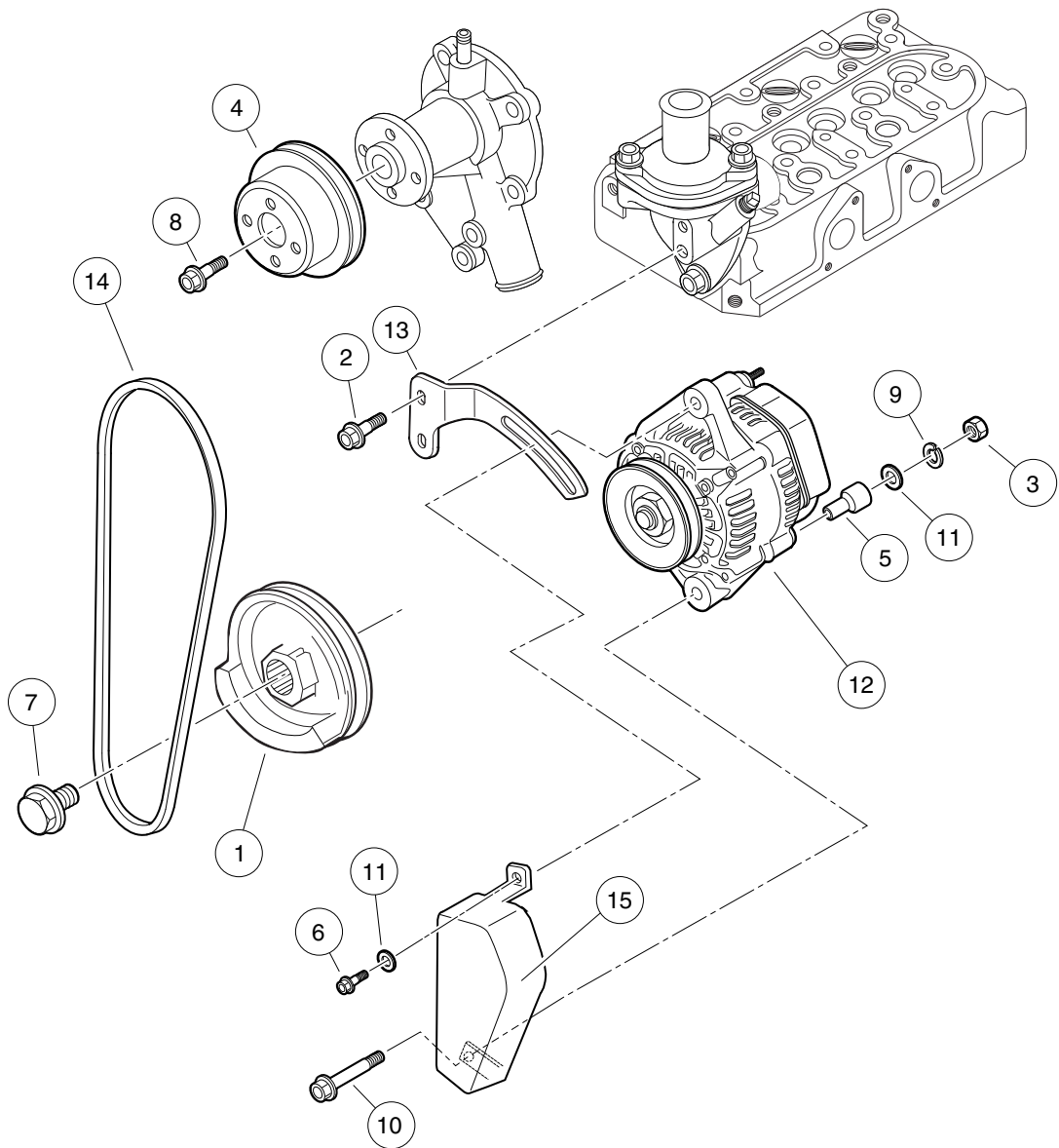
ITEM	PART NO.	DESCRIPTION	QTY
		1 2 3 4	
1	<u>102601101</u>	V-Belt	1
2	<u>102630601</u>	Pulley, Fan Drive	1
3	<u>102631601</u>	Bolt, M6 X 1 X 20	2
4	<u>102647701</u>	Nut, M8, Plate	1
5	<u>102701201</u>	Pulley, Water Pump	1
6	<u>102730001</u>	Alternator, 40-Amp	1
7	<u>102730101</u>	Stay, Alternator Assy, D722	1
8	<u>102730201</u>	Collar, Alternator Assy, D722	1
9	<u>102730301</u>	Cover, Alternator Assy, D722	1
10	<u>102730401</u>	Bolt, Alt, D722, Adjuster	1
11	<u>102730601</u>	Bolt, Alt, D722, Drive Pulley	1
12	<u>102731301</u>	Bolt, D722, Drive Pulley	4
13	<u>102732501</u>	Washer, Spring, D722, Starter	1
14	<u>102800701</u>	Bolt, Alternator, Lower	1
15	<u>102801001</u>	Washer, Alternator, Upper	2

9

D

9

D



000057-003

60-AMP ALTERNATOR, BELT AND PULLEYS (D722 – E3B)

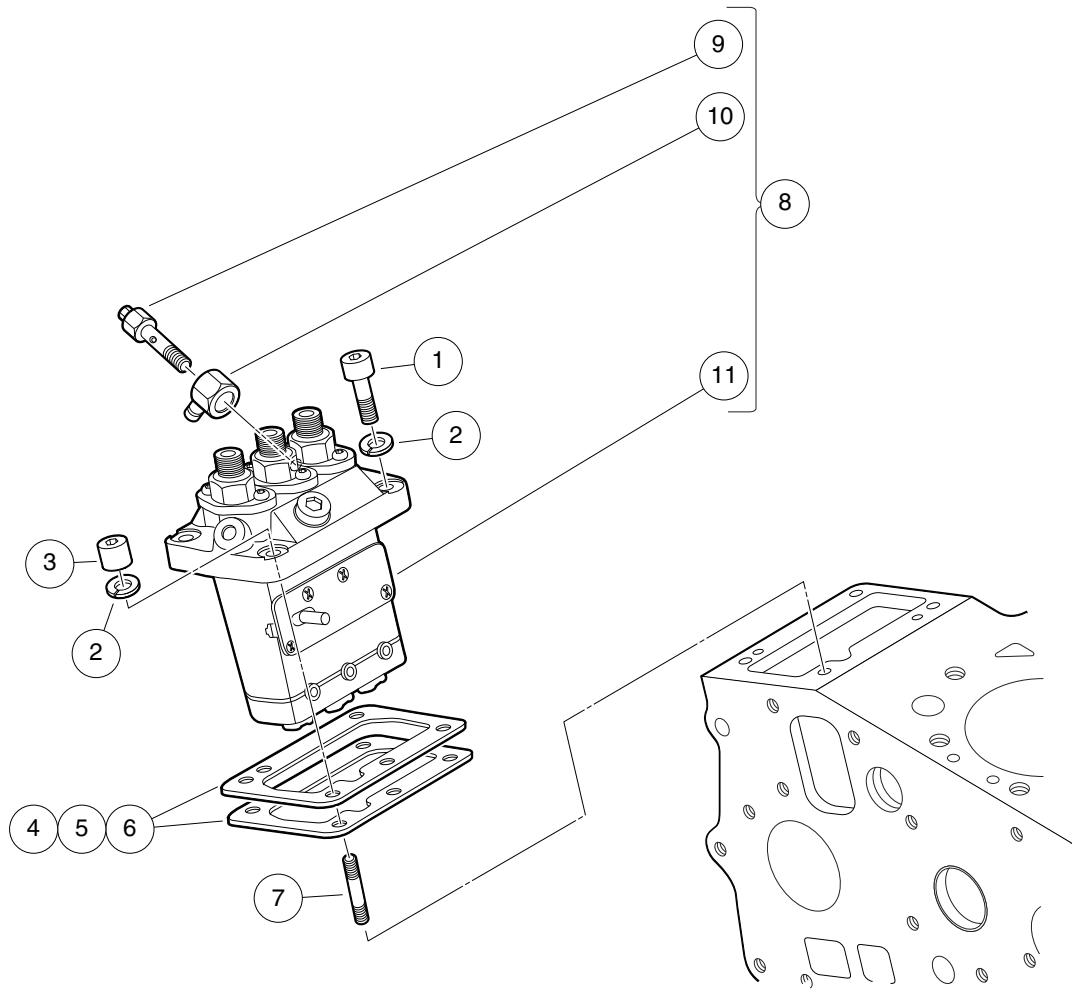
ITEM	PART NO.	DESCRIPTION	QTY
		1 2 3 4	
1	<u>102630601</u>	Pulley, Fan Drive	1
2	<u>102631601</u>	Bolt, M6 X 1 X 20	2
3	<u>102647701</u>	Nut, M8, Plate	1
4	<u>102701201</u>	Pulley, Water Pump	1
5	<u>102730201</u>	Collar, Alternator Assy, D722	1
6	<u>102730401</u>	Bolt, Alt, D722, Adjuster	1
7	<u>102730601</u>	Bolt, Alt, D722, Drive Pulley	1
8	<u>102731301</u>	Bolt, D722, Drive Pulley	4
9	<u>102732501</u>	Washer, Spring, D722, Starter	1
10	<u>102800701</u>	Bolt, Alternator, Lower	1
11	<u>102801001</u>	Washer, Alternator, Upper	2
12	<u>102934701</u>	Alternator, 60 Amp	1
13	<u>102934801</u>	Bracket, Alternator, D722, 60 Amp	1
14	<u>102934901</u>	Belt, Accessory Drive, D722, 60 Amp	1
15	<u>103239901</u>	Guard, Accessory Belt	1

9

D

9

D



000053-002

FUEL INJECTION PUMP (D722 – E3B)

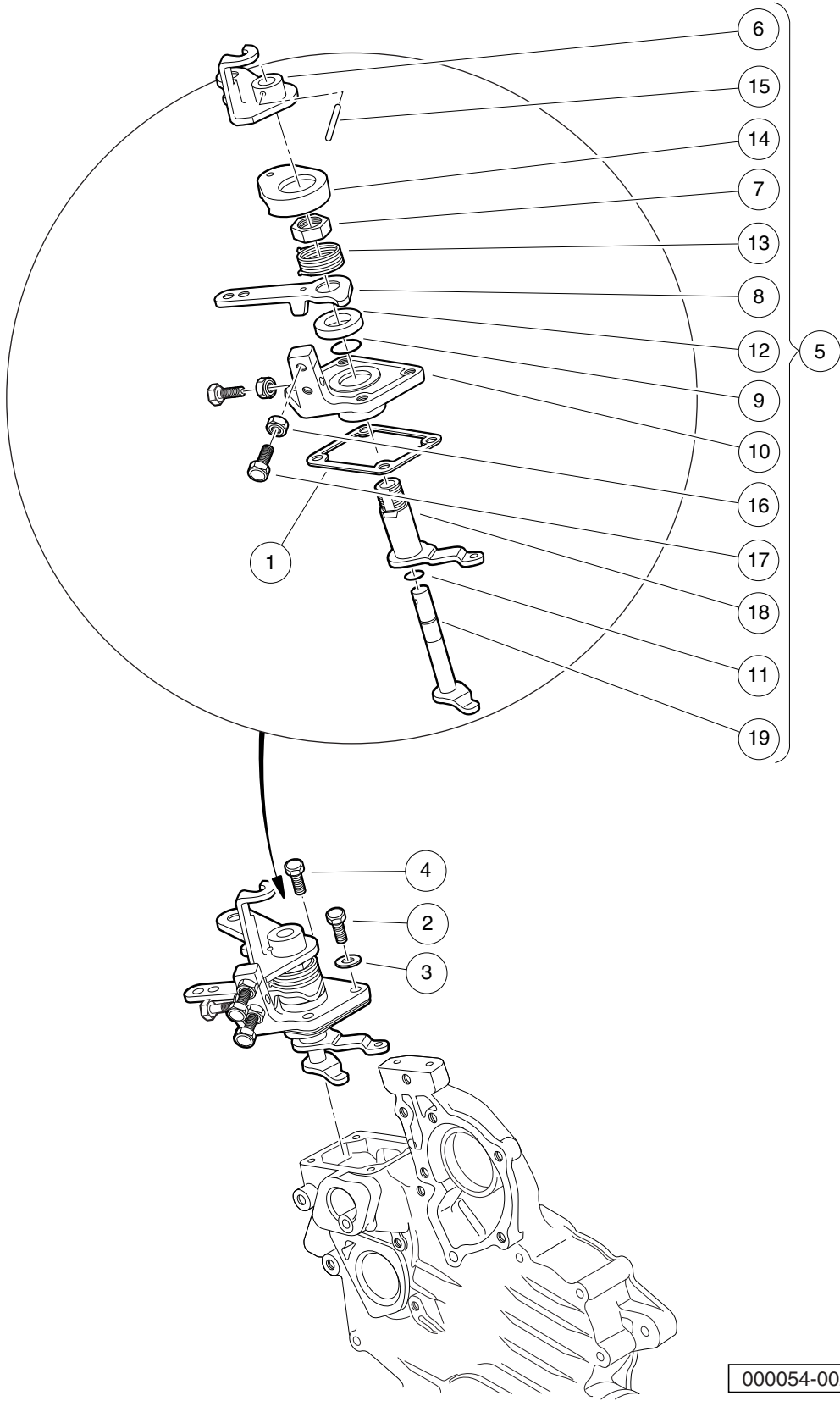
ITEM	PART NO.	DESCRIPTION	QTY
		1 2 3 4	
1	<u>102640501</u>	Bolt, Hex-Head, M5 X 0.75 X	2
2	<u>102640601</u>	Washer, Spring, M6, D722	4
3	<u>102640701</u>	Nut, Special	2
4	<u>102640901</u>	Shim, Injection Pump, 0.20 mm	1
5	<u>102641001</u>	Shim, Injection Pump, 0.25 mm	1
6	102641101	Shim, Injection Pump, 0.30 mm	1
7	<u>102641201</u>	Stud, M5 X 25	2
8	<u>102800101</u>	Assembly, Fuel Injection Pump (includes items 9 through 11)	1
9	<u>102637701</u>	Screw, Hollow, D722, Inj Pump	1
10	<u>102640401</u>	Joint, Eye	1
11	N/A	Pump, Injection	1

9

D

9

D



000054-002

SPEED CONTROL (D722 – E3B)

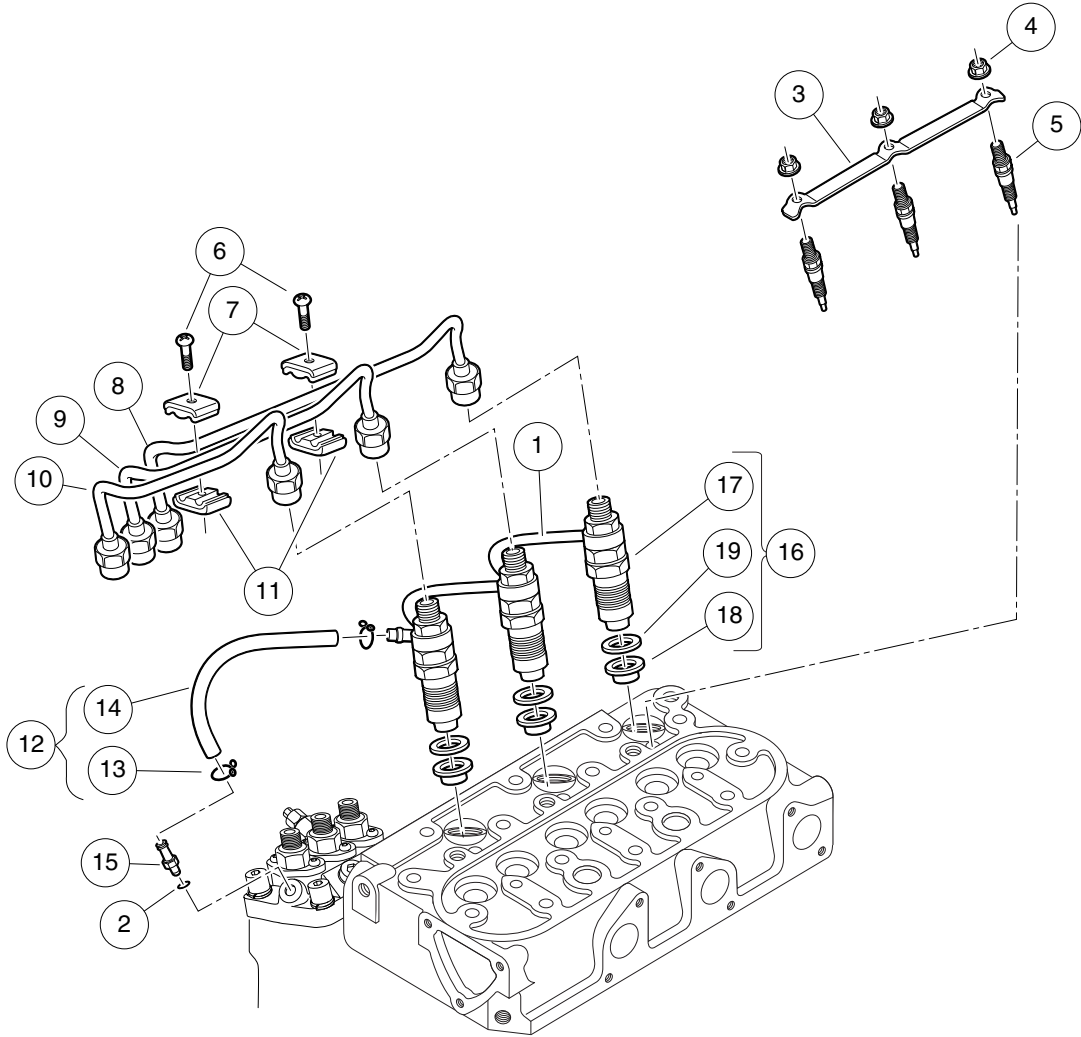
ITEM	PART NO.	DESCRIPTION	QTY
		1 2 3 4	
1	<u>102634501</u>	Gasket, Control Plate	1
2	<u>102635201</u>	Bolt, M6 X 1 X 30	2
3	<u>102635301</u>	Gasket, 6 X 10	2
4	<u>102654301</u>	Bolt, D722 Intake Manifold Lower	2
5	<u>102800401</u>	Assembly, Speed Plate (includes items 6 through 20)	1
6	<u>102633701</u>	Lever, Engine Stop	1
7	<u>102633801</u>	Nut, Speed Control	1
8	<u>102633901</u>	Lever, Speed Control	1
9	<u>102634001</u>	O Ring, 19 X 16	1
10	<u>102634101</u>	Plate, Speed Control	1
11	<u>102634401</u>	O Ring, 9 X 7	1
12	<u>102634601</u>	Collar, Lever	1
13	<u>102634701</u>	Spring, Return	1
14	<u>102729401</u>	Cap, Speed Cntrl Plate Rtrn	1
15	<u>102729501</u>	Pin, Spring, Speed Plate	1
16	<u>102800501</u>	Lever, Governor	1
17	<u>102800601</u>	Shaft, Governor Lever	1
18	<u>105222301</u>	Bolt, Speed Control, D722	1
19	<u>105222401</u>	Nut, Speed Control, D722	3
20	<u>105222501</u>	Bolt, Speed Control, D722	2

9

D

9

D



000055-001

NOZZLE HOLDERS AND GLOW PLUGS (D722 – E3B)

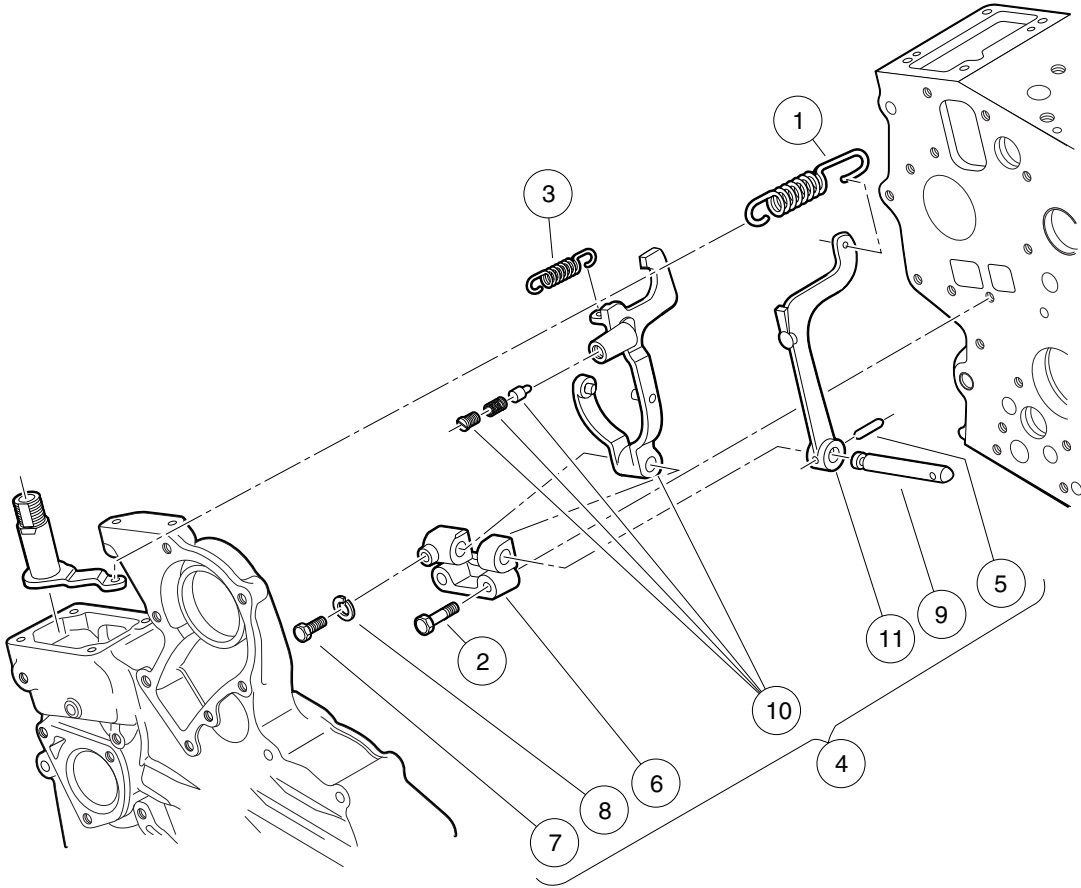
ITEM	PART NO.	DESCRIPTION	QTY
		1 2 3 4	
1	<u>102605701</u>	Assy Pipe, D722 Fuel Over Flow	1
2	<u>102635301</u>	Gasket, 6 X 10	1
3	<u>102642401</u>	Cord, Glow Plug	1
4	<u>102642501</u>	Nut, Flange,m4	3
5	<u>102642601</u>	Glow Plug	3
6	<u>102642801</u>	Screw, Washer	2
7	<u>102642901</u>	Clamp, Pipe, Top	2
8	<u>102643001</u>	Pipe, Injection, Left	1
9	<u>102643101</u>	Pipe, Injection, Right	1
10	<u>102643201</u>	Pipe, Injection, Middle	1
11	<u>102643301</u>	Clamp, Pipe, Bottom	2
12	<u>102643401</u>	Assy Pipe, Over Flow (includes items 13 and 14)	1
13	<u>102729601</u>	Clip, Pipe, Return	2
14	<u>105222901</u>	Pipe, Fuel Overflow, D722	1
15	<u>102643701</u>	Screw, Air Bleeder	1
16	<u>102729701</u>	Kit, Holder, Nozzle (includes items 17 through 19)	3
17	<u>102641501</u>	Assembly, Nozzle Holder	3
18	<u>102642701</u>	Seal, Heat	3
19	<u>102643601</u>	Gasket, Nozzle	3

9

D

9

D



000056-003

GOVERNOR COMPONENTS (D722 – E3B)

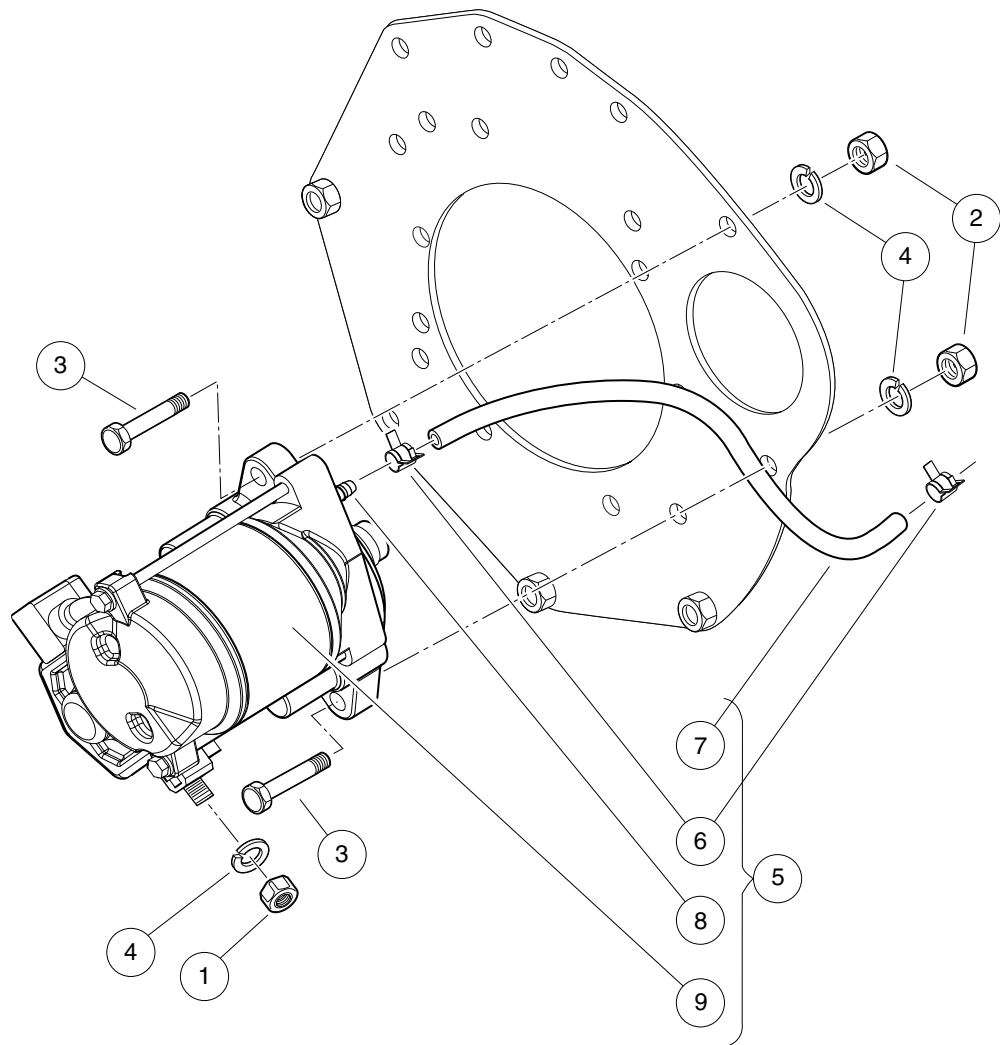
ITEM	PART NO.	DESCRIPTION	QTY
		1 2 3 4	
1	<u>102635101</u>	Spring, Governor	1
2	<u>102636301</u>	Bolt, M5 X 0.75 X 25	2
3	<u>102800201</u>	Spring, Start	1
4	<u>102800301</u>	Assembly, Governor Fork (includes items 5 through 12)	1
5	<u>102633601</u>	Pin, Spring	1
6	<u>102636201</u>	Holder, Fork Lever	1
7	<u>102636401</u>	Bolt, M5 X 0.75 X 11	1
8	<u>102636501</u>	Washer, Spring, M5	1
9	<u>102636601</u>	Shaft, Fork Lever	1
10	N/A	Lever, Fork, Middle, D722 CB (includes item 11)	1
11	<u>102701601</u>	Spring, Lever	1
12	N/A	Lever, Fork, End, D722 CB	1

9

D

9

D



000058-002

STARTER – SEALED (D722 – E3B)

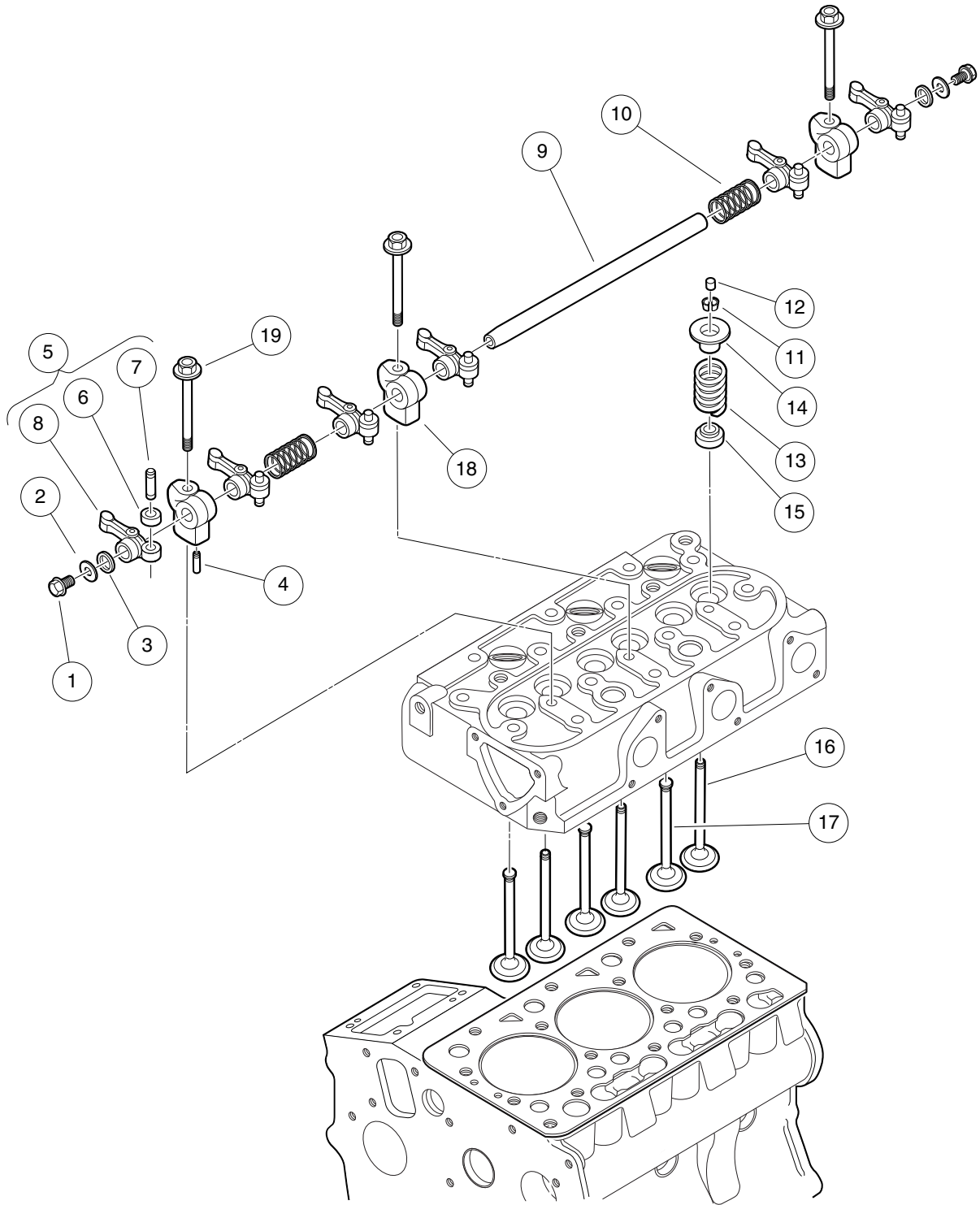
ITEM	PART NO.	DESCRIPTION	QTY
		1 2 3 4	
1	<u>102645501</u>	Nut, D722, Starter	2
2	<u>102647701</u>	Nut, M8, Plate	2
3	<u>102648401</u>	Bolt, M8 X 1.25 X 28	2
4	<u>102732501</u>	Washer, Spring, D722, Starter	3
5	103886501	Kit, Asm, Sealed Starter (includes items 6 through 9)	1
6	<u>1013746</u>	Clamp, 0.301 ID Hose	2
7	<u>101587703</u>	Hose, Fuel, Vent, 22" Long	1
8	<u>101824401</u>	Vent Barb	1
9	<u>103855901</u>	Asm, Sealed Starter	1

9

D

9

D



000062-002

VALVES AND ROCKER ARMS (D722 – E3B)

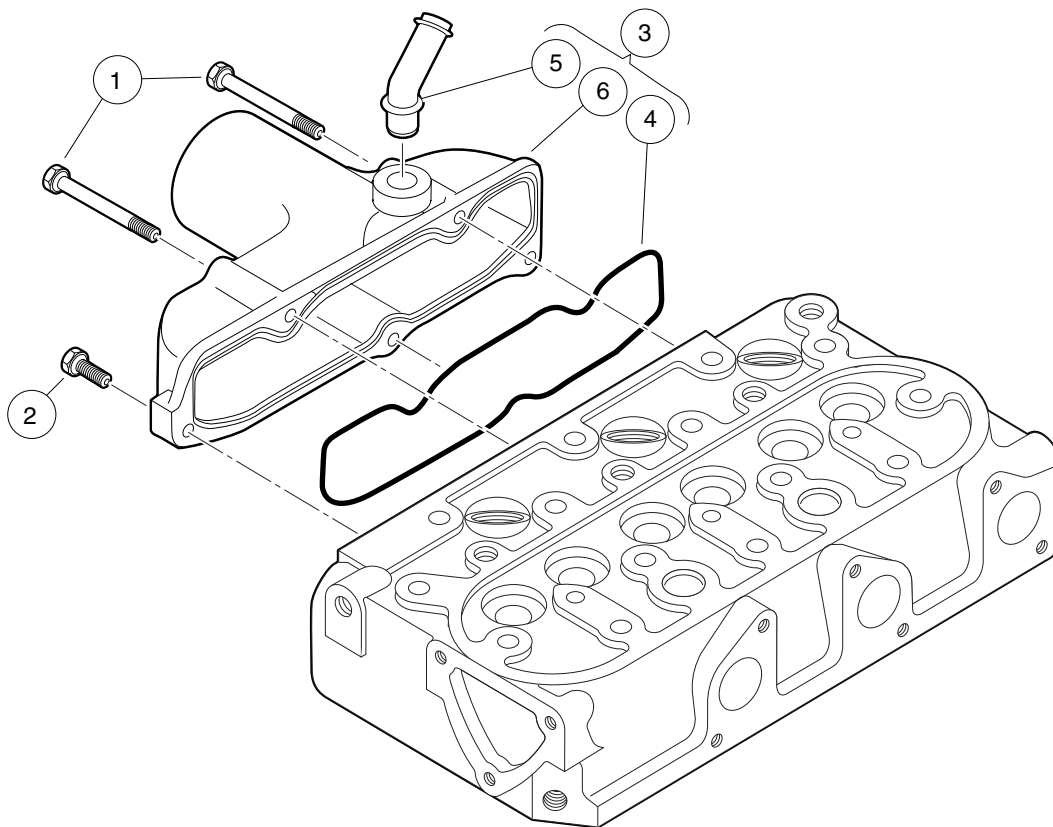
ITEM	PART NO.	DESCRIPTION	QTY
		1 2 3 4	
1	<u>102646401</u>	Bolt, M6 X 1 X 8	2
2	<u>102651301</u>	Washer, D722, Plain, Rocker	2
3	<u>102651601</u>	Washer, Rocker Arm	2
4	<u>102651801</u>	Pin, Spring, D722, Rocker	1
5	<u>102652001</u>	Assy, Rocker Arm (includes items 6 through 8)	6
6	<u>102651501</u>	Nut, M6	6
7	<u>102651701</u>	Screw-Adjusting	6
8	N/A	Arm, Rocker	1
9	<u>102652601</u>	Shaft, Rocker Arm	1
10	<u>102652701</u>	Spring, Rocker Arm	2
11	<u>102652901</u>	Collet, Valve Spring, Set	6
12	<u>102653001</u>	Cap, Valve, D722	6
13	<u>102653101</u>	Spring, Valve	6
14	<u>102653201</u>	Retainer, Spring	6
15	<u>102653301</u>	Seal, Valve Stem	6
16	<u>102653601</u>	Valve, Exhaust	3
17	<u>102653701</u>	Valve, Intake	3
18	<u>102801101</u>	Bracket, Rocker Arm, D722 Closed-Breather	3
19	<u>102801201</u>	Bolt, Rocker Arm	3

9

D

9

D



000063-002

INTAKE MANIFOLD (D722 – E3B)

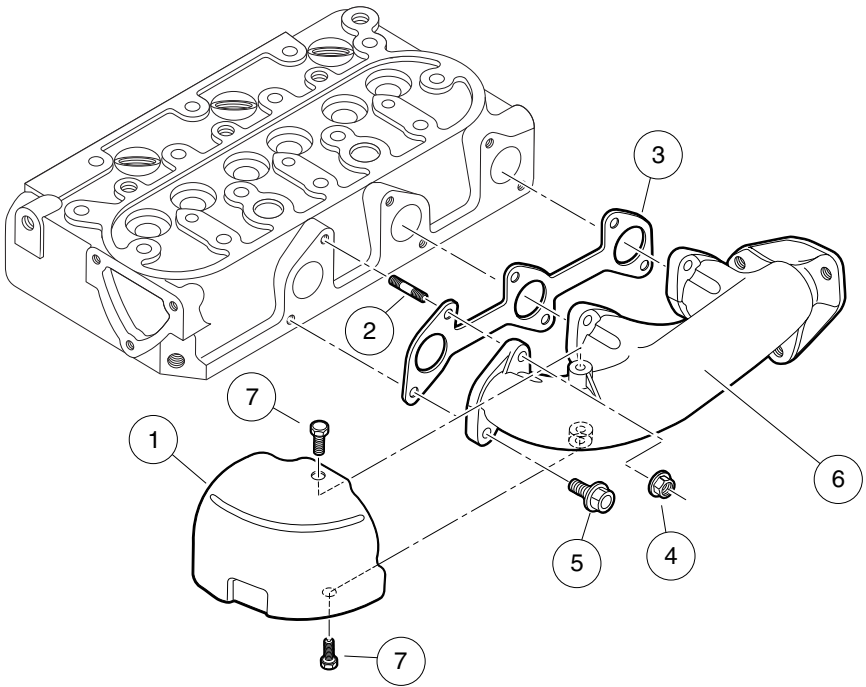
ITEM	PART NO.	DESCRIPTION	QTY
		1 2 3 4	
1	<u>102646101</u>	Bolt, M6 X 1 X 45	3
2	<u>102654301</u>	Bolt, D722 Intake Manifold Lower	2
3	<u>102801301</u>	Assembly, Intake Manifold (includes items 4 through 6)	1
4	<u>102801401</u>	Pipe, Breather	1
5	<u>102801501</u>	Manifold, Intake	1
6	<u>105226501</u>	Gasket, Intake Manifold, D722	1

9

D

9

D



000064-001

EXHAUST MANIFOLD (D722 – E3B)

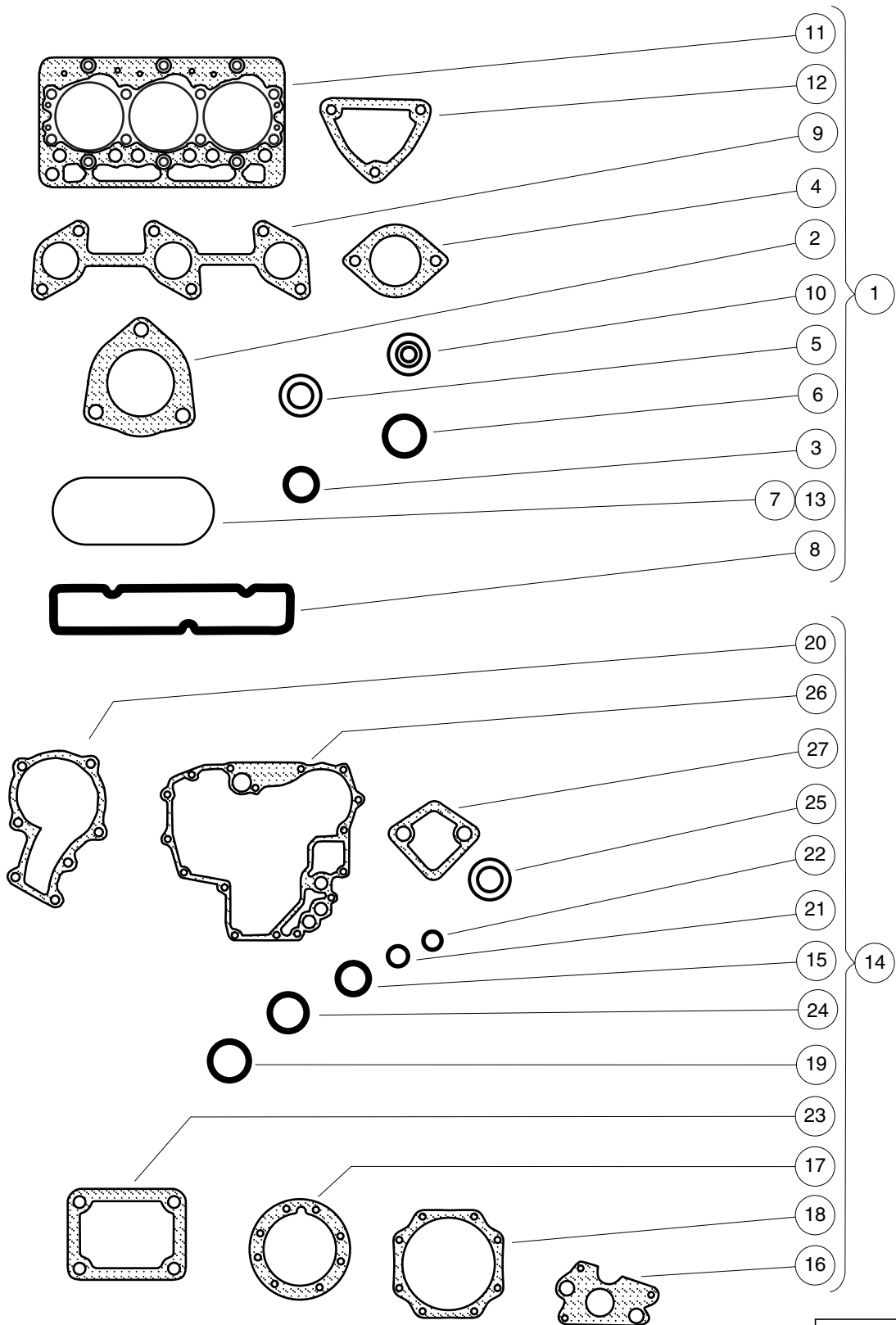
ITEM	PART NO.	DESCRIPTION	QTY
		1 2 3 4	
1	<u>102646301</u>	Cover, Heat Proof	1
2	<u>102646501</u>	Stud, M6 X 26	3
3	<u>102646601</u>	Gasket, Exhaust Manifold	1
4	<u>102647101</u>	Nut, Flange, M6, Ubs	3
5	<u>102647201</u>	Bolt, Flange Head, M6 X 1 X 16	3
6	<u>102731501</u>	Manifold, Exhaust, D722	1
7	<u>102731601</u>	Bolt, D722, Exhaust Manifold Cover	2

9

D

9

D



000065-001

GASKET KITS (D722 – E3B)

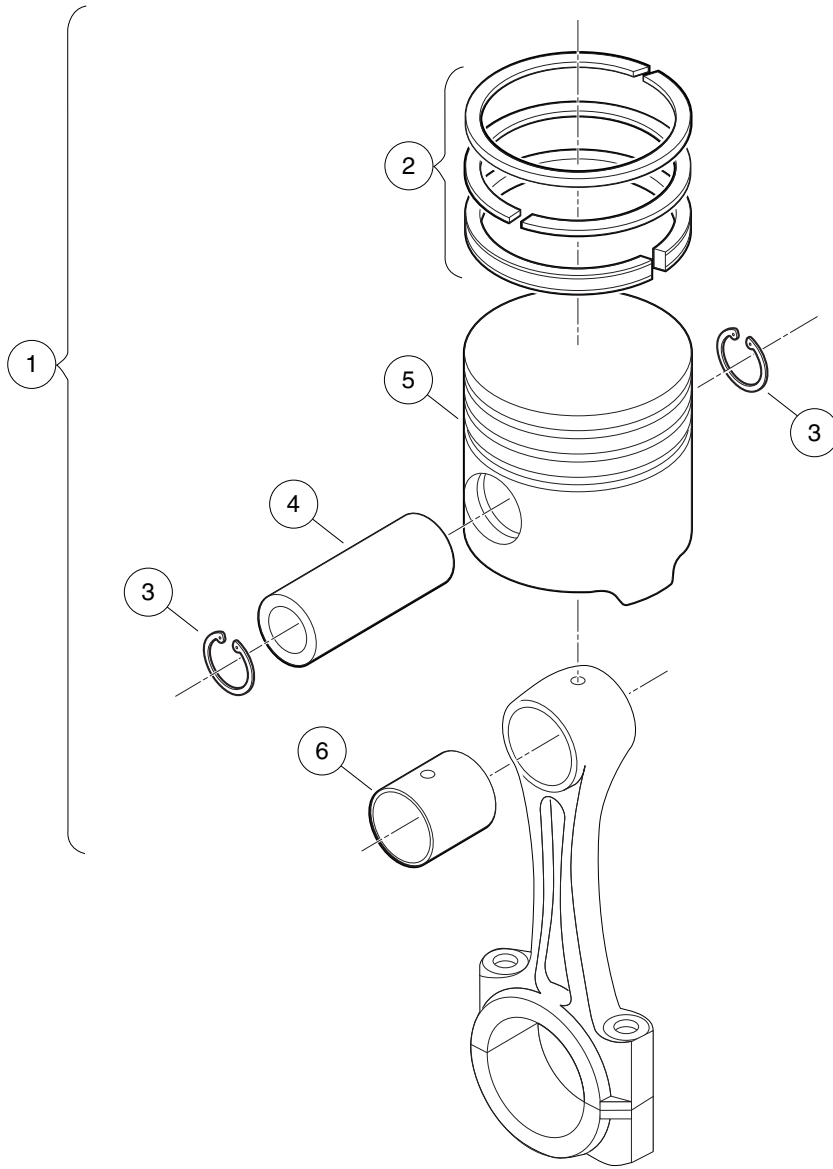
ITEM	PART NO.	DESCRIPTION	QTY
		1 2 3 4	
1	<u>102731801</u>	Kit, Gasket Upper, D722 (includes items 2 through 13)	1
2	<u>102422301</u>	Gasket, Exhaust Diesel	1
3	<u>102600301</u>	O Ring, 8 X 7	1
4	<u>102633401</u>	Gasket, Thermostat	1
5	<u>102635301</u>	Gasket, 6 X 10	3
6	<u>102644001</u>	O Ring, 30 X 36	1
7	<u>102644501</u>	Gasket, Head Cover	1
8	<u>102646001</u>	Gasket, Intake Manifold	1
9	<u>102646601</u>	Gasket, Exhaust Manifold	1
10	<u>102653301</u>	Seal, Valve Stem	6
11	<u>102654101</u>	Gasket, Cylinder Head	1
12	<u>102654701</u>	Gasket, Water Flange	1
13	<u>102798501</u>	Gasket, Cylinder Head Cover	1
14	<u>102731901</u>	Kit, Gasket Lower, D722 (includes items 15 through 27)	1
15	<u>102601801</u>	O Ring, 18 X 13	3
16	<u>102606601</u>	Gasket, Oil Pump	1
17	<u>102608201</u>	Gasket, Bearing Case	1
18	<u>102608301</u>	Gasket, Cover	1
19	<u>102630301</u>	O Ring, 23 X 26	1
20	<u>102632701</u>	Gasket, Water Pump, D722	1
21	<u>102634001</u>	O Ring, 19 X 16	1
22	<u>102634401</u>	O Ring, 9 X 7	1
23	<u>102634501</u>	Gasket, Control Plate	1
24	<u>102654601</u>	O Ring, 20 X 17	1
25	<u>102728801</u>	Gasket, Idle Apparatus, Rear	2
26	<u>102729301</u>	Gasket, Gearcase, D722	1
27	<u>102732601</u>	Gasket, Fuel Pump, D722	1

9

D

9

D



000066-001

PISTON REBUILD KIT (D722 – E3B)

ITEM	PART NO.	DESCRIPTION	QTY
		1 2 3 4	
1	<u>102732001</u>	Kit, Piston Rebuild, D722 (includes items 2 through 6)	1
2	<u>102607601</u>	Assy Piston Ring, D722 Std	1
3	<u>102630901</u>	Circlip, Piston Pin	2
4	<u>102631001</u>	Pin, Piston	1
5	102728101	Piston, D722, Std	1
6	<u>102732201</u>	Bushing, Piston Pin, D722	1

9

D

9

D

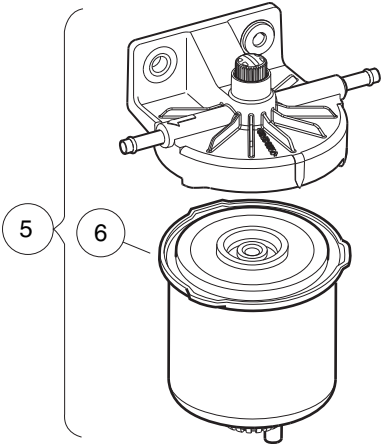
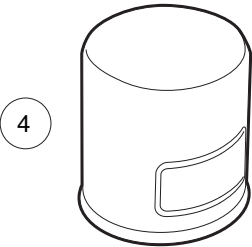
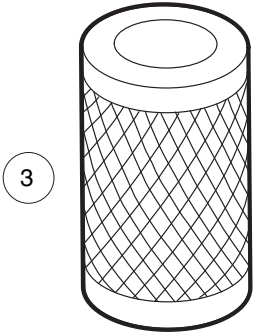
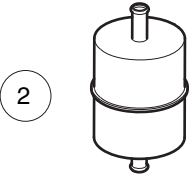
ENGINE – KUBOTA DIESEL, D722, E4B SERIES

10

D

10

D



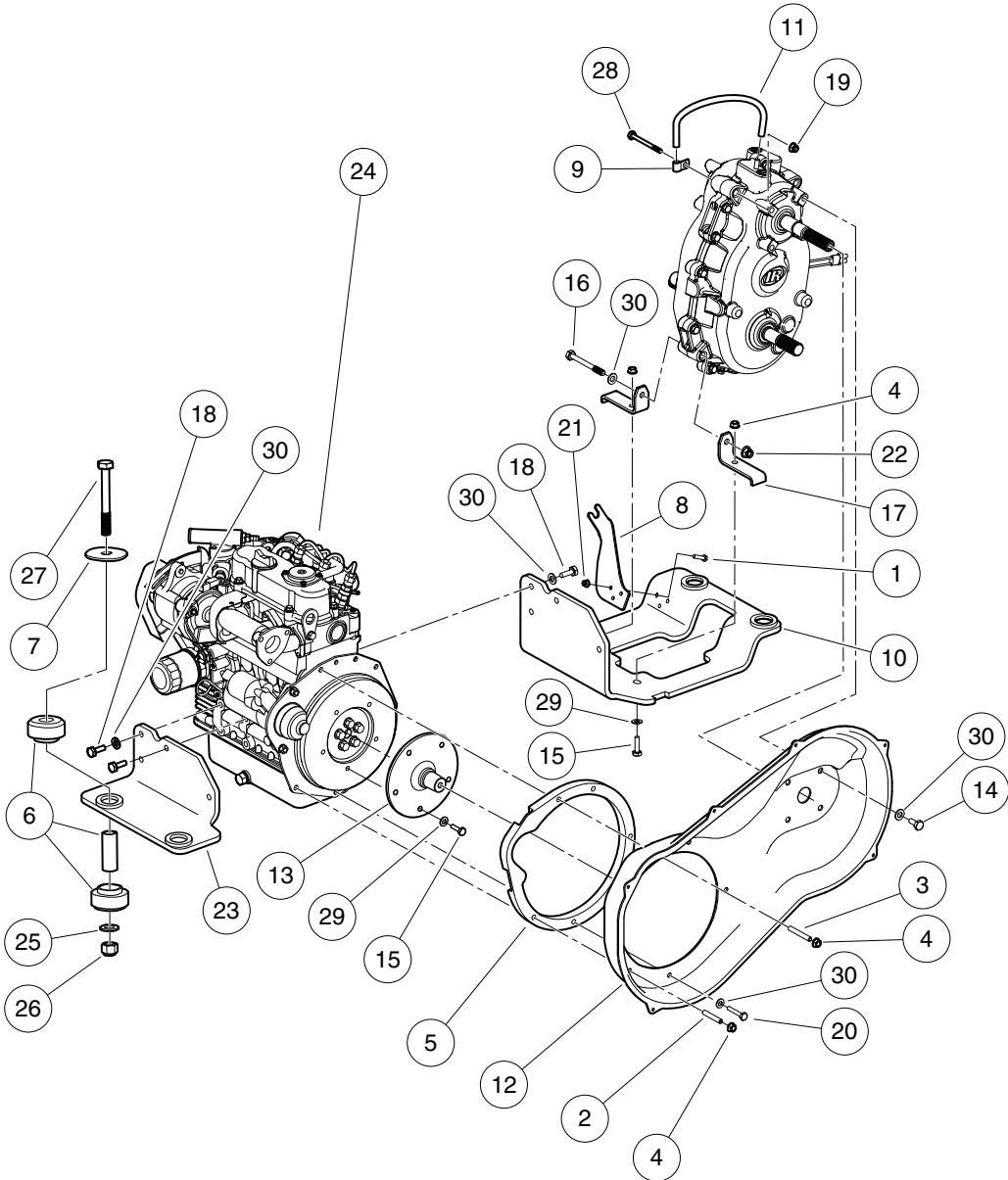
000992-002

TUNE-UP KIT – KUBOTA D722

ITEM	PART NO.	DESCRIPTION	QTY
		1 2 3 4	
1	<u>AM11805</u>	Kit, Tune-Up (For Kubota engines) (includes items 2 through 5)	1
2	<u>102434701</u>	Filter, Fuel	1
3	<u>102498601</u>	Element, Filter, Air, 5 Inch	1
4	<u>102703301</u>	Filter, Engine Oil, D722	1
5	<u>103747301</u>	Assembly, Filter/Bracket, Fuel, Diesel (includes item 6)	1
6	<u>103761801</u>	Filter, Fuel, Diesel	1

10

D



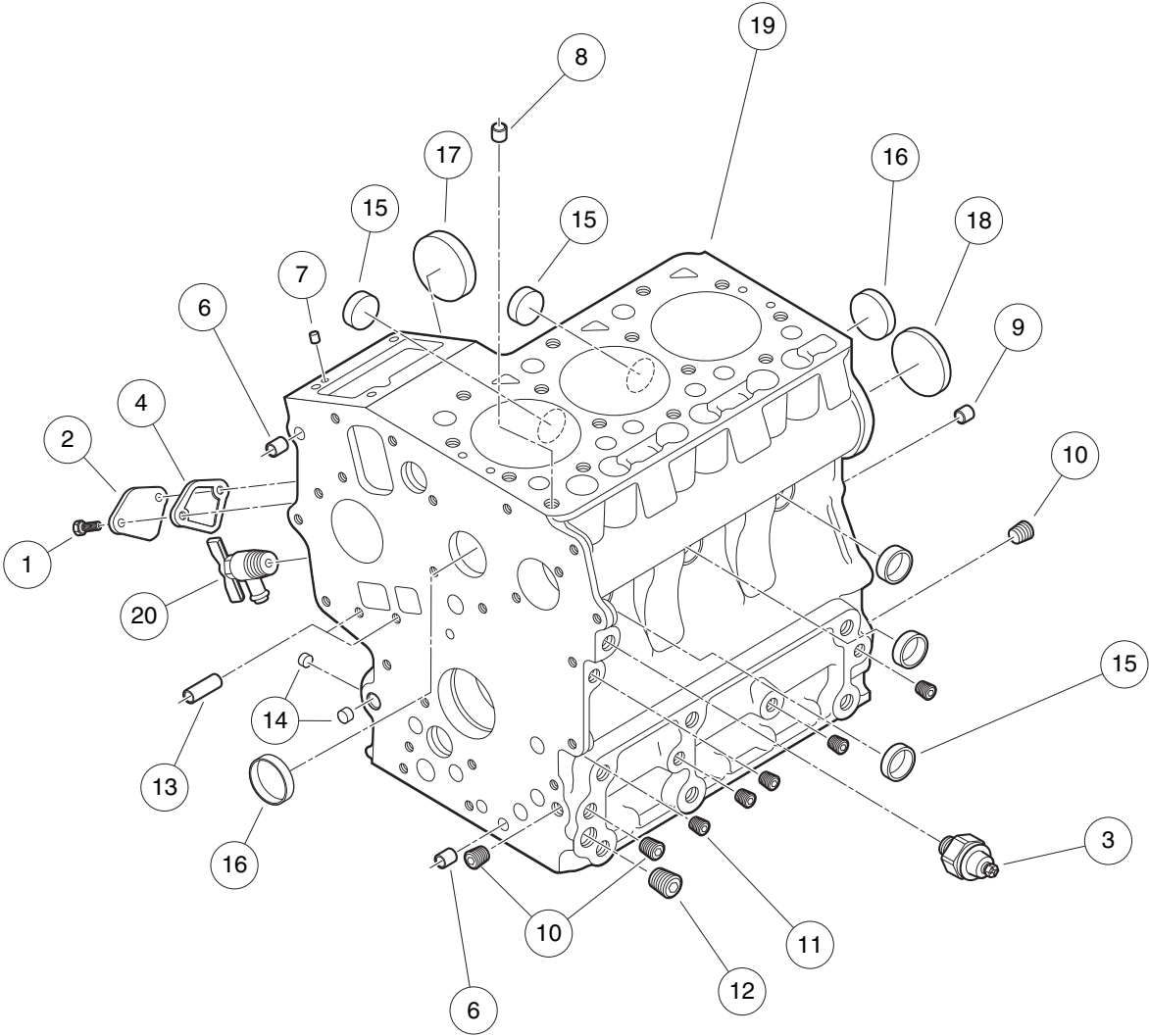
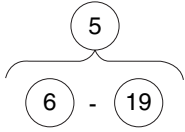
000025-005

DIESEL ENGINE AND ENGINE MOUNTING (D722 – E4B)

ITEM	PART NO.	DESCRIPTION	QTY
		1 2 3 4	
1	<u>1012769</u>	Screw, M6-1.00 X 25mm Hex Cap	3
2	<u>101833101</u>	Stud, M8-1.25 X 50 mm Two-Ended	1
3	<u>101833201</u>	Stud, M8-1.25 X 60mm Two-Ended	1
4	<u>102298401</u>	Nut,m8,all Metal Lock	7
5	<u>102370101</u>	Spacer, Engine, Diesel	1
6	<u>102370501</u>	Isolator Ring and Bushing	4
7	<u>102370601</u>	Washer, Snubbing, Ring N Bush	4
8	<u>102382401</u>	Bracket, FNR Trans Cable	1
9	<u>102410603</u>	P-Clamp, Insulated .312 In	1
10	<u>102414801</u>	Plate, Engine Mounting, Weld, Right-Hand	1
11	<u>102462301</u>	Hose, Vent, Transmission	1
12	<u>102462501</u>	Cover, CVT Inner, Diesel	1
13	<u>102465901</u>	Shaft, CVT Adapter	1
14	<u>102490101</u>	Bolt, M10 X 1.5 X 20 Loctite	4
15	<u>102490201</u>	Bolt, M8 X 1.25 X 25 Loctite	7
16	<u>102490501</u>	Bolt, M10 X 1.5 X 100 Loctite	1
17	<u>102494401</u>	Bracket, Transmission Mounting	2
18	<u>102498201</u>	Bolt, M10 X 1.25 X 25, Loctite	8
19	<u>102618601</u>	Lock Nut, Flange, M8 X 1.25 Nylon	1
20	<u>102621301</u>	Bolt, M8 X 1.25 X 40 with Loctite	3
21	<u>102621501</u>	Nut, Flange, M6 X 1.0, Nylon	3
22	<u>102670701</u>	Nut, Flange, M10 X 1.5 Nylon	1
23	<u>102959001</u>	Plate, Eng Mtg, Diesel, Lh	1
24	<u>105159201</u>	Engine, Diesel, Kubota, Tier4	1
25	<u>96701412</u>	Washer, M12 Hard	4
26	<u>96704622</u>	Locknut, M12x1.75 Nylon Insert	4
27	<u>96704721</u>	Bolt, M12 X 1.75 X 90	4
28	<u>96718978</u>	Bolt, M8 X 1.25 X 80	1
29	<u>96741038</u>	Washer, M8 Hard	10
30	<u>96741046</u>	Washer, M10, Hard	12

10

D



000039-002

CRANKCASE (D722 – E4B)

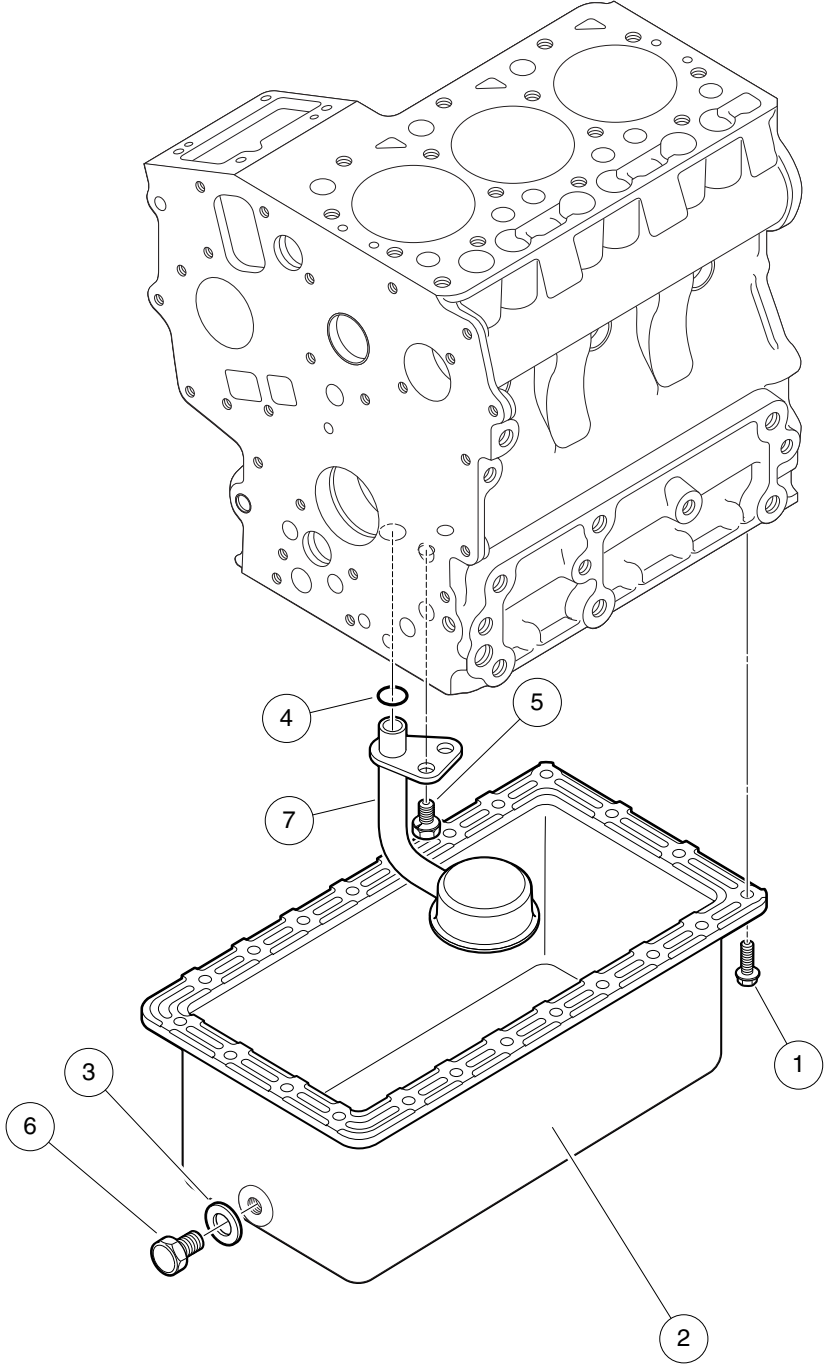
ITEM	PART NO.	DESCRIPTION	QTY
		1 2 3 4	
1	<u>102631601</u>	Bolt, M6 X 1 X 20	2
2	<u>102700801</u>	Plate, Engine Block	1
3	<u>102730801</u>	Switch, Oil Pressure	1
4	<u>102732601</u>	Gasket, Fuel Pump, D722	1
5	<u>105205901</u>	Engine Block, Kubota, D722 (includes items 6 through 19)	1
6	<u>102600101</u>	Pin, Pipe, Dia 8 X 14	2
7	<u>102600201</u>	Pin, Straight, Dia 5 X 10	2
8	<u>102600401</u>	Pin, Pipe, Dia 7 X 14	1
9	<u>102600601</u>	Pin, Straight, Dia 8 X 16	2
10	<u>102600701</u>	Plug, 1/8"	3
11	<u>102600801</u>	Plug, 3/32"	5
12	<u>102601001</u>	Plug, 1/4"	1
13	<u>102601301</u>	Pin, Pipe, Dia 8 X 11	2
14	<u>102726201</u>	Cap, Sealing, Small	3
15	<u>102726301</u>	Cap, Sealing, Med	5
16	<u>102726401</u>	Cap, Sealing, Large	2
17	<u>102726501</u>	Cover, Fuel Camshaft	1
18	<u>102726601</u>	Plug, Expansion	1
19	N/A	Block, Engine	1
20	<u>105231101</u>	Cock, Drain, D722	1

10

D

10

D



000040-002

OIL PAN (D722 – E4B)

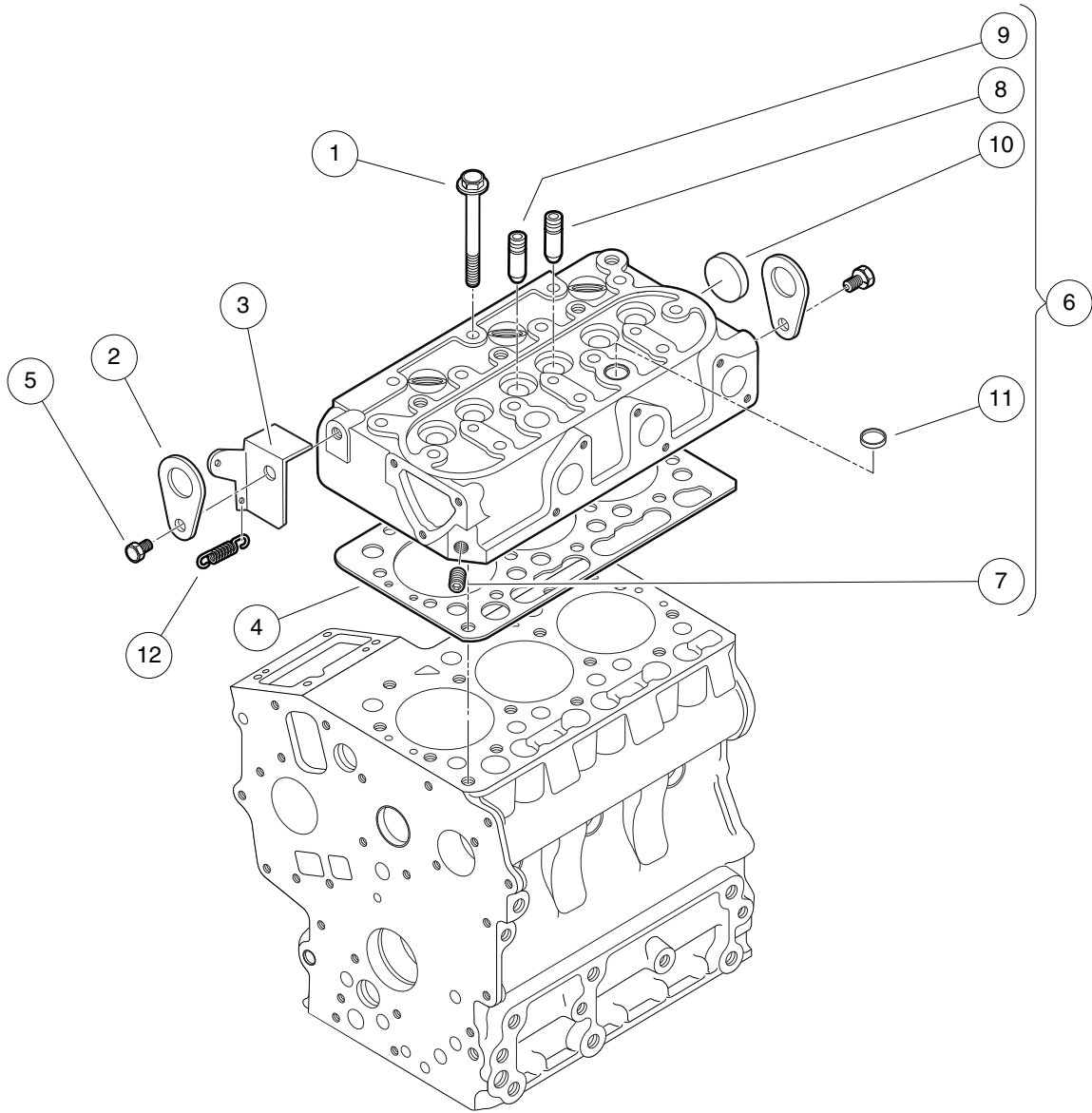
ITEM	PART NO.	DESCRIPTION	QTY
		1 2 3 4	
1	<u>102604201</u>	Bolt, D722, Cam End	22
2	102607001	Oil Pan	1
3	<u>102607301</u>	Gasket, 20 X 13	1
4	<u>102654601</u>	O Ring, 20 X 17	1
5	105206101	Bolt, Mntg, Oil Pkup, D722	1
6	105218401	Plug, Drain, D722	1
7	105218501	Filter, Oil, Pick Up, D722, Tier 4	1

10

D

10

D



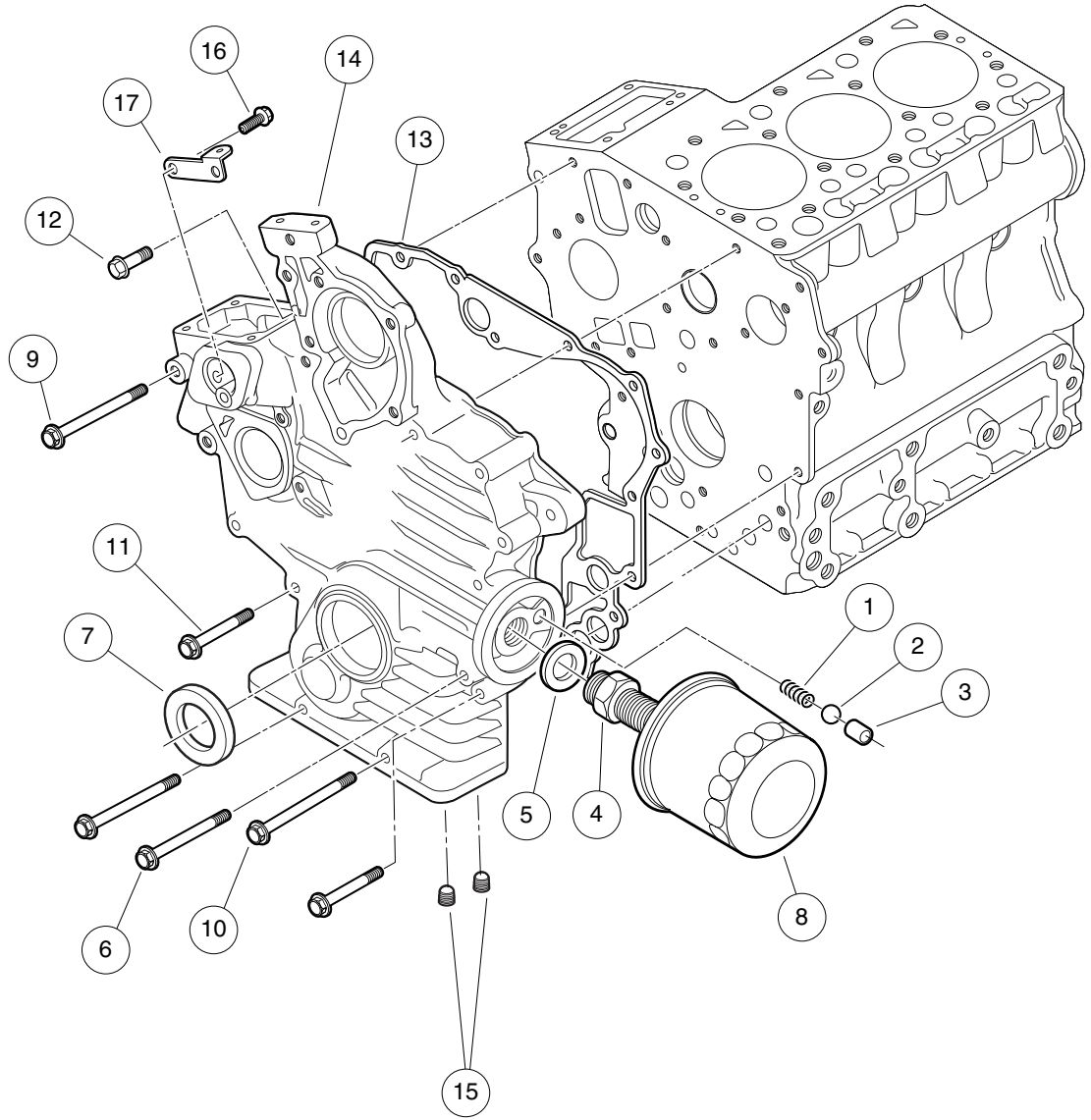
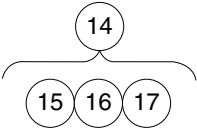
000041-003

CYLINDER HEAD (D722 – E4B)

ITEM	PART NO.	DESCRIPTION	QTY
		1 2 3 4	
1	<u>102652801</u>	Bolt, Cylinder Head	14
2	<u>102653901</u>	Hook, Engine	2
3	<u>102727101</u>	Stay, Cylinder Head	1
4	<u>105206201</u>	Gasket, Cylinder Hd, D722	1
5	105206301	Bolt, Engine Hook, D722	2
6	105206401	Cylinder Head, Comp, D722 (includes items 7 through 11)	1
7	<u>102600801</u>	Plug, 3/32"	1
8	<u>102653401</u>	Guide, Exhaust Valve	3
9	<u>102653501</u>	Guide, Inlet Valve	3
10	<u>102726901</u>	Cap, Sealing, Head	1
11	<u>102727001</u>	Cap, Sealing, Head, Top	2
12	105218601	Spring, Return, D722	1

10

D



000042-004

GEAR CASE (D722 – E4B)

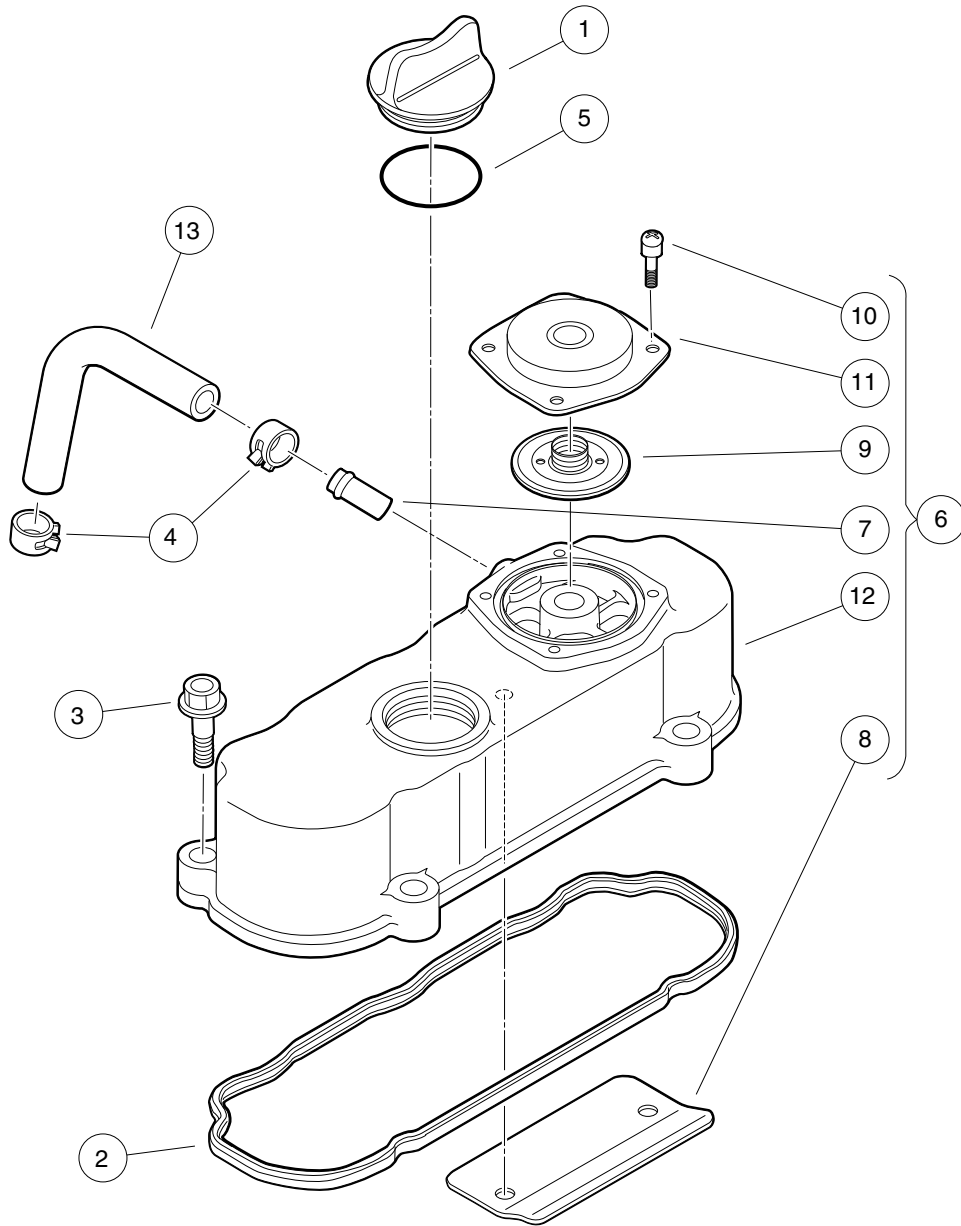
ITEM	PART NO.	DESCRIPTION	QTY
		1 2 3 4	
1	<u>102601901</u>	Spring, Valve	1
2	<u>102602001</u>	Ball, Valve	1
3	<u>102602101</u>	Seat, Valve	1
4	<u>102602301</u>	Joint, Pipe	1
5	<u>102602401</u>	Washer, Plain, Special	1
6	<u>102602601</u>	Bolt, M6 X 1 X 60	2
7	<u>102602701</u>	Seal, Oil	1
8	<u>102703301</u>	Filter, Engine Oil, D722	1
9	<u>102727401</u>	Bolt, Gearcase, Top	2
10	<u>102727501</u>	Bolt, Gearcase, Lower	1
11	105206501	Bolt, Front Case, D722	9
12	105206601	Bolt, Intake Manfld, D722	1
13	105218701	Gasket, Gearcase, D722	1
14	105218801	Case, Gear, D722 (includes items 15 through 17)	1
15	<u>102601001</u>	Plug, 1/4"	2
16	<u>102727601</u>	Screw, Breather	2
17	<u>102798201</u>	Stay, Spring	1

10

D

10

D



000181-002

HEAD COVER (D722 – E4B)

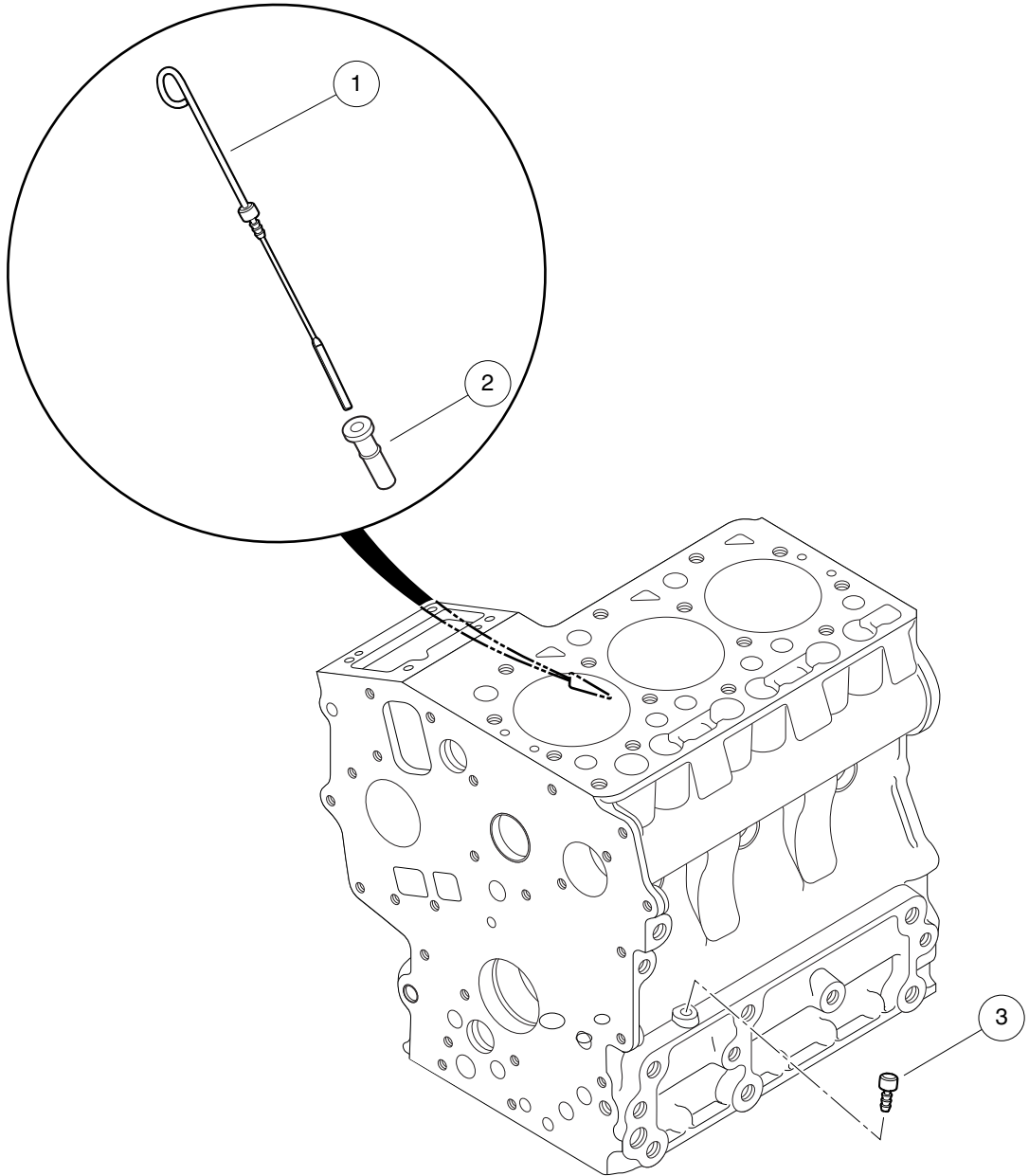
ITEM	PART NO.	DESCRIPTION	QTY
		1 2 3 4	
1	<u>102644101</u>	Plug, Oil Filler	1
2	<u>102798501</u>	Gasket, Cylinder Head Cover	1
3	<u>102798701</u>	Bolt, Cylinder Head Cover	4
4	<u>102798901</u>	Clamp, Breather Tube	2
5	105206701	O Ring, Oil Fill, D722	1
6	105218901	Assy, Cyl Head Cover, D722 (includes items 7 through 12)	1
7	<u>102633301</u>	Pipe, Water Return, D722	1
8	<u>102798601</u>	Shield, Breather	1
9	<u>102799001</u>	Valve, Breather	1
10	<u>102799201</u>	Screw, Breather	4
11	105219001	Cover, Breather, D722	1
12	105219101	Cover, Cyl Head, D722	1
13	105219201	Tube, Breather, D722	1

10

D

10

D



000044-004

DIPSTICK AND GUIDE (D722 – E4B)

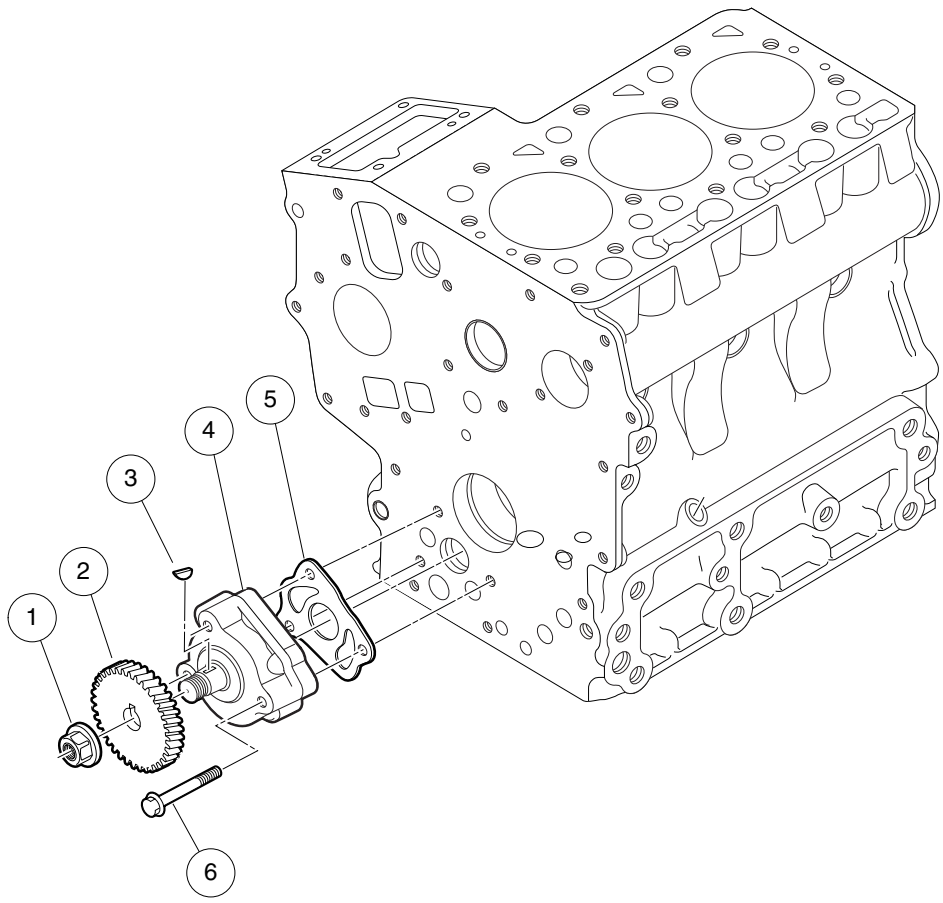
ITEM	PART NO.	DESCRIPTION	QTY
		1 2 3 4	
1	<u>102606701</u>	Dipstick, Oil	1
2	<u>102727701</u>	Guide, Oil Dipstick	1
3	105219401	Plug, Oil Gauge, D722	1

10

D

10

D



000045-001

OIL PUMP (D722 – E4B)

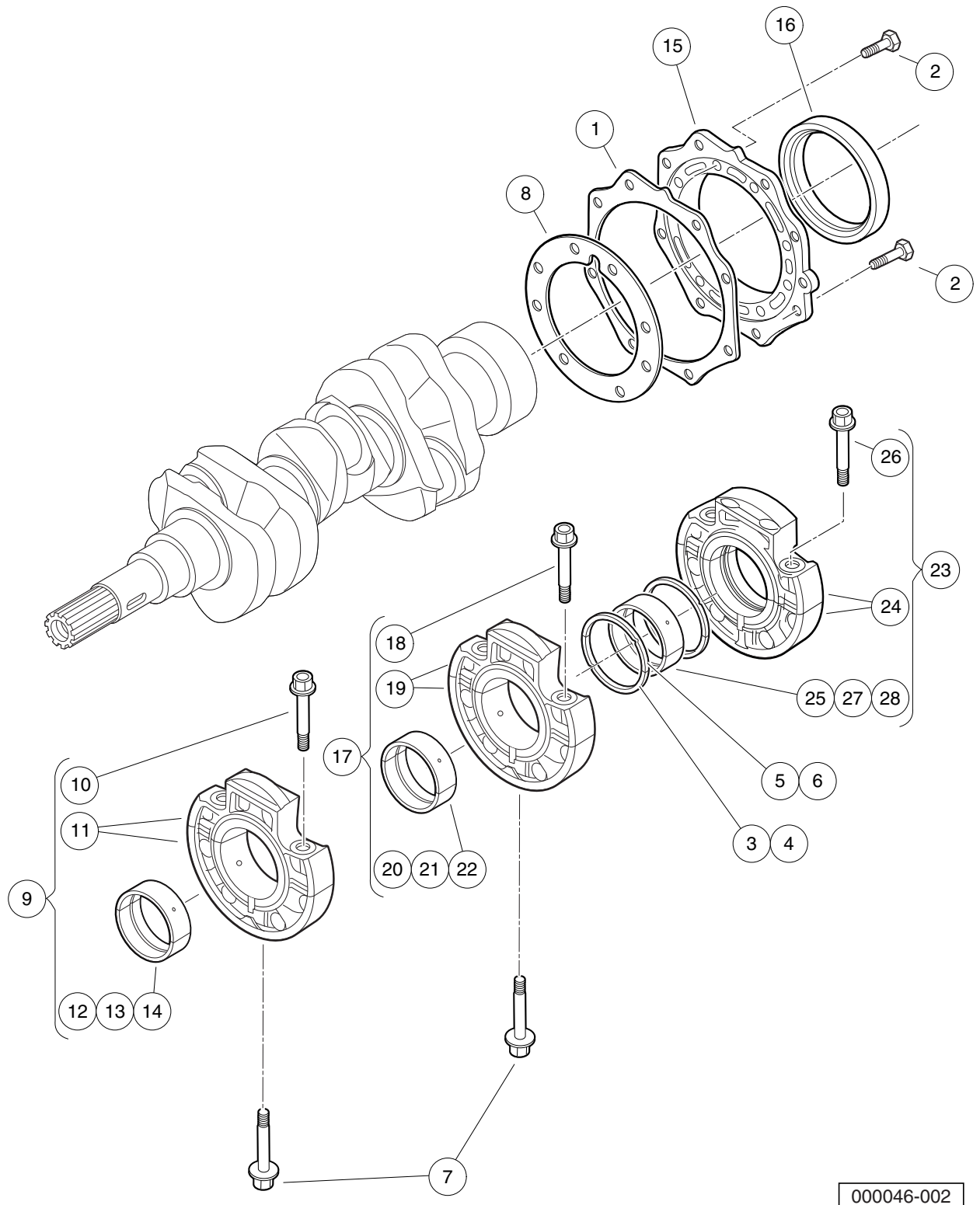
ITEM	PART NO.	DESCRIPTION	QTY
		1 2 3 4	
1	<u>102606201</u>	Nut, Flange, D722 Oil Pump	1
2	<u>102606301</u>	Gear, Oil Pump Drive	1
3	<u>102606401</u>	Key, Feather, 8x4	1
4	<u>102606501</u>	Assy, Pump, Oil	1
5	<u>102606601</u>	Gasket, Oil Pump	1
6	<u>102727901</u>	Bolt, Oil Pump	3

10

D

10

D



000046-002

MAIN BEARINGS AND BEARING CASES (D722 – E4B)

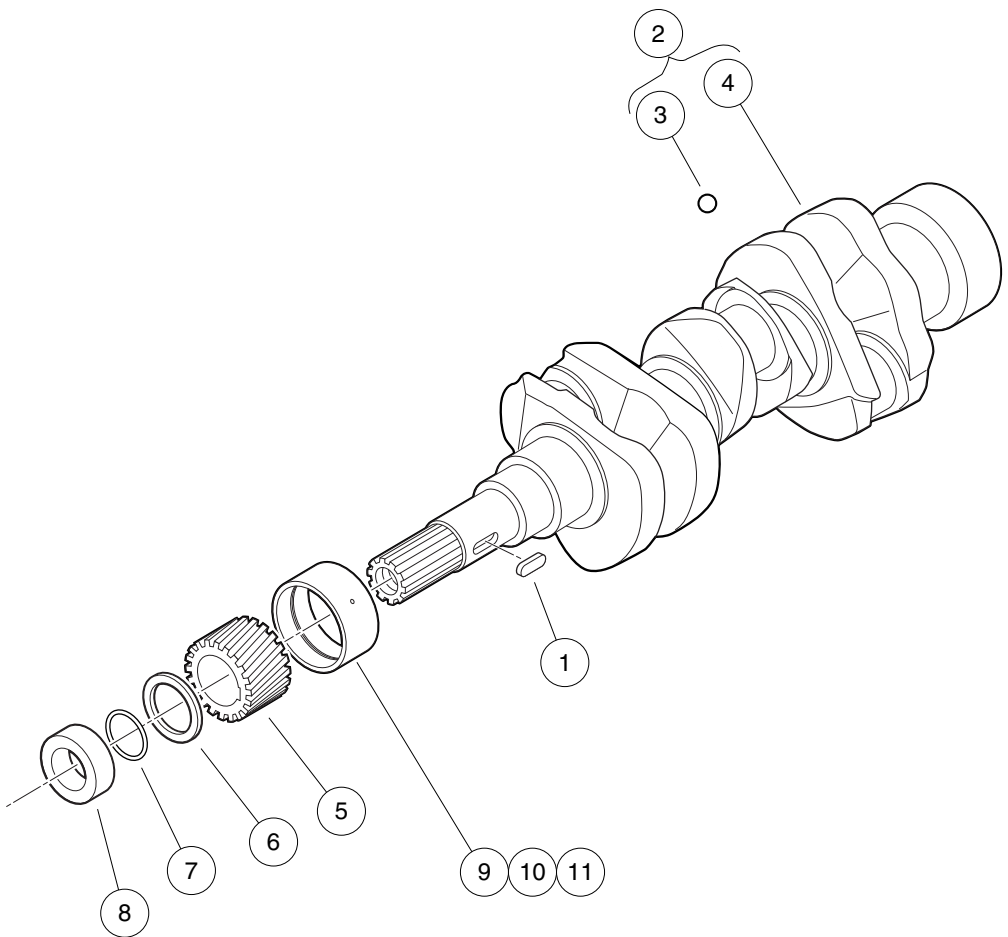
ITEM	PART NO.	DESCRIPTION	QTY
		1 2 3 4	
1	<u>102608301</u>	Gasket, Cover	1
2	<u>102608701</u>	Bolt, M6 X 1 X 22	16
3	<u>102608801</u>	Metal,crank, O Side, Std	2
4	<u>102608802</u>	Metal,crank, O Side, +.020	2
5	<u>102608804</u>	Metal,crank, I Side, Std	2
6	<u>102608805</u>	Metal,crank, I Side, +.020	2
7	<u>102609401</u>	Bolt, Bearing Case, Bottom	2
8	105219501	Gasket, Bearing Case, D722	1
9	105219801	Assy, Brg Case, D722 (includes items 10 through 14)	1
10	<u>102608901</u>	Bolt, Bearing Case, Top	2
11	105206901	Asm Case, Mn Brg, Third, D722	1
12	105220101	Metal, Crankshaft, Std, D722	1
13	105221701	Metal, Crankshaft, -0.20, D722	1
14	105221801	Metal, Crankshaft, -0.40, D722	1
15	105219901	Cover, Brg Case, D722	1
16	105220001	Seal, Oil, D722	1
17	105220201	Assy, Brg Case, D722 (includes items 18 through 22)	1
18	<u>102608901</u>	Bolt, Bearing Case, Top	2
19	<u>102609301</u>	Assy, Case, Main Bearing, Second	1
20	105220101	Metal, Crankshaft, Std, D722	1
21	105221701	Metal, Crankshaft, -0.20, D722	1
22	105221801	Metal, Crankshaft, -0.40, D722	1
23	105220301	Assy, Brg Case, D722 (includes items 24 through 28)	1
24	N/A	Assy, Case, Main Bearing, First	1
25	105219601	Metal, Crankshaft, Std, D722	1
26	105219701	Bolt, Flange, D722	2
27	105221501	Metal, Crankshaft, -0.20, D722	1
28	105221601	Metal, Crankshaft, -0.40, D722	1

10

D

10

D



000048-003

CRANKSHAFT (D722 – E4B)

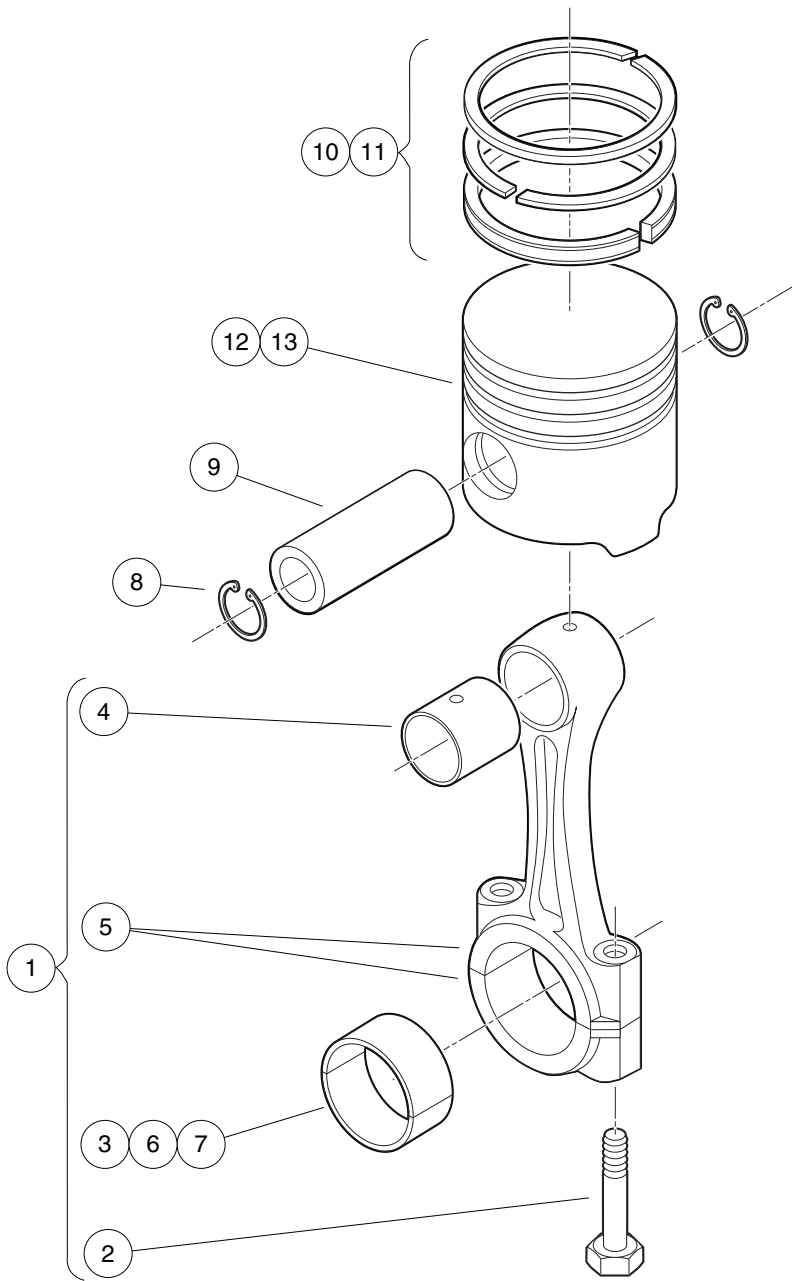
ITEM	PART NO.	DESCRIPTION	QTY
		1 2 3 4	
1	<u>102604401</u>	Key, Feather, Short Camshaft	1
2	<u>102610001</u>	Crankshaft (includes items 3 and 4)	1
3	<u>102608001</u>	Ball, Crankshaft	3
4	N/A	Crankshaft	1
5	<u>102630101</u>	Gear, Crank	1
6	<u>102630201</u>	Slinger, Oil	1
7	<u>102630301</u>	O Ring, 23 X 26	1
8	<u>102630401</u>	Collar, Crankshaft	1
9	105221101	Metal, Crank, Fr, Std, D722	1
10	105221201	Metal, Crank, Fr, -0.20, D722	1
11	105221301	Metal, Crank, Fr, -0.40, D722	1

10

D

10

D



000066-002

PISTON, PISTON RINGS AND CONNECTING ROD (D722 – E4B)

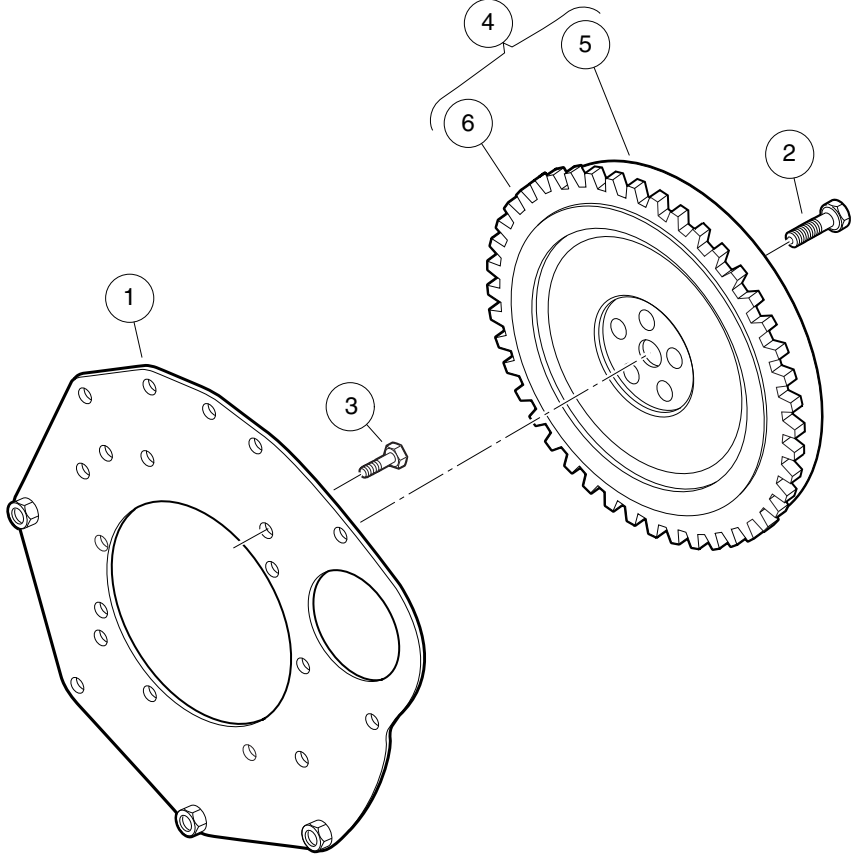
ITEM	PART NO.	DESCRIPTION	QTY
		1 2 3 4	
1	<u>102607801</u>	Assy, Connecting Rod (includes items 2 through 7)	3
2	<u>102607901</u>	Bolt, Connecting Rod	2
3	<u>102630701</u>	Metal, Crank, Rod, D722, Std	1
4	<u>102732201</u>	Bushing, Piston Pin, D722	1
5	N/A	Rod, Connecting	1
6	105220901	Metal, Crank, Rod, -0.20, D722	1
7	105221001	Metal, Crank, Rod, -0.40, D722	1
8	<u>102630901</u>	Circlip, Piston Pin	6
9	<u>102631001</u>	Pin, Piston	3
10	105207101	Assy, Piston Ring, Std, D722	3
11	105207201	Assy, Piston Ring, +0.25, D722	3
12	105207301	Piston, Std, D722	3
13	105207401	Piston, +0.25, D722	3

10

D

10

D



000049-002

FLYWHEEL (D722 – E4B)

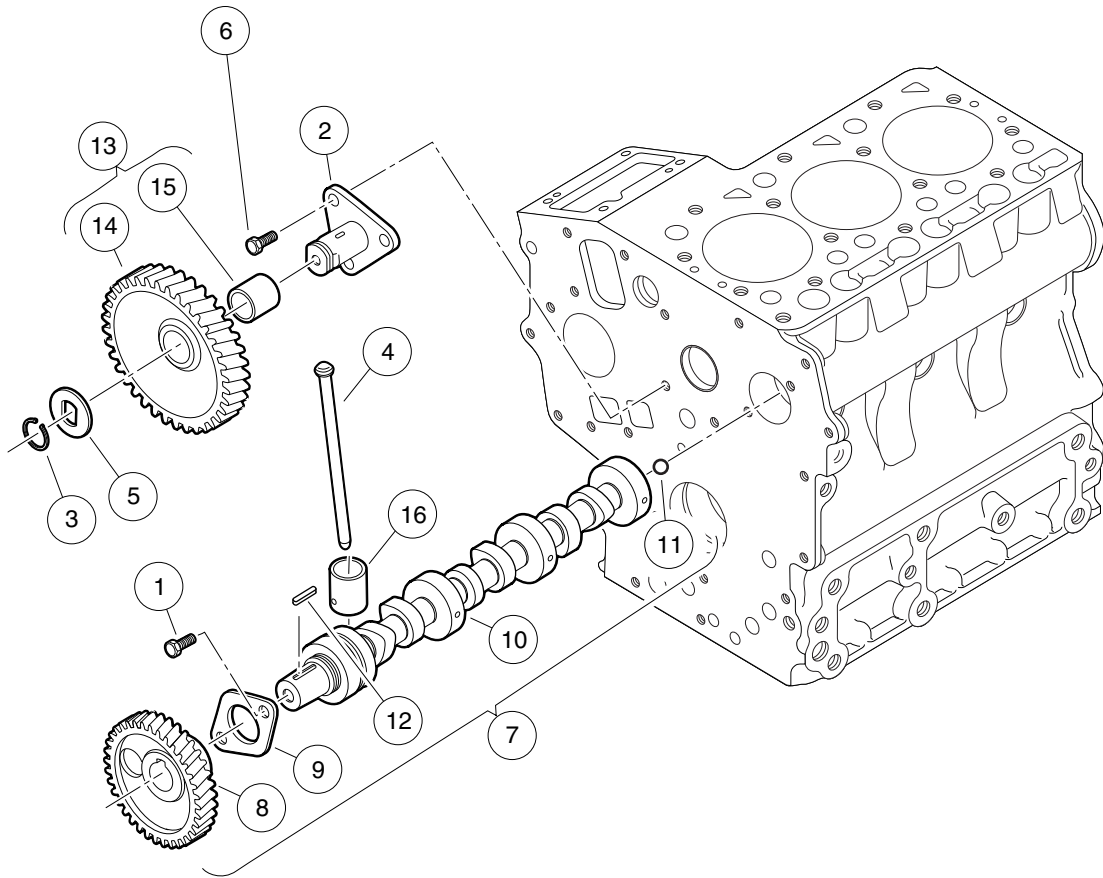
ITEM	PART NO.	DESCRIPTION	QTY
		1 2 3 4	
1	<u>102647501</u>	Plate, Rear End	1
2	<u>102648001</u>	Bolt, Flange Head, M10 X 1.5 X 25	5
3	<u>102728301</u>	Bolt, End Plate	10
4	105207501	Comp, Flywheel, D722 (includes items 5 and 6)	1
5	N/A	Flywheel	1
6	105207601	Gear, Ring, D722	1

10

D

10

D



000047-003

CAMSHAFT AND IDLE GEAR (D722 – E4B)

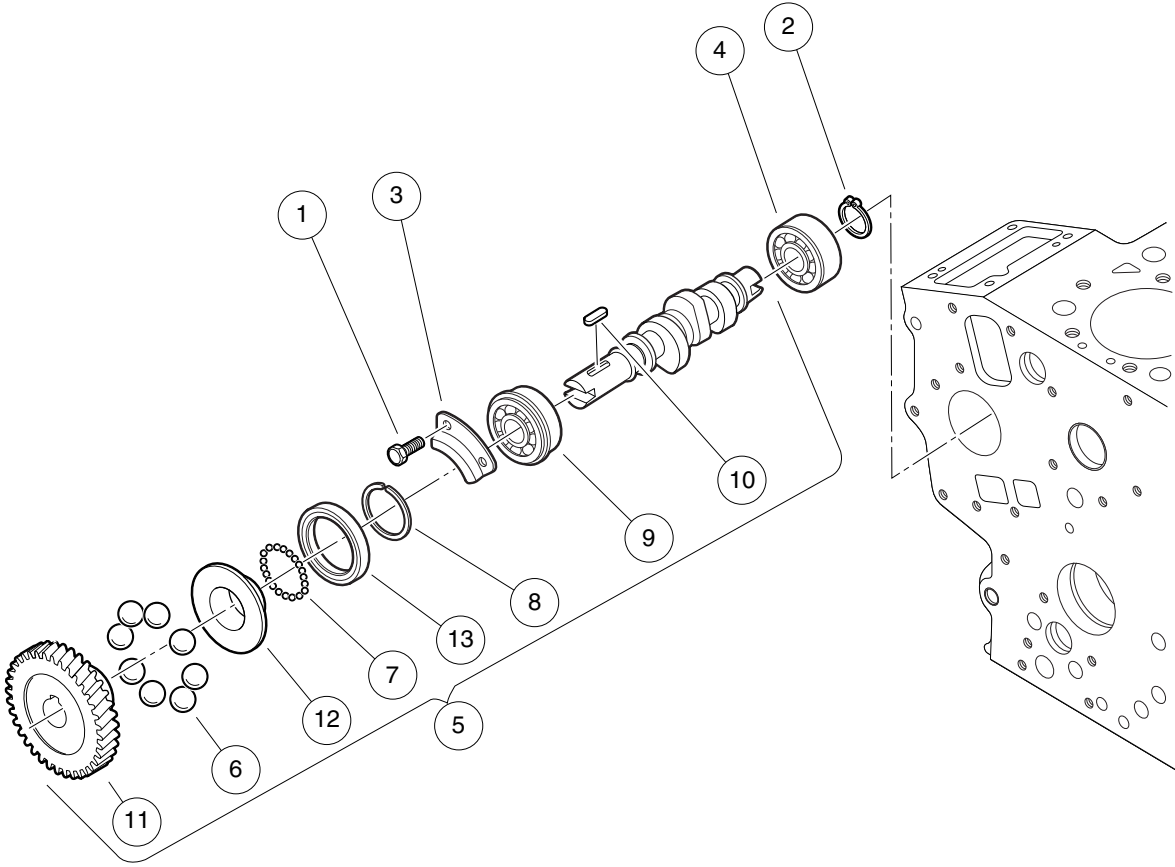
ITEM	PART NO.	DESCRIPTION	QTY
		1 2 3 4	
1	<u>102604201</u>	Bolt, D722, Cam End	2
2	<u>102605001</u>	Shaft, Idle Gear	1
3	<u>102605301</u>	Ring, Snap	1
4	102605401	Push Rod	6
5	<u>102654401</u>	Collar, Idle Gear	1
6	<u>102729101</u>	Bolt, Solenoid, Stop, D722	3
7	105207001	Assy, Camshaft, Long, D722 (includes items 8 through 12)	1
8	<u>102605901</u>	Gear, Cam	1
9	102606001	Stopper, Camshaft	1
10	N/A	Camshaft	1
11	<u>102799401</u>	Ball, Check	1
12	105220701	Key, Feather, D722	1
13	105220401	Gear, Idle, D722 (includes items 14 and 15)	1
14	N/A	Gear, Idle	1
15	105220501	Bushing, Idle Gear, D722	1
16	105220601	Tappet, D722	6

10

D

10

D



000050-002

FUEL CAMSHAFT (D722 – E4B)

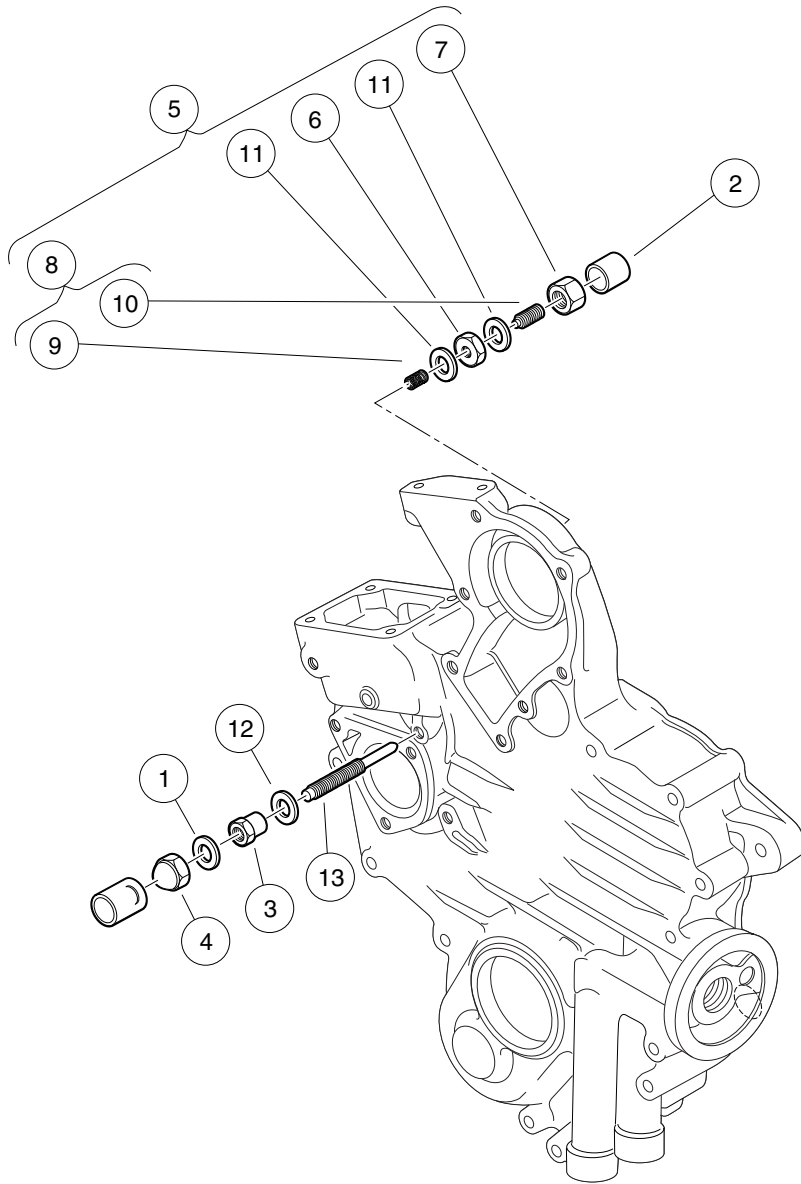
ITEM	PART NO.	DESCRIPTION	QTY
		1 2 3 4	
1	<u>102604201</u>	Bolt, D722, Cam End	2
2	<u>102604701</u>	Circlip, External	1
3	<u>102604801</u>	Stopper, Fuel, Camshaft	1
4	<u>102728501</u>	Bearing, Ball	1
5	105207701	Assy, Fuel Camshaft, D722 (includes items 6 through 13)	1
6	<u>102603701</u>	Ball, Injection Pump	8
7	<u>102603901</u>	Ball, Governor	32
8	<u>102604101</u>	Circlip	1
9	<u>102604301</u>	Bearing, Ball	1
10	<u>102604401</u>	Key, Feather, Short Camshaft	1
11	105207801	Gear, Injection Pump, D722	1
12	105221401	Sleeve, Governor, D722	1
13	105231201	Case, Governor Ball, D722	1

10

D

10

D



000051-002

IDLE APPARATUS (D722 – E4B)

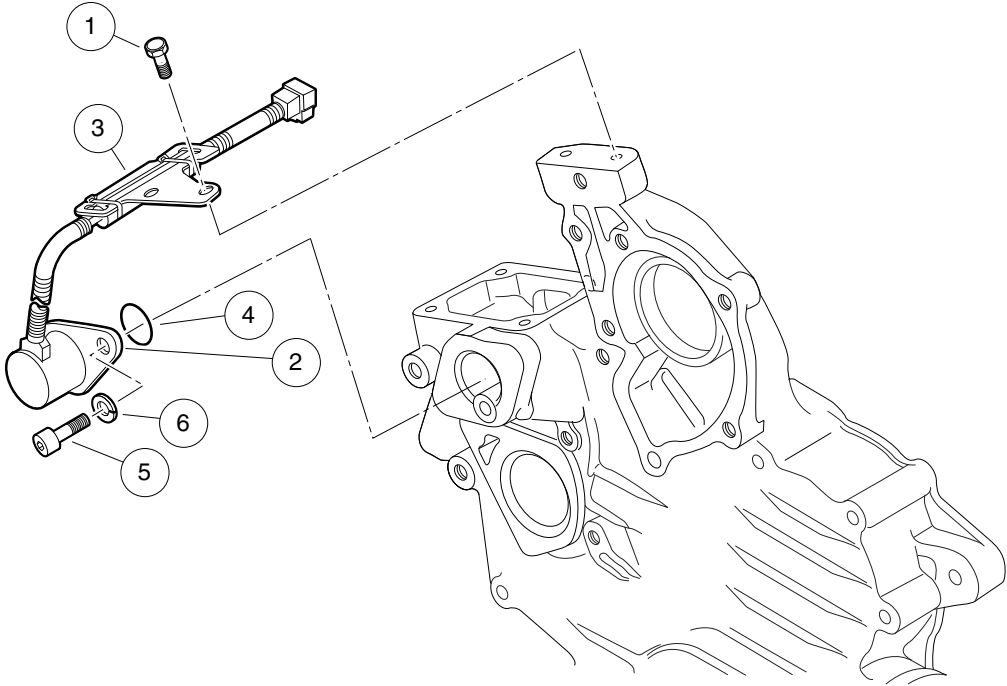
ITEM	PART NO.	DESCRIPTION	QTY
		1 2 3 4	
1	<u>102635301</u>	Gasket, 6 X 10	1
2	<u>102635701</u>	Cap, Bolt Assy	1
3	<u>102637001</u>	Nut, Lock, Special	1
4	<u>102637101</u>	Nut, Special	1
5	<u>102728601</u>	Assy, Idle Apparatus (includes items 6 through 11)	1
6	<u>102635501</u>	Nut, M8, D722 Idle App, Specl	1
7	<u>102635801</u>	Nut, M8, D722 Idle App	1
8	<u>102635901</u>	Assy, Bolt, Adjusting (includes items 9 and 10)	1
9	<u>102728701</u>	Spring, Idle Apparatus	1
10	N/A	Stud, Idle Adjustment	1
11	<u>102728801</u>	Gasket, Idle Apparatus, Rear	2
12	<u>102728901</u>	Gasket, Idle Apparatus, Front	1
13	<u>102799501</u>	Bolt, Idle Adjusting	1

10

D

10

D



000182-002

STOP SOLENOID (D722-E4B)

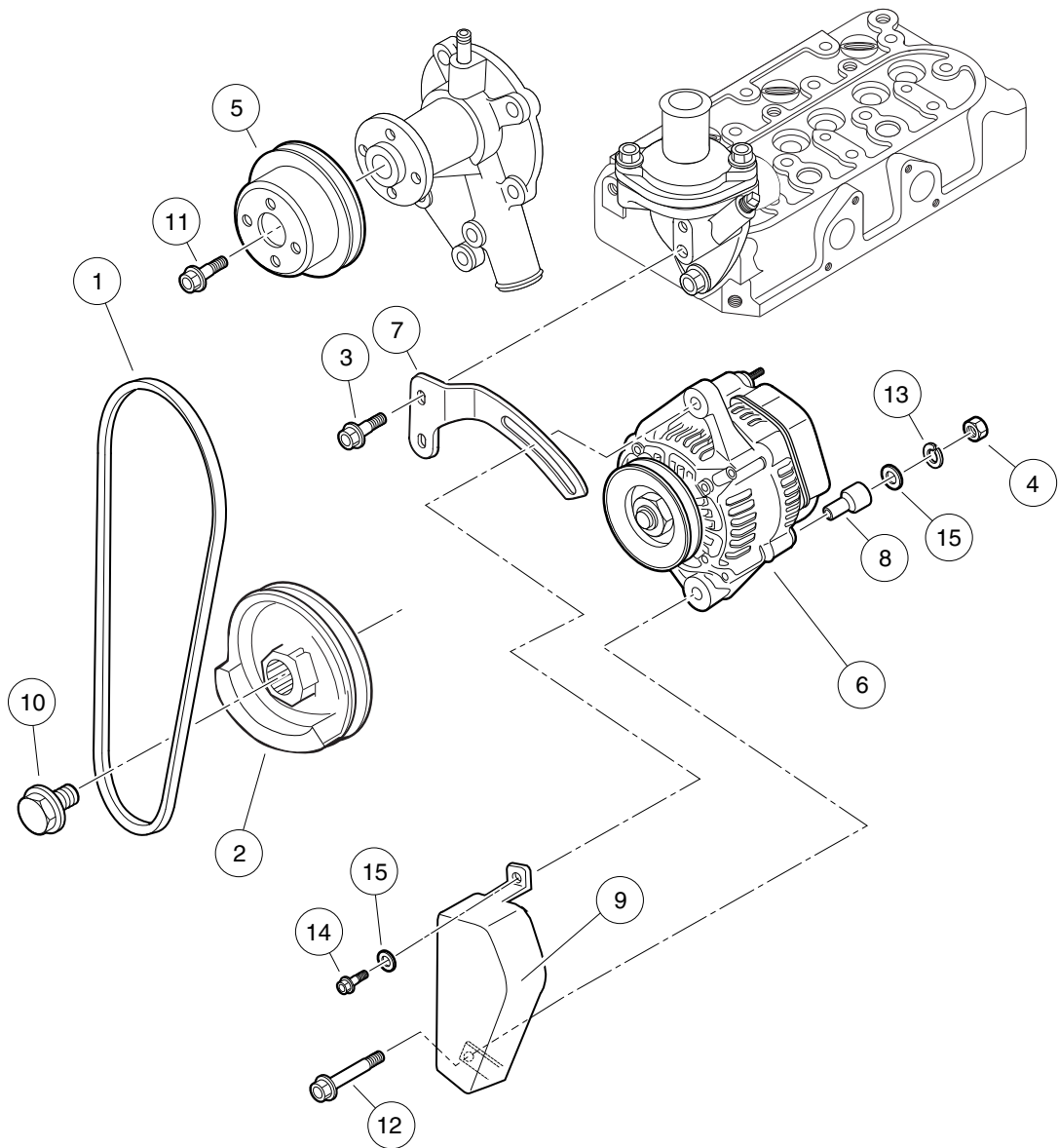
ITEM	PART NO.	DESCRIPTION	QTY
		1 2 3 4	
1	<u>102729101</u>	Bolt, Solenoid, Stop, D722	2
2	<u>102799601</u>	Solenoid, Stop	1
3	<u>102799701</u>	Stay, Stop Solenoid	1
4	<u>102799801</u>	O-Ring, Stop Solenoid	1
5	<u>102799901</u>	Bolt, Stop Solenoid	2
6	105207901	Washer, Spring, M6, D722	2

10

D

10

D



000057-004

40-AMP ALTERNATOR, BELT AND PULLEYS (D722 – E4B)

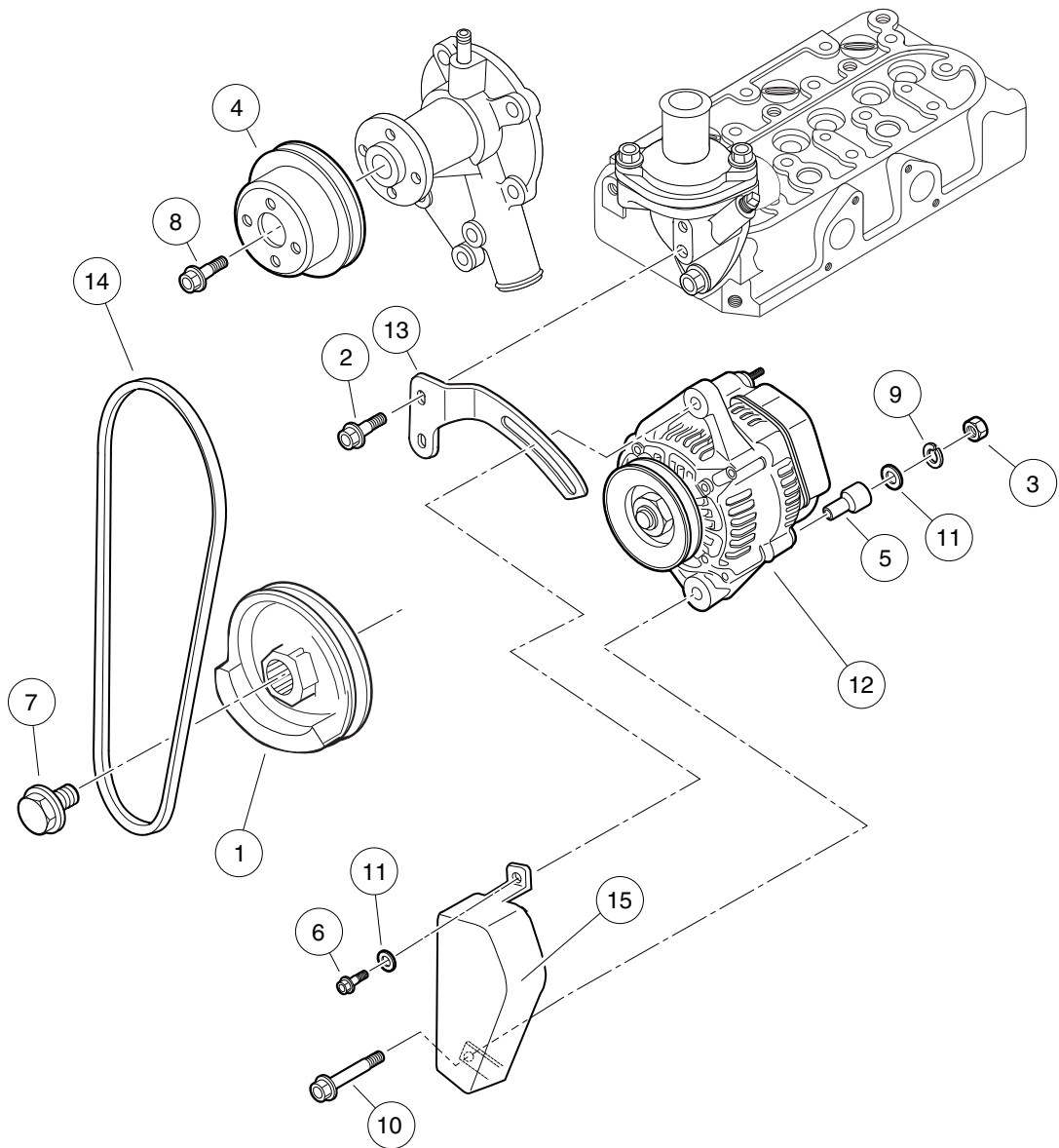
ITEM	PART NO.	DESCRIPTION	QTY
		1 2 3 4	
1	<u>102601101</u>	V-Belt	1
2	<u>102630601</u>	Pulley, Fan Drive	1
3	<u>102631601</u>	Bolt, M6 X 1 X 20	2
4	<u>102647701</u>	Nut, M8, Plate	1
5	<u>102701201</u>	Pulley, Water Pump	1
6	<u>102730001</u>	Alternator, 40-Amp	1
7	<u>102730101</u>	Stay, Alternator Assy, D722	1
8	<u>102730201</u>	Collar, Alternator Assy, D722	1
9	<u>102730301</u>	Cover, Alternator Assy, D722	1
10	<u>102730601</u>	Bolt, Alt, D722, Drive Pulley	1
11	<u>102731301</u>	Bolt, D722, Drive Pulley	4
12	<u>102800701</u>	Bolt, Alternator, Lower	1
13	105208001	Washer, Sprng, Strtr, D722	1
14	105221901	Bolt, Alt, Adjuster, D722	1
15	105222001	Washer, Alt, Upper, D722	2

10

D

10

D



000057-003

60-AMP ALTERNATOR, BELT AND PULLEYS (D722 – E4B)

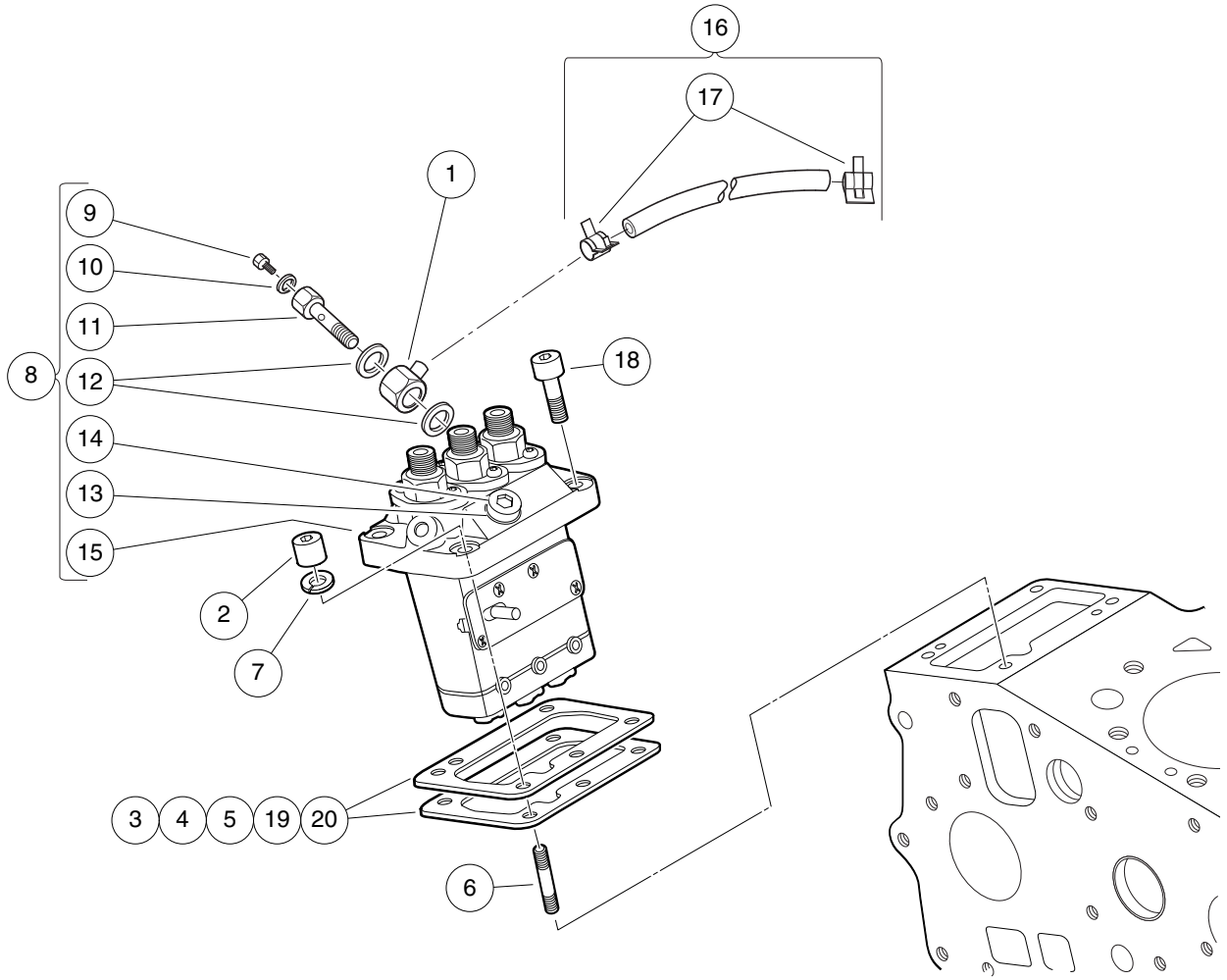
ITEM	PART NO.	DESCRIPTION	QTY
		1 2 3 4	
1	<u>102630601</u>	Pulley, Fan Drive	1
2	<u>102631601</u>	Bolt, M6 X 1 X 20	2
3	<u>102647701</u>	Nut, M8, Plate	1
4	<u>102701201</u>	Pulley, Water Pump	1
5	<u>102730201</u>	Collar, Alternator Assy, D722	1
6	<u>102730401</u>	Bolt, Alt, D722, Adjuster	1
7	<u>102730601</u>	Bolt, Alt, D722, Drive Pulley	1
8	<u>102731301</u>	Bolt, D722, Drive Pulley	4
9	<u>102732501</u>	Washer, Spring, D722, Starter	1
10	<u>102800701</u>	Bolt, Alternator, Lower	1
11	<u>102801001</u>	Washer, Alternator, Upper	2
12	<u>102934701</u>	Alternator, 60 Amp	1
13	<u>102934801</u>	Bracket, Alternator, D722, 60 Amp	1
14	<u>102934901</u>	Belt, Accessory Drive, D722, 60 Amp	1
15	<u>103239901</u>	Guard, Accessory Belt	1

10

D

10

D



000053-003

FUEL INJECTION PUMP (D722 – E4B)

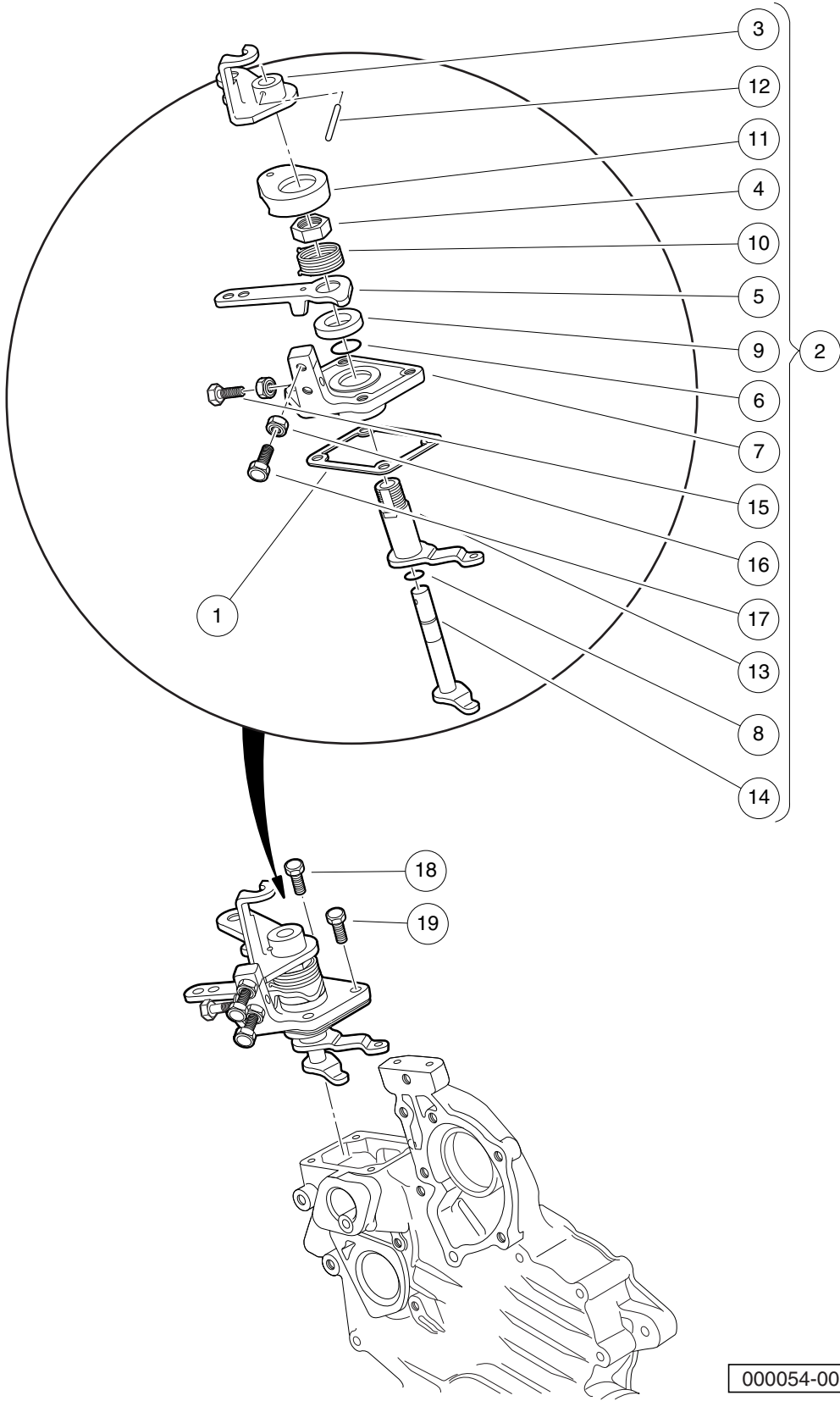
ITEM	PART NO.	DESCRIPTION	QTY
		1 2 3 4	
1	<u>102640401</u>	Joint, Eye	1
2	<u>102640701</u>	Nut, Special	2
3	<u>102640901</u>	Shim, Injection Pump, 0.20 mm	1
4	<u>102641001</u>	Shim, Injection Pump, 0.25 mm	1
5	102641101	Shim, Injection Pump, 0.30 mm	1
6	<u>102641201</u>	Stud, M5 X 25	2
7	105207901	Washer, Spring, M6, D722	2
8	105225401	Assy, Pump Injection, D722 (includes items 9 through 15)	1
9	<u>102637501</u>	Screw, D722, Injection Pump	1
10	<u>102637601</u>	Gasket, D722, Inj Pump, Top	1
11	<u>102637701</u>	Screw, Hollow, D722, Inj Pump	1
12	<u>102637801</u>	Gasket, D722, Inj Pump, Lower	2
13	<u>102639101</u>	Gasket, D722, Inj Pump, Plug	1
14	<u>102729201</u>	Plug, Injection Pump	1
15	N/A	Pump, Injection	1
16	105225501	Assy, Fuel Pipe, D722 (includes item 17)	1
17	105225601	Clip, Pipe, D722	2
18	105225701	Bolt, Hex Head, D722	2
19	105225801	Shim, Inj Pump, 0.175, D722	1
20	105225901	Shim, Inj Pump, 0.350, D722	1

10

D

10

D



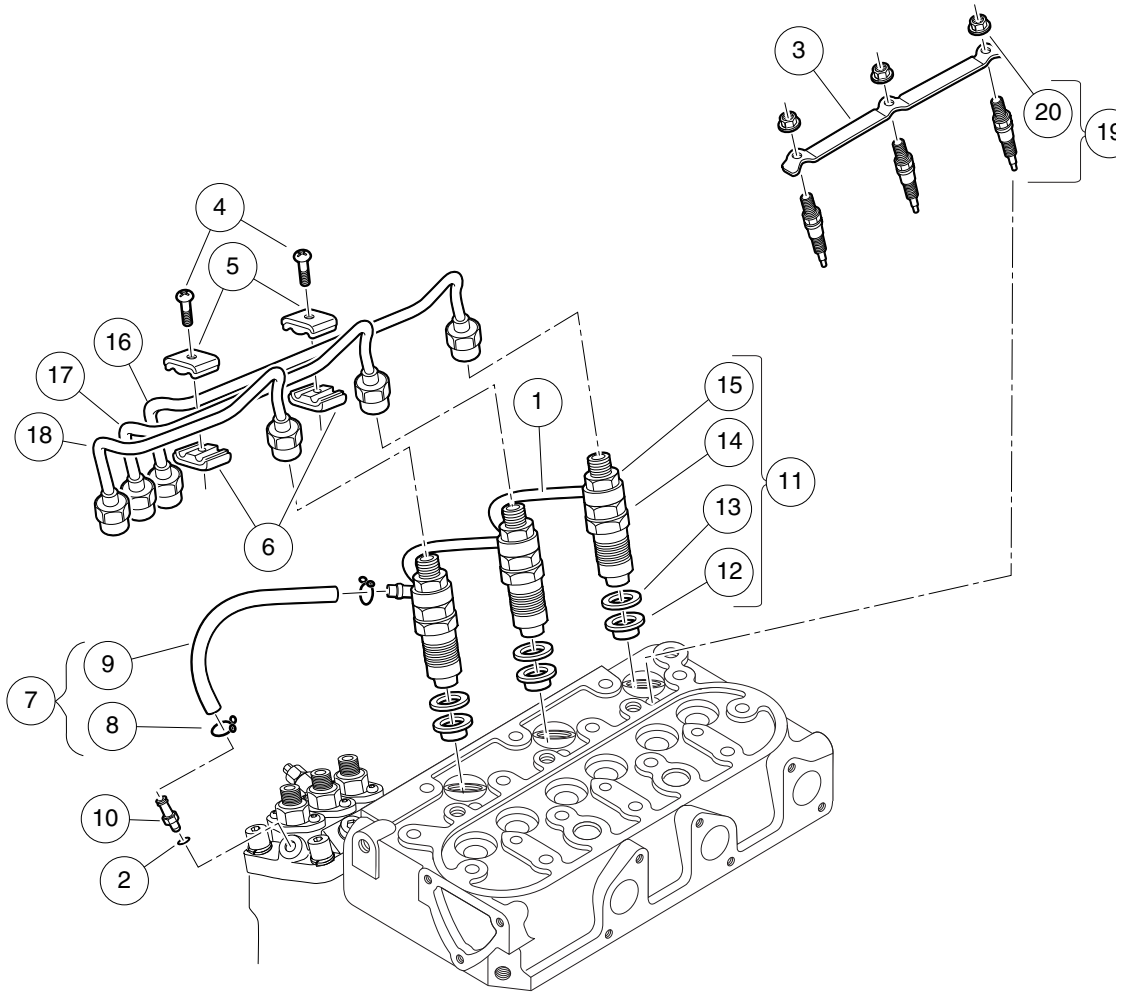
000054-003

SPEED CONTROL (D722 – E4B)

ITEM	PART NO.	DESCRIPTION	QTY
		1 2 3 4	
1	<u>102634501</u>	Gasket, Control Plate	1
2	<u>102800401</u>	Assembly, Speed Plate (includes items 3 through 17)	1
3	<u>102633701</u>	Lever, Engine Stop	1
4	<u>102633801</u>	Nut, Speed Control	1
5	<u>102633901</u>	Lever, Speed Control	1
6	<u>102634001</u>	O Ring, 19 X 16	1
7	<u>102634101</u>	Plate, Speed Control	1
8	<u>102634401</u>	O Ring, 9 X 7	1
9	<u>102634601</u>	Collar, Lever	1
10	<u>102634701</u>	Spring, Return	1
11	<u>102729401</u>	Cap, Speed Cntrl Plate Rtrn	1
12	<u>102729501</u>	Pin, Spring, Speed Plate	1
13	<u>102800501</u>	Lever, Governor	1
14	<u>102800601</u>	Shaft, Governor Lever	1
15	105222301	Bolt, Speed Control, D722	1
16	105222401	Nut, Speed Control, D722	3
17	105222501	Bolt, Speed Control, D722	2
18	105206601	Bolt, Intake Manfld, D722	2
19	105222201	Bolt, Flange, D722	2

10

D



000055-002

NOZZLE HOLDERS AND GLOW PLUGS (D722 – E4B)

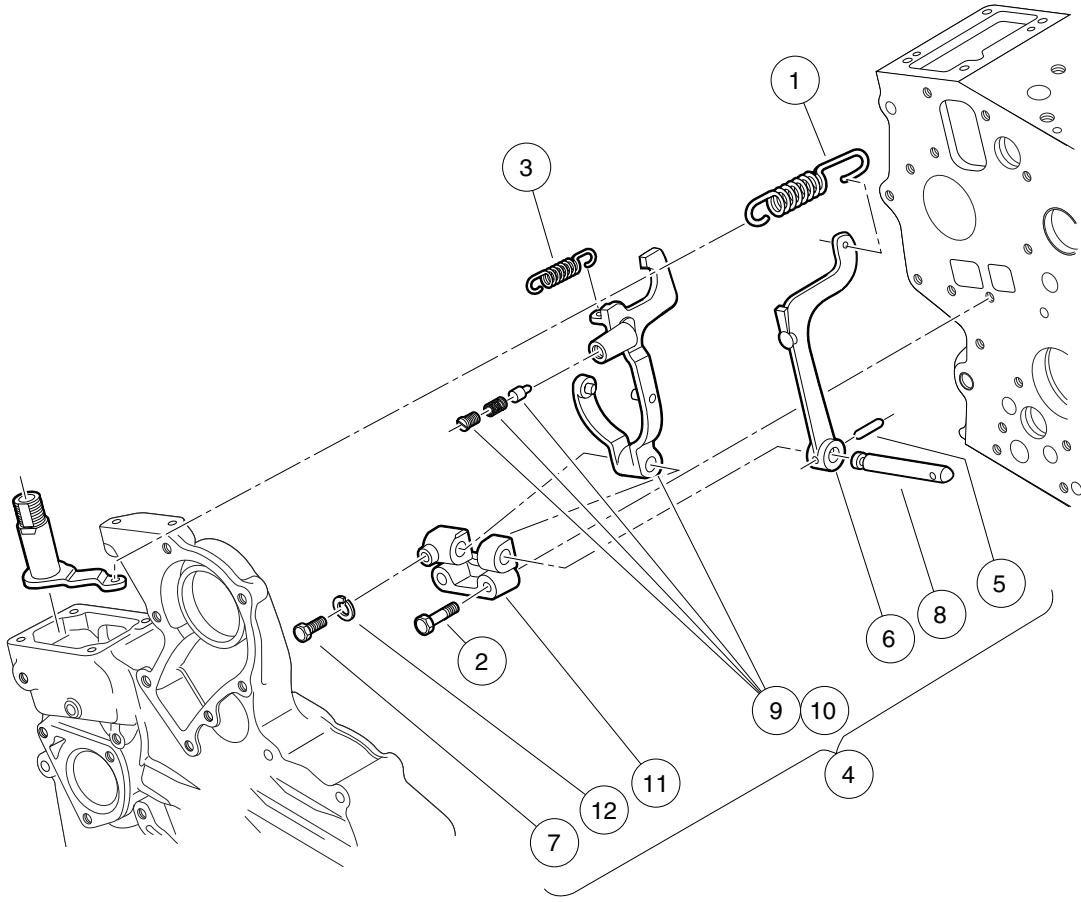
ITEM	PART NO.	DESCRIPTION	QTY
		1 2 3 4	
1	<u>102605701</u>	Assy Pipe, D722 Fuel Over Flow	1
2	<u>102635301</u>	Gasket, 6 X 10	1
3	<u>102642401</u>	Cord, Glow Plug	1
4	<u>102642801</u>	Screw, Washer	2
5	<u>102642901</u>	Clamp, Pipe, Top	2
6	<u>102643301</u>	Clamp, Pipe, Bottom	2
7	<u>102643401</u>	Assy Pipe, Over Flow (includes items 8 and 9)	1
8	<u>102729601</u>	Clip, Pipe, Return	2
9	105222901	Pipe, Fuel Overflow, D722	1
10	<u>102643701</u>	Screw, Air Bleeder	1
11	105208201	Kit, Holder, Nozzle, D722 (includes items 12 through 15)	3
12	<u>102642701</u>	Seal, Heat	3
13	<u>102643601</u>	Gasket, Nozzle	3
14	105208301	Assy Holder, Nozzle, D722	3
15	105223001	Nut, Hex, D722	3
16	105222601	Pipe, Injection, D722	1
17	105222701	Pipe, Injection, D722	1
18	105222801	Pipe, Injection, D722	1
19	105223101	Plug, Glow, D722 (includes item 20)	3
20	<u>102642501</u>	Nut, Flange,m4	3

10

D

10

D



000056-004

GOVERNOR COMPONENTS (D722 – E4B)

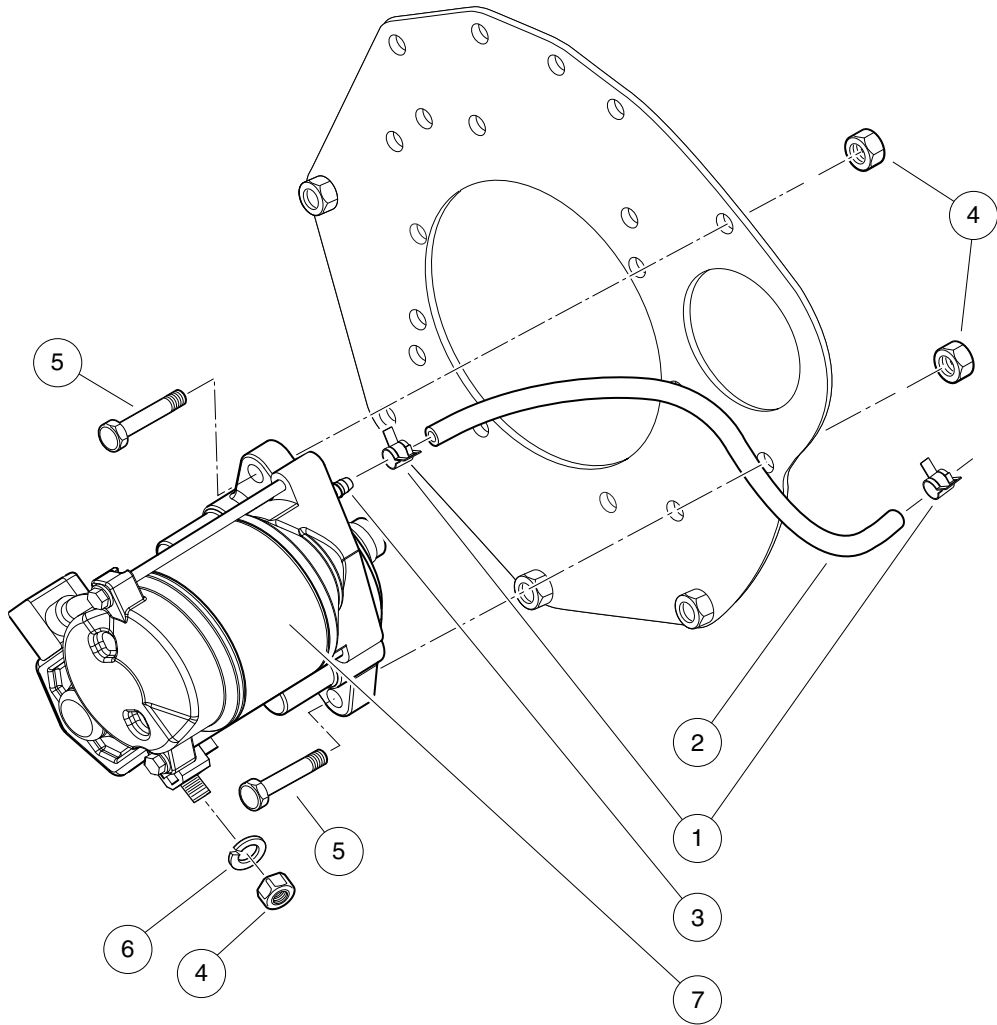
ITEM	PART NO.	DESCRIPTION	QTY
		1 2 3 4	
1	<u>102635101</u>	Spring, Governor	1
2	<u>102636301</u>	Bolt, M5 X 0.75 X 25	2
3	<u>102800201</u>	Spring, Start	1
4	105208401	Assy, Gov Fork, D722 (includes items 5 through 12)	1
5	<u>102633601</u>	Pin, Spring	1
6	<u>102636101</u>	Lever, Fork, End	1
7	<u>102636401</u>	Bolt, M5 X 0.75 X 11	1
8	<u>102636601</u>	Shaft, Fork Lever	1
9	N/A	Lever, Fork, Middle, D722 CB (includes item 10)	1
10	<u>102701601</u>	Spring, Lever	1
11	105208501	Holder, Fork Lever, D722	1
12	105208601	Washer, Spring, M5, D722	1

10

D

10

D



000058-003

STARTER – SEALED (D722 – E4B)

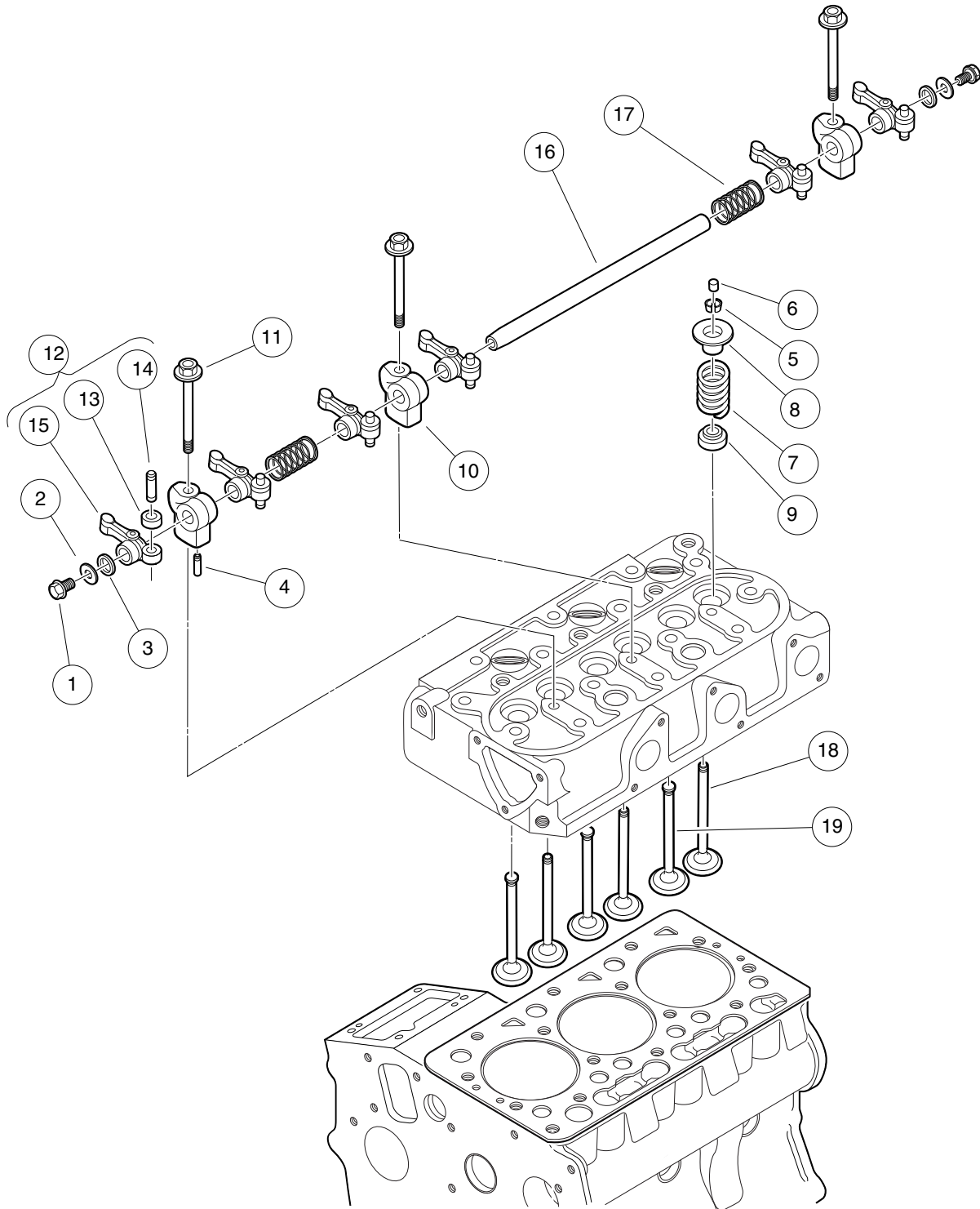
ITEM	PART NO.	DESCRIPTION	QTY
		1 2 3 4	
1	<u>1013746</u>	Clamp, 0.301 ID Hose	2
2	<u>101587703</u>	Hose, Fuel, Vent, 22" Long	1
3	<u>101824401</u>	Vent Barb	1
4	<u>102647701</u>	Nut, M8, Plate	3
5	<u>102730401</u>	Bolt, Alt, D722, Adjuster	2
6	<u>105208001</u>	Washer, Sprng, Strtr, D722	3
7	<u>105226001</u>	Assy, Sealed Starter, D722	1

10

D

10

D



000062-003

VALVES AND ROCKER ARMS (D722 – E4B)

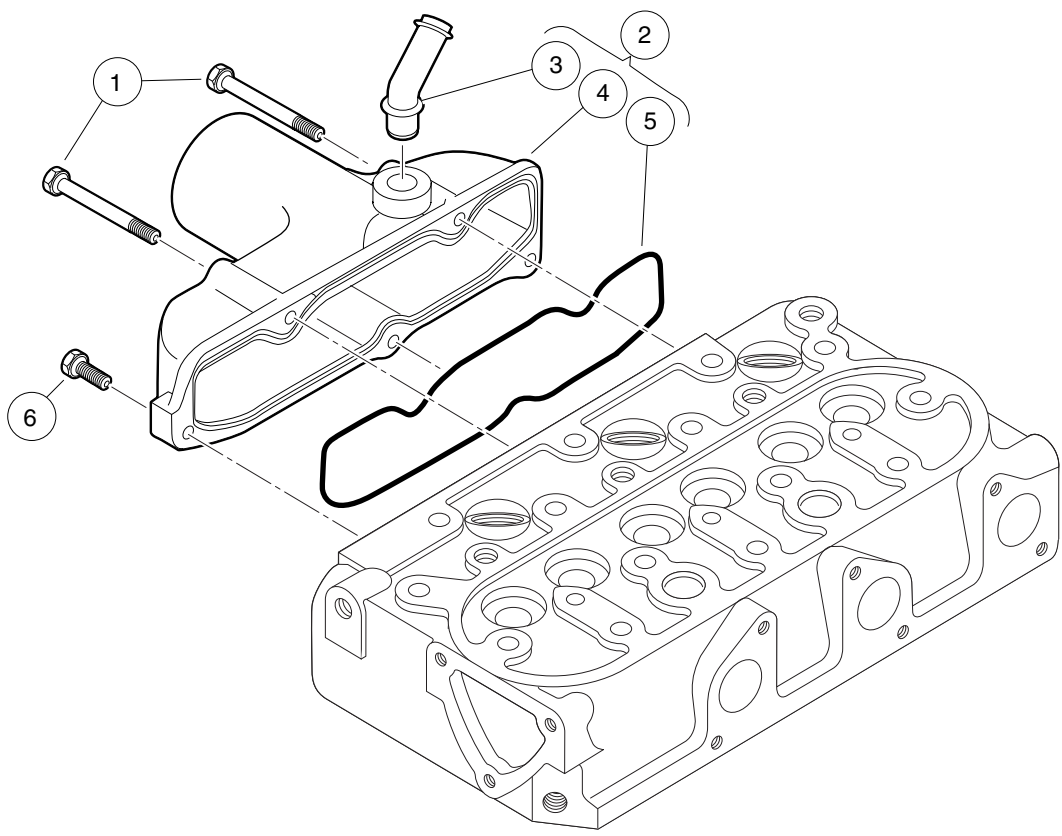
ITEM	PART NO.	DESCRIPTION	QTY
		1 2 3 4	
1	<u>102646401</u>	Bolt, M6 X 1 X 8	2
2	<u>102651301</u>	Washer, D722, Plain, Rocker	2
3	<u>102651601</u>	Washer, Rocker Arm	2
4	<u>102651801</u>	Pin, Spring, D722, Rocker	1
5	<u>102652901</u>	Collet, Valve Spring, Set	6
6	<u>102653001</u>	Cap, Valve, D722	6
7	<u>102653101</u>	Spring, Valve	6
8	<u>102653201</u>	Retainer, Spring	6
9	<u>102653301</u>	Seal, Valve Stem	6
10	<u>102801101</u>	Bracket, Rocker Arm, D722 Closed-Breather	3
11	<u>102801201</u>	Bolt, Rocker Arm	3
12	<u>105208701</u>	Assy, Rocker Arm, D722 (includes items 13 through 15)	6
13	<u>102651501</u>	Nut, M6	6
14	<u>102651701</u>	Screw-Adjusting	6
15	N/A	Arm, Rocker	6
16	<u>105226101</u>	Shaft, Rocker Arm, D722	1
17	<u>105226201</u>	Spring, Rocker Arm, D722	2
18	<u>105226301</u>	Valve, Exhaust, D722	3
19	<u>105226401</u>	Valve, Intake, D722	3

10

D

10

D



000063-003

INTAKE MANIFOLD (D722 – E4B)

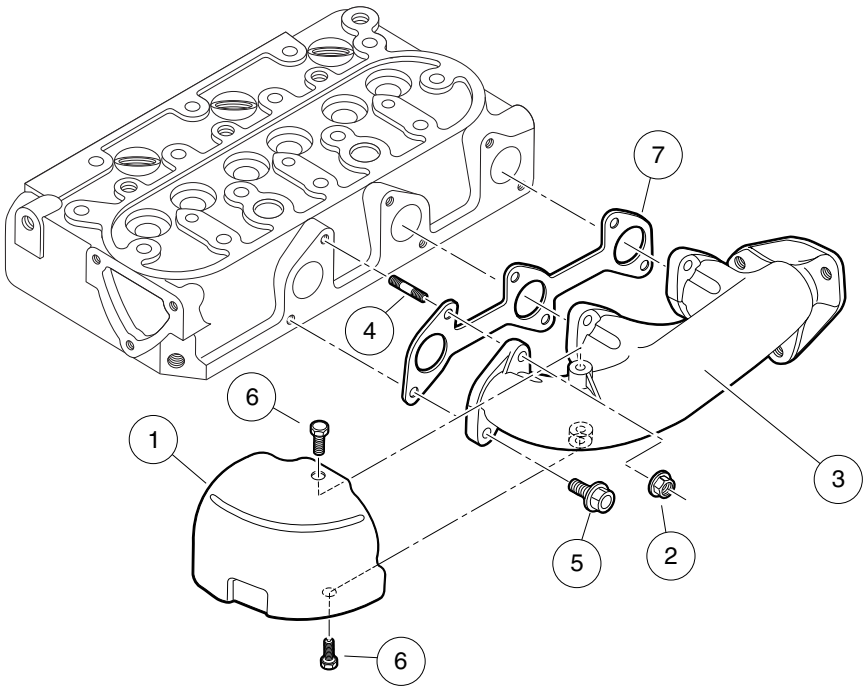
ITEM	PART NO.	DESCRIPTION	QTY
		1 2 3 4	
1	<u>102646101</u>	Bolt, M6 X 1 X 45	3
2	<u>102801301</u>	Assembly, Intake Manifold (includes items 3 through 5)	1
3	<u>102801401</u>	Pipe, Breather	1
4	<u>102801501</u>	Manifold, Intake	1
5	105226501	Gasket, Intake Manifold, D722	1
6	105206601	Bolt, Intake Manfld, D722	2

10

D

10

D



000064-002

EXHAUST MANIFOLD (D722 – E4B)

ITEM	PART NO.	DESCRIPTION	QTY
		1 2 3 4	
1	<u>102646301</u>	Cover, Heat Proof	1
2	<u>102647101</u>	Nut, Flange, M6, Ubs	3
3	<u>102731501</u>	Manifold, Exhaust, D722	1
4	105208801	Stud, M6 X 26, D722	3
5	105208901	Bolt, Exhst Manfld, D722	3
6	105209001	Bolt, Exhst Manfld Cvr, D722	2
7	105226601	Gasket, Exhaust Manifold, D722	1

10

D

10

D

FUEL, INTAKE, ACCELERATOR & GOVERNOR SYSTEMS – KAWASAKI

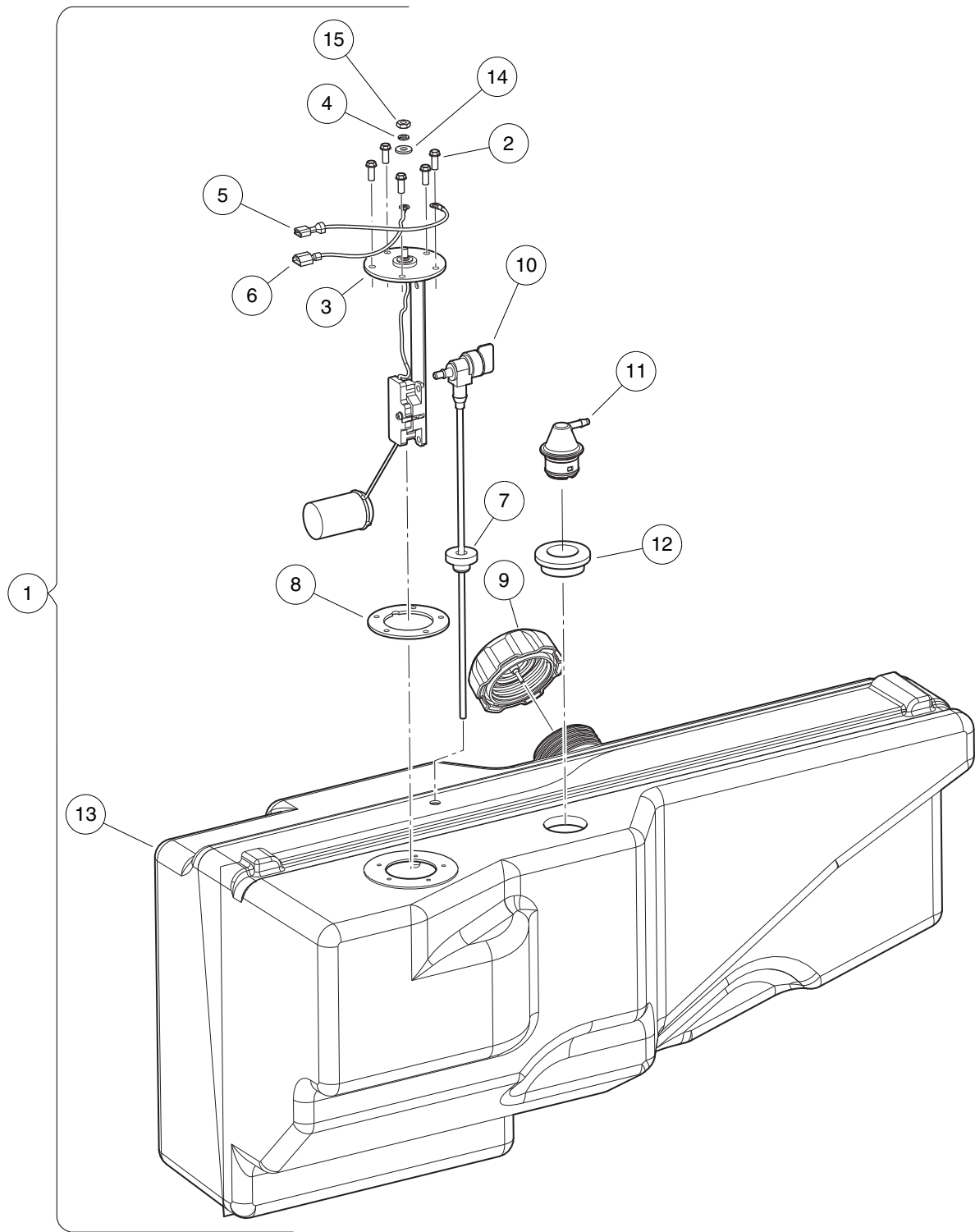
11

G

GOVERNOR ARM AND SPRINGS

ITEM	PART NO.	DESCRIPTION	QTY
		1 2 3 4	
1	N/A	Nut, M6	1
2	<u>1016513</u>	Washer, M6 Flat	1
3	<u>103002001</u>	Shaft, Governor, Fh	1
4	<u>103002101</u>	Plate, Governor, Fh	1
5	<u>103002301</u>	Link, Arm, Governor, Fh	1
6	<u>103002401</u>	Spring, Governor, Fh	1
7	<u>103002501</u>	Arm, Governor, Shaft	1
8	<u>103002901</u>	Spring, Arm, Governor, Fh	1
9	<u>103297701</u>	Panel, Control, Complete, Fh (includes items 10 through 19)	1
10	<u>102992401</u>	Bolt, Flg, M6 X 1.0 X 12	2
11	<u>103002801</u>	Spring, Fh	2
12	<u>103297401</u>	Lever, Governor, Control, Fh	1
13	<u>103297501</u>	Spring, Governor Return, Fh	1
14	<u>103297601</u>	Collar, Governor, Fh	1
15	<u>103297801</u>	Nut, Governor, Fh	1
16	<u>103298001</u>	Bolt, Speed Control, Fh	2
17	<u>103298201</u>	Washer, Governor, Lower, Fh	2
18	<u>103298301</u>	Washer, Governor, Middle, Fh	2
19	<u>103298501</u>	Bolt, Flanged, M6 X 20, Kaw	1
20	<u>103298101</u>	Bolt, M6 X 35, Kawasaki	1
21	<u>103298601</u>	Screw, Pan, Governor, Fh	2

11
G

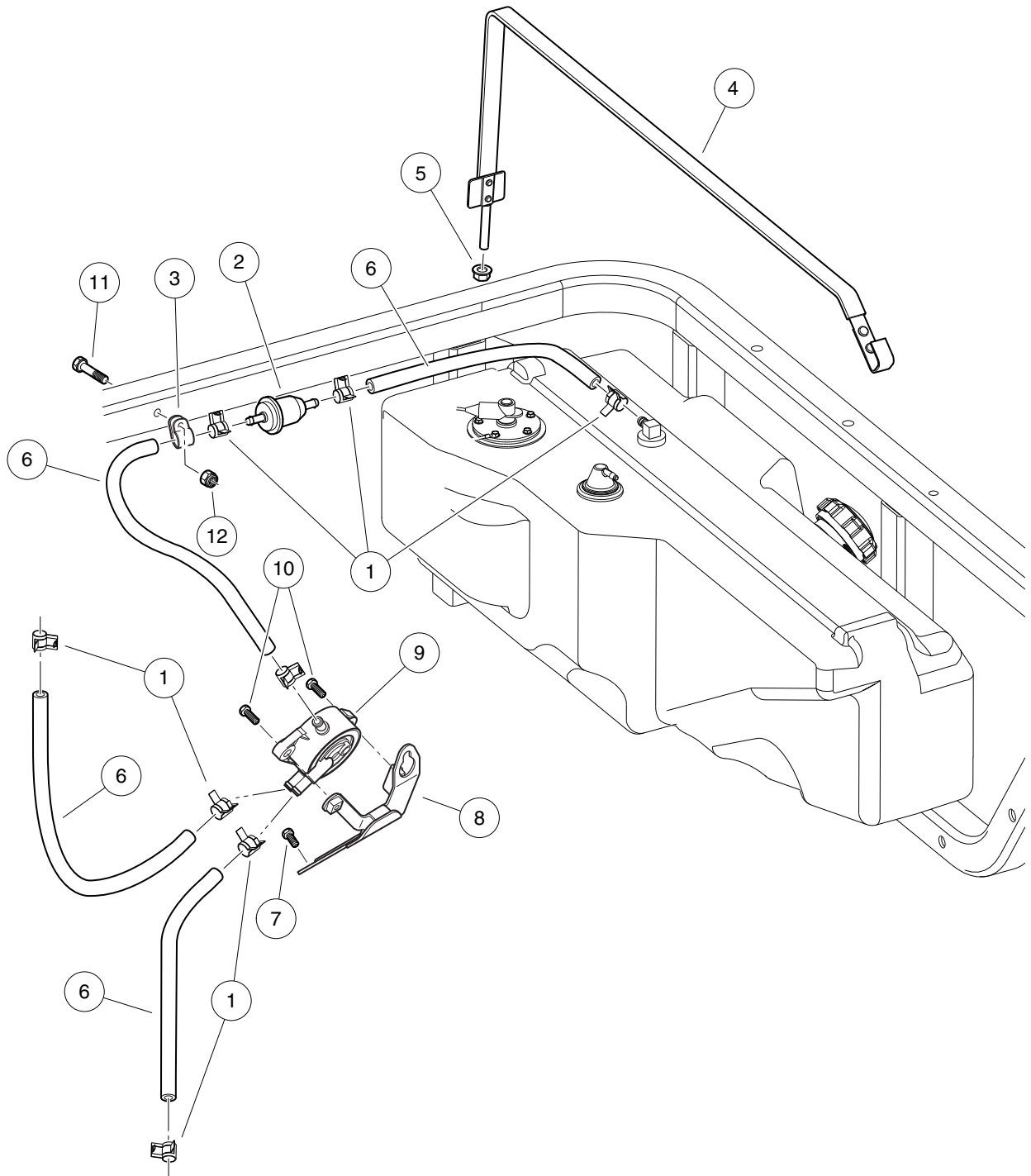


000082-008

FUEL TANK – GASOLINE VEHICLE

ITEM	PART NO.	DESCRIPTION	QTY
		1 2 3 4	
1	<u>103963701</u>	Asm, Tank Fuel, Gas 4x4 Nano (includes items 2 through 15)	1
2	<u>1013461</u>	Screw, #10-16 Hex-Head Hi-Lo	5
3	<u>1013462</u>	Sending Unit, Fuel Level *	1
4	<u>1016</u>	Lockwasher, #10 Split	1
5	N/A	Wire Asm, Blk, 170mm	1
6	N/A	Wire Asm, Org, 170mm	1
7	<u>102406701</u>	Bushing, Line, Return	1
8	<u>102522001</u>	Gasket, Rubber	1
9	<u>103372101</u>	Cap, Fuel Tank, Gas, Ratchet	1
10	<u>103372302</u>	Valve, Fuel, 288mm	1
11	<u>103905201</u>	Assembly, Vent, Fuel, 1/4 Inch O.D.	1
12	<u>103944301</u>	Grommet, Fuel Tank, Vent	1
13	N/A	Tank, Fuel, Gas, 4x4 Nano	1
14	<u>183</u>	Washer, #10, Type A, Flat	1
15	<u>8797</u>	Nut, #10-32 Brass Hex	1
		* Note: Must replace fuel sending unit gasket when servicing this component.	

11
G



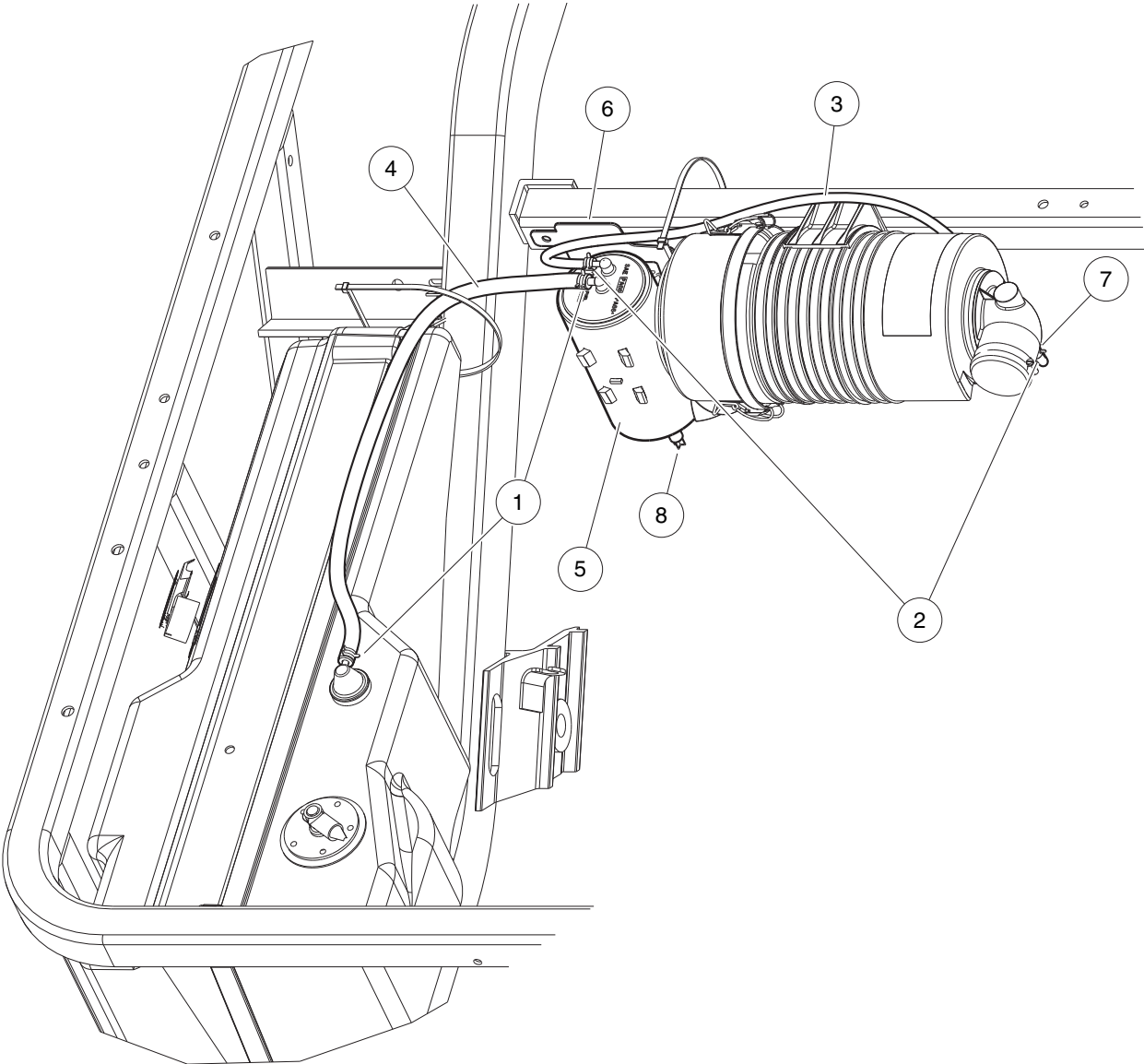
000672-003

FUEL PUMP, FILTER AND HOSE – KAWASAKI FH680

ITEM	PART NO.	DESCRIPTION	QTY
		1 2 3 4	
1	<u>1012649</u>	Clamp, 0.460 Red Hose	4
2	<u>102003201</u>	Filter, Fuel, 30 Micron	1
3	<u>102410604</u>	P-clamp, Insulated, 0.625 Inch	1
4	<u>102426301</u>	Strap, Tank, Fuel	1
5	<u>102618601</u>	Lock Nut, Flange, M8 X 1.25 Nylon	1
6	<u>102865101</u>	Fuel Line, 1/4 (available by the foot)	A/R
7	<u>102992501</u>	Bolt, Flg, M6 X 1.0 X 16	1
8	<u>103009901</u>	Bracket, Fuel Pump, Fh	1
9	<u>103010101</u>	Pump, Fuel, Impulse, Fh	1
10	<u>103298501</u>	Bolt, Flanged, M6 X 20, Kaw	2
11	<u>324</u>	Screw, 1/4-20 X 2.50 Hx Hd Cap	1
12	<u>8233</u>	Locknut, 1/4-20, Nylon Insert	1

11

G

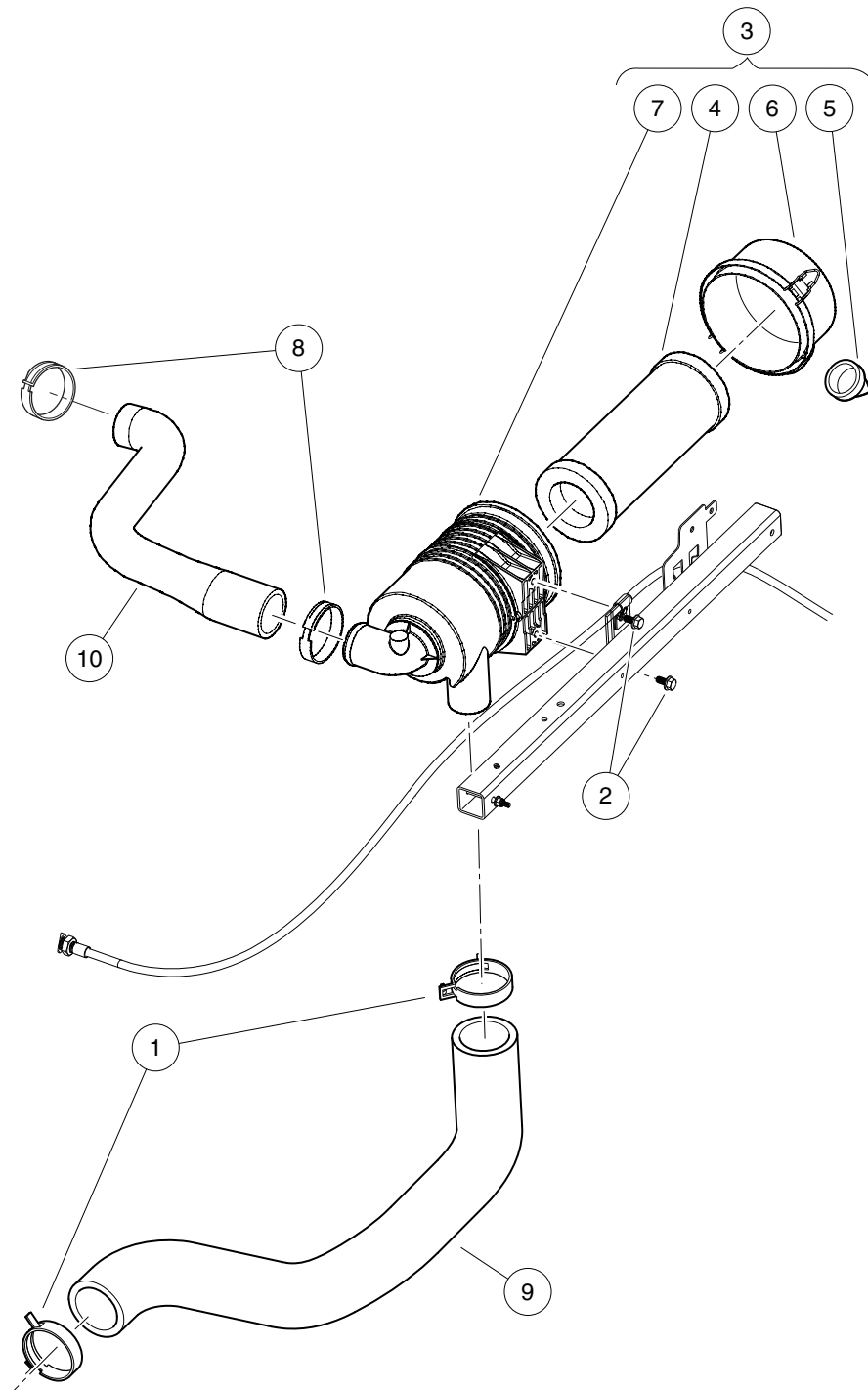


000972-001

CARBON CANISTER – GASOLINE VEHICLE

ITEM	PART NO.	DESCRIPTION	QTY
		1 2 3 4	
1	<u>1012649</u>	Clamp, 0.460 Red Hose	2
2	<u>101313402</u>	Clamp, Green Hose	2
3	<u>1015137</u>	Fuel Line, 3/16 (available by the foot)	3
4	<u>102865101</u>	Fuel Line, 1/4 (available by the foot)	2
5	<u>103372401</u>	Canister, Carbon	1
6	<u>103452001</u>	Brkt, Mtg, Carbon Canister	1
7	<u>103701301</u>	Adapter, 1/8 Npt X 3/16 Barb	1
8	<u>103756401</u>	Asm, Vent Line, Carbon Canister (includes items 9 and 10)	1
9	N/A	Hose, Vent, 5/16 I.D., Bulk	1
10	N/A	Vent, Barb, 5/16 I.D. Hose	1

11
G



000090-006

INTAKE HOSES AND AIR FILTER – KAWASAKI FH680

ITEM	PART NO.	DESCRIPTION	QTY
		1 2 3 4	
1	<u>102411210</u>	Clamp, Hose, Ctb 64mm	2
2	<u>102621201</u>	Bolt, Flanged Head, M8 X1.25x 16, with Loctite	2
3	<u>102810701</u>	Filter, Air, Canister, with Label (includes items 4 through 7)	1
4	<u>102498601</u>	Element, Filter, Air, 5 Inch	1
5	<u>102725501</u>	Valve, Evacuator, Filter Air	1
6	<u>102725601</u>	Cap, Latch Lock, Filter, Air	1
7	N/A	Body, Canister, Filter, Air	1
8	<u>103441401</u>	Clamp, Worm Screw, Hose, 2"	2
9	<u>103848401</u>	Hose, Intake, Air	1
10	<u>103924701</u>	Hose, Air Intake, Awd, Gas	1

11

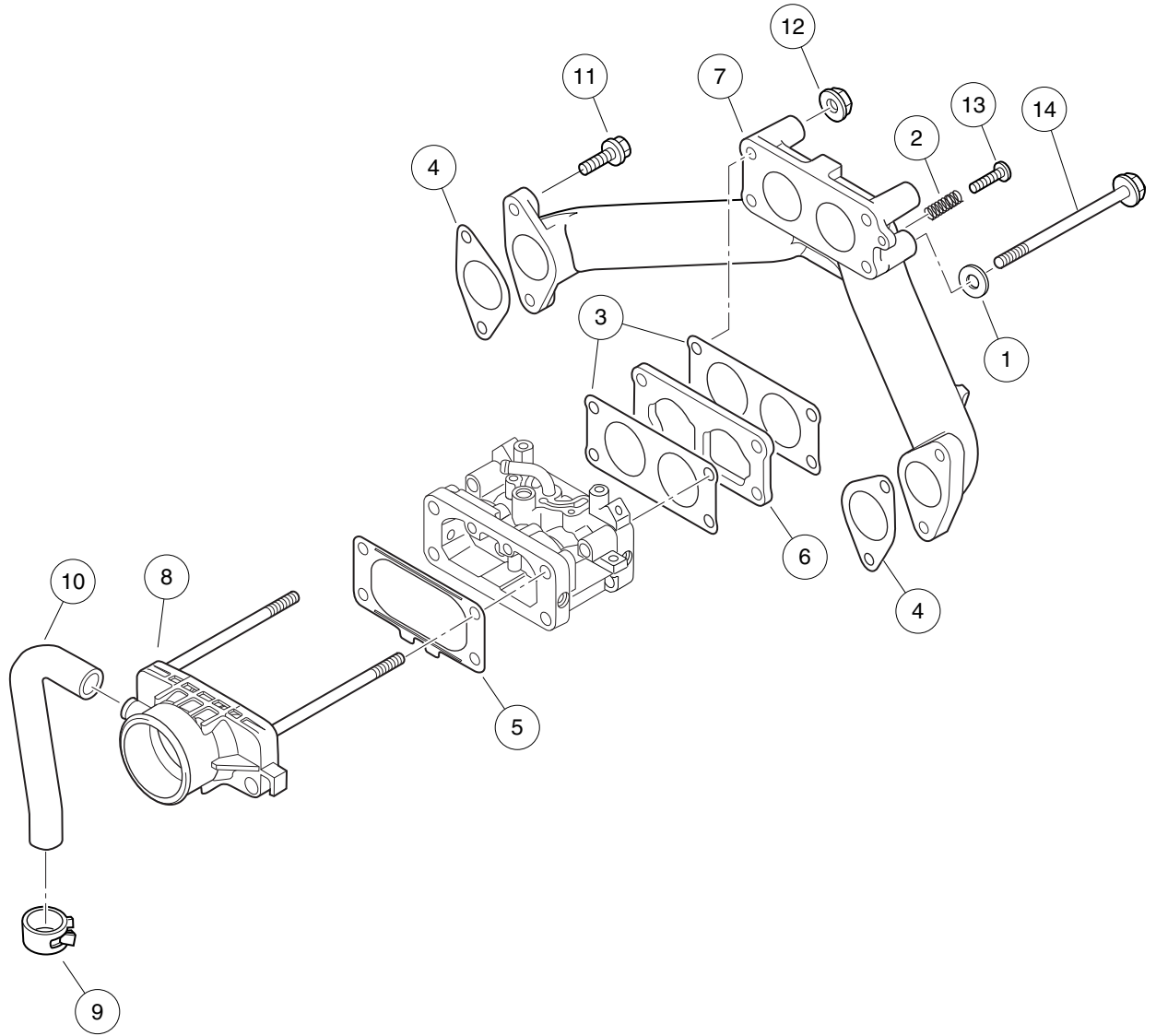
G

CARBURETOR – KAWASAKI FH680

ITEM	PART NO.	DESCRIPTION	QTY
		1 2 3 4	
1	<u>103596801</u>	Asm, Carburetor, FH680D (includes items 2 through 35)	1
2	<u>103307201</u>	Kit, Jet, 6600 Ft +, Fh680d (includes item 3)	1
3	<u>103306801</u>	Jet, Push In #96, FH680D (6600 ft and higher (2000 m and higher))	2
4	<u>103307301</u>	Kit, Jet, 3300-6600 Ft, Fh680d (includes item 5)	1
5	<u>103306901</u>	Jet, Push In #99, FH680D (3300-6600 ft (1000-2000 m))	2
6	<u>103340601</u>	Gasket, Fh680d	1
7	<u>103340701</u>	Gasket, Carburetor, Dia. 52	1
8	<u>103340801</u>	Gasket, Cover, Fh680d	1
9	<u>103340901</u>	Cover, Slow Passage, Fh680d	1
10	<u>103341101</u>	Valve, Throttle, Fh680d	2
11	<u>103341201</u>	Valve, Float, Fh680d	1
12	<u>103341301</u>	Float, Carburetor, Fh680d	1
13	<u>103341401</u>	Shaft, Carburetor, Fh680d	1
14	<u>103341501</u>	Shaft, Carburetor, Throttle	1
15	<u>103341601</u>	Valve, Carburetor, Fh680d	1
16	<u>103341701</u>	Asm, Chamber, Float, Fh680d (includes items 17 through 20)	1
17	<u>103340501</u>	Gasket, Carburetor, Fh680d	1
18	<u>103341901</u>	Solenoid, Carburetor, Fh680d	1
19	<u>103342201</u>	Screw, Drain, Carburetor	1
20	<u>103343601</u>	Spring, Carburetor, Fh680d	1
21	<u>103341801</u>	Needle, Jet, Fh680d	2
22	<u>103342001</u>	Heater, Carburetor, Fh680d	1
23	<u>103342101</u>	Screw, Carburetor, M3 X 6	6
24	<u>103342301</u>	Spacer, Carburetor, Fh680d	1
25	N/A	Pin, Carburetor, Fh680d	1
26	<u>103342501</u>	O-ring, Carburetor, Dia. 6.5	1
27	<u>103342601</u>	O-ring, Carburetor, Fh680d	2
28	<u>103342701</u>	O-ring, Carburetor, Dia. 9	1
29	<u>103343301</u>	Plug, Expansion, Carburetor	2
30	<u>103343401</u>	Seal, Carburetor, Dia. 5.9	1
31	<u>103343501</u>	Seal, Carburetor, Fh680d	1
32	<u>103343701</u>	Collar, Carburetor, Fh680d	1
33	<u>103343801</u>	Screw, Carburetor, M5	2
34	<u>103343901</u>	Screw, Carburetor, M4	2
35	<u>103596701</u>	Kit, Jet, 0-3300 ft. FH680D (includes items 36 and 37)	1
36	<u>103307001</u>	Jet, Push In #102, FH680D (0-3300 ft (0-1000 m))	1
37	<u>103596601</u>	Jet, Push In, #104 FH680D (0-3000 ft (0-1000m))	1

11

G

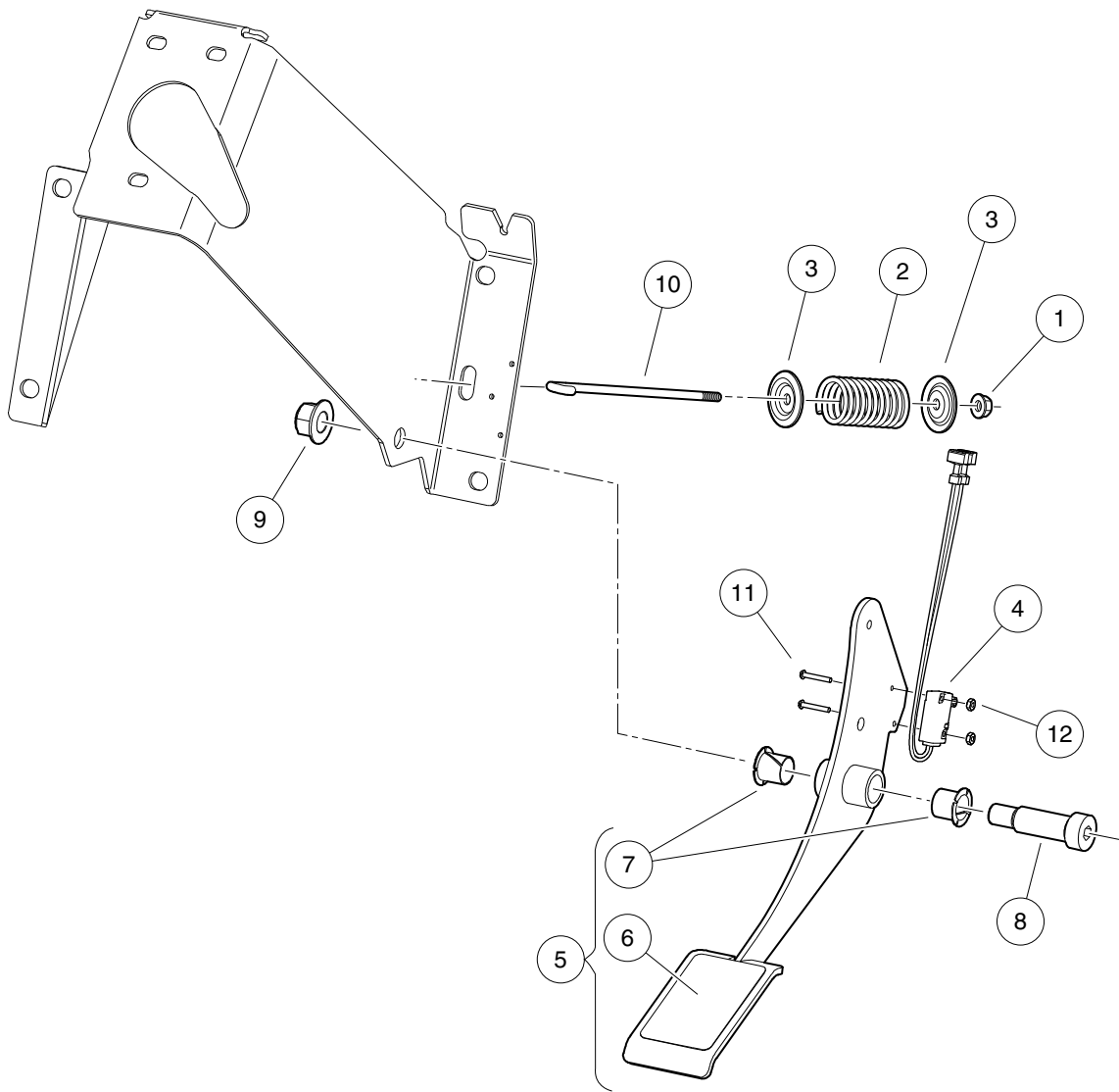


000673-002

INTAKE MANIFOLD AND CARBURETOR MOUNTING – KAWASAKI FH680

ITEM	PART NO.	DESCRIPTION	QTY
		1 2 3 4	
1	<u>1016513</u>	Washer, M6 Flat	2
2	<u>103002801</u>	Spring, Fh	1
3	<u>103003801</u>	Gasket, Carburetor, Fh	2
4	<u>103003901</u>	Gasket, Manifold, Fh	2
5	<u>103004201</u>	Gasket, Air Filter, Fh	1
6	<u>103005001</u>	Insulator, Manifold, Fh	1
7	<u>103005601</u>	Manifold, Intake, Fh	1
8	<u>103297101</u>	Pipe, Intake Adapter, Fh	1
9	<u>103297201</u>	Clamp, Crankcase Vent, Fh	1
10	<u>103297301</u>	Tube, Crankcase Vent, Fh	1
11	<u>103298501</u>	Bolt, Flanged, M6 X 20, Kaw	4
12	<u>103320201</u>	Nut, Carburetor, M6	2
13	<u>103320301</u>	Screw, Carburetor, M4 X 20	1
14	<u>103320401</u>	Bolt, Flg, Carburetor, M6x105	2

11
G



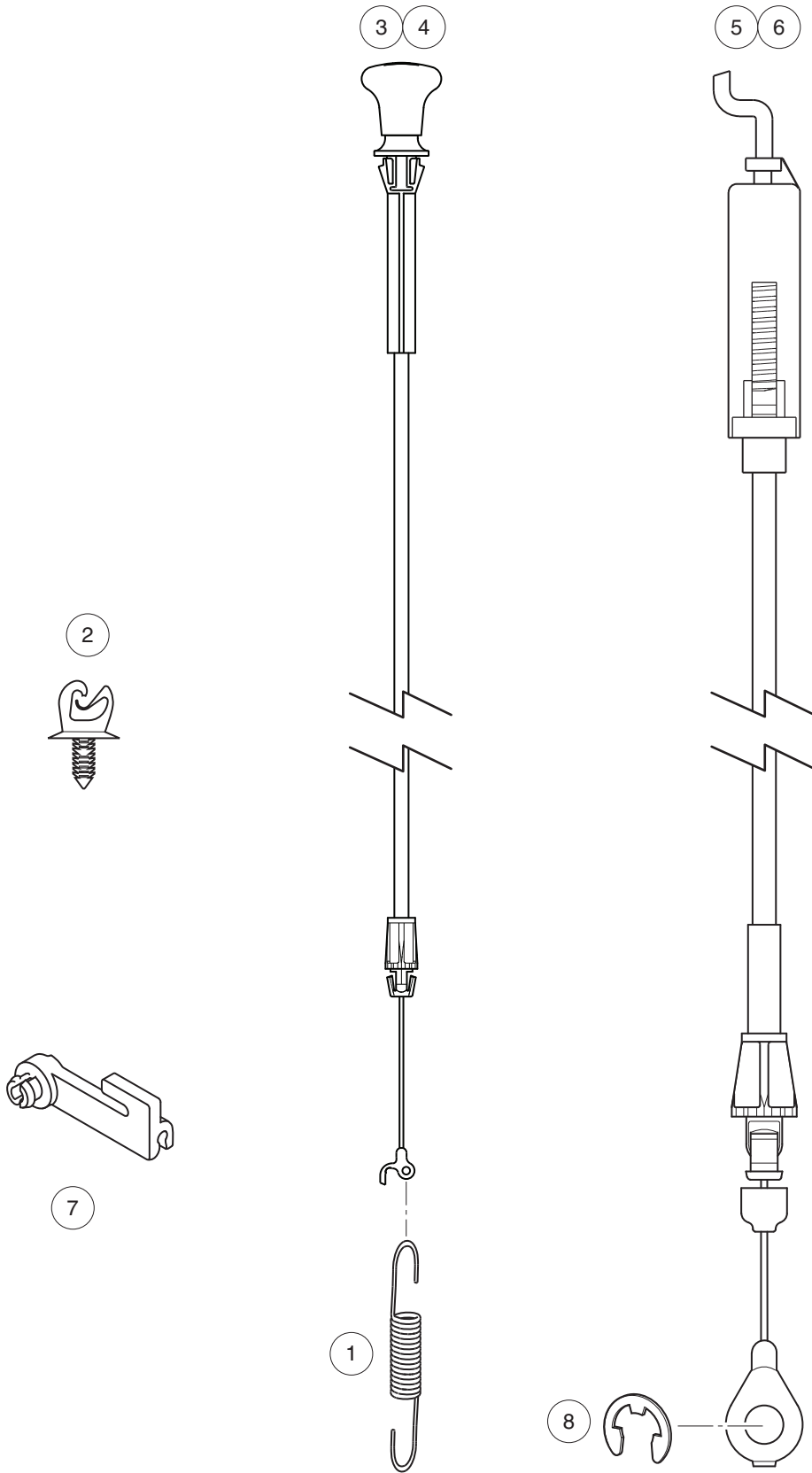
000026-003

ACCELERATOR PEDAL

ITEM	PART NO.	DESCRIPTION	QTY
		1 2 3 4	
1	<u>102296401</u>	Nut, M6x1.0, Flange, Metal Lock	1
2	<u>102445201</u>	Spring, Comp, Pedal, Pullrod	1
3	<u>102461401</u>	Washer, Retaining Spring, 7mm	2
4	<u>103327201</u>	Asm, Switch, Limit, Awd	1
5	<u>103478901</u>	Asm, Pedal, Accelerator (includes items 6 and 7)	1
6	<u>102479301</u>	Pad, Grip Tape, Accelerator	1
7	<u>103479101</u>	Bushing, Nyliner, 5/8"	2
8	<u>103479201</u>	Bolt, Shoulder, 5/8 X 1 1/2	1
9	<u>103479301</u>	Nut Hex Flg 1/2-13 Nylock Gr G	1
10	103883201	Rod, Accelerator Return, J	1
11	<u>8056</u>	Screw, #4-40 X 0.75 Round-Head Machine	2
12	<u>8057</u>	Nut, #4-40 Hex Machine	2
		Note: Items 4 (switch), 11 (screw) and 12 (nut) are not used in two-wheel drive vehicle.	

11

G



000536-011

ACCELERATOR AND CHOKE CABLES – KAWASAKI FH680

ITEM	PART NO.	DESCRIPTION	QTY
		1 2 3 4	
1	<u>102457001</u>	Spring	1
2	<u>102475701</u>	Clip, Brake Line	4
3	<u>103277402</u>	Cable, Choke, 1550, Fh680d	1
4	<u>103293402</u>	Cable, Choke, 1550, Fh680d, Se	1
5	<u>103921801</u>	Cable, Accelerator, AWD, Gas, SE	1
6	<u>103922001</u>	Cable, Accelerator, AWD, Gas	1
7	<u>105315101</u>	Clip, Choke Cable, Fh680d	1
8	<u>96950126</u>	Ring, Retaining	1

11

G

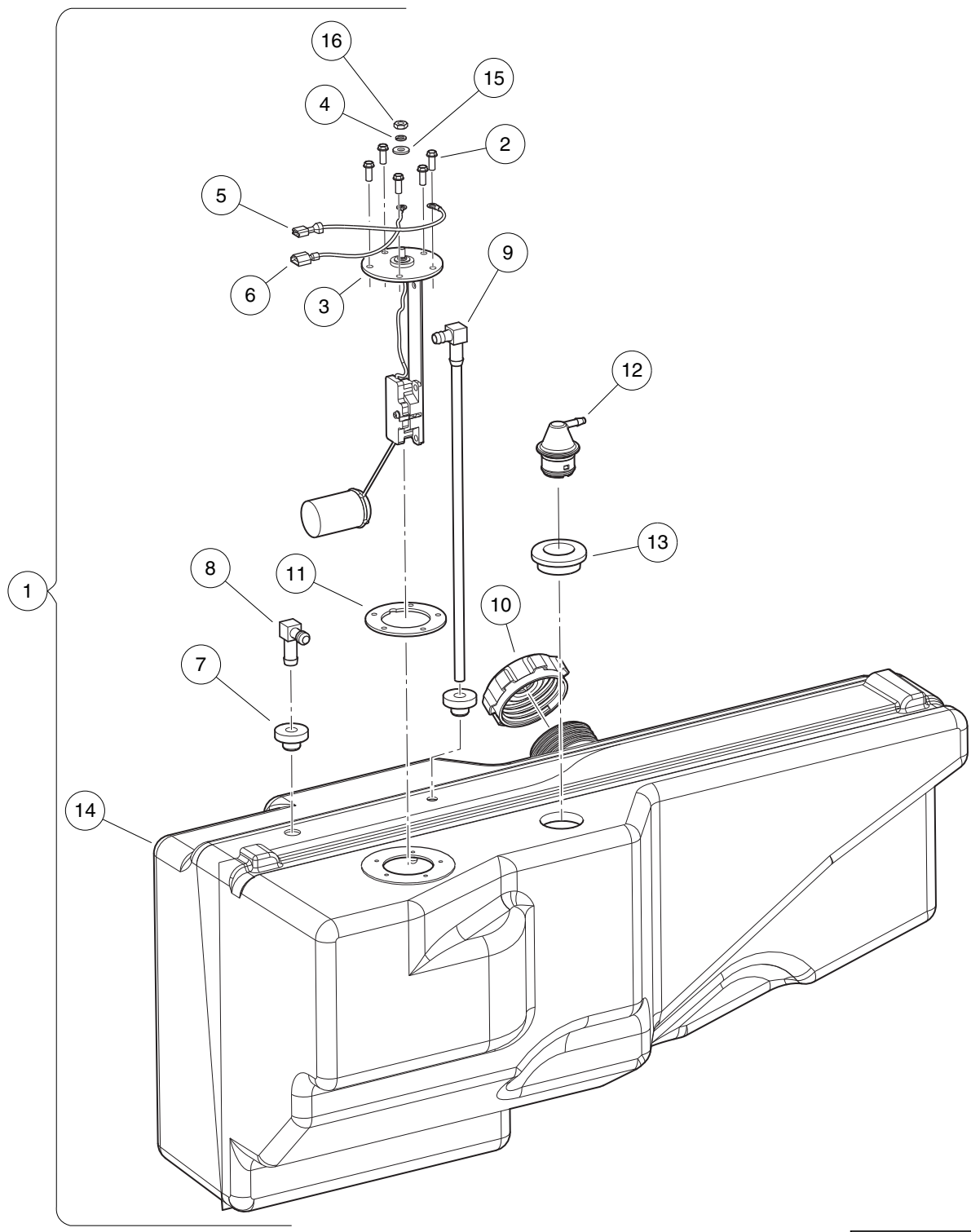
11

G

FUEL, INTAKE & ACCELERATOR SYSTEMS – KUBOTA DIESEL ENGINE

12

D



000082-011

FUEL TANK – DIESEL VEHICLE

ITEM	PART NO.	DESCRIPTION	QTY
		1 2 3 4	
1	<u>103963501</u>	Asm, Tank Fuel, Diesel, 4x4 (includes items 2 through 16)	1
2	<u>1013461</u>	Screw, #10-16 Hex-Head Hi-Lo	5
3	<u>1013462</u>	Sending Unit, Fuel Level *	1
4	<u>1016</u>	Lockwasher, #10 Split	1
5	N/A	Wire Asm, Blk, 170mm	1
6	N/A	Wire Asm, Org, 170mm	1
7	<u>102406701</u>	Bushing, Line, Return	2
8	<u>102406801</u>	Elbow, 90 Degree, Barbed	1
9	<u>102478501</u>	Pickup Tube, Fuel	1
10	<u>102494701</u>	Cap, Fuel (Diesel)	1
11	<u>102522001</u>	Gasket, Rubber	1
12	<u>103905201</u>	Assembly, Vent, Fuel, 1/4 Inch O.D.	1
13	<u>103944301</u>	Grommet, Fuel Tank, Vent	1
14	103950101	Tank, Fuel, Dsl, 4x4	1
15	<u>183</u>	Washer, #10, Type A, Flat	1
16	<u>8797</u>	Nut, #10-32 Brass Hex	1
		* Note: Must replace fuel sending unit gasket when servicing this component.	

12

D

FUEL PUMP, FILTER AND HOSE – DIESEL

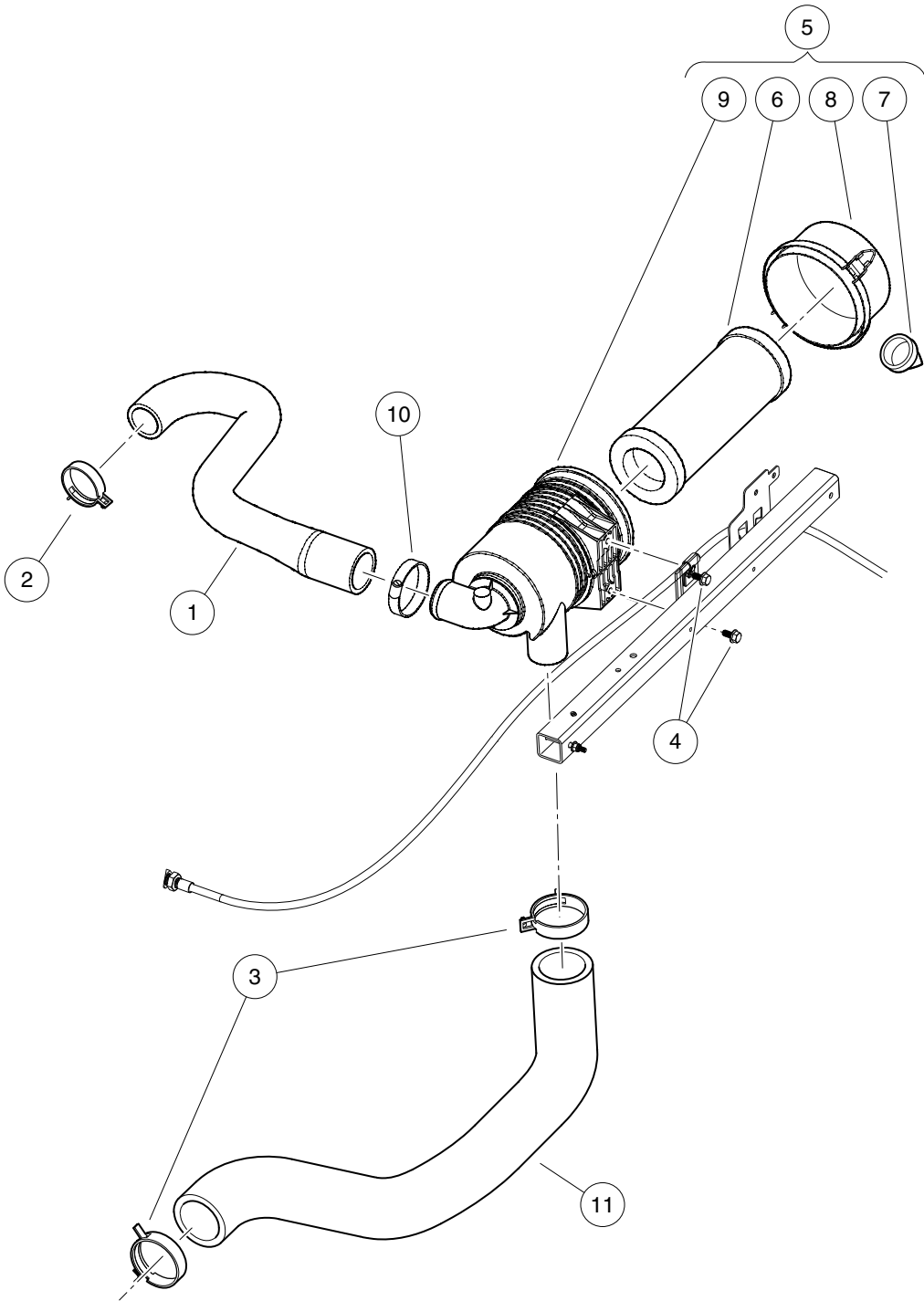
ITEM	PART NO.	DESCRIPTION	QTY
		1 2 3 4	
1	<u>1012649</u>	Clamp, 0.460 Red Hose	2
2	<u>101313402</u>	Clamp, Green Hose	1
3	<u>101824401</u>	Vent Barb	1
4	<u>102411203</u>	Clamp, Hose, Ctb 14mm Dia.	3
5	<u>102426301</u>	Strap, Tank, Fuel	1
6	<u>102430401</u>	Hose, Fuel Return	1
7	<u>102618601</u>	Lock Nut, Flange, M8 X 1.25 Nylon	1
8	<u>103591301</u>	Pump, Diesel Fuel, Mechanical	1
9	<u>103593201</u>	Hose, Awd Water Sep To Mech Fp	1
10	<u>103593301</u>	Hose, Awd Water Sep To Tank	1
11	<u>103747301</u>	Assembly, Filter/Bracket, Fuel, Diesel (includes item 12)	1
12	<u>103761801</u>	Filter, Fuel, Diesel	1
13	<u>103896603</u>	Hose, Vent, 1/4 Id, 22 In	1
14	<u>324</u>	Screw, 1/4-20 X 2.50 Hx Hd Cap	2
15	<u>332</u>	Washer, 1/4 Type A Narrow Flat	2
16	<u>8233</u>	Locknut, 1/4-20, Nylon Insert	2

12

D

12

D



000090-010

INTAKE HOSES AND AIR FILTER – DIESEL VEHICLE

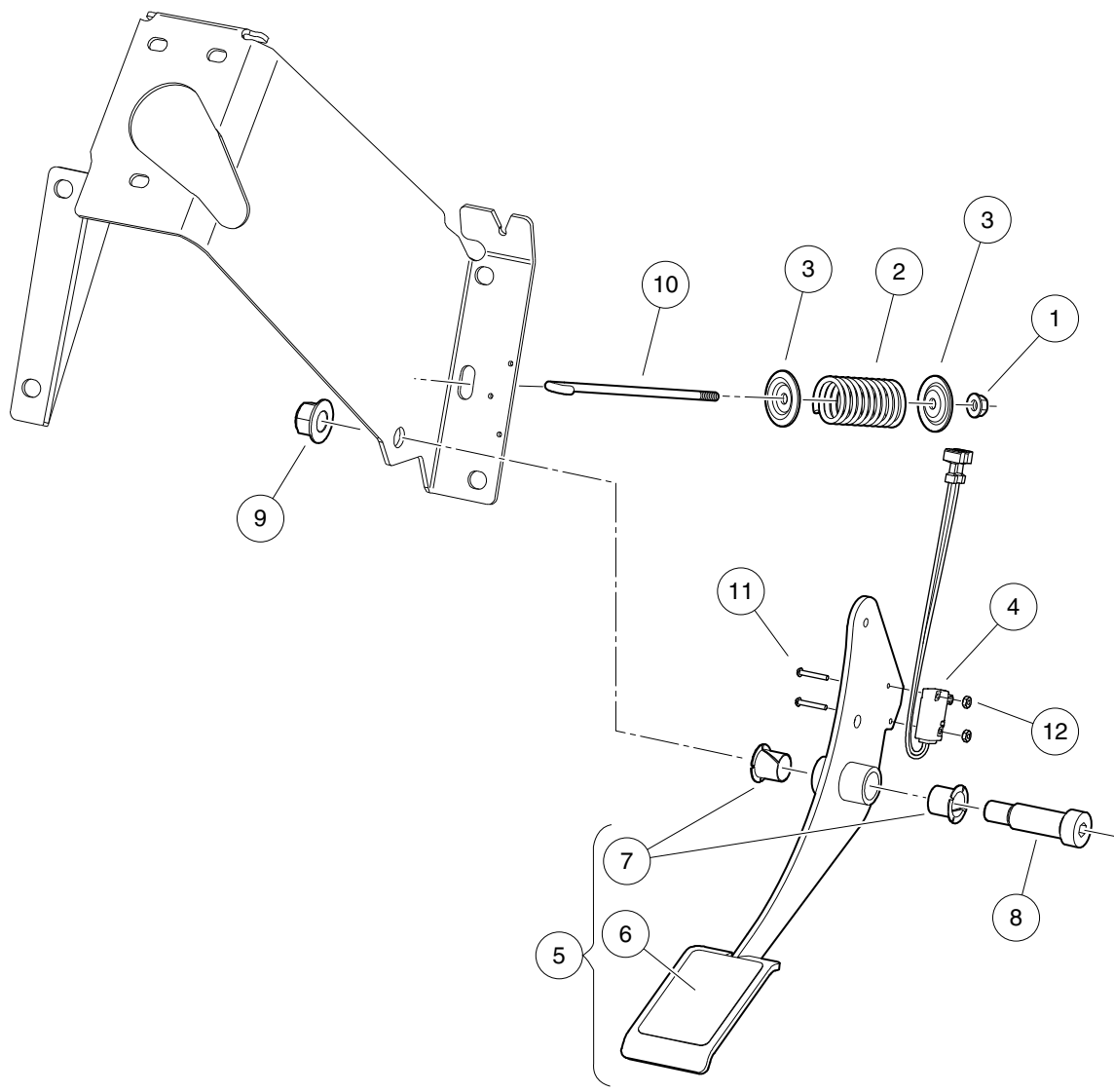
ITEM	PART NO.	DESCRIPTION	QTY
		1 2 3 4	
1	<u>102379001</u>	Hose, Intake, Kubota, Diesel, Engine	1
2	<u>102411209</u>	Clamp, Hose, Ctb 55mm Dia.	1
3	<u>102411210</u>	Clamp, Hose, Ctb 64mm	2
4	<u>102621201</u>	Bolt, Flanged Head, M8 X1.25x 16, with Loctite	2
5	<u>102810701</u>	Filter, Air, Canister, with Label (includes items 6 through 9)	1
6	<u>102498601</u>	Element, Filter, Air, 5 Inch	1
7	<u>102725501</u>	Valve, Evacuator, Filter Air	1
8	<u>102725601</u>	Cap, Latch Lock, Filter, Air	1
9	N/A	Body, Canister, Filter, Air	1
10	<u>103441401</u>	Clamp, Worm Screw, Hose, 2"	1
11	<u>103848401</u>	Hose, Intake, Air	1

12

D

12

D



000026-003

ACCELERATOR PEDAL

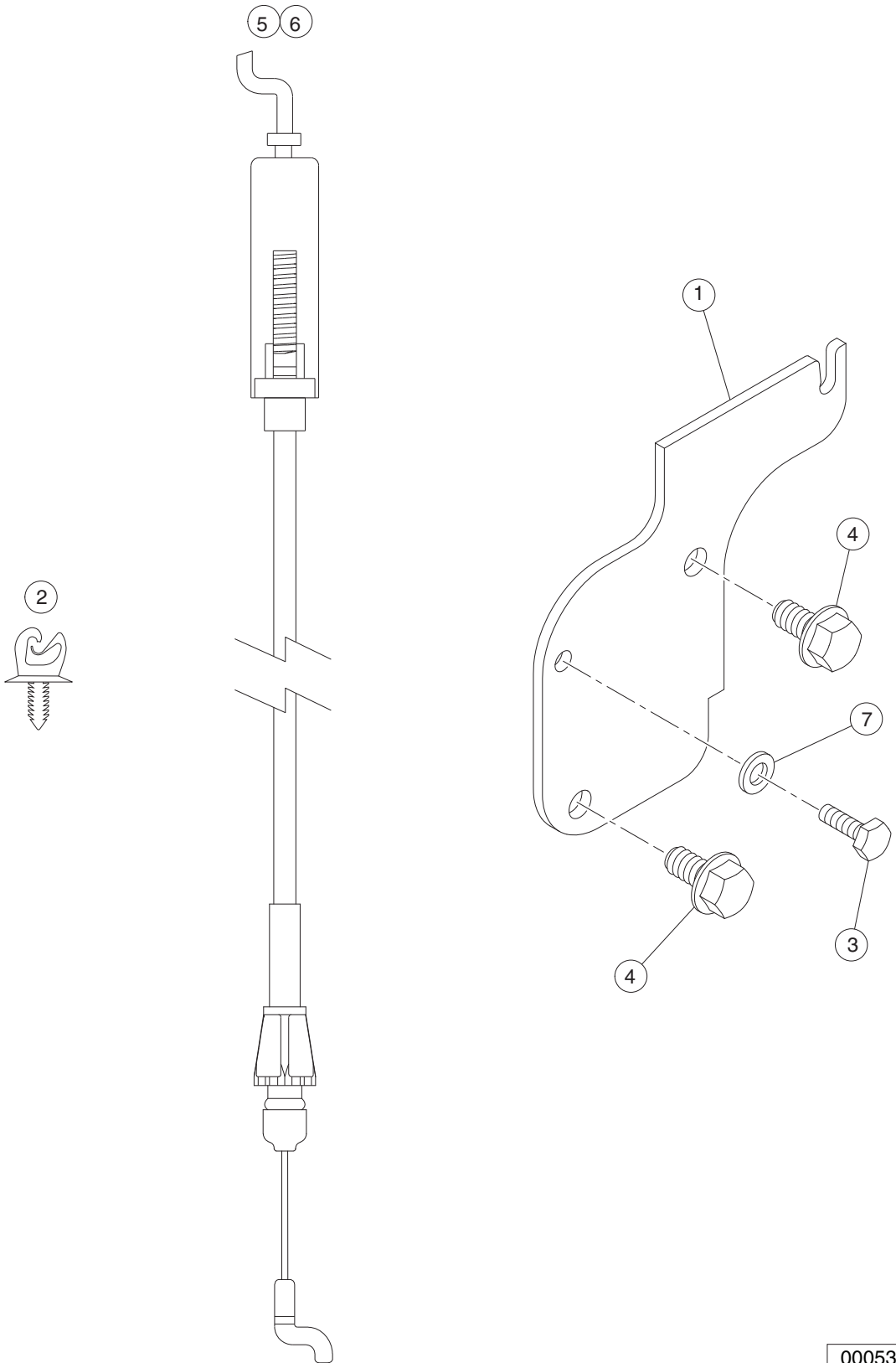
ITEM	PART NO.	DESCRIPTION	QTY
		1 2 3 4	
1	<u>102296401</u>	Nut, M6x1.0, Flange, Metal Lock	1
2	<u>102445201</u>	Spring, Comp, Pedal, Pullrod	1
3	<u>102461401</u>	Washer, Retaining Spring, 7mm	2
4	<u>103327201</u>	Asm, Switch, Limit, Awd	1
5	<u>103478901</u>	Asm, Pedal, Accelerator (includes items 6 and 7)	1
6	<u>102479301</u>	Pad, Grip Tape, Accelerator	1
7	<u>103479101</u>	Bushing, Nyliner, 5/8"	2
8	<u>103479201</u>	Bolt, Shoulder, 5/8 X 1 1/2	1
9	<u>103479301</u>	Nut Hex Flg 1/2-13 Nylock Gr G	1
10	103883201	Rod, Accelerator Return, J	1
11	<u>8056</u>	Screw, #4-40 X 0.75 Round-Head Machine	2
12	<u>8057</u>	Nut, #4-40 Hex Machine	2
		Note: Items 4 (switch), 11 (screw) and 12 (nut) are not used in two-wheel drive vehicle.	

12

D

12

D



000536-014

ACCELERATOR CABLE – DIESEL VEHICLE

ITEM	PART NO.	DESCRIPTION	QTY
		1 2 3 4	
1	<u>102423201</u>	Bracket, Accel Cable, Diesel	1
2	<u>102475701</u>	Clip, Brake Line	3
3	<u>102490301</u>	Bolt, M6 X 1 X 16, Loctite	1
4	<u>102621201</u>	Bolt, Flanged Head, M8 X1.25x 16, with Loctite	2
5	<u>103921701</u>	Cable, Accelerator, AWD, Diesel, 295 SE/1550 SE	1
6	<u>103921901</u>	Cable, Accelerator, AWD, Diesel, 295/1550	1
7	<u>96705199</u>	Washer, M6	1

12

D

12

D

EXHAUST SYSTEM – GAS & DIESEL

13

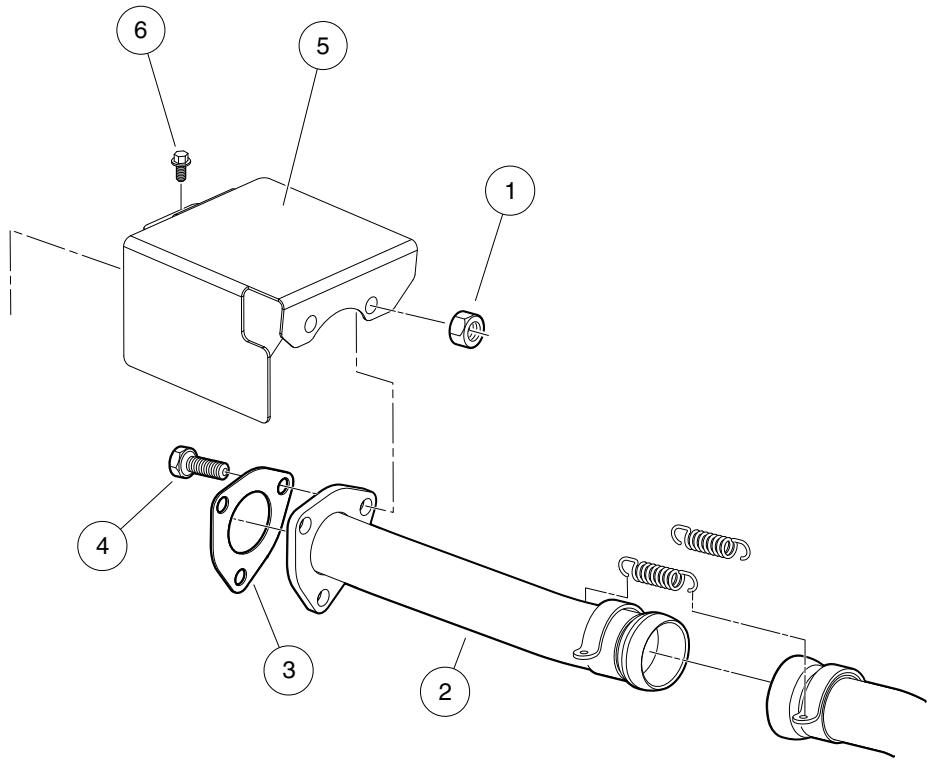
G

D

13

G

D



000538-003

EXHAUST PIPES – DIESEL VEHICLES

ITEM	PART NO.	DESCRIPTION	QTY
		1 2 3 4	
1	<u>102298401</u>	Nut,m8,all Metal Lock	3
2	<u>102409301</u>	Pipe, Exhaust Diesel Main	1
3	<u>102422301</u>	Gasket, Exhaust Diesel	1
4	<u>102621301</u>	Bolt, M8 X 1.25 X 40 with Loctite	3
5	<u>102628101</u>	Shield, Diesel Exhaust	1
6	<u>102731601</u>	Bolt, D722, Exhaust Manifold Cover	1

13

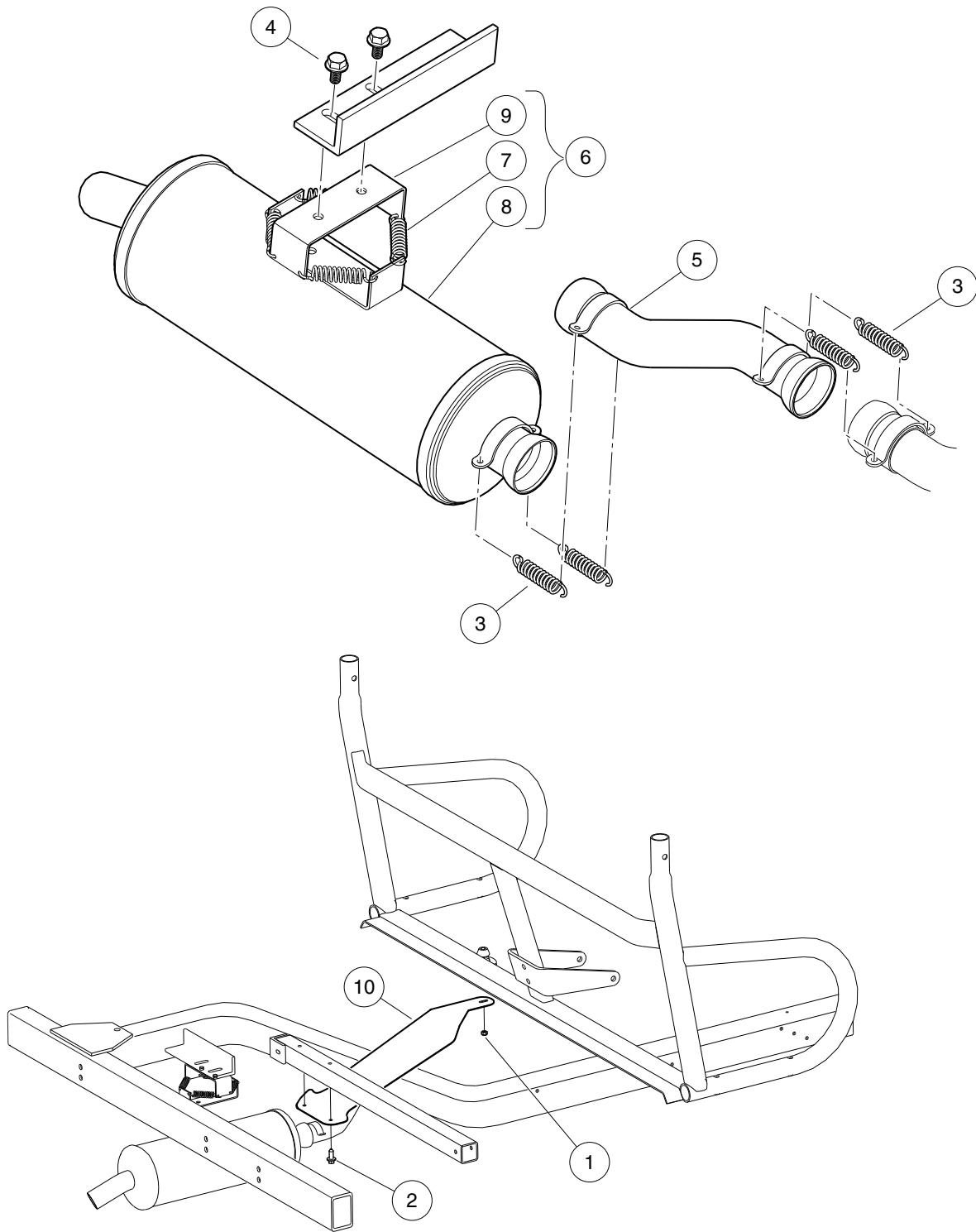
G

D

13

G

D



000538-005

EXHAUST PIPE AND MUFFLER

ITEM	PART NO.	DESCRIPTION	QTY
		1 2 3 4	
1	<u>101887601</u>	Locknut, M6-1.00 Nylon Insert	1
2	<u>102298720</u>	Screw, M8-1.25x20, Taptite	2
3	<u>102409501</u>	Spring, Exhaust	4
4	<u>102621201</u>	Bolt, Flanged Head, M8 X1.25x 16, with Loctite	2
5	<u>102786201</u>	Pipe, Exhaust, Int, Offset	1
6	<u>102812801</u>	Asm, Muffler, AWD Homologation (includes items 7 through 9)	1
7	<u>102409501</u>	Spring, Exhaust	4
8	N/A	Muffler	1
9	N/A	Bracket, Muffler	1
10	<u>102930901</u>	Shield, Exhaust, Clearance	1

13

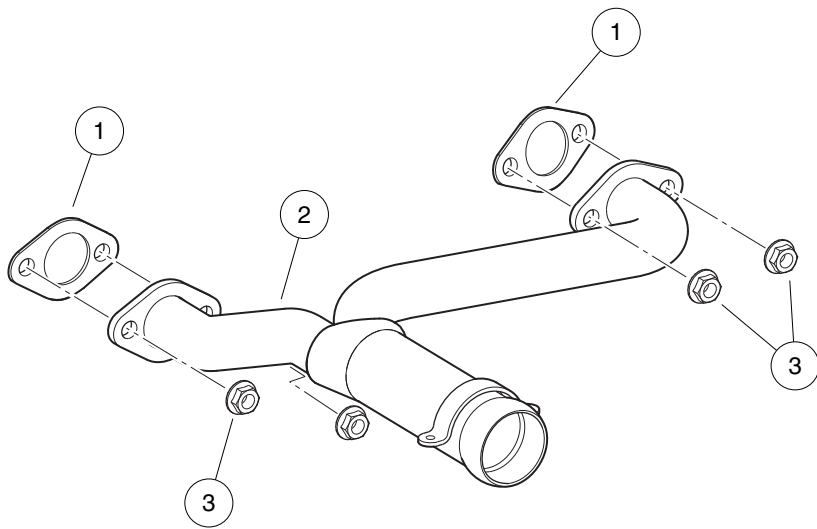
G

D

13

G

D



000538-004

EXHAUST HEADER – KAWASAKI FH680

ITEM	PART NO.	DESCRIPTION	QTY
		1 2 3 4	
1	<u>102949301</u>	Gasket, Exhaust Header, Fh680d	2
2	<u>103268101</u>	Header, Exhaust, Gas, Fh680d	1
3	<u>96704416</u>	Nut, Flange, M8 X 1.25 Serrated	4

13

G

D

13

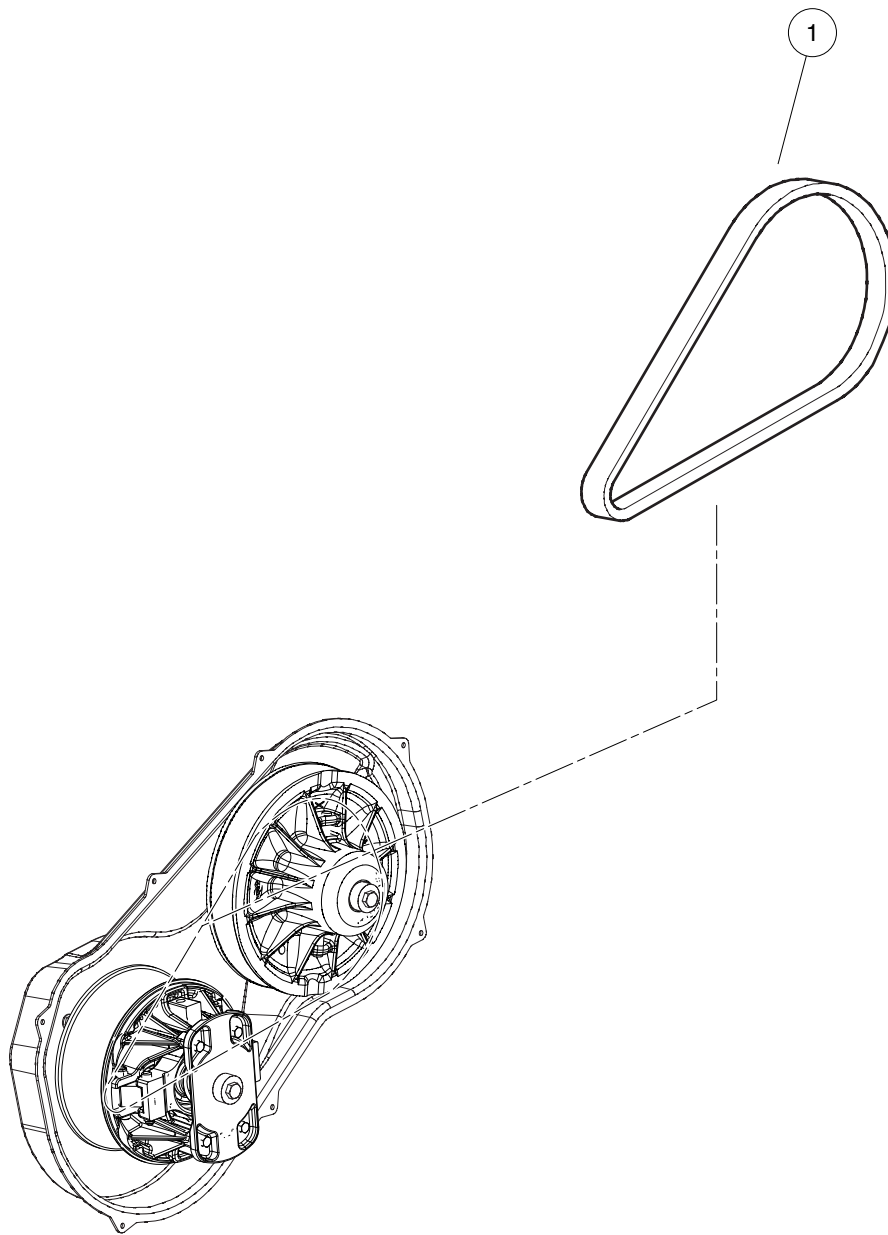
G

D

CLUTCHES – KAWASAKI GAS ENGINE

14

G

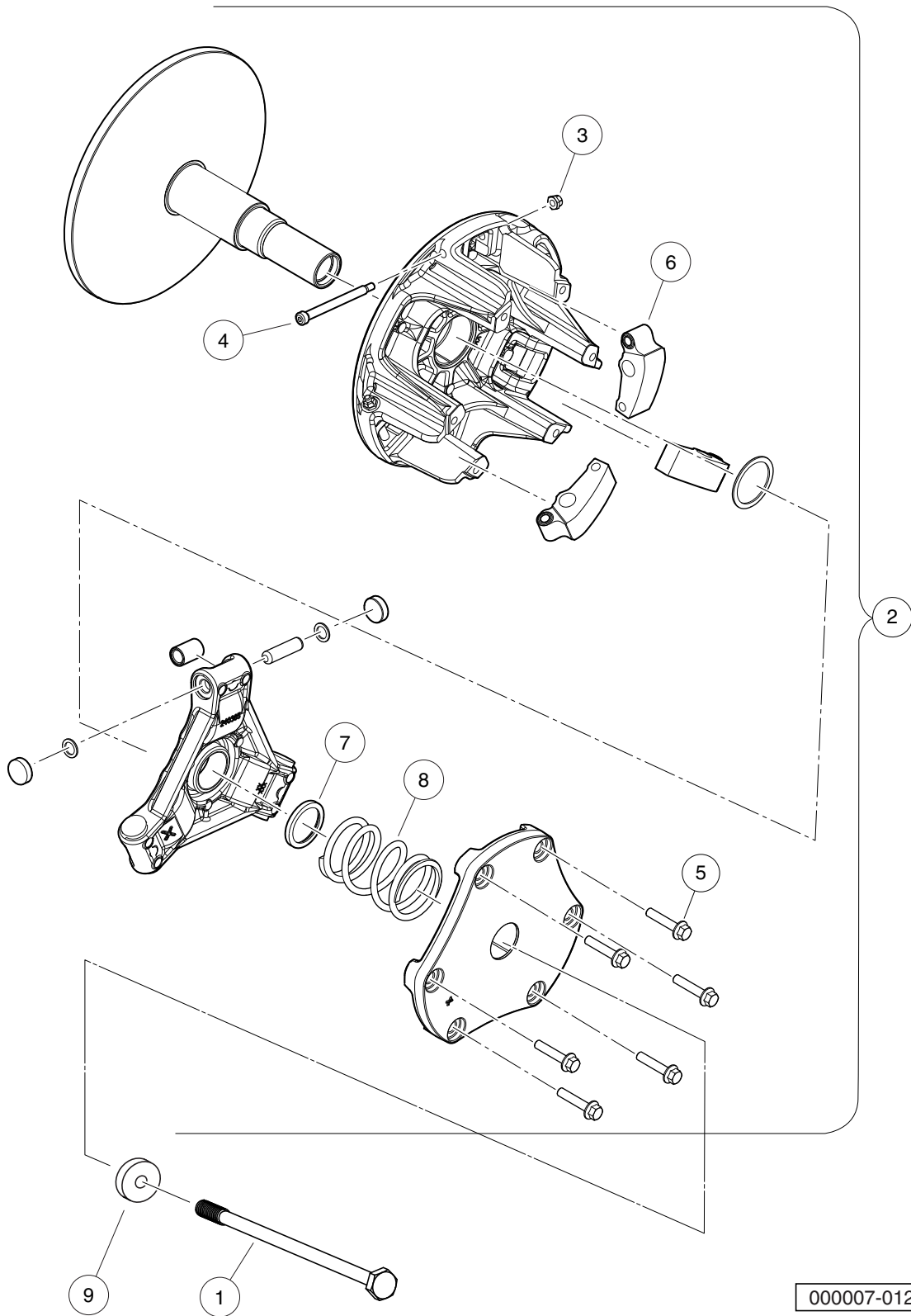


000084-001

DRIVE BELT

ITEM	PART NO.	DESCRIPTION	QTY
1	<u>102374901</u>	1 2 3 4 Belt, Drive	1

14
G



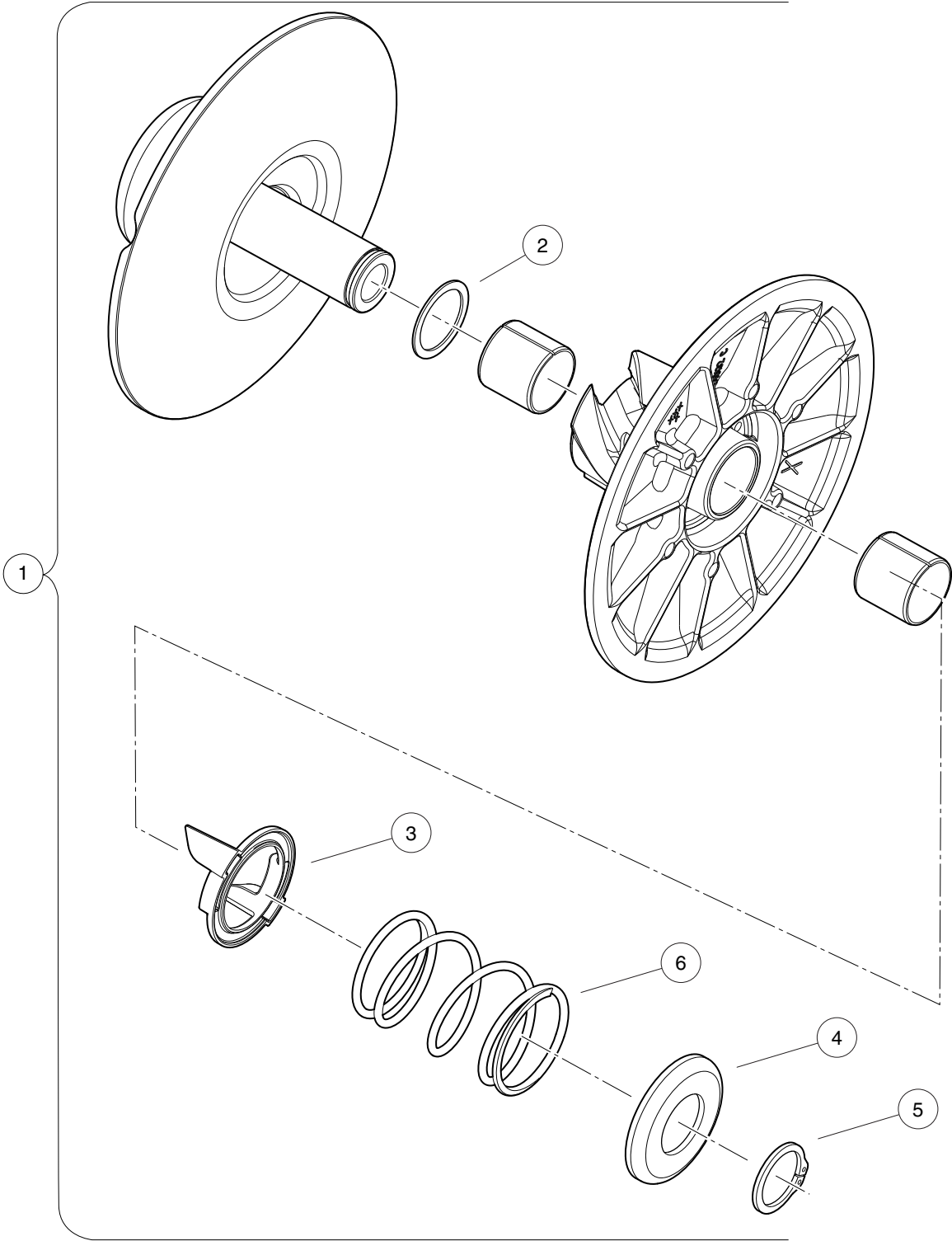
000007-012

DRIVE CLUTCH (3 WEIGHT) – GAS VEHICLE

ITEM	PART NO.	DESCRIPTION	QTY
		1 2 3 4	
1	<u>103201501</u>	Bolt, M8 X 1.25 X 200, Loctite	1
2	<u>103848001</u>	Clutch, Drive, Gas, 3 Weight (includes items 3 through 8)	1
3	<u>103829601</u>	Nut, Lock, Hex #10-24 Flexloc	3
4	<u>103829701</u>	Screw, Shldr, Hex Skt .25x2.5	3
5	<u>103829801</u>	Screw, Hex Flg Hd, 1/4-20x1.25	6
6	<u>103829901</u>	Weight, Clutch, D-153 G	3
7	<u>103830001</u>	Spacer, Clutch 1.44x1.125x.150	1
8	<u>103856101</u>	Spring, Comp, 2.0 Od Black/slv	1
9	<u>103856501</u>	Washer, Drv, 3-post, Gas	1

14

G



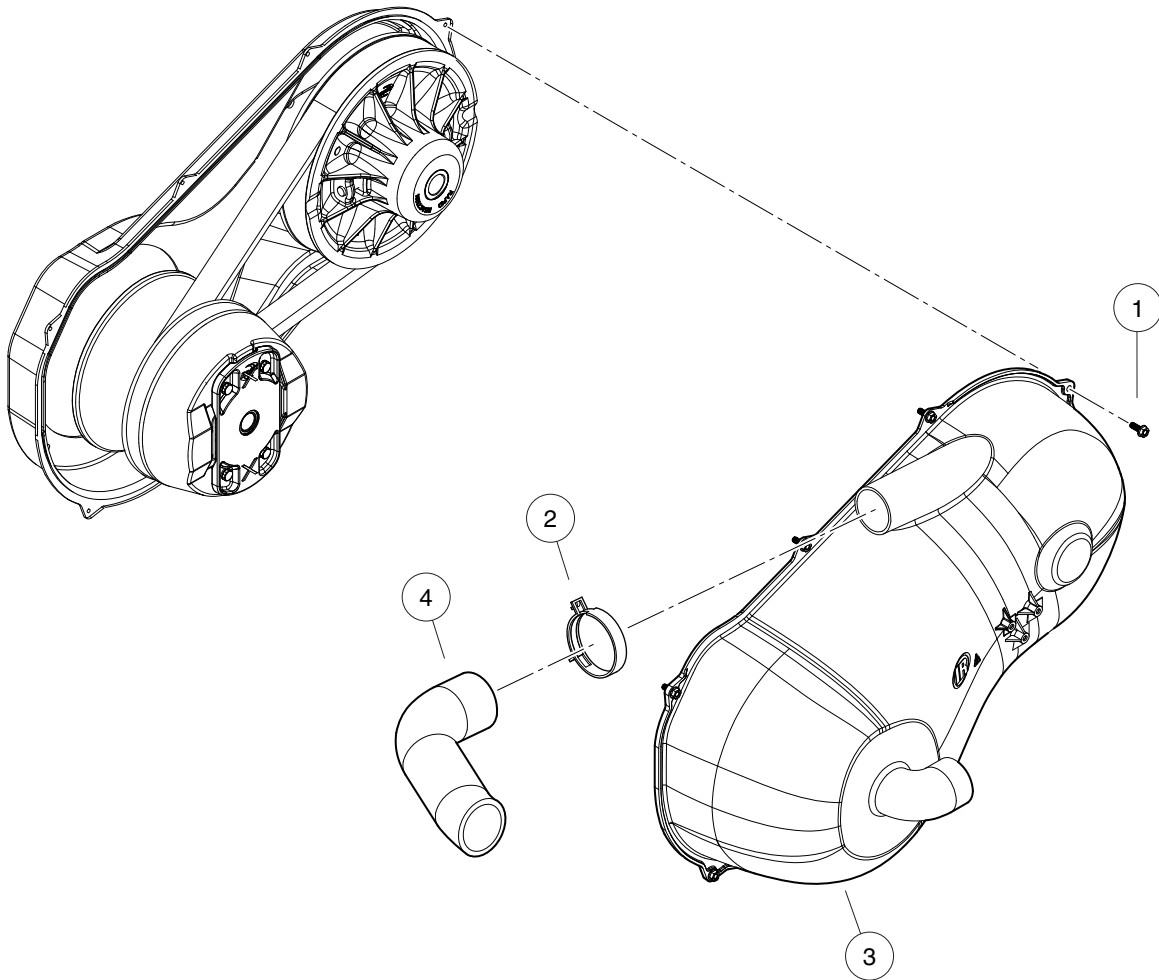
000003-002

DRIVEN CLUTCH (FOR 3 WEIGHT DRIVE CLUTCH)

ITEM	PART NO.	DESCRIPTION	QTY
		1 2 3 4	
1	<u>103828201</u>	Clutch, Driven, 3 Weight (includes items 2 through 6)	1
2	<u>102695401</u>	Washer, Thrust, 1.53 X 1.92	1
3	<u>102695601</u>	Retainer, Spring, Inner	1
4	<u>102695801</u>	Retainer, Spring, Outer	1
5	<u>102695901</u>	Ring, Retaining, External	1
6	<u>103829001</u>	Spring, Comp, 2.7 Od, Almd/blk	1

14

G



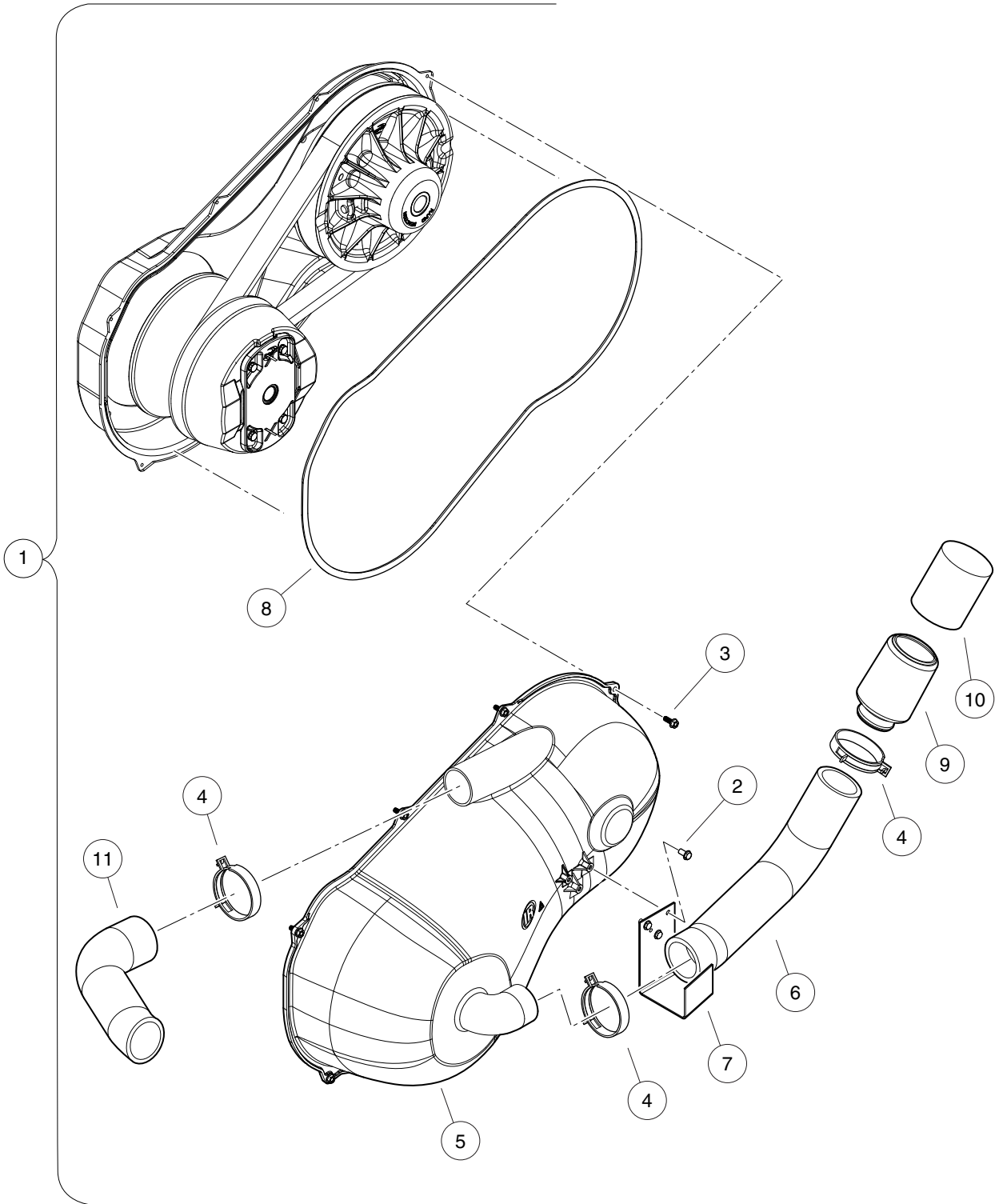
000008-003

CLUTCH COVER (NON-SEALED)

ITEM	PART NO.	DESCRIPTION	QTY
		1 2 3 4	
1	<u>102296716</u>	Screw, M6 X 16 Tt Hx Fl Hd	7
2	<u>102411210</u>	Clamp, Hose, Ctb 64mm	1
3	<u>102628301</u>	Cover, Cvt, Open	1
4	<u>103320601</u>	Hose, Outlet, Cvt	1

14

G



000008-004

CLUTCH COVER (SEALED)

ITEM	PART NO.	DESCRIPTION	QTY
		1 2 3 4	
1	<u>102616003</u>	Kit, Sealed CVT Cover (includes items 2 through 11)	1
2	<u>101856101</u>	Screw, 1/4-15 X .50 Hi-lo Hex	3
3	<u>102296716</u>	Screw, M6 X 16 Tt Hx Fl Hd	7
4	<u>102411210</u>	Clamp, Hose, Ctb 64mm	2
5	<u>102414501</u>	Cover, CVT Outer	1
6	<u>102481001</u>	Hose, Inlet, Cover, CVT	1
7	<u>102481201</u>	Bracket, Inlet, Cover, CVT	1
8	<u>102481301</u>	Gasket, Cover, CVT	1
9	<u>102616101</u>	Cap, Inlet, Cover, CVT	1
10	<u>102628001</u>	Filter, Inlet, Cover, CVT	1
11	<u>103320601</u>	Hose, Outlet, Cvt	1

14

G

14

G

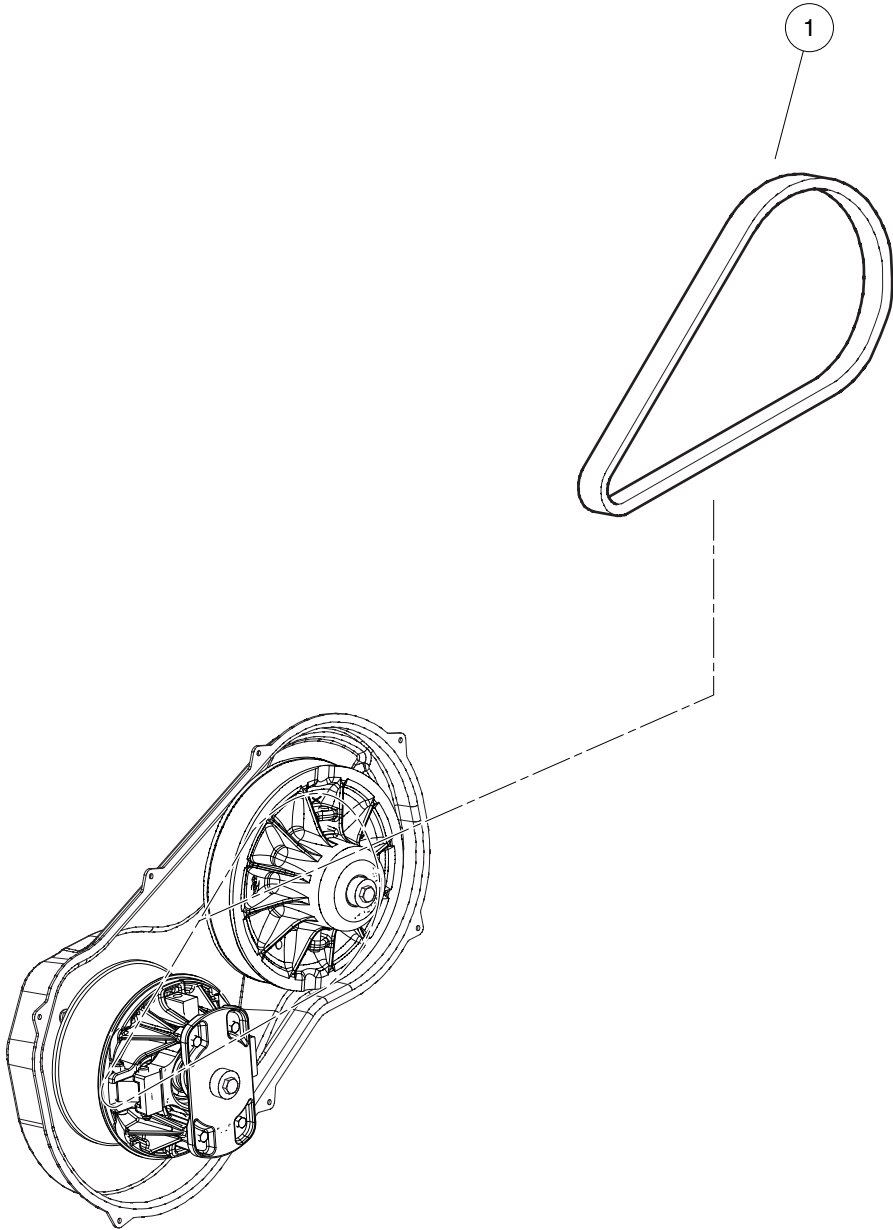
CLUTCHES – KUBOTA DIESEL ENGINE

15

D

15

D



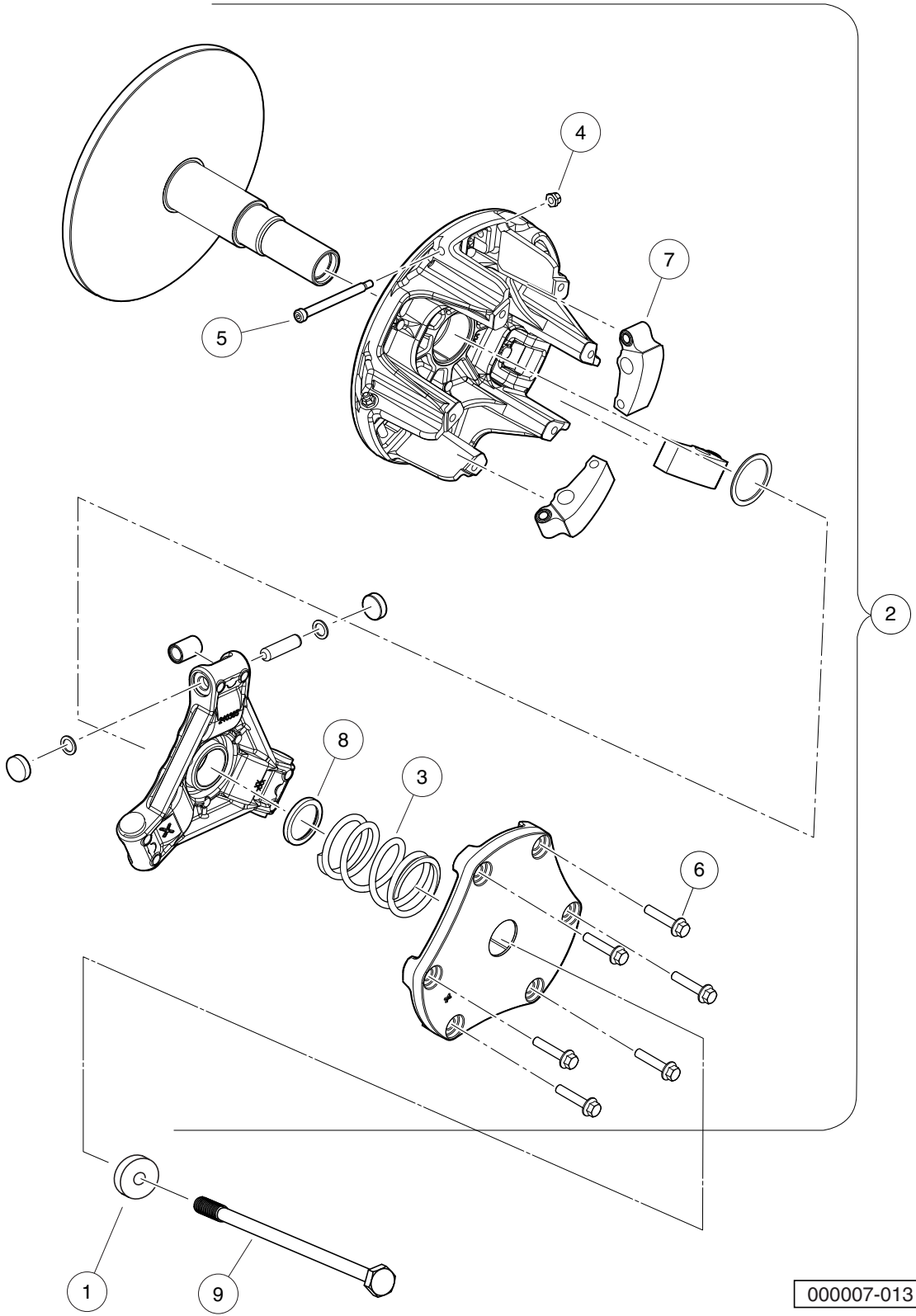
000084-001

DRIVE BELT

ITEM	PART NO.	DESCRIPTION	QTY
1	<u>102374901</u>	1 2 3 4 Belt, Drive	1

15

D



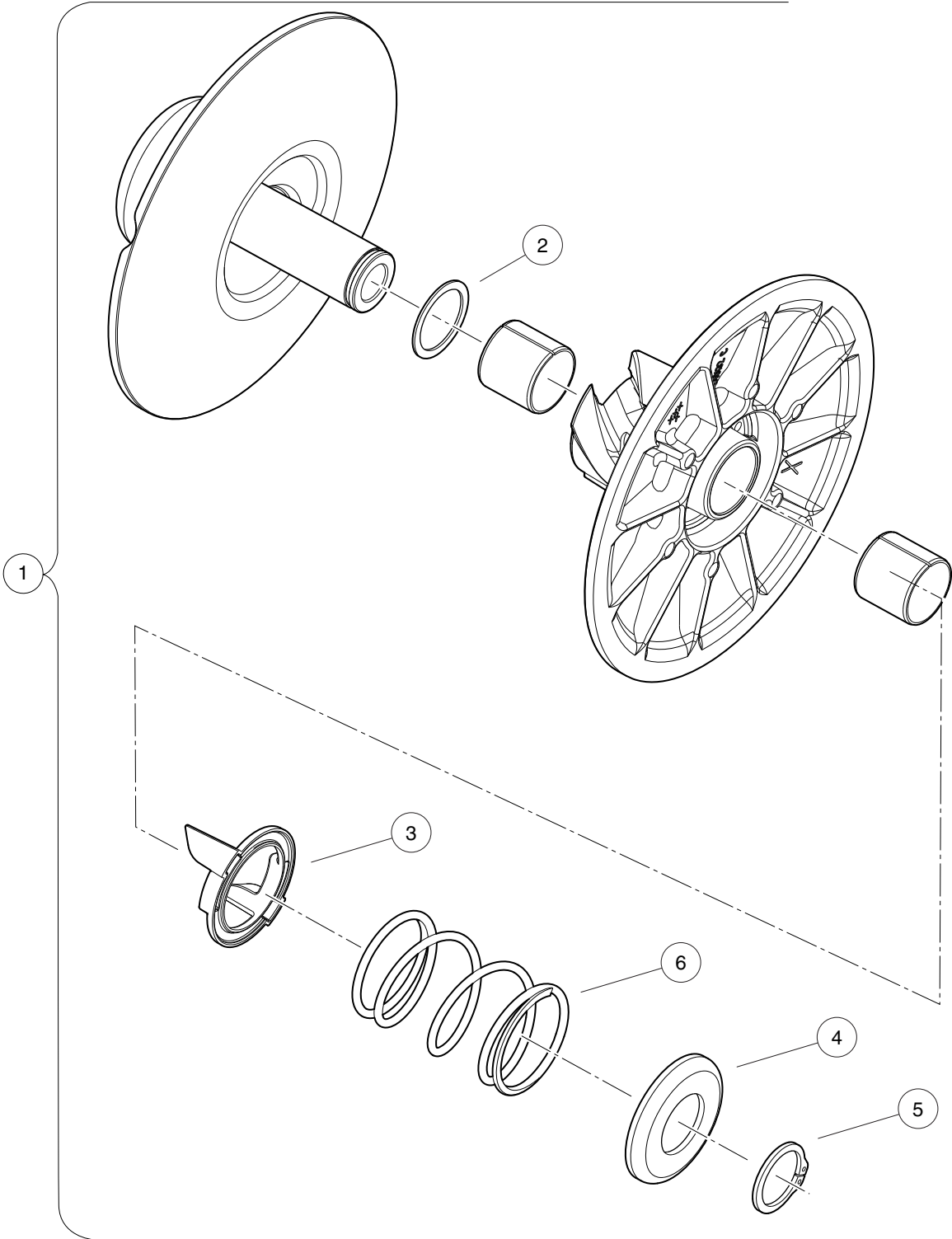
000007-013

DRIVE CLUTCH (3 WEIGHT) – DIESEL VEHICLE

ITEM	PART NO.	DESCRIPTION	QTY
		1 2 3 4	
1	<u>102385601</u>	Washer, Stepped	1
2	<u>103828101</u>	Clutch, Drive, Dsl, 3 Weight (includes items 3 through 8)	1
3	<u>103829501</u>	Spring, Comp, 2.0 Od Black/or	1
4	<u>103829601</u>	Nut, Lock, Hex #10-24 Flexloc	3
5	<u>103829701</u>	Screw, Shldr, Hex Skt .25x2.5	3
6	<u>103829801</u>	Screw, Hex Flg Hd, 1/4-20x1.25	6
7	<u>103829901</u>	Weight, Clutch, D-153 G	3
8	<u>103830001</u>	Spacer, Clutch 1.44x1.125x.150	1
9	<u>103884001</u>	Bolt, M10 X 1.5 X 170 Patch	1

15

D



000003-002

DRIVEN CLUTCH (FOR 3 WEIGHT DRIVE CLUTCH)

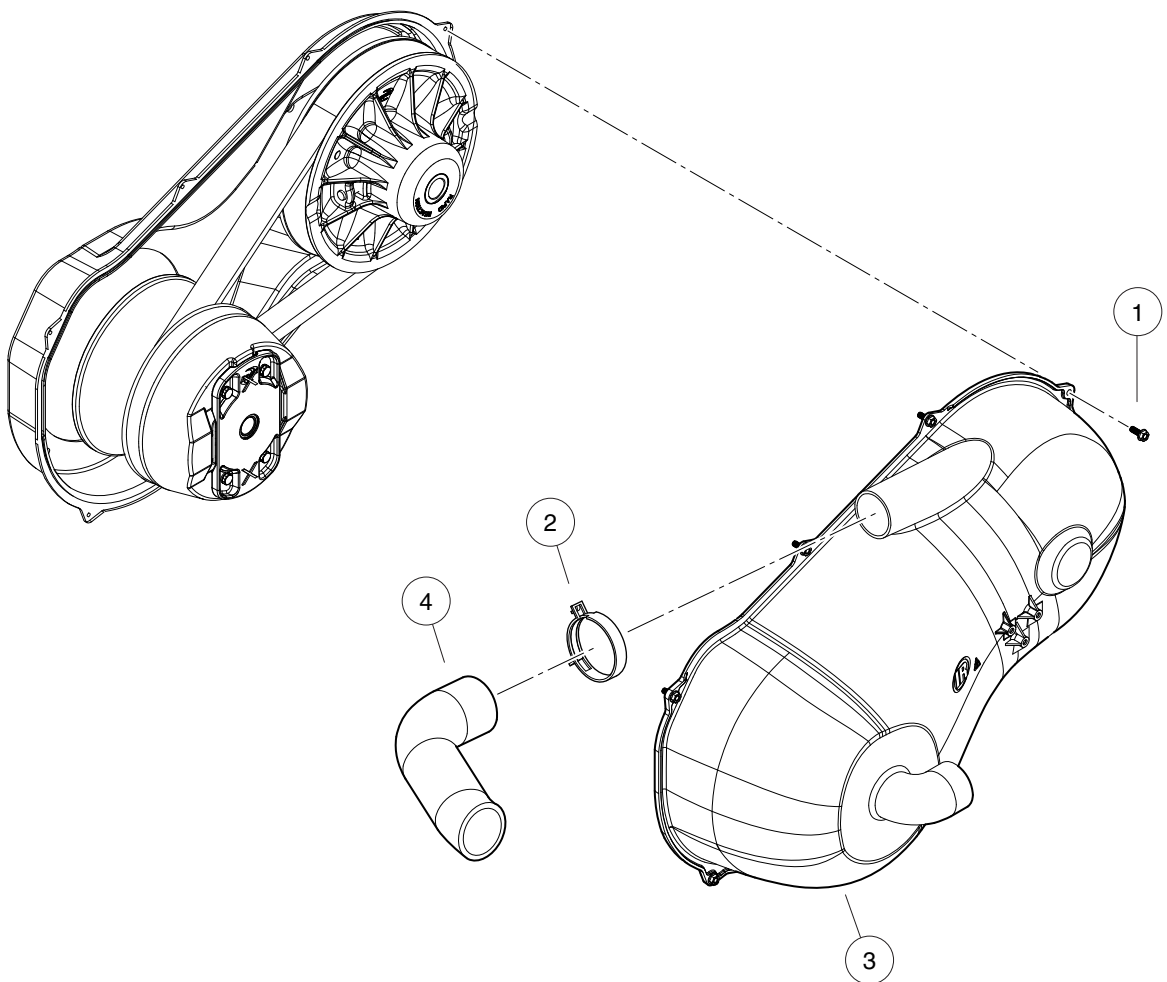
ITEM	PART NO.	DESCRIPTION	QTY
		1 2 3 4	
1	<u>103828201</u>	Clutch, Driven, 3 Weight (includes items 2 through 6)	1
2	<u>102695401</u>	Washer, Thrust, 1.53 X 1.92	1
3	<u>102695601</u>	Retainer, Spring, Inner	1
4	<u>102695801</u>	Retainer, Spring, Outer	1
5	<u>102695901</u>	Ring, Retaining, External	1
6	<u>103829001</u>	Spring, Comp, 2.7 Od, Almd/blk	1

15

D

15

D



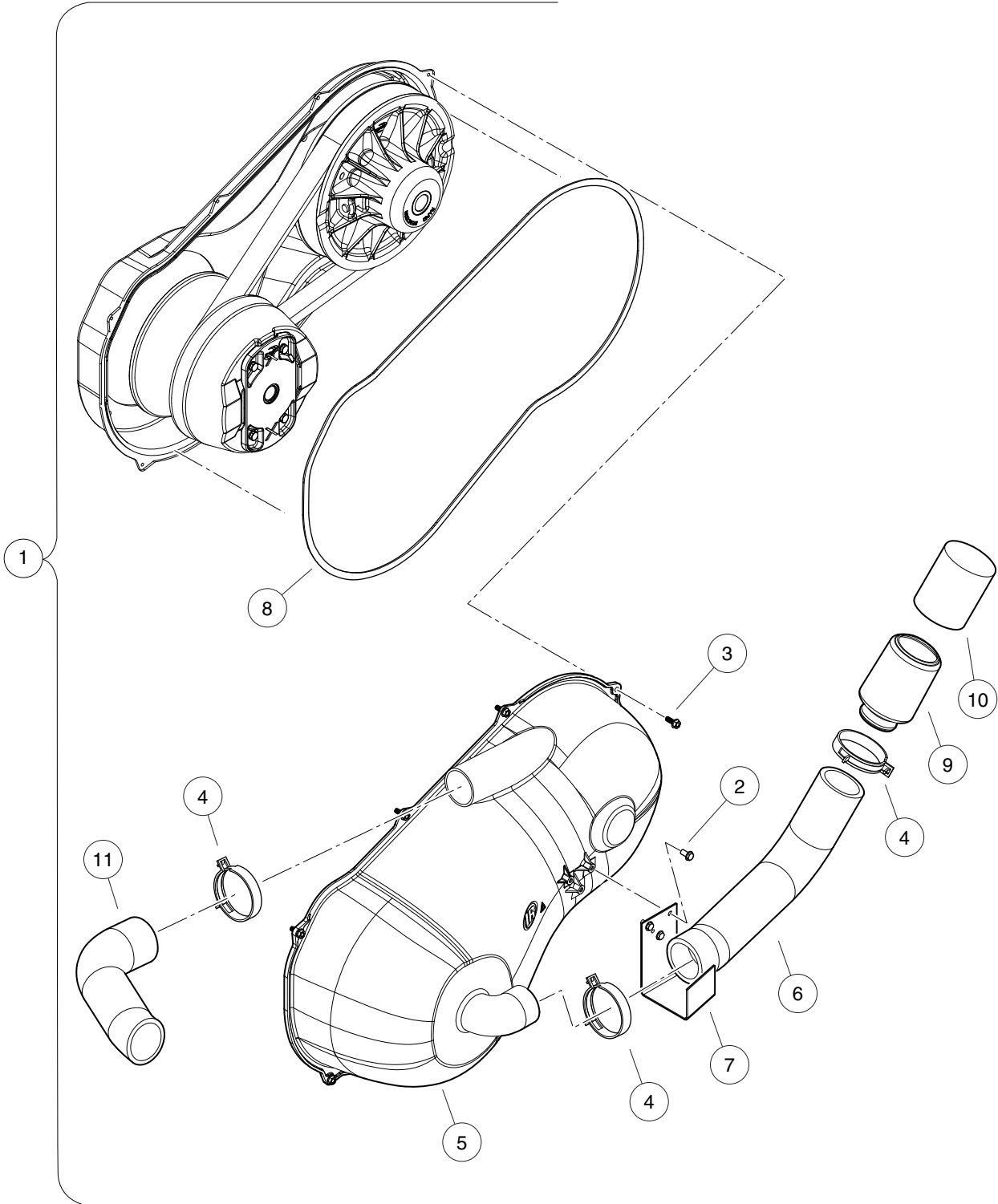
000008-003

CLUTCH COVER (NON-SEALED)

ITEM	PART NO.	DESCRIPTION	QTY
		1 2 3 4	
1	<u>102296716</u>	Screw, M6 X 16 Tt Hx Fl Hd	7
2	<u>102411210</u>	Clamp, Hose, Ctb 64mm	1
3	<u>102628301</u>	Cover, Cvt, Open	1
4	<u>103320601</u>	Hose, Outlet, Cvt	1

15

D



000008-004

CLUTCH COVER (SEALED)

ITEM	PART NO.	DESCRIPTION	QTY
		1 2 3 4	
1	<u>102616003</u>	Kit, Sealed CVT Cover (includes items 2 through 11)	1
2	<u>101856101</u>	Screw, 1/4-15 X .50 Hi-lo Hex	3
3	<u>102296716</u>	Screw, M6 X 16 Tt Hx Fl Hd	7
4	<u>102411210</u>	Clamp, Hose, Ctb 64mm	2
5	<u>102414501</u>	Cover, CVT Outer	1
6	<u>102481001</u>	Hose, Inlet, Cover, CVT	1
7	<u>102481201</u>	Bracket, Inlet, Cover, CVT	1
8	<u>102481301</u>	Gasket, Cover, CVT	1
9	<u>102616101</u>	Cap, Inlet, Cover, CVT	1
10	<u>102628001</u>	Filter, Inlet, Cover, CVT	1
11	<u>103320601</u>	Hose, Outlet, Cvt	1

15

D

15

D

DRIVETRAIN COMPONENTS – GAS & DIESEL

16

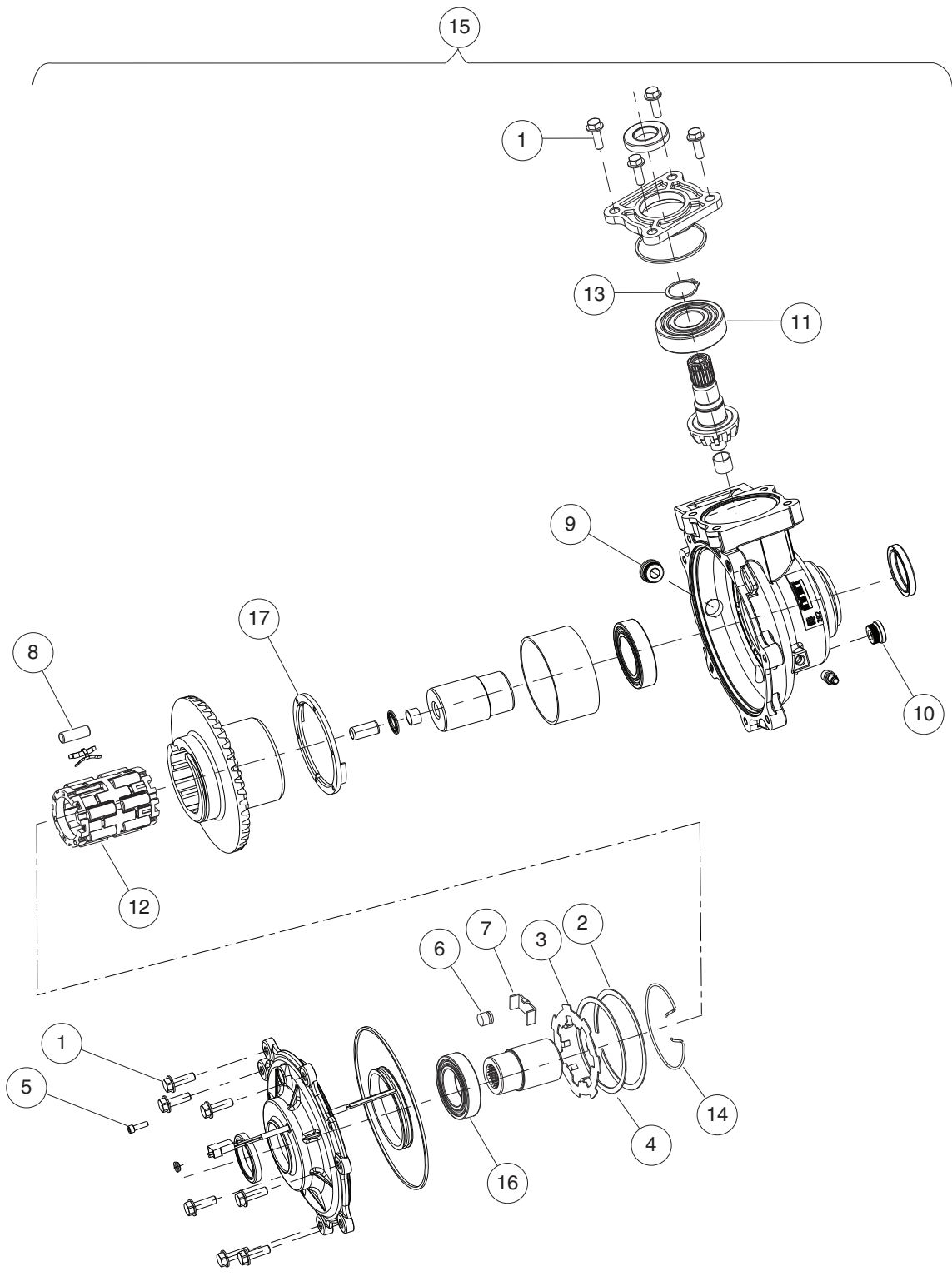
G

D

16

G

D



104025601

FRONT DIFFERENTIAL

ITEM	PART NO.	DESCRIPTION	QTY
		1 2 3 4	
1	<u>102438501</u>	Kit, Bolt (contains 7 bolts)	1
2	<u>102438701</u>	Retaining, Ring Internal	1
3	<u>102438801</u>	Plate, Armature	1
4	<u>102438901</u>	Shim, Armature, Plate	1
5	<u>102439001</u>	Set Screw, #10-24 UNC-3A with Patch	1
6	<u>102439101</u>	Thrust Button	1
7	<u>102439201</u>	Thrust Plate	1
8	<u>102439801</u>	Kit, Roller (contains 14 rollers)	1
9	<u>102440101</u>	Kit, Assy, Drain Plug	1
10	<u>102440301</u>	Plug, Oil Fill	1
11	<u>102440501</u>	Bearing, Ball	1
12	<u>103898801</u>	Roll Cage Assembly, Front Diff	1
13	<u>103898901</u>	Retaining Ring, Input Shaft	1
14	<u>103899201</u>	Torsion Return Spring, Fd	1
15	<u>104025601</u>	Diff, Front, Auto, Ccw	1
16	<u>104026301</u>	Kit, Bearing, Ccw Fd Output	1
17	<u>104026501</u>	Kit, Shim, Gear, Ccw Fd	1

16

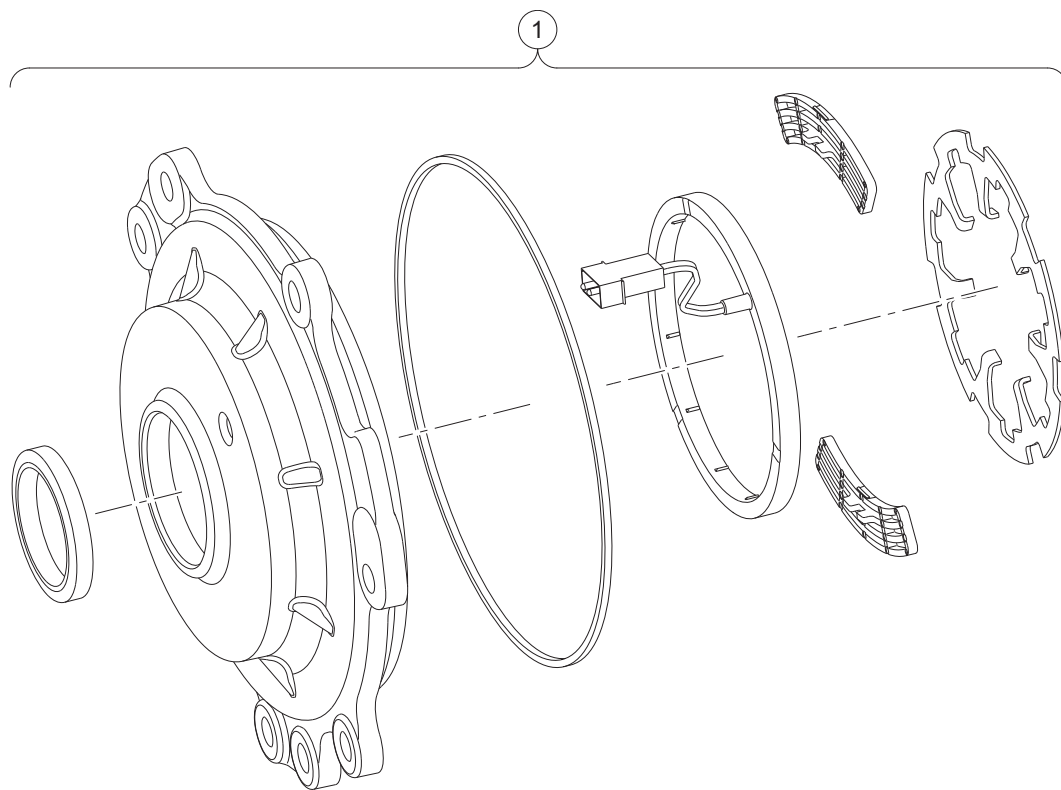
G

D

16

G

D



G-190299-000002

FRONT DIFFERENTIAL OUTPUT COVER ASSEMBLY

ITEM	PART NO.	DESCRIPTION	QTY
1	47638511001	1 2 3 4 Kit, Output Cover Asm, Ccw Fd	1

16

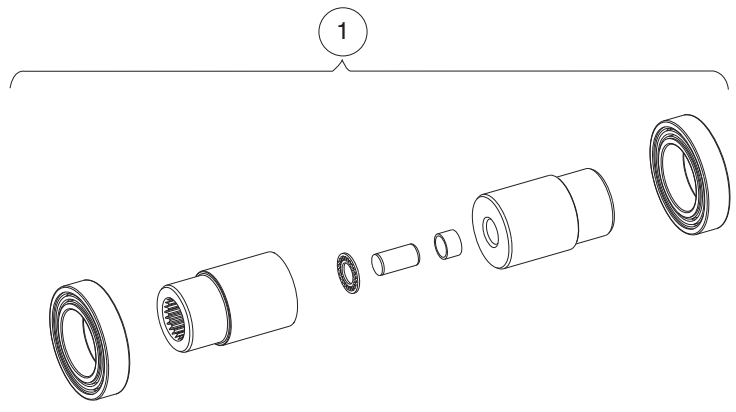
G

D

16

G

D



103898601

FRONT DIFFERENTIAL RACE/OUTPUT ASSEMBLY

ITEM	PART NO.	DESCRIPTION	QTY
1	<u>103898601</u>	<p>1 2 3 4</p> <p>Race/output Hub Assy, Frt Diff</p>	1

16

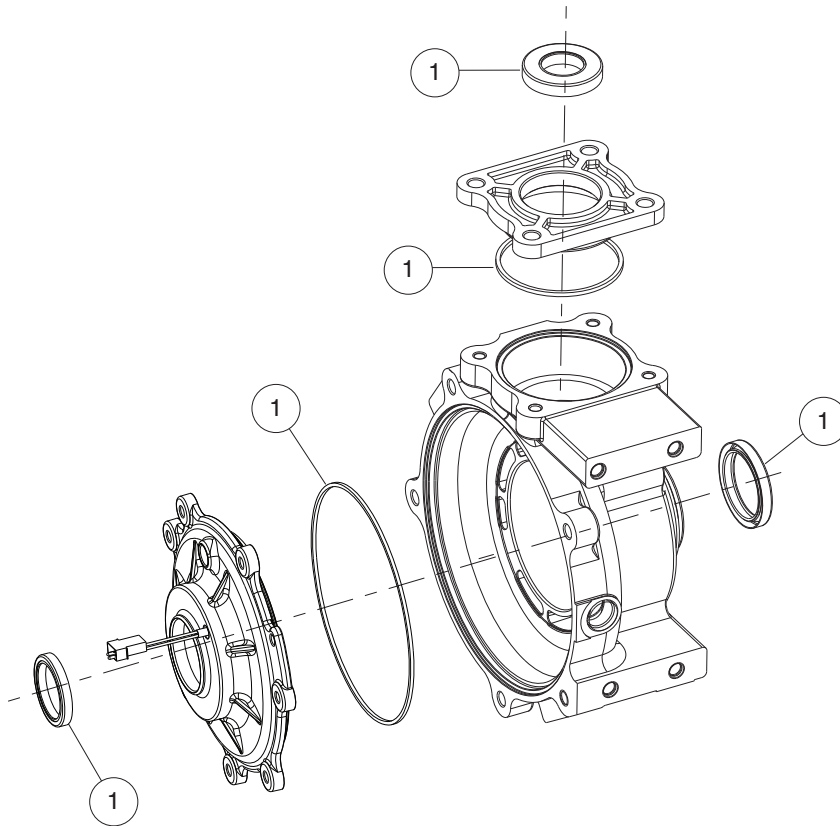
G

D

16

G

D



102438601

FRONT DIFFERENTIAL MINOR REPAIR KIT

ITEM	PART NO.	DESCRIPTION	QTY
1	<u>102438601</u>	<p>1 2 3 4</p> <p>Kit, Minor Repair (contains oil seals and O-rings)</p>	1

16

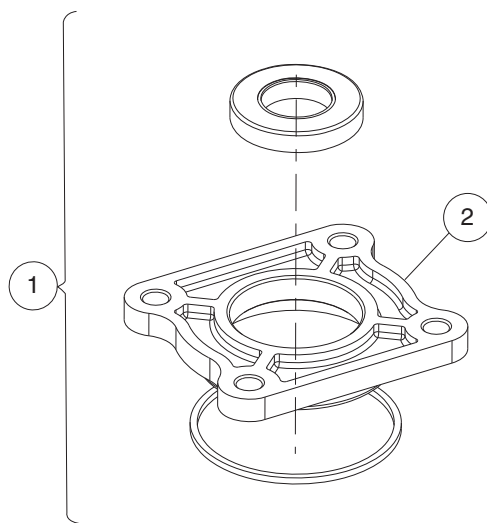
G

D

16

G

D



102440201

FRONT DIFFERENTIAL INPUT COVER ASSEMBLY

ITEM	PART NO.	DESCRIPTION	QTY
		1 2 3 4	
1	<u>102440201</u>	Kit, Assy, Input Cover Plate (includes items 2 through 4)	1
2	<u>102440601</u>	Cover, Input, Machined	1
3	N/A	O-Ring	1
4	N/A	Oil Seal, Triple-Lipped	1

16

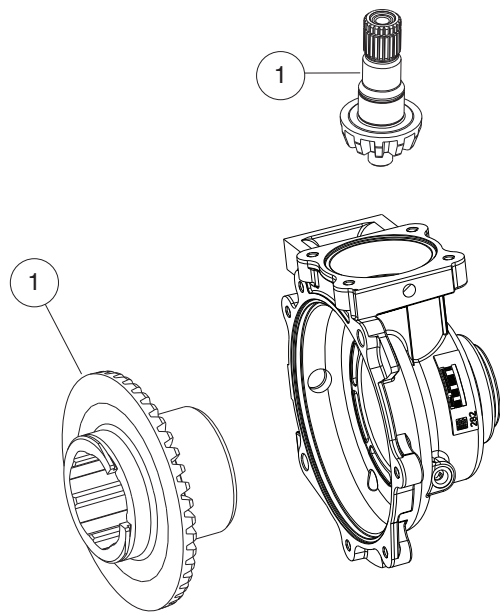
G

D

16

G

D



104026401

FRONT DIFFERENTIAL GEAR KIT

ITEM	PART NO.	DESCRIPTION	QTY
1	<u>104026401</u>	<div style="display: flex; justify-content: space-between; margin-bottom: 5px;"> 1 2 3 4 </div> Kit, Gear, Ccw Fd	1

16

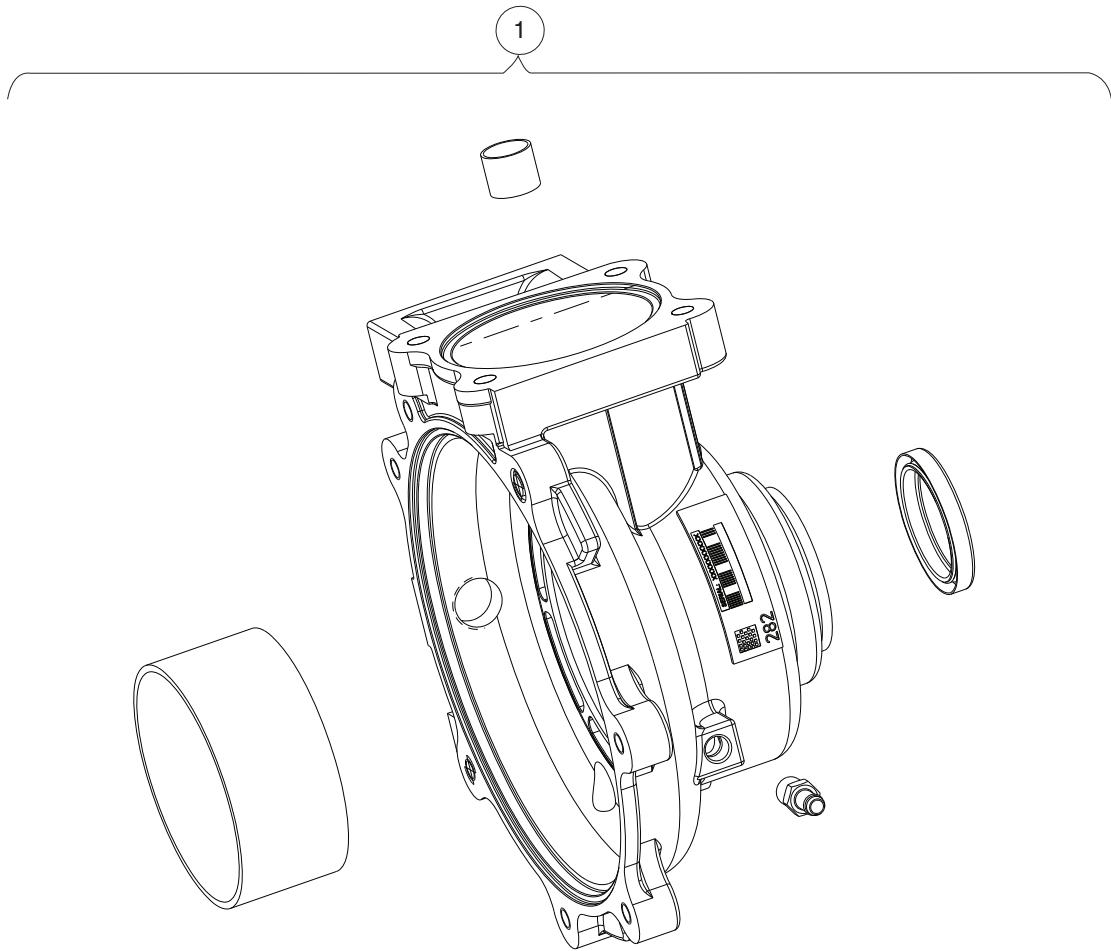
G

D

16

G

D



104026601

FRONT DIFFERENTIAL GEARCASE ASSEMBLY

ITEM	PART NO.	DESCRIPTION	QTY
1	<u>104026601</u>	1 2 3 4 Kit, Gearcase Asm, Ccw Fd	1

16

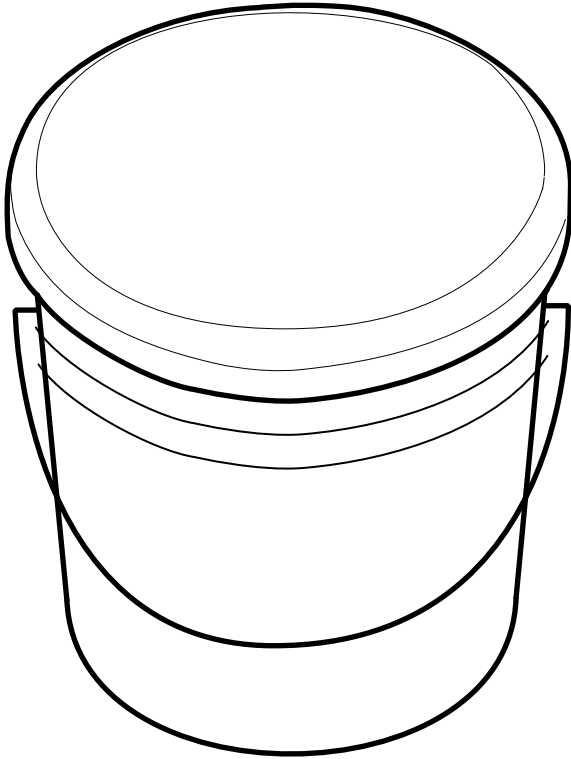
G

D

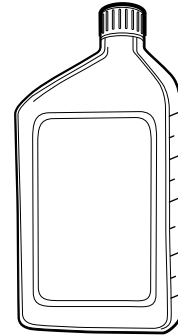
16

G

D



1



2

001069-001

OIL, DIFFERENTIAL AND TRANSMISSION

ITEM	PART NO.	DESCRIPTION	QTY
1	<u>102723901</u>	1 2 3 4 Oil, Locking Diff, 5 Gallon	A/R
2	<u>AM1216101</u>	Oil, Locking Diff, Quart	A/R
		<p>Note: Use this oil for both front and rear differentials and the transmission. Available in 5-Gallon or Quart.</p>	

16

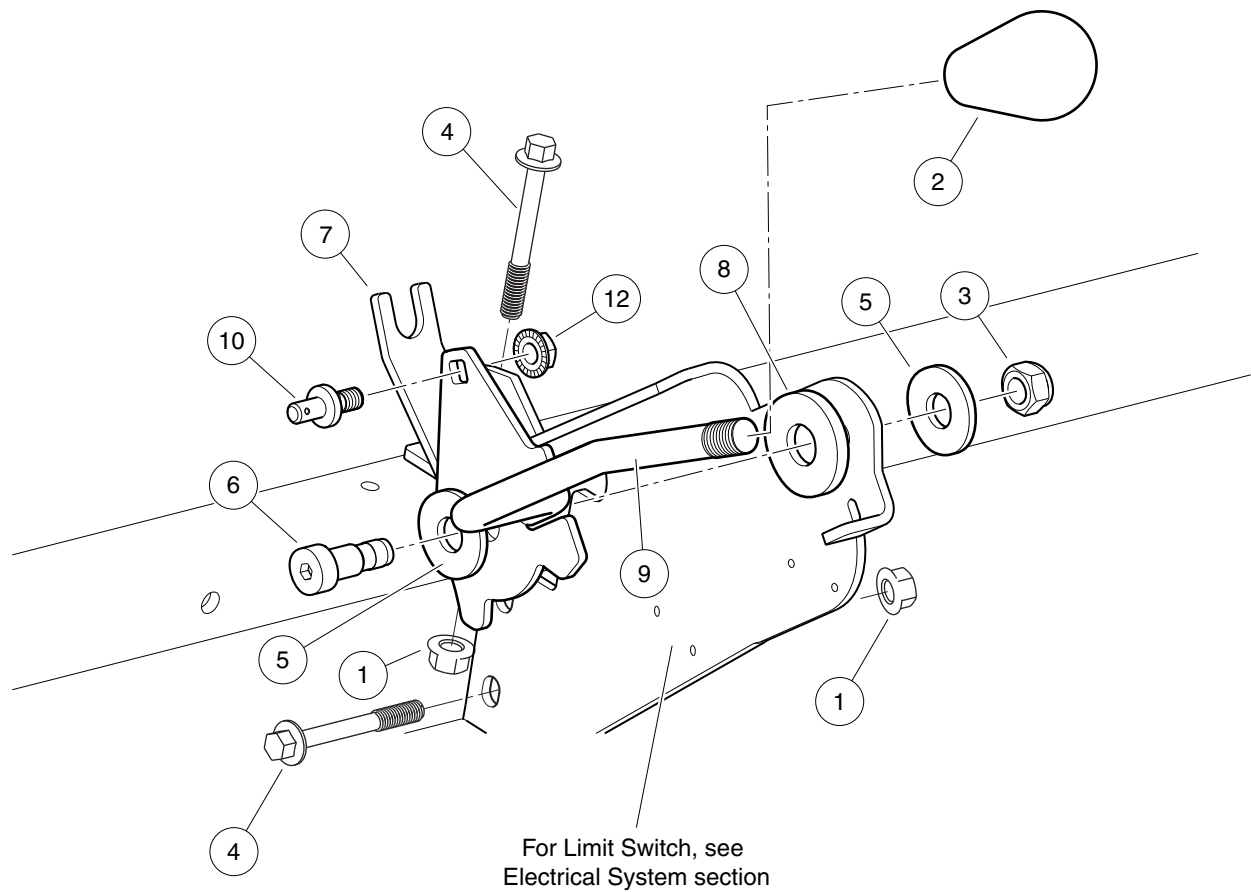
G

D

16

G

D



000030-004

FORWARD/REVERSE SHIFTER

ITEM	PART NO.	DESCRIPTION	QTY
		1 2 3 4	
1	<u>102298401</u>	Nut,m8,all Metal Lock	3
2	<u>102376001</u>	Knob, FNR, Shifter	1
3	<u>102616701</u>	Locknut, M10x1.5 Nylon Insert	1
4	<u>102618301</u>	Bolt, Flanged Head, M8 X 1.25 X 65	3
5	<u>102684501</u>	Washer, M12 Hard Regular	2
6	<u>102684603</u>	Shoulder Bolt, M12 X 16	1
7	N/A	Weldment, FNR Shift-Bracket, AWD	1
8	<u>103873001</u>	Bushing, Fnr, Awd	1
9	<u>103886001</u>	Weldment, Shifter, FNR, AWD	1
10	<u>103886101</u>	Pin, Cable, Fnr	1
11	<u>8990</u>	Tie Wrap, 8" Nylon	2
12	<u>96704416</u>	Nut, Flange, M8 X 1.25 Serrated	1
		Note: Item 11 not shown.	

16

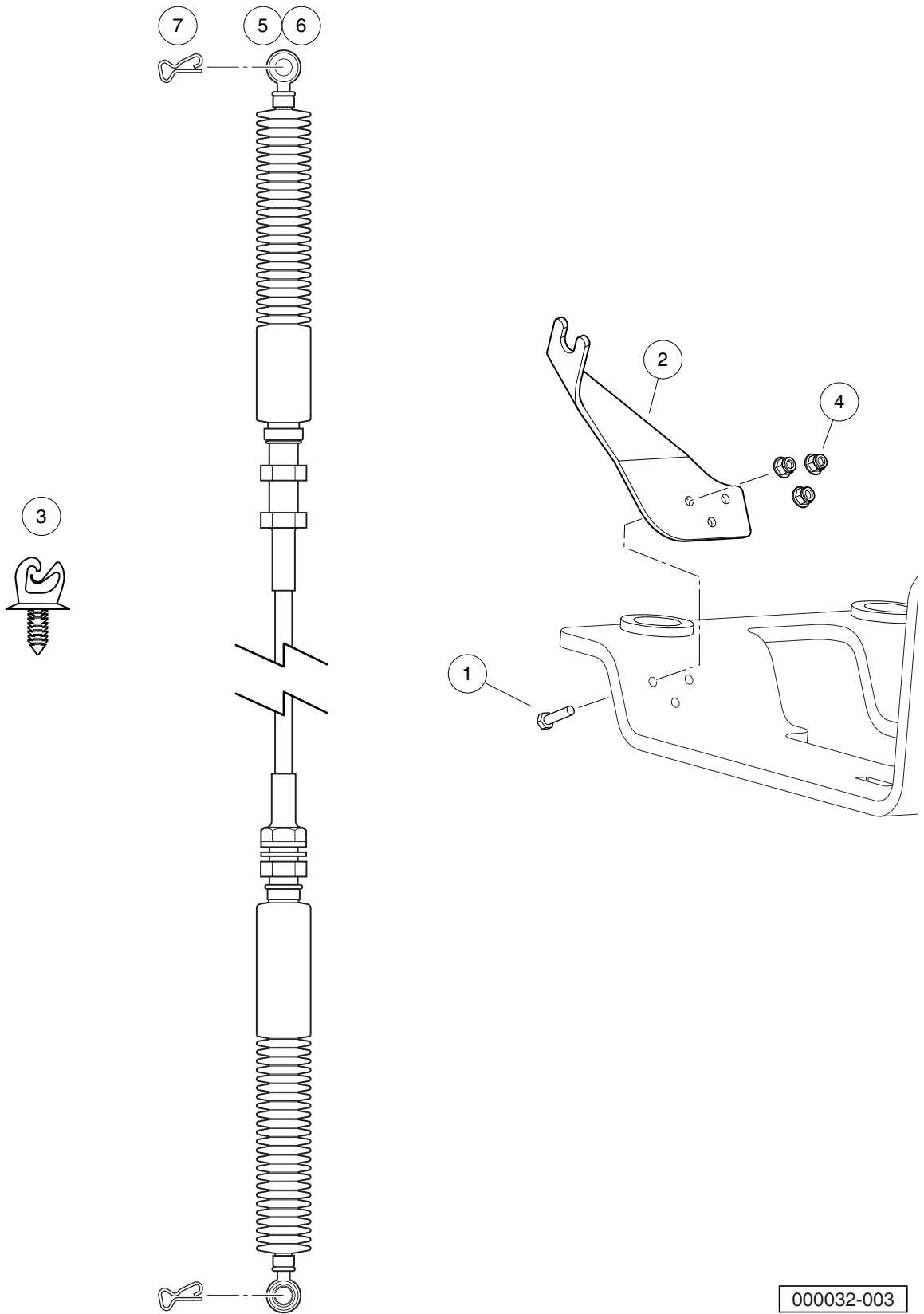
G

D

16

G

D



000032-003

SHIFTER CABLE

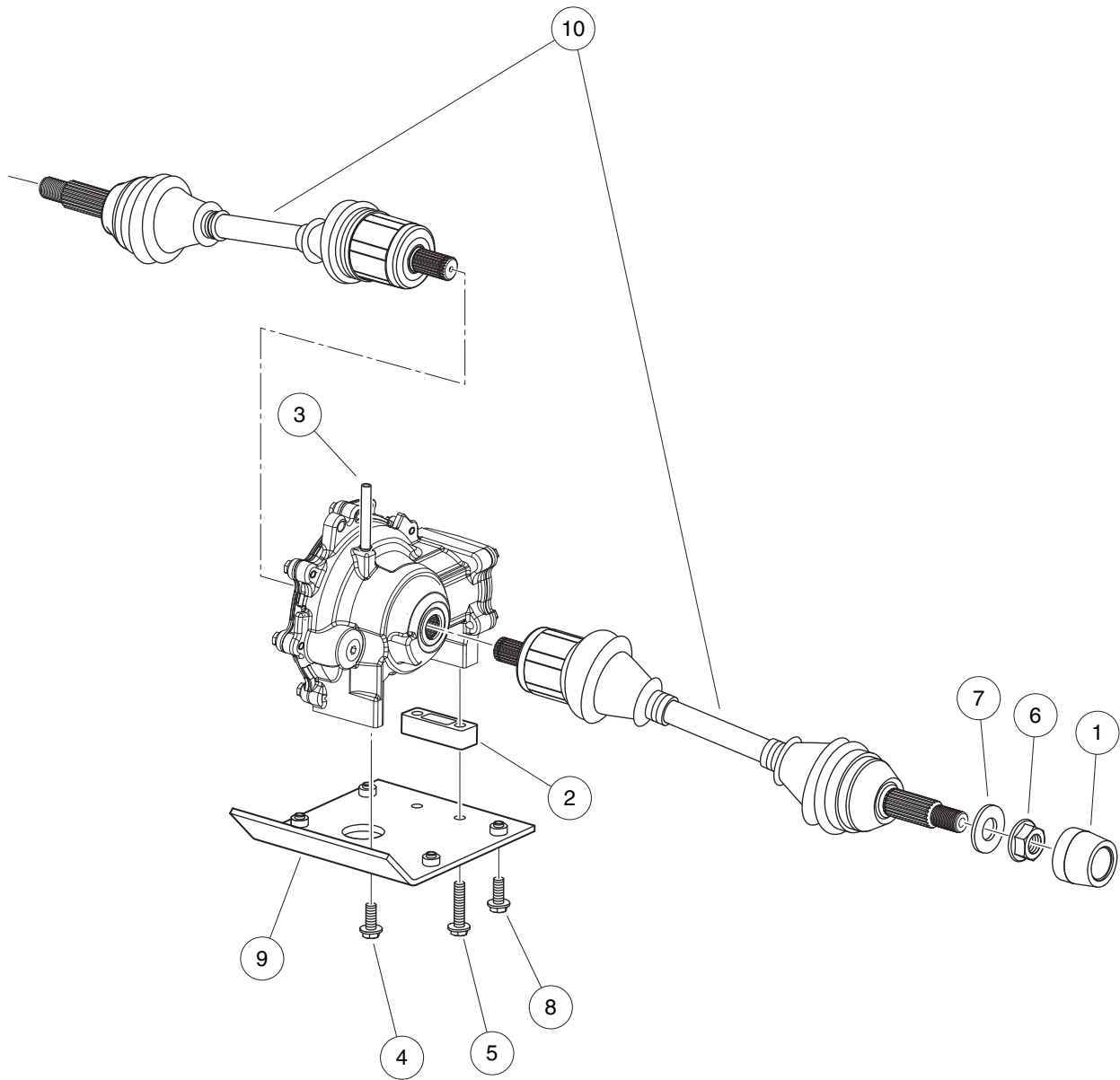
ITEM	PART NO.	DESCRIPTION	QTY
		1 2 3 4	
1	<u>1012769</u>	Screw, M6-1.00 X 25mm Hex Cap	3
2	<u>102382401</u>	Bracket, FNR Trans Cable	1
3	<u>102475701</u>	Clip, Brake Line	1
4	<u>102621501</u>	Nut, Flange, M6 X 1.0, Nylon	3
5	<u>103879301</u>	Cable, Transmission Shift, 295/1550	1
6	<u>103879401</u>	Cable, Transmission Shift, 295 SE/1550 SE	1
7	<u>103886601</u>	Clip, Bowtie	2

16
G
D

16

G

D



000012-006

FRONT DIFFERENTIAL MOUNTING AND HALF SHAFTS

ITEM	PART NO.	DESCRIPTION	QTY
		1 2 3 4	
1	102274101	Center Cap, Rubber	2
2	<u>102381701</u>	Spacer Block, Diff	1
3	<u>102462401</u>	Hose, Vent, Front Diff	1
4	<u>102491001</u>	Bolt, Flanged Head, 3/8-16x1.0 with Loctite	2
5	<u>102491101</u>	Bolt, Flanged Head, 3/8-16x1.500 with Loctite	2
6	<u>102617501</u>	Nut, Flange, M22 X 1.5 Mech Def	2
7	<u>102617801</u>	Washer, Hard, M22	2
8	<u>102711601</u>	Bolt, Flange Head, M10 X 1.5 X 25	4
9	<u>103244701</u>	Asm, Mount, Diff Plate	1
10	<u>103762201</u>	Half Shaft, Front, AWD	2

16

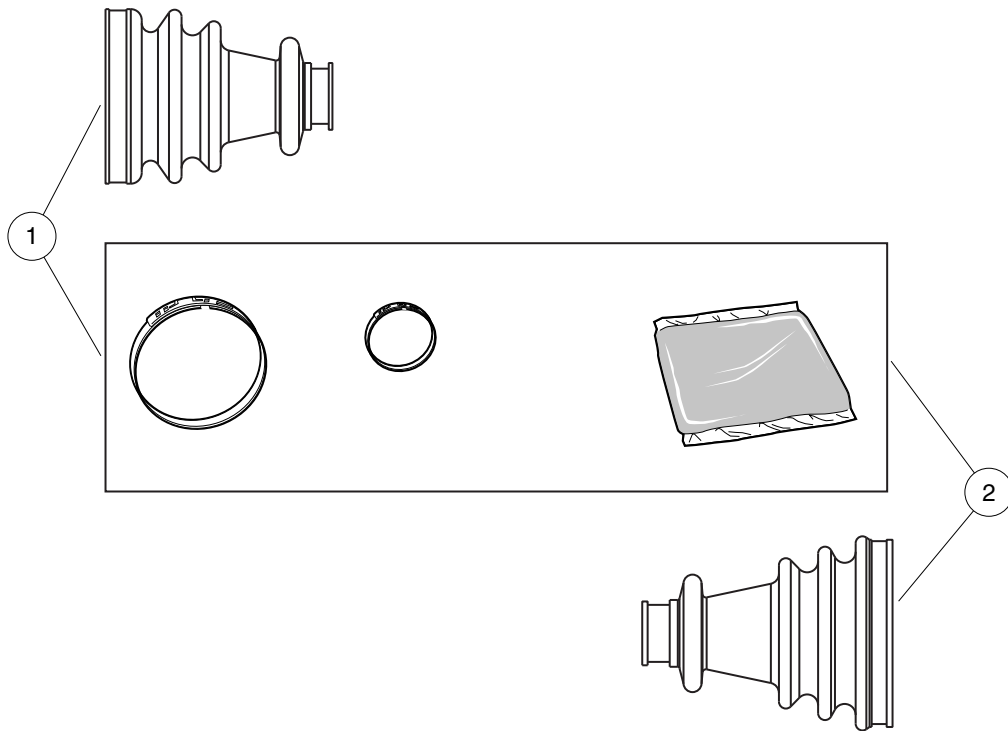
G

D

16

G

D



000791-004

CV BOOT REPAIR KITS

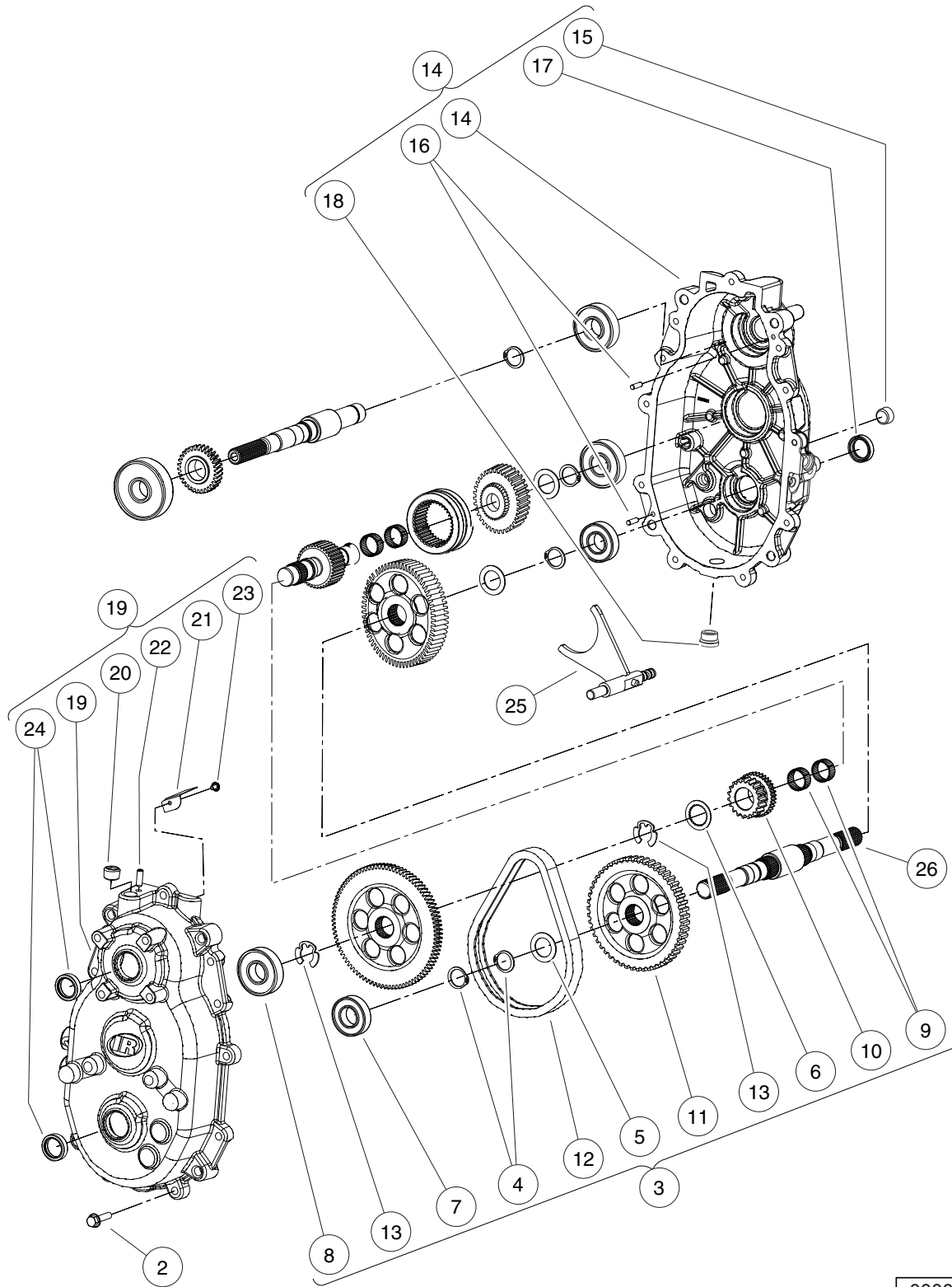
ITEM	PART NO.	DESCRIPTION	QTY
1	<u>AM1291501</u>	1 2 3 4 Kit, Outer Boot	1
2	<u>AM1291601</u>	Kit, Inner Boot	1

16
G
D

16

G

D



000016-018

TRANSMISSION – PAGE 1 OF 3

ITEM	PART NO.	DESCRIPTION	QTY
		1 2 3 4	
1	103969001	Transmission, Awd, 422046 (includes items 2 through 26)	1
2	<u>102693301</u>	Screw, hex Flange, M8 X 35	11
3	102765201	Kit, Reverse Gear Repair (includes items 4 through 13)	1
4	<u>102696201</u>	Ring, Retaining, Basic External	2
5	<u>102696501</u>	Washer, Thrust, 1.007 X .062	1
6	<u>102696701</u>	Washer, 26.231 X 39.167 X 1.57	1
7	<u>102696801</u>	Bearing, Ball	1
8	<u>102696901</u>	Bearing, Ball	1
9	<u>102697101</u>	Bearing, Needle	2
10	N/A	Sprocket, 19-Tooth	1
11	N/A	Sprocket, 51-Tooth	1
12	N/A	Chain, .375p, .75 Wide, 60ptch	1
13	<u>102699701</u>	Ring, Retaining, E-Ring	2
14	<u>105125301</u>	Asm, Gear Case, Front (includes items 15 through 18)	1
15	<u>102694201</u>	Plug, Square Skt, 1/12-14, Ptf	1
16	<u>102696101</u>	Pin, Dowel, 6 X 20	2
17	<u>102699401</u>	Seal, Triple, 25 X 35 X 7.8	1
18	<u>103250401</u>	Plug, 3/4-16	1
19	<u>105125401</u>	Asm, Gear Case, Rear (includes items 20 through 24)	1
20	<u>102694201</u>	Plug, Square Skt, 1/12-14, Ptf	1
21	N/A	Oil, Deflector	1
22	N/A	Vent, Trans	1
23	N/A	Screw, Tapping # 10-24 X .375	1
24	<u>102699401</u>	Seal, Triple, 25 X 35 X 7.8	2
25	<u>105125701</u>	Fork,Transmission	1
26	<u>105125801</u>	Shaft,Output	1

16

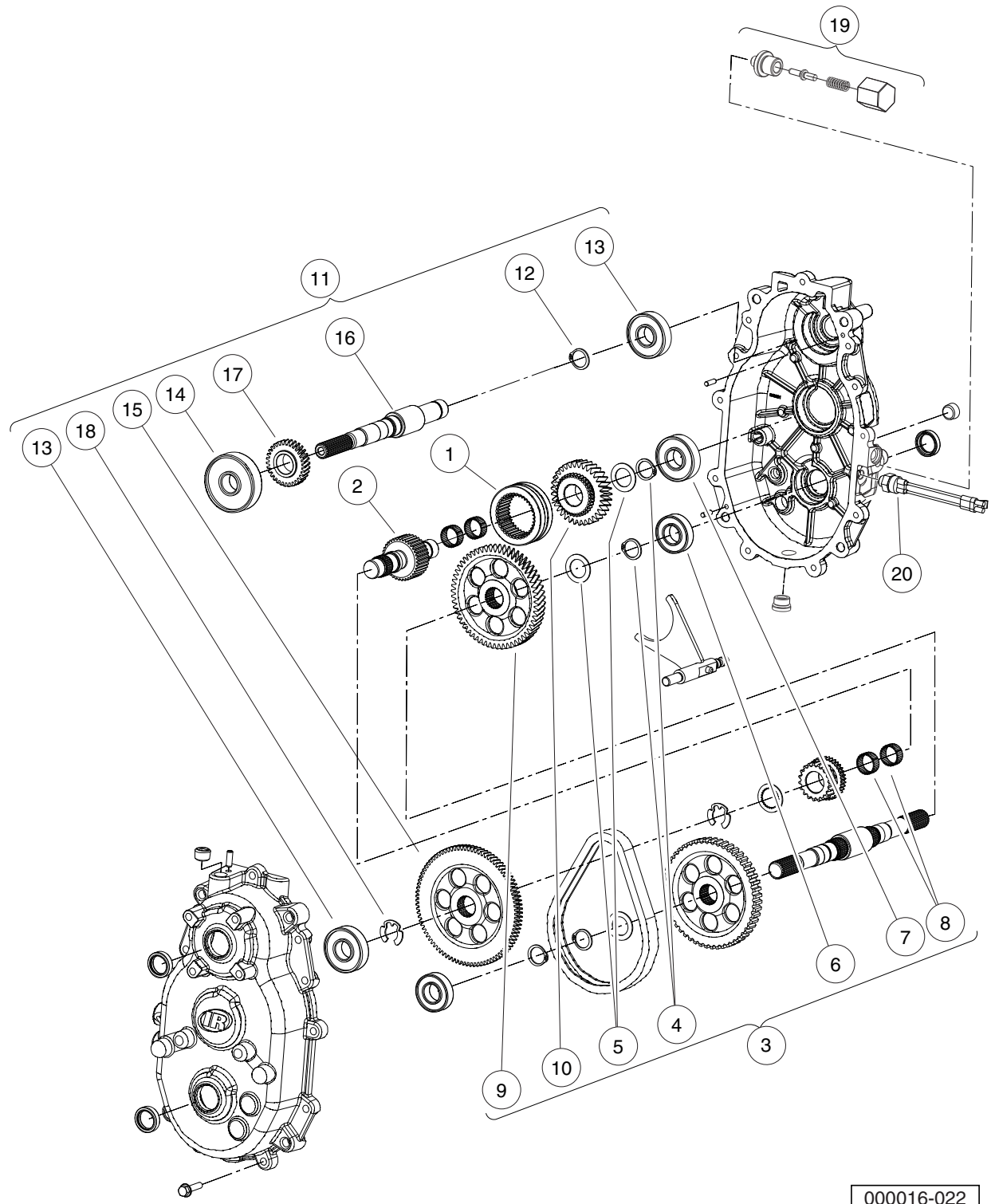
G

D

16

G

D



000016-022

TRANSMISSION – PAGE 2 OF 3

ITEM	PART NO.	DESCRIPTION	QTY
		1 2 3 4	
1	<u>102697501</u>	Dog, Engagement	1
2	<u>102698701</u>	Shaft, Intermediate	1
3	102764901	Kit, Forward Gear Repair (includes items 4 through 10)	1
4	<u>102696201</u>	Ring, Retaining, Basic External	2
5	<u>102696501</u>	Washer, Thrust, 1.007 X .062	2
6	<u>102696801</u>	Bearing, Ball	1
7	<u>102696901</u>	Bearing, Ball	1
8	<u>102697101</u>	Bearing, Needle	2
9	N/A	Gear, Helical 58-Tooth	1
10	N/A	Gear, Helical 34-Tooth	1
11	<u>103721801</u>	Kit, Input Shaft Repair (includes items 12 through 18)	1
12	<u>102696201</u>	Ring, Retaining, Basic External	1
13	<u>102696901</u>	Bearing, Ball	2
14	<u>102697001</u>	Bearing, Ball	1
15	N/A	Gear, Helical 90-Tooth	1
16	N/A	Shaft, Input	1
17	N/A	Gear, Helical, 31-tooth	1
18	<u>102699701</u>	Ring, Retaining, E-Ring	1
19	<u>105125501</u>	Kit, Detent Repair	1
20	<u>105125601</u>	Switch, Indicator, Pollak	1

16

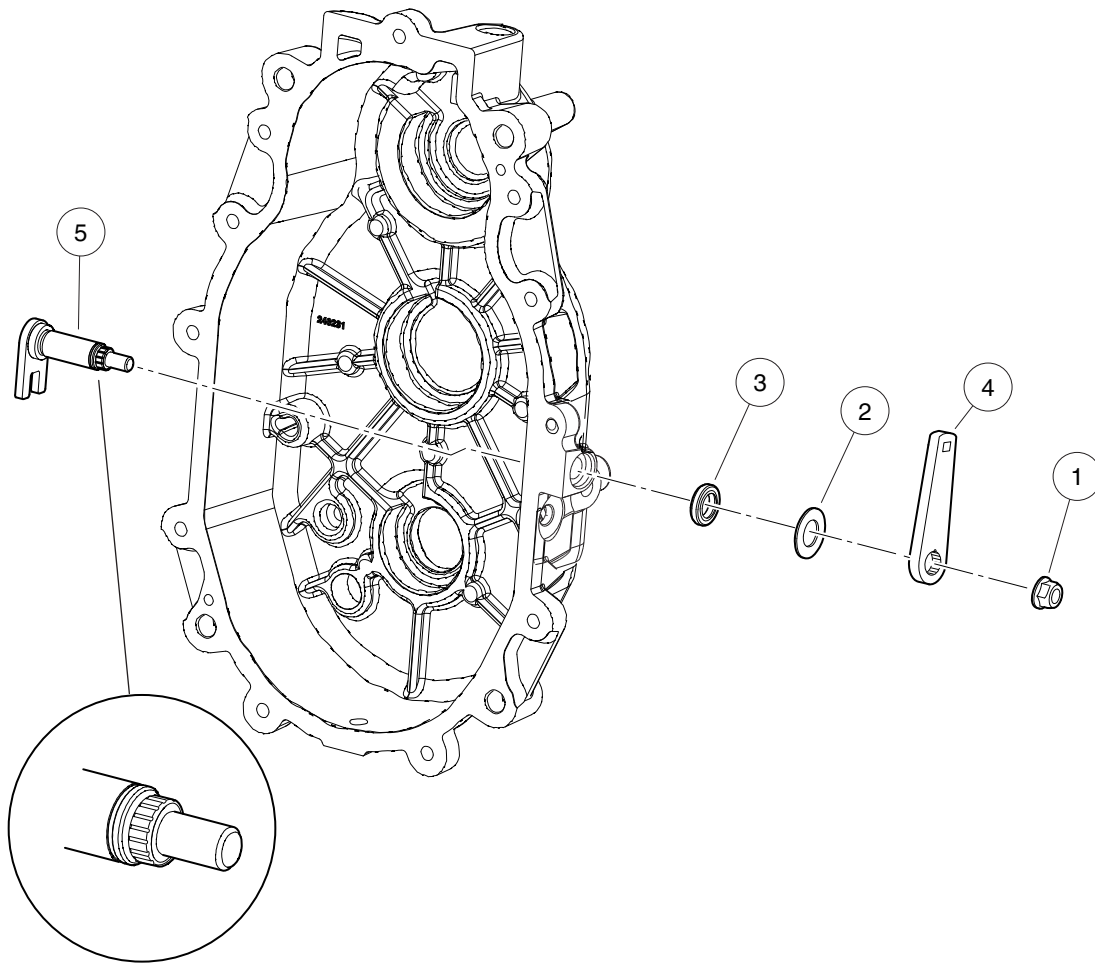
G

D

16

G

D



000016-021

TRANSMISSION – PAGE 3 OF 3

ITEM	PART NO.	DESCRIPTION	QTY
		1 2 3 4	
1	<u>102696001</u>	Nut, Lock Hex, Nylon, 5/16-24	1
2	<u>102696601</u>	Washer, Flat, .58 X 1.08 X .05	1
3	<u>102699601</u>	Seal, Dual Lip, .88 X .56 X .19	1
4	<u>103883001</u>	Bellcrank, Square-hole	1
5	<u>105125901</u>	Shaft, Shift	1

16

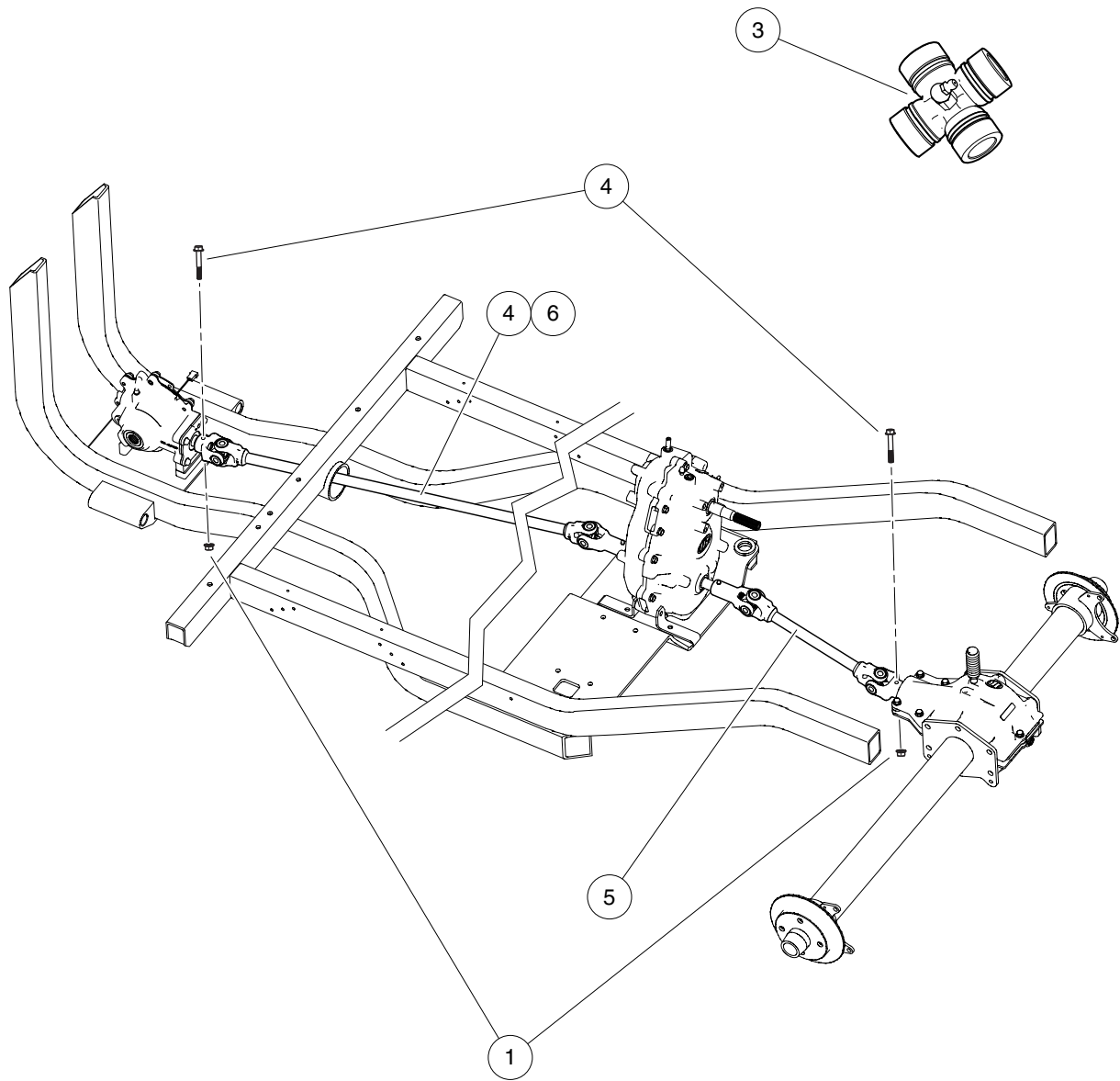
G

D

16

G

D



000091-006

PROP SHAFTS

ITEM	PART NO.	DESCRIPTION	QTY
		1 2 3 4	
1	<u>102298401</u>	Nut,m8,all Metal Lock	2
2	<u>103990201</u>	Bolt, M8 X 1.25 X 50 Hh Cap	2
3	<u>105100901</u>	Kit, Universal Joint Replacement	A/R
4	<u>105173201</u>	Propshaft, Front, No Spln Zerk	1
5	<u>105173301</u>	Propshaft, Rear, No Spln Zerk	1
6	<u>105173401</u>	Propshaft,frnt,lng,no Spln Zrk	1
		<p>Note: Item 4 is for 81.5 in. (207 cm) wheelbase vehicle only. Item 6 is for 114 in. (289.5 cm) wheelbase vehicle only.</p>	

16

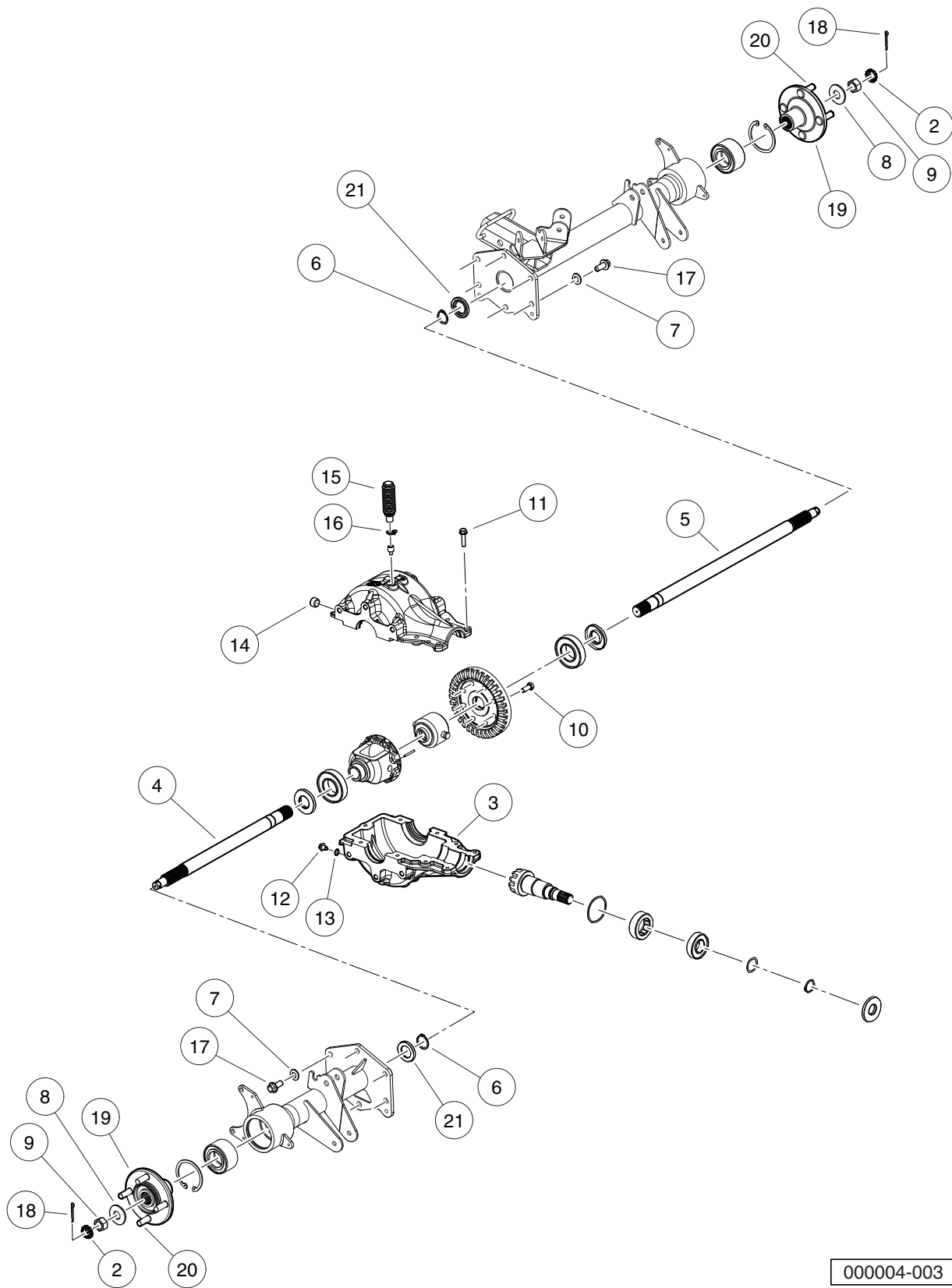
G

D

16

G

D



000004-003

REAR DIFFERENTIAL AND AXLES – PAGE 1 OF 2

ITEM	PART NO.	DESCRIPTION	QTY
		1 2 3 4	
1	<u>103843901</u>	Axle, Rear, Awd, 4link (includes items 2 through 21)	1
2	<u>102276001</u>	Locking Cap, Nut	2
3	<u>102449101</u>	Gearcase, Lower, Machined	1
4	<u>102463501</u>	Axle, Right-hand	1
5	<u>102463601</u>	Axle, Left-Hand	1
6	<u>102463901</u>	Ring, Retaining, External	2
7	<u>102672201</u>	Washer, Belleville, 1.063 X .043	12
8	<u>102672301</u>	Washer, Belleville, 49 X 4	2
9	<u>102672401</u>	Nut, Hex, M20 X 1.5 , Modified	2
10	<u>102693201</u>	Screw, M10 X 25	8
11	<u>102693301</u>	Screw, hex Flange, M8 X 35	9
12	<u>102693401</u>	Plug,3/8-16, Hex Flange	1
13	<u>102693501</u>	Washer, .625 X .382 X .60	1
14	<u>102694201</u>	Plug, Square Skt, 1/12-14, Ptf	1
15	<u>102694301</u>	Bellows, Vent, Upper Housing	1
16	<u>102694401</u>	Clamp, Hose, Dw-9.5	1
17	<u>102694701</u>	Screw, Hex Fl, M12 X 1.75 X 30	12
18	<u>102694801</u>	Pin, Cotter, 5/32 X 1.25	2
19	<u>103146203</u>	Asm, Wheel Hub, Rear, 1550 (includes item 20)	2
20	<u>103951501</u>	Lug Stud, 1/2-20 UNF, SAE J1102	4
21	<u>103879501</u>	Washer, C-bored 60.5 X 30.3	2

16

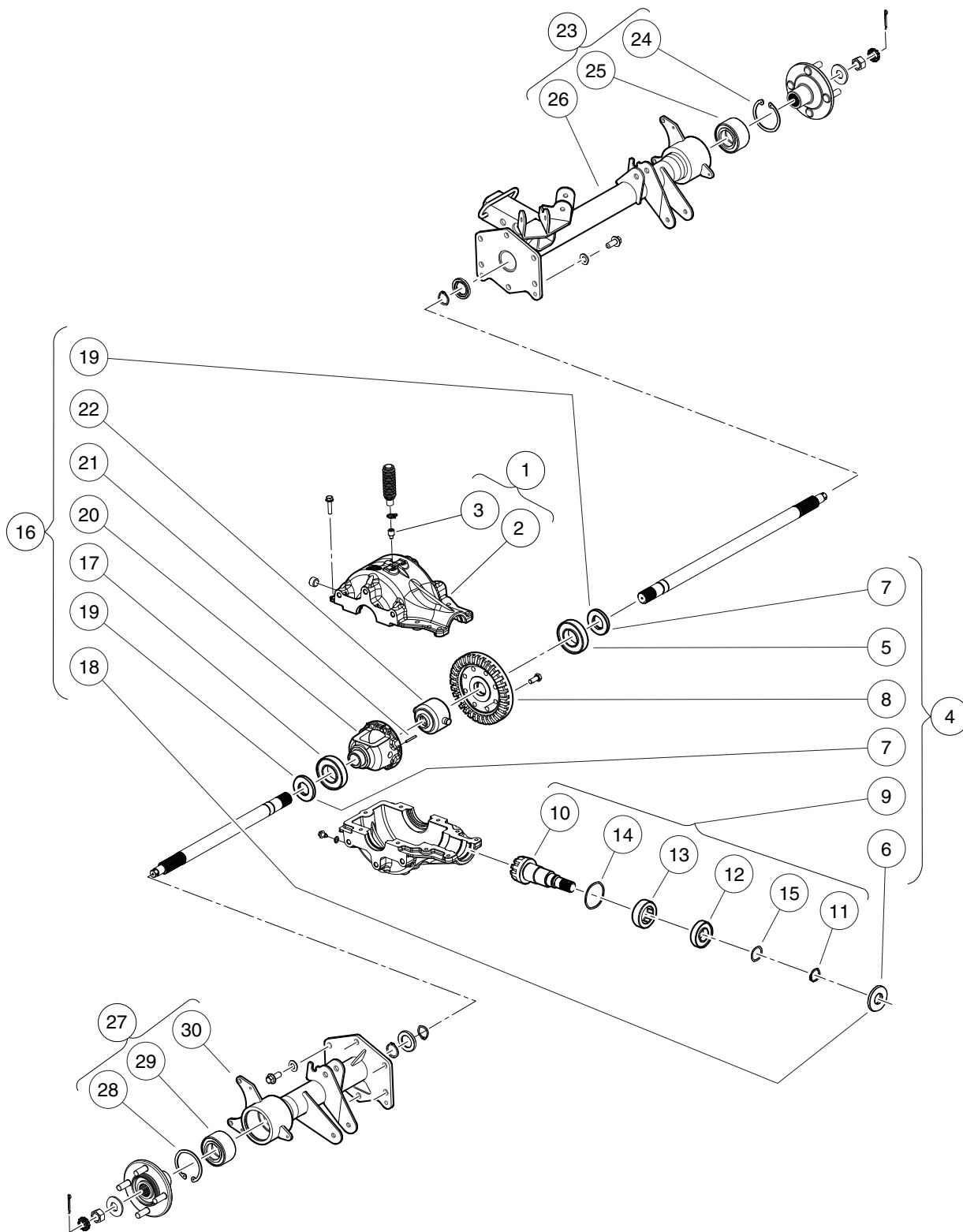
G

D

16

G

D



000004-004

REAR DIFFERENTIAL AND AXLES – PAGE 2 OF 2

ITEM	PART NO.	DESCRIPTION	QTY
		1 2 3 4	
1	<u>102765301</u>	Asm, Gearcase, Upper (includes items 2 and 3)	1
2	N/A	Gearcase, Upper, Machined	1
3	<u>102694001</u>	Vent, Top, Upper Housing	1
4	<u>102765801</u>	Kit, Rear Axle Gear Repair (includes items 5 through 9)	1
5	<u>102464201</u>	Bearing, Ball	1
6	<u>102464401</u>	Seal, Dual-Lip 25x 62x 7tc	1
7	<u>102464501</u>	Seal, Dual-Lip 30x 62x 8tc	2
8	<u>102762601</u>	Gear, Ring, 33-Tooth	1
9	<u>102765701</u>	Asm, Pinion W/ Bearings (includes items 10 through 15)	1
10	<u>102463101</u>	Pinion, 10t Machined	1
11	<u>102463901</u>	Ring, Retaining, External	1
12	<u>102464001</u>	Bearing, Ball	1
13	<u>102464101</u>	Bearing, Needle, Drawn Shell	1
14	<u>102693601</u>	Washer, 2.625 X 2.367 X .06	1
15	<u>102694502</u>	Shim, 1.50 X 1.189 X .008	1
16	<u>103871801</u>	Asm, Carrier, Etched Locker (includes items 17 through 22)	1
17	<u>102464201</u>	Bearing, Ball	1
18	<u>102464401</u>	Seal, Dual-Lip 25x 62x 7tc	1
19	<u>102464501</u>	Seal, Dual-Lip 30x 62x 8tc	2
20	<u>102961301</u>	Housing, Differential, Mach	1
21	<u>102961401</u>	Pin, Dowel, 4 X 35	1
22	N/A	Asm, Locker, Nongrease/Spacers	1
23	<u>103922801</u>	Assy, Axle Tube, Rear, LH (includes items 24 through 26)	1
24	<u>102463801</u>	Ring, Retaining, Internal	1
25	<u>102464301</u>	Bearing	1
26	<u>103868201</u>	Weldment, Axle Tube, LH, 4-Link Susp	1
27	<u>103922901</u>	Assy, Axle Tube, Rear, RH (includes items 28 through 30)	1
28	<u>102463801</u>	Ring, Retaining, Internal	1
29	<u>102464301</u>	Bearing	1
30	<u>103868301</u>	Weldment, Axle Tube, RH, 4-Link Susp	1

16

G

D

16

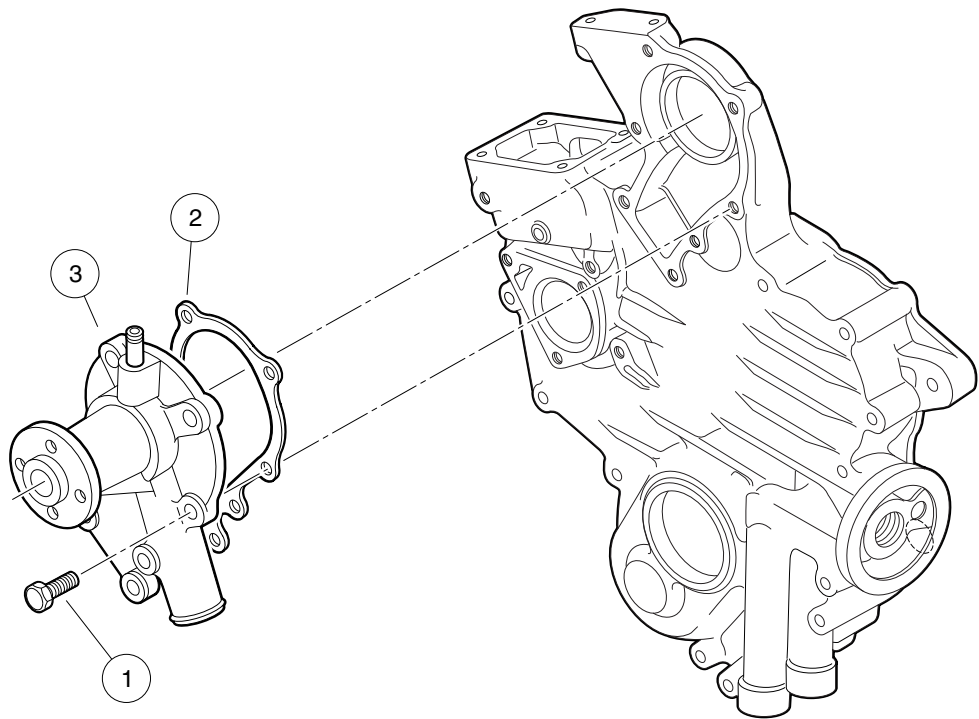
G

D

RADIATOR AND COOLANT SYSTEM – DIESEL VEHICLES

17

D



000060-001

WATER PUMP

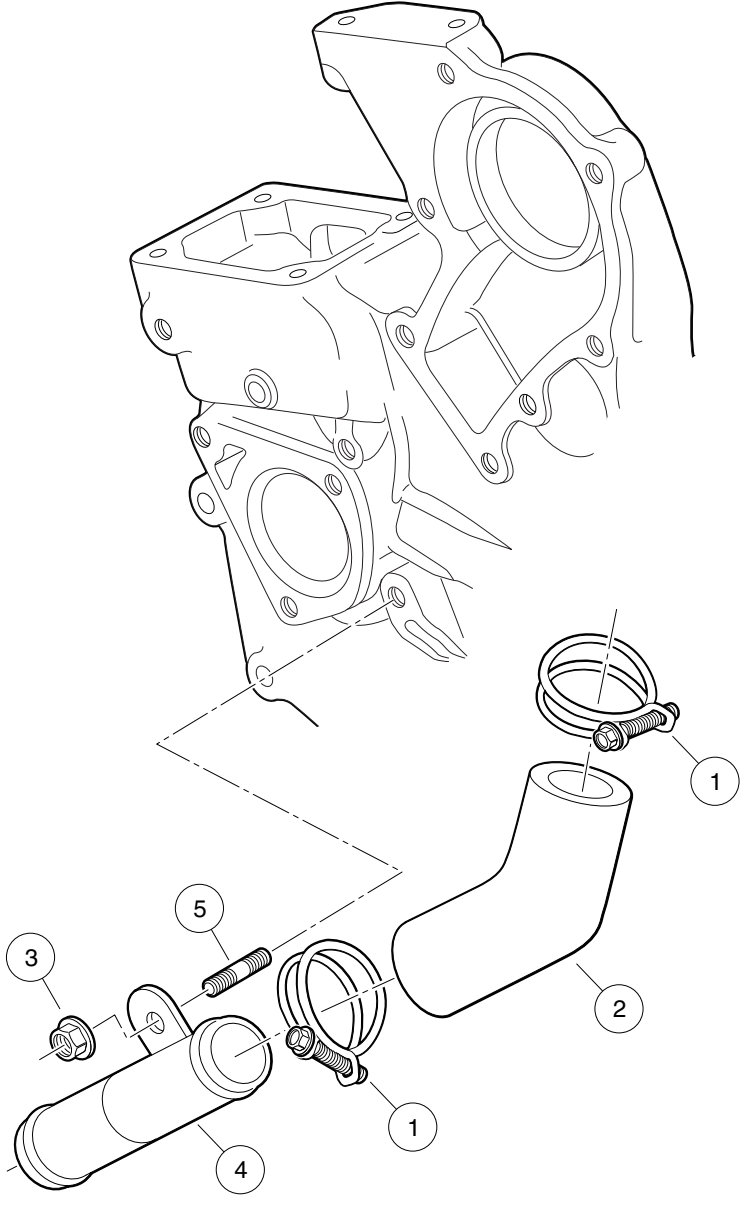
ITEM	PART NO.	DESCRIPTION	QTY
		1 2 3 4	
1	<u>102608701</u>	Bolt, M6 X 1 X 22	4
2	<u>102632701</u>	Gasket, Water Pump, D722	1
3	<u>102731201</u>	Water Pump Assembly	1

17

D

17

D



000061-001

BLOCK COOLANT PIPE

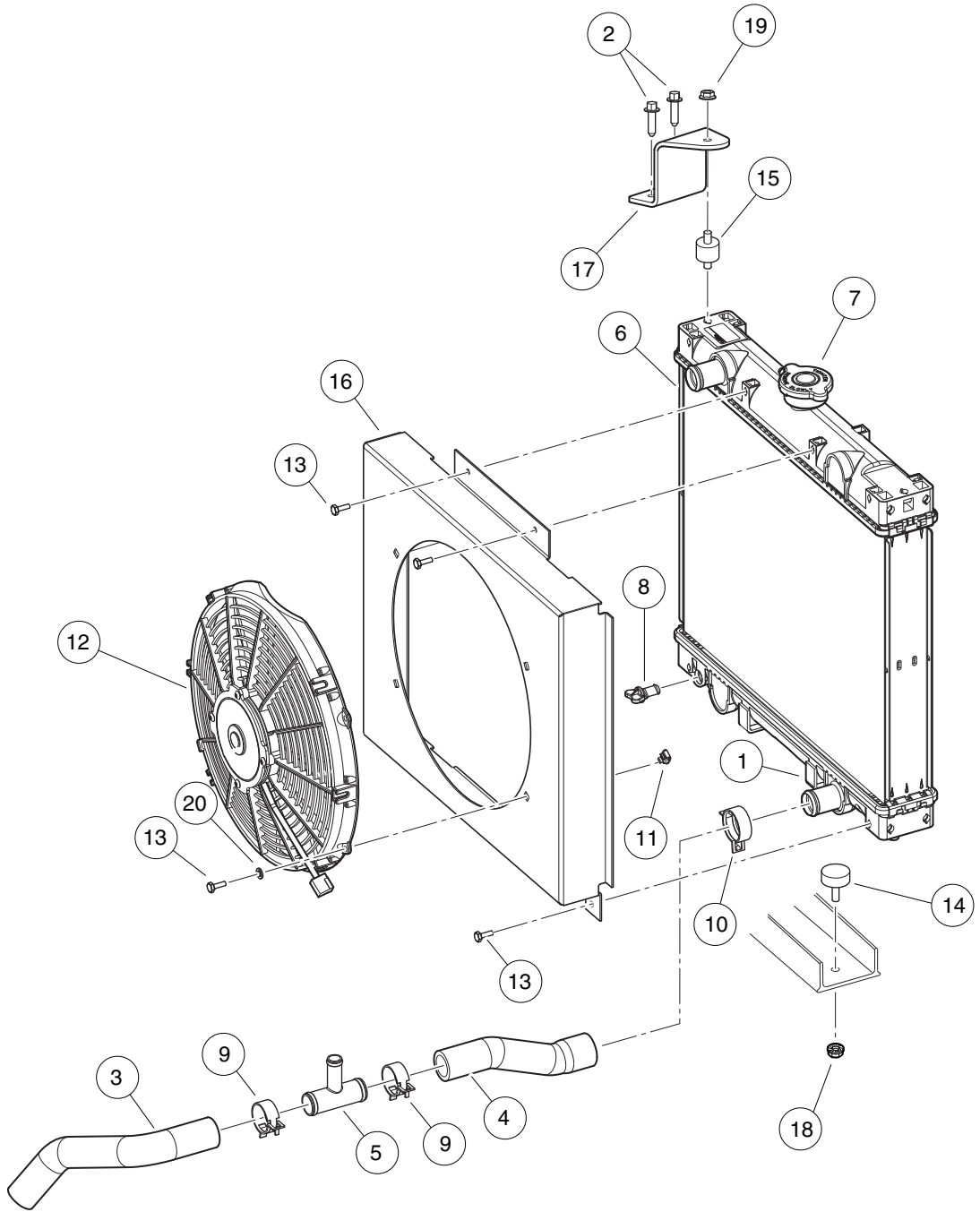
ITEM	PART NO.	DESCRIPTION	QTY
		1 2 3 4	
1	<u>102631701</u>	Band, Pipe, with Nut	2
2	<u>102631801</u>	Hose, Coolant	1
3	<u>102632001</u>	Nut, Flange, M6	1
4	<u>102632101</u>	Pipe, Coolant	1
5	<u>102632201</u>	Stud, M6 X 15	1

17

D

17

D



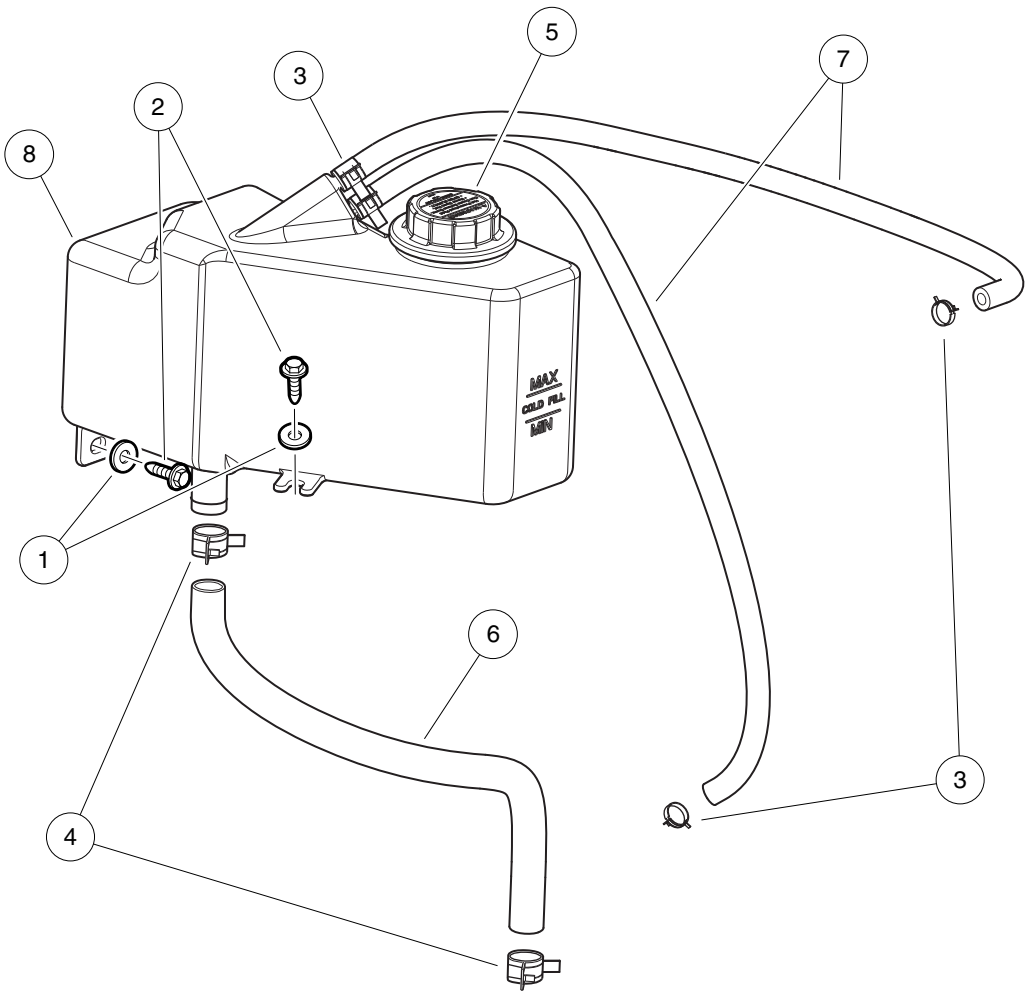
000541-002

RADIATOR

17

D

ITEM	PART NO.	DESCRIPTION	QTY
		1 2 3 4	
1	<u>1014471</u>	Tape, Vinyl Foam 1/8" x 3/4"	1
2	<u>102289001</u>	Screw, M8X1.25X30, Hex	4
3	<u>102377801</u>	Hose, Coolant Lower Pipe	1
4	<u>102377901</u>	Hose, Coolant Lower Rad	1
5	<u>102380301</u>	Tee, Coolant Fill	1
6	<u>102410301</u>	Radiator (includes items 7 and 8)	1
7	<u>102737301</u>	Cap, Radiator	1
8	N/A	Drain Cock, Radiator	1
9	<u>102411207</u>	Clamp, Hose, Ctb 35mm	2
10	<u>102411208</u>	Clamp, Hose, Ctb 38mm	1
11	<u>102411301</u>	Nut, Self Retaining	4
12	<u>102436701</u>	Fan, Cooling 12 In Elect	1
13	<u>102490301</u>	Bolt, M6 X 1 X 16, Loctite	8
14	<u>102684901</u>	Bumper, 19mm Stud	2
15	<u>102685001</u>	Isolator, Twin-Stud	2
16	<u>102855501</u>	Shroud, Radiator Fan	1
17	<u>102946701</u>	Bracket, Radiator Support	2
18	<u>96704176</u>	Nut, Flanged, M6 X 1, Serrated	2
19	<u>96704416</u>	Nut, Flange, M8 X 1.25 Serrated	2
20	<u>96705199</u>	Washer, M6	4



000540-003

COOLANT EXPANSION TANK

ITEM	PART NO.	DESCRIPTION	QTY
		1 2 3 4	
1	<u>1011578</u>	Washer, 5/16 Type B Flat	2
2	<u>102298720</u>	Screw, M8-1.25x20, Taptite	2
3	<u>102411204</u>	Clamp, Hose, CTB 15mm	4
4	<u>102411205</u>	Clamp, Hose, CTB 22mm	2
5	<u>102427501</u>	Cap, Radiator	1
6	<u>102807601</u>	Hose, Coolant, 5/8 SAE J20r3 Bulk	2
7	<u>102807801</u>	Hose, Coolant, 5/16 SAE J20r3 Bulk	8
8	<u>102973201</u>	Bottle, Coolant	1
Note: For hoses (items 6 and 7), quantity shown is length in feet per vehicle.			

17

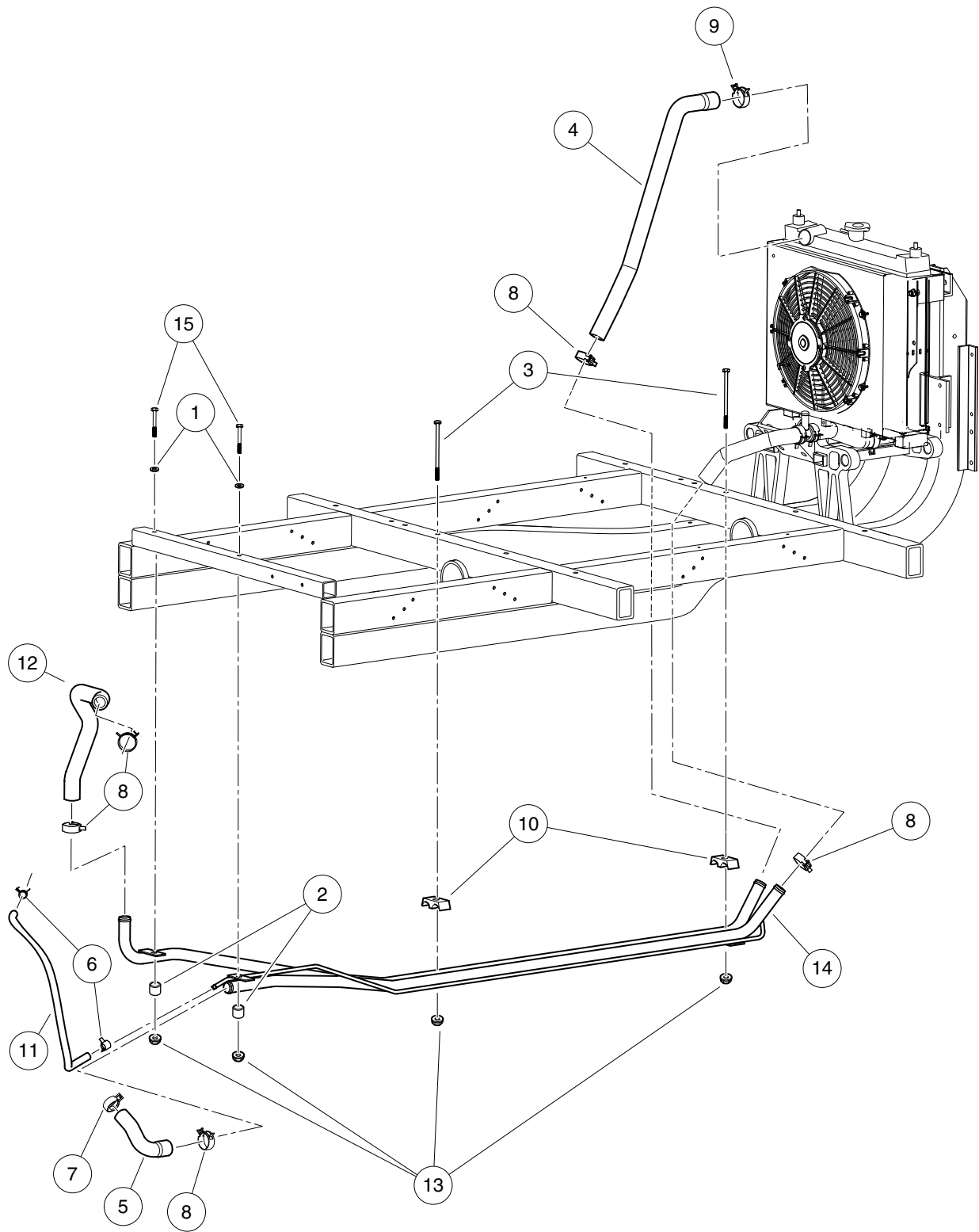
D

COOLANT PIPES, CLAMPS, HOSES AND HARDWARE, 2-PASSENGER

ITEM	PART NO.	DESCRIPTION	QTY
		1 2 3 4	
1	<u>1011578</u>	Washer, 5/16 Type B Flat	2
2	<u>1015457</u>	Spacer, 0.720"	2
3	<u>102288901</u>	Bolt, Hex, M8x1.25 X 135	1
4	<u>102377501</u>	Hose, Coolant Upper Rad	1
5	<u>102377601</u>	Hose, Coolant Lower Eng	1
6	<u>102411204</u>	Clamp, Hose, CTB 15mm	2
7	<u>102411206</u>	Clamp, Hose, Ctb 30mm	1
8	<u>102411207</u>	Clamp, Hose, Ctb 35mm	5
9	<u>102411208</u>	Clamp, Hose, Ctb 38mm	1
10	<u>102427601</u>	Clamp, Bar	1
11	<u>102435001</u>	Hose, Vent Tube To Eng, Coolnt	1
12	<u>102480501</u>	Hose, Coolant, Return, Engine	1
13	<u>102618601</u>	Lock Nut, Flange, M8 X 1.25 Nylon	3
14	<u>102628701</u>	Coolant Pipe Assembly, 2-passenger	1
15	<u>103423701</u>	Bolt, M8 X 1.25 X 110	2

17

D



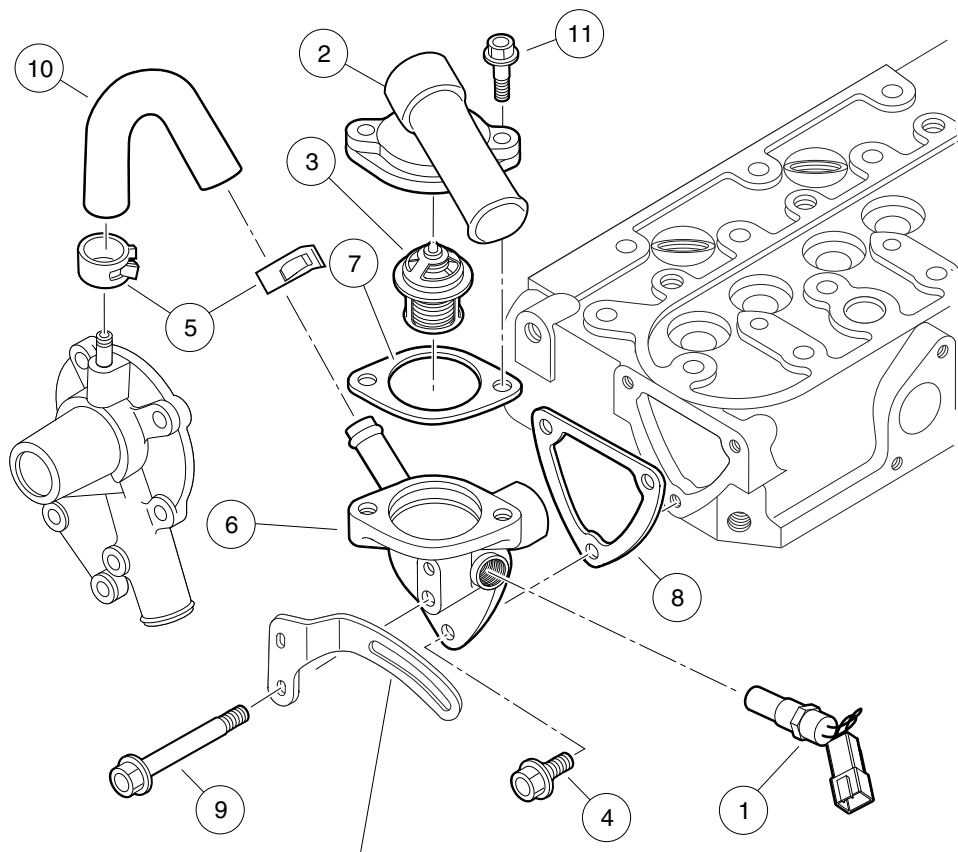
000079-005

COOLANT PIPES, CLAMPS, HOSES AND HARDWARE, 4-PASSENGER

ITEM	PART NO.	DESCRIPTION	QTY
		1 2 3 4	
1	<u>1011578</u>	Washer, 5/16 Type B Flat	2
2	<u>1015457</u>	Spacer, 0.720"	2
3	<u>102288901</u>	Bolt, Hex, M8x1.25 X 135	2
4	<u>102377501</u>	Hose, Coolant Upper Rad	1
5	<u>102377601</u>	Hose, Coolant Lower Eng	1
6	<u>102411204</u>	Clamp, Hose, CTB 15mm	2
7	<u>102411206</u>	Clamp, Hose, Ctb 30mm	1
8	<u>102411207</u>	Clamp, Hose, Ctb 35mm	5
9	<u>102411208</u>	Clamp, Hose, Ctb 38mm	1
10	<u>102427601</u>	Clamp, Bar	2
11	<u>102435001</u>	Hose, Vent Tube To Eng, Coolnt	1
12	<u>102480501</u>	Hose, Coolant, Return, Engine	1
13	<u>102618601</u>	Lock Nut, Flange, M8 X 1.25 Nylon	4
14	<u>102767601</u>	Coolant Pipe Assembly, 4-passenger	1
15	<u>103423701</u>	Bolt, M8 X 1.25 X 110	2

17

D



For bracket, see
Alternator pages
in the Diesel Engine
section

000059-002

WATER FLANGE AND THERMOSTAT

ITEM	PART NO.	DESCRIPTION	QTY
		1 2 3 4	
1	<u>102410001</u>	Sensor, Coolant Temp	1
2	<u>102631301</u>	Cover, Thermostat	1
3	<u>102631401</u>	Thermostat	1
4	<u>102631601</u>	Bolt, M6 X 1 X 20	2
5	<u>102633001</u>	Band, Pipe	2
6	<u>102633201</u>	Flange, Water	1
7	<u>102633401</u>	Gasket, Thermostat	1
8	<u>102654701</u>	Gasket, Water Flange	1
9	<u>102730901</u>	Bolt, Alt, D722, Stay Lower	1
10	<u>102731001</u>	Pipe, Water Return, D722	1
11	<u>102731101</u>	Bolt, D722, Thermostat Cover	2

17

D

17

D

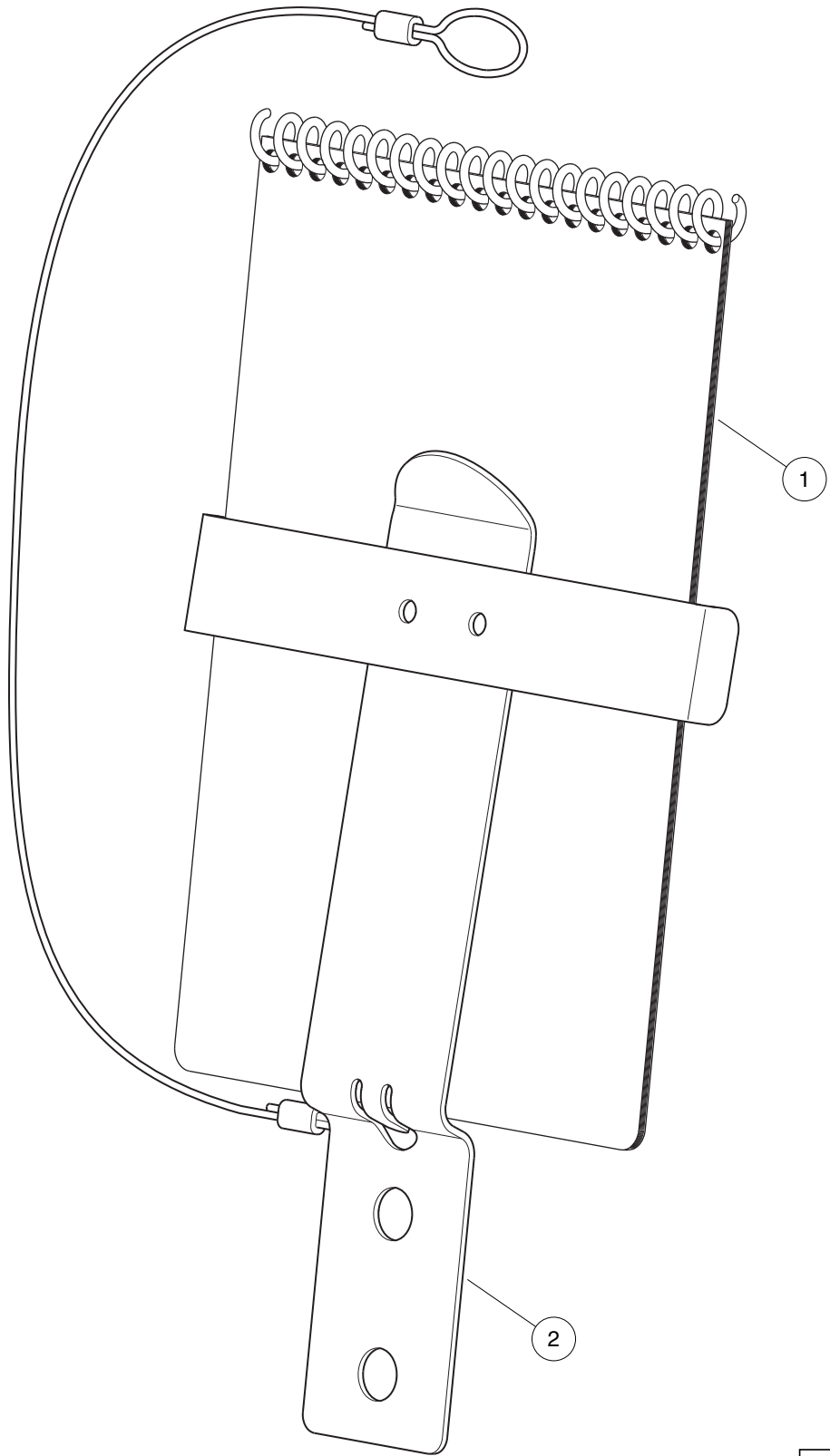
HYDRAULIC ATTACHMENT SYSTEM AND ACCESSORIES

18

D

18

D



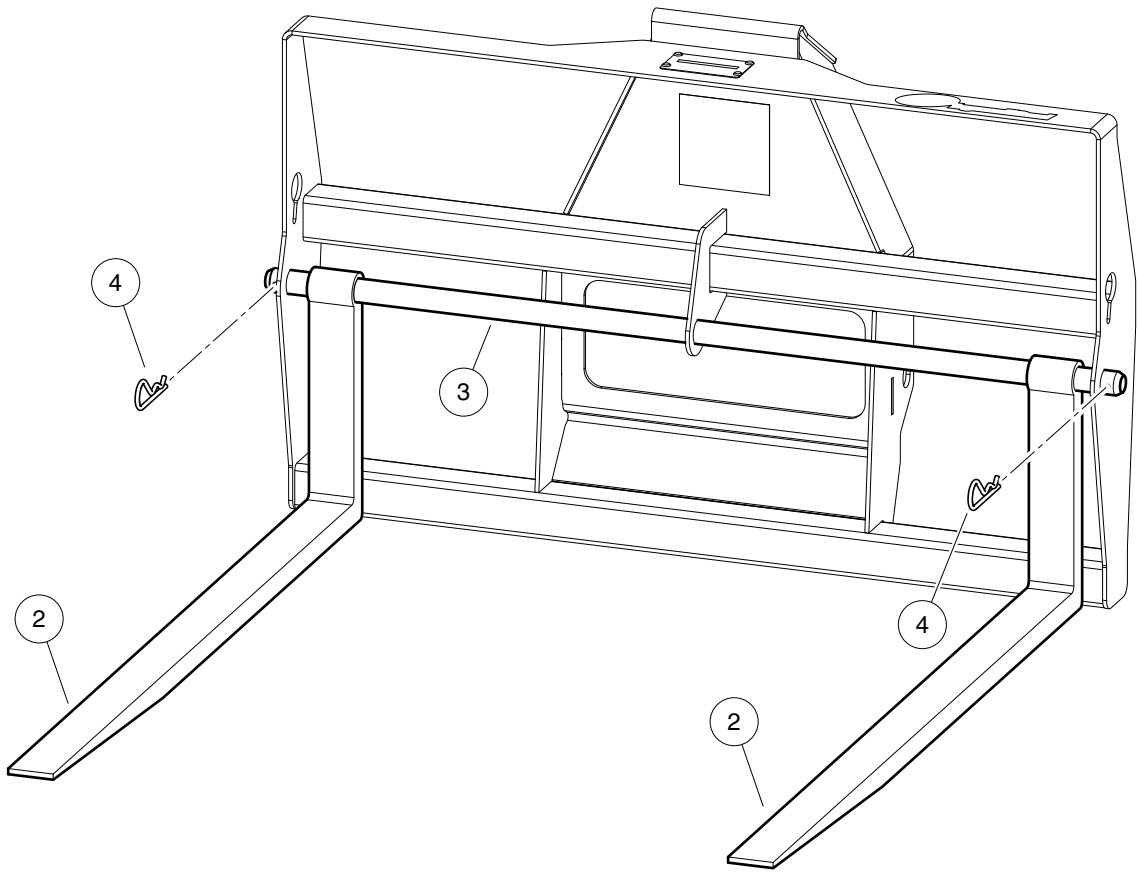
000558-002

HANDBOOK

18

ITEM	PART NO.	DESCRIPTION	QTY
1	<u>103237501</u>	1 2 3 4 Handbook, Operator, Club Car	1
2	<u>103237701</u>	Weldment, Clip, Handbook	1

D



000555-001

ATTACHMENT – PALLET FORK

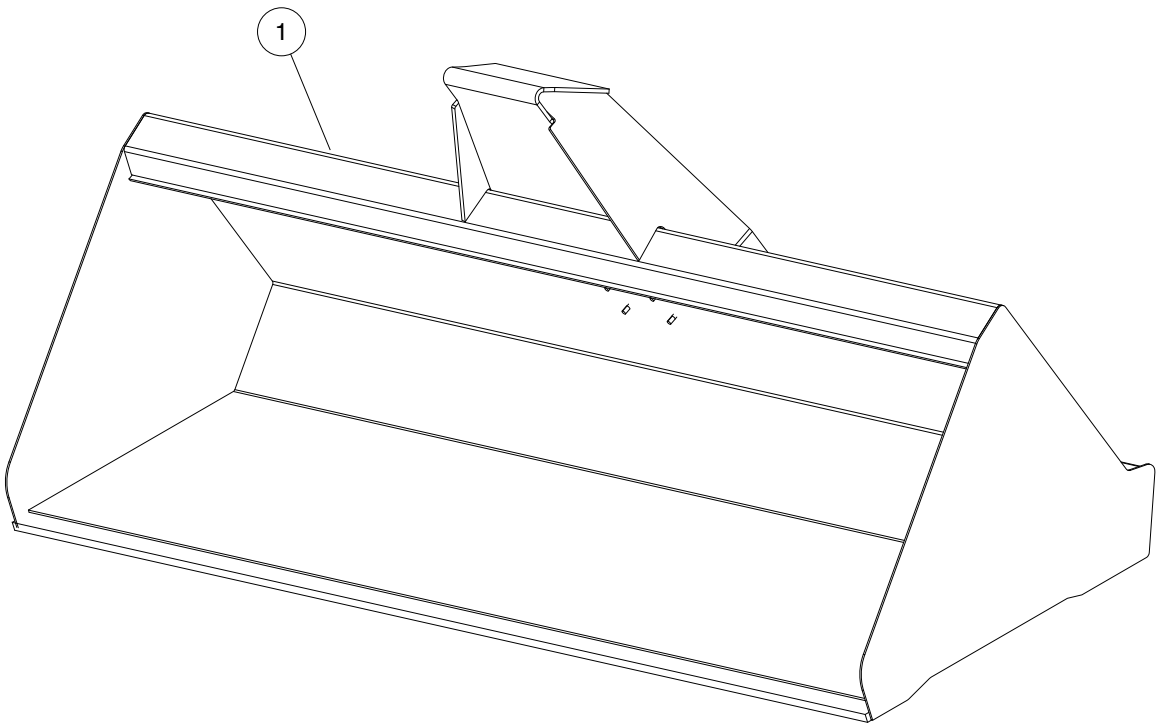
ITEM	PART NO.	DESCRIPTION	QTY
		1 2 3 4	
1	<u>102930001</u>	Attachment, Fork, Pallet (includes items 2 through 4)	1
2	<u>102927201</u>	Pallet Fork	2
3	<u>102927301</u>	Bar, Fork Mount	1
4	<u>102927401</u>	Pin, Hair	2

18

D

18

D



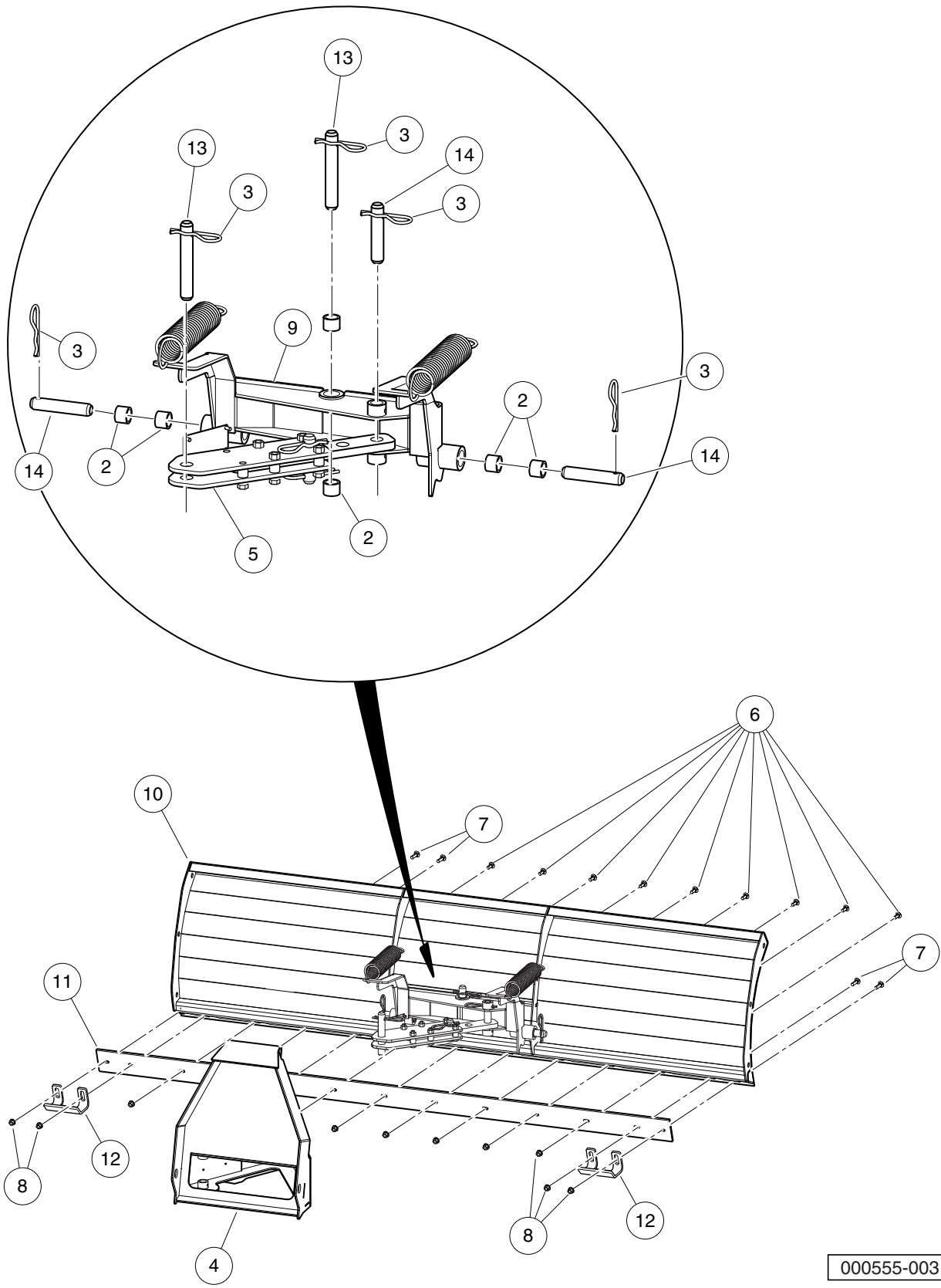
000555-002

ATTACHMENT – BUCKET

ITEM	PART NO.	DESCRIPTION	QTY
1	<u>102930101</u>	1 2 3 4 Attachment, Bucket	1

18

D



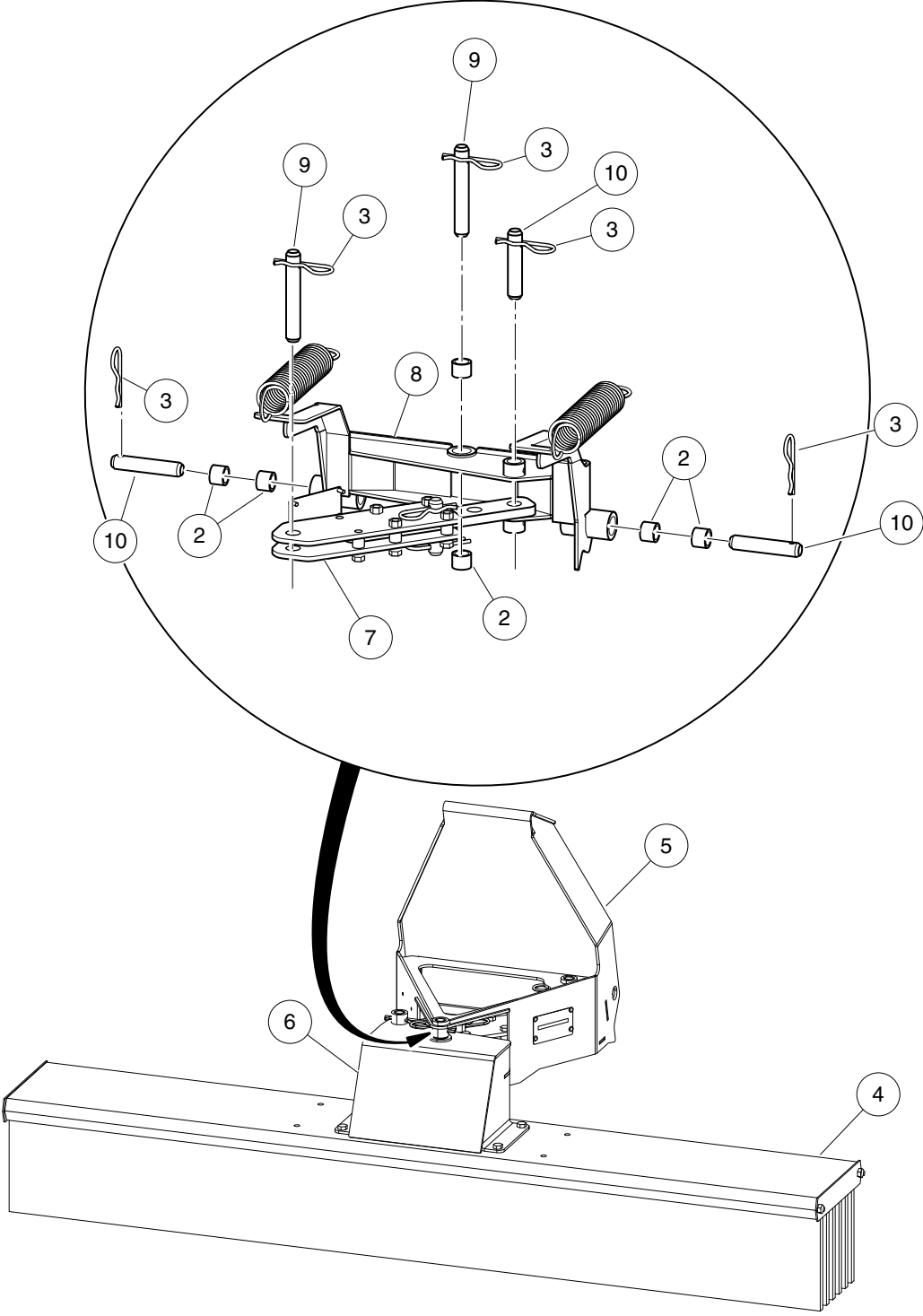
000555-003

ATTACHMENT – SNOW BLADE

ITEM	PART NO.	DESCRIPTION	QTY
		1 2 3 4	
1	<u>102930201</u>	Attachment, Blade, Snow (includes items 2 through 14)	1
2	<u>102926601</u>	Bearing, Fiber, -12	6
3	<u>102927401</u>	Pin, Hair	5
4	<u>102929601</u>	Weldment, Mount, Angle	1
5	N/A	Asm, Adjust, Manual	1
6	<u>103243001</u>	Bolt, Carriage	9
7	<u>103243101</u>	Bolt, Carriage	4
8	<u>103243201</u>	Nut, Pretrq, Hex Lock	13
9	<u>103243501</u>	Weldment, Head, Angle	1
10	<u>103243601</u>	Weldment, Blade, Snow	1
11	<u>103243701</u>	Edge, Cutting	1
12	<u>103243801</u>	Shoe, Skid	2
13	<u>103243901</u>	Pin, 5 In	2
14	<u>103244001</u>	Pin, 3.9 In	3

18

D



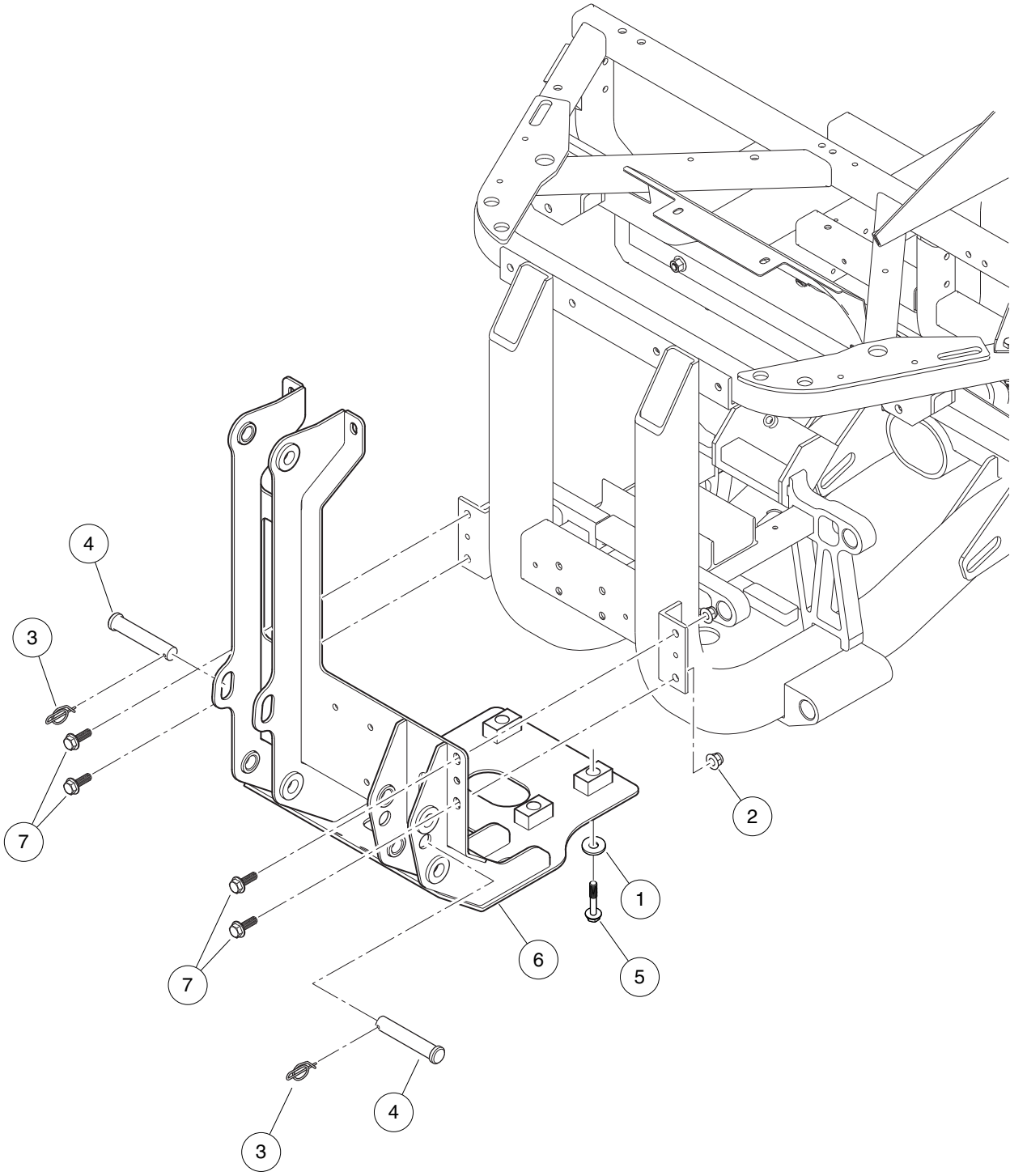
000555-004

ATTACHMENT – BROOM

ITEM	PART NO.	DESCRIPTION	QTY
		1 2 3 4	
1	<u>102930301</u>	Attachment, Broom, Push (includes items 2 through 10)	1
2	<u>102926601</u>	Bearing, Fiber, -12	6
3	<u>102927401</u>	Pin, Hair	5
4	<u>102929501</u>	Broom, Whisker, 60 In	1
5	<u>102929601</u>	Weldment, Mount, Angle	1
6	<u>102929701</u>	Wldmnt, Mount, Whisker	1
7	N/A	Asm, Adjust, Manual	1
8	<u>103243501</u>	Weldment, Head, Angle	1
9	<u>103243901</u>	Pin, 5 In	2
10	<u>103244001</u>	Pin, 3.9 In	3

18

D



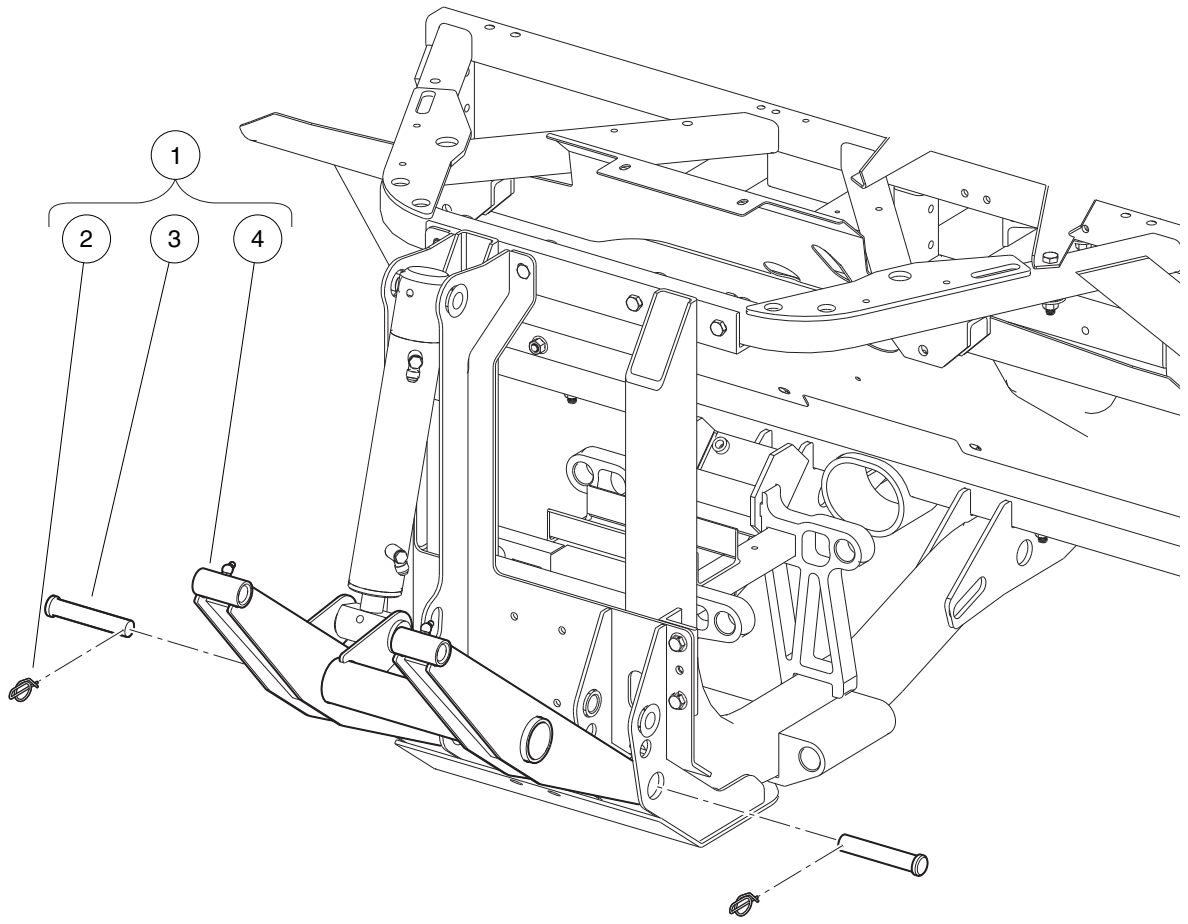
000552-002

ACCESSORY MOUNTING WELDMENT

ITEM	PART NO.	DESCRIPTION	QTY
		1 2 3 4	
1	<u>102491501</u>	Washer, Hard, M10	4
2	<u>102670701</u>	Nut, Flange, M10 X 1.5 Nylon	4
3	<u>102786101</u>	Ring, Rue, 3/4, Heavy	2
4	<u>102921601</u>	Pin, Clevis, 3/4 X 4	2
5	<u>102925201</u>	Bolt, Flg, M10x1.5x55, Patch	4
6	<u>103355401</u>	Weldment, Front Mount	1
7	<u>96727003</u>	Bolt Flg, M10 X 1.5 X 30	4

18

D



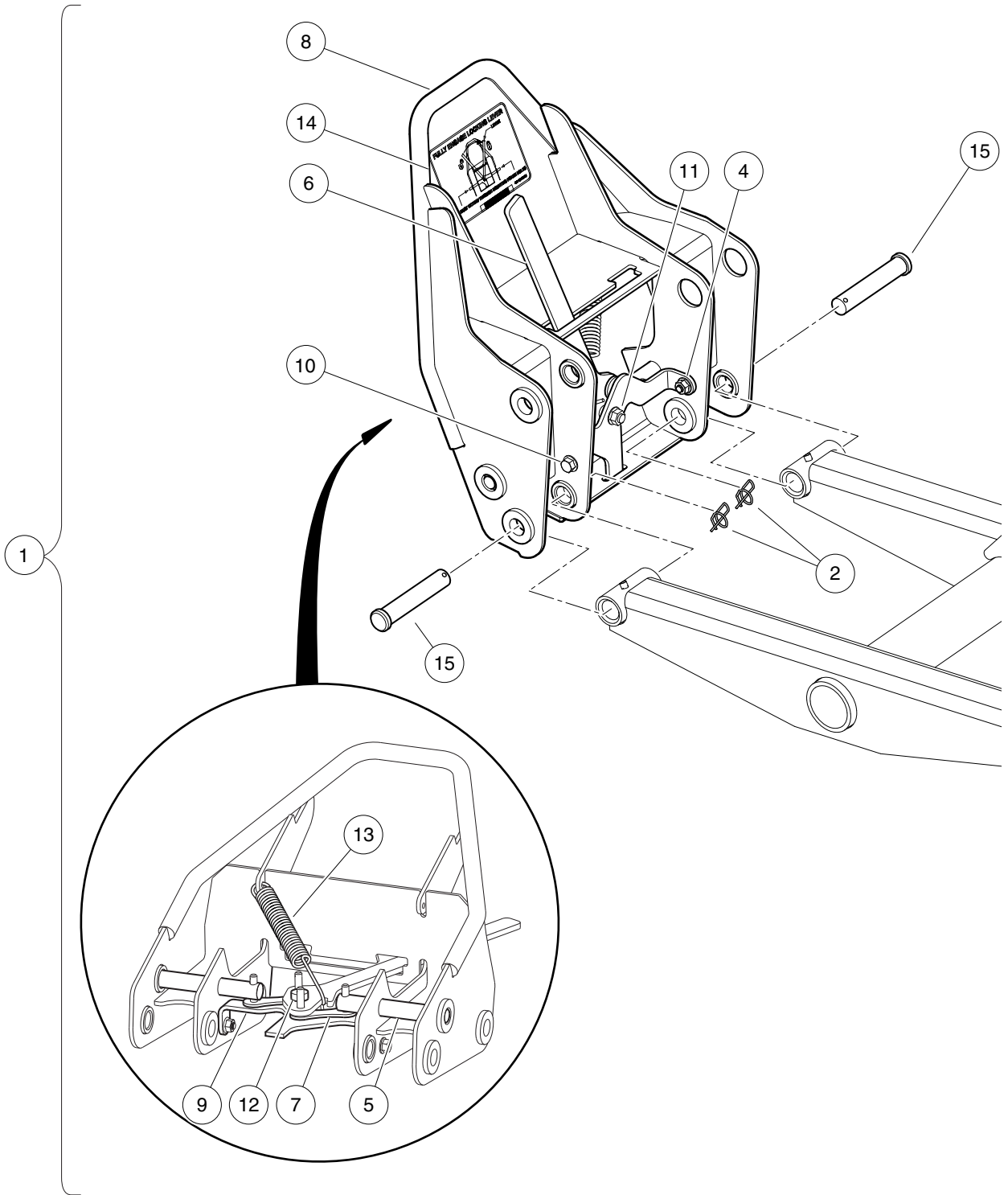
000786-001

ATTACHMENT ARM KIT

ITEM	PART NO.	DESCRIPTION	QTY
		1 2 3 4	
1	<u>102923201</u>	Kit, Arm, Attachment (includes items 2 through 4)	1
2	<u>102786101</u>	Ring, Rue, 3/4, Heavy	2
3	<u>102921601</u>	Pin, Clevis, 3/4 X 4	2
4	<u>102923401</u>	Asm, Arm, Attachment	1

18

D



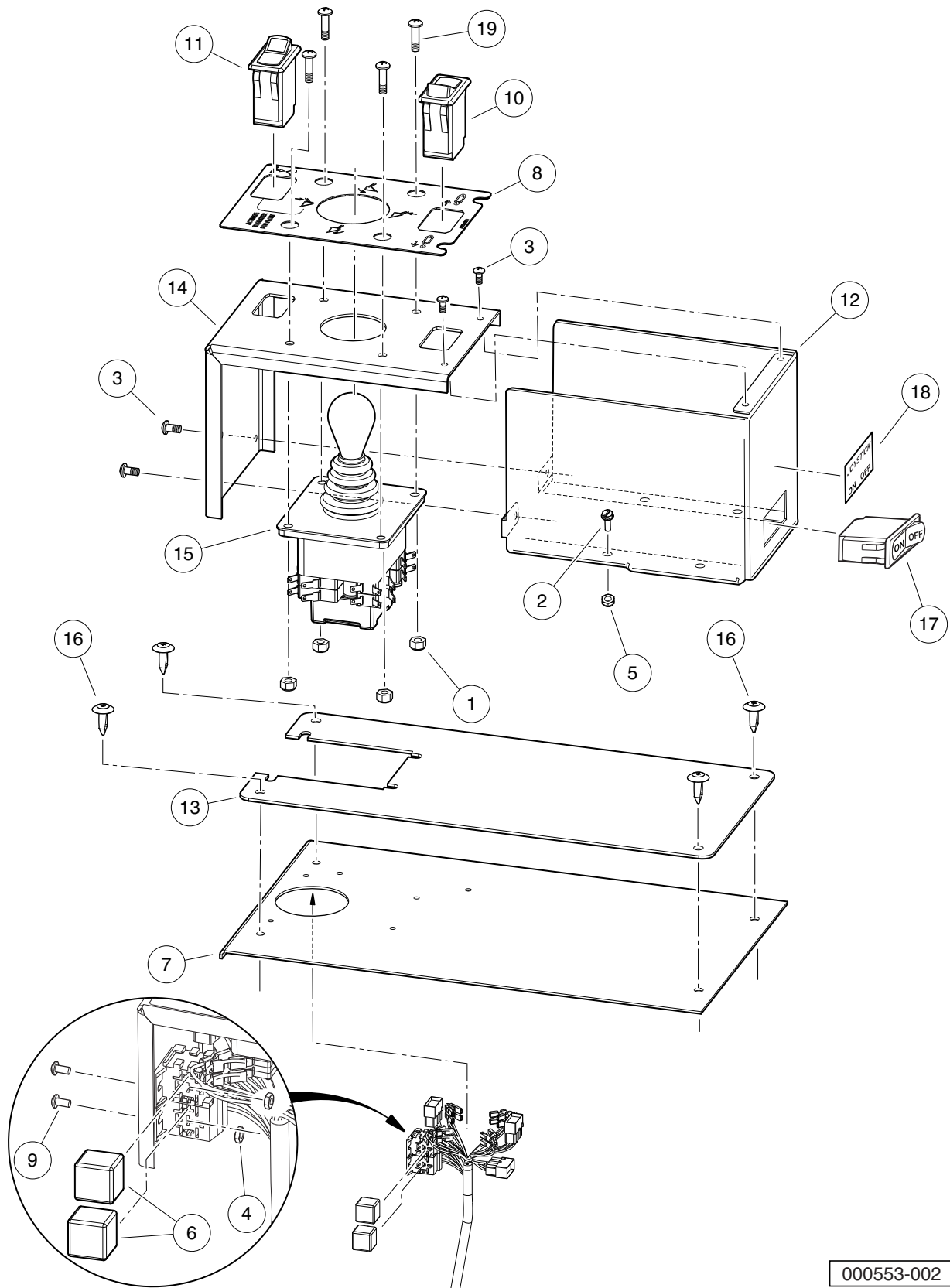
000787-002

ATTACHMENT INTERFACE

ITEM	PART NO.	DESCRIPTION	QTY
		1 2 3 4	
1	<u>102923301</u>	Kit, Interface, Attachment (includes items 2 through 15)	1
2	<u>102786101</u>	Ring, Rue, 3/4, Heavy	2
3	102789001	Asm, Interface, Attachment (includes items 4 through 14)	1
4	<u>102617001</u>	Nut Flg, M8 X 1.25 Mech Def	2
5	<u>102789101</u>	Pin, Latch	2
6	<u>102789201</u>	Lever, Release	1
7	<u>102789301</u>	Link, Chain 2080	2
8	N/A	Interface, Attachment	1
9	<u>102790001</u>	Brace, Cross	1
10	<u>102790801</u>	Bolt Flg, M8 X 1.25 X 20	2
11	<u>102790901</u>	Nut, Flg, 3/8-16 Gr8	1
12	<u>102791001</u>	Screw, Shoulder Hex Skt	1
13	<u>102791301</u>	Spring, Ext, Interface	1
14	N/A	Decal, Attachment Locking	1
15	<u>102921601</u>	Pin, Clevis, 3/4 X 4	2

18

D



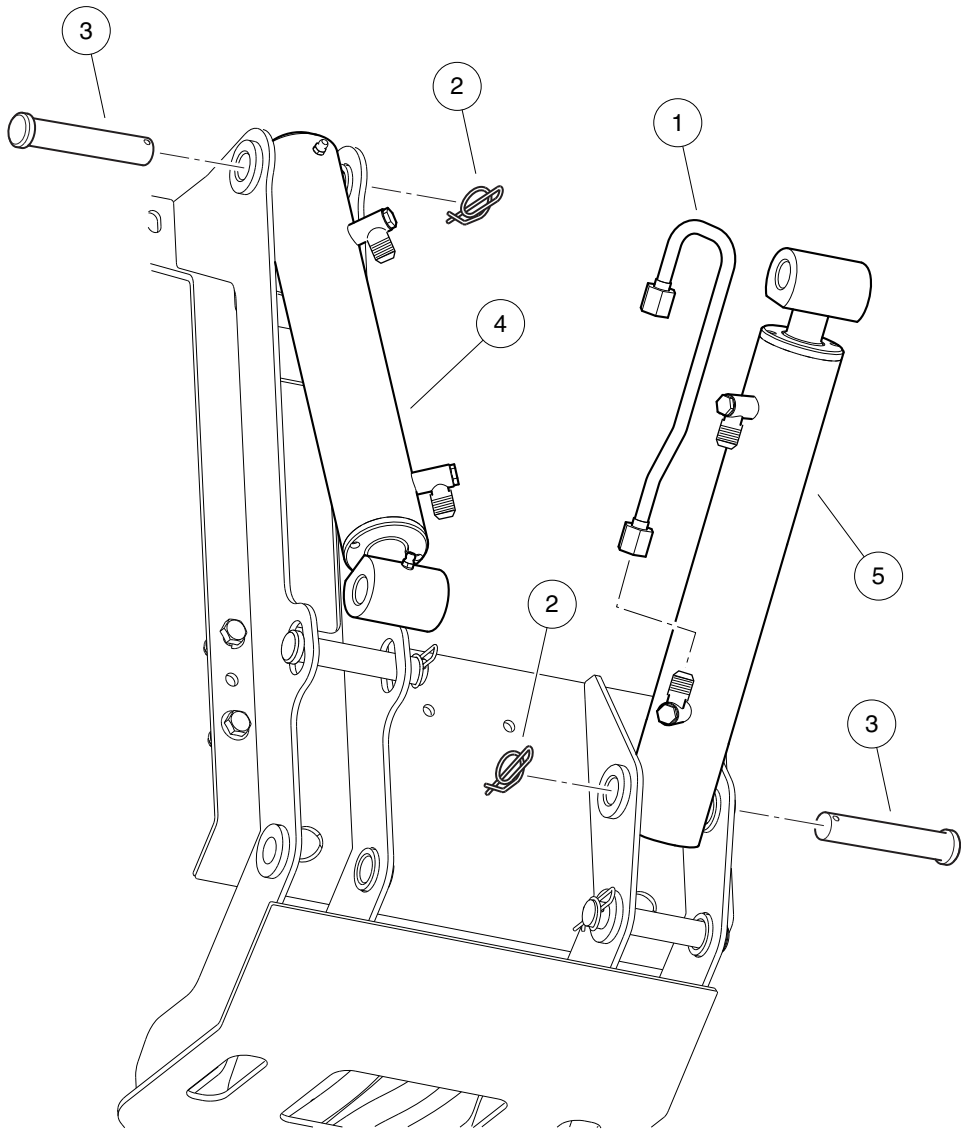
000553-002

HYDRAULIC CONTROLS

18

D

ITEM	PART NO.	DESCRIPTION	QTY
		1 2 3 4	
1	<u>1012438</u>	Locknut, #10-24 Nylon Insert	4
2	<u>1015720</u>	Screw, #6-32 X 1/2 Hex Washer-Head	4
3	<u>1016103</u>	Screw, Pan Hd Tx, Taptite 6-32	4
4	<u>1017</u>	Nut, #10-24 Stainless-Steel Hex Machine	2
5	<u>101932201</u>	Locknut, #6-32 Nylon	4
6	<u>102420201</u>	Relay, Mini ISO, SPDT	2
7	<u>102442001</u>	Pan, Center, Closeout	1
8	<u>102849801</u>	Decal, Controls, Bt	1
9	<u>102850501</u>	Screw, Phillips Pn Hd	2
10	<u>102854401</u>	Switch, Rocker, Sealed, DPDT Momentary	1
11	<u>102854501</u>	Switch, Rocker, Sealed, SPDT, Lighted	1
12	<u>102854601</u>	Base, Control Box, Joystick	1
13	<u>102854801</u>	Console, Center, Insulator	1
14	<u>102854901</u>	Cover, Control Box, Joystick	1
15	<u>102918501</u>	Joystick, 4 Way, W/ Boot	1
16	<u>102967901</u>	Rivet, Removable, Tuflok 1/4"	4
17	<u>103215201</u>	Switch, Rocker, Svr, On-off	1
18	<u>103319901</u>	Decal, Joystick, On Off	1
19	<u>1631</u>	Screw, #10-24 X 0.75 Phillips Pan-Head	4
20	<u>8990</u>	Tie Wrap, 8" Nylon	8
Note: Item 20, Tie Wrap, not shown.			



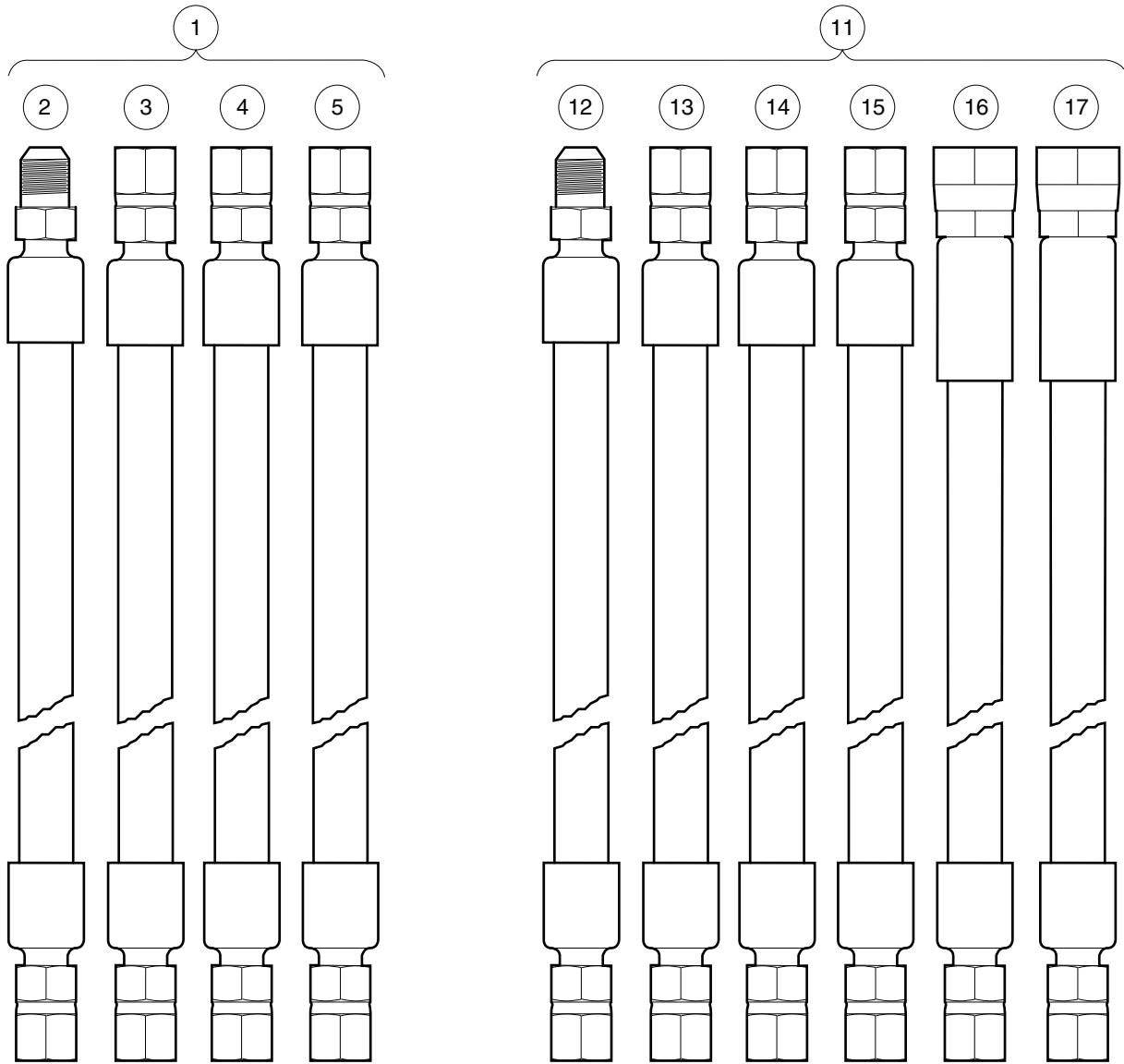
000990-001

HYDRAULIC CYLINDERS

ITEM	PART NO.	DESCRIPTION	QTY
		1 2 3 4	
1	<u>102784201</u>	Tube, Hydraulic -6 JIC 180 End	1
2	<u>102786101</u>	Ring, Rue, 3/4, Heavy	2
3	<u>102921601</u>	Pin, Clevis, 3/4 X 4	2
4	<u>102923001</u>	Cylinder, Hydraulic, Lift	1
5	<u>102923101</u>	Cylinder, Hydraulic, Tilt	1

18

D



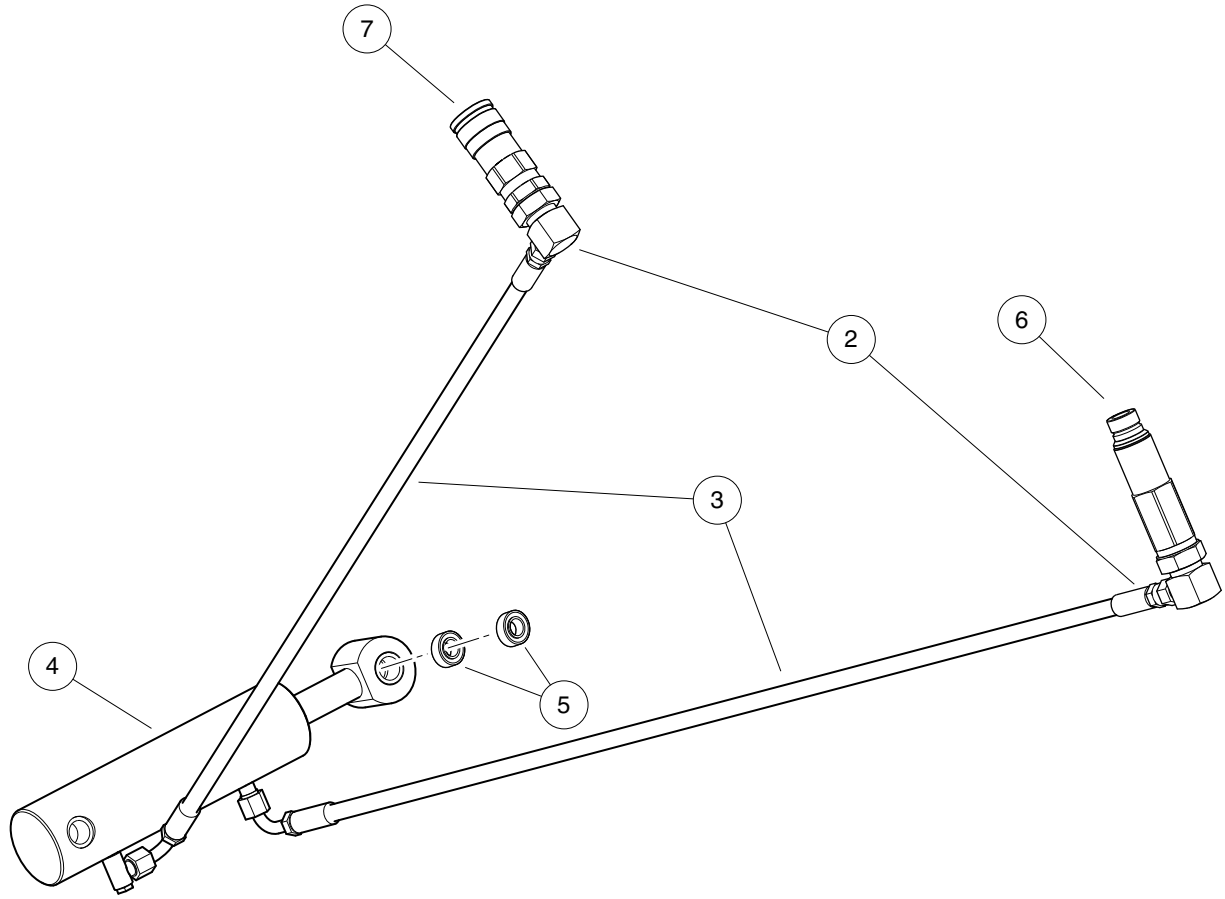
000991-001

HYDRAULIC HOSES

18

D

ITEM	PART NO.	DESCRIPTION	QTY
		1 2 3 4	
1	<u>102787601</u>	Asm, Hoses, Hydraulic (includes items 2 through 10)	1
2	<u>102784601</u>	Hose, Hydraulic, Pink Marking	1
3	<u>102784701</u>	Hose, Hydraulic, w/o Marking	1
4	<u>102784801</u>	Hose, Hydraulic, Green Marking	1
5	<u>102784901</u>	Hose, Hydraulic, Blue Marking	1
6	N/A	Mount, Cable Tie, 8mm Std Trq	1
7	N/A	Mount, Hd, Cable Tie, 8mm Bolt	1
8	<u>102787101</u>	Mount, Fir Tree, Cable Tie	1
9	N/A	Mount, Standoff, Dual Tie	1
10	<u>102787701</u>	Tie, Wide Strap	2
11	<u>102787602</u>	Asm, Hoses, Hydraulic W/aux (includes items 12 through 22)	1
12	<u>102784601</u>	Hose, Hydraulic, Pink Marking	1
13	<u>102784701</u>	Hose, Hydraulic, w/o Marking	1
14	<u>102784801</u>	Hose, Hydraulic, Green Marking	1
15	<u>102784901</u>	Hose, Hydraulic, Blue Marking	1
16	<u>102785001</u>	Hose, Hydraulic, Auxiliary, White Marking	1
17	<u>102785101</u>	Hose, Hydraulic, Auxiliary, Red Marking	1
18	N/A	Mount, Cable Tie, 8mm Std Trq	1
19	N/A	Mount, Hd, Cable Tie, 8mm Bolt	1
20	<u>102787101</u>	Mount, Fir Tree, Cable Tie	1
21	N/A	Mount, Standoff, Dual Tie	1
22	<u>102787701</u>	Tie, Wide Strap	2
<p style="text-align: center;">Note: Items 6 - 10 and items 18 - 22 not shown.</p>			



000556-001

HYDRAULIC ATTACHMENT ANGLE KIT

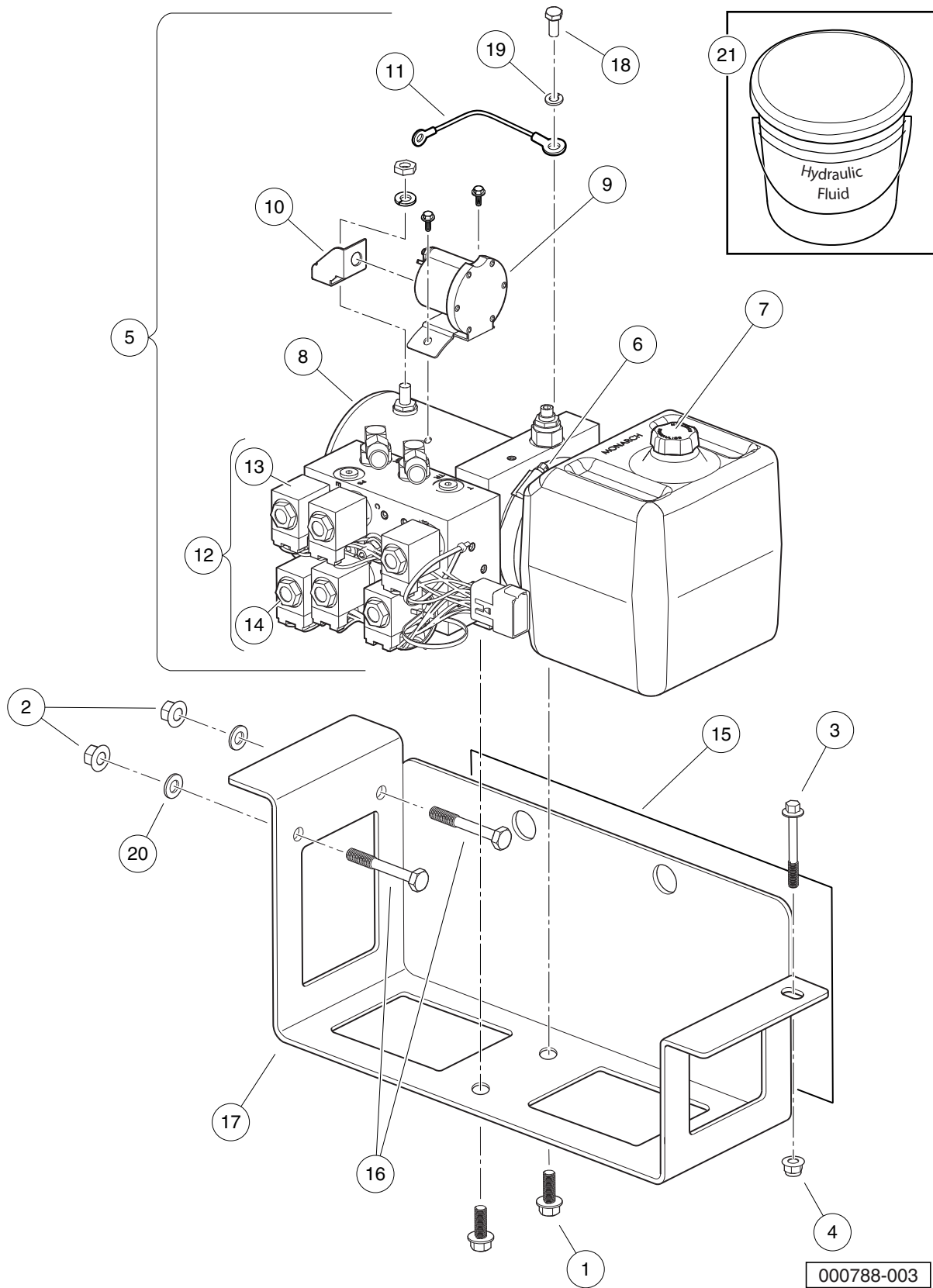
ITEM	PART NO.	DESCRIPTION	QTY
		1 2 3 4	
1	<u>102930501</u>	Kit, Angle, Hydraulic, Attachment (includes items 2 through 7)	1
2	<u>102926301</u>	Fitting, Elbow, 90, Hyd	2
3	<u>102926401</u>	Hose, Hydraulic, Angle kit	2
4	<u>102926501</u>	Cylinder, Hydraulic, Angle kit	1
5	<u>102926601</u>	Bearing, Fiber, -12	4
6	<u>102926701</u>	Coupler, Ff, Male, 1/2	1
7	<u>102926801</u>	Coupler, Ff, Fem, 1/2	1

18

D

18

D



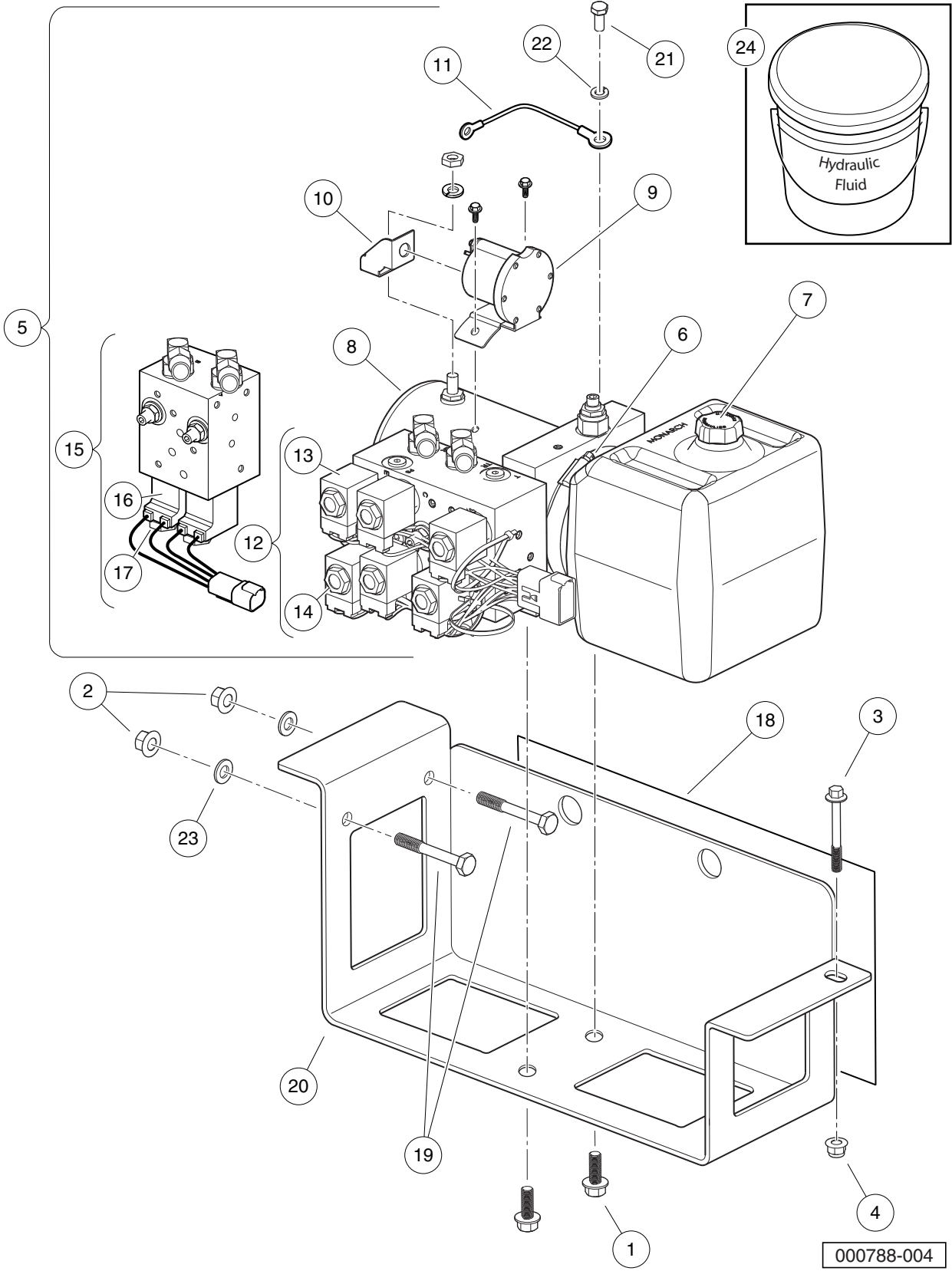
000788-003

HYDRAULIC POWER UNIT – STANDARD

ITEM	PART NO.	DESCRIPTION	QTY
		1 2 3 4	
1	<u>102491001</u>	Bolt, Flanged Head, 3/8-16x1.0 with Loctite	2
2	<u>102617201</u>	Nut, Flanged, M10 X 1.5, Mechanically Deformed	2
3	<u>102618301</u>	Bolt, Flanged Head, M8 X 1.25 X 65	1
4	102618601	Lock Nut, Flange, M8 X 1.25 Nylon	1
5	<u>102784001</u>	Power Unit, Hydraulic, Std (includes items 6 through 12)	1
6	<u>102928001</u>	Clamp	1
7	<u>102928101</u>	Plug, Reservoir, Breather-Filler	1
8	<u>102928201</u>	Motor, Electric, DC, 12v, 4.5 In	1
9	<u>102928301</u>	Switch, Solenoid, 12vdc	1
10	<u>102928401</u>	Strap, Motor-Solenoid Connector	1
11	<u>102928501</u>	Assembly, Control Wire, 16 GA, Hs, Ring	1
12	<u>102928601</u>	Assembly, Control Valve, Std (includes items 13 and 14)	1
13	<u>102928901</u>	Coil, 10vdc, #8, 2lead, Diode	6
14	<u>1308</u>	Nut, 1/2-20 Hex	6
15	<u>102785501</u>	Barrier, Heat, Powerunit	1
16	<u>102859101</u>	Bolt, M10 X 1.50 X 70	2
17	<u>102921701</u>	Bracket, Mounting, Hydraulic Powerunit	1
18	<u>7173</u>	Screw, 5/16-18 X 0.75, Hex-Head Cap	1
19	<u>7174</u>	Lockwasher, 5/16 Split	1
20	<u>96741046</u>	Washer, M10, Hard	2
21	<u>AM1245401</u>	Fluid, Hydraulic, 5 Gallon	A/R

18

D

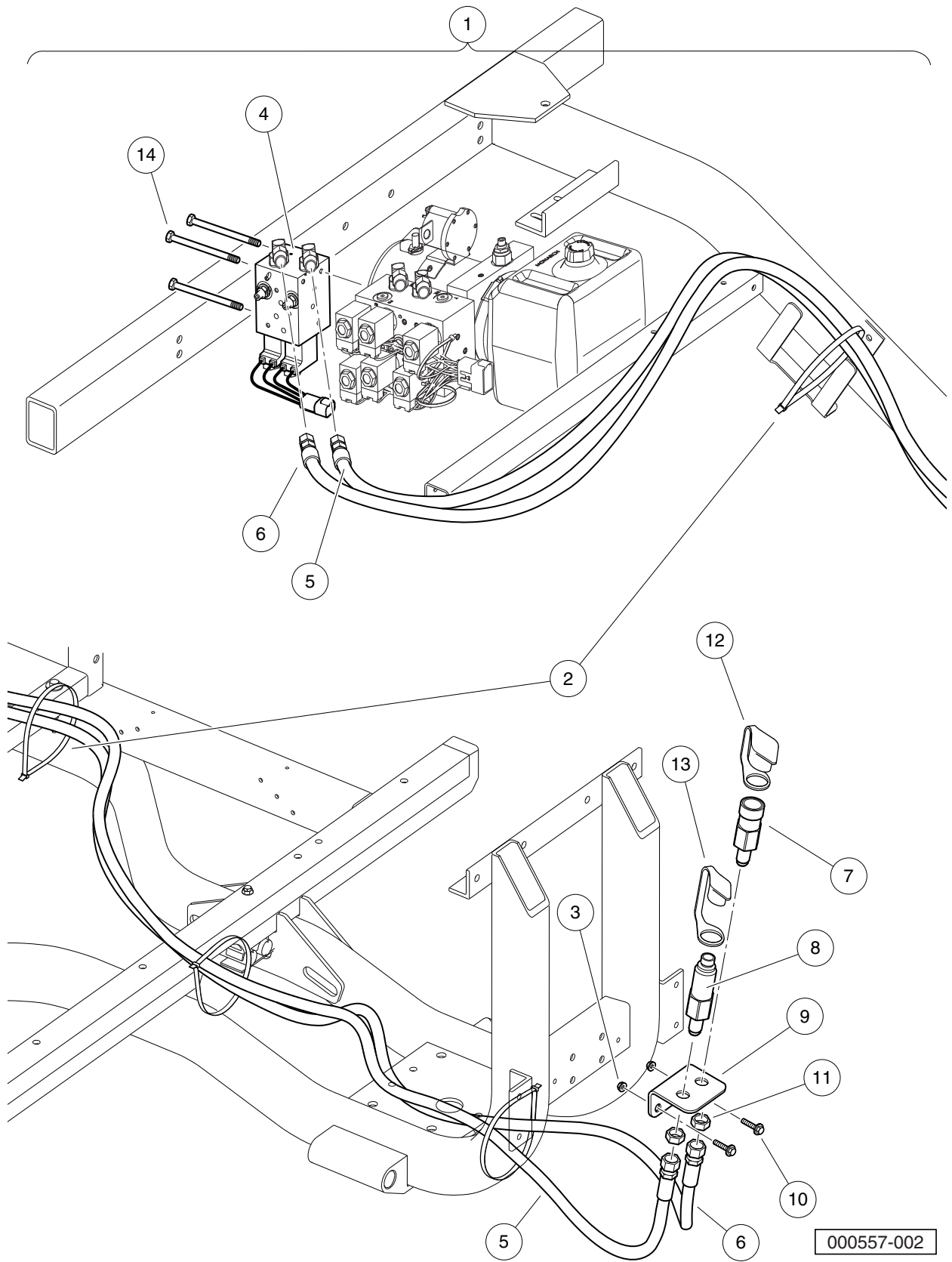


HYDRAULIC POWER UNIT – WITH AUXILIARY

ITEM	PART NO.	DESCRIPTION	QTY
		1 2 3 4	
1	<u>102491001</u>	Bolt, Flanged Head, 3/8-16x1.0 with Loctite	2
2	<u>102617201</u>	Nut, Flanged, M10 X 1.5, Mechanically Deformed	2
3	<u>102618301</u>	Bolt, Flanged Head, M8 X 1.25 X 65	1
4	<u>102618601</u>	Lock Nut, Flange, M8 X 1.25 Nylon	1
5	<u>102784002</u>	Power Unit, Hydraulic with Auxiliary (includes items 6 through 15)	1
6	<u>102928001</u>	Clamp	1
7	<u>102928101</u>	Plug, Reservoir, Breather-Filler	1
8	<u>102928201</u>	Motor, Electric, DC, 12v, 4.5 In	1
9	<u>102928301</u>	Switch, Solenoid, 12vdc	1
10	<u>102928401</u>	Strap, Motor-Solenoid Connector	1
11	<u>102928501</u>	Assembly, Control Wire, 16 GA, Hs, Ring	1
12	<u>102928601</u>	Assembly, Control Valve, Std (includes items 13 and 14)	1
13	<u>102928901</u>	Coil, 10vdc, #8, 2lead, Diode	6
14	<u>1308</u>	Nut, 1/2-20 Hex	6
15	<u>102928701</u>	Assembly, Control Valve, Auxiliary (includes items 16 and 17)	1
16	<u>102928901</u>	Coil, 10vdc, #8, 2lead, Diode	2
17	<u>1308</u>	Nut, 1/2-20 Hex	2
18	<u>102785501</u>	Barrier, Heat, Powerunit	1
19	<u>102859101</u>	Bolt, M10 X 1.50 X 70	2
20	<u>102921701</u>	Bracket, Mounting, Hydraulic Powerunit	1
21	<u>7173</u>	Screw, 5/16-18 X 0.75, Hex-Head Cap	1
22	<u>7174</u>	Lockwasher, 5/16 Split	1
23	<u>96741046</u>	Washer, M10, Hard	2
24	<u>AM1245401</u>	Fluid, Hydraulic, 5 Gallon	A/R

18

D



000557-002

STANDARD TO AUXILIARY HYDRAULIC CONVERSION KIT

ITEM	PART NO.	DESCRIPTION	QTY
		1 2 3 4	
1	<u>102785401</u>	Kit, Hydraulic, Aux (includes items 2 through 14)	1
2	<u>102025401</u>	Tie Wrap, Heavy Duty	8
3	<u>102741601</u>	Nut Flg M8 X 1.25 Gr 10	2
4	<u>102784003</u>	Power Unit, DC Hydraulic, Auxillary	1
5	<u>102785001</u>	Hose, Hydraulic, Auxiliary, White Marking	1
6	<u>102785101</u>	Hose, Hydraulic, Auxiliary, Red Marking	1
7	<u>102794801</u>	Coupling, Female Quick -6jic	1
8	<u>102794901</u>	Coupling, Male Quick -6jic	1
9	<u>102922601</u>	Bracket, Hydraulic, Auxiliary	1
10	<u>102922701</u>	Bolt, Flanged Head, M8x1.25x20 Lock Patch	2
11	<u>102923801</u>	Nut, Lock, Hyd Tube, 3/4-16	2
12	<u>102973501</u>	Cap, Quick Connect, Female	1
13	<u>102973601</u>	Cap, Quick Connect, Male	1
14	<u>103409001</u>	Screw, 1/4-20 X 3.5 Hex, Cap	3

18

D

18

D

MAINTENANCE AND SERVICE TOOLS

19

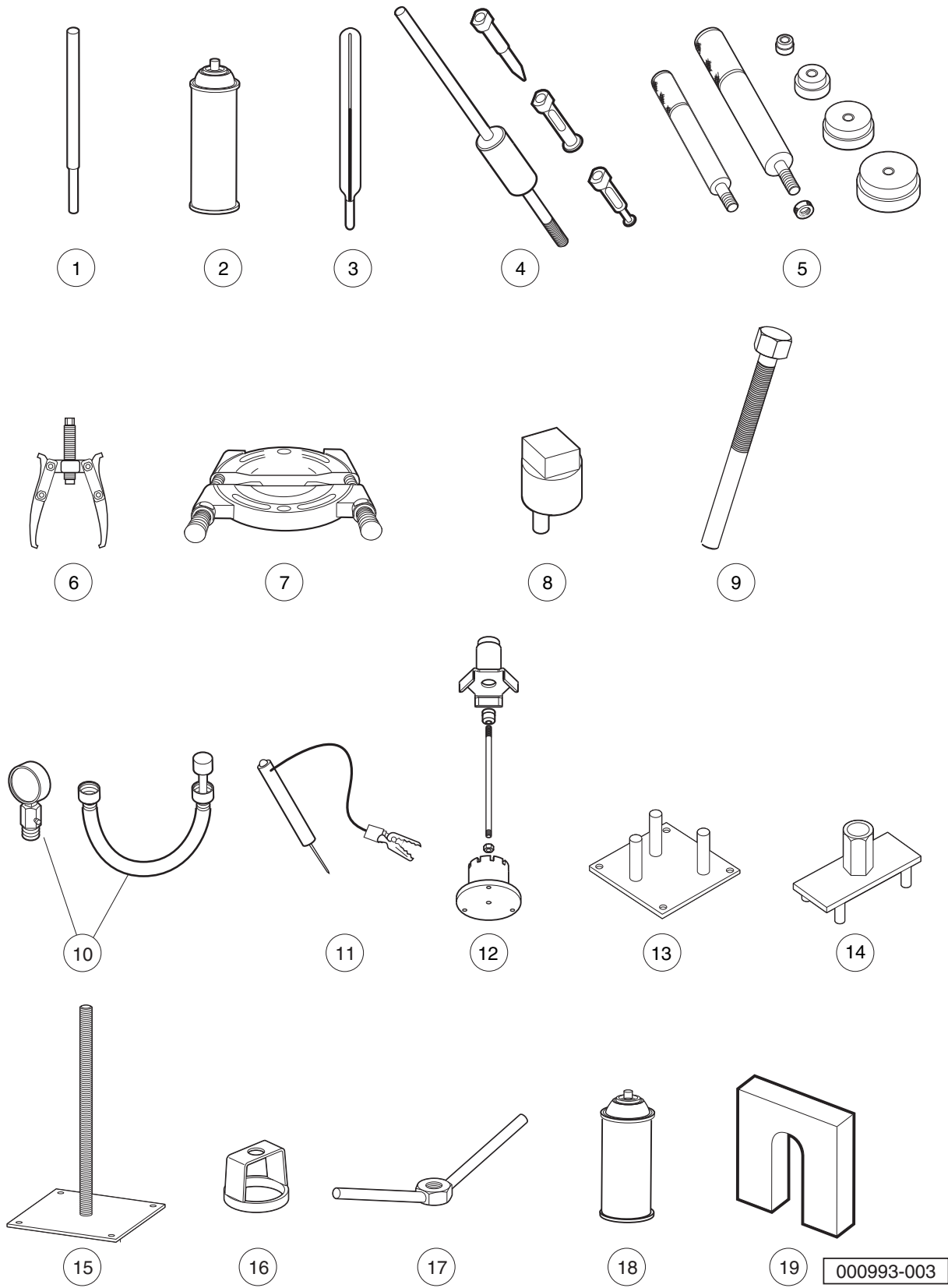
G

D

19

G

D



000993-003

MAINTENANCE AND SERVICE TOOLS – 1500/1550/1700

ITEM	PART NO.	DESCRIPTION	QTY GAS	QTY DIESEL
		<p style="text-align: center;">1 2 3 4</p> <p>The following list includes all tools available from Club Car for maintenance and service procedures on all variants of the Carryall 1500/1700 and XRT 1550 utility vehicles equipped with either the Kawasaki FH680 or Kubota D722 engines, both past and present models. Be sure to carefully examine the tool list for applicability to your vehicle before ordering.</p>		
1	<u>101641202</u>	Arbor	1	1
2	<u>1014305</u>	Battery Terminal Protector Spray	1	1
3	<u>1011767</u>	Battery Thermometer	1	1
4	<u>1016417</u>	Bearing and Oil Seal Remover Assembly	1	1
5	<u>1016416</u>	Bearing Driver Set	1	1
6	<u>1012811</u>	Bearing Puller	1	1
7	<u>1012812</u>	Bearing Puller Wedge Attachment	1	1
8	<u>102447101</u>	Camber Adjustment Tool (for AWD vehicles)	1	1
9	<u>102686101</u>	Clutch Removal Tool (for AWD vehicles)	1	1
10	<u>101641002</u>	Compression Gauge and Adapter	1	
11	<u>1011273</u>	Continuity Tester	1	1
12	<u>103865301</u>	Drive Clutch Service Tool (for AWD vehicles with 3-weight drive clutch)	1	1
13	<u>102601501</u>	Drive ClutchFixed Sheave Tool (for AWD vehicles with 2-weight drive clutch)	1	1
14	<u>102607501</u>	Drive Clutch Spider Removal Tool (for AWD vehicles with 2-weight drive clutch)	1	1
15	<u>102603501</u>	Driven Clutch Spring Compression Base (for use with items 17 and 18) (for AWD vehicles)	1	1
16	<u>102605201</u>	Driven Clutch Spring Compression Collar (for use with items 16 and 18) (for AWD vehicles)	1	1
17	<u>102606101</u>	Driven Clutch Spring Compression Nut (for use with items 16 and 17) (for AWD vehicles)	1	1
18	<u>1012151</u>	Dry Moly Lubricant	1	1
19	<u>1016418</u>	Gear Yoke	1	1
		Please refer to the maintenance and service manual for proper tool application.		

19

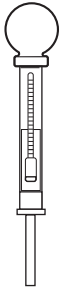
G

D

19

G

D



20



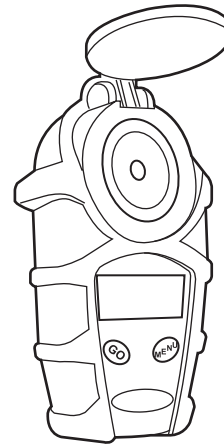
21



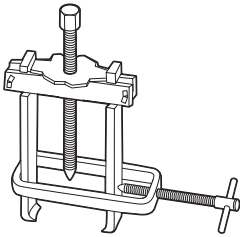
22



23



24



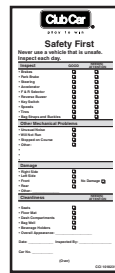
25



26



27



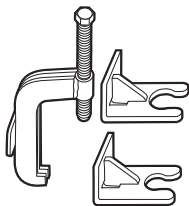
28



29



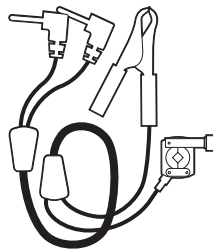
30



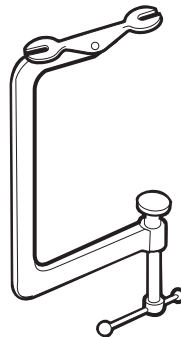
31



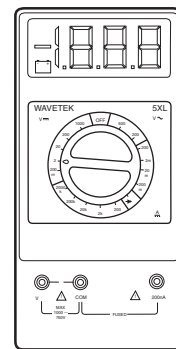
32



33



34



35

000993-004

MAINTENANCE AND SERVICE TOOLS – 1500/1550/1700 CONTINUED

ITEM	PART NO.	DESCRIPTION	QTY GAS	QTY DIESEL
		1 2 3 4		
20	<u>1011478</u>	Hydrometer	1	1
21	<u>1013593</u>	Internal Retaining Ring Pliers	1	1
22	<u>101928701</u>	Liquid Gasket (transaxle case)	1	1
23	<u>101997207</u>	Paint, Touch-Up ,Äi Black.....	1	1
23	<u>101997205</u>	Paint, Touch-Up ,Äi Dark Gray	1	1
23	<u>101997209</u>	Paint, Touch-Up ,Äi Dark Green.....	1	1
23	<u>101997204</u>	Paint, Touch-Up ,Äi Gray	1	1
23	<u>101997203</u>	Paint, Touch-Up ,Äi Red	1	1
24	<u>AM1285701</u>	Refractometer	1	1
25	<u>102668801</u>	Puller, Special Use (for AWD vehicles with Kubota D722 Diesel Engines)		1
26	<u>1012549</u>	Retaining Ring Pliers, 45→x External	1	1
27	<u>1012560</u>	Retaining Ring Pliers, 90→x Internal	1	1
28	<u>101823101</u>	Safety First Card (50 per pack)	1	1
29	<u>1012809</u>	Seal Puller	1	1
30	<u>102330901</u>	Spanner Wrench (for coil over shock front suspension vehicles only)	1	1
31	<u>102061201</u>	Steering Wheel Puller Tool	1	1
32	<u>AM10753</u>	Tachometer (includes gasoline engine pick up lead only)	1	1
33	<u>AM10771</u>	Tachometer Diesel Probe (for use with item 32)		1
34	<u>101641101</u>	Valve Spring Compressor	1	
35	<u>1011480</u>	Volt Ohm Meter	1	1
		Please refer to the maintenance and service manual for proper tool application.		

19
G
D

INDEX

Part Number and Page

AM10753	19-5	1011273	19-3	1015390	1-59
AM10771	19-5	1011478	19-5	1015391	1-7
AM11805	9-3, 10-3	1011480	19-5	1015399	1-7, 1-59, 1-61
AM1210002	1-15	1011553	3-5, 3-13, 3-21, 5-15	1015400	1-7, 1-59
AM1210801	1-15	1011578	1-17, 1-21, 1-23, 1-29, 1-31, 17-9, 17-11, 17-13	1015457	17-11, 17-13
AM1211003	1-15	1011652	1-33, 1-35, 1-37, 1-39	101547601	3-3, 3-11
AM1211401	1-15	1011697	1-33, 1-35	1015521	6-9, 6-15, 7-21, 7-23
AM1215701	1-15	1011767	19-3	1015583	1-7
AM1215801	1-15	1011931	7-11	1015720	18-19
AM1216101	16-17	1011964	1-51	1015741	6-7, 7-19
AM1232301	8-7, 8-15, 8-17	1011990	1-59	101587703	9-47, 10-49
AM1232401	8-7	1012151	19-3	1016078	1-57
AM1245401	18-27, 18-29	1012295	6-7, 7-19	101609401	3-5, 3-13, 3-21
AM1291501	16-25	1012303	1-7	1016103	18-19
AM1291601	16-25	1012438	18-19	101641002	19-3
183	11-5, 12-3	1012549	19-5	101641101	19-5
324	11-7, 12-5	1012560	19-5	101641202	19-3
332	1-37, 1-39, 1-59, 1-61, 6-9, 6-15, 7-21, 7-23, 12-5	1012649	11-7, 11-9, 12-5	1016416	19-3
334	1-57	1012769	9-5, 10-5, 16-21	1016417	19-3
357	1-9	1012809	19-5	1016418	19-3
403	1-7	1012811	19-3	1016423	7-11
451	1-37, 1-39	1012812	19-3	101648201	8-11
808	1-17, 1-21, 1-23	1012830	1-37, 1-39	1016513	11-3, 11-15
1016	11-5, 12-3	1013035	5-5	1016544	8-15
1017	18-19	1013042	5-5	1016603	1-9
1032	1-59	101313402	11-9, 12-5	1016630	6-13, 7-15, 7-17
1108	6-9, 6-15, 7-21, 7-23	1013317	1-59	1016851	6-13, 7-15, 7-17
1231	1-59	1013366	1-61	1016896	6-13, 7-15, 7-17
1241	6-9, 6-15, 7-21, 7-23	1013461	11-5, 12-3	1016916	1-19
1308	18-27, 18-29	1013462	11-5, 12-3	1016967	1-19
1631	18-19	1013593	19-5	1017162	1-9
7049	1-59	1013734	1-37, 1-39	1017167	1-9
7173	18-27, 18-29	1013746	9-47, 10-49	1017774	1-9
7174	18-27, 18-29	1014063	7-11	101802601	6-13, 7-15, 7-17
7310	2-3, 2-5	1014201	1-33, 1-35	101804301	1-19
7473	1-7, 1-61, 6-9, 6-15, 7-21, 7-23	1014305	19-3	101823101	19-5
7973	1-59	1014306	1-53, 1-55, 1-61	101824401	9-47, 10-49, 12-5
8056	6-13, 7-15, 7-17, 11-17, 12-9	1014321	1-59	101833101	9-5, 10-5
8057	6-13, 7-15, 7-17, 11-17, 12-9	1014375	6-9, 7-21	101833201	9-5, 10-5
8058	6-13, 7-15, 7-17	1014387	1-59	101835601	1-7, 1-57
8233	1-19, 1-59, 1-61, 11-7, 12-5	1014415	1-33, 1-35, 1-59, 1-61	101850301	5-3
8251	1-53, 1-55	1014471	1-7, 17-7	101856101	14-11, 15-11
8717	7-11	1014537	1-59, 1-61	101887601	1-37, 1-39, 4-7, 13-5
8754	1-7, 1-9	1014557	1-41	101894304	1-61
8755	1-7, 1-9	1014727	6-13, 7-15, 7-17	101898001	6-9, 6-15, 7-21, 7-23
8797	11-5, 12-3	1014789	6-11, 7-9	101928701	19-5
8990	1-9, 5-5, 16-19, 18-19	1014808	6-13, 7-15, 7-17	101932201	18-19
1010193	1-41	1015068	1-51	101958602	1-57
1010200	1-9	1015137	11-9	101963401	1-59, 1-61
1010434	1-33, 1-35, 1-59	1015245	1-59	101972003	19-5
1010435	1-7, 1-59, 1-61	1015246	1-59	101972004	19-5
1010436	1-61	1015246	1-59	101972005	19-5
101082903	4-5, 4-11	1015258	1-7	101972007	19-5
1010934	1-59, 6-9, 6-15, 7-21, 7-23	1015277	1-57	101972009	19-5
		1015313	1-59	101987901	6-3, 6-5, 7-3, 7-5
		1015363	1-59	101988101	6-3, 7-3

INDEX

101988201	6-3, 7-3	102323101	1-57	102430401	12-5
102003201	8-7, 11-7	102323501	1-19	102434701	9-3, 10-3
102022601	5-5	102324401	1-43	102435001	17-11, 17-13
102022901	5-5, 5-7, 5-9	102330901	19-5	102436701	17-7
102023703	1-37, 1-39	102343601	1-51	102437001	5-7
102025401	18-31	102355301	6-9, 7-21	102438501	16-3
102025701	1-37, 1-39	102361901	5-7, 5-9	102438601	16-9
102030101	1-59	102370101	9-5, 10-5	102438701	16-3
102030201	1-59	102370501	8-9, 9-5, 10-5	102438801	16-3
102044702	6-13	102370601	8-9, 9-5, 10-5	102438901	16-3
102044801	6-13	102371401	8-13	102439001	16-3
102045001	1-19	102374901	14-3, 15-3	102439101	16-3
102047001	1-37, 1-39	102375401	7-15, 7-17	102439201	16-3
102048401	1-19	102376001	16-19	102439801	16-3
102051601	6-13, 7-15, 7-17	102377501	17-11, 17-13	102440101	16-3
102051701	6-13, 7-15, 7-17	102377601	17-11, 17-13	102440201	16-11
102059001	1-37, 1-39	102377801	17-7	102440301	16-3
102059401	1-37, 1-39	102377901	17-7	102440501	16-3
102061101	1-37, 1-39	102379001	12-7	102440601	16-11
102061201	19-5	102380301	17-7	102442001	18-19
102065901	1-7	102381701	16-23	102442002	1-37, 1-39
102066001	1-9	102382401	9-5, 10-5, 16-21	102442201	6-9, 7-21
102171503	1-7	102385601	15-5	102442901	4-9
102176901	4-5	102406701	11-5, 12-3	102443601	8-13
102198001	6-13, 7-15, 7-17	102406801	12-3	102445201	11-17, 12-9
102221301	1-61	102408401	5-7, 5-15	102447101	19-3
102221401	1-61	102409301	13-3	102447601	1-43
102221501	1-61	102409501	13-5	102447901	6-7, 7-19
102221701	1-61	102410001	17-15	102448001	6-7, 7-19
102221801	1-61	102410301	17-7	102448401	6-9, 7-21
102222001	1-61	102410603	9-5, 10-5	102448501	7-21, 7-23, 8-13
102222101	1-61	102410604	11-7	102449101	16-35
102222201	1-61	102411203	12-5	102456001	1-37, 1-39
102231601	3-3, 3-11	102411204	17-9, 17-11, 17-13	102457001	11-19
102239901	1-61	102411205	17-9	102457501	8-13
102274101	5-9, 16-23	102411206	17-11, 17-13	102458901	1-37, 1-39, 3-3, 3-11, 3-19
102276001	16-35	102411207	17-7, 17-11, 17-13	102459001	3-3, 3-11, 3-19
102288901	17-11, 17-13	102411208	17-7, 17-11, 17-13	102459101	3-3, 3-11, 3-19
102289001	1-13, 1-17, 1-19, 1-21, 1-23, 8-13, 17-7	102411209	12-7	102459201	3-3, 3-11, 3-19
102290120	5-3	102411210	11-11, 12-7, 14-9, 14-11, 15-9, 15-11	102459301	3-5, 3-13, 3-21
102292356	1-17, 1-21, 1-23	102411301	17-7	102459401	3-5, 3-13, 3-21
102292701	1-17, 1-21, 1-23	102414501	14-11, 15-11	102459501	3-3, 3-11, 3-19
102292801	1-17, 1-21, 1-23, 4-11	102414801	9-5, 10-5	102460201	3-5, 3-11, 3-13, 3-19, 3-21
102296140	4-7	102418101	1-57	102461401	11-17, 12-9
102296401	11-17, 12-9	102420201	6-7, 7-19, 18-19	102462301	9-5, 10-5
102296601	8-9	102420301	6-7, 7-19	102462401	16-23
102296716	4-7, 14-9, 14-11, 15-9, 15-11	102420401	6-7, 7-19	102462501	9-5, 10-5
102296920	8-9	102420501	6-7, 7-19	102462504	8-9
102297230	1-17, 1-19, 1-21, 1-23	102422301	9-55, 13-3	102463101	16-37
102298130	1-37, 1-39, 5-3	102423201	12-11	102463501	16-35
102298401	1-37, 1-39, 4-5, 4-9, 4-11, 5-3, 8-13, 9-5, 10-5, 13-3, 16-19, 16-33	102426301	11-7, 12-5	102463601	16-35
102298580	1-19	102426601	1-9, 1-57	102463801	16-37
102298720	1-19, 13-5, 17-9	102426901	1-7	102463901	16-35, 16-37
102301401	1-57	102427501	3-3, 3-11, 3-19, 17-9	102464001	16-37
		102427601	17-11, 17-13	102464101	16-37
				102464201	16-37

INDEX

102464301	5-9, 16-37	102602001	9-13, 10-13	102608601	9-21
102464401	16-37	102602101	9-13, 10-13	102608701	9-21, 10-21, 17-3
102464501	16-37	102602301	9-13, 10-13	102608801	9-25, 10-21
102465701	1-9	102602401	9-13, 10-13	102608802	9-25, 10-21
102465901	9-5, 10-5	102602601	9-13, 10-13	102608803	9-25
102473501	1-37, 1-39	102602701	9-13, 10-13	102608804	9-25, 10-21
102473601	1-37, 1-39	102602801	9-13	102608805	9-25, 10-21
102473701	1-37	102603201	9-23	102608806	9-25
102474301	4-7	102603501	19-3	102608901	9-21, 10-21
102475701	11-19, 12-11, 16-21	102603601	9-29	102609001	9-25
102475901	1-37, 1-39	102603701	9-29, 10-31	102609002	9-25
102478501	12-3	102603801	9-29	102609003	9-25
102479301	11-17, 12-9	102603901	9-29, 10-31	102609101	9-21
102480501	17-11, 17-13	102604001	9-29	102609301	9-21, 10-21
102481001	14-11, 15-11	102604101	9-29, 10-31	102609401	9-21, 10-21
102481201	14-11, 15-11	102604201	9-23, 9-29, 10-9, 10-29, 10-31	102609601	9-21
102481301	14-11, 15-11	102604301	9-29, 10-31	102609801	9-25
102488001	4-3, 4-13	102604401	9-25, 9-29, 10-23, 10-31	102609802	9-25
102490101	1-49, 4-11, 9-5, 10-5	102604501	9-29	102609803	9-25
102490201	9-5, 10-5	102604701	9-29, 10-31	102610001	9-25, 10-23
102490301	12-11, 17-7	102604801	9-29, 10-31	102614101	1-7, 1-9
102490501	9-5, 10-5	102604901	9-23	102614401	1-61
102490801	5-9	102605001	9-23, 10-29	102616003	14-11, 15-11
102491001	8-9, 16-23, 18-27, 18-29	102605101	9-9, 9-23	102616101	14-11, 15-11
102491101	16-23	102605201	19-3	102616301	5-7, 5-11, 5-13
102491301	1-19, 1-45	102605301	9-23, 10-29	102616701	16-19
102491501	1-19, 1-45, 1-47, 18-13	102605401	9-23, 10-29	102617001	18-17
102491601	4-3, 4-13	102605501	9-23	102617201	1-19, 1-45, 1-47, 18-27, 18-29
102491701	1-25, 1-27, 1-53, 1-55	102605601	9-23	102617501	5-9, 16-23
102492201	6-7, 7-19	102605701	9-43, 10-45	102617701	5-9
102492301	7-19	102605801	9-23	102617801	5-9, 16-23
102493301	4-13	102605901	9-23, 10-29	102618101	4-9
102493801	1-57	102606001	9-23, 10-29	102618301	1-57, 4-9, 4-11, 16-19, 18-27, 18-29
102494401	9-5, 10-5	102606101	19-3	102618401	4-5
102494701	12-3	102606201	9-19, 10-19	102618601	1-9, 1-11, 1-19, 1-29, 1-31, 1-57, 8-13, 9-5, 10-5, 11-7, 12-5, 17-11, 17-13, 18-27, 18-29
102495701	7-15	102606301	9-19, 10-19	102620301	1-41
102498201	7-21, 7-23, 9-5, 10-5	102606401	9-19, 10-19	102620501	5-7, 5-11, 5-13
102498601	8-7, 9-3, 10-3, 11-11, 12-7	102606501	9-19, 10-19	102621201	11-11, 12-7, 12-11, 13-5
102499001	6-13, 7-15, 7-17	102606601	9-19, 9-55, 10-19	102621301	8-13, 9-5, 10-5, 13-3
102522001	11-5, 12-3	102606701	9-17, 10-17	102621501	9-5, 10-5, 16-21
102535101	6-5, 7-5	102606901	9-9	102628001	14-11, 15-11
102600001	9-7	102607001	9-9, 10-9	102628101	13-3
102600101	9-7, 10-7	102607201	9-9	102628301	14-9, 15-9
102600201	9-7, 10-7	102607301	9-9, 10-9	102628701	17-11
102600301	9-7, 9-11, 9-55	102607401	9-9	102629001	1-9, 4-11
102600401	9-7, 10-7	102607501	19-3	102630001	9-25
102600601	9-7, 10-7	102607601	9-25, 9-57	102630002	9-25
102600701	9-7, 10-7	102607602	9-25	102630003	9-25
102600801	9-7, 9-11, 10-7, 10-11	102607801	9-25, 10-25	102630101	9-25, 10-23
102601001	9-7, 9-13, 10-7, 10-13	102607901	9-25, 10-25	102630201	9-25, 10-23
102601101	9-35, 10-37	102608001	9-25, 10-23	102630301	9-25, 9-55, 10-23
102601301	9-7, 10-7	102608101	9-25	102630401	9-25, 10-23
102601401	9-7	102608201	9-21, 9-55	102630601	9-35, 9-37, 10-37, 10-39
102601501	19-3	102608301	9-21, 9-55, 10-21	102630701	9-25, 10-25
102601801	9-13, 9-55	102608401	9-21		
102601901	9-13, 10-13	102608501	9-21		

INDEX

102630702	9-25	102641501	9-43	102654701	9-55, 17-15
102630703	9-25	102642401	9-43, 10-45	102668801	19-5
102630901	9-25, 9-57, 10-25	102642501	9-43, 10-45	102670601	1-41
102631001	9-25, 9-57, 10-25	102642601	9-43	102670701	1-15, 5-15, 9-5, 10-5, 18-13
102631301	17-15	102642701	9-43, 10-45	102670801	4-7
102631401	17-15	102642801	9-43, 10-45	102671201	1-43
102631601	9-7, 9-35, 9-37, 10-7, 10-37, 10-39, 17-15	102642901	9-43, 10-45	102672201	16-35
102631701	17-5	102643001	9-43	102672301	16-35
102631801	17-5	102643101	9-43	102672401	16-35
102632001	17-5	102643201	9-43	102673201	1-61
102632101	17-5	102643301	9-43, 10-45	102684501	16-19
102632201	17-5	102643401	9-43, 10-45	102684603	16-19
102632701	9-55, 17-3	102643601	9-43, 10-45	102684901	17-7
102633001	17-15	102643701	9-43, 10-45	102685001	17-7
102633201	17-15	102644001	9-15, 9-55	102686101	19-3
102633301	9-15, 10-15	102644101	9-15, 10-15	102687801	5-5
102633401	9-55, 17-15	102644501	9-55	102693201	16-35
102633601	9-45, 10-47	102645501	9-47	102693301	16-27, 16-35
102633701	9-41, 10-43	102646001	9-55	102693401	16-35
102633801	9-41, 10-43	102646101	9-51, 10-53	102693501	16-35
102633901	9-41, 10-43	102646301	9-53, 10-55	102693601	16-37
102634001	9-41, 9-55, 10-43	102646401	9-49, 10-51	102694001	16-37
102634101	9-41, 10-43	102646501	9-53	102694201	16-27, 16-35
102634401	9-41, 9-55, 10-43	102646601	9-53, 9-55	102694301	16-35
102634501	9-41, 9-55, 10-43	102647101	9-53, 10-55	102694401	16-35
102634601	9-41, 10-43	102647201	9-53	102694502	16-37
102634701	9-41, 10-43	102647501	9-27, 10-27	102694701	16-35
102635101	9-45, 10-47	102647701	9-35, 9-37, 9-47, 10-37, 10-39, 10-49	102694801	16-35
102635201	9-41	102647801	9-27	102695401	14-7, 15-7
102635301	9-31, 9-41, 9-43, 9-55, 10-33, 10-45	102647901	9-27	102695601	14-7, 15-7
102635501	9-31, 10-33	102648001	9-27, 10-27	102695801	14-7, 15-7
102635701	9-31, 10-33	102648401	9-47	102695901	14-7, 15-7
102635801	9-31, 10-33	102651301	9-49, 10-51	102696001	16-31
102635901	9-31, 10-33	102651501	9-49, 10-51	102696101	16-27
102636101	10-47	102651601	9-49, 10-51	102696201	16-27, 16-29
102636201	9-45	102651701	9-49, 10-51	102696501	16-27, 16-29
102636301	9-45, 10-47	102651801	9-49, 10-51	102696601	16-31
102636401	9-45, 10-47	102652001	9-49	102696701	16-27
102636501	9-45	102652601	9-49	102696801	16-27, 16-29
102636601	9-45, 10-47	102652701	9-49	102696901	16-27, 16-29
102637001	9-31, 10-33	102652801	9-11, 10-11	102697001	16-29
102637101	9-31, 10-33	102652901	9-49, 10-51	102697101	16-27, 16-29
102637501	10-41	102653001	9-49, 10-51	102697501	16-29
102637601	10-41	102653101	9-49, 10-51	102698701	16-29
102637701	9-39, 10-41	102653201	9-49, 10-51	102699401	16-27
102637801	10-41	102653301	9-49, 9-55, 10-51	102699601	16-31
102639101	10-41	102653401	9-11, 10-11	102699701	16-27, 16-29
102640401	9-39, 10-41	102653501	9-11, 10-11	102700801	9-7, 10-7
102640501	9-39	102653601	9-49	102701001	9-11
102640601	9-33, 9-39	102653701	9-49	102701201	9-35, 9-37, 10-37, 10-39
102640701	9-39, 10-41	102653901	9-11, 10-11	102701601	9-45, 10-47
102640901	9-39, 10-41	102654101	9-11, 9-55	102703301	9-3, 9-13, 10-3, 10-13
102641001	9-39, 10-41	102654301	9-13, 9-41, 9-51	102711601	5-7, 16-23
102641101	9-39, 10-41	102654401	9-23, 10-29	102714001	4-13
102641201	9-39, 10-41	102654601	9-9, 9-55, 10-9	102718101	1-15, 1-41, 1-45, 1-47, 1-49
				102719301	1-15

INDEX

102722001	8-13	102732501	9-35, 9-37, 9-47, 10-39	102799001	9-15, 10-15
102722301	5-7, 5-9	102732601	9-7, 9-55, 10-7	102799101	9-15
102723901	16-17	102736901	2-3, 2-5	102799201	9-15, 10-15
102725501	11-11, 12-7	102737301	17-7	102799401	9-23, 10-29
102725601	11-11, 12-7	102740401	8-9	102799501	9-31, 10-33
102726201	9-7, 10-7	102741601	18-31	102799601	9-33, 10-35
102726301	9-7, 10-7	102762601	16-37	102799701	9-33, 10-35
102726401	9-7, 10-7	102764901	16-29	102799801	9-33, 10-35
102726501	9-7, 10-7	102765201	16-27	102799901	9-33, 10-35
102726601	9-7, 10-7	102765301	16-37	102800101	9-39
102726701	9-11	102765701	16-37	102800201	9-45, 10-47
102726901	9-11, 10-11	102765801	16-37	102800301	9-45
102727001	9-11, 10-11	102767601	17-13	102800401	9-41, 10-43
102727101	9-11, 10-11	102772201	1-55	102800501	9-41, 10-43
102727401	9-13, 10-13	102784001	18-27	102800601	9-41, 10-43
102727501	9-13, 10-13	102784002	18-29	102800701	9-35, 9-37, 10-37, 10-39
102727601	9-13, 10-13	102784003	18-31	102801001	9-35, 9-37, 10-39
102727701	9-17, 10-17	102784201	18-21	102801101	9-49, 10-51
102727901	9-19, 10-19	102784601	18-23	102801201	9-49, 10-51
102728001	9-21	102784701	18-23	102801301	9-51, 10-53
102728101	9-25, 9-57	102784801	18-23	102801401	9-51, 10-53
102728102	9-25	102784901	18-23	102801501	9-51, 10-53
102728301	9-27, 10-27	102785001	18-23, 18-31	102807601	17-9
102728401	9-29	102785101	18-23, 18-31	102807801	17-9
102728501	9-29, 10-31	102785401	18-31	102810701	11-11, 12-7
102728601	9-31, 10-33	102785501	18-27, 18-29	102812801	13-5
102728701	9-31, 10-33	102786101	18-13, 18-15, 18-17, 18-21	102816801	5-5
102728801	9-31, 9-55, 10-33	102786201	13-5	102834401	1-49
102728901	9-31, 10-33	102786401	7-11	102849801	18-19
102729101	9-33, 10-29, 10-35	102787101	18-23	102850501	18-19
102729201	10-41	102787601	18-23	102854401	18-19
102729301	9-13, 9-55	102787602	18-23	102854501	18-19
102729401	9-41, 10-43	102787701	18-23	102854601	18-19
102729501	9-41, 10-43	102788701	5-11, 5-13	102854801	18-19
102729601	9-43, 10-45	102789001	18-17	102854901	18-19
102729701	9-43	102789101	18-17	102855501	17-7
102730001	9-35, 10-37	102789201	18-17	102859101	18-27, 18-29
102730101	9-35, 10-37	102789301	18-17	102865101	11-7, 11-9
102730201	9-35, 9-37, 10-37, 10-39	102790001	18-17	102866901	1-17, 1-21, 1-23
102730301	9-35, 10-37	102790801	18-17	102867001	1-17, 1-21, 1-23
102730401	9-35, 9-37, 10-39, 10-49	102790901	18-17	102867102	1-19
102730601	9-35, 9-37, 10-37, 10-39	102791001	18-17	102867202	1-5
102730801	9-7, 10-7	102791301	18-17	102867301	1-19
102730901	17-15	102792001	5-7	102867401	1-21
102731001	17-15	102792002	5-7	102867501	1-17
102731101	17-15	102794801	18-31	102867602	1-23
102731201	17-3	102794901	18-31	102869401	6-13, 7-15, 7-17
102731301	9-35, 9-37, 10-37, 10-39	102798001	9-11	102882301	1-13
102731501	9-53, 10-55	102798101	9-13	102882401	1-17, 1-21, 1-23
102731601	9-53, 13-3	102798201	9-13, 10-13	102882501	1-9, 6-13, 7-15
102731801	9-55	102798401	9-15	102883401	1-19
102731901	9-55	102798501	9-15, 9-55, 10-15	102883601	3-7, 3-9, 3-15, 3-17
102732001	9-57	102798601	9-15, 10-15	102884301	3-3, 3-13
102732201	9-25, 9-57, 10-25	102798701	9-15, 10-15	102884401	3-5, 3-13
102732301	1-47	102798801	9-15	102885001	7-7
102732401	1-41, 1-49	102798901	9-15, 10-15	102889201	3-13

INDEX

102894501	6-5, 7-5	102934901	9-37, 10-39	102993301	8-19
102895101	1-17, 1-21, 1-23	102935501	1-19	102993401	8-19
102895401	1-17, 1-21, 1-23	102936801	7-11	102993501	8-19
102896501	1-17, 1-21, 1-23	102937401	7-11	102993601	8-19
102913801	1-53, 1-55	102937501	7-11	102993701	8-19
102913901	1-53, 1-55	102937601	7-11	102993901	8-19
102914001	1-53, 1-55	102946701	17-7	102994101	8-19
102914101	1-53, 1-55	102949301	13-7	102994301	8-15
102914102	1-53, 1-55	102950601	3-21	102994401	8-19
102914104	1-55	102951901	8-9	102994601	8-5
102914105	1-55	102958301	8-13	102994701	8-5
102918501	18-19	102958401	8-13	102994801	8-5
102921601	18-13, 18-15, 18-17, 18-21	102958501	8-13	102994901	8-5
102921701	18-27, 18-29	102958601	8-13	102995001	8-5
102922601	18-31	102959001	9-5, 10-5	102995101	8-5
102922701	18-31	102961201	3-5, 3-13, 3-21	102995201	8-5
102923001	18-21	102961301	16-37	102995301	8-5
102923101	18-21	102961401	16-37	102995401	8-5
102923201	18-15	102967901	1-17, 1-21, 1-23, 18-19	102995501	8-5
102923301	18-17	102973201	17-9	102995601	8-5
102923401	18-15	102973501	18-31	102995701	8-5
102923801	18-31	102973601	18-31	102995801	8-5
102925201	18-13	102977501	7-17	102995901	8-5
102925601	3-27	102978801	1-23	102996001	8-5
102926301	18-25	102978901	1-23	102996101	8-5
102926401	18-25	102979301	1-21	102996201	8-5
102926501	18-25	102983201	1-45, 1-47	102996301	8-5
102926601	18-9, 18-11, 18-25	102983601	1-45, 1-47	102996401	8-5
102926701	18-25	102988701	1-43, 1-45, 1-47, 1-49	102996501	8-5
102926801	18-25	102990101	8-17	102996601	8-5
102927101	5-7	102990201	8-17	102996701	8-5
102927102	5-7	102990301	8-17	102996901	8-11
102927201	18-5	102990401	8-17	102997001	8-11
102927301	18-5	102990501	8-17	102997101	8-11
102927401	18-5, 18-9, 18-11	102990601	8-17	102997201	8-11
102928001	18-27, 18-29	102990701	8-17	102997401	8-11
102928101	18-27, 18-29	102990801	8-17	102997601	8-11
102928201	18-27, 18-29	102990901	8-17	102997701	8-11
102928301	18-27, 18-29	102991101	8-17	102997801	8-11
102928401	18-27, 18-29	102991201	8-17	102997901	8-11
102928501	18-27, 18-29	102991401	8-17	102998001	8-11
102928601	18-27, 18-29	102991501	8-17	102998101	8-11
102928701	18-29	102991601	8-17	102998201	8-11
102928901	18-27, 18-29	102991801	8-17	102998301	8-11
102929501	18-11	102991901	8-17	102998401	8-11
102929601	18-9, 18-11	102992001	8-17	102998601	8-3
102929701	18-11	102992101	8-17	102998701	8-3
102930001	18-5	102992201	8-17	102999101	8-3
102930101	18-7	102992301	8-17	102999201	8-3
102930201	18-9	102992401	8-3, 8-11, 8-17, 11-3	102999301	8-3
102930301	18-11	102992501	8-3, 11-7	102999501	8-3
102930501	18-25	102992601	8-17	102999601	8-3
102930801	3-21	102992701	8-17	103000001	8-3
102930901	13-5	102992801	8-17	103000401	8-15
102934701	9-37, 10-39	102992901	8-17	103000501	8-15
102934801	9-37, 10-39	102993201	8-19	103000601	8-15

INDEX

103000801	8-15	103216201	1-45	103289101	1-53, 1-55
103000901	8-15	103216401	1-41, 1-43, 1-45, 1-47, 1-49	103289102	1-53, 1-55
103001301	8-15	103216801	1-45	103289103	1-53, 1-55
103001501	8-15	103218104	6-5, 7-5	103289104	1-53, 1-55
103002001	11-3	103218107	1-17, 1-21, 1-23, 6-5, 7-5	103289107	1-55
103002101	11-3	103218113	6-5, 7-5	103289108	1-55
103002301	11-3	103218901	1-39	103289109	1-55
103002401	11-3	103223101	1-51	103289110	1-55
103002501	11-3	103225801	1-45, 1-47	103293402	11-19
103002801	11-3, 11-15	103227001	1-9	103296001	1-19
103002901	11-3	103231701	1-3	103297101	11-15
103003801	11-15	103231801	1-3	103297201	11-15
103003901	11-15	103233001	1-19	103297301	11-15
103004201	11-15	103234001	7-17	103297401	11-3
103005001	11-15	103234201	3-7, 3-9, 3-15, 3-17, 3-23, 3-25	103297501	11-3
103005601	11-15	103234304	3-7, 3-15, 3-23	103297601	11-3
103009901	11-7	103234401	7-15, 7-17	103297701	11-3
103010101	11-7	103234503	2-3, 2-5	103297801	11-3
103077501	4-3, 4-13	103236001	1-3	103298001	11-3
103146203	16-35	103237501	18-3	103298101	11-3
103146204	5-9	103237701	18-3	103298201	11-3
103147001	5-15	103239901	9-37, 10-39	103298301	11-3
103180101	6-13, 7-15, 7-17	103240601	8-13	103298501	8-15, 11-3, 11-7, 11-15
103182701	1-5	103243001	18-9	103298601	8-17, 11-3
103182702	1-5	103243101	18-9	103298901	8-17
103182801	1-5	103243201	18-9	103299301	8-3
103188601	3-21	103243501	18-9, 18-11	103299401	8-3
103188701	3-19	103243601	18-9	103299501	8-15
103191201	1-59	103243701	18-9	103299601	8-15
103191301	1-59	103243801	18-9	103299701	8-15
103191401	1-59	103243901	18-9, 18-11	103299801	8-15
103191501	1-59	103244001	18-9, 18-11	103299901	8-15
103192101	1-45	103244701	5-7, 16-23	103300101	8-15
103197201	8-13	103245801	7-11	103300301	8-3, 8-11
103200501	1-53, 1-55	103246901	8-13	103305701	6-11
103201501	14-5	103250401	16-27	103305801	6-11
103202601	3-5	103253801	1-19	103306801	11-13
103205801	7-17	103256401	5-7	103306901	11-13
103208701	8-9	103256501	5-7	103307001	11-13
103208801	7-15, 7-17	103256701	5-7	103307201	11-13
103210401	3-5	103262901	8-9	103307301	11-13
103210501	3-13	103267001	1-37	103310701	7-15
103210801	1-43	103267002	1-39	103319501	1-55
103210802	1-43	103268001	1-19	103319601	1-29, 1-31
103210901	1-43	103268101	13-7	103319701	1-29
103211101	1-43	103273101	4-9	103319901	18-19
103213201	7-7	103274502	1-49	103320201	11-15
103213301	6-3, 6-5, 7-3, 7-5	103274602	1-49	103320301	11-15
103213401	7-13	103276201	8-13	103320401	11-15
103213501	7-7	103277402	11-19	103320601	14-9, 14-11, 15-9, 15-11
103214901	1-45	103277501	7-9	103324901	7-15
103215001	1-45	103277701	7-9	103326401	8-13
103215101	1-45	103279201	8-9	103327201	6-13, 7-15, 7-17, 11-17, 12-9
103215201	18-19	103283801	1-49	103331201	1-53, 1-55
103215401	1-3	103289001	1-53, 1-55	103340501	11-13
103215901	1-45	103289002	1-53, 1-55	103340601	11-13

INDEX

103340701	11-13	103487501	1-25, 1-27	103841801	5-13
103340801	11-13	103488801	1-27	103843901	16-35
103340901	11-13	103488802	1-27	103844301	1-51
103341101	11-13	103496801	6-9, 7-21	103844401	1-51
103341201	11-13	103511201	1-47	103845501	5-15
103341301	11-13	103521001	6-5, 7-5	103848001	14-5
103341401	11-13	103525002	2-3, 2-5	103848401	11-11, 12-7
103341501	11-13	103528201	8-9	103855901	9-47
103341601	11-13	103529601	1-41	103856101	14-5
103341701	11-13	103529701	1-41	103856501	14-5
103341801	11-13	103529801	1-41	103859901	5-3
103341901	11-13	103530701	1-41	103860302	5-15
103342001	11-13	103532801	2-3, 2-5	103860402	5-15
103342101	11-13	103534201	1-41	103862701	5-3
103342201	11-13	103538701	1-7	103865301	19-3
103342301	11-13	103538901	1-7	103866601	5-5
103342501	11-13	103588001	1-17, 1-21, 1-23	103868201	16-37
103342601	11-13	103591301	12-5	103868301	16-37
103342701	11-13	103593201	12-5	103871801	16-37
103343301	11-13	103593301	12-5	103873001	16-19
103343401	11-13	103596601	11-13	103879301	16-21
103343501	11-13	103596701	11-13	103879401	16-21
103343601	11-13	103596801	11-13	103879501	16-35
103343701	11-13	103629101	1-33, 1-35	103883001	16-31
103343801	11-13	103629102	1-33, 1-35	103883201	11-17, 12-9
103343901	11-13	103629501	1-33, 1-35	103883801	9-5
103345501	8-15	103635101	1-41	103884001	15-5
103348101	6-13, 7-15	103687401	8-15	103886001	16-19
103348201	6-13, 7-15, 7-17	103699801	2-3, 2-5	103886101	16-19
103348501	6-13, 7-15	103701301	11-9	103886201	5-15
103355401	18-13	103721801	16-29	103886501	9-47
103361701	1-45, 1-47	103724501	5-3	103886601	16-21
103372101	11-5	103724503	5-3	103887901	8-7, 8-11, 8-13
103372302	11-5	103724602	5-3	103892501	1-11
103372401	11-9	103747301	9-3, 10-3, 12-5	103892601	1-11
103377501	1-43	103756401	11-9	103896603	12-5
103379401	1-59	103760601	1-17	103898601	16-7
103380701	4-5	103761801	9-3, 10-3, 12-5	103898801	16-3
103400001	1-29, 1-31	103762201	16-23	103898901	16-3
103406501	1-59	103762501	7-7	103899201	16-3
103406502	1-59	103778601	2-3	103901001	2-5
103406601	1-59	103779001	2-3	103901101	2-5
103409001	18-31	103779004	2-3	103901102	2-5
103417401	1-29, 1-31	103806401	1-41	103901107	2-5
103418001	1-31	103810201	5-3	103901108	2-5
103418801	4-13	103828101	15-5	103905201	11-5, 12-3
103423701	1-29, 1-31, 17-11, 17-13	103828201	14-7, 15-7	103921701	12-11
103441401	11-11, 12-7	103829001	14-7, 15-7	103921801	11-19
103452001	11-9	103829501	15-5	103921901	12-11
103456001	1-33, 1-35	103829601	14-5, 15-5	103922001	11-19
103456002	1-33, 1-35	103829701	14-5, 15-5	103922801	16-37
103478901	11-17, 12-9	103829801	14-5, 15-5	103922901	16-37
103479101	11-17, 12-9	103829901	14-5, 15-5	103923001	5-15
103479201	11-17, 12-9	103830001	14-5, 15-5	103924701	11-11
103479301	11-17, 12-9	103831101	1-33, 1-35	103930401	5-11
103485501	1-25	103841701	5-11	103930501	5-13

INDEX

103939301	5-9	104005501	4-11	105218801	10-13
103939302	5-9	104005601	4-11	105218901	10-15
103941901	9-17	104005701	4-11	105219001	10-15
103944301	11-5, 12-3	104025201	4-3	105219101	10-15
103945601	3-9, 3-17, 3-25	104025601	16-3	105219201	10-15
103945602	3-9, 3-17, 3-25	104026301	16-3	105219401	10-17
103945701	3-17	104026401	16-13	105219501	10-21
103947102	1-11	104026501	16-3	105219601	10-21
103950101	12-3	104026601	16-15	105219701	10-21
103951501	5-9, 16-35	105100901	16-33	105219801	10-21
103955901	1-51	105125301	16-27	105219901	10-21
103959210	1-17, 1-21, 1-23	105125401	16-27	105220001	10-21
103959214	1-17, 1-23	105125501	16-29	105220101	10-21
103959218	1-17, 1-21, 1-23	105125601	16-29	105220201	10-21
103959230	1-21	105125701	16-27	105220301	10-21
103959310	1-17, 1-21, 1-23	105125801	16-27	105220401	10-29
103959314	1-17, 1-23	105125901	16-31	105220501	10-29
103959318	1-17, 1-21, 1-23	105159201	10-5	105220601	10-29
103959330	1-21	105173201	16-33	105220701	10-29
103959410	1-17, 1-21, 1-23	105173301	16-33	105220901	10-25
103959414	1-17, 1-23	105173401	16-33	105221001	10-25
103959418	1-17, 1-21, 1-23	105200501	3-7, 3-23	105221101	10-23
103959430	1-21	105200601	3-15	105221201	10-23
103959510	1-17, 1-21, 1-23	105205901	10-7	105221301	10-23
103959514	1-17, 1-23	105206101	10-9	105221401	10-31
103959518	1-17, 1-21, 1-23	105206201	10-11	105221501	10-21
103959530	1-21	105206301	10-11	105221601	10-21
103963501	12-3	105206401	10-11	105221701	10-21
103963701	11-5	105206501	10-13	105221801	10-21
103966401	6-5, 7-5	105206601	10-13, 10-43, 10-53	105221901	10-37
103967201	4-7	105206701	10-15	105222001	10-37
103967301	4-7	105206901	10-21	105222201	10-43
103967401	4-7	105207001	10-29	105222301	9-41, 10-43
103967501	4-7	105207101	10-25	105222401	9-41, 10-43
103967601	4-3	105207201	10-25	105222501	9-41, 10-43
103967602	4-3	105207301	10-25	105222601	10-45
103967701	4-13	105207401	10-25	105222701	10-45
103967901	4-13	105207501	10-27	105222801	10-45
103968501	4-11	105207601	10-27	105222901	9-43, 10-45
103968601	4-11	105207701	10-31	105223001	10-45
103968701	4-11	105207801	10-31	105223101	10-45
103968801	4-11	105207901	10-35, 10-41	105225401	10-41
103968903	4-11	105208001	10-37, 10-49	105225501	10-41
103969001	16-27	105208201	10-45	105225601	10-41
103969801	5-7	105208301	10-45	105225701	10-41
103973101	4-7	105208401	10-47	105225801	10-41
103978801	1-37, 1-39	105208501	10-47	105225901	10-41
103981201	8-17	105208601	10-47	105226001	10-49
103983301	4-11	105208701	10-51	105226101	10-51
103986501	4-11	105208801	10-55	105226201	10-51
103986601	4-9	105208901	10-55	105226301	10-51
103986901	4-9	105209001	10-55	105226401	10-51
103987001	4-5	105218401	10-9	105226501	9-51, 10-53
103990201	16-33	105218501	10-9	105226601	10-55
103993701	4-3	105218601	10-11	105231101	10-7
103993801	4-3	105218701	10-13	105231201	10-31

INDEX

105237301 6-15, 7-23
105256201 6-15, 7-23
105256601 6-15, 7-23
105265501 4-11
105283703 5-9
105283704 5-9
105315101 11-19
47638511001 16-5
96701412 8-9, 9-5, 10-5
96704176 17-7
96704416 6-9, 6-15, 7-21, 7-23, 13-7, 16-19,
17-7
96704622 9-5, 10-5
96704721 8-9, 9-5, 10-5
96704960 8-9
96705199 12-11, 17-7
96705587 8-13
96715552 1-19, 1-45, 1-47
96718978 9-5, 10-5
96727003 18-13
96741038 9-5, 10-5
96741046 1-49, 4-11, 5-15, 8-9, 9-5, 10-5, 18-27,
18-29
96742515 1-37, 1-39
96950126 11-19

A

A-arm 5-7
accelerator cable 11-19, 12-11
accelerator cable bracket 12-11
accelerator pedal 11-17, 12-9
accessory receptacle 6-13, 7-15, 7-17
actuator 1-9
adapter
 actuator 1-9
 hose 8-13
 oil filter 8-13
 tube 8-13
adjuster, forward/aft 1-37, 1-39
adjuster, slider 1-37, 1-39
air filter 8-7, 9-3, 10-3, 11-11, 12-7
air filter canister 11-11, 12-7
air filter evacuator 11-11, 12-7
air filter gasket 11-15
alternator 9-35, 9-37, 10-37, 10-39
alternator belt 9-35, 9-37, 10-37, 10-39
AM1285701 19-5
arbor 19-3
arm
 A 5-7
 A- 5-7
 governor link 11-3
 governor shaft 11-3
 rocker 8-5, 9-49, 10-51
arm attachment 18-15
assembly

accelerator pedal 11-17, 12-9
adjusting bolt 9-31, 10-33
alternator 9-35, 9-37, 10-37, 10-39
bearing case cover 9-21, 10-21
brake pedal 4-9
bucket seat 1-37
camshaft 9-23, 10-29
case, main bearing 9-21, 10-21
connecting rod 9-25, 10-25
cylinder head cover 9-15, 10-15
drain cock 9-7, 10-7
filler cap 4-5
forward/reverse 16-19
fuel camshaft 9-29, 10-31
fuel cap 11-5, 12-3
fuel filter/bracket 9-3, 10-3, 12-5
fuel injection pump 9-39, 10-41
fuel pump 11-7, 12-5
gear case 16-37
governor fork lever 9-45, 10-47
headlight harness 6-3, 6-5, 7-3, 7-5
idle apparatus 9-31, 10-33
intake manifold 9-51, 10-53
latch, tilt bed 1-7
muffler 5-7, 16-23
nozzle holder 9-43, 10-45
oil pump 9-19, 10-19
overflow pipe 9-43, 10-45
pinion 16-37
piston ring 9-25, 9-57, 10-25
rocker arm 9-49, 10-51
speed plate 9-41, 10-43
tailgate 1-61
tether 1-61
thermostat 17-15
tilt bed 1-7
water pump 17-3
wire 6-9, 7-21, 7-23, 8-13, 11-5, 12-3
attachment
 bucket 18-7
 pallet fork 18-5
 push broom 18-11
 snow blade 18-9
attachment arm 18-15
attachment interface 18-17
axle 16-35
axle tube 16-37
axle, rear 16-35

B

ball
 check 9-23, 10-29
 crankshaft 9-25, 10-23
 governor 9-29, 10-31
 injection pump 9-29, 10-31
 valve 9-13, 10-13

ball joint 5-7, 5-9
band, pipe 17-5, 17-15
banjo bolt 4-3, 4-13
bar clamp 17-11, 17-13
barb, vent 9-47, 10-49, 12-5
barrel, plastic 1-33, 1-35, 1-59
barrier, heat 18-27, 18-29
base, seat holder 1-37, 1-39
battery
 12-volt, side-post 6-9, 7-21
 12-volt, top-post 6-15, 7-23
battery clamp 6-9, 6-15, 7-21, 7-23
battery terminal protector spray 19-3
battery thermometer 19-3
bearing
 hub 5-9, 16-37
 needle 16-27, 16-29, 16-37
bearing and oil seal remover 19-3
bearing case cover 9-21, 10-21
bearing case, main 9-21, 10-21
bearing driver set 19-3
bearing puller 19-3
bearing puller wedge 19-3
bed floor plate 1-7
bed latch 1-59
bed latch spring 1-59
bed, tilt 1-7
bellcrank 16-31
bellows 5-5, 16-35
belt guard 9-37, 10-39
belt, alternator 9-35, 9-37, 10-37, 10-39
belt, drive 14-3, 15-3
belt, V- 9-35, 9-37, 10-37, 10-39
bench seat back 1-33, 1-35
bench seat back cap 1-33, 1-35
bench seat bottom 1-33, 1-35
blade, snow 18-9
block, differential spacer 16-23
block, engine 9-7, 10-7
block, fuse 6-7, 7-19
bolt
 adjusting 9-31, 10-33
 banjo 4-3, 4-13
boot replacement kit, inner 16-25
boot replacement kit, outer 16-25
bottle, coolant 17-9
box, hydraulic control 18-19
bracket
 actuator 1-9
 bed latch 1-57
 brake line 4-7
 carbon canister 11-9
 cover inlet 14-11, 15-11
 draw latch 1-17, 1-21, 1-23
 hood support 1-19
 muffler 13-5

INDEX

- oil filter 8-13
- oil filter mount 8-13
- radiator support 17-7
- rocker arm 9-49, 10-51
- seatbelt 1-41
- transmission cable 9-5, 10-5, 16-21
- transmission mounting 9-5, 10-5
- bracket, hinge, bed 1-7
- brake caliper bracket 4-3
- brake caliper, rear 4-13
- brake front lh caliper 4-3
- brake front rh caliper 4-3
- brake line, front 4-7
- brake line, mid 4-7
- brake line, rear 4-7
- brake master cylinder 4-5
- brake pads
 - front 4-3
 - rear 4-13
- brake pedal 4-9
- brake rotor 4-3, 4-13
- breaker, circuit 7-11
- breather cover 9-15, 10-15
- breather gasket 8-17
- breather shield 9-15, 10-15
- breather tube 9-15, 10-15
- breather valve 9-15, 10-15
- broom weldment 18-11
- broom, push 18-11
- brush, FNR 1-19
- bucket attachment 18-7
- bucket seat 1-37, 1-39
- buckle, seat-belt 1-41
- buckle, seatbelt 1-43
- bulb, headlight 6-3, 6-5, 7-3, 7-5
- bulb, signal 6-5, 7-5
- bumper 17-7
 - bed 1-9, 1-57
 - front 1-3
 - rubber 1-61
- bushing 1-9
 - A-arm 5-7, 5-15
 - flanged 10-29
 - flanged bronze 9-23
 - forward/reverse 16-19
 - greaseless 4-9
 - lower arm 5-7
 - nylon 1-59
 - piston pin 9-25, 9-57, 10-25
 - return line 11-5, 12-3
 - snap-in 1-59
 - steel 1-7
 - urethane 1-7
- button, thrust 16-3
- buzzer, reverse 6-13, 7-15, 7-17
- C**
- cable
 - accelerator 11-19, 12-11
 - FNR shifter 16-21
 - park brake 4-11
- cable bracket, accelerator 12-11
- caliper
 - brake, front lh 4-3
 - brake, front rh 4-3
 - brake, rear 4-13
- caliper brake park 4-11
- caliper slide pin 4-13
- camber adjustment tool 19-3
- camshaft 8-5, 9-23, 10-29
- camshaft guide 8-5
- camshaft kit 8-5
- camshaft plate 8-5
- camshaft spring 8-5
- camshaft, fuel 9-29, 10-31
- canister, air filter 11-11, 12-7
- canister, carbon, fuel tank 11-9
- canopy 1-51
- cap
 - air filter 11-11, 12-7
 - bolt assembly 9-31, 10-33
 - center, alloy wheel 2-3, 2-5
 - corner 1-59
 - filler 4-5
 - front corner 1-61
 - fuel 12-3
 - fuel, gas, ratchet 11-5
 - inlet 14-11, 15-11
 - oil fill 8-11
 - pressure 3-3, 3-11, 3-19, 17-9
 - radiator 17-7
 - rubber 5-9, 16-23
 - sealing 9-7, 9-11, 10-7, 10-11
 - speed control plate 9-41, 10-43
 - valve 9-49, 10-51
- carbon canister 11-9
- carburetor 11-13
- carburetor air vent tube 9-47, 10-49
- carburetor gasket 11-13, 11-15
- carburetor heater 11-13
- carburetor jet 11-13
- carburetor seal 11-13
- carburetor shaft 11-13
- carburetor solenoid 11-13
- carburetor spring 11-13
- carburetor throttle shaft 11-13
- carburetor valve 11-13
- card, safety first 19-5
- carrier, differential 16-37
- case
 - gear 9-13, 10-13, 16-35, 16-37
- governor ball 9-29, 10-31
- main bearing 9-21, 10-21
- case cover, bearing 9-21, 10-21
- center console 18-19
- chain, transmission 16-27
- charge coil 8-15
- circuit breaker 7-11
- clamp
 - bar 17-11, 17-13
 - battery 6-9, 6-15, 7-21, 7-23
 - breather tube 9-15, 10-15
 - hose 9-47, 10-49, 11-7, 11-9, 12-5, 12-7
 - hose, green 11-9, 12-5
 - p- (fuel filter) 9-5, 10-5, 11-7
 - pipe 9-43, 10-45
- clevis pin 4-5, 4-11
- clip
 - body trim 1-17, 1-21, 1-23
 - brake line 11-19, 12-11, 16-21
 - hair pin 1-61
 - meter 6-13, 7-15, 7-17
 - return pipe 9-43, 10-45
 - snap-close 4-7
 - wear 5-15
- closeout 1-53, 1-55
- clutch 14-5, 14-7, 15-5, 15-7
- clutch cover (non-sealed)
 - CVT 14-9, 15-9
- clutch cover (sealed) 14-11, 15-11
- clutch removal tool 19-3
- coil
 - charge 8-15
 - ignition 8-15
- coil over shock 5-11, 5-13
- collar, alternator assembly 9-35, 9-37, 10-37, 10-39
- collar, crankshaft 9-25, 10-23
- collar, idle gear 9-23, 10-29
- collar, lever 9-41, 10-43
- collet 9-49, 10-51
- column, steering 5-3
- compression gauge 19-3
- compressor, valve spring 19-5
- connecting rod 8-19, 9-25, 10-25
- connector, relay 6-7, 7-19
- console, center 18-19
- continuity tester 19-3
- control box, hydraulic 18-19
- control panel 11-3
- coolant bottle 17-9
- coolant exchanger 17-7
- coolant fill tee 17-7
- coolant lamp sensor 17-15
- coolant pipe 17-11
- coolant pipe assembly 17-13
- coolant temperature indicator light 7-15, 7-17

INDEX

cooling fan 8-3, 17-7
cord, glow plug 9-43, 10-45
corner cap 1-61
coupling 18-25, 18-31
cover
 alternator assembly 9-35, 10-37
 bearing case 9-21, 10-21
 breather 9-15, 10-15
 CCI dash storage 1-5
 crankcase 8-17
 CVT 8-9, 9-5, 10-5, 14-11, 15-11
 cylinder head 9-15, 10-15
 electrical 6-7, 7-19
 engine 8-9
 fuel camshaft 9-7, 10-7
 heat proof 9-53, 10-55
 input 16-11
 rocker 8-17
 rocker switch hole 6-13, 7-15, 7-17
 thermostat 17-15
cover gasket 11-13
cowl panel 1-17, 1-21, 1-23
cowl panel, driver-side 1-17, 1-21, 1-23
cowl panel, passenger-side 1-17, 1-21, 1-23
crank 9-25, 10-21
crank oil seal 8-17
crankcase 8-17
crankcase cover 8-17
crankcase cover gasket 8-17
crankcase vent tube 11-15
crankshaft 8-19, 9-25, 10-23
cup holder 1-19
cup holder, seat 1-37, 1-39
CVT cover 8-9, 14-9, 15-9
CVT cover kit, sealed 14-11, 15-11
CVT cover kit, unsealed 14-11, 15-11
cylinder head 8-17, 9-11, 10-11
cylinder head cover 9-15, 10-15
cylinder, hydraulic, lift 18-21
cylinder, hydraulic, tilt 18-21

D

dash weldment 1-19
decal
 4x4 3-7, 3-9, 3-15, 3-17, 3-23, 3-25
 bed warning 3-21
 Club Car tailgate 1-61
 crush area warning 3-5, 3-13, 3-21
 driver/passenger 3-3, 3-11, 3-19
 ground warning 3-3, 3-11, 3-19
 hot manifold warning 3-3, 3-11, 3-19
 hot surface warning 1-37, 1-39, 3-3, 3-11, 3-19
 hydraulic controls 18-19
 hydraulic pump 3-21
 IntelliTach 3-27

joystick on/off 18-19
lock lever 3-21, 18-17
nameplate 3-7, 3-9, 3-15, 3-17
on/off 18-19
operating instructions 3-3, 3-13, 3-19
operator warning 3-5, 3-13
park brake 4-11
rollover warning 3-21
ROPS warning 3-5, 3-13, 3-21
rotating parts and hot manifold 3-3, 3-11, 3-19
rotating parts warning 3-5, 3-11, 3-13, 3-19, 3-21
tailgate 1-59
trailer hitch 3-5, 3-13, 3-21, 5-15
under 16 warning 3-5, 3-13, 3-21
vehicle loading 3-5, 3-13
warning 3-13
winch cable warning 3-3, 3-11
deflector oil 16-27
detent, repair 16-29
diesel tachometer probe 19-5
differential housing 16-37
differential oil 16-17
differential, rear 16-35, 16-37
diode 6-11, 7-9
dipstick, oil 9-17, 10-17
drag link 5-5
drain cock 9-7, 10-7
drive belt 14-3, 15-3
drive clutch 14-5, 15-5
drive clutch fixed sheave tool 19-3
drive clutch service tool 19-3
drive clutch spider removal tool 19-3
driven clutch 14-7, 15-7
driven clutch spring compression base tool 19-3
driven clutch spring compression collar tool 19-3
driven clutch spring compression nut tool 19-3
dry moly lubricant 19-3

E

elbow 12-3
electric motor 18-27, 18-29
end, tie rod 5-5
engine block 9-7, 10-7
engine cover 8-9
engine shroud 8-3
engine starter motor 8-15
engine, gasoline, Kawasaki FH680 8-9
exchanger, engine coolant 17-7
exhaust gasket 9-55, 13-3, 13-7
exhaust header 13-7
exhaust header gasket 13-7

exhaust pipe 13-3, 13-5
exhaust shield 13-3, 13-5
exhaust valve 8-5, 9-49, 10-51
extension, spring latch 1-7

F

fan housing plate 8-3
fan shroud 17-7
fan, cooling 8-3, 17-7
fascia 1-17, 1-21, 1-23
fastener, push-in 6-7, 7-19
fender, front 1-17, 1-21, 1-23
fender, left rear 1-53, 1-55
fender, rear 1-53, 1-55
filler cap 4-5
filter
 air 8-7, 9-3, 10-3, 11-11, 12-7
 fuel 8-7, 9-3, 10-3, 11-7, 12-5
 inlet cover 14-11, 15-11
 oil 8-7, 8-11, 8-13, 9-3, 9-13, 10-3, 10-13
 oil pick up 9-9, 10-9
flange, water 17-15
float valve 11-13
floor plate, bed 1-7
floorboard 1-29, 1-31
fluid, hydraulic 18-27, 18-29
flywheel 8-15, 9-27, 10-27
FNR brush 1-19
FNR brush strip 1-19
FNR shifter 16-19
FNR shifter bracket 9-5, 10-5, 16-21
FNR shifter cable 16-21
foot well plate 1-31
fork, pallet 18-5
fork, transmission 16-27
frame, tilt bed 1-7
front bumper 1-3
front panel 1-59
fuel camshaft 9-29, 10-31
fuel cap 12-3
fuel filter 8-7, 9-3, 10-3, 11-7, 12-5
fuel gauge sending unit 11-5, 12-3
fuel gauge/hour meter 6-13, 7-15
fuel gauge/hour meter/seatbelt timer 7-17
fuel injection pump 9-39, 10-41
fuel line 11-7, 11-9
fuel pickup tube 12-3
fuel pump 11-7, 12-5
fuel tank (diesel) 12-3
fuel tank (gasoline) 11-5
fuel tank strap 11-7, 12-5
fuse
 10-amp 6-7, 7-19
 20-amp 7-11
 25-amp 6-7, 7-19
 30-amp 7-19

INDEX

fuse block 6-7, 7-19

G

gasket 11-13

air filter 11-15

bearing case 9-21, 9-55, 10-21

breather 8-17

carburetor 11-13, 11-15

control plate 9-41, 9-55, 10-43

cover 9-21, 9-55, 10-21, 11-13, 14-11, 15-11

crankcase cover 8-17

cylinder head 9-11, 9-55, 10-11

cylinder head cover 9-15, 9-55, 10-15

drain plug 9-9, 10-9

exhaust 9-55, 13-3

exhaust header 13-7

exhaust-manifold 9-53, 9-55, 10-55

fuel pump 9-7, 9-55, 10-7

gearcase 9-13, 9-55, 10-13

head 8-17

head cover 9-55

head cover nut 9-31, 9-41, 9-43, 9-55,
10-33, 10-45

idle apparatus 9-31, 9-55, 10-33

injection pump 10-41

intake manifold 9-55

liquid 19-5

manifold 11-15

nozzle 9-43, 10-45

oil pump 9-19, 9-55, 10-19

rocker cover 8-17

sending unit 11-5, 12-3

thermostat 9-55, 17-15

water flange 9-55, 17-15

water pump 9-55, 17-3

gauge

compression 19-3

fuel-hour 6-13, 7-15

fuel-hour-timer 7-17

oil dipstick 8-11

gear

cam 9-23, 10-29

case 9-13, 10-13, 16-35, 16-37

crank 9-25, 10-23

helical 16-29

idle 9-23, 10-29

injection pump 9-29, 10-31

oil pump 8-11

oil pump drive 9-19, 10-19

ring 9-27, 10-27, 16-37

steering 5-5

gear case assembly, rear 16-27

gear case, front 16-27

gear ring engagement 16-29

gear yoke 19-3

glow plug 9-43, 10-45

glow plug cord 9-43, 10-45

governor control lever 11-3

governor fork lever 9-45, 10-47

governor lever 9-41, 10-43

governor link arm 11-3

governor oil seal 8-17

governor plate 11-3

governor return spring 11-3

governor shaft 11-3

governor shaft arm 11-3

governor spring 11-3

grill 1-17, 1-21, 1-23

grip tape, accelerator pad 11-17, 12-9

grip, tilt latch hand 1-7, 1-59

grommet 11-5, 12-3

guard, belt 9-37, 10-39

guard, oil filter 8-13

guard, splash 1-19

guide

camshaft 8-5

exhaust valve 9-11, 10-11

inlet valve 9-11, 10-11

oil dipstick 9-17, 10-17

rocker arm 8-5

H

hair pin clip 1-61

half shaft 16-23

handbook, operator 18-3

harness 1-9, 6-11, 7-7, 7-9, 8-15

harness, control panel wire 7-11

harness, headlight 7-7

harness, hydraulic power unit 7-11

harness, seatbelt light 7-13

harness, wire 6-3, 6-5, 7-3, 7-5

harness, wire - Kawasaki FH680 6-11

head gasket 8-17

head restraint 1-49

head restraint kit 1-49

head, cylinder 8-17, 9-11, 10-11

header, exhaust 13-7

headlight 6-3, 6-5, 7-3, 7-5, 7-7

headlight bulb 6-3, 6-5, 7-3, 7-5

headlight harness 6-3, 6-5, 7-3, 7-5, 7-7

heat barrier 18-27, 18-29

heat seal 9-43, 10-45

heater, carburetor 11-13

helical gear 16-29

high beam switch 7-15

hinge plate 1-33, 1-35, 1-37, 1-39

hinge, hood 1-17, 1-21, 1-23

holder

cup 1-19

FNR strip brush 1-19

fork lever 9-45, 10-47

hood 1-17, 1-21, 1-23

hood latch 1-17, 1-21, 1-23

hood prop 1-17, 1-21, 1-23

hook, engine 9-11, 10-11

hose 17-9, 18-23, 18-31

coolant 17-5, 17-7, 17-11, 17-13

fuel 11-7, 11-9

fuel return 12-5

hydraulic 18-23, 18-25

inlet 14-11, 15-11

intake 11-11, 12-7

outlet 14-9, 14-11, 15-9, 15-11

vent 9-5, 10-5, 11-9, 16-23, 17-11, 17-13

hose clamp, green 11-9, 12-5

hour meter 6-13, 7-15, 7-17

housing

differential 16-37

hub

wheel 5-9

hydraulic control box 18-19

hydraulic fluid 18-27, 18-29

hydraulic hose 18-23, 18-25

hydraulic power unit 18-27, 18-29, 18-31

hydraulic power unit harness 7-11

hydraulic tube 18-21

hydrometer 19-5

I

idle apparatus 9-31, 10-33

idle gear 9-23, 10-29

ignition coil 8-15

indicator, turn signal 7-15

injection pump gear 9-29, 10-31

insulation, heat barrier 18-27, 18-29

insulator, manifold 11-15

intake adapter pipe 11-15

intake hose 11-11, 12-7

intake manifold 9-51, 10-53, 11-15

intake valve 8-5, 9-49, 10-51

internal retaining ring pliers 19-5

isolator ring and bushing 8-9, 9-5, 10-5

isolator, twin stud 17-7

J

jet kit

0-3300 ft 11-13

3300-6600 ft 11-13

6600+ ft 11-13

jet needle 11-13

jet, carburetor 11-13

joint

ball 5-7, 5-9

eye 9-39, 10-41

pipe 9-13, 10-13

joystick control 18-19

joystick control box 18-19

INDEX

K

keeper, push-close latch 1-5
key 8-15
 feather 9-19, 9-23, 9-25, 9-29, 10-19, 10-23, 10-31
key (pair) 6-13, 7-15, 7-17
key switch 6-13, 7-15, 7-17
key switch spacer 6-13, 7-15, 7-17
keyswitch nut 6-13, 7-15, 7-17
kick panel 1-53, 1-55
kit
 auxiliary hydraulic 18-31
 bolt 16-3
 canopy 1-51
 carburetor jet 11-13
 connecting rod 8-19
 cover plate, input 16-11
 drain plug 16-3
 forward gear repair 16-29
 front skidplate hardware 1-15
 front steel skidplate 1-15
 gasket 9-55
 head restraint 1-49
 hydraulic angle attachment 18-25
 inner boot replacement 16-25
 nozzle holder 9-43, 10-45
 outer boot replacement 16-25
 piston rebuild 9-57
 rear axle gear repair 16-37
 repair, minor 16-9
 reverse gear repair 16-27
 roller 16-3
 ROPS 1-45
 tailgate mounting 1-59
 tube bumper 1-3
 tune-up 8-7, 9-3, 10-3
knob, forward/reverse 16-19

L

latch 1-5
latch bracket 1-17, 1-21, 1-23
latch keeper 1-5
latch plate, tilt bed 1-57
latch, bed 1-59
latch, hood draw 1-17, 1-21, 1-23
latch, slam 1-61
latch, spring 1-61
latch, tilt bed 1-7
lateral link, rear suspension 5-15
lens, headlight 6-3, 7-3
lever
 engine stop 9-41, 10-43
 fork 9-45, 10-47
 governor 9-41, 10-43
 governor control 11-3

 speed control 9-41, 10-43
light
 coolant temperature indicator 7-15, 7-17
 oil 6-13, 7-15, 7-17
 seat belt 7-17
 turn signal 6-5, 7-5
light switch, high beam 7-15
limit switch 6-13, 7-15, 7-17, 11-17, 12-9
line, fuel 11-9
link, drag 5-5
liquid gasket 19-5
low oil warning light 6-13, 7-15, 7-17
lubricant, dry moly 19-3
lug stud 5-9, 16-35

M

manifold
 exhaust 9-53, 10-55
 intake 9-51, 10-53, 11-15
manifold gasket 11-15
manifold insulator 11-15
master cylinder 4-5
meter clip 6-13, 7-15, 7-17
meter, volt ohm 19-5
motor 18-27, 18-29
 starter 9-47, 10-49
muffler 5-7, 13-5, 16-23

N

nameplate decal 3-7, 3-9, 3-15, 3-17
needle, jet 11-13
nongrease/spacers locker 16-37
nozzle holder 9-43, 10-45
nut, keyswitch 6-13, 7-15, 7-17

O

oil cap 8-11
oil deflector 16-27
oil dipstick gauge 8-11
oil drain plug 8-11
oil filter 8-7, 8-11, 8-13, 9-3, 9-13, 10-3, 10-13
oil filter adapter 8-13
oil filter bracket 8-13
oil filter guard 8-13
oil filter nipple 8-17
oil filter pick up 9-9, 10-9
oil pan 9-9, 10-9
oil pickup 8-11
oil pickup screen 8-11
oil pressure switch 8-15, 9-7, 10-7
oil pump 8-11, 9-19, 10-19
oil pump drive gear 9-19, 10-19
oil pump plate 8-11
oil pump rotor 8-11
oil pump shaft 8-11

oil pump spring 8-11
oil pump spur gear 8-11
oil seal 9-13, 9-21, 10-13, 16-11
oil seal, crank 8-17
oil seal, governor 8-17
oil slinger 9-25, 10-23
oil valve seal 8-17
oil warning light, low 6-13, 7-15, 7-17
oil, locking differential 16-17
operator handbook 18-3
O-ring 8-11, 8-13, 9-7, 9-9, 9-11, 9-13, 9-15, 9-25, 9-33, 9-41, 9-55, 10-9, 10-23, 10-35, 10-43, 11-13, 16-11
overflow pipe 9-43, 10-45

P

pad
 brake rear 4-13
 brake, front 4-3
pallet fork 18-5
pan
 center 1-37, 1-39, 18-19
 oil 9-9, 10-9
 seat 1-37, 1-39
panel
 center cowl 1-17, 1-21, 1-23
 control 11-3
 driver-side 1-53, 1-55
 driver-side cowl 1-17, 1-21, 1-23
 front 1-59, 1-61
 front kick 1-53, 1-55
 left 1-61
 passenger-side 1-53, 1-55
 passenger-side cowl 1-17, 1-21, 1-23
 right 1-61
 side 1-53, 1-55, 1-59
park brake cable 4-11
park brake caliper 4-11
park brake foot pedal 4-11
p-clamp (fuel filter) 9-5, 10-5, 11-7
pedal, accelerator 11-17, 12-9
pedal, brake 4-9
pickup, oil 8-11
pin
 bow tie locking 1-17, 1-21, 1-23, 4-11
pin, cable 16-19
pin, clevis 4-5, 4-11
pin, piston 9-25, 9-57, 10-25
pinion 16-37
pipe
 breather 9-51, 10-53
 coolant 17-5, 17-11
 exhaust 13-3, 13-5
 injection 9-43, 10-45
 intake adapter 11-15
 overflow 9-43, 10-45

INDEX

water return 9-15, 10-15, 17-15
pipe band 17-5, 17-15
pipe clamp 9-43, 10-45
piston 8-19, 9-25, 9-57, 10-25
piston pin 9-25, 9-57, 10-25
piston ring 9-25, 9-57, 10-25
piston ring set 0.50 8-19
plate
armature 16-3
back 1-7, 1-9
camshaft 8-5
closeout 1-53, 1-55
electrical 6-7, 7-19
engine block 9-7, 10-7
engine mounting 9-5, 10-5
fan housing 8-3
foot well 1-31
governor 11-3
hinge 1-33, 1-35, 1-37, 1-39
latch 1-57
oil pump 8-11
shroud 9-27, 10-27
skid 1-13, 1-15
speed 9-41, 10-43
speed control 9-41, 10-43
tailgate latch wear 1-59
thrust 16-3
pliers
internal retaining ring 19-5
retaining ring 19-5
plug 16-27, 18-27, 18-29
drain 9-9, 10-9
engine block 9-7, 9-11, 9-13, 10-7, 10-11,
10-13, 16-35
expansion 9-7, 10-7
gearcase 16-27, 16-35
glow 9-43, 10-45
hole 6-13, 7-15, 7-17
oil drain 8-11
oil fill 16-3
oil filler 9-15, 10-15
spark 8-7, 8-15, 8-17
tube 1-3
power unit, hydraulic 18-29, 18-31
prop rod 1-57
prop, hood 1-17, 1-21, 1-23
protector spray, battery terminal 19-3
puller
bearing 19-3
clutch 19-3
seal 19-5
special use tool 19-5
pulley
fan drive 9-35, 9-37, 10-37, 10-39
water pump 9-35, 9-37, 10-37, 10-39
pump

fuel 11-7, 12-5
fuel injection 9-39, 10-41
oil 9-19, 10-19
water 17-3
pump, oil 8-11
push broom 18-11
push rod 8-5, 9-23, 10-29
push rod tappet 8-5

R

radiator 17-7
radiator cap 17-7
radiator pipe assembly 17-13
rear axle 16-35
rear differential 16-35, 16-37
receptacle, accessory 6-13, 7-15, 7-17
reed valve assembly 8-17
refractometer 19-5
regulator, voltage 8-15
relay 6-7, 7-19, 18-19
relay connector 6-7, 7-19
remover, bearing and oil seal 19-3
restraint, head 1-49
retainer
spring (driven clutch) 14-7, 15-7
valve spring 8-5, 9-49, 10-51
retaining ring pliers 19-5
retractor, seat-belt 1-41
reverse buzzer 6-13, 7-15, 7-17
ring
piston 9-25, 9-57, 10-25
retaining, ext 5-7, 5-9
snap 4-11
ring gear 9-27, 10-27, 16-37
rivet, blind push 1-19
Rivet, Removable 1-17, 1-21, 1-23, 18-19
rocker arm 8-5, 9-49, 10-51
rocker arm guide 8-5
rocker arm stud 8-5
rocker cover 8-17
rocker cover gasket 8-17
rocker switch 1-9, 6-13, 7-15, 18-19
rocker switch (lights) 6-13, 7-15, 7-17
rod
"J" 11-17, 12-9
connecting 9-25, 10-25
crank crank rod 9-25, 10-25
prop 1-57
push 8-5, 9-23, 10-29
ROPS front base weldment 1-45, 1-47
ROPS kit 1-45
ROPS seat support 1-45, 1-47
ROPS side 1-47
ROPS support tube 1-45
ROPS top 1-45, 1-47
ROPS warning decal 3-5, 3-13, 3-21

ROPS weldment 1-45
ROPS, 4 Pass 1-45
ROPS, Rear Handle 1-49
rotor disc brake 4-3, 4-13
rotor, oil pump 8-11
rubber bumper 1-61

S

safety first card 19-5
screen, oil pickup 8-11
seal
carburetor 11-13
dual lip 16-31, 16-37
heat 9-43, 10-45
oil 9-13, 9-21, 10-13, 16-11
oil valve 8-17
triple lip 16-27
valve stem 9-49, 9-55, 10-51
seal puller 19-5
seat
bucket 1-37, 1-39
valve 9-13, 10-13
seat back cap, bench 1-33, 1-35
seat back, bench 1-33, 1-35
seat belt buckle 1-41
seat belt light 7-17
seat bottom, bench 1-33, 1-35
seat holder base 1-37, 1-39
seat, bucket 1-39
seatbelt buckle 1-43
seatbelt light harness 7-13
seat-belt retainer 1-41
sending unit, fuel gauge 11-5, 12-3
sensor, coolant lamp 17-15
shaft
carburetor 11-13
CVT adapter 9-5, 10-5
fork lever 9-45, 10-47
governor 11-3
governor lever 9-41, 10-43
half 16-23
idle gear 9-23, 10-29
input 16-29
intermediate 16-29
oil pump 8-11
output 16-27
rock arm 9-49, 10-51
shift 16-31
shield, breather 9-15, 10-15
shield, exhaust 13-3, 13-5
shim 16-37
shim, armature plate 16-3
shim, injection pump 9-39, 10-41
shim, latch plate 1-57
shock absorber, coil over 5-11, 5-13
shoe, skid 18-9

INDEX

- shroud, engine 8-3
 - shroud, fan 17-7
 - side panel 1-53, 1-55
 - side panel weldment 1-59
 - side stringer 1-25
 - signal bulb 6-5, 7-5
 - skid plate 1-13, 1-15
 - skid shoe 18-9
 - skidplate hardware kit 1-15
 - skidplate kit 1-15
 - slam latch 1-61
 - sleeve
 - crankshaft 9-25
 - governor 9-29, 10-31
 - lower arm 5-7
 - upper suspension 5-7
 - slinger, oil 9-25, 10-23
 - snow blade 18-9
 - snow blade weldment 18-9
 - solenoid, carburetor 11-13
 - solenoid, stop 9-33, 10-35
 - spacer 1-15
 - 5/8 x 2 1/4 x 1 1/4 1-51
 - engine 9-5, 10-5
 - key switch 6-13, 7-15, 7-17
 - spacer block, differential 16-23
 - spanner wrench 19-5
 - spark plug 8-7, 8-15, 8-17
 - speed plate 9-41, 10-43
 - splash guard 1-19
 - spray, battery terminal protector 19-3
 - spring 8-5, 8-11
 - carburetor 11-13
 - choke spring 11-19
 - compression 14-5, 14-7, 15-7
 - exhaust 13-5
 - extension 1-7
 - governor 9-45, 10-47, 11-3
 - governor idle 11-19
 - governor return 11-3
 - idle apparatus 9-31, 10-33
 - latch tilt 1-59
 - pedal 11-17, 12-9
 - return 9-41, 10-43
 - rocker arm 9-49, 10-51
 - start 9-11, 9-45, 10-47
 - valve 8-5, 9-13, 9-49, 10-13, 10-51
 - wave 4-11
 - spring latch 1-61
 - sprocket 16-27
 - start spring 9-45, 10-47
 - starter motor 9-47, 10-49
 - starter motor, engine 8-15
 - stay
 - alternator assembly 9-35, 10-37
 - cylinder head 9-11, 10-11
 - spring 9-13, 10-13
 - stop solenoid 9-33, 10-35
 - steel bushing 1-7
 - steering
 - lower control arm 5-7
 - slide adjuster 5-9
 - upper A-arm 5-7
 - upright 5-9
 - steering column 5-3
 - steering gear 5-5
 - steering wheel 5-3
 - steering wheel puller tool 19-5
 - stem, valve 2-3, 2-5
 - stop solenoid stay 9-33, 10-35
 - stopper, camshaft 9-23, 10-29
 - stopper, fuel camshaft 9-29, 10-31
 - strap, fuel tank 11-7, 12-5
 - stringer, side 1-25, 1-27
 - strip, FNR brush 1-19
 - stud 9-5, 9-39, 9-53, 10-5, 10-41, 17-5
 - idle adjustment 9-31, 10-33
 - lug 5-9, 16-35
 - self-clinching 1-59, 1-61
 - support, structural 1-19
 - switch 18-27, 18-29
 - high beam 7-15
 - key 6-13, 7-15, 7-17
 - light rocker 6-13, 7-15, 7-17
 - limit 6-13, 7-15, 7-17, 11-17, 12-9
 - oil pressure 8-15, 9-7, 10-7
 - rocker 1-9, 6-13, 7-15
 - three-position 7-15
 - switch, rocker 18-19
 - switch, indicator 16-29
- ## T
- tachometer 19-5
 - tachometer probe, diesel 19-5
 - tailgate 1-59, 1-61
 - tailgate angle 1-59, 1-61
 - tailgate latch wear plate 1-59
 - tailgate mounting kit 1-59
 - tank, fuel (diesel) 12-3
 - tank, fuel (gasoline) 11-5
 - tape, grip, accelerator pad 11-17, 12-9
 - tape, vinyl foam 1-7, 17-7
 - tappet 9-23, 10-29
 - tappet, push rod 8-5
 - tee, coolant fill 17-7
 - temperature indicator light, coolant 7-15, 7-17
 - tester, continuity 19-3
 - tether 1-61
 - thermometer, battery 19-3
 - thermostat 17-15
 - throttle shaft, carburetor 11-13
 - throttle valve 11-13
 - thrust button 16-3
 - thrust plate 16-3
 - tie rod end 5-5
 - tie wrap 1-9, 5-5, 16-19, 18-19
 - tilt bed 1-7
 - tilt bed frame 1-7
 - tilt latch hand grip 1-7, 1-59
 - tire
 - all-terrain 2-3
 - mud 2-5
 - tool
 - camber adjustment 19-3
 - drive clutch fixed sheave 19-3
 - drive clutch service 19-3
 - drive clutch spider removal 19-3
 - driven clutch spring compression base 19-3
 - driven clutch spring compression collar 19-3
 - driven clutch spring compression nut 19-3
 - puller, special use 19-5
 - steering wheel puller 19-5
 - track, prop rod 1-57
 - trailing link, rear suspension 5-15
 - transaxle housing 16-37
 - transmission 16-27
 - transmission cable bracket 9-5, 10-5, 16-21
 - transmission chain 16-27
 - transmission fork 16-27
 - tube
 - axle 16-37
 - breather 9-15, 10-15
 - carburetor air vent 9-47, 10-49
 - crankcase vent 11-15
 - fuel pickup 12-3
 - hydraulic 18-21
 - ROPS support 1-45
 - tube bumper kit 1-3
 - Tuflok 1-17, 1-21, 1-23, 18-19
 - tune-up kit 8-7, 9-3, 10-3
 - turn signal indicator 7-15
 - turn signal light 6-5, 7-5
- ## U
- u-joint
 - replacement kit 16-33
 - urethane bushing 1-7
- ## V
- valve 11-11, 12-7, 18-27, 18-29
 - breather 9-15, 10-15
 - carburetor 11-13
 - exhaust 8-5, 9-49, 10-51
 - float 11-13
 - intake 8-5, 9-49, 10-51
 - seat 9-13, 10-13

INDEX

throttle 11-13
valve assembly, reed 8-17
valve spring 8-5
valve spring compressor 19-5
valve spring retainer 8-5
valve stem 2-3, 2-5
V-belt 9-35, 9-37, 10-37, 10-39
vent
 fuel tank 11-5, 12-3
vent barb 9-47, 10-49, 12-5
vent, barb 11-9
vent, housing, upper 16-37
vent, transmission 16-27
volt ohm meter 19-5
voltage regulator 8-15

W

warning light, low oil 6-13, 7-15, 7-17
water flange 17-15
water pump 17-3
wear clip 5-15
wedge, bearing puller 19-3
weldment
 actuator bracket 1-9
 brake pedal 4-9
 coolant pipe 17-11
 front dash 1-19
 ROPS base front 1-45, 1-47
 seat support ROPS 1-45, 1-47
 tilt bed frame 1-7
wheel
 alloy 2-3, 2-5
 hub 5-9
 steel 2-3, 2-5
 steering 5-3
wheel cap, alloy 2-3, 2-5
wire assembly 6-9, 7-21, 7-23, 8-13, 11-5, 12-3
wire harness 1-9, 6-3, 6-5, 6-11, 7-3, 7-5, 7-7,
 7-9, 8-15
wire harness - Kawasaki FH680 6-11
wire harness, control panel 7-11
wire harness, headlight 7-7
wire harness, hydraulic power unit 7-11
wrap, tie 1-9, 5-5, 16-19, 18-19
wrench, spanner 19-5

Y

yoke, gear 19-3



Club Car, Inc.
P.O. Box 204658
Augusta, GA 30917-4658
USA

Web www.clubcar.com
Phone 1.706.863.3000
1.800.ClubCar
Int'l +1 706.863.3000
Fax 1.706.863.5808