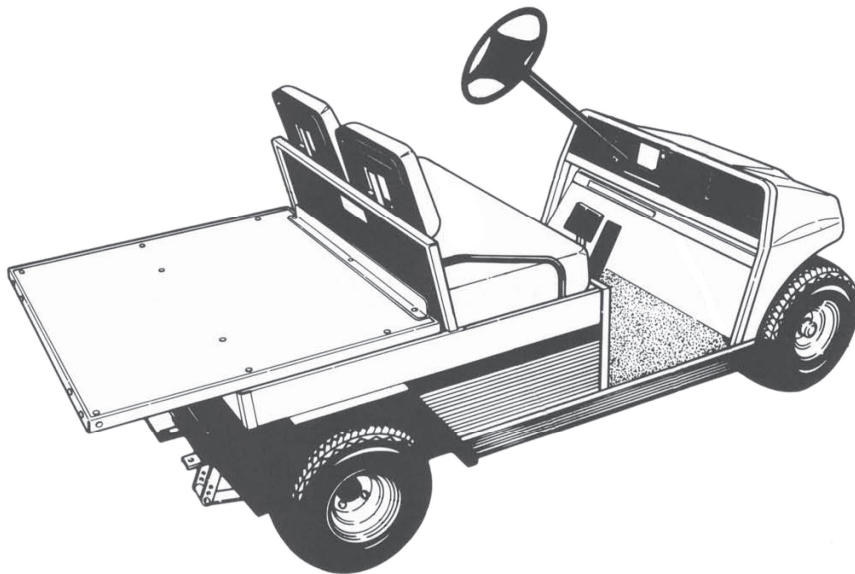


1994
Carryall I and Carryall II
Illustrated Parts List



Gasoline and Electric Vehicles

Manual Number 101770104
Edition Code 0893B1008A

USING THE ILLUSTRATED PARTS LIST

⚠ WARNING

- **This manual is to be used only for identification and ordering of service parts. Be sure to read and use the maintenance and service manual before attempting any vehicle repairs.**

Use the Table of Contents to find the sections and pages that contain the parts and assemblies you seek. The Table of Contents lists section numbers, and under them, the individual page titles and numbers to be found in that section. The index can be used to find specific parts and assemblies. The index is divided into numerical and alphabetical listings with the page numbers in italic text.

There is a two-page spread for each individual page title in the Table of Contents. On the left-hand page is an illustration showing the parts in their relative positions; the parts are each tagged with an item number in a balloon. The right-hand page is the parts list page, and gives the page title at the top, then the item numbers (corresponding to the numbers on the illustration), part descriptions, and quantity of parts used.

Note that a part description may be indented. This indentation corresponds to a parts assembly level indicated by the numbers 1, 2, 3, and 4 at the top left corner of the parts description area of the parts list page. A part that is indented to *level 2* is a component of the *level 1* part (assembly) that it is listed under. A *level 3* part is a component of the *level 2* part that it is listed under, and a *level 4* part is a component of the *level 3* part preceding it. In each case, the part quantity given for a level 2, 3, or 4 part *is the quantity used per next higher level assembly of which it is a component*. A part that is not indented is a *level 1* part. This means that the quantity given is the quantity used per the portion of the vehicle illustrated on that particular spread.

HOW TO ORDER PARTS

Replacement parts and accessories can be obtained from our network of authorized dealers and distributors. You can obtain the name and phone number of your closest authorized Club Car dealer or distributor by visiting our web site at www.clubcar.com and clicking on the "*Distributor Search*" link or by calling our toll-free Service Parts and Technical Assistance hotline at (800) 872-2246 or (706) 863-3000, extension 3887.

Copyright © 1994, 2008 Club Car, Inc.
Club Car and Carryall are registered
trademarks of Club Car, Inc



P. O. Box 204658
Augusta, Georgia 30917-4658 USA
Telephone 706-863-3000
Service Parts Fax 706-855-7413
www.clubcar.com

CONTENTS

MAINTENANCE AND SERVICE TOOLS

BODY AND TRIM	SECTION 1
Trim.....	1-3
Front Body - Carryall-I	1-5
Front Body - Carryall-II	1-7
Rear Cover - Carryall-II and Carryall-I	1-9
Seat Bottom and Backs - Carryall-I and Carryall-II	1-11
Tilt Bed and Latch - Carryall-I	1-13
Tilt Bed Prop Rod and Hinge - Carryall-II	1-15
Tilt Bed and Latch - Carryall-II	1-17
TRANSAXLE	SECTION 2
Transaxle	2-3
BRAKES, PEDAL, AND CABLE ASSEMBLY	SECTION 3
Brakes Cluster, Right and Left.....	3-3
Brakes Pedal and Cable Assembly	3-5
Accelerator Pedal Assembly.....	3-7
STEERING AND FRONT SUSPENSION	SECTION 4
Steering Column - Aluminum.....	4-3
Steering Assembly.....	4-5
Front Suspension Assembly - Delta A-Plate.....	4-7
ELECTRICAL AND BATTERY	SECTION 5
Wiring - Gasoline Vehicle	5-3
Electrical Component Box	5-5
Starter Generator Assembly	5-7
F&R Shifter Assembly	5-9
Starter Generator - Mounting.....	5-10
Reverse Buzzer	5-11
Battery	5-12
ENGINE	SECTION 6
Engine	6-3 - 6-13
FUEL, INTAKE, AND GOVERNOR SYSTEM	SECTION 7
Fuel System Assembly	7-3
Carburetor Assembly	7-5
Governor Guard and Intake Hose.....	7-7
Expansion Chamber, Choke, and Filter.....	7-9
Governor and Accelerator Cables	7-11
EXHAUST SYSTEM	SECTION 8
Exhaust System.....	8-3
TORQUE CONVERTER	SECTION 9
Drive Clutch Assembly.....	9-3
Driven Clutch Assembly.....	9-5
TRANSMISSION AND GOVERNOR	SECTION 10
Transmission and Governor Assembly	10-3
REAR SUSPENSION - GAS VEHICLE	SECTION 11
Rear Suspension Assembly.....	11-3
Inner Frame Assembly.....	11-5
ELECTRICAL - ELECTRICAL VEHICLE	SECTION 12
Power Wiring - Electric vehicle	12-3
V-Glide Wiper Switch.....	12-5
Resistor and Board Assembly - V-Glide	12-7
Forward and Reverse Switch Assembly.....	12-9
Power Wiring - Solid State Controller	12-11
Forward and Reverse Switch - Solid State Controller	12-13
V-Glide Wiper Switch - Solid State Controller.....	12-15
Reverse Buzzer	12-16
BATTERY CHARGER	SECTION 13
Model 13800 Accu-Power.....	13-3
Model 14000 Ultra-Power	13-5
MOTOR	SECTION 14
Model 13800 Accu-Power.....	14-3
Model 14000 Ultra-Power	14-5
REAR SUSPENSION ASSEMBLY - ELECTRIC VEHICLE	SECTION 15
Rear Suspension Assembly - Electric Vehicle.....	15-3

MAINTENANCE AND SERVICE TOOLS

DESCRIPTION	PART NO.
Internal Retaining Pliers	1013593
Brake Adjusting Tool	1013582
Volt Ohm Meter	1011480
Continuity Tester	1011273
Retaining Ring Pliers (45° External)	1012549
Retaining Ring Pliers (90° Internal)	1012560
Keyswitch Tool	1012801
Seal Puller	1012809
Bearing Puller	1012811
Bearing Puller Wedge Attachment	1012812
Tachometer	1016112
Drive Clutch Puller	1014496
Clutch Alignment Tool	1014498
Touch-up Lacquer- Grey	1017097-04
Transmission Tool Kit	1014115
Transaxle Pinion Seal Tool	1014161
Transaxle Axle Seal Tool	1014162
Steering Column Bearing Press Tool	1014264
Steering Column Retaining Ring Tool	1014259
Battery Terminal Protector	1014305
Dry Moly Lubricant	1012151
Hydrometer	1011478
Battery Tester (Discharge Machine)	1010687
Battery Thermometer	1011767
Fly Wheel Puller Kit	1016627
Valve Seat Cutter 45° (32mm Diameter)	1016553
Valve Seat Cutter 45° (35mm Diameter)	1016554
Valve Seat Cutter 32° (35mm Diameter)	1016555
Clutch Tool Kit	1014510
Spring Tune-Up Kit (OHV Engine)	1016110-02
Compression Gauge	1016410-01
Adapter	1016410-02
Valve Spring Compression	1016411-01
Adapter	1016411-02
Valve Guide Reamer	1016412-01
Arbor	1016412-02
Valve Clearance Adjuster Screw Holder	1016413
Piston Ring Compressor Kit	1016414
Piston Ring Plier	1016415
Bearing Driver Set	1016416
Bearing and Oil Seal Remover Assembly	1016417
Gear Yoke	1016418
Generator Belt Tension Tool	1016867
Muffler Spring Tool	1016712
Armorflex Repair Kit	1017295
Adhesion Promoter - Armorflex	1016985

Please refer to the Maintenance and Service Manual for proper tool application.

INDEX

GASOLINE







G

ELECTRIC



E








BODY AND TRIM		1
TRANSAXLE		2
BRAKES, PEDAL, AND CABLE ASSEMBLY		3
STEERING AND FRONT SUSPENSION		4

INDEX

GASOLINE



G

ELECTRICAL AND BATTERY		5
ENGINE		6
FUEL, INTAKE, AND GOVERNOR SYSTEM		7
EXHAUST SYSTEM		8
TORQUE CONVERTER		9
TRANSMISSION AND GOVERNOR		10
REAR SUSPENSION - GASOLINE VEHICLE		11

INDEX

ELECTRIC

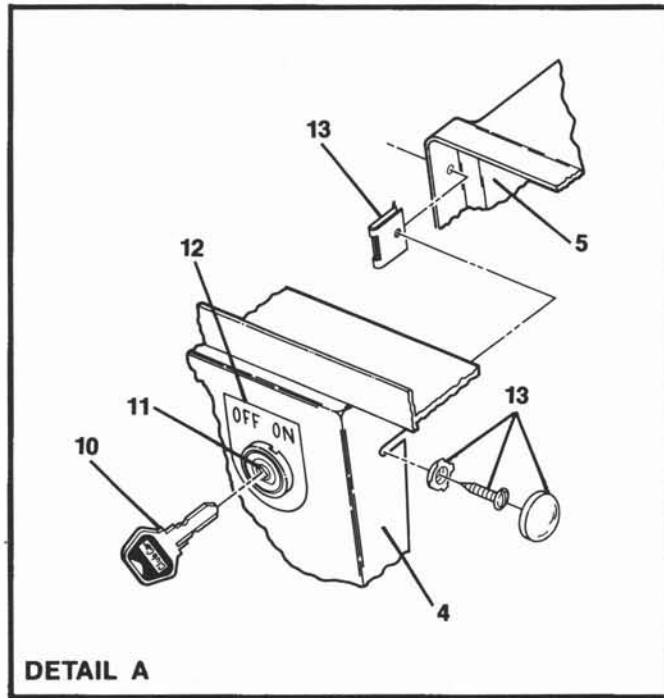
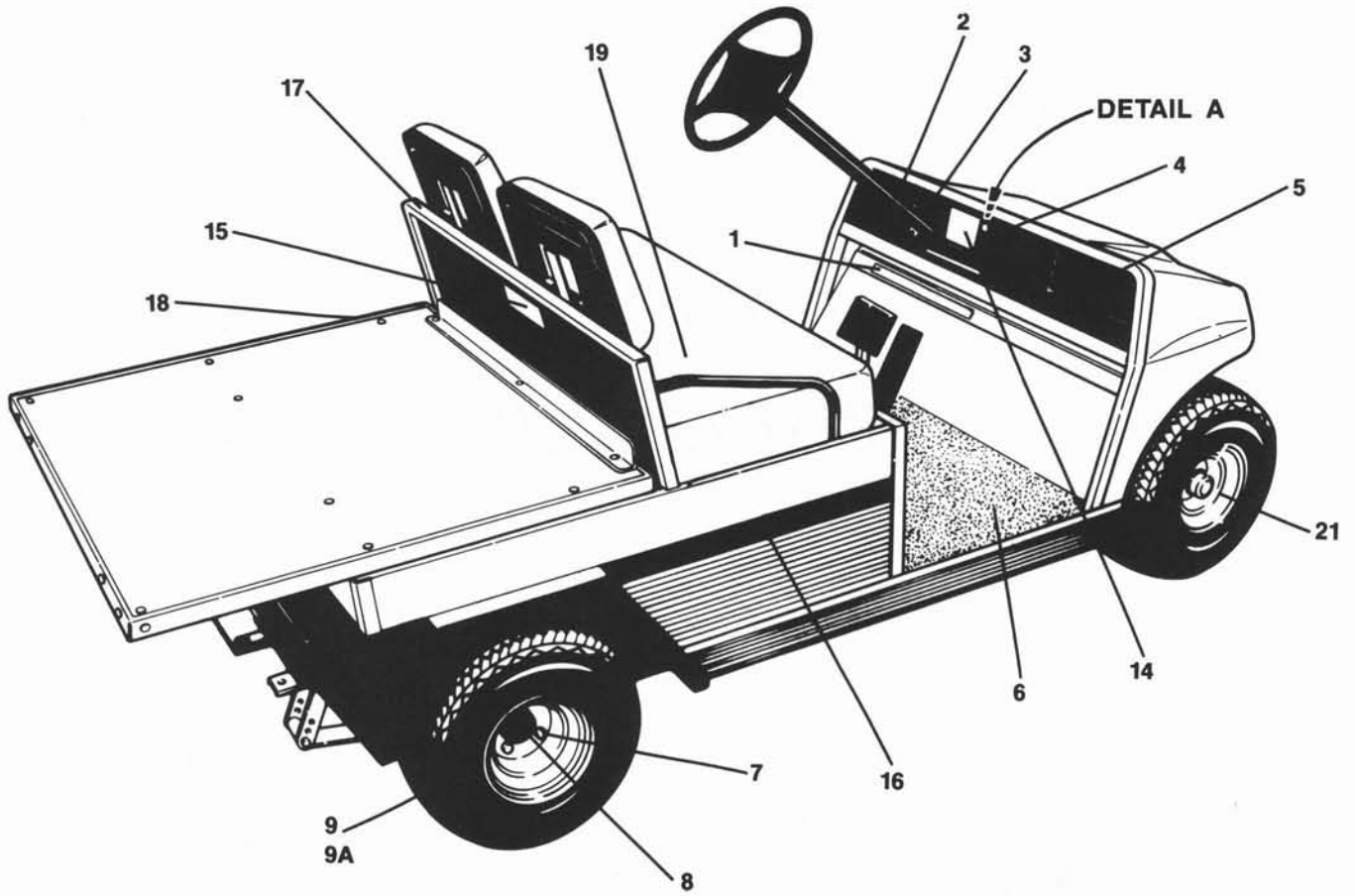


E

ELECTRICAL – ELECTRIC VEHICLE		12
BATTERY CHARGER		13
MOTOR		14
REAR SUSPENSION - ELECTRIC VEHICLE		15

Section 1

BODY AND TRIM



TRIM

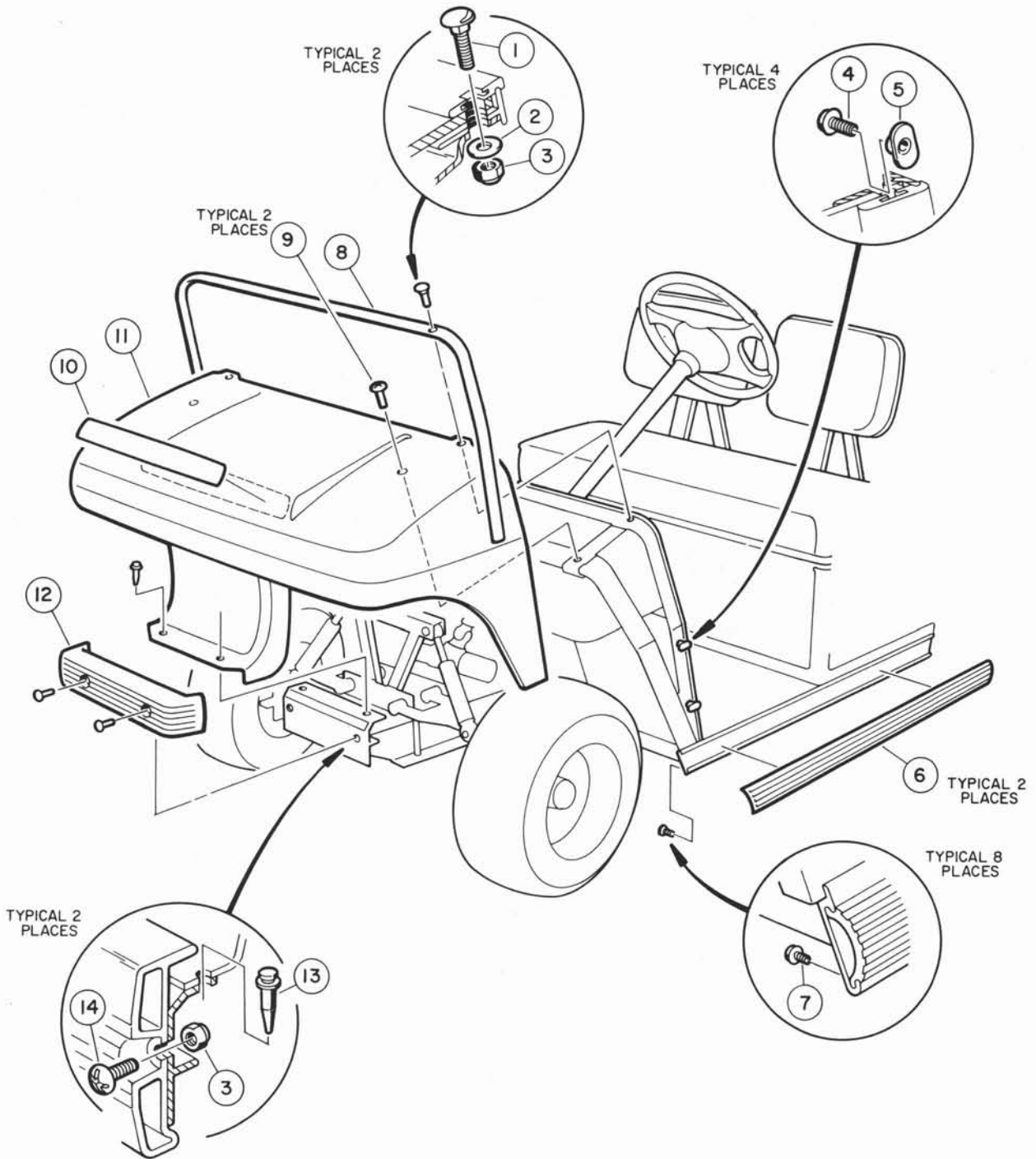
TRIM

G

E

1

ITEM NUMBER	PART NUMBER	DESCRIPTION	UNITS PER VEHICLE	UNITS PER VEHICLE	UNITS PER VEHICLE
			CA-I GAS	CA-II GAS	CA-I ELEC.
1	1014883	DASH WARNING DECAL	1	1	1
2	1013344	DASH COMPONENT, LEFT (BLACK)	1	1	1
3	1016630	OIL LIGHT W/INTERNAL RESISTOR	1	1	
4	1016604-02	CENTER DASH PANEL (BLACK)			1
5	1016620-02	CENTER DASH PANEL WITH OIL LIGHT OPENING (BLACK)	1	1	
5	1013343	DASH COMPONENT, RIGHT (BLACK)	1	1	1
6	1015032	MOLDED FLOORMAT	1	1	1
7	1011390	LUG NUT PACKAGE (8 PIECES)	2	2	2
8	1012186	DUST SEAL	2	2	2
9	1016514-01	TIRE AND WHEEL ASSEMBLY, WHITE, RIB TERRA	4	4	4
9	1016514-02	TIRE AND WHEEL ASSEMBLY, WHITE, POWER RIB	4	4	4
9	1016514-03	TIRE AND WHEEL ASSEMBLY, WHITE, SOFTRAC	4	4	4
9	1016514-04	TIRE AND WHEEL ASSEMBLY, WHITE, WHITEWALL POWER RIB	4	4	4
9	1016514-05	TIRE AND WHEEL ASSEMBLY, WHITE, TERRAGARD	4	4	4
9	1016514-06	TIRE AND WHEEL ASSEMBLY, WHITE, POWER CUSHION, 6 PLY	4	4	4
9	1016514-07	TIRE AND WHEEL ASSEMBLY, WHITE, SOFTRAC, 6 PLY	4	4	4
9A	7271	UNMOUNTED TIRE, STANDARD RIB	A/R	A/R	A/R
9A	1015672	UNMOUNTED TIRE, POWER RIB	A/R	A/R	A/R
9A	1015674	UNMOUNTED TIRE, SOFTRAC	A/R	A/R	A/R
9A	1015673	UNMOUNTED TIRE, TERRAGARD	A/R	A/R	A/R
9A	1015676	UNMOUNTED TIRE, INDUSTRIAL	A/R	A/R	A/R
9A	1017370	UNMOUNTED TIRE, POWER CUSHION, 6 PLY	A/R	A/R	A/R
9A	1017693	UNMOUNTED TIRE, SOFTRAC, 6 PLY	A/R	A/R	A/R
10	1012505	KEY PAIR	PR	PR	PR
11	1012415	SWITCH, KEY - 12 VOLT INCLUDES ITEM 11	1	1	
11	1012531	SWITCH, KEY - 36 VOLT INCLUDES ITEM 11			1
12	1012530	DECAL, ON/OFF	1	1	1
13	1014645	SNAP WASHER KIT (BLACK)	2	2	2
14	1015884	VEHICLE LOADING DECAL, CARRYALL-I	1		1
14	1015717	VEHICLE LOADING DECAL, CARRYALL-II		1	
15	1015539	TILT BED DECAL WARNING DECAL	1	1	1
16	1015397	DECAL - LEFT SIDE, CARRYALL-I	1		1
16	1015396	DECAL - RIGHT SIDE, CARRYALL-I	1		1
16	1015394	DECAL - LEFT SIDE, CARRYALL-II		1	
16	1015395	DECAL - RIGHT SIDE, CARRYALL-II		1	
17	1016094	WARNING PINCH POINT DECAL	1	1	1
18	1015437	LATCH WARNING DECAL	1	1	1
19	1015475	MOVING PARTS DECAL - GASOLINE VEHICLE (ON FRAME)	1	1	
20	1015476	DANGER DECAL - GASOLINE VEHICLE (NOT SHOWN)	1	1	
21	1014771	WHEEL RIM, WHITE	A/R	A/R	A/R



FRONT BODY — CARRYALL-I

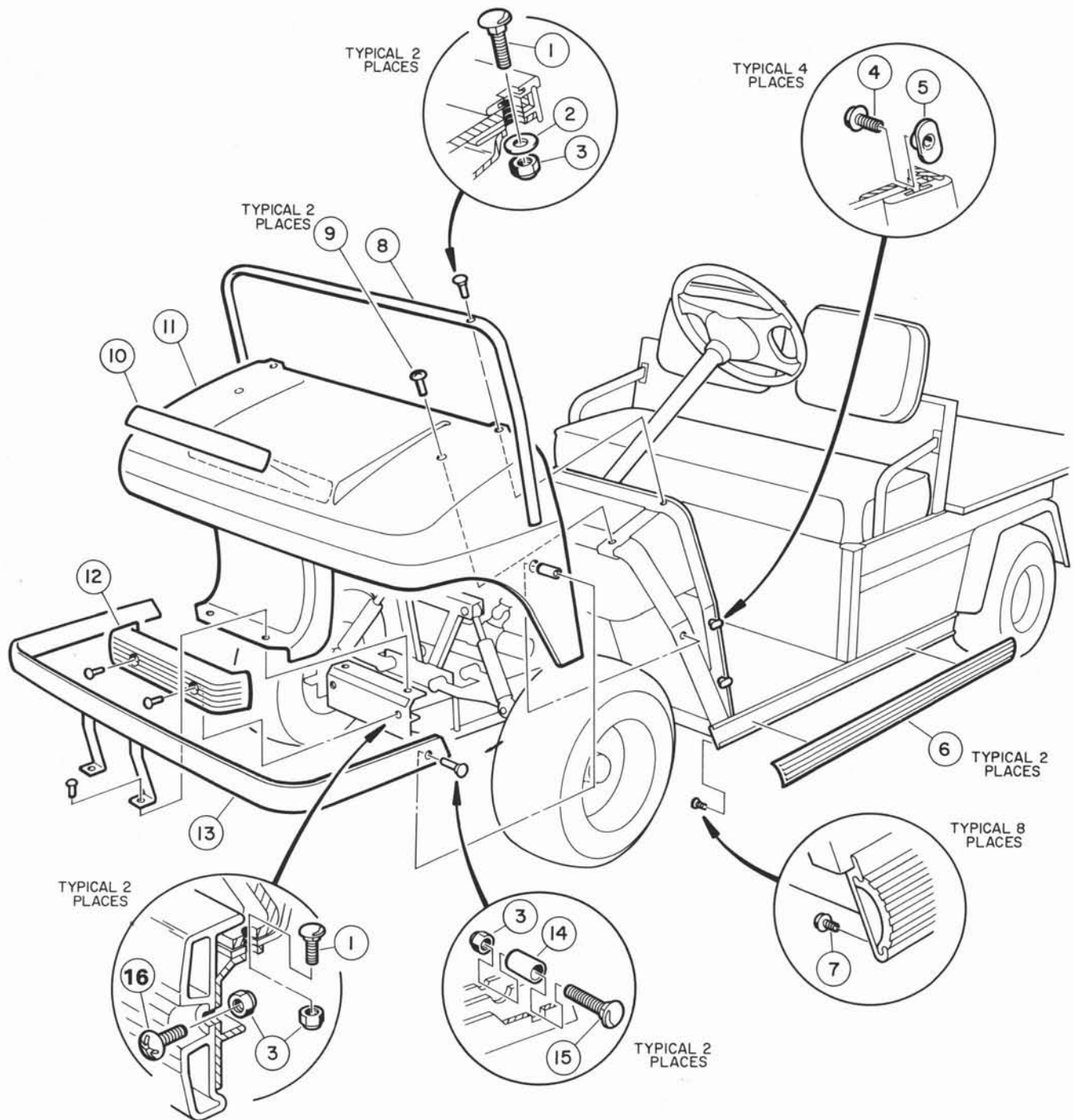
FRONT BODY — CARRYALL-I

G

E

1

ITEM NUMBER	PART NUMBER	1	2	3	4	DESCRIPTION	UNITS PER VEHICLE
1	1010435					ROUND HEAD SQUARE NECK BOLT, 5/16-18 X 1"	2
2	1241					FLATWASHER, 5/16 DIAMETER	2
3	7473					NYLON LOCKNUT, 5/16-18	4
4	1011017					FLANGE LOCK SCREW	6
5	1011659					SLAB BASE "T" NUT	4
6	1013983					BUMPER GUARD SIDE TRIM	2
7	1012047					SELF-TAPPING SCREW, TYPE F, #8-32	8
8	1011014					FRONT BODY TRIM	1
9	7251					PHILLIPS TRUSS HEAD SCREW, 5/16-18 X 1"	2
10	1013493					NAMEPLATE DECAL	1
11	1016925-04					FRONT BODY — GRAY	1
11	1016939-04					FRONT BODY WITH HEADLIGHTS OPENINGS — GRAY	1
12	1016868					FRONT BUMPER	1
13	1016967					BLIND RIVET	2
14	7251					PHILLIPS TRUSS HEAD SCREW, 5/16-18 X 1"	2
	1017080					FRONT BUMPER KIT INCLUDES 3, 12, AND 14	1



FRONT BODY — CARRYALL-II

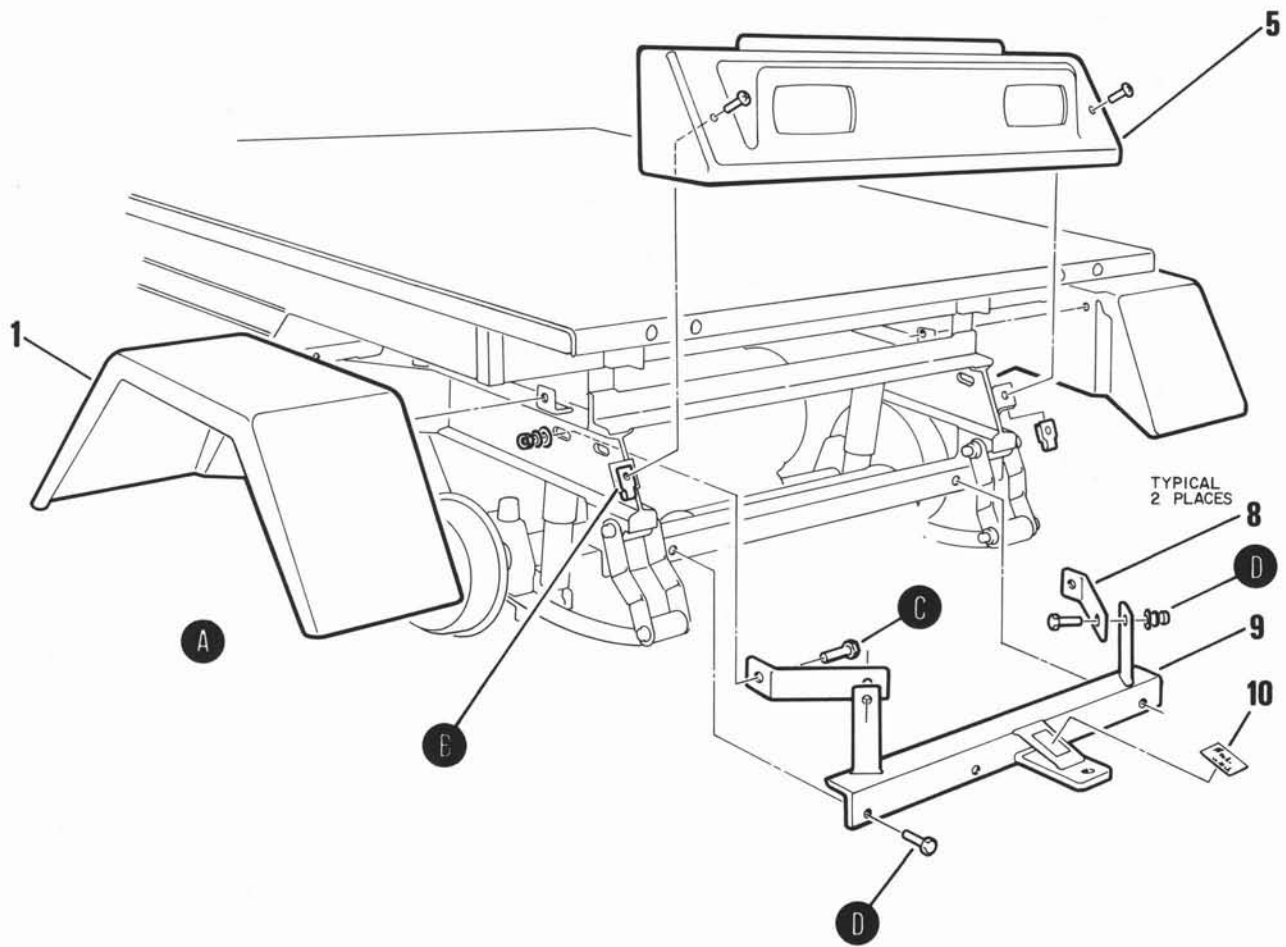
FRONT BODY — CARRYALL-II

G

E

1

ITEM NUMBER	PART NUMBER	DESCRIPTION	UNITS PER VEHICLE
1	1010435	ROUND HEAD SQUARE NECK BOLT, 5/16-18 X 1"	2
2	1241	FLATWASHER, 5/16 DIAMETER	2
3	7473	NYLON LOCKNUT, 5/16-18	4
4	1011017	FLANGE LOCK SCREW	6
5	1011659	SLAB BASE "T" NUT	4
6	1013985	BUMPER GUARD SIDE TRIM	2
7	1012047	SELF-TAPPING SCREW, TYPE F, #8-32	8
8	1011014	FRONT BODY TRIM	1
9	7251	PHILLIPS TRUSS HEAD SCREW, 5/16-18 X 1"	2
10	1013493	NAMEPLATE DECAL	1
11	1016925-04	FRONT BODY — GRAY	1
11	1016939-04	FRONT BODY WITH HEADLIGHTS OPENINGS - GRAY	1
12	1016868	FRONT BUMPER	1
13	1017348-02	HEAVY DUTY BUMPER KIT INCLUDES 1, 3 AND 13 THRU 15	2
14	1010546	SPACER	2
15	1015405	ROUND HEAD SQUARE NECK BOLT, 5/16-18 X 2"	2
16	7251	PHILLIPS TRUSS HEAD SCREW, 5/16-18 X 1"	
	1017080	FRONT BUMPER KIT INCLUDES 1,3,12, AND 16	



DETAIL A	DETAIL B	DETAIL C	DETAIL D
<p>TYPICAL 4 PLACES AT EACH FENDER</p>	<p>TYPICAL 2 PLACES</p>	<p>TYPICAL 2 PLACES</p>	<p>TYPICAL 4 PLACES</p>

REAR COVER — CARRYALL-I AND CARRYALL-II

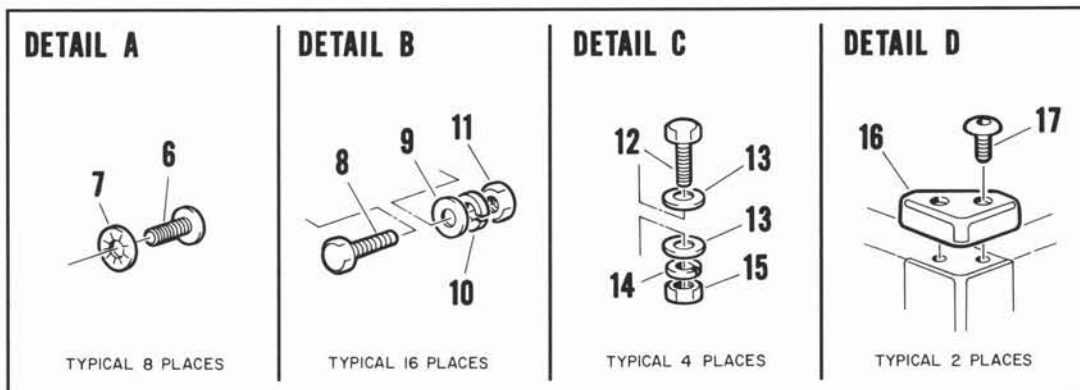
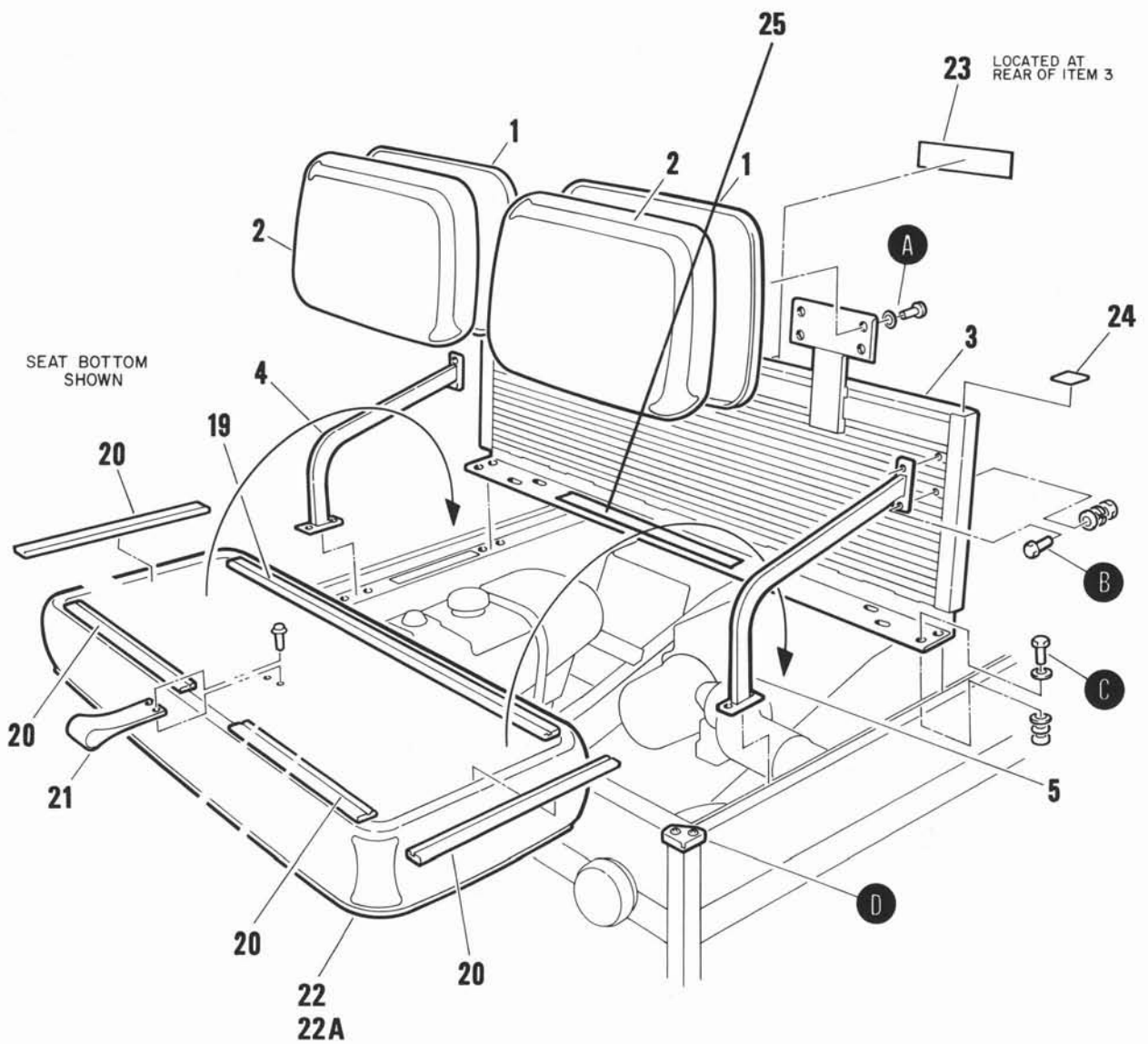
REAR COVER — CARRYALL-I AND CARRYALL-II

G

E

1

ITEM NUMBER	PART NUMBER	1	2	3	4	DESCRIPTION	UNITS PER VEHICLE
1	1016679					REAR FENDER, CARRYALL	2
2	304					HEX HEAD CAP SCREW, 1/4-20 X 1"	6
3	451					LOCKWASHER, 1/4 DIAMETER	12
4	1028					HEX NUT, 1/4-20	6
5	1015530					TAILSKIRT	1
6	8248					PHILLIPS PAN TRUSS HEAD SCREW, 1/4-20 X 3/4"	2
7	1015529					TINNERMAN U-TYPE NUT, 1/4-20	2
8	1013483					BRACE, TRAILER HITCH	2
9	1015445					TRAILER HITCH KIT	1
						INCLUDES ITEMS 10, AND 12-20	
10	1011553					TRAILER HITCH DECAL	1
11	706					HEX NUT, 3/8-16	2
12	357					LOCKWASHER, 3/8 DIAMETER	2
13	1011990					FLATWASHER, 3/8 DIAMETER	2
14	320					HEX HEAD CAP SCREW, 3/8-16 X 1"	2
15	1242					HEX NUT, 5/16-18	4
16	7174					LOCKWASHER, 5/16 DIAMETER	4
17	1241					FLATWASHER, 5/16 DIAMETER	4
18	1010934					HEX HEAD CAP SCREW, 5/16-18 X 1"	4
						TRAILER HITCH STANDARD ON CARRYALL-II	



SEAT BOTTOM AND SEAT BACKS — CARRYALL-I AND CARRYALL-II

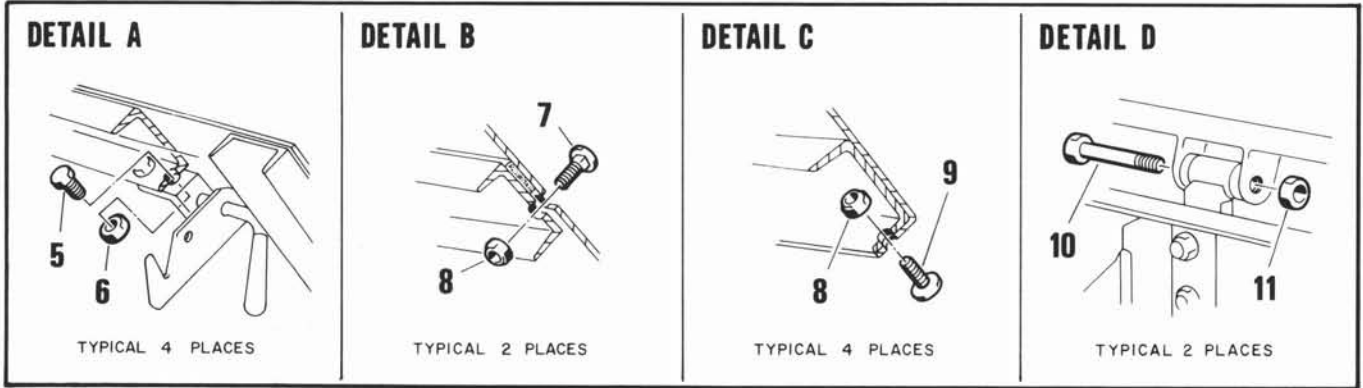
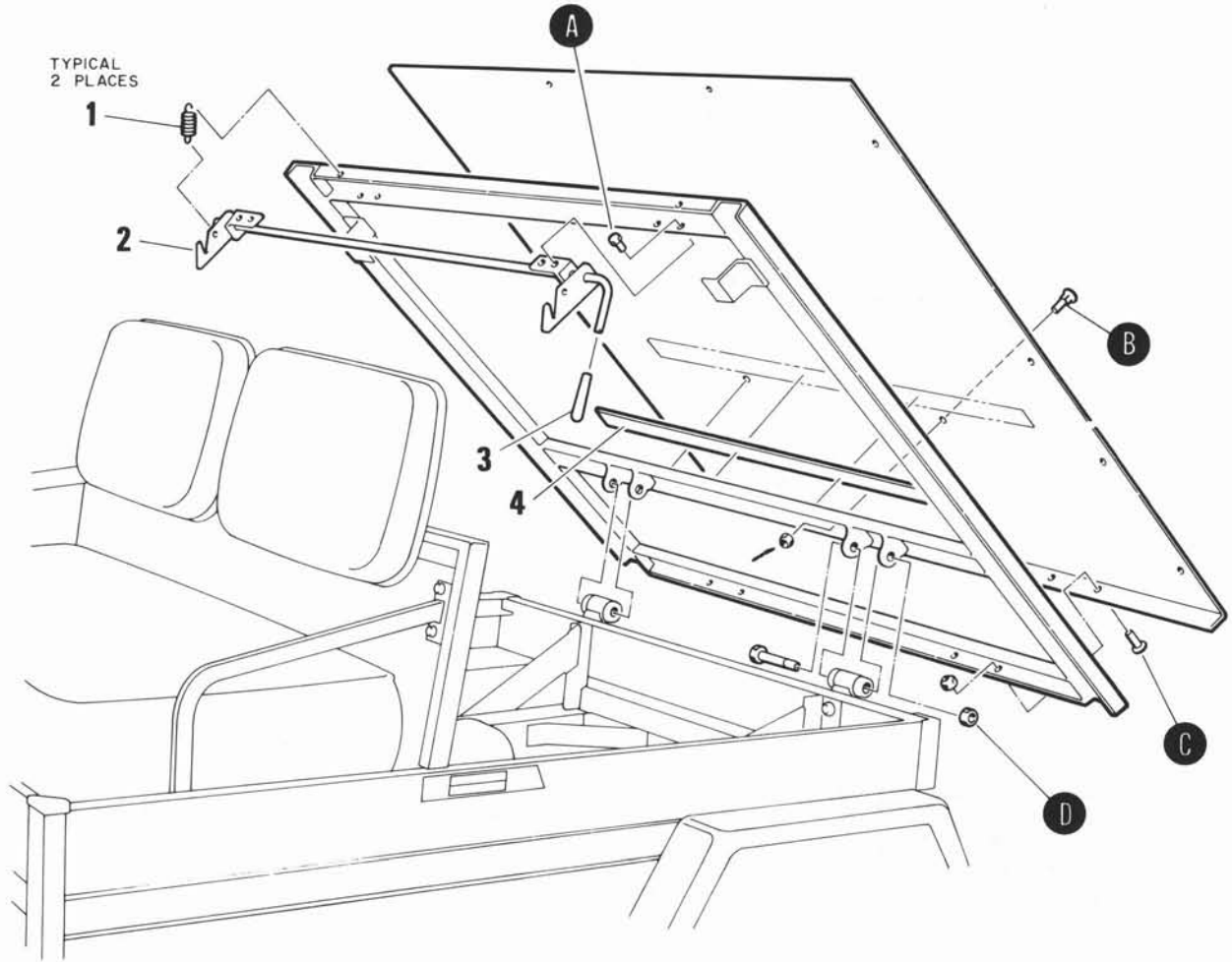
SEAT BOTTOM AND SEAT BACKS — CARRYALL-I AND CARRYALL-II

G

E

1

ITEM NUMBER	PART NUMBER	DESCRIPTION	UNITS PER VEHICLE
1	1013335	SEAT BACK CAP, BLACK	2
2	1015652-02	SEAT BACK ASSEMBLY - WHITE INCLUDES ITEM 1 AND SEAT BACK CUSHION	2
2	1015652-05	SEAT BACK ASSEMBLY - BLACK INCLUDES ITEM 1 AND SEAT BACK CUSHION	1
2A	1015626-02	VINYL COVER SEAT BACK, WHITE	A/R
2A	1015626-04	VINYL COVER SEAT BACK, BLACK	A/R
3	1015239	SEAT SUPPORT PANEL	1
4	1015357	ARM REST ASSEMBLY, RIGHT HAND	1
5	1015941	ARM REST ASSEMBLY, LEFT HAND	1
6	8248	PHILLIPS TRUSS HEAD SCREW, 1/4-20 X 3/4"	8
7	8304	INTERNAL TOOTH LOCKWASHER, 1/4 DIAMETER	8
8	304	HEX HEAD CAP SCREW, 1/4-20 X 1"	20
9	332	FLATWASHER, 1/4 DIAMETER	20
10	451	LOCK WASHER, 1/4 DIAMETER	16
11	1028	HEX NUT, 1/4-20	16
12	1010934	HEX HEAD CAP SCREW, 5/16-18 X 1"	4
13	1241	FLATWASHER, 5/16 DIAMETER	8
14	7174	LOCK WASHER, 5/16 DIAMETER	4
15	1242	HEX NUT, 5/16-18	4
16	1014387	CORNER CAP	2
17	1014321	TRUSS TORX HEAD SCREWS #10-32	4
18	1010545	HEX WASHER HEAD SCREW, 1/4-14 X3/4"	2
19	1013312	SEAT BUMBER, LONG	1
20	1013311	SEAT BUMBER, SHORT	4
21	1013309	SEAT BOTTOM STRAP	1
22	1015645-02	SEAT BOTTOM ASSEMBLY - WHITE INCLUDES ITEMS 8, 9, AND 18 THRU 22 AND SEAT BOTTOM CUSHION	1
22	1015645-03	SEAT BOTTOM ASSEMBLY - BLACK INCLUDES ITEMS 8, 9, AND 18 THRU 22 AND SEAT BOTTOM CUSHION	1
22A	1015627-02	VINYL COVER SEAT BOTTOM, WHITE	A/R
22A	1015627-04	VINYL COVER SEAT BOTTOM, BLACK	A/R
23	1015539	BED LOAD DECAL	1
24	1016094	PINCH POINT WARNING DECAL	1
25	1017257	HOT MANIFOLD DECAL	1



TILT BED AND LATCH — CARRYALL-I

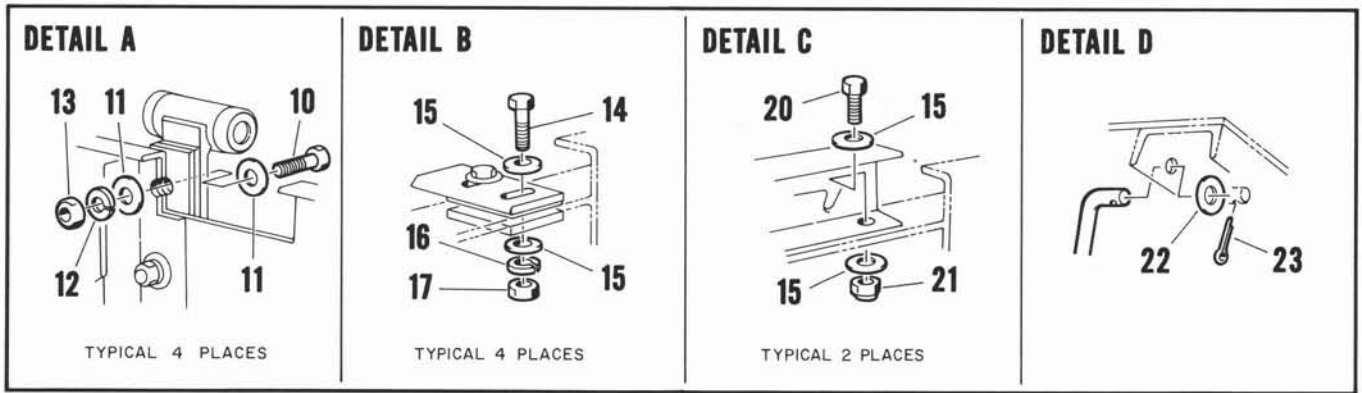
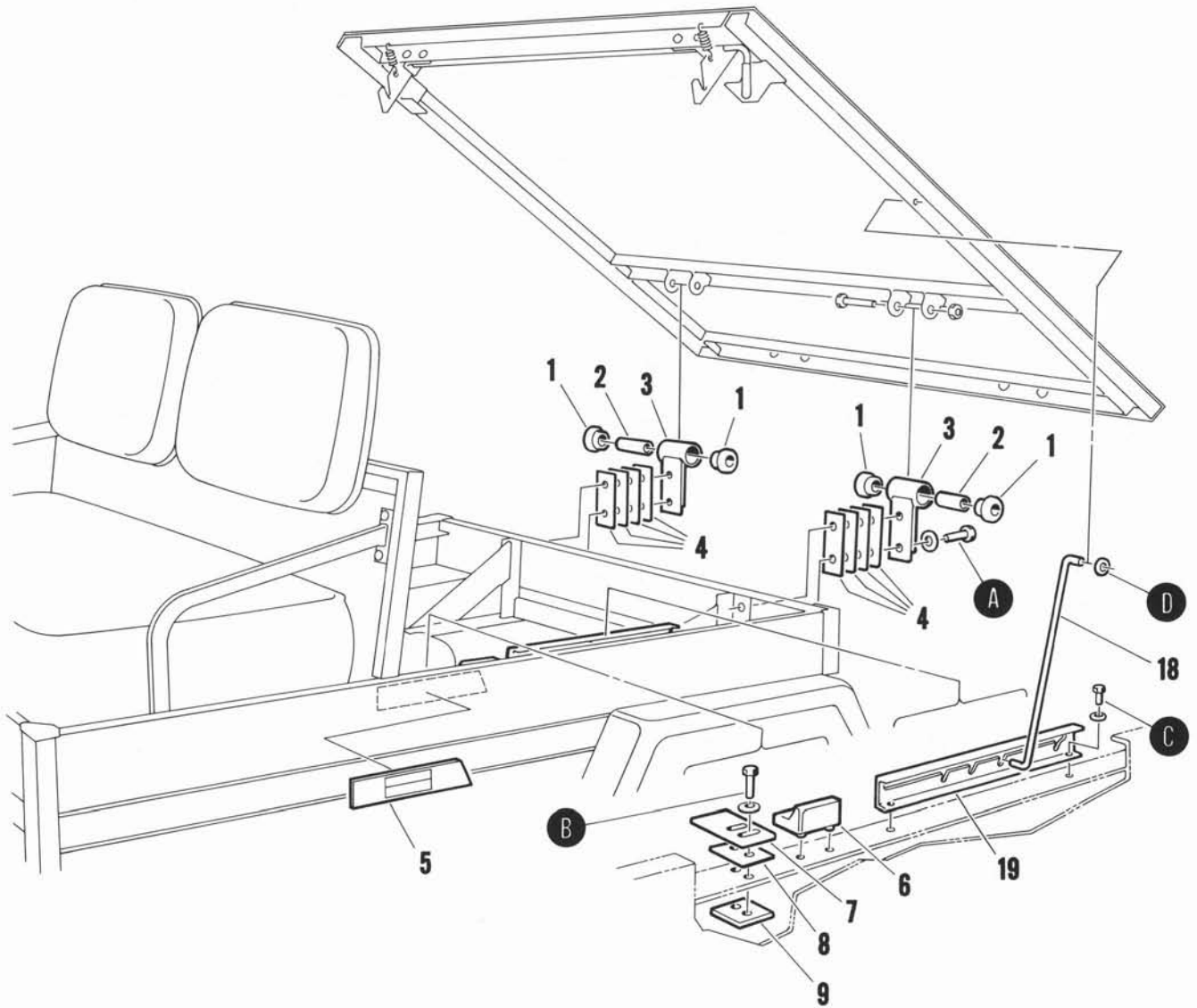
TILT BED AND LATCH — CARRYALL-I

ITEM NUMBER	PART NUMBER	1 2 3 4	DESCRIPTION	UNITS PER VEHICLE
	1015427		TILT BED ASSEMBLY CA-I INCLUDES 1 THRU 12	
1	1015391		LATCH EXTENSION SPRING	2
2	1015252		LATCH WELD ASSEMBLY	1
3	1015400		HAND GRIP, TILT LATCH	1
4	NO #		INSULATION, 42 INCHES LONG, SEE ITEM #12	1
5	403		HEX HEAD CAP SCREW, 1/4-20 X 5/8"	4
6	1108		DIMPLED LOCKNUT, 1/4-20	4
7	1010435		ROUND HEAD SQUARE NECK BOLT, 5/16-18 X 1"	2
8	7473		NYLON LOCKNUT, 5/16-18	6
9	1015399		TORX TRUSS HEAD SCREW, 5/16-18 X 3/4"	4
10	8755		HEX HEAD CAP SCREW, 3/8-16 X 3-3/8"	2
11	8754		NYLON LOCKNUT, 3/8-16	2
12	1014471		INSULATION - BULK	A/R
			HINGE COMPONENTS - CARRYALL-I SEE PAGE 1-14, ITEMS 1 THRU 4 AND 10 THRU 13	
			LATCH PLATE COMPONENTS - CARRYALL-I SEE PAGE 1-14, ITEMS 6 THRU 9 AND 14 THRU 17	

G

E

1

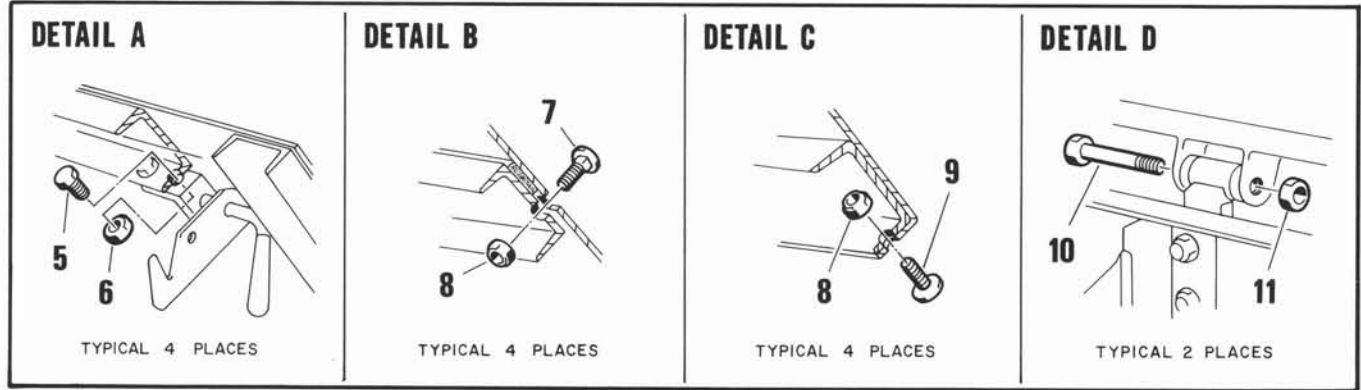
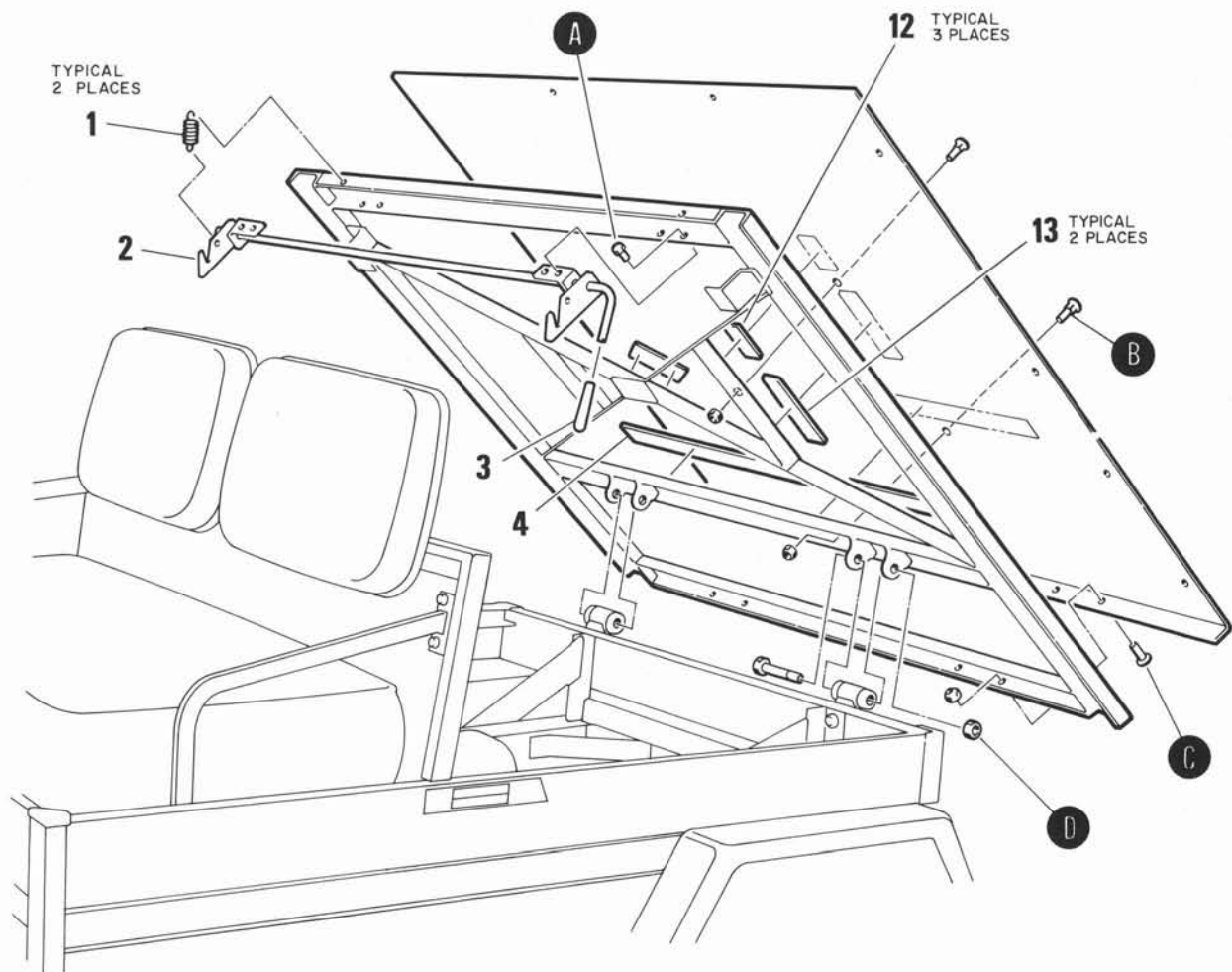


TILT BED PROP ROD AND HINGE — CARRYALL-II

TILT BED PROP ROD AND HINGE — CARRYALL-II

G
E
1

ITEM NUMBER	PART NUMBER	1	2	3	4	DESCRIPTION	UNITS PER VEHICLE
1	1015583					URETHANE BUSHING	4
2	1012303					STEEL BUSHING	2
3	1015356					HINGE WELD ASSEMBLY, TILT BED	2
4	1015507					SHIM, TILT BED PIVOT	8
5	1015437					WARNING DECAL	1
6	1015242					BED BUMPER	2
7	1015277					LATCH PLATE, TILT BED	2
8	1016078					LATCH PLATE SHIM	A/R
9	1016060					LATCH PLATE SUPPORT	2
10	8861					HEX HEAD CAP SCREW, 3/8-16 X 1-3/4"	4
11	1011990					FLATWASHER, 3/8 DIAMETER	8
12	357					LOCKWASHER, 3/8 DIAMETER	4
13	706					HEX NUT, 3/8-16	4
14	304					HEX HEAD CAP SCREW, 1/4-20 X 1"	4
15	332					FLATWASHER, 1/4 DIAMETER	8
16	451					LOCKWASHER, 1/4 DIAMETER	8
17	1028					HEX NUT, 1/4-20	4
18	1015348					PROP ROD, CARRYALL-II	1
19	1015700					TRACK, PROP ROD	1
20	7847					HEX HEAD CAP SCREW, 1/4-20 X 3/4"	2
21	8233					NYLON LOCKNUT, 1/4-20	2
22	334					FLATWASHER, 3/8 DIAMETER	1
23	1035					COTTER PIN, 3/32 DIAMETER X 1"	1



TILT BED AND LATCH — CARRYALL-II

TILT BED AND LATCH — CARRYALL-II

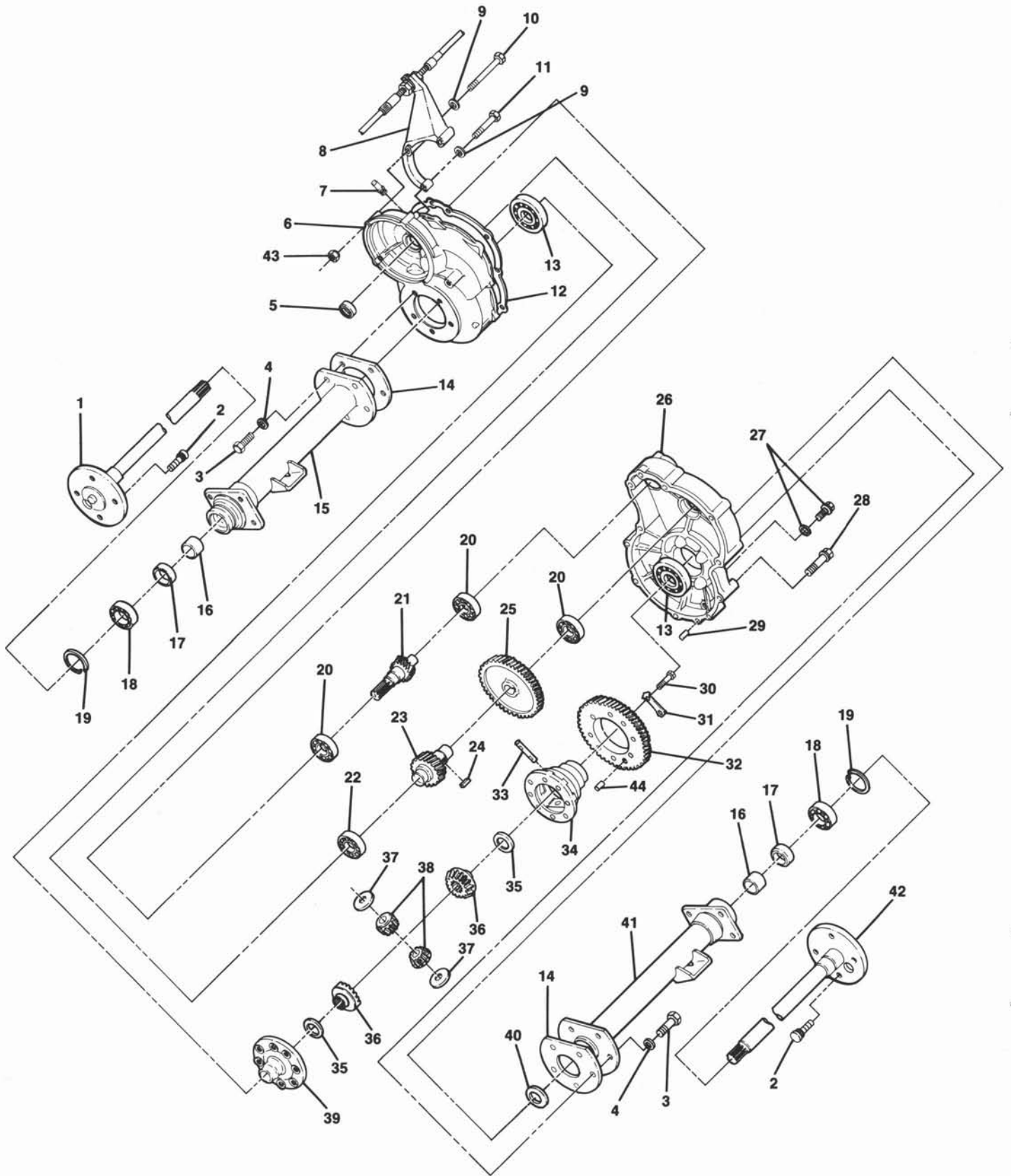
G

E

1

ITEM NUMBER	PART NUMBER	1 2 3 4	DESCRIPTION	UNITS PER VEHICLE
	1015429		TILT BED ASSEMBLY CA-II INCLUDES 1 THRU 14	
1	1015391		LATCH EXTENSION SPRING	2
2	1015252		LATCH WELD ASSEMBLY	1
3	1015400		HAND GRIP, TILT LATCH	1
4	NO #		INSULATION, 46 INCHES LONG, SEE ITEM #14	1
5	403		HEX HEAD CAP SCREW, 1/4-20 X 5/8"	4
6	1108		DIMPLED LOCKNUT, 1/4-20	4
7	1010435		ROUND HEAD SQUARE NECK BOLT, 5/16-18 X 1"	4
8	7473		NYLON LOCKNUT, 5/16-18	8
9	1015399		TORX TRUSS HEAD SCREW, 5/16-18 X 5/8"	4
10	8755		HEX HEAD CAP SCREW, 3/8-16 X 3-3/8"	2
11	8754		NYLON LOCKNUT, 3/8-16	2
12	NO #		INSULATION, 4 INCHES LONG, SEE ITEM #14	3
13	NO #		INSULATION, 8 INCHES LONG, SEE ITEM #14	2
14	1014471		INSULATION BULK	A/R

Section 2
TRANSAXLE



TRANSAXLE

TRANSAXLE

ITEM NUMBER	PART NUMBER	DESCRIPTION				UNITS PER VEHICLE
		1	2	3	4	
	1016938	TRANSAXLE				1
		INCLUDES ALL ITEMS EXCEPT 8, 9, 10, 11, AND 43				
1	1013785	AXLE ASSEMBLY, RIGHT				1
		INCLUDES ITEMS 2, 16, 18, 19, AND 45				
2	1013787	LUG STUD				8
3	1013790	BOLT (10 X 30)				10
4	1013791	LOCKWASHER				10
5	1013775	INPUT SHAFT OIL SEAL				1
6	1013756	GEAR CASE - RIGHT				1
7	1012711	BREATHER PLUG				1
8	1013866	SHIFT CABLE SUPPORT BRACKET KIT (GASOLINE VEHICLE ONLY)				1
		INCLUDES ITEMS 9, 10, 11, AND 43				
9	332	FLATWASHER, 1/4 DIAMETER				6
10	1013872	HEX HEAD CAP SCREW, 1/4-20 X 4"				2
11	1012462	HEX HEAD CAP SCREW, 1/4-20 X 3-1/2"				1
12	1013758	GASKET, CASE				1
13	7330	INNER AXLE, TUBE BEARING				2
14	1013789	GASKET - AXLE TUBE				2
15	1017703	AXLE TUBE ASSEMBLY - RIGHT				1
16	1014207	BUSHING WITH GROOVE IN END				1
17	1013794	AXLE SHAFT OIL SEAL				2
18	1011291	OUTER AXLE TUBE BEARING				2
19	1013792	CIRCLIP, TYPE C				2
20	7335	INPUT GEAR BEARING				3
21	1013764	SHAFT, INPUT				1
22	7336	INTERMEDIATE GEAR BEARING				1
23	1013766	INTERMEDIATE GEAR - SMALL				1
24	1013780	KEY, SUNK				1
25	1013765	INTERMEDIATE GEAR - LARGE				1
26	1013757	GEAR CASE - LEFT				1
27	1013759	FILL PLUG WITH GASKET				2
28	1013763	BOLT (6 X 50)				10
29	1012710	PIN, DOWEL				2
30	1013779	BOLT (8 X 37)				8
31	1013782	PLATE, LOCK				4
32	1013767	OUTPUT GEAR				1
33	1013772	DIFFERENTIAL PIN				1
34	1013768	DIFFERENTIAL GEAR CASE - LEFT				1
35	1013773	PLATE, THRUST (DIFFERENTIAL GEAR)				2
36	1013771	DIFFERENTIAL GEAR				2
37	1013774	PLATE, THRUST (IDLER GEAR)				2
38	1013770	DIFFERENTIAL IDLER GEAR				2
39	1013769	DIFFERENTIAL GEAR CASE - RIGHT				1
40	1013781	SHIM				A/R
41	1017704	AXLE TUBE ASSEMBLY - LEFT				1
42	1013786	AXLE ASSEMBLY, LEFT				1
		INCLUDES ITEM 2, 16, 18, 19, AND 45				
43	8233	NYLON INSERT LOCKNUT, 1/4-20				3
44	1014193	PIN, DOWEL				1
45	1016672	RETAINING RING				2

G

E

2

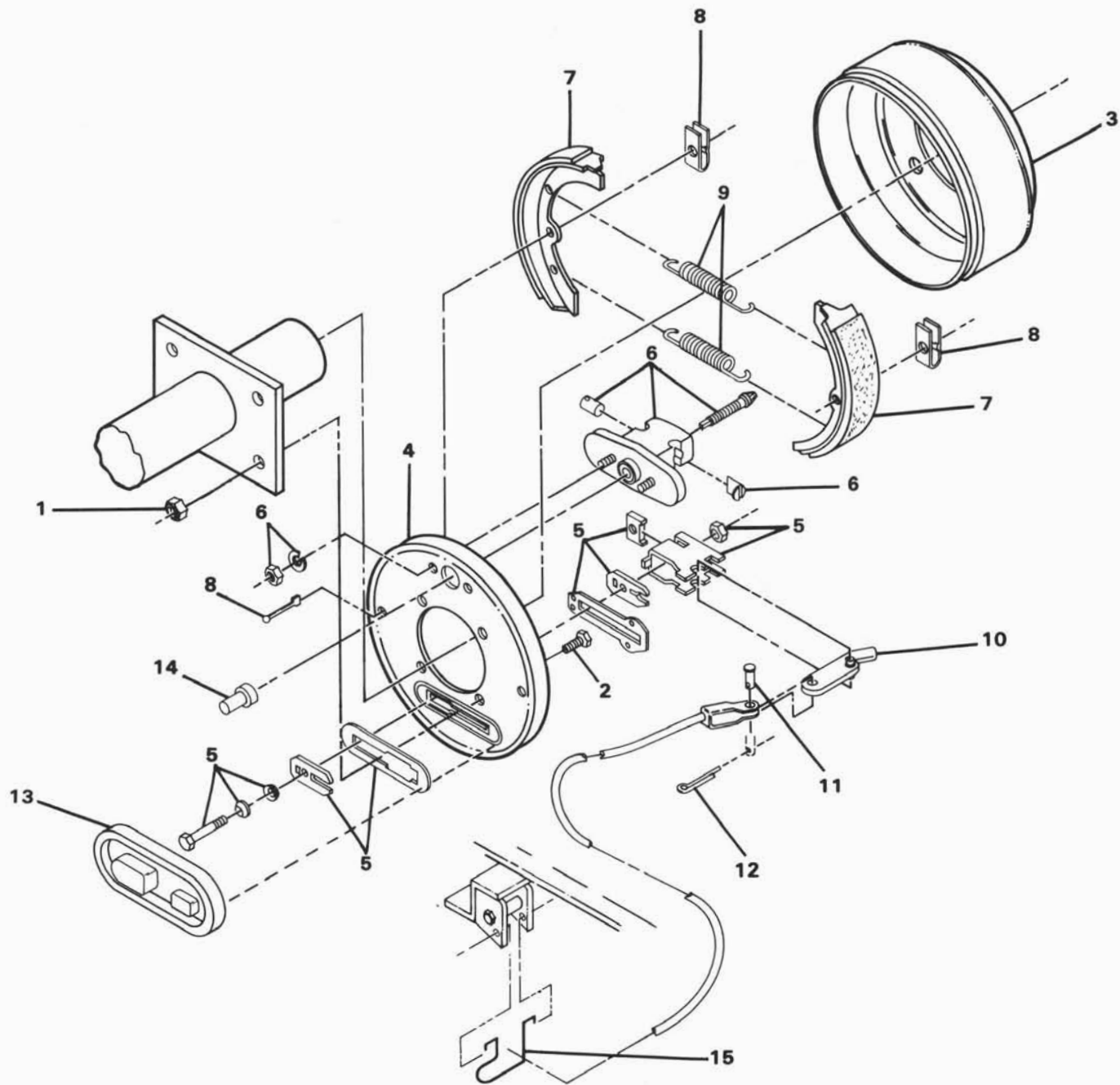
G

E

Section 3

BRAKES, PEDAL AND CABLE ASSEMBLY

3



BRAKE CLUSTER, RIGHT HAND AND LEFT HAND

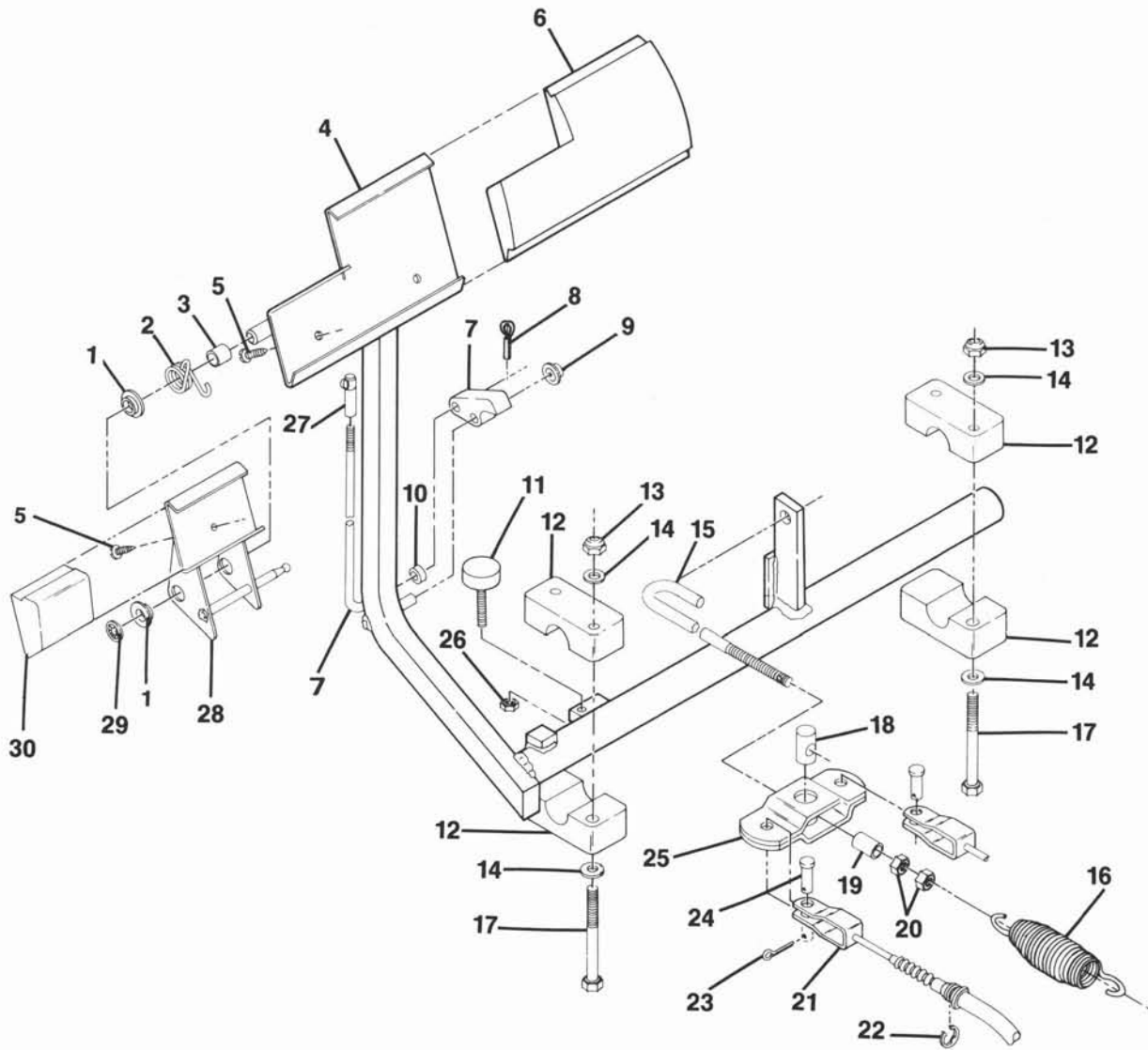
BRAKE CLUSTER, RIGHT HAND AND LEFT HAND

ITEM NUMBER	PART NUMBER	DESCRIPTION				UNITS PER VEHICLE
		1	2	3	4	
	1011145	RIGHT HAND BRAKE CLUSTER W/O BRAKE DRUM INCLUDES ITEMS 4 THRU 14				1
	1011146	LEFT HAND BRAKE CLUSTER W/O BRAKE DRUM INCLUDES ITEMS 4 THRU 14				1
1	1013924	LOCKNUT CONE, 5/16-24 GRADE 8				8
2	1014153	BOLT, BRAKE CLUSTER MOUNTING				8
3	1011137	DRUM, BRAKE				2
4	1011494	PLATE BACKING, LEFT HAND				1
4	1011154	PLATE BACKING, RIGHT HAND				1
5	1011465	BRAKE ACTUATOR KIT				1
6	1011467	ANCHOR BODY KIT				1
7	1011463	BRAKE SHOE PACKAGE (4 PIECES)				1
8	1011466	SHOE RETAINER KIT				1
9	1011464	BRAKE SPRING PACKAGE (4 PIECES)				1
10	N/A	ARM, BRAKE LEVER				2
11	1010829	PIN, 5/16 CLEVIS				2
12	1035	PIN, COTTER, 3/32 X1"				2
13	1010850	COVER, DUST				2
14	1011303	CAP, ADJUSTMENT BOLT				2
15	1013207	BRAKE CABLE HANGER				2

G

E

3

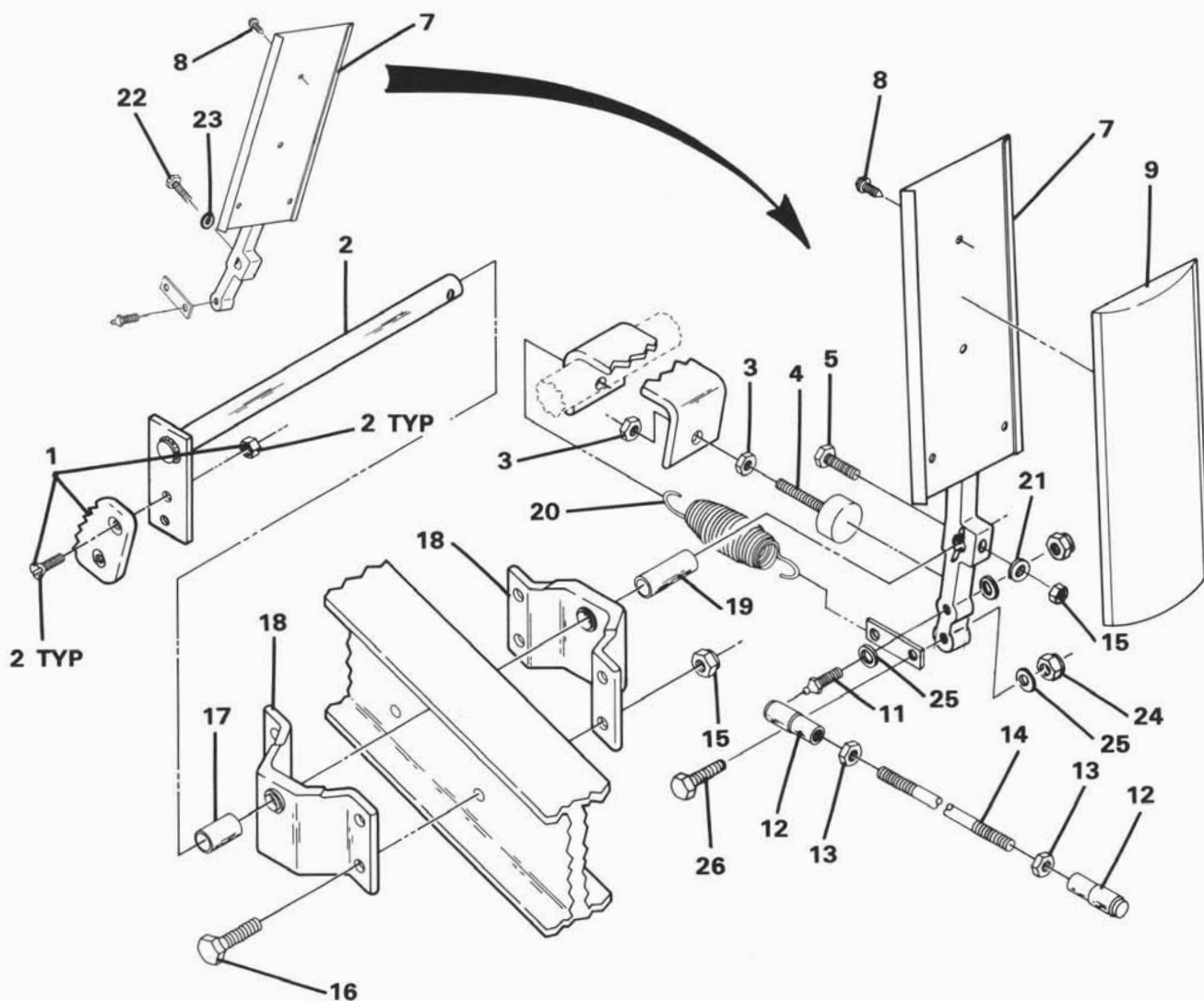
**BRAKE PEDAL AND CABLE ASSEMBLY**

BRAKE PEDAL AND CABLE ASSEMBLY

G
E
3

ITEM NUMBER	PART NUMBER	DESCRIPTION	UNITS PER VEHICLE
1	1032	NYLON BUSHING	2
2	1010933	HILL BRAKE TORSION SPRING	1
3	1010927	HILL BRAKE SPACER	1
4	1011406	BRAKE PEDAL KIT INCLUDES ITEMS 5 & 6	1
5	7716	SCREW, NO. 10-16 SHEET METAL	6
6	1013869	BRAKE PEDAL PAD	1
7	1016173	HILL BRAKE ROD AND PAWL KIT INCLUDES ITEM 7, 8, 9, AND 10	1
8	1017029	PIN - COTTER, 7/64 X 1/2", 302 STAINLESS STEEL	1
9	1010877	PUSH NUT, 5/16	1
10	1010805	HILL BRAKE ROD SLEEVE	1
11	1010878	BRAKE STOP	1
12	1011402	BRAKE MOUNTING BLOCK PACKAGE	1
13	7473	NUT, 5/16-18 NYLON LOCK	4
14	1241	WASHER, 5/16 FLAT	8
15	1010808	EQUALIZER ROD (CARRYALL-I)	1
15	1013236	EQUALIZER ROD (CARRYALL-II)	1
16	1013532	SPRING, BRAKE RETURN - GASOLINE VEHICLE	1
16	1013351	SPRING, BRAKE RETURN - ELECTRICAL VEHICLE	1
17	1010921	HEX HEAD CAP SCREW, 5/16-18	4
18	NO #	PIN, EQUALIZER PIVOT (SEE ITEM 25)	1
19	1013855	SPACER EQUALIZER	1
20	1242	HEX NUT, 5/16-18	2
21	1011403	BRAKE CABLE KIT - CARRYALL-I AND CARRYALL-II INCLUDES ITEMS 22, 23, AND 24	2
22	1011779	E-50 X 1/2 ROTOR CLIP	4
23	1035	PIN, COTTER, 3/32 X 1"	2
24	1010829	PIN, 5/16 CLEVIS	2
25	1017211	EQUALIZER AND PIVOT LIMITER KIT INCLUDES ITEM 18 AND 25	1
26	1028	HEX NUT, 1/4-20	1
27	1010932	BALL JOINT, 1/4-28	1
28	1011418	HILL BRAKE PEDAL KIT INCLUDES ITEMS 1, 5, 29, 30, AND 31	1
29	1013876	PUSH NUT, 3/8	1
30	1013870	PAD, HILL BRAKE	1

ELECTRIC VEHICLE ONLY



ACCELERATOR PEDAL ASSEMBLY

ACCELERATOR PEDAL ASSEMBLY

ITEM NUMBER	PART NUMBER	DESCRIPTION				UNITS PER VEHICLE
		1	2	3	4	
1	1011877	LATCH, HILL BRAKE KIT				1
2	1016166	ROD, ACCELERATOR PIVOT SUB ASSEMBLY (GASOLINE VEHICLE)				1
2	1016116	ROD, ACCELERATOR PIVOT WELD ASSEMBLY (ELECTRIC VEHICLE)				1
3	1028	HEX NUT, 1/4-20				2
4	1010878	STOP, BRAKE				1
5	1016619	HEX HEAD CAP SCREW, 1/4-20				1
6	1014007	FLATWASHER, 1/4 DIAMETER				1
7	1016377-01	ACCELERATOR PEDAL ASSEMBLY (CARRYALL-I GASOLINE) INCLUDES ITEMS 8, 9, 10, 11, 25, 26, AND 27				1
7	1016377-02	ACCELERATOR PEDAL ASSEMBLY (CARRYALL-II GASOLINE) INCLUDES ITEMS 8, 9, 10, 11, 25, 26, AND 27				1
7	1010969	ACCELERATOR PEDAL ASSEMBLY (CARRYALL-I ELECTRIC) INCLUDES ITEMS 8, 9, 10, AND 11				1
8	7716	SHEET METAL SCREW, #10-16				4
9	1013871	PAD, ACCELERATOR PEDAL				1
10	1011691	HANGER, ACCELERATOR PEDAL SPRING				1
11	1016157	BALL STUD, 1/4-28 X 1.00 (GASOLINE VEHICLE)				1
11	1010954	BALL STUD, 1/4-28 (ELECTRIC VEHICLE)				1
12	1011734	BALL JOINT, 1/4-28 SPRING LOADED				2
13	1011084	HEX JAM NUT, 1/4-28				2
14	1014085	ROD, ACCELERATOR (ELECTRIC VEHICLE) INCLUDES ITEMS 12 AND 13				1
14	1016168	ROD, ACCELERATOR (GASOLINE VEHICLE) INCLUDES ITEMS 12 AND 13				1
15	8233	NYLON LOCKNUT INSERT, 1/4-20				5
16	7479	HEX BOLT, 1/4-20				4
17	1011699	SPACER, 1/2				1
18	1011694	BRACKET, ACCELERATOR BEARING ASSEMBLY				2
19	1011700	SPACER, ACCELERATOR				1
20	1012075	SPRING EXTENSION				1
21	332	FLATWASHER, 1/4 DIAMETER				1
22	403	HEX HEAD CAP SCREW, 1/4-20 X 5/8" (ELECTRIC VEHICLE ONLY)				1
23	8304	WASHER, 1/4 DIAMETER INTERNAL TOOTH LOCK (ELECTRIC VEHICLE ONLY)				1
24	8717	NYLON HEX NUT, 1/4-28 (GASOLINE VEHICLE)				2
25	1014007	FLATWASHER, 1/4 DIAMETER (GASOLINE VEHICLE)				3
26	7510	HEX HEAD CAP SCREW, 1/4-28 X 1-1/4" (GASOLINE VEHICLE)				1

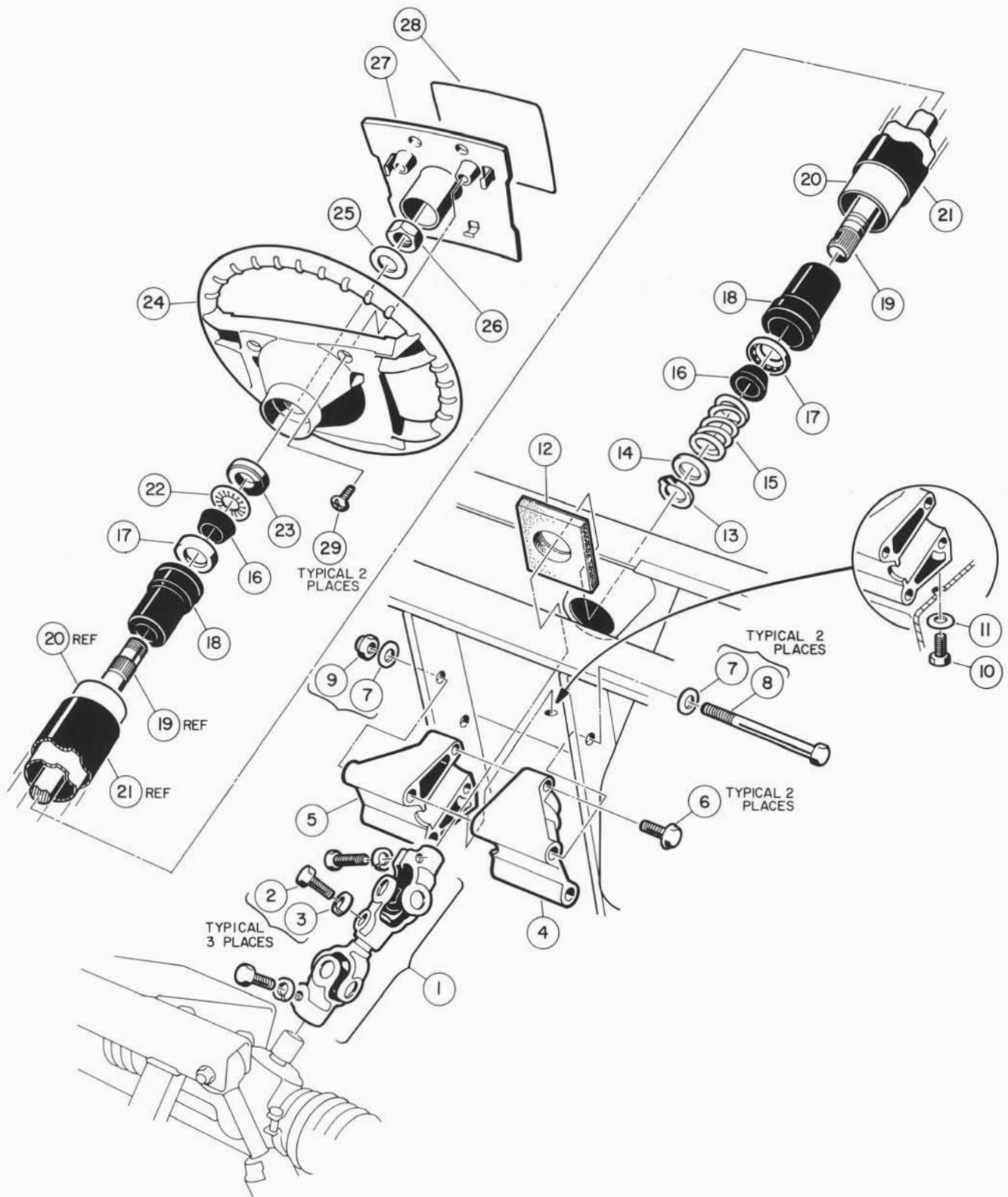
G

E

3

Section 4

STEERING AND FRONT SUSPENSION



STEERING COLUMN — ALUMINUM

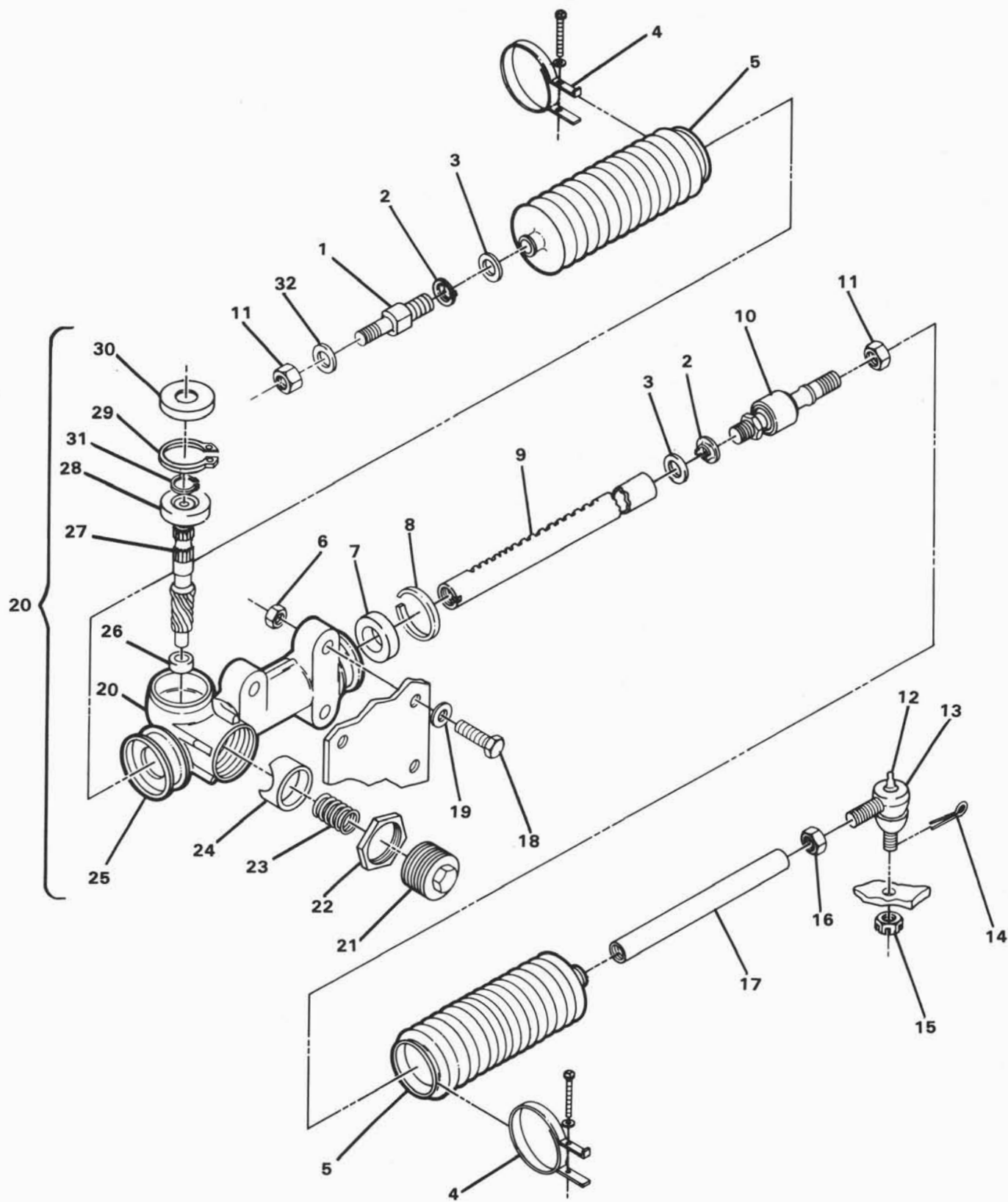
STEERING COLUMN — ALUMINUM

ITEM NUMBER	PART NUMBER	DESCRIPTION				UNITS PER VEHICLE
		1	2	3	4	
1	1013861	COMPOUND STEERING JOINT INCLUDES ITEMS 2 AND 3				1
2	1017226	HEX HEAD CAP SCREW, 8MM X 1.25-30				3
3	7174	LOCKWASHER, 5/16 DIAMETER				
4	1016185	STEERING COLUMN MOUNT, LEFT HAND				1
5	1016184	STEERING COLUMN MOUNT, RIGHT HAND				1
6	1016269	HEX WASH HEAD THREAD FORMING SCREW, 5/16-18 X 2"				2
7	334	FLATWASHER, 3/8 DIAMETER				4
8	1016183	HEX HEAD CAP SCREW, 3/8-16 X 6-1/2"				2
9	8754	NYLON LOCKNUT INSERT, 3/8-16				2
10	1014288	HEX WASH HEAD MACHINE SCREW, 5/16-18 X 3/4"				2
11	1011697	FLATWASHER, 5/16 DIAMETER				1
12	1012499	STEERING COLUMN BOOT				1
13	1012605	RETAINING RING				1
14	1012604	STEEL WASHER, 5/8 DIAMETER				1
15	1014217	COMPRESSION SPRING				1
16	1014125	WEDGE				2
17	1014213	BEARING ASSEMBLY				2
18	1014126	BEARING SEAT				2
19	1015545	STEERING COLUMN SHAFT				1
20	1016622	ALUMINUM STEERING COLUMN				1
21	1016263	BEARING TUBE COVER				1
22	1014214	RETAINING RING				1
23	1014211	BEARING SEAL				1
24	1016156	STEERING WHEEL				1
25	1012604	STEEL WASHER, 5/8 DIAMETER				1
26	1017273	NYLON JAM NUT, 5/16-18				1
27	1016155-02	PLATE ASSEMBLY				1
28	1016216	OPERATING INSTRUCTIONS DECAL				1
29	1010715	PHILLIPS SCREW, #10-14 X 3/8"				4
30	1016181	STEERING COLUMN ASSEMBLY INCLUDES ITEMS 13 THRU 20, 22, AND 23				

G

E

4



STEERING ASSEMBLY

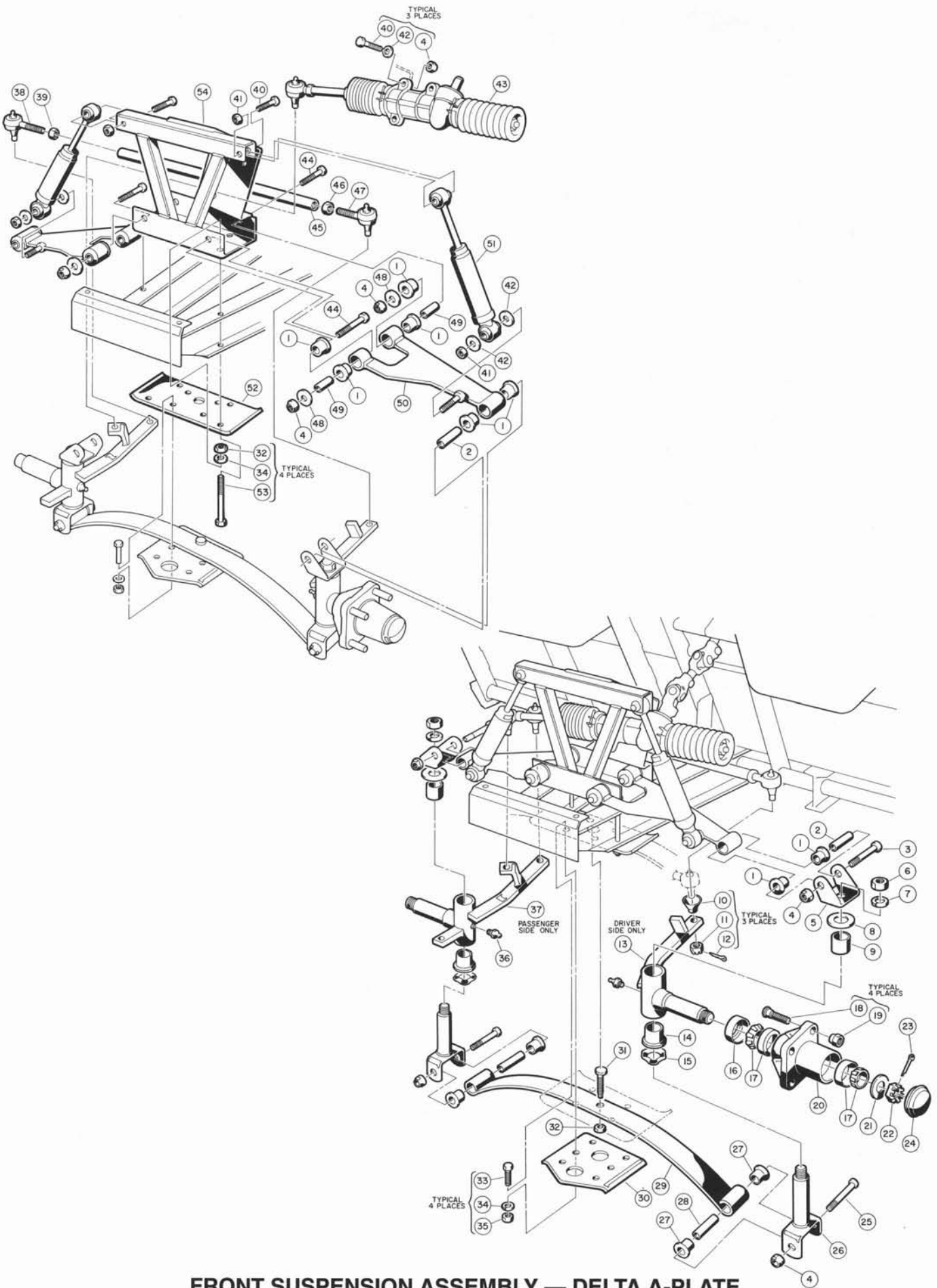
STEERING ASSEMBLY

ITEM NUMBER	PART NUMBER	1 2 3 4				DESCRIPTION	UNITS PER VEHICLE
1	1013053					BOLT, STOPPER, 12MM	1
2	1013040					LOCKWASHER, TIE ROD	2
3	1013039					WASHER, TIE ROD STOPPER	2
4	1013034					BAND, BELLOWS	2
5	1013035					SEAL, DUST	2
6	1010138					DIMPLED LOCKNUT, 3/8-16	3
7	1013036					BUSHING, RACK	1
8	1013037					RING, SNAP	1
9	NO #					RACK, STEERING (SEE ITEM 20)	1
10	1013041					END, RACK	1
11	1013042					HEX NUT, 12MM	2
12	1015597					THREADED FORM GREASE FITTING, 1/4-28	1
13	7540					BALL JOINT, LEFT	1
						INCLUDES ITEMS 12 AND 15	
14	1035					PIN, COTTER, 3/32 X 1"	1
15	7602					HEX NUT, SLOTTED, 3/8-24	1
16	7555					HEX NUT, 1/2-20	1
17	1012467					RACK AND PINION DRAG LINK	1
18	1624					HEX HEAD CAP SCREW, 3/8-16	3
19	334					FLATWASHER, 3/8 DIAMETER	3
20	1012452					STEERING GEAR BOX ASSEMBLY	1
						INCLUDES ITEMS 1 THRU 5, 7 THRU 11, AND 21 THRU 30	
21	NO #					SCREW, RACK GUIDE (SEE ITEM 20)	1
22	1013044					LOCKNUT, RACK SCREW	1
23	1013045					SPRING, RACK GUIDE PRESSURE	1
24	1013046					GUIDE, STEERING RACK	1
25	1013047					BOX, STEERING GEAR	1
26	1013048					BUSHING, PINION	1
27	NO #					PINION, STEERING (SEE ITEM 20)	1
28	1012884					BALL BEARING	1
29	1013051					SNAP RING	1
30	1013052					DUST SEAL, STEERING PINION	1
31	1013031					RING-RETAINING, EXTERNAL	1
32	1013030					WASHER, END	1
33	1011930					DUST SEAL	1

G

E

4



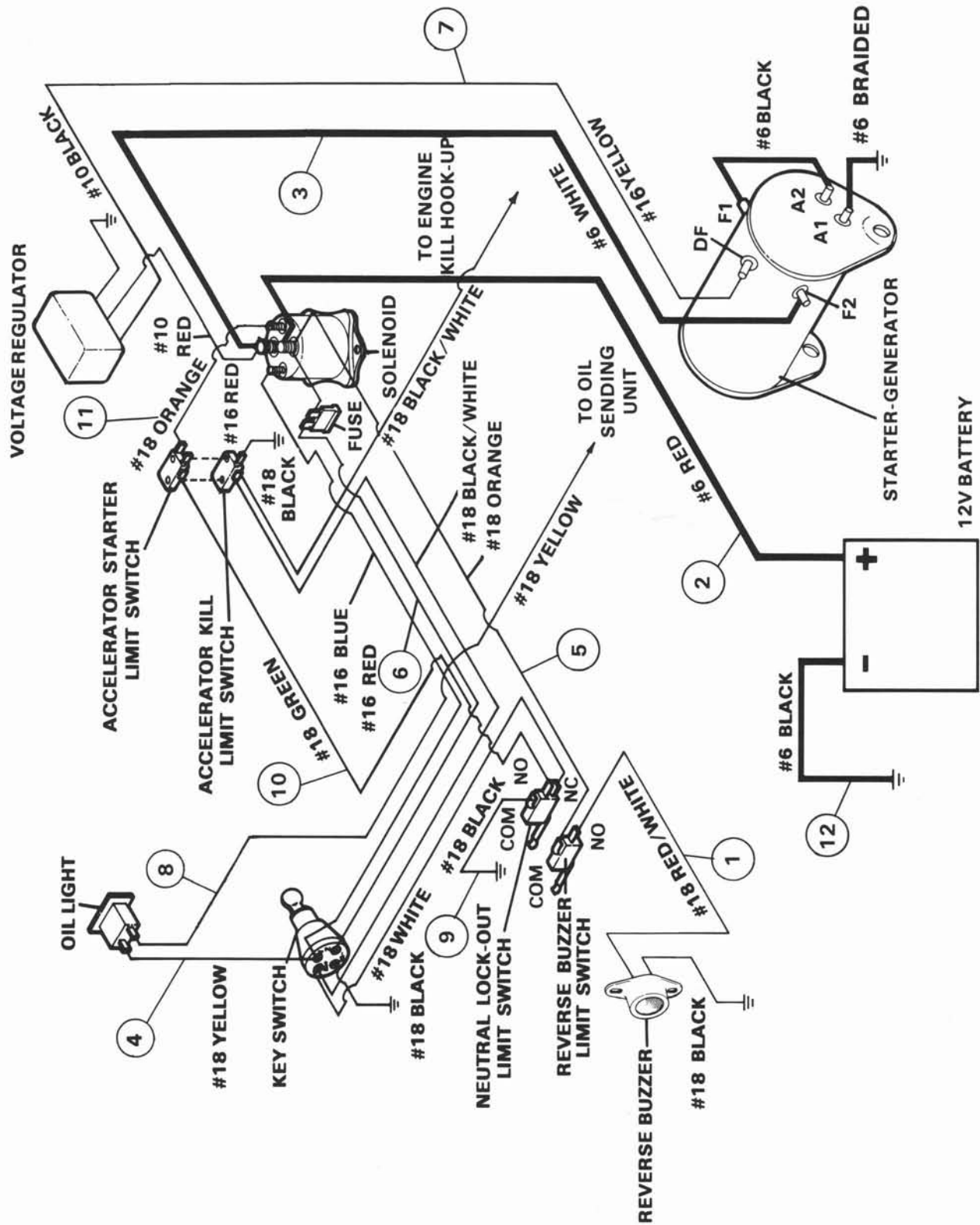
FRONT SUSPENSION ASSEMBLY — DELTA A-PLATE

FRONT SUSPENSION ASSEMBLY — DELTA A-PLATE

ITEM NUMBER	PART NUMBER	DESCRIPTION				UNITS PER VEHICLE
		1	2	3	4	
1	1016346	URETHANE BUSHING				12
2	1016350	DELTA OUTER SLEEVE				2
3	1016387	HEX HEAD CAP SCREW, 3/8-16 X 2-3/4"				2
4	8754	NYLON LOCKNUT INSERT, 3/8-16				11
5	1016384	UPPER DELTA CLEVIS				2
6	1308	HEX NUT, 1/2-20				2
7	209	SPLIT LOCKWASHER, 1/2 DIAMETER				2
8	1010150	THRUST BEARING				2
9	8067	BRONZE SPINDLE BUSHING				2
10	1011930	DUST SEAL				3
11	7602	HEX NUT, SLOTTED, 3/8-24				3
12	1035	COTTER PIN, 3/32 DIAMETER X 1"				3
13	1010348	SPINDLE SUB ASSEMBLY, LEFT INCLUDES ITEMS 9, 14, AND 36				1
14	7048	BRONZE BUSHING				2
15	1016389	KINGPIN WAVE WASHER				2
16	1013135	DOUBLE LIP SEAL				2
17	1011393	HUB BEARING PACKAGE				4
18	1011304	LUG STUD 50-20				8
19	1011390	LUG NUT PACKAGE (8 PIECES)				2
20	1011892	HUB ASSEMBLY INCLUDES ITEMS 17, 18 AND 20				2
21	1010005	FLATWASHER, 3/4 DIAMETER				2
22	7840	HEX NUT, SLOTTED, 3/4-16				2
23	7910	COTTER PIN, 5/32 X 1"				2
24	1011887	DUST COVER				2
25	8755	HEX HEAD CAP SCREW, 3/8-16 X 3-3/8"				2
26	1016386	KINGPIN ASSEMBLY				2
27	1015583	URETHANE BUSHING				4
28	1012303	STEEL BUSHING				2
29	1015828	FRONT SPRING ASSEMBLY (GASOLINE VEHICLE) INCLUDES ITEMS 29, 31 AND 32				1
29	1013867	FRONT SPRING ASSEMBLY (ELECTRIC VEHICLE) INCLUDES ITEMS 29, 31 AND 32				1
30	1014276	FRONT SPRING RETAINER PLATE				1
31	8745	ECCENTRIC ASSEMBLY				1
32	706	HEX NUT, 3/8-16				5
33	1624	HEX HEAD CAP SCREW, 3/8-16 X 1-1/2"				4
34	357	LOCKWASHER, 3/8 DIAMETER				8
35	706	HEX NUT, 3/8-16				4
36	1015597	GREASE FITTING				2
37	1010347	SPINDLE SUB ASSEMBLY, RIGHT INCLUDES ITEMS 9, 14, AND 36				1
38	7539	BALL JOINT, RIGHT				1
39	1308	HEX NUT, 1/2-20, RIGHT				1
40	1624	HEX HEAD CAP SCREW, 3/8-16 X 1-1/2"				5
41	1010138	DIMPLED LOCKNUT, 3/8-16				4
42	1011990	FLATWASHER, 3/8 DIAMETER				7
43	1012452	GEAR AND SOCKET ASSEMBLY (SEE PAGE 4-5)				1
44	2402	HEX HEAD CAP SCREW, 3/8-16 X 2-1/4"				4
45	1010219	TIE ROD				1
46	7555	HEX NUT, 1/2-20, LEFT				1
47	7540	BALL JOINT, LEFT				1
48	808	FLATWASHER, 3/8 DIAMETER				4
49	1016349	DELTA INNER SLEEVE				4
50	1016353	DELTA A-PLATE ASSEMBLY INCLUDES ITEMS 1, 2, AND 49				2
51	1015813	FRONT SHOCK ABSORBER (GASOLINE VEHICLE)				2
51	1014235	FRONT SHOCK ABSORBER (ELECTRIC VEHICLE)				2
52	1010124	SPRING MOUNTING PLATE				1
53	1010200	HEX HEAD CAP SCREW, 3/8-16 X 4-1/4"				4
54	1016385	DELTA SHOCK AND GEAR SUPPORT ASSEMBLY				1

Section 5

ELECTRICAL AND BATTERY



WIRING — GAS VEHICLE

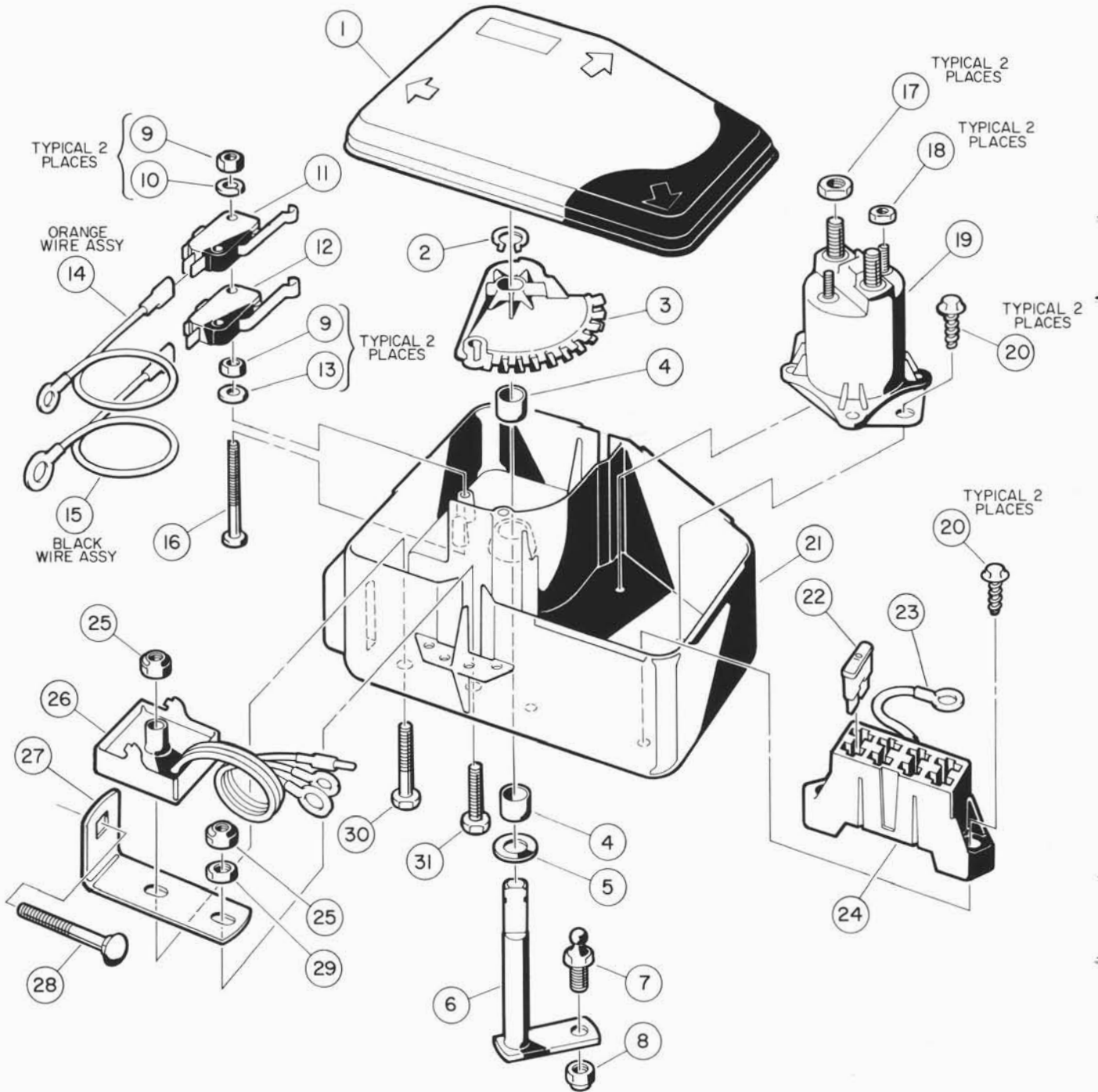
WIRING — GAS VEHICLE

G

ITEM NUMBER	PART NUMBER	1	2	3	4	DESCRIPTION	UNITS PER VEHICLE
						CARRYALL-I	
	1015735					WIRE HARNESS ASSEMBLY	1
1	1013723					WIRE ASSEMBLY, #18 RED/WHITE	1
2	1014119					WIRE ASSEMBLY, #6 RED	1
3	1015769					WIRE ASSEMBLY, #6 WHITE	1
4	1013601					WIRE ASSEMBLY, #18 YELLOW	1
5	1015831					WIRE ASSEMBLY, #18 ORANGE	1
6	1015736					WIRE ASSEMBLY, #16 RED	1
7	1015738					WIRE ASSEMBLY, #16 YELLOW	1
8	1015740					WIRE ASSEMBLY, #18 YELLOW	1
9	1015780					WIRE ASSEMBLY, #18 BLACK	1
10	1015779					WIRE ASSEMBLY, #18 GREEN	1
11	1015767					WIRE ASSEMBLY, #18 ORANGE	1
12	1012382					WIRE ASSEMBLY, #6 BLACK	1
						CARRYALL-II	
	1016299					WIRE HARNESS ASSEMBLY	1
1	1016404					WIRE ASSEMBLY, #16 RED/WHITE	1
2	1014119					WIRE ASSEMBLY, #6 RED	1
3	1015769					WIRE ASSEMBLY, #6 WHITE	1
4	1016295					WIRE ASSEMBLY, #16 YELLOW	1
5	1016296					WIRE ASSEMBLY, #16 ORANGE	1
6	1016293					WIRE ASSEMBLY, #16 RED	1
7	1015738					WIRE ASSEMBLY, #16 YELLOW	1
8	1016294					WIRE ASSEMBLY, #16 YELLOW	1
9	1016297					WIRE ASSEMBLY, #16 BLACK	1
10	1016298					WIRE ASSEMBLY, #16 GREEN	1
11	1016401					WIRE ASSEMBLY, #16 ORANGE	1
12	1012382					WIRE ASSEMBLY, #6 BLACK	1

5

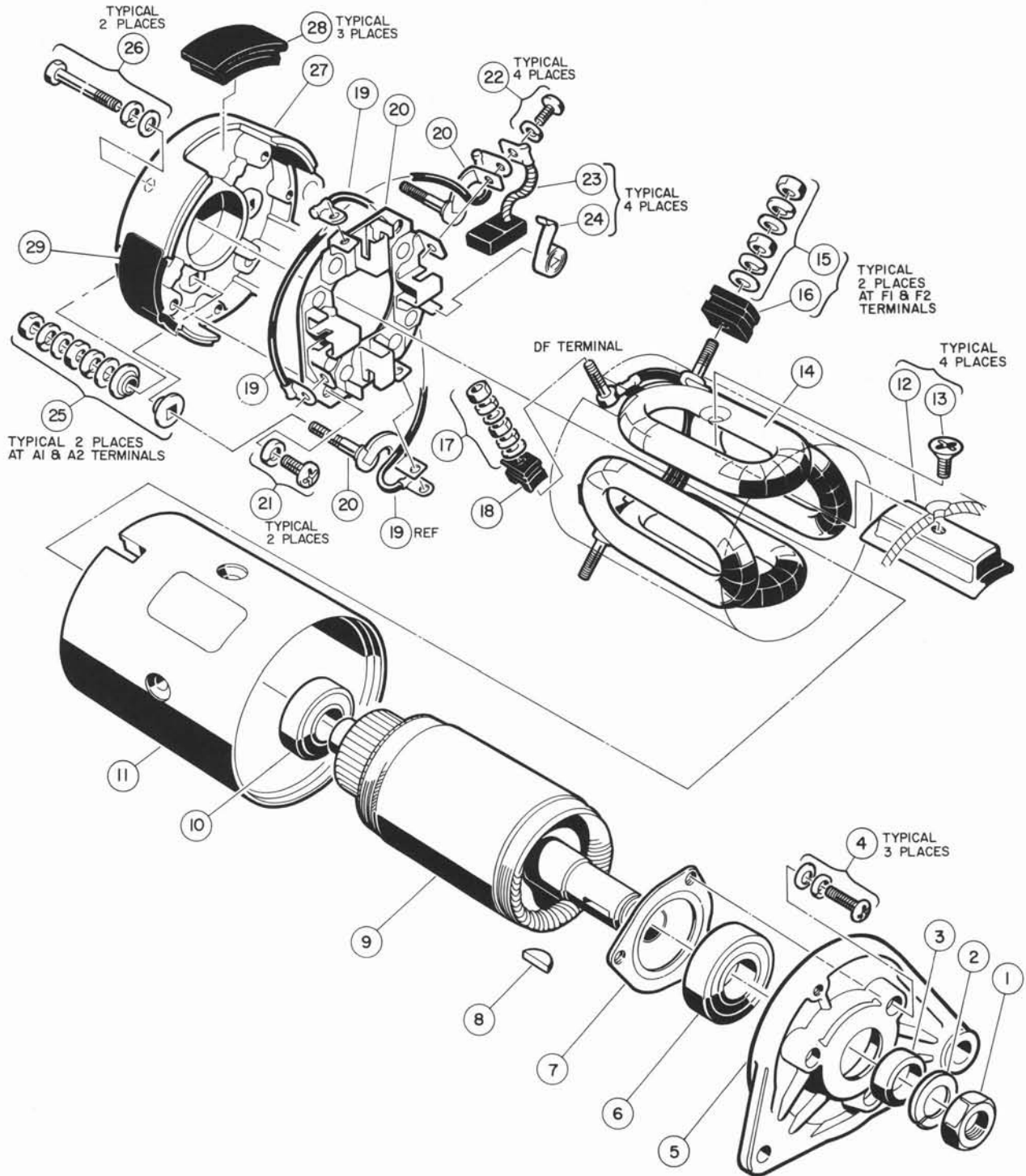
**NOTE: ITEM #33 BOX COVER
MOUNTING SCREW NOT SHOWN**



ELECTRICAL COMPONENT BOX

ELECTRICAL COMPONENT BOX

ITEM NUMBER	PART NUMBER	DESCRIPTION				UNITS PER VEHICLE
		1	2	3	4	
1	1015372	ELECTRICAL COMPONENT BOX COVER				1
2	1013589	RETAINING RING				1
3	1015373	ELECTRICAL BOX CAM				1
4	1014145	BUSHING, SECONDARY WEIGHT				2
5	1014065	FLATWASHER (DERLIN)				1
6	1015345	BELL CRANK SHAFT ASSEMBLY				1
7	1010954	1/4 BALL STUD				1
8	8717	NYLON LOCKNUT INSERT, 1/4-28				1
9	8057	UNC HEX NUT, #4-40				4
10	8058	LOCKWASHER #4				2
11	1014807	LIMIT SWITCH				1
12	1014808	LIMIT SWITCH				1
13	1012431	FLATWASHER #4				2
14	1015767	WIRE ASSEMBLY				1
15	1015766	WIRE ASSEMBLY				1
16	1015878	HEX HEAD MACHINE SCREW, #4-40 X 1-5/8"				2
17	1242	HEX NUT, 5/16-18				2
18	7893	HEX NUT, #10-32				2
19	1013609	12 VOLT SOLENOID				1
20	1015752	HILO SCREW, #12-16 X 1/2"				4
21	1015371	ELECTRICAL COMPONENT BOX				1
22	1012295	FUSE 10 AMP				1
23	1015737	WIRE ASSEMBLY				1
24	1015741	FUSE BLOCK				1
25	8233	NYLON LOCKNUT INSERT, 1/4-20				2
26	1015777	VOLTAGE REGULATOR ASSEMBLY OHV				1
27	1015343	GROUND STRAP				1
28	1015405	ROUND HEAD SQUARE NECK SCREW, 5/16-18 X 2"				1
29	1015919	HEX JAM NUT, 1/4-20				1
30	1703	HEX HEAD CAP SCREW, 1/4-20 X 1-1/2"				1
31	304	HEX HEAD CAP SCREW, 1/4-20 X 1"				1
32	8168	WIRE TIE WRAP (NOT SHOWN)				2
33	1015752	HEX HEAD CAP SCREW, 1/4-20 X 1-1/2"				1



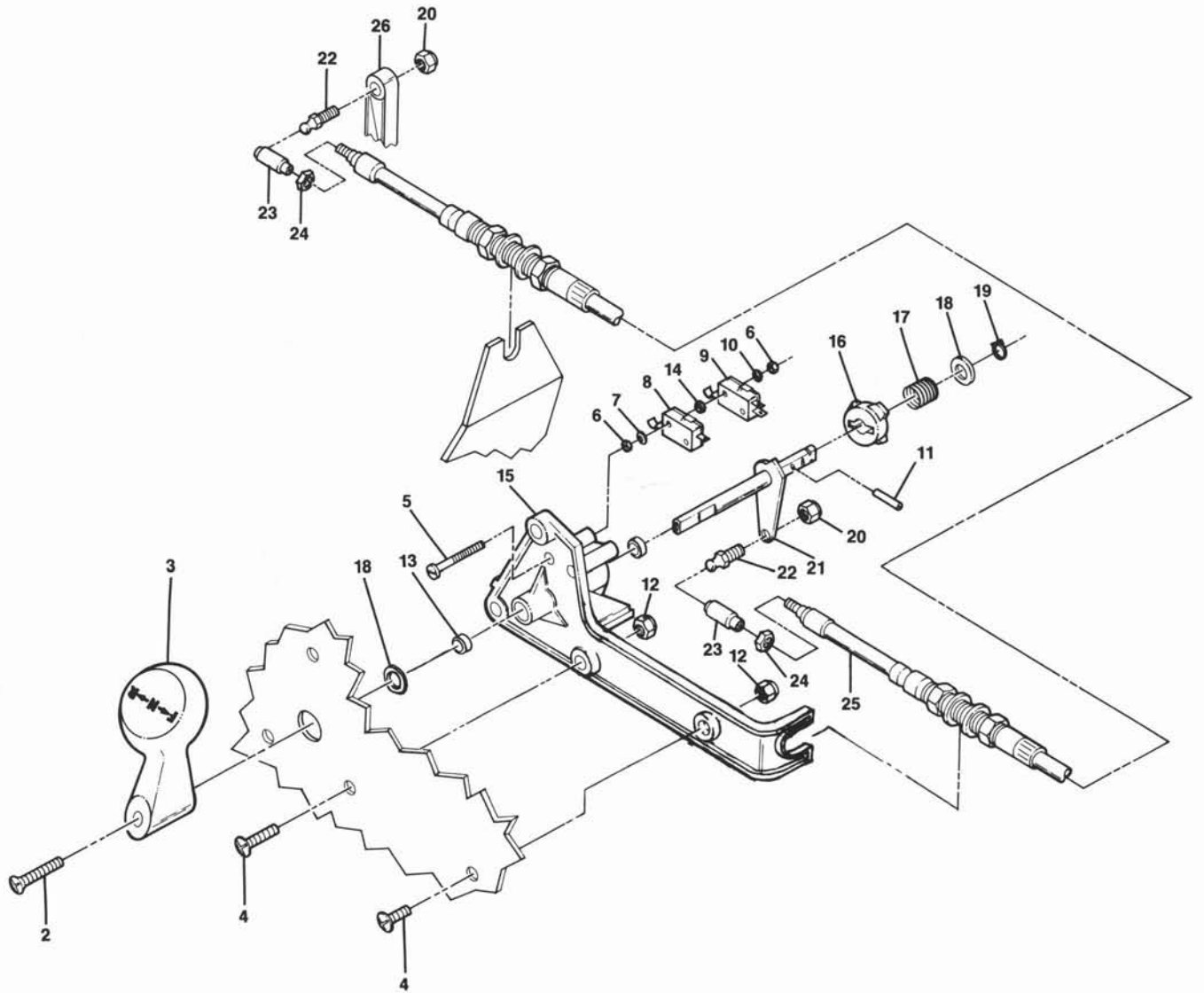
STARTER-GENERATOR ASSEMBLY

STARTER-GENERATOR ASSEMBLY

G

ITEM NUMBER	PART NUMBER	1	2	3	4	DESCRIPTION	UNITS PER VEHICLE
1	NO #					HEX NUT, M14 X 1.5	1
2	NO #					LOCKWASHER, M14	1
3	1013000					SPACER	1
4	NO #					CROSS-RECESSED SCREW, M5 X 18 WITH LOCKWASHERS AND FLATWASHERS	3
5	1012999					OUTPUT SHAFT END BELL	1
6	1013001					BALL BEARING OUTPUT SHAFT	1
7	1013002					BEARING RETAINER	1
8	1013003					KEY	1
9	1013004					ARMATURE ASSEMBLY INCLUDES ITEMS 3, 6, 7, 10, AND, ARMATURE	1
10	1013005					BALL BEARING COMMUTATOR	1
11	1013006					FRAME ASSEMBLY INCLUDES ITEMS 12 THRU 18 AND FRAME	1
12	NO #					POLE PIECE (SEE ITEM 11)	4
13	1013009					POLE PIECE SCREW	4
14	1013010					FIELD COIL ASSEMBLY	1
15	1013007					TERMINAL HARDWARE KIT INCLUDES NUTS, LOCKWASHERS, AND FLATWASHERS	2
16	NO #					INSULATOR (SEE ITEM 11)	2
17	1013017					TERMINAL HARDWARE KIT INCLUDES NUTS, LOCKWASHERS, AND FLATWASHERS	1
18	NO #					INSULATOR (SEE ITEM 11)	
19	1013013					CROSSOVER LEAD	2
20	1013011					BRUSH HOLDER	1
21	NO #					SCREW, M5 X 16 WITH LOCKWASHER	2
22	NO #					SCREW, M4 X 10 WITH LOCKWASHER	4
23	1014699					BRUSH PACKAGE INCLUDES 4 BRUSHES	1
24	1013016					BRUSH SPRING	4
25	1012990					TERMINAL HARDWARE KIT INCLUDES NUTS, LOCKWASHERS, FLATWASHERS, AND INSULATORS	2
26	1012992					CLAMP BOLT, 6 X 180	2
27	1012993					COMMUTATOR END BELL	1
28	1012991					BRUSH INSPECTION PORT COVER	3
29	1017653					BRUSH INSPECTION PORT COVER	1
	1013018					PULLEY NUT AND SCREW KIT INCLUDES 1, 2, 4, 21, AND 22	1
	1012316					STARTER/GENERATOR	

5



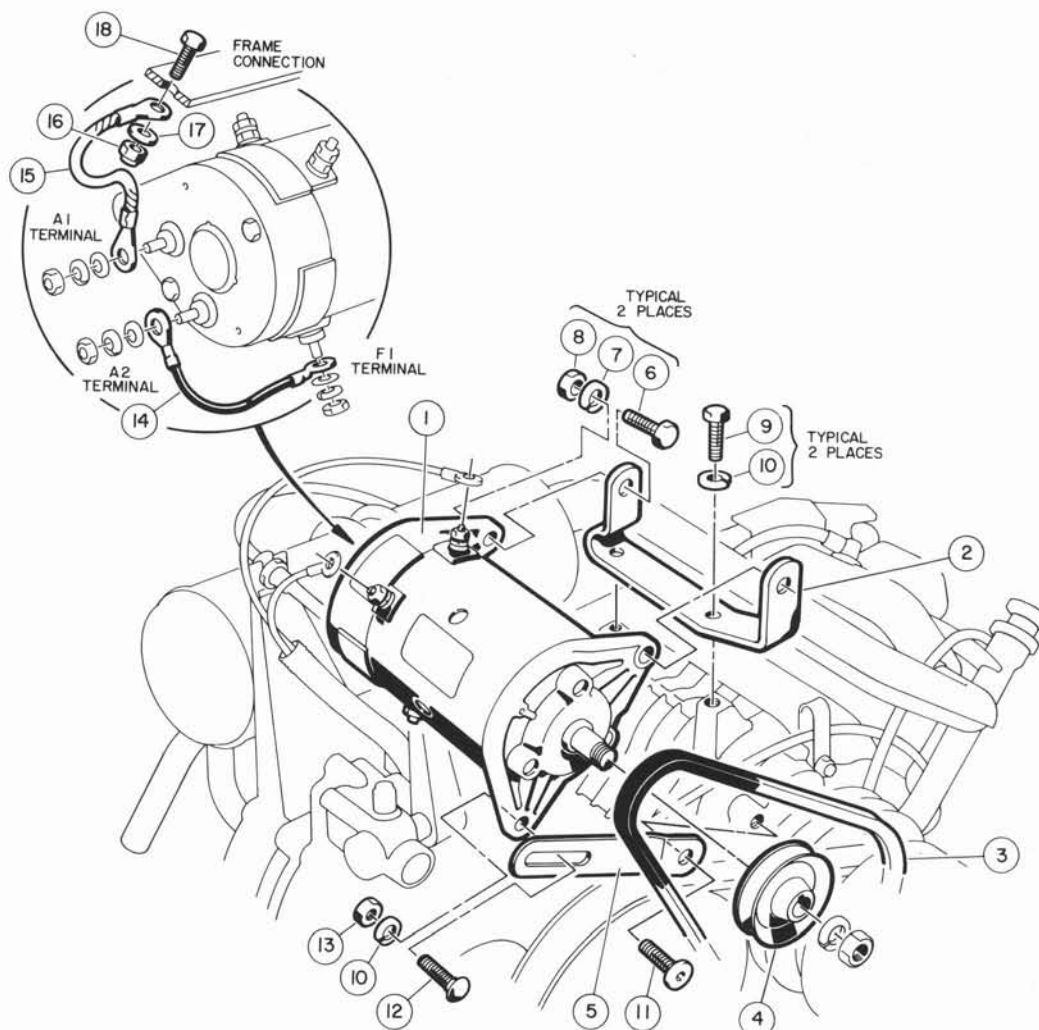
F&R SHIFTER ASSEMBLY

F&R SHIFTER ASSEMBLY

G

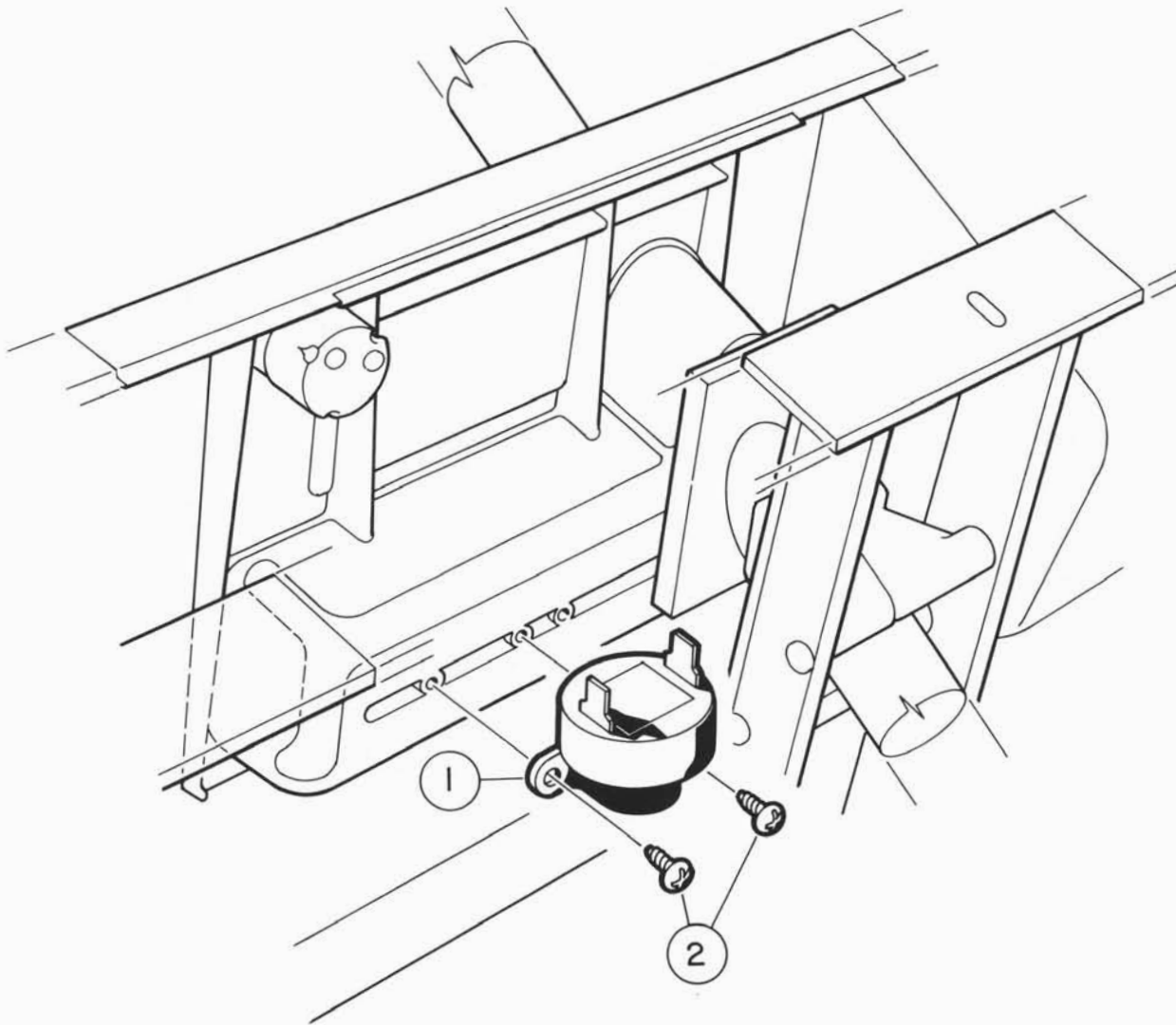
ITEM NUMBER	PART NUMBER	1 2 3 4	DESCRIPTION	UNITS PER VEHICLE
1	1016947		F&R SHIFTER ASSEMBLY INCLUDES ITMES 5 THRU 22, 27 AND 28	1
2	1013198		PHILLIPS MACHINE SCREW, #8-32	1
3	1012987		F&R SWITCH HANDLE	1
4	8248		PHILLIPS HEAD SCREW, 1/4-20 X 3/4"	4
5	1012594		MACHINE SCREW, #4-40 X 1"	2
6	8057		UNC HEX HEAD, #4-40	4
7	1012431		FLATWASHER, #4	2
8	1014808		LIMIT SWITCH	1
9	1014807		LIMIT SWITCH	1
10	8058		LOCKWASHER, #4	2
11	1013591		ROLL PIN, 1/8 DIAMETER	1
12	8233		NYLON INSERT LOCKNUT, 1/4-20	4
13	1014145		BRONZE BUSHING, SECONDARY WEIGHT	2
14	1014727		FLATWASHER (NYLON), #4	2
15	1016342		F&R SHIFTER BASE	1
16	1014089		NEUTRAL LOCK-OUT CAM KIT INCLUDES ITEM 18	1
17	1013590		SPRING - F&R CAM	1
18	1014065		FLATWASHER (DERLIN)	1
19	1013589		RETAINING RING	1
20	8717		NYLON LOCKNUT, 1/4-28	2
21	1013587		F&R BELL CRANK WELDMENT	1
22	1010954		BALL STUD, 1/4-28 UNF X .25	2
23	1012333		BALL JOINT	2
24	7893		UNF HEX NUT, #10-32	2
25	1013085		TRANSMISSION SHIFT CABLE - CARRYALL-I INCLUDES ITEMS 23 AND 24	1
25	1015409		TRANSMISSION SHIFT CABLE - CARRYALL-II INCLUDES ITEMS 23 AND 24	1
26	1016341		TRANSMISSION SHIFT LEVER	1

5



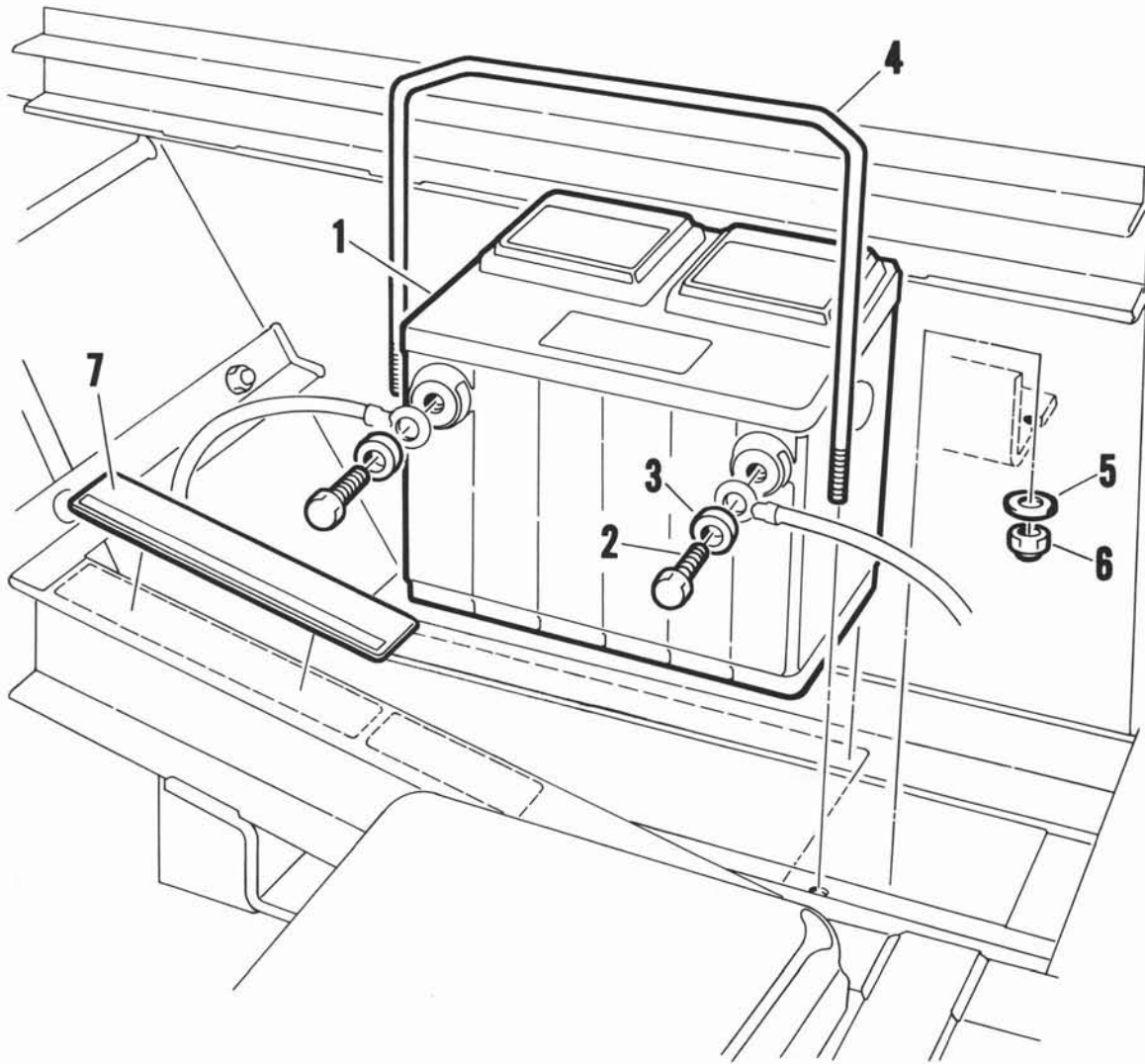
STARTER-GENERATOR MOUNTING

ITEM NUMBER	PART NUMBER	1 2 3 4	DESCRIPTION	UNITS PER VEHICLE
1	1012316		STARTER-GENERATOR	1
2	1015240-01		MOUNTING BRACKET	1
3	1014290		BELT	1
4	1014289		PULLEY	1
5	1012335		ADJUSTING BRACKET	1
6	705		HEX HEAD CAP SCREW, 3/8-16 X 1-1/4"	1
7	357		LOCKWASHER, 3/8 DIAMETER	2
8	706		HEX NUT, 3/8-16	2
9	1015331		HEX HEAD CAP SCREW, M8-1.25 X 25MM	2
10	7174		LOCKWASHER, 5/16 DIAMETER	2
11	1016074		TORX HEAD SCREW, M8-1.25 X 18MM	2
12	1015932		ROUND HEAD SQUARE NECK BOLT, 5/16-18 X 1"	2
13	1242		HEX NUT, 5/16-18	1
14	1012384		#6 BLACK WIRE ASSEMBLY	1
15	1015920		GROUND WIRE (CARRYALL-I ONLY)	1
16	7473		NYLON LOCK NUT, 5/16-18	1
17	1241		FLATWASHER, 5/16 DIAMETER	1
18	7173		HEX HEAD CAP SCREW, 5/16-18 X 3/4"	1



REVERSE BUZZER — DASH MOUNTED

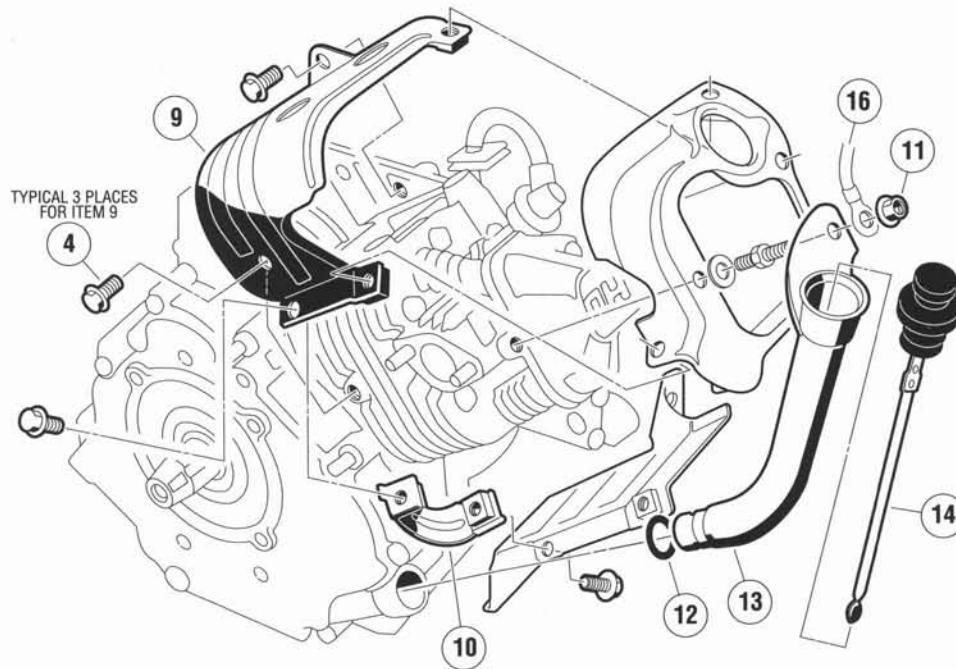
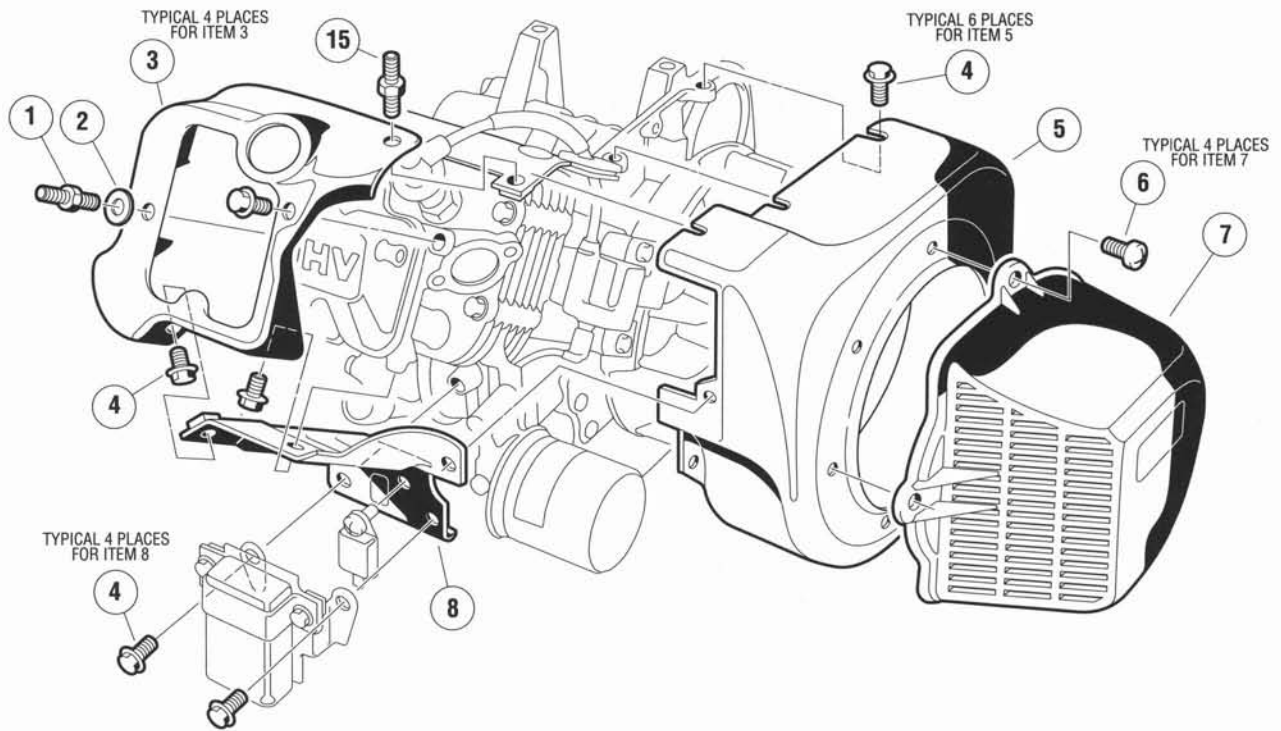
ITEM NUMBER	PART NUMBER	1 2 3 4	DESCRIPTION	UNITS PER VEHICLE
1	1016859		REVERSE BUZZER KIT	1
2	1016849		SCREW PAN HEAD HI-LO, #4-24 X 5/16"	2
3	1016857		WIRE ASSEMBLY, BLACK (GASOLINE VEHICLE ONLY - NOT SHOWN)	1



BATTERY

ITEM NUMBER	PART NUMBER	1 2 3 4	DESCRIPTION	UNITS PER VEHICLE
1	1012328		12 VOLT BATTERY	1
2	1014375		HEX HEAD CAP SCREW, SS, 3/8-16 X 1/2"	2
3	1014374		SPACER	2
4	1013882		BATTERY HOLD DOWN	1
5	1011964		FLATWASHER, SS, 1/4 DIAMETER	2
6	1015068		NYLON LOCKNUT, SS, 1/4-20	2
7	1015474		FRAME GROUND DECAL	1

Section 6
ENGINE



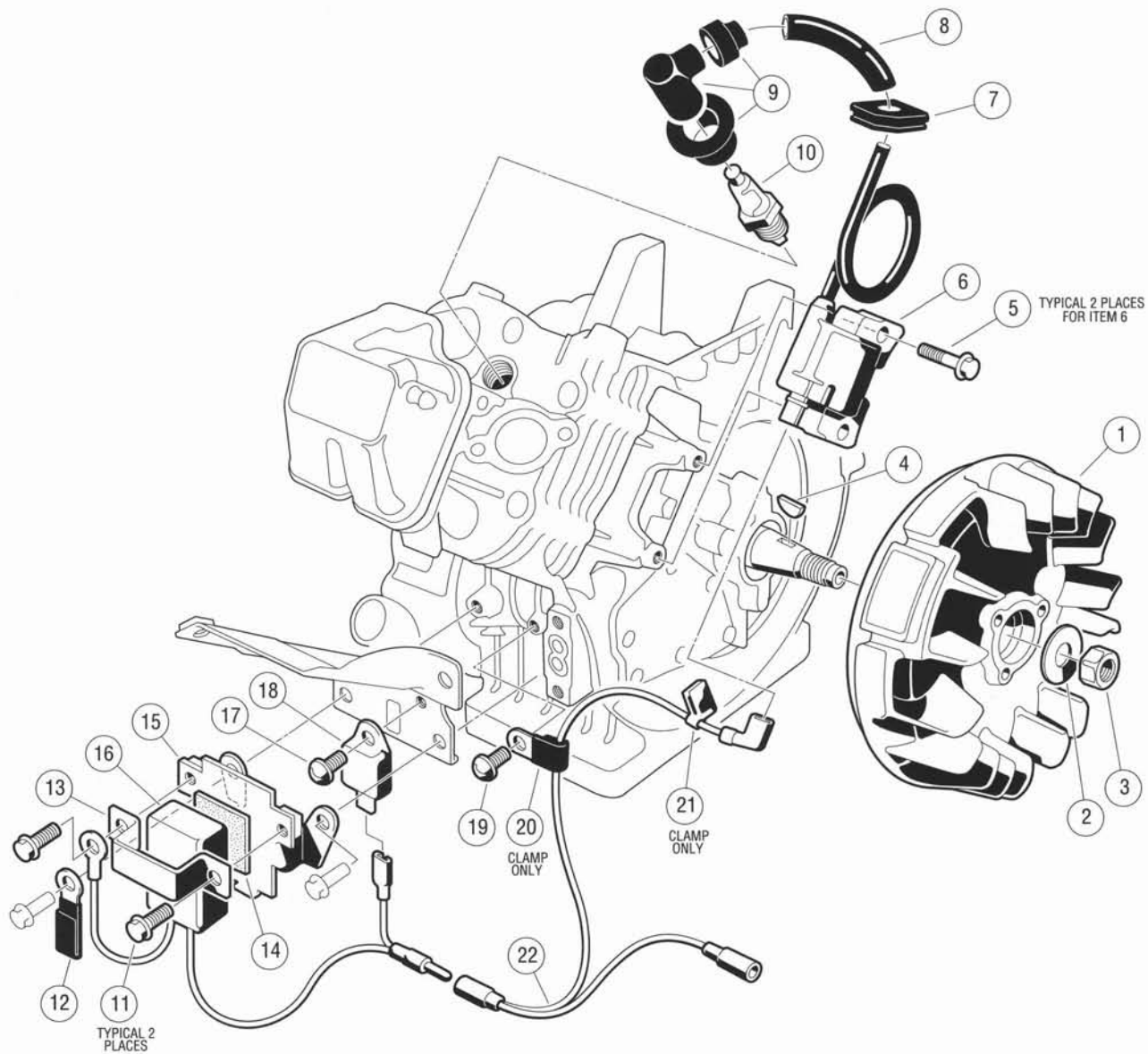
ENGINE

ENGINE

G

ITEM NUMBER	PART NUMBER	DESCRIPTION	UNITS PER VEHICLE
		1 2 3 4	
	1015731	FE 290 OHV GASOLINE ENGINE - COMPLETE	
1	1016507	BOLT, 2-ENDED, M6 X 1	1
2	1016512	PLAIN WASHER, 6MM DIAMETER	1
3	1016524	ENGINE SHROUD, FE 290	1
4	1016456	FLANGED BOLT, M6 X 1 X 12 MM LONG	17
5	1016534	FAN HOUSING	1
6	1015969	PAN HEAD SCREW, M6 X 1 X 14MM LONG	4
7	1015649	FAN SHROUD	1
8	1016526	ENGINE SHROUD, FE 290	1
9	1016525	ENGINE SHROUD, FE 290	1
10	1016443	BRACKET	1
11	1016547	NUT, M6 X 1	1
12	1016539	O-RING	1
13	1016536	OIL FILLER TUBE, FE 290	1
14	1016531	DIPSTICK, FE 290	1
15	1017221	SCREW, M6 X 1" STUD	1
16	1015332	WIRE ASSEMBLY, #6 BRAIDED	1

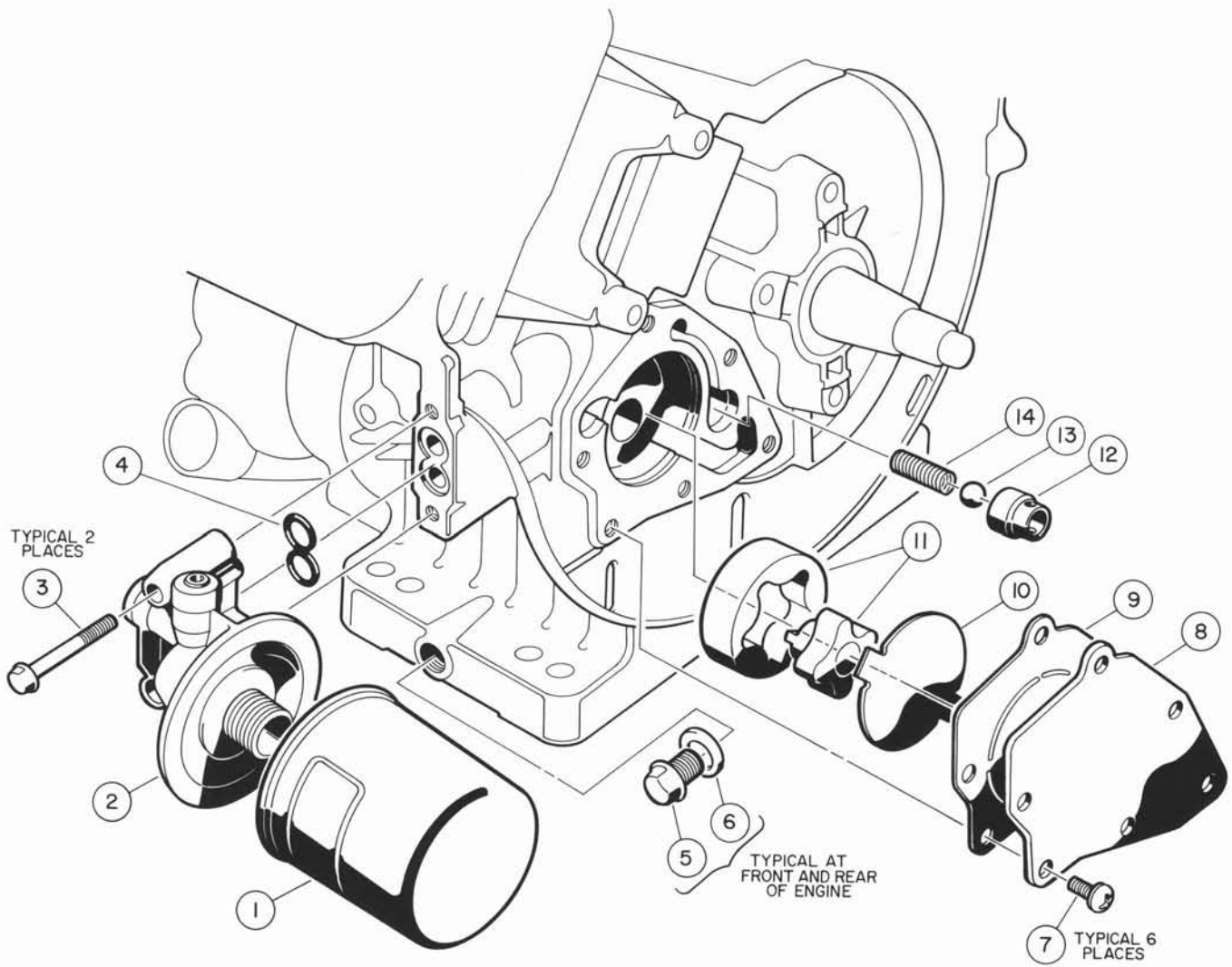
6



ENGINE

ENGINE

ITEM NUMBER	PART NUMBER	1 2 3 4				DESCRIPTION	UNITS PER VEHICLE
1	1016495					COMPOSITE FLYWHEEL OHV	1
2	1016548					FLATWASHER, 16MM DIAMETER	1
3	1016505					HEX NUT, M16 X 1.5	1
4	1016562					KEY	1
5	1016455					FLANGED BOLT, M5 X 0.8 X 25MM LONG	2
6	1016492					IGNITION COIL	1
7	1016578					GROMMET	1
8	1016588					TUBE, 7MM X 10MM X 70MM	1
9	1016493					PLUG CAP ASSEMBLY	1
10	1016111					SPARK PLUG OHV	1
11	1016456					FLANGED BOLT, M6 X 1.0 X 12MM LONG	2
12	1012981					CLAMP	1
13	1016579					RPM LIMITER MOUNT	1
14	1016586					DAMPER, RPM LIMITER	1
15	1016445					BRACKET, RPM LIMITER	1
16	1016511					RPM LIMITER OHV	1
17	1016497					CROSS PAN HEAD SCREW, M5 X 0.8 X 8MM LONG	1
18	1016491					IGNITER OHV	1
19	1016544					CROSS PAN HEAD SELF TAP SCREW, M5 X 12MM LONG	1
20	1016561					CLAMP	1
21	1016587					CLAMP	1
22	1016503					LEAD WIRE	1



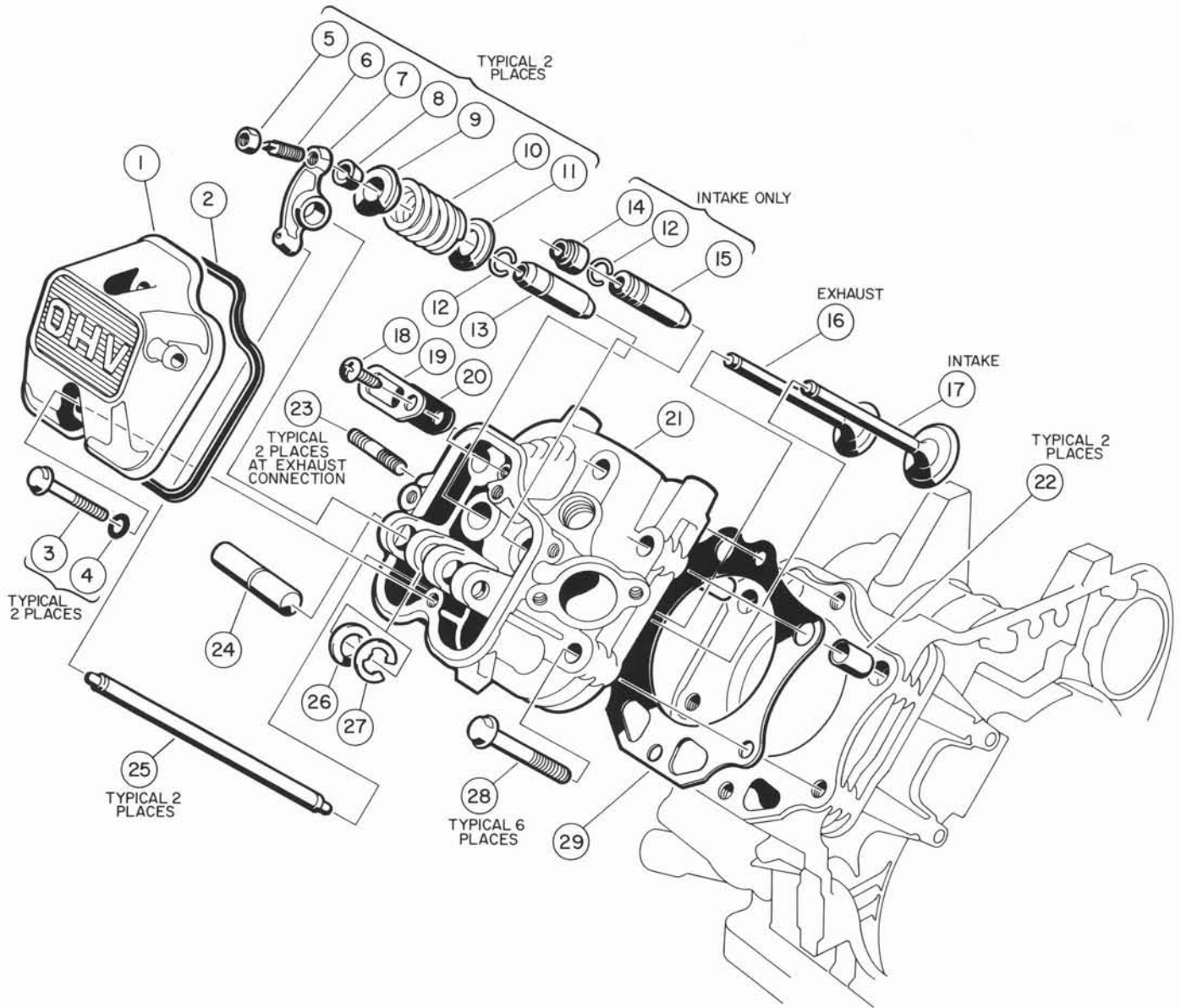
ENGINE

ENGINE

G

ITEM NUMBER	PART NUMBER	DESCRIPTION	UNITS PER VEHICLE
1	1016467	OIL FILTER ASSEMBLY OHV	1
2	1016502	OIL FILTER BRACKET	1
3	1016457	FLANGED HEX HEAD BOLT, M6 X 1.0 X 40MM LONG	2
4	1016570	O-RING	1
5	1016576	DRAIN PLUG, FE 290	2
6	1016432	GASKET, DRAIN PLUG	2
7	1016498	CROSS PAN HEAD SCREW, M6 X 1.0 X 12MM LONG	6
8	1016484	PUMP COVER	1
9	1016435	OIL PUMP GASKET	1
10	1016473	OIL PUMP PLATE	1
11	1016482-03	OIL PUMP AND ROTOR	1
12	1016429	VALVE SEAT	1
13	1016537	STEEL BALL	1
14	1016581	SPRING	1

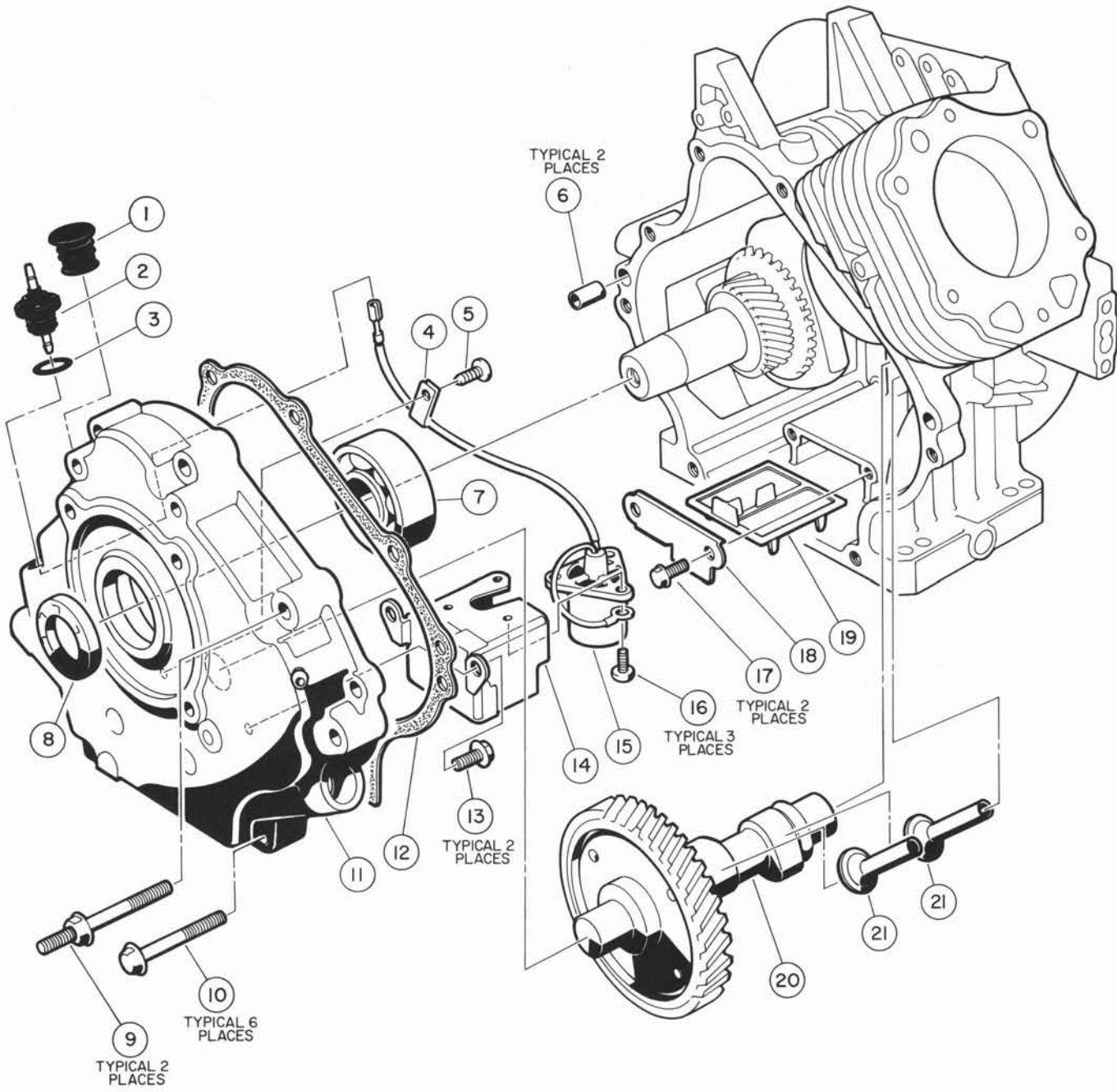
6



ENGINE

ENGINE

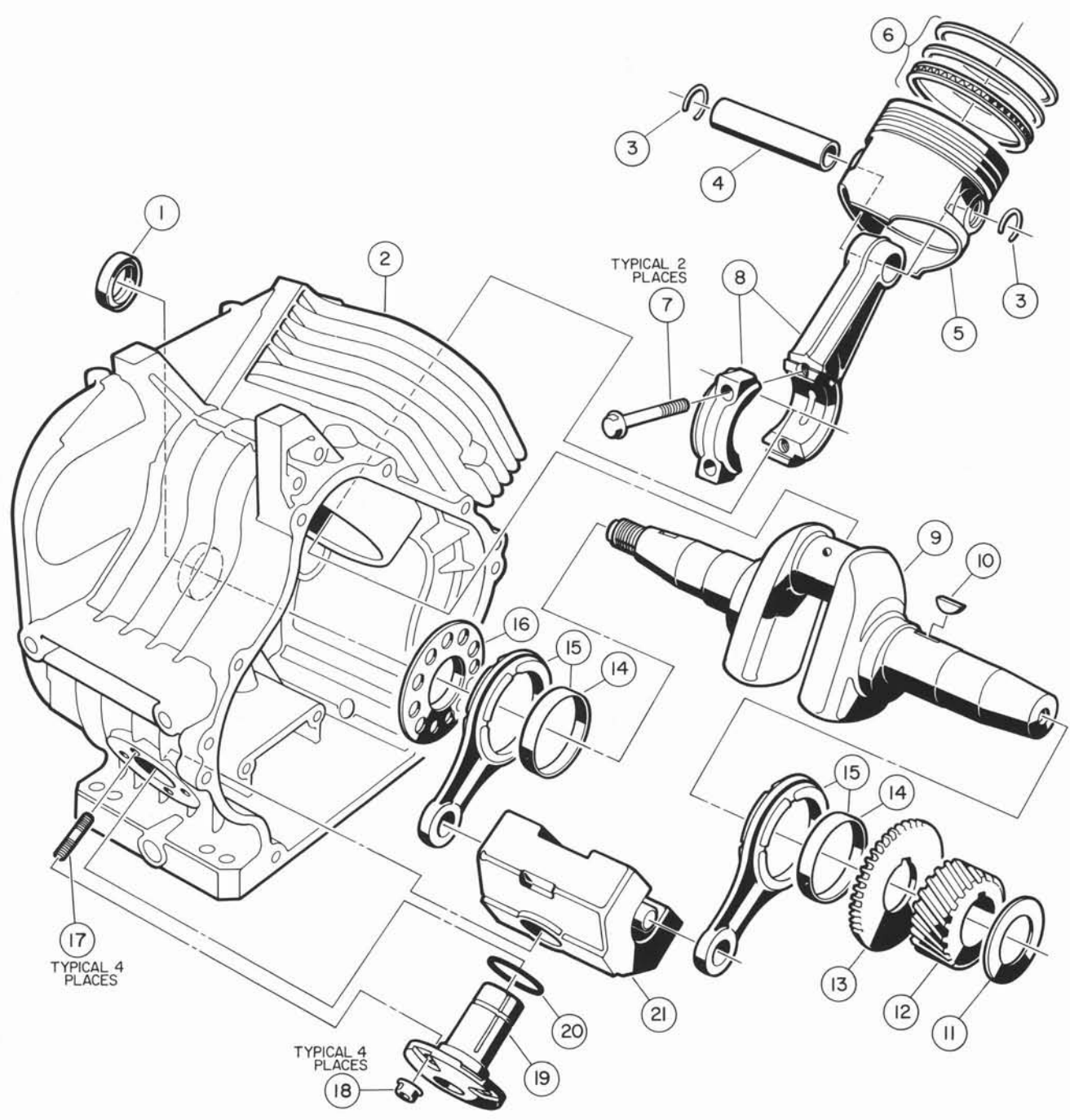
ITEM NUMBER	PART NUMBER	DESCRIPTION				UNITS PER VEHICLE
		1	2	3	4	
1	1016442	ROCKER CASE				1
2	1016436	ROCKER CASE GASKET				1
3	1016583	FLANGED BOLT, M6 X 1.0 X 35MM LONG				2
4	1016569	O-RING				2
5	1016545	HEX NUT				2
6	1016542	SCREW				2
7	1016451	ROCKER ARM				2
8	1016450	COLLET				2
9	1016449	VALVE SPRING RETAINER				2
10	1016523	ENGINE VALVE SPRING				2
11	1016479	SPRING SEAT				2
12	1016560	SNAP RING				2
13	1016518	VALVE GUIDE (EXHAUST)				1
14	1016566	VALVE SEAL OIL SEAL				1
15	1016519	VALVE GUIIDE (INTAKE)				1
16	1016448	EXHAUST VALVE				1
17	1016447	INTAKE VALVE				1
18	1016544	SCREW				1
19	1016474	PLATE				1
20	1016483	VALVE				1
21	1016431	CYLINDER HEAD COMPLETE OHV INCLUDES ITEMS 12, 13, AND 15				1
22	1016563	PIN				2
23	1016489	STUD BOLT				2
24	1016452	ROCKER SHAFT				1
25	1016471	PUSH ROD				2
26	1016549	WASHER				1
27	1016517	TYPE-E CIRCLIP				1
28	1016458	FLANGED BOLT, M8 X 1.25 X 45MM LONG				6
29	1016430	HEAD GASKET FE 290				1



ENGINE

ENGINE

ITEM NUMBER	PART NUMBER	DESCRIPTION				UNITS PER VEHICLE
		1	2	3	4	
1	1016596	PLUG				1
2	1016535	CORD CONNECTOR				1
3	1016538	O-RING				1
4	1016506	CLAMP				1
5	1016544	CROSS PAN HEAD SELF TAPPING SCREW, 5MM DIAMETER X 12MM LONG				1
6	1016564	PIN				2
7	1016565	BALL BEARING				1
8	1016567	CRANKSHAFT SEAL				1
9	1016584	FLANGED 2-ENDED BOLT, M8 X 1.25				2
10	1016458	FLANGED BOLT, M8 X 1.25				6
11	1016520	CRANKCASE COVER				1
12	1016446	CRANKCASE COVER GASKET				1
13	1016456	FLANGED BOLT, M5 X 1.0 X 12MM LONG				2
14	1016510	SWITCH BRACKET, OIL LEVEL				1
15	1016494	SENSOR, OIL LEVEL, FE 290				1
16	1016496	CROSS PAN HEAD SCREW, M4 X 0.7 X 8MM LONG				3
17	1016454	FLANGED BOLT, M5 X 0.8 X 8MM LONG				2
18	1016472	OIL FILTER SCREEN PLATE				1
19	1016521	OIL FILTER, SCREEN				1
20	1016528	CAMSHAFT, COMPOSITE				1
21	1016453	TAPPET				2



ENGINE

ENGINE

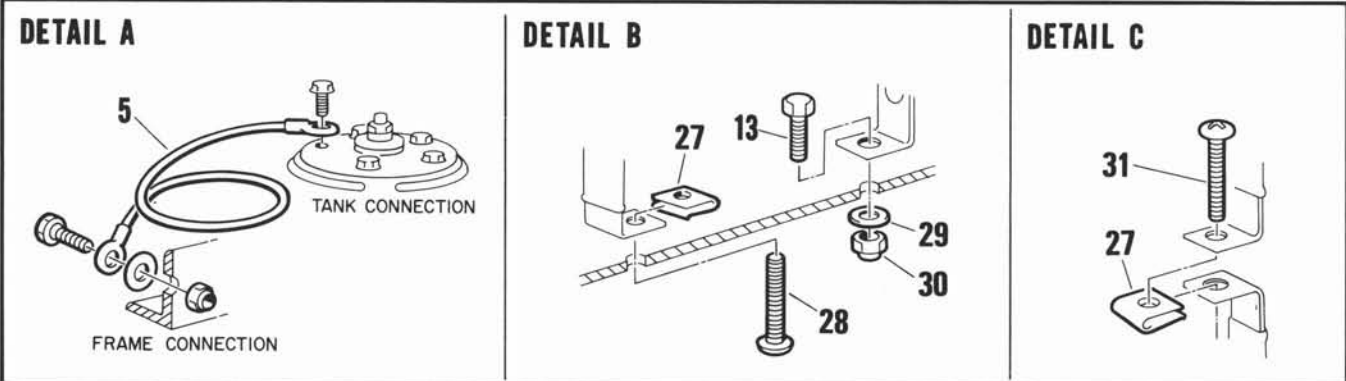
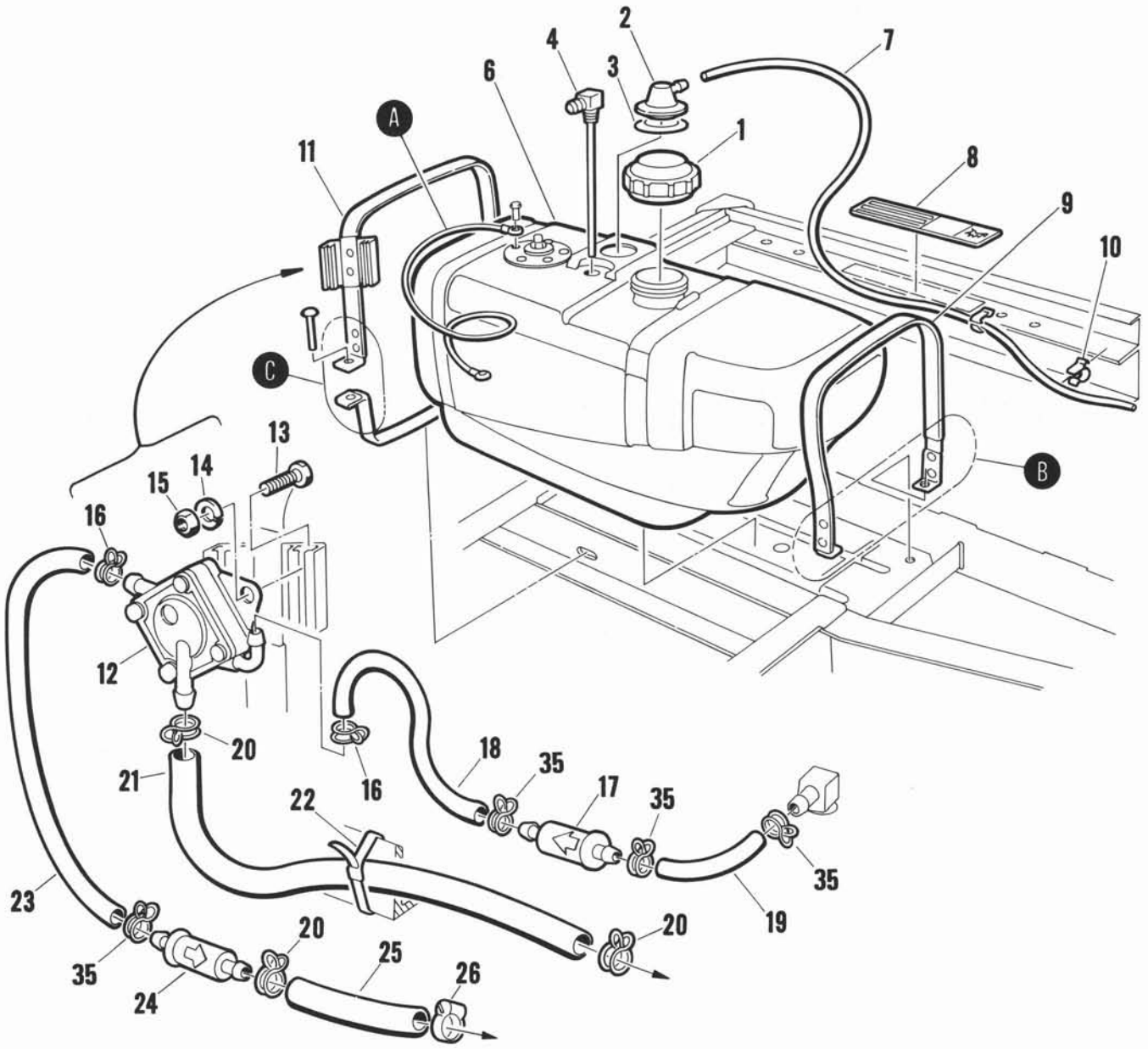
G

ITEM NUMBER	PART NUMBER	1	2	3	4	DESCRIPTION	UNITS PER VEHICLE
1	1016568					OIL SEAL	1
2	1016529					CRANKCASE, COMPLETE OHV	1
3	1016558					SNAP RING	2
4	1016460					PISTON PIN	1
5	1016459-01					PISTON - STANDARD	1
5	1016459-02					PISTON - .25MM OVERSIZE	1
5	1016459-03					PISTON - .50MM OVERSIZE	1
5	1016459-04					PISTON - .75MM OVERSIZE	1
6	1016461-01					PISTON RING - STANDARD	1
6	1016461-02					PISTON RING - .25MM OVERSIZE	1
6	1016461-03					PISTON RING - .50MM OVERSIZE	1
6	1016461-04					PISTON RING - .75MM OVERSIZE	1
7	1016509					BOLT	2
8	1016475-01					CONNECTING ROD ASSEMBLY - STANDARD INCLUDES 2 EACH ITEM 7	1
8	1016475-02					CONNECTING ROD ASSEMBLY - .50MM OVERSIZE INCLUDES 2 EACH ITEM 7	1
9	1016468					CRANKSHAFT, OHV INCLUDES 1 EACH ITEMS 12, 13, AND 15	1
10	1016562					KEY	1
11	1016550-01					SHIM 1.13MM THICK	1
11	1016550-02					SHIM 1.18MM THICK	1
11	1016550-03					SHIM 1.23MM THICK	1
11	1016550-04					SHIM 1.28MM THICK	1
11	1016550-05					SHIM 1.33MM THICK	1
11	1016550-06					SHIM 1.38MM THICK	1
11	1016550-07					SHIM 1.43MM THICK	1
11	1016550-08					SHIM 1.48MM THICK	1
11	1016550-09					SHIM 1.53MM THICK	1
12	1016533					HELICAL GEAR	1
13	1016532					SPUR GEAR	1
14	1016580					PLANE BEARING	2
15	1016516					CONNECTING ROD ASSEMBLY INCLUDES ITEM 14	2
16	1016559					SPACER	1
17	1016541					STUD M6 X 1.0	4
18	1016547					FLANGED NUT M6 X 1.0	4
19	1016470					SHAFT, GUIDE COUNTER BALANCE	1
20	1016571					O-RING	1
21	1016469					COUNTER BALANCE, WEIGHT	1

6

Section 7

FUEL, INTAKE, AND GOVERNOR SYSTEM



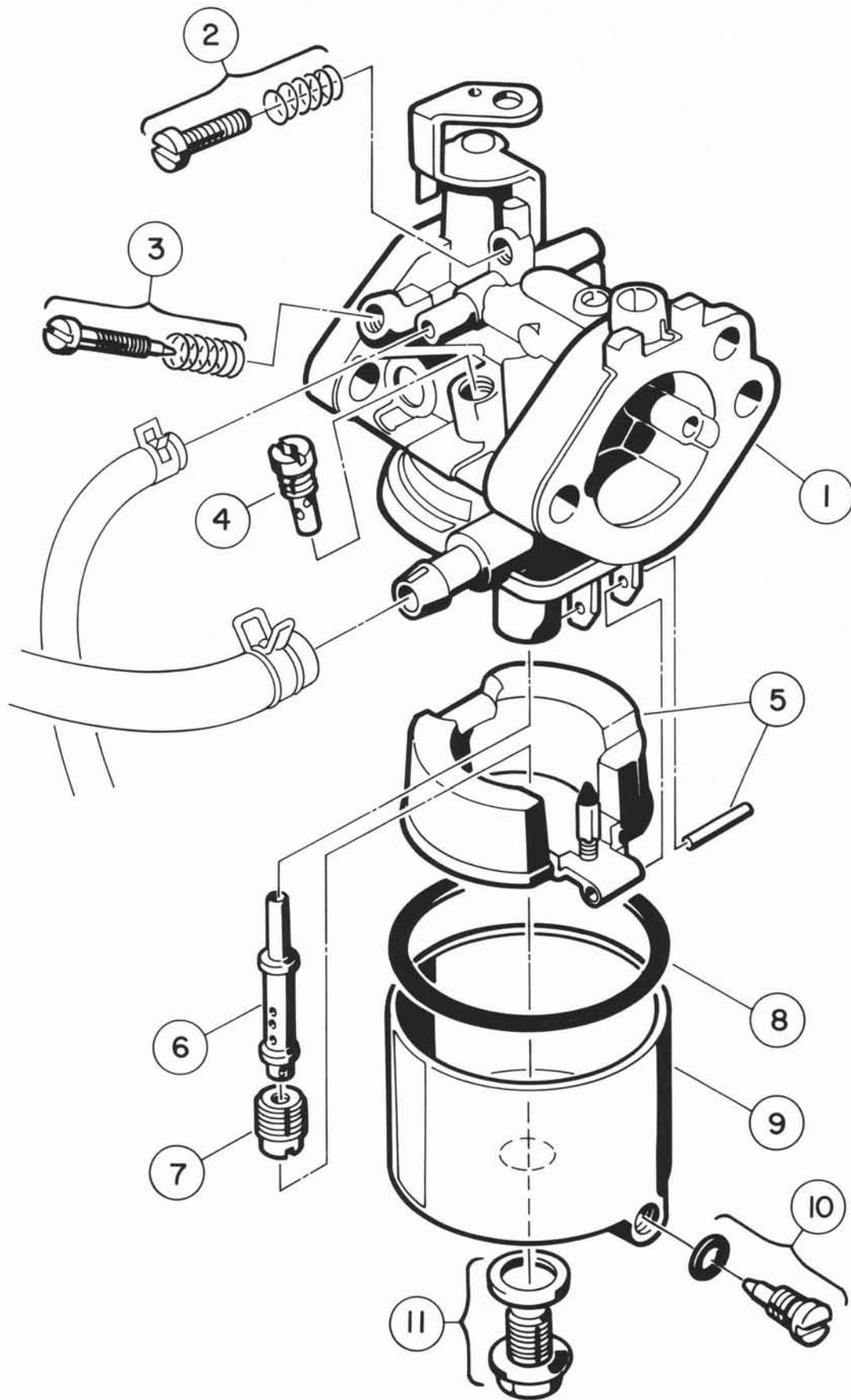
FUEL SYSTEM ASSEMBLY

FUEL SYSTEM ASSEMBLY

G

ITEM NUMBER	PART NUMBER	DESCRIPTION				UNITS PER VEHICLE
		1	2	3	4	
1	1015188	FUEL TANK CAP, NONVENTED				1
2	1015143	FUEL TANK VENT ASSEMBLY				1
3	1015139	INSULATION GROMMET				1
4	1012619	FUEL TUBE & FITTING ASSEMBLY				1
5	1015921	WIRE ASSEMBLY, #16 BLACK				1
6	1016004	TANK KIT WITH SENDING UNIT				1
		INCLUDES ITEMS 1 THRU 3, ITEMS 7, 10 AND 28 THRU 30				
7	NO #	VENT FUEL LINE, 33" FOR CARRYALL-I AND 45" FOR CARRYALL-II (SEE ITEM 34)				1
8	1015476	DANGER DECAL - GASOLINE VEHICLE				1
9	1014928	REAR FUEL STRAP ASSEMBLY				1
10	1015502	CLIP, CABLE, EDGE TYPE				3
11	1014927	FRONT FUEL STRAP ASSEMBLY				1
12	1014523	IMPULSE FUEL PUMP, SQUARE BODY				1
12A	1014524	IMPULSE FUEL PUMP, SQUARE BODY, REBUILD KIT				A/R
13	7847	HEX HEAD CAP SCREW, 1/4-20 X 3/4"				3
14	451	LOCKWASHER, HEL SP, 1/4 DIAMETER				2
15	1028	HEX NUT, 1/4-20				2
16	1013134-01	HOSE CLAMP (RED)				6
17	1013684	PRIMARY FUEL FILTER (WHITE)				1
18	NO #	FUEL LINE, 6" (SEE ITEM 32)				1
19	NO #	FUEL LINE, 2" (SEE ITEM 32)				1
20	1012649	HOSE CLAMP				3
21	NO #	IMPULSE LINE, 19-1/4" (SEE ITEM 33)				1
22	8639	TIE WRAP (IF USED)				1
23	NO #	FUEL LINE, 22" (SEE ITEM 32)				1
24	1014522	SECONDARY FUEL FILTER (BLUE)				1
25	NO #	FUEL LINE, 2-1/4" (SEE ITEM 33)				1
26	1013687	HOSE CLAMP, 3/8 DIAMETER				1
27	1014116	SPEED NUT, U-TYPE, 1/4-20				2
28	1013176	PHILLIP TRUSS HEAD SCREW, 1/4-20 X 2-1/2"				1
29	332	FLATWASHER, 1/4 DIAMETER				1
30	8233	NYLON LOCKNUT INSERT, 1/4-20				1
31	1011988	PHILLIP TRUSS HEAD SCREW, 1/4-20 X 2"				1
32	1012293	FUEL LINE BULK				A/R
33	1013692	FUEL LINE BULK				A/R
34	1015137	FUEL LINE BULK				A/R
35	1013134-02	HOSE CLAMP (GOLD)				4

7



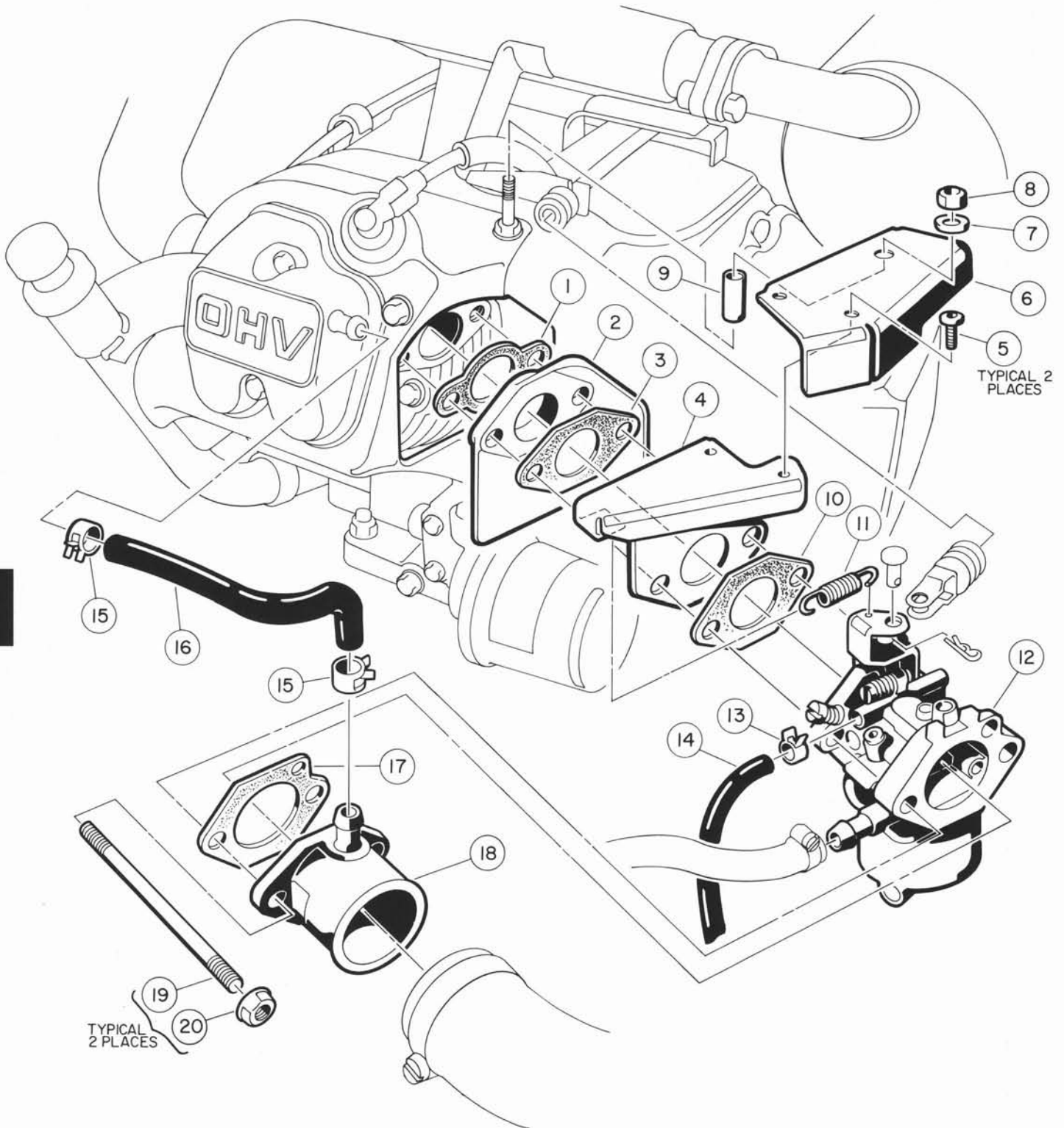
CARBURETOR ASSEMBLY

CARBURETOR ASSEMBLY

G

ITEM NUMBER	PART NUMBER	1 2 3 4	DESCRIPTION	UNITS PER VEHICLE
1	1016478		CARBURETOR ASSEMBLY INCLUDES ITEMS 2 THRU 11 AND CARBURETOR BODY WITH THROTTLE VALVE	1
2	1016501		SCREW ASSEMBLY	1
3	1016500		SCREW ASSEMBLY	1
4	1016574		PILOT JET, #45	1
5	1016486		FLOAT ASSEMBLY	1
6	1016530		MAIN NOZZLE	1
7	1016425-80		MAIN JET (IF .ABOVE 3000 FT., CONTACT YOUR DEALER FOR PROPER JETTING)	1
8	1016437		GASKET, CARBURETOR BOWL	1
9	1016487		FLOAT CHAMBER ASSEMBLY INCLUDES ITEM 10 AND FLOAT CHAMBER	1
10	1016499		SCREW ASSEMBLY	1
11	1016585		BOLT	1

7



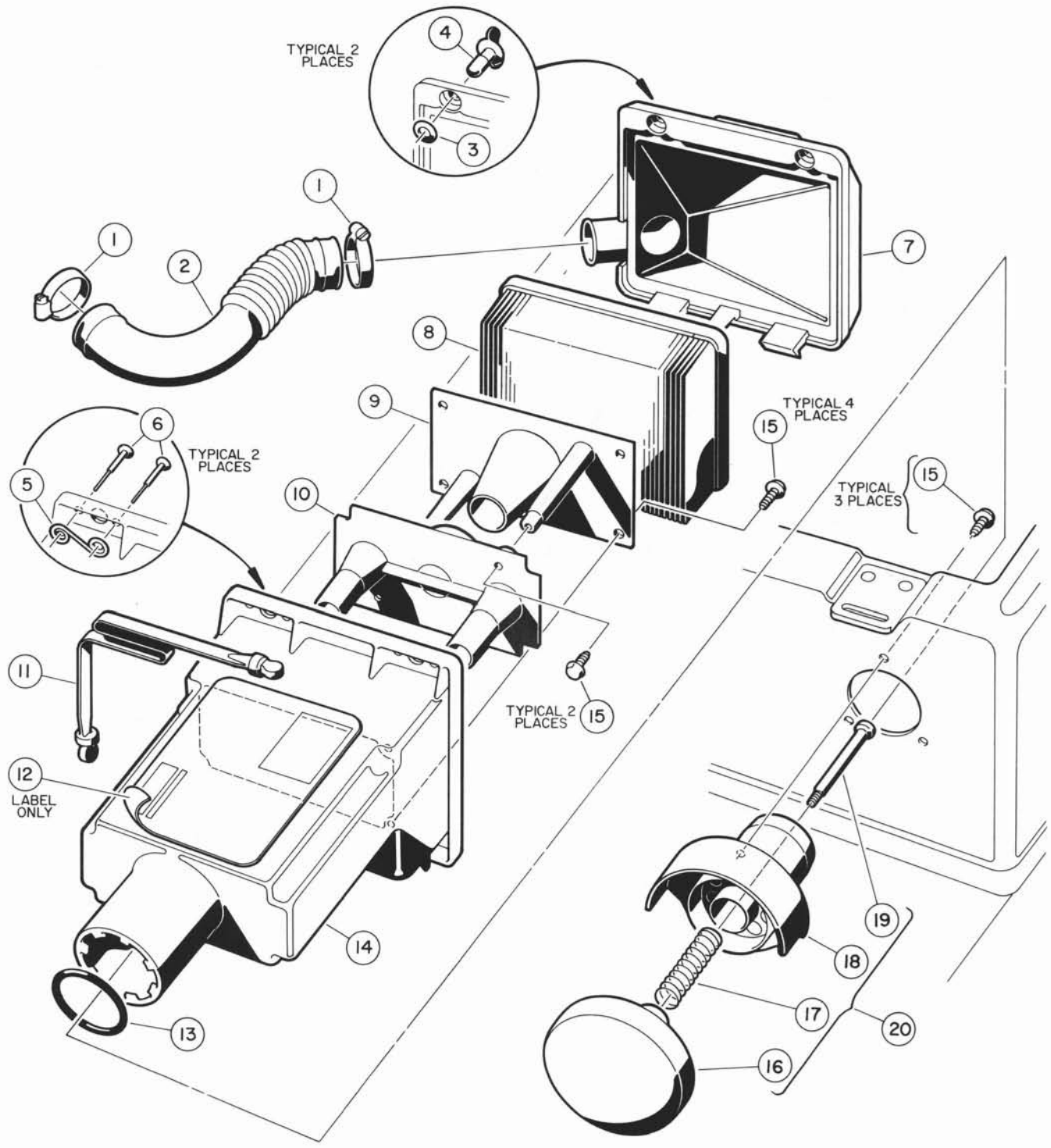
GOVERNOR GUARD AND INTAKE HOSE

GOVERNOR GUARD AND INTAKE HOSE

G

ITEM NUMBER	PART NUMBER	1 2 3 4	DESCRIPTION	UNITS PER VEHICLE
1	1016440		INSULATOR GASKET	1
2	1016481		CARBURETOR INSULATOR	1
3	1016439		GASKET, CARBURETOR INSULATOR TO THROTTLE RETURN BRACKET	1
4	1016444		BRACKET, THROTTLE RETURN	1
5	1016103		PAN HEAD, TORX HEAD, SELF-TAPPING SCREW, #6-32 X 1/4"	2
6	1016102		GOVERNOR GUARD	1
7	451		LOCKWASHER, 1/4 DIAMETER	1
8	1011114		HEX NUT, M6	1
9	1016848		SPACER, GOVERNOR GUARD	1
10	1016441		GASKET, THROTTLE BRACKET TO CARBURETOR	1
11	1016582		SPRING, THROTTLE RETURN	1
12	1016478		CARBURETOR ASSEMBLY OHV	1
13	1013746		HOSE CLAMP	1
14	1015877-01		AIR VENT TUBE	1
15	1013746		HOSE CLAMP	2
16	1016572		TUBE, CRANKCASE VENT	1
17	1016438		AIR FILTER GASKET, CARBURETOR TO INTAKE MANIFOLD	1
18	1016480		INTAKE MANIFOLD PIPE	1
19	1016490		STUD BOLT	2
20	1016547		FLANGED NUT, M6	2

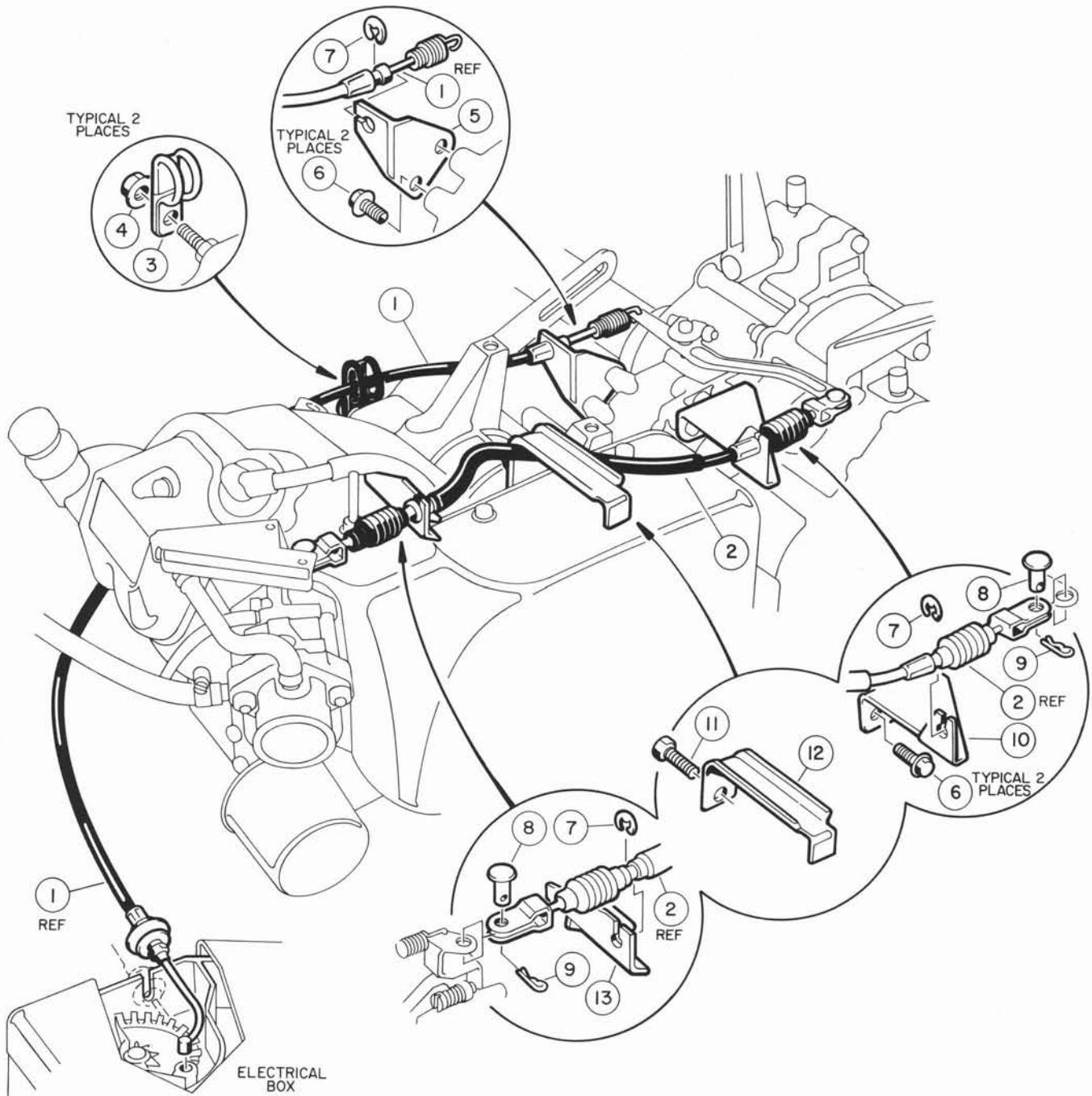
7



EXPANSION CHAMBER, CHOKE, AND FILTER

EXPANSION CHAMBER, CHOKE, AND FILTER

ITEM NUMBER	PART NUMBER	DESCRIPTION				UNITS PER VEHICLE
		1	2	3	4	
1	1015430	HOSE CLAMP, AIR INTAKE				2
2	1016228	INTAKE HOSE (CARRYALL-I)				1
2	1016300	INTAKE HOSE (CARRYALL-II)				1
3	1015291	FASTENER GROMMET, SIZE 6				2
4	1015290	WING HEAD STUD, SIZE 6				2
5	1015292	FASTENER SPRING, SIZE 6				2
6	1015727	POP RIVET, 1/8 DIAMETER				4
7	1015293	EXPANSION CHAMBER COVER				1
8	1015426	AIR FILTER ELEMENT				1
9	1015542	SECONDARY AIR BOX BAFFLE				1
10	1015541	PRIMARY AIR BOX BAFFLE				1
11	1015577	EXPANSION CHAMBER RETENSION STRAP				1
12	1016062	SERVICE DECAL OHV				1
13	1015425	O-RING, AIR BOX				1
14	1015540	EXPANSION CHAMBER				1
15	1015289	HI-LO SCREW, #10 X 5/8"				9
16	1012629	CHOKE COVER				1
17	1012633	CHOKE SPRING				1
18	1015485	CHOKE BASE				1
19	1012634	SHOULDER SCREW, 1/4-20 X 2"				1
20	1015745	CHOKE ASSEMBLY INCLUDES ITEMS 16 THRU 29				1



GOVERNOR AND ACCELERATOR CABLES

GOVERNOR AND ACCELERATOR CABLES

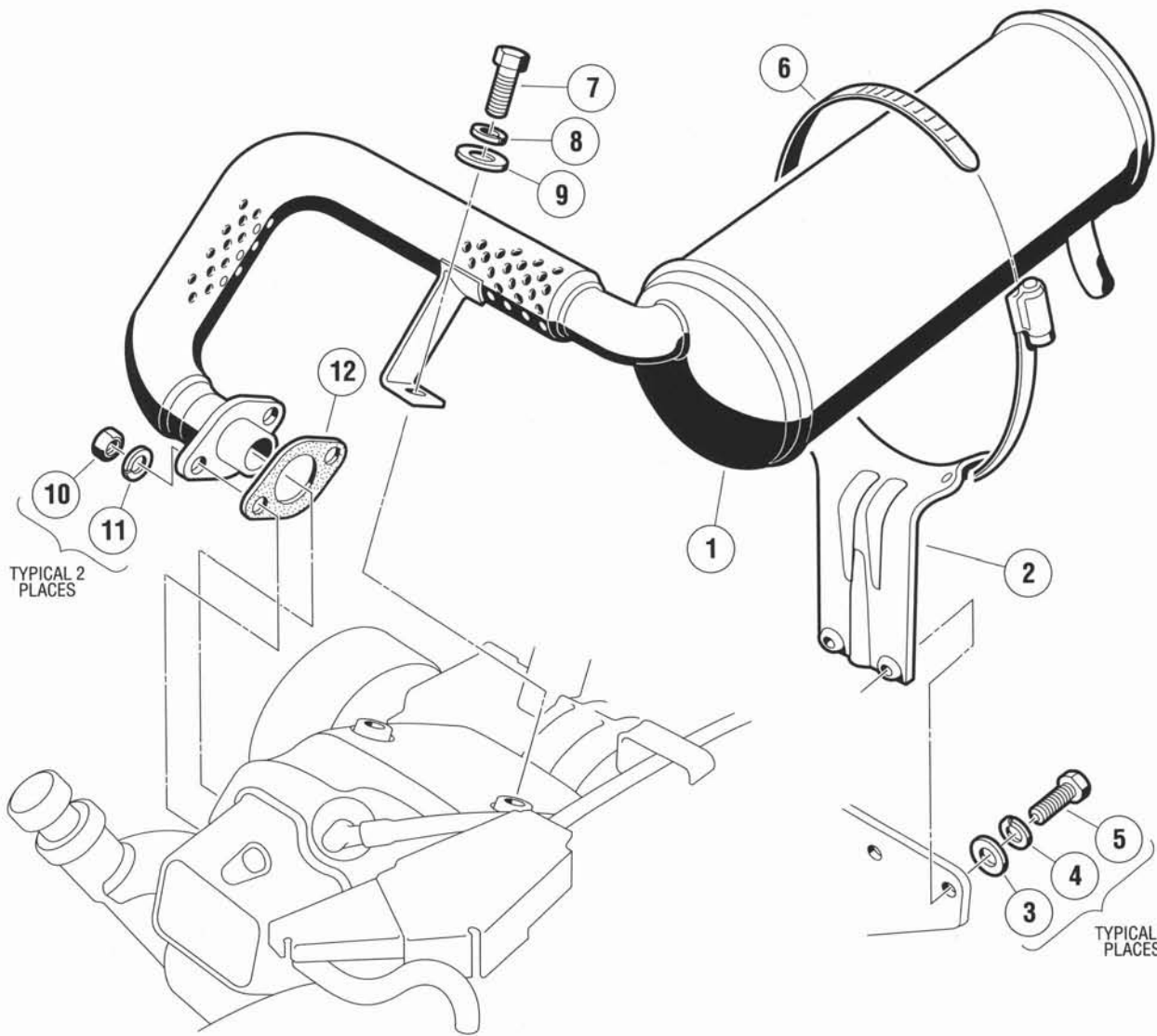
G

ITEM NUMBER	PART NUMBER	1	2	3	4	DESCRIPTION	UNITS PER VEHICLE
1	1015225					ACCELERATOR CABLE	1
2	1015226-01					GOVERNOR CABLE	1
3	1013700					CLAMP - HOSE RETAINING	2
4	1016546					NUT	2
5	1015410					ACCELATOR SUPPORT BRACKET	1
6	1015746					HEX WASHER HEAD MACHINE SCREW, 1/4-20 X 5/8"	4
7	1016202					"E" RING	3
8	1015408					CLEVIS PIN, GOVERNOR CABLE	2
9	1014413					HAIR SPRING COTTER - 1/8 I.D. X 5/8"	2
10	1015411					SUPPORT BRACKET, GOVERNOR CABLE	1
11	1016456					FLANGED BOLT	1
12	1016057					THROTTLE CABLE CLAMP	1
13	1015845					GOVERNOR CABLE BRACKET, ENGINE	1

7

Section 8

EXHAUST SYSTEM



EXHAUST SYSTEM

EXHAUST SYSTEM

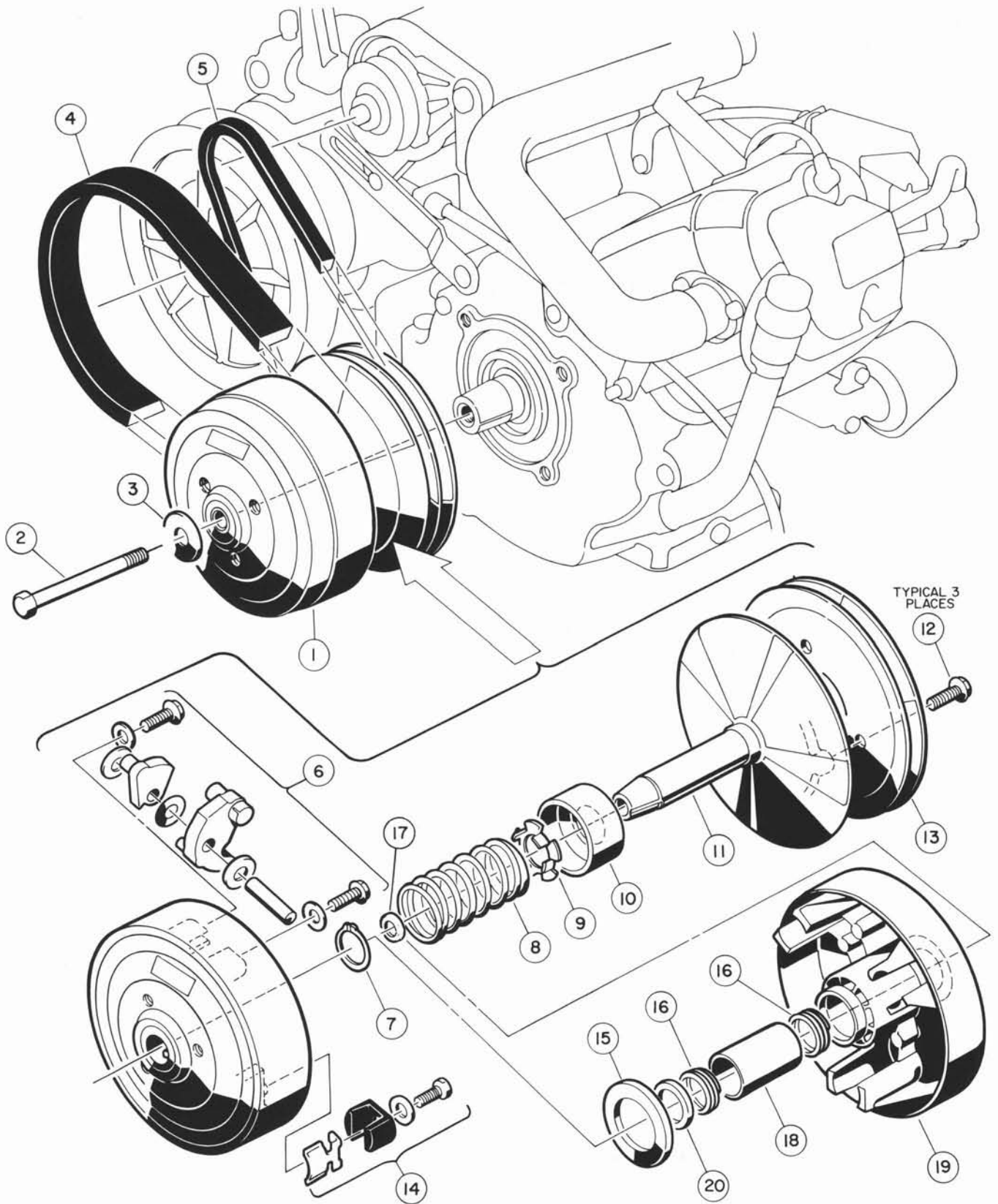
G

ITEM NUMBER	PART NUMBER	1	2	3	4	DESCRIPTION	UNITS PER VEHICLE
1	1017491					MUFFLER	1
2	1015814					MUFFLER BRACKET MOUNT	1
3	332					FLATWASHER, 1/4 DIAMETER	2
4	451					LOCKWASHER, 1/4 DIAMETER	2
5	7847					HEX HEAD CAP SCREW, 1/4-20 X 3/4"	2
6	1017689					MUFFLER CLAMP	1
7	1012830					HEX HEAD CAP SCREW, M8-1.25 X 22MM LONG	1
8	7174					LOCKWASHER, 5/16 DIAMETER	2
9	1011697					FLATWASHER, 5/16 DIAMETER	1
10	1012528					HEX NUT, 8MM	2
11	1013734					LOCKWASHER, 8MM	2
12	1015330					GASKET, EXHAUST	1

8

Section 9

TORQUE CONVERTER



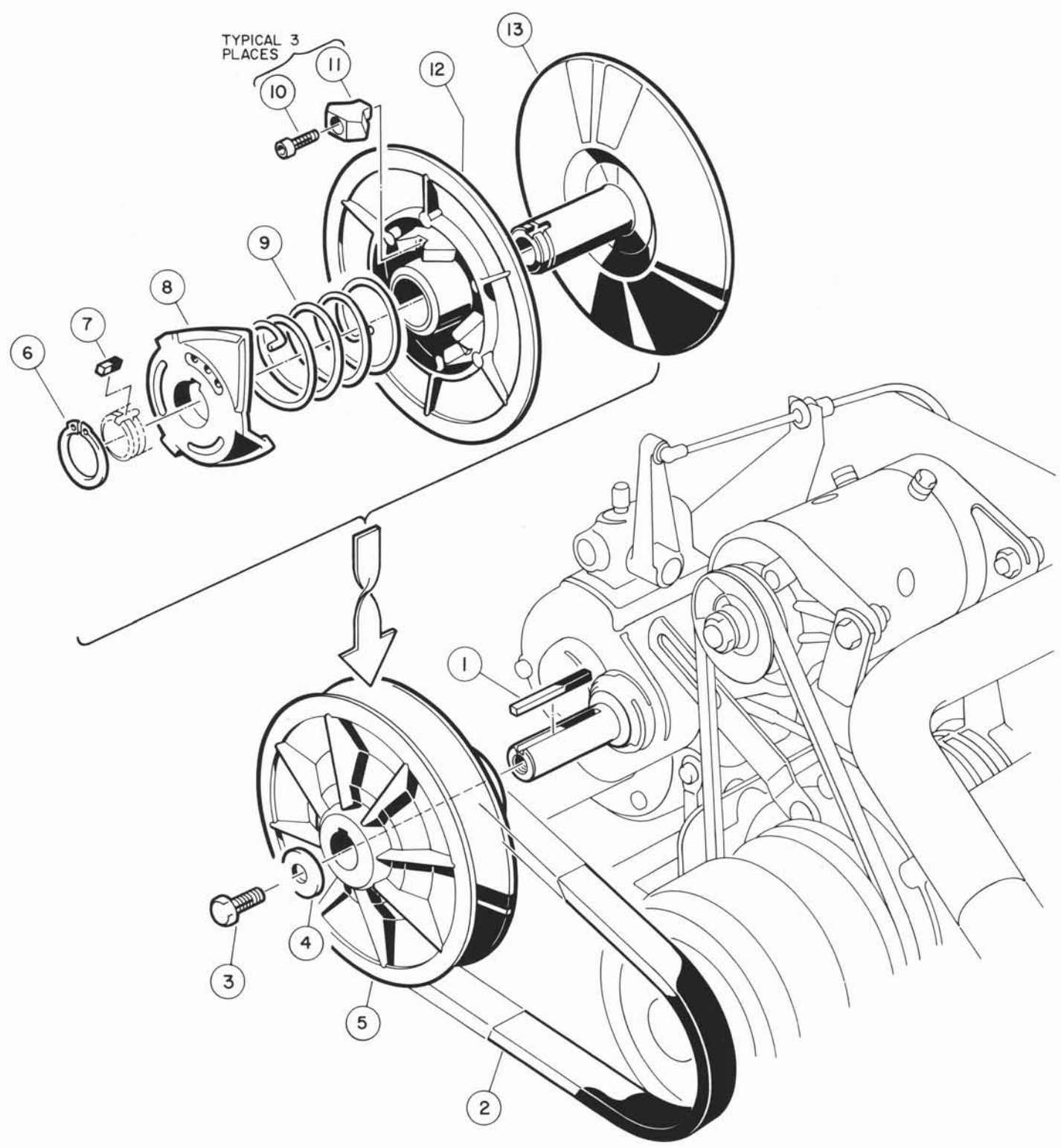
DRIVE CLUTCH ASSEMBLY

DRIVE CLUTCH ASSEMBLY

G

ITEM NUMBER	PART NUMBER	1 2 3 4	DESCRIPTION	UNITS PER VEHICLE
	1016378-02		DRIVE CLUTCH ASSEMBLY (CARRYALL-I)	
	1016378-03		DRIVE CLUTCH ASSEMBLY (CARRYALL-II)	
1	1014059		DRIVE CLUTCH ASSEMBLY	1
2	1012441		HEX HEAD CAP SCREW, 3/8-24 X 5-1/2"	1
3	1017328		DRIVE CLUTCH MOUNTING WASHER	1
4	1014081		DRIVE BELT	1
5	1014290		STARTER/GENERATOR BELT	1
6	1016801		DRIVE CLUTCH WEIGHT KIT (CARRYALL-I)	1
6	1014455		DRIVE CLUTCH WEIGHT KIT (CARRYALL-II)	1
7	1014057		RETAINING RING	1
8	1014051		SPRING - DRIVE CLUTCH	1
9	1014050		SPRING RETAINING	1
10	1014049		IDLER BEARING	1
11	1017383-01		FIXED FACE - DRIVE	1
			INCLUDES ITEMS 12 AND 13	
12	1014288		SCREW, WASH HEAD HEX	3
13	N/A		PULLEY	1
14	1014453		DRIVE CLUTCH BUTTON KIT	1
15	1014058		THRUST WASHER	1
16	1014056		SPIRAL - BACK-UP RING	2
17	1016289		FIXED FACE SHAFT SPACER	1
18	NO #		BUSHING (SEE ITEM 20)	1
19	1014052		MOVABLE FACE ASSEMBLY	1
			INCLUDES ITEMS 17 AND 18	
20	1014055		RETAINER	1

9



DRIVEN CLUTCH ASSEMBLY

DRIVEN CLUTCH ASSEMBLY

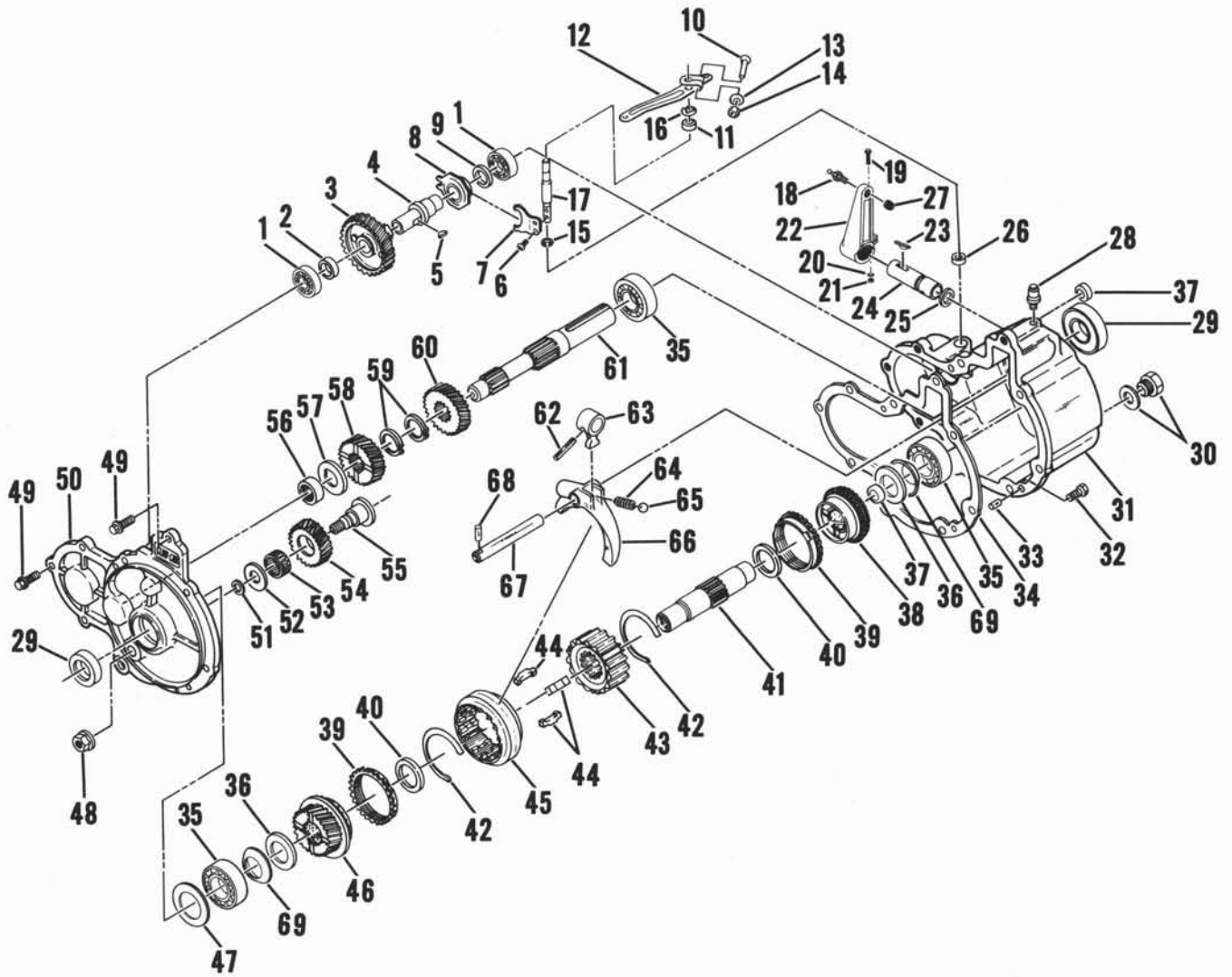
G

ITEM NUMBER	PART NUMBER	1	2	3	4	DESCRIPTION	UNITS PER VEHICLE
1	1016360-01					DRIVEN CLUTCH ASSEMBLY	1
2	1012455					SQUARE KEY, TRANSMISSION	1
3	1014081					DRIVE BELT	1
4	7173					HEX HEAD CAP SCREW, 5/16-18 X 3/4"	1
5	1017327					DRIVEN CLUTCH MOUNTING WASHER	1
6	1016360-01					DRIVEN CLUTCH ASSEMBLY INCLUDES ITEMS 6 THRU 13	1
7	1014080					RETAINING RING	1
8	1014078					KEY, DRIVEN CLUTCH	1
9	1017686					CAM 36°	1
10	1017732					90° SPRING DRIVEN CLUTCH	1
11	NO #					SOC HEAD CAP SCREW, #8-32 X 3/4" (SEE ITEM 12)	3
12	1014454					DRIVEN CLUTCH BUTTON KIT INCLUDES (3) OF ITEM 10	1
13	1014072					MOVABLE FACE ASSEMBLY W/BUSHING	1
14	1014458					FIXED FACE ASSEMBLY	1

9

Section 10

TRANSMISSION AND GOVERNOR



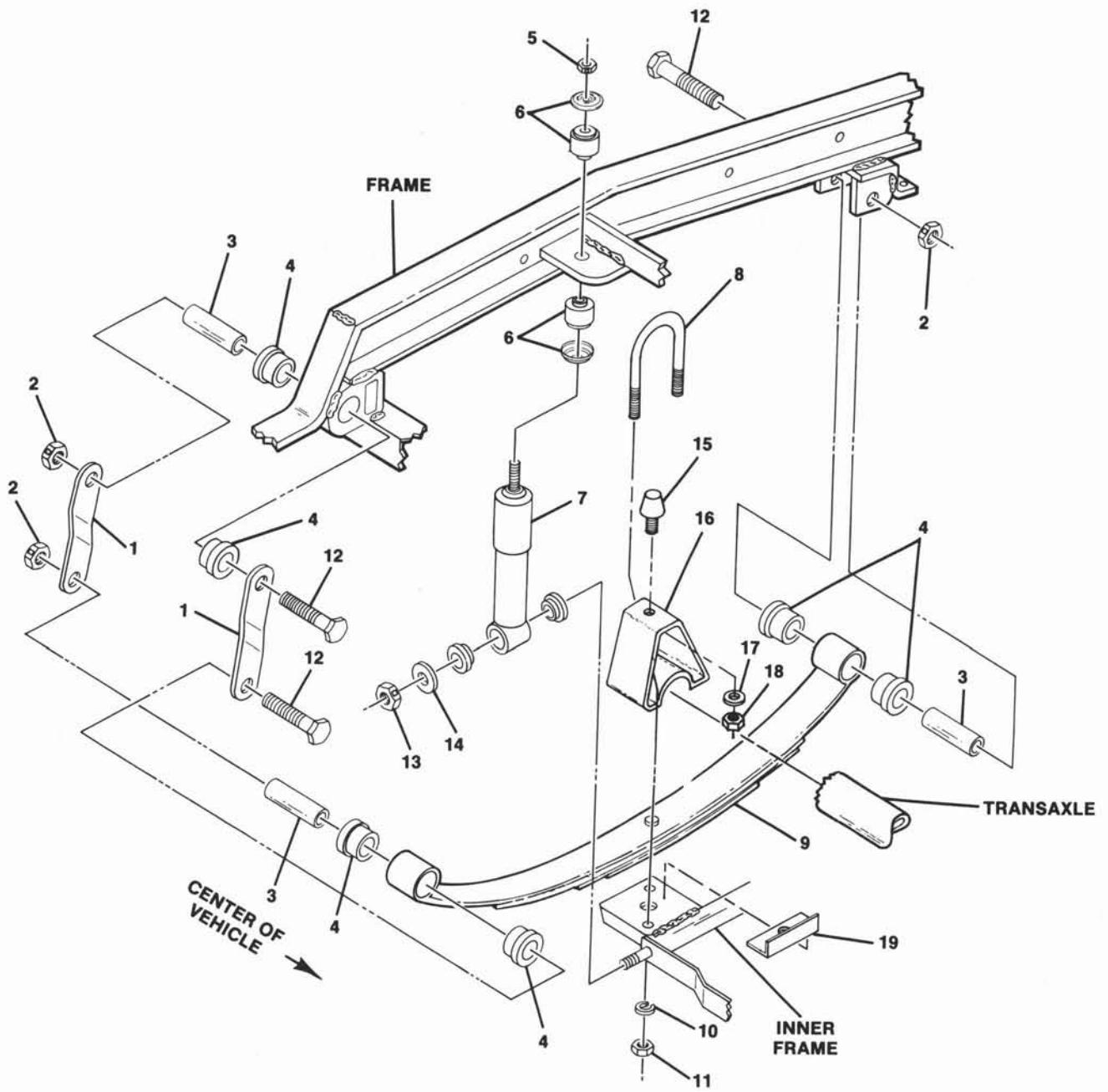
TRANSMISSION ASSEMBLY

TRANSMISSION ASSEMBLY

ITEM NUMBER	PART NUMBER	DESCRIPTION	UNITS PER VEHICLE
		1 2 3 4	
	1015747	TRANSMISSION ASSEMBLY	1
1	1012761	BALL BEARING	2
2	1012759	SPACER-THICK	1
3	1012755	GOVERNOR GEAR, 41 TOOTH	1
4	1016598	GOVERNOR SHAFT	1
5	1012760	GOVERNOR SHAFT KEY	1
6	1012764	SCREW, M4 X 0.7 X 6MM LONG	2
7	1012763	GOVERNOR ARM, INTERNAL	1
8	1012757	GOVERNOR SLEEVE	1
9	1012758	SPACER-THIN	1
10	1016540	BOLT, M6 X 1 X 25MM HEX	1
11	1012772	GOVERNOR ARM PIVOT	1
12	1015710	GOVERNOR LEVER ARM, OHV	1
13	1016513	FLATWASHER	1
14	1012770	NUT, M6 X 1	1
15	1012766	SNAP RING	2
16	1012765	WASHER	1
17	1012762	GOVERNOR ARM SHAFT	1
18	1010954	BALL STUD, 1/4-28	1
19	1017082	SLOT HEX SCREW, #10-32 X 3/4"	1
20	183	FLATWASHER, 3/16 DIAMETER	1
21	1013061	NYLON LOCKNUT, #10-32	1
22	1016341	TRANSMISSION SHIFTER LEVER	1
23	1017231	KEY, WOODRUF	1
24	1012751	SHIFTER SHAFT	1
25	1012754	O-RING	1
26	1012767	OIL SEAL	1
27	8717	NYLON LOCKNUT, 1/4-28	1
28	1012711	BREATHER	1
29	1012714	OIL SEAL	2
30	1013759	FILL PLUG WITH GASKET	1
31	1013960	GEAR CASE W/O LOCKOUT OPENING	1
32	1012719	HEX HEAD CAP SCREW, M6 X 1 X 14MM LONG	1
33	1012710	DOWEL PIN	2
34	1012717	CASE GASKET	1
35	7336	BALL BEARING	3
36	1016337	THRUST WASHER	2
37	1012735	PLUG	2
38	1016591	GEAR ASSEMBLY, 29 TOOTH	1
39	1012742	SYNCHRONIZER RING	2
40	1012743	THRUST WASHER	2
41	1012734	OUTPUT SHAFT	1
42	1012741	SYNCHRO RING	2
43	1012738	CLUTCH HUB	1
44	1012740	SYNCHRO INSERT	3
45	1012739	SLEEVE	1
46	1012737	GEAR ASSEMBLY, 34 TOOTH	1
47	1012783	SHIM 0.2MM	A/R
48	1012784	SHIM 0.1MM	A/R
49	1012733	FLANGE NUT, M8 X 1.25	1
50	1012718	HEX HEAD CAP SCREW, M6 X 1 X 20MM LONG	4
50	1016592	COVER	1
51	1012732	O-RING	1
52	1012730	THRUST WASHER	1
53	1012731	NEEDLE BEARING	1
54	1012729	REVERSE IDLER GEAR	1
55	1012728	IDLER SHAFT	1
56	1012716	NEEDLER BEARING	1
57	1012723	THRUST WASHER, 3.0MM	A/R
58	1012724	THRUST WASHER, 3.3MM WHITE	A/R
59	1012725	THRUST WASHER, 3.6MM YELLOW	A/R
60	1012722	GEAR, 25 TOOTH	1
61	1012727	SNAP RING	2
61	1016594	GEAR, 28 TOOTH	1
61	1012720	INPUT SHAFT	1
62	1012752	ROLL PIN	1
63	1012750	SHIFTER ARM LEVER, INSIDE	1
64	1012748	SHIFTER SPRING	1
65	1012747	SHIFTER BALL	1
66	1012746	SLEEVE SHIFT ARM	1
67	1012745	SHIFT ROD	1
68	1012749	ROLL PIN	1
69	1016338	SPRING WASHER	2

Section 11

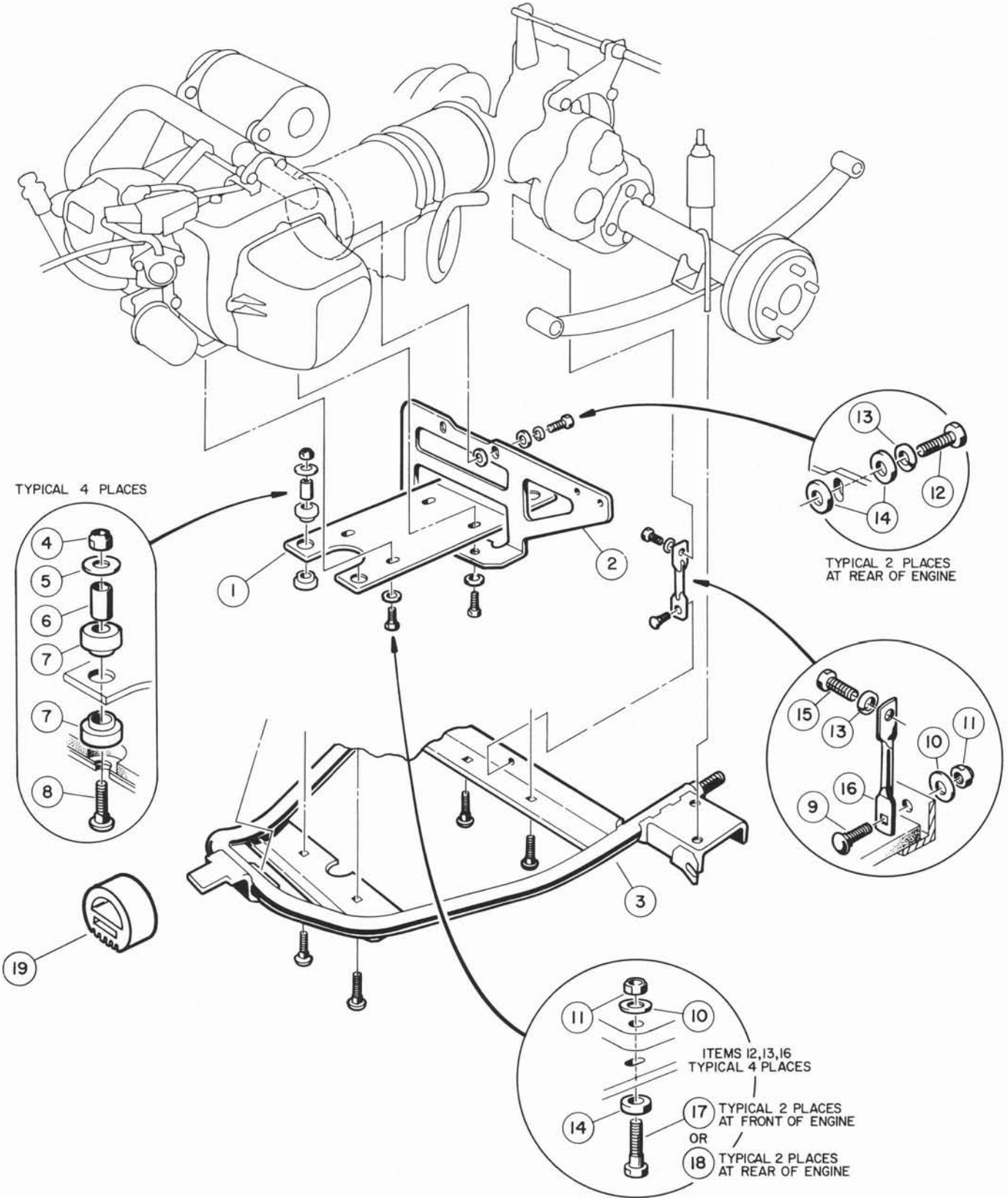
REAR SUSPENSION



REAR SUSPENSION ASSEMBLY

REAR SUSPENSION ASSEMBLY

ITEM NUMBER	PART NUMBER	DESCRIPTION				UNITS PER VEHICLE
		1	2	3	4	
1	1012304	REAR SPRING SHACKLE				4
2	8754	NYLON LOCKNUT, 3/8-16				6
3	1012303	STEEL BUSHING				4
4	1015583	URETHANE BUSHING				12
5	1010145	HEX NUT, 3/8-24, SHOCK ABSORBER				2
6	1011415	SHOCK ABSORBER CUSHION KIT				2
7	1012781	SHOCK ABSORBER KIT - GASOLINE VEHICLE INCLUDES ITEM 6				1
8	1014902	"U" BOLT				2
9	1014675	REAR LEAF SPRING				2
10	1014557	FLATWASHER, 7/16 DIAMETER				4
11	1014555	NYLON LOCKNUT, 7/16-14				4
12	8755	HEX HEAD CAP SCREW, 3/8-16 X 3-3/8"				6
13	1010188	DIMPLED LOCKNUT, 5/8-11				2
14	1010193	FLATWASHER, 5/8 DIAMETER				2
15	1017235	OVERLOAD BUMPER				2
16	1014546-02	OVERLOAD BUMPER MOUNT - STANDARD				2
17	1241	FLATWASHER, 5/16 DIAMETER				2
18	7473	NYLON LOCKNUT, 5/16-18				2
19	1014573	SPRING RETAINER				2
20	1014901	SPACER - OVERLOAD BUMPER				2

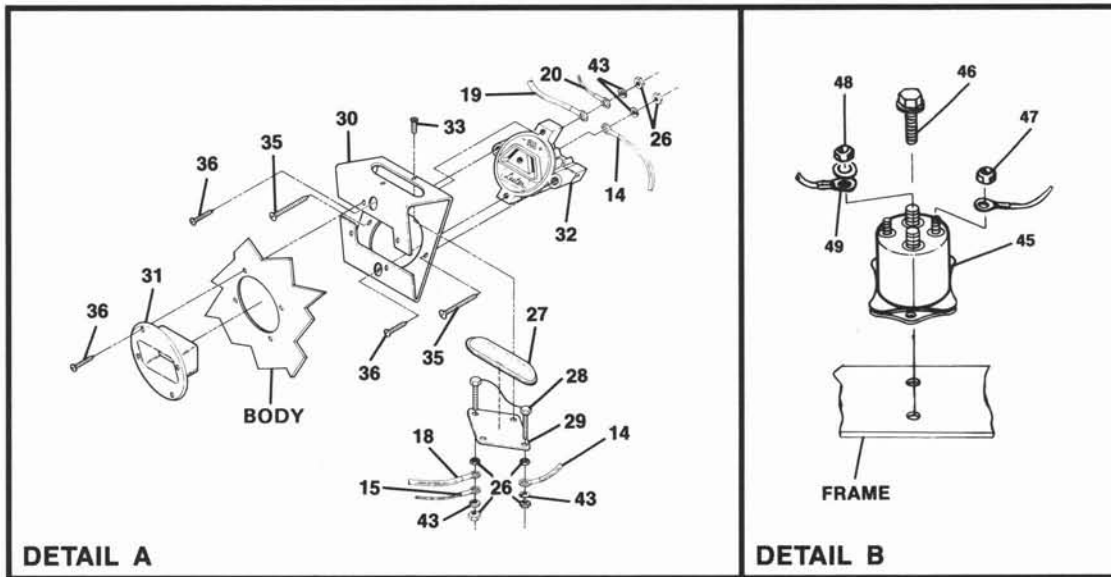
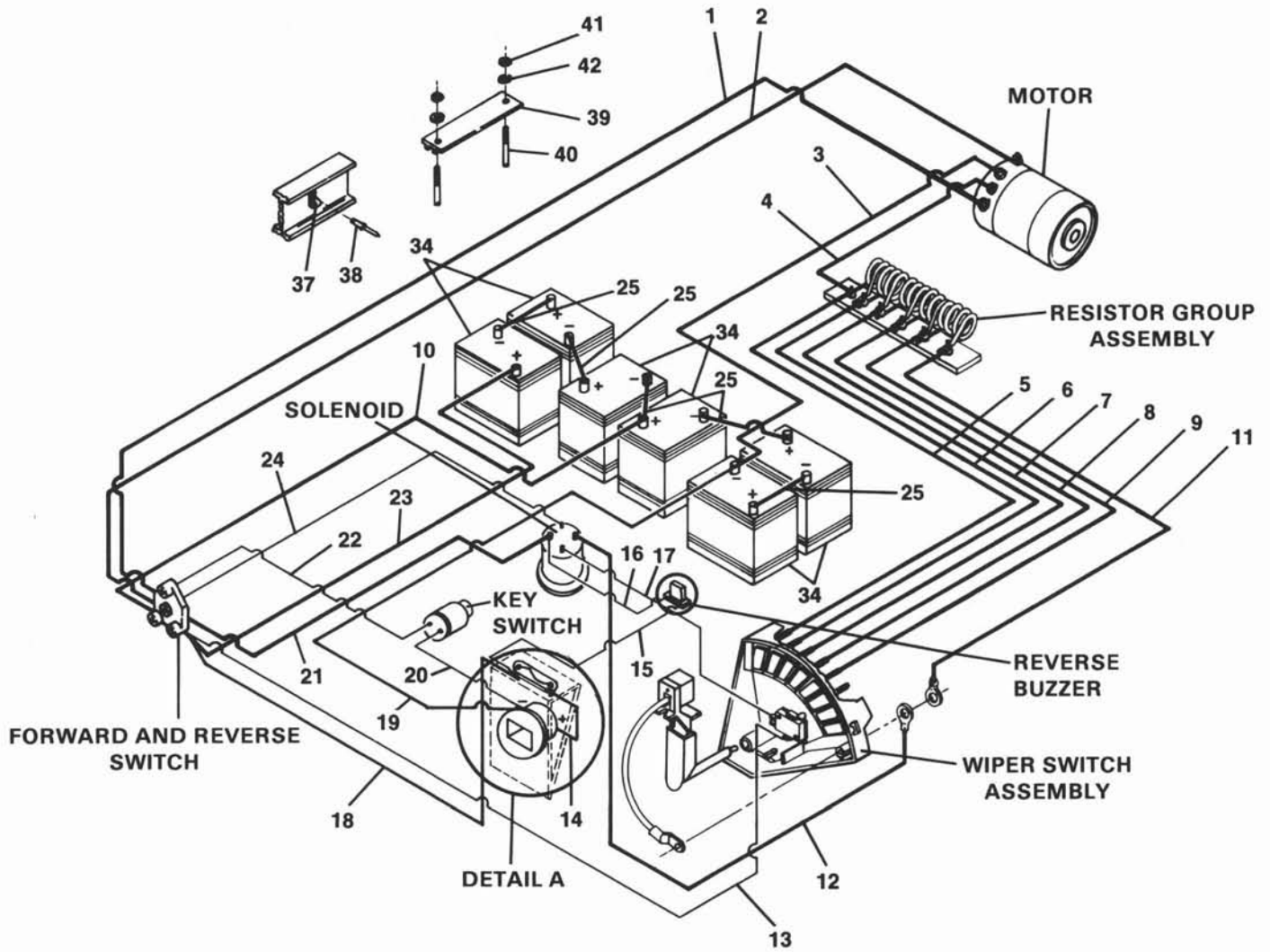


INNER FRAME ASSEMBLY

INNER FRAME ASSEMBLY

ITEM NUMBER	PART NUMBER	DESCRIPTION	UNITS PER VEHICLE
1	1016010	INNER FRAME MOUNTING PLATE	1
2	1016206	MUFFLER MOUNTING PLATE	1
3	1016870	INNER FRAME WELD ASSEMBLY	1
4	8754	NYLON LOCKNUT INSERT, 3/8-16	4
5	808	FLATWASHER, 3/8 DIAMETER	4
6	1017033	STEEL BUSHING	4
7	1016810	ENGINE MOUNTS	8
8	1012428	ROUND HEAD SQUARE NECK BOLT, 3/8-16 X 2-1/4"	4
9	1015932	ROUND HEAD SQUARE NECK BOLT, 5/16-18 X 1"	1
10	1241	FLATWASHER, 5/16 DIAMETER	5
11	7473	NYLON LOCKNUT, 5/16-18	5
12	1015709	HEX HEAD CAP SCREW, M8 X 1.25 X 30MM LONG	2
13	7174	LOCKWASHER, 5/16 DIAMETER	3
14	1012571	HEAVY FLATWASHER, 5/16 DIAMETER	8
15	1010577	HEX HEAD CAP SCREW, 5/16-18 X 1-1/2"	1
16	1016200-01	TRANSMISSION STRAP SUPPORT	1
17	8963	HEX HEAD CAP SCREW, 5/16-18 X 1-3/4"	2
18	8916	HEX HEAD CAP SCREW, 5/16-18 X 2"	2
19	1012164	SNUBBER, INNER FRAME	1

Section 12
ELECTRICAL



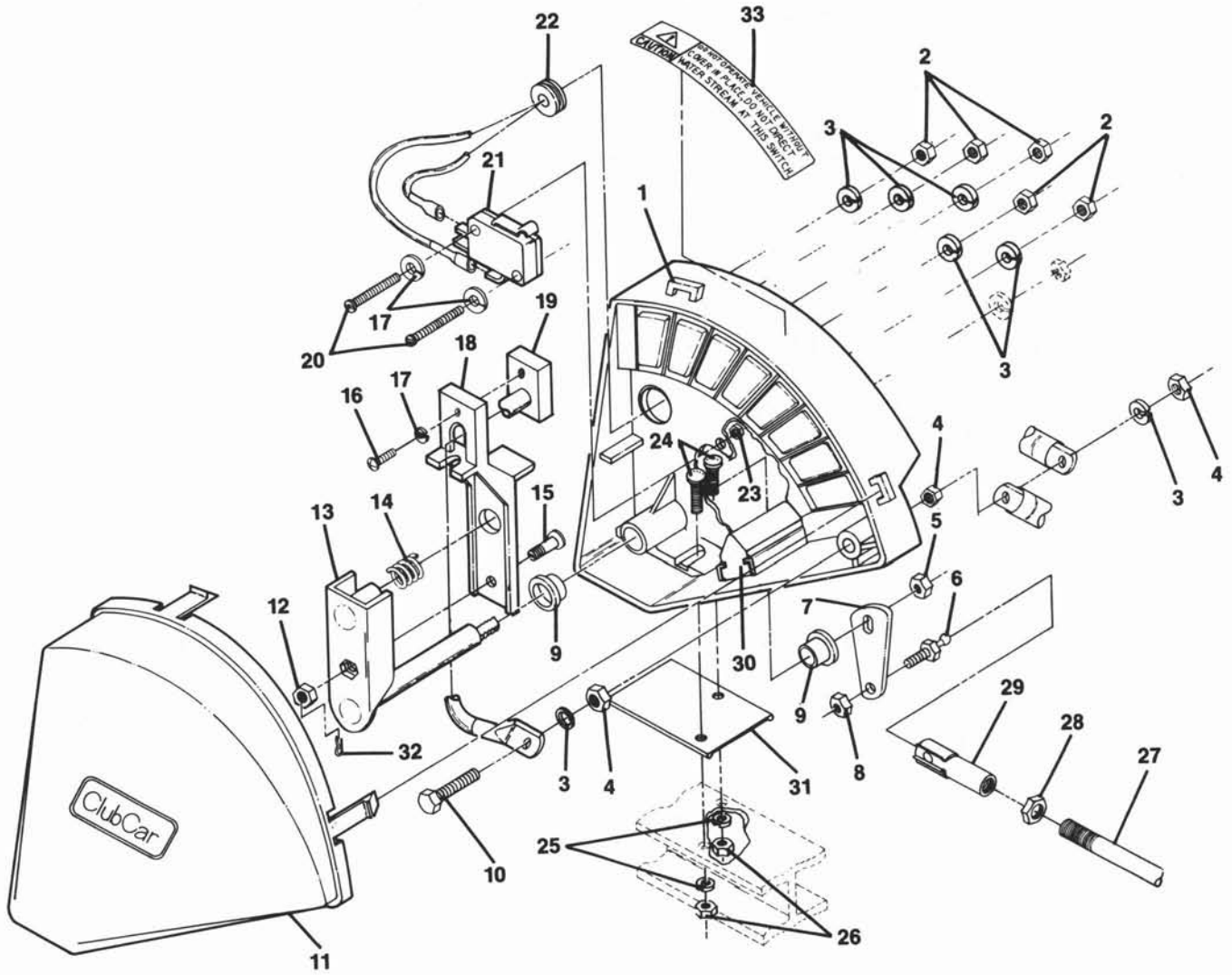
POWER WIRING - ELECTRIC WIRING

POWER WIRING - ELECTRIC WIRING

ITEM NUMBER	PART NUMBER	DESCRIPTION				UNITS PER VEHICLE
		1	2	3	4	
1	1016070	WIRE ASSEMBLY #6 BROWN				1
2	1016069	WIRE ASSEMBLY #6 PURPLE				1
3	1012651	WIRE ASSEMBLY #6 BLACK				1
4	1016068	WIRE ASSEMBLY #6 GRAY				1
5	1014036	WIRE ASSEMBLY #6 BLACK				1
6	1014035	WIRE ASSEMBLY #6 BLUE				1
7	1014034	WIRE ASSEMBLY #6 GREEN				1
8	1014033	WIRE ASSEMBLY #6 YELLOW				1
9	1014032	WIRE ASSEMBLY #6 ORANGE				1
10	1014828	WIRE ASSEMBLY #6 GREEN				1
11	1014030	WIRE ASSEMBLY #6 WHITE				1
12	1014029	WIRE ASSEMBLY #6 WHITE				1
13	1014022	WIRE ASSEMBLY #18 RED				1
14	1013092	WIRE ASSEMBLY #10 RED				1
15	1014024	WIRE ASSEMBLY #18 ORANGE				1
16	1012230	WIRE ASSEMBLY #18 WHITE				1
17	1014023	WIRE ASSEMBLY #18 GREEN				1
18	1012237	WIRE ASSEMBLY #10 RED				1
19	1011010	WIRE ASSEMBLY #10 WHITE				1
20	1011007	WIRE ASSEMBLY #18 RED				1
21	1014039	WIRE ASSEMBLY #6 WHITE				1
22	1011006	WIRE ASSEMBLY #18 BLUE				1
23	1011069	WIRE ASSEMBLY #6 RED				1
24	1014040	WIRE ASSEMBLY #18 YELLOW				1
25	1010958	WIRE ASSEMBLY #6 BLACK				5
26	8797	BRASS NUT, #10-32				6
27	1012143	FUSE LENS				1
28	1012085	FUSE, 80 AMP				1
29	1012142	FUSE HOLDER				1
30	1013628	FUSE AND RECEPTACLE MOUNTING BRACKET				1
31	1013649	RECEPTACLE BEZEL, CHARGER				1
32	4107	CHARGER RECEPTACLE - 2 PRONG				1
33	1013266	PHILLIPS HEAD SCREW, TYPE BT, #8-18 X 1/2"				2
34	1016616-01	CLUB CAR 6 VOLT BATTERY				6
35	8795	PHILLIPS PAN HEAD SELF TAPPING SCREW, #7 X 1-3/4"				2
36	8796	PHILLIPS PAN HEAD SELF TAPPING SCREW, #7 X 3/4"				6
37	1012022	CABLE CLAMP				3
38	1606	POP RIVET, 3/16 X 1/2"				3
39	1010908	BATTERY HOLD DOWN				3
40	1013683	J BOLT				6
41	1014304	STAINLESS STEEL HEX NUT, 5/16-18				18
42	1011578	TYPE B FLATWASHER, 5/16 DIAMETER				6
43	1016	SPLIT LOCKWASHER, #10				4
44	1014516	FUSE LINK KIT (NOT SHOWN) INCLUDES ITEMS 27, 27, 28, 29, AND 43				1
45	1016072	SOLENOID - 36 VOLT				1
46	1012285	THREAD ROLLING SCREW, 1/4-20 X 5/8"				2
47	7893	HEX NUT, #10-32				2
48	1242	HEX NUT, 5/16 X 18				2
49	7174	HELICAL SPRING WASHER, 5/16 DIAMETER				2

E

12



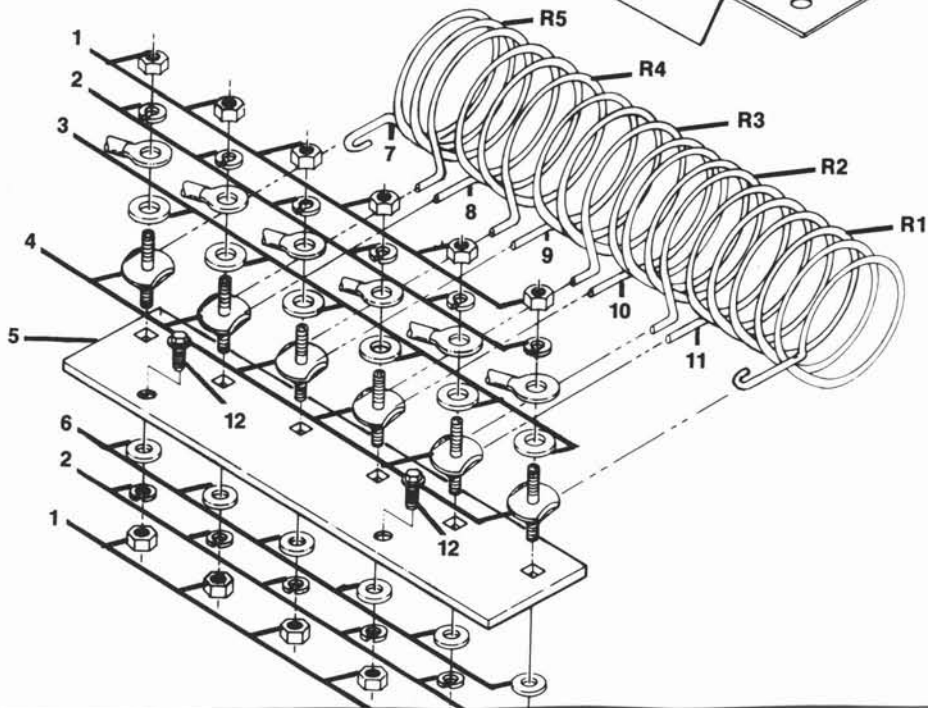
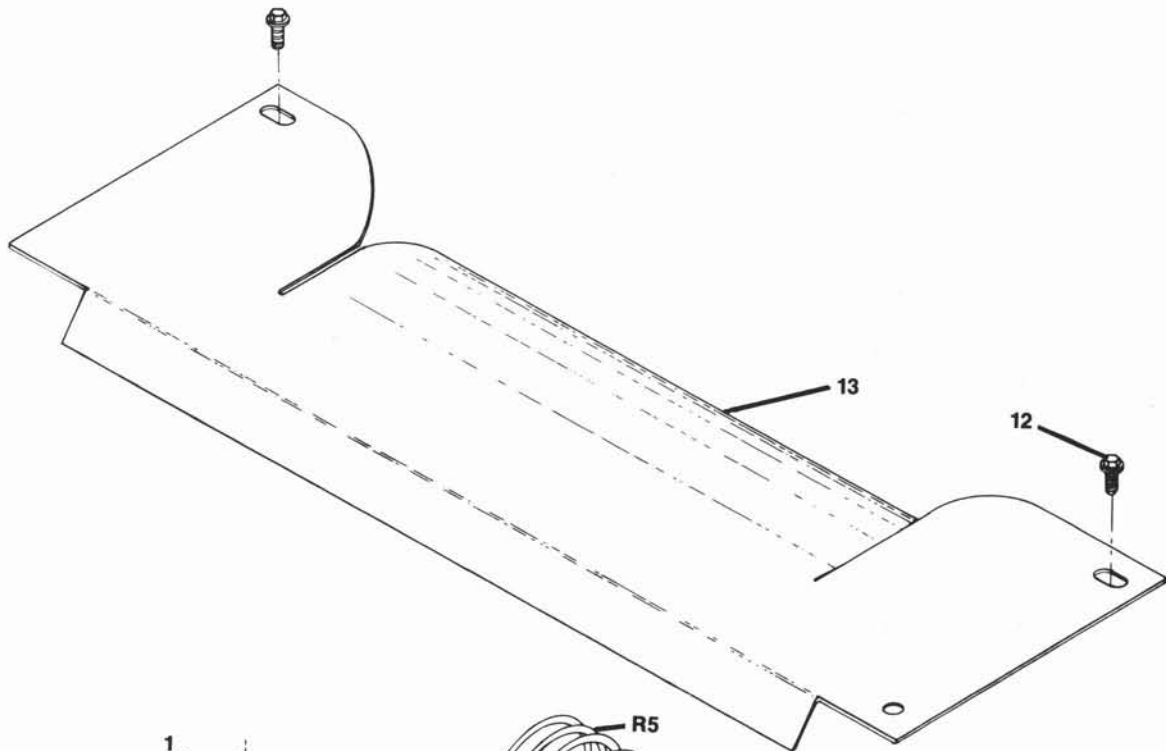
V-GLIDE WIPER SWITCH

V-GLIDE WIPER SWITCH

ITEM NUMBER	PART NUMBER	1 2 3 4	DESCRIPTION	UNITS PER VEHICLE
	1016140		V-GLIDE WIPER SWITCH ASSEMBLY INCLUDES ITEMS 1 THRU 23, 30, 32, AND 33	1
1	1014999		WIPER SWITCH CASE ASSEMBLY - 6 SPEED	1
2	1014		UNC BRASS HEX NUT, 1/4-20	5
3	451		SPLIT LOCKWASHER, 1/4 DIAMETER	7
4	1014253		BRASS HEX JAM NUT, 1/4-20	3
5	7473		NYLON LOCKNUT, 5/16-18	1
6	1012353		BALL STUD, 1/4-28 X 1/4"	1
7	1014003		SWITCH BELL CRANK	1
8	8449		DIMPLED LOCKNUT, 1/4-28	1
9	1012903		BRONZE BEARING, 3/8 X 1/2"	2
10	1014189		BRONZE HEX HEAD CAP SCREW, 1/4-20 X 2"	1
11	1013886		WIPER SWITCH CASE COVER	1
12	7893		HEX NUT, #10-32	1
13	1014017		WIPER SWITCH ARM CARRIER	1
14	1013998		WIPER SWITCH BRUSH SPRING	1
15	1014000		WIPER SWITCH ADJUSTING STUD	1
16	1014019		SELF TAPPING SCREW, #4-40 X 3/8"	1
17	8058		SPLIT LOCKWASHER, #4	3
18	1013887		WIPER SWITCH ARM	1
19	1013860		WIPER SWITCH BRUSH ASSEMBLY	1
20	8056		ROUND HEAD SCREW, #4-40 X 3/4"	2
21	1014807		LIMIT SWITCH	1
22	1014010		STRAIGHT SPLIT GROMMET	1
23	8057		HEX NUT, #4-40	2
24	1014109		ROUND HEAD BOLT, #10-24 X 3/4"	2
25	1016175		SPLIT LOCKWASHER, #10	2
26	1017		HEX NUT, #10	2
27	1014016		ACCELERATOR ROD	1
28	1011084		HEX JAM NUT, 1/4-28	2
29	1011734		BALL JOINT	2
30	1014414		WIPER SWITCH BUMPER	1
31	1014367		WIPER SWITCH SHIM	1
32	1014413		HAIR SPRING COTTER PIN	1
33	1014660		WIPER SWITCH CASE DECAL	1

E

12

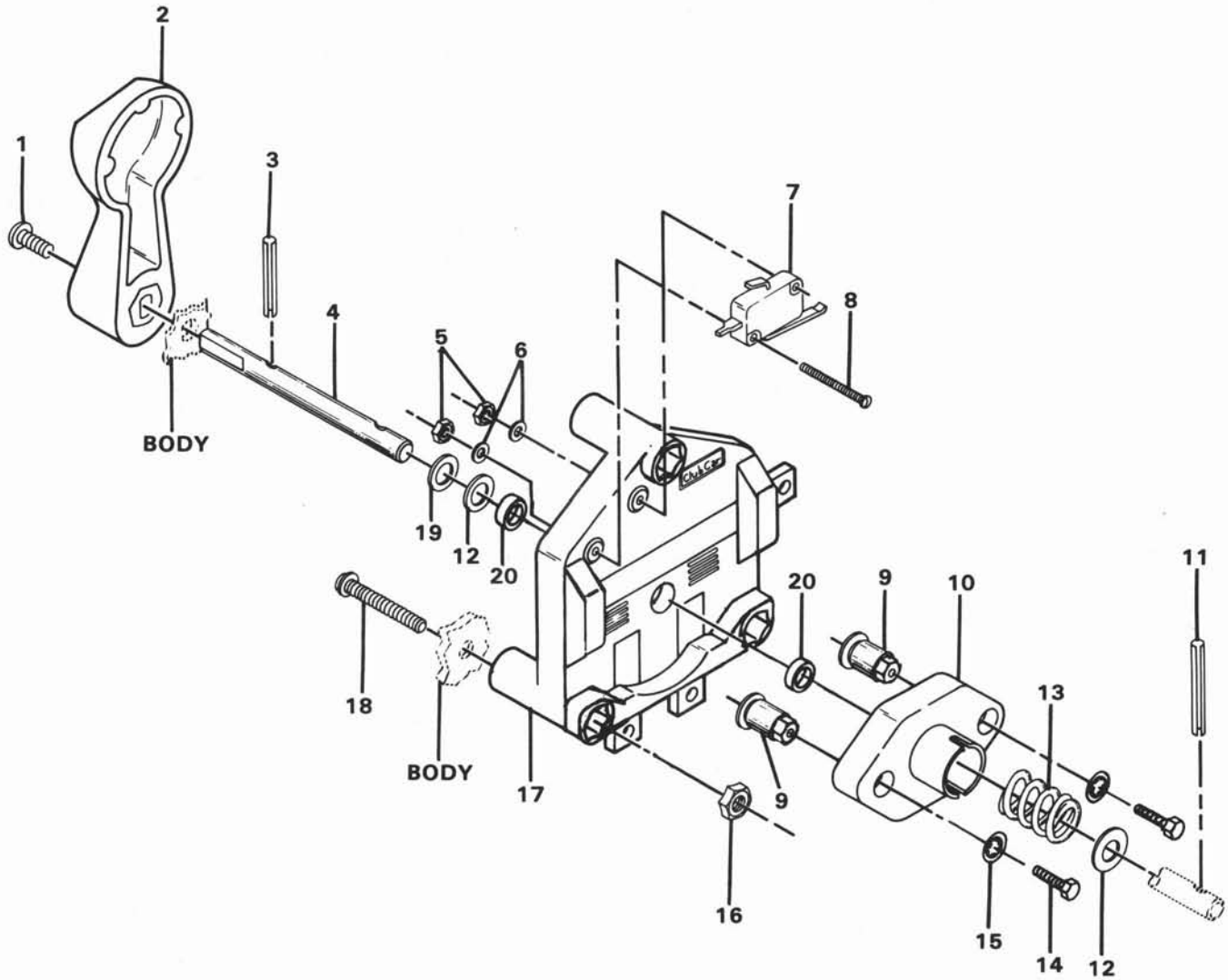


RESISTOR AND BOARD ASSEMBLY - V-GLIDE

ITEM NUMBER	PART NUMBER	1 2 3 4	DESCRIPTION	UNITS PER VEHICLE
1	1028		HEX NUT, 1/4-20	12
2	451		SPLIT LOCKWASHER, 1/4 DIAMETER	12
3	1011931		FLATWASHER, 1/4 DIAMETER	6
4	1014045		RESISTOR COIL STANDOFF	6
5	1014728		RESISTOR MOUNTING BOARD	1
6	332		FLATWASHER, 1/4 DIAMETER	6
7	1014655		RESISTOR COIL	1
8	1014654		RESISTOR COIL	1
9	1014013		RESISTOR COIL	1
10	1014014		RESISTOR COIL	1
11	1014729		RESISTOR COIL	1
12	1012285		UNC THREAD ROLLING SCREW, 1/4-20 X 5/8"	4
13	1013971		RESISTOR SHIELD	1

E

12



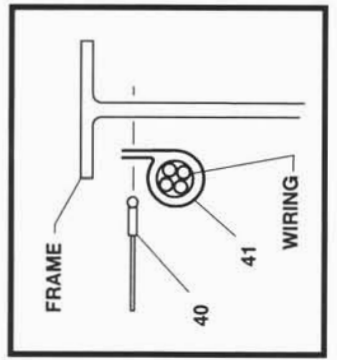
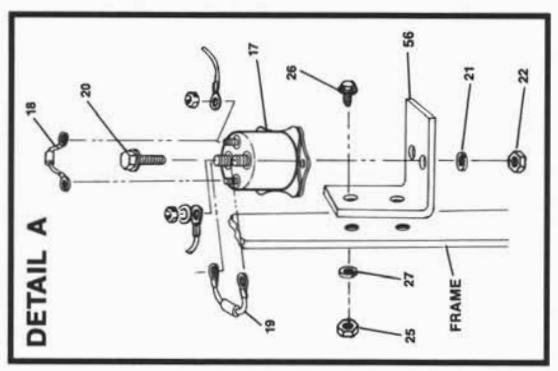
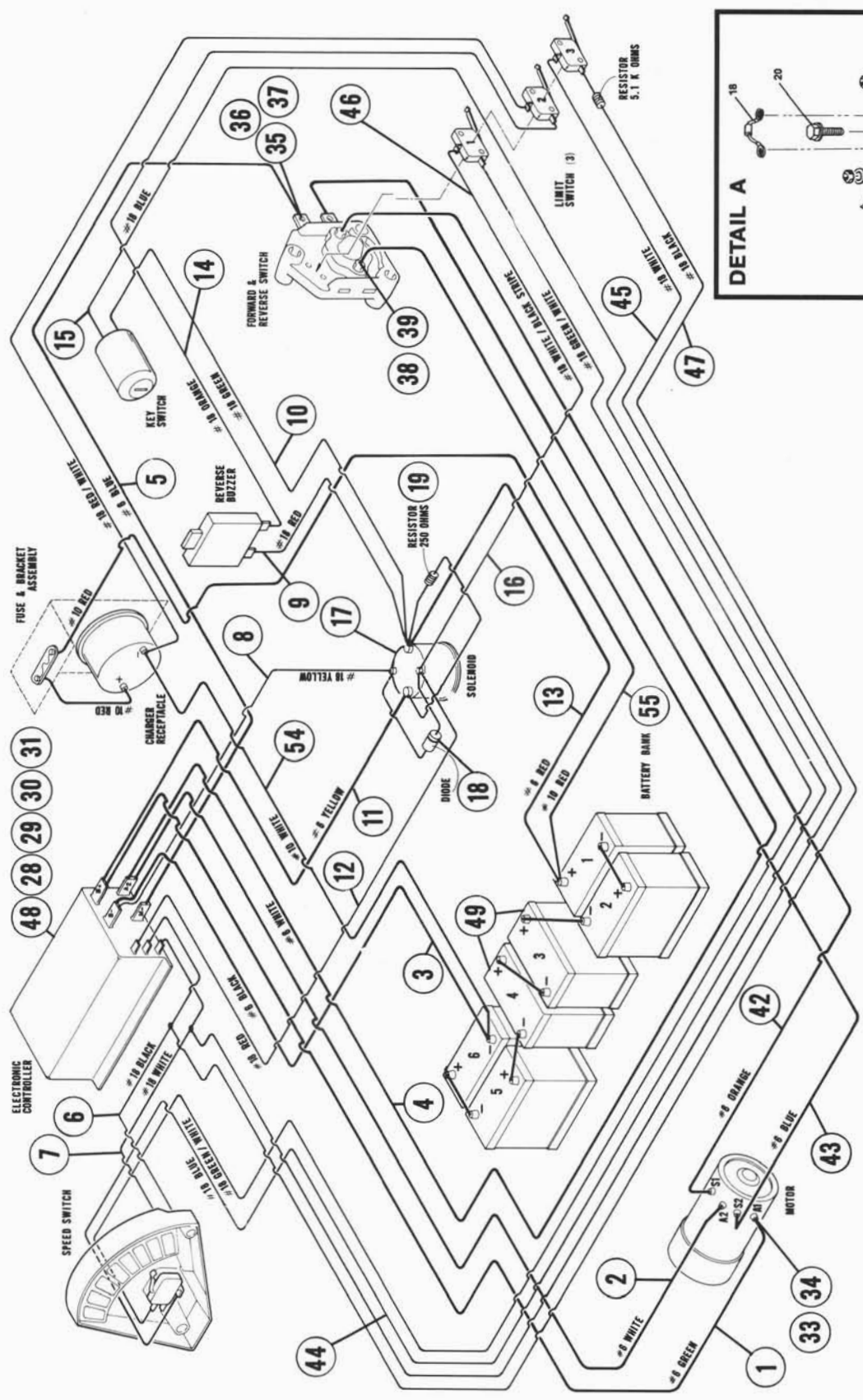
FORWARD AND REVERSE SWITCH ASSEMBLY - V-GLIDE

FORWARD AND REVERSE SWITCH ASSEMBLY - V-GLIDE

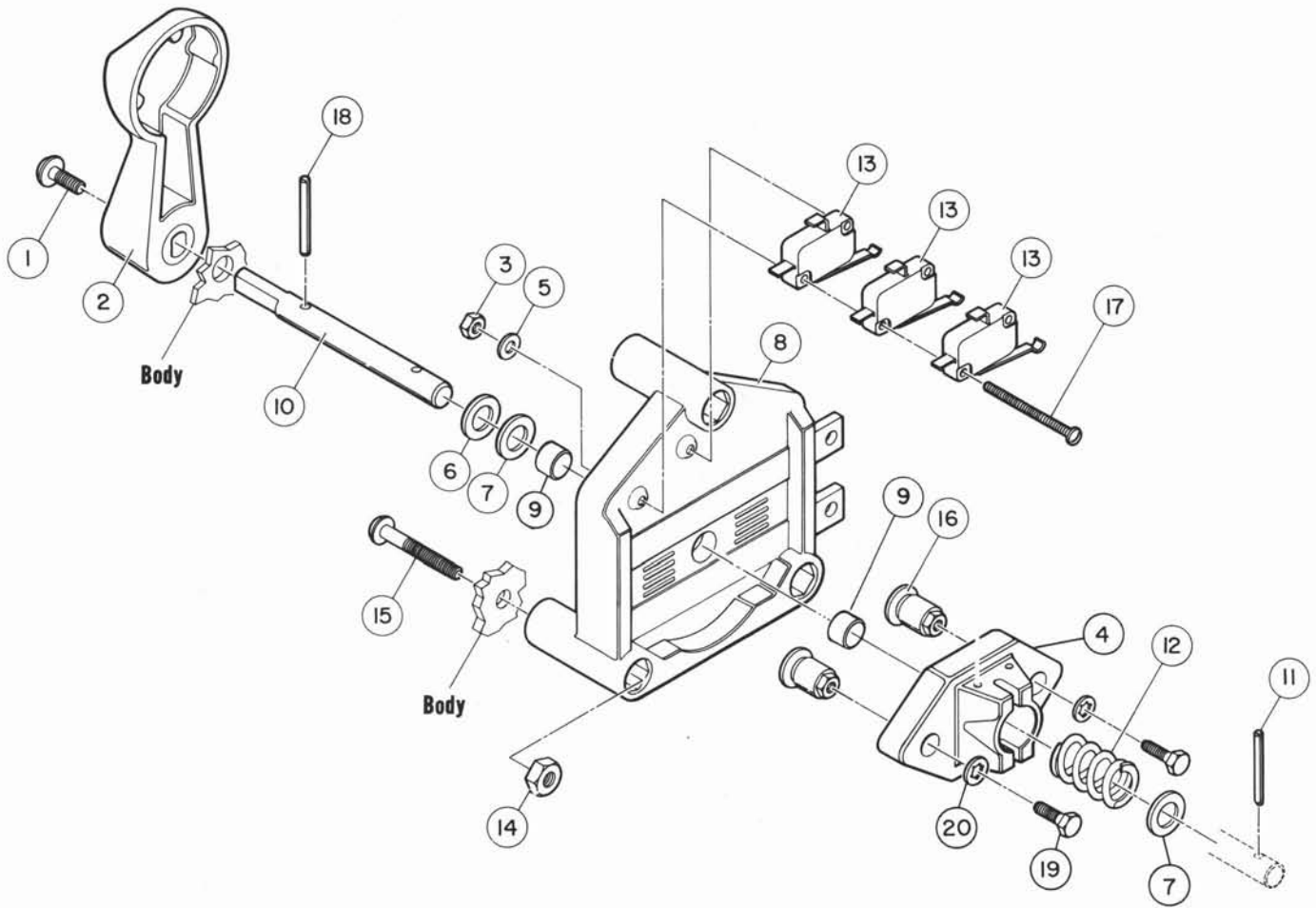
ITEM NUMBER	PART NUMBER	1 2 3 4	DESCRIPTION	UNITS PER VEHICLE
	1011997		FORWARD AND REVERSE SWITCH ASSEMBLY COMPLETE EXCLUDING ITMES 1 AND 2 AND MOUNTING HARDWARE ITEMS 14, 15, 16, AND 18	
1	1013198		PHILLIPS COUNTERSUNK MACHINE SCREW, #8-32	1
2	1012987		FORWARD AND REVERSE HANDLE SWITCH	1
3	1231		ROLL PIN, 1/8 X 1	1
4	1017529		FORWARD AND REVERSE SWITCH SHAFT	1
5	8057		UNC HEX NUT, #4-40	2
6	8058		LOCKWASHER, #4	2
7	1014808		FORWARD AND REVERSE LIMIT SWITCH	1
8	1011991		SLOTTED ROUND HEAD SCREW, #4-40 X 1-1/8"	2
9	8793		FORWARD AND REVERSE ROTOR CONTACT	2
10	1017528		FORWARD AND REVERSE ROTOR	1
11	1011993		ROLL PIN, 3/16 X 1-3/8	1
12	1011990		FLATWASHER, 3/8 DIAMETER	2
13	7627		FORWARD AND REVERSE SHAFT SPRING	1
14	8450		HEX HEAD MACHINE BOLT, #10-24	2
15	8049		INTERNAL TOOTH LOCKWASHER, #10	2
16	8233		NYLON LOCKNUT INSERT, 1/4-20	3
17	1017527		FORWARD AND REVERSE SWITCH CASE ASSEMBLY	1
18	1011988		TRUSS HEAD PHILLIPS SCREW, 1/4-20 X 2"	3
19	1014065		FLATWASHER (DERLIN), 3/8 DIAMETER	1
20	1014145		BRONZE BUSHING, SECONDARY WEIGHT	2

E

12



POWER WIRING - SOLID STATE CONTROLLER



F&R SWITCH - SOLID STATE CONTROLLER

POWER WIRING - SOLID STATE CONTROLLER

ITEM NUMBER	PART NUMBER	DESCRIPTION				UNITS PER VEHICLE
		1	2	3	4	
	1015879	CONTROLLER WIRING ASSEMBLY - SPEED CONTROLLER				1
1	1015860	WIRE ASSEMBLY #6 GREEN				1
2	1015861	WIRE ASSEMBLY #6 WHITE				1
3	1016137	WIRE ASSEMBLY #6 BLACK				1
4	1015856	WIRE ASSEMBLY #6 WHITE				1
5	1015857	WIRE ASSEMBLY #6 BLUE				1
6	1015863	WIRE ASSEMBLY #18 BLACK				1
7	1015864	WIRE ASSEMBLY #18 WHITE				1
8	1015866	WIRE ASSEMBLY #18 YELLOW				1
9	1016135	WIRE ASSEMBLY #18 RED				1
10	1016121	WIRE ASSEMBLY #18 GREEN				1
11	1015858	WIRE ASSEMBLY #6 YELLOW				1
12	1015865	WIRE ASSEMBLY #18 RED				1
13	1015859	WIRE ASSEMBLY #6 RED				1
14	1016134	WIRE ASSEMBLY #18 ORANGE				1
15	1016133	WIRE ASSEMBLY #18 BLUE				1
16	1016122	WIRE ASSEMBLY #18 BLACK/WHITE				1
17	1016072	SOLENOID - 36 VOLT				1
18	1014948	DIODE ASSEMBLY				1
19	1014947	RESISTOR ASSEMBLY				1
20	7847	HEX HEAD CAP SCREW, 1/4-20 X 3/4"				2
21	451	HELICAL SPRING LOCKWASHER, 1/4 DIAMETER				2
22	1028	HEX NUT, 1/4-20				2
23	1014943	ROUND HEAD SQUARE NECK BOLT (ATTACHES CONTROLLER MOUNTING PLATE TO FRAME), 1/4-20 X 1-1/4"				2
24	451	HELICAL SPRING LOCKWASHER, 1/4 DIAMETER				2
25	1028	HEX NUT, 1/4-20				2
26	1012285	HEX WASHER HEAD SCREW (ATTACHES SOLENOID ASSEMBLY TO FRAME), 1/4-20 X 5/8"				2
27	451	HELICAL SPRING LOCKWASHER, 1/4 DIAMETER				2
28	1014943	ROUND HEAD SQUARE NECK BOLT (ATTACHES CONTROLLER TO FRAME), 1/4-20 X 1-1/4"				4
29	451	HELICAL SPRING LOCKWASHER, 1/4 DIAMETER				4
30	1028	HEX NUT, 1/4-20				4
31	332	FLATWASHER (ATTACHES CONTROLLER TO FRAME), 1/4 DIAMETER				4
32	1016631	PUSH NUT, .187				4
33	7174	HELICAL SPRING LOCKWASHER, 5/16 DIAMETER				4
34	1242	HEX NUT, 5/16-18				4
35	403	HEX HEAD CAP SCREW, 1/4-20 X 5/8"				2
36	451	LOCKWASHER, 1/4 DIAMETER				2
37	1028	HEX NUT, 1/4-20				2
38	8450	HEX HEAD CAP SCREW, #10-24 X 1/2"				2
39	8049	LOCKWASHER, #10				2
40	1606	POP RIVET, 3/16 DIAMETER				3
41	1012022	CABLE CLAMP				3
42	1014854	WIRE ASSEMBLY #6 ORANGE				1
43	1014855	WIRE ASSEMBLY #6 BLUE				1
44	1016142	WIRE ASSEMBLY #18 BLUE				1
45	1016019	WIRE ASSEMBLY #18 WHITE				1
46	1014839	WIRE ASSEMBLY #18 GREEN/WHITE				1
47	1016018	WIRE ASSEMBLY #18 BLACK				1
48	1014749-01	ELECTRONIC CONTROLLER (REBUILT)				1
49	1016616-01	CLUB CAR 6 VOLT BATTERY				6
50	1010908	BATTERY HOLD DOWN (NOT SHOWN)				3
51	1013683	J BOLT (NOT SHOWN)				6
52	1014304	STAINLESS STEEL HEX NUT, 5/16-18 (NOT SHOWN)				18
53	1011578	TYPE B FLATWASHER, 5/16 DIAMETER (NOT SHOWN)				6
54	1011010	WIRE ASSEMBLY #18 WHITE				1
55	1015862	WIRE ASSEMBLY #18 RED				1
56	1015838	BRACKET, SOLENOID MTG.				1

E

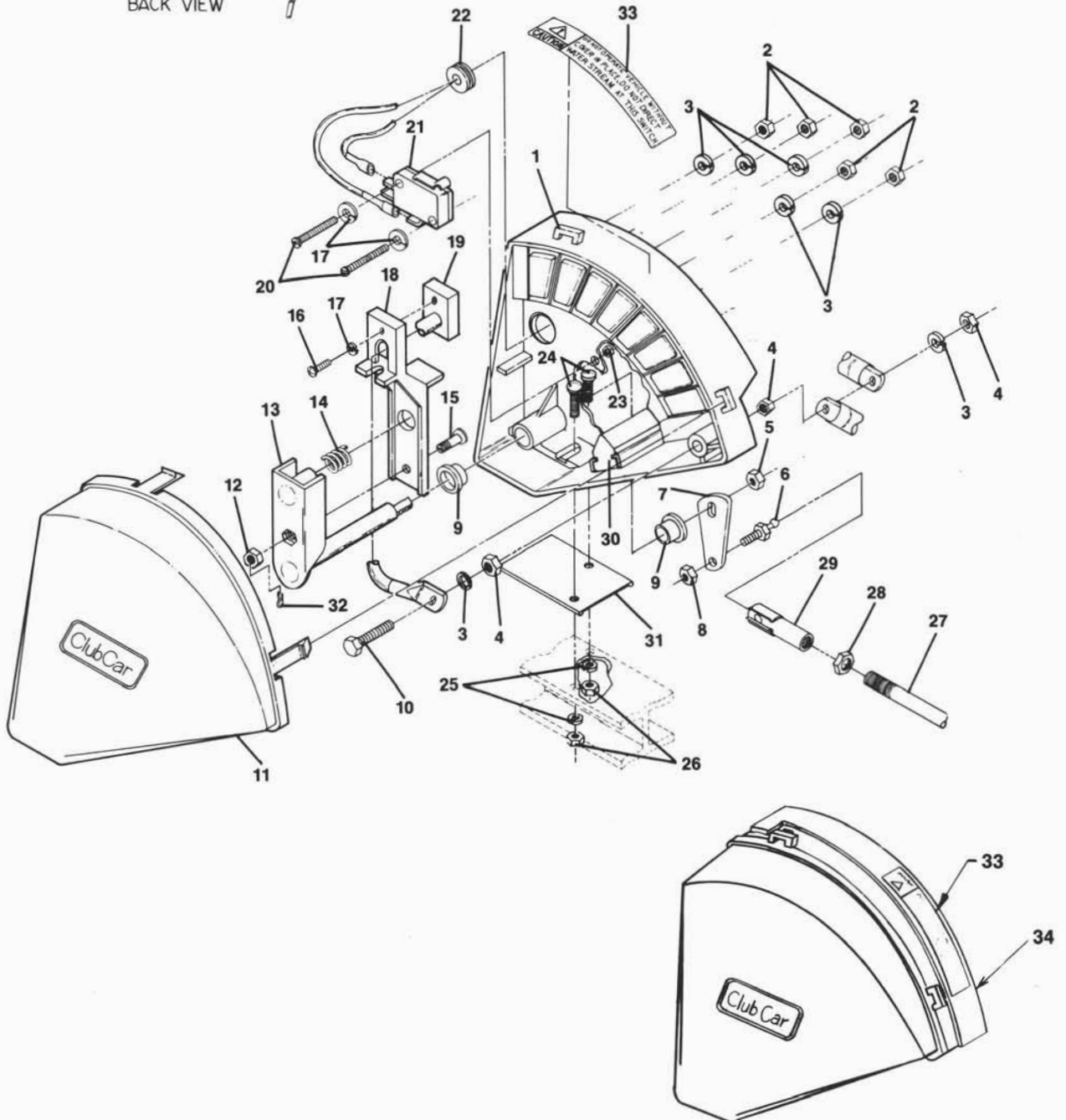
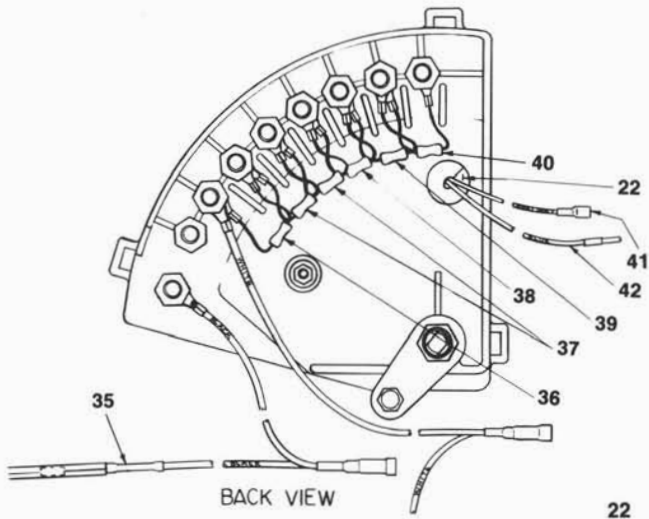
12

F&R SWITCH - SOLID STATE CONTROLLER

ITEM NUMBER	PART NUMBER	DESCRIPTION				UNITS PER VEHICLE
		1	2	3	4	
	1015846	F&R SWITCH ASSEMBLY - SPEED CONTROLLER				
1	1013198	PHILLIPS OVAL COUNTERSUNK MACHINE SCREW				1
2	1012987	FORWARD AND REVERSE HANDLE SWITCH				1
3	8057	UNC HEX NUT, #4-40				2
4	1016130	F&R SWITCH ROTOR				1
5	8058	#4 LOCKWASHER				2
6	1014065	DELTRIN FLATWASHER				1
7	1011990	FLATWASHER, 3/8 DIAMETER				2
8	1015830	F&R SWITCH CASE				1
9	1014145	BUSHING, SECONDARY WEIGHT				2
10	1017529	F&R SWITCH SHAFT				1
11	1011993	ROLL PIN, 3/16 X 1-3/8"				1
12	7627	F&R SHAFT SPRING				1
13	1014808	LIMIT SWITCH				3
14	8233	HEX NUT				3
15	1011988	TRUSS HEAD PHILLIPS SCREW, 1/4-20 X 2"				3
16	8793	ROTOR CONTACT				2
17	1014871	HEX WASHER HEAD SCREW, #4-40 X 2"				2
18	1231	ROLL PIN, 1/8 X 1"				1
19	8450	HEX HEAD CAP SCREW, #10-34				2
20	8049	INTERNAL TOOTH LOCKWASHER, #10				2

E

12



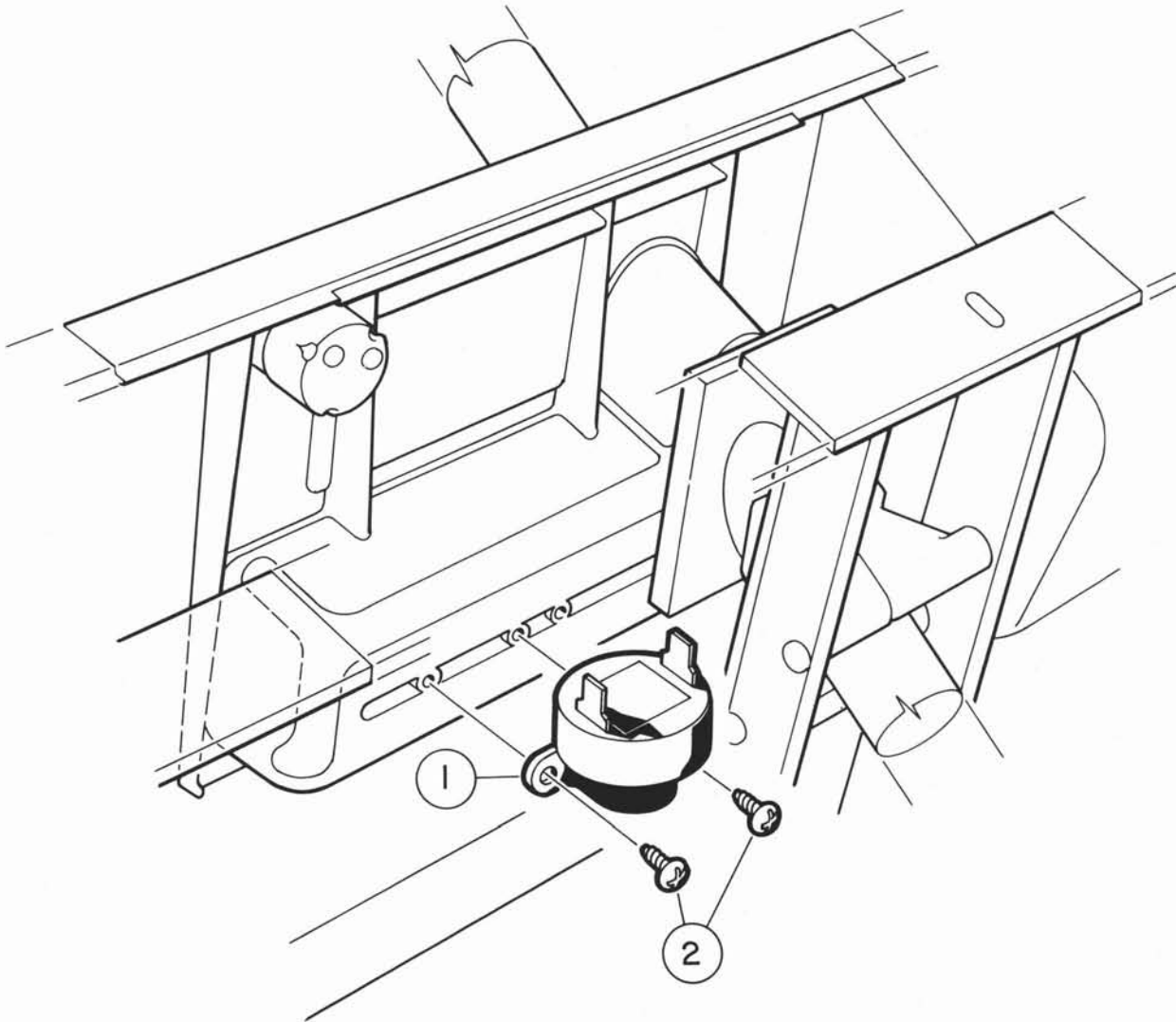
V-GLIDE WIPER SWITCH - SOLID STATE CONTROLLER

V-GLIDE WIPER SWITCH - SOLID STATE CONTROLLER

ITEM NUMBER	PART NUMBER	1 2 3 4	DESCRIPTION	UNITS PER VEHICLE
	1016012		V-GLIDE WIPER SWITCH - SOLID STATE CONTROLLER	
1	1014999		SPEED CONTROLLER CASE	1
2	1014		BRASS HEX NUT, 1/4-20	5
3	451		SPLIT LOCKWASHER, 1/4 DIAMETER	7
4	1014253		BRASS HEX JAM NUT, 1/4-20	3
5	7473		UNC NYLON LOCKNUT, 5/16-18	1
6	1012353		SHORT BALL STUD, 1/4 X 1/4-28	1
7	1014003		SWITCH BELL CRANK	1
8	8449		DIMPLED LOCKNUT, 1/4-28	1
9	1012903		BRONZE BEARING, 3/8 X 1/2"	2
10	1014189		BRONZE HEX CAP SCREW, 1/4-20 X 2"	1
11	1013886		WIPER SWITCH CASE COVER	1
12	7893		UNF HEX NUT, #10-32	1
13	1014017		WIPER SWITCH ARM	1
14	1013998		SPRING	1
15	1014000		WIPER SWITCH ADJUSTING STUD	1
16	1014019		TYPE "F" SCREW, #4-40	1
17	8058		SPLIT LOCKWASHER, #4	3
18	1013887		WIPER SWITCH ARM	1
19	1013860		WIPER SWITCH BRUSH	1
20	8056		ROUND HEAD SCREW, #4-40 X 3/4"	2
21	1014807		LIMIT SWITCH	1
22	1014010		SPLIT GROMMET	1
23	8057		HEX NUT, #4-40	2
24	1014109		ROUND HEAD BOLT, #10-24 X 3/4"	2
25	1016175		SPLIT LOCKWASHER, #10	2
26	1017		HEX NUT, #10	2
27	1014016		ACCELERATOR ROD	1
28	1011084		HEX JAM NUT, 1/4-28	2
29	1011734		BALL JOINT	2
30	1014414		BUMPER, SPEED CONTROLLER	1
31	1014367		SHIM, SPEED CONTROLLER	1
32	1014413		HAIR SPRING COTTER PIN	1
33	1016109		SPEED CONTROLLER DECAL	2
34	1016061		WIPER SWITCH RESISTOR PROTECTOR	1
35	1016018		WIRE ASSEMBLY #18 BLACK	1
36	1016017		RESISTOR ASSEMBLY 910Ω	1
37	1016016		RESISTOR ASSEMBLY 620Ω	2
38	1016015		RESISTOR ASSEMBLY 750Ω	1
39	1016014		RESISTOR ASSEMBLY 820Ω	1
40	1016013		RESISTOR ASSEMBLY 1100Ω	1
41	1014839		WIRE ASSEMBLY #18 GREEN/WHITE	1
42	1016142		WIRE ASSEMBLY #18 BLUE	1
43	1016092		PAN HEAD SCREW (NOT SHOWN), #8-32 X .44 (ATTACHES RESISTOR PROTECTOR #34 TO WIPER SWITCH CASE)	2
44	1013529		PLAIN WASHER (NOT SHOWN), #8 (ATTACHES RESISTOR PROTECTOR #34 TO WIPER SWITCH CASE)	4
45	1011571		HEX NUT (NOT SHOWN), #8-32 (ATTACHES RESISTOR PROTECTOR #34 TO WIPER SWITCH CASE)	2
46	1016090		HEX MALE/FEMALE STANDOFF (NOT SHOWN), #8-32 (ATTACHES RESISTOR PROTECTOR #34 TO WIPER SWITCH CASE)	2
47	1012076		EXTERNAL TOOTH LOCKWASHER (NOT SHOWN), #8 (ATTACHES RESISTOR PROTECTOR #34 TO WIPER SWITCH CASE)	4

E

12

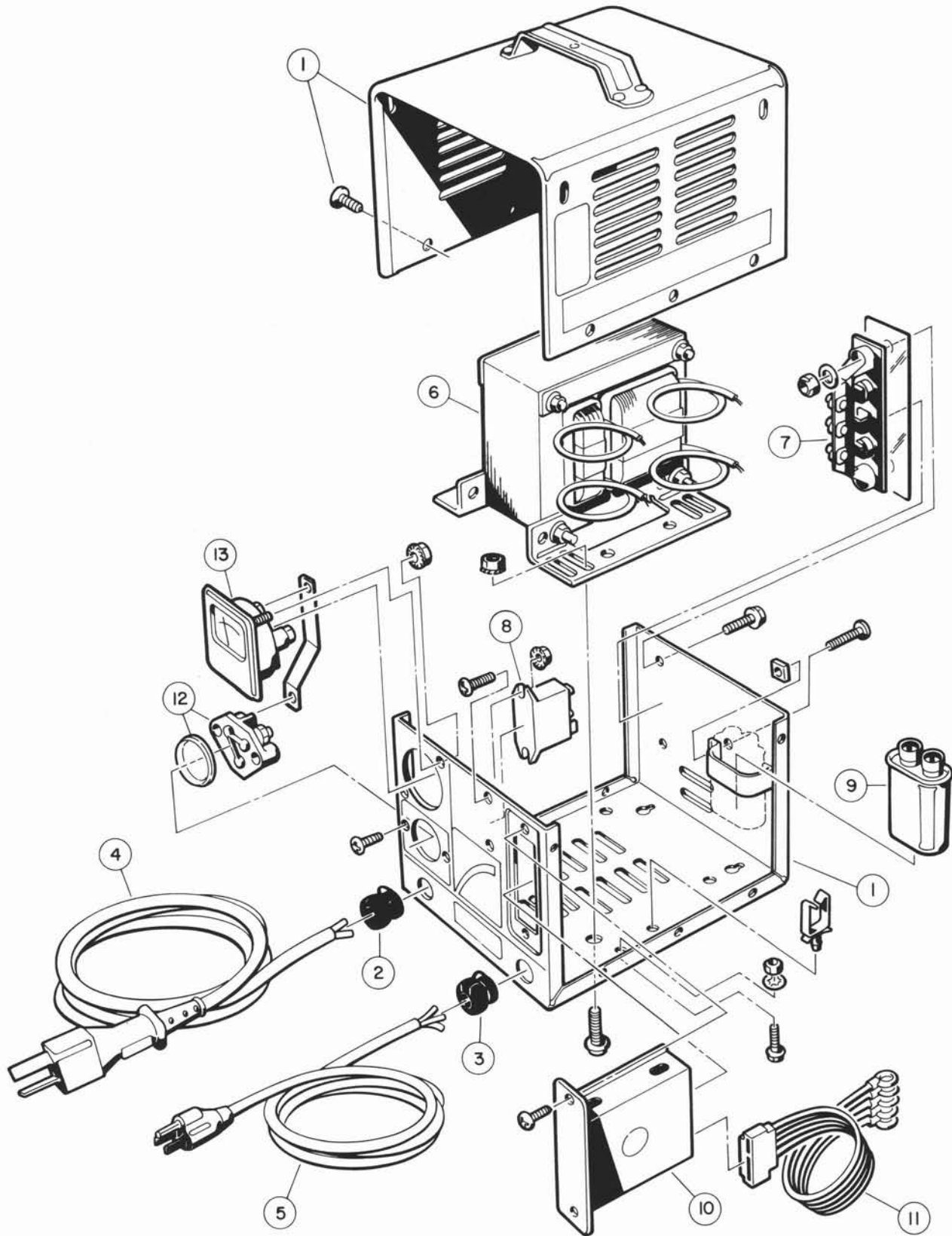


REVERSE BUZZER - DASH MOUNTED

ITEM NUMBER	PART NUMBER	1 2 3 4	DESCRIPTION	UNITS PER VEHICLE
1	1016859		REVERSE BUZZER KIT	1
2	1016849		PAN HEAD HI-LI SCREW, #4-24 X 5/16"	2

Section 13

BATTERY CHARGER



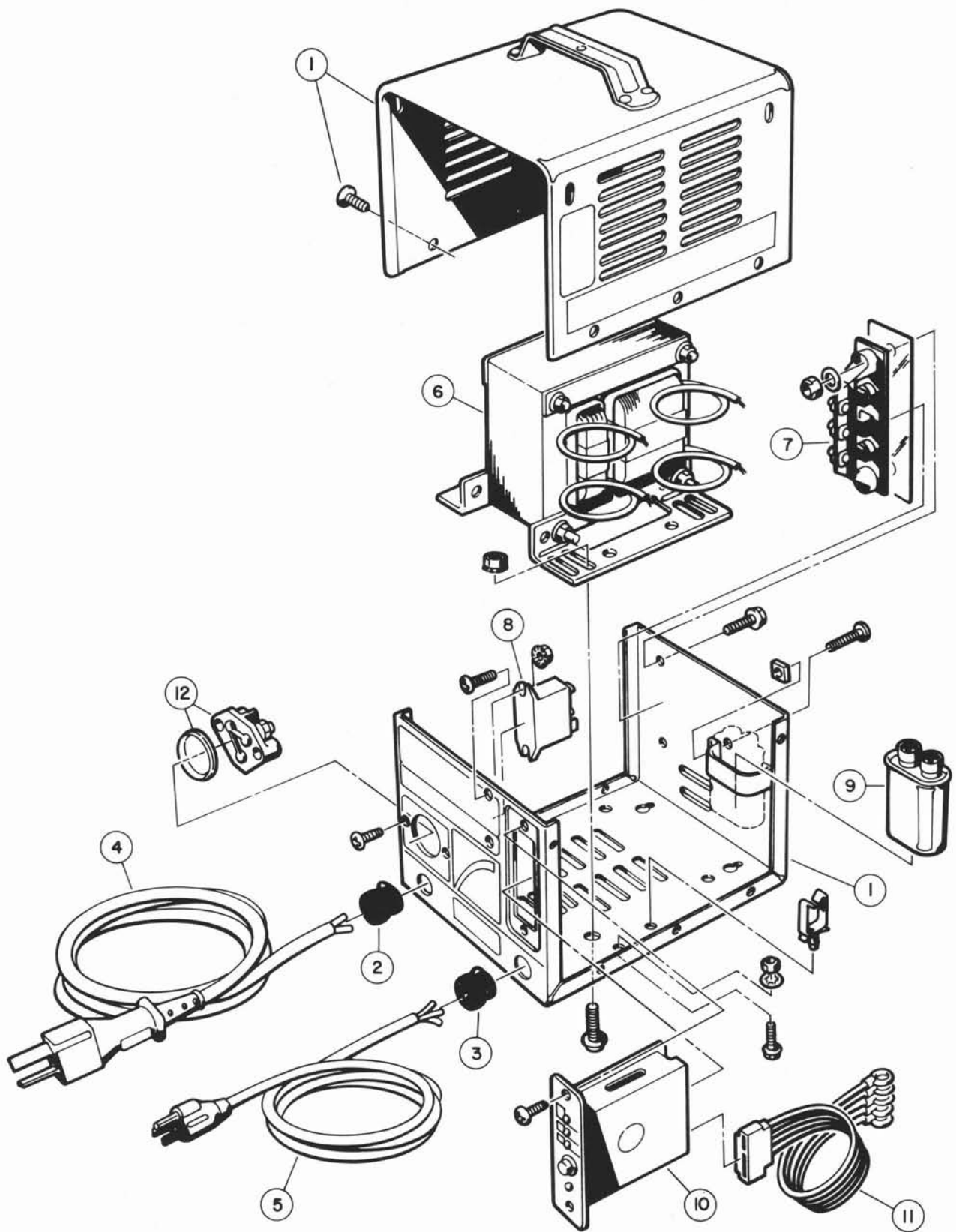
MODEL 1016464 ACCU-POWER CHARGER

MODEL 1016464 ACCU-POWER CHARGER

ITEM NUMBER	PART NUMBER	1 2 3 4	DESCRIPTION	UNITS PER VEHICLE
1	1015907		CASE ASSEMBLY INCLUDES FASTENERS	1
2	1012098		BUSHING STRAIN RELIEF, 12 AWG DC CORD	1
2	1012042		BUSHING STRAIN RELIEF, 10 AWG DC CORD	1
3	1015917		BUSHING STRAIN RELIEF, AC CORD	1
4	1016433-01		DC CORDSET, 12 AWG X 110 INCHES LONG	1
4	1016433-02		DC CORDSET, 12 AWG X 146 INCHES LONG	1
4	1016433-03		DC CORDSET, 10 AWG X 242 INCHES LONG	1
4	1016433-04		DC CORDSET, 10 AWG X 110 INCHES LONG	1
5	1015916-01		AC CORDSET, 16 AWG X 80 INCHES LONG	1
5	1015916-02		AC CORDSET, 16 AWG X 110 INCHES LONG	1
6	1015912		TRANSFORMER ASSEMBLY	1
7	1015914		HEATSINK ASSEMBLY WITH DIODES	1
8	1015911		36 VDC RELAY	1
9	1015910		CAPACITOR	1
10	1015906		TIMER KIT ASSEMBLY	1
11	1015913		CONTROL CABLE ASSEMBLY	1
12	1012101		FUSE ASSEMBLY	1
13	1015905		AMMETER	1
	1016464-01		ACCU-POWER CHARGER ASSEMBLY INCLUDES ITEMS 1 THRU 3, 6 THRU 13, 1 OF ITEMS 4 AND 5	1

E

13



MODEL 1016463 ULTRA-POWER CHARGER

MODEL 1016463 ULTRA-POWER CHARGER

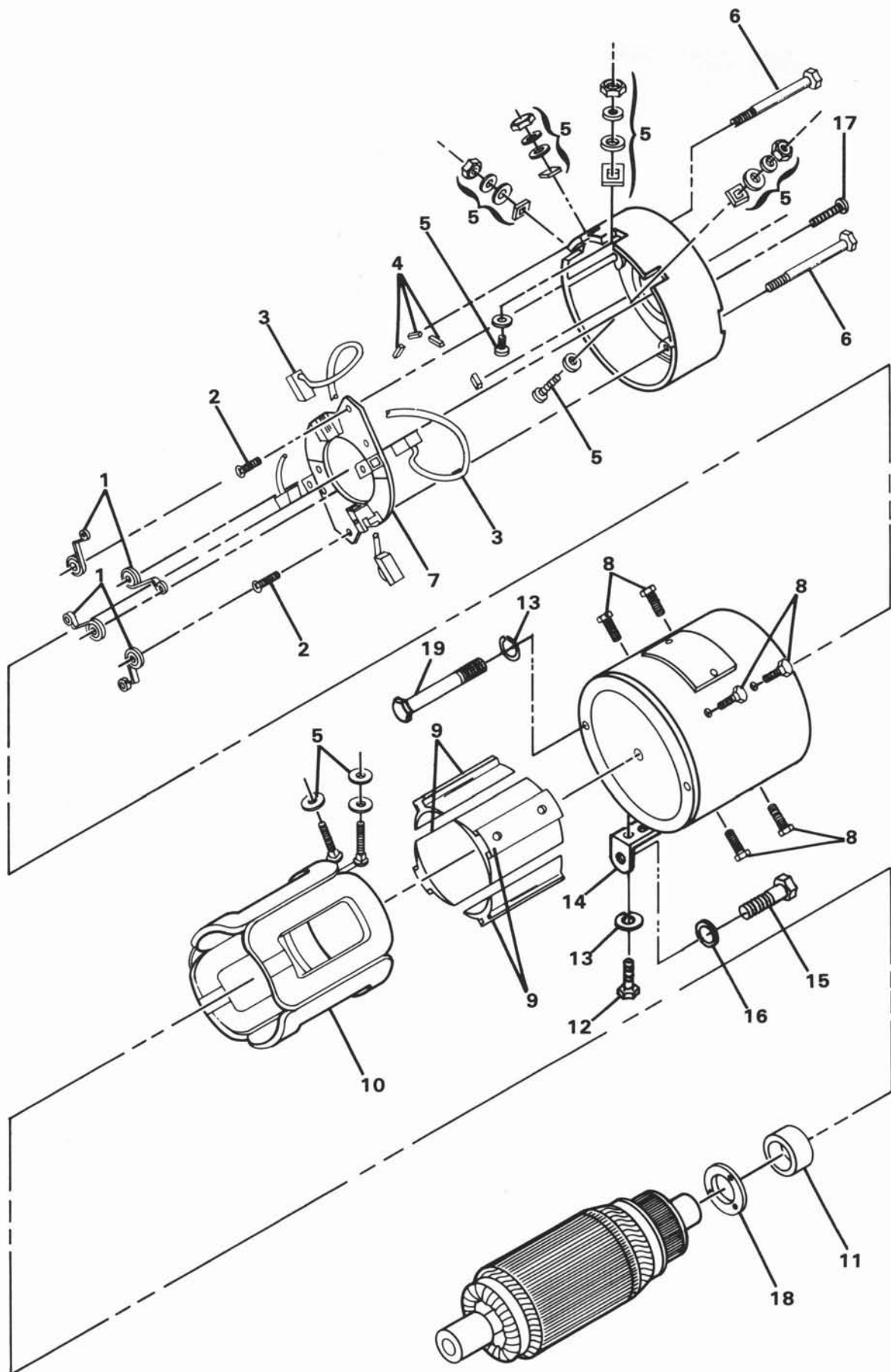
ITEM NUMBER	PART NUMBER	1 2 3 4	DESCRIPTION	UNITS PER VEHICLE
1	1015909		CASE ASSEMBLY INCLUDES FASTENERS	1
2	1012098		BUSHING STRAIN RELIEF, 12 AWG DC CORD	1
2	1012042		BUSHING STRAIN RELIEF, 10 AWG DC CORD	1
3	1015917		BUSHING STRAIN RELIEF, AC CORD	1
4	1016433-01		DC CORDSET, 12 AWG X 110 INCHES LONG	1
4	1016433-02		DC CORDSET, 12 AWG X 146 INCHES LONG	1
4	1016433-03		DC CORDSET, 10 AWG X 242 INCHES LONG	1
4	1016433-04		DC CORDSET, 10 AWG X 110 INCHES LONG	1
5	1015916-01		AC CORDSET, 16 AWG X 80 INCHES LONG	1
5	1015916-02		AC CORDSET, 16 AWG X 110 INCHES LONG	1
6	1015912		TRANSFORMER ASSEMBLY	1
7	1015914		HEATSINK ASSEMBLY WITH DIODES	1
8	1015911		36 VDC RELAY	1
9	1015910		CAPACITOR	1
10	1015908		TIMER KIT ASSEMBLY	1
11	1015913		CONTROL CABLE ASSEMBLY	1
12	1012101		FUSE ASSEMBLY	1
	1016463-01		ULTRA-POWER CHARGER ASSEMBLY INCLUDES ITEMS 1 THRU 3, 6 THRU 12, 1 OF ITEMS 4 AND 5	1

E

13

Section 14

MOTOR



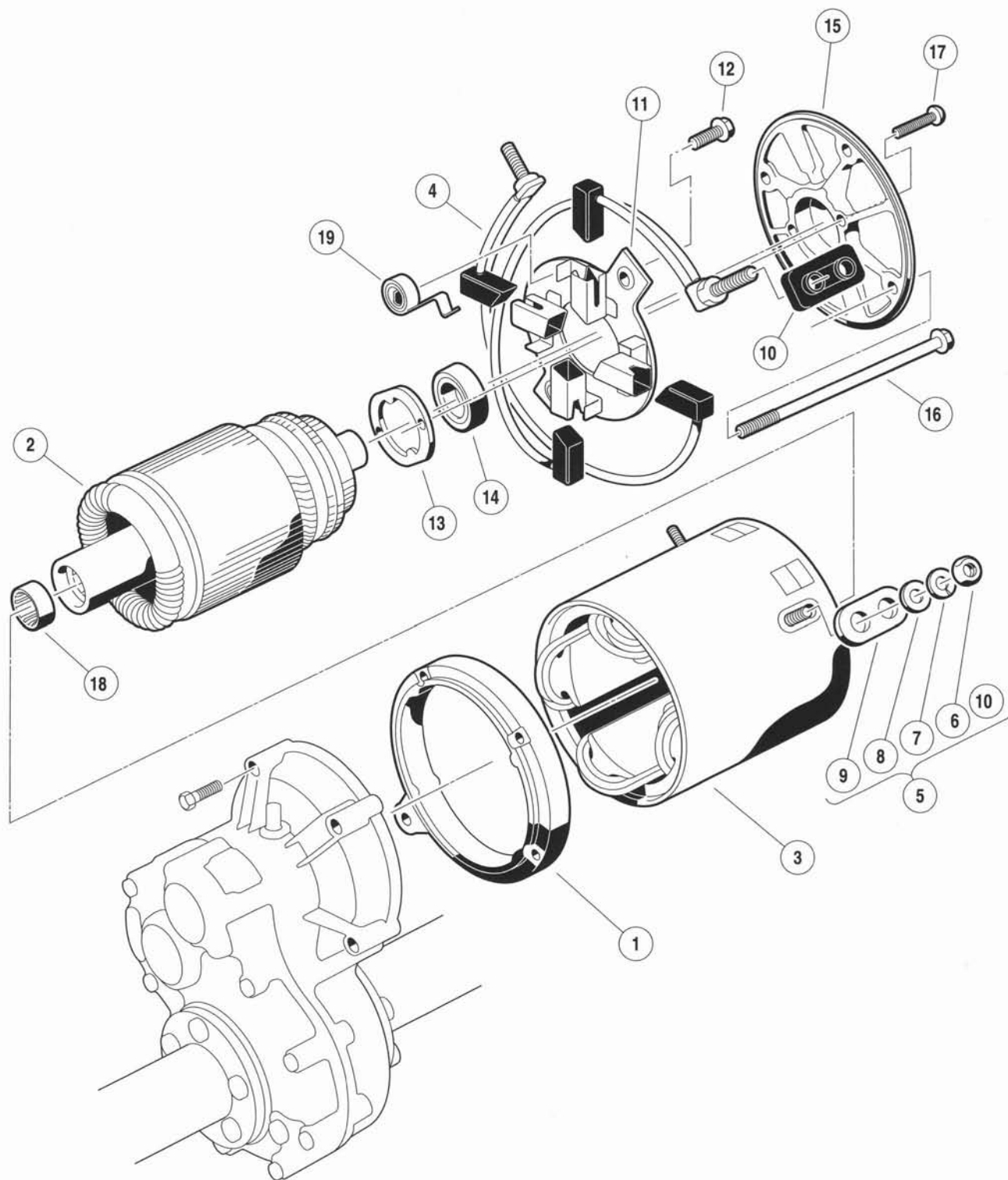
MOTOR ASSEMBLY FOR CLUB CAR MODELS 1012191 AND 1014678

MOTOR ASSEMBLY FOR CLUB CAR MODELS 1012191 AND 1014678

ITEM NUMBER	PART NUMBER	DESCRIPTION				UNITS PER VEHICLE
		1	2	3	4	
	1012191	MOTOR ASSEMBLY COMPLETE				1
1	1011411	BRUSH SPRING PACKAGE (4 PIECES)				1
2	1011283	SCREW, BRUSH RIGGING				2
3	1011410	BRUSH PACKAGE (4 PIECES)				1
4	1011409	RUBBER GASKET PACKAGE (4 PIECES)				2
5	1011407	HARDWARE KIT				4
6	NO #	MOTOR CLAMP SCREW (CE)				2
7	1011284	BRUSH RIGGING				1
8	1011412	SCREW, POLE PIECE PACKAGE (8 PIECES)				1
9	1011413	FIELD POLE PIECE PACKAGE (4 PIECES)				1
10	1011288	FIELD COILS, MODEL 5BC48JB764 - 2 HP				1
10	1011289	FIELD COILS, MODEL 5BC48JB771 - 3-1/2 HP				1
11	1011290	BALL BEARING, DOUBLE SHIELD				1
12	7847	HEX HEAD CAP SCREW, 1/4-20 X 3/4"				2
13	451	LOCKWASHER, 1/4 DIAMETER				5
14	1012177	MOTOR/AXLE CLIP				1
15	1010934	HEX HEAD CAP SCREW, 5/16-18 X 1"				1
16	7174	LOCKWASHER, 5/16 DIAMETER				1
17	1013893	PAN HEAD SCREW, #8-32				3
18	1013894	RETAINING-BEARING				1
19	1014201	HEX HEAD CAP SCREW, 1/4-20 X 2-1/4"				3

E

14



MOTOR ASSEMBLY

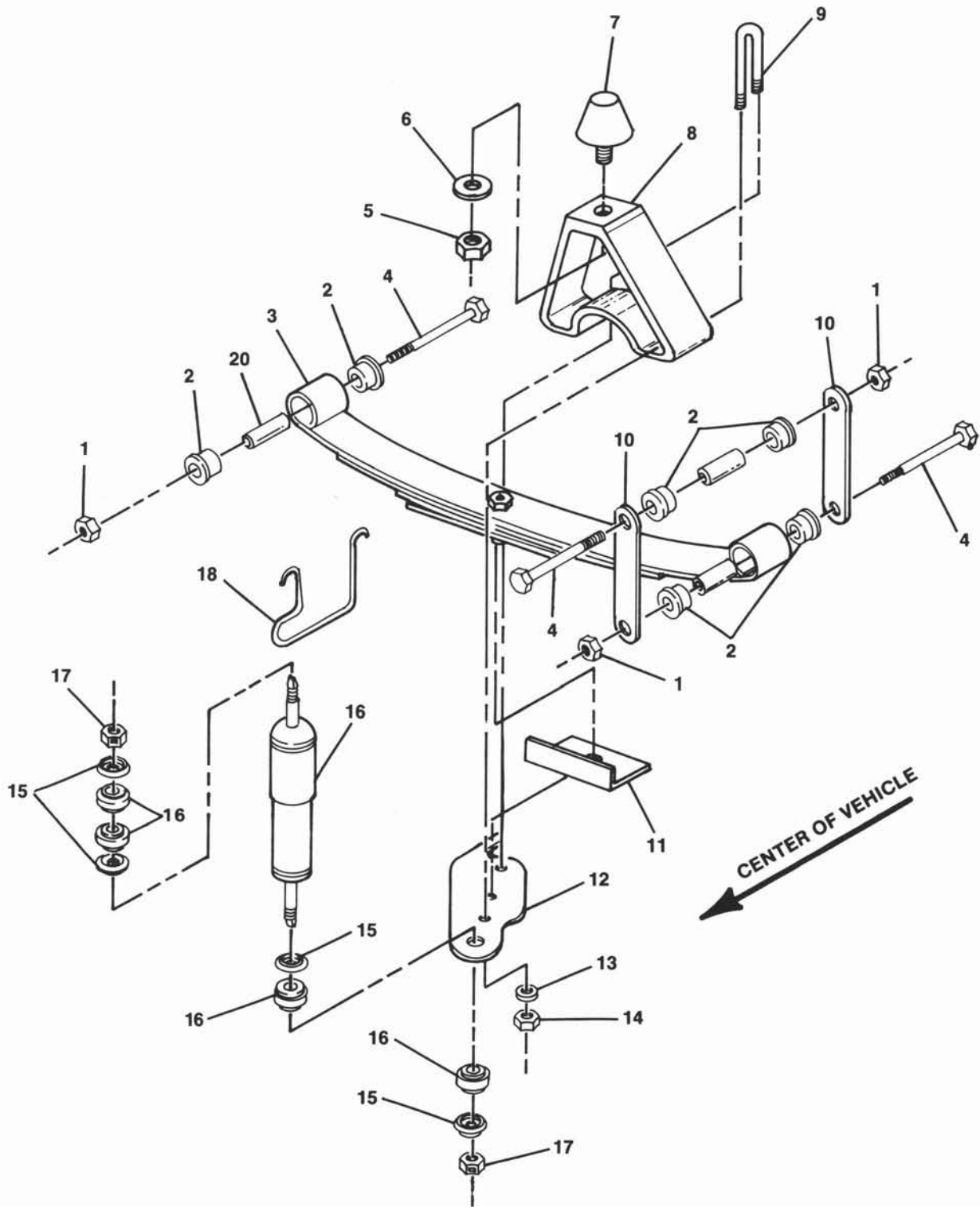
2.97 HP CLUB CAR PART# 1017728-01 MODEL 5BC58JBS6163
 3.50 HP CLUB CAR PART# 1017728-02 MODEL 5BC58JBS6215

MOTOR ASSEMBLY
2.97 HP CLUB CAR PART# 1017728-01 MODEL 5BC58JBS6163
3.50 HP CLUB CAR PART# 1017728-02 MODEL 5BC58JBS6215

ITEM NUMBER	PART NUMBER	DESCRIPTION				UNITS PER VEHICLE
		1	2	3	4	
	1017728-01	2.97 HP MOTOR ASSEMBLY COMPLETE				1
1	1017944	END SHIELD				1
2	N/A	ARMATURE				
3	1017945	STATOR SHELL AND WINDING				1
4	1017946	BRUSH PKG. (4 PCS)				2
5	1017947	HARDWARE PKG. (INCLUDES ITEMS 6-9)				1
6	N/A	NUT				4
7	N/A	LOCKWASHER				4
8	N/A	FLAT WASHER				4
9	N/A	INSUL BUSHING				2
10	N/A	INSUL BUSHING				2
11	1017948	BRUSH RIGGING				1
12	1017949	SCREW, BRUSH HOLDER				2
13	1017950	BEARING RETAINER				1
14	1011290	BALL BEARING				1
15	1017951	END SHIELD				1
16	1017952	CLAMP SCREW				4
17	1017953	SCREW, BEARING RETAINER				2
18	1017891	GUIDE RING				1
19	1017960	BRUSH SPRING PKG. (4 PCS)				1
	1017728-02	3.50 HP MOTOR ASSEMBLY COMPLETE				1
1	1017944	END SHIELD				1
2	N/A	ARMATURE				
3	1017954	STATOR SHELL AND WINDING				1
4	1017946	BRUSH PKG. (4 PCS)				2
5	1017947	HARDWARE PKG. (INCLUDES ITEMS 6-9)				1
6	N/A	NUT				4
7	N/A	LOCKWASHER				4
8	N/A	FLAT WASHER				4
9	N/A	INSUL BUSHING				2
10	N/A	INSUL BUSHING				2
11	1017948	BRUSH RIGGING				1
12	1017949	SCREW, BRUSH HOLDER				2
13	1017950	BEARING RETAINER				1
14	1011290	BALL BEARING				1
15	1017951	END SHIELD				1
16	1017952	CLAMP SCREW				4
17	1017953	SCREW, BEARING RETAINER				2
18	1017891	GUIDE RING				1
19	1017960	BRUSH SPRING PKG. (4 PCS)				1

E

14



REAR SUSPENSION ASSEMBLY - ELECTRIC VEHICLE

REAR SUSPENSION ASSEMBLY - ELECTRIC VEHICLE

ITEM NUMBER	PART NUMBER	1 2 3 4	DESCRIPTION	UNITS PER VEHICLE
1	1010138		DIMPLED LOCKNUT, 3/8-16	6
2	1015583		URETHANE BUSHING	12
3	1014675		REAR LEAF SPRING	2
4	8755		HEX HEAD CAP SCREW, 3/8-16 X 3/8"	6
5	7473		NYLON LOCKNUT, 5/16-18	2
6	1241		FLATWASHER, 5/16 DIAMETER	2
7	1017235		OVERLOAD BUMPER	2
8	1014546-02		OVERLOAD BUMPER MOUNT - ANGLED	2
9	1014902		"U" BOLT	2
10	7569		SPRING SHACKLE PLATE	4
11	1014573		SPRING RETAINER	2
12	1012181		SHOCK MOUNT, RIGHT HAND	1
12	1012182		SHOCK MOUNT, LEFT HAND	1
13	1014557		FLATWASHER, 7/16 DIAMETER	4
14	1014555		NYLON LOCKNUT, 7/16-14	4
15	1011415		SHOCK ABSORBER CUSHION KIT	4
16	1014236		SHOCK ABSORBER REAR ELECTRIC	2
17	1010145		SHOCK ABSORBER HEX NUT, 3/8-24	4
18	1013207		BRAKE CABLE HANGER	2
19	1013164		SHOCK ABSORBER KIT	1
			INCLUDES ITEMS 14 AND 15	
20	1012303		STEEL BUSHING	6

E



Club Car, Inc.
P.O. Box 204658
Augusta, GA 30917-4658
USA

Web www.clubcar.com
Phone 1.706.863.3000
1.800.ClubCar
Int'l +1 706.863.3000
Fax 1.706.863.5808