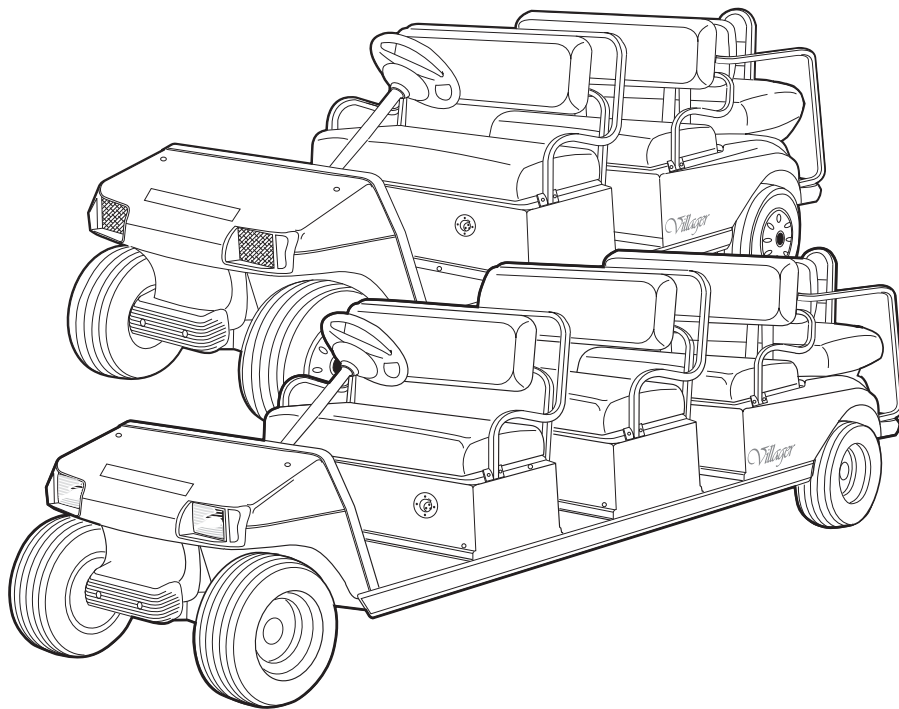




**2009**  
**Villager 6 and 8**  
**Illustrated Parts List**



**Gasoline and Electric Vehicles**

Manual Number 103472633  
Edition Code \_A



# USING THE ILLUSTRATED PARTS LIST

---

## **⚠ WARNING**

- **This manual is to be used only for identification and ordering of service parts. Be sure to read and use the maintenance and service manual before attempting any vehicle repairs.**

This manual covers all Villager 6 and 8 vehicles built during the 2009 model year.

The manual is divided into sections. Note that there are two or three flags on the outside edge of each page. The first flag contains the section number of which that page is a part. The other flag (or flags) contains the letter G or E, signifying that the page pertains to the electric or gasoline vehicles only.

Use the Table of Contents to find the sections and pages that contain the parts and assemblies you seek. The Table of Contents lists section numbers, and under them, the individual page titles and numbers to be found in that section. The index can be used to find specific parts and assemblies. The index is divided into numerical and alphabetical listings with the page numbers in italic text.

There is a two-page spread for each individual page title in the Table of Contents. On the left-hand page is an illustration showing the parts in their relative positions; the parts are each tagged with an item number in a balloon. The right-hand page is the parts list page, and gives the page title at the top, then the item numbers (corresponding to the numbers on the illustration), part descriptions, and quantity of parts used.

Note that a part description may be indented. This indention corresponds to a parts assembly level indicated by the numbers 1, 2, 3, and 4 at the top left corner of the parts description area of the parts list page. A part that is indented to *level 2* is a component of the *level 1* part (assembly) that it is listed under. A *level 3* part is a component of the *level 2* part that it is listed under, and a *level 4* part is a component of the *level 3* part preceding it. In each case, the part quantity given for a level 2, 3, or 4 part is the quantity used per next higher level assembly of which it is a component. A part that is not indented is a *level 1* part. This means that the quantity given is the quantity used per the portion of the vehicle illustrated on that particular spread.



P. O. Box 204658  
Augusta, Georgia 30917-4658 USA  
Telephone 706-863-3000  
Service Parts Fax 706-855-7413  
[www.clubcar.com](http://www.clubcar.com)

## HOW TO ORDER PARTS

Replacement parts and accessories can be obtained from our network of authorized dealers and distributors. You can obtain the name and phone number of your closest authorized Club Car dealer or distributor by visiting our web site at [www.clubcardealer.com](http://www.clubcardealer.com), by calling our toll-free Service Parts and Technical Assistance hotline at (800) 872-2246 or (706) 863-3000, extension 3887, or by scanning this Quick Response (QR) code to be taken to the Club Car dealer locator. **Refer to Figure 1.** Download a QR code reader such as RedLaser or Barcode Scanner to your cell phone or tablet.



Figure 1 Dealer Locator QR Code

## CUSTOMER SATISFACTION SURVEY

Let your voice be heard!

Please take time to participate in the Technical Publications satisfaction survey. Obtaining feedback from our customers is important to the department's continuous improvement process. The online survey takes less than five minutes and responses will help the department to examine current performance as well as identify areas for future improvement.

Our top priority is to provide timely, accurate, and user friendly manuals.

The online satisfaction survey can be found at: <http://bit.ly/1w9uFMh>



Figure 2 Survey QR Code

**NOTE:** *This illustrated parts list represents the most current information at the time of publication. Club Car, Inc. is continually working to further improve its vehicles and other products. These improvements may affect the parts used to service the vehicle. Any modification and/or significant change in specifications will be forwarded to all Club Car and Carryall distributors/dealers and will, when applicable, appear in future editions of this illustrated parts list.*

*Club Car, Inc. reserves the right to change specifications and designs at any time without notice and without the obligation of making changes to units previously sold.*

Copyright © 2008 Club Car, Inc.  
Club Car and ArmorFlex  
are registered trademarks of Club Car, Inc.  
This manual effective August 1, 2008.

# CONTENTS

---

## SECTION 1 – BODY AND TRIM

---

Front Body and Trim – Turf, Utility, & Transportation .....	1-3
Splash Guard – Gasoline Vehicles Only .....	1-5
Dash Pockets and Floormat .....	1-7
Floormat, Rear – Villager & Transportation Vehicles .....	1-9
Beverage Holder – Dual .....	1-11
Mirror, Rear-View – without Cab .....	1-13
Grommets, Chassis .....	1-15
Front and Center Seat Bottoms .....	1-17
Seat Back Assembly .....	1-19
Armrests, Front – Villager 6 & 8 Vehicles .....	1-21
Windshield, Hinged .....	1-23
Windshield, Non-Hinged .....	1-25
Center Body – Villager 6 Gasoline Vehicle .....	1-27
Center Body – Villager 6 IQ Plus Vehicle .....	1-29
Center Bodies – Villager 8 Gasoline Vehicle .....	1-31
Center Bodies – Villager 8 IQ Plus Vehicle .....	1-33
Rear, Forward-Facing Seat Bottom .....	1-35
Armrests, Rear, Forward-Facing – Villager 6 & 8 Vehicles .....	1-37
Rear Body and Fender – Villager 6 & 8 .....	1-39
Heat Shield, Transporter, Vill 6 & 8, XRT800/850 Rear Body – Gas .....	1-41
Battery Insulator, Transporter, Vill 6 & 8, XRT850 Rear Body – Electric .....	1-43
Rear Access Door .....	1-45
Rear-Facing Seat Bottom – Villager Vehicles .....	1-47
Rear Footrest, Armrests and Handrails – DS Villager 4, Villager 6 and 8 .....	1-49
Canopy Kit, White – Villager 6 with Rear-Facing Seats .....	1-51
Canopy Kit, Beige – Villager 6 with Rear-Facing Seats .....	1-53
Canopy Kit, White – Villager 6 with Flat Bed .....	1-55
Canopy Kit, Beige – Villager 6 with Flat Bed .....	1-57
Canopy Kit, White – Villager 8 with Rear-Facing Seats .....	1-59
Canopy Kit, Beige – Villager 8 with Rear-Facing Seats .....	1-61
Canopy Kit, White – Villager 8 with Flat Bed .....	1-63
Canopy Kit, Beige – Villager 8 with Flat Bed .....	1-65

---

## SECTION 2 – WHEELS AND TIRES

---

Wheels (Beige) and Tires .....	2-3
Wheels (White) and Tires .....	2-5
Wheel Covers .....	2-7

# CONTENTS

---

## SECTION 3 – DECALS

---

Decals – Villager 6 Gas and IQ Plus .....	3-3
Decals – Villager 6 IQ Plus Vehicle Only .....	3-5
Decals – Villager 6 Gasoline Vehicle Only .....	3-7
Decals – Villager 8 Gas and IQ Plus .....	3-9
Decals – Villager 8 IQ Plus Vehicle Only .....	3-11
Decals – Villager 8 Gasoline Vehicle Only .....	3-13
Badging Decals – Villager .....	3-15
IQ Plus Logo Decal – IQ Plus Vehicles Only .....	3-17

---

## SECTION 4 – LIGHTS, CONTROLS, AND INDICATORS

---

Headlights .....	4-3
Lighting System Components – Transportation Gasoline Vehicles .....	4-5
Lighting System Components – CA 6 and Vill. 6 Elec. with IQ Plus Charger .....	4-7
Lighting System Components – Villager 8 Elec. with IQ Plus Charger .....	4-9
Turn Signal Kit – DS and Utility Gasoline and Electric Vehicles .....	4-11
Instrument Panel and Electrical Components – CA6/Vill 6 & 8 Gas .....	4-13
Instrument Panel with Electrical Components – CA6/Vill 6/8 Elec. w/Lester Charger .....	4-15
Keys and Keyswitches, SmartKey Kit – Electric Vehicle .....	4-17
Keys and Keyswitches, Uncommon – Gas Vehicle .....	4-19
DC Converter – IQ Plus Electric Vehicle .....	4-21
Voltage Limiter – Gasoline Vehicle .....	4-23
Strobe Light, Roof-Mounted .....	4-25
Horn .....	4-27
Hour Meter – IQ System and IQ Plus Electric Vehicles .....	4-29
Rear Reverse Buzzer .....	4-31
Tail Lights .....	4-33

---

## SECTION 5 – BRAKES, PEDALS, AND CABLES

---

Brake Pedal Assembly .....	5-3
Accelerator Pedal Assembly – Electric Vehicles with MCOR .....	5-5
Accelerator Pedal Assembly – Gasoline Vehicles .....	5-7
Accelerator Rod – Turf/CA 6 & Villager 6 Gas Vehicles .....	5-9
Accelerator Rod – Villager 8 Gas Vehicles .....	5-11
Front Brake Assembly – Vehicles with Four-Wheel Brakes .....	5-13
Front Brake Cables and Equalizer – Vehicles with Four-Wheel Brakes .....	5-15
Rear Brake Cables and Equalizer – Turf/Carryall 6 & Villager 6 .....	5-17
Rear Brake Cables and Equalizer – Villager 8 .....	5-19

# CONTENTS

Rear Brake Assembly, Manually-Adjusted – Vehicles with 4-Wheel Brakes .....	5-21
---	------

## **SECTION 6 – STEERING, FRONT AND REAR SUSPENSION**

Steering Wheel .....	6-3
Steering Gear Assembly .....	6-5
Steering Column – Utility .....	6-7
Intermediate Steering Shaft – Turf/Carryall/Villager .....	6-9
Steering Wheel with Clip .....	6-11
Heavy Duty Front Springs .....	6-13
Front Spindles and Hubs – Vehicles with Four-Wheel Brakes .....	6-15
Front Suspension, Upper – Villager 6 and 8 .....	6-17
Front Suspension, Lower – Villager 6 .....	6-19
Front Suspension, Lower – Villager 8 .....	6-21
Rear Suspension – Turf/CA 2, 2 Plus, 6, and Villager Gasoline .....	6-23
Rear Suspension – Turf/CA 2, 6, and Villager IQ Plus Electric .....	6-25
Stabilizer Bar – Turf/CA 2, 2 Plus, 6, and Villager Gas .....	6-27

## **SECTION 7 – ELECTRICAL SYSTEM – GASOLINE VEHICLES**

Wiring – Carryall 6 and Villager 6 Gas .....	7-3
Wiring – Villager 8 Gas .....	7-5
Starter/Generator Assembly Model G425419 – Gasoline Vehicles .....	7-7
Starter/Generator Mounting – FE350 .....	7-9
Operation and Maintenance Switch .....	7-11
Electrical Component Box – Carryall 6 and Villager 6/8 .....	7-13
Battery – Gasoline Utility Vehicles .....	7-15

## **SECTION 8 – ENGINE (S10 & S23) W/ACR – PRIOR TO 50-STATE ENGINE**

FE350 Engine with ACR (Automatic Compression Release) – Shrouds and Brackets .....	8-3
FE350 Engine – Ignition Components and Flywheel .....	8-5
FE350 Engine – Oil Circulation .....	8-7
FE350 Engine – Cylinder Head .....	8-9
FE350 Engine with ACR – Crankcase, Camshaft, and Oil Sensor .....	8-11
FE350 Engine – Crankcase and Crankshaft .....	8-13
FE350 Engine Mounting .....	8-15

## **SECTION 9 – ENGINE (S27) W/O ACR, 50-STATE**

FE350 Engine (S27) w/o ACR, Shrouds, and Brackets; 50-State .....	9-3
FE350 Engine (S27) – Ignition Components and Flywheel .....	9-5

# CONTENTS

FE350 Engine (S27) – Oil Circulation .....	9-7
FE350 Engine (S27) – Cylinder Head .....	9-9
FE350 Engine (S27) – Crankcase, Camshaft, and Oil Sensor .....	9-11
FE350 Engine (S27) – Crankcase and Crankshaft .....	9-13
FE350 Engine (S27) – Mounting .....	9-15

## SECTION 10 – FUEL, INTAKE, AND GOVERNOR SYSTEM

Fuel System and Tank without Sending Unit .....	10-3
Fuel System and Tank with Sending Unit .....	10-5
Carburetor Assembly, FE350 S10 and S11 .....	10-7
Carburetor Assembly, FE350 S23 and S24 .....	10-9
Carburetor Assembly – FE350 S27 .....	10-11
Carburetor Mounting, Utility, FE350 S10 and S11 .....	10-13
Carburetor Mounting, Utility, FE350 S23 S24 S27 .....	10-15
Governor and Accelerator Cables .....	10-17
Air Intake Duct and Choke Cable – Villager 6 .....	10-19
Air Intake Duct and Choke Cable – Villager 8 .....	10-21
Air Filter and Intake Hose .....	10-23

## SECTION 11 – EXHAUST SYSTEM

Exhaust System – FE350 Engine .....	11-3
-------------------------------------	------

## SECTION 12 – DRIVE BELT AND CLUTCHES – CARBURETED GASOLINE VEHICLES

Drive Belt .....	12-3
Drive Clutch – Carryall 2 Plus and Villager 6/8 .....	12-5
Driven Clutch .....	12-7

## SECTION 13 – UNITIZED TRANSAXLE – GASOLINE VEHICLES

Forward/Reverse Shifter .....	13-3
Shifter Cable – Turf/CA 6 and Villager 6 .....	13-5
Shifter Cable – Villager 8 .....	13-7
Kawasaki Transaxle – Gear Cases and Brackets .....	13-9
Kawasaki Transaxle – F&R Transmission and Gear Reduction .....	13-11
Kawasaki Transaxle – Differential and Axles .....	13-13
Graziano Transaxle – Gear Cases and Levers .....	13-15
Graziano Transaxle – F&R Transmission and Gear Reduction .....	13-17
Graziano Transaxle -Differential and Axles .....	13-19
Differential Guard – Gasoline Vehicle .....	13-21



# CONTENTS

---

## SECTION 14 – ELECTRICAL SYSTEM – ELECTRIC VEHICLES

---

Battery Charger Receptacle .....	14-3
Motor Controller Output Regulator (MCOR) .....	14-5
Wiring – CA 6 and Villager 6 IQ Plus Electric .....	14-7
Wiring – Villager 8 IQ Plus Electric .....	14-9
Tow/Run Switch – IQ Plus Vehicles .....	14-11
Batteries, 6-Volt, Standard Duty, Trojan .....	14-13
Batteries, 6-Volt, Heavy Duty, Trojan .....	14-15
Computer, Controller, and Solenoid .....	14-17

---

## SECTION 15 – MOTOR (MODEL DA5-4006) – IQ PLUS

---

Motor (Model DA5-4006) – IQ Plus .....	15-3
--	------

---

## SECTION 16 – TRANSAXLE – ELECTRIC VEHICLES

---

Transaxle – Electric Vehicles .....	16-3
Differential Guard – Electric Vehicles .....	16-5

---

## SECTION 17 – BATTERY CHARGERS

---

IQ Plus Battery Charger (Models 25730-11,-18,-19), Domestic .....	17-3
IQ Plus Battery Charger (Models 25880-11 and -18), International .....	17-5
Onboard IQ Plus Battery Charger (Model 25260-11), Domestic .....	17-7
Onboard IQ Plus Battery Charger (Model 25660-40), International .....	17-9
Onboard IQ Plus Charger and Cord Reel Mounting .....	17-11

---

## SECTION 18 – MAINTENANCE AND SERVICE TOOLS

---

Maintenance and Service Tools .....	18-3
Maintenance and Service Tools, Continued .....	18-5
Maintenance and Service Tools, Continued .....	18-7
Maintenance and Service Tools, Continued .....	18-9
Maintenance and Service Tools, Continued .....	18-11

---

## SECTION i – INDEX

---



# BODY AND TRIM

---

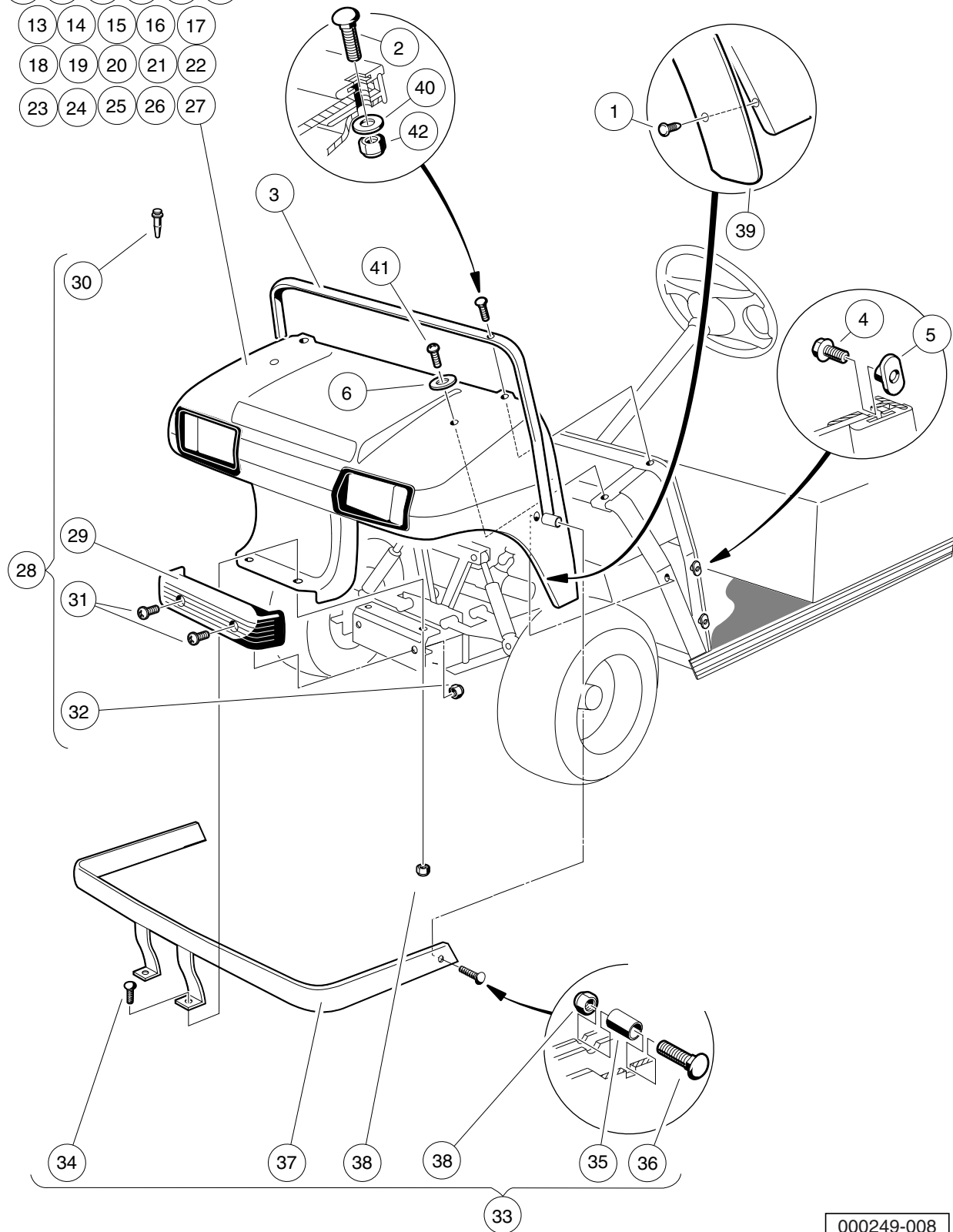
1

G

E

**1**  
**G**  
**E**

- 7 8 9 10 11 12
- 13 14 15 16 17
- 18 19 20 21 22
- 23 24 25 26 27



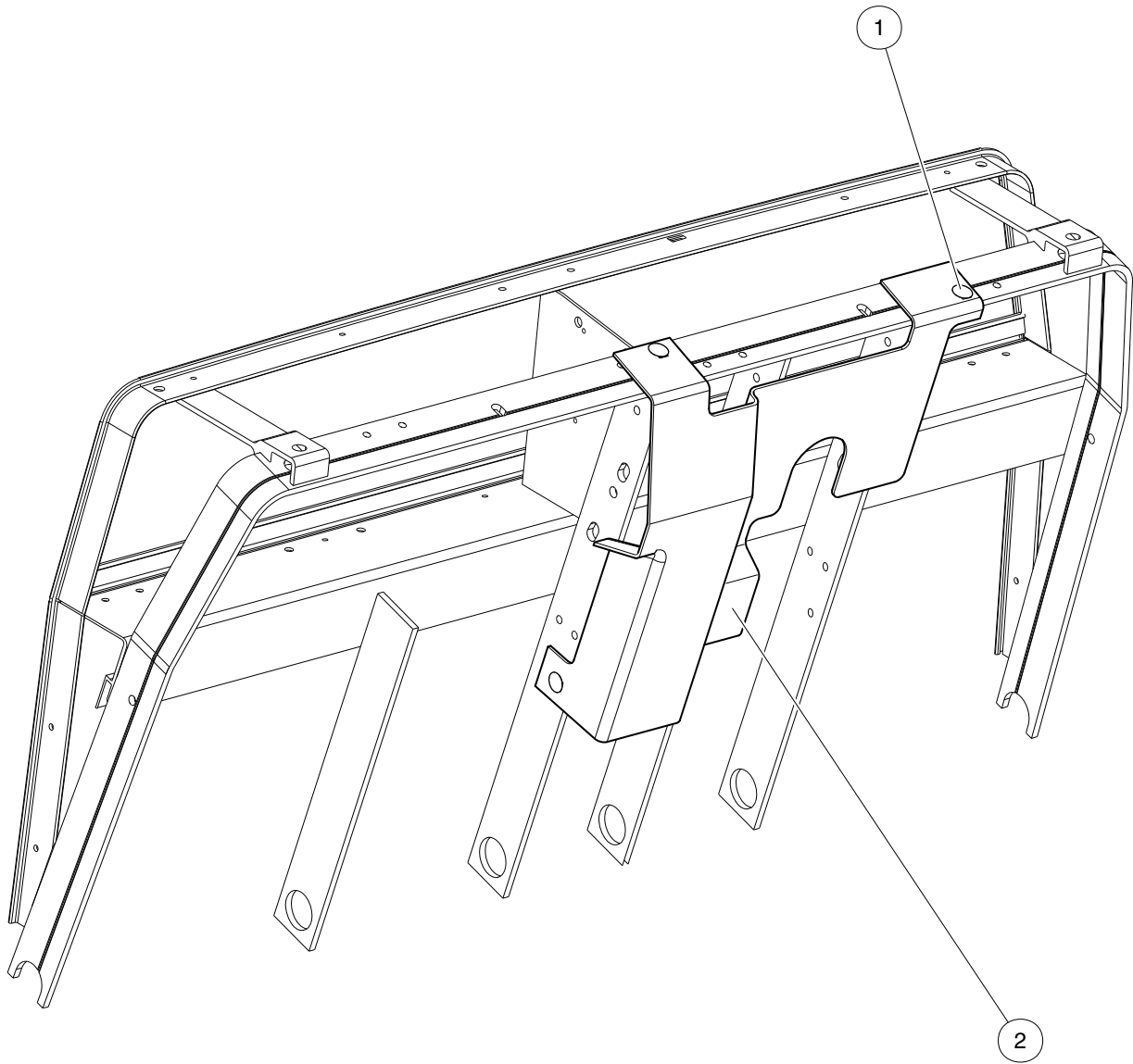
000249-008

# FRONT BODY AND TRIM – TURF, UTILITY, & TRANSPORTATION

ITEM	PART NO.	DESCRIPTION	QTY
		1 2 3 4	
1	<u>1010434</u>	Barrel - Plastic .....	12
2	<u>1010435</u>	Bolt, Carriage, 5/16-18 X 1.00 .....	2
3	<u>1011014</u>	Trim, Cowl .....	1
4	<u>1011017</u>	Screw, #8-32 X 0.375 .....	6
5	<u>1011394</u>	T-Nut Package (Set of 4) .....	1
6	<u>1015075</u>	Washer, 5/16 Flat Type A .....	2
7	<u>101692501</u>	Cowl, TPO, Beige .....	1
8	<u>101692502</u>	Cowl, TPO, White .....	1
9	<u>101692504</u>	Cowl, Tpo -gray .....	1
10	<u>101692506</u>	Cowl, TPO, Red .....	1
11	<u>101692509</u>	Cowl, TPO, Pacific Blue (Royal Blue) .....	1
12	<u>101692510</u>	Cowl, TPO, Dark Green .....	1
13	<u>101692511</u>	Cowl, TPO, Black .....	1
14	<u>101692512</u>	Cowl, TPO, Classic Blue (Navy) .....	1
15	<u>101692513</u>	Cowl, TPO, Burgundy .....	1
16	<u>101692514</u>	Cowl, TPO, Dark Gray .....	1
17	<u>101692515</u>	Cowl, TPO, Safety Yellow .....	1
18	<u>101693901</u>	Cowl with Headlight Opening, TPO, Beige .....	1
19	<u>101693902</u>	Cowl with Headlight Opening, TPO, White .....	1
20	<u>101693904</u>	Cowl with Headlight Opening, TPO, Gray .....	1
21	<u>101693906</u>	Cowl with Headlight Opening, TPO, Red .....	1
22	<u>101693909</u>	Cowl with Headlight Opening, TPO, Dark Green .....	1
23	<u>101693910</u>	Cowl with Headlight Opening, TPO, Black .....	1
24	<u>101693911</u>	Cowl with Headlight Opening, TPO, Classic Blue (Navy) .....	1
25	<u>101693912</u>	Cowl with Headlight Opening, TPO, Burgundy .....	1
26	<u>101693913</u>	Cowl with Headlight Opening, TPO, Dark Gray .....	1
27	<u>101693914</u>	Cowl with Headlight Opening, TPO, Safety Yellow .....	1
28	<u>1017080</u>	Kit, Front Bumper (includes items 29 through 32) .....	1
29	<u>1016868</u>	Front Bumper .....	1
30	<u>1016967</u>	Blind Rivet, Push Type .....	2
31	<u>7251</u>	Screw, 5/16-18 x 1.0 Truss-Head .....	2
32	<u>7473</u>	Locknut, 5/16-18 Nylon Insert .....	2
33	<u>101734802</u>	Kit, Heavy-Duty Bumper (includes items 34 through 38) .....	1
34	<u>1010435</u>	Bolt, Carriage, 5/16-18 X 1.00 .....	2
35	<u>1010546</u>	Spacer .....	2
36	<u>1015405</u>	Bolt, Carriage, 5/16-18 X 2.0 .....	2
37	N/A	Weldment, Heavy Duty Bumper .....	1
38	<u>7473</u>	Locknut, 5/16-18 Nylon Insert .....	4
39	<u>101870401</u>	Fender Extrusion .....	2
40	<u>1241</u>	Washer, 5/16 Type A Flat .....	2
41	<u>7251</u>	Screw, 5/16-18 x 1.0 Truss-Head .....	2
42	<u>7473</u>	Locknut, 5/16-18 Nylon Insert .....	2

**1**  
**G**  
**E**

**1**  
**G**  
**E**



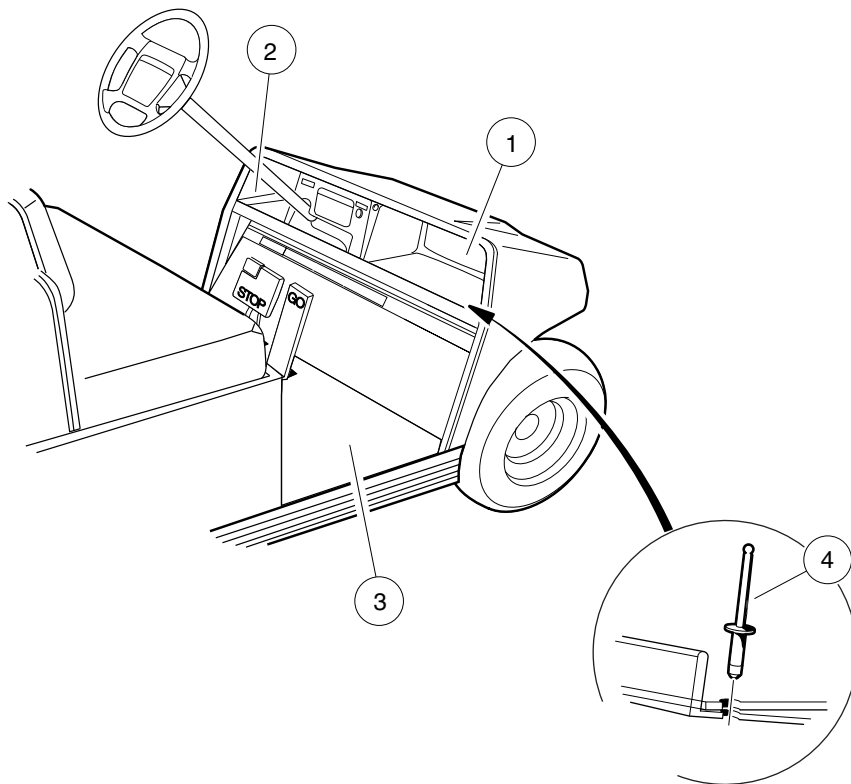
000593-002

# SPLASH GUARD – GASOLINE VEHICLES ONLY

ITEM	PART NO.	DESCRIPTION	QTY
1	<u>1010434</u>	1 2 3 4 Barrel - Plastic .....	3
2	<u>103174401</u>	Splash Guard .....	1

1  
G  
E

**1**  
**G**  
**E**



000252-002



# DASH POCKETS AND FLOORMAT

ITEM	PART NO.	DESCRIPTION	QTY
		1 2 3 4	
1	<u>1013343</u>	Dash Component, Passenger-Side, Black .....	1
2	1013344	Dash Component, Driver-Side .....	1
3	<u>101503202</u>	Floormat .....	1
4	<u>7973</u>	Rivet, 3/16 X .400 Blind .....	5

1  
G  
E

1

G

E



1

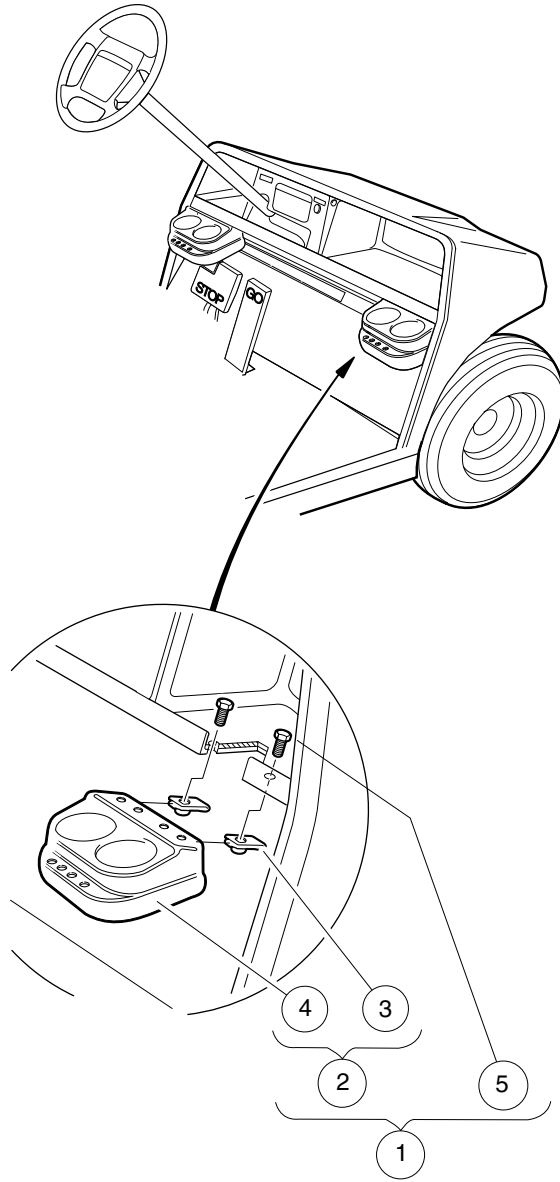
001281-001

# FLOORMAT, REAR – VILLAGER & TRANSPORTATION VEHICLES

ITEM	PART NO.	DESCRIPTION	QTY
1	<u>1017289</u>	1 2 3 4 Floormat, Rear, Limo/Villager/Transporter .....	A/R

**1**  
**G**  
**E**

**1**  
**G**  
**E**



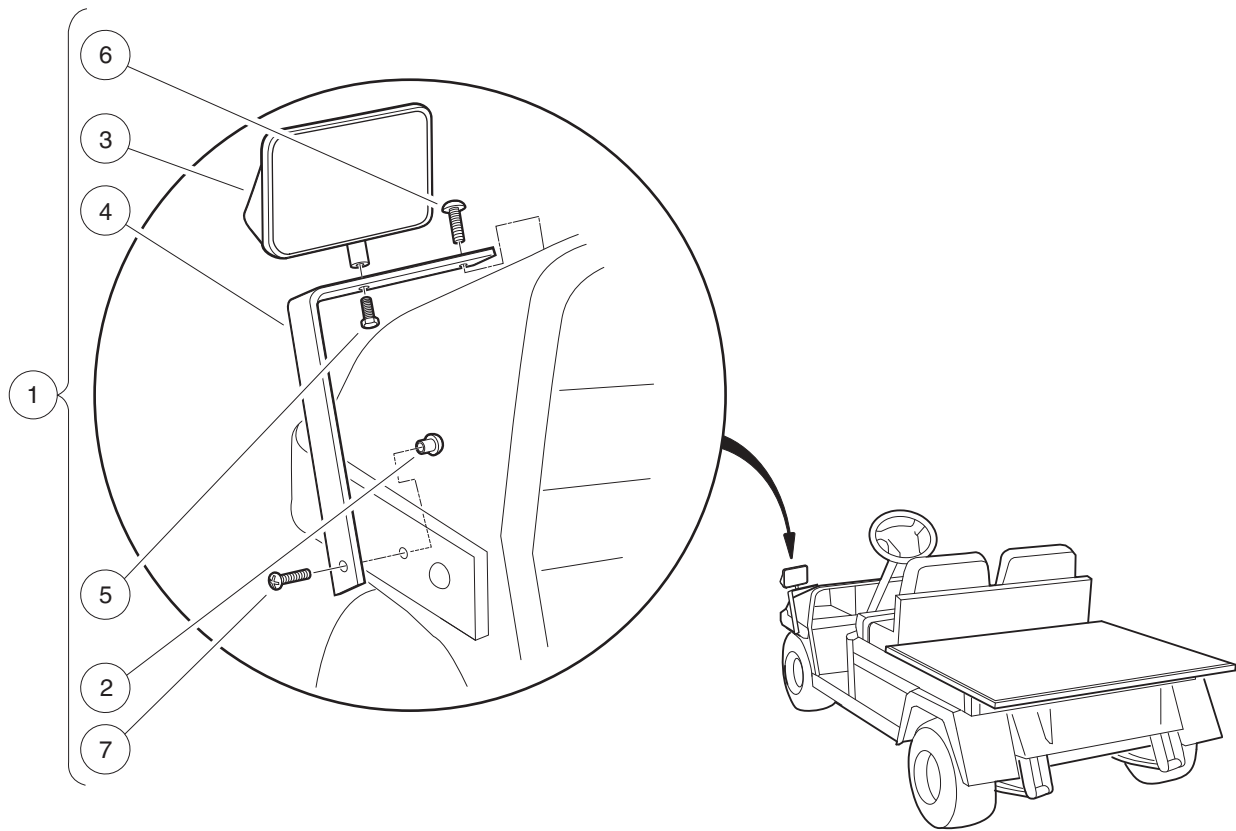
000253-002

# BEVERAGE HOLDER – DUAL

ITEM	PART NO.	DESCRIPTION	QTY
		1 2 3 4	
1	<u>101708301</u>	Drink Holder Kit (includes items 2 through 5) .....	2
2	<u>1016811</u>	Holder, Dual Cup (includes items 3 and 4) .....	1
3	1016952	U-Nut, 1/4-20 .....	2
4	N/A	Cup Holder, Dual .....	1
5	<u>7847</u>	Screw, 1/4-20 X 0.75 Hex-Head Cap .....	2

1  
G  
E

**1**  
**G**  
**E**



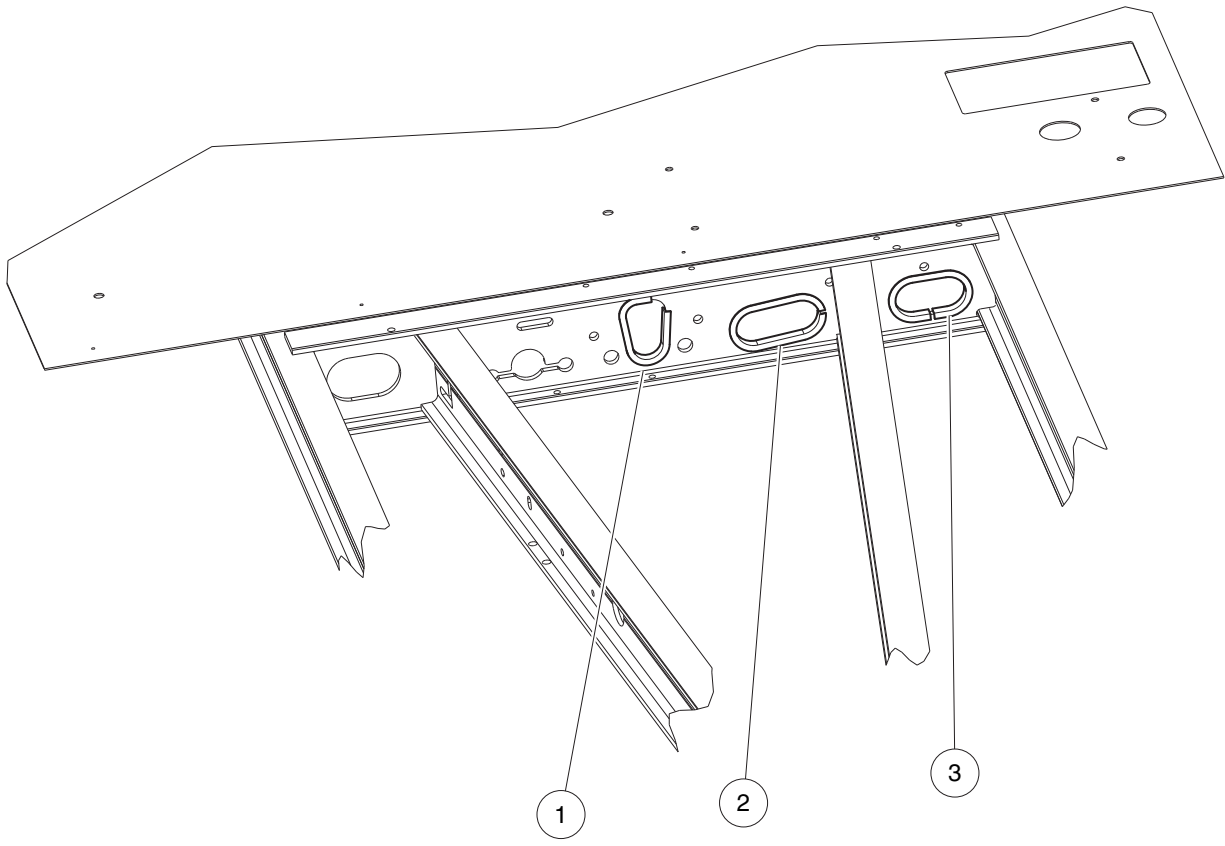
001211-001

## MIRROR, REAR-VIEW – WITHOUT CAB

ITEM	PART NO.	DESCRIPTION	QTY
		1 2 3 4	
1	<u>1013846</u>	Kit, Rear Mirror, West Coast (includes items 2 through 7) .....	1
2	1011878	T-nut, 1/4-20 X .310 Capped .....	1
3	1013824	Rear View Mirror .....	1
4	<u>1013825</u>	Mirror Mounting Bracket .....	1
5	<u>7173</u>	Screw, 5/16-18 X 0.75, Hex-Head Cap .....	1
6	<u>7251</u>	Screw, 5/16-18 x 1.0 Truss-Head .....	1
7	<u>8248</u>	Screw, 1/4-20 X 0.75, Truss-Head Machine .....	1
		Note: To install this kit, vehicle must be equipped with a heavy-duty front bumper.	

1  
G  
E

**1**  
**G**  
**E**



001221-001



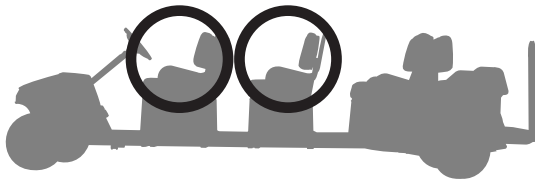
# GROMMETS, CHASSIS

ITEM	PART NO.	DESCRIPTION	QTY
		1 2 3 4	
1	<u>101806001</u>	I-beam Grommet - 5.5 .....	A/R
2	<u>101806002</u>	I-beam Grommet - 7.5 .....	A/R
3	<u>101806005</u>	I-beam Grommet - 6.75 .....	A/R

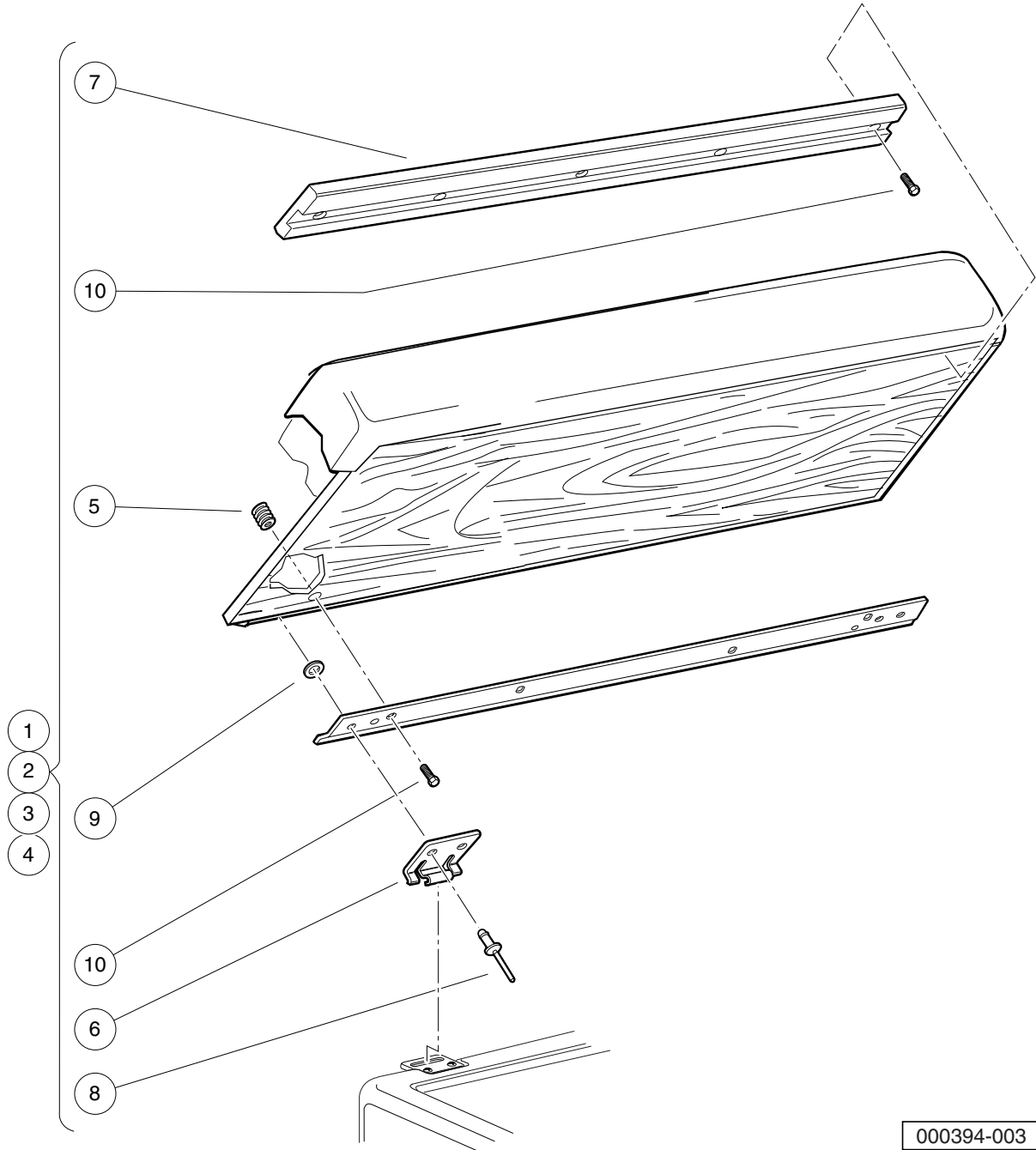
1  
G  
E

**1**  
**G**  
**E**

VILLAGER 8



VILLAGER 6

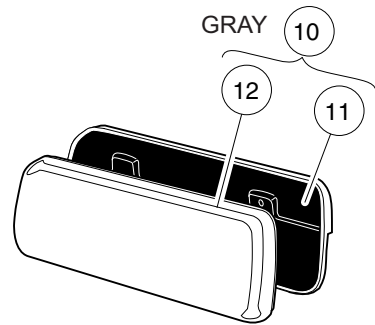
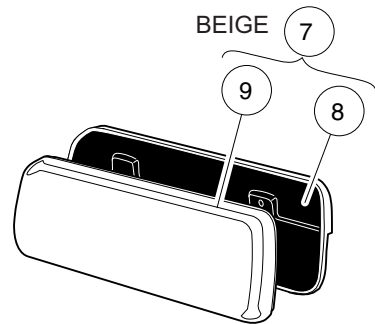
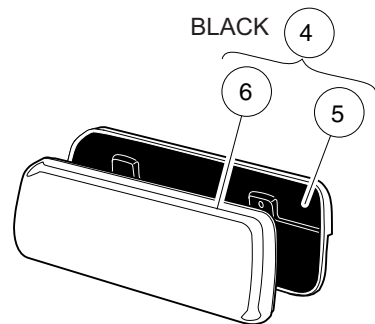
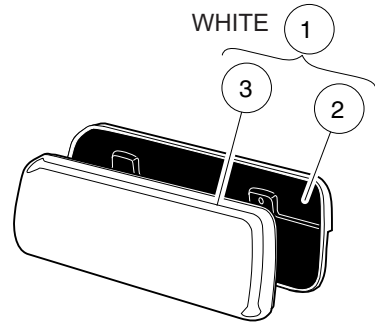


000394-003

## FRONT AND CENTER SEAT BOTTOMS

ITEM	PART NO.	DESCRIPTION	QTY	
		1 2 3 4		<b>1</b>
1	<u>101728201</u>	Seat Bottom Assembly, Front, White .....	1	<b>G</b>
2	<u>101728203</u>	Seat Bottom Assembly, Front, Beige .....	1	<b>E</b>
3	<u>101728210</u>	Seat Bottom Assembly, Front, Black .....	1	
4	<u>101728213</u>	Seat Bottom Assembly, Rear, Gray (includes items 5 through 10) .....	1	
5	1010543	Insert - Wood .....	8	
6	<u>1011652</u>	Hinge Plate .....	2	
7	<u>1013312</u>	Bumper, Seat, Long .....	1	
8	<u>101880901</u>	Rivet, 3/16, Stainless-Steel, Pop .....	4	
9	<u>101881701</u>	Washer, #8 Stainless-Steel Flat .....	4	
10	<u>101954301</u>	Screw, 1/4-20 X 0.75 Hex-Head Cap .....	8	

**1**  
**G**  
**E**



000608-001

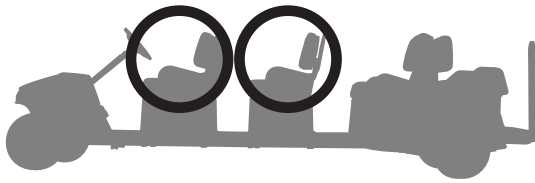
# SEAT BACK ASSEMBLY

ITEM	PART NO.	DESCRIPTION	QTY
		1 2 3 4	
1	<u>101677701</u>	Seat Back Assembly, White (includes items 2 and 3) .....	1
2	1016751	Cap, Seat Back .....	1
3	<u>101675512</u>	Vinyl Seat Back, White .....	1
4	<u>101677702</u>	Seat Back Assembly, Black (includes items 5 and 6) .....	1
5	1016751	Cap, Seat Back .....	1
6	<u>101675514</u>	Vinyl Seat Back, Black .....	1
7	<u>101677703</u>	Seat Back Assembly, Beige (includes items 8 and 9) .....	1
8	1016751	Cap, Seat Back .....	1
9	<u>101675511</u>	Vinyl Seat Back, Beige .....	1
10	<u>101677705</u>	Seat Back Assembly, Gray (includes items 11 and 12) .....	1
11	1016751	Cap, Seat Back .....	1
12	<u>101675515</u>	Vinyl Seat Back-nstd Svc .....	1

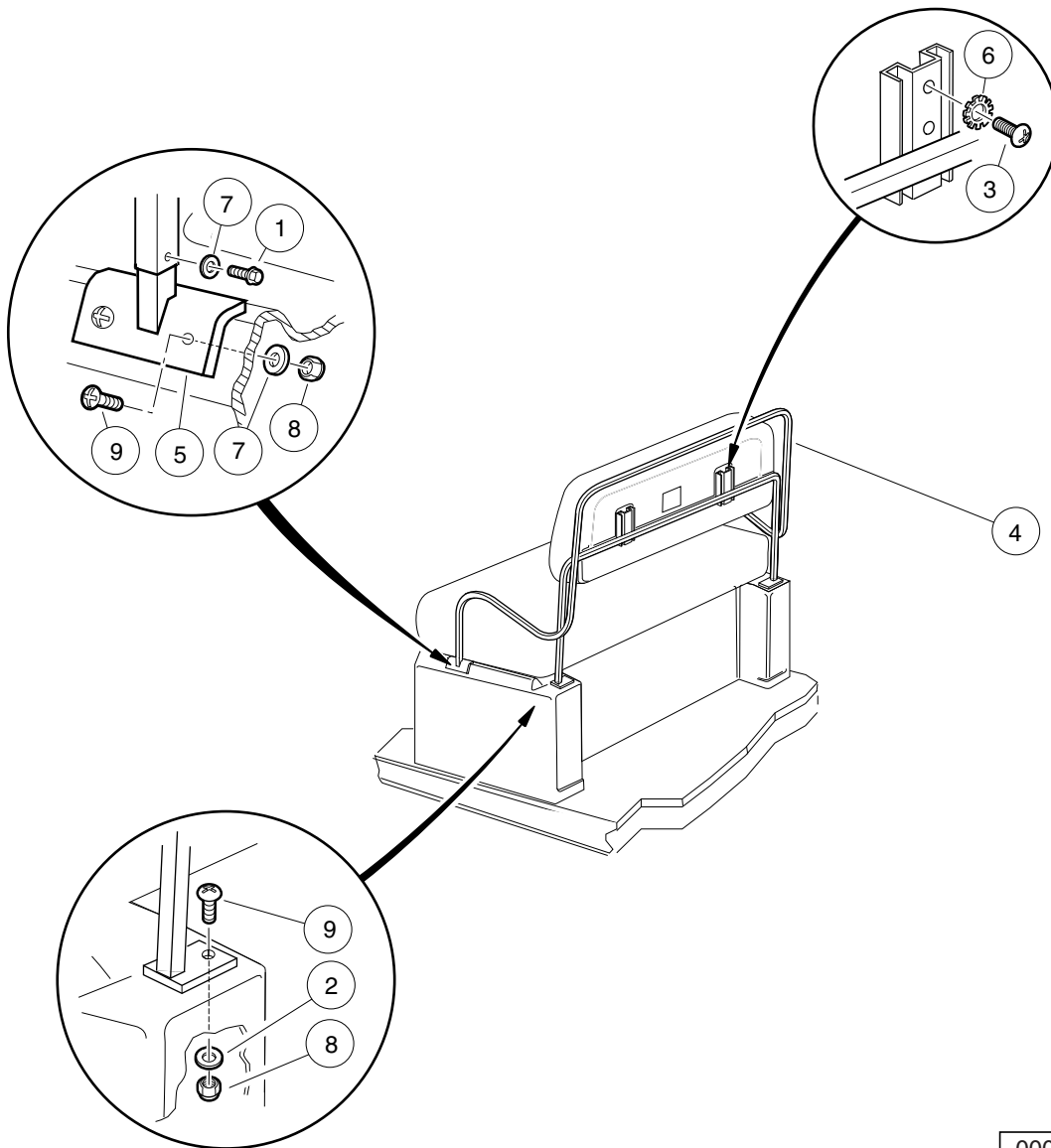
1  
G  
E

**1**  
**G**  
**E**

VILLAGER 8



VILLAGER 6

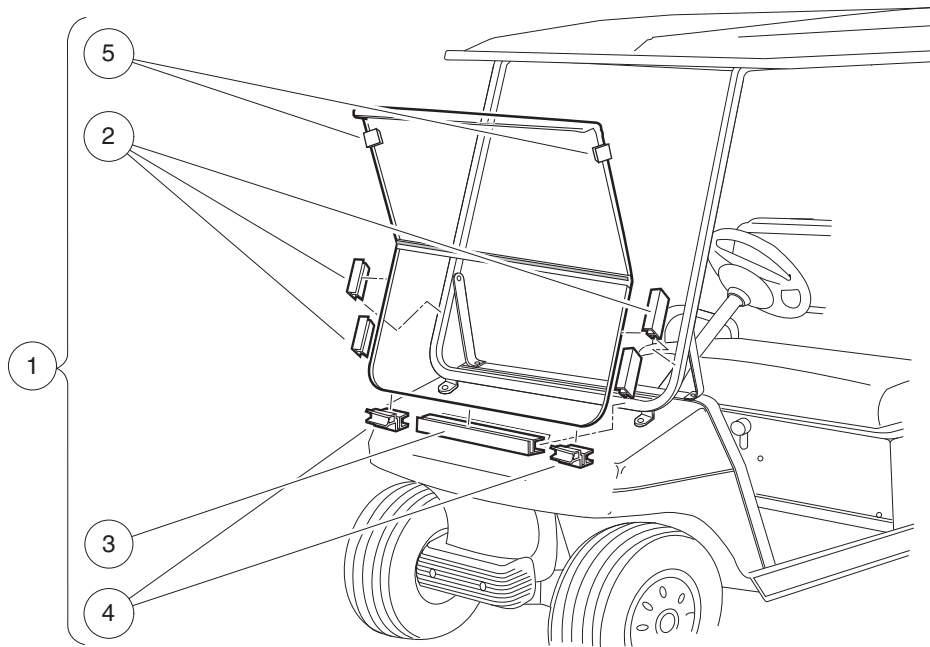


000396-003

## ARMRESTS, FRONT – VILLAGER 6 & 8 VEHICLES

ITEM	PART NO.	DESCRIPTION	QTY
		1 2 3 4	
1	<u>1012285</u>	Screw, 1/4 X 0.625 Hex-Head .....	4
2	<u>1014306</u>	Washer, 1/4" Type B Flat .....	2
3	<u>1015902</u>	Screw, 1/4-20 X 1.25 Truss-Head .....	4
4	<u>1017259</u>	Armrest Weld Asm Front .....	1
5	<u>1017310</u>	Armrest Mounting Weldment .....	2
6	<u>101946201</u>	Washer, Lock, 0.250 External-Tooth .....	4
7	<u>332</u>	Washer, 1/4 Type A Narrow Flat .....	6
8	<u>8233</u>	Locknut, 1/4-20, Nylon Insert .....	6
9	<u>8251</u>	Screw, 1/4-20 X 1.0 Truss-Head Machine .....	6

**1**  
**G**  
**E**



001205-001



# WINDSHIELD, HINGED

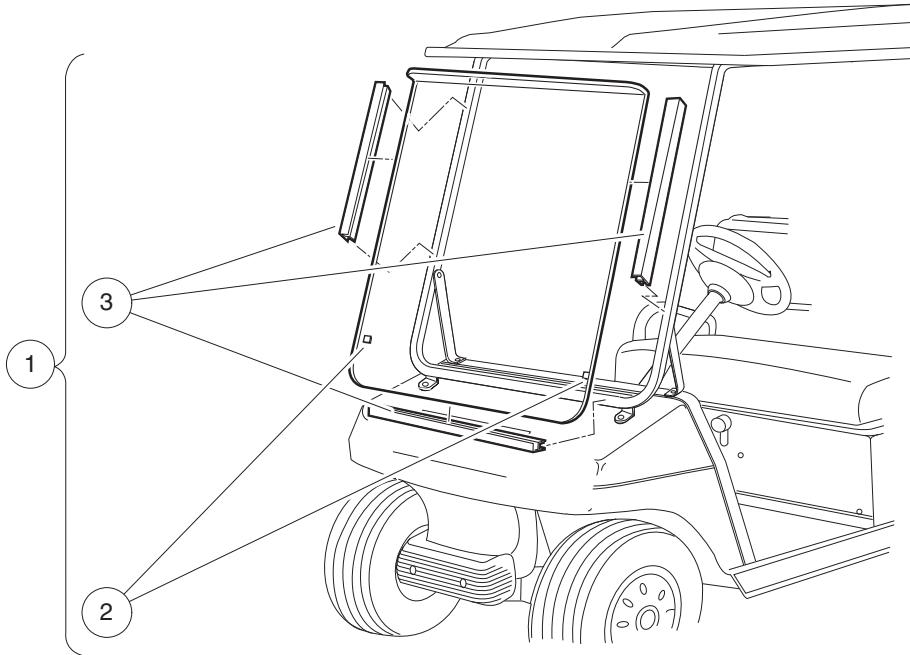
ITEM	PART NO.	DESCRIPTION	QTY
		1 2 3 4	
1	<u>101728602</u>	Hinged Windshield Kit (includes items 2 through 5) .....	1
2	<u>102005701</u>	5" Plastic Extrusion .....	4
3	<u>102163001</u>	Windshield Channel .....	1
4	<u>102163101</u>	Channel with Receiver Clip .....	2
5	N/A	Clip, Release .....	2

1  
G  
E

1

G

E



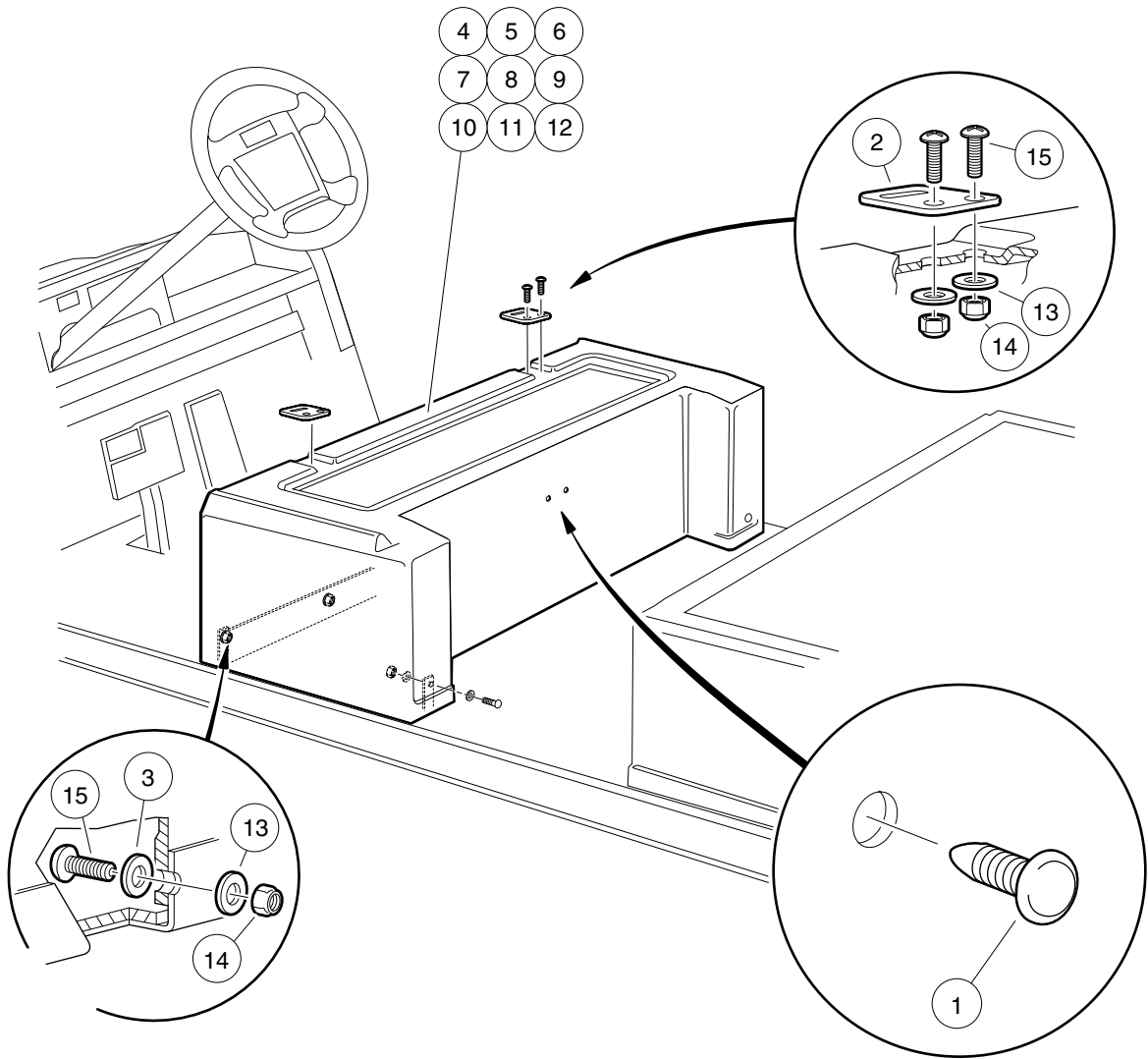
001204-001

# WINDSHIELD, NON-HINGED

ITEM	PART NO.	DESCRIPTION	QTY
		1 2 3 4	
1	1014435	Windshield Tinted One-Piece (includes items 2 and 3) .....	1
2	<u>1011897</u>	Bumper, Protective .....	2
3	<u>101444101</u>	21" Plastic Extrusion .....	3



**1**  
**G**  
**E**



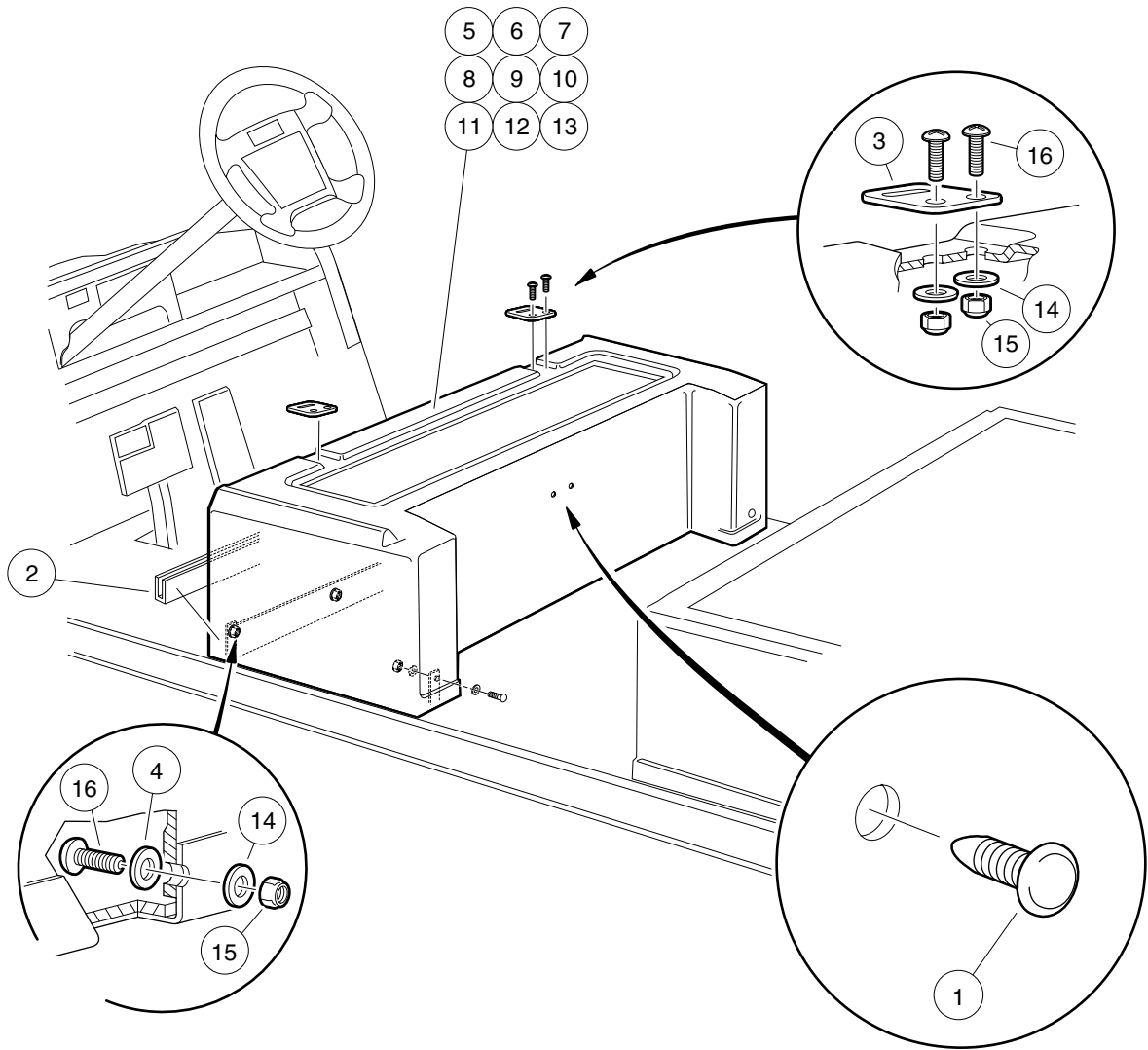
000389-004

## CENTER BODY – VILLAGER 6 GASOLINE VEHICLE

ITEM	PART NO.	DESCRIPTION	QTY
		1 2 3 4	
1	<u>1010434</u>	Barrel - Plastic .....	2
2	<u>1012412</u>	Body, Hinge Plate .....	2
3	<u>1012581</u>	Washer, 0.609-inch OD, Nylon Cup .....	6
4	<u>103274101</u>	Body, Center, Gas, Beige .....	1
5	<u>103274102</u>	Body, Center, Gas, Wht .....	1
6	<u>103274104</u>	Body, Center, Gas, Gray .....	1
7	<u>103274106</u>	Body, Center, Gas, Red .....	1
8	<u>103274108</u>	Body, Center, Gas, Pacific Bl .....	1
9	<u>103274109</u>	Body, Center, Gas, Dk Green .....	1
10	<u>103274110</u>	Body, Center, Gas, Black .....	1
11	<u>103274111</u>	Body, Center, Gas, C/blu .....	1
12	<u>103274112</u>	Body, Center, Gas, Burgundy .....	1
13	<u>332</u>	Washer, 1/4 Type A Narrow Flat .....	10
14	<u>8233</u>	Locknut, 1/4-20, Nylon Insert .....	10
15	<u>8251</u>	Screw, 1/4-20 X 1.0 Truss-Head Machine .....	10

**1**  
**G**  
**E**

**1**  
**G**  
**E**



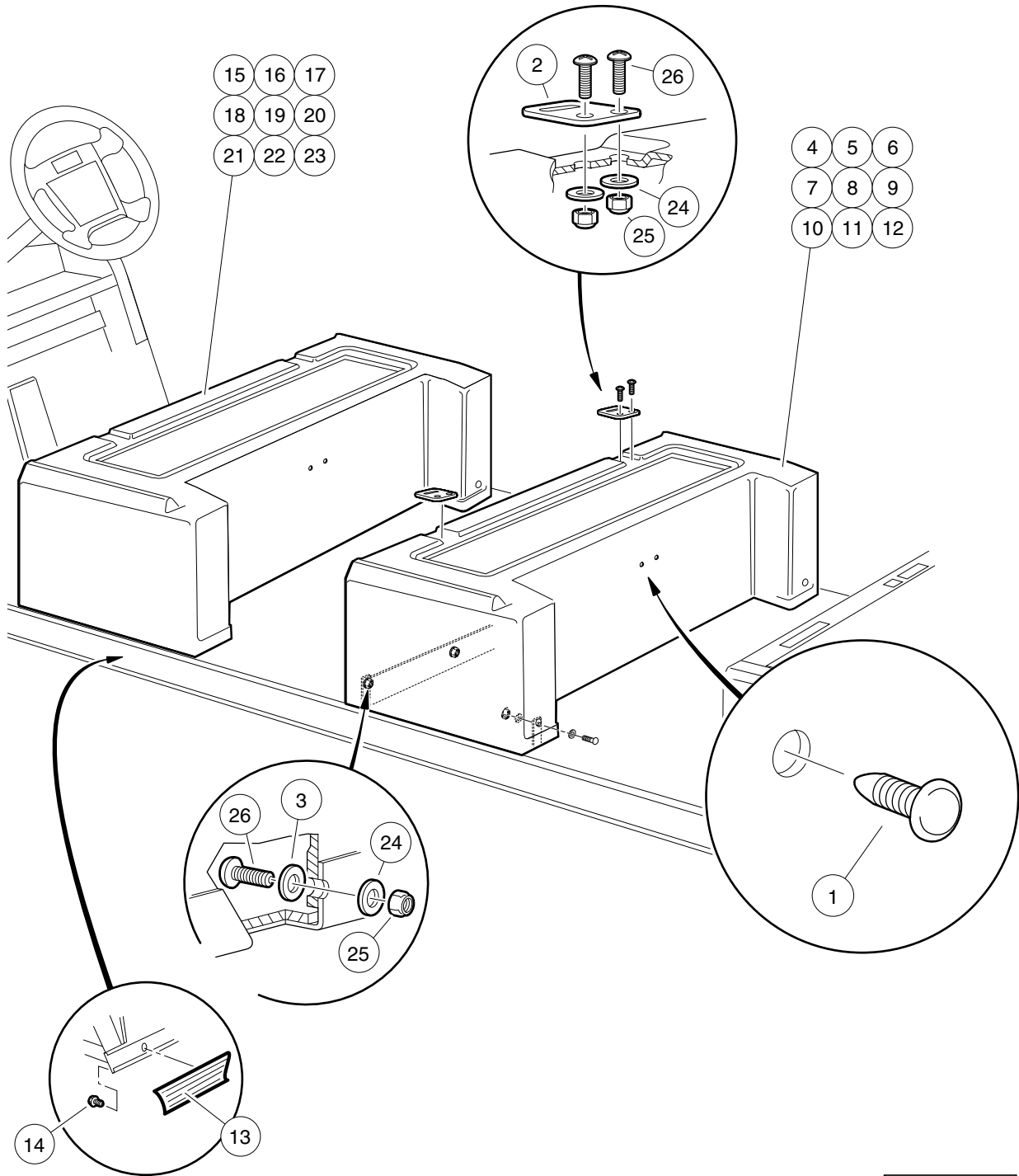
000389-005

# CENTER BODY – VILLAGER 6 IQ PLUS VEHICLE

ITEM	PART NO.	DESCRIPTION	QTY
		1 2 3 4	
1	<u>1010434</u>	Barrel - Plastic .....	2
2	<u>1010993</u>	Body Kick Plate .....	1
3	<u>1012412</u>	Body, Hinge Plate .....	2
4	<u>1012581</u>	Washer, 0.609-inch OD, Nylon Cup .....	4
5	<u>103274001</u>	Body, Center, Elec, Beige .....	1
6	<u>103274002</u>	Body, Center, Elec, Wht .....	1
7	<u>103274004</u>	Body, Center, Elec, Gray .....	1
8	<u>103274006</u>	Body, Center, Elec, Red .....	1
9	<u>103274008</u>	Body, Center, Elec, Pacific Bl .....	1
10	<u>103274009</u>	Body, Center, Elec, Dk Green .....	1
11	<u>103274010</u>	Body, Center, Elec, Black .....	1
12	<u>103274011</u>	Body, Center, Elec, C/blu .....	1
13	<u>103274012</u>	Body, Center, Elec, Burgundy .....	1
14	<u>332</u>	Washer, 1/4 Type A Narrow Flat .....	8
15	<u>8233</u>	Locknut, 1/4-20, Nylon Insert .....	8
16	<u>8251</u>	Screw, 1/4-20 X 1.0 Truss-Head Machine .....	8

1  
G  
E

**1**  
**G**  
**E**



000390-003

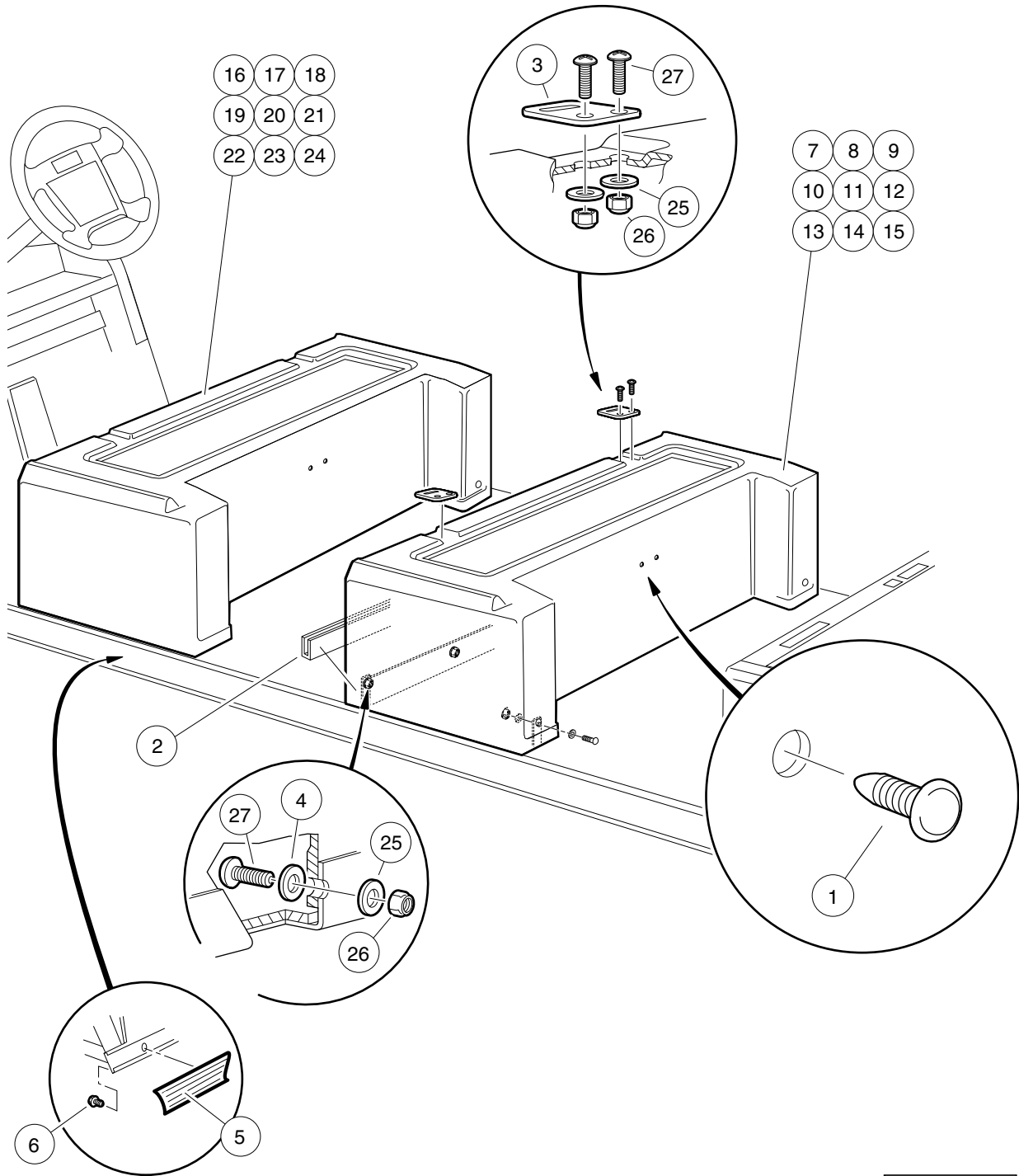


## CENTER BODIES – VILLAGER 8 GASOLINE VEHICLE

ITEM	PART NO.	DESCRIPTION	QTY
		1 2 3 4	
1	<u>1010434</u>	Barrel - Plastic .....	2
2	<u>1012412</u>	Body, Hinge Plate .....	2
3	<u>1012581</u>	Washer, 0.609-inch OD, Nylon Cup .....	6
4	<u>101788201</u>	Body, Beige, Center .....	1
5	<u>101788202</u>	Body, White, Center .....	1
6	<u>101788204</u>	Body, Gray, Center .....	1
7	<u>101788206</u>	Body, Red, Center .....	1
8	<u>101788208</u>	Body, Pacific Blue, Center .....	1
9	<u>101788209</u>	Body, Dark Green, Center .....	1
10	<u>101788210</u>	Body, Black, Center .....	1
11	<u>101788211</u>	Body, Classic Blue, Center .....	1
12	<u>101788212</u>	Body, Burgundy, Center .....	1
13	<u>101791901</u>	Bumper Guard Vinyl Trim .....	2
14	<u>102310701</u>	Screw, #8-18 x 0.375, Hex-Head Washer .....	8
15	<u>103274101</u>	Body, Center, Gas, Beige .....	1
16	<u>103274102</u>	Body, Center, Gas, Wht .....	1
17	<u>103274104</u>	Body, Center, Gas, Gray .....	1
18	<u>103274106</u>	Body, Center, Gas, Red .....	1
19	<u>103274108</u>	Body, Center, Gas, Pacific Bl .....	1
20	<u>103274109</u>	Body, Center, Gas, Dk Green .....	1
21	<u>103274110</u>	Body, Center, Gas, Black .....	1
22	<u>103274111</u>	Body, Center, Gas, C/blu .....	1
23	<u>103274112</u>	Body, Center, Gas, Burgundy .....	1
24	<u>332</u>	Washer, 1/4 Type A Narrow Flat .....	10
25	<u>8233</u>	Locknut, 1/4-20, Nylon Insert .....	10
26	<u>8251</u>	Screw, 1/4-20 X 1.0 Truss-Head Machine .....	10

**1**  
**G**  
**E**

**1**  
**G**  
**E**



000390-004

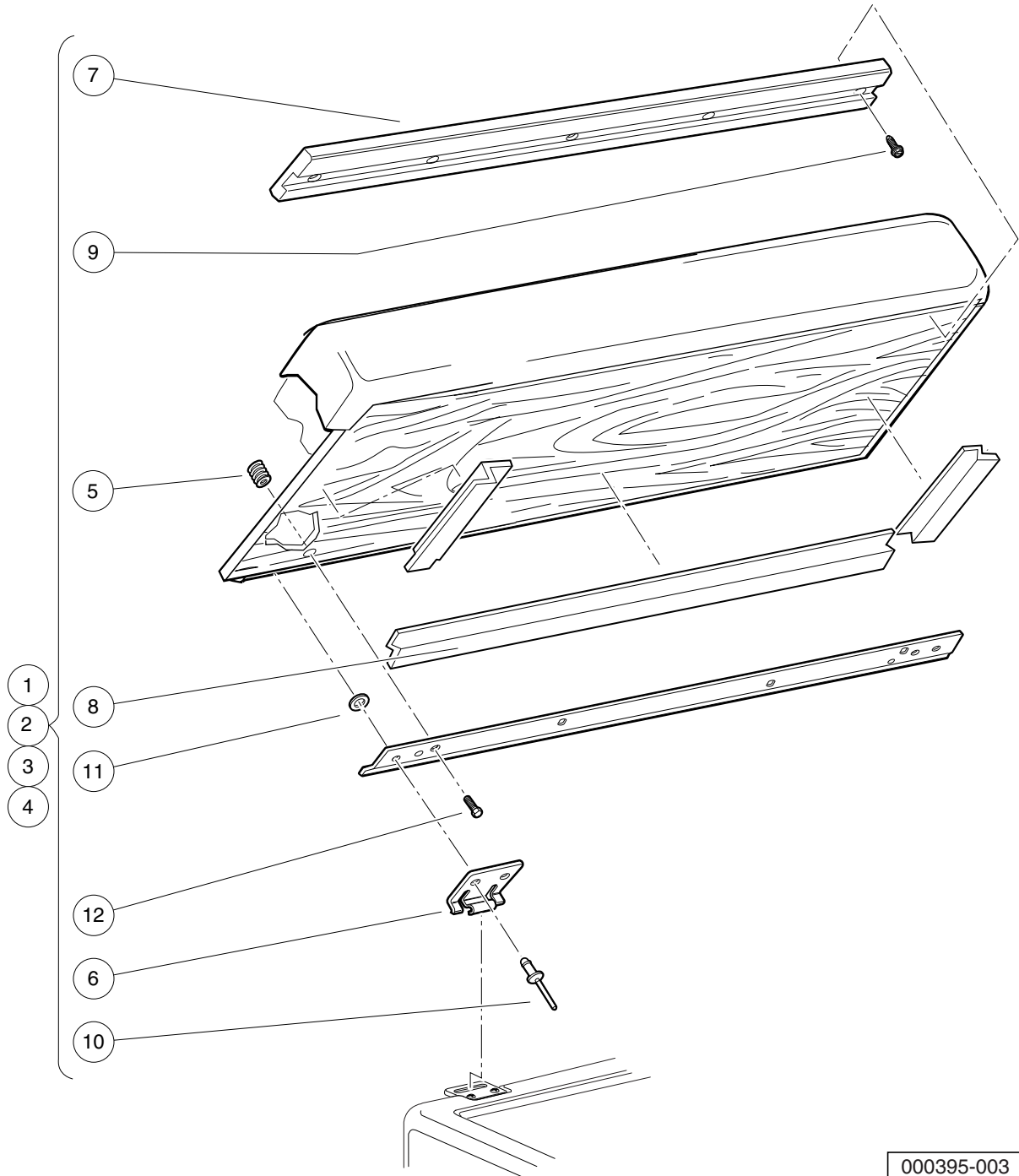
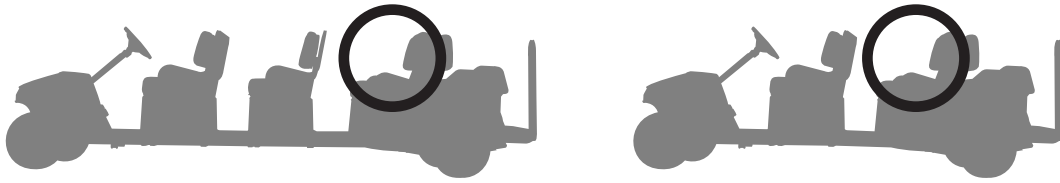
## CENTER BODIES – VILLAGER 8 IQ PLUS VEHICLE

ITEM	PART NO.	DESCRIPTION	QTY
		1 2 3 4	
1	<u>1010434</u>	Barrel - Plastic .....	2
2	<u>1010993</u>	Body Kick Plate .....	2
3	<u>1012412</u>	Body, Hinge Plate .....	2
4	<u>1012581</u>	Washer, 0.609-inch OD, Nylon Cup .....	4
5	<u>101791901</u>	Bumper Guard Vinyl Trim .....	2
6	<u>102310701</u>	Screw, #8-18 x 0.375, Hex-Head Washer .....	8
7	<u>102945501</u>	Body, Beige, Center .....	1
8	<u>102945502</u>	Body, White, Center .....	1
9	<u>102945504</u>	Body, Gray, Center .....	1
10	<u>102945506</u>	Body, Red, Center .....	1
11	<u>102945508</u>	Body, Pacific Blue, Center .....	1
12	<u>102945509</u>	Body, Dark Green, Center .....	1
13	<u>102945510</u>	Body, Black, Center .....	1
14	<u>102945511</u>	Body, Classic Blue, Center .....	1
15	<u>102945512</u>	Body, Burgundy, Center .....	1
16	<u>103274001</u>	Body, Center, Elec, Beige .....	1
17	<u>103274002</u>	Body, Center, Elec, Wht .....	1
18	<u>103274004</u>	Body, Center, Elec, Gray .....	1
19	<u>103274006</u>	Body, Center, Elec, Red .....	1
20	<u>103274008</u>	Body, Center, Elec, Pacific Bl .....	1
21	<u>103274009</u>	Body, Center, Elec, Dk Green .....	1
22	<u>103274010</u>	Body, Center, Elec, Black .....	1
23	<u>103274011</u>	Body, Center, Elec, C/blu .....	1
24	<u>103274012</u>	Body, Center, Elec, Burgundy .....	1
25	<u>332</u>	Washer, 1/4 Type A Narrow Flat .....	8
26	<u>8233</u>	Locknut, 1/4-20, Nylon Insert .....	8
27	<u>8251</u>	Screw, 1/4-20 X 1.0 Truss-Head Machine .....	8

**1**  
**G**  
**E**

VILLAGER 8

VILLAGER 6



000395-003

## REAR, FORWARD-FACING SEAT BOTTOM

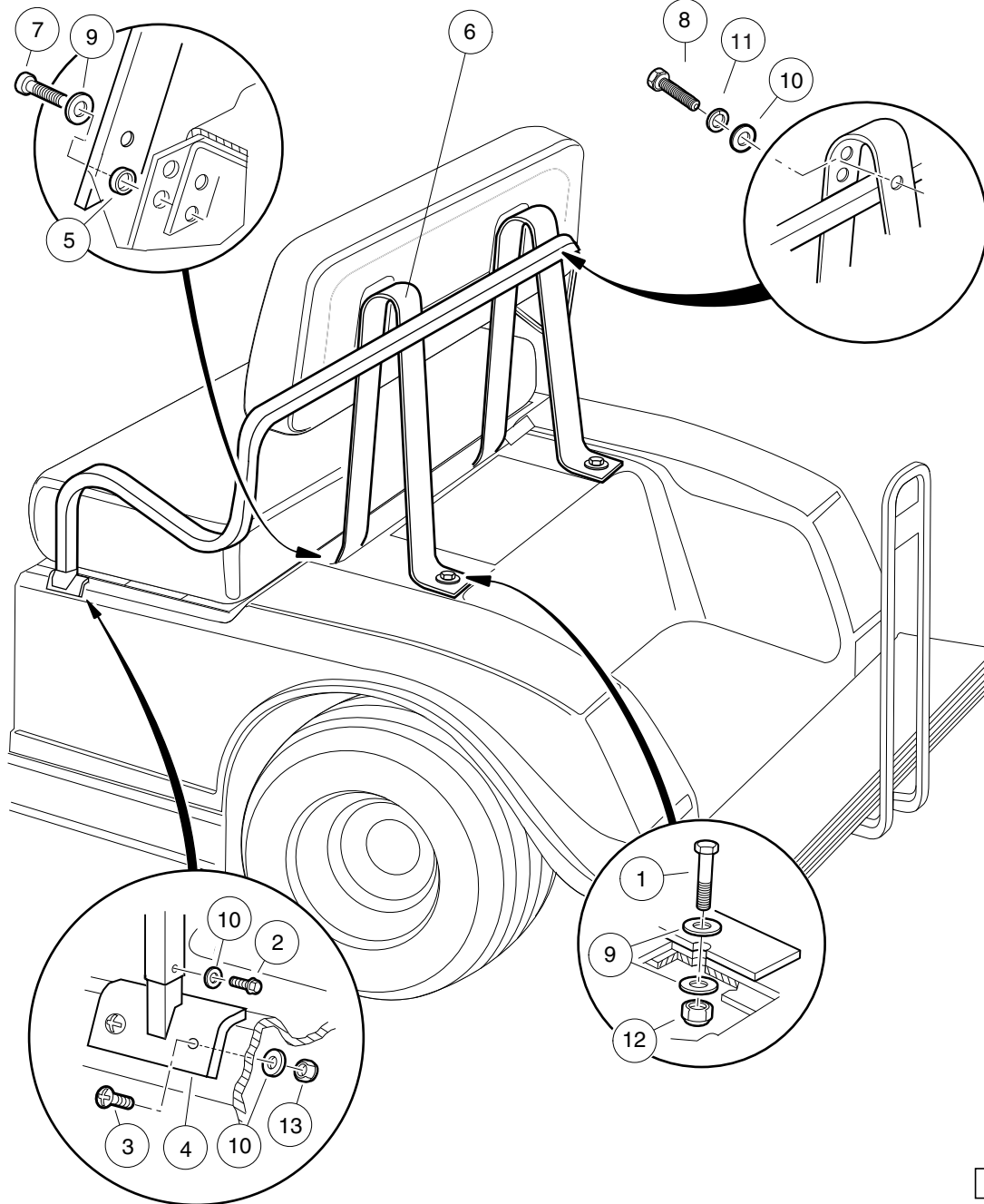
ITEM	PART NO.	DESCRIPTION	QTY
		1 2 3 4	
1	<u>101728202</u>	Seat Bottom Assembly, Rear, White .....	1
2	<u>101728204</u>	Seat Bottom Assembly, Rear, Beige .....	1
3	<u>101728211</u>	Seat Bottom Assembly, Rear, Black .....	1
4	<u>101728214</u>	Seat Bottom Assembly, Rear, Gray (includes items 5 through 12) .....	1
5	1010543	Insert - Wood .....	8
6	<u>1011652</u>	Hinge Plate .....	2
7	<u>1012597</u>	Seat Bumper .....	1
8	<u>1012657</u>	Seat Gasket, Long .....	1
9	<u>1017384</u>	Screw, #12 X .50 Hex, Washer-Head .....	5
10	<u>101880901</u>	Rivet, 3/16, Stainless-Steel, Pop .....	4
11	<u>101881701</u>	Washer, #8 Stainless-Steel Flat .....	4
12	<u>101954301</u>	Screw, 1/4-20 X 0.75 Hex-Head Cap .....	8

**1**  
**G**  
**E**

**1**  
**G**  
**E**

VILLAGER 8

VILLAGER 6



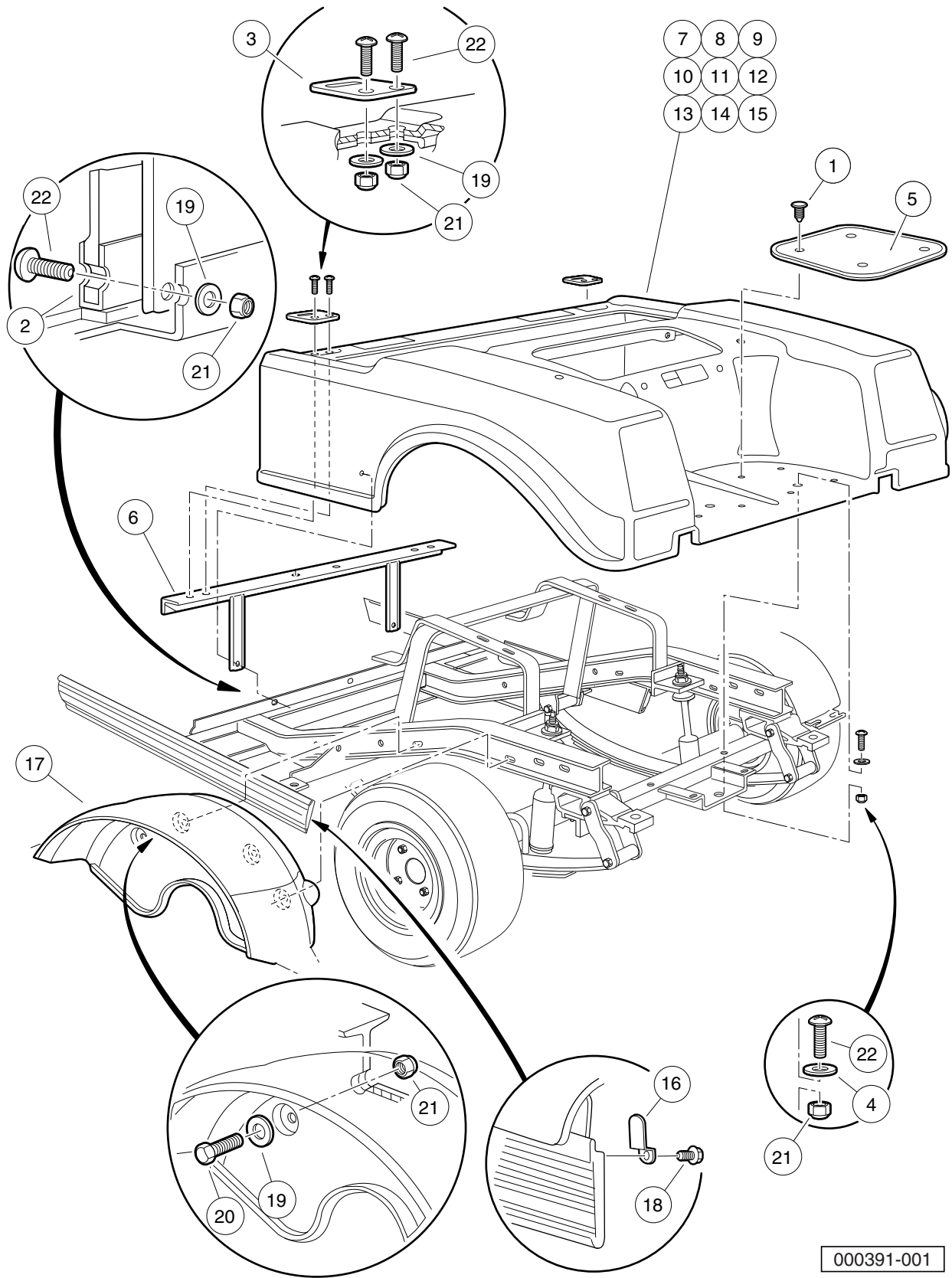
000397-002

# ARMRESTS, REAR, FORWARD-FACING – VILLAGER 6 & 8 VEHICLES

ITEM	PART NO.	DESCRIPTION	QTY
		1 2 3 4	
1	<u>1010577</u>	Bolt, Hex-Head, 5/16-18 X 1.50 .....	2
2	<u>1012285</u>	Screw, 1/4 X 0.625 Hex-Head .....	10
3	<u>1015902</u>	Screw, 1/4-20 X 1.25 Truss-Head .....	4
4	<u>1017310</u>	Armrest Mounting Weldment .....	2
5	1017774	Body Spacer .....	4
6	<u>101799201</u>	Armrest Weldment Rear .....	1
7	<u>101910401</u>	Screw, 5/16-18 X 1.25 Thrd Frm .....	4
8	<u>101954301</u>	Screw, 1/4-20 X 0.75 Hex-Head Cap .....	8
9	<u>1241</u>	Washer, 5/16 Type A Flat .....	6
10	<u>332</u>	Washer, 1/4 Type A Narrow Flat .....	14
11	<u>451</u>	Lockwasher, 1/4 Split .....	8
12	<u>7473</u>	Locknut, 5/16-18 Nylon Insert .....	2
13	<u>8233</u>	Locknut, 1/4-20, Nylon Insert .....	4

**1**  
**G**  
**E**

**1**  
**G**  
**E**



000391-001

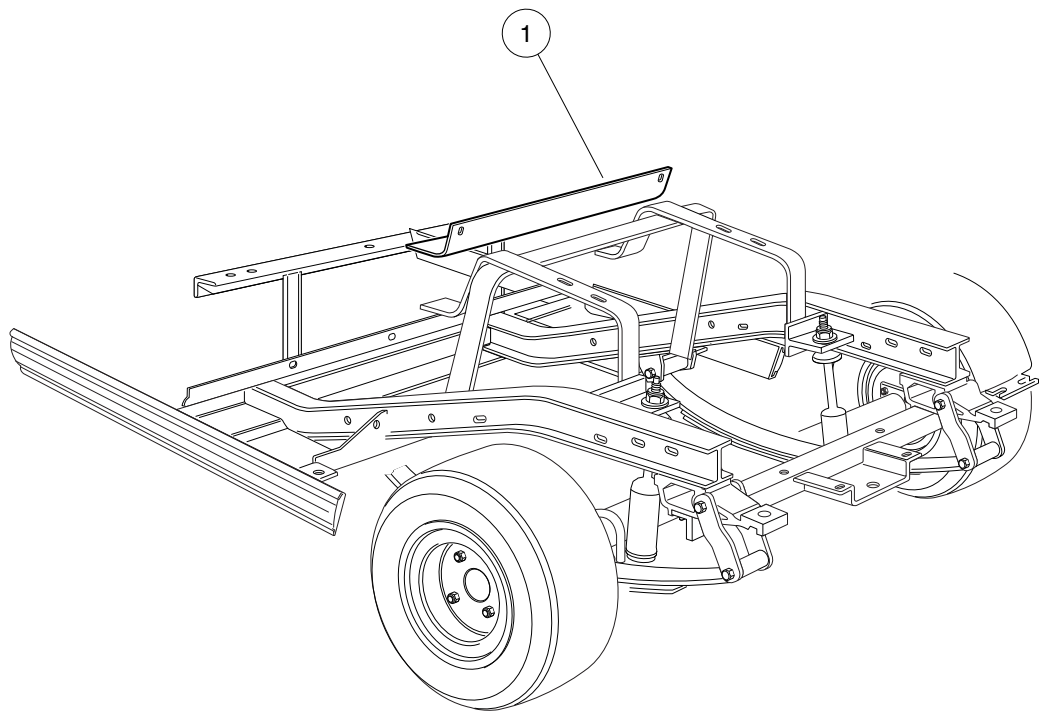
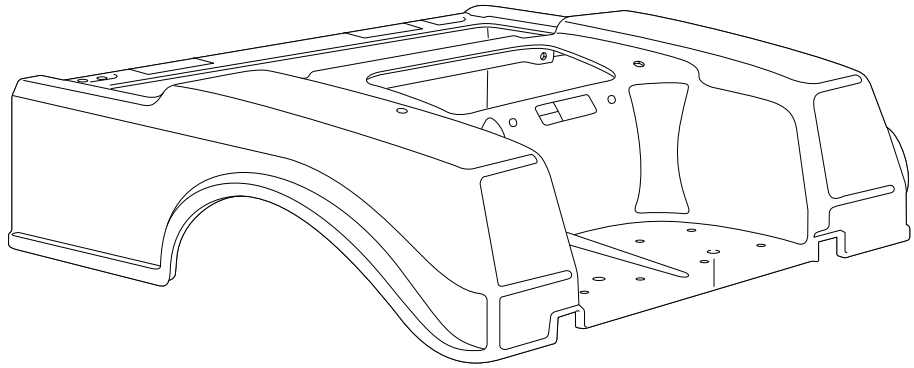


## REAR BODY AND FENDER – VILLAGER 6 & 8

ITEM	PART NO.	DESCRIPTION	QTY
		1 2 3 4	
1	<u>1010434</u>	Barrel - Plastic .....	8
2	<u>1010993</u>	Body Kick Plate .....	1
3	<u>1012412</u>	Body, Hinge Plate .....	2
4	<u>1014306</u>	Washer, 1/4" Type B Flat .....	2
5	<u>1014392</u>	Bag Rest Mat .....	2
6	<u>1017141</u>	Body Support Weldment .....	1
7	<u>101728701</u>	Body, Beige, TPO, Rear .....	1
8	<u>101728702</u>	Body, White, TPO, Rear .....	1
9	<u>101728704</u>	Body, Gray, TPO, Rear .....	1
10	<u>101728706</u>	Body, Red, TPO, Rear .....	1
11	<u>101728708</u>	Body, Royal Blue, TPO, Rear .....	1
12	<u>101728709</u>	Body, Dark Green, TPO, Rear .....	1
13	<u>101728710</u>	Body, Black, TPO, Rear .....	1
14	<u>101728711</u>	Body, Classic Blue, TPO, Rear .....	1
15	<u>101728712</u>	Body, Burgundy, TPO, Rear .....	1
16	<u>1017748</u>	Body Keeper Clip .....	2
17	<u>1017936</u>	Fender, Inner .....	2
18	<u>102310701</u>	Screw, #8-18 x 0.375, Hex-Head Washer .....	2
19	<u>332</u>	Washer, 1/4 Type A Narrow Flat .....	10
20	<u>7847</u>	Screw, 1/4-20 X 0.75 Hex-Head Cap .....	4
21	<u>8233</u>	Locknut, 1/4-20, Nylon Insert .....	12
22	<u>8251</u>	Screw, 1/4-20 X 1.0 Truss-Head Machine .....	8

1  
G  
E

**1**  
**G**  
**E**



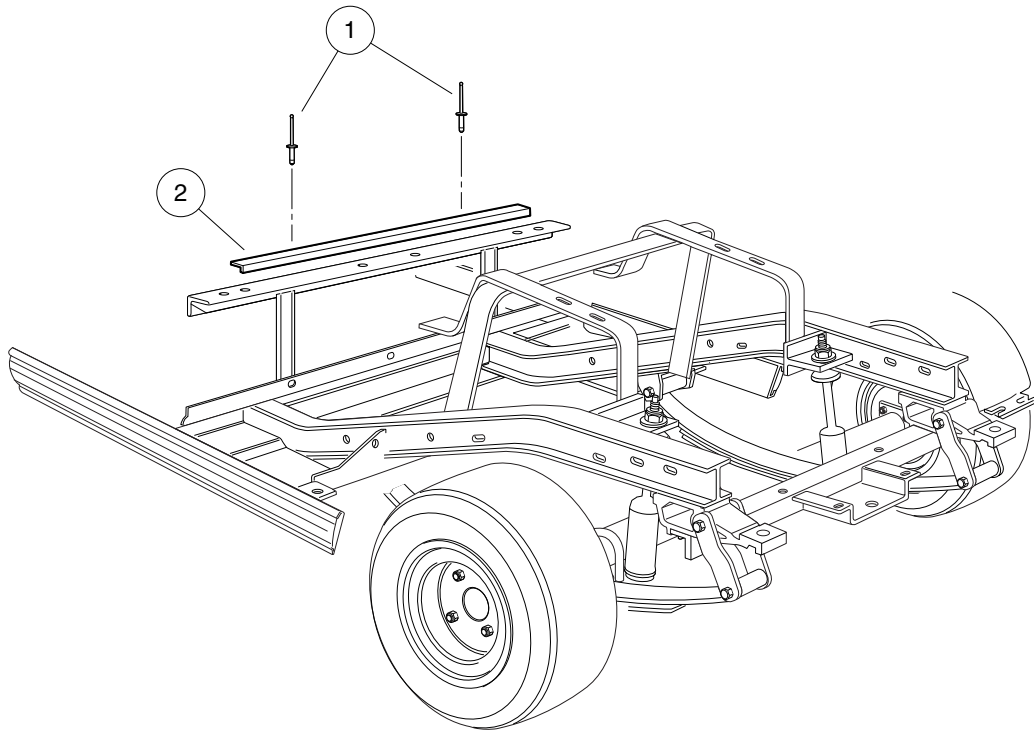
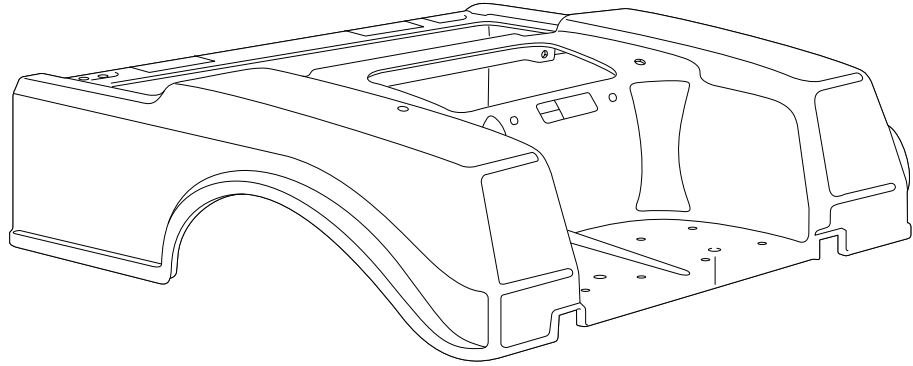
000392-001

# HEAT SHIELD, TRANSPORTER, VILL 6 & 8, XRT800/850 REAR BODY – GAS

ITEM	PART NO.	DESCRIPTION	QTY
1	<u>101806901</u>	<div style="font-size: small; margin-bottom: 5px;">1 2 3 4</div> Shield, Heat .....	1

1  
G  
E

**1**  
**G**  
**E**



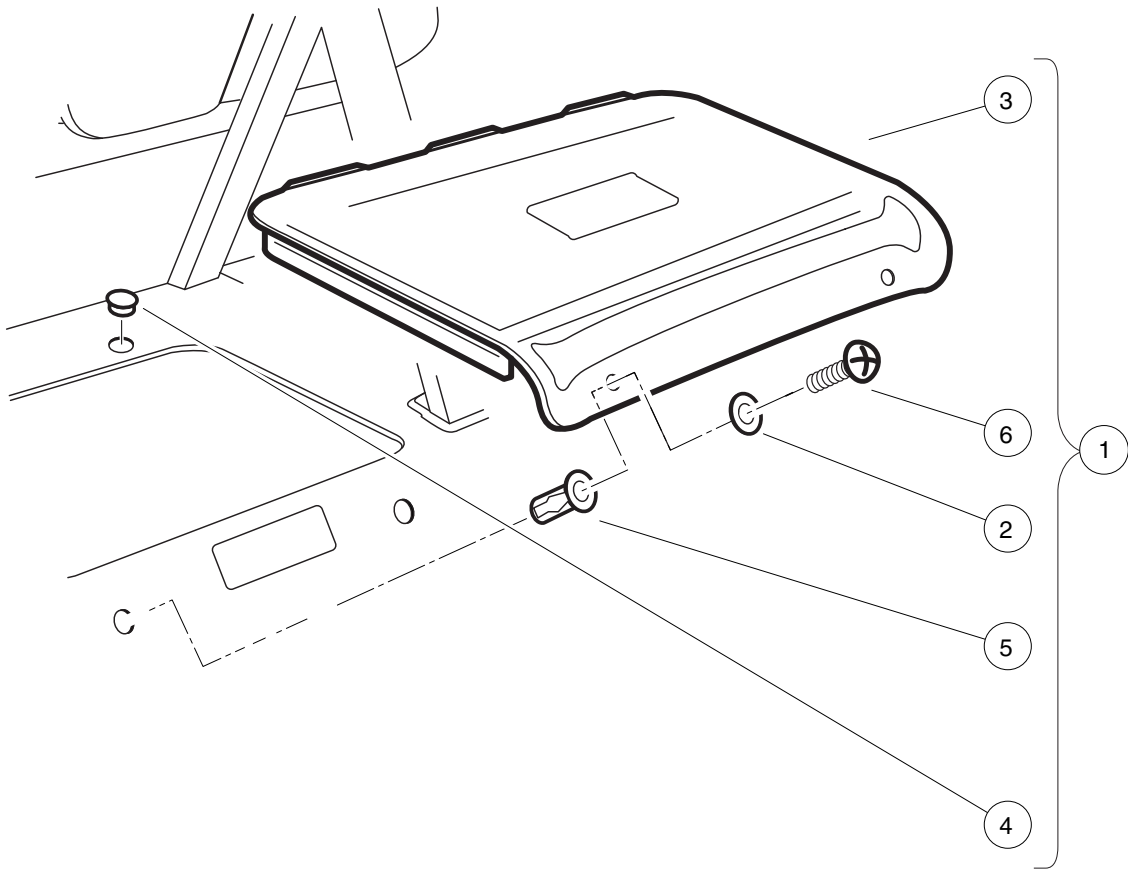
000393-001

# BATTERY INSULATOR, TRANSPORTER, VILL 6 & 8, XRT850 REAR BODY – ELECTRIC

ITEM	PART NO.	DESCRIPTION	QTY
		1 2 3 4	
1	<u>1013357</u>	Rivet, 5/32 Aluminum Pop .....	2
2	<u>101837001</u>	Battery Insulator .....	1

1  
G  
E

**1**  
**G**  
**E**



000783-002

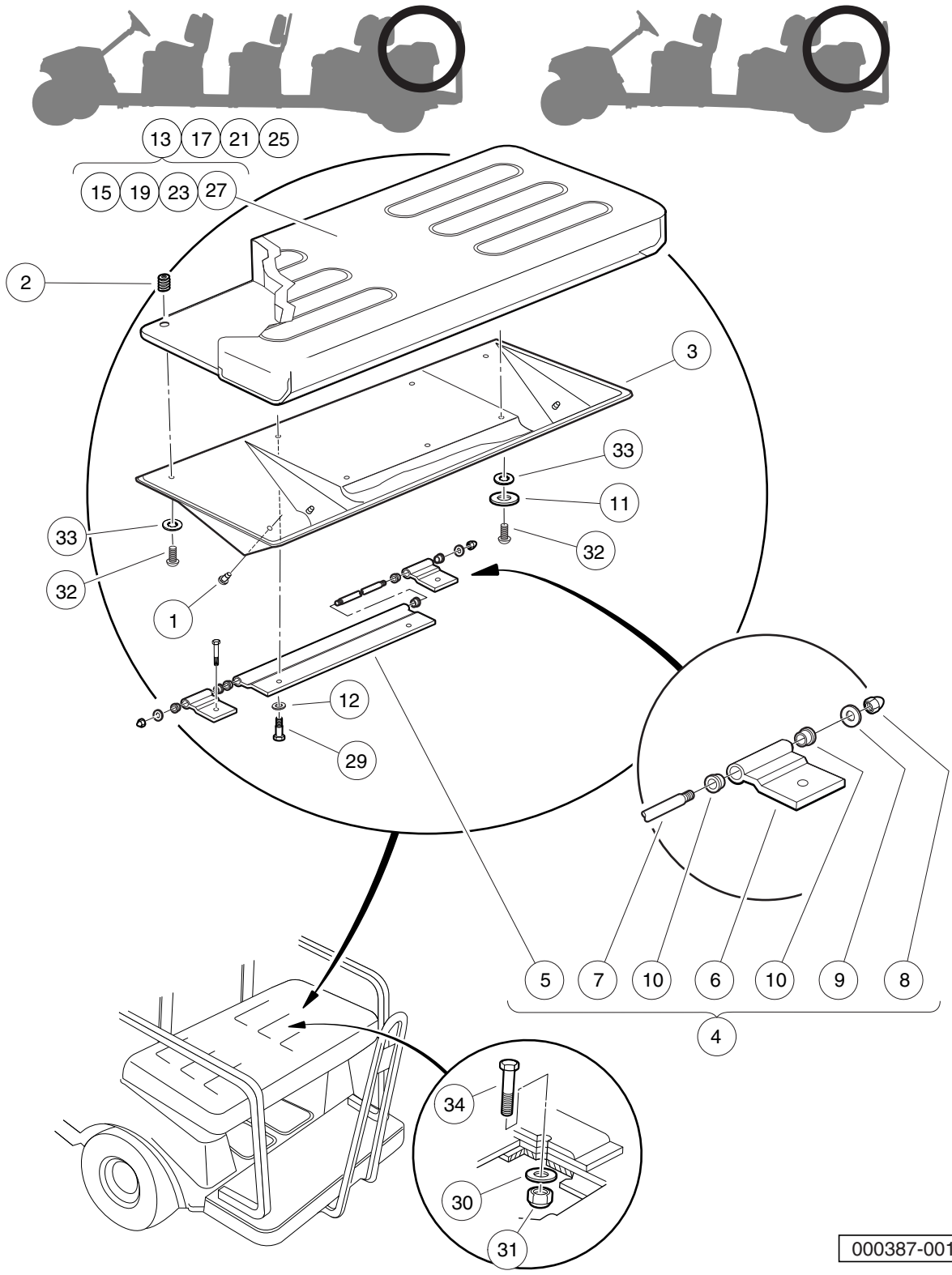
# REAR ACCESS DOOR

ITEM	PART NO.	DESCRIPTION	QTY
		1 2 3 4	
1	<u>1013218</u>	Kit, Access Door Black (includes items 2 through 6) .....	1
2	<u>1012581</u>	Washer, 0.609-inch OD, Nylon Cup .....	2
3	<u>1013032</u>	Molded Access Door Black .....	1
4	<u>1013216</u>	Plug, Button .....	2
5	<u>1015525</u>	Nut, 1/4-20 Blind .....	2
6	<u>8251</u>	Screw, 1/4-20 X 1.0 Truss-Head Machine .....	2

1  
G  
E

VILLAGER 8

VILLAGER 6



000387-001

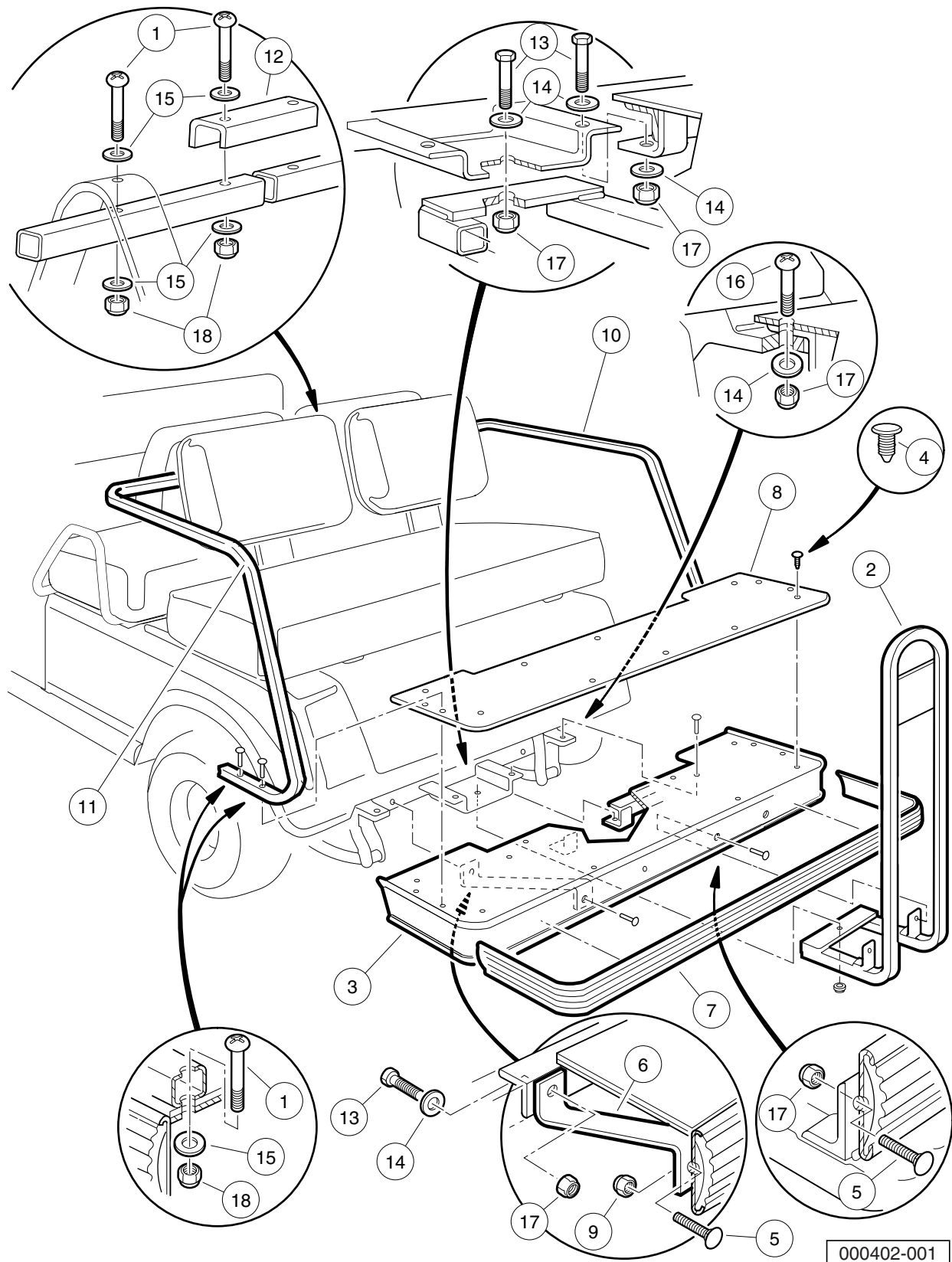


## REAR-FACING SEAT BOTTOM – VILLAGER VEHICLES

ITEM	PART NO.	DESCRIPTION	QTY
		1 2 3 4	
1	<u>1010436</u>	Bumper, Rubber .....	4
2	<u>1010543</u>	Insert - Wood .....	7
3	<u>1011210</u>	Seat Support 4-Passenger .....	1
4	<u>1011219</u>	Hinge Assembly 4 Passenger (includes items 5 through 10) .....	1
5	<u>1011220</u>	Hinge Long 4 Passenger .....	1
6	<u>1011221</u>	Hinge Short 4 Passenger .....	2
7	<u>1011222</u>	Pin, Hinge, Long, 4-Pass .....	1
8	<u>1015091</u>	Nut, 1/4-20 Stainless-Steel Center-Lock Cap .....	2
9	<u>332</u>	Washer, 1/4 Type A Narrow Flat .....	2
10	<u>8028</u>	Rotor Stop, FNR .....	6
11	<u>1011578</u>	Washer, 5/16 Type B Flat .....	3
12	<u>1014007</u>	Washer, 1/4, Flat .....	2
13	<u>101564804</u>	Seat Bottom Assembly, Buff (includes items 14 through 16) .....	1
14	N/A	Foam, Seat .....	1
15	<u>101562711</u>	Vinyl Cover, Seat Bottom, Buff .....	1
16	N/A	Plywood Assy .....	1
17	<u>101564805</u>	Seat Bottom Assembly, White (includes items 18 through 20) .....	1
18	N/A	Foam, Seat .....	1
19	<u>101562712</u>	Vinyl Cover, Seat Bottom, White .....	1
20	N/A	Plywood Assy .....	1
21	<u>101564807</u>	Seat Bottom Assembly, Gray (includes items 22 through 24) .....	1
22	N/A	Foam, Seat .....	1
23	<u>101562715</u>	Vinyl Cover, Seat Bottom, Gray .....	1
24	N/A	Plywood Assy .....	1
25	<u>101564808</u>	Seat Bottom Assembly, Black (includes items 26 through 28) .....	1
26	N/A	Foam, Seat .....	1
27	<u>101562714</u>	Vinyl Cover, Seat Bottom, Black .....	1
28	N/A	Plywood Assy .....	1
29	<u>1016916</u>	Screw, 1/4-20 X 1.50 Hex-Head Cap .....	2
30	<u>1241</u>	Washer, 5/16 Type A Flat .....	2
31	<u>7473</u>	Locknut, 5/16-18 Nylon Insert .....	2
32	<u>8251</u>	Screw, 1/4-20 X 1.0 Truss-Head Machine .....	5
33	<u>8304</u>	Lockwasher, 1/4 Type A Int.tth .....	5
34	<u>8963</u>	Screw, 5/16-18 X 1.75 Hex-Head Cap .....	2
		Note: Sub-components contained in items 17, 21, and 25 are the same as those shown for item 13, except for the vinyl seat covers.	

**1**  
**G**  
**E**

**1**  
**G**  
**E**



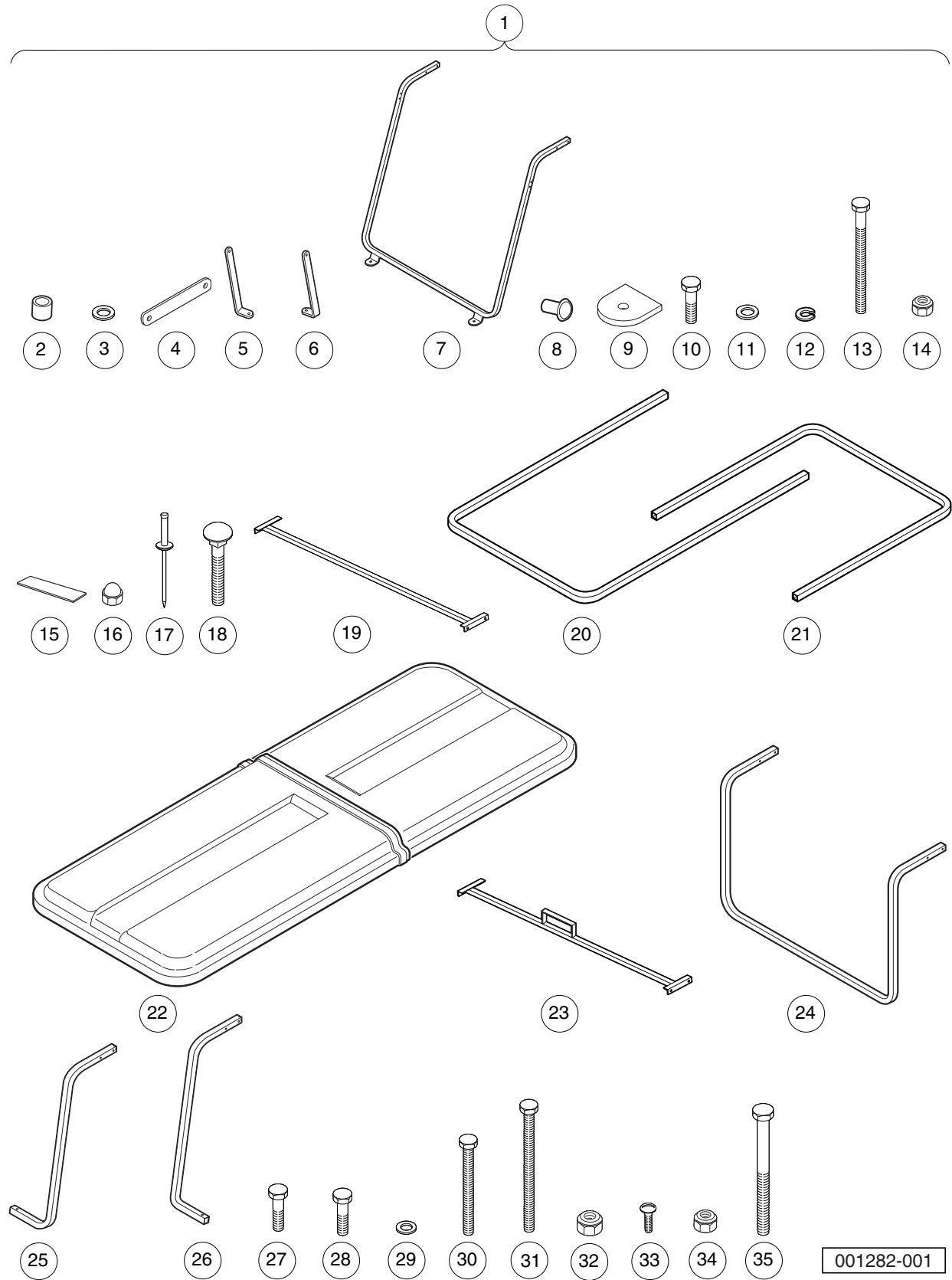
000402-001

# REAR FOOTREST, ARMRESTS AND HANDRAILS – DS VILLAGER 4, VILLAGER 6 AND 8

ITEM	PART NO.	DESCRIPTION	QTY
		<b>1 2 3 4</b>	
1	<u>1011988</u>	Screw, 1/4-20 X 2.00 Phillips Truss-Head .....	8
2	<u>1016842</u>	Rear Seat Handrail Weldment .....	1
3	<u>101841101</u>	Rear Foot Rest Asm (includes items 4 through 9) .....	1
4	<u>1010434</u>	Barrel - Plastic .....	8
5	<u>1010435</u>	Bolt, Carriage, 5/16-18 X 1.00 .....	4
6	<u>1016668</u>	Connecting Bar .....	2
7	<u>1016835</u>	Bumper, Side Trim .....	1
8	<u>101840901</u>	Foot Rest Mat .....	1
9	<u>7473</u>	Locknut, 5/16-18 Nylon Insert .....	2
10	<u>101841201</u>	Armrest, Seat, Rear, Right-Hand .....	1
11	<u>101841202</u>	Armrest, Seat, Rear, Left-Hand .....	1
12	<u>101841301</u>	Armrest Bracket .....	1
13	<u>1218</u>	Screw, 5/16-18 X 1.25 Hex-Head Cap .....	5
14	<u>1241</u>	Washer, 5/16 Type A Flat .....	9
15	<u>332</u>	Washer, 1/4 Type A Narrow Flat .....	8
16	<u>7410</u>	Screw, 5/16-18 X 1.25 Truss Hd .....	2
17	<u>7473</u>	Locknut, 5/16-18 Nylon Insert .....	9
18	<u>8233</u>	Locknut, 1/4-20, Nylon Insert .....	8

**1**  
**G**  
**E**

**1**  
**G**  
**E**

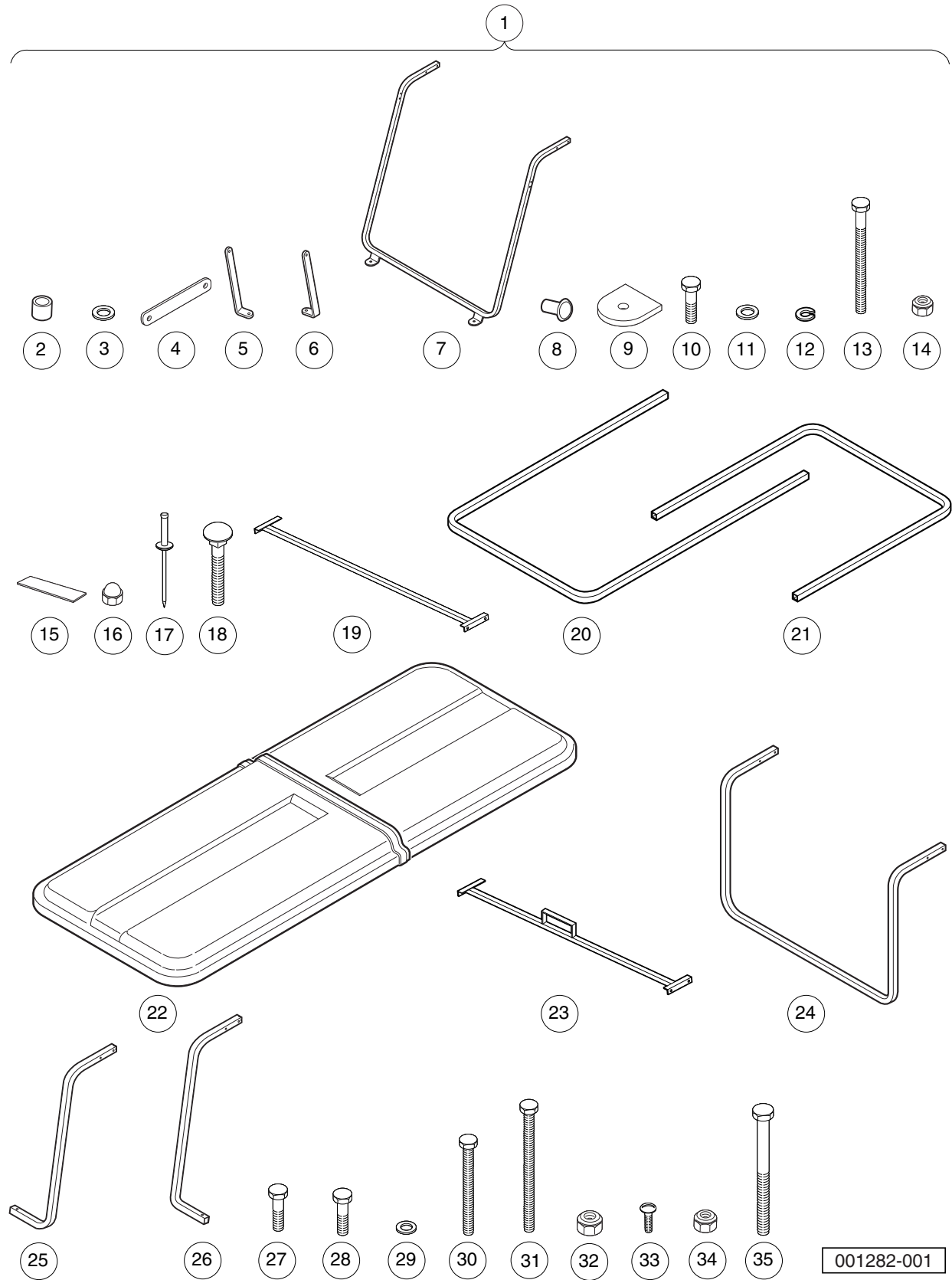


# CANOPY KIT, WHITE – VILLAGER 6 WITH REAR-FACING SEATS

ITEM	PART NO.	DESCRIPTION	QTY
		1 2 3 4	
1	<u>101816701</u>	Canopy Top Wht Vill W/rear St (includes items 2 through 35) .....	1
2	<u>1010237</u>	Bushing .....	2
3	<u>1011697</u>	Washer, 5/16 Flat .....	2
4	<u>1011852</u>	Plate, Canopy Trim .....	10
5	<u>1011862</u>	Brace, Right-Hand Canopy Mount Knee .....	1
6	<u>1011865</u>	Brace, Left-Hand Canopy Mount Knee .....	1
7	<u>1011868</u>	Weldment, Windshield Frame .....	1
8	<u>1011878</u>	T-nut, 1/4-20 X .310 Capped .....	2
9	<u>1011883</u>	Pad, Windshield Frame Mounting .....	2
10	<u>1011937</u>	Bolt, 5/16-18 X 1.25 Hex Head .....	2
11	<u>1011964</u>	Washer, 1/4 Flat .....	16
12	<u>1011965</u>	Lockwasher, 1/4 Split Ss .....	2
13	<u>1012159</u>	Bolt, 1/4-20 X 2.75 Hex-Head .....	8
14	<u>1013061</u>	Locknut, #10-32 Nylon Insert .....	8
15	<u>1014471</u>	Tape, Vinyl Foam 1/8" x 3/4" .....	20
16	<u>1015091</u>	Nut, 1/4-20 Stainless-Steel Center-Lock Cap .....	4
17	<u>1015392</u>	Rivet, 3/16 Pop .....	8
18	<u>1015405</u>	Bolt, Carriage, 5/16-18 X 2.0 .....	2
19	<u>1016781</u>	Hanger Weldment .....	1
20	<u>1016793</u>	Top Front Support .....	1
21	<u>1016794</u>	Top Rear Support .....	1
22	<u>101679902</u>	Canopy Front & Rear White .....	1
23	<u>1017185</u>	Hanger Weldment Front .....	1
24	<u>101815301</u>	Brace, Rear Canopy .....	1
25	<u>101815401</u>	Canopy Side Brace Lh .....	1
26	<u>101815402</u>	Canopy Side Brace Rh .....	1
27	<u>1218</u>	Screw, 5/16-18 X 1.25 Hex-Head Cap .....	2
28	<u>1703</u>	Screw, 1/4-20 X 1.50 Hx Hd Cap .....	2
29	<u>183</u>	Washer, #10, Type A, Flat .....	16
30	<u>324</u>	Screw, 1/4-20 X 2.50 Hx Hd Cap .....	4
31	<u>343</u>	Screw, 1/4-20 X 3.00 Hx Hd Cap .....	4
32	<u>7473</u>	Locknut, 5/16-18 Nylon Insert .....	2
33	<u>8104</u>	Screw, #10-32 X .75 Rd Hd Mach .....	8
34	<u>8233</u>	Locknut, 1/4-20, Nylon Insert .....	12
35	<u>8915</u>	Screw, 5/16-18 X 3.0 Hx Hd Cap .....	2

1  
G  
E

**1**  
**G**  
**E**

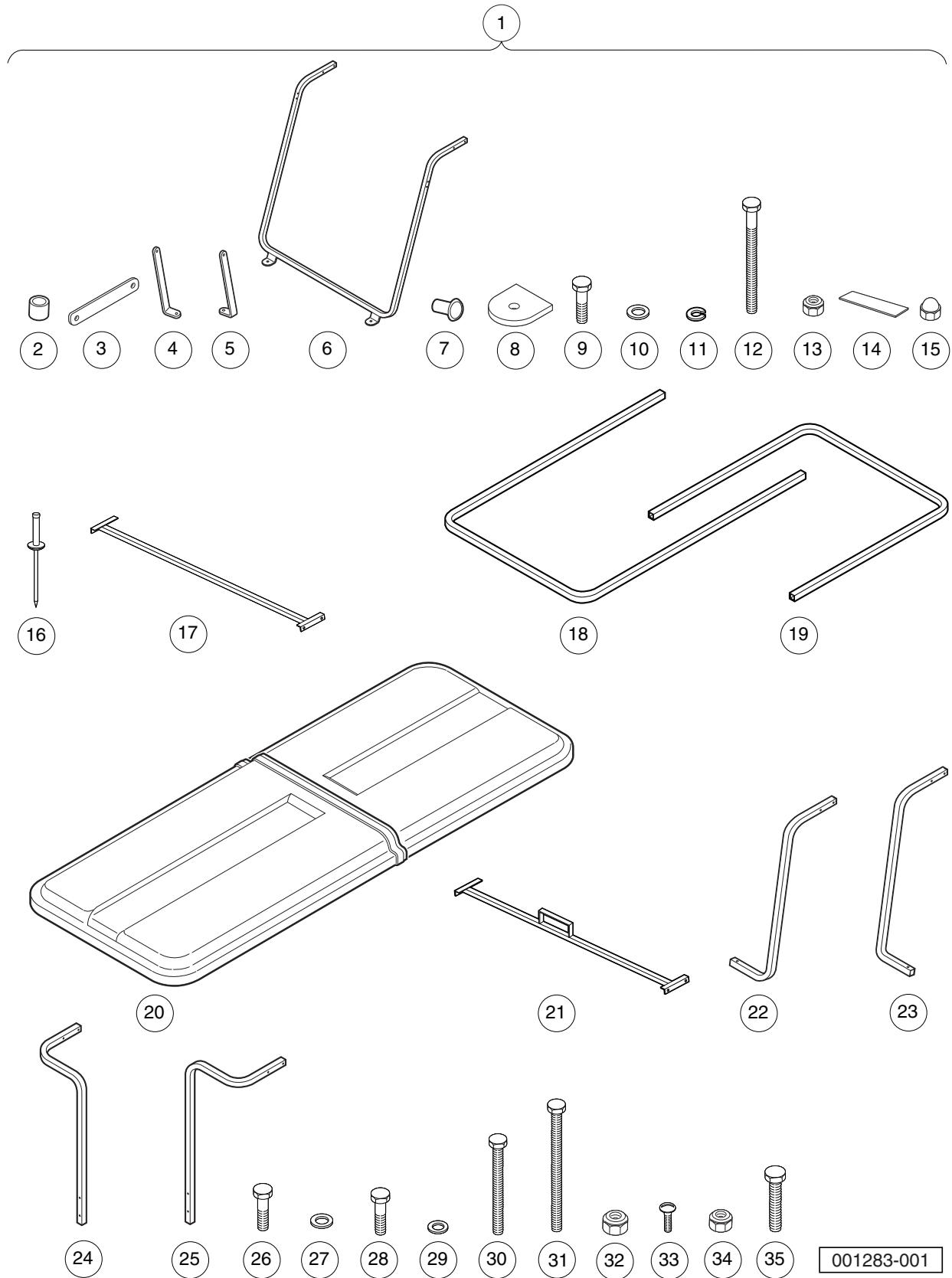


# CANOPY KIT, BEIGE – VILLAGER 6 WITH REAR-FACING SEATS

ITEM	PART NO.	DESCRIPTION	QTY
		1 2 3 4	
1	<u>101816702</u>	Canopy Beige Vill W/rear St (includes items 2 through 35) .....	1
2	<u>1010237</u>	Bushing .....	2
3	<u>1011697</u>	Washer, 5/16 Flat .....	2
4	<u>1011852</u>	Plate, Canopy Trim .....	10
5	<u>1011862</u>	Brace, Right-Hand Canopy Mount Knee .....	1
6	<u>1011865</u>	Brace, Left-Hand Canopy Mount Knee .....	1
7	<u>1011868</u>	Weldment, Windshield Frame .....	1
8	<u>1011878</u>	T-nut, 1/4-20 X .310 Capped .....	2
9	<u>1011883</u>	Pad, Windshield Frame Mounting .....	2
10	<u>1011937</u>	Bolt, 5/16-18 X 1.25 Hex Head .....	2
11	<u>1011964</u>	Washer, 1/4 Flat .....	16
12	<u>1011965</u>	Lockwasher, 1/4 Split Ss .....	2
13	<u>1012159</u>	Bolt, 1/4-20 X 2.75 Hex-Head .....	8
14	<u>1013061</u>	Locknut, #10-32 Nylon Insert .....	8
15	<u>1014471</u>	Tape, Vinyl Foam 1/8" x 3/4" .....	20
16	<u>1015091</u>	Nut, 1/4-20 Stainless-Steel Center-Lock Cap .....	4
17	<u>1015392</u>	Rivet, 3/16 Pop .....	8
18	<u>1015405</u>	Bolt, Carriage, 5/16-18 X 2.0 .....	2
19	<u>1016781</u>	Hanger Weldment .....	1
20	<u>1016793</u>	Top Front Support .....	1
21	<u>1016794</u>	Top Rear Support .....	1
22	<u>101679901</u>	Canopy Front & Rear Beige .....	1
23	<u>1017185</u>	Hanger Weldment Front .....	1
24	<u>101815301</u>	Brace, Rear Canopy .....	1
25	<u>101815401</u>	Canopy Side Brace Lh .....	1
26	<u>101815402</u>	Canopy Side Brace Rh .....	1
27	<u>1218</u>	Screw, 5/16-18 X 1.25 Hex-Head Cap .....	2
28	<u>1703</u>	Screw, 1/4-20 X 1.50 Hx Hd Cap .....	2
29	<u>183</u>	Washer, #10, Type A, Flat .....	16
30	<u>324</u>	Screw, 1/4-20 X 2.50 Hx Hd Cap .....	4
31	<u>343</u>	Screw, 1/4-20 X 3.00 Hx Hd Cap .....	4
32	<u>7473</u>	Locknut, 5/16-18 Nylon Insert .....	2
33	<u>8104</u>	Screw, #10-32 X .75 Rd Hd Mach .....	8
34	<u>8233</u>	Locknut, 1/4-20, Nylon Insert .....	12
35	<u>8915</u>	Screw, 5/16-18 X 3.0 Hx Hd Cap .....	2

**1**  
**G**  
**E**

**1**  
**G**  
**E**



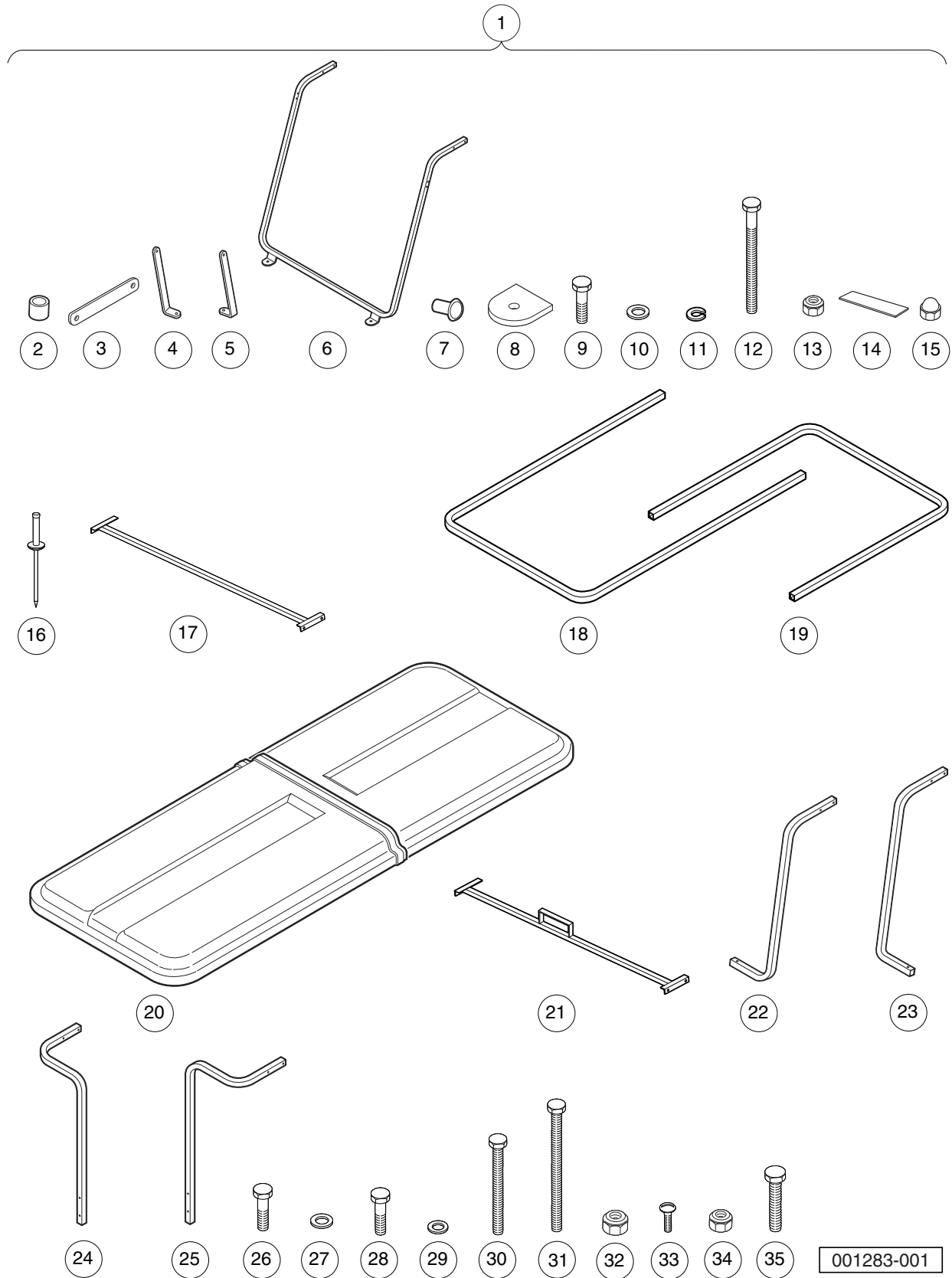


## CANOPY KIT, WHITE – VILLAGER 6 WITH FLAT BED

ITEM	PART NO.	DESCRIPTION	QTY
		1 2 3 4	
1	<u>101838001</u>	Canopy Top Wht Vill W/cargo Bd (includes items 2 through 35) .....	1
2	<u>1010237</u>	Bushing .....	2
3	<u>1011852</u>	Plate, Canopy Trim .....	10
4	<u>1011862</u>	Brace, Right-Hand Canopy Mount Knee .....	1
5	<u>1011865</u>	Brace, Left-Hand Canopy Mount Knee .....	1
6	<u>1011868</u>	Weldment, Windshield Frame .....	1
7	<u>1011878</u>	T-nut, 1/4-20 X .310 Capped .....	2
8	<u>1011883</u>	Pad, Windshield Frame Mounting .....	2
9	<u>1011937</u>	Bolt, 5/16-18 X 1.25 Hex Head .....	2
10	<u>1011964</u>	Washer, 1/4 Flat .....	16
11	<u>1011965</u>	Lockwasher, 1/4 Split Ss .....	2
12	<u>1012159</u>	Bolt, 1/4-20 X 2.75 Hex-Head .....	8
13	<u>1013061</u>	Locknut, #10-32 Nylon Insert .....	8
14	<u>1014471</u>	Tape, Vinyl Foam 1/8" x 3/4" .....	20
15	<u>1015091</u>	Nut, 1/4-20 Stainless-Steel Center-Lock Cap .....	4
16	<u>1015392</u>	Rivet, 3/16 Pop .....	8
17	<u>1016781</u>	Hanger Weldment .....	1
18	<u>1016793</u>	Top Front Support .....	1
19	<u>1016794</u>	Top Rear Support .....	1
20	<u>101679902</u>	Canopy Front & Rear White .....	1
21	<u>1017185</u>	Hanger Weldment Front .....	1
22	<u>101815401</u>	Canopy Side Brace Lh .....	1
23	<u>101815402</u>	Canopy Side Brace Rh .....	1
24	<u>101837801</u>	Rear Canopy Brace Rh .....	1
25	<u>101837802</u>	Rear Canopy Brace Lh .....	1
26	<u>1218</u>	Screw, 5/16-18 X 1.25 Hex-Head Cap .....	2
27	<u>1241</u>	Washer, 5/16 Type A Flat .....	4
28	<u>1703</u>	Screw, 1/4-20 X 1.50 Hx Hd Cap .....	2
29	<u>183</u>	Washer, #10, Type A, Flat .....	16
30	<u>324</u>	Screw, 1/4-20 X 2.50 Hx Hd Cap .....	4
31	<u>343</u>	Screw, 1/4-20 X 3.00 Hx Hd Cap .....	4
32	<u>7473</u>	Locknut, 5/16-18 Nylon Insert .....	4
33	<u>8104</u>	Screw, #10-32 X .75 Rd Hd Mach .....	8
34	<u>8233</u>	Locknut, 1/4-20, Nylon Insert .....	12
35	<u>8963</u>	Screw, 5/16-18 X 1.75 Hex-Head Cap .....	4

**1**  
**G**  
**E**

**1**  
**G**  
**E**

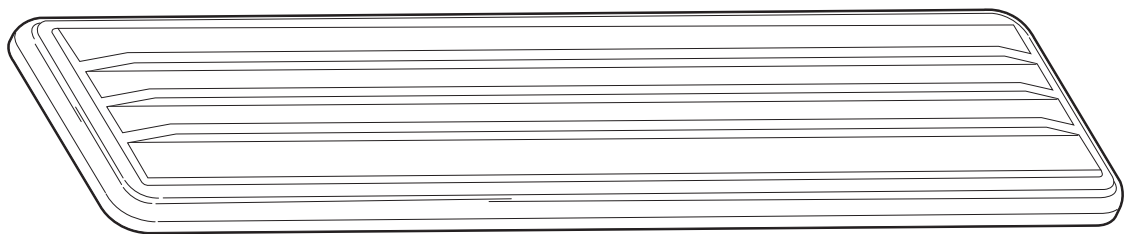
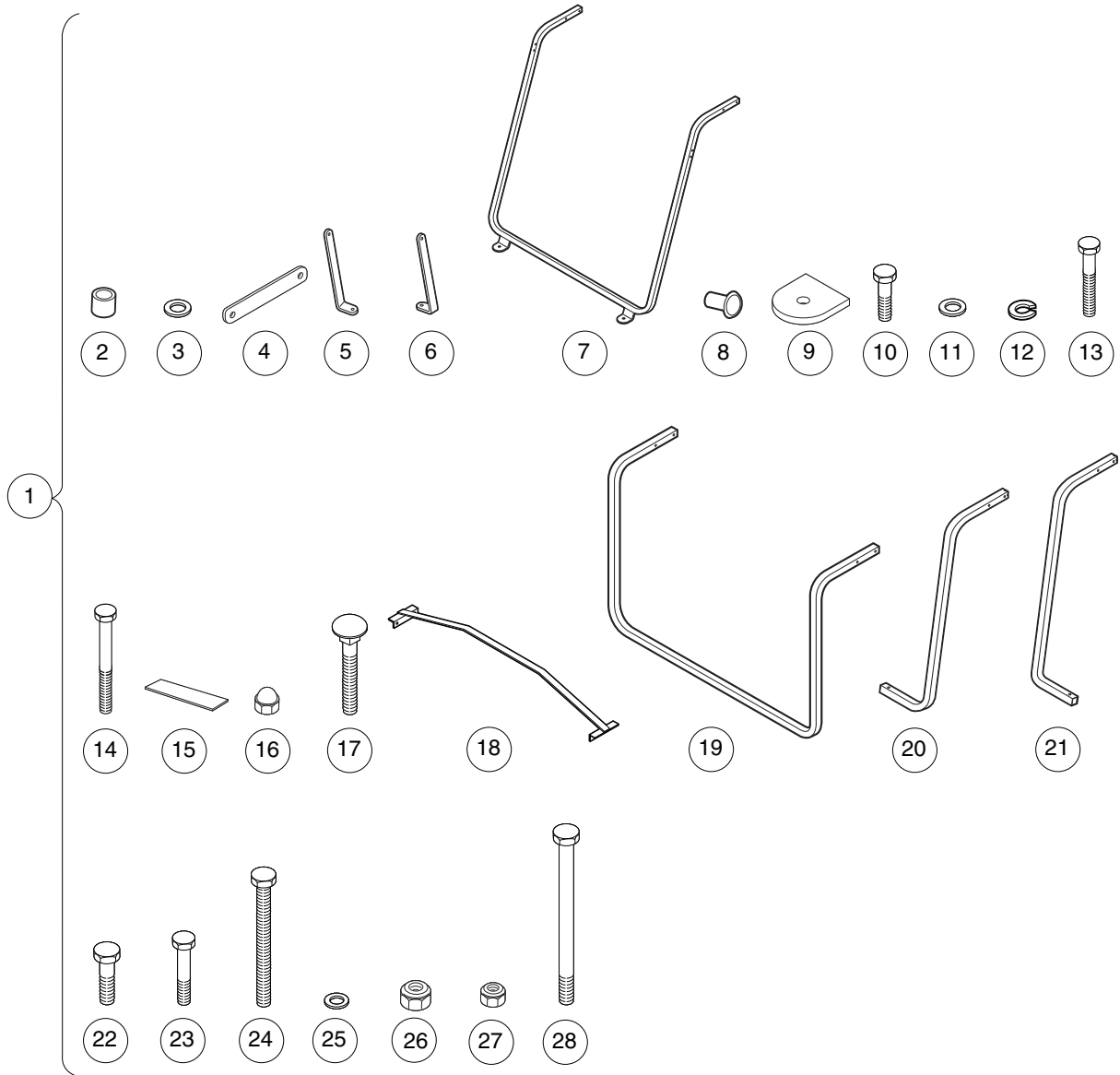


## CANOPY KIT, BEIGE – VILLAGER 6 WITH FLAT BED

ITEM	PART NO.	DESCRIPTION	QTY
		<b>1 2 3 4</b>	
1	<u>101838002</u>	Canopy Beige Vill W/cargo Bd (includes items 2 through 35) .....	1
2	<u>1010237</u>	Bushing .....	2
3	<u>1011852</u>	Plate, Canopy Trim .....	10
4	<u>1011862</u>	Brace, Right-Hand Canopy Mount Knee .....	1
5	<u>1011865</u>	Brace, Left-Hand Canopy Mount Knee .....	1
6	<u>1011868</u>	Weldment, Windshield Frame .....	1
7	<u>1011878</u>	T-nut, 1/4-20 X .310 Capped .....	2
8	<u>1011883</u>	Pad, Windshield Frame Mounting .....	2
9	<u>1011937</u>	Bolt, 5/16-18 X 1.25 Hex Head .....	2
10	<u>1011964</u>	Washer, 1/4 Flat .....	16
11	<u>1011965</u>	Lockwasher, 1/4 Split Ss .....	2
12	<u>1012159</u>	Bolt, 1/4-20 X 2.75 Hex-Head .....	8
13	<u>1013061</u>	Locknut, #10-32 Nylon Insert .....	8
14	<u>1014471</u>	Tape, Vinyl Foam 1/8" x 3/4" .....	20
15	<u>1015091</u>	Nut, 1/4-20 Stainless-Steel Center-Lock Cap .....	4
16	<u>1015392</u>	Rivet, 3/16 Pop .....	8
17	<u>1016781</u>	Hanger Weldment .....	1
18	<u>1016793</u>	Top Front Support .....	1
19	<u>1016794</u>	Top Rear Support .....	1
20	<u>101679901</u>	Canopy Front & Rear Beige .....	1
21	<u>1017185</u>	Hanger Weldment Front .....	1
22	<u>101815401</u>	Canopy Side Brace Lh .....	1
23	<u>101815402</u>	Canopy Side Brace Rh .....	1
24	<u>101837801</u>	Rear Canopy Brace Rh .....	1
25	<u>101837802</u>	Rear Canopy Brace Lh .....	1
26	<u>1218</u>	Screw, 5/16-18 X 1.25 Hex-Head Cap .....	2
27	<u>1241</u>	Washer, 5/16 Type A Flat .....	4
28	<u>1703</u>	Screw, 1/4-20 X 1.50 Hx Hd Cap .....	2
29	<u>183</u>	Washer, #10, Type A, Flat .....	16
30	<u>324</u>	Screw, 1/4-20 X 2.50 Hx Hd Cap .....	4
31	<u>343</u>	Screw, 1/4-20 X 3.00 Hx Hd Cap .....	4
32	<u>7473</u>	Locknut, 5/16-18 Nylon Insert .....	4
33	<u>8104</u>	Screw, #10-32 X .75 Rd Hd Mach .....	8
34	<u>8233</u>	Locknut, 1/4-20, Nylon Insert .....	12
35	<u>8963</u>	Screw, 5/16-18 X 1.75 Hex-Head Cap .....	4

**1**  
**G**  
**E**

**1**  
**G**  
**E**



29

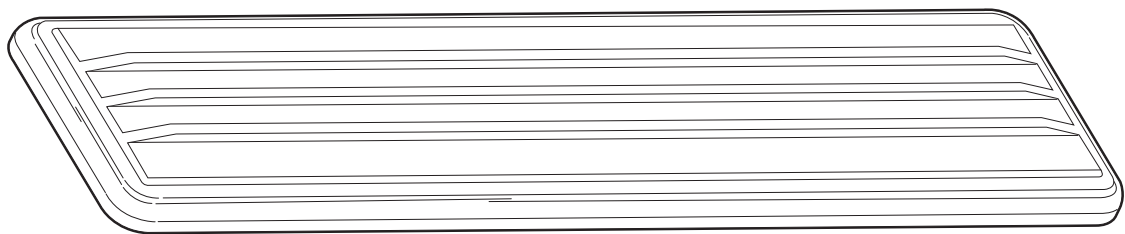
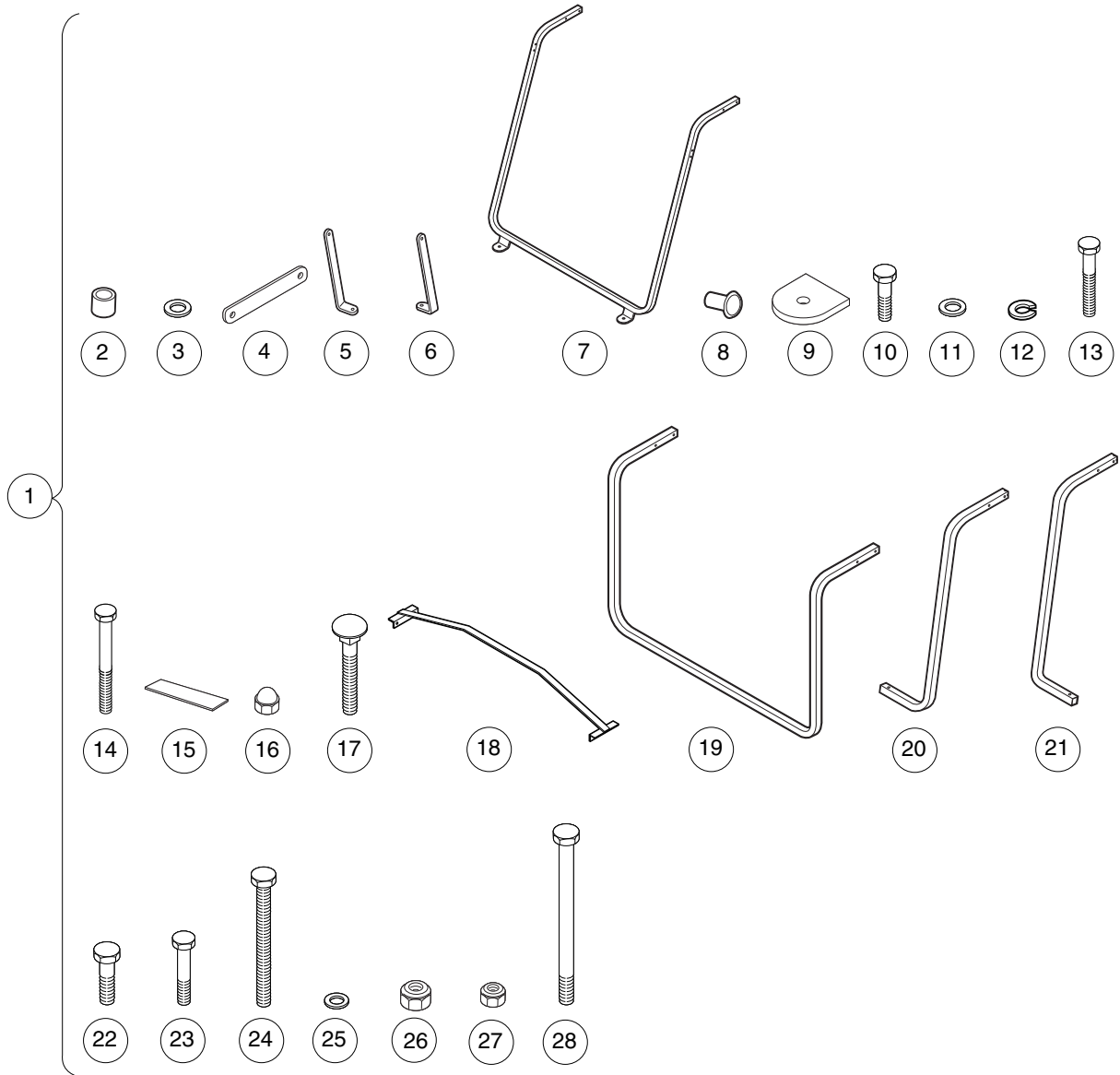
001284-001

# CANOPY KIT, WHITE – VILLAGER 8 WITH REAR-FACING SEATS

ITEM	PART NO.	DESCRIPTION	QTY
		1 2 3 4	
1	<u>101805801</u>	Canopy Hardware Kit (includes items 2 through 28) .....	1
2	<u>1010237</u>	Bushing .....	2
3	<u>1011697</u>	Washer, 5/16 Flat .....	2
4	<u>1011852</u>	Plate, Canopy Trim .....	4
5	<u>1011862</u>	Brace, Right-Hand Canopy Mount Knee .....	1
6	<u>1011865</u>	Brace, Left-Hand Canopy Mount Knee .....	1
7	<u>1011868</u>	Weldment, Windshield Frame .....	1
8	<u>1011878</u>	T-nut, 1/4-20 X .310 Capped .....	2
9	<u>1011883</u>	Pad, Windshield Frame Mounting .....	2
10	<u>1011937</u>	Bolt, 5/16-18 X 1.25 Hex Head .....	2
11	<u>1011964</u>	Washer, 1/4 Flat .....	2
12	<u>1011965</u>	Lockwasher, 1/4 Split Ss .....	2
13	<u>1013509</u>	Screw, 1/4-20 X 1.75 Hx Hd Cap .....	4
14	<u>1014201</u>	Screw, 1/4-20 X 2.25 Hex Cap .....	16
15	<u>1014471</u>	Tape, Vinyl Foam 1/8" x 3/4" .....	20
16	<u>1015091</u>	Nut, 1/4-20 Stainless-Steel Center-Lock Cap .....	8
17	<u>1015405</u>	Bolt, Carriage, 5/16-18 X 2.0 .....	2
18	<u>101800201</u>	Canopy Top Brace Weldment .....	2
19	<u>101805601</u>	Rear Brace XI Canopy .....	1
20	<u>101815401</u>	Canopy Side Brace Lh .....	2
21	<u>101815402</u>	Canopy Side Brace Rh .....	2
22	<u>1218</u>	Screw, 5/16-18 X 1.25 Hex-Head Cap .....	2
23	<u>1703</u>	Screw, 1/4-20 X 1.50 Hx Hd Cap .....	2
24	<u>324</u>	Screw, 1/4-20 X 2.50 Hx Hd Cap .....	12
25	<u>332</u>	Washer, 1/4 Type A Narrow Flat .....	56
26	<u>7473</u>	Locknut, 5/16-18 Nylon Insert .....	2
27	<u>8233</u>	Locknut, 1/4-20, Nylon Insert .....	24
28	<u>8915</u>	Screw, 5/16-18 X 3.0 Hx Hd Cap .....	2
29	<u>101835501</u>	XI Canopy - White .....	1

1  
G  
E

**1**  
**G**  
**E**



29

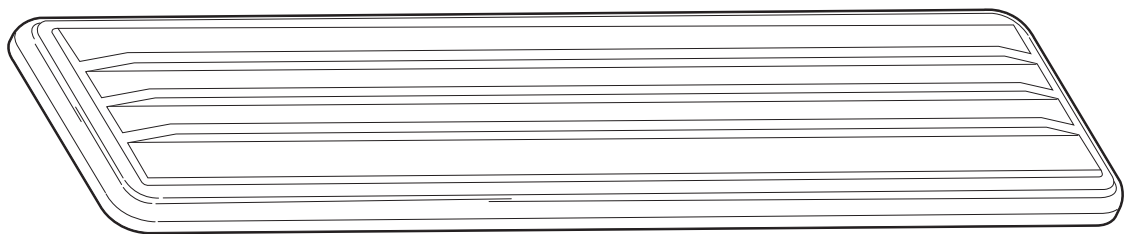
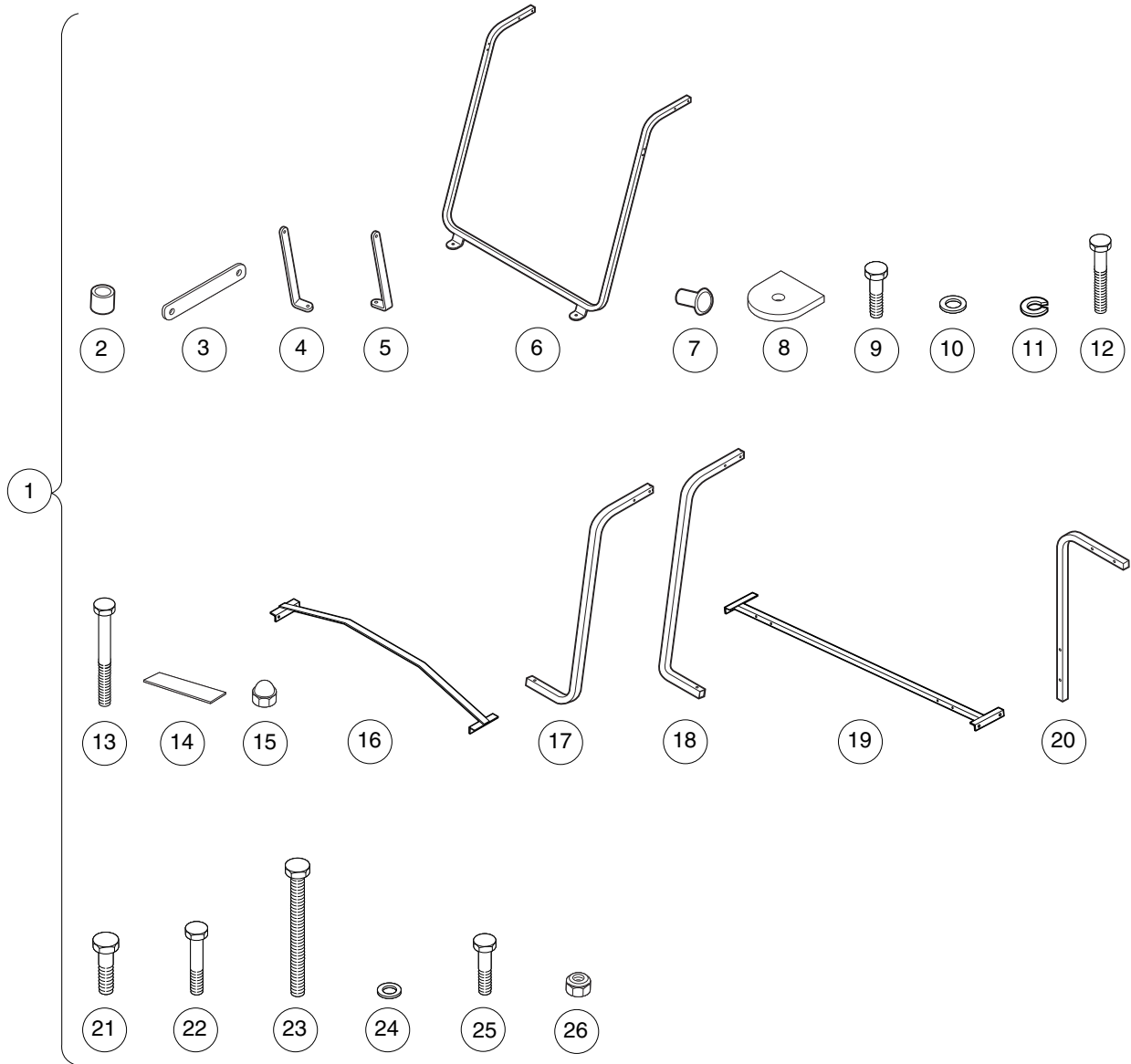
001284-001

# CANOPY KIT, BEIGE – VILLAGER 8 WITH REAR-FACING SEATS

ITEM	PART NO.	DESCRIPTION	QTY
		1 2 3 4	
1	<u>101805801</u>	Canopy Hardware Kit (includes items 2 through 28) .....	1
2	<u>1010237</u>	Bushing .....	2
3	<u>1011697</u>	Washer, 5/16 Flat .....	2
4	<u>1011852</u>	Plate, Canopy Trim .....	4
5	<u>1011862</u>	Brace, Right-Hand Canopy Mount Knee .....	1
6	<u>1011865</u>	Brace, Left-Hand Canopy Mount Knee .....	1
7	<u>1011868</u>	Weldment, Windshield Frame .....	1
8	<u>1011878</u>	T-nut, 1/4-20 X .310 Capped .....	2
9	<u>1011883</u>	Pad, Windshield Frame Mounting .....	2
10	<u>1011937</u>	Bolt, 5/16-18 X 1.25 Hex Head .....	2
11	<u>1011964</u>	Washer, 1/4 Flat .....	2
12	<u>1011965</u>	Lockwasher, 1/4 Split Ss .....	2
13	<u>1013509</u>	Screw, 1/4-20 X 1.75 Hx Hd Cap .....	4
14	<u>1014201</u>	Screw, 1/4-20 X 2.25 Hex Cap .....	16
15	<u>1014471</u>	Tape, Vinyl Foam 1/8" x 3/4" .....	20
16	<u>1015091</u>	Nut, 1/4-20 Stainless-Steel Center-Lock Cap .....	8
17	<u>1015405</u>	Bolt, Carriage, 5/16-18 X 2.0 .....	2
18	<u>101800201</u>	Canopy Top Brace Weldment .....	2
19	<u>101805601</u>	Rear Brace XI Canopy .....	1
20	<u>101815401</u>	Canopy Side Brace Lh .....	2
21	<u>101815402</u>	Canopy Side Brace Rh .....	2
22	<u>1218</u>	Screw, 5/16-18 X 1.25 Hex-Head Cap .....	2
23	<u>1703</u>	Screw, 1/4-20 X 1.50 Hx Hd Cap .....	2
24	<u>324</u>	Screw, 1/4-20 X 2.50 Hx Hd Cap .....	12
25	<u>332</u>	Washer, 1/4 Type A Narrow Flat .....	56
26	<u>7473</u>	Locknut, 5/16-18 Nylon Insert .....	2
27	<u>8233</u>	Locknut, 1/4-20, Nylon Insert .....	24
28	<u>8915</u>	Screw, 5/16-18 X 3.0 Hx Hd Cap .....	2
29	<u>101835502</u>	XI Canopy - Beige .....	1

1  
G  
E

**1**  
**G**  
**E**



27

001285-001

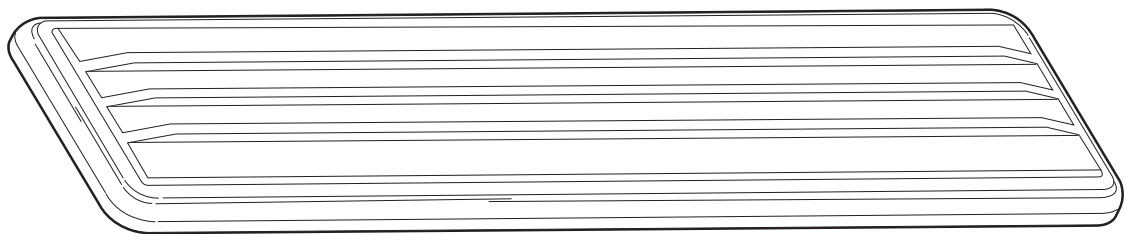
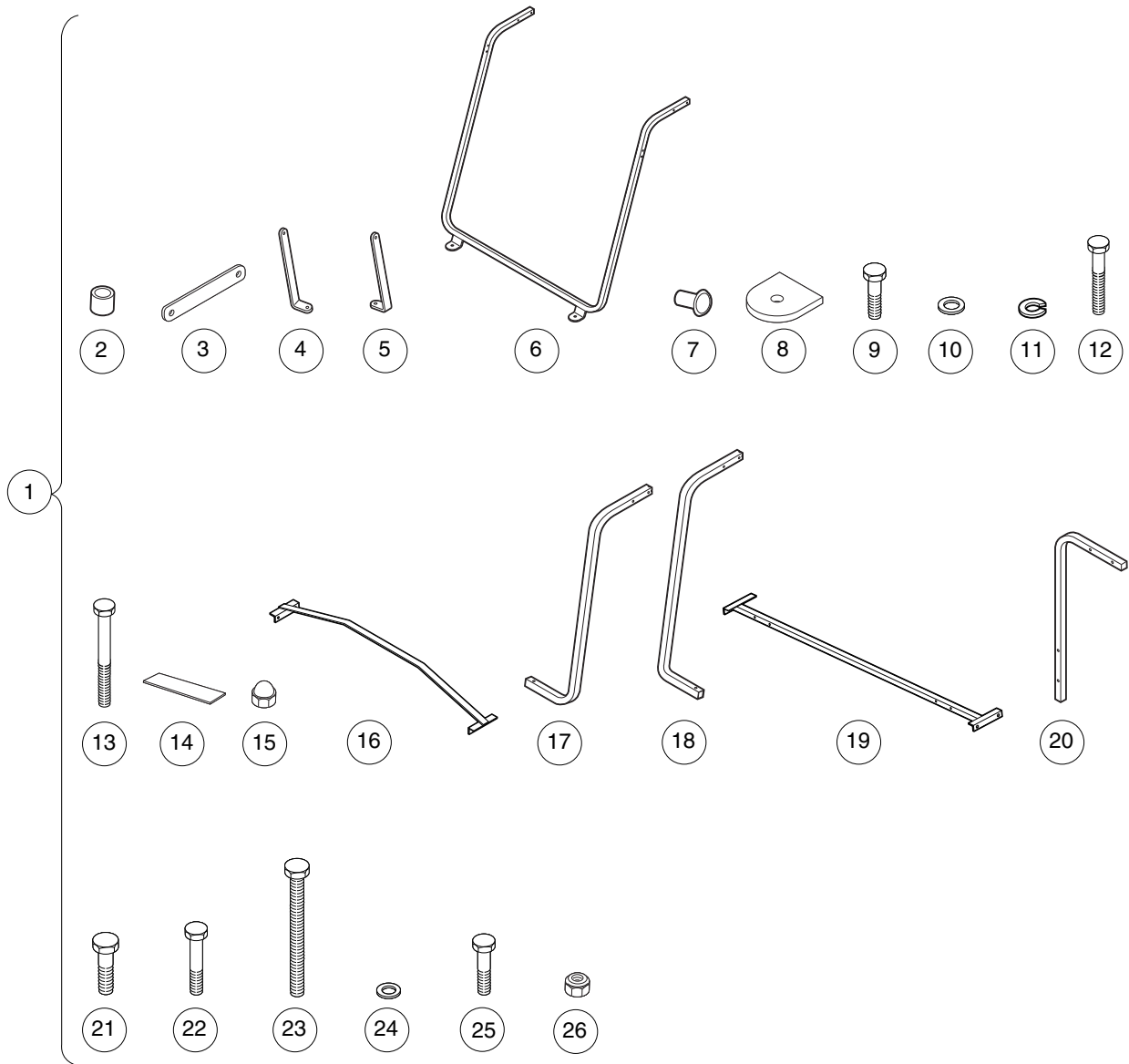


## CANOPY KIT, WHITE – VILLAGER 8 WITH FLAT BED

ITEM	PART NO.	DESCRIPTION	QTY
		1 2 3 4	
1	<u>101835001</u>	Kit, Rv XI Canopy Hardware (includes items 2 through 26) .....	1
2	<u>1010237</u>	Bushing .....	2
3	1011852	Plate, Canopy Trim .....	4
4	<u>1011862</u>	Brace, Right-Hand Canopy Mount Knee .....	1
5	<u>1011865</u>	Brace, Left-Hand Canopy Mount Knee .....	1
6	<u>1011868</u>	Weldment, Windshield Frame .....	1
7	1011878	T-nut, 1/4-20 X .310 Capped .....	2
8	<u>1011883</u>	Pad, Windshield Frame Mounting .....	2
9	<u>1011937</u>	Bolt, 5/16-18 X 1.25 Hex Head .....	2
10	1011964	Washer, 1/4 Flat .....	2
11	<u>1011965</u>	Lockwasher, 1/4 Split Ss .....	2
12	<u>1013509</u>	Screw, 1/4-20 X 1.75 Hx Hd Cap .....	4
13	1014201	Screw, 1/4-20 X 2.25 Hex Cap .....	8
14	<u>1014471</u>	Tape, Vinyl Foam 1/8" x 3/4" .....	20
15	<u>1015091</u>	Nut, 1/4-20 Stainless-Steel Center-Lock Cap .....	8
16	<u>101800201</u>	Canopy Top Brace Weldment .....	2
17	<u>101805501</u>	Side Brace XI Canopy L.h. ....	2
18	<u>101805502</u>	Side Brace XI Canopy R.h. ....	2
19	<u>101835101</u>	Rear Cross Brace XI Canopy .....	1
20	<u>101835401</u>	Rear Brace XI Canopy .....	2
21	1218	Screw, 5/16-18 X 1.25 Hex-Head Cap .....	2
22	<u>1703</u>	Screw, 1/4-20 X 1.50 Hx Hd Cap .....	2
23	<u>324</u>	Screw, 1/4-20 X 2.50 Hx Hd Cap .....	16
24	<u>332</u>	Washer, 1/4 Type A Narrow Flat .....	56
25	<u>7479</u>	Screw, 1/4-20 X 1.25 Hex-Head Cap .....	4
26	<u>8233</u>	Locknut, 1/4-20, Nylon Insert .....	24
27	<u>101835501</u>	XI Canopy - White .....	1

1  
G  
E

**1**  
**G**  
**E**



27

001285-001

## CANOPY KIT, BEIGE – VILLAGER 8 WITH FLAT BED

ITEM	PART NO.	DESCRIPTION	QTY
		1 2 3 4	
1	<u>101835001</u>	Kit, Rv XI Canopy Hardware (includes items 2 through 26) .....	1
2	<u>1010237</u>	Bushing .....	2
3	1011852	Plate, Canopy Trim .....	4
4	<u>1011862</u>	Brace, Right-Hand Canopy Mount Knee .....	1
5	<u>1011865</u>	Brace, Left-Hand Canopy Mount Knee .....	1
6	<u>1011868</u>	Weldment, Windshield Frame .....	1
7	1011878	T-nut, 1/4-20 X .310 Capped .....	2
8	<u>1011883</u>	Pad, Windshield Frame Mounting .....	2
9	<u>1011937</u>	Bolt, 5/16-18 X 1.25 Hex Head .....	2
10	1011964	Washer, 1/4 Flat .....	2
11	<u>1011965</u>	Lockwasher, 1/4 Split Ss .....	2
12	<u>1013509</u>	Screw, 1/4-20 X 1.75 Hx Hd Cap .....	4
13	1014201	Screw, 1/4-20 X 2.25 Hex Cap .....	8
14	<u>1014471</u>	Tape, Vinyl Foam 1/8" x 3/4" .....	20
15	<u>1015091</u>	Nut, 1/4-20 Stainless-Steel Center-Lock Cap .....	8
16	<u>101800201</u>	Canopy Top Brace Weldment .....	2
17	<u>101805501</u>	Side Brace XI Canopy L.h. ....	2
18	<u>101805502</u>	Side Brace XI Canopy R.h. ....	2
19	<u>101835101</u>	Rear Cross Brace XI Canopy .....	1
20	<u>101835401</u>	Rear Brace XI Canopy .....	2
21	1218	Screw, 5/16-18 X 1.25 Hex-Head Cap .....	2
22	<u>1703</u>	Screw, 1/4-20 X 1.50 Hx Hd Cap .....	2
23	<u>324</u>	Screw, 1/4-20 X 2.50 Hx Hd Cap .....	16
24	<u>332</u>	Washer, 1/4 Type A Narrow Flat .....	56
25	<u>7479</u>	Screw, 1/4-20 X 1.25 Hex-Head Cap .....	4
26	<u>8233</u>	Locknut, 1/4-20, Nylon Insert .....	24
27	<u>101835502</u>	XI Canopy - Beige .....	1

1  
G  
E

**1**

**G**

**E**

# WHEELS AND TIRES

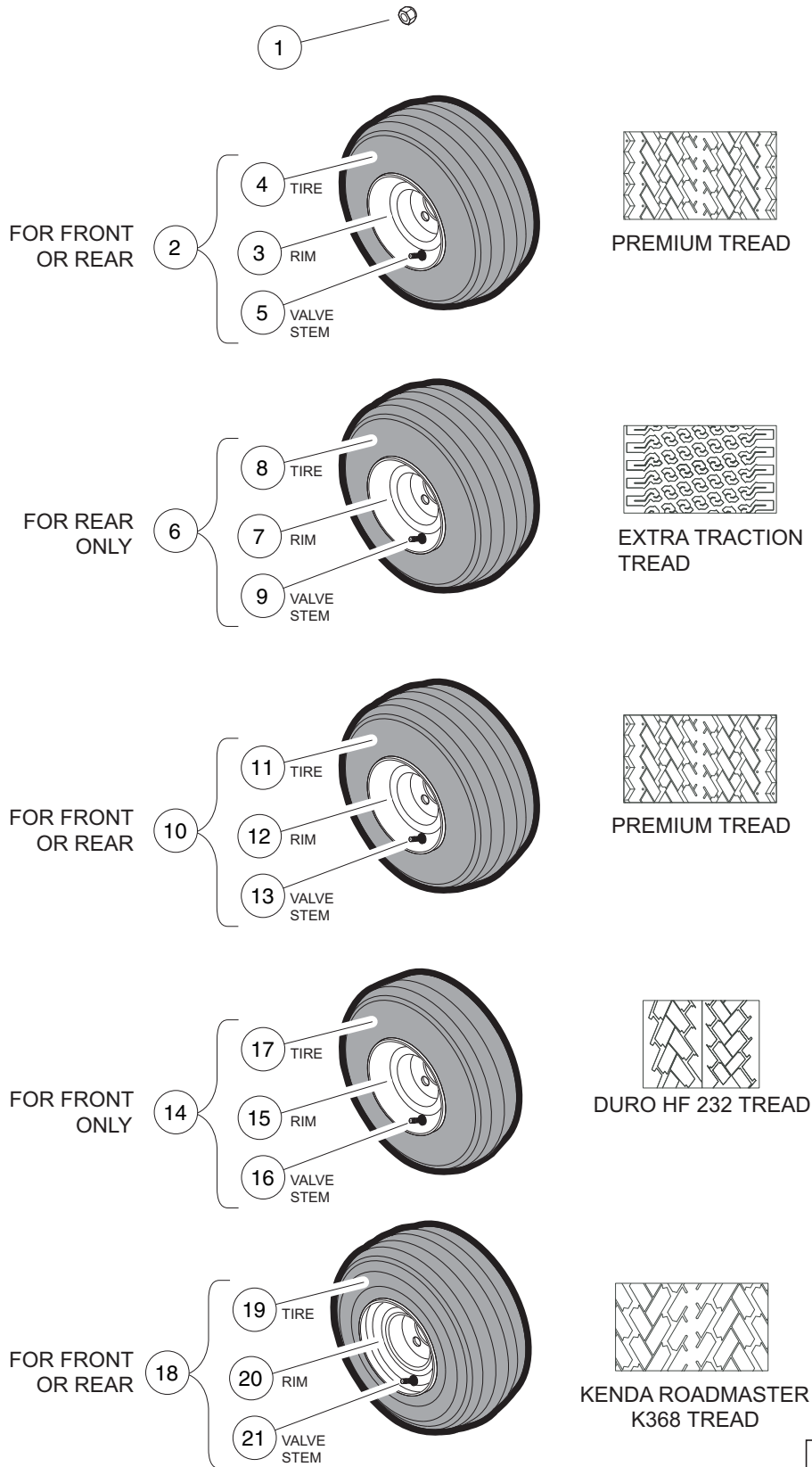
---

2

G

E

**2**  
**G**  
**E**



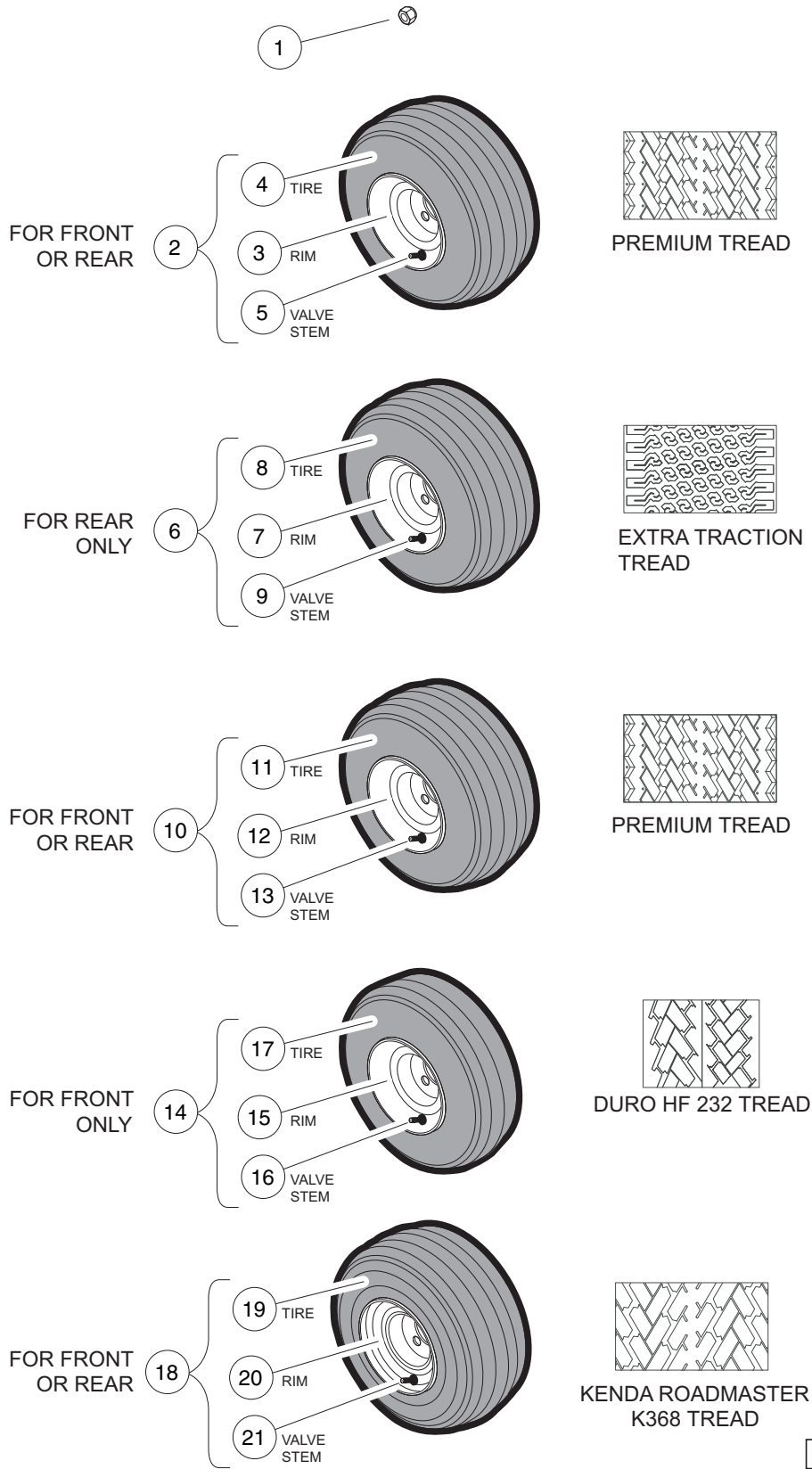
000269-015

## WHEELS (BEIGE) AND TIRES

ITEM	PART NO.	DESCRIPTION	QTY
		1 2 3 4	
1	<u>1010984</u>	.500-20 Unf Lug Nut .....	16
2	<u>101570506</u>	Tire/Wheel Asm, Beige, Premium Tread, 6-ply (includes items 3 through 5) .....	4
3	1015707	Wheel Rim, Beige .....	1
4	<u>101737002</u>	Tire, Unmounted .....	1
5	<u>7310</u>	Valve Stem, Black Plastic .....	1
6	<u>101570507</u>	Tire/Wheel Asm, Beige, Xtrac Tread, 6-ply (includes items 7 through 9) .....	2
7	1015707	Wheel Rim, Beige .....	1
8	<u>101769302</u>	Tire, Unmounted Xtrac 18 x 8.50-8 .....	1
9	<u>7310</u>	Valve Stem, Black Plastic .....	1
10	<u>101570509</u>	Tire/Wheel Asm, Beige, Premium Tread, 6.5 (includes items 11 through 13) .....	4
11	<u>101884901</u>	Tire, Unmounted, Power Rib 18 x 6.50-8 .....	1
12	<u>101918401</u>	Wheel Rim, Beige .....	1
13	<u>7310</u>	Valve Stem, Black Plastic .....	1
14	<u>101570514</u>	Tire/Wheel Asm, Beige, Duro HF 232 Tread (includes items 15 through 17) .....	4
15	1015707	Wheel Rim, Beige .....	1
16	<u>7310</u>	Valve Stem, Black Plastic .....	1
17	****	Tire, Unmounted, 6-Ply Rated (18.5 x 8.5 - 8) (Duro) .....	1
18	<u>101570516</u>	Tire/Wheel Asm, Beige, Kenda Premium Tread, 6-ply (includes items 19 through 21) ...	4
19	N/A	Tire, Unmounted Kenda Premium Tread 6-Ply, Roadmaster K368 .....	1
20	103459103	Wheel Rim Asm, 8"x7", Beige .....	1
21	<u>7310</u>	Valve Stem, Black Plastic .....	1
		**** Special order item available upon request.	

2  
G  
E

**2**  
**G**  
**E**



000269-015

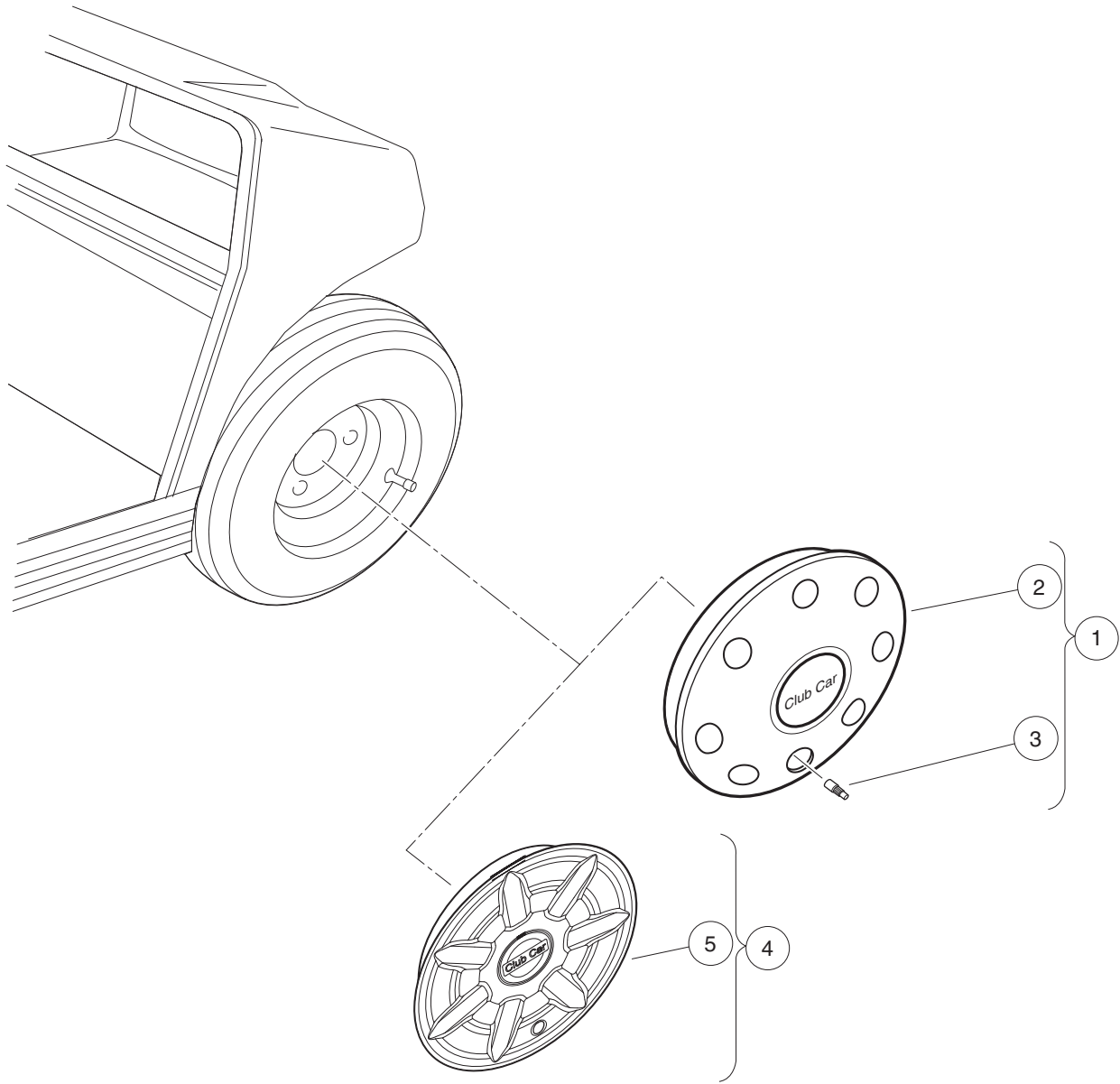


## WHEELS (WHITE) AND TIRES

ITEM	PART NO.	DESCRIPTION	QTY
		1 2 3 4	
1	<u>1010984</u>	.500-20 Unf Lug Nut .....	16
2	<u>101651406</u>	Tire/Wheel Asm, White, Premium Tread, 6-Ply (includes items 3 through 5) .....	4
3	<u>1014771</u>	Wheel Rim, White .....	1
4	<u>101737002</u>	Tire, Unmounted .....	1
5	<u>7310</u>	Valve Stem, Black Plastic .....	1
6	<u>101651407</u>	Tire/Wheel Asm, White, Extra-Traction, 6-Ply (includes items 7 through 9) .....	2
7	<u>1014771</u>	Wheel Rim, White .....	1
8	<u>101769302</u>	Tire, Unmounted Xtrac 18 x 8.50-8 .....	1
9	<u>7310</u>	Valve Stem, Black Plastic .....	1
10	<u>101651409</u>	Tire/Wheel Asm, White, Premium Tread, 6.5-inch (includes items 11 through 13) .....	4
11	<u>101884901</u>	Tire, Unmounted, Power Rib 18 x 6.50-8 .....	1
12	<u>101918402</u>	Wheel Rim, White .....	1
13	<u>7310</u>	Valve Stem, Black Plastic .....	1
14	<u>101651414</u>	Tire/Wheel Asm, White, Duro HF 232 (includes items 15 through 17) .....	4
15	<u>1014771</u>	Wheel Rim, White .....	1
16	<u>7310</u>	Valve Stem, Black Plastic .....	1
17	****	Tire, Unmounted, 6-Ply Rated (18.5 x 8.5 - 8) (Duro) .....	1
18	<u>101651416</u>	Tire/Wheel Asm, White, Kenda Premium Tread, 6-Ply (includes items 19 through 21) ...	4
19	N/A	Tire, Unmounted Kenda Premium Tread 6-Ply, Roadmaster K368 .....	1
20	103459102	Wheel Rim Asm, 8"x7", White .....	1
21	<u>7310</u>	Valve Stem, Black Plastic .....	1
**** Special order item available upon request.			

2  
G  
E

**2**  
**G**  
**E**



001203-001

# WHEEL COVERS

ITEM	PART NO.	DESCRIPTION	QTY
		1 2 3 4	
1	<u>1012642</u>	Sport Wheel Cover Kit (each) (includes items 2 and 3) .....	4
2	1012640	Hubcap .....	1
3	<u>1012641</u>	Valve Extension .....	1
4	<u>102559901</u>	Hub Cap Kit, Prec (includes item 5) .....	1
5	<u>103694501</u>	Hub Cap, 7 Prong .....	4

2

G

E

**2**

**G**

**E**

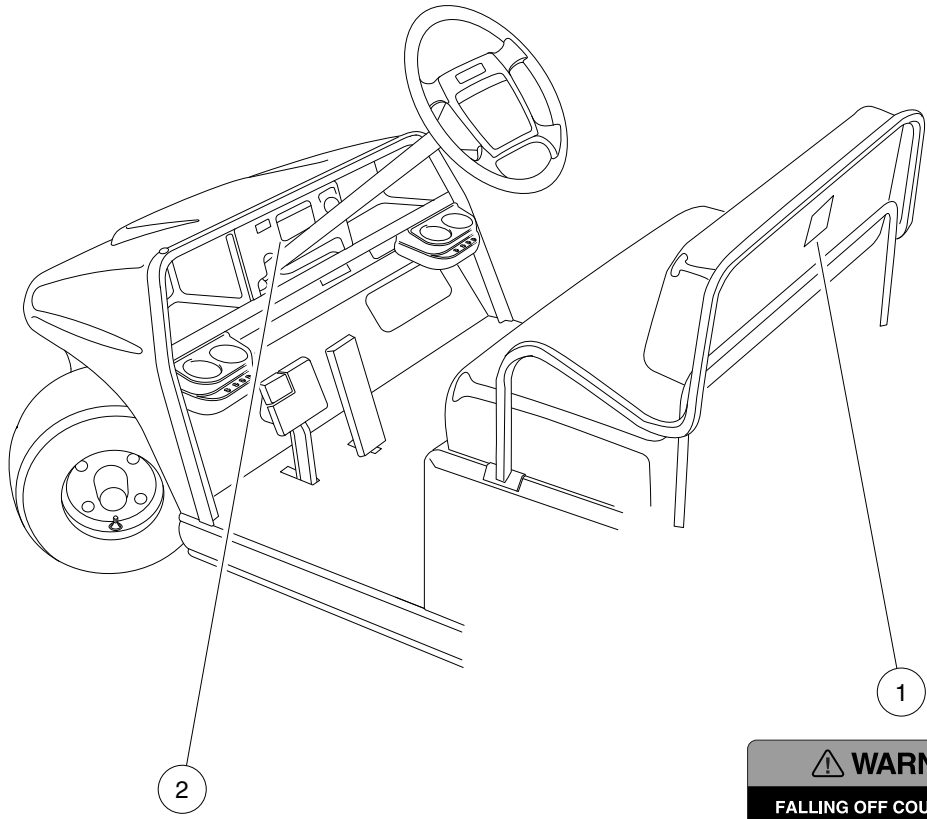
# DECALS

---

3

G

E



**⚠ WARNING**

**ROLLOVER OR FALLING OFF MAY CAUSE DEATH.**

- Before using vehicle, read operating instructions.
- Remain seated and hold on to seat handle while moving.
- Do not start vehicle until all occupants are seated.
- Two (2) persons per seat maximum.
- Operate from driver side only and not on public roads.
- Keep entire body inside vehicle while moving.
- Drive slowly in turns and straight up and down slopes.
- Do not leave children unattended on vehicle.
- Never operate under the influence of alcohol or drugs.
- Use brakes to reduce speed when coasting downhill.
- Never stand in front of or behind vehicle.

CC# 103205401

**⚠ WARNING**

**FALLING OFF COULD RESULT IN SEVERE INJURY OR DEATH**

- Remain seated with entire body inside vehicle and hold on to seat handle or handrail at all times.
- Two (2) persons per bench seat maximum.
- One (1) person per bucket seat maximum.
- Do not leave children unattended on vehicle at anytime.
- Never stand in front of or behind vehicle.

CC# 101705701

000374-002

# DECALS – VILLAGER 6 GAS AND IQ PLUS

ITEM	PART NO.	DESCRIPTION	QTY
		1 2 3 4	
1	<u>101705701</u>	Decal, Warning .....	1
2	<u>103205401</u>	Decal, Warning, Rollover, Utl .....	1

3  
G  
E

**OPERATING INSTRUCTIONS**

- Read owner's manual and disassembled safety warnings prior to driving.
- Study and understand controls.

**TO OPERATE**

- Turn wheels to desired direction and ensure path is clear.
- Turn key to ON position.
- While stopped, place Forward/Reverse switch in desired position:
  - F = Forward
  - N = Neutral
  - R = Reverse (Buzzer will sound)
- Park brake will release and vehicle will start moving when accelerator pedal is pressed.
- Slowly press accelerator pedal to increase speed.
- To stop, release accelerator pedal and press brake pedal.

**BEFORE LEAVING**

- Press park brake pedal until it locks and holds vehicle.
- Place Forward/Reverse switch in NEUTRAL position.
- Turn key OFF and remove key when not in use.

**MOTOR BRAKING**

- Electric motor braking provides speed regulation functions.
- For parked vehicle, beeping alarm indicates vehicle roll away.
- In operation, beeping alarm indicates reduction in motor braking.
- Apply brakes to further reduce vehicle speed as required.
- System is activated only when tow switch is in the RUN position.
- When towing this vehicle, tow switch must be in the TOW position.

CCI 10296001

**⚠ DANGER / POISON**

**SHIELD EYES**

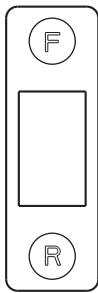
**EXPLOSIVE GASES CAN CAUSE BLINDNESS OR INJURY**

**NO SPARKS • FLAMES • SMOKING**

**SULFURIC ACID CAN CAUSE BLINDNESS OR SEVERE BURNS**

**FLUSH EYES IMMEDIATELY WITH WATER GET MEDICAL HELP FAST**

**KEEP OUT OF THE REACH OF CHILDREN - DO NOT TIP - KEEP VENT CAPS TIGHT AND LEVEL**



**⚠ WARNING**

**AVOID FIRE HAZARD**

- Replacement battery wires must be 4-gauge (AWG) with low-resistance terminals equivalent to factory-installed wires.
- Ensure that battery connections are clean and properly tightened. See owner's manual.

CCI 102967601

**⚠ WARNING**

**BATTERY EXPLOSION COULD RESULT IN SEVERE PERSONAL INJURY.**

- Do not store items in battery compartment.
- Place Run/Tow switch in TOW position before:
  - Disconnecting or connecting battery cables
  - Towing this vehicle
  - Extended storage
  - Servicing the vehicle

NORMAL

TRIPPED

TOW

RUN

CCI 102845101

**CAUTION**

**EXPOSURE TO WATER MAY DAMAGE ELECTRONIC COMPONENTS**

- Do not operate vehicle without this cover properly installed.
- Do not direct water stream in the area of the cover without cover securely in place.
- See vehicle maintenance and service manual before servicing.

CCI 102516301

000578-001



## DECALS – VILLAGER 6 IQ PLUS VEHICLE ONLY

ITEM	PART NO.	DESCRIPTION	QTY
		<b>1 2 3 4</b>	
1	<u>1013677</u>	Decal, Battery Danger .....	1
2	<u>101825101</u>	Decal, Off/On .....	1
3	<u>102518001</u>	Decal, Operating Instr, Elec .....	1
4	<u>102518301</u>	Decal, Caution, Electrical Component Cover .....	1
5	<u>102845101</u>	Decal, Tow Switch .....	1
6	<u>102967601</u>	Decal, Warning, 4 Gauge Wire .....	1
7	<u>103210301</u>	Decal, Forward/Reverse, Electric .....	1

**3**  
**G**  
**E**

**OPERATING INSTRUCTIONS**

- Read Owner's Manual and safety warnings located on dash panel prior to driving.
- Study and understand controls.

**TO START ENGINE**

- Place shift lever in "N" - Neutral position.
- Depress brake pedal.
- Turn key switch to "START" position and release.

**TO OPERATE VEHICLE**

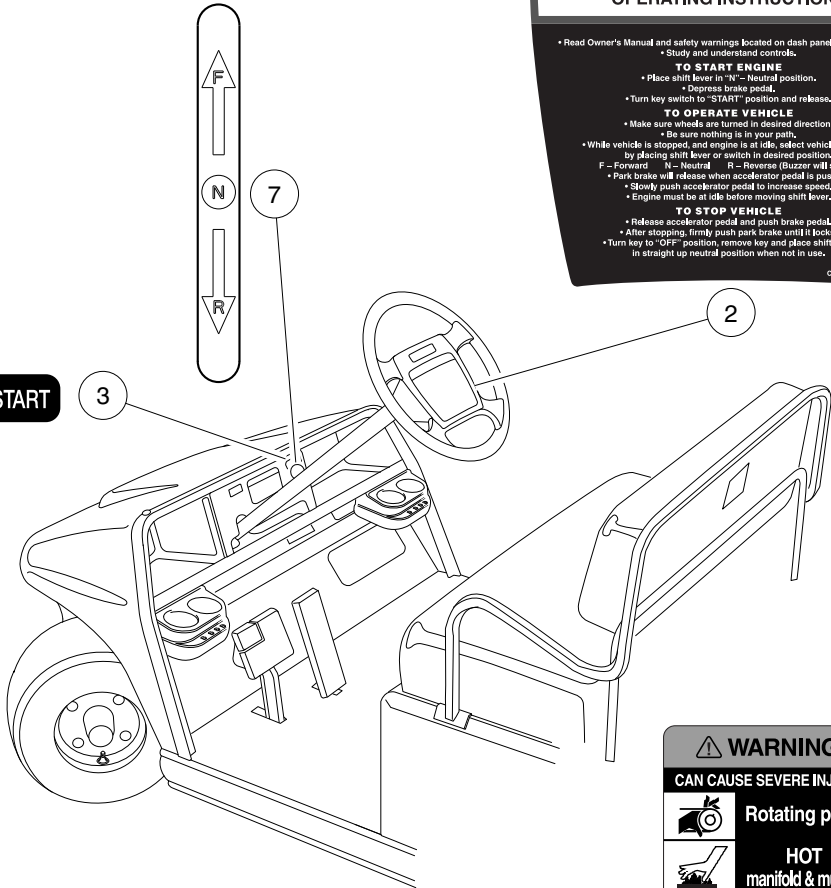
- Make sure wheels are turned in desired direction.
- Be sure nothing is in your path.
- While vehicle is stopped, and engine is at idle, select vehicle direction by placing shift lever or switch in desired position.
- F - Forward N - Neutral R - Reverse (buzzer will sound)
- Park brake will release when accelerator pedal is pushed.
- Slowly push accelerator pedal to increase speed.
- Engine must be at idle before moving shift lever.

**TO STOP VEHICLE**

- Release accelerator pedal and push brake pedal.
- After stopping, firmly push park brake until it locks.
- Turn key to "OFF" position, remove key and place shift lever in straight up, neutral position when not in use.

CCI 10196201

OFF ON/START



**WARNING**

**GASOLINE EXPLOSION / FIRE.**

- Can cause severe injury or death.
- No smoking, sparks, or open flame.
- Stop engine, allow to cool before refueling.
- Turn fuel valve (—) on during operation. (→) off during storage or transport.

CCI 101547801

**WARNING**

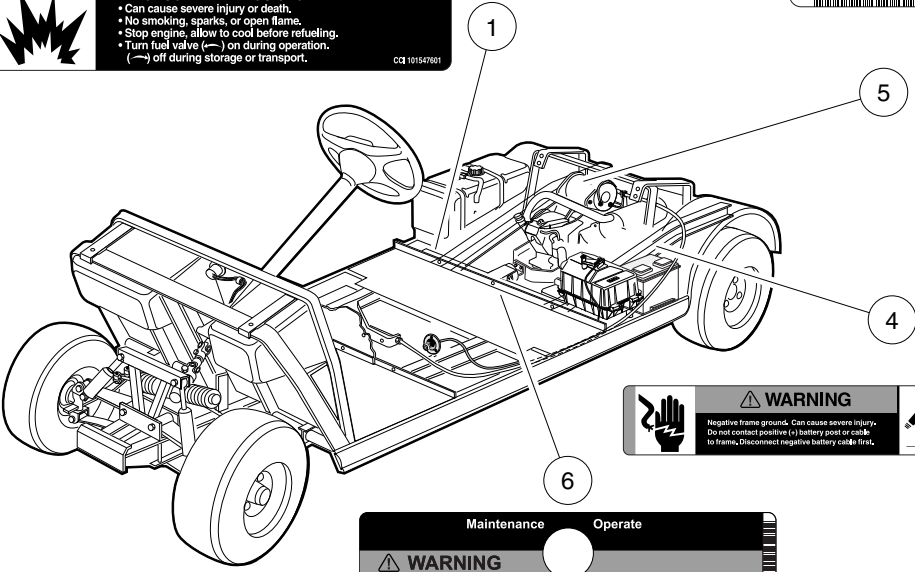
**CAN CAUSE SEVERE INJURY**

**Rotating parts**

**HOT manifold & muffler**

**KEEP CLEAR**

CCI 101960501



**WARNING**

Negative frame ground. Can cause severe injury. Do not contact positive (+) battery post or cable to frame. Disconnect negative battery cable first.

**WARNING**

Excessive speed can cause severe injury or death. Do not tamper with engine governor adjustment.

CCI 10196201

Maintenance Operate

**WARNING**

**VEHICLE MOVEMENT MAY CAUSE SERIOUS INJURY**

When switch is in Maintenance position, chock wheels and firmly set park brake.

CCI 10220501

000579-001

## DECALS – VILLAGER 6 GASOLINE VEHICLE ONLY

ITEM	PART NO.	DESCRIPTION	QTY
		1 2 3 4	
1	<u>101547601</u>	Decal, Gasoline Explosion/Fire Warning .....	1
2	<u>101693201</u>	Decal, Operating Instructions, Key-Start .....	1
3	<u>101825102</u>	Decal, Off/On/Start .....	1
4	<u>101915201</u>	Decal, Frame Ground and Governor Warning .....	1
5	<u>101960501</u>	Decal, Rotating Parts/Hot Manifold .....	1
6	<u>103205501</u>	Decal, Run/Service Switch .....	1
7	<u>103210201</u>	Decal, Forward/Reverse, Gas .....	1

3  
G  
E

**⚠ WARNING****ROLLOVER OR FALLING OFF MAY CAUSE DEATH.**

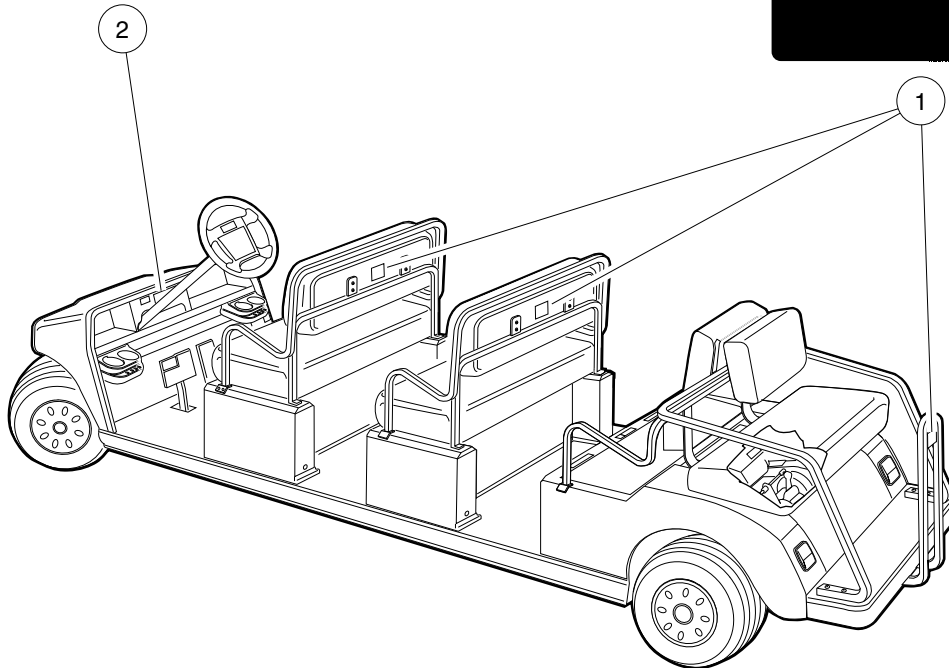
- Before using vehicle, read operating instructions.
- Remain seated and hold on to seat handle while moving.
- Do not start vehicle until all occupants are seated.
- Two (2) persons per seat maximum.
- Operate from driver side only and not on public roads.
- Keep entire body inside vehicle while moving.
- Drive slowly in turns and straight up and down slopes.
- Do not leave children unattended on vehicle.
- Never operate under the influence of alcohol or drugs.
- Use brakes to reduce speed when coasting downhill.
- Never stand in front of or behind vehicle.

CCJ 103205401

**⚠ WARNING****FALLING OFF COULD RESULT IN SEVERE INJURY OR DEATH**

- Remain seated with entire body inside vehicle and hold on to seat handle or handrail at all times.
- Two (2) persons per bench seat maximum.
- One (1) person per bucket seat maximum.
- Do not leave children unattended on vehicle at anytime.
- Never stand in front of or behind vehicle.

CCJ 101705701



000377-002

# DECALS – VILLAGER 8 GAS AND IQ PLUS

ITEM	PART NO.	DESCRIPTION	QTY
		1 2 3 4	
1	<u>101705701</u>	Decal, Warning .....	3
2	<u>103205401</u>	Decal, Warning, Rollover, Utl .....	1

3

G

E

**OPERATING INSTRUCTIONS**

- Read owner's manual and dash-mounted safety warnings prior to driving.
- Study and understand controls.

**TO OPERATE**

- Turn wheels to desired direction and ensure path is clear.
- Turn key to ON position.
- While stopped, place Forward/Reverse switch in desired position:  
F = Forward N = Neutral R = Reverse (Buzzer will sound)
- Park brake will release and vehicle will start moving when accelerator pedal is pressed.
- Slowly press accelerator pedal to increase speed.
- To stop, release accelerator pedal and press brake pedal.

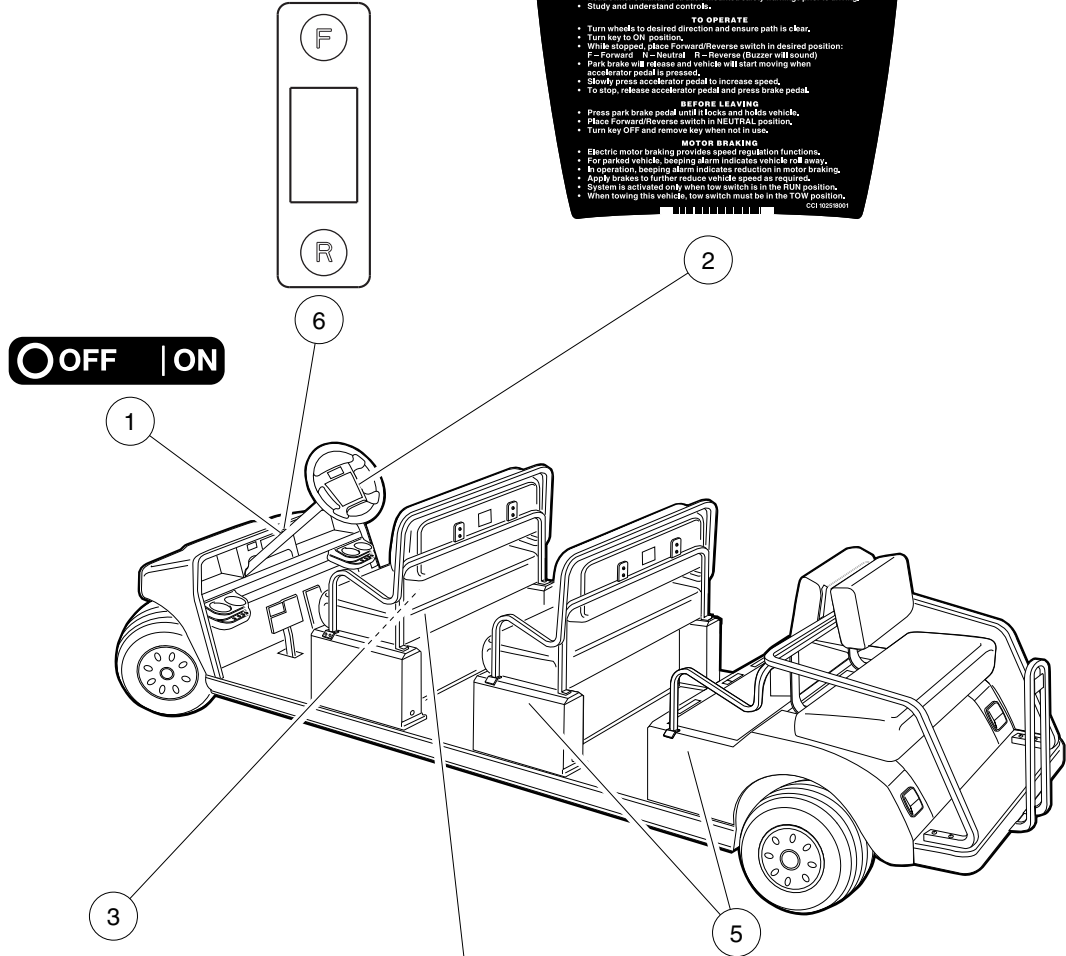
**BEFORE LEAVING**

- Press park brake pedal until it locks and holds vehicle.
- Place Forward/Reverse switch in NEUTRAL position.
- Turn key OFF and remove key when not in use.

**MOTOR BRAKING**

- Electric motor braking provides speed regulation functions.
- For parked vehicle, beeping alarm indicates vehicle roll away.
- In operation, beeping alarm indicates reduction in motor braking.
- Apply brakes to further reduce vehicle speed as required.
- System is activated only when low switch is in the RUN position.
- When towing this vehicle, low switch must be in the TOW position.

CCI 10281001



**CAUTION**

**EXPOSURE TO WATER MAY DAMAGE ELECTRONIC COMPONENTS**

- Do not operate vehicle without this cover properly installed.
- Do not direct water stream in the area of the cover without cover securely in place.
- See vehicle maintenance and service manual before servicing.

CCI 102518301

**WARNING**

**AVOID FIRE HAZARD**

- Replacement battery wires must be 4-gauge (AWG) with low-resistance terminals equivalent to factory-installed wires.
- Ensure that battery connections are clean and properly tightened. See owner's manual.

CCI 102967601

**WARNING**

**BATTERY EXPLOSION COULD RESULT IN SEVERE PERSONAL INJURY.**

- Do not store items in battery compartment.
- Place Run/Tow switch in TOW position before:
  - Disconnecting or connecting battery cables
  - Towing this vehicle
  - Extended storage
  - Servicing the vehicle

NORMAL		TRIPPED
TOW	RUN	

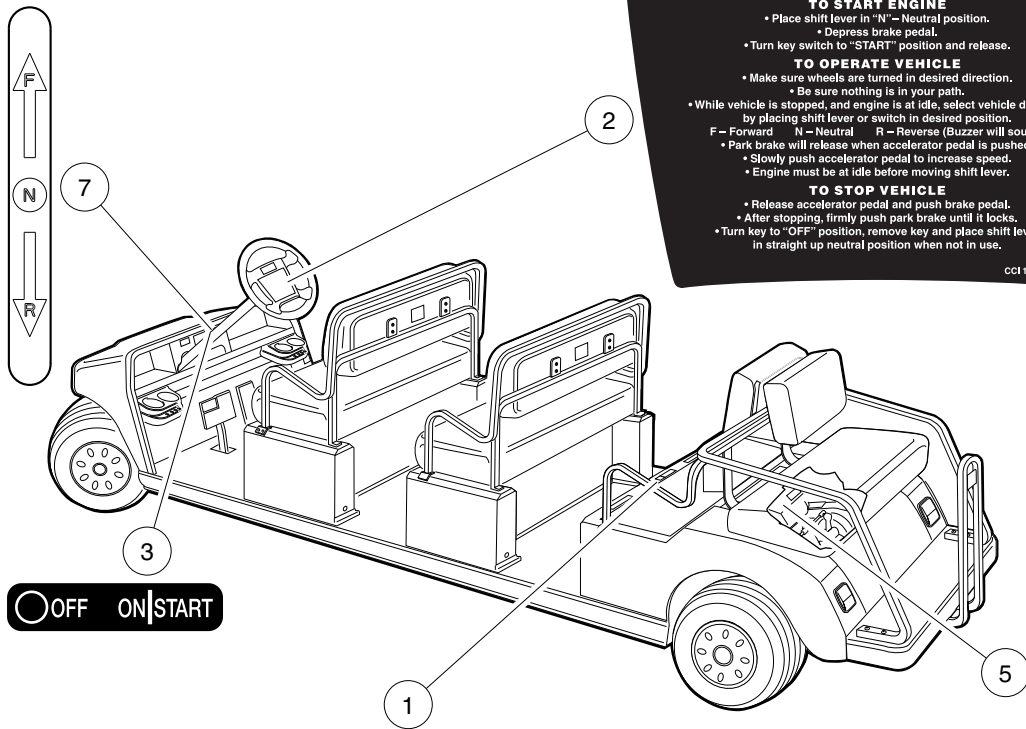
CCI 102845101

000578-002

## DECALS – VILLAGER 8 IQ PLUS VEHICLE ONLY

ITEM	PART NO.	DESCRIPTION	QTY
		1 2 3 4	
1	<u>101825101</u>	Decal, Off/On .....	1
2	<u>102518001</u>	Decal, Operating Instr, Elec .....	1
3	<u>102518301</u>	Decal, Caution, Electrical Component Cover .....	1
4	<u>102845101</u>	Decal, Tow Switch .....	1
5	<u>102967601</u>	Decal, Warning, 4 Gauge Wire .....	2
6	<u>103210301</u>	Decal, Forward/Reverse, Electric .....	1

3  
G  
E



### OPERATING INSTRUCTIONS

- Read Owner's Manual and safety warnings located on dash panel prior to driving.
- Study and understand controls.

**TO START ENGINE**

- Place shift lever in "N" - Neutral position.
- Depress brake pedal.
- Turn key switch to "START" position and release.

**TO OPERATE VEHICLE**

- Make sure wheels are turned in desired direction.
- Be sure nothing is in your path.
- While vehicle is stopped, and engine is at idle, select vehicle direction by placing shift lever or switch in desired position.
- F - Forward N - Neutral R - Reverse (Buzzer will sound)
- Park brake will release when accelerator pedal is pushed.
- Slowly push accelerator pedal to increase speed.
- Engine must be at idle before moving shift lever.

**TO STOP VEHICLE**

- Release accelerator pedal and push brake pedal.
- After stopping, firmly push park brake until it locks.
- Turn key to "OFF" position, remove key and place shift lever in straight up neutral position when not in use.

CCJ 101693201

**⚠ WARNING**

**GASOLINE EXPLOSION / FIRE.**

- Can cause severe injury or death.
- No smoking, sparks, or open flame.
- Stop engine, allow to cool before refueling.
- Turn fuel valve (←) on during operation.
- (→) off during storage or transport.

CCJ 101547601

**⚠ WARNING**

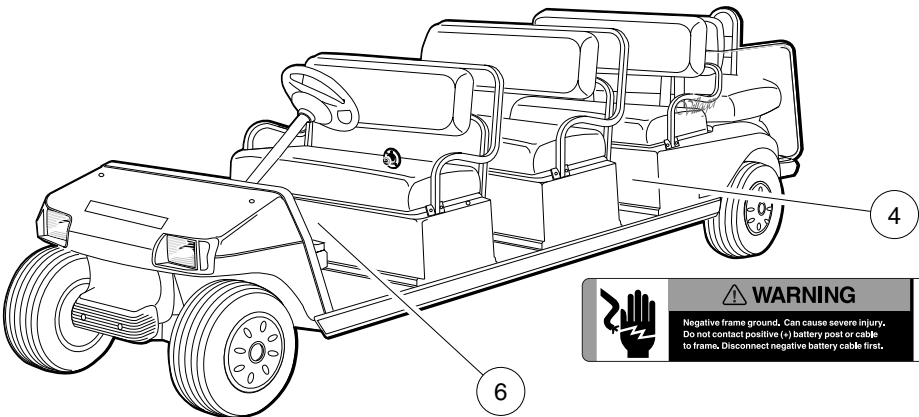
**CAN CAUSE SEVERE INJURY**

**Rotating parts**

**HOT manifold & muffler**

**KEEP CLEAR**

CCJ 101960501



<b>⚠ WARNING</b>	<b>⚠ WARNING</b>
Negative frame ground. Can cause severe injury. Do not contact positive (+) battery post or cable to frame. Disconnect negative battery cable first.	Excessive speed can cause severe injury or death. Do not tamper with engine governor adjustment.
<small>CCJ 101915201</small>	

Maintenance      Operate

**⚠ WARNING**

**VEHICLE MOVEMENT MAY CAUSE SERIOUS INJURY**

When switch is in Maintenance position, check wheels and firmly set park brake.

CCJ 103205501

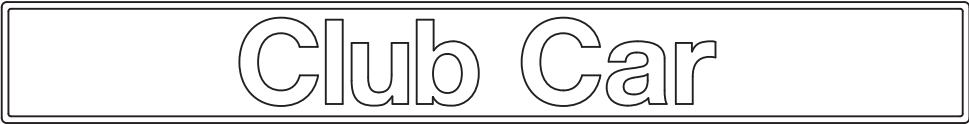
000579-002



## DECALS – VILLAGER 8 GASOLINE VEHICLE ONLY

ITEM	PART NO.	DESCRIPTION	QTY
		1 2 3 4	
1	<u>101547601</u>	Decal, Gasoline Explosion/Fire Warning .....	1
2	<u>101693201</u>	Decal, Operating Instructions, Key-Start .....	1
3	<u>101825102</u>	Decal, Off/On/Start .....	1
4	<u>101915201</u>	Decal, Frame Ground and Governor Warning .....	1
5	<u>101960501</u>	Decal, Rotating Parts/Hot Manifold .....	2
6	<u>103205501</u>	Decal, Run/Service Switch .....	1
7	<u>103210201</u>	Decal, Forward/Reverse, Gas .....	1

3  
G  
E



1

(ON FRONT OF COWL)



2

(ON REAR BODY)



3

(ON REAR BODY)

000380-001

## BADGING DECALS – VILLAGER

ITEM	PART NO.	DESCRIPTION	QTY
		1 2 3 4	
1	<u>1014198</u>	Nameplate Kit (gold) .....	1
2	<u>102158701</u>	Decal, Villager .....	2
3	<u>103234302</u>	Decal, Badge, IR - Gold .....	2

3  
G  
E

3

G

E



1

000422-003

## IQ PLUS LOGO DECAL – IQ PLUS VEHICLES ONLY

ITEM	PART NO.	DESCRIPTION	QTY
1	<u>103464801</u>	1 2 3 4 Decal, Iq Plus, Zev .....	2

3  
G  
E

**3**

**G**

**E**

# LIGHTS, CONTROLS, AND INDICATORS

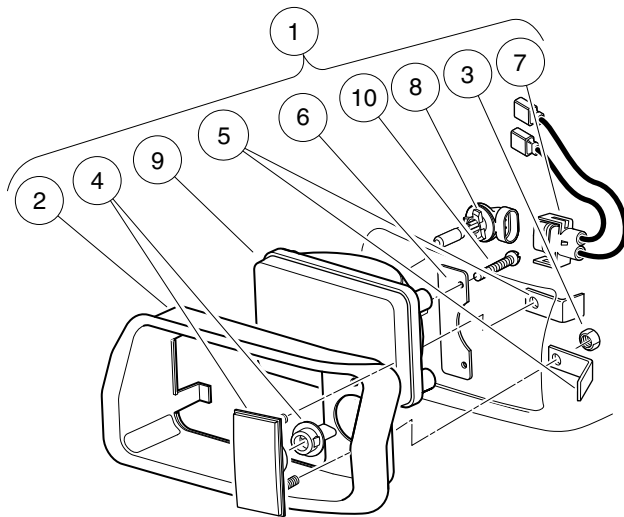
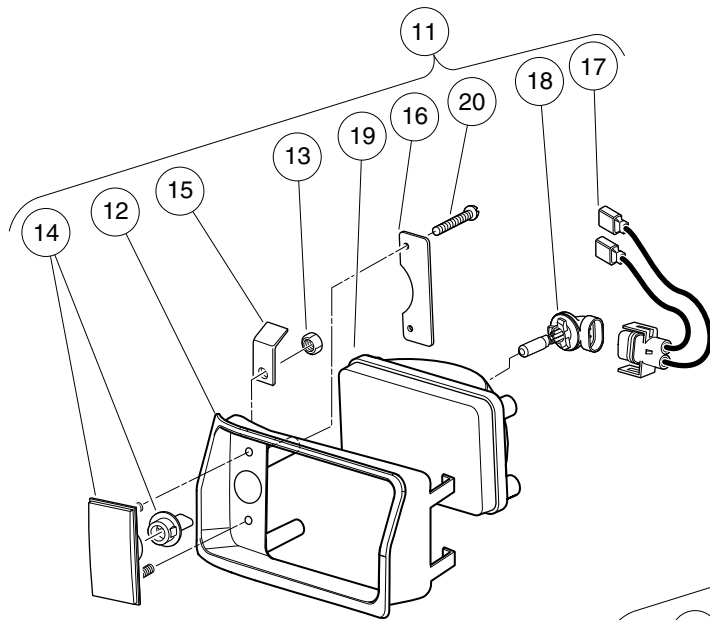
---

4

G

E

**4**  
**G**  
**E**



001097-001

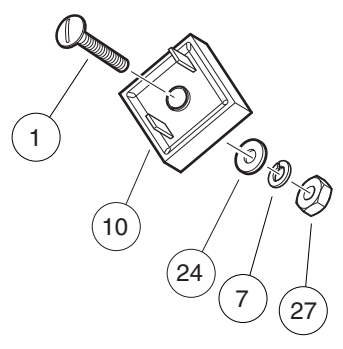
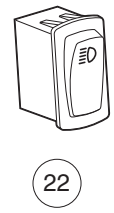
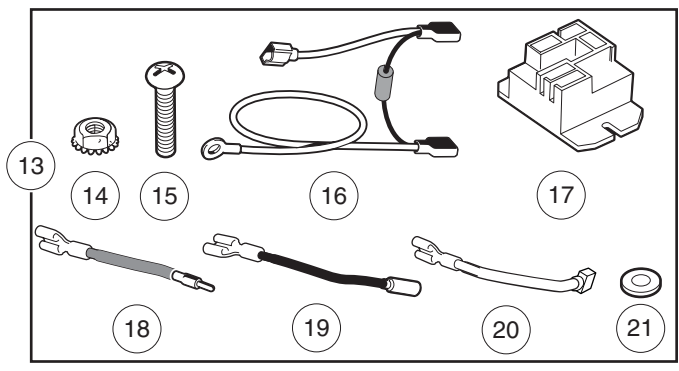
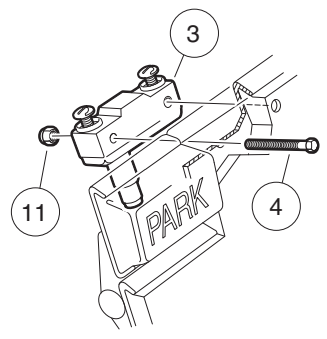
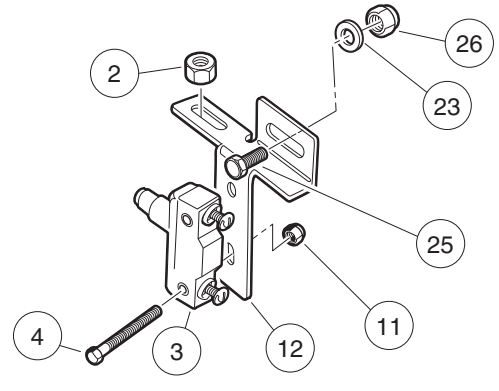
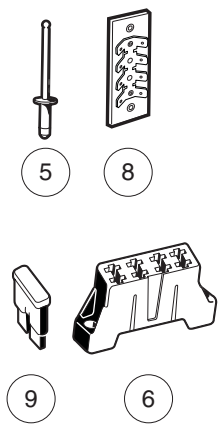


# HEADLIGHTS

ITEM	PART NO.	DESCRIPTION	QTY
		1 2 3 4	
1	<u>101988001</u>	Headlight Assembly, Driver-Side Single Beam (includes items 2 through 10) .....	1
2	<u>1016880</u>	Headlight Bezel, Left .....	1
3	<u>1017</u>	Nut, #10-24 Stainless-Steel Hex Machine .....	2
4	<u>1017062</u>	Turn Signal Lens Assy .....	1
5	<u>1017064</u>	Mounting Bracket .....	2
6	<u>1017065</u>	Retainer, Headlight .....	1
7	<u>101987901</u>	Connector, Harness Assembly, Headlight .....	1
8	<u>101988101</u>	Bulb, Headlight .....	1
9	<u>101988201</u>	Lens, Headlight .....	1
10	1620	Screw, #10-16 X 0.75 Pan-Head Tap .....	2
11	<u>101988002</u>	Headlight Assy, Passenger-Side Single Beam (includes items 12 through 20) .....	1
12	<u>1016879</u>	Headlight Bezel, Right .....	1
13	<u>1017</u>	Nut, #10-24 Stainless-Steel Hex Machine .....	2
14	<u>1017062</u>	Turn Signal Lens Assy .....	1
15	<u>1017064</u>	Mounting Bracket .....	2
16	<u>1017065</u>	Retainer, Headlight .....	1
17	<u>101987901</u>	Connector, Harness Assembly, Headlight .....	1
18	<u>101988101</u>	Bulb, Headlight .....	1
19	<u>101988201</u>	Lens, Headlight .....	1
20	1620	Screw, #10-16 X 0.75 Pan-Head Tap .....	2

4  
G  
E

**4**  
**G**  
**E**



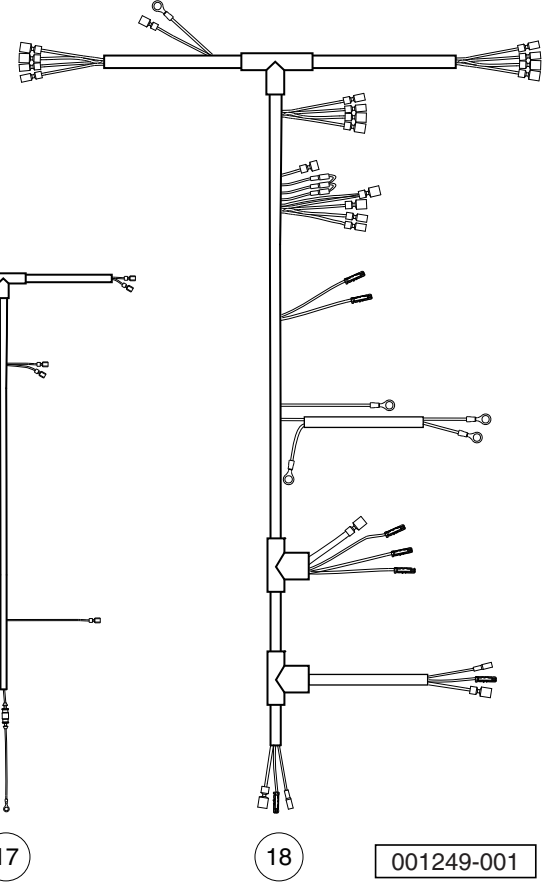
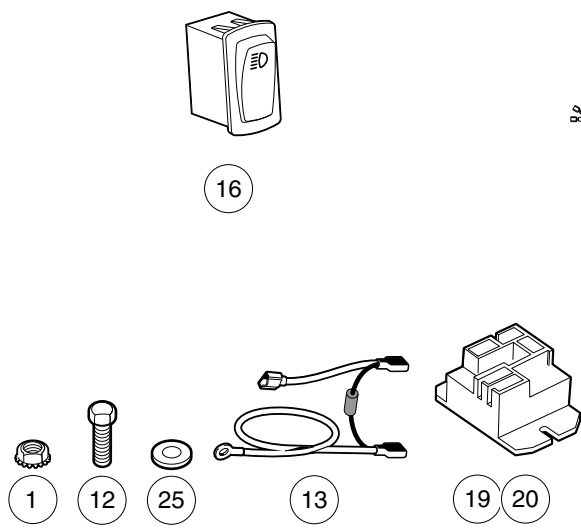
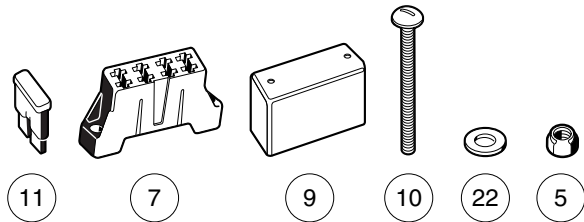
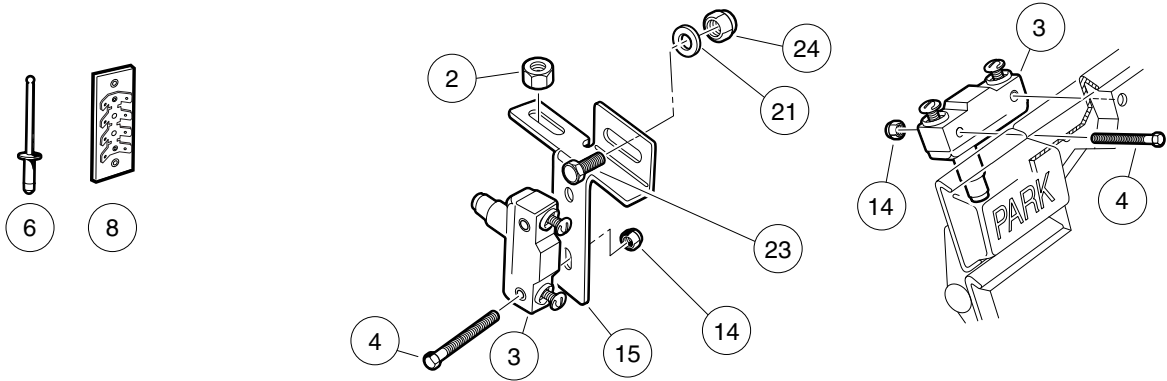
001291-001

# LIGHTING SYSTEM COMPONENTS – TRANSPORTATION GASOLINE VEHICLES

ITEM	PART NO.	DESCRIPTION	QTY
		1 2 3 4	
1	<u>1010909</u>	Screw, #10-32 X 1.25 Rd Hd Mch .....	1
2	<u>1011280</u>	Locknut, 5/16-18 .....	1
3	<u>1011439</u>	Switch, Limit .....	2
4	<u>1011557</u>	Screw, #6-32 X 1.00 Hex-Head Machine .....	4
5	<u>1013357</u>	Rivet, 5/32 Aluminum Pop .....	2
6	<u>1015741</u>	Fuse Block .....	1
7	<u>1016</u>	Lockwasher, #10 Split .....	1
8	<u>1016356</u>	Terminal Block with Insulator .....	1
9	<u>1016423</u>	Fuse, 20-Amp .....	3
10	<u>1017721</u>	Limiter, Voltage .....	1
11	<u>101932201</u>	Locknut, #6-32 Nylon .....	4
12	<u>101957101</u>	Bracket, Brake Light Switch .....	1
13	<u>102198701</u>	Brake Relay Kit - 12v (includes items 14 through 21) .....	1
14	<u>1011229</u>	Locknut, #6-32 Whiz .....	2
15	<u>1017853</u>	Screw, #6-32 X 0.75 Hex-Head Machine .....	2
16	<u>101914401</u>	Assembly, Voltage Suppressor .....	1
17	<u>102199001</u>	Relay, 12-Volt .....	1
18	<u>102199201</u>	Wire Asm #18 Brown .....	1
19	<u>102199301</u>	Wire Asm #18 Black .....	1
20	<u>102199401</u>	Wire Asm #18 Black .....	1
21	<u>7591</u>	Washer, #6, Flat .....	2
22	<u>102869401</u>	Switch, Rocker, Light .....	1
23	<u>1241</u>	Washer, 5/16 Type A Flat .....	1
24	<u>183</u>	Washer, #10, Type A, Flat .....	1
25	<u>7173</u>	Screw, 5/16-18 X 0.75, Hex-Head Cap .....	1
26	<u>7473</u>	Locknut, 5/16-18 Nylon Insert .....	1
27	<u>7893</u>	Nut, #10-32 Hex .....	1
		Note: The Villager 6 and 8 gasoline models have wiring for lights built into the main wire harness.	

**4**  
**G**  
**E**

**4**  
**G**  
**E**



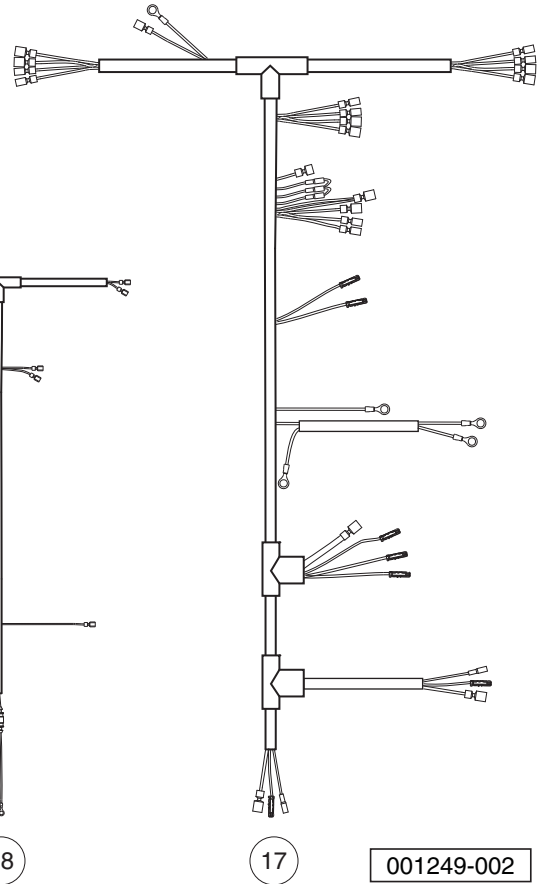
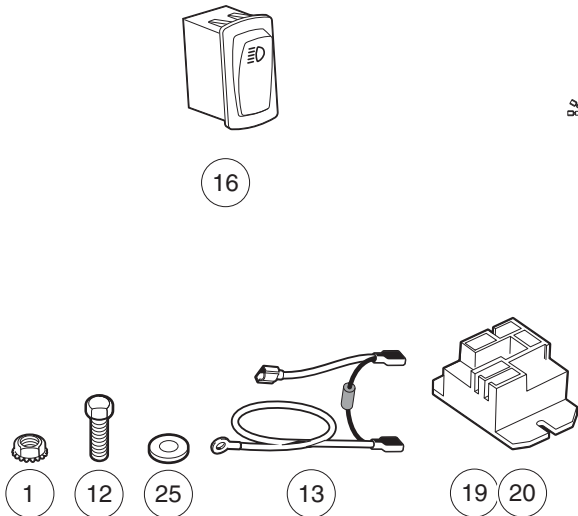
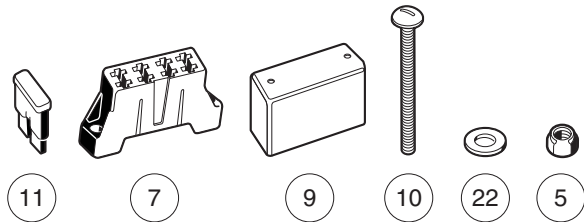
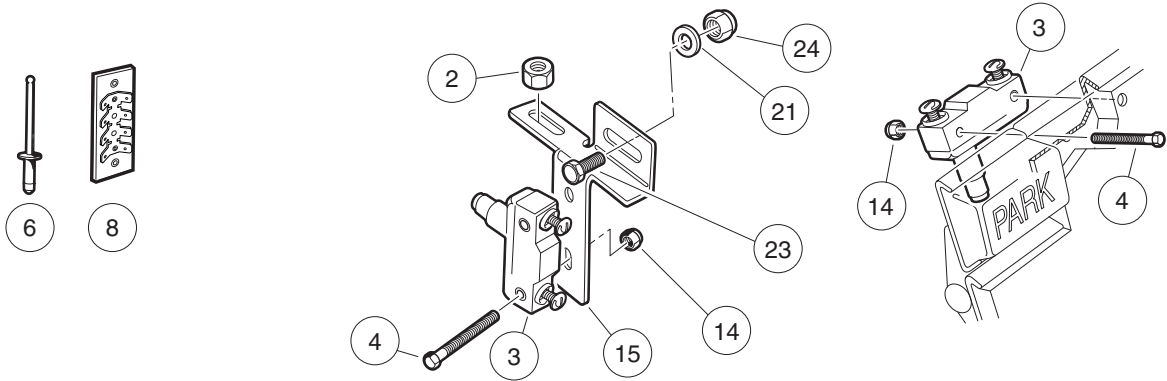
001249-001

# LIGHTING SYSTEM COMPONENTS – CA 6 AND VILL. 6 ELEC. WITH IQ PLUS CHARGER

ITEM	PART NO.	DESCRIPTION	QTY
		1 2 3 4	
1	<u>1011229</u>	Locknut, #6-32 Whiz .....	2
2	<u>1011280</u>	Locknut, 5/16-18 .....	1
3	<u>1011439</u>	Switch, Limit .....	2
4	<u>1011557</u>	Screw, #6-32 X 1.00 Hex-Head Machine .....	4
5	<u>1012438</u>	Locknut, #10-24 Nylon Insert .....	2
6	<u>1013357</u>	Rivet, 5/32 Aluminum Pop .....	2
7	<u>1015741</u>	Fuse Block .....	1
8	<u>1016356</u>	Terminal Block with Insulator .....	1
9	<u>1016363</u>	Fuse Block Cover .....	1
10	<u>1016366</u>	Screw, #10-24 X 3.0 Pan-Head Machine .....	2
11	<u>1016423</u>	Fuse, 20-Amp .....	3
12	<u>1017853</u>	Screw, #6-32 X 0.75 Hex-Head Machine .....	2
13	<u>101914401</u>	Assembly, Voltage Suppressor .....	1
14	<u>101932201</u>	Locknut, #6-32 Nylon .....	4
15	<u>101957101</u>	Bracket, Brake Light Switch .....	1
16	<u>102869401</u>	Switch, Rocker, Light .....	1
17	<u>103255701</u>	Wire Harness, Headlights-Only, CA, Electric .....	1
18	<u>103257101</u>	Wire Harness, Lighting Package, Stretch, Electric .....	1
19	<u>103414901</u>	Kit, Relay, 48v 30a W/instr (includes item 20) .....	1
20	<u>103397901</u>	Relay, Spst No, 48v 30a, Pmt .....	1
21	<u>1241</u>	Washer, 5/16 Type A Flat .....	1
22	<u>183</u>	Washer, #10, Type A, Flat .....	4
23	<u>7173</u>	Screw, 5/16-18 X 0.75, Hex-Head Cap .....	1
24	<u>7473</u>	Locknut, 5/16-18 Nylon Insert .....	1
25	<u>7591</u>	Washer, #6, Flat .....	2
		Note: Use item 17 for headlights only. NOTE 2: Use item 18 for headlights and taillights.	

4  
G  
E

**4**  
**G**  
**E**



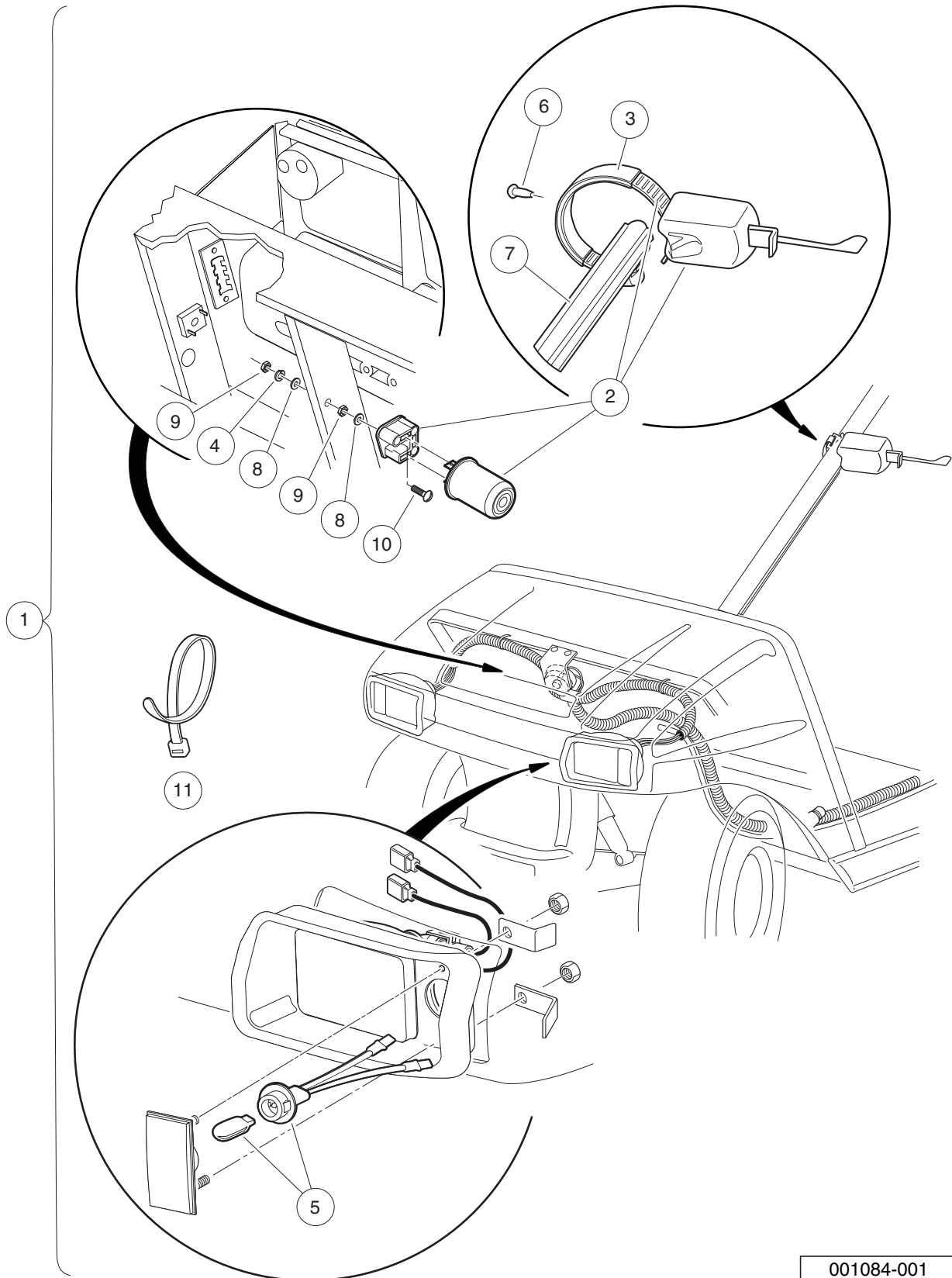
001249-002

# LIGHTING SYSTEM COMPONENTS – VILLAGER 8 ELEC. WITH IQ PLUS CHARGER

ITEM	PART NO.	DESCRIPTION	QTY
		1 2 3 4	
1	<u>1011229</u>	Locknut, #6-32 Whiz .....	2
2	<u>1011280</u>	Locknut, 5/16-18 .....	1
3	<u>1011439</u>	Switch, Limit .....	2
4	<u>1011557</u>	Screw, #6-32 X 1.00 Hex-Head Machine .....	4
5	<u>1012438</u>	Locknut, #10-24 Nylon Insert .....	2
6	<u>1013357</u>	Rivet, 5/32 Aluminum Pop .....	2
7	<u>1015741</u>	Fuse Block .....	1
8	<u>1016356</u>	Terminal Block with Insulator .....	1
9	<u>1016363</u>	Fuse Block Cover .....	1
10	<u>1016366</u>	Screw, #10-24 X 3.0 Pan-Head Machine .....	2
11	<u>1016423</u>	Fuse, 20-Amp .....	3
12	<u>1017853</u>	Screw, #6-32 X 0.75 Hex-Head Machine .....	2
13	<u>101914401</u>	Assembly, Voltage Suppressor .....	1
14	<u>101932201</u>	Locknut, #6-32 Nylon .....	4
15	<u>101957101</u>	Bracket, Brake Light Switch .....	1
16	<u>102869401</u>	Switch, Rocker, Light .....	1
17	<u>103254401</u>	Wire Harness, Lght Pkg, V8, El .....	1
18	<u>103255701</u>	Wire Harness, Headlights-Only, CA, Electric .....	1
19	<u>103414901</u>	Kit, Relay, 48v 30a W/instr (includes item 20) .....	1
20	<u>103397901</u>	Relay, Spst No, 48v 30a, Pmt .....	1
21	<u>1241</u>	Washer, 5/16 Type A Flat .....	1
22	<u>183</u>	Washer, #10, Type A, Flat .....	4
23	<u>7173</u>	Screw, 5/16-18 X 0.75, Hex-Head Cap .....	1
24	<u>7473</u>	Locknut, 5/16-18 Nylon Insert .....	1
25	<u>7591</u>	Washer, #6, Flat .....	2
		Note: Use item 18 for headlights only. NOTE 2: Use item 17 for headlights and taillights.	

4  
G  
E

**4**  
**G**  
**E**



001084-001

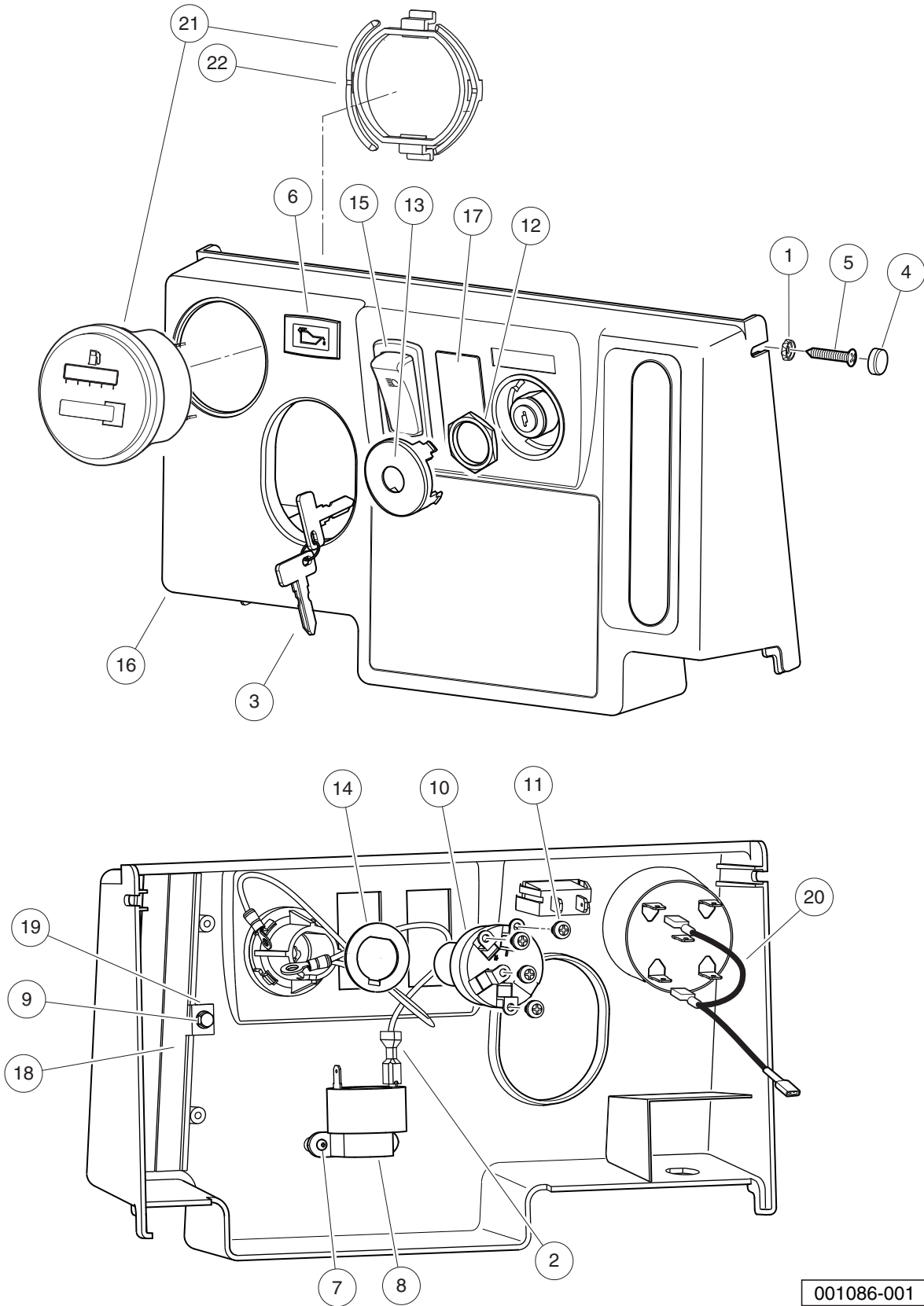


# TURN SIGNAL KIT – DS AND UTILITY GASOLINE AND ELECTRIC VEHICLES

ITEM	PART NO.	DESCRIPTION	QTY
		1 2 3 4	
1	101707402	Turn Signal Conversion Kit (includes items 2 through 11) .....	1
2	<u>1011590</u>	Switch Sub-assy, Turn Signal .....	1
3	N/A	Strap, Extrusion .....	1
4	<u>1016</u>	Lockwasher, #10 Split .....	1
5	<u>1017075</u>	Socket & Lamp Assembly .....	2
6	<u>1017724</u>	Rivet, Plastic .....	1
7	<u>102529201</u>	Wire Cover, Steering Column .....	1
8	<u>183</u>	Washer, #10, Type A, Flat .....	2
9	<u>7893</u>	Nut, #10-32 Hex .....	2
10	8104	Screw, #10-32 X .75 Rd Hd Mach .....	1
11	<u>8990</u>	Tie Wrap, 8" Nylon .....	1

4  
G  
E

**4**  
**G**  
**E**



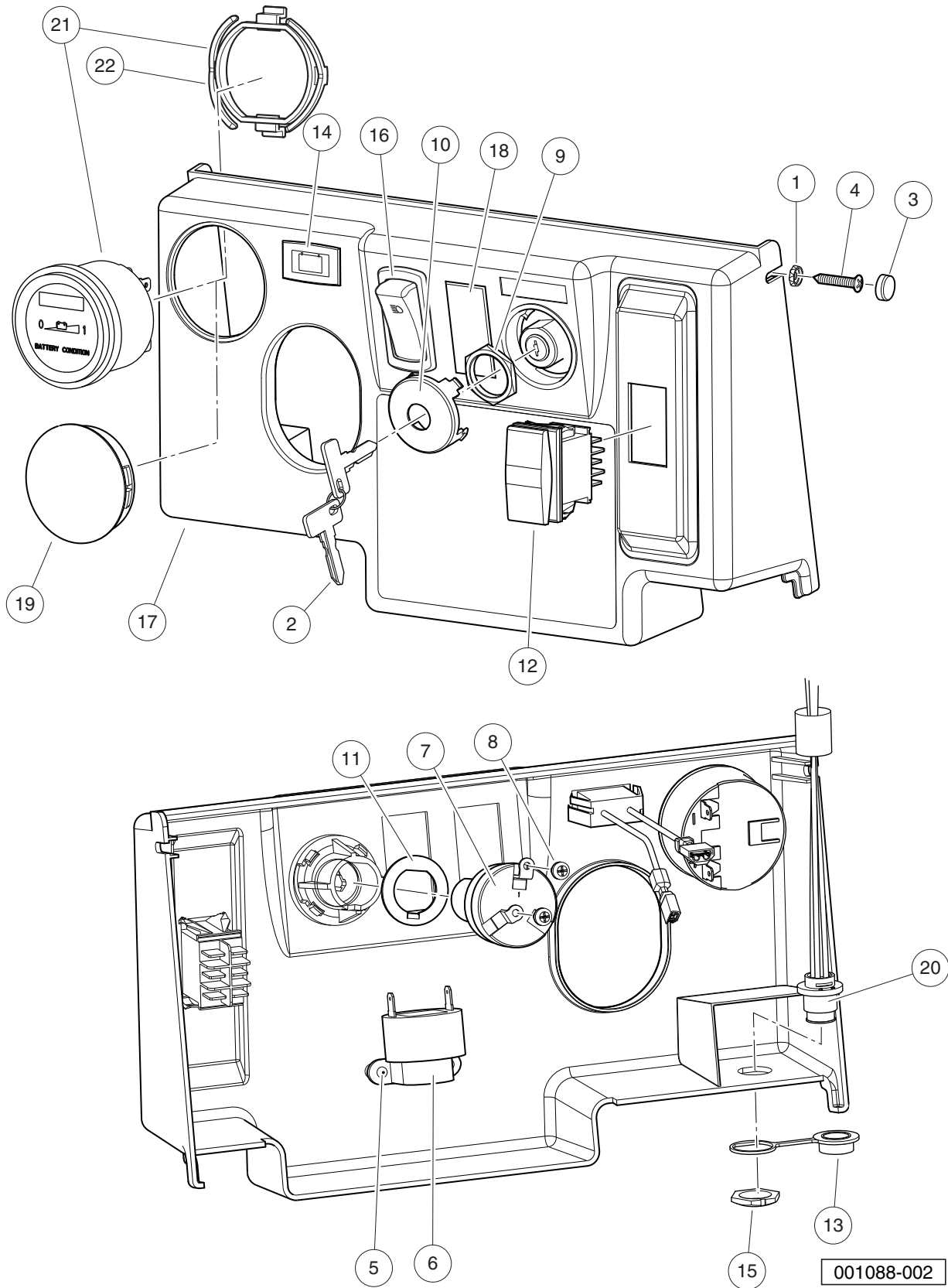
001086-001

# INSTRUMENT PANEL AND ELECTRICAL COMPONENTS – CA6/ VILL 6 & 8 GAS

ITEM	PART NO.	DESCRIPTION	QTY
		<b>1 2 3 4</b>	
1	1011382	Washer, #10 Pan-Head Screw .....	2
2	1012396	Wire Assy #18 Black .....	1
3	<u>1012505</u>	Keys (set of 2) .....	1
4	<u>1013494</u>	Cover, Screw Head .....	2
5	<u>1015528</u>	Screw, #10 x 1-1/4 Phillips Head .....	2
6	<u>1016630</u>	Light, Oil .....	1
7	<u>1016849</u>	Screw, #4-24 X 0.33, Pan-Head, Machine .....	2
8	<u>1016851</u>	Buzzer, Reverse (9-48 VDC) .....	1
9	<u>101804301</u>	Screw, #8 X 0.500, Hex-Head Hi-Lo .....	2
10	101826401	Key Switch, 12-Volt, Off/On/Start .....	1
11	101830601	Screw and Washer Assembly .....	5
12	<u>101830701</u>	Nut, Key Switch .....	1
13	<u>101834502</u>	Cap, Black Key Switch .....	1
14	<u>101851101</u>	Washer, Key Switch .....	1
15	<u>102869401</u>	Switch, Rocker, Light .....	1
16	<u>102977001</u>	Panel, Dash, Center, Gas (Instrument Panel) .....	1
17	<u>103180101</u>	Cover, Hole, Switch, Rocker .....	1
18	<u>103199001</u>	Brush, Closeout, FNR .....	2
19	<u>103199101</u>	Washer, Retaining, Brush, FNR .....	2
20	<u>103348501</u>	Asm, Wire Meter, F-h Jumper .....	1
21	<u>103348601</u>	Gauge, Fuel-hour, sep Gnd, utl (includes item 22) .....	1
22	<u>103348201</u>	Clip, Meter, Round .....	1

**4**  
**G**  
**E**

**4**  
**G**  
**E**



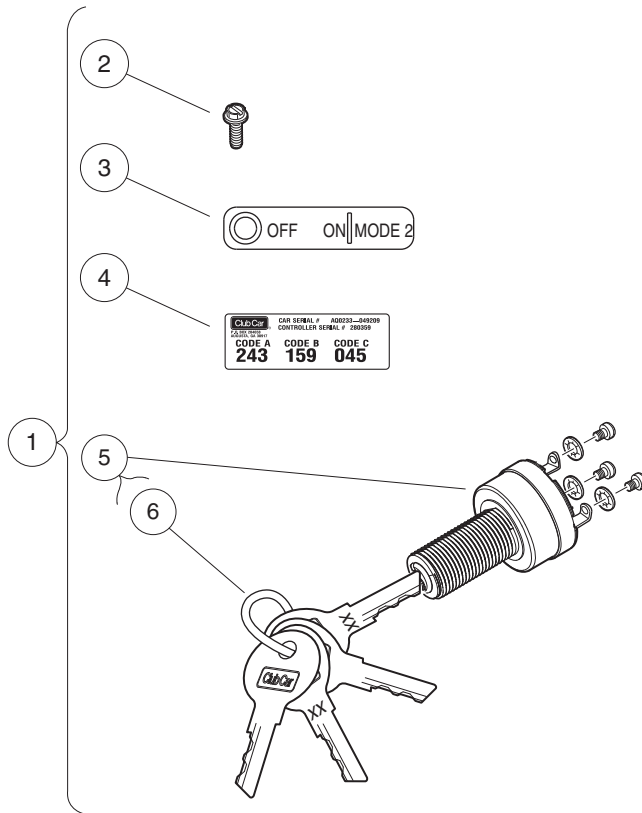
001088-002

# INSTRUMENT PANEL WITH ELECTRICAL COMPONENTS – CA6/ VILL 6/8 ELEC. W/LESTER CHARGER

ITEM	PART NO.	DESCRIPTION	QTY
		<b>1 2 3 4</b>	
1	1011382	Washer, #10 Pan-Head Screw .....	2
2	<u>1012505</u>	Keys (set of 2) .....	1
3	<u>1013494</u>	Cover, Screw Head .....	2
4	<u>1015528</u>	Screw, #10 x 1-1/4 Phillips Head .....	2
5	<u>1016849</u>	Screw, #4-24 X 0.33, Pan-Head, Machine .....	2
6	<u>1016851</u>	Buzzer, Reverse (9-48 VDC) .....	1
7	<u>101826201</u>	Key Switch, On/Off .....	1
8	101830601	Screw and Washer Assembly .....	2
9	<u>101830701</u>	Nut, Key Switch .....	1
10	<u>101834502</u>	Cap, Black Key Switch .....	1
11	<u>101851101</u>	Washer, Key Switch .....	1
12	<u>101856002</u>	Switch, Rocker, Single-Pole .....	1
13	<u>102196901</u>	Dust Cap .....	1
14	<u>102508701</u>	Light, Battery .....	1
15	<u>102572401</u>	Nut, Diagnostic Port, Prec .....	1
16	<u>102869401</u>	Switch, Rocker, Light .....	1
17	<u>102977002</u>	Panel, Dash, Center, Elec (Instrument Panel) .....	1
18	<u>103180101</u>	Cover, Hole, Switch, Rocker .....	1
19	<u>103198301</u>	Plug, Hole, Round, 2.0 In .....	1
20	<u>103218601</u>	Harness, Diagnostic Port .....	1
21	<u>103354401</u>	Gauge, Battery Cond Ind, Rnd (includes item 22) .....	1
22	<u>103348202</u>	Clip, Bci, Round .....	1

**4**  
**G**  
**E**

**4**  
**G**  
**E**



001212-001

# KEYS AND KEYSWITCHES, SMARTKEY KIT – ELECTRIC VEHICLE

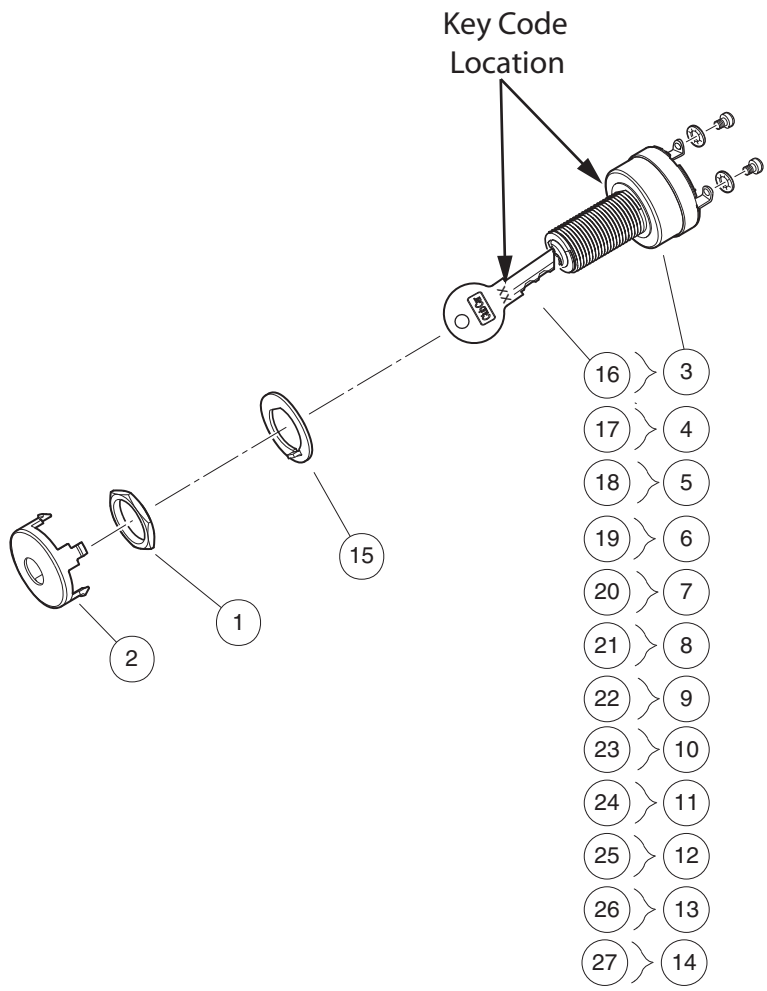
ITEM	PART NO.	DESCRIPTION	QTY
		<b>1 2 3 4</b>	
1	<u>102962602</u>	Kit, Field, Smartkey (includes items 2 through 5) .....	1
2	<u>1011017</u>	Screw, #8-32 X 0.375 .....	1
3	<u>101825103</u>	Decal, Keyswitch, Iq Plus Mode .....	1
4	N/A	Decal, Passcode .....	1
5	<u>102950301</u>	Key Switch, Mode B, Iq Plus (includes item 6) .....	1
6	<u>102962303</u>	Keys, Set Of 4, Iq Plus Mode .....	1
		 Note: Not available in the EU.	

**4**  
**G**  
**E**

4

G

E



001089-001

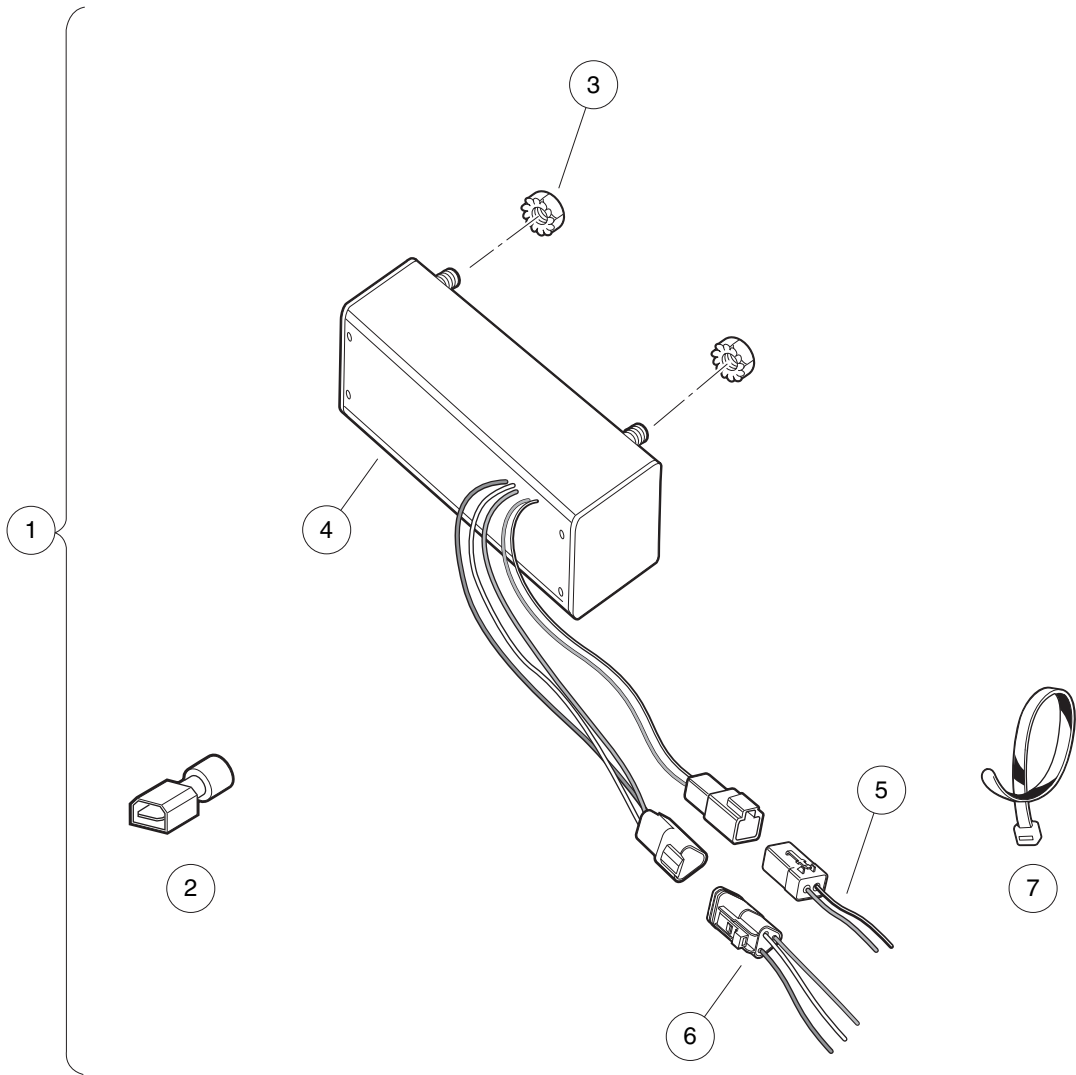


## KEYS AND KEYSWITCHES, UNCOMMON – GAS VEHICLE

ITEM	PART NO.	DESCRIPTION	QTY
		1 2 3 4	
1	<u>101830701</u>	Nut, Key Switch .....	1
2	<u>101834502</u>	Cap, Black Key Switch .....	1
3	<u>101839801</u>	Keyswtch Uncom A408 On/off/st .....	1
4	<u>101839802</u>	Keyswtch Uncom B408 On/off/st .....	1
5	<u>101839803</u>	Keyswtch Uncom C408 On/off/st .....	1
6	<u>101839804</u>	Keyswtch Uncom D408 On/off/st .....	1
7	<u>101839805</u>	Keyswtch Uncom 2a408 On/off/st .....	1
8	<u>101839806</u>	Keyswtch Uncom 2b408 On/off/st .....	1
9	<u>101839807</u>	Keyswtch Uncom 2c408 On/off/st .....	1
10	<u>101839808</u>	Keyswtch Uncom 2d408 On/off/st .....	1
11	<u>101839809</u>	Keyswtch Uncom E408 On/off/st .....	1
12	<u>101839810</u>	Keyswtch Uncom F408 On/off/st .....	1
13	<u>101839811</u>	Keyswtch Uncom 2e408 On/off/st .....	1
14	<u>101839812</u>	Keyswtch Uncom 2f408 On/off/st .....	1
15	<u>101851101</u>	Washer, Key Switch .....	1
16	<u>101974701</u>	Key, Uncommon 1a .....	1
17	<u>101974702</u>	Key, Uncommon 1b .....	1
18	<u>101974703</u>	Key, Uncommon 1c .....	1
19	<u>101974704</u>	Key, Uncommon 1d .....	1
20	<u>101974705</u>	Key, Uncommon 2a .....	1
21	<u>101974706</u>	Key, Uncommon 2b .....	1
22	<u>101974707</u>	Key, Uncommon 2c .....	1
23	<u>101974708</u>	Key, Uncommon 2d .....	1
24	<u>101974709</u>	Key, Uncommon 1e .....	1
25	<u>101974710</u>	Key, Uncommon 1f .....	1
26	<u>101974711</u>	Key, Uncommon 2e .....	1
27	<u>101974712</u>	Key, Uncommon 2f .....	1
		Note: Keyswitches <u>101839801</u> through <u>101839812</u> are for key-start, gasoline vehicles ONLY.	

4  
G  
E

**4**  
**G**  
**E**



001090-001

# DC CONVERTER – IQ PLUS ELECTRIC VEHICLE

ITEM	PART NO.	DESCRIPTION	QTY
		1 2 3 4	
1	<u>102918701</u>	Kit, DC/DC Converter, IQ Plus (includes items 2 through 7) .....	1
2	<u>1016365</u>	Terminal, 1/4" Male Quick Disconnect .....	1
3	<u>101835601</u>	Locknut, 1/4-20 Hex Whiz .....	2
4	<u>102352201</u>	Converter , Dc -non Isolated .....	1
5	<u>102354901</u>	Harness, Dc Converter - 12v .....	1
6	<u>102890201</u>	Harness, Dc Converter, 48v .....	1
7	<u>8990</u>	Tie Wrap, 8" Nylon .....	10

4

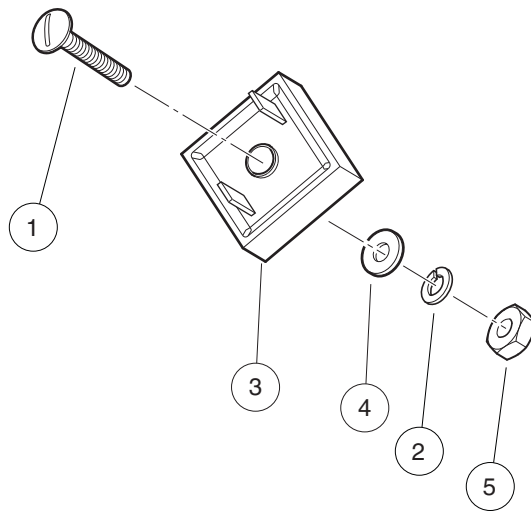
G

E

4

G

E



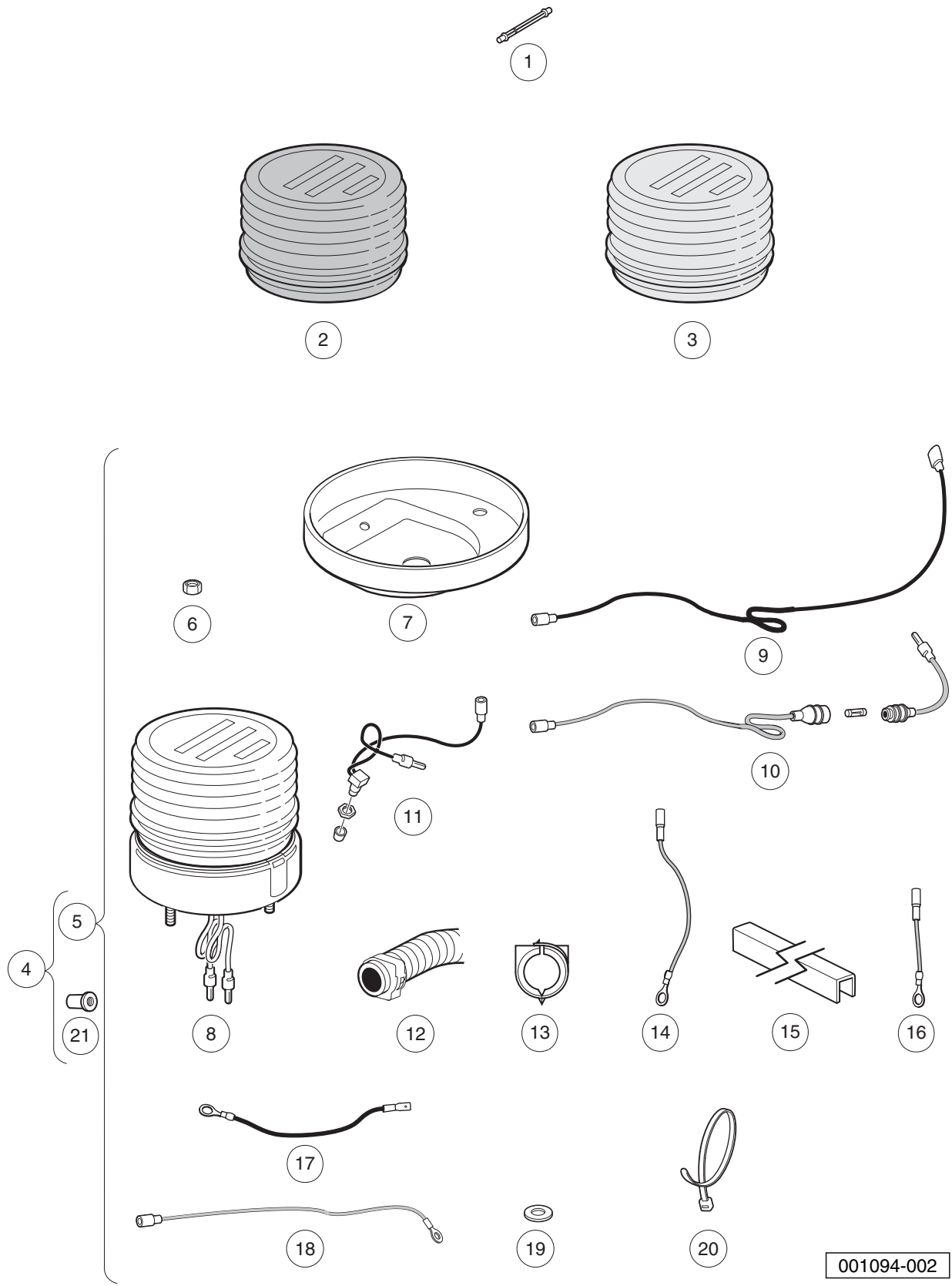
001091-001

## VOLTAGE LIMITER – GASOLINE VEHICLE

ITEM	PART NO.	DESCRIPTION	QTY
		1 2 3 4	
1	<u>1010909</u>	Screw, #10-32 X 1.25 Rd Hd Mch .....	1
2	<u>1016</u>	Lockwasher, #10 Split .....	1
3	<u>1017721</u>	Limiter, Voltage .....	1
4	<u>183</u>	Washer, #10, Type A, Flat .....	1
5	<u>7893</u>	Nut, #10-32 Hex .....	1

4  
G  
E

**4**  
**G**  
**E**



001094-002

## STROBE LIGHT, ROOF-MOUNTED

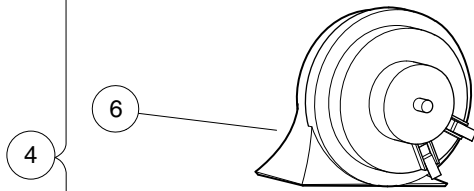
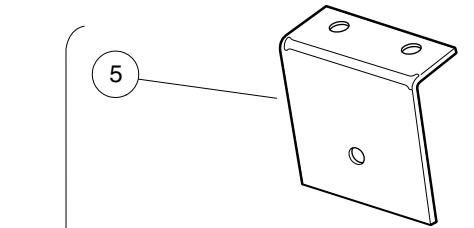
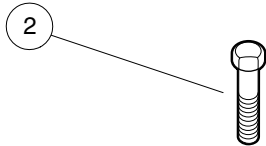
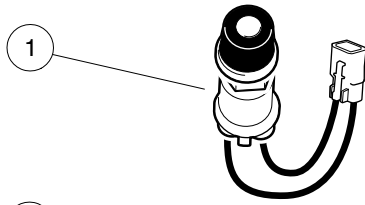
ITEM	PART NO.	DESCRIPTION	QTY
		<b>1 2 3 4</b>	
1	<u>1015526</u>	Bulb, Replacement, for Strobe Light .....	1
2	<u>AM1243701</u>	Lens, Blue, for Strobe Light .....	A/R
3	<u>AM1243801</u>	Lens, Red, for Strobe Light .....	A/R
4	<u>SVP119201</u>	Light, Roof-Mounted Strobe, Field (includes items 5 through 21) .....	A/R
5	<u>AM1243501</u>	Kit, Roof Mounted Strobe Fd (includes items 6 through 20) .....	1
6	<u>1012438</u>	Locknut, #10-24 Nylon Insert .....	2
7	<u>1015010</u>	Cover Plate Switch .....	1
8	<u>1015156</u>	Light Assembly, Strobe .....	1
9	<u>1015167</u>	#16 Black Wire Asm .....	1
10	<u>1015170</u>	Wire Assembly #16 .....	1
11	<u>1015187</u>	Switch Assembly .....	1
12	<u>1015768</u>	Split Convolute Elec Conduit .....	11
13	<u>1015770</u>	Outlet Ring - .5 Diameter .....	5
14	<u>1016230</u>	Wire Asm #16 Red .....	1
15	<u>1016267</u>	Snap On Conduit Vert. ....	1
16	<u>1016287</u>	Wire Asm #16 Red .....	1
17	<u>1016929</u>	Wire Assembly Black #16 .....	1
18	<u>101821601</u>	#18 Red Wire Assembly .....	1
19	<u>183</u>	Washer, #10, Type A, Flat .....	2
20	<u>8639</u>	Tie Wrap, 11" Nylon .....	8
21	<u>SVP493201</u>	Well Nut, 10-32 .....	3

**4**  
**G**  
**E**

4

G

E



001095-001

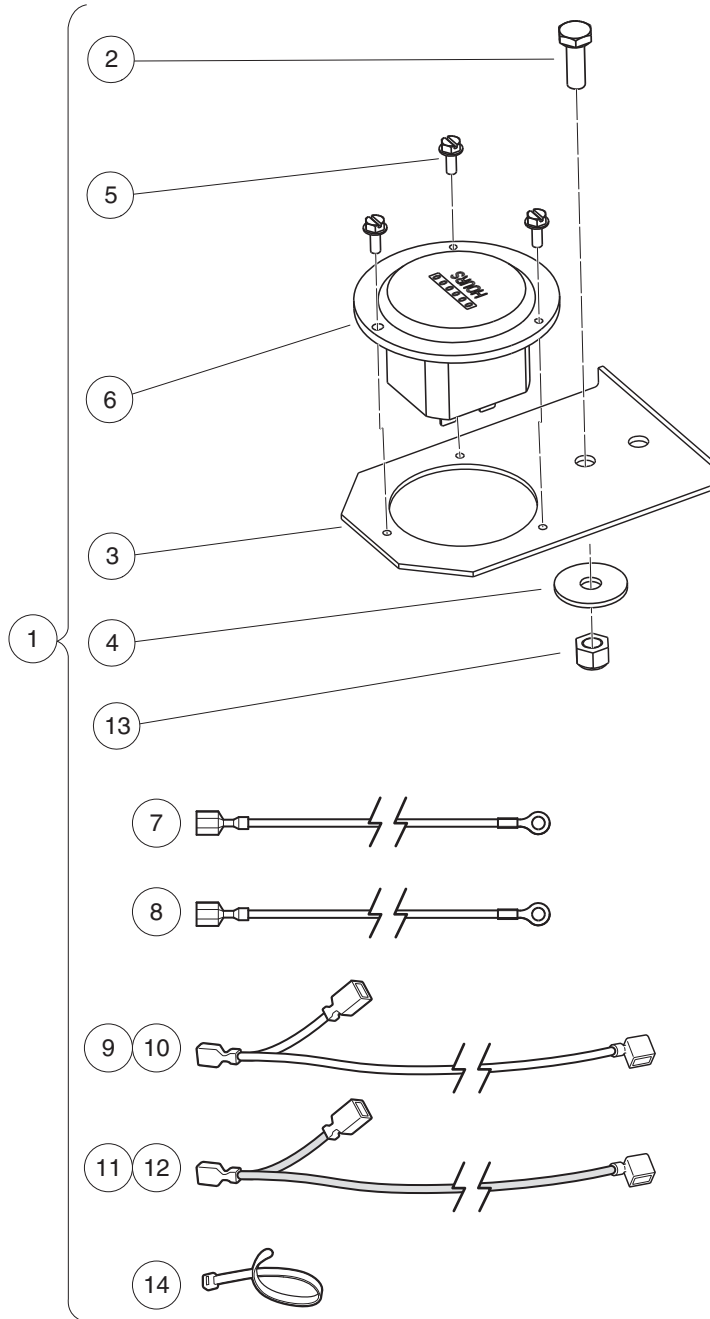


# HORN

ITEM	PART NO.	DESCRIPTION	QTY
		<b>1 2 3 4</b>	
1	<u>101969701</u>	Horn Button and Wire Assembly .....	1
2	304	Screw, 1/4-20 X 1.0 Hex-Head Cap .....	2
3	<u>332</u>	Washer, 1/4 Type A Narrow Flat .....	2
4	<u>4029</u>	Horn (includes items 5 through 9) .....	1
5	<u>1011825</u>	Horn Bracket .....	1
6	<u>1014530</u>	Horn, 12-VDC .....	1
7	<u>101955101</u>	Nut, M6 Hex .....	1
8	<u>7820</u>	Washer, 5/16 Internal-Tooth .....	1
9	8294	5/16 Ring Term. ....	1
10	<u>8233</u>	Locknut, 1/4-20, Nylon Insert .....	2

**4**  
**G**  
**E**

**4**  
**G**  
**E**

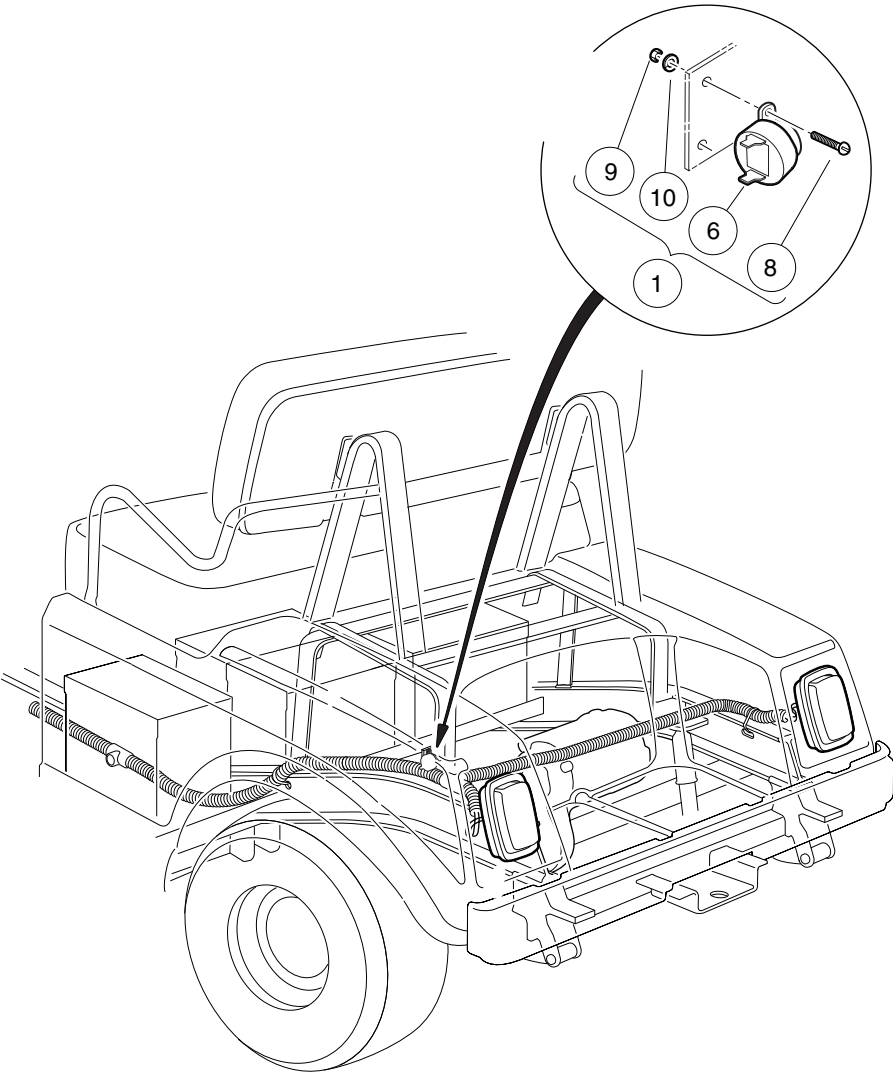


001096-001

# HOUR METER – IQ SYSTEM AND IQ PLUS ELECTRIC VEHICLES

ITEM	PART NO.	DESCRIPTION	QTY
		1 2 3 4	
1	<u>1013579</u>	Kit, Hour Meter (includes items 2 through 14) .....	1
2	<u>1012285</u>	Screw, 1/4 X 0.625 Hex-Head .....	1
3	<u>1013547</u>	Hour Meter Bracket .....	1
4	<u>1014306</u>	Washer, 1/4" Type B Flat .....	1
5	<u>1014540</u>	Screw, #6-32 X 3/8 Taptite .....	3
6	N/A	Hour Meter .....	1
7	101881501	Wire Assembly Black #18 .....	1
8	101881601	Wire Assembly Red #18 .....	1
9	<u>101997802</u>	Wire Assembly #18 Yellow .....	1
10	<u>101997803</u>	Wire Asm #18 Yellow 31" .....	1
11	<u>101997902</u>	Wire Assembly #18 Red .....	1
12	<u>101997903</u>	Wire Asm # 18 Red 31" .....	1
13	<u>8233</u>	Locknut, 1/4-20, Nylon Insert .....	1
14	<u>8990</u>	Tie Wrap, 8" Nylon .....	1
<p>Note: The kit includes components that apply to multiple vehicles. The installation instructions will specify which components are required for a specific model. After installation, discard components not used.</p>			

4  
G  
E



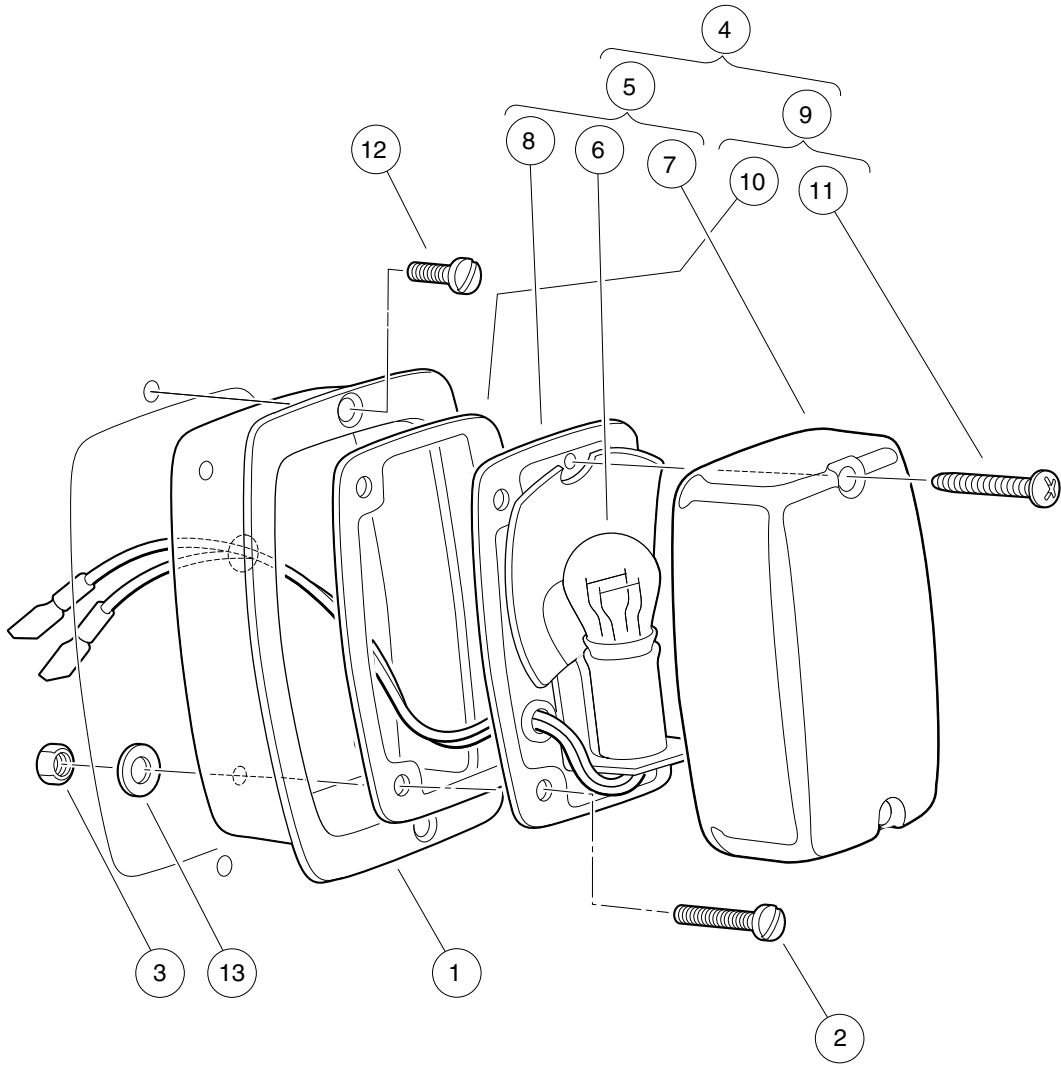
000433-001

## REAR REVERSE BUZZER

ITEM	PART NO.	DESCRIPTION	QTY
		1 2 3 4	
1	<u>1016859</u>	Kit, Reverse Buzzer (includes items 2 through 10) .....	1
2	<u>1011229</u>	Locknut, #6-32 Whiz .....	1
3	1012431	Washer, #4 Flat .....	2
4	<u>1015720</u>	Screw, #6-32 X 1/2 Hex Washer-Head .....	1
5	<u>1016849</u>	Screw, #4-24 X 0.33, Pan-Head, Machine .....	2
6	<u>1016851</u>	Buzzer, Reverse (9-48 VDC) .....	1
7	1016857	Wire Assembly Black #18 .....	1
8	<u>8056</u>	Screw, #4-40 X 0.75 Round-Head Machine .....	2
9	<u>8057</u>	Nut, #4-40 Hex Machine .....	2
10	<u>8058</u>	Lockwasher, #4 Split .....	2
<p>Note: Note: Items 2 through 5 and 7 are included in the kit, but are not used in this application.</p>			

4  
G  
E

**4**  
**G**  
**E**



000348-006

# TAIL LIGHTS

ITEM	PART NO.	DESCRIPTION	QTY
		<b>1 2 3 4</b>	
1	<u>1011497</u>	Bezel, Taillight .....	1
2	<u>1011557</u>	Screw, #6-32 X 1.00 Hex-Head Machine .....	1
3	<u>1011558</u>	Nut, #6-32 Hex .....	1
4	1017035	Taillight Assembly (includes items 5 through 9) .....	1
5	N/A	Light, Tail (includes items 6 through 8) .....	1
6	<u>1011582</u>	Taillight Bulb .....	1
7	<u>1011843</u>	Taillight Lens .....	1
8	N/A	Base, Taillight .....	1
9	<u>1017699</u>	Hardware Kit, Tail Light (includes items 10 and 11) .....	1
10	N/A	Gasket .....	1
11	N/A	Screw, Tapered .....	2
12	<u>102915601</u>	Plastic Rivet - Tuflock .....	1
13	<u>7591</u>	Washer, #6, Flat .....	1

**4**  
**G**  
**E**

**4**

**G**

**E**



# **BRAKES, PEDALS, AND CABLES**

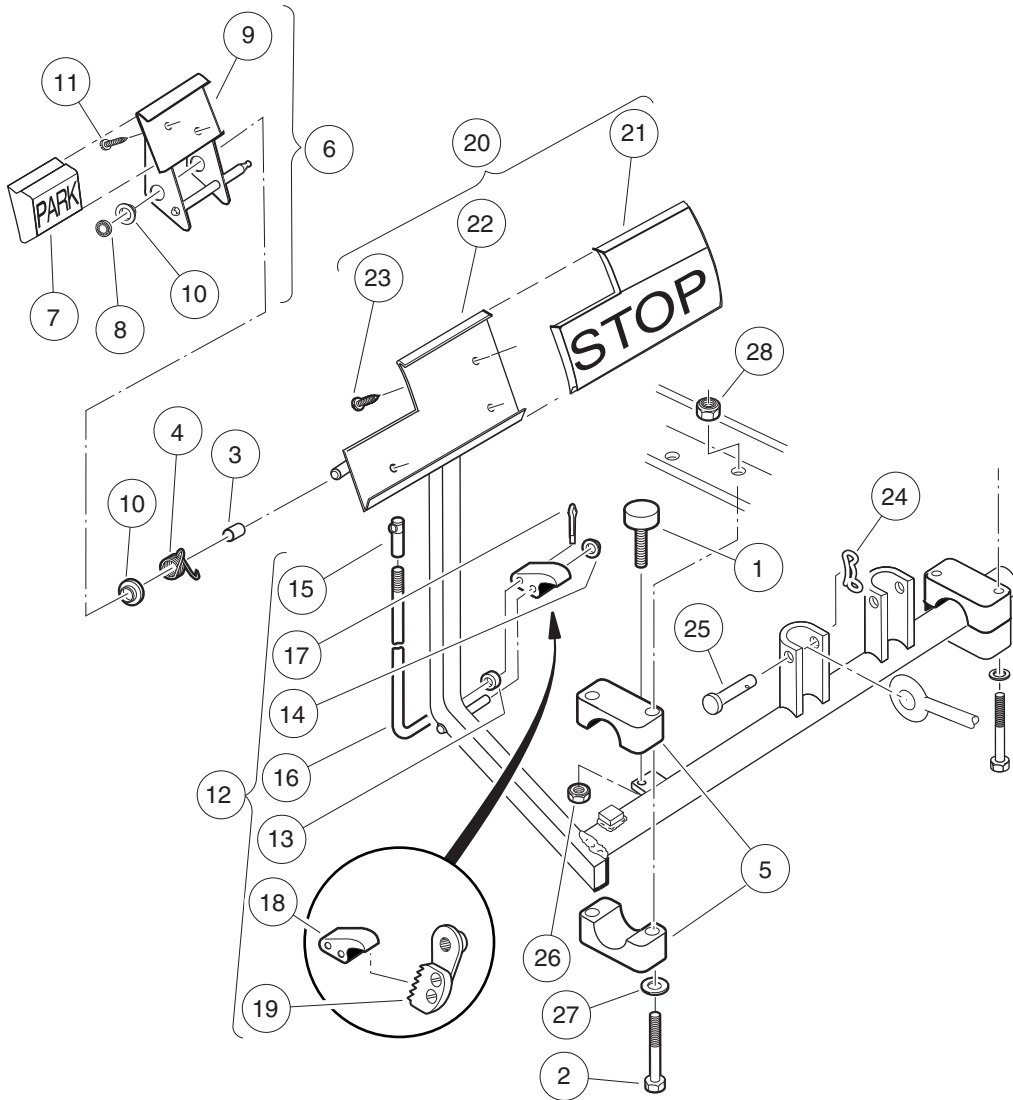
---

**5**

**G**

**E**

**5**  
**G**  
**E**



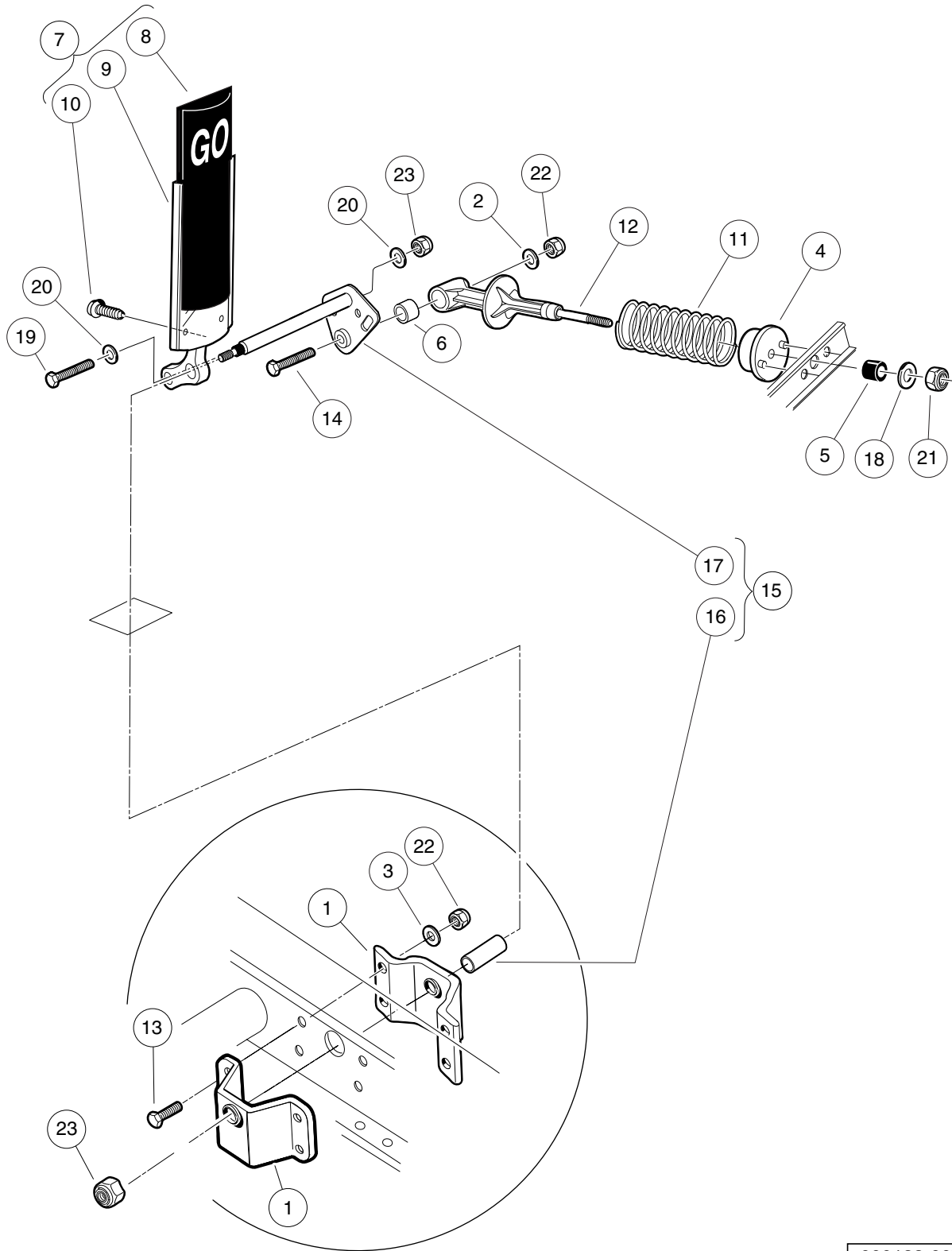
000187-001

# BRAKE PEDAL ASSEMBLY

ITEM	PART NO.	DESCRIPTION	QTY
		<b>1 2 3 4</b>	
1	<u>1010878</u>	Bumper, Rubber .....	1
2	<u>1010921</u>	Screw, 5/16-18 X 2.50 Hex Cap .....	4
3	<u>1010927</u>	Hill Brake Spacer .....	1
4	<u>1010933</u>	Spring, Hill Brake Torsion .....	1
5	<u>1011402</u>	Package, Brake Mounting Block .....	1
6	<u>1011418</u>	Kit, Hill Brake Pedal (includes items 7 through 11) .....	1
7	<u>1013870</u>	Pad, Hill Brake .....	1
8	<u>1013876</u>	Pushnut, 3/8 .....	1
9	N/A	Hill Brake Weld Assembly .....	1
10	<u>1032</u>	Bushing, Nylon .....	2
11	7716	Screw, #10-16 Type AB, Sheet Metal .....	2
12	<u>101187702</u>	Kit, Hill Brake Latch (includes items 13 through 19) .....	1
13	<u>1010805</u>	Sleeve, Hill Brake Rod .....	1
14	<u>1010877</u>	Pushnut, 3/8 .....	1
15	1010932	Ball Joint, 1/4-28 .....	1
16	N/A	Rod, Hill Brake .....	1
17	<u>1017029</u>	Pin, Cotter, 7/64 x 1/2 Stainless-Steel .....	1
18	N/A	Pawl, Hill Brake .....	1
19	101918501	Ratchet Assembly .....	1
20	<u>101878201</u>	Brake Pedal Kit (includes items 21 through 23) .....	1
21	<u>1013869</u>	Pad, Brake Pedal .....	1
22	N/A	Weldment, Brake Pedal, 2wr Std .....	1
23	7716	Screw, #10-16 Type AB, Sheet Metal .....	3
24	<u>102323101</u>	Pin, Bow Tie Locking .....	1
25	<u>102323201</u>	Pin, 3/8 X 1-5/16 Clevis .....	1
26	<u>1028</u>	Nut, 1/4-20 Hex .....	1
27	<u>1241</u>	Washer, 5/16 Type A Flat .....	4
28	<u>7473</u>	Locknut, 5/16-18 Nylon Insert .....	4

**5**  
**G**  
**E**

**5**  
**G**  
**E**



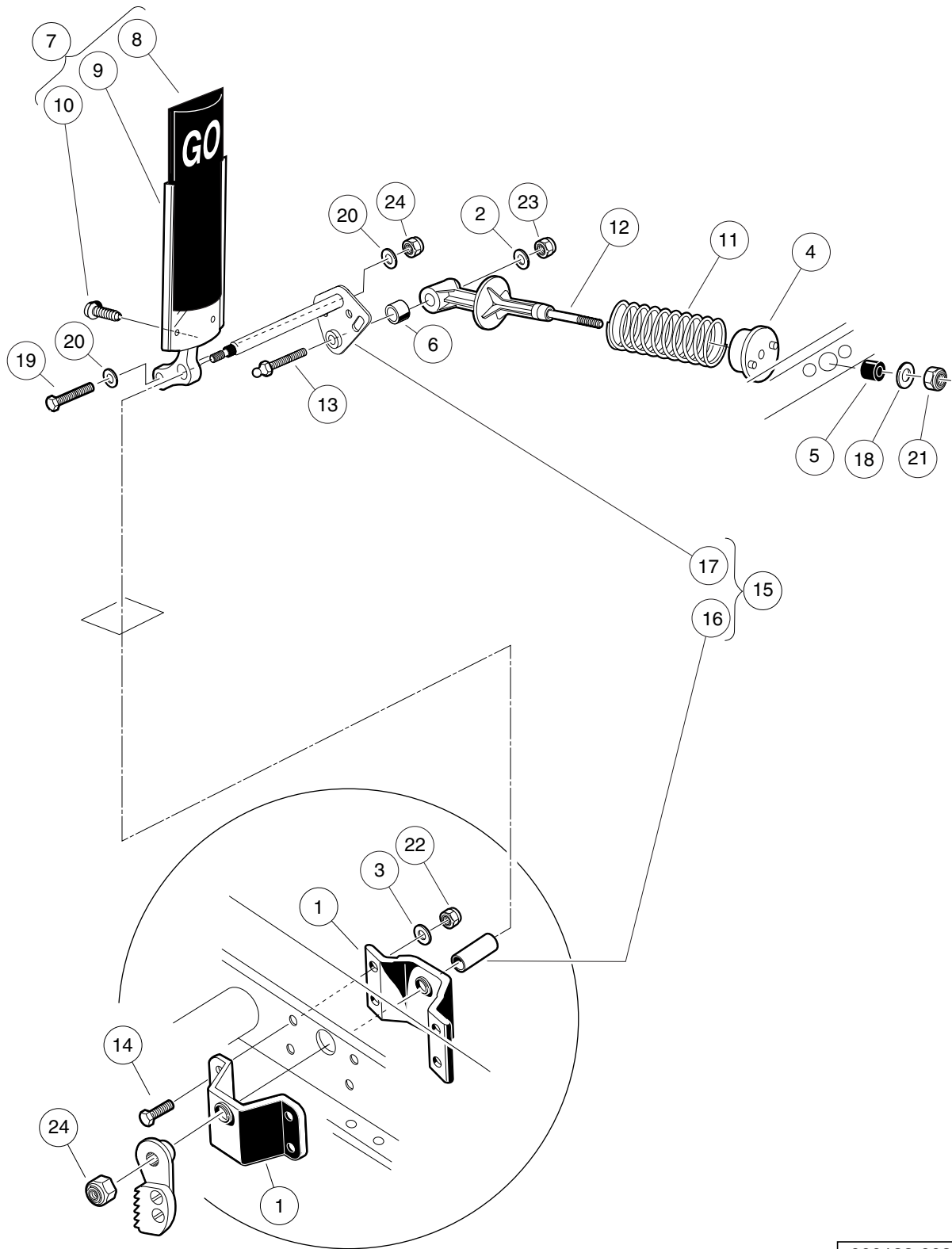
000188-007

# ACCELERATOR PEDAL ASSEMBLY – ELECTRIC VEHICLES WITH MCOR

ITEM	PART NO.	DESCRIPTION	QTY
		1 2 3 4	
1	<u>1011694</u>	Accelerator Bracket and Bearing Assembly .....	2
2	<u>1011931</u>	Washer, 1/4 Flat .....	1
3	<u>1014007</u>	Washer, 1/4, Flat .....	4
4	<u>1017378</u>	Cup, Spring .....	1
5	<u>1017380</u>	Bumper, Spring Return .....	1
6	<u>1017424</u>	Bearing, Pivot Support .....	1
7	<u>1017696</u>	Sub Asm, Accelerator Pedal (includes items 8 through 10) .....	1
8	1013871	Pad, Accelerator Pedal .....	1
9	N/A	Accelerator Pedal Weldment .....	1
10	7716	Screw, #10-16 Type AB, Sheet Metal .....	4
11	101796201	Spring, Accelerator Return .....	1
12	<u>101817401</u>	Retainer, Spring .....	1
13	<u>101861901</u>	Screw, 1/4-20 X 1.125 Hex Cap .....	4
14	<u>101862001</u>	Screw, 1/4-20 X 1.500 Flange .....	1
15	<u>102026001</u>	Kit, Accelerator Pivot Rod Assembly (includes items 16 and 17) .....	1
16	101919801	Spacer, Accelerator .....	1
17	<u>102158901</u>	Pivot Rod Weldment .....	1
18	<u>1241</u>	Washer, 5/16 Type A Flat .....	1
19	<u>1624</u>	Screw, 3/8-16 X 1.50, Hex-Head Cap .....	1
20	<u>334</u>	Washer, 3/8, Type A, Flat .....	2
21	<u>7473</u>	Locknut, 5/16-18 Nylon Insert .....	1
22	<u>8233</u>	Locknut, 1/4-20, Nylon Insert .....	5
23	<u>8754</u>	Locknut, 3/8-16 Hex .....	2

**5**  
**G**  
**E**

**5**  
**G**  
**E**



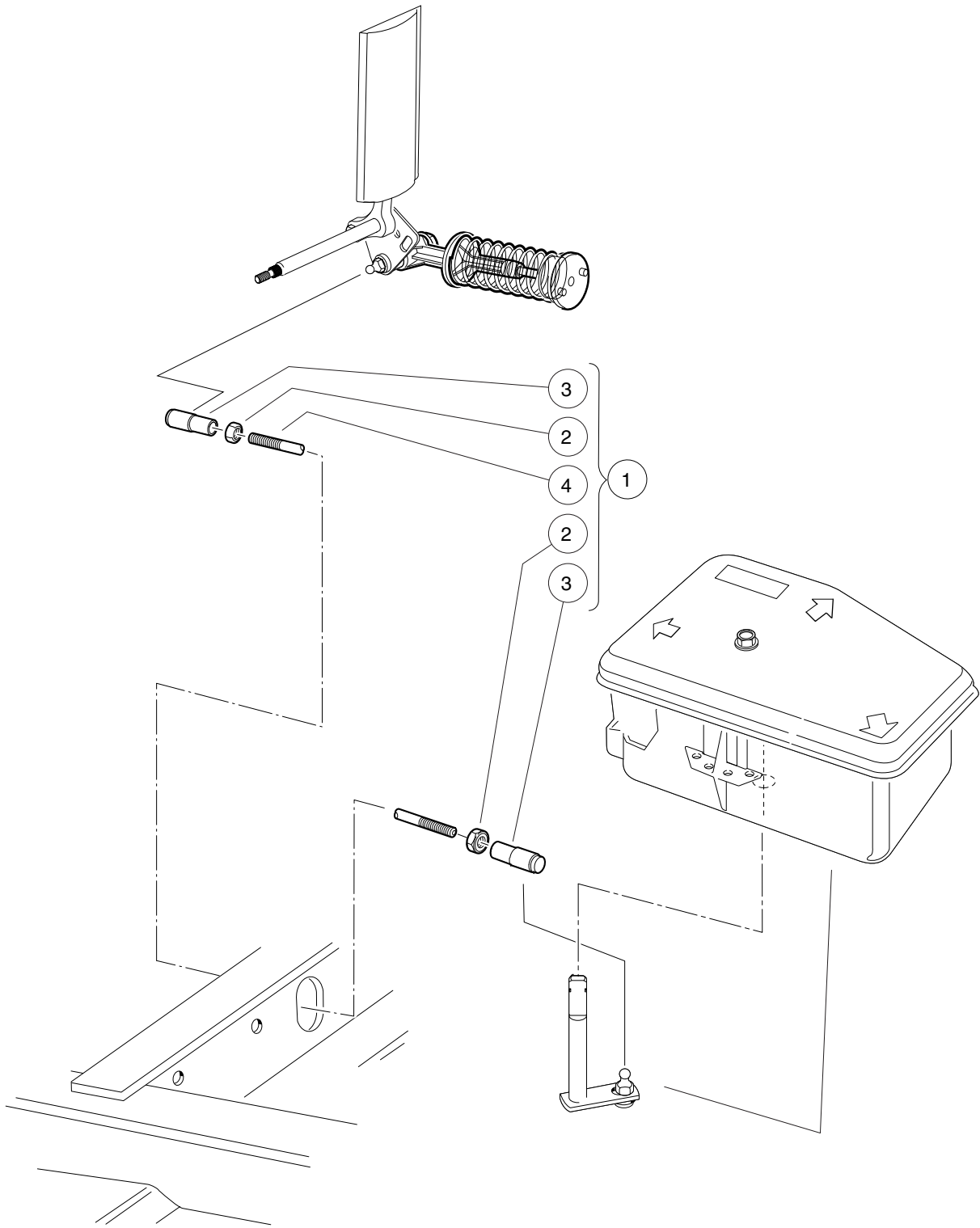
000188-008

# ACCELERATOR PEDAL ASSEMBLY – GASOLINE VEHICLES

ITEM	PART NO.	DESCRIPTION	QTY
		1 2 3 4	
1	<u>1011694</u>	Accelerator Bracket and Bearing Assembly .....	2
2	<u>1011931</u>	Washer, 1/4 Flat .....	1
3	<u>1014007</u>	Washer, 1/4, Flat .....	4
4	<u>1017378</u>	Cup, Spring .....	1
5	<u>1017380</u>	Bumper, Spring Return .....	1
6	<u>1017424</u>	Bearing, Pivot Support .....	1
7	<u>1017696</u>	Sub Asm, Accelerator Pedal (includes items 8 through 10) .....	1
8	1013871	Pad, Accelerator Pedal .....	1
9	N/A	Accelerator Pedal Weldment .....	1
10	7716	Screw, #10-16 Type AB, Sheet Metal .....	4
11	101796201	Spring, Accelerator Return .....	1
12	<u>101817401</u>	Retainer, Spring .....	1
13	101818801	Stud, 1/4-28 X 1.35 Ball .....	1
14	<u>101861901</u>	Screw, 1/4-20 X 1.125 Hex Cap .....	4
15	<u>102026001</u>	Kit, Accelerator Pivot Rod Assembly (includes items 16 and 17) .....	1
16	101919801	Spacer, Accelerator .....	1
17	<u>102158901</u>	Pivot Rod Weldment .....	1
18	<u>1241</u>	Washer, 5/16 Type A Flat .....	1
19	<u>1624</u>	Screw, 3/8-16 X 1.50, Hex-Head Cap .....	1
20	<u>334</u>	Washer, 3/8, Type A, Flat .....	2
21	<u>7473</u>	Locknut, 5/16-18 Nylon Insert .....	1
22	<u>8233</u>	Locknut, 1/4-20, Nylon Insert .....	4
23	<u>8717</u>	Locknut, Nylon Insert, 1/4-28 .....	1
24	<u>8754</u>	Locknut, 3/8-16 Hex .....	2

5  
G  
E

**5**  
**G**  
**E**



000362-001

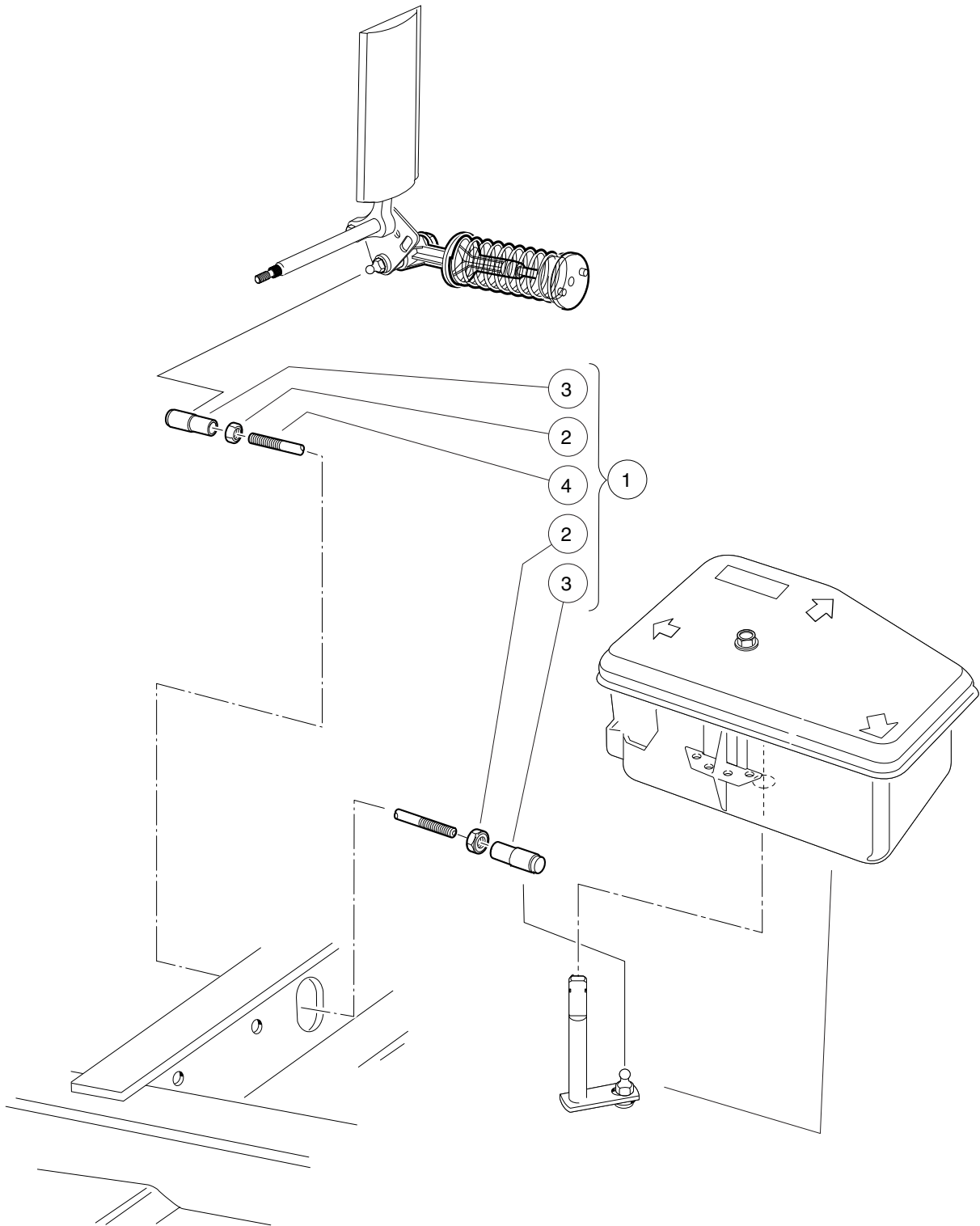


# ACCELERATOR ROD – TURF/CA 6 & VILLAGER 6 GAS VEHICLES

ITEM	PART NO.	DESCRIPTION	QTY
		1 2 3 4	
1	<u>101674702</u>	Rod, Accelerator (includes items 2 through 4) .....	1
2	<u>1011084</u>	Nut, 1/4-28 Hex Jam .....	2
3	<u>1011734</u>	Joint, Ball .....	2
4	N/A	Accelerator Rod Elec Stretch .....	1

5  
G  
E

**5**  
**G**  
**E**



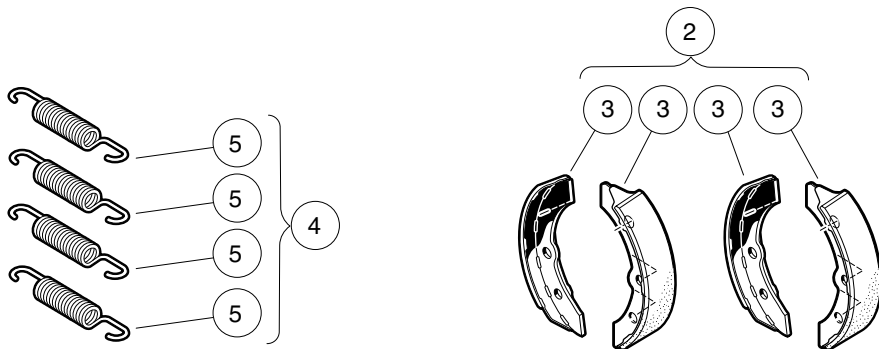
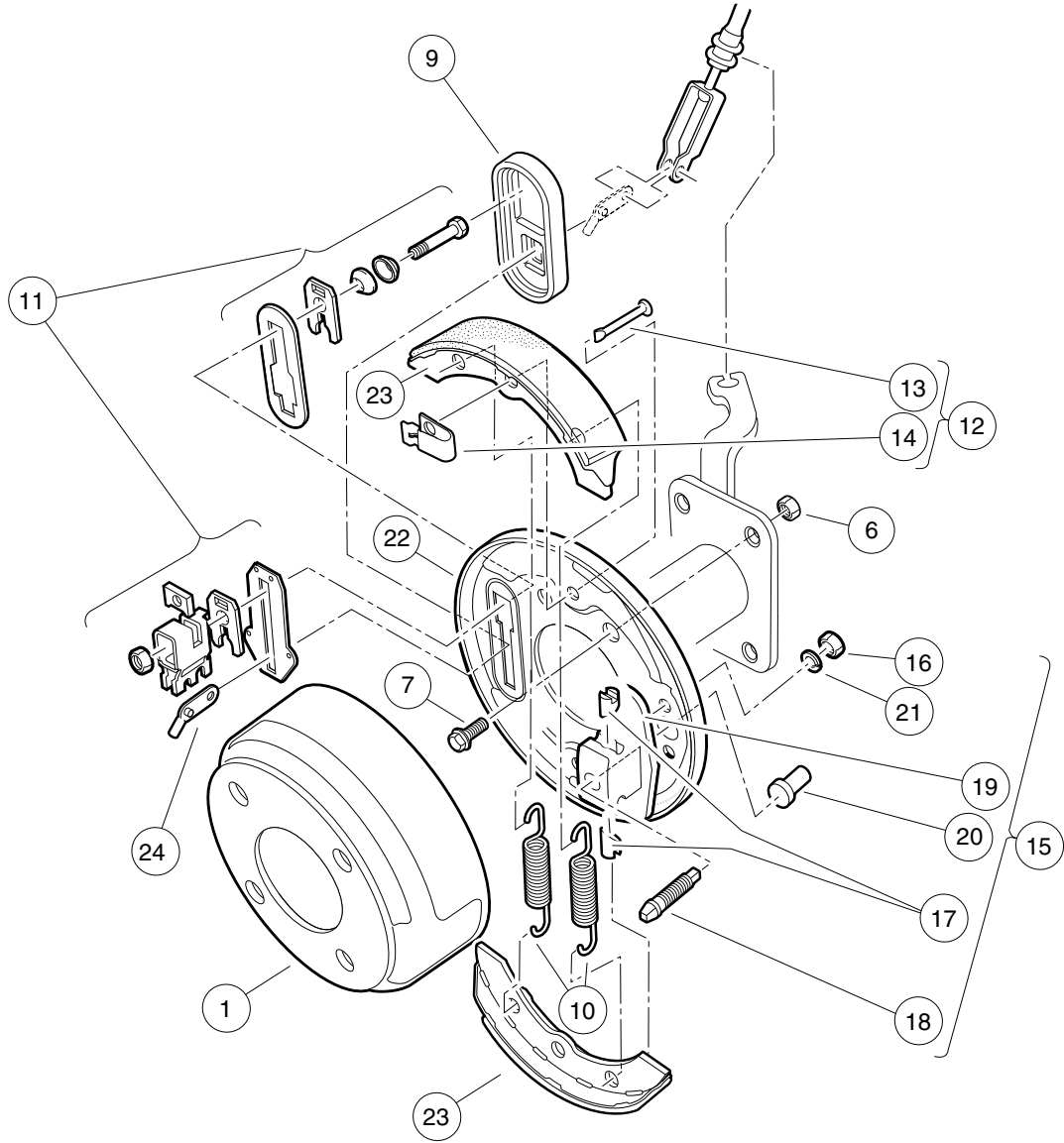
000362-001

## ACCELERATOR ROD – VILLAGER 8 GAS VEHICLES

ITEM	PART NO.	DESCRIPTION	QTY
		1 2 3 4	
1	<u>101674704</u>	Accelerator Rod Assembly, RV XL (includes items 2 through 4) .....	1
2	<u>1011084</u>	Nut, 1/4-28 Hex Jam .....	2
3	<u>1011734</u>	Joint, Ball .....	2
4	N/A	Accelerator Rod, RV XL .....	1

5  
G  
E

**5**  
**G**  
**E**

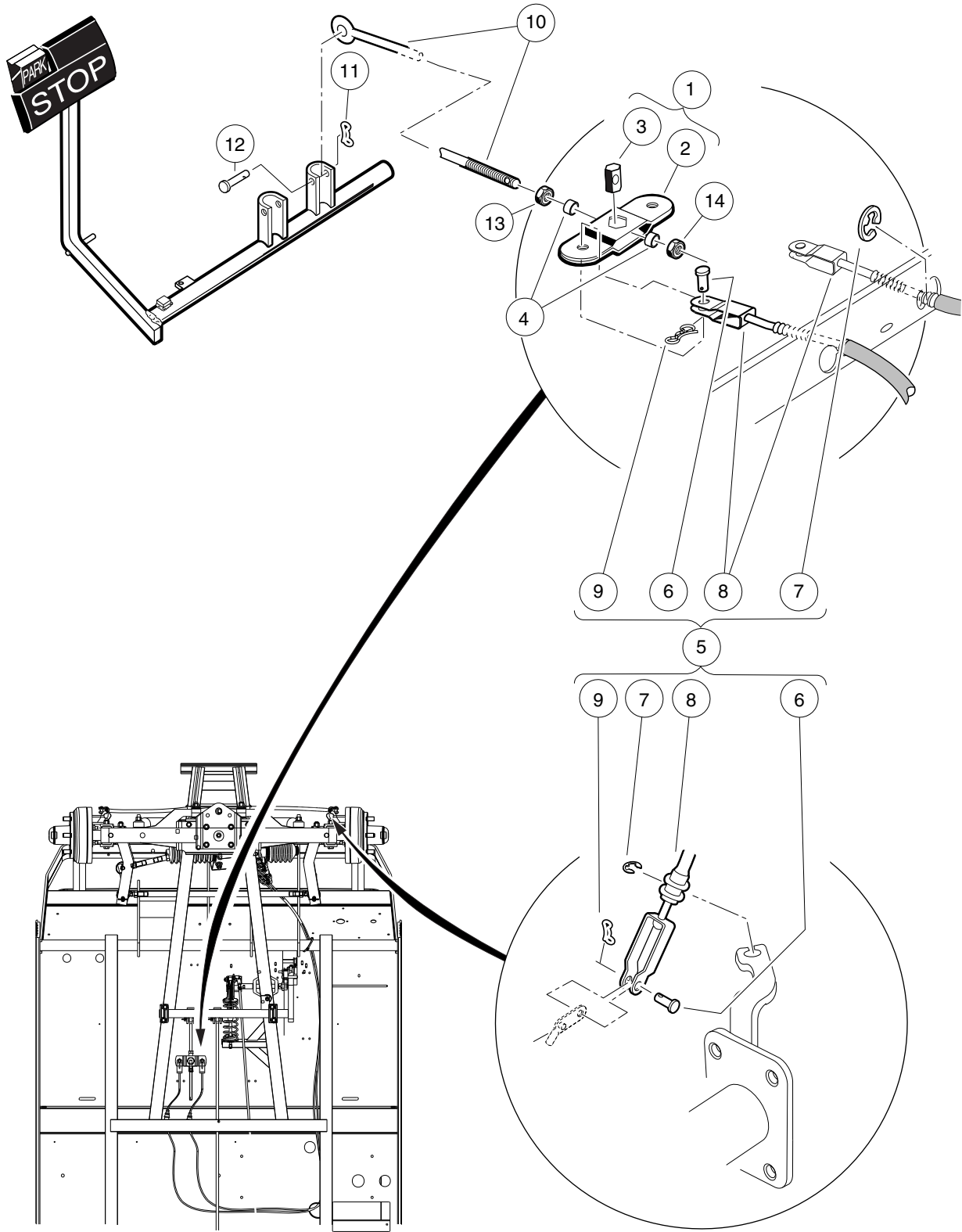


000298-001

# FRONT BRAKE ASSEMBLY – VEHICLES WITH FOUR-WHEEL BRAKES

ITEM	PART NO.	DESCRIPTION	QTY	
		1 2 3 4		<b>5</b>
1	<u>1011137</u>	Drum, Brake .....	2	<b>G</b>
2	<u>101146302</u>	Kit, Non-Asbestos Brake Shoe (includes item 3) .....	1	<b>E</b>
3	101880701	Shoe Brake Manual Adj (Available in Kit, Non-Asbestos Brake Shoe) .....	4	
4	<u>1011464</u>	Package, Brake Spring (includes item 5) .....	1	
5	1011314	Brake Spring .....	4	
6	<u>1013924</u>	Nut, 5/16-24, Hex Head Cone .....	8	
7	<u>1014153</u>	Bolt, Brake Cluster Mounting .....	8	
8	<u>1016557</u>	Cluster, Brake, Driver-Side (includes items 9 through 24) .....	1	
9	<u>1010850</u>	Dust Cover .....	1	
10	1011314	Brake Spring .....	2	
11	<u>1011465</u>	Kit, Brake Actuator .....	1	
12	<u>1011466</u>	Kit, Shoe Retainer (includes items 13 and 14) .....	1	
13	N/A	Pin .....	2	
14	N/A	Shoe Clamp Spring .....	2	
15	<u>1011467</u>	Kit, Anchor Body (includes items 16 through 21) .....	1	
16	<u>1011114</u>	Nut, M6-1.00 Hex .....	2	
17	1011298	Anchor Piston .....	2	
18	N/A	Adjustment Bolt .....	1	
19	N/A	Anchor Body Component .....	1	
20	<u>1011303</u>	Adjustment Bolt Cap .....	1	
21	<u>451</u>	Lockwasher, 1/4 Split .....	2	
22	1011494	Backing Plate, Left-Hand .....	1	
23	101880701	Shoe Brake Manual Adj (Available in Kit, Non-Asbestos Brake Shoe) .....	2	
24	N/A	Arm, Brake Lever .....	1	
25	<u>1016573</u>	Cluster, Brake, Passenger-Side (includes items 26 through 41) .....	1	
26	<u>1010850</u>	Dust Cover .....	1	
27	<u>1011154</u>	Backing Plate, Right-Hand .....	1	
28	1011314	Brake Spring .....	2	
29	<u>1011465</u>	Kit, Brake Actuator .....	1	
30	<u>1011466</u>	Kit, Shoe Retainer (includes items 31 and 32) .....	1	
31	N/A	Pin .....	2	
32	N/A	Shoe Clamp Spring .....	2	
33	<u>1011467</u>	Kit, Anchor Body (includes items 34 through 39) .....	1	
34	<u>1011114</u>	Nut, M6-1.00 Hex .....	2	
35	1011298	Anchor Piston .....	2	
36	N/A	Adjustment Bolt .....	1	
37	N/A	Anchor Body Component .....	1	
38	<u>1011303</u>	Adjustment Bolt Cap .....	1	
39	<u>451</u>	Lockwasher, 1/4 Split .....	2	
40	101880701	Shoe Brake Manual Adj (Available in Kit, Non-Asbestos Brake Shoe) .....	2	
41	N/A	Arm, Brake Lever .....	1	
		Note: Passenger-side brake cluster not shown. Components have a similar appearance to driver-side brake cluster components.		

**5**  
**G**  
**E**



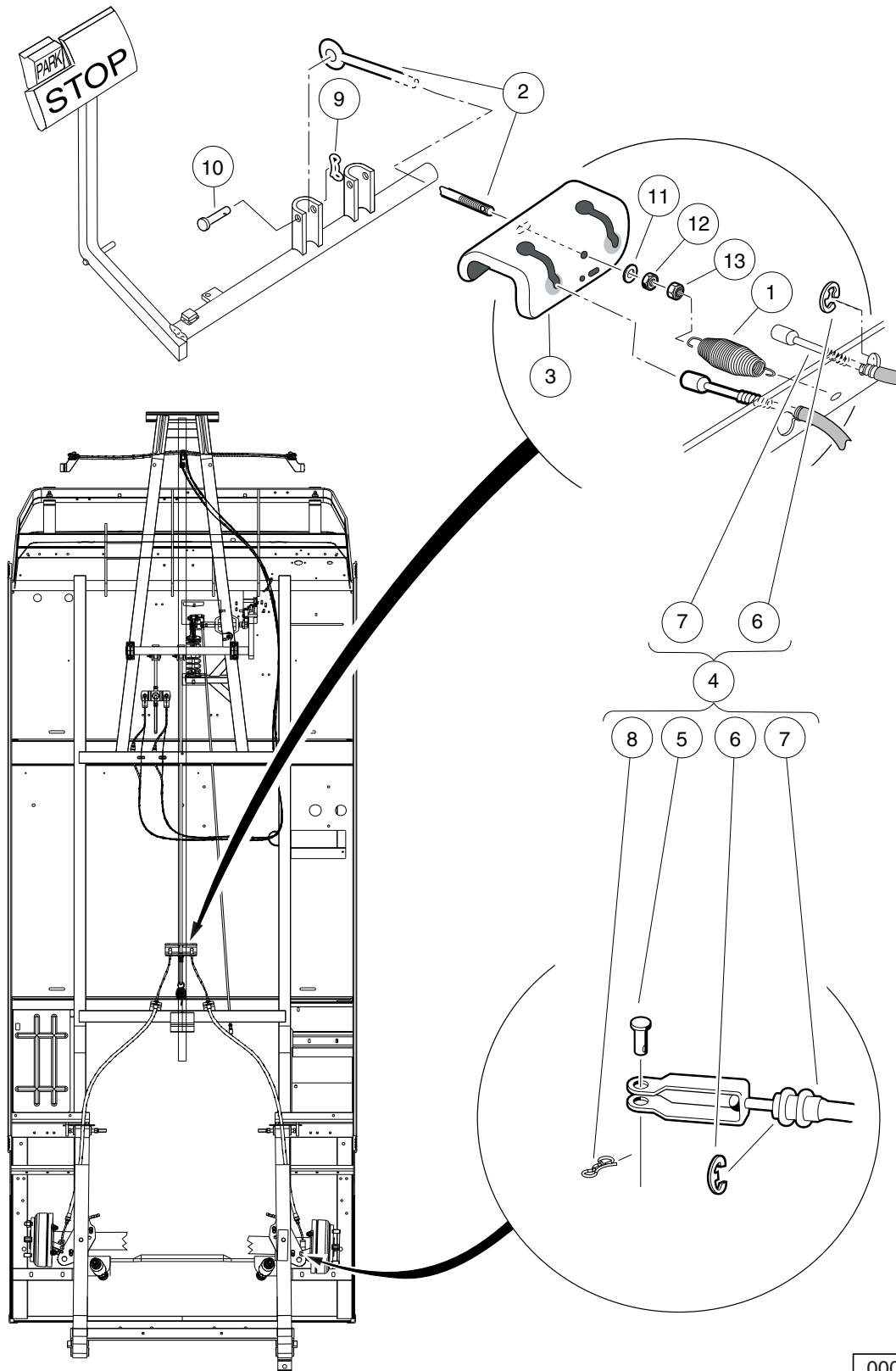
000294-001

# FRONT BRAKE CABLES AND EQUALIZER – VEHICLES WITH FOUR-WHEEL BRAKES

ITEM	PART NO.	DESCRIPTION	QTY
		<b>1 2 3 4</b>	
1	<u>1017211</u>	Kit, Equalizer and Pivot Limiter (includes items 2 and 3) .....	1
2	1016319	Equalizer Weld Assembly .....	1
3	1016320	Equalizer, Pivot Limiter .....	1
4	<u>101865301</u>	Spacer .....	2
5	<u>101874601</u>	Kit, Brake Cable (includes items 6 through 9) .....	1
6	<u>1010829</u>	Pin, Clevis, 5/16 X 3/4 .....	4
7	<u>1011779</u>	E-Clip, 1/2 .....	4
8	N/A	Brake Cable .....	2
9	<u>102292801</u>	Pin, Bow Tie Locking - .072 .....	4
10	<u>101953106</u>	Rod, Equalizer, 9.75" .....	1
11	<u>102323101</u>	Pin, Bow Tie Locking .....	1
12	<u>102323201</u>	Pin, 3/8 X 1-5/16 Clevis .....	1
13	<u>1242</u>	Nut, 5/16-18 Hex .....	1
14	<u>7473</u>	Locknut, 5/16-18 Nylon Insert .....	1

**5**  
**G**  
**E**

**5**  
**G**  
**E**



000296-004

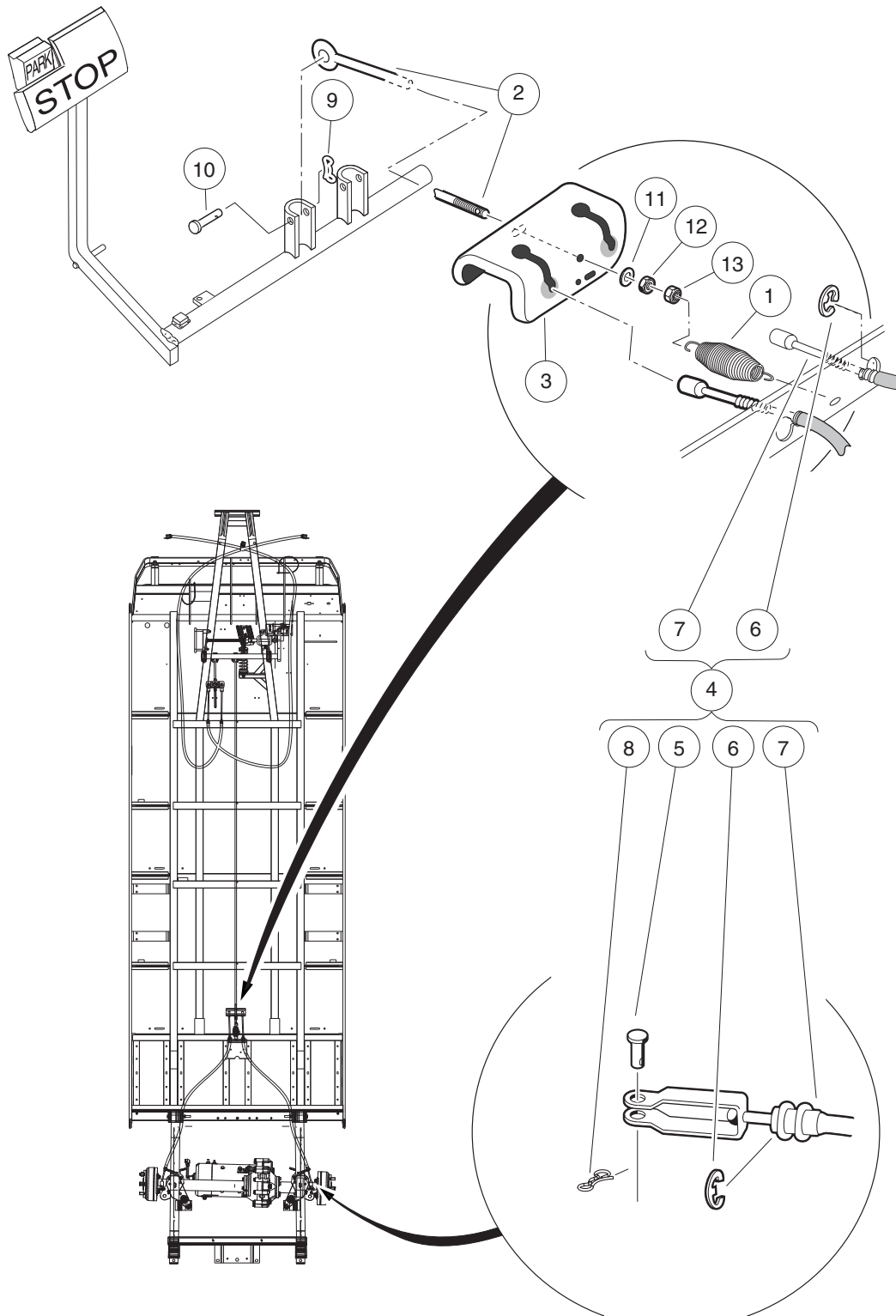


# REAR BRAKE CABLES AND EQUALIZER – TURF/CARRYALL 6 & VILLAGER 6

ITEM	PART NO.	DESCRIPTION	QTY
		1 2 3 4	
1	<u>1013531</u>	Spring, Brake Return .....	1
2	101953103	Rod, Equalizer, 41.91" .....	1
3	<u>101990801</u>	Equalizer Bracket .....	1
4	<u>102166901</u>	Kit, Brake Cable Rear (includes items 5 through 8) .....	1
5	<u>1010829</u>	Pin, Clevis, 5/16 X 3/4 .....	2
6	<u>1011779</u>	E-Clip, 1/2 .....	4
7	102162601	Cable, Brake .....	2
8	<u>102292801</u>	Pin, Bow Tie Locking - .072 .....	2
9	<u>102323101</u>	Pin, Bow Tie Locking .....	1
10	<u>102323201</u>	Pin, 3/8 X 1-5/16 Clevis .....	1
11	<u>1241</u>	Washer, 5/16 Type A Flat .....	1
12	<u>1242</u>	Nut, 5/16-18 Hex .....	1
13	<u>7473</u>	Locknut, 5/16-18 Nylon Insert .....	1

**5**  
**G**  
**E**

**5**  
**G**  
**E**



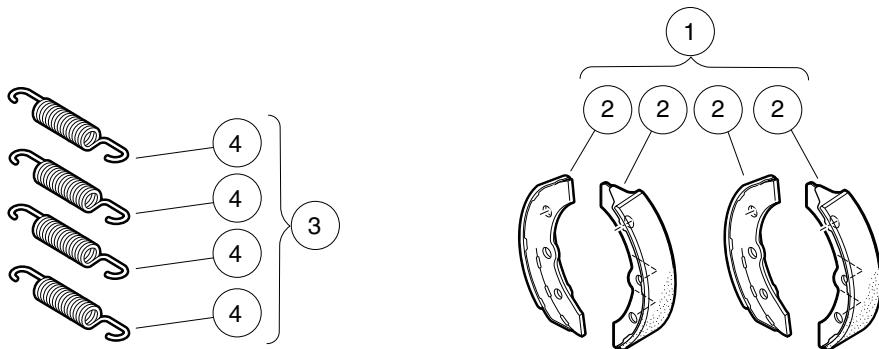
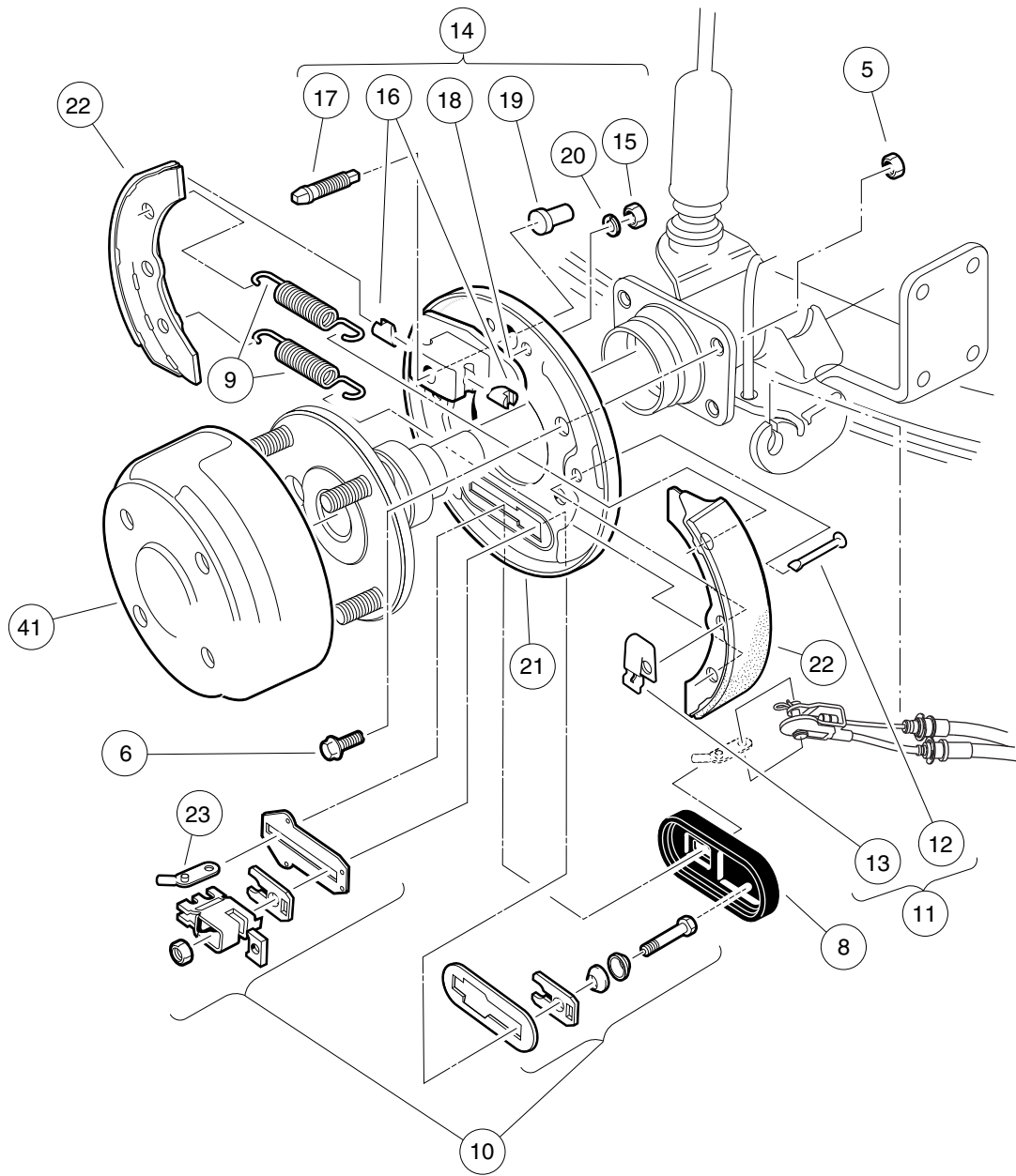
000296-003

## REAR BRAKE CABLES AND EQUALIZER – VILLAGER 8

ITEM	PART NO.	DESCRIPTION	QTY
		1 2 3 4	
1	<u>1013531</u>	Spring, Brake Return .....	1
2	<u>101953104</u>	Rod, Equalizer .....	1
3	<u>101990801</u>	Equalizer Bracket .....	1
4	<u>102166901</u>	Kit, Brake Cable Rear (includes items 5 through 8) .....	1
5	<u>1010829</u>	Pin, Clevis, 5/16 X 3/4 .....	2
6	<u>1011779</u>	E-Clip, 1/2 .....	4
7	<u>102162601</u>	Cable, Brake .....	2
8	<u>102292801</u>	Pin, Bow Tie Locking - .072 .....	2
9	<u>102323101</u>	Pin, Bow Tie Locking .....	1
10	<u>102323201</u>	Pin, 3/8 X 1-5/16 Clevis .....	1
11	<u>1241</u>	Washer, 5/16 Type A Flat .....	1
12	<u>1242</u>	Nut, 5/16-18 Hex .....	1
13	<u>7473</u>	Locknut, 5/16-18 Nylon Insert .....	1

5  
G  
E

**5**  
**G**  
**E**



000293-002

# REAR BRAKE ASSEMBLY, MANUALLY-ADJUSTED – VEHICLES WITH 4-WHEEL BRAKES

ITEM	PART NO.	DESCRIPTION	QTY
		1 2 3 4	
1	<u>101146302</u>	Kit, Non-Asbestos Brake Shoe (includes item 2) .....	1
2	101880701	Shoe Brake Manual Adj (Available in Kit, Non-Asbestos Brake Shoe) .....	4
3	<u>1011464</u>	Package, Brake Spring (includes item 4) .....	1
4	1011314	Brake Spring .....	4
5	<u>1013924</u>	Nut, 5/16-24, Hex Head Cone .....	8
6	<u>1014153</u>	Bolt, Brake Cluster Mounting .....	8
7	<u>1016557</u>	Cluster, Brake, Driver-Side (includes items 8 through 23) .....	1
8	<u>1010850</u>	Dust Cover .....	1
9	1011314	Brake Spring .....	2
10	<u>1011465</u>	Kit, Brake Actuator .....	1
11	<u>1011466</u>	Kit, Shoe Retainer (includes items 12 and 13) .....	1
12	N/A	Pin .....	2
13	N/A	Shoe Clamp Spring .....	2
14	<u>1011467</u>	Kit, Anchor Body (includes items 15 through 20) .....	1
15	<u>1011114</u>	Nut, M6-1.00 Hex .....	2
16	1011298	Anchor Piston .....	2
17	N/A	Adjustment Bolt .....	1
18	N/A	Anchor Body Component .....	1
19	<u>1011303</u>	Adjustment Bolt Cap .....	1
20	<u>451</u>	Lockwasher, 1/4 Split .....	2
21	1011494	Backing Plate, Left-Hand .....	1
22	101880701	Shoe Brake Manual Adj (Available in Kit, Non-Asbestos Brake Shoe) .....	2
23	N/A	Arm, Brake Lever .....	1
24	<u>1016573</u>	Cluster, Brake, Passenger-Side (includes items 25 through 40) .....	1
25	<u>1010850</u>	Dust Cover .....	1
26	<u>1011154</u>	Backing Plate, Right-Hand .....	1
27	1011314	Brake Spring .....	2
28	<u>1011465</u>	Kit, Brake Actuator .....	1
29	<u>1011466</u>	Kit, Shoe Retainer (includes items 30 and 31) .....	1
30	N/A	Pin .....	2
31	N/A	Shoe Clamp Spring .....	2
32	<u>1011467</u>	Kit, Anchor Body (includes items 33 through 38) .....	1
33	<u>1011114</u>	Nut, M6-1.00 Hex .....	2
34	1011298	Anchor Piston .....	2
35	N/A	Adjustment Bolt .....	1
36	N/A	Anchor Body Component .....	1
37	<u>1011303</u>	Adjustment Bolt Cap .....	1
38	<u>451</u>	Lockwasher, 1/4 Split .....	2
39	101880701	Shoe Brake Manual Adj (Available in Kit, Non-Asbestos Brake Shoe) .....	2
40	N/A	Arm, Brake Lever .....	1
41	<u>101791101</u>	Drum without Center Hole, Brake .....	2
		Note: Passenger-side brake cluster not shown. Components have a similar appearance to driver-side brake cluster components.	

**5**  
**G**  
**E**

**5**

**G**

**E**

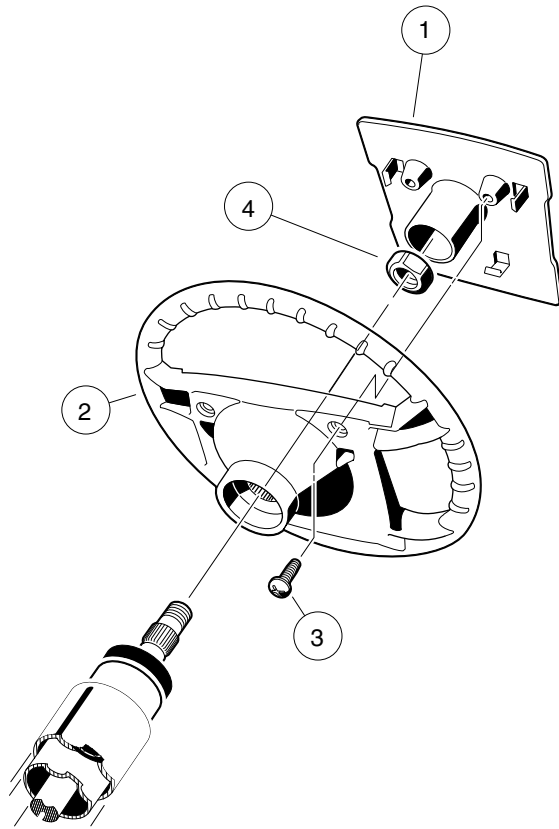
# STEERING, FRONT AND REAR SUSPENSION

---

6

G

E



000246-003

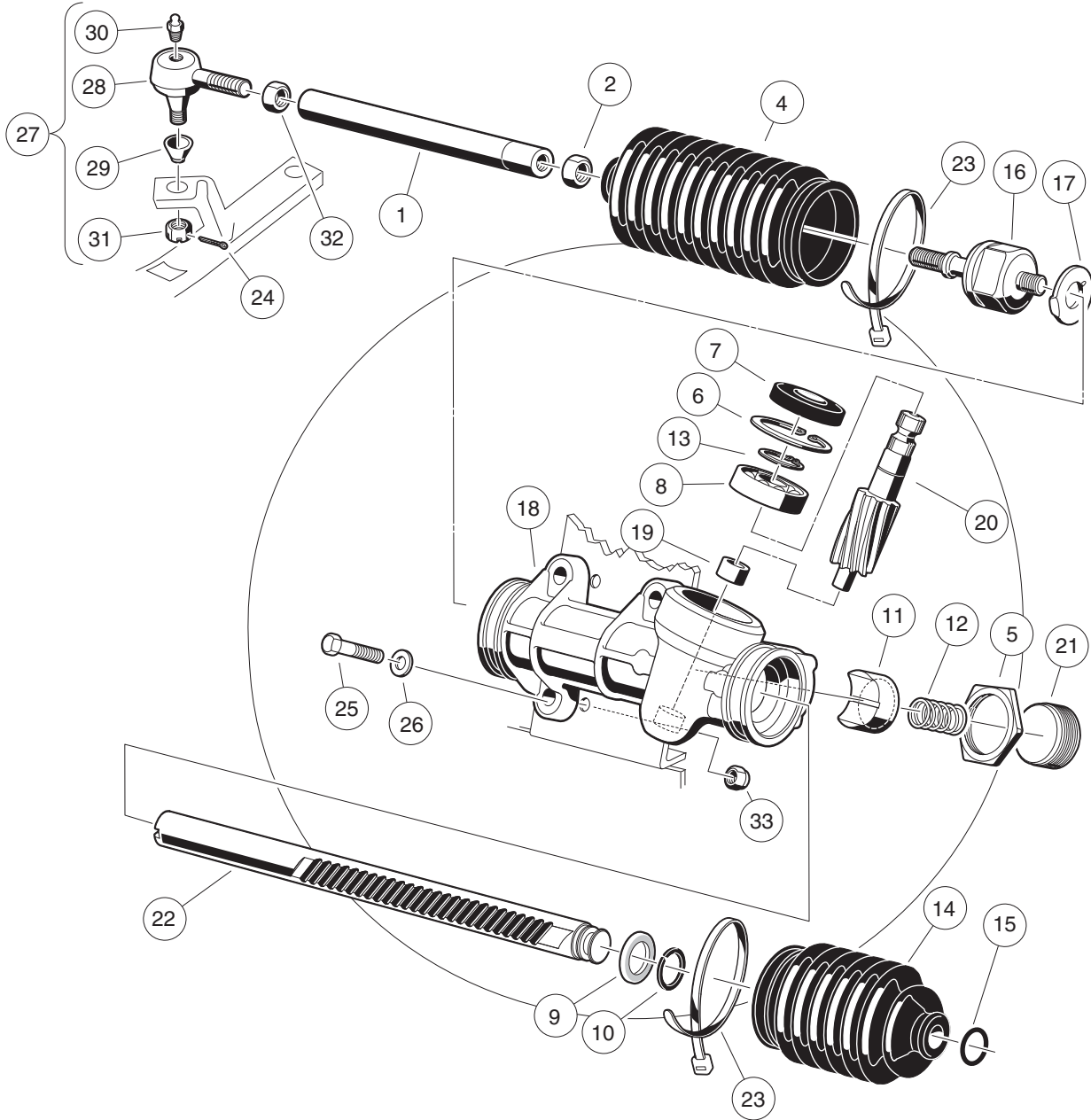


# STEERING WHEEL

ITEM	PART NO.	DESCRIPTION	QTY
		1 2 3 4	
1	<u>101615504</u>	Plate, Scorecard .....	1
2	<u>1016156</u>	Wheel, Steering .....	1
3	<u>1016663</u>	Screw, #12-14 X 0.625 .....	2
4	<u>1017273</u>	Nut, 5/8-18 Nylon Insert Jam .....	1

6  
G  
E

**6**  
**G**  
**E**



001213-001

# STEERING GEAR ASSEMBLY

ITEM	PART NO.	DESCRIPTION	QTY	<b>6</b>
		<b>1 2 3 4</b>		<b>G</b>
1	<u>1012467</u>	Link, Rack and Pinion Drag .....	1	<b>E</b>
2	1013042	Nut, 12mm Hex .....	1	
3	<u>101878302</u>	Steering Gear Assembly (without yoke) (includes items 4 through 23) .....	1	
4	<u>1013035</u>	Bellows, Long .....	1	
5	<u>1013044</u>	Rack Screw Locknut .....	1	
6	N/A	Snap Ring .....	1	
7	<u>1013052</u>	Seal, Steering Pinion Dust .....	1	
8	<u>101879401</u>	Bearing, Ball .....	1	
9	<u>101879501</u>	Stop Washer .....	1	
10	101879601	Stop Ring, C-Type .....	1	
11	<u>101879701</u>	Support Yoke .....	1	
12	<u>101879801</u>	Rack Guide Pressure Spring .....	1	
13	<u>101879901</u>	Ring, Stop, C-Type .....	1	
14	<u>101880001</u>	Bellows, Short .....	1	
15	101880101	Dust Seal Retaining Ring .....	1	
16	<u>101880201</u>	Inner Ball Joint Asm .....	1	
17	101880301	Washer, Tab .....	1	
18	N/A	Box, Steering Gear .....	1	
19	N/A	Bearing, Lower Pinion .....	1	
20	N/A	Pinion, Steering .....	1	
21	N/A	Screw, Rack Guide .....	1	
22	N/A	Rack, Steering .....	1	
23	<u>8990</u>	Tie Wrap, 8" Nylon .....	2	
24	<u>1035</u>	Cotter Pin, 3/32 x 1 .....	1	
25	<u>1624</u>	Screw, 3/8-16 X 1.50, Hex-Head Cap .....	3	
26	<u>334</u>	Washer, 3/8, Type A, Flat .....	3	
27	<u>7540</u>	Ball Joint, Left (includes items 28 through 31) .....	1	
28	1011895	Socket, LH Vertical .....	1	
29	<u>1011930</u>	Seal, Vertical Socket Dust .....	1	
30	<u>1015597</u>	Fitting, 1/4-28 Thread-Forming Grease .....	1	
31	7602	Nut, 3/8-24 UNF Hex .....	1	
32	<u>7555</u>	Nut, 1/2-20 Hex, Left-Hand Thread .....	1	
33	<u>8754</u>	Locknut, 3/8-16 Hex .....	3	



## STEERING COLUMN – UTILITY

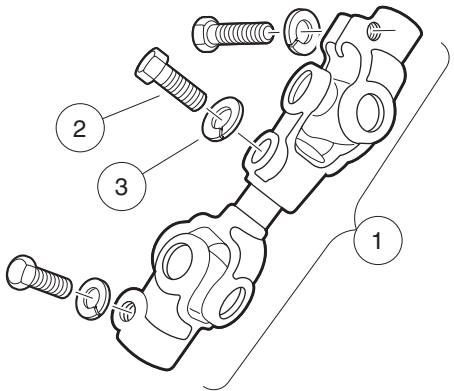
ITEM	PART NO.	DESCRIPTION	QTY
		1 2 3 4	
1	<u>1011578</u>	Washer, 5/16 Type B Flat .....	1
2	<u>1011697</u>	Washer, 5/16 Flat .....	1
3	<u>1014288</u>	Screw, 5/16-18 X 0.75, Thread-Forming .....	1
4	<u>1016183</u>	Screw, 3/8-16 X 7.00 Hex Cap .....	2
5	<u>1016269</u>	Screw, 5/16-18 Thrd Forming .....	2
6	<u>1017313</u>	Steering Shaft Assembly (includes items 7 through 15) .....	1
7	<u>1012604</u>	Washer, 0.675 ID X 1.19 OD .....	1
8	<u>1012605</u>	Ring, 0.579 Internal Retaining .....	1
9	1014125	Wedge, Molded .....	2
10	<u>1014126</u>	Seat, Plastic Bearing .....	2
11	<u>1014213</u>	Bearing, Ball .....	2
12	1014214	Ring, Retaining .....	1
13	<u>1014217</u>	Spring, Steering Shaft .....	1
14	<u>1017314</u>	Column, Aluminum Steering .....	1
15	<u>1017315</u>	Shaft Steering Column .....	1
16	<u>1017317</u>	Tube Cover, Steering Column .....	1
17	101984801	Kit, Steering Column Mounting Bracket (includes items 18 and 19) .....	1
18	N/A	Bracket, RH Steering Column Mount .....	1
19	N/A	Bracket, LH Steering column mount .....	1
20	<u>102278001</u>	Boot, Steering Column Round .....	1
21	<u>334</u>	Washer, 3/8, Type A, Flat .....	4
22	<u>8754</u>	Locknut, 3/8-16 Hex .....	2

6  
G  
E

6

G

E



001217-001

# INTERMEDIATE STEERING SHAFT – TURF/CARRYALL/VILLAGER

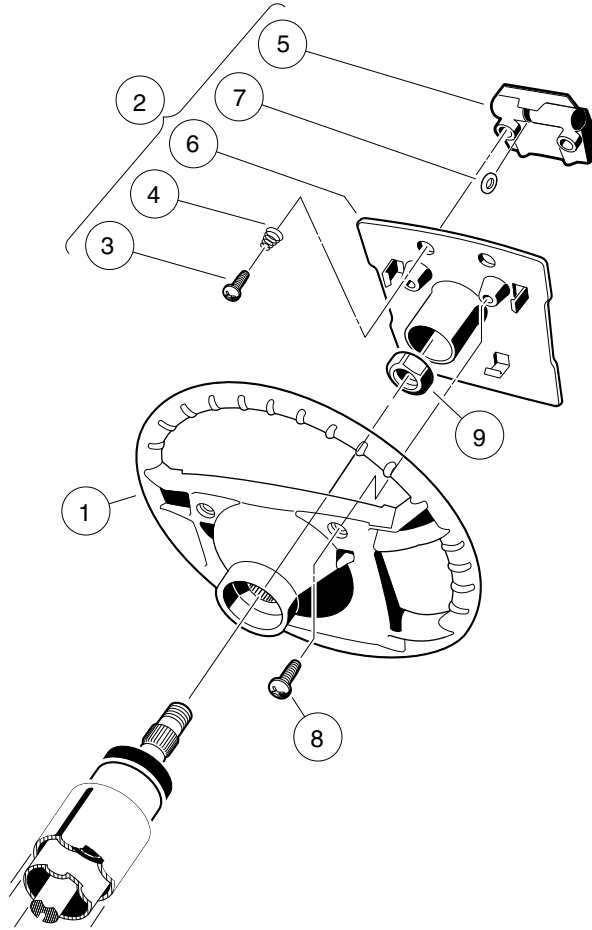
ITEM	PART NO.	DESCRIPTION	QTY
1	<u>1013861</u>	1 2 3 4 Intermediate Steering Shaft (includes items 2 and 3) .....	1
2	<u>1017226</u>	Bolt, Hex-Head, 8mm X 1.25 - 30 .....	3
3	<u>7174</u>	Lockwasher, 5/16 Split .....	3

**6**

**G**

**E**

**6**  
**G**  
**E**



000246-002

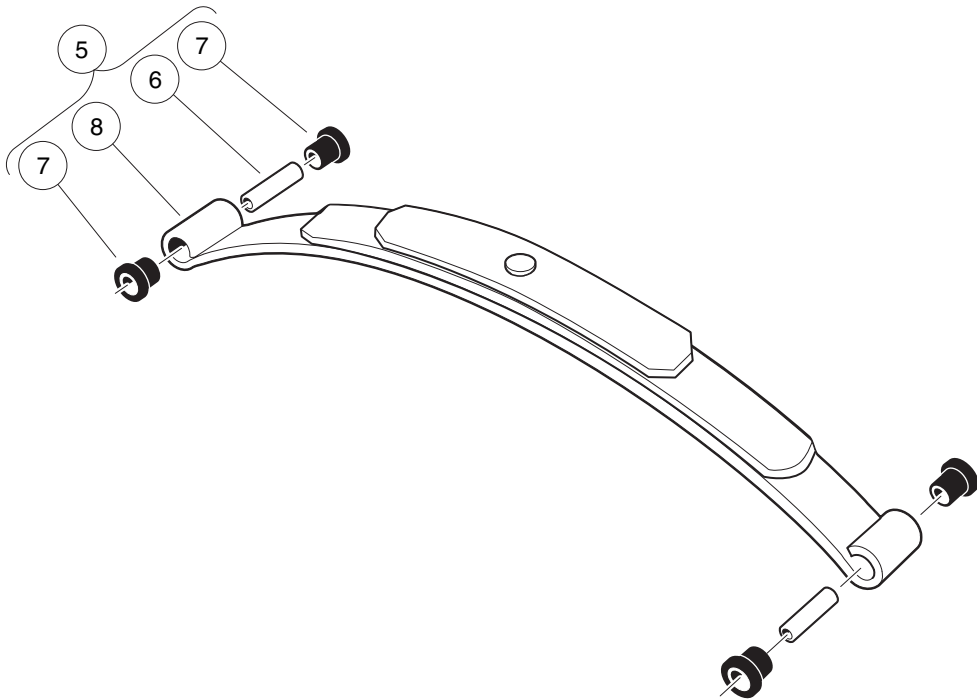
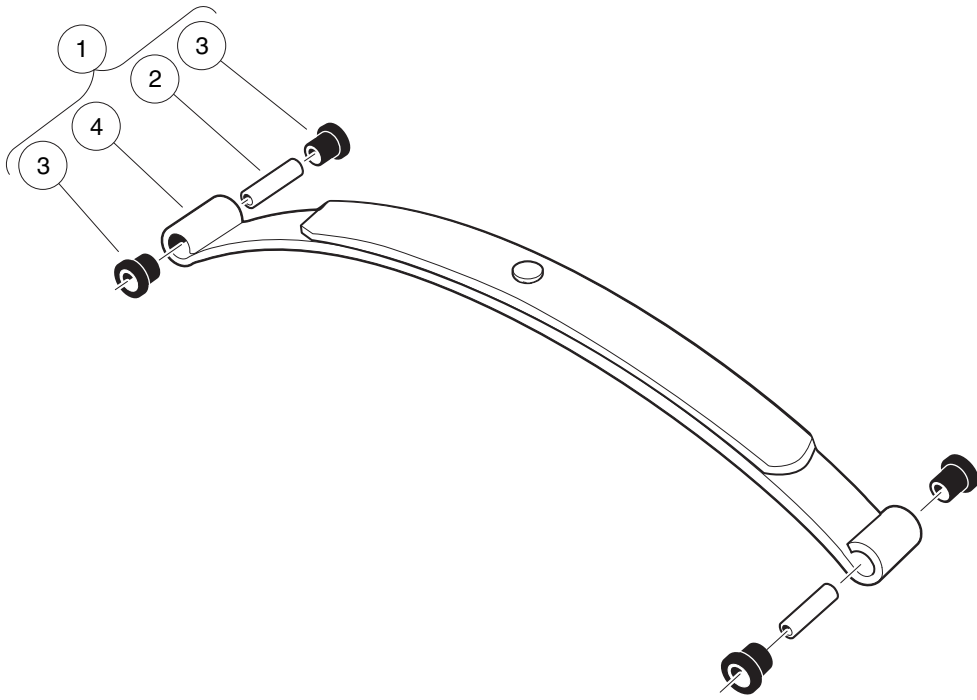


# STEERING WHEEL WITH CLIP

ITEM	PART NO.	DESCRIPTION	QTY
		<b>1 2 3 4</b>	
1	<u>1016156</u>	Wheel, Steering .....	1
2	1016219	Plate, Scorecard (includes items 3 through 7) .....	1
3	<u>1012565</u>	Screw, #12 Phillips Round Head .....	2
4	<u>1012566</u>	Tapered Compression Spring .....	2
5	1016154	Clip, Scorecard .....	1
6	N/A	Plate, Score Card .....	1
7	<u>1016214</u>	Pencil Grip .....	1
8	<u>1016663</u>	Screw, #12-14 X 0.625 .....	2
9	<u>1017273</u>	Nut, 5/8-18 Nylon Insert Jam .....	1

**6**  
**G**  
**E**

**6**  
**G**  
**E**



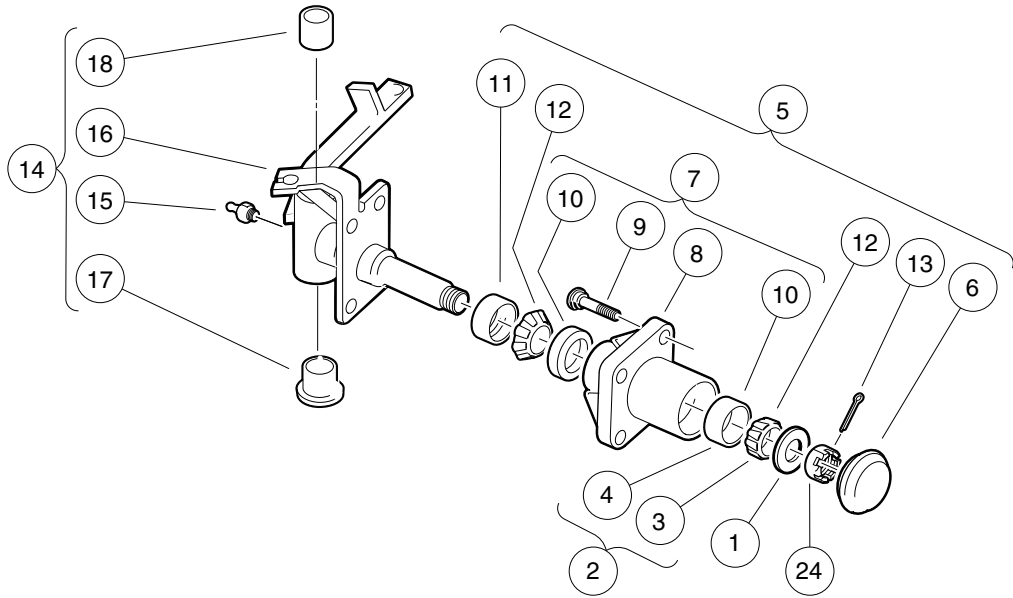
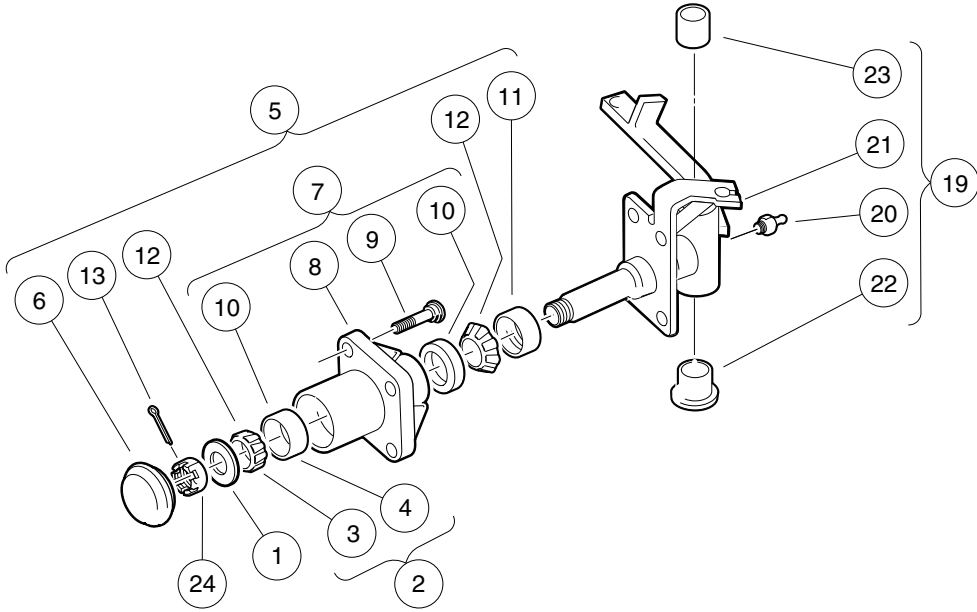
001225-001

# HEAVY DUTY FRONT SPRINGS

ITEM	PART NO.	DESCRIPTION	QTY
		1 2 3 4	
1	<u>103628801</u>	Spring Asm, Front, 2 Leaf (includes items 2 through 4) .....	1
2	<u>1012303</u>	Bushing, Steel .....	2
3	<u>1015583</u>	Bushing, Urethane .....	4
4	<u>103502701</u>	Spring, Front, 2 Leaf .....	1
5	<u>103628901</u>	Spring Asm, Front, 3 Leaf (includes items 6 through 8) .....	1
6	<u>1012303</u>	Bushing, Steel .....	2
7	<u>1015583</u>	Bushing, Urethane .....	4
8	103502801	Spring, Front, 3 Leaf .....	1

6  
G  
E

**6**  
**G**  
**E**



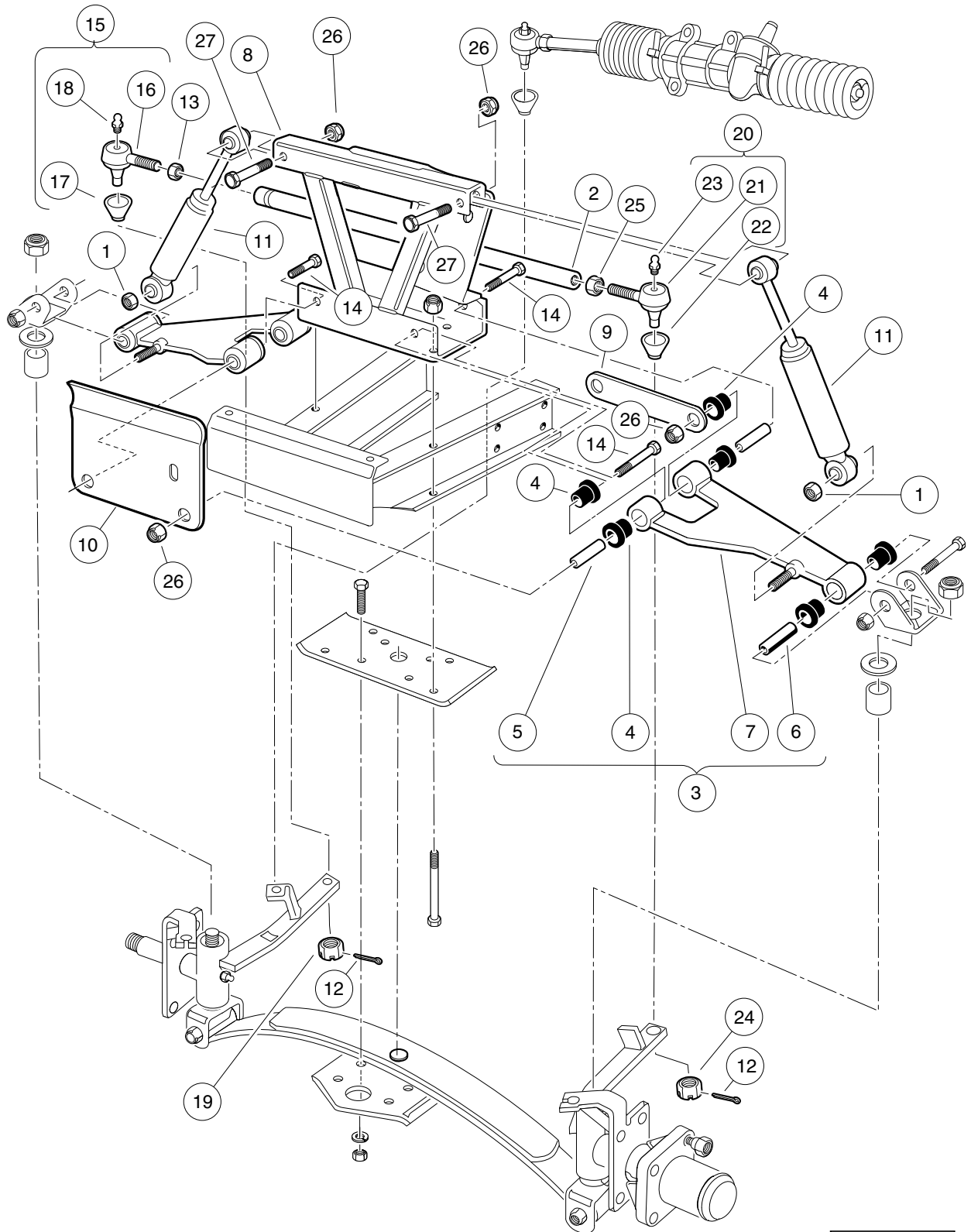
000310-002

# FRONT SPINDLES AND HUBS – VEHICLES WITH FOUR-WHEEL BRAKES

ITEM	PART NO.	DESCRIPTION	QTY
		<b>1 2 3 4</b>	
1	<u>1010005</u>	Washer, 3/4 Flat .....	2
2	<u>1011393</u>	Hub Bearing Package (includes items 3 and 4) .....	4
3	<u>7274</u>	Bearing, Front Hub Wheel .....	1
4	<u>7308</u>	Race, Front Hub Bearing .....	1
5	<u>1011892</u>	Hub Assembly (includes items 6 through 13) .....	2
6	<u>1011887</u>	Dust Cover .....	1
7	N/A	Hub (includes items 8 through 10) .....	1
8	N/A	Front Hub .....	1
9	<u>103477901</u>	Lug Stud, 1/2-20 Unf, 4037 .....	4
10	<u>7308</u>	Race, Front Hub Bearing .....	2
11	<u>1013135</u>	Seal, Double Lip .....	1
12	<u>7274</u>	Bearing, Front Hub Wheel .....	2
13	<u>7910</u>	Pin, 5/32 X 1.00 Cotter .....	1
14	<u>101876901</u>	Spindle Assy, Driver Side (includes items 15 through 18) .....	1
15	<u>1015597</u>	Fitting, 1/4-28 Thread-Forming Grease .....	1
16	N/A	Spindle Assembly, Left .....	1
17	<u>7048</u>	Bushing, Flanged Bronze .....	1
18	<u>8067</u>	Bushing, Bronze Spindle .....	1
19	<u>101877001</u>	Spindle Assy, Passenger Side (includes items 20 through 23) .....	1
20	<u>1015597</u>	Fitting, 1/4-28 Thread-Forming Grease .....	1
21	N/A	Spindle Assembly, Right .....	1
22	<u>7048</u>	Bushing, Flanged Bronze .....	1
23	<u>8067</u>	Bushing, Bronze Spindle .....	1
24	<u>7840</u>	Nut, 3/4-16 Hex Slotted .....	2

**6**  
**G**  
**E**

**6**  
**G**  
**E**



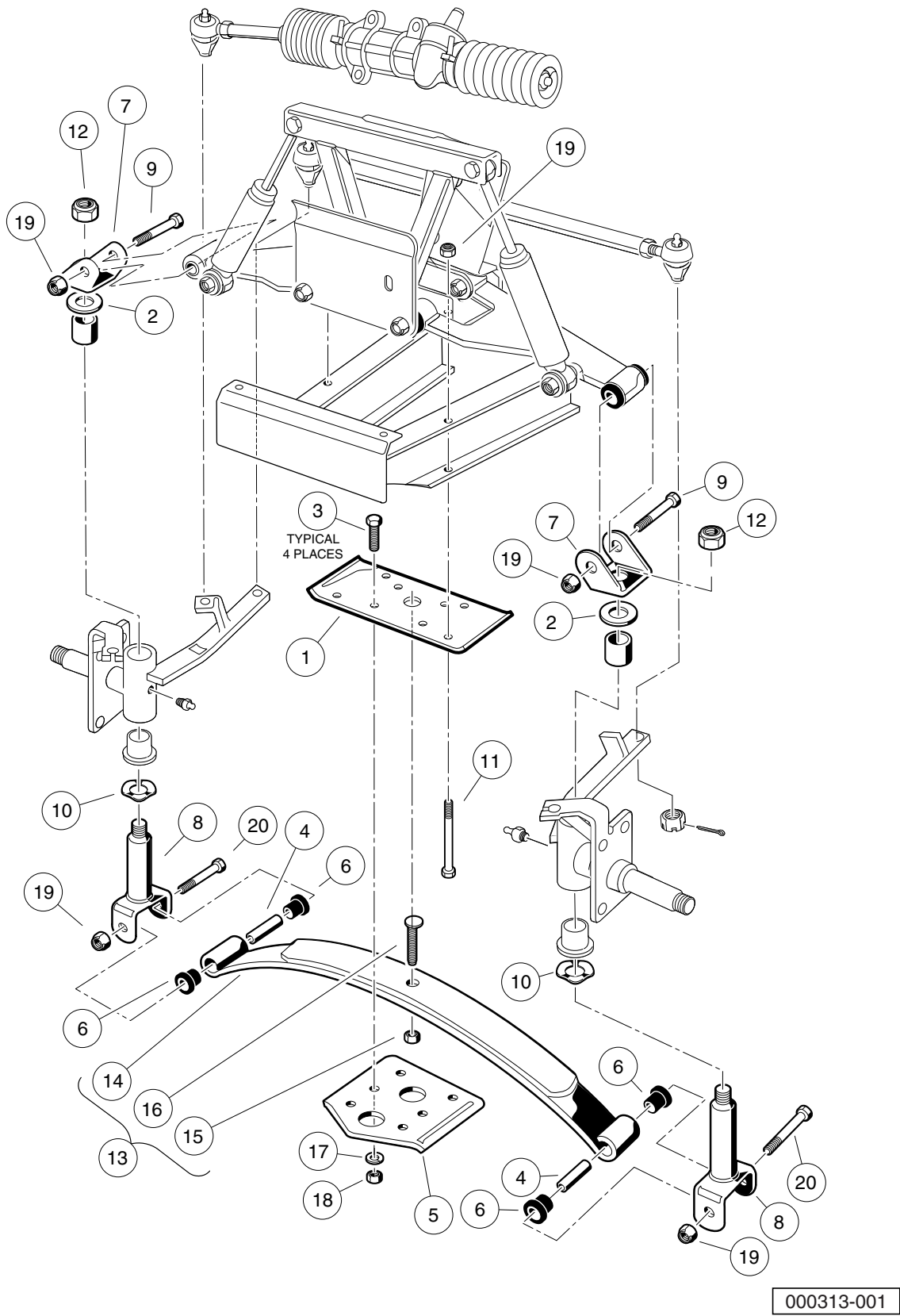
000314-001

# FRONT SUSPENSION, UPPER – VILLAGER 6 AND 8

ITEM	PART NO.	DESCRIPTION	QTY
		<b>1 2 3 4</b>	
1	<u>1010138</u>	Locknut, 3/8-16 Dimpled .....	2
2	<u>1010219</u>	Tie Rod .....	1
3	<u>1016353</u>	Sub-Assembly, Delta A-Plate (includes items 4 through 7) .....	2
4	<u>1016346</u>	Bushing, Urethane .....	6
5	<u>1016349</u>	Sleeve, Delta Inner .....	2
6	<u>1016350</u>	Sleeve, Delta Outer .....	1
7	<u>1016351</u>	Delta A-Plate .....	1
8	<u>1016385</u>	Delta Shock and Gear Support Assembly .....	1
9	<u>1017266</u>	A-Plate Strap .....	1
10	<u>101955001</u>	Brake Cable Guide Bracket .....	1
11	<u>103351001</u>	Shock Absorber, Front, Common .....	2
12	<u>1035</u>	Cotter Pin, 3/32 x 1 .....	2
13	<u>1308</u>	Nut, 1/2-20 Hex .....	1
14	<u>2402</u>	Screw, 3/8-16 X 2.25 Hx Hd Cap .....	4
15	<u>7539</u>	Ball Joint, Right-Hand (includes items 16 through 19) .....	1
16	1011893	Socket, RH Vertical .....	1
17	<u>1011930</u>	Seal, Vertical Socket Dust .....	1
18	<u>1015597</u>	Fitting, 1/4-28 Thread-Forming Grease .....	1
19	7602	Nut, 3/8-24 UNF Hex .....	1
20	<u>7540</u>	Ball Joint, Left (includes items 21 through 24) .....	1
21	1011895	Socket, LH Vertical .....	1
22	<u>1011930</u>	Seal, Vertical Socket Dust .....	1
23	<u>1015597</u>	Fitting, 1/4-28 Thread-Forming Grease .....	1
24	7602	Nut, 3/8-24 UNF Hex .....	1
25	<u>7555</u>	Nut, 1/2-20 Hex, Left-Hand Thread .....	1
26	<u>8754</u>	Locknut, 3/8-16 Hex .....	6
27	<u>8861</u>	Bolt, 3/8-16 X 1.75 Hex .....	2

**6**  
**G**  
**E**

**6**  
**G**  
**E**



000313-001



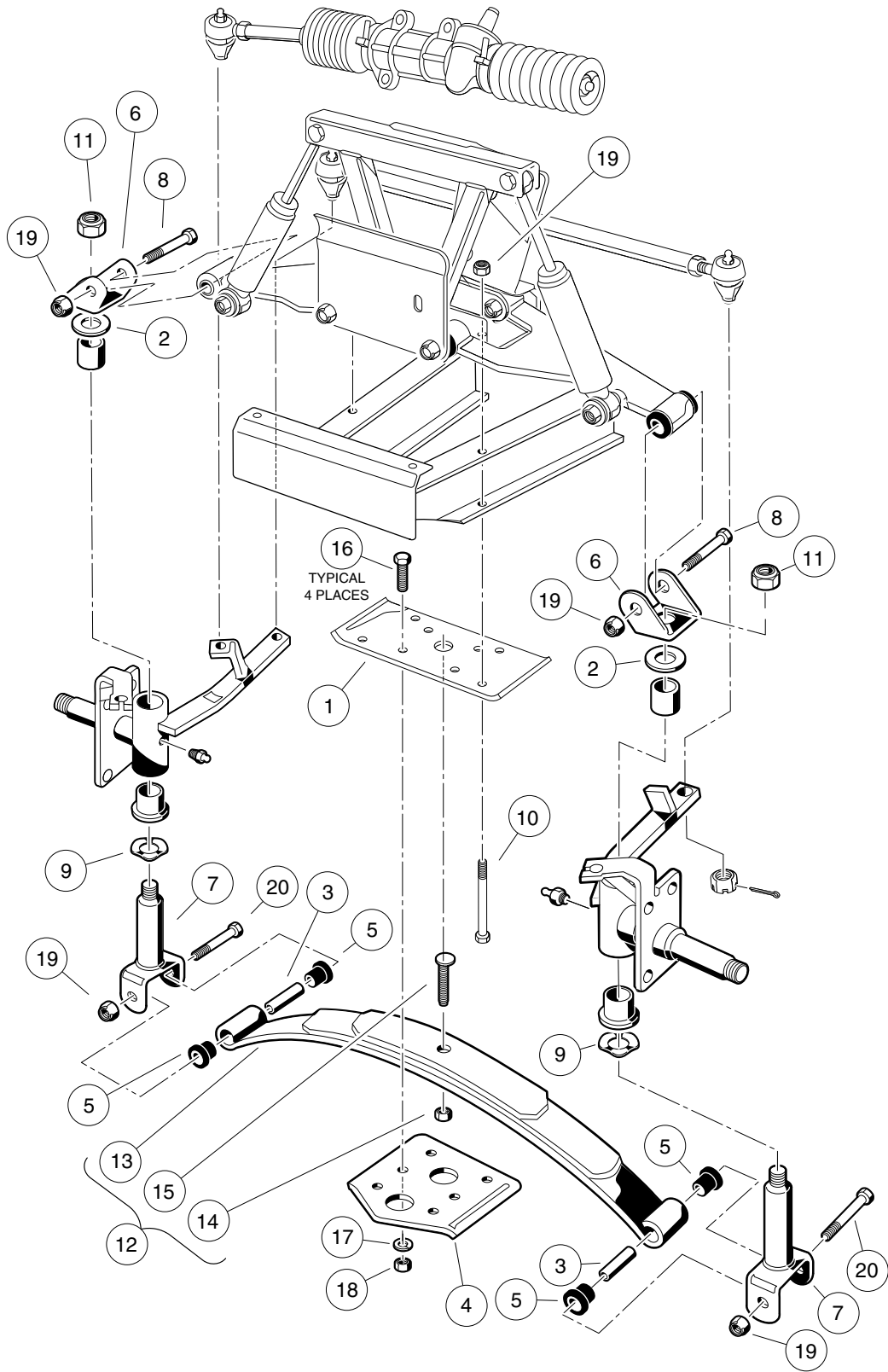
# FRONT SUSPENSION, LOWER – VILLAGER

**6**

ITEM	PART NO.	DESCRIPTION	QTY
		<b>1 2 3 4</b>	
1	<u>1010124</u>	Plate, Spring Mount .....	1
2	<u>1010150</u>	Bearing, Thrust .....	2
3	<u>1010177</u>	Bolt, 3/8-16 X 2.00 Hex Head .....	4
4	<u>1012303</u>	Bushing, Steel .....	2
5	<u>1014276</u>	Plate, Front Spring Retainer .....	1
6	<u>1015583</u>	Bushing, Urethane .....	4
7	<u>1016384</u>	Clevis, Delta Upper .....	2
8	<u>1016386</u>	King Pin Assembly .....	2
9	<u>1016387</u>	Screw, 3/8-16 X 2.75 Hx Hd Cap .....	2
10	<u>1016389</u>	Washer, 1.125 Od Wave .....	2
11	<u>101870501</u>	Screw, 3/8-16 X 4.75 Hx Hd Cap .....	4
12	<u>101903101</u>	Locknut, 1/2-20 Nylon Insert .....	2
13	<u>102004001</u>	Spring, Front, 2-Leaf (includes items 14 through 16) .....	1
14	N/A	Spring, Front Leaf .....	1
15	<u>706</u>	Nut, Hex 3/8-16 .....	1
16	<u>8745</u>	Screw, Eccentric Adjustment .....	1
17	<u>357</u>	Lockwasher, 3/8 Split .....	4
18	<u>706</u>	Nut, Hex 3/8-16 .....	4
19	<u>8754</u>	Locknut, 3/8-16 Hex .....	8
20	<u>8755</u>	Screw, 3/8-16 X 3.375 Hex Cap .....	2

**6**  
**G**  
**E**

**6**  
**G**  
**E**



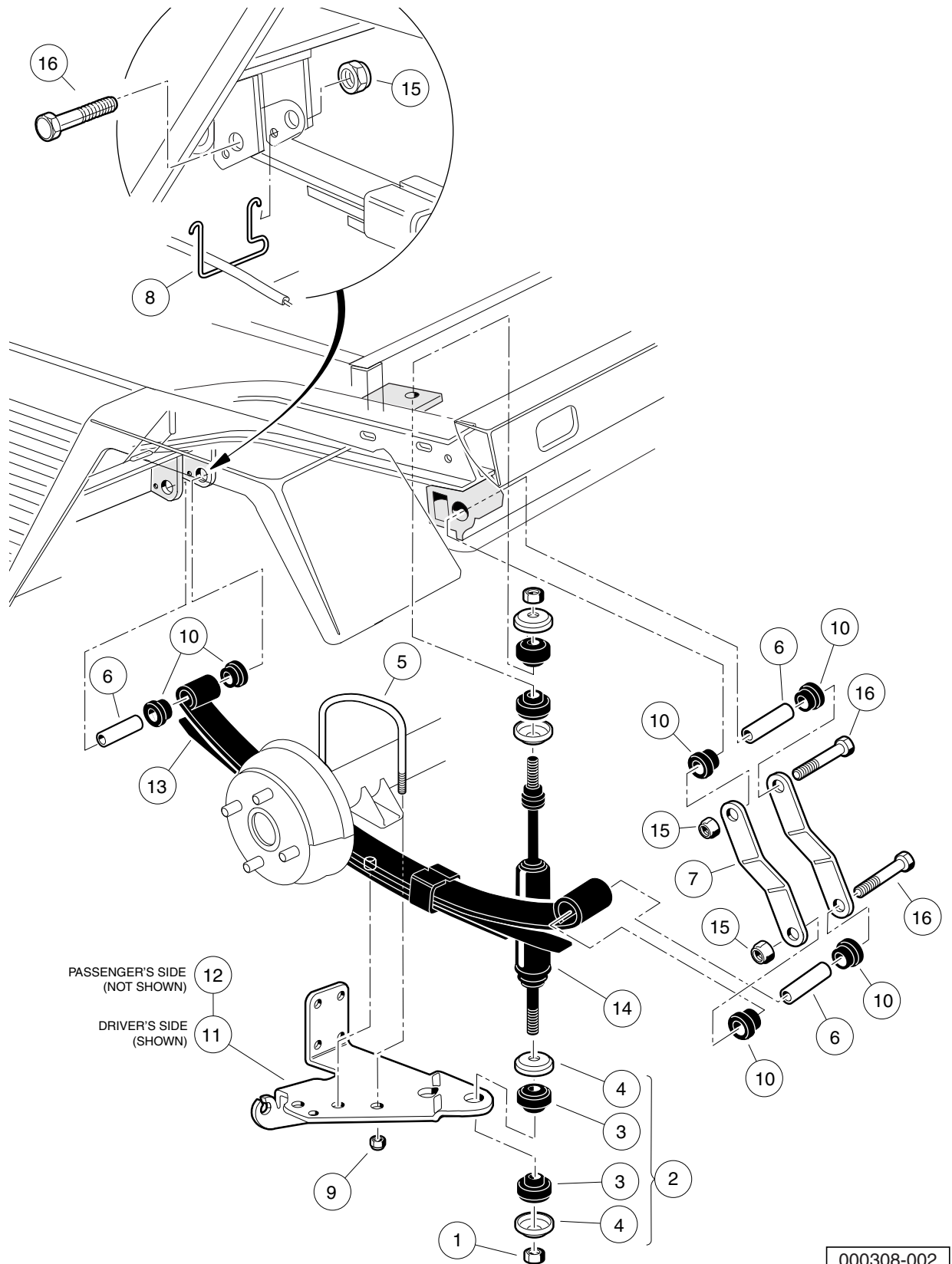
000313-002

## FRONT SUSPENSION, LOWER – VILLAGER 8

ITEM	PART NO.	DESCRIPTION	QTY
		1 2 3 4	
1	<u>1010124</u>	Plate, Spring Mount .....	1
2	<u>1010150</u>	Bearing, Thrust .....	2
3	<u>1012303</u>	Bushing, Steel .....	2
4	<u>1014276</u>	Plate, Front Spring Retainer .....	1
5	<u>1015583</u>	Bushing, Urethane .....	4
6	<u>1016384</u>	Clevis, Delta Upper .....	2
7	<u>1016386</u>	King Pin Assembly .....	2
8	<u>1016387</u>	Screw, 3/8-16 X 2.75 Hx Hd Cap .....	2
9	<u>1016389</u>	Washer, 1.125 Od Wave .....	2
10	<u>101870501</u>	Screw, 3/8-16 X 4.75 Hx Hd Cap .....	4
11	<u>101903101</u>	Locknut, 1/2-20 Nylon Insert .....	2
12	<u>102197901</u>	SPRING, FRONT UTILITY (includes items 13 through 15) .....	1
13	N/A	Spring, 3-Leaf .....	1
14	<u>706</u>	Nut, Hex 3/8-16 .....	1
15	<u>8745</u>	Screw, Eccentric Adjustment .....	1
16	<u>2402</u>	Screw, 3/8-16 X 2.25 Hx Hd Cap .....	4
17	<u>357</u>	Lockwasher, 3/8 Split .....	4
18	<u>706</u>	Nut, Hex 3/8-16 .....	4
19	<u>8754</u>	Locknut, 3/8-16 Hex .....	8
20	<u>8755</u>	Screw, 3/8-16 X 3.375 Hex Cap .....	2

6  
G  
E

**6**  
**G**  
**E**



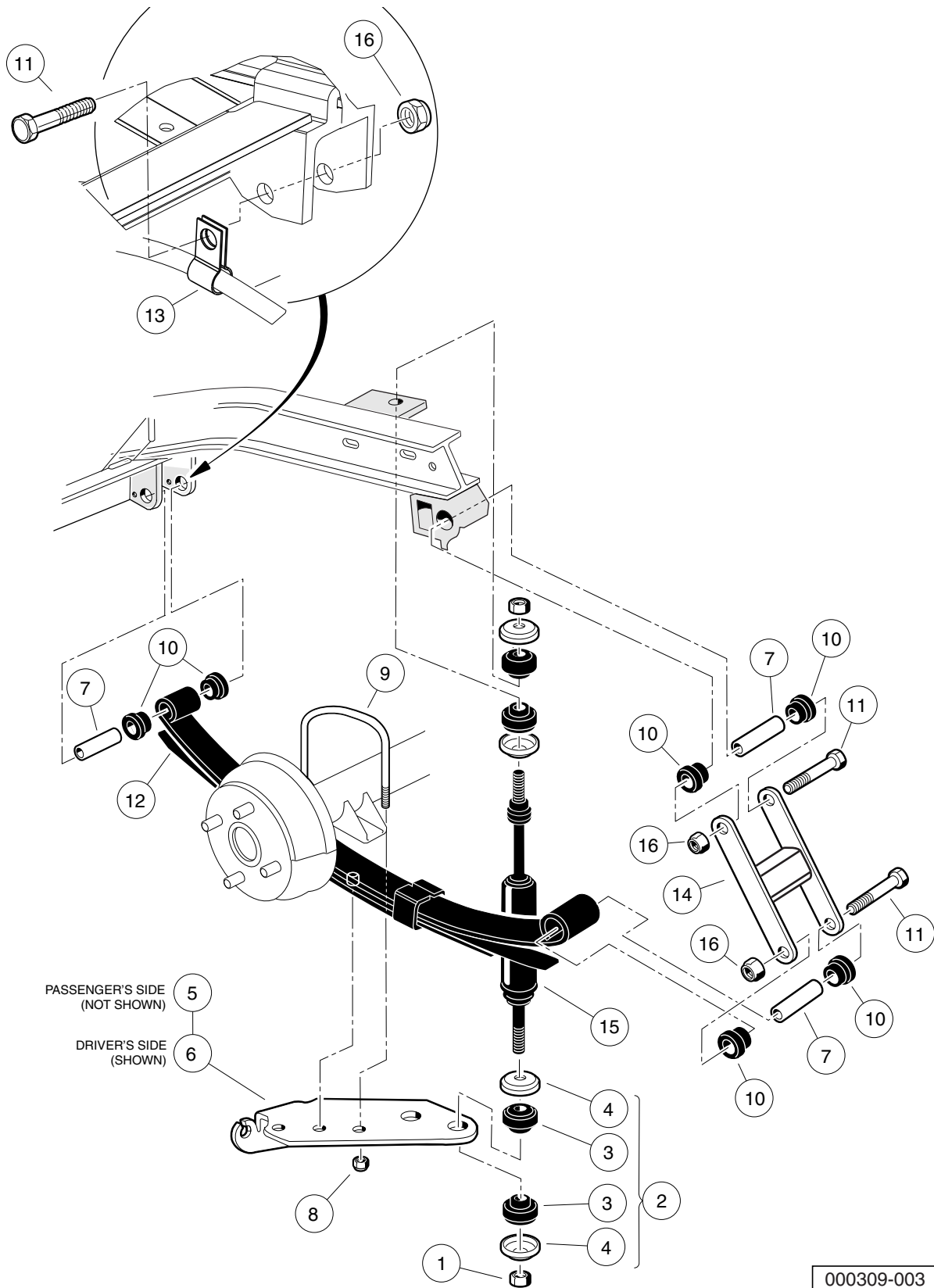
000308-002

# REAR SUSPENSION – TURF/CA 2, 2 PLUS, 6, AND VILLAGER GASOLINE

ITEM	PART NO.	DESCRIPTION	QTY
		1 2 3 4	
1	<u>1010145</u>	Nut, 3/8-24 Hex .....	4
2	<u>1011415</u>	Kit, Shock Absorber Cushion (includes items 3 and 4) .....	4
3	N/A	Cushion, Shock Absorber .....	2
4	N/A	Retainer, Shock Absorber Cushion .....	2
5	<u>1012180</u>	U-Bolt .....	2
6	<u>1012303</u>	Bushing, Steel .....	6
7	<u>1012304</u>	Shackle, Rear Spring .....	4
8	<u>1013207</u>	Hanger, Brake Cable .....	2
9	<u>1014555</u>	Locknut, 7/16-14 Nylon Hex .....	4
10	<u>1015583</u>	Bushing, Urethane .....	12
11	<u>101926501</u>	Bracket, Left-Hand .....	1
12	<u>101929401</u>	Bracket, Right .....	1
13	<u>102871801</u>	Rear Spring, 3leaf, 600 Lb/in .....	2
14	<u>103350901</u>	Shock Absorber, Rear, Utility .....	2
15	<u>8754</u>	Locknut, 3/8-16 Hex .....	6
16	<u>8755</u>	Screw, 3/8-16 X 3.375 Hex Cap .....	6
<p>Note: Only the driver-side rear suspension is shown. Parts for the passenger-side rear suspension are identical except for the leaf spring/shock mounting plate.</p>			

6  
G  
E

**6**  
**G**  
**E**



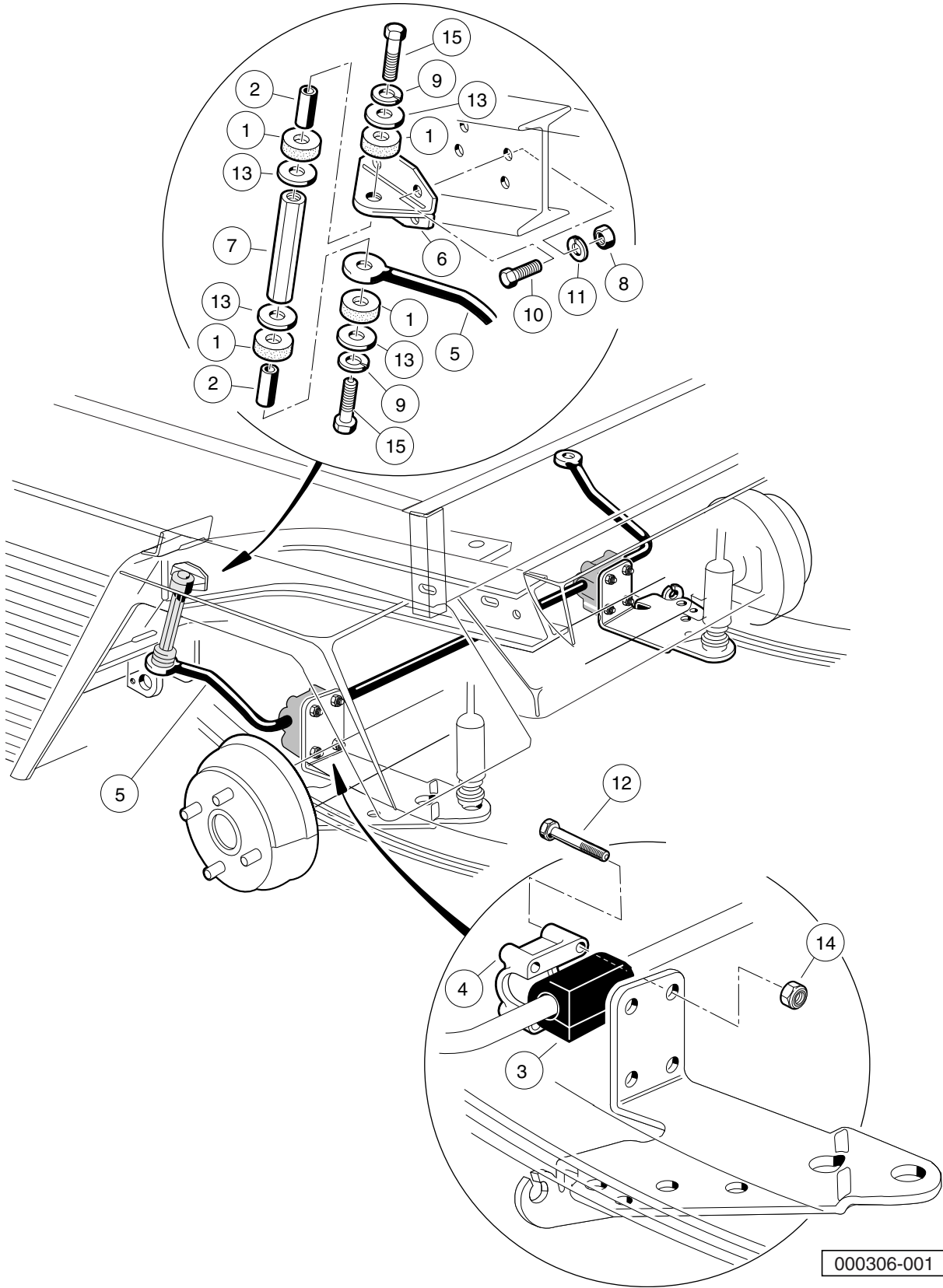
000309-003

# REAR SUSPENSION – TURF/CA 2, 6, AND VILLAGER IQ PLUS ELECTRIC

ITEM	PART NO.	DESCRIPTION	QTY
		1 2 3 4	
1	<u>1010145</u>	Nut, 3/8-24 Hex .....	4
2	<u>1011415</u>	Kit, Shock Absorber Cushion (includes items 3 and 4) .....	4
3	N/A	Cushion, Shock Absorber .....	2
4	N/A	Retainer, Shock Absorber Cushion .....	2
5	1012181	Bracket, Shock Mounting, Right (Passenger) .....	1
6	1012182	Bracket, Shock Mounting, Left (Driver) .....	1
7	<u>1012303</u>	Bushing, Steel .....	6
8	<u>1014555</u>	Locknut, 7/16-14 Nylon Hex .....	4
9	<u>1014902</u>	U-Bolt .....	2
10	<u>1015583</u>	Bushing, Urethane .....	12
11	<u>102066201</u>	Screw, 3/8-16 X 3.50 Hex Cap .....	6
12	<u>102871801</u>	Rear Spring, 3leaf, 600 Lb/in .....	2
13	<u>102891101</u>	Clamp, Cable, Brake, Sym .....	2
14	<u>102917101</u>	Weldment, Shackle .....	2
15	<u>103351101</u>	Shock, Absorber, Utility .....	2
16	<u>8754</u>	Locknut, 3/8-16 Hex .....	6
<p>Note: Only the driver-side rear suspension is shown. Parts for the passenger-side rear suspension are identical except for the leaf spring/shock mounting plate.</p>			

6  
G  
E

**6**  
**G**  
**E**



000306-001



# STABILIZER BAR – TURF/CA 2, 2 PLUS, 6, AND VILLAGER GAS

ITEM	PART NO.	DESCRIPTION	QTY
		1 2 3 4	
1	<u>1015453</u>	Compression Mount .....	8
2	<u>1015457</u>	Spacer, 0.720" .....	4
3	<u>1015613</u>	Bushing, Stabilizer Bar .....	2
4	<u>1015614</u>	Support, Bushing .....	2
5	<u>1015760</u>	Stabilizer Bar .....	1
6	<u>1016813</u>	Mounting Bracket, Stabilizer Bar .....	2
7	<u>1016814</u>	Link, Stabilizer Bar .....	2
8	<u>1242</u>	Nut, 5/16-18 Hex .....	8
9	<u>357</u>	Lockwasher, 3/8 Split .....	4
10	<u>7173</u>	Screw, 5/16-18 X 0.75, Hex-Head Cap .....	8
11	<u>7174</u>	Lockwasher, 5/16 Split .....	8
12	<u>7311</u>	Screw, 1/4-20 X 2.00 Hex-Head Cap .....	8
13	<u>808</u>	Washer, 3/8 Type B Flat .....	8
14	<u>8233</u>	Locknut, 1/4-20, Nylon Insert .....	8
15	<u>8861</u>	Bolt, 3/8-16 X 1.75 Hex .....	4

6  
G  
E

**6**

**G**

**E**

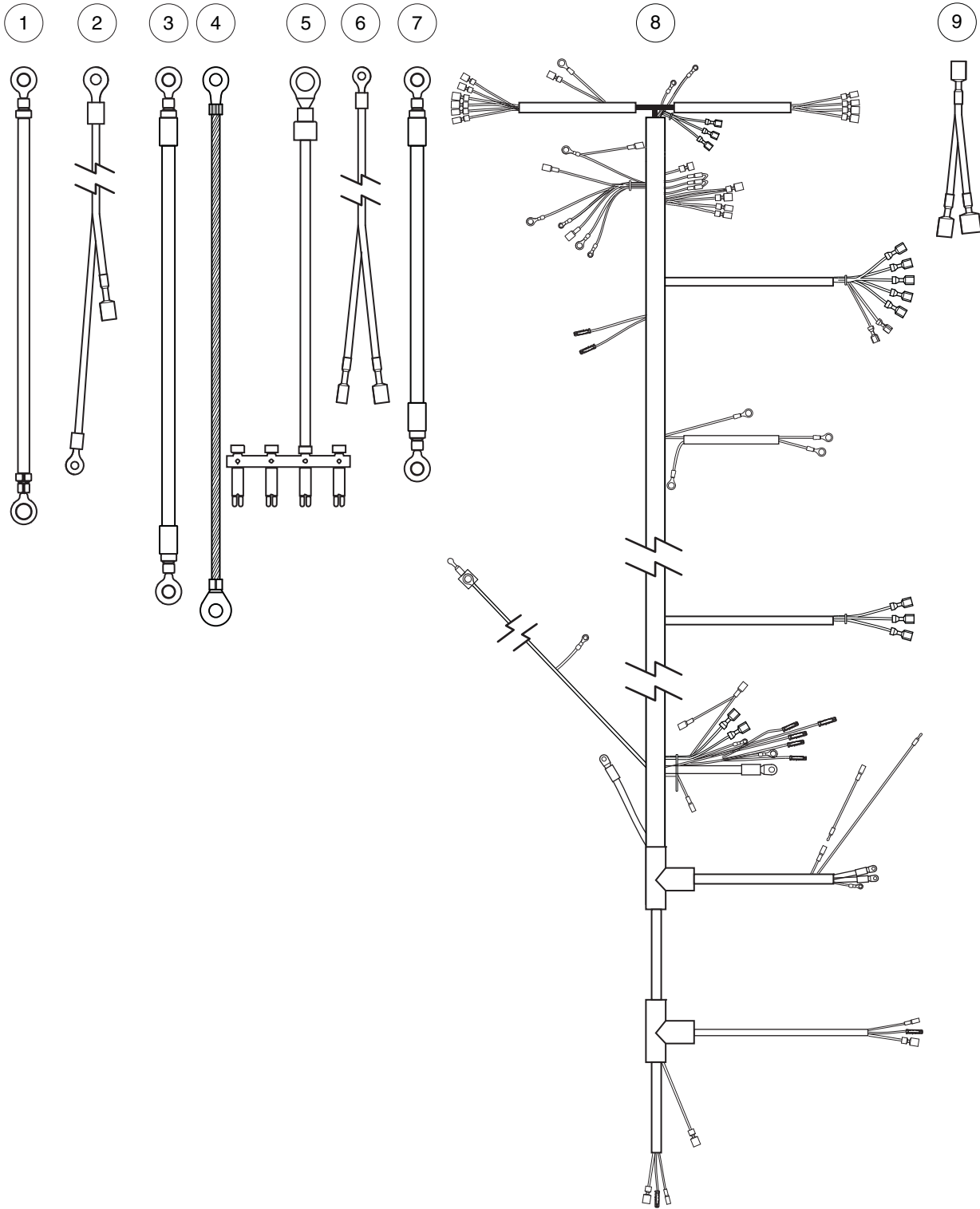
# ELECTRICAL SYSTEM – GASOLINE VEHICLES

---

7

G

**7**  
**G**



000574-002

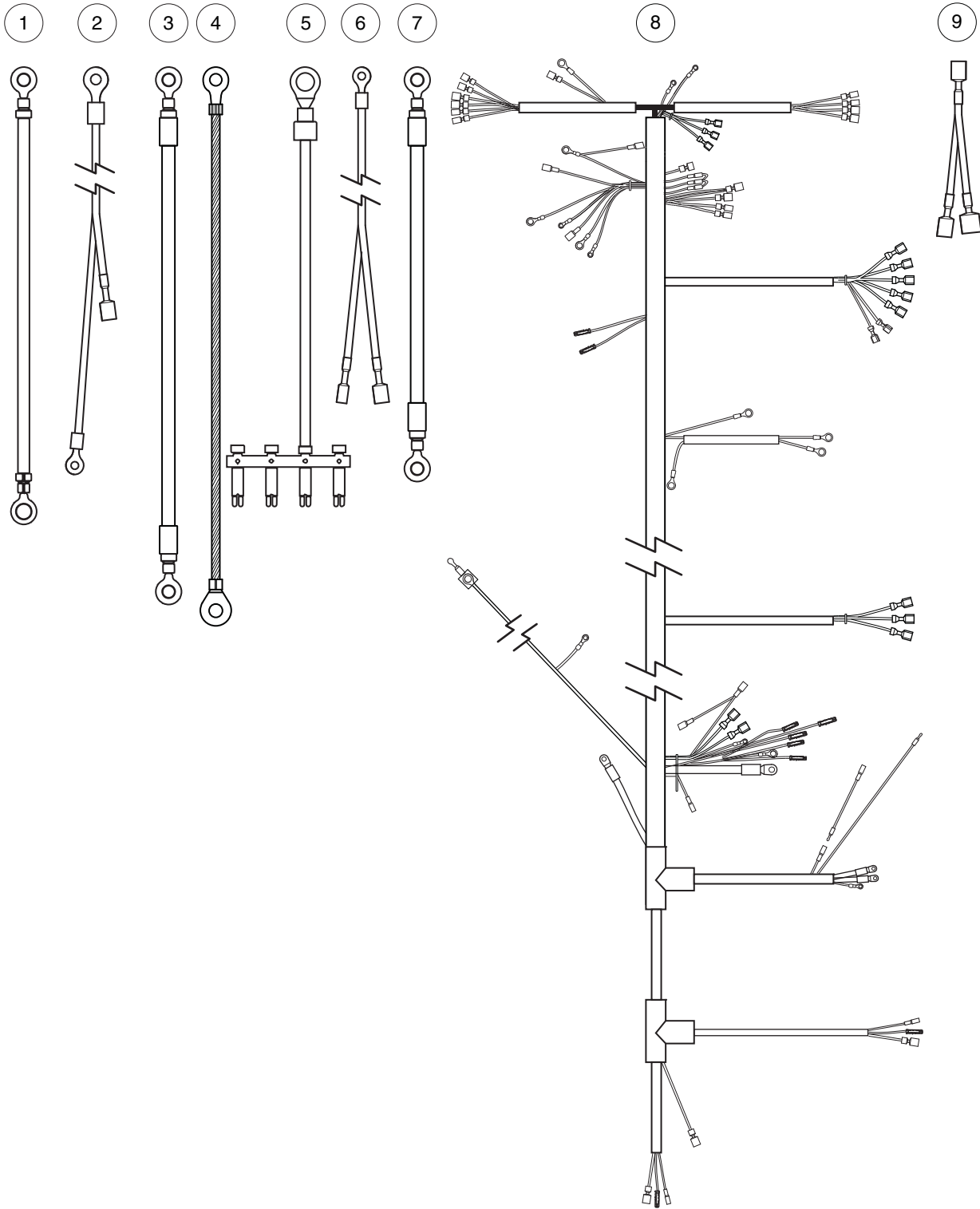
## WIRING – CARRYALL 6 AND VILLAGER 6 GAS

ITEM	PART NO.	DESCRIPTION	QTY
		1 2 3 4	
1	<u>1012382</u>	Wire Assy, #6 Black .....	1
2	<u>1012396</u>	Wire Assy #18 Black .....	1
3	<u>1014119</u>	Wire Assembly #6 Red .....	1
4	<u>1015332</u>	Wire, Ground, #10, Uninsulated .....	1
5	<u>1015737</u>	Wire Assy, #10 Red .....	1
6	<u>1017006</u>	Wire Assembly Orange #18 .....	1
7	<u>101837301</u>	Wire Assy, #6 Green .....	1
8	<u>103197301</u>	Asm, Wire Harness, Stretch, Gas .....	1
9	<u>103348501</u>	Asm, Wire Meter, F-h Jumper .....	1

**7**

**G**

**7**  
**G**



000574-002

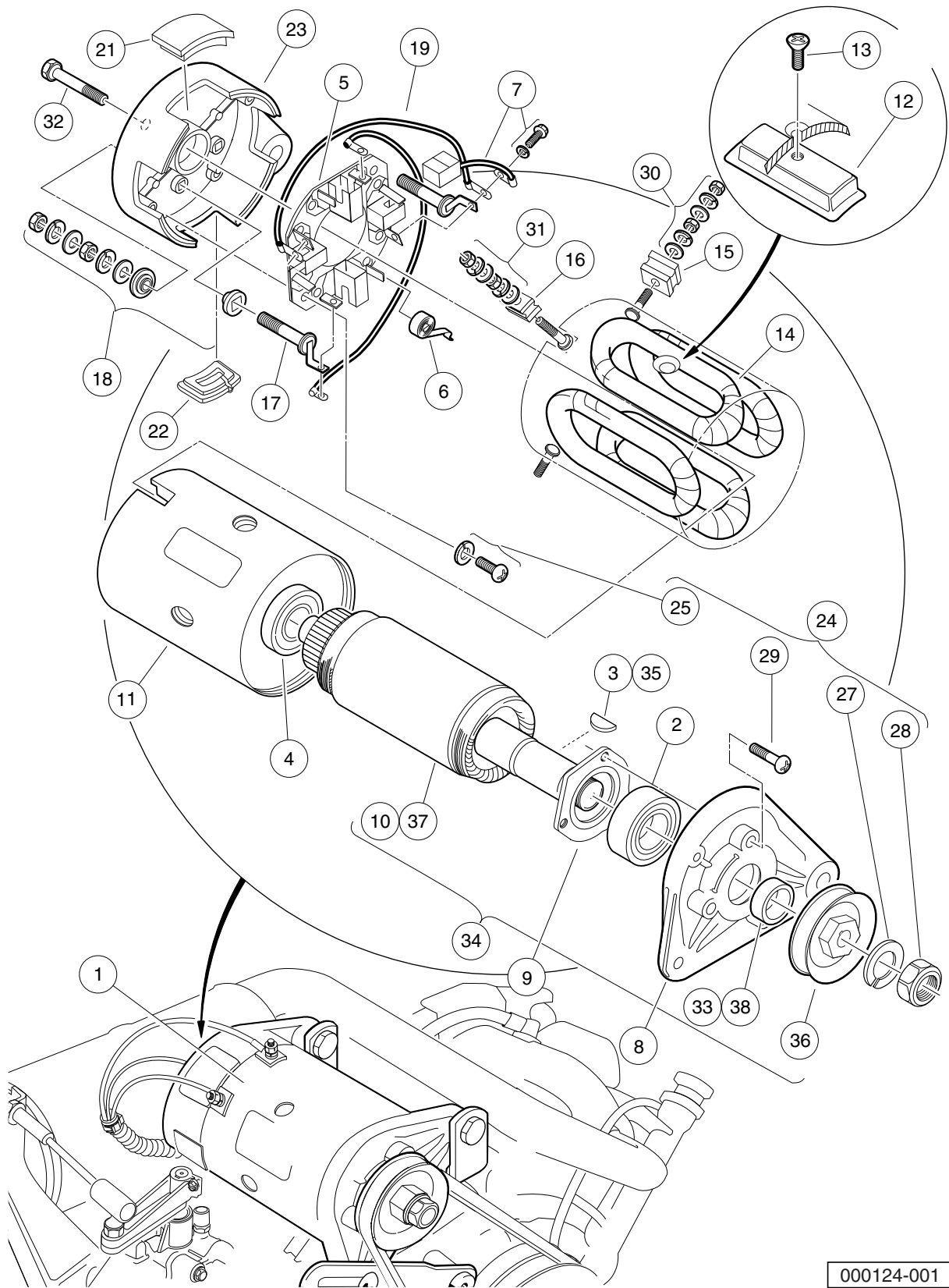
# WIRING – VILLAGER 8 GAS

ITEM	PART NO.	DESCRIPTION	QTY
		1 2 3 4	
1	<u>1012382</u>	Wire Assy, #6 Black .....	1
2	<u>1012396</u>	Wire Assy #18 Black .....	1
3	<u>1014119</u>	Wire Assembly #6 Red .....	1
4	<u>1015332</u>	Wire, Ground, #10, Uninsulated .....	1
5	<u>1015737</u>	Wire Assy, #10 Red .....	1
6	<u>1017006</u>	Wire Assembly Orange #18 .....	1
7	<u>101837301</u>	Wire Assy, #6 Green .....	1
8	<u>103197401</u>	Asm, Wire Harness, Villager 8, Gas .....	1
9	<u>103348501</u>	Asm, Wire Meter, F-h Jumper .....	1

**7**

**G**

**7**  
**G**



000124-001

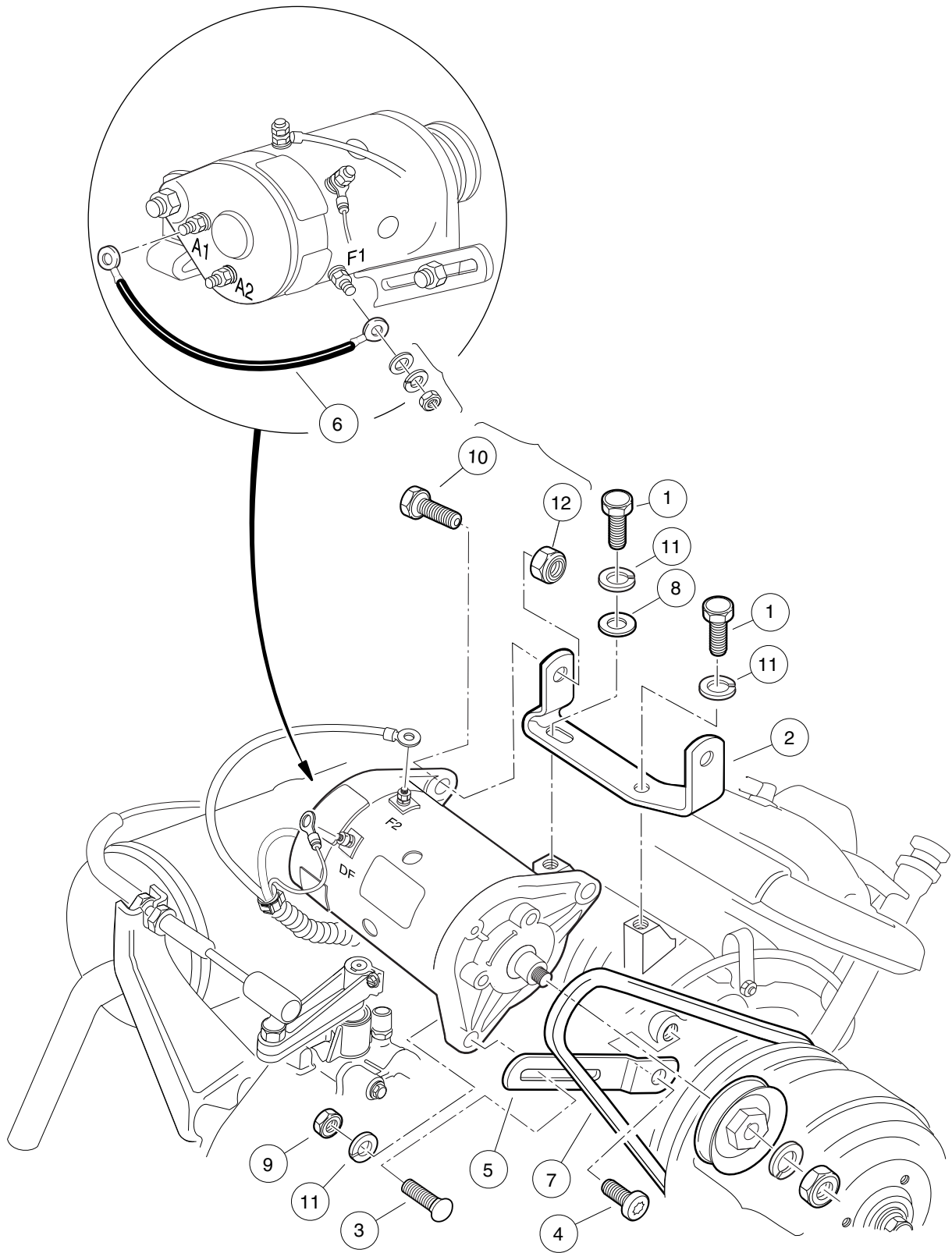


# STARTER/GENERATOR ASSEMBLY MODEL G425419 – GASOLINE VEHICLES

ITEM	PART NO.	DESCRIPTION	QTY
		1 2 3 4	
1	<u>101833701</u>	Starter/Generator (cw) (includes items 2 through 33) .....	1
2	<u>1013001</u>	Bearing, Output Shaft Ball .....	1
3	<u>1013003</u>	Key, Starter/Generator .....	1
4	<u>1013005</u>	Bearing, Ball .....	1
5	<u>101301102</u>	Brush Holder Assembly (cw) (includes item 6) .....	1
6	<u>101878101</u>	Brush Spring Set .....	4
7	<u>101869302</u>	Brush and Screw Set (cw) .....	1
8	<u>101874901</u>	Front Bracket .....	1
9	<u>101875001</u>	Retainer .....	1
10	<u>101875101</u>	Armature .....	1
11	<u>101875201</u>	Field Coil Housing .....	1
12	<u>101875301</u>	Pole Set .....	1
13	<u>101875401</u>	Screw Set .....	1
14	<u>101875501</u>	Field Stator Coil Assembly .....	1
15	<u>101875601</u>	F Insulator Set .....	2
16	<u>101875701</u>	DF Insulator .....	1
17	<u>101875802</u>	A Connector (cw) .....	1
18	<u>101876001</u>	Screw and Mold Assembly .....	2
19	<u>101876202</u>	Brush Connector Assembly (cw) .....	2
20	<u>101876301</u>	Cover Set (includes items 21 and 22) .....	1
21	N/A	Brush Inspection Port Cover .....	3
22	<u>1017653</u>	Brush Port Cover w/Drain .....	1
23	<u>101876402</u>	End Bell, Commutator, Rear Bracket (cw) .....	1
24	<u>101876501</u>	Nut and Screw Set (includes items 25 through 29) .....	1
25	<u>101896501</u>	Brush Holder Asm Screw .....	2
26	N/A	Washer, M5 Flat .....	1
27	N/A	Washer, M14 Lock .....	1
28	N/A	Nut, Hex, M14 x 2 .....	1
29	N/A	Screw, M5 x 0.8 x 18mm .....	3
30	<u>101877601</u>	Nut and Washer Set .....	2
31	<u>101877701</u>	Nut and Washer Set .....	1
32	<u>101879001</u>	Through Bolt Set .....	2
33	<u>101939901</u>	Spacer .....	1
34	<u>101875102</u>	Armature Asm Conversion Kit (includes items 35 through 38) .....	1
35	<u>1013003</u>	Key, Starter/Generator .....	1
36	<u>1014289</u>	Pulley, Starter/Generator .....	1
37	<u>101875101</u>	Armature .....	1
38	<u>101939901</u>	Spacer .....	1
		Note: Item 36 will ONLY fit Model G425419 Starter/Generator.	

7  
G

**7**  
**G**



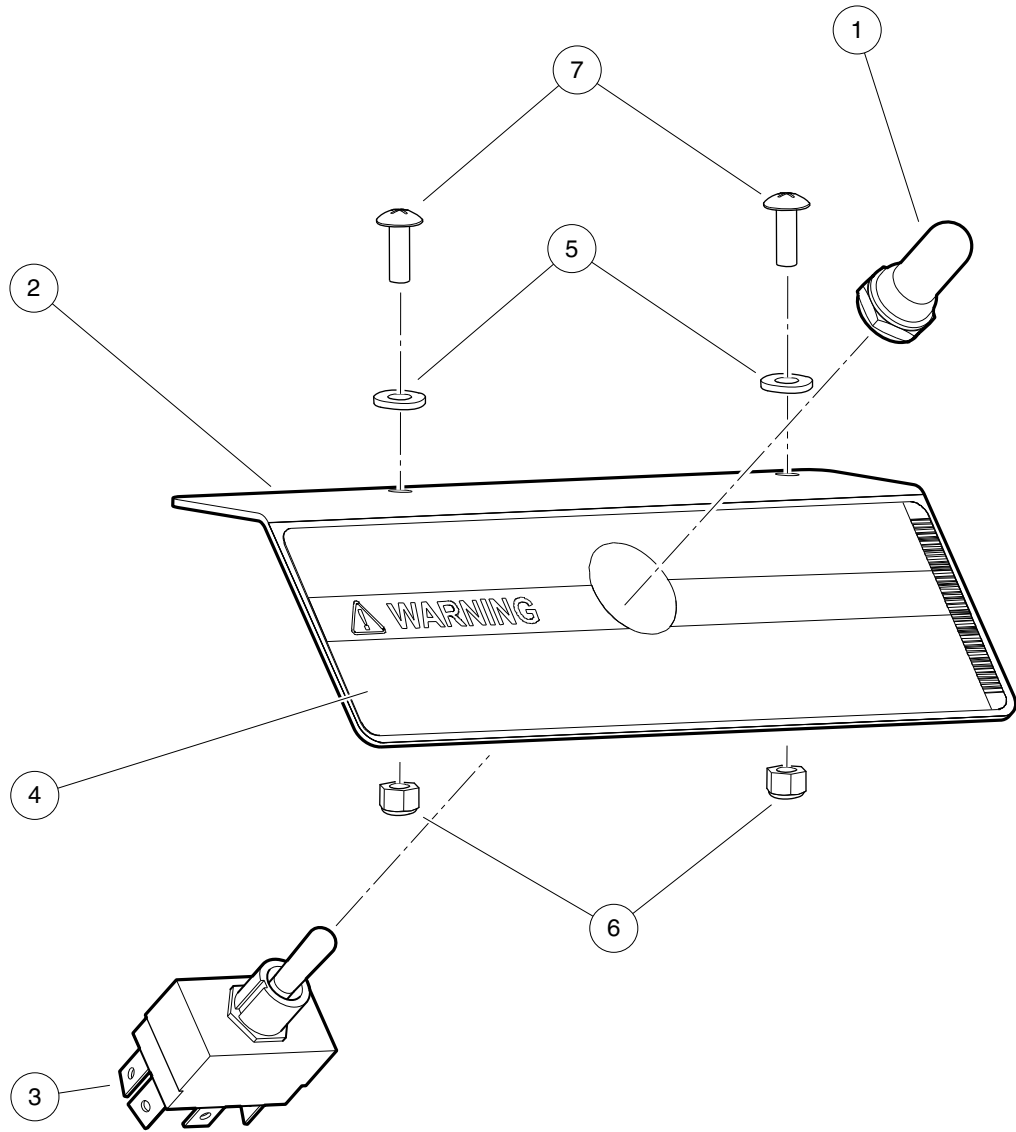
000239-001

## STARTER/GENERATOR MOUNTING – FE350

ITEM	PART NO.	DESCRIPTION	QTY
		1 2 3 4	
1	<u>1012830</u>	Screw, M8-125 X 22 Hex-Head .....	2
2	<u>101524002</u>	Bracket, Starter/Generator Mounting .....	1
3	<u>1015932</u>	Bolt, Carriage, 5/16-18 .....	1
4	<u>1016074</u>	Screw, M8-1.25 X 18mm Torx .....	1
5	<u>1016883</u>	Bracket, Starter/Generator Adjustment .....	1
6	<u>101837301</u>	Wire Assy, #6 Green .....	1
7	<u>101916701</u>	V-Belt .....	1
8	<u>1241</u>	Washer, 5/16 Type A Flat .....	1
9	<u>1242</u>	Nut, 5/16-18 Hex .....	1
10	705	Screw, Cap-hex Hd 3/8-16x1.25 .....	2
11	<u>7174</u>	Lockwasher, 5/16 Split .....	3
12	<u>8754</u>	Locknut, 3/8-16 Hex .....	2

7  
G

**7**  
**G**

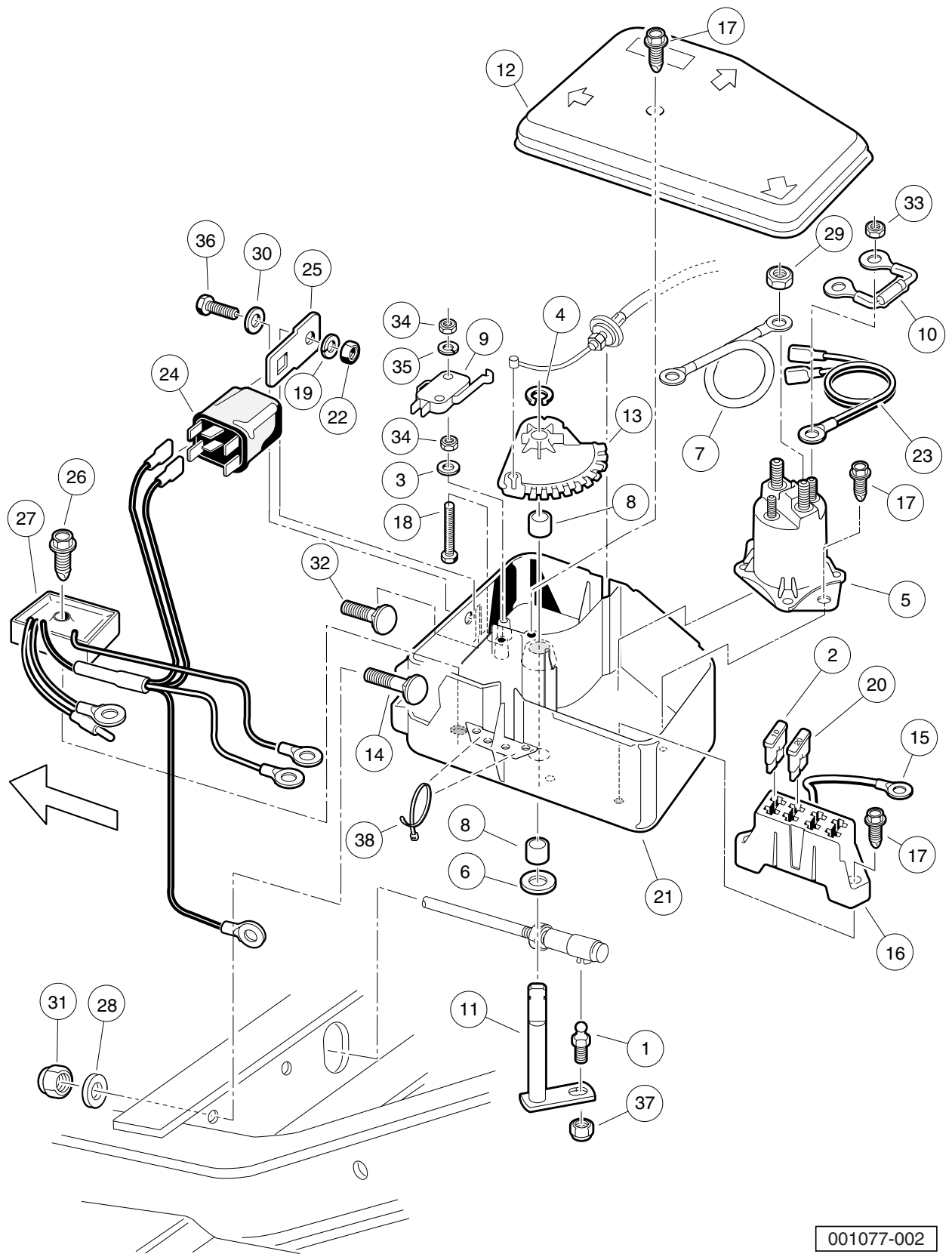


000755-003

# OPERATION AND MAINTENANCE SWITCH

ITEM	PART NO.	DESCRIPTION	QTY
		1 2 3 4	
1	<u>101908401</u>	Boot, Switch .....	1
2	<u>101922501</u>	Bracket, Tow/Run Switch Mounting .....	1
3	<u>103198401</u>	Switch, Toggle, SPDT .....	1
4	<u>103205501</u>	Decal, Run/Service Switch .....	1
5	<u>332</u>	Washer, 1/4 Type A Narrow Flat .....	2
6	<u>8233</u>	Locknut, 1/4-20, Nylon Insert .....	2
7	<u>8248</u>	Screw, 1/4-20 X 0.75, Truss-Head Machine .....	2

**7**  
**G**



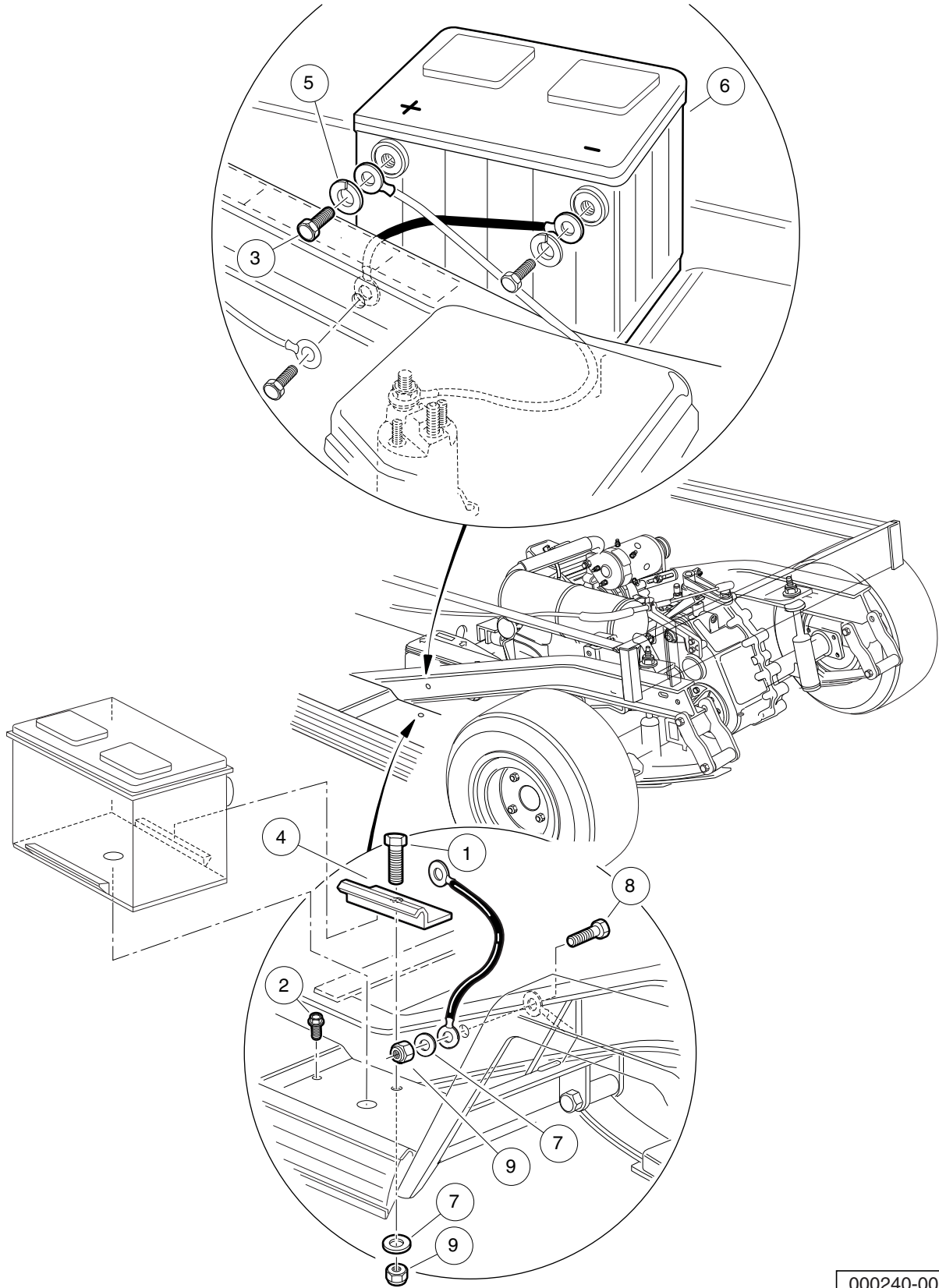
# ELECTRICAL COMPONENT BOX – CARRYALL 6 AND VILLAGER 6/8

8

**7**  
**G**

ITEM	PART NO.	DESCRIPTION	QTY
		1 2 3 4	
1	<u>1010954</u>	Stud, Ball, 1/4-28 X 0.560 .....	1
2	<u>1012295</u>	Fuse, 10-Amp .....	1
3	<u>1012431</u>	Washer, #4 Flat .....	2
4	<u>1013589</u>	Ring, Retaining, 0.338" Internal .....	1
5	<u>1013609</u>	Solenoid, 12-Volt .....	1
6	<u>1014065</u>	Washer, Flat, 0.38" ID, Delrin .....	1
7	<u>1014119</u>	Wire Assembly #6 Red .....	1
8	<u>1014145</u>	Bushing, Secondary Weight, Split .....	2
9	<u>1014807</u>	Switch, Limit .....	1
10	<u>1014948</u>	Diode .....	1
11	<u>1015345</u>	Bell Crank and Shaft Assembly .....	1
12	<u>1015372</u>	Cover, Electric Box .....	1
13	<u>1015373</u>	Cam, Electric Box .....	1
14	<u>1015405</u>	Bolt, Carriage, 5/16-18 X 2.0 .....	1
15	<u>1015737</u>	Wire Assy, #10 Red .....	1
16	<u>1015741</u>	Fuse Block .....	1
17	<u>1015752</u>	Screw, #12-16 X 0.625, Hi-Lo .....	5
18	<u>1015878</u>	Screw, #4-40 Hex Head Machine .....	2
19	<u>1016</u>	Lockwasher, #10 Split .....	1
20	<u>1016423</u>	Fuse, 20-Amp .....	1
21	<u>1016997</u>	Electrical Component Box .....	1
22	<u>1017</u>	Nut, #10-24 Stainless-Steel Hex Machine .....	1
23	<u>1017006</u>	Wire Assembly Orange #18 .....	1
24	<u>1017239</u>	Relay W/mounting Bracket .....	1
25	<u>1017243</u>	Mounting Bracket, Relay .....	1
26	<u>101856102</u>	Screw, 1/4-15 X 1.50, Hi-lo, Hex .....	1
27	<u>102803401</u>	Asm, Voltage Regulator Key Sta .....	1
28	<u>1241</u>	Washer, 5/16 Type A Flat .....	2
29	<u>1242</u>	Nut, 5/16-18 Hex .....	2
30	<u>183</u>	Washer, #10, Type A, Flat .....	1
31	<u>7473</u>	Locknut, 5/16-18 Nylon Insert .....	2
32	<u>7818</u>	Bolt, Carriage, 5/16-18 X 1.5 .....	1
33	<u>7893</u>	Nut, #10-32 Hex .....	2
34	<u>8057</u>	Nut, #4-40 Hex Machine .....	4
35	<u>8058</u>	Lockwasher, #4 Split .....	2
36	<u>8450</u>	Screw, #10-24 X 0.50, Hex-Head .....	1
37	<u>8717</u>	Locknut, Nylon Insert, 1/4-28 .....	1
38	<u>8990</u>	Tie Wrap, 8" Nylon .....	3

**7**  
**G**



000240-001



## BATTERY – GASOLINE UTILITY VEHICLES

ITEM	PART NO.	DESCRIPTION	QTY
		1 2 3 4	
1	<u>1010934</u>	Screw, 5/16-18 X 1.00 Hex Cap .....	1
2	<u>1014288</u>	Screw, 5/16-18 X 0.75, Thread-Forming .....	1
3	<u>1014375</u>	Screw, 3/8-16 X 0.50, Stainless Steel, Hex-Head .....	2
4	<u>101898001</u>	Clamp, Battery .....	1
5	<u>102355301</u>	Lockwasher, 3/8 Split Ss .....	2
6	<u>103496801</u>	Battery, Start, 12v .....	1
7	<u>1241</u>	Washer, 5/16 Type A Flat .....	2
8	<u>7173</u>	Screw, 5/16-18 X 0.75, Hex-Head Cap .....	1
9	<u>7473</u>	Locknut, 5/16-18 Nylon Insert .....	2

7  
G

7

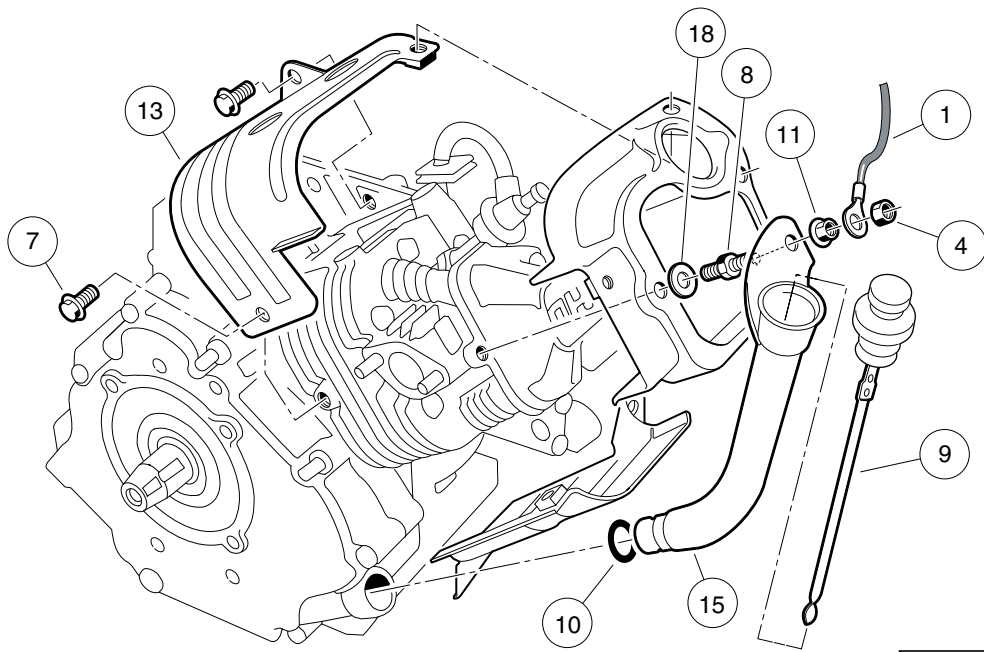
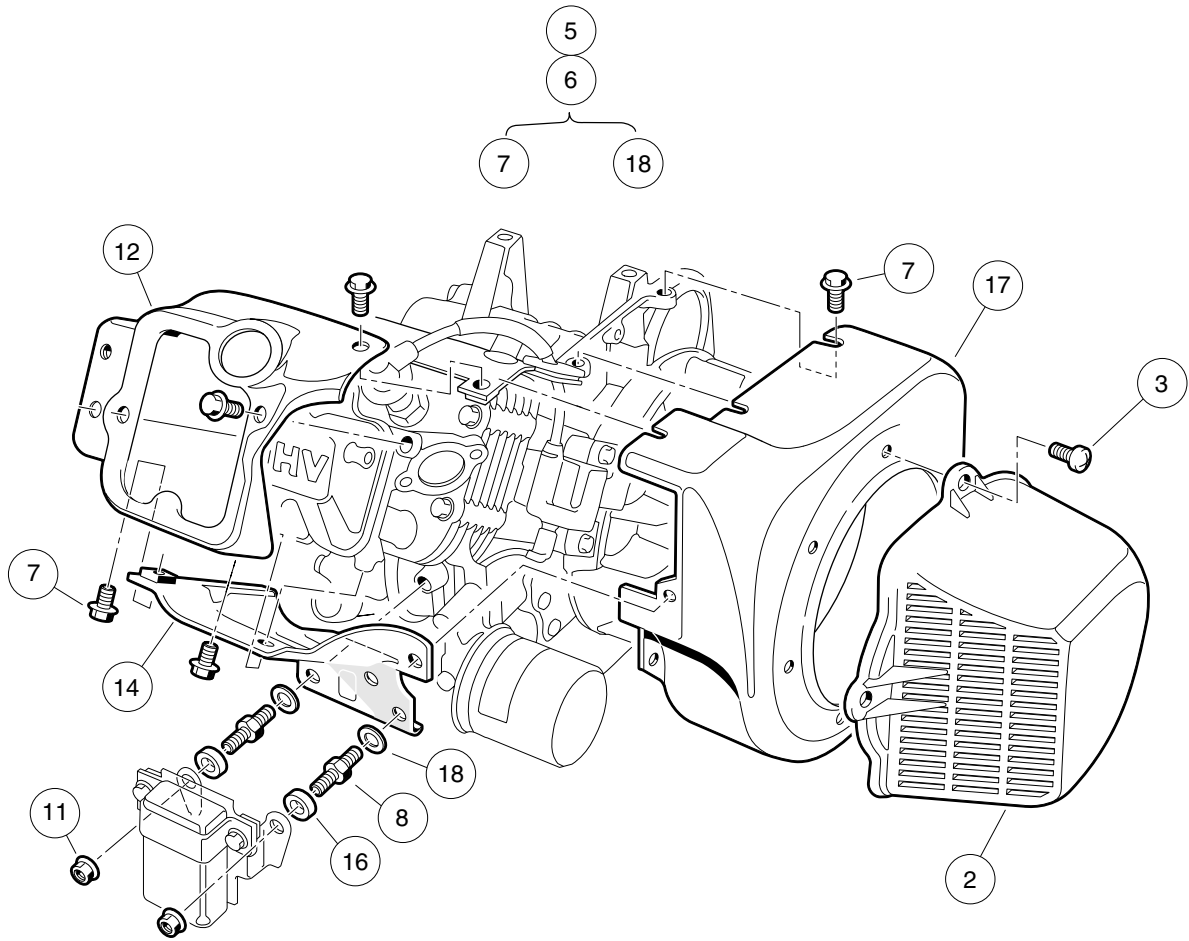
G

# ENGINE (S10 & S23) W/ACR – PRIOR TO 50-STATE ENGINE

---

8

G

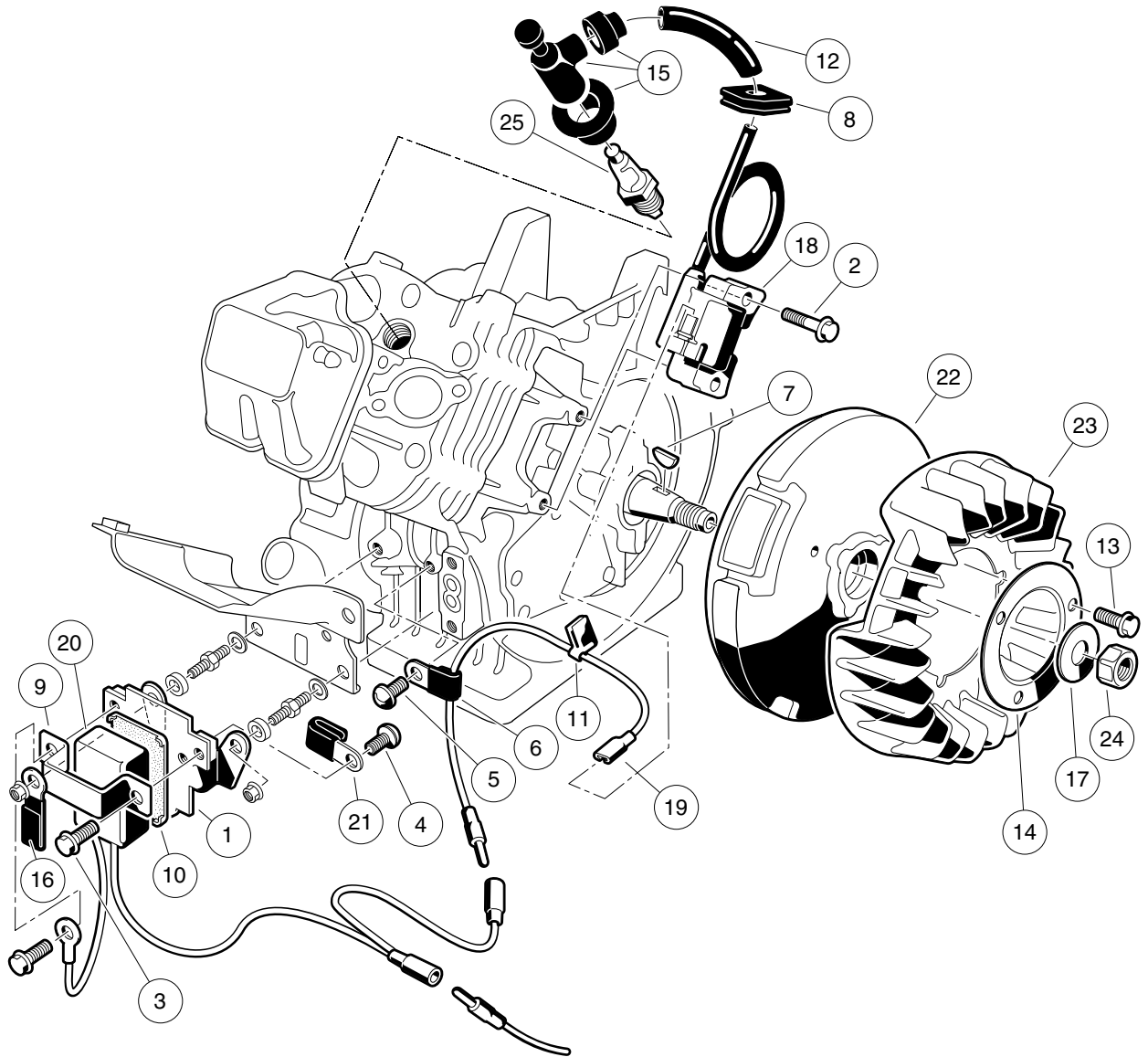


000201-003

## FE350 ENGINE WITH ACR (AUTOMATIC COMPRESSION RELEASE) – SHROUDS AND BRACKETS

ITEM	PART NO.	DESCRIPTION	QTY
		1 2 3 4	
1	<u>1015332</u>	Wire, Ground, #10, Uninsulated .....	1
2	<u>1015649</u>	Shroud, Fan .....	1
3	<u>1015969</u>	Screw, M6-1.00 X 10mm, Pan Hd .....	4
4	<u>101887601</u>	Locknut, M6-1.00 Nylon Insert .....	1
5	<u>101953801</u>	Engine, FE350 with ACR .....	1
6	101953803	Engine, FE350, California-Only, with ACR (includes items 7 through 18) .....	1
7	1016456	Bolt, Flange Head, M6 x 1 x 12 mm .....	14
8	<u>1016507</u>	Bolt, Two-Ended .....	3
9	1016531	Dipstick .....	1
10	<u>1016539</u>	O-Ring .....	1
11	1016547	Nut, Flanged, M6 X 1.00 .....	3
12	<u>1017474</u>	Shroud, Engine .....	1
13	<u>1017475</u>	Shroud, Engine .....	1
14	<u>1017476</u>	Shroud, Engine .....	1
15	<u>1017486</u>	Tube, Oil Filler .....	1
16	<u>1017500</u>	Spacer 6.50 X 12 X 5.5 .....	2
17	<u>101916101</u>	Housing, FE350 Fan .....	1
18	N/A	Washer, 6mm Flat .....	3

**8**  
**G**



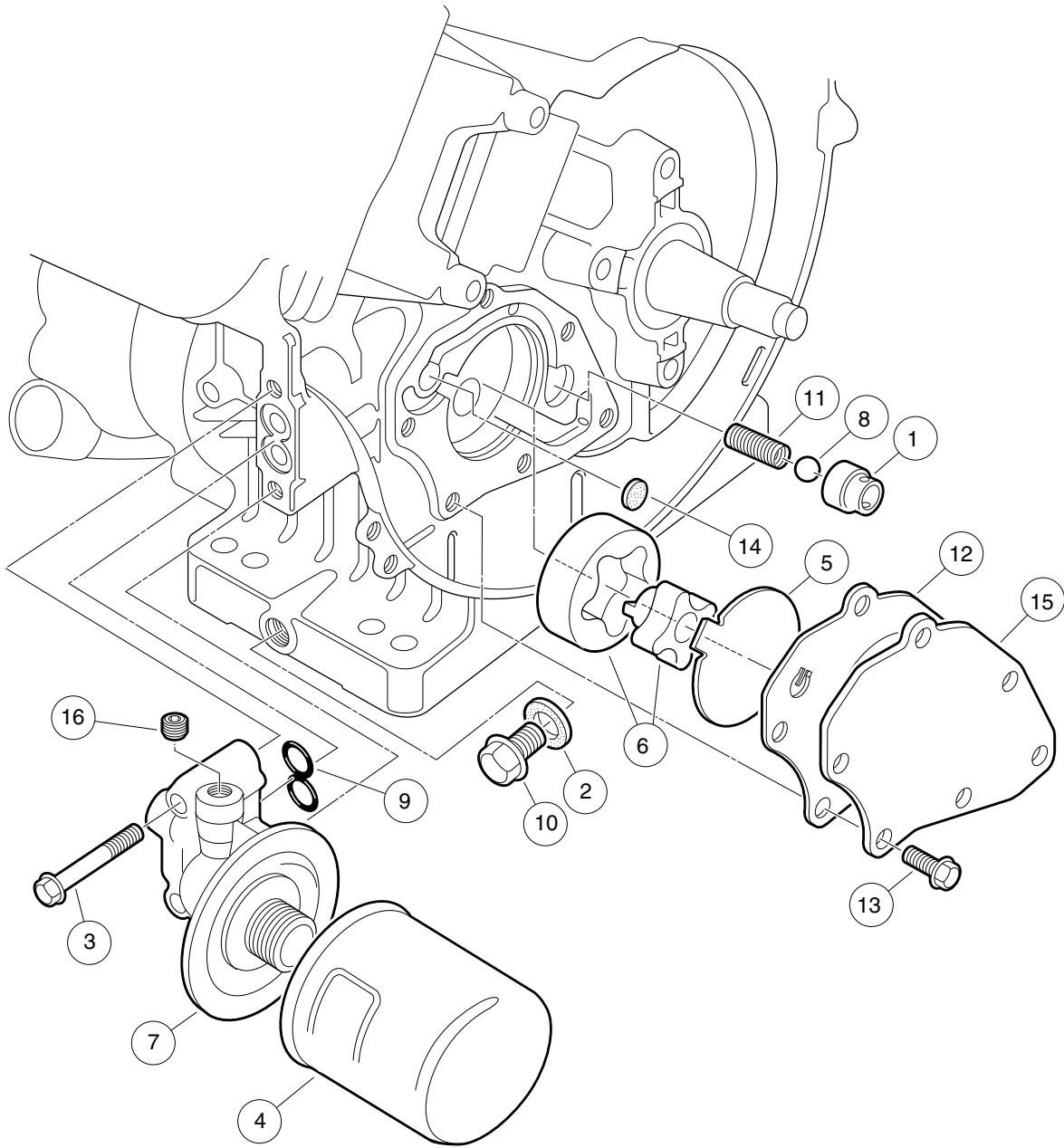
000202-003

# FE350 ENGINE – IGNITION COMPONENTS AND FLYWHEEL

ITEM	PART NO.	DESCRIPTION	QTY
		1 2 3 4	
1	1016445	Bracket, RPM Limiter .....	1
2	<u>1016455</u>	Bolt, Flange Head .....	2
3	1016456	Bolt, Flange Head, M6 x 1 x 12 mm .....	2
4	<u>1016497</u>	Screw, Pan WP Cross .....	1
5	<u>1016544</u>	Screw .....	1
6	<u>1016561</u>	Clamp .....	1
7	<u>1016562</u>	Key .....	1
8	<u>1016578</u>	Grommet, Ignition .....	1
9	<u>1016579</u>	Band, RPM Limiter Mount .....	1
10	1016586	Damper, RPM Limiter .....	1
11	<u>1016587</u>	Clamp .....	1
12	<u>1016588</u>	Tube, 7mm X 10mm X 70mm .....	1
13	<u>1017448</u>	Bolt, Flanged .....	3
14	<u>1017455</u>	Plate, Flywheel Fan .....	1
15	<u>1017463</u>	Cap Asm, Plug .....	1
16	<u>1017468</u>	Clamp .....	1
17	<u>1017490</u>	Washer, Flat .....	1
18	<u>101909201</u>	Coil, Ignition .....	1
19	<u>101909301</u>	Lead Wire Assy .....	1
20	101909401	Limiter, RPM .....	1
21	101909501	Clamp, Steel .....	1
22	<u>101916201</u>	Flywheel .....	1
23	<u>101916301</u>	Fan (cw) .....	1
24	<u>102838401</u>	Nut, Hex, 18 mm Fine .....	1
25	<u>AM1232301</u>	Spark Plug, BPR2ES .....	1

**8**

**G**



000203-001

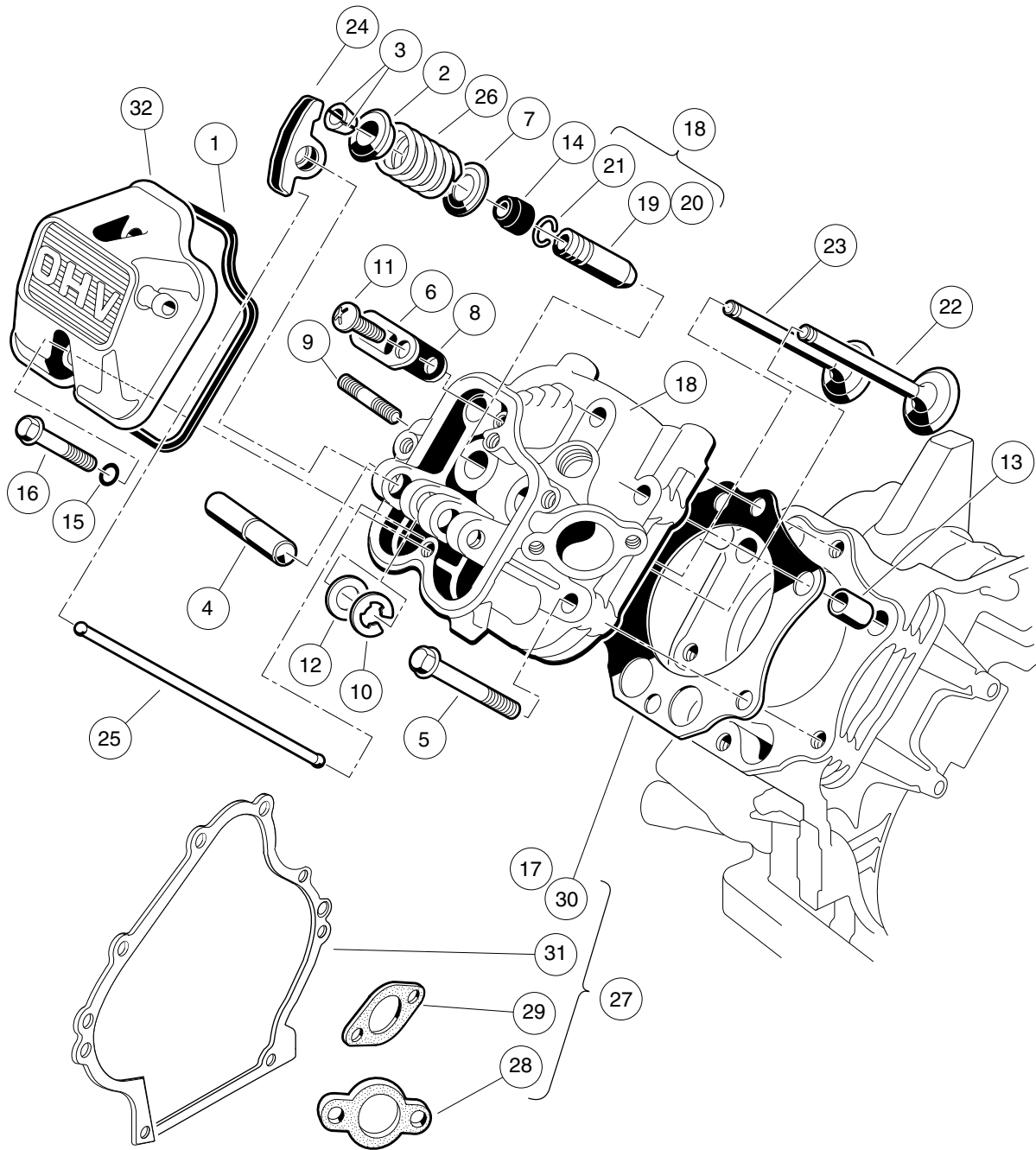


## FE350 ENGINE – OIL CIRCULATION

ITEM	PART NO.	DESCRIPTION	QTY
		1 2 3 4	
1	1016429	Seat, Valve Oil Pressure Relief .....	1
2	<u>1016432</u>	Gasket, Drain Plug .....	1
3	<u>1016457</u>	Bolt, Flange Head .....	2
4	<u>1016467</u>	Filter, Oil .....	1
5	<u>1016473</u>	Plate, Oil Pump .....	1
6	<u>101648203</u>	Oil Pump And Rotor .....	1
7	<u>1016502</u>	Bracket, Oil Filter Mount .....	1
8	<u>1016537</u>	Ball, Steel, Press, Relief .....	1
9	<u>1016570</u>	O-Ring .....	1
10	1016576	Plug, Drain .....	1
11	<u>1016581</u>	Spring .....	1
12	<u>1017442</u>	Gasket .....	1
13	<u>1017456</u>	Bolt, Flanged .....	6
14	<u>1017458</u>	Filter .....	1
15	<u>1017460</u>	Cover, Pump .....	1
16	<u>1017507</u>	Plug .....	2

8

G



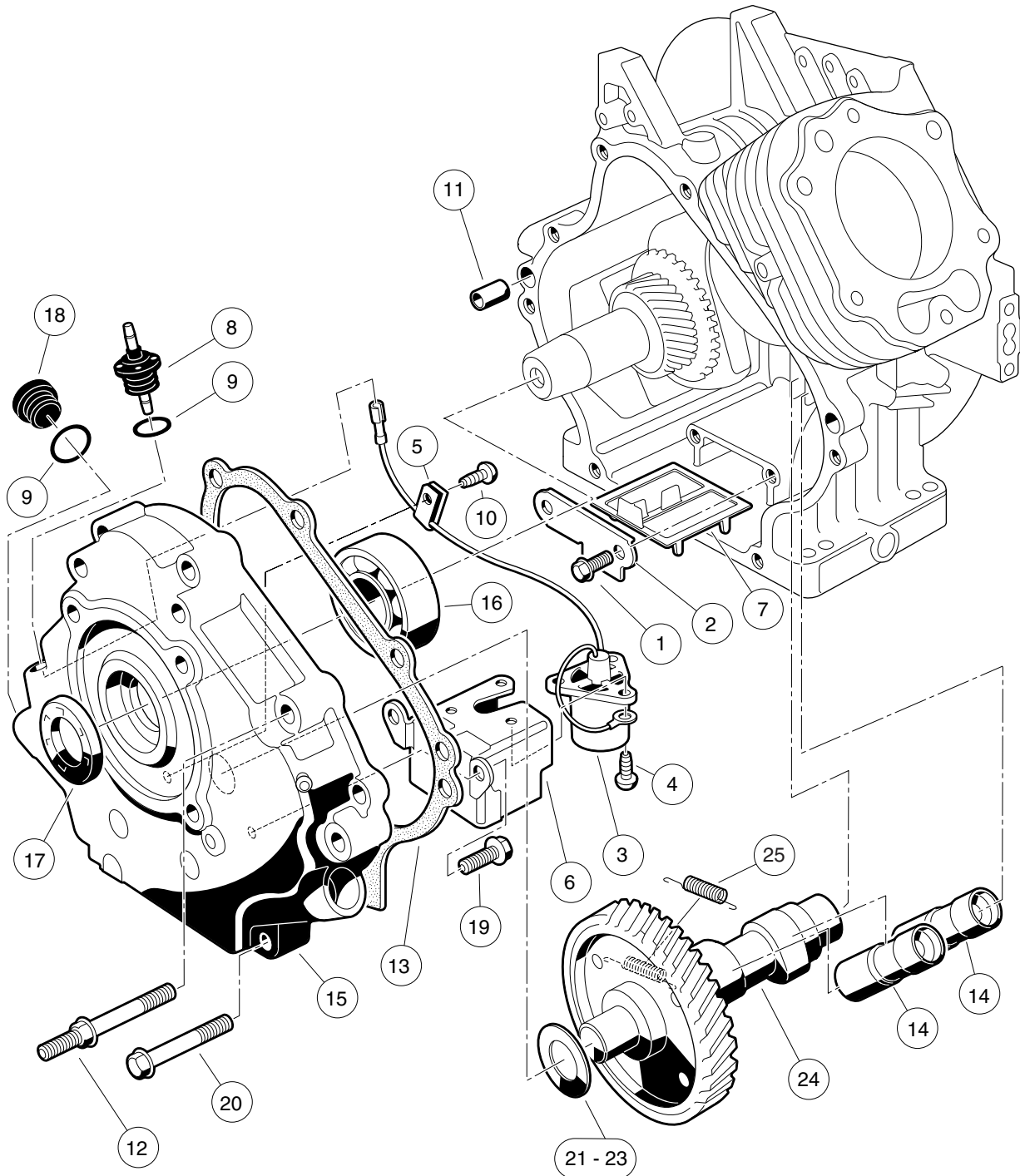
000204-003

## FE350 ENGINE – CYLINDER HEAD

ITEM	PART NO.	DESCRIPTION	QTY
		1 2 3 4	
1	<u>1016436</u>	Gasket, Rocker Case .....	1
2	<u>1016449</u>	Retainer, Valve Spring .....	2
3	<u>1016450</u>	Collet .....	4
4	<u>1016452</u>	Shaft, Rocker .....	1
5	<u>1016458</u>	Bolt, Flange Head, M8 x 1.25 x 45 mm .....	6
6	<u>1016474</u>	Plate .....	1
7	<u>1016479</u>	Seat, Spring .....	2
8	<u>1016483</u>	Valve .....	1
9	<u>1016489</u>	Stud, Two-Ended, M8-1.25 .....	2
10	<u>1016517</u>	Circlip, Type-E .....	1
11	<u>1016544</u>	Screw .....	1
12	<u>1016549</u>	Washer, 12.1x19x1.8 .....	1
13	<u>1016563</u>	Pin .....	2
14	<u>1016566</u>	Seal, Oil .....	2
15	<u>1016569</u>	O-Ring .....	2
16	<u>1016583</u>	Bolt, 6x35 .....	2
17	<u>1017434</u>	Gasket, Head .....	1
18	<u>1017435</u>	Assembly, Cylinder Head, FE350 (includes items 19 through 21) .....	1
19	<u>1016518</u>	Guide, Valve, Exhaust .....	1
20	<u>1016519</u>	Guide, Valve, Intake, Exhaust .....	1
21	<u>1016560</u>	Snap Ring .....	2
22	<u>1017444</u>	Valve, Intake .....	1
23	<u>1017445</u>	Valve, Exhaust .....	1
24	<u>1017446</u>	Arm, Rocker .....	2
25	<u>1017454</u>	Rod, Push .....	2
26	<u>1017473</u>	Spring, Engine Valve .....	2
27	<u>102304801</u>	Kit, Gasket, FE350 (includes items 28 through 31) .....	1
28	<u>1016440</u>	Gasket, Engine to Insulator .....	1
29	<u>1016904</u>	Gasket, Exhaust .....	1
30	<u>1017434</u>	Gasket, Head .....	1
31	<u>1017443</u>	Gasket, Crankcase Cover .....	1
32	<u>102753401</u>	Case, Rocker .....	1
		Note: Item 28, <u>1016440</u> , is not a component of the FE350 engine.	

**8**

**G**



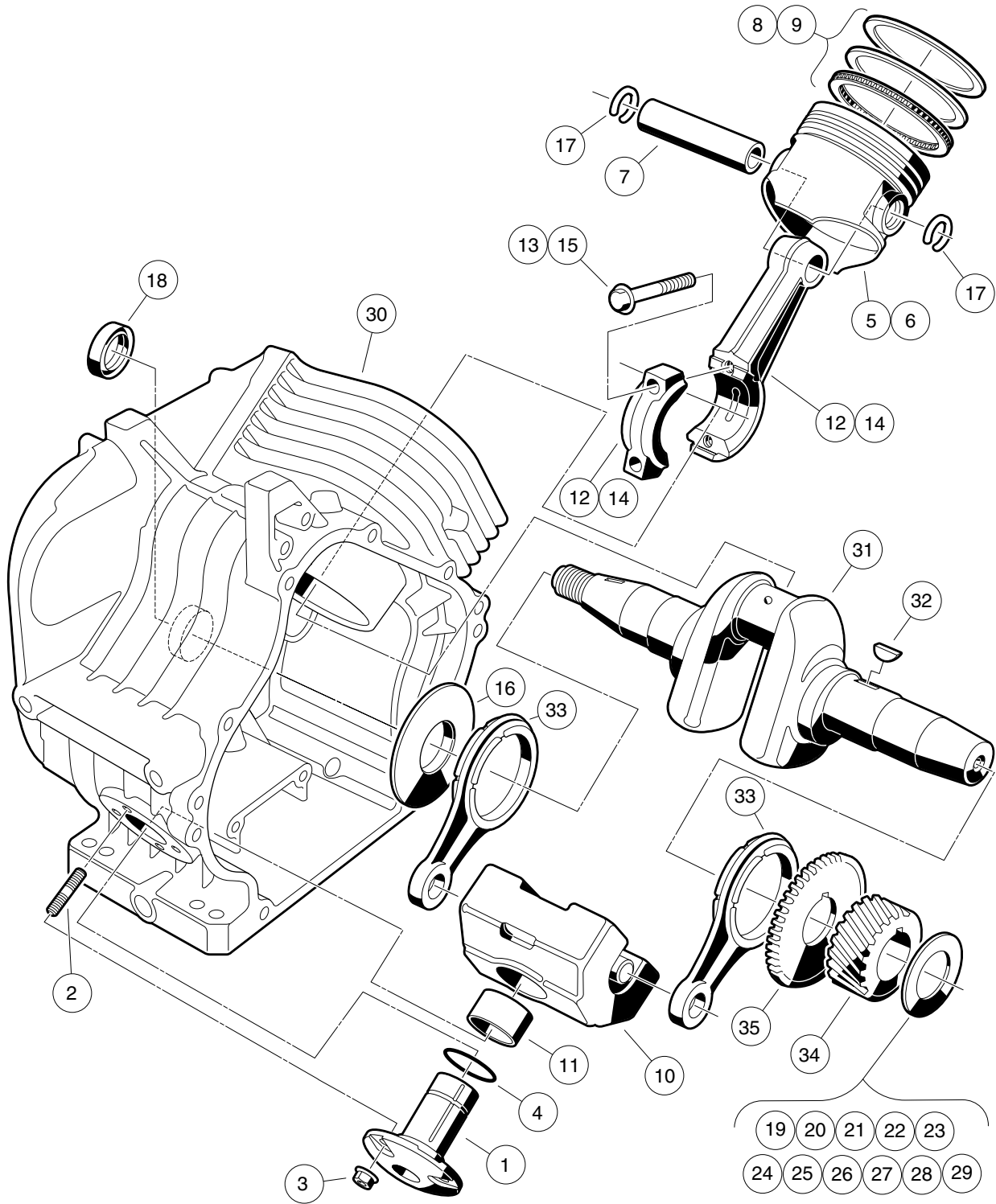
000205-001

# FE350 ENGINE WITH ACR – CRANKCASE, CAMSHAFT, AND OIL SENSOR

ITEM	PART NO.	DESCRIPTION	QTY
		1 2 3 4	
1	<u>1016454</u>	Bolt, Flange Head, M5 x 0.8 x 8 mm .....	2
2	<u>1016472</u>	Plate, Oil Filter Screen .....	1
3	<u>1016494</u>	Sensor, Oil Level .....	1
4	<u>1016496</u>	Screw, Cross Pan-Head, M4 x 0.7 x 8 mm .....	3
5	<u>1016506</u>	Clamp .....	1
6	<u>1016510</u>	Bracket, Switch, Oil Level .....	1
7	<u>1016521</u>	Screen, Oil Filter .....	1
8	<u>1016535</u>	Connector, Cord .....	1
9	<u>1016538</u>	O-Ring .....	2
10	<u>1016544</u>	Screw .....	1
11	<u>1016564</u>	Pin .....	2
12	<u>1016584</u>	Bolt, Two-Ended, M8 x 1.25 x 69 mm .....	2
13	<u>1017443</u>	Gasket, Crankcase Cover .....	1
14	<u>1017447</u>	Adjuster, Lash .....	2
15	<u>1017472</u>	Cover Crankcase .....	1
16	<u>1017487</u>	Bearing, Ball .....	1
17	<u>1017504</u>	Seal, Oil .....	1
18	<u>1017508</u>	Plug .....	1
19	<u>1017513</u>	Bolt Switch Bracket .....	2
20	<u>1017514</u>	Screw, M8-1.25 X 45mm Hex .....	6
21	<u>101751801</u>	Shim, 0.3 .....	1
22	<u>101751802</u>	Shim, 0.4 .....	1
23	<u>101751803</u>	Shim, 0.5 .....	1
24	<u>102271601</u>	Camshaft, FE350/FE400 with ACR, 44-tooth (includes item 25) .....	1
25	<u>1017511</u>	Spring .....	1

**8**

**G**

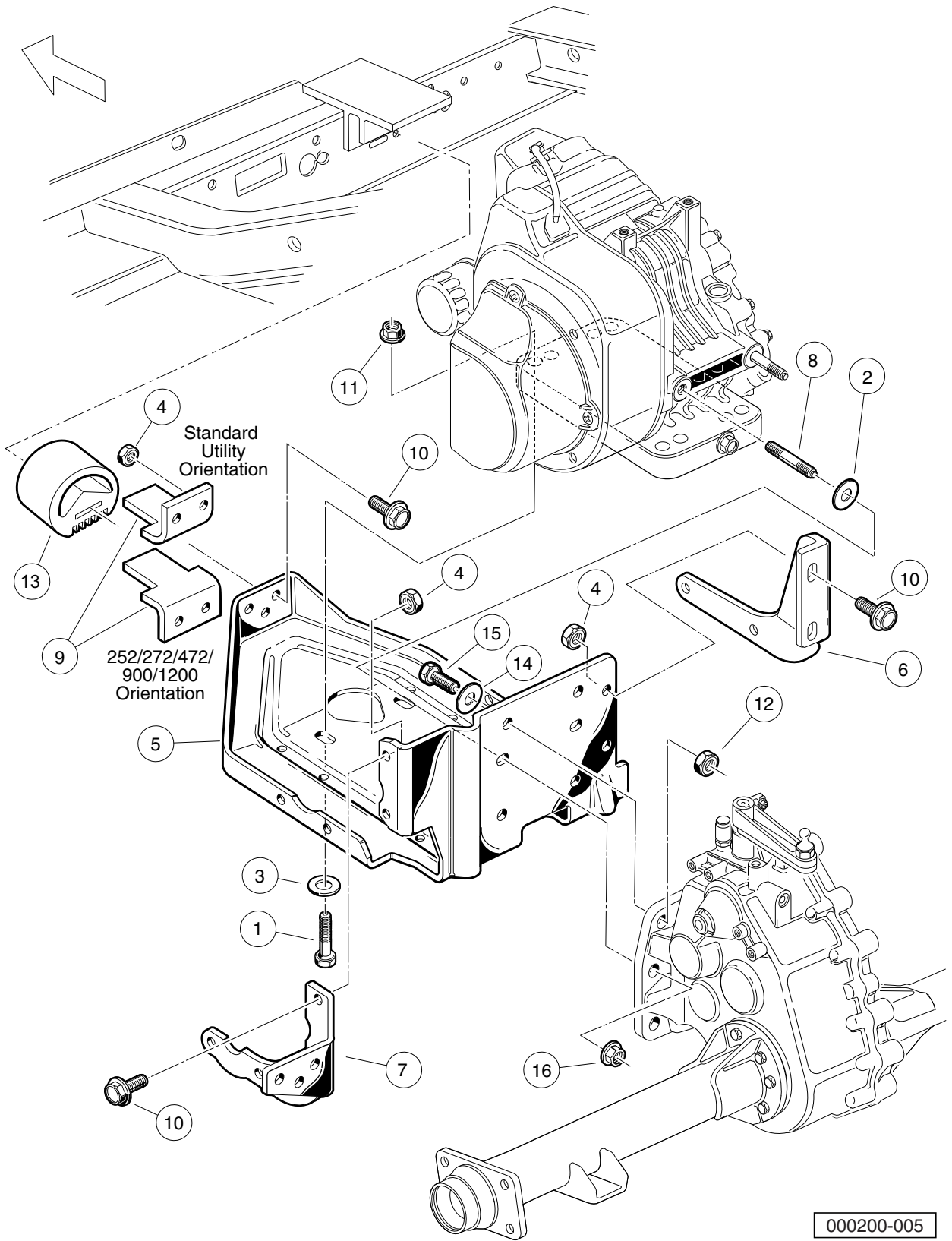


000206-001

## FE350 ENGINE – CRANKCASE AND CRANKSHAFT

ITEM	PART NO.	DESCRIPTION	QTY
		1 2 3 4	
1	1016470	Shaft, Guide, Counterbalance .....	1
2	<u>1016541</u>	Stud, 6x14 .....	4
3	1016547	Nut, M6 Flange .....	4
4	<u>1016571</u>	O-Ring .....	1
5	<u>101744901</u>	Piston, Standard .....	1
6	<u>101744902</u>	Piston, 0.50 mm Oversize .....	1
7	1017450	Pin, Piston .....	1
8	<u>101745101</u>	Ring Set, Standard Piston .....	1
9	<u>101745102</u>	Ring Set, Piston, 0.50 mm Oversize .....	1
10	<u>1017453</u>	Counterbalance Weight (includes item 11) .....	1
11	1017510	Bearing, Plain .....	1
12	101745701	Asm, Con. Rod Std (includes item 13) .....	1
13	<u>1017512</u>	Bolt .....	2
14	<u>101745702</u>	Asm, Con. Rod 0.5mm U/s (includes item 15) .....	1
15	<u>1017512</u>	Bolt .....	2
16	1017501	Spacer .....	1
17	<u>1017502</u>	Snap Ring .....	2
18	<u>1017503</u>	Seal, Oil .....	1
19	<u>101773301</u>	Shim, Crankshaft, 1.18mm .....	1
20	<u>101773302</u>	Shim, Crankshaft, 1.25mm .....	1
21	<u>101773303</u>	Shim, Crankshaft, 1.32mm .....	1
22	<u>101773304</u>	Shim, Crankshaft, 1.39mm .....	1
23	<u>101773305</u>	Shim, Crankshaft, 1.46mm .....	1
24	<u>101773306</u>	Shim, Crankshaft, 1.53mm .....	1
25	<u>101773307</u>	Shim, Crankshaft, 1.60mm .....	1
26	<u>101773308</u>	Shim, Crankshaft, 1.67mm .....	1
27	<u>101773309</u>	Shim, Crankshaft, 1.74mm .....	1
28	<u>101773310</u>	Shim, Crankshaft, 1.11 mm .....	1
29	<u>101773311</u>	Shim, Crankshaft, 1.81mm .....	1
30	<u>101916001</u>	Crankcase Complete, FE350 (cw) .....	1
31	<u>102430901</u>	Crankshaft, FE350 Left-Hand, 22-Tooth (includes items 32 through 35) .....	1
32	<u>1016562</u>	Key .....	1
33	<u>1017471</u>	Rod .....	2
34	N/A	Gear, Helical .....	1
35	N/A	Gear, Spur .....	1

**8**  
**G**



000200-005



# FE350 ENGINE MOUNTING

ITEM	PART NO.	DESCRIPTION	QTY
		1 2 3 4	
1	<u>1010577</u>	Bolt, Hex-Head, 5/16-18 X 1.50 .....	4
2	<u>1011697</u>	Washer, 5/16 Flat .....	2
3	1012571	Washer, 5/16 Extra Thick Flat .....	4
4	<u>1013924</u>	Nut, 5/16-24, Hex Head Cone .....	10
5	<u>101827101</u>	Plate, Engine Mounting .....	1
6	<u>101832601</u>	Stiffener (PTO Side) .....	1
7	<u>101832701</u>	Stiffener (Flywheel Side) .....	1
8	<u>101833101</u>	Stud, M8-1.25 X 50 mm Two-Ended .....	2
9	<u>101834601</u>	Bracket, Snubber .....	1
10	<u>101884801</u>	Screw, 5/16-24 X 0.875, Grade-8 .....	10
11	<u>101963401</u>	Locknut, 5/16-18 Hex Flange .....	4
12	<u>102065901</u>	Locknut, 3/8-16 Flanged Dimple .....	4
13	<u>102540301</u>	Snubber, Inner Frame .....	1
14	<u>334</u>	Washer, 3/8, Type A, Flat .....	4
15	705	Screw, Cap-hex Hd 3/8-16x1.25 .....	4
16	<u>96704416</u>	Nut, Flange, M8 X 1.25 Serrated .....	2

**8**

**G**

8

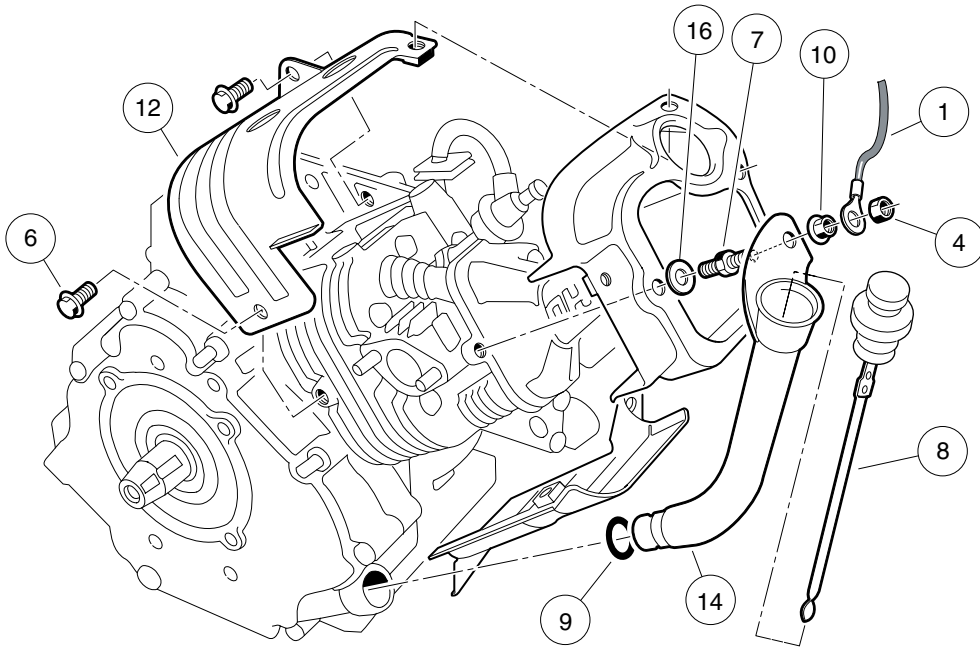
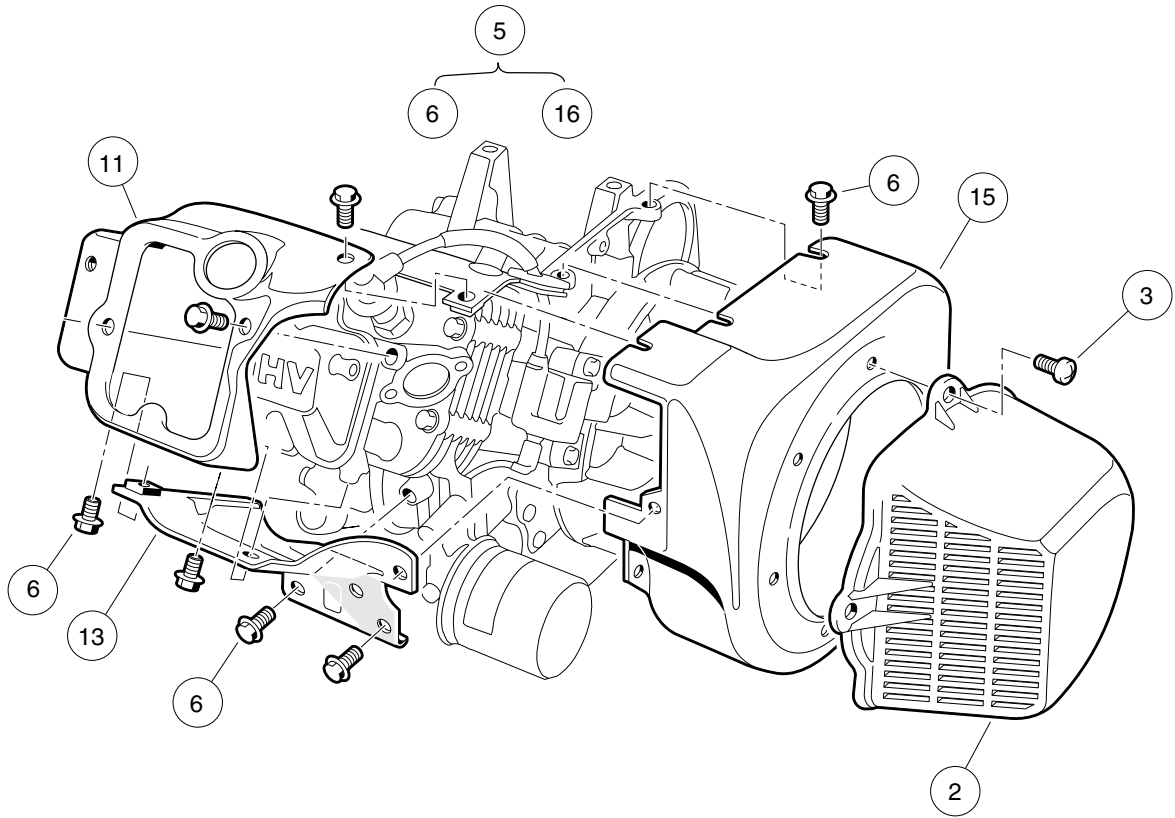
G

# ENGINE (S27) W/O ACR, 50-STATE

---

9

G



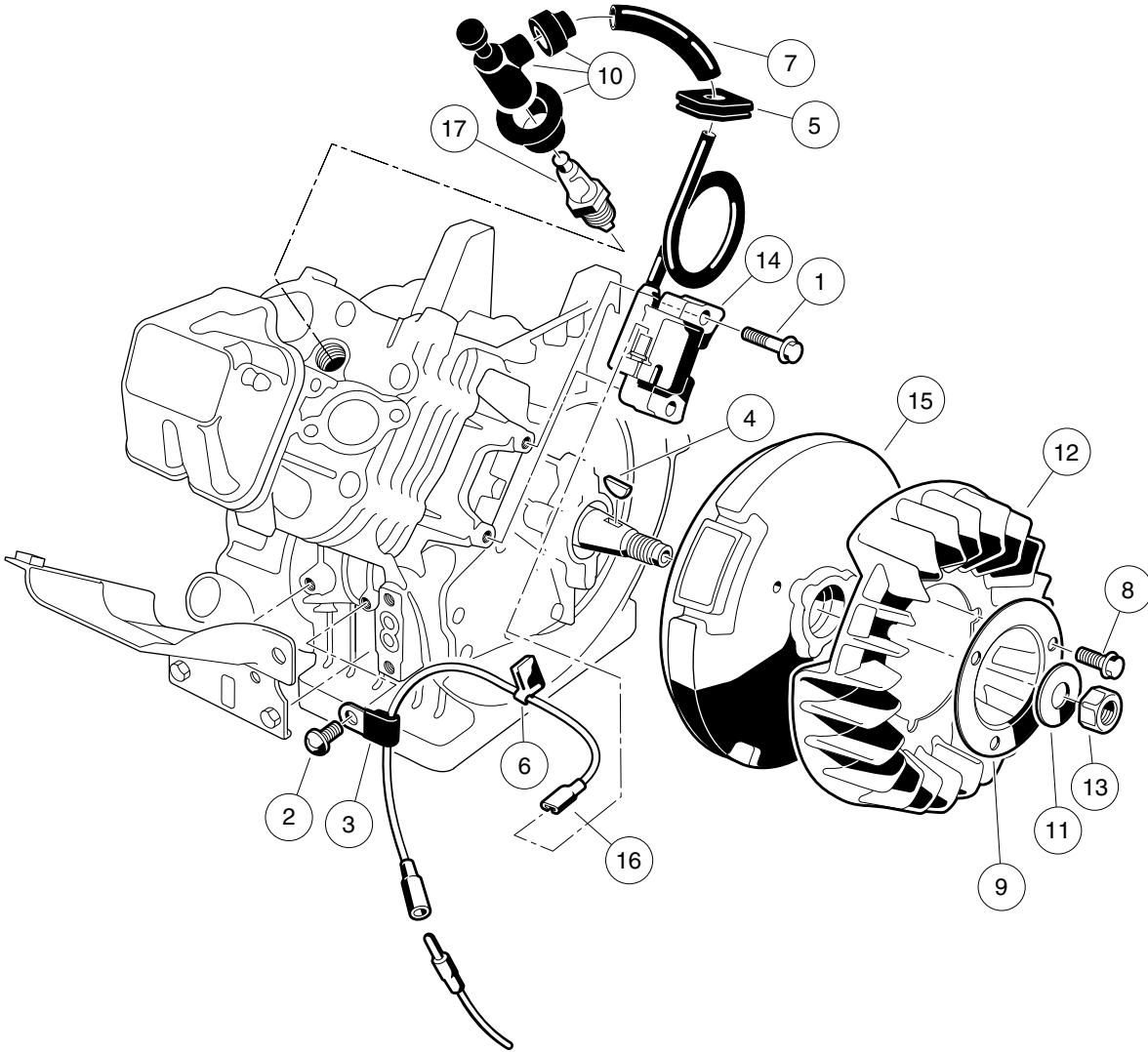
000201-002

# FE350 ENGINE (S27) W/O ACR, SHROUDS, AND BRACKETS; 50-STATE

ITEM	PART NO.	DESCRIPTION	QTY
		1 2 3 4	
1	<u>1015332</u>	Wire, Ground, #10, Uninsulated .....	1
2	<u>1015649</u>	Shroud, Fan .....	1
3	<u>1015969</u>	Screw, M6-1.00 X 10mm, Pan Hd .....	4
4	<u>101887601</u>	Locknut, M6-1.00 Nylon Insert .....	1
5	<u>103386202</u>	Engine, FE350 S27 (includes items 6 through 16) .....	1
6	1016456	Bolt, Flange Head, M6 x 1 x 12 mm .....	16
7	<u>1016507</u>	Bolt, Two-Ended .....	1
8	1016531	Dipstick .....	1
9	<u>1016539</u>	O-Ring .....	1
10	1016547	Nut, M6 Flange .....	1
11	<u>1017474</u>	Shroud, Engine .....	1
12	<u>1017475</u>	Shroud, Engine .....	1
13	<u>1017476</u>	Shroud, Engine .....	1
14	<u>1017486</u>	Tube, Oil Filler .....	1
15	<u>101916101</u>	Housing, FE350 Fan .....	1
16	N/A	Washer, 6mm Flat .....	1
<p>Note: The S27 engine meets the 2009 Federal CARB requirement for all 50 states; can be used in place of S10, S11, S23, and S24 engines; and was a running change during the 2009 model year.</p>			

9

G

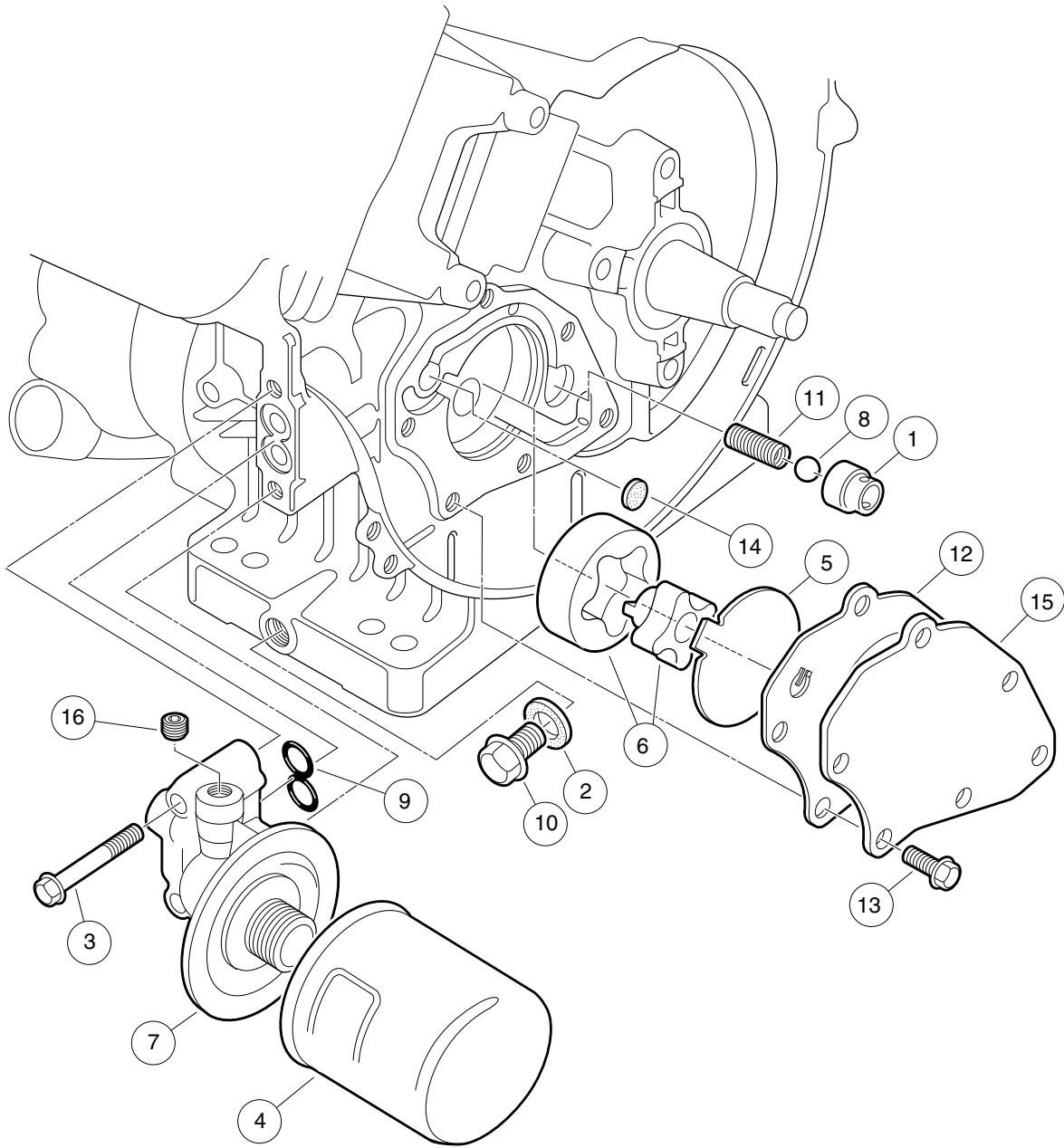


000202-004

# FE350 ENGINE (S27) – IGNITION COMPONENTS AND FLYWHEEL

ITEM	PART NO.	DESCRIPTION	QTY
		1 2 3 4	
1	<u>1016455</u>	Bolt, Flange Head .....	2
2	<u>1016544</u>	Screw .....	1
3	<u>1016561</u>	Clamp .....	1
4	<u>1016562</u>	Key .....	1
5	<u>1016578</u>	Grommet, Ignition .....	1
6	<u>1016587</u>	Clamp .....	1
7	<u>1016588</u>	Tube, 7mm X 10mm X 70mm .....	1
8	<u>1017448</u>	Bolt, Flanged .....	3
9	<u>1017455</u>	Plate, Flywheel Fan .....	1
10	<u>1017463</u>	Cap Asm, Plug .....	1
11	<u>1017490</u>	Washer, Flat .....	1
12	<u>101916301</u>	Fan (cw) .....	1
13	<u>102838401</u>	Nut, Hex, 18 mm Fine .....	1
14	<u>103616501</u>	Coil Asm, Ignition .....	1
15	<u>103616601</u>	Flywheel, Complete .....	1
16	<u>103616701</u>	Wire Lead, Ignition .....	1
17	<u>AM1232301</u>	Spark Plug, BPR2ES .....	1

**9**  
**G**



000203-001

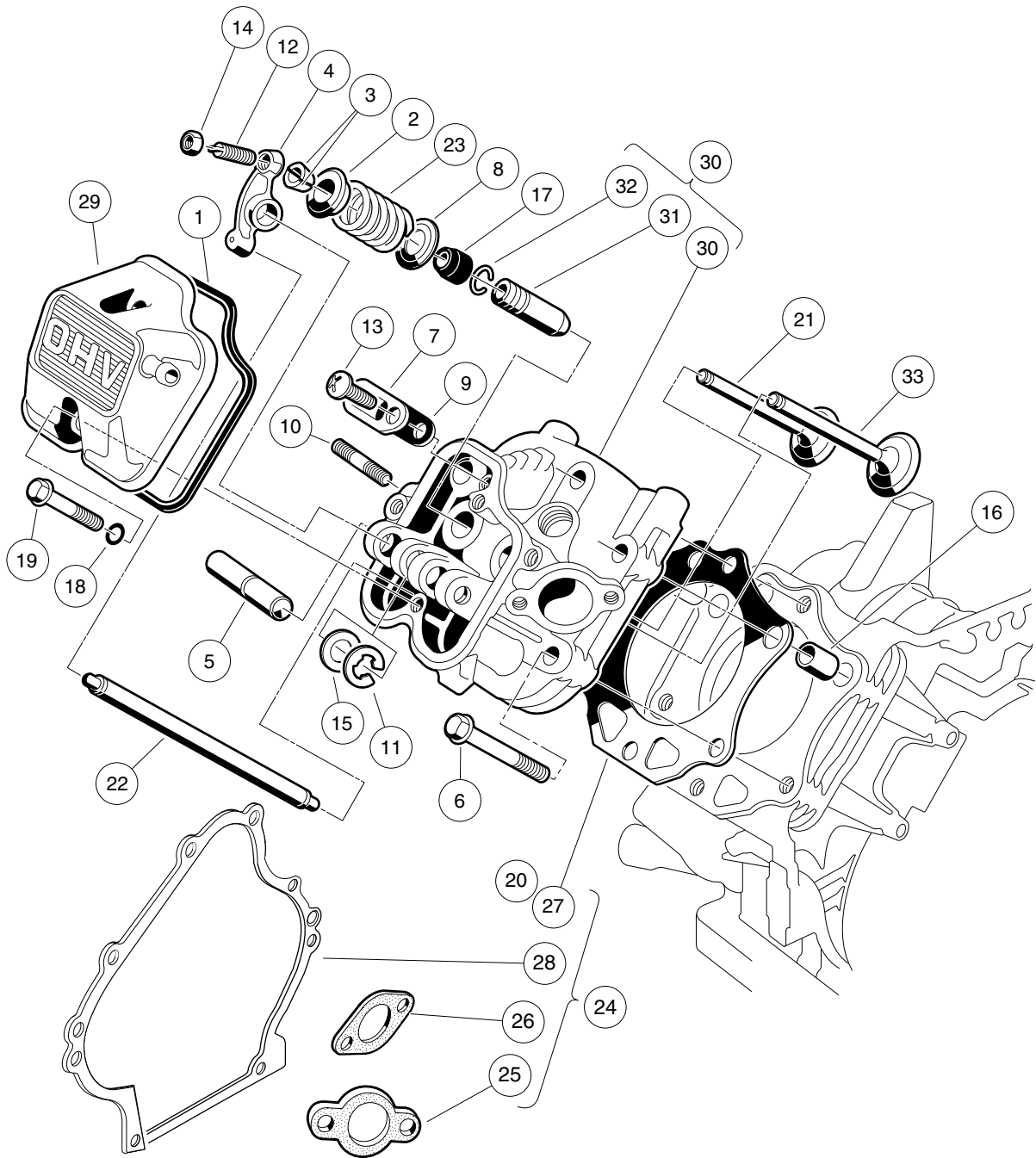


## FE350 ENGINE (S27) – OIL CIRCULATION

ITEM	PART NO.	DESCRIPTION	QTY
		1 2 3 4	
1	1016429	Seat, Valve Oil Pressure Relief .....	1
2	<u>1016432</u>	Gasket, Drain Plug .....	1
3	<u>1016457</u>	Bolt, Flange Head .....	2
4	<u>1016467</u>	Filter, Oil .....	1
5	<u>1016473</u>	Plate, Oil Pump .....	1
6	<u>101648203</u>	Oil Pump And Rotor .....	1
7	<u>1016502</u>	Bracket, Oil Filter Mount .....	1
8	<u>1016537</u>	Ball, Steel, Press, Relief .....	1
9	<u>1016570</u>	O-Ring .....	1
10	1016576	Plug, Drain .....	1
11	<u>1016581</u>	Spring .....	1
12	<u>1017442</u>	Gasket .....	1
13	<u>1017456</u>	Bolt, Flanged .....	6
14	<u>1017458</u>	Filter .....	1
15	<u>1017460</u>	Cover, Pump .....	1
16	<u>1017507</u>	Plug .....	2

9

G



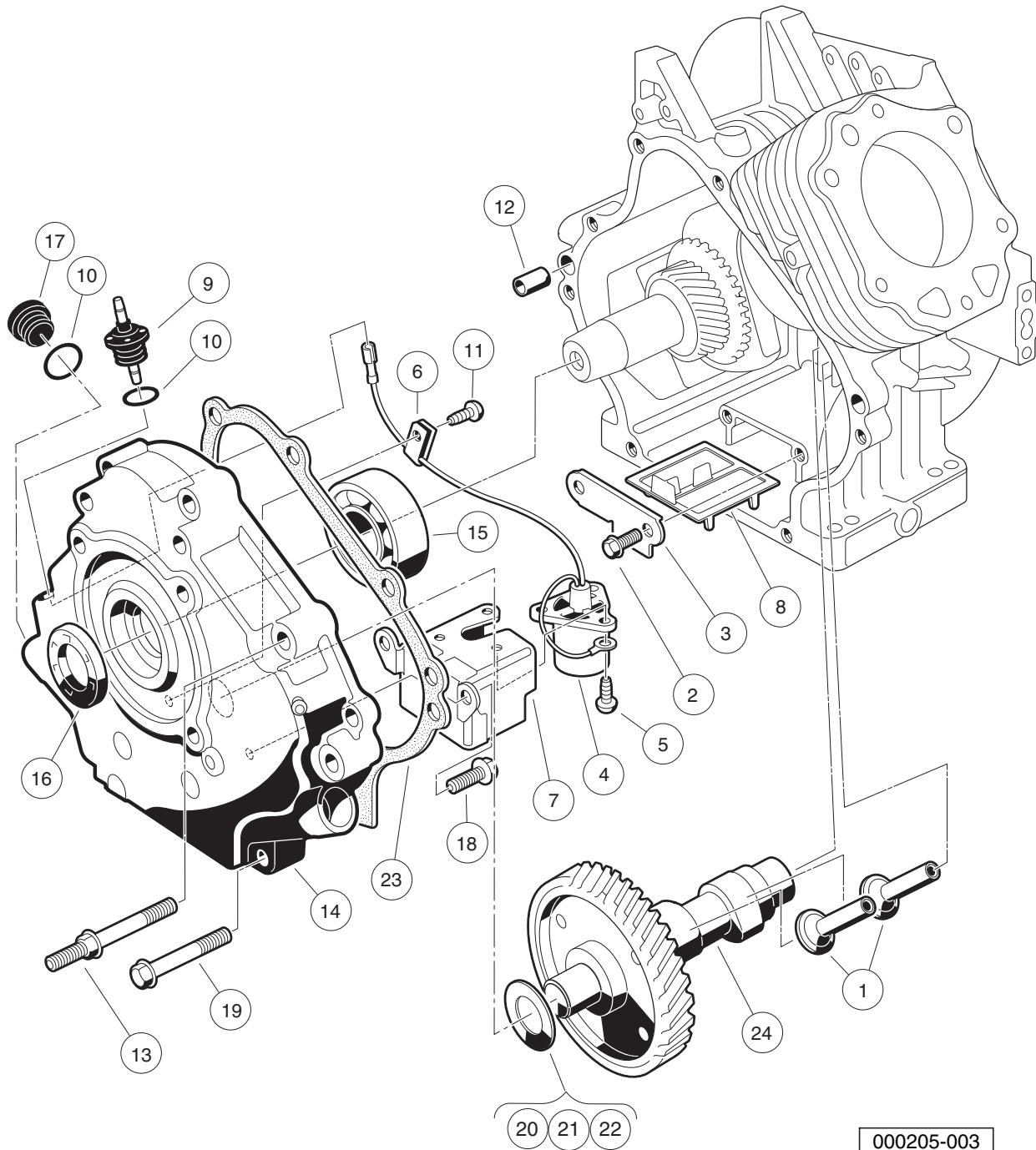
000204-007

## FE350 ENGINE (S27) – CYLINDER HEAD

ITEM	PART NO.	DESCRIPTION	QTY
		1 2 3 4	
1	<u>1016436</u>	Gasket, Rocker Case .....	1
2	<u>1016449</u>	Retainer, Valve Spring .....	2
3	<u>1016450</u>	Collet .....	4
4	<u>1016451</u>	Arm, Rocker .....	2
5	<u>1016452</u>	Shaft, Rocker .....	1
6	<u>1016458</u>	Bolt, Flange Head, M8 x 1.25 x 45 mm .....	6
7	<u>1016474</u>	Plate .....	1
8	<u>1016479</u>	Seat, Spring .....	2
9	<u>1016483</u>	Valve .....	1
10	<u>1016489</u>	Stud, Two-Ended, M8-1.25 .....	2
11	<u>1016517</u>	Circlip, Type-E .....	1
12	<u>1016542</u>	Screw .....	2
13	<u>1016544</u>	Screw .....	1
14	<u>1016545</u>	Nut .....	2
15	<u>1016549</u>	Washer, 12.1x19x1.8 .....	1
16	<u>1016563</u>	Pin .....	2
17	<u>1016566</u>	Seal, Oil .....	2
18	<u>1016569</u>	O-Ring .....	2
19	<u>1016583</u>	Bolt, 6x35 .....	2
20	<u>1017434</u>	Gasket, Head .....	1
21	<u>1017445</u>	Valve, Exhaust .....	1
22	<u>1017454</u>	Rod, Push .....	2
23	<u>1017473</u>	Spring, Engine Valve .....	2
24	<u>102304801</u>	Kit, Gasket, FE350 (includes items 25 through 28) .....	1
25	<u>1016440</u>	Gasket, Engine to Insulator .....	1
26	<u>1016904</u>	Gasket, Exhaust .....	1
27	<u>1017434</u>	Gasket, Head .....	1
28	<u>1017443</u>	Gasket, Crankcase Cover .....	1
29	<u>102753401</u>	Case, Rocker, Fe .....	1
30	<u>103615601</u>	Cylinder Head (includes items 31 and 32) .....	1
31	<u>1016519</u>	Guide, Valve, Intake, Exhaust .....	2
32	<u>1016560</u>	Snap Ring .....	2
33	<u>103616301</u>	Valve, Intake, Hard Tip .....	1
		Note: Item 25 is not a component of the FE350 engine.	

**9**

**G**

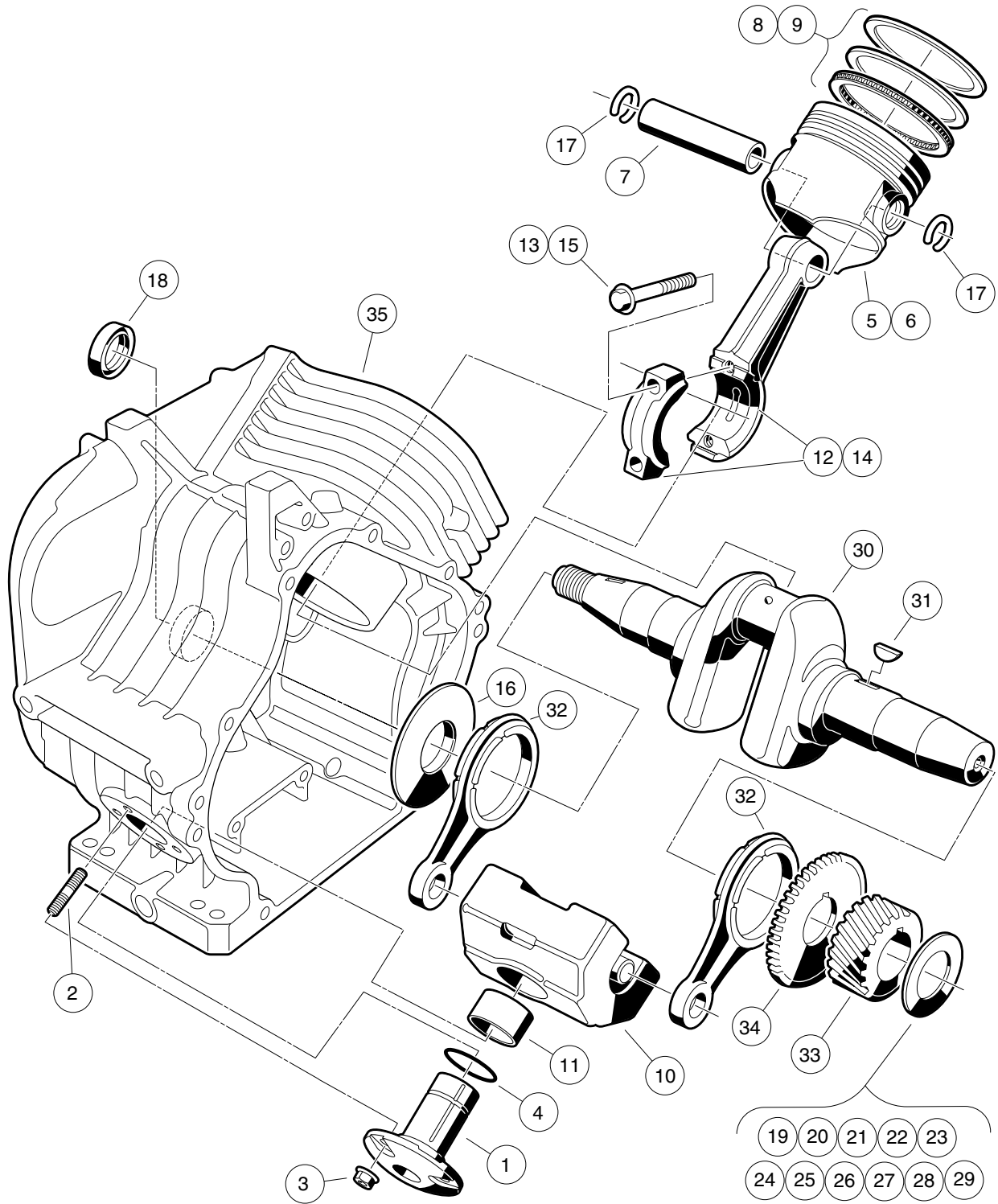


000205-003

# FE350 ENGINE (S27) – CRANKCASE, CAMSHAFT, AND OIL SENSOR

ITEM	PART NO.	DESCRIPTION	QTY
		1 2 3 4	
1	1016453	Tappet .....	2
2	<u>1016454</u>	Bolt, Flange Head, M5 x 0.8 x 8 mm .....	2
3	<u>1016472</u>	Plate, Oil Filter Screen .....	1
4	1016494	Sensor, Oil Level .....	1
5	<u>1016496</u>	Screw, Cross Pan-Head, M4 x 0.7 x 8 mm .....	3
6	<u>1016506</u>	Clamp .....	1
7	<u>1016510</u>	Bracket, Switch, Oil Level .....	1
8	<u>1016521</u>	Screen, Oil Filter .....	1
9	<u>1016535</u>	Connector, Cord .....	1
10	<u>1016538</u>	O-Ring .....	2
11	<u>1016544</u>	Screw .....	1
12	<u>1016564</u>	Pin .....	2
13	<u>1016584</u>	Bolt, Two-Ended, M8 x 1.25 x 69 mm .....	2
14	<u>1017472</u>	Cover Crankcase .....	1
15	<u>1017487</u>	Bearing, Ball .....	1
16	<u>1017504</u>	Seal, Oil .....	1
17	1017508	Plug .....	1
18	<u>1017513</u>	Bolt Switch Bracket .....	2
19	<u>1017514</u>	Screw, M8-1.25 X 45mm Hex .....	6
20	<u>101751801</u>	Shim, 0.3 .....	1
21	<u>101751802</u>	Shim, 0.4 .....	1
22	<u>101751803</u>	Shim, 0.5 .....	1
23	<u>103615901</u>	Gasket, Crankcase Cover .....	1
24	<u>103616401</u>	Camshaft, Complete .....	1

**9**  
**G**



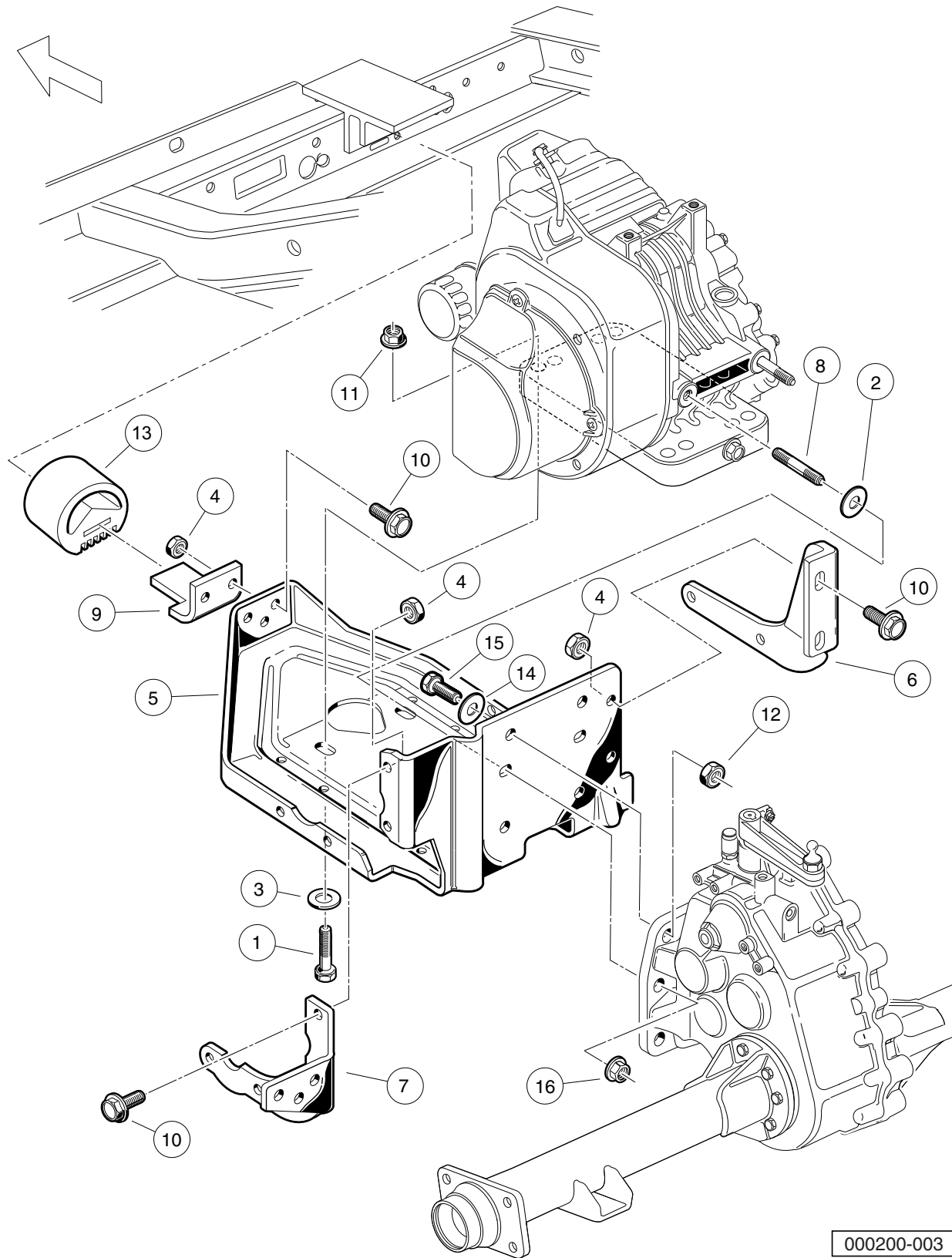
000206-003

## FE350 ENGINE (S27) – CRANKCASE AND CRANKSHAFT

ITEM	PART NO.	DESCRIPTION	QTY
		1 2 3 4	
1	1016470	Shaft, Guide, Counterbalance .....	1
2	<u>1016541</u>	Stud, 6x14 .....	4
3	1016547	Nut, Flanged, M6 X 1.00 .....	4
4	<u>1016571</u>	O-Ring .....	1
5	<u>101744901</u>	Piston, Standard .....	1
6	<u>101744902</u>	Piston, 0.50 mm Oversize .....	1
7	1017450	Pin, Piston .....	1
8	<u>101745101</u>	Ring Set, Standard Piston .....	1
9	<u>101745102</u>	Ring Set, Piston, 0.50 mm Oversize .....	1
10	<u>1017453</u>	Counterbalance Weight (includes item 11) .....	1
11	1017510	Bearing, Plain .....	1
12	101745701	Asm, Con. Rod Std (includes item 13) .....	1
13	<u>1017512</u>	Bolt .....	2
14	<u>101745702</u>	Asm,Con.Rod 0.5mm U/s (includes item 15) .....	1
15	<u>1017512</u>	Bolt .....	2
16	1017501	Spacer .....	1
17	<u>1017502</u>	Snap Ring .....	2
18	<u>1017503</u>	Seal, Oil .....	1
19	<u>101773301</u>	Shim, Crankshaft, 1.18mm .....	1
20	<u>101773302</u>	Shim, Crankshaft, 1.25mm .....	1
21	<u>101773303</u>	Shim, Crankshaft, 1.32mm .....	1
22	<u>101773304</u>	Shim, Crankshaft, 1.39mm .....	1
23	<u>101773305</u>	Shim, Crankshaft, 1.46mm .....	1
24	<u>101773306</u>	Shim, Crankshaft, 1.53mm .....	1
25	<u>101773307</u>	Shim, Crankshaft, 1.60mm .....	1
26	<u>101773308</u>	Shim, Crankshaft, 1.67mm .....	1
27	<u>101773309</u>	Shim, Crankshaft, 1.74mm .....	1
28	<u>101773310</u>	Shim, Crankshaft, 1.11 mm .....	1
29	<u>101773311</u>	Shim, Crankshaft, 1.81mm .....	1
30	<u>102430901</u>	Crankshaft, FE350 Left-Hand, 22-Tooth (includes items 31 through 34) .....	1
31	<u>1016562</u>	Key .....	1
32	<u>1017471</u>	Rod .....	2
33	N/A	Gear, Helical .....	1
34	N/A	Gear, Spur .....	1
35	<u>103615801</u>	Crankcase, FE350 .....	1

9

G



000200-003



## FE350 ENGINE (S27) – MOUNTING

ITEM	PART NO.	DESCRIPTION	QTY
		1 2 3 4	
1	<u>1010577</u>	Bolt, Hex-Head, 5/16-18 X 1.50 .....	4
2	<u>1011697</u>	Washer, 5/16 Flat .....	2
3	1012571	Washer, 5/16 Extra Thick Flat .....	4
4	<u>1013924</u>	Nut, 5/16-24, Hex Head Cone .....	10
5	<u>101827101</u>	Plate, Engine Mounting .....	1
6	<u>101832601</u>	Stiffener (PTO Side) .....	1
7	<u>101832701</u>	Stiffener (Flywheel Side) .....	1
8	<u>101833101</u>	Stud, M8-1.25 X 50 mm Two-Ended .....	2
9	<u>101834601</u>	Bracket, Snubber .....	1
10	<u>101884801</u>	Screw, 5/16-24 X 0.875, Grade-8 .....	10
11	<u>101963401</u>	Locknut, 5/16-18 Hex Flange .....	4
12	<u>102065901</u>	Locknut, 3/8-16 Flanged Dimple .....	4
13	<u>102540301</u>	Snubber, Inner Frame .....	1
14	<u>334</u>	Washer, 3/8, Type A, Flat .....	4
15	705	Screw, Cap-hex Hd 3/8-16x1.25 .....	4
16	<u>96704416</u>	Nut, Flange, M8 X 1.25 Serrated .....	2

**9**

**G**

9

G

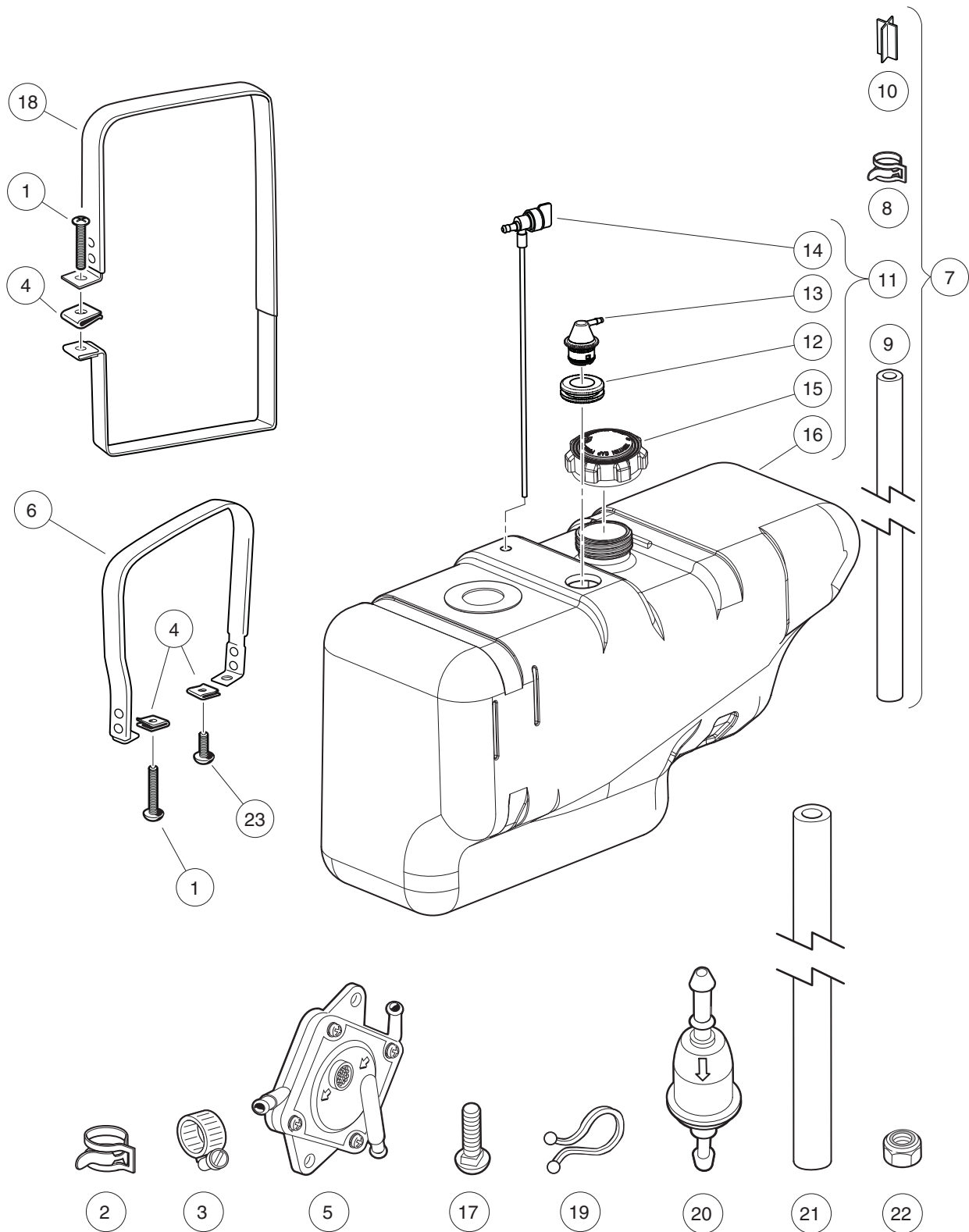
# FUEL, INTAKE, AND GOVERNOR SYSTEM

---

10

G

**10**  
**G**



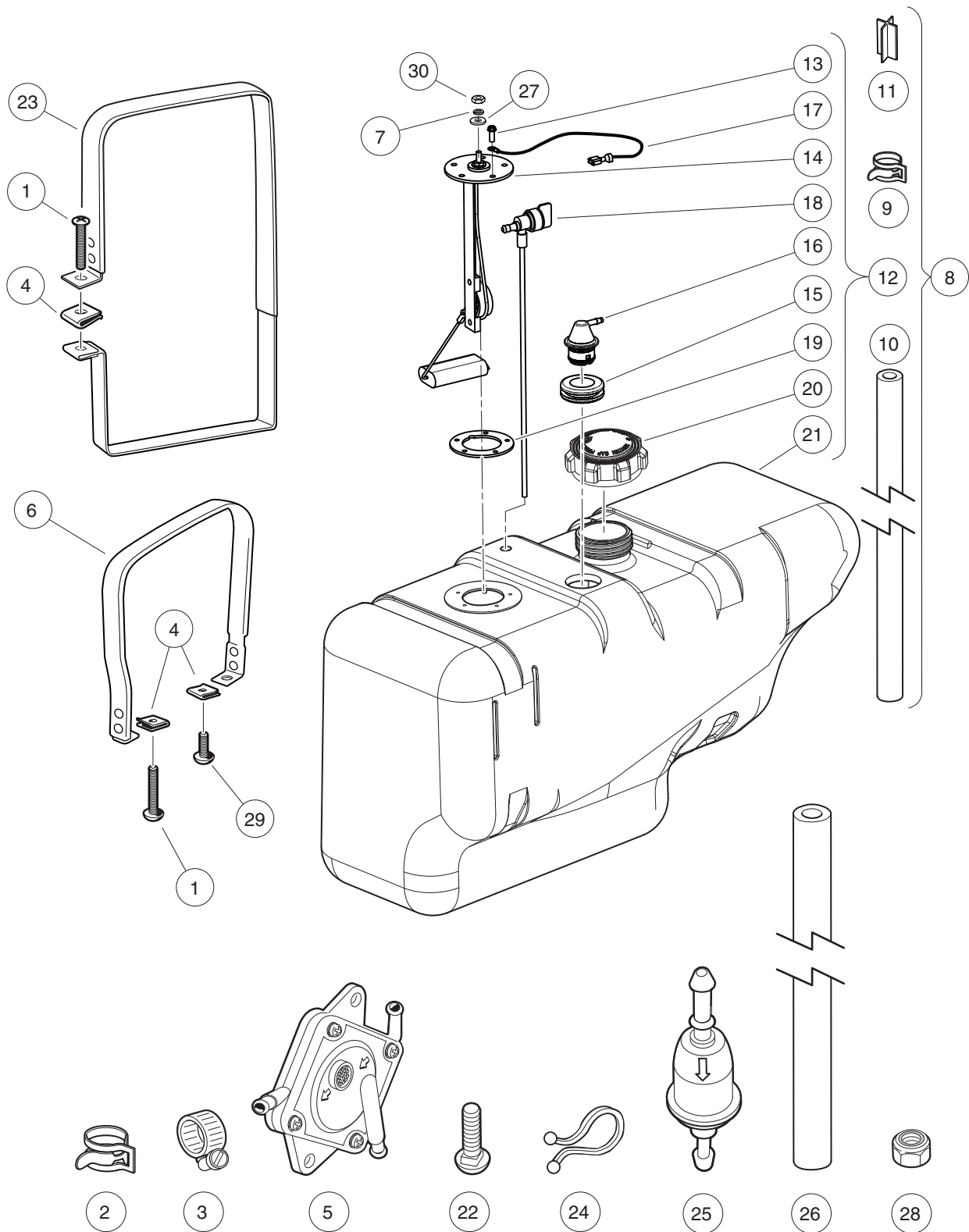
001288-001

## FUEL SYSTEM AND TANK WITHOUT SENDING UNIT

ITEM	PART NO.	DESCRIPTION	QTY
		1 2 3 4	
1	<u>1011988</u>	Screw, 1/4-20 X 2.00 Phillips Truss-Head .....	2
2	<u>1012649</u>	Clamp, 0.460 Red Hose .....	8
3	<u>1013687</u>	Clamp, 3/8" Hose (screw type) .....	1
4	<u>1014116</u>	Nut, 1/4-20 Speed .....	3
5	<u>1014523</u>	Pump, Impulse Fuel .....	1
6	<u>1014928</u>	Fuel Strap Assembly Rear .....	1
7	<u>1016003</u>	Kit, Fuel Tank - Vented (includes items 8 through 11) .....	1
8	<u>1013746</u>	Clamp, 0.301 ID Hose .....	2
9	<u>1015137</u>	Fuel Line, 3/16 (available by the foot) .....	1
10	<u>101824401</u>	Vent Barb .....	1
11	102952302	Asm, Tank, Fuel, Wo/su Ds Utl (includes items 12 through 16) .....	1
12	<u>1015139</u>	Insulation Grommet .....	1
13	<u>1015143</u>	Vent, Fuel Tank .....	1
14	101896901	Fuel Pickup w/Shut-Off Valve .....	1
15	<u>102751601</u>	Cap, Fuel Tank, Gasoline .....	1
16	102947502	Tank, Fuel, Wo/su Ds Utl .....	A/R
17	<u>1017203</u>	Carriage Bolt .....	2
18	<u>101955301</u>	Fuel Strap Assy, Front .....	1
19	<u>101987701</u>	Clamp, Plastic Tie .....	1
20	<u>102003201</u>	Filter, Fuel, 30 Micron .....	1
21	<u>102865101</u>	Fuel Line, 1/4 (available by the foot) .....	A/R
22	<u>8233</u>	Locknut, 1/4-20, Nylon Insert .....	2
23	<u>8248</u>	Screw, 1/4-20 X 0.75, Truss-Head Machine .....	1

**10**  
**G**

**10**  
**G**

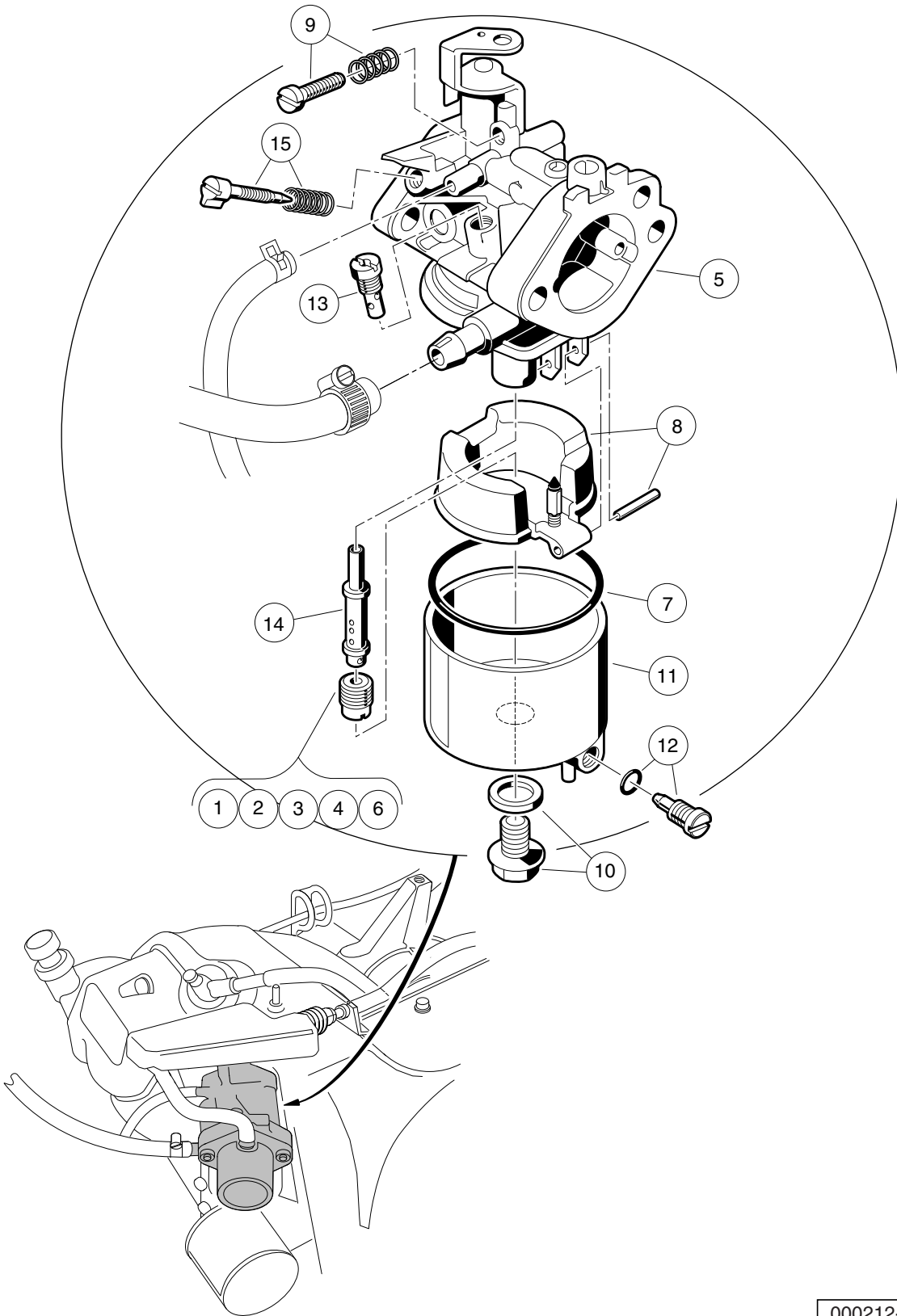


001287-001

## FUEL SYSTEM AND TANK WITH SENDING UNIT

ITEM	PART NO.	DESCRIPTION	QTY
		1 2 3 4	
1	<u>1011988</u>	Screw, 1/4-20 X 2.00 Phillips Truss-Head .....	2
2	<u>1012649</u>	Clamp, 0.460 Red Hose .....	8
3	<u>1013687</u>	Clamp, 3/8" Hose (screw type) .....	1
4	<u>1014116</u>	Nut, 1/4-20 Speed .....	3
5	<u>1014523</u>	Pump, Impulse Fuel .....	1
6	<u>1014928</u>	Fuel Strap Assembly Rear .....	1
7	<u>1016</u>	Lockwasher, #10 Split .....	1
8	<u>1016004</u>	Tank Kit w/Sending Unit (includes items 9 through 12) .....	1
9	<u>1013746</u>	Clamp, 0.301 ID Hose .....	2
10	<u>1015137</u>	Fuel Line, 3/16 (available by the foot) .....	1
11	<u>101824401</u>	Vent Barb .....	2
12	<u>102952301</u>	Fuel Tank with Sending Unit (includes items 13 through 21) .....	1
13	<u>1013461</u>	Screw, #10-16 Hex-Head Hi-Lo .....	5
14	<u>1013462</u>	Sending Unit, Fuel Level * .....	1
15	<u>1015139</u>	Insulation Grommet .....	1
16	<u>1015143</u>	Vent, Fuel Tank .....	1
17	<u>1015921</u>	Wire Assembly #16 Black .....	1
18	<u>101896901</u>	Fuel Pickup w/Shut-Off Valve .....	1
19	<u>102522001</u>	Gasket, Rubber .....	1
20	<u>102751601</u>	Cap, Fuel Tank, Gasoline .....	1
21	N/A	Tank, Fuel, W/su Ds Utl .....	1
22	<u>1017203</u>	Carriage Bolt .....	2
23	<u>101955301</u>	Fuel Strap Assy, Front .....	1
24	<u>101987701</u>	Clamp, Plastic Tie .....	1
25	<u>102003201</u>	Filter, Fuel, 30 Micron .....	1
26	<u>102865101</u>	Fuel Line, 1/4 (available by the foot) .....	A/R
27	<u>183</u>	Washer, #10, Type A, Flat .....	1
28	<u>8233</u>	Locknut, 1/4-20, Nylon Insert .....	2
29	<u>8248</u>	Screw, 1/4-20 X 0.75, Truss-Head Machine .....	1
30	<u>8797</u>	Nut, #10-32 Brass Hex .....	1
		* Note: Must replace fuel sending unit gasket when servicing this component.	

10  
G



000212-001

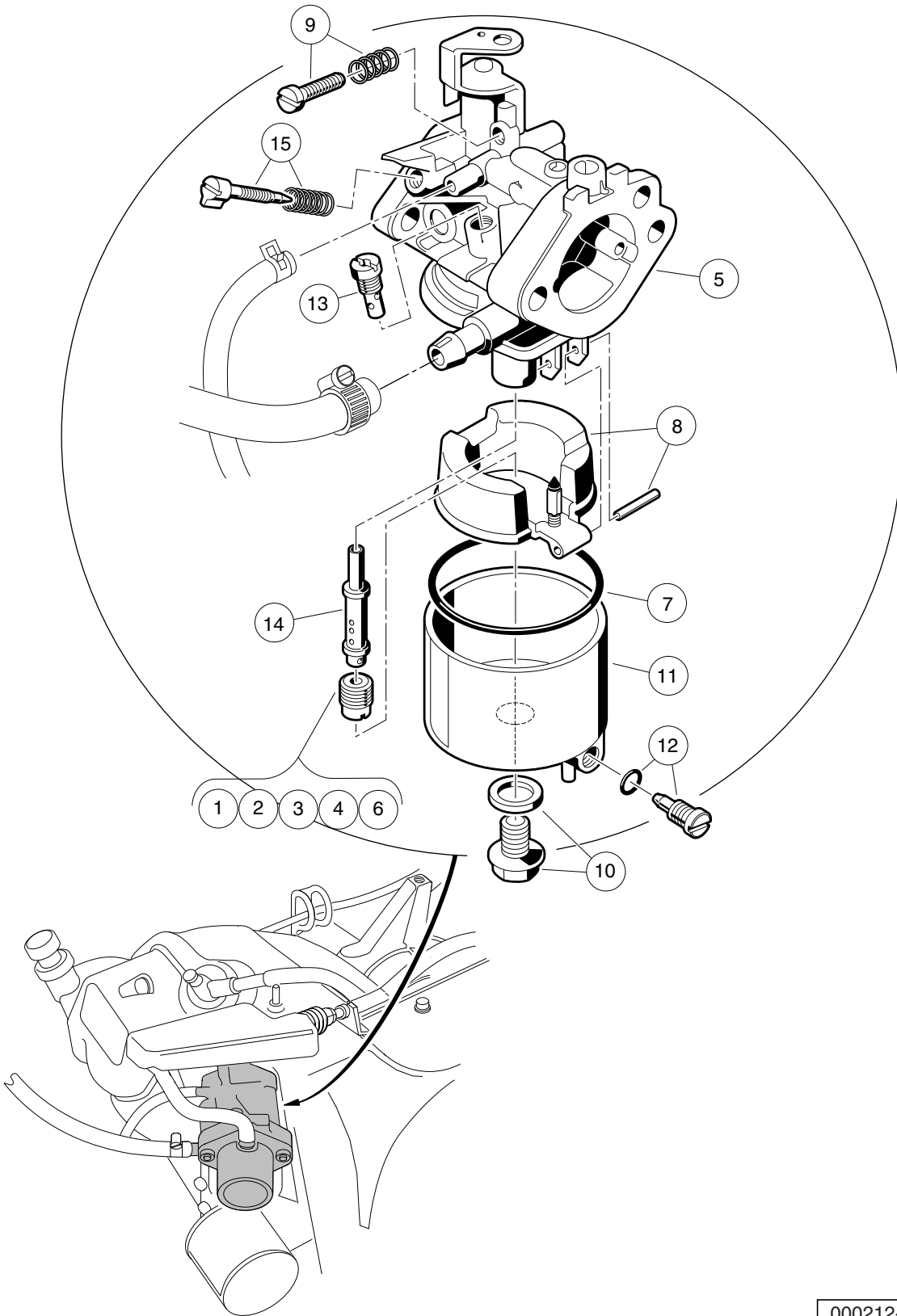


# CARBURETOR ASSEMBLY, FE350 S10 AND S11

ITEM	PART NO.	DESCRIPTION	QTY
		1 2 3 4	
1	<u>101642575</u>	Jet, Altitude, # 75 .....	1
2	<u>101642578</u>	Jet, Altitude, # 78 .....	1
3	<u>101642580</u>	Jet, Altitude, # 80 .....	1
4	<u>101642582</u>	Jet, Altitude, # 82 .....	1
5	<u>103524501</u>	Carburetor, Fe350d Hs (includes items 6 through 15) .....	1
6	<u>101642585</u>	Jet, Altitude, # 85 .....	1
7	<u>1016437</u>	Gasket, Carburetor Bowl OHV .....	1
8	<u>1016486</u>	Float Assembly .....	1
9	<u>1016501</u>	Screw Assembly .....	1
10	<u>1016585</u>	Bolt .....	1
11	<u>1017461</u>	Chamber Assembly, Float (includes item 12) .....	1
12	<u>1016499</u>	Screw Assembly .....	1
13	<u>101973101</u>	Jet, #40 Pilot .....	1
14	<u>101973301</u>	Nozzle, Main .....	1
15	N/A	Assembly, Pilot Air Screw .....	1
<p>Note: <u>103524501</u> Carburetor Assy is backwards compatible for the S11 Engines. Jets: <u>101642585</u> for 0 - 3,000 feet; <u>101642582</u> for 3,000 - 5,000 feet; <u>101642580</u> for 5,000 - 8,000 feet; <u>101642578</u> for 8,000 - 10,000 feet; <u>101642575</u> for 10,000 feet and higher.</p>			

10

G



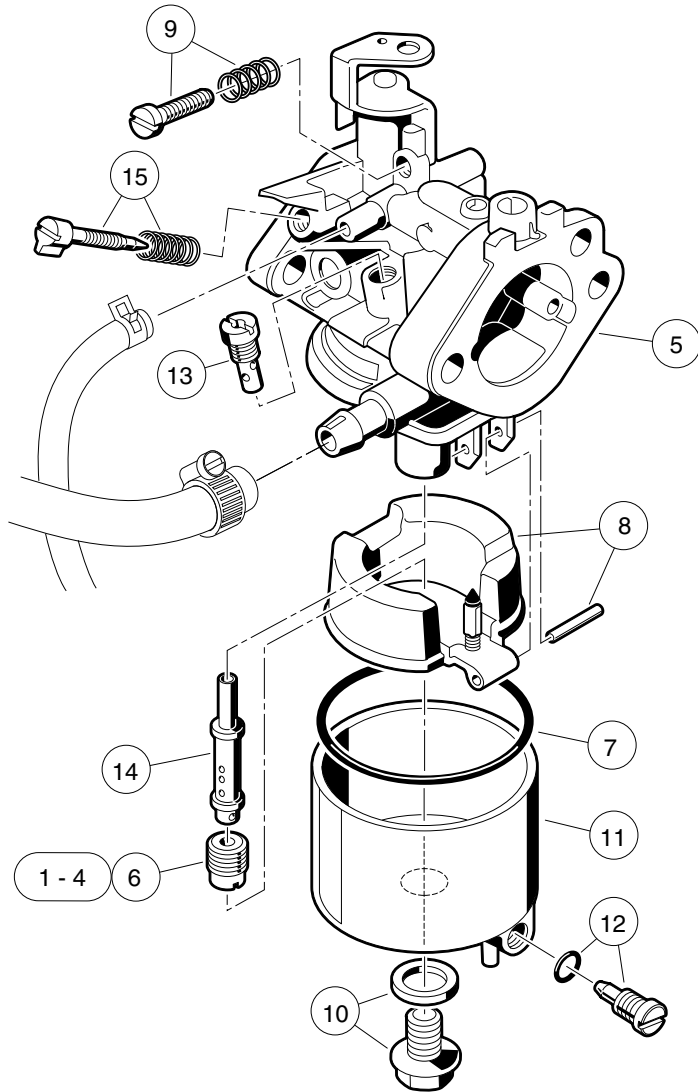
000212-001

# CARBURETOR ASSEMBLY, FE350 S23 AND S24

ITEM	PART NO.	DESCRIPTION	QTY
		1 2 3 4	
1	<u>101642575</u>	Jet, Altitude, # 75 .....	1
2	<u>101642578</u>	Jet, Altitude, # 78 .....	1
3	<u>101642580</u>	Jet, Altitude, # 80 .....	1
4	<u>101642582</u>	Jet, Altitude, # 82 .....	1
5	<u>101905901</u>	Carburetor, FE350D (includes items 6 through 15) .....	1
6	<u>101642585</u>	Jet, Altitude, # 85 .....	1
7	<u>1016437</u>	Gasket, Carburetor Bowl OHV .....	1
8	<u>1016486</u>	Float Assembly .....	1
9	<u>1016501</u>	Screw Assembly .....	1
10	<u>1016585</u>	Bolt .....	1
11	<u>1017461</u>	Chamber Assembly, Float (includes item 12) .....	1
12	<u>1016499</u>	Screw Assembly .....	1
13	<u>101973101</u>	Jet, #40 Pilot .....	1
14	<u>101973301</u>	Nozzle, Main .....	1
15	N/A	Assembly, Pilot Air Screw .....	1
<p>Note: Jets- <u>101642585</u> for 0 - 3,000 feet; <u>101642582</u> for 3,000 - 5,000 feet;  <u>101642580</u> for 5,000 - 8,000 feet; <u>101642578</u> for 8,000 - 10,000 feet;  <u>101642575</u> for 10,000 feet and higher.</p>			

10

G



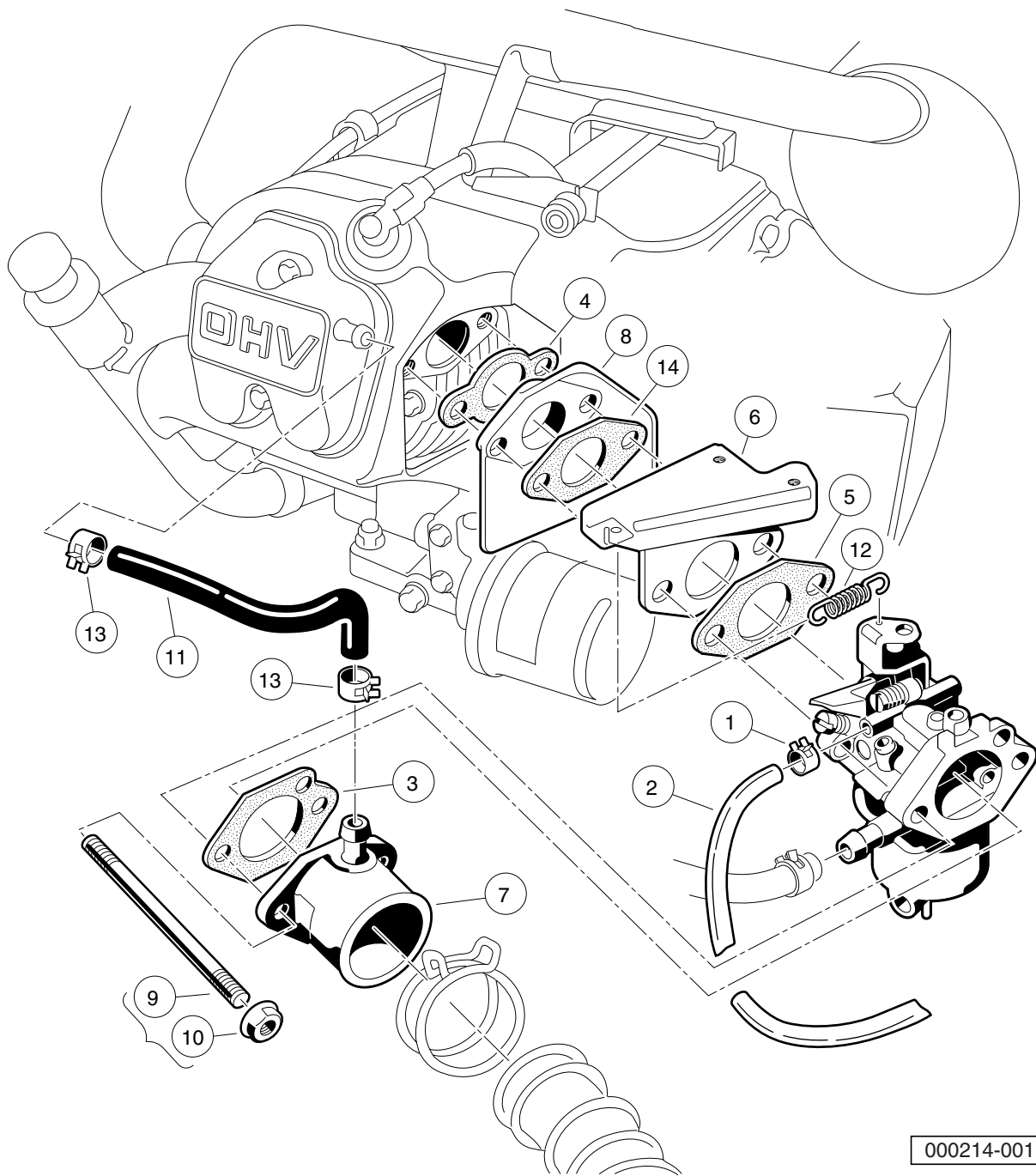
000212-002

## CARBURETOR ASSEMBLY – FE350 S27

ITEM	PART NO.	DESCRIPTION	QTY
		1 2 3 4	
1	<u>101642575</u>	Jet, Altitude, # 75 .....	1
2	<u>101642578</u>	Jet, Altitude, # 78 .....	1
3	<u>101642580</u>	Jet, Altitude, # 80 .....	1
4	<u>101642582</u>	Jet, Altitude, # 82 .....	1
5	<u>103617101</u>	Carburetor, FE350 S27 (includes items 6 through 15) .....	1
6	<u>101642585</u>	Jet, Altitude, # 85 .....	1
7	<u>1016437</u>	Gasket, Carburetor Bowl OHV .....	1
8	<u>1016486</u>	Float Assembly .....	1
9	<u>1016501</u>	Screw Assembly .....	1
10	<u>1016585</u>	Bolt .....	1
11	<u>1017461</u>	Chamber Assembly, Float (includes item 12) .....	1
12	<u>1016499</u>	Screw Assembly .....	1
13	<u>101973101</u>	Jet, #40 Pilot .....	1
14	<u>101973301</u>	Nozzle, Main .....	1
15	N/A	Assembly, Pilot Air Screw .....	1
Note: <u>101642585</u> for 0 - 3,200 feet; <u>101642582</u> for 3,200 - 6,500 feet; <u>101642580</u> for 6,500 - 9,800 feet; <u>101642578</u> for 9,800 feet and above.			

10

G

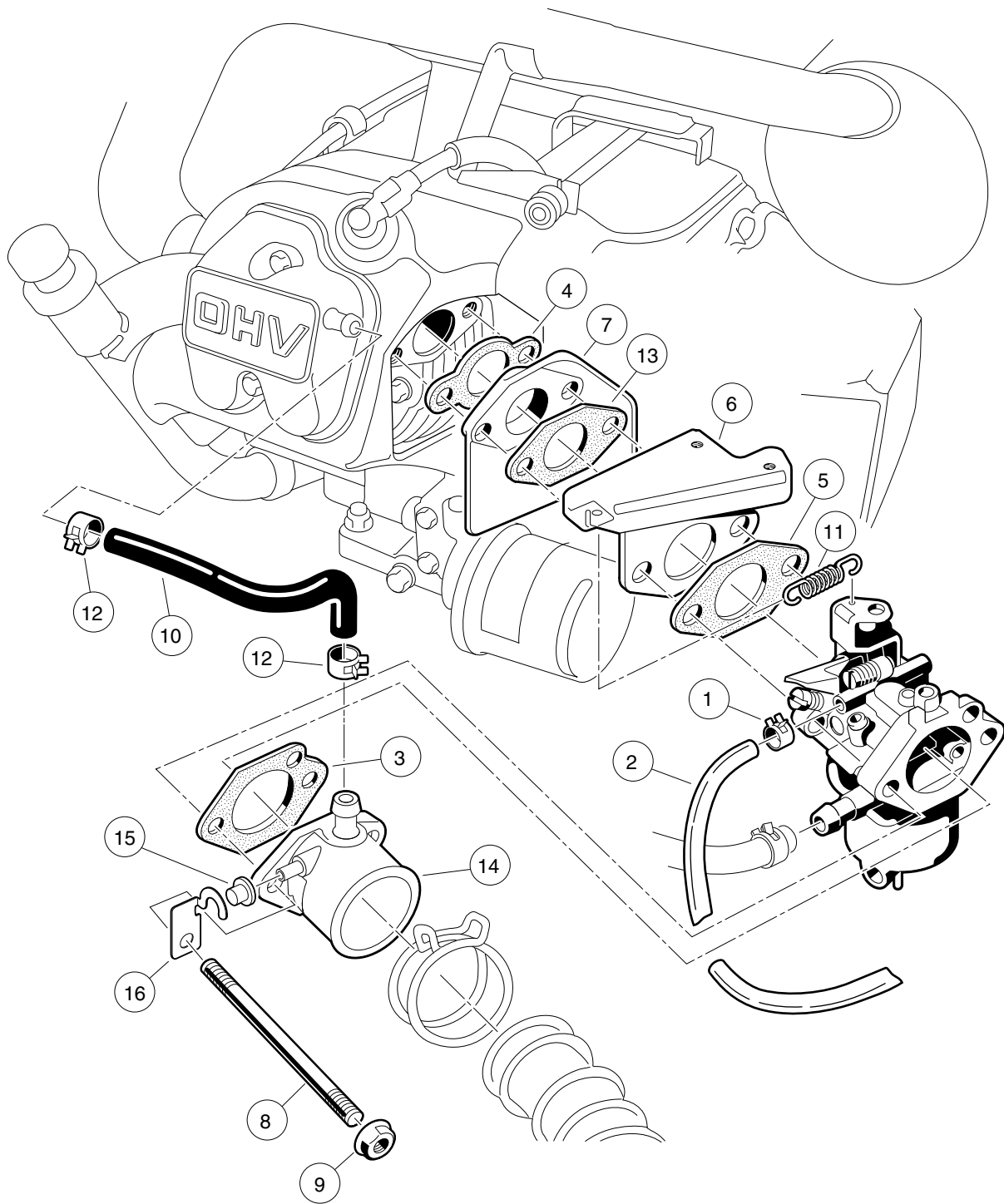


000214-001

# CARBURETOR MOUNTING, UTILITY, FE350 S10 AND S11

ITEM	PART NO.	DESCRIPTION	QTY
		1 2 3 4	
1	<u>1013746</u>	Clamp, 0.301 ID Hose .....	1
2	<u>1015137</u>	Fuel Line, 3/16 (available by the foot) .....	1
3	<u>1016438</u>	Gasket, Carb To Intake Manifold .....	1
4	<u>1016440</u>	Gasket, Engine to Insulator .....	1
5	<u>1016441</u>	Gasket, Sprg Brkt To Carb OHV .....	1
6	<u>1016444</u>	Bracket, Throttle Spring Return .....	1
7	1016480	Pipe, Intake Manifold .....	1
8	101648102	Insulator, Carburetor .....	1
9	<u>101649002</u>	Stud, M6-1.00 Two-Ended .....	2
10	1016547	Nut, M6 Flange .....	2
11	<u>1016572</u>	Tube, Crankcase Vent .....	1
12	<u>1016582</u>	Spring, Throttle Return .....	1
13	<u>1017466</u>	Clamp .....	2
14	<u>101973401</u>	Gasket, Insulator To Bracket .....	1

**10**  
**G**



000214-002

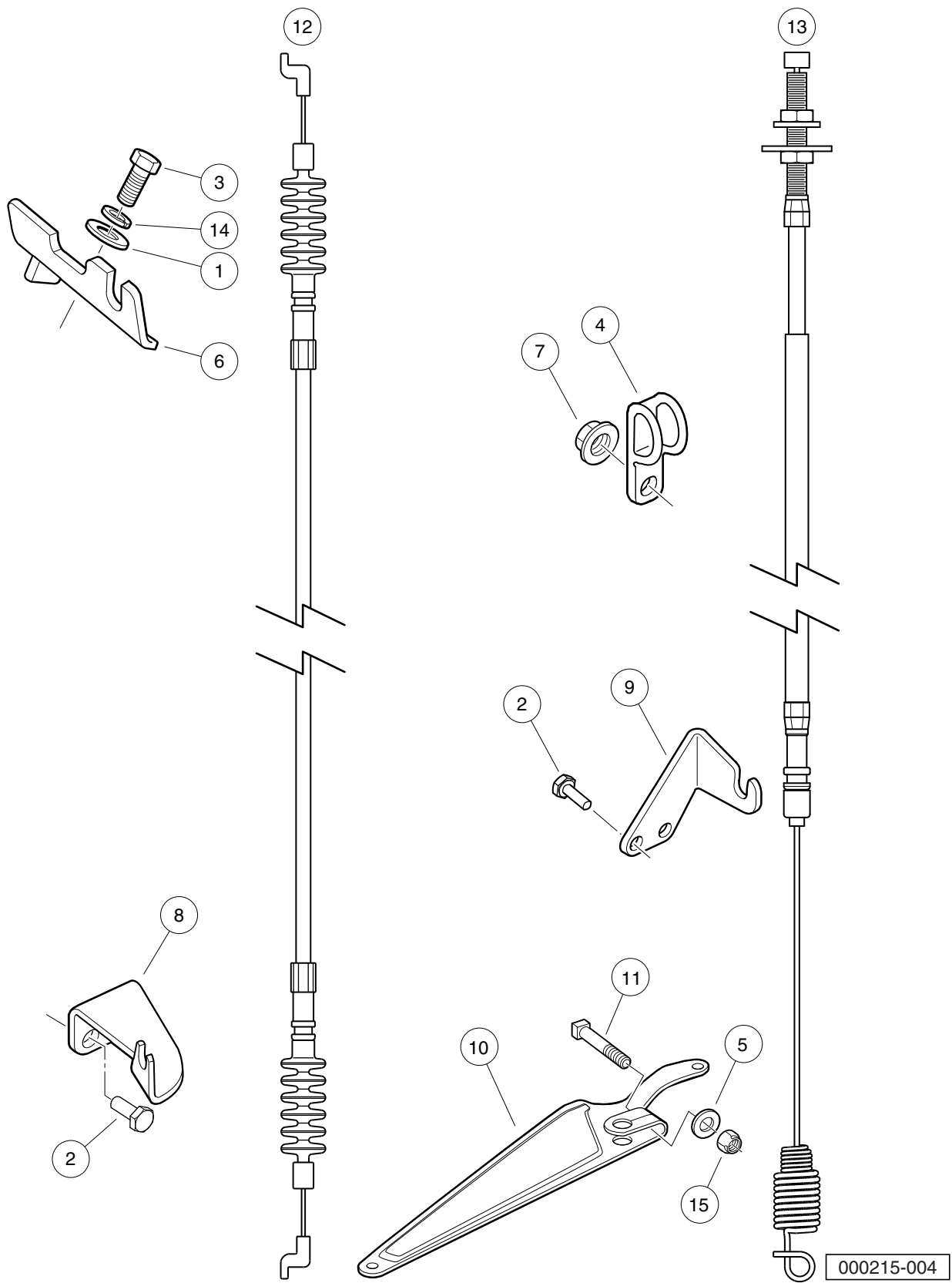


# CARBURETOR MOUNTING, UTILITY, FE350 S23 S24 S27

ITEM	PART NO.	DESCRIPTION	QTY
		1 2 3 4	
1	<u>1013746</u>	Clamp, 0.301 ID Hose .....	1
2	<u>1015137</u>	Fuel Line, 3/16 (available by the foot) .....	1
3	<u>1016438</u>	Gasket, Carb To Intake Manifold .....	1
4	<u>1016440</u>	Gasket, Engine to Insulator .....	1
5	<u>1016441</u>	Gasket, Sprg Brkt To Carb OHV .....	1
6	<u>1016444</u>	Bracket, Throttle Spring Return .....	1
7	101648102	Insulator, Carburetor .....	1
8	<u>101649002</u>	Stud, M6-1.00 Two-Ended .....	2
9	1016547	Nut, M6 Flange .....	2
10	<u>1016572</u>	Tube, Crankcase Vent .....	1
11	<u>1016582</u>	Spring, Throttle Return .....	1
12	<u>1017466</u>	Clamp .....	2
13	<u>101973401</u>	Gasket, Insulator To Bracket .....	1
14	103507101	Carburetor Adapter w/ Tap .....	1
15	103507201	Plug, Intake Manifold, Carb .....	1
16	103507301	Bracket, Intake Manifold, Carb .....	1

**10**  
**G**

**10**  
**G**

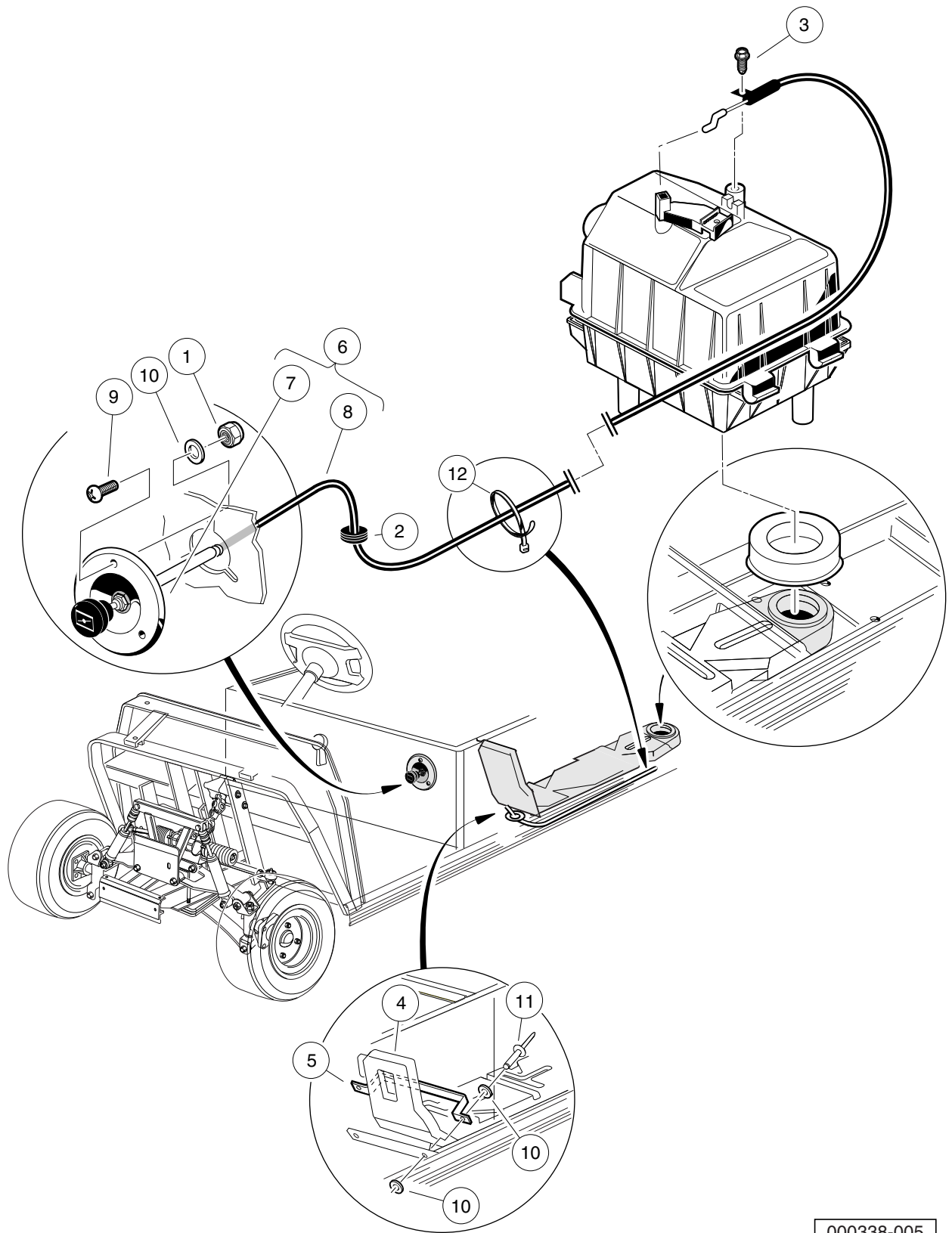


# GOVERNOR AND ACCELERATOR CABLES

ITEM	PART NO.	DESCRIPTION	QTY
		1 2 3 4	
1	<u>1011697</u>	Washer, 5/16 Flat .....	1
2	<u>1012285</u>	Screw, 1/4 X 0.625 Hex-Head .....	4
3	<u>1012830</u>	Screw, M8-125 X 22 Hex-Head .....	1
4	<u>1013700</u>	Clamp .....	2
5	<u>1014007</u>	Washer, 1/4, Flat .....	1
6	<u>101584502</u>	Bracket, Governor Cable Snap-In .....	1
7	<u>1016546</u>	Nut .....	2
8	<u>101832202</u>	Bracket, Rear Governor Cable Snap-In .....	1
9	<u>101832302</u>	Bracket, Rear Accelerator Cable Snap-In .....	1
10	<u>101834801</u>	Arm, Governor .....	1
11	<u>101886101</u>	Screw, 1/4-20 X 1.00, Square-Head .....	1
12	<u>102336001</u>	Cable, Governor, Snap-In .....	1
13	<u>102336101</u>	Cable, Accelerator, Snap-In .....	1
14	<u>7174</u>	Lockwasher, 5/16 Split .....	1
15	<u>8233</u>	Locknut, 1/4-20, Nylon Insert .....	1

10

G

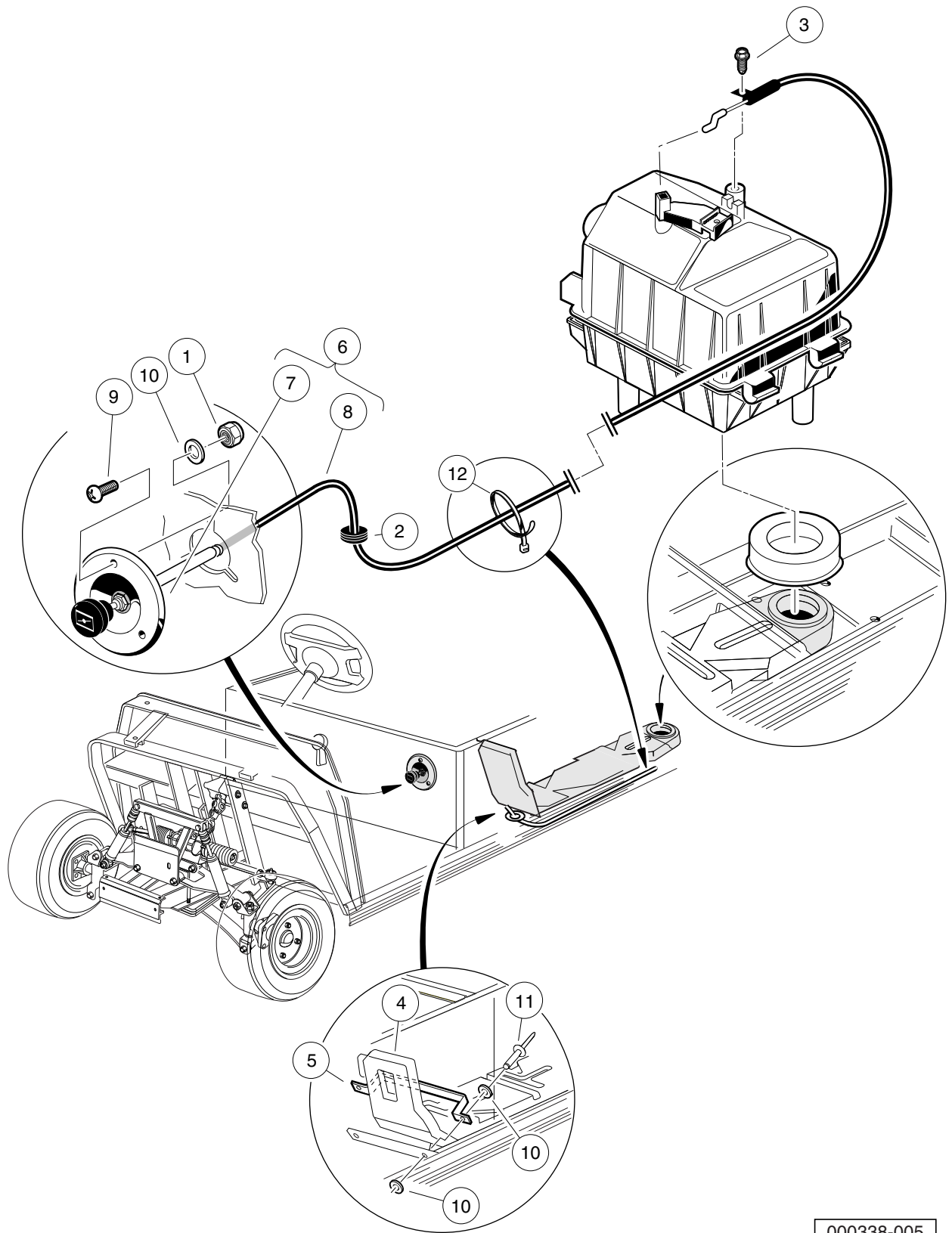


000338-005

## AIR INTAKE DUCT AND CHOKE CABLE – VILLAGER 6

ITEM	PART NO.	DESCRIPTION	QTY
		1 2 3 4	
1	<u>1012438</u>	Locknut, #10-24 Nylon Insert .....	3
2	<u>1015139</u>	Insulation Grommet .....	1
3	<u>101804301</u>	Screw, #8 X 0.500, Hex-Head Hi-Lo .....	1
4	<u>101811301</u>	Duct, Intake .....	1
5	<u>101825701</u>	Retaining Bracket .....	1
6	<u>101926802</u>	Cable, Choke (includes items 7 and 8) .....	1
7	<u>101933701</u>	Bezel, Choke Cable .....	1
8	N/A	Choke Cable without Bezel, Long .....	1
9	<u>1631</u>	Screw, #10-24 X 0.75 Phillips Pan-Head .....	3
10	<u>183</u>	Washer, #10, Type A, Flat .....	7
11	<u>7973</u>	Rivet, 3/16 X .400 Blind .....	2
12	<u>8639</u>	Tie Wrap, 11" Nylon .....	2

**10**  
**G**



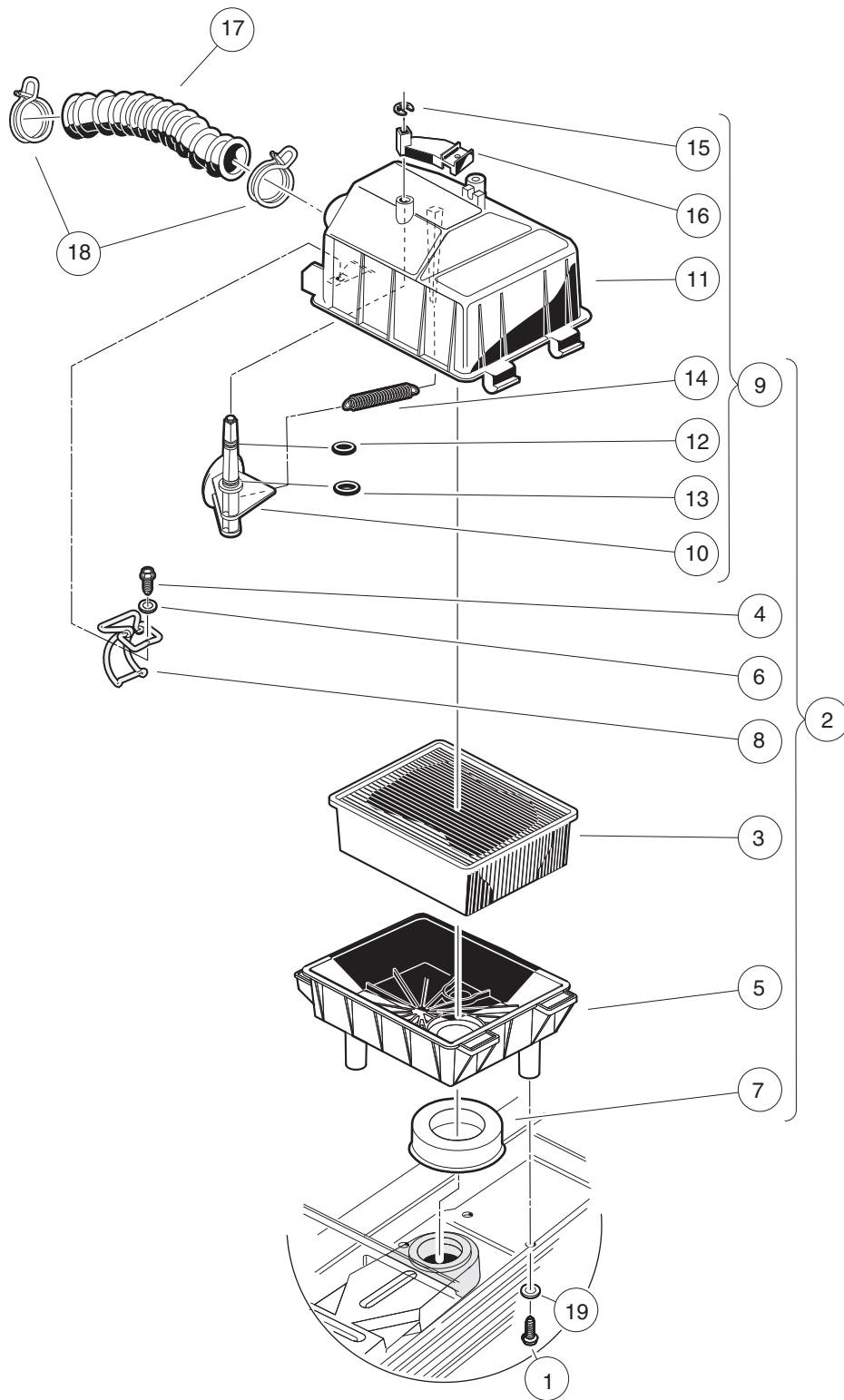
000338-005

## AIR INTAKE DUCT AND CHOKE CABLE – VILLAGER 8

ITEM	PART NO.	DESCRIPTION	QTY
		1 2 3 4	
1	<u>1012438</u>	Locknut, #10-24 Nylon Insert .....	3
2	<u>1015139</u>	Insulation Grommet .....	1
3	<u>101804301</u>	Screw, #8 X 0.500, Hex-Head Hi-Lo .....	1
4	<u>101811301</u>	Duct, Intake .....	1
5	<u>101825701</u>	Retaining Bracket .....	1
6	<u>101926803</u>	Cable, Choke (includes items 7 and 8) .....	1
7	<u>101933701</u>	Bezel, Choke Cable .....	1
8	N/A	Choke Cable without Bezel, Long .....	1
9	<u>1631</u>	Screw, #10-24 X 0.75 Phillips Pan-Head .....	3
10	<u>183</u>	Washer, #10, Type A, Flat .....	7
11	<u>7973</u>	Rivet, 3/16 X .400 Blind .....	2
12	<u>8639</u>	Tie Wrap, 11" Nylon .....	2

10

G



000332-001



## AIR FILTER AND INTAKE HOSE

ITEM	PART NO.	DESCRIPTION	QTY
		1 2 3 4	
1	<u>1015752</u>	Screw, #12-16 X 0.625, Hi-Lo .....	3
2	<u>101821501</u>	Assembly, Air Box (includes items 3 through 9) .....	1
3	<u>1015426</u>	Filter, Air .....	1
4	<u>101804301</u>	Screw, #8 X 0.500, Hex-Head Hi-Lo .....	2
5	<u>101811901</u>	Bottom, Air Box .....	1
6	<u>101881701</u>	Washer, #8 Stainless-Steel Flat .....	2
7	<u>101921501</u>	Seal, Intake .....	1
8	<u>101925701</u>	Latch, Wireform .....	2
9	<u>101972801</u>	Top Assy, Air Box (includes items 10 through 16) .....	1
10	N/A	Valve, Choke .....	1
11	N/A	Top, Air Box .....	1
12	N/A	O-Ring, 5/16 .....	1
13	N/A	O-Ring, 3/8 .....	1
14	<u>101812301</u>	Spring, Extension Return .....	1
15	<u>101813001</u>	Retaining Ring 0.25, Shaft .....	1
16	<u>101917601</u>	Lever, Choke .....	1
17	<u>101837101</u>	Hose, Air Intake .....	1
18	<u>101971301</u>	Clamp, 1.58" ID Hose .....	2
19	<u>332</u>	Washer, 1/4 Type A Narrow Flat .....	3

**10**  
**G**

**10**

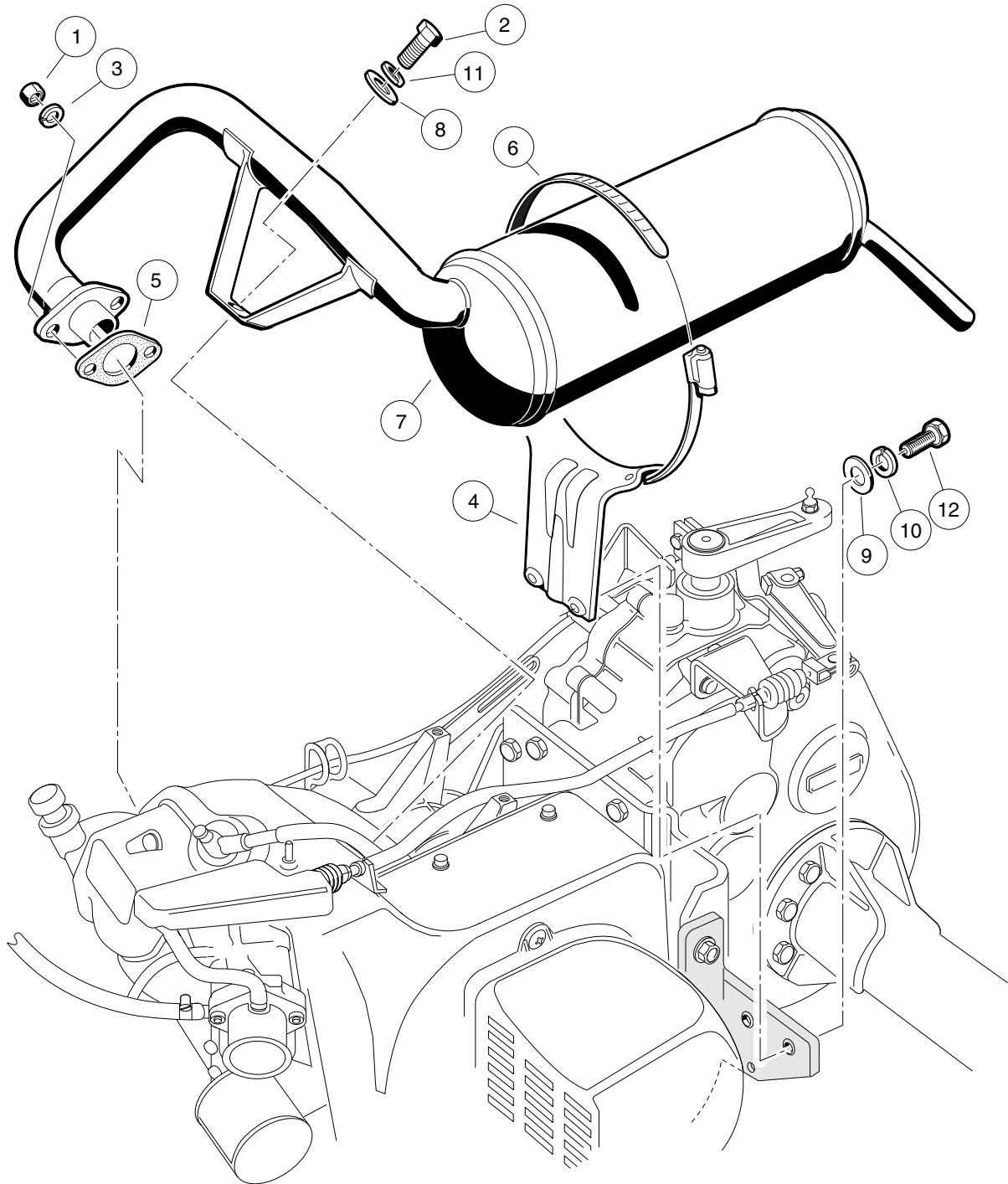
**G**

# EXHAUST SYSTEM

---

11

G



000209-001

## EXHAUST SYSTEM – FE350 ENGINE

ITEM	PART NO.	DESCRIPTION	QTY
		1 2 3 4	
1	<u>1012528</u>	Nut, M8-1.25 Hex .....	2
2	<u>1012830</u>	Screw, M8-125 X 22 Hex-Head .....	1
3	<u>1013734</u>	Lockwasher, 8mm Split .....	2
4	<u>1015814</u>	Bracket, Muffler Mounting .....	1
5	<u>1016904</u>	Gasket, Exhaust .....	1
6	1017689	Clamp, 5" Muffler Hose .....	1
7	<u>101859401</u>	Exhaust System, FE350 .....	1
8	<u>1241</u>	Washer, 5/16 Type A Flat .....	1
9	<u>332</u>	Washer, 1/4 Type A Narrow Flat .....	2
10	<u>451</u>	Lockwasher, 1/4 Split .....	2
11	<u>7174</u>	Lockwasher, 5/16 Split .....	1
12	<u>7847</u>	Screw, 1/4-20 X 0.75 Hex-Head Cap .....	2

**11**  
**G**

11

G

# **DRIVE BELT AND CLUTCHES – CARBURETED GASOLINE VEHICLES**

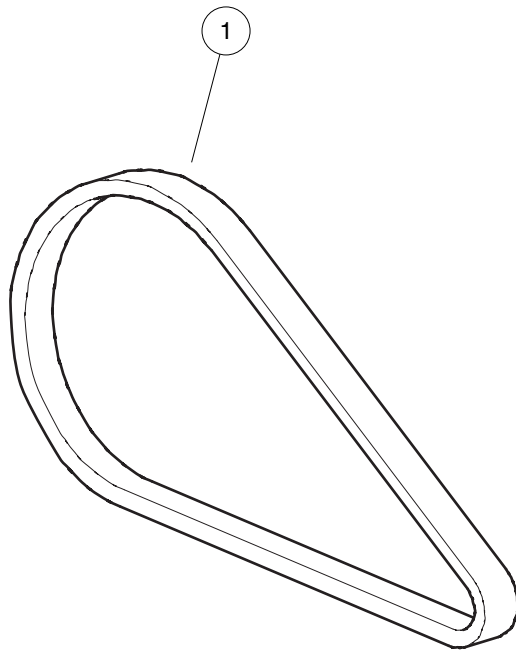
---

**12**

**G**

12

G



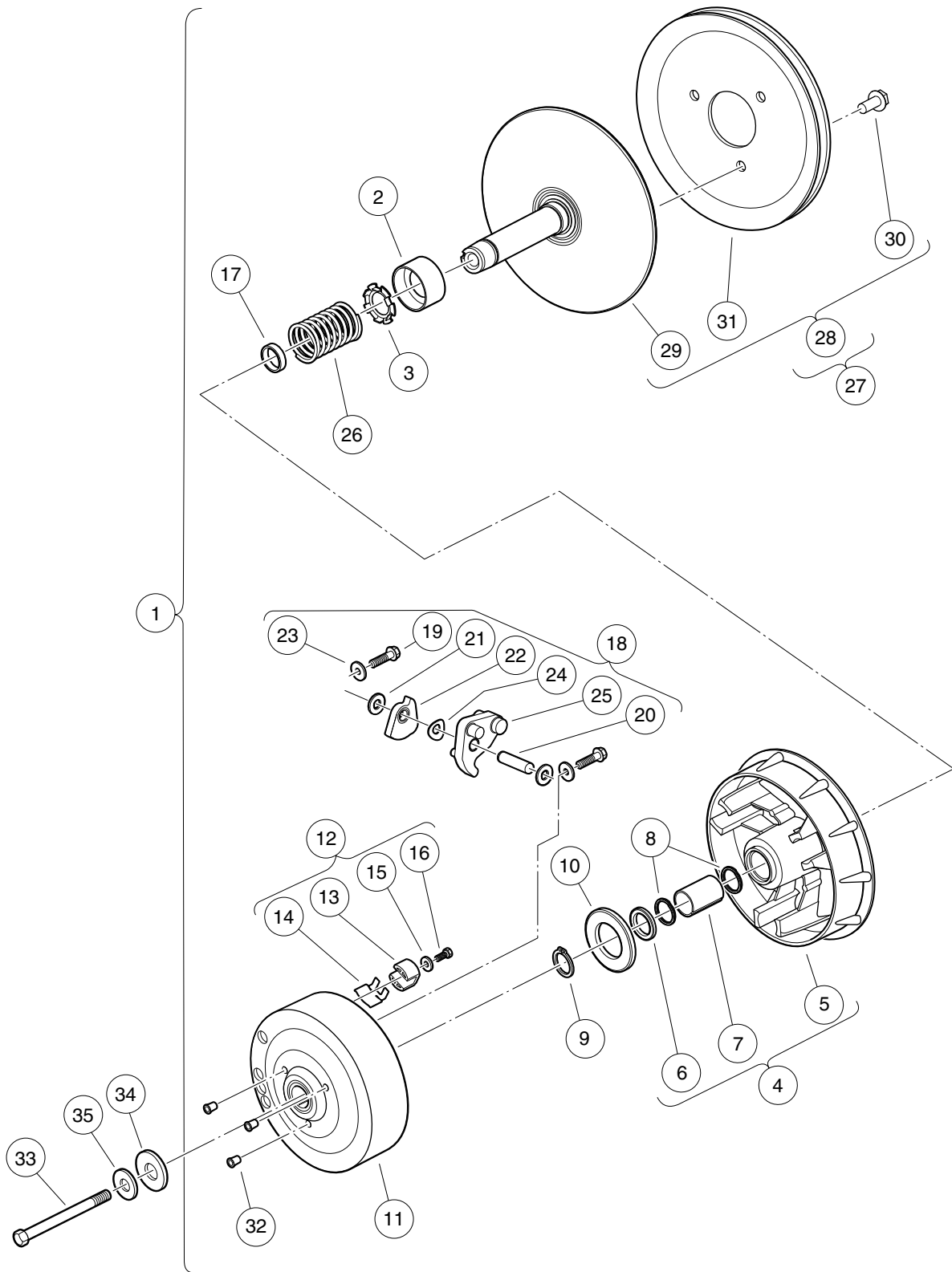
000918-001



# DRIVE BELT

ITEM	PART NO.	DESCRIPTION	QTY
1	<u>1017188</u>	1 2 3 4 Belt, Drive (FE350) .....	1

**12**  
**G**



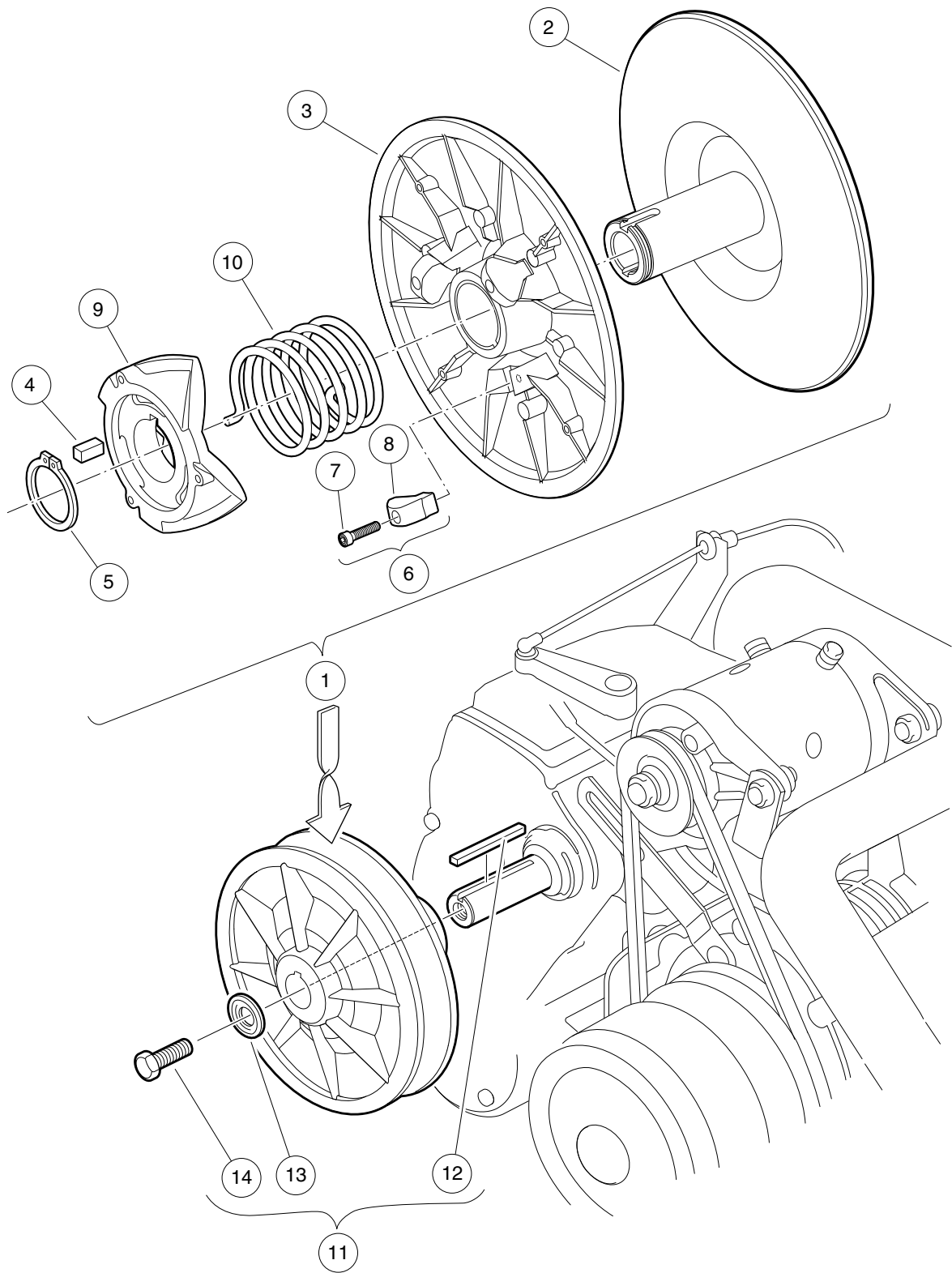
000217-007

# DRIVE CLUTCH – CARRYALL 2 PLUS AND VILLAGER 6/8

ITEM	PART NO.	DESCRIPTION	QTY
		1 2 3 4	
1	<u>101833904</u>	Assembly, Drive Clutch (includes items 2 through 32) .....	1
2	1014049	Bearing, Idler .....	1
3	<u>1014050</u>	Retainer, Spring .....	1
4	1014052	Movable-Face Assembly (includes items 5 through 7) .....	1
5	N/A	Drive Clutch Movable Face .....	1
6	<u>1014055</u>	Retainer .....	1
7	N/A	Bushing, Split, Drive Clutch .....	1
8	<u>1014056</u>	Ring, Spiral Backup .....	2
9	<u>1014057</u>	Ring, 0.810" Internal Retaining .....	1
10	1014058	Thrust Washer .....	1
11	1014059	Drive Hub Assy, Drive Clutch .....	1
12	<u>1014453</u>	Kit, Drive Clutch Button (includes items 13 through 16) .....	1
13	<u>1014062</u>	Driver, Drive Clutch .....	3
14	<u>1014287</u>	Spring, Drive Button .....	3
15	<u>183</u>	Washer, #10, Type A, Flat .....	3
16	<u>8450</u>	Screw, #10-24 X 0.50, Hex-Head .....	3
17	<u>1016289</u>	Spacer, Fixed Face Shaft .....	1
18	<u>1016801</u>	Kit, Drive Clutch Weight (includes items 19 through 25) .....	1
19	<u>1014063</u>	Screw, 1/4-20 X 1.00, Hex Head .....	6
20	N/A	Pin, Dowel, 0.3752 x 1.50 .....	3
21	<u>1014065</u>	Washer, Flat, 0.38" ID, Delrin .....	6
22	N/A	Clutch Weight, Secondary .....	3
23	N/A	Washer .....	6
24	<u>1016201</u>	Washer, Wave .....	3
25	N/A	Weight, Primary .....	3
26	<u>1016901</u>	Spring, Drive Clutch .....	1
27	101738302	Kit, Fixed Face - Drive (includes item 28) .....	1
28	<u>101738301</u>	Fixed Face Drive (includes items 29 through 31) .....	1
29	N/A	Fixed Face Assembly, Drive Clutch .....	1
30	<u>1014288</u>	Screw, 5/16-18 X 0.75, Thread-Forming .....	3
31	1016011	Pulley, Drive Clutch .....	1
32	N/A	Cap Plug .....	3
33	<u>103345701</u>	Screw 3/8-24x5.5 Hex Loc Ptch .....	1
34	<u>334</u>	Washer, 3/8, Type A, Flat .....	1
35	<u>808</u>	Washer, 3/8 Type B Flat .....	1

12

G



000219-001

# DRIVEN CLUTCH

ITEM	PART NO.	DESCRIPTION	QTY
		<b>1 2 3 4</b>	
1	<u>101834001</u>	Assembly, Driven Clutch (includes items 2 through 10) .....	1
2	<u>1014070</u>	Fixed Face Assy, Driven Clutch .....	1
3	<u>1014072</u>	Movable-Face Assembly with Bushing .....	1
4	<u>1014078</u>	Key, Driven Clutch .....	1
5	<u>1014080</u>	Ring, Retaining .....	1
6	<u>1014454</u>	Kit, Driven Clutch Button (includes items 7 and 8) .....	1
7	<u>1012836</u>	Screw, #8-32 X 3/4, Socket-Head Cap .....	3
8	N/A	Button, Drive .....	3
9	<u>1017686</u>	Cam, Driven Clutch .....	1
10	<u>101836201</u>	Spring, Driven Clutch, Reversed .....	1
11	<u>AM10419</u>	Kit, Clutch Repair (includes items 12 through 14) .....	1
12	<u>101833401</u>	Key, 3/16 Sq X 1.50" .....	1
13	<u>102155801</u>	Washer, Driven Clutch .....	1
14	<u>102242101</u>	Screw, 5/16-18 X 3/4 Hex-Head with Patch .....	1

**12**  
**G**

12

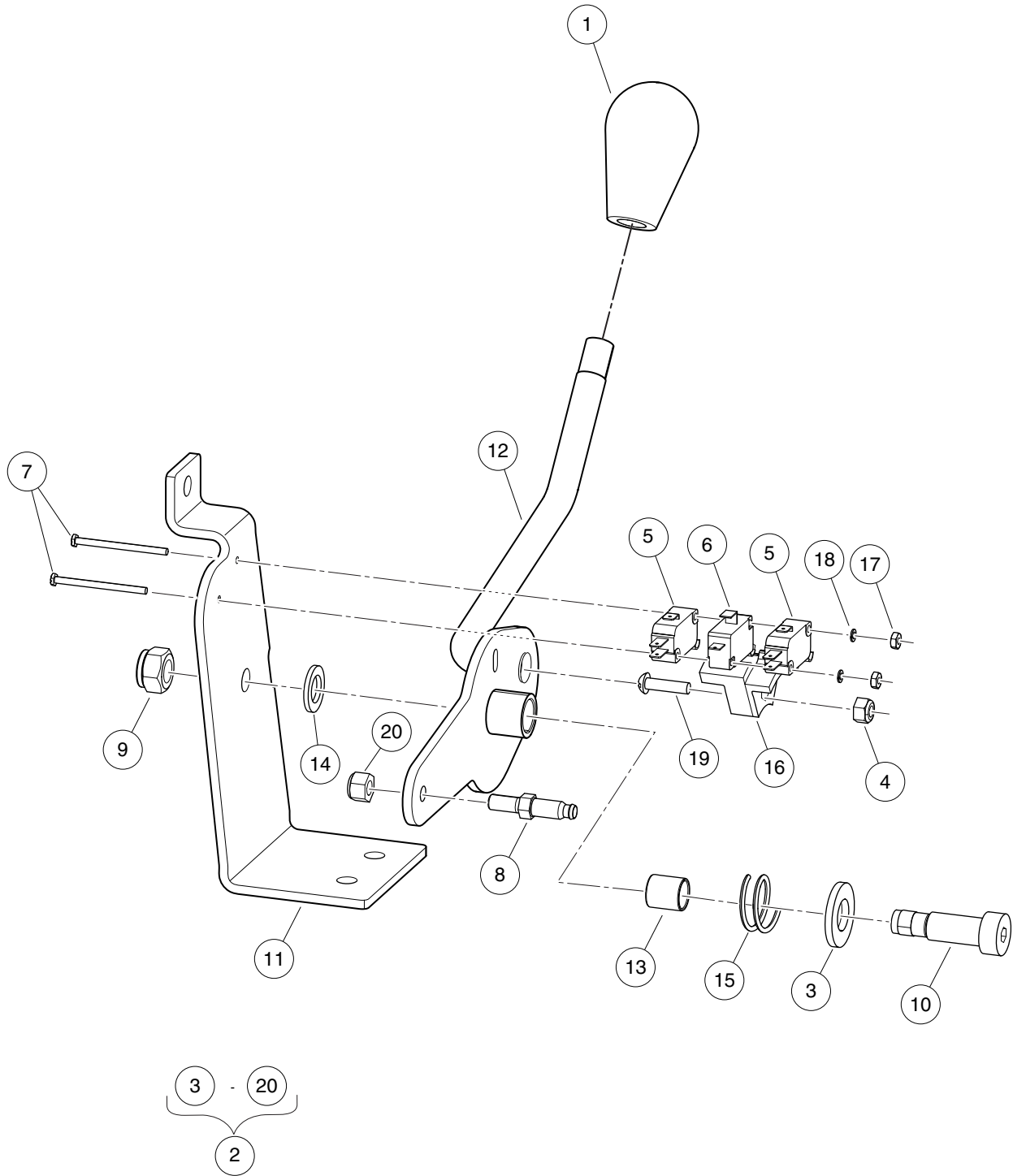
G

# UNITIZED TRANSAXLE – GASOLINE VEHICLES

---

13

G



000563-001

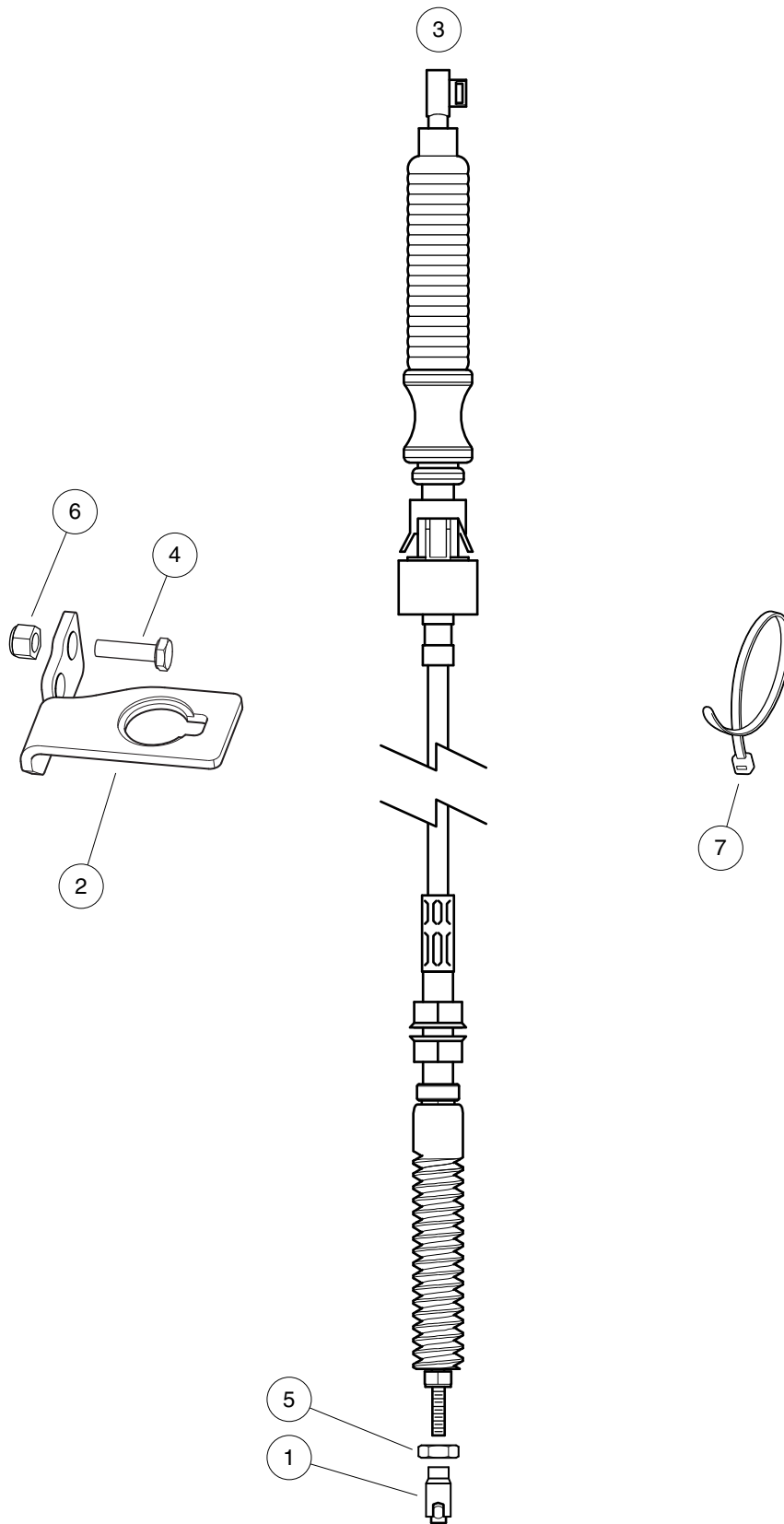


# FORWARD/REVERSE SHIFTER

ITEM	PART NO.	DESCRIPTION	QTY
		1 2 3 4	
1	<u>102376001</u>	Knob, FNR, Shifter .....	1
2	<u>102969901</u>	Asm, Shifter, FNR (includes items 3 through 20) .....	1
3	<u>1010028</u>	Washer, 1/2 Type A Flat .....	1
4	<u>1013061</u>	Locknut, #10-32 Nylon Insert .....	1
5	<u>1014807</u>	Switch, Limit .....	2
6	<u>1014808</u>	Switch, Limit .....	1
7	<u>1015878</u>	Screw, #4-40 Hex Head Machine .....	2
8	<u>102526201</u>	Stud, Thread, 1/4-28 .....	1
9	<u>102616701</u>	Locknut, M10x1.5 Nylon Insert .....	1
10	<u>102684602</u>	Shoulder Bolt, M12 X 25.0 .....	1
11	<u>102969401</u>	Bracket, Shifter, FNR .....	1
12	<u>102969801</u>	Weldment, Shift Lever, FNR .....	1
13	<u>103173301</u>	Bushing, Greaseless, 12mm Id .....	1
14	<u>103177401</u>	Washer, Thrust, Shifter, FNR .....	1
15	<u>103192701</u>	Spring, Comp, .97 Od X.75 L .....	1
16	<u>103369501</u>	Cam, Limit Switch, Fnr Shifter .....	1
17	<u>8057</u>	Nut, #4-40 Hex Machine .....	2
18	<u>8058</u>	Lockwasher, #4 Split .....	2
19	8104	Screw, #10-32 X .75 Rd Hd Mach .....	1
20	<u>8717</u>	Locknut, Nylon Insert, 1/4-28 .....	1

**13**

**G**



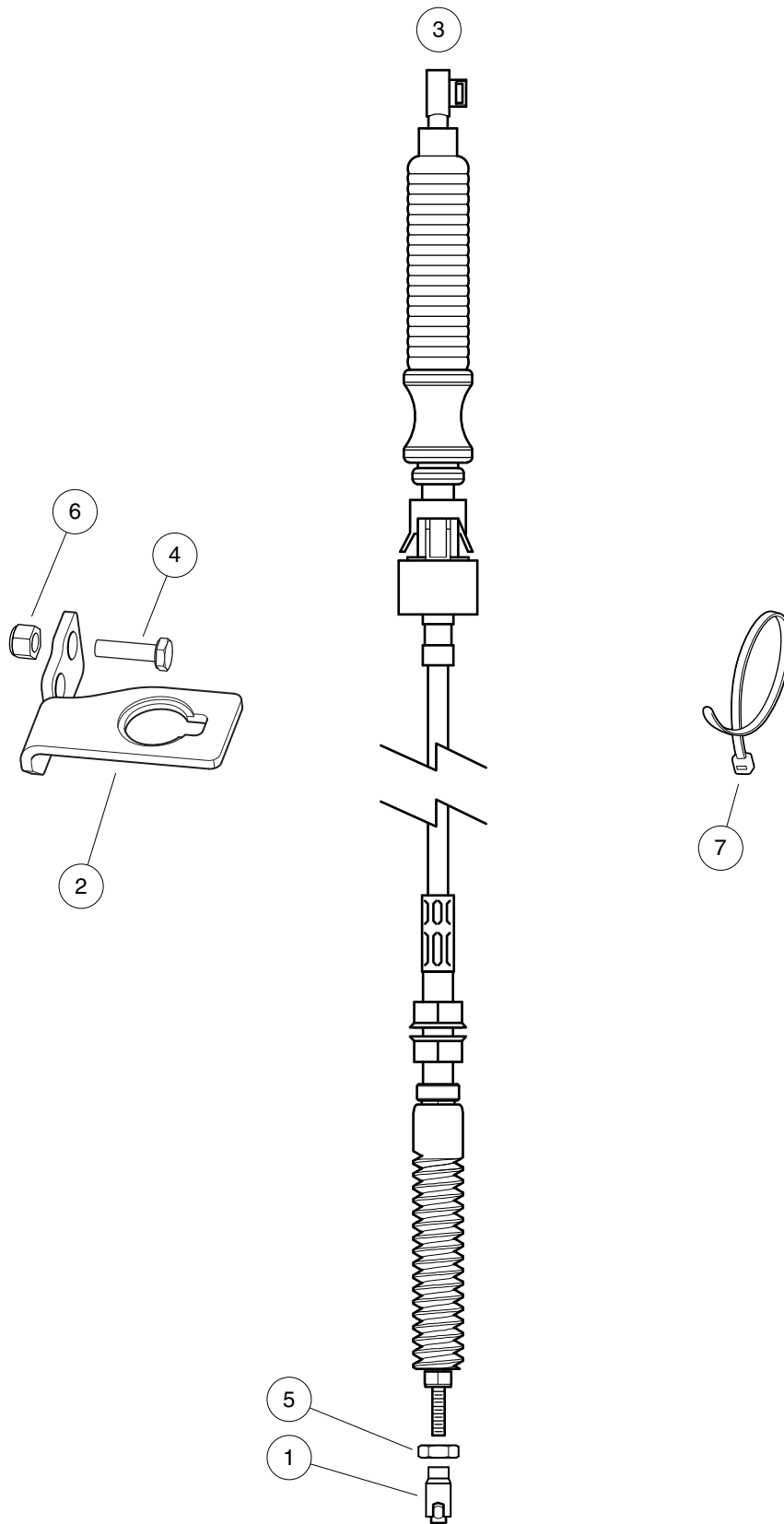
001071-001

## SHIFTER CABLE – TURF/CA 6 AND VILLAGER 6

ITEM	PART NO.	DESCRIPTION	QTY
		1 2 3 4	
1	<u>1012333</u>	Joint, #10-32 Ball .....	1
2	<u>103295101</u>	Brkt, Spt, Cable End, Fnr .....	1
3	<u>103295203</u>	Cable, Transmission, 2385mm .....	1
4	304	Screw, 1/4-20 X 1.0 Hex-Head Cap .....	2
5	<u>7893</u>	Nut, #10-32 Hex .....	1
6	<u>8233</u>	Locknut, 1/4-20, Nylon Insert .....	2
7	<u>8639</u>	Tie Wrap, 11" Nylon .....	A/R

13

G



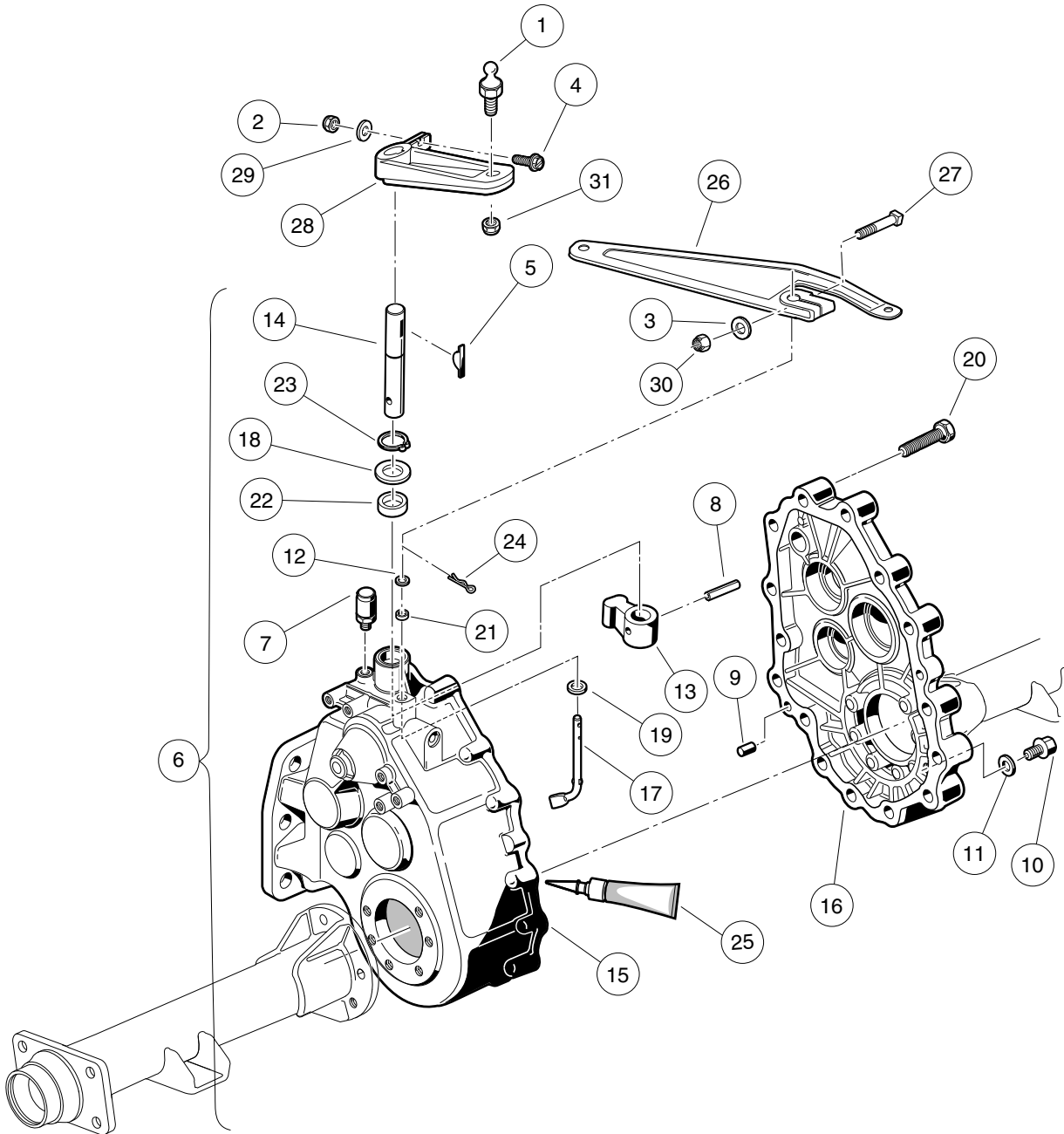
001071-001

## SHIFTER CABLE – VILLAGER 8

ITEM	PART NO.	DESCRIPTION	QTY
		1 2 3 4	
1	<u>1012333</u>	Joint, #10-32 Ball .....	1
2	<u>103295101</u>	Brkt, Spt, Cable End, Fnr .....	1
3	<u>103295204</u>	Cable, Trans, Ball End, 3225mm .....	1
4	304	Screw, 1/4-20 X 1.0 Hex-Head Cap .....	2
5	<u>7893</u>	Nut, #10-32 Hex .....	1
6	<u>8233</u>	Locknut, 1/4-20, Nylon Insert .....	2
7	<u>8639</u>	Tie Wrap, 11" Nylon .....	A/R

13

G



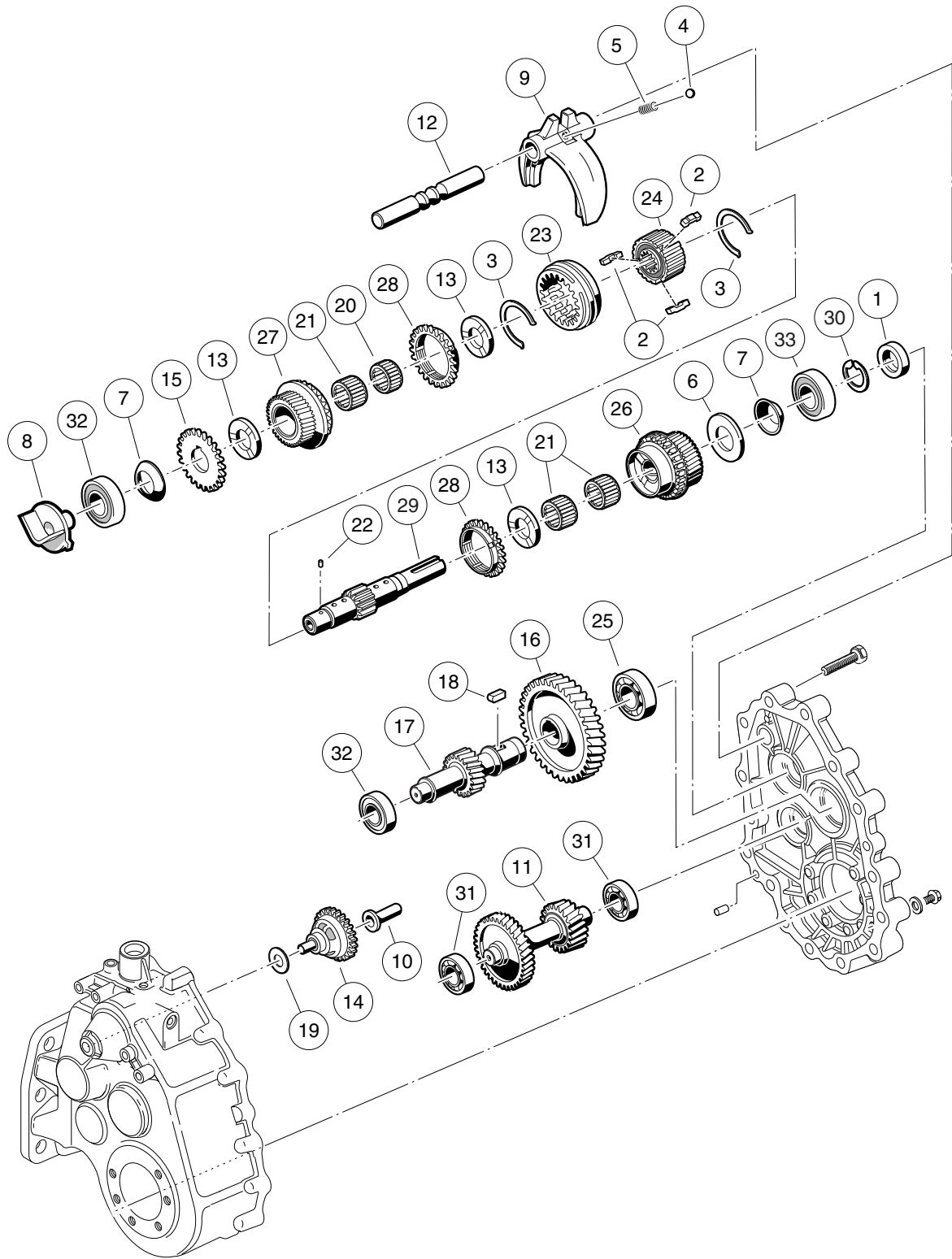
000220-005

# KAWASAKI TRANSAXLE – GEAR CASES AND BRACKETS

ITEM	PART NO.	DESCRIPTION	QTY
		1 2 3 4	
1	<u>1010954</u>	Stud, Ball, 1/4-28 X 0.560 .....	1
2	<u>1013061</u>	Locknut, #10-32 Nylon Insert .....	1
3	<u>1014007</u>	Washer, 1/4, Flat .....	1
4	<u>1017082</u>	Screw, #10-32 X 0.75, Hex-Head Machine .....	1
5	<u>1017231</u>	Key, Woodruff .....	1
6	<u>101833601</u>	Transaxle, 11.77 Ratio (includes items 7 through 25) .....	1
7	<u>1012711</u>	Breather .....	1
8	<u>1012752</u>	Roll Pin .....	1
9	<u>1012896</u>	Pin, Dowel .....	2
10	<u>1013760</u>	Fill Plug .....	2
11	<u>1016432</u>	Gasket, Drain Plug .....	1
12	<u>1016513</u>	Washer, M6 Flat .....	1
13	<u>101890101</u>	Lever, Drive Selector .....	1
14	<u>101890201</u>	Shaft, Drive Selector .....	1
15	<u>101890501</u>	Gear Case (driver side) .....	1
16	<u>101890601</u>	Gear Case (passenger side) .....	1
17	<u>101891301</u>	Arm Pivot .....	1
18	<u>101892901</u>	Washer .....	1
19	<u>101893801</u>	Washer .....	1
20	<u>101926901</u>	Screw, M8-1.25 X 40mm Hex-Head .....	15
21	<u>101927101</u>	Seal, Oil .....	1
22	<u>101927201</u>	Seal, Oil .....	1
23	<u>101927301</u>	Snap Ring .....	1
24	<u>101928601</u>	Pin, Cotter .....	1
25	<u>101928701</u>	Liquid Gasket (Transaxle case) .....	1
26	<u>101834801</u>	Arm, Governor .....	1
27	<u>101886101</u>	Screw, 1/4-20 X 1.00, Square-Head .....	1
28	<u>102515401</u>	Lever, Transmission Shift .....	1
29	<u>183</u>	Washer, #10, Type A, Flat .....	1
30	<u>8233</u>	Locknut, 1/4-20, Nylon Insert .....	1
31	<u>8717</u>	Locknut, Nylon Insert, 1/4-28 .....	1
		<p>Note: Kawasaki transaxle component listings span three pages. To identify your transaxle, locate the serial number decal on the axle tube.</p>	

13

G



000221-001

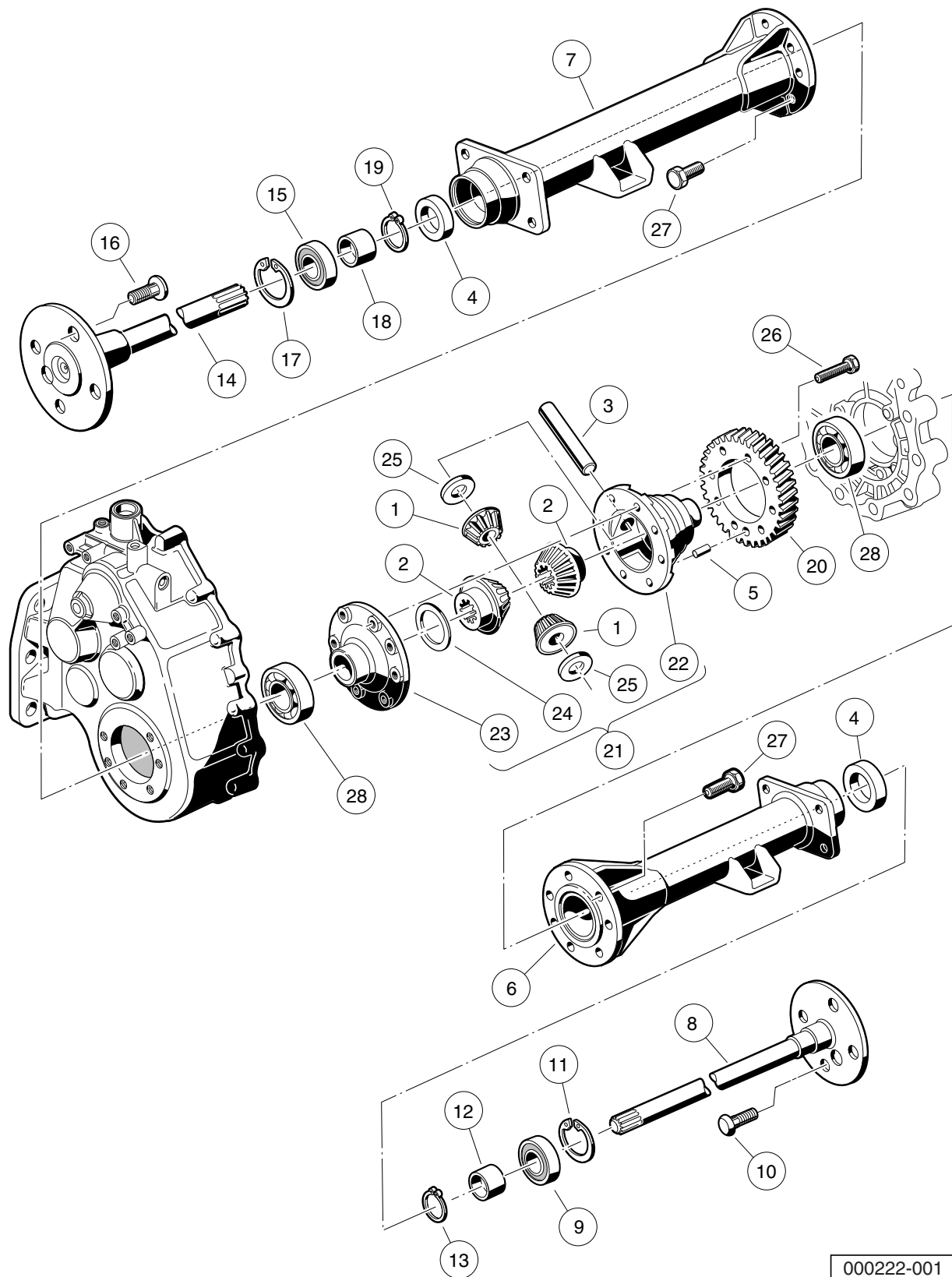


# KAWASAKI TRANSAXLE – F&R TRANSMISSION AND GEAR REDUCTION

13

G

ITEM	PART NO.	DESCRIPTION	QTY
		1 2 3 4	
1	<u>1012714</u>	Oil Seal .....	1
2	<u>1012740</u>	Synchro Insert .....	3
3	<u>1012741</u>	Synchro Spring .....	2
4	<u>1012747</u>	Shifter Ball .....	1
5	<u>1012748</u>	Shifter Spring .....	1
6	<u>1016337</u>	Washer, Thrust .....	1
7	<u>1016338</u>	Washer, Spring .....	2
8	<u>101889401</u>	Guide .....	1
9	<u>101890001</u>	Fork - Shift .....	1
10	<u>101891601</u>	Sleeve, Governor .....	1
11	<u>101891901</u>	Gear, Cluster .....	1
12	<u>101892001</u>	Rod, Shift .....	1
13	<u>101892201</u>	Plate, Thrust .....	3
14	<u>101892301</u>	Governor Assembly .....	1
15	<u>101892401</u>	Gear, Spur .....	1
16	<u>101892501</u>	Gear, Helical (61 Tooth) .....	1
17	<u>101892601</u>	Gear, Helical (17 Tooth) .....	1
18	<u>101893201</u>	Key Sunk .....	1
19	<u>101893901</u>	Washer .....	1
20	<u>101927501</u>	Needle Bearing .....	1
21	<u>101927601</u>	Needle Bearing .....	3
22	<u>101927701</u>	Pin, .116" Dia X 0.264 Dowel .....	1
23	<u>101927901</u>	Sleeve, Synchro .....	1
24	<u>101928001</u>	Hub, Synchro Clutch .....	1
25	<u>101928101</u>	Bearing, Ball .....	1
26	<u>101980801</u>	Gear Assembly, 16-Degree Synchro (25 Tooth) .....	1
27	<u>101980901</u>	Gear Assembly, 16-Degree Rear Synchro (28 Tooth) .....	1
28	<u>101981001</u>	Ring, 16-Degree Synchronizer .....	2
29	<u>102453001</u>	Shaft, Trans, with Circlip .....	1
30	<u>102453101</u>	Circlip .....	1
31	<u>7335</u>	Bearing .....	2
32	<u>AM10080</u>	Bearing, Ball, Sealed .....	2
33	<u>AM10081</u>	Bearing, Ball, Sealed .....	1
Note: To identify your transaxle, locate the serial number decal on the axle			



000222-001

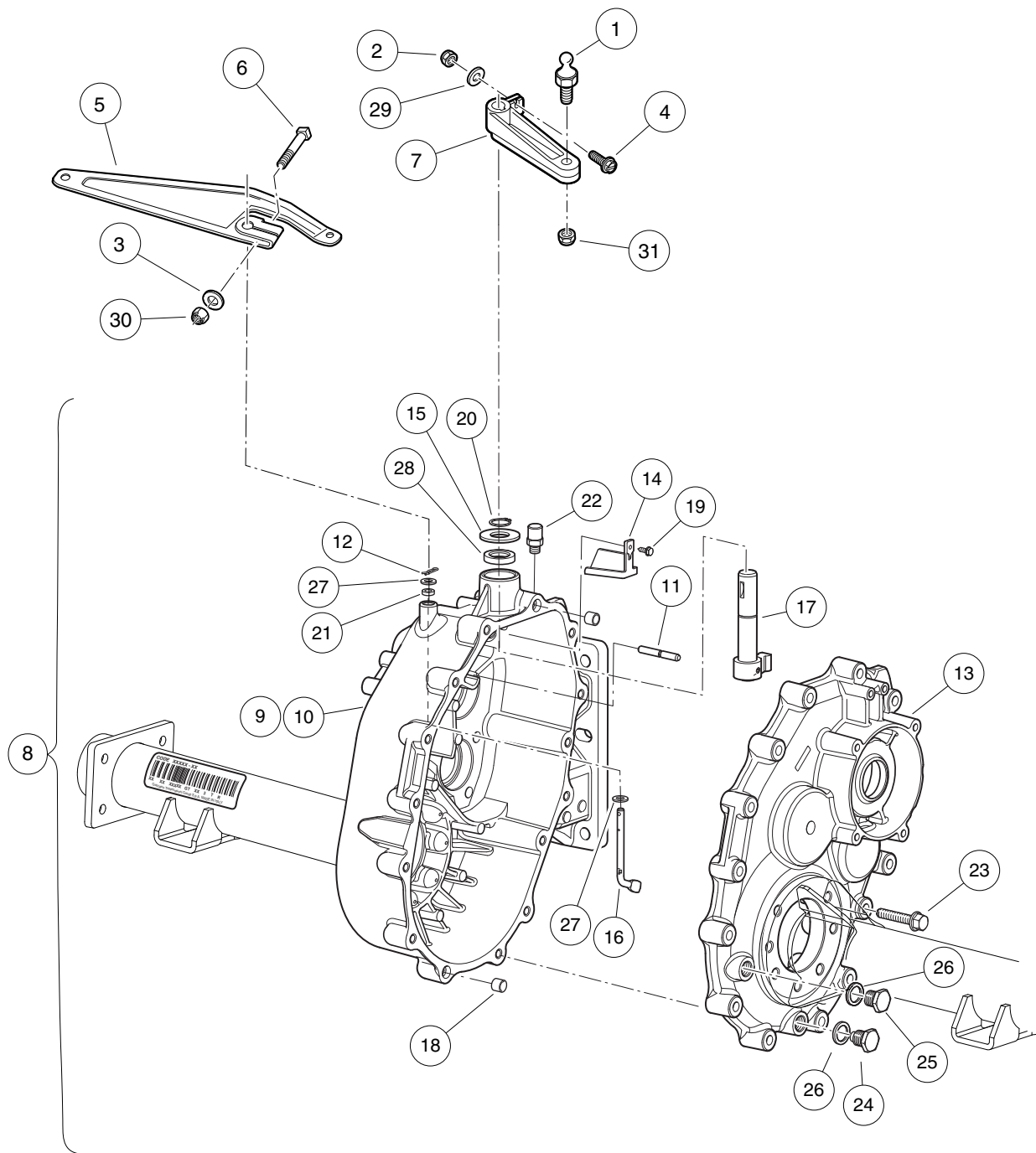
# KAWASAKI TRANSAXLE – DIFFERENTIAL AND AXLES

ITEM	PART NO.	DESCRIPTION	QTY
		1 2 3 4	
1	<u>1013770</u>	Differential Idler Gear .....	2
2	<u>1013771</u>	Gear, Differential .....	2
3	<u>1013772</u>	Pin, Differential .....	1
4	<u>1013794</u>	Axle Shaft Oil Seal .....	2
5	N/A	Dowel Pin .....	1
6	<u>101890901</u>	Axle Tube (Passenger Side) .....	1
7	<u>101891001</u>	Axle Tube (Driver Side) .....	1
8	<u>101891401</u>	Axle Assembly, Passenger Side (includes items 9 through 13) .....	1
9	<u>1011291</u>	Outer Axle, Tube Bearing .....	1
10	<u>1013787</u>	Lug Stud .....	4
11	<u>1013792</u>	Circlip Type C .....	1
12	<u>1014207</u>	Bushing .....	1
13	<u>1016672</u>	Retaining Ring .....	1
14	<u>101891501</u>	Axle Assembly, Driver-Side (includes items 15 through 19) .....	1
15	<u>1011291</u>	Outer Axle, Tube Bearing .....	1
16	<u>1013787</u>	Lug Stud .....	4
17	<u>1013792</u>	Circlip Type C .....	1
18	<u>1014207</u>	Bushing .....	1
19	<u>1016672</u>	Retaining Ring .....	1
20	<u>101892701</u>	Gear, Helical .....	1
21	<u>101910501</u>	Kit, Differential Gear Case (includes items 22 through 25) .....	1
22	<u>1013768</u>	Differential Gear Case, Left-Hand .....	1
23	<u>1013769</u>	Differential Gear Case, Right-Hand .....	1
24	<u>1013773</u>	Plate, Thrust (Differential Gear) .....	1
25	<u>1013774</u>	Plate, Thrust (Idler Gear) .....	2
26	<u>101928301</u>	Screw, M8-1.25 X 35mm Hex Head .....	8
27	<u>102031901</u>	Bolt, M10 X 1.5 X 30mm .....	14
28	<u>7330</u>	Inner Axle Tube Bearing .....	2
Note: To identify your transaxle, locate the serial number decal on the axle			

13

G

**13**  
**G**



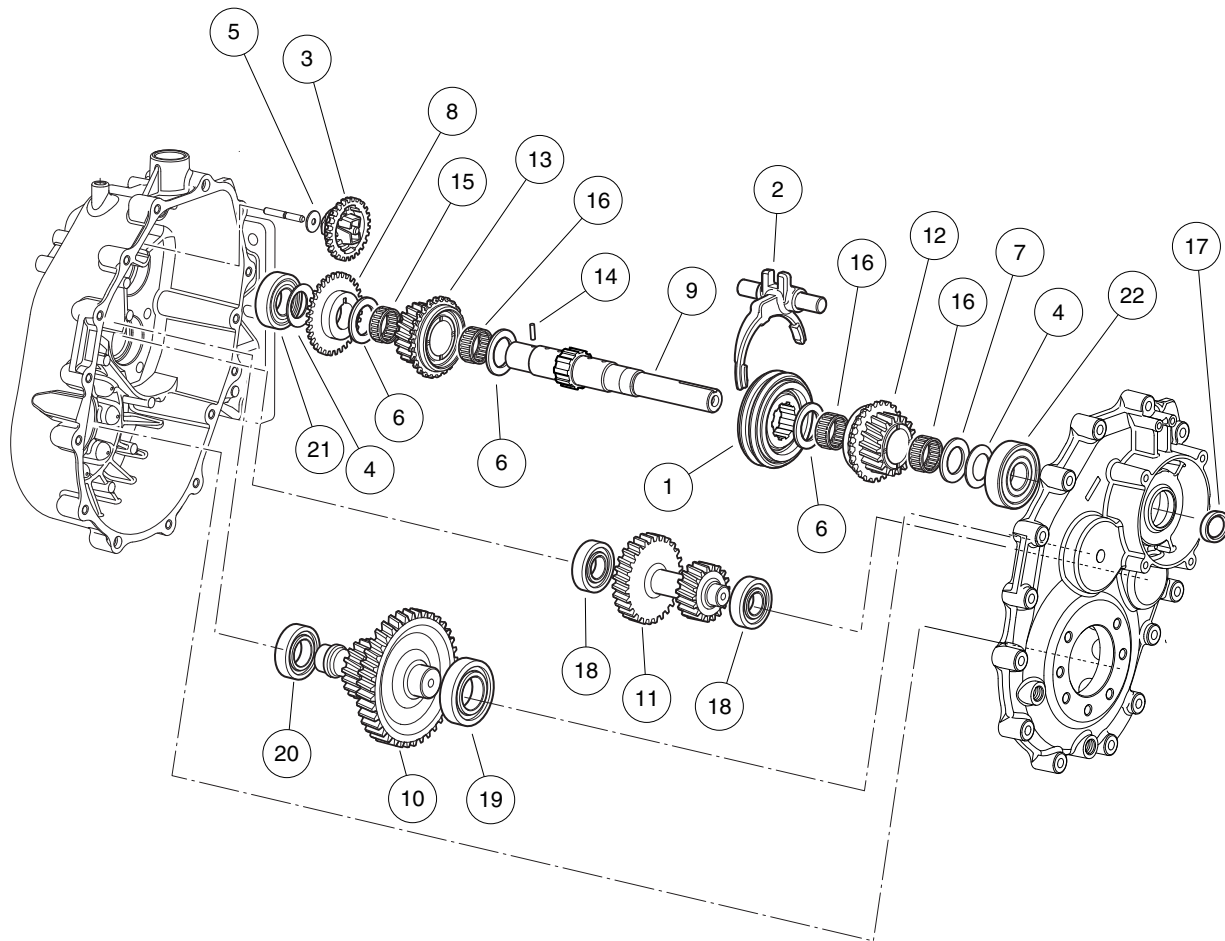
000680-009

# GRAZIANO TRANSAXLE – GEAR CASES AND LEVERS

ITEM	PART NO.	DESCRIPTION	QTY
		1 2 3 4	
1	<u>1010954</u>	Stud, Ball, 1/4-28 X 0.560 .....	1
2	<u>1013061</u>	Locknut, #10-32 Nylon Insert .....	1
3	<u>1014007</u>	Washer, 1/4, Flat .....	1
4	<u>1017082</u>	Screw, #10-32 X 0.75, Hex-Head Machine .....	1
5	<u>101834801</u>	Arm, Governor .....	1
6	<u>101886101</u>	Screw, 1/4-20 X 1.00, Square-Head .....	1
7	<u>102515401</u>	Lever, Transmission Shift .....	1
8	<u>102896801</u>	Transaxle, Unitized, Graziano (includes items 9 through 28) .....	1
9	<u>102896901</u>	Gear Box (Driver-Side) (includes items 10 and 11) .....	1
10	N/A	Gear Box .....	1
11	N/A	Pin, Speed Governor .....	1
12	<u>102897401</u>	Pin, Split .....	1
13	<u>102897501</u>	Cover, Gear Box (Passenger-Side) .....	1
14	<u>102897601</u>	Conveyor, Oil .....	1
15	<u>102897801</u>	Washer, Thrust .....	1
16	<u>102897901</u>	Lever, Speed Governor .....	1
17	<u>102898201</u>	Unit, Drive Selector .....	1
18	<u>102899101</u>	Dowel .....	2
19	<u>102899201</u>	Screw .....	1
20	<u>102899401</u>	Ring, Snap .....	1
21	<u>102899701</u>	Grommet .....	1
22	<u>102899801</u>	Breather .....	1
23	<u>102900001</u>	Screw .....	15
24	<u>102900101</u>	Drain Plug, Magnetic .....	1
25	<u>102900201</u>	Fill Plug .....	1
26	<u>102900301</u>	Seal .....	2
27	<u>102900601</u>	Washer .....	2
28	<u>102900901</u>	Grommet .....	1
29	<u>183</u>	Washer, #10, Type A, Flat .....	1
30	<u>8233</u>	Locknut, 1/4-20, Nylon Insert .....	1
31	<u>8717</u>	Locknut, Nylon Insert, 1/4-28 .....	1
		<p>Note: Graziano transaxle component listings span three pages. To identify your transaxle, locate the serial number decal on the axle tube.</p>	

13

G



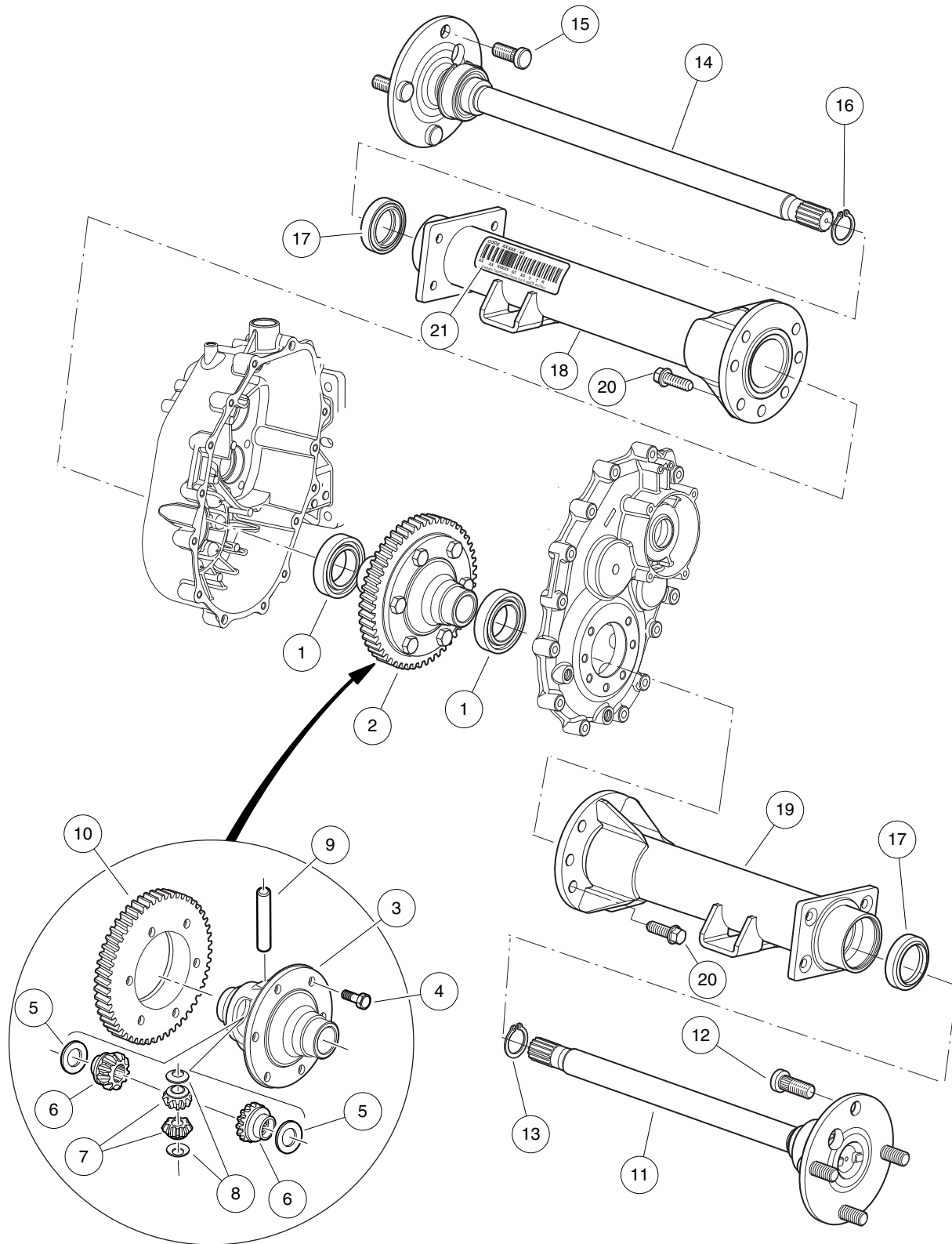
000680-006

# GRAZIANO TRANSAXLE – F&R TRANSMISSION AND GEAR REDUCTION

13

G

ITEM	PART NO.	DESCRIPTION	QTY
		1 2 3 4	
1	<u>102897201</u>	Synchronizer, Complete .....	1
2	<u>102897301</u>	Fork, Complete .....	1
3	<u>102897701</u>	Assembly, Speed Governor .....	1
4	<u>102898001</u>	Washer, Belleville .....	2
5	<u>102898101</u>	Bearing, Thrust .....	1
6	<u>102898301</u>	Bearing, Thrust .....	3
7	<u>102898401</u>	Washer, Thrust .....	1
8	<u>102898501</u>	Gear, Speed Governor .....	1
9	<u>102898601</u>	Shaft, Main .....	1
10	<u>102898701</u>	Shaft, Secondary .....	1
11	<u>102898801</u>	Shaft, Reverse Gear .....	1
12	<u>102898901</u>	Gear, Complete, 25t .....	1
13	<u>102899001</u>	Gear, Complete, 28t .....	1
14	<u>102899301</u>	Pin .....	1
15	<u>102899501</u>	Cage, Roller .....	1
16	<u>102899601</u>	Cage, Roller .....	3
17	<u>102899901</u>	Grommet .....	1
18	<u>102900401</u>	Bearing .....	2
19	<u>102900501</u>	Bearing, 62 Od X 30 Id X 16 .....	1
20	<u>102900701</u>	Bearing .....	1
21	<u>102901001</u>	Bearing .....	1
22	<u>102901101</u>	Bearing .....	1
<p>Note: To identify your transaxle, locate the serial number decal on the axle tube.</p>			



000681-002

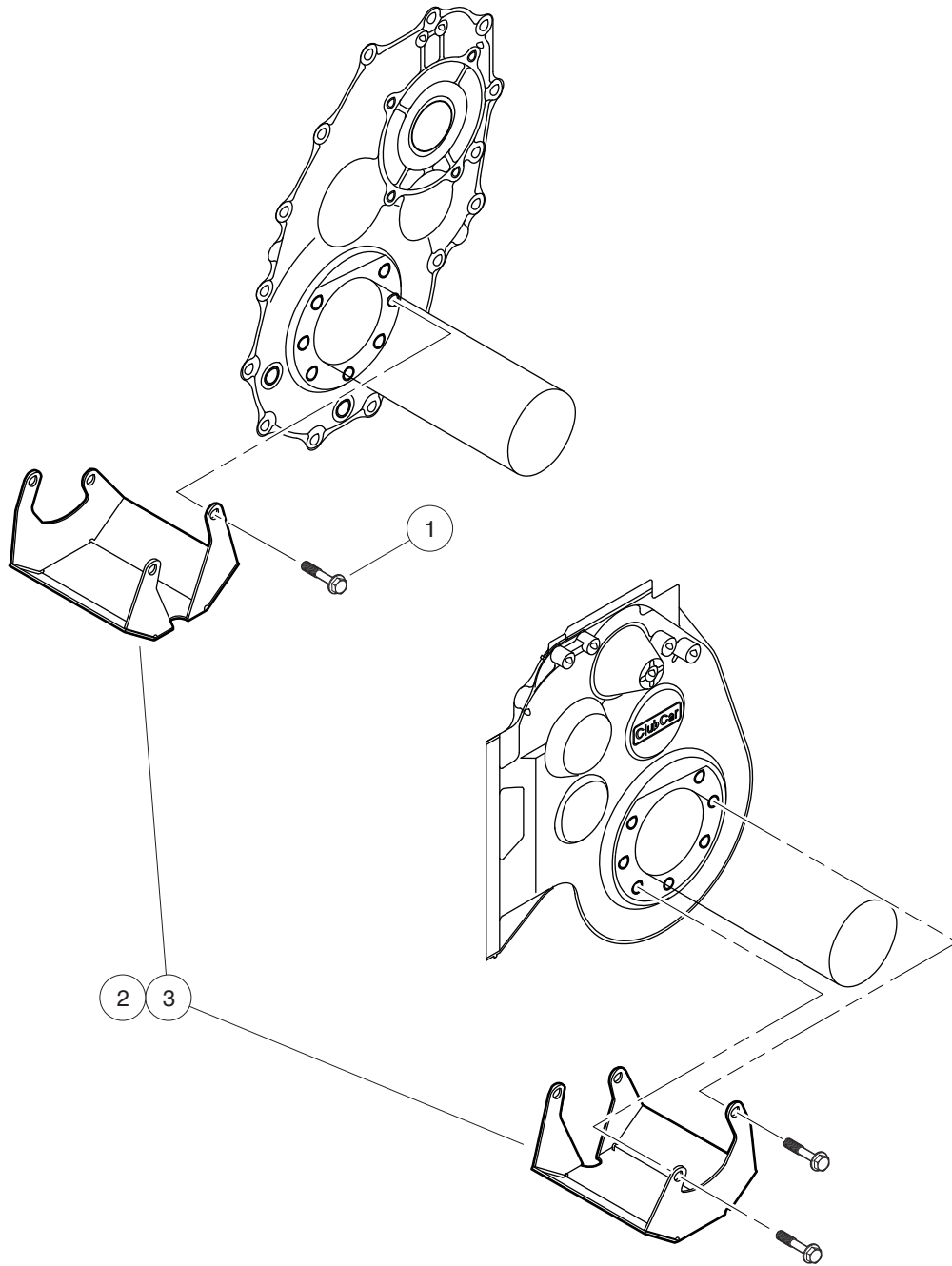


# GRAZIANO TRANSAXLE -DIFFERENTIAL AND AXLES

ITEM	PART NO.	DESCRIPTION	QTY
		1 2 3 4	
1	<u>102900801</u>	Bearing, 68 Od X 40 Id X 15 .....	2
2	<u>102902001</u>	Assembly, Differential (includes items 3 through 10) .....	1
3	<u>102901201</u>	Box, Differential .....	1
4	<u>102901301</u>	Screw, M10 X 25 .....	6
5	<u>102901401</u>	Ring, Sleeve .....	2
6	<u>102901501</u>	Gear, Sun .....	2
7	<u>102901601</u>	Gear, Planetary .....	2
8	<u>102901701</u>	Ring, Sleeve .....	2
9	<u>102901801</u>	Pin .....	1
10	<u>102901901</u>	Gear .....	1
11	<u>102902101</u>	Shaft, Axle, Short, Complete (Passenger-Side) (includes items 12 and 13) .....	1
12	<u>102902301</u>	Bolt, Stud .....	4
13	<u>102902401</u>	Snap Ring .....	1
14	<u>102902201</u>	Shaft, Axle, Long, Complete (Driver-Side) (includes items 15 and 16) .....	1
15	<u>102902301</u>	Bolt, Stud .....	4
16	<u>102902401</u>	Snap Ring .....	1
17	<u>102902501</u>	Seal, Lip .....	2
18	<u>102902601</u>	Axle Tube, (Driver-Side) .....	1
19	<u>102902701</u>	Axle Tube, (Passenger-Side) .....	1
20	<u>102902801</u>	Screw, M10 X 30 .....	14
21	N/A	Tag, Serial .....	1
<p style="margin-left: 40px;">Note: To identify your transaxle, locate the serial number decal on the axle tube.</p>			

13

G



000366-001

## DIFFERENTIAL GUARD – GASOLINE VEHICLE

ITEM	PART NO.	DESCRIPTION	QTY
		1 2 3 4	
1	<u>101926901</u>	Screw, M8-1.25 X 40mm Hex-Head .....	4
2	<u>101932902</u>	Diff Guard Unitized Kit (Includes Instructions) (includes item 3) .....	1
3	N/A	Guard, Unitized Differential .....	1

13

G

13

G

# ELECTRICAL SYSTEM – ELECTRIC VEHICLES

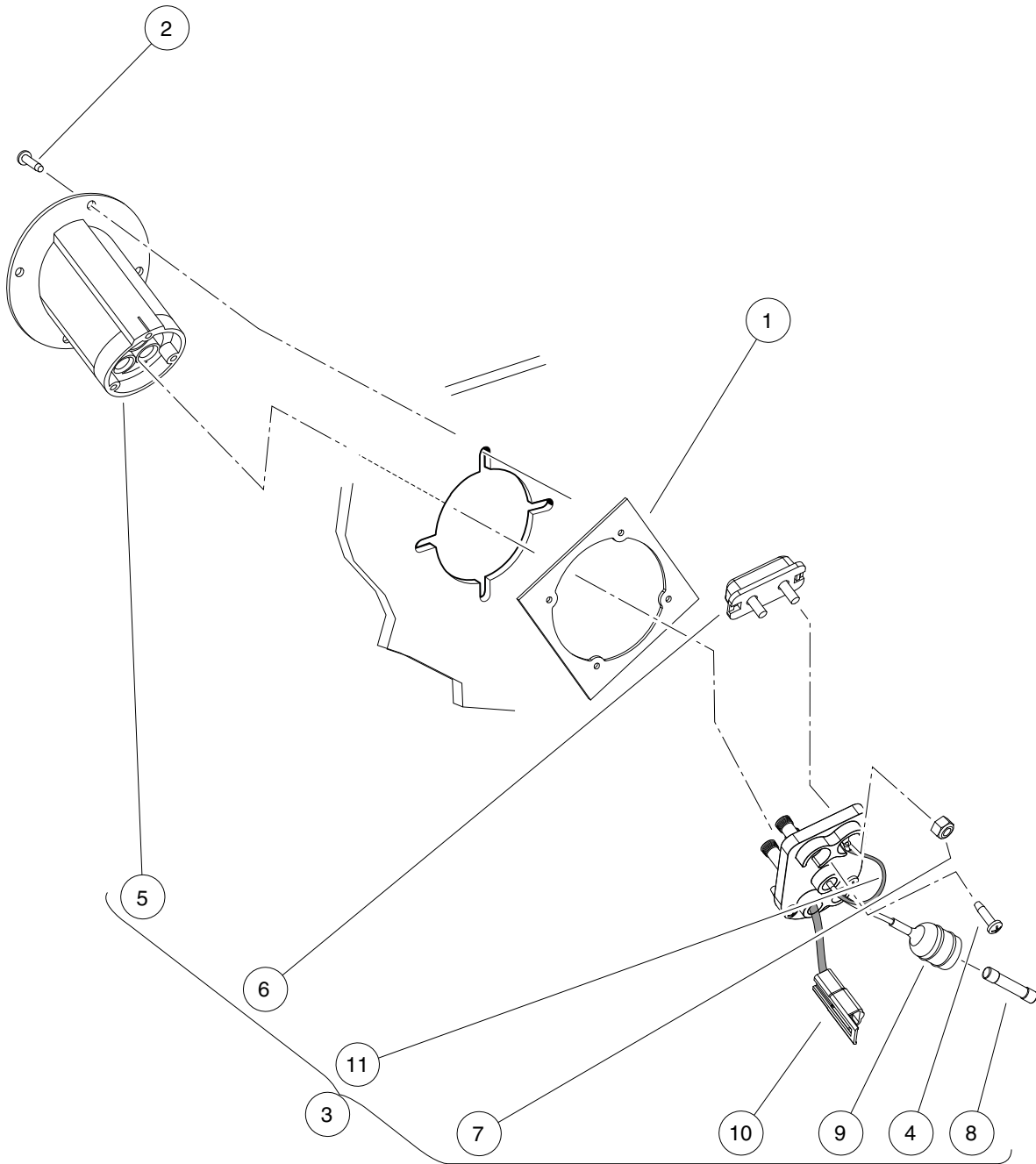
---

14

*E*

14

E



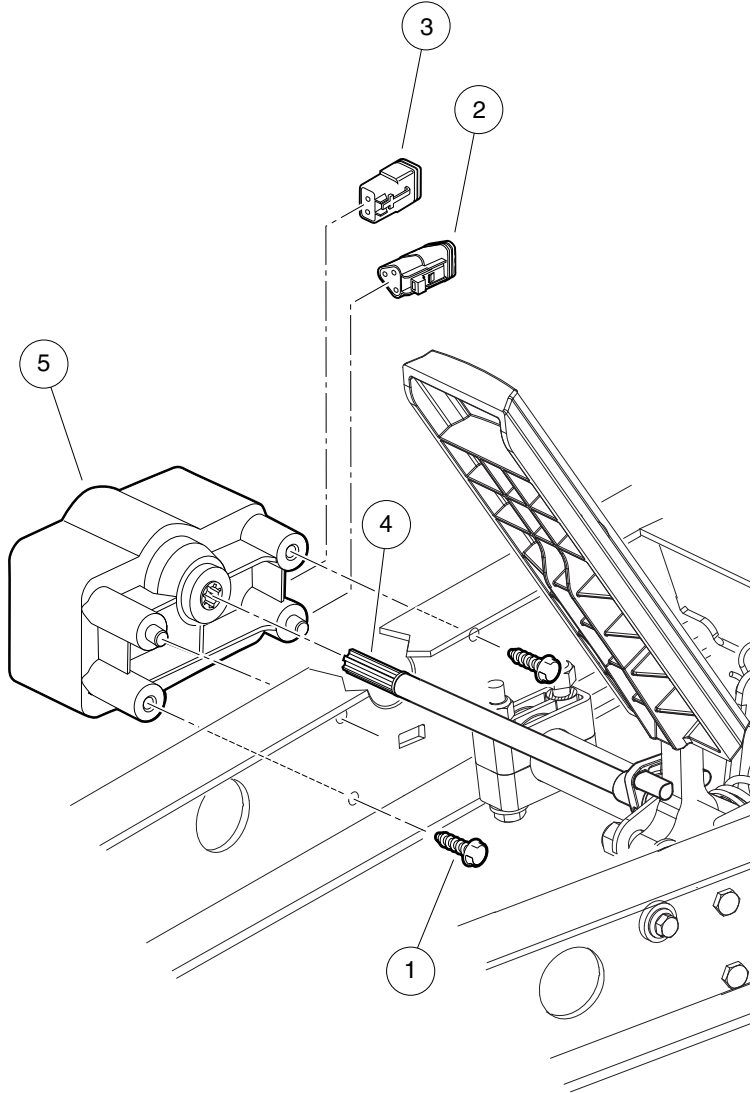
000369-002

# BATTERY CHARGER RECEPTACLE

ITEM	PART NO.	DESCRIPTION	QTY
		1 2 3 4	
1	<u>101801001</u>	Plate, Receptacle Backing .....	1
2	<u>101832001</u>	Screw, #7-19 X 0.625 Phillips Pan-Head Tap .....	4
3	<u>102848701</u>	Fuse and Receptacle Assembly (includes items 4 through 11) .....	1
4	<u>1017705</u>	Screw, #8 X 5/8 Phillips Pan-Head Type AB .....	3
5	<u>101796501</u>	Receptacle .....	1
6	<u>101796801</u>	Fuse Assembly (includes item 7) .....	1
7	<u>1013061</u>	Locknut, #10-32 Nylon Insert .....	2
8	<u>101894901</u>	Fuse, 3/8-Amp .....	1
9	N/A	Wire Assembly, Sense Lead, Gray .....	1
10	N/A	Wire Assembly, #10 Red .....	1
11	N/A	Wire Assembly, #10 Black .....	1

14

E



001070-001



# MOTOR CONTROLLER OUTPUT REGULATOR (MCOR)

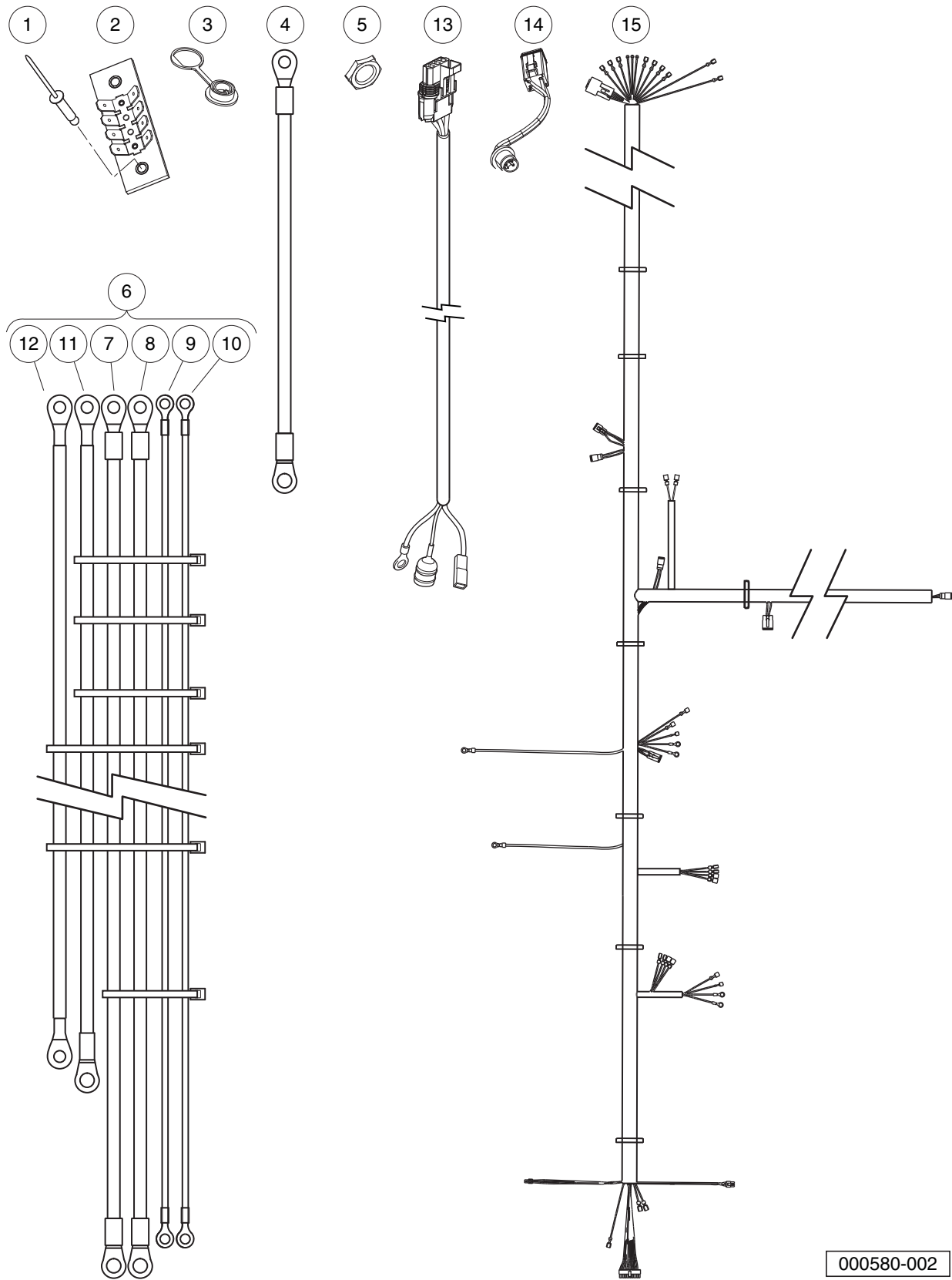
ITEM	PART NO.	DESCRIPTION	QTY
		1 2 3 4	
1	<u>1015752</u>	Screw, #12-16 X 0.625, Hi-Lo .....	2
2	<u>101920101</u>	Kit, 3-Pin Wedge Lock .....	1
3	<u>101936801</u>	Kit, 2-Pin Wedge Lock .....	1
4	102101001	Bar, Drive, Cast .....	1
5	<u>102101101</u>	MCOR .....	1

14

E

14

E



000580-002

## WIRING – CA 6 AND VILLAGER 6 IQ PLUS ELECTRIC

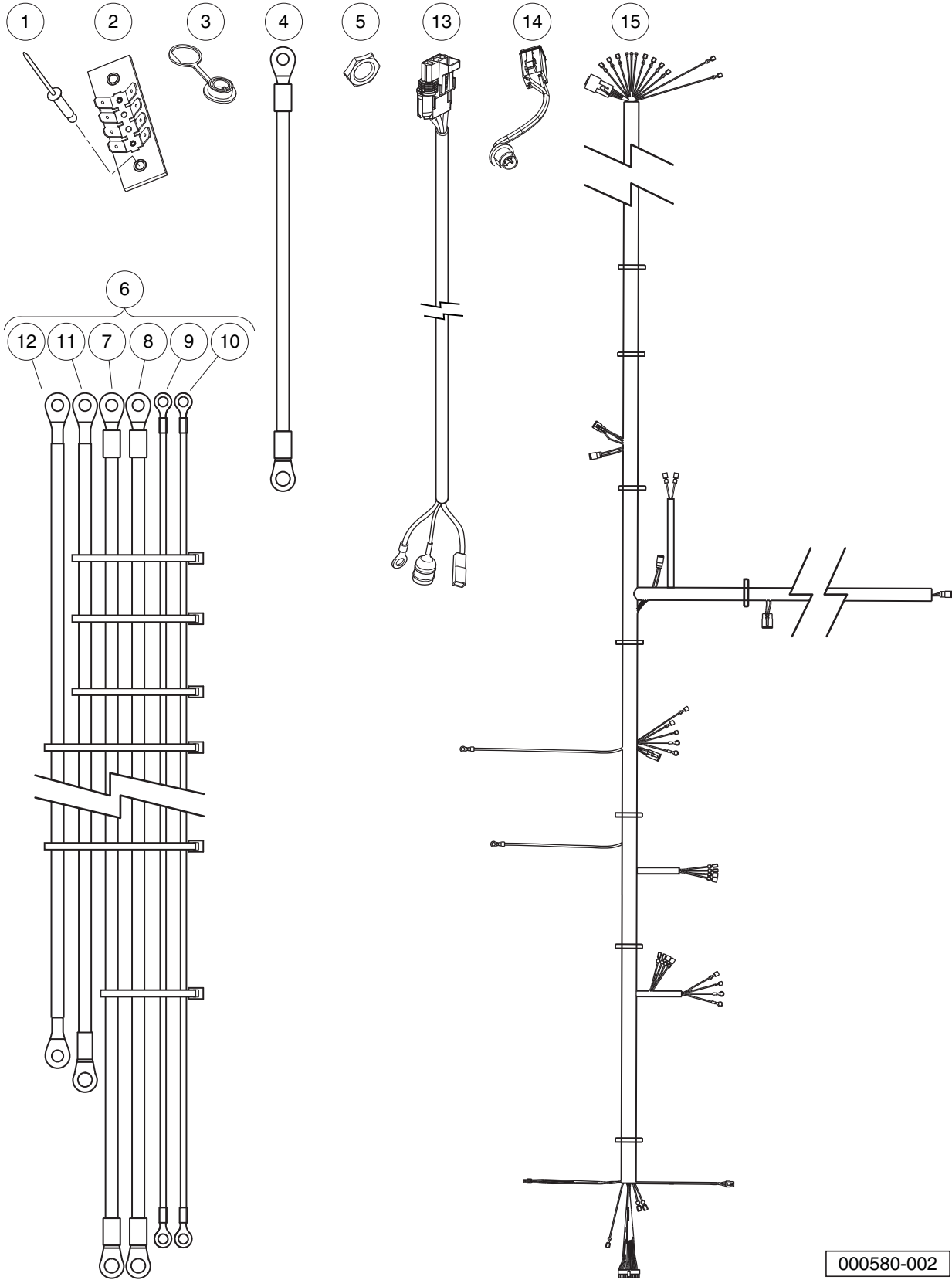
ITEM	PART NO.	DESCRIPTION	QTY
		1 2 3 4	
1	<u>1013357</u>	Rivet, 5/32 Aluminum Pop .....	2
2	<u>1016356</u>	Terminal Block with Insulator .....	1
3	<u>102196901</u>	Dust Cap .....	1
4	<u>102440901</u>	Wire Asm, #4 Yellow, 13" .....	1
5	<u>102572401</u>	Nut, Diagnostic Port, Prec .....	1
6	<u>102845501</u>	Harness, Power, Stretch IQ Plus (includes items 7 through 12) .....	1
7	N/A	Asm, #4 Grn Wire, 89" .....	1
8	N/A	Asm, #4 Wht Wire, 88.5" .....	1
9	N/A	Asm, #10 Org Wire, 89.5" .....	1
10	N/A	Asm, #10 Blu Wire, 95.5" .....	1
11	N/A	Asm, #4 Red Wire, 67.5" .....	1
12	N/A	Asm, #4 Blk Wire, 57.5" .....	1
13	<u>102938301</u>	Chrgr Harness, Iq Plus, Shelf .....	1
14	<u>103218601</u>	Harness, Diagnostic Port .....	1
15	<u>103222001</u>	Asm, Wire Harness, Stretch, Electric .....	1

14

E

14

E



000580-002

## WIRING – VILLAGER 8 IQ PLUS ELECTRIC

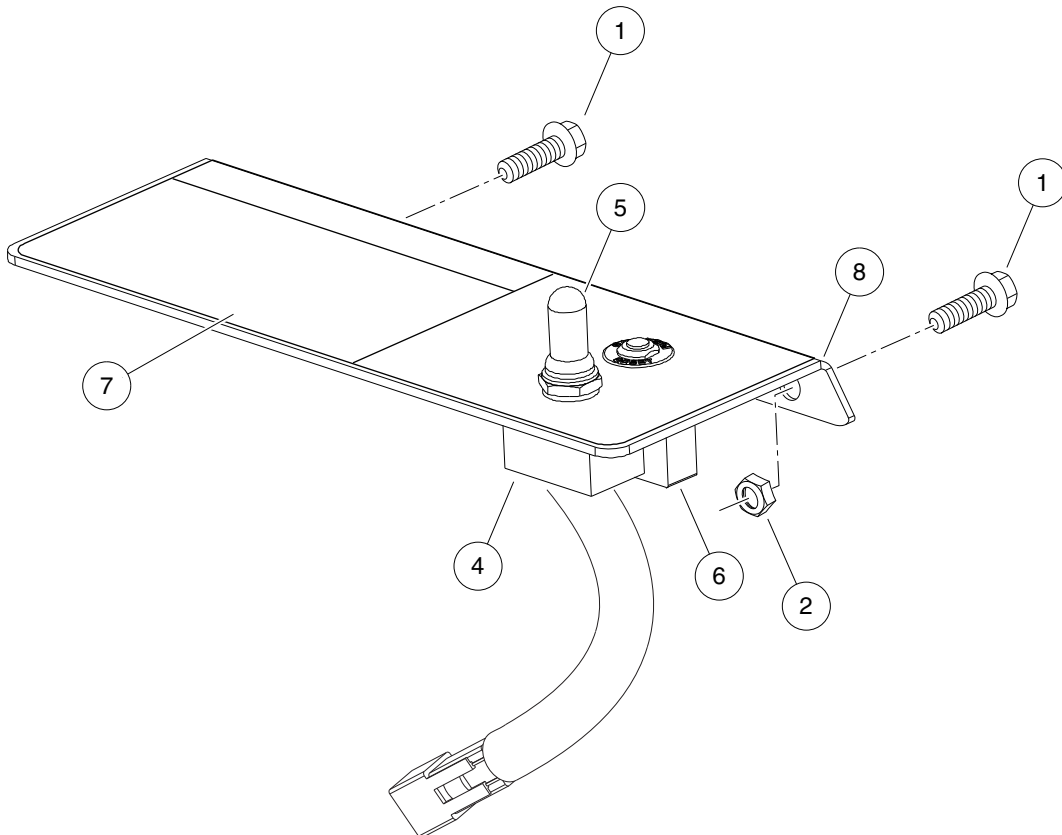
ITEM	PART NO.	DESCRIPTION	QTY
		1 2 3 4	
1	<u>1013357</u>	Rivet, 5/32 Aluminum Pop .....	2
2	<u>1016356</u>	Terminal Block with Insulator .....	1
3	<u>102196901</u>	Dust Cap .....	1
4	<u>102440901</u>	Wire Asm, #4 Yellow, 13" .....	1
5	<u>102572401</u>	Nut, Diagnostic Port, Prec .....	1
6	<u>102845501</u>	Harness, Power, Stretch IQ Plus (includes items 7 through 12) .....	1
7	N/A	Asm, #4 Grn Wire, 89" .....	1
8	N/A	Asm, #4 Wht Wire, 88.5" .....	1
9	N/A	Asm, #10 Org Wire, 89.5" .....	1
10	N/A	Asm, #10 Blu Wire, 95.5" .....	1
11	N/A	Asm, #4 Red Wire, 67.5" .....	1
12	N/A	Asm, #4 Blk Wire, 57.5" .....	1
13	<u>102938301</u>	Chrgr Harness, Iq Plus, Shelf .....	1
14	<u>103218601</u>	Harness, Diagnostic Port .....	1
15	<u>103222101</u>	Asm, Wire Harness, Villager 8, Electric .....	1

14

E

14

E



000425-001

## TOW/RUN SWITCH – IQ PLUS VEHICLES

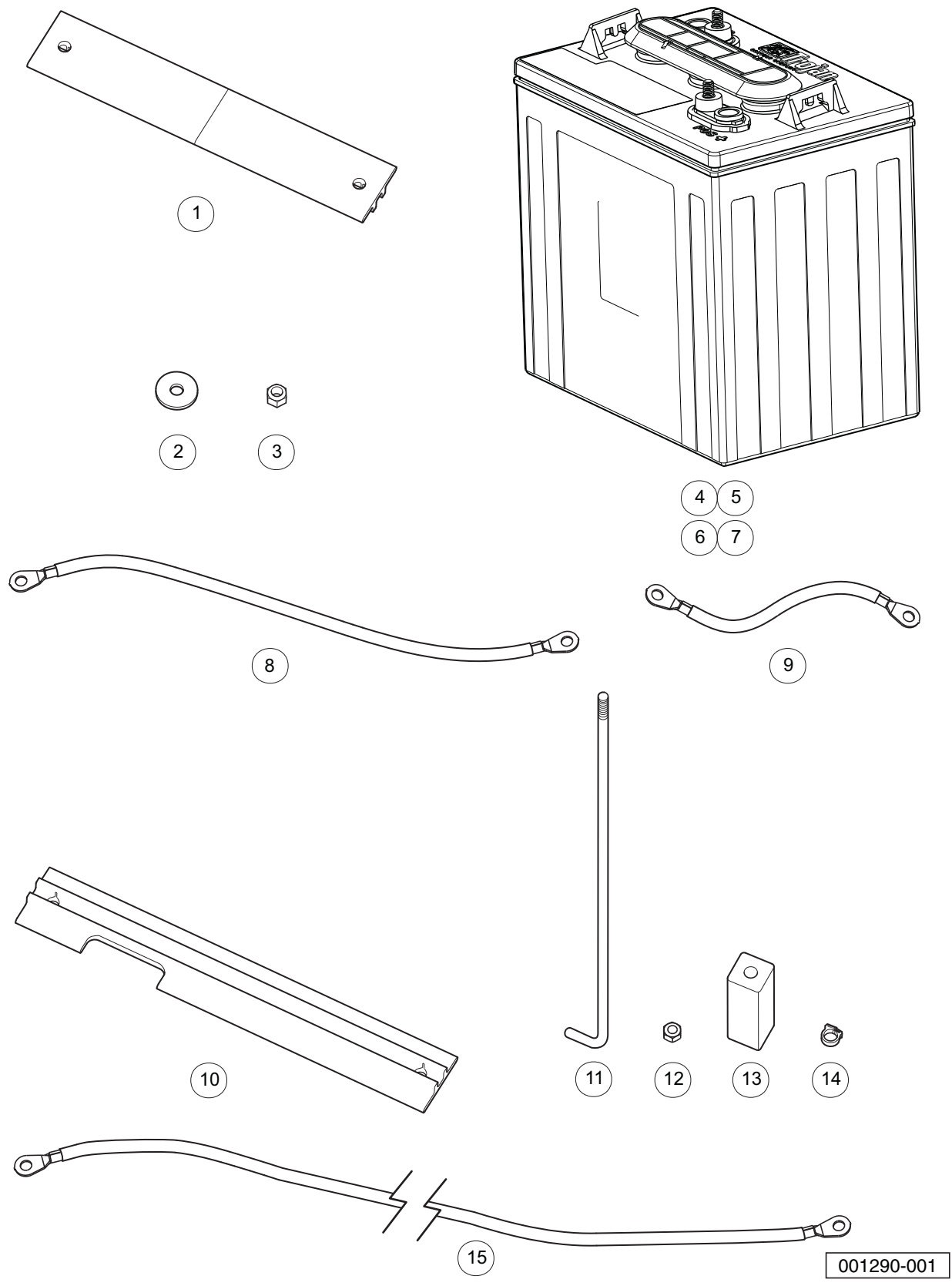
ITEM	PART NO.	DESCRIPTION	QTY
		<b>1 2 3 4</b>	
1	<u>1012126</u>	Screw, #10-32 X .625 Hx Washer .....	1
2	<u>1013061</u>	Locknut, #10-32 Nylon Insert .....	2
3	N/A	Tow/Run Switch Assembly (includes items 4 through 8) .....	1
4	<u>101908101</u>	Switch Assembly, Tow/Run .....	1
5	<u>101908401</u>	Boot, Switch .....	1
6	<u>102838101</u>	Circuit Breaker 250vac-50vdc .....	1
7	<u>102845101</u>	Decal, Tow Switch .....	1
8	<u>102915701</u>	Plate, Switch, Run Tow, Mode .....	1

14

E

14

E



001290-001



## BATTERIES, 6-VOLT, STANDARD DUTY, TROJAN

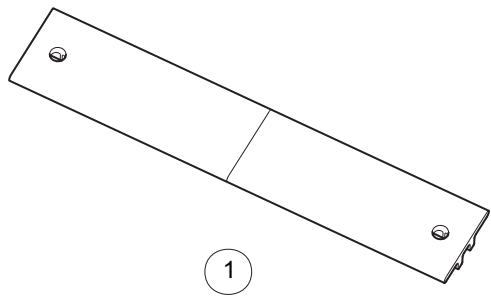
ITEM	PART NO.	DESCRIPTION	QTY
		1 2 3 4	
1	<u>101090801</u>	Hold-Down, Battery .....	2
2	<u>1011578</u>	Washer, 5/16 Type B Flat .....	12
3	<u>1015072</u>	Locknut, 5/16-18 Nylon Insert .....	12
4	<u>101661601</u>	Battery, 6-Volt, Trojan T105 (Wet) (includes item 5) .....	8
5	<u>101831401</u>	Battery Cap 6 Volt .....	1
6	<u>101661602</u>	Battery, 6v Trojan T105 (Dry, also known as moist) (includes item 7) .....	8
7	<u>101831401</u>	Battery Cap 6 Volt .....	1
8	<u>102002801</u>	Wire Assy, #4 Black .....	2
9	<u>102002901</u>	Wire Assy, #4 Black .....	3
10	<u>102766201</u>	Hold Down, Outside .....	4
11	<u>102845203</u>	Rod, Battery Hold Down 10.7" .....	12
12	<u>102873401</u>	5/16-18 Heavy Hex Nut .....	16
13	<u>102980801</u>	Extr, Plastic, 1 X 1 X 3 .....	4
14	<u>102980901</u>	Clamp, Hose, Nylon, .25 .....	1
15	<u>103198201</u>	Asm, #4 Blk Wire, 42" .....	1

14

E

14

E



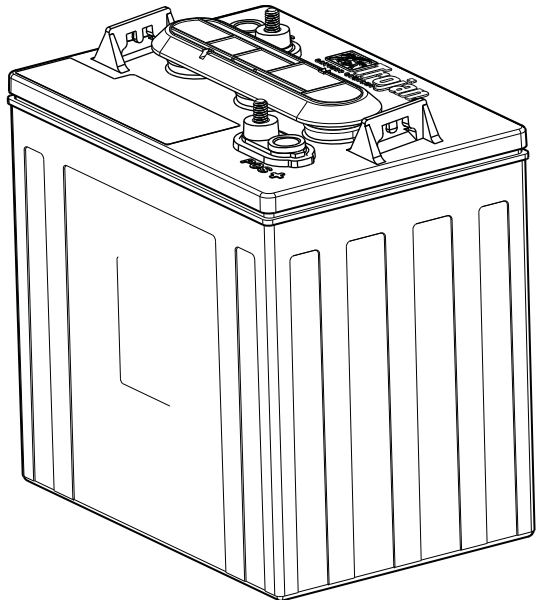
1



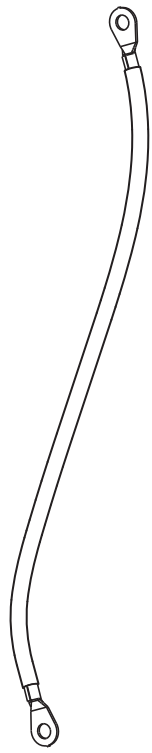
2



3



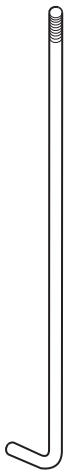
6 7  
8 9



4



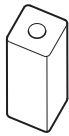
5



11



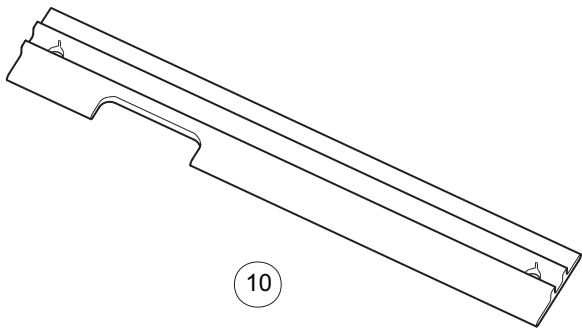
12



13



14



10



15

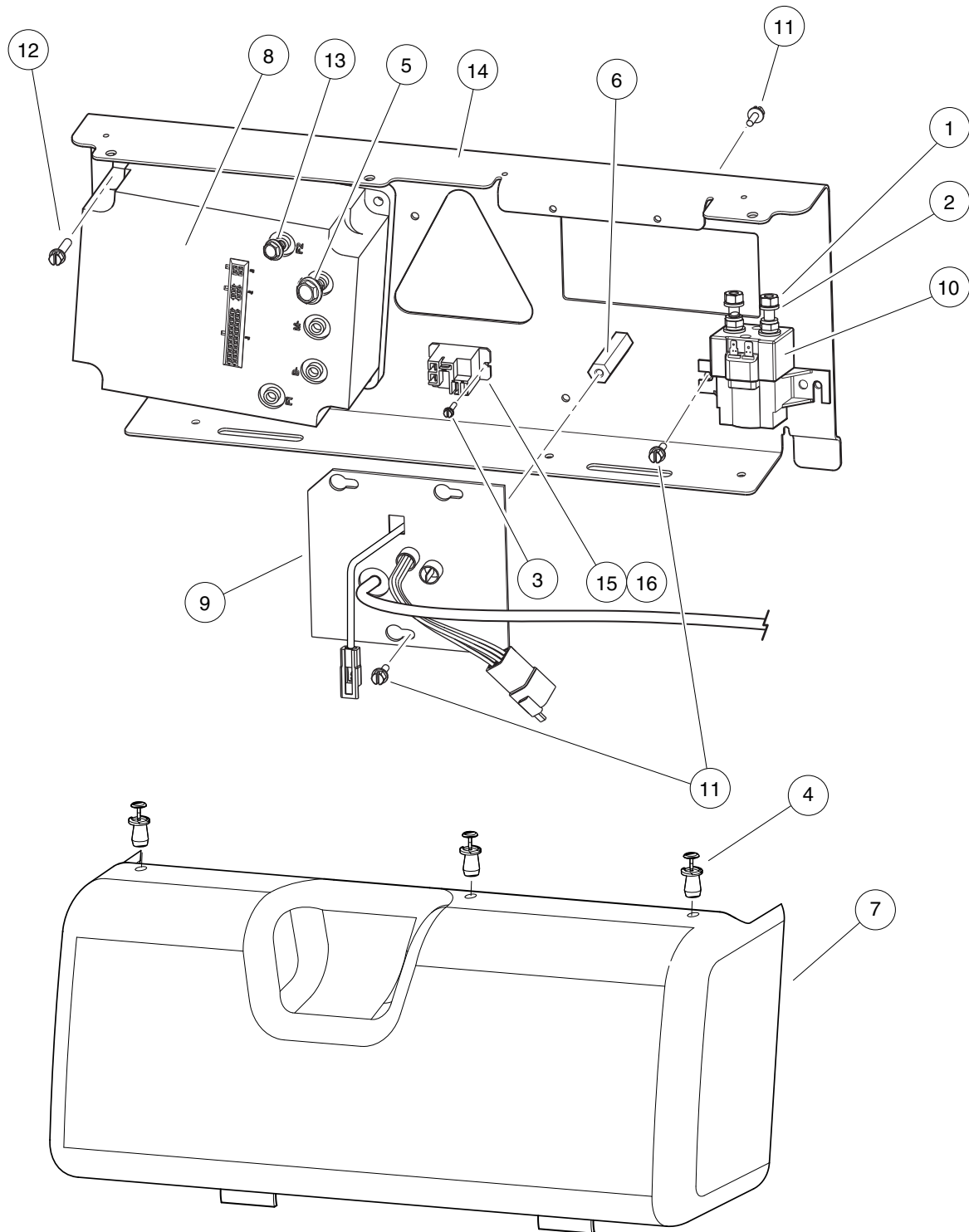
001290-002

## BATTERIES, 6-VOLT, HEAVY DUTY, TROJAN

ITEM	PART NO.	DESCRIPTION	QTY
		1 2 3 4	
1	<u>101090801</u>	Hold-Down, Battery .....	2
2	<u>1011578</u>	Washer, 5/16 Type B Flat .....	12
3	<u>1015072</u>	Locknut, 5/16-18 Nylon Insert .....	12
4	<u>102002801</u>	Wire Assy, #4 Black .....	2
5	<u>102002901</u>	Wire Assy, #4 Black .....	3
6	<u>102764401</u>	Battery, 6v Trojan T145 (Wet) (includes item 7) .....	8
7	<u>101831401</u>	Battery Cap 6 Volt .....	1
8	<u>102764402</u>	Battery, 6v Trojan T145 (Dry, also known as moist) (includes item 9) .....	8
9	<u>101831401</u>	Battery Cap 6 Volt .....	1
10	<u>102766201</u>	Hold Down, Outside .....	4
11	<u>102845204</u>	Rod, Battery Hold Down 12" .....	12
12	<u>102873401</u>	5/16-18 Heavy Hex Nut .....	16
13	<u>102980801</u>	Extr, Plastic, 1 X 1 X 3 .....	4
14	<u>102980901</u>	Clamp, Hose, Nylon, .25 .....	4
15	<u>103198201</u>	Asm, #4 Blk Wire, 42" .....	1

14

E



001246-001

## COMPUTER, CONTROLLER, AND SOLENOID

ITEM	PART NO.	DESCRIPTION	QTY
		1 2 3 4	
1	<u>1012528</u>	Nut, M8-1.25 Hex .....	2
2	<u>1013734</u>	Lockwasher, 8mm Split .....	2
3	<u>1015720</u>	Screw, #6-32 X 1/2 Hex Washer-Head .....	2
4	<u>1016967</u>	Blind Rivet, Push Type .....	3
5	<u>102240501</u>	Bolt, Controller, Terminal .....	3
6	<u>102769701</u>	Spacer, 2", 1/4-20, Hex .....	1
7	<u>102772402</u>	Cover, Electrical Component, Carryall 6 .....	1
8	<u>102774501</u>	Controller, 500 Amp .....	1
9	<u>102774601</u>	Computer, Onbrd, 8x 6v, 64" .....	1
10	<u>102774701</u>	Solenoid, 48v .....	1
11	<u>102817101</u>	Screw, 1/4-20 X .50 Hex Wsh Hd .....	6
12	<u>102817201</u>	Screw, 1/4-20 X .88 Hex Wsh Hd .....	4
13	<u>102859501</u>	Screw, M6 X 1 X 20 Ser Hex Flg .....	2
14	<u>102912801</u>	Plate, Component, Front .....	1
15	<u>103414901</u>	Kit, Relay, 48v 30a W/instr (includes item 16) .....	1
16	<u>103397901</u>	Relay, Spst No, 48v 30a, Pmt .....	1

14

E

**14**

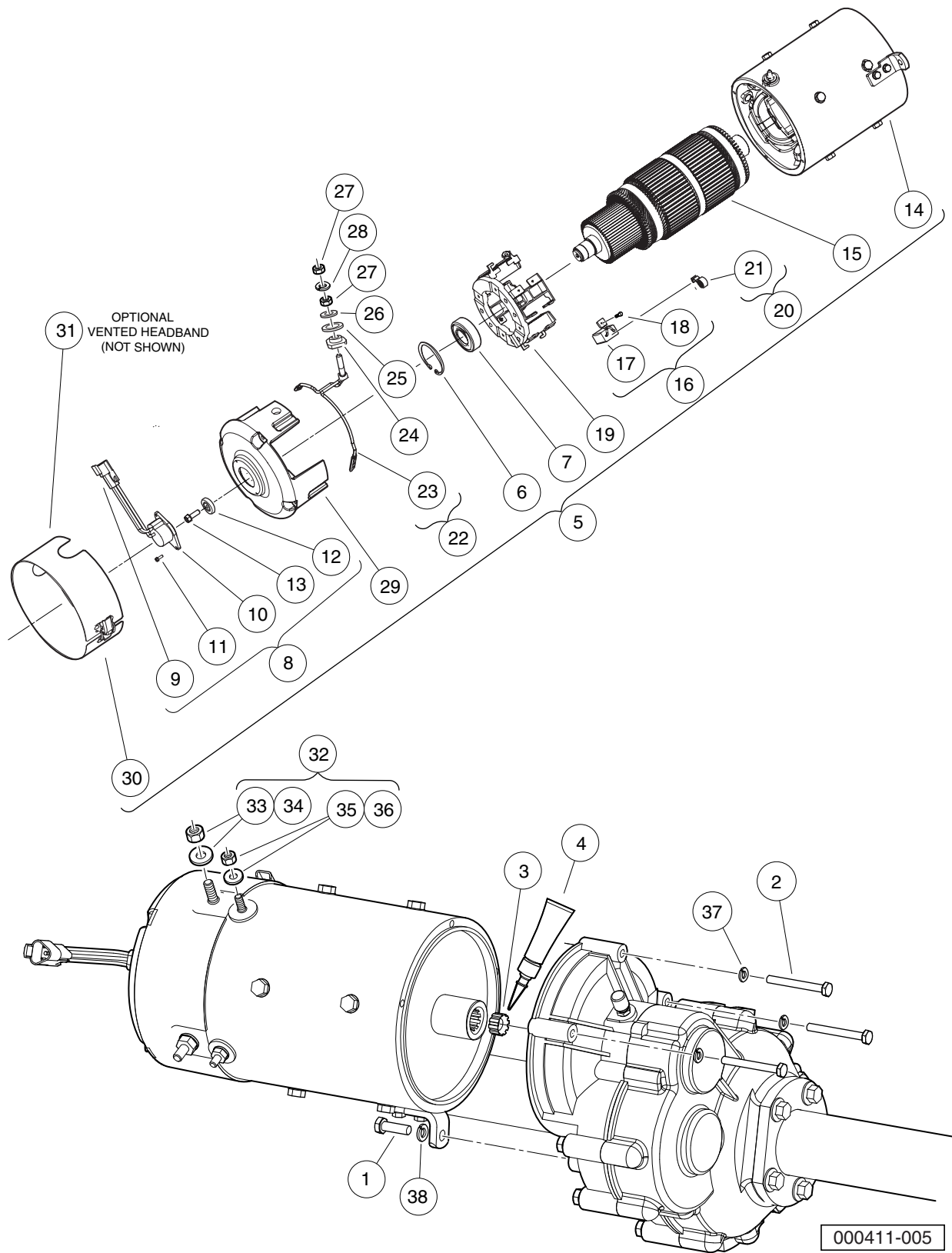
***E***

# MOTOR (MODEL DA5-4006) – IQ PLUS

---

15

E





# MOTOR (MODEL DA5-4006) – IQ PLUS

ITEM	PART NO.	DESCRIPTION	QTY
		<b>1 2 3 4</b>	
1	<u>1010934</u>	Screw, 5/16-18 X 1.00 Hex Cap .....	1
2	1014201	Screw, 1/4-20 X 2.25 Hex Cap .....	3
3	<u>102235201</u>	Bumper, Drive Unit .....	1
4	<u>102243403</u>	Lubricant, Moly-Teflon (Single-Use Tube) .....	1
5	<u>102775101</u>	IQ Plus Electric Motor, 48-VDC 3.7 hp (includes items 6 through 30) .....	1
6	N/A	Ring, 2.24" Internal Retaining .....	1
7	<u>102186401</u>	Bearing, Ball .....	1
8	<u>102704901</u>	Kit, Speed Sensor (includes items 9 through 13) .....	1
9	<u>101942301</u>	Kit, 3-Pin Wedge Lock .....	1
10	N/A	Sensor, Motor Speed, ADC .....	1
11	N/A	Screw, #8-32, Taptite Thread .....	2
12	N/A	Magnet, ADC Motor .....	1
13	N/A	Screw, 1/4-20 x 0.5 .....	1
14	N/A	Asm, Frame And Field, 3.7 Hp .....	1
15	N/A	Armature (Includes external hardware not shown) .....	1
16	<u>102938601</u>	Kit, Brush, 3.7 Hp (includes items 17 and 18) .....	1
17	N/A	Brush, Motor .....	8
18	N/A	Screw, Taptite .....	8
19	<u>102938701</u>	Asm, Brush Box, 3.7 Hp .....	1
20	<u>102938801</u>	Kit, Brush Spring, 3.7 Hp (includes item 21) .....	1
21	N/A	Brush Spring .....	8
22	<u>102938901</u>	Kit, Brush Lead Asm, 3.7 Hp (includes items 23 through 28) .....	1
23	N/A	Terminal and Lead Assembly .....	2
24	N/A	Insulator, Terminal .....	2
25	N/A	Washer, Insulating .....	2
26	N/A	Washer, Flat, 5/16, Brass/Bronze .....	2
27	N/A	Nut, 5/16, Steel .....	4
28	N/A	Lockwasher, 5/16, Steel .....	2
29	<u>102939001</u>	Commutator End Head, 3.7 Hp .....	1
30	<u>102939101</u>	Sealed Headband, 3.7 Hp .....	1
31	<u>102939102</u>	Vented Headband, 3.7 HP (optional - not shown) .....	1
32	<u>102951701</u>	Pkg, Terminal Hardware, 3.7hp (includes items 33 through 36) .....	1
33	N/A	Nut, 5/16, Steel .....	2
34	N/A	Lockwasher, 5/16, Steel .....	2
35	N/A	Nut, 1/4-20, Steel .....	2
36	N/A	Lockwasher, 1/4-20, Steel .....	2
37	<u>451</u>	Lockwasher, 1/4 Split .....	3
38	<u>7174</u>	Lockwasher, 5/16 Split .....	1

15

E

**15**

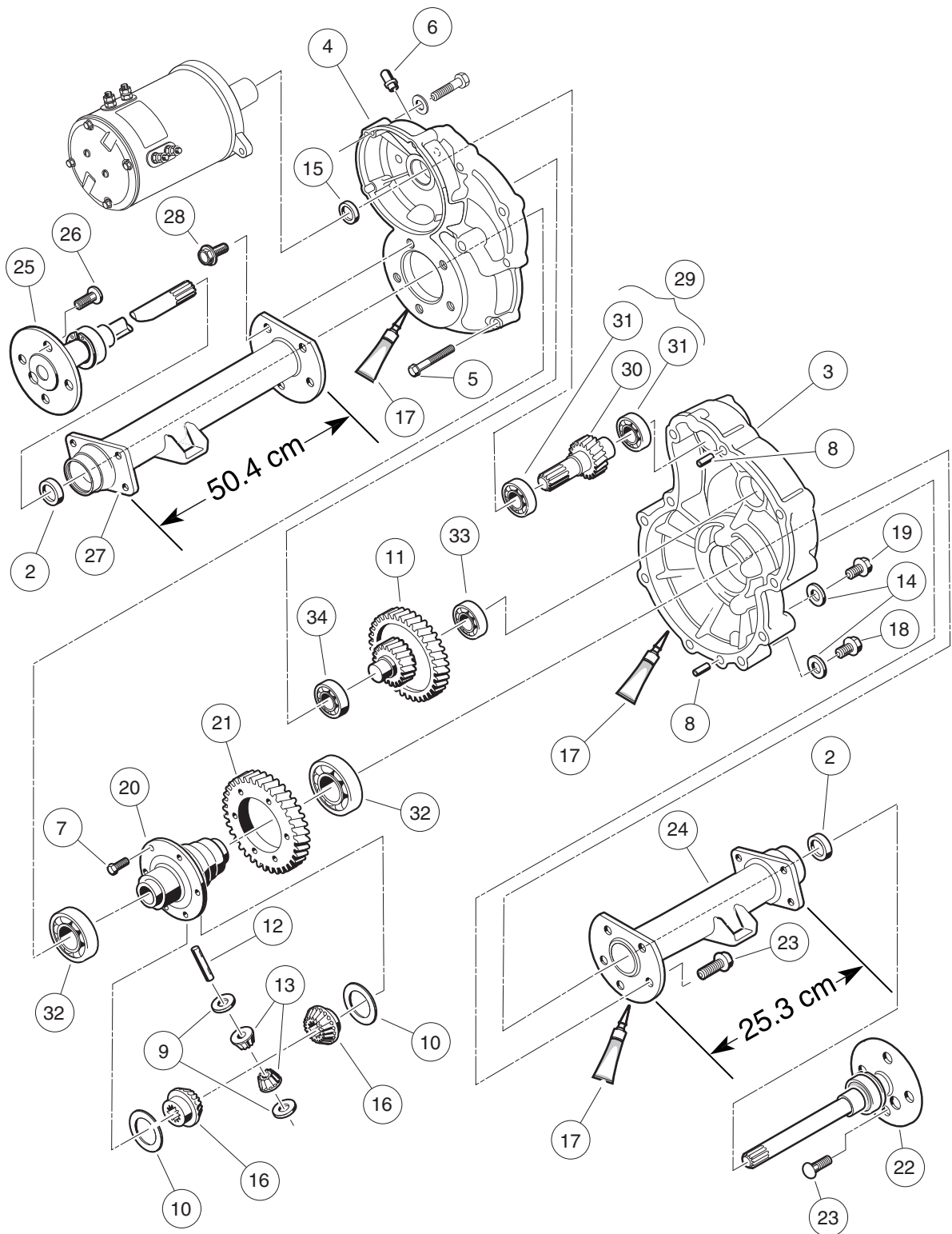
***E***

# TRANSAXLE – ELECTRIC VEHICLES

---

16

E



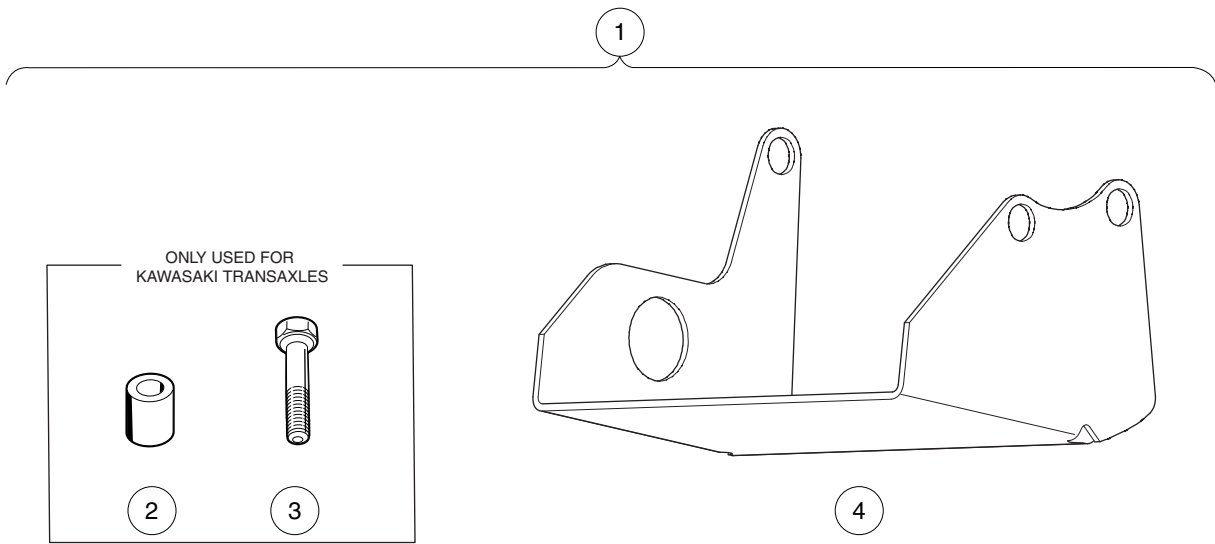
000223-005

# TRANSAXLE – ELECTRIC VEHICLES

ITEM	PART NO.	DESCRIPTION	QTY
		<b>1 2 3 4</b>	
1	<u>102771701</u>	Transaxle, Electric (includes items 2 through 34) .....	1
2	<u>1013794</u>	Axle Shaft Oil Seal .....	2
3	<u>101895401</u>	Gear Case, Driver-Side .....	1
4	<u>101895501</u>	Gear Case, Passenger-Side .....	1
5	<u>101897001</u>	Screw, M8-1.25 X 60mm Hex-Head .....	11
6	<u>101897201</u>	Breather .....	1
7	<u>101897401</u>	Screw, M10-1.25 X 25mm .....	6
8	<u>101897601</u>	Pin, 11mm OD X 8.5mm ID X 10mm .....	2
9	<u>101903601</u>	Washer, Thrust .....	2
10	<u>101903701</u>	Washer, Thrust .....	2
11	<u>101906901</u>	Intermediate Shaft Assembly .....	1
12	<u>101922101</u>	Pin, 15.99mm X 88.7mm Dowel .....	1
13	<u>101923001</u>	Gear, Differential Idler .....	2
14	<u>101923201</u>	Gasket .....	2
15	<u>101923501</u>	Seal, Lip .....	1
16	<u>101923901</u>	Gear, Differential .....	2
17	<u>101928701</u>	Liquid Gasket (Transaxle case) .....	1
18	<u>101972101</u>	Plug, M14-1.5 X 12mm Magnetic .....	1
19	<u>101972201</u>	Plug, M14-1.5 X 12mm Hex .....	1
20	<u>102356601</u>	Housing, Differential, 6 Bolt .....	6
21	<u>102356801</u>	Gear, Differential Output, 6-Bolt .....	6
22	<u>102886301</u>	Axle Assembly, Driver-Side (includes item 23) .....	1
23	<u>101922201</u>	Lug Stud .....	4
24	<u>102886401</u>	Tube, Axle, Driver-Side .....	1
25	<u>102886501</u>	Axle Assembly, Passenger-Side (includes item 26) .....	1
26	<u>101922201</u>	Lug Stud .....	4
27	<u>102886601</u>	Tube, Axle, Passenger-Side .....	1
28	<u>102902801</u>	Screw, M10 X 30 .....	10
29	<u>103582801</u>	Asm, E Trans Shaft/bearing (includes items 30 and 31) .....	1
30	N/A	Shaft, Input .....	1
31	<u>7335</u>	Bearing .....	2
32	<u>7330</u>	Inner Axle Tube Bearing .....	2
33	<u>7335</u>	Bearing .....	1
34	<u>7336</u>	Bearing .....	1

**16**

**E**



000365-002

## DIFFERENTIAL GUARD – ELECTRIC VEHICLES

ITEM	PART NO.	DESCRIPTION	QTY
		1 2 3 4	
1	<u>101611402</u>	Kit, Differential Guard, Elec Vehicles (includes items 2 through 4) .....	1
2	<u>101914001</u>	Spacer, Steel .....	2
3	<u>101936101</u>	Screw, M10-1.50 X 60mm Hex Cap .....	2
4	<u>101978601</u>	Guard, Differential, Electric Vehicle Transaxle .....	1

16

E

**16**

***E***

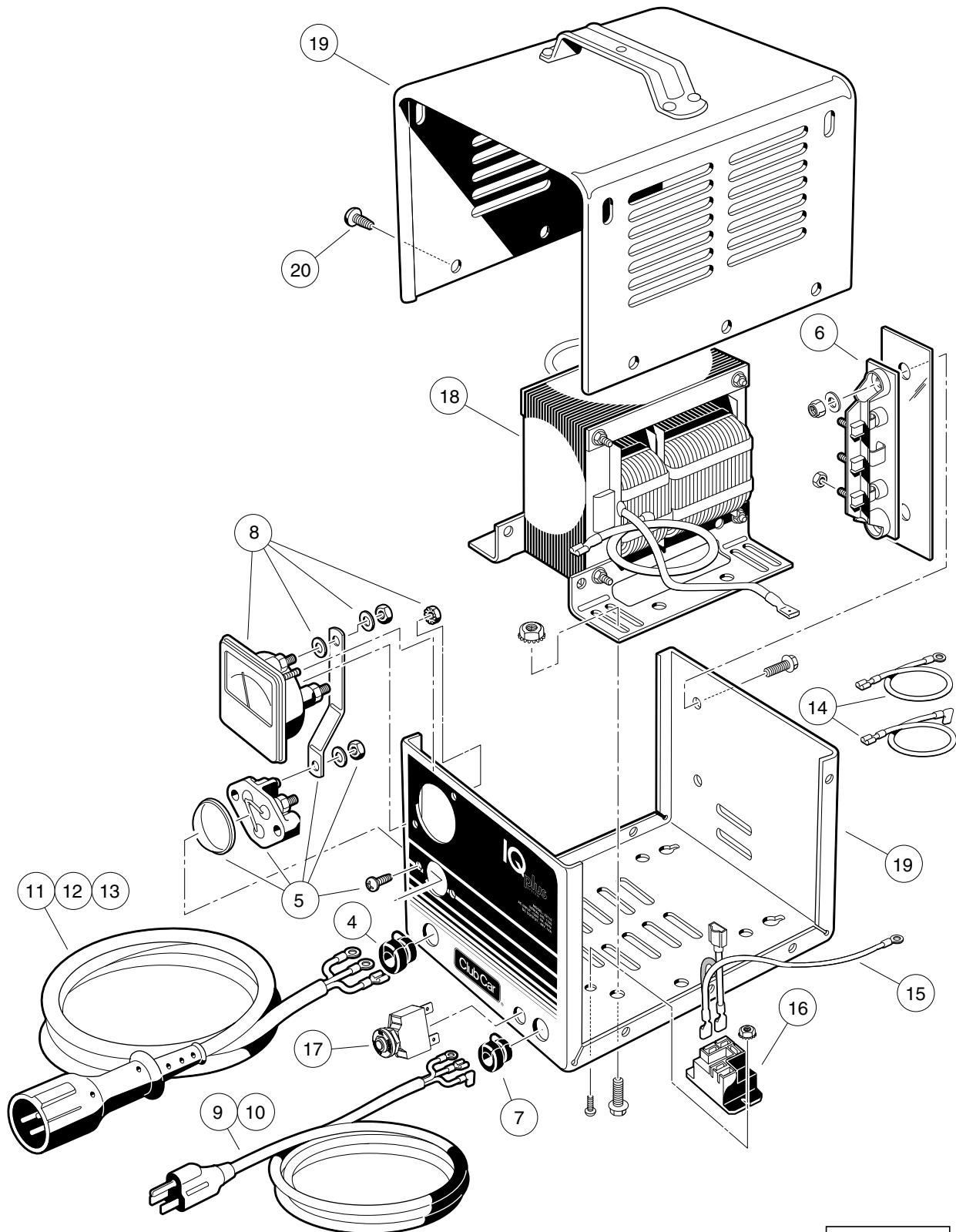


# BATTERY CHARGERS

---

17

*E*



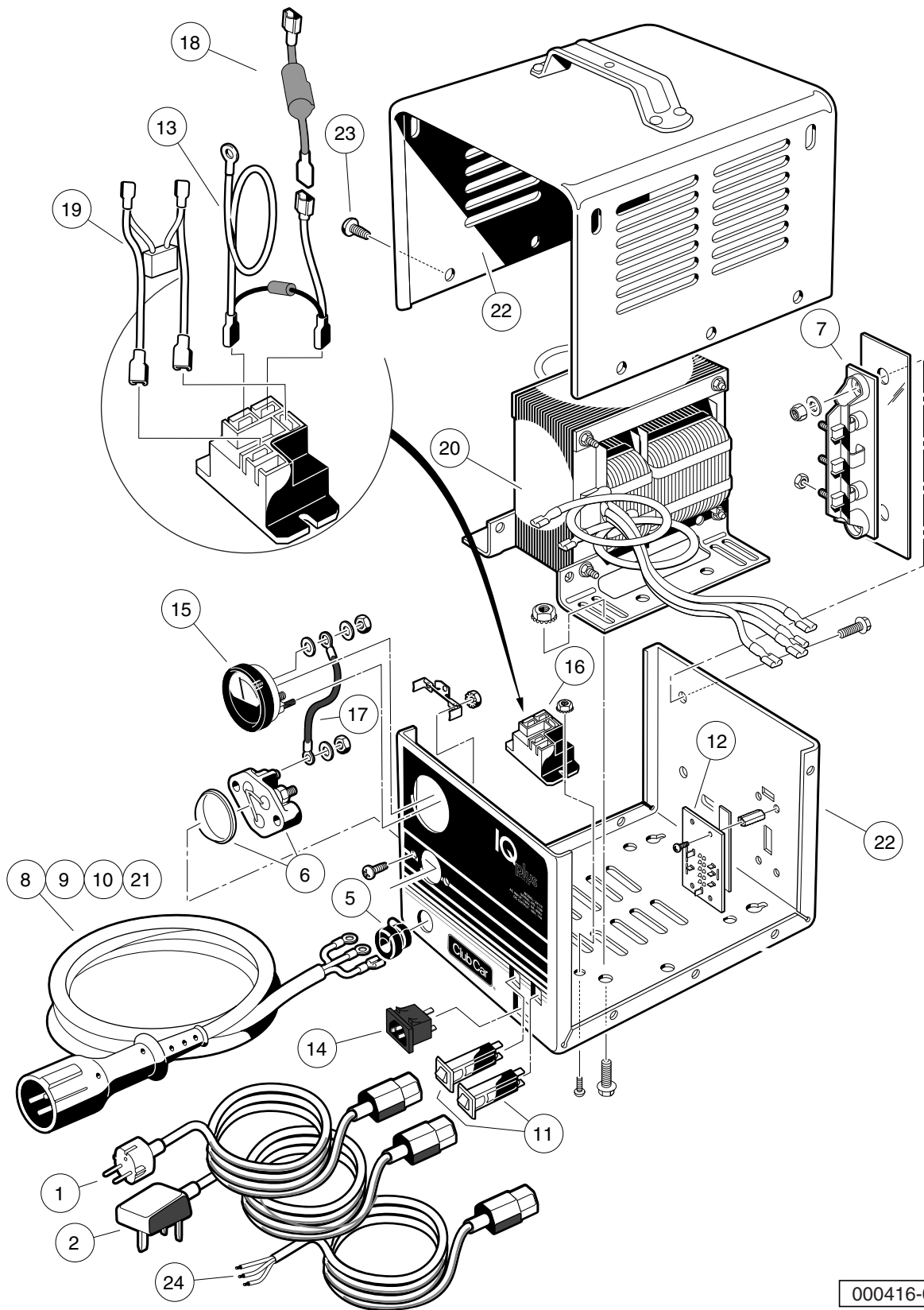
000414-001

# IQ PLUS BATTERY CHARGER (MODELS 25730-11,-18,-19), DOMESTIC

ITEM	PART NO.	DESCRIPTION	QTY
		1 2 3 4	
1	<u>102847801</u>	Charger, IQ Plus, Domestic (9-ft. DC Cord, 6-ft. AC Cord) .....	1
2	<u>102847802</u>	Charger, IQ Plus, Domestic (12-ft. DC Cord, 9-ft. AC Cord) .....	1
3	<u>102847803</u>	Charger, IQ Plus, Domestic (20-ft. DC Cord, 9-ft. AC Cord) (includes items 4 through 20)	1
4	<u>1012098</u>	Bushing, DC Cord .....	1
5	<u>1012101</u>	Fuse Assembly .....	1
6	<u>1015914</u>	Rectifier with Heatsink Assembly .....	1
7	<u>1015917</u>	Bushing, AC Cord .....	1
8	<u>101828501</u>	Ammeter .....	1
9	<u>101828801</u>	Cord, AC, 80-Inch (203 cm) .....	1
10	<u>101828802</u>	Cord, AC, 108-Inch (274 cm) .....	1
11	<u>101828901</u>	Cord, DC, 113-Inch (287 cm) .....	1
12	<u>101828902</u>	Cord, DC, 154-Inch (391 cm) .....	1
13	<u>101828903</u>	Cord, DC, 250-Inch (635 cm) .....	1
14	<u>101831101</u>	Wire Assembly Kit .....	1
15	101914401	Assembly, Voltage Suppressor .....	1
16	<u>102275401</u>	Relay, 48-VDC .....	1
17	<u>102838101</u>	Circuit Breaker 250vac-50vdc .....	1
18	N/A	Transformer, Battery Charger .....	1
19	N/A	Case, Battery Charger .....	1
20	7577	Screw, #10 X 0.50 Phillips Pan-Head .....	10

17

E



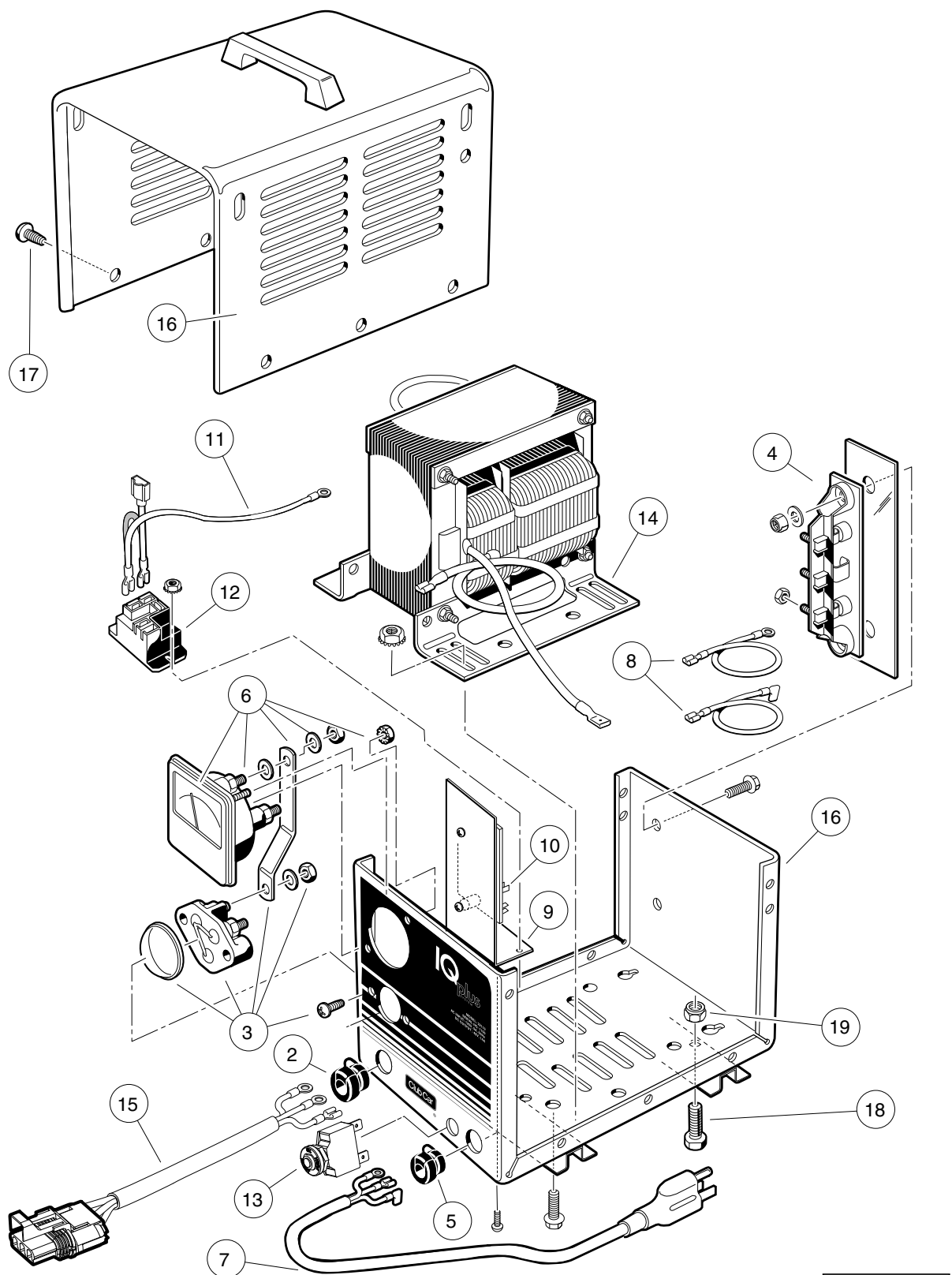
000416-001

# IQ PLUS BATTERY CHARGER (MODELS 25880-11 AND -18), INTERNATIONAL

ITEM	PART NO.	DESCRIPTION	QTY
		1 2 3 4	
1	<u>101958201</u>	Cord, UK, AC, Battery Charger .....	1
2	<u>101958301</u>	Cord, European AC, Battery Charger .....	1
3	<u>102892901</u>	Charger, IQ Plus, International (9-ft. DC Cord) .....	1
4	<u>102892902</u>	Charger, IQ Plus, International (12-ft. DC Cord) (includes items 5 through 23) .....	1
5	<u>1012098</u>	Bushing, DC Cord .....	1
6	<u>1012101</u>	Fuse Assembly .....	1
7	<u>1015914</u>	Rectifier with Heatsink Assembly .....	1
8	<u>101828901</u>	Cord, DC, 113-Inch (287 cm) .....	1
9	<u>101828902</u>	Cord, DC, 154-Inch (391 cm) .....	1
10	<u>101828903</u>	Cord, DC, 250-Inch (635 cm) .....	1
11	<u>101838401</u>	Circuit Breaker .....	2
12	<u>101838601</u>	Four-Position Switch .....	1
13	<u>101914401</u>	Assembly, Voltage Suppressor .....	1
14	<u>101973501</u>	Receptacle, AC Cord .....	1
15	<u>101976601</u>	Ammeter with Mounting Bracket .....	1
16	<u>102275401</u>	Relay, 48-VDC .....	1
17	N/A	Wire, Jumper .....	1
18	N/A	Limiters, Current .....	1
19	N/A	Wire Assembly, Battery Charger .....	1
20	N/A	Transformer, Battery Charger .....	1
21	<u>102940801</u>	Cord, Dc .....	1
22	N/A	Case, Battery Charger .....	1
23	7577	Screw, #10 X 0.50 Phillips Pan-Head .....	10
24	<u>102939501</u>	Cord, European AC, Battery Charger .....	1

17

E



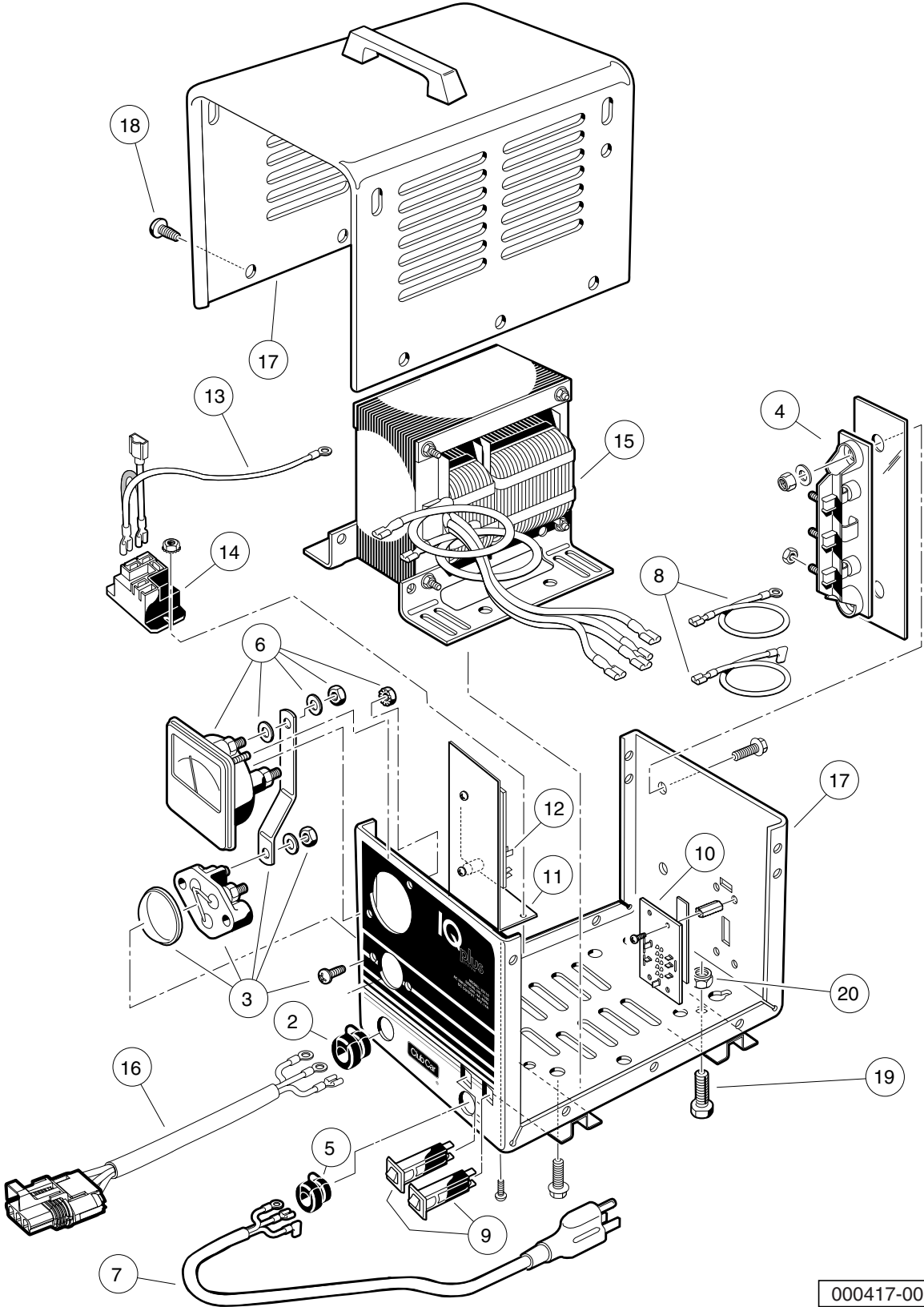
000415-001

# ONBOARD IQ PLUS BATTERY CHARGER (MODEL 25260-11), DOMESTIC

ITEM	PART NO.	DESCRIPTION	QTY
		1 2 3 4	
1	<u>102837001</u>	Battery Charger, Onboard, 120-VAC, 48-VDC (includes items 2 through 19) .....	1
2	<u>1012098</u>	Bushing, DC Cord .....	1
3	<u>1012101</u>	Fuse Assembly .....	1
4	<u>1015914</u>	Rectifier with Heatsink Assembly .....	1
5	<u>1015917</u>	Bushing, AC Cord .....	1
6	<u>101828501</u>	Ammeter .....	1
7	<u>101829001</u>	Cord, AC, 22-Inch (56 cm) .....	1
8	<u>101831101</u>	Wire Assembly Kit .....	1
9	<u>101838701</u>	Mounting Bracket, Relay .....	1
10	<u>101841901</u>	Control Board .....	1
11	<u>101914401</u>	Assembly, Voltage Suppressor .....	1
12	<u>102275401</u>	Relay, 48-VDC .....	1
13	<u>102838101</u>	Circuit Breaker 250vac-50vdc .....	1
14	N/A	Transformer, Battery Charger .....	1
15	<u>102940801</u>	Cord, Dc .....	1
16	N/A	Case, Battery Charger .....	1
17	7577	Screw, #10 X 0.50 Phillips Pan-Head .....	12
18	<u>7847</u>	Screw, 1/4-20 X 0.75 Hex-Head Cap .....	4
19	<u>8233</u>	Locknut, 1/4-20, Nylon Insert .....	4
Note: DC Cord (item 15) uses the Packard 280 Connector.			

17

E



000417-001



# ONBOARD IQ PLUS BATTERY CHARGER (MODEL 25660-40), INTERNATIONAL

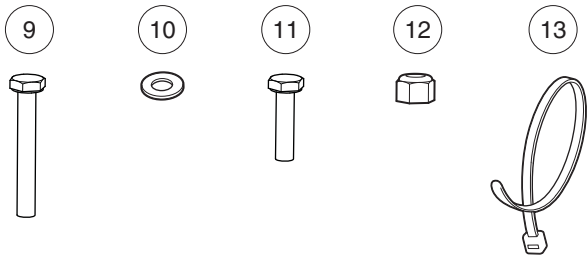
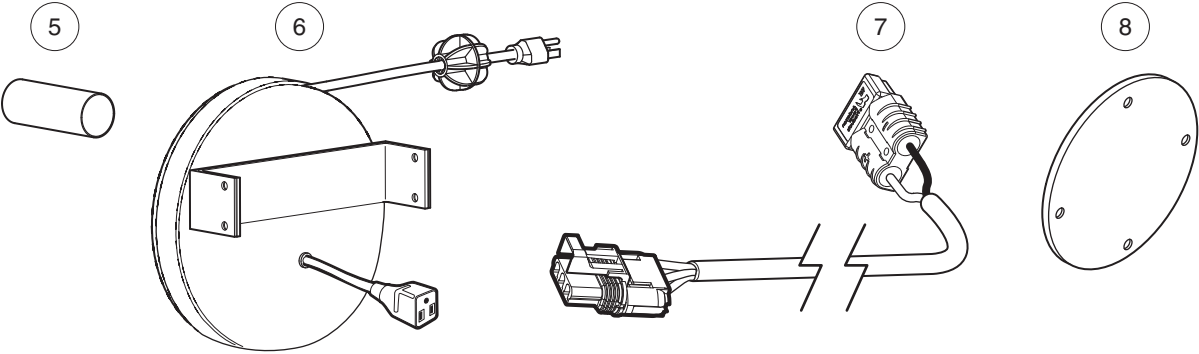
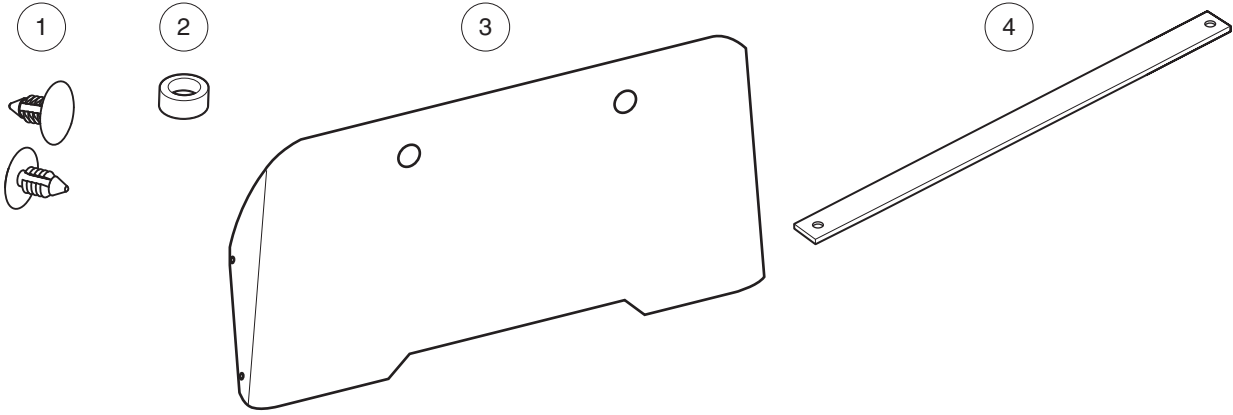
ITEM	PART NO.	DESCRIPTION	QTY
		1 2 3 4	
1	102893001	Battery Charger, Onboard, International, IQ Plus (includes items 2 through 20) .....	1
2	<u>1012098</u>	Bushing, DC Cord .....	1
3	<u>1012101</u>	Fuse Assembly .....	1
4	<u>1015914</u>	Rectifier with Heatsink Assembly .....	1
5	<u>1015917</u>	Bushing, AC Cord .....	1
6	<u>101828501</u>	Ammeter .....	1
7	<u>101829001</u>	Cord, AC, 22-Inch (56 cm) .....	1
8	<u>101831101</u>	Wire Assembly Kit .....	1
9	101838401	Circuit Breaker .....	2
10	101838601	Four-Position Switch .....	1
11	<u>101838701</u>	Mounting Bracket, Relay .....	1
12	<u>101841901</u>	Control Board .....	1
13	101914401	Assembly, Voltage Suppressor .....	1
14	<u>102275401</u>	Relay, 48-VDC .....	1
15	N/A	Transformer, Battery Charger .....	1
16	<u>102940801</u>	Cord, Dc .....	1
17	N/A	Case, Battery Charger .....	1
18	7577	Screw, #10 X 0.50 Phillips Pan-Head .....	12
19	<u>7847</u>	Screw, 1/4-20 X 0.75 Hex-Head Cap .....	4
20	<u>8233</u>	Locknut, 1/4-20, Nylon Insert .....	4
<p style="text-align: center;">Note: DC Cord (item 16) uses the Packard 280 Connector.</p>			

17

E

17

E



001289-001

# ONBOARD IQ PLUS CHARGER AND CORD REEL MOUNTING

ITEM	PART NO.	DESCRIPTION	QTY
		1 2 3 4	
1	<u>1010434</u>	Barrel - Plastic .....	4
2	<u>1010927</u>	Hill Brake Spacer .....	4
3	1011348	Rear Panel 4 Passenger .....	1
4	<u>1011707</u>	Bracket, Mounting, Battery Charger .....	2
5	<u>1017189</u>	Heat Shrink Tube 1.5"x 4' .....	1
6	<u>101965401</u>	Reel Assy, Retractable Cord .....	1
7	<u>102950101</u>	Harness, Ob Charg, Vill .....	1
8	<u>103218001</u>	Cover Plate, Receptacle .....	1
9	<u>1703</u>	Screw, 1/4-20 X 1.50 Hx Hd Cap .....	4
10	<u>332</u>	Washer, 1/4 Type A Narrow Flat .....	4
11	<u>7847</u>	Screw, 1/4-20 X 0.75 Hex-Head Cap .....	4
12	<u>8233</u>	Locknut, 1/4-20, Nylon Insert .....	8
13	<u>8990</u>	Tie Wrap, 8" Nylon .....	4
Note: Charger Harness (item 7) uses the Packard 280 Connector.			

17

E



# MAINTENANCE AND SERVICE TOOLS

---

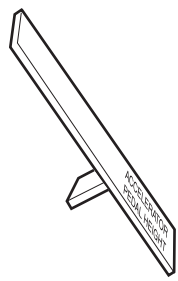
18

G

E

D

**18**  
**G**  
**E**  
**D**



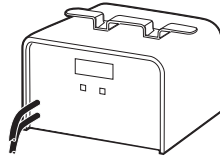
1



2



3



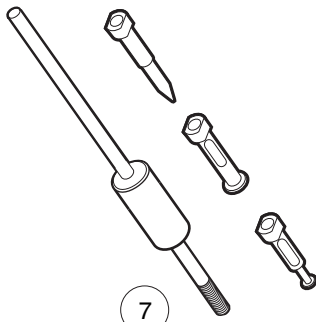
4



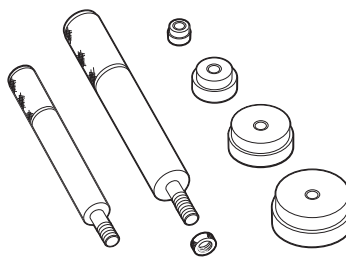
5



6



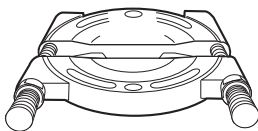
7



8



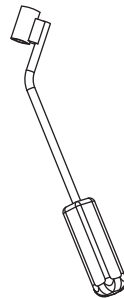
9



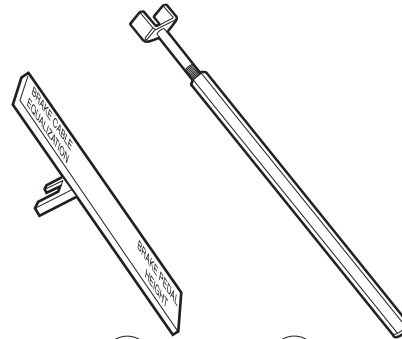
10



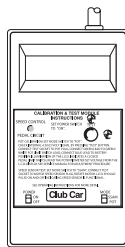
11



12



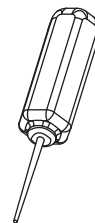
14 15  
13



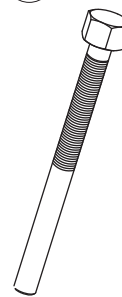
16



17



18



19

# MAINTENANCE AND SERVICE TOOLS

ITEM	PART NO.	DESCRIPTION	QTY DIESEL	QTY GAS	QTY ELEC
		<p style="text-align: center;">1 2 3 4</p> <p>The following tool list includes all tools available from Club Car for maintenance and service procedures for gasoline, electric, and/or diesel vehicles, both past and present models. Be sure to carefully examine the tool list for applicability to your vehicle before ordering.</p>			
1	<u>101871001</u>	Accelerator Pedal Adjustment Tool .....		1	1
2	<u>101813202</u>	Adhesive, Guide Ring, 3-Gram Tube .....			1
3	<u>101641202</u>	Arbor .....		1	
4	<u>101831901</u>	Battery Discharge Machine, 36/48 Volt .....			1
5	<u>1014305</u>	Battery Terminal Protector Spray .....	1	1	1
6	<u>1011767</u>	Battery Thermometer .....	1	1	1
7	<u>1016417</u>	Bearing and Oil Seal Remover Assembly .....	1	1	1
8	<u>1016416</u>	Bearing Driver Set .....	1	1	1
9	<u>1012811</u>	Bearing Puller .....	1	1	1
10	<u>1012812</u>	Bearing Puller Wedge Attachment .....	1	1	1
11	<u>1013582</u>	Brake Adjustment Tool (used only on vehicles with manually adjusted mechanical brakes) .....			
12	<u>102555501</u>	Brake Cable Release Tool .....	1	1	1
13	<u>102249901</u>	Brake Pedal Adjustment Tool Kit (used for the Carryall Electric Industrial Truck only) (includes items 14 and 15).....			1
14	****	Brake Pedal Adjustment Tool .....			1
15	****	Brake Pedal Tension Tool .....			1
16	<u>101887101</u>	Calibration Test Module .....			1
17	<u>101808401</u>	Cam Installation Tool .....		1	
18	<u>102562401</u>	Charger Bezel Tool .....			1
19	<u>102686101</u>	Clutch Removal Tool (for 4x4 vehicles) .....	1	1	
		Please refer to the maintenance and service manual for proper tool application.			
	****	Special order item available upon request			

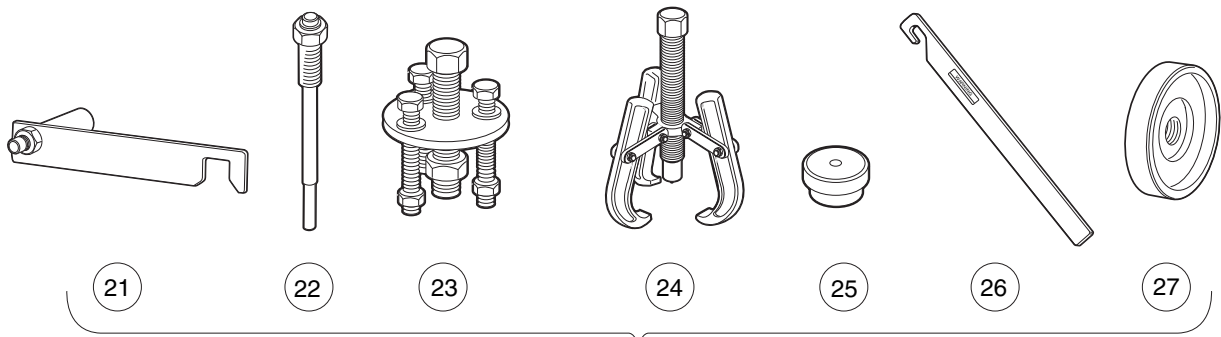
**18**

**G**

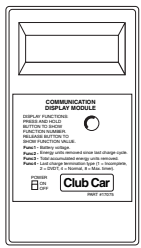
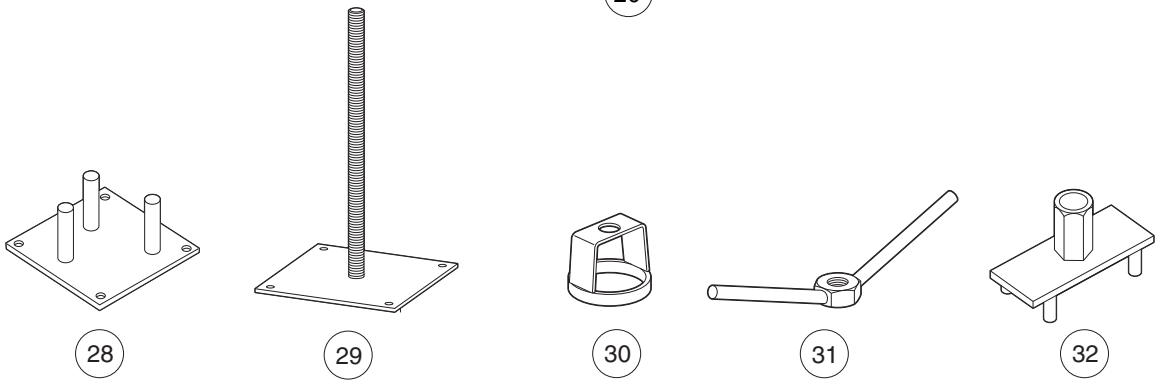
**E**

**D**

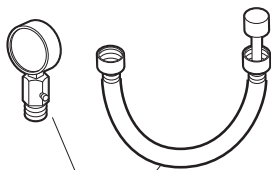
**18**  
**G**  
**E**  
**D**



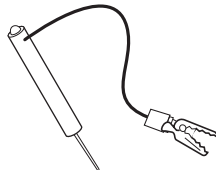
20



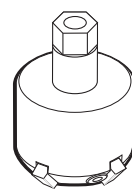
33



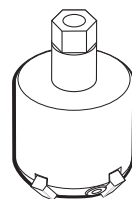
34



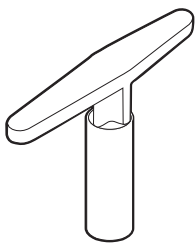
35



36



37



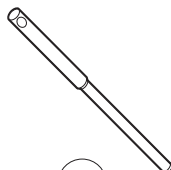
38



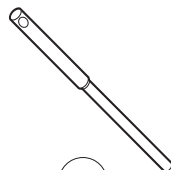
39



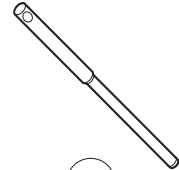
40



41



42



43



## MAINTENANCE AND SERVICE TOOLS, CONTINUED

ITEM	PART NO.	DESCRIPTION	QTY DIESEL	QTY GAS	QTY ELEC
		<b>1 2 3 4</b>			
20	<u>1014510</u>	Clutch Tool Kit (includes items 21 - 27) .....		1	
21	<u>1014498</u>	Clutch Alignment Tool (for pre-unitized transaxle vehicles built prior to 1997 model year) .....		1	
22	<u>1014496</u>	Drive Clutch Puller (for Kawasaki engines only) .....		1	
23	<u>1014497</u>	Drive Clutch Hub Puller (for Kawasaki engines only) .....		1	
24	<u>1014508</u>	Driven Clutch Cam Puller (for Kawasaki engines only) .....		1	
25	<u>1014507</u>	Driven Clutch Puller Plug (for Kawasaki engines only) .....		1	
26	<u>1015524</u>	Drive Clutch Holder Tool Assembly (for Kawasaki engines only) .....		1	
27	<u>101809101</u>	Press Weldment (for Kawasaki engines only) .....		1	
28	<u>102601501</u>	Drive ClutchFixed Sheave Tool (for 4x4 vehicles) .....	1	1	
29	<u>102603501</u>	Driven Clutch Spring Compression Base (for use with items 30 and 31) (for 4x4 vehicles) .....	1	1	
30	<u>102605201</u>	Driven Clutch Spring Compression Collar (for use with items 29 and 31) (for 4x4 vehicles) .....	1	1	
31	<u>102606101</u>	Driven Clutch Spring Compression Nut (for use with items 29 and 30) (for 4x4 vehicles) .....	1	1	
32	<u>102607501</u>	Drive Clutch Spider Removal Tool (for 4x4 vehicles) .....	1	1	
33	101831801	Communication Display Module .....			1
34	101641002	Compression Gauge and Adapter .....		1	
35	1011273	Continuity Tester .....		1	1
36	<u>102773801</u>	Cutter, Valve Seat, #122 .....		1	
37	<u>102773901</u>	Cutter, Valve Seat #115 .....		1	
38	<u>102774101</u>	Wrench, T, #505.....		1	
39	<u>102774101</u>	Adapter, T-Wrench.....		1	
40	102675401	Cutter, Valve Seat, 60 Degree (requires item 51) (for Honda GX620 Gasoline Engines) .....		1	
41	<u>102774201</u>	Pilot, 6.6 MM .....		1	
42	<u>102774301</u>	Pilot, 6.62 MM.....		1	
43	<u>102774401</u>	Pilot, 6.65 MM.....		1	
		Please refer to the maintenance and service manual for proper tool application.			

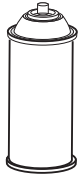
18

G

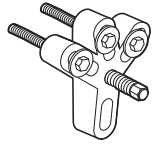
E

D

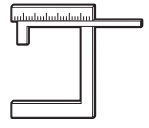
**18**  
**G**  
**E**  
**D**



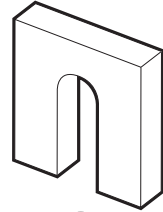
44



45



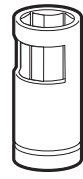
46



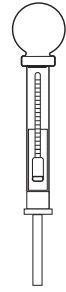
47



48



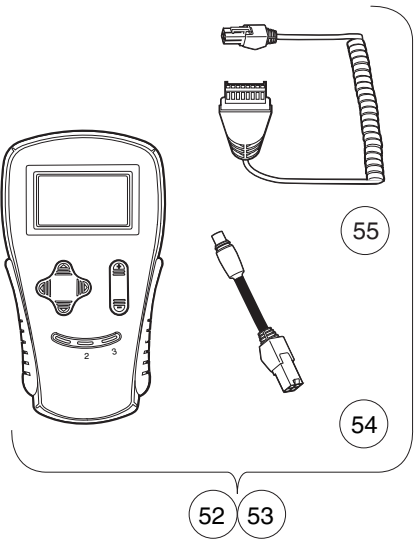
49



50



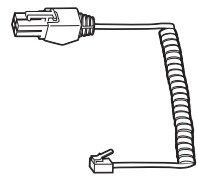
51



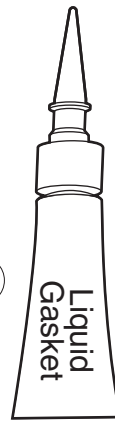
52 53

55

54



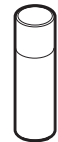
56



57



58



59 60



61

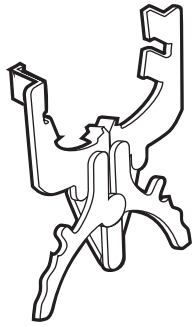
## MAINTENANCE AND SERVICE TOOLS, CONTINUED

ITEM	PART NO.	DESCRIPTION	QTY DIESEL	QTY GAS	QTY ELEC	<b>18</b>
		1 2 3 4				
44	<u>1012151</u>	Dry Moly Lubricant .....	1	1	1	<b>G E D</b>
45	<u>1016627</u>	Flywheel Puller Kit (for Kawasaki Engines) .....		1		
46	<u>102669901</u>	Gauge, Carburetor Float Level (for Honda GX620 Gasoline Engines) .....		1		
47	<u>1016418</u>	Gear Yoke .....	1	1	1	
48	<u>101933101</u>	Governor Shaft Installation Tool (for Kawasaki Engine Vehicles) .....		1		
49	<u>102169401</u>	Hydraulic Brake Adjuster (for Turf/CA 272/472, Pioneer/XRT 1200, Bobcat 2100, HUV 4213) .....			1	
50	<u>1011478</u>	Hydrometer .....	1	1	1	
51	<u>1013593</u>	Internal Retaining Ring Pliers .....	1	1	1	
52	<u>102248803</u>	IQ Display Module (IQDM) Kit (IQ System and IQ Plus vehicles) .....			1	
		(includes items 54 and 55)				
53	<u>102248804</u>	IQ Display Module (IQDM-P) Kit (IQ System and IQ Plus vehicles) .....			1	
		(includes items 54 and 55)				
54	<u>102251501</u>	Adaptor, Cable .....			1	
55	<u>102241502</u>	IQDM Series 2 Cable .....			1	
56	<u>102241501</u>	IQDM Series 1 Cable (replacement) .....			1	
57	<u>101928701</u>	Liquid Gasket (transaxle case) .....	1	1	1	
58	<u>102243402</u>	Moly-Teflon Lubricant (4-oz. (113-gram) tube) .....			1	
59	<u>101997201</u>	Paint, Touch-Up – Beige* .....		1	1	
59	<u>101997207</u>	Paint, Touch-Up – Black* .....		1	1	
59	<u>101997212</u>	Paint, Touch-Up – Burgundy* .....		1	1	
59	<u>101997211</u>	Paint, Touch-Up – Classic Blue (Navy)* .....		1	1	
59	<u>101997205</u>	Paint, Touch-Up – Dark Gray* .....	1	1	1	
59	<u>101997209</u>	Paint, Touch-Up – Dark Green* .....	1	1	1	
59	<u>101997204</u>	Paint, Touch-Up – Gray* .....	1	1	1	
59	<u>101997203</u>	Paint, Touch-Up – Red* .....	1	1	1	
59	<u>101997206</u>	Paint, Touch-Up – Royal Blue (Pacific Blue)* .....		1	1	
59	<u>101997202</u>	Paint, Touch-Up – White* .....	1	1	1	
60	<u>102562301</u>	Paint, Precedent Underbody – Gray .....		1	1	
61	<u>102587201</u>	Paint Pen, Touch-Up, Precedent Underbody – Black .....		1	1	
		Please refer to the maintenance and service manual for proper tool application.				
		* Item 59 is not for use on Surlyn <sup>®</sup> body material, which is used on Precedent vehicles.				

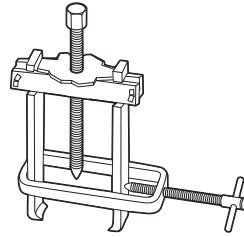
**18**  
**G**  
**E**  
**D**



62



63



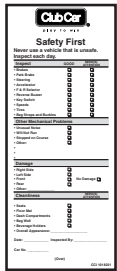
64



65



66



67



68



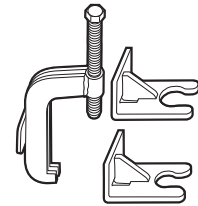
69



70



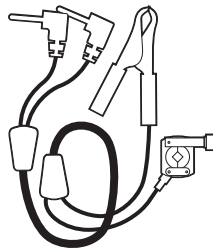
71



72



73



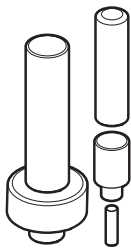
74



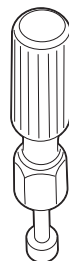
75



76



77



83



84



85



86

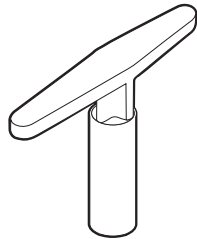
## MAINTENANCE AND SERVICE TOOLS, CONTINUED

ITEM	PART NO.	DESCRIPTION	QTY	QTY	QTY	18
			DIESEL	GAS	ELEC	
		1 2 3 4				G
62	<u>1016414</u>	Piston Ring Compressor Kit (FE290, FE350 and FE400 engines) .....		1		E
63	<u>1016415</u>	Piston Ring Pliers (for Kawasaki Engines) .....		1		D
64	<u>102668801</u>	Puller, Special Use (for Kubota D722 Diesel Engines) .....	1			
65	<u>1012549</u>	Retaining Ring Pliers, 45° External .....	1	1	1	
66	<u>1012560</u>	Retaining Ring Pliers, 90° Internal .....	1	1	1	
67	<u>101823101</u>	Safety First Card (50 per pack) .....	1	1	1	
68	<u>1012809</u>	Seal Puller .....	1	1	1	
69	<u>102330901</u>	Spanner Wrench (for coil over shock front suspension vehicles only) .....	1	1		
70	<u>1014264</u>	Steering Column Bearing Press Tool .....		1	1	
71	<u>1014259</u>	Steering Column Retaining Ring Tool .....		1	1	
72	<u>102061201</u>	Steering Wheel Puller Tool .....	1	1	1	
73	<u>AM10753</u>	Tachometer (includes gasoline engine pick up lead only) .....	1	1		
74	<u>AM10771</u>	Tachometer Diesel Probe (for use with item 73) .....	1			
75	<u>1014162</u>	Transaxle Axle Seal Tool .....		1		
76	<u>1014161</u>	Transaxle Pinion Seal Tool .....		1		
77	<u>1014115</u>	Transmission Tool Kit .....		1		
78	<u>101611003</u>	Tune-Up Kit, All OHV (for FE290, FE350, FE400 only) (includes air filter, spark plug, oil filter, fuel filters) (not shown) .....		1		
79	<u>AM11804</u>	Tune-Up Kit, Gx620 (for Honda Engines) (includes air filter, spark plug, oil filter, fuel filters) (not shown) .....		1		
80	<u>AM11805</u>	Tune-Up Kit, D722 (for Kubota Engines) (includes air filter, oil filter, fuel filters, water separator filter) (not shown) .....	1			
81	<u>AM1220301</u>	Tune-Up Kit, Precedent (for FE290/350 Engines) (includes air filter, spark plug, oil filter, fuel filters) (not shown) .....		1		
82	<u>AM1232401</u>	Tune-Up Kit, FH680D (for Kawasaki V-Twin Engines) (includes oil filter, fuel filter, air filter, and spark plugs) (not shown).....		1		
83	<u>1016413</u>	Valve Clearance Adjuster Screw Holder (for FE290 engines only) .....		1		
84	<u>102674601</u>	Valve Guide Driver (for Honda GX620 Gasoline Engines) .....		1		
85	<u>101641201</u>	Valve Guide Reamer (FE290, FE350, and FE400 only) .....		1		
86	<u>102674401</u>	Valve Guide Reamer, 6.6 mm (for Honda GX620 Gasoline Engines) .....		1		

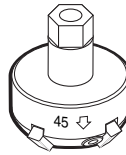
**18**  
**G**  
**E**  
**D**



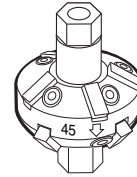
87



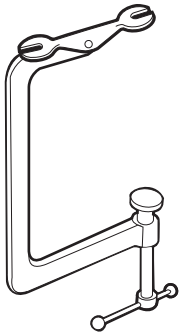
88



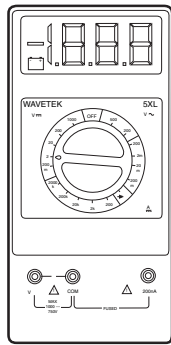
89



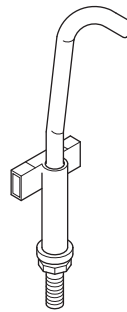
90



91



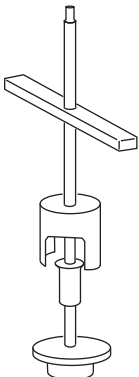
92



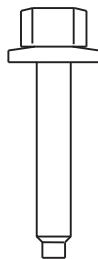
93



94



95



96

## MAINTENANCE AND SERVICE TOOLS, CONTINUED

ITEM	PART NO.	DESCRIPTION	QTY DIESEL	QTY GAS	QTY ELEC	<b>18</b>
		1 2 3 4				<b>G</b>
87	<u>1016552</u>	Valve Seat Cutter Guide .....		1		<b>E</b>
88	<u>1016551</u>	Valve Seat Cutter T-Wrench .....		1		<b>D</b>
89	<u>1016553</u>	Valve Seat Cutter, 45° (32 mm diameter) (for FE290 engines only) .....		1		
90	<u>1016554</u>	Valve Seat Cutter, 45°/30° (35 mm diameter) .....		1		
91	<u>101641101</u>	Valve Spring Compressor .....		1		
92	1011480	Volt Ohm Meter .....	1	1	1	
93	<u>102570401</u>	Tool, Tensioning, Starter Generator (For Precedent vehicles) .....		1		
94	<u>103601401</u>	Puller, Drive Clutch, XRT 950* .....		1		
95	<u>103601701</u>	Tool, Disassembly, Driven Clutch, XRT 950 .....		1		
96	<u>103600501</u>	Screw, Driven Clutch Disassembly, M6, XRT 950 .....		1		
<p>*Note: The XRT 950 Drive Clutch Puller requires the use of Screw, Driven Clutch Disassembly, CCI Part Number <u>103600501</u>.</p>						





# INDEX

## Part Number and Page

AM10753	18-9	7410	1-49	1010434	1-3, 1-5, 1-27, 1-29, 1-31, 1-33, 1-39, 1-49, 17-11
AM10771	18-9	7473	1-3, 1-37, 1-47, 1-49, 1-51, 1-53, 1-55, 1-57, 1-59, 1-61, 4-5, 4-7, 4-9, 5-3, 5-5, 5-7, 5-15, 5-17, 5-19, 7-13, 7-15	1010435	1-3, 1-49
AM10080	13-11	7479	1-63, 1-65	1010436	1-47
AM10081	13-11	7539	6-17	1010543	1-17, 1-35, 1-47
AM10419	12-7	7540	6-5, 6-17	1010546	1-3
AM1232301	8-5, 9-5	7555	6-5, 6-17	1010577	1-37, 8-15, 9-15
AM1243501	4-25	7577	17-3, 17-5, 17-7, 17-9	1010805	5-3
AM1243701	4-25	7591	4-5, 4-7, 4-9, 4-33	1010829	5-15, 5-17, 5-19
AM1243801	4-25	7602	6-5, 6-17	1010850	5-13, 5-21
SVP119201	4-25	7716	5-3, 5-5, 5-7	1010877	5-3
SVP493201	4-25	7818	7-13	1010878	5-3
183	1-51, 1-53, 1-55, 1-57, 4-5, 4-7, 4-9, 4-11, 4-23, 4-25, 7-13, 10-5, 10-19, 10-21, 12-5, 13-9, 13-15	7820	4-27	101090801	14-13, 14-15
304	4-27, 13-5, 13-7	7840	6-15	1010909	4-5, 4-23
324	1-51, 1-53, 1-55, 1-57, 1-59, 1-61, 1-63, 1-65	7847	1-11, 1-39, 11-3, 17-7, 17-9, 17-11	1010921	5-3
332	1-21, 1-27, 1-29, 1-31, 1-33, 1-37, 1-39, 1-47, 1-49, 1-59, 1-61, 1-63, 1-65, 4-27, 7-11, 10-23, 11-3, 17-11	7893	4-5, 4-11, 4-23, 7-13, 13-5, 13-7	1010927	5-3, 17-11
334	5-5, 5-7, 6-5, 6-7, 8-15, 9-15, 12-5	7910	6-15	1010932	5-3
343	1-51, 1-53, 1-55, 1-57	7973	1-7, 10-19, 10-21	1010933	5-3
357	6-19, 6-21, 6-27	8028	1-47	1010934	7-15, 15-3
451	1-37, 5-13, 5-21, 11-3, 15-3	8056	4-31	1010954	7-13, 13-9, 13-15
705	7-9, 8-15, 9-15	8057	4-31, 7-13, 13-3	1010984	2-3, 2-5
706	6-19, 6-21	8058	4-31, 7-13, 13-3	1010993	1-29, 1-33, 1-39
808	6-27, 12-5	8067	6-15	1011014	1-3
1016	4-5, 4-11, 4-23, 7-13, 10-5	8104	1-51, 1-53, 1-55, 1-57, 4-11, 13-3	1011017	1-3, 4-17
1017	4-3, 7-13	8233	1-21, 1-27, 1-29, 1-31, 1-33, 1-37, 1-39, 1-49, 1-51, 1-53, 1-55, 1-57, 1-59, 1-61, 1-63, 1-65, 4-27, 4-29, 5-5, 5-7, 6-27, 7-11, 10-3, 10-5, 10-17, 13-5, 13-7, 13-9, 13-15, 17-7, 17-9, 17-11	1011084	5-9, 5-11
1028	5-3	8248	1-13, 7-11, 10-3, 10-5	1011114	5-13, 5-21
1032	5-3	8251	1-21, 1-27, 1-29, 1-31, 1-33, 1-39, 1-45, 1-47	1011137	5-13
1035	6-5, 6-17	8294	4-27	1011154	5-13, 5-21
1218	1-49, 1-51, 1-53, 1-55, 1-57, 1-59, 1-61, 1-63, 1-65	8304	1-47	1011210	1-47
1241	1-3, 1-37, 1-47, 1-49, 1-55, 1-57, 4-5, 4-7, 4-9, 5-3, 5-5, 5-7, 5-17, 5-19, 7-9, 7-13, 7-15, 11-3	8340	1-47	1011219	1-47
1242	5-15, 5-17, 5-19, 6-27, 7-9, 7-13	8450	7-13, 12-5	1011220	1-47
1308	6-17	8639	4-25, 10-19, 10-21, 13-5, 13-7	1011221	1-47
1620	4-3	8717	5-7, 7-13, 13-3, 13-9, 13-15	1011222	1-47
1624	5-5, 5-7, 6-5	8745	6-19, 6-21	1011229	4-5, 4-7, 4-9, 4-31
1631	10-19, 10-21	8754	5-5, 5-7, 6-5, 6-7, 6-17, 6-19, 6-21, 6-23, 6-25, 7-9	1011273	18-5
1703	1-51, 1-53, 1-55, 1-57, 1-59, 1-61, 1-63, 1-65, 17-11	8755	6-19, 6-21, 6-23	1011280	4-5, 4-7, 4-9
2402	6-17, 6-21	8797	10-5	1011291	13-13
4029	4-27	8861	6-17, 6-27	1011298	5-13, 5-21
7048	6-15	8915	1-51, 1-53, 1-59, 1-61	1011303	5-13, 5-21
7173	1-13, 4-5, 4-7, 4-9, 6-27, 7-15	8963	1-47, 1-55, 1-57	1011314	5-13, 5-21
7174	6-9, 6-27, 7-9, 10-17, 11-3, 15-3	8990	4-11, 4-21, 4-29, 6-5, 7-13, 17-11	1011348	17-11
7251	1-3, 1-13	1010005	6-15	1011382	4-13, 4-15
7274	6-15	1010028	13-3	1011393	6-15
7308	6-15	1010124	6-19, 6-21	1011394	1-3
7310	2-3, 2-5	1010138	6-17	1011402	5-3
7311	6-27	1010145	6-23, 6-25	1011415	6-23, 6-25
7330	13-13, 16-3	1010150	6-19, 6-21	1011418	5-3
7335	13-11, 16-3	1010177	6-19	1011439	4-5, 4-7, 4-9
7336	16-3	1010219	6-17	101146302	5-13, 5-21
		1010237	1-51, 1-53, 1-55, 1-57, 1-59, 1-61, 1-63, 1-65	1011464	5-13, 5-21
				1011465	5-13, 5-21
				1011466	5-13, 5-21
				1011467	5-13, 5-21
				1011478	18-7
				1011480	18-11
				1011494	5-13, 5-21

# INDEX

1011497	4-33	1012396	4-13, 7-3, 7-5	1013509	1-59, 1-61, 1-63, 1-65
1011557	4-5, 4-7, 4-9, 4-33	1012412	1-27, 1-29, 1-31, 1-33, 1-39	1013531	5-17, 5-19
1011558	4-33	1012431	4-31, 7-13	1013547	4-29
1011578	1-47, 6-7, 14-13, 14-15	1012438	4-7, 4-9, 4-25, 10-19, 10-21	1013579	4-29
1011582	4-33	1012467	6-5	1013582	18-3
1011590	4-11	1012505	4-13, 4-15	1013589	7-13
1011652	1-17, 1-35	1012528	11-3, 14-17	1013593	18-7
1011694	5-5, 5-7	1012549	18-9	1013609	7-13
1011697	1-51, 1-53, 1-59, 1-61, 6-7, 8-15, 9-15, 10-17	1012560	18-9	1013677	3-5
1011707	17-11	1012565	6-11	1013687	10-3, 10-5
1011734	5-9, 5-11	1012566	6-11	1013700	10-17
1011767	18-3	1012571	8-15, 9-15	1013734	11-3, 14-17
1011779	5-15, 5-17, 5-19	1012581	1-27, 1-29, 1-31, 1-33, 1-45	1013746	10-3, 10-5, 10-13, 10-15
1011825	4-27	1012597	1-35	1013760	13-9
1011843	4-33	1012604	6-7	1013768	13-13
1011852	1-51, 1-53, 1-55, 1-57, 1-59, 1-61, 1-63, 1-65	1012605	6-7	1013769	13-13
1011862	1-51, 1-53, 1-55, 1-57, 1-59, 1-61, 1-63, 1-65	1012640	2-7	1013770	13-13
1011865	1-51, 1-53, 1-55, 1-57, 1-59, 1-61, 1-63, 1-65	1012641	2-7	1013771	13-13
1011868	1-51, 1-53, 1-55, 1-57, 1-59, 1-61, 1-63, 1-65	1012642	2-7	1013772	13-13
101187702	5-3	1012649	10-3, 10-5	1013773	13-13
1011878	1-13, 1-51, 1-53, 1-55, 1-57, 1-59, 1-61, 1-63, 1-65	1012657	1-35	1013774	13-13
1011883	1-51, 1-53, 1-55, 1-57, 1-59, 1-61, 1-63, 1-65	1012711	13-9	1013787	13-13
1011887	6-15	1012714	13-11	1013792	13-13
1011892	6-15	1012740	13-11	1013794	13-13, 16-3
1011893	6-17	1012741	13-11	1013824	1-13
1011895	6-5, 6-17	1012747	13-11	1013825	1-13
1011897	1-25	1012748	13-11	1013846	1-13
1011930	6-5, 6-17	1012752	13-9	1013861	6-9
1011931	5-5, 5-7	1012809	18-9	1013869	5-3
1011937	1-51, 1-53, 1-55, 1-57, 1-59, 1-61, 1-63, 1-65	1012811	18-3	1013870	5-3
1011964	1-51, 1-53, 1-55, 1-57, 1-59, 1-61, 1-63, 1-65	1012812	18-3	1013871	5-5, 5-7
1011965	1-51, 1-53, 1-55, 1-57, 1-59, 1-61, 1-63, 1-65	1012830	7-9, 10-17, 11-3	1013876	5-3
1011988	1-49, 10-3, 10-5	1012836	12-7	1013924	5-13, 5-21, 8-15, 9-15
1012098	17-3, 17-5, 17-7, 17-9	1012896	13-9	1014007	1-47, 5-5, 5-7, 10-17, 13-9, 13-15
1012101	17-3, 17-5, 17-7, 17-9	1013001	7-7	1014049	12-5
1012126	14-11	1013003	7-7	1014050	12-5
1012151	18-7	1013005	7-7	1014052	12-5
1012159	1-51, 1-53, 1-55, 1-57	101301102	7-7	1014055	12-5
1012180	6-23	1013032	1-45	1014056	12-5
1012181	6-25	1013035	6-5	1014057	12-5
1012182	6-25	1013042	6-5	1014058	12-5
1012285	1-21, 1-37, 4-29, 10-17	1013044	6-5	1014059	12-5
1012295	7-13	1013052	6-5	1014062	12-5
1012303	6-13, 6-19, 6-21, 6-23, 6-25	1013061	1-51, 1-53, 1-55, 1-57, 13-3, 13-9, 13-15, 14-3, 14-11	1014063	12-5
1012304	6-23	1013135	6-15	1014065	7-13, 12-5
1012333	13-5, 13-7	1013207	6-23	1014070	12-7
1012382	7-3, 7-5	1013216	1-45	1014072	12-7
		1013218	1-45	1014078	12-7
		1013312	1-17	1014080	12-7
		1013343	1-7	1014115	18-9
		1013344	1-7	1014116	10-3, 10-5
		1013357	1-43, 4-5, 4-7, 4-9, 14-7, 14-9	1014119	7-3, 7-5, 7-13
		1013461	10-5	1014125	6-7
		1013462	10-5	1014126	6-7
		1013494	4-13, 4-15	1014145	7-13
				1014153	5-13, 5-21

# INDEX

1014161	18-9	1015372	7-13	1016183	6-7
1014162	18-9	1015373	7-13	1016201	12-5
1014198	3-15	1015392	1-51, 1-53, 1-55, 1-57	1016214	6-11
1014201	1-59, 1-61, 1-63, 1-65, 15-3	1015405	1-3, 1-51, 1-53, 1-59, 1-61, 7-13	1016219	6-11
1014207	13-13	1015426	10-23	1016230	4-25
1014213	6-7	1015453	6-27	1016267	4-25
1014214	6-7	1015457	6-27	1016269	6-7
1014217	6-7	101547601	3-7, 3-13	1016287	4-25
1014259	18-9	1015524	18-5	1016289	12-5
1014264	18-9	1015525	1-45	1016319	5-15
1014276	6-19, 6-21	1015526	4-25	1016320	5-15
1014287	12-5	1015528	4-13, 4-15	1016337	13-11
1014288	6-7, 7-15, 12-5	1015583	6-13, 6-19, 6-21, 6-23, 6-25	1016338	13-11
1014289	7-7	1015597	6-5, 6-15, 6-17	1016346	6-17
1014305	18-3	1015613	6-27	1016349	6-17
1014306	1-21, 1-39, 4-29	1015614	6-27	1016350	6-17
1014375	7-15	101562711	1-47	1016351	6-17
1014392	1-39	101562712	1-47	1016353	6-17
1014435	1-25	101562714	1-47	1016356	4-5, 4-7, 4-9, 14-7, 14-9
101444101	1-25	101562715	1-47	1016363	4-7, 4-9
1014453	12-5	101564804	1-47	1016365	4-21
1014454	12-7	101564805	1-47	1016366	4-7, 4-9
1014471	1-51, 1-53, 1-55, 1-57, 1-59, 1-61, 1-63, 1-65	101564807	1-47	1016384	6-19, 6-21
1014496	18-5	101564808	1-47	1016385	6-17
1014497	18-5	1015649	8-3, 9-3	1016386	6-19, 6-21
1014498	18-5	101570506	2-3	1016387	6-19, 6-21
1014507	18-5	101570507	2-3	1016389	6-19, 6-21
1014508	18-5	101570509	2-3	101641002	18-5
1014510	18-5	101570514	2-3	101641101	18-11
1014523	10-3, 10-5	101570516	2-3	101641201	18-9
1014530	4-27	1015707	2-3	101641202	18-3
1014540	4-29	1015720	4-31, 14-17	1016413	18-9
1014555	6-23, 6-25	1015737	7-3, 7-5, 7-13	1016414	18-9
1014771	2-5	1015741	4-5, 4-7, 4-9, 7-13	1016415	18-9
1014807	7-13, 13-3	1015752	7-13, 10-23, 14-5	1016416	18-3
1014808	13-3	1015760	6-27	1016417	18-3
1014902	6-25	1015768	4-25	1016418	18-7
1014928	10-3, 10-5	1015770	4-25	1016423	4-5, 4-7, 4-9, 7-13
1014948	7-13	1015814	11-3	101642575	10-7, 10-9, 10-11
1015010	4-25	101584502	10-17	101642578	10-7, 10-9, 10-11
101503202	1-7	1015878	7-13, 13-3	101642580	10-7, 10-9, 10-11
1015072	14-13, 14-15	1015902	1-21, 1-37	101642582	10-7, 10-9, 10-11
1015075	1-3	1015914	17-3, 17-5, 17-7, 17-9	101642585	10-7, 10-9, 10-11
1015091	1-47, 1-51, 1-53, 1-55, 1-57, 1-59, 1-61, 1-63, 1-65	1015917	17-3, 17-7, 17-9	1016429	8-7, 9-7
1015137	10-3, 10-5, 10-13, 10-15	1015921	10-5	1016432	8-7, 9-7, 13-9
1015139	10-3, 10-5, 10-19, 10-21	1015932	7-9	1016436	8-9, 9-9
1015143	10-3, 10-5	1015969	8-3, 9-3	1016437	10-7, 10-9, 10-11
1015156	4-25	1016003	10-3	1016438	10-13, 10-15
1015167	4-25	1016004	10-5	1016440	8-9, 9-9, 10-13, 10-15
1015170	4-25	1016011	12-5	1016441	10-13, 10-15
1015187	4-25	1016074	7-9	1016444	10-13, 10-15
101524002	7-9	101611003	18-9	1016445	8-5
1015332	7-3, 7-5, 8-3, 9-3	101611402	16-5	1016449	8-9, 9-9
1015345	7-13	1016154	6-11	1016450	8-9, 9-9
		101615504	6-3	1016451	9-9
		1016156	6-3, 6-11	1016452	8-9, 9-9

# INDEX

1016453	9-11	1016561	8-5, 9-5	1016880	4-3
1016454	8-11, 9-11	1016562	8-5, 8-13, 9-5, 9-13	1016883	7-9
1016455	8-5, 9-5	1016563	8-9, 9-9	1016901	12-5
1016456	8-3, 8-5, 9-3	1016564	8-11, 9-11	1016904	8-9, 9-9, 11-3
1016457	8-7, 9-7	1016566	8-9, 9-9	1016916	1-47
1016458	8-9, 9-9	1016569	8-9, 9-9	101692501	1-3
1016467	8-7, 9-7	1016570	8-7, 9-7	101692502	1-3
1016470	8-13, 9-13	1016571	8-13, 9-13	101692504	1-3
1016472	8-11, 9-11	1016572	10-13, 10-15	101692506	1-3
1016473	8-7, 9-7	1016573	5-13, 5-21	101692509	1-3
1016474	8-9, 9-9	1016576	8-7, 9-7	101692510	1-3
1016479	8-9, 9-9	1016578	8-5, 9-5	101692511	1-3
1016480	10-13	1016579	8-5	101692512	1-3
101648102	10-13, 10-15	1016581	8-7, 9-7	101692513	1-3
101648203	8-7, 9-7	1016582	10-13, 10-15	101692514	1-3
1016483	8-9, 9-9	1016583	8-9, 9-9	101692515	1-3
1016486	10-7, 10-9, 10-11	1016584	8-11, 9-11	1016929	4-25
1016489	8-9, 9-9	1016585	10-7, 10-9, 10-11	101693201	3-7, 3-13
101649002	10-13, 10-15	1016586	8-5	101693901	1-3
1016494	8-11, 9-11	1016587	8-5, 9-5	101693902	1-3
1016496	8-11, 9-11	1016588	8-5, 9-5	101693904	1-3
1016497	8-5	101661601	14-13	101693906	1-3
1016499	10-7, 10-9, 10-11	101661602	14-13	101693909	1-3
1016501	10-7, 10-9, 10-11	1016627	18-7	101693910	1-3
1016502	8-7, 9-7	1016630	4-13	101693911	1-3
1016506	8-11, 9-11	1016663	6-3, 6-11	101693912	1-3
1016507	8-3, 9-3	1016668	1-49	101693913	1-3
1016510	8-11, 9-11	1016672	13-13	101693914	1-3
1016513	13-9	101674702	5-9	1016952	1-11
101651406	2-5	101674704	5-11	1016967	1-3, 14-17
101651407	2-5	1016751	1-19	1016997	7-13
101651409	2-5	101675511	1-19	1017006	7-3, 7-5, 7-13
101651414	2-5	101675512	1-19	1017029	5-3
101651416	2-5	101675514	1-19	1017035	4-33
1016517	8-9, 9-9	101675515	1-19	101705701	3-3, 3-9
1016518	8-9	101677701	1-19	1017062	4-3
1016519	8-9, 9-9	101677702	1-19	1017064	4-3
1016521	8-11, 9-11	101677703	1-19	1017065	4-3
1016531	8-3, 9-3	101677705	1-19	101707402	4-11
1016535	8-11, 9-11	1016781	1-51, 1-53, 1-55, 1-57	1017075	4-11
1016537	8-7, 9-7	1016793	1-51, 1-53, 1-55, 1-57	1017080	1-3
1016538	8-11, 9-11	1016794	1-51, 1-53, 1-55, 1-57	1017082	13-9, 13-15
1016539	8-3, 9-3	101679901	1-53, 1-57	101708301	1-11
1016541	8-13, 9-13	101679902	1-51, 1-55	1017141	1-39
1016542	9-9	1016801	12-5	1017185	1-51, 1-53, 1-55, 1-57
1016544	8-5, 8-9, 8-11, 9-5, 9-9, 9-11	1016811	1-11	1017188	12-3
1016545	9-9	1016813	6-27	1017189	17-11
1016546	10-17	1016814	6-27	1017203	10-3, 10-5
1016547	8-3, 8-13, 9-3, 9-13, 10-13, 10-15	1016835	1-49	1017211	5-15
1016549	8-9, 9-9	1016842	1-49	1017226	6-9
1016551	18-11	1016849	4-13, 4-15, 4-31	1017231	13-9
1016552	18-11	1016851	4-13, 4-15, 4-31	1017239	7-13
1016553	18-11	1016857	4-31	1017243	7-13
1016554	18-11	1016859	4-31	1017259	1-21
1016557	5-13, 5-21	1016868	1-3	1017266	6-17
1016560	8-9, 9-9	1016879	4-3	1017273	6-3, 6-11

# INDEX

101728201	1-17	1017466	10-13, 10-15	101788211	1-31
101728202	1-35	1017468	8-5	101788212	1-31
101728203	1-17	1017471	8-13, 9-13	101791101	5-21
101728204	1-35	1017472	8-11, 9-11	101791901	1-31, 1-33
101728210	1-17	1017473	8-9, 9-9	1017936	1-39
101728211	1-35	1017474	8-3, 9-3	101796201	5-5, 5-7
101728213	1-17	1017475	8-3, 9-3	101796501	14-3
101728214	1-35	1017476	8-3, 9-3	101796801	14-3
101728602	1-23	1017486	8-3, 9-3	101799201	1-37
101728701	1-39	1017487	8-11, 9-11	101800201	1-59, 1-61, 1-63, 1-65
101728702	1-39	1017490	8-5, 9-5	101801001	14-3
101728704	1-39	1017500	8-3	101804301	4-13, 10-19, 10-21, 10-23
101728706	1-39	1017501	8-13, 9-13	101805501	1-63, 1-65
101728708	1-39	1017502	8-13, 9-13	101805502	1-63, 1-65
101728709	1-39	1017503	8-13, 9-13	101805601	1-59, 1-61
101728710	1-39	1017504	8-11, 9-11	101805801	1-59, 1-61
101728711	1-39	1017507	8-7, 9-7	101806001	1-15
101728712	1-39	1017508	8-11, 9-11	101806002	1-15
1017289	1-9	1017510	8-13, 9-13	101806005	1-15
1017310	1-21, 1-37	1017511	8-11	101806901	1-41
1017313	6-7	1017512	8-13, 9-13	101808401	18-3
1017314	6-7	1017513	8-11, 9-11	101809101	18-5
1017315	6-7	1017514	8-11, 9-11	101811301	10-19, 10-21
1017317	6-7	101751801	8-11, 9-11	101811901	10-23
101734802	1-3	101751802	8-11, 9-11	101812301	10-23
101737002	2-3, 2-5	101751803	8-11, 9-11	101813001	10-23
1017378	5-5, 5-7	1017653	7-7	101813202	18-3
1017380	5-5, 5-7	1017686	12-7	101815301	1-51, 1-53
101738301	12-5	1017689	11-3	101815401	1-51, 1-53, 1-55, 1-57, 1-59, 1-61
101738302	12-5	101769302	2-3, 2-5	101815402	1-51, 1-53, 1-55, 1-57, 1-59, 1-61
1017384	1-35	1017696	5-5, 5-7	101816701	1-51
1017424	5-5, 5-7	1017699	4-33	101816702	1-53
1017434	8-9, 9-9	1017705	14-3	101817401	5-5, 5-7
1017435	8-9	1017721	4-5, 4-23	101818801	5-7
1017442	8-7, 9-7	1017724	4-11	101821501	10-23
1017443	8-9, 8-11, 9-9	101773301	8-13, 9-13	101821601	4-25
1017444	8-9	101773302	8-13, 9-13	101823101	18-9
1017445	8-9, 9-9	101773303	8-13, 9-13	101824401	10-3, 10-5
1017446	8-9	101773304	8-13, 9-13	101825101	3-5, 3-11
1017447	8-11	101773305	8-13, 9-13	101825102	3-7, 3-13
1017448	8-5, 9-5	101773306	8-13, 9-13	101825103	4-17
101744901	8-13, 9-13	101773307	8-13, 9-13	101825701	10-19, 10-21
101744902	8-13, 9-13	101773308	8-13, 9-13	101826201	4-15
1017450	8-13, 9-13	101773309	8-13, 9-13	101826401	4-13
101745101	8-13, 9-13	101773310	8-13, 9-13	101827101	8-15, 9-15
101745102	8-13, 9-13	101773311	8-13, 9-13	101828501	17-3, 17-7, 17-9
1017453	8-13, 9-13	1017748	1-39	101828801	17-3
1017454	8-9, 9-9	1017774	1-37	101828802	17-3
1017455	8-5, 9-5	1017853	4-5, 4-7, 4-9	101828901	17-3, 17-5
1017456	8-7, 9-7	101788201	1-31	101828902	17-3, 17-5
101745701	8-13, 9-13	101788202	1-31	101828903	17-3, 17-5
101745702	8-13, 9-13	101788204	1-31	101829001	17-7, 17-9
1017458	8-7, 9-7	101788206	1-31	101830601	4-13, 4-15
1017460	8-7, 9-7	101788208	1-31	101830701	4-13, 4-15, 4-19
1017461	10-7, 10-9, 10-11	101788209	1-31	101831101	17-3, 17-7, 17-9
1017463	8-5, 9-5	101788210	1-31	101831401	14-13, 14-15

# INDEX

101831801	18-5	101862001	5-5	101890601	13-9
101831901	18-3	101865301	5-15	101890901	13-13
101832001	14-3	101869302	7-7	101891001	13-13
101832202	10-17	101870401	1-3	101891301	13-9
101832302	10-17	101870501	6-19, 6-21	101891401	13-13
101832601	8-15, 9-15	101871001	18-3	101891501	13-13
101832701	8-15, 9-15	101874601	5-15	101891601	13-11
101833101	8-15, 9-15	101874901	7-7	101891901	13-11
101833401	12-7	101875001	7-7	101892001	13-11
101833601	13-9	101875101	7-7	101892201	13-11
101833701	7-7	101875102	7-7	101892301	13-11
101833904	12-5	101875201	7-7	101892401	13-11
101834001	12-7	101875301	7-7	101892501	13-11
101834502	4-13, 4-15, 4-19	101875401	7-7	101892601	13-11
101834601	8-15, 9-15	101875501	7-7	101892701	13-13
101834801	10-17, 13-9, 13-15	101875601	7-7	101892901	13-9
101835001	1-63, 1-65	101875701	7-7	101893201	13-11
101835101	1-63, 1-65	101875802	7-7	101893801	13-9
101835401	1-63, 1-65	101876001	7-7	101893901	13-11
101835501	1-59, 1-63	101876202	7-7	101894901	14-3
101835502	1-61, 1-65	101876301	7-7	101895401	16-3
101835601	4-21	101876402	7-7	101895501	16-3
101836201	12-7	101876501	7-7	101896501	7-7
101837001	1-43	101876901	6-15	101896901	10-3, 10-5
101837101	10-23	101877001	6-15	101897001	16-3
101837301	7-3, 7-5, 7-9	101877601	7-7	101897201	16-3
101837801	1-55, 1-57	101877701	7-7	101897401	16-3
101837802	1-55, 1-57	101878101	7-7	101897601	16-3
101838001	1-55	101878201	5-3	101898001	7-15
101838002	1-57	101878302	6-5	101903101	6-19, 6-21
101838401	17-5, 17-9	101879001	7-7	101903601	16-3
101838601	17-5, 17-9	101879401	6-5	101903701	16-3
101838701	17-7, 17-9	101879501	6-5	101905901	10-9
101839801	4-19	101879601	6-5	101906901	16-3
101839802	4-19	101879701	6-5	101908101	14-11
101839803	4-19	101879801	6-5	101908401	7-11, 14-11
101839804	4-19	101879901	6-5	101909201	8-5
101839805	4-19	101880001	6-5	101909301	8-5
101839806	4-19	101880101	6-5	101909401	8-5
101839807	4-19	101880201	6-5	101909501	8-5
101839808	4-19	101880301	6-5	101910401	1-37
101839809	4-19	101880701	5-13, 5-21	101910501	13-13
101839810	4-19	101880901	1-17, 1-35	101914001	16-5
101839811	4-19	101881501	4-29	101914401	4-5, 4-7, 4-9, 17-3, 17-5, 17-7, 17-9
101839812	4-19	101881601	4-29	101915201	3-7, 3-13
101840901	1-49	101881701	1-17, 1-35, 10-23	101916001	8-13
101841101	1-49	101884801	8-15, 9-15	101916101	8-3, 9-3
101841201	1-49	101884901	2-3, 2-5	101916201	8-5
101841202	1-49	101886101	10-17, 13-9, 13-15	101916301	8-5, 9-5
101841301	1-49	101887101	18-3	101916701	7-9
101841901	17-7, 17-9	101887601	8-3, 9-3	101917601	10-23
101851101	4-13, 4-15, 4-19	101889401	13-11	101918401	2-3
101856002	4-15	101890001	13-11	101918402	2-5
101856102	7-13	101890101	13-9	101918501	5-3
101859401	11-3	101890201	13-9	101919801	5-5, 5-7
101861901	5-5, 5-7	101890501	13-9	101920101	14-5

# INDEX

101921501	10-23	101972005	18-7	102158901	5-5, 5-7
101922101	16-3	101972006	18-7	102162601	5-17, 5-19
101922201	16-3	101972007	18-7	102163001	1-23
101922501	7-11	101972009	18-7	102163101	1-23
101923001	16-3	101972011	18-7	102166901	5-17, 5-19
101923201	16-3	101972012	18-7	102169401	18-7
101923501	16-3	101972101	16-3	102186401	15-3
101923901	16-3	101972201	16-3	102196901	4-15, 14-7, 14-9
101925701	10-23	101972801	10-23	102197901	6-21
101926501	6-23	101973101	10-7, 10-9, 10-11	102198701	4-5
101926802	10-19	101973301	10-7, 10-9, 10-11	102199001	4-5
101926803	10-21	101973401	10-13, 10-15	102199201	4-5
101926901	13-9, 13-21	101973501	17-5	102199301	4-5
101927101	13-9	101974701	4-19	102199401	4-5
101927201	13-9	101974702	4-19	102235201	15-3
101927301	13-9	101974703	4-19	102240501	14-17
101927501	13-11	101974704	4-19	102241501	18-7
101927601	13-11	101974705	4-19	102241502	18-7
101927701	13-11	101974706	4-19	102242101	12-7
101927901	13-11	101974707	4-19	102243402	18-7
101928001	13-11	101974708	4-19	102243403	15-3
101928101	13-11	101974709	4-19	102248803	18-7
101928301	13-13	101974710	4-19	102249901	18-3
101928601	13-9	101974711	4-19	102251501	18-7
101928701	13-9, 16-3, 18-7	101974712	4-19	102271601	8-11
101929401	6-23	101976601	17-5	102275401	17-3, 17-5, 17-7, 17-9
101932201	4-5, 4-7, 4-9	101978601	16-5	102278001	6-7
101932902	13-21	101980801	13-11	102292801	5-15, 5-17, 5-19
101933101	18-7	101980901	13-11	102304801	8-9, 9-9
101933701	10-19, 10-21	101981001	13-11	102310701	1-31, 1-33, 1-39
101936101	16-5	101984801	6-7	102323101	5-3, 5-15, 5-17, 5-19
101936801	14-5	101987701	10-3, 10-5	102323201	5-3, 5-15, 5-17, 5-19
101939901	7-7	101987901	4-3	102330901	18-9
101942301	15-3	101988001	4-3	102336001	10-17
101946201	1-21	101988002	4-3	102336101	10-17
101953103	5-17	101988101	4-3	102352201	4-21
101953104	5-19	101988201	4-3	102354901	4-21
101953106	5-15	101990801	5-17, 5-19	102355301	7-15
101953801	8-3	101997802	4-29	102356601	16-3
101953803	8-3	101997803	4-29	102356801	16-3
101954301	1-17, 1-35, 1-37	101997902	4-29	102376001	13-3
101955001	6-17	101997903	4-29	102430901	8-13, 9-13
101955101	4-27	102002801	14-13, 14-15	102440901	14-7, 14-9
101955301	10-3, 10-5	102002901	14-13, 14-15	102453001	13-11
101957101	4-5, 4-7, 4-9	102003201	10-3, 10-5	102453101	13-11
101958201	17-5	102004001	6-19	102508701	4-15
101958301	17-5	102005701	1-23	102515401	13-9, 13-15
101960501	3-7, 3-13	102026001	5-5, 5-7	102518001	3-5, 3-11
101963401	8-15, 9-15	102031901	13-13	102518301	3-5, 3-11
101965401	17-11	102061201	18-9	102522001	10-5
101969701	4-27	102065901	8-15, 9-15	102526201	13-3
101971301	10-23	102066201	6-25	102529201	4-11
101972001	18-7	102101001	14-5	102540301	8-15, 9-15
101972002	18-7	102101101	14-5	102555501	18-3
101972003	18-7	102155801	12-7	102559901	2-7
101972004	18-7	102158701	3-15	102562401	18-3

# INDEX

102570401	18-11	102886501	16-3	102901901	13-19
102572401	4-15, 14-7, 14-9	102886601	16-3	102902001	13-19
102601501	18-5	102890201	4-21	102902101	13-19
102603501	18-5	102891101	6-25	102902201	13-19
102605201	18-5	102892901	17-5	102902301	13-19
102606101	18-5	102892902	17-5	102902401	13-19
102607501	18-5	102893001	17-9	102902501	13-19
102616701	13-3	102896801	13-15	102902601	13-19
102668801	18-9	102896901	13-15	102902701	13-19
102669901	18-7	102897201	13-17	102902801	13-19, 16-3
102674001	18-5	102897301	13-17	102912801	14-17
102674101	18-5	102897401	13-15	102915601	4-33
102674201	18-5	102897501	13-15	102915701	14-11
102674401	18-9	102897601	13-15	102917101	6-25
102674601	18-9	102897701	13-17	102918701	4-21
102675001	18-5	102897801	13-15	102938301	14-7, 14-9
102675101	18-5	102897901	13-15	102938601	15-3
102675201	18-5	102898001	13-17	102938701	15-3
102675301	18-5	102898101	13-17	102938801	15-3
102675401	18-5	102898201	13-15	102938901	15-3
102684602	13-3	102898301	13-17	102939001	15-3
102686101	18-3	102898401	13-17	102939101	15-3
102704901	15-3	102898501	13-17	102939102	15-3
102751601	10-3, 10-5	102898601	13-17	102939501	17-5
102753401	8-9, 9-9	102898701	13-17	102940801	17-5, 17-7, 17-9
102764401	14-15	102898801	13-17	102945501	1-33
102764402	14-15	102898901	13-17	102945502	1-33
102766201	14-13, 14-15	102899001	13-17	102945504	1-33
102769701	14-17	102899101	13-15	102945506	1-33
102771701	16-3	102899201	13-15	102945508	1-33
102772402	14-17	102899301	13-17	102945509	1-33
102774501	14-17	102899401	13-15	102945510	1-33
102774601	14-17	102899501	13-17	102945511	1-33
102774701	14-17	102899601	13-17	102945512	1-33
102775101	15-3	102899701	13-15	102947502	10-3
102803401	7-13	102899801	13-15	102950101	17-11
102817101	14-17	102899901	13-17	102950301	4-17
102817201	14-17	102900001	13-15	102951701	15-3
102837001	17-7	102900101	13-15	102952301	10-5
102838101	14-11, 17-3, 17-7	102900201	13-15	102952302	10-3
102838401	8-5, 9-5	102900301	13-15	102962303	4-17
102845101	3-5, 3-11, 14-11	102900401	13-17	102962602	4-17
102845203	14-13	102900501	13-17	102967601	3-5, 3-11
102845204	14-15	102900601	13-15	102969401	13-3
102845501	14-7, 14-9	102900701	13-17	102969801	13-3
102847801	17-3	102900801	13-19	102969901	13-3
102847802	17-3	102900901	13-15	102977001	4-13
102847803	17-3	102901001	13-17	102977002	4-15
102848701	14-3	102901101	13-17	102980801	14-13, 14-15
102859501	14-17	102901201	13-19	102980901	14-13, 14-15
102865101	10-3, 10-5	102901301	13-19	103173301	13-3
102869401	4-5, 4-7, 4-9, 4-13, 4-15	102901401	13-19	103174401	1-5
102871801	6-23, 6-25	102901501	13-19	103177401	13-3
102873401	14-13, 14-15	102901601	13-19	103180101	4-13, 4-15
102886301	16-3	102901701	13-19	103192701	13-3
102886401	16-3	102901801	13-19	103197301	7-3



# INDEX

103197401 7-5  
103198201 14-13, 14-15  
103198301 4-15  
103198401 7-11  
103199001 4-13  
103199101 4-13  
103205401 3-3, 3-9  
103205501 3-7, 3-13, 7-11  
103210201 3-7, 3-13  
103210301 3-5, 3-11  
103218001 17-11  
103218601 4-15, 14-7, 14-9  
103222001 14-7  
103222101 14-9  
103234302 3-15  
103254401 4-9  
103255701 4-7, 4-9  
103257101 4-7  
103274001 1-29, 1-33  
103274002 1-29, 1-33  
103274004 1-29, 1-33  
103274006 1-29, 1-33  
103274008 1-29, 1-33  
103274009 1-29, 1-33  
103274010 1-29, 1-33  
103274011 1-29, 1-33  
103274012 1-29, 1-33  
103274101 1-27, 1-31  
103274102 1-27, 1-31  
103274104 1-27, 1-31  
103274106 1-27, 1-31  
103274108 1-27, 1-31  
103274109 1-27, 1-31  
103274110 1-27, 1-31  
103274111 1-27, 1-31  
103274112 1-27, 1-31  
103295101 13-5, 13-7  
103295203 13-5  
103295204 13-7  
103345701 12-5  
103348201 4-13  
103348202 4-15  
103348501 4-13, 7-3, 7-5  
103348601 4-13  
103350901 6-23  
103351001 6-17  
103351101 6-25  
103354401 4-15  
103369501 13-3  
103386202 9-3  
103397901 4-7, 4-9, 14-17  
103414901 4-7, 4-9, 14-17  
103459102 2-5  
103459103 2-3  
103464801 3-17  
103477901 6-15

103496801 7-15  
103502701 6-13  
103502801 6-13  
103507101 10-15  
103507201 10-15  
103507301 10-15  
103524501 10-7  
103582801 16-3  
103615601 9-9  
103615801 9-13  
103615901 9-11  
103616301 9-9  
103616401 9-11  
103616501 9-5  
103616601 9-5  
103616701 9-5  
103617101 10-11  
103628801 6-13  
103628901 6-13  
103694501 2-7  
96704416 8-15, 9-15

## A

AC cord 17-3, 17-5, 17-7, 17-9  
AC cord receptacle 17-5  
accelerator bracket and bearing assembly 5-5,  
5-7  
accelerator cable 10-17  
accelerator pedal 5-5, 5-7  
accelerator pedal adjustment tool 18-3  
accelerator pivot rod 5-5, 5-7  
accelerator return spring 5-5, 5-7  
accelerator rod 5-9, 5-11  
access door 1-45  
adapter  
    cable (IQDM) 18-7  
adhesive, guide ring 18-3  
adjuster  
    hydraulic brake 18-7  
adjuster, lash 8-11  
air box 10-23  
air box top 10-23  
air filter 10-23  
air intake hose 10-23  
ammeter 17-3, 17-5, 17-7, 17-9  
anchor body 5-13, 5-21  
anchor body kit 5-13, 5-21  
anchor, piston 5-13, 5-21  
anti-sway bar 6-27  
A-plate strap 6-17  
A-plate, delta 6-17  
arbor 18-3  
arm  
    governor 10-17, 13-9, 13-15  
    pivot 13-9  
    rocker 8-9, 9-9

armature 7-7, 15-3  
armature conversion kit 7-7  
armrest 1-21, 1-37, 1-49  
assembly  
    accelerator bracket and bearing 5-5, 5-7  
    accelerator pivot rod 5-5, 5-7  
    air box 10-23  
    air box top 10-23  
    armature 7-7  
    axle 13-13  
    bearing, steering shaft 6-7  
    bell crank and shaft 7-13  
    brush connector 7-7  
    brush holder 7-7  
    carburetor 10-9  
    connecting rod 8-13, 9-13  
    cylinder head 8-9, 9-9  
    delta A-plate 6-17  
    delta shock and gear support 6-17  
    drive clutch 12-5  
    drive hub 12-5  
    driven clutch 12-7  
    driven clutch fixed-face 12-7  
    field coil 7-7  
    float 10-7, 10-9, 10-11  
    fuel tank vent 10-3, 10-5  
    governor 13-11, 13-17  
    headlight 4-3  
    headlight harness 4-3  
    idle screw 10-7, 10-9, 10-11  
    inner ball joint 6-5  
    kingpin 6-19, 6-21  
    moveable-face 12-5, 12-7  
    pilot air screw 10-7, 10-9, 10-11  
    plug cap 8-5, 9-5  
    ratchet 5-3  
    score card plate 6-11  
    secondary clutch weight 12-5  
    steering shaft 6-7  
    steering wheel 6-3, 6-11  
    turn signal lens 4-3  
axle 13-9, 13-13, 13-19, 16-3  
axle guard 13-21, 16-5  
axle shaft oil seal 13-13, 13-19, 16-3  
axle tube 13-13, 13-19, 16-3

## B

backing plate, brake 5-13, 5-21  
bag rest mat 1-39  
ball bearing 8-11, 9-11  
ball joint 5-3, 5-9, 5-11, 6-5, 6-17, 13-5, 13-7  
ball joint, left-hand thread 6-5, 6-17  
ball stud 7-13, 13-9, 13-15  
ball, shifter 13-11  
ball, steel pressure relief 8-7, 9-7  
band, RPM limiter mount 8-5

# INDEX

- bar, drive 14-5
- bar, stabilizer 6-27
- barb, vent 10-3, 10-5
- barrel, plastic 1-3, 1-5, 1-27, 1-29, 1-31, 1-33, 1-39, 1-49, 17-11
- battery
  - 12-volt, side-post 7-15
- battery cap, 6-volt 14-13, 14-15
- battery charger 17-3, 17-5
- battery charger case 17-3, 17-5, 17-7, 17-9
- battery charger harness 14-7, 14-9
- battery charger receptacle 14-3
- battery charger retractable cord assembly 17-11
- battery charger transformer 17-3, 17-5, 17-7, 17-9
- battery charger wire assembly 17-5
- battery charger, onboard 17-7, 17-9
- battery clamp 7-15
- battery condition indicator 4-15
- battery discharge machine 18-3
- battery hold-down 14-13, 14-15
- battery hold-down rod 14-13, 14-15
- battery insulator 1-43
- battery light 4-15
- battery terminal protector spray 18-3
- battery thermometer 18-3
- battery, 6-volt, Trojan T105 14-13
- battery, 6-volt, Trojan T105, moist 14-13
- battery, 6-volt, Trojan T145 14-15
- battery, 6-volt, Trojan T145, moist 14-15
- bearing 16-3
  - ball 8-11, 9-11
  - ball (motor) 15-3
  - ball (steering pinion) 6-5
  - cage roller 13-17
  - front wheel hub 6-15
  - hub 6-15
  - idler 12-5
  - inner axle tube 13-13, 16-3
  - lower pinion (steering) 6-5
  - needle 13-11
  - outer axle tube 13-13
  - pivot support 5-5, 5-7
  - steering shaft 6-7
  - thrust 6-19, 6-21
- bearing and oil seal remover 18-3
- bearing driver set 18-3
- bearing puller 18-3
- bearing puller wedge 18-3
- bearing seat 6-7
- bell crank and shaft 7-13
- bellows 6-5
- belt, drive 12-3
- belt, starter/generator 7-9
- belt, V 7-9
- beverage holder 1-11
- bezel, choke cable 10-19, 10-21
- bezel, headlight 4-3
- bezel, taillight 4-33
- block, brake-mounting 5-3
- block, fuse 4-5, 4-7, 4-9, 7-13
- block, terminal 4-5, 4-7, 4-9, 14-7, 14-9
- body kick plate 1-27, 1-29, 1-31, 1-33, 1-39
- body, anchor 5-13, 5-21
- body, center 1-31, 1-33
- body, front 1-3
- body, rear 1-39
- bolt, U- 6-25
- boot, steering column 6-7
- boot, switch 7-11, 14-11
- bottom, air box 10-23
- box
  - air 10-23
  - differential 13-19
  - electrical component 7-13
  - steering gear 6-5
- brace 1-63, 1-65
- bracket 6-23
  - accelerator cable 10-17
  - adjustable starter/generator 7-9
  - battery charger 17-11
  - brake cable guide 6-17
  - brake light switch 4-5, 4-7, 4-9
  - FNR shifter 13-3
  - governor cable 10-17
  - headlight mounting 4-3
  - horn 4-27
  - hour meter 4-29
  - muffler mounting 11-3
  - oil filter mount 8-7, 9-7
  - oil level switch 8-11, 9-11
  - relay mounting 7-13, 17-7, 17-9
  - retaining 10-19, 10-21
  - RPM limiter 8-5
  - shock mounting, drv 6-25
  - shock mounting, pas 6-25
  - snubber 8-15, 9-15
  - stabilizer bar mounting 6-27
  - starter/generator mounting 7-9
  - steering column 6-7
  - steering column mounting 6-7
  - throttle spring return 10-13, 10-15
  - Tow/Run switch 7-11
- bracket, carburetor intake manifold 10-15
- brake actuator kit 5-13, 5-21
- brake adjustment tool 18-3
- brake backing plate 5-13, 5-21
- brake cable 5-15, 5-17, 5-19
- brake cable equalizer 5-15, 5-17, 5-19
- brake cable hanger 6-23
- brake cable release tool 18-3
- brake cluster 5-13, 5-21
- brake drum 5-13, 5-21
- brake lever arm 5-13, 5-21
- brake light switch bracket 4-5, 4-7, 4-9
- brake mounting block 5-3
- brake pedal 5-3
- brake pedal adjustment tool 18-3
- brake pedal pad 5-3
- brake pedal tension tool 18-3
- brake relay kit, 12-volt 4-5
- brake return spring 5-17, 5-19
- brake shoe 5-13, 5-21
- brake spring 5-13, 5-21
- breaker, circuit 17-5, 17-9
- breather 13-9, 13-15, 16-3
- brush and screw set 7-7
- brush box assembly 15-3
- brush connector 7-7
- brush cover kit, starter/generator 7-7
- brush holder 7-7
- brush inspection port cover 7-7
- brush kit, motor 15-3
- brush plate
  - starter/generator 7-7
- brush port cover 7-7
- brush rigging 15-3
- brush spring 15-3
- brush spring set 7-7
- brush spring, starter/generator 7-7
- brush terminal, starter/generator 7-7
- brush, motor 15-3
- bulb, headlight 4-3
- bulb, strobe light 4-25
- bulb, tail light 4-33
- bumper 1-25
  - drive unit (motor) 15-3
  - front 1-3
  - front, heavy duty 1-3
  - front, kit 1-3
  - rubber 1-47, 5-3
  - seal, long 1-17
  - side trim 1-49
  - spring return 5-5, 5-7
- bumper guard vinyl trim 1-31, 1-33
- bumper, heavy-duty 1-3
- bumper, seat 1-35
- bushing 7-13, 12-5, 13-3
  - bronze 6-15
  - nylon 5-3
  - spindle 6-15
  - stabilizer bar 6-27
  - steel 6-13, 6-19, 6-21, 6-23, 6-25
  - urethane 6-13, 6-17, 6-19, 6-21, 6-23, 6-25
- bushing support 6-27
- button, drive 12-7
- buzzer, reverse 4-13, 4-15, 4-31

# INDEX

## C

### cable

- accelerator 10-17
- brake 5-15, 5-17, 5-19
- choke 10-19, 10-21
- FNR shifter 13-5, 13-7
- governor 10-17
- IQDM 18-7

### calibration test module 18-3

### cam

- driven clutch 12-7
- electrical component box 7-13

### cam installation tool 18-3

### cam, FNR shifter 13-3

### camshaft 8-11, 9-11

### camshaft shim 8-11, 9-11

### camshaft spring 8-11

### canopy 1-51, 1-53, 1-55, 1-57

### canopy brace 1-51, 1-53, 1-55, 1-57, 1-59, 1-61, 1-63, 1-65

### canopy hardware 1-59, 1-61, 1-63, 1-65

### canopy top, beige 1-61, 1-65

### canopy top, white 1-59, 1-63

### canopy trim plate 1-51, 1-53, 1-55, 1-57, 1-59, 1-61, 1-63, 1-65

### cap

- battery, 6-volt 14-13, 14-15
- dust 4-15, 14-7, 14-9
- fuel tank 10-3, 10-5
- key switch 4-13, 4-15, 4-19
- plug 8-5, 9-5
- seat back 1-19

### cap, hub, 7 prong 2-7

### carburetor 10-7, 10-9

### carburetor adapter 10-15

### carburetor float level tool 18-7

### carburetor gasket 10-13, 10-15

### carburetor insulator 10-13, 10-15

### carburetor mounting gasket 10-13, 10-15

### carburetor, FE350 S27 10-11

### card, safety first 18-9

### case

- battery charger 17-3, 17-5, 17-7, 17-9
- differential gear 13-13
- gear 13-9, 13-15, 16-3
- rocker 8-9, 9-9

### center body 1-31, 1-33

### charger

- wire assembly kit 17-3, 17-7, 17-9

### charger bezel tool 18-3

### charger harness 14-7, 14-9

### charger receptacle 14-3

### charger, battery 17-3, 17-5

### charger, battery, onboard 17-7, 17-9

### choke cable 10-19, 10-21

### choke cable bezel 10-19, 10-21

### choke valve 10-23

### circuit breaker 14-11, 17-3, 17-5, 17-7, 17-9

### clamp

- battery 7-15
- cable retaining 10-17
- hose 10-3, 10-5, 10-13, 10-15, 10-23
- muffler hose 11-3

### clevis, upper delta 6-19, 6-21

### clip

- meter 4-13

### clip, score card 6-11

### cluster idler gear 13-11

### cluster, brake 5-13, 5-21

### clutch alignment tool 18-5

### clutch removal tool 18-3

### clutch repair kit 12-7

### clutch tool kit 18-5

### clutch weight 12-5

### clutch, driven 12-7

### coil, field 7-7

### coil, ignition 8-5

### collet 8-9, 9-9

### column, steering 6-7

### communication display module 18-5

### component box, electrical 7-13

### component mounting plate 14-17

### component mounting plate cover 14-17

### compression gauge 18-5

### compression mount 6-27

### compressor, piston ring 18-9

### compressor, valve spring 18-11

### computer, onboard 14-17

### conduit 4-25

### connecting bar 1-49

### connecting rod 8-13, 9-13

### connector, a- 7-7

### continuity tester 18-5

### control board 17-7, 17-9

### controller, speed 14-17

### converter, DC/DC 4-21

### cord connector 8-11, 9-11

### cord, AC 17-3, 17-5, 17-7, 17-9

### cord, DC 17-3, 17-5, 17-7, 17-9

### cord, retractable, assembly 17-11

### counterbalance guide shaft 8-13, 9-13

### counterbalance weight 8-13, 9-13

### cover

- brush inspection port 7-7
- brush port 7-7
- crankcase 8-11, 9-11
- dust 5-13, 5-21, 6-15
- electrical box 7-13
- fuse block 4-7, 4-9
- oil pump 8-7, 9-7
- rocker switch hole 4-13, 4-15
- screw head 4-13, 4-15

### steering column 6-7

### wheel 2-7

### cover, steering column 4-11

### cowl 1-3

### crankcase 8-13, 9-13

### crankcase cover 8-11, 9-11

### crankcase vent tube 10-13, 10-15

### crankshaft 8-13, 9-13

### crankshaft rod 8-13, 9-13

### crankshaft shim 8-13, 9-13

### cross brace 1-63, 1-65

### C-type stop ring 6-5

### cup holder 1-11

### cup, spring 5-5, 5-7

### current limiter 17-5

### cushion, shock absorber 6-23, 6-25

### cutter, valve seat 18-5, 18-11

### cylinder head 8-9, 9-9

## D

### damper, RPM limiter 8-5

### dash component 1-7

### dash panel 4-13, 4-15

### DC cord 17-3, 17-5, 17-7, 17-9

### DC/DC converter 4-21

### decal

- 4-gauge wire warning 3-5, 3-11
- battery danger 3-5
- driver/passenger 3-7, 3-13
- electrical cover safety 3-5, 3-11
- FNR 3-5, 3-7, 3-11, 3-13
- four-passenger warning 3-3, 3-9
- frame ground 3-7, 3-13
- key switch 3-7, 3-13
- on/off 3-5, 3-11
- operating instructions 3-7, 3-13
- operating instructions (electric) 3-5, 3-11
- passcode 4-17
- rollover warning 3-3, 3-9
- rotating parts 3-7, 3-13
- run/service switch 3-7, 3-13, 7-11
- Tow/Run switch 3-5, 3-11, 14-11
- Villager 3-15

### delta A-plate 6-17

### delta A-plate sub-assembly 6-17

### delta shock and gear support 6-17

### DF-terminal insulator 7-7

### diagnostic port 4-15, 14-7, 14-9

### diesel tachometer probe 18-9

### differential drive unit 13-9, 16-3

### differential gear 13-13, 16-3

### differential gear case 13-13, 13-19

### differential guard 13-21, 16-5

### differential housing 16-3

### differential idler gear 13-13

### differential pin 13-13

# INDEX

diode 7-13  
dipstick 8-3, 9-3  
door, access 1-45  
drain plug 8-7, 9-7, 13-15  
drain plug gasket 8-7, 9-7, 13-9, 13-15  
drink holder 1-11  
drive bar 14-5  
drive belt 12-3  
drive button 12-7  
drive clutch assembly 12-5  
drive clutch button 12-5  
drive clutch fixed sheave tool 18-5  
drive clutch fixed-face 12-5  
drive clutch holder tool 18-5  
drive clutch hub puller 18-5  
drive clutch puller 18-5  
drive clutch pulley 12-5  
drive clutch spider removal tool 18-5  
drive clutch spring 12-5  
drive clutch weight 12-5  
drive hub 12-5  
drive selector shaft 13-9, 13-15  
drive unit bumper 15-3  
drive unit guard 13-21, 16-5  
driven clutch 12-7  
driven clutch button 12-7  
driven clutch cam 12-7  
driven clutch cam puller 18-5  
driven clutch fixed-face assembly 12-7  
driven clutch puller plug 18-5  
driven clutch spring compression base tool 18-5  
driven clutch spring compression collar tool 18-5  
driven clutch spring compression nut tool 18-5  
driver, drive clutch 12-5  
drum, brake 5-13, 5-21  
dry moly lubricant 18-7  
duct, intake 10-19, 10-21  
dust cap 4-15, 14-7, 14-9  
dust cover 5-13, 5-21, 6-15

## E

eccentric adjustment screw 6-19, 6-21  
E-clip 5-15, 5-17, 5-19  
electrical box cover 7-13  
electrical component box 7-13  
end bell, commutator 7-7  
end bell, output shaft 7-7  
end cap, motor 15-3  
engine 8-3  
engine mounting plate 8-15, 9-15  
engine shroud 8-3, 9-3  
engine, FE350 S27 9-3  
equalizer pivot 5-15

equalizer rod 5-15, 5-17, 5-19  
equalizer, brake cable 5-15, 5-17, 5-19  
exhaust system 11-3  
exhaust valve 8-9, 9-9  
extrusion, fender 1-3  
extrusion, plastic 1-25

## F

face, moveable 12-5, 12-7  
fan housing 8-3, 9-3  
fan shroud 8-3, 9-3  
fan, flywheel 8-5, 9-5  
fender extrusion 1-3  
fender, inner 1-39  
field coil 7-7  
field coil housing 7-7  
fill plug 13-9, 13-15  
fill plug gasket 13-15  
filter  
    air 10-23  
    fuel 10-3, 10-5  
    oil 8-7, 9-7  
    oil pump 8-7, 9-7

fitting, thread-forming grease 6-5, 6-15, 6-17  
fixed-face, drive clutch 12-5  
fixed-face, driven clutch 12-7  
float 10-7, 10-9, 10-11  
floor mat 1-7, 1-9  
flywheel 8-5, 9-5  
flywheel fan 8-5, 9-5  
flywheel fan plate 8-5, 9-5  
flywheel puller 18-7  
FNR closeout brush 4-13  
FNR shift lever 13-9, 13-15  
FNR shifter 13-3  
FNR shifter bracket 13-3  
FNR shifter cable 13-5, 13-7  
FNR shifter cam 13-3  
foam, seat 1-47  
foot rest 1-49  
foot rest mat 1-49  
fork, shift 13-11, 13-17  
frame and field, motor 15-3  
frame and field, starter/generator 7-7  
front body 1-3  
front body support 1-39  
front bumper 1-3  
front bumper kit 1-3  
front spring retainer plate 6-19, 6-21  
F-terminal hardware 7-7  
f-terminal insulator 7-7  
fuel filter 10-3, 10-5  
fuel gauge sending unit 10-5  
fuel line 10-3, 10-5, 10-13, 10-15  
fuel meter 4-13  
fuel pump, impulse 10-3, 10-5

fuel tank 10-3, 10-5  
fuel tank cap 10-3, 10-5  
fuel tank strap 10-3, 10-5  
fuel tank vent 10-3, 10-5  
fuse 14-3, 17-3, 17-5, 17-7, 17-9  
    10-amp 7-13  
    20-amp 4-5, 4-7, 4-9, 7-13  
    3/8-amp 14-3  
fuse and receptacle 14-3  
fuse block 4-5, 4-7, 4-9, 7-13  
fuse block cover 4-7, 4-9

## G

gasket  
    carburetor 10-13, 10-15  
    carburetor mounting 10-7, 10-9, 10-11, 10-13, 10-15  
    crankcase cover 8-9, 8-11, 9-9, 9-11  
    drain plug 8-7, 9-7, 13-9  
    drain plug, fill plug 13-15  
    exhaust 8-9, 9-9, 11-3  
    head 8-9, 9-9  
    insulator 8-9, 9-9, 10-13, 10-15  
    liquid 13-9, 16-3, 18-7  
    plug 16-3  
    rocker case 8-9, 9-9  
    seat 1-35  
    sending unit 10-5  
    taillight 4-33  
gasket kit, FE350 8-9, 9-9  
gauge, battery condition 4-15  
gauge, compression 18-5  
gauge, fuel-hour 4-13  
gear  
    25 tooth 13-17  
    28 tooth 13-17  
    case 13-15  
    cluster idler 13-11  
    differential 13-13, 13-19, 16-3  
    differential idler 13-13, 16-3  
    differential output 16-3  
    helical 8-13, 9-13, 13-11, 13-13  
    planetary 13-19  
    speed governor 13-17  
    spur 8-13, 9-13, 13-11  
    sun 13-19  
    synchro 13-11  
gear yoke 18-7  
gearcase 13-9, 16-3  
governor 13-11, 13-17  
governor arm 10-17, 13-9, 13-15  
governor cable 10-17  
governor cable bracket 10-17  
governor shaft installation tool 18-7  
grip, pencil 6-11  
grommet 1-15, 10-3, 10-5, 10-19, 10-21

# INDEX

ignition 8-5, 9-5  
guard, differential 13-21, 16-5  
guard, splash 1-5  
guide  
    intake valve 8-9, 9-9  
    valve 8-9  
    valve seat cutter 18-11  
guide ring adhesive 18-3

## H

handrail 1-49  
hanger, brake cable 6-23  
hardware, canopy 1-63, 1-65  
hardware, F-terminal 7-7  
harness, battery charger 14-7, 14-9  
harness, headlight 4-7, 4-9  
harness, lighting 4-7  
harness, wire 4-21, 7-3, 7-5, 14-7, 14-9  
harness, wire, lighting 4-9  
head gasket 8-9, 9-9  
head, cylinder 8-9, 9-9  
headband, sealed, motor 15-3  
headband, vented, motor 15-3  
headlight 4-3  
headlight assembly 4-3  
headlight bulb 4-3  
headlight harness 4-3  
headlight retainer 4-3  
headlight wire harness 4-7, 4-9  
heat shrink tube 17-11  
heatsink and rectifier 17-3, 17-5, 17-7, 17-9  
heavy-duty bumper 1-3  
helical gear 8-13, 9-13, 13-11, 13-13  
hill brake rod 5-3  
hill brake weld assembly 5-3  
hinge assembly 1-47  
hinge pin 1-47  
hinge plate 1-17, 1-27, 1-29, 1-31, 1-33, 1-35, 1-39  
hinge, long 1-47  
hold-down rod, battery 14-13, 14-15  
hold-down, battery 14-13, 14-15  
holder, cup 1-11  
hole plug 4-15  
horn 4-27  
horn bracket 4-27  
horn button and wire assembly 4-27  
hose  
    fuel 10-3, 10-5  
hose, air intake 10-23  
hour meter 4-13, 4-29  
hour meter, 36-48 volt 4-29  
housing  
    2-pin 14-5  
    3-pin 14-5, 15-3  
    differential 16-3

fan 8-3, 9-3  
field coil 7-7  
hub 6-15  
hub bearing 6-15  
hub cap 2-7  
hub cap, 7 prong 2-7  
hub, synchronizer clutch 13-11  
hydraulic brake adjuster 18-7  
hydrometer 18-7

## I

idle screw assembly 10-7, 10-9, 10-11  
idler bearing 12-5  
idler gear, differential 16-3  
ignition coil 8-5, 9-5  
indicator, battery condition 4-15  
inner frame snubber 8-15, 9-15  
input shaft 16-3  
insert, synchronizer 13-11  
instrument panel 4-13, 4-15  
insulating washer 15-3  
insulator gasket 8-9, 9-9, 10-13, 10-15  
insulator, battery 1-43  
insulator, carburetor 10-13, 10-15  
insulator, motor terminal 15-3  
intake duct 10-19, 10-21  
intake pipe 10-13  
intake valve 8-9, 9-9  
intermediate shaft 16-3  
intermediate steering shaft 6-9  
internal retaining ring pliers 18-7  
IQ display module (IQDM) 18-7

## J

jet, main 10-7, 10-9, 10-11  
jet, pilot 10-7, 10-9, 10-11  
joint  
    ball 5-3, 5-9, 5-11, 6-17, 13-5, 13-7  
    left-hand thread ball 6-5, 6-17

## K

key  
    crankshaft 8-5, 8-13, 9-5, 9-13  
    driven clutch 12-7  
    On/Off 4-13, 4-15  
    square 12-7  
    starter/generator 7-7  
    woodruff 13-9  
key switch 4-13  
key switch cap 4-13, 4-15, 4-19  
key switch, On/Off 4-15  
key switch, uncommon 4-19  
kick plate, body 1-27, 1-29, 1-31, 1-33, 1-39  
kingpin 6-19, 6-21  
kit

2-pin housing 14-5  
3-pin housing 14-5, 15-3  
accelerator pivot rod 5-5, 5-7  
anchor body 5-13, 5-21  
armature conversion 7-7  
brake actuator 5-13, 5-21  
brake cable 5-15  
brake pedal 5-3  
brake pedal adjustment tool 18-3  
brake relay 4-5  
brake shoe 5-13, 5-21  
brake shoe retainer 5-13, 5-21  
clutch repair 12-7  
DC/DC converter 4-21  
differential gear case 13-13  
drive clutch button 12-5  
drive clutch weight 12-5  
driven clutch button 12-7  
equalizer, brake 5-15  
fixed-face drive 12-5  
front bumper 1-3  
fuel tank 10-5  
gasket, FE350 8-9, 9-9  
heavy-duty front bumper 1-3  
hour meter 4-29  
hub cap 2-7  
IQ display module (IQDM) 18-7  
mirror 1-13  
motor brush 15-3  
motor brush lead assembly 15-3  
motor brush spring 15-3  
motor speed sensor 15-3  
park brake latch 5-3  
park brake pedal 5-3  
relay, 48V 4-7, 4-9, 14-17  
reverse buzzer 4-31  
shock absorber cushion 6-23, 6-25  
shoe retainer 5-13, 5-21  
smartkey 4-17  
steering column mounting bracket 6-7  
strobe light 4-25  
taillight hardware 4-33  
tune-up 18-9  
turn signal 4-11  
wheel cover 2-7  
windshield, hinged 1-23  
windshield, one-piece 1-25  
wire assembly, charger 17-3, 17-7, 17-9  
knob, forward/reverse 13-3

## L

lamp, strobe light 4-25  
lamp, turn signal and socket 4-11  
lash adjuster 8-11  
latch, air box 10-23  
latch, park brake 5-3

# INDEX

leaf spring 6-19, 6-21, 6-23, 6-25  
lens, headlight 4-3  
lens, strobe light 4-25  
lens, taillight 4-33  
lever  
    choke 10-23  
    drive selector 13-9  
    speed governor 13-15  
    transmission shift 13-9, 13-15  
light  
    battery 4-15  
    oil 4-13  
light, strobe 4-25  
lighting wire harness 4-7  
limit switch 4-5, 4-7, 4-9, 7-13, 13-3  
limiter  
    current 17-5  
    RPM 8-5  
    voltage 4-5, 4-23  
line, fuel 10-3, 10-5, 10-13, 10-15  
link, rack and pinion drag 6-5  
link, stabilizer bar 6-27  
liquid gasket 13-9, 16-3, 18-7  
low oil warning light 4-13  
lubricant, dry moly 18-7  
lubricant, moly-teflon 15-3, 18-7  
lug nut 2-3, 2-5  
lug stud 13-13, 13-19, 16-3

## M

magnet, speed sensor 15-3  
main jet 10-7, 10-9, 10-11  
mat, floor 1-7, 1-9  
mat, foot rest 1-49  
MCOR 14-5  
meter clip 4-13  
meter, hour 4-29  
meter, volt ohm 18-11  
mirror 1-13  
mirror, rear view 1-13  
module  
    calibration test 18-3  
    communication display 18-5  
moly-teflon lubricant 18-7  
motor  
    48-volt IQ Plus 15-3  
    motor brush 15-3  
    motor brush kit 15-3  
    motor brush lead assembly kit 15-3  
    motor brush spring 15-3  
    motor bumper 15-3  
    motor controller 14-17  
    motor end cap 15-3  
    motor frame and field 15-3  
    motor headband, sealed 15-3  
    motor headband, vented 15-3

motor magnet, speed sensor 15-3  
motor speed sensor 15-3  
motor speed sensor kit 15-3  
motor terminal and lead assembly 15-3  
motor terminal insulator 15-3  
mount, compression 6-27  
mounting block, brake 5-3  
moveable-face 12-5, 12-7  
muffler hose clamp 11-3

## N

nameplate kit, amber 3-15  
needle bearing 13-11  
nozzle, main 10-7, 10-9, 10-11  
nut, lug 2-3, 2-5

## O

OBC 14-17  
oil conveyor 13-15  
oil filler tube 8-3, 9-3  
oil filter 8-7, 9-7  
oil filter mount bracket 8-7, 9-7  
oil filter screen 8-11, 9-11  
oil filter screen plate 8-11, 9-11  
oil level sensor 8-11, 9-11  
oil level switch bracket 8-11, 9-11  
oil pump and rotor 8-7, 9-7  
oil pump cover 8-7, 9-7  
oil pump filter 8-7, 9-7  
oil pump plate 8-7, 9-7  
oil seal 8-9, 8-11, 8-13, 9-9, 9-11, 9-13, 13-9, 13-11  
oil warning light, low 4-13  
onboard battery charger 17-7, 17-9  
onboard computer 14-17  
O-ring 8-3, 8-9, 8-11, 8-13, 9-3, 9-9, 9-11, 9-13

## P

pad  
    accelerator pedal 5-5, 5-7  
    brake pedal 5-3  
    park brake 5-3  
paint, touch-up 18-7  
panel, instrument 4-13, 4-15  
panel, rear 17-11  
park brake latch 5-3  
park brake pedal 5-3  
park brake rod sleeve 5-3  
park brake spacer 5-3, 17-11  
park brake torsion spring 5-3  
pawl 5-3  
pedal, accelerator 5-5, 5-7  
pedal, brake 5-3  
pedal, park brake 5-3  
pencil grip 6-11

pilot air screw assembly 10-7, 10-9, 10-11  
pilot jet 10-7, 10-9, 10-11  
pin  
    bow tie locking 5-15, 5-17, 5-19  
    clevis 5-15, 5-17, 5-19  
    differential 13-13  
    piston 8-13, 9-13  
pinion, steering 6-5  
pipe, intake 10-13  
piston 8-13, 9-13  
piston anchor 5-13, 5-21  
piston pin 8-13, 9-13  
piston ring 8-13, 9-13  
piston ring compressor 18-9  
piston ring pliers 18-9  
piston ring set 8-13, 9-13  
pivot arm 13-9  
pivot support bearing 5-5, 5-7  
plate  
    body kick 1-29, 1-33, 1-39  
    component mounting 14-17  
    engine mounting 8-15, 9-15  
    flywheel fan 8-5, 9-5  
    front spring retainer 6-19, 6-21  
    hinge 1-17, 1-27, 1-29, 1-31, 1-33, 1-35, 1-39  
    oil filter screen 8-11, 9-11  
    oil pump 8-7, 9-7  
    receptacle backing 14-3  
    score card 6-3, 6-11  
    spring mounting 6-19, 6-21  
    steering wheel 6-3  
    thrust 13-11, 13-13  
plate, canopy trim 1-51, 1-53, 1-55, 1-57, 1-59, 1-61, 1-63, 1-65  
plate, Tow/Run switch 14-11  
pliers  
    internal retaining ring 18-7  
    piston ring 18-9  
    retaining ring 18-9  
plug  
    drain 8-7, 9-7, 13-15  
    driven clutch puller 18-5  
    fill 13-9, 13-15  
    hole 4-15  
    spark 8-5, 9-5  
plug cap 8-5, 9-5  
plug, carburetor intake manifold 10-15  
pole set 7-7  
port, diagnostic 4-15, 14-7, 14-9  
press weldment 18-5  
protector spray, battery terminal 18-3  
puller  
    bearing 18-3  
    clutch 18-3  
    drive clutch 18-5

# INDEX

drive clutch hub 18-5  
driven clutch cam 18-5  
flywheel 18-7  
seal 18-9  
special use tool 18-9  
pulley  
drive clutch 12-5  
starter-generator 7-7  
v-belt 7-7  
pump, impulse fuel 10-3, 10-5  
push rod 8-9, 9-9

## R

race, front hub bearing 6-15  
rack and pinion drag link 6-5  
rack guide pressure spring 6-5  
rack, steering 6-5  
ratchet, park brake 5-3  
reamer, valve guide 18-9  
rear panel 17-11  
rear spring shackle 6-23  
rear view mirror 1-13  
receptacle and fuse 14-3  
receptacle backing plate 14-3  
receptacle, AC cord 17-5  
receptacle, battery charger 14-3  
rectifier with heatsink 17-3, 17-5, 17-7, 17-9  
reel assembly, retractable 17-11  
regulator, voltage 7-13  
relay 4-7, 4-9, 7-13, 14-17  
relay mounting bracket 7-13, 17-7, 17-9  
relay, 12-volt 4-5  
relay, 48V 4-7, 4-9, 14-17  
relay, 48-volt 17-3, 17-5, 17-7, 17-9  
relay, brake, kit, 12-volt 4-5  
remover, bearing and oil seal 18-3  
retainer  
accelerator pedal spring 5-5, 5-7  
brake shoe 5-13, 5-21  
headlight 4-3  
shock absorber cushion 6-23, 6-25  
spring (drive clutch) 12-5  
valve spring 8-9, 9-9  
retaining bracket 10-19, 10-21  
retaining ring 6-7  
retaining ring pliers 18-9  
return spring bumper 5-5, 5-7  
reverse buzzer 4-13, 4-15, 4-31  
rim, wheel, white 2-5  
ring  
C-type stop 6-5  
piston 8-13, 9-13  
retaining 6-7, 7-13, 12-5, 12-7  
snap 6-5, 8-9, 8-13, 9-9, 9-13  
spiral backup 12-5  
synchronizer 13-11

rivet, blind push 1-3, 14-17  
rock guard 13-21, 16-5  
rocker arm 8-9, 9-9  
rocker case 8-9, 9-9  
rocker case gasket 8-9, 9-9  
rocker shaft 8-9, 9-9  
rocker switch 4-15  
rocker switch (lights) 4-5, 4-7, 4-9, 4-13, 4-15  
rod  
accelerator 5-9, 5-11  
accelerator pivot 5-5, 5-7  
battery hold-down 14-13, 14-15  
connecting 8-13, 9-13  
crankshaft 8-13, 9-13  
equalizer 5-15, 5-17, 5-19  
hill brake 5-3  
push 8-9, 9-9  
shift 13-11  
tie 6-17  
RPM limiter 8-5  
RPM limiter bracket 8-5  
RPM limiter damper 8-5  
RPM limiter mount band 8-5  
rubber bumper 1-47

## S

safety first card 18-9  
score card clip 6-11  
score card plate 6-11  
screen, oil filter 8-11, 9-11  
screw, eccentric adjustment 6-19, 6-21  
screw, valve clearance adjuster 18-9  
seal  
intake 10-23  
lip 16-3  
oil 8-9, 8-11, 8-13, 9-9, 9-11, 9-13, 13-9, 13-11, 13-13, 13-19, 16-3  
steering pinion dust 6-5  
vertical socket dust 6-5, 6-17  
seal puller 18-9  
sealant 13-9, 16-3  
seat  
spring 8-9, 9-9  
valve 8-7, 9-7  
seat back 1-19  
seat back assembly 1-19  
seat back cap 1-19  
seat back, white 1-19  
seat bottom assembly 1-17, 1-35, 1-47  
seat bumper 1-35  
seat cover, vinyl 1-47  
seat foam 1-47  
seat gasket 1-35  
seat support, four-passenger 1-47  
seat, bearing 6-7  
sending unit, fuel gauge 10-5  
sensor, motor speed 15-3  
sensor, oil level 8-11, 9-11  
set, brush and screw 7-7  
set, pole 7-7  
shackle weldment 6-25  
shackle, rear spring 6-23  
shaft  
counterbalance guide 8-13, 9-13  
drive selector 13-9, 13-15  
input 16-3  
intermediate 16-3  
intermediate steering 6-9  
rocker 8-9, 9-9  
steering column 6-7  
transmission 13-11, 13-17  
shaft, reverse gear 13-17  
shaft, secondary  
transmission 13-17  
shift fork 13-11, 13-17  
shift lever 13-9, 13-15  
shift rod 13-11  
shifter, FNR 13-3  
shim, camshaft 8-11, 9-11  
shim, crankshaft 8-13, 9-13  
shock absorber 6-17, 6-23, 6-25  
shock absorber cushion 6-23, 6-25  
shock absorber cushion retainer 6-23, 6-25  
shock mounting bracket, drv 6-25  
shock mounting bracket, pas 6-25  
shoe retainer kit 5-13, 5-21  
shoe, brake 5-13, 5-21  
shroud 8-3, 9-3  
shroud, engine 8-3, 9-3  
shroud, fan 8-3, 9-3  
signal, turn 4-11  
sleeve  
delta A-plate 6-17  
governor 13-11  
park brake rod 5-3  
synchronizer 13-11  
smartkey 4-17  
snap ring 6-5, 8-9, 8-13, 9-9, 9-13  
snubber bracket 8-15, 9-15  
snubber, inner frame 8-15, 9-15  
socket 6-5, 6-17  
solenoid 14-17  
solenoid, 12-volt 7-13  
spacer  
accelerator pivot rod 5-5, 5-7  
park brake 5-3, 17-11  
spanner wrench 18-9  
spark plug 8-5, 9-5  
speed controller 14-17  
speed sensor 15-3  
speed sensor magnet 15-3  
speed sensor, motor 15-3

# INDEX

- spindle 6-15
  - spiral backup ring 12-5
  - splash guard 1-5
  - spray, battery terminal protector 18-3
  - spring
    - accelerator return 5-5, 5-7
    - brake 5-13, 5-21
    - brake return 5-17, 5-19
    - brush 7-7, 15-3
    - camshaft 8-11
    - compression 6-11
    - drive button 12-5
    - drive clutch 12-5
    - driven clutch 12-7
    - extension return 10-23
    - leaf 6-19, 6-21, 6-23, 6-25
    - park brake torsion 5-3
    - rack guide pressure 6-5
    - shifter 13-11
    - steering shaft compression 6-7
    - synchronizer 13-11
    - throttle return 10-13, 10-15
    - valve 8-9, 9-9
  - spring cup 5-5, 5-7
  - spring mounting plate 6-19, 6-21
  - spring, motor brush 15-3
  - spur gear 8-13, 9-13, 13-11
  - stabilizer bar 6-27
  - stabilizer bar link 6-27
  - stabilizer bar mounting bracket 6-27
  - starter/generator (cw) (model G425419) 7-7
  - starter/generator belt 7-9
  - starter/generator brush cover kit 7-7
  - starter/generator brush plate 7-7
  - starter/generator brush spring 7-7
  - starter/generator brush terminal 7-7
  - starter/generator frame and field 7-7
  - starter/generator pulley 7-7
  - steel bushing 6-13, 6-19, 6-21, 6-23, 6-25
  - steel pressure relief ball 8-7, 9-7
  - steering column 6-7
  - steering column bearing press tool 18-9
  - steering column cover 4-11
  - steering column retaining ring tool 18-9
  - steering gear box 6-5
  - steering pinion 6-5
  - steering pinion dust seal 6-5
  - steering rack 6-5
  - steering shaft assembly 6-7
  - steering shaft compression spring 6-7
  - steering wheel 6-3, 6-11
  - steering wheel plate 6-3
  - steering wheel puller tool 18-9
  - stem, valve 2-3, 2-5
  - stiffener, flywheel side 8-15, 9-15
  - stiffener, PTO side 8-15, 9-15
  - strap, A-plate 6-17
  - strap, fuel tank 10-3, 10-5
  - strobe light 4-25
  - strobe light lens 4-25
  - stud 8-15, 9-15
    - lug 13-13, 13-19, 16-3
  - stud, ball 7-13, 13-9, 13-15
  - support yoke (steering) 6-5
  - support, bushing 6-27
  - support, front body 1-39
  - suppressor, voltage 4-5, 4-7, 4-9, 17-3, 17-5, 17-7, 17-9
  - switch plate cover 4-25
  - switch
    - four-position 17-5, 17-9
    - key 4-13, 4-15
    - key, uncommon 4-19
    - light rocker 4-5, 4-7, 4-9, 4-13, 4-15
    - limit 4-5, 4-7, 4-9, 7-13, 13-3
    - rocker 4-15
    - Tow/Run 14-11
    - turn signal 4-11
  - switch assembly 4-25
  - switch plate, Tow/Run 14-11
  - switch rubber boot 7-11, 14-11
  - switch, toggle 7-11
  - synchro gear 13-11
  - synchronizer clutch hub 13-11
  - synchronizer insert 13-11
  - synchronizer sleeve 13-11
  - synchronizer spring 13-11
  - synchronizer, complete 13-17
  - system, exhaust 11-3
- ## T
- 12-volt solenoid 7-13
  - tachometer 18-9
  - tachometer probe, diesel 18-9
  - tail light bulb 4-33
  - taillight 4-33
  - taillight assembly 4-33
  - taillight base 4-33
  - taillight bezel 4-33
  - taillight gasket 4-33
  - taillight hardware kit 4-33
  - taillight lens 4-33
  - tank, fuel 10-3, 10-5
  - tape, vinyl foam 1-51, 1-53, 1-55, 1-57, 1-59, 1-61, 1-63, 1-65
  - tappet 9-11
  - terminal block 4-5, 4-7, 4-9, 14-7, 14-9
  - tester, continuity 18-5
  - thermometer, battery 18-3
  - thread-forming grease fitting 6-5, 6-15, 6-17
  - throttle return spring 10-13, 10-15
  - throttle spring return bracket 10-13, 10-15
  - thrust bearing 6-19, 6-21
  - thrust plate 13-11, 13-13
  - tie rod 6-17
  - tie wrap 4-11, 4-21, 4-25, 4-29, 6-5, 7-13, 10-19, 10-21, 13-5, 13-7, 17-11
  - tire 2-3, 2-5
  - tire and wheel assembly 2-3, 2-5
  - toggle switch 7-11
  - tool
    - accelerator pedal adjustment 18-3
    - belt tensioning, starter/generator 18-11
    - brake adjustment 18-3
    - brake cable release 18-3
    - brake pedal adjustment 18-3
    - brake pedal tension 18-3
    - cam installation 18-3
    - carburetor float level 18-7
    - charger bezel 18-3
    - clutch alignment 18-5
    - cT-wrench 18-5
    - drive clutch fixed sheave 18-5
    - drive clutch holder 18-5
    - drive clutch spider removal 18-5
    - driven clutch spring compression base 18-5
    - driven clutch spring compression collar 18-5
    - driven clutch spring compression nut 18-5
    - governor shaft installation 18-7
    - puller, special use 18-9
    - steering column bearing press 18-9
    - steering column retaining ring 18-9
    - steering wheel puller 18-9
    - transaxle axle seal 18-9
    - transaxle pinion seal 18-9
    - transmission 18-9
    - valve guide driver 18-9
    - valve seat cutter 18-5
  - tool kit, clutch 18-5
  - touch-up paint 18-7
  - Tow/Run switch 14-11
  - Tow/Run switch bracket 7-11
  - Tow/Run switch plate 14-11
  - transaxle (Electric Vehicle) 16-3
  - transaxle axle seal tool 18-9
  - transaxle Graziano (gasoline vehicle), unitized 13-15
  - transaxle guard 13-21, 16-5
  - transaxle pinion seal tool 18-9
  - transaxle, Kawasaki (Gasoline Vehicle) 13-9
  - transformer, battery charger 17-3, 17-5, 17-7, 17-9
  - transmission secondary shaft 13-17
  - transmission shaft 13-11, 13-17
  - transmission tool 18-9
  - trim
    - cowl 1-3



# INDEX

tube  
  axle 13-13, 13-19, 16-3  
  crankcase vent 10-13, 10-15  
  oil filler 8-3, 9-3  
tune-up kit 18-9  
turn signal 4-11  
turn signal conversion kit 4-11  
turn signal lens 4-3  
turn signal socket and lamp 4-11  
T-wrench tool 18-5

**U**

U-bolt 6-23, 6-25  
unitized transaxle Graziano 13-15  
upper delta clevis 6-19, 6-21  
urethane bushing 6-13, 6-17, 6-19, 6-21, 6-23, 6-25

**V**

valve  
  choke 10-23  
  exhaust 8-9, 9-9  
  fuel pickup tube 10-3, 10-5  
  intake 8-9  
  reed 8-9, 9-9  
valve clearance adjuster screw 18-9  
valve guide 8-9  
valve guide driver tool 18-9  
valve guide reamer 18-9  
valve guide, intake 8-9, 9-9  
valve seat 8-7, 9-7  
valve seat cutter 18-5, 18-11  
valve seat cutter guide 18-11  
valve seat cutter tool 18-5  
valve seat t-wrench 18-11  
valve spring 8-9, 9-9  
valve spring compressor 18-11  
valve spring retainer 8-9, 9-9  
valve stem 2-3, 2-5  
valve stem extension 2-7  
v-belt 7-9  
vent barb 10-3, 10-5  
vertical socket dust seal 6-5, 6-17  
volt ohm meter 18-11  
voltage limiter 4-5, 4-23  
voltage regulator 7-13  
voltage suppressor 4-5, 4-7, 4-9, 17-3, 17-5, 17-7, 17-9

## W

warning light, low oil 4-13  
washer, insulating 15-3  
wedge, bearing puller 18-3  
weight  
  clutch 12-5

counterbalance 8-13, 9-13  
secondary clutch 12-5  
weldment  
  press 18-5  
wheel 2-3, 2-5  
wheel and tire assembly 2-3, 2-5  
wheel cover 2-7  
wheel rim, white 2-5  
wheel, steering 6-3, 6-11  
windshield  
  hinged 1-23  
  one-piece 1-25  
windshield channel 1-23  
windshield frame 1-51, 1-53, 1-55, 1-57, 1-59, 1-61, 1-63, 1-65  
windshield frame pad 1-51, 1-53, 1-55, 1-57, 1-59, 1-61, 1-63, 1-65  
wire assembly, battery charger 17-5  
wire harness 4-21, 7-3, 7-5, 14-7, 14-9  
wire harness, headlight 4-7, 4-9  
wire harness, lighting 4-7, 4-9  
wire lead, ignition 9-5  
woodruff key 13-9  
wrap, tie 4-11, 4-21, 4-25, 4-29, 6-5, 7-13, 10-19, 10-21, 13-5, 13-7, 17-11  
wrench, spanner 18-9

## Y

yoke, gear 18-7  
yoke, support (steering) 6-5







**Club Car, Inc.**  
P.O. Box 204658  
Augusta, GA 30917-4658  
USA

**Web** [www.clubcar.com](http://www.clubcar.com)  
**Phone** 1.706.863.3000  
1.800.ClubCar  
**Int'l** +1 706.863.3000  
**Fax** 1.706.863.5808