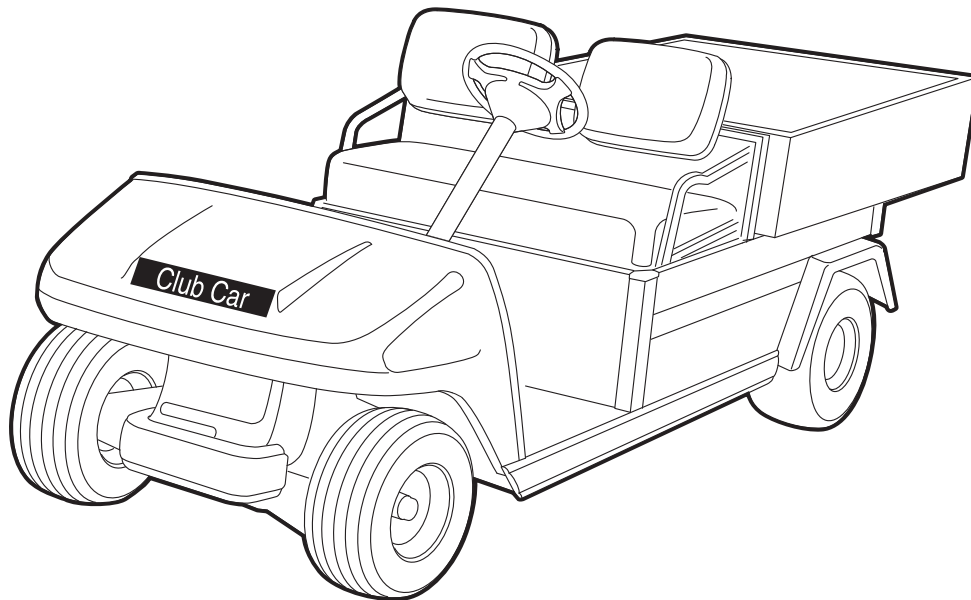




**2004-2005
Turf/Carryall
Illustrated Parts List**



**Turf 1, Turf 2, Turf 252, Turf 2 XRT, Turf 6,
Carryall 1, Carryall 2, Carryall 2 Plus,
Carryall 252, Carryall 2 XRT, Carryall 6
Gasoline and Electric Vehicles**

Manual Number 102397502
Edition Code 0705V0112U

USING THE ILLUSTRATED PARTS LIST

⚠ WARNING

- **This manual is to be used only for identification and ordering of service parts. Be sure to read and use the maintenance and service manual before attempting any vehicle repairs.**

This manual covers all 2004 and 2005 Carryall[®] 1, Carryall 2, Carryall 252, Carryall 2 XRT, Carryall 2 Plus, and Carryall 6; and Turf 1, Turf 2, Turf 252, Turf 2 XRT, and Turf 6 (gasoline only) vehicles.

The manual is divided into sections. Note that there are two or three flags on the outside edge of each page. The first flag contains the section number of which that page is a part. The other flag (or flags) contains the letter G or E, signifying that the page pertains to the electric or gasoline vehicles only.

Use the Table of Contents to find the sections and pages that contain the parts and assemblies you seek. The Table of Contents lists section numbers, and under them, the individual page titles and numbers to be found in that section. The index can be used to find specific parts and assemblies. The index is divided into numerical and alphabetical listings with the page numbers in italic text.

There is a two-page spread for each individual page title in the Table of Contents. On the left-hand page is an illustration showing the parts in their relative positions; the parts are each tagged with an item number in a balloon. The right-hand page is the parts list page, and gives the page title at the top, then the item numbers (corresponding to the numbers on the illustration), part descriptions, and quantity of parts used.

Note that a part description may be indented. This indentation corresponds to a parts assembly level indicated by the numbers 1, 2, 3, and 4 at the top left corner of the parts description area of the parts list page. A part that is indented to *level 2* is a component of the *level 1* part (assembly) that it is listed under. A *level 3* part is a component of the *level 2* part that it is listed under, and a *level 4* part is a component of the *level 3* part preceding it. In each case, the part quantity given for a level 2, 3, or 4 part is *the quantity used per next higher level assembly of which it is a component*. A part that is not indented is a *level 1* part. This means that the quantity given is the quantity used per the portion of the vehicle illustrated on that particular spread.

HOW TO ORDER PARTS

Replacement parts and accessories can be obtained from our network of authorized dealers and distributors. You can obtain the name and phone number of your closest authorized Club Car dealer or distributor by visiting our web site at www.clubcar.com and clicking on the "Distributor Search" link or by calling our toll-free Service Parts and Technical Assistance hotline at (800) 872-2246 or (706) 863-3000, extension 3887.



P. O. Box 204658
Augusta, Georgia 30917-4658 USA
Telephone 706-863-3000
Service Parts Fax 706-855-7413
www.clubcar.com

NOTE: *This illustrated parts list represents the most current information at the time of publication. Club Car, Inc. is continually working to further improve its vehicles and other products. These improvements may affect the parts used to service the vehicle. Any modification and/or significant change in specifications will be forwarded to all Club Car and Carryall distributors/dealers and will, when applicable, appear in future editions of this illustrated parts list.*

Club Car, Inc. reserves the right to change specifications and designs at any time without notice and without the obligation of making changes to units previously sold.

Copyright © 2005 Club Car, Inc.
Club Car and *ArmorFlex*
are registered trademarks of Club Car, Inc.
This manual effective July 28, 2003.

2004-2005 Turf/Carryall Gasoline and Electric Vehicle Illustrated Parts List

CONTENTS

SECTION 1 – BODY AND TRIM

Front Body and Trim – Turf 1	1-3
Front Body and Trim – Carryall 1	1-5
Front Body and Trim – Turf/Carryall 2, Carryall 2 Plus, and Carryall 6	1-7
Front Body and Trim – Turf/Carryall 252, Turf/Carryall 2 XRT	1-9
Dash Components	1-11
Beverage Holder	1-13
Seat Bottom	1-15
Seat Back and Support Structure	1-17
Tilt Bed, Hinge, and Latch – Turf/Carryall 1	1-19
Tilt Bed, Hinge, and Latch – Turf/Carryall 2, 252, 2 XRT, and Carryall 2 Plus	1-21
Latch Plate – Turf/Carryall 1, 2, 252, 2 XRT, and Carryall 2 Plus	1-23
Prop Rod – Turf/Carryall 2, 252, 2 XRT, and Carryall 2 Plus	1-25
Cargo Box – Turf/Carryall 1	1-27
Tailgate Bracket (Earlier Style)	1-29
Cargo Box Mounting – Turf/Carryall 1	1-31
Cargo Box – Turf/Carryall 2, 252, 2 XRT, and 2 Plus	1-33
Cargo Box Mounting – Turf/Carryall 2, 252, 2 XRT, and Carryall 2 Plus	1-35
Side Doors – Turf/Carryall 6	1-37
Flat Bed – Turf/Carryall 6	1-39
Flat Bed Mounting – Turf/Carryall 6	1-41
Trailer Hitch – Turf/Carryall 1, Turf/Carryall 2, 252, 2 XRT, and Carryall 2 Plus	1-43
Rear Body Trim – Turf/Carryall 1, 2, and Carryall 2 Plus	1-45
Rear Body Trim – Turf/Carryall 252 and 2 XRT	1-47
Rear Body Trim – Turf/Carryall 6	1-49

SECTION 2 – WHEELS AND TIRES

Wheels and Tires – Villager 6 and 8, and TransPorter 4 and 6	2-3
Wheels and Tires – Turf/Carryall 2	2-5
Wheels and Tires – Turf/Carryall 6	2-7
Wheels and Tires, Off-Road Tread – Turf/Carryall 252, Turf/Carryall 2 XRT	2-9
Wheels and Tires, Turf Tread – Turf/Carryall 252, Turf/Carryall 2 XRT	2-11

SECTION 3 – DECALS

Decals – Turf/Carryall 1 Gasoline and Electric Vehicles	3-3
Decals – Turf 1/Carryall 1 PowerDrive Vehicles	3-5
Decals – Turf/Carryall 1 IQ System Vehicles	3-7
Decals – Turf/Carryall 1 Gasoline Vehicles	3-9

CONTENTS

Decals – Turf/Carryall 2 Gasoline and Electric Vehicles	3-11
Decals – Turf/Carryall 2 PowerDrive Vehicles	3-13
Decals – Turf/Carryall 2 Gasoline Vehicles	3-15
Decals – Carryall 2 Plus	3-17
Decals – Carryall 2 Plus, Continued	3-19
Decals – Carryall 6 PowerDrive Vehicles	3-21
Decals – Carryall 6 PowerDrive Vehicles, Continued	3-23
Decals – Turf/Carryall 6 Gasoline Vehicles	3-25
Decals – Carryall 6 Gasoline Vehicles, Continued	3-27
Decals – Turf 6 Gasoline Vehicles, Continued	3-29
Decals – Turf/Carryall 252 and 2 XRT	3-31
Decals – Turf/Carryall 252 and 2 XRT, Continued	3-33
Decals, Logo – Turf/Carryall 1, 2, and Carryall 2 Plus	3-35
Decals, Logo – Turf/Carryall 6	3-37
Decals, Logo – Turf/Carryall 2 XRT	3-39
Decals, Logo – Turf/Carryall 252	3-41

SECTION 4 – BRAKES, PEDAL, AND CABLE ASSEMBLIES

Rear Brake Assembly, Self-Adjusting – Turf/Carryall 1	4-3
Rear Brake Assembly, Manually-Adjusted – Turf/Carryall 2, 252, 2 XRT, 2 Plus, and 6	4-5
Brake Pedal Assembly – Vehicles with Two-Wheel Brakes	4-7
Brake Pedal Assembly – Vehicles with Four-Wheel Brakes	4-9
Front Brake Assembly – Vehicles with Four-Wheel Brakes	4-11
Front Brake Cables and Equalizer – Vehicles with Four-Wheel Brakes	4-13
Front Brake Cable Clips and Hardware – Vehicles with Front-Wheel Brakes	4-15
Brake Cable, Equalizer, and Equalizer Rod – Vehicles with Two-Wheel Brakes	4-17
Rear Brake Cables & Equalizer – Turf/Ca 2 XRT, 252, 2 and Ca 2 Plus with 4-Wheel Brakes	4-19
Brake Cables and Equalizer – Turf/Carryall 2 Vehicles with Two-Wheel Brakes	4-21
Rear Brake Cables, Equalizer, and Equalizer Rod – Turf/Carryall 6 Vehicles	4-23
Accelerator Pedal – Gasoline Vehicles	4-25
Accelerator Pedal Assembly – Electric Vehicles with MCOR	4-27
Accelerator Rod – Gasoline Turf/Carryall 1	4-29
Accelerator Rod – Gasoline Turf/Carryall 2, 252, 2 XRT, and 2 Plus	4-31
Accelerator Rod – Gasoline Turf/Carryall 6	4-33

SECTION 5 – STEERING, FRONT AND REAR SUSPENSION

Steering Column – All Vehicles Except Turf/Carryall 2 XRT and Turf/Carryall 252	5-3
Steering Column – Turf/Carryall 2 XRT and Turf/Carryall 252 Vehicles	5-5
Steering Wheel – Turf Vehicles	5-7

CONTENTS

Steering Wheel – Carryall Vehicles	5-9
Steering Gear Assembly	5-11
Front Frame Plates – Turf/Carryall 252 and Turf/Carryall 2 XRT	5-13
Front Suspension, Upper – Turf/Carryall 1 and Turf/Carryall 2 with Two-Wheel Brakes	5-15
Front Suspension, Lower – Turf/Carryall 1 and Turf/Carryall 2 with Two-Wheel Brakes	5-17
Front Suspension, Upper – Turf/Carryall 252, Turf/Carryall 2 XRT	5-19
Front Suspension, Lower – Turf/Carryall 252, Turf/Carryall 2 XRT	5-21
Front Suspension, Upper – Carryall 2 Plus and Turf/Carryall 2 with Four-Wheel Brakes	5-23
Front Suspension, Lower – Carryall 2 Plus and Turf/Carryall 2 with Four-Wheel Brakes	5-25
Front Suspension, Upper – Turf/Carryall 6 Vehicles	5-27
Front Suspension, Lower – Turf/Carryall 6 Vehicles	5-29
Front Spindles and Hubs – Vehicles with Two-Wheel Brakes	5-31
Front Spindles and Hubs – Vehicles with Four-Wheel Brakes	5-33
Rear Suspension Components – Turf/Carryall 1 Electric Vehicles	5-35
Steering Gear Assembly	5-37
Rear Suspension Components – Turf/Carryall 1 Gasoline Vehicles	5-39
Rear Suspension – Turf/Carryall 2, Carryall 2 Plus, and 6 Gasoline with Stabilizer Bar	5-41
Rear Suspension Components – Turf/Carryall 252 and 2 XRT	5-43
Rear Suspension Components – Turf/Carryall 2 and 6 PowerDrive Vehicles	5-45
Stabilizer Bar – Turf/Carryall 2, 6, and Carryall 2 Plus Gasoline Vehicles	5-47
Stabilizer Bar – Turf/Carryall 252 and 2 XRT	5-49

SECTION 6 – ELECTRICAL SYSTEM – GASOLINE VEHICLES

Wiring – Gasoline Turf/Carryall 1	6-5
Wiring – Gasoline Carryall 2 Plus	6-9
Wiring – Turf/Carryall 2, Turf/Carryall 252, and Turf/Carryall 2 XRT	6-13
Wiring – Gasoline Carryall 6	6-17
Wiring – Gasoline Turf 6	6-21
Wiring – Gasoline Turf 6 Lighting	6-25
Front Body Electrical Components – Gasoline Turf/Carryall 6	6-27
Headlights	6-29
Electrical Component Box – Gasoline Turf/Carryall 1 Vehicles	6-31
Electrical Component Box – Gasoline Turf/Carryall 2, 252, and 2 XRT	6-33
Electrical Component Box – Gasoline Carryall 2 Plus	6-35
Electrical Component Box – Gasoline Carryall 6	6-37
Electrical Component Box – Gasoline Turf 6	6-39
Controls and Indicators – Turf/Carryall 1, 2, 2 XRT, and 252 Gasoline Vehicles	6-41
Headlight Components – Turf 2, Turf/Carryall 2 XRT, and 252	6-43
Controls and Indicators – Gasoline Carryall 2 Plus	6-45
Controls and Indicators – Gasoline Carryall 6	6-47

CONTENTS

Controls and Indicators – Gasoline Turf 6	6-49
Starter/Generator Assembly Model G425419 – Gasoline Vehicles	6-51
Starter/Generator Mounting – Turf/Carryall 2, 252, 2 XRT, 6, and Carryall 2 Plus Vehicles	6-53
Battery – Gasoline Vehicle	6-55
Electrical Components, Rear Body – Gasoline Turf/Carryall 6	6-57

SECTION 7 – FE290 ENGINE (PEDAL-START VEHICLES)

FE290 Engine – Shrouds and Brackets	7-3
FE290 Engine – Ignition Components and Flywheel	7-5
FE290 Engine – Oil Circulation	7-7
FE290 Engine – Cylinder Head	7-9
FE290 Engine – Crankcase, Camshaft, and Oil Sensor	7-11
FE290 Engine – Crankcase and Crankshaft	7-13
FE290 Engine Mounting – Turf/Carryall 1	7-15

SECTION 8 – FE350 ENGINE WITH ACR (KEY-START VEHICLES)

FE350 Engine with ACR (Automatic Compression Release) – Shrouds and Brackets	8-3
AS11 FE350 Engine – Ignition Components and Flywheel	8-5
FE350 Engine – Oil Circulation	8-7
AS11 FE350 Engine – Cylinder Head	8-9
FE350 Engine with ACR – Crankcase, Camshaft, and Oil Sensor	8-11
AS11 FE350 Engine – Crankcase and Crankshaft	8-13
FE350 Engine Mounting	8-15

SECTION 9 – FE350 ENGINE WITHOUT ACR (PEDAL-START VEHICLES)

AS11 FE350 Engine without ACR (Automatic Compression Release) – Shrouds and Brackets	9-3
AS11 FE350 Engine – Ignition Components and Flywheel	9-5
FE350 Engine – Oil Circulation	9-7
AS11 FE350 Engine – Cylinder Head	9-9
AS11 FE350 Engine without ACR – Crankcase, Camshaft, and Oil Sensor	9-11
AS11 FE350 Engine – Crankcase and Crankshaft	9-13
Engine Mounting – Turf/Carryall 252 and 2 XRT	9-15
FE350 Engine Mounting	9-17

SECTION 10 – FUEL, INTAKE, AND GOVERNOR SYSTEMS

Fuel System – Turf/Carryall 1 and 6	10-3
Fuel System – Turf/Carryall 2, XRT, and Carryall 2 Plus	10-5
Fuel Tank with Fuel Level Sending Unit	10-7

CONTENTS

Carburetor Assembly – FE290	10-9
Carburetor Assembly – FE350	10-11
Carburetor Installation – FE290	10-13
Carburetor Installation – FE350	10-15
Governor and Accelerator Cables	10-17
Air Box and Intake Hose	10-19
Intake System – Turf/Carryall 1	10-21
Intake System – Turf/Carryall 2, 2 XRT, 252, and Carryall 2 Plus	10-23
Intake System – Turf/Carryall 6	10-25

SECTION 11 – EXHAUST SYSTEM

Exhaust System – FE290 Engine	11-3
Exhaust System – FE350 Engine	11-5

SECTION 12 – TORQUE CONVERTER

Drive Clutch – Turf/Carryall 1, 2, 2 XRT, and 252	12-3
Drive Clutch – Carryall 2 Plus, and Turf/Carryall 6	12-5
Drive Belt – FE290	12-7
Drive Belt – FE350	12-9
Driven Clutch – Turf/Carryall 1, 2, 2 XRT, 252, and Turf/Carryall 6	12-11
Driven Clutch – Carryall 2 Plus	12-13

SECTION 13 – UNITIZED TRANSAXLE

Transaxle – Gasoline Vehicles, Gear Cases and Brackets	13-3
Transaxle – Gasoline Vehicles, Transmission and Gear Reduction	13-5
Transaxle – Gasoline Vehicles, Differential and Axles	13-7
Forward/Reverse Shifter Assembly – Gasoline Vehicles	13-9
Forward/Reverse Shifter Cable – Turf/Carryall 1 Vehicles	13-11
Forward/Reverse Shifter Cable – Turf/Carryall 2, and Carryall 2 Plus Vehicles	13-13
Forward/Reverse Shifter Cable – Turf/Carryall 252 and 2 XRT	13-15
Forward/Reverse Shifter Cable – Turf/Carryall 6	13-17

SECTION 14 – ELECTRICAL SYSTEM – ELECTRIC VEHICLES

Wiring – Turf/Carryall 1 PowerDrive	14-5
Wiring – IQ System Electric Turf/Carryall 1	14-9
Wiring – PowerDrive Electric Turf/Carryall 2	14-13
Headlights	14-15
Wiring – PowerDrive Electric Carryall 6	14-19

CONTENTS

Front Body Electrical Components – Carryall 6 PowerDrive Vehicles	14-21
Instrument Panel Components – Turf/Carryall 1 and 2	14-23
Headlight Components – Turf 2	14-25
Instrument Panel Components – Carryall 6 PowerDrive Vehicle	14-27
Motor Controller Output Regulator (MCOR)	14-29
Forward/Reverse Switch – PowerDrive	14-31
Forward/Reverse Switch and Tow/Run Switch – IQ System Turf/Carryall 1	14-33
Battery Charger Receptacle	14-35
Center Body Electrical Components – Carryall 6 PowerDrive	14-37
Center Body Electrical Components, Continued – Carryall 6 PowerDrive	14-39
Batteries – Turf/Carryall 2 PowerDrive Vehicles	14-41
Batteries – Turf/Carryall 1 with 6 8-Volt Batteries	14-43
OBC, Controller, and Solenoid – Electric Vehicle	14-45
Computer, Controller, and Solenoid, Turf/Carryall 1 IQ System Vehicles	14-47
Computer, Controller, and Solenoid – Turf/Carryall 2 PowerDrive Vehicles	14-49
Hour Meter – Turf 1 Vehicles	14-51
Hour Meter – Turf 2 Vehicles	14-53
Electrical Components, Rear Body – Carryall 6 PowerDrive	14-55
Rear Reverse Buzzer – Carryall 6	14-57

SECTION 15 – ELECTRIC MOTOR

Motor (Model 5BC59JBS6360) – PowerDrive	15-3
Motor (Model 5BC59JBS6365) – Electric Vehicle	15-5
Motor (Model 5BC59JBS6390) – Electric Vehicle	15-7
Motor (Model EJ4-4001) – Electric Vehicle	15-9
Motor (Model EJ8-4001A) – Electric Vehicle	15-11

SECTION 16 – TRANSAXLE – ELECTRIC VEHICLES

Transaxle – Electric Vehicles	16-3
Transaxle – Electric Vehicles	16-5

SECTION 17 – BATTERY CHARGER

PowerDrive 3 Battery Charger, Domestic	17-3
PowerDrive Battery Charger (Model 17930), Domestic	17-5
PowerDrive Battery Charger (Model 18780), Export	17-7
PowerDrive Battery Charger (Model 20310), European	17-9
Onboard PowerDrive Battery Charger (Model 17935), Domestic	17-11
Onboard PowerDrive Battery Charger (Model 17790), Export	17-13

CONTENTS

SECTION 18 – MAINTENANCE AND SERVICE TOOLS

Maintenance and Service Tools	18-3
Maintenance and Service Tools, Continued	18-5
Maintenance and Service Tools, Continued	18-7
Maintenance and Service Tools, Continued	18-9
Maintenance and Service Tools, Continued	18-11

SECTION i – INDEX

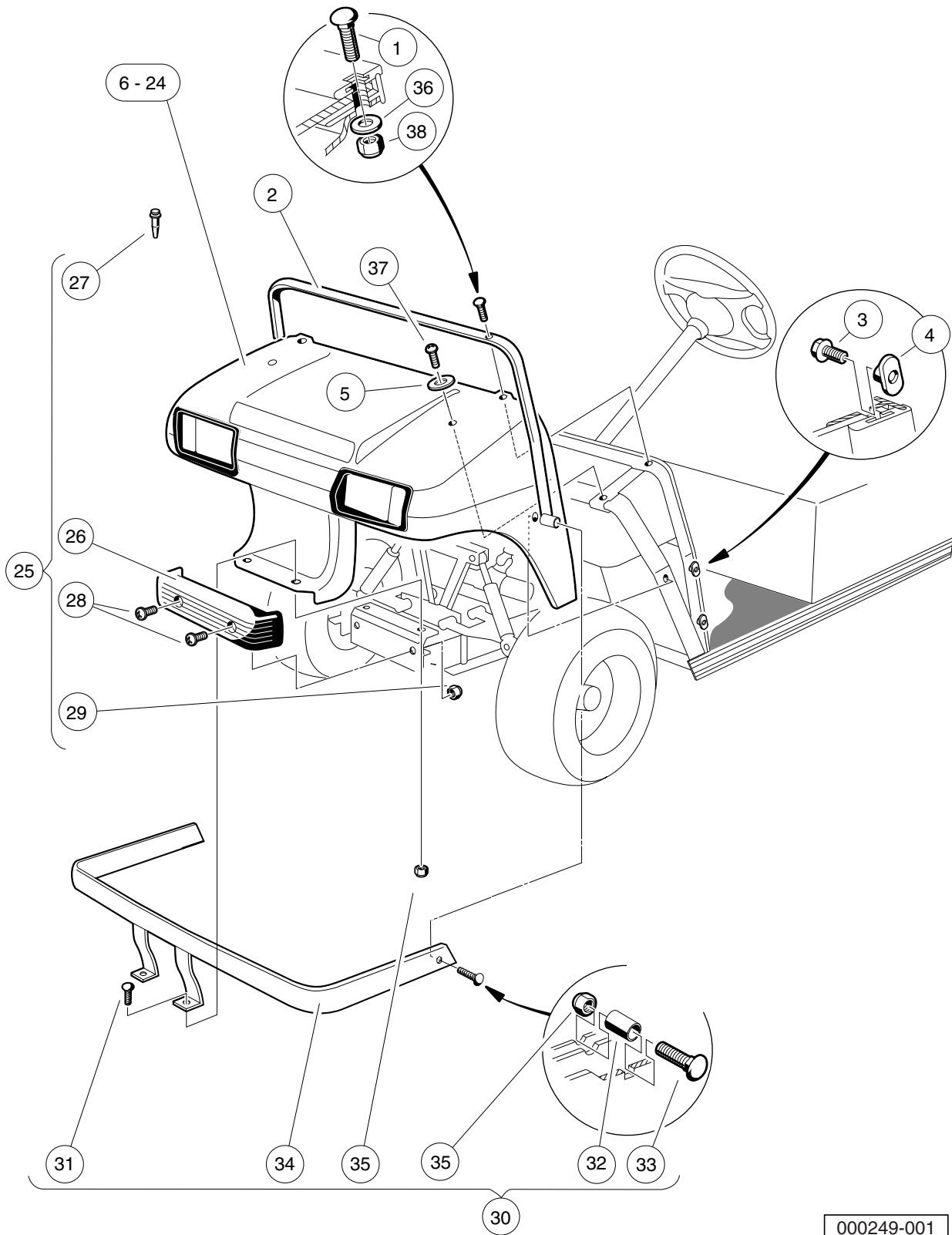
BODY AND TRIM

1

G

E

1
G
E



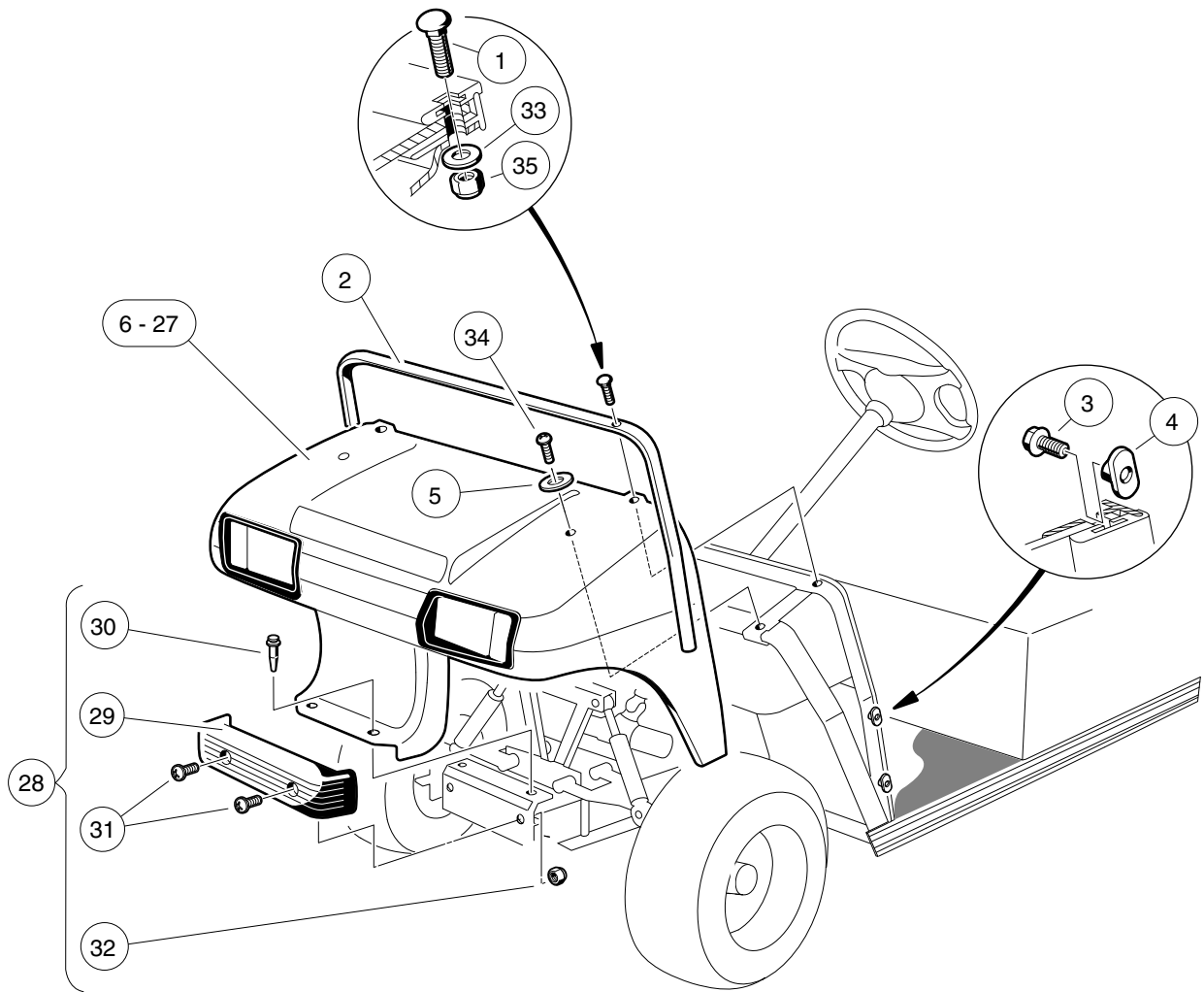
000249-001

FRONT BODY AND TRIM – TURF 1

ITEM	PART NO.	DESCRIPTION	QTY
		1 2 3 4	
1	<u>1010435</u>	Bolt, Carriage, 5/16-18 X 1.00	2
2	<u>1011014</u>	Trim, Cowl	1
3	<u>1011017</u>	Screw, #8-32 X 0.375	6
4	1011394	T-Nut Package (Set of 4)	1
5	1015075	Washer, 5/16 Flat Type A	2
6	<u>101692501</u>	Cowl, TPO, Beige	1
7	<u>101692502</u>	Cowl, TPO, White	1
8	<u>101692506</u>	Cowl, TPO, Red	1
9	<u>101692509</u>	Cowl, TPO, Pacific Blue (Royal Blue)	1
10	<u>101692510</u>	Cowl, TPO, Dark Green	1
11	<u>101692511</u>	Cowl, TPO, Black	1
12	<u>101692512</u>	Cowl, TPO, Classic Blue (Navy)	1
13	<u>101692513</u>	Cowl, TPO, Burgundy	1
14	<u>101692514</u>	Cowl, TPO, Dark Gray	1
15	<u>101692515</u>	Cowl, TPO, Safety Yellow	1
16	<u>101693901</u>	Cowl with Headlight Opening, TPO, Beige	1
17	<u>101693902</u>	Cowl with Headlight Opening, TPO, White	1
18	<u>101693906</u>	Cowl with Headlight Opening, TPO, Red	1
19	<u>101693909</u>	Cowl with Headlight Opening, TPO, Dark Green	1
20	<u>101693910</u>	Cowl with Headlight Opening, TPO, Black	1
21	<u>101693911</u>	Cowl with Headlight Opening, TPO, Classic Blue (Navy)	1
22	<u>101693912</u>	Cowl with Headlight Opening, TPO, Burgundy	1
23	<u>101693913</u>	Cowl with Headlight Opening, TPO, Dark Gray	1
24	<u>101693914</u>	Cowl with Headlight Opening, TPO, Safety Yellow	1
25	<u>1017080</u>	Kit, Front Bumper (includes items 26 through 29)	1
26	<u>1016868</u>	Front Bumper	1
27	<u>1016967</u>	Blind Rivet, Push Type	2
28	<u>7251</u>	Screw, 5/16-18 x 1.0 Truss-Head	2
29	<u>7473</u>	Locknut, 5/16-18 Nylon Insert	2
30	<u>101734802</u>	Kit, Heavy-Duty Bumper (includes items 31 through 35)	1
31	<u>1010435</u>	Bolt, Carriage, 5/16-18 X 1.00	2
32	<u>1010546</u>	Spacer	2
33	<u>1015405</u>	Bolt, Carriage, 5/16-18 X 2.0	2
34	N/A	Weldment, Heavy Duty Bumper	1
35	<u>7473</u>	Locknut, 5/16-18 Nylon Insert	4
36	<u>1241</u>	Washer, 5/16 Type A Flat	2
37	<u>7251</u>	Screw, 5/16-18 x 1.0 Truss-Head	2
38	<u>7473</u>	Locknut, 5/16-18 Nylon Insert	2

1
G
E

1
G
E



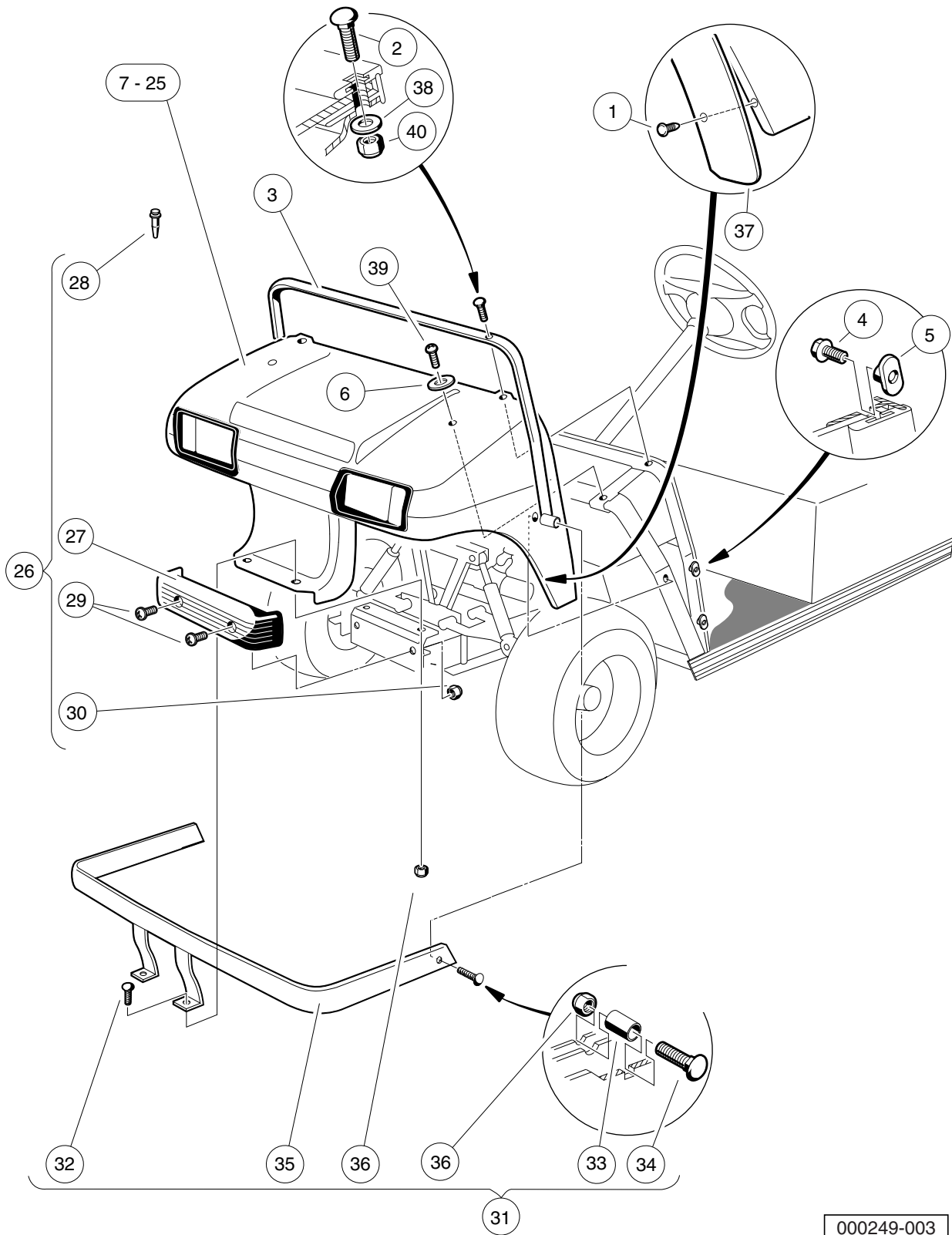
000249-002

FRONT BODY AND TRIM – CARRYALL 1

ITEM	PART NO.	DESCRIPTION	QTY
		1 2 3 4	
1	<u>1010435</u>	Bolt, Carriage, 5/16-18 X 1.00	2
2	<u>1011014</u>	Trim, Cowl	1
3	<u>1011017</u>	Screw, #8-32 X 0.375	6
4	1011394	T-Nut Package (Set of 4)	1
5	1015075	Washer, 5/16 Flat Type A	2
6	<u>101692501</u>	Cowl, TPO, Beige	1
7	<u>101692502</u>	Cowl, TPO, White	1
8	<u>101692504</u>	Cowl, Tpo -gray	1
9	<u>101692506</u>	Cowl, TPO, Red	1
10	<u>101692509</u>	Cowl, TPO, Pacific Blue (Royal Blue)	1
11	<u>101692510</u>	Cowl, TPO, Dark Green	1
12	<u>101692511</u>	Cowl, TPO, Black	1
13	<u>101692512</u>	Cowl, TPO, Classic Blue (Navy)	1
14	<u>101692513</u>	Cowl, TPO, Burgundy	1
15	<u>101692514</u>	Cowl, TPO, Dark Gray	1
16	<u>101692515</u>	Cowl, TPO, Safety Yellow	1
17	<u>101693901</u>	Cowl with Headlight Opening, TPO, Beige	1
18	<u>101693902</u>	Cowl with Headlight Opening, TPO, White	1
19	<u>101693904</u>	Cowl with Headlight Opening, TPO, Gray	1
20	<u>101693906</u>	Cowl with Headlight Opening, TPO, Red	1
21	<u>101693908</u>	Cowl with Headlight Opening, TPO, Pacific Blue (Royal Blue)	1
22	<u>101693909</u>	Cowl with Headlight Opening, TPO, Dark Green	1
23	<u>101693910</u>	Cowl with Headlight Opening, TPO, Black	1
24	<u>101693911</u>	Cowl with Headlight Opening, TPO, Classic Blue (Navy)	1
25	<u>101693912</u>	Cowl with Headlight Opening, TPO, Burgundy	1
26	<u>101693913</u>	Cowl with Headlight Opening, TPO, Dark Gray	1
27	<u>101693914</u>	Cowl with Headlight Opening, TPO, Safety Yellow	1
28	<u>1017080</u>	Kit, Front Bumper (includes items 29 through 32)	1
29	<u>1016868</u>	Front Bumper	1
30	<u>1016967</u>	Blind Rivet, Push Type	2
31	<u>7251</u>	Screw, 5/16-18 x 1.0 Truss-Head	2
32	<u>7473</u>	Locknut, 5/16-18 Nylon Insert	2
33	<u>1241</u>	Washer, 5/16 Type A Flat	2
34	<u>7251</u>	Screw, 5/16-18 x 1.0 Truss-Head	2
35	<u>7473</u>	Locknut, 5/16-18 Nylon Insert	2

1
G
E

1
G
E



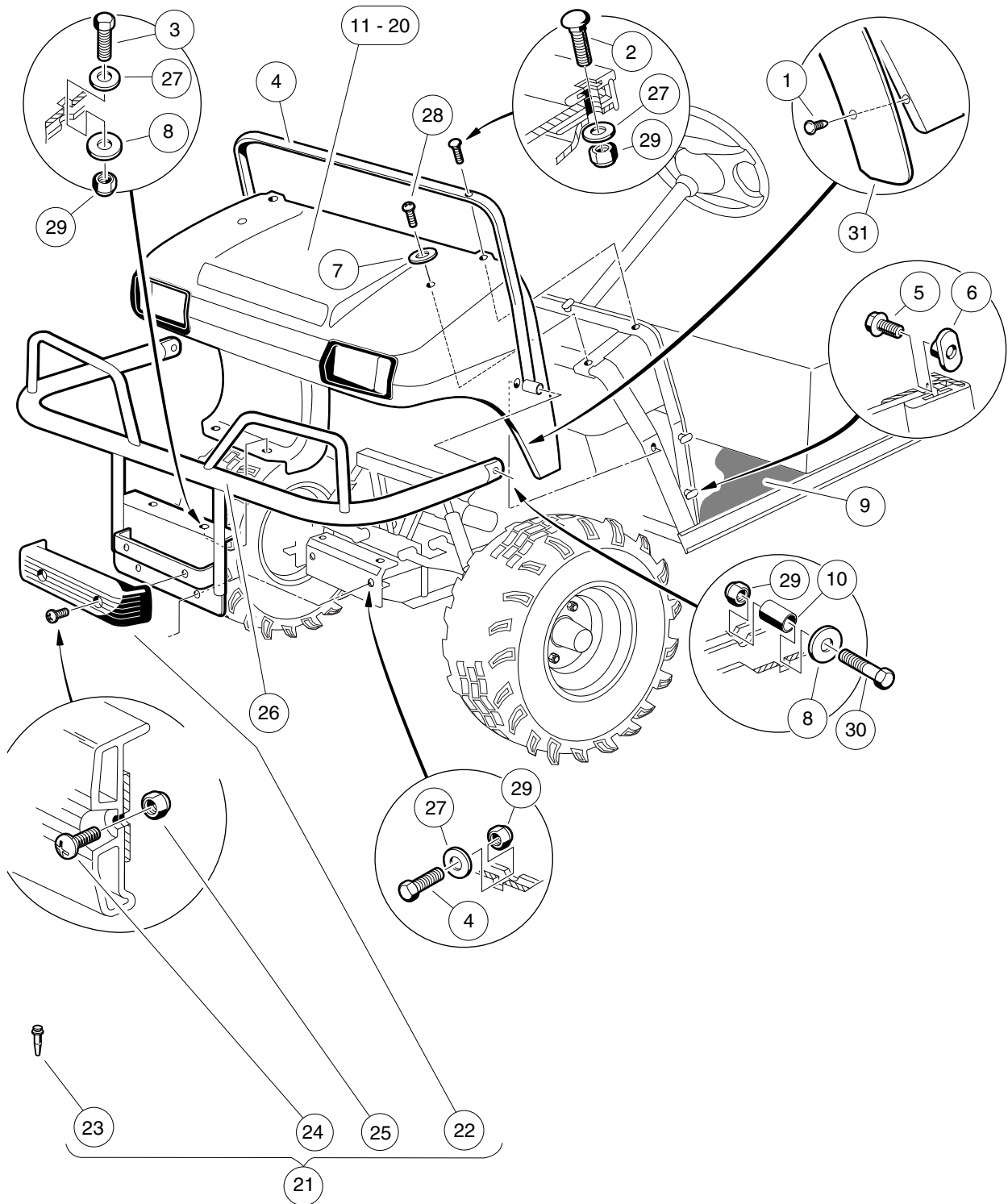
000249-003

FRONT BODY AND TRIM – TURF/CARRYALL 2, CARRYALL 2 PLUS, AND CARRYALL 6

ITEM	PART NO.	DESCRIPTION	QTY
		1 2 3 4	
1	<u>1010434</u>	Barrel - Plastic	12
2	<u>1010435</u>	Bolt, Carriage, 5/16-18 X 1.00	2
3	<u>1011014</u>	Trim, Cowl	1
4	<u>1011017</u>	Screw, #8-32 X 0.375	6
5	<u>1011394</u>	T-Nut Package (Set of 4)	1
6	<u>1015075</u>	Washer, 5/16 Flat Type A	2
7	<u>101692501</u>	Cowl, TPO, Beige	1
8	<u>101692502</u>	Cowl, TPO, White	1
9	<u>101692506</u>	Cowl, TPO, Red	1
10	<u>101692509</u>	Cowl, TPO, Pacific Blue (Royal Blue)	1
11	<u>101692510</u>	Cowl, TPO, Dark Green	1
12	<u>101692511</u>	Cowl, TPO, Black	1
13	<u>101692512</u>	Cowl, TPO, Classic Blue (Navy)	1
14	<u>101692513</u>	Cowl, TPO, Burgundy	1
15	<u>101692514</u>	Cowl, TPO, Dark Gray	1
16	<u>101692515</u>	Cowl, TPO, Safety Yellow	1
17	<u>101693901</u>	Cowl with Headlight Opening, TPO, Beige	1
18	<u>101693902</u>	Cowl with Headlight Opening, TPO, White	1
19	<u>101693906</u>	Cowl with Headlight Opening, TPO, Red	1
20	<u>101693909</u>	Cowl with Headlight Opening, TPO, Dark Green	1
21	<u>101693910</u>	Cowl with Headlight Opening, TPO, Black	1
22	<u>101693911</u>	Cowl with Headlight Opening, TPO, Classic Blue (Navy)	1
23	<u>101693912</u>	Cowl with Headlight Opening, TPO, Burgundy	1
24	<u>101693913</u>	Cowl with Headlight Opening, TPO, Dark Gray	1
25	<u>101693914</u>	Cowl with Headlight Opening, TPO, Safety Yellow	1
26	<u>1017080</u>	Kit, Front Bumper (includes items 27 through 30)	1
27	<u>1016868</u>	Front Bumper	1
28	<u>1016967</u>	Blind Rivet, Push Type	2
29	<u>7251</u>	Screw, 5/16-18 x 1.0 Truss-Head	2
30	<u>7473</u>	Locknut, 5/16-18 Nylon Insert	2
31	<u>101734802</u>	Kit, Heavy-Duty Bumper (includes items 32 through 36)	1
32	<u>1010435</u>	Bolt, Carriage, 5/16-18 X 1.00	2
33	<u>1010546</u>	Spacer	2
34	<u>1015405</u>	Bolt, Carriage, 5/16-18 X 2.0	2
35	N/A	Weldment, Heavy Duty Bumper	1
36	<u>7473</u>	Locknut, 5/16-18 Nylon Insert	4
37	<u>101870401</u>	Fender Extrusion	2
38	<u>1241</u>	Washer, 5/16 Type A Flat	2
39	<u>7251</u>	Screw, 5/16-18 x 1.0 Truss-Head	2
40	<u>7473</u>	Locknut, 5/16-18 Nylon Insert	2

1
G
E

1
G
E



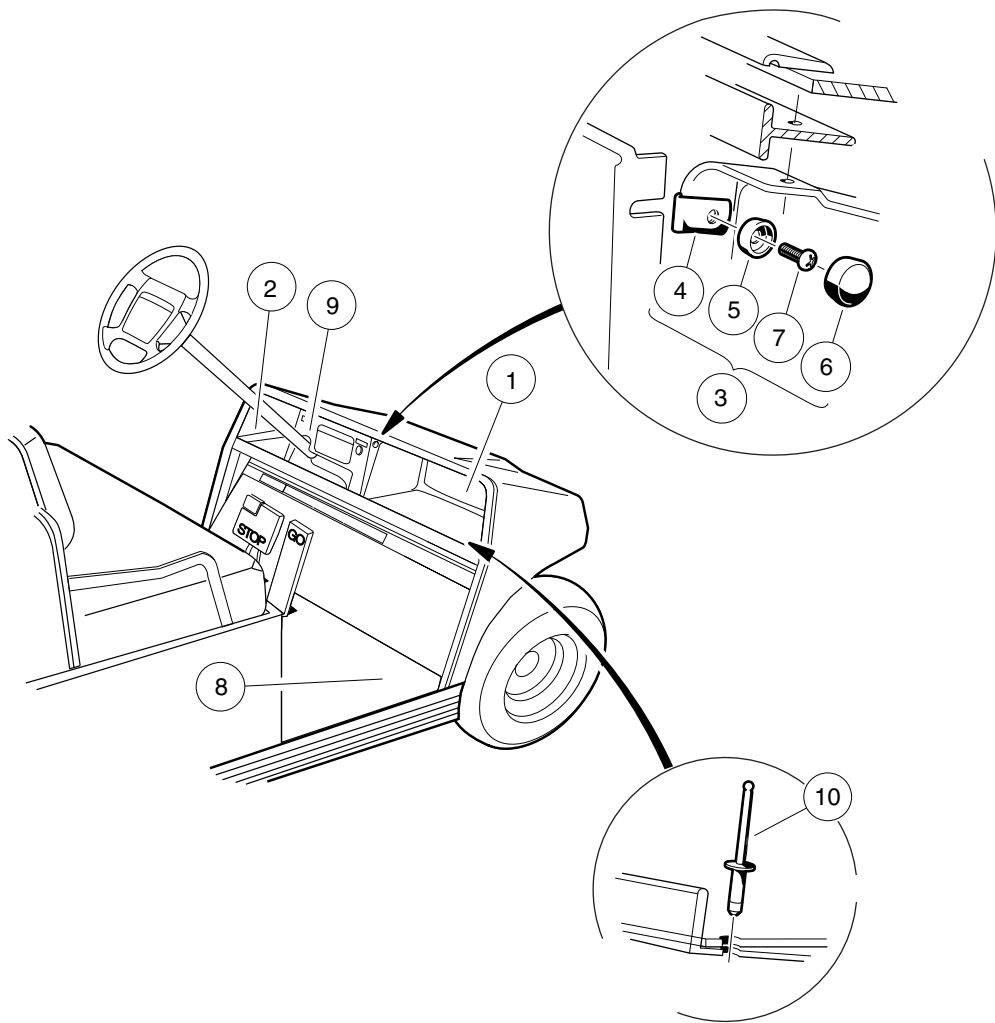
000249-004

FRONT BODY AND TRIM – TURF/CARRYALL 252, TURF/ CARRYALL 2 XRT

ITEM	PART NO.	DESCRIPTION	QTY
		1 2 3 4	
1	<u>1010434</u>	Barrel - Plastic	12
2	<u>1010435</u>	Bolt, Carriage, 5/16-18 X 1.00	2
3	<u>1010934</u>	Screw, 5/16-18 X 1.00 Hex Cap	4
4	<u>1011014</u>	Trim, Cowl	1
5	<u>1011017</u>	Screw, #8-32 X 0.375	6
6	<u>1011394</u>	T-Nut Package (Set of 4)	1
7	<u>1011578</u>	Washer, 5/16 Type B Flat	4
8	<u>101503202</u>	Floormat	1
9	<u>1015075</u>	Washer, 5/16 Flat Type A	2
10	<u>1015608</u>	Tube Spacer, Hydraulic Cylinder	2
11	<u>101693901</u>	Cowl with Headlight Opening, TPO, Beige	1
12	<u>101693902</u>	Cowl with Headlight Opening, TPO, White	1
13	<u>101693906</u>	Cowl with Headlight Opening, TPO, Red	1
14	<u>101693908</u>	Cowl with Headlight Opening, TPO, Pacific Blue (Royal Blue)	1
15	<u>101693909</u>	Cowl with Headlight Opening, TPO, Dark Green	1
16	<u>101693910</u>	Cowl with Headlight Opening, TPO, Black	1
17	<u>101693911</u>	Cowl with Headlight Opening, TPO, Classic Blue (Navy)	1
18	<u>101693912</u>	Cowl with Headlight Opening, TPO, Burgundy	1
19	<u>101693913</u>	Cowl with Headlight Opening, TPO, Dark Gray	1
20	<u>101693914</u>	Cowl with Headlight Opening, TPO, Safety Yellow	1
21	<u>1017080</u>	Kit, Front Bumper (includes items 22 through 25)	1
22	<u>1016868</u>	Front Bumper	1
23	<u>1016967</u>	Blind Rivet, Push Type	2
24	<u>7251</u>	Screw, 5/16-18 x 1.0 Truss-Head	2
25	<u>7473</u>	Locknut, 5/16-18 Nylon Insert	2
26	<u>102004301</u>	Brush Guard	1
27	<u>1241</u>	Washer, 5/16 Type A Flat	6
28	<u>7251</u>	Screw, 5/16-18 x 1.0 Truss-Head	2
29	<u>7473</u>	Locknut, 5/16-18 Nylon Insert	8
30	<u>8935</u>	Screw, 5/16-18 X 2.25 Hex-Head Cap	2
31	<u>AM10808</u>	Front Fender Extrusion - Lynx	2

1
G
E

1
G
E



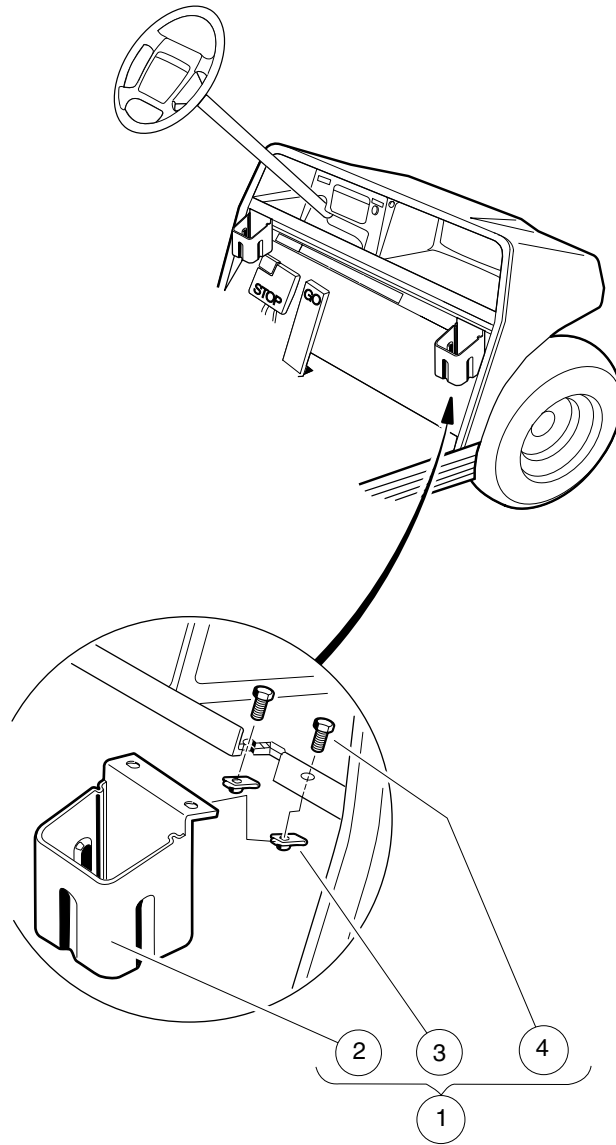
000252-001

DASH COMPONENTS

ITEM	PART NO.	DESCRIPTION	QTY
		1 2 3 4	
1	<u>1013343</u>	Dash Component, Passenger-Side, Black	1
2	1013344	Dash Component, Driver-Side	1
3	<u>1014645</u>	Snap Washer Kit, Black (includes items 4 through 7)	2
4	<u>1011019</u>	Nut, Speed	1
5	1011382	Washer, #10 Pan-Head Screw	1
6	<u>1013494</u>	Cover, Screw Head	1
7	1620	Screw, #10-16 X 0.75 Pan-Head Tap	1
8	<u>101503202</u>	Floormat	1
9	101660404	Dash Panel, Black Center	1
10	<u>7973</u>	Rivet, 3/16 X .400 Blind	5

1
G
E

1
G
E

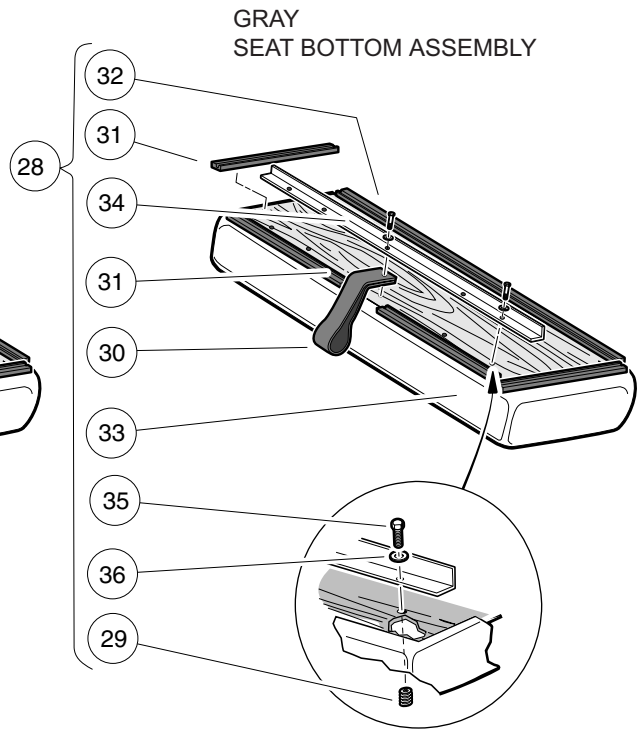
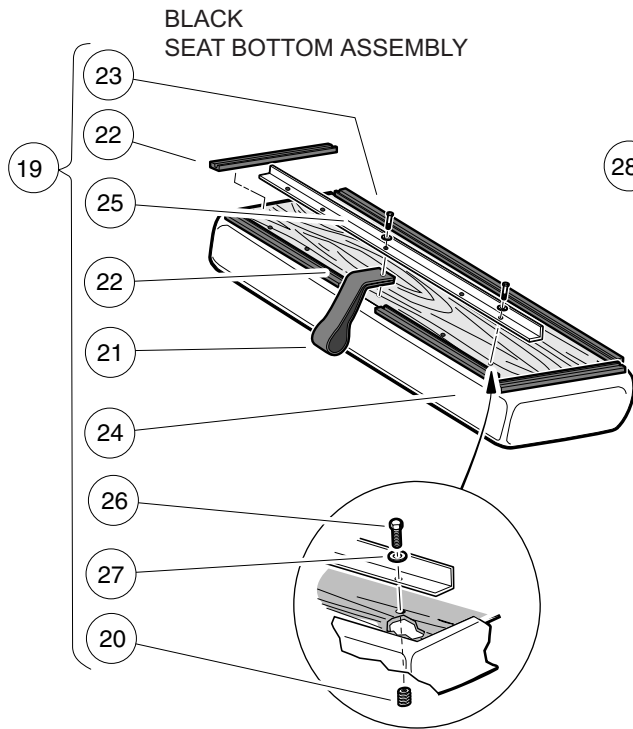
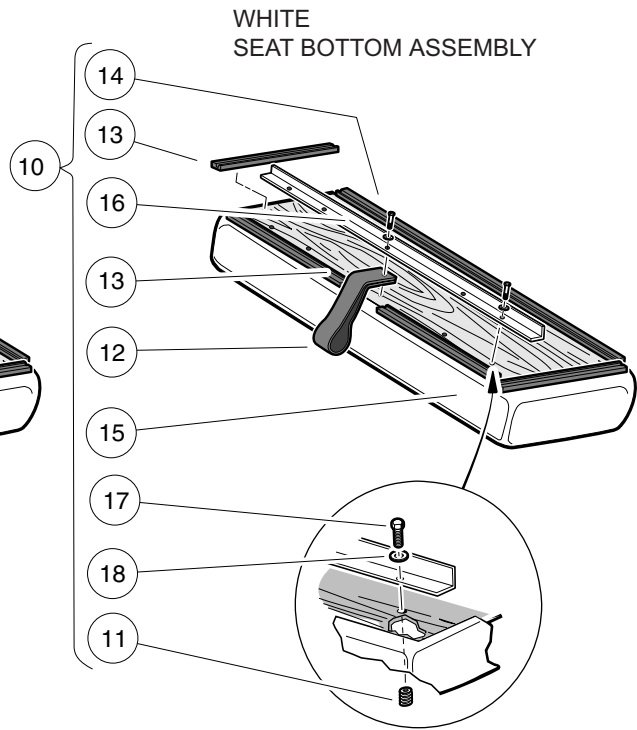
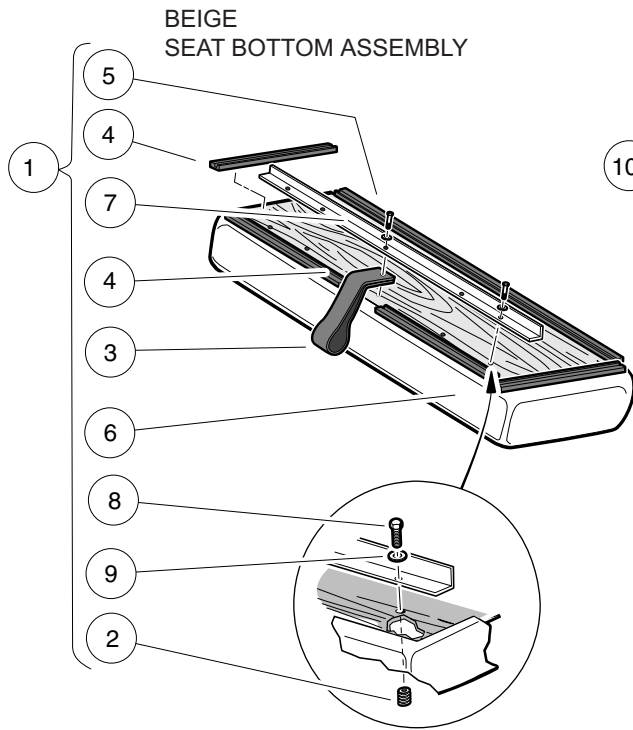


000253-001

BEVERAGE HOLDER

ITEM	PART NO.	DESCRIPTION	QTY
		1 2 3 4	
1	1013422	Cup Holder Kit (includes items 2 through 4)	2
2	1013420	Holder, Single Cup	1
3	1016952	U-Nut, 1/4-20	2
4	<u>7847</u>	Screw, 1/4-20 X 0.75 Hex-Head Cap	2

1
G
E



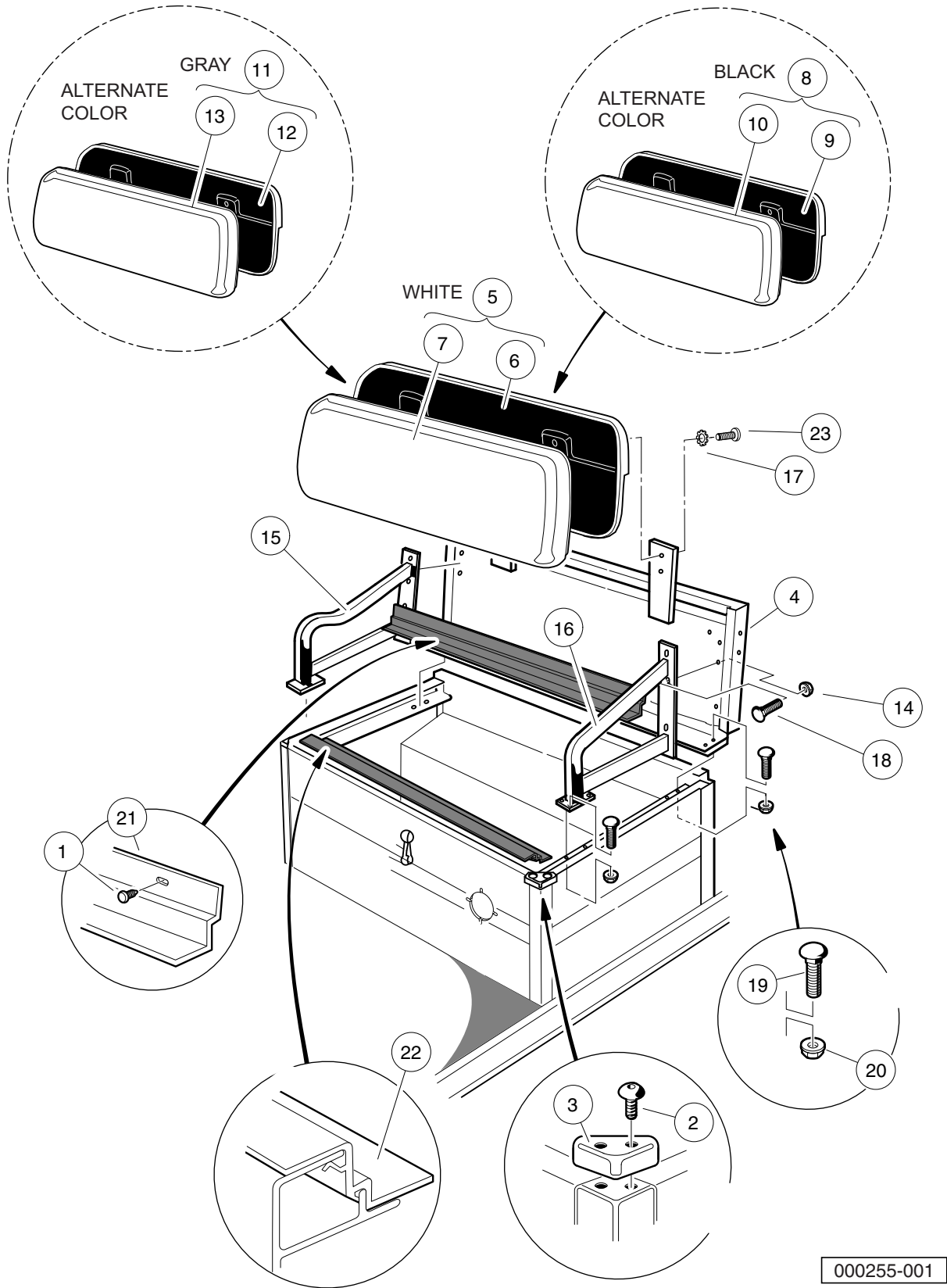
000254-001

SEAT BOTTOM

ITEM	PART NO.	DESCRIPTION	QTY
		1 2 3 4	
1	<u>101564501</u>	Seat Bottom Assembly, Beige (includes items 2 through 9)	1
2	1010543	Insert - Wood	5
3	<u>1013309</u>	Strap, Utility Seat	1
4	<u>1013311</u>	Bumper, Seat, Short	4
5	<u>1013312</u>	Bumper, Seat, Long	1
6	<u>101562711</u>	Vinyl Cover, Seat Bottom, Buff	1
7	<u>101894303</u>	Stiffener	1
8	<u>101954301</u>	Screw, 1/4-20 X 0.75 Hex-Head Cap	5
9	<u>332</u>	Washer, 1/4 Type A Narrow Flat	5
10	<u>101564502</u>	Seat Bottom Assembly, White (includes items 11 through 18)	1
11	1010543	Insert - Wood	5
12	<u>1013309</u>	Strap, Utility Seat	1
13	<u>1013311</u>	Bumper, Seat, Short	4
14	<u>1013312</u>	Bumper, Seat, Long	1
15	<u>101562712</u>	Vinyl Cover, Seat Bottom, White	1
16	<u>101894303</u>	Stiffener	1
17	<u>101954301</u>	Screw, 1/4-20 X 0.75 Hex-Head Cap	5
18	<u>332</u>	Washer, 1/4 Type A Narrow Flat	5
19	<u>101564503</u>	Seat Bottom Assembly, Black (includes items 20 through 27)	1
20	1010543	Insert - Wood	5
21	<u>1013309</u>	Strap, Utility Seat	1
22	<u>1013311</u>	Bumper, Seat, Short	4
23	<u>1013312</u>	Bumper, Seat, Long	1
24	<u>101562714</u>	Vinyl Cover, Seat Bottom, Black	1
25	<u>101894303</u>	Stiffener	1
26	<u>101954301</u>	Screw, 1/4-20 X 0.75 Hex-Head Cap	5
27	<u>332</u>	Washer, 1/4 Type A Narrow Flat	5
28	<u>101564505</u>	Seat Bottom Assembly, Gray (includes items 29 through 36)	1
29	1010543	Insert - Wood	5
30	<u>1013309</u>	Strap, Utility Seat	1
31	<u>1013311</u>	Bumper, Seat, Short	4
32	<u>1013312</u>	Bumper, Seat, Long	1
33	<u>101562715</u>	Vinyl Cover, Seat Bottom, Gray	2
34	<u>101894303</u>	Stiffener	1
35	<u>101954301</u>	Screw, 1/4-20 X 0.75 Hex-Head Cap	5
36	<u>332</u>	Washer, 1/4 Type A Narrow Flat	5

1
G
E

1
G
E



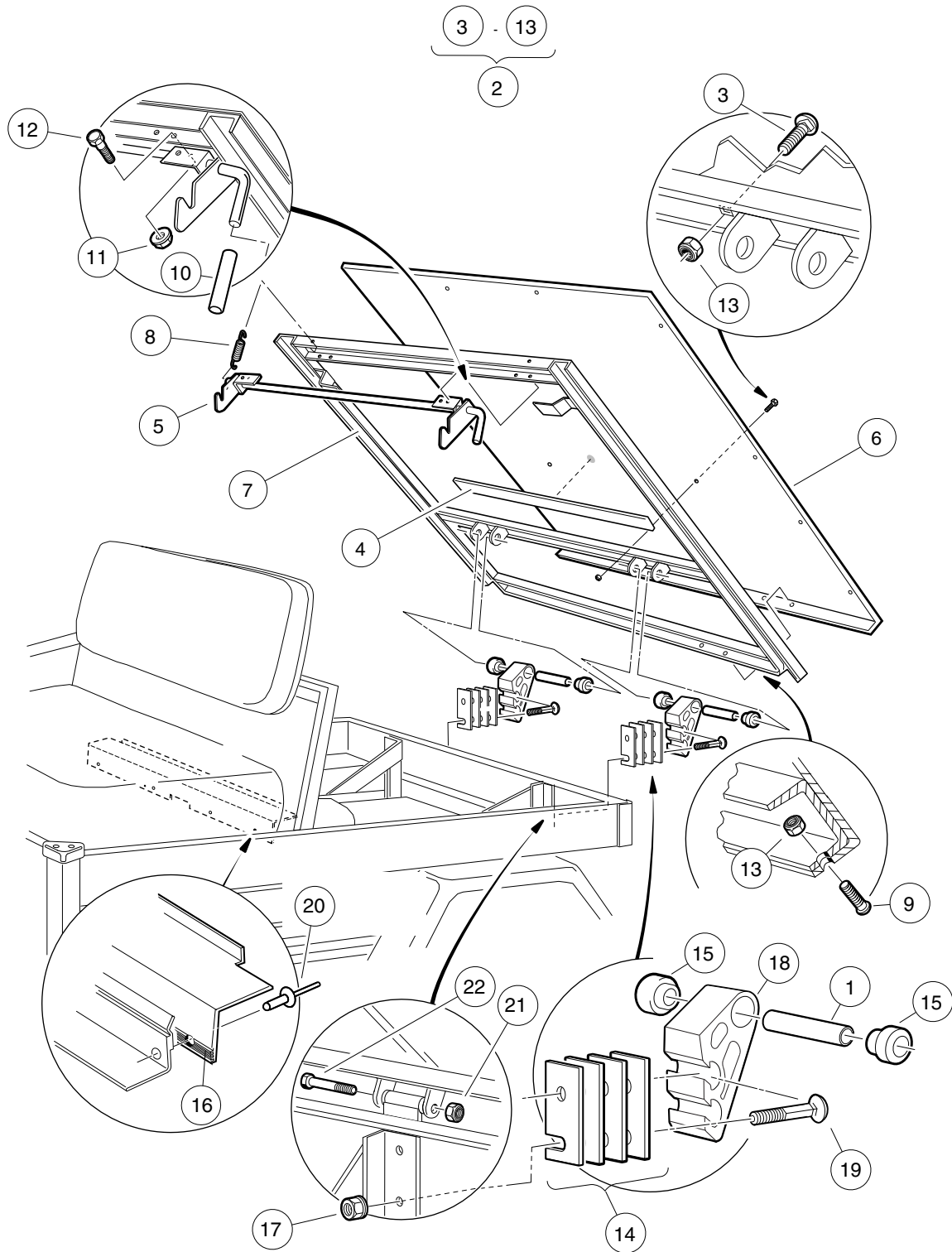
000255-001

SEAT BACK AND SUPPORT STRUCTURE

ITEM	PART NO.	DESCRIPTION	QTY
		1 2 3 4	
1	<u>1010434</u>	Barrel - Plastic	5
2	<u>1014321</u>	Screw, #10 Truss-Head Torx	4
3	<u>1014387</u>	Cap, Corner	2
4	1016723	Seat Support Panel Assembly	1
5	<u>101677701</u>	Seat Back Assembly, White (includes items 6 and 7)	1
6	1016751	Cap, Seat Back	1
7	<u>101675512</u>	Vinyl Seat Back, White	1
8	<u>101677702</u>	Seat Back Assembly, Black (includes items 9 and 10)	1
9	1016751	Cap, Seat Back	1
10	<u>101675514</u>	Vinyl Seat Back, Black	1
11	<u>101677705</u>	Seat Back Assembly, Gray (includes items 12 and 13)	1
12	1016751	Cap, Seat Back	1
13	<u>101675515</u>	Vinyl Seat Back-nstd Svc	1
14	<u>101835601</u>	Locknut, 1/4-20 Hex Whiz	10
15	<u>101888501</u>	Armrest Weldment, Passenger-Side	1
16	101888502	Armrest Weldment, Driver-Side	1
17	<u>101946201</u>	Washer, Lock, 0.250 External-Tooth	4
18	<u>101958601</u>	Carriage Bolt, 1/4-20 X 0.75	10
19	<u>101963301</u>	Bolt, 5/16-18 X 0.75 Round-Head	4
20	<u>101963401</u>	Locknut, 5/16-18 Hex Flange	4
21	<u>101963901</u>	Trim, Seat Bottom Rear	1
22	<u>101964001</u>	Trim, Seat Bottom Front	1
23	<u>8251</u>	Screw, 1/4-20 X 1.0 Truss-Head Machine	4
<p>Note: Sub-components contained in items 8 and 11 are the same as those shown for item 5, except for the vinyl seat covers.</p>			

1
G
E

1
G
E



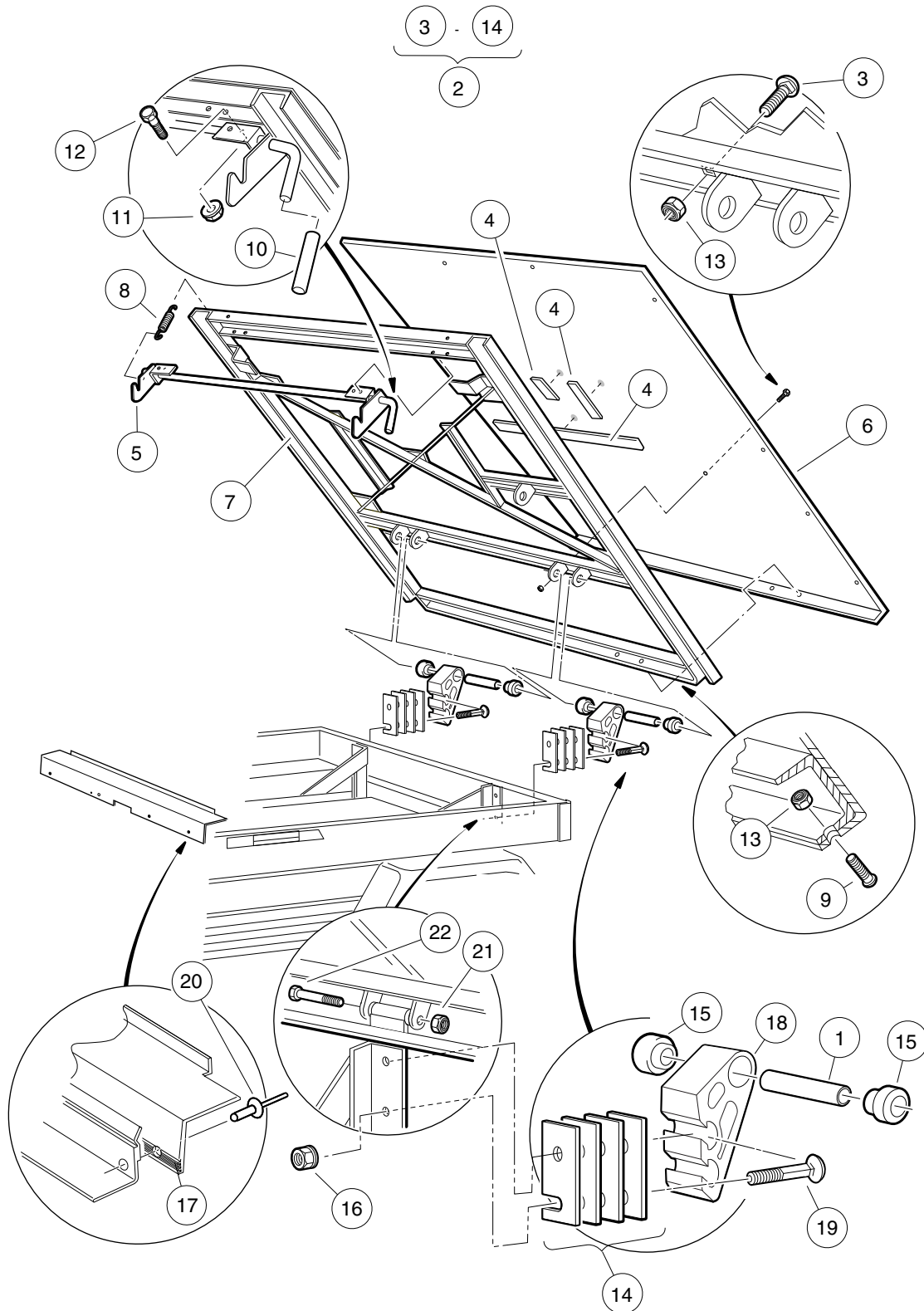
000256-002

TILT BED, HINGE, AND LATCH – TURF/CARRYALL 1

ITEM	PART NO.	DESCRIPTION	QTY
		1 2 3 4	
1	<u>1012303</u>	Bushing, Steel	2
2	1015427	Tilt Bed, Carryall 1 (includes items 3 through 13)	1
3	<u>1010435</u>	Bolt, Carriage, 5/16-18 X 1.00	2
4	<u>1014471</u>	Tape, Vinyl Foam 1/8" x 3/4" *	1
5	1015252	Latch Weld Assembly	1
6	N/A	Plate, Floor, Carryall 1 Flat bed	1
7	N/A	Frame Assembly, Tilt Bed	1
8	N/A	Extension, Spring Latch	2
9	1015399	Screw, 5/16-18 X 0.88 Torx Truss-Head	4
10	<u>1015400</u>	Grip, Tilt Latch Hand	1
11	<u>101835601</u>	Locknut, 1/4-20 Hex Whiz	4
12	<u>403</u>	Screw, 1/4-20 X 0.625 Hex-Head Cap	4
13	<u>7473</u>	Locknut, 5/16-18 Nylon Insert	6
14	<u>1015507</u>	Shim, Tilt Bed Pivot	1
15	<u>1015583</u>	Bushing, Urethane	4
16	<u>1017976</u>	Bed Seal	1
17	<u>102065901</u>	Locknut, 3/8-16 Flanged Dimple	4
18	<u>103538701</u>	Extra, Bracket, Hinge, Bed	2
19	<u>103538901</u>	3/8-16 X 3.5 Carr Blt Gr5 Zn	4
20	7532	Rivet, 3/16 X 0.3125, Pop	4
21	<u>8754</u>	Locknut, 3/8-16 Hex	2
22	<u>8755</u>	Screw, 3/8-16 X 3.375 Hex Cap	2
		* Note: Item not shown.	

1
G
E

1
G
E



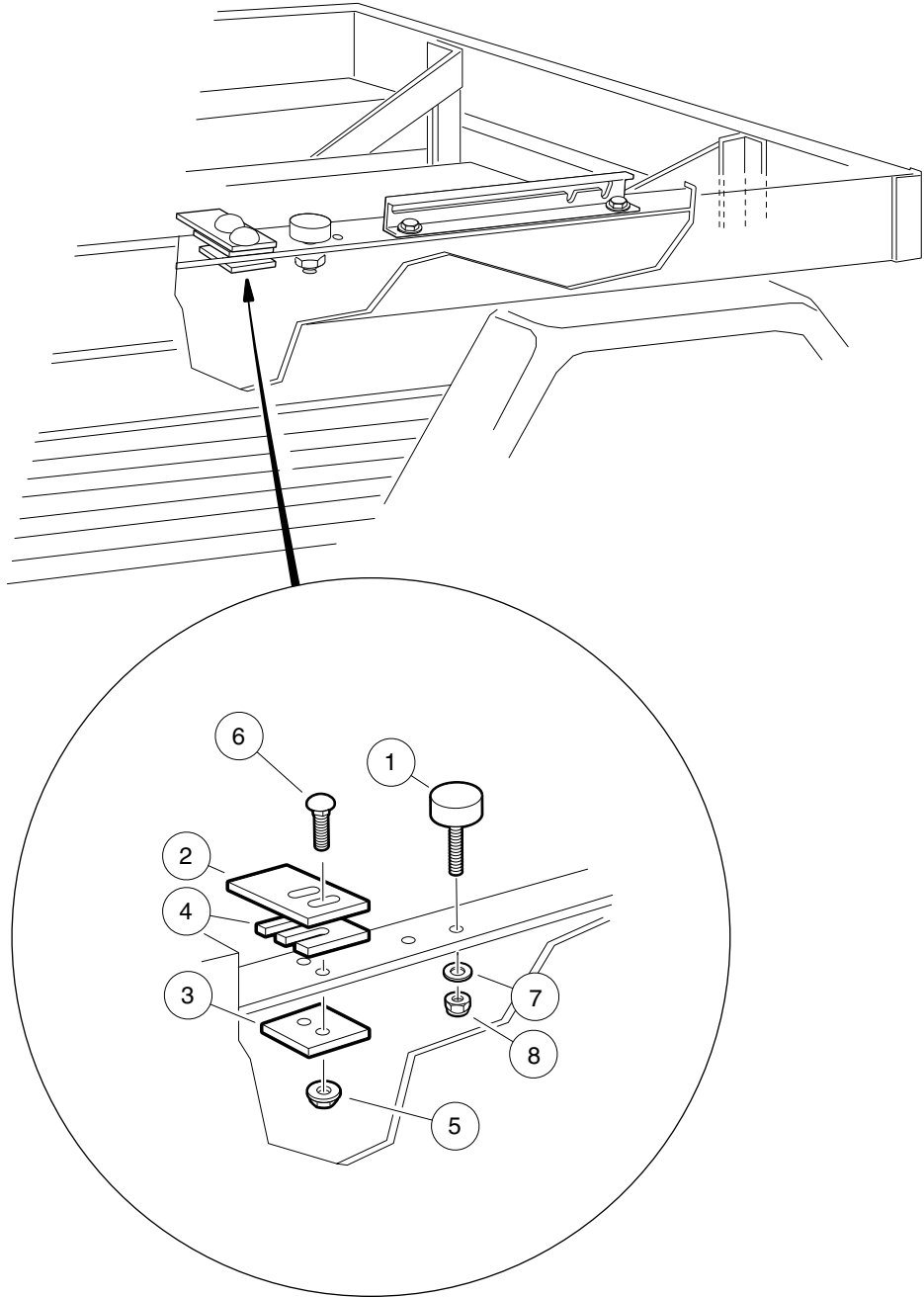
000257-003

TILT BED, HINGE, AND LATCH – TURF/CARRYALL 2, 252, 2 XRT, AND CARRYALL 2 PLUS

ITEM	PART NO.	DESCRIPTION	QTY
		1 2 3 4	
1	<u>1012303</u>	Bushing, Steel	2
2	<u>101542901</u>	Assembly, Tilt Bed (includes items 3 through 13)	1
3	<u>1010435</u>	Bolt, Carriage, 5/16-18 X 1.00	4
4	<u>1014471</u>	Tape, Vinyl Foam 1/8" x 3/4" *	1
5	<u>1015252</u>	Latch Weld Assembly	1
6	<u>1015258</u>	Plate, Floor Bed	1
7	N/A	Frame Assembly	1
8	N/A	Extension, Spring Latch	2
9	<u>1015399</u>	Screw, 5/16-18 X 0.88 Torx Truss-Head	4
10	<u>1015400</u>	Grip, Tilt Latch Hand	1
11	<u>101835601</u>	Locknut, 1/4-20 Hex Whiz	4
12	<u>403</u>	Screw, 1/4-20 X 0.625 Hex-Head Cap	4
13	<u>7473</u>	Locknut, 5/16-18 Nylon Insert	8
14	<u>1015507</u>	Shim, Tilt Bed Pivot	1
15	<u>1015583</u>	Bushing, Urethane	4
16	<u>1017976</u>	Bed Seal	1
17	<u>102065901</u>	Locknut, 3/8-16 Flanged Dimple	4
18	<u>103538701</u>	Extra, Bracket, Hinge, Bed	2
19	<u>103538901</u>	3/8-16 X 3.5 Carr Blt Gr5 Zn	4
20	<u>7532</u>	Rivet, 3/16 X 0.3125, Pop	1
21	<u>8754</u>	Locknut, 3/8-16 Hex	2
22	<u>8755</u>	Screw, 3/8-16 X 3.375 Hex Cap	2
		* Note: Item not shown.	

1
G
E

1
G
E

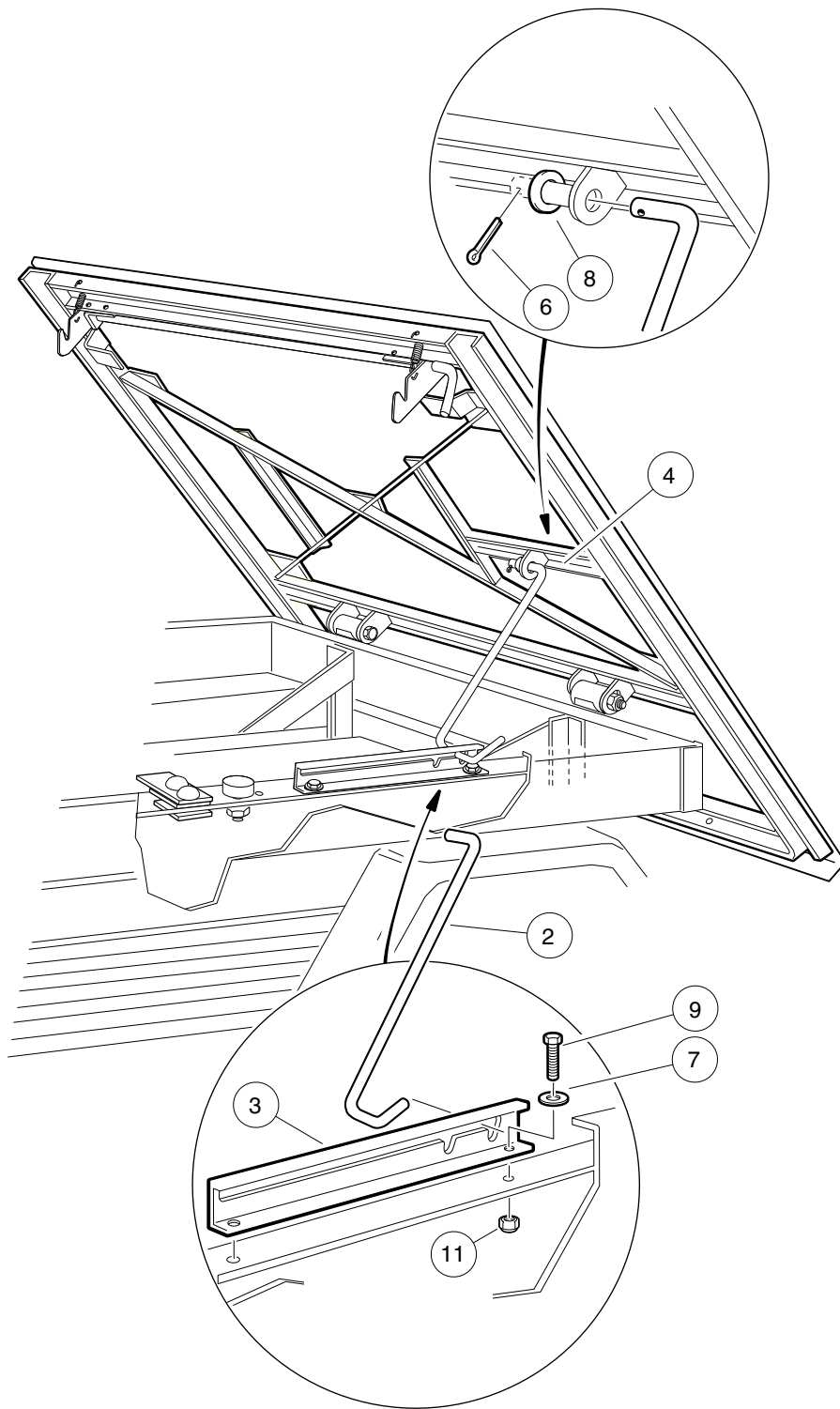


000258-002

LATCH PLATE – TURF/CARRYALL 1, 2, 252, 2 XRT, AND CARRYALL 2 PLUS

ITEM	PART NO.	DESCRIPTION	QTY
		1 2 3 4	
1	<u>1010878</u>	Bumper, Rubber	2
2	<u>1015277</u>	Latch Plate, Tilt Bed	2
3	<u>1016060</u>	Plate, Latch Support	2
4	<u>1016078</u>	Latch Plate Shim	1
5	<u>101835601</u>	Locknut, 1/4-20 Hex Whiz	4
6	<u>101958601</u>	Carriage Bolt, 1/4-20 X 0.75	4
7	<u>332</u>	Washer, 1/4 Type A Narrow Flat	4
8	<u>8233</u>	Locknut, 1/4-20 Nylon Insert	4

1
G
E



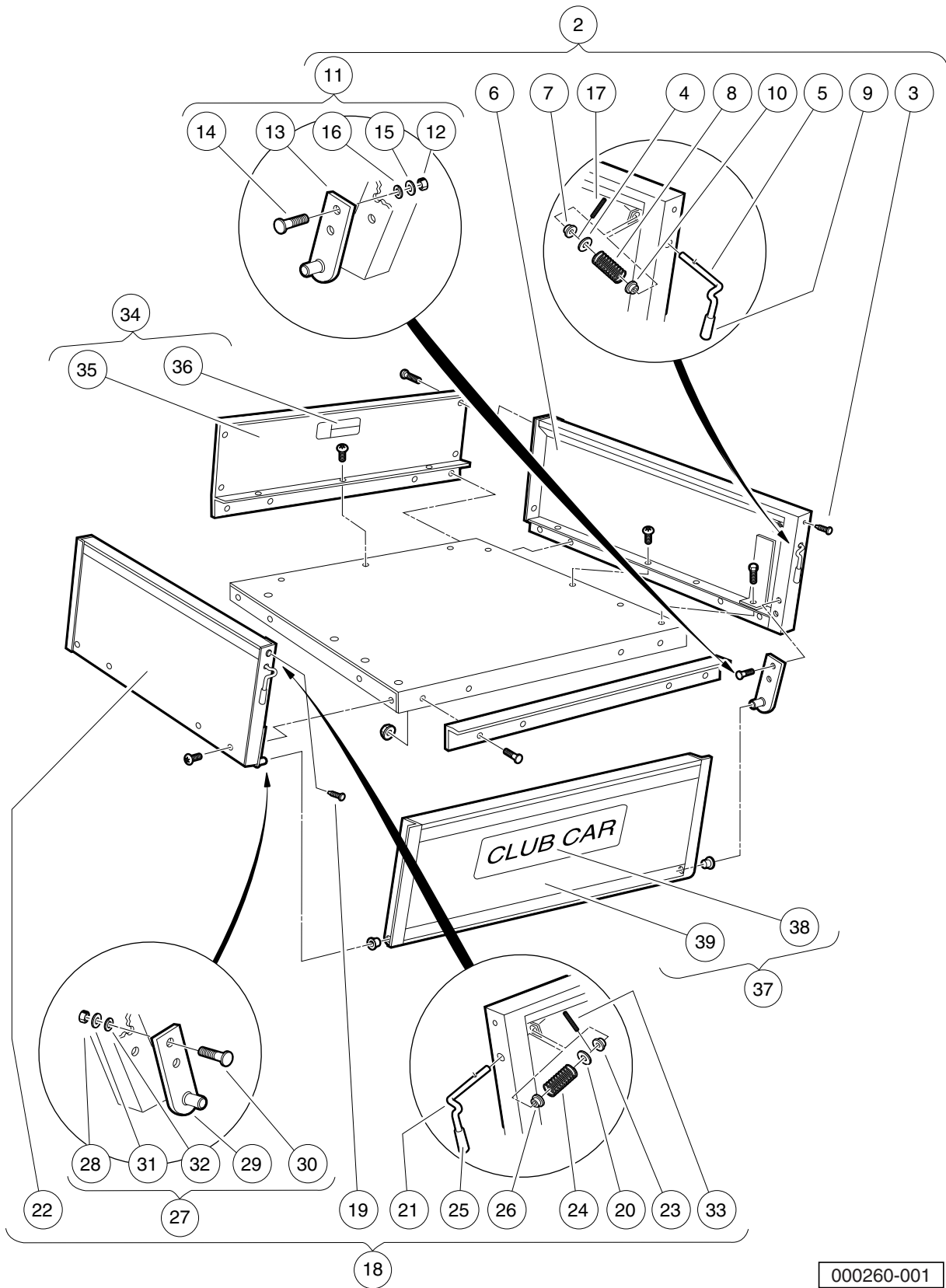
000259-002

PROP ROD – TURF/CARRYALL 2, 252, 2 XRT, AND CARRYALL 2 PLUS

ITEM	PART NO.	DESCRIPTION	QTY
		1 2 3 4	
1	<u>101922801</u>	Prop Rod Support Instl Kit (includes items 2 through 11)	1
2	1015348	Prop Rod Ca li	1
3	1015700	Track Prop Rod Ca li	1
4	N/A	Support Assy, Prop Rod	1
5	10192281	Instruction	1
6	<u>1035</u>	Cotter Pin, 3/32 x 1	2
7	<u>332</u>	Washer, 1/4 Type A Narrow Flat	5
8	<u>334</u>	Washer, 3/8 Type A Flat	1
9	<u>7847</u>	Screw, 1/4-20 X 0.75 Hex-Head Cap	6
10	<u>808</u>	Washer, 3/8 Type B Flat	1
11	<u>8233</u>	Locknut, 1/4-20 Nylon Insert	6

1
G
E

1
G
E



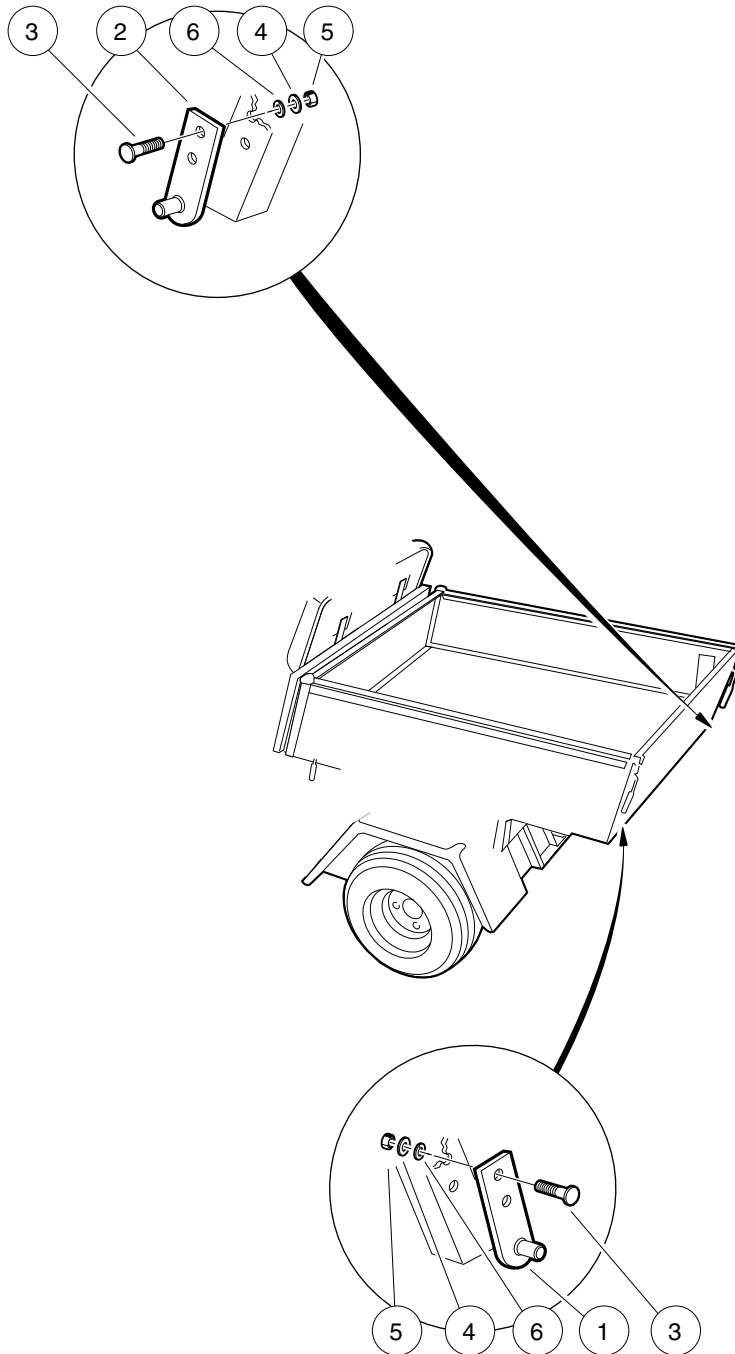
000260-001

CARGO BOX – TURF/CARRYALL 1

ITEM	PART NO.	DESCRIPTION	QTY
		1 2 3 4	
1	<u>1015606</u>	Kit, Cargo Box (includes items 2 through 37)	1
2	<u>1015365</u>	Side Panel Assembly, Right-Hand (includes items 3 through 17)	1
3	<u>1010434</u>	Barrel - Plastic	1
4	<u>1011990</u>	Washer, 3/8 Flat	1
5	<u>1015245</u>	Latch, Tailgate, Right-Hand	1
6	N/A	Side-Panel Weldment, Right-Hand	1
7	<u>1015363</u>	Bushing, Snap-In	1
8	<u>1015390</u>	Compression Spring Latch Tilt	1
9	<u>1015400</u>	Grip, Tilt Latch Hand	1
10	<u>1032</u>	Bushing, Nylon	1
11	<u>103406502</u>	Kit, Tlgt Mtg Brkt, Ca Rh (includes items 12 through 16)	1
12	<u>1028</u>	Nut, 1/4-20 Hex	2
13	N/A	Asm, Tlgt, Mtg Brkt, Ca Rh	1
14	<u>103406601</u>	Stud, 1/4 Self-clnchg Flush	2
15	<u>332</u>	Washer, 1/4 Type A Narrow Flat	2
16	<u>451</u>	Lockwasher, 1/4 Split	2
17	1231	Pin, 1/8 X 1.00 Split Roll	1
18	<u>1015367</u>	Side Panel Assembly, Left-Hand (includes items 19 through 33)	1
19	<u>1010434</u>	Barrel - Plastic	1
20	<u>1011990</u>	Washer, 3/8 Flat	1
21	<u>1015313</u>	Latch, Tailgate, Left-Hand	1
22	N/A	Side-Panel Weldment	1
23	<u>1015363</u>	Bushing, Snap-In	1
24	<u>1015390</u>	Compression Spring Latch Tilt	1
25	<u>1015400</u>	Grip, Tilt Latch Hand	1
26	<u>1032</u>	Bushing, Nylon	1
27	<u>103406501</u>	Kit, Tlgt Mtg Brkt, Ca Lh (includes items 28 through 32)	1
28	<u>1028</u>	Nut, 1/4-20 Hex	2
29	N/A	Asm, Tlgt, Mtg Brkt, Ca Lh	1
30	<u>103406601</u>	Stud, 1/4 Self-clnchg Flush	2
31	<u>332</u>	Washer, 1/4 Type A Narrow Flat	2
32	<u>451</u>	Lockwasher, 1/4 Split	2
33	1231	Pin, 1/8 X 1.00 Split Roll	1
34	<u>1015413</u>	Assembly, Front Panel (includes items 35 and 36)	1
35	N/A	Front Panel Box	1
36	<u>101553901</u>	Decal, Bed Load Warning	1
37	1015414	Assembly, Tailgate (includes items 38 and 39)	1
38	<u>1013317</u>	Decal, Logo, Tailgate	1
39	N/A	Tailgate Weldment	1
<p>Note: Additional components in kit <u>1015606</u> are shown on the following two pages.</p>			



1
G
E



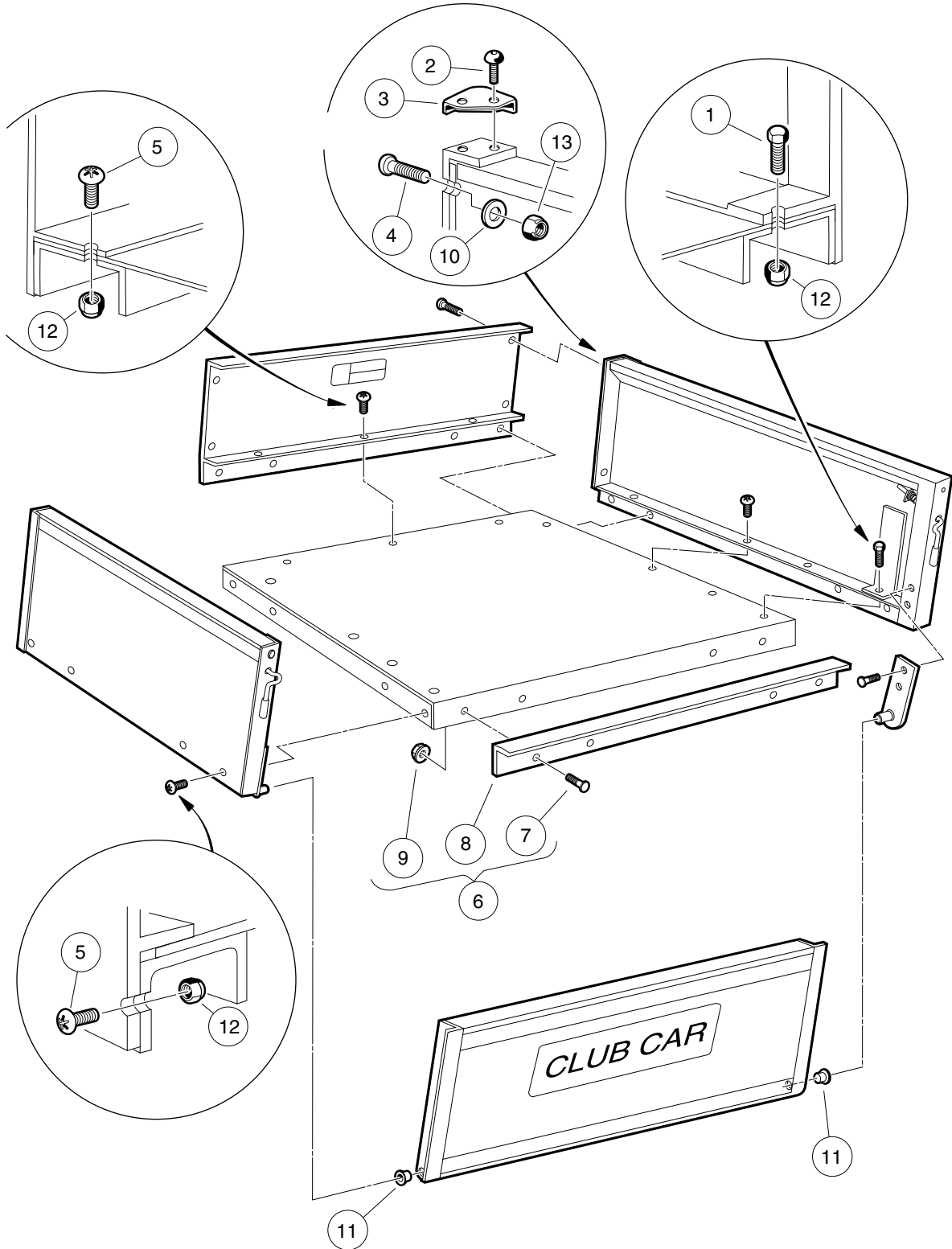
000797-001

TAILGATE BRACKET (EARLIER STYLE)

ITEM	PART NO.	DESCRIPTION	QTY
		1 2 3 4	
1	<u>1014513</u>	Tailgate Mounting Bracket, Left-Hand	1
2	<u>1014514</u>	Tailgate Mounting Bracket, Right-Hand	1
3	<u>1014537</u>	Stud, Self-Clinching Flush Head	4
4	<u>1241</u>	Washer, 5/16 Type A Flat	4
5	<u>1242</u>	Nut, 5/16-18 Hex	4
6	<u>7174</u>	Lockwasher, 5/16 Split	4
<p>Note: Additional components in kit 1015606 are shown on the following two pages.</p>			

1
G
E

1
G
E



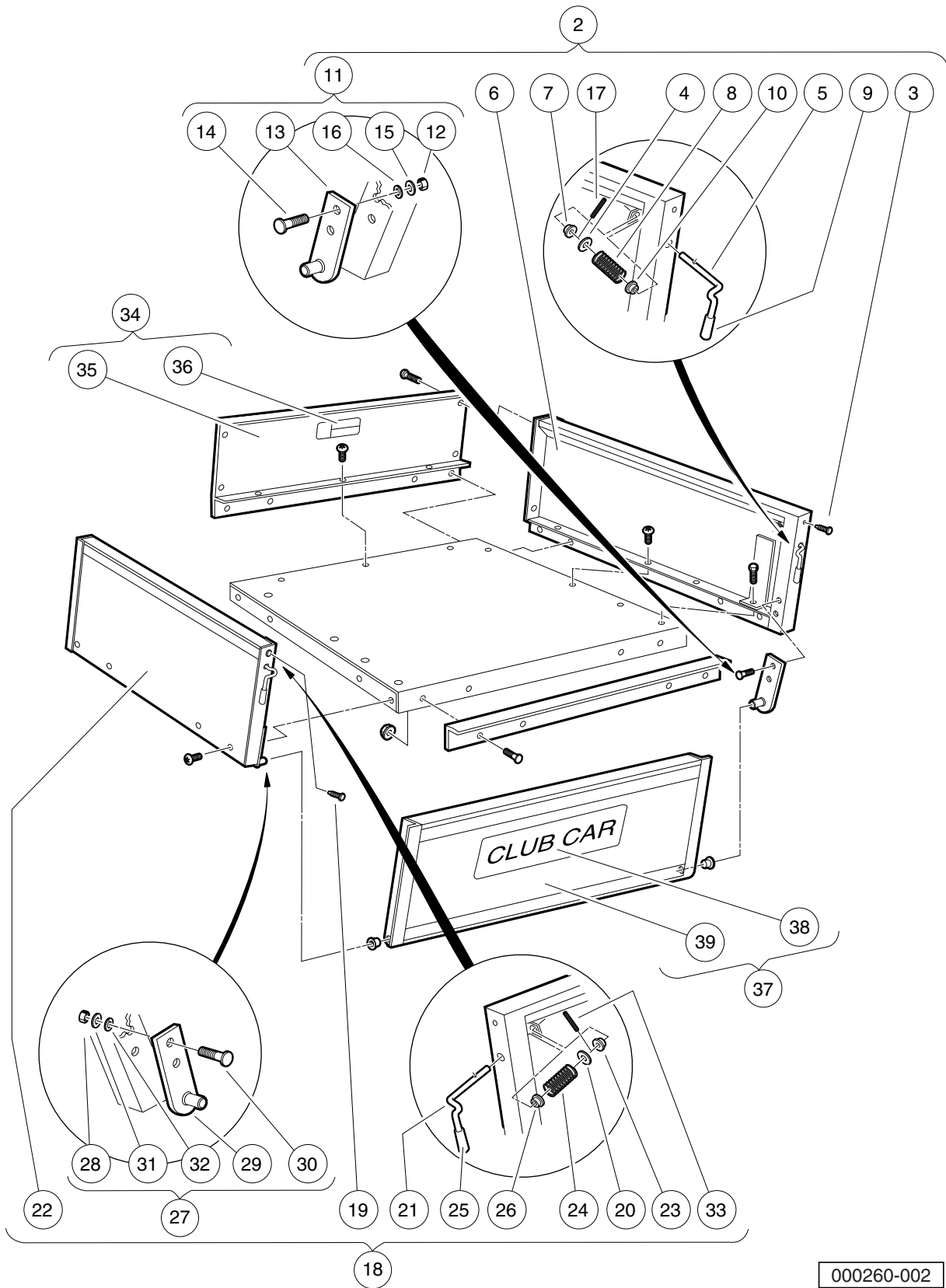
000261-001

CARGO BOX MOUNTING – TURF/CARRYALL 1

ITEM	PART NO.	DESCRIPTION	QTY
		1 2 3 4	
1	<u>1010934</u>	Screw, 5/16-18 X 1.00 Hex Cap	2
2	<u>1014321</u>	Screw, #10 Truss-Head Torx	4
3	<u>1014387</u>	Cap, Corner	2
4	<u>1014415</u>	Screw, 1/4-20 X 0.75 Torx Truss-Head	4
5	1015399	Screw, 5/16-18 X 0.88 Torx Truss-Head	17
6	****	Kit, Tailgate Angle (includes items 7 through 9)	1
7	<u>1014537</u>	Stud, Self-Clinching Flush Head	4
8	N/A	Box Bed Tailgate Angle	1
9	<u>101963401</u>	Locknut, 5/16-18 Hex Flange	4
10	<u>332</u>	Washer, 1/4 Type A Narrow Flat	4
11	<u>7049</u>	Bushing, Nylon	2
12	<u>7473</u>	Locknut, 5/16-18 Nylon Insert	19
13	<u>8233</u>	Locknut, 1/4-20 Nylon Insert	4
<p style="text-align: center;">**** Special order item available upon request.</p> <p style="text-align: center;">Note: All parts listed on this page are included in kit 1015606.</p>			

1
G
E

1
G
E



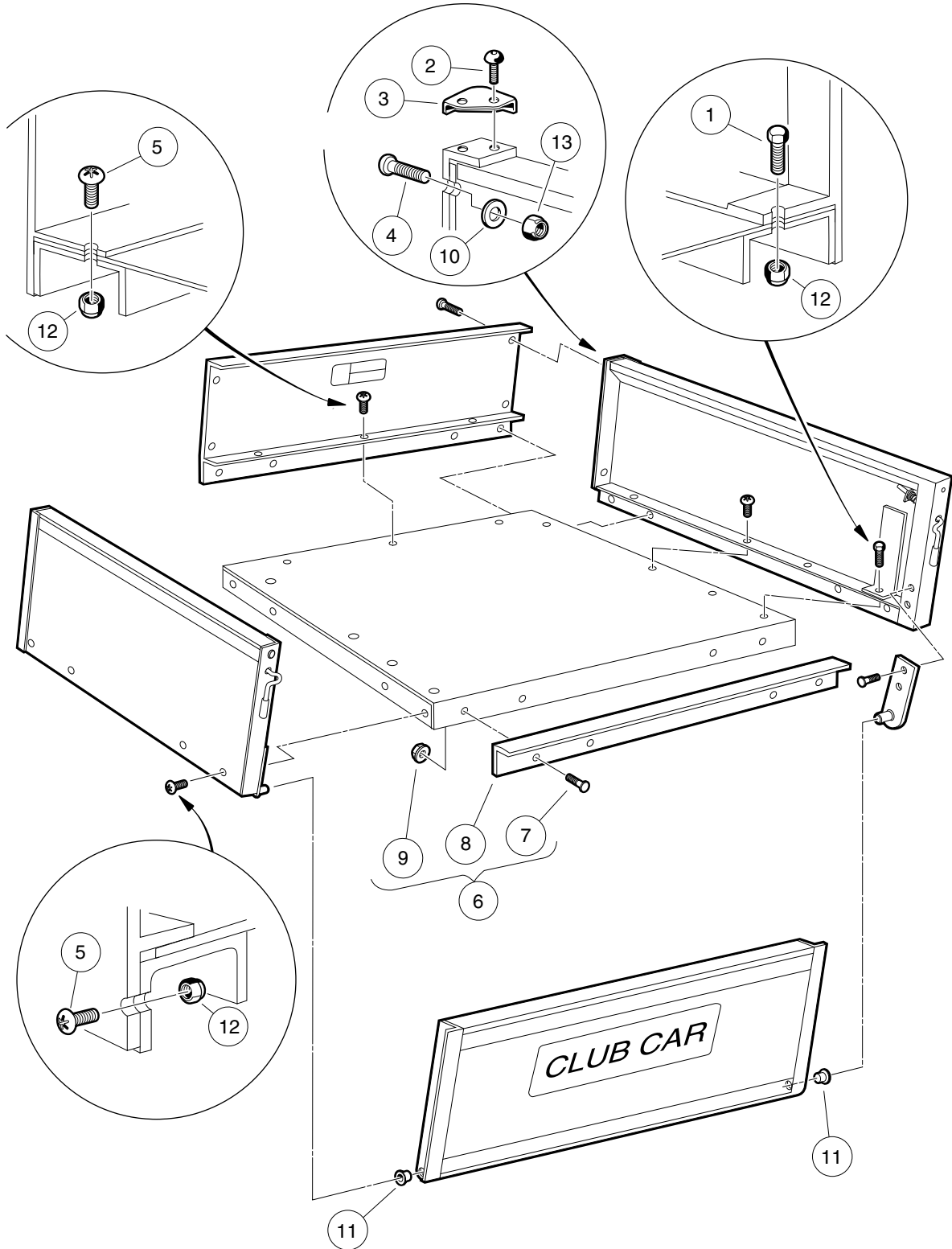
000260-002

CARGO BOX – TURF/CARRYALL 2, 252, 2 XRT, AND 2 PLUS

ITEM	PART NO.	DESCRIPTION	QTY
		1 2 3 4	
1	<u>1015607</u>	Cargo Box Set (includes items 2 through 37)	1
2	<u>1015366</u>	Side-Panel Assembly, Right-Hand (includes items 3 through 17)	1
3	<u>1010434</u>	Barrel - Plastic	1
4	<u>1011990</u>	Washer, 3/8 Flat	1
5	<u>1015245</u>	Latch, Tailgate, Right-Hand	1
6	N/A	Side-Panel Weldment, Right-Hand	1
7	<u>1015363</u>	Bushing, Snap-In	1
8	<u>1015390</u>	Compression Spring Latch Tilt	1
9	<u>1015400</u>	Grip, Tilt Latch Hand	1
10	<u>1032</u>	Bushing, Nylon	1
11	<u>103406502</u>	Kit, Tlgt Mtg Brkt, Ca Rh (includes items 12 through 16)	1
12	<u>1028</u>	Nut, 1/4-20 Hex	2
13	N/A	Asm, Tlgt, Mtg Brkt, Ca Rh	1
14	<u>103406601</u>	Stud, 1/4 Self-clnchg Flush	2
15	<u>332</u>	Washer, 1/4 Type A Narrow Flat	2
16	<u>451</u>	Lockwasher, 1/4 Split	2
17	1231	Pin, 1/8 X 1.00 Split Roll	1
18	<u>1015368</u>	Side Panel Assembly, Left-Hand (includes items 19 through 33)	1
19	<u>1010434</u>	Barrel - Plastic	1
20	<u>1011990</u>	Washer, 3/8 Flat	1
21	<u>1015313</u>	Latch, Tailgate, Left-Hand	1
22	N/A	Side-Panel Weldment, Left-Hand	1
23	<u>1015363</u>	Bushing, Snap-In	1
24	<u>1015390</u>	Compression Spring Latch Tilt	1
25	<u>1015400</u>	Grip, Tilt Latch Hand	1
26	<u>1032</u>	Bushing, Nylon	1
27	<u>103406501</u>	Kit, Tlgt Mtg Brkt, Ca Lh (includes items 28 through 32)	1
28	<u>1028</u>	Nut, 1/4-20 Hex	2
29	N/A	Asm, Tlgt, Mtg Brkt, Ca Lh	1
30	<u>103406601</u>	Stud, 1/4 Self-clnchg Flush	2
31	<u>332</u>	Washer, 1/4 Type A Narrow Flat	2
32	<u>451</u>	Lockwasher, 1/4 Split	2
33	1231	Pin, 1/8 X 1.00 Split Roll	1
34	<u>1015412</u>	Front Panel Assembly (includes items 35 and 36)	1
35	N/A	Front Panel Box	1
36	<u>101553901</u>	Decal, Bed Load Warning	1
37	<u>1015424</u>	Tailgate Assembly (includes items 38 and 39)	1
38	<u>1013317</u>	Decal, Logo, Tailgate	1
39	N/A	Tailgate Weldment	1
		Note: Additional components in kit <u>1015607</u> are shown on the following two pages.	

1
G
E

1
G
E



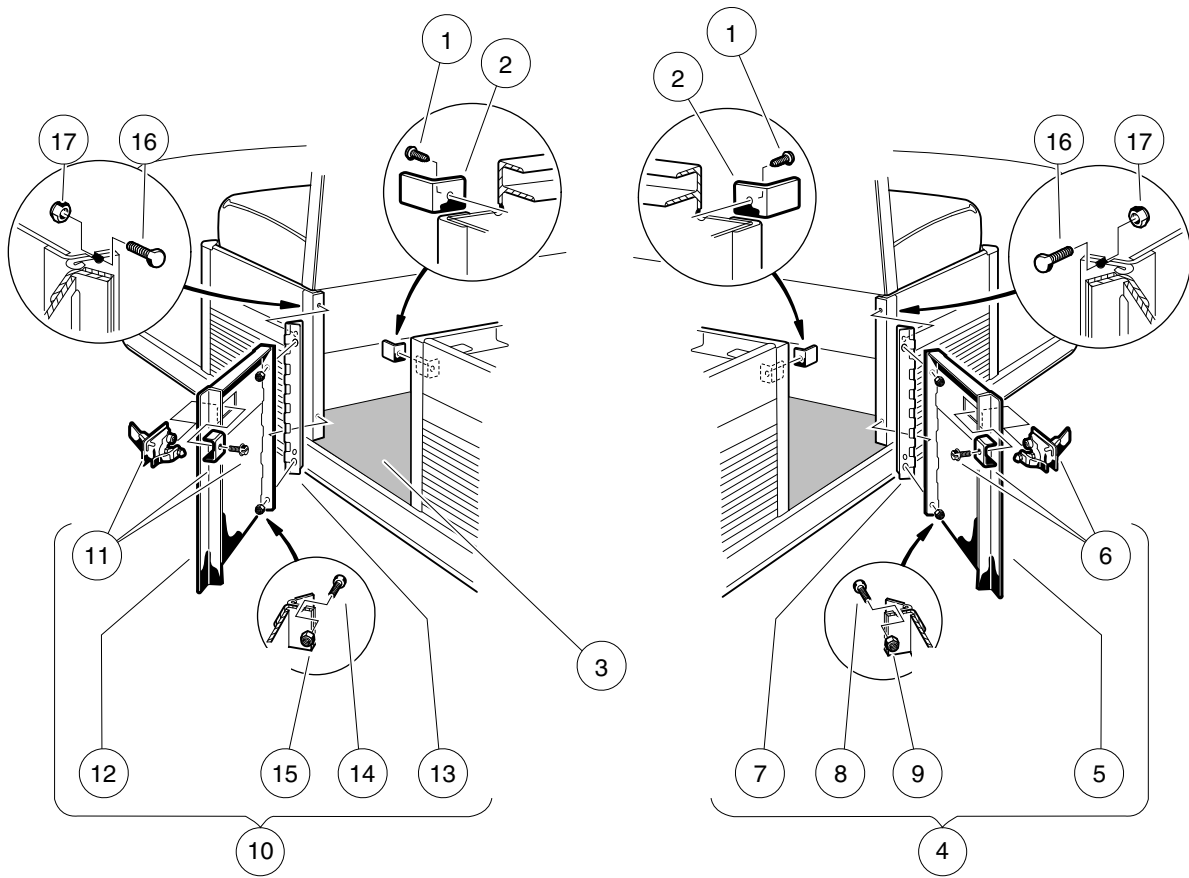
000261-001

CARGO BOX MOUNTING – TURF/CARRYALL 2, 252, 2 XRT, AND CARRYALL 2 PLUS

ITEM	PART NO.	DESCRIPTION	QTY
		1 2 3 4	
1	<u>1010934</u>	Screw, 5/16-18 X 1.00 Hex Cap	2
2	<u>1014321</u>	Screw, #10 Truss-Head Torx	4
3	<u>1014387</u>	Cap, Corner	2
4	<u>1014415</u>	Screw, 1/4-20 X 0.75 Torx Truss-Head	4
5	<u>1015399</u>	Screw, 5/16-18 X 0.88 Torx Truss-Head	23
6	<u>101894702</u>	Kit, Tailgate Angle (includes items 7 through 9)	1
7	<u>1014537</u>	Stud, Self-Clinching Flush Head	4
8	<u>101894302</u>	Box Bed Tailgate Angle	1
9	<u>101963401</u>	Locknut, 5/16-18 Hex Flange	4
10	<u>332</u>	Washer, 1/4 Type A Narrow Flat	4
11	<u>7049</u>	Bushing, Nylon	2
12	<u>7473</u>	Locknut, 5/16-18 Nylon Insert	25
13	<u>8233</u>	Locknut, 1/4-20 Nylon Insert	4
<p>Note: All parts listed on this page are included in kit 1015607.</p>			

1
G
E

1
G
E



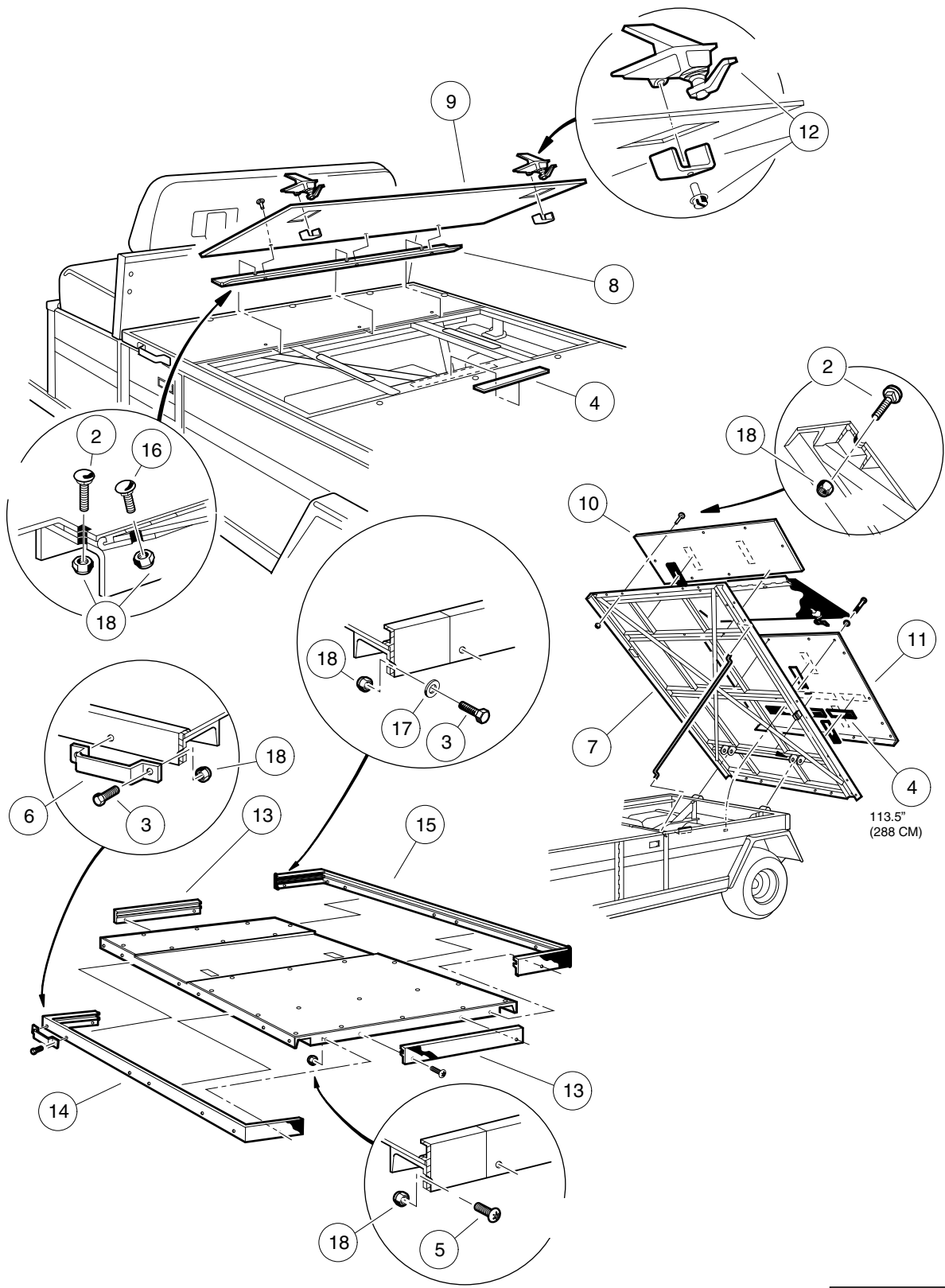
000262-001

SIDE DOORS – TURF/CARRYALL 6

ITEM	PART NO.	DESCRIPTION	QTY
		1 2 3 4	
1	<u>1012285</u>	Screw, 1/4 X 0.625 Hex-Head	2
2	<u>1013280</u>	Clip, Angle	2
3	<u>1016718</u>	Floormat, Rear	1
4	<u>1016954</u>	Assembly, Door, Passenger-Side (includes items 5 through 9)	1
5	1016909	Door, Passenger-Side	1
6	<u>101691401</u>	Latch, Door	1
7	<u>1016920</u>	Hinge, Door	1
8	<u>403</u>	Screw, 1/4-20 X 0.625 Hex-Head Cap	2
9	<u>8233</u>	Locknut, 1/4-20 Nylon Insert	2
10	1016955	Assembly, Door, Driver-Side (includes items 11 through 15)	1
11	<u>101691401</u>	Latch, Door	1
12	<u>1016918</u>	Door, Driver-Side	1
13	<u>1016920</u>	Hinge, Door	1
14	<u>403</u>	Screw, 1/4-20 X 0.625 Hex-Head Cap	2
15	<u>8233</u>	Locknut, 1/4-20 Nylon Insert	2
16	<u>403</u>	Screw, 1/4-20 X 0.625 Hex-Head Cap	4
17	<u>8233</u>	Locknut, 1/4-20 Nylon Insert	4

1
G
E

1
G
E



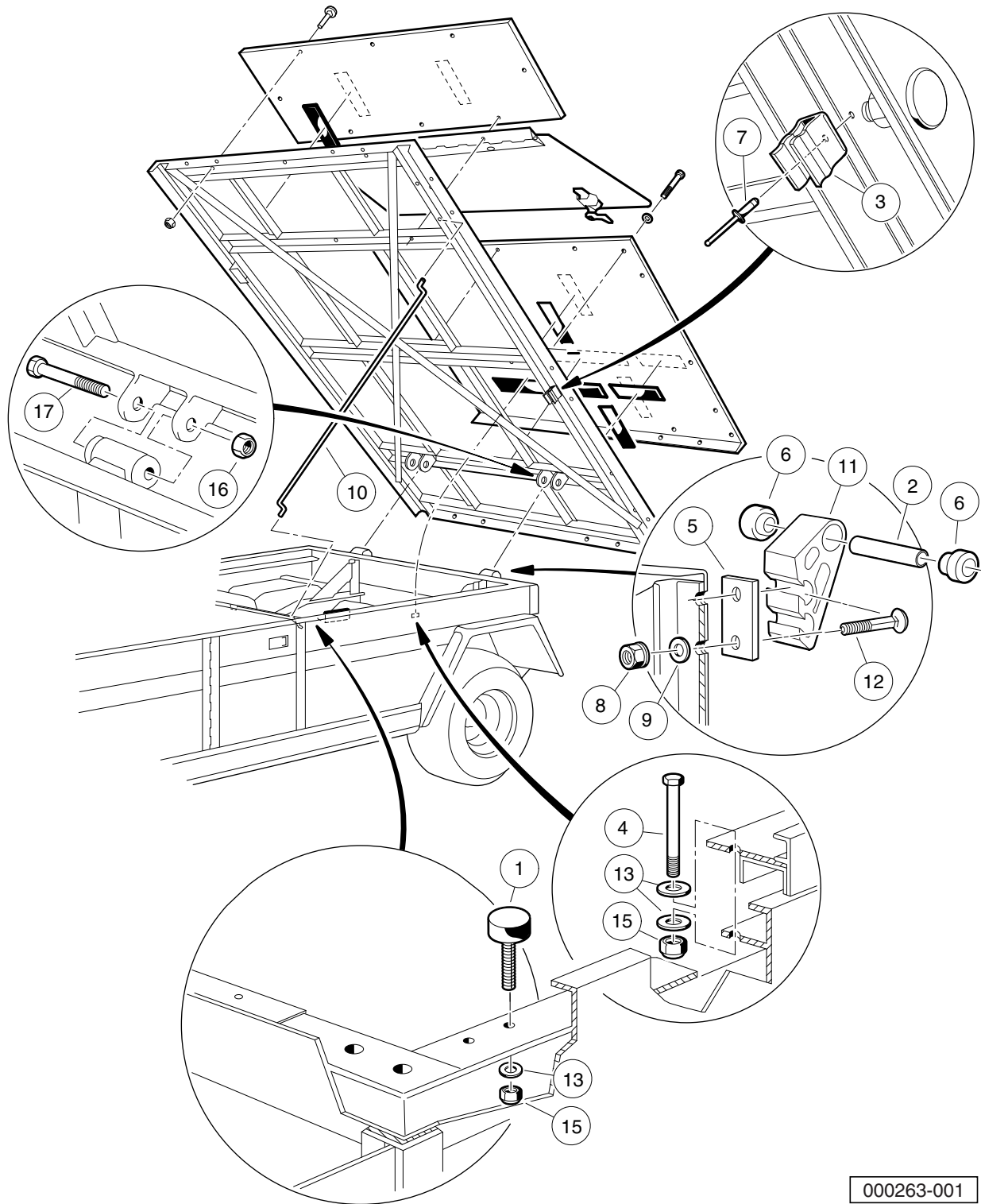
000264-001

FLAT BED – TURF/CARRYALL 6

ITEM	PART NO.	DESCRIPTION	QTY
		1 2 3 4	
1	<u>1016942</u>	Assembly, Long Bed (includes items 2 through 18)	1
2	<u>1010435</u>	Bolt, Carriage, 5/16-18 X 1.00	21
3	<u>1010934</u>	Screw, 5/16-18 X 1.00 Hex Cap	6
4	<u>1014471</u>	Tape, Vinyl Foam 1/8" x 3/4" *	1
5	<u>1015399</u>	Screw, 5/16-18 X 0.88 Torx Truss-Head	14
6	<u>1016077</u>	Bracket, Stake Side	1
7	<u>1016878</u>	Long Bed Frame Assembly	1
8	<u>1016881</u>	Hinge, Access Door	1
9	<u>101689101</u>	Plate, Access Door	1
10	****	Floor Plate Forward Long Bed	1
11	****	Plate Floor Rear Long Bed	1
12	<u>101691401</u>	Latch, Door	2
13	<u>1016943</u>	Trim, Long Bed, Front and Rear	2
14	<u>1016944</u>	Trim, Long Bed, Driver-Side	1
15	<u>1016948</u>	Trim, Long Bed, Passenger-Side	1
16	<u>1017077</u>	Bolt, Carriage, 5/16-18 X 0.625	3
17	<u>1241</u>	Washer, 5/16 Type A Flat	4
18	<u>7473</u>	Locknut, 5/16-18 Nylon Insert	44
		**** Special order item available upon request.	
		* Note: Item not shown.	

1
G
E

1
G
E



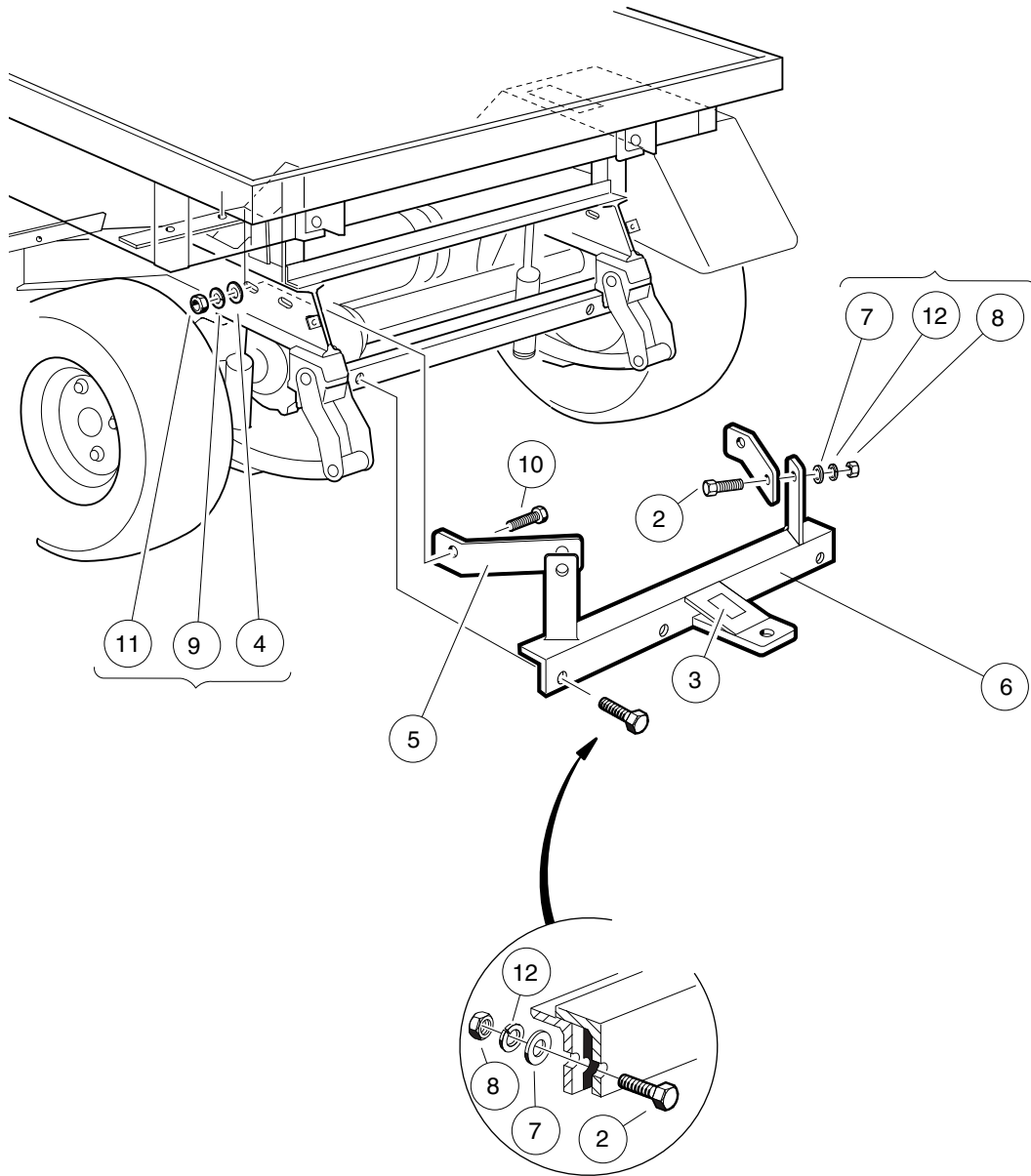
000263-001

FLAT BED MOUNTING – TURF/CARRYALL 6

ITEM	PART NO.	DESCRIPTION	QTY
		1 2 3 4	
1	<u>1010878</u>	Bumper, Rubber	2
2	<u>1012303</u>	Bushing, Steel	2
3	<u>1013413</u>	Clip, Rod	1
4	<u>1013872</u>	Bolt, 1/4-20 X 4.00 Hex Head	2
5	<u>1015507</u>	Shim, Tilt Bed Pivot	1
6	<u>1015583</u>	Bushing, Urethane	4
7	<u>1015727</u>	Rivet, 1/8	1
8	<u>102065901</u>	Locknut, 3/8-16 Flanged Dimple	4
9	<u>102066001</u>	Washer, 3/8 Type B Hard Flat	4
10	<u>102259401</u>	Prop Rod, Long Bed	1
11	<u>103538701</u>	Extra, Bracket, Hinge, Bed	2
12	<u>103538901</u>	3/8-16 X 3.5 Carr Blt Gr5 Zn	4
13	<u>332</u>	Washer, 1/4 Type A Narrow Flat	6
14	705	Screw, Cap-hex Hd 3/8-16x1.25	4
15	<u>8233</u>	Locknut, 1/4-20 Nylon Insert	4
16	<u>8754</u>	Locknut, 3/8-16 Hex	2
17	<u>8755</u>	Screw, 3/8-16 X 3.375 Hex Cap	2

1
G
E

1
G
E



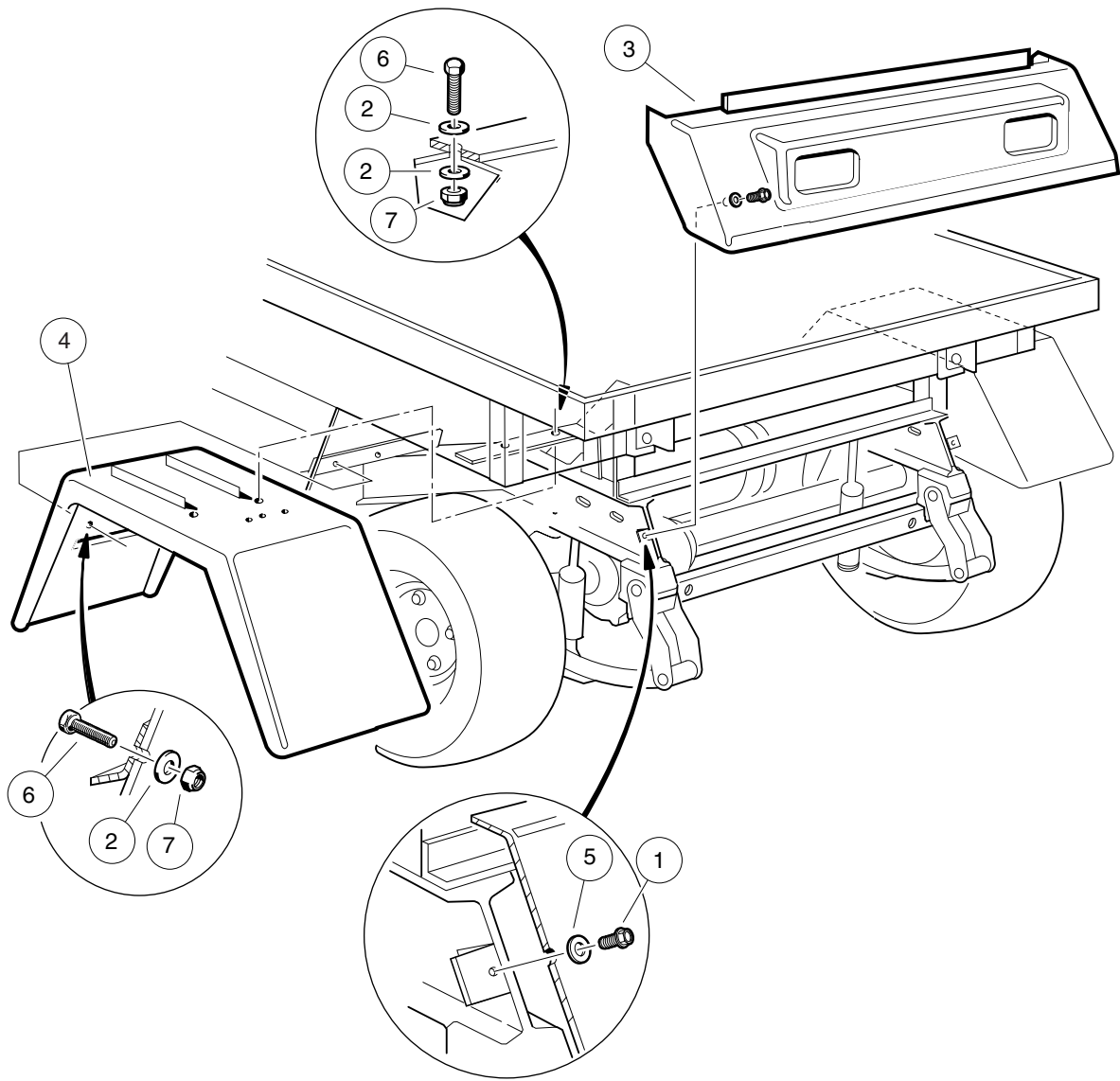
000265-001

TRAILER HITCH – TURF/CARRYALL 1, TURF/CARRYALL 2, 252, 2 XRT, AND CARRYALL 2 PLUS

ITEM	PART NO.	DESCRIPTION	QTY
		1 2 3 4	
1	<u>1015445</u>	Kit, Trailer Hitch (includes items 2 through 12)	1
2	<u>1010934</u>	Screw, 5/16-18 X 1.00 Hex Cap	4
3	<u>1011553</u>	Decal, Trailer Hitch	1
4	<u>1011990</u>	Washer, 3/8 Flat	2
5	<u>1013483</u>	Brace, Trailer Hitch	2
6	N/A	Asm, Trailer Hitch	1
7	<u>1241</u>	Washer, 5/16 Type A Flat	4
8	<u>1242</u>	Nut, 5/16-18 Hex	4
9	<u>357</u>	Lockwasher, 3/8 Split	2
10	705	Screw, Cap-hex Hd 3/8-16x1.25	2
11	<u>706</u>	Nut, Hex 3/8-16	2
12	<u>7174</u>	Lockwasher, 5/16 Split	4

1
G
E

1
G
E



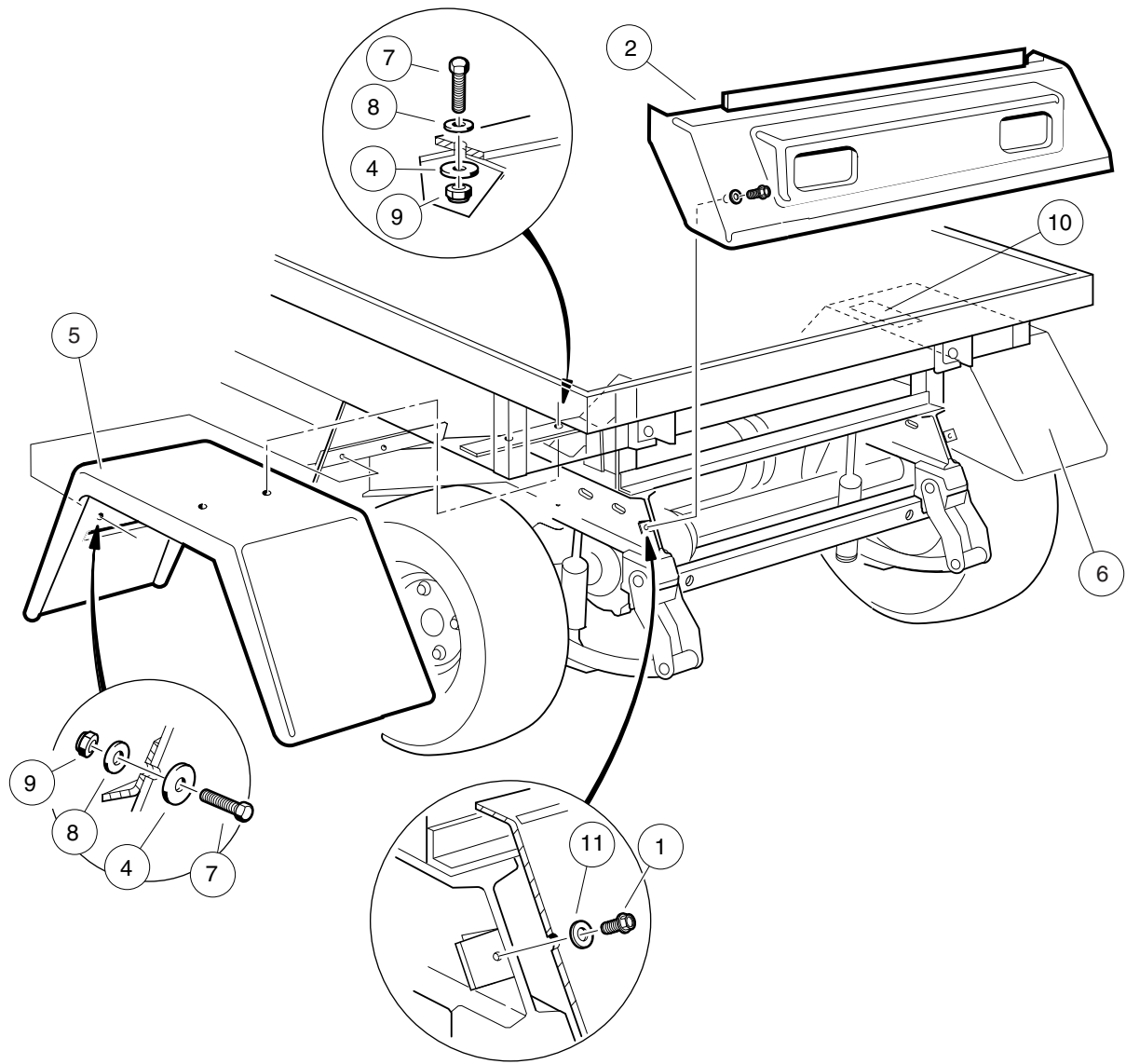
000266-001

REAR BODY TRIM – TURF/CARRYALL 1, 2, AND CARRYALL 2 PLUS

ITEM	PART NO.	DESCRIPTION	QTY
		1 2 3 4	
1	<u>1012285</u>	Screw, 1/4 X 0.625 Hex-Head	2
2	<u>1014306</u>	Washer, 1/4" Type B Flat	12
3	<u>1015530</u>	Tailskirt	1
4	<u>1016679</u>	Rear Fender	2
5	<u>332</u>	Washer, 1/4 Type A Narrow Flat	2
6	<u>7847</u>	Screw, 1/4-20 X 0.75 Hex-Head Cap	8
7	<u>8233</u>	Locknut, 1/4-20 Nylon Insert	8

1
G
E

1
G
E



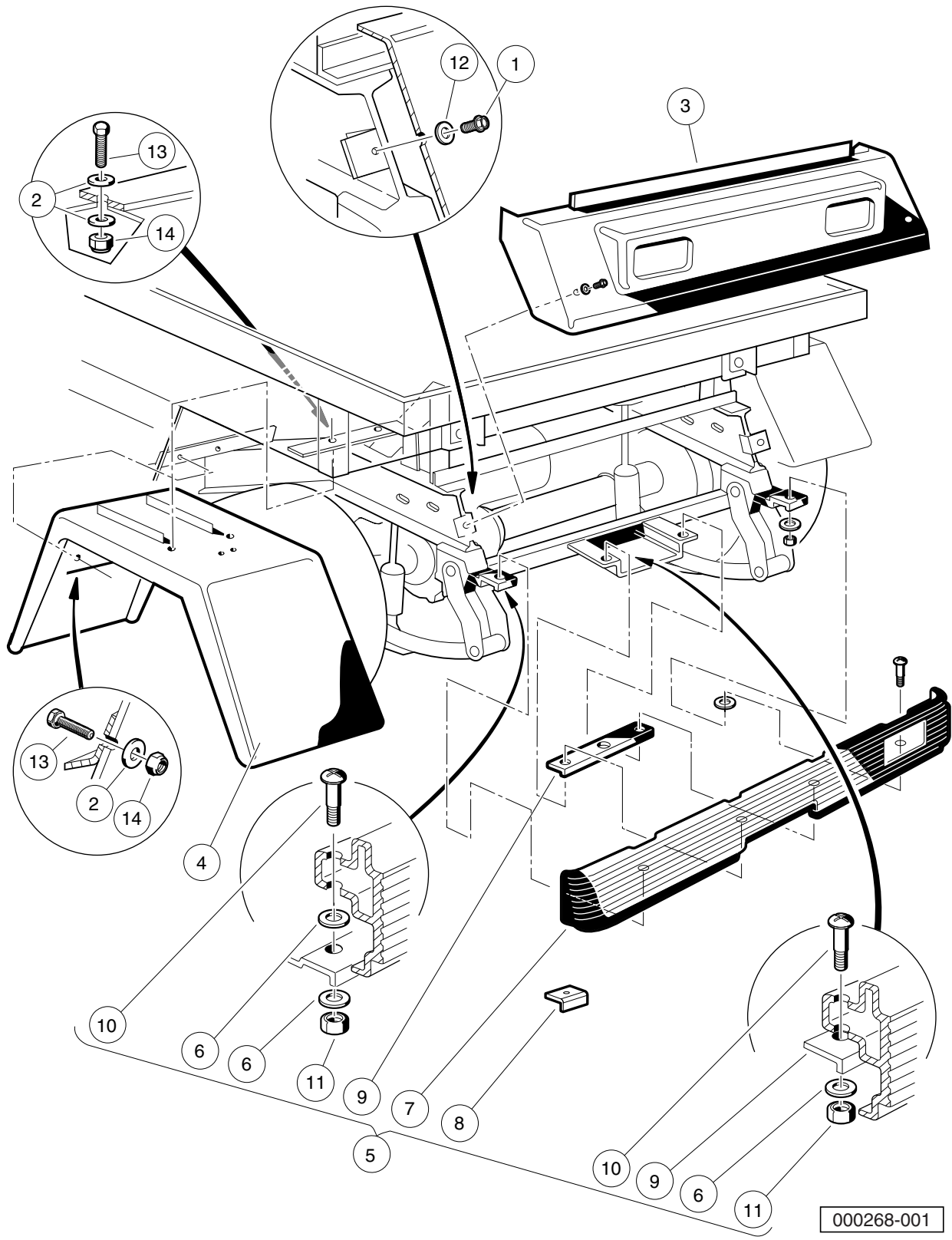
000267-001

REAR BODY TRIM – TURF/CARRYALL 252 AND 2 XRT

ITEM	PART NO.	DESCRIPTION	QTY
		1 2 3 4	
1	<u>1012285</u>	Screw, 1/4 X 0.625 Hex-Head	2
2	<u>1015530</u>	Tailskirt	1
3	N/A	Rear Fender Kit (includes items 4 through 9)	1
4	<u>1014306</u>	Washer, 1/4" Type B Flat	10
5	<u>102004601</u>	Extended Fender, Rear, Left-Hand	1
6	<u>102004602</u>	Extended Fender, Rear, Right-Hand	1
7	304	Screw, 1/4-20 X 1.0 Hex-Head Cap	8
8	<u>332</u>	Washer, 1/4 Type A Narrow Flat	6
9	<u>8233</u>	Locknut, 1/4-20 Nylon Insert	8
10	<u>102224001</u>	Decal, Rotating Parts Warning	1
11	<u>332</u>	Washer, 1/4 Type A Narrow Flat	2

1
G
E

1
G
E



000268-001

REAR BODY TRIM – TURF/CARRYALL 6

ITEM	PART NO.	DESCRIPTION	QTY
		1 2 3 4	
1	<u>1012285</u>	Screw, 1/4 X 0.625 Hex-Head	2
2	<u>1014306</u>	Washer, 1/4" Type B Flat	12
3	<u>1015530</u>	Tailskirt	1
4	<u>1016679</u>	Rear Fender	2
5	<u>1017079</u>	Kit, Rear Bumper (includes items 6 through 11)	1
6	<u>1011697</u>	Washer, 5/16 Flat	6
7	<u>1016379</u>	Bumper, Rear	1
8	<u>1016874</u>	Plate, Bumper Mounting, Short	2
9	<u>1016875</u>	Plate, Bumper Mounting, Long	1
10	<u>1016876</u>	Bolt, 3/8 Shoulder	4
11	<u>7473</u>	Locknut, 5/16-18 Nylon Insert	4
12	<u>332</u>	Washer, 1/4 Type A Narrow Flat	2
13	<u>7847</u>	Screw, 1/4-20 X 0.75 Hex-Head Cap	8
14	<u>8233</u>	Locknut, 1/4-20 Nylon Insert	8

1
G
E

1

G

E

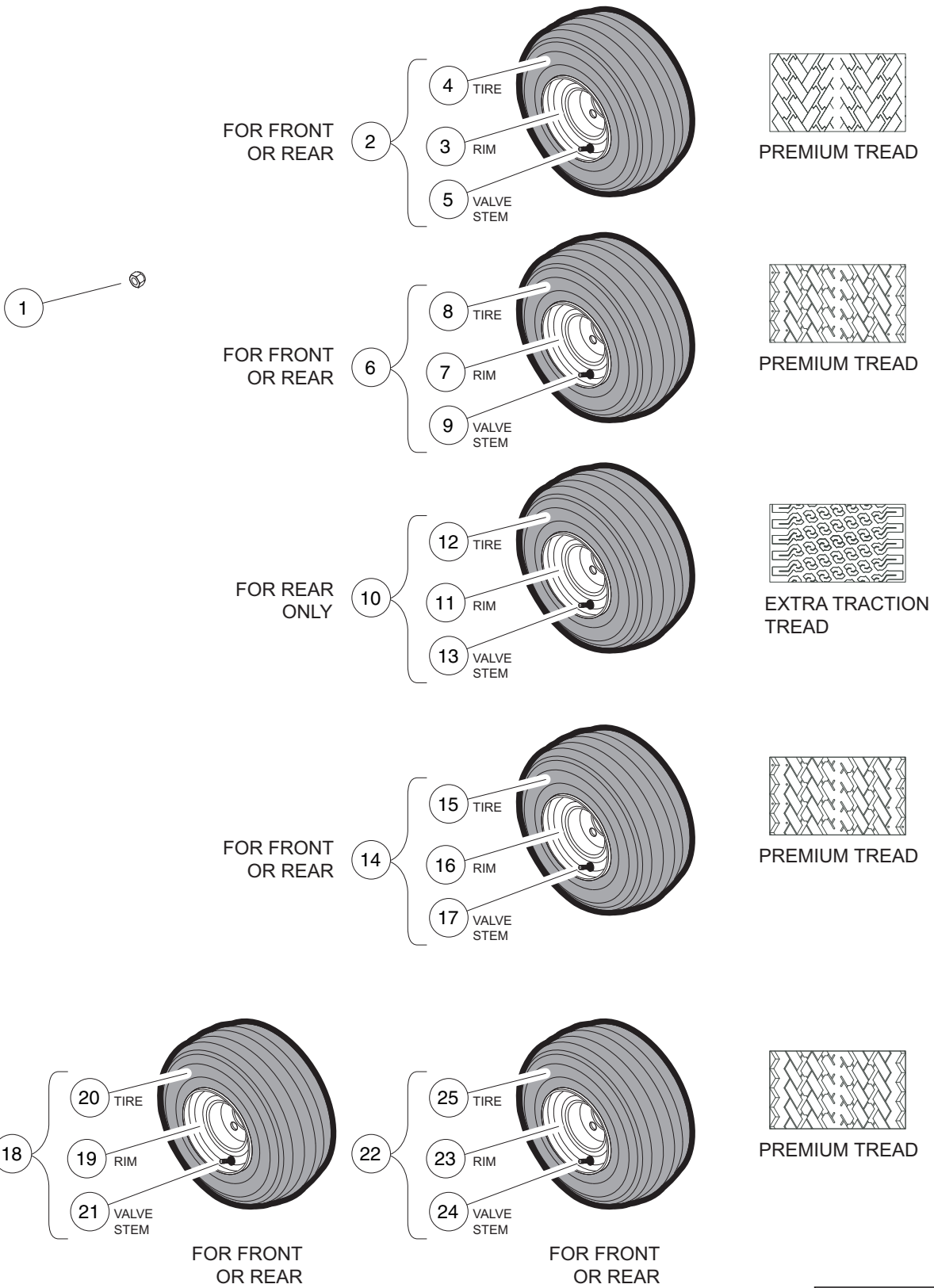
WHEELS AND TIRES

2

G

E

2
G
E

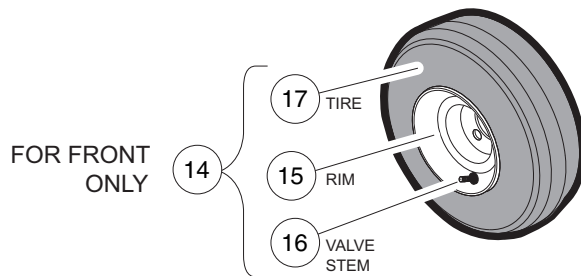
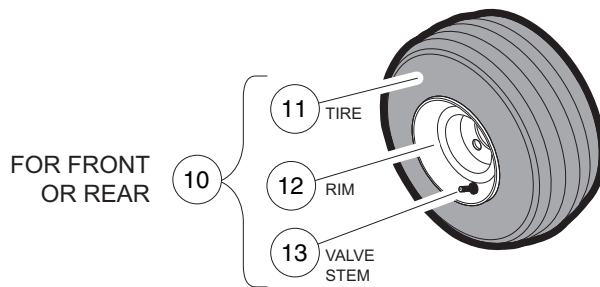
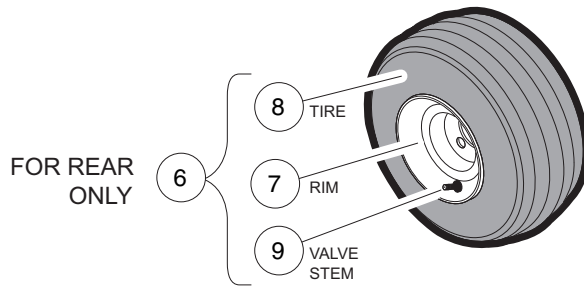
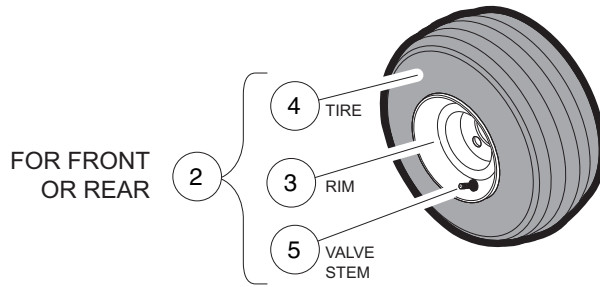
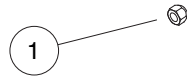


000269-001

WHEELS AND TIRES – VILLAGER 6 AND 8, AND TRANSPORTER 4 AND 6

ITEM	PART NO.	DESCRIPTION	QTY
		1 2 3 4	
1	<u>1010984</u>	.500-20 Unf Lug Nut	16
2	<u>101651402</u>	Tire/Wheel Asm, White, Premium Tread (includes items 3 through 5)	4
3	<u>1014771</u>	Wheel Rim, White	1
4	<u>101567202</u>	Tire, Unmounted, Links 18 x 8.50-8	1
5	<u>7310</u>	Valve Stem	1
6	<u>101651406</u>	Tire/Wheel Asm, White, Premium Tread, 6-Ply (includes items 7 through 9)	4
7	<u>1014771</u>	Wheel Rim, White	1
8	<u>101737002</u>	Tire, Unmounted	1
9	<u>7310</u>	Valve Stem	1
10	<u>101651407</u>	Tire/Wheel Asm, White, Extra-Traction, 6-Ply (includes items 11 through 13)	2
11	<u>1014771</u>	Wheel Rim, White	1
12	N/A	Tire, Unmounted Xtrac 18 x 8.50-8	1
13	<u>7310</u>	Valve Stem	1
14	<u>101651409</u>	Tire/Wheel Asm, White, Premium Tread, 6.5-inch (includes items 15 through 17)	4
15	<u>101884901</u>	Tire, Unmounted, Power Rib 18 x 6.50-8	1
16	<u>101918401</u>	Wheel Rim, Beige	1
17	<u>7310</u>	Valve Stem	1
18	<u>101651412</u>	Tire/Wheel Asm, White, Duro Premium Tread (includes items 19 through 21)	4
19	<u>1014771</u>	Wheel Rim, White	1
20	<u>102569304</u>	Duro 18 X 8.5 X 8, 4-Ply	1
21	<u>7310</u>	Valve Stem	1
22	<u>101651413</u>	Tire/Wheel Asm, White, Kenda Premium Tread (includes items 23 through 25)	4
23	<u>1014771</u>	Wheel Rim, White	1
24	<u>7310</u>	Valve Stem	1
25	<u>AM10682</u>	Unmounted Prem Tire 18x8.50x8	1

2
G
E



000269-002

WHEELS AND TIRES – TURF/CARRYALL 2

ITEM	PART NO.	DESCRIPTION	QTY
		1 2 3 4	
1	<u>1010984</u>	.500-20 Unf Lug Nut	16
2	<u>101651406</u>	Tire/Wheel Asm, White, Premium Tread, 6-Ply (includes items 3 through 5)	4
3	<u>1014771</u>	Wheel Rim, White	1
4	<u>101737002</u>	Tire, Unmounted	1
5	<u>7310</u>	Valve Stem	1
6	<u>101651407</u>	Tire/Wheel Asm, White, Extra-Traction, 6-Ply (includes items 7 through 9)	2
7	<u>1014771</u>	Wheel Rim, White	1
8	N/A	Tire, Unmounted Xtrac 18 x 8.50-8	1
9	<u>7310</u>	Valve Stem	1
10	<u>101651409</u>	Tire/Wheel Asm, White, Premium Tread, 6.5-inch (includes items 11 through 13)	4
11	<u>101884901</u>	Tire, Unmounted, Power Rib 18 x 6.50-8	1
12	<u>101918401</u>	Wheel Rim, Beige	1
13	<u>7310</u>	Valve Stem	1
14	<u>101651414</u>	Tire/Wheel Asm, White, Duro HF 232 (includes items 15 through 17)	4
15	<u>101918402</u>	Wheel Rim, White	1
16	<u>7310</u>	Valve Stem	1
17	****	Tire, Unmounted, 6-Ply Rated (18.5 x 8.5 - 8) (Duro)	1
		**** Special order item available upon request.	

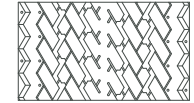
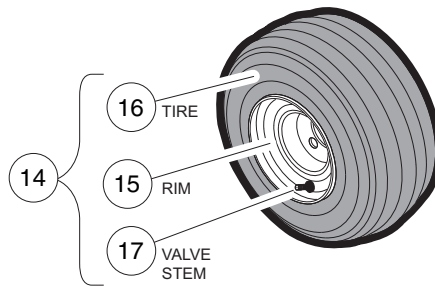
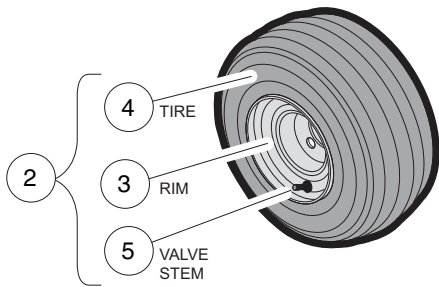
2
G
E



FOR FRONT OR REAR

BEIGE RIMS

WHITE RIMS

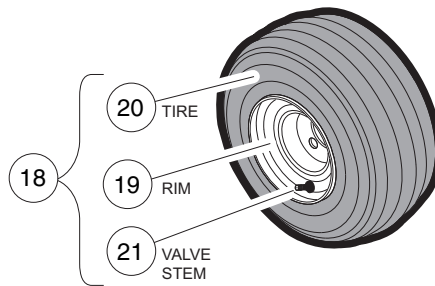
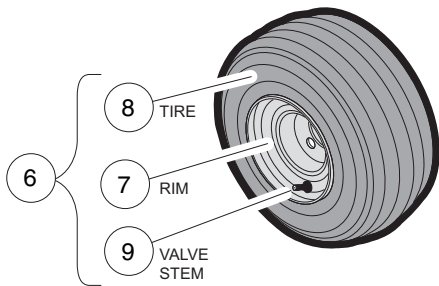


PREMIUM TREAD

FOR REAR ONLY

BEIGE RIMS

WHITE RIMS

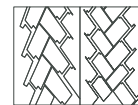
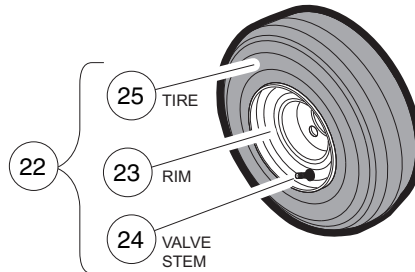
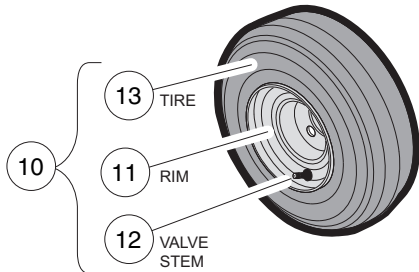


EXTRA TRACTION TREAD

FOR FRONT ONLY

BEIGE RIMS

WHITE RIMS



DURO HF 232 TREAD

000269-003

WHEELS AND TIRES – TURF/CARRYALL 6

ITEM	PART NO.	DESCRIPTION	QTY
		1 2 3 4	
1	<u>1010984</u>	.500-20 Unf Lug Nut	16
2	<u>101570506</u>	Tire/Wheel Asm, Beige, Premium Tread, 6-ply (includes items 3 through 5)	4
3	1015707	Wheel Rim, Beige	1
4	<u>101737002</u>	Tire, Unmounted	1
5	<u>7310</u>	Valve Stem	1
6	<u>101570507</u>	Tire/Wheel Asm, Beige, Xtrac Tread, 6-ply (includes items 7 through 9)	2
7	1015707	Wheel Rim, Beige	1
8	N/A	Tire, Unmounted Xtrac 18 x 8.50-8	1
9	<u>7310</u>	Valve Stem	1
10	<u>101570514</u>	Tire/Wheel Asm, Beige, Duro HF 232 Tread (includes items 11 through 13)	2
11	1015707	Wheel Rim, Beige	1
12	<u>7310</u>	Valve Stem	1
13	****	Tire, Unmounted, 6-Ply Rated (18.5 x 8.5 - 8) (Duro)	1
14	<u>101651406</u>	Tire/Wheel Asm, White, Premium Tread, 6-Ply (includes items 15 through 17)	4
15	<u>1014771</u>	Wheel Rim, White	1
16	<u>101737002</u>	Tire, Unmounted	1
17	<u>7310</u>	Valve Stem	1
18	<u>101651407</u>	Tire/Wheel Asm, White, Extra-Traction, 6-Ply (includes items 19 through 21)	2
19	<u>1014771</u>	Wheel Rim, White	1
20	N/A	Tire, Unmounted Xtrac 18 x 8.50-8	1
21	<u>7310</u>	Valve Stem	1
22	<u>101651414</u>	Tire/Wheel Asm, White, Duro HF 232 (includes items 23 through 25)	2
23	<u>101918402</u>	Wheel Rim, White	1
24	<u>7310</u>	Valve Stem	1
25	****	Tire, Unmounted, 6-Ply Rated (18.5 x 8.5 - 8) (Duro)	1
		**** Special order item available upon request.	

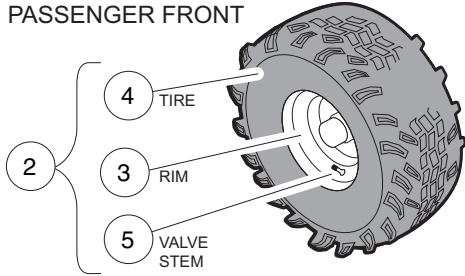
2
G
E



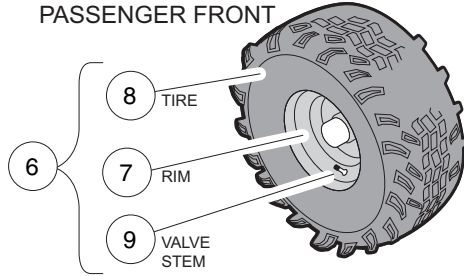
WHITE RIMS

SILVER RIMS

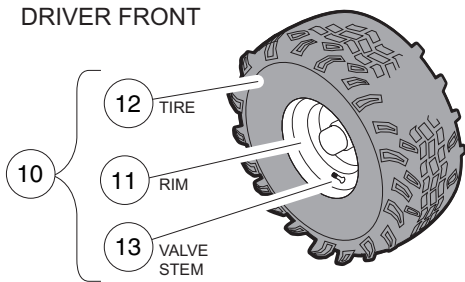
PASSENGER FRONT



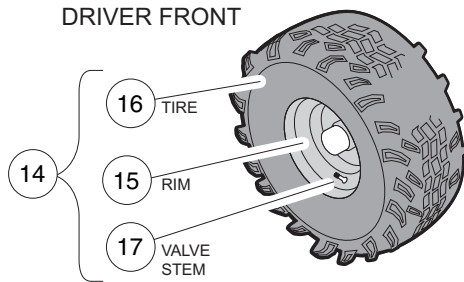
PASSENGER FRONT



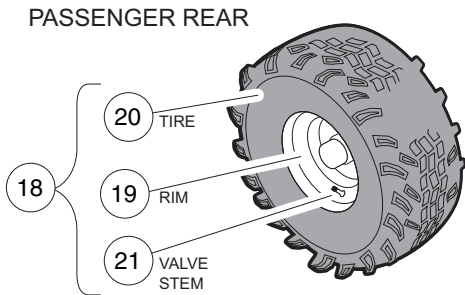
DRIVER FRONT



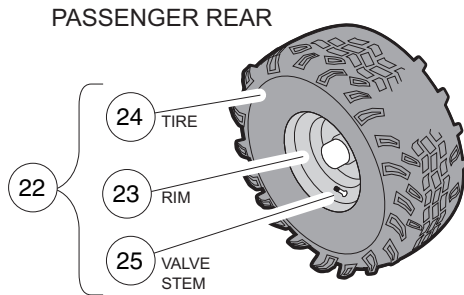
DRIVER FRONT



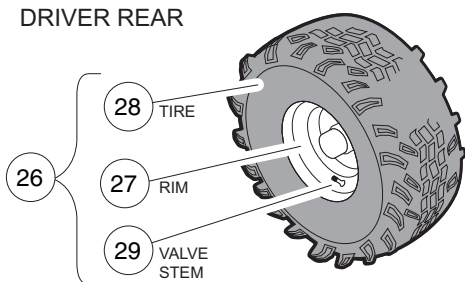
PASSENGER REAR



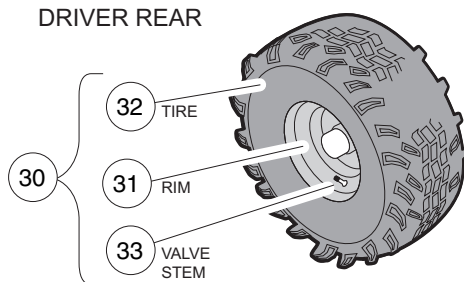
PASSENGER REAR



DRIVER REAR



DRIVER REAR



000269-004

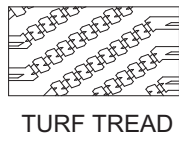
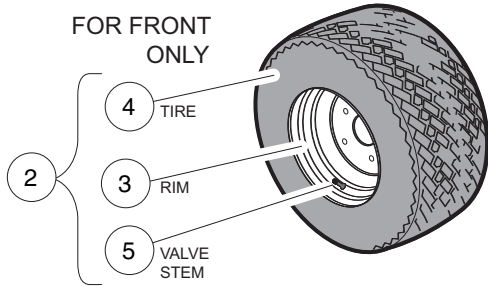
WHEELS AND TIRES, OFF-ROAD TREAD – TURF/CARRYALL 252, TURF/CARRYALL 2 XRT

ITEM	PART NO.	DESCRIPTION	QTY
		1 2 3 4	
1	<u>1010984</u>	.500-20 Unf Lug Nut	16
2	<u>102009201</u>	Off-Road Tire and Wheel Asm, Right, Front (includes items 3 through 5)	1
3	N/A	Rim, Wheel, White	1
4	N/A	Tire, Unmounted, Duro, Off-Road Tire, 22 x 11-10, 6-Ply Rated	1
5	<u>7310</u>	Valve Stem	1
6	<u>102009202</u>	Off-Road Tire and Wheel Asm, Right, Front (includes items 7 through 9)	1
7	N/A	Wheel Rim, Silver	1
8	N/A	Tire, Unmounted, Duro, Off-Road Tire, 22 x 11-10, 6-Ply Rated	1
9	<u>7310</u>	Valve Stem	1
10	<u>102009301</u>	Off-Road Tire and Wheel Asm, Left, Front (includes items 11 through 13)	1
11	N/A	Rim, Wheel, White	1
12	N/A	Tire, Unmounted, Duro, Off-Road Tire, 22 x 11-10, 6-Ply Rated	1
13	<u>7310</u>	Valve Stem	1
14	<u>102009302</u>	Off-Road Tire and Wheel Asm, Left, Front (includes items 15 through 17)	1
15	N/A	Wheel Rim, Silver	1
16	N/A	Tire, Unmounted, Duro, Off-Road Tire, 22 x 11-10, 6-Ply Rated	1
17	<u>7310</u>	Valve Stem	1
18	<u>102009401</u>	Off-Road Tire and Wheel Asm, Right, Rear (includes items 19 through 21)	1
19	N/A	Rim, Wheel, White	1
20	N/A	Tire, Unmounted, Duro, Off-Road Tire, 22 x 11-10, 6-Ply Rated	1
21	<u>7310</u>	Valve Stem	1
22	<u>102009402</u>	Off-Road Tire and Wheel Asm, Right, Rear (includes items 23 through 25)	1
23	N/A	Wheel Rim, Silver	1
24	N/A	Tire, Unmounted, Duro, Off-Road Tire, 22 x 11-10, 6-Ply Rated	1
25	<u>7310</u>	Valve Stem	1
26	<u>102009501</u>	Off-Road Tire and Wheel Asm, Left, Rear (includes items 27 through 29)	1
27	N/A	Rim, Wheel, White	1
28	N/A	Tire, Unmounted, Duro, Off-Road Tire, 22 x 11-10, 6-Ply Rated	1
29	<u>7310</u>	Valve Stem	1
30	<u>102009502</u>	Off-Road Tire and Wheel Asm, Left, Rear (includes items 31 through 33)	1
31	N/A	Wheel Rim, Silver	1
32	N/A	Tire, Unmounted, Duro, Off-Road Tire, 22 x 11-10, 6-Ply Rated	1
33	<u>7310</u>	Valve Stem	1
<p>Note: Front and rear wheels are NOT interchangeable. The rear wheels have a different offset than the front wheels. The rear wheels must be installed with the deeper offset facing out. Off-road tires are directional.</p>			

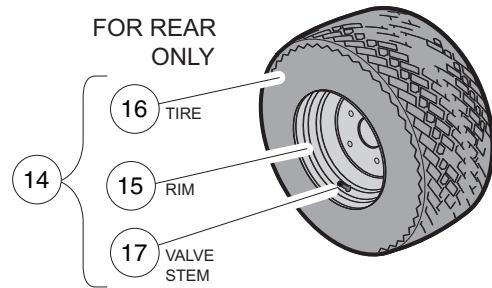
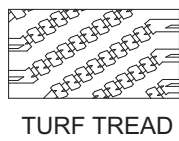
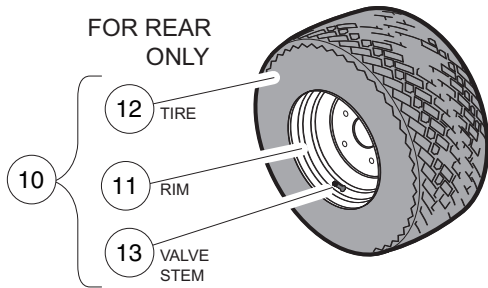
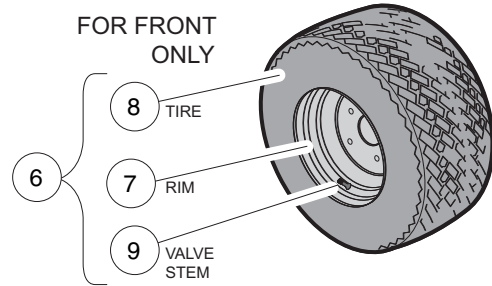
2
G
E



WHITE RIMS



SILVER RIMS



000269-005

WHEELS AND TIRES, TURF TREAD – TURF/CARRYALL 252, TURF/ CARRYALL 2 XRT

ITEM	PART NO.	DESCRIPTION	QTY
		1 2 3 4	
1	<u>1010984</u>	.500-20 Unf Lug Nut	16
2	<u>102009901</u>	Turf Tire and Wheel Asm, Front (includes items 3 through 5)	2
3	N/A	Rim, Wheel, White	1
4	N/A	Tire, Front, Unmounted, Titan Turf Trac, 23 x 10.5-12, 4-Ply Rated	1
5	<u>7310</u>	Valve Stem	1
6	<u>102009902</u>	Turf Tire and Wheel Asm, Front (includes items 7 through 9)	2
7	N/A	Wheel Rim, Silver	1
8	N/A	Tire, Front, Unmounted, Titan Turf Trac, 23 x 10.5-12, 4-Ply Rated	1
9	<u>7310</u>	Valve Stem	1
10	<u>102010001</u>	Turf Tire and Wheel Asm, Rear (includes items 11 through 13)	2
11	N/A	Rim, Wheel, White	1
12	N/A	Tire, Rear, Unmounted, Titan Turf Trac, 23 x 10.5-12, 4-Ply Rated	1
13	<u>7310</u>	Valve Stem	1
14	<u>102010002</u>	Turf Tire and Wheel Asm, Rear (includes items 15 through 17)	2
15	N/A	Wheel Rim, Silver	1
16	N/A	Tire, Rear, Unmounted, Titan Turf Trac, 23 x 10.5-12, 4-Ply Rated	1
17	<u>7310</u>	Valve Stem	1

2
G
E

2

G

E

DECALS

3

G

E

**3
G
E**

WARNING

ROLLOVER OR FALLING OFF MAY CAUSE DEATH.

- Before using vehicle, read operating instructions.
- Remain seated and hold on to seat handle while moving.
- Do not start vehicle until all occupants are seated.
- Two (2) persons per seat maximum.
- Operate from driver side only and not on public roads.
- Keep entire body inside vehicle while moving.
- Drive slowly in turns and straight up and down slopes.
- Do not leave children unattended on vehicle.
- Never operate under the influence of alcohol or drugs.
- Use brakes to reduce speed when coasting downhill.
- Never stand in front of or behind vehicle.

CCI 101960501

OPERATING INSTRUCTIONS

- Read owner's manual and safety warnings located on dash panel prior to driving.
- Study and understand controls.

TO OPERATE

- Turn wheels to desired direction and ensure path is clear.
- Turn key to ON position.
- While stopped, place shift lever in desired position:
F - Forward N - Neutral R - Reverse (Buzzer will sound)
- Park brake will release and vehicle will start moving when accelerator pedal is pressed.
- Slowly press accelerator pedal to increase speed.
- To stop, release accelerator pedal and press brake pedal.

BEFORE LEAVING

- Press park brake pedal until it locks and holds vehicle.
- Place Forward/Reverse switch in NEUTRAL position.
- Turn key OFF and remove key when not in use.

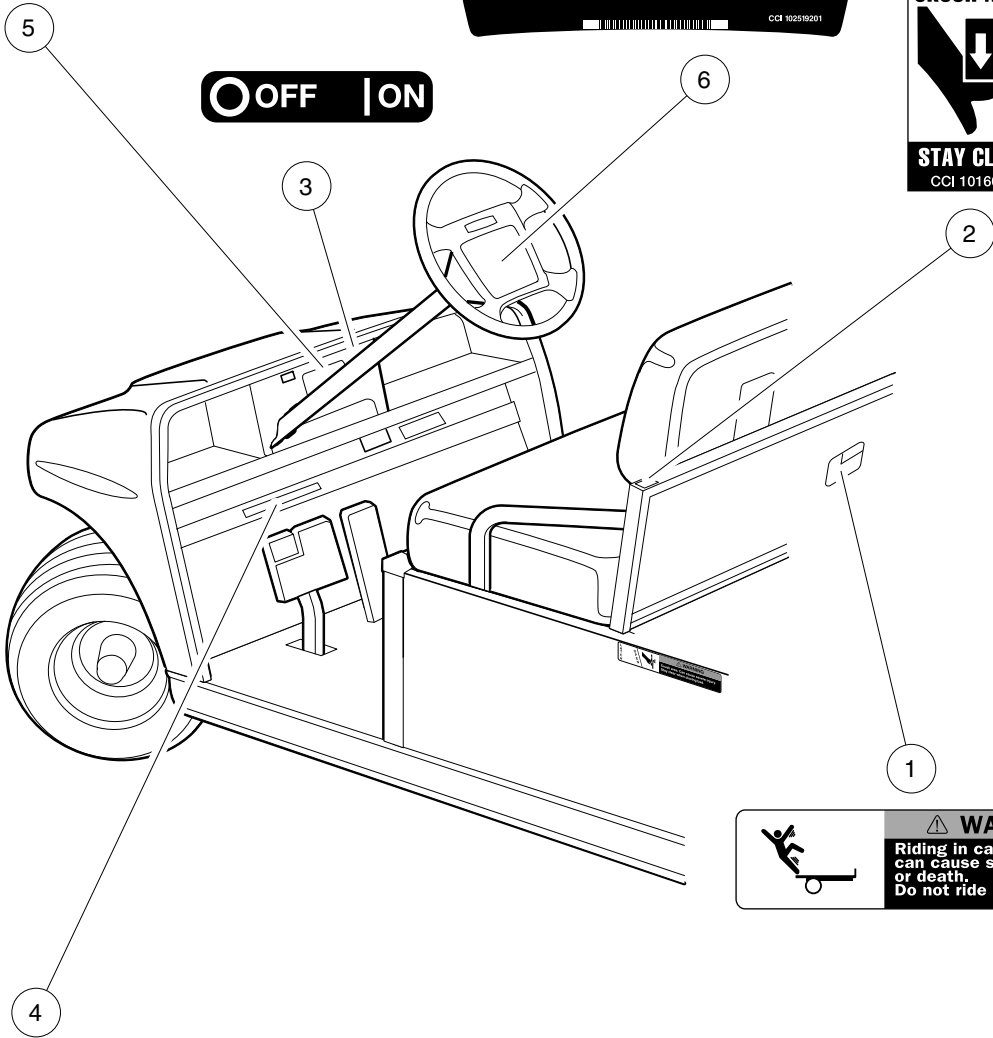
CCI 102519201

WARNING

CRUSH AREA

STAY CLEAR

CCI 1016094-01



OFF | ON

WARNING

Riding in cargo bed can cause severe injury or death. Do not ride in cargo bed.

CCI 1015639-01

VEHICLE LOADING

Read owner's manual and warnings on dash.

- Vehicle rated capacity - 800 lb on level surface only. Weight to include passengers, cargo bed load, and gross trailer weight. See owner's manual.
- Maximum cargo load - 300 lb. Weight to include cargo bed load and gross trailer weight.
- Maximum trailer hitch tongue weight - 150 lbs.
- Cargo should be evenly spread over the floor of the cargo bed as far forward as possible and secured.
- For vehicle stability, when fully loaded, drive slowly and avoid stopping on or backing down steep hills.
- Avoid top heavy loads. See owner's manual.
- When driving on uneven terrain or down steep hills, reduce speed and load.

CCI 101960101

000270-001

DECALS – TURF/CARRYALL 1 GASOLINE AND ELECTRIC VEHICLES

ITEM	PART NO.	DESCRIPTION	QTY
		1 2 3 4	
1	<u>101553901</u>	Decal, Bed Load Warning	1
2	<u>101609401</u>	Decal, Crush Area Warning	2
3	<u>101825101</u>	Decal, Off/On	1
4	<u>101960101</u>	Decal, Vehicle Loading	1
5	101960601	Decal, Dash Warning	1
6	<u>102519201</u>	Decal, Operating Instr, Gas	1

3
G
E

⚠ DANGER / POISON

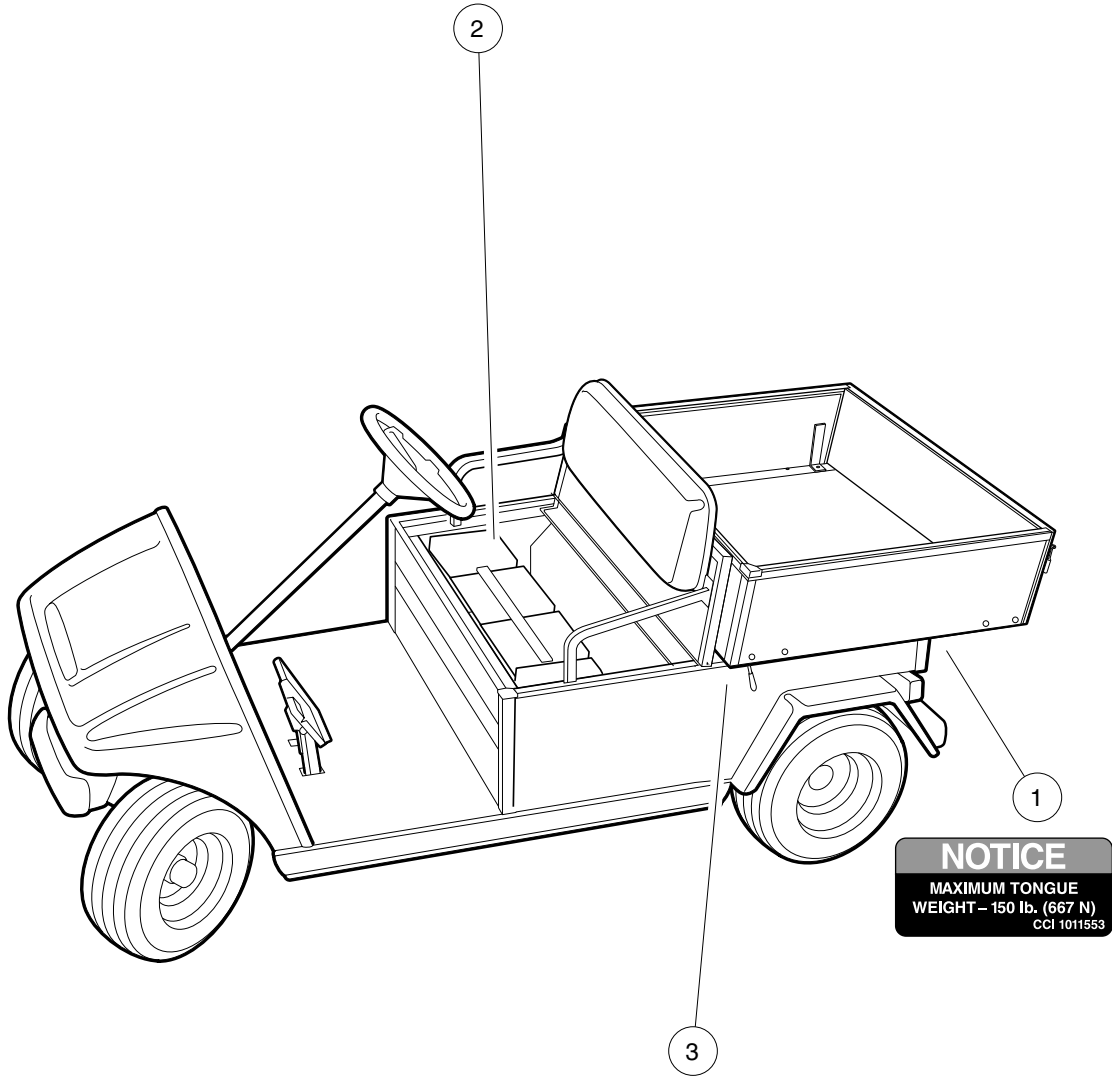
SHIELD EYES
EXPLOSIVE GASES CAN CAUSE BLINDNESS TO BURN

NO SPARKS
FLAMES
SMOKING

SULFURIC ACID CAN CAUSE BLINDNESS OR SEVERE BURNS

FLUSH EYES IMMEDIATELY WITH WATER
GET MEDICAL HELP FAST

KEEP OUT OF THE REACH OF CHILDREN - DO NOT TIP - KEEP VENT CAPS TIGHT AND LEVEL



NOTICE
MAXIMUM TONGUE WEIGHT - 150 lb. (667 N)
CCI 1011553

LATCH / **OPEN**

⚠ WARNING
Crush area. Can cause severe injury. Stay clear when closing bed.
CCI 102459301

000271-001

DECALS – TURF 1/CARRYALL 1 POWERDRIVE VEHICLES

ITEM	PART NO.	DESCRIPTION	QTY
		1 2 3 4	
1	<u>1011553</u>	Decal, Trailer Hitch	1
2	<u>1013677</u>	Decal, Battery Danger	6
3	<u>102459301</u>	Decal, Bed Crush Area Warning	1

3
G
E

⚠ DANGER / POISON

SHIELD EYES
EXPLOSIVE GASES: FIRE/HAZARD: BLINDNESS OR INJURY

NO SPARKS
FLAMES
SMOKING

SULFURIC ACID CAN CAUSE BLINDNESS OR SEVERE BURNS

FLUSH EYES IMMEDIATELY WITH WATER
SEE MEDICAL HELP FAST

KEEP OUT OF THE REACH OF CHILDREN - DO NOT TIP - KEEP VENT CAPS TIGHT AND LEVEL

IMPORTANT NOTICE

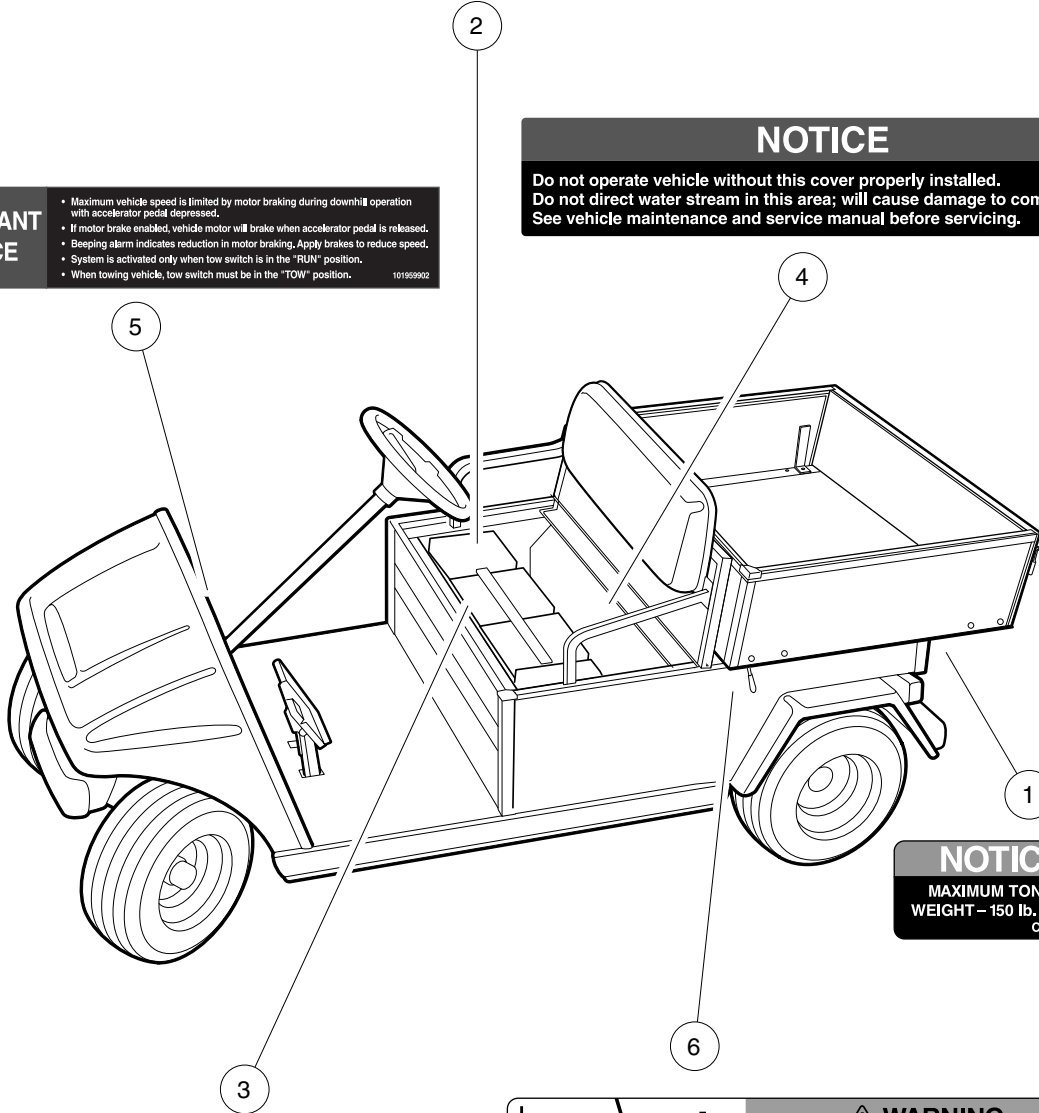
- Maximum vehicle speed is limited by motor braking during downhill operation with accelerator pedal depressed.
- If motor brake enabled, vehicle motor will brake when accelerator pedal is released.
- Beeping alarm indicates reduction in motor braking. Apply brakes to reduce speed.
- System is activated only when tow switch is in the "RUN" position.
- When towing vehicle, tow switch must be in the "TOW" position.

101159902

NOTICE

Do not operate vehicle without this cover properly installed. Do not direct water stream in this area; will cause damage to components. See vehicle maintenance and service manual before servicing.

CCI 101931501



NOTICE

MAXIMUM TONGUE WEIGHT - 150 lb. (667 N)

CCI 1011553

⚠ WARNING TOW RUN

Place Tow/Run switch in TOW position before:

- Disconnecting or connecting batteries
- Towing
- Extended storage
- Servicing

FAILURE TO HEED THIS WARNING COULD RESULT IN A BATTERY EXPLOSION OR SEVERE PERSONAL INJURY.

CCI 10190801

LATCH OPEN

⚠ WARNING

Crush area. Can cause severe injury. Stay clear when closing bed.

CCI 10249301

000272-001

DECALS – TURF/CARRYALL 1 IQ SYSTEM VEHICLES

ITEM	PART NO.	DESCRIPTION	QTY
		1 2 3 4	
1	<u>1011553</u>	Decal, Trailer Hitch	1
2	<u>1013677</u>	Decal, Battery Danger	6
3	<u>101908601</u>	Decal, Tow/Run Switch Warning	1
4	<u>101931501</u>	Decal, Component Cover	1
5	<u>101959902</u>	Decal, IQ System Motor Braking	1
6	<u>102459301</u>	Decal, Bed Crush Area Warning	1

3
G
E

⚠ WARNING

GASOLINE EXPLOSION / FIRE.

- Can cause severe injury or death.
- No smoking, sparks, or open flame.
- Stop engine, allow to cool before refueling.
- Turn fuel valve (←) on during operation. (→) off during storage or transport.

CCI 101547601

⚠ WARNING

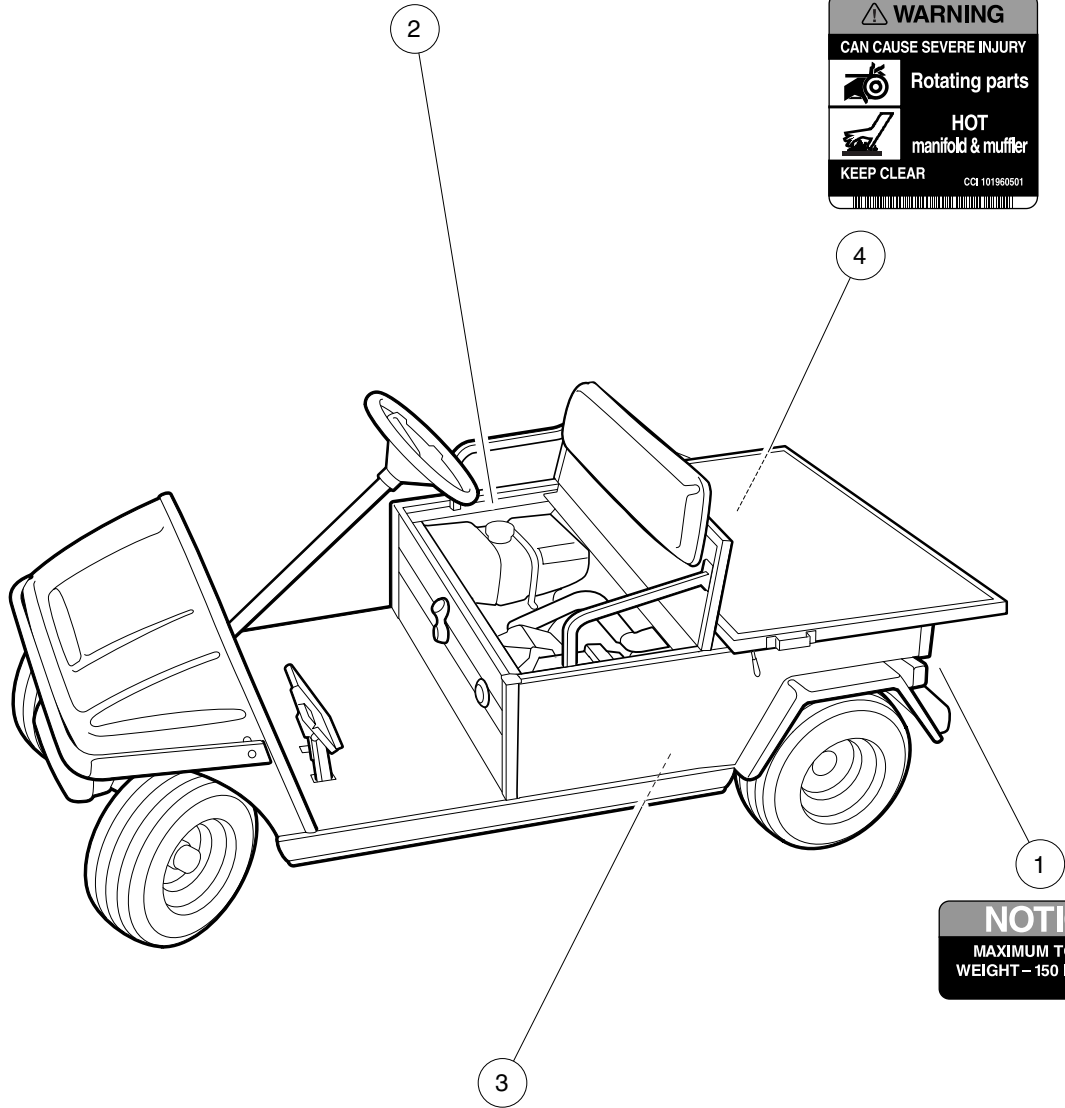
CAN CAUSE SEVERE INJURY

Rotating parts

HOT manifold & muffler

KEEP CLEAR

CCI 101960501



NOTICE

MAXIMUM TONGUE WEIGHT - 150 lb. (667 N)

CCI 1011553

	<p>⚠ WARNING</p> <p>Negative frame ground. Can cause severe injury. Do not contact positive (+) battery post or cable to frame. Disconnect negative battery cable first.</p>		<p>⚠ WARNING</p> <p>Excessive speed can cause severe injury or death. Do not tamper with engine governor adjustment.</p> <p>CCI 101915201</p>
--	---	--	--

000273-001

DECALS – TURF/CARRYALL 1 GASOLINE VEHICLES

ITEM	PART NO.	DESCRIPTION	QTY
		1 2 3 4	
1	<u>1011553</u>	Decal, Trailer Hitch	1
2	<u>101547601</u>	Decal, Gasoline Explosion/Fire Warning	1
3	<u>101915201</u>	Decal, Frame Ground and Governor Warning	1
4	<u>101960501</u>	Decal, Rotating Parts/Hot Manifold	2

3
G
E

**3
G
E**

⚠ WARNING

ROLLOVER OR FALLING OFF MAY CAUSE DEATH.

- Before using vehicle, read operating instructions.
- Remain seated and hold on to seat handle while moving.
- Do not start vehicle until all occupants are seated.
- Two (2) persons per seat maximum.
- Operate from driver side only and not on public roads.
- Keep entire body inside vehicle while moving.
- Drive slowly in turns and straight up and down slopes.
- Do not leave children unattended on vehicle.
- Never operate under the influence of alcohol or drugs.
- Use brakes to reduce speed when coasting downhill.
- Never stand in front of or behind vehicle.

CCI 101960501

OPERATING INSTRUCTIONS

- Read owner's manual and safety warnings located on dash panel prior to driving.
- Study and understand controls.

TO OPERATE

- Turn wheels to desired direction and ensure path is clear.
- Turn key to ON position.
- While stopped, place shift lever in desired position:
F – Forward N – Neutral R – Reverse (Buzzer will sound)
- Park brake will release and vehicle will start moving when accelerator pedal is pressed.
- Slowly press accelerator pedal to increase speed.
- To stop, release accelerator pedal and press brake pedal.

BEFORE LEAVING

- Press park brake pedal until it locks and holds vehicle.
- Place Forward/Reverse switch in NEUTRAL position.
- Turn key OFF and remove key when not in use.

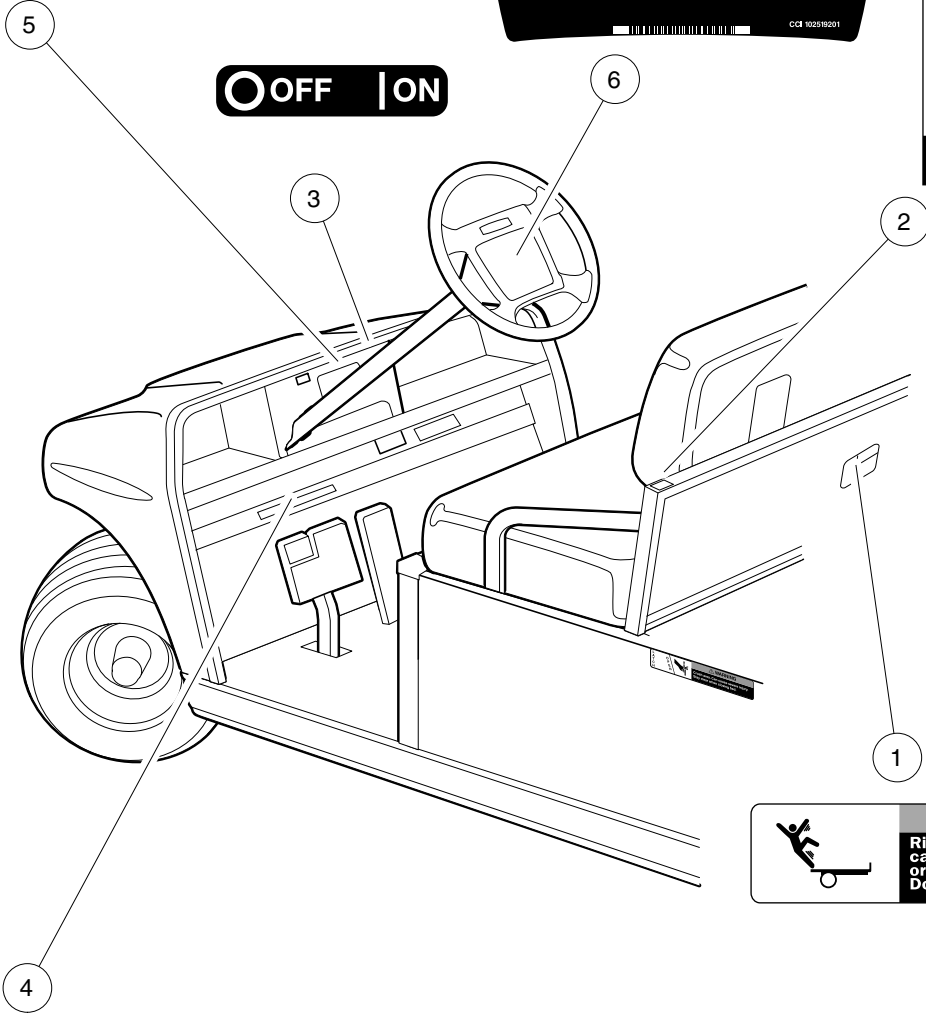
CCI 102319201

⚠ WARNING

CRUSH AREA

STAY CLEAR

CCI 1016094-01



⚠ WARNING

Riding in cargo bed can cause severe injury or death. Do not ride in cargo bed.

CCI 1015639-01

VEHICLE LOADING

Read Owner's Manual and warnings on dash.

- Vehicle rated capacity - 1200 lbs. on level surface only. Weight to include passengers, cargo bed load, and gross trailer weight. See Owner's Manual.
- Maximum cargo load - 800 lbs. Weight to include cargo bed load and gross trailer weight.
- Maximum trailer hitch tongue weight - 150 lbs.
- Cargo should be evenly spread over the floor of the cargo bed as far forward as possible and secured.
- For vehicle stability, when fully loaded, drive slowly and avoid stopping on or backing down steep hills.
- Avoid top heavy loads. See Owner's Manual.
- When driving on uneven terrain or down steep hills, reduce speed and load.

CCI 101960201

000274-001

DECALS – TURF/CARRYALL 2 GASOLINE AND ELECTRIC VEHICLES

ITEM	PART NO.	DESCRIPTION	QTY
		1 2 3 4	
1	<u>101553901</u>	Decal, Bed Load Warning	1
2	<u>101609401</u>	Decal, Crush Area Warning	2
3	<u>101825101</u>	Decal, Off/On	1
4	<u>101960201</u>	Decal, Vehicle Loading	1
5	<u>101960601</u>	Decal, Dash Warning	1
6	<u>102519201</u>	Decal, Operating Instr, Gas	1

3
G
E

⚠ DANGER / POISON

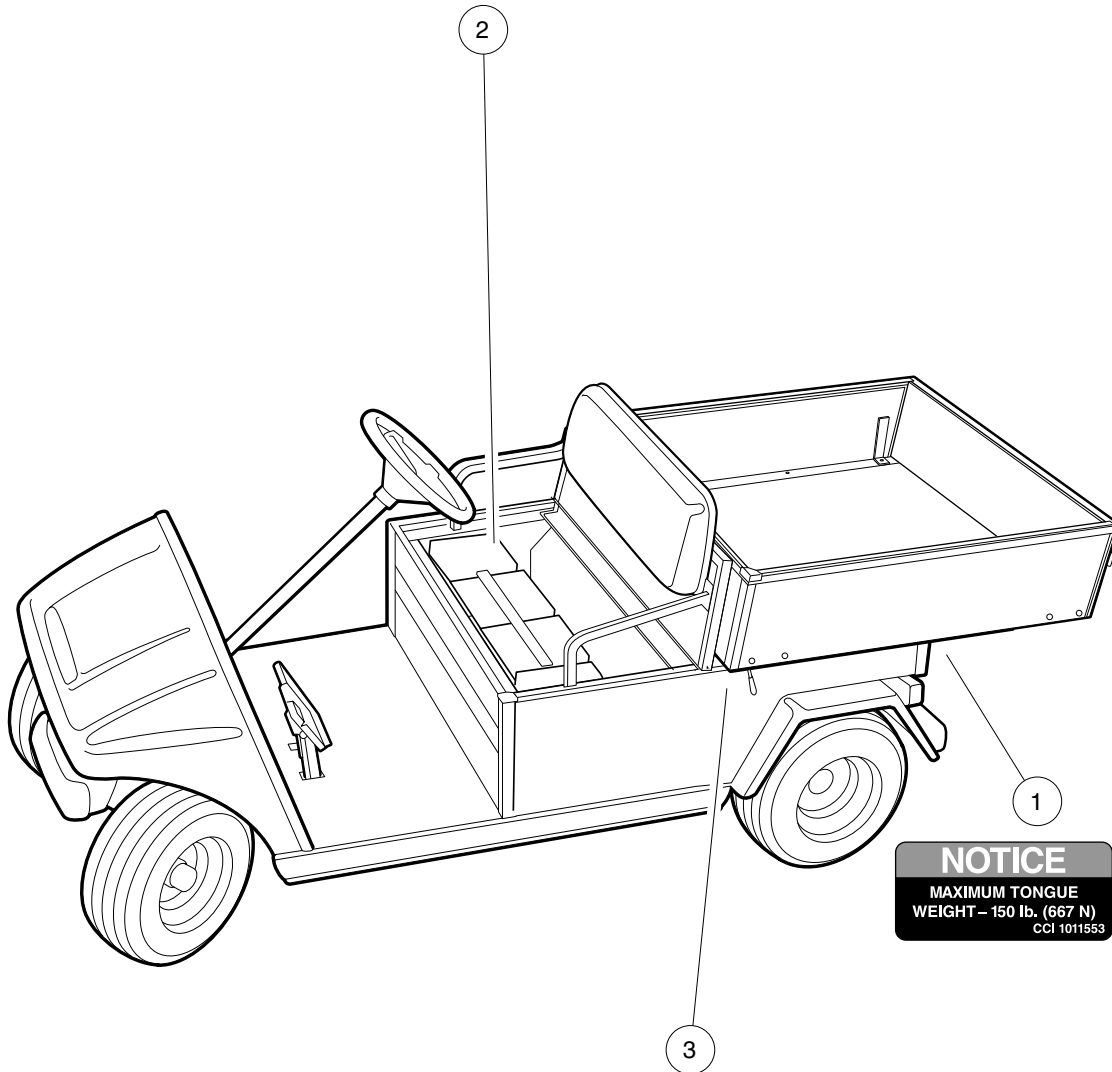
SHIELD EYES
EXPLOSIVE GASES CAN CAUSE BLINDNESS TO BLIND

NO SPARKS
FLAMES
SMOKING

SULFURIC ACID CAN CAUSE BLINDNESS OR SEVERE BURNS

FLUSH EYES IMMEDIATELY WITH WATER
GET MEDICAL HELP FAST

KEEP OUT OF THE REACH OF CHILDREN - DO NOT TIP - KEEP VENT CAPS TIGHT AND LEVEL



NOTICE
MAXIMUM TONGUE WEIGHT - 150 lb. (667 N)
CCI 1011553

LATCH / **OPEN**

⚠ WARNING
Crush area. Can cause severe injury.
Stay clear when closing bed.
CCI 102459301

000275-001

DECALS – TURF/CARRYALL 2 POWERDRIVE VEHICLES

ITEM	PART NO.	DESCRIPTION	QTY
1	<u>1011553</u>	1 2 3 4 Decal, Trailer Hitch	1
2	<u>1013677</u>	Decal, Battery Danger	6
3	<u>102459301</u>	Decal, Bed Crush Area Warning	1

3
G
E

⚠ WARNING

GASOLINE EXPLOSION / FIRE.

- Can cause severe injury or death.
- No smoking, sparks, or open flame.
- Stop engine, allow to cool before refueling.
- Turn fuel valve (←) on during operation. (→) off during storage or transport.

CCI 101547601

⚠ WARNING

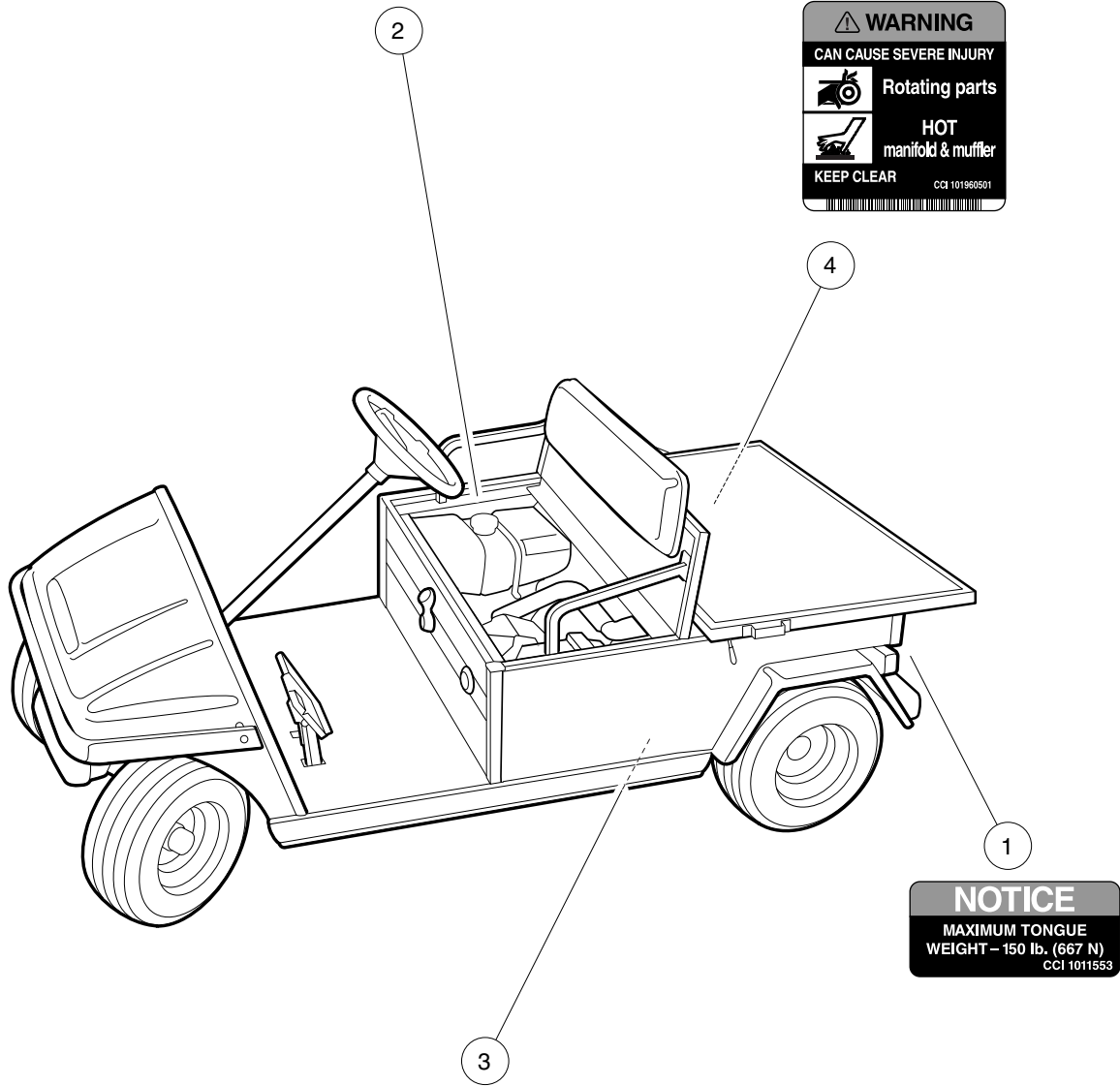
CAN CAUSE SEVERE INJURY

Rotating parts

HOT manifold & muffler

KEEP CLEAR

CCI 101960501



NOTICE

MAXIMUM TONGUE WEIGHT - 150 lb. (667 N)

CCI 1011553

	<p>⚠ WARNING</p> <p>Negative frame ground. Can cause severe injury. Do not contact positive (+) battery post or cable to frame. Disconnect negative battery cable first.</p>		<p>⚠ WARNING</p> <p>Excessive speed can cause severe injury or death. Do not tamper with engine governor adjustment.</p> <p>CCI 101915201</p>
--	---	--	--

000276-001

DECALS – TURF/CARRYALL 2 GASOLINE VEHICLES

ITEM	PART NO.	DESCRIPTION	QTY
		1 2 3 4	
1	<u>1011553</u>	Decal, Trailer Hitch	1
2	<u>101547601</u>	Decal, Gasoline Explosion/Fire Warning	1
3	<u>101915201</u>	Decal, Frame Ground and Governor Warning	1
4	<u>101960501</u>	Decal, Rotating Parts/Hot Manifold	2

3
G
E

⚠ WARNING

ROLLOVER OR FALLING OFF MAY CAUSE DEATH.

- Before using vehicle, read operating instructions.
- Remain seated and hold on to seat handle while moving.
- Do not start vehicle until all occupants are seated.
- Two (2) persons per seat maximum.
- Operate from driver side only and not on public roads.
- Keep entire body inside vehicle while moving.
- Drive slowly in turns and straight up and down slopes.
- Do not leave children unattended on vehicle.
- Never operate under the influence of alcohol or drugs.
- Use brakes to reduce speed when coasting downhill.
- Never stand in front of or behind vehicle.

CCI 101960601

OPERATING INSTRUCTIONS

- Read Owner's Manual and safety warnings located on dash panel prior to driving.
- Study and understand controls.

TO START ENGINE

- Place shift lever in "N" - Neutral position.
- Depress brake pedal.
- Turn key switch to "START" position and release.

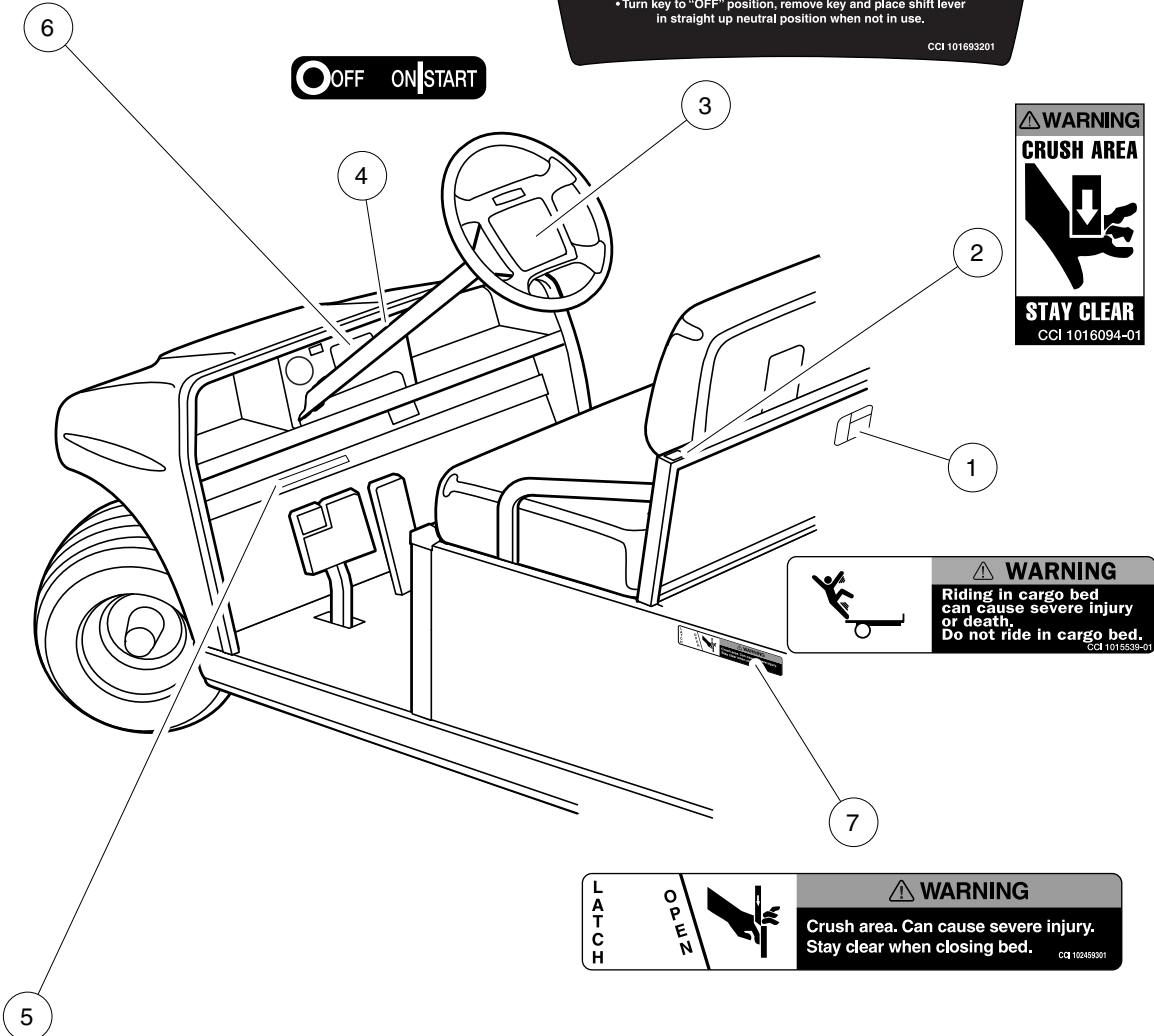
TO OPERATE VEHICLE

- Make sure wheels are turned in desired direction.
- Be sure nothing is in your path.
- While vehicle is stopped, and engine is at idle, select vehicle direction by placing shift lever or switch in desired position.
F - Forward N - Neutral R - Reverse (Buzzer will sound)
- Park brake will release when accelerator pedal is pushed.
- Slowly push accelerator pedal to increase speed.
- Engine must be at idle before moving shift lever.

TO STOP VEHICLE

- Release accelerator pedal and push brake pedal.
- After stopping, firmly push park brake until it locks.
- Turn key to "OFF" position, remove key and place shift lever in straight up neutral position when not in use.

CCI 101693201



⚠ WARNING

CRUSH AREA

STAY CLEAR

CCI 1016094-01

⚠ WARNING

Riding in cargo bed can cause severe injury or death. Do not ride in cargo bed.

CCI 1015533-01

LATCH OPEN

⚠ WARNING

Crush area. Can cause severe injury. Stay clear when closing bed.

CCI 102459301

VEHICLE LOADING

Read Owner's Manual and warnings on dash.

- Vehicle rated capacity - 1200 lbs. on level surface only. Weight to include passengers, cargo bed load, and gross trailer weight. See Owner's Manual.
- Maximum cargo load - 800 lbs. Weight to include cargo bed load and gross trailer weight.
- Maximum trailer hitch tongue weight - 150 lbs.

- Cargo should be evenly spread over the floor of the cargo bed as far forward as possible and secured.
 - For vehicle stability, when fully loaded, drive slowly and avoid stopping on or backing down steep hills.
 - Avoid top heavy loads. See Owner's Manual.
 - When driving on uneven terrain or down steep hills, reduce speed and load.
- CCI 101960201

000277-001

DECALS – CARRYALL 2 PLUS

ITEM	PART NO.	DESCRIPTION	QTY
		1 2 3 4	
1	<u>101553901</u>	Decal, Bed Load Warning	1
2	<u>101609401</u>	Decal, Crush Area Warning	2
3	<u>101693201</u>	Decal, Operating Instructions, Key-Start	1
4	<u>101825102</u>	Decal, Off/On/Start	1
5	<u>101960201</u>	Decal, Vehicle Loading	1
6	<u>101960601</u>	Decal, Dash Warning	1
7	<u>102459301</u>	Decal, Bed Crush Area Warning	1

3
G
E

⚠ WARNING

GASOLINE EXPLOSION / FIRE.

- Can cause severe injury or death.
- No smoking, sparks, or open flame.
- Stop engine, allow to cool before refueling.
- Turn fuel valve (←) on during operation, (→) off during storage or transport.

CCI 101547601

⚠ WARNING

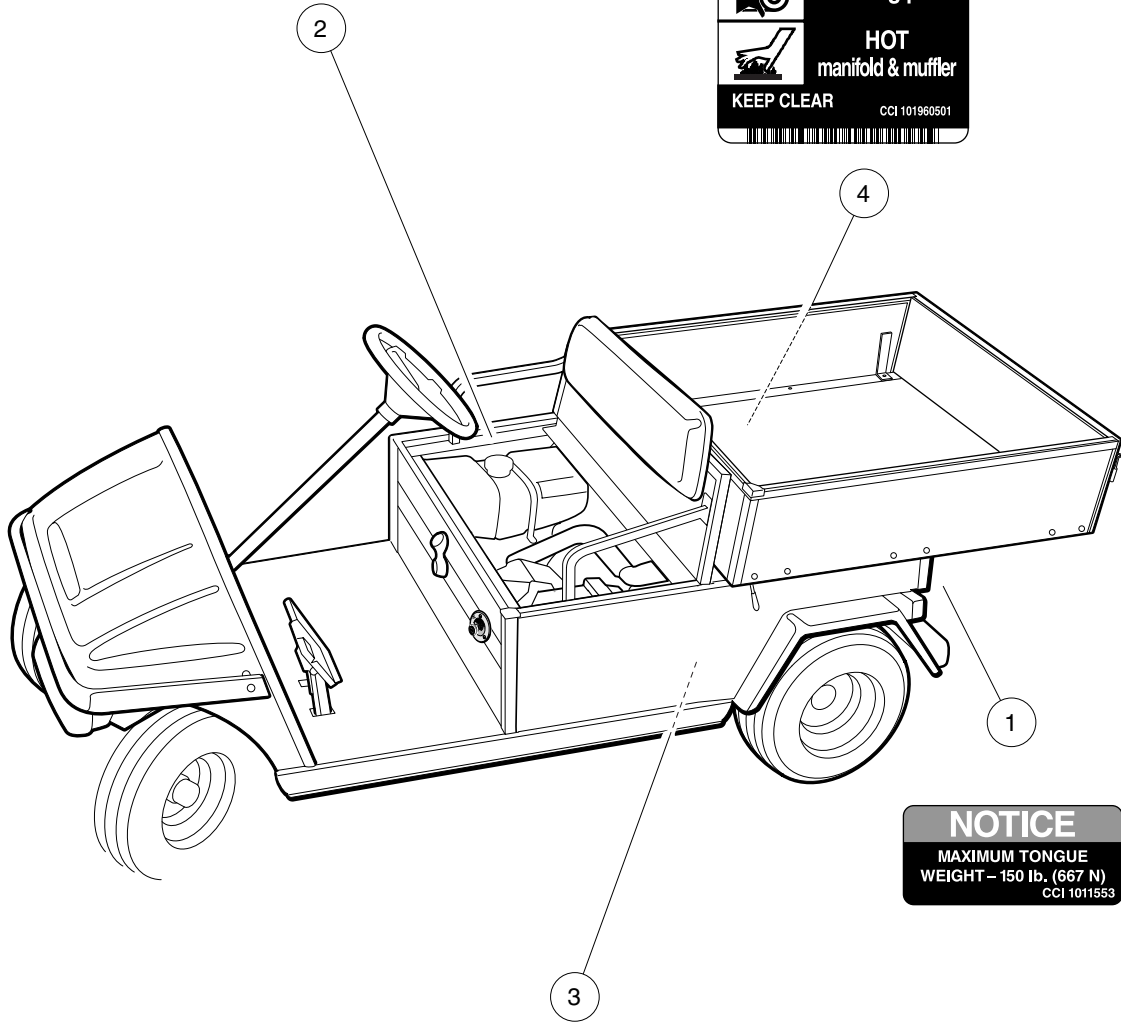
CAN CAUSE SEVERE INJURY

Rotating parts

HOT manifold & muffler

KEEP CLEAR

CCI 101960501



NOTICE

MAXIMUM TONGUE WEIGHT – 150 lb. (667 N)

CCI 1011553

	<p>⚠ WARNING</p> <p>Negative frame ground. Can cause severe injury. Do not contact positive (+) battery post or cable to frame. Disconnect negative battery cable first.</p>		<p>⚠ WARNING</p> <p>Excessive speed can cause severe injury or death. Do not tamper with engine governor adjustment.</p> <p>CCI 101915201</p>
--	---	--	--

000278-001

DECALS – CARRYALL 2 PLUS, CONTINUED

ITEM	PART NO.	DESCRIPTION	QTY
		1 2 3 4	
1	<u>1011553</u>	Decal, Trailer Hitch	1
2	<u>101547601</u>	Decal, Gasoline Explosion/Fire Warning	1
3	<u>101915201</u>	Decal, Frame Ground and Governor Warning	1
4	<u>101960501</u>	Decal, Rotating Parts/Hot Manifold	2

3
G
E

⚠ WARNING
ROLLOVER OR FALLING OFF MAY CAUSE DEATH.

- Before using vehicle, read operating instructions.
- Remain seated and hold on to seat handle while moving.
- Do not start vehicle until all occupants are seated.
- Two (2) persons per seat maximum.
- Operate from driver side only and not on public roads.
- Keep entire body inside vehicle while moving.
- Drive slowly in turns and straight up and down slopes.
- Do not leave children unattended on vehicle.
- Never operate under the influence of alcohol or drugs.
- Use brakes to reduce speed when coasting downhill.
- Never stand in front of or behind vehicle.


CCI 101960601

⚠ WARNING
CRUSH AREA

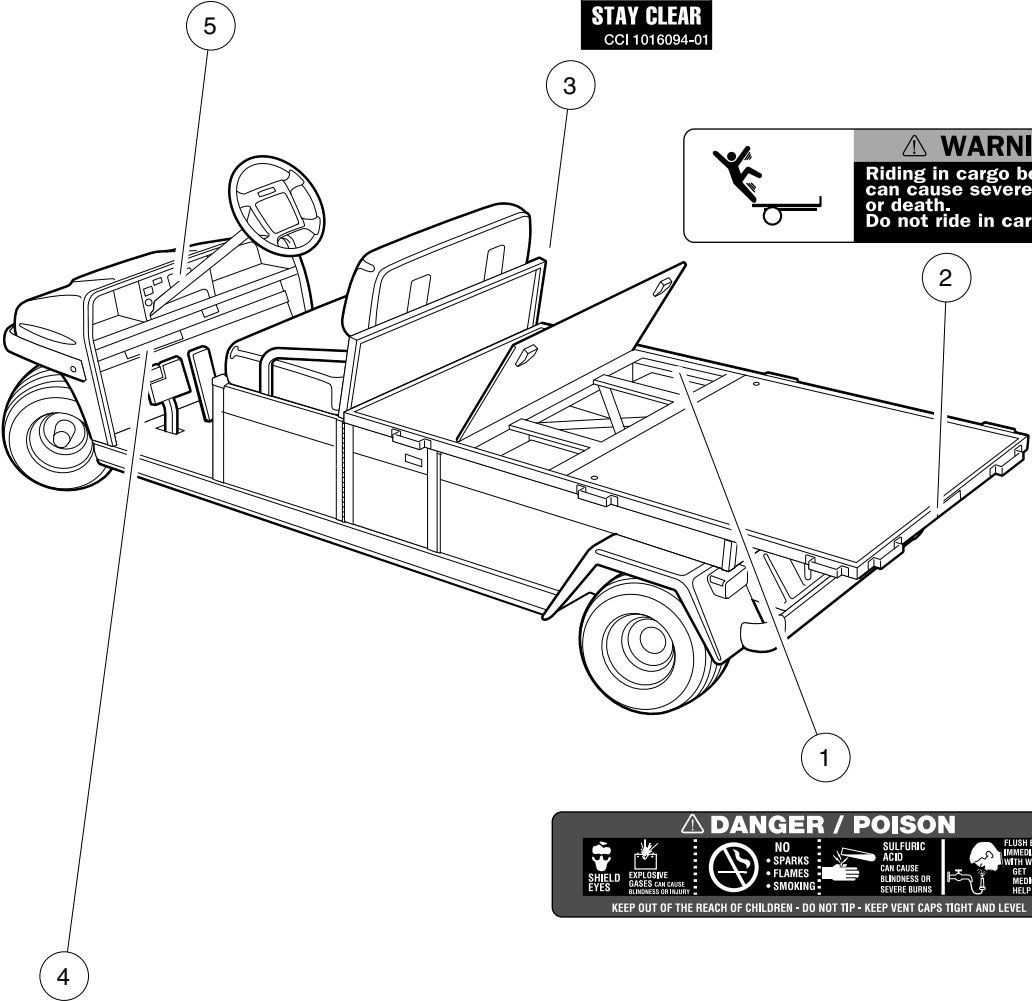


STAY CLEAR
CCI 1016094-01

⚠ WARNING
Riding in cargo bed can cause severe injury or death. Do not ride in cargo bed.



CCI 1015639-01



⚠ DANGER / POISON

 SHIELD EYES	 EXPLOSIVE GASES CAN CAUSE BLINDNESS OR INJURY	 NO SPARKS • FLAMES • SMOKING	 SULFURIC ACID CAN CAUSE BLINDNESS OR SEVERE BURNS	 FLUSH EYES IMMEDIATELY WITH WATER GET MEDICAL HELP FAST
---	---	---	---	--

KEEP OUT OF THE REACH OF CHILDREN - DO NOT TIP - KEEP VENT CAPS TIGHT AND LEVEL

VEHICLE LOADING
Read owner's manual and warnings on dash.

- Vehicle rated capacity - 1500 lb on level surface only. Weight to include passengers, cargo bed load, and gross trailer weight. See owner's manual.
- Maximum cargo load CARRYALL 6 or TURF 6 - 1000 lb, TRANSPORTER - 300 lb. Weight to include cargo bed load and gross trailer weight.
- Maximum trailer hitch tongue weight - 150 lbs.

- Cargo should be evenly spread over the floor of the cargo bed as far forward as possible and secured.
 - For vehicle stability, when fully loaded, drive slowly and avoid stopping on or backing down steep hills.
 - Avoid top heavy loads. See owner's manual.
 - When driving on uneven terrain or down steep hills, reduce speed and load.
- CCI 101960001

000279-001

DECALS – CARRYALL 6 POWERDRIVE VEHICLES

ITEM	PART NO.	DESCRIPTION	QTY
		1 2 3 4	
1	<u>1013677</u>	Decal, Battery Danger	6
2	<u>101553901</u>	Decal, Bed Load Warning	1
3	<u>101609401</u>	Decal, Crush Area Warning	2
4	<u>101960001</u>	Decal, Vehicle Loading	1
5	101960601	Decal, Dash Warning	1

3
G
E

OPERATING INSTRUCTIONS

- Read owner's manual and safety warnings located on dash panel prior to driving.
- Study and understand controls.

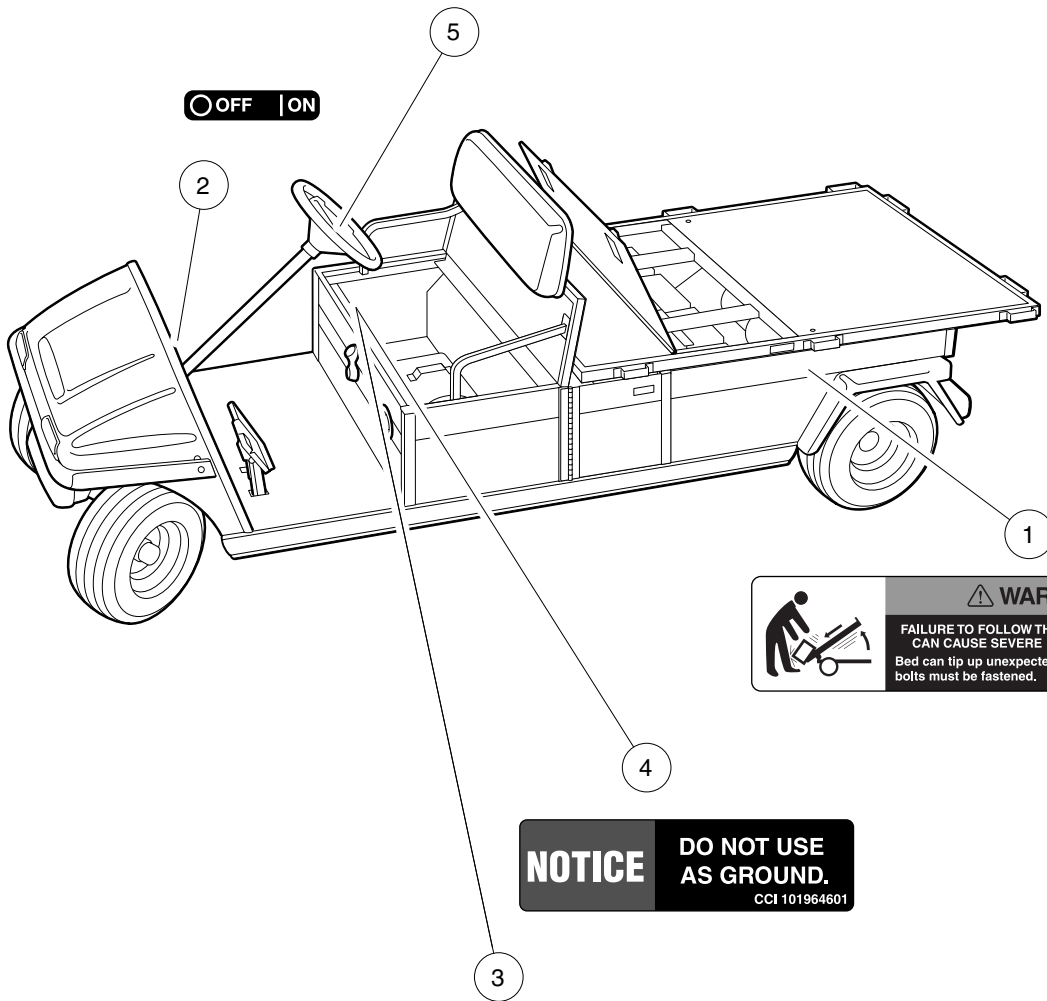
TO OPERATE

- Turn wheels to desired direction and ensure path is clear.
- Turn key to **ON** position.
- While stopped, place shift lever in desired position:
F=Forward N=Neutral R=Reverse (Buzzer will sound)
- Park brake will release and vehicle will start moving when accelerator pedal is pressed.
- Slowly press accelerator pedal to increase speed.
- To stop, release accelerator pedal and press brake pedal.

BEFORE LEAVING

- Press park brake pedal until it locks and holds vehicle.
- Place Forward/Reverse switch in **NEUTRAL** position.
- Turn key **OFF** and remove key when not in use.

CCI 10259201



WARNING

FAILURE TO FOLLOW THESE INSTRUCTIONS CAN CAUSE SEVERE INJURY OR DEATH.
Bed can tip up unexpectedly. Bed hold down bolts must be fastened.

CCI 101707801

NOTICE

DO NOT USE AS GROUND.

CCI 101964601

NOTICE

Do not operate vehicle without this cover properly installed.
Do not direct water stream in this area; will cause damage to components.
See vehicle maintenance and service manual before servicing.

CCI 101931501

000280-001

DECALS – CARRYALL 6 POWERDRIVE VEHICLES, CONTINUED

ITEM	PART NO.	DESCRIPTION	QTY
		1 2 3 4	
1	101707801	Decal, Bed Hold-Down Bolts	1
2	<u>101825101</u>	Decal, Off/On	1
3	<u>101931501</u>	Decal, Component Cover	1
4	<u>101964601</u>	Decal, No Ground Warning	1
5	<u>102519201</u>	Decal, Operating Instr, Gas	1

3
G
E

WARNING

ROLLOVER OR FALLING OFF MAY CAUSE DEATH.

- Before using vehicle, read operating instructions.
- Remain seated and hold on to seat handle while moving.
- Do not start vehicle until all occupants are seated.
- Two (2) persons per seat maximum.
- Operate from driver side only and not on public roads.
- Keep entire body inside vehicle while moving.
- Drive slowly in turns and straight up and down slopes.
- Do not leave children unattended on vehicle.
- Never operate under the influence of alcohol or drugs.
- Use brakes to reduce speed when coasting downhill.
- Never stand in front of or behind vehicle.

CCI 101960601

WARNING

CRUSH AREA

STAY CLEAR

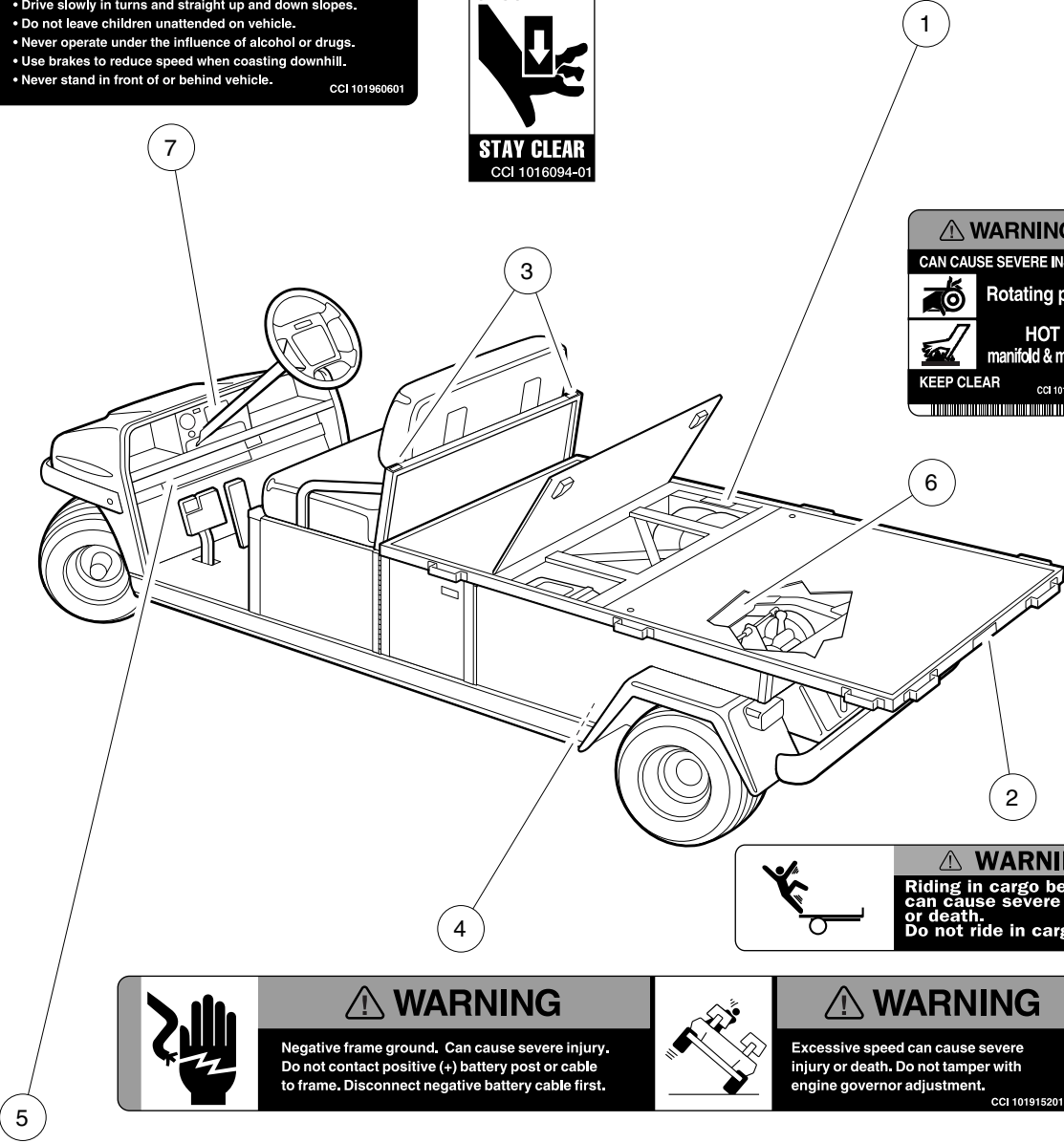
CCI 1016094-01

WARNING

GASOLINE EXPLOSION / FIRE.

- Can cause severe injury or death.
- No smoking, sparks, or open flame.
- Stop engine, allow to cool before refueling.
- Turn fuel valve (←) on during operation. (→) off during storage or transport.

CCI 101547601



WARNING

CAN CAUSE SEVERE INJURY

Rotating parts

HOT manifold & muffler

KEEP CLEAR

CCI 101960501

WARNING

Riding in cargo bed can cause severe injury or death. Do not ride in cargo bed.

CCI 1015539-01

WARNING

Negative frame ground. Can cause severe injury. Do not contact positive (+) battery post or cable to frame. Disconnect negative battery cable first.

WARNING

Excessive speed can cause severe injury or death. Do not tamper with engine governor adjustment.

CCI 101915201

VEHICLE LOADING

Read owner's manual and warnings on dash.

- Vehicle rated capacity - 1500 lb on level surface only. Weight to include passengers, cargo bed load, and gross trailer weight. See owner's manual.
- Maximum cargo load CARRYALL 6 or TURF 6 - 1000 lb, TRANSPORTER - 300 lb. Weight to include cargo bed load and gross trailer weight.
- Maximum trailer hitch tongue weight - 150 lbs.

- Cargo should be evenly spread over the floor of the cargo bed as far forward as possible and secured.
- For vehicle stability, when fully loaded, drive slowly and avoid stopping on or backing down steep hills.
- Avoid top heavy loads. See owner's manual.
- When driving on uneven terrain or down steep hills, reduce speed and load.

CCI 101960001

000281-001

DECALS – TURF/CARRYALL 6 GASOLINE VEHICLES

ITEM	PART NO.	DESCRIPTION	QTY
		1 2 3 4	
1	<u>101547601</u>	Decal, Gasoline Explosion/Fire Warning	1
2	<u>101553901</u>	Decal, Bed Load Warning	1
3	<u>101609401</u>	Decal, Crush Area Warning	2
4	<u>101915201</u>	Decal, Frame Ground and Governor Warning	1
5	<u>101960001</u>	Decal, Vehicle Loading	1
6	<u>101960501</u>	Decal, Rotating Parts/Hot Manifold	2
7	101960601	Decal, Dash Warning	1

3
G
E

OPERATING INSTRUCTIONS

- Read Owner's Manual and safety warnings located on dash panel prior to driving.
- Study and understand controls.

TO START ENGINE

- Place shift lever in "N" – Neutral position.
- Depress brake pedal.
- Turn key switch to "START" position and release.

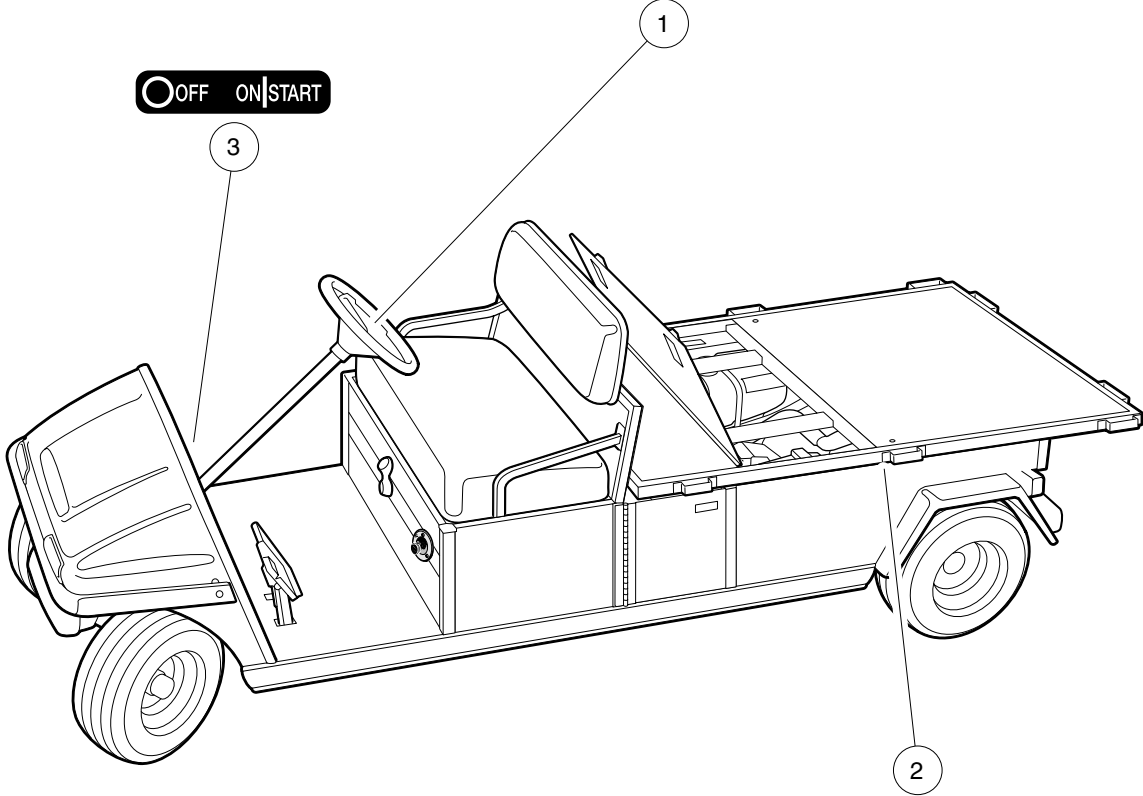
TO OPERATE VEHICLE

- Make sure wheels are turned in desired direction.
- Be sure nothing is in your path.
- While vehicle is stopped, and engine is at idle, select vehicle direction by placing shift lever or switch in desired position.
 F – Forward N – Neutral R – Reverse (Buzzer will sound)
- Park brake will release when accelerator pedal is pushed.
- Slowly push accelerator pedal to increase speed.
- Engine must be at idle before moving shift lever.

TO STOP VEHICLE

- Release accelerator pedal and push brake pedal.
- After stopping, firmly push park brake until it locks.
- Turn key to "OFF" position, remove key and place shift lever in straight up neutral position when not in use.

CCI 101693201



WARNING

FAILURE TO FOLLOW THESE INSTRUCTIONS
CAN CAUSE SEVERE INJURY OR DEATH.
Bed can tip up unexpectedly. Bed hold down
bolts must be fastened.

CCI 101707801

000282-001

DECALS – CARRYALL 6 GASOLINE VEHICLES, CONTINUED

ITEM	PART NO.	DESCRIPTION	QTY
		1 2 3 4	
1	<u>101693201</u>	Decal, Operating Instructions, Key-Start	1
2	101707801	Decal, Bed Hold-Down Bolts	1
3	<u>101825102</u>	Decal, Off/On/Start	1

3
G
E

OPERATING INSTRUCTIONS

- Read owner's manual and safety warnings located on dash panel prior to driving.
- Study and understand controls.

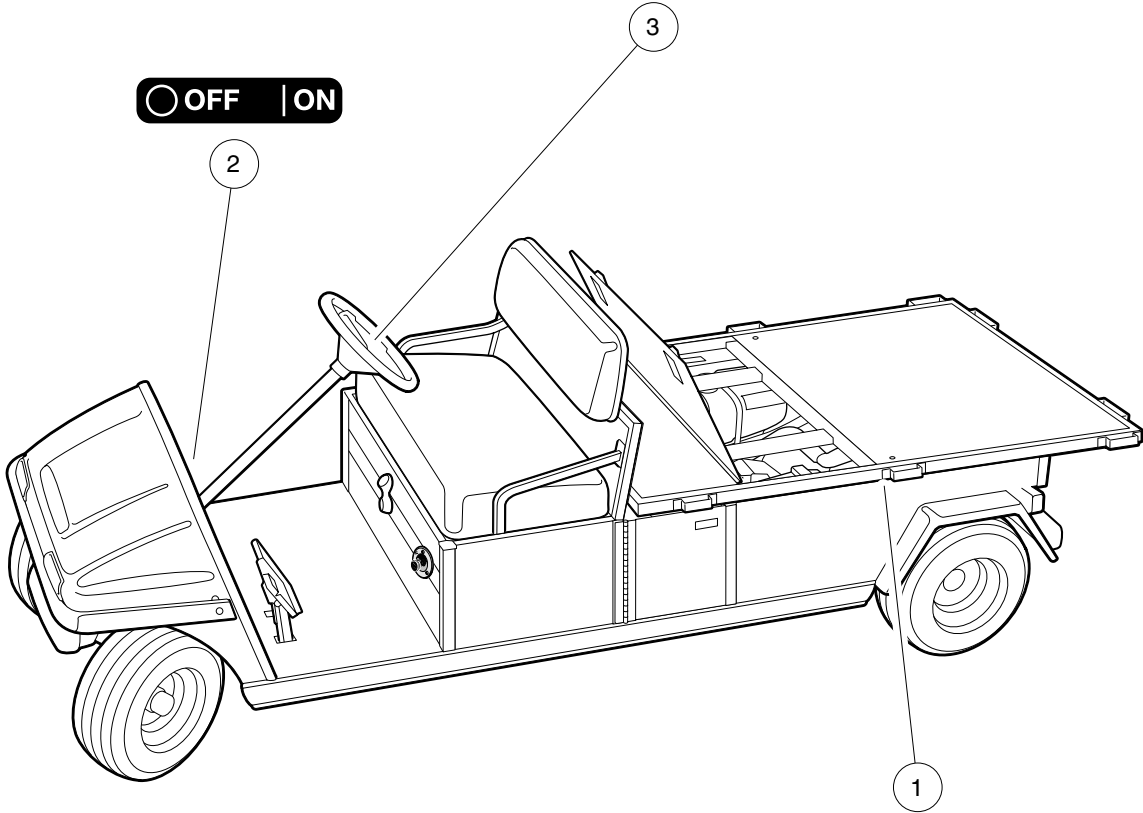
TO OPERATE

- Turn wheels to desired direction and ensure path is clear.
- Turn key to ON position.
- While stopped, place shift lever in desired position:
F – Forward N – Neutral R – Reverse (Buzzer will sound)
- Park brake will release and vehicle will start moving when accelerator pedal is pressed.
- Slowly press accelerator pedal to increase speed.
- To stop, release accelerator pedal and press brake pedal.

BEFORE LEAVING

- Press park brake pedal until it locks and holds vehicle.
- Place Forward/Reverse switch in NEUTRAL position.
- Turn key OFF and remove key when not in use.

CCI 102519201



WARNING

FAILURE TO FOLLOW THESE INSTRUCTIONS CAN CAUSE SEVERE INJURY OR DEATH.
Bed can tip up unexpectedly. Bed hold down bolts must be fastened.

CCI 101707801

000282-002

DECALS – TURF 6 GASOLINE VEHICLES, CONTINUED

ITEM	PART NO.	DESCRIPTION	QTY
		1 2 3 4	
1	101707801	Decal, Bed Hold-Down Bolts	1
2	<u>101825101</u>	Decal, Off/On	1
3	<u>102519201</u>	Decal, Operating Instr, Gas	1

3
G
E

⚠ WARNING

ROLLOVER OR FALLING OFF MAY CAUSE DEATH.

- Before using vehicle, read operating instructions.
- Remain seated and hold on to seat handle while moving.
- Do not start vehicle until all occupants are seated.
- Two (2) persons per seat maximum.
- Operate from driver side only and not on public roads.
- Keep entire body inside vehicle while moving.
- Drive slowly in turns and straight up and down slopes.
- Do not leave children unattended on vehicle.
- Never operate under the influence of alcohol or drugs.
- Use brakes to reduce speed when coasting downhill.
- Never stand in front of or behind vehicle.

CCI 101960601

OPERATING INSTRUCTIONS

- Read owner's manual and safety warnings located on dash panel prior to driving.
- Study and understand controls.

TO OPERATE

- Turn wheels to desired direction and ensure path is clear.
- Turn key to ON position.
- While stopped, place shift lever in desired position:
F – Forward N – Neutral R – Reverse (Buzzer will sound)
- Park brake will release and vehicle will start moving when accelerator pedal is pressed.
- Slowly press accelerator pedal to increase speed.
- To stop, release accelerator pedal and press brake pedal.

BEFORE LEAVING

- Press park brake pedal until it locks and holds vehicle.
- Place Forward/Reverse switch in NEUTRAL position.
- Turn key OFF and remove key when not in use.

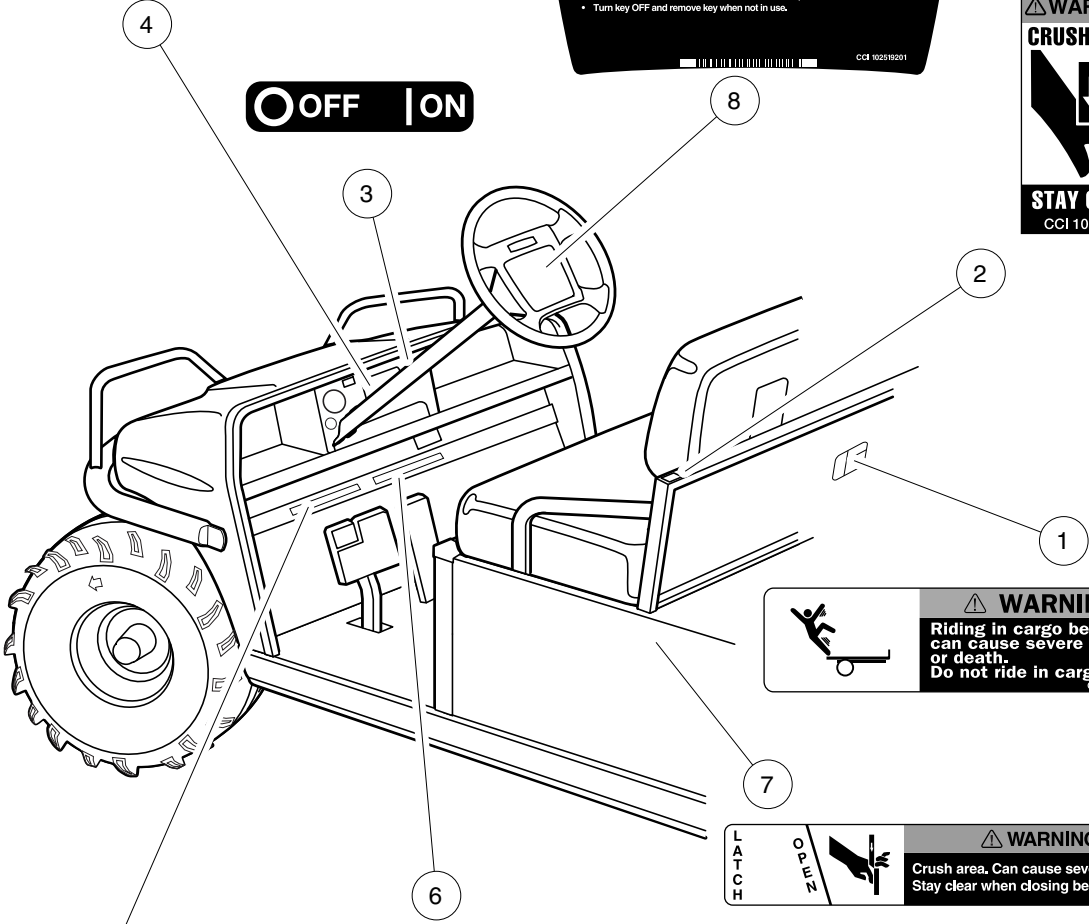
CCI 10259201

⚠ WARNING

CRUSH AREA

STAY CLEAR

CCI 1016094-01



OFF | ON

⚠ WARNING

Riding in cargo bed can cause severe injury or death. Do not ride in cargo bed.

CCI 1015539-01

⚠ WARNING

Crush area. Can cause severe injury. Stay clear when closing bed.

CCI 10248501

⚠ WARNING

UNDER 16

YOUNG DRIVERS INCREASE CHANCE OF DEATH

- Young drivers may not be able to control vehicle.
- No drivers younger than 16 years old.

CCI 102075801

VEHICLE LOADING

Read owner's manual and warnings on dash.

- Vehicle rated capacity - 900 lbs. on level surface only. Weight to include passengers, cargo bed load, and gross trailer weight. See Owner's Manual.
- Maximum cargo load - 500 lbs. Weight to include cargo bed load and gross trailer weight.
- Maximum trailer hitch tongue weight - 150 lbs.

- Cargo should be evenly spread over the floor of the cargo bed as far forward as possible and secured.
- For vehicle stability, when fully loaded, drive slowly and avoid stopping on or backing down steep hills.
- Avoid top heavy loads. See Owner's Manual.
- When driving on uneven terrain or down steep hills, reduce speed and load.

CCI 10206701

000283-001

DECALS – TURF/CARRYALL 252 AND 2 XRT

ITEM	PART NO.	DESCRIPTION	QTY
		1 2 3 4	
1	<u>101553901</u>	Decal, Bed Load Warning	1
2	<u>101609401</u>	Decal, Crush Area Warning	2
3	<u>101825101</u>	Decal, Off/On	1
4	<u>101960601</u>	Decal, Dash Warning	1
5	<u>102006701</u>	Decal, Vehicle Loading	1
6	<u>102075801</u>	Decal, Young Driver Warning	1
7	<u>102459301</u>	Decal, Bed Crush Area Warning	1
8	<u>102519201</u>	Decal, Operating Instr, Gas	1

3
G
E

WARNING
GASOLINE EXPLOSION / FIRE.

- Can cause severe injury or death.
- No smoking, sparks, or open flame.
- Stop engine, allow to cool before refueling.
- Turn fuel valve (←) on during operation, (→) off during storage or transport.

CCI 101547601

WARNING
CAN CAUSE SEVERE INJURY

Rotating parts

HOT manifold & muffler

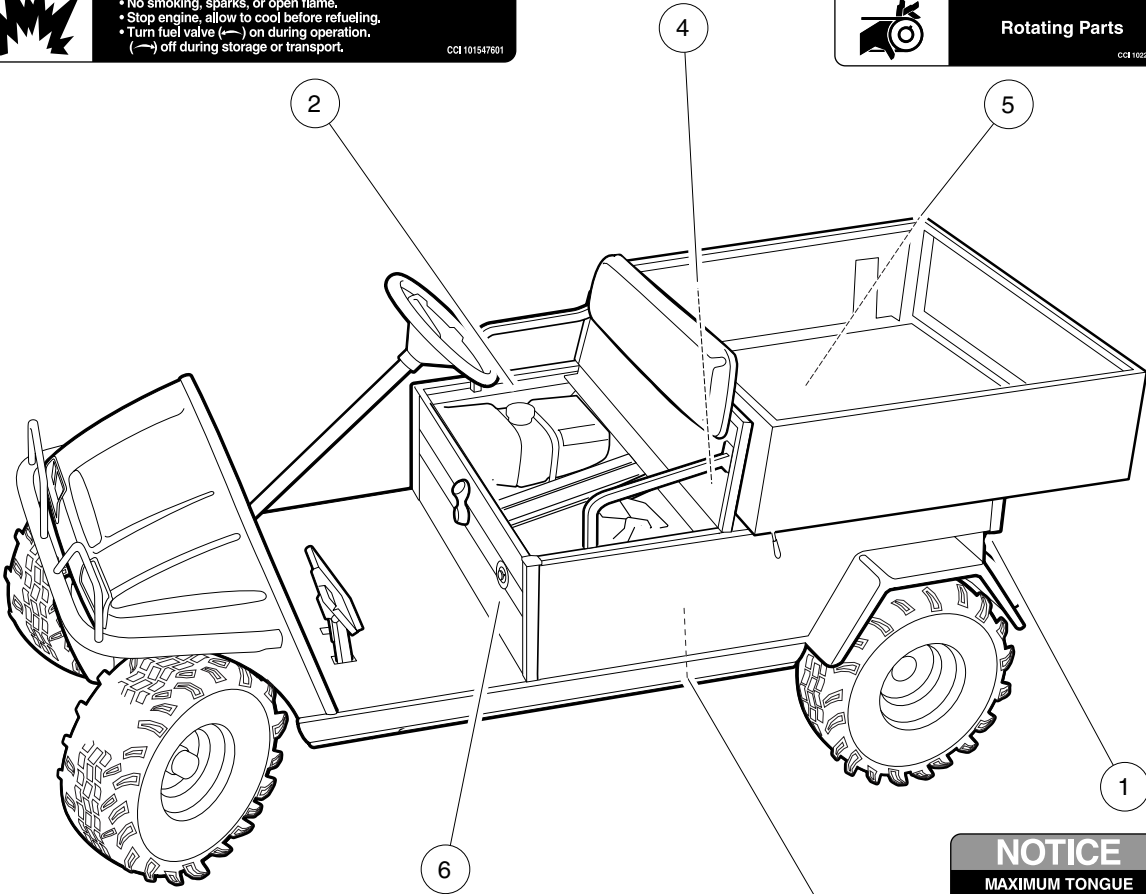
KEEP CLEAR

CCI 101960501

WARNING

Rotating Parts

CCI 102224001



NOTICE
MAXIMUM TONGUE WEIGHT – 150 lb. (667 N)

CCI 1011553

WARNING

WINCH CABLE FRACTURE COULD RESULT IN SERIOUS INJURY OR DEATH.

- Do not use winch while persons are seated on the vehicle.
- Use remote operation switch for winch control.
- Stand to the side and away from the vehicle to operate winch.
- Read winch operator manual before operating winch.

CCI 102231601

	<p>WARNING</p> <p>Negative frame ground. Can cause severe injury. Do not contact positive (+) battery post or cable to frame. Disconnect negative battery cable first.</p>		<p>WARNING</p> <p>Excessive speed can cause severe injury or death. Do not tamper with engine governor adjustment.</p> <p>CCI 101915201</p>
--	---	--	--

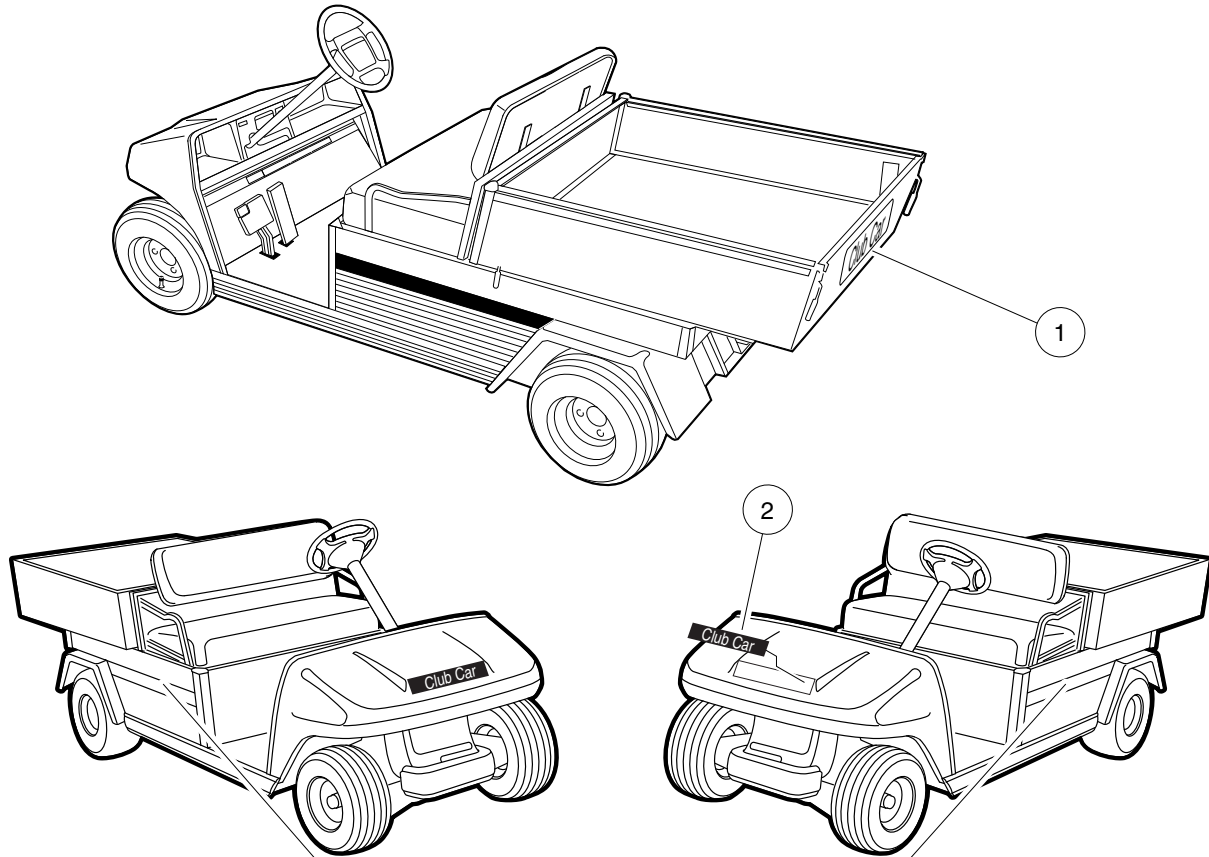
000284-001

DECALS – TURF/CARRYALL 252 AND 2 XRT, CONTINUED

ITEM	PART NO.	DESCRIPTION	QTY
		1 2 3 4	
1	<u>1011553</u>	Decal, Trailer Hitch	1
2	<u>101547601</u>	Decal, Gasoline Explosion/Fire Warning	1
3	<u>101915201</u>	Decal, Frame Ground and Governor Warning	1
4	<u>101960501</u>	Decal, Rotating Parts/Hot Manifold	2
5	<u>102224001</u>	Decal, Rotating Parts Warning	1
6	<u>102231601</u>	Decal, Winch Cable Fracture Warning	1

3
G
E

LOGO DECALS



- | | | | | |
|----------------|-----|-----------------|------|-------------|
| Passenger Side | (3) | Carryall 1 | (8) | Driver Side |
| | (4) | Carryall 2 Plus | (9) | |
| | (5) | Carryall 2 | (10) | |
| | (6) | Turf 1 | (11) | |
| | (7) | Turf 2 | (12) | |

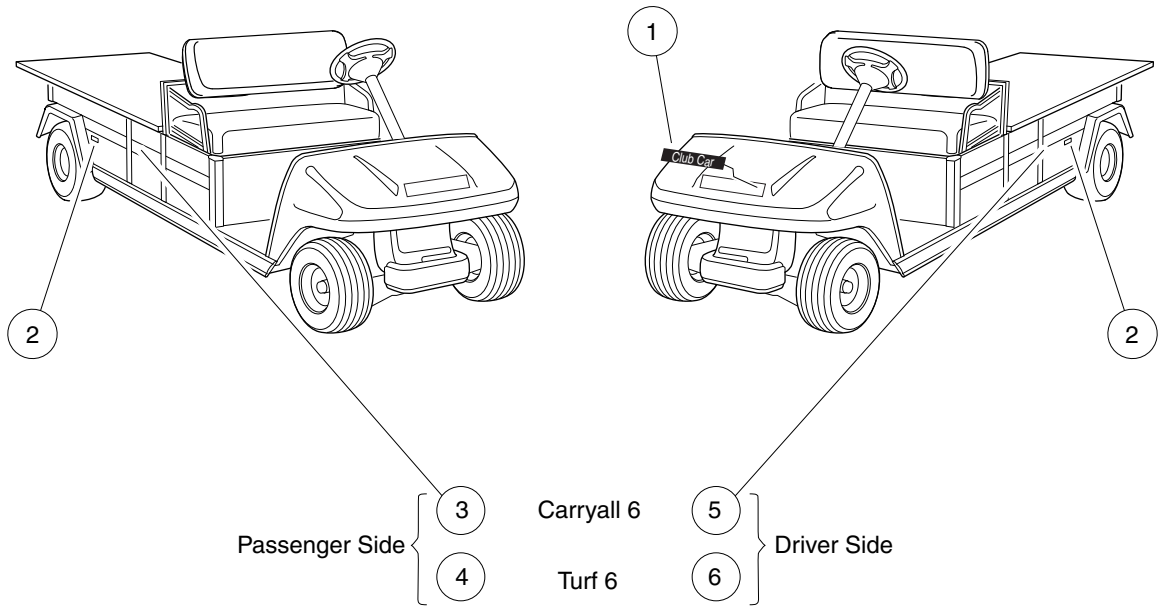
000287-001

DECALS, LOGO – TURF/CARRYALL 1, 2, AND CARRYALL 2 PLUS

ITEM	PART NO.	DESCRIPTION	QTY
		1 2 3 4	
1	<u>1013317</u>	Decal, Logo, Tailgate	1
2	<u>101670201</u>	Nameplate Kit (silver)	1
3	N/A	Decal, Carryall 1, Passenger-Side	1
4	N/A	Decal, Carryall 2 Plus, Passenger-Side	1
5	N/A	Decal, Carryall 2, Passenger-Side	1
6	N/A	Decal, Turf 1, Passenger-Side	1
7	N/A	Decal, Turf 2, Passenger-Side	1
8	N/A	Decal, Carryall 1, Driver-Side	1
9	N/A	Decal, Carryall 2 Plus, Driver-Side	1
10	N/A	Decal, Carryall 2, Driver-Side	1
11	N/A	Decal, Turf 1, Driver-Side	1
12	N/A	Decal, Turf 2, Driver-Side	1

3
G
E

LOGO DECALS



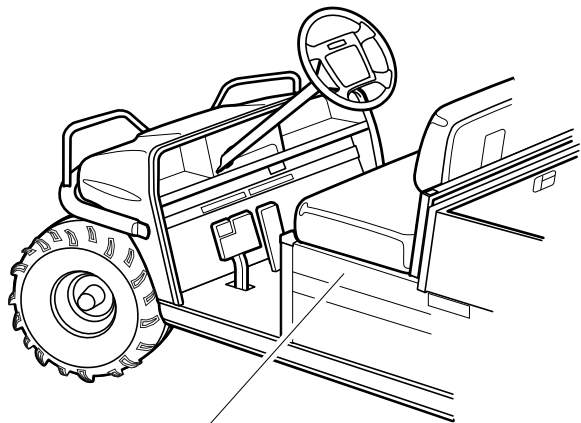
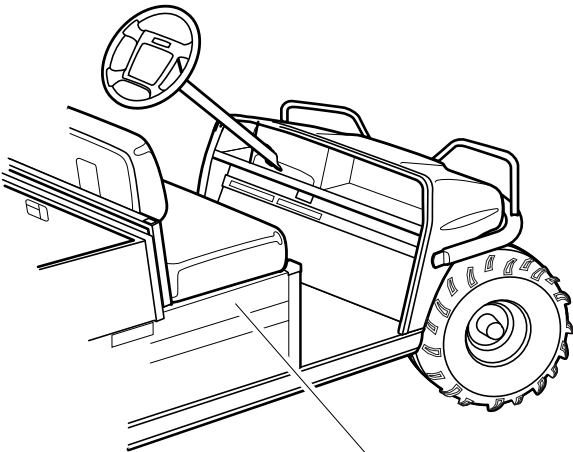
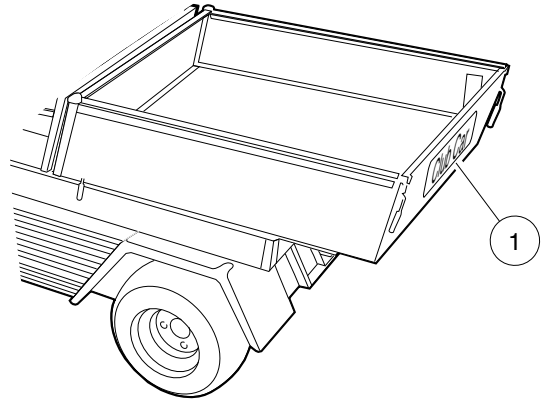
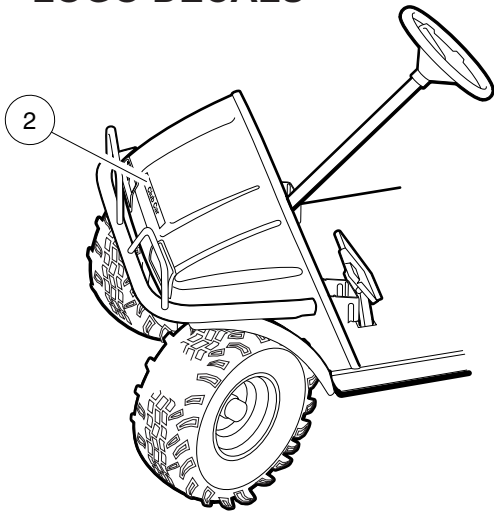
000288-001

DECALS, LOGO – TURF/CARRYALL 6

ITEM	PART NO.	DESCRIPTION	QTY
		1 2 3 4	
1	<u>101670201</u>	Nameplate Kit (silver)	1
2	<u>101921901</u>	Decal, Club Car/Ingersoll-Rand	2
3	N/A	Decal, Carryall 6, Passenger-Side	1
4	<u>102157301</u>	Decal, Turf 6, Passenger-Side	1
5	N/A	Decal, Carryall 6, Driver-Side	1
6	N/A	Decal, Turf 6, Driver-Side	1

3
G
E

LOGO DECALS



- | | | | | | |
|----------------|---|-----|----------------|-----|---------------|
| Passenger Side | } | (3) | Turf 2 XRT | (4) | } Driver Side |
| | | (5) | Carryall 2 XRT | (6) | |

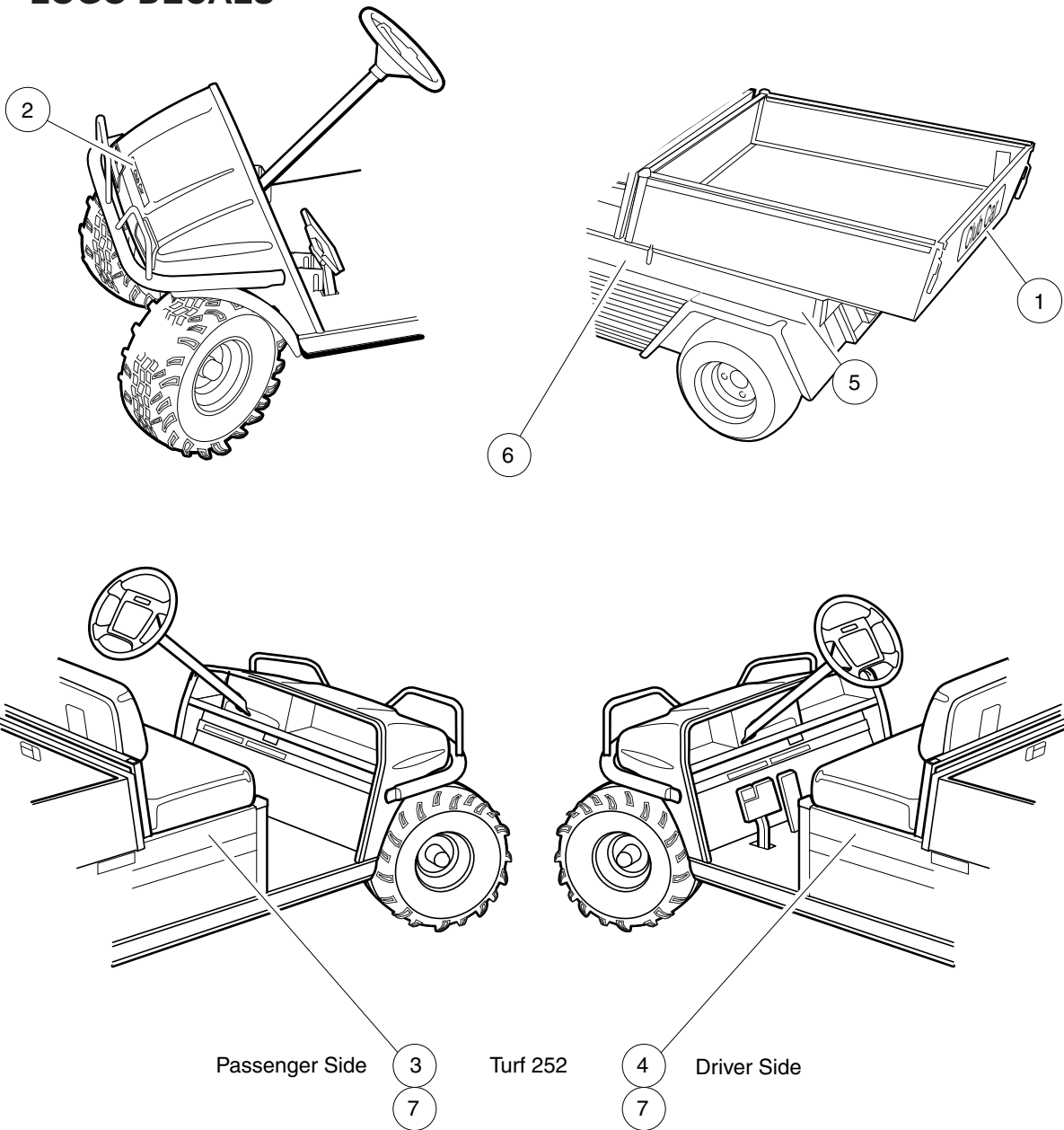
000289-001

DECALS, LOGO – TURF/CARRYALL 2 XRT

ITEM	PART NO.	DESCRIPTION	QTY
		1 2 3 4	
1	<u>1013317</u>	Decal, Logo, Tailgate	1
2	<u>101670201</u>	Nameplate Kit (silver)	1
3	<u>102157201</u>	Decal, Turf 2 XRT, Passenger-Side	1
4	<u>102158501</u>	Decal, Turf 2 XRT, Driver-Side	1
5	N/A	Decal, Carryall 2 XRT, Passenger-Side	1
6	N/A	Decal, Carryall 2 XRT, Driver-Side	1

3
G
E

LOGO DECALS



000289-002

DECALS, LOGO – TURF/CARRYALL 252

ITEM	PART NO.	DESCRIPTION	QTY
		1 2 3 4	
1	<u>1013317</u>	Decal, Logo, Tailgate	1
2	<u>101670201</u>	Nameplate Kit (silver)	1
3	<u>102683201</u>	Decal, Turf 252, Passenger-Side	1
4	<u>102683301</u>	Decal, Turf 252, Driver-Side	1
5	<u>103234301</u>	Decal, Badge, IR	2
6	<u>103261301</u>	Decal Ca 252 Side Panel	2
7	<u>103284101</u>	Decal Ca2/ca2p/ca252/ca272 Bar	2

3
G
E

3

G

E

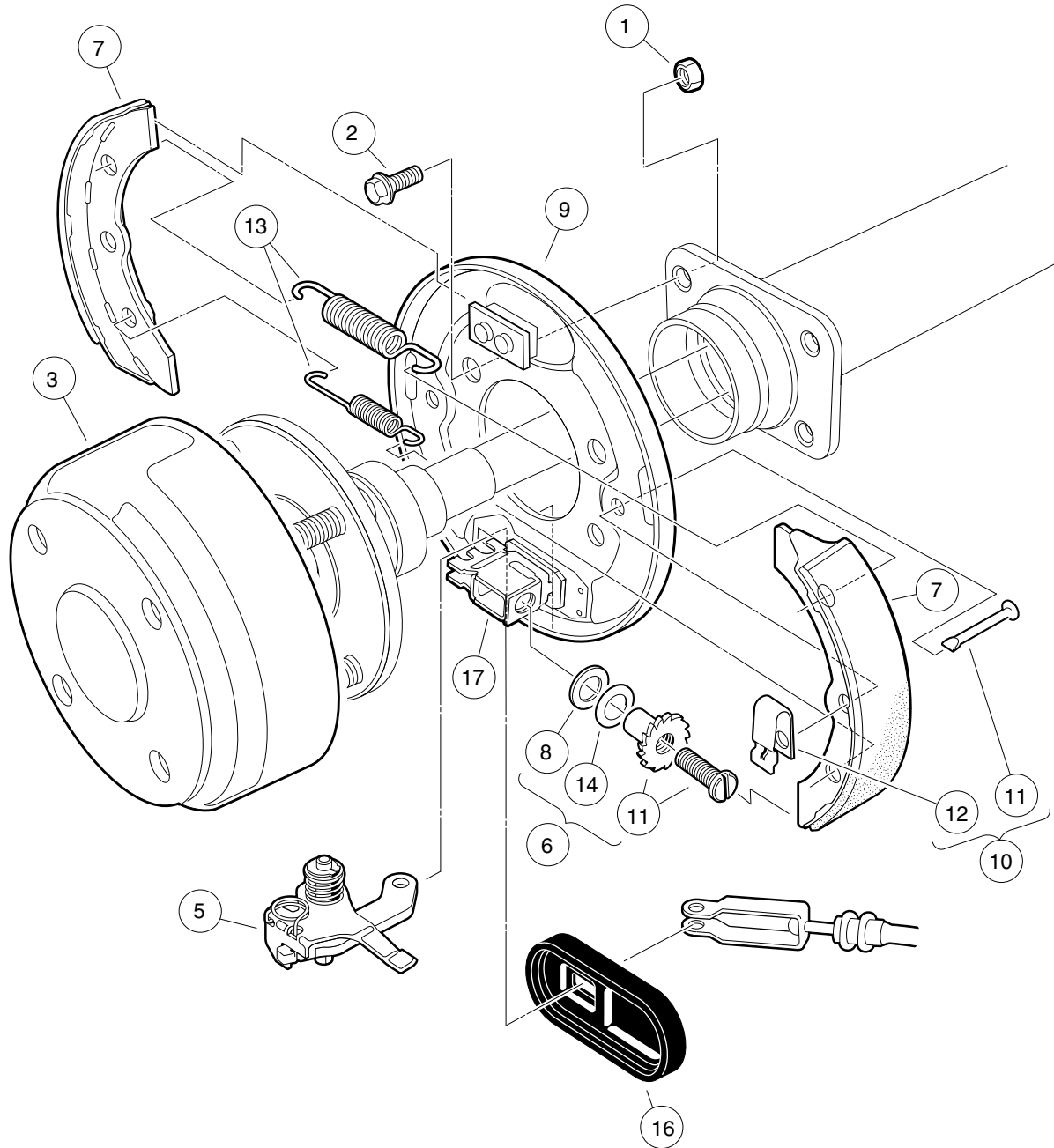
BRAKES, PEDAL, AND CABLE ASSEMBLIES

4

G

E

4
G
E



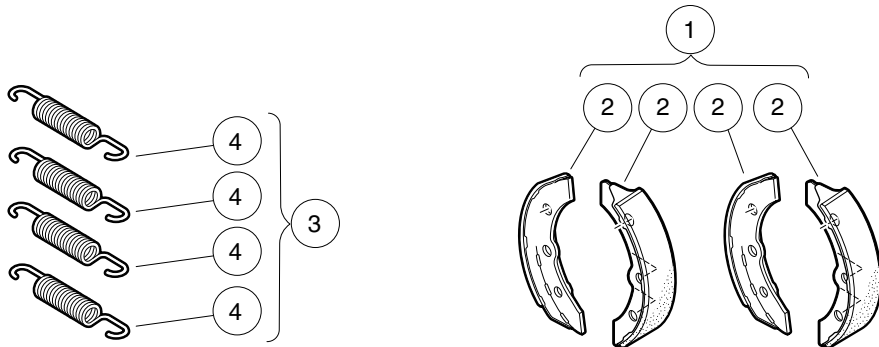
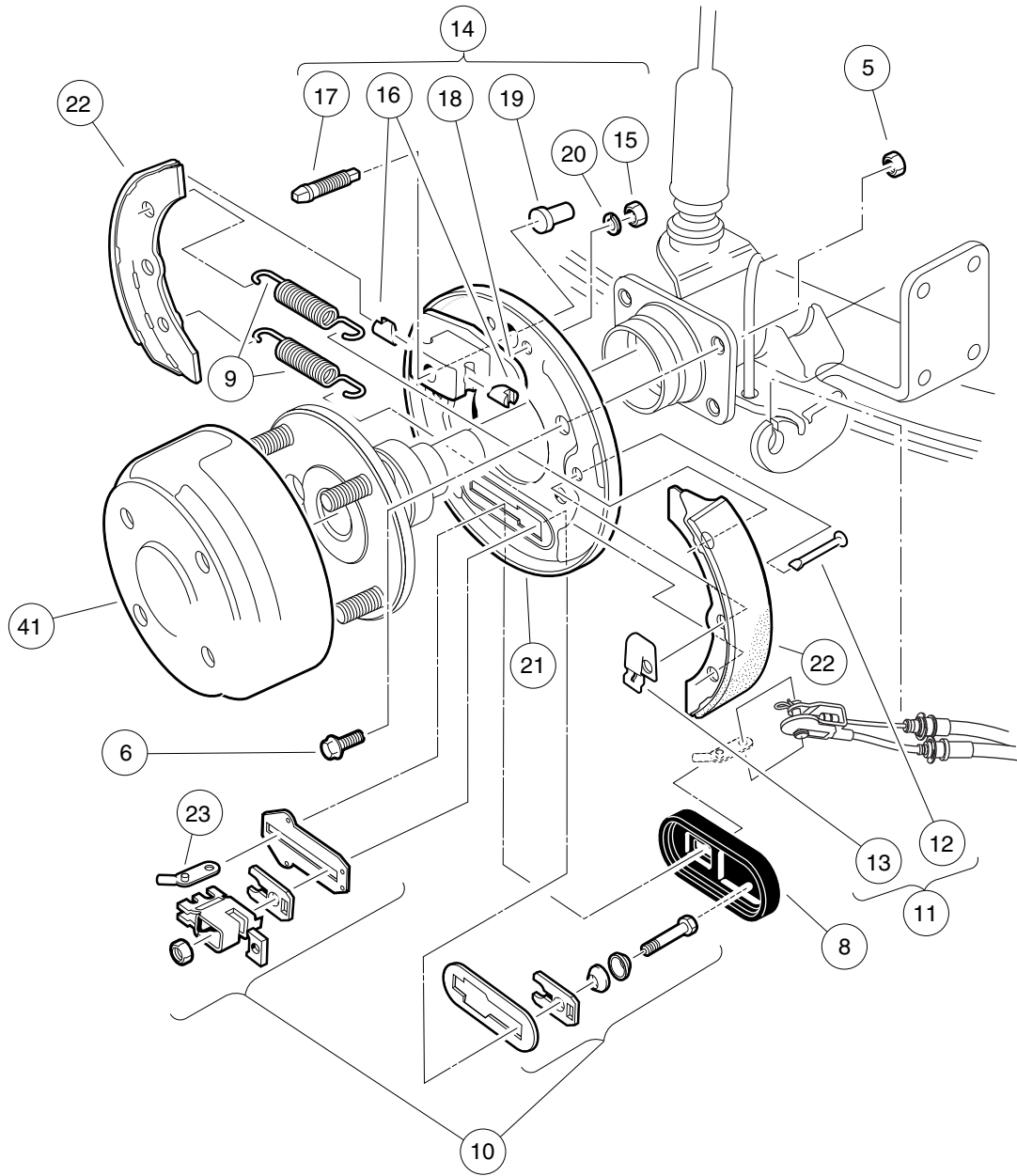
000186-001

REAR BRAKE ASSEMBLY, SELF-ADJUSTING – TURF/ CARRYALL 1

ITEM	PART NO.	DESCRIPTION	QTY
		1 2 3 4	
1	<u>1013924</u>	Nut, 5/16-24 Hex Head Cone	8
2	<u>1014153</u>	Bolt, Brake Cluster Mounting	8
3	<u>101791101</u>	Drum without Center Hole, Brake	2
4	<u>103380201</u>	Asm, Brake Cluster, Mech, Drvr (includes items 5 through 17)	1
5	<u>101815501</u>	Lever Assembly, Self-Adjusting Brake, Right (Passenger)	1
6	<u>101816501</u>	Adj Mechanism, S.A. Brakes, Right (Passenger)	1
7	<u>101823201</u>	Package, Brake Shoe, Self-Adjusting	1
8	<u>101823801</u>	Plate, Washer, Brake, Self-Adjusting	1
9	<u>103483101</u>	Back Plate, Rh	1
10	<u>103483201</u>	Kit, Shoe Retainer (includes items 11 and 12)	1
11	<u>1010953</u>	Pin	2
12	<u>103483301</u>	Spring, Shoe, Clamp	2
13	<u>103483401</u>	Package Brake Spring Self Adj (includes items 14 and 15)	1
14	<u>101816401</u>	Brake Spring Self Adj	2
15	<u>103483501</u>	Spring Brake	2
16	<u>103483601</u>	Cover, Dust	1
17	<u>103483701</u>	Brake Block	1
18	<u>103380202</u>	Asm, Brake Cluster, Mech, Pass (includes items 19 through 31)	1
19	<u>101815502</u>	Lever Assembly, Self-Adjusting Brake, Left	1
20	<u>101816502</u>	Adjusting Mechanism, Self-Adjusting Brake, Left	1
21	<u>101823201</u>	Package, Brake Shoe, Self-Adjusting	1
22	<u>101823801</u>	Plate, Washer, Brake, Self-Adjusting	1
23	<u>103483102</u>	Back Plate, Lh	1
24	<u>103483201</u>	Kit, Shoe Retainer (includes items 25 and 26)	1
25	<u>1010953</u>	Pin	2
26	<u>103483301</u>	Spring, Shoe, Clamp	2
27	<u>103483401</u>	Package Brake Spring Self Adj (includes items 28 and 29)	1
28	<u>101816401</u>	Brake Spring Self Adj	2
29	<u>103483501</u>	Spring Brake	2
30	<u>103483601</u>	Cover, Dust	1
31	<u>103483701</u>	Brake Block	1
		Note: Driver-side brake cluster not shown. Components have a similar appearance to passenger-side brake cluster components.	

4
G
E

4
G
E



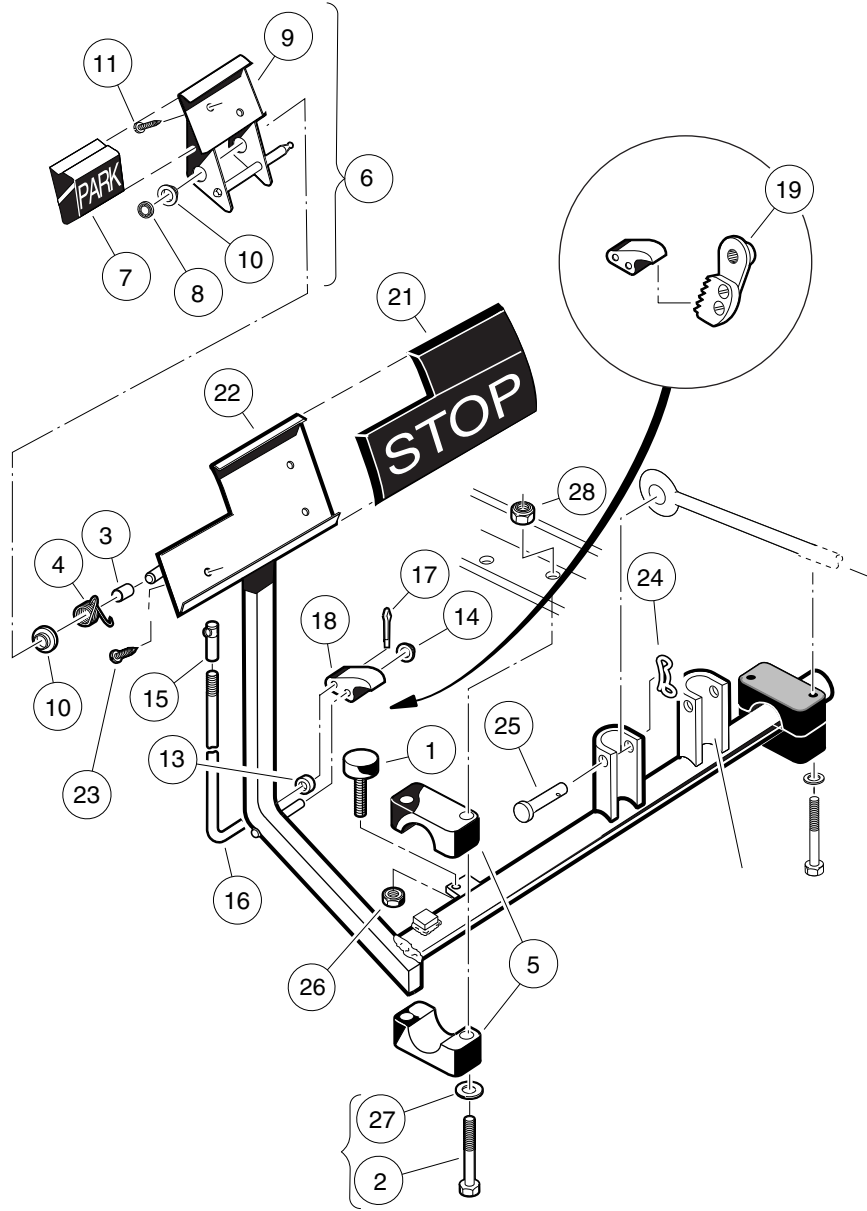
000293-002

REAR BRAKE ASSEMBLY, MANUALLY-ADJUSTED – TURF/ CARRYALL 2, 252, 2 XRT, 2 PLUS, AND 6

ITEM	PART NO.	DESCRIPTION	QTY
		1 2 3 4	
1	<u>101146302</u>	Kit, Non-Asbestos Brake Shoe (includes item 2)	1
2	101880701	Shoe Brake Manual Adj (Available in Kit, Non-Asbestos Brake Shoe)	4
3	<u>1011464</u>	Package, Brake Spring (includes item 4)	1
4	1011314	Brake Spring	4
5	<u>1013924</u>	Nut, 5/16-24 Hex Head Cone	8
6	<u>1014153</u>	Bolt, Brake Cluster Mounting	8
7	<u>1016557</u>	Cluster, Brake, Driver-Side (includes items 8 through 23)	1
8	<u>1010850</u>	Dust Cover	1
9	1011314	Brake Spring	2
10	<u>1011465</u>	Kit, Brake Actuator	1
11	<u>1011466</u>	Kit, Shoe Retainer (includes items 12 and 13)	1
12	1010953	Pin	2
13	1011301	Shoe Clamp Spring	2
14	<u>1011467</u>	Kit, Anchor Body (includes items 15 through 20)	1
15	<u>1011114</u>	Nut, M6-1.00 Hex	2
16	1011298	Anchor Piston	2
17	N/A	Adjustment Bolt	1
18	N/A	Anchor Body Component	1
19	<u>1011303</u>	Adjustment Bolt Cap	1
20	<u>451</u>	Lockwasher, 1/4 Split	2
21	1011494	Backing Plate, Left-Hand	1
22	101880701	Shoe Brake Manual Adj (Available in Kit, Non-Asbestos Brake Shoe)	2
23	N/A	Arm, Brake Lever	1
24	<u>1016573</u>	Cluster, Brake, Passenger-Side (includes items 25 through 40)	1
25	<u>1010850</u>	Dust Cover	1
26	<u>1011154</u>	Backing Plate, Right-Hand	1
27	1011314	Brake Spring	2
28	<u>1011465</u>	Kit, Brake Actuator	1
29	<u>1011466</u>	Kit, Shoe Retainer (includes items 30 and 31)	1
30	1010953	Pin	2
31	1011301	Shoe Clamp Spring	2
32	<u>1011467</u>	Kit, Anchor Body (includes items 33 through 38)	1
33	<u>1011114</u>	Nut, M6-1.00 Hex	2
34	1011298	Anchor Piston	2
35	N/A	Adjustment Bolt	1
36	N/A	Anchor Body Component	1
37	<u>1011303</u>	Adjustment Bolt Cap	1
38	<u>451</u>	Lockwasher, 1/4 Split	2
39	101880701	Shoe Brake Manual Adj (Available in Kit, Non-Asbestos Brake Shoe)	2
40	N/A	Arm, Brake Lever	1
41	<u>101791101</u>	Drum without Center Hole, Brake	2
		Note: Passenger-side brake cluster not shown. Components have a similar appearance to driver-side brake cluster components.	

4
G
E

4
G
E



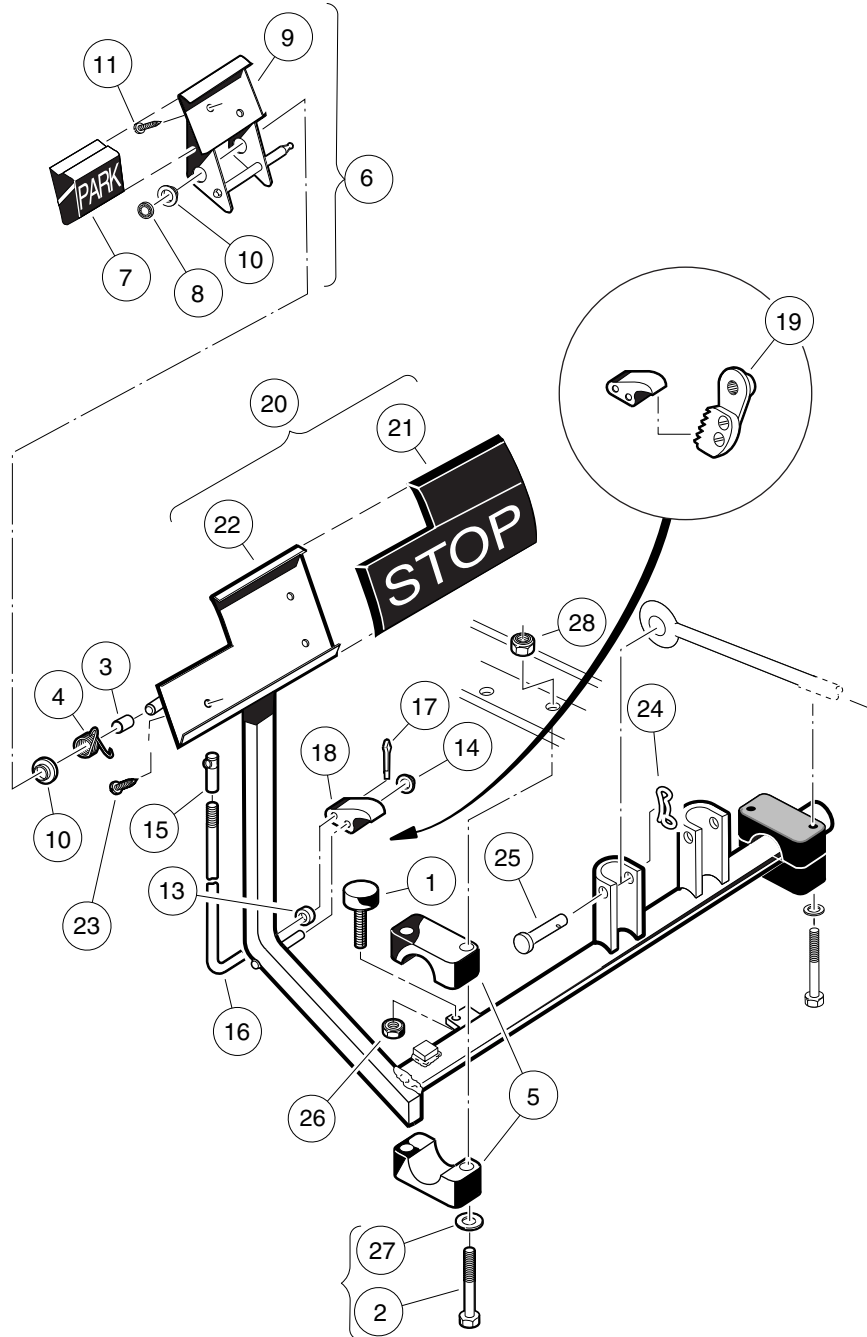
000187-001

BRAKE PEDAL ASSEMBLY – VEHICLES WITH TWO-WHEEL BRAKES

ITEM	PART NO.	DESCRIPTION	QTY
		1 2 3 4	
1	<u>1010878</u>	Bumper, Rubber	1
2	<u>1010921</u>	Screw, 5/16-18 X 2.50 Hex Cap	4
3	<u>1010927</u>	Hill Brake Spacer	1
4	<u>1010933</u>	Spring, Hill Brake Torsion	1
5	<u>1011402</u>	Package, Brake Mounting Block	1
6	<u>1011418</u>	Kit, Hill Brake Pedal (includes items 7 through 11)	1
7	<u>1013870</u>	Pad, Hill Brake	1
8	<u>1013876</u>	Pushnut, 3/8	1
9	N/A	Hill Brake Weld Assembly	1
10	<u>1032</u>	Bushing, Nylon	2
11	7716	Screw, #10-16 Type AB, Sheet Metal	2
12	<u>101187702</u>	Kit, Hill Brake Latch (includes items 13 through 19)	1
13	<u>1010805</u>	Sleeve, Hill Brake Rod	1
14	<u>1010877</u>	Pushnut, 3/8	1
15	1010932	Ball Joint, 1/4-28	1
16	N/A	Rod, Hill Brake	1
17	<u>1017029</u>	Pin, Cotter, 7/64 x 1/2 Stainless-Steel	1
18	N/A	Pawl, Hill Brake	1
19	101918501	Ratchet Assembly	1
20	<u>101878201</u>	Brake Pedal Kit (includes items 21 through 23)	1
21	<u>1013869</u>	Pad, Brake Pedal	1
22	N/A	Weldment, Brake Pedal 4wb Std	1
23	7716	Screw, #10-16 Type AB, Sheet Metal	3
24	<u>102323101</u>	Pin, Bow Tie Locking	1
25	<u>102323201</u>	Pin, 3/8 X 1-5/16 Clevis	1
26	<u>1028</u>	Nut, 1/4-20 Hex	1
27	<u>1241</u>	Washer, 5/16 Type A Flat	4
28	<u>7473</u>	Locknut, 5/16-18 Nylon Insert	4

4
G
E

4
G
E



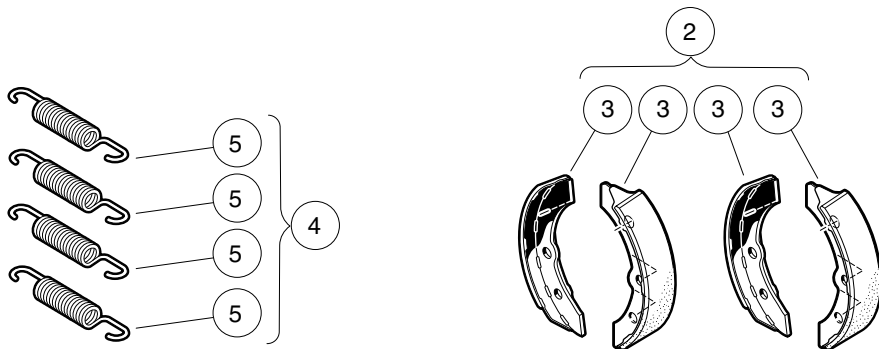
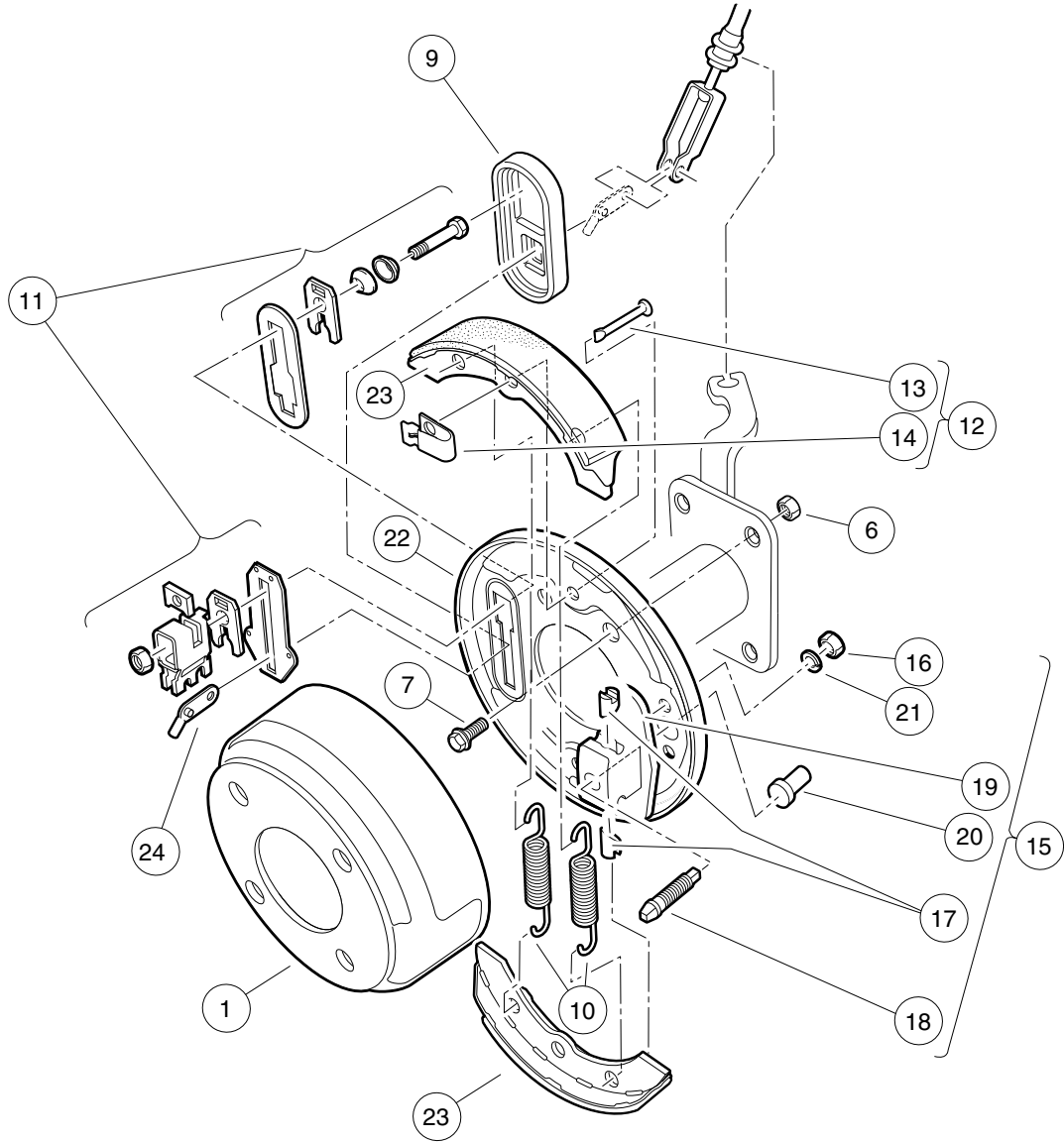
000187-003

BRAKE PEDAL ASSEMBLY – VEHICLES WITH FOUR-WHEEL BRAKES

ITEM	PART NO.	DESCRIPTION	QTY
		1 2 3 4	
1	<u>1010878</u>	Bumper, Rubber	1
2	<u>1010921</u>	Screw, 5/16-18 X 2.50 Hex Cap	4
3	<u>1010927</u>	Hill Brake Spacer	1
4	<u>1010933</u>	Spring, Hill Brake Torsion	1
5	<u>1011402</u>	Package, Brake Mounting Block	1
6	<u>1011418</u>	Kit, Hill Brake Pedal (includes items 7 through 11)	1
7	<u>1013870</u>	Pad, Hill Brake	1
8	<u>1013876</u>	Pushnut, 3/8	1
9	N/A	Hill Brake Weld Assembly	1
10	<u>1032</u>	Bushing, Nylon	2
11	7716	Screw, #10-16 Type AB, Sheet Metal	2
12	<u>101187702</u>	Kit, Hill Brake Latch (includes items 13 through 19)	1
13	<u>1010805</u>	Sleeve, Hill Brake Rod	1
14	<u>1010877</u>	Pushnut, 3/8	1
15	1010932	Ball Joint, 1/4-28	1
16	N/A	Rod, Hill Brake	1
17	<u>1017029</u>	Pin, Cotter, 7/64 x 1/2 Stainless-Steel	1
18	N/A	Pawl, Hill Brake	1
19	101918501	Ratchet Assembly	1
20	<u>101878201</u>	Brake Pedal Kit (includes items 21 through 23)	1
21	<u>1013869</u>	Pad, Brake Pedal	1
22	N/A	Weldment, Brake Pedal 4wb Std	1
23	7716	Screw, #10-16 Type AB, Sheet Metal	3
24	<u>102323101</u>	Pin, Bow Tie Locking	2
25	<u>102323201</u>	Pin, 3/8 X 1-5/16 Clevis	2
26	<u>1028</u>	Nut, 1/4-20 Hex	1
27	<u>1241</u>	Washer, 5/16 Type A Flat	4
28	<u>7473</u>	Locknut, 5/16-18 Nylon Insert	4

4
G
E

4
G
E



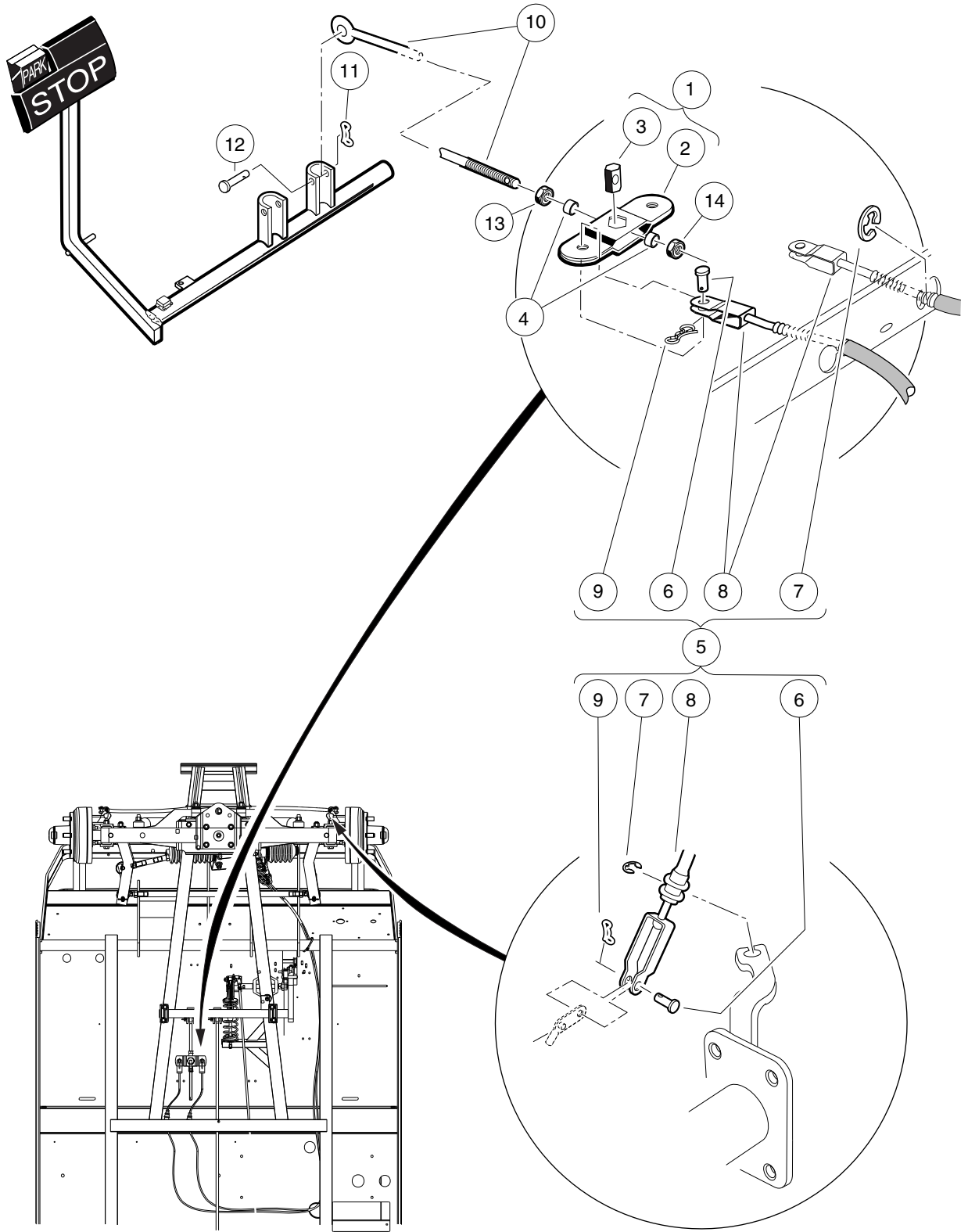
000298-001

FRONT BRAKE ASSEMBLY – VEHICLES WITH FOUR-WHEEL BRAKES

ITEM	PART NO.	DESCRIPTION	QTY
		1 2 3 4	
1	<u>1011137</u>	Drum, Brake	2
2	<u>101146302</u>	Kit, Non-Asbestos Brake Shoe (includes item 3)	1
3	101880701	Shoe Brake Manual Adj (Available in Kit, Non-Asbestos Brake Shoe)	4
4	<u>1011464</u>	Package, Brake Spring (includes item 5)	1
5	1011314	Brake Spring	4
6	<u>1013924</u>	Nut, 5/16-24 Hex Head Cone	8
7	<u>1014153</u>	Bolt, Brake Cluster Mounting	8
8	<u>1016557</u>	Cluster, Brake, Driver-Side (includes items 9 through 24)	1
9	<u>1010850</u>	Dust Cover	1
10	1011314	Brake Spring	2
11	<u>1011465</u>	Kit, Brake Actuator	1
12	<u>1011466</u>	Kit, Shoe Retainer (includes items 13 and 14)	1
13	1010953	Pin	2
14	1011301	Shoe Clamp Spring	2
15	<u>1011467</u>	Kit, Anchor Body (includes items 16 through 21)	1
16	<u>1011114</u>	Nut, M6-1.00 Hex	2
17	1011298	Anchor Piston	2
18	N/A	Adjustment Bolt	1
19	N/A	Anchor Body Component	1
20	<u>1011303</u>	Adjustment Bolt Cap	1
21	<u>451</u>	Lockwasher, 1/4 Split	2
22	1011494	Backing Plate, Left-Hand	1
23	101880701	Shoe Brake Manual Adj (Available in Kit, Non-Asbestos Brake Shoe)	2
24	N/A	Arm, Brake Lever	1
25	<u>1016573</u>	Cluster, Brake, Passenger-Side (includes items 26 through 41)	1
26	<u>1010850</u>	Dust Cover	1
27	<u>1011154</u>	Backing Plate, Right-Hand	1
28	1011314	Brake Spring	2
29	<u>1011465</u>	Kit, Brake Actuator	1
30	<u>1011466</u>	Kit, Shoe Retainer (includes items 31 and 32)	1
31	1010953	Pin	2
32	1011301	Shoe Clamp Spring	2
33	<u>1011467</u>	Kit, Anchor Body (includes items 34 through 39)	1
34	<u>1011114</u>	Nut, M6-1.00 Hex	2
35	1011298	Anchor Piston	2
36	N/A	Adjustment Bolt	1
37	N/A	Anchor Body Component	1
38	<u>1011303</u>	Adjustment Bolt Cap	1
39	<u>451</u>	Lockwasher, 1/4 Split	2
40	101880701	Shoe Brake Manual Adj (Available in Kit, Non-Asbestos Brake Shoe)	2
41	N/A	Arm, Brake Lever	1
		Note: Passenger-side brake cluster not shown. Components have a similar appearance to driver-side brake cluster components.	

4
G
E

4
G
E



000294-001

FRONT BRAKE CABLES AND EQUALIZER – VEHICLES WITH FOUR-WHEEL BRAKES

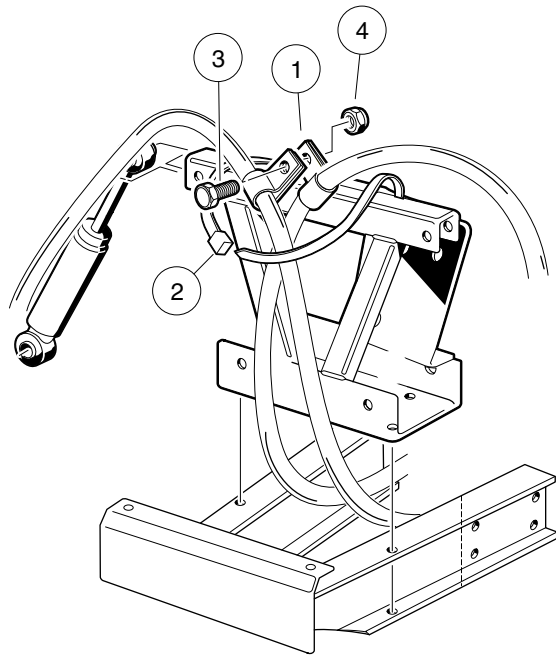
ITEM	PART NO.	DESCRIPTION	QTY
		1 2 3 4	
1	<u>1017211</u>	Kit, Equalizer and Pivot Limiter (includes items 2 and 3)	1
2	1016319	Equalizer Weld Assembly	1
3	1016320	Equalizer, Pivot Limiter	1
4	<u>101865301</u>	Spacer	2
5	<u>101874601</u>	Kit, Brake Cable (includes items 6 through 9)	1
6	<u>1010829</u>	Pin, Clevis, 5/16 X 3/4	4
7	<u>1011779</u>	E-Clip, 1/2	4
8	N/A	Brake Cable	2
9	<u>102292801</u>	Pin, Bow Tie Locking - .072	4
10	<u>101953106</u>	Rod, Equalizer, 9.75"	1
11	<u>102323101</u>	Pin, Bow Tie Locking	1
12	<u>102323201</u>	Pin, 3/8 X 1-5/16 Clevis	1
13	<u>1242</u>	Nut, 5/16-18 Hex	1
14	<u>7473</u>	Locknut, 5/16-18 Nylon Insert	1

4
G
E

4

G

E



000305-001

FRONT BRAKE CABLE CLIPS AND HARDWARE – VEHICLES WITH FRONT-WHEEL BRAKES

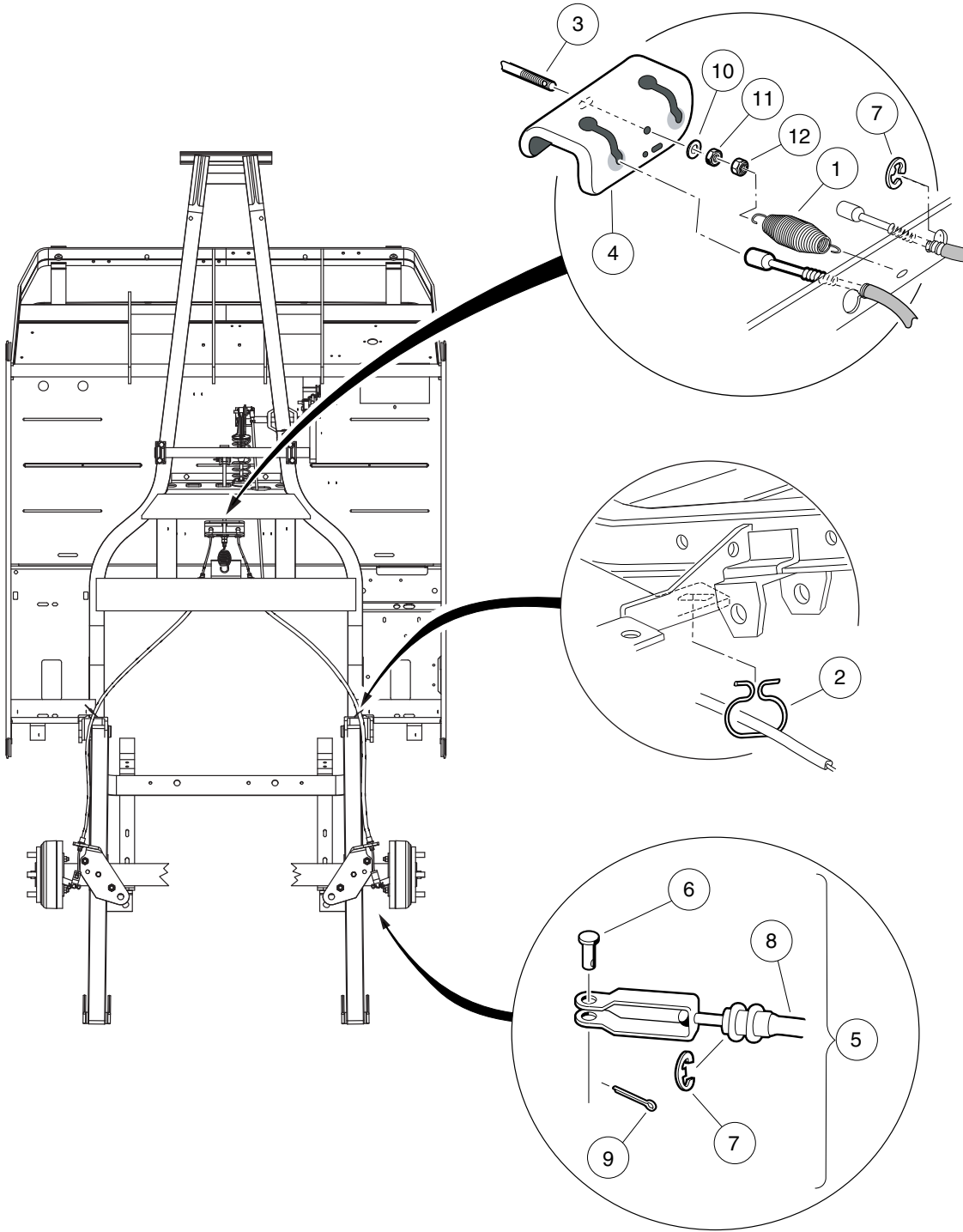
ITEM	PART NO.	DESCRIPTION	QTY
		1 2 3 4	
1	<u>101935301</u>	Clamp, Brake Cable	2
2	<u>102025401</u>	Tie Wrap, Heavy Duty	1
3	320	Screw, 3/8-16 X 1.00 Hex-Head Cap	1
4	<u>8754</u>	Locknut, 3/8-16 Hex	1

4

G

E

4
G
E



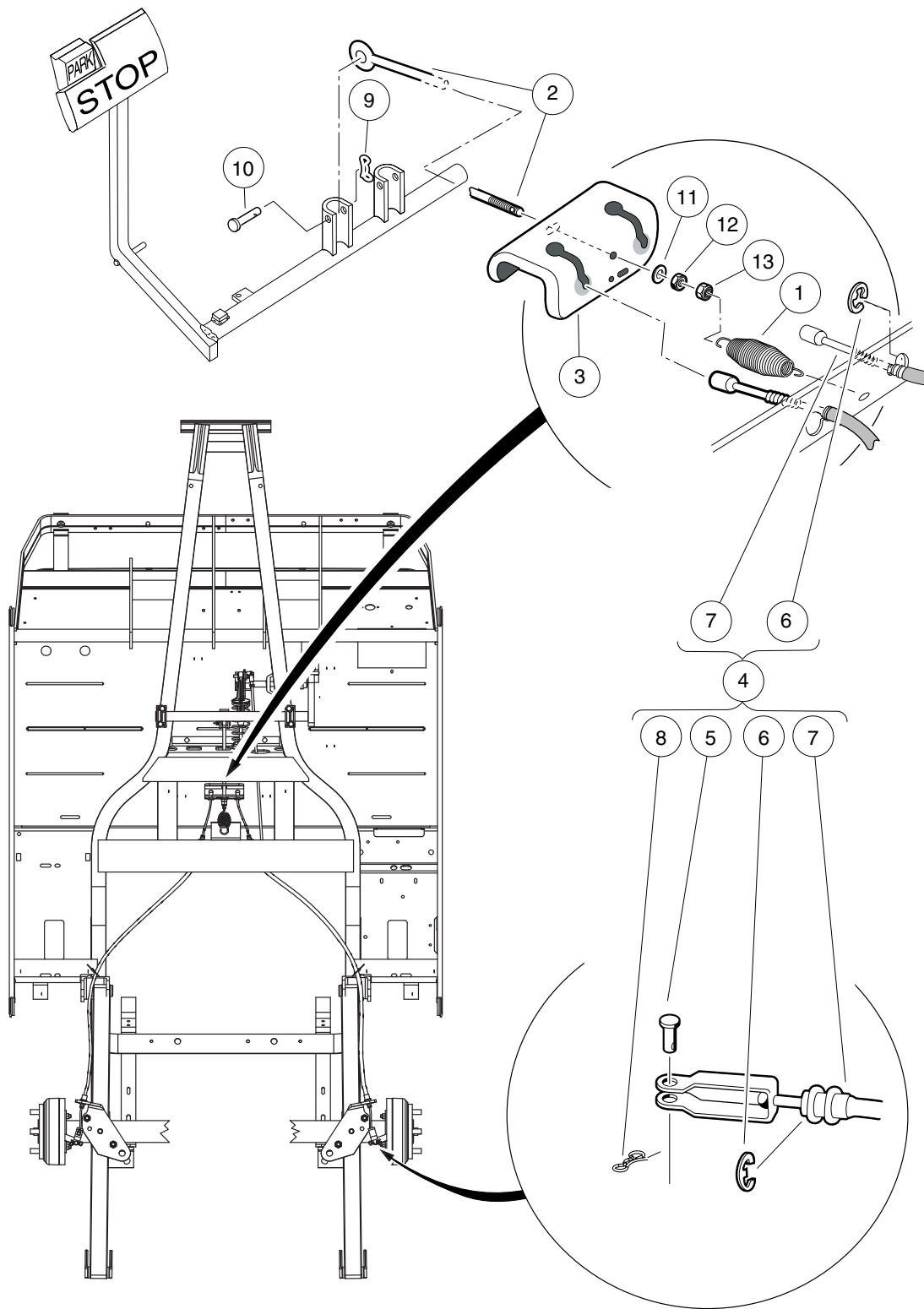
000245-001

BRAKE CABLE, EQUALIZER, AND EQUALIZER ROD – VEHICLES WITH TWO-WHEEL BRAKES

ITEM	PART NO.	DESCRIPTION	QTY
		1 2 3 4	
1	<u>1013531</u>	Spring, Brake Return	1
2	101900801	Hanger, Brake Cable	2
3	<u>101953101</u>	Rod, Equalizer, 8.91"	1
4	<u>101990801</u>	Equalizer Bracket	1
5	<u>102022101</u>	Brake Cable Kit (includes items 6 through 9)	2
6	<u>1010829</u>	Pin, Clevis, 5/16 X 3/4	1
7	<u>1011779</u>	E-Clip, 1/2	2
8	N/A	Cable, Brake, 41"	1
9	<u>1035</u>	Cotter Pin, 3/32 x 1	1
10	<u>1241</u>	Washer, 5/16 Type A Flat	5
11	<u>1242</u>	Nut, 5/16-18 Hex	1
12	<u>7473</u>	Locknut, 5/16-18 Nylon Insert	5

4
G
E

4
G
E



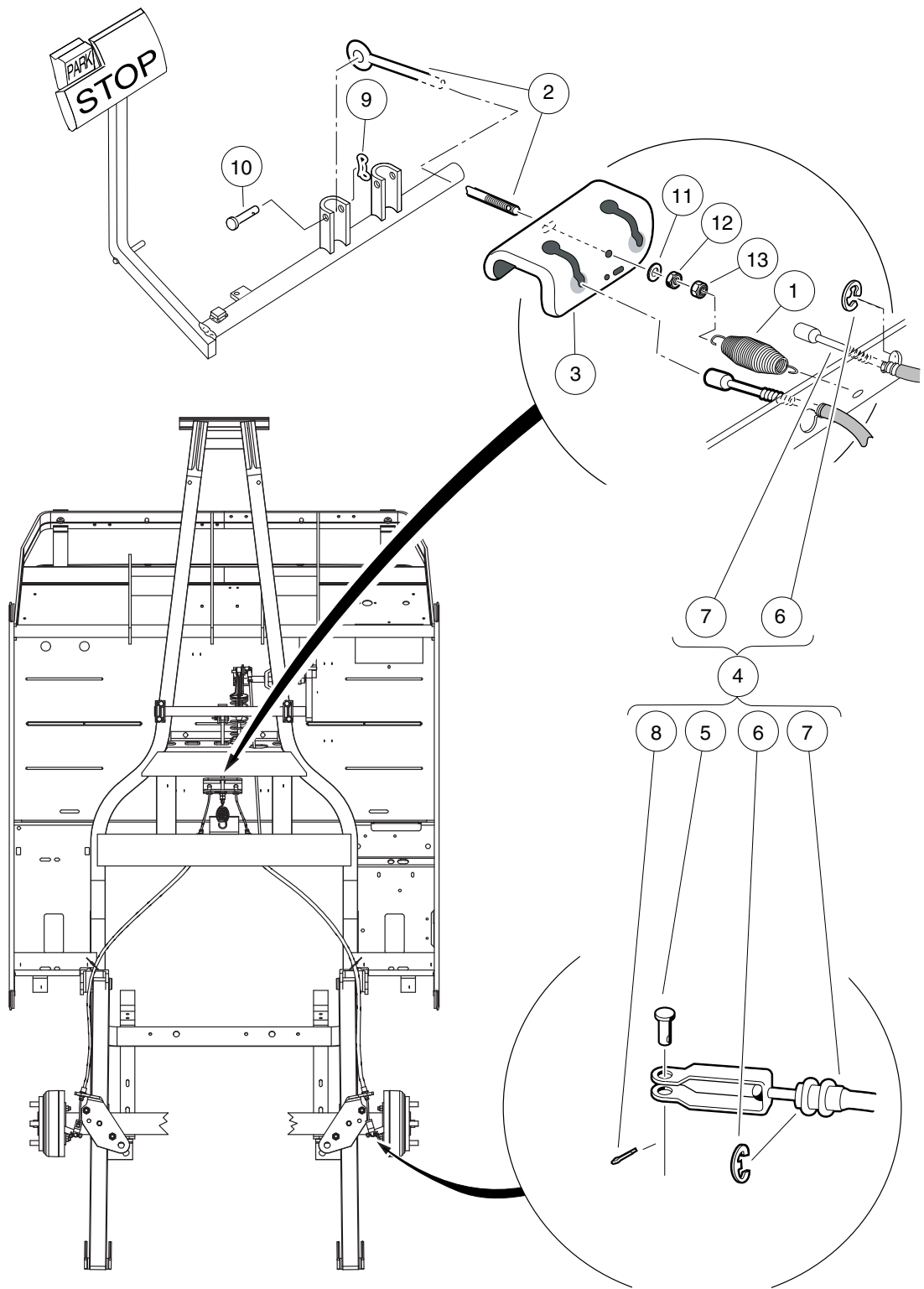
000295-001

REAR BRAKE CABLES & EQUALIZER – TURF/CA 2 XRT, 252, 2 AND CA 2 PLUS WITH 4-WHEEL BRAKES

ITEM	PART NO.	DESCRIPTION	QTY
		1 2 3 4	
1	<u>1013531</u>	Spring, Brake Return	1
2	101953102	Rod, Equalizer, 20.91"	1
3	<u>101990801</u>	Equalizer Bracket	1
4	<u>102166901</u>	Kit, Brake Cable Rear (includes items 5 through 8)	1
5	<u>1010829</u>	Pin, Clevis, 5/16 X 3/4	2
6	<u>1011779</u>	E-Clip, 1/2	4
7	102162601	Cable, Brake	2
8	<u>102292801</u>	Pin, Bow Tie Locking - .072	2
9	<u>102323101</u>	Pin, Bow Tie Locking	1
10	<u>102323201</u>	Pin, 3/8 X 1-5/16 Clevis	1
11	<u>1241</u>	Washer, 5/16 Type A Flat	1
12	<u>1242</u>	Nut, 5/16-18 Hex	1
13	<u>7473</u>	Locknut, 5/16-18 Nylon Insert	1

4
G
E

4
G
E



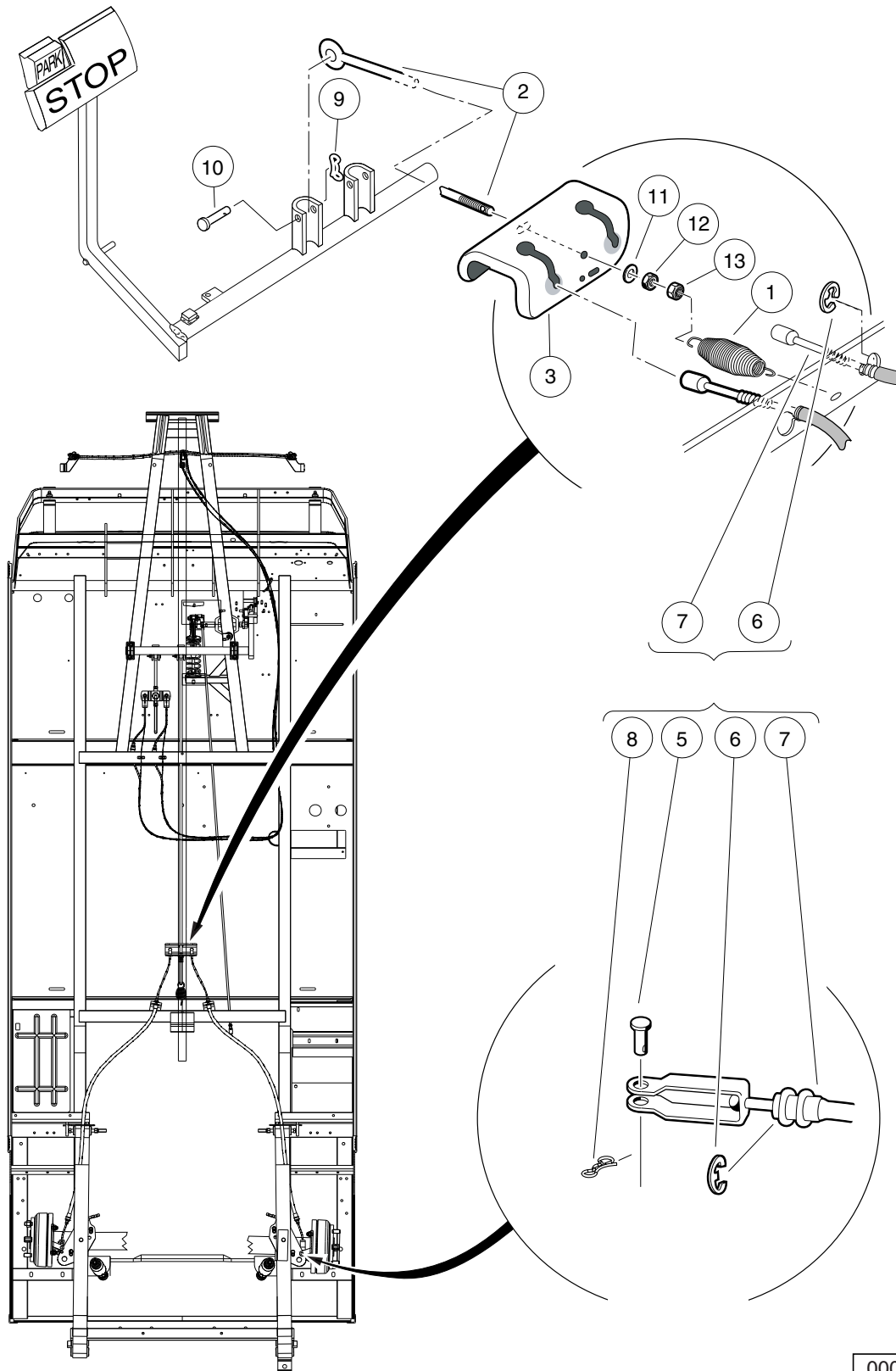
000296-001

BRAKE CABLES AND EQUALIZER – TURF/CARRYALL 2 VEHICLES WITH TWO-WHEEL BRAKES

ITEM	PART NO.	DESCRIPTION	QTY
		1 2 3 4	
1	<u>1013531</u>	Spring, Brake Return	1
2	101953102	Rod, Equalizer, 20.91"	1
3	<u>101990801</u>	Equalizer Bracket	1
4	<u>102022101</u>	Brake Cable Kit (includes items 5 through 8)	2
5	<u>1010829</u>	Pin, Clevis, 5/16 X 3/4	1
6	<u>1011779</u>	E-Clip, 1/2	2
7	N/A	Cable, Brake, 41"	1
8	<u>1035</u>	Cotter Pin, 3/32 x 1	1
9	<u>102323101</u>	Pin, Bow Tie Locking	1
10	<u>102323201</u>	Pin, 3/8 X 1-5/16 Clevis	1
11	<u>1241</u>	Washer, 5/16 Type A Flat	1
12	<u>1242</u>	Nut, 5/16-18 Hex	1
13	<u>7473</u>	Locknut, 5/16-18 Nylon Insert	1

4
G
E

4
G
E



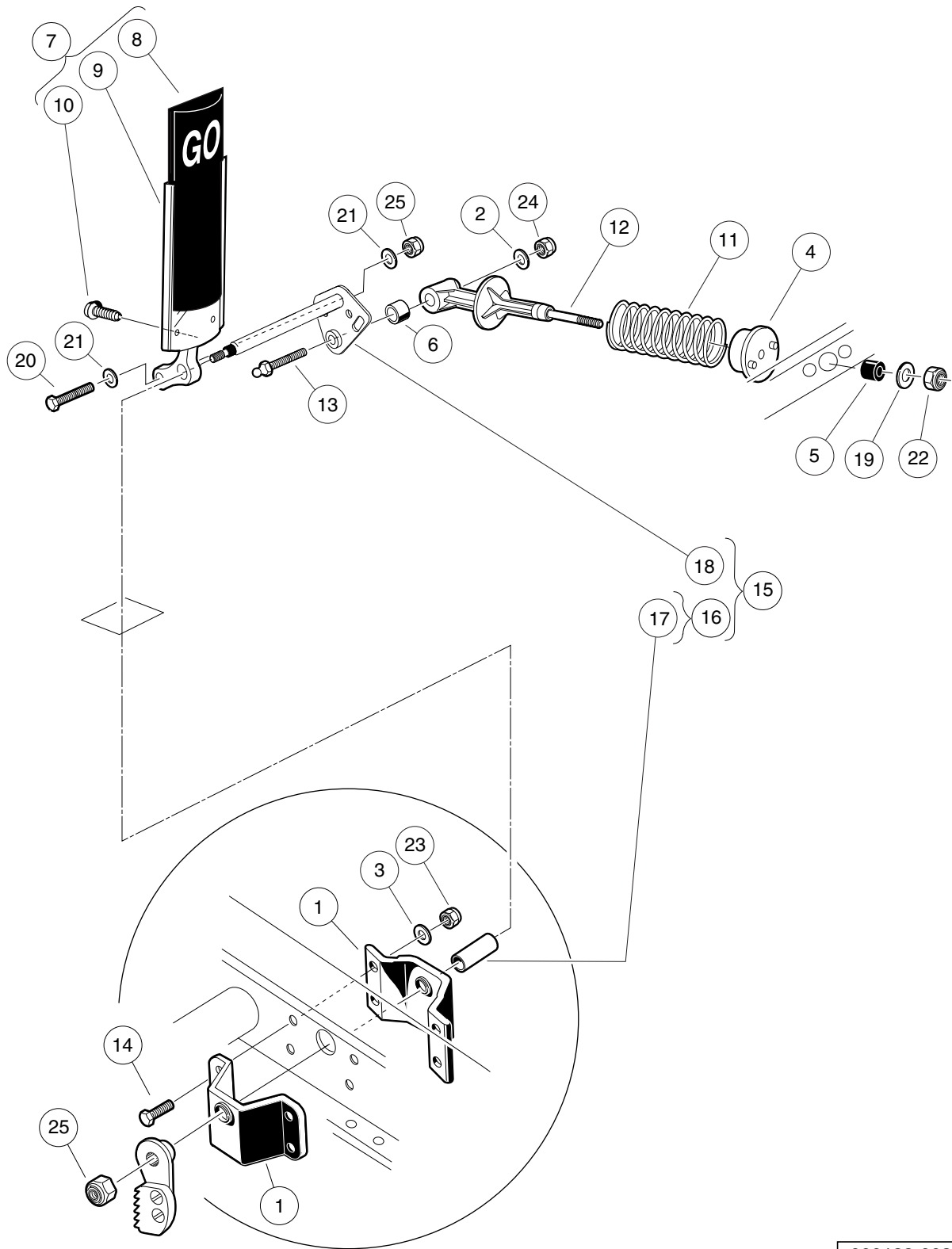
000296-004

REAR BRAKE CABLES, EQUALIZER, AND EQUALIZER ROD – TURF/CARRYALL 6 VEHICLES

ITEM	PART NO.	DESCRIPTION	QTY
		1 2 3 4	
1	<u>1013531</u>	Spring, Brake Return	1
2	101953103	Rod, Equalizer	1
3	<u>101990801</u>	Equalizer Bracket	1
4	<u>102166901</u>	Kit, Brake Cable Rear (includes items 5 through 8)	1
5	<u>1010829</u>	Pin, Clevis, 5/16 X 3/4	2
6	<u>1011779</u>	E-Clip, 1/2	4
7	102162601	Cable, Brake	2
8	<u>102292801</u>	Pin, Bow Tie Locking - .072	2
9	<u>102323101</u>	Pin, Bow Tie Locking	1
10	<u>102323201</u>	Pin, 3/8 X 1-5/16 Clevis	1
11	<u>1241</u>	Washer, 5/16 Type A Flat	1
12	<u>1242</u>	Nut, 5/16-18 Hex	1
13	<u>7473</u>	Locknut, 5/16-18 Nylon Insert	1

4
G
E

4
G
E



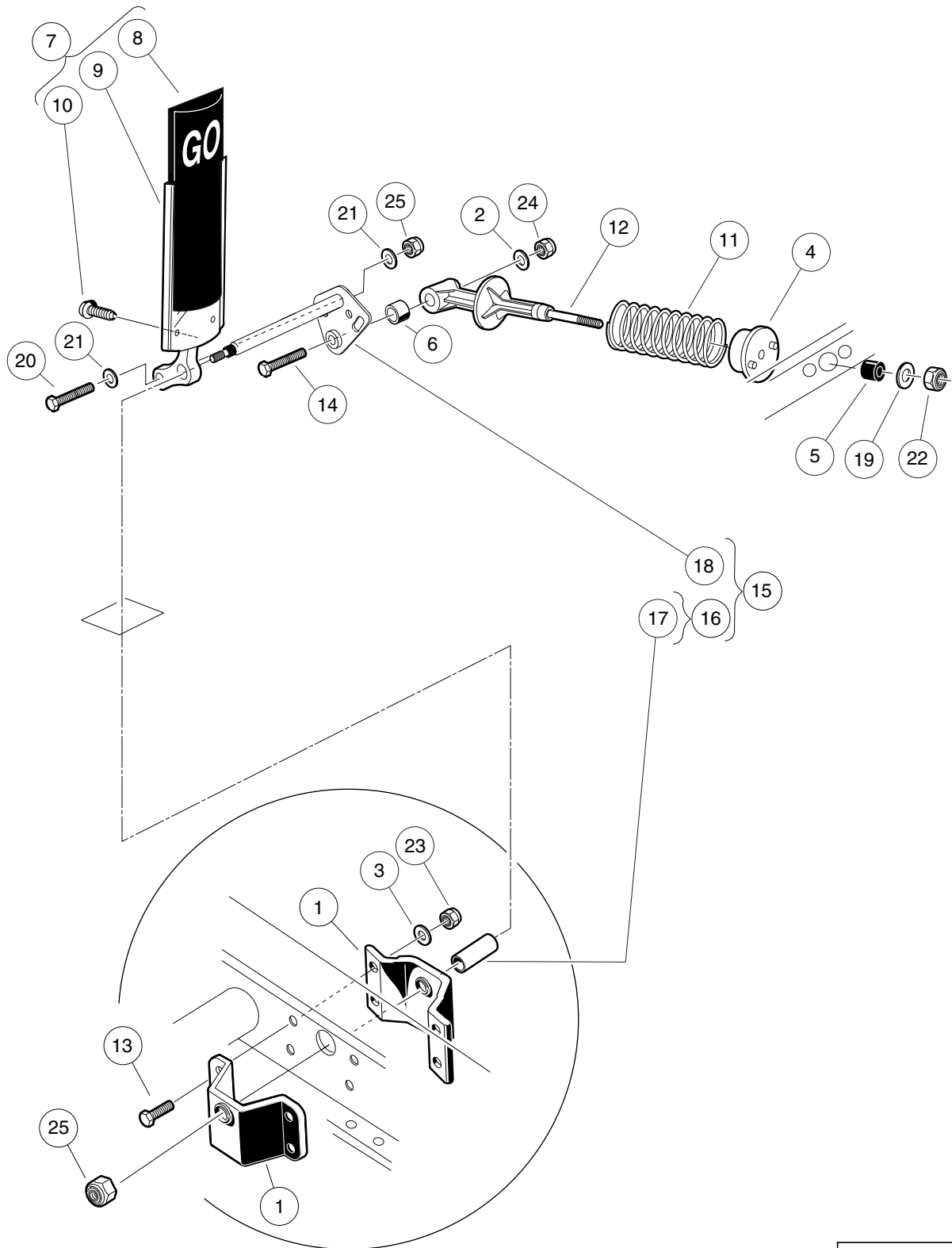
000188-003

ACCELERATOR PEDAL – GASOLINE VEHICLES

ITEM	PART NO.	DESCRIPTION	QTY
		1 2 3 4	
1	<u>1011694</u>	Accelerator Bracket and Bearing Assembly	2
2	<u>1011931</u>	Washer, 1/4 Flat	1
3	<u>1014007</u>	Washer, 1/4 Flat	4
4	<u>1017378</u>	Cup, Spring	1
5	<u>1017380</u>	Bumper, Spring Return	1
6	<u>1017424</u>	Bearing, Pivot Support	1
7	<u>1017696</u>	Sub Asm, Accelerator Pedal (includes items 8 through 10)	1
8	1013871	Pad, Accelerator Pedal	1
9	N/A	Accelerator Pedal Weldment	1
10	7716	Screw, #10-16 Type AB, Sheet Metal	4
11	101796201	Spring, Accelerator Return	1
12	<u>101817401</u>	Retainer, Spring	1
13	101818801	Stud, 1/4-28 X 1.35 Ball	1
14	<u>101861901</u>	Screw, 1/4-20 X 1.125 Hex Cap	4
15	<u>102026001</u>	Kit, Accelerator Pivot Rod Assembly (includes items 16 through 18)	1
16	<u>1011700</u>	Spacer Assembly (includes item 17)	1
17	101919801	Spacer, Accelerator	1
18	N/A	Pivot Rod Weldment	1
19	<u>1241</u>	Washer, 5/16 Type A Flat	1
20	<u>1624</u>	Screw, 3/8-16 X 1.50 Hex-Head Cap	1
21	<u>334</u>	Washer, 3/8 Type A Flat	2
22	<u>7473</u>	Locknut, 5/16-18 Nylon Insert	1
23	<u>8233</u>	Locknut, 1/4-20 Nylon Insert	4
24	<u>8717</u>	Locknut, 1/4-28 Nylon Insert	1
25	<u>8754</u>	Locknut, 3/8-16 Hex	2

4
G
E

4
G
E



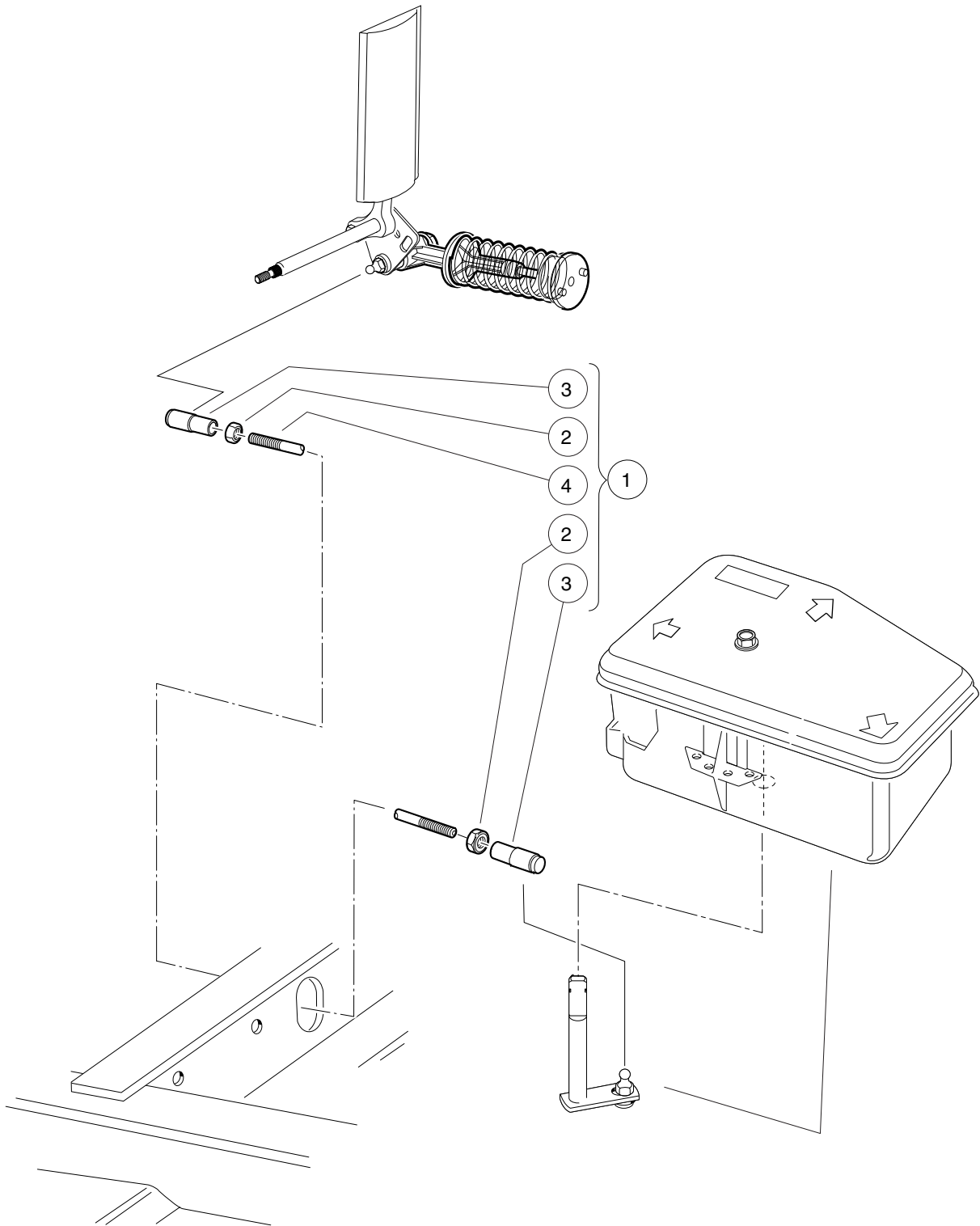
000188-004

ACCELERATOR PEDAL ASSEMBLY – ELECTRIC VEHICLES WITH MCOR

ITEM	PART NO.	DESCRIPTION	QTY
		1 2 3 4	
1	<u>1011694</u>	Accelerator Bracket and Bearing Assembly	2
2	<u>1011931</u>	Washer, 1/4 Flat	1
3	<u>1014007</u>	Washer, 1/4 Flat	4
4	<u>1017378</u>	Cup, Spring	1
5	<u>1017380</u>	Bumper, Spring Return	1
6	<u>1017424</u>	Bearing, Pivot Support	1
7	<u>1017696</u>	Sub Asm, Accelerator Pedal (includes items 8 through 10)	1
8	1013871	Pad, Accelerator Pedal	1
9	N/A	Accelerator Pedal Weldment	1
10	7716	Screw, #10-16 Type AB, Sheet Metal	4
11	101796201	Spring, Accelerator Return	1
12	<u>101817401</u>	Retainer, Spring	1
13	<u>101861901</u>	Screw, 1/4-20 X 1.125 Hex Cap	4
14	<u>101862001</u>	Screw, 1/4-20 X 1.500 Flange	1
15	<u>102026001</u>	Kit, Accelerator Pivot Rod Assembly (includes items 16 through 18)	1
16	<u>1011700</u>	Spacer Assembly (includes item 17)	1
17	101919801	Spacer, Accelerator	1
18	N/A	Pivot Rod Weldment	1
19	<u>1241</u>	Washer, 5/16 Type A Flat	1
20	<u>1624</u>	Screw, 3/8-16 X 1.50 Hex-Head Cap	1
21	<u>334</u>	Washer, 3/8 Type A Flat	2
22	<u>7473</u>	Locknut, 5/16-18 Nylon Insert	1
23	<u>8233</u>	Locknut, 1/4-20 Nylon Insert	4
24	<u>8717</u>	Locknut, 1/4-28 Nylon Insert	1
25	<u>8754</u>	Locknut, 3/8-16 Hex	2

4
G
E

4
G
E



000362-001

ACCELERATOR ROD – GASOLINE TURF/CARRYALL 1

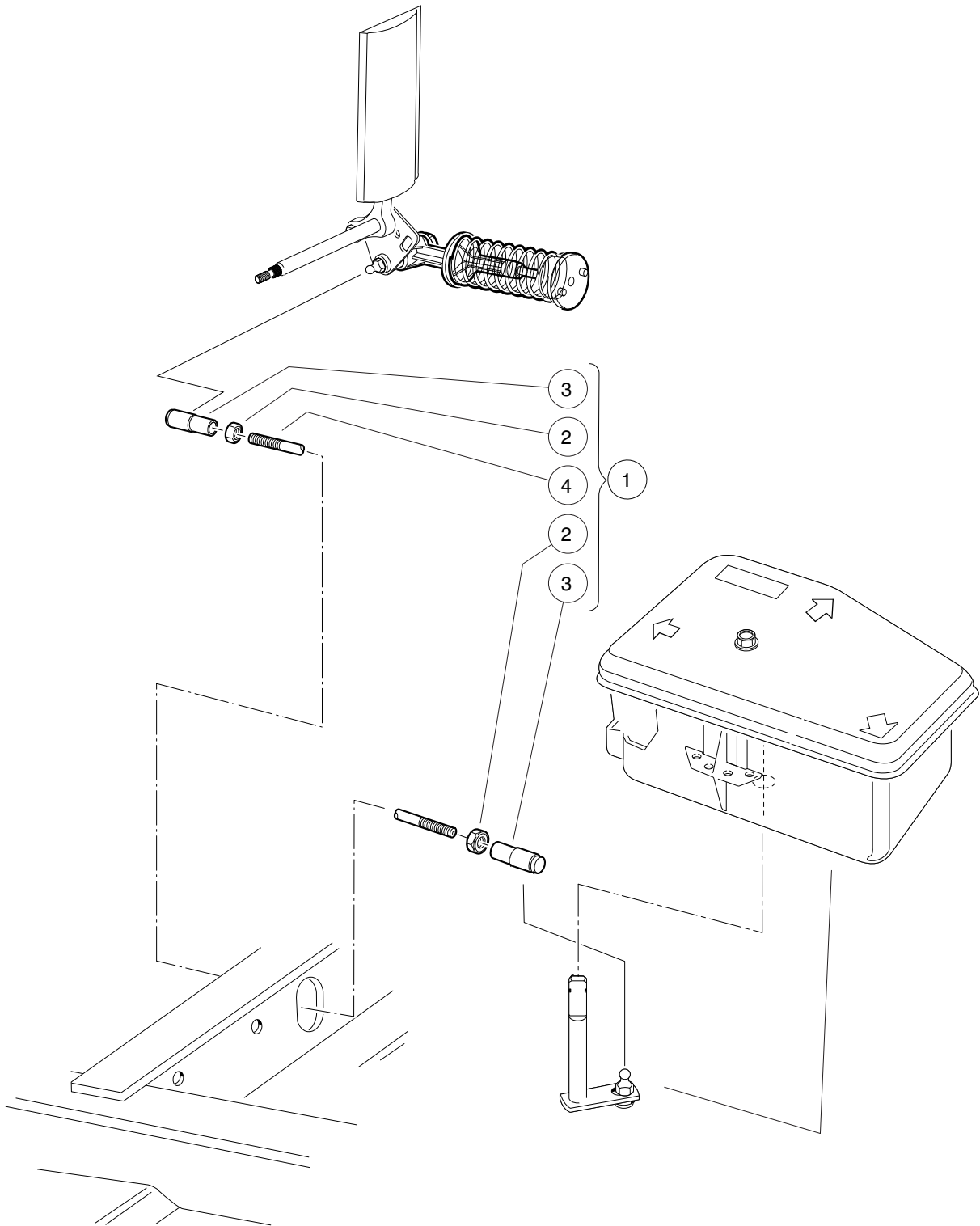
ITEM	PART NO.	DESCRIPTION	QTY
		1 2 3 4	
1	101912401	Rod, Accelerator (includes items 2 through 4)	1
2	<u>1011084</u>	Nut, 1/4-28 Hex Jam	2
3	<u>1011734</u>	Joint, Ball	2
4	N/A	Accelerator Rod	1

4

G

E

4
G
E



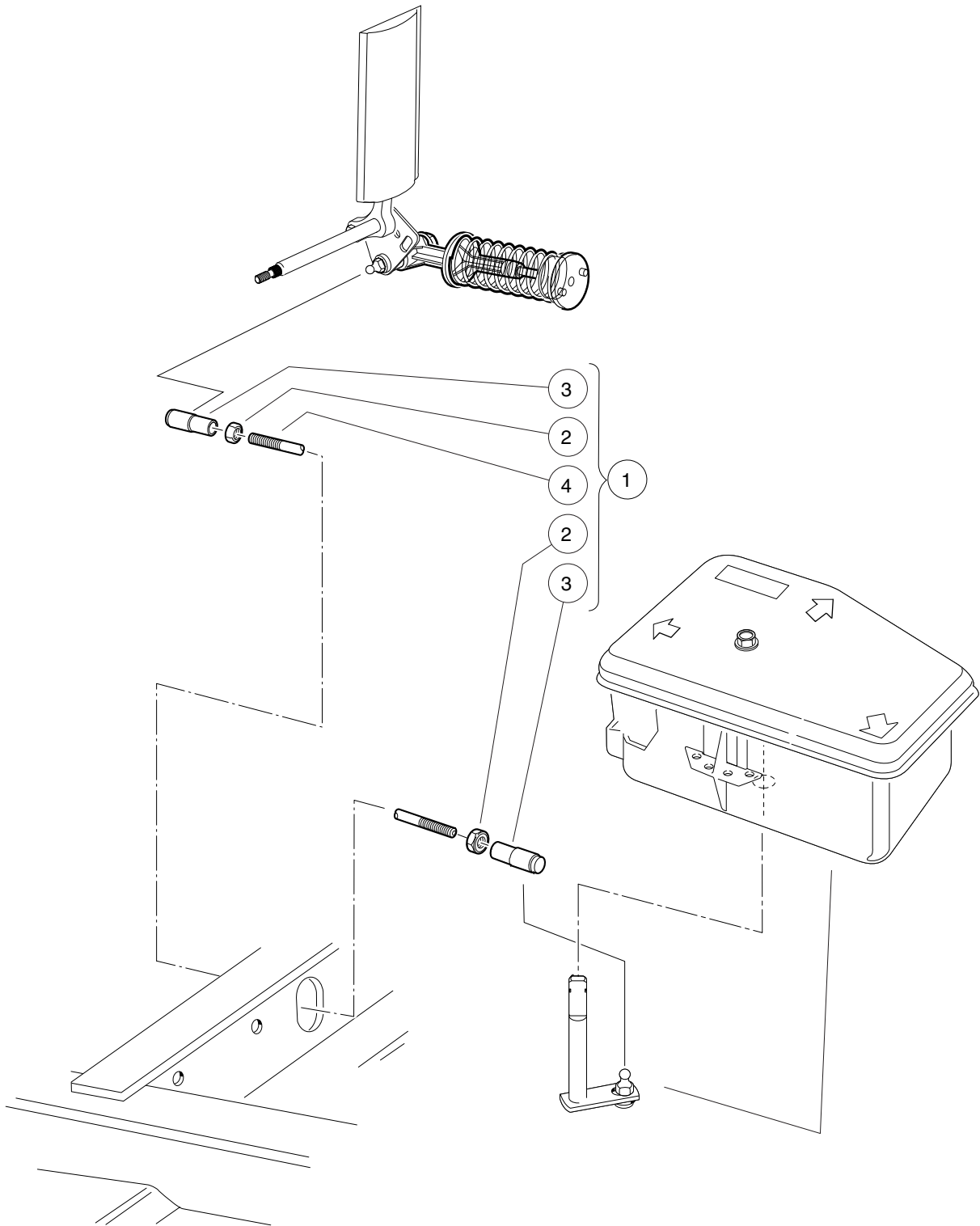
000362-001

ACCELERATOR ROD – GASOLINE TURF/CARRYALL 2, 252, 2 XRT, AND 2 PLUS

ITEM	PART NO.	DESCRIPTION	QTY
		1 2 3 4	
1	<u>101822001</u>	Rod, Accelerator (includes items 2 through 4)	1
2	<u>1011084</u>	Nut, 1/4-28 Hex Jam	2
3	<u>1011734</u>	Joint, Ball	2
4	N/A	Accelerator Rod	1

4
G
E

4
G
E



000362-001

ACCELERATOR ROD – GASOLINE TURF/CARRYALL 6

ITEM	PART NO.	DESCRIPTION	QTY
		1 2 3 4	
1	<u>101674702</u>	Rod, Accelerator (includes items 2 through 4)	1
2	<u>1011084</u>	Nut, 1/4-28 Hex Jam	2
3	<u>1011734</u>	Joint, Ball	2
4	N/A	Accelerator Rod Elec Stretch	1

4
G
E

4

G

E

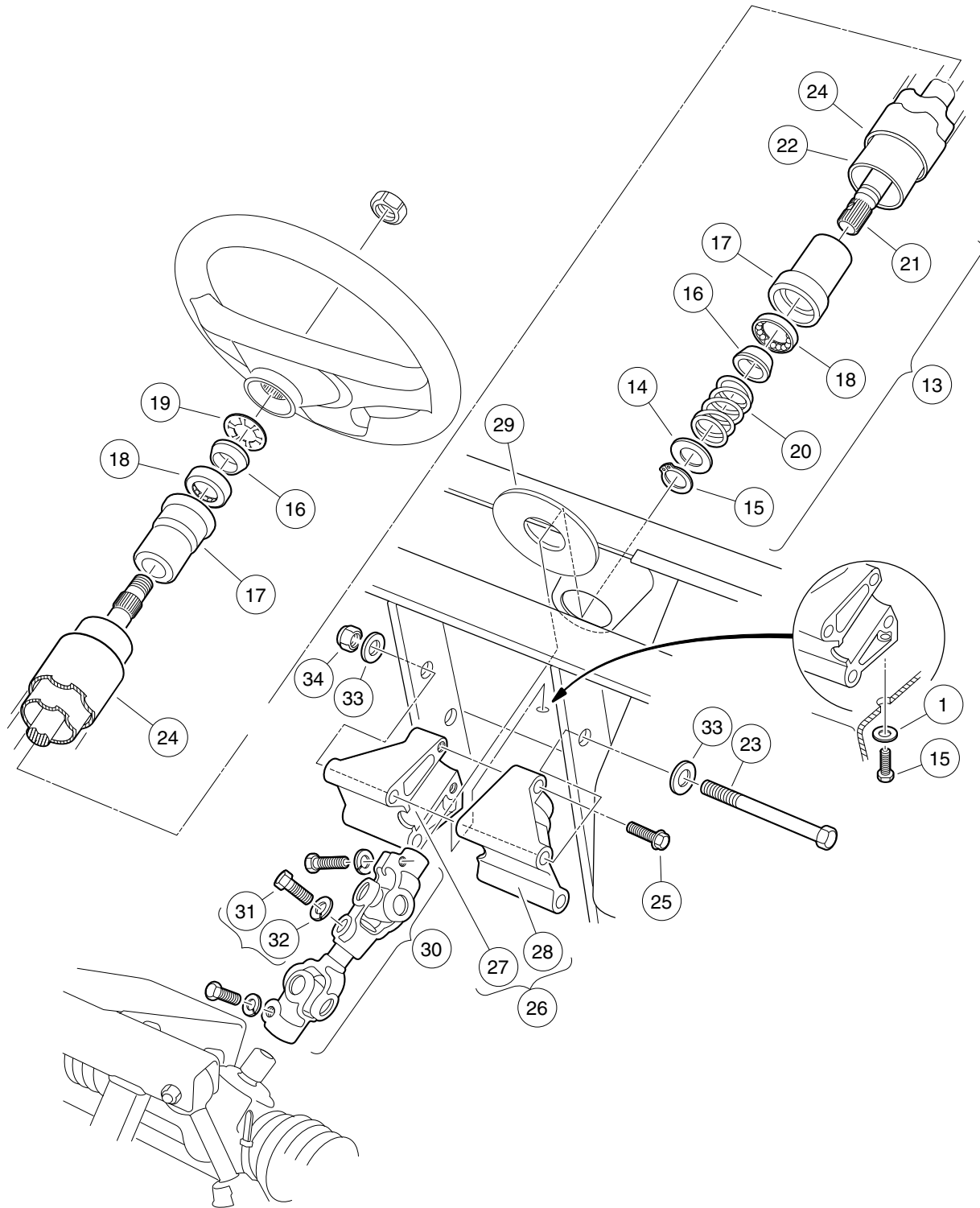
STEERING, FRONT AND REAR SUSPENSION

5

G

E

5
G
E



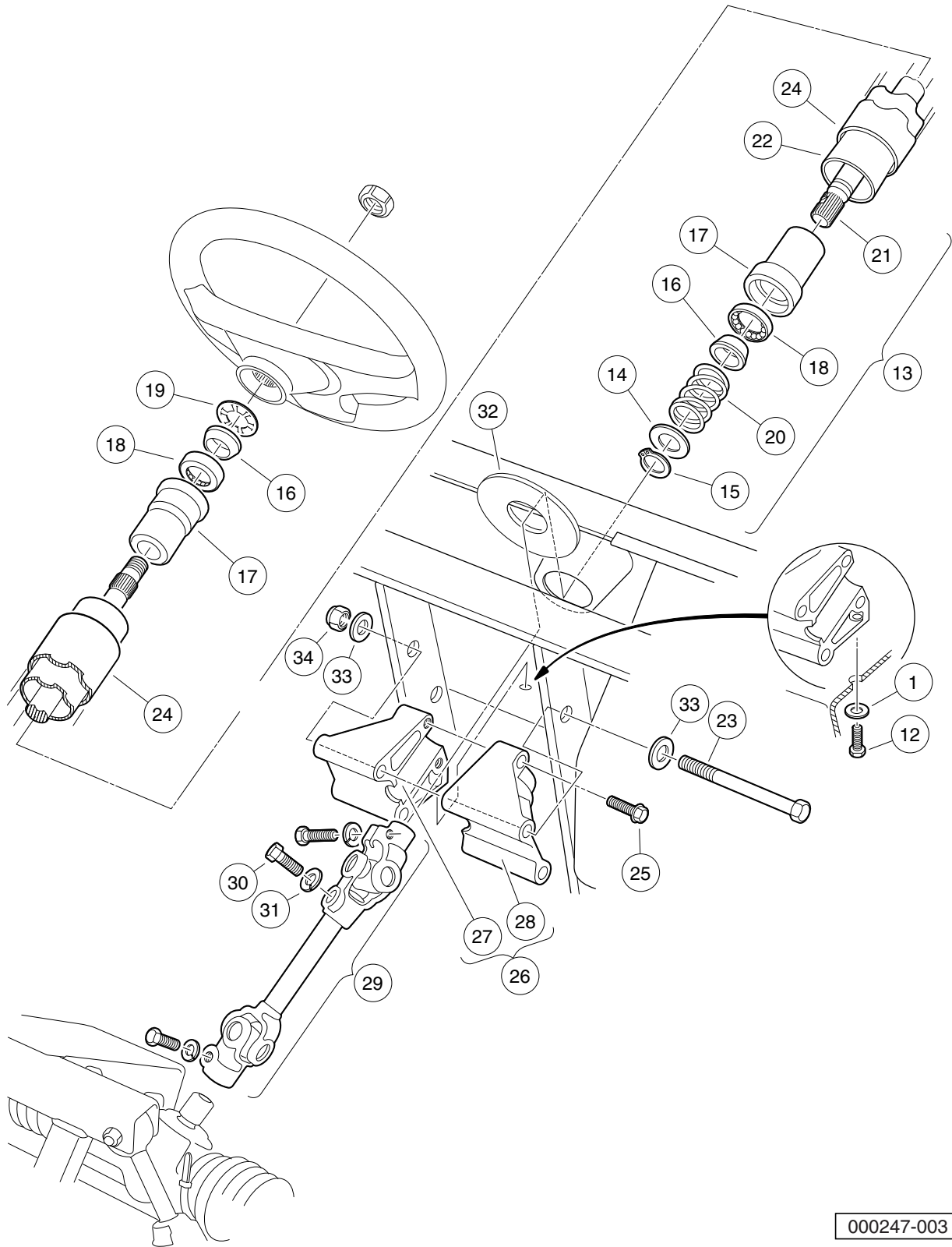
000247-002

STEERING COLUMN – ALL VEHICLES EXCEPT TURF/ CARRYALL 2 XRT AND TURF/CARRYALL 252

ITEM	PART NO.	DESCRIPTION	QTY
		1 2 3 4	
1	<u>1011697</u>	Washer, 5/16 Flat	1
2	<u>1014216</u>	Steering Column Rebuild Kit (includes items 3 through 11)	1
3	<u>1012466</u>	Dust Cover	1
4	<u>1012605</u>	Ring, 0.579 Internal Retaining	1
5	1014125	Wedge, Molded	2
6	<u>1014126</u>	Seat, Plastic Bearing	2
7	<u>1014211</u>	Seal, Bearing	1
8	<u>1014212</u>	Spacer, Shaft	1
9	<u>1014213</u>	Bearing, Ball	2
10	1014214	Ring, Retaining	1
11	<u>1014217</u>	Spring, Steering Shaft	1
12	<u>1014288</u>	Screw, 5/16-18 X 0.75 Thread-Forming	1
13	1016181	Steering Shaft Assembly (includes items 14 through 22)	1
14	<u>1012604</u>	Washer, 0.675 ID X 1.19 OD	1
15	<u>1012605</u>	Ring, 0.579 Internal Retaining	1
16	1014125	Wedge, Molded	2
17	<u>1014126</u>	Seat, Plastic Bearing	2
18	<u>1014213</u>	Bearing, Ball	2
19	1014214	Ring, Retaining	1
20	<u>1014217</u>	Spring, Steering Shaft	1
21	<u>1015545</u>	Shaft, Steering Column	1
22	1016622	Column, Aluminum Steering	1
23	<u>1016183</u>	Screw, 3/8-16 X 7.00 Hex Cap	2
24	1016263	Cover, Steering Column Tube	1
25	<u>1016269</u>	Screw, 5/16-18 Thrd Forming	2
26	101984801	Kit, Steering Column Mounting Bracket (includes items 27 and 28)	1
27	N/A	Bracket, RH Steering Column Mount	1
28	N/A	Bracket, LH Steering column mount	1
29	<u>102278001</u>	Boot, Steering Column Round	1
30	<u>103601601</u>	Shaft, Intermediate Steering (includes items 31 and 32)	1
31	<u>1017226</u>	Bolt, Hex-Head, 8mm X 1.25 - 30	3
32	<u>7174</u>	Lockwasher, 5/16 Split	3
33	<u>334</u>	Washer, 3/8 Type A Flat	4
34	<u>8754</u>	Locknut, 3/8-16 Hex	2

5
G
E

5
G
E



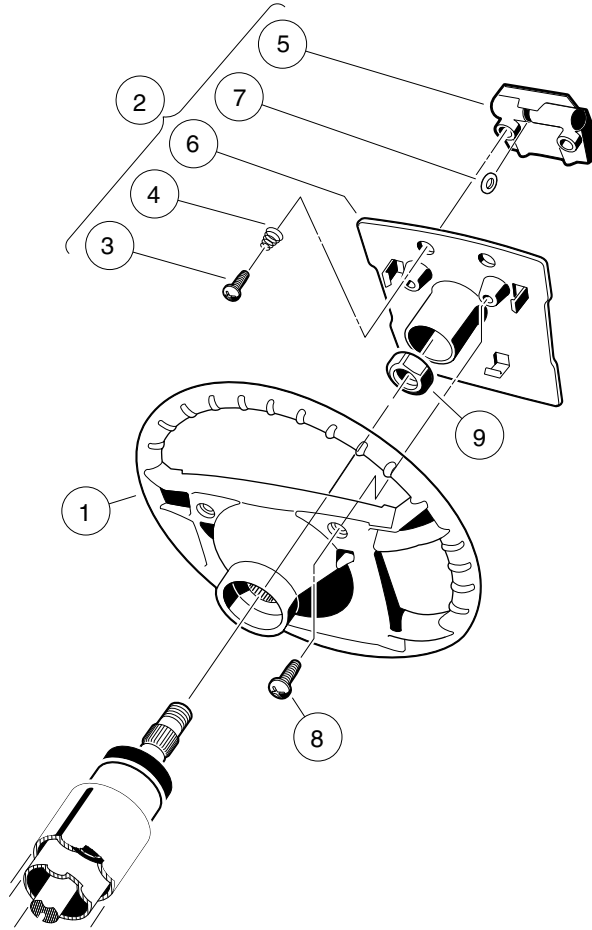
000247-003

STEERING COLUMN – TURF/CARRYALL 2 XRT AND TURF/ CARRYALL 252 VEHICLES

ITEM	PART NO.	DESCRIPTION	QTY
		1 2 3 4	
1	<u>1011697</u>	Washer, 5/16 Flat	1
2	<u>1014216</u>	Steering Column Rebuild Kit (includes items 3 through 11)	1
3	<u>1012466</u>	Dust Cover	1
4	<u>1012605</u>	Ring, 0.579 Internal Retaining	1
5	1014125	Wedge, Molded	2
6	<u>1014126</u>	Seat, Plastic Bearing	2
7	<u>1014211</u>	Seal, Bearing	1
8	<u>1014212</u>	Spacer, Shaft	1
9	<u>1014213</u>	Bearing, Ball	2
10	1014214	Ring, Retaining	1
11	<u>1014217</u>	Spring, Steering Shaft	1
12	<u>1014288</u>	Screw, 5/16-18 X 0.75 Thread-Forming	1
13	1016181	Steering Shaft Assembly (includes items 14 through 22)	1
14	<u>1012604</u>	Washer, 0.675 ID X 1.19 OD	1
15	<u>1012605</u>	Ring, 0.579 Internal Retaining	1
16	1014125	Wedge, Molded	2
17	<u>1014126</u>	Seat, Plastic Bearing	2
18	<u>1014213</u>	Bearing, Ball	2
19	1014214	Ring, Retaining	1
20	<u>1014217</u>	Spring, Steering Shaft	1
21	<u>1015545</u>	Shaft, Steering Column	1
22	1016622	Column, Aluminum Steering	1
23	<u>1016183</u>	Screw, 3/8-16 X 7.00 Hex Cap	2
24	1016263	Cover, Steering Column Tube	1
25	<u>1016269</u>	Screw, 5/16-18 Thrd Forming	2
26	101984801	Kit, Steering Column Mounting Bracket (includes items 27 and 28)	1
27	N/A	Bracket, RH Steering Column Mount	1
28	N/A	Bracket, LH Steering column mount	1
29	<u>102004101</u>	Joint, Steering (includes items 30 and 31)	1
30	<u>1017226</u>	Bolt, Hex-Head, 8mm X 1.25 - 30	3
31	<u>7174</u>	Lockwasher, 5/16 Split	3
32	<u>102278001</u>	Boot, Steering Column Round	1
33	<u>334</u>	Washer, 3/8 Type A Flat	4
34	<u>8754</u>	Locknut, 3/8-16 Hex	2
		Note: Item 5 is not illustrated.	

5
G
E

5
G
E

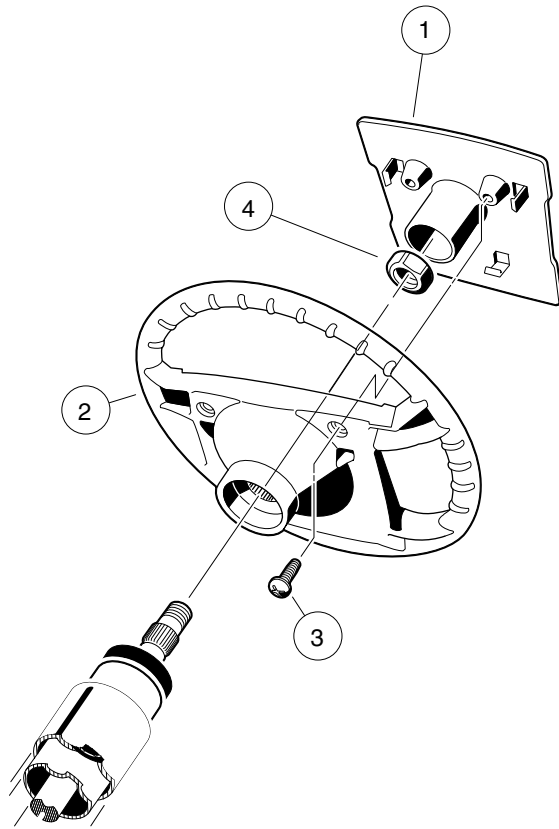


000246-002

STEERING WHEEL – TURF VEHICLES

ITEM	PART NO.	DESCRIPTION	QTY
		1 2 3 4	
1	<u>1016156</u>	Wheel, Steering	1
2	1016219	Plate, Scorecard (includes items 3 through 7)	1
3	<u>1012565</u>	Screw, #12 Phillips Round Head	2
4	<u>1012566</u>	Tapered Compression Spring	2
5	1016154	Clip, Scorecard	1
6	N/A	Plate, Score Card	1
7	N/A	Pencil Grip	1
8	<u>1016663</u>	Screw, #12-14 X 0.625	2
9	<u>1017273</u>	Nut, 5/8-18 Nylon Insert Jam	1

5
G
E



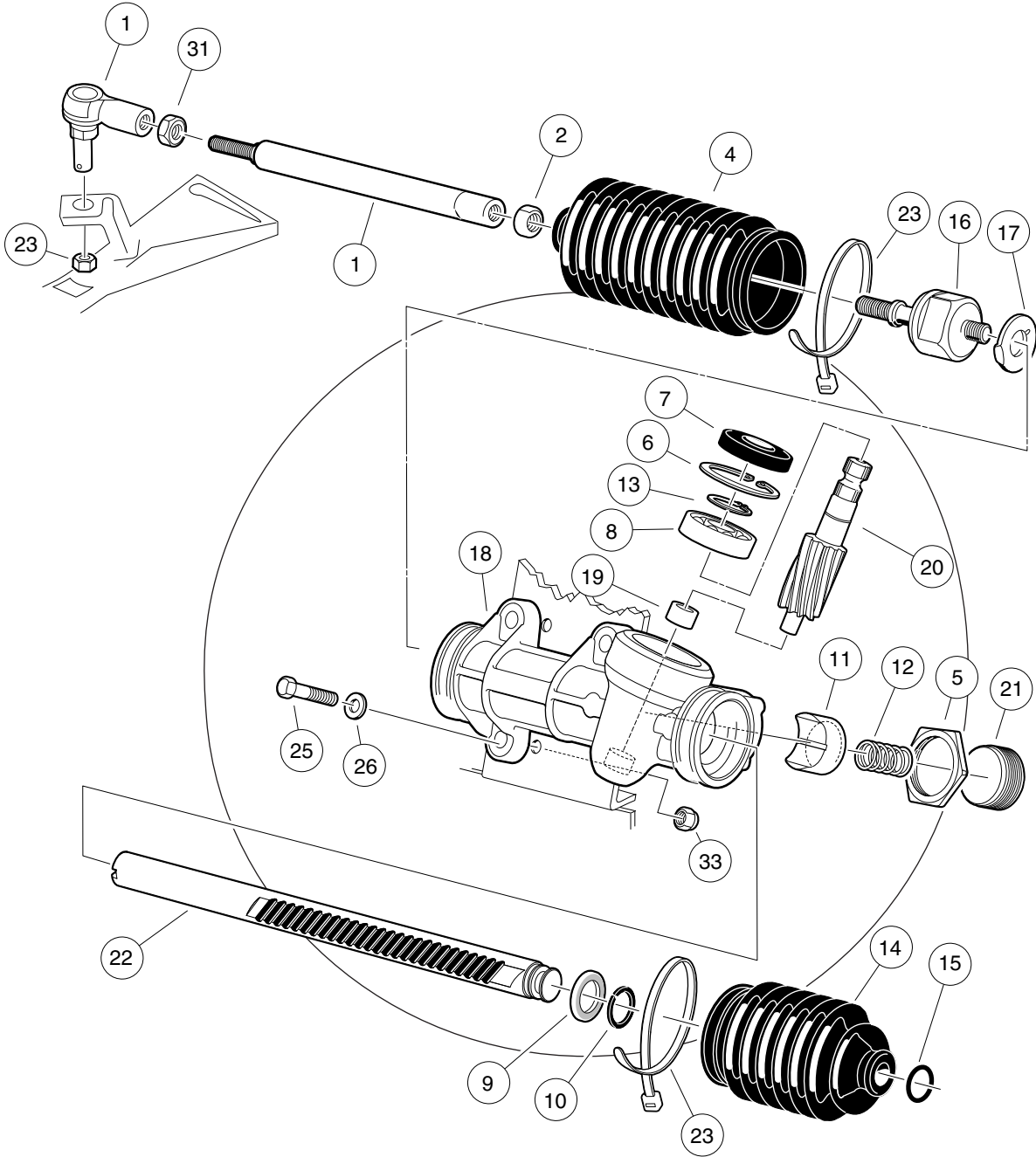
000246-003

STEERING WHEEL – CARRYALL VEHICLES

ITEM	PART NO.	DESCRIPTION	QTY
		1 2 3 4	
1	<u>101615504</u>	Plate, Scorecard	1
2	<u>1016156</u>	Wheel, Steering	1
3	<u>1016663</u>	Screw, #12-14 X 0.625	2
4	<u>1017273</u>	Nut, 5/8-18 Nylon Insert Jam	1

5
G
E

5
G
E

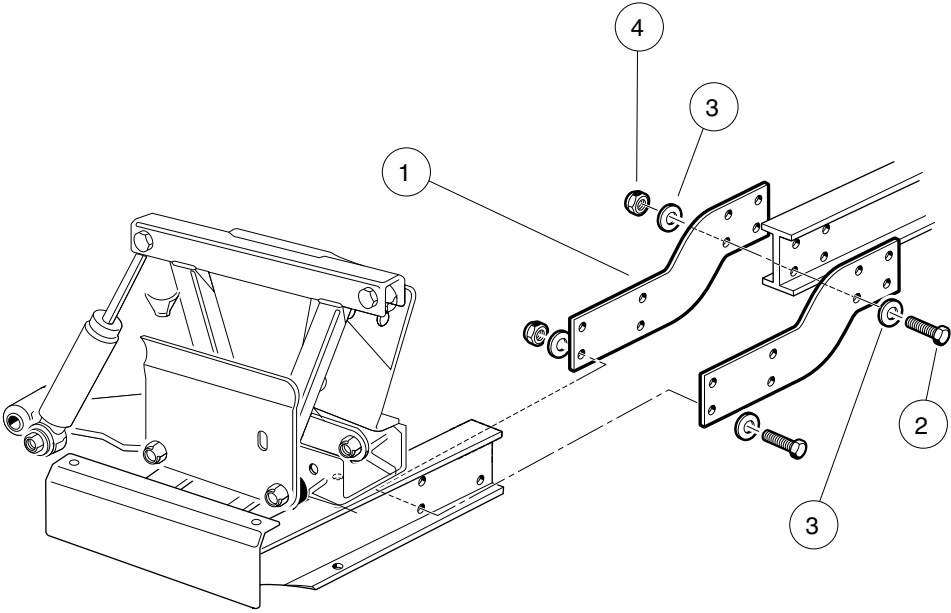


000189-001

STEERING GEAR ASSEMBLY

ITEM	PART NO.	DESCRIPTION	QTY
		1 2 3 4	
1	<u>1012467</u>	Link, Rack and Pinion Drag	1
2	1013042	Nut, 12mm Hex	1
3	<u>101878302</u>	Steering Gear Assembly (without yoke) (includes items 4 through 23)	1
4	<u>1013035</u>	Bellows, Long	1
5	<u>1013044</u>	Rack Screw Locknut	1
6	1013051	Snap Ring	1
7	<u>1013052</u>	Seal, Steering Pinion Dust	1
8	<u>101879401</u>	Bearing, Ball	1
9	<u>101879501</u>	Stop Washer	1
10	101879601	Stop Ring, C-Type	1
11	<u>101879701</u>	Support Yoke	1
12	<u>101879801</u>	Rack Guide Pressure Spring	1
13	<u>101879901</u>	Ring, Stop, C-Type	1
14	<u>101880001</u>	Bellows, Short	1
15	101880101	Dust Seal Retaining Ring	1
16	<u>101880201</u>	Inner Ball Joint Asm	1
17	101880301	Washer, Tab	1
18	N/A	Box, Steering Gear	1
19	N/A	Bearing, Lower Pinion	1
20	N/A	Pinion, Steering	1
21	N/A	Screw, Rack Guide	1
22	N/A	Rack, Steering	1
23	<u>8990</u>	Tie Wrap, 8" Nylon	2
24	<u>1035</u>	Cotter Pin, 3/32 x 1	1
25	<u>1624</u>	Screw, 3/8-16 X 1.50 Hex-Head Cap	3
26	<u>334</u>	Washer, 3/8 Type A Flat	3
27	<u>7540</u>	Ball Joint, Left (includes items 28 through 31)	1
28	1011895	Socket, LH Vertical	1
29	<u>1011930</u>	Seal, Vertical Socket Dust	1
30	<u>1015597</u>	Fitting, 1/4-28 Thread-Forming Grease	1
31	7602	Nut, 3/8-24 UNF Hex	1
32	<u>7555</u>	Nut, 1/2-20 Hex, Left-Hand Thread	1
33	<u>8754</u>	Locknut, 3/8-16 Hex	3

5
G
E



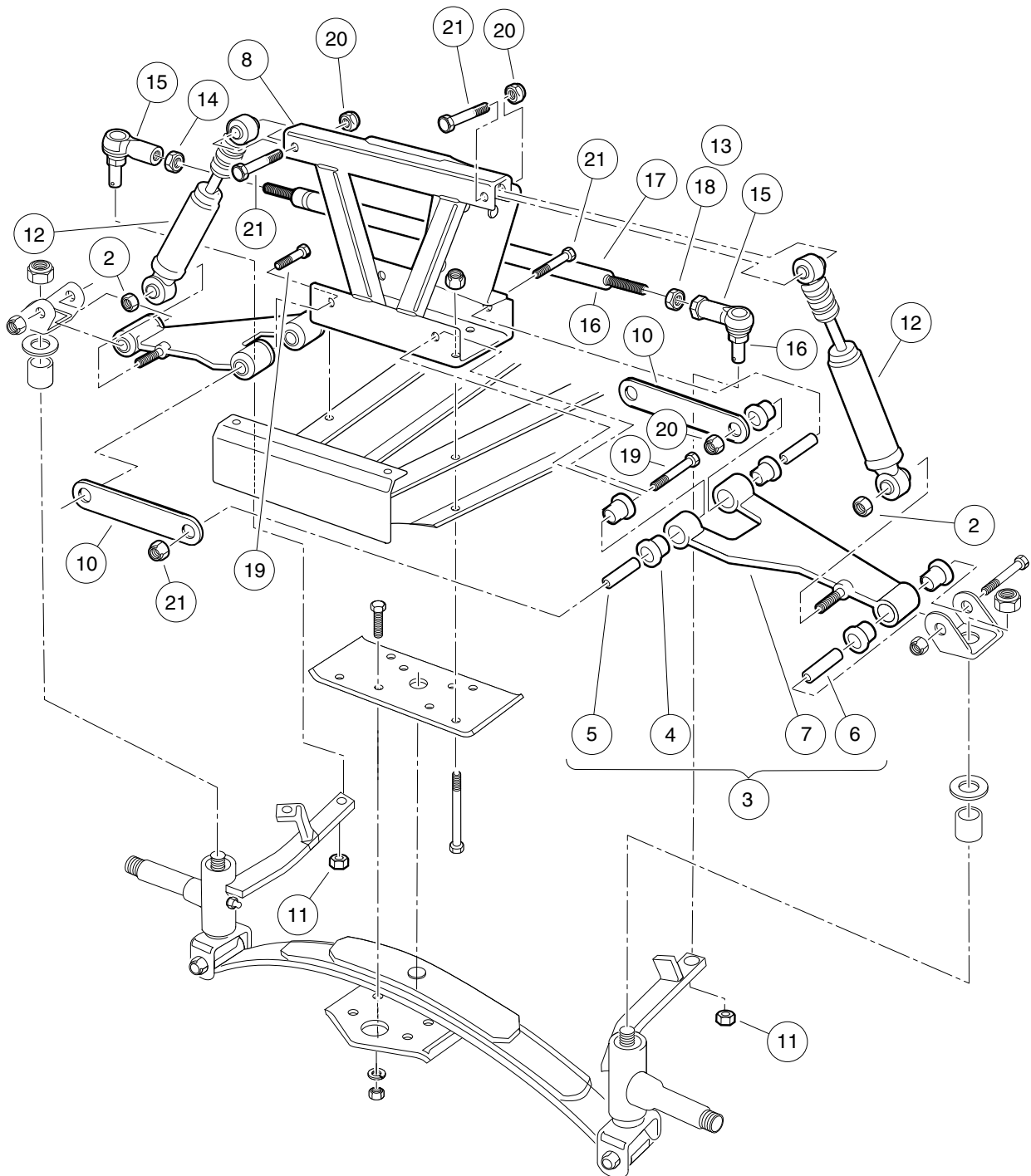
000304-001

FRONT FRAME PLATES – TURF/CARRYALL 252 AND TURF/ CARRYALL 2 XRT

ITEM	PART NO.	DESCRIPTION	QTY
		1 2 3 4	
1	<u>102003901</u>	Extension, I-Beam	4
2	1218	Screw, 5/16-18 X 1.25 Hex-Head Cap	16
3	<u>1241</u>	Washer, 5/16 Type A Flat	32
4	<u>7473</u>	Locknut, 5/16-18 Nylon Insert	16

5
G
E

5
G
E



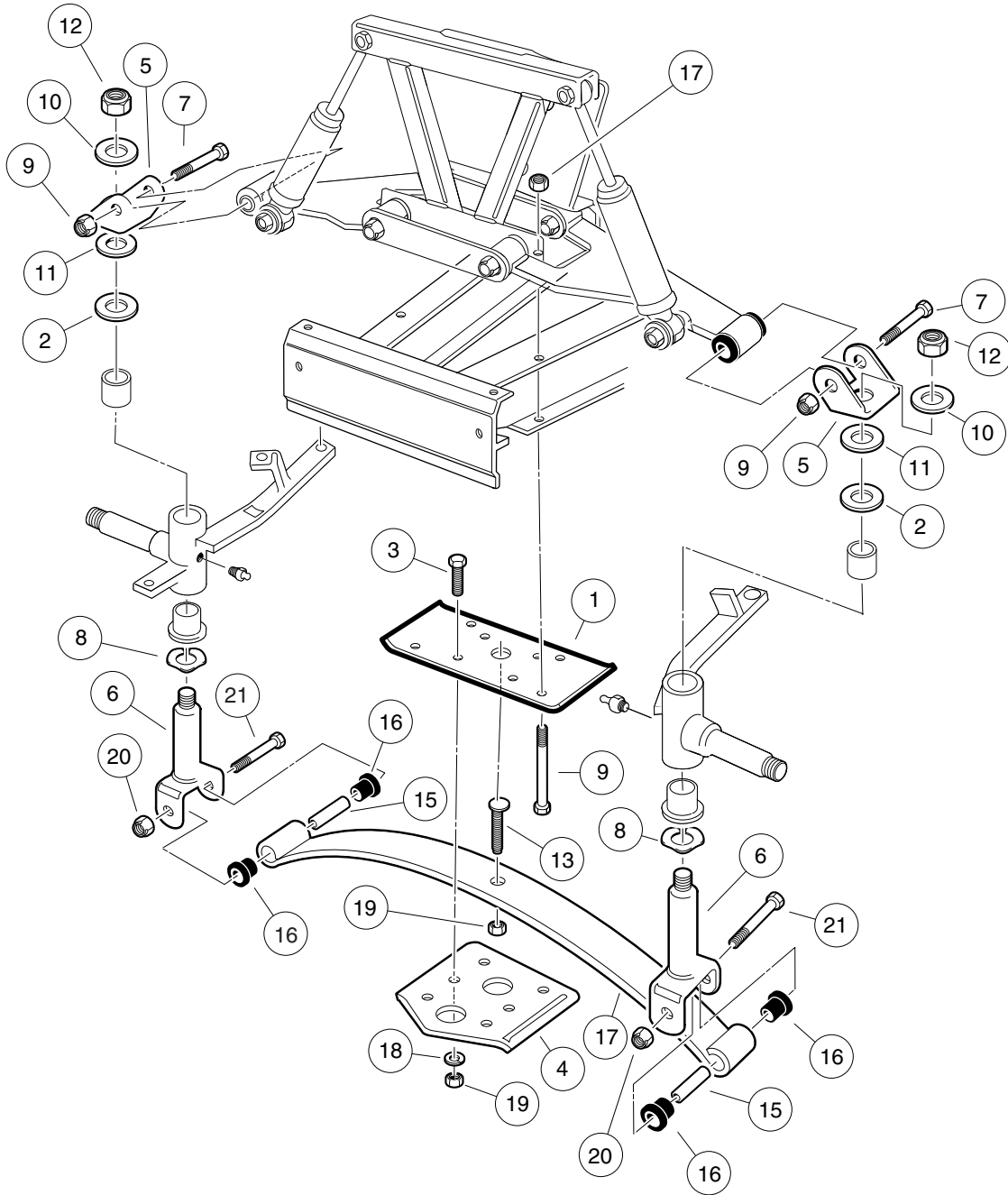
000312-002

FRONT SUSPENSION, UPPER – TURF/CARRYALL 1 AND TURF/ CARRYALL 2 WITH TWO-WHEEL BRAKES

ITEM	PART NO.	DESCRIPTION	QTY
		1 2 3 4	
1	N/A	Sub, Fr Susp. -1 Lf-2wb Golf (includes items 2 through 21)	1
2	<u>1010138</u>	Locknut, 3/8-16 Dimpled	2
3	<u>1016353</u>	Sub-Assembly, Delta A-Plate (includes items 4 through 7)	2
4	<u>1016346</u>	Bushing, Urethane	6
5	<u>1016349</u>	Sleeve, Delta Inner	2
6	<u>1016350</u>	Sleeve, Delta Outer	1
7	<u>1016351</u>	Delta A-Plate	1
8	<u>1016385</u>	Delta Shock and Gear Support Assembly	1
9	<u>1016387</u>	Screw, 3/8-16 X 2.75 Hx Hd Cap	2
10	<u>1017266</u>	A-Plate Strap	2
11	<u>102289201</u>	Nut - Hex Locking, M12 X 1.25	3
12	<u>103351001</u>	Shock Absorber, Front, Common	2
13	N/A	Asm, Tie Rod (includes items 14 through 18)	1
14	1013042	Nut, 12mm Hex	1
15	<u>102022601</u>	End, Tie Rod M12 X 1.25 Rh	1
16	<u>102022602</u>	End, Tie Rod, M12 X 1.25, Lh	1
17	<u>103354701</u>	Rod, Tie, Male Thd	1
18	<u>103653501</u>	Nut, Jam, M12-1.25, Lh	1
19	<u>2402</u>	Screw, 3/8-16 X 2.25 Hx Hd Cap	4
20	<u>8754</u>	Locknut, 3/8-16 Hex	13
21	<u>8861</u>	Bolt, 3/8-16 X 1.75 Hex	2

5
G
E

5
G
E



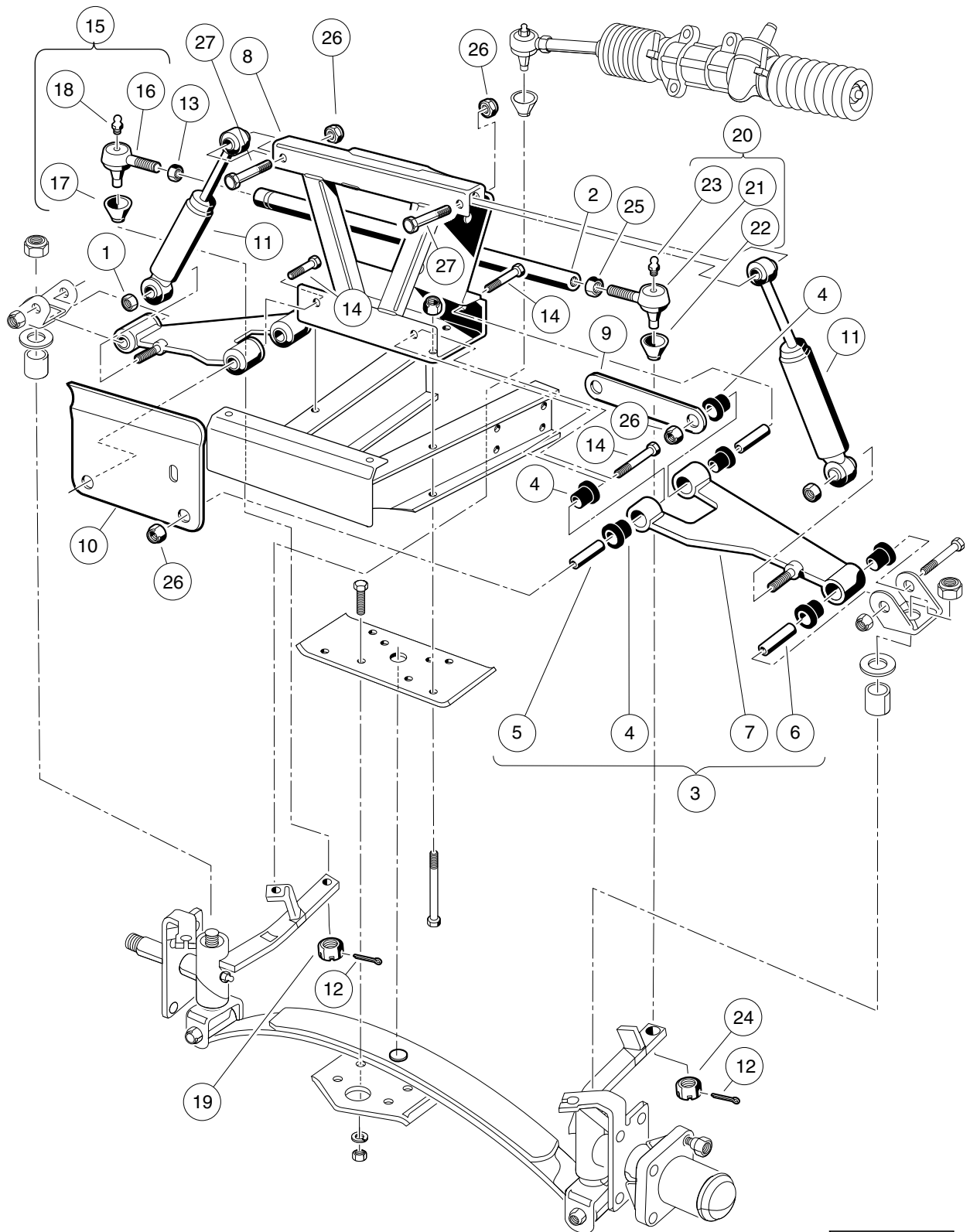
000311-001

FRONT SUSPENSION, LOWER – TURF/CARRYALL 1 AND TURF/ CARRYALL 2 WITH TWO-WHEEL BRAKES

ITEM	PART NO.	DESCRIPTION	QTY
		1 2 3 4	
1	<u>1010124</u>	Plate, Spring Mount	1
2	<u>1010150</u>	Bearing, Thrust	2
3	<u>1010177</u>	Bolt, 3/8-16 X 2.00 Hex Head	4
4	<u>1014276</u>	Plate, Front Spring Retainer	1
5	<u>1016384</u>	Clevis, Delta Upper	2
6	<u>1016386</u>	King Pin Assembly	2
7	<u>1016387</u>	Screw, 3/8-16 X 2.75 Hx Hd Cap	2
8	<u>1016389</u>	Washer, 1.125 Od Wave	2
9	<u>101870501</u>	Screw, 3/8-16 X 4.75 Hx Hd Cap	4
10	<u>102564002</u>	Washer-1/2 Conical, Yellow	2
11	<u>102684501</u>	Washer, M12 Hard Regular	2
12	<u>102766301</u>	Nut, 1/2-20, Center Lock	2
13	<u>103507001</u>	Eccentric Bolt Common	1
14	N/A	Spring Asm, Front, 1 Leaf (includes items 15 through 17)	1
15	<u>1012303</u>	Bushing, Steel	2
16	<u>1015583</u>	Bushing, Urethane	4
17	N/A	Spring, Front, 1 Leaf	1
18	<u>357</u>	Lockwasher, 3/8 Split	4
19	<u>706</u>	Nut, Hex 3/8-16	1
20	<u>8754</u>	Locknut, 3/8-16 Hex	4
21	<u>8755</u>	Screw, 3/8-16 X 3.375 Hex Cap	2

5
G
E

5
G
E



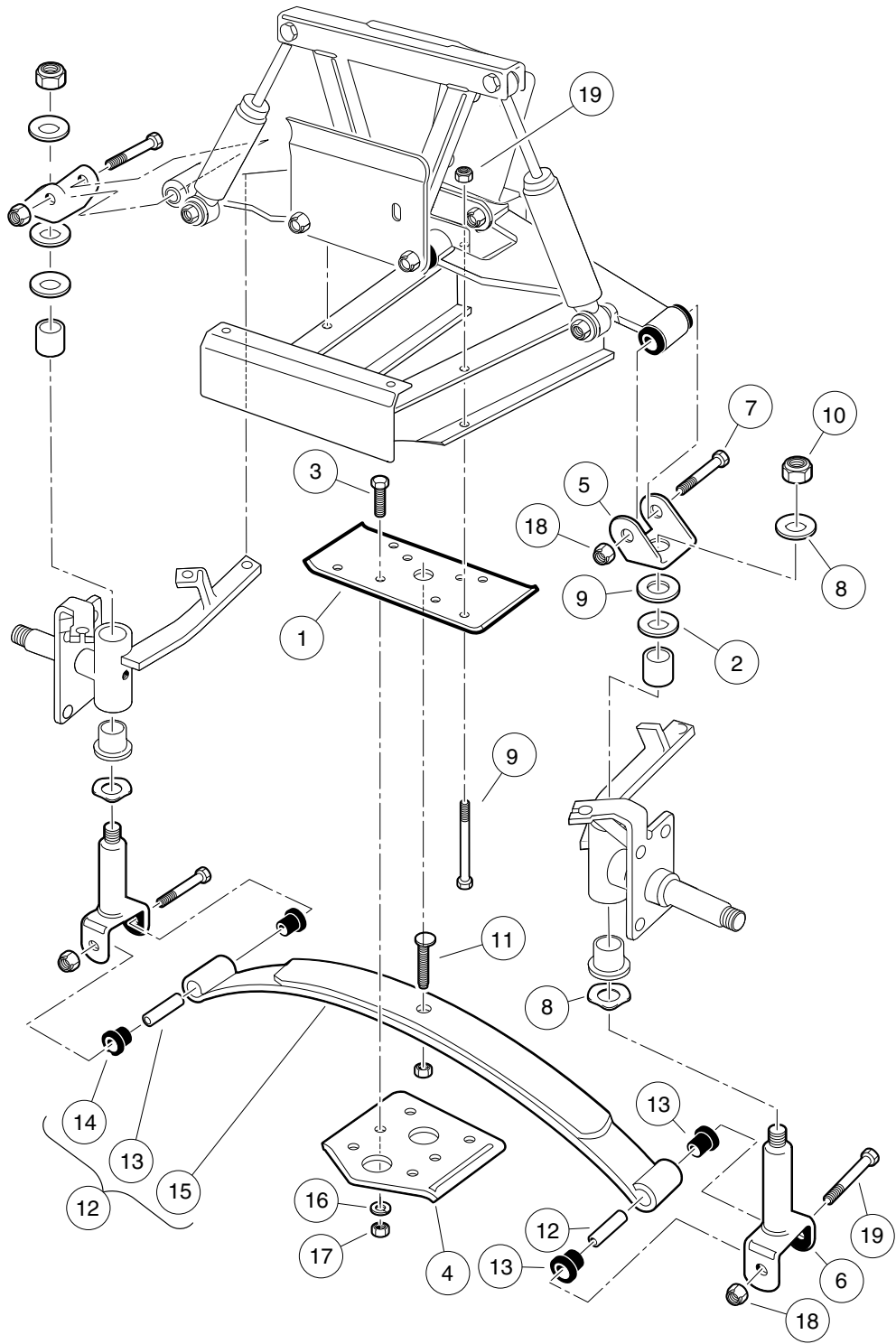
000314-001

FRONT SUSPENSION, UPPER – TURF/CARRYALL 252, TURF/ CARRYALL 2 XRT

ITEM	PART NO.	DESCRIPTION	QTY
		1 2 3 4	
1	<u>1010138</u>	Locknut, 3/8-16 Dimpled	2
2	<u>1010219</u>	Tie Rod	1
3	<u>1016353</u>	Sub-Assembly, Delta A-Plate (includes items 4 through 7)	2
4	<u>1016346</u>	Bushing, Urethane	6
5	<u>1016349</u>	Sleeve, Delta Inner	2
6	<u>1016350</u>	Sleeve, Delta Outer	1
7	<u>1016351</u>	Delta A-Plate	1
8	<u>1016385</u>	Delta Shock and Gear Support Assembly	1
9	<u>1017266</u>	A-Plate Strap	1
10	<u>101955001</u>	Brake Cable Guide Bracket	1
11	<u>103351001</u>	Shock Absorber, Front, Common	2
12	<u>1035</u>	Cotter Pin, 3/32 x 1	2
13	<u>1308</u>	Nut, 1/2-20 Hex	1
14	<u>2402</u>	Screw, 3/8-16 X 2.25 Hx Hd Cap	4
15	<u>7539</u>	Ball Joint, Right-Hand (includes items 16 through 19)	1
16	1011893	Socket, RH Vertical	1
17	<u>1011930</u>	Seal, Vertical Socket Dust	1
18	<u>1015597</u>	Fitting, 1/4-28 Thread-Forming Grease	1
19	7602	Nut, 3/8-24 UNF Hex	1
20	<u>7540</u>	Ball Joint, Left (includes items 21 through 24)	1
21	1011895	Socket, LH Vertical	1
22	<u>1011930</u>	Seal, Vertical Socket Dust	1
23	<u>1015597</u>	Fitting, 1/4-28 Thread-Forming Grease	1
24	7602	Nut, 3/8-24 UNF Hex	1
25	<u>7555</u>	Nut, 1/2-20 Hex, Left-Hand Thread	1
26	<u>8754</u>	Locknut, 3/8-16 Hex	6
27	<u>8861</u>	Bolt, 3/8-16 X 1.75 Hex	2

5
G
E

5
G
E



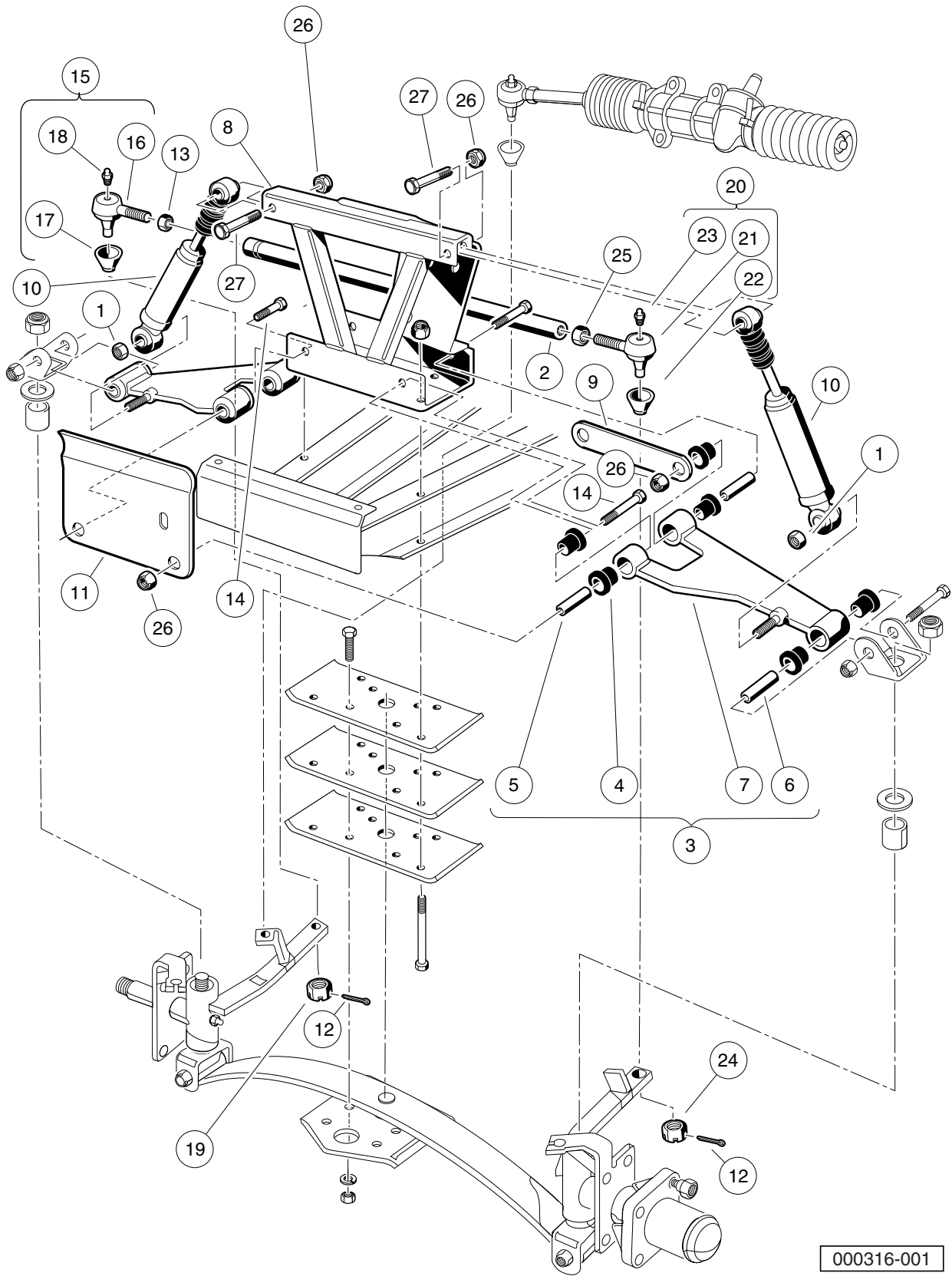
000313-001

FRONT SUSPENSION, LOWER – TURF/CARRYALL 252, TURF/ CARRYALL 2 XRT

ITEM	PART NO.	DESCRIPTION	QTY
		1 2 3 4	
1	<u>1010124</u>	Plate, Spring Mount	1
2	<u>1010150</u>	Bearing, Thrust	2
3	<u>1010177</u>	Bolt, 3/8-16 X 2.00 Hex Head	4
4	<u>1014276</u>	Plate, Front Spring Retainer	1
5	<u>1016384</u>	Clevis, Delta Upper	2
6	<u>1016386</u>	King Pin Assembly	2
7	<u>1016387</u>	Screw, 3/8-16 X 2.75 Hx Hd Cap	2
8	<u>1016389</u>	Washer, 1.125 Od Wave	2
9	<u>101870501</u>	Screw, 3/8-16 X 4.75 Hx Hd Cap	4
10	<u>102766301</u>	Nut, 1/2-20, Center Lock	2
11	<u>103507001</u>	Eccentric Bolt Common	1
12	<u>103628801</u>	Spring Asm, Front, 2 Leaf (includes items 13 through 15)	1
13	<u>1012303</u>	Bushing, Steel	2
14	<u>1015583</u>	Bushing, Urethane	4
15	<u>103502701</u>	Spring, Front, 2 Leaf	1
16	<u>357</u>	Lockwasher, 3/8 Split	4
17	<u>706</u>	Nut, Hex 3/8-16	4
18	<u>8754</u>	Locknut, 3/8-16 Hex	8
19	<u>8755</u>	Screw, 3/8-16 X 3.375 Hex Cap	2

5
G
E

5
G
E

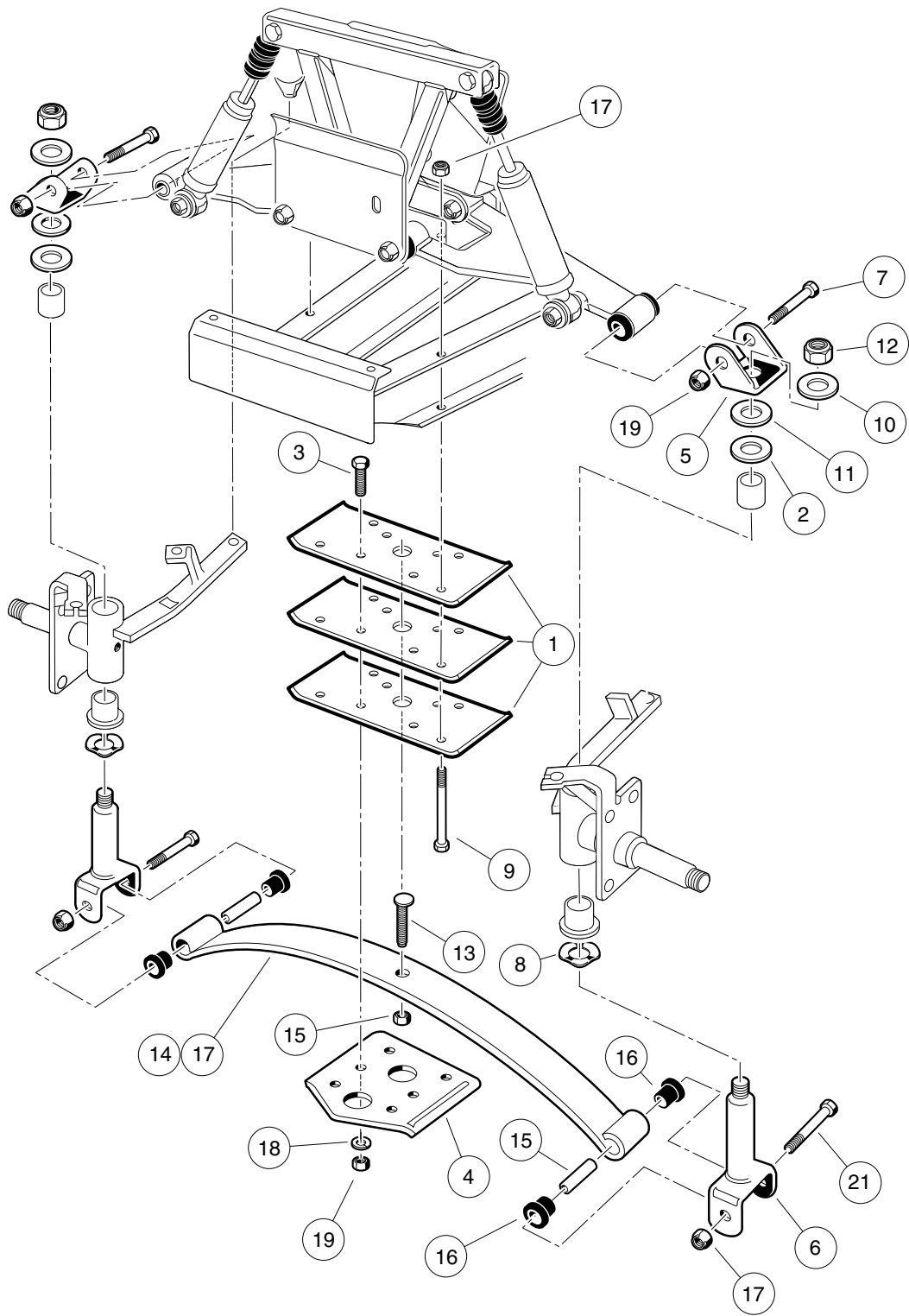


000316-001

FRONT SUSPENSION, UPPER – CARRYALL 2 PLUS AND TURF/ CARRYALL 2 WITH FOUR-WHEEL BRAKES

ITEM	PART NO.	DESCRIPTION	QTY	
		1 2 3 4		5
1	<u>1010138</u>	Locknut, 3/8-16 Dimpled	2	G
2	<u>1010219</u>	Tie Rod	1	E
3	<u>1016353</u>	Sub-Assembly, Delta A-Plate (includes items 4 through 7)	2	
4	<u>1016346</u>	Bushing, Urethane	6	
5	<u>1016349</u>	Sleeve, Delta Inner	2	
6	<u>1016350</u>	Sleeve, Delta Outer	1	
7	<u>1016351</u>	Delta A-Plate	1	
8	<u>1016385</u>	Delta Shock and Gear Support Assembly	1	
9	<u>1017266</u>	A-Plate Strap	1	
10	<u>101870601</u>	Shock Absorber, Front Utility	2	
11	<u>101955001</u>	Brake Cable Guide Bracket	1	
12	<u>1035</u>	Cotter Pin, 3/32 x 1	2	
13	<u>1308</u>	Nut, 1/2-20 Hex	1	
14	<u>2402</u>	Screw, 3/8-16 X 2.25 Hx Hd Cap	4	
15	<u>7539</u>	Ball Joint, Right-Hand (includes items 16 through 19)	1	
16	1011893	Socket, RH Vertical	1	
17	<u>1011930</u>	Seal, Vertical Socket Dust	1	
18	<u>1015597</u>	Fitting, 1/4-28 Thread-Forming Grease	1	
19	7602	Nut, 3/8-24 UNF Hex	1	
20	<u>7540</u>	Ball Joint, Left (includes items 21 through 24)	1	
21	1011895	Socket, LH Vertical	1	
22	<u>1011930</u>	Seal, Vertical Socket Dust	1	
23	<u>1015597</u>	Fitting, 1/4-28 Thread-Forming Grease	1	
24	7602	Nut, 3/8-24 UNF Hex	1	
25	<u>7555</u>	Nut, 1/2-20 Hex, Left-Hand Thread	1	
26	<u>8754</u>	Locknut, 3/8-16 Hex	6	
27	<u>8861</u>	Bolt, 3/8-16 X 1.75 Hex	2	

5
G
E



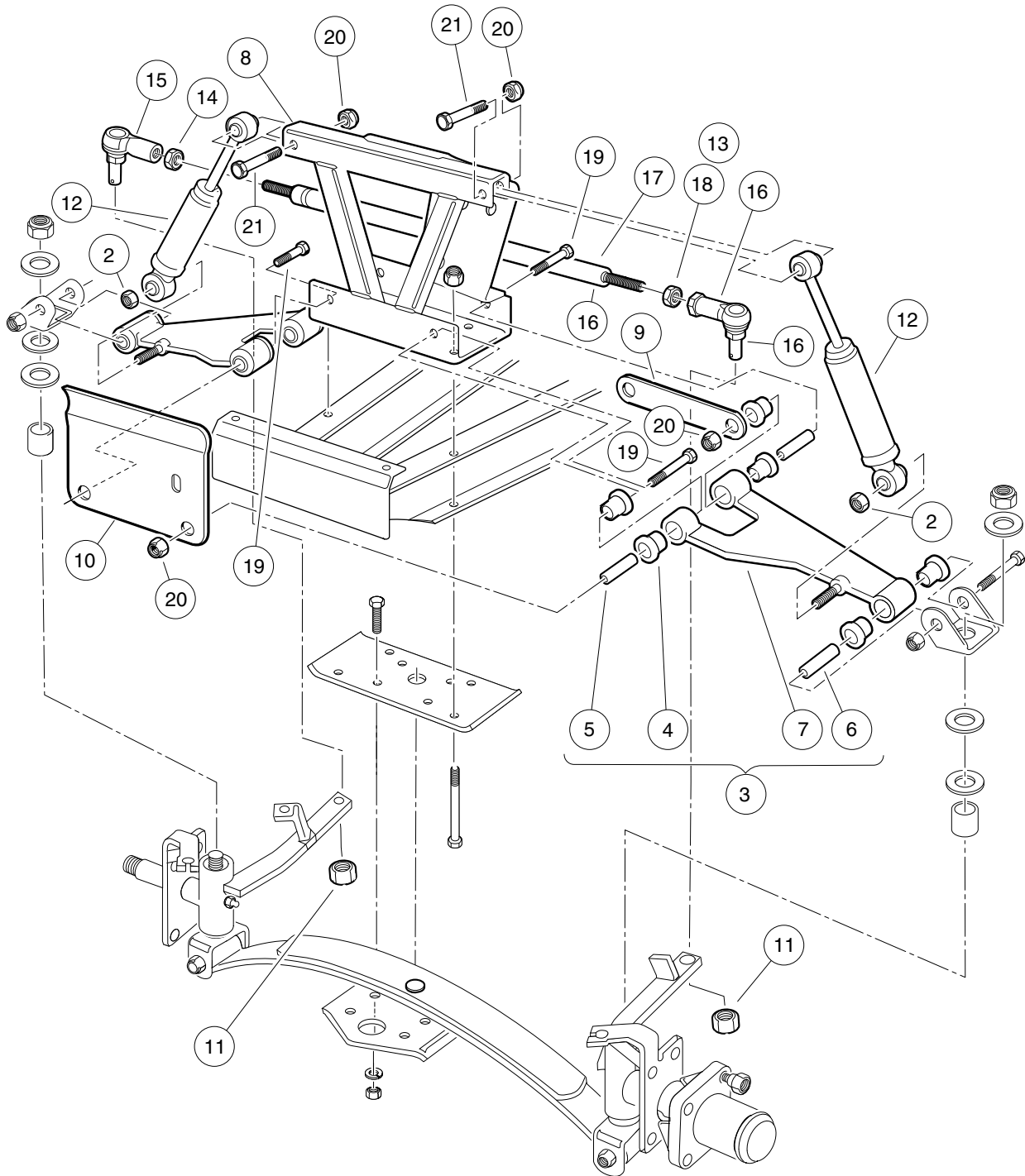
000315-001

FRONT SUSPENSION, LOWER – CARRYALL 2 PLUS AND TURF/ CARRYALL 2 WITH FOUR-WHEEL BRAKES

ITEM	PART NO.	DESCRIPTION	QTY
		1 2 3 4	
1	<u>1010124</u>	Plate, Spring Mount	3
2	<u>1010150</u>	Bearing, Thrust	2
3	<u>1010177</u>	Bolt, 3/8-16 X 2.00 Hex Head	4
4	<u>1014276</u>	Plate, Front Spring Retainer	1
5	<u>1016384</u>	Clevis, Delta Upper	2
6	<u>1016386</u>	King Pin Assembly	2
7	<u>1016387</u>	Screw, 3/8-16 X 2.75 Hx Hd Cap	2
8	<u>1016389</u>	Washer, 1.125 Od Wave	2
9	<u>101870501</u>	Screw, 3/8-16 X 4.75 Hx Hd Cap	4
10	<u>102564002</u>	Washer-1/2 Conical, Yellow	2
11	<u>102684501</u>	Washer, M12 Hard Regular	2
12	<u>102766301</u>	Nut, 1/2-20, Center Lock	2
13	<u>103507001</u>	Eccentric Bolt Common	1
14	N/A	Spring Asm, Front, 1 Leaf (includes items 15 through 17)	1
15	<u>1012303</u>	Bushing, Steel	2
16	<u>1015583</u>	Bushing, Urethane	4
17	N/A	Spring, Front, 1 Leaf	1
18	<u>357</u>	Lockwasher, 3/8 Split	4
19	<u>706</u>	Nut, Hex 3/8-16	5
20	<u>8754</u>	Locknut, 3/8-16 Hex	8
21	<u>8755</u>	Screw, 3/8-16 X 3.375 Hex Cap	2

5
G
E

5
G
E



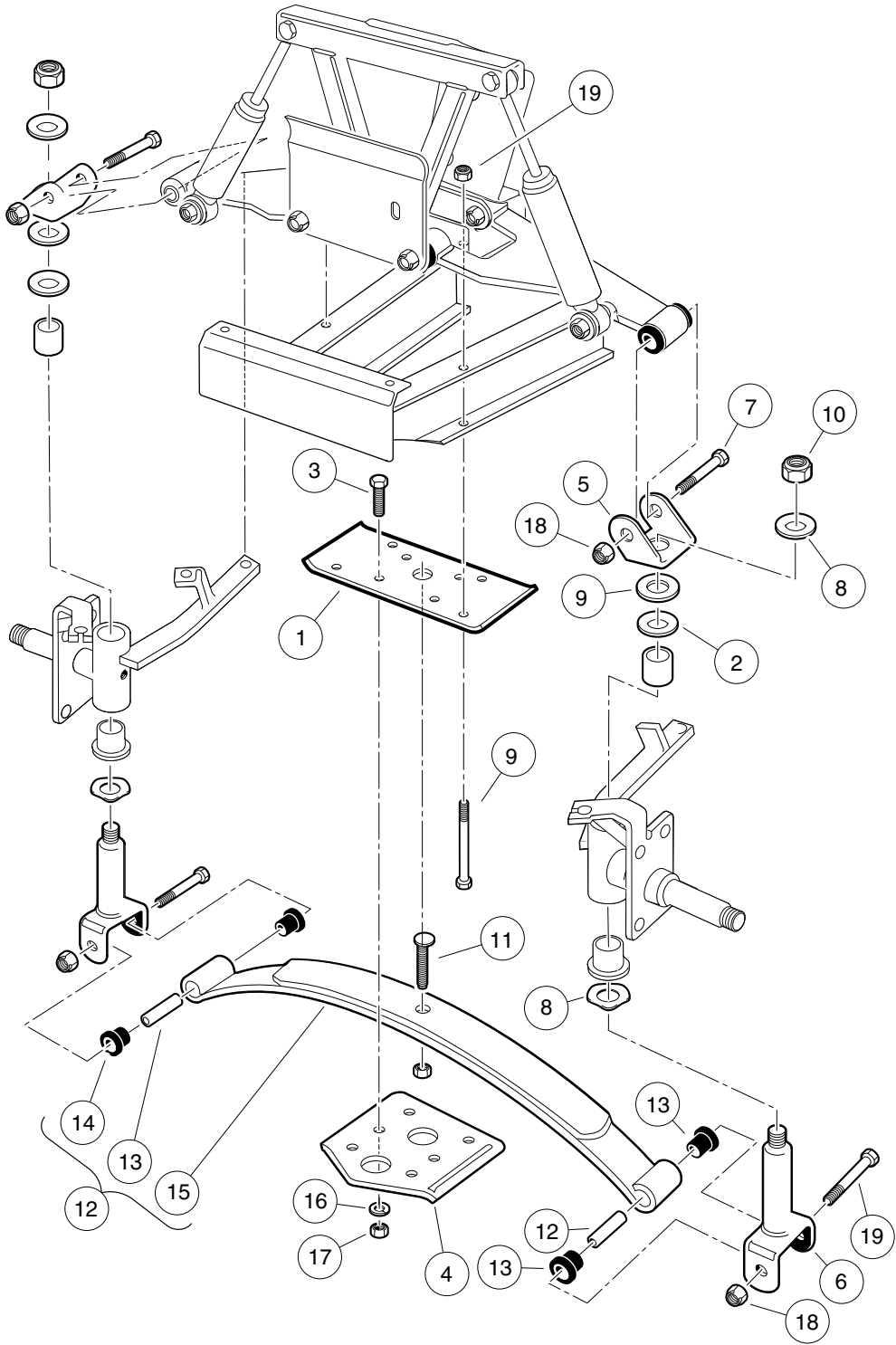
000314-004

FRONT SUSPENSION, UPPER – TURF/ CARRYALL 6 VEHICLES

ITEM	PART NO.	DESCRIPTION	QTY
		1 2 3 4	
1	N/A	Sub-Assembly, Front Suspension (includes items 2 through 20)	1
2	<u>1010138</u>	Locknut, 3/8-16 Dimpled	2
3	<u>1016353</u>	Sub-Assembly, Delta A-Plate (includes items 4 through 7)	2
4	<u>1016346</u>	Bushing, Urethane	6
5	<u>1016349</u>	Sleeve, Delta Inner	2
6	<u>1016350</u>	Sleeve, Delta Outer	1
7	<u>1016351</u>	Delta A-Plate	1
8	<u>1016385</u>	Delta Shock and Gear Support Assembly	1
9	<u>1017266</u>	A-Plate Strap	1
10	<u>101955001</u>	Brake Cable Guide Bracket	1
11	<u>102289201</u>	Nut - Hex Locking, M12 X 1.25	3
12	<u>103351001</u>	Shock Absorber, Front, Common	2
13	N/A	Asm, Tie Rod (includes items 14 through 18)	1
14	1013042	Nut, 12mm Hex	1
15	<u>102022601</u>	End, Tie Rod M12 X 1.25 Rh	1
16	<u>102022602</u>	End, Tie Rod, M12 X 1.25, Lh	1
17	<u>103354701</u>	Rod, Tie, Male Thd	1
18	<u>103653501</u>	Nut, Jam, M12-1.25, Lh	1
19	<u>2402</u>	Screw, 3/8-16 X 2.25 Hx Hd Cap	4
20	<u>8754</u>	Locknut, 3/8-16 Hex	13

5
G
E

5
G
E



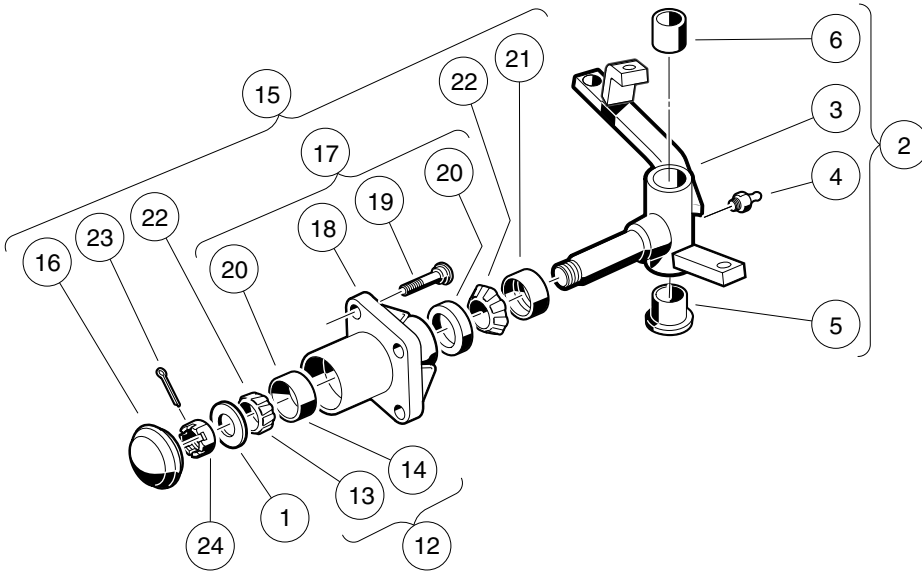
000313-001

FRONT SUSPENSION, LOWER – TURF/ CARRYALL 6 VEHICLES

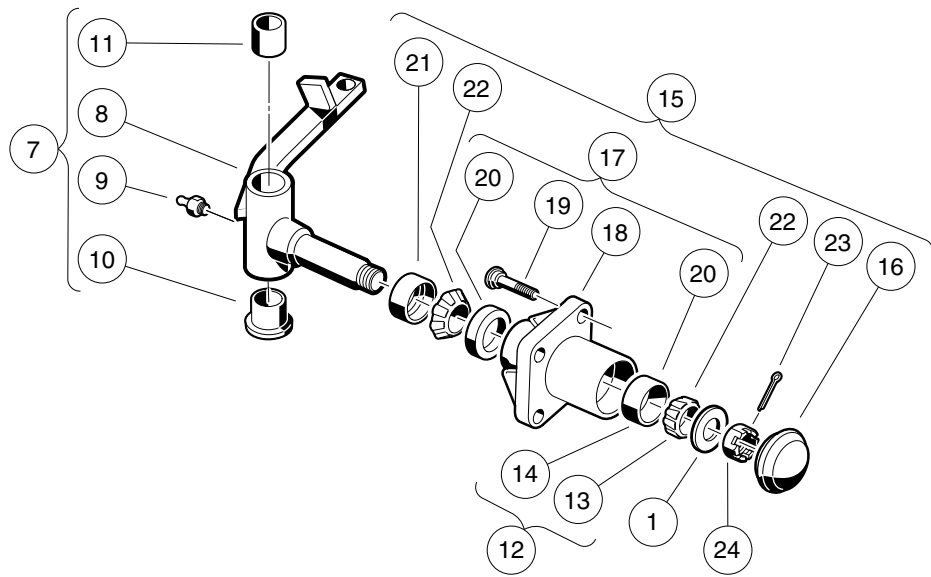
ITEM	PART NO.	DESCRIPTION	QTY
		1 2 3 4	
1	<u>1010124</u>	Plate, Spring Mount	1
2	<u>1010150</u>	Bearing, Thrust	2
3	<u>1014276</u>	Plate, Front Spring Retainer	1
4	<u>1016384</u>	Clevis, Delta Upper	2
5	<u>1016386</u>	King Pin Assembly	2
6	<u>1016387</u>	Screw, 3/8-16 X 2.75 Hx Hd Cap	2
7	<u>1016389</u>	Washer, 1.125 Od Wave	2
8	<u>102564002</u>	Washer-1/2 Conical, Yellow	2
9	<u>102684501</u>	Washer, M12 Hard Regular	2
10	<u>102766301</u>	Nut, 1/2-20, Center Lock	2
11	<u>103628801</u>	Spring Asm, Front, 2 Leaf (includes items 12 through 14)	1
12	<u>1012303</u>	Bushing, Steel	2
13	<u>1015583</u>	Bushing, Urethane	4
14	<u>103502701</u>	Spring, Front, 2 Leaf	1
15	<u>2402</u>	Screw, 3/8-16 X 2.25 Hx Hd Cap	4
16	<u>357</u>	Lockwasher, 3/8 Split	4
17	<u>706</u>	Nut, Hex 3/8-16	4
18	<u>7270</u>	Bolt, 3/8-16 X 4.50 Hex Head	4
19	<u>8754</u>	Locknut, 3/8-16 Hex	8
20	<u>8755</u>	Screw, 3/8-16 X 3.375 Hex Cap	2

5
G
E

PASSENGER SIDE



DRIVER SIDE



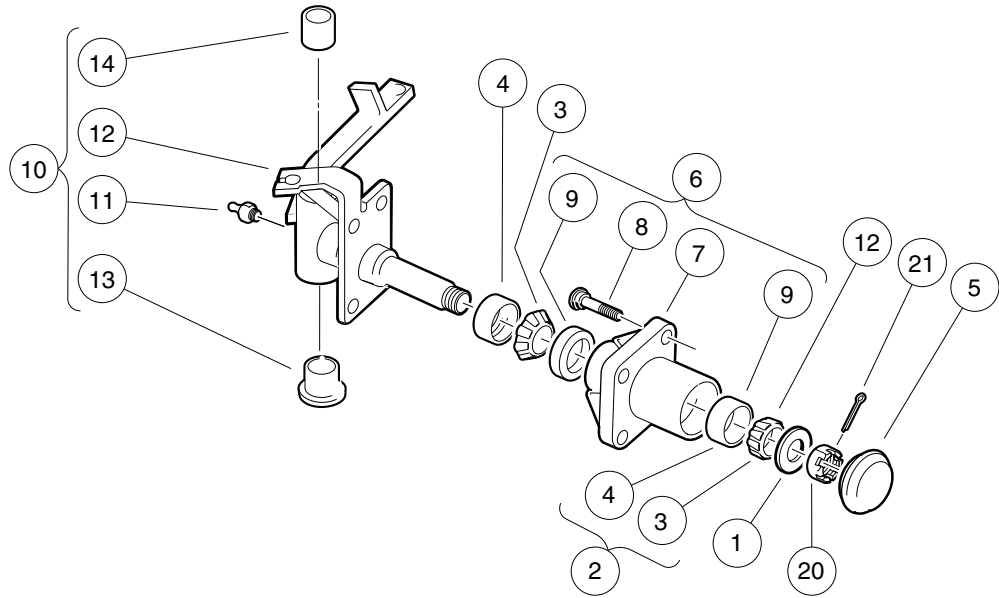
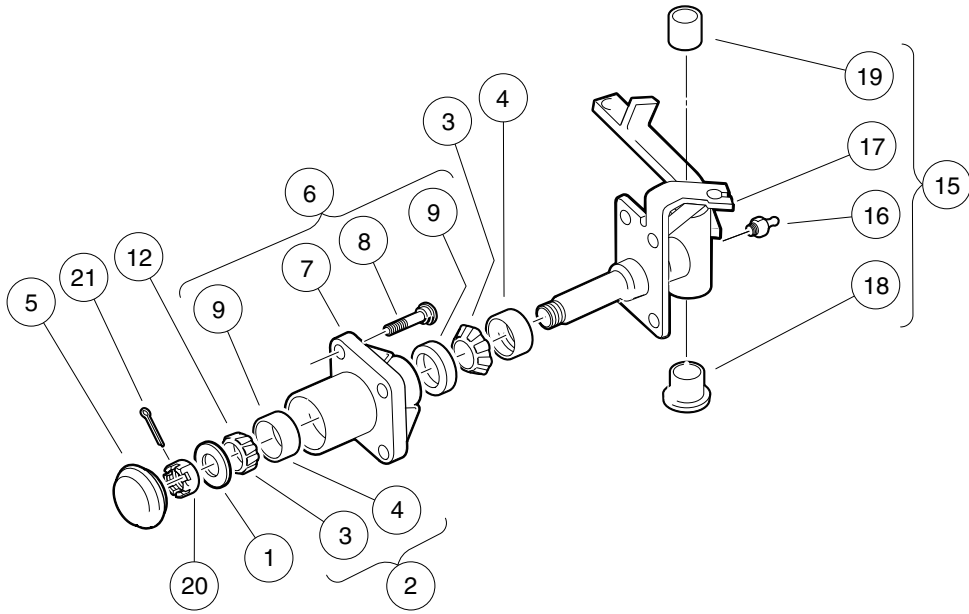
000310-001

FRONT SPINDLES AND HUBS – VEHICLES WITH TWO-WHEEL BRAKES

ITEM	PART NO.	DESCRIPTION	QTY
		1 2 3 4	
1	<u>1010005</u>	Washer, 3/4 Flat	2
2	<u>1010347</u>	Spindle Assembly, Right	1
3	<u>1010348</u>	Spindle Assembly, Left (includes items 4 through 7)	1
4	1010342	Spindle Sub-Assembly, Left-Hand	1
5	<u>1015597</u>	Fitting, 1/4-28 Thread-Forming Grease	1
6	<u>7048</u>	Bushing, Flanged Bronze	1
7	<u>8067</u>	Bushing, Bronze Spindle	1
8	<u>1011393</u>	Hub Bearing Package (includes items 9 and 10)	4
9	7274	Bearing, Front Hub Wheel	1
10	7308	Race, Front Hub Bearing	1
11	<u>1011892</u>	Hub Assembly (includes items 12 through 19)	2
12	<u>1011887</u>	Dust Cover	1
13	1011889	Hub (includes items 14 through 16)	1
14	1011153	Front Hub	1
15	<u>103477901</u>	Lug Stud, 1/2-20 Unf, 4037	4
16	7308	Race, Front Hub Bearing	2
17	<u>1013135</u>	Seal, Double Lip	1
18	7274	Bearing, Front Hub Wheel	2
19	<u>7910</u>	Pin, 5/32 X 1.00 Cotter	1
20	<u>7840</u>	Nut, 3/4-16 Hex Slotted	2

5
G
E

5
G
E

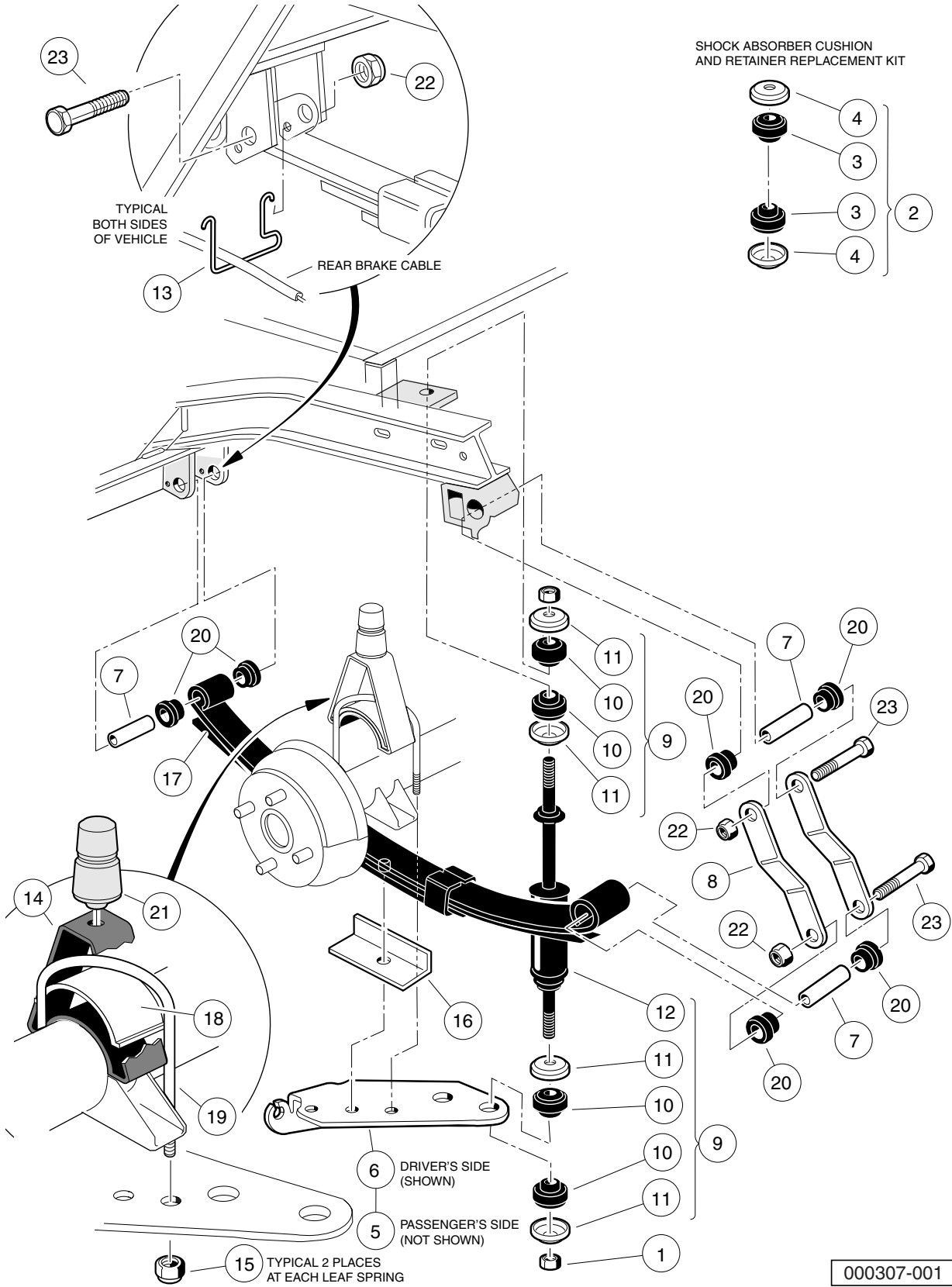


000310-002

FRONT SPINDLES AND HUBS – VEHICLES WITH FOUR-WHEEL BRAKES

ITEM	PART NO.	DESCRIPTION	QTY
		1 2 3 4	
1	<u>1010005</u>	Washer, 3/4 Flat	2
2	<u>1011393</u>	Hub Bearing Package (includes items 3 and 4)	4
3	7274	Bearing, Front Hub Wheel	1
4	7308	Race, Front Hub Bearing	1
5	<u>1011887</u>	Dust Cover	2
6	<u>1011889</u>	Hub (includes items 7 through 9)	2
7	1011153	Front Hub	1
8	<u>103477901</u>	Lug Stud, 1/2-20 Unf, 4037	4
9	7308	Race, Front Hub Bearing	2
10	<u>103717302</u>	Asm, Spindle, Lh, 4wb, Sp (includes items 11 through 14)	1
11	<u>1015597</u>	Fitting, 1/4-28 Thread-Forming Grease	1
12	N/A	Subasm, Spindle, Lh, 4wb	1
13	<u>7048</u>	Bushing, Flanged Bronze	1
14	<u>8067</u>	Bushing, Bronze Spindle	1
15	<u>103717402</u>	Asm, Spindle, Rh, 4wb, Sp (includes items 16 through 19)	1
16	<u>1015597</u>	Fitting, 1/4-28 Thread-Forming Grease	1
17	N/A	Subasm, Spindle, Rh, 4wb	1
18	<u>7048</u>	Bushing, Flanged Bronze	1
19	<u>8067</u>	Bushing, Bronze Spindle	1
20	<u>7840</u>	Nut, 3/4-16 Hex Slotted	2
21	<u>7910</u>	Pin, 5/32 X 1.00 Cotter	2

5
G
E

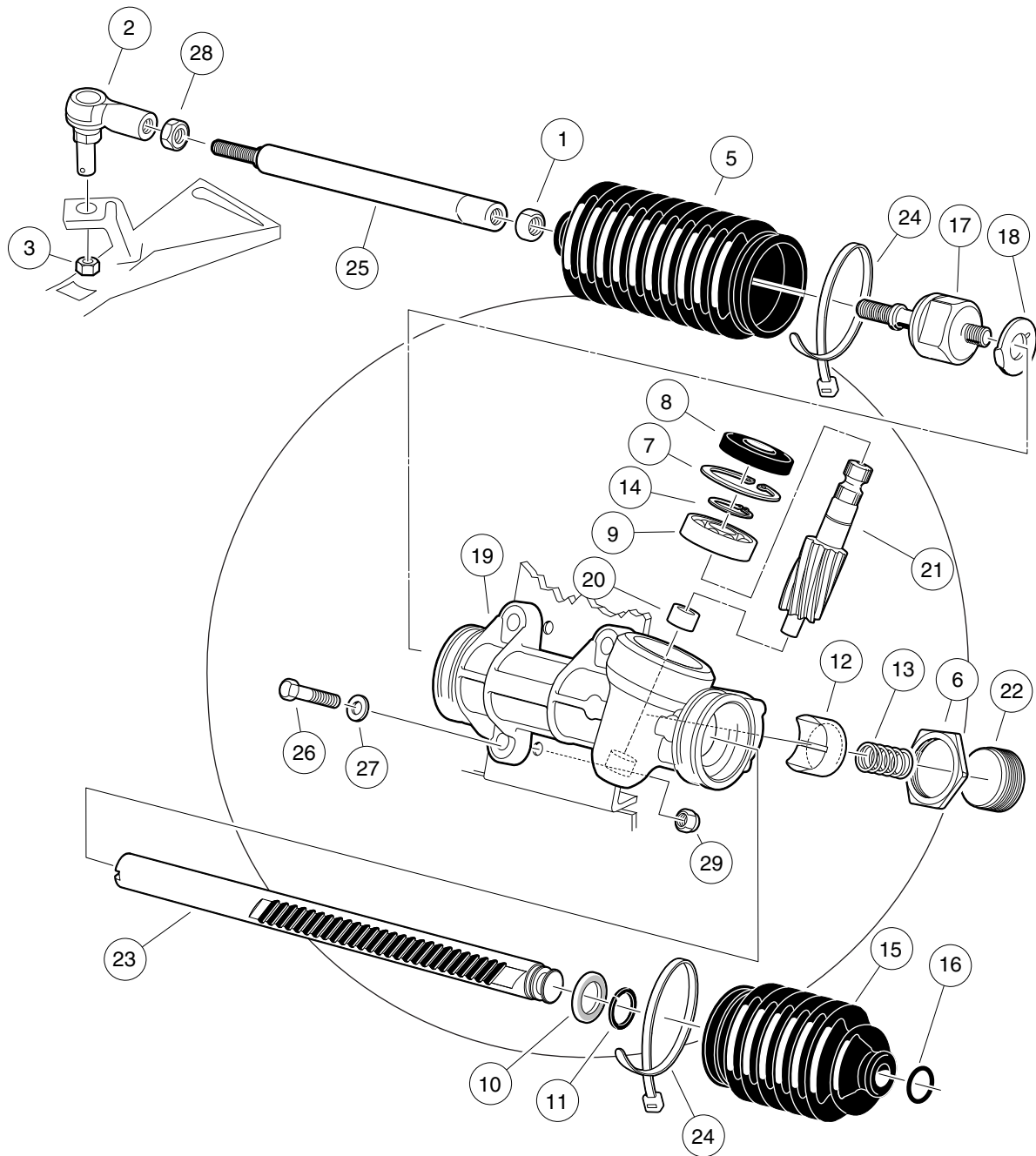


REAR SUSPENSION COMPONENTS – TURF/ CARRYALL 1 ELECTRIC VEHICLES

ITEM	PART NO.	DESCRIPTION	QTY
		1 2 3 4	
1	<u>1010145</u>	Nut, 3/8-24 Hex	4
2	<u>1011415</u>	Kit, Shock Absorber Cushion (includes items 3 and 4)	4
3	<u>1010142</u>	Cushion, Shock Absorber	2
4	<u>1010144</u>	Retainer, Shock Absorber Cushion	2
5	1012181	Bracket, Shock Mounting, Right (Passenger)	1
6	1012182	Bracket, Shock Mounting, Left (Driver)	1
7	<u>1012303</u>	Bushing, Steel	6
8	<u>1012304</u>	Shackle, Rear Spring	4
9	<u>1013164</u>	Shock Absorber Kit (includes items 10 through 12)	1
10	<u>1010142</u>	Cushion, Shock Absorber	8
11	<u>1010144</u>	Retainer, Shock Absorber Cushion	8
12	<u>102588501</u>	Shock Absorber Rear Prv Spd	2
13	<u>1013207</u>	Hanger, Brake Cable	2
14	<u>101454902</u>	Bumper Mount, Angled	2
15	<u>1014555</u>	Locknut, 7/16-14 Nylon Hex	4
16	1014573	Spring Retainer	2
17	<u>1014675</u>	Rear Leaf Spring	2
18	<u>1014901</u>	Spacer, Overload Bumper	2
19	<u>1014902</u>	U-Bolt	2
20	<u>1015583</u>	Bushing, Urethane	12
21	<u>1017235</u>	Bumper, Jounce	2
22	<u>8754</u>	Locknut, 3/8-16 Hex	6
23	<u>8755</u>	Screw, 3/8-16 X 3.375 Hex Cap	6
<p>Note: Only the driver-side rear suspension is shown. Parts for the passenger-side rear suspension are identical except for the leaf spring/shock mounting plate.</p>			

5
G
E

5
G
E



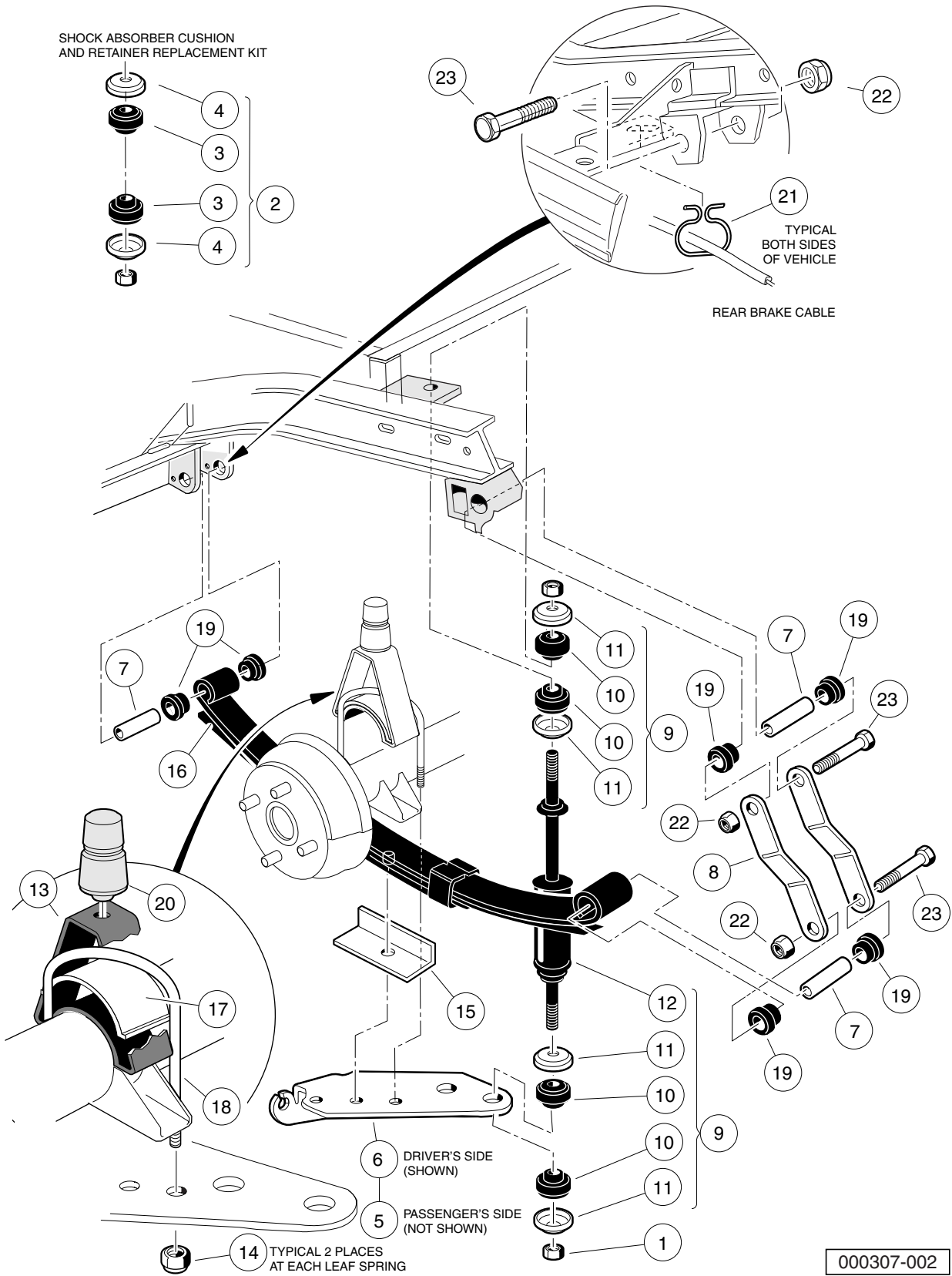
000960-001

STEERING GEAR ASSEMBLY

ITEM	PART NO.	DESCRIPTION	QTY
		1 2 3 4	
1	1013042	Nut, 12mm Hex	1
2	<u>102022602</u>	End, Tie Rod, M12 X 1.25, Lh	1
3	<u>102289201</u>	Nut - Hex Locking, M12 X 1.25	3
4	<u>103601501</u>	Asm, Steering Rack And Pinion (includes items 5 through 24)	1
5	<u>1013035</u>	Bellows, Long	1
6	<u>1013044</u>	Rack Screw Locknut	1
7	1013051	Snap Ring	1
8	<u>1013052</u>	Seal, Steering Pinion Dust	1
9	<u>101879401</u>	Bearing, Ball	1
10	<u>101879501</u>	Stop Washer	1
11	101879601	Stop Ring, C-Type	1
12	<u>101879701</u>	Support Yoke	1
13	<u>101879801</u>	Rack Guide Pressure Spring	1
14	<u>101879901</u>	Ring, Stop, C-Type	1
15	<u>101880001</u>	Bellows, Short	1
16	101880101	Dust Seal Retaining Ring	1
17	<u>101880201</u>	Inner Ball Joint Asm	1
18	101880301	Washer, Tab	1
19	N/A	Box, Steering Gear	1
20	N/A	Bearing, Lower Pinion	1
21	N/A	Pinion, Steering	1
22	N/A	Screw, Rack Guide	1
23	N/A	Rack, Steering	1
24	<u>8990</u>	Tie Wrap, 8" Nylon	2
25	<u>103653401</u>	Link, Drag, Male Thd	1
26	<u>1624</u>	Screw, 3/8-16 X 1.50 Hex-Head Cap	3
27	<u>334</u>	Washer, 3/8 Type A Flat	3
28	<u>7555</u>	Nut, 1/2-20 Hex, Left-Hand Thread	1
29	<u>8754</u>	Locknut, 3/8-16 Hex	3

5
G
E

5
G
E

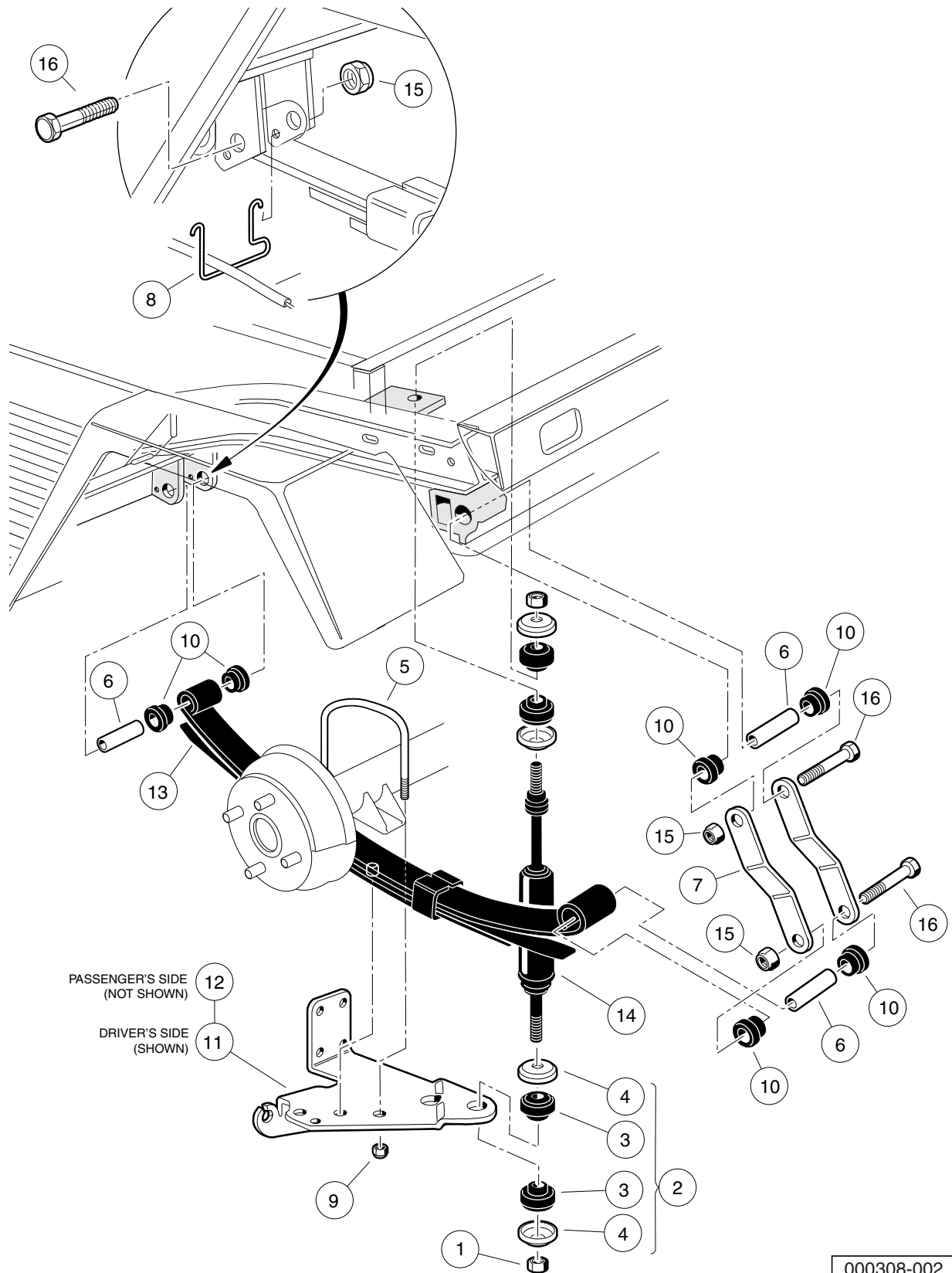


REAR SUSPENSION COMPONENTS – TURF/ CARRYALL 1 GASOLINE VEHICLES

ITEM	PART NO.	DESCRIPTION	QTY
		1 2 3 4	
1	<u>1010145</u>	Nut, 3/8-24 Hex	4
2	<u>1011415</u>	Kit, Shock Absorber Cushion (includes items 3 and 4)	4
3	<u>1010142</u>	Cushion, Shock Absorber	2
4	<u>1010144</u>	Retainer, Shock Absorber Cushion	2
5	1012181	Bracket, Shock Mounting, Right (Passenger)	1
6	1012182	Bracket, Shock Mounting, Left (Driver)	1
7	<u>1012303</u>	Bushing, Steel	6
8	<u>1012304</u>	Shackle, Rear Spring	4
9	<u>1013164</u>	Shock Absorber Kit (includes items 10 through 12)	1
10	<u>1010142</u>	Cushion, Shock Absorber	8
11	<u>1010144</u>	Retainer, Shock Absorber Cushion	8
12	<u>102588501</u>	Shock Absorber Rear Prv Spd	2
13	101454602	Bumper Mount	2
14	<u>1014555</u>	Locknut, 7/16-14 Nylon Hex	4
15	1014573	Spring Retainer	2
16	<u>1014675</u>	Rear Leaf Spring	2
17	<u>1014901</u>	Spacer, Overload Bumper	2
18	<u>1014902</u>	U-Bolt	2
19	<u>1015583</u>	Bushing, Urethane	12
20	<u>1017235</u>	Bumper, Jounce	2
21	101900801	Hanger, Brake Cable	2
22	<u>8754</u>	Locknut, 3/8-16 Hex	6
23	<u>8755</u>	Screw, 3/8-16 X 3.375 Hex Cap	6
<p>Note: Only the driver-side rear suspension is shown. Parts for the passenger-side rear suspension are identical except for the leaf spring/shock mounting plate.</p>			

5
G
E

5
G
E



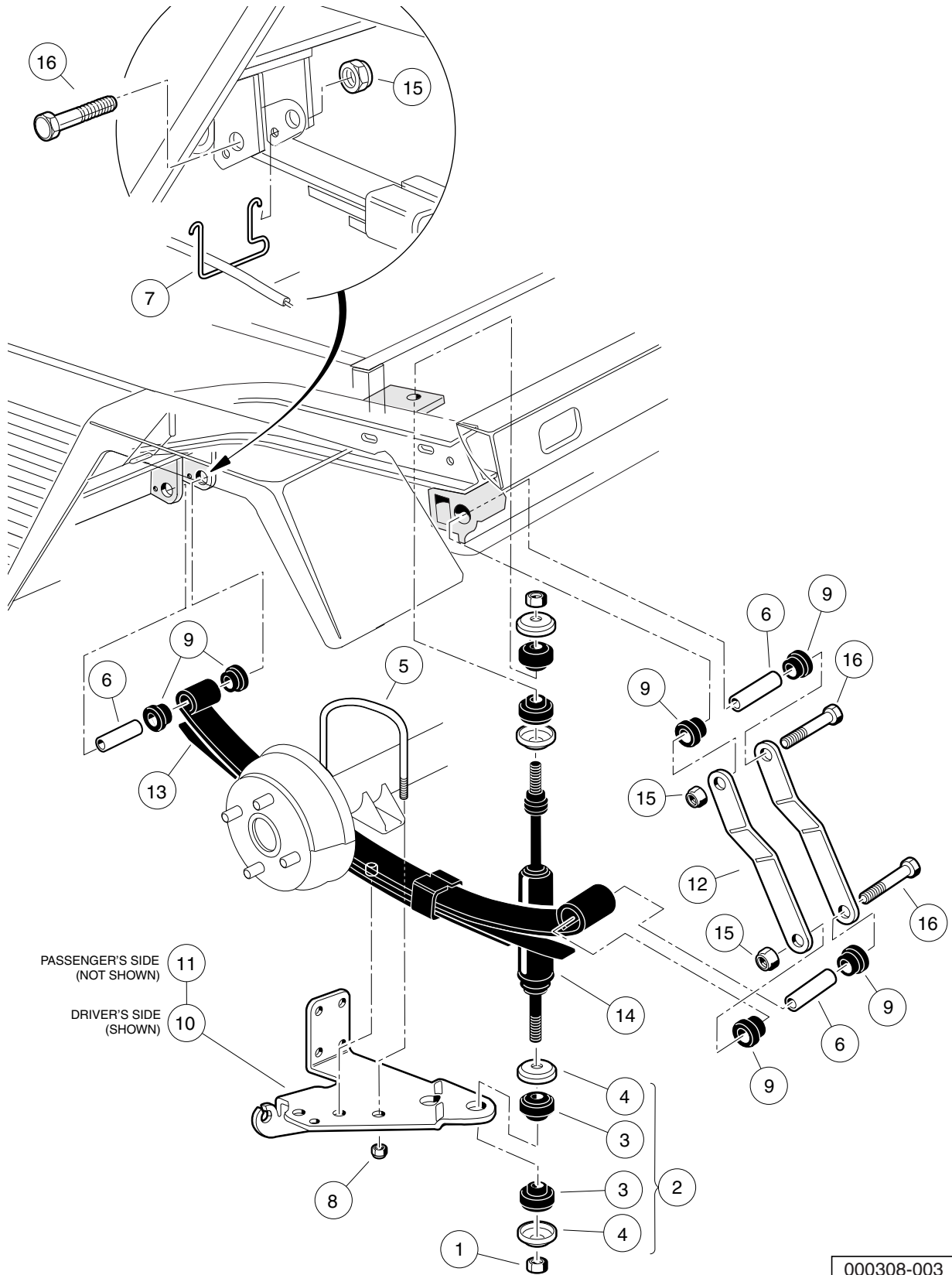
000308-002

REAR SUSPENSION – TURF/CARRYALL 2, CARRYALL 2 PLUS, AND 6 GASOLINE WITH STABILIZER BAR

ITEM	PART NO.	DESCRIPTION	QTY
		1 2 3 4	
1	<u>1010145</u>	Nut, 3/8-24 Hex	4
2	<u>1011415</u>	Kit, Shock Absorber Cushion (includes items 3 and 4)	4
3	<u>1010142</u>	Cushion, Shock Absorber	2
4	<u>1010144</u>	Retainer, Shock Absorber Cushion	2
5	<u>1012180</u>	U-Bolt	2
6	<u>1012303</u>	Bushing, Steel	6
7	<u>1012304</u>	Shackle, Rear Spring	4
8	<u>1013207</u>	Hanger, Brake Cable	2
9	<u>1014555</u>	Locknut, 7/16-14 Nylon Hex	4
10	<u>1015583</u>	Bushing, Urethane	12
11	<u>101926501</u>	Bracket, Left-Hand	1
12	<u>101929401</u>	Bracket, Right	1
13	<u>102871801</u>	Spring, Multi Leaf	2
14	<u>103350901</u>	Shock Absorber, Rear, Utility	2
15	<u>8754</u>	Locknut, 3/8-16 Hex	6
16	<u>8755</u>	Screw, 3/8-16 X 3.375 Hex Cap	6
<p>Note: Only the driver-side rear suspension is shown. Parts for the passenger-side rear suspension are identical except for the leaf spring/shock mounting plate.</p>			

5
G
E

5
G
E



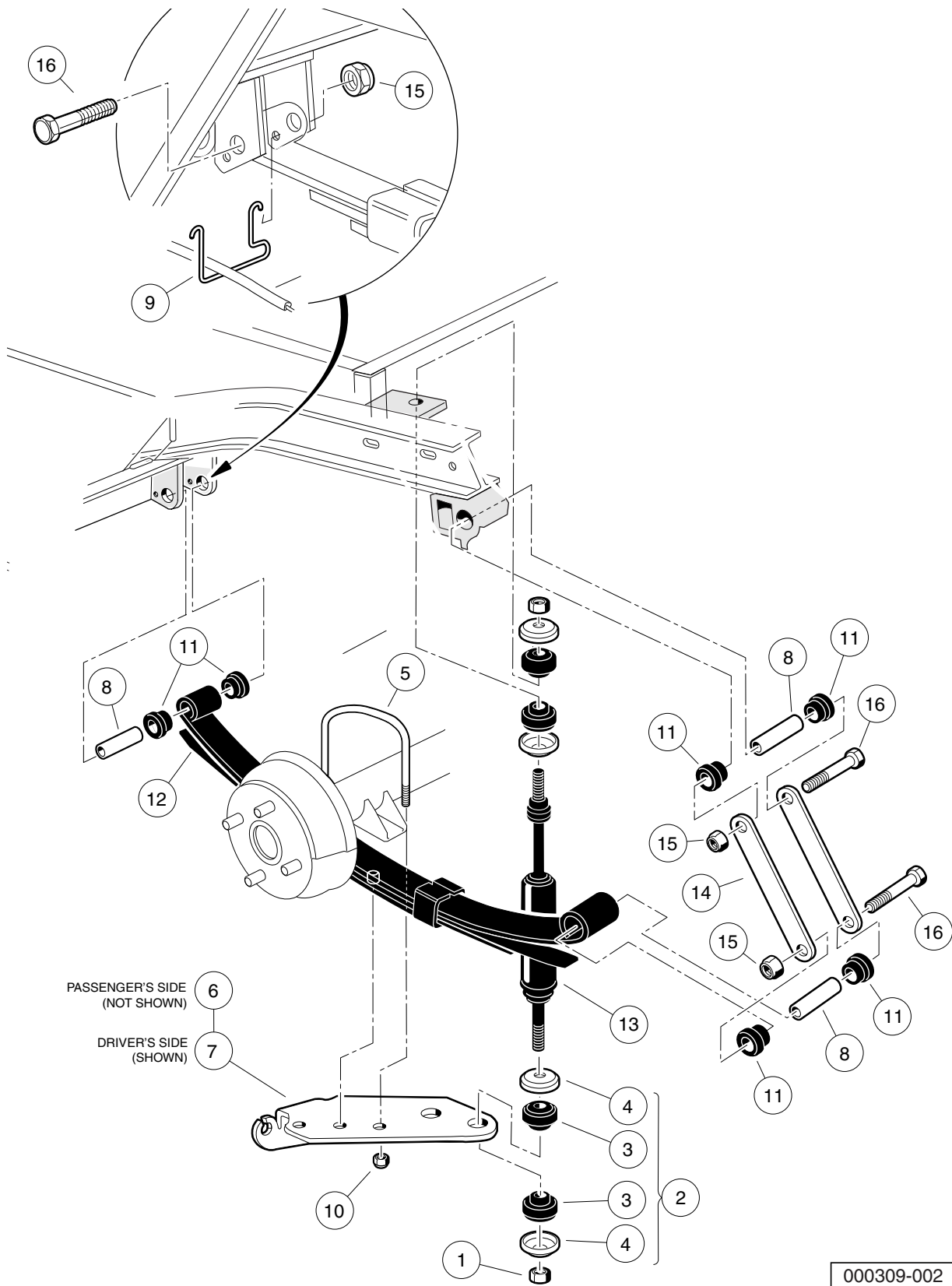
000308-003

REAR SUSPENSION COMPONENTS – TURF/ CARRYALL 252 AND 2 XRT

ITEM	PART NO.	DESCRIPTION	QTY
		1 2 3 4	
1	<u>1010145</u>	Nut, 3/8-24 Hex	4
2	<u>1011415</u>	Kit, Shock Absorber Cushion (includes items 3 and 4)	4
3	<u>1010142</u>	Cushion, Shock Absorber	2
4	<u>1010144</u>	Retainer, Shock Absorber Cushion	2
5	<u>1012180</u>	U-Bolt	2
6	<u>1012303</u>	Bushing, Steel	6
7	<u>1013207</u>	Hanger, Brake Cable	2
8	<u>1014555</u>	Locknut, 7/16-14 Nylon Hex	4
9	<u>1015583</u>	Bushing, Urethane	12
10	<u>101926501</u>	Bracket, Left-Hand	1
11	<u>101929401</u>	Bracket, Right	1
12	<u>102004201</u>	Rear Spring Shackle	4
13	<u>102871801</u>	Spring, Multi Leaf	2
14	<u>103351101</u>	Shock, Absorber, Utility	2
15	<u>8754</u>	Locknut, 3/8-16 Hex	6
16	<u>8755</u>	Screw, 3/8-16 X 3.375 Hex Cap	6
<p>Note: Only the driver-side rear suspension is shown. Parts for the passenger-side rear suspension are identical except for the leaf spring/shock mounting plate.</p>			

5
G
E

5
G
E



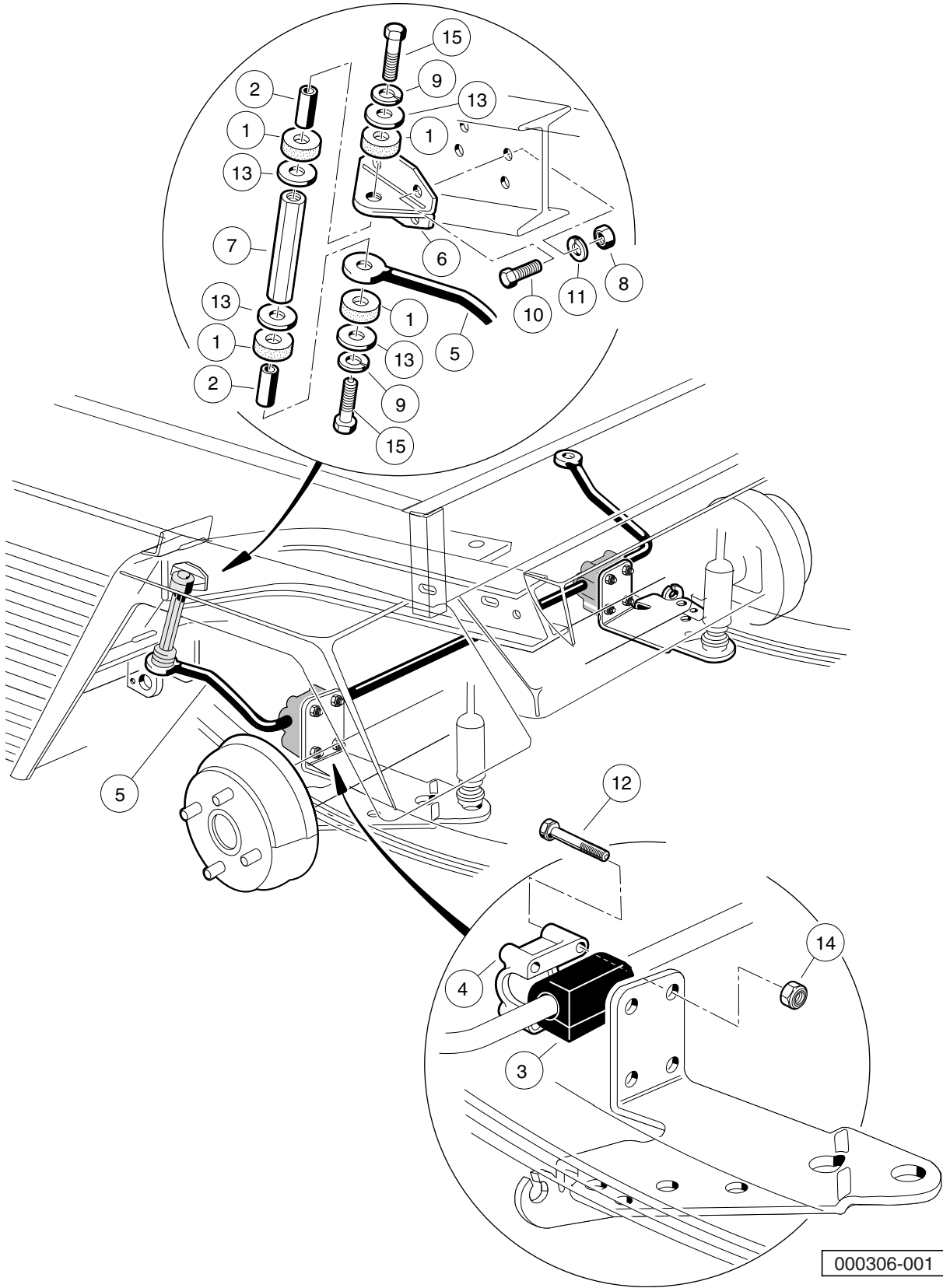
000309-002

REAR SUSPENSION COMPONENTS – TURF/ CARRYALL 2 AND 6 POWERDRIVE VEHICLES

ITEM	PART NO.	DESCRIPTION	QTY
		1 2 3 4	
1	<u>1010145</u>	Nut, 3/8-24 Hex	4
2	<u>1011415</u>	Kit, Shock Absorber Cushion (includes items 3 and 4)	4
3	<u>1010142</u>	Cushion, Shock Absorber	2
4	<u>1010144</u>	Retainer, Shock Absorber Cushion	2
5	<u>1012180</u>	U-Bolt	2
6	1012181	Bracket, Shock Mounting, Right (Passenger)	1
7	1012182	Bracket, Shock Mounting, Left (Driver)	1
8	<u>1012303</u>	Bushing, Steel	6
9	<u>1013207</u>	Hanger, Brake Cable	2
10	<u>1014555</u>	Locknut, 7/16-14 Nylon Hex	4
11	<u>1015583</u>	Bushing, Urethane	12
12	<u>102871801</u>	Spring, Multi Leaf	2
13	<u>103350901</u>	Shock Absorber, Rear, Utility	2
14	<u>7569</u>	Shackle, Rear Spring	4
15	<u>8754</u>	Locknut, 3/8-16 Hex	6
16	<u>8755</u>	Screw, 3/8-16 X 3.375 Hex Cap	6
<p>Note: Only the driver-side rear suspension is shown. Parts for the passenger-side rear suspension are identical except for the leaf spring/shock mounting plate.</p>			

5
G
E

5
G
E



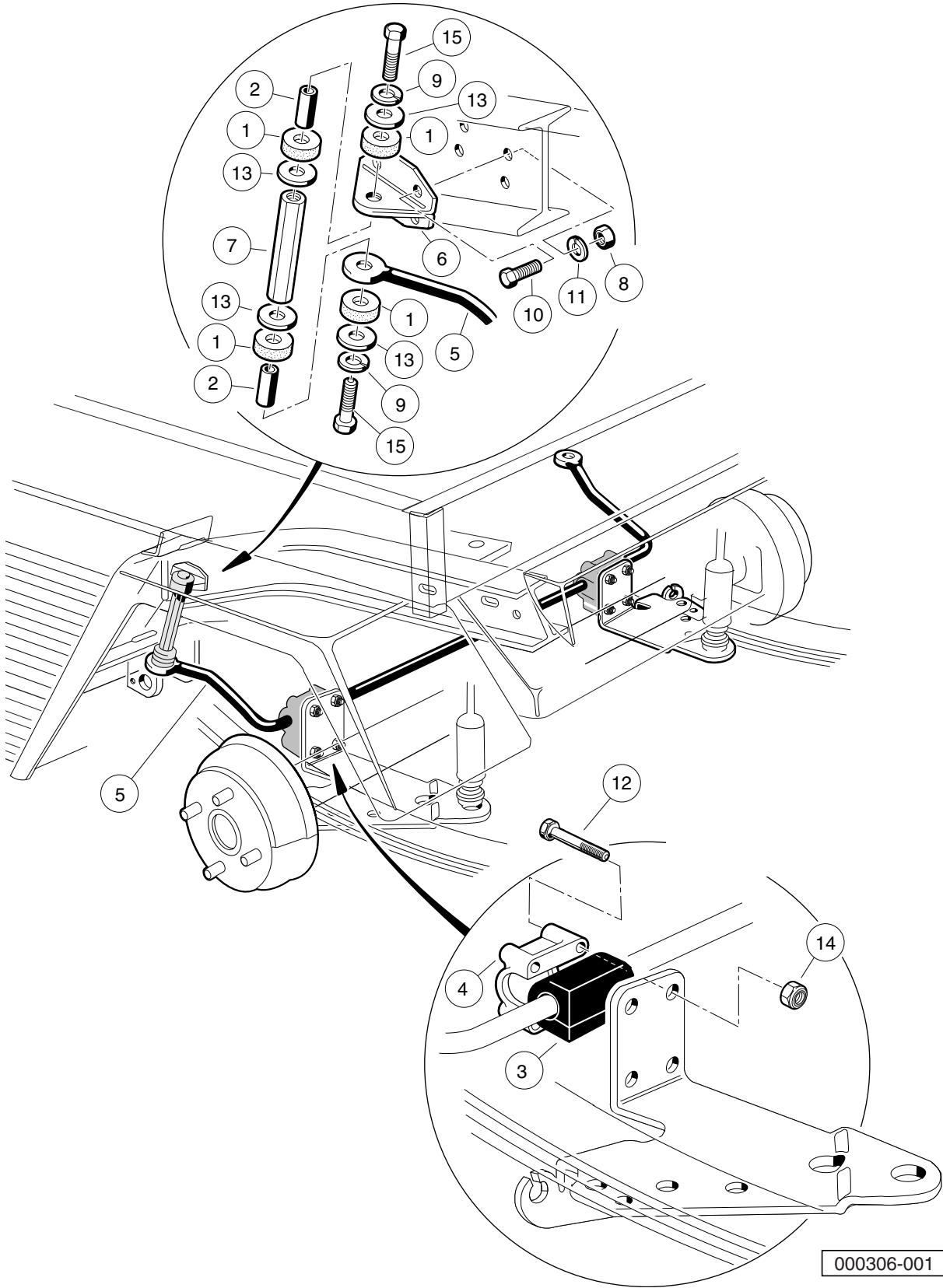
000306-001

STABILIZER BAR – TURF/CARRYALL 2, 6, AND CARRYALL 2 PLUS GASOLINE VEHICLES

ITEM	PART NO.	DESCRIPTION	QTY
		1 2 3 4	
1	<u>1015453</u>	Compression Mount	8
2	<u>1015457</u>	Spacer, 0.720"	4
3	<u>1015613</u>	Bushing, Stabilizer Bar	2
4	<u>1015614</u>	Support, Bushing	2
5	<u>1015760</u>	Stabilizer Bar	1
6	<u>1016813</u>	Mounting Bracket, Stabilizer Bar	2
7	<u>1016814</u>	Link, Stabilizer Bar	2
8	<u>1242</u>	Nut, 5/16-18 Hex	8
9	<u>357</u>	Lockwasher, 3/8 Split	4
10	<u>7173</u>	Screw, 5/16-18 X 0.75 Hex-Head Cap	8
11	<u>7174</u>	Lockwasher, 5/16 Split	8
12	<u>7311</u>	Screw, 1/4-20 X 2.00 Hex-Head Cap	8
13	<u>808</u>	Washer, 3/8 Type B Flat	8
14	<u>8233</u>	Locknut, 1/4-20 Nylon Insert	8
15	<u>8861</u>	Bolt, 3/8-16 X 1.75 Hex	4
<p>Note: Only the driver side of the stabilizer bar is shown. Parts for the passenger side of the stabilizer bar are identical.</p>			

5
G
E

5
G
E



000306-001

STABILIZER BAR – TURF/CARRYALL 252 AND 2 XRT

ITEM	PART NO.	DESCRIPTION	QTY	
		1 2 3 4		5
1	<u>1015453</u>	Compression Mount	8	G
2	<u>1015457</u>	Spacer, 0.720"	4	E
3	<u>1015613</u>	Bushing, Stabilizer Bar	2	
4	<u>1015614</u>	Support, Bushing	2	
5	<u>1015760</u>	Stabilizer Bar	1	
6	<u>1016813</u>	Mounting Bracket, Stabilizer Bar	2	
7	<u>102004901</u>	Link, Stabilizer Bar	2	
8	<u>1242</u>	Nut, 5/16-18 Hex	8	
9	<u>357</u>	Lockwasher, 3/8 Split	4	
10	<u>7173</u>	Screw, 5/16-18 X 0.75 Hex-Head Cap	8	
11	<u>7174</u>	Lockwasher, 5/16 Split	8	
12	<u>7311</u>	Screw, 1/4-20 X 2.00 Hex-Head Cap	8	
13	<u>808</u>	Washer, 3/8 Type B Flat	8	
14	<u>8233</u>	Locknut, 1/4-20 Nylon Insert	8	
15	<u>8861</u>	Bolt, 3/8-16 X 1.75 Hex	4	
<p>Note: Only the driver side of the stabilizer bar is shown. Parts for the passenger side of the stabilizer bar are identical.</p>				

5

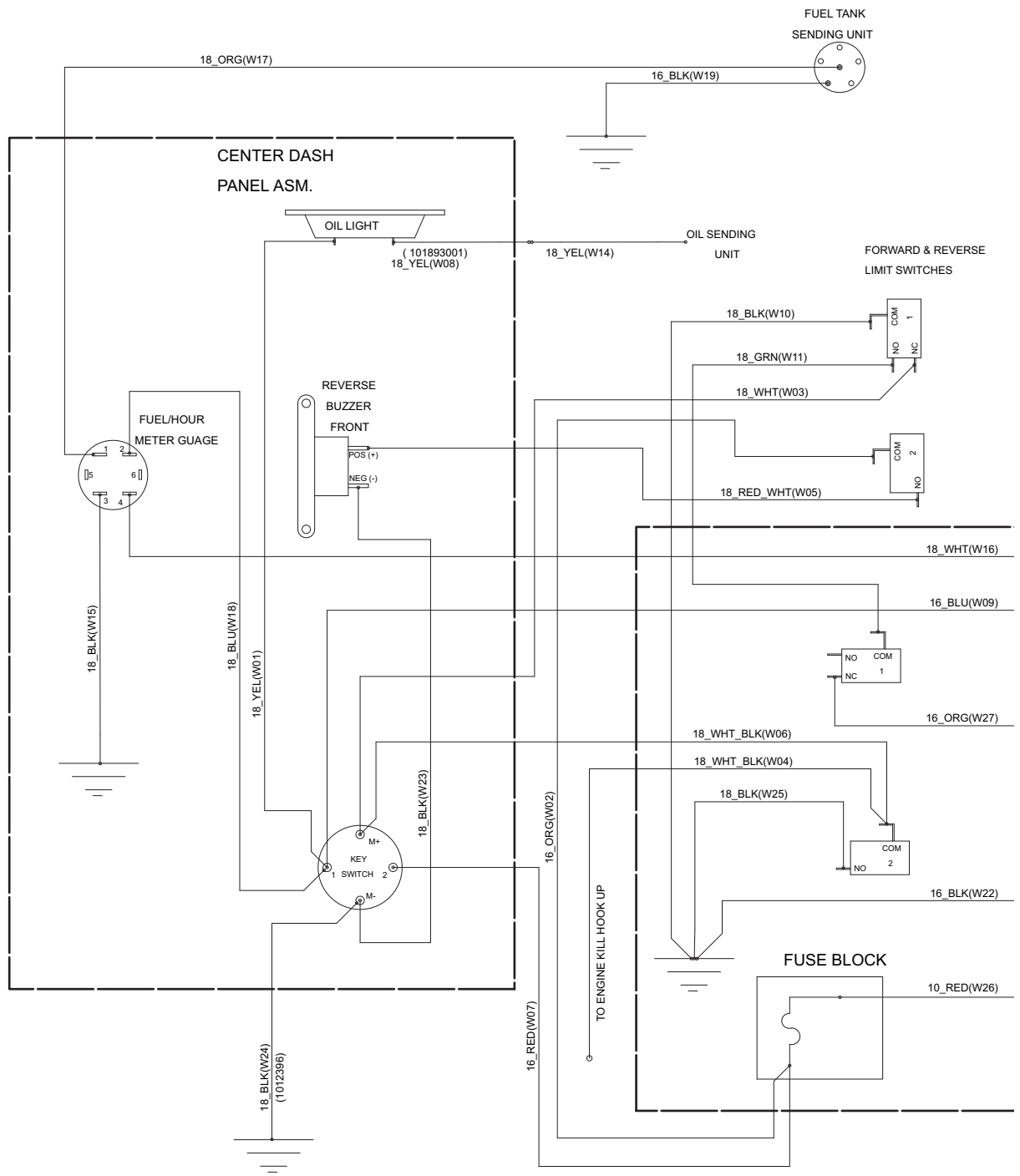
G

E

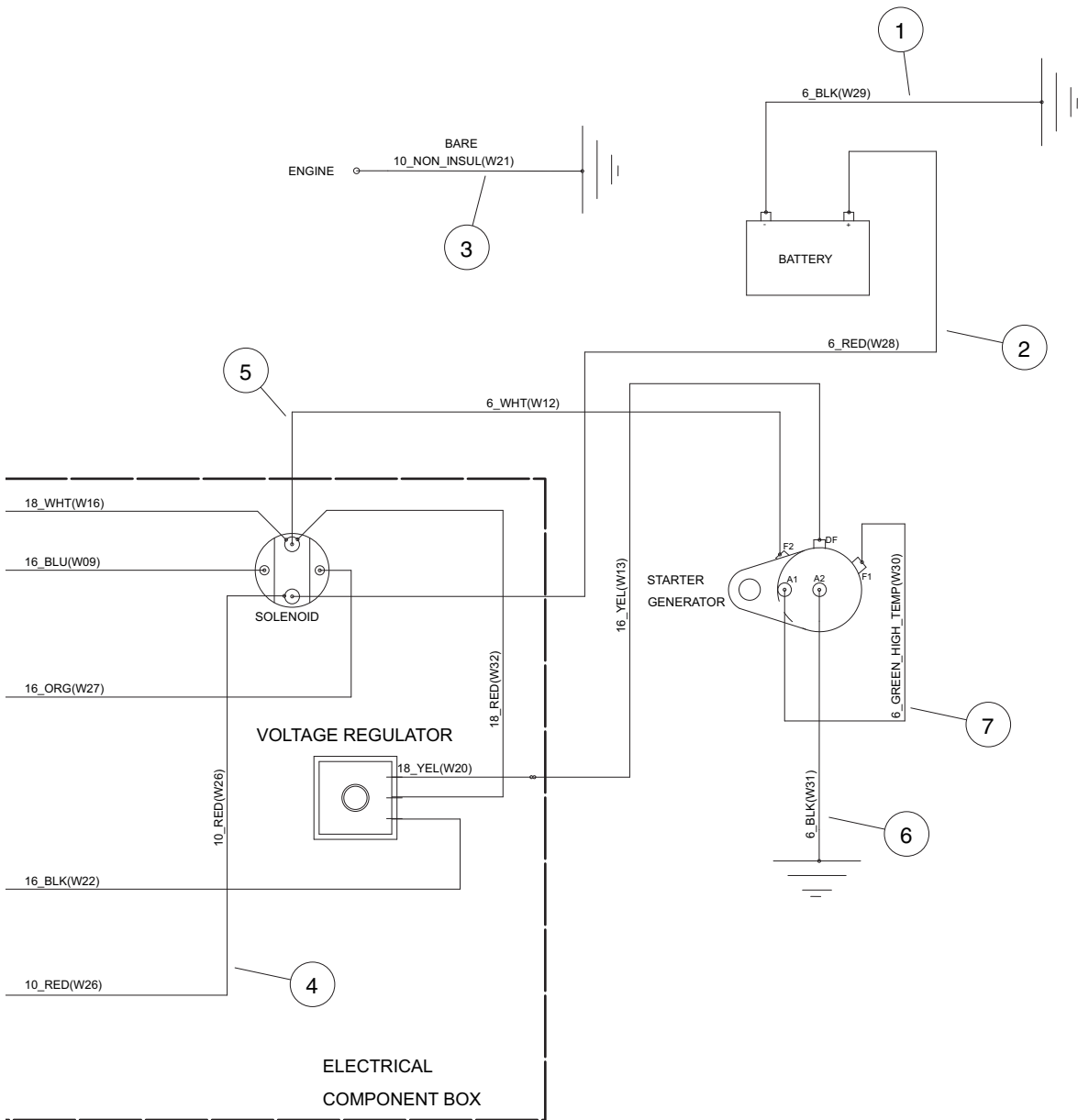
ELECTRICAL SYSTEM – GASOLINE VEHICLES

6

G



000323-001



000323-001

6

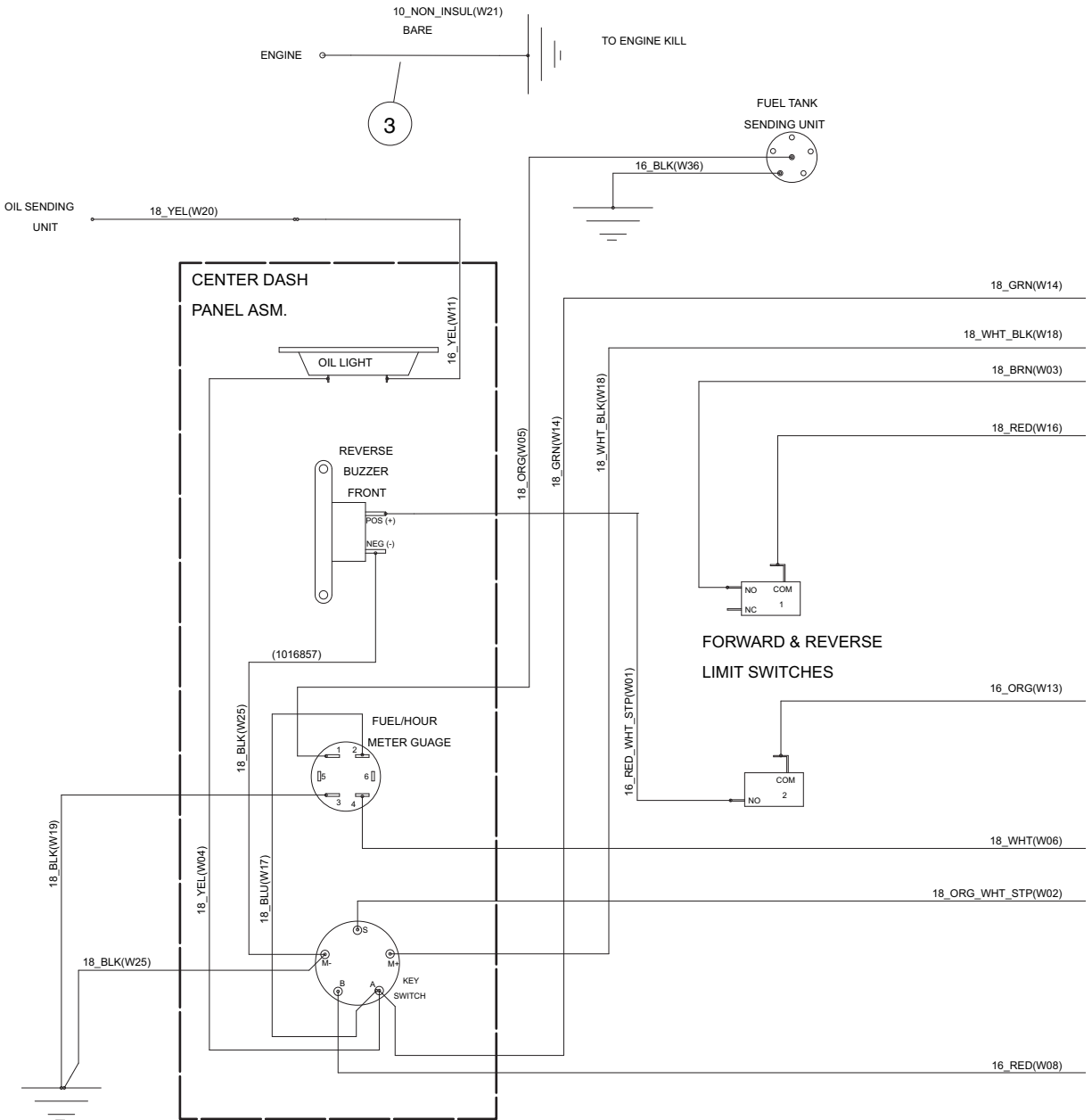
G

See previous two pages for illustration.

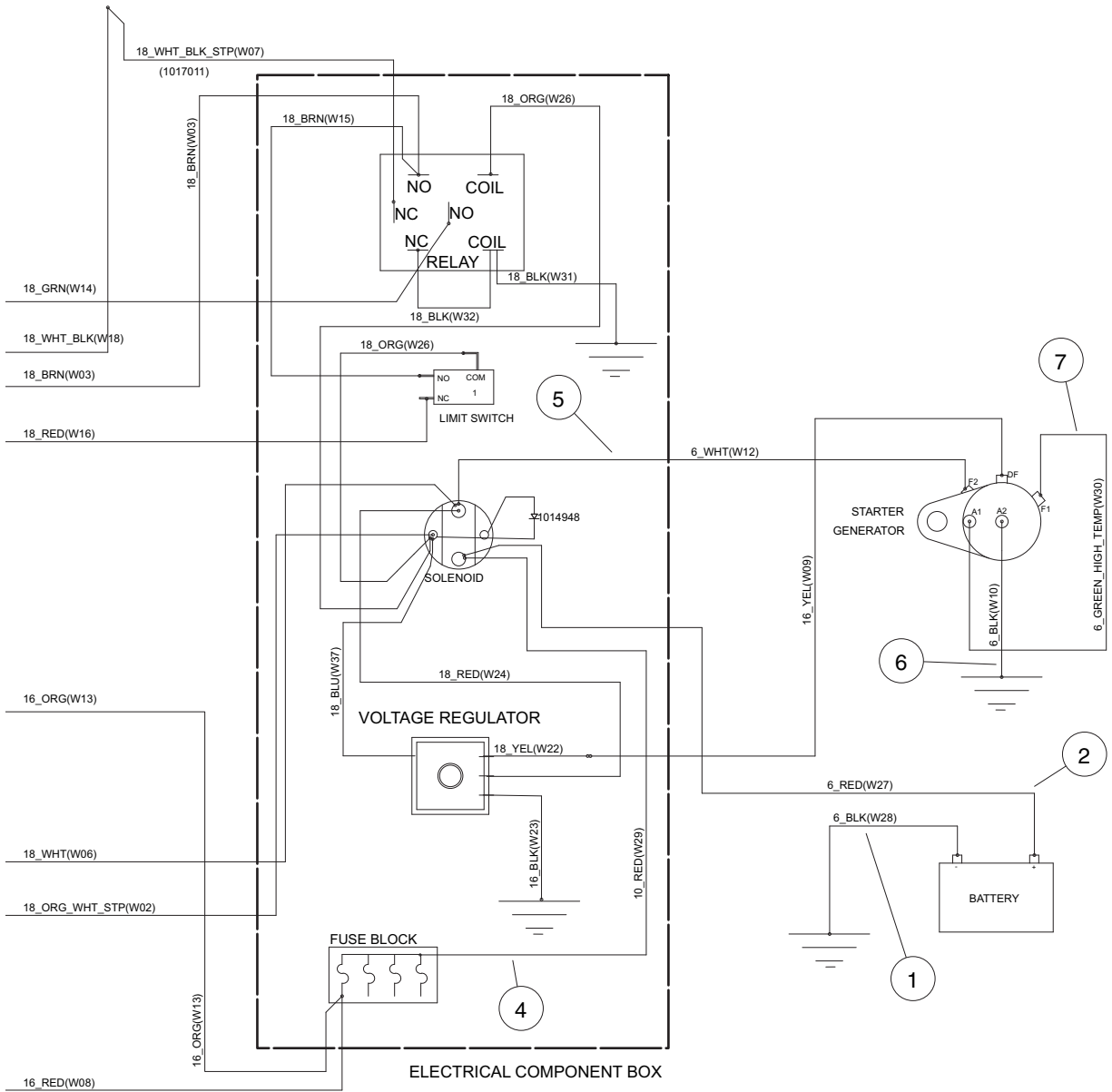
WIRING – GASOLINE TURF/CARRYALL 1

ITEM	PART NO.	DESCRIPTION	QTY
		1 2 3 4	
1	<u>1012382</u>	Wire Assy, #6 Black	1
2	<u>1014119</u>	Wire Assembly #6 Red	1
3	<u>1015332</u>	Wire Assembly, #10, Uninsulated	1
4	<u>1015737</u>	Wire Assy, #10 Red	1
5	<u>1015769</u>	Wire Assy, #6 White	1
6	<u>1015920</u>	Ground Wire Assembly	1
7	<u>101837301</u>	Wire Assy, #6 Green	1
8	<u>103332402</u>	Assy Wire Harness Gas V4 Kit	1

6
G



000325-001



000325-001

6

G

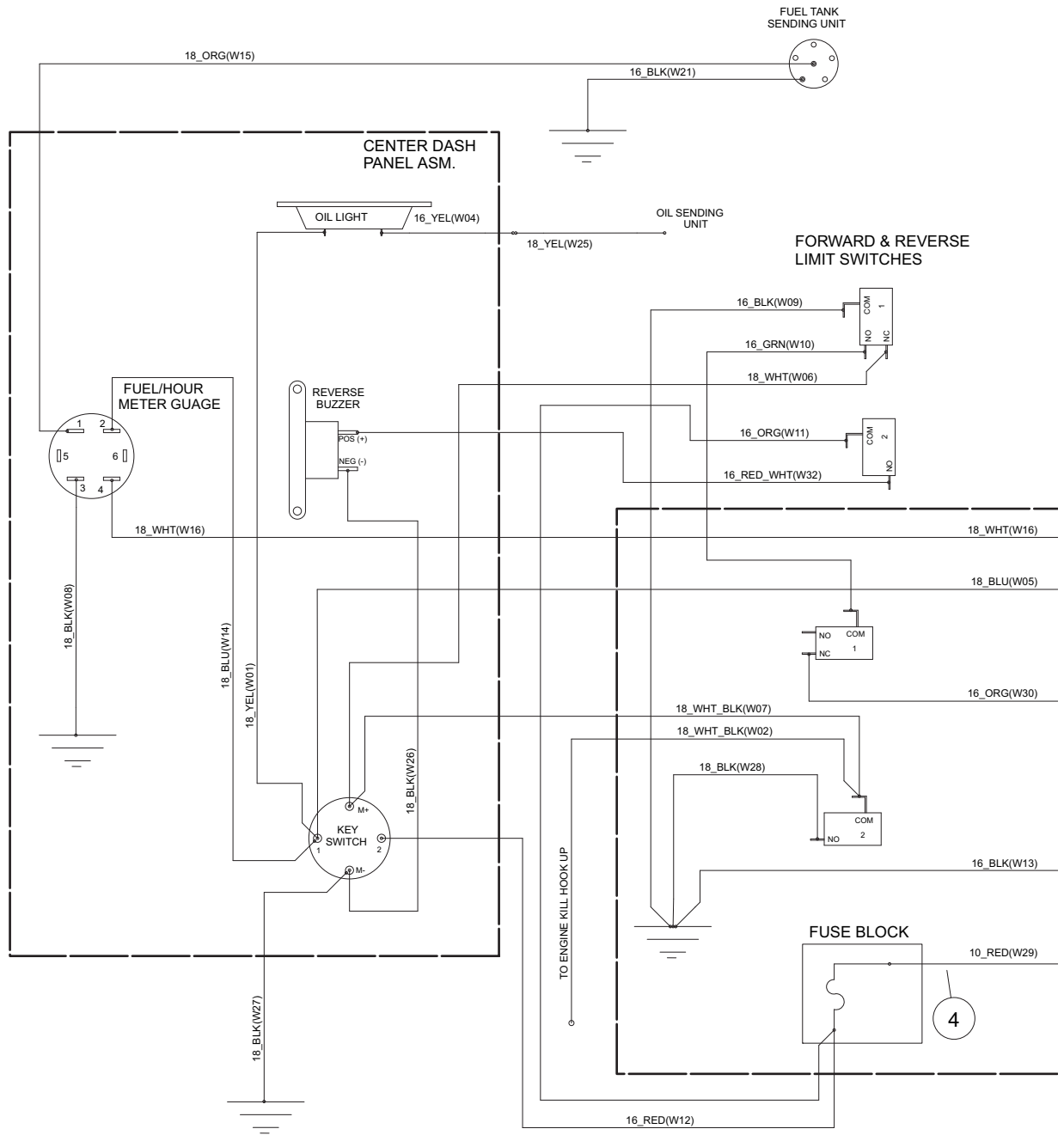
See previous two pages for illustration.

WIRING – GASOLINE CARRYALL 2 PLUS

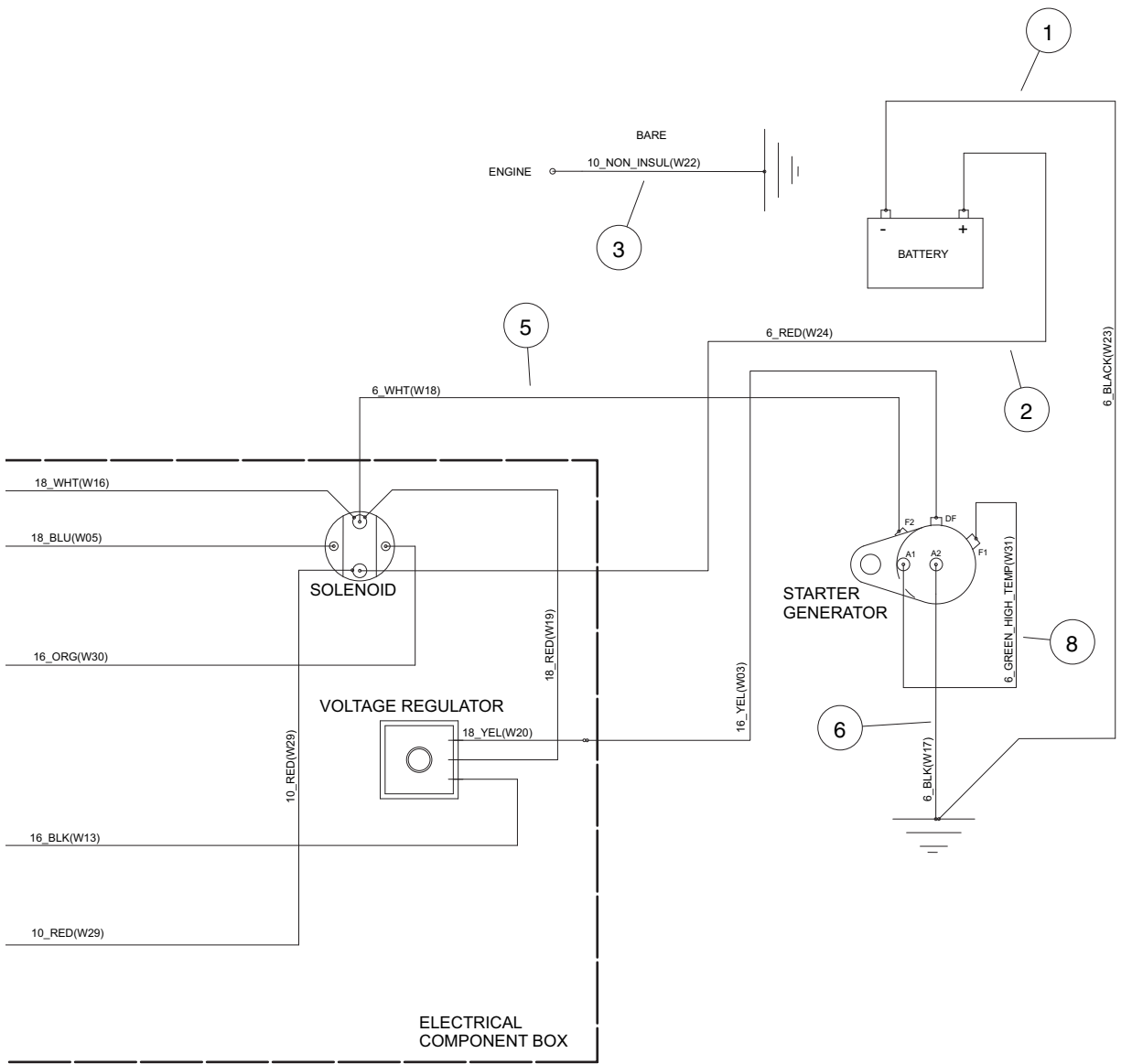
ITEM	PART NO.	DESCRIPTION	QTY
		1 2 3 4	
1	<u>1012382</u>	Wire Assy, #6 Black	1
2	<u>1014119</u>	Wire Assembly #6 Red	1
3	<u>1015332</u>	Wire Assembly, #10, Uninsulated	1
4	<u>1015737</u>	Wire Assy, #10 Red	1
5	<u>1015769</u>	Wire Assy, #6 White	1
6	<u>1016380</u>	Wire Assembly #6 Black	1
7	<u>101837301</u>	Wire Assy, #6 Green	1
8	<u>101990302</u>	Wire Harness Assembly, Carryall 2 Plus	1

6

G



000324-001



000324-001

6

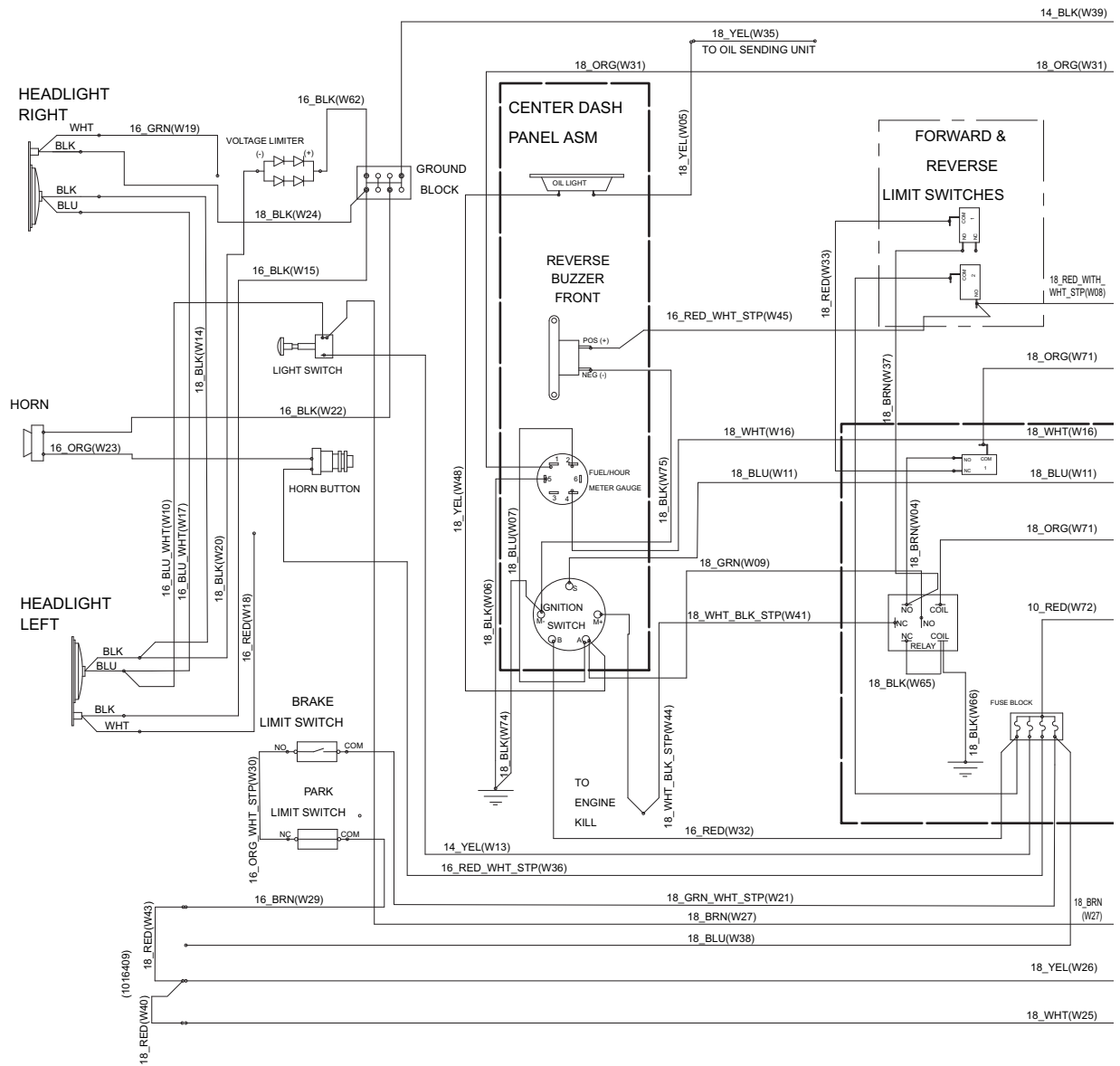
G

See previous two pages for illustration.

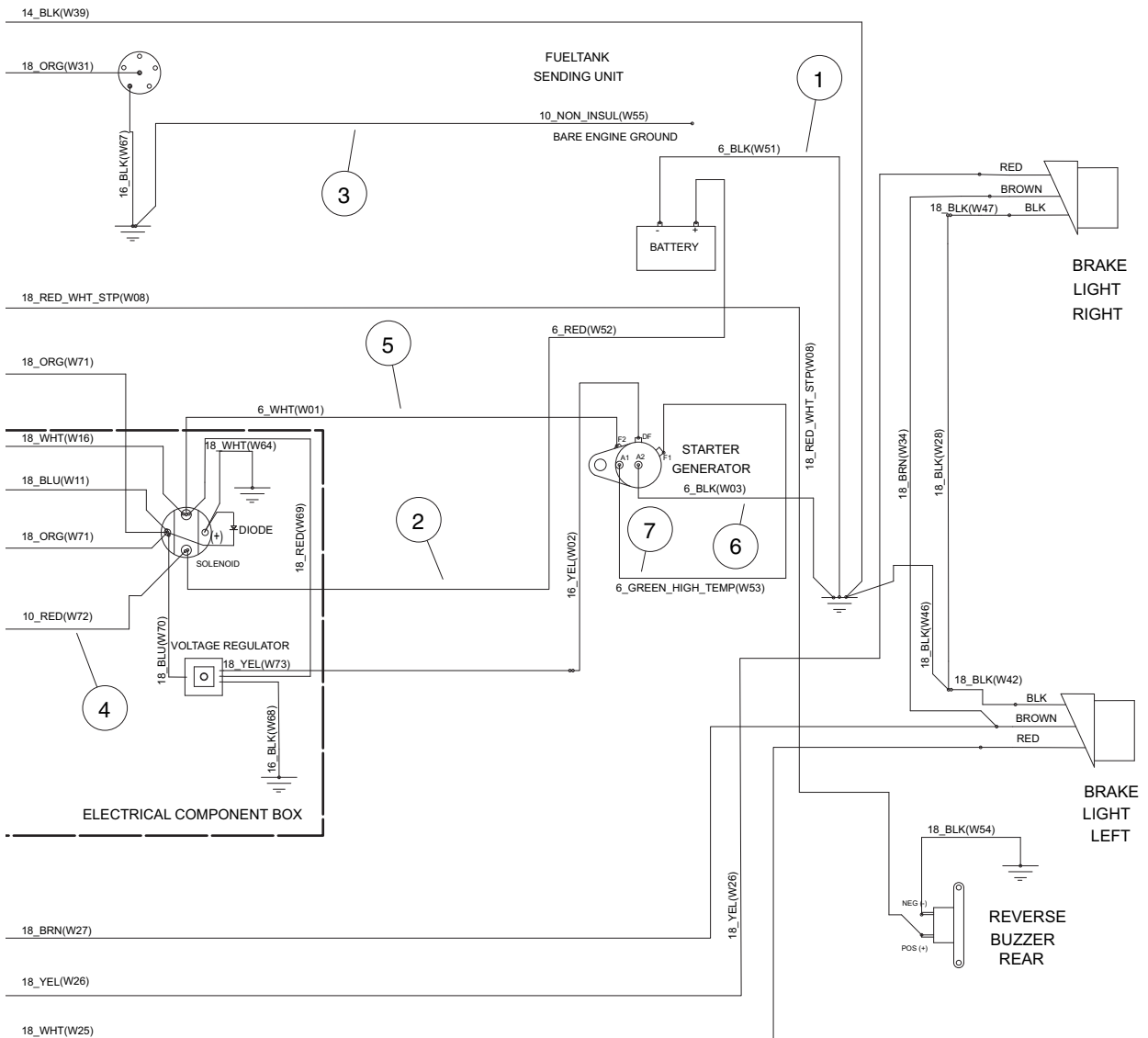
WIRING – TURF/CARRYALL 2, TURF/CARRYALL 252, AND TURF/ CARRYALL 2 XRT

ITEM	PART NO.	DESCRIPTION	QTY
		1 2 3 4	
1	<u>1012382</u>	Wire Assy, #6 Black	1
2	<u>1014119</u>	Wire Assembly #6 Red	1
3	<u>1015332</u>	Wire Assembly, #10, Uninsulated	1
4	<u>1015737</u>	Wire Assy, #10 Red	1
5	<u>1015769</u>	Wire Assy, #6 White	1
6	<u>1016380</u>	Wire Assembly #6 Black	1
7	1016858	Wire Harness, Headlight	1
8	<u>101837301</u>	Wire Assy, #6 Green	1
9	101990102	Wire Harness Assembly, CAII Gas	1
Note: Item 7 (not shown) is not standard on all models.			

6
G



000326-001



000326-001

6

G

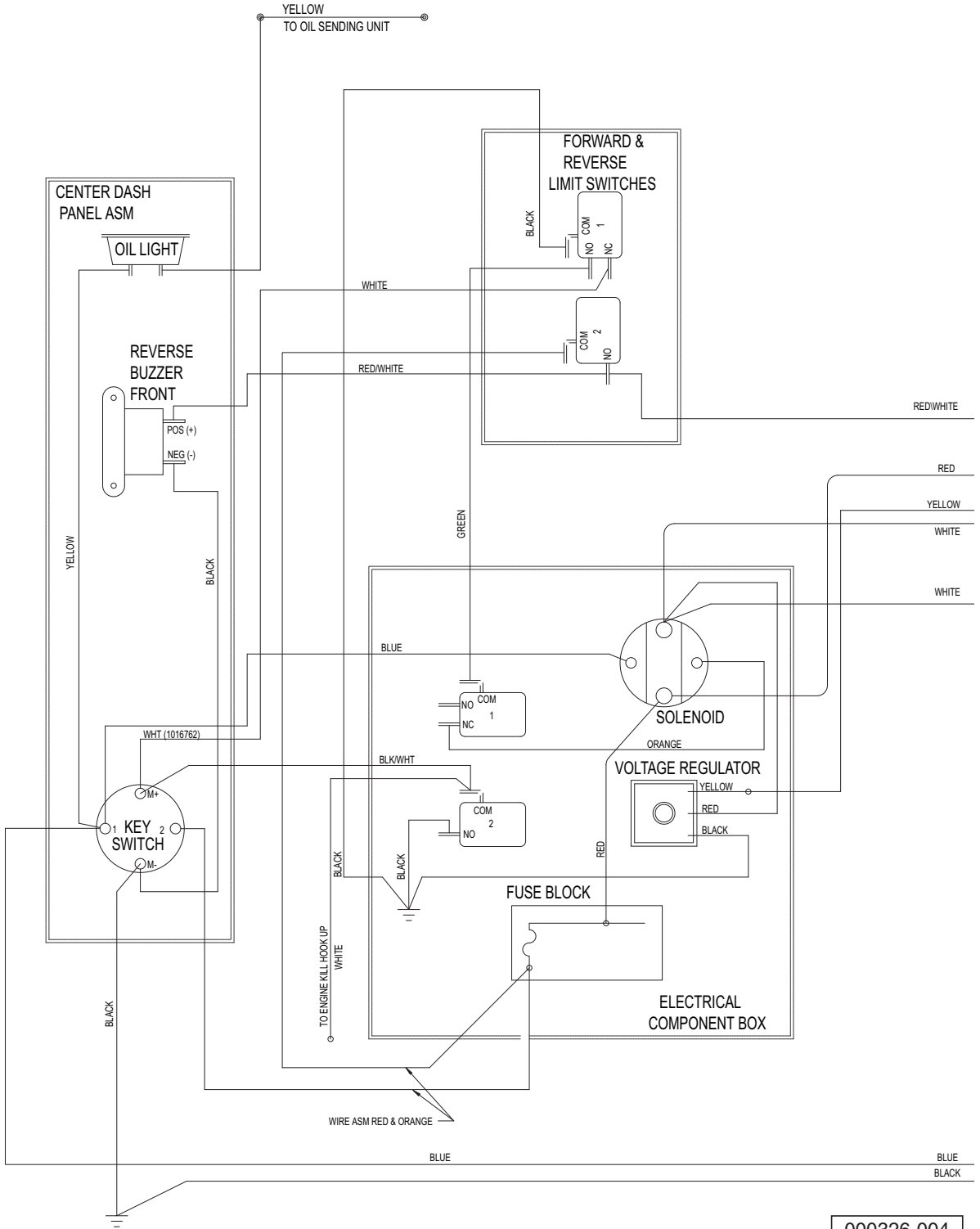
See previous two pages for illustration.

WIRING – GASOLINE CARRYALL 6

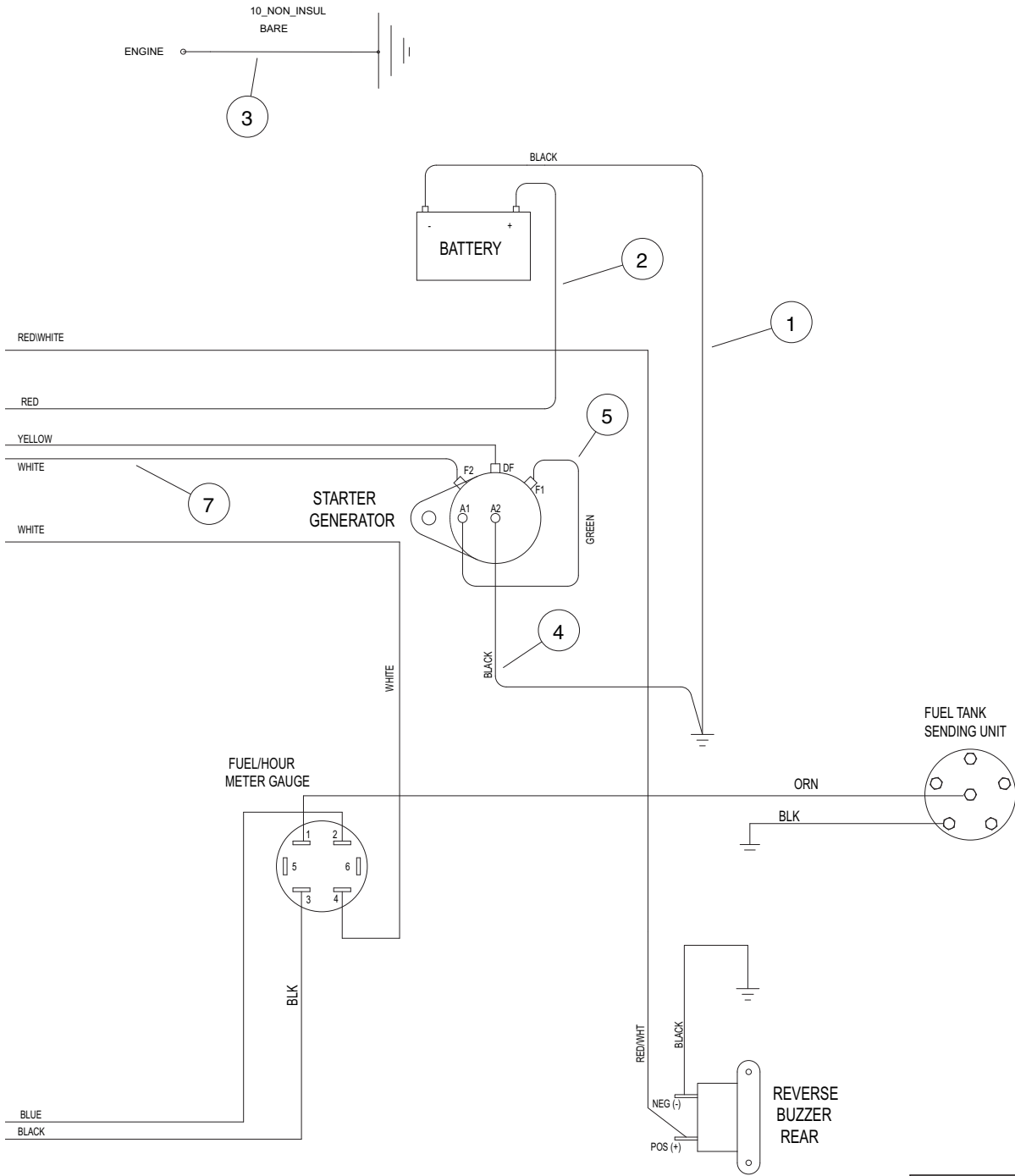
ITEM	PART NO.	DESCRIPTION	QTY
		1 2 3 4	
1	<u>1012382</u>	Wire Assy, #6 Black	1
2	<u>1014119</u>	Wire Assembly #6 Red	1
3	<u>1015332</u>	Wire Assembly, #10, Uninsulated	1
4	<u>1015737</u>	Wire Assy, #10 Red	1
5	<u>1015769</u>	Wire Assy, #6 White	1
6	<u>1016380</u>	Wire Assembly #6 Black	1
7	<u>101837301</u>	Wire Assy, #6 Green	1
8	****	Wire Harness (Lighting)	1
9	<u>101990402</u>	Wire Harness Assy	1
		**** Special order item available upon request.	

6

G



000326-004



000326-004

6

G

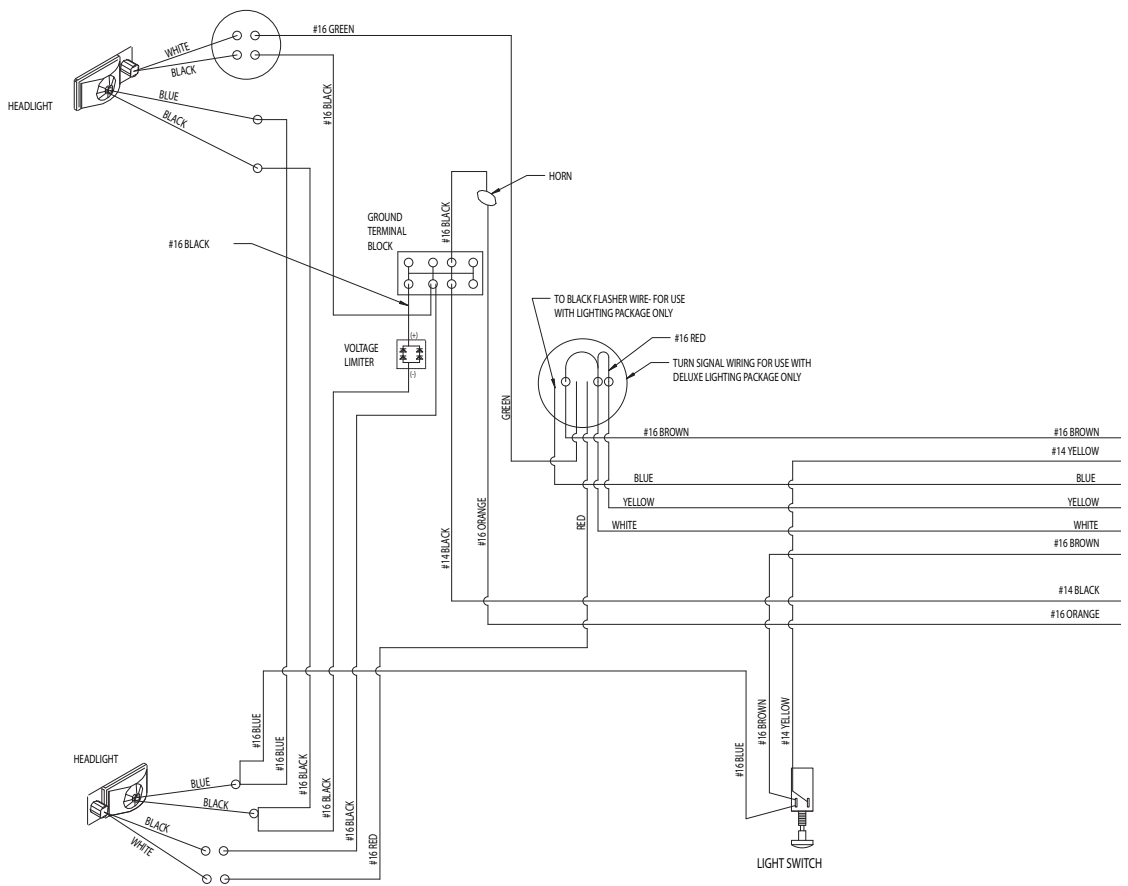
See previous two pages for illustration.

WIRING – GASOLINE TURF 6

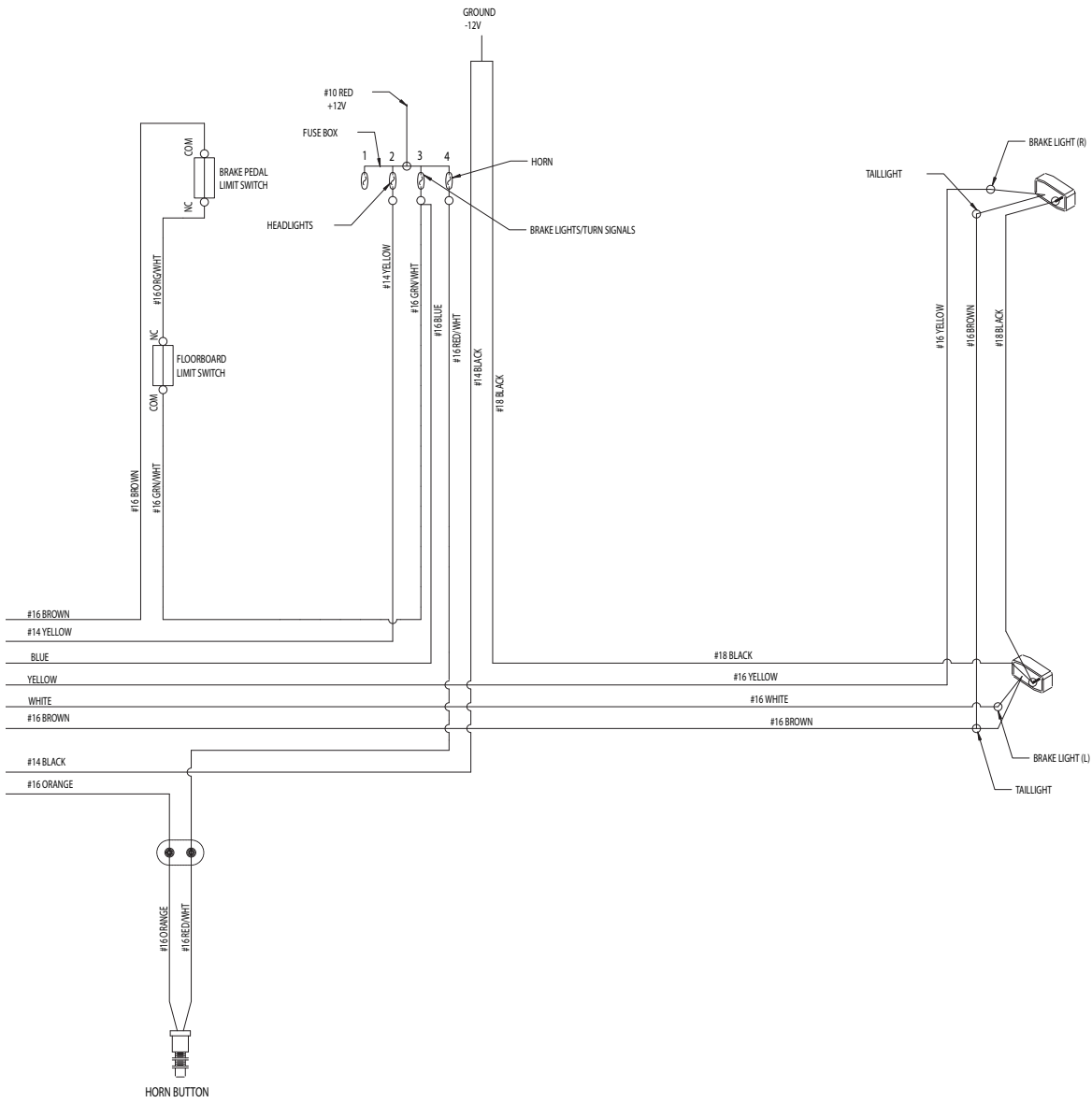
ITEM	PART NO.	DESCRIPTION	QTY
		1 2 3 4	
1	<u>1012382</u>	Wire Assy, #6 Black	1
2	<u>1014119</u>	Wire Assembly #6 Red	1
3	<u>1015332</u>	Wire Assembly, #10, Uninsulated	1
4	<u>1015920</u>	Ground Wire Assembly	1
5	<u>101837301</u>	Wire Assy, #6 Green	1
6	<u>101990201</u>	Wire Harness Assy, Limo Gas * (includes item 7)	1
7	<u>1015769</u>	Wire Assy, #6 White	1
		* Note: The harness contains several wires that are not available for order as individual items.	

6

G



000431-001



000431-001

6

G

See previous two pages for illustration.

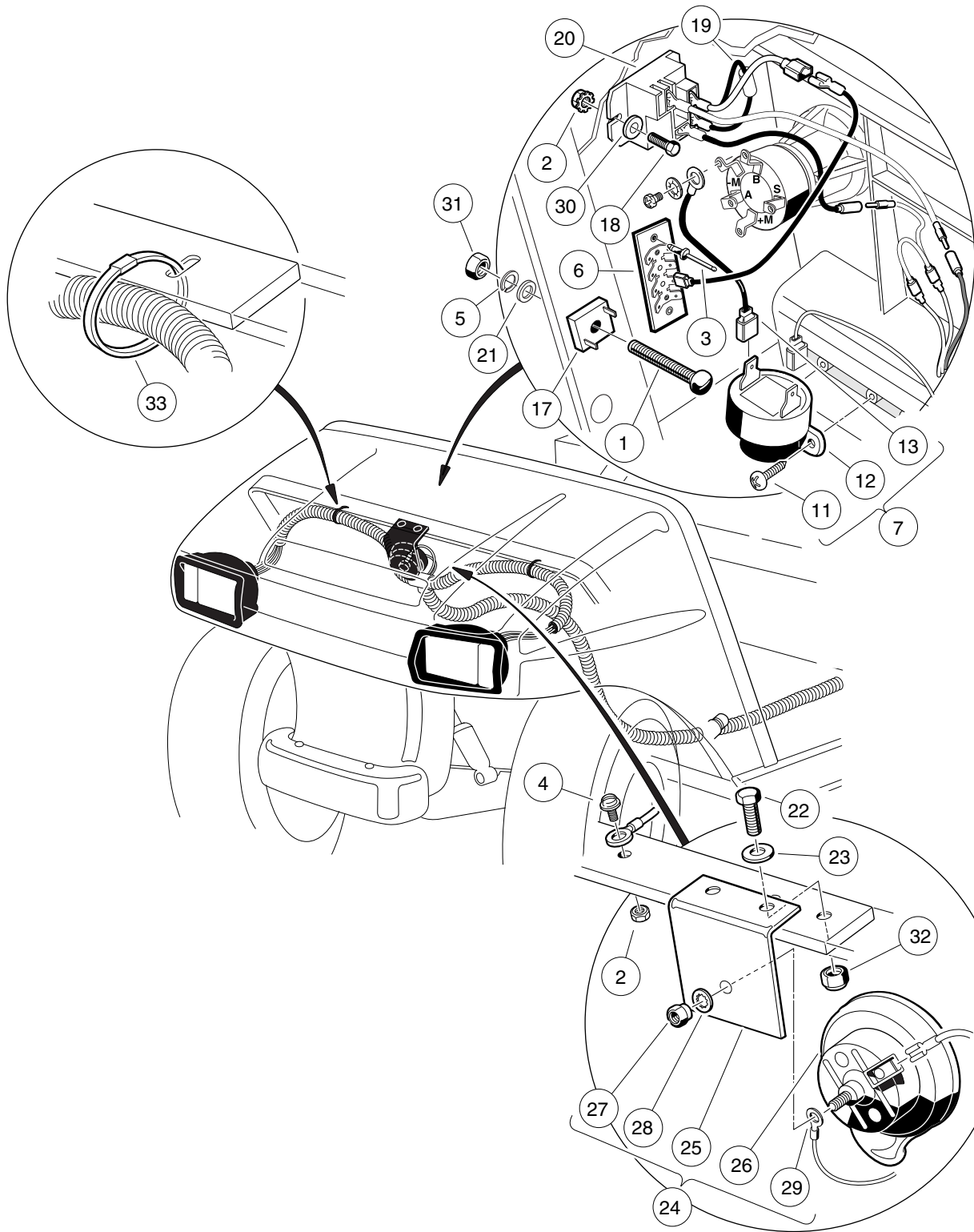
WIRING – GASOLINE TURF 6 LIGHTING

ITEM	PART NO.	DESCRIPTION	QTY
1	****	<p>1 2 3 4</p> <p>Wire Harness (Lighting)</p> <p>**** Special order item available upon request.</p>	1

6

G

6
G

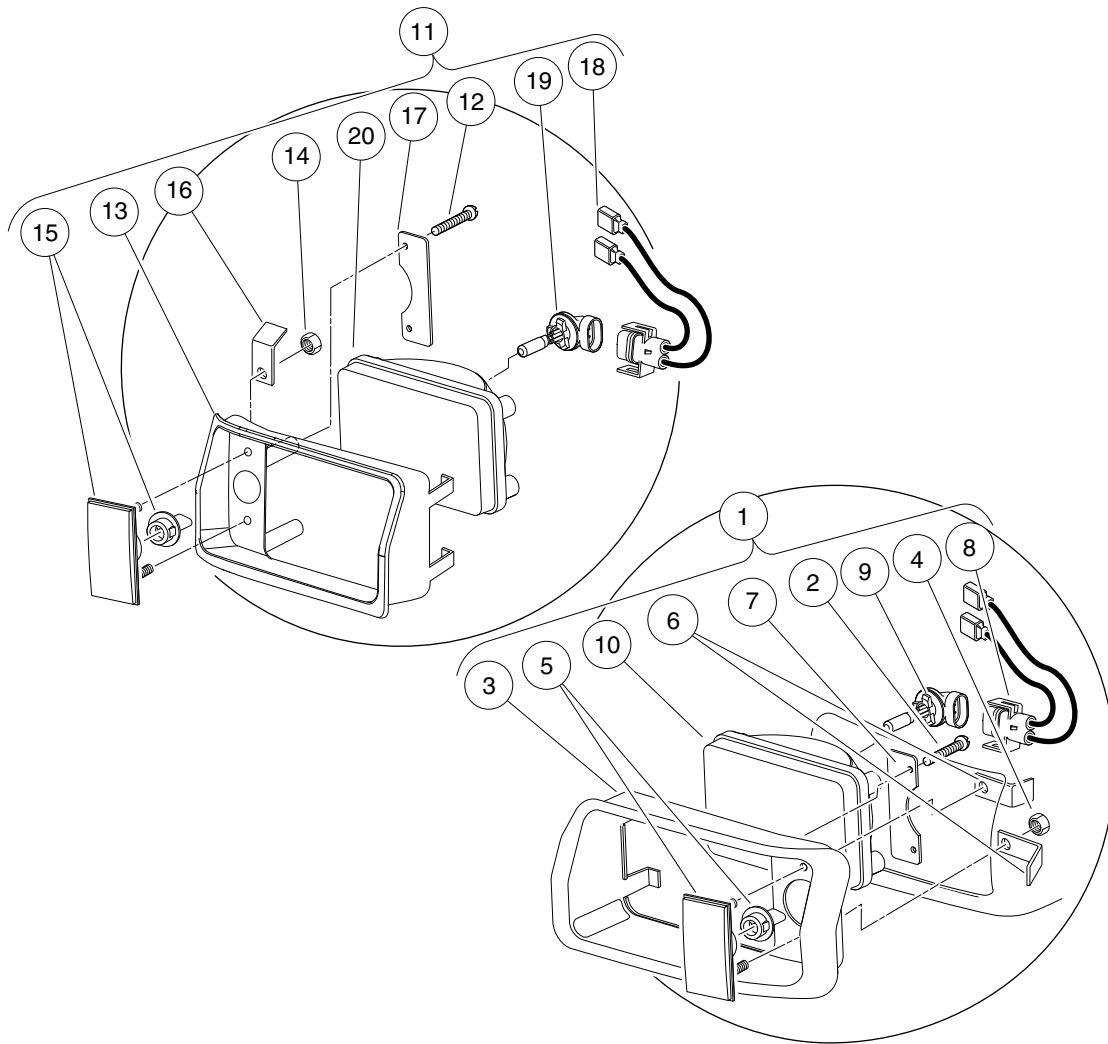


000335-001

FRONT BODY ELECTRICAL COMPONENTS – GASOLINE TURF/CARRYALL 6

6
G

ITEM	PART NO.	DESCRIPTION	QTY
		1 2 3 4	
1	<u>1010909</u>	Screw, #10-32 X 1.25 Rd Hd Mch	1
2	<u>1011229</u>	Locknut, #6-32 Whiz	3
3	<u>1013357</u>	Rivet, 5/32 Aluminum Pop	2
4	<u>1015720</u>	Screw, #6-32 X 1/2 Hex Washer-Head	1
5	<u>1016</u>	Lockwasher, #10 Split	1
6	<u>1016356</u>	Terminal Block with Insulator	1
7	<u>1016859</u>	Kit, Reverse Buzzer (includes items 8 through 16)	1
8	<u>1011229</u>	Locknut, #6-32 Whiz	1
9	<u>1012431</u>	Washer, #4 Flat	2
10	<u>1015720</u>	Screw, #6-32 X 1/2 Hex Washer-Head	1
11	<u>1016849</u>	Screw, #4-24 X 0.33 Pan-Head Machine	2
12	<u>1016851</u>	Buzzer, Reverse (9-48 VDC)	1
13	<u>1016857</u>	Wire Assembly Black #18	1
14	<u>8056</u>	Screw, #4-40 X 0.75 Round-Head Machine	2
15	<u>8057</u>	Nut, #4-40 Hex Machine	2
16	<u>8058</u>	Lockwasher, #4 Split	2
17	<u>1017721</u>	Limiter, Voltage	1
18	<u>1017853</u>	Screw, #6-32 X 0.75 Hex-Head Machine	2
19	<u>101914401</u>	Assembly, Voltage Suppressor	1
20	<u>102199001</u>	Relay, 12-Volt	1
21	<u>183</u>	Washer, #10 Type A Flat	1
22	<u>304</u>	Screw, 1/4-20 X 1.0 Hex-Head Cap	2
23	<u>332</u>	Washer, 1/4 Type A Narrow Flat	2
24	<u>4029</u>	Horn (includes items 25 through 29)	1
25	<u>1011825</u>	Horn Bracket	1
26	<u>1014530</u>	Horn, 12-VDC	1
27	<u>101955101</u>	Nut, M6 Hex	1
28	<u>7820</u>	Washer, 5/16 Internal-Tooth	1
29	<u>N/A</u>	5/16 Ring Term.	1
30	<u>7591</u>	Washer, #6 Flat	2
31	<u>7893</u>	Nut, #10-32 Hex	1
32	<u>8233</u>	Locknut, 1/4-20 Nylon Insert	2
33	<u>8639</u>	Tie Wrap, 11" Nylon	4
		Note: Items 8 through 10, and 14 through 16 are included in the reverse buzzer kit, but are not used in this application.	



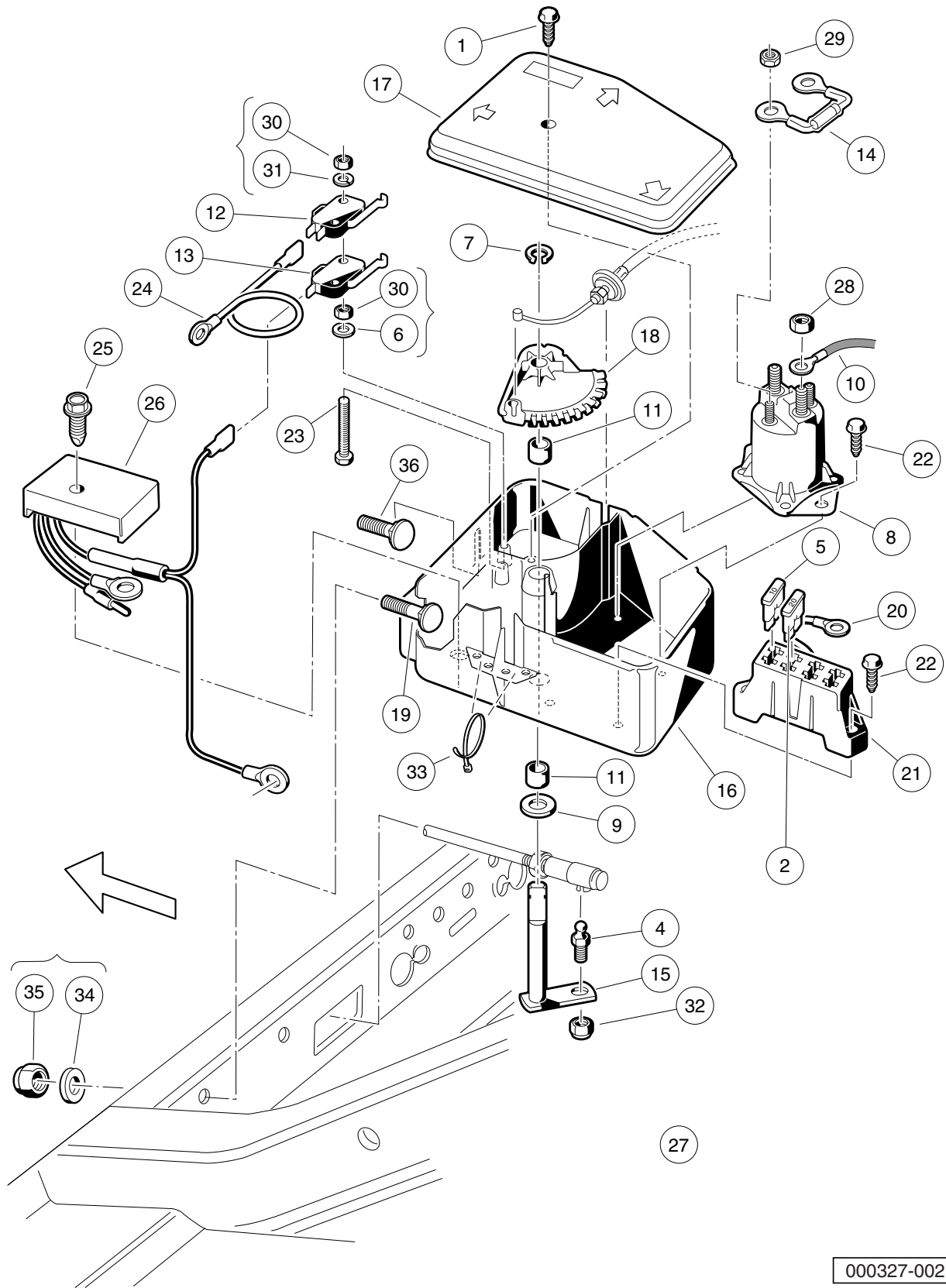
000073-001

HEADLIGHTS

ITEM	PART NO.	DESCRIPTION	QTY
		1 2 3 4	
1	<u>101988001</u>	Headlight Assembly, Driver-Side Single Beam (includes items 2 through 10)	1
2	<u>1013461</u>	Screw, #10-16 Hex-Head Hi-Lo	2
3	<u>1016880</u>	Headlight Bezel, Left	1
4	<u>1017</u>	Nut, #10-24 Stainless-Steel Hex Machine	2
5	<u>1017062</u>	Turn Signal Lens Assy	1
6	<u>1017064</u>	Mounting Bracket	2
7	<u>1017065</u>	Retainer, Headlight	1
8	<u>101987901</u>	Connector Harness Assembly, Headlight	1
9	<u>101988101</u>	Bulb, Headlight	1
10	<u>101988201</u>	Lens, Headlight	1
11	<u>101988002</u>	Headlight Assy, Passenger-Side Single Beam (includes items 12 through 20)	1
12	<u>1013461</u>	Screw, #10-16 Hex-Head Hi-Lo	2
13	<u>1016879</u>	Headlight Bezel, Right	1
14	<u>1017</u>	Nut, #10-24 Stainless-Steel Hex Machine	2
15	<u>1017062</u>	Turn Signal Lens Assy	1
16	<u>1017064</u>	Mounting Bracket	2
17	<u>1017065</u>	Retainer, Headlight	1
18	<u>101987901</u>	Connector Harness Assembly, Headlight	1
19	<u>101988101</u>	Bulb, Headlight	1
20	<u>101988201</u>	Lens, Headlight	1

6
G

6
G



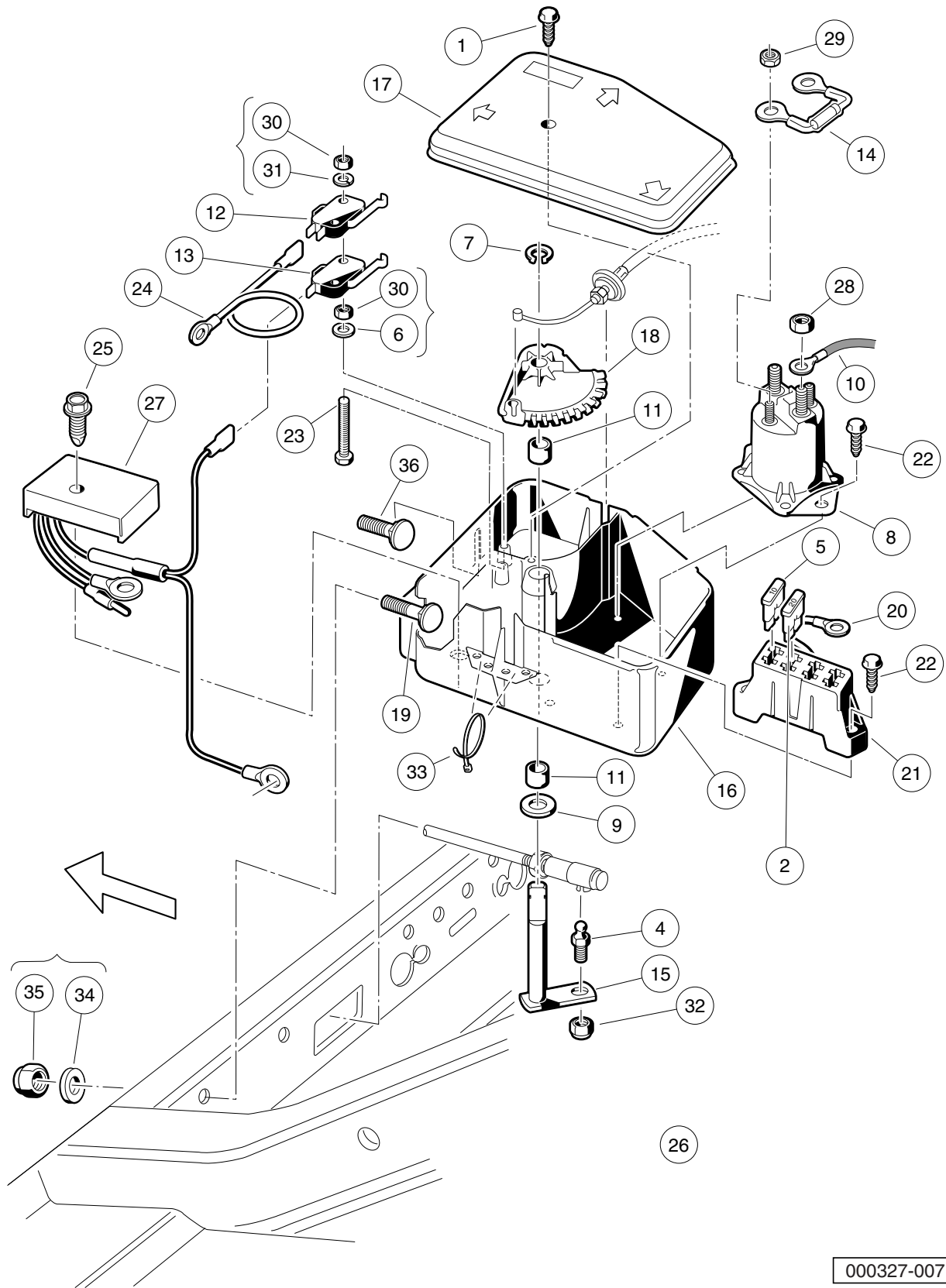
000327-002

ELECTRICAL COMPONENT BOX – GASOLINE TURF/CARRYALL 1 VEHICLES

ITEM	PART NO.	DESCRIPTION	QTY
		1 2 3 4	
1	<u>1015752</u>	Screw, #12-16 X 0.625 Hi-Lo	1
2	<u>1016423</u>	Fuse, 20-Amp	1
3	N/A	Electrical Component Box Assembly (includes items 4 through 33)	1
4	<u>1010954</u>	Stud, 1/4-28 X 0.560 Ball	1
5	<u>1012295</u>	Fuse, 10-Amp	1
6	<u>1012431</u>	Washer, #4 Flat	2
7	<u>1013589</u>	Ring, 0.338" Internal Retaining	1
8	<u>1013609</u>	Solenoid, 12-Volt	1
9	<u>1014065</u>	Washer, 0.38" ID Delrin Flat	1
10	<u>1014119</u>	Wire Assembly #6 Red	1
11	<u>1014145</u>	Bushing, Secondary Weight, Split	2
12	<u>1014807</u>	Switch, Limit	1
13	<u>1014808</u>	Switch, Limit	1
14	<u>1014948</u>	Diode	1
15	<u>1015345</u>	Bell Crank and Shaft Assembly	1
16	<u>1015371</u>	Box, Electrical Component	1
17	<u>1015372</u>	Cover, Electric Box	1
18	<u>1015373</u>	Cam, Electric Box	1
19	<u>1015405</u>	Bolt, Carriage, 5/16-18 X 2.0	1
20	<u>1015737</u>	Wire Assy, #10 Red	1
21	<u>1015741</u>	Fuse Block	1
22	<u>1015752</u>	Screw, #12-16 X 0.625 Hi-Lo	4
23	<u>1015878</u>	Screw, #4-40 Hex Head Machine	2
24	<u>1016401</u>	Wire Assy, #16 Orange	1
25	<u>101856102</u>	Screw, 1/4-15 X 1.50 Hi-lo Hex	1
26	<u>102711201</u>	Voltage Regulator	1
27	<u>103332402</u>	Assy Wire Harness Gas V4 Kit	1
28	<u>1242</u>	Nut, 5/16-18 Hex	2
29	<u>7893</u>	Nut, #10-32 Hex	2
30	<u>8057</u>	Nut, #4-40 Hex Machine	4
31	<u>8058</u>	Lockwasher, #4 Split	2
32	<u>8717</u>	Locknut, 1/4-28 Nylon Insert	1
33	<u>8990</u>	Tie Wrap, 8" Nylon	2
34	<u>1241</u>	Washer, 5/16 Type A Flat	2
35	<u>7473</u>	Locknut, 5/16-18 Nylon Insert	2
36	<u>7818</u>	Bolt, Carriage, 5/16-18 X 1.5	1

6
G

6
G



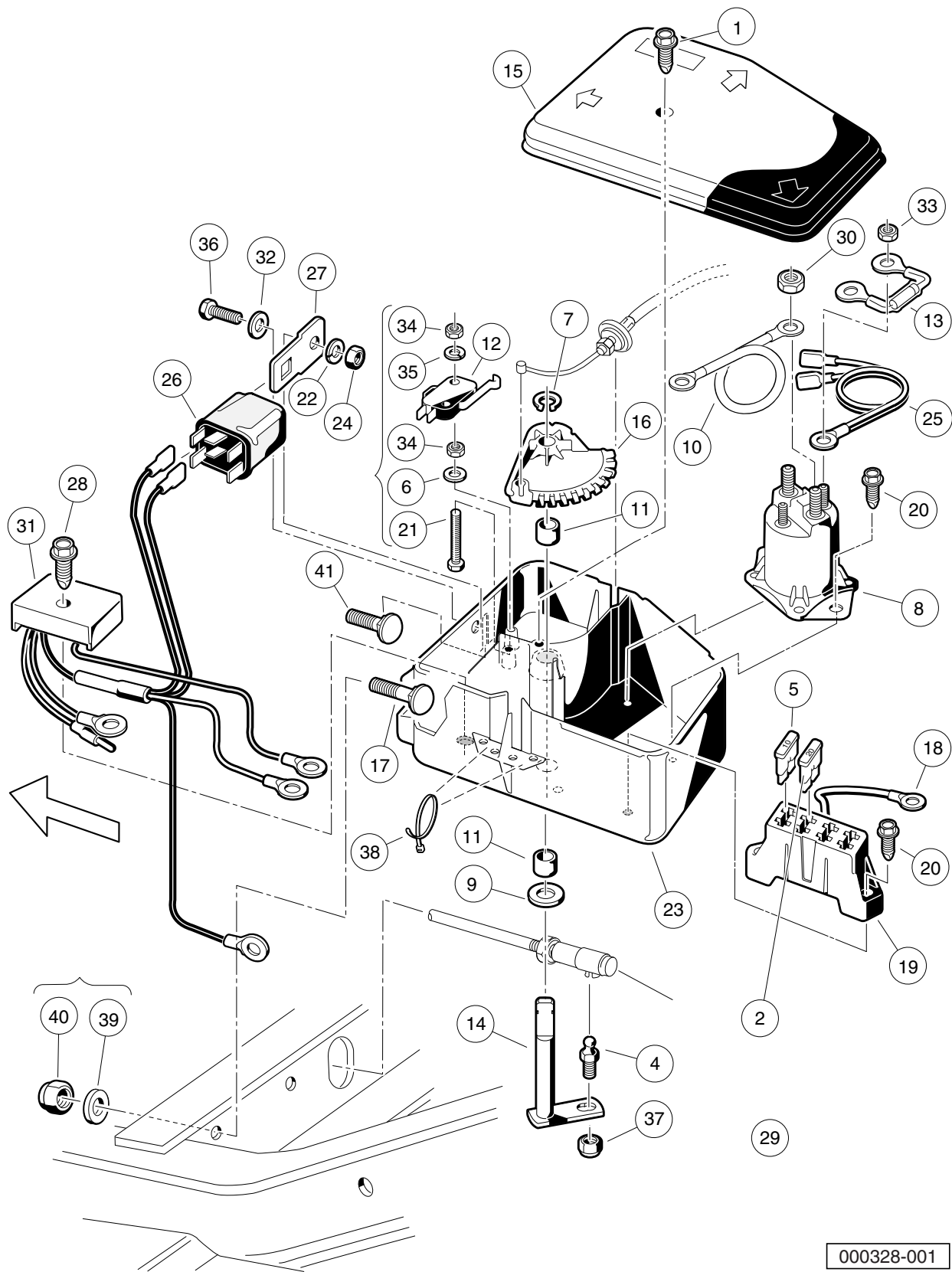
000327-007

ELECTRICAL COMPONENT BOX – GASOLINE TURF/ CARRYALL 2, 252, AND 2 XRT

ITEM	PART NO.	DESCRIPTION	QTY
		1 2 3 4	
1	<u>1015752</u>	Screw, #12-16 X 0.625 Hi-Lo	1
2	<u>1016423</u>	Fuse, 20-Amp	1
3	N/A	Electrical Component Box Assembly (includes items 4 through 33)	1
4	<u>1010954</u>	Stud, 1/4-28 X 0.560 Ball	1
5	<u>1012295</u>	Fuse, 10-Amp	1
6	<u>1012431</u>	Washer, #4 Flat	2
7	<u>1013589</u>	Ring, 0.338" Internal Retaining	1
8	<u>1013609</u>	Solenoid, 12-Volt	1
9	<u>1014065</u>	Washer, 0.38" ID Delrin Flat	1
10	<u>1014119</u>	Wire Assembly #6 Red	1
11	<u>1014145</u>	Bushing, Secondary Weight, Split	2
12	<u>1014807</u>	Switch, Limit	1
13	<u>1014808</u>	Switch, Limit	1
14	<u>1014948</u>	Diode	1
15	<u>1015345</u>	Bell Crank and Shaft Assembly	1
16	<u>1015371</u>	Box, Electrical Component	1
17	<u>1015372</u>	Cover, Electric Box	1
18	<u>1015373</u>	Cam, Electric Box	1
19	<u>1015405</u>	Bolt, Carriage, 5/16-18 X 2.0	1
20	<u>1015737</u>	Wire Assy, #10 Red	1
21	<u>1015741</u>	Fuse Block	1
22	<u>1015752</u>	Screw, #12-16 X 0.625 Hi-Lo	4
23	<u>1015878</u>	Screw, #4-40 Hex Head Machine	2
24	<u>1016401</u>	Wire Assy, #16 Orange	1
25	<u>101856102</u>	Screw, 1/4-15 X 1.50 Hi-lo Hex	1
26	<u>101990102</u>	Wire Harness Assembly, CAII Gas	1
27	<u>102711201</u>	Voltage Regulator	1
28	<u>1242</u>	Nut, 5/16-18 Hex	2
29	<u>7893</u>	Nut, #10-32 Hex	2
30	<u>8057</u>	Nut, #4-40 Hex Machine	4
31	<u>8058</u>	Lockwasher, #4 Split	2
32	<u>8717</u>	Locknut, 1/4-28 Nylon Insert	1
33	<u>8990</u>	Tie Wrap, 8" Nylon	2
34	<u>1241</u>	Washer, 5/16 Type A Flat	2
35	<u>7473</u>	Locknut, 5/16-18 Nylon Insert	2
36	<u>7818</u>	Bolt, Carriage, 5/16-18 X 1.5	1

6

G



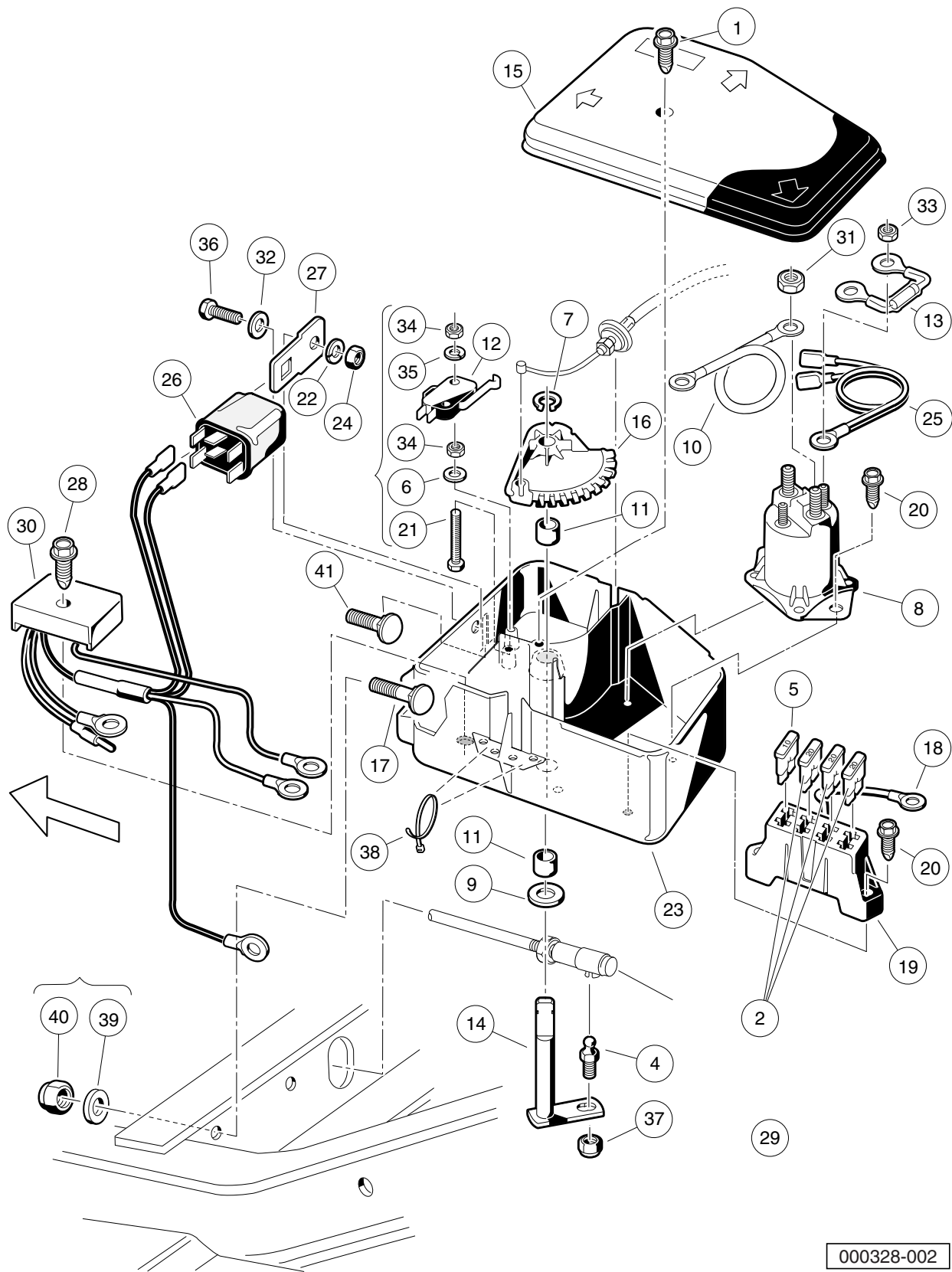
000328-001

ELECTRICAL COMPONENT BOX – GASOLINE CARRYALL 2 PLUS

ITEM	PART NO.	DESCRIPTION	QTY
		1 2 3 4	
1	<u>1015752</u>	Screw, #12-16 X 0.625 Hi-Lo	1
2	<u>1016423</u>	Fuse, 20-Amp	1
3	<u>101827701</u>	Electrical Component Box Assembly (includes items 4 through 38)	1
4	<u>1010954</u>	Stud, 1/4-28 X 0.560 Ball	1
5	<u>1012295</u>	Fuse, 10-Amp	1
6	<u>1012431</u>	Washer, #4 Flat	2
7	<u>1013589</u>	Ring, 0.338" Internal Retaining	1
8	<u>1013609</u>	Solenoid, 12-Volt	1
9	<u>1014065</u>	Washer, 0.38" ID Delrin Flat	1
10	<u>1014119</u>	Wire Assembly #6 Red	1
11	<u>1014145</u>	Bushing, Secondary Weight, Split	2
12	<u>1014807</u>	Switch, Limit	1
13	<u>1014948</u>	Diode	1
14	<u>1015345</u>	Bell Crank and Shaft Assembly	1
15	<u>1015372</u>	Cover, Electric Box	1
16	<u>1015373</u>	Cam, Electric Box	1
17	<u>1015405</u>	Bolt, Carriage, 5/16-18 X 2.0	1
18	<u>1015737</u>	Wire Assy, #10 Red	1
19	<u>1015741</u>	Fuse Block	1
20	<u>1015752</u>	Screw, #12-16 X 0.625 Hi-Lo	4
21	<u>1015878</u>	Screw, #4-40 Hex Head Machine	2
22	<u>1016</u>	Lockwasher, #10 Split	1
23	<u>1016997</u>	Electrical Component Box	1
24	<u>1017</u>	Nut, #10-24 Stainless-Steel Hex Machine	1
25	<u>1017006</u>	Wire Assembly Orange #18	1
26	<u>1017239</u>	Relay	1
27	<u>1017243</u>	Mounting Bracket, Relay	1
28	<u>101856102</u>	Screw, 1/4-15 X 1.50 Hi-lo Hex	1
29	<u>101990302</u>	Wire Harness Assembly, Carryall 2 Plus	1
30	N/A	Asm, Voltage Regulator Key Sta	1
31	<u>1242</u>	Nut, 5/16-18 Hex	2
32	<u>183</u>	Washer, #10 Type A Flat	1
33	<u>7893</u>	Nut, #10-32 Hex	2
34	<u>8057</u>	Nut, #4-40 Hex Machine	4
35	<u>8058</u>	Lockwasher, #4 Split	2
36	<u>8450</u>	Screw, #10-24 X 0.50 Hex-Head	1
37	<u>8717</u>	Locknut, 1/4-28 Nylon Insert	1
38	<u>8990</u>	Tie Wrap, 8" Nylon	3
39	<u>1241</u>	Washer, 5/16 Type A Flat	2
40	<u>7473</u>	Locknut, 5/16-18 Nylon Insert	2
41	<u>7818</u>	Bolt, Carriage, 5/16-18 X 1.5	1

6

G

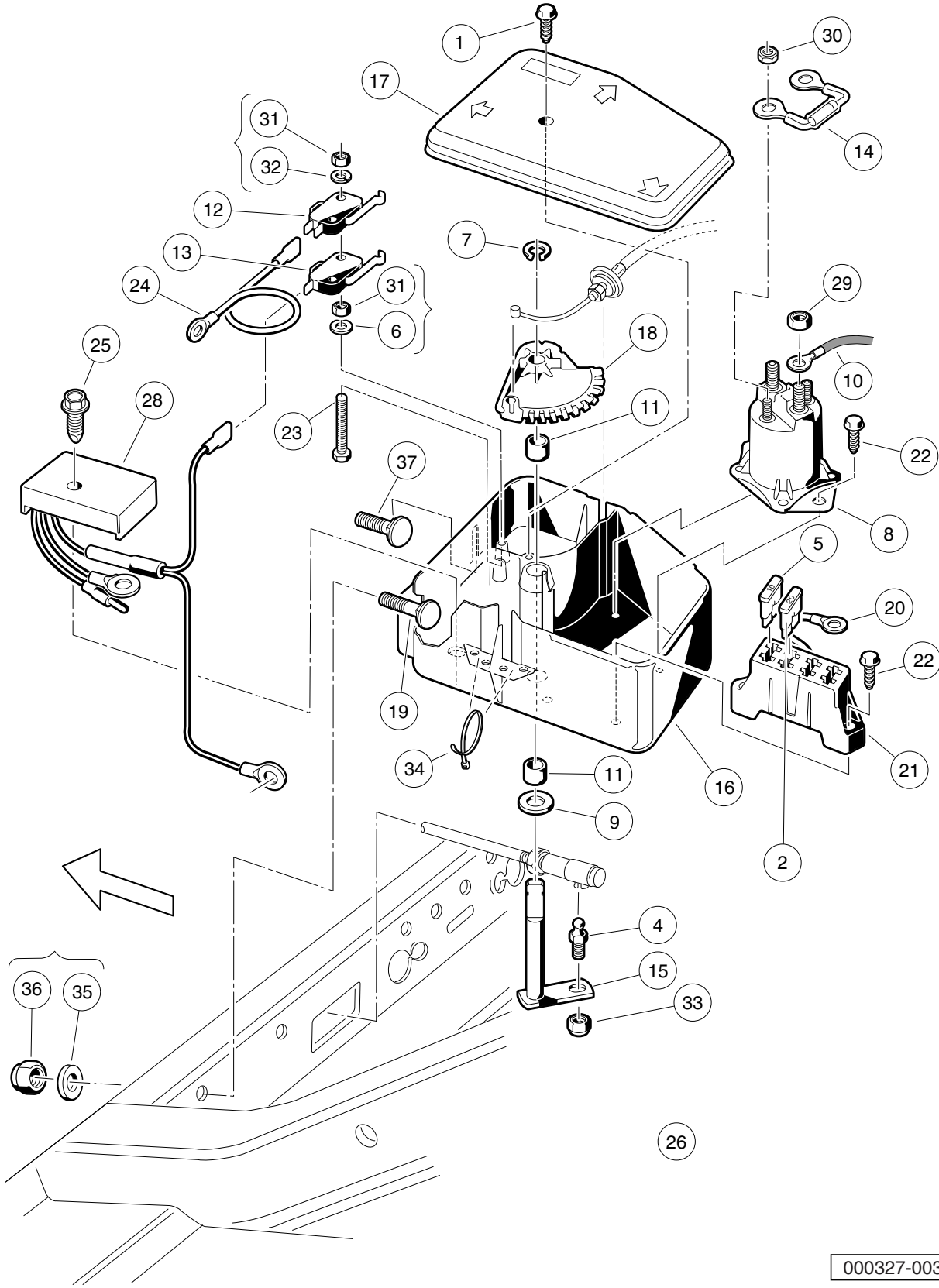


000328-002

ELECTRICAL COMPONENT BOX – GASOLINE CARRYALL 6

6
G

ITEM	PART NO.	DESCRIPTION	QTY
		1 2 3 4	
1	<u>1015752</u>	Screw, #12-16 X 0.625 Hi-Lo	1
2	<u>1016423</u>	Fuse, 20-Amp	3
3	N/A	Electrical Component Box Assembly (includes items 4 through 38)	1
4	<u>1010954</u>	Stud, 1/4-28 X 0.560 Ball	1
5	<u>1012295</u>	Fuse, 10-Amp	1
6	<u>1012431</u>	Washer, #4 Flat	2
7	<u>1013589</u>	Ring, 0.338" Internal Retaining	1
8	<u>1013609</u>	Solenoid, 12-Volt	1
9	<u>1014065</u>	Washer, 0.38" ID Delrin Flat	1
10	<u>1014119</u>	Wire Assembly #6 Red	1
11	<u>1014145</u>	Bushing, Secondary Weight, Split	2
12	<u>1014807</u>	Switch, Limit	1
13	<u>1014948</u>	Diode	1
14	<u>1015345</u>	Bell Crank and Shaft Assembly	1
15	<u>1015372</u>	Cover, Electric Box	1
16	<u>1015373</u>	Cam, Electric Box	1
17	<u>1015405</u>	Bolt, Carriage, 5/16-18 X 2.0	1
18	<u>1015737</u>	Wire Assy, #10 Red	1
19	<u>1015741</u>	Fuse Block	1
20	<u>1015752</u>	Screw, #12-16 X 0.625 Hi-Lo	4
21	<u>1015878</u>	Screw, #4-40 Hex Head Machine	2
22	<u>1016</u>	Lockwasher, #10 Split	1
23	<u>1016997</u>	Electrical Component Box	1
24	<u>1017</u>	Nut, #10-24 Stainless-Steel Hex Machine	1
25	<u>1017006</u>	Wire Assembly Orange #18	1
26	<u>1017239</u>	Relay	1
27	<u>1017243</u>	Mounting Bracket, Relay	1
28	<u>101856102</u>	Screw, 1/4-15 X 1.50 Hi-lo Hex	1
29	<u>101990402</u>	Wire Harness Assy	1
30	N/A	Asm, Voltage Regulator Key Sta	1
31	<u>1242</u>	Nut, 5/16-18 Hex	2
32	<u>183</u>	Washer, #10 Type A Flat	1
33	<u>7893</u>	Nut, #10-32 Hex	2
34	<u>8057</u>	Nut, #4-40 Hex Machine	4
35	<u>8058</u>	Lockwasher, #4 Split	2
36	<u>8450</u>	Screw, #10-24 X 0.50 Hex-Head	1
37	<u>8717</u>	Locknut, 1/4-28 Nylon Insert	1
38	<u>8990</u>	Tie Wrap, 8" Nylon	3
39	<u>1241</u>	Washer, 5/16 Type A Flat	2
40	<u>7473</u>	Locknut, 5/16-18 Nylon Insert	2
41	<u>7818</u>	Bolt, Carriage, 5/16-18 X 1.5	1



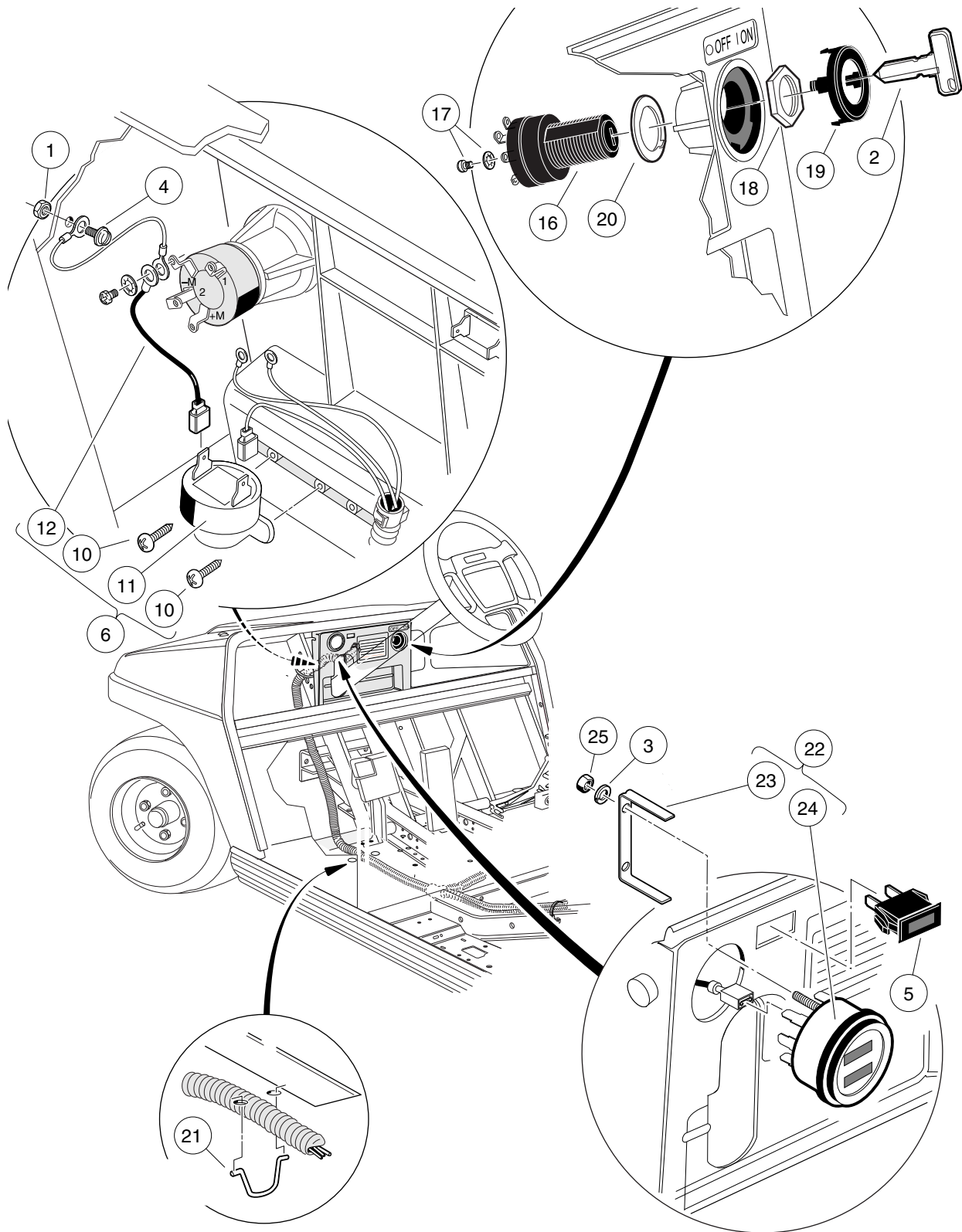
000327-003

ELECTRICAL COMPONENT BOX – GASOLINE TURF 6

ITEM	PART NO.	DESCRIPTION	QTY
		1 2 3 4	
1	<u>1015752</u>	Screw, #12-16 X 0.625 Hi-Lo	1
2	<u>1016423</u>	Fuse, 20-Amp	1
3	N/A	Elec Component Box Asm , Limo (includes items 4 through 34)	1
4	<u>1010954</u>	Stud, 1/4-28 X 0.560 Ball	1
5	<u>1012295</u>	Fuse, 10-Amp	1
6	<u>1012431</u>	Washer, #4 Flat	2
7	<u>1013589</u>	Ring, 0.338" Internal Retaining	1
8	<u>1013609</u>	Solenoid, 12-Volt	1
9	<u>1014065</u>	Washer, 0.38" ID Delrin Flat	1
10	<u>1014119</u>	Wire Assembly #6 Red	1
11	<u>1014145</u>	Bushing, Secondary Weight, Split	2
12	<u>1014807</u>	Switch, Limit	1
13	<u>1014808</u>	Switch, Limit	1
14	<u>1014948</u>	Diode	1
15	<u>1015345</u>	Bell Crank and Shaft Assembly	1
16	<u>1015371</u>	Box, Electrical Component	1
17	<u>1015372</u>	Cover, Electric Box	1
18	<u>1015373</u>	Cam, Electric Box	1
19	<u>1015405</u>	Bolt, Carriage, 5/16-18 X 2.0	1
20	<u>1015737</u>	Wire Assy, #10 Red	1
21	<u>1015741</u>	Fuse Block	1
22	<u>1015752</u>	Screw, #12-16 X 0.625 Hi-Lo	4
23	<u>1015878</u>	Screw, #4-40 Hex Head Machine	2
24	<u>1016401</u>	Wire Assy, #16 Orange	1
25	<u>101856102</u>	Screw, 1/4-15 X 1.50 Hi-lo Hex	1
26	<u>101990201</u>	Wire Harness Assy, Limo Gas * (includes item 27)	1
27	<u>1015769</u>	Wire Assy, #6 White	1
28	<u>102711201</u>	Voltage Regulator	1
29	<u>1242</u>	Nut, 5/16-18 Hex	2
30	<u>7893</u>	Nut, #10-32 Hex	2
31	<u>8057</u>	Nut, #4-40 Hex Machine	4
32	<u>8058</u>	Lockwasher, #4 Split	2
33	<u>8717</u>	Locknut, 1/4-28 Nylon Insert	1
34	<u>8990</u>	Tie Wrap, 8" Nylon	2
35	<u>1241</u>	Washer, 5/16 Type A Flat	2
36	<u>7473</u>	Locknut, 5/16-18 Nylon Insert	2
37	<u>7818</u>	Bolt, Carriage, 5/16-18 X 1.5	1
		* Note: The harnes contains several wires that are not available for order as individual items.	

6
G

6
G



000330-001

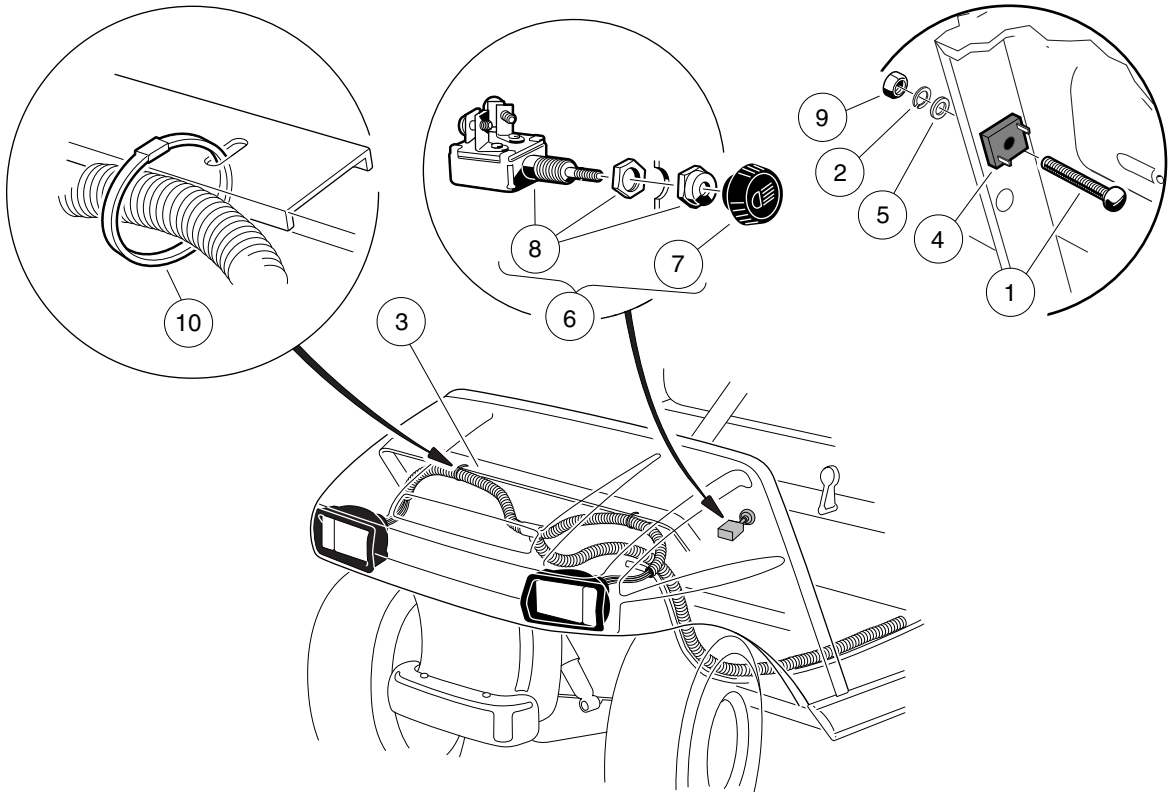
CONTROLS AND INDICATORS – TURF/CARRYALL 1, 2, 2 XRT, AND 252 GASOLINE VEHICLES

ITEM	PART NO.	DESCRIPTION	QTY
		1 2 3 4	
1	<u>1011229</u>	Locknut, #6-32 Whiz	1
2	<u>1012505</u>	Keys (set of 2)	2
3	<u>1012986</u>	Lockwasher, M4	2
4	<u>1015720</u>	Screw, #6-32 X 1/2 Hex Washer-Head	1
5	<u>1016630</u>	Light, Oil	1
6	<u>1016859</u>	Kit, Reverse Buzzer (includes items 7 through 15)	1
7	<u>1011229</u>	Locknut, #6-32 Whiz	1
8	1012431	Washer, #4 Flat	2
9	<u>1015720</u>	Screw, #6-32 X 1/2 Hex Washer-Head	1
10	<u>1016849</u>	Screw, #4-24 X 0.33 Pan-Head Machine	2
11	<u>1016851</u>	Buzzer, Reverse (9-48 VDC)	1
12	1016857	Wire Assembly Black #18	1
13	<u>8056</u>	Screw, #4-40 X 0.75 Round-Head Machine	2
14	<u>8057</u>	Nut, #4-40 Hex Machine	2
15	<u>8058</u>	Lockwasher, #4 Split	2
16	<u>101826301</u>	Key Switch, 12-Volt, Off/On	1
17	101830601	Screw and Washer Assembly	4
18	<u>101830701</u>	Nut, Key Switch	1
19	<u>101834502</u>	Cap, Black Key Switch	1
20	<u>101851101</u>	Washer, Key Switch	1
21	<u>101900901</u>	Harness Retainer	3
22	<u>101990703</u>	Gauge, Fuel/Hour, with Bracket (includes items 23 and 24)	1
23	102025901	Bracket, Fuel Gauge/Hour Meter	1
24	N/A	Gauge, Fuel/Hour	1
25	<u>101991101</u>	Nut, M4-0.7	2
<p>Note: Items 7 through 9, and 13 through 15 are included in the reverse buzzer kit, but are not used in this application.</p>			

6

G

6
G

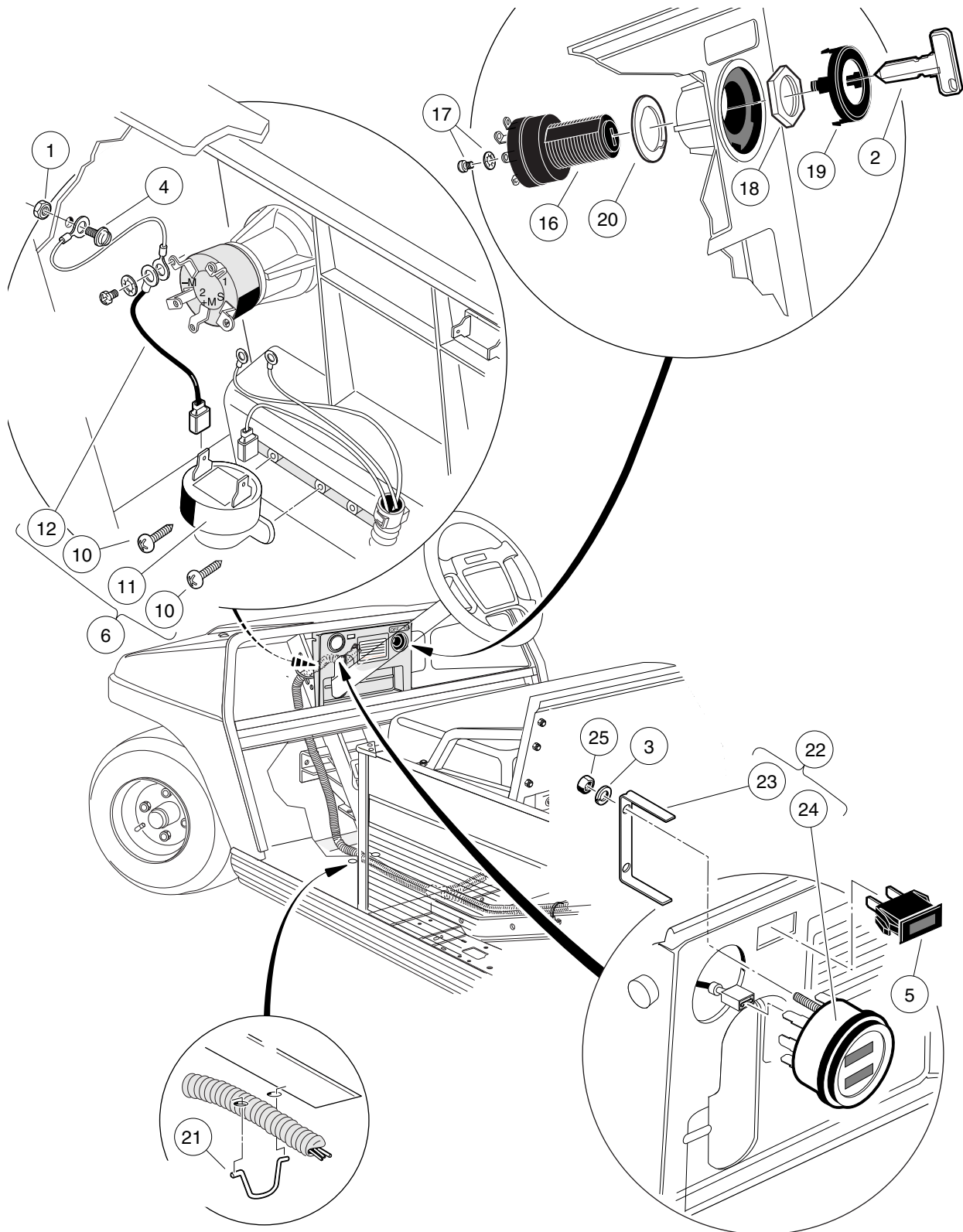


000334-001

HEADLIGHT COMPONENTS – TURF 2, TURF/ CARRYALL 2 XRT, AND 252

ITEM	PART NO.	DESCRIPTION	QTY
		1 2 3 4	
1	<u>1010909</u>	Screw, #10-32 X 1.25 Rd Hd Mch	1
2	<u>1016</u>	Lockwasher, #10 Split	1
3	<u>1016858</u>	Wire Harness, Headlight	1
4	<u>1017721</u>	Limiter, Voltage	1
5	<u>183</u>	Washer, #10 Type A Flat	1
6	<u>4034</u>	Light Switch (includes items 7 and 8)	1
7	<u>1013857</u>	Knob, Light Switch	1
8	<u>1013858</u>	Switch, Light Without Knob	1
9	<u>7893</u>	Nut, #10-32 Hex	1
10	<u>8990</u>	Tie Wrap, 8" Nylon	4

6
G



000330-002

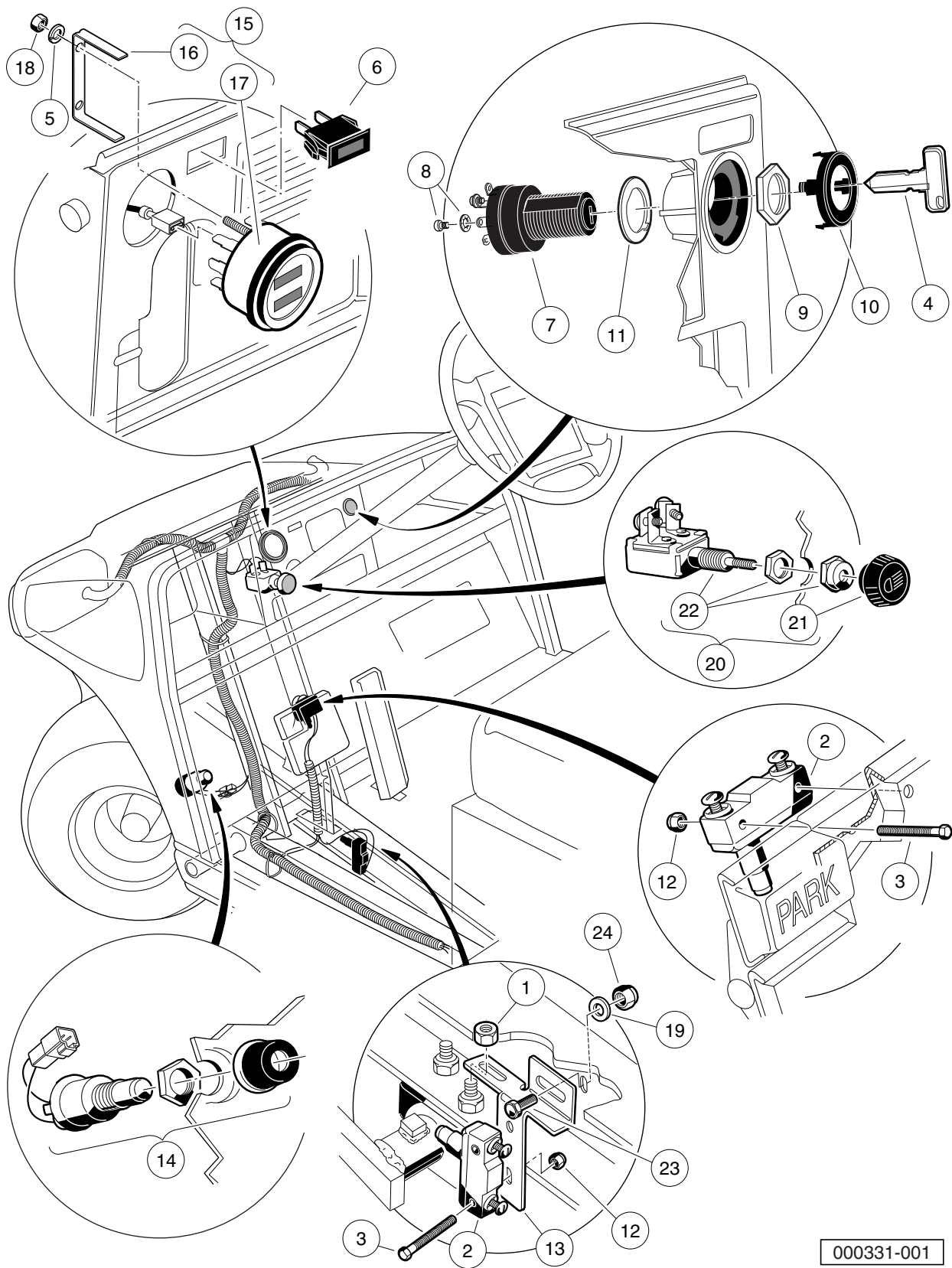
CONTROLS AND INDICATORS – GASOLINE CARRYALL 2 PLUS

ITEM	PART NO.	DESCRIPTION	QTY
		1 2 3 4	
1	<u>1011229</u>	Locknut, #6-32 Whiz	1
2	<u>1012505</u>	Keys (set of 2)	2
3	<u>1012986</u>	Lockwasher, M4	2
4	<u>1015720</u>	Screw, #6-32 X 1/2 Hex Washer-Head	1
5	<u>1016630</u>	Light, Oil	1
6	<u>1016859</u>	Kit, Reverse Buzzer (includes items 7 through 15)	1
7	<u>1011229</u>	Locknut, #6-32 Whiz	1
8	1012431	Washer, #4 Flat	2
9	<u>1015720</u>	Screw, #6-32 X 1/2 Hex Washer-Head	1
10	<u>1016849</u>	Screw, #4-24 X 0.33 Pan-Head Machine	2
11	<u>1016851</u>	Buzzer, Reverse (9-48 VDC)	1
12	1016857	Wire Assembly Black #18	1
13	<u>8056</u>	Screw, #4-40 X 0.75 Round-Head Machine	2
14	<u>8057</u>	Nut, #4-40 Hex Machine	2
15	<u>8058</u>	Lockwasher, #4 Split	2
16	101826401	Key Switch, 12-Volt, Off/On/Start	1
17	101830601	Screw and Washer Assembly	5
18	<u>101830701</u>	Nut, Key Switch	1
19	<u>101834502</u>	Cap, Black Key Switch	1
20	<u>101851101</u>	Washer, Key Switch	1
21	<u>101900901</u>	Harness Retainer	3
22	<u>101990703</u>	Gauge, Fuel/Hour, with Bracket (includes items 23 and 24)	1
23	102025901	Bracket, Fuel Gauge/Hour Meter	1
24	N/A	Gauge, Fuel/Hour	1
25	<u>101991101</u>	Nut, M4-0.7	2
<p>Note: Items 7 through 9, and 13 through 15 are included in the reverse buzzer kit, but are not used in this application.</p>			

6

G

6
G



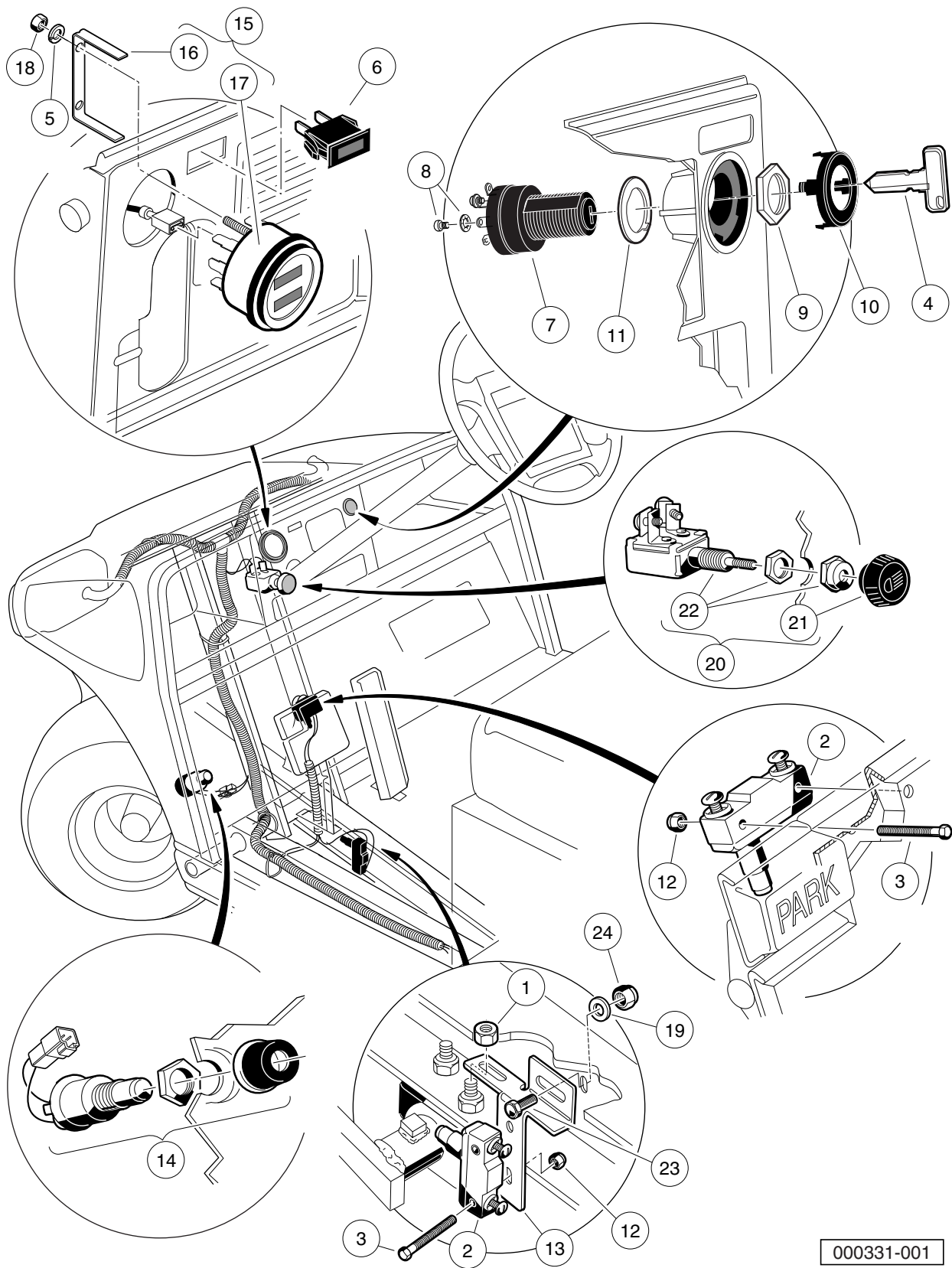
000331-001

CONTROLS AND INDICATORS – GASOLINE CARRYALL 6

ITEM	PART NO.	DESCRIPTION	QTY
		1 2 3 4	
1	<u>1011280</u>	Locknut, 5/16-18	1
2	<u>1011439</u>	Switch, Limit	2
3	<u>1011557</u>	Screw, #6-32 X 1.00 Hex-Head Machine	4
4	<u>1012505</u>	Keys (set of 2)	1
5	<u>1012986</u>	Lockwasher, M4	2
6	<u>1016630</u>	Light, Oil	1
7	101826401	Key Switch, 12-Volt, Off/On/Start	1
8	101830601	Screw and Washer Assembly	5
9	<u>101830701</u>	Nut, Key Switch	1
10	<u>101834502</u>	Cap, Black Key Switch	1
11	<u>101851101</u>	Washer, Key Switch	1
12	<u>101932201</u>	Locknut, #6-32 Nylon	4
13	<u>101957101</u>	Bracket, Brake Light Switch	1
14	<u>101969701</u>	Horn Button and Wire Assembly	1
15	<u>101990703</u>	Gauge, Fuel/Hour, with Bracket (includes items 16 and 17)	1
16	102025901	Bracket, Fuel Gauge/Hour Meter	1
17	N/A	Gauge, Fuel/Hour	1
18	<u>101991101</u>	Nut, M4-0.7	2
19	<u>1241</u>	Washer, 5/16 Type A Flat	1
20	<u>4034</u>	Light Switch (includes items 21 and 22)	1
21	<u>1013857</u>	Knob, Light Switch	1
22	<u>1013858</u>	Switch, Light Without Knob	1
23	<u>7173</u>	Screw, 5/16-18 X 0.75 Hex-Head Cap	1
24	<u>7473</u>	Locknut, 5/16-18 Nylon Insert	1

6
G

6
G



000331-001

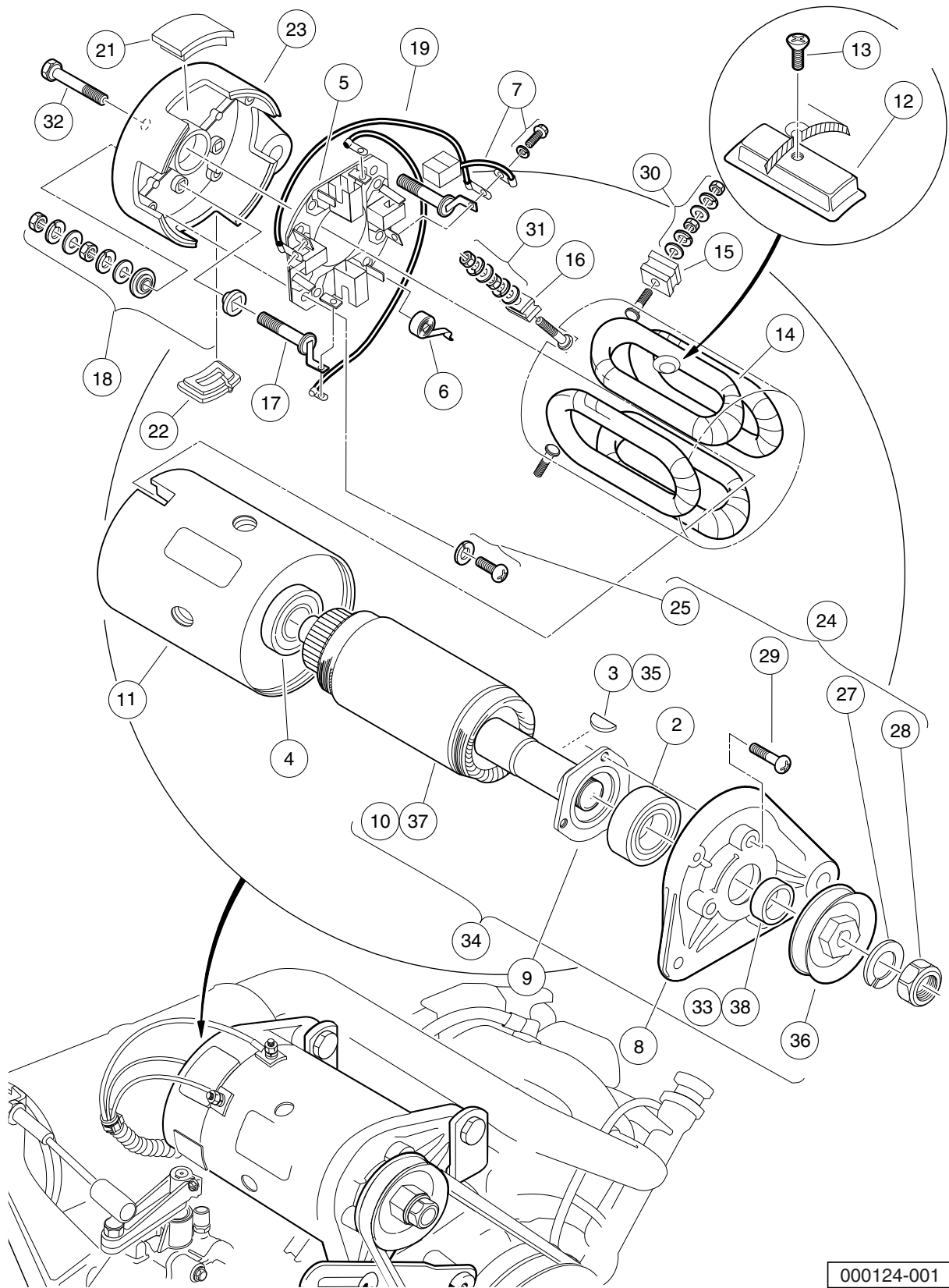
CONTROLS AND INDICATORS – GASOLINE TURF 6

ITEM	PART NO.	DESCRIPTION	QTY
		1 2 3 4	
1	<u>1011280</u>	Locknut, 5/16-18	1
2	<u>1011439</u>	Switch, Limit	2
3	<u>1011557</u>	Screw, #6-32 X 1.00 Hex-Head Machine	4
4	<u>1012505</u>	Keys (set of 2)	1
5	<u>1012986</u>	Lockwasher, M4	2
6	<u>1016630</u>	Light, Oil	1
7	<u>101826301</u>	Key Switch, 12-Volt, Off/On	1
8	101830601	Screw and Washer Assembly	5
9	<u>101830701</u>	Nut, Key Switch	1
10	<u>101834502</u>	Cap, Black Key Switch	1
11	<u>101851101</u>	Washer, Key Switch	1
12	<u>101932201</u>	Locknut, #6-32 Nylon	4
13	<u>101957101</u>	Bracket, Brake Light Switch	1
14	<u>101969701</u>	Horn Button and Wire Assembly	1
15	<u>101990703</u>	Gauge, Fuel/Hour, with Bracket (includes items 16 and 17)	1
16	102025901	Bracket, Fuel Gauge/Hour Meter	1
17	N/A	Gauge, Fuel/Hour	1
18	<u>101991101</u>	Nut, M4-0.7	2
19	<u>1241</u>	Washer, 5/16 Type A Flat	1
20	<u>4034</u>	Light Switch (includes items 21 and 22)	1
21	<u>1013857</u>	Knob, Light Switch	1
22	<u>1013858</u>	Switch, Light Without Knob	1
23	<u>7173</u>	Screw, 5/16-18 X 0.75 Hex-Head Cap	1
24	<u>7473</u>	Locknut, 5/16-18 Nylon Insert	1

6

G

6
G



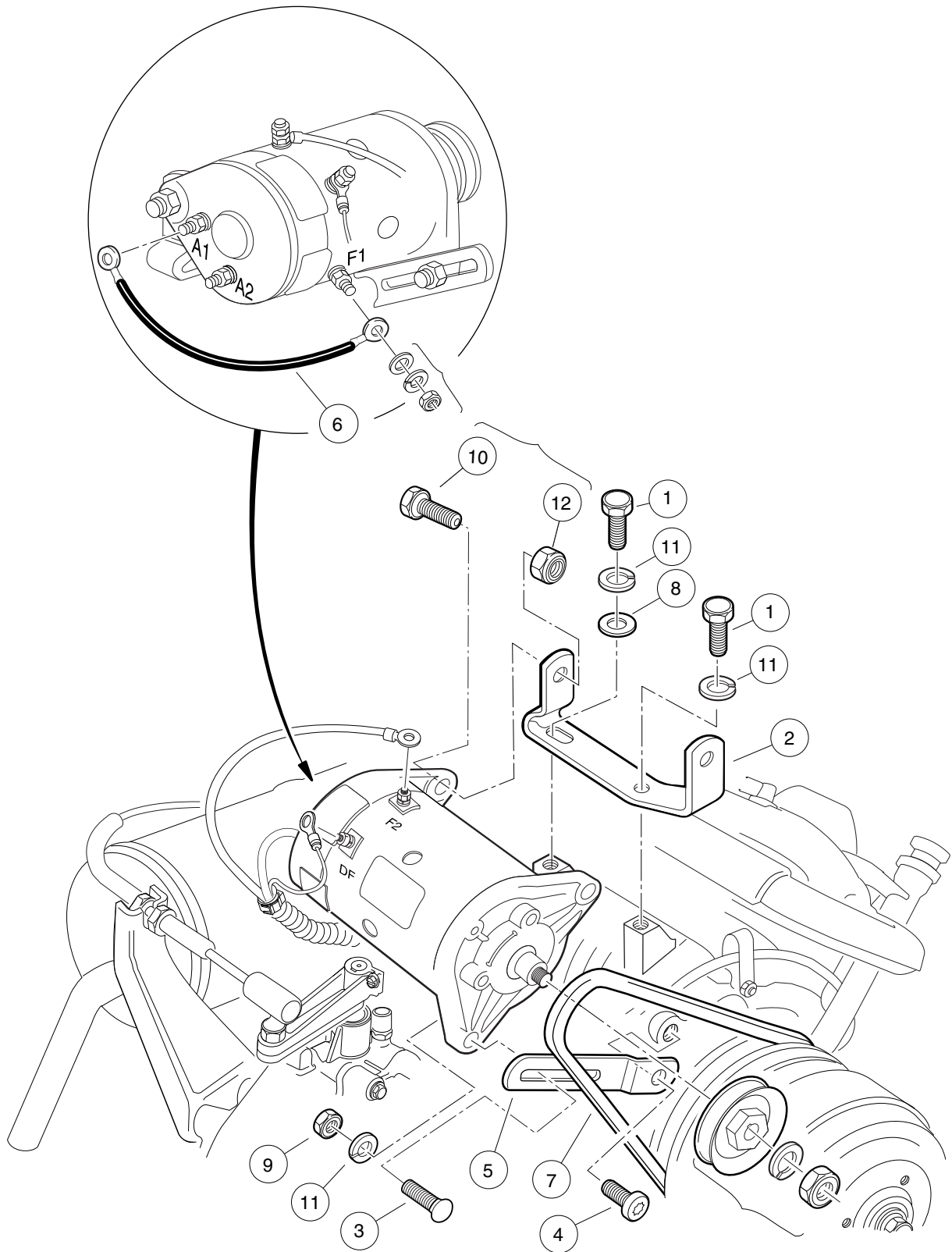
000124-001

STARTER/GENERATOR ASSEMBLY MODEL G425419 – GASOLINE VEHICLES

ITEM	PART NO.	DESCRIPTION	QTY
		1 2 3 4	
1	<u>101833701</u>	Starter/Generator (cw) (includes items 2 through 33)	1
2	<u>1013001</u>	Bearing, Output Shaft Ball	1
3	<u>1013003</u>	Key, Starter/Generator	1
4	<u>1013005</u>	Bearing, Ball	1
5	<u>101301102</u>	Brush Holder Assembly (cw) (includes item 6)	1
6	<u>101878101</u>	Brush Spring Set	4
7	<u>101869302</u>	Brush and Screw Set (cw)	1
8	<u>101874901</u>	Front Bracket	1
9	<u>101875001</u>	Retainer	1
10	<u>101875101</u>	Armature	1
11	<u>101875201</u>	Field Coil Housing	1
12	<u>101875301</u>	Pole Set	1
13	<u>101875401</u>	Screw Set	1
14	<u>101875501</u>	Field Stator Coil Assembly	1
15	<u>101875601</u>	F Insulator Set	2
16	<u>101875701</u>	DF Insulator	1
17	<u>101875802</u>	A Connector (cw)	1
18	<u>101876001</u>	Screw and Mold Assembly	2
19	<u>101876202</u>	Brush Connector Assembly (cw)	2
20	<u>101876301</u>	Cover Set (includes items 21 and 22)	1
21	<u>1012991</u>	Brush Inspection Port Cover	3
22	<u>1017653</u>	Brush Port Cover w/Drain	1
23	<u>101876402</u>	Rear Bracket (cw)	1
24	<u>101876501</u>	Nut and Screw Set (includes items 25 through 29)	1
25	<u>101896501</u>	Brush Holder Asm Screw	2
26	N/A	Washer, M5 Flat	1
27	N/A	Washer, M14 Lock	1
28	N/A	Nut, Hex, M14 x 2	1
29	N/A	Screw, M5 x 0.8 x 18mm	3
30	<u>101877601</u>	Nut and Washer Set	2
31	<u>101877701</u>	Nut and Washer Set	1
32	<u>101879001</u>	Through Bolt Set	2
33	<u>101939901</u>	Spacer	1
34	<u>101875102</u>	Armature Asm Conversion Kit (includes items 35 through 38)	1
35	<u>1013003</u>	Key, Starter/Generator	1
36	<u>1014289</u>	Pulley, Starter/Generator	1
37	<u>101875101</u>	Armature	1
38	<u>101939901</u>	Spacer	1
Note: Item 36 will ONLY fit Model G425419 Starter/Generator.			

6
G

6
G



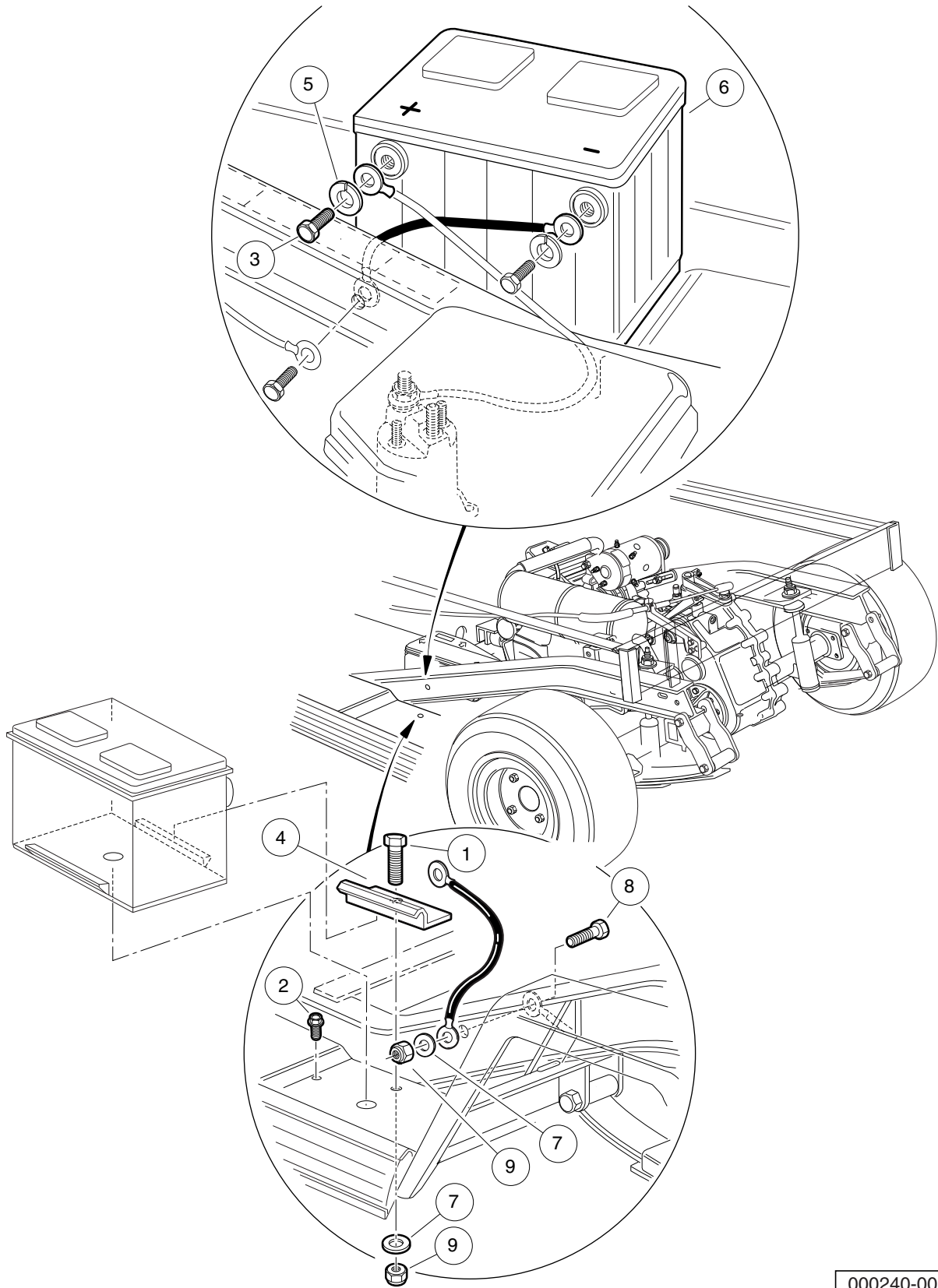
000239-001

STARTER/GENERATOR MOUNTING – TURF/CARRYALL 2, 252, 2 XRT, 6, AND CARRYALL 2 PLUS VEHICLES

ITEM	PART NO.	DESCRIPTION	QTY
		1 2 3 4	
1	<u>1012830</u>	Screw, M8-125 X 22 Hex-Head	2
2	<u>101524002</u>	Bracket, Starter/Generator Mounting	1
3	<u>1015932</u>	Bolt, Carriage, 5/16-18	1
4	<u>1016074</u>	Screw, M8-1.25 X 18mm Torx	1
5	<u>1016883</u>	Bracket, Starter/Generator Adjustment	1
6	<u>101837301</u>	Wire Assy, #6 Green	1
7	<u>101916701</u>	V-Belt	1
8	<u>1241</u>	Washer, 5/16 Type A Flat	1
9	<u>1242</u>	Nut, 5/16-18 Hex	1
10	705	Screw, Cap-hex Hd 3/8-16x1.25	2
11	<u>7174</u>	Lockwasher, 5/16 Split	3
12	<u>8754</u>	Locknut, 3/8-16 Hex	2

6
G

6
G



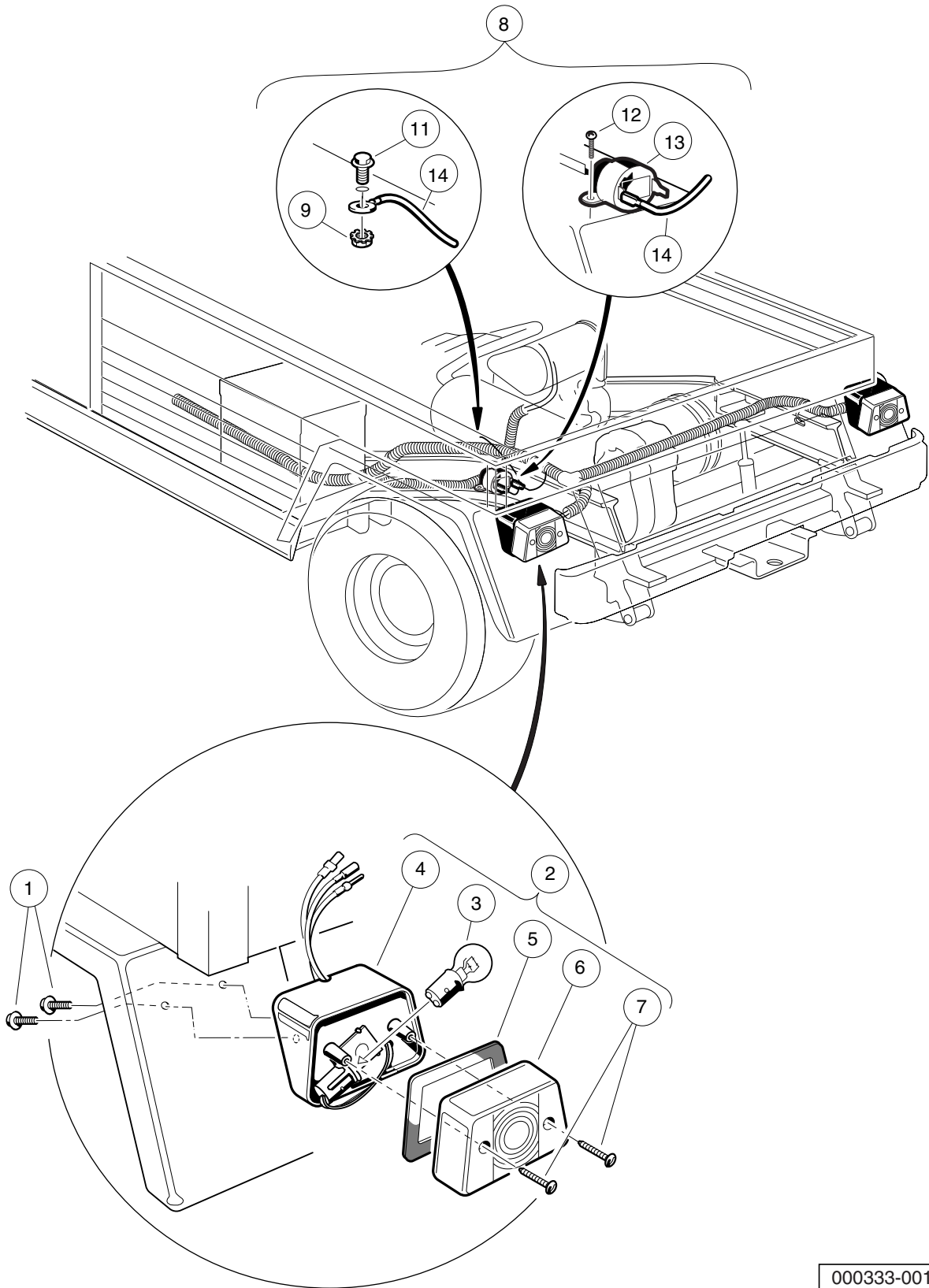
000240-001

BATTERY – GASOLINE VEHICLE

ITEM	PART NO.	DESCRIPTION	QTY
		1 2 3 4	
1	<u>1010934</u>	Screw, 5/16-18 X 1.00 Hex Cap	1
2	<u>1014288</u>	Screw, 5/16-18 X 0.75 Thread-Forming	1
3	<u>1014375</u>	Screw, 3/8-16 X 0.50 Stainless Steel Hex-Head	2
4	<u>101898001</u>	Clamp, Battery	1
5	<u>102355301</u>	Lockwasher, #10 Split Ss	2
6	N/A	Battery, Start, 12v	1
7	<u>1241</u>	Washer, 5/16 Type A Flat	2
8	<u>7173</u>	Screw, 5/16-18 X 0.75 Hex-Head Cap	1
9	<u>7473</u>	Locknut, 5/16-18 Nylon Insert	2

6
G

6
G



000333-001

ELECTRICAL COMPONENTS, REAR BODY – GASOLINE TURF/CARRYALL 6

ITEM	PART NO.	DESCRIPTION	QTY
		1 2 3 4	
1	<u>1015752</u>	Screw, #12-16 X 0.625 Hi-Lo	4
2	<u>1016717</u>	Light Assembly, Stop/Taillight (includes items 3 through 7)	2
3	<u>1011582</u>	Taillight Bulb	1
4	N/A	Housing, Taillight	1
5	N/A	Gasket, Taillight	1
6	N/A	Lens, Taillight	1
7	N/A	Screw, Taillight Lens	2
8	<u>1016859</u>	Kit, Reverse Buzzer (includes items 9 through 17)	1
9	<u>1011229</u>	Locknut, #6-32 Whiz	1
10	1012431	Washer, #4 Flat	2
11	<u>1015720</u>	Screw, #6-32 X 1/2 Hex Washer-Head	1
12	<u>1016849</u>	Screw, #4-24 X 0.33 Pan-Head Machine	2
13	<u>1016851</u>	Buzzer, Reverse (9-48 VDC)	1
14	1016857	Wire Assembly Black #18	1
15	<u>8056</u>	Screw, #4-40 X 0.75 Round-Head Machine	2
16	<u>8057</u>	Nut, #4-40 Hex Machine	2
17	<u>8058</u>	Lockwasher, #4 Split	2
		Note: Items 10, and 15 through 17 are included in the reverse buzzer kit, but are not used in this application.	

6
G

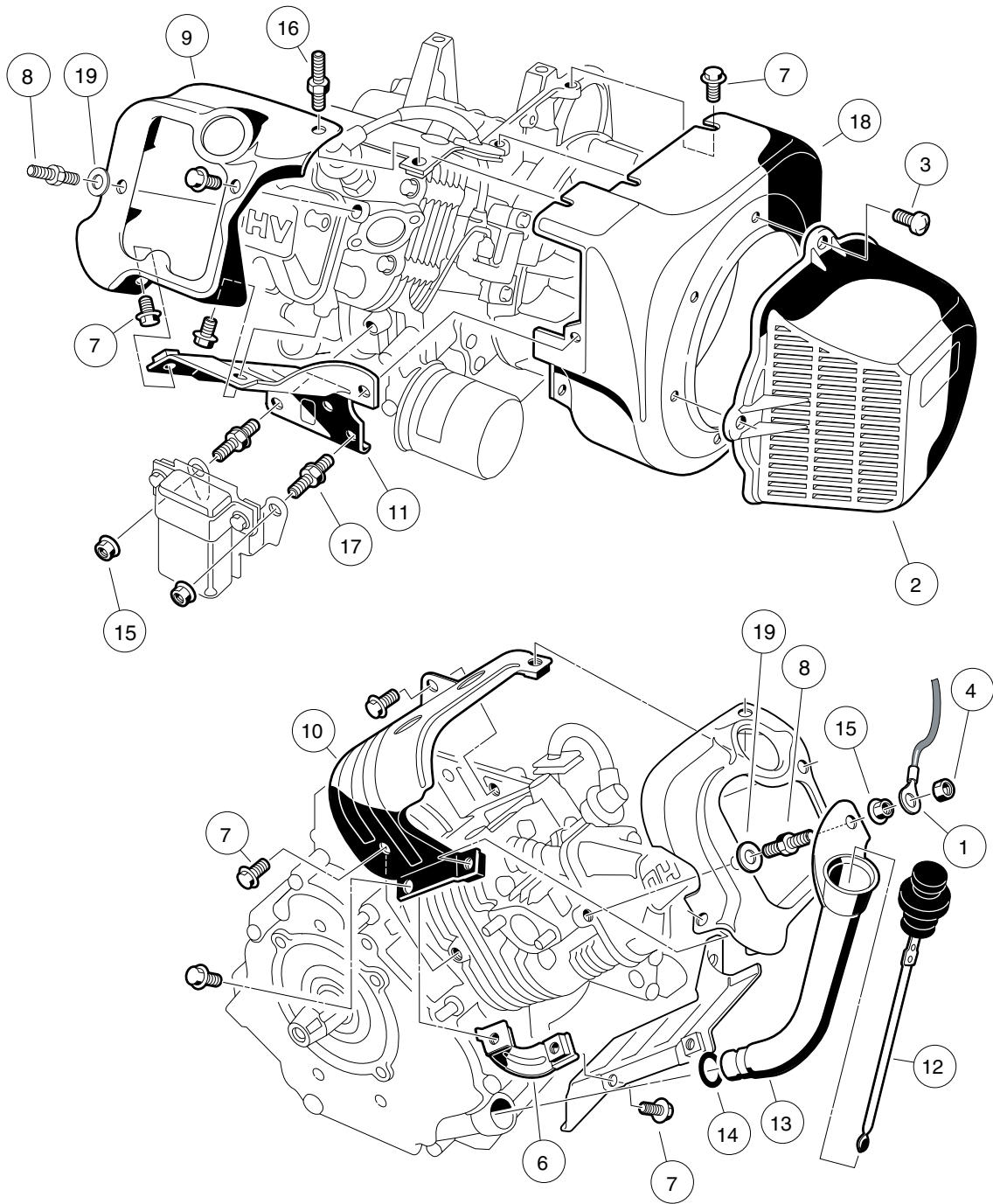
6

G

FE290 ENGINE (PEDAL-START VEHICLES)

7

G



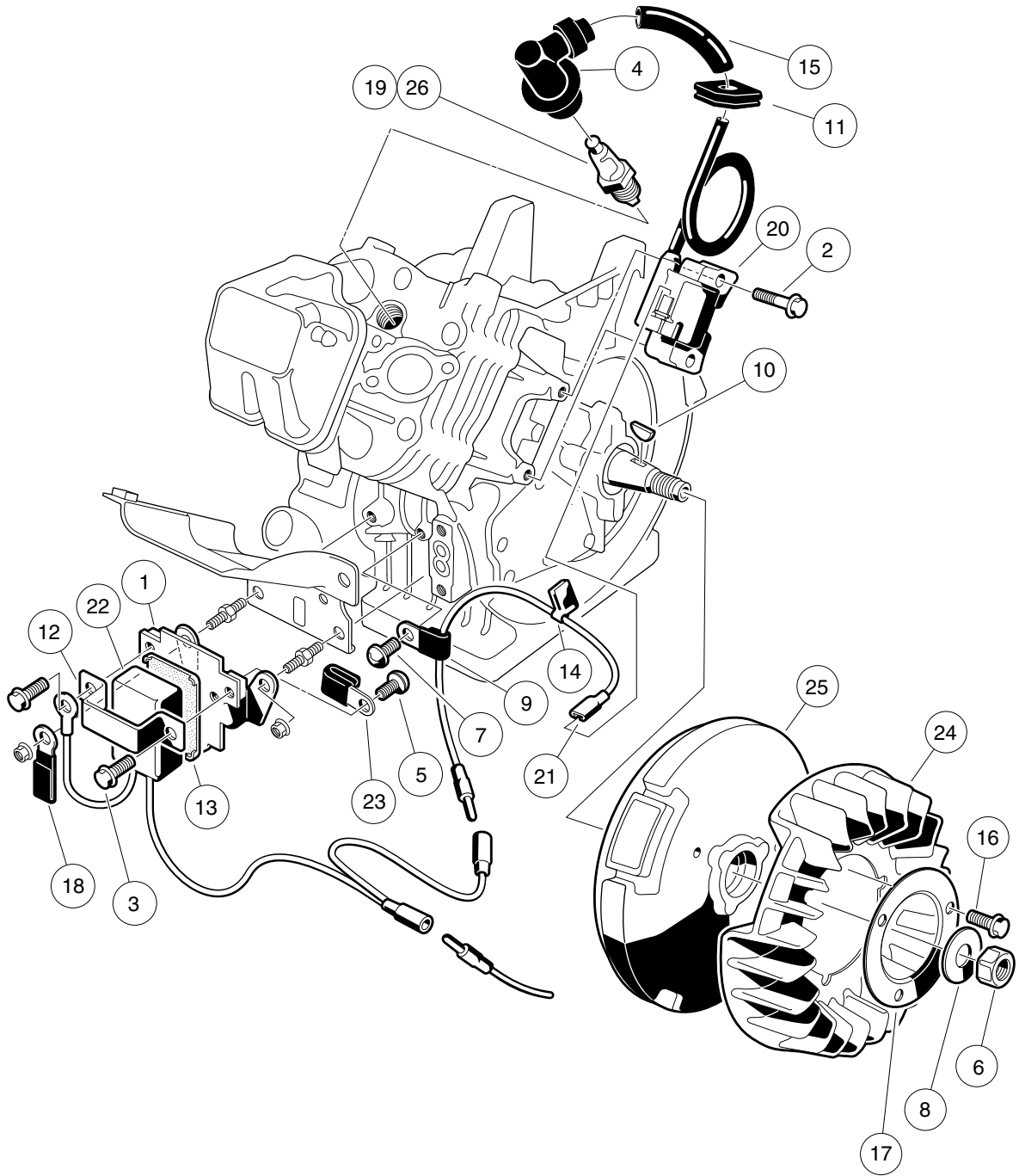
000194-001

FE290 ENGINE – SHROUDS AND BRACKETS

ITEM	PART NO.	DESCRIPTION	QTY
		1 2 3 4	
1	<u>1015332</u>	Wire Assembly, #10, Uninsulated	1
2	<u>1015649</u>	Shroud, Fan	1
3	<u>1015969</u>	Screw, M6-1.00 X 10mm Pan Hd	4
4	<u>101887601</u>	Locknut, M6-1.00 Nylon Insert	1
5	<u>101953901</u>	Engine, FE290 (cw) * (includes items 6 through 19)	1
6	<u>1016443</u>	Bracket	1
7	<u>1016456</u>	Bolt, Flange Head, M6 x 1 x 12 mm	15
8	<u>1016507</u>	Bolt, Two-Ended	1
9	<u>1016524</u>	Shroud, Engine, FE290D	1
10	<u>1016525</u>	Shroud, Engine, FE290D	1
11	<u>1016526</u>	Shroud, Engine, FE290D	1
12	<u>1016531</u>	Dipstick	1
13	<u>1016536</u>	Tube, Oil Filler, FE290D	1
14	<u>1016539</u>	O-Ring	1
15	<u>1016547</u>	Nut, M6 Flange	3
16	<u>1017221</u>	Screw, M6-1.00 Stud	1
17	<u>101909701</u>	Stud, M6-1.00, Two-Ended	2
18	<u>101915601</u>	Housing, FE290 Fan	1
19	N/A	Washer, 6 mm Flat	1
* Note: FE290 engine component listings span several pages.			

7

G



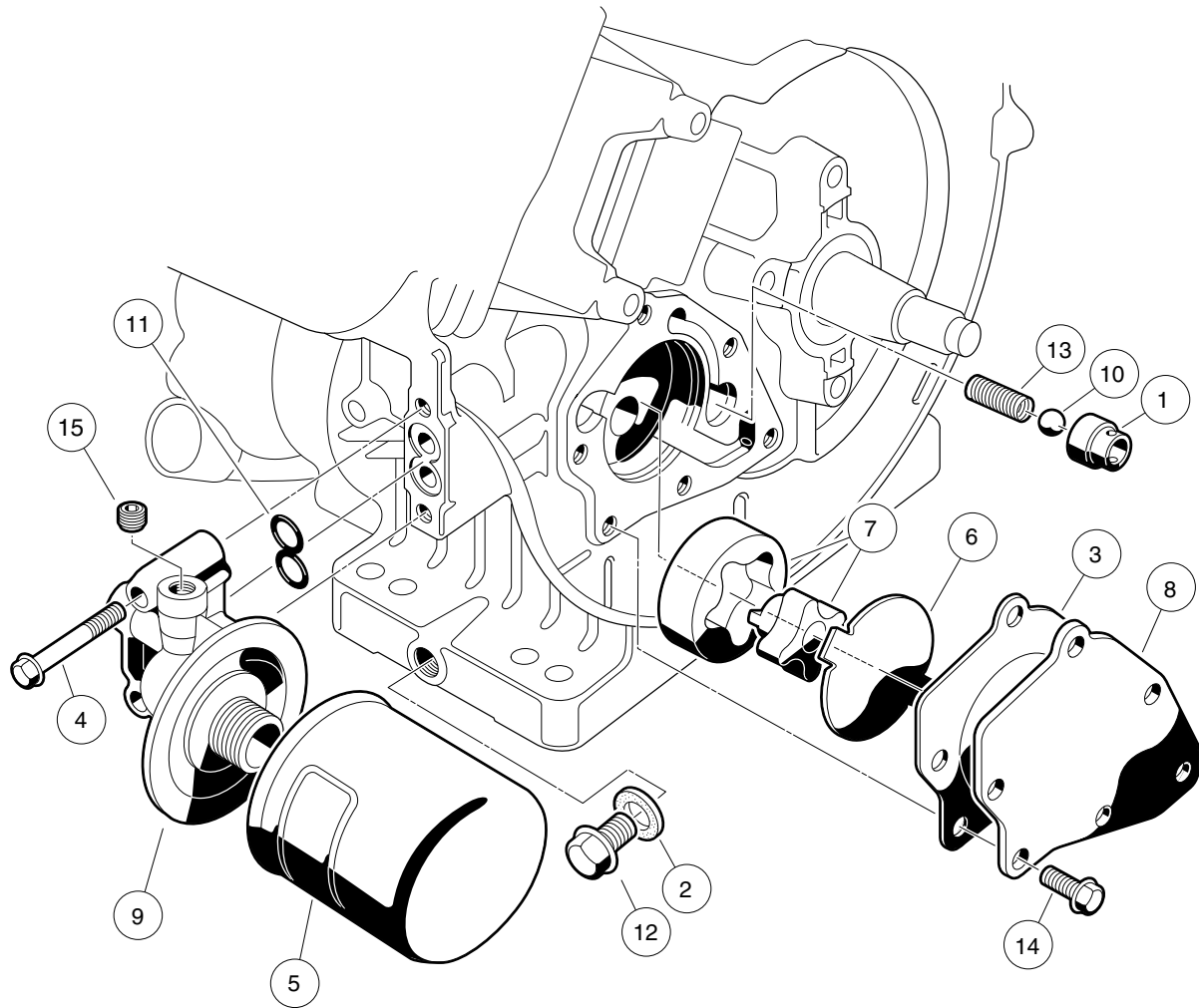
000195-001

FE290 ENGINE – IGNITION COMPONENTS AND FLYWHEEL

ITEM	PART NO.	DESCRIPTION	QTY
		1 2 3 4	
1	1016445	Bracket, RPM Limiter	1
2	<u>1016455</u>	Bolt, Flange Head	2
3	1016456	Bolt, Flange Head, M6 x 1 x 12 mm	2
4	<u>1016493</u>	Cap, Spark Plug	1
5	<u>1016497</u>	Screw, Pan WP Cross	1
6	<u>1016505</u>	Nut, Hex, Fine	1
7	<u>1016544</u>	Screw	1
8	<u>1016548</u>	Washer, M16 Flat	1
9	<u>1016561</u>	Clamp	1
10	<u>1016562</u>	Key	1
11	<u>1016578</u>	Ignition, Grommet	1
12	<u>1016579</u>	Band, RPM Limiter Mount	1
13	1016586	Damper, RPM Limiter	1
14	<u>1016587</u>	Clamp	1
15	<u>1016588</u>	Tube, 7mm X 10mm X 70mm	1
16	<u>1017448</u>	Bolt, Flanged	3
17	<u>1017455</u>	Plate, Flywheel Fan	1
18	<u>1017468</u>	Clamp	1
19	<u>101881101</u>	Spark Plug, OHV (Autolite)	1
20	<u>101909201</u>	Coil, Ignition	1
21	<u>101909301</u>	Lead Wire Assy	1
22	101909401	Limiter, RPM	1
23	101909501	Clamp, Steel	1
24	<u>101915801</u>	Fan, FE290 (cw)	1
25	<u>101929301</u>	Flywheel, Complete	1
26	<u>AM10724</u>	Spark Plug, OHV (NGK)	1

7

G

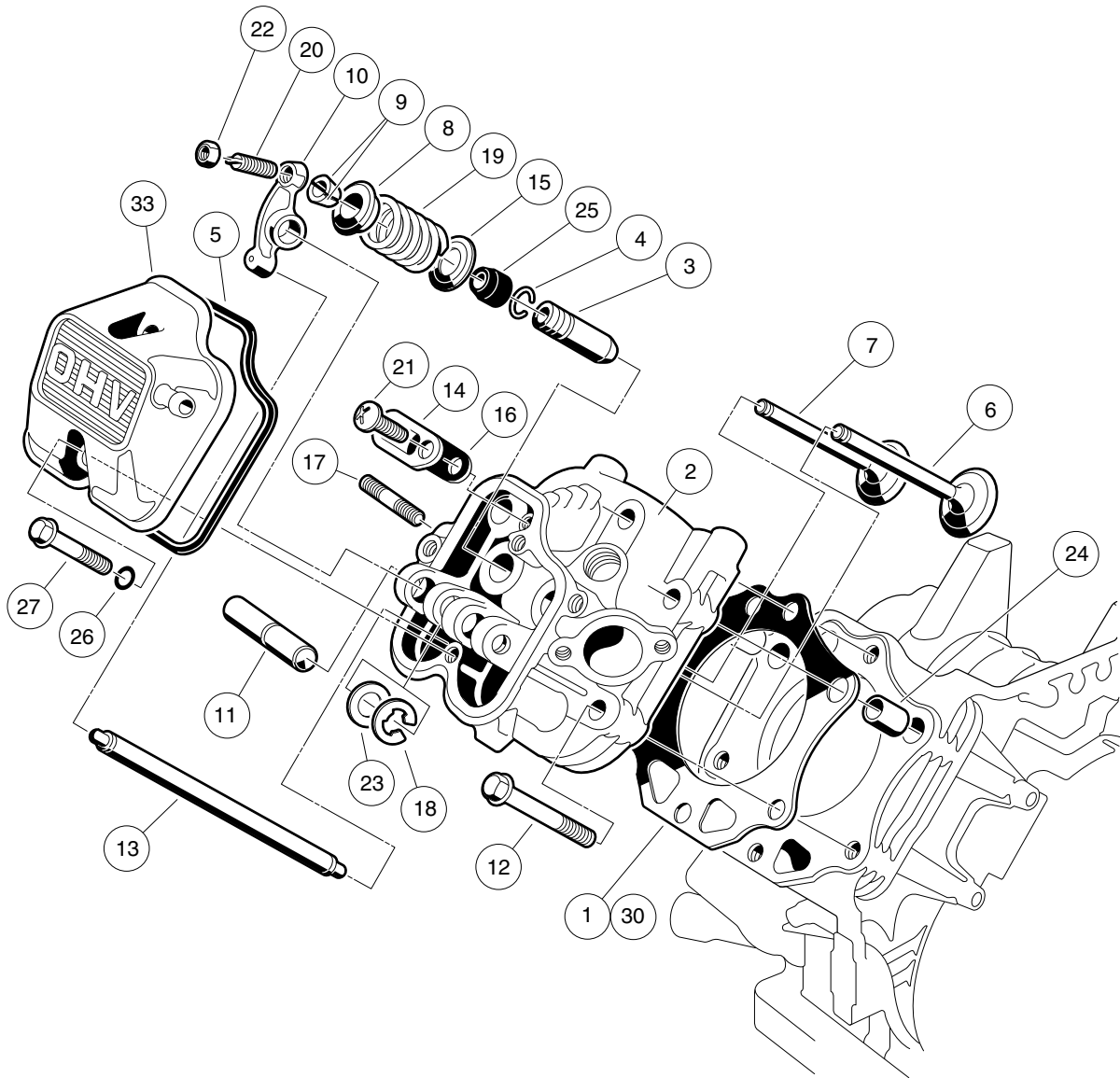


000196-001

FE290 ENGINE – OIL CIRCULATION

ITEM	PART NO.	DESCRIPTION	QTY
		1 2 3 4	
1	1016429	Seat, Value Oil Press Relief	1
2	<u>1016432</u>	Gasket, Drain Plug	1
3	<u>1016435</u>	Gasket, Oil Pump	1
4	<u>1016457</u>	Bolt, Flange Head	2
5	<u>1016467</u>	Filter, Oil	1
6	<u>1016473</u>	Plate, Oil Pump	1
7	<u>101648203</u>	Oil Pump And Rotor	1
8	<u>1016484</u>	Cover, Pump	1
9	<u>1016502</u>	Bracket, Oil Filter Mount	1
10	<u>1016537</u>	Ball, Steel, Press, Relief	1
11	<u>1016570</u>	O-Ring	1
12	1016576	Plug, Drain	1
13	<u>1016581</u>	Spring	1
14	<u>1017456</u>	Bolt, Flanged	6
15	<u>1017507</u>	Plug	2

7
G



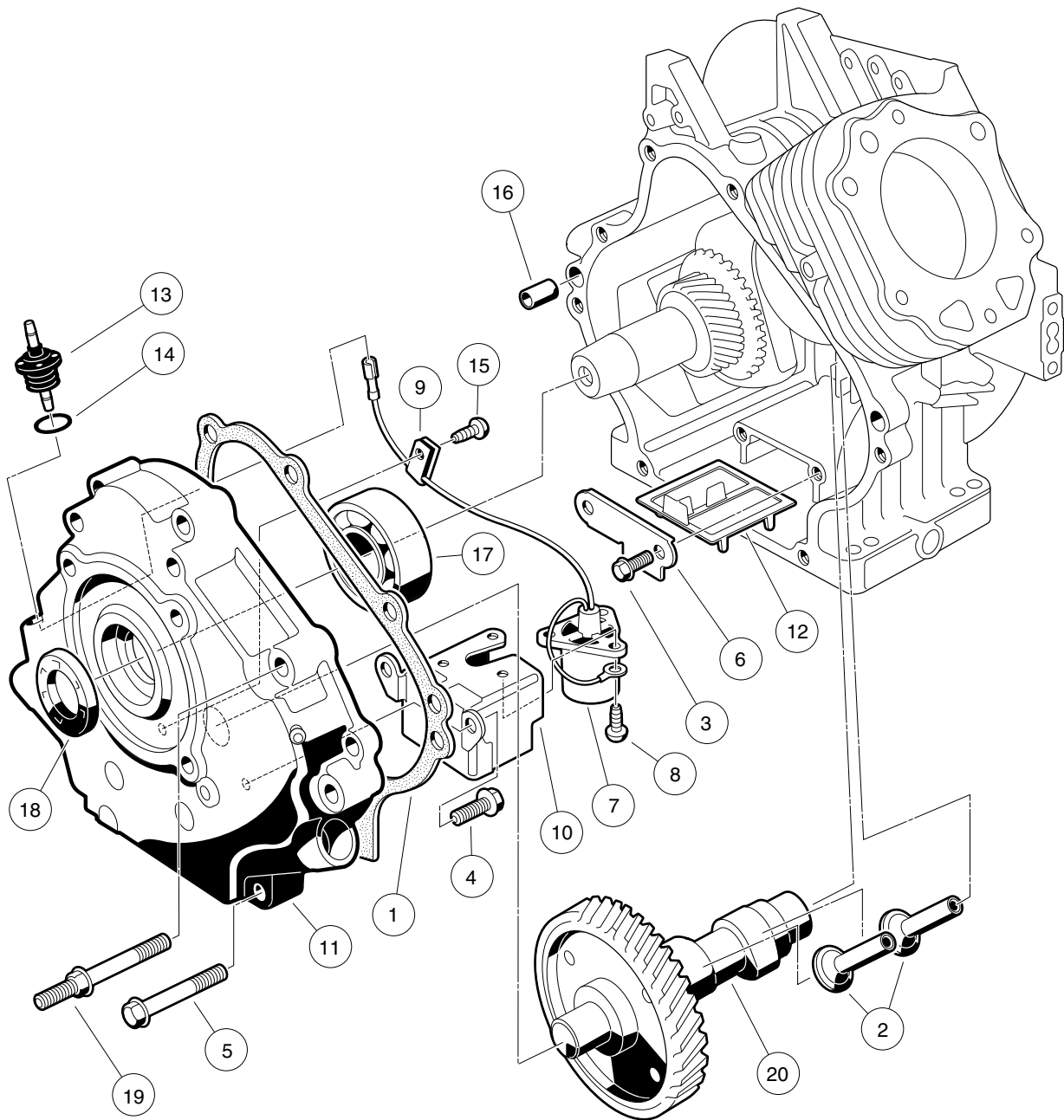
000197-001

FE290 ENGINE – CYLINDER HEAD

ITEM	PART NO.	DESCRIPTION	QTY
		1 2 3 4	
1	<u>1016430</u>	Gasket, Head, FE290	1
2	<u>1016431</u>	Head Assembly, FE290 Cylinder (includes items 3 and 4)	1
3	<u>1016519</u>	Guide, Valve	2
4	<u>1016560</u>	Snap Ring	2
5	<u>1016436</u>	Gasket, Rocker Case	1
6	<u>1016447</u>	Valve, Intake	1
7	<u>1016448</u>	Valve, Exhaust	1
8	<u>1016449</u>	Retainer, Valve Spring	2
9	<u>1016450</u>	Collet	4
10	1016451	Arm, Rocker	2
11	<u>1016452</u>	Shaft, Rocker	1
12	<u>1016458</u>	Bolt, Flange Head, M8 x 1.25 x 45 mm	6
13	1016471	Rod, Push	2
14	<u>1016474</u>	Plate	1
15	<u>1016479</u>	Seat, Spring	2
16	<u>1016483</u>	Valve	1
17	<u>1016489</u>	Stud, Two-Ended, M8-1.25	2
18	<u>1016517</u>	Circlip, Type-E	1
19	1016523	Spring, Engine Valve	2
20	1016542	Screw	2
21	<u>1016544</u>	Screw	1
22	<u>1016545</u>	Nut	2
23	<u>1016549</u>	Washer, 12.1x19x1.8	1
24	<u>1016563</u>	Pin	2
25	<u>1016566</u>	Seal, Oil	2
26	<u>1016569</u>	O-Ring	2
27	<u>1016583</u>	Bolt, 6x35	2
28	<u>102304701</u>	Kit, Gasket, FE290 (includes items 29 through 32)	1
29	<u>1015330</u>	Gasket, Exhaust	1
30	<u>1016430</u>	Gasket, Head, FE290	1
31	<u>1016440</u>	Gasket, Engine to Insulator	1
32	<u>1016446</u>	Gasket, Crankcase Cover	1
33	<u>102753401</u>	Case, Rocker	1

7

G



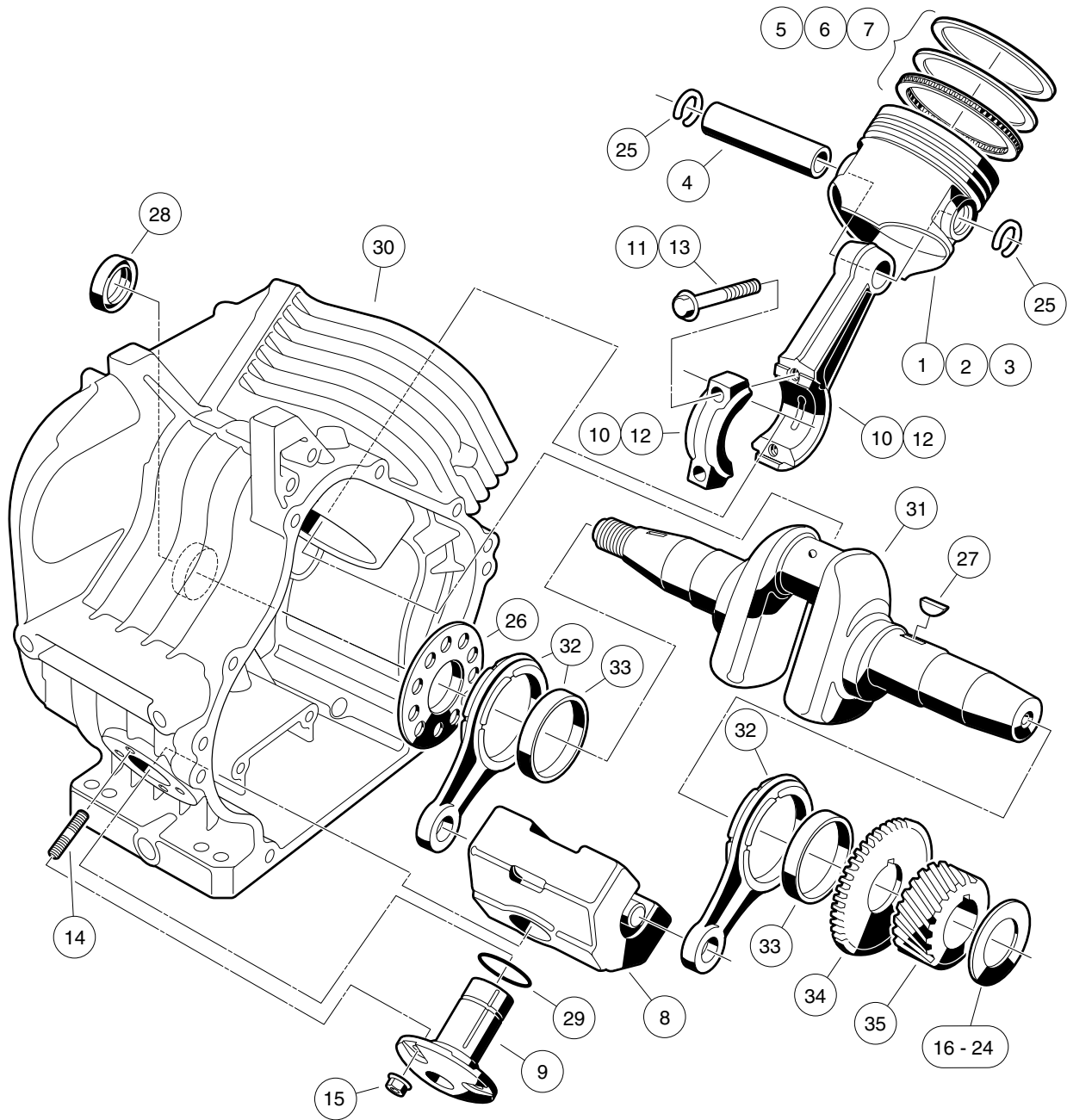
000198-001

FE290 ENGINE – CRANKCASE, CAMSHAFT, AND OIL SENSOR

ITEM	PART NO.	DESCRIPTION	QTY
		1 2 3 4	
1	<u>1016446</u>	Gasket, Crankcase Cover	1
2	<u>1016453</u>	Tappet	2
3	<u>1016454</u>	Bolt, Flange Head, M5 x 0.8 x 8 mm	2
4	<u>1016456</u>	Bolt, Flange Head, M6 x 1 x 12 mm	2
5	<u>1016458</u>	Bolt, Flange Head, M8 x 1.25 x 45 mm	6
6	<u>1016472</u>	Plate, Oil Filter Screen	1
7	<u>1016494</u>	Sensor, Oil Level	1
8	<u>1016496</u>	Screw, Cross Pan-Head, M4 x 0.7 x 8 mm	3
9	<u>1016506</u>	Clamp	1
10	<u>1016510</u>	Bracket, Switch, Oil Level	1
11	<u>1016520</u>	Cover, Crankcase	1
12	<u>1016521</u>	Screen, Oil Filter	1
13	<u>1016535</u>	Connector, Cord	1
14	<u>1016538</u>	O-Ring	1
15	<u>1016544</u>	Screw	1
16	<u>1016564</u>	Pin	2
17	<u>1016565</u>	Bearing, Ball	1
18	<u>1016567</u>	Seal, Crankshaft	1
19	<u>1016584</u>	Bolt, Two-Ended, M8 x 1.25 x 69 mm	2
20	<u>101915401</u>	Camshaft Complete, FE290	1

7

G



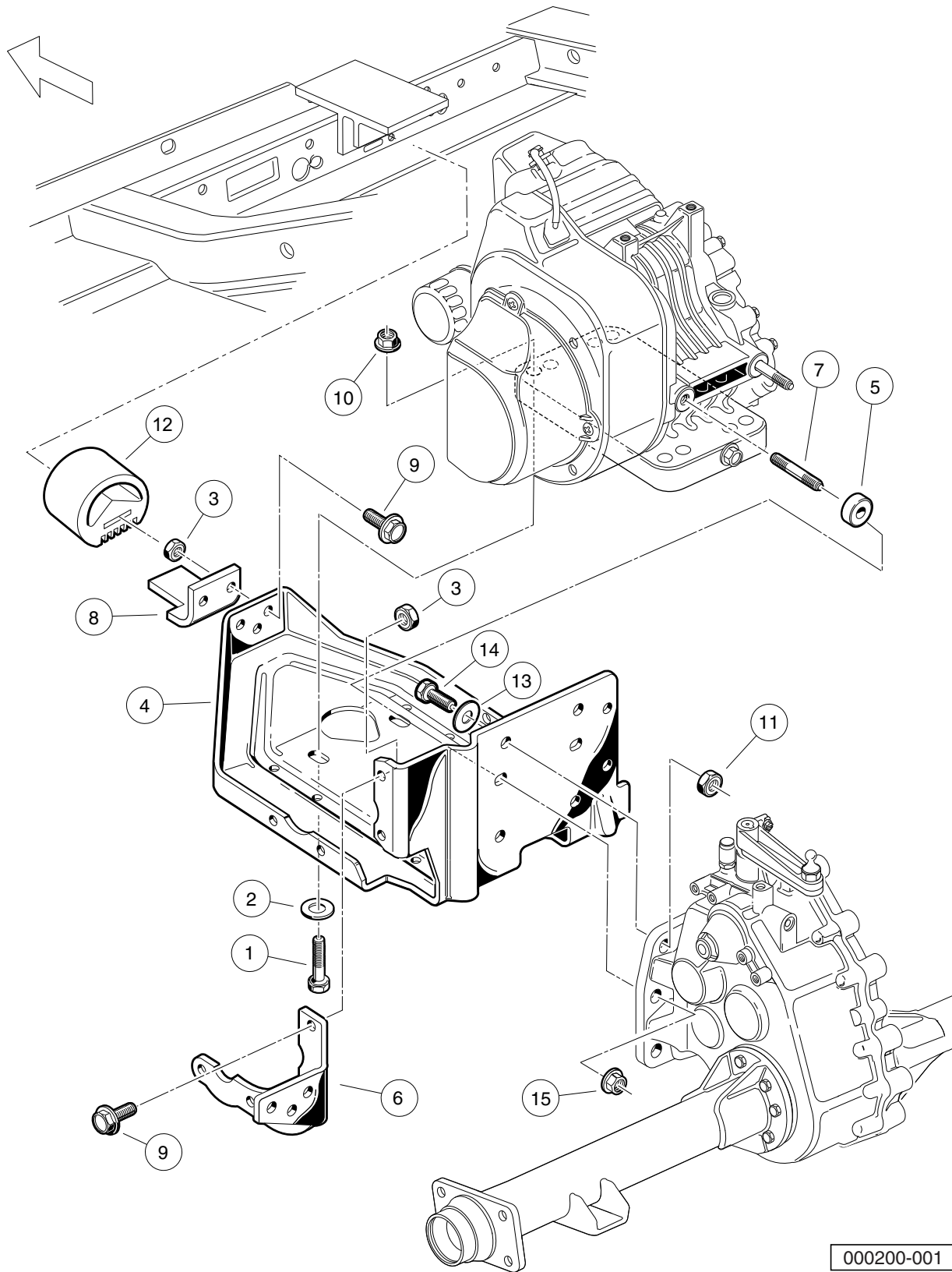
000199-001

FE290 ENGINE – CRANKCASE AND CRANKSHAFT

ITEM	PART NO.	DESCRIPTION	QTY
		1 2 3 4	
1	<u>101645901</u>	Piston	1
2	<u>101645902</u>	Piston, Engine 0.25 mm Over	1
3	<u>101645903</u>	Piston, Engine 0.50 mm Over	1
4	<u>1016460</u>	Pin, Piston	1
5	<u>101646101</u>	Ring Set, Piston	1
6	<u>101646102</u>	Ring Set, Piston 0.25 mm Over	1
7	<u>101646103</u>	Ring Set, Piston 0.50 mm Over	1
8	<u>1016469</u>	Weight, Counterbalance	1
9	<u>1016470</u>	Shaft, Guide, Counterbalance	1
10	<u>101647501</u>	Rod Assembly (includes item 11)	1
11	<u>1016509</u>	Bolt	2
12	<u>101647502</u>	Rod Assembly, Connecting 0.50 mm Under (includes item 13)	1
13	<u>1016509</u>	Bolt	2
14	<u>1016541</u>	Stud, 6x14	4
15	<u>1016547</u>	Nut, M6 Flange	4
16	<u>101655001</u>	Shim, Crankshaft T=1.13	1
17	<u>101655002</u>	Shim, Crankshaft T=1.18	1
18	<u>101655003</u>	Shim, Crankshaft T=1.23	1
19	<u>101655004</u>	Shim, Crankshaft T=1.28	1
20	<u>101655005</u>	Shim, Crankshaft T=1.33	1
21	<u>101655006</u>	Shim, Crankshaft T=1.38	1
22	<u>101655007</u>	Shim, Crankshaft T=1.43	1
23	<u>101655008</u>	Shim, Crankshaft T=1.48	1
24	<u>101655009</u>	Shim, Crankshaft T=1.53	1
25	<u>1016558</u>	Ring, Snap	2
26	<u>1016559</u>	Spacer	1
27	<u>1016562</u>	Key	1
28	<u>1016568</u>	Seal, Oil	1
29	<u>1016571</u>	O-Ring	1
30	<u>101915501</u>	Crankcase Complete, FE290 (cw)	1
31	<u>101922301</u>	Crankshaft, FE290 Left-Hand Thread (includes items 32 through 35)	1
32	<u>1016516</u>	Rod (includes item 33)	2
33	<u>1016580</u>	Bearing, Plane	1
34	<u>1016532</u>	Gear, Spur	1
35	<u>1016533</u>	Gear, Helical	1

7
G

7
G



000200-001

FE290 ENGINE MOUNTING – TURF/CARRYALL 1

ITEM	PART NO.	DESCRIPTION	QTY
		1 2 3 4	
1	<u>1010577</u>	Bolt, Hex-Head, 5/16-18 X 1.50	4
2	1012571	Washer, 5/16 Extra Thick Flat	4
3	<u>1013924</u>	Nut, 5/16-24 Hex Head Cone	6
4	<u>101827101</u>	Plate, Engine Mounting	1
5	<u>101832101</u>	Spacer, Powdered Metal	2
6	<u>101832701</u>	Stiffener (Flywheel Side)	1
7	<u>101833201</u>	Stud, M8-1.25 X 60mm Two-Ended	2
8	<u>101834601</u>	Snubber Bracket	1
9	<u>101884801</u>	Screw, 5/16-24 X 0.875 Grade-8	6
10	<u>101963401</u>	Locknut, 5/16-18 Hex Flange	4
11	<u>102065901</u>	Locknut, 3/8-16 Flanged Dimple	4
12	<u>102540301</u>	Inner Frame Snubber	1
13	<u>334</u>	Washer, 3/8 Type A Flat	4
14	705	Screw, Cap-hex Hd 3/8-16x1.25	4
15	<u>96704416</u>	Nut Flg, M8 X 1.25 Serrated	2

7

G

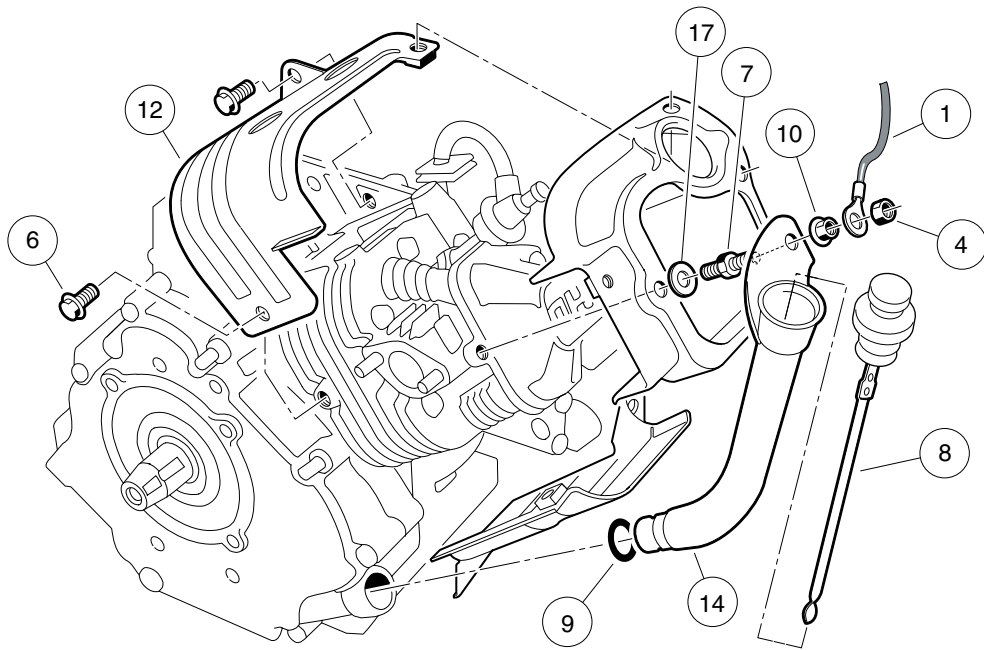
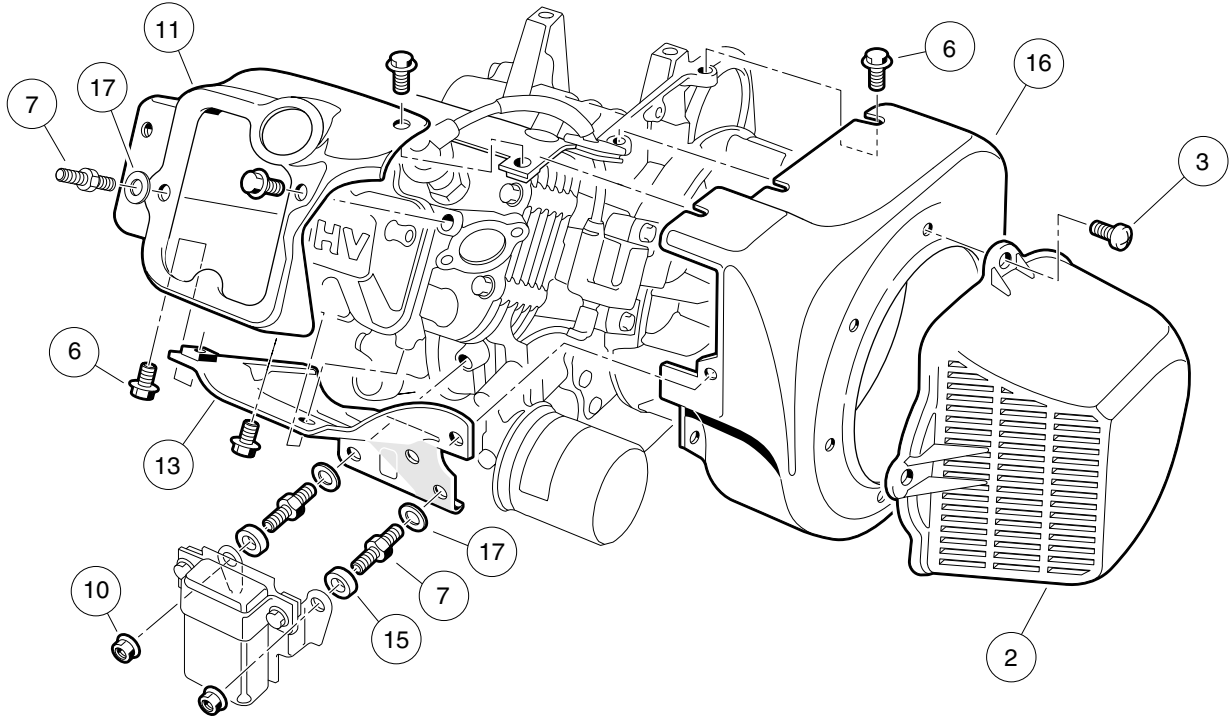
7

G

FE350 ENGINE WITH ACR (KEY-START VEHICLES)

8

G



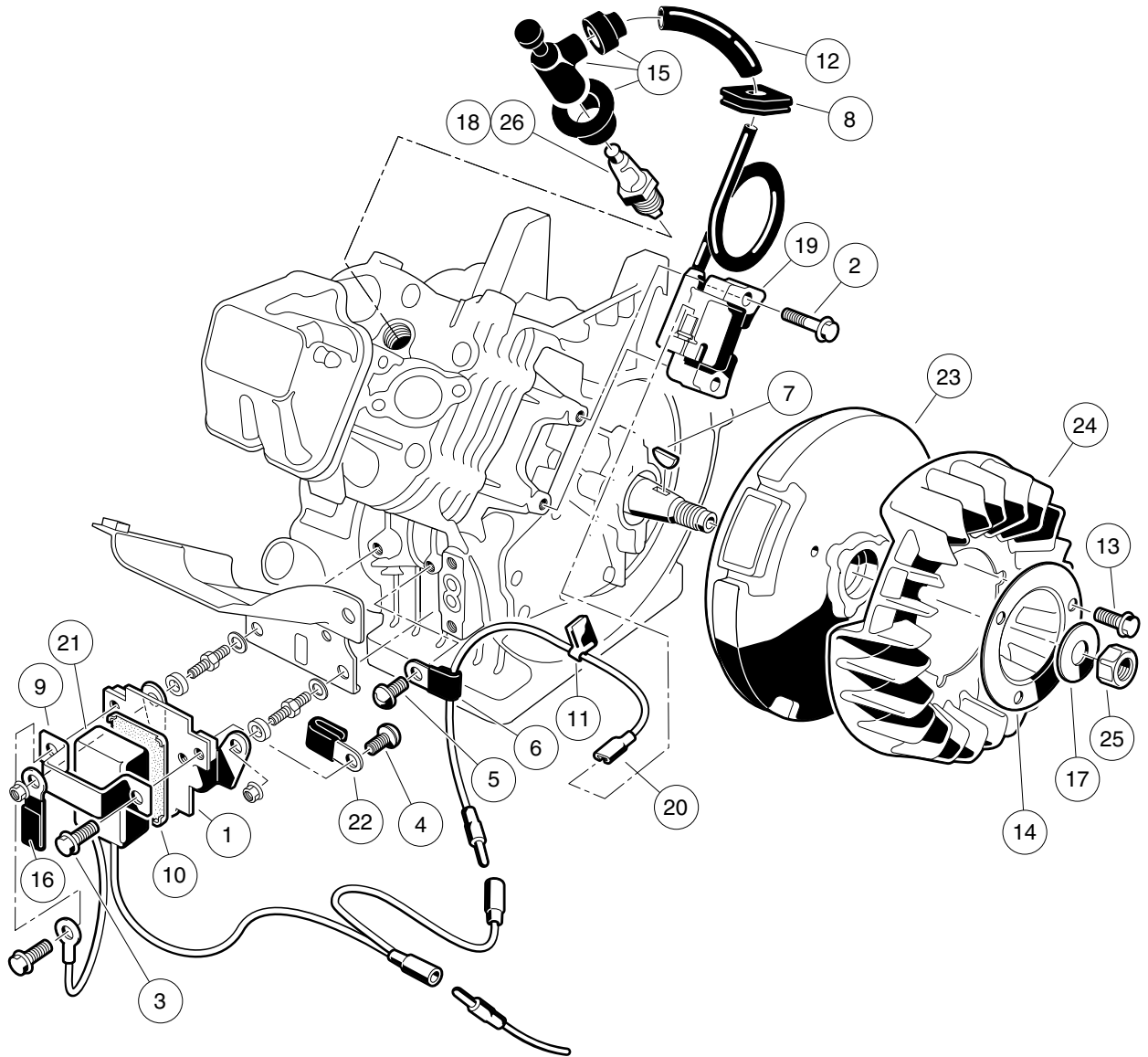
000201-001

FE350 ENGINE WITH ACR (AUTOMATIC COMPRESSION RELEASE) – SHROUDS AND BRACKETS

ITEM	PART NO.	DESCRIPTION	QTY
		1 2 3 4	
1	<u>1015332</u>	Wire Assembly, #10, Uninsulated	1
2	<u>1015649</u>	Shroud, Fan	1
3	<u>1015969</u>	Screw, M6-1.00 X 10mm Pan Hd	4
4	<u>101887601</u>	Locknut, M6-1.00 Nylon Insert	1
5	<u>101953801</u>	Engine, FE350 (cw) with ACR * (includes items 6 through 17)	1
6	1016456	Bolt, Flange Head, M6 x 1 x 12 mm	14
7	<u>1016507</u>	Bolt, Two-Ended	3
8	1016531	Dipstick	1
9	<u>1016539</u>	O-Ring	1
10	1016547	Nut, M6 Flange	3
11	<u>1017474</u>	Shroud, Engine	1
12	<u>1017475</u>	Shroud, Engine	1
13	<u>1017476</u>	Shroud, Engine	1
14	<u>1017486</u>	Tube, Oil Filler	1
15	<u>1017500</u>	Spacer 6.50 X 12 X 5.5	2
16	<u>101916101</u>	Housing, FE350 Fan	1
17	N/A	Washer, 6mm Flat	3
		* Note: FE350 engine component listings span several pages.	

8

G

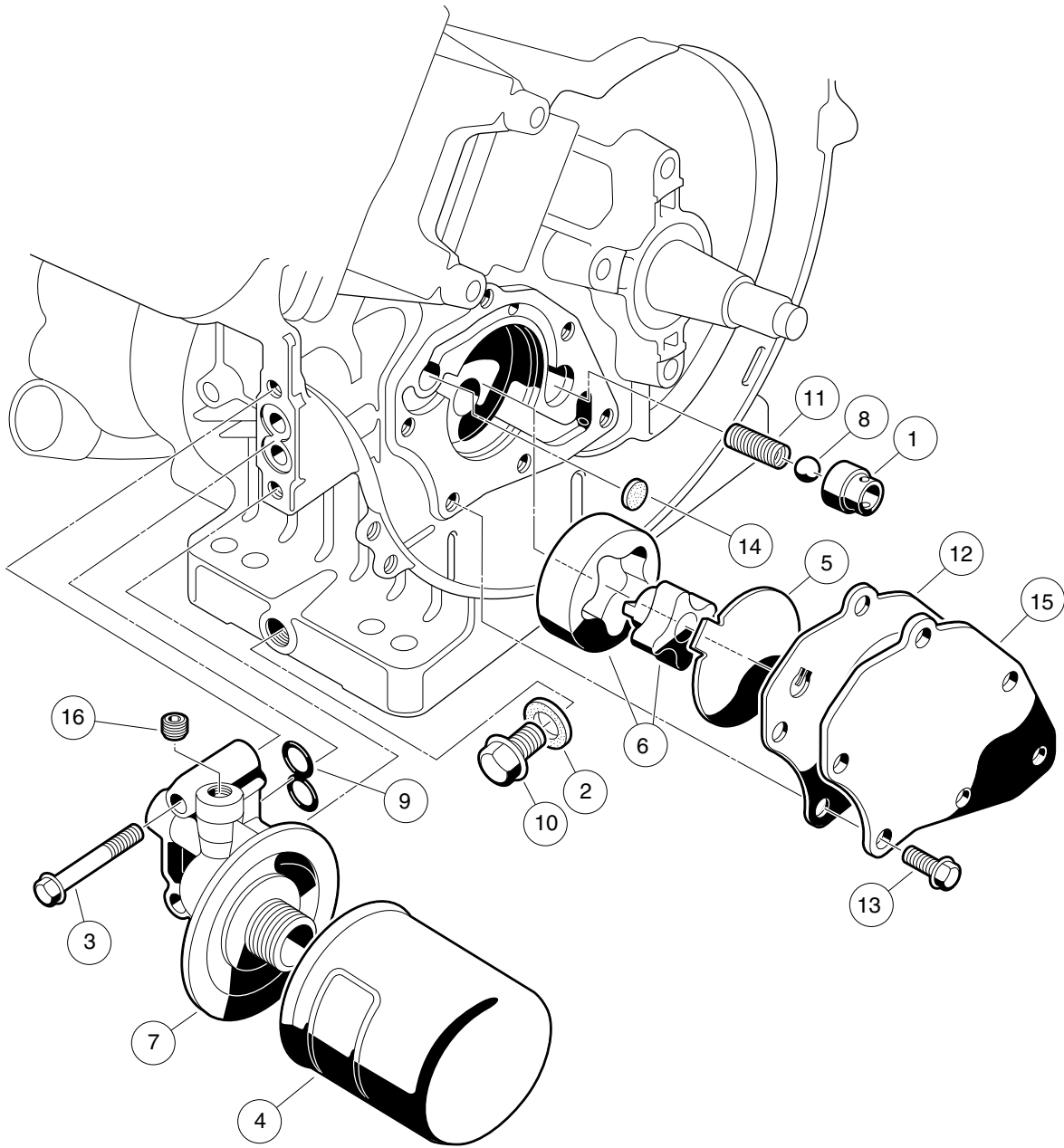


000202-001

AS11 FE350 ENGINE – IGNITION COMPONENTS AND FLYWHEEL

ITEM	PART NO.	DESCRIPTION	QTY
		1 2 3 4	
1	1016445	Bracket, RPM Limiter	1
2	<u>1016455</u>	Bolt, Flange Head	2
3	1016456	Bolt, Flange Head, M6 x 1 x 12 mm	2
4	<u>1016497</u>	Screw, Pan WP Cross	1
5	<u>1016544</u>	Screw	1
6	<u>1016561</u>	Clamp	1
7	<u>1016562</u>	Key	1
8	<u>1016578</u>	Ignition, Grommet	1
9	<u>1016579</u>	Band, RPM Limiter Mount	1
10	1016586	Damper, RPM Limiter	1
11	<u>1016587</u>	Clamp	1
12	<u>1016588</u>	Tube, 7mm X 10mm X 70mm	1
13	<u>1017448</u>	Bolt, Flanged	3
14	<u>1017455</u>	Plate, Flywheel Fan	1
15	<u>1017463</u>	Cap Asm Plug	1
16	<u>1017468</u>	Clamp	1
17	<u>1017490</u>	Washer, Flat	1
18	<u>101881101</u>	Spark Plug, OHV (Autolite)	1
19	<u>101909201</u>	Coil, Ignition	1
20	<u>101909301</u>	Lead Wire Assy	1
21	101909401	Limiter, RPM	1
22	101909501	Clamp, Steel	1
23	<u>101916201</u>	Flywheel	1
24	<u>101916301</u>	Fan (cw)	1
25	N/A	Nut, Hex, 18 mm Fine	1
26	<u>AM10724</u>	Spark Plug, OHV (NGK)	1

8
G

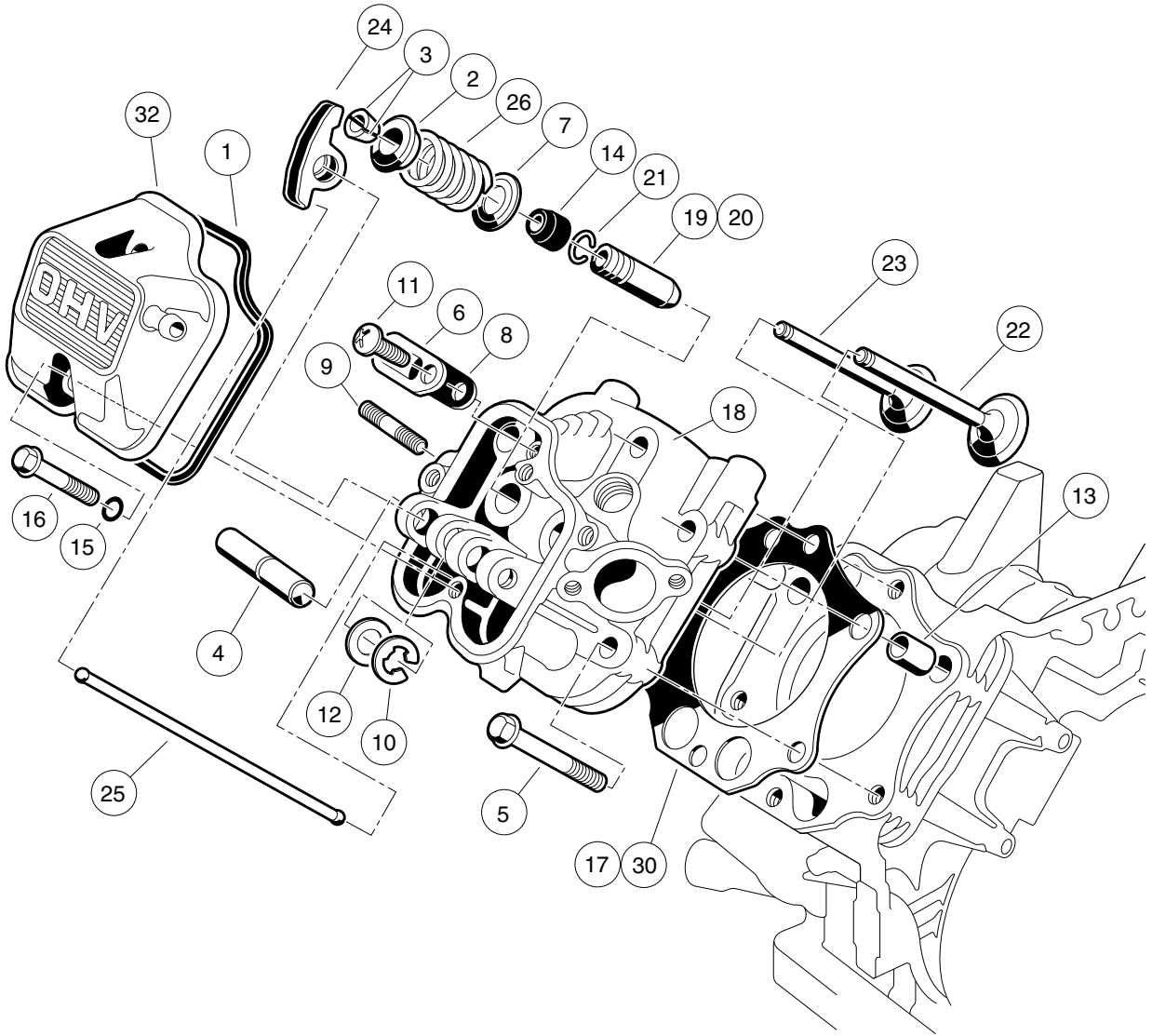


000203-001

FE350 ENGINE – OIL CIRCULATION

ITEM	PART NO.	DESCRIPTION	QTY
		1 2 3 4	
1	1016429	Seat, Value Oil Press Relief	1
2	<u>1016432</u>	Gasket, Drain Plug	1
3	<u>1016457</u>	Bolt, Flange Head	2
4	<u>1016467</u>	Filter, Oil	1
5	<u>1016473</u>	Plate, Oil Pump	1
6	<u>101648203</u>	Oil Pump And Rotor	1
7	<u>1016502</u>	Bracket, Oil Filter Mount	1
8	<u>1016537</u>	Ball, Steel, Press, Relief	1
9	<u>1016570</u>	O-Ring	1
10	1016576	Plug, Drain	1
11	<u>1016581</u>	Spring	1
12	<u>1017442</u>	Gasket	1
13	<u>1017456</u>	Bolt, Flanged	6
14	<u>1017458</u>	Filter	1
15	<u>1017460</u>	Cover, Pump	1
16	<u>1017507</u>	Plug	2

8
G



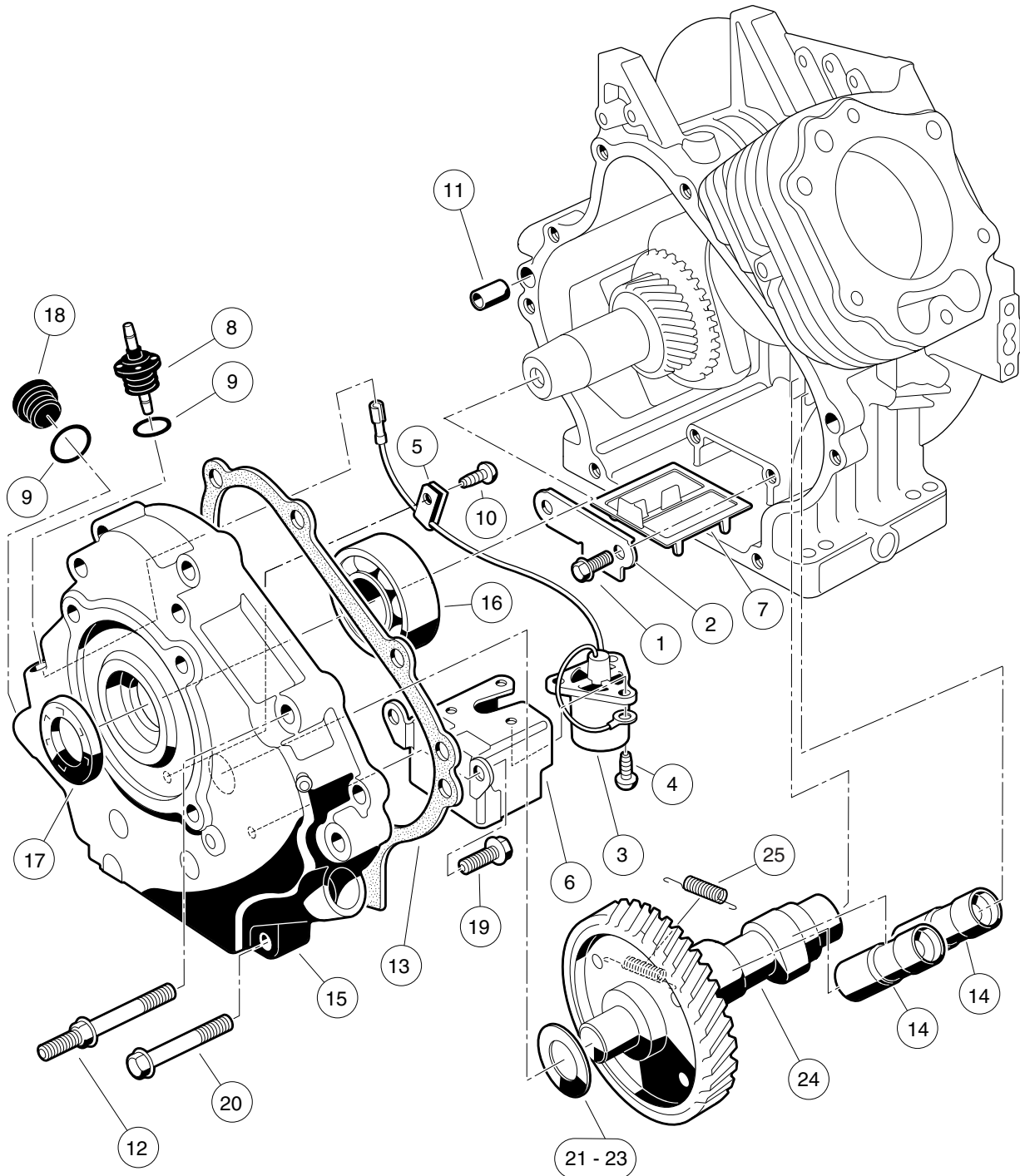
000204-001

AS11 FE350 ENGINE – CYLINDER HEAD

ITEM	PART NO.	DESCRIPTION	QTY
		1 2 3 4	
1	<u>1016436</u>	Gasket, Rocker Case	1
2	<u>1016449</u>	Retainer, Valve Spring	2
3	<u>1016450</u>	Collet	4
4	<u>1016452</u>	Shaft, Rocker	1
5	<u>1016458</u>	Bolt, Flange Head, M8 x 1.25 x 45 mm	6
6	<u>1016474</u>	Plate	1
7	<u>1016479</u>	Seat, Spring	2
8	<u>1016483</u>	Valve	1
9	<u>1016489</u>	Stud, Two-Ended, M8-1.25	2
10	<u>1016517</u>	Circlip, Type-E	1
11	<u>1016544</u>	Screw	1
12	<u>1016549</u>	Washer, 12.1x19x1.8	1
13	<u>1016563</u>	Pin	2
14	<u>1016566</u>	Seal, Oil	2
15	<u>1016569</u>	O-Ring	2
16	<u>1016583</u>	Bolt, 6x35	2
17	<u>1017434</u>	Gasket, Head	1
18	<u>1017435</u>	Assembly, Cylinder Head, FE350 (includes items 19 through 21)	1
19	<u>1016518</u>	Guide, Valve, Exhaust	1
20	<u>1016519</u>	Guide, Valve	1
21	<u>1016560</u>	Snap Ring	2
22	<u>1017444</u>	Valve, Intake	1
23	<u>1017445</u>	Valve, Exhaust	1
24	<u>1017446</u>	Arm, Rocker	2
25	<u>1017454</u>	Rod, Push	2
26	<u>1017473</u>	Spring, Engine Valve	2
27	<u>102304801</u>	Kit, Gasket, FE350 (includes items 28 through 31)	1
28	<u>1016440</u>	Gasket, Engine to Insulator	1
29	<u>1016904</u>	Gasket, Exhaust	1
30	<u>1017434</u>	Gasket, Head	1
31	<u>1017443</u>	Gasket, Crankcase Cover	1
32	<u>102753401</u>	Case, Rocker	1
		Note: Item 28 is not a component of the FE350 engine.	

8

G



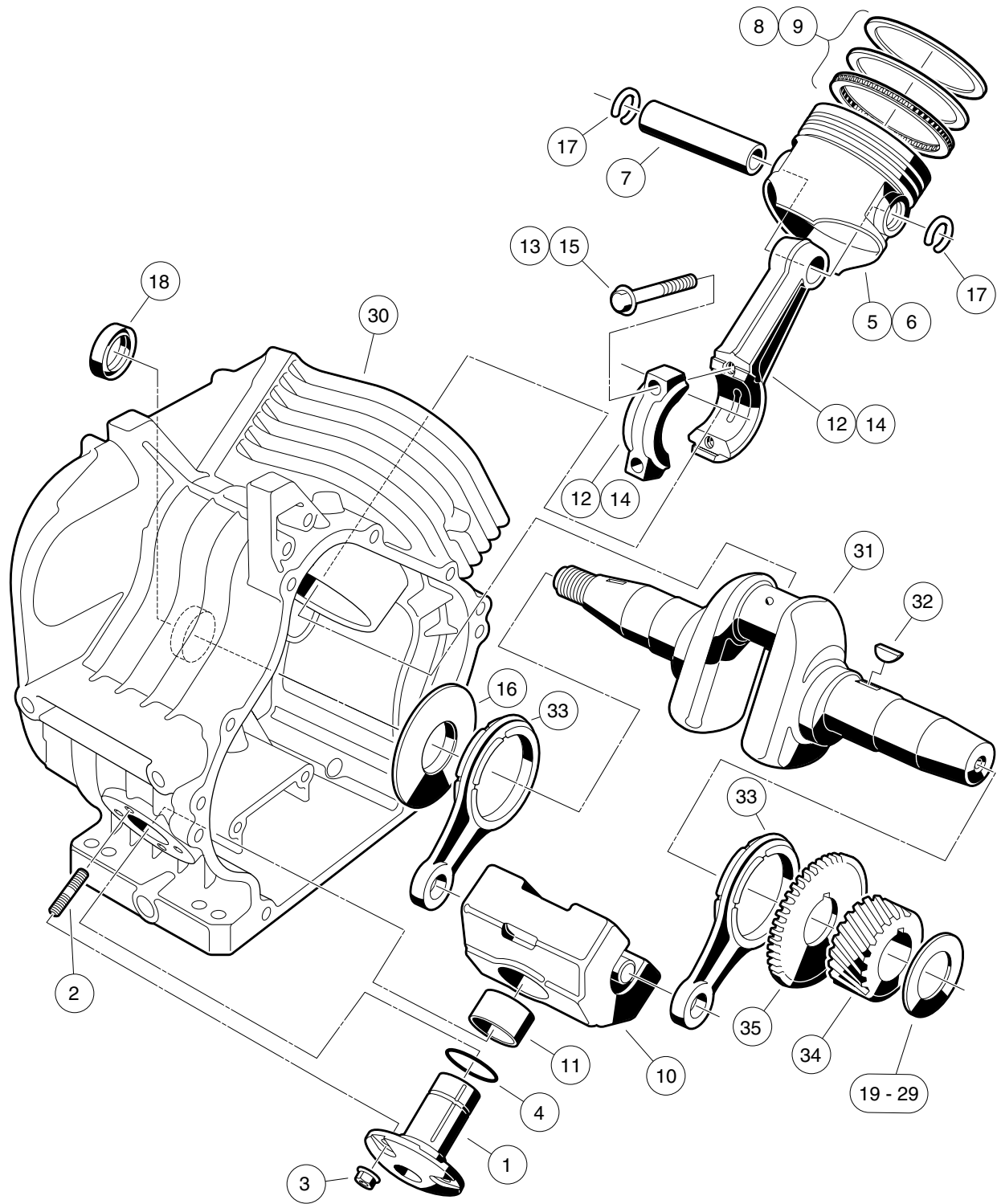
000205-001

FE350 ENGINE WITH ACR – CRANKCASE, CAMSHAFT, AND OIL SENSOR

ITEM	PART NO.	DESCRIPTION	QTY
		1 2 3 4	
1	<u>1016454</u>	Bolt, Flange Head, M5 x 0.8 x 8 mm	2
2	<u>1016472</u>	Plate, Oil Filter Screen	1
3	<u>1016494</u>	Sensor, Oil Level	1
4	<u>1016496</u>	Screw, Cross Pan-Head, M4 x 0.7 x 8 mm	3
5	<u>1016506</u>	Clamp	1
6	<u>1016510</u>	Bracket, Switch, Oil Level	1
7	<u>1016521</u>	Screen, Oil Filter	1
8	<u>1016535</u>	Connector, Cord	1
9	<u>1016538</u>	O-Ring	2
10	<u>1016544</u>	Screw	1
11	<u>1016564</u>	Pin	2
12	<u>1016584</u>	Bolt, Two-Ended, M8 x 1.25 x 69 mm	2
13	<u>1017443</u>	Gasket, Crankcase Cover	1
14	<u>1017447</u>	Adjuster, Lash	2
15	<u>1017472</u>	Cover Crankcase	1
16	<u>1017487</u>	Bearing, Ball	1
17	<u>1017504</u>	Seal, Oil	1
18	<u>1017508</u>	Plug	1
19	<u>1017513</u>	Bolt Switch Bracket	2
20	<u>1017514</u>	Screw, M8-1.25 X 45mm Hex	6
21	<u>101751801</u>	Shim, 0.3	1
22	<u>101751802</u>	Shim, 0.4	1
23	<u>101751803</u>	Shim, 0.5	1
24	<u>102271601</u>	Camshaft, FE350/FE400 with ACR, 44-tooth (includes item 25)	1
25	<u>1017511</u>	Spring	1

8

G



000206-001

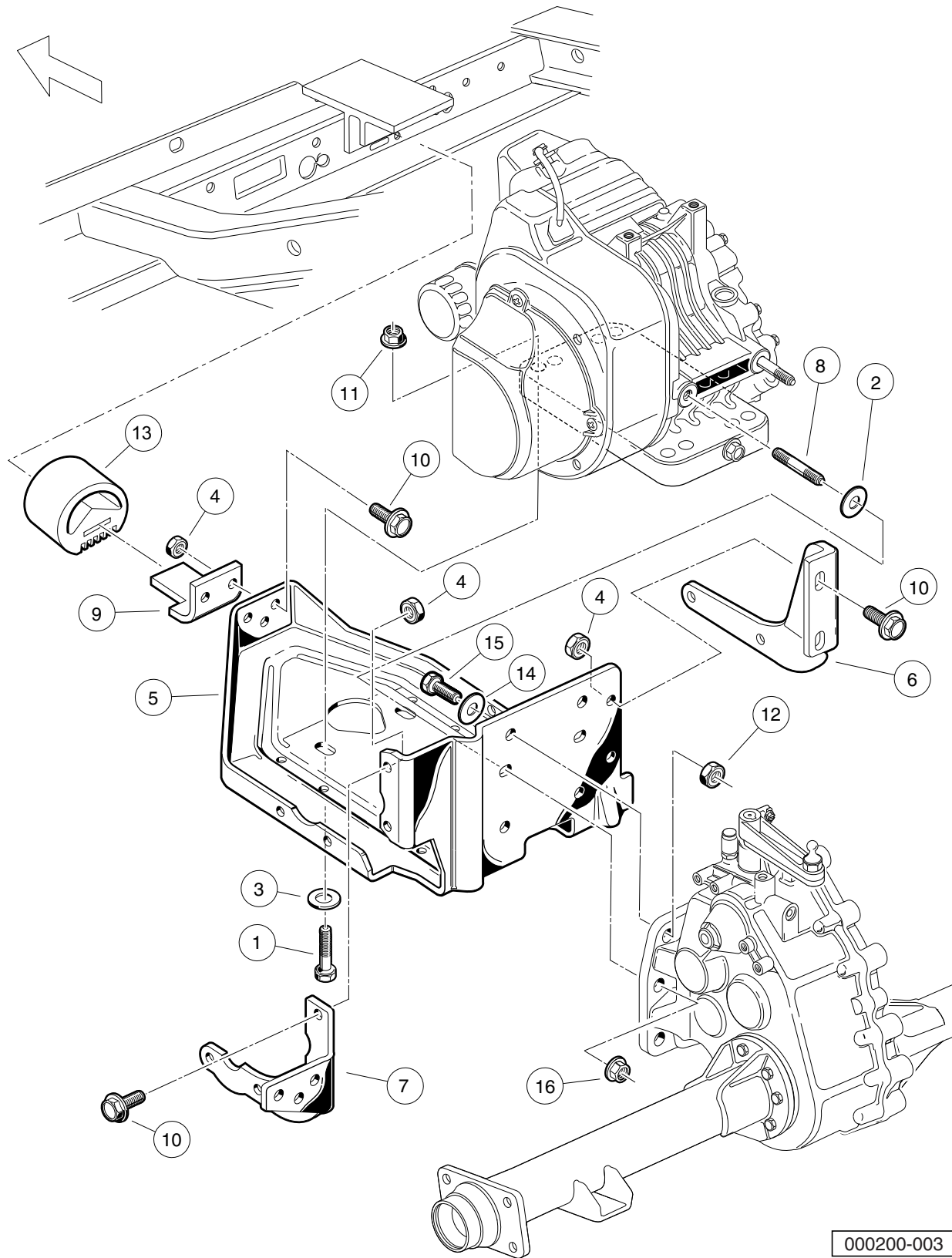
AS11 FE350 ENGINE – CRANKCASE AND CRANKSHAFT

ITEM	PART NO.	DESCRIPTION	QTY
		1 2 3 4	
1	1016470	Shaft, Guide, Counterbalance	1
2	<u>1016541</u>	Stud, 6x14	4
3	1016547	Nut, M6 Flange	4
4	<u>1016571</u>	O-Ring	1
5	<u>101744901</u>	Piston, Standard	1
6	<u>101744902</u>	Piston, 0.50 mm Oversize	1
7	1017450	Pin, Piston	1
8	<u>101745101</u>	Ring Set, Standard Piston	1
9	<u>101745102</u>	Ring Set, Piston, 0.50 mm Oversize	1
10	<u>1017453</u>	Fe400 Counterbalance Weight (includes item 11)	1
11	1017510	Bearing, Plain	1
12	101745701	Asm, Con. Rod Std (includes item 13)	1
13	<u>1017512</u>	Bolt	2
14	<u>101745702</u>	Rod Assembly Connecting Rod 0.5mm (includes item 15)	1
15	<u>1017512</u>	Bolt	2
16	1017501	Spacer	1
17	<u>1017502</u>	Snap Ring	2
18	<u>1017503</u>	Seal, Oil	1
19	<u>101773301</u>	Shim, Crankshaft, 1.18mm	1
20	<u>101773302</u>	Shim, Crankshaft, 1.25mm	1
21	<u>101773303</u>	Shim, Crankshaft, 1.32mm	1
22	<u>101773304</u>	Shim, Crankshaft, 1.39mm	1
23	<u>101773305</u>	Shim, Crankshaft, 1.46mm	1
24	<u>101773306</u>	Shim, Crankshaft, 1.53mm	1
25	<u>101773307</u>	Shim, Crankshaft, 1.60mm	1
26	<u>101773308</u>	Shim, Crankshaft, 1.67mm	1
27	<u>101773309</u>	Shim, Crankshaft, 1.74mm	1
28	<u>101773310</u>	Shim, Crankshaft, 1.11 mm	1
29	<u>101773311</u>	Shim, Crankshaft, 1.81mm	1
30	<u>101916001</u>	Crankcase Complete, FE350 (cw)	1
31	<u>102430901</u>	Crankshaft, FE350 Left-Hand, 22-Tooth (includes items 32 through 35)	1
32	<u>1016562</u>	Key	1
33	<u>1017471</u>	Rod	2
34	N/A	Gear, Helical	1
35	N/A	Gear, Spur	1

8

G

8
G



000200-003

FE350 ENGINE MOUNTING

ITEM	PART NO.	DESCRIPTION	QTY
		1 2 3 4	
1	<u>1010577</u>	Bolt, Hex-Head, 5/16-18 X 1.50	4
2	<u>1011697</u>	Washer, 5/16 Flat	2
3	1012571	Washer, 5/16 Extra Thick Flat	4
4	<u>1013924</u>	Nut, 5/16-24 Hex Head Cone	10
5	<u>101827101</u>	Plate, Engine Mounting	1
6	<u>101832601</u>	Stiffener (PTO Side)	1
7	<u>101832701</u>	Stiffener (Flywheel Side)	1
8	<u>101833101</u>	Stud, M8-1.25 X 50 mm Two-Ended	2
9	<u>101834601</u>	Snubber Bracket	1
10	<u>101884801</u>	Screw, 5/16-24 X 0.875 Grade-8	10
11	<u>101963401</u>	Locknut, 5/16-18 Hex Flange	4
12	<u>102065901</u>	Locknut, 3/8-16 Flanged Dimple	4
13	<u>102540301</u>	Inner Frame Snubber	1
14	<u>334</u>	Washer, 3/8 Type A Flat	4
15	705	Screw, Cap-hex Hd 3/8-16x1.25	4
16	<u>96704416</u>	Nut Flg, M8 X 1.25 Serrated	2

8

G

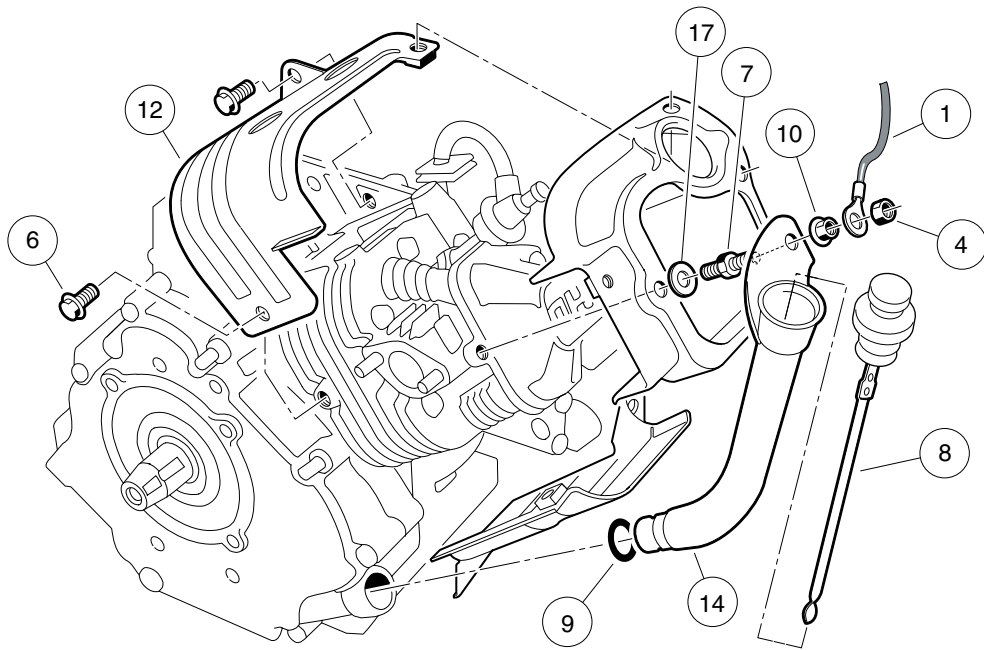
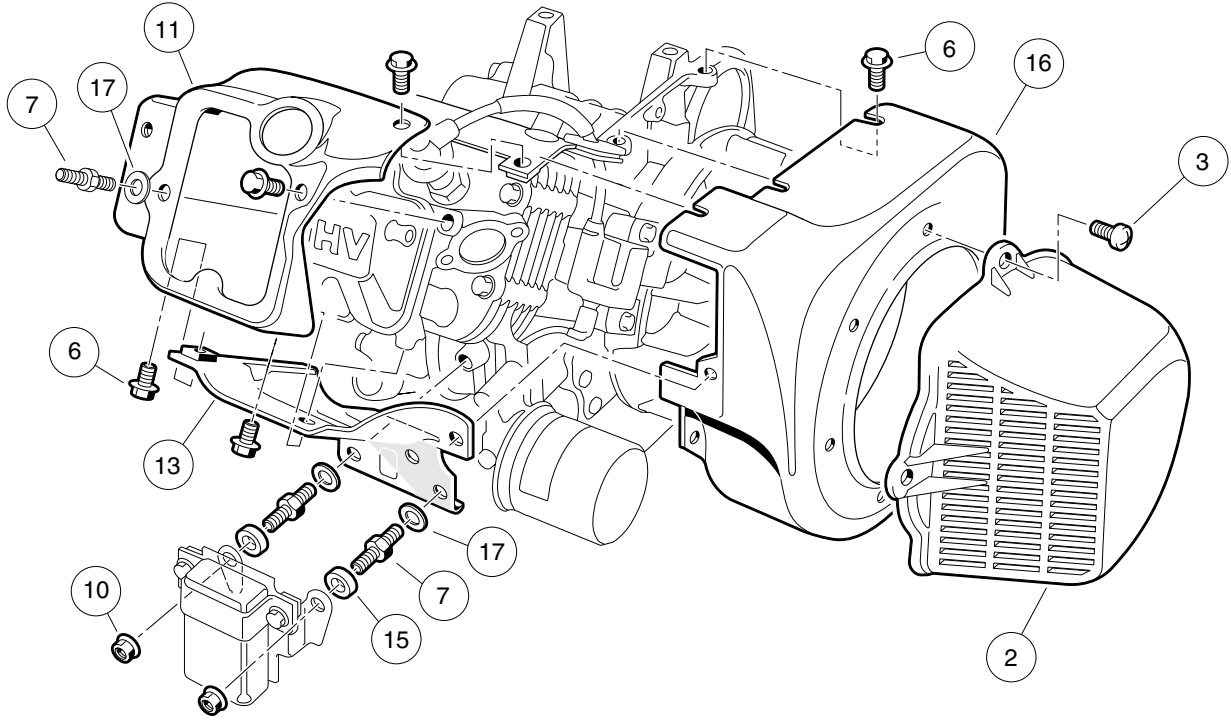
8

G

FE350 ENGINE WITHOUT ACR (PEDAL- START VEHICLES)

9

G

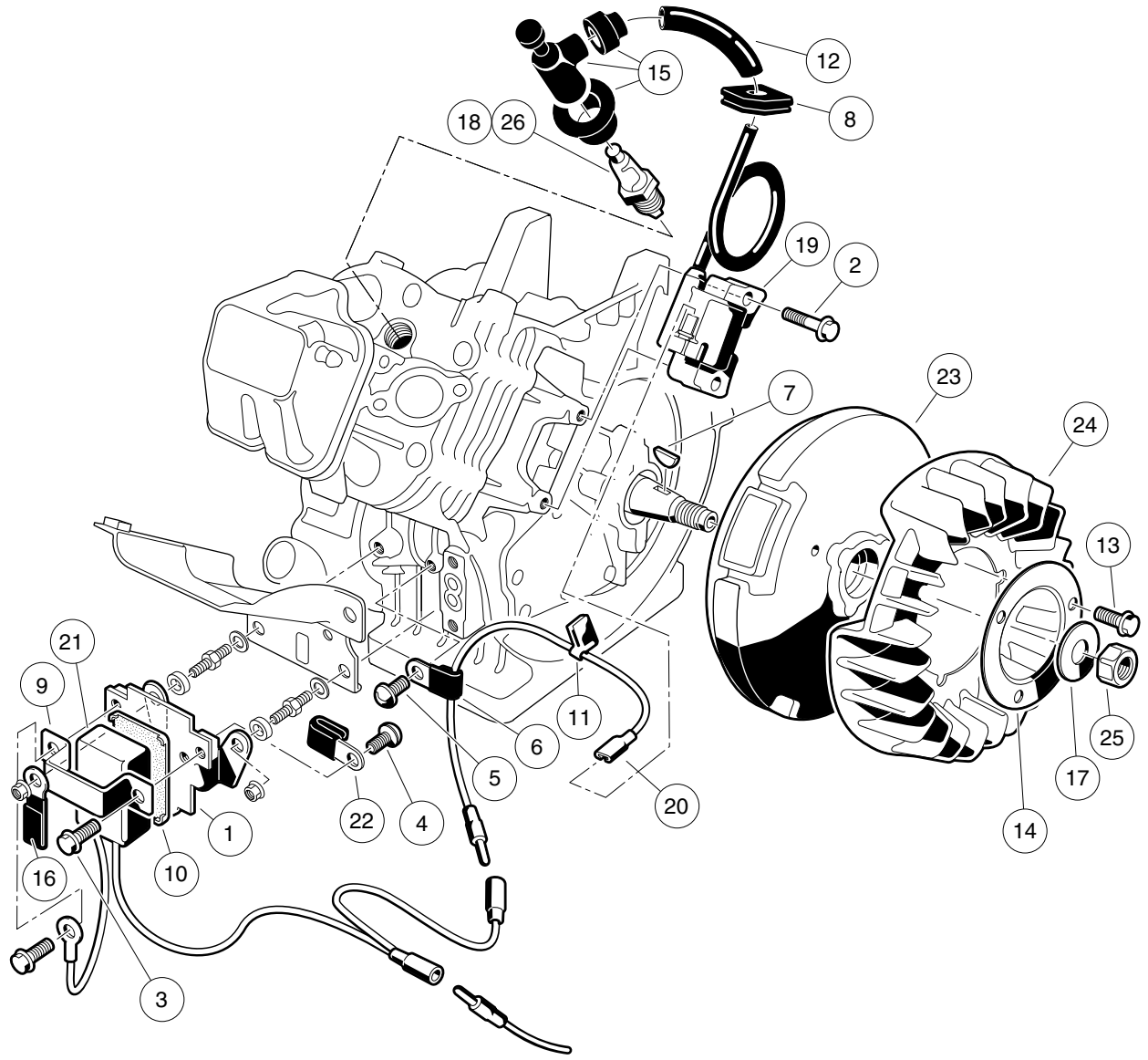


000201-001

AS11 FE350 ENGINE WITHOUT ACR (AUTOMATIC COMPRESSION RELEASE) – SHROUDS AND BRACKETS

ITEM	PART NO.	DESCRIPTION	QTY
		1 2 3 4	
1	<u>1015332</u>	Wire Assembly, #10, Uninsulated	1
2	<u>1015649</u>	Shroud, Fan	1
3	<u>1015969</u>	Screw, M6-1.00 X 10mm Pan Hd	4
4	<u>101887601</u>	Locknut, M6-1.00 Nylon Insert	1
5	<u>101953802</u>	Engine, FE350 (cw) without ACR * (includes items 6 through 17)	1
6	1016456	Bolt, Flange Head, M6 x 1 x 12 mm	14
7	<u>1016507</u>	Bolt, Two-Ended	3
8	1016531	Dipstick	1
9	<u>1016539</u>	O-Ring	1
10	1016547	Nut, M6 Flange	3
11	<u>1017474</u>	Shroud, Engine	1
12	<u>1017475</u>	Shroud, Engine	1
13	<u>1017476</u>	Shroud, Engine	1
14	<u>1017486</u>	Tube, Oil Filler	1
15	<u>1017500</u>	Spacer 6.50 X 12 X 5.5	2
16	<u>101916101</u>	Housing, FE350 Fan	1
17	N/A	Washer, 6mm Flat	3
* Note: FE350 engine component listings span several pages.			

9
G

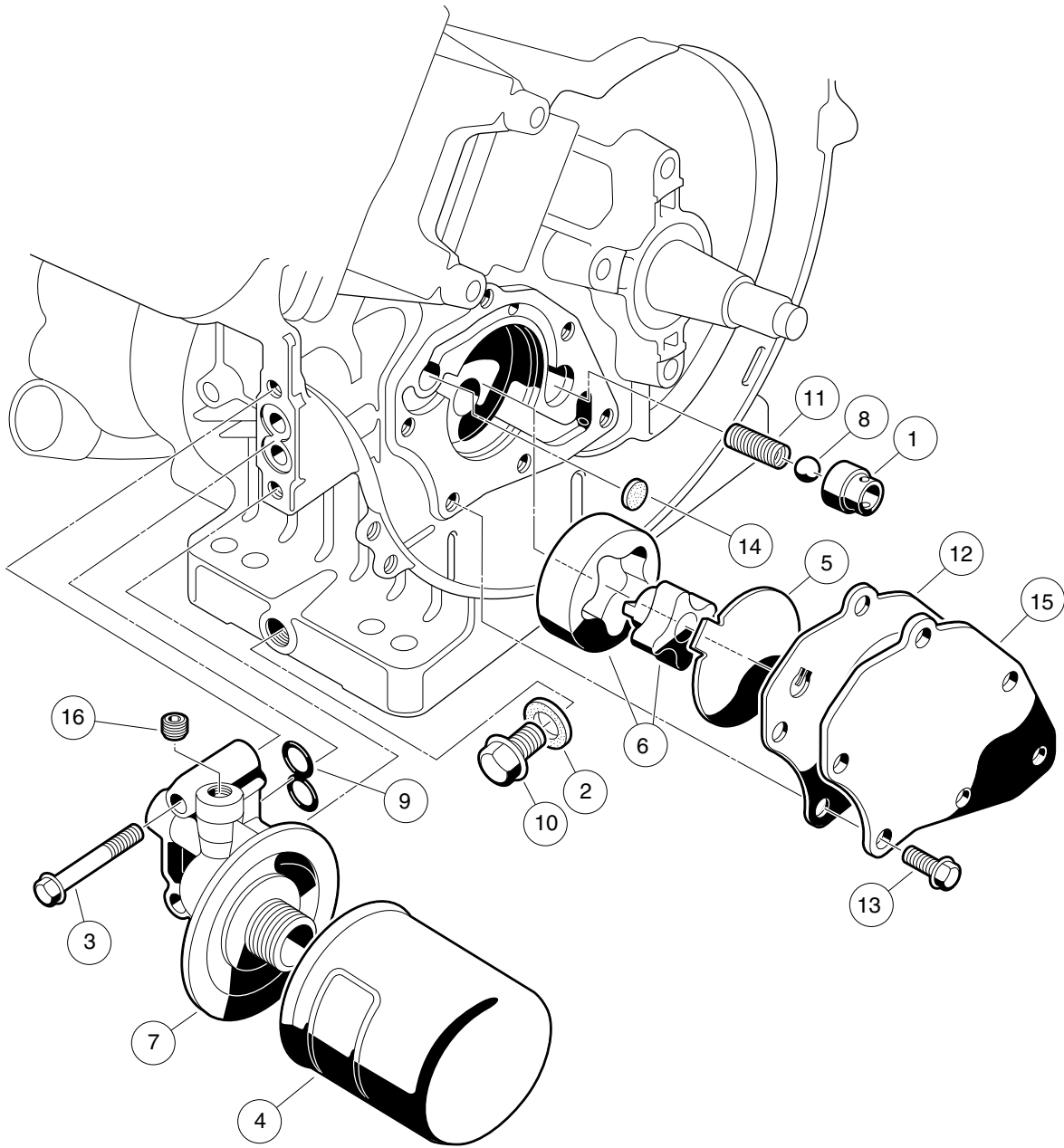


000202-001

AS11 FE350 ENGINE – IGNITION COMPONENTS AND FLYWHEEL

ITEM	PART NO.	DESCRIPTION	QTY
		1 2 3 4	
1	1016445	Bracket, RPM Limiter	1
2	<u>1016455</u>	Bolt, Flange Head	2
3	1016456	Bolt, Flange Head, M6 x 1 x 12 mm	2
4	<u>1016497</u>	Screw, Pan WP Cross	1
5	<u>1016544</u>	Screw	1
6	<u>1016561</u>	Clamp	1
7	<u>1016562</u>	Key	1
8	<u>1016578</u>	Ignition, Grommet	1
9	<u>1016579</u>	Band, RPM Limiter Mount	1
10	1016586	Damper, RPM Limiter	1
11	<u>1016587</u>	Clamp	1
12	<u>1016588</u>	Tube, 7mm X 10mm X 70mm	1
13	<u>1017448</u>	Bolt, Flanged	3
14	<u>1017455</u>	Plate, Flywheel Fan	1
15	<u>1017463</u>	Cap Asm Plug	1
16	<u>1017468</u>	Clamp	1
17	<u>1017490</u>	Washer, Flat	1
18	<u>101881101</u>	Spark Plug, OHV (Autolite)	1
19	<u>101909201</u>	Coil, Ignition	1
20	<u>101909301</u>	Lead Wire Assy	1
21	101909401	Limiter, RPM	1
22	101909501	Clamp, Steel	1
23	<u>101916201</u>	Flywheel	1
24	<u>101916301</u>	Fan (cw)	1
25	N/A	Nut, Hex, 18 mm Fine	1
26	<u>AM10724</u>	Spark Plug, OHV (NGK)	1

9
G

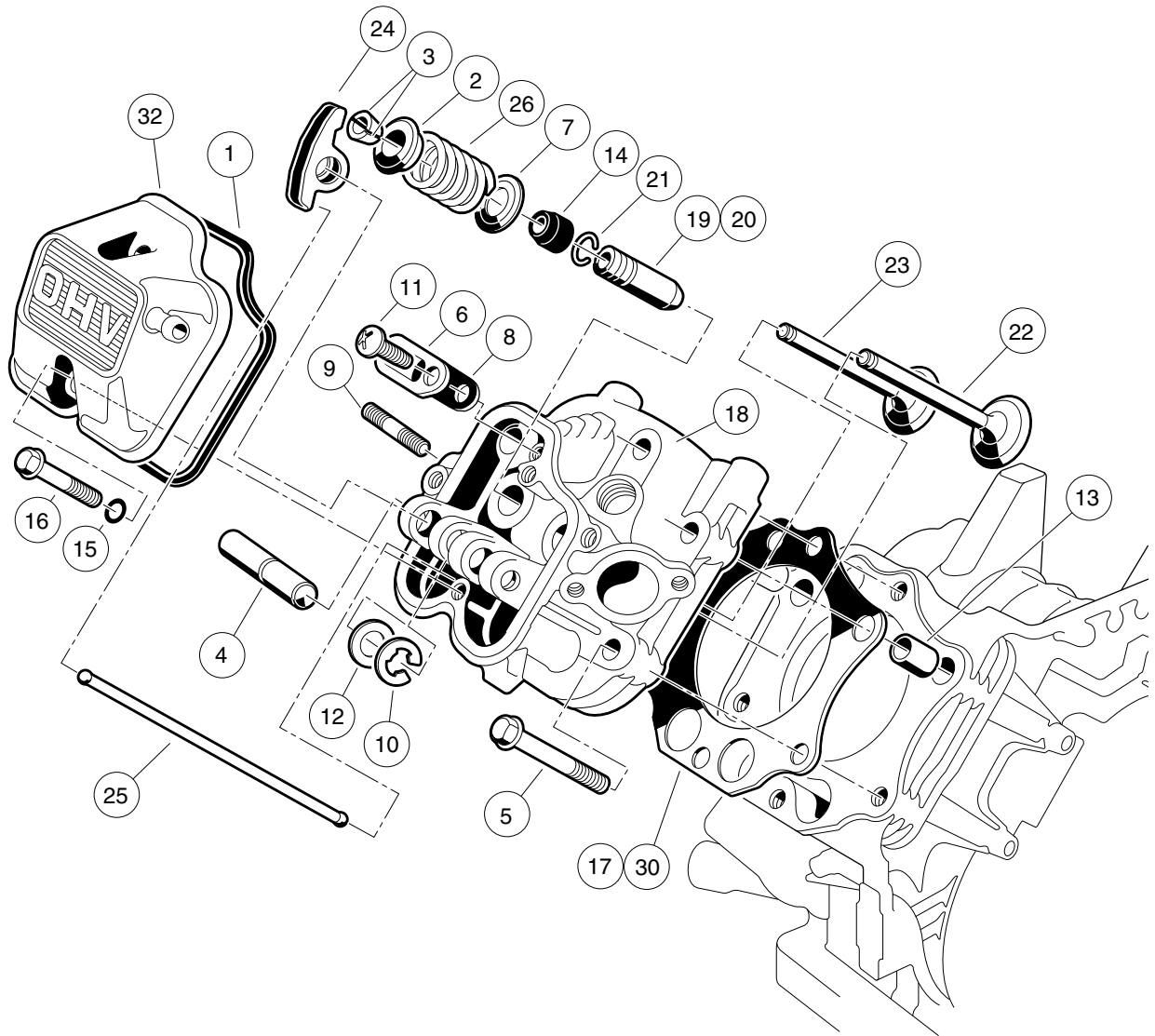


000203-001

FE350 ENGINE – OIL CIRCULATION

ITEM	PART NO.	DESCRIPTION	QTY
		1 2 3 4	
1	1016429	Seat, Value Oil Press Relief	1
2	<u>1016432</u>	Gasket, Drain Plug	1
3	<u>1016457</u>	Bolt, Flange Head	2
4	<u>1016467</u>	Filter, Oil	1
5	<u>1016473</u>	Plate, Oil Pump	1
6	<u>101648203</u>	Oil Pump And Rotor	1
7	<u>1016502</u>	Bracket, Oil Filter Mount	1
8	<u>1016537</u>	Ball, Steel, Press, Relief	1
9	<u>1016570</u>	O-Ring	1
10	1016576	Plug, Drain	1
11	<u>1016581</u>	Spring	1
12	<u>1017442</u>	Gasket	1
13	<u>1017456</u>	Bolt, Flanged	6
14	<u>1017458</u>	Filter	1
15	<u>1017460</u>	Cover, Pump	1
16	<u>1017507</u>	Plug	2

9
G



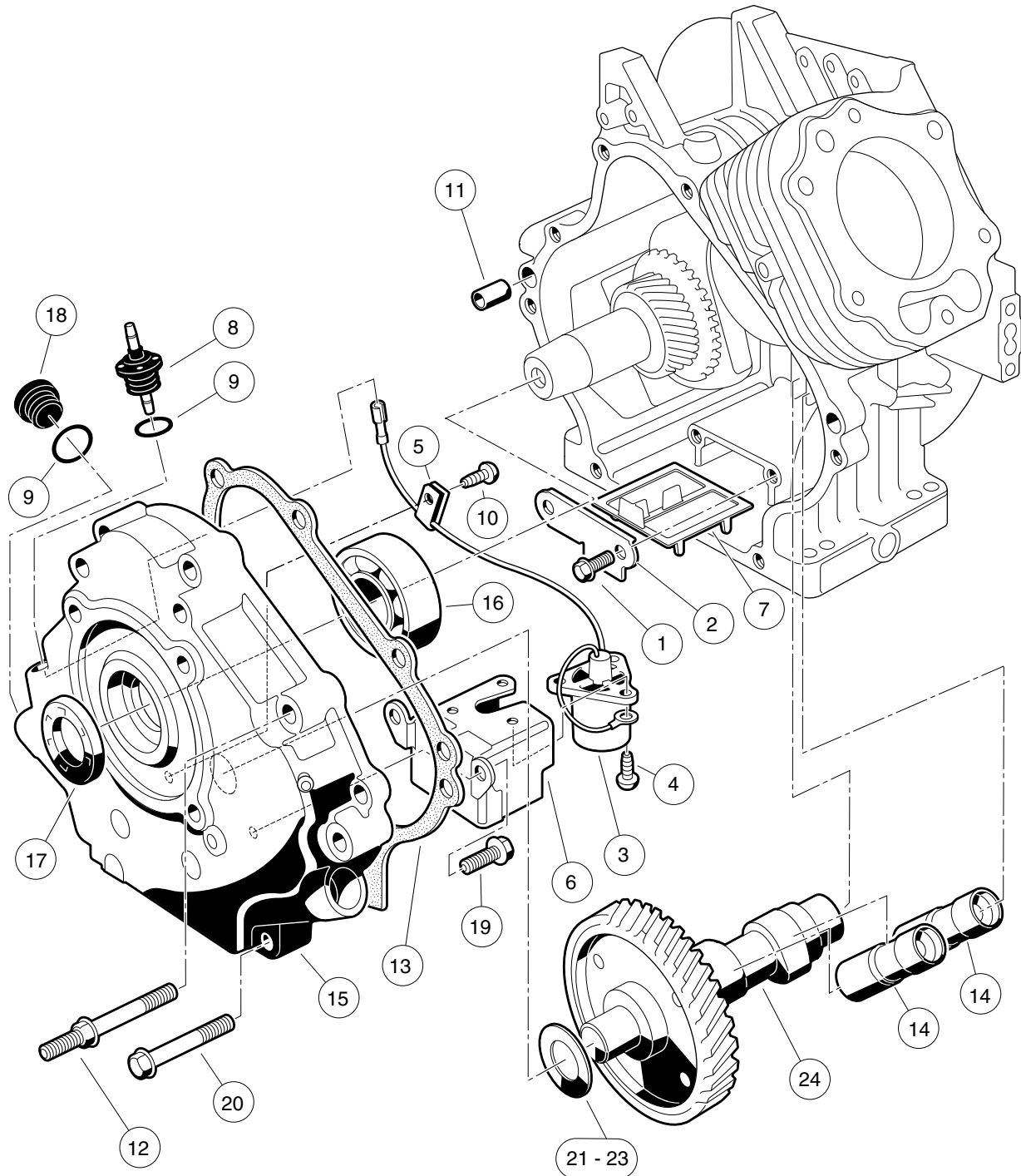
000204-001

AS11 FE350 ENGINE – CYLINDER HEAD

ITEM	PART NO.	DESCRIPTION	QTY
		1 2 3 4	
1	<u>1016436</u>	Gasket, Rocker Case	1
2	<u>1016449</u>	Retainer, Valve Spring	2
3	<u>1016450</u>	Collet	4
4	<u>1016452</u>	Shaft, Rocker	1
5	<u>1016458</u>	Bolt, Flange Head, M8 x 1.25 x 45 mm	6
6	<u>1016474</u>	Plate	1
7	<u>1016479</u>	Seat, Spring	2
8	<u>1016483</u>	Valve	1
9	<u>1016489</u>	Stud, Two-Ended, M8-1.25	2
10	<u>1016517</u>	Circlip, Type-E	1
11	<u>1016544</u>	Screw	1
12	<u>1016549</u>	Washer, 12.1x19x1.8	1
13	<u>1016563</u>	Pin	2
14	<u>1016566</u>	Seal, Oil	2
15	<u>1016569</u>	O-Ring	2
16	<u>1016583</u>	Bolt, 6x35	2
17	<u>1017434</u>	Gasket, Head	1
18	<u>1017435</u>	Assembly, Cylinder Head, FE350 (includes items 19 through 21)	1
19	<u>1016518</u>	Guide, Valve, Exhaust	1
20	<u>1016519</u>	Guide, Valve	1
21	<u>1016560</u>	Snap Ring	2
22	<u>1017444</u>	Valve, Intake	1
23	<u>1017445</u>	Valve, Exhaust	1
24	<u>1017446</u>	Arm, Rocker	2
25	<u>1017454</u>	Rod, Push	2
26	<u>1017473</u>	Spring, Engine Valve	2
27	<u>102304801</u>	Kit, Gasket, FE350 (includes items 28 through 31)	1
28	<u>1016440</u>	Gasket, Engine to Insulator	1
29	<u>1016904</u>	Gasket, Exhaust	1
30	<u>1017434</u>	Gasket, Head	1
31	<u>1017443</u>	Gasket, Crankcase Cover	1
32	<u>102753401</u>	Case, Rocker	1
		Note: Item 28 is not a component of the FE350 engine.	

9

G

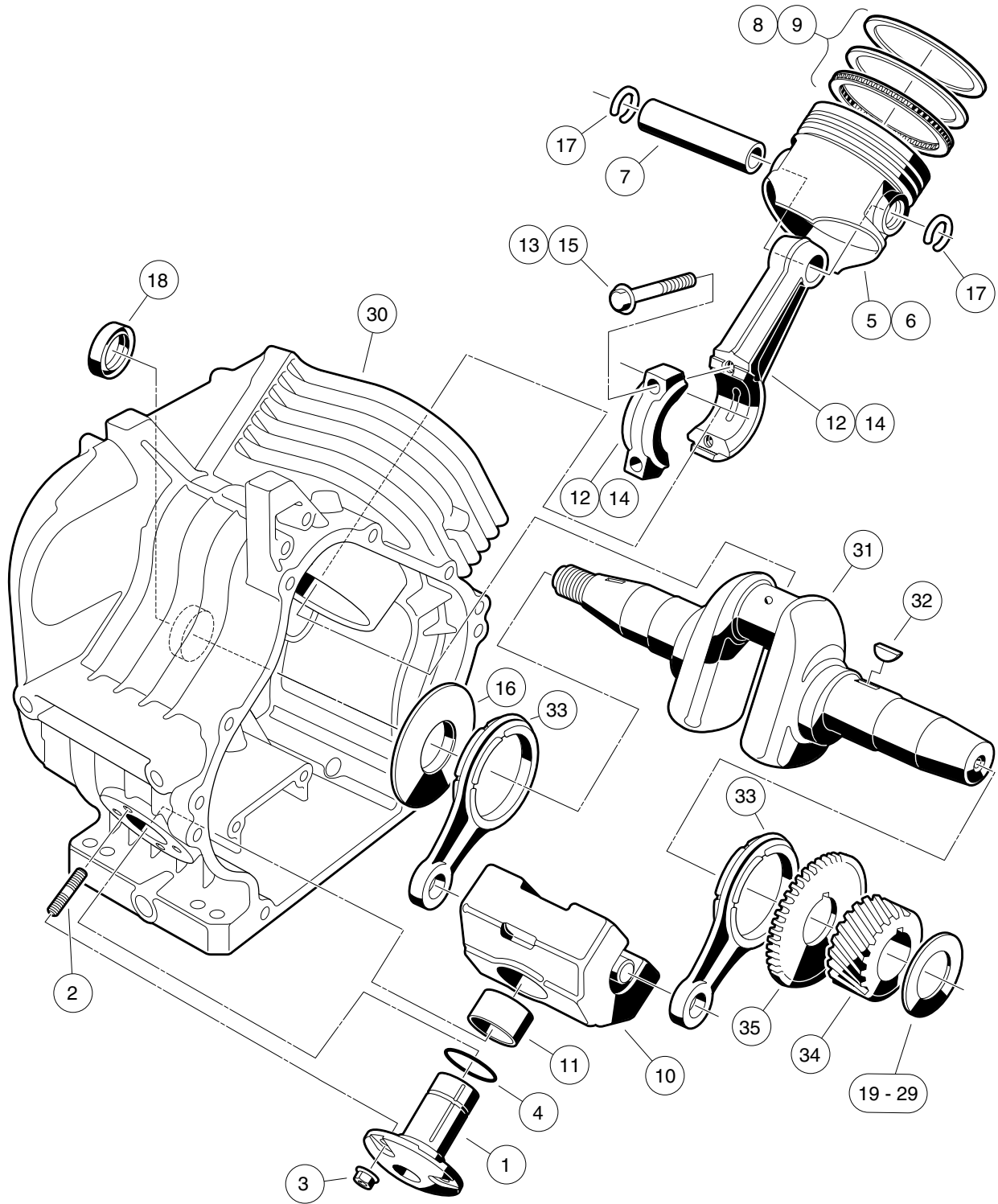


000205-002

AS11 FE350 ENGINE WITHOUT ACR – CRANKCASE, CAMSHAFT, AND OIL SENSOR

ITEM	PART NO.	DESCRIPTION	QTY
		1 2 3 4	
1	<u>1016454</u>	Bolt, Flange Head, M5 x 0.8 x 8 mm	2
2	<u>1016472</u>	Plate, Oil Filter Screen	1
3	<u>1016494</u>	Sensor, Oil Level	1
4	<u>1016496</u>	Screw, Cross Pan-Head, M4 x 0.7 x 8 mm	3
5	<u>1016506</u>	Clamp	1
6	<u>1016510</u>	Bracket, Switch, Oil Level	1
7	<u>1016521</u>	Screen, Oil Filter	1
8	<u>1016535</u>	Connector, Cord	1
9	<u>1016538</u>	O-Ring	2
10	<u>1016544</u>	Screw	1
11	<u>1016564</u>	Pin	2
12	<u>1016584</u>	Bolt, Two-Ended, M8 x 1.25 x 69 mm	2
13	<u>1017443</u>	Gasket, Crankcase Cover	1
14	<u>1017447</u>	Adjuster, Lash	2
15	<u>1017472</u>	Cover Crankcase	1
16	<u>1017487</u>	Bearing, Ball	1
17	<u>1017504</u>	Seal, Oil	1
18	<u>1017508</u>	Plug	1
19	<u>1017513</u>	Bolt Switch Bracket	2
20	<u>1017514</u>	Screw, M8-1.25 X 45mm Hex	6
21	<u>101751801</u>	Shim, 0.3	1
22	<u>101751802</u>	Shim, 0.4	1
23	<u>101751803</u>	Shim, 0.5	1
24	<u>102431001</u>	Camshaft, FE350 without ACR, 44-Tooth	1

9
G



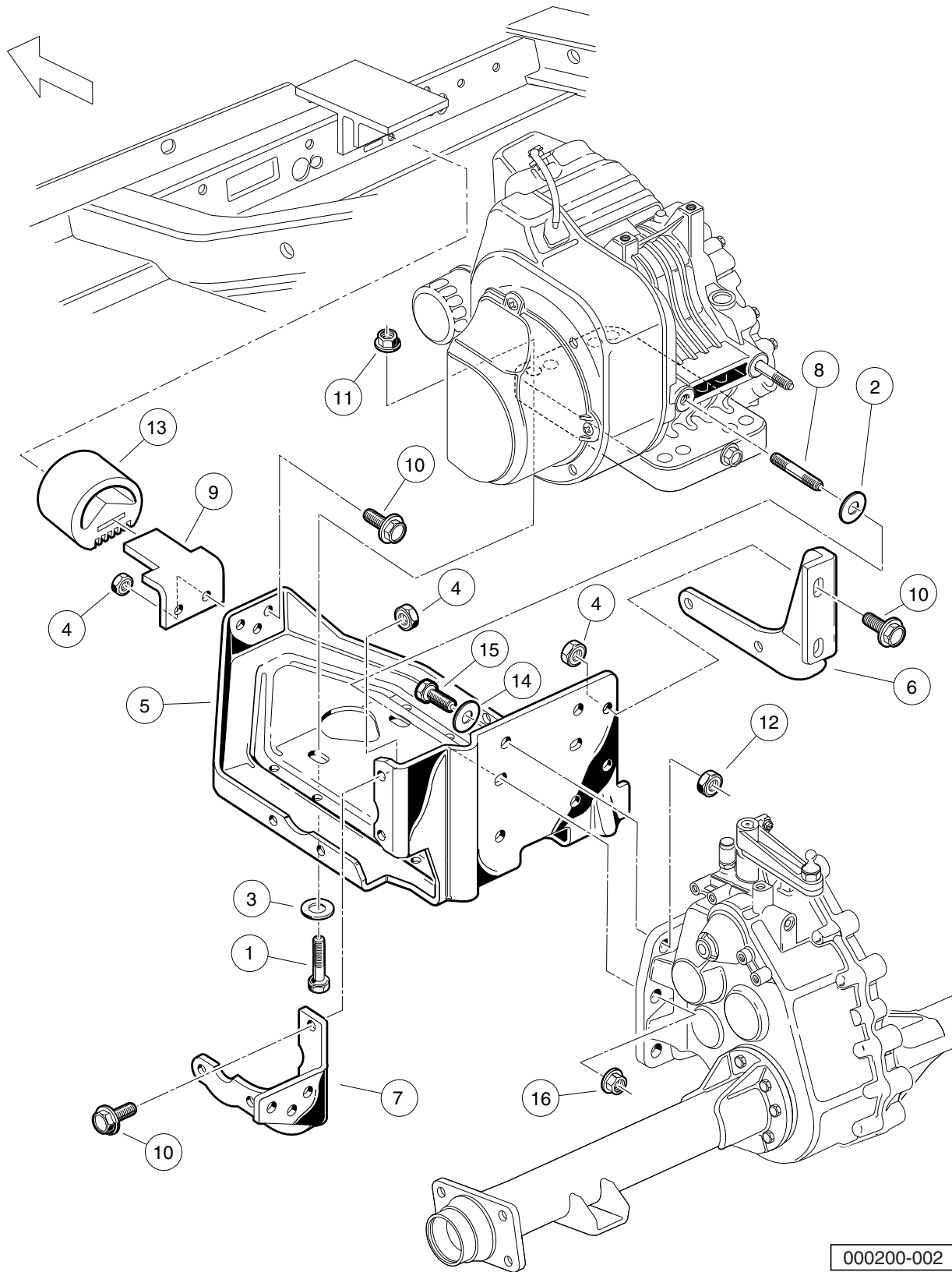
000206-001

AS11 FE350 ENGINE – CRANKCASE AND CRANKSHAFT

ITEM	PART NO.	DESCRIPTION	QTY
		1 2 3 4	
1	1016470	Shaft, Guide, Counterbalance	1
2	<u>1016541</u>	Stud, 6x14	4
3	1016547	Nut, M6 Flange	4
4	<u>1016571</u>	O-Ring	1
5	<u>101744901</u>	Piston, Standard	1
6	<u>101744902</u>	Piston, 0.50 mm Oversize	1
7	1017450	Pin, Piston	1
8	<u>101745101</u>	Ring Set, Standard Piston	1
9	<u>101745102</u>	Ring Set, Piston, 0.50 mm Oversize	1
10	<u>1017453</u>	Fe400 Counterbalance Weight (includes item 11)	1
11	1017510	Bearing, Plain	1
12	101745701	Asm, Con. Rod Std (includes item 13)	1
13	<u>1017512</u>	Bolt	2
14	<u>101745702</u>	Rod Assembly Connecting Rod 0.5mm (includes item 15)	1
15	<u>1017512</u>	Bolt	2
16	1017501	Spacer	1
17	<u>1017502</u>	Snap Ring	2
18	<u>1017503</u>	Seal, Oil	1
19	<u>101773301</u>	Shim, Crankshaft, 1.18mm	1
20	<u>101773302</u>	Shim, Crankshaft, 1.25mm	1
21	<u>101773303</u>	Shim, Crankshaft, 1.32mm	1
22	<u>101773304</u>	Shim, Crankshaft, 1.39mm	1
23	<u>101773305</u>	Shim, Crankshaft, 1.46mm	1
24	<u>101773306</u>	Shim, Crankshaft, 1.53mm	1
25	<u>101773307</u>	Shim, Crankshaft, 1.60mm	1
26	<u>101773308</u>	Shim, Crankshaft, 1.67mm	1
27	<u>101773309</u>	Shim, Crankshaft, 1.74mm	1
28	<u>101773310</u>	Shim, Crankshaft, 1.11 mm	1
29	<u>101773311</u>	Shim, Crankshaft, 1.81mm	1
30	<u>101916001</u>	Crankcase Complete, FE350 (cw)	1
31	<u>102430901</u>	Crankshaft, FE350 Left-Hand, 22-Tooth (includes items 32 through 35)	1
32	<u>1016562</u>	Key	1
33	<u>1017471</u>	Rod	2
34	N/A	Gear, Helical	1
35	N/A	Gear, Spur	1

9
G

9
G



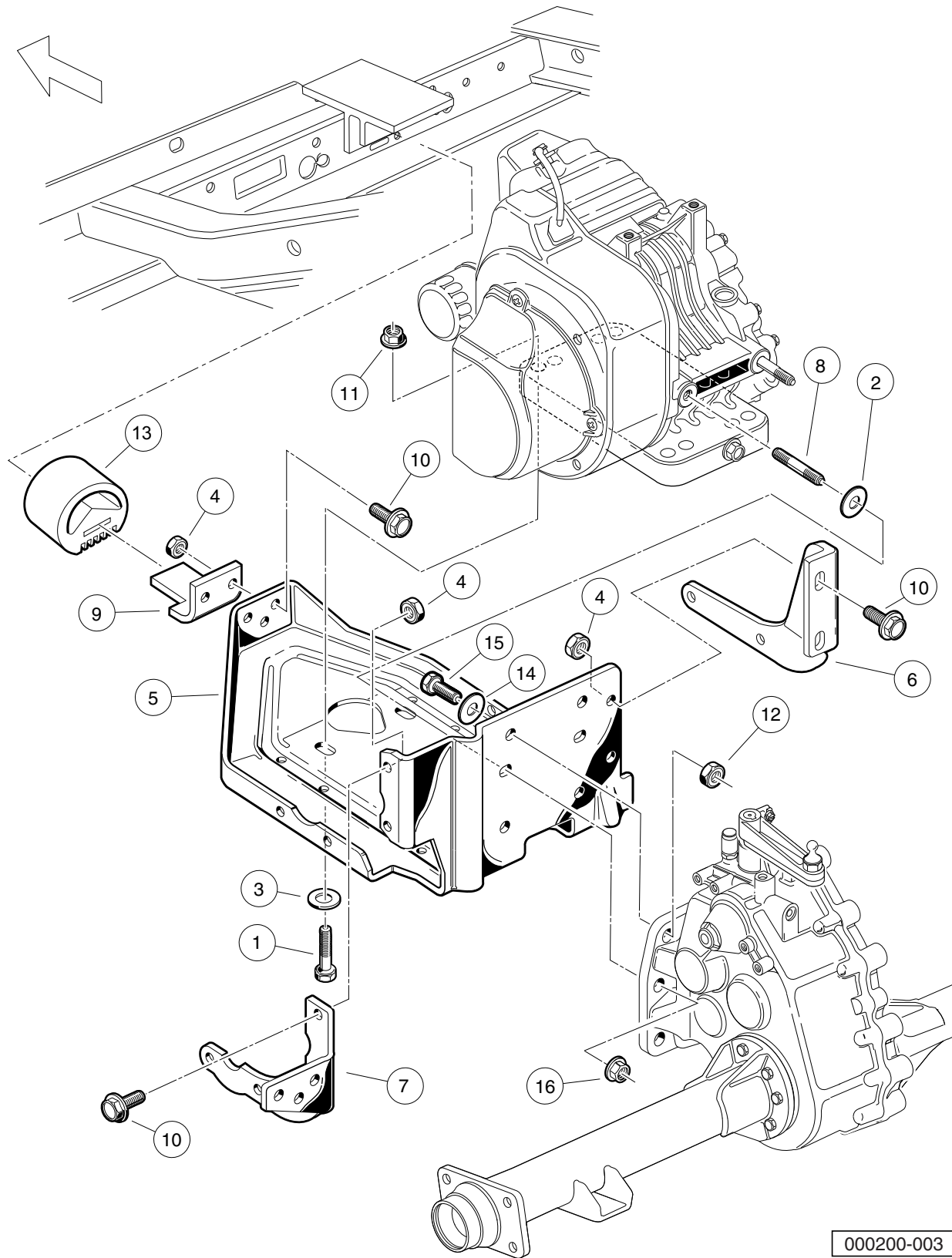
000200-002

ENGINE MOUNTING – TURF/CARRYALL 252 AND 2 XRT

ITEM	PART NO.	DESCRIPTION	QTY
		1 2 3 4	
1	<u>1010577</u>	Bolt, Hex-Head, 5/16-18 X 1.50	4
2	<u>1011697</u>	Washer, 5/16 Flat	2
3	1012571	Washer, 5/16 Extra Thick Flat	4
4	<u>1013924</u>	Nut, 5/16-24 Hex Head Cone	10
5	<u>101827101</u>	Plate, Engine Mounting	1
6	<u>101832601</u>	Stiffener (PTO Side)	1
7	<u>101832701</u>	Stiffener (Flywheel Side)	1
8	<u>101833101</u>	Stud, M8-1.25 X 50 mm Two-Ended	2
9	<u>101834601</u>	Snubber Bracket	1
10	<u>101884801</u>	Screw, 5/16-24 X 0.875 Grade-8	10
11	<u>101963401</u>	Locknut, 5/16-18 Hex Flange	4
12	<u>102065901</u>	Locknut, 3/8-16 Flanged Dimple	4
13	<u>102540301</u>	Inner Frame Snubber	1
14	<u>334</u>	Washer, 3/8 Type A Flat	4
15	705	Screw, Cap-hex Hd 3/8-16x1.25	4
16	<u>96704416</u>	Nut Flg, M8 X 1.25 Serrated	2

9

G



000200-003

FE350 ENGINE MOUNTING

ITEM	PART NO.	DESCRIPTION	QTY
		1 2 3 4	
1	<u>1010577</u>	Bolt, Hex-Head, 5/16-18 X 1.50	4
2	<u>1011697</u>	Washer, 5/16 Flat	2
3	1012571	Washer, 5/16 Extra Thick Flat	4
4	<u>1013924</u>	Nut, 5/16-24 Hex Head Cone	10
5	<u>101827101</u>	Plate, Engine Mounting	1
6	<u>101832601</u>	Stiffener (PTO Side)	1
7	<u>101832701</u>	Stiffener (Flywheel Side)	1
8	<u>101833101</u>	Stud, M8-1.25 X 50 mm Two-Ended	2
9	<u>101834601</u>	Snubber Bracket	1
10	<u>101884801</u>	Screw, 5/16-24 X 0.875 Grade-8	10
11	<u>101963401</u>	Locknut, 5/16-18 Hex Flange	4
12	<u>102065901</u>	Locknut, 3/8-16 Flanged Dimple	4
13	<u>102540301</u>	Inner Frame Snubber	1
14	<u>334</u>	Washer, 3/8 Type A Flat	4
15	705	Screw, Cap-hex Hd 3/8-16x1.25	4
16	<u>96704416</u>	Nut Flg, M8 X 1.25 Serrated	2

9

G

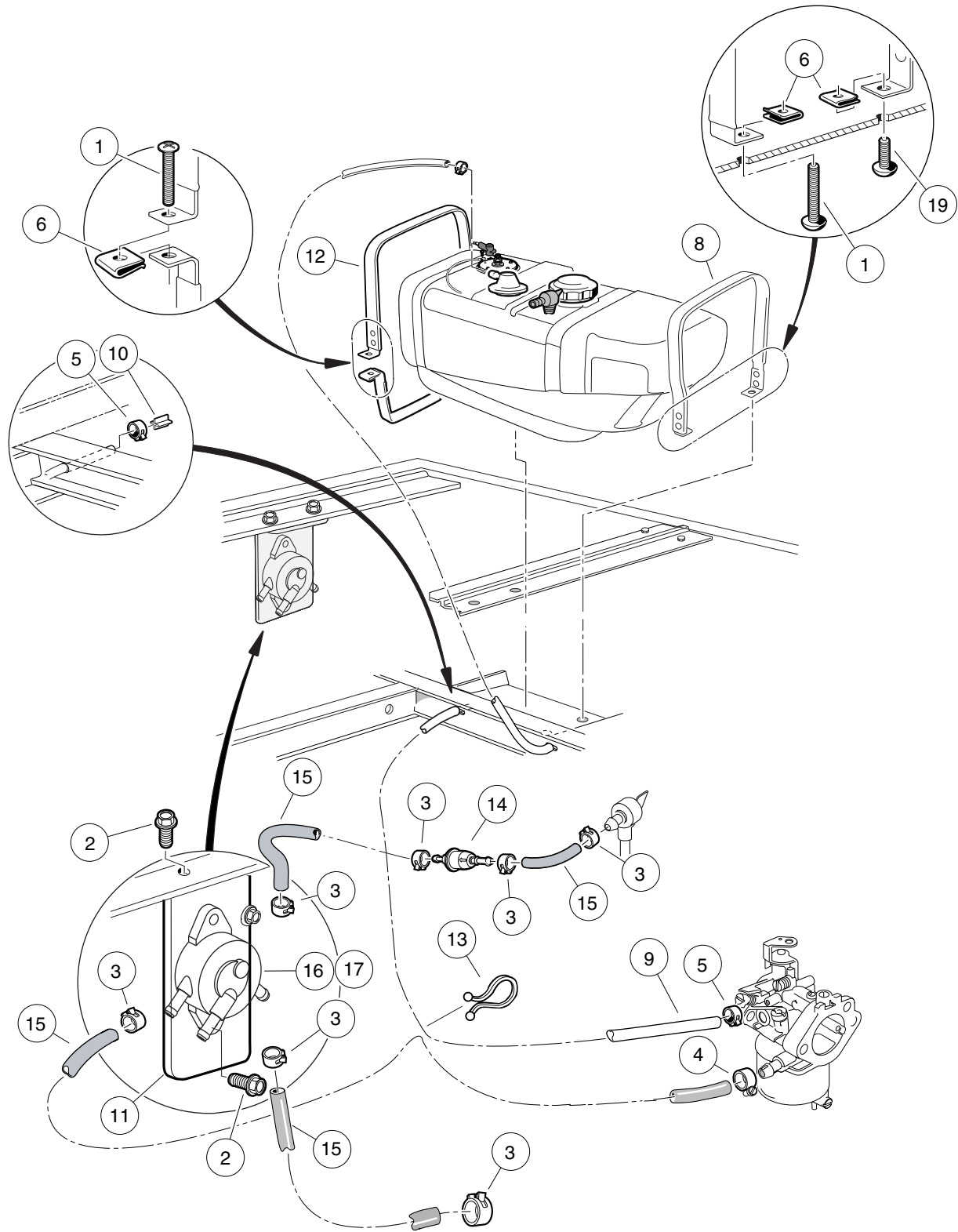
9

G

FUEL, INTAKE, AND GOVERNOR SYSTEMS

10

G



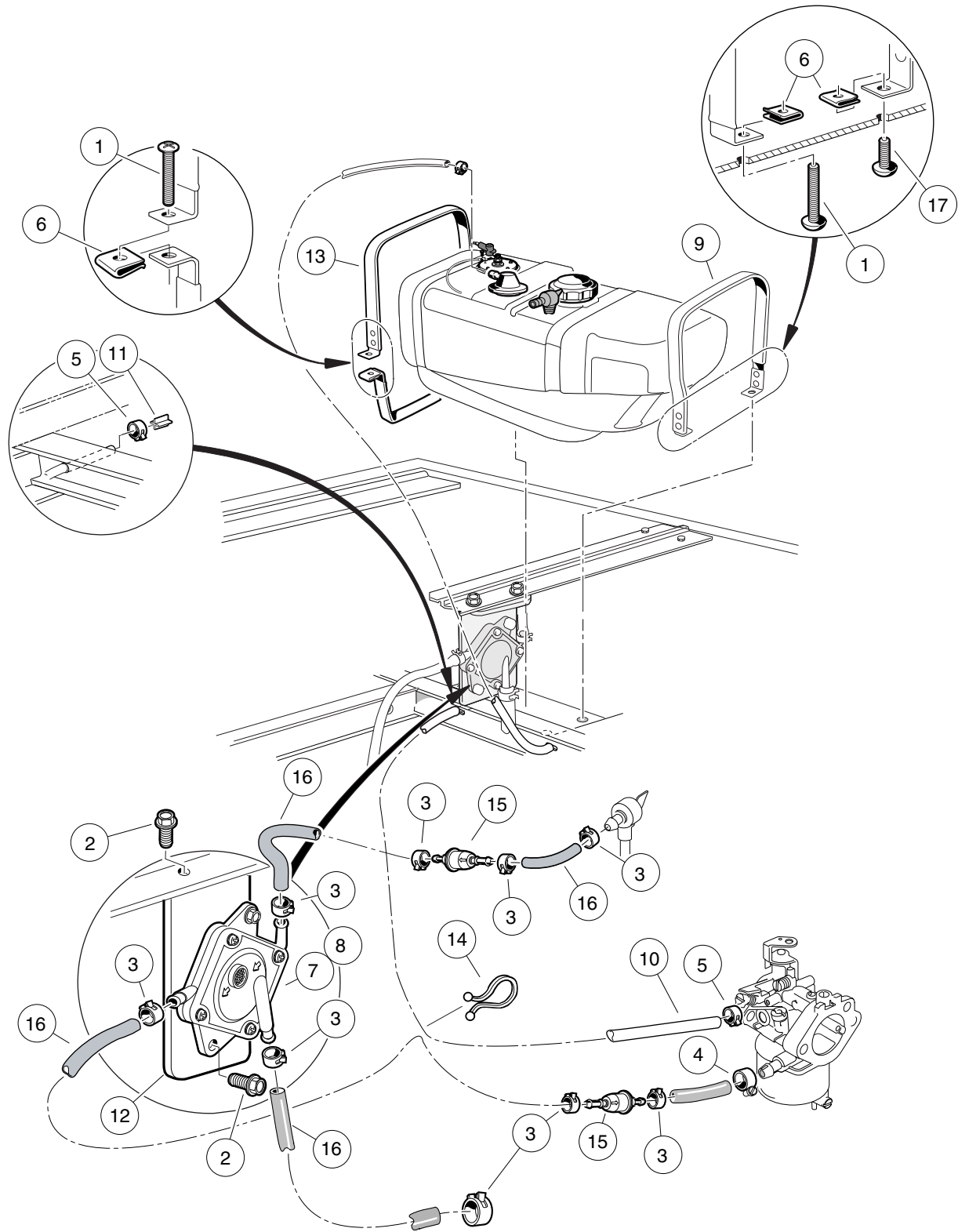
000210-002

FUEL SYSTEM – TURF/CARRYALL 1 AND 6

ITEM	PART NO.	DESCRIPTION	QTY
		1 2 3 4	
1	<u>1011988</u>	Screw, 1/4-20 X 2.00 Phillips Truss-Head	2
2	<u>1012285</u>	Screw, 1/4 X 0.625 Hex-Head	4
3	<u>1012649</u>	Clamp, 0.460 Red Hose	7
4	<u>1013687</u>	Clamp, 3/8" Hose (screw type)	1
5	<u>1013746</u>	Clamp, 0.301 ID Hose	2
6	<u>1014116</u>	Nut, 1/4-20 Speed	3
7	<u>1014524</u>	Kit, Impulse Pump Rebuild	1
8	<u>1014928</u>	Fuel Strap Assembly Rear	1
9	<u>1015137</u>	Fuel Line (available by the foot)	1
10	<u>101824401</u>	Vent Barb	1
11	<u>101929501</u>	Mount Fuel Pump	1
12	<u>101955301</u>	Fuel Strap Assy, Front	1
13	<u>101987701</u>	Clamp, Plastic Tie	1
14	<u>102003201</u>	Filter, Fuel, 30 Micron	1
15	<u>102865101</u>	Fuel Line	1
16	<u>103781101</u>	Kit, Fuel Pump Retrofit (includes items 17 and 18)	1
17	<u>103010101</u>	Pump, Fuel, Impulse, Fh	1
18	<u>103781201</u>	Instr, Fuel Pump Retrofit	1
19	<u>8248</u>	Screw, 1/4-20 X 0.75 Truss-Head Machine	1
Note: Total fuel line length: 43 inches (109.2 cm)			

10

G



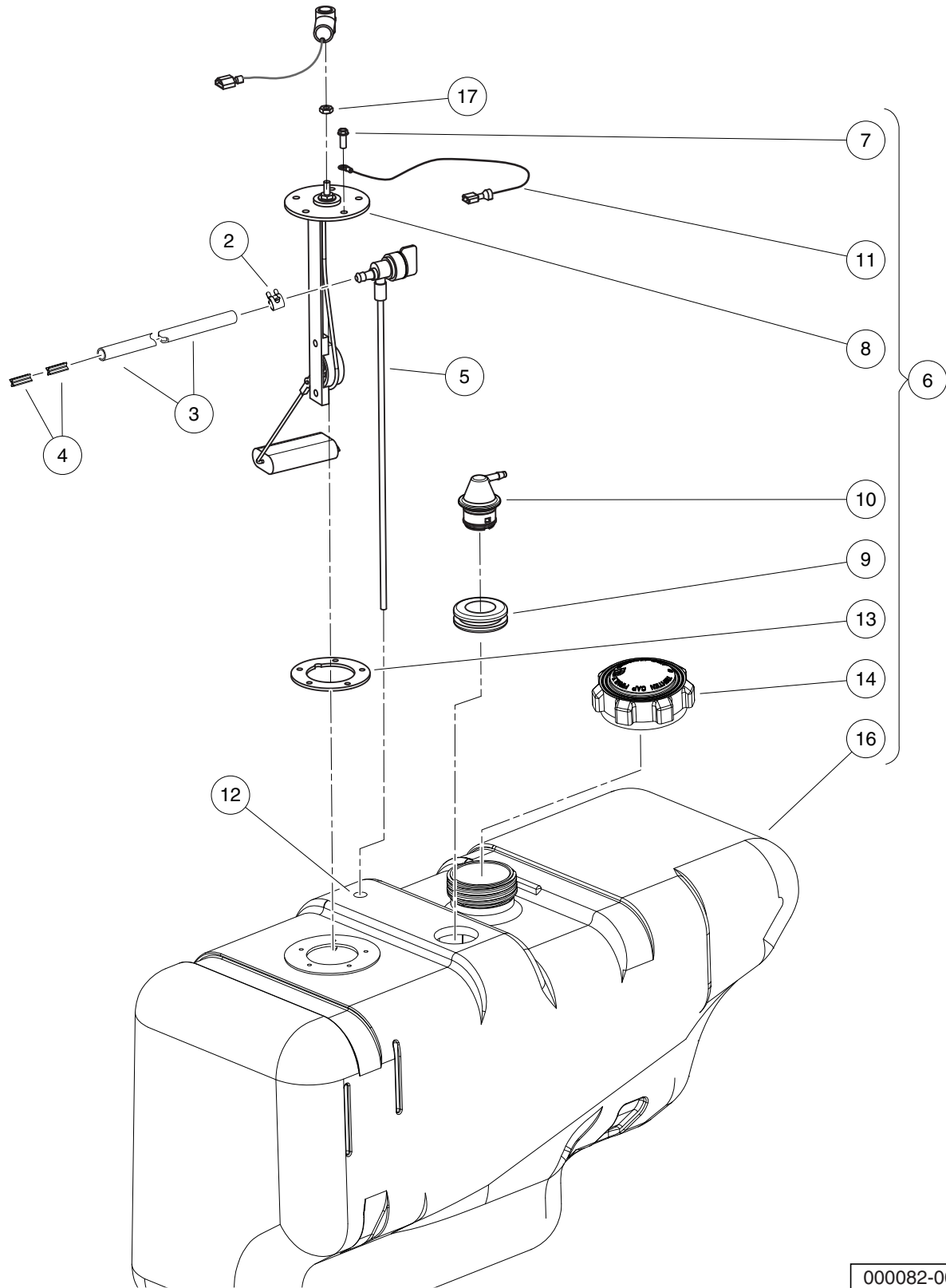
000210-003

FUEL SYSTEM – TURF/CARRYALL 2, XRT, AND CARRYALL 2 PLUS

ITEM	PART NO.	DESCRIPTION	QTY
		1 2 3 4	
1	<u>1011988</u>	Screw, 1/4-20 X 2.00 Phillips Truss-Head	2
2	<u>1012285</u>	Screw, 1/4 X 0.625 Hex-Head	4
3	<u>1012649</u>	Clamp, 0.460 Red Hose	9
4	<u>1013687</u>	Clamp, 3/8" Hose (screw type)	1
5	<u>1013746</u>	Clamp, 0.301 ID Hose	2
6	<u>1014116</u>	Nut, 1/4-20 Speed	3
7	<u>1014523</u>	Pump, Impulse Fuel	1
8	<u>1014524</u>	Kit, Impulse Pump Rebuild	1
9	<u>1014928</u>	Fuel Strap Assembly Rear	1
10	<u>1015137</u>	Fuel Line (available by the foot)	1
11	<u>101824401</u>	Vent Barb	1
12	<u>101929501</u>	Mount Fuel Pump	1
13	<u>101955301</u>	Fuel Strap Assy, Front	1
14	<u>101987701</u>	Clamp, Plastic Tie	1
15	<u>102003201</u>	Filter, Fuel, 30 Micron	2
16	<u>102865101</u>	Fuel Line	1
17	<u>8248</u>	Screw, 1/4-20 X 0.75 Truss-Head Machine	1
		Note: Total fuel line length: 48 inches (121.9 cm)	

10
G

10
G



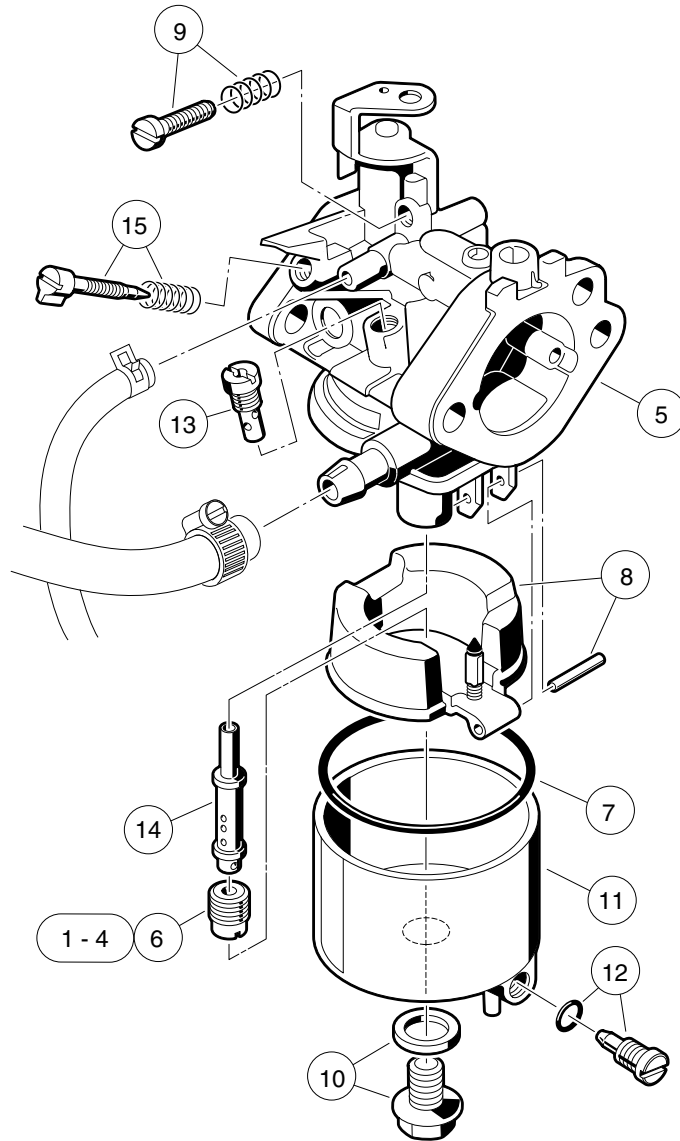
000082-003

FUEL TANK WITH FUEL LEVEL SENDING UNIT

ITEM	PART NO.	DESCRIPTION	QTY
		1 2 3 4	
1	1016004	Tank Kit w/Sending Unit (includes items 2 through 6)	1
2	<u>1013746</u>	Clamp, 0.301 ID Hose	2
3	<u>1015137</u>	Fuel Line (available by the foot)	1
4	<u>101824401</u>	Vent Barb	2
5	101896901	Fuel Pickup w/Shut-Off Valve	1
6	<u>103651901</u>	Asm, Tank, Ds Utl W/su† Nano (includes items 7 through 16)	1
7	<u>1013461</u>	Screw, #10-16 Hex-Head Hi-Lo	5
8	<u>1013462</u>	Sending Unit, Fuel Level *	1
9	<u>1015139</u>	Insulation Grommet	1
10	<u>1015143</u>	Vent, Fuel Tank	1
11	1015921	Wire Assembly #16 Black	1
12	<u>102406701</u>	Bushing, Line, Return	1
13	<u>102522001</u>	Gasket, Rubber	1
14	<u>103372101</u>	Cap, Fuel Tank, Gas, Ratchet	1
15	<u>103372302</u>	Fuel Pickup w/Shut-Off Valve, 288mm	1
16	103776901	Tank, Fuel, Top, W/su Nano	1
17	<u>8797</u>	Nut, #10-32 Brass Hex	1
<p>* Note: Must replace fuel sending unit gasket when servicing this component.</p>			

10

G



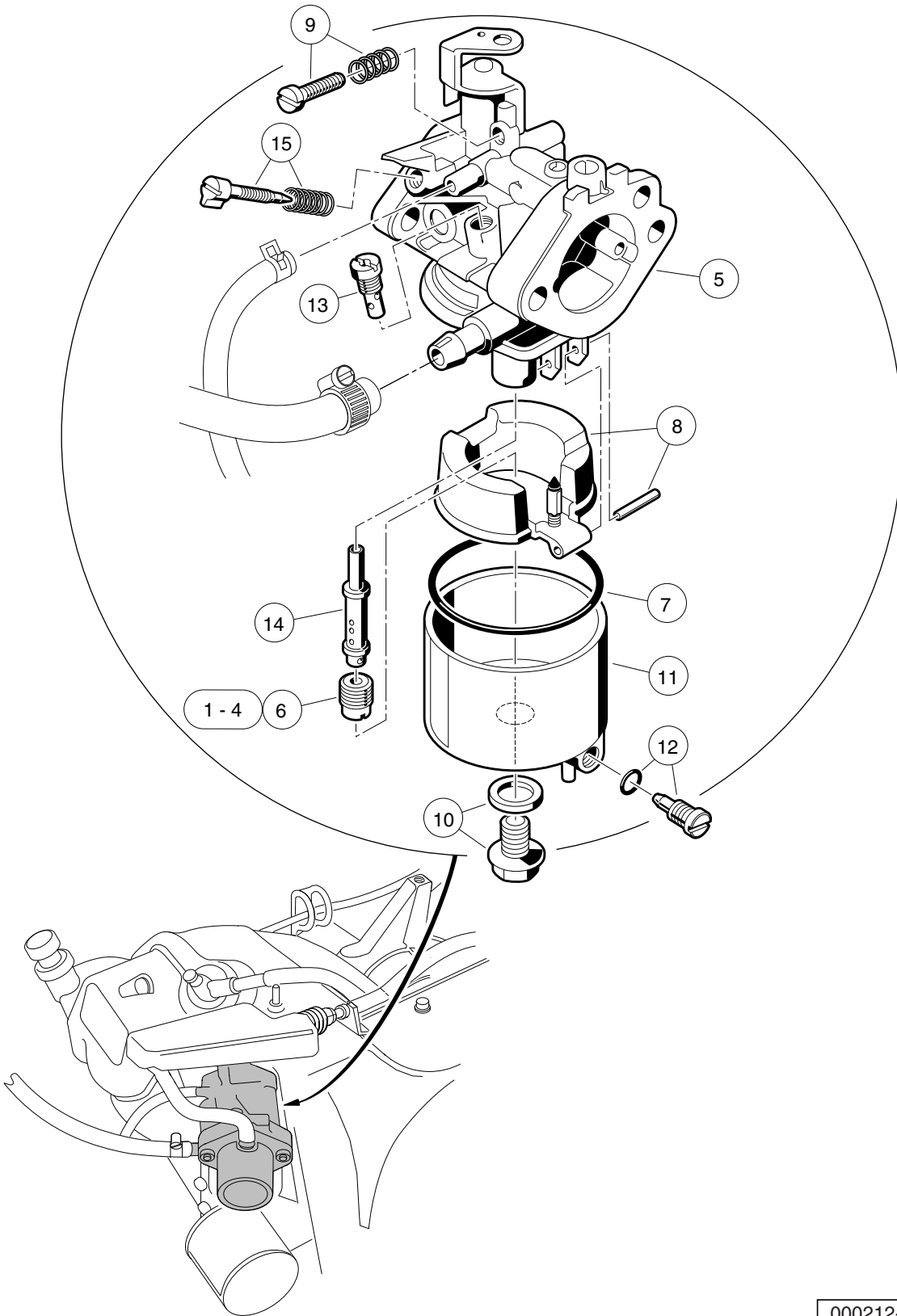
000211-001

CARBURETOR ASSEMBLY – FE290

ITEM	PART NO.	DESCRIPTION	QTY
		1 2 3 4	
1	<u>101642572</u>	Jet, Altitude, # 72	1
2	<u>101642575</u>	Jet, Altitude, # 75	1
3	<u>101642578</u>	Jet, Altitude, # 78	1
4	<u>101642580</u>	Jet, Altitude, # 80	1
5	<u>101905601</u>	Carburetor Assembly, FE290D (includes items 6 through 15)	1
6	<u>101642582</u>	Jet, Altitude, # 82	1
7	<u>1016437</u>	Gasket, Carburetor Bowl OHV	1
8	<u>1016486</u>	Float Assembly	1
9	<u>1016501</u>	Screw Assembly	1
10	<u>1016585</u>	Bolt	1
11	<u>1017461</u>	Chamber Assembly, Float (includes item 12)	1
12	<u>1016499</u>	Screw Assembly	1
13	<u>101973101</u>	Jet, #40 Pilot	1
14	<u>101973201</u>	Nozzle, Main	1
15	N/A	Assembly, Pilot Air Screw	1
<p>Note: <u>101642582</u> for 0 - 3,000 feet; <u>101642580</u> for 3,000 - 5,000 feet; <u>101642578</u> for 5,000 - 8,000 feet; <u>101642575</u> for 8,000 - 10,000 feet; <u>101642572</u> for 10,000 feet and higher.</p>			

10

G



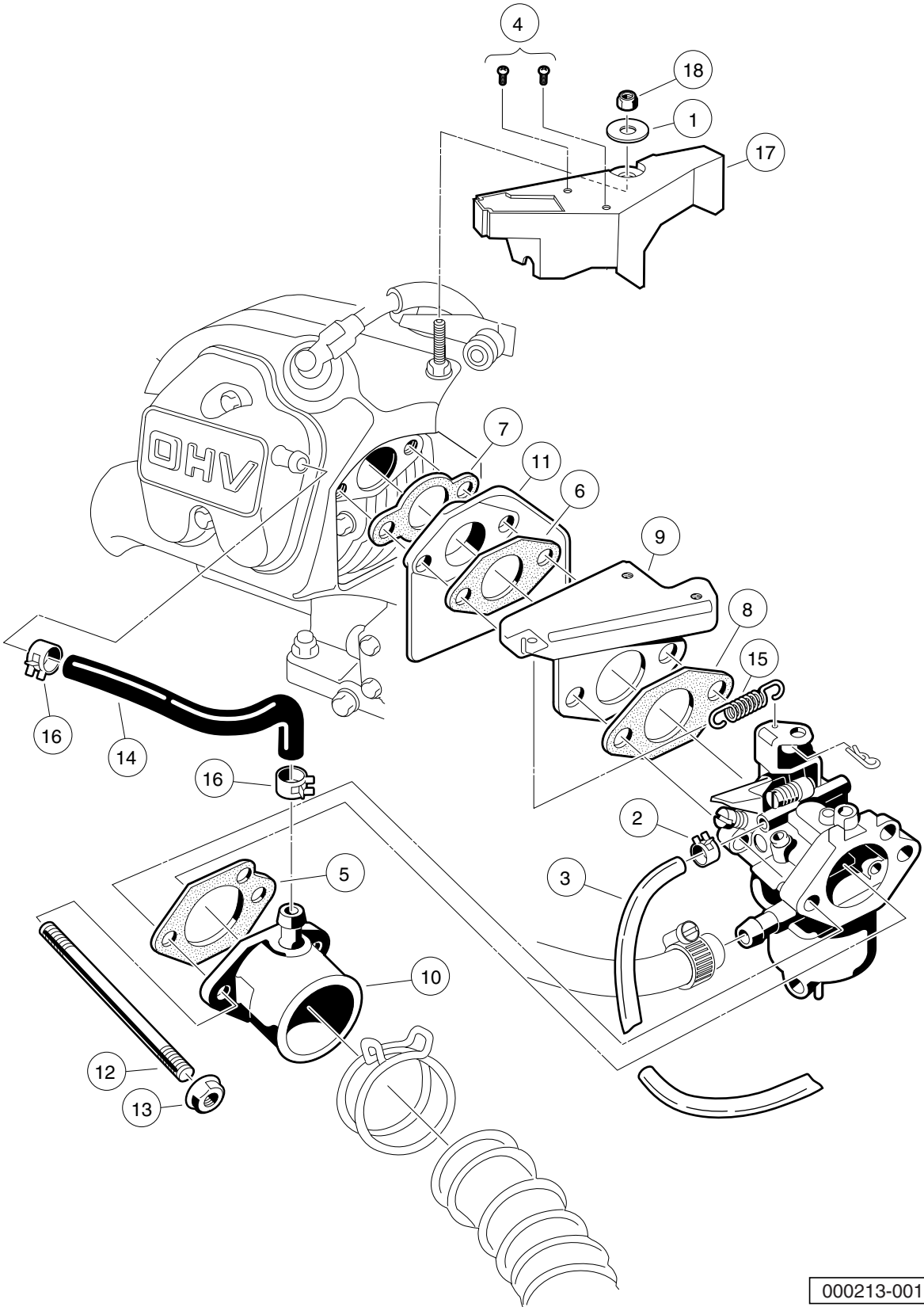
000212-001

CARBURETOR ASSEMBLY – FE350

ITEM	PART NO.	DESCRIPTION	QTY
		1 2 3 4	
1	<u>101642575</u>	Jet, Altitude, # 75	1
2	<u>101642578</u>	Jet, Altitude, # 78	1
3	<u>101642580</u>	Jet, Altitude, # 80	1
4	<u>101642582</u>	Jet, Altitude, # 82	1
5	<u>101905901</u>	Carburetor, FE350D (includes items 6 through 15)	1
6	<u>101642585</u>	Jet, Altitude, # 85	1
7	<u>1016437</u>	Gasket, Carburetor Bowl OHV	1
8	<u>1016486</u>	Float Assembly	1
9	<u>1016501</u>	Screw Assembly	1
10	<u>1016585</u>	Bolt	1
11	<u>1017461</u>	Chamber Assembly, Float (includes item 12)	1
12	<u>1016499</u>	Screw Assembly	1
13	<u>101973101</u>	Jet, #40 Pilot	1
14	<u>101973301</u>	Nozzle, Main	1
15	N/A	Assembly, Pilot Air Screw	1
<p>Note: <u>101642585</u> for 0 - 3,000 feet; <u>101642582</u> for 3,000 - 5,000 feet; <u>101642580</u> for 5,000 - 8,000 feet; <u>101642578</u> for 8,000 - 10,000 feet; <u>101642575</u> for 10,000 feet and higher.</p>			

10

G



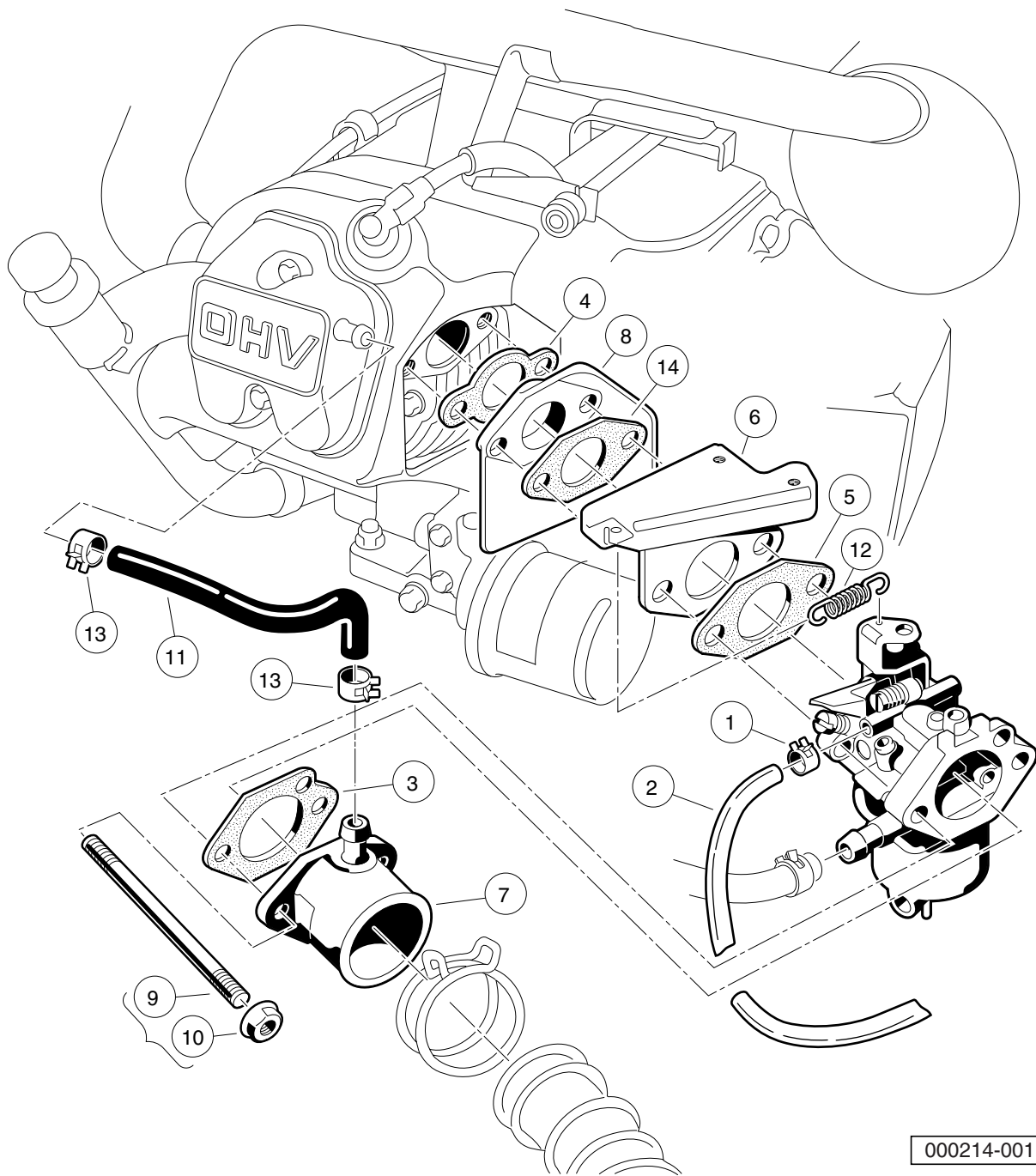
000213-001

CARBURETOR INSTALLATION – FE290

ITEM	PART NO.	DESCRIPTION	QTY
		1 2 3 4	
1	<u>1011697</u>	Washer, 5/16 Flat	1
2	<u>1013746</u>	Clamp, 0.301 ID Hose	1
3	<u>1015137</u>	Fuel Line (available by the foot)	1
4	<u>1016103</u>	Screw, Pan Hd Tx, Taptite 6-32	2
5	<u>1016438</u>	Gasket, Carb To Intake Manifold	1
6	<u>1016439</u>	Gasket, Insulator	1
7	<u>1016440</u>	Gasket, Engine to Insulator	1
8	<u>1016441</u>	Gasket, Sprg Brkt To Carb OHV	1
9	<u>1016444</u>	Bracket, Throttle Spring Return	1
10	1016480	Pipe, Intake Manifold	1
11	101648102	Insulator, Carburetor	1
12	<u>101649002</u>	Stud, M6-1.00 Two-Ended	2
13	1016547	Nut, M6 Flange	2
14	<u>1016572</u>	Tube, Crankcase Vent	1
15	<u>1016582</u>	Spring, Throttle Return	1
16	<u>1017466</u>	Clamp	2
17	101820201	Shield, Governor	1
18	<u>101887601</u>	Locknut, M6-1.00 Nylon Insert	1

10

G

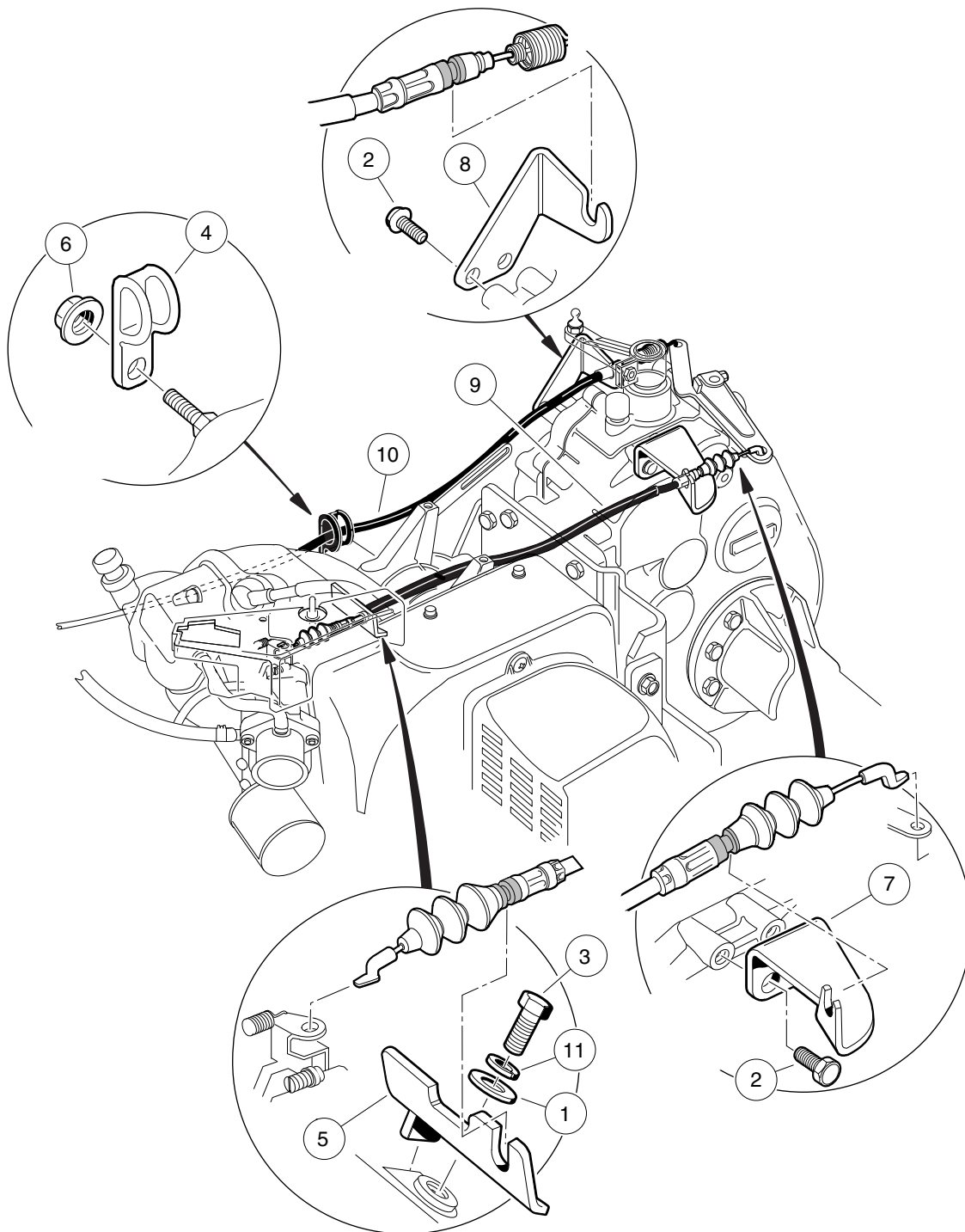


000214-001

CARBURETOR INSTALLATION – FE350

ITEM	PART NO.	DESCRIPTION	QTY
		1 2 3 4	
1	<u>1013746</u>	Clamp, 0.301 ID Hose	1
2	<u>1015137</u>	Fuel Line (available by the foot)	1
3	<u>1016438</u>	Gasket, Carb To Intake Manifold	1
4	<u>1016440</u>	Gasket, Engine to Insulator	1
5	<u>1016441</u>	Gasket, Sprg Brkt To Carb OHV	1
6	<u>1016444</u>	Bracket, Throttle Spring Return	1
7	1016480	Pipe, Intake Manifold	1
8	101648102	Insulator, Carburetor	1
9	<u>101649002</u>	Stud, M6-1.00 Two-Ended	2
10	1016547	Nut, M6 Flange	2
11	<u>1016572</u>	Tube, Crankcase Vent	1
12	<u>1016582</u>	Spring, Throttle Return	1
13	<u>1017466</u>	Clamp	2
14	<u>101973401</u>	Gasket, Insulator To Bracket	1

10
G



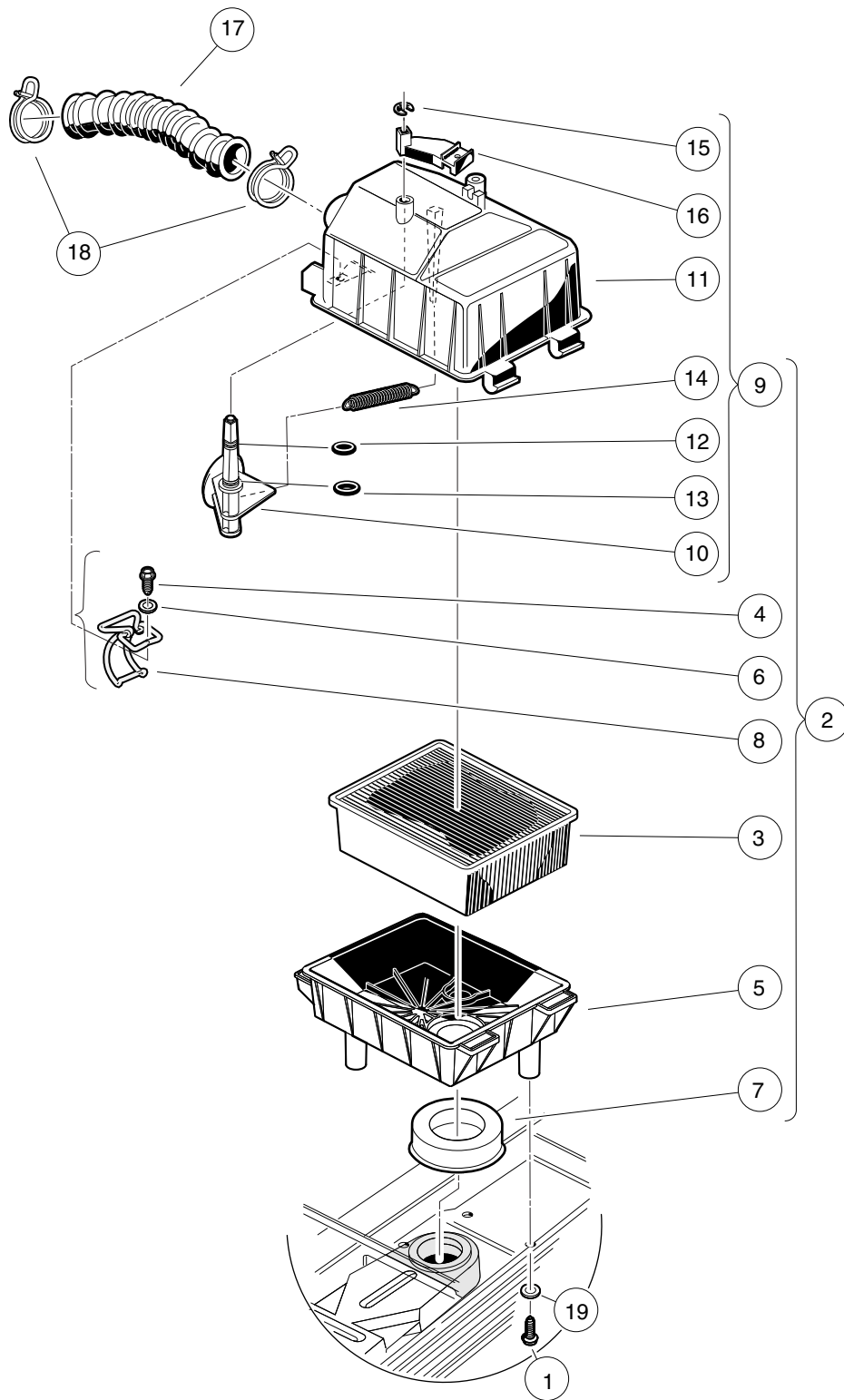
000215-001

GOVERNOR AND ACCELERATOR CABLES

ITEM	PART NO.	DESCRIPTION	QTY
		1 2 3 4	
1	<u>1011697</u>	Washer, 5/16 Flat	1
2	<u>1012285</u>	Screw, 1/4 X 0.625 Hex-Head	4
3	<u>1012830</u>	Screw, M8-125 X 22 Hex-Head	1
4	<u>1013700</u>	Clamp	2
5	<u>101584502</u>	Bracket, Governor Cable Snap-In	1
6	<u>1016546</u>	Nut	2
7	<u>101832202</u>	Bracket, Rear Governor Cable Snap-In	1
8	<u>101832302</u>	Bracket, Rear Accelerator Cable Snap-In	1
9	<u>102336001</u>	Cable, Governor, Snap-In	1
10	<u>102336101</u>	Cable, Accelerator, Snap-In	1
11	<u>7174</u>	Lockwasher, 5/16 Split	1

10

G

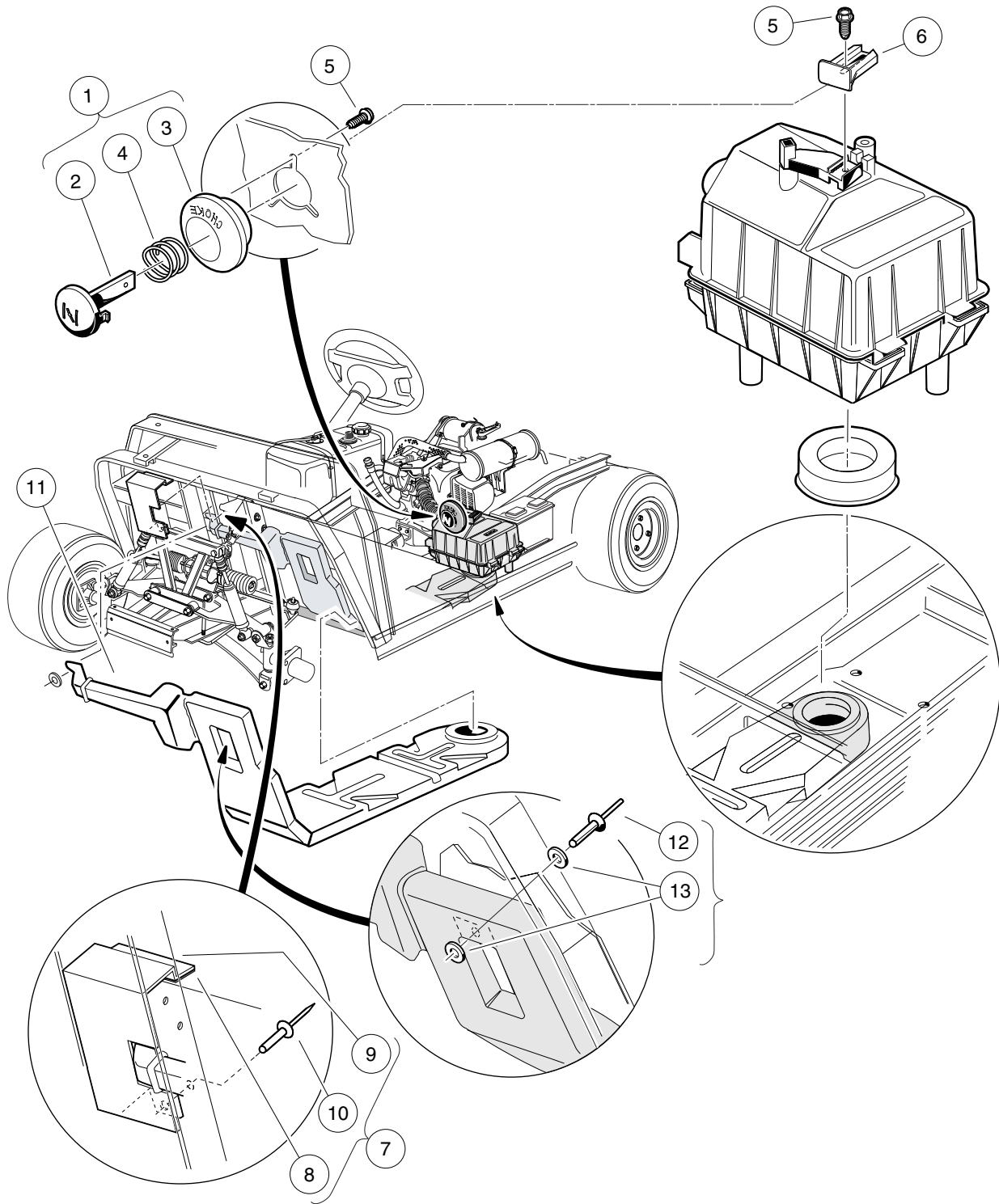


000332-001

AIR BOX AND INTAKE HOSE

ITEM	PART NO.	DESCRIPTION	QTY
		1 2 3 4	
1	<u>1015752</u>	Screw, #12-16 X 0.625 Hi-Lo	3
2	<u>101821501</u>	Assembly, Air Box (includes items 3 through 9)	1
3	<u>1015426</u>	Filter, Air	1
4	<u>101804301</u>	Screw, #8 X 0.500, Hex-Head Hi-Lo	2
5	<u>101811901</u>	Bottom, Air Box	1
6	<u>101881701</u>	Washer, #8 Stainless-Steel Flat	2
7	<u>101921501</u>	Seal, Intake	1
8	<u>101925701</u>	Latch, Wireform	2
9	<u>101972801</u>	Top Assy, Air Box (includes items 10 through 16)	1
10	N/A	Valve, Choke	1
11	101811801	Top, Air Box	1
12	N/A	O-Ring, 5/16	1
13	N/A	O-Ring, 3/8	1
14	<u>101812301</u>	Spring, Extension Return	1
15	<u>101813001</u>	Retaining Ring 0.25, Shaft	1
16	<u>101917601</u>	Lever, Choke	1
17	<u>101837101</u>	Hose, Air Intake	1
18	<u>101971301</u>	Clamp, 1.58" ID Hose	2
19	<u>332</u>	Washer, 1/4 Type A Narrow Flat	3

10
G

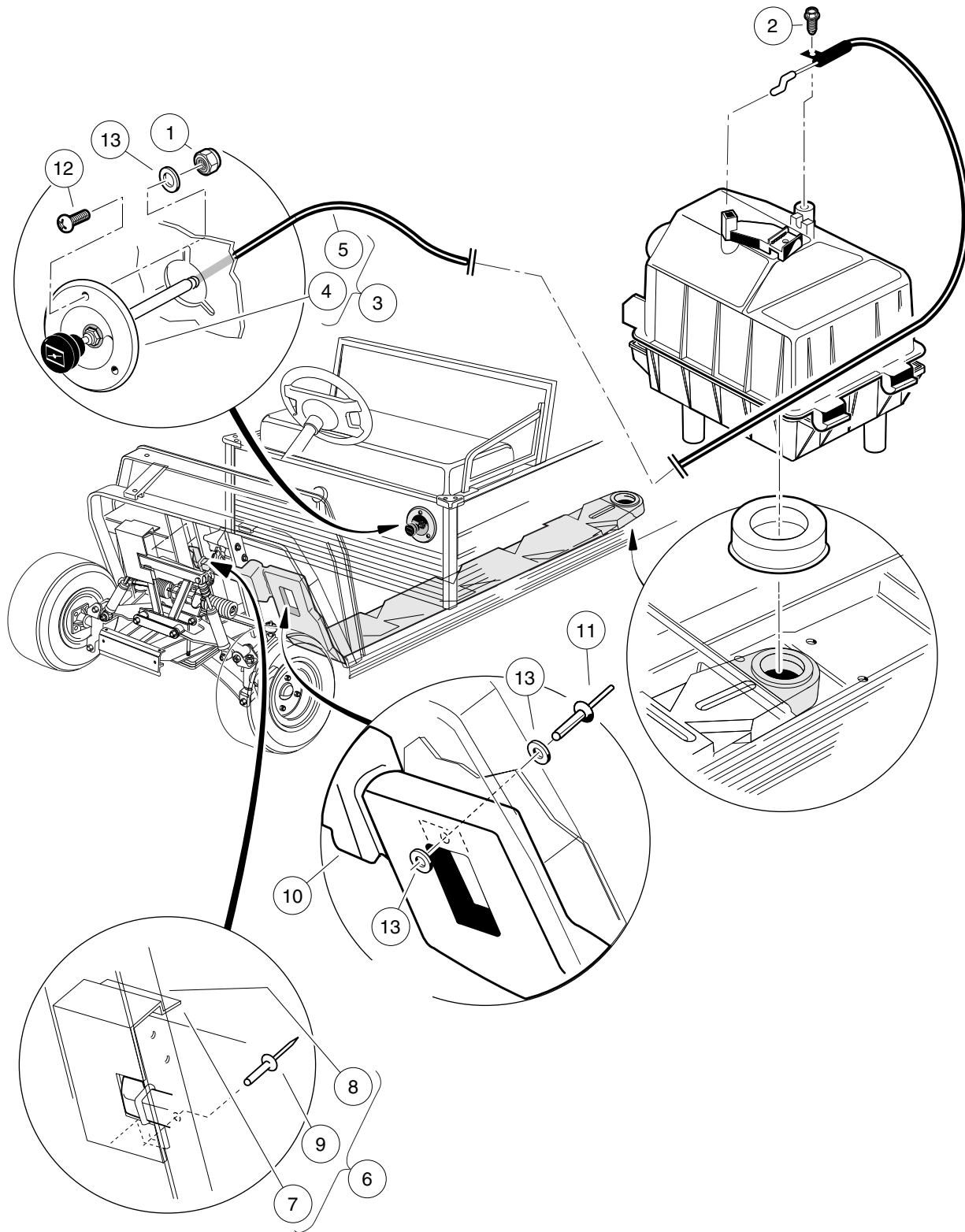


000338-001

INTAKE SYSTEM – TURF/CARRYALL 1

ITEM	PART NO.	DESCRIPTION	QTY
		1 2 3 4	
1	<u>101805701</u>	Button Assembly, Choke (includes items 2 through 4)	1
2	<u>101811401</u>	Lever, Choke	1
3	<u>101811501</u>	Guide, Choke Lever	1
4	<u>101856201</u>	Compression Spring	1
5	<u>101850301</u>	Screw, #12-16 X 0.50 Washer-Head Hi-Lo	4
6	<u>101917701</u>	Choke Positioner	1
7	<u>102190702</u>	Kit, Air Duct Shield (includes items 8 through 10)	1
8	<u>102185401</u>	Tape, 3M VHB 4950	1
9	N/A	Shield, Air Duct	1
10	<u>7973</u>	Rivet, 3/16 X .400 Blind	1
11	<u>103520301</u>	Duct, Air Intake, Ds	1
12	<u>1606</u>	Rivet, 3/16 X .500 Alum Pop	2
13	<u>183</u>	Washer, #10 Type A Flat	4

10
G

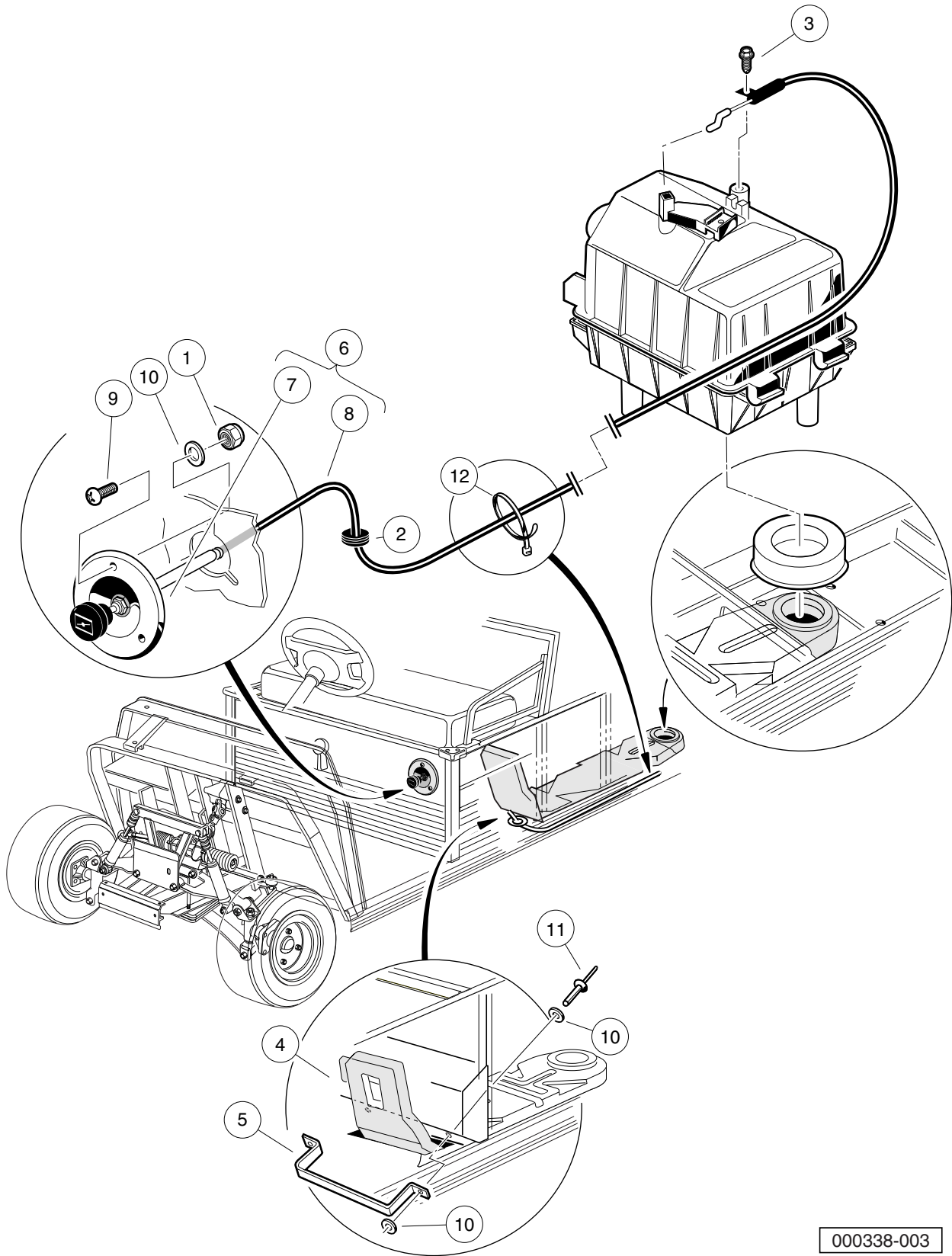


000338-002

INTAKE SYSTEM – TURF/CARRYALL 2, 2 XRT, 252, AND CARRYALL 2 PLUS

ITEM	PART NO.	DESCRIPTION	QTY
		1 2 3 4	
1	<u>1012438</u>	Locknut, #10-24 Nylon Insert	3
2	<u>101804301</u>	Screw, #8 X 0.500, Hex-Head Hi-Lo	1
3	<u>101926801</u>	Cable, Choke (includes items 4 and 5)	1
4	<u>101933701</u>	Bezel, Choke Cable	1
5	N/A	Choke Cable without Bezel, Short	1
6	<u>102190702</u>	Kit, Air Duct Shield (includes items 7 through 9)	1
7	<u>102185401</u>	Tape, 3M VHB 4950	1
8	N/A	Shield, Air Duct	1
9	<u>7973</u>	Rivet, 3/16 X .400 Blind	1
10	<u>103520401</u>	Duct, Air Intake, Ca li	1
11	<u>1606</u>	Rivet, 3/16 X .500 Alum Pop	2
12	<u>1631</u>	Screw, #10-24 X 0.75 Phillips Pan-Head	3
13	<u>183</u>	Washer, #10 Type A Flat	7

10
G



000338-003

INTAKE SYSTEM – TURF/CARRYALL 6

ITEM	PART NO.	DESCRIPTION	QTY
		1 2 3 4	
1	<u>1012438</u>	Locknut, #10-24 Nylon Insert	3
2	<u>1015139</u>	Insulation Grommet	1
3	<u>101804301</u>	Screw, #8 X 0.500, Hex-Head Hi-Lo	1
4	<u>101811301</u>	Duct, Intake	1
5	<u>101825701</u>	Retaining Bracket	1
6	<u>101926802</u>	Cable, Choke (includes items 7 and 8)	1
7	<u>101933701</u>	Bezel, Choke Cable	1
8	N/A	Choke Cable without Bezel, Long	1
9	<u>1631</u>	Screw, #10-24 X 0.75 Phillips Pan-Head	3
10	<u>183</u>	Washer, #10 Type A Flat	7
11	<u>7973</u>	Rivet, 3/16 X .400 Blind	2
12	<u>8639</u>	Tie Wrap, 11" Nylon	2

10

G

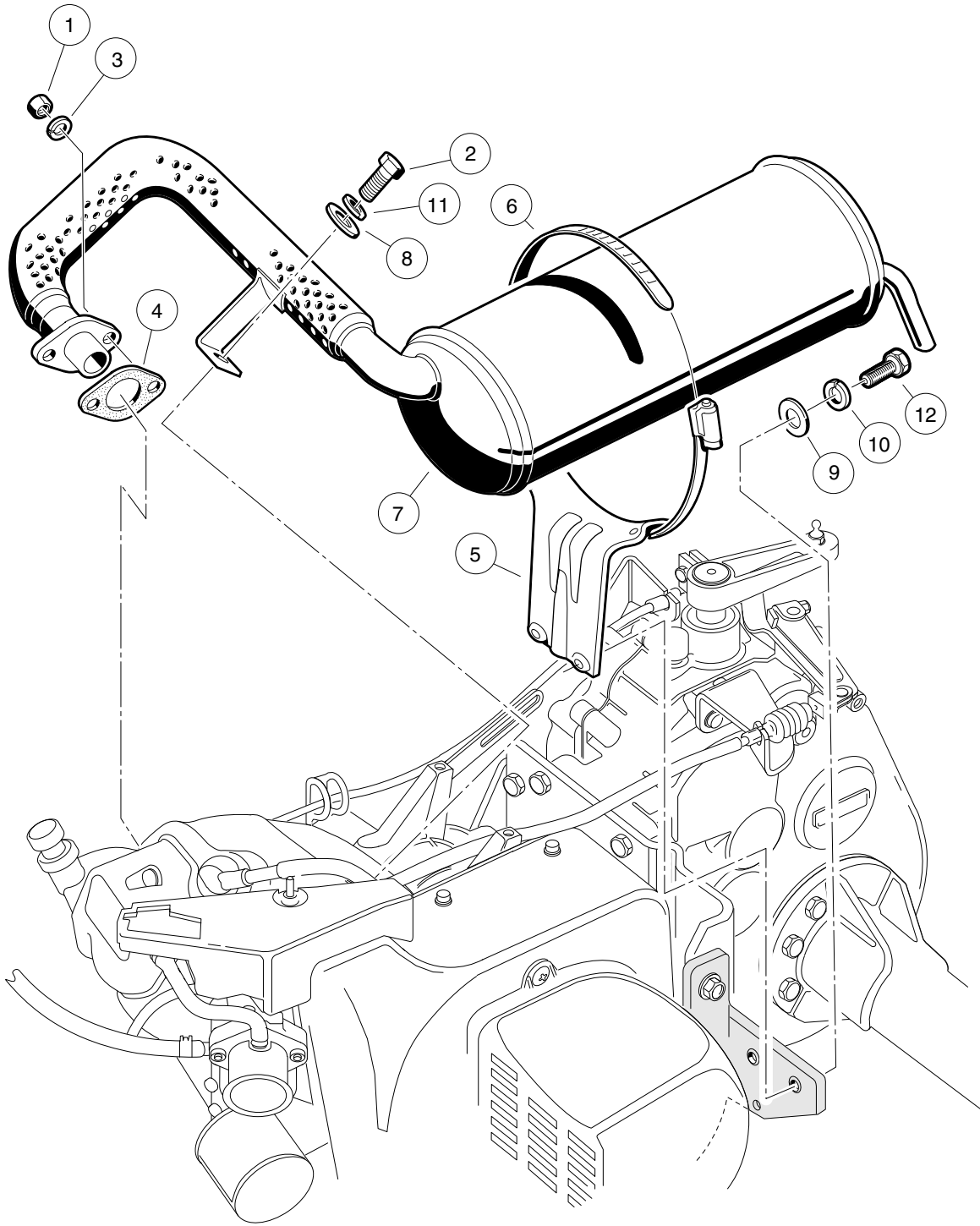
10

G

EXHAUST SYSTEM

11

G



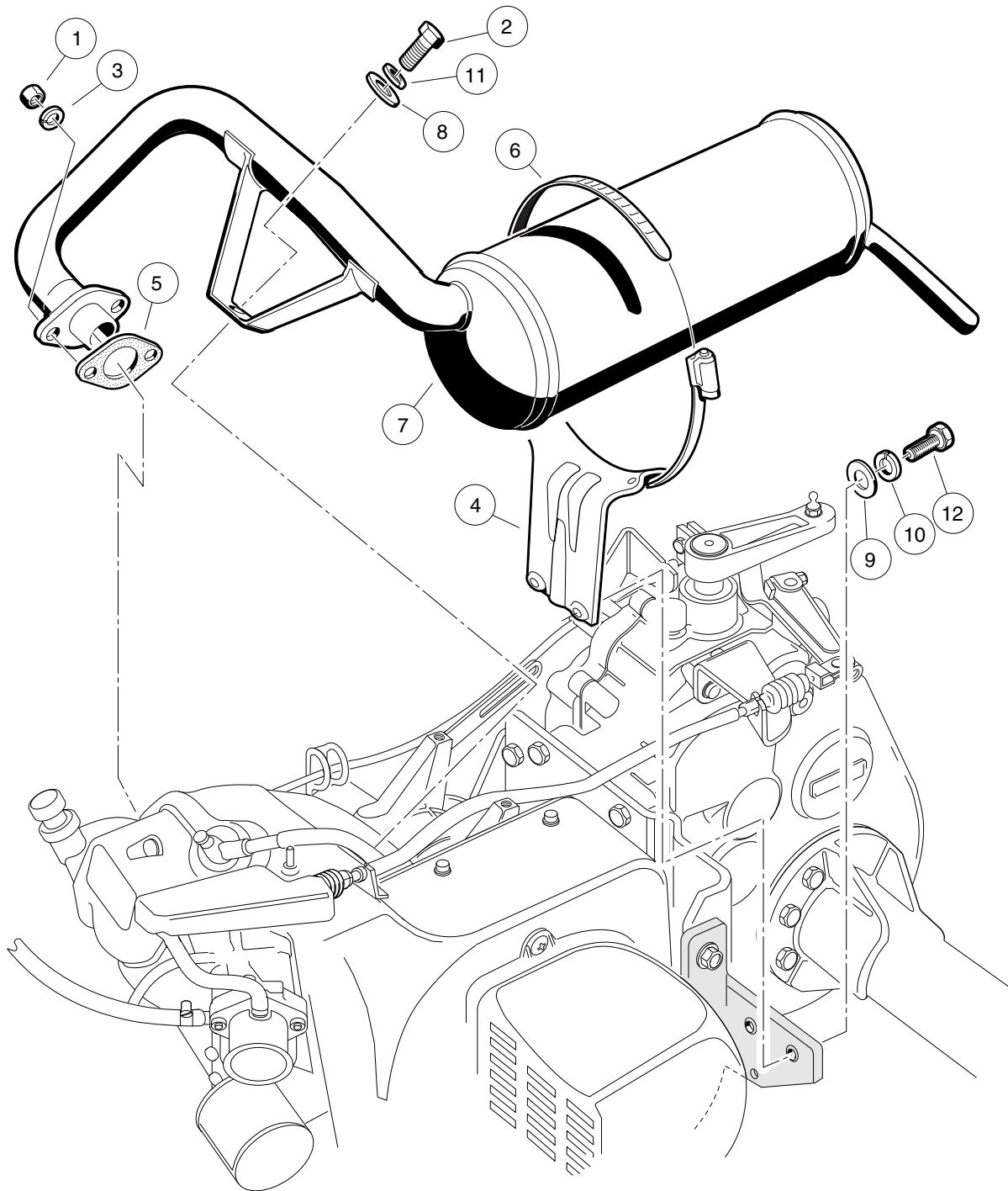
000208-001

EXHAUST SYSTEM – FE290 ENGINE

ITEM	PART NO.	DESCRIPTION	QTY
		1 2 3 4	
1	<u>1012528</u>	Nut, M8-1.25 Hex	2
2	<u>1012830</u>	Screw, M8-125 X 22 Hex-Head	1
3	<u>1013734</u>	Lockwasher, 8mm Split	2
4	<u>1015330</u>	Gasket, Exhaust	1
5	<u>1015814</u>	Bracket, Muffler Mounting	1
6	1017689	Clamp, 5" Muffler Hose	1
7	<u>101859301</u>	Exhaust System, FE290	1
8	<u>1241</u>	Washer, 5/16 Type A Flat	1
9	<u>332</u>	Washer, 1/4 Type A Narrow Flat	2
10	<u>451</u>	Lockwasher, 1/4 Split	2
11	<u>7174</u>	Lockwasher, 5/16 Split	1
12	<u>7847</u>	Screw, 1/4-20 X 0.75 Hex-Head Cap	2

11
G

11
G



000209-001

EXHAUST SYSTEM – FE350 ENGINE

ITEM	PART NO.	DESCRIPTION	QTY
		1 2 3 4	
1	<u>1012528</u>	Nut, M8-1.25 Hex	2
2	<u>1012830</u>	Screw, M8-125 X 22 Hex-Head	1
3	<u>1013734</u>	Lockwasher, 8mm Split	2
4	<u>1015814</u>	Bracket, Muffler Mounting	1
5	<u>1016904</u>	Gasket, Exhaust	1
6	1017689	Clamp, 5" Muffler Hose	1
7	<u>101859401</u>	Exhaust System, FE350	1
8	<u>1241</u>	Washer, 5/16 Type A Flat	1
9	<u>332</u>	Washer, 1/4 Type A Narrow Flat	2
10	<u>451</u>	Lockwasher, 1/4 Split	2
11	<u>7174</u>	Lockwasher, 5/16 Split	1
12	<u>7847</u>	Screw, 1/4-20 X 0.75 Hex-Head Cap	2

11
G

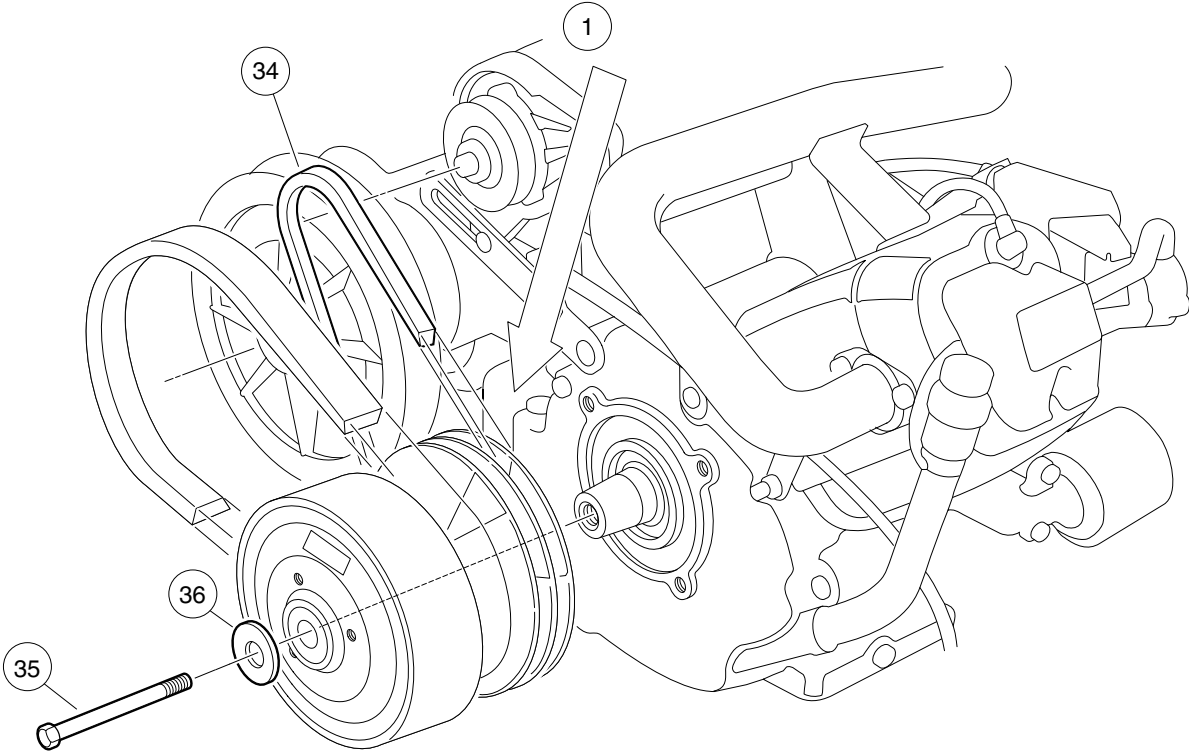
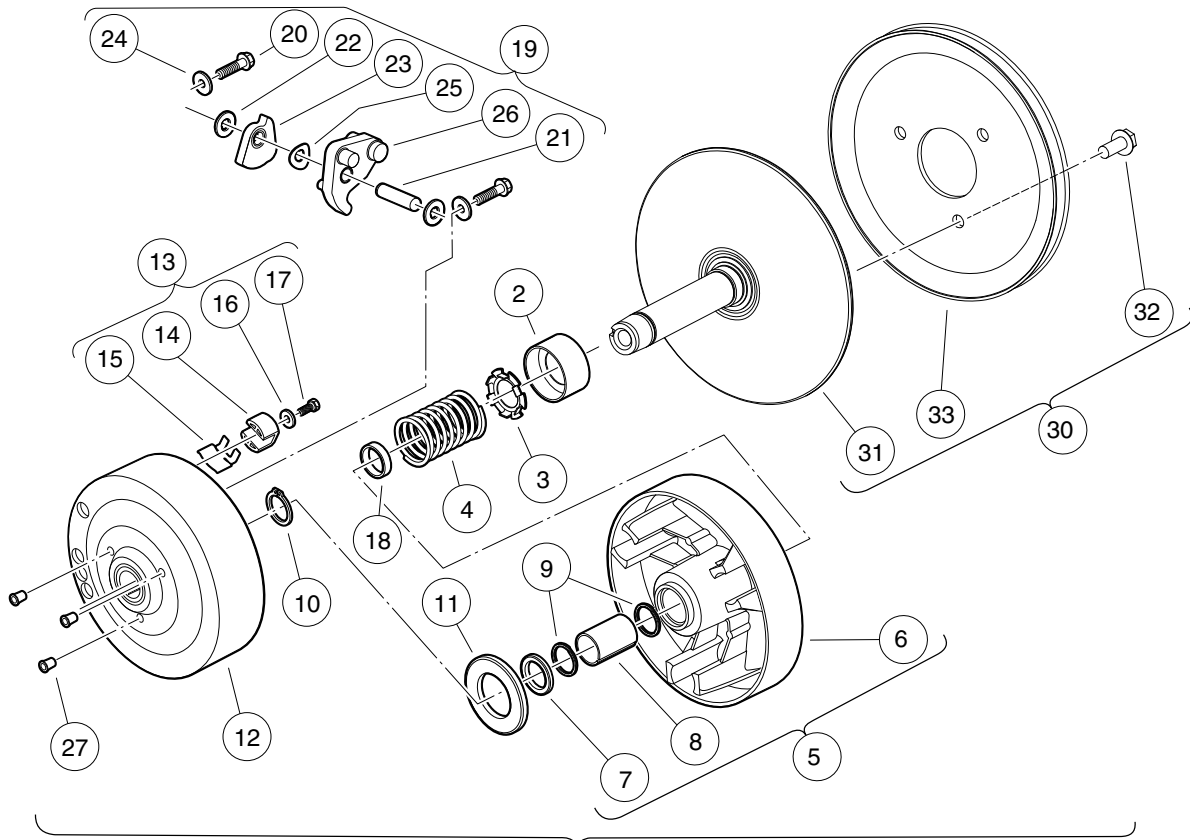
11

G

TORQUE CONVERTER

12

G



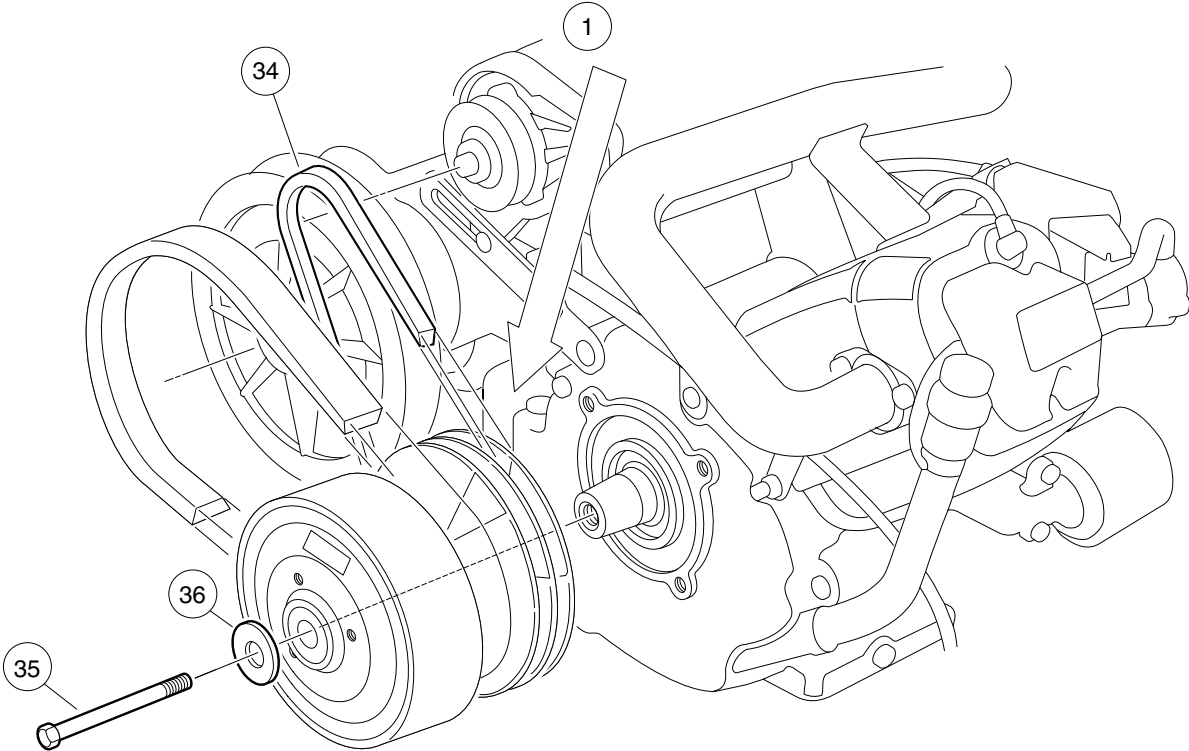
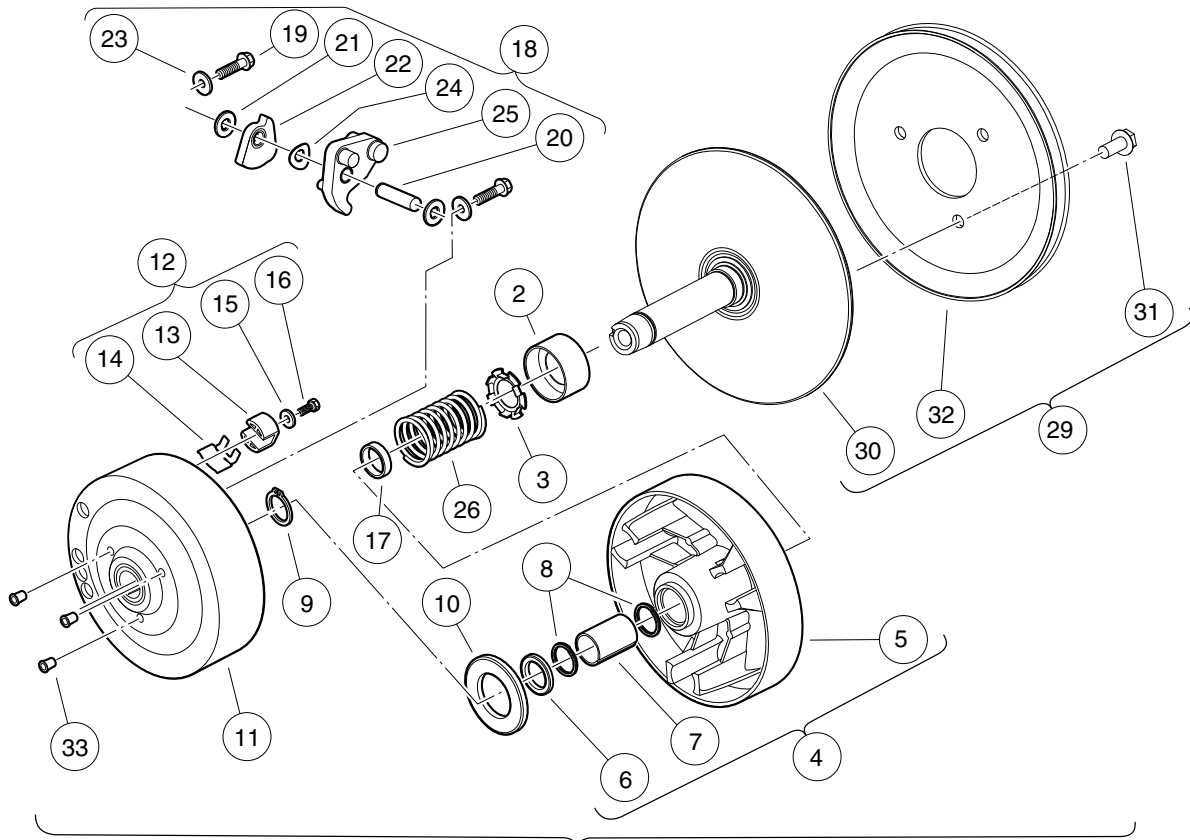
000217-001

DRIVE CLUTCH – TURF/CARRYALL 1, 2, 2 XRT, AND 252

ITEM	PART NO.	DESCRIPTION	QTY
		1 2 3 4	
1	<u>101833902</u>	Clutch, Drive (includes items 2 through 28)	1
2	1014049	Bearing, Idler	1
3	<u>1014050</u>	Retainer, Spring	1
4	<u>1014051</u>	Spring, Drive Clutch	1
5	1014052	Movable-Face Assembly (includes items 6 through 8)	1
6	N/A	Drive Clutch Movable Face	1
7	<u>1014055</u>	Retainer	1
8	N/A	Bushing, Split, Drive Clutch	1
9	<u>1014056</u>	Ring, Spiral Backup	2
10	<u>1014057</u>	Ring, 0.810" Internal Retaining	1
11	1014058	Thrust Washer	1
12	1014059	Drive Hub Assy, Drive Clutch	1
13	<u>1014453</u>	Kit, Drive Clutch Button (includes items 14 through 17)	1
14	<u>1014062</u>	Driver, Drive Clutch	3
15	<u>1014287</u>	Spring, Drive Button	3
16	<u>183</u>	Washer, #10 Type A Flat	3
17	<u>8450</u>	Screw, #10-24 X 0.50 Hex-Head	3
18	<u>1016289</u>	Spacer, Fixed Face Shaft	1
19	<u>1016801</u>	Kit, Drive Clutch Weight (includes items 20 through 26)	1
20	<u>1014063</u>	Screw, 1/4-20 X 1.00 Hex Head	6
21	N/A	Pin, 0.3752 X 1.50 Dowel	3
22	<u>1014065</u>	Washer, 0.38" ID Delrin Flat	6
23	N/A	Clutch Weight, Secondary	3
24	N/A	Washer	6
25	<u>1016201</u>	Washer, Wave	3
26	N/A	Weight, Primary	3
27	<u>101925601</u>	Plug, Drive Clutch	3
28	<u>101929802</u>	Kit, Fxd Face Dr Asm Fe290/350 (includes items 29 and 30)	1
29	N/A	Desiccant Bag (Not Shown)	1
30	101929801	Assembly, Fixed-Face Drive (includes items 31 through 33)	1
31	N/A	Fixed Face Assembly, Drive Clutch	1
32	<u>1014288</u>	Screw, 5/16-18 X 0.75 Thread-Forming	3
33	N/A	Pulley, Clutch	1
34	<u>101916701</u>	V-Belt	1
35	<u>103345701</u>	Screw 3/8-24x5.5 Hex Loc Ptch	1
36	<u>808</u>	Washer, 3/8 Type B Flat	1
		Note: Item 29 not shown.	

12

G

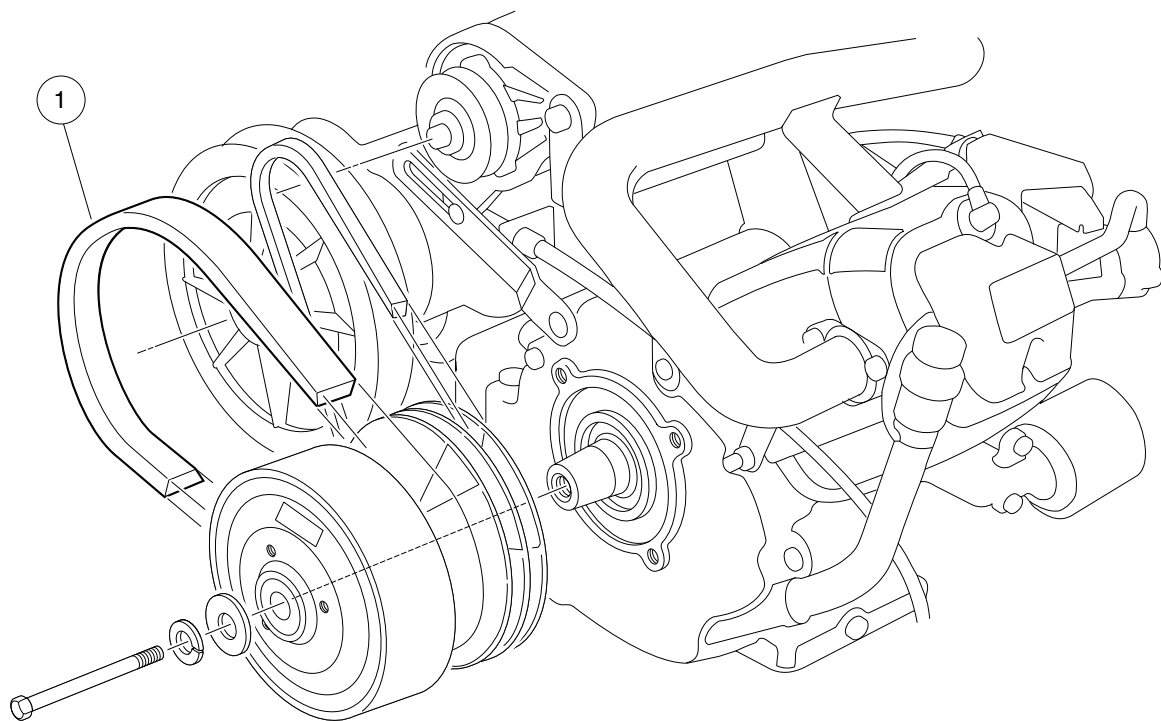


000217-002

DRIVE CLUTCH – CARRYALL 2 PLUS, AND TURF/CARRYALL 6

12
G

ITEM	PART NO.	DESCRIPTION	QTY
		1 2 3 4	
1	<u>101833904</u>	Assembly, Drive Clutch (includes items 2 through 33)	1
2	1014049	Bearing, Idler	1
3	<u>1014050</u>	Retainer, Spring	1
4	1014052	Movable-Face Assembly (includes items 5 through 7)	1
5	N/A	Drive Clutch Movable Face	1
6	<u>1014055</u>	Retainer	1
7	N/A	Bushing, Split, Drive Clutch	1
8	<u>1014056</u>	Ring, Spiral Backup	2
9	<u>1014057</u>	Ring, 0.810" Internal Retaining	1
10	1014058	Thrust Washer	1
11	1014059	Drive Hub Assy, Drive Clutch	1
12	<u>1014453</u>	Kit, Drive Clutch Button (includes items 13 through 16)	1
13	<u>1014062</u>	Driver, Drive Clutch	3
14	<u>1014287</u>	Spring, Drive Button	3
15	<u>183</u>	Washer, #10 Type A Flat	3
16	<u>8450</u>	Screw, #10-24 X 0.50 Hex-Head	3
17	<u>1016289</u>	Spacer, Fixed Face Shaft	1
18	<u>1016801</u>	Kit, Drive Clutch Weight (includes items 19 through 25)	1
19	<u>1014063</u>	Screw, 1/4-20 X 1.00 Hex Head	6
20	N/A	Pin, 0.3752 X 1.50 Dowel	3
21	<u>1014065</u>	Washer, 0.38" ID Delrin Flat	6
22	N/A	Clutch Weight, Secondary	3
23	N/A	Washer	6
24	<u>1016201</u>	Washer, Wave	3
25	N/A	Weight, Primary	3
26	<u>1016901</u>	Spring, Drive Clutch	1
27	101738302	Kit, Fixed Face - Drive (includes items 28 and 29)	1
28	N/A	Desiccant Bag (Not Shown)	1
29	<u>101738301</u>	Fixed Face Drive (includes items 30 through 32)	1
30	N/A	Fixed Face Assembly, Drive Clutch	1
31	<u>1014288</u>	Screw, 5/16-18 X 0.75 Thread-Forming	3
32	1016011	Pulley, Drive Clutch	1
33	N/A	Cap Plug	3
34	<u>101916701</u>	V-Belt	1
35	<u>103345701</u>	Screw 3/8-24x5.5 Hex Loc Ptch	1
36	<u>808</u>	Washer, 3/8 Type B Flat	1
		Note: Item 28 not shown.	



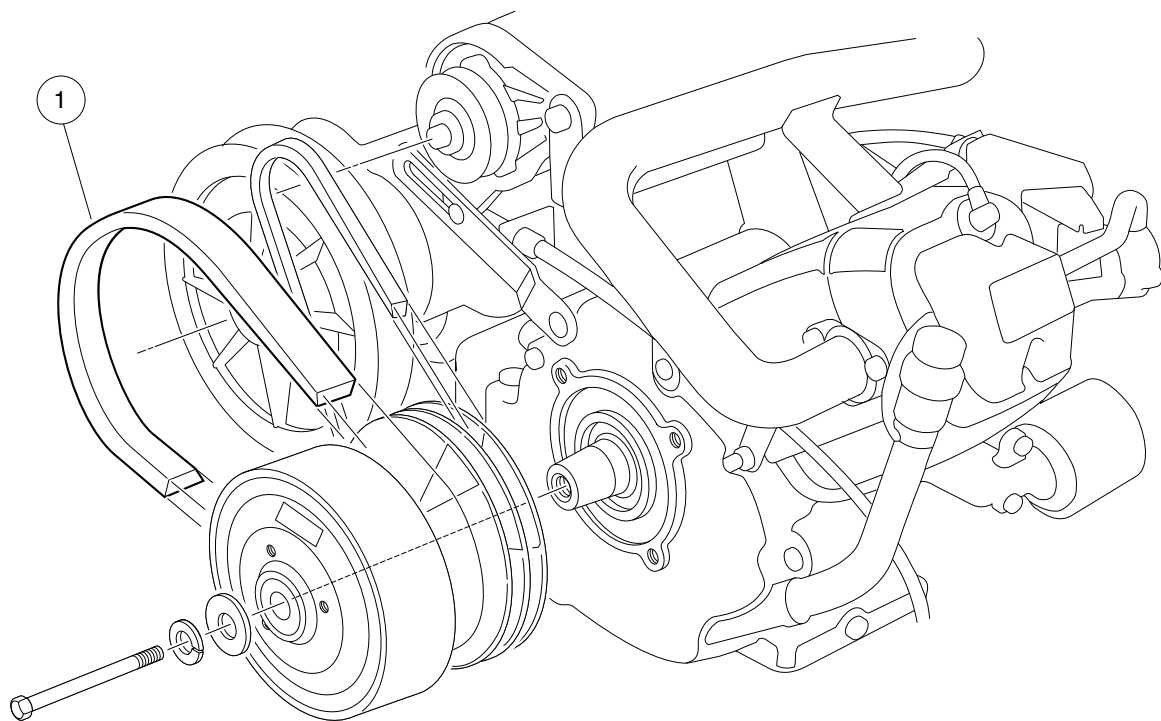
000218-001

DRIVE BELT – FE290

ITEM	PART NO.	DESCRIPTION	QTY
1	<u>1016203</u>	<div style="display: flex; justify-content: space-between; margin-bottom: 5px;"> 1 2 3 4 </div> Belt, Drive	1

12

G



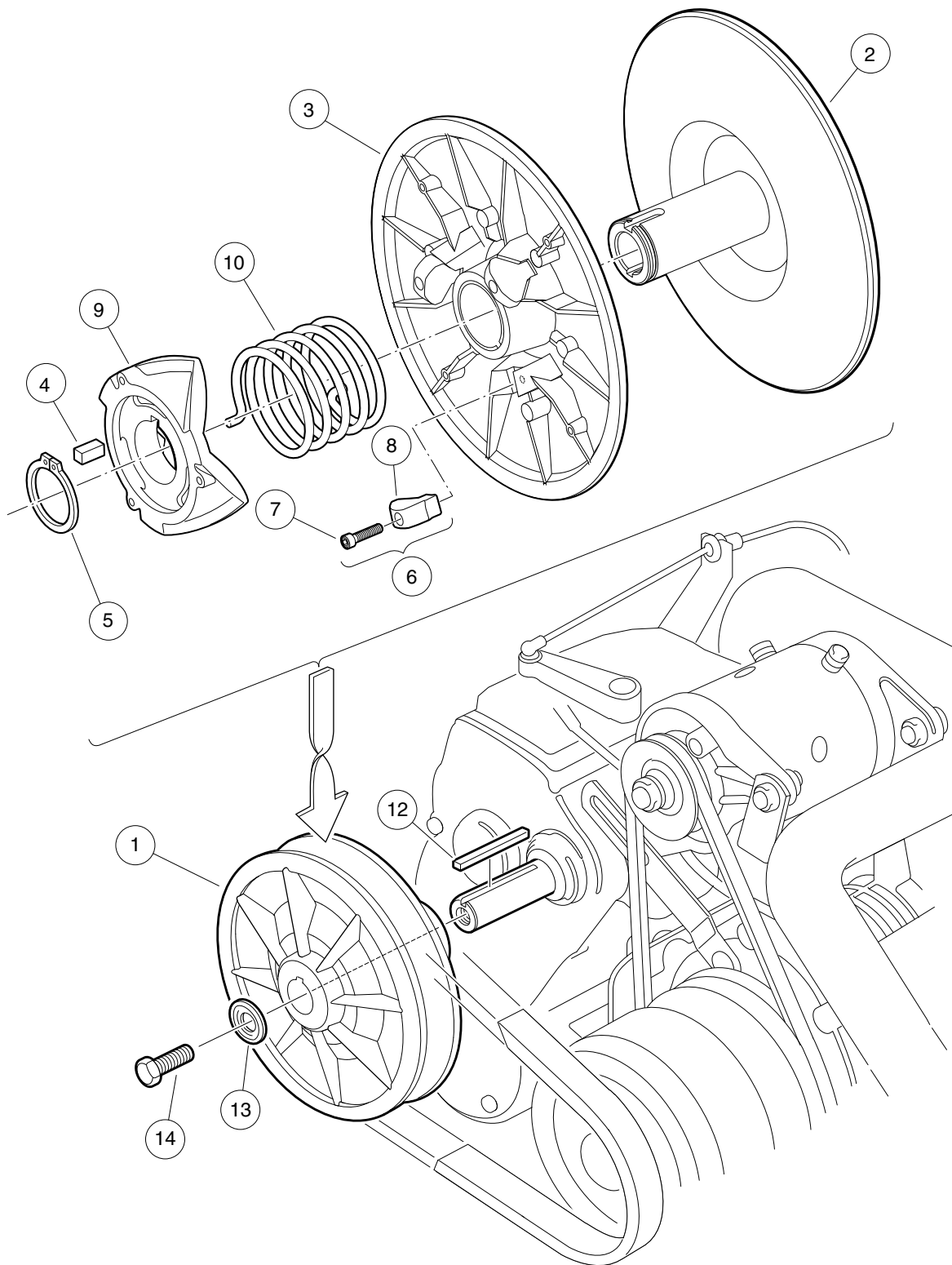
000218-001

DRIVE BELT – FE350

ITEM	PART NO.	DESCRIPTION	QTY
1	<u>1017188</u>	<div style="display: flex; justify-content: space-between; margin-bottom: 5px;"> 1 2 3 4 </div> Belt, Drive (FE350)	1

12

G



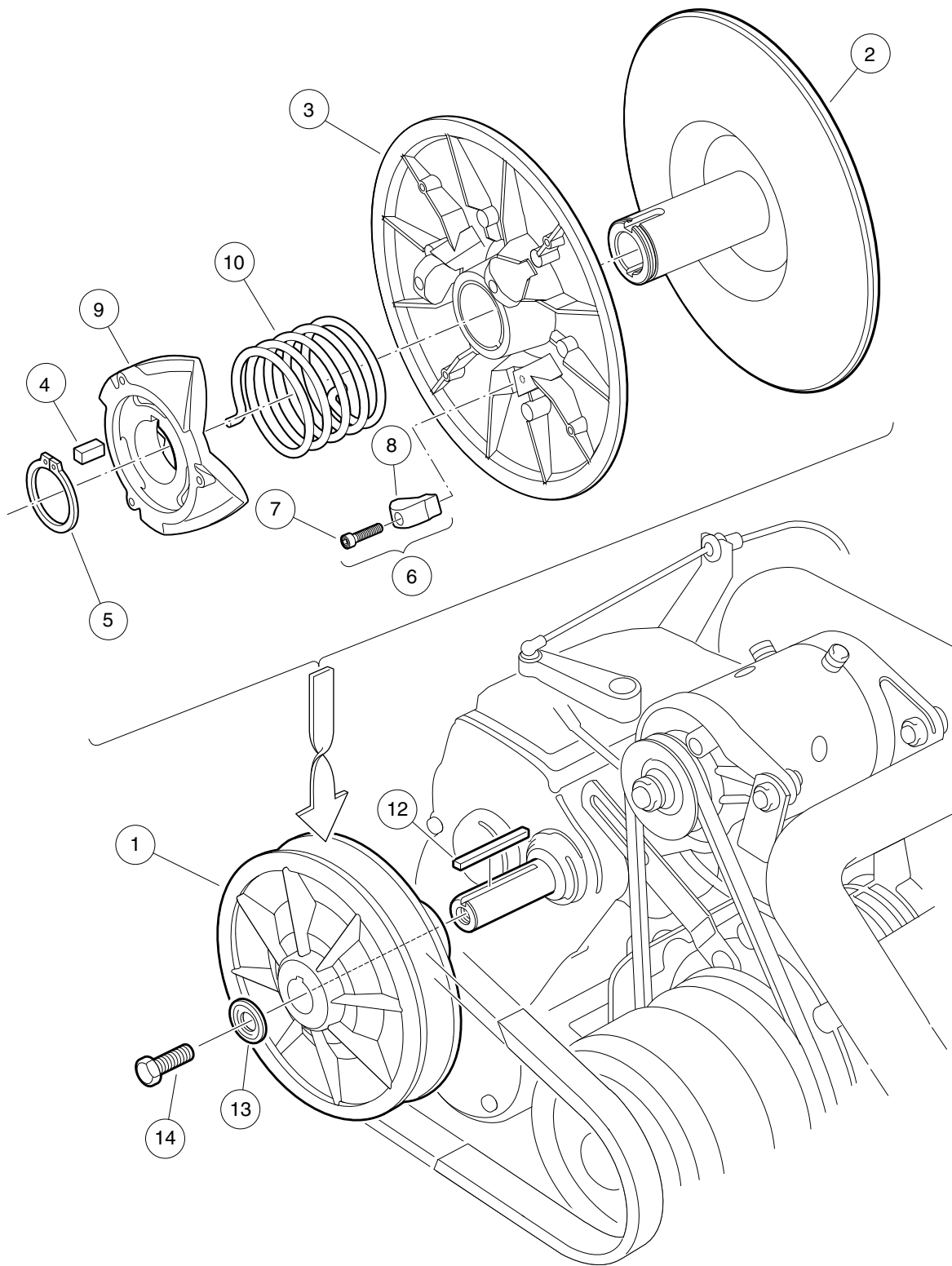
000219-001

DRIVEN CLUTCH – TURF/CARRYALL 1, 2, 2 XRT, 252, AND TURF/ CARRYALL 6

ITEM	PART NO.	DESCRIPTION	QTY
		1 2 3 4	
1	<u>101834001</u>	Assembly, Driven Clutch (includes items 2 through 10)	1
2	<u>1014070</u>	Fixed Face Assy, Driven Clutch	1
3	<u>1014072</u>	Movable-Face Assembly with Bushing	1
4	<u>1014078</u>	Key, Driven Clutch	1
5	<u>1014080</u>	Ring, Retaining	1
6	<u>1014454</u>	Kit, Driven Clutch Button (includes items 7 and 8)	1
7	<u>1012836</u>	Screw, #8-32 X 3/4 Socket-Head Cap	3
8	1014076	Button, Drive	3
9	<u>1017686</u>	Cam, Driven Clutch	1
10	<u>101836201</u>	Spring, Driven Clutch, Reversed	1
11	<u>AM10419</u>	Kit, Clutch Repair (includes items 12 through 14)	1
12	<u>101833401</u>	Key, 3/16 Sq X 1.50"	1
13	<u>102155801</u>	Washer, Driven Clutch	1
14	<u>102242101</u>	Screw, 5/16-18 X 3/4 Hex-Head with Patch	1

12

G



000219-001

DRIVEN CLUTCH – CARRYALL 2 PLUS

ITEM	PART NO.	DESCRIPTION	QTY
		1 2 3 4	
1	<u>101834003</u>	Clutch, Driven (includes items 2 through 10)	1
2	<u>1014070</u>	Fixed Face Assy, Driven Clutch	1
3	<u>1014072</u>	Movable-Face Assembly with Bushing	1
4	<u>1014078</u>	Key, Driven Clutch	1
5	<u>1014080</u>	Ring, Retaining	1
6	<u>1014454</u>	Kit, Driven Clutch Button (includes items 7 and 8)	1
7	<u>1012836</u>	Screw, #8-32 X 3/4 Socket-Head Cap	3
8	1014076	Button, Drive	3
9	<u>1017686</u>	Cam, Driven Clutch	1
10	<u>101836202</u>	Spring, Driven Clutch, Reversed	1
11	<u>AM10419</u>	Kit, Clutch Repair (includes items 12 through 14)	1
12	<u>101833401</u>	Key, 3/16 Sq X 1.50"	1
13	<u>102155801</u>	Washer, Driven Clutch	1
14	<u>102242101</u>	Screw, 5/16-18 X 3/4 Hex-Head with Patch	1

12
G

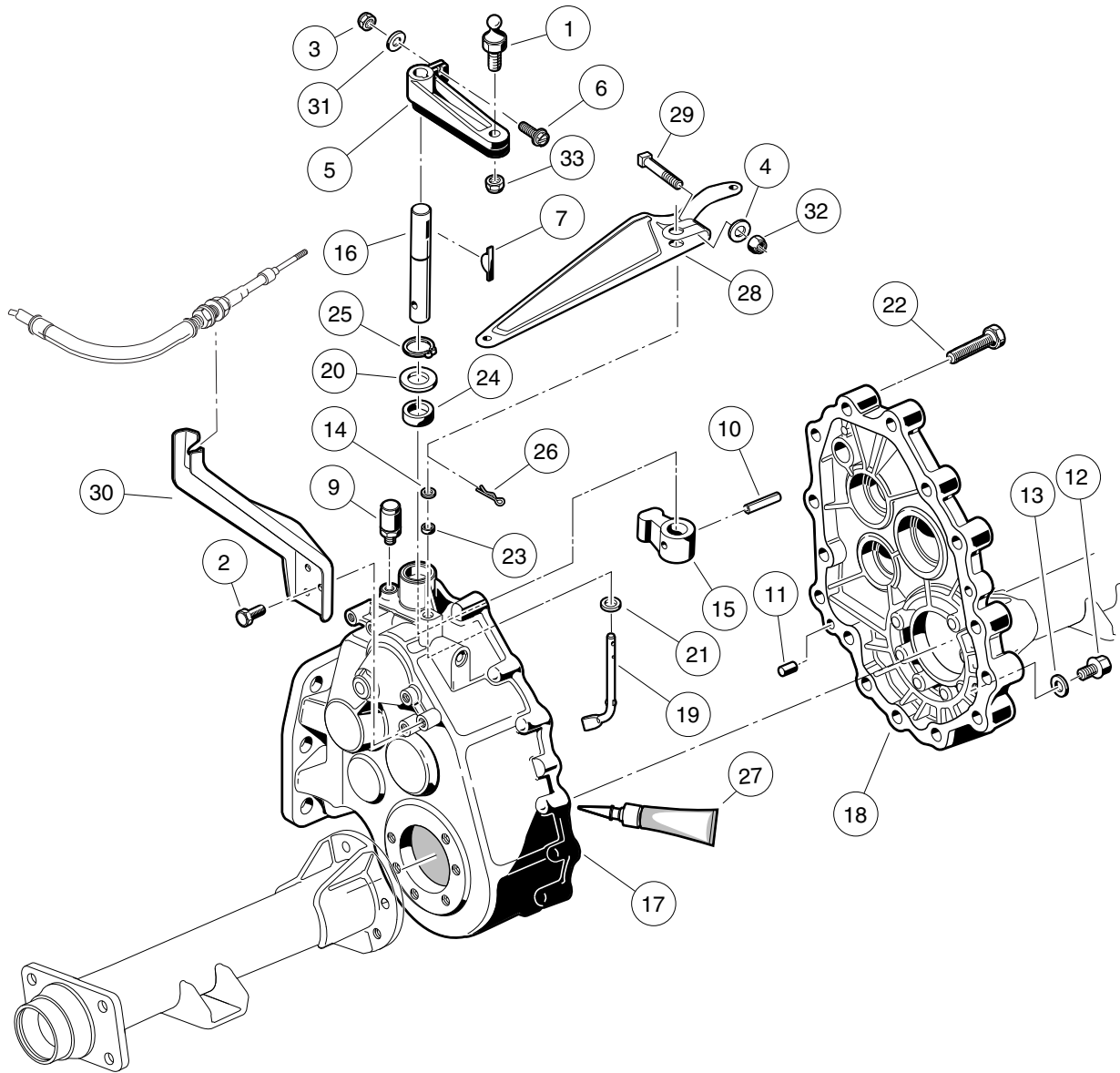
12

G

UNITIZED TRANSAXLE

13

G

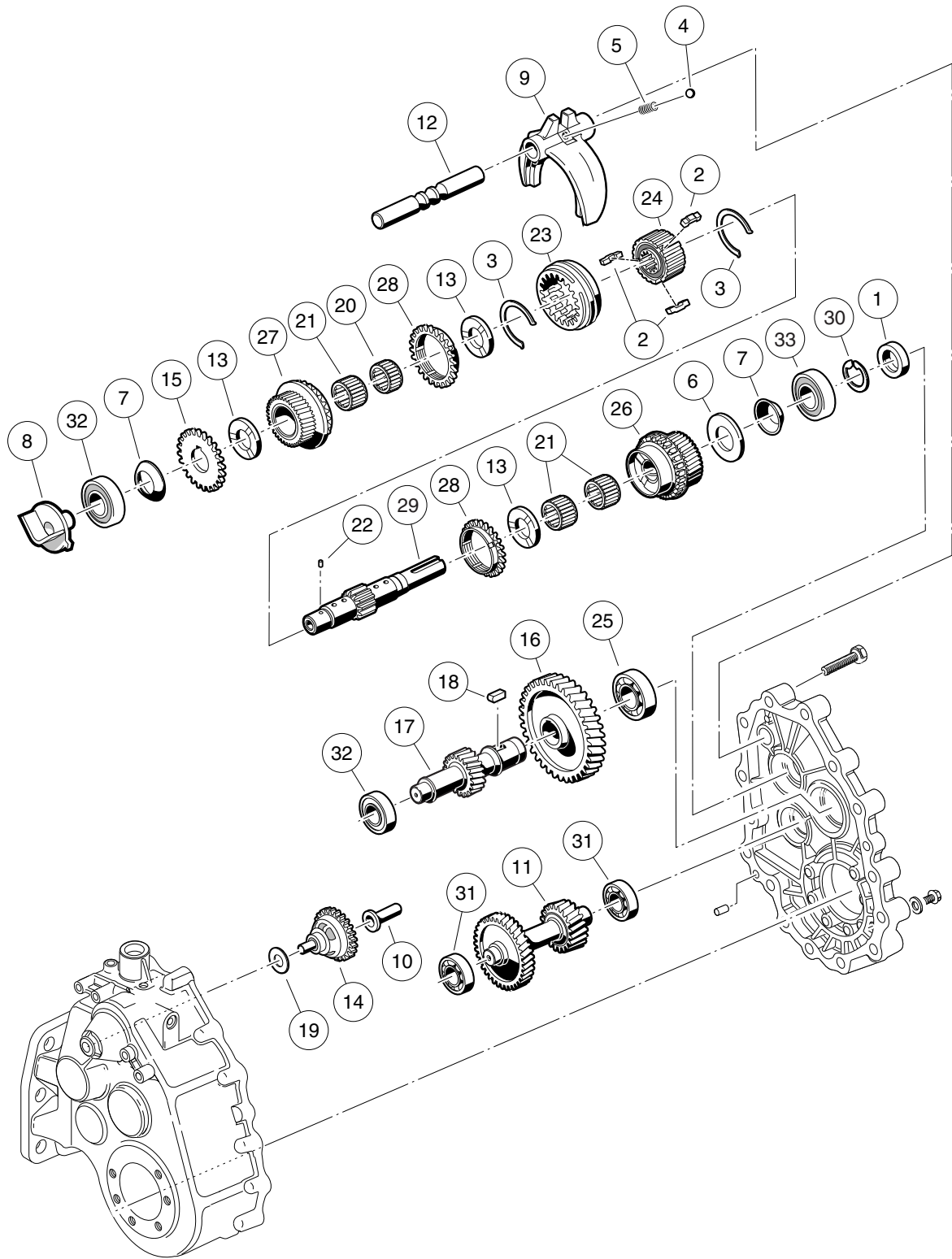


000220-001

TRANSAXLE – GASOLINE VEHICLES, GEAR CASES AND BRACKETS

ITEM	PART NO.	DESCRIPTION	QTY
		1 2 3 4	
1	<u>1010954</u>	Stud, 1/4-28 X 0.560 Ball	1
2	<u>1012285</u>	Screw, 1/4 X 0.625 Hex-Head	3
3	<u>1013061</u>	Locknut, #10-32 Nylon Insert	1
4	<u>1014007</u>	Washer, 1/4 Flat	1
5	<u>1016341</u>	Lever, Transmission Shift	1
6	<u>1017082</u>	Screw, #10-32 X 0.75, Hex-Head Machine	1
7	<u>1017231</u>	Key, Woodruff	1
8	<u>101833601</u>	Transaxle, 11.77 Ratio (includes items 9 through 27)	1
9	<u>1012711</u>	Breather	1
10	<u>1012752</u>	Roll Pin	1
11	<u>1012896</u>	Pin, Dowel	2
12	<u>1013760</u>	Fill Plug	2
13	<u>1016432</u>	Gasket, Drain Plug	1
14	<u>1016513</u>	Washer, M6 Flat	1
15	<u>101890101</u>	Lever, Change	1
16	<u>101890201</u>	Shaft - Change	1
17	<u>101890501</u>	Gear Case (driver side)	1
18	<u>101890601</u>	Gear Case (passenger side)	1
19	<u>101891301</u>	Arm Pivot	1
20	<u>101892901</u>	Washer	1
21	<u>101893801</u>	Washer	1
22	<u>101926901</u>	Screw, M8-1.25 X 40mm Hex-Head	15
23	<u>101927101</u>	Seal, Oil	1
24	<u>101927201</u>	Seal, Oil	1
25	<u>101927301</u>	Snap Ring	1
26	<u>101928601</u>	Pin, Cotter	1
27	<u>101928701</u>	Liquid Gasket (Transaxle case)	1
28	<u>101834801</u>	Arm, Governor	1
29	<u>101886101</u>	Screw, 1/4-20 X 1.00 Square-Head	1
30	<u>102045901</u>	Bracket, Shifter	1
31	<u>183</u>	Washer, #10 Type A Flat	1
32	<u>8233</u>	Locknut, 1/4-20 Nylon Insert	1
33	<u>8717</u>	Locknut, 1/4-28 Nylon Insert	1

13
G



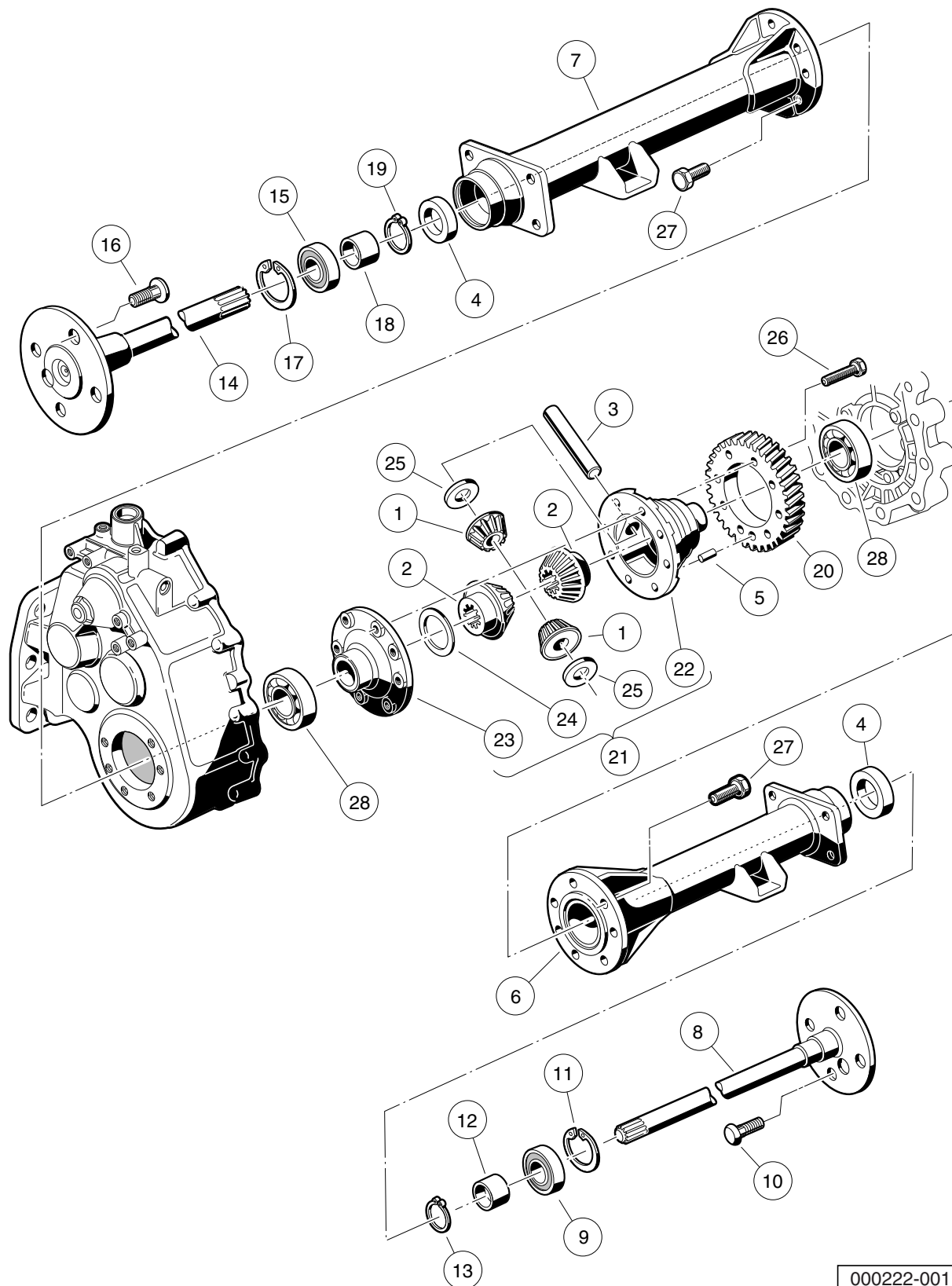
000221-001

TRANSAXLE – GASOLINE VEHICLES, TRANSMISSION AND GEAR REDUCTION

13

G

ITEM	PART NO.	DESCRIPTION	QTY
		1 2 3 4	
1	<u>1012714</u>	Oil Seal	1
2	<u>1012740</u>	Synchro Insert	3
3	<u>1012741</u>	Synchro Spring	2
4	<u>1012747</u>	Shifter Ball	1
5	<u>1012748</u>	Shifter Spring	1
6	<u>1016337</u>	Washer, Thrust	1
7	<u>1016338</u>	Washer, Spring	2
8	<u>101889401</u>	Guide	1
9	<u>101890001</u>	Fork - Shift	1
10	<u>101891601</u>	Sleeve, Governor	1
11	<u>101891901</u>	Gear, Cluster	1
12	<u>101892001</u>	Rod, Shift	1
13	<u>101892201</u>	Plate, Thrust	3
14	<u>101892301</u>	Governor Assembly	1
15	<u>101892401</u>	Gear, Spur	1
16	<u>101892501</u>	Gear, Helical (61 Tooth)	1
17	<u>101892601</u>	Gear, Helical (17 Tooth)	1
18	<u>101893201</u>	Key Sunk	1
19	<u>101893901</u>	Washer	1
20	<u>101927501</u>	Needle Bearing	1
21	<u>101927601</u>	Needle Bearing	3
22	<u>101927701</u>	Pin, .116" Dia X 0.264 Dowel	1
23	<u>101927901</u>	Sleeve, Synchro	1
24	<u>101928001</u>	Hub, Synchro Clutch	1
25	<u>101928101</u>	Bearing, Ball	1
26	<u>101980801</u>	Gear Assembly, 16-Degree Synchro (25 Tooth)	1
27	<u>101980901</u>	Gear Assembly, 16-Degree Rear Synchro (28 Tooth)	1
28	<u>101981001</u>	Ring, 16-Degree Synchronizer	2
29	<u>102453001</u>	Shaft, Trans, with Circlip	1
30	<u>102453101</u>	Circlip	1
31	<u>7335</u>	Bearing	2
32	<u>AM10080</u>	Bearing, Ball, Sealed	2
33	<u>AM10081</u>	Bearing, Ball, Sealed	1
<p>Note: Items listed on this page are components of the unitized transaxle.</p>			

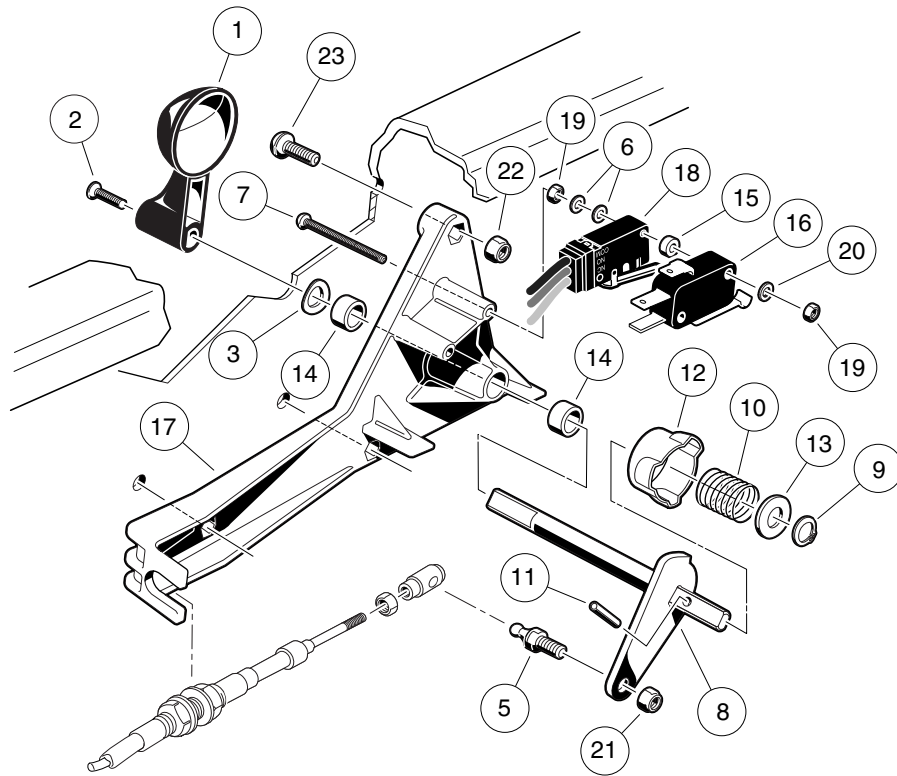


000222-001

TRANSAXLE – GASOLINE VEHICLES, DIFFERENTIAL AND AXLES

ITEM	PART NO.	DESCRIPTION	QTY
		1 2 3 4	
1	<u>1013770</u>	Differential Idler Gear	2
2	<u>1013771</u>	Gear, Differential	2
3	<u>1013772</u>	Pin, Differential	1
4	<u>1013794</u>	Axle Shaft Oil Seal	2
5	<u>1014193</u>	Dowel Pin	1
6	<u>101890901</u>	Pipe	1
7	<u>101891001</u>	Pipe	1
8	<u>101891401</u>	Axle Assembly, Passenger Side (includes items 9 through 13)	1
9	<u>1011291</u>	Outer Axle, Tube Bearing	1
10	<u>1013787</u>	Lug Stud	4
11	<u>1013792</u>	Circlip Type C	1
12	<u>1014207</u>	Bushing	1
13	<u>1016672</u>	Retaining Ring	1
14	<u>101891501</u>	Axle Assembly, Driver-Side (includes items 15 through 19)	1
15	<u>1011291</u>	Outer Axle, Tube Bearing	1
16	<u>1013787</u>	Lug Stud	4
17	<u>1013792</u>	Circlip Type C	1
18	<u>1014207</u>	Bushing	1
19	<u>1016672</u>	Retaining Ring	1
20	<u>101892701</u>	Gear, Helical	1
21	<u>101910501</u>	Kit, Differential Gear Case (includes items 22 through 25)	1
22	<u>1013768</u>	Differential Gear Case, Left-Hand	1
23	<u>1013769</u>	Differential Gear Case, Right-Hand	1
24	<u>1013773</u>	Plate, Thrust (Differential Gear)	1
25	<u>1013774</u>	Plate, Thrust (Idler Gear)	2
26	<u>101928301</u>	Screw, M8-1.25 X 35mm Hex Head	8
27	<u>102031901</u>	Bolt, M10 X 1.5 X 30mm	14
28	<u>7330</u>	Inner Axle Tube Bearing	2

13
G



000236-001

FORWARD/REVERSE SHIFTER ASSEMBLY – GASOLINE VEHICLES

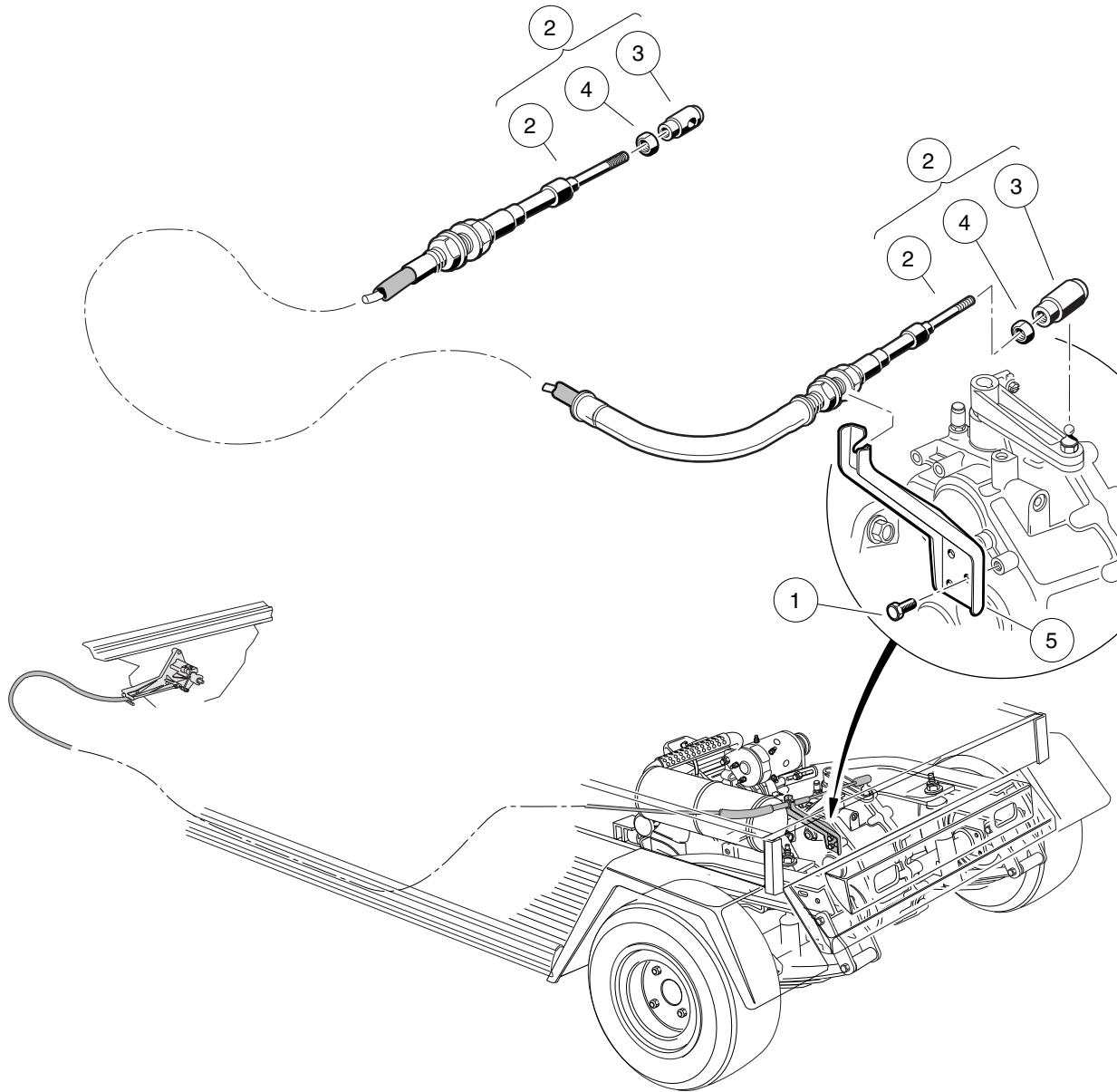
ITEM	PART NO.	DESCRIPTION	QTY
		1 2 3 4	
1	<u>1012987</u>	Handle, FNR	1
2	<u>1015064</u>	Screw, #8-32 X 0.63 Machine	1
3	<u>1016201</u>	Washer, Wave	1
4	1016947	Assembly, FNR Shifter (includes items 5 through 21)	1
5	<u>1010954</u>	Stud, 1/4-28 X 0.560 Ball	1
6	<u>1012431</u>	Washer, #4 Flat	4
7	<u>1012594</u>	Screw, #4-40 Machine	2
8	1013587	FNR Bell Crank Weldment	1
9	<u>1013589</u>	Ring, 0.338" Internal Retaining	1
10	<u>1013590</u>	Spring, FNR Cam	1
11	<u>1013591</u>	Pin, 1/8 X 1/2 Roll	1
12	1014089	Neutral Lockout Cam Kit (includes item 13)	1
13	<u>1014065</u>	Washer, 0.38" ID Delrin Flat	1
14	<u>1014145</u>	Bushing, Secondary Weight, Split	2
15	<u>1014727</u>	Washer, #4 Nylon Flat	2
16	<u>1014807</u>	Switch, Limit	1
17	<u>1016342</u>	FNR Shifter Base	1
18	<u>101979101</u>	Assembly, Switch, Limit	1
19	<u>8057</u>	Nut, #4-40 Hex Machine	4
20	<u>8058</u>	Lockwasher, #4 Split	2
21	<u>8717</u>	Locknut, 1/4-28 Nylon Insert	1
22	<u>8233</u>	Locknut, 1/4-20 Nylon Insert	4
23	<u>8248</u>	Screw, 1/4-20 X 0.75 Truss-Head Machine	4

13
G

FORWARD/REVERSE SHIFTER CABLE – TURF/CARRYALL 1 VEHICLES

ITEM	PART NO.	DESCRIPTION	QTY
		1 2 3 4	
1	<u>1012285</u>	Screw, 1/4 X 0.625 Hex-Head	3
2	<u>101855801</u>	Cable Retainer	1
3	<u>101951501</u>	FNR Shifter Cable (includes items 4 through 6)	1
4	<u>1012333</u>	Joint, #10-32 Ball	2
5	<u>103379501</u>	Cable, Transmission Shifter Ds	1
6	<u>7893</u>	Nut, #10-32 Hex	2
7	<u>102045901</u>	Bracket, Shifter	1
8	<u>332</u>	Washer, 1/4 Type A Narrow Flat	1
9	<u>8233</u>	Locknut, 1/4-20 Nylon Insert	1
10	<u>8251</u>	Screw, 1/4-20 X 1.0 Truss-Head Machine	1

13
G



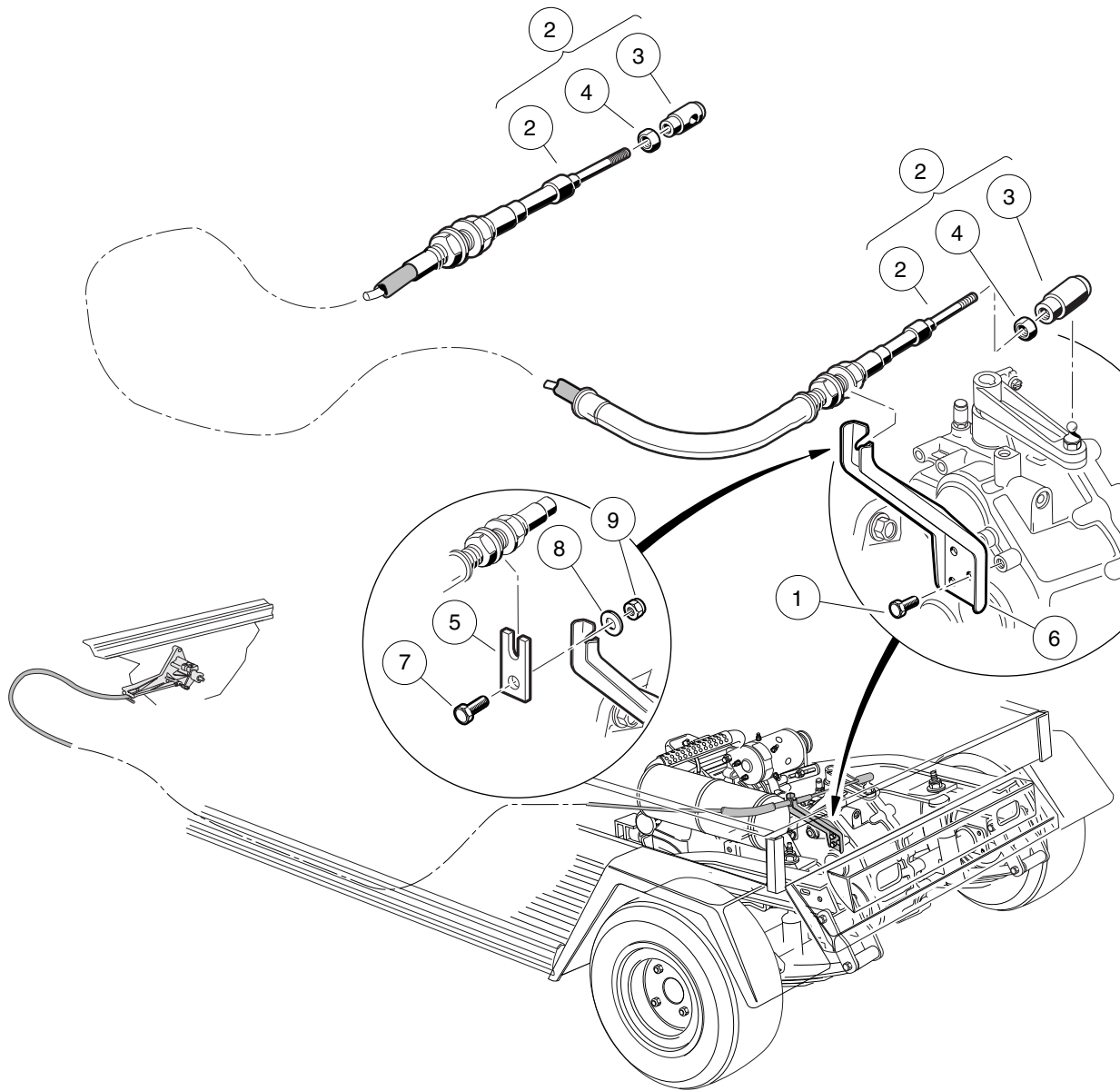
000248-002

FORWARD/REVERSE SHIFTER CABLE – TURF/ CARRYALL 2, AND CARRYALL 2 PLUS VEHICLES

ITEM	PART NO.	DESCRIPTION	QTY
		1 2 3 4	
1	<u>1012285</u>	Screw, 1/4 X 0.625 Hex-Head	3
2	<u>1015409</u>	Cable, Shifter (includes items 3 and 4)	1
3	<u>1012333</u>	Joint, #10-32 Ball	2
4	<u>7893</u>	Nut, #10-32 Hex	2
5	<u>102045901</u>	Bracket, Shifter	1

13

G



000248-003

FORWARD/REVERSE SHIFTER CABLE – TURF/ CARRYALL 252 AND 2 XRT

ITEM	PART NO.	DESCRIPTION	QTY
		1 2 3 4	
1	<u>1012285</u>	Screw, 1/4 X 0.625 Hex-Head	3
2	<u>1015409</u>	Cable, Shifter (includes items 3 and 4)	1
3	<u>1012333</u>	Joint, #10-32 Ball	2
4	<u>7893</u>	Nut, #10-32 Hex	2
5	<u>102004801</u>	Extension, FNR Shifter Bracket	1
6	<u>102045901</u>	Bracket, Shifter	1
7	320	Screw, 3/8-16 X 1.00 Hex-Head Cap	1
8	<u>808</u>	Washer, 3/8 Type B Flat	1
9	<u>8754</u>	Locknut, 3/8-16 Hex	1

13
G

FORWARD/REVERSE SHIFTER CABLE – TURF/ CARRYALL 6

ITEM	PART NO.	DESCRIPTION	QTY
		1 2 3 4	
1	<u>1012285</u>	Screw, 1/4 X 0.625 Hex-Head	3
2	<u>101672701</u>	Cable, FNR Shifter (includes items 3 through 5)	1
3	<u>1012333</u>	Joint, #10-32 Ball	2
4	101539802	Cable, Transmission Shifter	1
5	<u>7893</u>	Nut, #10-32 Hex	2
6	<u>102045901</u>	Bracket, Shifter	1
7	<u>7973</u>	Rivet, 3/16 X .400 Blind	1
8	8455	Wire Harness Clamp	1

13
G

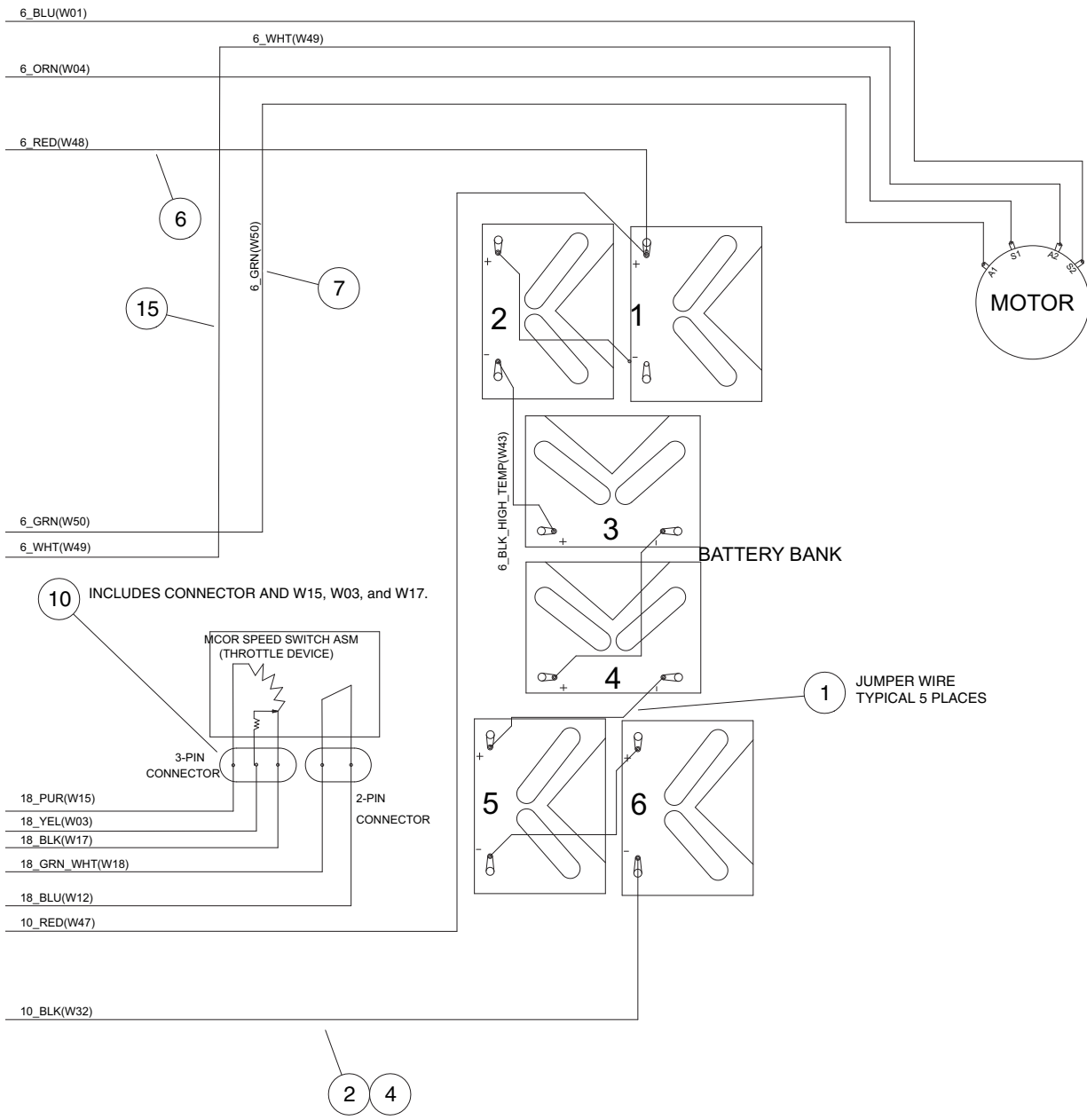
13

G

ELECTRICAL SYSTEM – ELECTRIC VEHICLES

14

E



000322-001

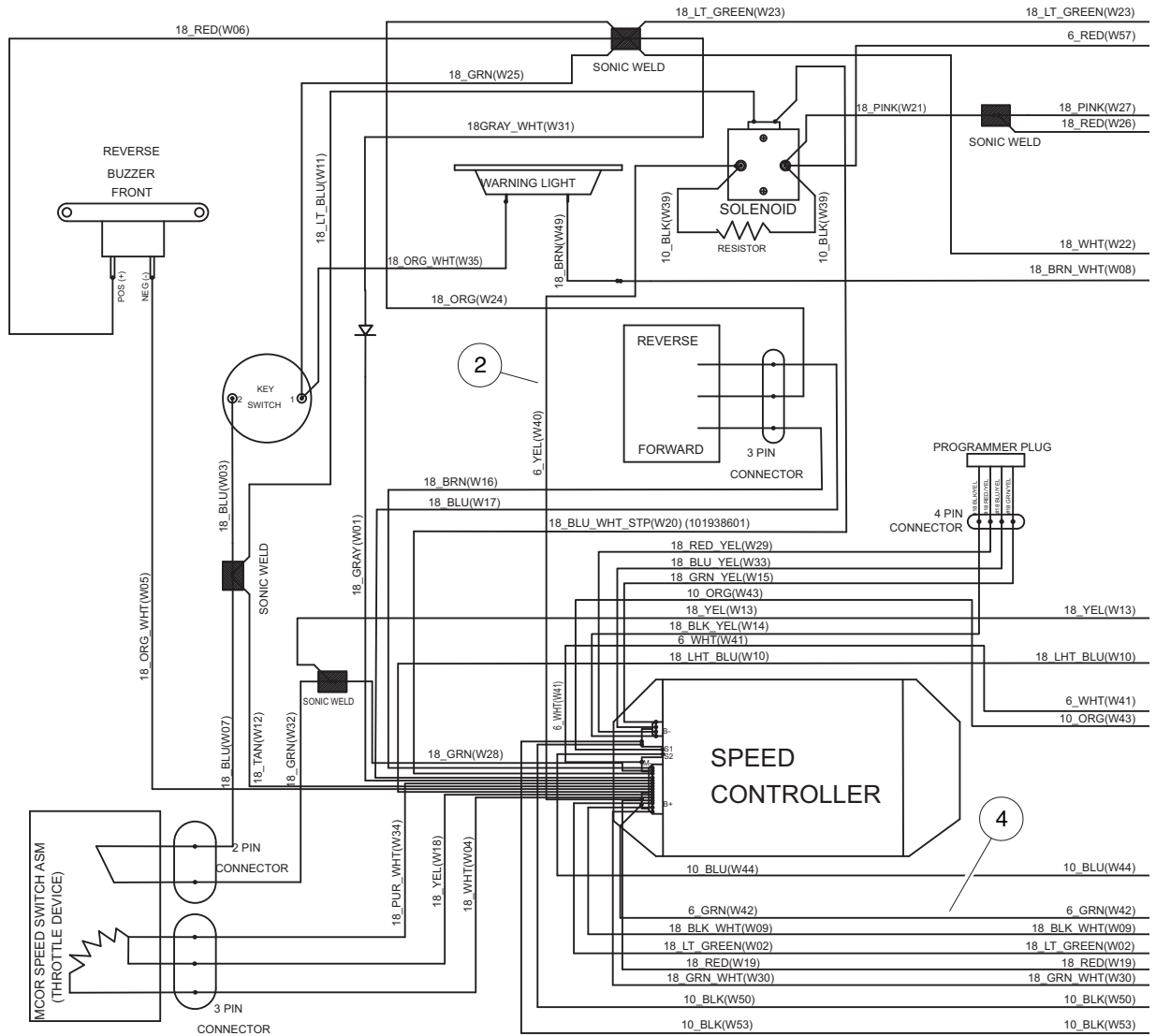
See previous two pages for illustration.

WIRING – TURF/CARRYALL 1 POWERDRIVE

ITEM	PART NO.	DESCRIPTION	QTY
		1 2 3 4	
1	<u>101795701</u>	Asm, Wire, #6blk 13in	5
2	<u>101827801</u>	Ground Wire Kit, 48-Volt (includes items 3 through 5)	1
3	<u>101826801</u>	Compression Lug	1
4	N/A	Wire Assembly, Black	1
5	<u>8990</u>	Tie Wrap, 8" Nylon	3
6	<u>101902801</u>	Wire Assembly, #6 Red	1
7	<u>101902901</u>	Wire Assembly #6 Green	1
8	<u>101903001</u>	Wire Assembly #6 Yellow	1
9	<u>102162102</u>	Wire Harness (includes items 10 through 15)	1
10	<u>101865106</u>	3-Way Plug and Wire Assembly	1
11	<u>101901201</u>	Wire Assembly #6 Orange	1
12	<u>101901301</u>	Wire Assembly #6 Blue	1
13	<u>101901401</u>	Wire Assembly #6 Blue	1
14	<u>101901501</u>	Wire Assembly #6 White	1
15	<u>101911101</u>	Wire Assy, #6 White	1

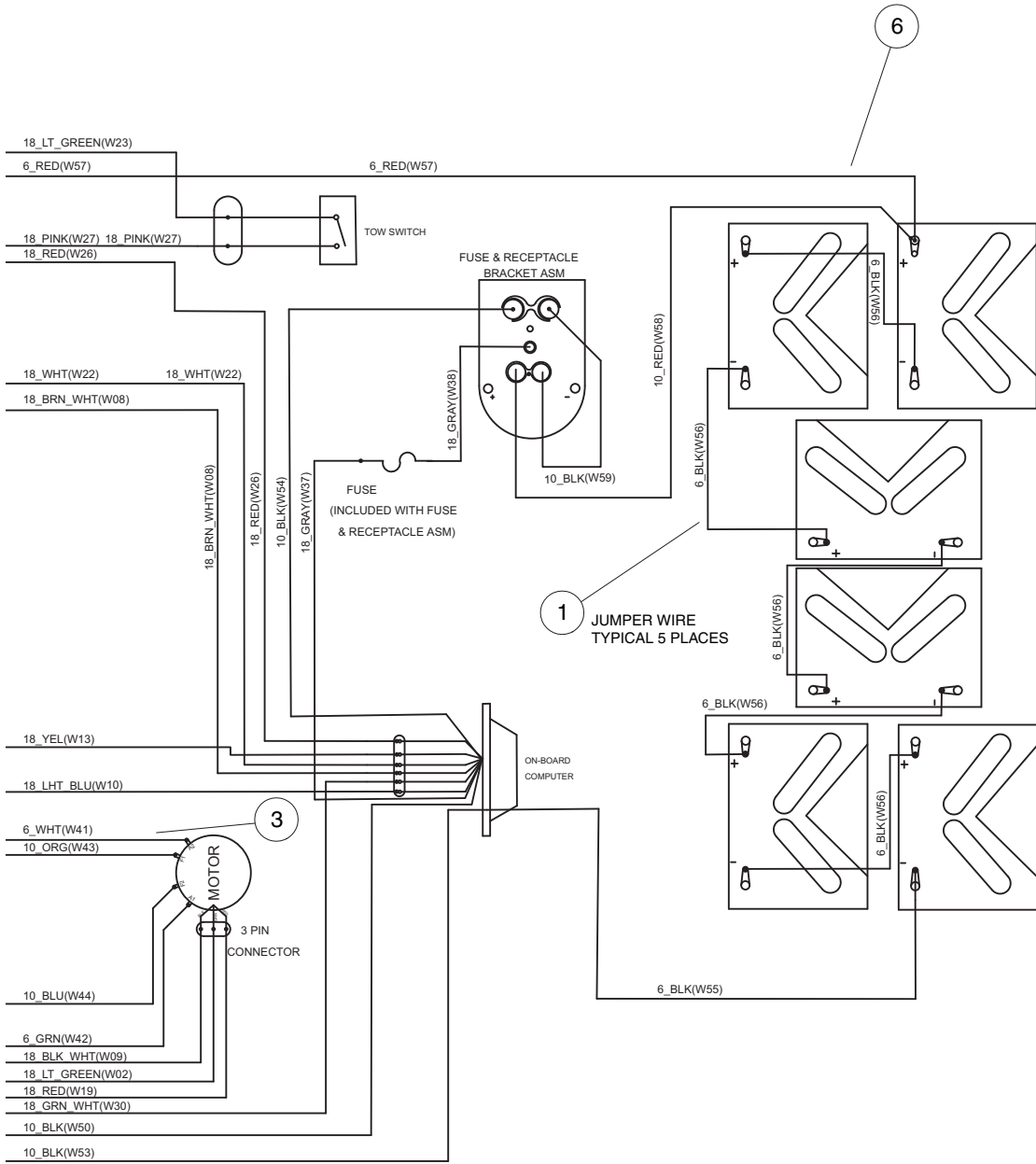
14

E



- (PIN 14) LT GREEN : TO MOTOR SPEED SENSOR OUTPUT
- (PIN 15) RED : TO HIGH SPEED OF MOTOR SPEED SENSOR
- (PIN 16) BLUE : TO FNR SWITCH "REV"
- (PIN 8) BROWN : TO FNR SWITCH "FOR"
- (PIN 7) ORG/WHT : TO LOW SIDE OF REVERSE BUZZER
- (PIN 6) GREEN : TO ACCELERATOR LIMIT SWITCH
- (PIN 13) BLK/WHT : TO LOW SIDE OF MOTOR SPEED SENSOR
- (PIN 12) BLU/WHT : TO LOW SIDE OF SOLENOID COIL
- (PIN 11) : OPEN
- (PIN 10) TAN : TO KEY SWITCH SONIC WELD
- (PIN 9) GRAY : AUX
- (PIN 1) WHITE : TO HIGH SIDE OF POTENTIOMETER
- (PIN 2) YELLOW : TO SLIDER OF POTENTIOMETER
- (PIN 3) PUR/WHT : TO LOW SIDE OF POTENTIOMETER
- (PIN 4) GRN/WHT : TO S. O. C
- (PIN 5) WHITE : TO OBC "CONTROLLER LOCK OUT"

000320-001



000320-001

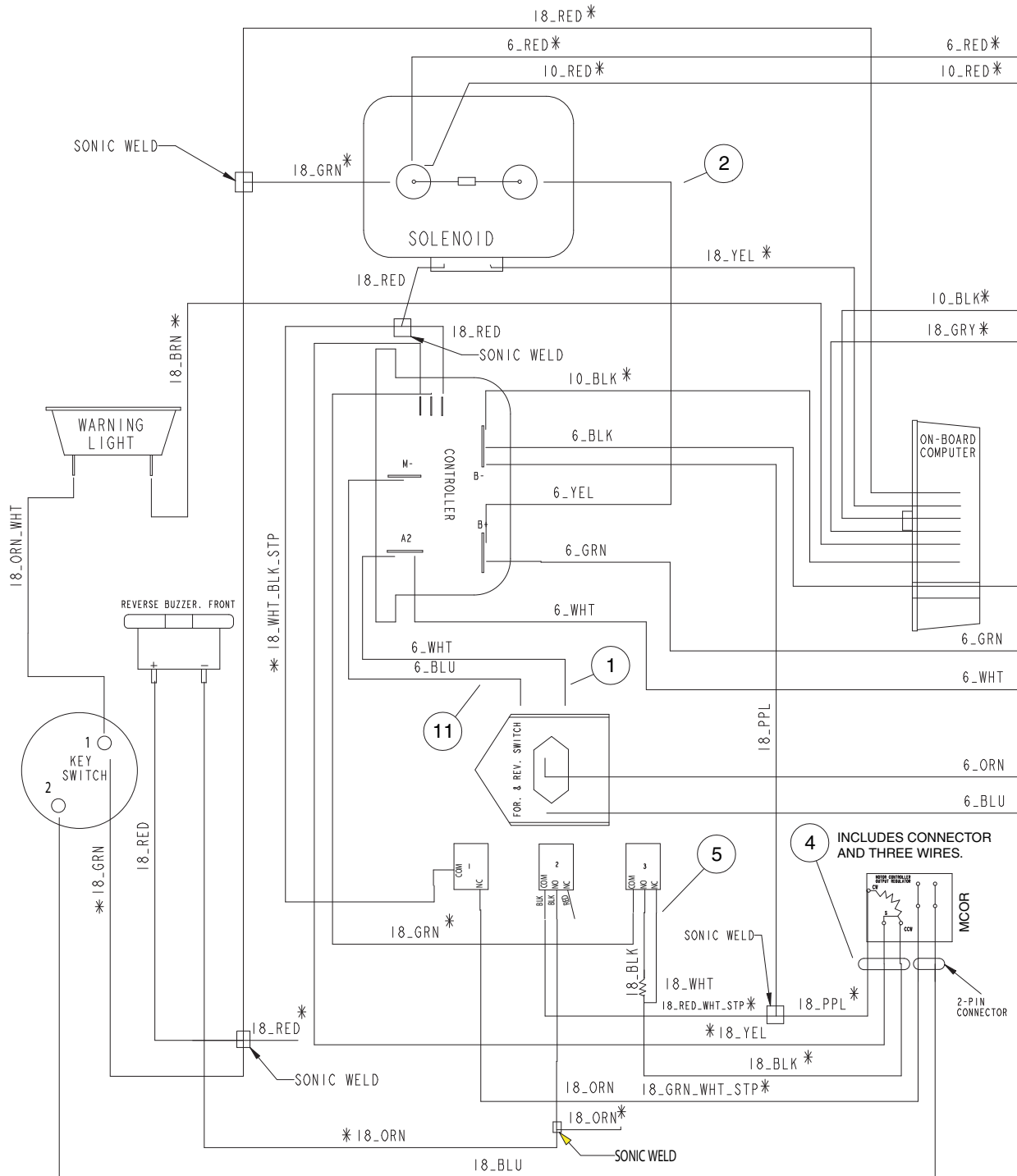
See previous two pages for illustration.

WIRING – IQ SYSTEM ELECTRIC TURF/CARRYALL 1

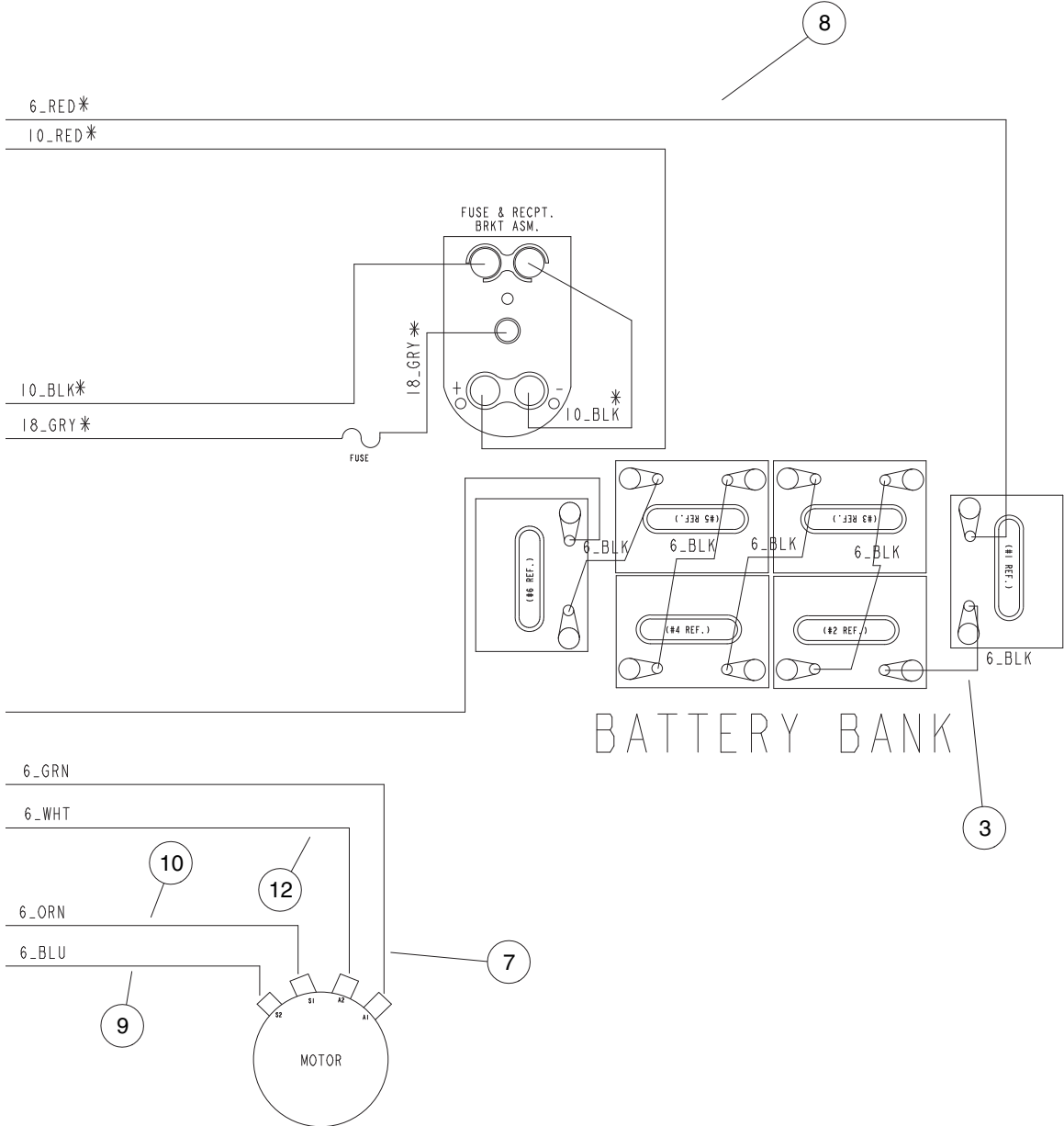
ITEM	PART NO.	DESCRIPTION	QTY
		1 2 3 4	
1	<u>101795701</u>	Asm, Wire, #6blk 13in	5
2	<u>101903001</u>	Wire Assembly #6 Yellow	1
3	<u>101968701</u>	Wire Assy, #6 White	1
4	<u>101978001</u>	Wire Assy, #6 Green	1
5	<u>102196601</u>	Wire Harness	1
6	<u>102199601</u>	Wire Assy, #6 Red	1
		Note: Item 5 contains wires in main harness that are not 6-gauge.	

14

E



000319-001



000319-001

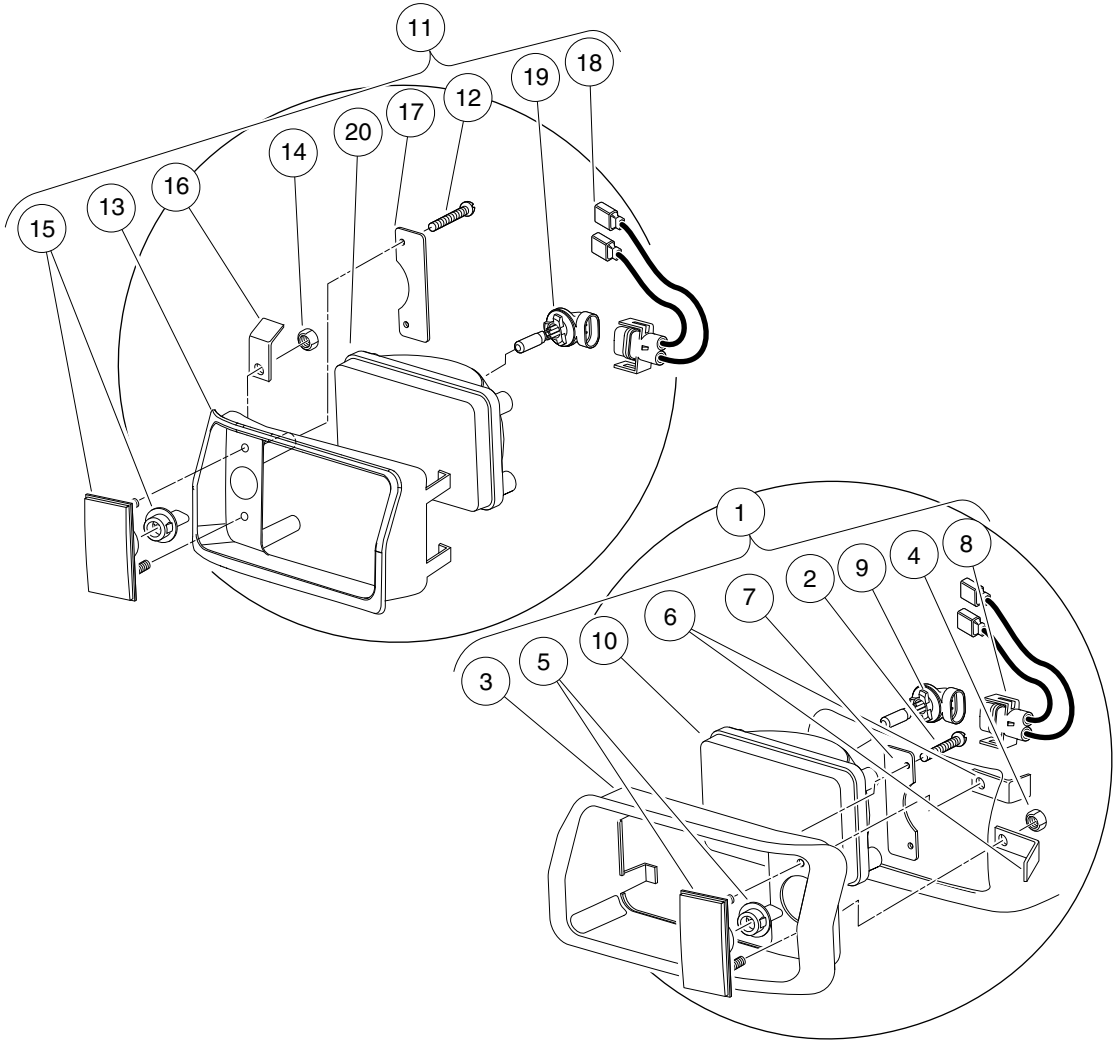
See previous two pages for illustration.

WIRING – POWERDRIVE ELECTRIC TURF/CARRYALL 2

ITEM	PART NO.	DESCRIPTION	QTY
		1 2 3 4	
1	<u>1016729</u>	Wire Assembly #6 White	1
2	<u>1016732</u>	Wire Assembly #6 Yellow	1
3	<u>101795701</u>	Asm, Wire, #6blk 13in	5
4	<u>101865106</u>	3-Way Plug and Wire Assembly	1
5	<u>101883002</u>	Resistor Wire Assembly	1
6	N/A	Wire Harness (includes items 7 through 12)	1
7	<u>101904401</u>	Wire Assembly #6 Green	1
8	<u>101904501</u>	Wire Assy, #6 Red	1
9	<u>101904601</u>	Wire Assy, #6 Blue	1
10	<u>101904701</u>	Wire Assy, #6 Orange	1
11	<u>101908801</u>	Wire Assembly #6 Blue	1
12	<u>101908901</u>	Wire Assembly #6 White	1
13	<u>102162101</u>	Wire Harness Asm	1

14

E



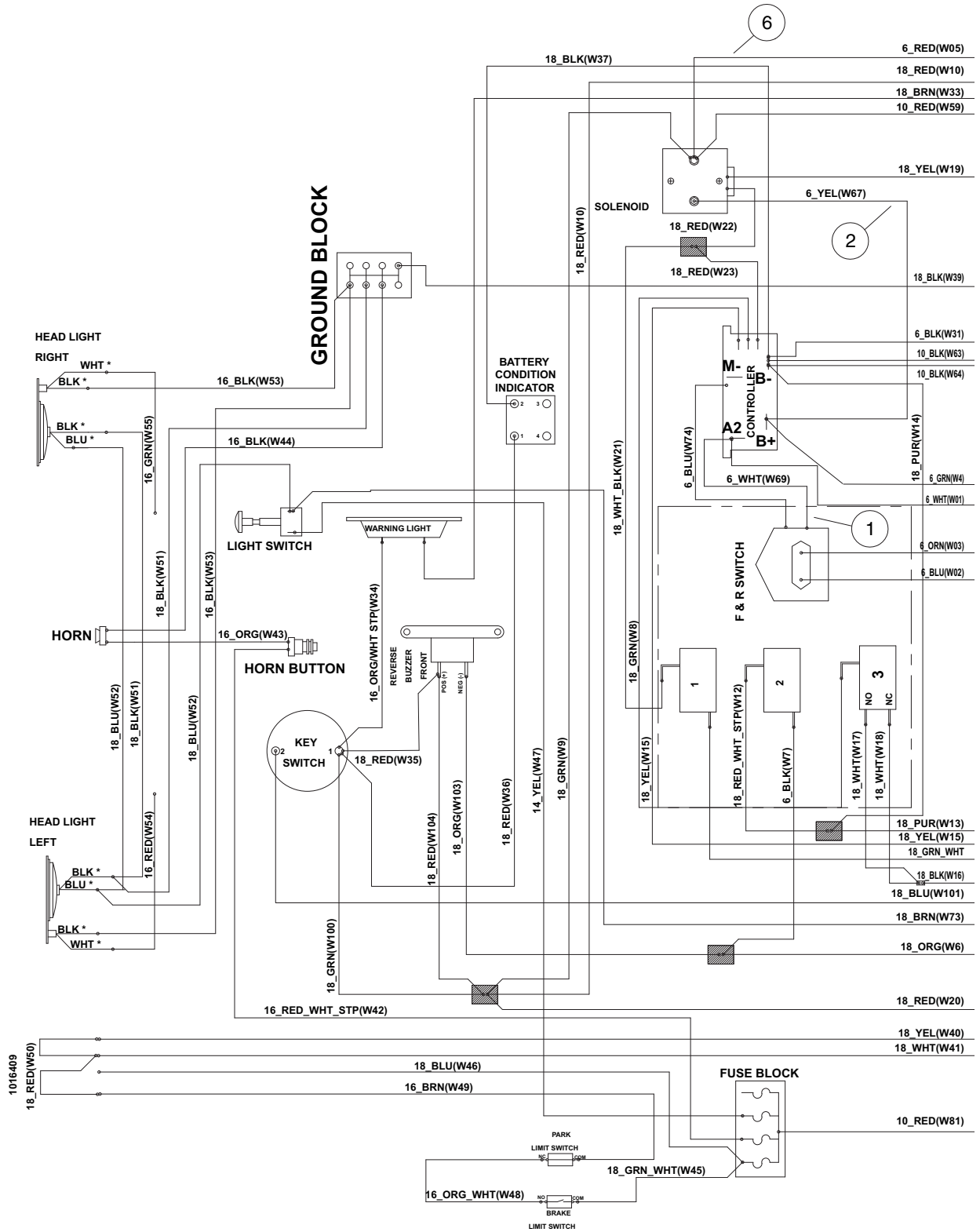
000073-001

HEADLIGHTS

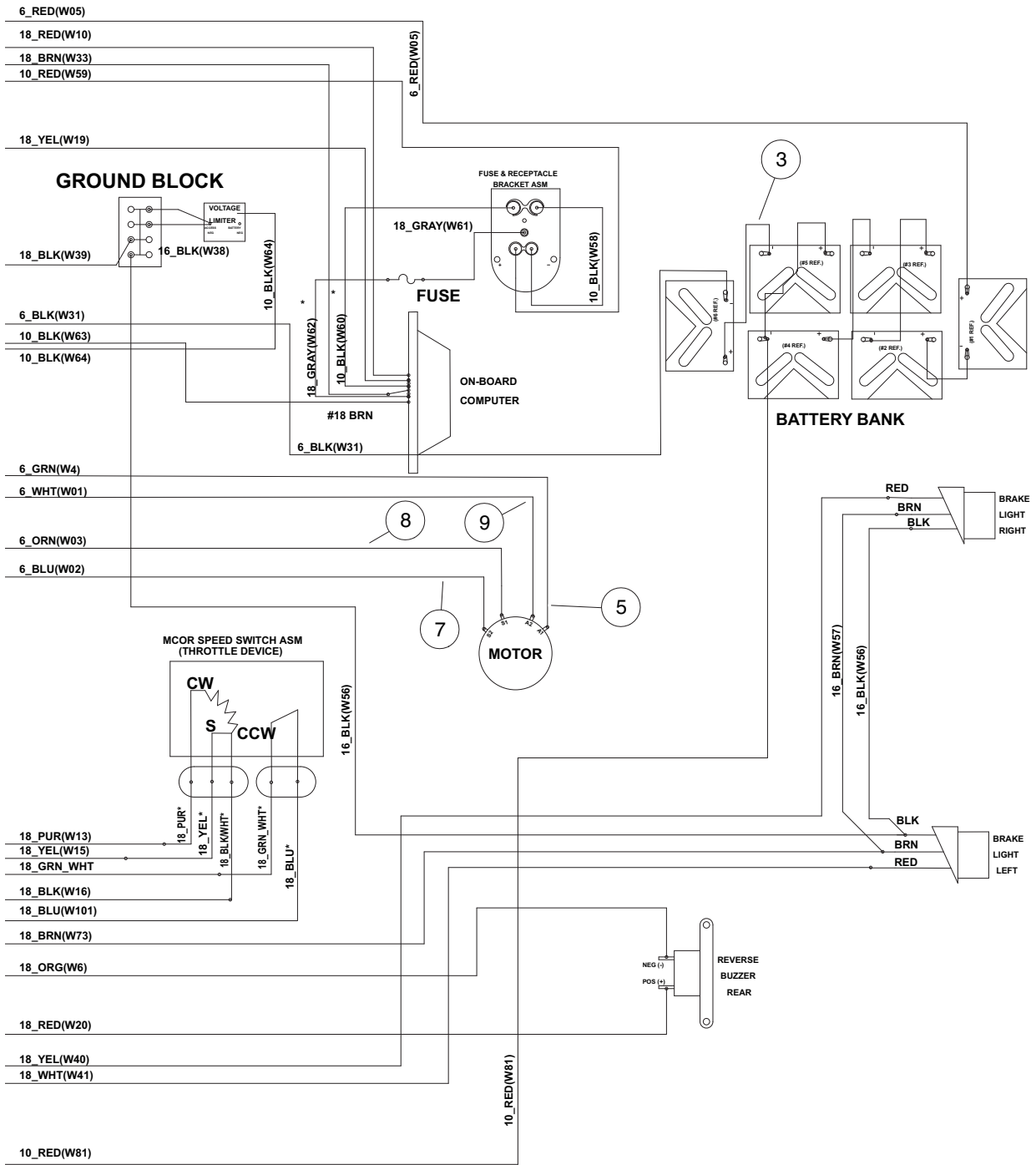
14

E

ITEM	PART NO.	DESCRIPTION	QTY
		1 2 3 4	
1	<u>101988001</u>	Headlight Assembly, Driver-Side Single Beam (includes items 2 through 10)	1
2	<u>1013461</u>	Screw, #10-16 Hex-Head Hi-Lo	2
3	<u>1016880</u>	Headlight Bezel, Left	1
4	<u>1017</u>	Nut, #10-24 Stainless-Steel Hex Machine	2
5	<u>1017062</u>	Turn Signal Lens Assy	1
6	<u>1017064</u>	Mounting Bracket	2
7	<u>1017065</u>	Retainer, Headlight	1
8	<u>101987901</u>	Connector Harness Assembly, Headlight	1
9	<u>101988101</u>	Bulb, Headlight	1
10	<u>101988201</u>	Lens, Headlight	1
11	<u>101988002</u>	Headlight Assy, Passenger-Side Single Beam (includes items 12 through 20)	1
12	<u>1013461</u>	Screw, #10-16 Hex-Head Hi-Lo	2
13	<u>1016879</u>	Headlight Bezel, Right	1
14	<u>1017</u>	Nut, #10-24 Stainless-Steel Hex Machine	2
15	<u>1017062</u>	Turn Signal Lens Assy	1
16	<u>1017064</u>	Mounting Bracket	2
17	<u>1017065</u>	Retainer, Headlight	1
18	<u>101987901</u>	Connector Harness Assembly, Headlight	1
19	<u>101988101</u>	Bulb, Headlight	1
20	<u>101988201</u>	Lens, Headlight	1



000321-001



000321-001

See previous two pages for illustration.

WIRING – POWERDRIVE ELECTRIC CARRYALL 6

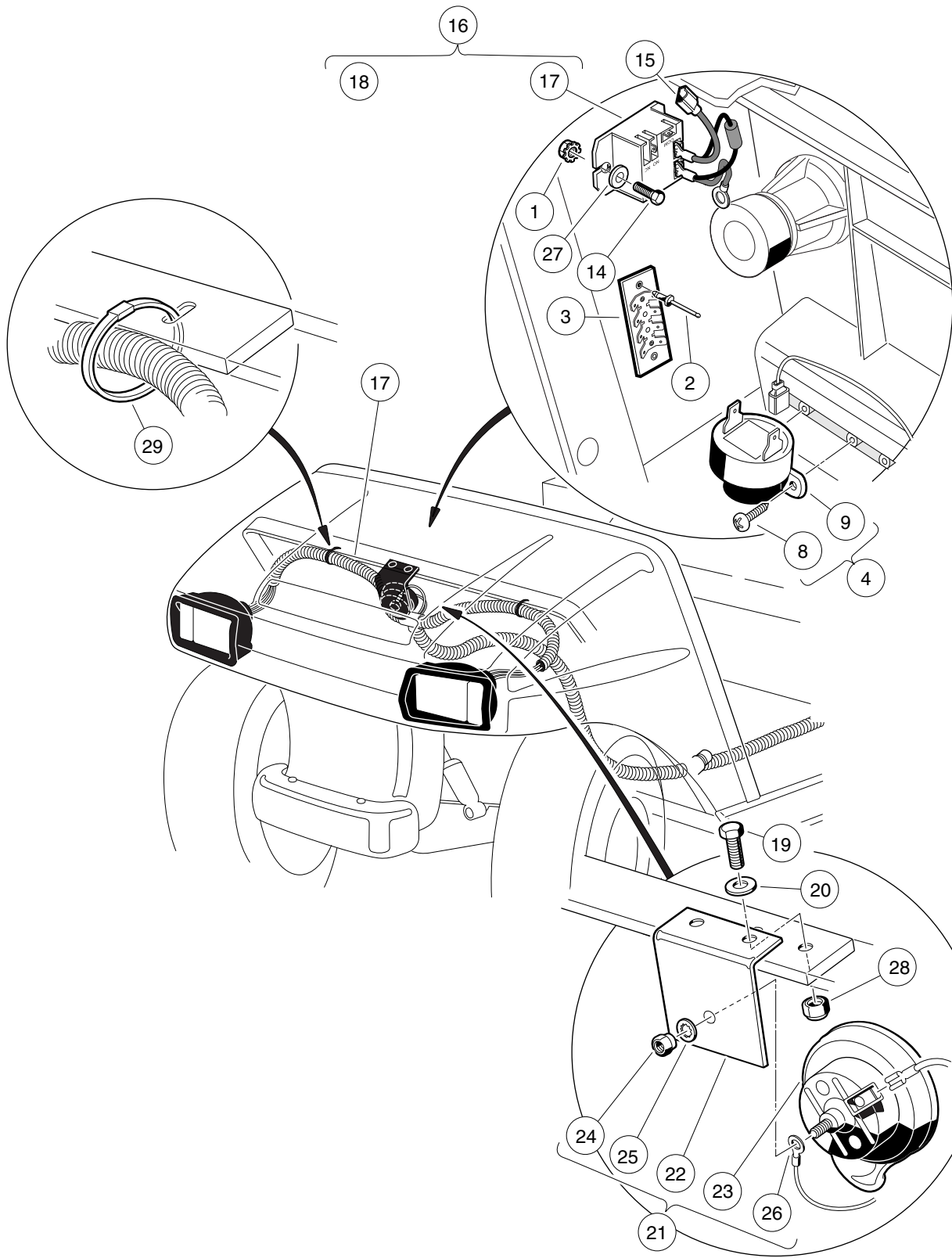
ITEM	PART NO.	DESCRIPTION	QTY
		1 2 3 4	
1	<u>1016729</u>	Wire Assembly #6 White	1
2	<u>1016732</u>	Wire Assembly #6 Yellow	1
3	<u>101795701</u>	Asm, Wire, #6blk 13in	5
4	N/A	Wire Harness (includes items 5 through 9)	1
5	<u>101904402</u>	Wire Assembly #6 Green	1
6	<u>101904502</u>	Wire Assy, #6 Red	1
7	<u>101904602</u>	Wire Assy, #6 Blue	1
8	<u>101904702</u>	Wire Assy, #6 Orange	1
9	<u>101908902</u>	Wire Assembly #6 White	1
10	<u>101989901</u>	Wire Harness (Lighting)	1
11	<u>102162501</u>	Wire Harness	1
Note: Item 11 contains wires in main harness that are not 6-gauge.			

14

E

14

E



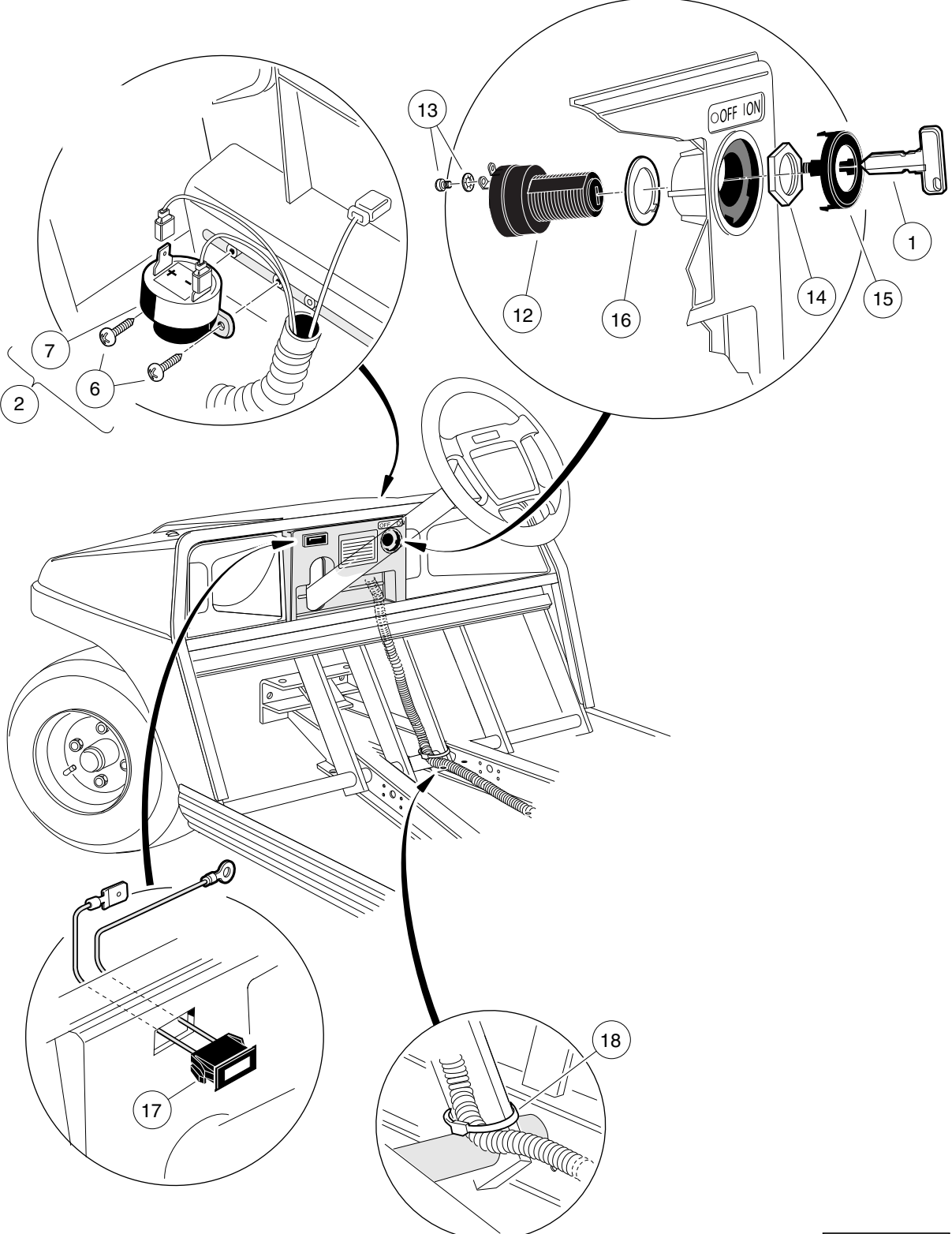
000335-002

FRONT BODY ELECTRICAL COMPONENTS – CARRYALL 6 POWERDRIVE VEHICLES

ITEM	PART NO.	DESCRIPTION	QTY
		1 2 3 4	
1	<u>1011229</u>	Locknut, #6-32 Whiz	2
2	<u>1013357</u>	Rivet, 5/32 Aluminum Pop	2
3	<u>1016356</u>	Terminal Block with Insulator	1
4	<u>1016859</u>	Kit, Reverse Buzzer (includes items 5 through 13)	1
5	<u>1011229</u>	Locknut, #6-32 Whiz	1
6	<u>1012431</u>	Washer, #4 Flat	2
7	<u>1015720</u>	Screw, #6-32 X 1/2 Hex Washer-Head	1
8	<u>1016849</u>	Screw, #4-24 X 0.33 Pan-Head Machine	2
9	<u>1016851</u>	Buzzer, Reverse (9-48 VDC)	1
10	<u>1016857</u>	Wire Assembly Black #18	1
11	<u>8056</u>	Screw, #4-40 X 0.75 Round-Head Machine	2
12	<u>8057</u>	Nut, #4-40 Hex Machine	2
13	<u>8058</u>	Lockwasher, #4 Split	2
14	<u>1017853</u>	Screw, #6-32 X 0.75 Hex-Head Machine	2
15	<u>101914401</u>	Assembly, Voltage Suppressor	1
16	<u>103414901</u>	Kit, Relay, 48v 30a W/instr (includes items 17 and 18)	1
17	<u>103397901</u>	Relay, Spst No, 48v 30a, Pmt	1
18	N/A	Kit, Relay, 48v 30a Instrns	1
19	<u>304</u>	Screw, 1/4-20 X 1.0 Hex-Head Cap	2
20	<u>332</u>	Washer, 1/4 Type A Narrow Flat	2
21	<u>4029</u>	Horn (includes items 22 through 26)	1
22	<u>1011825</u>	Horn Bracket	1
23	<u>1014530</u>	Horn, 12-VDC	1
24	<u>101955101</u>	Nut, M6 Hex	1
25	<u>7820</u>	Washer, 5/16 Internal-Tooth	1
26	N/A	5/16 Ring Term.	1
27	<u>7591</u>	Washer, #6 Flat	2
28	<u>8233</u>	Locknut, 1/4-20 Nylon Insert	2
29	<u>8639</u>	Tie Wrap, 11" Nylon	4
		Note: Items 5 through 7, and 10 through 13 are included in the reverse buzzer kit, but are not used in this application.	

14

E



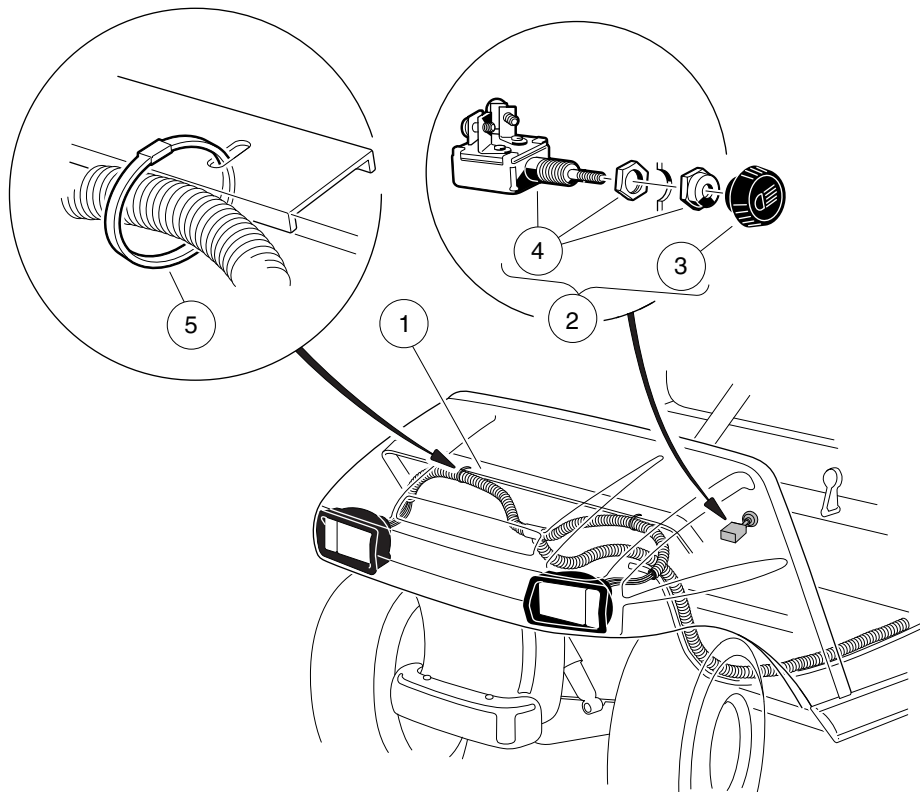
000340-001

INSTRUMENT PANEL COMPONENTS – TURF/ CARRYALL 1 AND 2

ITEM	PART NO.	DESCRIPTION	QTY
		1 2 3 4	
1	<u>1012505</u>	Keys (set of 2)	1
2	<u>1016859</u>	Kit, Reverse Buzzer (includes items 3 through 11)	1
3	<u>1011229</u>	Locknut, #6-32 Whiz	1
4	<u>1012431</u>	Washer, #4 Flat	2
5	<u>1015720</u>	Screw, #6-32 X 1/2 Hex Washer-Head	1
6	<u>1016849</u>	Screw, #4-24 X 0.33 Pan-Head Machine	2
7	<u>1016851</u>	Buzzer, Reverse (9-48 VDC)	1
8	<u>1016857</u>	Wire Assembly Black #18	1
9	<u>8056</u>	Screw, #4-40 X 0.75 Round-Head Machine	2
10	<u>8057</u>	Nut, #4-40 Hex Machine	2
11	<u>8058</u>	Lockwasher, #4 Split	2
12	<u>101826201</u>	Key Switch, On/Off	1
13	<u>101830601</u>	Screw and Washer Assembly	2
14	<u>101830701</u>	Nut, Key Switch	1
15	<u>101834502</u>	Cap, Black Key Switch	1
16	<u>101851101</u>	Washer, Key Switch	1
17	<u>101935501</u>	Light, Battery (Amber)	1
18	<u>8990</u>	Tie Wrap, 8" Nylon	2
Note: Item 2, Reverse Buzzer Kit, contains parts not used in this application.			

14

E



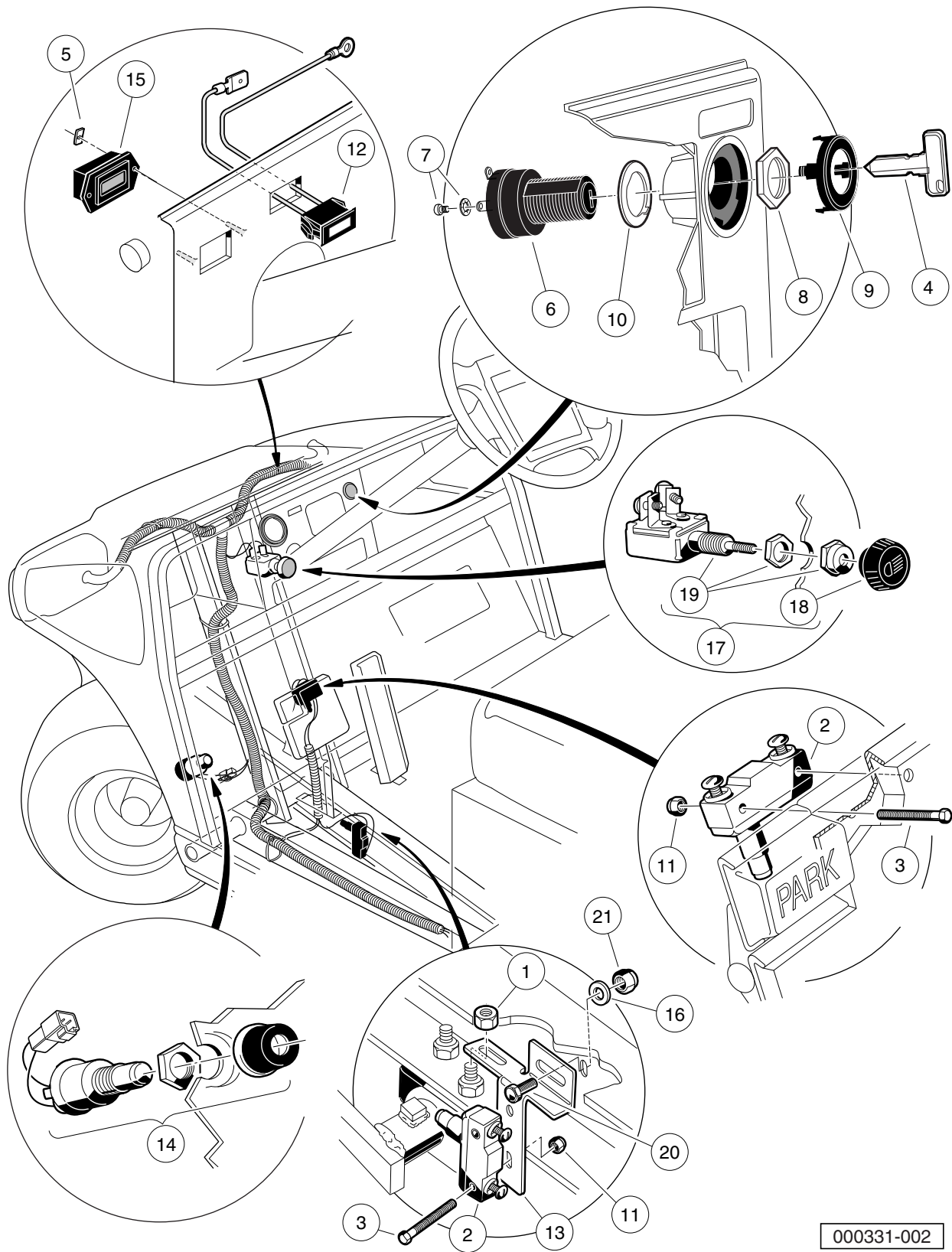
000334-002

HEADLIGHT COMPONENTS – TURF 2

ITEM	PART NO.	DESCRIPTION	QTY
		1 2 3 4	
1	1016858	Wire Harness, Headlight	1
2	<u>4034</u>	Light Switch (includes items 3 and 4)	1
3	<u>1013857</u>	Knob, Light Switch	1
4	<u>1013858</u>	Switch, Light Without Knob	1
5	<u>8990</u>	Tie Wrap, 8" Nylon	4

14

E



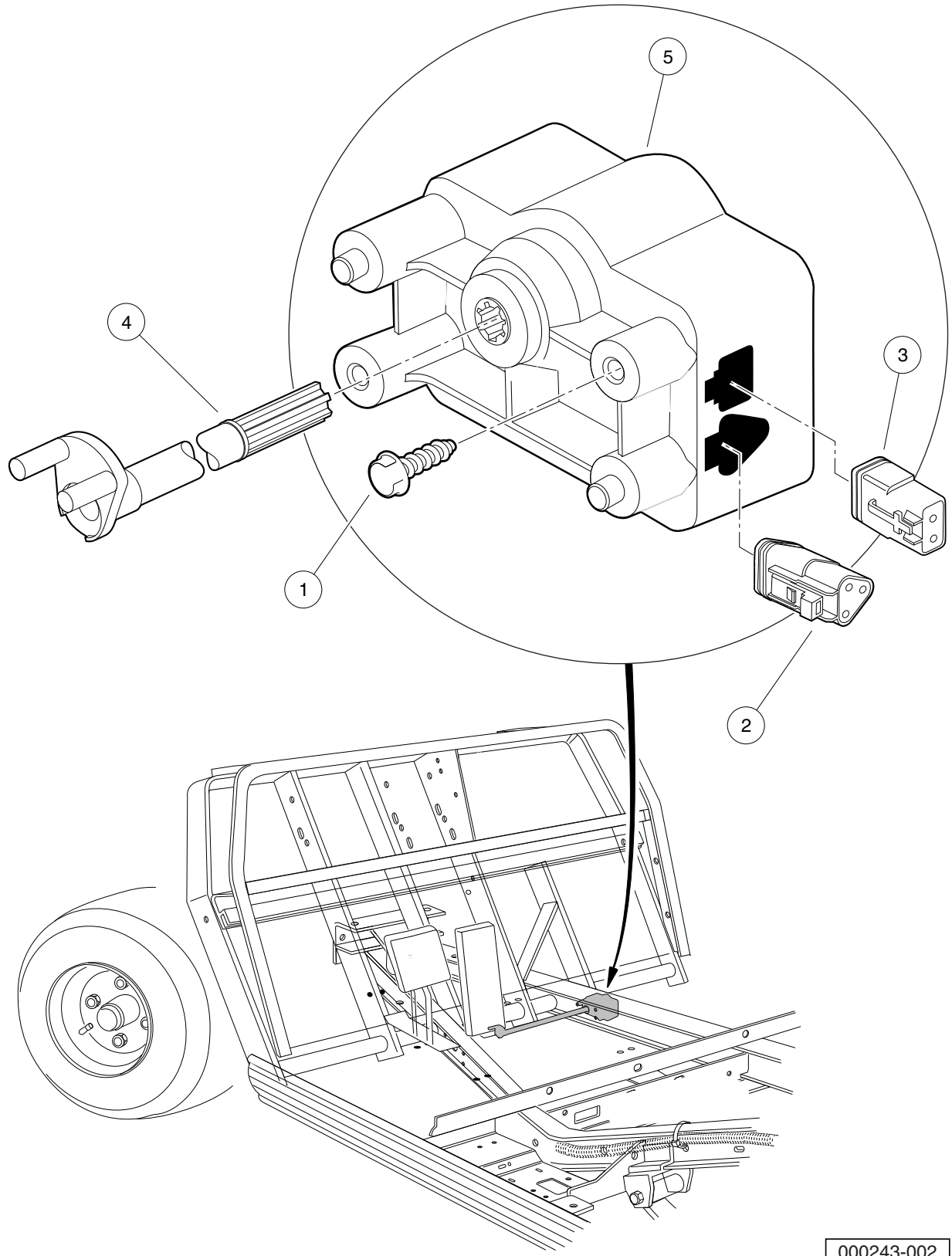
000331-002

INSTRUMENT PANEL COMPONENTS – CARRYALL 6 POWERDRIVE VEHICLE

ITEM	PART NO.	DESCRIPTION	QTY
		1 2 3 4	
1	<u>1011280</u>	Locknut, 5/16-18	1
2	<u>1011439</u>	Switch, Limit	2
3	<u>1011557</u>	Screw, #6-32 X 1.00 Hex-Head Machine	4
4	<u>1012505</u>	Keys (set of 2)	1
5	<u>101814701</u>	Retainer, Push-On	2
6	<u>101826201</u>	Key Switch, On/Off	1
7	101830601	Screw and Washer Assembly	2
8	<u>101830701</u>	Nut, Key Switch	1
9	<u>101834502</u>	Cap, Black Key Switch	1
10	<u>101851101</u>	Washer, Key Switch	1
11	<u>101932201</u>	Locknut, #6-32 Nylon	4
12	<u>101935501</u>	Light, Battery (Amber)	1
13	<u>101957101</u>	Bracket, Brake Light Switch	1
14	<u>101969701</u>	Horn Button and Wire Assembly	1
15	<u>103200701</u>	Battery Condition Indicator - 48V	1
16	<u>1241</u>	Washer, 5/16 Type A Flat	1
17	4034	Light Switch (includes items 18 and 19)	1
18	<u>1013857</u>	Knob, Light Switch	1
19	<u>1013858</u>	Switch, Light Without Knob	1
20	<u>7173</u>	Screw, 5/16-18 X 0.75 Hex-Head Cap	1
21	<u>7473</u>	Locknut, 5/16-18 Nylon Insert	1

14

E



000243-002

MOTOR CONTROLLER OUTPUT REGULATOR (MCOR)

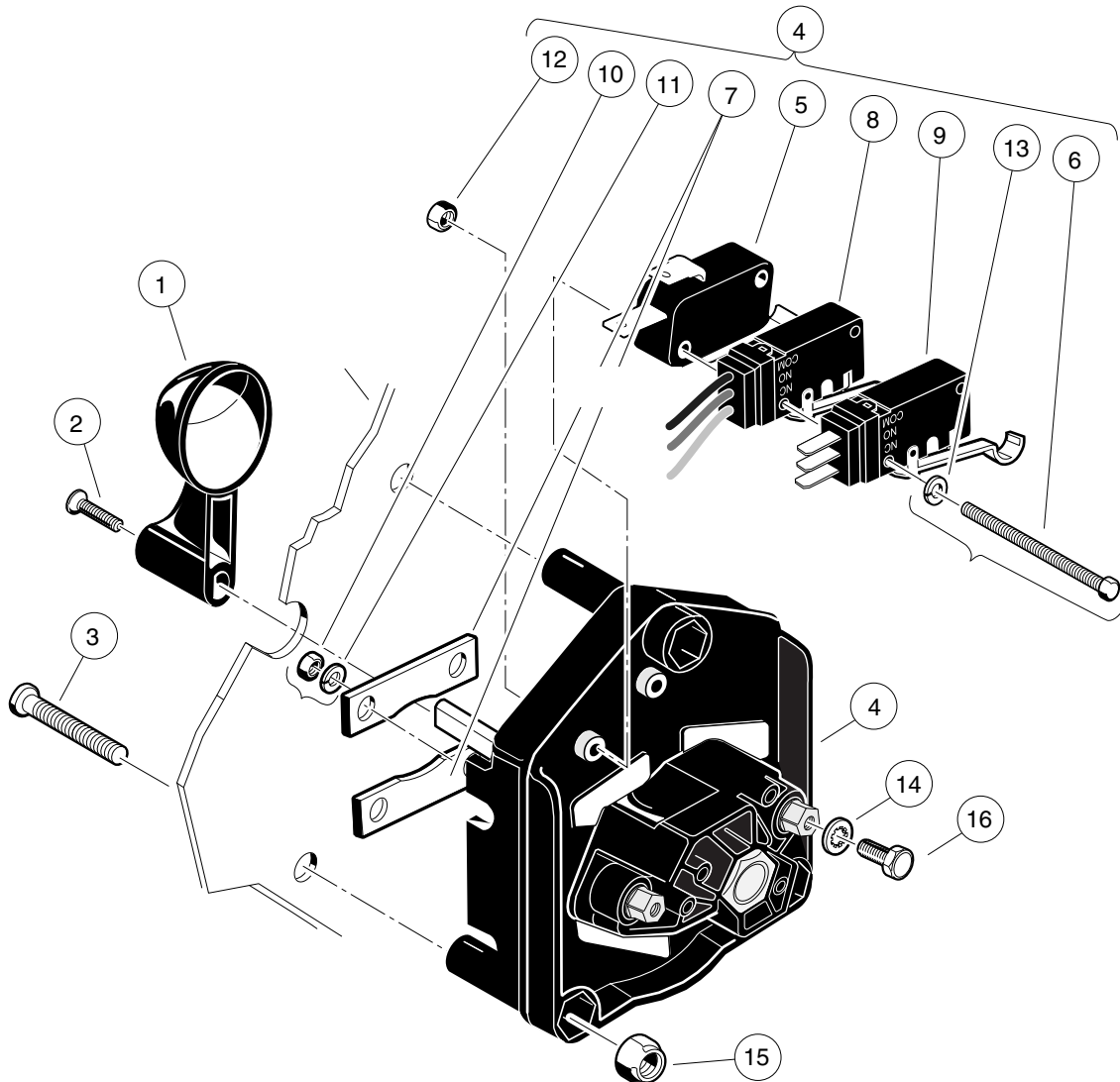
ITEM	PART NO.	DESCRIPTION	QTY
		1 2 3 4	
1	<u>1015752</u>	Screw, #12-16 X 0.625 Hi-Lo	2
2	<u>101920101</u>	Kit, 3-Pin Wedge Lock	1
3	<u>101936801</u>	Kit, 2-Pin Wedge Lock	1
4	102101001	Bar, Drive, Cast	1
5	<u>102101101</u>	MCOR	1

14

E

14

E



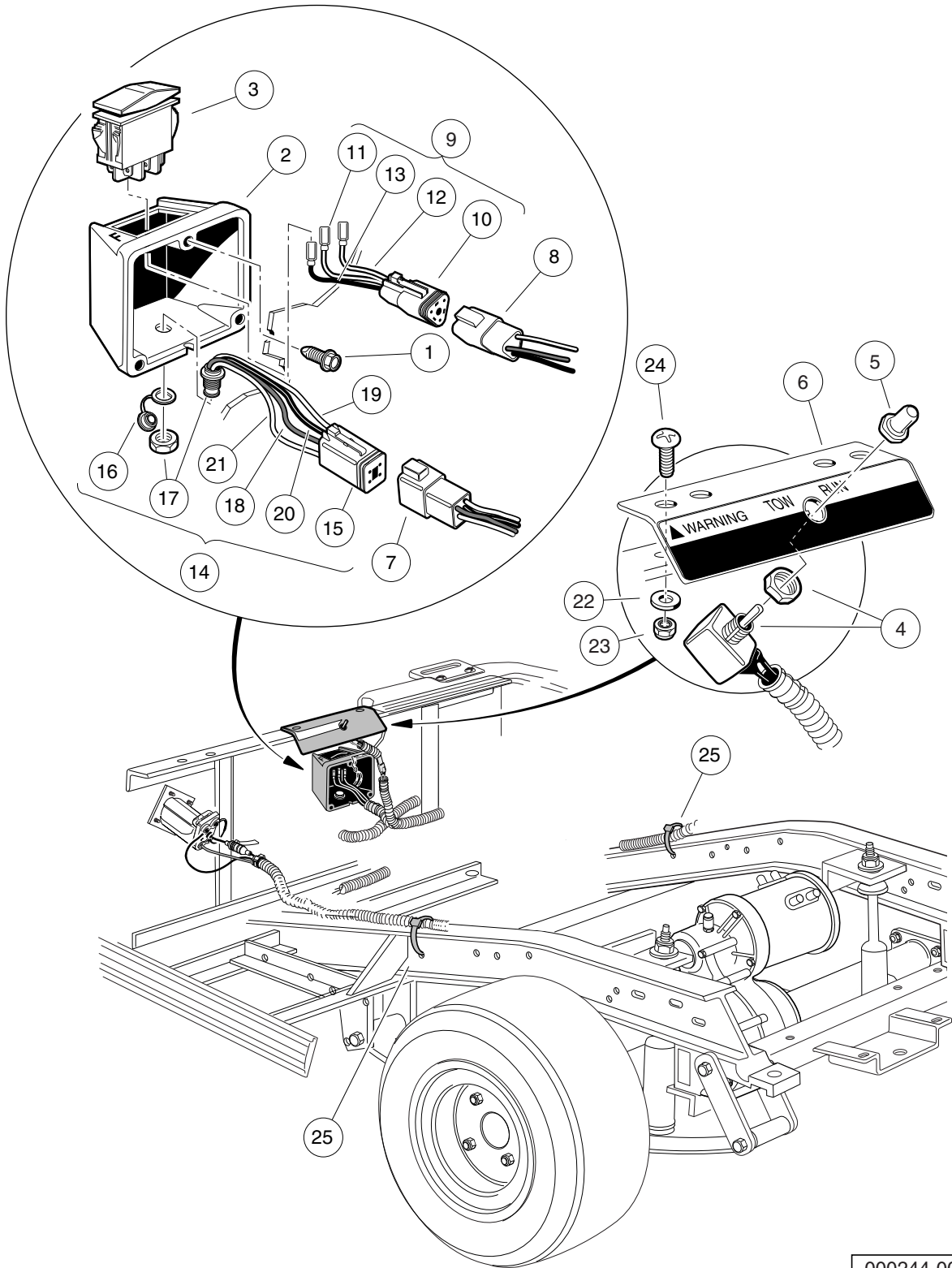
000339-001

FORWARD/REVERSE SWITCH – POWERDRIVE

ITEM	PART NO.	DESCRIPTION	QTY
		1 2 3 4	
1	<u>1012987</u>	Handle, FNR	1
2	<u>1015064</u>	Screw, #8-32 X 0.63 Machine	1
3	<u>1016845</u>	Screw, 1/4-20 X 2.125 Truss-Head	3
4	<u>101753005</u>	FNR Switch Assembly (includes items 5 through 13)	1
5	<u>1014808</u>	Switch, Limit	1
6	<u>1014871</u>	Screw, #4-40 X 2.0 Hx Wshr Hd	2
7	<u>1017799</u>	Buss Bar	2
8	<u>101979101</u>	Assembly, Switch, Limit	1
9	<u>102250201</u>	Limit Switch, Sealed Assembly	1
10	<u>1028</u>	Nut, 1/4-20 Hex	4
11	<u>451</u>	Lockwasher, 1/4 Split	4
12	<u>8057</u>	Nut, #4-40 Hex Machine	2
13	<u>8058</u>	Lockwasher, #4 Split	2
14	<u>8049</u>	Lockwasher, #10 Internal-Tooth	2
15	<u>8233</u>	Locknut, 1/4-20 Nylon Insert	3
16	<u>8450</u>	Screw, #10-24 X 0.50 Hex-Head	2

14

E



000244-001

FORWARD/REVERSE SWITCH AND TOW/RUN SWITCH – IQ SYSTEM TURF/CARRYALL 1

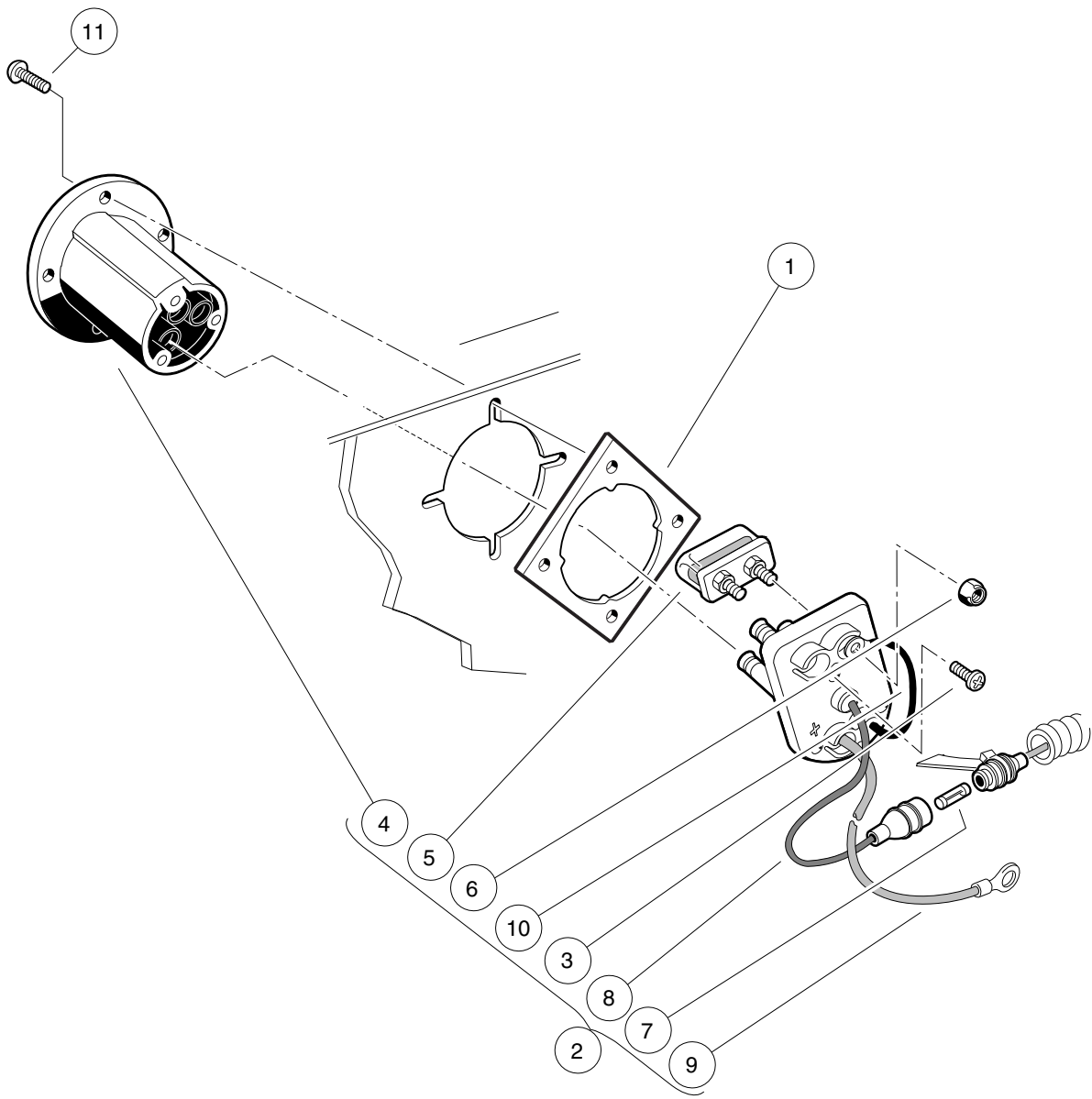
ITEM	PART NO.	DESCRIPTION	QTY
		1 2 3 4	
1	<u>1012285</u>	Screw, 1/4 X 0.625 Hex-Head	3
2	101855002	Case, FNR Switch	1
3	<u>101856002</u>	Switch, Rocker, Single-Pole	1
4	<u>101908101</u>	Switch Assembly, Tow/Run	1
5	<u>101908401</u>	Boot, Switch	1
6	<u>101922501</u>	Bracket, Tow/Run Switch Mounting	1
7	<u>101932401</u>	Kit, 4-Pin Receptacle and Wedge Lock	1
8	<u>101942301</u>	Kit, 3-Pin Wedge Lock	1
9	<u>102266601</u>	Wire Assembly, FNR Switch (includes items 10 through 13)	1
10	<u>101920101</u>	Kit, 3-Pin Wedge Lock	1
11	N/A	Wire Assembly, #18 Blue	1
12	N/A	Wire Assembly, #18 Orange	1
13	N/A	Wire Assembly, #18 Brown	1
14	102266701	Wire Assembly, IQDM Port (includes items 15 through 21)	1
15	<u>101932501</u>	Kit, 4-Pin Wedge Lock	1
16	<u>102196901</u>	Dust Cap	1
17	N/A	Connector Mount, Four-Pin	1
18	N/A	Wire Assembly, #18 Red/Yellow	1
19	N/A	Wire Assembly, #18 Black/Yellow	1
20	N/A	Wire Assembly, #18 Blue/Yellow	1
21	N/A	Wire Assembly, #18 Green/Yellow	1
22	<u>332</u>	Washer, 1/4 Type A Narrow Flat	2
23	<u>8233</u>	Locknut, 1/4-20 Nylon Insert	2
24	<u>8248</u>	Screw, 1/4-20 X 0.75 Truss-Head Machine	2
25	<u>8990</u>	Tie Wrap, 8" Nylon	1

14

E

14

E



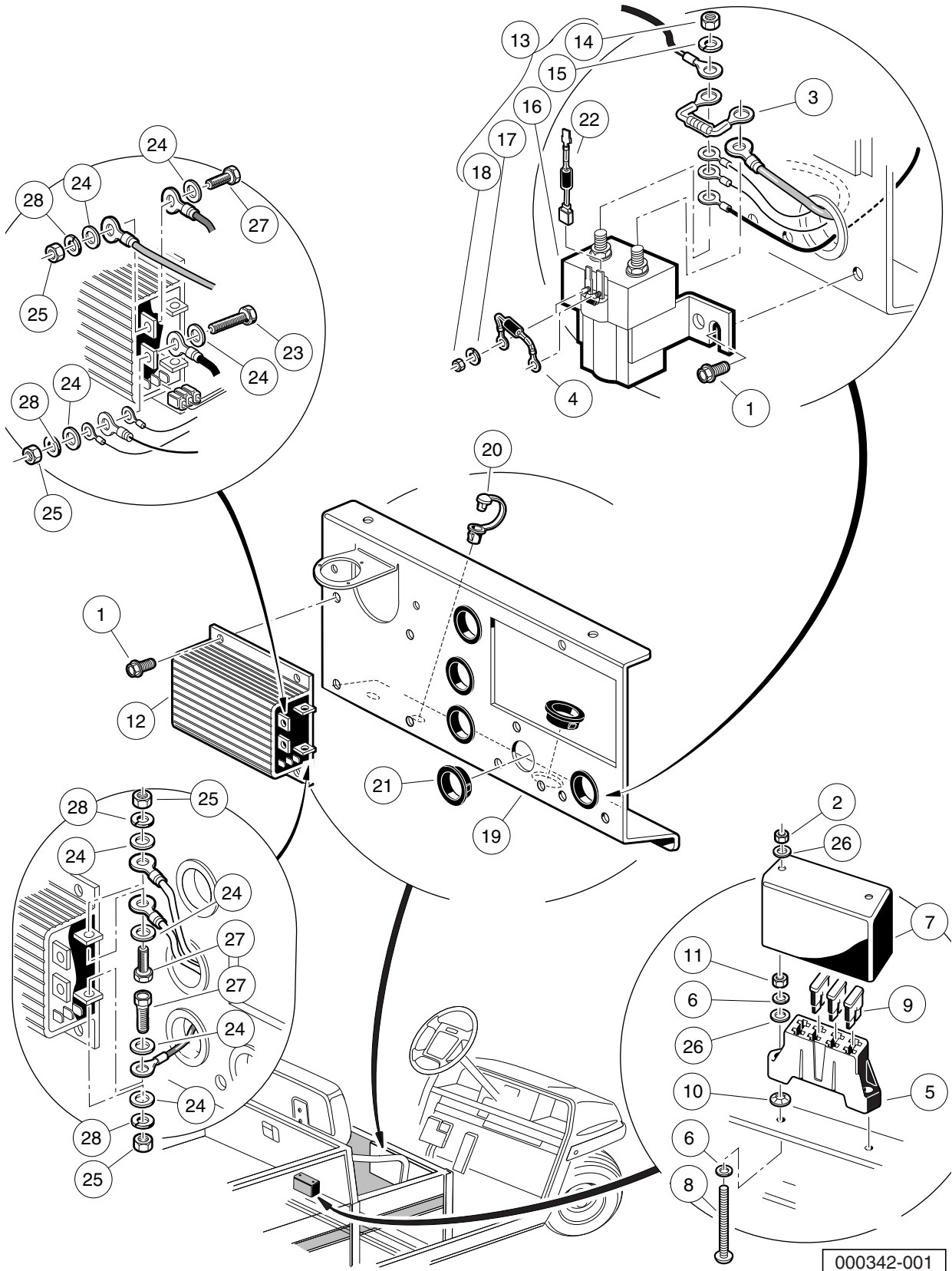
000369-001

BATTERY CHARGER RECEPTACLE

ITEM	PART NO.	DESCRIPTION	QTY
		1 2 3 4	
1	<u>101801001</u>	Plate, Receptacle Backing	1
2	<u>101802101</u>	Fuse and Receptacle Assembly (includes items 3 through 10)	1
3	<u>1017705</u>	Screw, #8 X 5/8 Phillips Pan-Head Type AB	3
4	<u>101796501</u>	Receptacle	1
5	<u>101796801</u>	Fuse Assembly (includes item 6)	1
6	<u>1013061</u>	Locknut, #10-32 Nylon Insert	2
7	N/A	Fuse, 3/8-Amp	1
8	N/A	Wire Assembly, Sense Lead, Gray	1
9	N/A	Wire Assembly, #10 Red	1
10	N/A	Wire Assembly, #10 Black	1
11	<u>101832001</u>	Screw, #7-19 X 0.625 Phillips Pan-Head Tap	4

14

E

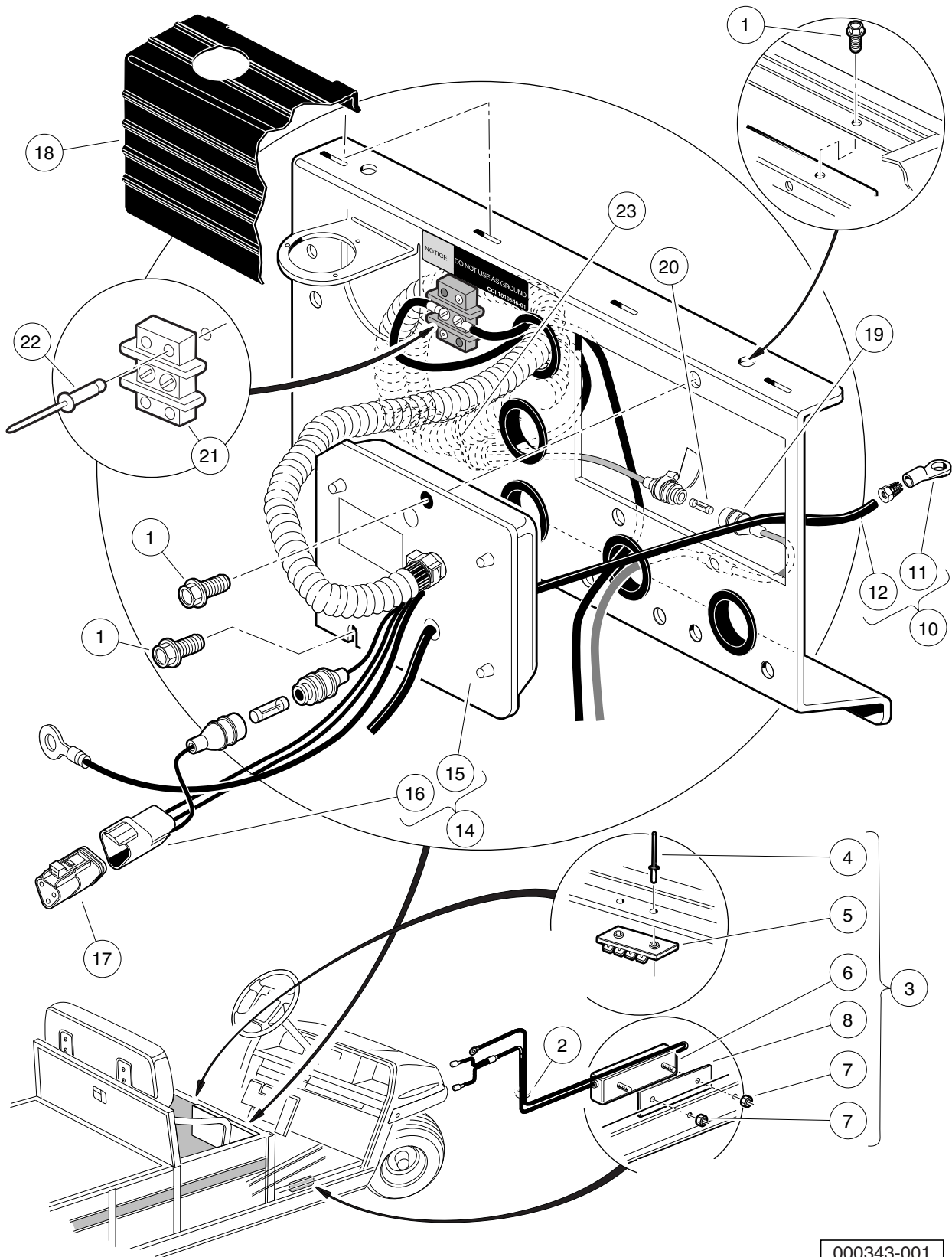


CENTER BODY ELECTRICAL COMPONENTS – CARRYALL 6 POWERDRIVE

ITEM	PART NO.	DESCRIPTION	QTY
		1 2 3 4	
1	<u>1012285</u>	Screw, 1/4 X 0.625 Hex-Head	6
2	<u>1012438</u>	Locknut, #10-24 Nylon Insert	2
3	<u>1014947</u>	Resistor Assembly	1
4	1014948	Diode	1
5	<u>1015741</u>	Fuse Block	1
6	<u>1016</u>	Lockwasher, #10 Split	4
7	<u>1016363</u>	Fuse Block Cover	1
8	<u>1016366</u>	Screw, #10-24 X 3.0 Pan-Head Machine	2
9	<u>1016423</u>	Fuse, 20-Amp	3
10	<u>1016631</u>	Push Nut	2
11	<u>1017</u>	Nut, #10-24 Stainless-Steel Hex Machine	2
12	<u>101840203</u>	Controller, 48-Volt, 300-Amp Series	1
13	<u>101908701</u>	Solenoid, 48-Volt (includes items 14 through 18)	1
14	<u>1012528</u>	Nut, M8-1.25 Hex	2
15	<u>1013734</u>	Lockwasher, 8mm Split	2
16	N/A	Solenoid, 48-Volt	1
17	N/A	Washer, Lock	2
18	N/A	Nut	2
19	<u>101911701</u>	Plate, Electrical Component Mounting	1
20	<u>101918301</u>	Clamp, Plastic Wire	2
21	<u>101924301</u>	Bushing, Snap	6
22	<u>102273101</u>	Diode Assembly	1
23	<u>1218</u>	Screw, 5/16-18 X 1.25 Hex-Head Cap	1
24	<u>1241</u>	Washer, 5/16 Type A Flat	8
25	<u>1242</u>	Nut, 5/16-18 Hex	4
26	<u>183</u>	Washer, #10 Type A Flat	4
27	<u>7173</u>	Screw, 5/16-18 X 0.75 Hex-Head Cap	3
28	<u>7174</u>	Lockwasher, 5/16 Split	4

14

E



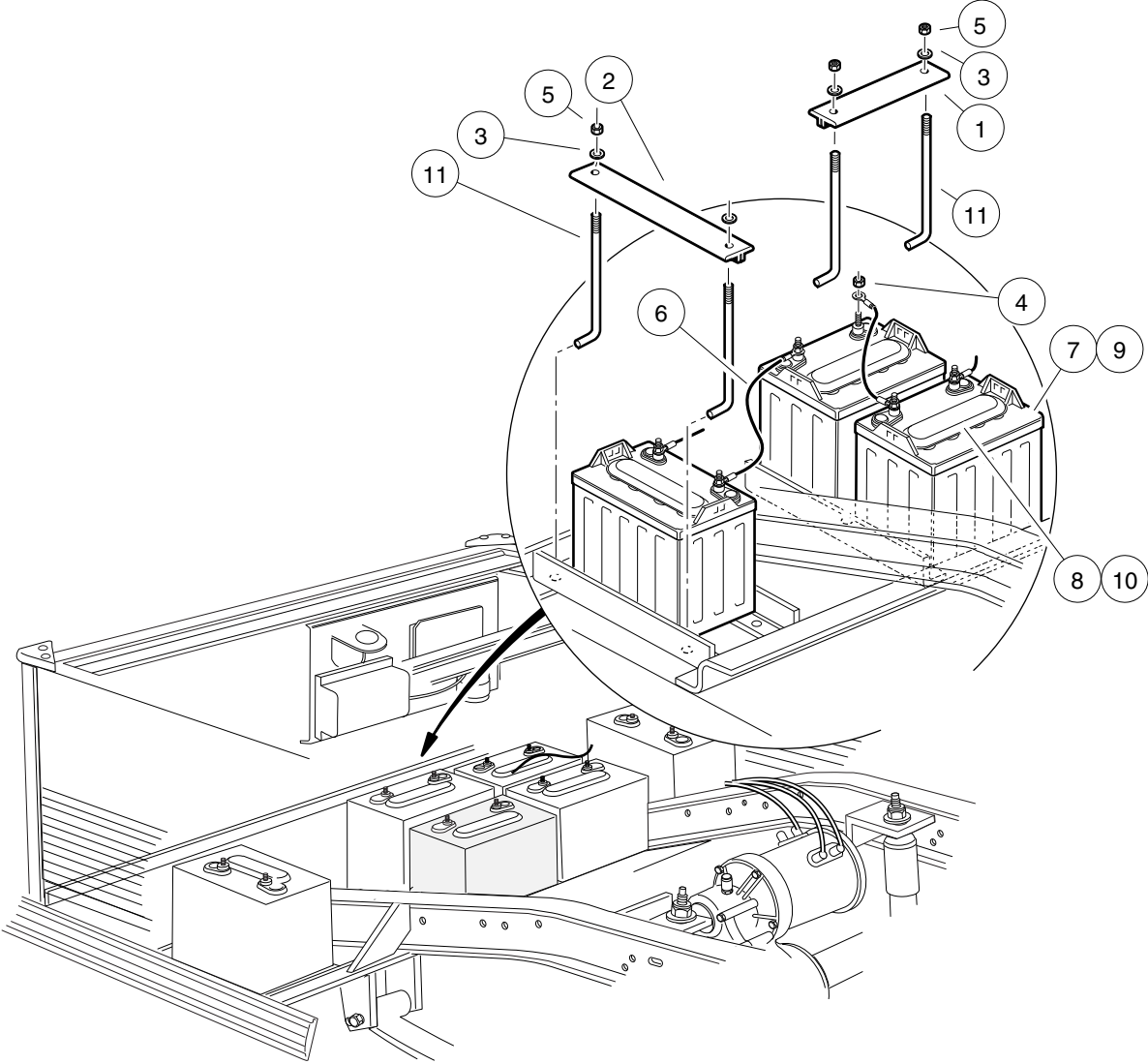
000343-001

CENTER BODY ELECTRICAL COMPONENTS, CONTINUED – CARRYALL 6 POWERDRIVE

ITEM	PART NO.	DESCRIPTION	QTY
		1 2 3 4	
1	<u>1012285</u>	Screw, 1/4 X 0.625 Hex-Head	4
2	<u>101802401</u>	Grommet	1
3	N/A	Kit, 12-Volt Regulator (includes items 4 through 8)	1
4	<u>1013357</u>	Rivet, 5/32 Aluminum Pop	2
5	<u>1016356</u>	Terminal Block with Insulator	1
6	101810501	Limiter, Voltage	1
7	<u>101835601</u>	Locknut, 1/4-20 Hex Whiz	2
8	<u>101962601</u>	Gasket, Voltage Limiter	1
9	<u>101827802</u>	Ground Wire Kit, 48-Volt (includes items 10 through 12)	1
10	101826801	Compression Lug	1
11	N/A	Wire Assembly, Black	1
12	<u>8990</u>	Tie Wrap, 8" Nylon	3
13	<u>101909903</u>	Onboard Computer (includes items 14 and 15)	1
14	N/A	Onboard Computer	1
15	<u>101942301</u>	Kit, 3-Pin Wedge Lock	1
16	<u>101920101</u>	Kit, 3-Pin Wedge Lock	1
17	<u>101931601</u>	Cover, Component	1
18	<u>101957501</u>	Plug, 2-Way (includes item 19)	1
19	N/A	Fuse, 3/8-Amp	1
20	<u>101966801</u>	Block, Terminal	1
21	<u>101968801</u>	Rivet, 3/16", Pop	2
22	<u>102900501</u>	Bearing	1
23	<u>8990</u>	Tie Wrap, 8" Nylon	1
Note: Item 9 is included in kit, but not used in this application. Item 13 is included in the kit, but is not used in this application.			

14

E



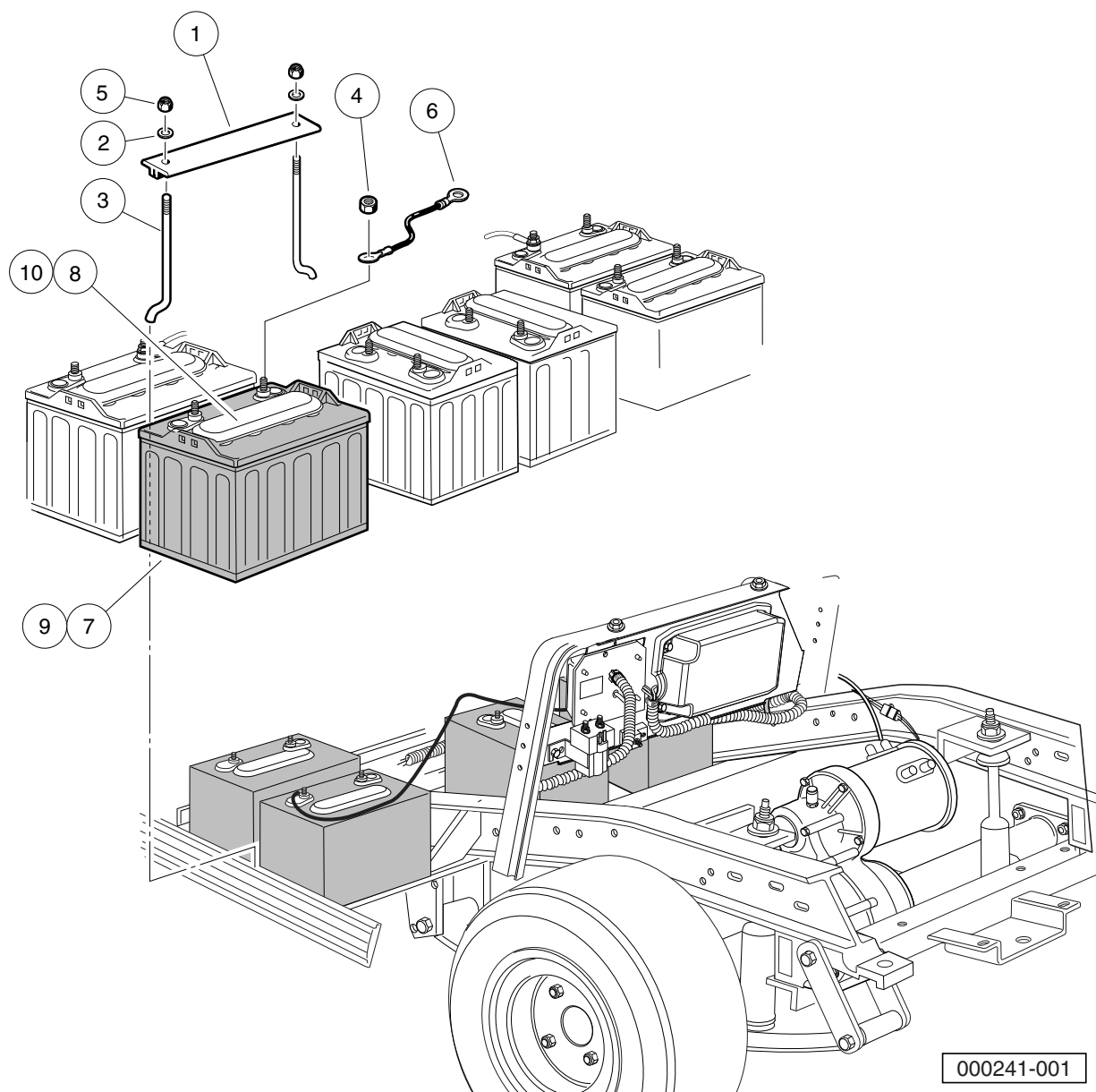
000344-001

BATTERIES – TURF/CARRYALL 2 POWERDRIVE VEHICLES

ITEM	PART NO.	DESCRIPTION	QTY
		1 2 3 4	
1	<u>101090801</u>	Hold-Down, Battery	2
2	<u>101090802</u>	Hold-Down, Battery	2
3	<u>1011578</u>	Washer, 5/16 Type B Flat	8
4	<u>1014304</u>	Nut, 5/16-18 Stainless-Steel Hex	12
5	<u>1015072</u>	Locknut, 5/16-18 Nylon Insert	8
6	<u>101795701</u>	Asm, Wire, #6blk 13in	5
7	<u>101797701</u>	Battery, 8-Volt, T875 (includes item 8)	6
8	<u>101797801</u>	Cap, 4-Gang Battery	1
9	<u>101797702</u>	Battery, 8-Volt, T875 Moist (also known as dry) (includes item 10)	6
10	<u>101797801</u>	Cap, 4-Gang Battery	1
11	<u>102845203</u>	Rod, Battery Hold Down 10.7"	8

14

E



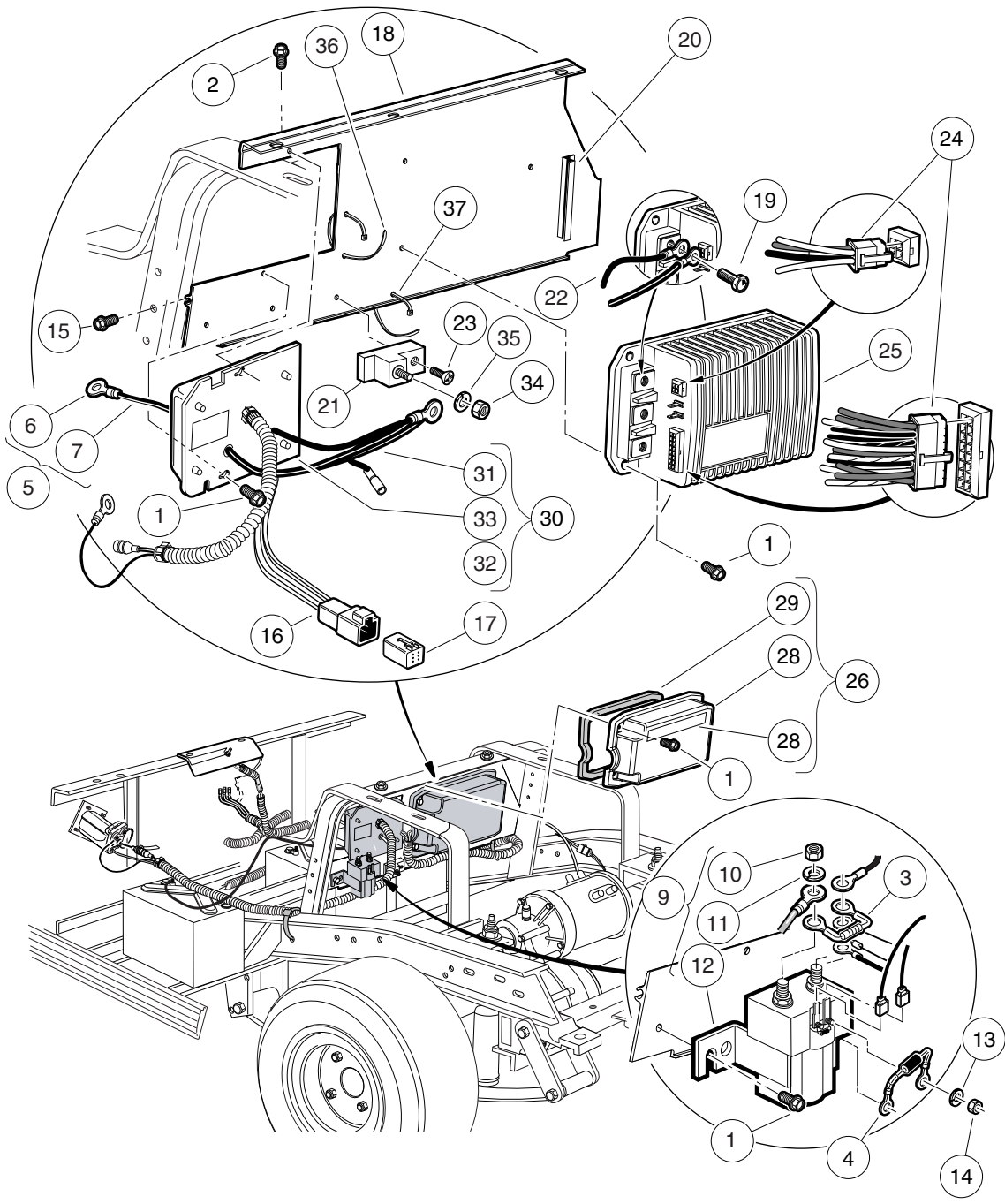
000241-001

BATTERIES – TURF/CARRYALL 1 WITH 6 8-VOLT BATTERIES

ITEM	PART NO.	DESCRIPTION	QTY
		1 2 3 4	
1	<u>101090801</u>	Hold-Down, Battery	3
2	<u>1011578</u>	Washer, 5/16 Type B Flat	6
3	1013683	J-Bolt	6
4	<u>1014304</u>	Nut, 5/16-18 Stainless-Steel Hex	12
5	1015072	Locknut, 5/16-18 Nylon Insert	6
6	<u>101795701</u>	Asm, Wire, #6blk 13in	5
7	<u>101797701</u>	Battery, 8-Volt, T875 (includes item 8)	6
8	<u>101797801</u>	Cap, 4-Gang Battery	1
9	<u>101797702</u>	Battery, 8-Volt, T875 Moist (also known as dry) (includes item 10)	6
10	<u>101797801</u>	Cap, 4-Gang Battery	1

14

E



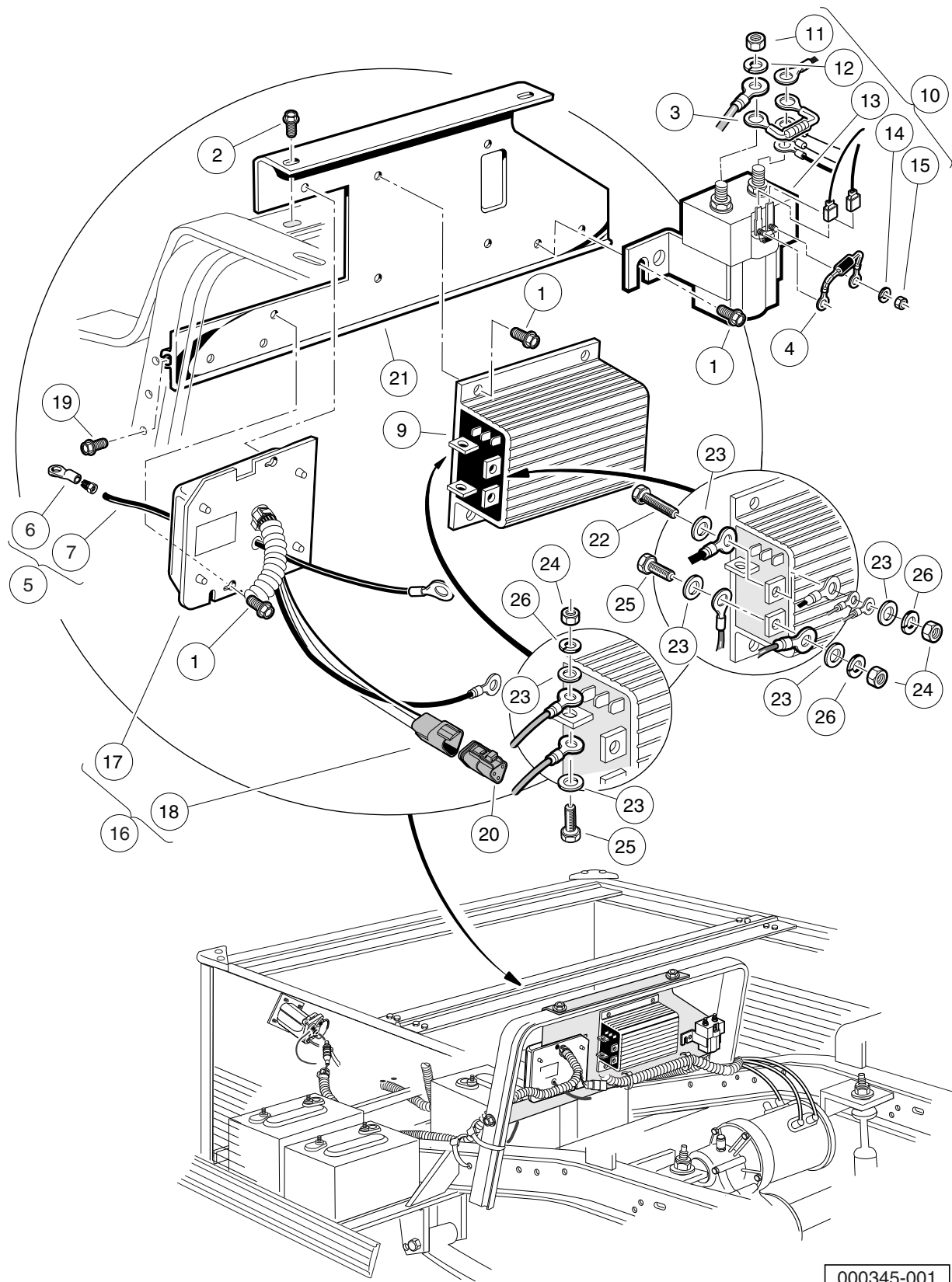
000242-006

OBC, CONTROLLER, AND SOLENOID – ELECTRIC VEHICLE

14

E

ITEM	PART NO.	DESCRIPTION	QTY
		1 2 3 4	
1	<u>1012285</u>	Screw, 1/4 X 0.625 Hex-Head	9
2	<u>1014288</u>	Screw, 5/16-18 X 0.75 Thread-Forming	2
3	<u>1014947</u>	Resistor Assembly	1
4	1014948	Diode	1
5	101827801	Ground Wire Kit, 48-Volt (includes items 6 through 8)	1
6	101826801	Compression Lug	1
7	N/A	Wire Assembly, Black	1
8	<u>8990</u>	Tie Wrap, 8" Nylon	3
9	<u>101908701</u>	Solenoid, 48-Volt (includes items 10 through 14)	1
10	<u>1012528</u>	Nut, M8-1.25 Hex	2
11	<u>1013734</u>	Lockwasher, 8mm Split	2
12	N/A	Solenoid, 48-Volt	1
13	N/A	Washer, Lock	2
14	N/A	Nut	2
15	<u>101910401</u>	Screw, 5/16-18 X 1.25 Thrd Frm	2
16	<u>101932601</u>	Kit, 6-Pin Wedge Lock	1
17	<u>101932701</u>	Kit, 6-Pin Receptacle and Wedge Lock	1
18	<u>101965205</u>	Plate, Component Mounting	1
19	<u>102240501</u>	Bolt, Controller, Terminal	3
20	****	Extrusion, Cover Support	1
21	<u>102259801</u>	Terminal Block	1
22	<u>102263601</u>	Wire Assy, #10 Black	1
23	<u>102263701</u>	Screw, #10-24 X 0.75 Phillips, Thread-Forming	1
24	<u>102266501</u>	Kit, Connector, IQ Controller	1
25	<u>102806201</u>	Controller, IQ, 48-volt	1
26	<u>103316901</u>	Cover Asm - Controller (includes items 27 through 29)	1
27	<u>101931501</u>	Decal, Component Cover	1
28	<u>103316701</u>	Cover - Controller, Deep	1
29	<u>103316801</u>	Gasket - Controller Cover	1
30	N/A	Kit, OBC, DS and Util IQ (includes items 31 through 33)	1
31	<u>103282601</u>	Wire Assembly Black #10	1
32	N/A	Instr Obs Ds Pre 01-28-2007	1
33	103403101	Asm, Obs, Iq, V3.0	1
34	<u>1242</u>	Nut, 5/16-18 Hex	1
35	<u>7174</u>	Lockwasher, 5/16 Split	1
36	<u>8639</u>	Tie Wrap, 11" Nylon	1
37	<u>8990</u>	Tie Wrap, 8" Nylon	1
		**** Special order item available upon request.	



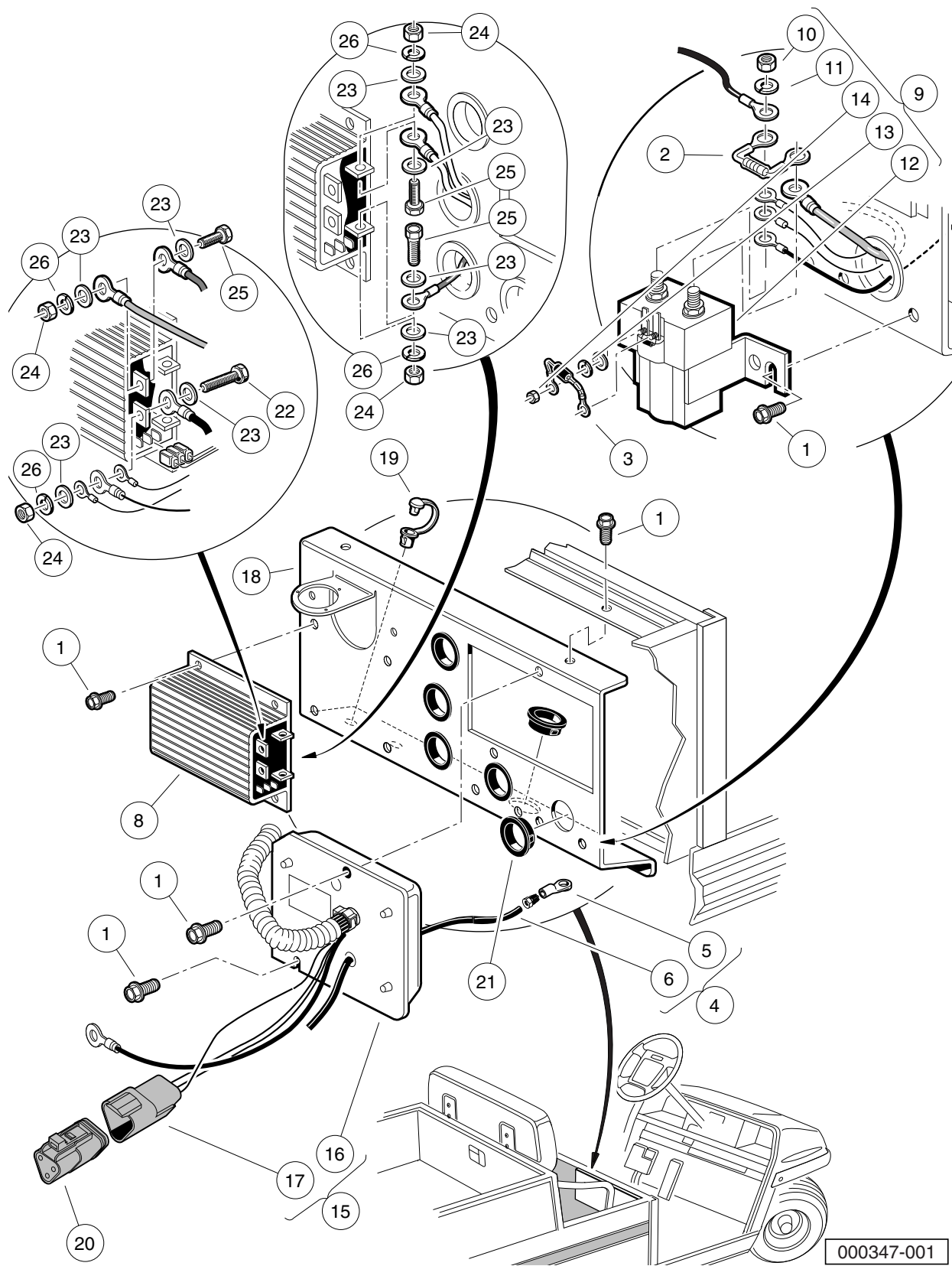
000345-001

COMPUTER, CONTROLLER, AND SOLENOID, TURF/ CARRYALL 1 IQ SYSTEM VEHICLES

ITEM	PART NO.	DESCRIPTION	QTY
		1 2 3 4	
1	<u>1012285</u>	Screw, 1/4 X 0.625 Hex-Head	8
2	<u>1014288</u>	Screw, 5/16-18 X 0.75 Thread-Forming	2
3	<u>1014947</u>	Resistor Assembly	1
4	1014948	Diode	1
5	101827801	Ground Wire Kit, 48-Volt (includes items 6 through 8)	1
6	101826801	Compression Lug	1
7	N/A	Wire Assembly, Black	1
8	<u>8990</u>	Tie Wrap, 8" Nylon	3
9	<u>101840203</u>	Controller, 48-Volt, 300-Amp Series	1
10	<u>101908701</u>	Solenoid, 48-Volt (includes items 11 through 15)	1
11	<u>1012528</u>	Nut, M8-1.25 Hex	2
12	<u>1013734</u>	Lockwasher, 8mm Split	2
13	N/A	Solenoid, 48-Volt	1
14	N/A	Washer, Lock	2
15	N/A	Nut	2
16	<u>101909901</u>	Onboard Computer (includes items 17 and 18)	1
17	N/A	Onboard Computer	1
18	<u>101942301</u>	Kit, 3-Pin Wedge Lock	1
19	<u>101910401</u>	Screw, 5/16-18 X 1.25 Thrd Frm	2
20	<u>101920101</u>	Kit, 3-Pin Wedge Lock	1
21	101965201	Plate, Component Mounting	1
22	1218	Screw, 5/16-18 X 1.25 Hex-Head Cap	1
23	<u>1241</u>	Washer, 5/16 Type A Flat	6
24	<u>1242</u>	Nut, 5/16-18 Hex	3
25	<u>7173</u>	Screw, 5/16-18 X 0.75 Hex-Head Cap	2
26	<u>7174</u>	Lockwasher, 5/16 Split	3

14

E



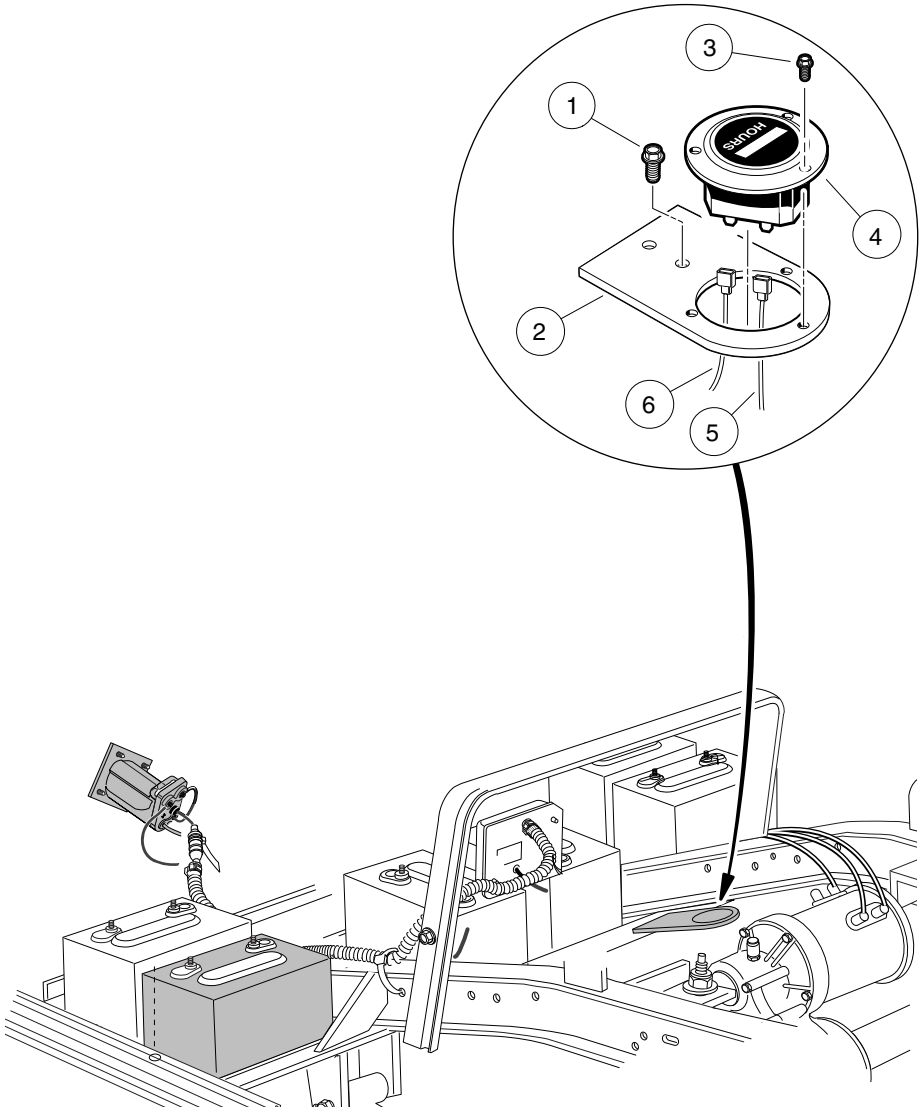
000347-001

COMPUTER, CONTROLLER, AND SOLENOID – TURF/ CARRYALL 2 POWERDRIVE VEHICLES

ITEM	PART NO.	DESCRIPTION	QTY
		1 2 3 4	
1	<u>1012285</u>	Screw, 1/4 X 0.625 Hex-Head	10
2	<u>1014947</u>	Resistor Assembly	1
3	1014948	Diode	1
4	<u>101827802</u>	Ground Wire Kit, 48-Volt (includes items 5 through 7)	1
5	101826801	Compression Lug	1
6	N/A	Wire Assembly, Black	1
7	<u>8990</u>	Tie Wrap, 8" Nylon	3
8	<u>101840203</u>	Controller, 48-Volt, 300-Amp Series	1
9	<u>101908701</u>	Solenoid, 48-Volt (includes items 10 through 14)	1
10	<u>1012528</u>	Nut, M8-1.25 Hex	2
11	<u>1013734</u>	Lockwasher, 8mm Split	2
12	N/A	Solenoid, 48-Volt	1
13	N/A	Washer, Lock	2
14	N/A	Nut	2
15	<u>101909905</u>	Onboard Computer (includes items 16 and 17)	1
16	N/A	Onboard Computer	1
17	<u>101942301</u>	Kit, 3-Pin Wedge Lock	1
18	<u>101911701</u>	Plate, Electrical Component Mounting	1
19	<u>101918301</u>	Clamp, Plastic Wire	2
20	<u>101920101</u>	Kit, 3-Pin Wedge Lock	1
21	<u>101924301</u>	Bushing, Snap	6
22	1218	Screw, 5/16-18 X 1.25 Hex-Head Cap	1
23	<u>1241</u>	Washer, 5/16 Type A Flat	8
24	<u>1242</u>	Nut, 5/16-18 Hex	4
25	<u>7173</u>	Screw, 5/16-18 X 0.75 Hex-Head Cap	3
26	<u>7174</u>	Lockwasher, 5/16 Split	4

14

E



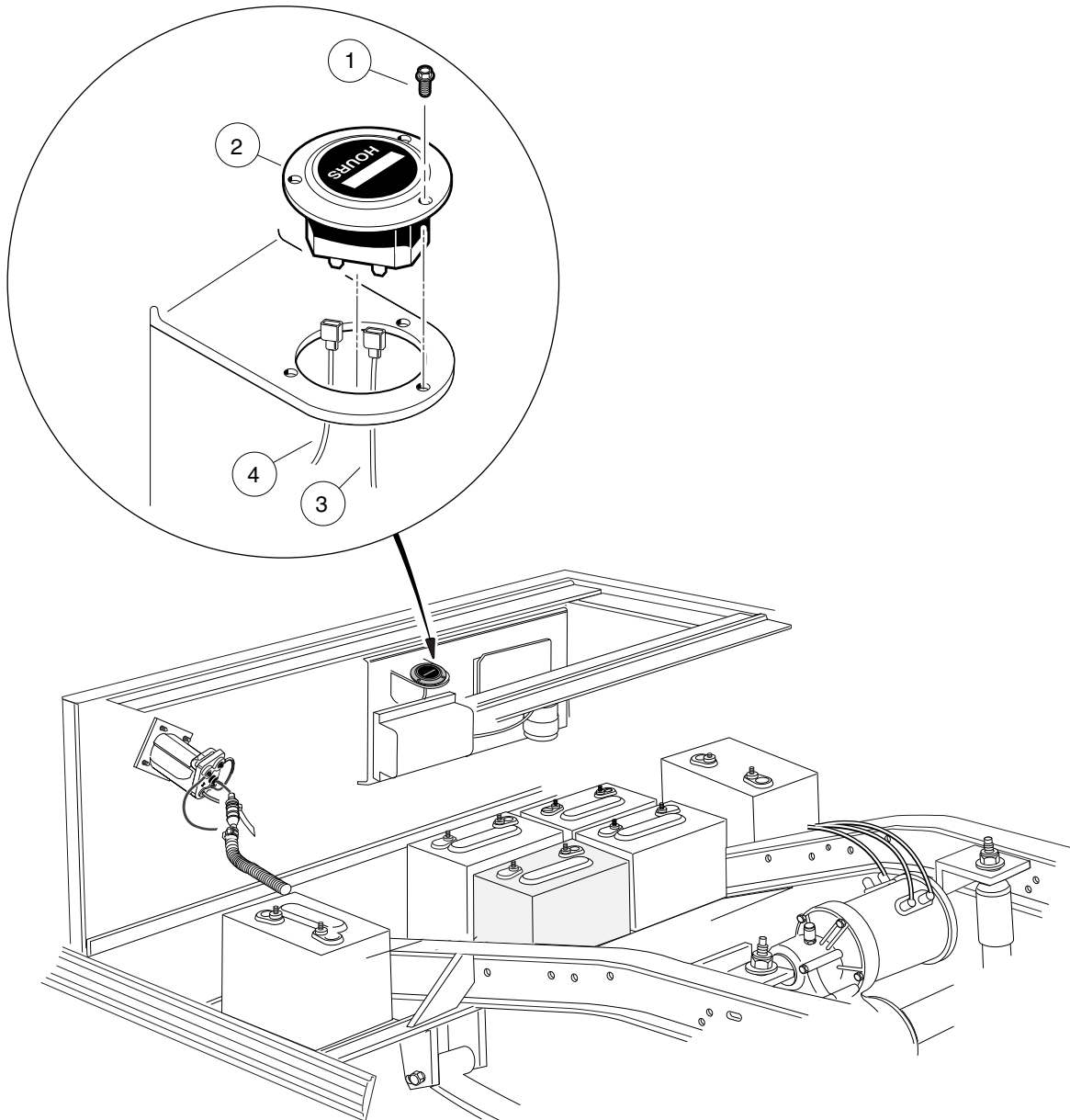
000341-001

HOUR METER – TURF 1 VEHICLES

ITEM	PART NO.	DESCRIPTION	QTY
		1 2 3 4	
1	<u>1012285</u>	Screw, 1/4 X 0.625 Hex-Head	1
2	<u>1013547</u>	Hour Meter Bracket	1
3	<u>1014540</u>	Screw, #6-32 X 3/8 Taptite	3
4	N/A	Hour Meter	1
5	<u>101997802</u>	Wire Assembly #18 Yellow	1
6	N/A	Wire Assy, #18 Blue	1

14

E



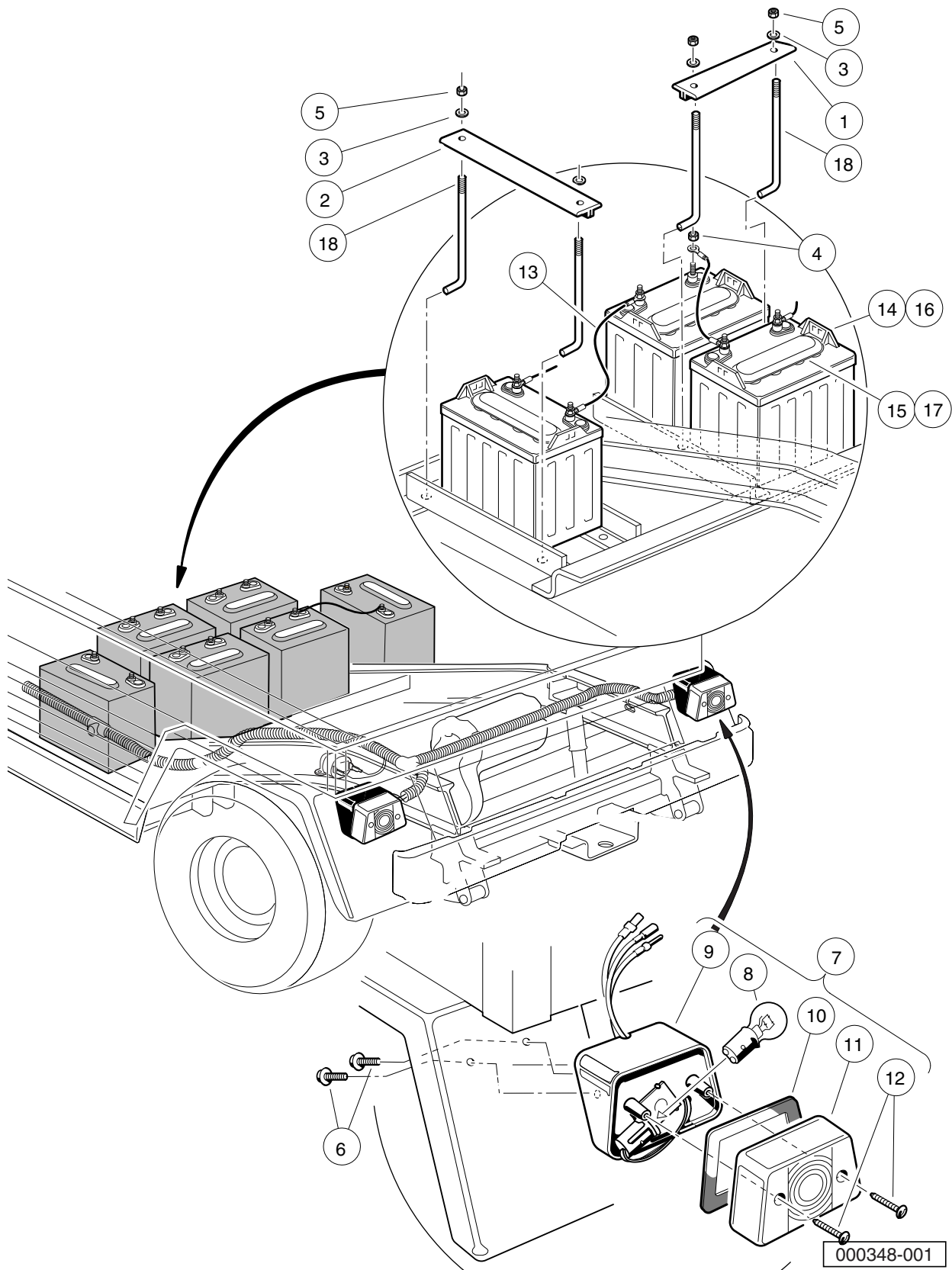
000346-001

HOUR METER – TURF 2 VEHICLES

ITEM	PART NO.	DESCRIPTION	QTY
		1 2 3 4	
1	<u>1014540</u>	Screw, #6-32 X 3/8 Taptite	3
2	N/A	Hour Meter	1
3	<u>101997802</u>	Wire Assembly #18 Yellow	1
4	N/A	Wire Assy, #18 Blue	1

14

E



ELECTRICAL COMPONENTS, REAR BODY – CARRYALL 6 POWERDRIVE

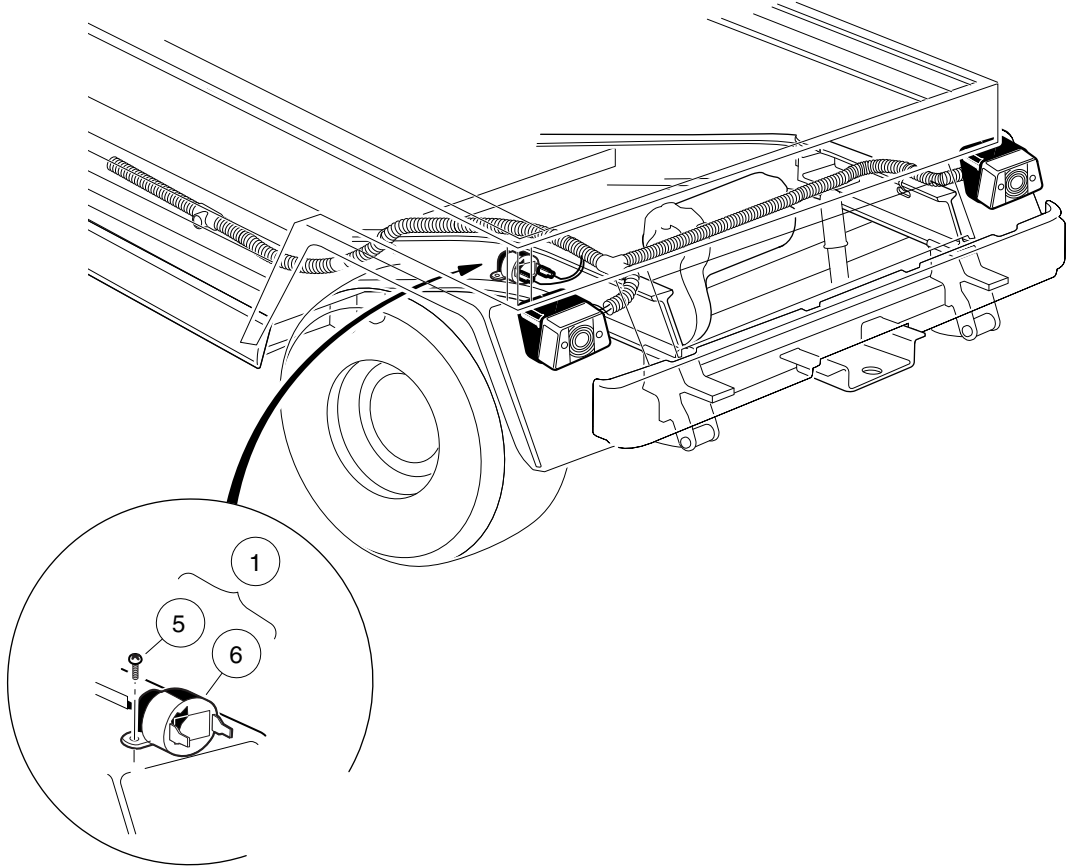
ITEM	PART NO.	DESCRIPTION	QTY
		1 2 3 4	
1	<u>101090801</u>	Hold-Down, Battery	2
2	<u>101090802</u>	Hold-Down, Battery	2
3	<u>1011578</u>	Washer, 5/16 Type B Flat	8
4	<u>1014304</u>	Nut, 5/16-18 Stainless-Steel Hex	12
5	<u>1015072</u>	Locknut, 5/16-18 Nylon Insert	8
6	<u>1015752</u>	Screw, #12-16 X 0.625 Hi-Lo	4
7	<u>1016717</u>	Light Assembly, Stop/Taillight (includes items 8 through 12)	2
8	<u>1011582</u>	Taillight Bulb	1
9	N/A	Housing, Taillight	1
10	N/A	Gasket, Taillight	1
11	N/A	Lens, Taillight	1
12	N/A	Screw, Taillight Lens	2
13	<u>101795701</u>	Asm, Wire, #6blk 13in	5
14	<u>101797701</u>	Battery, 8-Volt, T875 (includes item 15)	6
15	<u>101797801</u>	Cap, 4-Gang Battery	1
16	<u>101797702</u>	Battery, 8-Volt, T875 Moist (also known as dry) (includes item 17)	6
17	<u>101797801</u>	Cap, 4-Gang Battery	1
18	<u>102845203</u>	Rod, Battery Hold Down 10.7"	8

14

E

14

E



000432-001

REAR REVERSE BUZZER – CARRYALL 6

ITEM	PART NO.	DESCRIPTION	QTY
		1 2 3 4	
1	<u>1016859</u>	Kit, Reverse Buzzer (includes items 2 through 10)	1
2	<u>1011229</u>	Locknut, #6-32 Whiz	1
3	1012431	Washer, #4 Flat	2
4	<u>1015720</u>	Screw, #6-32 X 1/2 Hex Washer-Head	1
5	<u>1016849</u>	Screw, #4-24 X 0.33 Pan-Head Machine	2
6	<u>1016851</u>	Buzzer, Reverse (9-48 VDC)	1
7	1016857	Wire Assembly Black #18	1
8	<u>8056</u>	Screw, #4-40 X 0.75 Round-Head Machine	2
9	<u>8057</u>	Nut, #4-40 Hex Machine	2
10	<u>8058</u>	Lockwasher, #4 Split	2
Note: Note: Items 2 through 4 and 7 through 10 are included in the kit, but are not used in this application.			

14

E

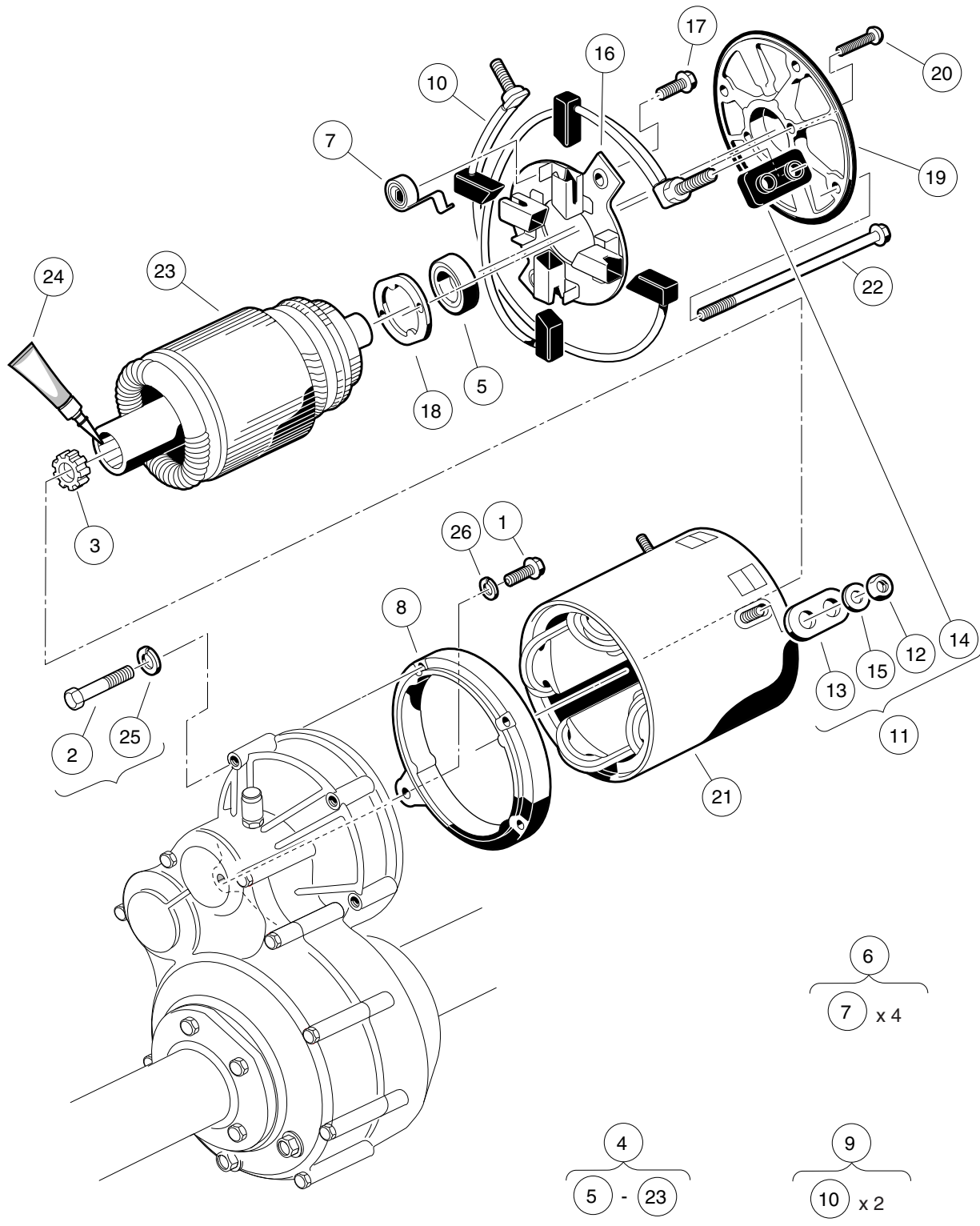
14

E

ELECTRIC MOTOR

15

E



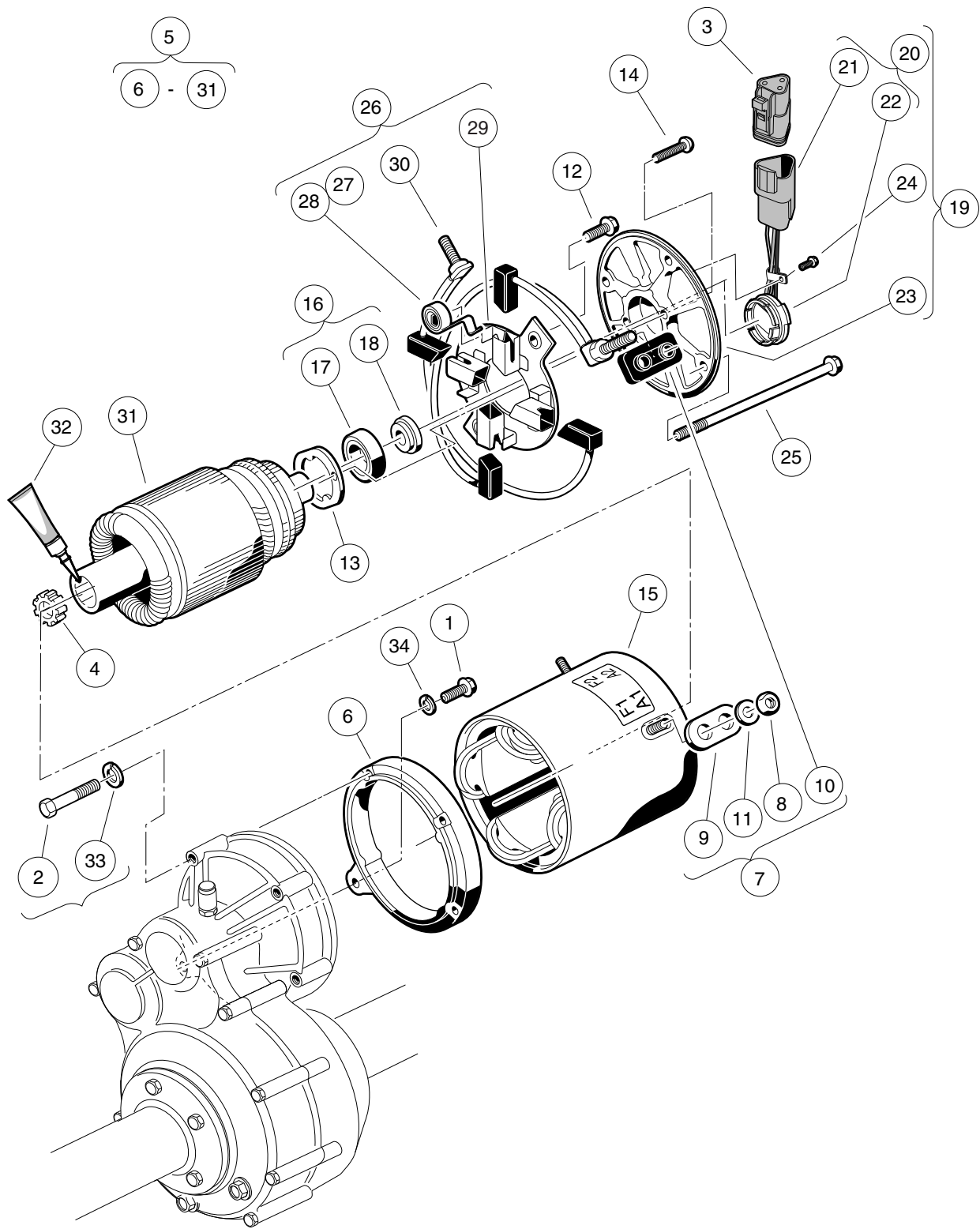
000350-001

MOTOR (MODEL 5BC59JBS6360) – POWERDRIVE

ITEM	PART NO.	DESCRIPTION	QTY
		1 2 3 4	
1	<u>1010934</u>	Screw, 5/16-18 X 1.00 Hex Cap	1
2	1014201	Screw, 1/4-20 X 2.25 Hex Cap	3
3	<u>102235201</u>	Bumper, Drive Unit	1
4	102237701	Motor, 48-Volt Series, 3.10 hp (includes items 5 through 23)	1
5	<u>1011290</u>	Ball Bearing	1
6	1011411	Kit, Brush Spring (ge Motor) (includes item 7)	1
7	1011285	Brush Spring	4
8	<u>1017944</u>	End Shield	1
9	N/A	Brush Package (includes item 10)	1
10	N/A	Brush with Screw	2
11	<u>1017947</u>	Hardware Package (includes items 12 through 15)	1
12	<u>1011280</u>	Locknut, 5/16-18	4
13	N/A	Insulator Bushing	2
14	N/A	Insulated Bushing	2
15	<u>1241</u>	Washer, 5/16 Type A Flat	4
16	<u>1017948</u>	Brush Rigging	1
17	<u>1017949</u>	Screw, #6-32 X 0.480 Hex-Head	2
18	<u>1017950</u>	Bearing Retainer	1
19	<u>1017951</u>	End Shield	1
20	<u>1017953</u>	Screw, Bearing Retainer	2
21	<u>1017958</u>	Stator Shell and Winding, 48-Volt, 3.15 hp	1
22	<u>1017961</u>	Clamp Screw	4
23	N/A	Armature, Series	1
24	<u>102243403</u>	Lubricant, Moly-Teflon (Single-Use Tube)	1
25	<u>451</u>	Lockwasher, 1/4 Split	3
26	<u>7174</u>	Lockwasher, 5/16 Split	1

15

E



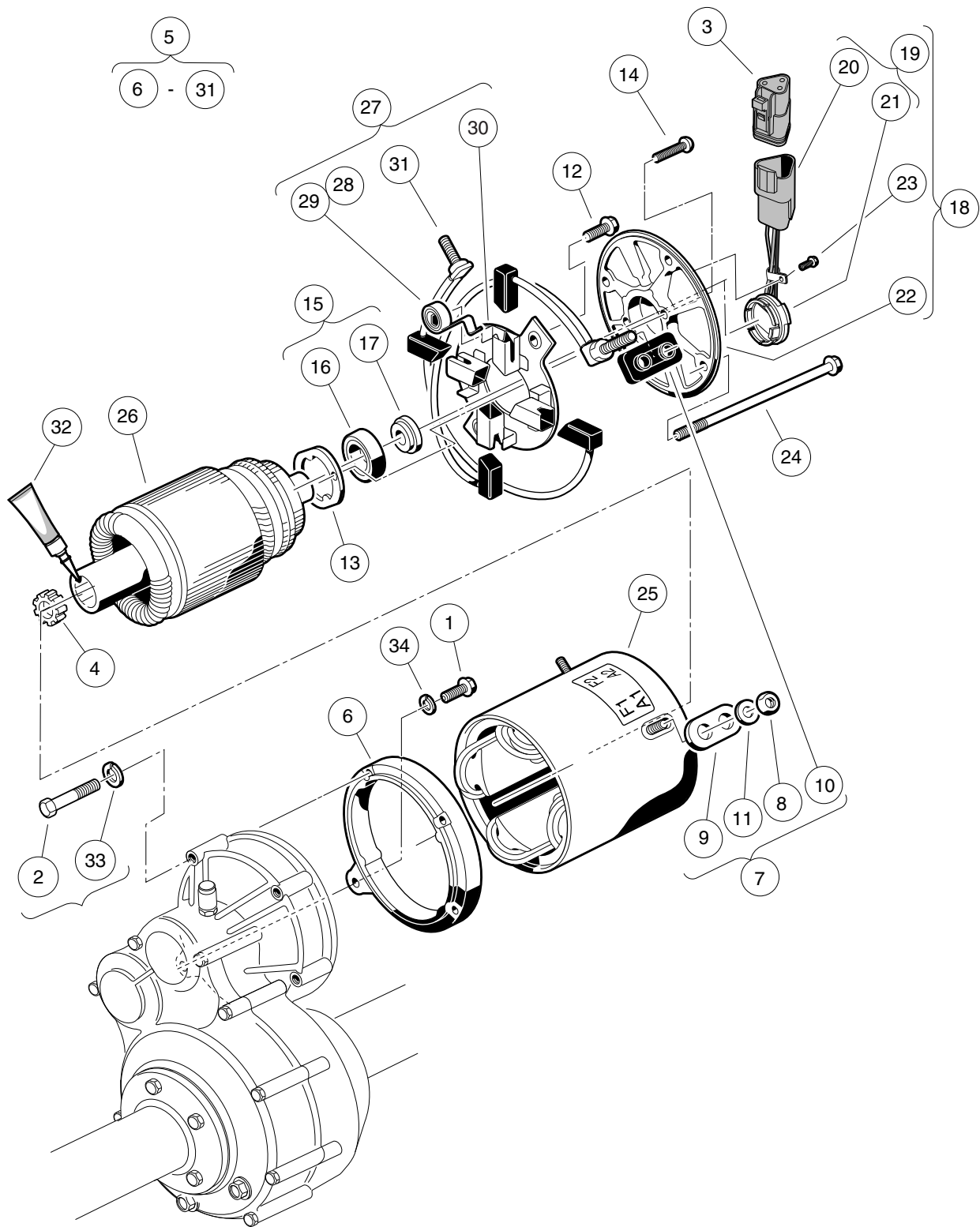
000349-001

MOTOR (MODEL 5BC59JBS6365) – ELECTRIC VEHICLE

ITEM	PART NO.	DESCRIPTION	QTY
		1 2 3 4	
1	<u>1010934</u>	Screw, 5/16-18 X 1.00 Hex Cap	1
2	<u>1014201</u>	Screw, 1/4-20 X 2.25 Hex Cap	3
3	<u>101920101</u>	Kit, 3-Pin Wedge Lock	1
4	<u>102235201</u>	Bumper, Drive Unit	1
5	<u>102240102</u>	Motor, 48-Volt Shunt-Wound * (includes items 6 through 31)	1
6	<u>1017944</u>	End Shield	1
7	<u>1017947</u>	Hardware Package (includes items 8 through 11)	1
8	<u>1011280</u>	Locknut, 5/16-18	4
9	N/A	Insulator Bushing	2
10	N/A	Insulated Bushing	2
11	<u>1241</u>	Washer, 5/16 Type A Flat	4
12	<u>1017949</u>	Screw, #6-32 X 0.480 Hex-Head	2
13	<u>1017950</u>	Bearing Retainer	1
14	<u>1017953</u>	Screw, Bearing Retainer	2
15	<u>102265501</u>	Stator Shell and Winding	1
16	<u>102265701</u>	Kit, Bearing and Magnet (includes items 17 and 18)	1
17	<u>1011290</u>	Ball Bearing	1
18	<u>102265801</u>	Magnet	1
19	<u>102265901</u>	Motor End Shield Asm (includes items 20 through 24)	1
20	<u>102265601</u>	Speed Sensor Assembly (includes items 21 and 22)	1
21	<u>101942301</u>	Kit, 3-Pin Wedge Lock	1
22	N/A	Sensor, Speed, without Connector	1
23	<u>102266001</u>	End Shield, Motor	1
24	<u>102267001</u>	Screw, #8-32 X 0.375 Hex-Head	1
25	<u>102266101</u>	Screw, #10 - 32 X 8.250	4
26	<u>102327801</u>	Brush Assembly, Beveled (includes items 27 through 30)	1
27	<u>1011411</u>	Kit, Brush Spring (ge Motor) (includes item 28)	1
28	<u>1011285</u>	Brush Spring	4
29	<u>1017948</u>	Brush Rigging	1
30	<u>102251901</u>	Brush Kit, Motor	1
31	N/A	Armature	1
32	<u>102243403</u>	Lubricant, Moly-Teflon (Single-Use Tube)	1
33	<u>451</u>	Lockwasher, 1/4 Split	3
34	<u>7174</u>	Lockwasher, 5/16 Split	1
* Note: The model 5BC59JBS6365 motor has been discontinued. To replace the motor, use motor model EJ8-4001A.			

15

E



000349-002

MOTOR (MODEL 5BC59JBS6390) – ELECTRIC VEHICLE

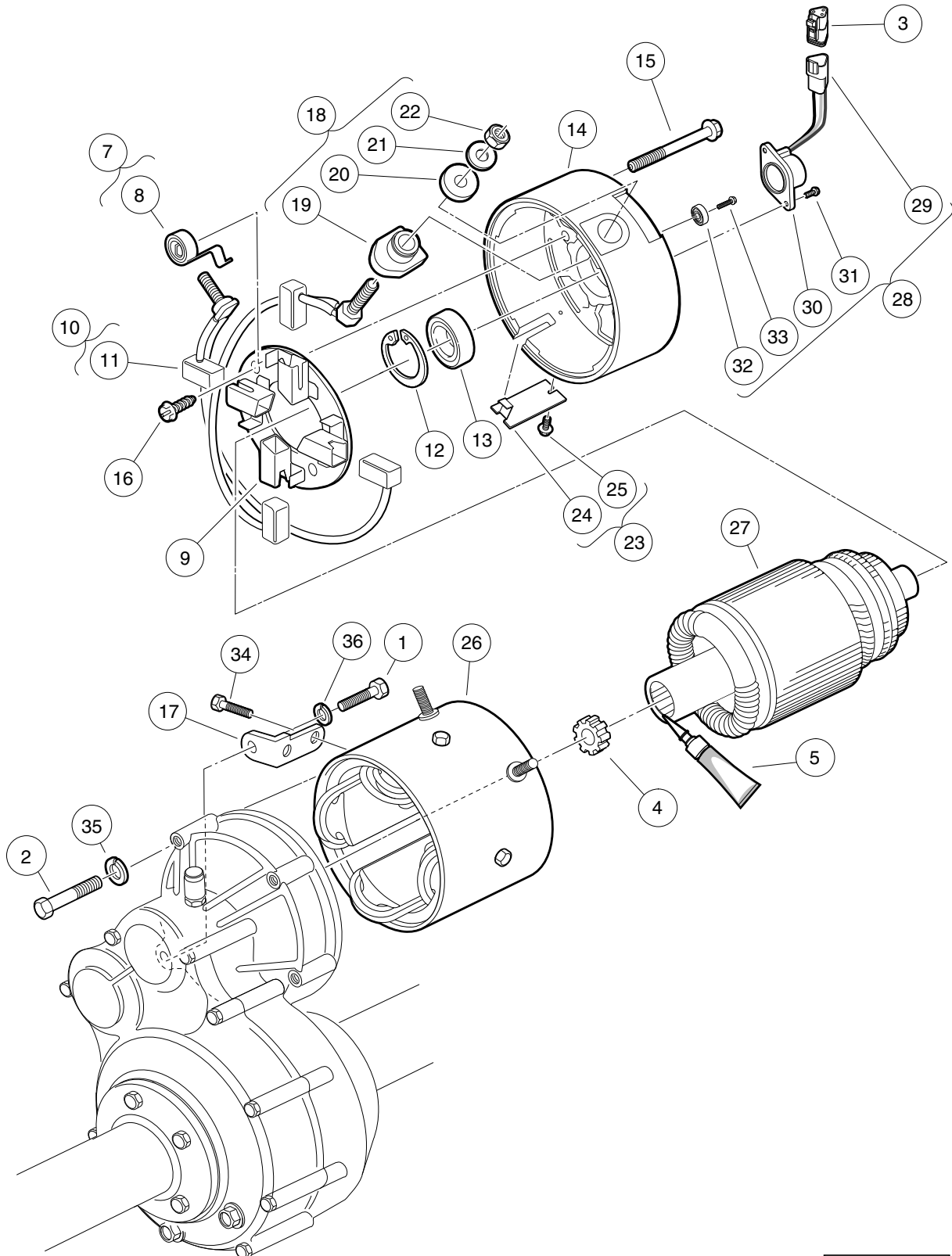
ITEM	PART NO.	DESCRIPTION	QTY
		1 2 3 4	
1	<u>1010934</u>	Screw, 5/16-18 X 1.00 Hex Cap	1
2	<u>1014201</u>	Screw, 1/4-20 X 2.25 Hex Cap	3
3	<u>101920101</u>	Kit, 3-Pin Wedge Lock	1
4	<u>102235201</u>	Bumper, Drive Unit	1
5	<u>102240104</u>	Motor, 48-Volt Non-Skew IQ * (includes items 6 through 27)	1
6	<u>1017944</u>	End Shield	1
7	<u>1017947</u>	Hardware Package (includes items 8 through 11)	1
8	<u>1011280</u>	Locknut, 5/16-18	4
9	N/A	Insulator Bushing	2
10	N/A	Insulated Bushing	2
11	<u>1241</u>	Washer, 5/16 Type A Flat	4
12	<u>1017949</u>	Screw, #6-32 X 0.480 Hex-Head	2
13	<u>1017950</u>	Bearing Retainer	1
14	<u>1017953</u>	Screw, Bearing Retainer	2
15	<u>102265701</u>	Kit, Bearing and Magnet (includes items 16 and 17)	1
16	<u>1011290</u>	Ball Bearing	1
17	<u>102265801</u>	Magnet	1
18	<u>102265901</u>	Motor End Shield Asm (includes items 19 through 23)	1
19	<u>102265601</u>	Speed Sensor Assembly (includes items 20 and 21)	1
20	<u>101942301</u>	Kit, 3-Pin Wedge Lock	1
21	N/A	Sensor, Speed, without Connector	1
22	<u>102266001</u>	End Shield, Motor	1
23	<u>102267001</u>	Screw, #8-32 X 0.375 Hex-Head	1
24	<u>102266101</u>	Screw, #10 - 32 X 8.250	4
25	<u>103325701</u>	Stator Shell and Winding	1
26	<u>103325801</u>	Non Skew Armature	1
27	<u>103337601</u>	Brush Assembly, IQ Motor, Non-Skew (includes items 28 through 31)	1
28	<u>1011411</u>	Kit, Brush Spring (ge Motor) (includes item 29)	1
29	<u>1011285</u>	Brush Spring	4
30	<u>103325501</u>	Brush Rigging, Non-Skew Motor	1
31	<u>103325601</u>	Brush Set, Non-Skew	1
32	<u>102243403</u>	Lubricant, Moly-Teflon (Single-Use Tube)	1
33	<u>451</u>	Lockwasher, 1/4 Split	3
34	<u>7174</u>	Lockwasher, 5/16 Split	1
* Note: The model 5BC59JBS6390 motor has been discontinued. To replace the motor, use motor model EJ8-4001A.			

15

E

15

E



000185-001

MOTOR (MODEL EJ4-4001) – ELECTRIC VEHICLE

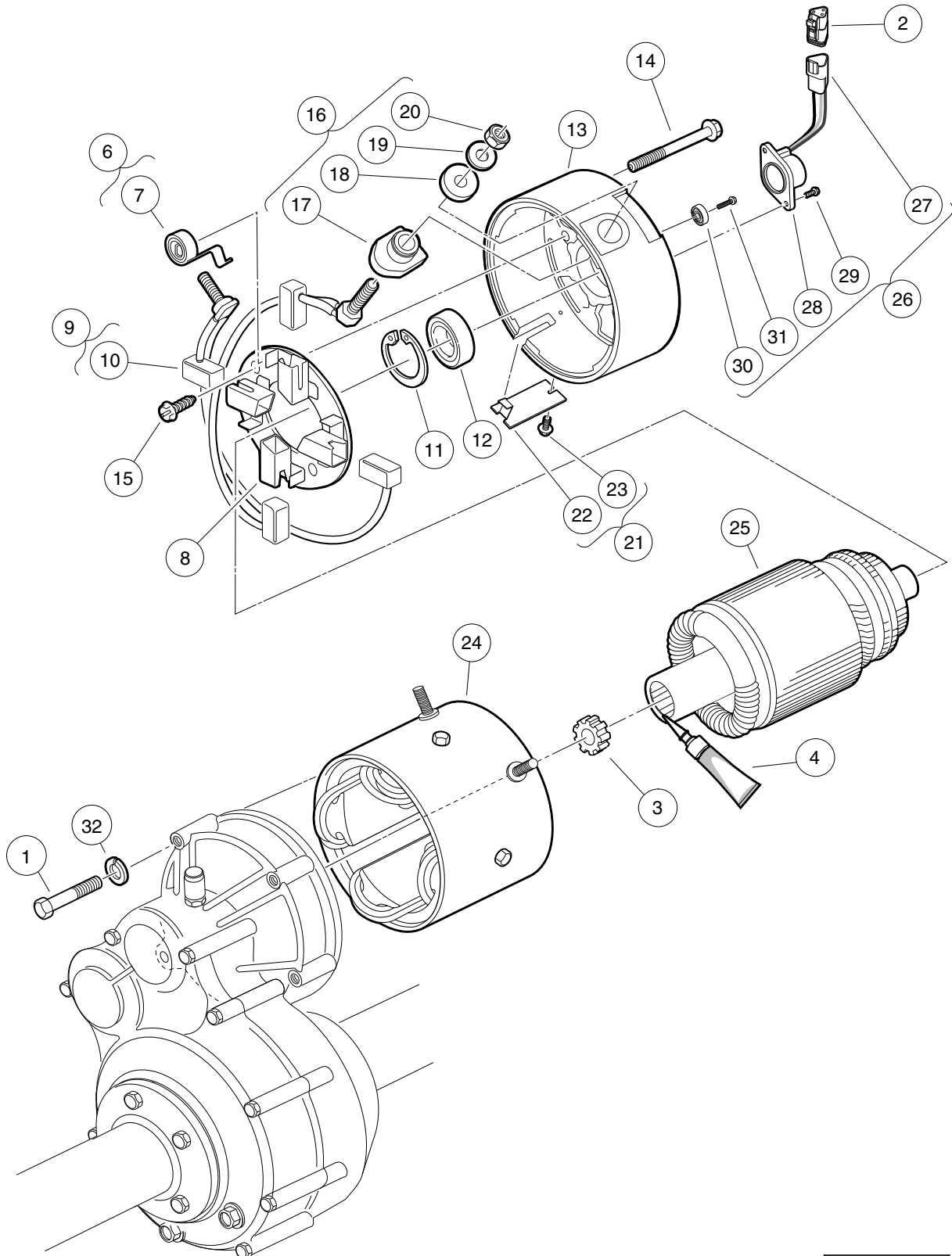
ITEM	PART NO.	DESCRIPTION	QTY
		1 2 3 4	
1	<u>1010934</u>	Screw, 5/16-18 X 1.00 Hex Cap	1
2	1014201	Screw, 1/4-20 X 2.25 Hex Cap	3
3	<u>101920101</u>	Kit, 3-Pin Wedge Lock	1
4	<u>102235201</u>	Bumper, Drive Unit	1
5	<u>102243403</u>	Lubricant, Moly-Teflon (Single-Use Tube)	1
6	<u>102705001</u>	IQ Electric Motor, 48-VDC 3.3 hp * (includes items 7 through 34)	1
7	<u>102186001</u>	Spring Kit, Motor Brush (includes item 8)	1
8	N/A	Spring, Brush, S-g	4
9	<u>102186101</u>	Brush Box Assembly	1
10	<u>102186201</u>	Brush Kit, Motor (includes item 11)	1
11	N/A	Assembly, Brush and Terminal	2
12	<u>102186301</u>	Ring, 2.24" Internal Retaining	1
13	<u>102186401</u>	Bearing, Ball	1
14	<u>102186701</u>	End Cap, Motor	1
15	N/A	Screw, 1/4-20 X 2.25 Hex-Head Washer	2
16	<u>102186901</u>	Screw, #8-32 X .5 Hex-Head	2
17	<u>102187001</u>	L-Bracket, Motor	1
18	<u>102187101</u>	Hardware Kit, Motor Terminal (includes items 19 through 22)	2
19	N/A	Bushing, Nylon	2
20	N/A	Washer, Nylon Flat	2
21	N/A	Washer, Flat, 5/16 Steel	2
22	N/A	Nut, Brass Hex, 5/16 - 18	2
23	<u>102187201</u>	Plate Kit, Motor Cover (includes items 24 and 25)	1
24	N/A	Assembly, Cover Plate	1
25	N/A	Screw, #8-32 x 0.375, Taptite Thread	1
26	<u>102704701</u>	Frame and Field Assembly	1
27	<u>102704801</u>	Armature Assembly	1
28	<u>102704901</u>	Kit, Speed Sensor (includes items 29 through 33)	1
29	<u>101942301</u>	Kit, 3-Pin Wedge Lock	1
30	N/A	Sensor, Motor Speed, ADC	1
31	N/A	Screw, #8-32, Taptite Thread	2
32	N/A	Magnet, ADC Motor	1
33	N/A	Screw, 1/4-20 x 0.5	1
34	N/A	Bolt, 1/4 - 20 x 0.73 Thread-Forming	2
35	<u>451</u>	Lockwasher, 1/4 Split	3
36	<u>7174</u>	Lockwasher, 5/16 Split	1
		* Note: The model EJ4-4001 motor has been discontinued. To replace the motor, use motor model EJ8-4001A.	

15

E

15

E



000185-002

MOTOR (MODEL EJ8-4001A) – ELECTRIC VEHICLE

ITEM	PART NO.	DESCRIPTION	QTY
		1 2 3 4	
1	1014201	Screw, 1/4-20 X 2.25 Hex Cap	3
2	<u>101920101</u>	Kit, 3-Pin Wedge Lock	1
3	<u>102235201</u>	Bumper, Drive Unit	1
4	<u>102243403</u>	Lubricant, Moly-Teflon (Single-Use Tube)	1
5	N/A	IQ Electric Motor, 48-VDC 3.3 hp (includes items 6 through 26)	1
6	<u>102186001</u>	Spring Kit, Motor Brush (includes item 7)	1
7	N/A	Spring, Brush, S-g	4
8	<u>102186101</u>	Brush Box Assembly	1
9	<u>102186201</u>	Brush Kit, Motor (includes item 10)	1
10	N/A	Assembly, Brush and Terminal	2
11	<u>102186301</u>	Ring, 2.24" Internal Retaining	1
12	<u>102186401</u>	Bearing, Ball	1
13	<u>102186701</u>	End Cap, Motor	1
14	N/A	Screw, 1/4-20 X 2.25 Hex-Head Washer	2
15	<u>102186901</u>	Screw, #8-32 X .5 Hex-Head	2
16	<u>102187101</u>	Hardware Kit, Motor Terminal (includes items 17 through 20)	2
17	N/A	Bushing, Nylon	2
18	N/A	Washer, Nylon Flat	2
19	N/A	Washer, Flat, 5/16 Steel	2
20	N/A	Nut, Brass Hex, 5/16 - 18	2
21	<u>102187201</u>	Plate Kit, Motor Cover (includes items 22 and 23)	1
22	N/A	Assembly, Cover Plate	1
23	N/A	Screw, #8-32 x 0.375, Taptite Thread	1
24	<u>102704701</u>	Frame and Field Assembly	1
25	<u>102704801</u>	Armature Assembly	1
26	<u>102704901</u>	Kit, Speed Sensor (includes items 27 through 31)	1
27	<u>101942301</u>	Kit, 3-Pin Wedge Lock	1
28	N/A	Sensor, Motor Speed, ADC	1
29	N/A	Screw, #8-32, Taptite Thread	2
30	N/A	Magnet, ADC Motor	1
31	N/A	Screw, 1/4-20 x 0.5	1
32	<u>451</u>	Lockwasher, 1/4 Split	3

15

E

15

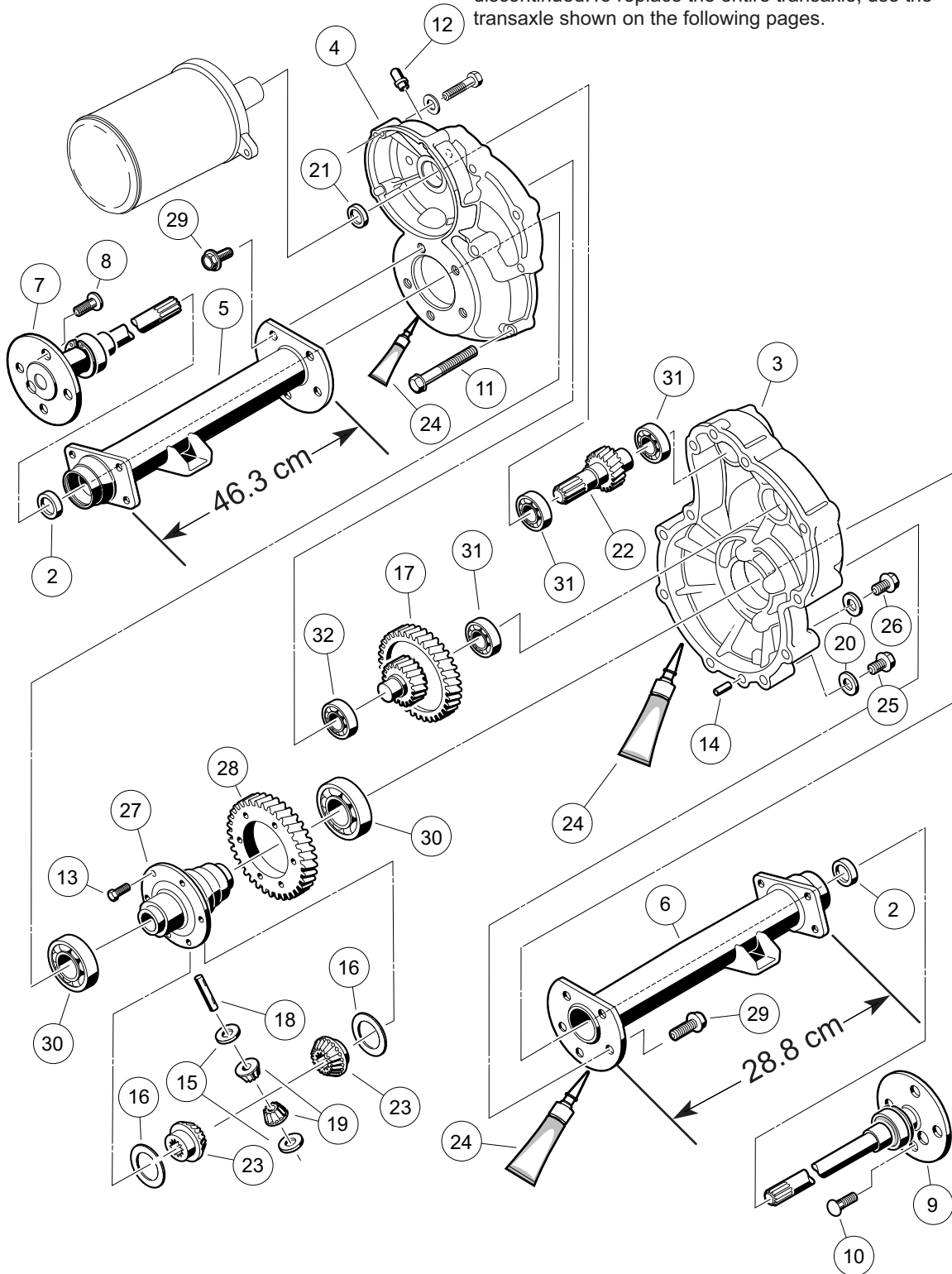
E

TRANSAXLE – ELECTRIC VEHICLES

16

E

Note: This transaxle (as a complete unit) has been discontinued. To replace the entire transaxle, use the transaxle shown on the following pages.



000223-001

TRANSAXLE – ELECTRIC VEHICLES

ITEM	PART NO.	DESCRIPTION	QTY
1	<u>101896001</u>	<p>1 2 3 4</p> <p>Transaxle -12.3</p> <p>Note: If either the Differential Output Gear (item 28) or the Differential Housing (item 27) require replacement, both must be purchased at the same time. Items 27 and 28 are replacements for all gear and differential housing combinations in this transaxle.</p>	1

16

E

TRANSAXLE – ELECTRIC VEHICLES

ITEM	PART NO.	DESCRIPTION	QTY
		1 2 3 4	
1	<u>102771701</u>	Transaxle, Electric (includes items 2 through 32)	1
2	<u>1013794</u>	Axle Shaft Oil Seal	2
3	<u>101895401</u>	Gear Case, Left-Hand	1
4	<u>101895501</u>	Gear Case, Passenger-Side	1
5	<u>101897001</u>	Screw, M8-1.25 X 60mm Hex-Head	11
6	<u>101897201</u>	Breather	1
7	<u>101897401</u>	Screw, M10-1.25 X 25mm	6
8	<u>101897601</u>	Pin, 11mm OD X 8.5mm ID X 10mm	2
9	<u>101903601</u>	Washer, Thrust	2
10	<u>101903701</u>	Washer, Thrust	2
11	<u>101906901</u>	Intermediate Shaft Assembly	1
12	<u>101922101</u>	Pin, 15.99mm X 88.7mm Dowel	1
13	<u>101923001</u>	Gear, Differential Idler	2
14	<u>101923201</u>	Gasket	2
15	<u>101923501</u>	Seal, Lip	1
16	<u>101923701</u>	Shaft, Input	1
17	<u>101923901</u>	Gear, Differential	2
18	<u>101928701</u>	Liquid Gasket (Transaxle case)	1
19	<u>101972101</u>	Plug, M14-1.5 X 12mm Magnetic	1
20	<u>101972201</u>	Plug, M14-1.5 X 12mm Hex	1
21	<u>102356601</u>	Housing, Differential, 6 Bolt	1
22	<u>102356801</u>	Gear, Differential Output, 6-Bolt	1
23	<u>102357001</u>	Screw, Flg Hd M10 X 1.5 X 30	10
24	<u>102886301</u>	Axle Assembly, Driver-Side (includes item 25)	1
25	<u>101922201</u>	Lug Stud	4
26	<u>102886401</u>	Tube, Axle, Driver-Side	1
27	<u>102886501</u>	Axle Assembly, Passenger-Side (includes item 28)	1
28	<u>101922201</u>	Lug Stud	4
29	<u>102886601</u>	Tube, Axle, Passenger-Side	1
30	<u>7330</u>	Inner Axle Tube Bearing	2
31	<u>7335</u>	Bearing	3
32	<u>7336</u>	Bearing	1

16

E

16

E

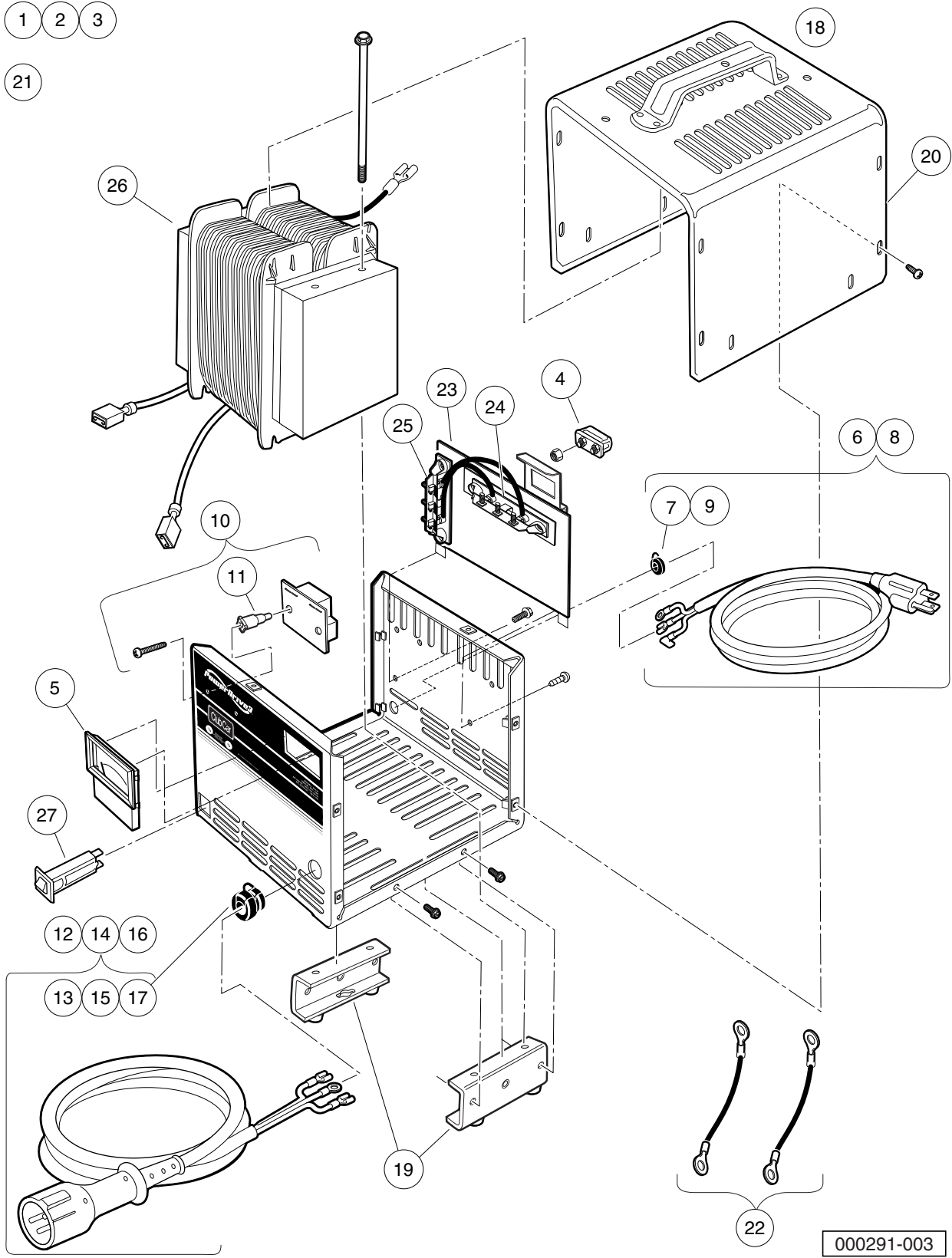
BATTERY CHARGER

17

E

- 1
- 2
- 3

- 21



000291-003

POWERDRIVE 3 BATTERY CHARGER, DOMESTIC

ITEM	PART NO.	DESCRIPTION	QTY
		1 2 3 4	
1	<u>103717001</u>	Chgr, Pd3 Stnry, 9Dc6'Ac'	1
2	<u>103717002</u>	Chgr, Pd3 Stnry, 12Dc9'Ac'	1
3	<u>103717003</u>	Chgr, Pd3 Stnry, 20Dc9'Ac'(includes items 4 through 27)	1
4	<u>102273701</u>	PD2 Fuse Asm	1
5	<u>102273801</u>	PD2 Ammeter	1
6	<u>103428501</u>	Kit, PD3 Cordset - AC 80" (includes item 7)	1
7	<u>102273901</u>	PD2 AC Cord Bushing	1
8	<u>103428601</u>	Kit, PD3 Cordset, - AC 114" (includes item 9)	1
9	<u>102273901</u>	PD2 AC Cord Bushing	1
10	<u>103428701</u>	Asm, PD3 Board Relay (includes item 11)	1
11	<u>103429701</u>	PD3 Plastic Stand-Offs	2
12	<u>103429001</u>	PD3 Cordset - DC 113" (includes item 13)	1
13	<u>1012098</u>	Bushing, DC Cord	1
14	<u>103429101</u>	PD3 Cordset - DC 154" (includes item 15)	1
15	<u>1012098</u>	Bushing, DC Cord	1
16	<u>103429201</u>	PD3 Cordset - DC 205" (includes item 17)	1
17	<u>1012098</u>	Bushing, DC Cord	1
18	<u>103429301</u>	Asm, PD3 Case (includes items 19 and 20)	1
19	<u>103434001</u>	Asm, PD3 Legs	1
20	<u>103439901</u>	PD3Case Top (Includes Handle)	1
21	<u>103429501</u>	Kit, PD3 Hardware	1
22	<u>103513001</u>	Wire Asm Kit Blk Pd3	1
23	<u>103517401</u>	Kit Pd3 Button Diode (includes items 24 and 25)	1
24	<u>103512801</u>	Asm Diode Top	1
25	<u>103512901</u>	Asm Diode Side	1
26	<u>103779601</u>	Transformer, Pd3, Al	1
27	<u>CCX8506</u>	Circuit Breaker, 15-Amp/120-Volt	1

17

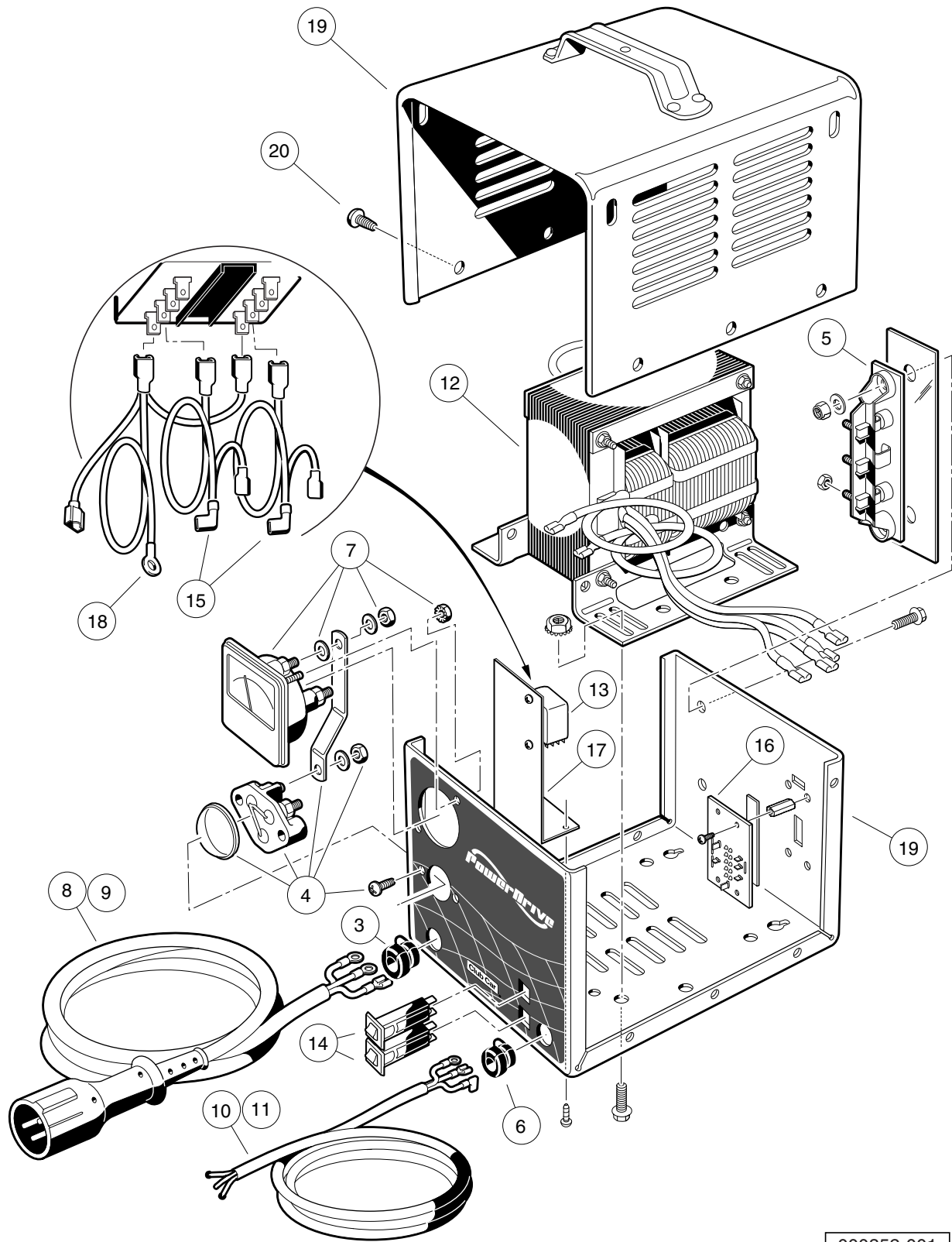
E

POWERDRIVE BATTERY CHARGER (MODEL 17930), DOMESTIC

ITEM	PART NO.	DESCRIPTION	QTY
		1 2 3 4	
1	<u>101802201</u>	48V/17A PowerDrive (9-ft DC, 6-ft AC Cord)	1
2	<u>101802202</u>	48V/17A PowerDrive (12-ft DC, 9-ft AC Cord)	1
3	<u>101802203</u>	48V/17A PowerDrive (20-ft DC, 9-ft AC Cord) (includes items 4 through 22)	1
4	<u>1012098</u>	Bushing, DC Cord	1
5	<u>1012101</u>	Fuse Assembly	1
6	<u>1015914</u>	Rectifier with Heatsink Assembly	1
7	<u>1015917</u>	Bushing, AC Cord	1
8	****	Transformer, Battery Charger	1
9	<u>101828301</u>	Case Assembly	1
10	<u>101828501</u>	Ammeter	1
11	<u>101828801</u>	Cord, AC, 80-Inch (203 cm)	1
12	<u>101828802</u>	Cord, AC, 108-Inch (274 cm)	1
13	<u>101828901</u>	Cord, DC, 113-Inch (287 cm)	1
14	<u>101828902</u>	Cord, DC, 154-Inch (391 cm)	1
15	<u>101828903</u>	Cord, DC, 250-Inch (635 cm)	1
16	<u>101831101</u>	Wire Assembly Kit	1
17	101914401	Assembly, Voltage Suppressor	1
18	<u>103414901</u>	Kit, Relay, 48v 30a W/instr (includes items 19 and 20)	1
19	<u>103397901</u>	Relay, Spst No, 48v 30a, Pmt	1
20	N/A	Kit, Relay, 48v 30a Instrns	1
21	7577	Screw, #10 X 0.50 Phillips Pan-Head	10
22	<u>CCX8506</u>	Circuit Breaker, 15-Amp/120-Volt	1
		**** Special order item available upon request.	
		Note: Level 1 Battery Charger part numbers include one AC and one DC cord. They do not include all of the level 2 cords listed.	

17

E



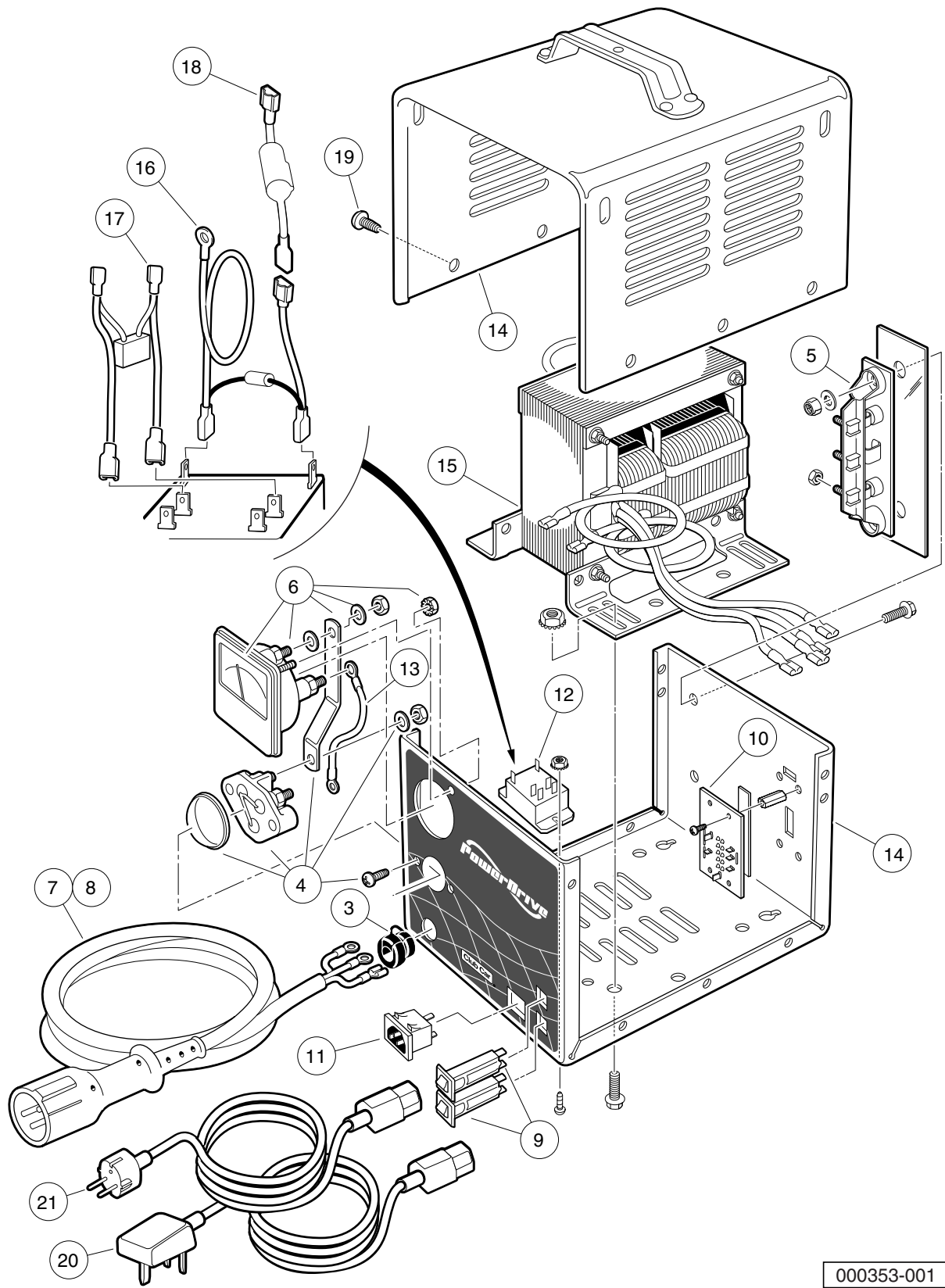
000352-001

POWERDRIVE BATTERY CHARGER (MODEL 18780), EXPORT

ITEM	PART NO.	DESCRIPTION	QTY
		1 2 3 4	
1	101831503	Battery Charger, 48-Volt DC (8.5-ft DC, 6-ft AC)	1
2	101831504	Battery Charger, 48-Volt DC (12-ft DC, 9-ft AC) (includes items 3 through 20)	1
3	<u>1012098</u>	Bushing, DC Cord	1
4	<u>1012101</u>	Fuse Assembly	1
5	<u>1015914</u>	Rectifier with Heatsink Assembly	1
6	<u>1015917</u>	Bushing, AC Cord	1
7	<u>101828501</u>	Ammeter	1
8	<u>101828901</u>	Cord, DC, 113-Inch (287 cm)	1
9	<u>101828902</u>	Cord, DC, 154-Inch (391 cm)	1
10	<u>101831701</u>	Cord, AC, 80-Inch (203 cm), without Plug	1
11	<u>101831702</u>	Cord, AC, 118-Inch (203 cm), without Plug	1
12	101838201	Transformer, Export Battery Charger	1
13	<u>101838301</u>	Relay, Export Charger	1
14	101838401	Circuit Breaker	2
15	101838501	Kit, Wire Assembly	1
16	101838601	Four-Position Switch	1
17	****	Mounting Bracket, Relay	1
18	101914401	Assembly, Voltage Suppressor	1
19	N/A	Case, Charger	1
20	7577	Screw, #10 X 0.50 Phillips Pan-Head	10
<p>**** Special order item available upon request.</p> <p>Note: Level 1 Battery Charger part numbers include one AC and one DC cord. They do not include all of the level 2 cords listed.</p>			

17

E



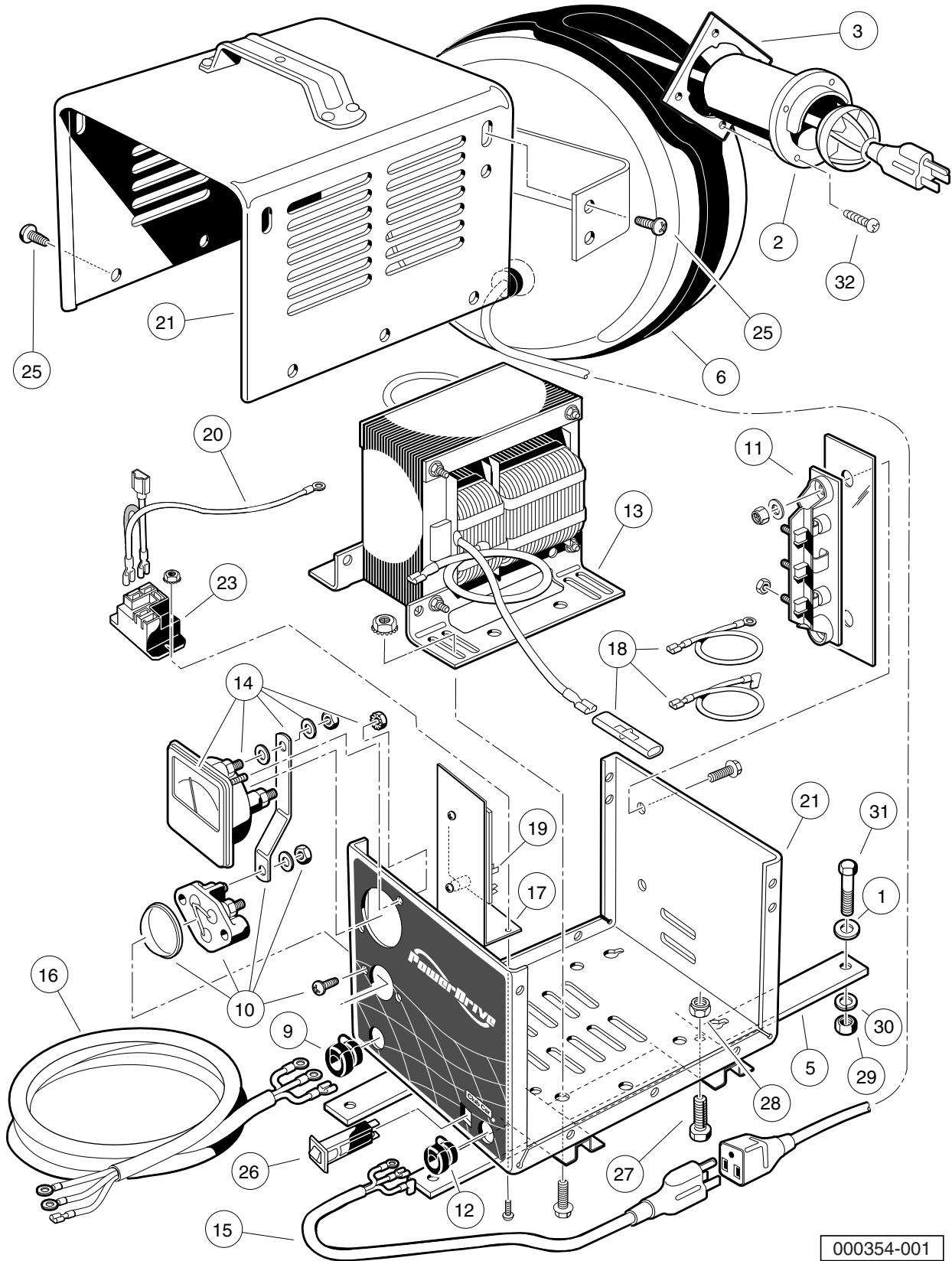
000353-001

POWERDRIVE BATTERY CHARGER (MODEL 20310), EUROPEAN

17

E

ITEM	PART NO.	DESCRIPTION	QTY
		1 2 3 4	
1	<u>101956201</u>	Battery Charger, 48-Volt w/ 4-Position Switch (8.5-ft DC)	1
2	<u>101956202</u>	Battery Charger, 48-Volt w/ 4-Pos. Switch (12-ft DC) (includes items 3 through 19)	1
3	<u>1012098</u>	Bushing, DC Cord	1
4	<u>1012101</u>	Fuse Assembly	1
5	<u>1015914</u>	Rectifier with Heatsink Assembly	1
6	<u>101828501</u>	Ammeter	1
7	<u>101828901</u>	Cord, DC, 113-Inch (287 cm)	1
8	<u>101828902</u>	Cord, DC, 154-Inch (391 cm)	1
9	101838401	Circuit Breaker	2
10	101838601	Four-Position Switch	1
11	101973501	Receptacle, AC Cord	1
12	<u>101987501</u>	Relay	1
13	N/A	Wire, Jumper	1
14	N/A	Case, Charger	1
15	****	Transformer, European Battery Charger	1
16	****	Suppressor, AC Voltage	1
17	****	Assembly, Wire	1
18	****	Limiters, Current	1
19	7577	Screw, #10 X 0.50 Phillips Pan-Head	10
20	<u>101958201</u>	Cord, UK, AC, Battery Charger	1
21	101958301	Cord, European AC, Battery Charger	1
		**** Special order item available upon request.	
		Note: Level 1 Battery Charger part numbers include one AC and one DC cord. They do not include all of the level 2 cords listed.	



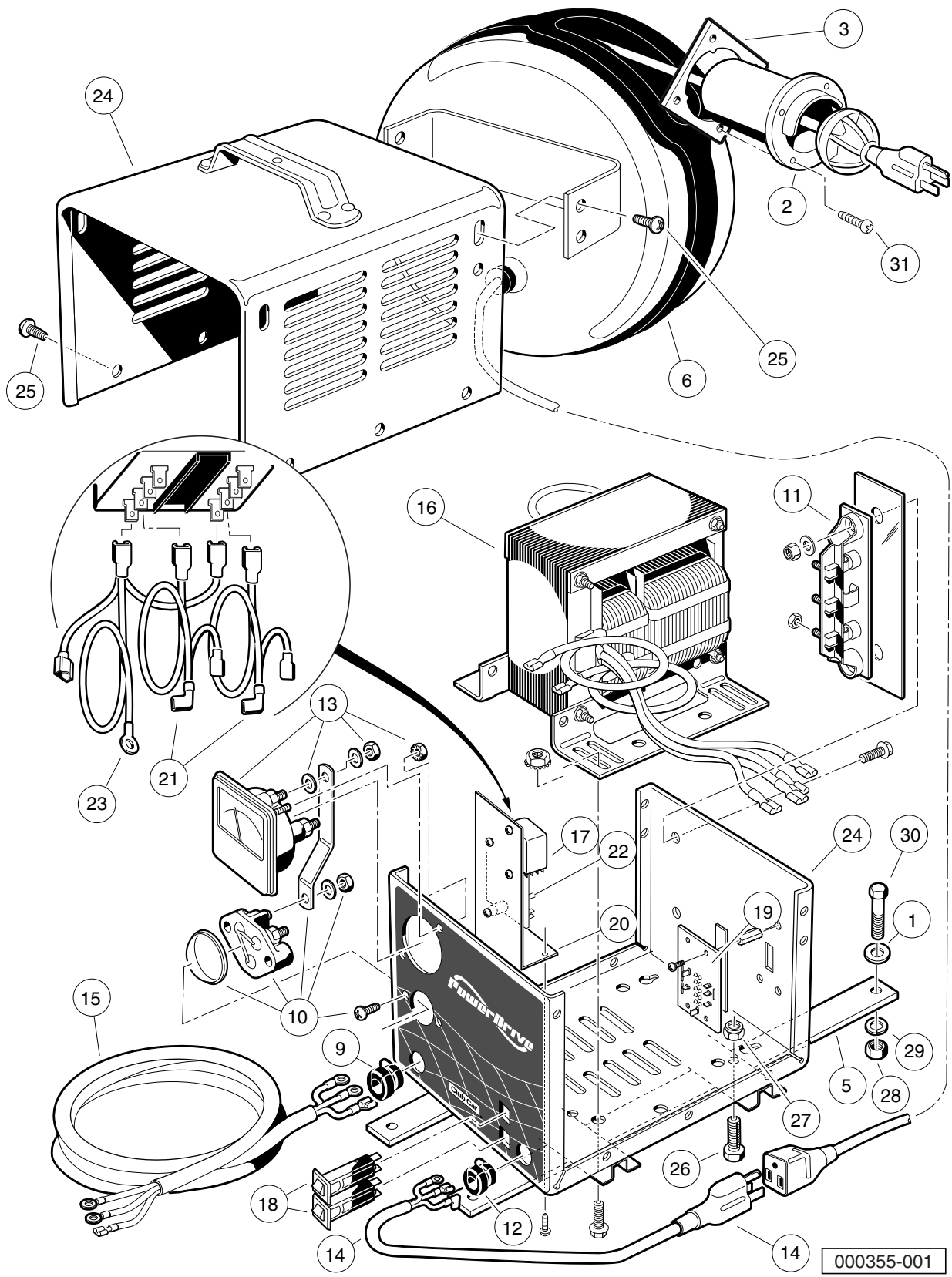
000354-001

ONBOARD POWERDRIVE BATTERY CHARGER (MODEL 17935), DOMESTIC

17

E

ITEM	PART NO.	DESCRIPTION	QTY
		1 2 3 4	
1	<u>1014306</u>	Washer, 1/4" Type B Flat	4
2	<u>1016673</u>	Housing, Cord Reel	1
3	<u>101801001</u>	Plate, Receptacle Backing	1
4	<u>101814301</u>	Battery Charger and Reel Assembly (includes items 5 through 28)	1
5	<u>1011707</u>	Bracket, Mounting, Battery Charger	2
6	<u>1017187</u>	Retractable Cord Reel	1
7	<u>1017189</u>	Heat Shrink Tube 1.5" X 3"	1
8	<u>101802301</u>	Battery Charger, Onboard, 120-VAC, 48-VDC (includes items 9 through 26)	1
9	<u>1012098</u>	Bushing, DC Cord	1
10	<u>1012101</u>	Fuse Assembly	1
11	<u>1015914</u>	Rectifier with Heatsink Assembly	1
12	<u>1015917</u>	Bushing, AC Cord	1
13	****	Transformer, Battery Charger	1
14	<u>101828501</u>	Ammeter	1
15	<u>101829001</u>	Cord, AC, 22-Inch (56 cm)	1
16	<u>101829101</u>	Cord, DC, 90.5-Inch (230 cm)	1
17	****	Mounting Bracket, Relay	1
18	N/A	Kit, Wire Assembly	1
19	<u>101841901</u>	Control Board	1
20	<u>101914401</u>	Assembly, Voltage Suppressor	1
21	N/A	Case, Charger	1
22	<u>103414901</u>	Kit, Relay, 48v 30a W/instr (includes items 23 and 24)	1
23	<u>103397901</u>	Relay, Spst No, 48v 30a, Pmt	1
24	N/A	Kit, Relay, 48v 30a Instrns	1
25	7577	Screw, #10 X 0.50 Phillips Pan-Head	12
26	<u>CCX8506</u>	Circuit Breaker, 15-Amp/120-Volt	1
27	<u>7847</u>	Screw, 1/4-20 X 0.75 Hex-Head Cap	4
28	<u>8233</u>	Locknut, 1/4-20 Nylon Insert	4
29	<u>1028</u>	Nut, 1/4-20 Hex	4
30	<u>451</u>	Lockwasher, 1/4 Split	4
31	<u>7479</u>	Screw, 1/4-20 X 1.25 Hex-Head Cap	4
32	<u>8796</u>	Screw, #7-19 X 0.75 Pan-Head Type AB	4
<p>**** Special order item available upon request.</p> <p>Note: Item 7 not shown.</p>			



000355-001

ONBOARD POWERDRIVE BATTERY CHARGER (MODEL 17790), EXPORT

17

E

ITEM	PART NO.	DESCRIPTION	QTY
		1 2 3 4	
1	<u>1014306</u>	Washer, 1/4" Type B Flat	4
2	<u>1016673</u>	Housing, Cord Reel	1
3	<u>101801001</u>	Plate, Receptacle Backing	1
4	<u>101814302</u>	Battery Charger and Reel Assembly (includes items 5 through 27)	1
5	<u>1011707</u>	Bracket, Mounting, Battery Charger	2
6	<u>1017187</u>	Retractable Cord Reel	1
7	<u>1017189</u>	Heat Shrink Tube 1.5" X 3"	1
8	<u>101831601</u>	Battery Charger, Onboard, 48-Volt DC (includes items 9 through 25)	1
9	<u>1012098</u>	Bushing, DC Cord	1
10	<u>1012101</u>	Fuse Assembly	1
11	<u>1015914</u>	Rectifier with Heatsink Assembly	1
12	<u>1015917</u>	Bushing, AC Cord	1
13	<u>101828501</u>	Ammeter	1
14	<u>101829001</u>	Cord, AC, 22-Inch (56 cm)	1
15	<u>101829101</u>	Cord, DC, 90.5-Inch (230 cm)	1
16	101838201	Transformer, Export Battery Charger	1
17	<u>101838301</u>	Relay, Export Charger	1
18	101838401	Circuit Breaker	2
19	101838601	Four-Position Switch	1
20	****	Mounting Bracket, Relay	1
21	****	Kit, Wire Assembly	1
22	<u>101841901</u>	Control Board	1
23	101914401	Assembly, Voltage Suppressor	1
24	N/A	Case, Charger	1
25	7577	Screw, #10 X 0.50 Phillips Pan-Head	12
26	<u>7847</u>	Screw, 1/4-20 X 0.75 Hex-Head Cap	4
27	<u>8233</u>	Locknut, 1/4-20 Nylon Insert	4
28	<u>1028</u>	Nut, 1/4-20 Hex	4
29	<u>451</u>	Lockwasher, 1/4 Split	4
30	<u>7479</u>	Screw, 1/4-20 X 1.25 Hex-Head Cap	4
31	<u>8796</u>	Screw, #7-19 X 0.75 Pan-Head Type AB	4
		**** Special order item available upon request.	
		Note: Item 7 not shown.	

17

E

MAINTENANCE AND SERVICE TOOLS

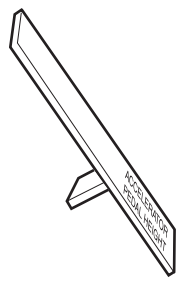
18

G

E

D

18
G
E
D



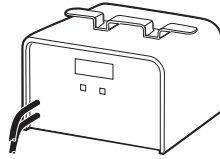
1



2



3



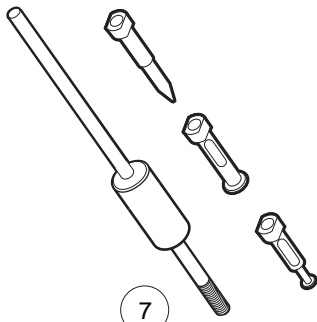
4



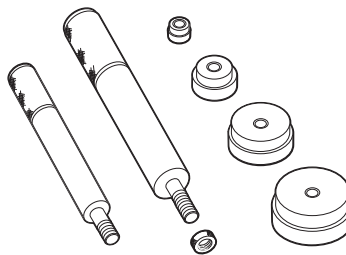
5



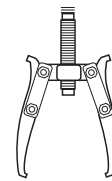
6



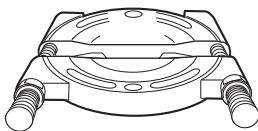
7



8



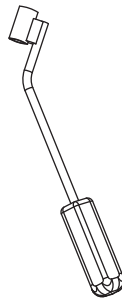
9



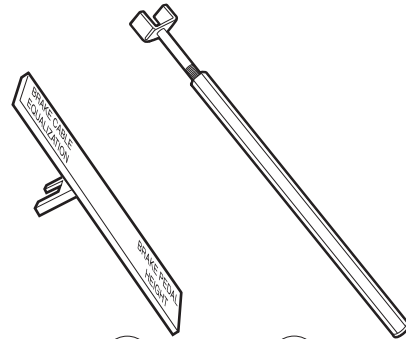
10



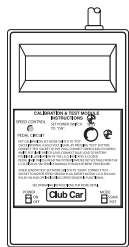
11



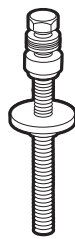
12



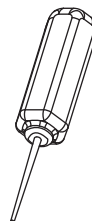
13



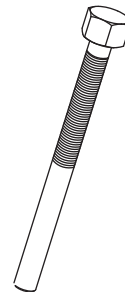
16



17



18



19

MAINTENANCE AND SERVICE TOOLS

ITEM	PART NO.	DESCRIPTION	QTY DIESEL	QTY GAS	QTY ELEC
		<p style="text-align: center;">1 2 3 4</p> <p>The following tool list includes all tools available from Club Car for maintenance and service procedures for gasoline, electric, and/or diesel vehicles, both past and present models. Be sure to carefully examine the tool list for applicability to your vehicle before ordering.</p>			
1	<u>101871001</u>	Accelerator Pedal Adjustment Tool		1	1
2	<u>101813202</u>	Adhesive, Guide Ring, 3-Gram Tube			1
3	<u>101641202</u>	Arbor		1	
4	<u>101831901</u>	Battery Discharge Machine, 36/48 Volt			1
5	<u>1014305</u>	Battery Terminal Protector Spray	1	1	1
6	<u>1011767</u>	Battery Thermometer	1	1	1
7	<u>1016417</u>	Bearing and Oil Seal Remover Assembly	1	1	1
8	<u>1016416</u>	Bearing Driver Set	1	1	1
9	<u>1012811</u>	Bearing Puller	1	1	1
10	<u>1012812</u>	Bearing Puller Wedge Attachment	1	1	1
11	<u>1013582</u>	Brake Adjustment Tool (used only on vehicles with manually adjusted mechanical brakes)			
12	<u>102555501</u>	Brake Cable Release Tool	1	1	1
13	<u>102249901</u>	Brake Pedal Adjustment Tool Kit (used for the Carryall Electric Industrial Truck only) (includes items 14 and 15).....			1
14	****	Brake Pedal Adjustment Tool			1
15	****	Brake Pedal Tension Tool			1
16	<u>101887101</u>	Calibration Test Module			1
17	<u>101808401</u>	Cam Installation Tool		1	
18	<u>102562401</u>	Charger Bezel Tool			1
19	<u>102686101</u>	Clutch Removal Tool (for 4x4 vehicles)	1	1	
		Please refer to the maintenance and service manual for proper tool application.			
	****	Special order item available upon request			

18

G

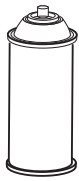
E

D

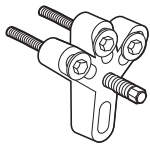
MAINTENANCE AND SERVICE TOOLS, CONTINUED

ITEM	PART NO.	DESCRIPTION	QTY DIESEL	QTY GAS	QTY ELEC	18
		1 2 3 4				G
20	<u>1014510</u>	Clutch Tool Kit (includes items 21 - 27)		1		E
21	<u>1014498</u>	Clutch Alignment Tool (for pre-unitized transaxle vehicles built prior to 1997 model year)		1		D
22	<u>1014496</u>	Drive Clutch Puller (for Kawasaki engines only)		1		
23	<u>1014497</u>	Drive Clutch Hub Puller (for Kawasaki engines only)		1		
24	<u>1014508</u>	Driven Clutch Cam Puller (for Kawasaki engines only)		1		
25	<u>1014507</u>	Driven Clutch Puller Plug (for Kawasaki engines only)		1		
26	<u>1015524</u>	Drive Clutch Holder Tool Assembly (for Kawasaki engines only)		1		
27	<u>101809101</u>	Press Weldment (for Kawasaki engines only)		1		
28	<u>102601501</u>	Drive ClutchFixed Sheave Tool (for 4x4 vehicles)	1	1		
29	<u>102603501</u>	Driven Clutch Spring Compression Base (for use with items 30 and 31) (for 4x4 vehicles)	1	1		
30	<u>102605201</u>	Driven Clutch Spring Compression Collar (for use with items 29 and 31) (for 4x4 vehicles)	1	1		
31	<u>102606101</u>	Driven Clutch Spring Compression Nut (for use with items 29 and 30) (for 4x4 vehicles)	1	1		
32	<u>102607501</u>	Drive Clutch Spider Removal Tool (for 4x4 vehicles)	1	1		
33	101831801	Communication Display Module			1	
34	101641002	Compression Gauge and Adapter		1		
35	1011273	Continuity Tester		1	1	
36	<u>102773801</u>	Cutter, Valve Seat, #122		1		
37	<u>102773901</u>	Cutter, Valve Seat #115		1		
38	<u>102774101</u>	Wrench, T, #505.....		1		
39	<u>102774101</u>	Adapter, T-Wrench		1		
40	102675401	Cutter, Valve Seat, 60 Degree (requires item 51) (for Honda GX620 Gasoline Engines)		1		
41	<u>102774201</u>	Pilot, 6.6 MM		1		
42	<u>102774301</u>	Pilot, 6.62 MM.....		1		
43	<u>102774401</u>	Pilot, 6.65 MM.....		1		
		Please refer to the maintenance and service manual for proper tool application.				

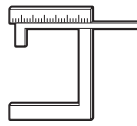
18
G
E
D



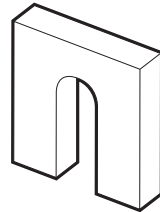
44



45



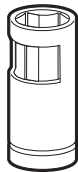
46



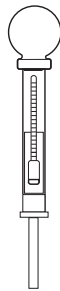
47



48



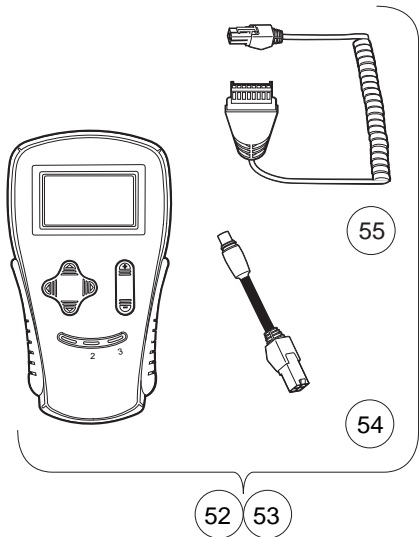
49



50



51

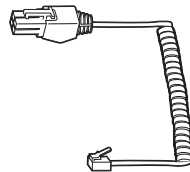


55

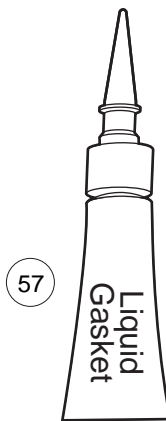
54

52

53



56



57



58



59

60

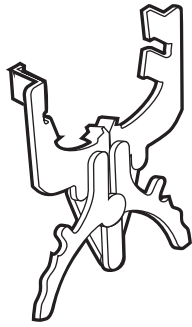


61

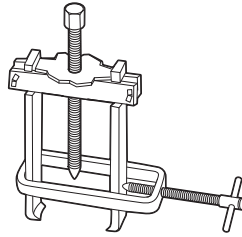
18
G
E
D



62



63



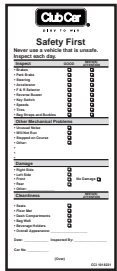
64



65



66



67



68



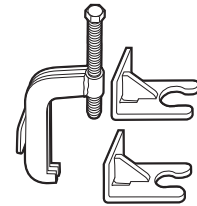
69



70



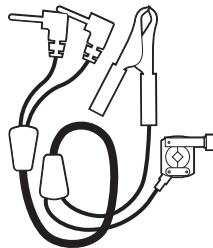
71



72



73



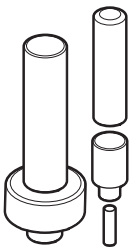
74



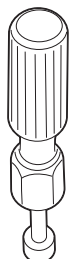
75



76



77



83



84



85



86

MAINTENANCE AND SERVICE TOOLS, CONTINUED

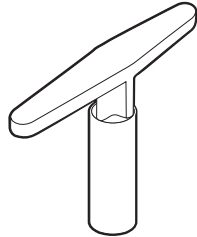
ITEM	PART NO.	DESCRIPTION	QTY DIESEL	QTY GAS	QTY ELEC
		1 2 3 4			
62	<u>1016414</u>	Piston Ring Compressor Kit (FE290, FE350 and FE400 engines)		1	
63	<u>1016415</u>	Piston Ring Pliers (for Kawasaki Engines)		1	
64	<u>102668801</u>	Puller, Special Use (for Kubota D722 Diesel Engines)	1		
65	<u>1012549</u>	Retaining Ring Pliers, 45° External	1	1	1
66	<u>1012560</u>	Retaining Ring Pliers, 90° Internal	1	1	1
67	<u>101823101</u>	Safety First Card (50 per pack)	1	1	1
68	<u>1012809</u>	Seal Puller	1	1	1
69	<u>102330901</u>	Spanner Wrench (for coil over shock front suspension vehicles only)	1	1	
70	<u>1014264</u>	Steering Column Bearing Press Tool		1	1
71	<u>1014259</u>	Steering Column Retaining Ring Tool		1	1
72	<u>102061201</u>	Steering Wheel Puller Tool	1	1	1
73	<u>AM10753</u>	Tachometer (includes gasoline engine pick up lead only)	1	1	
74	<u>AM10771</u>	Tachometer Diesel Probe (for use with item 73)	1		
75	<u>1014162</u>	Transaxle Axle Seal Tool		1	
76	<u>1014161</u>	Transaxle Pinion Seal Tool		1	
77	<u>1014115</u>	Transmission Tool Kit		1	
78	<u>101611003</u>	Tune-Up Kit, All OHV (for FE290, FE350, FE400 only) (includes air filter, spark plug, oil filter, fuel filters) (not shown)		1	
79	<u>AM11804</u>	Tune-Up Kit, Gx620 (for Honda Engines) (includes air filter, spark plug, oil filter, fuel filters) (not shown)		1	
80	<u>AM11805</u>	Tune-Up Kit, D722 (for Kubota Engines) (includes air filter, oil filter, fuel filters, water separator filter) (not shown)	1		
81	<u>AM1220301</u>	Tune-Up Kit, Precedent (for FE290/350 Engines) (includes air filter, spark plug, oil filter, fuel filters) (not shown)		1	
82	<u>AM1232401</u>	Tune-Up Kit, FH680D (for Kawasaki V-Twin Engines) (includes oil filter, fuel filter, air filter, and spark plugs) (not shown)		1	
83	<u>1016413</u>	Valve Clearance Adjuster Screw Holder (for FE290 engines only)		1	
84	<u>102674601</u>	Valve Guide Driver (for Honda GX620 Gasoline Engines)		1	
85	<u>101641201</u>	Valve Guide Reamer (FE290, FE350, and FE400 only)		1	
86	<u>102674401</u>	Valve Guide Reamer, 6.6 mm (for Honda GX620 Gasoline Engines)		1	

18
G
E
D

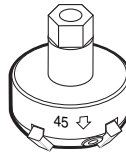
18
G
E
D



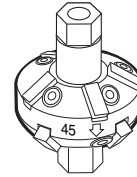
87



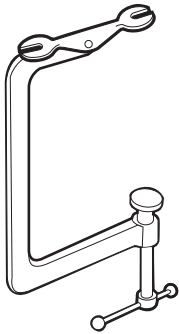
88



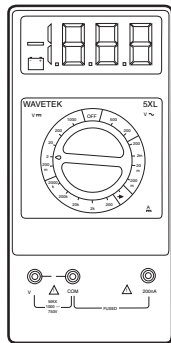
89



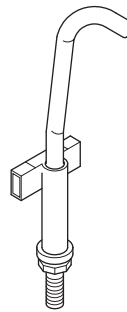
90



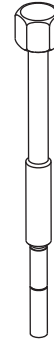
91



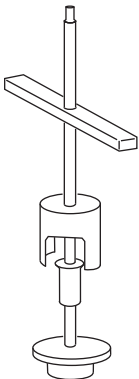
92



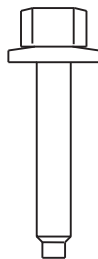
93



94



95



96

MAINTENANCE AND SERVICE TOOLS, CONTINUED

ITEM	PART NO.	DESCRIPTION	QTY DIESEL	QTY GAS	QTY ELEC
		1 2 3 4			
87	<u>1016552</u>	Valve Seat Cutter Guide		1	
88	<u>1016551</u>	Valve Seat Cutter T-Wrench		1	
89	<u>1016553</u>	Valve Seat Cutter, 45° (32 mm diameter) (for FE290 engines only)		1	
90	<u>1016554</u>	Valve Seat Cutter, 45°/30° (35 mm diameter)		1	
91	<u>101641101</u>	Valve Spring Compressor		1	
92	1011480	Volt Ohm Meter	1	1	1
93	<u>102570401</u>	Tool, Tensioning, Starter Generator (For Precedent vehicles)		1	
94	<u>103601401</u>	Puller, Drive Clutch, XRT 950*		1	
95	<u>103601701</u>	Tool, Disassembly, Driven Clutch, XRT 950		1	
96	<u>103600501</u>	Screw, Driven Clutch Disassembly, M6, XRT 950		1	
<p>*Note: The XRT 950 Drive Clutch Puller requires the use of Screw, Driven Clutch Disassembly, CCI Part Number <u>103600501</u>.</p>					

18

G

E

D

INDEX

Part Number and Page

AM10753	18-9	7274	5-31, 5-33	6-43, 14-5, 14-23, 14-25, 14-33, 14-39, 14-45, 14-47, 14-49	
AM10771	18-9	7308	5-31, 5-33	1010005	5-31, 5-33
AM10080	13-5	7310	2-3, 2-5, 2-7, 2-9, 2-11	1010124	5-17, 5-21, 5-25, 5-29
AM10081	13-5	7311	5-47, 5-49	1010138	5-15, 5-19, 5-23, 5-27
AM10419	12-11, 12-13	7330	13-7, 16-5	1010142	5-35, 5-39, 5-41, 5-43, 5-45
AM10682	2-3	7335	13-5, 16-5	1010144	5-35, 5-39, 5-41, 5-43, 5-45
AM10724	7-5, 8-5, 9-5	7336	16-5	1010145	5-35, 5-39, 5-41, 5-43, 5-45
AM10808	1-9	7473	1-3, 1-5, 1-7, 1-9, 1-19, 1-21, 1-31, 1-35, 1-39, 1-49, 4-7, 4-9, 4-13, 4-17, 4-19, 4-21, 4-23, 4-25, 4-27, 5-13, 6-31, 6-33, 6-35, 6-37, 6-39, 6-47, 6-49, 6-55, 14-27	1010150	5-17, 5-21, 5-25, 5-29
CCX8506	17-3, 17-5, 17-11	7479	17-11, 17-13	1010177	5-17, 5-21, 5-25
183	6-27, 6-35, 6-37, 6-43, 10-21, 10-23, 10-25, 12-3, 12-5, 13-3, 14-37	7532	1-19, 1-21	1010219	5-19, 5-23
304	1-47, 6-27, 14-21	7539	5-19, 5-23	1010342	5-31
320	4-15, 13-15	7540	5-11, 5-19, 5-23	1010347	5-31
332	1-15, 1-23, 1-25, 1-27, 1-31, 1-33, 1-35, 1-41, 1-45, 1-47, 1-49, 6-27, 10-19, 11-3, 11-5, 13-11, 14-21, 14-33	7555	5-11, 5-19, 5-23, 5-37	1010348	5-31
334	1-25, 4-25, 4-27, 5-3, 5-5, 5-11, 5-37, 7-15, 8-15, 9-15, 9-17	7569	5-45	1010434	1-7, 1-9, 1-17, 1-27, 1-33
357	1-43, 5-17, 5-21, 5-25, 5-29, 5-47, 5-49	7577	17-5, 17-7, 17-9, 17-11, 17-13	1010435	1-3, 1-5, 1-7, 1-9, 1-19, 1-21, 1-39
403	1-19, 1-21, 1-37	7591	6-27, 14-21	1010543	1-15
451	1-27, 1-33, 4-5, 4-11, 11-3, 11-5, 14-31, 15-3, 15-5, 15-7, 15-9, 15-11, 17-11, 17-13	7602	5-11, 5-19, 5-23	1010546	1-3, 1-7
705	1-41, 1-43, 6-53, 7-15, 8-15, 9-15, 9-17	7716	4-7, 4-9, 4-25, 4-27	1010577	7-15, 8-15, 9-15, 9-17
706	1-43, 5-17, 5-21, 5-25, 5-29	7818	6-31, 6-33, 6-35, 6-37, 6-39	1010805	4-7, 4-9
808	1-25, 5-47, 5-49, 12-3, 12-5, 13-15	7820	6-27, 14-21	1010829	4-13, 4-17, 4-19, 4-21, 4-23
1016	6-27, 6-35, 6-37, 6-43, 14-37	7840	5-31, 5-33	1010850	4-5, 4-11
1017	6-29, 6-35, 6-37, 14-15, 14-37	7847	1-13, 1-25, 1-45, 1-49, 11-3, 11-5, 17-11, 17-13	1010877	4-7, 4-9
1028	1-27, 1-33, 4-7, 4-9, 14-31, 17-11, 17-13	7893	6-27, 6-31, 6-33, 6-35, 6-37, 6-39, 6-43, 13-11, 13-13, 13-15, 13-17	1010878	1-23, 1-41, 4-7, 4-9
1032	1-27, 1-33, 4-7, 4-9	7910	5-31, 5-33	101090801	14-41, 14-43, 14-55
1035	1-25, 4-17, 4-21, 5-11, 5-19, 5-23	7973	1-11, 10-21, 10-23, 10-25, 13-17	101090802	14-41, 14-55
1218	5-13, 14-37, 14-47, 14-49	8049	14-31	1010909	6-27, 6-43
1231	1-27, 1-33	8056	6-27, 6-41, 6-45, 6-57, 14-21, 14-23, 14-57	1010921	4-7, 4-9
1241	1-3, 1-5, 1-7, 1-9, 1-29, 1-39, 1-43, 4-7, 4-9, 4-17, 4-19, 4-21, 4-23, 4-25, 4-27, 5-13, 6-31, 6-33, 6-35, 6-37, 6-39, 6-47, 6-49, 6-53, 6-55, 11-3, 11-5, 14-27, 14-37, 14-47, 14-49, 15-3, 15-5, 15-7	8057	6-27, 6-31, 6-33, 6-35, 6-37, 6-39, 6-41, 6-45, 6-57, 13-9, 14-21, 14-23, 14-31, 14-57	1010927	4-7, 4-9
1242	1-29, 1-43, 4-13, 4-17, 4-19, 4-21, 4-23, 5-47, 5-49, 6-31, 6-33, 6-35, 6-37, 6-39, 6-53, 14-37, 14-45, 14-47, 14-49	8058	6-27, 6-31, 6-33, 6-35, 6-37, 6-39, 6-41, 6-45, 6-57, 13-9, 14-21, 14-23, 14-31, 14-57	1010932	4-7, 4-9
1308	5-19, 5-23	8067	5-31, 5-33	1010933	4-7, 4-9
1606	10-21, 10-23	8233	1-23, 1-25, 1-31, 1-35, 1-37, 1-41, 1-45, 1-47, 1-49, 4-25, 4-27, 5-47, 5-49, 6-27, 13-3, 13-9, 13-11, 14-21, 14-31, 14-33, 17-11, 17-13	1010934	1-9, 1-31, 1-35, 1-39, 1-43, 6-55, 15-3, 15-5, 15-7, 15-9
1620	1-11	8248	10-3, 10-5, 13-9, 14-33	1010953	4-3, 4-5, 4-11
1624	4-25, 4-27, 5-11, 5-37	8251	1-17, 13-11	1010954	6-31, 6-33, 6-35, 6-37, 6-39, 13-3, 13-9
1631	10-23, 10-25	8450	6-35, 6-37, 12-3, 12-5, 14-31	1010984	2-3, 2-5, 2-7, 2-9, 2-11
2402	5-15, 5-19, 5-23, 5-27, 5-29	8455	13-17	1011014	1-3, 1-5, 1-7, 1-9
4029	6-27, 14-21	8639	6-27, 10-25, 14-21, 14-45	1011017	1-3, 1-5, 1-7, 1-9
4034	6-43, 6-47, 6-49, 14-25, 14-27	8717	4-25, 4-27, 6-31, 6-33, 6-35, 6-37, 6-39, 13-3, 13-9	1011019	1-11
7048	5-31, 5-33	8754	1-19, 1-21, 1-41, 4-15, 4-25, 4-27, 5-3, 5-5, 5-11, 5-15, 5-17, 5-19, 5-21, 5-23, 5-25, 5-27, 5-29, 5-35, 5-37, 5-39, 5-41, 5-43, 5-45, 6-53, 13-15	1011084	4-29, 4-31, 4-33
7049	1-31, 1-35	8755	1-19, 1-21, 1-41, 5-17, 5-21, 5-25, 5-29, 5-35, 5-39, 5-41, 5-43, 5-45	1011114	4-5, 4-11
7173	5-47, 5-49, 6-47, 6-49, 6-55, 14-27, 14-37, 14-47, 14-49	8796	17-11, 17-13	1011137	4-11
7174	1-29, 1-43, 5-3, 5-5, 5-47, 5-49, 6-53, 10-17, 11-3, 11-5, 14-37, 14-45, 14-47, 14-49, 15-3, 15-5, 15-7, 15-9	8797	10-7	1011153	5-31, 5-33
7251	1-3, 1-5, 1-7, 1-9	8861	5-15, 5-19, 5-23, 5-47, 5-49	1011154	4-5, 4-11
7270	5-29	8935	1-9	1011229	6-27, 6-41, 6-45, 6-57, 14-21, 14-23, 14-57
		8990	5-11, 5-37, 6-31, 6-33, 6-35, 6-37, 6-39,	1011273	18-5
				1011280	6-47, 6-49, 14-27, 15-3, 15-5, 15-7
				1011285	15-3, 15-5, 15-7
				1011290	15-3, 15-5, 15-7
				1011291	13-7
				1011298	4-5, 4-11
				1011301	4-5, 4-11
				1011303	4-5, 4-11
				1011314	4-5, 4-11
				1011382	1-11

INDEX

1011393	5-31, 5-33	1012466	5-3, 5-5	1013494	1-11
1011394	1-3, 1-5, 1-7, 1-9	1012467	5-11	1013531	4-17, 4-19, 4-21, 4-23
1011402	4-7, 4-9	1012505	6-41, 6-45, 6-47, 6-49, 14-23, 14-27	1013547	14-51
1011411	15-3, 15-5, 15-7	1012528	11-3, 11-5, 14-37, 14-45, 14-47, 14-49	1013582	18-3
1011415	5-35, 5-39, 5-41, 5-43, 5-45	1012549	18-9	1013587	13-9
1011418	4-7, 4-9	1012560	18-9	1013589	6-31, 6-33, 6-35, 6-37, 6-39, 13-9
1011439	6-47, 6-49, 14-27	1012565	5-7	1013590	13-9
101146302	4-5, 4-11	1012566	5-7	1013591	13-9
1011464	4-5, 4-11	1012571	7-15, 8-15, 9-15, 9-17	1013593	18-7
1011465	4-5, 4-11	1012594	13-9	1013609	6-31, 6-33, 6-35, 6-37, 6-39
1011466	4-5, 4-11	1012604	5-3, 5-5	1013677	3-5, 3-7, 3-13, 3-21
1011467	4-5, 4-11	1012605	5-3, 5-5	1013683	14-43
1011478	18-7	1012649	10-3, 10-5	1013687	10-3, 10-5
1011480	18-11	1012711	13-3	1013700	10-17
1011494	4-5, 4-11	1012714	13-5	1013734	11-3, 11-5, 14-37, 14-45, 14-47, 14-49
1011553	1-43, 3-5, 3-7, 3-9, 3-13, 3-15, 3-19, 3-33	1012740	13-5	1013746	10-3, 10-5, 10-7, 10-13, 10-15
1011557	6-47, 6-49, 14-27	1012741	13-5	1013760	13-3
1011578	1-9, 14-41, 14-43, 14-55	1012747	13-5	1013768	13-7
1011582	6-57, 14-55	1012748	13-5	1013769	13-7
1011694	4-25, 4-27	1012752	13-3	1013770	13-7
1011697	1-49, 5-3, 5-5, 8-15, 9-15, 9-17, 10-13, 10-17	1012809	18-9	1013771	13-7
1011700	4-25, 4-27	1012811	18-3	1013772	13-7
1011707	17-11, 17-13	1012812	18-3	1013773	13-7
1011734	4-29, 4-31, 4-33	1012830	6-53, 10-17, 11-3, 11-5	1013774	13-7
1011767	18-3	1012836	12-11, 12-13	1013787	13-7
1011779	4-13, 4-17, 4-19, 4-21, 4-23	1012896	13-3	1013792	13-7
1011825	6-27, 14-21	1012986	6-41, 6-45, 6-47, 6-49	1013794	13-7, 16-5
101187702	4-7, 4-9	1012987	13-9, 14-31	1013857	6-43, 6-47, 6-49, 14-25, 14-27
1011887	5-31, 5-33	1012991	6-51	1013858	6-43, 6-47, 6-49, 14-25, 14-27
1011889	5-31, 5-33	1013001	6-51	1013869	4-7, 4-9
1011892	5-31	1013003	6-51	1013870	4-7, 4-9
1011893	5-19, 5-23	1013005	6-51	1013871	4-25, 4-27
1011895	5-11, 5-19, 5-23	101301102	6-51	1013872	1-41
1011930	5-11, 5-19, 5-23	1013035	5-11, 5-37	1013876	4-7, 4-9
1011931	4-25, 4-27	1013042	5-11, 5-15, 5-27, 5-37	1013924	4-3, 4-5, 4-11, 7-15, 8-15, 9-15, 9-17
1011988	10-3, 10-5	1013044	5-11, 5-37	1014007	4-25, 4-27, 13-3
1011990	1-27, 1-33, 1-43	1013051	5-11, 5-37	1014049	12-3, 12-5
1012098	17-3, 17-5, 17-7, 17-9, 17-11, 17-13	1013052	5-11, 5-37	1014050	12-3, 12-5
1012101	17-5, 17-7, 17-9, 17-11, 17-13	1013061	13-3, 14-35	1014051	12-3
1012151	18-7	1013135	5-31	1014052	12-3, 12-5
1012180	5-41, 5-43, 5-45	1013164	5-35, 5-39	1014055	12-3, 12-5
1012181	5-35, 5-39, 5-45	1013207	5-35, 5-41, 5-43, 5-45	1014056	12-3, 12-5
1012182	5-35, 5-39, 5-45	1013280	1-37	1014057	12-3, 12-5
1012285	1-37, 1-45, 1-47, 1-49, 10-3, 10-5, 10-17, 13-3, 13-11, 13-13, 13-15, 13-17, 14-33, 14-37, 14-39, 14-45, 14-47, 14-49, 14-51	1013309	1-15	1014058	12-3, 12-5
1012295	6-31, 6-33, 6-35, 6-37, 6-39	1013311	1-15	1014059	12-3, 12-5
1012303	1-19, 1-21, 1-41, 5-17, 5-21, 5-25, 5-29, 5-35, 5-39, 5-41, 5-43, 5-45	1013312	1-15	1014062	12-3, 12-5
1012304	5-35, 5-39, 5-41	1013317	1-27, 1-33, 3-35, 3-39, 3-41	1014063	12-3, 12-5
1012333	13-11, 13-13, 13-15, 13-17	1013343	1-11	1014065	6-31, 6-33, 6-35, 6-37, 6-39, 12-3, 12-5, 13-9
1012382	6-5, 6-9, 6-13, 6-17, 6-21	1013344	1-11	1014070	12-11, 12-13
1012431	6-27, 6-31, 6-33, 6-35, 6-37, 6-39, 6-41, 6-45, 6-57, 13-9, 14-21, 14-23, 14-57	1013357	6-27, 14-21, 14-39	1014072	12-11, 12-13
1012438	10-23, 10-25, 14-37	1013413	1-41	1014076	12-11, 12-13
		1013420	1-13	1014078	12-11, 12-13
		1013422	1-13	1014080	12-11, 12-13
		1013461	6-29, 10-7, 14-15	1014089	13-9
		1013462	10-7	1014115	18-9
		1013483	1-43		

INDEX

1014116	10-3, 10-5	1014808	6-31, 6-33, 6-39, 14-31	1015583	1-19, 1-21, 1-41, 5-17, 5-21, 5-25, 5-29, 5-35, 5-39, 5-41, 5-43, 5-45
1014119	6-5, 6-9, 6-13, 6-17, 6-21, 6-31, 6-33, 6-35, 6-37, 6-39	1014871	14-31	1015597	5-11, 5-19, 5-23, 5-31, 5-33
1014125	5-3, 5-5	1014901	5-35, 5-39	1015606	1-27
1014126	5-3, 5-5	1014902	5-35, 5-39	1015607	1-33
1014145	6-31, 6-33, 6-35, 6-37, 6-39, 13-9	1014928	10-3, 10-5	1015608	1-9
1014153	4-3, 4-5, 4-11	1014947	14-37, 14-45, 14-47, 14-49	1015613	5-47, 5-49
1014161	18-9	1014948	6-31, 6-33, 6-35, 6-37, 6-39, 14-37, 14-45, 14-47, 14-49	1015614	5-47, 5-49
1014162	18-9	101503202	1-9, 1-11	101562711	1-15
1014193	13-7	1015064	13-9, 14-31	101562712	1-15
1014201	15-3, 15-5, 15-7, 15-9, 15-11	1015072	14-41, 14-43, 14-55	101562714	1-15
1014207	13-7	1015075	1-3, 1-5, 1-7, 1-9	101562715	1-15
1014211	5-3, 5-5	1015137	10-3, 10-5, 10-7, 10-13, 10-15	101564501	1-15
1014212	5-3, 5-5	1015139	10-7, 10-25	101564502	1-15
1014213	5-3, 5-5	1015143	10-7	101564503	1-15
1014214	5-3, 5-5	101524002	6-53	101564505	1-15
1014216	5-3, 5-5	1015245	1-27, 1-33	1015649	7-3, 8-3, 9-3
1014217	5-3, 5-5	1015252	1-19, 1-21	101567202	2-3
1014259	18-9	1015258	1-21	1015700	1-25
1014264	18-9	1015277	1-23	101570506	2-7
1014276	5-17, 5-21, 5-25, 5-29	1015313	1-27, 1-33	101570507	2-7
1014287	12-3, 12-5	1015330	7-9, 11-3	101570514	2-7
1014288	5-3, 5-5, 6-55, 12-3, 12-5, 14-45, 14-47	1015332	6-5, 6-9, 6-13, 6-17, 6-21, 7-3, 8-3, 9-3	1015707	2-7
1014289	6-51	1015345	6-31, 6-33, 6-35, 6-37, 6-39	1015720	6-27, 6-41, 6-45, 6-57, 14-21, 14-23, 14-57
1014304	14-41, 14-43, 14-55	1015348	1-25	1015727	1-41
1014305	18-3	1015363	1-27, 1-33	1015737	6-5, 6-9, 6-13, 6-17, 6-31, 6-33, 6-35, 6-37, 6-39
1014306	1-45, 1-47, 1-49, 17-11, 17-13	1015365	1-27	1015741	6-31, 6-33, 6-35, 6-37, 6-39, 14-37
1014321	1-17, 1-31, 1-35	1015366	1-33	1015752	6-31, 6-33, 6-35, 6-37, 6-39, 6-57, 10-19, 14-29, 14-55
1014375	6-55	1015367	1-27	1015760	5-47, 5-49
1014387	1-17, 1-31, 1-35	1015368	1-33	1015769	6-5, 6-9, 6-13, 6-17, 6-21, 6-39
1014415	1-31, 1-35	1015371	6-31, 6-33, 6-39	1015814	11-3, 11-5
1014453	12-3, 12-5	1015372	6-31, 6-33, 6-35, 6-37, 6-39	101584502	10-17
1014454	12-11, 12-13	1015373	6-31, 6-33, 6-35, 6-37, 6-39	1015878	6-31, 6-33, 6-35, 6-37, 6-39
1014471	1-19, 1-21, 1-39	1015390	1-27, 1-33	1015914	17-5, 17-7, 17-9, 17-11, 17-13
1014496	18-5	101539802	13-17	1015917	17-5, 17-7, 17-11, 17-13
1014497	18-5	1015399	1-19, 1-21, 1-31, 1-35, 1-39	1015920	6-5, 6-21
1014498	18-5	1015400	1-19, 1-21, 1-27, 1-33	1015921	10-7
1014507	18-5	1015405	1-3, 1-7, 6-31, 6-33, 6-35, 6-37, 6-39	1015932	6-53
1014508	18-5	1015409	13-13, 13-15	1015969	7-3, 8-3, 9-3
1014510	18-5	1015412	1-33	1016004	10-7
1014513	1-29	1015413	1-27	1016011	12-5
1014514	1-29	1015414	1-27	1016060	1-23
1014523	10-5	1015424	1-33	1016074	6-53
1014524	10-3, 10-5	1015426	10-19	1016077	1-39
1014530	6-27, 14-21	1015427	1-19	1016078	1-23
1014537	1-29, 1-31, 1-35	101542901	1-21	101609401	3-3, 3-11, 3-17, 3-21, 3-25, 3-31
1014540	14-51, 14-53	1015445	1-43	1016103	10-13
101454602	5-39	1015453	5-47, 5-49	101611003	18-9
101454902	5-35	1015457	5-47, 5-49	1016154	5-7
1014555	5-35, 5-39, 5-41, 5-43, 5-45	101547601	3-9, 3-15, 3-19, 3-25, 3-33	101615504	5-9
1014573	5-35, 5-39	1015507	1-19, 1-21, 1-41	1016156	5-7, 5-9
1014645	1-11	1015524	18-5	1016181	5-3, 5-5
1014675	5-35, 5-39	1015530	1-45, 1-47, 1-49	1016183	5-3, 5-5
1014727	13-9	101553901	1-27, 1-33, 3-3, 3-11, 3-17, 3-21, 3-25, 3-31		
1014771	2-3, 2-5, 2-7	1015545	5-3, 5-5		
1014807	6-31, 6-33, 6-35, 6-37, 6-39, 13-9				

INDEX

1016201	12-3, 12-5, 13-9	1016443	7-3	101651407	2-3, 2-5, 2-7
1016203	12-7	1016444	10-13, 10-15	101651409	2-3, 2-5
1016219	5-7	1016445	7-5, 8-5, 9-5	101651412	2-3
1016263	5-3, 5-5	1016446	7-9, 7-11	101651413	2-3
1016269	5-3, 5-5	1016447	7-9	101651414	2-5, 2-7
1016289	12-3, 12-5	1016448	7-9	1016516	7-13
1016319	4-13	1016449	7-9, 8-9, 9-9	1016517	7-9, 8-9, 9-9
1016320	4-13	1016450	7-9, 8-9, 9-9	1016518	8-9, 9-9
1016337	13-5	1016451	7-9	1016519	7-9, 8-9, 9-9
1016338	13-5	1016452	7-9, 8-9, 9-9	1016520	7-11
1016341	13-3	1016453	7-11	1016521	7-11, 8-11, 9-11
1016342	13-9	1016454	7-11, 8-11, 9-11	1016523	7-9
1016346	5-15, 5-19, 5-23, 5-27	1016455	7-5, 8-5, 9-5	1016524	7-3
1016349	5-15, 5-19, 5-23, 5-27	1016456	7-3, 7-5, 7-11, 8-3, 8-5, 9-3, 9-5	1016525	7-3
1016350	5-15, 5-19, 5-23, 5-27	1016457	7-7, 8-7, 9-7	1016526	7-3
1016351	5-15, 5-19, 5-23, 5-27	1016458	7-9, 7-11, 8-9, 9-9	1016531	7-3, 8-3, 9-3
1016353	5-15, 5-19, 5-23, 5-27	101645901	7-13	1016532	7-13
1016356	6-27, 14-21, 14-39	101645902	7-13	1016533	7-13
1016363	14-37	101645903	7-13	1016535	7-11, 8-11, 9-11
1016366	14-37	1016460	7-13	1016536	7-3
1016379	1-49	101646101	7-13	1016537	7-7, 8-7, 9-7
1016380	6-9, 6-13, 6-17	101646102	7-13	1016538	7-11, 8-11, 9-11
1016384	5-17, 5-21, 5-25, 5-29	101646103	7-13	1016539	7-3, 8-3, 9-3
1016385	5-15, 5-19, 5-23, 5-27	1016467	7-7, 8-7, 9-7	1016541	7-13, 8-13, 9-13
1016386	5-17, 5-21, 5-25, 5-29	1016469	7-13	1016542	7-9
1016387	5-15, 5-17, 5-21, 5-25, 5-29	1016470	7-13, 8-13, 9-13	1016544	7-5, 7-9, 7-11, 8-5, 8-9, 8-11, 9-5, 9-9, 9-11
1016389	5-17, 5-21, 5-25, 5-29	1016471	7-9	1016545	7-9
1016401	6-31, 6-33, 6-39	1016472	7-11, 8-11, 9-11	1016546	10-17
101641002	18-5	1016473	7-7, 8-7, 9-7	1016547	7-3, 7-13, 8-3, 8-13, 9-3, 9-13, 10-13, 10-15
101641101	18-11	1016474	7-9, 8-9, 9-9	1016548	7-5
101641201	18-9	101647501	7-13	1016549	7-9, 8-9, 9-9
101641202	18-3	101647502	7-13	101655001	7-13
1016413	18-9	1016479	7-9, 8-9, 9-9	101655002	7-13
1016414	18-9	1016480	10-13, 10-15	101655003	7-13
1016415	18-9	101648102	10-13, 10-15	101655004	7-13
1016416	18-3	101648203	7-7, 8-7, 9-7	101655005	7-13
1016417	18-3	1016483	7-9, 8-9, 9-9	101655006	7-13
1016418	18-7	1016484	7-7	101655007	7-13
1016423	6-31, 6-33, 6-35, 6-37, 6-39, 14-37	1016486	10-9, 10-11	101655008	7-13
101642572	10-9	1016489	7-9, 8-9, 9-9	101655009	7-13
101642575	10-9, 10-11	101649002	10-13, 10-15	1016551	18-11
101642578	10-9, 10-11	1016493	7-5	1016552	18-11
101642580	10-9, 10-11	1016494	7-11, 8-11, 9-11	1016553	18-11
101642582	10-9, 10-11	1016496	7-11, 8-11, 9-11	1016554	18-11
101642585	10-11	1016497	7-5, 8-5, 9-5	1016557	4-5, 4-11
1016429	7-7, 8-7, 9-7	1016499	10-9, 10-11	1016558	7-13
1016430	7-9	1016501	10-9, 10-11	1016559	7-13
1016431	7-9	1016502	7-7, 8-7, 9-7	1016560	7-9, 8-9, 9-9
1016432	7-7, 8-7, 9-7, 13-3	1016505	7-5	1016561	7-5, 8-5, 9-5
1016435	7-7	1016506	7-11, 8-11, 9-11	1016562	7-5, 7-13, 8-5, 8-13, 9-5, 9-13
1016436	7-9, 8-9, 9-9	1016507	7-3, 8-3, 9-3	1016563	7-9, 8-9, 9-9
1016437	10-9, 10-11	1016509	7-13	1016564	7-11, 8-11, 9-11
1016438	10-13, 10-15	1016510	7-11, 8-11, 9-11	1016565	7-11
1016439	10-13	1016513	13-3	1016566	7-9, 8-9, 9-9
1016440	7-9, 8-9, 9-9, 10-13, 10-15	101651402	2-3		
1016441	10-13, 10-15	101651406	2-3, 2-5, 2-7		

INDEX

1016567	7-11	1016868	1-3, 1-5, 1-7, 1-9	1017079	1-49
1016568	7-13	1016874	1-49	1017080	1-3, 1-5, 1-7, 1-9
1016569	7-9, 8-9, 9-9	1016875	1-49	1017082	13-3
1016570	7-7, 8-7, 9-7	1016876	1-49	1017187	17-11, 17-13
1016571	7-13, 8-13, 9-13	1016878	1-39	1017188	12-9
1016572	10-13, 10-15	1016879	6-29, 14-15	1017189	17-11, 17-13
1016573	4-5, 4-11	1016880	6-29, 14-15	1017211	4-13
1016576	7-7, 8-7, 9-7	1016881	1-39	1017221	7-3
1016578	7-5, 8-5, 9-5	1016883	6-53	1017226	5-3, 5-5
1016579	7-5, 8-5, 9-5	101689101	1-39	1017231	13-3
1016580	7-13	1016901	12-5	1017235	5-35, 5-39
1016581	7-7, 8-7, 9-7	1016904	8-9, 9-9, 11-5	1017239	6-35, 6-37
1016582	10-13, 10-15	1016909	1-37	1017243	6-35, 6-37
1016583	7-9, 8-9, 9-9	101691401	1-37, 1-39	1017266	5-15, 5-19, 5-23, 5-27
1016584	7-11, 8-11, 9-11	1016918	1-37	1017273	5-7, 5-9
1016585	10-9, 10-11	1016920	1-37	101734802	1-3, 1-7
1016586	7-5, 8-5, 9-5	101692501	1-3, 1-5, 1-7	101737002	2-3, 2-5, 2-7
1016587	7-5, 8-5, 9-5	101692502	1-3, 1-5, 1-7	1017378	4-25, 4-27
1016588	7-5, 8-5, 9-5	101692504	1-5	1017380	4-25, 4-27
101660404	1-11	101692506	1-3, 1-5, 1-7	101738301	12-5
1016622	5-3, 5-5	101692509	1-3, 1-5, 1-7	101738302	12-5
1016627	18-7	101692510	1-3, 1-5, 1-7	1017424	4-25, 4-27
1016630	6-41, 6-45, 6-47, 6-49	101692511	1-3, 1-5, 1-7	1017434	8-9, 9-9
1016631	14-37	101692512	1-3, 1-5, 1-7	1017435	8-9, 9-9
1016663	5-7, 5-9	101692513	1-3, 1-5, 1-7	1017442	8-7, 9-7
1016672	13-7	101692514	1-3, 1-5, 1-7	1017443	8-9, 8-11, 9-9, 9-11
1016673	17-11, 17-13	101692515	1-3, 1-5, 1-7	1017444	8-9, 9-9
1016679	1-45, 1-49	101693201	3-17, 3-27	1017445	8-9, 9-9
101670201	3-35, 3-37, 3-39, 3-41	101693901	1-3, 1-5, 1-7, 1-9	1017446	8-9, 9-9
1016717	6-57, 14-55	101693902	1-3, 1-5, 1-7, 1-9	1017447	8-11, 9-11
1016718	1-37	101693904	1-5	1017448	7-5, 8-5, 9-5
1016723	1-17	101693906	1-3, 1-5, 1-7, 1-9	101744901	8-13, 9-13
101672701	13-17	101693908	1-5, 1-9	101744902	8-13, 9-13
1016729	14-13, 14-19	101693909	1-3, 1-5, 1-7, 1-9	1017450	8-13, 9-13
1016732	14-13, 14-19	101693910	1-3, 1-5, 1-7, 1-9	101745101	8-13, 9-13
101674702	4-33	101693911	1-3, 1-5, 1-7, 1-9	101745102	8-13, 9-13
1016751	1-17	101693912	1-3, 1-5, 1-7, 1-9	1017453	8-13, 9-13
101675512	1-17	101693913	1-3, 1-5, 1-7, 1-9	1017454	8-9, 9-9
101675514	1-17	101693914	1-3, 1-5, 1-7, 1-9	1017455	7-5, 8-5, 9-5
101675515	1-17	1016942	1-39	1017456	7-7, 8-7, 9-7
101677701	1-17	1016943	1-39	101745701	8-13, 9-13
101677702	1-17	1016944	1-39	101745702	8-13, 9-13
101677705	1-17	1016947	13-9	1017458	8-7, 9-7
1016801	12-3, 12-5	1016948	1-39	1017460	8-7, 9-7
1016813	5-47, 5-49	1016952	1-13	1017461	10-9, 10-11
1016814	5-47	1016954	1-37	1017463	8-5, 9-5
1016845	14-31	1016955	1-37	1017466	10-13, 10-15
1016849	6-27, 6-41, 6-45, 6-57, 14-21, 14-23, 14-57	1016967	1-3, 1-5, 1-7, 1-9	1017468	7-5, 8-5, 9-5
1016851	6-27, 6-41, 6-45, 6-57, 14-21, 14-23, 14-57	1016997	6-35, 6-37	1017471	8-13, 9-13
1016857	6-27, 6-41, 6-45, 6-57, 14-21, 14-23, 14-57	1017006	6-35, 6-37	1017472	8-11, 9-11
1016858	6-13, 6-43, 14-25	1017029	4-7, 4-9	1017473	8-9, 9-9
1016859	6-27, 6-41, 6-45, 6-57, 14-21, 14-23, 14-57	1017062	6-29, 14-15	1017474	8-3, 9-3
		1017064	6-29, 14-15	1017475	8-3, 9-3
		1017065	6-29, 14-15	1017476	8-3, 9-3
		1017077	1-39	1017486	8-3, 9-3
		101707801	3-23, 3-27, 3-29	1017487	8-11, 9-11

INDEX

1017490	8-5, 9-5	101802101	14-35	101830601	6-41, 6-45, 6-47, 6-49, 14-23, 14-27
1017500	8-3, 9-3	101802201	17-5	101830701	6-41, 6-45, 6-47, 6-49, 14-23, 14-27
1017501	8-13, 9-13	101802202	17-5	101831101	17-5
1017502	8-13, 9-13	101802203	17-5	101831503	17-7
1017503	8-13, 9-13	101802301	17-11	101831504	17-7
1017504	8-11, 9-11	101802401	14-39	101831601	17-13
1017507	7-7, 8-7, 9-7	101804301	10-19, 10-23, 10-25	101831701	17-7
1017508	8-11, 9-11	101805701	10-21	101831702	17-7
1017510	8-13, 9-13	101808401	18-3	101831801	18-5
1017511	8-11	101809101	18-5	101831901	18-3
1017512	8-13, 9-13	101810501	14-39	101832001	14-35
1017513	8-11, 9-11	101811301	10-25	101832101	7-15
1017514	8-11, 9-11	101811401	10-21	101832202	10-17
101751801	8-11, 9-11	101811501	10-21	101832302	10-17
101751802	8-11, 9-11	101811801	10-19	101832601	8-15, 9-15, 9-17
101751803	8-11, 9-11	101811901	10-19	101832701	7-15, 8-15, 9-15, 9-17
101753005	14-31	101812301	10-19	101833101	8-15, 9-15, 9-17
1017653	6-51	101813001	10-19	101833201	7-15
1017686	12-11, 12-13	101813202	18-3	101833401	12-11, 12-13
1017689	11-3, 11-5	101814301	17-11	101833601	13-3
1017696	4-25, 4-27	101814302	17-13	101833701	6-51
1017705	14-35	101814701	14-27	101833902	12-3
1017721	6-27, 6-43	101815501	4-3	101833904	12-5
101773301	8-13, 9-13	101815502	4-3	101834001	12-11
101773302	8-13, 9-13	101816401	4-3	101834003	12-13
101773303	8-13, 9-13	101816501	4-3	101834502	6-41, 6-45, 6-47, 6-49, 14-23, 14-27
101773304	8-13, 9-13	101816502	4-3	101834601	7-15, 8-15, 9-15, 9-17
101773305	8-13, 9-13	101817401	4-25, 4-27	101834801	13-3
101773306	8-13, 9-13	101818801	4-25	101835601	1-17, 1-19, 1-21, 1-23, 14-39
101773307	8-13, 9-13	101820201	10-13	101836201	12-11
101773308	8-13, 9-13	101821501	10-19	101836202	12-13
101773309	8-13, 9-13	101822001	4-31	101837101	10-19
101773310	8-13, 9-13	101823101	18-9	101837301	6-5, 6-9, 6-13, 6-17, 6-21, 6-53
101773311	8-13, 9-13	101823201	4-3	101838201	17-7, 17-13
1017799	14-31	101823801	4-3	101838301	17-7, 17-13
1017853	6-27, 14-21	101824401	10-3, 10-5, 10-7	101838401	17-7, 17-9, 17-13
101791101	4-3, 4-5	101825101	3-3, 3-11, 3-23, 3-29, 3-31	101838501	17-7
1017944	15-3, 15-5, 15-7	101825102	3-17, 3-27	101838601	17-7, 17-9, 17-13
1017947	15-3, 15-5, 15-7	101825701	10-25	101840203	14-37, 14-47, 14-49
1017948	15-3, 15-5	101826201	14-23, 14-27	101841901	17-11, 17-13
1017949	15-3, 15-5, 15-7	101826301	6-41, 6-49	101850301	10-21
1017950	15-3, 15-5, 15-7	101826401	6-45, 6-47	101851101	6-41, 6-45, 6-47, 6-49, 14-23, 14-27
1017951	15-3	101826801	14-5, 14-39, 14-45, 14-47, 14-49	101855002	14-33
1017953	15-3, 15-5, 15-7	101827101	7-15, 8-15, 9-15, 9-17	101855801	13-11
101795701	14-5, 14-9, 14-13, 14-19, 14-41, 14-43, 14-55	101827701	6-35	101856002	14-33
1017958	15-3	101827801	14-5, 14-45, 14-47	101856102	6-31, 6-33, 6-35, 6-37, 6-39
1017961	15-3	101827802	14-39, 14-49	101856201	10-21
101796201	4-25, 4-27	101828301	17-5	101859301	11-3
101796501	14-35	101828501	17-5, 17-7, 17-9, 17-11, 17-13	101859401	11-5
101796801	14-35	101828801	17-5	101861901	4-25, 4-27
1017976	1-19, 1-21	101828802	17-5	101862001	4-27
101797701	14-41, 14-43, 14-55	101828901	17-5, 17-7, 17-9	101865106	14-5, 14-13
101797702	14-41, 14-43, 14-55	101828902	17-5, 17-7, 17-9	101865301	4-13
101797801	14-41, 14-43, 14-55	101828903	17-5	101869302	6-51
101801001	14-35, 17-11, 17-13	101829001	17-11, 17-13	101870401	1-7
		101829101	17-11, 17-13	101870501	5-17, 5-21, 5-25

INDEX

101870601	5-23	101891501	13-7	101909201	7-5, 8-5, 9-5
101871001	18-3	101891601	13-5	101909301	7-5, 8-5, 9-5
101874601	4-13	101891901	13-5	101909401	7-5, 8-5, 9-5
101874901	6-51	101892001	13-5	101909501	7-5, 8-5, 9-5
101875001	6-51	101892201	13-5	101909701	7-3
101875101	6-51	101892301	13-5	101909901	14-47
101875102	6-51	101892401	13-5	101909903	14-39
101875201	6-51	101892501	13-5	101909905	14-49
101875301	6-51	101892601	13-5	101910401	14-45, 14-47
101875401	6-51	101892701	13-7	101910501	13-7
101875501	6-51	101892901	13-3	101911101	14-5
101875601	6-51	101893201	13-5	101911701	14-37, 14-49
101875701	6-51	101893801	13-3	101912401	4-29
101875802	6-51	101893901	13-5	101914401	6-27, 14-21, 17-5, 17-7, 17-11, 17-13
101876001	6-51	101894302	1-35	101915201	3-9, 3-15, 3-19, 3-25, 3-33
101876202	6-51	101894303	1-15	101915401	7-11
101876301	6-51	101894702	1-35	101915501	7-13
101876402	6-51	101895401	16-5	101915601	7-3
101876501	6-51	101895501	16-5	101915801	7-5
101877601	6-51	101896001	16-3	101916001	8-13, 9-13
101877701	6-51	101896501	6-51	101916101	8-3, 9-3
101878101	6-51	101896901	10-7	101916201	8-5, 9-5
101878201	4-7, 4-9	101897001	16-5	101916301	8-5, 9-5
101878302	5-11	101897201	16-5	101916701	6-53, 12-3, 12-5
101879001	6-51	101897401	16-5	101917601	10-19
101879401	5-11, 5-37	101897601	16-5	101917701	10-21
101879501	5-11, 5-37	101898001	6-55	101918301	14-37, 14-49
101879601	5-11, 5-37	101900801	4-17, 5-39	101918401	2-3, 2-5
101879701	5-11, 5-37	101900901	6-41, 6-45	101918402	2-5, 2-7
101879801	5-11, 5-37	101901201	14-5	101918501	4-7, 4-9
101879901	5-11, 5-37	101901301	14-5	101919801	4-25, 4-27
101880001	5-11, 5-37	101901401	14-5	101920101	14-29, 14-33, 14-39, 14-47, 14-49, 15-5, 15-7, 15-9, 15-11
101880101	5-11, 5-37	101901501	14-5	101921501	10-19
101880201	5-11, 5-37	101902801	14-5	101921901	3-37
101880301	5-11, 5-37	101902901	14-5	101922101	16-5
101880701	4-5, 4-11	101903001	14-5, 14-9	101922201	16-5
101881101	7-5, 8-5, 9-5	101903601	16-5	101922301	7-13
101881701	10-19	101903701	16-5	101922501	14-33
101883002	14-13	101904401	14-13	101922801	1-25
101884801	7-15, 8-15, 9-15, 9-17	101904402	14-19	10192281	1-25
101884901	2-3, 2-5	101904501	14-13	101923001	16-5
101886101	13-3	101904502	14-19	101923201	16-5
101887101	18-3	101904601	14-13	101923501	16-5
101887601	7-3, 8-3, 9-3, 10-13	101904602	14-19	101923701	16-5
101888501	1-17	101904701	14-13	101923901	16-5
101888502	1-17	101904702	14-19	101924301	14-37, 14-49
101889401	13-5	101905601	10-9	101925601	12-3
101890001	13-5	101905901	10-11	101925701	10-19
101890101	13-3	101906901	16-5	101926501	5-41, 5-43
101890201	13-3	101908101	14-33	101926801	10-23
101890501	13-3	101908401	14-33	101926802	10-25
101890601	13-3	101908601	3-7	101926901	13-3
101890901	13-7	101908701	14-37, 14-45, 14-47, 14-49	101927101	13-3
101891001	13-7	101908801	14-13	101927201	13-3
101891301	13-3	101908901	14-13		
101891401	13-7	101908902	14-19		

INDEX

101927301	13-3	101962601	14-39	102004101	5-5
101927501	13-5	101963301	1-17	102004201	5-43
101927601	13-5	101963401	1-17, 1-31, 1-35, 7-15, 8-15, 9-15, 9-17	102004301	1-9
101927701	13-5	101963901	1-17	102004601	1-47
101927901	13-5	101964001	1-17	102004602	1-47
101928001	13-5	101964601	3-23	102004801	13-15
101928101	13-5	101965201	14-47	102004901	5-49
101928301	13-7	101965205	14-45	102006701	3-31
101928601	13-3	101966801	14-39	102009201	2-9
101928701	13-3, 16-5, 18-7	101968701	14-9	102009202	2-9
101929301	7-5	101968801	14-39	102009301	2-9
101929401	5-41, 5-43	101969701	6-47, 6-49, 14-27	102009302	2-9
101929501	10-3, 10-5	101971301	10-19	102009401	2-9
101929801	12-3	101972001	18-7	102009402	2-9
101929802	12-3	101972002	18-7	102009501	2-9
101931501	3-7, 3-23, 14-45	101972003	18-7	102009502	2-9
101931601	14-39	101972004	18-7	102009901	2-11
101932201	6-47, 6-49, 14-27	101972005	18-7	102009902	2-11
101932401	14-33	101972006	18-7	102010001	2-11
101932501	14-33	101972007	18-7	102010002	2-11
101932601	14-45	101972009	18-7	102022101	4-17, 4-21
101932701	14-45	101972011	18-7	102022601	5-15, 5-27
101933101	18-7	101972012	18-7	102022602	5-15, 5-27, 5-37
101933701	10-23, 10-25	101972101	16-5	102025401	4-15
101935301	4-15	101972201	16-5	102025901	6-41, 6-45, 6-47, 6-49
101935501	14-23, 14-27	101972801	10-19	102026001	4-25, 4-27
101936801	14-29	101973101	10-9, 10-11	102031901	13-7
101939901	6-51	101973201	10-9	102045901	13-3, 13-11, 13-13, 13-15, 13-17
101942301	14-33, 14-39, 14-47, 14-49, 15-5, 15-7, 15-9, 15-11	101973301	10-11	102061201	18-9
101946201	1-17	101973401	10-15	102065901	1-19, 1-21, 1-41, 7-15, 8-15, 9-15, 9-17
101951501	13-11	101973501	17-9	102066001	1-41
101953101	4-17	101978001	14-9	102075801	3-31
101953102	4-19, 4-21	101979101	13-9, 14-31	102101001	14-29
101953103	4-23	101980801	13-5	102101101	14-29
101953106	4-13	101980901	13-5	102155801	12-11, 12-13
101953801	8-3	101981001	13-5	102157201	3-39
101953802	9-3	101984801	5-3, 5-5	102157301	3-37
101953901	7-3	101987501	17-9	102158501	3-39
101954301	1-15	101987701	10-3, 10-5	102162101	14-13
101955001	5-19, 5-23, 5-27	101987901	6-29, 14-15	102162102	14-5
101955101	6-27, 14-21	101988001	6-29, 14-15	102162501	14-19
101955301	10-3, 10-5	101988002	6-29, 14-15	102162601	4-19, 4-23
101956201	17-9	101988101	6-29, 14-15	102166901	4-19, 4-23
101956202	17-9	101988201	6-29, 14-15	102169401	18-7
101957101	6-47, 6-49, 14-27	101989901	14-19	102185401	10-21, 10-23
101957501	14-39	101990102	6-13, 6-33	102186001	15-9, 15-11
101958201	17-9	101990201	6-21, 6-39	102186101	15-9, 15-11
101958301	17-9	101990302	6-9, 6-35	102186201	15-9, 15-11
101958601	1-17, 1-23	101990402	6-17, 6-37	102186301	15-9, 15-11
101959902	3-7	101990703	6-41, 6-45, 6-47, 6-49	102186401	15-9, 15-11
101960001	3-21, 3-25	101990801	4-17, 4-19, 4-21, 4-23	102186701	15-9, 15-11
101960101	3-3	101991101	6-41, 6-45, 6-47, 6-49	102186901	15-9, 15-11
101960201	3-11, 3-17	101997802	14-51, 14-53	102187001	15-9
101960501	3-9, 3-15, 3-19, 3-25, 3-33	102003201	10-3, 10-5	102187101	15-9, 15-11
101960601	3-3, 3-11, 3-17, 3-21, 3-25, 3-31	102003901	5-13	102187201	15-9, 15-11

INDEX

102190702	10-21, 10-23	102357001	16-5	103234301	3-41
102196601	14-9	102406701	10-7	103261301	3-41
102196901	14-33	102430901	8-13, 9-13	103282601	14-45
102199001	6-27	102431001	9-11	103284101	3-41
102199601	14-9	102453001	13-5	103316701	14-45
102224001	1-47, 3-33	102453101	13-5	103316801	14-45
102231601	3-33	102459301	3-5, 3-7, 3-13, 3-17, 3-31	103316901	14-45
102235201	15-3, 15-5, 15-7, 15-9, 15-11	102519201	3-3, 3-11, 3-23, 3-29, 3-31	103325501	15-7
102237701	15-3	102522001	10-7	103325601	15-7
102240102	15-5	102540301	7-15, 8-15, 9-15, 9-17	103325701	15-7
102240104	15-7	102555501	18-3	103325801	15-7
102240501	14-45	102562401	18-3	103332402	6-5, 6-31
102241501	18-7	102564002	5-17, 5-25, 5-29	103337601	15-7
102241502	18-7	102569304	2-3	103345701	12-3, 12-5
102242101	12-11, 12-13	102570401	18-11	103350901	5-41, 5-45
102243402	18-7	102588501	5-35, 5-39	103351001	5-15, 5-19, 5-27
102243403	15-3, 15-5, 15-7, 15-9, 15-11	102601501	18-5	103351101	5-43
102248803	18-7	102603501	18-5	103354701	5-15, 5-27
102249901	18-3	102605201	18-5	103372101	10-7
102250201	14-31	102606101	18-5	103372302	10-7
102251501	18-7	102607501	18-5	103379501	13-11
102251901	15-5	102668801	18-9	103380201	4-3
102259401	1-41	102669901	18-7	103380202	4-3
102259801	14-45	102674001	18-5	103397901	14-21, 17-5, 17-11
102263601	14-45	102674101	18-5	103403101	14-45
102263701	14-45	102674201	18-5	103406501	1-27, 1-33
102265501	15-5	102674401	18-9	103406502	1-27, 1-33
102265601	15-5, 15-7	102674601	18-9	103406601	1-27, 1-33
102265701	15-5, 15-7	102675001	18-5	103414901	14-21, 17-5, 17-11
102265801	15-5, 15-7	102675101	18-5	103428501	17-3
102265901	15-5, 15-7	102675201	18-5	103428601	17-3
102266001	15-5, 15-7	102675301	18-5	103428701	17-3
102266101	15-5, 15-7	102675401	18-5	103429001	17-3
102266501	14-45	102683201	3-41	103429101	17-3
102266601	14-33	102683301	3-41	103429201	17-3
102266701	14-33	102684501	5-17, 5-25, 5-29	103429301	17-3
102267001	15-5, 15-7	102686101	18-3	103429501	17-3
102271601	8-11	102704701	15-9, 15-11	103429701	17-3
102273101	14-37	102704801	15-9, 15-11	103434001	17-3
102273701	17-3	102704901	15-9, 15-11	103439901	17-3
102273801	17-3	102705001	15-9	103477901	5-31, 5-33
102273901	17-3	102711201	6-31, 6-33, 6-39	103483101	4-3
102278001	5-3, 5-5	102753401	7-9, 8-9, 9-9	103483102	4-3
102289201	5-15, 5-27, 5-37	102766301	5-17, 5-21, 5-25, 5-29	103483201	4-3
102292801	4-13, 4-19, 4-23	102771701	16-5	103483301	4-3
102304701	7-9	102806201	14-45	103483401	4-3
102304801	8-9, 9-9	102845203	14-41, 14-55	103483501	4-3
102323101	4-7, 4-9, 4-13, 4-19, 4-21, 4-23	102865101	10-3, 10-5	103483601	4-3
102323201	4-7, 4-9, 4-13, 4-19, 4-21, 4-23	102871801	5-41, 5-43, 5-45	103483701	4-3
102327801	15-5	102886301	16-5	103502701	5-21, 5-29
102330901	18-9	102886401	16-5	103507001	5-17, 5-21, 5-25
102336001	10-17	102886501	16-5	103512801	17-3
102336101	10-17	102886601	16-5	103512901	17-3
102355301	6-55	102900501	14-39	103513001	17-3
102356601	16-5	103010101	10-3	103517401	17-3
102356801	16-5	103200701	14-27	103520301	10-21

INDEX

103520401 10-23
103538701 1-19, 1-21, 1-41
103538901 1-19, 1-21, 1-41
103601501 5-37
103601601 5-3
103628801 5-21, 5-29
103651901 10-7
103653401 5-37
103653501 5-15, 5-27
103717001 17-3
103717002 17-3
103717003 17-3
103717302 5-33
103717402 5-33
103776901 10-7
103779601 17-3
103781101 10-3
103781201 10-3
96704416 7-15, 8-15, 9-15, 9-17

A

absorber, rear shock 5-35, 5-39
absorber, shock 5-23
AC cord 17-5, 17-7, 17-9, 17-11, 17-13
AC cord bushing 17-3
AC cord receptacle 17-9
AC cordset 17-3
accelerator bracket and bearing assembly 4-25, 4-27
accelerator cable 10-17
accelerator pedal 4-25, 4-27
accelerator pedal adjustment tool 18-3
accelerator pivot rod 4-25, 4-27
accelerator return spring 4-25, 4-27
accelerator rod 4-29, 4-31, 4-33
access door hinge 1-39
access door plate 1-39
adapter
 cable (IQDM) 18-7
adhesive, guide ring 18-3
adjuster
 hydraulic brake 18-7
adjuster, lash 8-11, 9-11
air box 10-19
air box top 10-19
air duct shield 10-21, 10-23
air filter 10-19
air intake hose 10-19
ammeter 17-3, 17-5, 17-7, 17-9, 17-11, 17-13
anchor body 4-5, 4-11
anchor body kit 4-5, 4-11
anchor, piston 4-5, 4-11
angled bumper mount 5-35
anti-sway bar 5-47, 5-49
A-plate strap 5-15, 5-19, 5-23, 5-27
A-plate, delta 5-15, 5-19, 5-23, 5-27

arbor 18-3
arm
 governor 13-3
 pivot 13-3
 rocker 7-9, 8-9, 9-9
armature 6-51, 15-3, 15-5, 15-7, 15-9, 15-11
armature conversion kit 6-51
armrest 1-17
assembly
 accelerator bracket and bearing 4-25, 4-27
 accelerator pivot rod 4-25, 4-27
 air box 10-19
 air box top 10-19
 armature 6-51
 axle 13-7
 bearing, steering shaft 5-3, 5-5
 bell crank and shaft 6-31, 6-33, 6-35, 6-37, 6-39
 brake lever 4-3
 brush connector 6-51
 brush holder 6-51
 carburetor 10-9, 10-11
 choke cable 10-23
 connecting rod 7-13, 8-13, 9-13
 cylinder head 8-9, 9-9
 delta A-plate 5-15, 5-19, 5-23, 5-27
 delta shock and gear support 5-15, 5-19, 5-23, 5-27
 diode 14-37
 drive clutch 12-5
 drive hub 12-3, 12-5
 driven clutch 12-11
 driven clutch fixed-face 12-11, 12-13
 field coil 6-51
 float 10-9, 10-11
 Forward/Reverse shifter 13-9
 frame and field (motor) 15-9, 15-11
 front panel 1-27
 fuel tank vent 10-7
 governor 13-5
 headlight 6-29, 14-15
 headlight harness 6-29, 14-15
 idle screw 10-9, 10-11
 inner ball joint 5-11, 5-37
 kingpin 5-17, 5-21, 5-25, 5-29
 latch weld 1-19, 1-21
 moveable-face 12-3, 12-5, 12-11, 12-13
 pilot air screw 10-9, 10-11
 plug cap 8-5, 9-5
 prop rod support 1-25
 ratchet 4-7, 4-9
 score card plate 5-7
 secondary clutch weight 12-3, 12-5
 side panel 1-27
 steering shaft 5-3, 5-5
 steering wheel 5-7, 5-9

tailgate 1-27
tilt bed 1-21
transmission cable 13-13, 13-15
turn signal lens 6-29, 14-15
axle 13-7, 16-3, 16-5
axle shaft oil seal 13-7, 16-5
axle tube 16-5

B

backing plate, brake 4-5, 4-11
bag, desiccant 12-3, 12-5
ball bearing 8-11, 9-11
ball joint 4-7, 4-9, 4-29, 4-31, 4-33, 5-11, 5-19, 5-23, 13-11, 13-13, 13-15, 13-17
ball joint, left-hand thread 5-11, 5-19, 5-23
ball stud 6-31, 6-33, 6-35, 6-37, 6-39, 13-3, 13-9
ball, shifter 13-5
ball, steel pressure relief 7-7, 8-7, 9-7
band, RPM limiter mount 7-5, 8-5, 9-5
bar, drive 14-29
bar, stabilizer 5-47, 5-49
barb, vent 10-3, 10-5, 10-7
barrel, plastic 1-7, 1-9, 1-17, 1-27, 1-33
battery 6-55
 8-volt 14-41, 14-43, 14-55
 8-volt moist 14-41, 14-43, 14-55
battery cap 14-41, 14-43, 14-55
battery charger 17-5, 17-7, 17-9
battery charger and reel 17-11, 17-13
battery charger case 17-5, 17-7, 17-9, 17-11, 17-13
battery charger receptacle 14-35
battery charger transformer 17-5, 17-7, 17-9, 17-11, 17-13
battery charger, onboard 17-11
battery clamp 6-55
battery condition indicator, 48-volt 14-27
battery discharge machine 18-3
battery hold-down 14-41, 14-43, 14-55
battery hold-down rod 14-41, 14-55
battery terminal protector spray 18-3
battery thermometer 18-3
battery warning light 14-23, 14-27
bearing 16-5
 ball 8-11, 9-11
 ball (motor) 15-9, 15-11
 ball (steering pinion) 5-11, 5-37
 front wheel hub 5-31, 5-33
 hub 5-31, 5-33
 idler 12-3, 12-5
 inner axle tube 13-7, 16-5
 lower pinion (steering) 5-11, 5-37
 needle 13-5
 outer axle tube 13-7
 pivot support 4-25, 4-27
 steering shaft 5-3, 5-5

INDEX

- thrust 5-17, 5-21, 5-25, 5-29
 - bearing and oil seal remover 18-3
 - bearing driver set 18-3
 - bearing puller 18-3
 - bearing puller wedge 18-3
 - bearing retainer 15-3, 15-5, 15-7
 - bearing seal 5-3, 5-5
 - bearing seat 5-3, 5-5
 - bed assembly, long 1-39
 - bed floor plate 1-21
 - bed floor plate, forward 1-39
 - bed floor plate, rear 1-39
 - bed frame assembly 1-19
 - bed frame, long 1-39
 - bed latch 1-27, 1-33
 - bed latch spring 1-27, 1-33
 - bed seal 1-19, 1-21
 - bed, floor plate 1-19
 - bed, tilt 1-19, 1-21
 - bell crank 13-9
 - bell crank and shaft 6-31, 6-33, 6-35, 6-37, 6-39
 - bellows 5-11, 5-37
 - belt, drive 12-7, 12-9
 - belt, starter/generator 6-53, 12-3, 12-5
 - bezel, choke cable 10-23, 10-25
 - bezel, headlight 6-29, 14-15
 - block, brake-mounting 4-7, 4-9
 - block, fuse 6-31, 6-33, 6-35, 6-37, 6-39, 14-37
 - block, terminal 6-27, 14-21, 14-39
 - body, anchor 4-5, 4-11
 - body, front 1-5
 - bolt, J- 14-43
 - bolt, U- 5-35, 5-39
 - boot, steering column 5-3, 5-5
 - boot, switch 14-33
 - bottom, air box 10-19
 - box
 - air 10-19
 - cargo 1-27, 1-33
 - electrical component 6-31, 6-33, 6-35, 6-37, 6-39
 - steering gear 5-11, 5-37
 - brace, trailer hitch 1-43
 - bracket 5-41, 5-43, 6-41, 6-45, 6-47, 6-49, 7-3
 - accelerator cable 10-17
 - adjustable starter/generator 6-53
 - battery charger 17-11, 17-13
 - brake cable guide 5-19, 5-23, 5-27
 - brake light switch 6-47, 6-49, 14-27
 - governor cable 10-17
 - headlight mounting 6-29, 14-15
 - horn 6-27, 14-21
 - hour meter 14-51
 - muffler mounting 11-3, 11-5
 - oil filter mount 7-7, 8-7, 9-7
 - oil level switch 7-11, 8-11, 9-11
 - relay mounting 6-35, 6-37, 17-7, 17-11, 17-13
 - retaining 10-25
 - RPM limiter 7-5, 8-5, 9-5
 - shifter 13-3, 13-11, 13-13, 13-15, 13-17
 - shock absorber 5-35, 5-39, 5-45
 - shock mounting 5-35, 5-39, 5-45
 - snubber 7-15, 8-15, 9-15, 9-17
 - stabilizer bar mounting 5-47, 5-49
 - stake side 1-39
 - starter/generator mounting 6-53
 - steering column 5-3, 5-5
 - steering column mounting 5-3, 5-5
 - throttle spring return 10-13, 10-15
 - Tow/Run switch 14-33
 - brake actuator kit 4-5, 4-11
 - brake adjusting mechanism 4-3
 - brake adjustment tool 18-3
 - brake backing plate 4-5, 4-11
 - brake cable 4-13, 4-17, 4-19, 4-21, 4-23
 - brake cable equalizer 4-13, 4-17, 4-19, 4-21, 4-23
 - brake cable hanger 4-17, 5-35, 5-39, 5-41, 5-43, 5-45
 - brake cable release tool 18-3
 - brake cluster 4-5, 4-11
 - brake drum 4-3, 4-5, 4-11
 - brake lever 4-3
 - brake lever arm 4-5, 4-11
 - brake light switch bracket 6-47, 6-49, 14-27
 - brake mounting block 4-7, 4-9
 - brake pedal 4-7, 4-9
 - brake pedal adjustment tool 18-3
 - brake pedal pad 4-7, 4-9
 - brake pedal tension tool 18-3
 - brake return spring 4-17, 4-19, 4-21, 4-23
 - brake self-adjusting mechanism 4-3
 - brake shoe 4-3, 4-5, 4-11
 - brake spring 4-3, 4-5, 4-11
 - breaker, circuit 17-3, 17-5, 17-7, 17-9, 17-11, 17-13
 - breather 13-3, 16-5
 - brush 15-3, 15-5, 15-7, 15-9, 15-11
 - brush and screw set 6-51
 - brush box assembly 15-9, 15-11
 - brush connector 6-51
 - brush guard 1-9
 - brush holder 6-51
 - brush inspection port cover 6-51
 - brush port cover 6-51
 - brush rigging 15-3, 15-5, 15-7, 15-9, 15-11
 - brush spring 15-3, 15-5, 15-7, 15-9, 15-11
 - brush spring set 6-51
 - bulb, headlight 6-29, 14-15
 - bulb, tail light 6-57, 14-55
 - bumper
 - drive unit (motor) 15-3, 15-5, 15-7, 15-9, 15-11
 - front 1-3, 1-5, 1-7, 1-9
 - front, heavy duty 1-3, 1-7
 - front, kit 1-3, 1-5, 1-7, 1-9
 - jounce 5-35, 5-39
 - rear 1-49
 - rubber 1-23, 1-41, 4-7, 4-9
 - seal, long 1-15
 - spring return 4-25, 4-27
 - bumper mount 5-39
 - bumper mount, angled 5-35
 - bumper mounting 1-49
 - bumper, heavy duty 1-3, 1-7
 - bumper, seat 1-15
 - bushing 12-3, 12-5
 - AC cord 17-3
 - bronze 5-31, 5-33
 - nylon 1-27, 1-31, 1-33, 1-35, 4-7, 4-9
 - return line 10-7
 - snap-in 1-27, 1-33
 - spindle 5-31, 5-33
 - stabilizer bar 5-47, 5-49
 - steel 1-19, 1-21, 1-41, 5-17, 5-21, 5-25, 5-29, 5-35, 5-39, 5-41, 5-43, 5-45
 - urethane 1-19, 1-21, 1-41, 5-15, 5-17, 5-19, 5-21, 5-23, 5-25, 5-27, 5-29, 5-35, 5-39, 5-41, 5-43, 5-45
 - bushing support 5-47, 5-49
 - bushing, insulated 15-3, 15-5, 15-7
 - Buss bar 14-31
 - button, choke 10-21
 - button, drive 12-11, 12-13
 - buzzer, reverse 6-27, 6-41, 6-45, 6-57, 14-21, 14-23, 14-57
- ## C
- cable
 - accelerator 10-17
 - brake 4-13, 4-17, 4-19, 4-21, 4-23
 - choke 10-23, 10-25
 - FNR shifter 13-17
 - governor 10-17
 - IQDM 18-7
 - transmission 13-11, 13-13, 13-15
 - cable retainer 13-11
 - calibration test module 18-3
 - cam
 - driven clutch 12-11, 12-13
 - electrical component box 6-31, 6-33, 6-35, 6-37, 6-39
 - neutral lockout 13-9
 - cam installation tool 18-3
 - camshaft 7-11, 8-11, 9-11
 - camshaft shim 8-11, 9-11
 - camshaft spring 8-11
 - cap

INDEX

- battery 14-41, 14-43, 14-55
 - corner 1-17, 1-31, 1-35
 - dust 14-33
 - key switch 6-41, 6-45, 6-47, 6-49, 14-23, 14-27
 - plug 8-5, 9-5
 - seat back 1-17
 - spark plug 7-5
 - carburetor 10-9, 10-11
 - carburetor float level tool 18-7
 - carburetor gasket 10-15
 - carburetor insulator 10-13, 10-15, 15-3, 15-5, 15-7
 - carburetor mounting gasket 10-13, 10-15
 - card, safety first 18-9
 - cargo bed, side panel 1-27, 1-33
 - cargo box 1-27, 1-33
 - case
 - battery charger 17-5, 17-7, 17-9, 17-11, 17-13
 - differential gear 13-7
 - FNR switch 14-33
 - gear 13-3, 16-5
 - rocker 7-9, 8-9, 9-9
 - case, charger 17-3
 - charger bezel tool 18-3
 - charger board relay 17-3
 - charger case 17-3
 - charger hardware 17-3
 - charger legs 17-3
 - charger receptacle 14-35
 - charger, battery 17-5
 - charger, battery, onboard 17-11
 - choke button 10-21
 - choke cable 10-23, 10-25
 - choke cable bezel 10-23, 10-25
 - choke lever 10-21
 - choke lever guide 10-21
 - choke positioner 10-21
 - choke valve 10-19
 - circuit breaker 17-3, 17-5, 17-7, 17-9, 17-11, 17-13
 - clamp
 - battery 6-55
 - cable retaining 10-17
 - hose 10-3, 10-5, 10-7, 10-13, 10-15, 10-19
 - muffler hose 11-3, 11-5
 - clevis, upper delta 5-17, 5-21, 5-25, 5-29
 - clip, angle 1-37
 - clip, rod 1-41
 - clip, score card 5-7
 - cluster idler gear 13-5
 - cluster, brake 4-5, 4-11
 - clutch alignment tool 18-5
 - clutch pulley 12-3
 - clutch removal tool 18-3
 - clutch repair kit 12-11, 12-13
 - clutch tool kit 18-5
 - clutch weight 12-3, 12-5
 - clutch, drive 12-3
 - clutch, driven 12-11, 12-13
 - coil, field 6-51
 - coil, ignition 7-5, 8-5, 9-5
 - collet 7-9, 8-9, 9-9
 - column, steering 5-3, 5-5
 - communication display module 18-5
 - component box, electrical 6-31, 6-33, 6-35, 6-37, 6-39
 - component cover 14-39
 - component mounting plate 14-37, 14-45, 14-47, 14-49
 - compression gauge 18-5
 - compression lug 14-5, 14-39, 14-45, 14-47, 14-49
 - compression mount 5-47, 5-49
 - compression spring 10-21
 - compressor, piston ring 18-9
 - compressor, valve spring 18-11
 - computer, onboard 14-39, 14-45, 14-47, 14-49
 - connecting rod 7-13, 8-13, 9-13
 - connector, a- 6-51
 - connector, four-pin 14-33
 - connector, speed controller 14-45
 - continuity tester 18-5
 - control board 17-11, 17-13
 - controller cover 14-45
 - controller cover gasket 14-45
 - controller, motor speed 14-45
 - controller, speed 14-37, 14-47, 14-49
 - cord connector 7-11, 8-11, 9-11
 - cord reel 17-11, 17-13
 - cord, AC 17-5, 17-7, 17-9, 17-11, 17-13
 - cord, DC 17-5, 17-7, 17-9, 17-11, 17-13
 - Cordset
 - PD3, AC 114" 17-3
 - PD3, AC 80" 17-3
 - PD3, DC 113" 17-3
 - PD3, DC 154" 17-3
 - PD3, DC 205" 17-3
 - counterbalance guide shaft 7-13, 8-13, 9-13
 - counterbalance weight 7-13, 8-13, 9-13
 - cover
 - brush inspection port 6-51
 - brush port 6-51
 - component 14-39
 - crankcase 7-11, 8-11, 9-11
 - dust 4-5, 4-11, 5-3, 5-5, 5-31, 5-33
 - electrical box 6-31, 6-33, 6-35, 6-37, 6-39
 - fuse block 14-37
 - oil pump 7-7, 8-7, 9-7
 - screw head 1-11
 - steering column tube 5-3, 5-5
 - cover gasket, controller 14-45
 - cover plate 15-9, 15-11
 - cover, controller 14-45
 - cover, speed controller 14-45
 - cowl 1-3, 1-5, 1-7, 1-9
 - crank, bell 13-9
 - crankcase 7-13, 8-13, 9-13
 - crankcase cover 8-11, 9-11
 - crankcase cover gasket 7-9, 7-11
 - crankcase vent tube 10-13, 10-15
 - crankshaft 7-13, 8-13, 9-13
 - crankshaft rod 8-13, 9-13
 - crankshaft seal 7-11
 - crankshaft shim 7-13, 8-13, 9-13
 - C-type stop ring 5-11, 5-37
 - cup holder 1-13
 - cup, spring 4-25, 4-27
 - current limiter 17-9
 - cushion, shock absorber 5-35, 5-39, 5-41, 5-43, 5-45
 - cutter, valve seat 18-5, 18-11
- ## D
- damper, RPM limiter 7-5, 8-5, 9-5
 - dash component 1-11
 - dash panel 1-11
 - DC cord 17-5, 17-7, 17-9, 17-11, 17-13
 - DC cordset 17-3
 - decal
 - battery danger 3-5, 3-7, 3-13, 3-21
 - bed hold-down bolts 3-23, 3-27, 3-29
 - bed load warning 1-27, 1-33, 3-3, 3-11, 3-17, 3-21, 3-25, 3-31
 - Carryall 3-41
 - Carryall 1 3-35
 - Carryall 2 3-35
 - Carryall 2 Plus 3-35
 - Carryall 2 XRT 3-39
 - Carryall 252 3-41
 - Carryall 6 3-37
 - Club Car/Ingersoll-Rand 3-37
 - component cover 3-7, 3-23, 14-45
 - crush area warning 3-3, 3-5, 3-7, 3-11, 3-13, 3-17, 3-21, 3-25, 3-31
 - dash warning 3-3, 3-11, 3-17, 3-21, 3-25, 3-31
 - driver/passenger 3-9, 3-15, 3-19, 3-25, 3-33
 - frame ground 3-9, 3-15, 3-19, 3-25, 3-33
 - IR 3-41
 - key switch 3-17, 3-27
 - motor braking 3-7
 - no ground warning 3-23
 - on/off 3-3, 3-11, 3-23, 3-29, 3-31
 - operating instructions 3-17, 3-27
 - operating instructions (gas) 3-3, 3-11, 3-23, 3-29, 3-31

INDEX

- rotating parts 1-47, 3-9, 3-15, 3-19, 3-25, 3-33
 - tailgate 1-27, 1-33, 3-35, 3-39, 3-41
 - Tow/Run switch warning 3-7
 - trailer hitch 1-43, 3-5, 3-7, 3-9, 3-13, 3-15, 3-19, 3-33
 - Turf 1 3-35
 - Turf 2 3-35
 - Turf 2 XRT 3-39
 - Turf 252 3-41
 - Turf 6 3-37
 - vehicle loading 3-3, 3-11, 3-17, 3-21, 3-25, 3-31
 - winch cable warning 3-33
 - young driver warning 3-31
 - delta A-plate 5-15, 5-19, 5-23, 5-27
 - delta A-plate sub-assembly 5-15, 5-19, 5-23, 5-27
 - delta shock and gear support 5-15, 5-19, 5-23, 5-27
 - desiccant bag 12-3, 12-5
 - DF-terminal insulator 6-51
 - diesel tachometer probe 18-9
 - differential 16-3
 - drive unit 16-5
 - differential gear 13-7, 16-5
 - differential gear case 13-7
 - differential housing 16-5
 - differential idler gear 13-7
 - differential pin 13-7
 - diode 6-31, 6-33, 6-35, 6-37, 6-39, 14-37, 14-45, 14-47, 14-49
 - dipstick 7-3, 8-3, 9-3
 - door 1-37
 - door assembly 1-37
 - door latch 1-37, 1-39
 - drain plug 7-7, 8-7, 9-7
 - drain plug gasket 7-7, 8-7, 9-7, 13-3
 - drive bar 14-29
 - drive belt 12-7, 12-9
 - drive button 12-11, 12-13
 - drive clutch 12-3
 - drive clutch assembly 12-5
 - drive clutch button 12-3, 12-5
 - drive clutch fixed sheave tool 18-5
 - drive clutch fixed-face 12-3, 12-5
 - drive clutch holder tool 18-5
 - drive clutch hub puller 18-5
 - drive clutch puller 18-5
 - drive clutch pulley 12-5
 - drive clutch spider removal tool 18-5
 - drive clutch spring 12-3, 12-5
 - drive clutch weight 12-3, 12-5
 - drive hub 12-3, 12-5
 - drive unit 16-3
 - drive unit bumper 15-3, 15-5, 15-7, 15-9, 15-11
 - driven clutch 12-11, 12-13
 - driven clutch button 12-11, 12-13
 - driven clutch cam 12-11, 12-13
 - driven clutch cam puller 18-5
 - driven clutch fixed-face assembly 12-11, 12-13
 - driven clutch puller plug 18-5
 - driven clutch spring compression base tool 18-5
 - driven clutch spring compression collar tool 18-5
 - driven clutch spring compression nut tool 18-5
 - driver, drive clutch 12-3, 12-5
 - drum, brake 4-3, 4-5, 4-11
 - dry moly lubricant 18-7
 - duct, intake 10-25
 - dust cap 14-33
 - dust cover 4-5, 4-11, 5-3, 5-5, 5-31, 5-33
- E**
- E-clip 4-13, 4-17, 4-19, 4-21, 4-23
 - electrical box cover 6-31, 6-33, 6-35, 6-37, 6-39
 - electrical component box 6-31, 6-33, 6-35, 6-37, 6-39
 - electrical component mounting plate 14-37, 14-49
 - end bell, commutator 6-51
 - end bell, output shaft 6-51
 - end cap, motor 15-3, 15-5, 15-7, 15-9, 15-11
 - end shield
 - motor 15-5, 15-7
 - end, tie rod 5-15, 5-27
 - engine 7-3, 8-3
 - engine mounting plate 7-15, 8-15, 9-15, 9-17
 - engine shroud 7-3, 8-3, 9-3
 - engine valve spring 7-9
 - engine, FE350 CW without ACR 9-3
 - equalizer pivot 4-13
 - equalizer rod 4-13, 4-17, 4-19, 4-21, 4-23
 - equalizer, brake cable 4-13, 4-17, 4-19, 4-21, 4-23
 - exhaust system 11-3, 11-5
 - exhaust valve 7-9, 8-9, 9-9
 - extension, FNR shifter bracket 13-15
 - extension, I-beam 5-13
 - extension, spring latch 1-19, 1-21
 - extrusion 14-45
 - extrusion, fender 1-7
- F**
- face, moveable 12-3, 12-5, 12-11, 12-13
 - fan housing 7-3, 8-3, 9-3
 - fan shroud 7-3, 8-3, 9-3
 - fan, flywheel 7-5, 8-5, 9-5
 - fender 1-47
 - fender extrusion 1-7
 - fender, rear 1-45, 1-47, 1-49
 - field coil 6-51
 - field coil housing 6-51
 - fill plug 13-3
 - filter
 - air 10-19
 - fuel 10-3, 10-5
 - oil 7-7, 8-7, 9-7
 - oil pump 8-7, 9-7
 - fitting, thread-forming grease 5-11, 5-19, 5-23, 5-31, 5-33
 - fixed-face, drive clutch 12-3, 12-5
 - fixed-face, driven clutch 12-11, 12-13
 - float 10-9, 10-11
 - floor mat 1-9, 1-11, 1-37
 - floor plate, bed 1-21
 - flywheel 7-5, 8-5, 9-5
 - flywheel fan 8-5, 9-5
 - flywheel fan plate 7-5, 8-5, 9-5
 - flywheel puller 18-7
 - FNR handle 13-9, 14-31
 - FNR shifter base 13-9
 - FNR shifter cable 13-17
 - FNR switch 14-31
 - FNR switch case 14-33
 - fork, shift 13-5
 - Forward/Reverse shifter 13-9
 - frame and field assembly (motor) 15-9, 15-11
 - frame, tilt bed 1-21
 - front body 1-5
 - front bumper 1-3, 1-5, 1-7, 1-9
 - front bumper kit 1-3, 1-5, 1-7, 1-9
 - front panel 1-27
 - front spring retainer plate 5-17, 5-21, 5-25, 5-29
 - front suspension 5-15
 - front suspension sub-assembly 5-27
 - F-terminal hardware 6-51
 - f-terminal insulator 6-51
 - fuel filter 10-3, 10-5
 - fuel gauge sending unit 10-7
 - fuel gauge/hour meter 6-41, 6-45, 6-47, 6-49
 - fuel line 10-3, 10-5, 10-7, 10-13, 10-15
 - fuel pump mount 10-3, 10-5
 - fuel pump, impulse 10-5
 - fuel tank 10-7
 - fuel tank strap 10-3, 10-5
 - fuel tank vent 10-7
 - fuse 14-35, 17-5, 17-7, 17-9, 17-11, 17-13
 - 10-amp 6-31, 6-33, 6-35, 6-37, 6-39
 - 20-amp 6-31, 6-33, 6-35, 6-37, 6-39, 14-37
 - 3/8-amp 14-35, 14-39
 - charger 17-3
 - fuse block 6-31, 6-33, 6-35, 6-37, 6-39, 14-37
 - fuse block cover 14-37

INDEX

- G**
gasket 16-5
carburetor 10-15
carburetor mounting 10-9, 10-11, 10-13, 10-15
crankcase cover 7-9, 7-11, 8-9, 8-11, 9-9, 9-11
drain plug 7-7, 8-7, 9-7, 13-3
exhaust 7-9, 8-9, 9-9, 11-3, 11-5
head 7-9, 8-9, 9-9
insulator 7-9, 8-9, 9-9, 10-13, 10-15
liquid 13-3, 16-5, 18-7
oil pump 7-7
rocker case 7-9, 8-9, 9-9
sending unit 10-7
taillight 6-57, 14-55
voltage limiter 14-39
gasket kit, FE290 7-9
gasket kit, FE350 8-9, 9-9
gasket, controller cover 14-45
gauge, compression 18-5
gauge, fuel/hour 6-41, 6-45, 6-47, 6-49
gear
case 13-3, 16-5
cluster idler 13-5
differential 13-7, 16-5
differential idler 13-7, 16-5
differential output 16-5
helical 7-13, 8-13, 9-13, 13-5, 13-7
spur 7-13, 8-13, 9-13, 13-5
synchro 13-5
gear yoke 18-7
governor 13-5
governor arm 13-3
governor cable 10-17
governor cable bracket 10-17
governor shaft installation tool 18-7
governor shield 10-13
grip, pencil 5-7
grip, tilt latch hand 1-19, 1-21, 1-27, 1-33
grommet 10-7, 10-25, 14-39
guard, brush 1-9
guide
choke lever 10-21
intake valve 7-9, 8-9, 9-9
valve 8-9, 9-9
valve seat cutter 18-11
guide ring adhesive 18-3
- H**
handle, FNR 13-9, 14-31
hanger, brake cable 4-17, 5-35, 5-39, 5-41, 5-43, 5-45
hardware kit, charger 17-3
hardware, F-terminal 6-51
harness, wire 6-5, 6-9, 6-13, 6-17, 6-21, 6-25,
6-31, 6-33, 6-35, 6-37, 6-39, 14-5, 14-9, 14-13,
14-19
harness, wire, headlight 6-13, 6-43, 14-25
head gasket 7-9, 8-9, 9-9
head, cylinder 8-9, 9-9
head, FE290 7-9
headlight assembly 6-29, 14-15
headlight bulb 6-29, 14-15
headlight harness 6-29, 14-15
headlight retainer 6-29, 14-15
headlight wire harness 6-13, 6-43, 14-25
heat shrink tube 17-11, 17-13
heatsink and rectifier 17-5, 17-7, 17-9, 17-11,
17-13
heavy duty bumper 1-3, 1-7
helical gear 7-13, 8-13, 9-13, 13-5, 13-7
hill brake rod 4-7, 4-9
hill brake weld assembly 4-7, 4-9
hinge, access door 1-39
hinge, door 1-37
hitch, trailer 1-43
hold-down rod, battery 14-41, 14-55
hold-down, battery 14-41, 14-43, 14-55
holder, cup 1-13
horn 6-27, 14-21
horn bracket 6-27, 14-21
horn button and wire assembly 6-47, 6-49,
14-27
hose, air intake 10-19
hose, fuel 10-3, 10-5
hour meter 14-51, 14-53
hour meter/fuel gauge 6-41, 6-45, 6-47, 6-49
housing
2-pin 14-29
3-pin 14-29, 14-33, 14-39, 14-47, 14-49,
15-5, 15-7, 15-9, 15-11
4-pin 14-33
6-pin 14-45
differential 16-5
fan 7-3, 8-3, 9-3
field coil 6-51
hub 5-31, 5-33
hub bearing 5-31, 5-33
hub, synchronizer clutch 13-5
hydraulic brake adjuster 18-7
hydrometer 18-7
- I**
I-beam extension 5-13
idle screw assembly 10-9, 10-11
idler bearing 12-3, 12-5
idler gear, differential 16-5
ignition coil 7-5, 8-5, 9-5
inner frame snubber 7-15, 8-15, 9-15, 9-17
input shaft 16-5
insert, synchronizer 13-5
instrument panel 1-11
insulated bushing 15-3, 15-5, 15-7
insulator gasket 7-9, 8-9, 9-9, 10-13, 10-15
insulator, carburetor 10-13, 10-15, 15-3, 15-5,
15-7
intake duct 10-25
intake pipe 10-13, 10-15
intake valve 7-9, 8-9, 9-9
intermediate shaft 16-5
internal retaining ring pliers 18-7
IQ display module (IQDM) 18-7
- J**
J-bolt 14-43
jet, main 10-9, 10-11
jet, pilot 10-9, 10-11
joint
ball 4-7, 4-9, 4-29, 4-31, 4-33, 5-19, 5-23,
13-11, 13-13, 13-15, 13-17
left-hand thread ball 5-11, 5-19, 5-23
steering 5-5
jounce bumper 5-35, 5-39
- K**
key
crankshaft 7-5, 7-13, 8-5, 8-13, 9-5, 9-13
driven clutch 12-11, 12-13
On/Off 6-41, 6-45, 6-47, 6-49, 14-23, 14-27
square 12-11, 12-13
starter/generator 6-51
woodruff 13-3
key switch 6-41, 6-45, 6-47, 6-49
key switch cap 6-41, 6-45, 6-47, 6-49, 14-23,
14-27
key switch, On/Off 14-23, 14-27
kingpin 5-17, 5-21, 5-25, 5-29
kit
2-pin housing 14-29
3-pin housing 14-29, 14-33, 14-39, 14-47,
14-49, 15-5, 15-7, 15-9, 15-11
4-pin housing 14-33
6-pin housing 14-45
accelerator pivot rod 4-25, 4-27
anchor body 4-5, 4-11
brake cable 4-17, 4-21
brake pedal 4-7, 4-9
brake pedal adjustment tool 18-3
brake shoe retainer 4-5, 4-11
clutch repair 12-11, 12-13
differential gear case 13-7
drive clutch button 12-3, 12-5
drive clutch weight 12-3, 12-5
driven clutch button 12-11, 12-13
fuel tank 10-7
impulse fuel pump rebuild 10-3, 10-5
IQ display module (IQDM) 18-7

INDEX

magnet and bearing 15-5, 15-7
motor brush 15-9, 15-11
motor brush spring 15-9, 15-11
motor cover plate 15-9, 15-11
motor speed sensor 15-9, 15-11
motor terminal hardware 15-9, 15-11
neutral lockout cam 13-9
park brake latch 4-7, 4-9
park brake pedal 4-7, 4-9
PD3 Cordest, AC 114" 17-3
PD3 Cordest, AC 80" 17-3
PD3 Cordest, DC 113" 17-3
PD3 Cordest, DC 154" 17-3
PD3 Cordest, DC 205" 17-3
PD3 hardware 17-3
reverse buzzer 6-27, 6-41, 6-45, 6-57, 14-21,
14-23, 14-57
shock absorber 5-35, 5-39
shock absorber cushion 5-35, 5-39, 5-41,
5-43, 5-45
steering column rebuild 5-3, 5-5
tune-up 18-9
kit, taillight mounting 1-27, 1-33
knob, light switch 6-43, 6-47, 6-49, 14-25, 14-27

L

lash adjuster 8-11, 9-11
latch plate, tilt bed 1-23
latch weld 1-19, 1-21
latch, air box 10-19
latch, bed 1-27, 1-33
latch, door 1-37, 1-39
latch, park brake 4-7, 4-9
L-bracket, motor 15-9
leaf spring 5-35, 5-39, 5-41, 5-43, 5-45
legs, charger 17-3
lens, headlight 6-29, 14-15
lens, taillight 6-57, 14-55
lever
change 13-3
choke 10-19, 10-21
transmission shifter 13-3
light
battery warning 14-23, 14-27
oil 6-41, 6-45, 6-47, 6-49
tail 6-57, 14-55
light switch 6-43, 6-47, 6-49, 14-25, 14-27
light switch knob 6-43, 6-47, 6-49, 14-25, 14-27
limit switch 6-31, 6-33, 6-35, 6-37, 6-39, 6-47,
6-49, 13-9, 14-27, 14-31
limiter
current 17-9
RPM 7-5, 8-5, 9-5
voltage 6-27, 6-43, 14-39
line, fuel 10-3, 10-5, 10-7, 10-13, 10-15
link, rack and pinion drag 5-11

link, stabilizer bar 5-47, 5-49
liquid gasket 13-3, 16-5, 18-7
low oil warning light 6-41, 6-45, 6-47, 6-49
lubricant, dry moly 18-7
lubricant, moly-teflon 15-3, 15-5, 15-7, 15-9,
15-11, 18-7
lug nut 2-3, 2-5, 2-7, 2-9, 2-11
lug stud 13-7, 16-5
lug, compression 14-5, 14-39, 14-45, 14-47,
14-49

M

magnet and bearing kit 15-5, 15-7
magnet, speed sensor 15-5, 15-7, 15-9, 15-11
main jet 10-9, 10-11
main nozzle 10-9
mat, floor 1-9, 1-11, 1-37
MCOR 14-29
mechanism, brake adjusting 4-3
meter, hour 14-51, 14-53
meter, volt ohm 18-11
module
calibration test 18-3
communication display 18-5
moly-teflon lubricant 18-7
motor
48-volt 15-7
48-volt 3.10 hp series 15-3
48-volt IQ 15-5, 15-9, 15-11
motor armature 15-3, 15-5, 15-7
motor brush 15-5, 15-7
motor brush kit 15-9, 15-11
motor brush spring kit 15-9, 15-11
motor bumper 15-3, 15-5, 15-7, 15-9, 15-11
motor end cap 15-3, 15-5, 15-7, 15-9, 15-11
motor end shield 15-5, 15-7
motor L-bracket 15-9
motor magnet, speed sensor 15-5, 15-7, 15-9,
15-11
motor speed controller 14-45
motor speed sensor 15-5, 15-7, 15-9, 15-11
motor speed sensor kit 15-9, 15-11
motor stator shell and winding 15-3, 15-5, 15-7
motor terminal hardware kit 15-9, 15-11
mount, bumper 5-39
mount, compression 5-47, 5-49
mount, fuel pump 10-3, 10-5
mounting block, brake 4-7, 4-9
moveable-face 12-3, 12-5, 12-11, 12-13
muffler hose clamp 11-3, 11-5

N

name plate 3-35, 3-37, 3-39, 3-41
needle bearing 13-5
neutral lockout cam 13-9
nozzle, main 10-9, 10-11

nut, lug 2-3, 2-5, 2-7, 2-9, 2-11

O

OBC 14-45
OBC, onboard computer 14-45
oil filler tube 7-3, 8-3, 9-3
oil filter 7-7, 8-7, 9-7
oil filter mount bracket 7-7, 8-7, 9-7
oil filter screen 7-11, 8-11, 9-11
oil filter screen plate 7-11, 8-11, 9-11
oil level sensor 7-11, 8-11, 9-11
oil level switch bracket 7-11, 8-11, 9-11
oil pump and rotor 7-7, 8-7, 9-7
oil pump cover 7-7, 8-7, 9-7
oil pump filter 8-7, 9-7
oil pump gasket 7-7
oil pump plate 7-7, 8-7, 9-7
oil seal 7-9, 7-13, 8-9, 8-11, 8-13, 9-9, 9-11, 9-13,
13-3, 13-5
oil warning light, low 6-41, 6-45, 6-47, 6-49
onboard battery charger 17-11
onboard computer 14-39, 14-45, 14-47, 14-49
O-ring 7-3, 7-9, 7-11, 7-13, 8-3, 8-9, 8-11, 8-13,
9-3, 9-9, 9-11, 9-13
overload bumper spacer 5-35, 5-39

P

pad
accelerator pedal 4-25, 4-27
brake pedal 4-7, 4-9
park brake 4-7, 4-9
paint, touch-up 18-7
panel box 1-27, 1-33
panel, front 1-27, 1-33
panel, side 1-27
park brake latch 4-7, 4-9
park brake pedal 4-7, 4-9
park brake rod sleeve 4-7, 4-9
park brake spacer 4-7, 4-9
park brake torsion spring 4-7, 4-9
pawl 4-7, 4-9
pedal, accelerator 4-25, 4-27
pedal, brake 4-7, 4-9
pedal, park brake 4-7, 4-9
pencil grip 5-7
pilot air screw 10-9
pilot air screw assembly 10-11
pilot jet 10-9, 10-11
pin, differential 13-7
pin, piston 7-13, 8-13, 9-13
pinion, steering 5-11, 5-37
pipe, intake 10-13, 10-15
piston 7-13, 8-13, 9-13
piston anchor 4-5, 4-11
piston pin 8-13, 9-13
piston ring 7-13, 8-13, 9-13

INDEX

- piston ring compressor 18-9
 - piston ring pliers 18-9
 - piston ring set 8-13, 9-13
 - pivot arm 13-3
 - pivot support bearing 4-25, 4-27
 - plate
 - access door 1-39
 - bed floor 1-19, 1-39
 - bumper mounting 1-49
 - component mounting 14-37, 14-45, 14-47, 14-49
 - cover 15-9, 15-11
 - engine mounting 7-15, 8-15, 9-15, 9-17
 - flywheel fan 7-5, 8-5, 9-5
 - front spring retainer 5-17, 5-21, 5-25, 5-29
 - latch 1-23
 - name 3-35, 3-37, 3-39, 3-41
 - oil filter screen 7-11, 8-11, 9-11
 - oil pump 7-7, 8-7, 9-7
 - receptacle backing 14-35, 17-11, 17-13
 - score card 5-7, 5-9
 - shackle 5-45
 - spring mounting 5-17, 5-21, 5-25, 5-29
 - steering wheel 5-9
 - thrust 13-5, 13-7
 - pliers
 - internal retaining ring 18-7
 - piston ring 18-9
 - retaining ring 18-9
 - plug
 - 2-way 14-39
 - 3-way 14-5, 14-13
 - 4-pin 14-33
 - 6-pin 14-45
 - drain 7-7, 8-7, 9-7
 - driven clutch puller 18-5
 - fill 13-3
 - spark 7-5, 8-5, 9-5
 - plug cap 8-5, 9-5
 - pole set 6-51
 - positioner, choke 10-21
 - press weldment 18-5
 - prop rod 1-25, 1-41
 - prop rod track 1-25
 - protector spray, battery terminal 18-3
 - puller
 - bearing 18-3
 - clutch 18-3
 - drive clutch 18-5
 - drive clutch hub 18-5
 - driven clutch cam 18-5
 - flywheel 18-7
 - seal 18-9
 - special use tool 18-9
 - pulley
 - clutch 12-3
 - drive clutch 12-5
 - starter-generator 6-51
 - pump, impulse fuel 10-5
 - push rod 7-9, 8-9, 9-9
- ## R
- race, front hub bearing 5-31, 5-33
 - rack and pinion drag link 5-11
 - rack guide pressure spring 5-11, 5-37
 - rack, steering 5-11, 5-37
 - ratchet, park brake 4-7, 4-9
 - reamer, valve guide 18-9
 - rear bumper 1-49
 - rear fender 1-45, 1-49
 - rear spring shackle 5-35, 5-39, 5-41, 5-43
 - receptacle 14-35
 - receptacle backing plate 14-35, 17-11, 17-13
 - receptacle, AC cord 17-9
 - receptacle, battery charger 14-35
 - rectifier with heatsink 17-5, 17-7, 17-9, 17-11, 17-13
 - reel cord 17-11, 17-13
 - regulator, 12-volt 14-39
 - regulator, voltage 6-31, 6-33, 6-35, 6-37, 6-39
 - relay 6-35, 6-37, 17-7, 17-9, 17-13
 - relay mounting bracket 6-35, 6-37, 17-7, 17-11, 17-13
 - relay, 12-volt 6-27
 - relay, charger board 17-3
 - remover, bearing and oil seal 18-3
 - resistor assembly 14-37, 14-45, 14-47, 14-49
 - resistor wire assembly 14-13
 - retainer
 - accelerator pedal spring 4-25, 4-27
 - bearing 15-3, 15-5, 15-7
 - brake shoe 4-5, 4-11
 - cable 13-11
 - headlight 6-29, 14-15
 - shock absorber cushion 5-35, 5-39, 5-41, 5-43, 5-45
 - spring 5-35, 5-39
 - spring (drive clutch) 12-3, 12-5
 - valve spring 7-9, 8-9, 9-9
 - retaining bracket 10-25
 - retaining ring 5-3, 5-5
 - retaining ring pliers 18-9
 - return spring bumper 4-25, 4-27
 - reverse buzzer 6-27, 6-41, 6-45, 6-57, 14-21, 14-23, 14-57
 - rigging, brush 15-3, 15-5, 15-7
 - rim, wheel 2-9, 2-11
 - rim, wheel, silver 2-9, 2-11
 - rim, wheel, white 2-3, 2-5, 2-7
 - ring
 - piston 7-13, 8-13, 9-13
 - retaining 5-3, 5-5, 6-31, 6-33, 6-35, 6-37, 6-39, 12-3, 12-5, 12-11, 12-13, 13-9
 - snap 5-11, 5-37, 7-9, 7-13, 8-9, 8-13, 9-9, 9-13
 - spiral backup 12-3, 12-5
 - synchronizer 13-5
 - ring, C-type stop 5-11, 5-37
 - ring, piston 8-13, 9-13
 - rivet, blind push 1-3, 1-5, 1-7, 1-9
 - rocker arm 7-9, 8-9, 9-9
 - rocker case 7-9, 8-9, 9-9
 - rocker case gasket 7-9, 8-9, 9-9
 - rocker shaft 7-9, 8-9, 9-9
 - rocker switch 14-33
 - rod
 - accelerator 4-29, 4-31, 4-33
 - accelerator pivot 4-25, 4-27
 - battery hold-down 14-41, 14-55
 - clip 1-41
 - connecting 7-13, 8-13, 9-13
 - crankshaft 7-13, 8-13, 9-13
 - equalizer 4-13, 4-17, 4-19, 4-21, 4-23
 - hill brake 4-7, 4-9
 - prop 1-25, 1-41
 - push 7-9, 8-9, 9-9
 - shift 13-5
 - tie 5-19, 5-23
 - rotor, oil pump and 7-7, 8-7, 9-7
 - RPM limiter 7-5, 8-5, 9-5
 - RPM limiter bracket 7-5, 8-5, 9-5
 - RPM limiter damper 7-5, 8-5, 9-5
 - RPM limiter mount band 7-5, 8-5, 9-5
- ## S
- safety first card 18-9
 - score card clip 5-7
 - score card plate 5-7
 - screen, oil filter 7-11, 8-11, 9-11
 - screw, valve clearance adjuster 18-9
 - seal
 - bearing 5-3, 5-5
 - bed 1-19, 1-21
 - crankshaft 7-11
 - intake 10-19
 - lip 16-5
 - oil 7-9, 7-13, 8-9, 8-11, 8-13, 9-9, 9-11, 9-13, 13-3, 13-5, 13-7, 16-5
 - steering pinion dust 5-11, 5-37
 - vertical socket dust 5-11, 5-19, 5-23
 - seal puller 18-9
 - sealant 13-3, 16-5
 - seat
 - spring 7-9, 8-9, 9-9
 - valve 7-7, 8-7, 9-7
 - seat back 1-17
 - seat back assembly 1-17
 - seat back cap 1-17

INDEX

- seat back, white 1-17
- seat bottom assembly 1-15
- seat bumper 1-15
- seat cover, vinyl 1-15
- seat strap 1-15
- seat support panel assembly 1-17
- seat, bearing 5-3, 5-5
- sending unit, fuel gauge 10-7
- sensor, motor speed 15-5, 15-7, 15-9, 15-11
- sensor, oil level 7-11, 8-11, 9-11
- sensor, speed 15-5, 15-7
- set, brush and screw 6-51
- set, pole 6-51
- shackle plate 5-45
- shackle, rear spring 5-35, 5-39, 5-41, 5-43
- shaft
 - change 13-3
 - counterbalance guide 7-13, 8-13, 9-13
 - input 16-5
 - intermediate 16-5
 - rocker 7-9, 8-9, 9-9
 - transmission 13-5
- shield, air duct 10-21, 10-23
- shield, governor 10-13
- shift fork 13-5
- shift rod 13-5
- shifter base, FNR 13-9
- shifter bracket 13-3, 13-11, 13-13, 13-15, 13-17
- shim, camshaft 8-11, 9-11
- shim, crankshaft 7-13, 8-13, 9-13
- shim, latch plate 1-23
- shim, tilt bed pivot 1-19, 1-21, 1-41
- shock absorber 5-15, 5-19, 5-23, 5-27, 5-41, 5-43, 5-45
- shock absorber (rear) 5-35, 5-39
- shock absorber cushion 5-35, 5-39, 5-41, 5-43, 5-45
- shock absorber cushion retainer 5-35, 5-39, 5-41, 5-43, 5-45
- shock mounting bracket 5-35, 5-39, 5-45
- shoe, brake 4-3, 4-5, 4-11
- shroud 8-3, 9-3
- shroud, engine 7-3, 8-3, 9-3
- shroud, fan 7-3, 8-3, 9-3
- side panel 1-27
- sleeve
 - delta A-plate 5-15, 5-19, 5-23, 5-27
 - governor 13-5
 - park brake rod 4-7, 4-9
 - synchronizer 13-5
- snap ring 5-11, 5-37, 7-9, 7-13, 8-9, 8-13, 9-9, 9-13
- snubber bracket 7-15, 8-15, 9-15, 9-17
- snubber, inner frame 7-15, 8-15, 9-15, 9-17
- socket 5-11, 5-19, 5-23
- solenoid, 12-volt 6-31, 6-33, 6-35, 6-37, 6-39
- solenoid, 48-volt 14-37, 14-45, 14-47, 14-49
- spacer 1-9
 - accelerator pivot rod 4-25, 4-27
 - overload bumper 5-35, 5-39
 - park brake 4-7, 4-9
- spanner wrench 18-9
- spark plug 7-5, 8-5, 9-5
- spark plug cap 7-5
- speed controller 14-37, 14-45, 14-47, 14-49
- speed controller connector 14-45
- speed controller cover 14-45
- speed sensor 15-5, 15-7, 15-9, 15-11
- speed sensor magnet 15-5, 15-7, 15-9, 15-11
- speed sensor, motor 15-5, 15-7, 15-9, 15-11
- spindle 5-31
- spiral backup ring 12-3, 12-5
- spray, battery terminal protector 18-3
- spring
 - accelerator return 4-25, 4-27
 - brake 4-5, 4-11
 - brake return 4-17, 4-19, 4-21, 4-23
 - brush 6-51, 15-3, 15-5, 15-7, 15-9, 15-11
 - camshaft 8-11
 - compression 5-7, 10-21
 - drive button 12-3, 12-5
 - drive clutch 12-3, 12-5
 - driven clutch 12-11
 - engine valve 7-9
 - extension return 10-19
 - forward/reverse cam 13-9
 - latch tilt 1-27, 1-33
 - leaf 5-35, 5-39, 5-41, 5-43, 5-45
 - park brake torsion 4-7, 4-9
 - rack guide pressure 5-11, 5-37
 - shifter 13-5
 - steering shaft compression 5-3, 5-5
 - synchronizer 13-5
 - throttle return 10-13, 10-15
 - valve 8-9, 9-9
- spring cup 4-25, 4-27
- spring mounting plate 5-17, 5-21, 5-25, 5-29
- spring retainer 5-35, 5-39
- spur gear 7-13, 8-13, 9-13, 13-5
- stabilizer bar 5-47, 5-49
- stabilizer bar link 5-47, 5-49
- stabilizer bar mounting bracket 5-47, 5-49
- stake side bracket 1-39
- stand-offs, plastic 17-3
- starter/generator 6-51
- starter/generator belt 6-53, 12-3, 12-5
- starter/generator pulley 6-51
- stator shell and winding 15-3, 15-5, 15-7
- steel bushing 1-19, 1-21, 1-41, 5-17, 5-21, 5-25, 5-29, 5-35, 5-39, 5-41, 5-43, 5-45
- steel pressure relief ball 7-7, 8-7, 9-7
- steering column 5-3, 5-5
- steering column bearing press tool 18-9
- steering column retaining ring tool 18-9
- steering gear box 5-11, 5-37
- steering joint 5-5
- steering pinion 5-11, 5-37
- steering pinion dust seal 5-11, 5-37
- steering rack 5-11, 5-37
- steering shaft assembly 5-3, 5-5
- steering shaft column 5-3, 5-5
- steering shaft compression spring 5-3, 5-5
- steering wheel 5-7, 5-9
- steering wheel plate 5-9
- steering wheel puller tool 18-9
- stem, valve 2-3, 2-5, 2-7, 2-9, 2-11
- stiffener 1-15
- stiffener, flywheel side 7-15, 8-15, 9-15, 9-17
- stiffener, PTO side 8-15, 9-15, 9-17
- strap, A-plate 5-15, 5-19, 5-23, 5-27
- strap, fuel tank 10-3, 10-5
- strap, seat 1-15
- stud 7-15, 8-15, 9-15, 9-17
 - lug 13-7, 16-5
 - self-clinching 1-29, 1-31, 1-35
- stud, ball 6-31, 6-33, 6-35, 6-37, 6-39, 13-3, 13-9
- support yoke (steering) 5-11, 5-37
- support, bushing 5-47, 5-49
- suppressor, voltage 6-27, 14-21, 17-5, 17-7, 17-9, 17-11, 17-13
- suspension, front 5-15
- switch
 - FNR 14-31
 - four-position 17-7, 17-9, 17-13
 - key 6-41, 6-45, 6-47, 6-49, 14-23, 14-27
 - light 6-43, 6-47, 6-49, 14-25, 14-27
 - limit 6-31, 6-33, 6-35, 6-37, 6-39, 6-47, 6-49, 13-9, 14-27, 14-31
 - rocker 14-33
 - Tow/Run 14-33
- switch rubber boot 14-33
- synchro gear 13-5
- synchronizer clutch hub 13-5
- synchronizer insert 13-5
- synchronizer sleeve 13-5
- synchronizer spring 13-5
- system, exhaust 11-3, 11-5

T

- 12-volt solenoid 6-31, 6-33, 6-35, 6-37, 6-39
- tachometer 18-9
- tachometer probe, diesel 18-9
- tail light bulb 6-57, 14-55
- tailgate 1-27, 1-33
- tailgate angle 1-31, 1-35
- tailgate mounting bracket 1-29
- taillight 6-57, 14-55
- taillight gasket 6-57, 14-55

INDEX

- taillight lens 6-57, 14-55
taillight mounting kit 1-27, 1-33
taillskirt 1-45, 1-47, 1-49
tank, fuel 10-7
tape 10-21, 10-23
tape, vinyl foam 1-19, 1-21, 1-39
tappet 7-11
terminal block 6-27, 14-21, 14-39, 14-45
tester, continuity 18-5
thermometer, battery 18-3
thread-forming grease fitting 5-11, 5-19, 5-23, 5-31, 5-33
throttle return spring 10-13, 10-15
throttle spring return bracket 10-13, 10-15
thrust bearing 5-17, 5-21, 5-25, 5-29
thrust plate 13-5, 13-7
tie rod 5-19, 5-23
tie rod end 5-15, 5-27
tie wrap 5-11, 5-37, 6-27, 6-31, 6-33, 6-35, 6-37, 6-39, 6-43, 10-25, 14-5, 14-21, 14-23, 14-25, 14-33, 14-39, 14-45, 14-47, 14-49
tilt bed 1-19, 1-21
tilt bed frame 1-21
tilt latch hand grip 1-19, 1-21, 1-27, 1-33
tire 2-3, 2-5, 2-7, 2-9, 2-11
tire and wheel assembly 2-3, 2-5, 2-7
tool
 accelerator pedal adjustment 18-3
 belt tensioning, starter/generator 18-11
 brake adjustment 18-3
 brake cable release 18-3
 brake pedal adjustment 18-3
 brake pedal tension 18-3
 cam installation 18-3
 carburetor float level 18-7
 charger bezel 18-3
 clutch alignment 18-5
 cT-wrench 18-5
 drive clutch fixed sheave 18-5
 drive clutch holder 18-5
 drive clutch spider removal 18-5
 driven clutch spring compression base 18-5
 driven clutch spring compression collar 18-5
 driven clutch spring compression nut 18-5
 governor shaft installation 18-7
 puller, special use 18-9
 steering column bearing press 18-9
 steering column retaining ring 18-9
 steering wheel puller 18-9
 transaxle axle seal 18-9
 transaxle pinion seal 18-9
 transmission 18-9
 valve guide driver 18-9
 valve seat cutter 18-5
tool kit, clutch 18-5
touch-up paint 18-7
Tow/Run switch 14-33
Tow/Run switch bracket 14-33
track, prop rod 1-25
trailer hitch 1-43
trailer hitch brace 1-43
transaxle 16-3, 16-5
transaxle axle seal tool 18-9
transaxle housing 16-5
transaxle pinion seal tool 18-9
transaxle, unitized 13-3
transformer, battery charger 17-5, 17-7, 17-9, 17-11, 17-13
transmission cable 13-11, 13-13, 13-15
transmission shaft 13-5
transmission tool 18-9
trim
 cowl 1-3, 1-5, 1-7, 1-9
 long bed 1-39
 seat bottom 1-17
tube
 crankcase vent 10-13, 10-15
 oil filler 7-3, 8-3, 9-3
tune-up kit 18-9
turn signal lens 6-29, 14-15
T-wrench tool 18-5
- U**
U-bolt 5-35, 5-39
u-bolt 5-41, 5-43, 5-45
unitized transaxle 13-3
upper delta clevis 5-17, 5-21, 5-25, 5-29
urethane bushing 1-19, 1-21, 1-41, 5-15, 5-17, 5-19, 5-21, 5-23, 5-25, 5-27, 5-29, 5-35, 5-39, 5-41, 5-43, 5-45
- V**
valve
 choke 10-19
 exhaust 7-9, 8-9, 9-9
 fuel pickup tube 10-7
 intake 7-9, 8-9, 9-9
 reed 7-9, 8-9, 9-9
valve clearance adjuster screw 18-9
valve guide 8-9, 9-9
valve guide driver tool 18-9
valve guide reamer 18-9
valve guide, intake 7-9, 8-9, 9-9
valve seat 7-7, 8-7, 9-7
valve seat cutter 18-5, 18-11
valve seat cutter guide 18-11
valve seat cutter tool 18-5
valve seat t-wrench 18-11
valve spring 8-9, 9-9
valve spring compressor 18-11
valve spring retainer 7-9, 8-9, 9-9
valve stem 2-3, 2-5, 2-7, 2-9, 2-11
vent barb 10-3, 10-5, 10-7
vertical socket dust seal 5-11, 5-19, 5-23
volt ohm meter 18-11
voltage limiter 6-27, 6-43, 14-39
voltage limiter gasket 14-39
voltage regulator 6-31, 6-33, 6-35, 6-37, 6-39
voltage suppressor 6-27, 14-21, 17-5, 17-7, 17-9, 17-11, 17-13
- W**
warning light, low oil 6-41, 6-45, 6-47, 6-49
wedge, bearing puller 18-3
weight
 clutch 12-3, 12-5
 counterbalance 7-13, 8-13, 9-13
 secondary clutch 12-3, 12-5
weldment
 press 18-5
weldment, tilt bed frame 1-21
wheel 2-3, 2-5, 2-7
wheel and tire assembly 2-3, 2-5, 2-7
wheel rim 2-9, 2-11
wheel rim, silver 2-9, 2-11
wheel rim, white 2-3, 2-5, 2-7
wheel, steering 5-7, 5-9
wire harness 6-5, 6-9, 6-13, 6-17, 6-21, 6-25, 6-31, 6-33, 6-35, 6-37, 6-39, 14-5, 14-9, 14-13, 14-19
wire harness, headlight 6-13, 6-43, 14-25
woodruff key 13-3
wrap, tie 5-11, 5-37, 6-27, 6-31, 6-33, 6-35, 6-37, 6-39, 6-43, 10-25, 14-5, 14-21, 14-23, 14-25, 14-33, 14-39, 14-45, 14-47, 14-49
wrench, spanner 18-9
- Y**
yoke, gear 18-7
yoke, support (steering) 5-11, 5-37



Club Car, Inc.
P.O. Box 204658
Augusta, GA 30917-4658
USA

Web www.clubcar.com
Phone 1.706.863.3000
1.800.ClubCar
Int'l +1 706.863.3000
Fax 1.706.863.5808