

**1997**  
**ILLUSTRATED**  

---

**PARTS LIST**

**TOURALL, RESORT VILLAGER,  
TRANS-PORTER, AND  
TRANS-SENDER**

MANUAL NUMBER 101928503  
PRINT CODE 0896B1008A



# USING THE ILLUSTRATED PARTS LIST

## WARNING

- THIS MANUAL IS TO BE USED ONLY FOR IDENTIFICATION AND ORDERING OF SERVICE PARTS. BE SURE TO READ AND USE THE MAINTENANCE AND SERVICE MANUAL BEFORE ATTEMPTING ANY VEHICLE REPAIRS.

This manual covers all 1997 Club Car Transportation vehicles. This includes Tourall, Resort Villager, Trans-Porter and Trans-Sender models. See Important Notice on the following page.

The manual is divided into 15 sections. Sections 1 through 5 pertain to both gasoline and PowerDrive® electric vehicles, sections 6 through 11 pertain to gasoline vehicles only, and sections 12 through 15 pertain to PowerDrive electric vehicles only. Note that there are two or three flags on the outside edge of each page. The first flag will contain the section number of which that page is a part. The other flag (or flags) will contain either the letter G or E, signifying that the page pertains to either the gasoline or PowerDrive electric vehicle only, or to both the gasoline and PowerDrive electric vehicles.

Use the Table of Contents to find the sections and pages that contain the parts and assemblies you seek. The Table of Contents lists section titles and numbers, and under them, the individual page titles and numbers to be found in that section.

You will also find vehicle models and serial numbers specified within the listings for individual page titles. These model and serial number specifications identify the vehicles on which parts usage as described on a particular page either began or ended. Have the serial number(s) of your vehicle(s) at hand and read the listings carefully when using the table of contents.

Typically, there is a two-page spread for each individual page title in the Table of Contents (however, some titles required several spreads). On the left-hand page is an illustration showing the parts in their relative positions; the parts are each tagged with an item number in a balloon. The right-hand page is the parts list page, and gives the page title at the top, then the item numbers (corresponding to the numbers on the illustration), part descriptions, and quantity of parts used. Some item numbers have more than one part number because several models and/or configurations of a component are represented together on one spread.

Note that a part description may be indented. This indentation corresponds to a parts assembly level indicated by the numbers 1, 2, 3, and 4 at the top left corner of the parts description area of the parts list page. A part that is indented to *level 2* is a component of the *level 1* part (assembly) that it is listed under. A *level 3* part is a component of the *level 2* part that it is listed under, and a *level 4* part is a component of the *level 3* part preceding it. In each case, the part quantity given for a level 2, 3, or 4 part *is the quantity used per next higher level assembly of which it is a component*. A part that is not indented is a *level 1* part. This means that the quantity given is the quantity used per the portion of the vehicle illustrated on that particular spread.

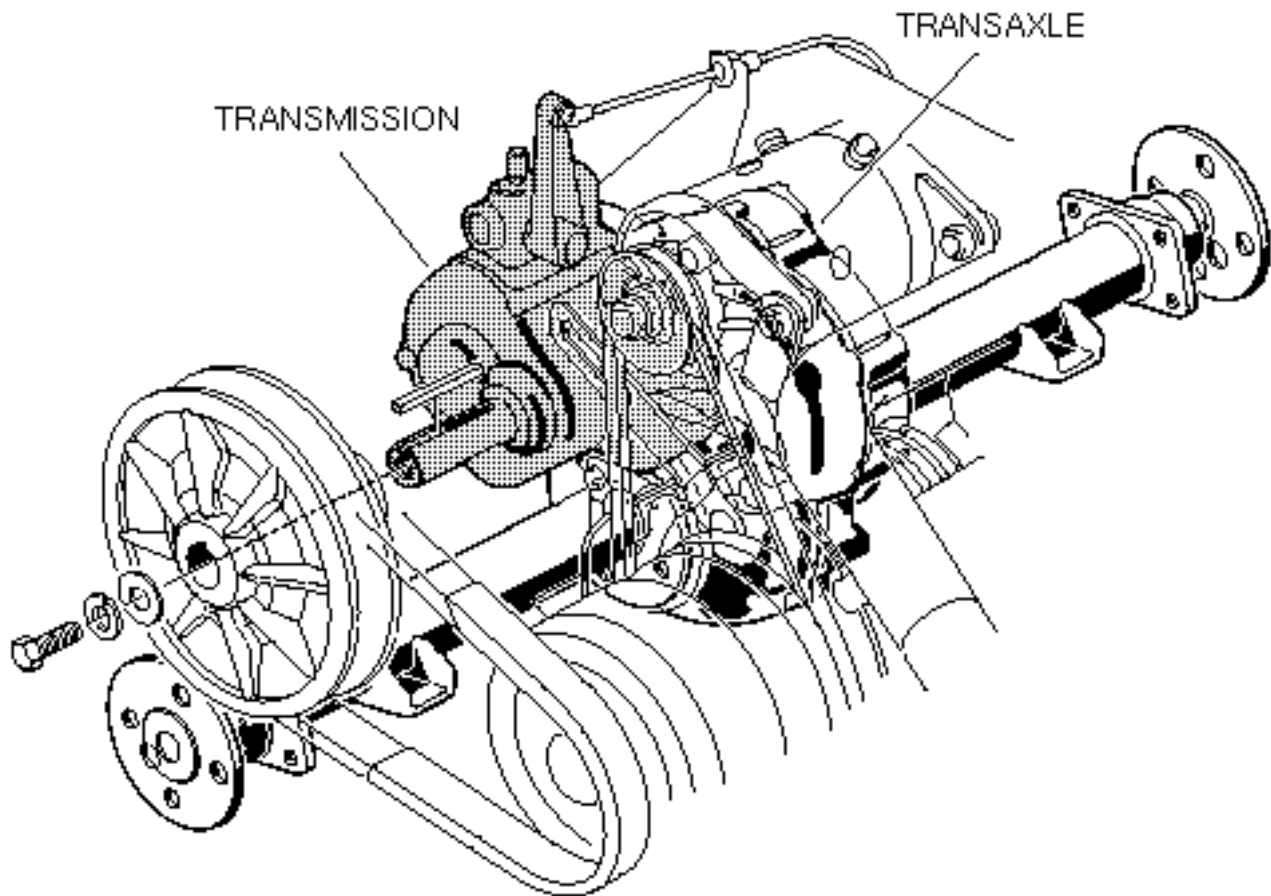


P. O. Box 204658  
Augusta, Georgia 30917-4658 USA  
Telephone 706-863-3000  
Service Parts Fax 706-855-7413

© 1996, CLUB CAR INC.  
All rights reserved.  
This manual effective August 1, 1996  
Manual print code: 0896A00000

## **⚠ IMPORTANT NOTICE!**

- ALL EARLY 1997 CLUB CAR VEHICLES WITH 350 ENGINES (INCLUDING RESORT VILLAGER, TRANS-PORTER/TRANS-SENDER) MAINTAINED THE 1996 POWERTRAIN CONFIGURATION UTILIZING SEPARATE TRANSMISSION AND TRANSAXLE UNITS. VEHICLES PRODUCED LATER IN 1997 UTILIZED THE UNITIZED TRANSAXLE POWERTRAIN THAT IS ILLUSTRATED IN THIS MANUAL. IF YOUR VEHICLE HAS THE UNITIZED TRANSAXLE ILLUSTRATED ON PAGES 11-2 THROUGH 11-7, USE THIS MANUAL WHEN ORDERING PARTS. IF YOUR VEHICLE HAS SEPARATE TRANSMISSION AND TRANSAXLE UNITS AS SHOWN BELOW, USE THE 1996 TOURALL, RESORT VILLAGER, TRANS-PORTER/TRANS-SENDER ILLUSTRATED PARTS LIST, CLUB CAR PART NUMBER 1018862-03.



# CONTENTS

## **MAINTENANCE AND SERVICE TOOLS**

### **SECTION 1**

THIS SECTION OF THIS MANUAL CONTAINS A LIST OF MAINTENANCE AND SERVICE TOOLS AVAILABLE FROM CLUB CAR .....	1-2
--	-----

## **BODY AND TRIM**

### **SECTION 2**

FRONT BODY .....	2-3
REAR BODY AND FENDER - TOURALL .....	2-5
FIRST SEAT AND SUPPORT STRUCTURE - TOURALL .....	2-7
SECOND SEAT AND COMPONENTS - TOURALL .....	2-9
REAR FOOTREST AND HANDRAILS - TOURALL .....	2-11
CENTER BODY AND TRIM - RESORT VILLAGER .....	2-13
REAR BODY AND FENDER - RESORT VILLAGER .....	2-15
SEATS AND SUPPORT STRUCTURES - RESORT VILLAGER .....	2-17
FIRST SEAT AND SUPPORT STRUCTURE - TRANS-PORTER/TRANS-SENDER .....	2-19
SECOND SEAT AND SUPPORT STRUCTURE - TRANS-PORTER/TRANS-SENDER .....	2-21
THIRD SEAT AND COMPONENTS - TRANS-SENDER .....	2-23
REAR FOOTREST AND HANDRAILS - TRANS-SENDER .....	2-25
REAR COVER - TRANS-PORTER/TRANS-SENDER .....	2-27
REAR CARGO BED - TRANS-PORTER .....	2-29
WHEELS AND TIRES .....	2-31

## **SAFETY DECALS**

### **SECTION 3**

SAFETY DECALS - TOURALL .....	3-3 - 3-5
SAFETY DECALS - RESORT VILLAGER .....	3-7 - 3-9
SAFETY DECALS - TRANS-PORTER/TRANS-SENDER .....	3-11 - 3-15

## **BRAKES, PEDAL, AND CABLE ASSEMBLIES**

### **SECTION 4**

REAR BRAKE ASSEMBLY, SELF-ADJUSTING - TOURALL .....	4-3
REAR BRAKES, MANUALLY ADJUSTED - RESORT VILLAGER, TRANS-PORTER/TRANS-SENDER .....	4-5
BRAKE PEDAL AND CABLE ASSEMBLY - TOURALL .....	4-7
BRAKE PEDAL AND CABLE ASSEMBLY - RESORT VILLAGER, TRANS-PORTER/TRANS-SENDER .....	4-9
FRONT BRAKE ASSEMBLY - RESORT VILLAGER, TRANS-PORTER/TRANS-SENDER .....	4-11
ACCELERATOR PEDAL ASSEMBLY - GASOLINE VEHICLE .....	4-13
ACCELERATOR PEDAL ASSEMBLY - POWERDRIVE ELECTRIC VEHICLE .....	4-15

## **STEERING, FRONT AND REAR SUSPENSION**

### **SECTION 5**

STEERING COLUMN .....	5-3
STEERING GEAR ASSEMBLY .....	5-5
FRONT SUSPENSION, UPPER - TOURALL .....	5-7
FRONT SUSPENSION, LOWER - TOURALL .....	5-9
FRONT SUSPENSION, UPPER - RESORT VILLAGER, TRANS-PORTER/TRANS-SENDER .....	5-11
FRONT SUSPENSION, LOWER - RESORT VILLAGER, TRANS-PORTER/TRANS-SENDER .....	5-13
REAR SUSPENSION .....	5-15
STABILIZER BAR - GASOLINE VEHICLE RESORT VILLAGER, TRANS-PORTER/TRANS-SENDER .....	5-17

## **ELECTRICAL SYSTEM - GASOLINE VEHICLE**

### **SECTION 6**

FORWARD AND REVERSE SHIFTER ASSEMBLY - GASOLINE VEHICLE .....	6-3
WIRING, GASOLINE VEHICLE - TOURALL .....	6-5
ELECTRICAL COMPONENT BOX, GASOLINE VEHICLE - TOURALL .....	6-7

# CONTENTS

## **ELECTRICAL SYSTEM - GASOLINE VEHICLE, CONTINUED:**

ELECTRICAL COMPONENTS, GASOLINE VEHICLE - TOURALL .....	6-9
WIRING, GASOLINE VEHICLE - RESORT VILLAGER, TRANS-PORTER/TRANS-SENDER .....	6-11
ELECTRICAL COMPONENT BOX, GASOLINE VEHICLE - RESORT VILLAGER, TRANS-PORTER/TRANS-SENDER .....	6-13
ELECTRICAL COMPONENTS, FRONT BODY, GASOLINE - RESORT VILLAGER, TRANS-PORTER/TRANS-SENDER .....	6-15
CONTROLS AND GAUGES, GASOLINE VEHICLE - RESORT VILLAGER, TRANS-PORTER/TRANS-SENDER .....	6-17
ELECTRICAL COMPONENTS, REAR BODY, GASOLINE VEHICLE - RESORT VILLAGER .....	6-19
ELECTRICAL COMPONENTS, REAR BODY, GASOLINE VEHICLE - TRANS-PORTER/TRANS-SENDER .....	6-21
STARTER/GENERATOR ASSEMBLY .....	6-23
STARTER/GENERATOR MOUNTING .....	6-25
BATTERY MOUNTING - GASOLINE VEHICLE .....	6-27

## **ENGINE**

## **SECTION**

**7**

FE 290 ENGINE - TOURALL .....	7-3 - 7-13
FE 350 ENGINE - RESORT VILLAGER, TRANS-PORTER/TRANS-SENDER .....	7-15 - 7-25
ENGINE MOUNTING .....	7-27

## **FUEL, INTAKE, AND GOVERNOR SYSTEMS**

## **SECTION**

**8**

FUEL SYSTEM .....	8-3
CARBURETOR ASSEMBLY, FE 290 - TOURALL .....	8-5
CARBURETOR ASSEMBLY, FE 350 - RESORT VILLAGER, TRANS-PORTER/TRANS-SENDER .....	8-7
CARBURETOR INSTALLATION .....	8-9
GOVERNOR AND ACCELERATOR CABLES .....	8-11
EXPANSION CHAMBER, CHOKE, AND FILTER, FE 290 - TOURALL .....	8-13
EXPANSION CHAMBER, CHOKE, AND FILTER, FE 350 - RESORT VILLAGER, TRANS-PORTER/TRANS-SENDER .....	8-15

## **EXHAUST SYSTEM**

## **SECTION**

**9**

EXHAUST SYSTEM, FE 290 ENGINE - TOURALL .....	9-3
EXHAUST SYSTEM, FE 350 ENGINE - RESORT VILLAGER, TRANS-PORTER/TRANS-SENDER .....	9-5

## **TORQUE CONVERTER**

## **SECTION**

**10**

DRIVE CLUTCH .....	10-3
DRIVEN CLUTCH .....	10-5

## **UNITIZED TRANSAXLE - GASOLINE VEHICLE**

## **SECTION**

**11**

UNITIZED TRANSAXLE - GASOLINE VEHICLE .....	11-3 - 11-7
---	-------------

## **ELECTRICAL SYSTEM - POWERDRIVE ELECTRIC VEHICLE**

## **SECTION**

**12**

FORWARD AND REVERSE SWITCH - POWERDRIVE ELECTRIC VEHICLE .....	12-3
CONTINUOUSLY VARIABLE POTENTIOMETER - POWERDRIVE ELECTRIC VEHICLE .....	12-5
WIRING, POWERDRIVE ELECTRIC VEHICLE - TOURALL .....	12-7
ELECTRICAL COMPONENTS, FRONT BODY, POWERDRIVE ELECTRIC VEHICLE - TOURALL .....	12-9
ELECTRICAL COMPONENTS, REAR BODY, POWERDRIVE ELECTRIC VEHICLE - TOURALL .....	12-11 - 12-15
WIRING, POWERDRIVE ELECTRIC VEHICLE - RESORT VILLAGER .....	12-17
ELECTRICAL COMPONENTS, FRONT BODY, POWERDRIVE ELECTRIC VEHICLE RESORT VILLAGER .....	12-19

# CONTENTS

---

CONTROLS AND GAUGES, POWERDRIVE ELECTRIC VEHICLE - RESORT VILLAGER .....	12-21
ELECTRICAL COMPONENTS, CENTER BODY, POWERDRIVE ELECTRIC VEHICLE RESORT VILLAGER .....	12-23 - 12-27
ELECTRICAL COMPONENTS, REAR BODY, POWERDRIVE ELECTRIC VEHICLE RESORT VILLAGER .....	12-29
WIRING, POWERDRIVE ELECTRIC VEHICLE - TRANS-PORTER/TRANS-SENDER .....	12-31
ELECTRICAL COMPONENTS, FRONT BODY, POWERDRIVE ELECTRIC VEHICLE TRANS-PORTER/TRANS-SENDER .....	12-33
CONTROLS AND GAUGES, POWERDRIVE ELECTRIC VEHICLE TRANS-PORTER/TRANS-SENDER .....	12-35
ELECTRICAL COMPONENTS, CENTER BODY, POWERDRIVE ELECTRIC VEHICLE TRANS-PORTER/TRANS-SENDER .....	12-37 - 12-41
ELECTRICAL COMPONENTS, REAR BODY, POWERDRIVE ELECTRIC VEHICLE TRANS-PORTER/TRANS-SENDER .....	12-43
<b>BATTERY CHARGER</b>	<b>SECTION 13</b>
POWERDRIVE BATTERY CHARGER, DOMESTIC - TOURALL, RESORT VILLAGER .....	13-3
POWERDRIVE BATTERY CHARGER, EXPORT - TOURALL, RESORT VILLAGER .....	13-5
ON-BOARD POWERDRIVE BATTERY CHARGER, DOMESTIC - TRANS-PORTER/TRANS-SENDER ...	13-7
ON-BOARD POWERDRIVE BATTERY CHARGER, EXPORT - TRANS-PORTER/TRANS-SENDER .....	13-9
<b>MOTOR - POWERDRIVE ELECTRIC VEHICLE</b>	<b>SECTION 14</b>
MOTOR - POWERDRIVE ELECTRIC VEHICLE .....	14-3
<b>TRANSAXLE - POWERDRIVE ELECTRIC VEHICLE</b>	<b>SECTION 15</b>
TRANSAXLE - POWERDRIVE ELECTRIC VEHICLE .....	15-3

# MAINTENANCE AND SERVICE TOOLS

---

**1**

**G**

**E**



# MAINTENANCE AND SERVICE TOOLS

## DESCRIPTION

## PART NUMBER

ACCELERATOR PEDAL ADJUSTMENT TOOL .....	1018710-01
ADAPTER PLUG ASSEMBLY .....	1018945-01
ADHESION PROMOTER - ARMORFLEX® .....	1016985
ADHESIVE, GUIDE RING, 3 GRAM TUBE .....	1018132-02
ARMORFLEX REPAIR KIT .....	1017295
BATTERY DISCHARGE MACHINE 36/48 VOLT .....	1018319-01
BATTERY TERMINAL PROTECTOR SPRAY .....	1014305
BATTERY THERMOMETER .....	1011767
BEARING AND OIL SEAL REMOVER ASSEMBLY .....	1016417
BEARING DRIVER SET .....	1016416
BEARING PULLER .....	1012811
BEARING PULLER WEDGE ATTACHMENT .....	1012812
CALIBRATION TEST MODULE .....	1018871-01
CAM INSTALLATION TOOL .....	1018084-01
CLUTCH TOOL KIT .....	1014510
CLUTCH ALIGNMENT TOOL (USED ON VEHICLES PRIOR TO SERIAL NUMBER 9701) .....	1014498
DRIVE CLUTCH PULLER .....	1014496
CLUTCH DRIVE HUB PULLER .....	1014497
DRIVEN CLUTCH CAM PULLER .....	1014508
DRIVEN CLUTCH PULLER PLUG .....	1014507
DRIVEN CLUTCH HOLDER TOOL ASSEMBLY .....	1015524
PRESS WELDMENT .....	1018091-01
COMMUNICATION DISPLAY MODULE .....	1018318-01
COMPRESSION GAUGE WITH ADAPTER .....	1016410-02
CONTINUITY TESTER .....	1011273
DRY MOLY LUBRICANT .....	1012151
FLY WHEEL PULLER KIT .....	1016627
GEAR YOKE .....	1016418
GOVERNOR SHAFT INSTALLATION TOOL .....	1019331-01
HEAT SINK COMPOUND .....	1018367-02
HYDROMETER .....	1011478
INTERNAL RETAINING RING PLIERS .....	1013593
LIQUID GASKET (TRANSAXLE CASE) .....	1019287-01
PISTON RING COMPRESSOR KIT .....	1016414
PISTON RING PLIERS .....	1016415
RETAINING RING PLIERS - 45° EXTERNAL .....	1012549
RETAINING RING PLIERS - 90° INTERNAL .....	1012560
SAFETY FIRST CARD (50 PER PACK) .....	1018231-01
SEAL PULLER .....	1012809
STARTER/GENERATOR BELT TENSION TOOL .....	1016867
STEERING COLUMN BEARING PRESS TOOL .....	1014264
STEERING COLUMN RETAINING RING TOOL .....	1014259
TACHOMETER .....	1016112

# MAINTENANCE AND SERVICE TOOLS

1

G

E

DESCRIPTION	PART NUMBER
TOUCH-UP PAINT, LACQUER - BEIGE .....	1017097-01
TOUCH-UP PAINT, LACQUER - WHITE .....	1017097-02
TOUCH-UP PAINT, LACQUER - GRAY .....	1017097-04
TOUCH-UP PAINT, LACQUER - RED .....	1017097-06
TOUCH-UP PAINT, LACQUER - DARK BLUE .....	1017097-08
TOUCH-UP PAINT, LACQUER - DARK GREEN .....	1017097-09
TRANSAXLE PINION SEAL TOOL .....	1014161
TRANSAXLE AXLE SEAL TOOL .....	1014162
TUNE-UP KIT (FE 290) .....	1016110-02
TUNE-UP KIT (FE 350) .....	1016110-03
VALVE CLEARANCE ADJUSTER SCREW HOLDER .....	1016413
VALVE GUIDE REAMER .....	1016412-01
ARBOR .....	1016412-02
VALVE SEAT CUTTER HOLDER BAR .....	1016551
VALVE SEAT CUTTER HOLDER .....	1016552
VALVE SEAT CUTTER 45° (32MM DIAMETER) .....	1016553
VALVE SEAT CUTTER 45° (35MM DIAMETER) .....	1016554
VALVE SEAT CUTTER 32° (35MM DIAMETER) .....	1016555
VALVE SPRING COMPRESSOR .....	1016411-01
VOLT OHM METER .....	1011480

PLEASE REFER TO THE MAINTENANCE AND SERVICE MANUAL FOR PROPER TOOL APPLICATION.

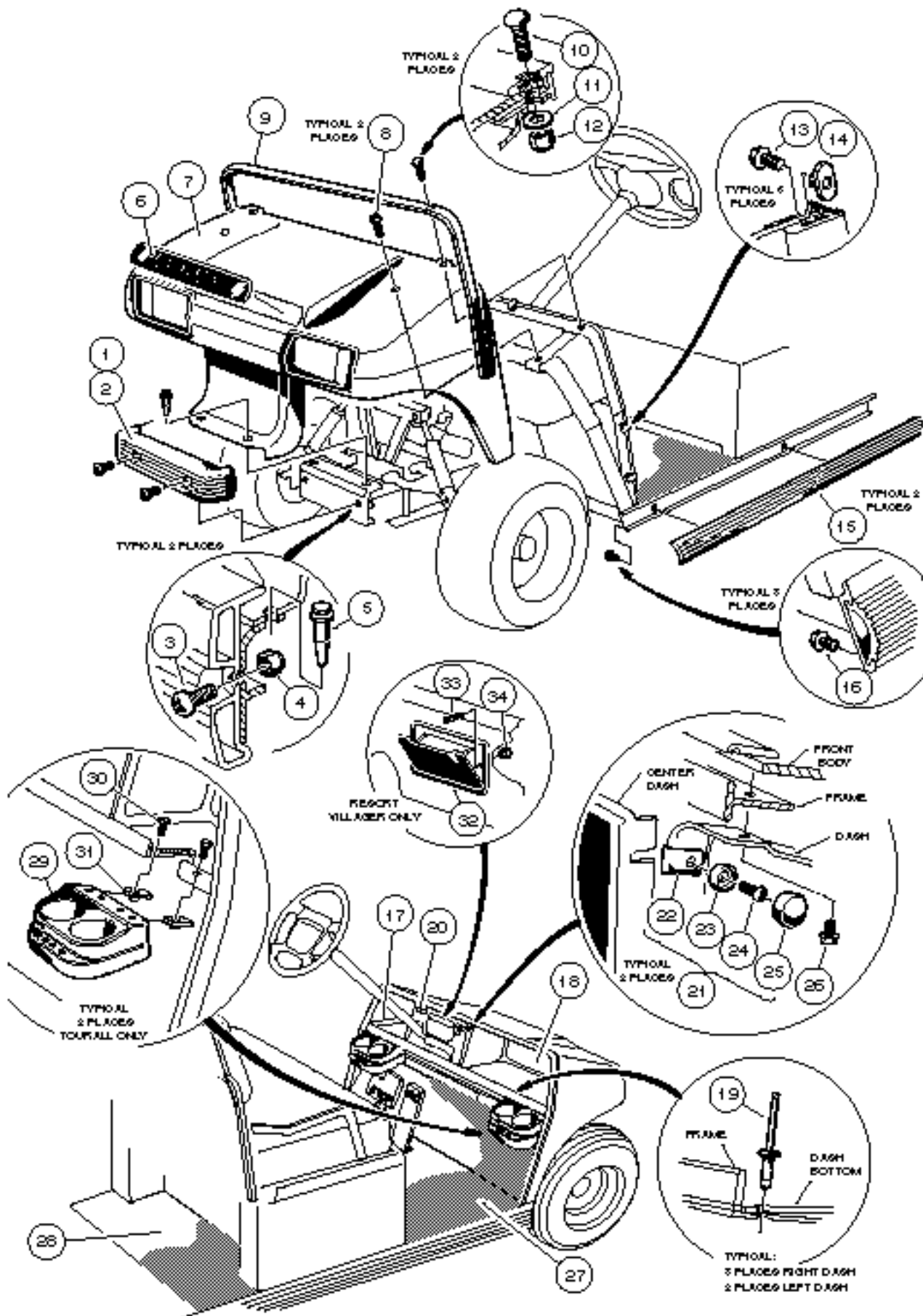
# BODY AND TRIM

---

**2**

**G**

**E**



# FRONT BODY

2

G

E

ITEM	PART NO.	DESCRIPTION	QTY GAS	QTY ELEC
		1 2 3 4		
1	<u>1017080</u>	KIT, FRONT BUMPER (INCLUDES ITEMS 2 - 5) .....	1	1
2	<u>1016868</u>	BUMPER, FRONT .....	1	1
3	0007251	SCREW, PHILLIPS TRUSS HEAD, 5/16 - 18 x 1 .....	2	2
4	0007473	NUT, NYLON LOCK, 5/16 - 18 .....	2	2
5	<u>1016967</u>	RIVET, BLIND PUSH TYPE .....	2	2
6	1016702	NAMEPLATE - SILVER .....	1	1
6	<u>1014198</u>	NAMEPLATE - GOLD (RESORT VILLAGER) .....	1	1
7	<u>1016925-04</u>	BODY, FRONT - GRAY (TOURALL ONLY) .....	1	1
7	<u>1016939-01</u>	BODY, FRONT WITH HEADLIGHT OPENING - BEIGE .....	1	1
7	<u>1016939-02</u>	BODY, FRONT WITH HEADLIGHT OPENING - WHITE .....	1	1
7	<u>1016939-04</u>	BODY, FRONT WITH HEADLIGHT OPENING - GRAY .....	1	1
7	<u>1016939-06</u>	BODY, FRONT WITH HEADLIGHT OPENING - RED .....	1	1
7	<u>1016939-08</u>	BODY, FRONT WITH HEADLIGHT OPENING - DARK BLUE .....	1	1
7	<u>1016939-09</u>	BODY, FRONT WITH HEADLIGHT OPENING - DARK GREEN .....	1	1
8	0007251	SCREW, PHILLIPS TRUSS HEAD, 5/16 - 18 x 1 .....	2	2
9	<u>1011014</u>	TRIM, FRONT BODY .....	1	1
10	<u>1010435</u>	BOLT, CARRIAGE, 5/16 - 18 x 1 .....	2	2
11	0001241	WASHER, FLAT, 5/16 .....	2	2
12	0007473	NUT, NYLON LOCK, 5/16 - 18 .....	2	2
13	<u>1011017</u>	SCREW, FLANGE LOCK, 8 - 32 x 3/8 .....	6	6
14	1011394	NUT, SLAB BASE "T" (PACKAGE OF 4 PIECES) .....	1	1
15	<u>1013983</u>	TRIM, SIDE BUMPER GUARD (TOURALL ONLY) .....	2	2
15	<u>1016711</u>	TRIM, SIDE BUMPER GUARD (RESORT VILLAGER, TRANS-PORTER/TRANS-SENDER) .....	2	2
16	<u>1012047</u>	SCREW, SELF-TAPPING, #8 - 32 x 3/8 .....	8	8
17	1013344	COMPONENT, LEFT DASH - BLACK .....	1	1
18	<u>1013343</u>	COMPONENT, RIGHT DASH - BLACK .....	1	1
19	0007973	RIVET, ALUMINUM POP, 3/16 .....	5	5
20	1016604-04	PANEL, CENTER DASH .....	1	1
21	<u>1014645</u>	KIT, SNAP WASHER - BLACK (INCLUDES ITEMS 22 - 26) .....	1	1
22	N/A	NUT, SPEED, #10 - 32 .....	1	1
23	N/A	WASHER, CUP, #10 .....	1	1
24	N/A	SCREW, SHEET METAL, #10 x 3/4 .....	1	1
25	N/A	COVER, SCREW HEAD .....	1	1
26	<u>1011017</u>	SCREW, FLANGE LOCK .....	2	2
27	<u>1015032</u>	MAT, FLOOR, FRONT .....	1	1
28	<u>1017289</u>	MAT, FLOOR, REAR (RESORT VILLAGER ONLY) .....	1	1
28	<u>1016718</u>	MAT, FLOOR, REAR (TRANS-PORTER/TRANS-SENDER ONLY) .....	1	1
29	<u>1017083-01</u>	KIT, DRINK HOLDER (INCLUDES ITEMS 30 AND 31) (TOURALL ONLY) .....	2	2
30	0007847	BOLT, HEX HEAD, 1/4 - 20 x 3/4 .....	2	2
31	1016952	NUT, "U", 1/4 - 20 .....	2	2
32	1011230	KIT, ASHTRAY (INCLUDES ITEMS 33 AND 34) (RESORT VILLAGER ONLY) ..	1	1
33	<u>1011226</u>	SCREW, OVAL COUNTERSUNK HEAD, #6 - 32 x 5/8 (RESORT VILLAGER)	2	2
34	<u>1011229</u>	NUT, "K" LOCK, #6 - 32 (RESORT VILLAGER) .....	2	2



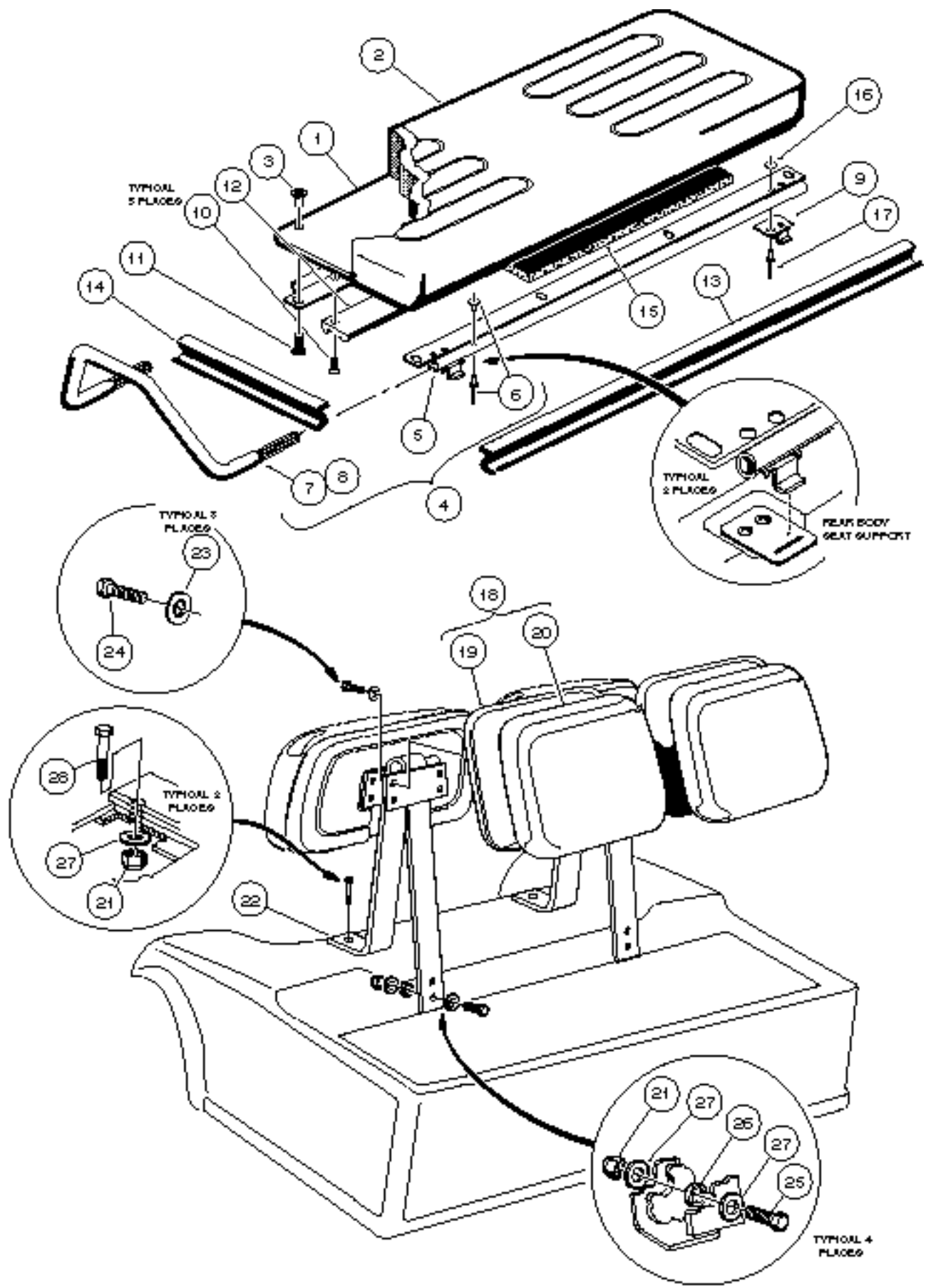
# REAR BODY AND FENDER - TOURALL

**2**

**G**

**E**

ITEM	PART NO.	DESCRIPTION	QTY GAS	QTY ELEC
		1 2 3 4		
1	0008251	SCREW, PHILLIPS HEAD, 1/4 - 20 x 1 .....	10	10
2	<u>1019041-01</u>	PLATE, BODY KICK .....	1	1
3	1016952	NUT, "U", 1/4 - 20 .....	2	
4	1012412	PLATE, BODY HINGE .....	2	2
5	0008233	NUT, NYLON LOCK, 1/4 - 20 .....	10	12
6	0000332	WASHER, FLAT, 1/4 .....	8	10
7	<u>1015829-02</u>	ASSEMBLY, ACCESS DOOR - BLACK .....	1	
7	<u>1013032</u>	DOOR, ACCESS - BLACK .....		1
8	<u>1015525</u>	NUT, BLIND, 1/4 - 20 .....	2	2
9	1017113	INSULATION, SOUND, LEFT SIDE BODY .....	1	
10	1016963	INSULATION, SOUND, FRONT .....	1	
11	1015420	INSULATION, SOUND, BODY LEFT / RIGHT FENDER .....	2	
12	<u>1016926-04</u>	BODY - GRAY (GASOLINE VEHICLE ONLY) .....	1	
12	<u>1016933-04</u>	BODY - GRAY (ELECTRIC VEHICLE ONLY) .....		1
13	<u>1017141</u>	SUPPORT, FRONT BODY .....	1	1
14	1018962-01	KIT, FORWARD AND REVERSE SWITCH COVER (INCLUDES 2 OF ITEM 15)	1	1
15	<u>1010434</u>	BARREL, PLASTIC FASTENER .....	2	2
16	1015422	INSULATION, SOUND, RIGHT SIDE FENDER - SHORT .....	1	
17	1015421	INSULATION, SOUND, LEFT SIDE FENDER - LONG .....	1	
18	<u>1017936</u>	FENDER, INNER .....	2	2
19	<u>1010434</u>	BARREL, PLASTIC .....	4	4
20	<u>1017748</u>	CLIP, BODY KEEPER .....	2	2
21	<u>1012047</u>	SCREW, SELF-TAPPING, #8 - 32 x 3/8 .....	2	2
22	0000304	SCREW, HEX HEAD CAP, 1/4 - 20 x 1 .....	4	
23	<u>1017814</u>	SPACER, 1 7/8 .....		2
24	<u>1017815</u>	SPACER, 1/2 .....		2
25	<u>1012159</u>	BOLT, HEX HEAD, 1/4 - 20 x 2 3/4 .....		2
26	0007479	BOLT, HEX HEAD, 1/4 - 20 x 1 1/4 .....		2





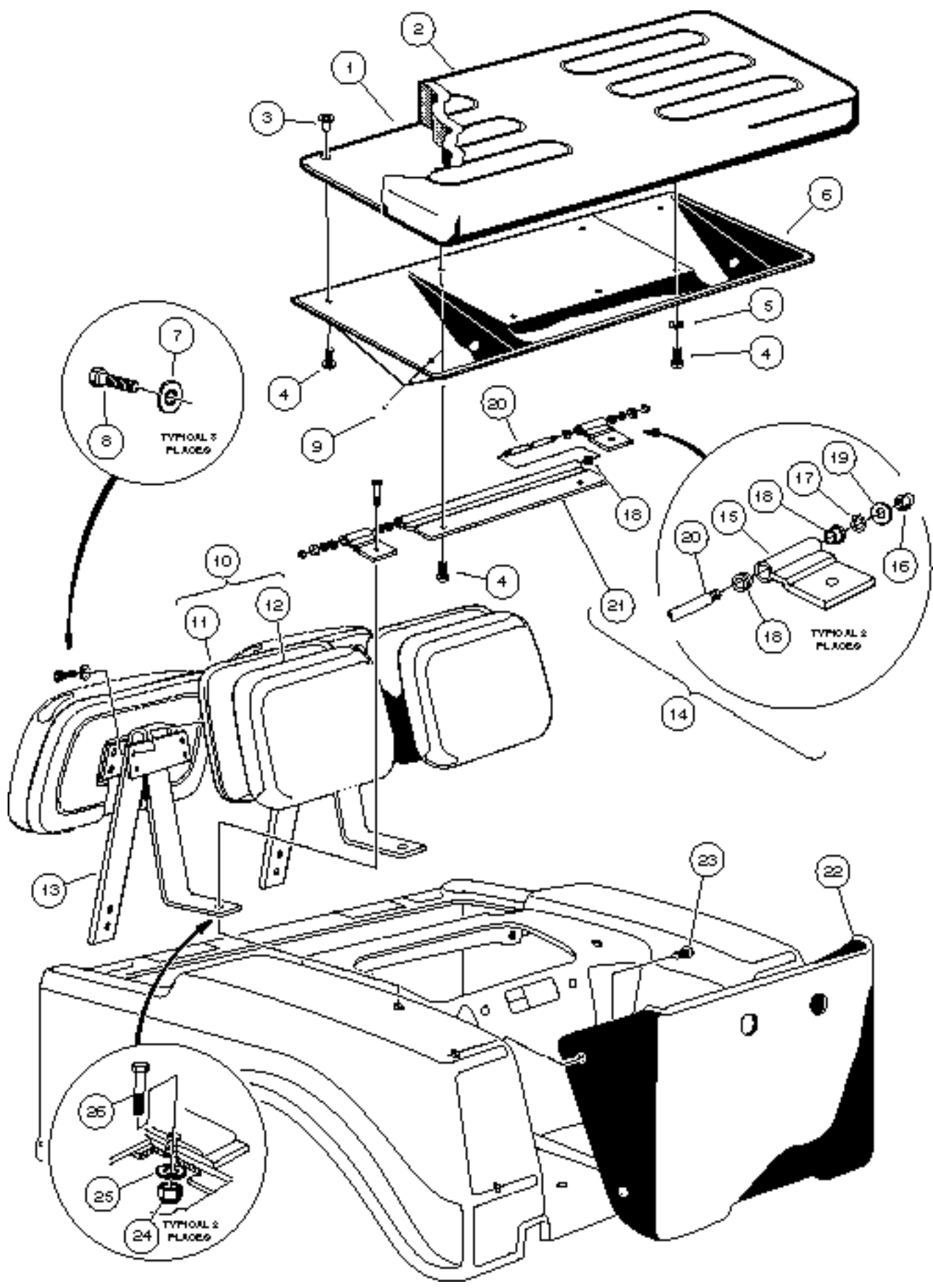
# FIRST SEAT AND SUPPORT STRUCTURE TOURALL

**2**

**G**

**E**

ITEM	PART NO.	DESCRIPTION	QTY GAS	QTY ELEC
		1 2 3 4		
1	<u>1015648-05</u>	ASSEMBLY, SEAT BOTTOM - WHITE (INCLUDES ITEMS 2 AND 3) .....	1	1
1	<u>1015648-07</u>	ASSEMBLY, SEAT BOTTOM - GRAY (INCLUDES ITEMS 2 AND 3) .....	1	1
1	<u>1015648-08</u>	ASSEMBLY, SEAT BOTTOM - BLACK (INCLUDES ITEMS 2 AND 3) .....	1	1
2	<u>1015627-02</u>	COVER, VINYL SEAT BOTTOM - WHITE .....	1	1
2	<u>1015627-04</u>	COVER, VINYL SEAT BOTTOM - BLACK .....	1	1
2	<u>1015627-10</u>	COVER, VINYL SEAT BOTTOM - GRAY .....	1	1
3	1010543	INSERT, WOOD .....	8	8
4	1015670	ASSEMBLY, ARMREST, SEAT BOTTOM (INCLUDES ITEMS 5 - 8) .....	1	1
5	<u>1015625</u>	BRACKET, SEAT SUPPORT .....	2	2
6	1012327	RIVET, MATING, 3/16 .....	4	4
7	1011786	ASSEMBLY, ARMREST, LEFT .....	1	1
8	1011780	ASSEMBLY, ARMREST, RIGHT .....	1	1
9	<u>1011652</u>	PLATE, SEAT HINGE, STAINLESS STEEL .....	2	2
10	<u>1017384</u>	SCREW, TYPE AB, #12 x 1/2 .....	5	5
11	0000304	SCREW, HEX HEAD CAP, 1/4 - 20 x 1 .....	8	8
12	<u>1012597</u>	BUMPER, SEAT .....	1	1
13	<u>1012657</u>	GASKET, SEAT - LONG (GASOLINE VEHICLE ONLY) .....	1	
14	<u>1012656</u>	GASKET, SEAT - SHORT (GASOLINE VEHICLE ONLY) .....	2	
15	1015417	INSULATION, SOUND (GASOLINE VEHICLE ONLY) .....	1	
16	<u>1018817-01</u>	WASHER, FLAT, STAINLESS STEEL, #8 .....	4	4
17	<u>1018809-01</u>	RIVET, POP, STAINLESS STEEL, 3/16 .....	4	4
18	<u>1015652-02</u>	ASSEMBLY, SEAT BACK, THIN, WHITE (INCLUDES ITEMS 19 AND 20) .....	2	2
18	<u>1015652-05</u>	ASSEMBLY, SEAT BACK, THIN, BLACK (INCLUDES ITEMS 19 AND 20) .....	2	2
18	1015652-06	ASSEMBLY, SEAT BACK, THIN, GRAY (INCLUDES ITEMS 19 AND 20) .....	2	2
19	<u>1013335</u>	CAP, SEAT BACK - BLACK .....	2	2
20	<u>1015626-02</u>	COVER, VINYL SEAT BACK - WHITE .....	2	2
20	<u>1015626-04</u>	COVER, VINYL SEAT BACK - BLACK .....	2	2
20	<u>1015626-05</u>	COVER, VINYL SEAT BACK - GRAY .....	2	2
21	0007473	NUT, NYLON LOCK, 5/16 - 18 .....	6	6
22	<u>1011182</u>	SUPPORT, SEAT BACK .....	2	2
23	0008304	WASHER, LOCK, INTERNAL TOOTH, 1/4 .....	8	8
24	0007847	SCREW, HEX HEAD, 1/4 - 20 x 3/4 .....	8	8
25	0001218	SCREW, HEX HEAD CAP, 5/16 - 18 x 1 1/4 .....	4	4
26	1017774	SPACER, BODY .....	4	4
27	0001241	WASHER, FLAT, 5/16 .....	10	10
28	1010557	BOLT, HEX HEAD, 5/16 - 18 x 1 1/2 .....	2	2



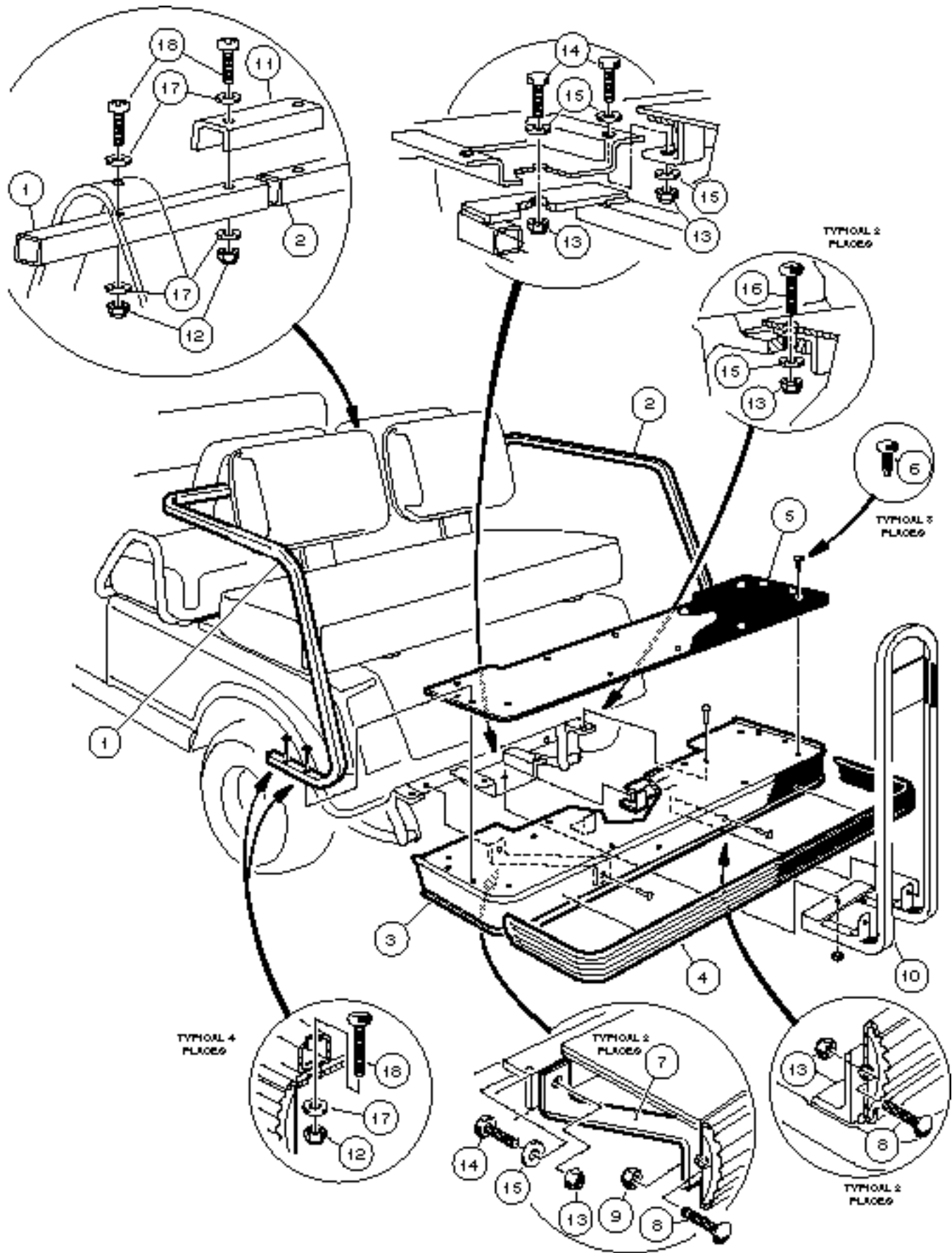
# SECOND SEAT AND COMPONENTS - TOURALL

**2**

**G**

**E**

ITEM	PART NO.	DESCRIPTION	QTY GAS	QTY ELEC
		1 2 3 4		
1	<u>1015648-05</u>	ASSEMBLY, SEAT BOTTOM - WHITE (INCLUDES ITEMS 2 AND 3) .....	1	1
1	<u>1015648-07</u>	ASSEMBLY, SEAT BOTTOM - GRAY (INCLUDES ITEMS 2 AND 3) .....	1	1
1	<u>1015648-08</u>	ASSEMBLY, SEAT BOTTOM - BLACK (INCLUDES ITEMS 2 AND 3) .....	1	1
2	<u>1015627-02</u>	COVER, VINYL SEAT BOTTOM - WHITE .....	1	1
2	<u>1015627-04</u>	COVER, VINYL SEAT BOTTOM - BLACK .....	1	1
2	<u>1015627-10</u>	COVER, VINYL SEAT BOTTOM - GRAY .....	1	1
3	1010543	INSERT, WOOD .....	7	7
4	0008251	SCREW, PHILLIPS TRUSS HEAD, 1/4 - 20 x 1 .....	7	7
5	<u>1011578</u>	WASHER, FLAT, 5/16 .....	3	3
6	<u>1011210</u>	SUPPORT, SEAT .....	1	1
7	0008304	WASHER, LOCK, 1/4 INTERNAL TOOTH .....	8	8
8	0007847	SCREW, HEX HEAD, 1/4 - 20 x 3/4 .....	8	8
9	<u>1011389</u>	BUMPER, RUBBER (PACKAGE OF 5) .....	1	1
10	<u>1015652-02</u>	ASSEMBLY, SEAT BACK, THIN - WHITE (INCLUDES ITEMS 11 AND 12) .....	2	2
10	<u>1015652-05</u>	ASSEMBLY, SEAT BACK, THIN - BLACK (INCLUDES ITEMS 11 AND 12) .....	2	2
10	1015652-06	ASSEMBLY, SEAT BACK, THIN - GRAY (INCLUDES ITEMS 11 AND 12) .....	2	2
11	<u>1013335</u>	CAP, SEAT BACK - BLACK .....	2	2
12	<u>1015626-02</u>	COVER, VINYL SEAT BACK - WHITE .....	2	2
12	<u>1015626-04</u>	COVER, VINYL SEAT BACK - BLACK .....	2	2
12	<u>1015626-05</u>	COVER, VINYL SEAT BACK - GRAY .....	2	2
13	<u>1011182</u>	SUPPORT, SEAT BACK .....	2	2
14	1011219	ASSEMBLY, HINGE (CONTAINS ITEMS 15 - 21) .....	1	1
15	<u>1011221</u>	HINGE - SHORT .....	2	2
16	<u>1015091</u>	NUT, CENTERLOCK CAP, 1/4 - 20 x 1/4 .....	2	2
17	1010695	WASHER, CURVED SPRING, 1/4 .....	2	2
18	0008028	BUSHING, NYLON .....	6	6
19	0000332	WASHER, FLAT, 1/4 .....	2	2
20	<u>1011220</u>	HINGE - LONG .....	1	1
21	<u>1011222</u>	PIN, HINGE - LONG .....	1	1
22	1011348	PANEL, REAR .....	1	1
23	<u>1010434</u>	BARREL, PLASTIC .....	4	4
24	0007473	NUT, NYLON LOCK, 5/16 - 18 .....	2	2
25	0001241	WASHER, FLAT, 5/16 .....	2	2
26	1010557	BOLT, HEX HEAD, 5/16 - 18 x 1 1/2 .....	2	2



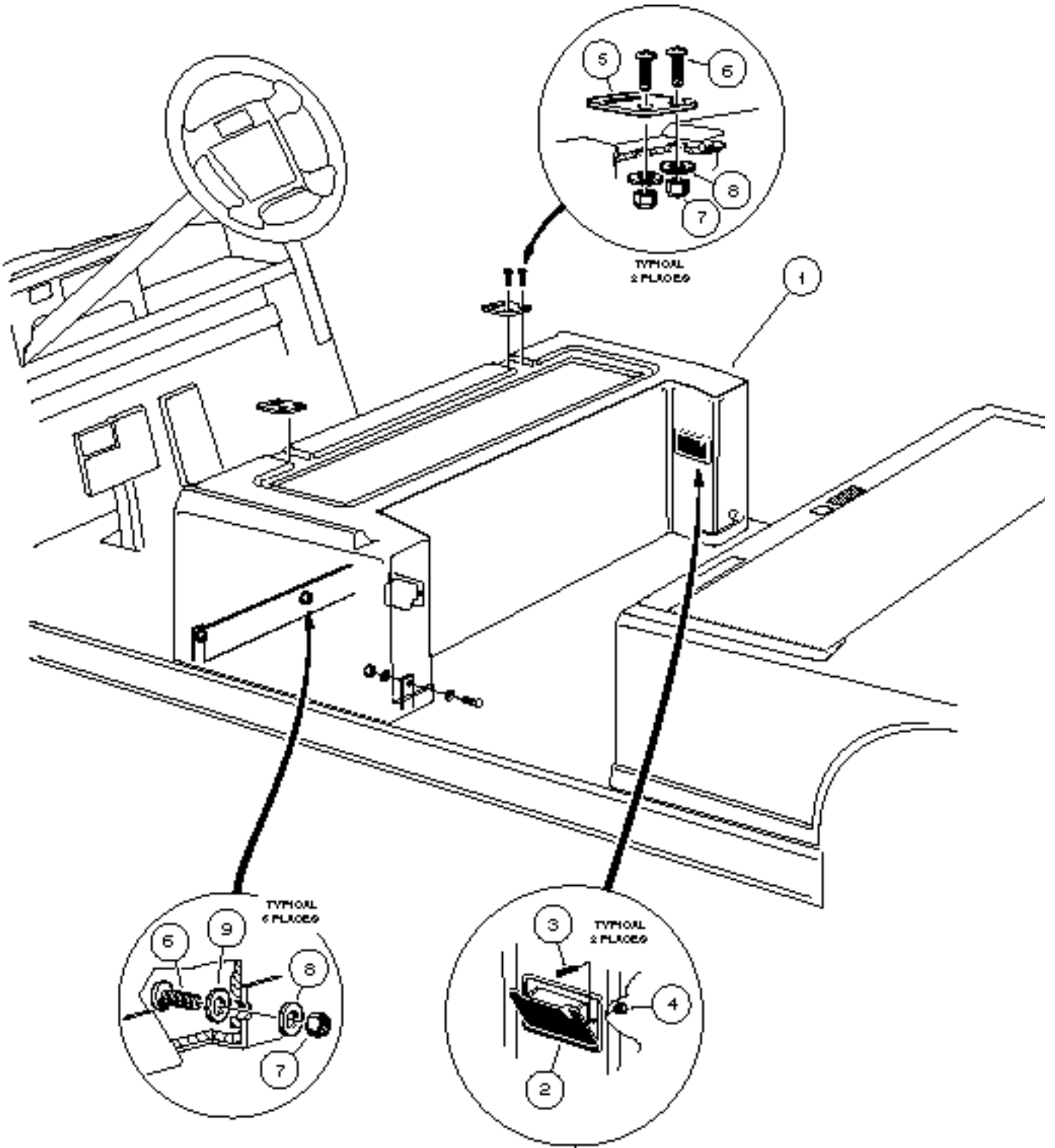
# REAR FOOTREST AND HANDRAILS - TOURALL

**2**

**G**

**E**

ITEM	PART NO.	DESCRIPTION	QTY GAS	QTY ELEC
		1 2 3 4		
1	<u>1018412-02</u>	ARMREST, REAR SEAT, LEFT HAND .....	1	1
2	<u>1018412-01</u>	ARMREST, REAR SEAT, RIGHT HAND .....	1	1
3	<u>1018411-01</u>	ASSEMBLY, REAR FOOTREST (INCLUDES ITEMS 4 - 9) .....	1	1
4	<u>1016835</u>	GUARD, BUMPER .....	1	1
5	<u>1018409-01</u>	MAT, FOOTREST .....	1	1
6	<u>1010434</u>	FASTENER, PLASTIC BARREL .....	8	8
7	<u>1016668</u>	BAR, CONNECTING .....	2	2
8	<u>1010435</u>	BOLT, CARRIAGE, 5/16 - 18 x 1 .....	4	4
9	0007473	NUT, NYLON LOCK, 5/16 - 18 .....	2	2
10	<u>1016842</u>	HANDRAIL, REAR SEAT .....	1	1
11	<u>1018413-01</u>	BRACKET, ARMREST .....	1	1
12	0008233	NUT, NYLON LOCK, 1/4 - 20 .....	8	8
13	0007473	NUT, NYLON LOCK, 5/16 - 18 .....	9	9
14	0001218	SCREW, HEX HEAD CAP, 5/16 - 18 x 1 1/4 .....	5	5
15	0001241	WASHER, FLAT, 5/16 .....	9	9
16	0007818	SCREW, TRUSS HEAD, 5/16 - 18 x 1 1/2 .....	2	2
17	0000332	WASHER, FLAT, 1/4 .....	8	8
18	<u>1011988</u>	SCREW, PHILLIPS TRUSS HEAD, 1/4 - 20 x 2 .....	8	8



# CENTER BODY AND TRIM - RESORT VILLAGER

**2**

**G**

**E**

ITEM	PART NO.	DESCRIPTION	QTY GAS	QTY ELEC
		1 2 3 4		
1	<u>1017316-01</u>	BODY, CENTER - BEIGE .....	1	1
1	<u>1017316-02</u>	BODY, CENTER - WHITE .....	1	1
1	<u>1017316-04</u>	BODY, CENTER - GRAY .....	1	1
1	<u>1017316-06</u>	BODY, CENTER - RED .....	1	1
1	<u>1017316-08</u>	BODY, CENTER - DARK BLUE .....	1	1
1	<u>1017316-09</u>	BODY, CENTER - DARK GREEN .....	1	1
2	1011230	KIT, ASHTRAY (INCLUDES ITEMS 3 AND 4) .....	2	2
3	<u>1011226</u>	SCREW, OVAL COUNTERSUNK HEAD, #6 - 32 x 5/8 .....	2	2
4	<u>1011229</u>	NUT, "K" LOCK, #6 - 32 .....	2	2
5	1012412	PLATE, SEAT HINGE .....	2	2
6	0008251	SCREW, PHILLIPS TRUSS HEAD, 1/4 - 20 x 1 .....	10	10
7	0008233	NUT, NYLON LOCK, 1/4 - 20 .....	10	10
8	0000332	WASHER, FLAT, 1/4 .....	10	10
9	<u>1014528</u>	WASHER, FLAT, PLASTIC, 1/4 .....	6	6





# REAR BODY AND FENDER - RESORT VILLAGER

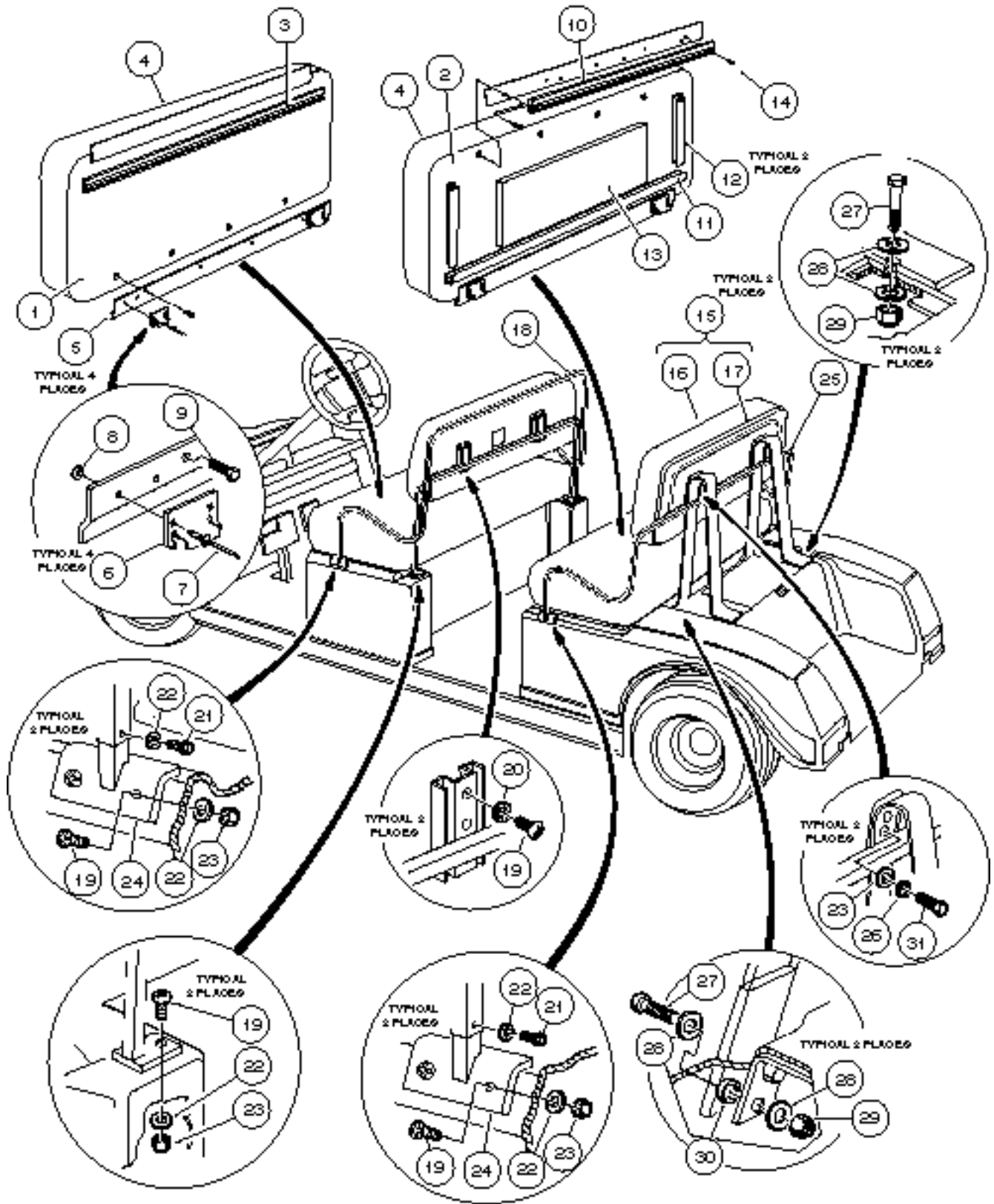
2

G

E

ITEM	PART NO.	DESCRIPTION	QTY GAS	QTY ELEC
		1 2 3 4		
1	1012412	PLATE, BODY HINGE .....	2	2
2	1015422	INSULATION, SOUND, RIGHT SIDE FENDER - SHORT (GASOLINE VEHICLE ONLY) .....	1	
3	1015421	INSULATION, SOUND, LEFT SIDE FENDER - LONG (GASOLINE VEHICLE ONLY) .....	1	
4	1016963	INSULATION, SOUND, FRONT (GASOLINE VEHICLE ONLY) .....	1	
5	1017113	INSULATION, SOUND, LEFT SIDE BODY (GASOLINE VEHICLE ONLY) .....	1	
6	1015420	INSULATION, SOUND, BODY LEFT/RIGHT FENDER (GASOLINE VEHICLE ONLY) .....	2	
7	1017936	FENDER, INNER .....	2	2
8	1010434	BARREL, PLASTIC .....	12	12
9	0007847	SCREW, HEX WASHER HEAD, 1/4 - 20 x 3/4 .....	4	4
10	1017287-01	BODY - BEIGE .....	1	1
10	1017287-02	BODY - WHITE .....	1	1
10	1017287-04	BODY - GRAY .....	1	1
10	1017287-06	BODY - RED .....	1	1
10	1017287-08	BODY - DARK BLUE .....	1	1
10	1017287-09	BODY - DARK GREEN .....	1	1
11	1017141	SUPPORT, FRONT BODY .....	1	1
12	0000332	WASHER, FLAT, 1/4 .....	8	10
13	0008251	SCREW, PHILLIPS TRUSS HEAD, 1/4 - 20 x 1 .....	8	8
14	0008233	NUT, NYLON LOCK, 1/4 - 20 .....	10	12
15	1015829-02	ASSEMBLY, ACCESS DOOR - BLACK (GASOLINE VEHICLE ONLY) .....	1	
15	1013032	DOOR, ACCESS - BLACK (ELECTRIC VEHICLE ONLY) .....		1
16	1015525	NUT, BLIND, 1/4 - 20 .....	2	2
17	0008251	SCREW, PHILLIPS TRUSS HEAD, 1/4 - 20 x 1 .....	2	2
18	1017748	CLIP, BODY KEEPER .....	2	2
19	1012047	SCREW, SELF-TAPPING, #8 - 32 x 3/8 .....	2	2
20	1014392	MAT, BAG REST .....	2	2
21	1019041-01	PLATE, BODY KICK .....	1	1
22	1018370-01	INSULATOR, BATTERY (ELECTRIC VEHICLE ONLY) .....		1
23	1013357	RIVET, POP (ELECTRIC VEHICLE ONLY) .....		2
24	1016952	NUT, "U", 1/4 - 20 (GASOLINE VEHICLE ONLY) .....	2	

SEATS VIEWED FROM THE BOTTOM



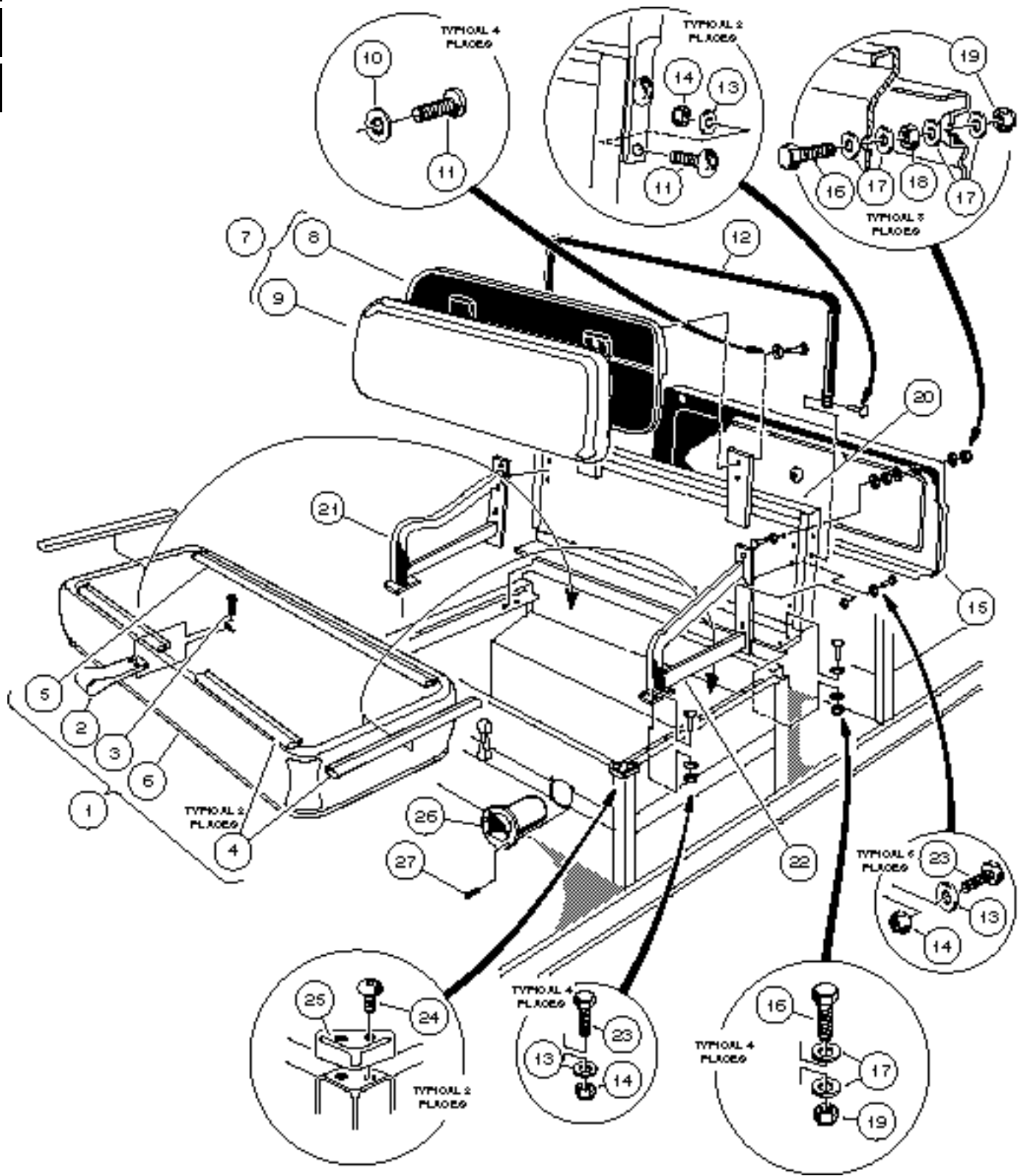
# SEATS AND SUPPORT STRUCTURES RESORT VILLAGER

**2**

**G**

**E**

ITEM	PART NO.	DESCRIPTION	QTY GAS	QTY ELEC
		1 2 3 4		
1	<u>1017282-01</u>	ASSEMBLY, FIRST SEAT BOTTOM - WHITE (INCLUDES ITEMS 3 - 9) .....	1	1
1	<u>1017282-03</u>	ASSEMBLY, FIRST SEAT BOTTOM - BUFF (INCLUDES ITEMS 3 - 9) .....	1	1
1	<u>1017282-10</u>	ASSEMBLY, FIRST SEAT BOTTOM - BLACK (INCLUDES ITEMS 3 - 9) .....	1	1
1	<u>1017282-13</u>	ASSEMBLY, FIRST SEAT BOTTOM - GRAY (INCLUDES ITEMS 3 - 9) .....	1	1
2	<u>1017282-02</u>	ASSEMBLY, SECOND SEAT BOTTOM - WHITE (INCLUDES ITEMS 4 - 14) ....	1	1
2	<u>1017282-04</u>	ASSEMBLY, SECOND SEAT BOTTOM - BUFF (INCLUDES ITEMS 4 - 14) ....	1	1
2	<u>1017282-11</u>	ASSEMBLY, SECOND SEAT BOTTOM - BLACK (INCLUDES ITEMS 4 - 14) ....	1	1
2	<u>1017282-14</u>	ASSEMBLY, SECOND SEAT BOTTOM - GRAY (INCLUDES ITEMS 4 - 14) ....	1	1
3	<u>1013312</u>	BUMPER, SEAT - LONG (FIRST SEAT ONLY) .....	1	1
4	<u>1015627-01</u>	COVER, VINYL SEAT BOTTOM - BUFF .....	1	1
4	<u>1015627-02</u>	COVER, VINYL SEAT BOTTOM - WHITE .....	1	1
4	<u>1015627-04</u>	COVER, VINYL SEAT BOTTOM - BLACK .....	1	1
4	<u>1015627-10</u>	COVER, VINYL SEAT BOTTOM - GRAY .....	1	1
5	<u>1017695</u>	BRACKET, SEAT SUPPORT .....	2	2
6	<u>1011652</u>	PLATE, SEAT HINGE .....	2	2
7	<u>1018809-01</u>	RIVET, POP, STAINLESS STEEL, 3/16 .....	4	4
8	<u>1018817-01</u>	WASHER, FLAT, STAINLESS STEEL, #8 .....	4	4
9	0000304	SCREW, HEX HEAD CAP, 1/4 - 20 x 1 .....	8	8
10	<u>1012597</u>	BUMPER, SEAT (SECOND SEAT ONLY) .....	1	1
11	<u>1012657</u>	GASKET, SEAT - LONG (SECOND SEAT ONLY) .....	1	1
12	<u>1012656</u>	GASKET, SEAT - SHORT (SECOND SEAT ONLY) .....	2	2
13	1017283	INSULATION, SOUND (SECOND SEAT ONLY) .....	1	1
14	<u>1017384</u>	SCREW, WASHER HEAD TAP, #12 (SECOND SEAT ONLY) .....	5	5
15	<u>1016777-01</u>	ASSEMBLY, SEAT BACK - WHITE (INCLUDES ITEMS 16 AND 17) .....	2	2
15	<u>1016777-02</u>	ASSEMBLY, SEAT BACK - BLACK (INCLUDES ITEMS 16 AND 17) .....	2	2
15	<u>1016777-03</u>	ASSEMBLY, SEAT BACK - BUFF (INCLUDES ITEMS 16 AND 17) .....	2	2
15	<u>1016777-05</u>	ASSEMBLY, SEAT BACK - GRAY (INCLUDES ITEMS 16 AND 17) .....	2	2
16	<u>1016755-01</u>	COVER, VINYL SEAT BACK - BUFF .....	2	2
16	<u>1016755-02</u>	COVER, VINYL SEAT BACK - WHITE .....	2	2
16	1016755-04	COVER, VINYL SEAT BACK - BLACK .....	2	2
16	<u>1016755-06</u>	COVER, VINYL SEAT BACK - GRAY .....	2	2
17	1016751	CAP, SEAT BACK - BLACK .....	2	2
18	<u>1017259</u>	WELDMENT, FRONT ARMREST .....	1	1
19	<u>1015902</u>	SCREW, PHILLIPS TRUSS HEAD, 1/4 - 20 x 1 1/4 .....	14	14
20	0008304	WASHER, LOCK, 1/4 .....	4	4
21	<u>1012285</u>	SCREW, THREAD ROLLING, 1/4 - 20 x 5/8 .....	4	4
22	0000332	WASHER, FLAT, 1/4 .....	18	18
23	0008233	NUT, NYLON LOCK, 1/4 - 20 .....	10	10
24	<u>1017310</u>	WELDMENT, ARMREST MOUNTING .....	4	4
25	<u>1017992-01</u>	WELDMENT, REAR ARMREST .....	1	1
26	0000451	WASHER, LOCK, 1/4 .....	4	4
27	0001218	SCREW, HEX HEAD CAP, 5/16 - 18 x 1 1/4 .....	6	6
28	0001241	WASHER, FLAT, 5/16 .....	12	12
29	0007473	NUT, NYLON LOCK, 5/16 - 18 .....	6	6
30	1017774	SPACER, BODY .....	4	4
31	0000304	SCREW, HEX HEAD CAP, 1/4 - 20 x 1 .....	4	4



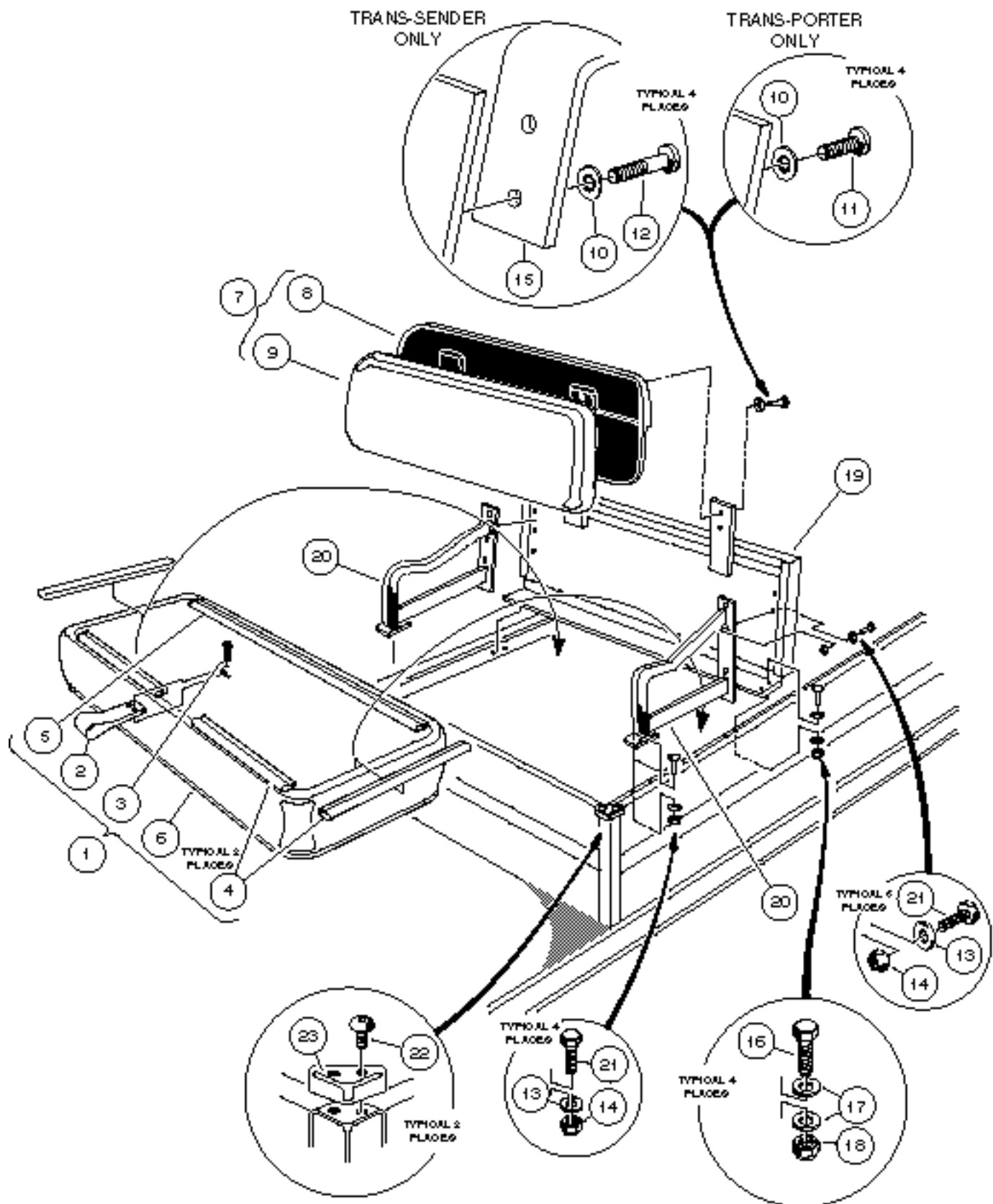
# FIRST SEAT AND SUPPORT STRUCTURE TRANS-PORTER/TRANS-SENDER

**2**

**G**

**E**

ITEM	PART NO.	DESCRIPTION	QTY GAS	QTY ELEC
		1 2 3 4		
1	<u>1015645-02</u>	ASSEMBLY, SEAT BOTTOM - WHITE (INCLUDES ITEMS 2 - 6) .....	1	1
1	<u>1015645-03</u>	ASSEMBLY, SEAT BOTTOM - BLACK (INCLUDES ITEMS 2 - 6) .....	1	1
1	<u>1015645-05</u>	ASSEMBLY, SEAT BOTTOM - GRAY (INCLUDES ITEMS 2 - 6) .....	1	1
2	<u>1013309</u>	STRAP, SEAT BOTTOM .....	1	1
3	<u>1010545</u>	SCREW, HEX WASHER HEAD, 1/4 - 14 x 3/4 .....	2	2
4	<u>1013311</u>	BUMPER, SEAT - SHORT .....	4	4
5	<u>1013312</u>	BUMPER, SEAT - LONG .....	1	1
6	<u>1015627-02</u>	COVER, VINYL SEAT BOTTOM - WHITE .....	1	1
6	<u>1015627-04</u>	COVER, VINYL SEAT BOTTOM - BLACK .....	1	1
6	<u>1015627-10</u>	COVER, VINYL SEAT BOTTOM - GRAY .....	1	1
7	<u>1016777-01</u>	ASSEMBLY, SEAT BACK - WHITE (INCLUDES ITEMS 8 AND 9) .....	1	1
7	<u>1016777-02</u>	ASSEMBLY, SEAT BACK - BLACK (INCLUDES ITEMS 8 AND 9) .....	1	1
7	<u>1016777-05</u>	ASSEMBLY, SEAT BACK - GRAY (INCLUDES ITEMS 8 AND 9) .....	1	1
8	<u>1016751</u>	CAP, SEAT BACK .....	1	1
9	<u>1016755-02</u>	COVER, VINYL SEAT BACK - WHITE .....	1	1
9	<u>1016755-04</u>	COVER, VINYL SEAT BACK - BLACK .....	1	1
9	<u>1016755-06</u>	COVER, VINYL SEAT BACK - GRAY .....	1	1
10	<u>0008304</u>	WASHER, INTERNAL TOOTH LOCK, 1/4 .....	4	4
11	<u>0008248</u>	SCREW, PHILLIPS TRUSS HEAD, 1/4 - 20 x 3/4 .....	8	8
12	<u>1016670</u>	HANDRAIL .....	1	1
13	<u>0000332</u>	WASHER, FLAT, 1/4 .....	14	14
14	<u>0008233</u>	NUT, NYLON LOCK, 1/4 - 20 .....	14	14
15	<u>1016970</u>	COVER, SEAT BACK SUPPORT .....	1	1
16	<u>1010934</u>	SCREW, HEX HEAD CAP, 5/16 - 18 x 1 .....	7	7
17	<u>0001241</u>	WASHER, FLAT, 5/16 .....	20	20
18	<u>0001242</u>	NUT, HEX, 5/16 - 18 .....	3	3
19	<u>0007473</u>	NUT, NYLON LOCK, 5/16 - 18 .....	7	7
20	<u>1016723</u>	ASSEMBLY, SEAT SUPPORT PANEL .....	1	1
21	<u>1018885-01</u>	ASSEMBLY, ARMREST, PASSENGER .....	1	1
22	<u>1018885-02</u>	ASSEMBLY, ARMREST, DRIVER .....	1	1
23	<u>0000304</u>	SCREW, HEX HEAD CAP, 1/4 - 20 x 1 .....	10	10
24	<u>1014321</u>	SCREW, TORX TRUSS HEAD, #10 - 24 x 3/8 .....	4	4
25	<u>1014387</u>	CAP, CORNER .....	2	2
26	<u>1016673</u>	HOUSING, CORD .....		1
27	<u>0008796</u>	SCREW, PHILLIPS HEAD, #7 - 19 x 3/4 .....		4



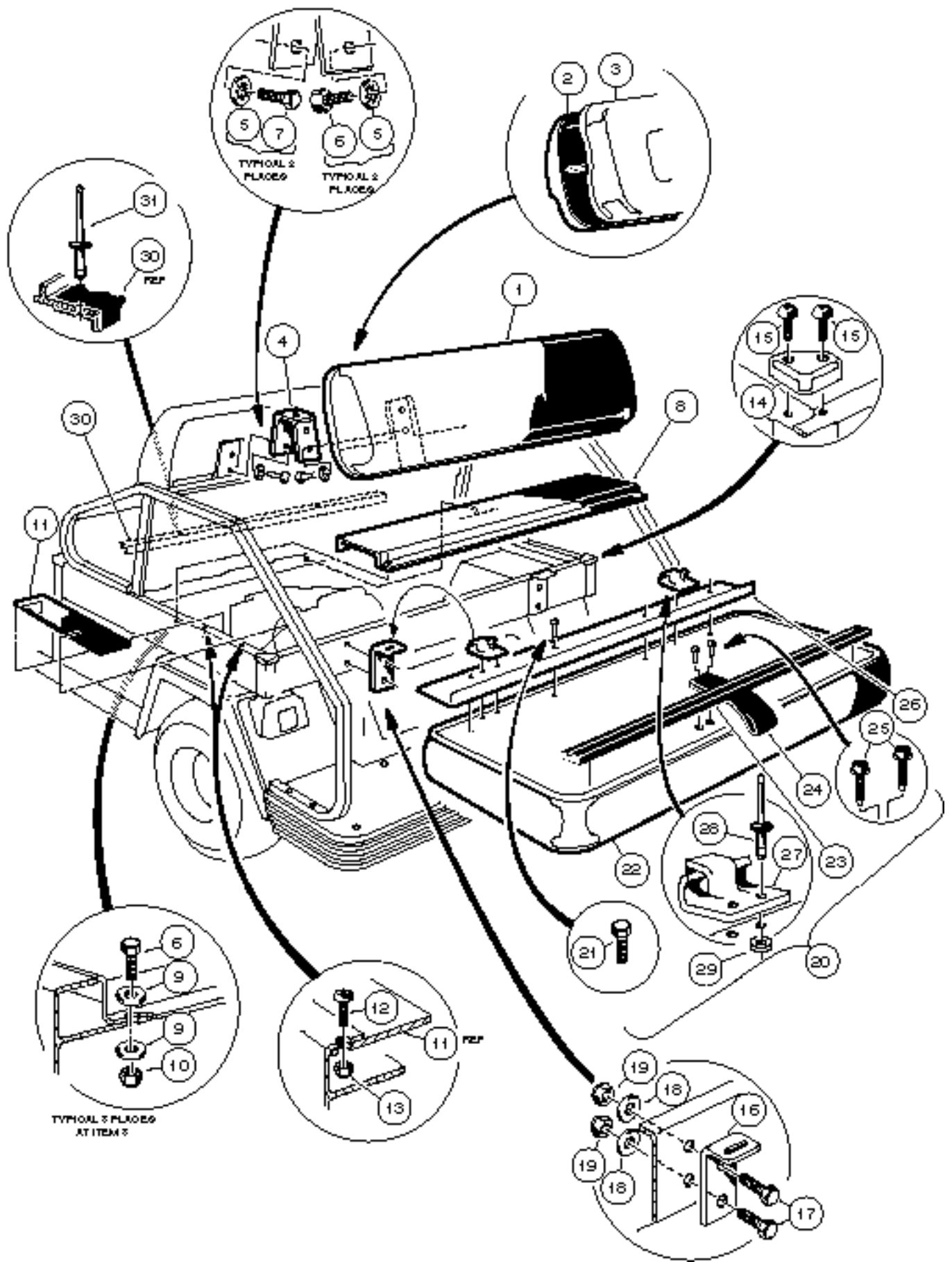
# SECOND SEAT AND SUPPORT STRUCTURE TRANS-PORTER/TRANS-SENDER

**2**

**G**

**E**

ITEM	PART NO.	DESCRIPTION	TRANS-PORTER	TRANS-SENDER
		1 2 3 4		
1	<u>1015645-02</u>	ASSEMBLY, SEAT BOTTOM - WHITE (INCLUDES ITEMS 2 - 6) .....	1	1
1	<u>1015645-03</u>	ASSEMBLY, SEAT BOTTOM - BLACK (INCLUDES ITEMS 2 - 6) .....	1	1
1	<u>1015645-05</u>	ASSEMBLY, SEAT BOTTOM - GRAY (INCLUDES ITEMS 2 - 6) .....	1	1
2	<u>1013309</u>	STRAP, SEAT BOTTOM .....	1	1
3	<u>1010545</u>	SCREW, HEX WASHER HEAD, 1/4 - 14 x 3/4 .....	2	2
4	<u>1013311</u>	BUMPER, SEAT - SHORT .....	4	4
5	<u>1013312</u>	BUMPER, SEAT - LONG .....	1	1
6	<u>1015627-02</u>	COVER, VINYL SEAT BOTTOM - WHITE .....	1	1
6	<u>1015627-04</u>	COVER, VINYL SEAT BOTTOM - BLACK .....	1	1
6	<u>1015627-10</u>	COVER, VINYL SEAT BOTTOM - GRAY .....	1	1
7	<u>1016777-01</u>	ASSEMBLY, SEAT BACK - WHITE (INCLUDES ITEMS 8 AND 9) .....	1	1
7	<u>1016777-02</u>	ASSEMBLY, SEAT BACK - BLACK (INCLUDES ITEMS 8 AND 9) .....	1	1
7	<u>1016777-05</u>	ASSEMBLY, SEAT BACK - GRAY (INCLUDES ITEMS 8 AND 9) .....	1	1
8	<u>1016751</u>	CAP, SEAT BACK .....	1	1
9	<u>1016755-02</u>	COVER, VINYL SEAT BACK - WHITE .....	1	1
9	<u>1016755-04</u>	COVER, VINYL SEAT BACK - BLACK .....	1	1
9	<u>1016755-06</u>	COVER, VINYL SEAT BACK - GRAY .....	1	1
10	<u>0008304</u>	WASHER, INTERNAL TOOTH LOCK, 1/4 .....	4	4
11	<u>0008248</u>	SCREW, PHILLIPS TRUSS HEAD, 1/4 - 20 x 3/4 (TRANS-PORTER ONLY) .....	4	
12	<u>0007479</u>	SCREW, HEX HEAD CAP, 1/4 - 20 x 1 1/4 (TRANS-SENDER ONLY) .....		4
13	<u>0000332</u>	WASHER, FLAT, 1/4 (TRANS-PORTER ONLY) .....	10	
14	<u>0008233</u>	NUT, NYLON LOCK, 1/4 - 20 (TRANS-PORTER ONLY) .....	10	
15	<u>1016839</u>	MOUNT, SEAT BACK BRACKET (TRANS-SENDER ONLY) .....		2
16	<u>1010934</u>	SCREW, HEX HEAD CAP, 5/16 - 18 x 1 .....	4	4
17	<u>0001241</u>	WASHER, FLAT, 5/16 .....	8	8
18	<u>0007473</u>	NUT, NYLON LOCK, 5/16 - 18 .....	4	4
19	<u>1016723</u>	ASSEMBLY, SEAT SUPPORT PANEL .....	1	1
20	<u>1018885-01</u>	ASSEMBLY, ARMREST, PASSENGER (TRANS-PORTER ONLY) .....	2	
21	<u>0000304</u>	SCREW, HEX HEAD CAP, 1/4 - 20 x 1 (TRANS-PORTER ONLY) .....	10	
22	<u>1014321</u>	SCREW, TORX TRUSS HEAD, #10 - 24 x 3/8 .....	4	4
23	<u>1014387</u>	CAP, CORNER .....	2	2





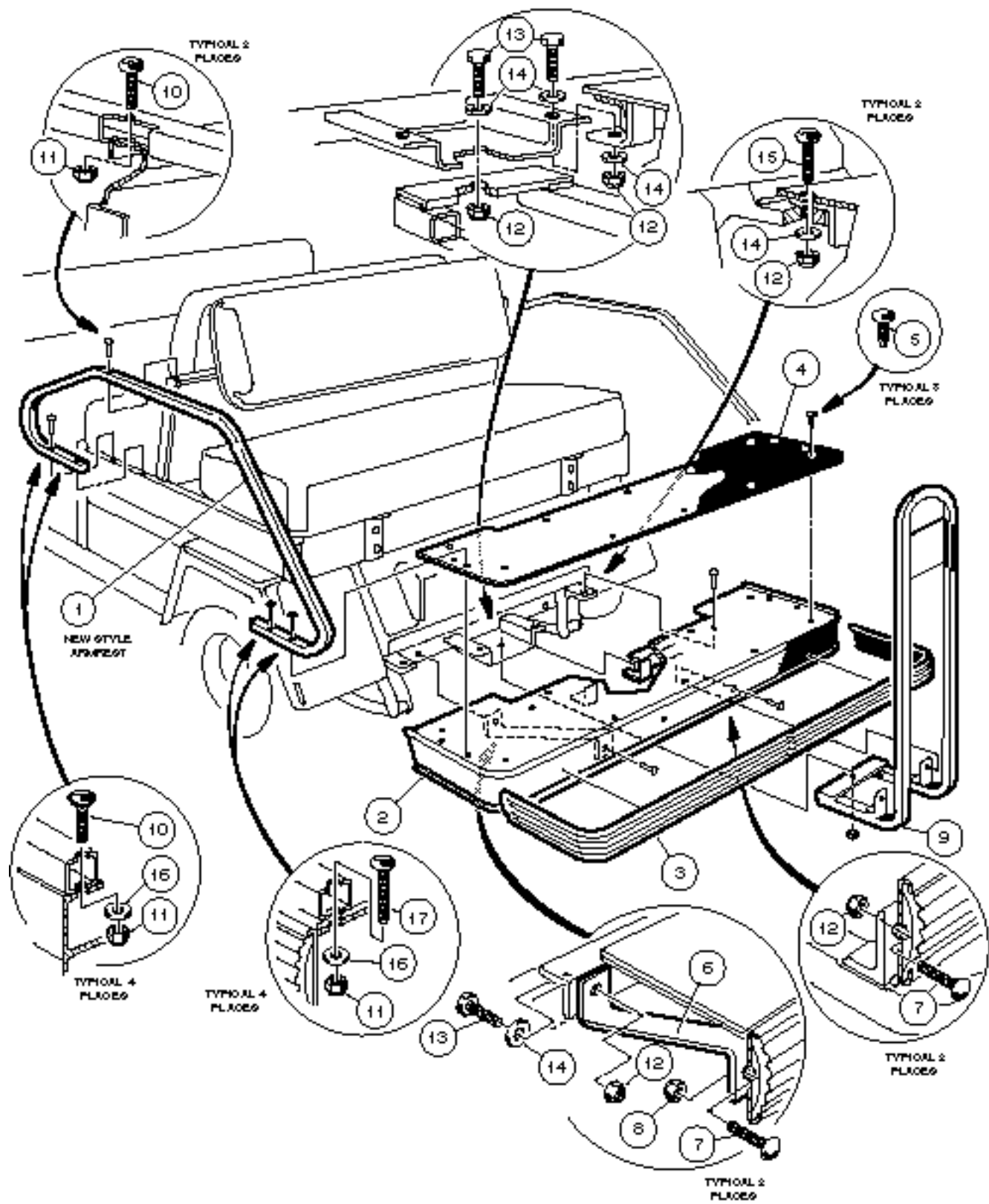
# THIRD SEAT AND COMPONENTS TRANS-SENDER

**2**

**G**

**E**

ITEM	PART NO.	DESCRIPTION	QTY GAS	QTY ELEC
		1 2 3 4		
1	<u>1016777-01</u>	ASSEMBLY, SEAT BACK - WHITE (INCLUDES ITEMS 2 AND 3) .....	1	1
1	<u>1016777-02</u>	ASSEMBLY, SEAT BACK - BLACK (INCLUDES ITEMS 2 AND 3) .....	1	1
1	<u>1016777-05</u>	ASSEMBLY, SEAT BACK - GRAY (INCLUDES ITEMS 2 AND 3) .....	1	1
2	1016751	CAP, SEAT BACK .....	1	1
3	<u>1016755-02</u>	COVER, VINYL SEAT BACK - WHITE .....	1	1
3	1016755-04	COVER, VINYL SEAT BACK - BLACK .....	1	1
3	<u>1016755-05</u>	COVER, VINYL SEAT BACK - GRAY .....	1	1
4	<u>1016839</u>	MOUNT, SEAT BACK BRACKET .....	2	2
5	0008304	WASHER, INTERNAL TOOTH LOCK, 1/4 .....	8	8
6	0007847	SCREW, HEX HEAD CAP, 1/4 - 20 x 3/4 .....	7	7
7	0007479	SCREW, HEX HEAD CAP, 1/4 - 20 x 1 1/4 .....	4	4
8	<u>1016816</u>	SUPPORT, REAR SEAT .....	1	1
9	0000332	WASHER, FLAT, 1/4 .....	6	6
10	0008233	NUT, NYLON LOCK, 1/4 - 20 .....	3	3
11	<u>1016930</u>	PANEL, REAR SEAT FRAME .....	2	2
12	<u>1013169</u>	SCREW, ROUND HEAD SLOTTED MACHINE, #10 - 32 x 1/2 .....	4	4
13	<u>1013061</u>	NUT, NYLON LOCK, #10 - 32 .....	4	4
14	<u>1014387</u>	CAP, CORNER .....	2	2
15	<u>1014321</u>	SCREW, TORX TRUSS HEAD, #10 - 24 x 3/8 .....	4	4
16	<u>1016819</u>	BODY, SEAT HINGE .....	2	2
17	0008861	SCREW, HEX HEAD CAP, 3/8 - 16 x 1 3/4 .....	4	4
18	<u>1011990</u>	WASHER, FLAT, 3/8 .....	4	4
19	0008754	NUT, NYLON LOCK, 3/8 - 16 .....	4	4
20	<u>1016841-02</u>	ASSEMBLY, SEAT BOTTOM, WHITE (INCLUDES ITEMS 21 - 29) .....	1	1
20	<u>1016841-03</u>	ASSEMBLY, SEAT BOTTOM, BLACK (INCLUDES ITEMS 21 - 29) .....	1	1
20	<u>1016841-05</u>	ASSEMBLY, SEAT BOTTOM, GRAY (INCLUDES ITEMS 21 - 29) .....	1	1
21	0000304	SCREW, HEX HEAD CAP, 1/4 - 20 x 1 .....	4	4
22	<u>1015627-02</u>	COVER, VINYL SEAT BOTTOM - WHITE .....	1	1
22	<u>1015627-04</u>	COVER, VINYL SEAT BOTTOM - BLACK .....	1	1
22	<u>1015627-10</u>	COVER, VINYL SEAT BOTTOM - GRAY .....	1	1
23	<u>1013312</u>	BUMPER, LONG SEAT .....	1	1
24	<u>1013309</u>	STRAP, SEAT BOTTOM .....	1	1
25	<u>1010545</u>	SCREW, HEX WASHER HEAD, 1/4 - 14 x 3/4 .....	2	2
26	<u>1016824</u>	ANGLE, SEAT HINGE .....	1	1
27	<u>1011652</u>	PLATE, SEAT HINGE .....	2	2
28	<u>1018809-01</u>	RIVET, POP, STAINLESS STEEL, 3/16 .....	4	4
29	<u>1018817-01</u>	WASHER, FLAT, STAINLESS STEEL, #8 .....	4	4
30	<u>1018370-01</u>	INSULATOR, BATTERY (ELECTRIC VEHICLE ONLY) .....		1
31	<u>1013357</u>	RIVET, POP (ELECTRIC VEHICLE ONLY) .....		2



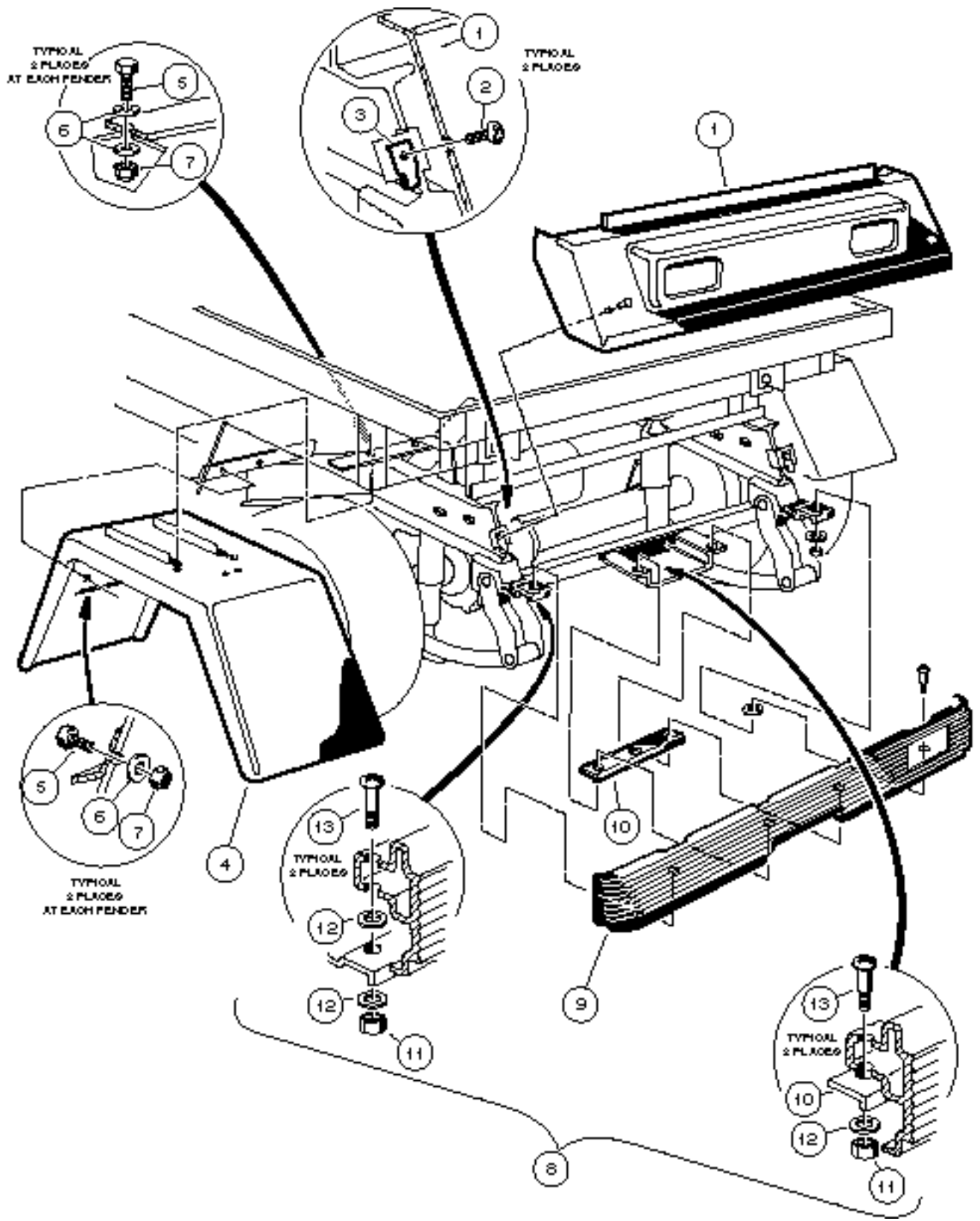
# REAR FOOTREST AND HANDRAILS - TRANS-SENDER

2

G

E

ITEM	PART NO.	DESCRIPTION	QTY GAS	QTY ELEC
		1 2 3 4		
1	<u>1018463-01</u>	ARMREST, REAR SEAT .....	2	2
2	<u>1016843</u>	ASSEMBLY, REAR FOOTREST (INCLUDES ITEMS 3 - 8) .....	1	1
3	<u>1016835</u>	GUARD, BUMPER .....	1	1
4	1016838	MAT, FOOTREST .....	1	1
5	<u>1010434</u>	FASTENER, PLASTIC BARREL .....	8	8
6	<u>1016668</u>	BAR, CONNECTING .....	2	2
7	<u>1010435</u>	BOLT, CARRIAGE, 5/16 - 18 x 1 .....	4	4
8	0007473	NUT, NYLON LOCK, 5/16 - 18 .....	2	2
9	<u>1016842</u>	HANDRAIL, REAR SEAT .....	1	1
10	1017172	SCREW, PHILLIPS TRUSS HEAD, 1/4 - 20 x 1 1/2 .....	6	6
11	0008233	NUT, NYLON LOCK, 1/4 - 20 .....	10	10
12	0007473	NUT, NYLON LOCK, 5/16 - 18 .....	9	9
13	0001218	SCREW, HEX HEAD CAP, 5/16 - 18 x 1 1/4 .....	5	5
14	0001241	WASHER, FLAT, 5/16 .....	9	9
15	0007410	SCREW, PHILLIPS TRUSS HEAD, 5/16 - 18 x 1 1/4 .....	2	2
16	0000332	WASHER, FLAT, 1/4 .....	8	8
17	1017181	SCREW, PHILLIPS TRUSS HEAD, 1/4 - 20 x 2 .....	4	4



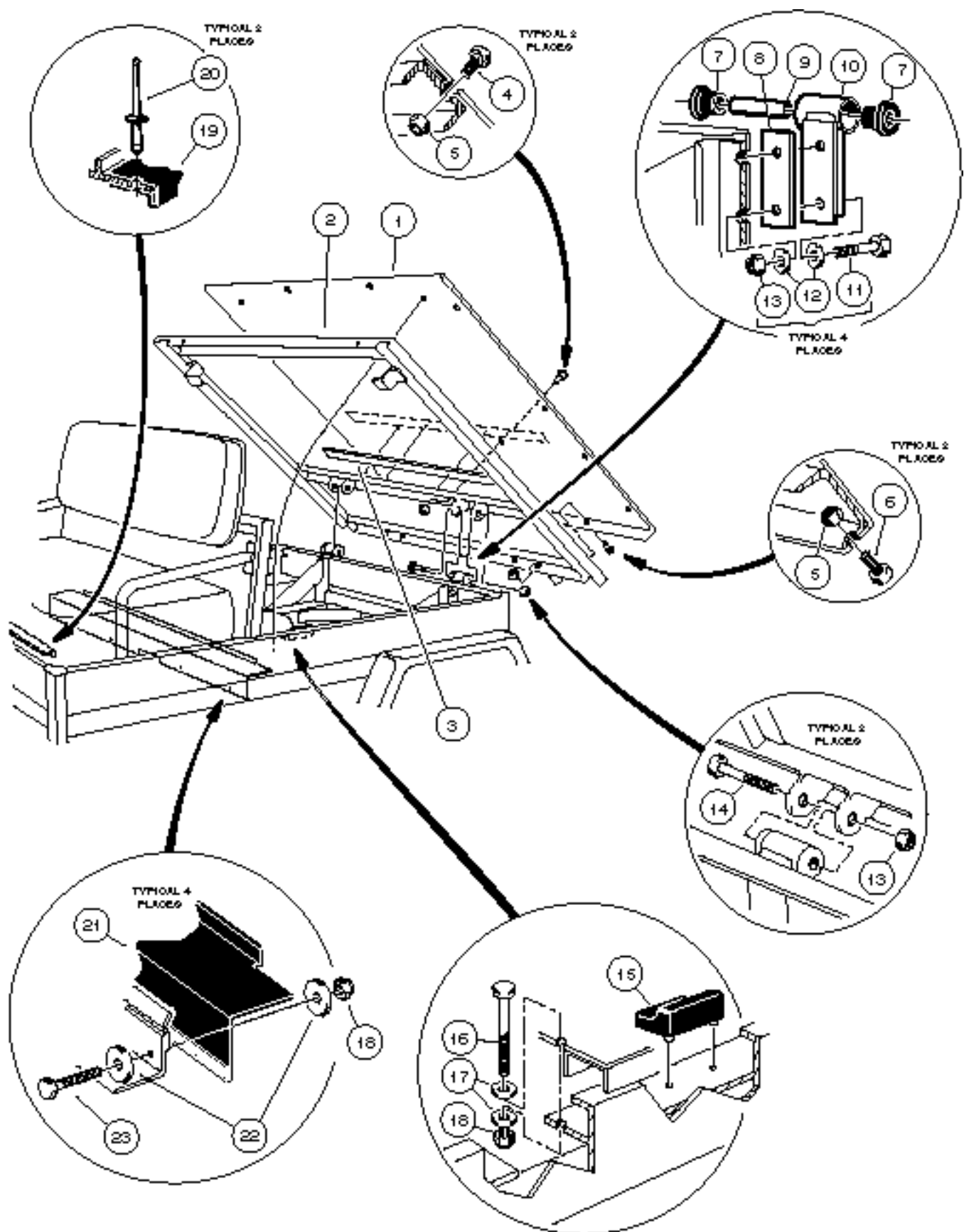
# REAR COVER - TRANS-PORTER/TRANS-SENDER

2

G

E

ITEM	PART NO.	DESCRIPTION	QTY GAS	QTY ELEC
		1 2 3 4		
1	<u>1015530</u>	TAILSKIRT, TILT BED .....	1	1
2	0008248	SCREW, PHILLIPS TRUSS HEAD, 1/4 - 20 x 3/4 .....	2	2
3	1015529	NUT, TINNEMAN, "U", 1/4 - 20 .....	2	2
4	<u>1016679</u>	FENDER, REAR .....	2	2
5	0000304	SCREW, HEX HEAD CAP, 1/4 - 20 x 1 .....	8	8
6	<u>1014306</u>	WASHER, FLAT, 1/4 .....	12	12
7	0008233	NUT, NYLON LOCK, 1/4 - 20 .....	8	8
8	<u>1017079</u>	KIT, REAR BUMPER (INCLUDES ITEMS 9 - 13) (TRANS-PORTER ONLY) .....	1	1
9	<u>1016379</u>	BUMPER, REAR (TRANS-PORTER ONLY) .....	1	1
10	<u>1016875</u>	PLATE, MOUNTING - LONG (TRANS-PORTER ONLY) .....	1	1
11	0007473	NUT, NYLON LOCK, 5/16 - 18 (TRANS-PORTER ONLY) .....	4	4
12	<u>1011697</u>	WASHER, FLAT, 5/16 (TRANS-PORTER ONLY).....	6	6
13	<u>1016876</u>	BOLT, PHILLIPS TRUSS HEAD SHOULDER, 3/8 - 18 x 2 (TRANS-PORTER ONLY) .....	4	4



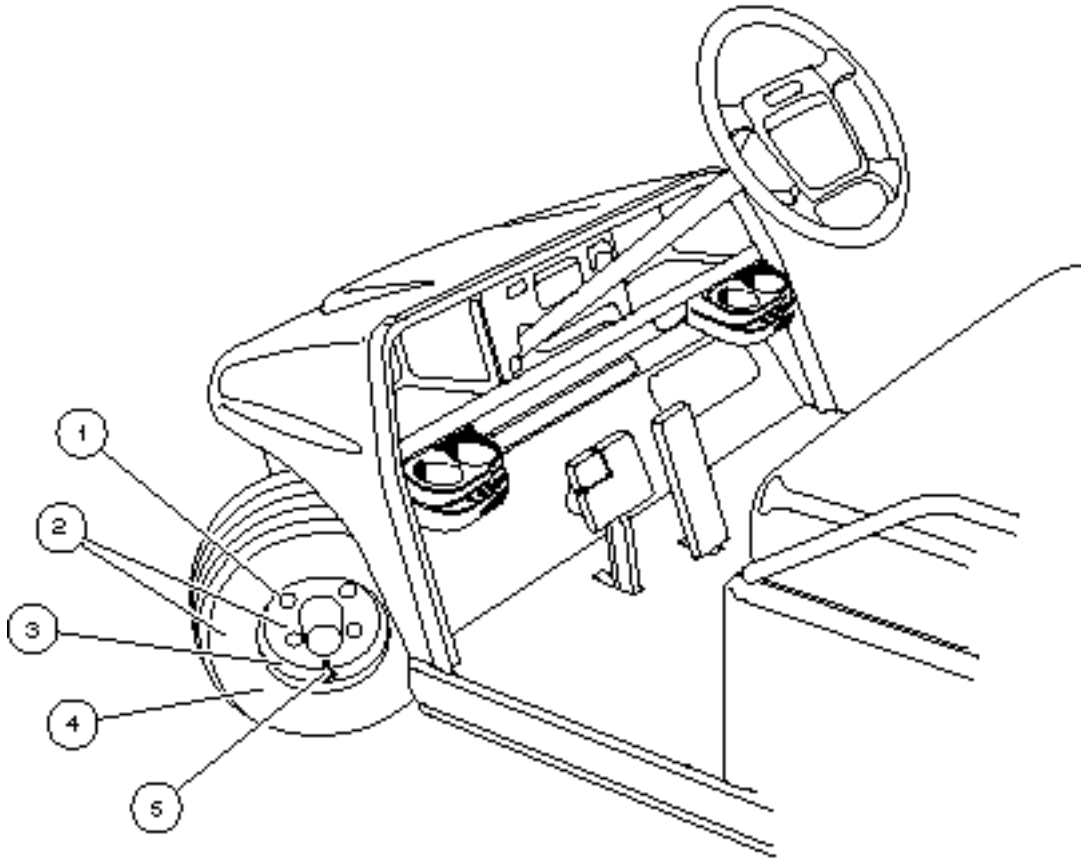
# REAR CARGO BED - TRANS-PORTER

**2**

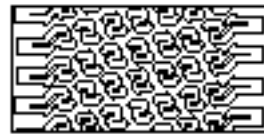
**G**

**E**

ITEM	PART NO.	DESCRIPTION	QTY GAS	QTY ELEC
		1 2 3 4		
1	<u>1016724</u>	ASSEMBLY, TILT BED (INCLUDES ITEMS 2 - 6) .....	1	1
2	N/A	WELDMENT, TILT BED .....	1	1
3	<u>1014471</u>	INSULATION .....	1	1
4	<u>1010435</u>	BOLT, CARRIAGE, 5/16 - 18 x 1 .....	2	2
5	0007473	NUT, NYLON LOCK, 5/16 - 18 .....	6	6
6	1015399	SCREW, TORX TRUSS HEAD, 5/16 - 18 x 3/4 .....	4	4
7	<u>1015583</u>	BUSHING, URETHANE .....	4	4
8	<u>1015507</u>	SHIM, TILT BED PIVOT .....	2	2
9	<u>1012303</u>	BUSHING, STEEL .....	2	2
10	<u>1015356</u>	WELDMENT, TILT BED HINGE .....	2	2
11	0000705	SCREW, HEX HEAD CAP, 3/8 - 16 x 1 1/4 .....	4	4
12	<u>1011990</u>	WASHER, FLAT, 3/8 .....	8	8
13	0008754	NUT, NYLON LOCK, 3/8 - 16 .....	6	6
14	0008755	SCREW, HEX HEAD CAP, 3/8 - 16 x 3 3/8 .....	2	2
15	1015242	BUMPER, BED .....	2	2
16	<u>1013872</u>	SCREW, HEX HEAD CAP, 1/4 - 20 x 4 .....	2	2
17	0000332	WASHER, FLAT, 1/4 .....	4	4
18	0008233	NUT, NYLON LOCK, 1/4 - 20 .....	6	6
19	<u>1018370-01</u>	INSULATOR, BATTERY (ELECTRIC VEHICLE ONLY) .....		1
20	<u>1013357</u>	RIVET, ALUMINUM POP, 5/32 (ELECTRIC VEHICLE ONLY) .....		2
21	<u>1017976</u>	SEAL, BED .....	1	1
22	<u>1014306</u>	WASHER, FLAT, 1/4 .....	8	8
23	0007847	SCREW, HEX HEAD CAP, 1/4 - 20 x 3/4 .....	4	4



POWER RIB



SOFTRAC



# WHEELS AND TIRES

**2**

**G**

**E**

ITEM	PART NO.	DESCRIPTION	QTY GAS	QTY ELEC
		1 2 3 4		
1	<u>1010984</u>	NUT, LUG .....	16	16
2	<u>1016514-02</u>	ASSEMBLY, WHITE WHEEL AND TIRE, POWER RIB, FOUR PLY (18 x 8.5 - 8) (TOURALL ONLY) .....	4	4
2	<u>1015705-06</u>	ASSEMBLY, BEIGE WHEEL AND TIRE, POWER RIB, SIX PLY (18 x 8.5 - 8) (RESORT VILLAGER ONLY) .....	4	4
2	<u>1015705-07</u>	ASSEMBLY, BEIGE WHEEL AND TIRE, SOFTRAC, SIX PLY (18 x 8.5 - 8) (RESORT VILLAGER ONLY) .....	4	4
2	<u>1016514-06</u>	ASSEMBLY, WHITE WHEEL AND TIRE, POWER RIB, SIX PLY (18 x 8.5 - 8) .....	4	4
2	<u>1016514-07</u>	ASSEMBLY, WHITE WHEEL AND TIRE, SOFTRAC, SIX PLY (18 x 8.5 - 8) .....	4	4
3	1015707	WHEEL RIM - BEIGE .....	4	4
3	<u>1014771</u>	WHEEL RIM - WHITE .....	4	4
4	1015672	TIRE, UNMOUNTED, POWER RIB, FOUR PLY (18 x 8.5 - 8) (TOURALL ONLY) .....	4	4
4	1017370	TIRE, UNMOUNTED, POWER RIB, SIX PLY (18 x 8.5 - 8) .....	4	4
4	1017693	TIRE, UNMOUNTED, SOFTRAC, SIX PLY (18 x 8.5 - 8) .....	4	4
5	0007310	STEM, VALVE .....	4	4



# SAFETY DECALS

---

3

G

E

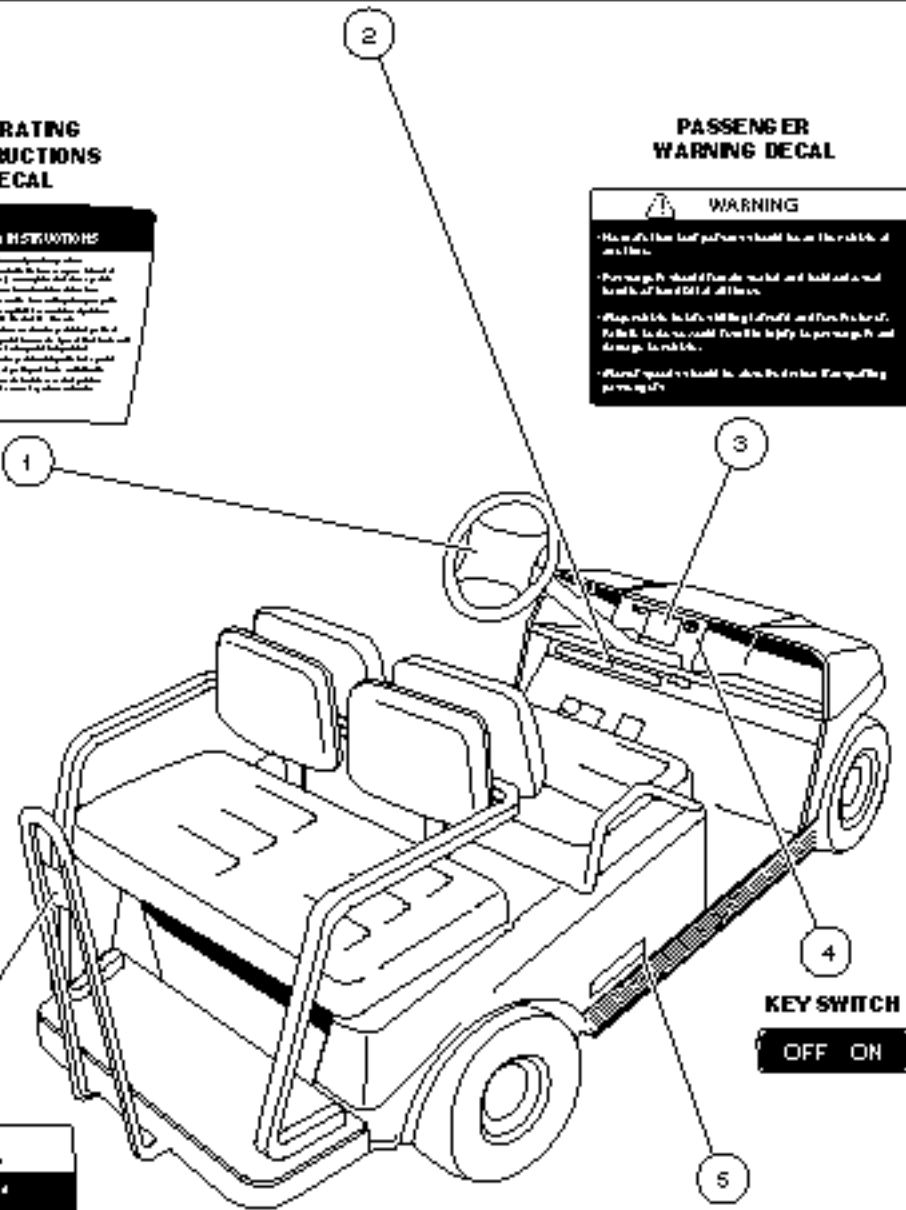
**SAFETY WARNING  
DECAL**

 <p><b>WARNING</b> Always use proper tie-down technique to secure loads properly.</p>	<ul style="list-style-type: none"> <li>• Avoid a good load limit and never load over a rating.</li> <li>• Always, always tie down loads in multiple directions.</li> <li>• Vehicles are built to a strict safety standard as set by the state of Texas.</li> </ul>	<ul style="list-style-type: none"> <li>• Do not use the path for an aisle.</li> <li>• Do not use the ramp for an aisle.</li> <li>• Do not use the stairs for an aisle.</li> <li>• Do not use the stairs for an aisle.</li> <li>• Do not use the stairs for an aisle.</li> <li>• Do not use the stairs for an aisle.</li> </ul>	<ul style="list-style-type: none"> <li>• Please do not use the vehicle for anything other than its intended use.</li> <li>• Do not use the vehicle for anything other than its intended use.</li> <li>• Do not use the vehicle for anything other than its intended use.</li> <li>• Do not use the vehicle for anything other than its intended use.</li> <li>• Do not use the vehicle for anything other than its intended use.</li> </ul>	<ul style="list-style-type: none"> <li>• Do not use the vehicle for anything other than its intended use.</li> <li>• Do not use the vehicle for anything other than its intended use.</li> <li>• Do not use the vehicle for anything other than its intended use.</li> <li>• Do not use the vehicle for anything other than its intended use.</li> <li>• Do not use the vehicle for anything other than its intended use.</li> </ul>
--	--	--	---	--

**OPERATING  
INSTRUCTIONS  
DECAL**



**PASSENGER  
WARNING  
DECAL**



**INGERSOLL-RAND  
DECAL**



**PASSENGER  
WARNING  
DECAL  
(ON REAR HANDRAIL  
FACING SEAT)**

# SAFETY DECALS - TOURALL

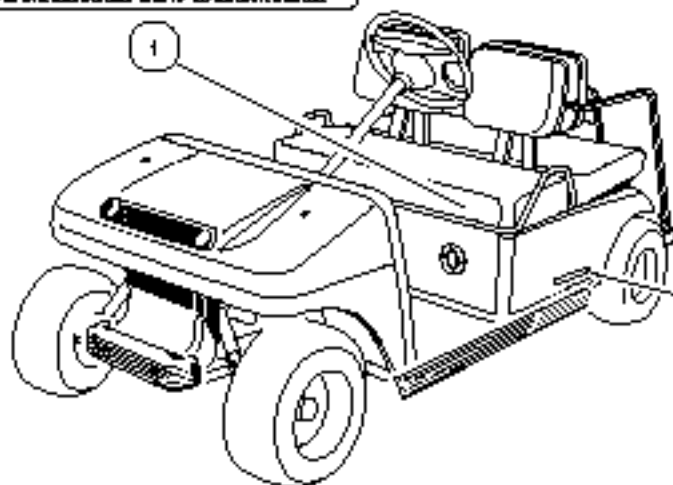
**3**

**G**

**E**

ITEM	PART NO.	DESCRIPTION	QTY GAS	QTY ELEC
		1 2 3 4		
1	1016216	DECAL, OPERATING INSTRUCTIONS .....	1	1
2	<u>1014883</u>	DECAL, SAFE OPERATION WARNING .....	1	1
3	<u>1016466</u>	DECAL, PASSENGER WARNING .....	1	1
4	<u>1018251-01</u>	DECAL, KEY SWITCH .....	1	1
5	<u>1019219-01</u>	DECAL, INGERSOLL-RAND .....	2	2
6	1017057	DECAL, PASSENGER WARNING .....	1	1

**DANGER DECAL  
(ON BODY UNDER SEAT)**

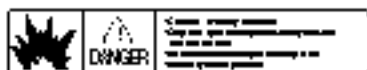


**ELECTRIC  
VEHICLE**

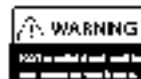
**INGERSOLL-RAND DECAL  
(ON THE BODY PANEL)**

**PERIODIC SERVICE  
SCHEDULE DECAL  
(ON AIR INTAKE BOX)**

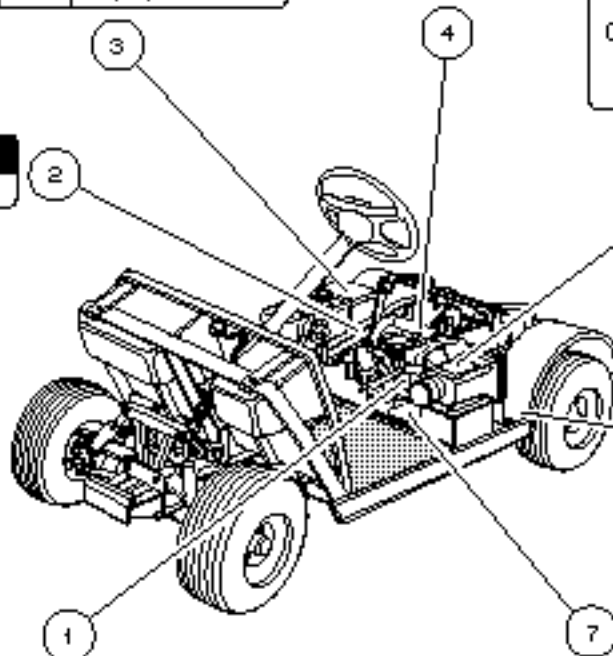
**GASOLINE TANK  
DANGER DECAL  
(ON BODY ADJACENT TO  
FUEL TANK)**



**HOT MANFOLD AND  
MUFFLER DECAL  
(ON ENGINE)**



**MOVING PARTS  
DECAL  
(ON FRAME)**



**GASOLINE  
VEHICLE**

**INGERSOLL-RAND DECAL  
(ON THE BODY PANEL)**



**DANGER DECAL  
(ON BODY UNDER SEAT)**



**FRAME GROUND  
WARNING DECAL  
(ON FRAME)**

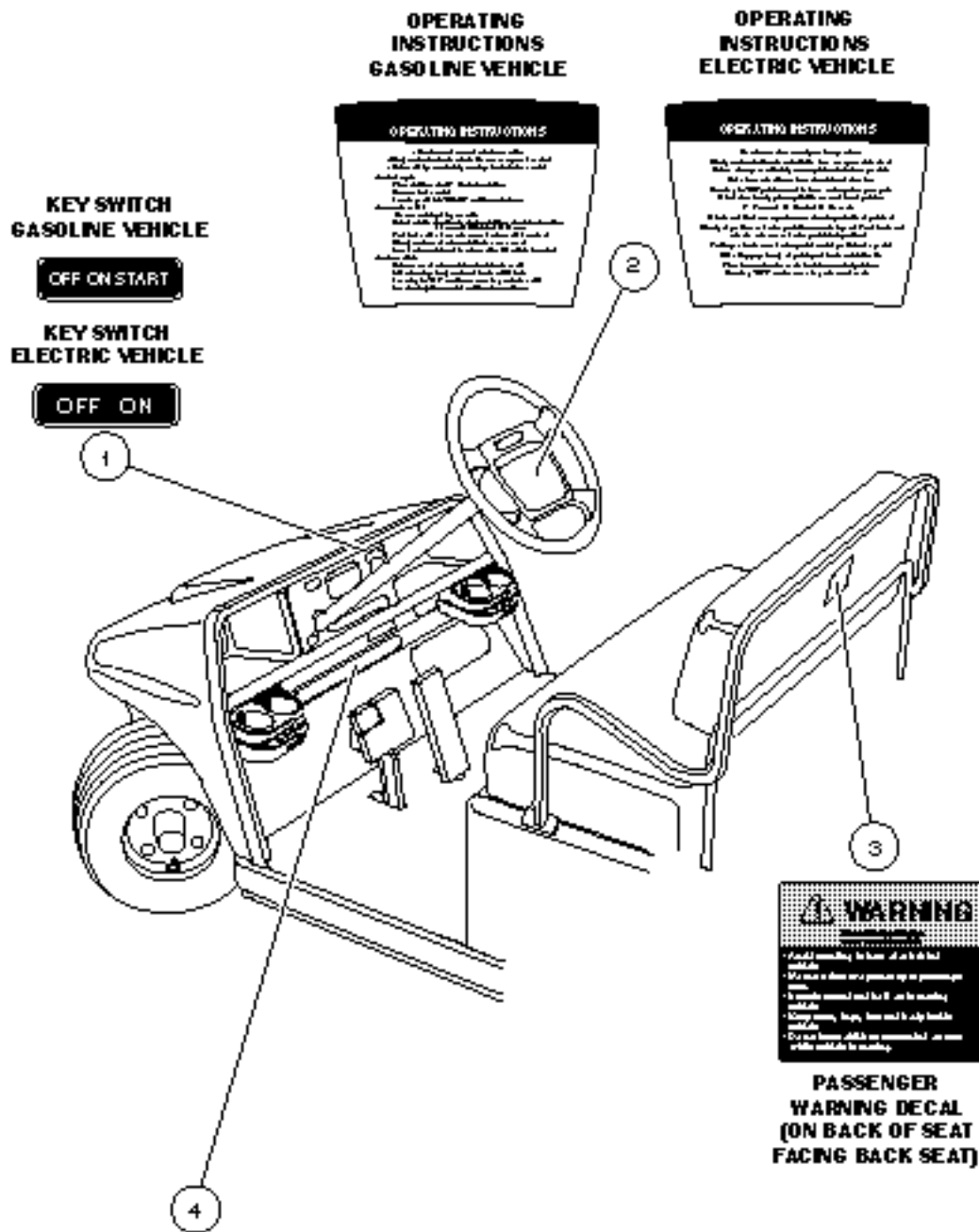
# SAFETY DECALS - TOURALL

**3**

**G**

**E**

ITEM	PART NO.	DESCRIPTION	QTY GAS	QTY ELEC
		1 2 3 4		
1	<u>1013677</u>	DECAL, BATTERY DANGER/POISON .....	1	1
2	1015475	DECAL, MOVING PARTS WARNING .....	1	
3	1015476	DECAL, GASOLINE DANGER .....	1	
4	1017257	DECAL, HOT MANIFOLD WARNING .....	1	
5	1016062	DECAL, PERIODIC SERVICE SCHEDULE .....	1	
6	<u>1019219-01</u>	DECAL, INGERSOLL-RAND .....	2	2
7	1015474	DECAL, NEGATIVE FRAME GROUND WARNING .....	1	



<p><b>WARNING</b></p> <p><i>(Placeholder for Warning Icon and Text)</i></p>	<ul style="list-style-type: none"> <li>• Read operating instructions before a safety violation.</li> <li>• Never sit on the floor or on a tilted seat.</li> <li>• No modifications to the floor or seat by the operator and never to the back of your seat.</li> </ul>	<ul style="list-style-type: none"> <li>• Do not wear any mobile phone.</li> <li>• Only wear glasses on your face if needed.</li> <li>• Open the vehicle's rear door to allow air to circulate.</li> <li>• Do not adjust seatbelts on the seat your feet are on when.</li> </ul>	<ul style="list-style-type: none"> <li>• Provide seats and belt for use in an emergency only.</li> <li>• Do not use any bags or any other items on seats.</li> <li>• Do not use any bags or any other items on seats.</li> <li>• Do not use any bags or any other items on seats.</li> </ul>	<ul style="list-style-type: none"> <li>• Do not sit on the seat if you are not wearing your seat belt.</li> <li>• Do not sit on the seat if you are not wearing your seat belt.</li> <li>• Do not sit on the seat if you are not wearing your seat belt.</li> </ul>
---	--	---	--	---

**SAFETY WARNING DECAL**



# SAFETY DECALS - RESORT VILLAGER

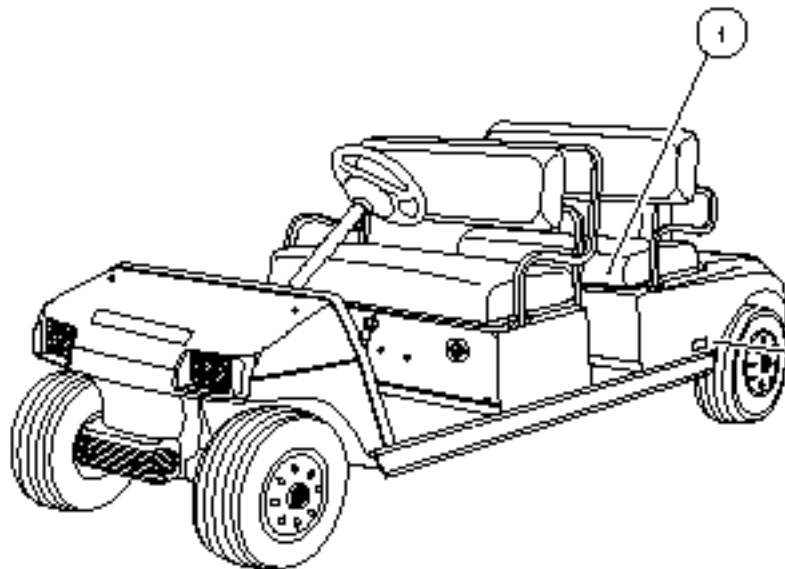
**3**

**G**

**E**

ITEM	PART NO.	DESCRIPTION	QTY GAS	QTY ELEC
		1 2 3 4		
1	<u>1018251-02</u>	DECAL, KEY SWITCH (GASOLINE VEHICLE ONLY) .....	1	
1	<u>1018251-01</u>	DECAL, KEY SWITCH (POWERDRIVE ELECTRIC VEHICLE ONLY) .....		1
2	1016932	DECAL, OPERATING INSTRUCTIONS (GASOLINE VEHICLE ONLY) .....	1	
2	1016216	DECAL, OPERATING INSTRUCTIONS (POWERDRIVE ELECTRIC VEHICLE) .....		1
3	1016789	DECAL, PASSENGER WARNING .....	1	1
4	<u>1014883</u>	DECAL, SAFE OPERATION WARNING .....	1	1

**DANGER DECAL  
(ON BODY UNDER SEAT)**

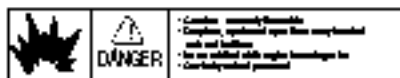


**ELECTRIC  
VEHICLE**

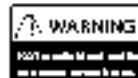
**INGERSOLL-RAND DECAL  
(ON BODY PANEL)**

**PERIODIC SERVICE  
SCHEDULE DECAL  
(ON AIR INTAKE BOX)**

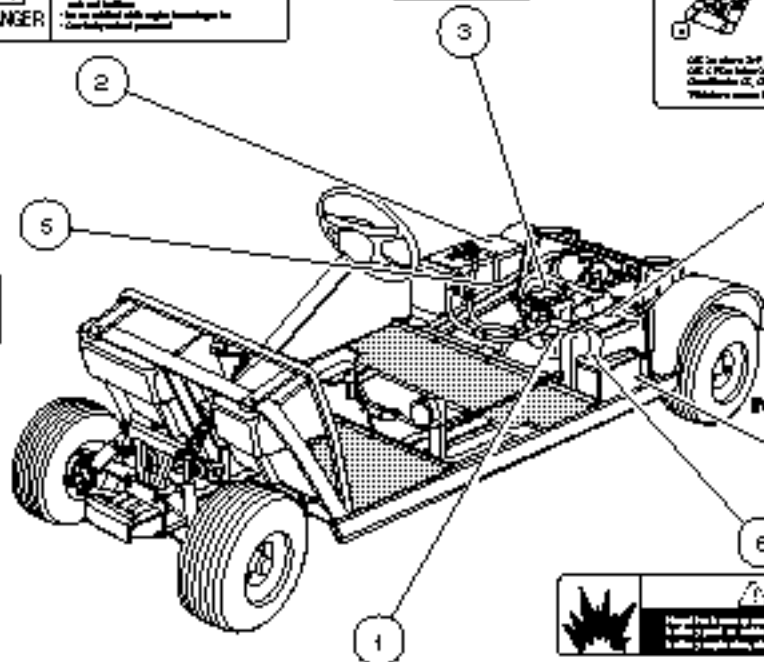
**GASOLINE TANK  
DANGER DECAL  
(ON BODY ADJACENT TO  
FUEL TANK)**



**HOT MANIFOLD AND  
MUFFLER DECAL  
(ON ENGINE)**

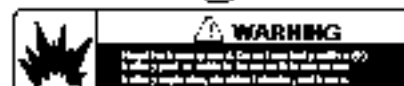


**MOVING PARTS  
DECAL  
(ON FRAME)**



**GASOLINE  
VEHICLE**

**INGERSOLL-RAND DECAL  
(ON BODY PANEL)**



**FRAME GROUND  
WARNING DECAL  
(ON FRAME)**



**DANGER DECAL  
(ON BODY UNDER SEAT)**

# SAFETY DECALS - RESORT VILLAGER

**3**

**G**

**E**

ITEM	PART NO.	DESCRIPTION	QTY GAS	QTY ELEC
		1 2 3 4		
1	<u>1013677</u>	DECAL, BATTERY DANGER/POISON .....	1	1
2	1015476	DECAL, GASOLINE DANGER .....	1	
3	1017257	DECAL, HOT MANIFOLD WARNING .....	1	
4	1016062	DECAL, PERIODIC SERVICE SCHEDULE .....	1	
5	1015475	DECAL, MOVING PARTS WARNING .....	1	
6	1015474	DECAL, NEGATIVE FRAME GROUND WARNING .....	1	
7	<u>1019219-01</u>	DECAL, INGERSOLL-RAND .....	2	2



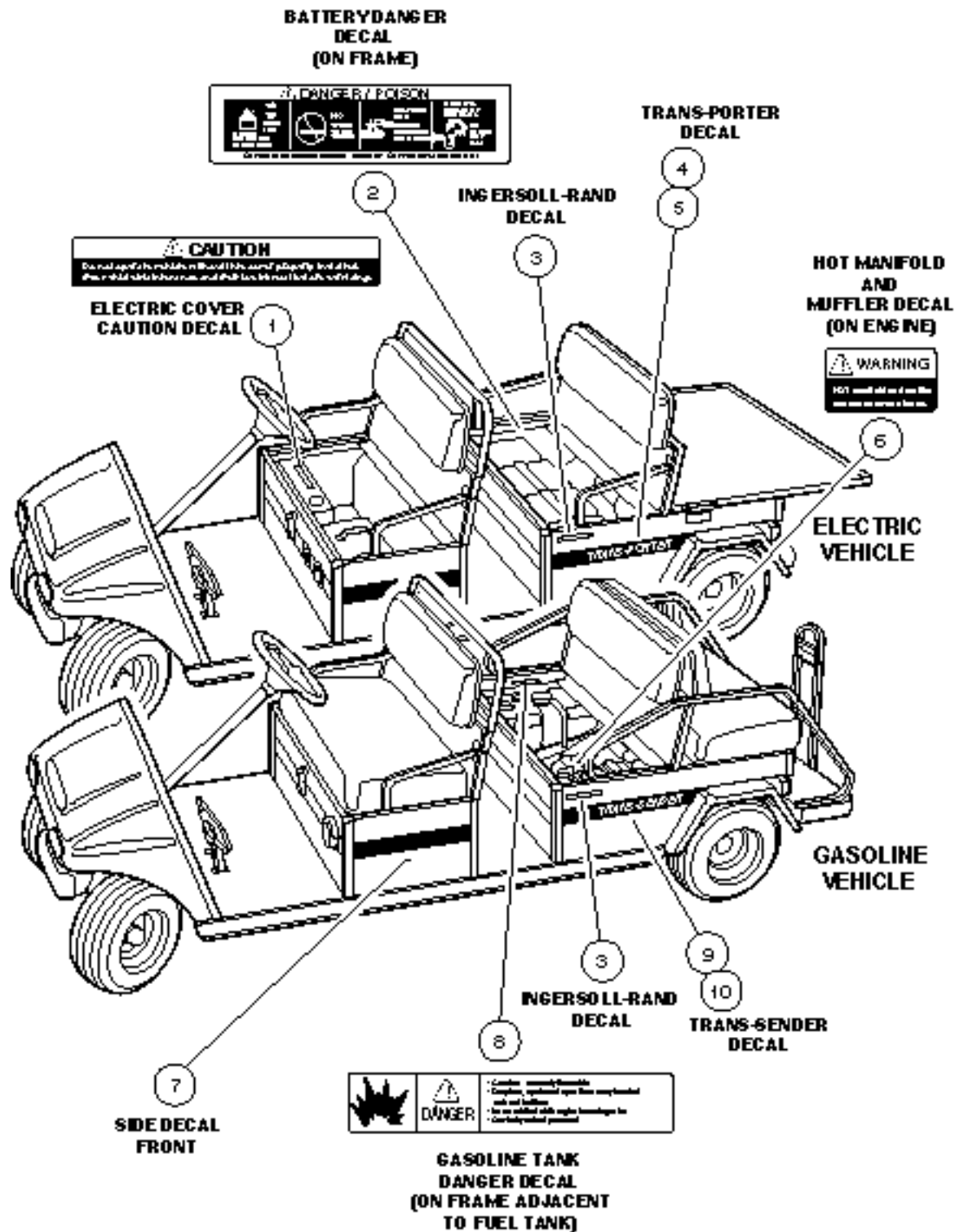
# SAFETY DECALS - TRANS-PORTER/TRANS-SENDER

3

G

E

ITEM	PART NO.	DESCRIPTION	QTY GAS	QTY ELEC
		1 2 3 4		
1	<u>1016716</u>	DECAL, VEHICLE LOADING .....	1	1
2	<u>1018251-02</u>	DECAL, KEY SWITCH (GASOLINE VEHICLE ONLY) .....	1	
2	<u>1018251-01</u>	DECAL, KEY SWITCH (ELECTRIC VEHICLE ONLY) .....		1
3	1016932	DECAL, OPERATING INSTRUCTIONS (GASOLINE VEHICLE ONLY) .....	1	
3	1016216	DECAL, OPERATING INSTRUCTIONS (ELECTRIC VEHICLE ONLY) .....		1
4	<u>1014883</u>	DECAL, SAFE OPERATION WARNING .....	1	1
5	<u>1016757</u>	DECAL, SIDE FRONT .....	2	2



# SAFETY DECALS - TRANS-PORTER/TRANS-SENDER

3

G

E

ITEM	PART NO.	DESCRIPTION	QTY GAS	QTY ELEC
		1 2 3 4		
1	<u>1019315-01</u>	DECAL, ELECTRIC COVER CAUTION .....		1
2	<u>1013677</u>	DECAL, BATTERY DANGER/POISON .....	1	1
3	<u>1019219-01</u>	DECAL, INGERSOLL-RAND .....	2	2
4	<u>1016725-01</u>	DECAL, TRANS-PORTER (RIGHT SIDE) .....	1	1
5	<u>1016725-02</u>	DECAL, TRANS-PORTER (LEFT SIDE) .....	1	1
6	<u>1017257</u>	DECAL, HOT MANIFOLD WARNING .....	1	
7	<u>1016757</u>	DECAL, SIDE FRONT .....	2	2
8	<u>1015476</u>	DECAL, GASOLINE DANGER .....	1	
9	<u>1016726-01</u>	DECAL, TRANS-SENDER (RIGHT SIDE) .....	1	1
10	<u>1016726-02</u>	DECAL, TRANS-SENDER (LEFT SIDE) .....	1	1

**PASSENGER  
WARNING DECAL**



**BED BOLT  
WARNING DECAL**



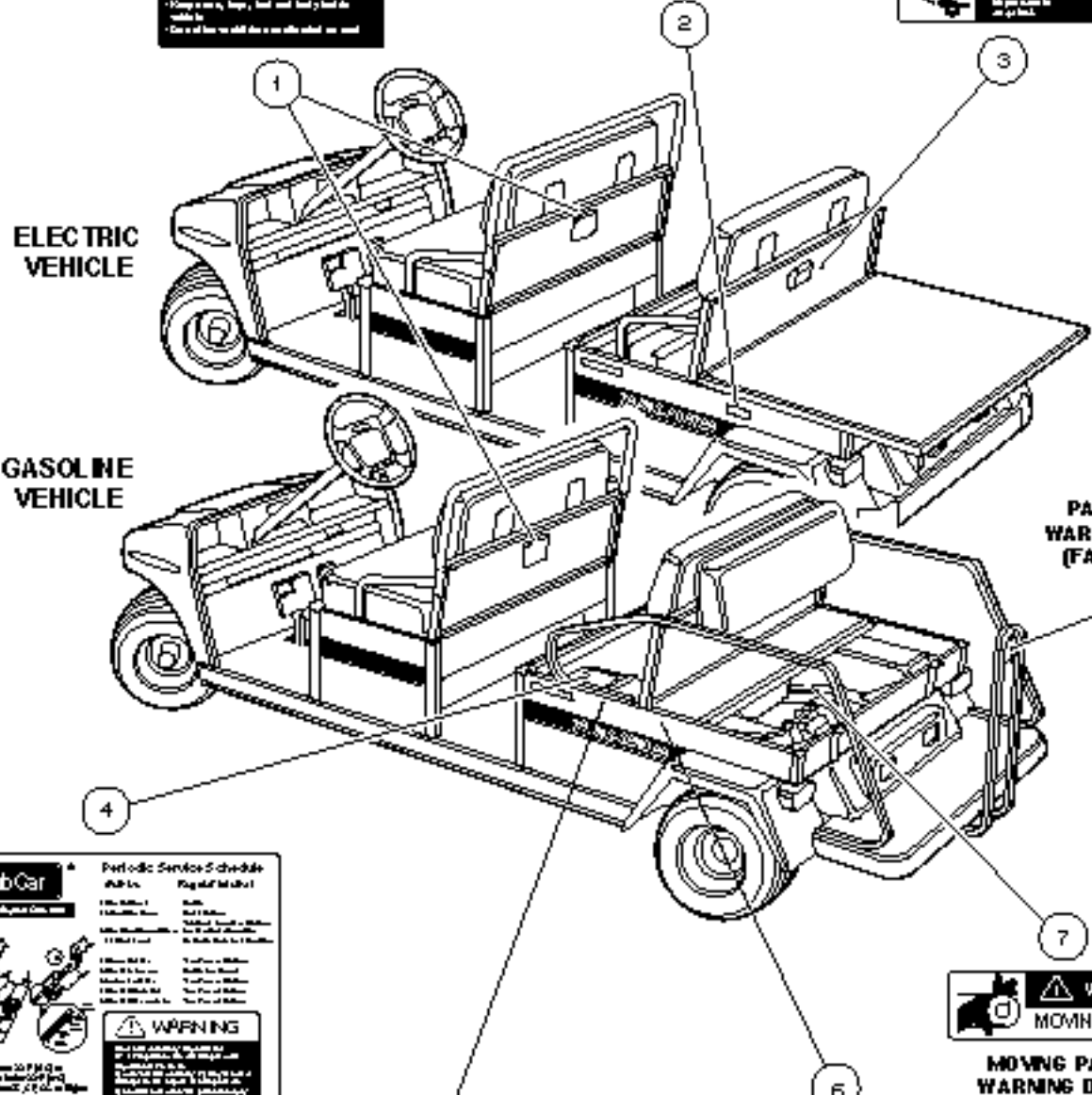
**BED LOAD  
WARNING DECAL**



**ELECTRIC  
VEHICLE**

**GASOLINE  
VEHICLE**

**PASSENGER  
WARNING DECAL  
(FACES SEAT)**



**ClubCar** Periodic Service Schedule  
Consult your Operator's Manual for more information.

Mileage	Hours	Frequency
100 Miles / 10 Hours	100 Miles / 10 Hours	1. Check oil level
200 Miles / 20 Hours	200 Miles / 20 Hours	2. Check tire pressure
300 Miles / 30 Hours	300 Miles / 30 Hours	3. Check battery water level
400 Miles / 40 Hours	400 Miles / 40 Hours	4. Check battery electrolyte level
500 Miles / 50 Hours	500 Miles / 50 Hours	5. Check battery terminals
600 Miles / 60 Hours	600 Miles / 60 Hours	6. Check battery voltage
700 Miles / 70 Hours	700 Miles / 70 Hours	7. Check battery acid level
800 Miles / 80 Hours	800 Miles / 80 Hours	8. Check battery specific gravity
900 Miles / 90 Hours	900 Miles / 90 Hours	9. Check battery electrolyte level
1000 Miles / 100 Hours	1000 Miles / 100 Hours	10. Check battery acid level

**WARNING**  
 Do not use the vehicle for any other use not intended by the manufacturer.

**PERIODIC SERVICE  
SCHEDULE  
(ON INTAKE BOX)**



**BATTERY DANGER  
DECAL  
(ON FRAME)**



**FRAME GROUND  
WARNING DECAL  
(ON FRAME)**



**MOVING PARTS  
WARNING DECAL**



# SAFETY DECALS - TRANS-PORTER/TRANS-SENDER

**3**  
**G**  
**E**

ITEM	PART NO.	DESCRIPTION	QTY GAS	QTY ELEC
		1 2 3 4		
1	1016789	DECAL, PASSENGER WARNING (QUANTITY 1 FOR TRANS-PORTER) .....	2	2
2	1017078	DECAL, BED BOLT WARNING (TRANS-PORTER ONLY) .....	1	1
3	1015539	DECAL, BED LOAD WARNING (TRANS-PORTER ONLY) .....	1	1
4	1016062	DECAL, PERIODIC SERVICE SCHEDULE .....	1	
5	<u>1013677</u>	DECAL, BATTERY DANGER/POISON .....	1	1
6	1015474	DECAL, NEGATIVE FRAME GROUND WARNING .....	1	
7	1015475	DECAL, MOVING PARTS WARNING .....	1	



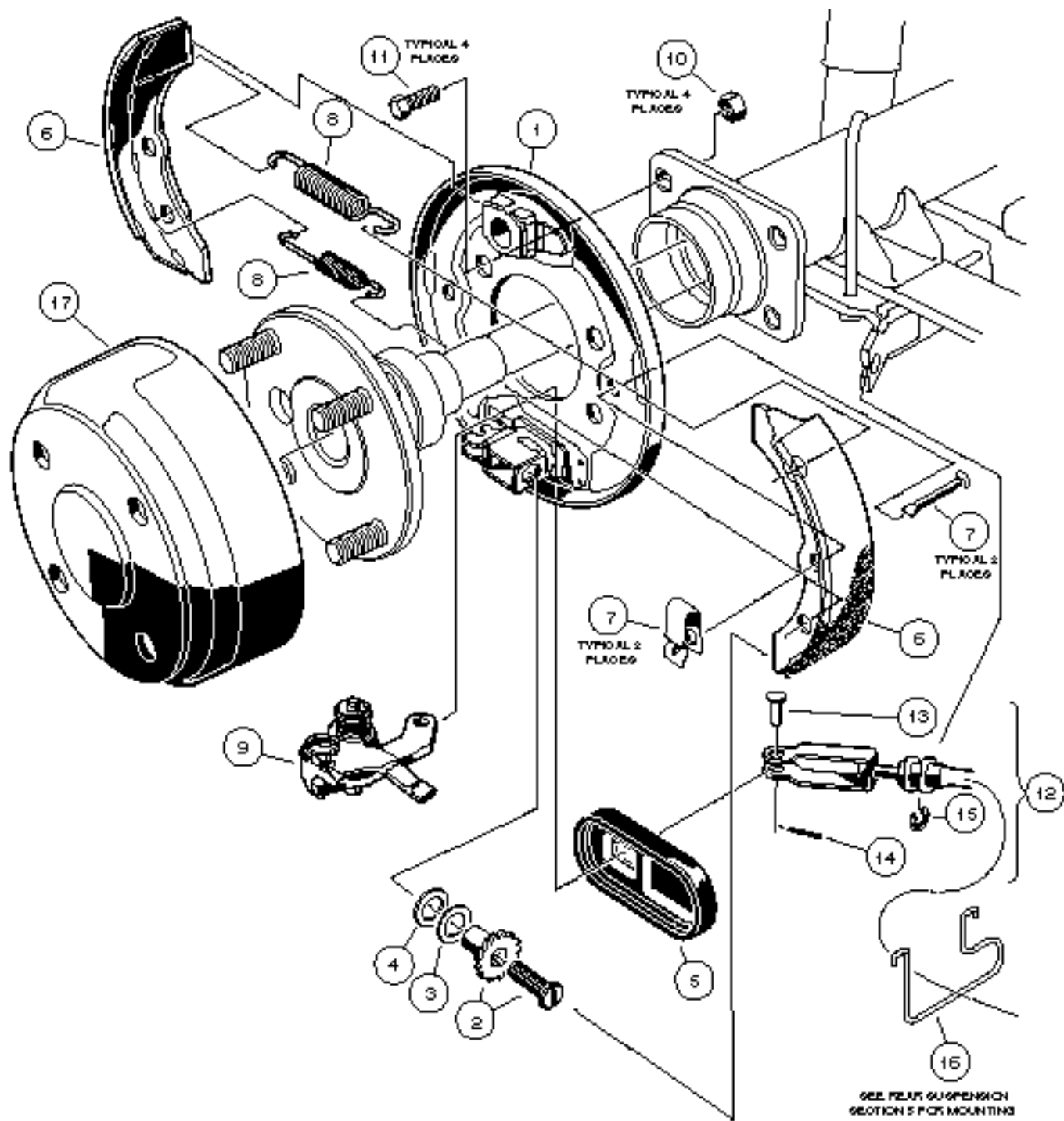
# BRAKES, PEDAL, AND CABLE ASSEMBLIES

---

4

G

E



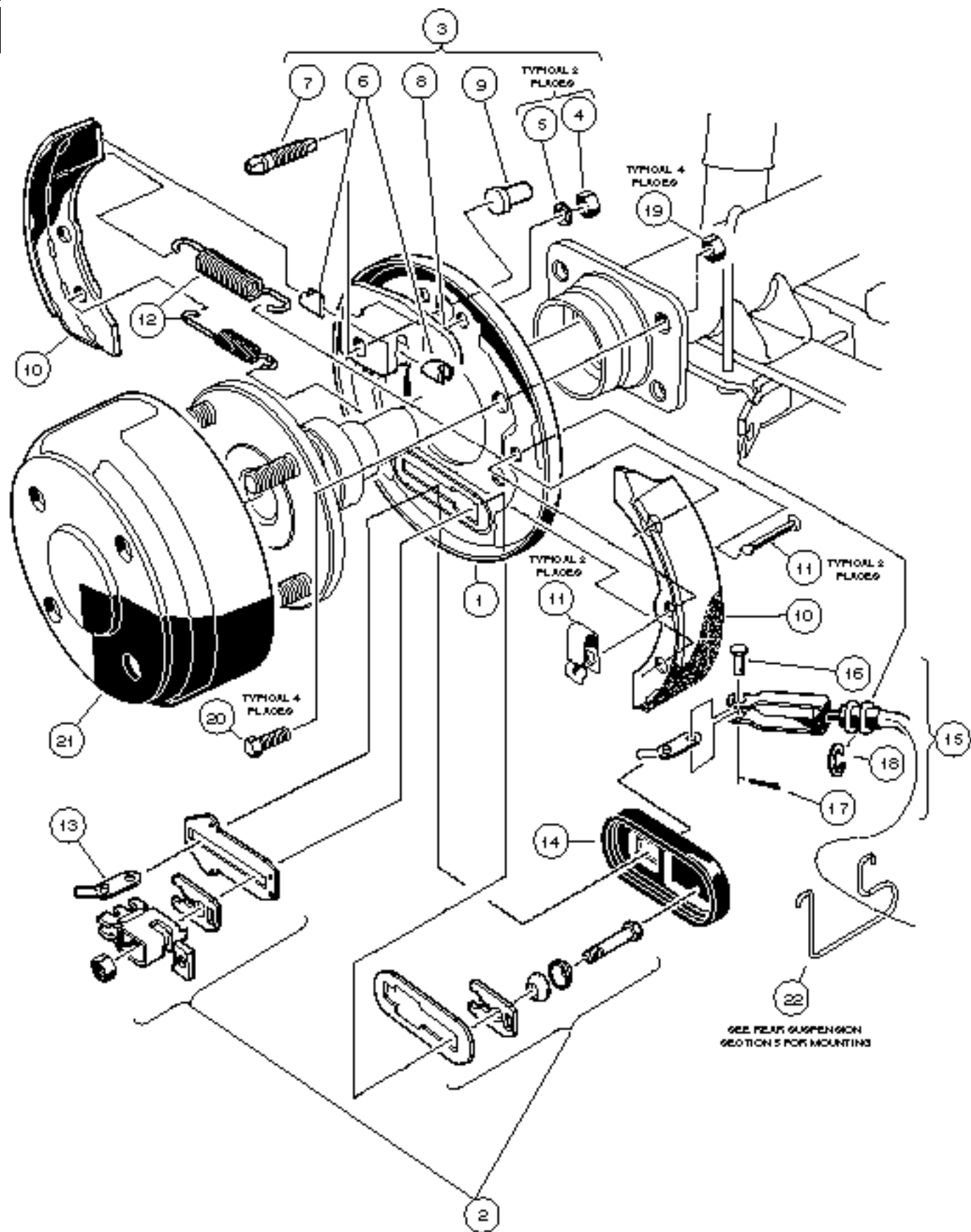
# REAR BRAKE ASSEMBLY, SELF-ADJUSTING TOURALL

**4**

**G**

**E**

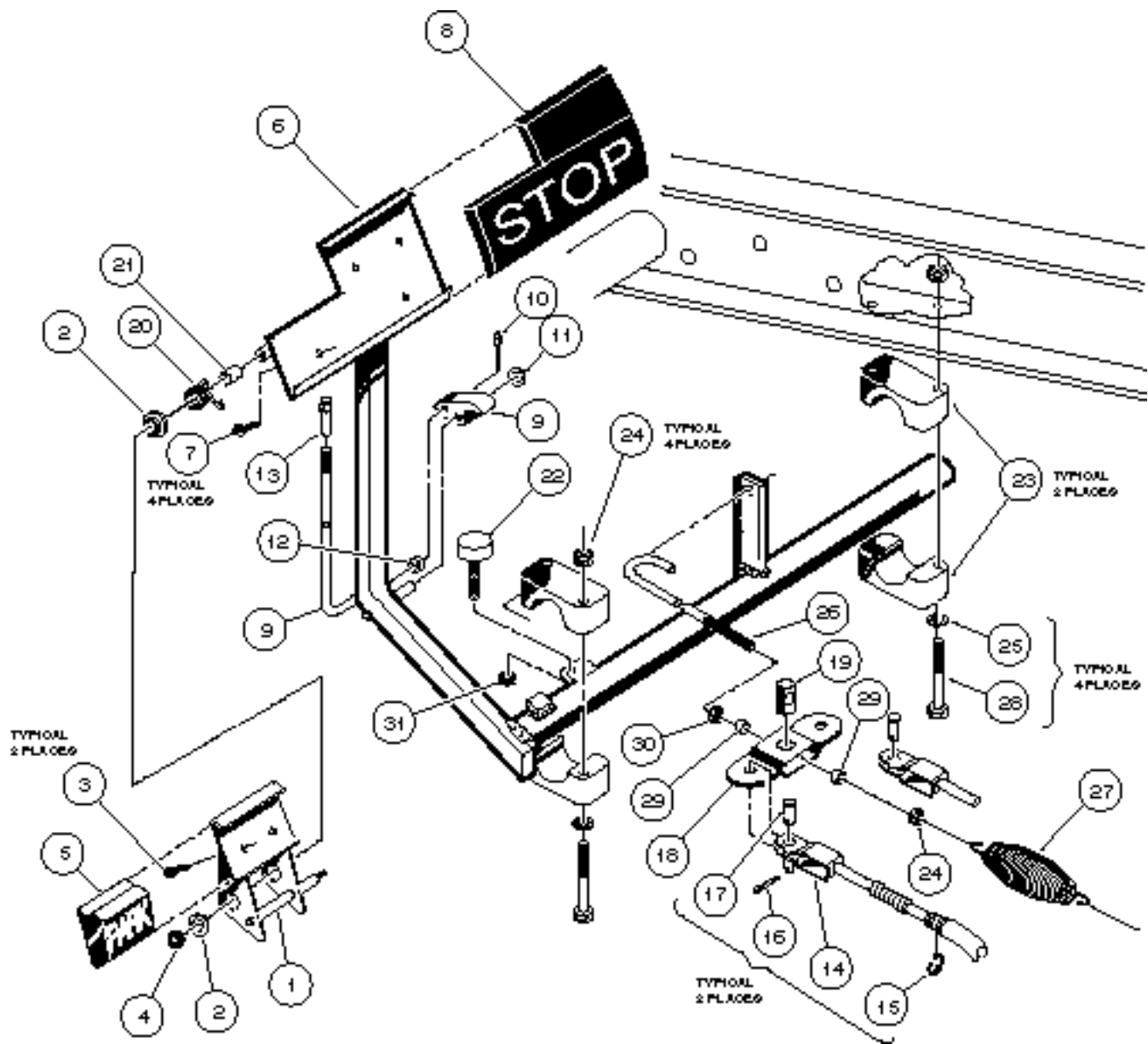
ITEM	PART NO.	DESCRIPTION	QTY GAS	QTY ELEC
		1 2 3 4		
	<u>1018233-01</u>	CLUSTER, RIGHT BRAKE (INCLUDES ITEMS 1 - 9) .....	1	1
	<u>1018233-02</u>	CLUSTER, LEFT BRAKE (INCLUDES ITEMS 1 - 9) .....	1	1
1	<u>1018240-01</u>	ASSEMBLY, BACKING PLATE, RIGHT (INCLUDES ITEMS 2, 3 AND 4) .....	1	1
1	<u>1018240-02</u>	ASSEMBLY, BACKING PLATE, LEFT (INCLUDES ITEMS 2, 3 AND 4) .....	1	1
2	<u>1018165-01</u>	MECHANISM, ADJUSTING, RIGHT .....	1	1
2	<u>1018165-02</u>	MECHANISM, ADJUSTING, LEFT .....	1	1
3	<u>1018239-01</u>	WASHER .....	1	1
4	<u>1018238-01</u>	WASHER, PLATE .....	1	1
5	<u>1010850</u>	COVER, DUST .....	1	1
6	<u>1018232-01</u>	PACKAGE, BRAKE SHOE (FOUR PIECES) .....	1	1
7	<u>1011466</u>	KIT, SHOE RETAINER (FOUR PIECES) .....	1	1
8	<u>1018163-01</u>	PACKAGE, BRAKE SPRING (FOUR PIECES) .....	1	1
9	<u>1018155-01</u>	ASSEMBLY, LEVER, RIGHT .....	1	1
9	<u>1018155-02</u>	ASSEMBLY, LEVER, LEFT .....	1	1
10	<u>1013924</u>	NUT, HEX CONE, 5/16 - 24 .....	8	8
11	<u>1014153</u>	BOLT, BRAKE CLUSTER MOUNTING .....	8	8
12	<u>1017211</u>	KIT, EQUALIZER AND PIVOT LIMITER (INCLUDES ITEMS 13, 14 AND 15) .....	2	2
13	<u>1010829</u>	PIN, CLEVIS, 5/16 .....	2	2
14	<u>0001035</u>	PIN, COTTER, 3/32 x 1 .....	2	2
15	<u>1011779</u>	CLIP, "E", 1/2 .....	2	2
16	<u>1013207</u>	HANGER, BRAKE CABLE .....	2	2
17	<u>1017911-01</u>	DRUM, BRAKE .....	2	2



# REAR BRAKE ASSEMBLY, MANUALLY ADJUSTED RESORT VILLAGER, TRANS-PORTER/TRANS-SENDER

**4**  
**G**  
**E**

ITEM	PART NO.	DESCRIPTION	QTY GAS	QTY ELEC
		1 2 3 4		
	<u>1016573</u>	CLUSTER, RIGHT BRAKE, WITHOUT BRAKE DRUM (INCLUDES ITEMS 1 - 14) .....	1	1
	<u>1016557</u>	CLUSTER, LEFT BRAKE, WITHOUT BRAKE DRUM (INCLUDES ITEMS 1 - 14) .....	1	1
1	1011494	PLATE, BACKING, LEFT SIDE .....	1	1
1	<u>1011154</u>	PLATE, BACKING, RIGHT SIDE .....	1	1
2	<u>1011465</u>	KIT, BRAKE ACTUATOR .....	1	1
3	<u>1011467</u>	KIT, ANCHOR BODY (INCLUDES ITEMS 4 - 9) .....	1	1
4	<u>1011114</u>	NUT, M6 x 1 .....	2	2
5	0000451	WASHER, LOCK, 1/4 .....	2	2
6	N/A	PISTON, ANCHOR .....	2	2
7	N/A	BOLT, ADJUSTMENT .....	1	1
8	N/A	BODY, ANCHOR .....	1	1
9	<u>1011303</u>	CAP, ADJUSTMENT BOLT .....	1	1
10	<u>1011463</u>	PACKAGE, BRAKE SHOE (FOUR PIECES) .....	1	1
11	<u>1011466</u>	KIT, SHOE RETAINER (FOUR PIECES) .....	1	1
12	<u>1011464</u>	PACKAGE, BRAKE SPRING (FOUR PIECES) .....	1	1
13	N/A	ARM, BRAKE LEVER .....	1	1
14	<u>1010850</u>	COVER, DUST .....	1	1
15	<u>1011403</u>	KIT, EQUALIZER AND PIVOT LIMITER (INCLUDES ITEMS 16, 17 AND 18) .....	2	2
16	<u>1010829</u>	PIN, CLEVIS, 5/16 .....	2	2
17	<u>0001035</u>	PIN, COTTER, 3/32 x 1 .....	2	2
18	<u>1011779</u>	CLIP, "E", 1/2 .....	2	2
19	<u>1013924</u>	NUT, CONE LOCK, GRADE 8, 5/16 - 24 .....	8	8
20	<u>1014153</u>	BOLT, BRAKE CLUSTER MOUNTING .....	8	8
21	<u>1017911-01</u>	DRUM, BRAKE .....	2	2
22	<u>1013207</u>	HANGER, BRAKE CABLE .....	2	2





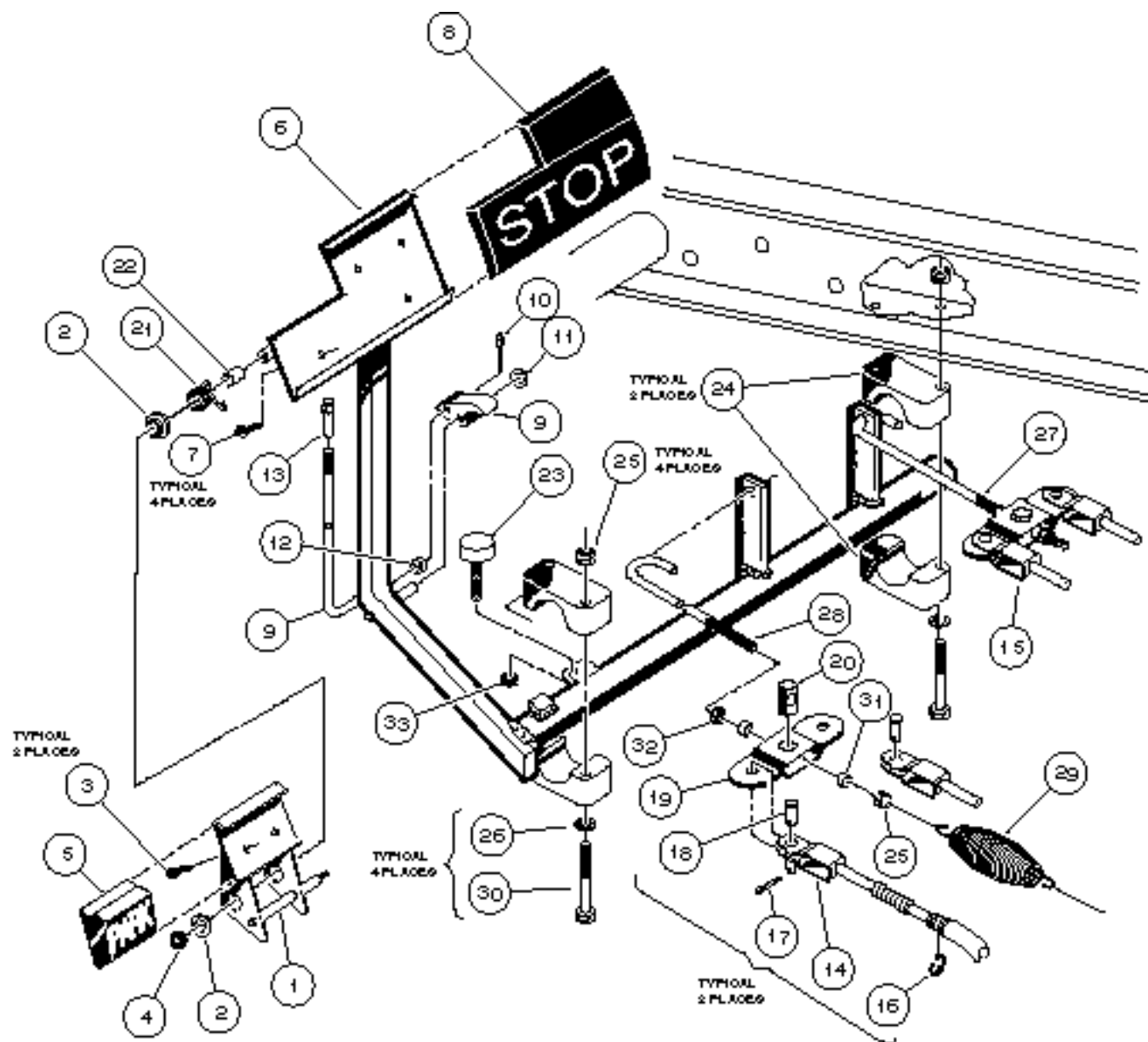
# BRAKE PEDAL AND CABLE ASSEMBLY TOURALL

**4**

**G**

**E**

ITEM	PART NO.	DESCRIPTION	QTY GAS	QTY ELEC
		1 2 3 4		
1	<u>1011418</u>	KIT, PARK BRAKE PEDAL (INCLUDES ITEMS 2 - 5) .....	1	1
2	<u>0001032</u>	BUSHING, NYLON .....	2	2
3	0007716	SCREW, SLOTTED HEX WASHER HEAD, #10 - 16 x 1/2 .....	2	2
4	<u>1013876</u>	NUT, PUSH, 3/8 .....	1	1
5	<u>1013870</u>	PAD, PARK BRAKE .....	1	1
6	1011406	KIT, BRAKE PEDAL (INCLUDES ITEMS 7 AND 8) .....	1	1
7	0007716	SCREW, SLOTTED HEX WASHER HEAD, #10 - 16 x 1/2 .....	4	4
8	<u>1013869</u>	PAD, BRAKE PEDAL .....	1	1
9	<u>1016173</u>	KIT, PARK BRAKE ROD AND PAWL (INCLUDES ITEMS 10 - 13) .....	1	1
10	<u>1017029</u>	PIN, COTTER, 7/64 x 1/2 .....	1	1
11	<u>1010877</u>	NUT, PUSH, 5/16 .....	1	1
12	<u>1010805</u>	SLEEVE, PARK BRAKE ROD .....	1	1
13	1010932	JOINT, BALL, 1/4 - 28 .....	1	1
14	<u>1011403</u>	KIT, BRAKE CABLE, REAR (INCLUDES ITEMS 15 - 17) .....	2	2
15	<u>1011779</u>	CLIP, "E", 1/2 .....	2	2
16	<u>0001035</u>	PIN, COTTER, 3/32 x 1 .....	2	2
17	<u>1010829</u>	PIN, CLEVIS, 5/16 .....	2	2
18	<u>1017211</u>	KIT, EQUALIZER AND PIVOT LIMITER (INCLUDES ITEM 19) .....	1	1
19	N/A	PIN, EQUALIZER PIVOT .....	1	1
20	<u>1010933</u>	SPRING, PARK BRAKE TORSION .....	1	1
21	<u>1010927</u>	SPACER, PARK BRAKE .....	1	1
22	<u>1010878</u>	STOP, BRAKE .....	1	1
23	<u>1011402</u>	PACKAGE, BRAKE MOUNTING BLOCK (CONTAINS UPPER AND LOWER FOR LEFT AND RIGHT SIDES) .....	1	1
24	0008986	NUT, DIMPLED LOCK, 5/16 - 18 .....	5	5
25	0001241	WASHER, FLAT, 5/16 .....	4	4
26	1010808	ROD, EQUALIZER, REAR .....	1	1
27	<u>1013532</u>	SPRING, BRAKE RETURN (GASOLINE ONLY) .....	1	
27	<u>1013531</u>	SPRING, BRAKE RETURN (ELECTRIC ONLY) .....		1
28	<u>1010921</u>	SCREW, HEX HEAD CAP, 5/16 - 18 x 2 1/2 .....	4	4
29	<u>1018653-01</u>	SPACER, EQUALIZER .....	2	2
30	0001242	NUT, HEX, 5/16 - 18 .....	1	1
31	0001028	NUT, HEX, 1/4 - 20 .....	1	1



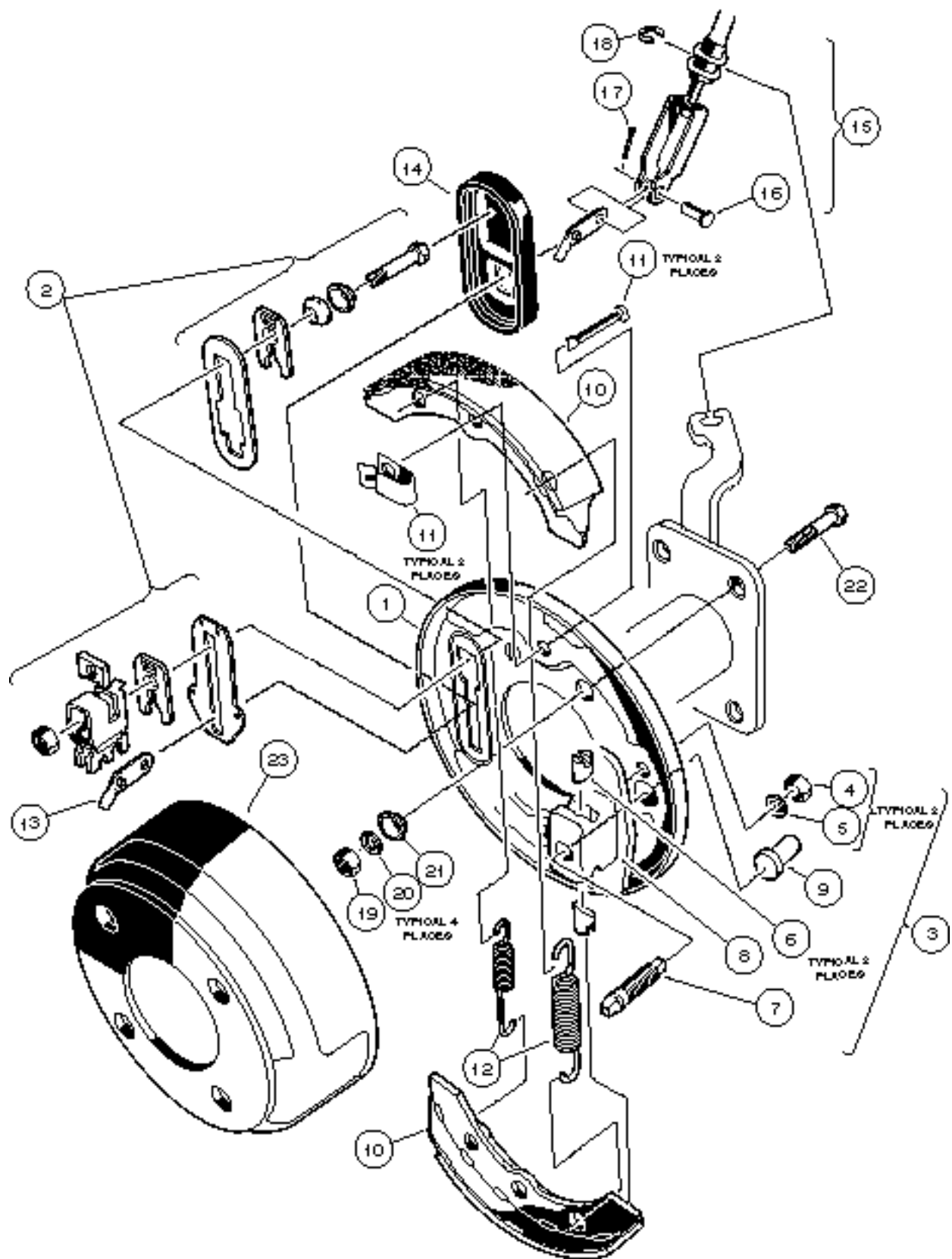
# BRAKE PEDAL AND CABLE ASSEMBLY RESORT VILLAGER, TRANS-PORTER/TRANS-SENDER

**4**

**G**

**E**

ITEM	PART NO.	DESCRIPTION	QTY GAS	QTY ELEC
		1 2 3 4		
1	<u>1011418</u>	KIT, PARK BRAKE PEDAL (INCLUDES ITEMS 2 - 5) .....	1	1
2	<u>0001032</u>	BUSHING, NYLON .....	2	2
3	<u>0007716</u>	SCREW, SLOTTED HEX WASHER HEAD, #10 -16 x 1/2 .....	2	2
4	<u>1013876</u>	NUT, PUSH, 3/8 .....	1	1
5	<u>1013870</u>	PAD, PARK BRAKE .....	1	1
6	<u>1018782-01</u>	KIT, BRAKE PEDAL (INCLUDES ITEMS 7 AND 8) .....	1	1
7	<u>0007716</u>	SCREW, SLOTTED HEX WASHER HEAD, #10 - 16 x 1/2 .....	4	4
8	<u>1013869</u>	PAD, BRAKE PEDAL .....	1	1
9	<u>1016173</u>	KIT, PARK BRAKE ROD AND PAWL (INCLUDES ITEMS 10 - 13) .....	1	1
10	<u>1017029</u>	PIN, COTTER, 7/64 x 1/2 .....	1	1
11	<u>1010877</u>	NUT, PUSH, 5/16 .....	1	1
12	<u>1010805</u>	SLEEVE, PARK BRAKE ROD .....	1	1
13	<u>1010932</u>	JOINT, BALL, 1/4 - 28 .....	1	1
14	<u>1011403</u>	KIT, BRAKE CABLE, REAR (INCLUDES ITEMS 16, 17 AND 18) .....	2	2
15	<u>1018746-01</u>	KIT, BRAKE CABLE, FRONT (INCLUDES ITEMS 16, 17 AND 18) .....	2	2
16	<u>1011779</u>	CLIP, "E", 1/2 .....	2	2
17	<u>0001035</u>	PIN, COTTER, 3/32 x 1 .....	2	2
18	<u>1010829</u>	PIN, CLEVIS, 5/16 .....	2	2
19	<u>1017211</u>	KIT, EQUALIZER AND PIVOT LIMITER (INCLUDES ITEM 20) .....	2	2
20	N/A	PIN, EQUALIZER PIVOT .....	1	1
21	<u>1010933</u>	SPRING, PARK BRAKE TORSION .....	1	1
22	<u>1010927</u>	SPACER, PARK BRAKE .....	1	1
23	<u>1010878</u>	STOP, BRAKE .....	1	1
24	<u>1011402</u>	PACKAGE, BRAKE MOUNTING BLOCK (CONTAINS UPPER AND LOWER FOR LEFT AND RIGHT SIDES) .....	1	1
25	<u>0007473</u>	NUT, NYLON LOCK, 5/16 - 18 .....	6	6
26	<u>0001241</u>	WASHER, FLAT, 5/16 .....	4	4
27	<u>1018687-01</u>	ROD, EQUALIZER, FRONT .....	1	1
28	<u>1016708-01</u>	ROD, EQUALIZER, REAR .....	1	1
29	<u>1013532</u>	SPRING, BRAKE RETURN .....	1	1
30	<u>1010921</u>	SCREW, HEX HEAD CAP, 5/16 - 18 x 2 1/2 .....	4	4
31	<u>1018653-01</u>	SPACER, EQUALIZER .....	4	4
32	<u>0001242</u>	NUT, HEX, 5/16 - 18 .....	2	2
33	<u>0001028</u>	NUT, HEX, 1/4 - 20 .....	1	1



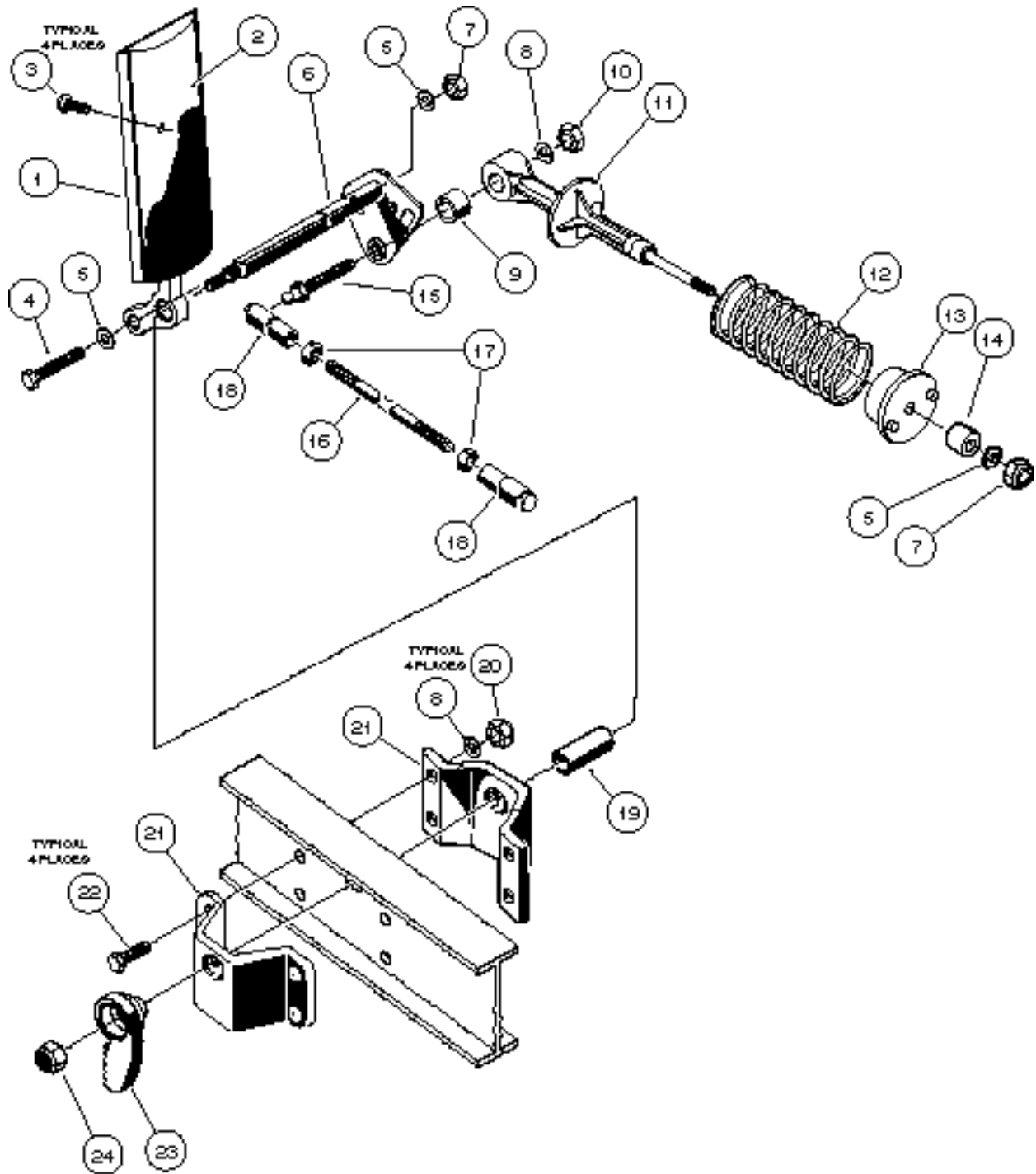
# FRONT BRAKE ASSEMBLY RESORT VILLAGER, TRANS-PORTER/TRANS-SENDER

**4**

**G**

**E**

ITEM	PART NO.	DESCRIPTION	QTY GAS	QTY ELEC
		1 2 3 4		
	<u>1016573</u>	CLUSTER, RIGHT BRAKE, WITHOUT BRAKE DRUM (INCLUDES ITEMS 1 - 14) .....	1	1
	<u>1016557</u>	CLUSTER, LEFT BRAKE, WITHOUT BRAKE DRUM (INCLUDES ITEMS 1 - 14) .....	1	1
1	<u>1011154</u>	PLATE, BACKING, RIGHT SIDE .....	1	1
1	<u>1011494</u>	PLATE, BACKING, LEFT SIDE .....	1	1
2	<u>1011465</u>	KIT, BRAKE ACTUATOR .....	1	1
3	<u>1011467</u>	KIT, ANCHOR BODY (INCLUDES ITEMS 4 - 9) .....	1	1
4	<u>1011114</u>	NUT, M6 x 1 .....	2	2
5	0000451	WASHER, LOCK, 1/4 .....	2	2
6	N/A	PISTON, ANCHOR .....	2	2
7	N/A	BOLT, ADJUSTMENT .....	1	1
8	N/A	BODY, ANCHOR .....	1	1
9	<u>1011303</u>	CAP, ADJUSTMENT BOLT .....	1	1
10	<u>1011463</u>	PACKAGE, BRAKE SHOE (FOUR PIECES) .....	1	1
11	<u>1011466</u>	KIT, SHOE RETAINER (FOUR PIECE) .....	1	1
12	<u>1011464</u>	PACKAGE, BRAKE SPRING (FOUR PIECES) .....	1	1
13	N/A	ARM, BRAKE LEVER .....	1	1
14	<u>1010850</u>	COVER, DUST .....	1	1
15	<u>1018746-01</u>	KIT, EQUALIZER AND PIVOT LIMITER (INCLUDES ITEMS 16, 17 AND 18) .....	2	2
16	<u>1010829</u>	PIN, CLEVIS, 5/16 .....	2	2
17	<u>0001035</u>	PIN, COTTER, 3/32 x 1 .....	2	2
18	<u>1011779</u>	CLIP, "E", 1/2 .....	2	2
19	<u>1018727-01</u>	NUT, HEX, 5/16 - 24 .....	8	8
20	0007174	WASHER, LOCK, 5/16 x 24 .....	8	8
21	<u>1018690-01</u>	WASHER, CONE .....	8	8
22	<u>1017232</u>	BOLT, HEX HEAD, 5/16 - 24 x 1 .....	8	8
23	<u>1011137</u>	DRUM, BRAKE .....	2	2



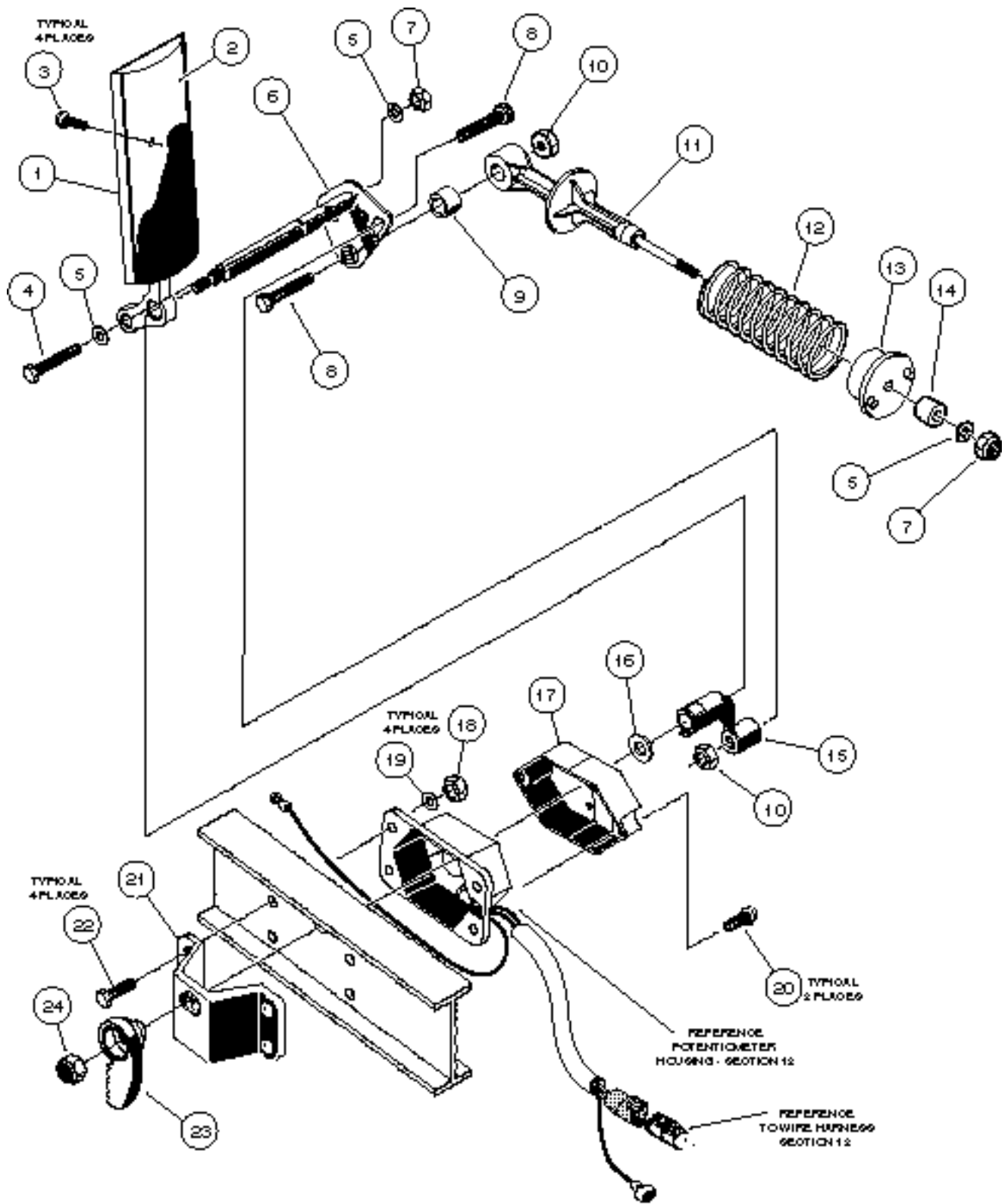
# ACCELERATOR PEDAL ASSEMBLY GASOLINE VEHICLE

**4**

**G**

**E**

ITEM	PART NO.	DESCRIPTION	QTY GAS	QTY ELEC
		1 2 3 4		
1	<u>1017696</u>	SUB-ASSEMBLY, ACCELERATOR PEDAL (INCLUDES ITEMS 2 AND 3) .....	1	
2	1013871	PAD, PEDAL .....	1	
3	0007716	SCREW, SLOTTED HEX WASHER HEAD, #10 - 16 x 1/2 .....	4	
4	0001218	SCREW, HEX CAP, 5/16 - 18 x 1 1/4 .....	1	
5	0001241	WASHER, FLAT, 5/16 .....	3	
6	1017325	ASSEMBLY, ACCELERATOR PIVOT ROD .....	1	
7	0007473	NUT, NYLON LOCK, 5/16 - 18 .....	2	
8	0000332	WASHER, FLAT, 1/4 .....	5	
9	<u>1017424</u>	BEARING, PIVOT SUPPORT .....	1	
10	0008717	NUT, NYLON LOCK, 1/4 - 28 .....	1	
11	<u>1018174-01</u>	RETAINER, SPRING .....	1	
12	1017962-01	SPRING, RETURN .....	1	
13	<u>1017378</u>	CUP, SPRING .....	1	
14	<u>1017380</u>	BUMPER, RETURN SPRING .....	1	
15	1018188-01	STUD, BALL .....	1	
16	<u>1016168</u>	ASSEMBLY, ACCELERATOR ROD (TOURALL) (INCLUDES ITEMS 17 AND 18) .....	1	
16	<u>1016747-02</u>	ASSEMBLY, ACCELERATOR ROD (RESORT VILLAGER, TRANS-PORTER/TRANS-SENDER) (INCLUDES ITEMS 17 AND 18) .....	1	
17	<u>1011084</u>	NUT, UNF HEX JAM, 1/4 - 28 .....	2	
18	<u>1011734</u>	JOINT, SPRING-LOADED BALL .....	2	
19	<u>1011700</u>	SPACER .....	1	
20	0008233	NUT, NYLON LOCK, 1/4 - 20 .....	4	
21	<u>1011694</u>	SUPPORT, ACCELERATOR PIVOT ROD .....	2	
22	<u>1018619-01</u>	SCREW, HEX CAP, 1/4 - 20 x 1 1/8 .....	4	
23	<u>1017322</u>	RATCHET, PARK BRAKE .....	1	
24	0008754	NUT, NYLON LOCK, 3/8 x 16 .....	1	





# ACCELERATOR PEDAL ASSEMBLY POWERDRIVE ELECTRIC VEHICLE

**4**

**G**

**E**

ITEM	PART NO.	DESCRIPTION	QTY GAS	QTY ELEC
		1 2 3 4		
1	<u>1017696</u>	SUB-ASSEMBLY, ACCELERATOR PEDAL (INCLUDES ITEMS 2 AND 3) .....		1
2	1013871	PAD, PEDAL .....		1
3	0007716	SCREW, SLOTTED HEX WASHER HEAD, #10 - 16 x 1/2 .....		4
4	0001218	SCREW, HEX CAP, 5/16 - 18 x 1 1/4 .....		1
5	0001241	WASHER, FLAT, 5/16 .....		3
6	1017325	ASSEMBLY, ACCELERATOR PIVOT ROD .....		1
7	0007473	NUT, NYLON LOCK, 5/16 - 18 .....		2
8	<u>1018620-01</u>	SCREW, HEX HEAD CAP, 1/4 - 20 x 1 3/8 .....		2
9	<u>1017424</u>	BEARING, PIVOT SUPPORT .....		1
10	<u>1015661</u>	NUT, FLANGE LOCK, 1/4 - 20 .....		2
11	<u>1018174-01</u>	RETAINER, SPRING .....		1
12	1017962-01	SPRING, RETURN .....		1
13	<u>1017378</u>	CUP, SPRING .....		1
14	<u>1017380</u>	BUMPER, RETURN SPRING .....		1
15	<u>1017400</u>	LEVER, ACTUATOR .....		1
16	<u>1018042-01</u>	WASHER, PLASTIC, 1/2 .....		1
17	<u>1017743</u>	COVER, ACCELERATOR .....		1
18	0008233	NUT, NYLON LOCK, 1/4 - 20 .....		4
19	0000332	WASHER, FLAT, 1/4 .....		4
20	<u>1018043-01</u>	SCREW, HI-LO HEX HEAD, #8 - 18 x 1/2 .....		2
21	<u>1011694</u>	SUPPORT, ACCELERATOR PIVOT ROD .....		1
22	<u>1018619-01</u>	SCREW, HEX CAP, 1/4 - 20 x 1 1/8 .....		4
23	<u>1017322</u>	RATCHET, PARK BRAKE .....		1
24	0008754	NUT, NYLON LOCK, 3/8 x 16 .....		1



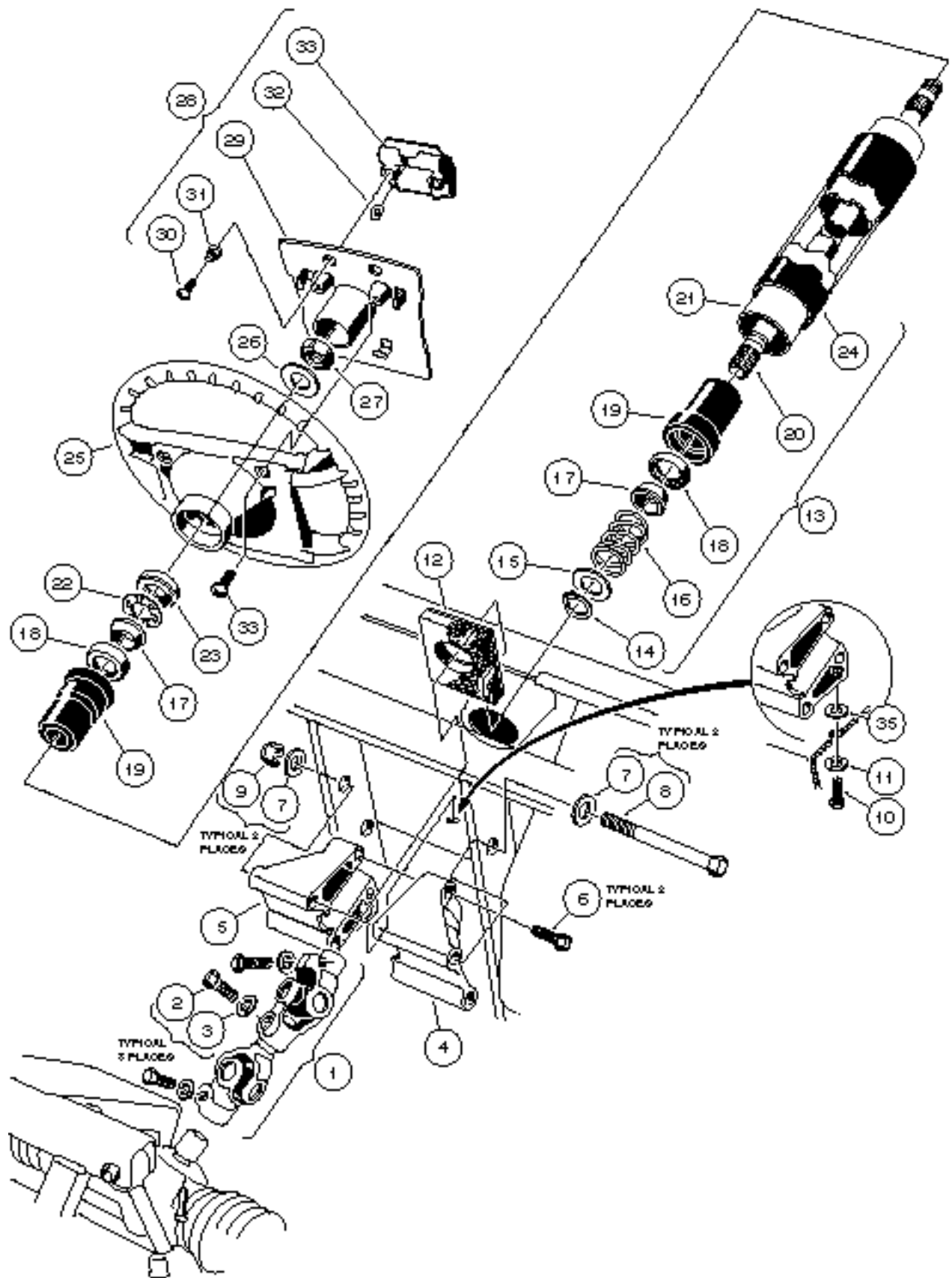
# STEERING, FRONT AND REAR SUSPENSION

---

**5**

**G**

**E**



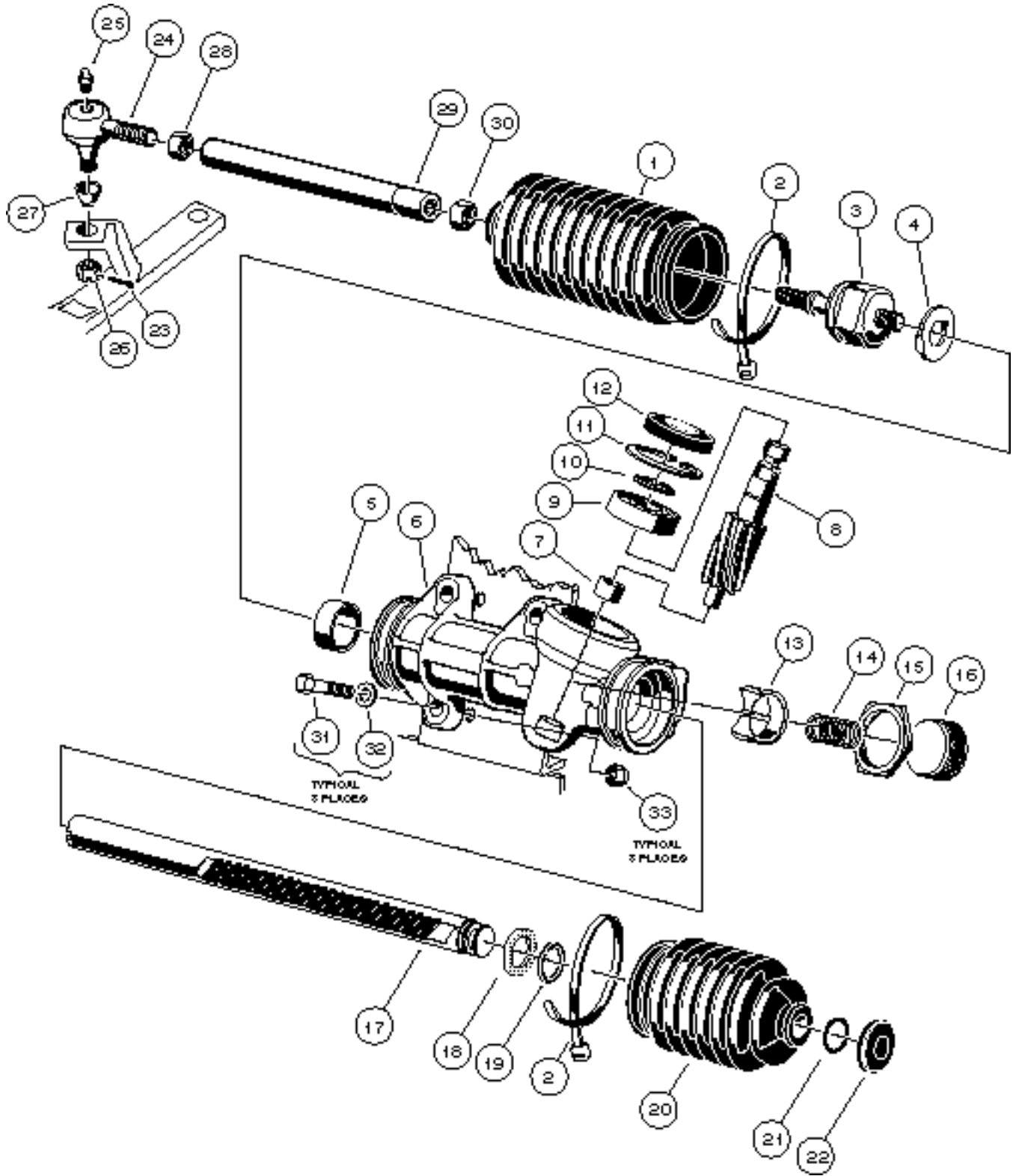
# STEERING COLUMN

5

G

E

ITEM	PART NO.	DESCRIPTION	QTY GAS	QTY ELEC
		1 2 3 4		
1	<u>1013861</u>	JOINT, COMPOUND STEERING (INCLUDES ITEMS 2 AND 3) .....	1	1
2	<u>1017226</u>	SCREW, HEX HEAD CAP, M8 x 1.25 x 30MM .....	3	3
3	0007174	WASHER, LOCK, 5/16 .....	3	3
4	1016185	MOUNT, STEERING COLUMN, LEFT HAND .....	1	1
5	1016184	MOUNT, STEERING COLUMN, RIGHT HAND .....	1	1
6	<u>1016269</u>	SCREW, HEX WASHER HEAD THREAD FORMING, 5/16 - 18 x 2 .....	2	2
7	0000334	WASHER, FLAT, 3/8 .....	4	4
8	<u>1016183</u>	SCREW, HEX HEAD CAP, 3/8 - 16 x 6 3/4 .....	2	2
9	0008754	NUT, NYLON LOCK, 3/8 - 16 .....	2	2
10	<u>1014288</u>	SCREW, HEX WASHER HEAD THREAD FORMING, 5/16 - 18 x 3/4 .....	1	1
11	<u>1011697</u>	WASHER, FLAT, 5/16 .....	1	1
12	<u>1012499</u>	BOOT, STEERING COLUMN .....	1	1
13	1016181	ASSEMBLY, STEERING COLUMN (TOURALL AND TRANS-PORTER/TRANS-SENDER) (INCLUDES ITEMS 14 - 23) .....	1	1
13	<u>1017313</u>	ASSEMBLY, STEERING COLUMN (RESORT VILLAGER ONLY) (INCLUDES ITEMS 14 - 23) .....	1	1
14	<u>1012605</u>	RING, RETAINING .....	1	1
15	<u>1012604</u>	WASHER, STEEL, 5/8 .....	1	1
16	<u>1014217</u>	SPRING, COMPRESSION .....	1	1
17	1014125	WEDGE .....	2	2
18	<u>1014213</u>	ASSEMBLY, BEARING .....	2	2
19	<u>1014126</u>	SEAT, BEARING .....	2	2
20	<u>1015545</u>	SHAFT, STEERING COLUMN (TOURALL AND TRANS-PORTER/TRANS-SENDER) .....	1	1
20	<u>1017315</u>	SHAFT, STEERING COLUMN (RESORT VILLAGER ONLY) .....	1	1
21	1016622	COLUMN, ALUMINUM STEERING (TOURALL AND TRANS-PORTER/TRANS-SENDER) .....	1	1
21	<u>1017314</u>	COLUMN, ALUMINUM STEERING (RESORT VILLAGER ONLY) .....	1	1
22	1014214	RING, RETAINING .....	1	1
23	<u>1014211</u>	SEAL, BEARING .....	1	1
24	1016263	COVER, STEERING COLUMN .....	1	1
25	<u>1016156</u>	WHEEL, STEERING .....	1	1
26	<u>1012604</u>	WASHER, STEEL, 5/8 .....	1	1
27	<u>1017273</u>	NUT, NYLON LOCK, 5/8 - 18 .....	1	1
28	1016219	ASSEMBLY, SCORECARD PLATE (INCLUDES ITEMS 29 - 33) .....	1	1
29	N/A	PLATE, STEERING WHEEL .....	1	1
30	<u>1012565</u>	SCREW, ROUND HEAD, #12 - 14 x 1 .....	2	2
31	<u>1012566</u>	SPRING, TAPERED COMPRESSION .....	2	2
32	<u>1016214</u>	GRIP, PENCIL .....	2	2
33	1016154	CLIP, SCORE CARD .....	1	1
34	<u>1016663</u>	SCREW, TYPE A PHILLIPS, #12 - 11 x 5/8 .....	2	2
35	<u>1011578</u>	WASHER, TYPE B FLAT, 5/16 (RESORT VILLAGER ONLY) .....	1	1



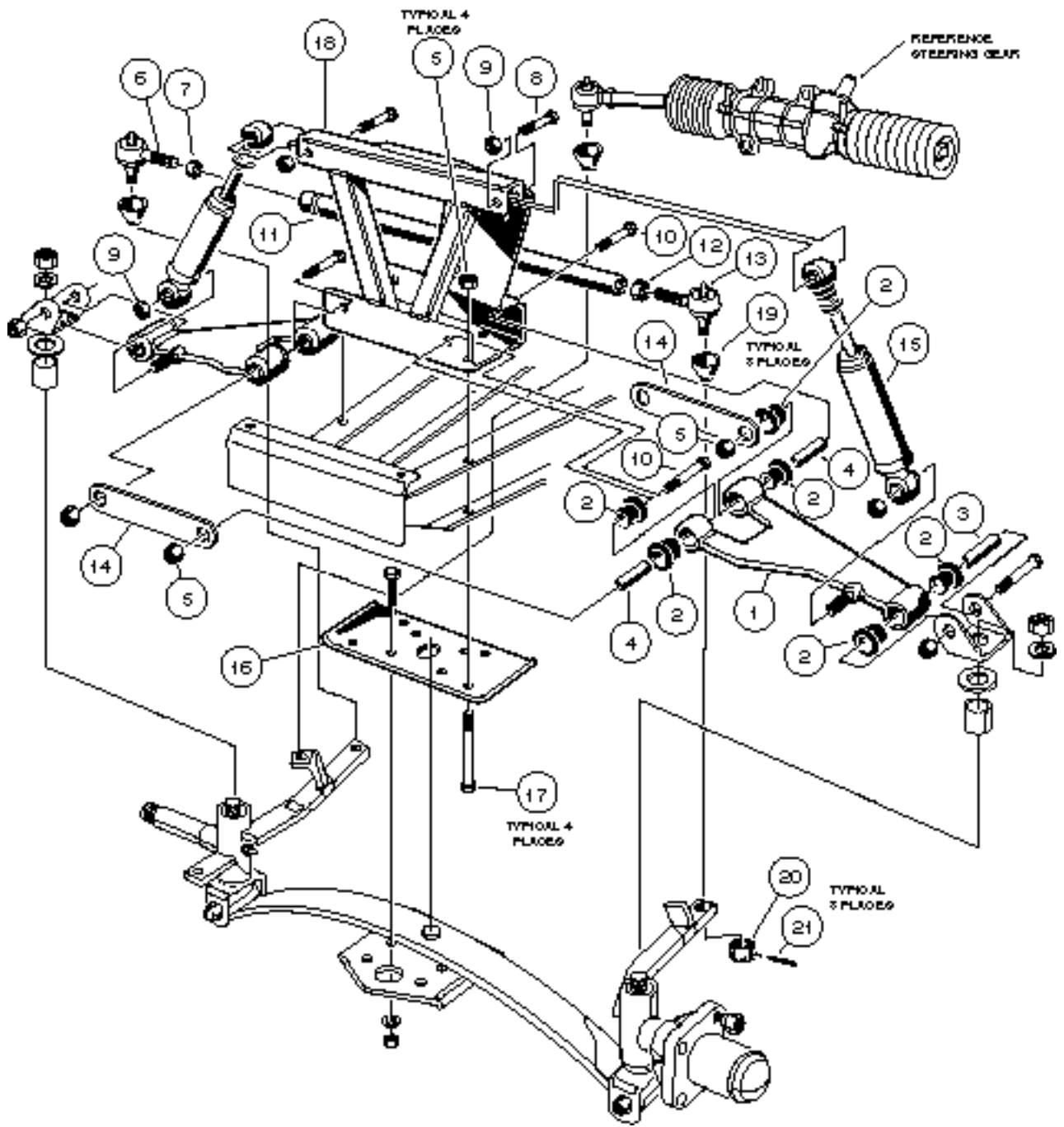
# STEERING GEAR ASSEMBLY

5

G

E

ITEM	PART NO.	DESCRIPTION	QTY GAS	QTY ELEC
		1 2 3 4		
	<u>1018783-02</u>	ASSEMBLY, STEERING GEAR BOX (INCLUDES ITEMS 1 - 22) .....	1	1
1	<u>1013035</u>	SEAL, DUST, RIGHT .....	1	1
2	0008990	WRAP, TIE .....	2	2
3	<u>1018802-01</u>	ASSEMBLY, INNER BALL JOINT .....	1	1
4	<u>1018803-01</u>	WASHER, TAB .....	2	2
5	N/A	BUSHING, RACK .....	1	1
6	N/A	BOX, STEERING GEAR .....	1	1
7	N/A	BEARING, LOWER PINION .....	1	1
8	N/A	PINION, STEERING .....	1	1
9	<u>1018794-01</u>	BEARING, UPPER PINION .....	1	1
10	<u>1018799-01</u>	RING, C-TYPE STOP .....	1	1
11	1013051	RING, SNAP .....	1	1
12	<u>1013052</u>	SEAL, DUST, STEERING PINION .....	1	1
13	<u>1018797-01</u>	GUIDE, STEERING RACK .....	1	1
14	<u>1018798-01</u>	SPRING, YOKE .....	1	1
15	<u>1013044</u>	NUT, LOCK, RACK SCREW .....	1	1
16	N/A	SCREW, RACK GUIDE .....	1	1
17	N/A	RACK, STEERING .....	1	1
18	<u>1018795-01</u>	WASHER, STOP .....	2	2
19	1018796-01	RING, C-TYPE STOP .....	1	1
20	<u>1018800-01</u>	SEAL, DUST, LEFT .....	1	1
21	1018801-01	O-RING, DUST SEAL RETAINING .....	1	1
22	1019260-01	CAP, RACK END DUST .....	1	1
23	<u>0001035</u>	PIN, COTTER, 3/32 x 1 .....	1	1
24	0007540	BALL JOINT, LEFT HAND THREAD (INCLUDES ITEMS 25, 26 AND 27) .....	1	1
25	<u>1015597</u>	FITTING, THREAD FORM GREASE, 1/4 - 28 .....	1	1
26	<u>0007602</u>	NUT, HEX SLOTTED, 3/8 - 24 .....	1	1
27	<u>1011930</u>	BOOT, DUST .....	1	1
28	0007555	NUT, HEX, LEFT HAND THREAD, 1/2 - 20 .....	1	1
29	<u>1012467</u>	LINK, RACK AND PINION DRAG .....	1	1
30	1013042	NUT, HEX, M12 x 1.75 .....	1	1
31	0001624	BOLT, HEX HEAD, 3/8 - 16 x 1 1/2 .....	3	3
32	0000334	WASHER, FLAT, 3/8 .....	3	3
33	<u>1010138</u>	NUT, DIMPLED LOCK, 3/8 - 16 .....	3	3





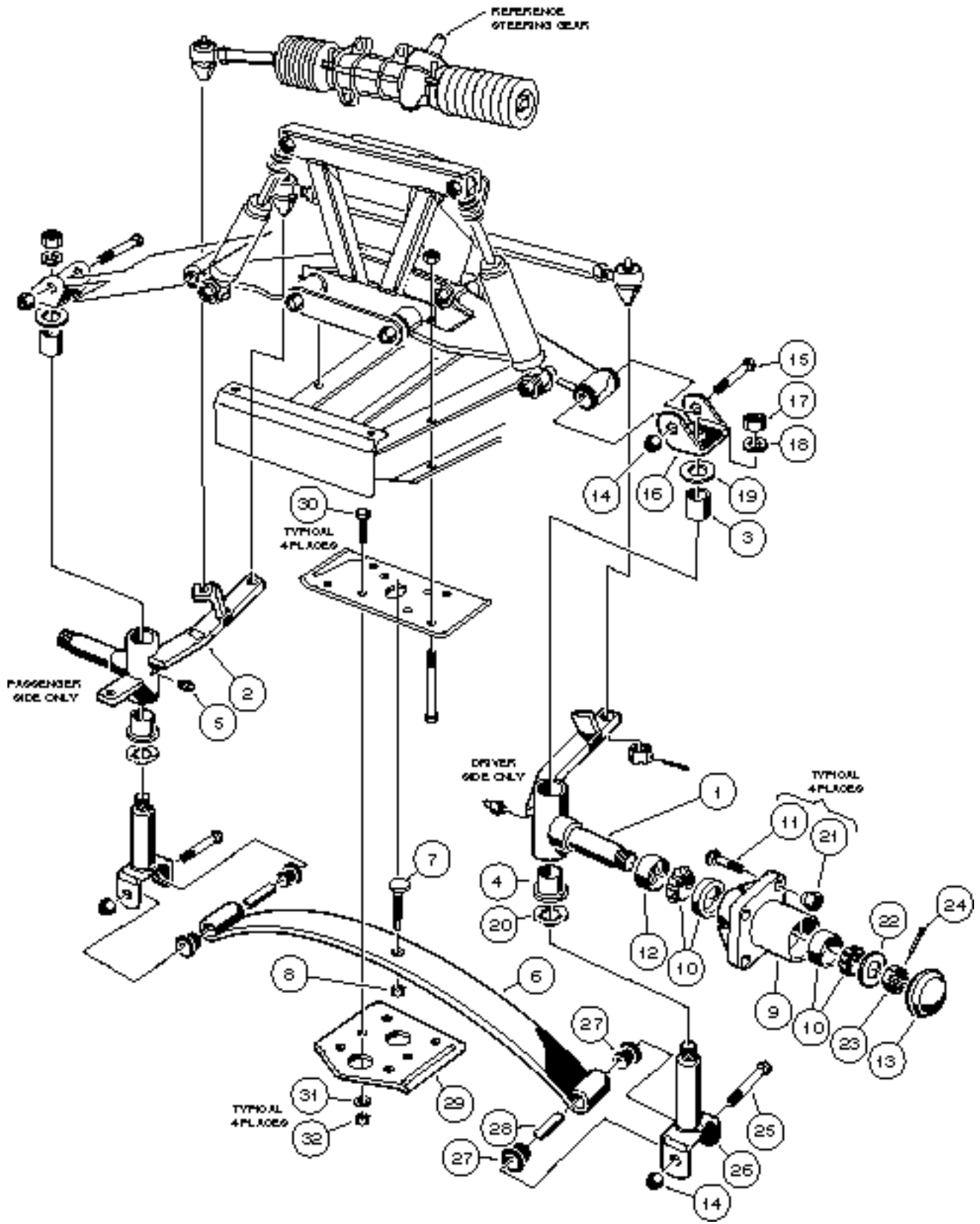
# FRONT SUSPENSION, UPPER TOURALL

**5**

**G**

**E**

ITEM	PART NO.	DESCRIPTION	QTY GAS	QTY ELEC
		1 2 3 4		
1	<u>1016353</u>	ASSEMBLY, DELTA A-PLATE (INCLUDES ITEMS 2, 3 AND 4) .....	2	2
2	<u>1016346</u>	BUSHING, URETHANE .....	6	6
3	<u>1016350</u>	SLEEVE, DELTA OUTER .....	1	1
4	<u>1016349</u>	SLEEVE, DELTA INNER .....	2	2
5	0008754	NUT, NYLON LOCK, 3/8 - 16 .....	8	8
6	0007539	BALL JOINT .....	1	1
7	0001308	NUT, HEX, 1/2 - 20 .....	1	1
8	0001624	BOLT, HEX HEAD, 3/8 - 16 x 1 1/2 .....	2	2
9	<u>1010138</u>	NUT, DIMPLED LOCK, 3/8 - 16 .....	4	4
10	0002402	SCREW, HEX CAP, 3/8 - 16 x 2 1/4 .....	4	4
11	<u>1010219</u>	ROD, TIE .....	1	1
12	0007555	NUT, HEX, LEFT HAND THREAD, 1/2 - 20 .....	1	1
13	0007540	BALL JOINT, LEFT HAND THREAD .....	1	1
14	<u>1017266</u>	STRAP, A-PLATE .....	2	2
15	<u>1014235</u>	SHOCK ABSORBER, FRONT .....	2	2
16	<u>1010124</u>	PLATE, SPRING MOUNTING .....	1	1
17	<u>1010200</u>	BOLT, HEX HEAD, 3/8 - 16 x 4 1/4 .....	4	4
18	<u>1016385</u>	ASSEMBLY, DELTA SHOCK AND GEAR SUPPORT .....	1	1
19	<u>1011930</u>	SEAL, DUST .....	3	3
20	<u>0007602</u>	NUT, SLOTTED HEX, 3/8 - 24 .....	3	3
21	<u>0001035</u>	PIN, COTTER, 3/32 x 1 .....	1	1



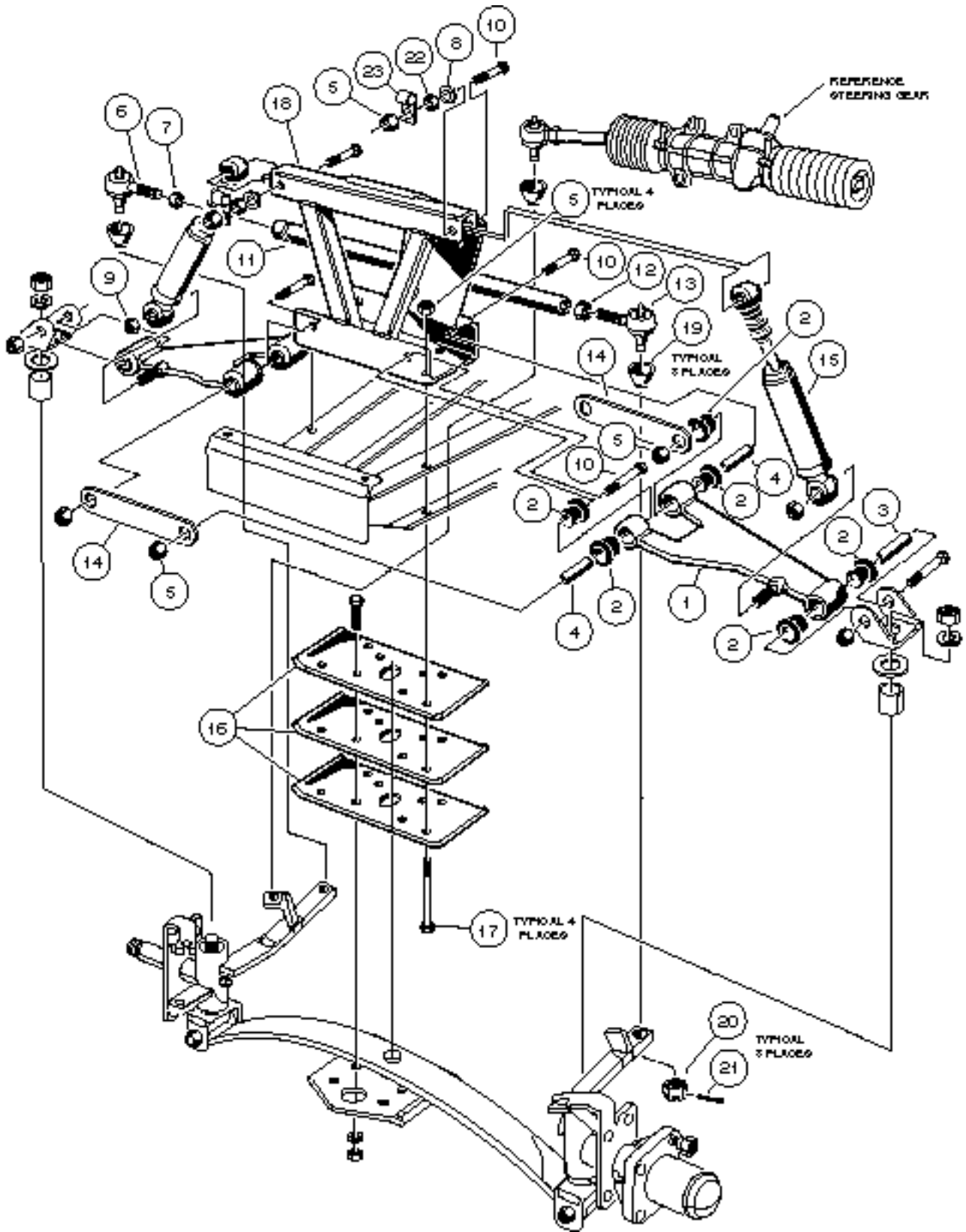
# FRONT SUSPENSION, LOWER TOURALL

**5**

**G**

**E**

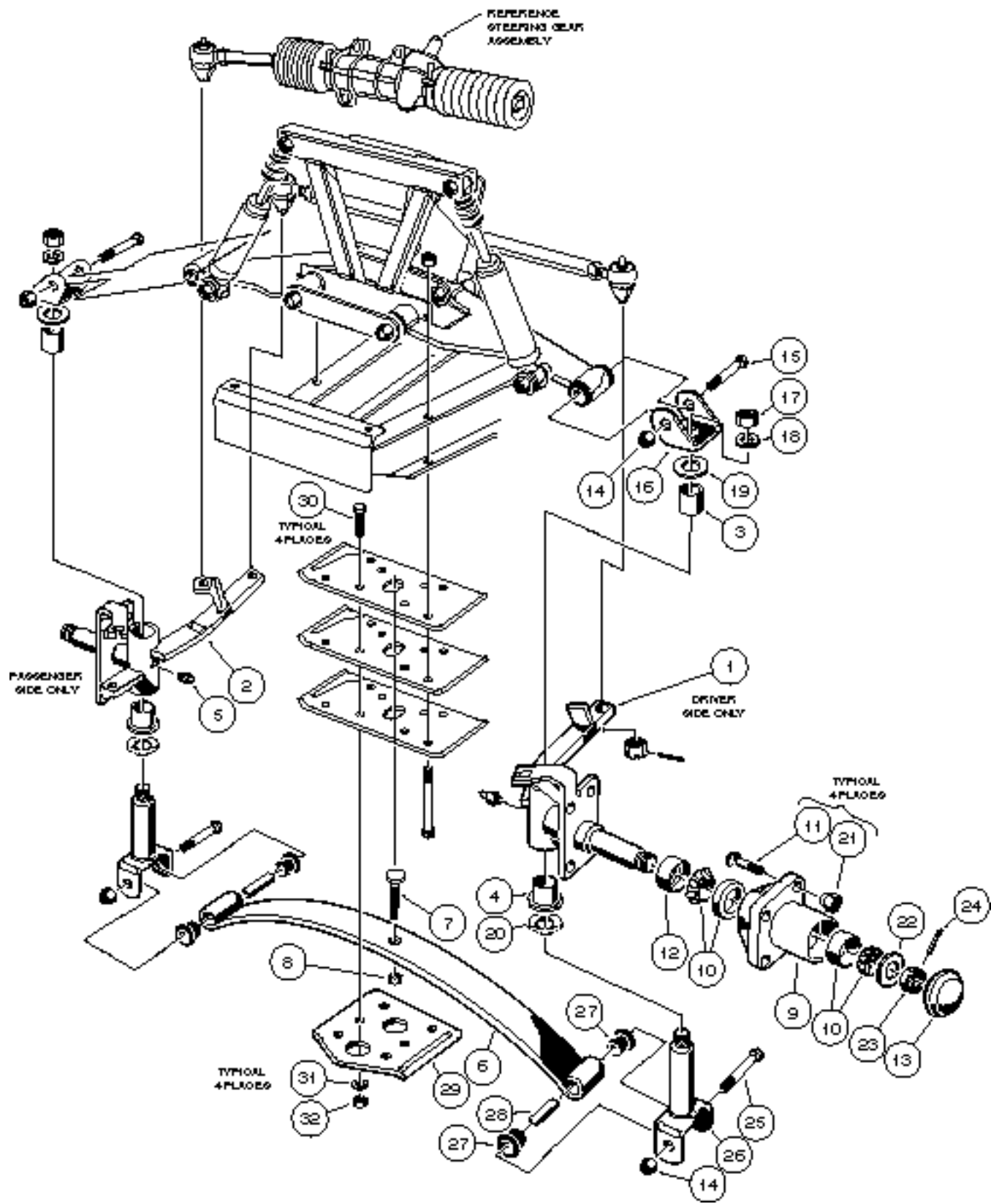
ITEM	PART NO.	DESCRIPTION	QTY GAS	QTY ELEC
		1 2 3 4		
1	<u>1010348</u>	ASSEMBLY, LEFT SPINDLE (INCLUDES ITEMS 3, 4 AND 5) .....	1	1
2	<u>1010347</u>	ASSEMBLY, RIGHT SPINDLE (INCLUDES ITEMS 3, 4 AND 5) .....	1	1
3	0008067	BUSHING, BRONZE SPINDLE .....	1	1
4	0007048	BUSHING, BRONZE .....	1	1
5	<u>1015597</u>	FITTING, GREASE, 1/4 - 28 .....	1	1
6	<u>1012030</u>	SPRING, TAPERED LEAF .....	1	1
7	0008745	ASSEMBLY, ECCENTRIC .....	1	1
8	0000706	NUT, HEX, 3/8 - 16 .....	1	1
9	<u>1011892</u>	ASSEMBLY, HUB (INCLUDES ITEMS 10 - 13) .....	2	2
10	<u>1011393</u>	PACKAGE, HUB BEARING .....	2	2
11	<u>1011304</u>	STUD, LUG, 1/2 - 20 .....	4	4
12	<u>1013135</u>	SEAL, DOUBLE LIP .....	1	1
13	<u>1011887</u>	COVER, DUST .....	1	1
14	0008754	NUT, NYLON LOCK, 3/8 - 16 .....	4	4
15	<u>1016387</u>	SCREW, HEX HEAD CAP, 3/8 - 16 x 2 3/4 .....	2	2
16	<u>1016384</u>	CLEVIS, UPPER DELTA .....	2	2
17	0001308	NUT, HEX, 1/2 - 20 .....	2	2
18	0000209	WASHER, SPLIT LOCK, 1/2 .....	2	2
19	<u>1010150</u>	BEARING, THRUST .....	2	2
20	<u>1016389</u>	WASHER, KINGPIN WAVE .....	2	2
21	<u>1010984</u>	NUT, LUG .....	8	8
22	<u>1010005</u>	WASHER, FLAT, 3/4 .....	2	2
23	0007840	NUT, HEX SLOTTED, 3/4 - 16 .....	2	2
24	0007910	PIN, COTTER, 5/32 x 1 .....	2	2
25	0008755	SCREW, HEX HEAD CAP, 3/8 - 16 x 3 3/8 .....	2	2
26	<u>1016386</u>	KINGPIN .....	2	2
27	<u>1015583</u>	BUSHING, URETHANE .....	4	4
28	<u>1012303</u>	BUSHING, STEEL .....	2	2
29	<u>1014276</u>	PLATE, FRONT SPRING RETAINER .....	1	1
30	0001624	SCREW, HEX HEAD CAP, 3/8 - 16 x 1 1/2 .....	4	4
31	0000357	WASHER, LOCK, 3/8 .....	4	4
32	0000706	NUT, HEX, 3/8 - 16 .....	4	4



# FRONT SUSPENSION, UPPER RESORT VILLAGER, TRANS-PORTER/TRANS-SENDER

**5**  
**G**  
**E**

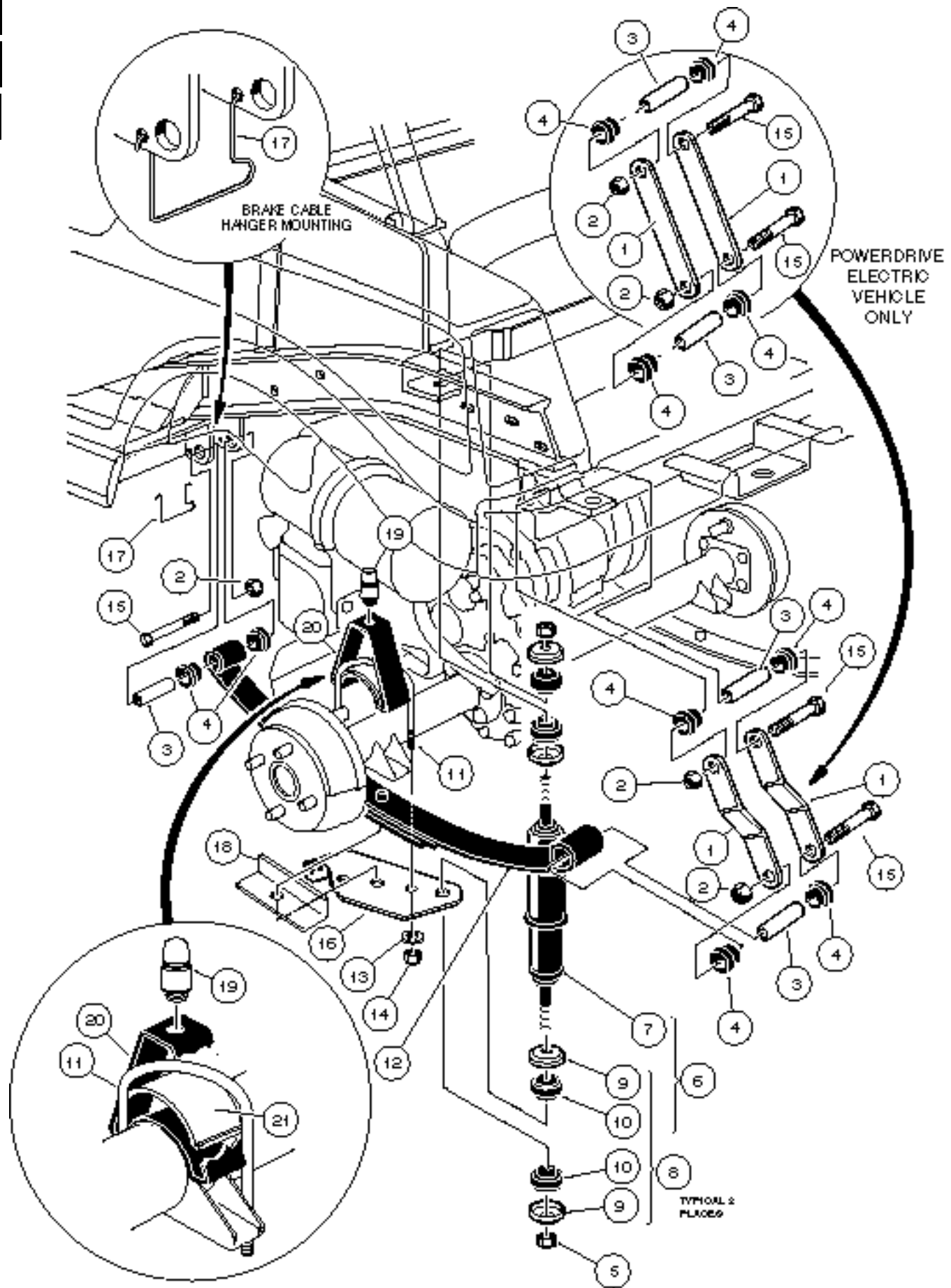
ITEM	PART NO.	DESCRIPTION	QTY GAS	QTY ELEC
		1 2 3 4		
1	<u>1016353</u>	ASSEMBLY, DELTA A-PLATE (INCLUDES ITEMS 2, 3 AND 4) .....	2	2
2	<u>1016346</u>	BUSHING, URETHANE .....	6	6
3	<u>1016350</u>	SLEEVE, DELTA OUTER .....	1	1
4	<u>1016349</u>	SLEEVE, DELTA INNER .....	2	2
5	0008754	NUT, NYLON LOCK, 3/8 - 16 .....	10	10
6	0007539	BALL JOINT .....	1	1
7	0001308	NUT, HEX, 1/2 - 20 .....	1	1
8	0000334	WASHER, FLAT, 3/8 .....	2	2
9	<u>1010138</u>	NUT, DIMPLED LOCK, 3/8 - 16 .....	2	2
10	0002402	BOLT, HEX HEAD, 3/8 - 16 x 2 1/4 .....	6	6
11	<u>1010219</u>	ROD, TIE .....	1	1
12	0007555	NUT, HEX, LEFT HAND THREAD, 1/2 - 20 .....	1	1
13	0007540	BALL JOINT, LEFT HAND THREAD .....	1	1
14	<u>1017266</u>	STRAP, A-PLATE .....	2	2
15	<u>1018706-01</u>	SHOCK ABSORBER, FRONT .....	2	2
16	<u>1010124</u>	PLATE, SPRING MOUNTING .....	3	3
17	<u>1018705-01</u>	BOLT, HEX HEAD, 3/8 - 16 x 4 3/4 .....	4	4
18	<u>1016385</u>	ASSEMBLY, DELTA SHOCK AND GEAR SUPPORT .....	1	1
19	<u>1011930</u>	SEAL, DUST .....	3	3
20	<u>0007602</u>	NUT, SLOTTED HEX, 3/8 - 24 .....	3	3
21	<u>0001035</u>	PIN, COTTER, 3/32 x 1 .....	1	1
22	0000706	NUT, HEX, 3/8 - 16 .....	2	2
23	<u>1019353-01</u>	CLAMP, BRAKE CABLE (PART OF BRAKE CABLE ASSEMBLY) .....	2	2



# FRONT SUSPENSION, LOWER RESORT VILLAGER, TRANS-PORTER/TRANS-SENDER

**5**  
**G**  
**E**

ITEM	PART NO.	DESCRIPTION	QTY GAS	QTY ELEC
		1 2 3 4		
1	1018769-01	ASSEMBLY, LEFT SPINDLE (INCLUDES ITEMS 3, 4 AND 5) .....	1	1
2	<u>1018770-01</u>	ASSEMBLY, RIGHT SPINDLE (INCLUDES ITEMS 3, 4 AND 5) .....	1	1
3	0008067	BUSHING, BRONZE SPINDLE .....	1	1
4	0007048	BUSHING, BRONZE .....	1	1
5	<u>1015597</u>	FITTING, GREASE, 1/4 - 28 .....	1	1
6	<u>1012030</u>	SPRING, TAPERED LEAF .....	1	1
7	0008745	ASSEMBLY, ECCENTRIC .....	1	1
8	0000706	NUT, HEX, 3/8 - 16 .....	1	1
9	<u>1011892</u>	ASSEMBLY, HUB (INCLUDES ITEMS 10 - 13) .....	2	2
10	<u>1011393</u>	PACKAGE, HUB BEARING .....	2	2
11	<u>1011304</u>	STUD, LUG, 1/2 - 20 .....	4	4
12	<u>1013135</u>	SEAL, DOUBLE LIP .....	1	1
13	<u>1011887</u>	COVER, DUST .....	1	1
14	0008754	NUT, NYLON LOCK, 3/8 - 16 .....	4	4
15	<u>1016387</u>	SCREW, HEX HEAD CAP, 3/8 - 16 x 2 3/4 .....	2	2
16	<u>1016384</u>	CLEVIS, UPPER DELTA .....	2	2
17	0001308	NUT, HEX, 1/2 - 20 .....	2	2
18	0000209	WASHER, SPLIT LOCK, 1/2 .....	2	2
19	<u>1010150</u>	BEARING, THRUST .....	2	2
20	<u>1016389</u>	WASHER, KINGPIN WAVE .....	2	2
21	<u>1010984</u>	NUT, LUG .....	8	8
22	<u>1010005</u>	WASHER, FLAT, 3/4 .....	2	2
23	0007840	NUT, HEX SLOTTED, 3/4 - 16 .....	2	2
24	0007910	PIN, COTTER, 5/32 x 1 .....	2	2
25	0008755	SCREW, HEX HEAD CAP, 3/8 - 16 x 3 3/8 .....	2	2
26	<u>1016386</u>	KINGPIN .....	2	2
27	<u>1015583</u>	BUSHING, URETHANE .....	4	4
28	<u>1012303</u>	BUSHING, STEEL .....	2	2
29	<u>1014276</u>	PLATE, FRONT SPRING RETAINER .....	1	1
30	<u>1010177</u>	SCREW, HEX HEAD CAP, 3/8 - 16 x 2 .....	4	4
31	0000357	WASHER, LOCK, 3/8 .....	4	4
32	0000706	NUT, HEX, 3/8 - 16 .....	4	4





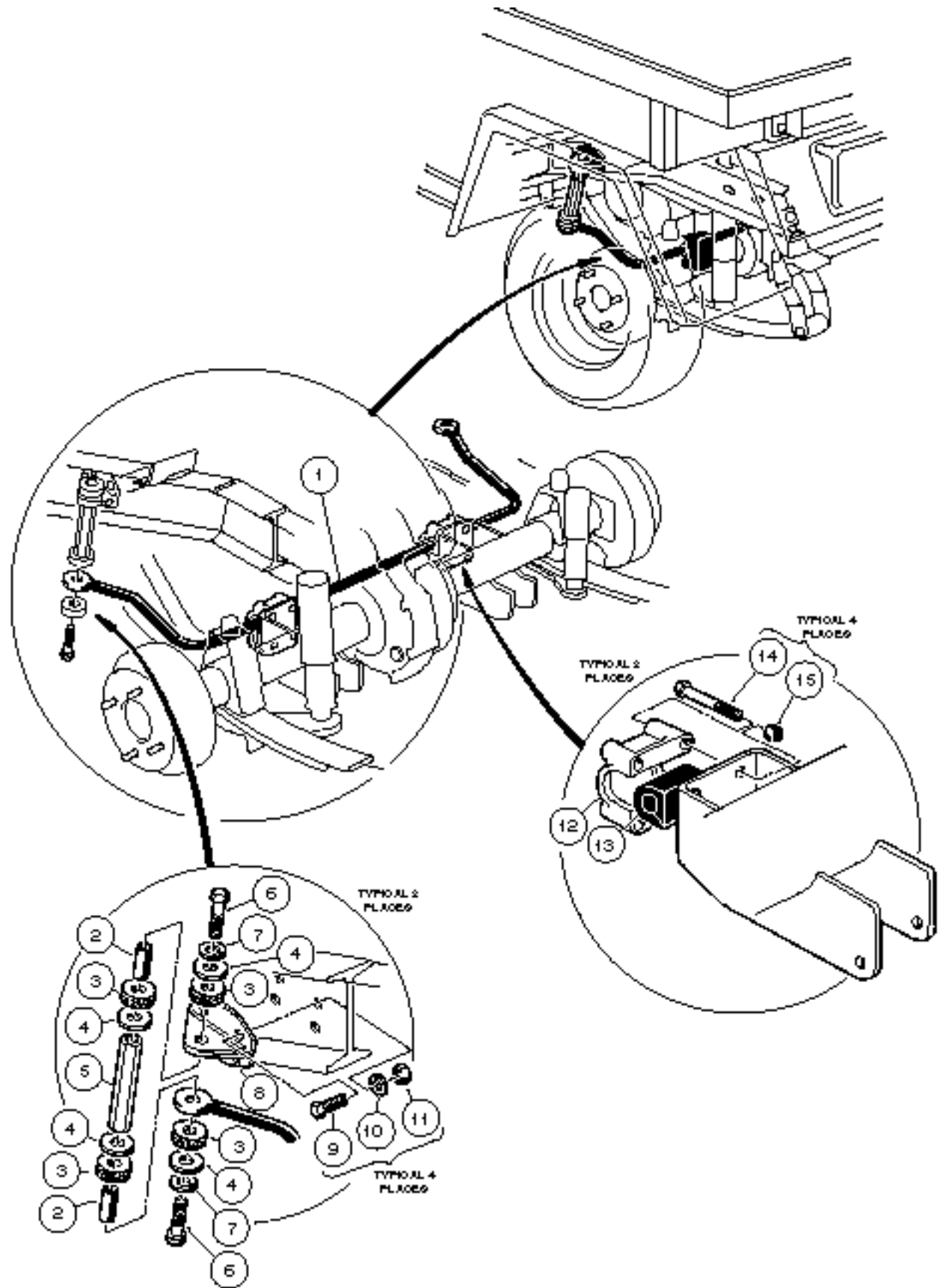
# REAR SUSPENSION

5

G

E

ITEM	PART NO.	DESCRIPTION	QTY GAS	QTY ELEC
		1 2 3 4		
		<b>BEFORE ORDERING FROM THIS PAGE, SEE NOTE ON PAGE ii AT THE BEGINNING OF THIS MANUAL.</b>		
1	<u>1012304</u>	SHACKLE, REAR SPRING (GASOLINE VEHICLE ONLY) .....	4	
1	0007569	SHACKLE, REAR SPRING (POWERDRIVE VEHICLE ONLY) .....		4
2	0008754	NUT, NYLON LOCK, 3/8 - 16 .....	6	6
3	<u>1012303</u>	BUSHING, STEEL .....	6	6
4	<u>1015583</u>	BUSHING, URETHANE .....	12	12
5	<u>1010145</u>	NUT, UNF HEX, 3/8 - 24 .....	4	4
6	<u>1013164</u>	KIT, SHOCK ABSORBER (INCLUDES ITEMS 7, 9 AND 10) .....	1	1
7	<u>1014236</u>	SHOCK ABSORBER, REAR .....	2	2
8	<u>1011415</u>	KIT, SHOCK ABSORBER CUSHION (INCLUDES ITEMS 9 AND 10) .....	4	4
9	N/A	RETAINER, SHOCK ABSORBER CUSHION .....	8	8
10	N/A	CUSHION, SHOCK ABSORBER .....	8	8
11	<u>1014902</u>	BOLT, "U" .....	2	2
12	<u>1014675</u>	SPRING, REAR LEAF .....	2	2
13	<u>1014557</u>	WASHER, FLAT, 7/16 .....	4	4
14	<u>1014555</u>	NUT, NYLON LOCK, 7/16 - 24 .....	4	4
15	0008755	SCREW, HEX HEAD CAP, 3/8 - 16 x 3 3/8 .....	6	6
16	1012182	BRACKET, SHOCK MOUNT, LEFT .....	1	1
16	1012181	BRACKET, SHOCK MOUNT, RIGHT .....	1	1
17	<u>1013207</u>	HANGER, BRAKE CABLE .....	2	2
18	1014573	RETAINER, SPRING .....	2	2
19	<u>1017235</u>	BUMPER, JOUNCE .....	2	2
20	1014546-02	MOUNT, BUMPER (GASOLINE VEHICLE ONLY) .....	2	
20	<u>1014549-02</u>	MOUNT, BUMPER (POWERDRIVE VEHICLE ONLY) .....		2
21	<u>1014901</u>	SPACER, OVERLOAD BUMPER .....	2	2



# STABILIZER BAR - GASOLINE VEHICLE RESORT VILLAGER, TRANS-PORTER/TRANS-SENDER

**5**  
**G**  
**E**

ITEM	PART NO.	DESCRIPTION	QTY GAS	QTY ELEC
		1 2 3 4 <b>BEFORE ORDERING FROM THIS PAGE, SEE NOTE ON PAGE <i>ii</i> AT THE BEGINNING OF THIS MANUAL.</b>		
1	<u>1015760</u>	BAR, STABILIZER, 3/4 DIAMETER .....	1	
2	<u>1015457</u>	SPACER .....	4	
3	<u>1015453</u>	MOUNT, COMPRESSION .....	8	
4	0000808	WASHER, FLAT, 3/8 .....	8	
5	<u>1016814</u>	LINK, STABILIZER BAR .....	2	
6	0008861	SCREW, HEX HEAD CAP, 3/8 - 16 x 1 3/4 .....	4	
7	0000357	WASHER, LOCK, 3/8 .....	4	
8	<u>1016813</u>	BRACKET, STABILIZER BAR MOUNTING .....	2	
9	0007173	SCREW, HEX HEAD CAP, 5/16 - 18 x 3/4 .....	8	
10	0007174	WASHER, LOCK, 3/8 .....	8	
11	0001242	NUT, HEX, 5/16 - 18 .....	8	
12	<u>1015614</u>	SUPPORT, STABILIZER BAR BUSHING .....	2	
13	<u>1015613</u>	BUSHING, STABILIZER BAR .....	2	
14	0007311	SCREW, HEX HEAD CAP, 1/4 - 20 x 2 .....	8	
15	0008233	NUT, NYLON LOCK, 1/4 - 20 .....	8	

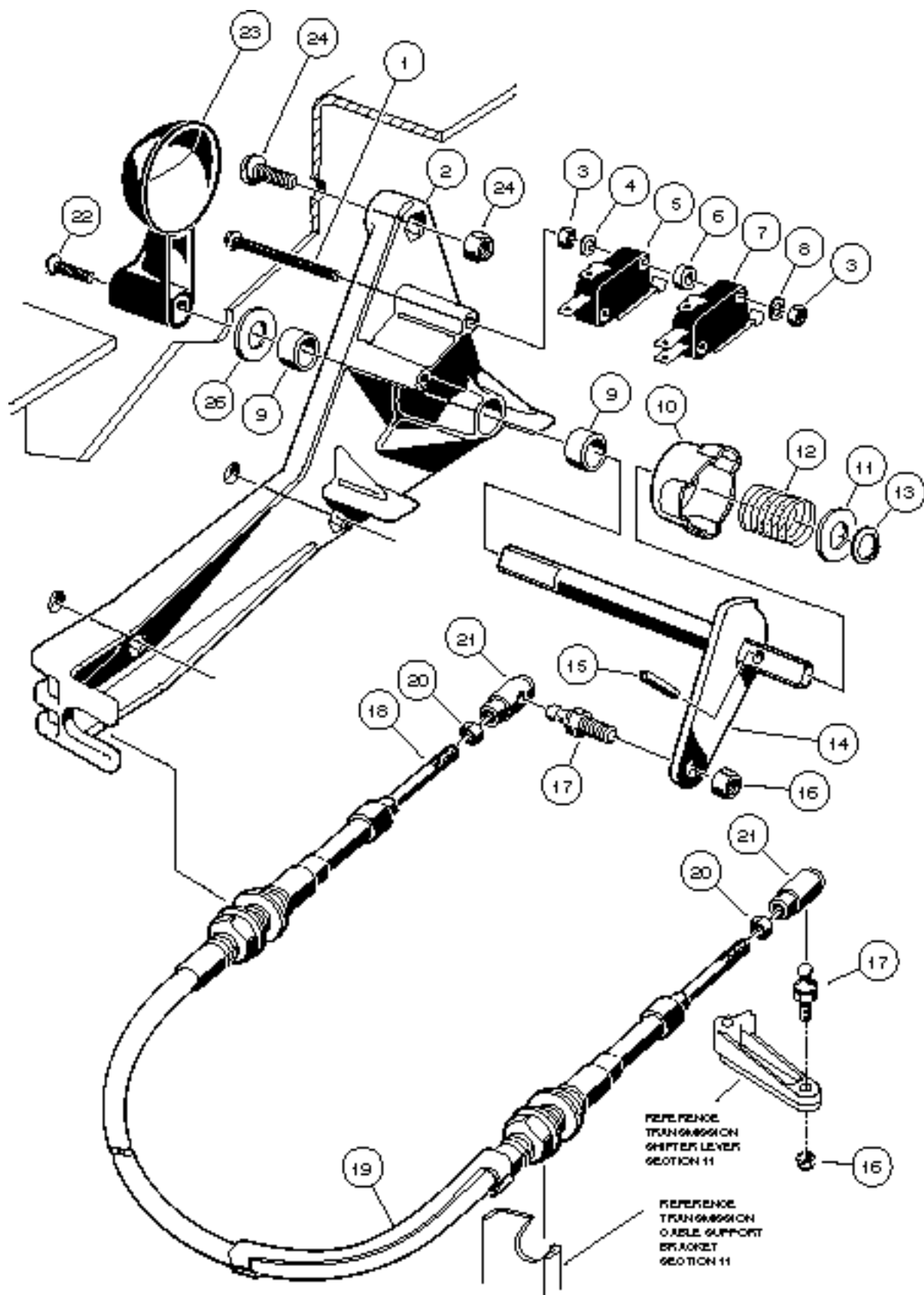


# **ELECTRICAL SYSTEM GASOLINE VEHICLE**

---

**6**

**G**

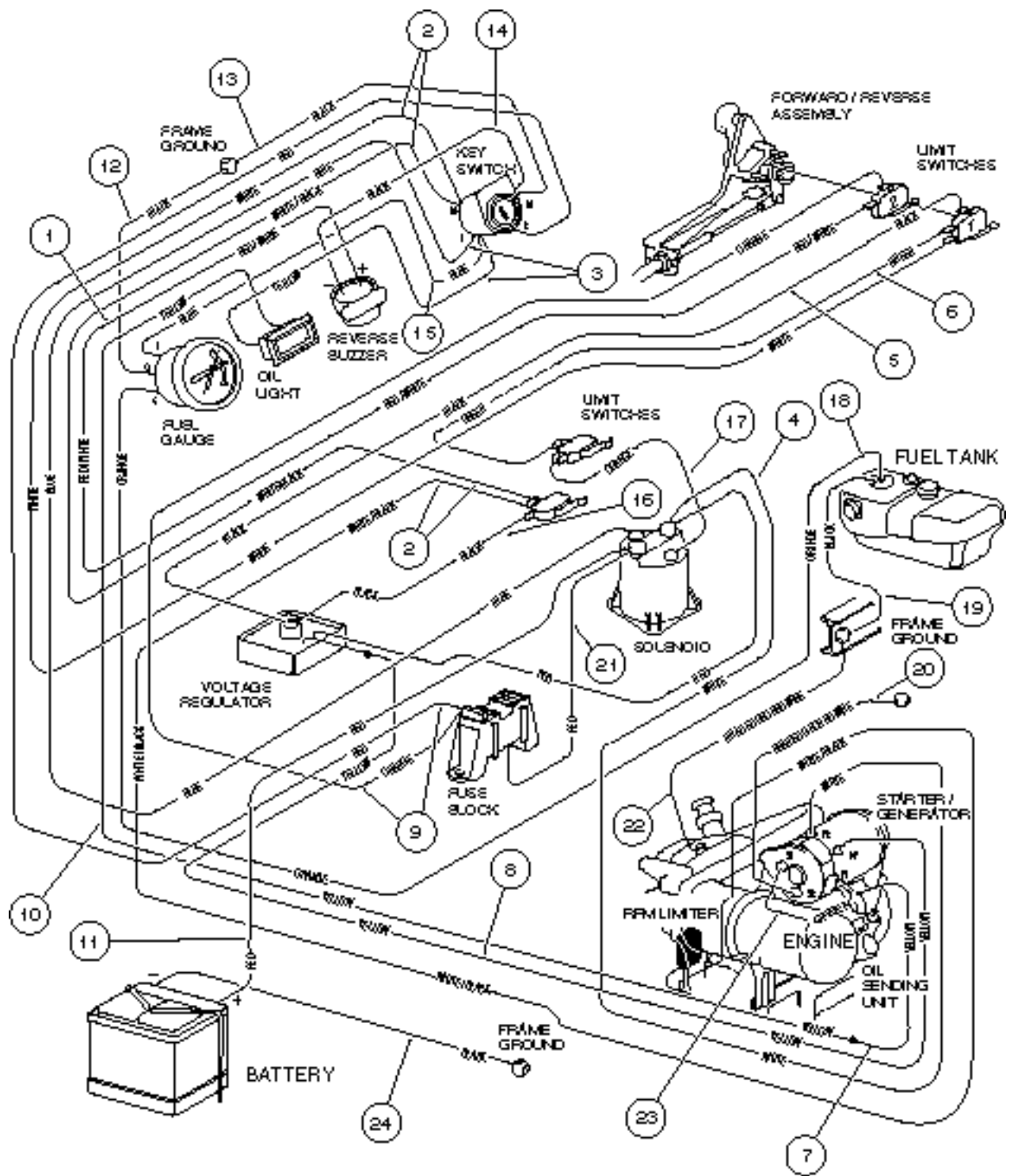


# FORWARD AND REVERSE SHIFTER ASSEMBLY GASOLINE VEHICLE

**6**

**G**

ITEM	PART NO.	DESCRIPTION	QTY
		1 2 3 4	
	1016947	ASSEMBLY, FORWARD AND REVERSE SHIFTER (INCLUDES ITEMS 1 - 17) .....	1
1	<u>1012594</u>	SCREW, MACHINE, #4 - 40 x 1 1/2 .....	2
2	<u>1016342</u>	BASE, FORWARD AND REVERSE SHIFTER .....	1
3	0008057	NUT, HEX HEAD, #4 - 40 .....	4
4	1012431	WASHER, FLAT, #4 .....	2
5	<u>1014808</u>	SWITCH, LIMIT .....	1
6	<u>1014727</u>	WASHER, NYLON FLAT, #4 .....	2
7	<u>1014807</u>	SWITCH, LIMIT .....	1
8	0008058	WASHER, LOCK, #4 .....	2
9	<u>1014145</u>	BUSHING, BRONZE .....	2
10	1014089	KIT, NEUTRAL LOCK-OUT CAM (INCLUDES ITEM 11) .....	1
11	<u>1014065</u>	WASHER, FLAT .....	1
12	<u>1013590</u>	SPRING, FORWARD AND REVERSE CAM .....	1
13	<u>1013589</u>	RING, RETAINING .....	1
14	1013587	WELDMENT, FORWARD AND REVERSE BELL CRANK .....	1
15	<u>1013591</u>	PIN, ROLL, 1/8 .....	1
16	0008717	NUT, NYLON LOCK, 1/4 - 28 .....	2
17	<u>1010954</u>	STUD, BALL, 1/4 - 28 x 1/4 .....	2
18	<u>1013085</u>	CABLE, TRANSMISSION (INCLUDES ITEMS 19 - 21) (FOR TOURALL ONLY) .....	1
18	<u>1016727-01</u>	CABLE, TRANSMISSION (INCLUDES ITEMS 19 - 21) (FOR RESORT VILLAGER TRANS-PORTER/TRANS-SENDER ONLY) .....	1
19	<u>1019319-01</u>	BRACE, SHIFTER CABLE .....	1
20	0007893	NUT, HEX, #10 - 32 .....	2
21	<u>1012333</u>	JOINT, BALL .....	2
22	<u>1013198</u>	SCREW, PHILLIPS OVAL COUNTERSUNK MACHINE, #8 - 32 x 5/8 .....	1
23	<u>1012987</u>	HANDLE, FORWARD AND REVERSE SWITCH .....	1
24	0008248	SCREW, PHILLIPS TRUSS HEAD, 1/4 - 20 x 3/4 .....	4
25	0008233	NUT, NYLON LOCK, 1/4 - 20 .....	4
26	<u>1014065</u>	WASHER, FLAT .....	1



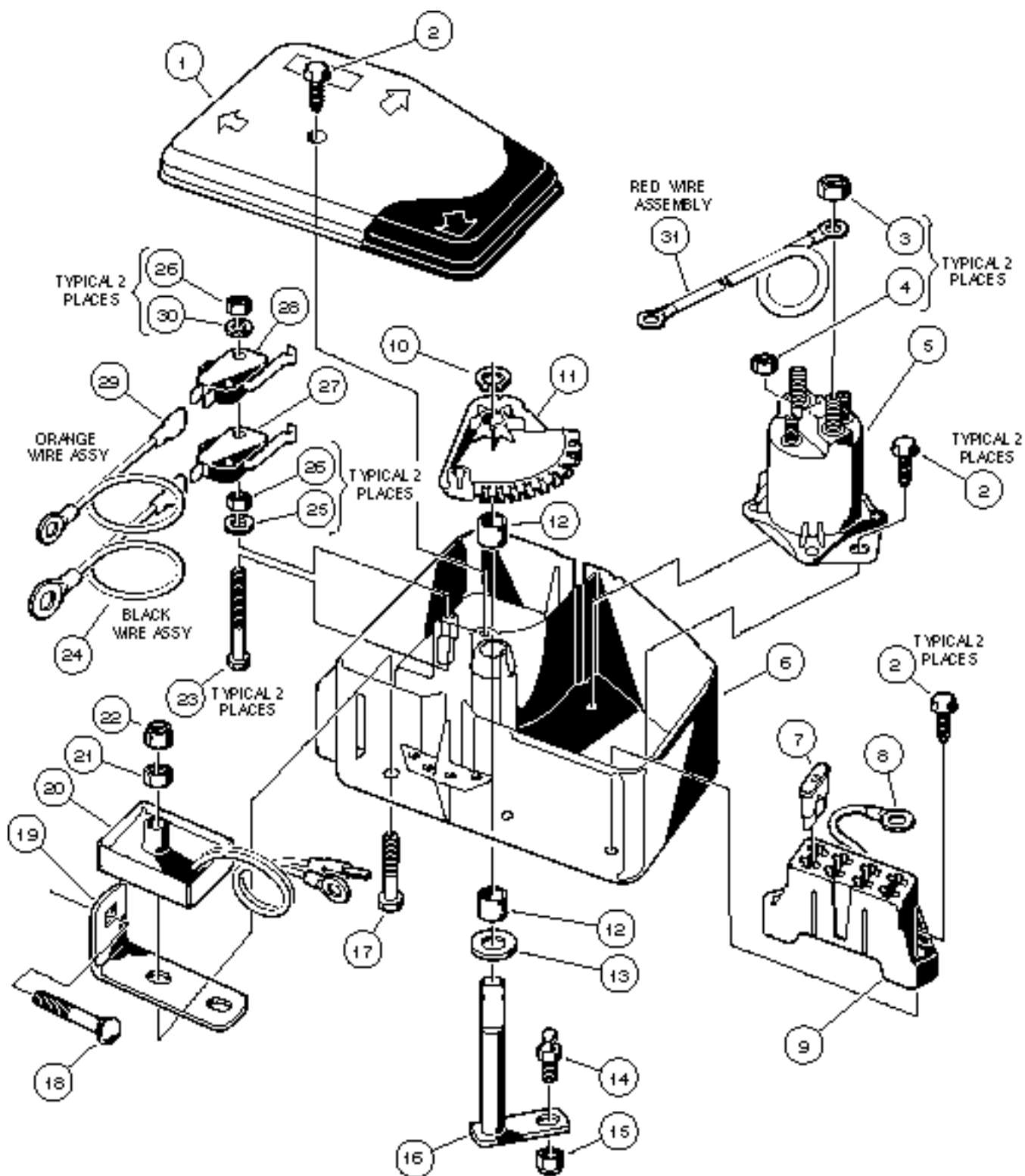


# WIRING, GASOLINE VEHICLE - TOURALL

**6**

**G**

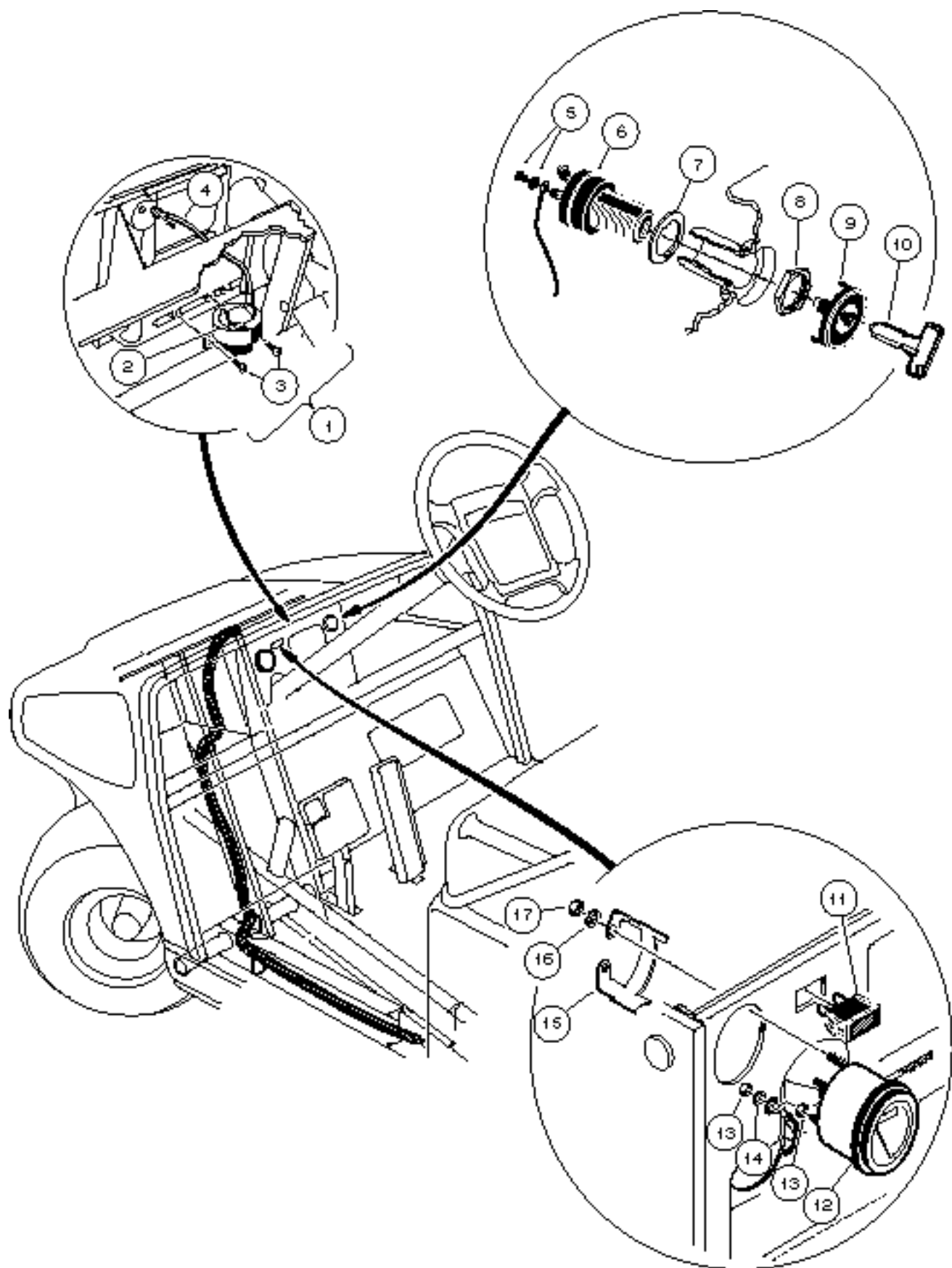
ITEM	PART NO.	DESCRIPTION	QTY
		1 2 3 4	
	1018893-02	WIRE HARNESS ASSEMBLY (INCLUDES ITEMS 1 - 10) .....	1
1	1013723	WIRE ASSEMBLY, #18 RED/WHITE .....	1
2	<u>1015781</u>	WIRE ASSEMBLY, #18 WHITE, #18 WHITE/BLACK .....	1
3	1013601	WIRE ASSEMBLY, #18 YELLOW, #16 BLUE .....	1
4	<u>1015769</u>	WIRE ASSEMBLY, #6 WHITE .....	1
5	1015780	WIRE ASSEMBLY, #18 BLACK .....	1
6	1015779	WIRE ASSEMBLY, #18 GREEN .....	1
7	1018850-01	WIRE ASSEMBLY, #18 YELLOW .....	1
8	1015738	WIRE ASSEMBLY, #16 YELLOW .....	1
9	1018282-01	WIRE ASSEMBLY, #16 RED, #16 ORANGE .....	1
10	1018930-01	WIRE ASSEMBLY, #18 YELLOW .....	1
11	<u>1014119</u>	WIRE ASSEMBLY, #6 RED .....	1
12	1013469	WIRE ASSEMBLY, #18 BLACK .....	1
13	1012396	WIRE ASSEMBLY, #18 BLACK .....	1
14	1016857	WIRE ASSEMBLY, #18 BLACK (PART OF REVERSE BUZZER KIT) .....	1
15	1013463	WIRE ASSEMBLY, #18 BLUE .....	1
16	1016402	WIRE ASSEMBLY, #18 BLACK (PART OF ELECTRICAL COMPONENT BOX) .....	1
17	1016401	WIRE ASSEMBLY, #18 ORANGE (PART OF ELECTRICAL COMPONENT BOX) .....	1
18	<u>1015035</u>	WIRE ASSEMBLY, #18 ORANGE .....	1
19	1015921	WIRE ASSEMBLY, #18 BLACK .....	1
20	<u>1015920</u>	WIRE ASSEMBLY, #6 BRAIDED GROUND .....	1
21	<u>1015737</u>	WIRE ASSEMBLY, #10 RED (PART OF ELECTRICAL COMPONENT BOX) .....	1
22	<u>1015332</u>	WIRE ASSEMBLY, #10 BRAIDED GROUND .....	1
23	<u>1018373-01</u>	WIRE ASSEMBLY, #6 GREEN .....	1
24	<u>1012382</u>	WIRE ASSEMBLY, #6 BLACK .....	1



# ELECTRICAL COMPONENT BOX, GASOLINE VEHICLE TOURALL

**6**  
**G**

ITEM	PART NO.	DESCRIPTION	QTY
		1 2 3 4	
	<u>1018276-01</u>	BOX, ELECTRICAL COMPONENT, COMPLETE (INCLUDES ITEMS 1 - 31 AND 1018893-02 - SEE PAGE 6-5) .....	1
1	<u>1015372</u>	COVER, ELECTRICAL COMPONENT BOX .....	1
2	<u>1015752</u>	SCREW, HI-LO, #12 - 16 x 5/8 .....	5
3	0001242	NUT, HEX, 5/16 - 18 .....	2
4	0007893	NUT, HEX, #10 - 32 .....	2
5	<u>1013609</u>	SOLENOID, 12 VOLT .....	1
6	<u>1015371</u>	BOX, ELECTRICAL COMPONENT .....	1
7	<u>1012295</u>	FUSE, 10 AMP .....	1
8	<u>1015737</u>	WIRE ASSEMBLY, #10 RED .....	1
9	<u>1015741</u>	BLOCK, FUSE .....	1
10	<u>1013589</u>	RING, RETAINING .....	1
11	<u>1015373</u>	CAM, ELECTRICAL BOX .....	1
12	<u>1014145</u>	BUSHING, BRONZE .....	2
13	<u>1014065</u>	WASHER, FLAT .....	1
14	<u>1010954</u>	STUD, BALL, 1/4 - 28 .....	1
15	0008717	NUT, NYLON LOCK, 1/4 - 28 .....	1
16	<u>1018213-01</u>	ASSEMBLY, BELL CRANK SHAFT .....	1
17	<u>1013509</u>	SCREW, HEX HEAD CAP, 1/4 - 20 x 1 3/4 .....	1
18	<u>1015405</u>	BOLT, CARRIAGE, 5/16 - 18 x 2 .....	1
19	1015343	STRAP, GROUND .....	1
20	<u>1015777</u>	ASSEMBLY, VOLTAGE REGULATOR .....	1
21	<u>1015919</u>	NUT, HEX JAM, 1/4 - 20 .....	1
22	0008233	NUT, NYLON LOCK, 1/4 - 20 .....	1
23	<u>1015878</u>	SCREW, HEX HEAD MACHINE, #4 - 40 x 1 5/8 .....	2
24	1016402	WIRE ASSEMBLY, #16 BLACK .....	1
25	1012431	WASHER, FLAT, #4 .....	2
26	0008057	NUT, HEX, #4 - 40 .....	4
27	<u>1014808</u>	SWITCH, LIMIT .....	1
28	<u>1014807</u>	SWITCH, LIMIT .....	1
29	1016401	WIRE ASSEMBLY, #16 ORANGE .....	1
30	0008058	WASHER, LOCK, #4 .....	2
31	<u>1014119</u>	WIRE ASSEMBLY, #6 RED .....	1

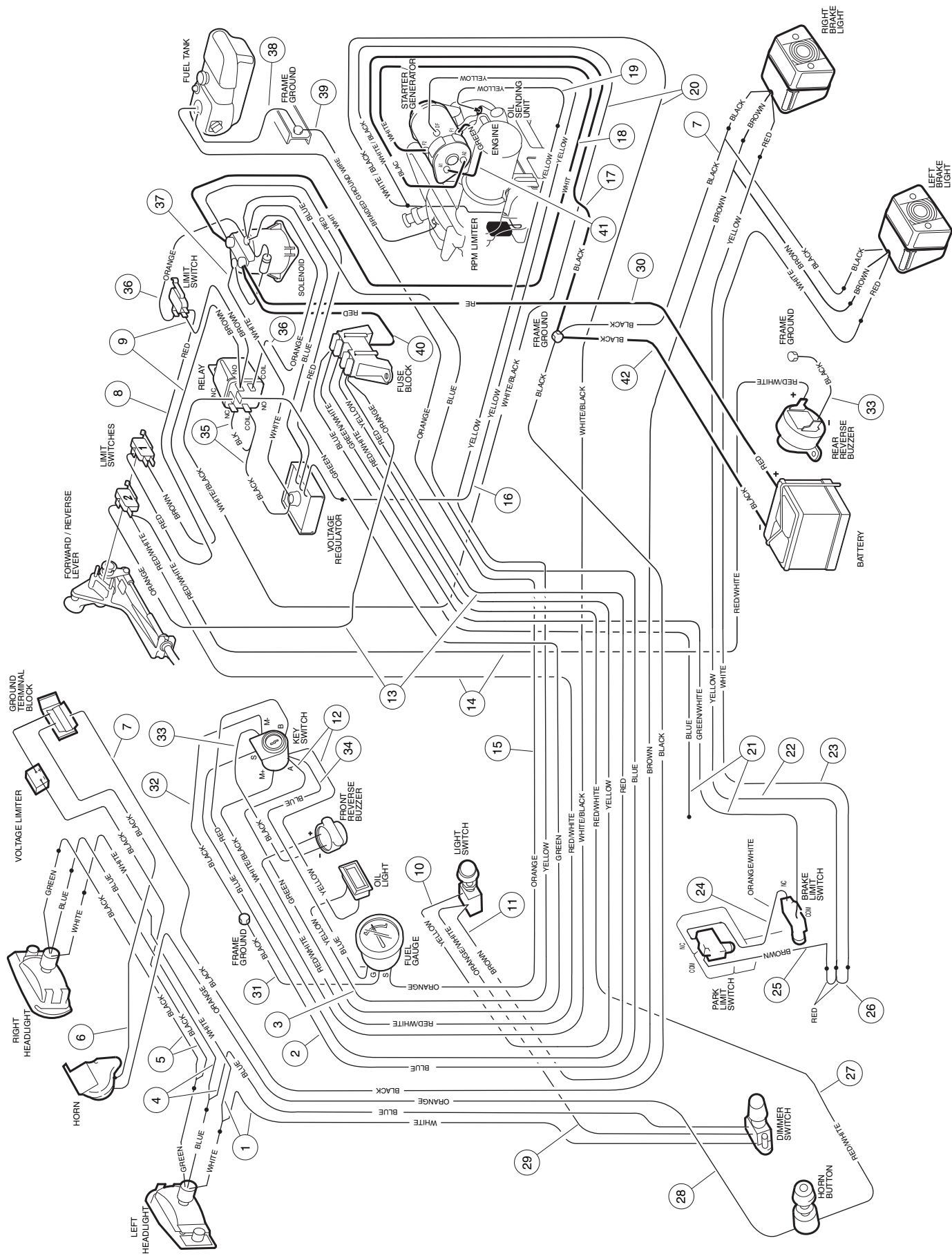


# ELECTRICAL COMPONENTS GASOLINE VEHICLE - TOURALL

**6**

**G**

ITEM	PART NO.	DESCRIPTION	QTY
		1 2 3 4	
1	<u>1016859</u>	KIT, REVERSE BUZZER (INCLUDES ITEMS 2, 3 AND 4) .....	1
2	<u>1016851</u>	BUZZER, REVERSE .....	1
3	<u>1016849</u>	SCREW, PAN HEAD HI-LO, #4 - 24 x 5/16 .....	2
4	1016857	WIRE ASSEMBLY, #18 BLACK .....	1
5	1018306-01	ASSEMBLY, SCREW AND WASHER .....	4
6	<u>1018263-01</u>	SWITCH, KEY .....	1
7	<u>1018511-01</u>	WASHER .....	1
8	<u>1018307-01</u>	NUT, KEY SWITCH .....	1
9	<u>1018345-02</u>	CAP, KEY SWITCH .....	1
10	<u>1012505</u>	KEY (PAIR) .....	1
11	<u>1016630</u>	LIGHT, OIL WARNING (WITH INTERNAL RESISTOR) .....	1
12	<u>1015103</u>	GAUGE, FUEL (INCLUDES ITEMS 13 AND 14) .....	1
13	N/A	NUT, BRASS .....	6
14	N/A	WASHER, EXTERNAL TOOTH LOCK .....	3
15	<u>1015104</u>	BRACKET, FUEL GAUGE .....	1
16	<u>1011610</u>	WASHER, LOCK, #8 .....	2
17	<u>1011571</u>	NUT, HEX, #8 - 32 .....	2

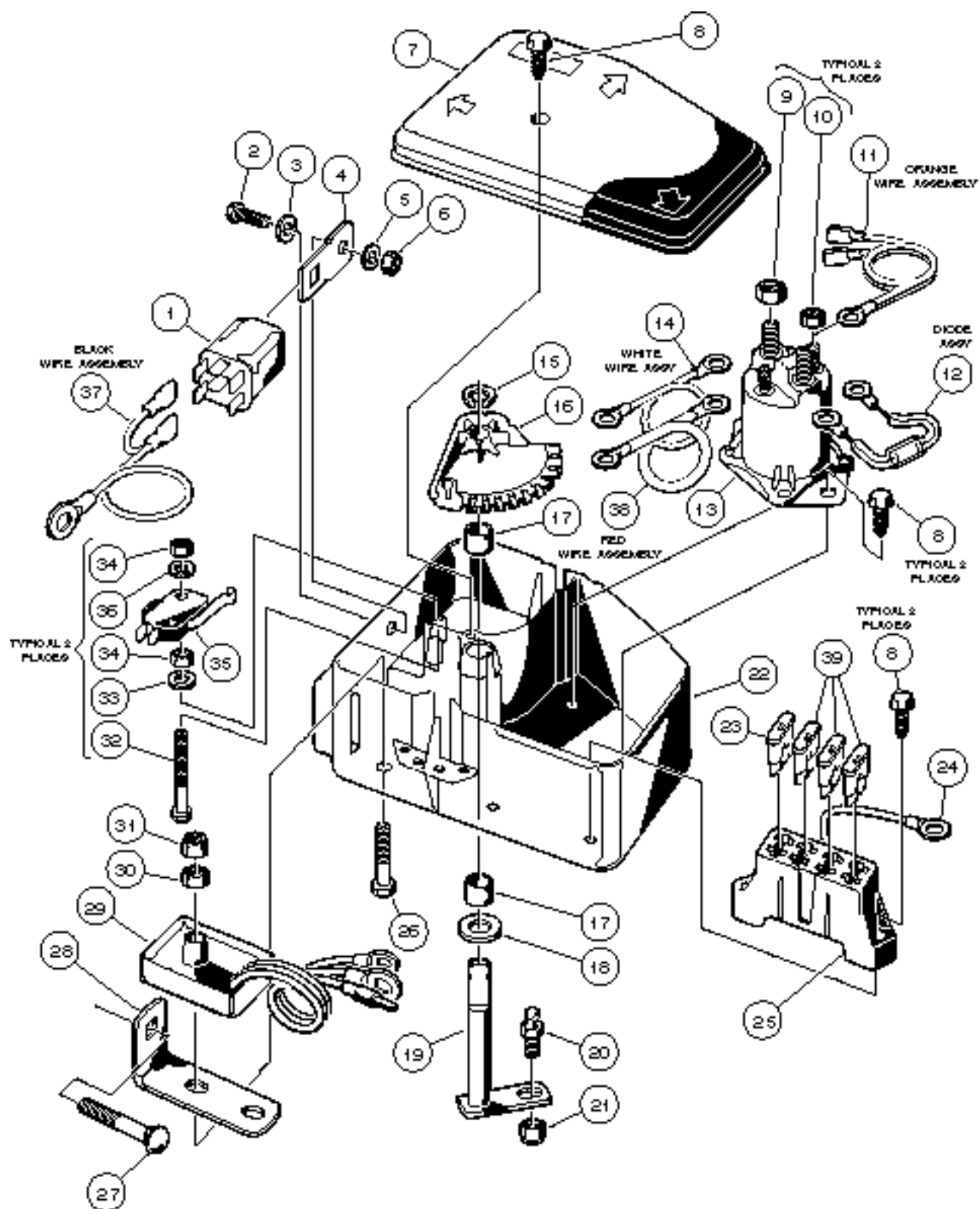


# WIRING, GASOLINE VEHICLE RESORT VILLAGER, TRANS-PORTER/TRANS-SENDER

**6**

**G**

ITEM	PART NO.	DESCRIPTION	QTY
		1 2 3 4	
		<b>BEFORE ORDERING FROM THIS PAGE, SEE NOTE ON PAGE ii AT THE BEGINNING OF THIS MANUAL.</b>	
	<u>1017669-02</u>	HARNES, WIRE (INCLUDES ITEMS 1 - 29) .....	1
1	1016323	WIRE ASSEMBLY, #16 WHITE .....	1
2	<u>1017679</u>	WIRE ASSEMBLY, #18 BLUE .....	1
3	1016763	WIRE ASSEMBLY, #18 YELLOW .....	1
4	1017052	WIRE ASSEMBLY, #18 BLUE .....	1
5	1016326	WIRE ASSEMBLY, #16 BLACK .....	1
6	1016308	WIRE ASSEMBLY, #16 BLACK .....	1
7	1016776	WIRE ASSEMBLY, #14 BLACK, #18 BLACK .....	1
8	1017681	WIRE ASSEMBLY, #18 RED .....	1
9	1017677	WIRE ASSEMBLY, #18 BROWN .....	1
10	1016770	WIRE ASSEMBLY, #14 YELLOW .....	1
11	1016775	WIRE ASSEMBLY, #18 BROWN .....	1
12	1017676	WIRE ASSEMBLY, #18 GREEN AND #18 YELLOW .....	1
13	1018282-03	WIRE ASSEMBLY, #16 RED AND #16 ORANGE .....	1
14	1016765	WIRE ASSEMBLY, #18 RED/WHITE .....	1
15	1016778	WIRE ASSEMBLY, #18 ORANGE .....	1
16	1015738	WIRE ASSEMBLY, #16 YELLOW .....	1
17	<u>1016380</u>	WIRE ASSEMBLY, # 6 BLACK .....	1
18	<u>1015769</u>	WIRE ASSEMBLY, # 6 WHITE .....	1
19	1018850-01	WIRE ASSEMBLY, #18 YELLOW .....	1
20	1017678	WIRE ASSEMBLY, #18 WHITE/BLACK .....	1
21	1016771	WIRE ASSEMBLY, #18 GREEN/WHITE AND #18 BLUE .....	1
22	1016774	WIRE ASSEMBLY, #18 YELLOW .....	1
23	1016773	WIRE ASSEMBLY, #18 WHITE .....	1
24	1016309	WIRE ASSEMBLY, #16 ORANGE/WHITE .....	1
25	1016314	WIRE ASSEMBLY, #16 BROWN .....	1
26	1016409	WIRE ASSEMBLY, #18 RED .....	1
27	1016772	WIRE ASSEMBLY, #16 RED/WHITE .....	1
28	1016307	WIRE ASSEMBLY, #16 ORANGE .....	1
29	1016315	WIRE ASSEMBLY, #16 ORANGE/WHITE .....	1
30	<u>1014119</u>	WIRE ASSEMBLY, #6 RED (PART OF ELECTRICAL COMPONENT BOX) .....	1
31	1013469	WIRE ASSEMBLY, #18 BLACK .....	1
32	1012396	WIRE ASSEMBLY, #18 BLACK .....	1
33	1016857	WIRE ASSEMBLY, #18 BLACK .....	2
34	1013463	WIRE ASSEMBLY, #18 BLUE .....	1
35	1017005	WIRE ASSEMBLY, #18 BLACK (PART OF ELECTRICAL COMPONENT BOX) .....	1
36	1017006	WIRE ASSEMBLY, #18 ORANGE (PART OF ELECTRICAL COMPONENT BOX) .....	1
37	1017010	WIRE ASSEMBLY, #18 WHITE (PART OF ELECTRICAL COMPONENT BOX) .....	1
38	1015921	WIRE ASSEMBLY, #18 BLACK .....	1
39	<u>1015332</u>	WIRE ASSEMBLY, #10 BRAIDED GROUND WIRE .....	1
40	<u>1015737</u>	WIRE ASSEMBLY, #10 RED (PART OF ELECTRICAL COMPONENT BOX) .....	1
41	<u>1018373-01</u>	WIRE ASSEMBLY, #6 GREEN .....	1
42	<u>1012382</u>	WIRE ASSEMBLY, #6 BLACK .....	1



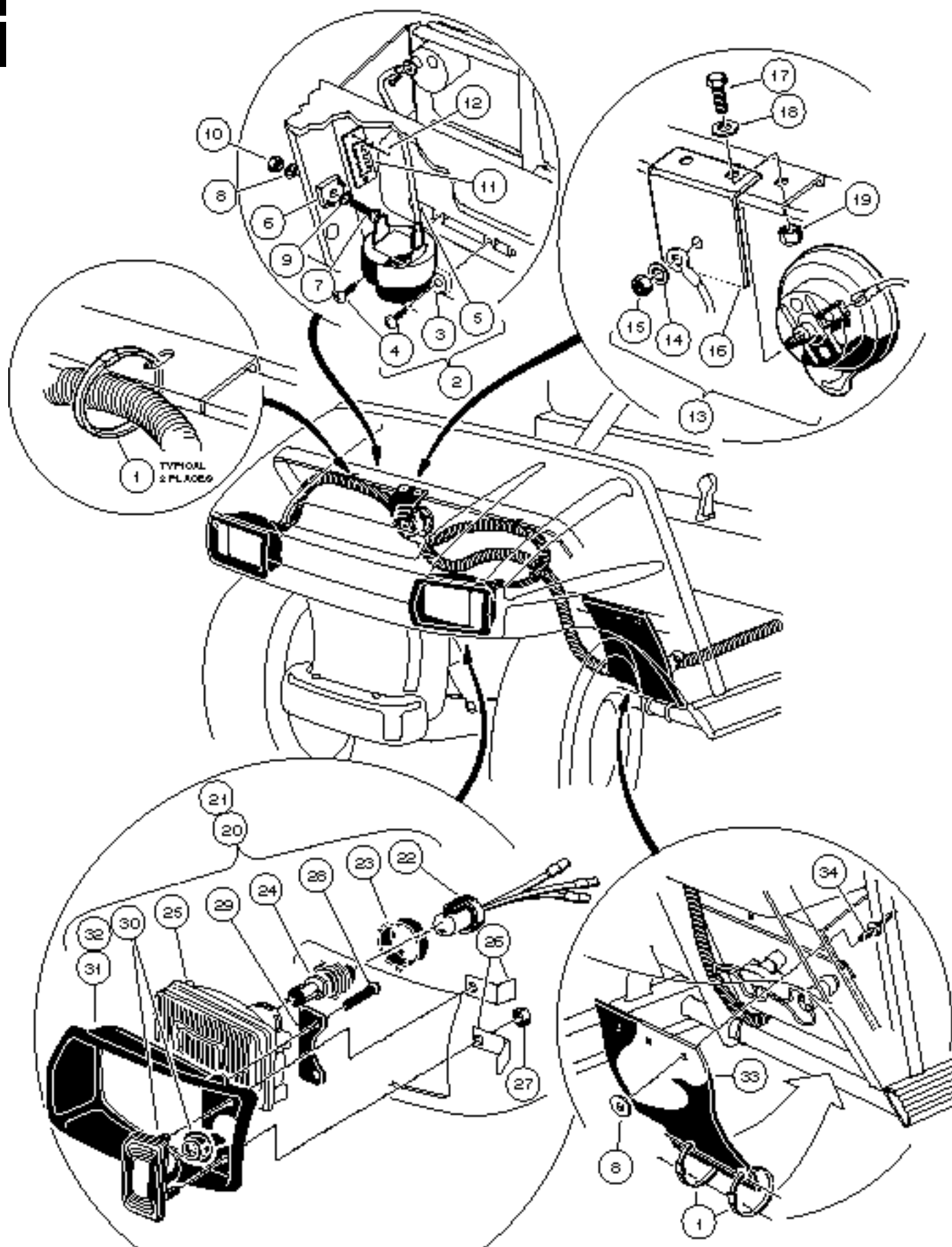


# ELECTRICAL COMPONENT BOX, GASOLINE VEHICLE RESORT VILLAGER, TRANS-PORTER/TRANS-SENDER

**6**

**G**

ITEM	PART NO.	DESCRIPTION	QTY
		1 2 3 4	
		<b>BEFORE ORDERING FROM THIS PAGE, SEE NOTE ON PAGE ii AT THE BEGINNING OF THIS MANUAL.</b>	
	<u>1018277-02</u>	BOX, ELECTRICAL COMPONENT, COMPLETE (INCLUDES ITEMS 1 - 38 AND PART NUMBER 1017669-02 - SEE PAGE 6-11).....	1
1	<u>1017239</u>	RELAY .....	1
2	0008450	SCREW, HEX HEAD MACHINE, #10 - 24 x 1/2 .....	1
3	0000183	WASHER, FLAT, #10 .....	1
4	<u>1017243</u>	BRACKET, RELAY MOUNTING .....	1
5	0001016	WASHER, LOCK, #10 .....	1
6	0001017	NUT, HEX, #10 - 24 .....	1
7	<u>1015372</u>	COVER, ELECTRICAL COMPONENT BOX .....	1
8	<u>1015752</u>	SCREW, HI-LO, #12 - 16 x 5/8 .....	5
9	0001242	NUT, HEX, 5/16 - 18 .....	2
10	0007893	NUT, HEX, #10 - 32 .....	2
11	1017006	WIRE ASSEMBLY, #18 ORANGE .....	1
12	1014948	ASSEMBLY, DIODE .....	1
13	<u>1013609</u>	SOLENOID .....	1
14	1017010	WIRE ASSEMBLY, #18 WHITE .....	1
15	<u>1013589</u>	RING, RETAINING .....	1
16	<u>1015373</u>	CAM, ELECTRICAL BOX .....	1
17	<u>1014145</u>	BUSHING, BRONZE .....	2
18	<u>1014065</u>	WASHER, FLAT .....	1
19	1015345	ASSEMBLY, BELL CRANK SHAFT .....	1
20	<u>1010954</u>	STUD, BALL, 1/4 - 28 .....	1
21	0008717	NUT, NYLON LOCK , 1/4 - 28 .....	1
22	<u>1016997</u>	BOX, ELECTRICAL COMPONENT .....	1
23	<u>1012295</u>	FUSE, 10 AMP .....	1
24	<u>1015737</u>	WIRE ASSEMBLY, #10 RED .....	1
25	<u>1015741</u>	BLOCK, FUSE .....	1
26	<u>1013509</u>	SCREW, HEX HEAD CAP, 1/4 - 20 x 1 3/4 .....	1
27	<u>1015405</u>	BOLT, CARRIAGE, 5/16 - 18 x 2 .....	1
28	1015343	STRAP, GROUND .....	1
29	<u>1017238</u>	REGULATOR, VOLTAGE .....	1
30	<u>1015919</u>	NUT, HEX JAM, 1/4 - 20 .....	1
31	0008233	NUT, NYLON LOCK, 1/4 - 20 .....	1
32	<u>1016896</u>	SCREW, HEX HEAD MACHINE, #4 - 40 x 1 1/8 .....	2
33	1012431	WASHER, FLAT, #4 .....	2
34	0008057	NUT, HEX, #4 - 40 .....	4
35	<u>1014807</u>	SWITCH, LIMIT .....	1
36	0008058	WASHER, LOCK, #4 .....	2
37	1017005	WIRE ASSEMBLY, #18 BLACK .....	1
38	<u>1014119</u>	WIRE ASSEMBLY, #6 RED .....	1
39	<u>1016423</u>	FUSE, 20 AMP .....	3

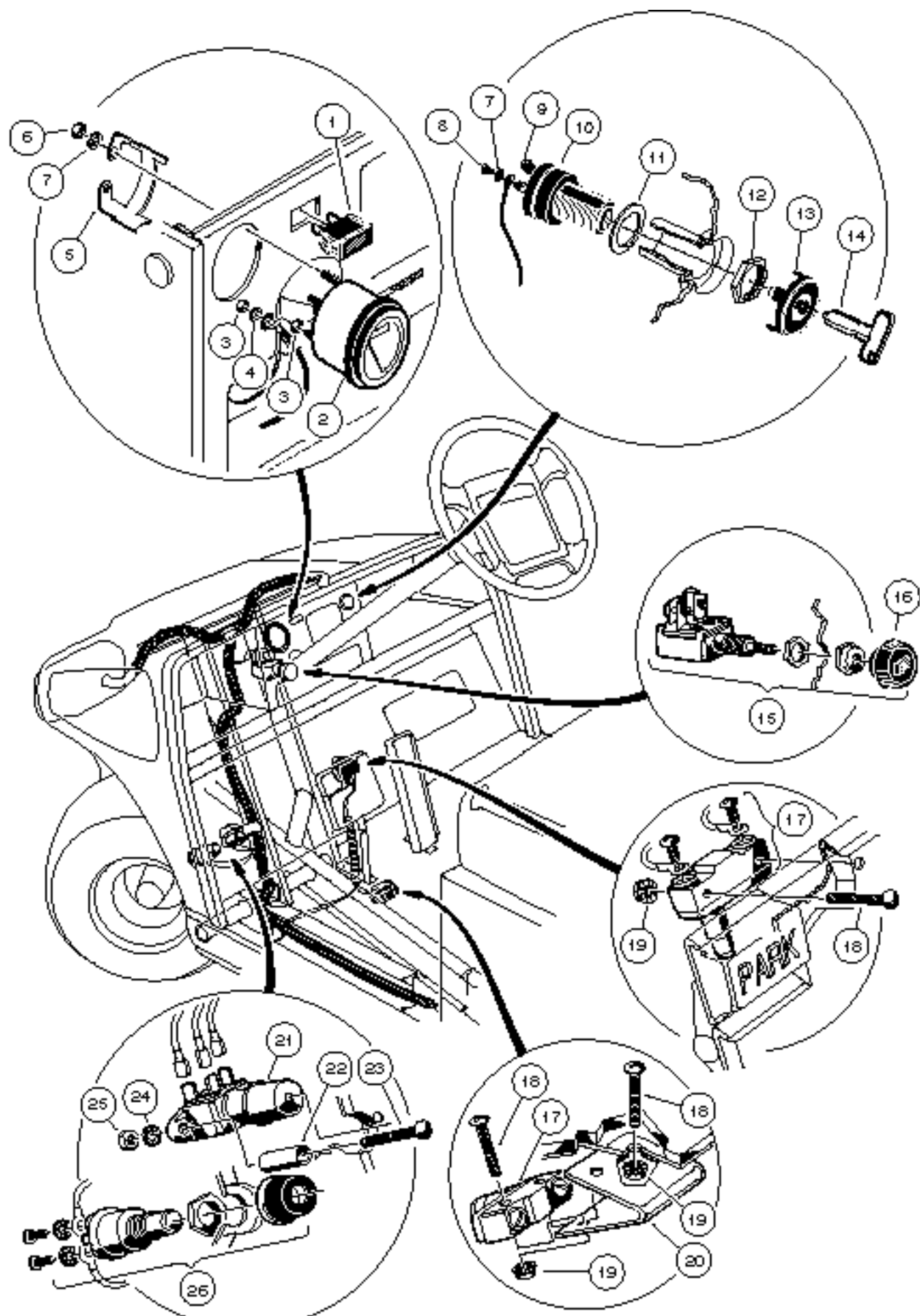


# ELECTRICAL COMPONENTS, FRONT BODY, GASOLINE RESORT VILLAGER, TRANS-PORTER/TRANS-SENDER

**6**

**G**

ITEM	PART NO.	DESCRIPTION	QTY
		1 2 3 4	
1	0008639	WRAP, TIE .....	4
2	<u>1016859</u>	KIT, REVERSE BUZZER (INCLUDES ITEMS 3, 4 AND 5) .....	1
3	<u>1016851</u>	BUZZER, REVERSE .....	1
4	<u>1016849</u>	SCREW, PAN HEAD HI-LO, #4 - 24 x 5/16 .....	2
5	1016857	WIRE ASSEMBLY, #18 BLACK .....	1
6	<u>1017721</u>	LIMITER, VOLTAGE (FOR GASOLINE VEHICLE LIGHTING INSTALLATION) .....	1
7	<u>1010909</u>	SCREW, MACHINE, #10 - 32 x 1 1/4 .....	1
8	0000183	WASHER, FLAT, #10 .....	4
9	0001016	WASHER, LOCK, #10 .....	1
10	0007893	NUT, HEX, #10 - 32 .....	1
11	<u>1016356</u>	BLOCK, TERMINAL .....	1
12	<u>1013357</u>	RIVET, ALUMINUM POP, 5/32 .....	2
13	0004029	ASSEMBLY, HORN (INCLUDES ITEMS 14, 15 AND 16) .....	1
14	0007820	WASHER, INTERNAL TOOTH, 5/16 .....	1
15	<u>1012528</u>	NUT, M8 x 1.25 .....	1
16	<u>1011825</u>	BRACKET, HORN .....	1
17	0000304	BOLT, HEX HEAD, 1/4 - 20 x 1 .....	2
18	0000332	WASHER, FLAT, 1/4 .....	2
19	0008233	NUT, NYLON LOCK, 1/4 - 20 .....	2
20	<u>1016897-01</u>	ASSEMBLY, HEADLIGHT, LEFT HAND (INCLUDES ITEMS 22 - 31) .....	1
21	<u>1016897-02</u>	ASSEMBLY, HEADLIGHT, RIGHT HAND (INCLUDES ITEMS 22 - 30 AND 32) .....	1
22	<u>1017066</u>	HARNES, HEADLIGHT WIRE .....	1
23	1017059	LOCK, BULB COLLAR .....	1
24	<u>1017060</u>	BULB, HALOGEN .....	1
25	1017061	LENS, HEADLIGHT .....	1
26	<u>1017064</u>	BRACKET, MOUNTING .....	2
27	0007893	NUT, HEX, #10 - 32 .....	2
28	<u>1013461</u>	SCREW, HI-LO, #10 - 16 x 7/16 .....	2
29	<u>1017065</u>	RETAINER, HEADLIGHT .....	1
30	<u>1017062</u>	ASSEMBLY, TURN SIGNAL LENS .....	1
31	<u>1016880</u>	BEZEL, HEADLIGHT, LEFT HAND .....	1
32	<u>1016879</u>	BEZEL, HEADLIGHT, RIGHT HAND .....	1
33	1015787	FLAP, SWITCH PROTECTOR .....	1
34	0001606	RIVET, POP, 3/16 .....	3

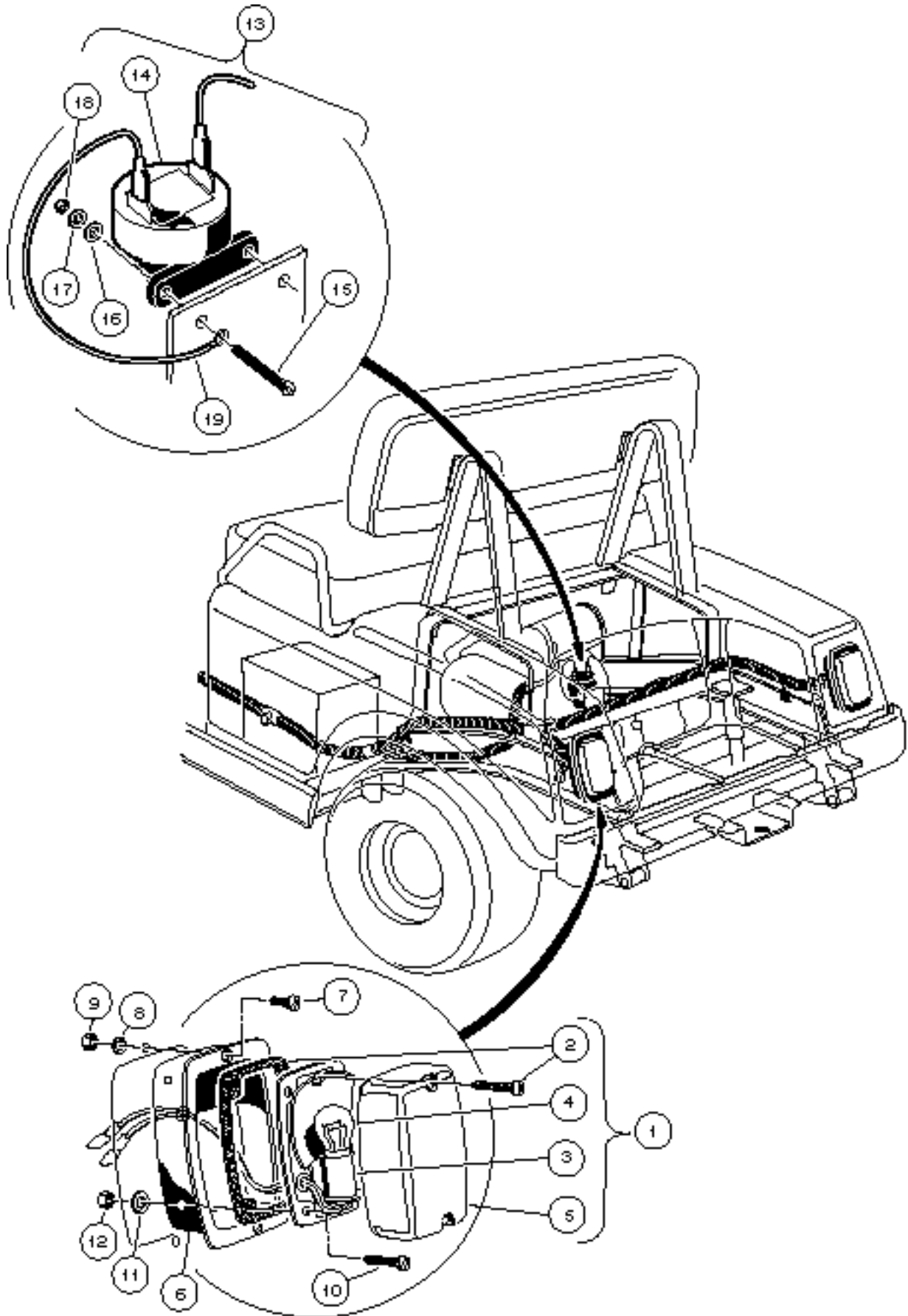


# CONTROLS AND GAUGES, GASOLINE VEHICLES RESORT VILLAGER, TRANS-PORTER/TRANS-SENDER

**6**

**G**

ITEM	PART NO.	DESCRIPTION	QTY
		1 2 3 4	
1	<u>1016630</u>	LIGHT, OIL WARNING (WITH INTERNAL RESISTOR) .....	1
2	<u>1015103</u>	GAUGE, FUEL (INCLUDES ITEMS 3 AND 4) .....	1
3	N/A	NUT, BRASS .....	6
4	N/A	WASHER, EXTERNAL TOOTH LOCK .....	3
5	<u>1015104</u>	BRACKET, FUEL GAUGE .....	1
6	<u>1011571</u>	NUT, HEX, #8 - 32 .....	2
7	<u>1011610</u>	WASHER, LOCK, #8 .....	3
8	<u>1016092</u>	SCREW, PAN HEAD MACHINE, #8 - 32 x 7/16 .....	1
9	1018306-01	ASSEMBLY, SCREW AND WASHER .....	4
10	1018264-01	SWITCH, KEY .....	1
11	<u>1018511-01</u>	WASHER .....	1
12	<u>1018307-01</u>	NUT, KEY SWITCH .....	1
13	<u>1018345-02</u>	CAP, KEY SWITCH .....	1
14	<u>1012505</u>	KEY (PAIR) .....	1
15	0004034	SWITCH, LIGHT (INCLUDES ITEM 16) .....	1
16	<u>1013857</u>	KNOB, LIGHT SWITCH .....	1
17	<u>1011439</u>	SWITCH, LIMIT .....	2
18	<u>1011557</u>	SCREW, MACHINE, #6 - 32 x 1 .....	6
19	<u>1011229</u>	NUT, "K" LOCK, #6 - 32 .....	6
20	1011742	BRACKET, BRAKE LIGHT SWITCH .....	1
21	1010889	SWITCH, DIMMER .....	1
22	<u>1018713-01</u>	STAND-OFF, DIMMER SWITCH .....	2
23	<u>1018712-01</u>	SCREW, MACHINE, #10 - 32 x 1 .....	2
24	0008049	WASHER, INTERNAL TOOTH LOCK, #10 .....	2
25	0007893	NUT, HEX, #10 - 32 .....	2
26	<u>1013443</u>	BUTTON, HORN .....	1

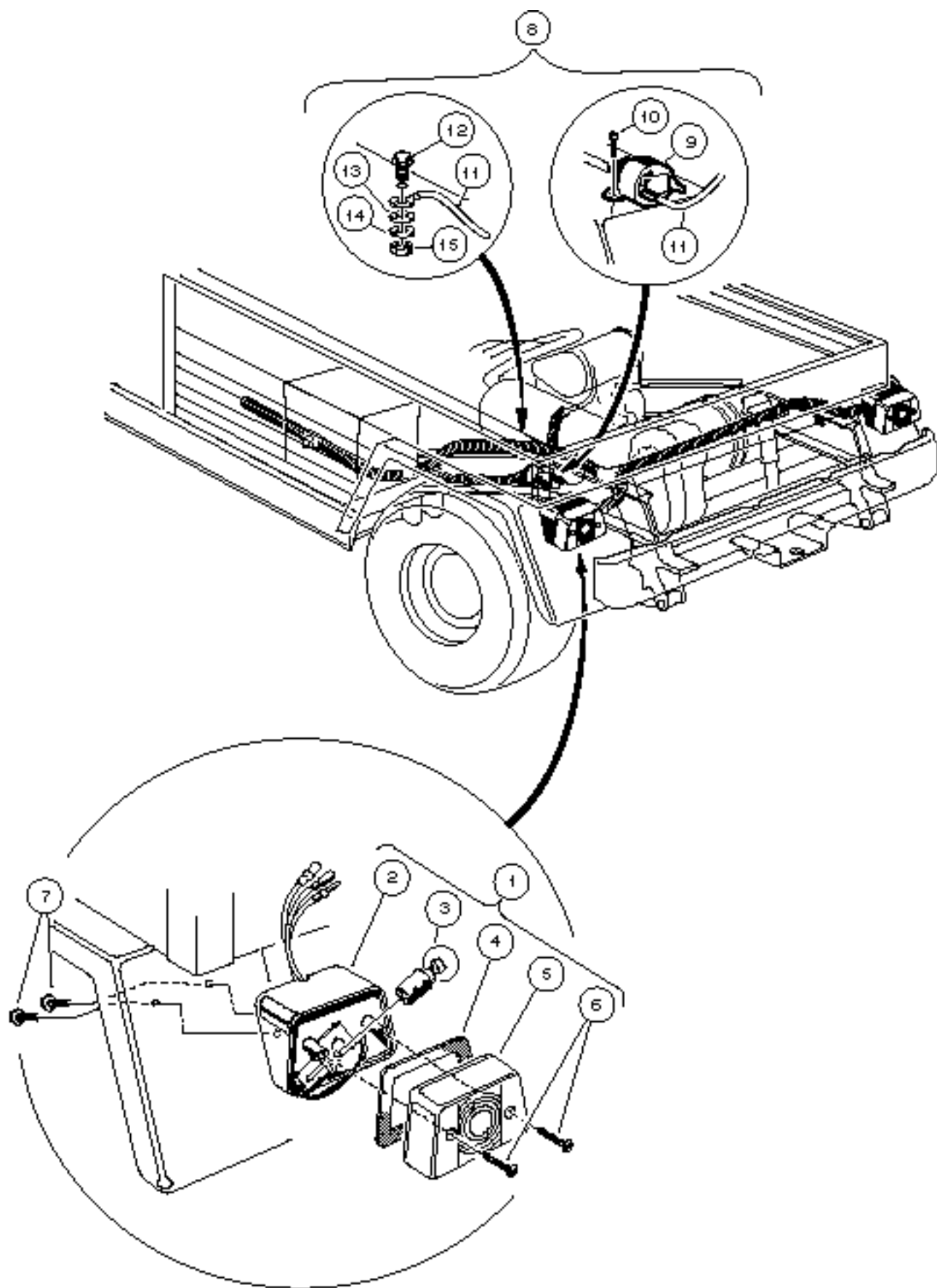


# ELECTRICAL COMPONENTS, REAR BODY GASOLINE VEHICLE - RESORT VILLAGER

**6**

**G**

ITEM	PART NO.	DESCRIPTION	QTY
		1 2 3 4	
1	1017035	ASSEMBLY, TAILLIGHT (INCLUDES ITEMS 2 - 5) .....	2
2	<u>1017699</u>	KIT, HARDWARE .....	1
3	N/A	BASE, TAILLIGHT .....	1
4	<u>1011582</u>	BULB .....	1
5	<u>1011843</u>	LENS .....	1
6	<u>1011497</u>	BEZEL, TAILLIGHT .....	2
7	<u>1011498</u>	SCREW, MACHINE, #8 - 32 x 1/2 .....	4
8	<u>1011610</u>	WASHER, LOCK, #8 .....	4
9	<u>1011571</u>	NUT, HEX, #8 - 32 .....	4
10	<u>1011557</u>	SCREW, MACHINE, #6 - 32 x 1 .....	4
11	0007591	WASHER, FLAT, #6 .....	4
12	<u>1011558</u>	NUT, HEX, #6 .....	6
13	<u>1016859</u>	KIT, REVERSE BUZZER (INCLUDES ITEMS 14 - 19) .....	1
14	<u>1016851</u>	BUZZER, REVERSE .....	1
15	0008056	SCREW, ROUND HEAD, #4 - 40 x 3/4 .....	2
16	1012431	WASHER, FLAT, #4 .....	2
17	0008058	WASHER, LOCK, #4 .....	2
18	0008057	NUT, HEX, #4 - 40 .....	2
19	1016857	WIRE ASSEMBLY, #18 BLACK .....	1



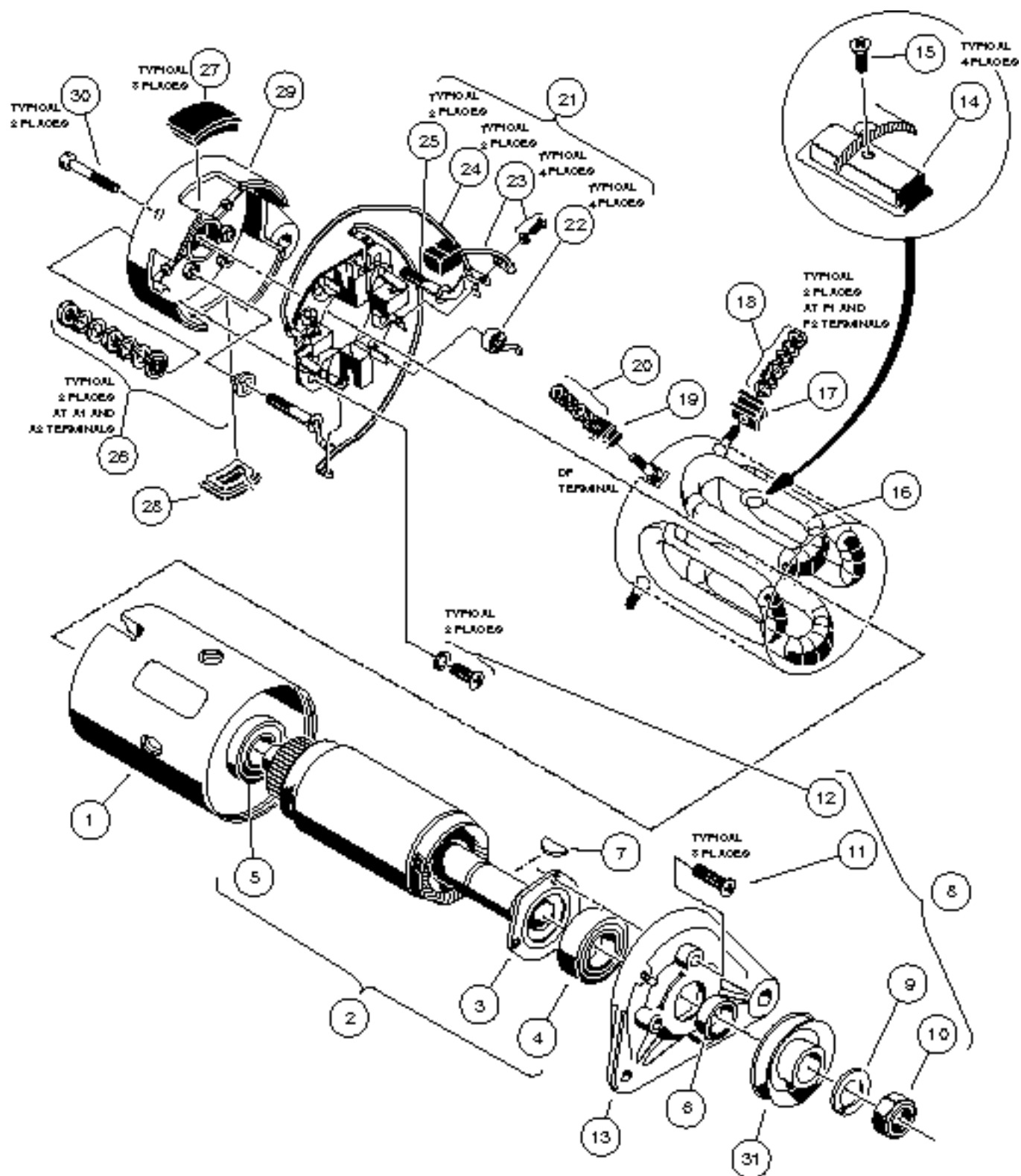


# ELECTRICAL COMPONENTS, REAR BODY GASOLINE - TRANS-PORTER/TRANS-SENDER

**6**

**G**

ITEM	PART NO.	DESCRIPTION	QTY
		1 2 3 4	
1	<u>1016717</u>	ASSEMBLY, TAILLIGHT (INCLUDES ITEMS 2 - 6) .....	2
2	N/A	HOUSING, TAILLIGHT .....	1
3	<u>1011582</u>	BULB .....	1
4	N/A	GASKET .....	1
5	N/A	LENS .....	1
6	N/A	SCREW, LENS .....	2
7	<u>1015752</u>	SCREW, HEX WASHER HEAD, #12 - 16 x 1/2 .....	4
8	<u>1016859</u>	KIT, REVERSE BUZZER (INCLUDES ITEMS 9 - 11) .....	1
9	<u>1016851</u>	BUZZER, REVERSE .....	1
10	<u>1016849</u>	SCREW, PAN HEAD HI-LO, #4 - 24 x 5/16 .....	2
11	1016857	WIRE ASSEMBLY, #18 BLACK .....	1
12	<u>1015720</u>	SCREW, HEX WASHER HEAD, #6 - 32 x 1/2 .....	1
13	0007591	WASHER, FLAT .....	1
14	<u>1011622</u>	WASHER, LOCK, #6 .....	1
15	<u>1011558</u>	NUT, HEX, #6 - 32 .....	1

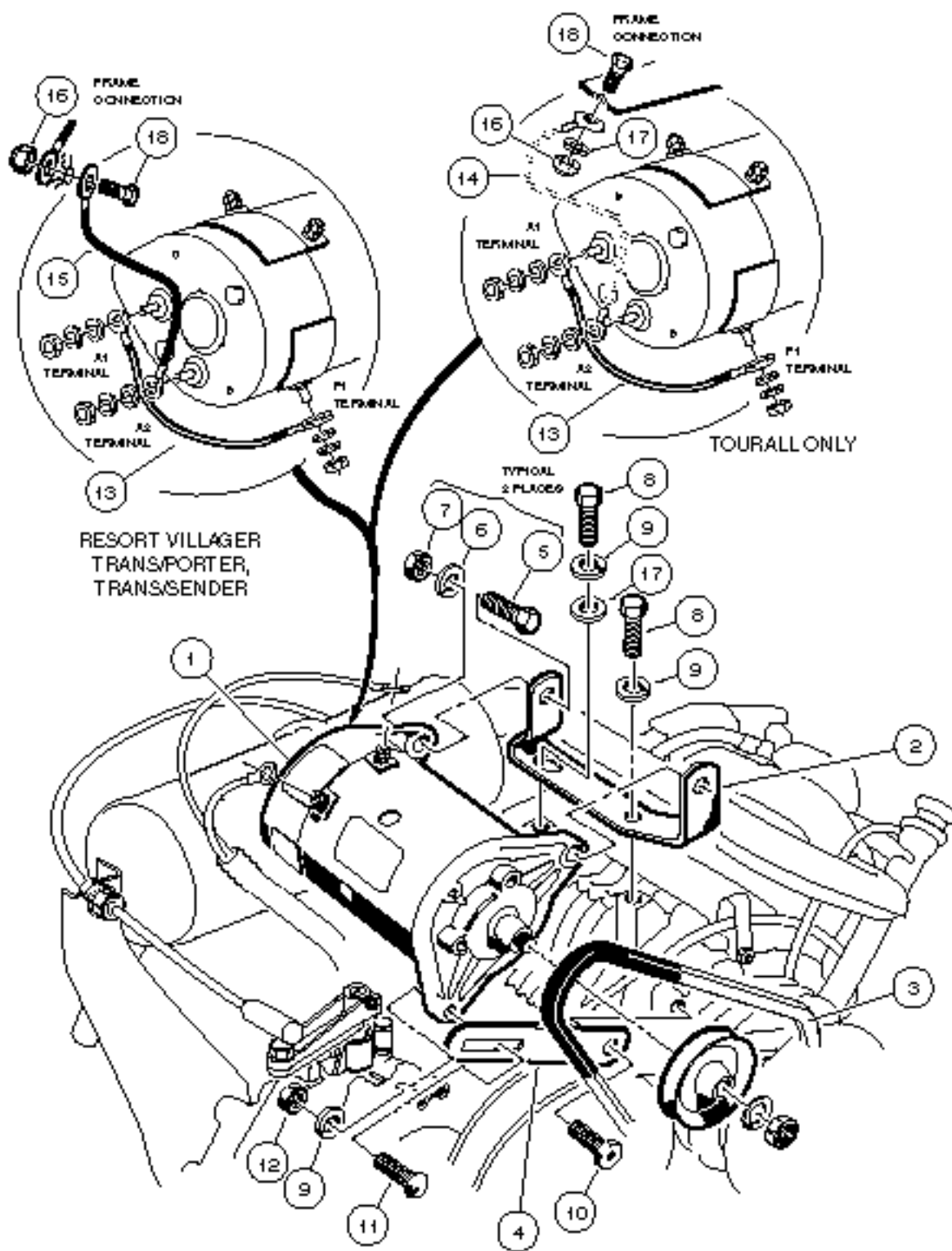


# STARTER/GENERATOR ASSEMBLY

6

G

ITEM	PART NO.	DESCRIPTION	QTY
		1 2 3 4	
		<b>BEFORE ORDERING FROM THIS PAGE, SEE NOTE ON PAGE ii AT THE BEGINNING OF THIS MANUAL.</b>	
	<u>1018337-01</u>	STARTER/GENERATOR ( <b>CLOCKWISE ROTATION</b> ) (INCLUDES ITEMS 1 - 30) .....	1
1	<u>1018752-01</u>	HOUSING, FIELD COIL .....	1
2	<u>1018751-01</u>	ASSEMBLY, ARMATURE (INCLUDES ITEMS 3, 4 AND 5) .....	1
3	<u>1018750-01</u>	RETAINER, BEARING .....	1
4	<u>1013001</u>	BALL BEARING, OUTPUT SHAFT .....	1
5	<u>1013005</u>	COMMUTATOR, BALL BEARING .....	1
6	<u>1018748-01</u>	SPACER .....	1
7	<u>1013003</u>	KEY, WOODRUFF .....	1
8	<u>1018765-01</u>	KIT, PULLEY NUT AND SCREW (INCLUDES ITEMS 9 - 12) .....	1
9	N/A	WASHER, LOCK, M14 .....	1
10	N/A	NUT, HEX, M14 x 2 .....	1
11	N/A	SCREW, CROSS - RECESSED, M5 x .8 x 18MM .....	3
12	<u>1018965-01</u>	SCREW, CROSS - RECESSED, M5 x .8 x 16MM (WITH LOCK WASHER) .....	2
13	<u>1018749-01</u>	END BELL, OUTPUT SHAFT .....	1
14	<u>1018753-01</u>	SET, POLE (SET OF 4) .....	1
15	<u>1018754-01</u>	SCREW, POLE PIECE (SET OF 4) .....	1
16	<u>1018755-01</u>	ASSEMBLY, FIELD COIL .....	1
17	<u>1018756-01</u>	SET, F MOLD .....	2
18	<u>1018776-01</u>	PACKAGE, TERMINAL HARDWARE (F1 AND F2) .....	2
19	<u>1018757-01</u>	SET, DF MOLD .....	1
20	<u>1018777-01</u>	PACKAGE, TERMINAL HARDWARE (DF) .....	1
21	<u>1013011-02</u>	HOLDER, BRUSH (INCLUDES ITEMS 22 - 25) .....	1
22	<u>1018781-01</u>	SPRING, BRUSH .....	4
23	<u>1018693-02</u>	PACKAGE, BRUSH (INCLUDES 4 BRUSHES, 4 SCREWS, 4 WASHERS) .....	1
24	<u>1018762-02</u>	ASSEMBLY, BRUSH CONNECTOR .....	2
25	<u>1018758-02</u>	A CONNECTOR (SET OF 2) .....	1
26	<u>1018760-01</u>	PACKAGE, TERMINAL HARDWARE (A1 AND A2) .....	2
27	<u>1018763-01</u>	COVER, BRUSH INSPECTION PORT (SET OF 4) (INCLUDES ITEM 28) .....	1
28	<u>1017653</u>	COVER, BRUSH INSPECTION PORT, WITH DRAIN .....	1
29	<u>1018764-02</u>	END BELL, COMMUTATOR .....	1
30	<u>1018790-01</u>	BOLT, CLAMP, M6 x 1 x 180MM .....	2
31	<u>1014289</u>	PULLEY .....	1

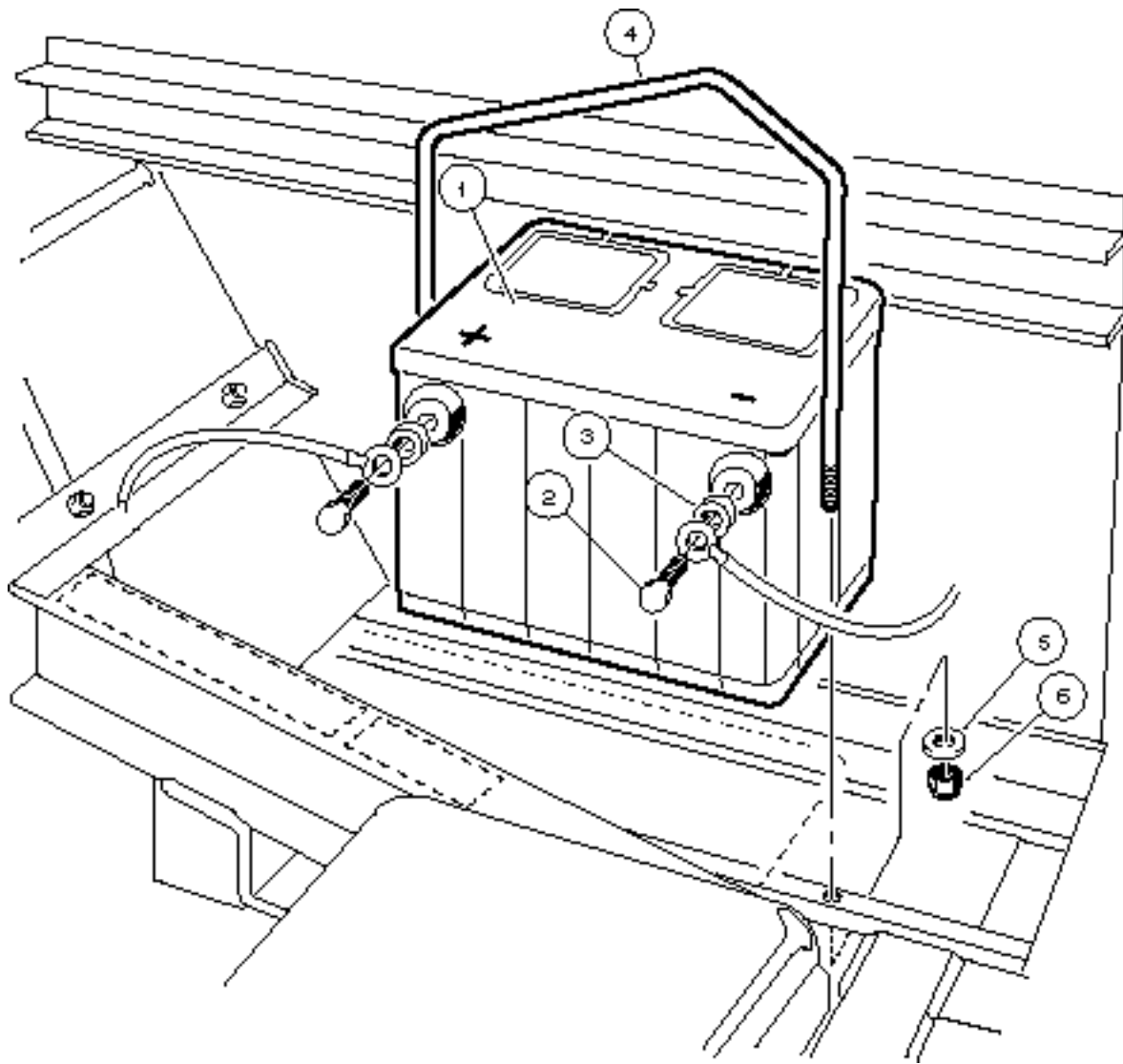


# STARTER/GENERATOR MOUNTING

6

G

ITEM	PART NO.	DESCRIPTION	QTY
		1 2 3 4 <b>BEFORE ORDERING FROM THIS PAGE, SEE NOTE ON PAGE ii AT THE BEGINNING OF THIS MANUAL.</b>	
1	<u>1018337-01</u>	STARTER/GENERATOR ( <b>CLOCKWISE ROTATION</b> ) .....	1
2	<u>1015240-01</u>	BRACKET, MOUNTING, FE 290 (TOURALL ONLY) .....	1
2	<u>1015240-02</u>	BRACKET, MOUNTING, FE 350 (RESORT VILLAGER, TRANS-PORTER/TRANS-SENDER) .....	1
3	<u>1019167-01</u>	BELT .....	1
4	<u>1016883</u>	BRACKET, ADJUSTING .....	1
5	0000705	SCREW, HEX HEAD CAP, 3/8 - 16 x 1 1/4 .....	2
6	0000357	WASHER, LOCK, 3/8 .....	2
7	0000706	NUT, HEX, 3/8 - 16 .....	2
8	1019035-01	SCREW, HEX HEAD CAP, M8 x 1.25 x 24MM .....	2
9	0007174	WASHER, LOCK, 5/16 .....	3
10	<u>1016074</u>	SCREW, TORX HEAD, M8 x 1.25 x 18MM .....	1
11	<u>1015932</u>	BOLT, CARRIAGE, 5/16 - 18 x 1 .....	1
12	0001242	NUT, HEX, 5/16 - 18 .....	1
13	<u>1018373-01</u>	WIRE ASSEMBLY, #6 GREEN .....	1
14	<u>1015920</u>	WIRE ASSEMBLY, #6 BRAIDED GROUND (TOURALL ONLY) .....	1
15	<u>1016380</u>	WIRE ASSEMBLY, #6 BLACK (RESORT VILLAGER, TRANS-PORTER/TRANS-SENDER ONLY) .....	1
16	0007473	NUT, NYLON LOCK, 5/16 - 18 .....	1
17	0001241	WASHER, FLAT, 5/16 (QUANTITY 2 FOR TOURALL) .....	1
18	0007173	SCREW, HEX HEAD CAP, 5/16 - 18 x 3/4 .....	1



# BATTERY MOUNTING - GASOLINE VEHICLE

6

G

ITEM	PART NO.	DESCRIPTION	QTY
		1 2 3 4	
1	<u>1012328</u>	BATTERY, 12 VOLT .....	1
2	<u>1014375</u>	SCREW, HEX HEAD CAP, STAINLESS STEEL, 3/8 - 16 x 1/2 .....	2
3	<u>1014374</u>	SPACER, BATTERY TERMINAL BOLT, STAINLESS STEEL .....	2
4	<u>1013882</u>	HOLD-DOWN, BATTERY, STAINLESS STEEL .....	1
5	1011964	WASHER, FLAT, STAINLESS STEEL, 1/4 .....	2
6	1015068	NUT, NYLON LOCK, STAINLESS STEEL, 1/4 - 20 .....	2



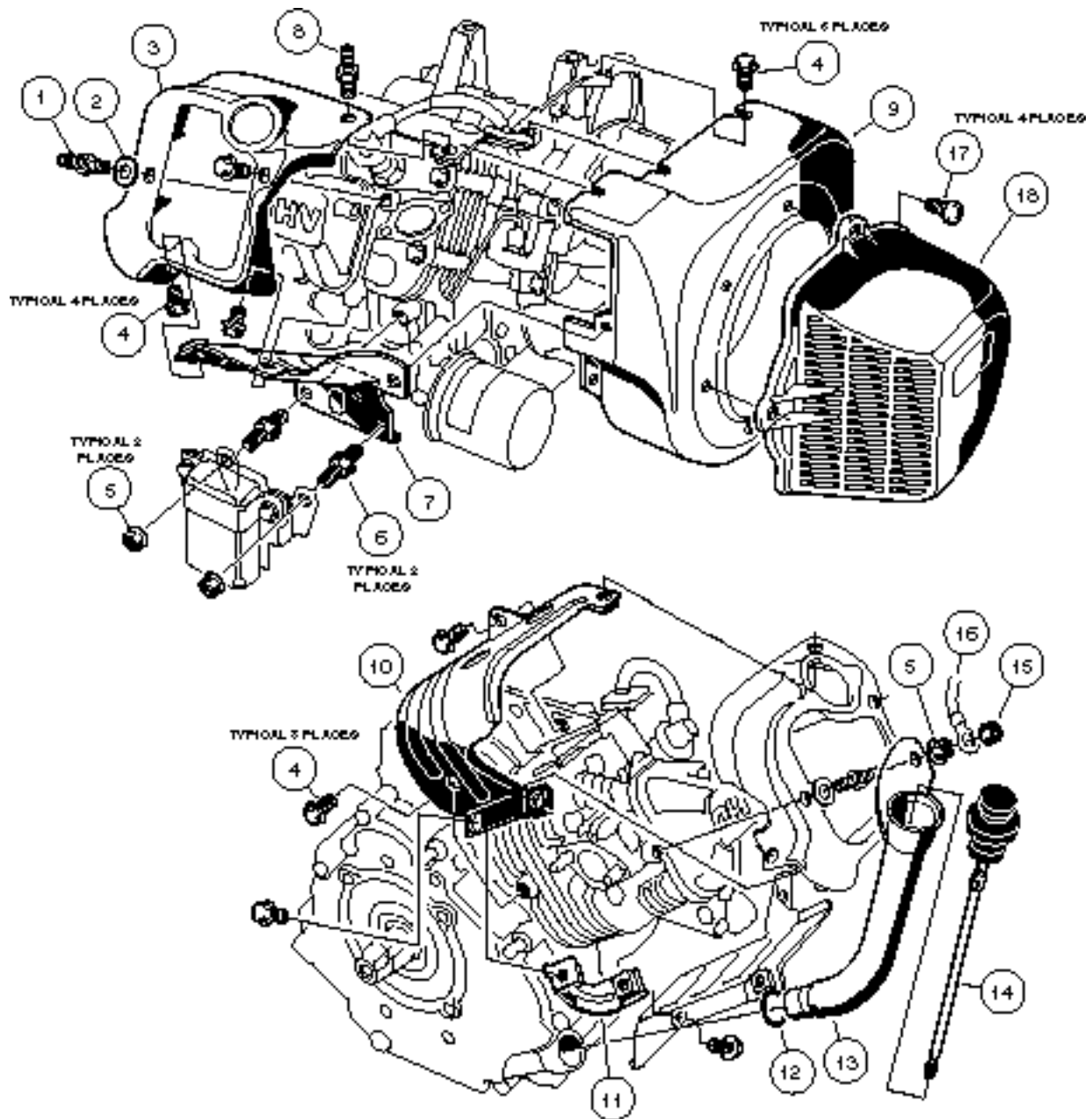


# ENGINE

---

7

G

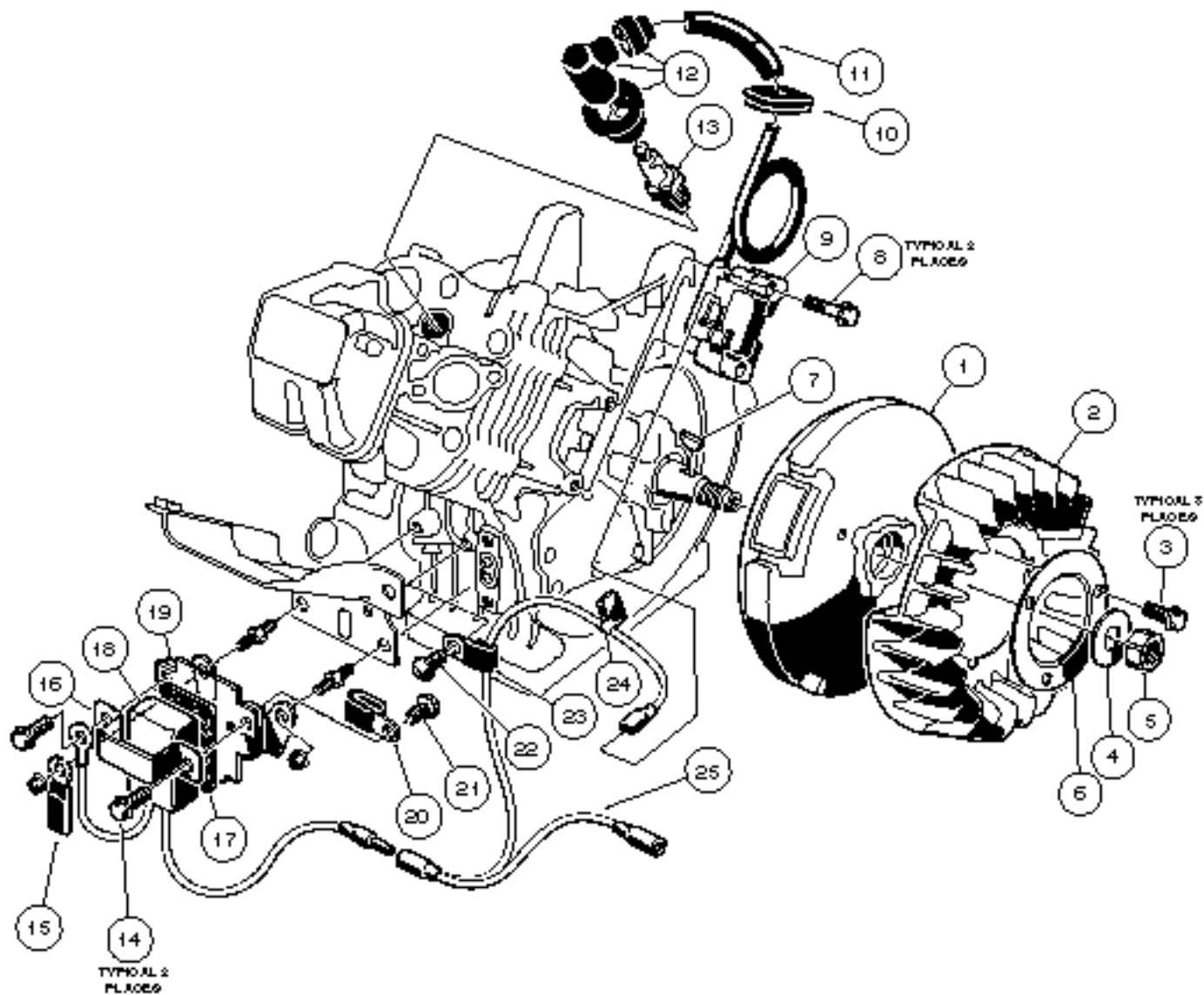


# FE 290 ENGINE - TOURALL

7

G

ITEM	PART NO.	DESCRIPTION	QTY
		1 2 3 4	
	1018335-01	FE 290 OHV GASOLINE ENGINE, COMPLETE (CLOCKWISE ROTATION) (DOES NOT INCLUDE ITEMS 15-18) .....	1
1	<u>1016507</u>	BOLT, 2-ENDED, M6 x 1 x 29MM .....	1
2	<u>1016512</u>	WASHER, FLAT, 6MM .....	1
3	<u>1016524</u>	SHROUD, ENGINE, FE 290 .....	1
4	1016456	BOLT, FLANGED, M6 x 1 x 12MM .....	15
5	1016547	NUT, M6 x 1 .....	3
6	<u>1019097-01</u>	BOLT, 2-ENDED, M6 x 1 x 27MM .....	1
7	1016526	SHROUD, ENGINE, FE 290 (LOWER) .....	1
8	<u>1017221</u>	SCREW, 2-ENDED, M6 x 1 x 46MM .....	1
9	1019156-01	HOUSING, FAN .....	1
10	<u>1016525</u>	SHROUD, ENGINE, FE 290 (UPPER) .....	1
11	<u>1016443</u>	BRACKET .....	1
12	<u>1016539</u>	O-RING .....	1
13	<u>1016536</u>	TUBE, OIL FILLER, FE 290 .....	1
14	1016531	DIPSTICK .....	1
15	<u>1011114</u>	NUT, M6 x1 .....	1
16	<u>1015332</u>	WIRE ASSEMBLY, #10 BRAIDED GROUND .....	1
17	<u>1015969</u>	SCREW, PAN HEAD, M6 x 1 x 14MM .....	4
18	<u>1015649</u>	SHROUD, FAN .....	1

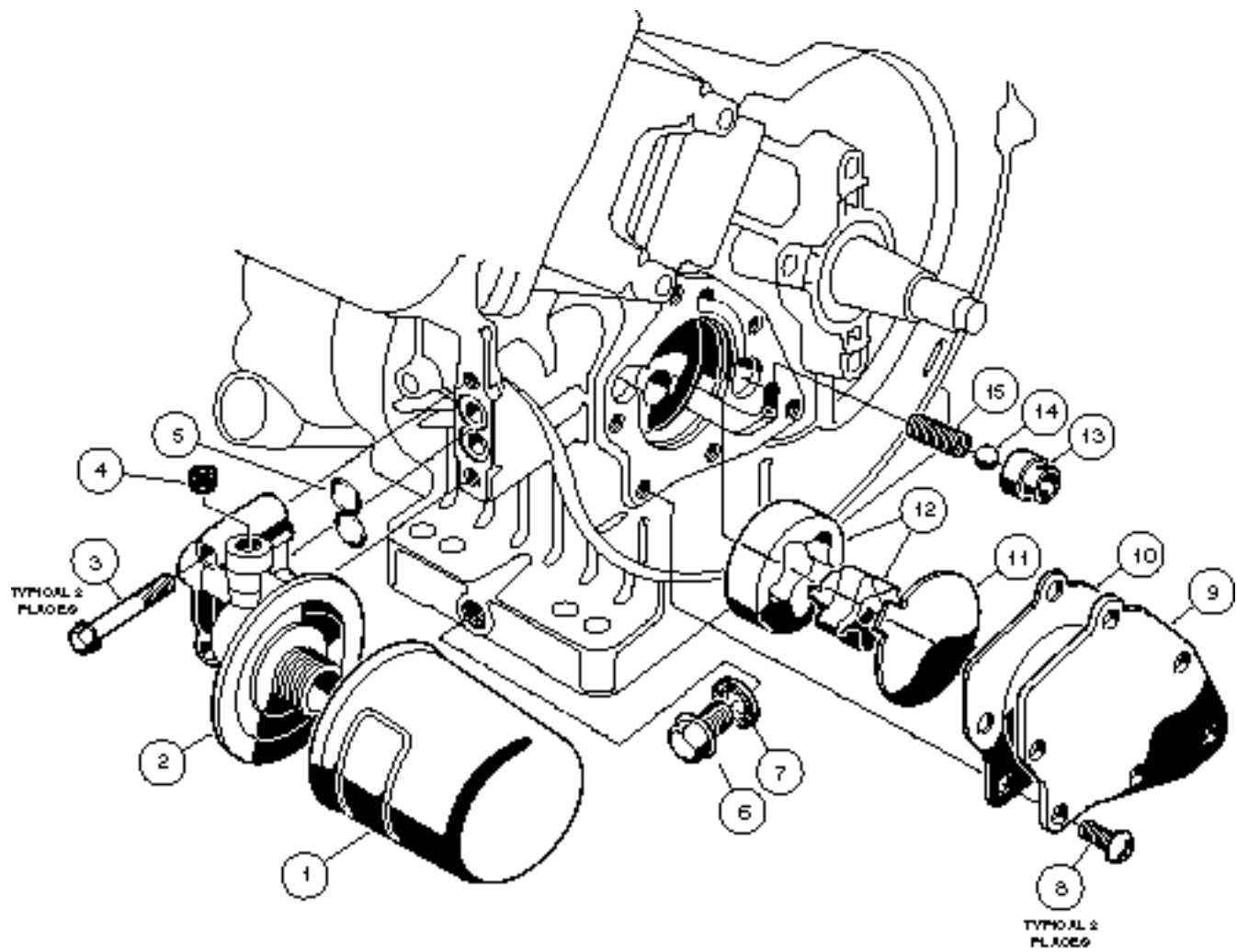


# FE 290 ENGINE - TOURALL

7

G

ITEM	PART NO.	DESCRIPTION	QTY
		1 2 3 4	
1	<u>1019157-01</u>	FLYWHEEL .....	1
2	<u>1019158-01</u>	FAN, FLYWHEEL .....	1
3	<u>1017448</u>	SCREW, FLANGED HEX HEAD, M6 x 1 x 10MM.....	3
4	<u>1016548</u>	WASHER, FLAT, 16MM .....	1
5	<u>1016505</u>	NUT, HEX M16 x 2 .....	1
6	<u>1017455</u>	PLATE, FLYWHEEL FAN .....	1
7	<u>1016562</u>	KEY .....	1
8	<u>1016455</u>	BOLT, FLANGED, M5 x .8 x 25MM .....	2
9	1019092-02	COIL, IGNITION (WITH INTERNAL IGNITER) .....	1
10	<u>1016578</u>	GROMMET .....	1
11	<u>1016588</u>	TUBE, 7MM x 70MM .....	1
12	<u>1016493</u>	ASSEMBLY, PLUG CAP .....	1
13	1016111	SPARK PLUG - OHV .....	1
14	1016456	BOLT, FLANGED, M6 x 1 x 12MM .....	2
15	<u>1012981</u>	CLAMP .....	1
16	<u>1016579</u>	MOUNT, RPM LIMITER .....	1
17	1016586	DAMPER, RPM LIMITER .....	1
18	1019094-01	LIMITER, RPM - OHV .....	1
19	1016445	BRACKET, RPM LIMITER .....	1
20	1019095-01	CLAMP .....	1
21	<u>1016497</u>	SCREW, CROSS PAN HEAD, M5 x .8 x 8MM .....	1
22	<u>1016544</u>	SCREW, CROSS PAN HEAD SELF-TAPPING, M5 x .8 x 12MM .....	1
23	<u>1016561</u>	CLAMP .....	1
24	<u>1016587</u>	CLAMP .....	1
25	<u>1019093-01</u>	WIRE, LEAD .....	1

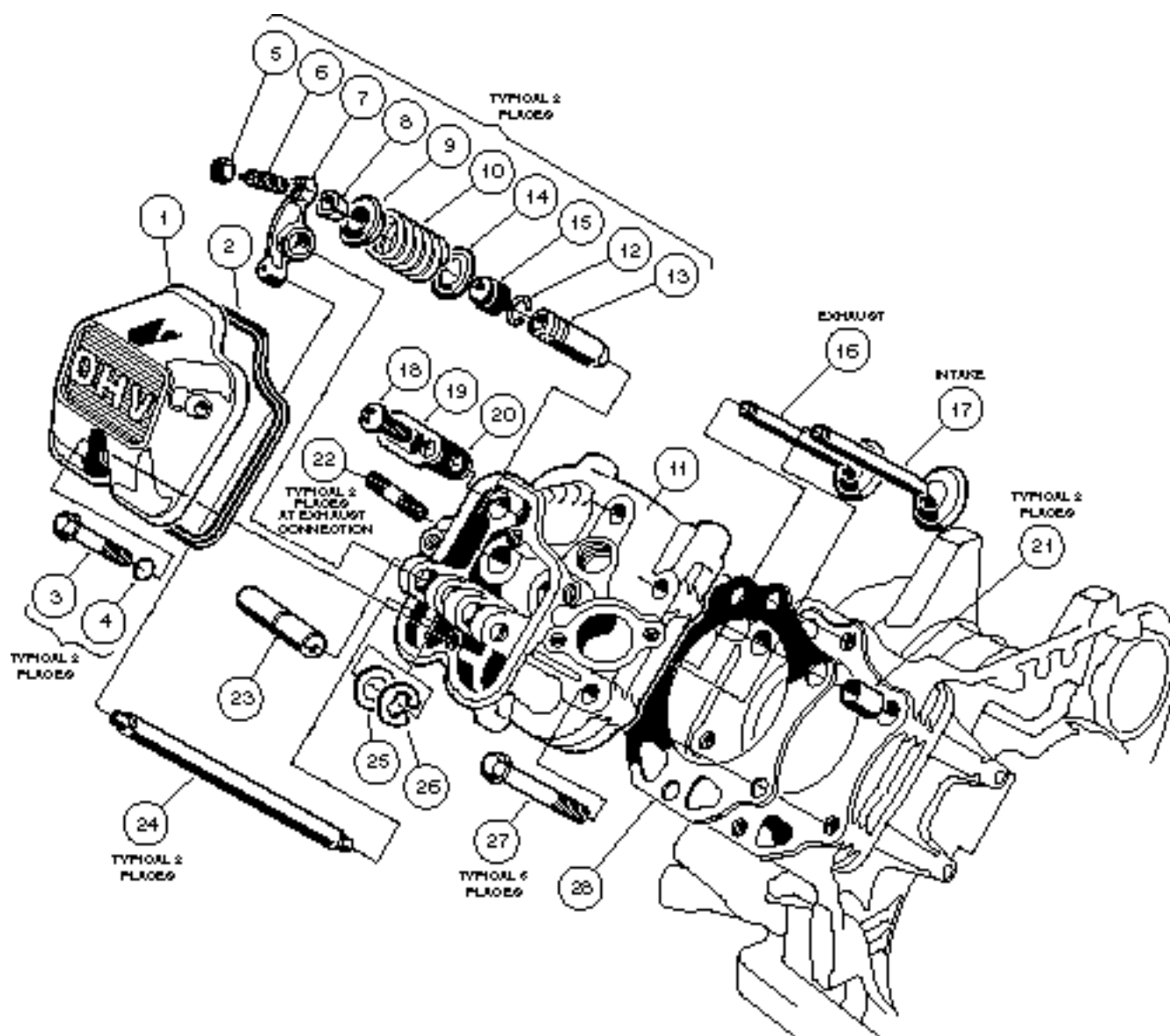


# FE 290 ENGINE - TOURALL

7

G

ITEM	PART NO.	DESCRIPTION	QTY
		1 2 3 4	
1	<u>1016467</u>	ASSEMBLY, OIL FILTER, OHV .....	1
2	<u>1016502</u>	BRACKET, OIL FILTER .....	1
3	<u>1016457</u>	BOLT, FLANGED HEX HEAD, M6 x 1 x 40MM .....	2
4	<u>1017507</u>	PLUG .....	1
5	<u>1016570</u>	O-RING, OIL FILTER MOUNT .....	1
6	1016576	PLUG, DRAIN, FE 290 .....	1
7	<u>1016432</u>	GASKET, DRAIN PLUG .....	1
8	<u>1016498</u>	SCREW, CROSS PAN HEAD, M6 x 1 x 12MM .....	6
9	<u>1016484</u>	COVER, PUMP .....	1
10	<u>1016435</u>	GASKET, OIL PUMP .....	1
11	<u>1016473</u>	PLATE, OIL PUMP .....	1
12	<u>1016482-03</u>	PUMP, OIL, AND ROTOR .....	1
13	1016429	SEAT, VALVE .....	1
14	<u>1016537</u>	BALL, STEEL, PRESSURE RELIEF .....	1
15	<u>1016581</u>	SPRING .....	1



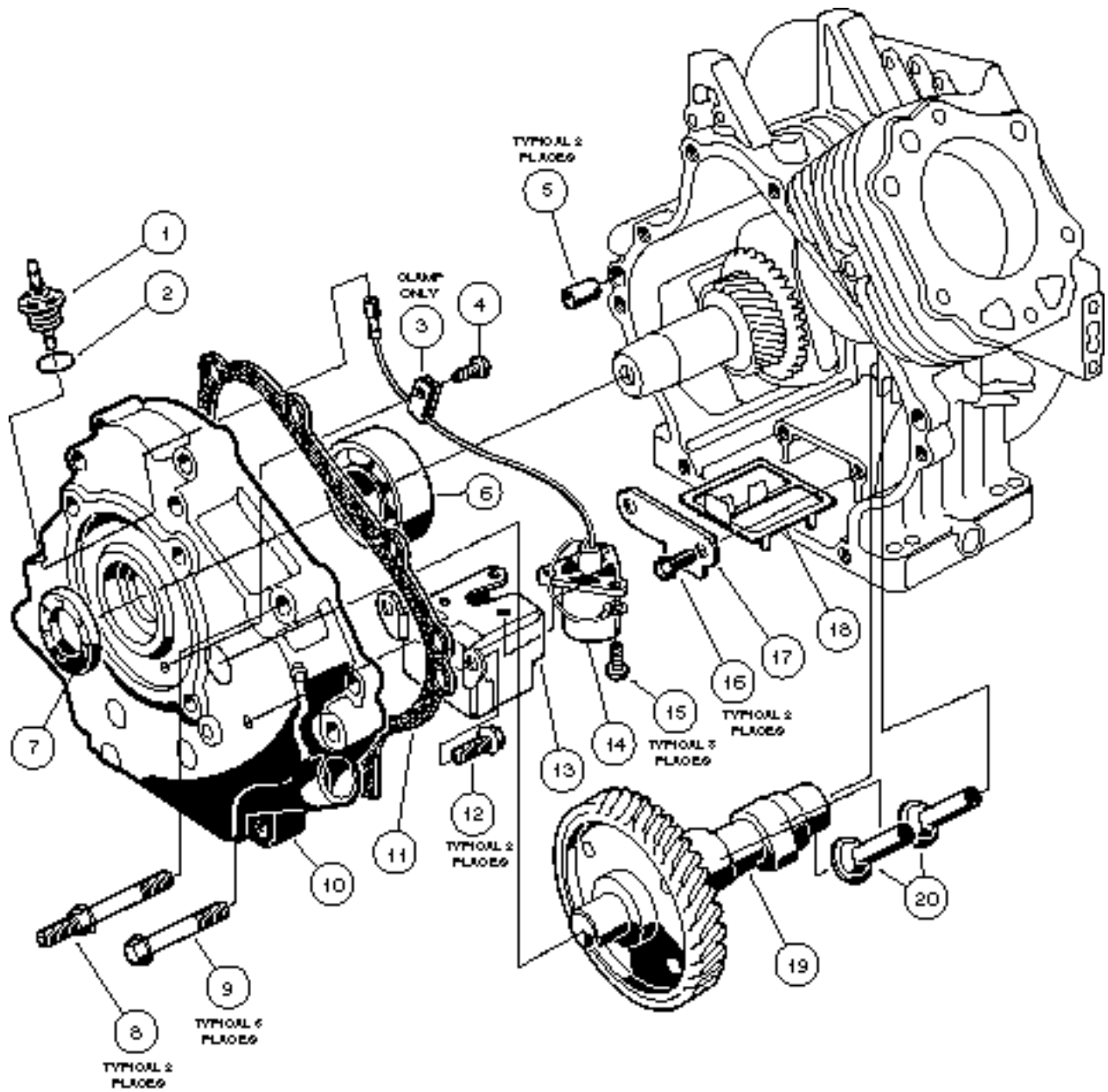


# FE 290 ENGINE - TOURALL

7

G

ITEM	PART NO.	DESCRIPTION	QTY
		1 2 3 4	
1	<u>1016442</u>	CASE, ROCKER .....	1
2	<u>1016436</u>	GASKET, ROCKER CASE .....	1
3	<u>1016583</u>	BOLT, FLANGED, M6 x 1 x 35MM .....	2
4	<u>1016569</u>	O-RING .....	2
5	<u>1016545</u>	NUT, HEX, M5 x .8 .....	2
6	<u>1016542</u>	SCREW, STUD, M5 x .8 .....	2
7	<u>1016451</u>	ARM, ROCKER .....	2
8	<u>1016450</u>	COLLET .....	2
9	<u>1016449</u>	RETAINER, VALVE SPRING .....	2
10	<u>1016523</u>	SPRING, ENGINE VALVE .....	2
11	<u>1016431</u>	ASSEMBLY, CYLINDER HEAD, OHV (INCLUDES ITEMS 12 AND 13) .....	1
12	<u>1016560</u>	RING, SNAP .....	2
13	<u>1016519</u>	GUIDE, VALVE .....	2
14	<u>1016479</u>	SEAT, SPRING .....	2
15	<u>1016566</u>	SEAL, VALVE .....	2
16	<u>1016448</u>	VALVE, EXHAUST .....	1
17	<u>1016447</u>	VALVE, INTAKE .....	1
18	<u>1016544</u>	SCREW, CROSS PAN HEAD SELF-TAPPING, M5 x .8 x 12MM .....	1
19	<u>1016474</u>	PLATE .....	1
20	<u>1016483</u>	VALVE .....	1
21	<u>1016563</u>	PIN .....	2
22	<u>1016489</u>	BOLT, STUD, M8 x 1.25 x 29MM .....	2
23	<u>1016452</u>	SHAFT, ROCKER .....	1
24	<u>1016471</u>	ROD, PUSH .....	2
25	<u>1016549</u>	WASHER, FLAT, M12 .....	1
26	<u>1016517</u>	CIRCLIP, TYPE-E .....	1
27	<u>1016458</u>	BOLT, FLANGED, M8 x 1.25 x 45MM .....	6
28	<u>1016430</u>	GASKET, HEAD .....	1

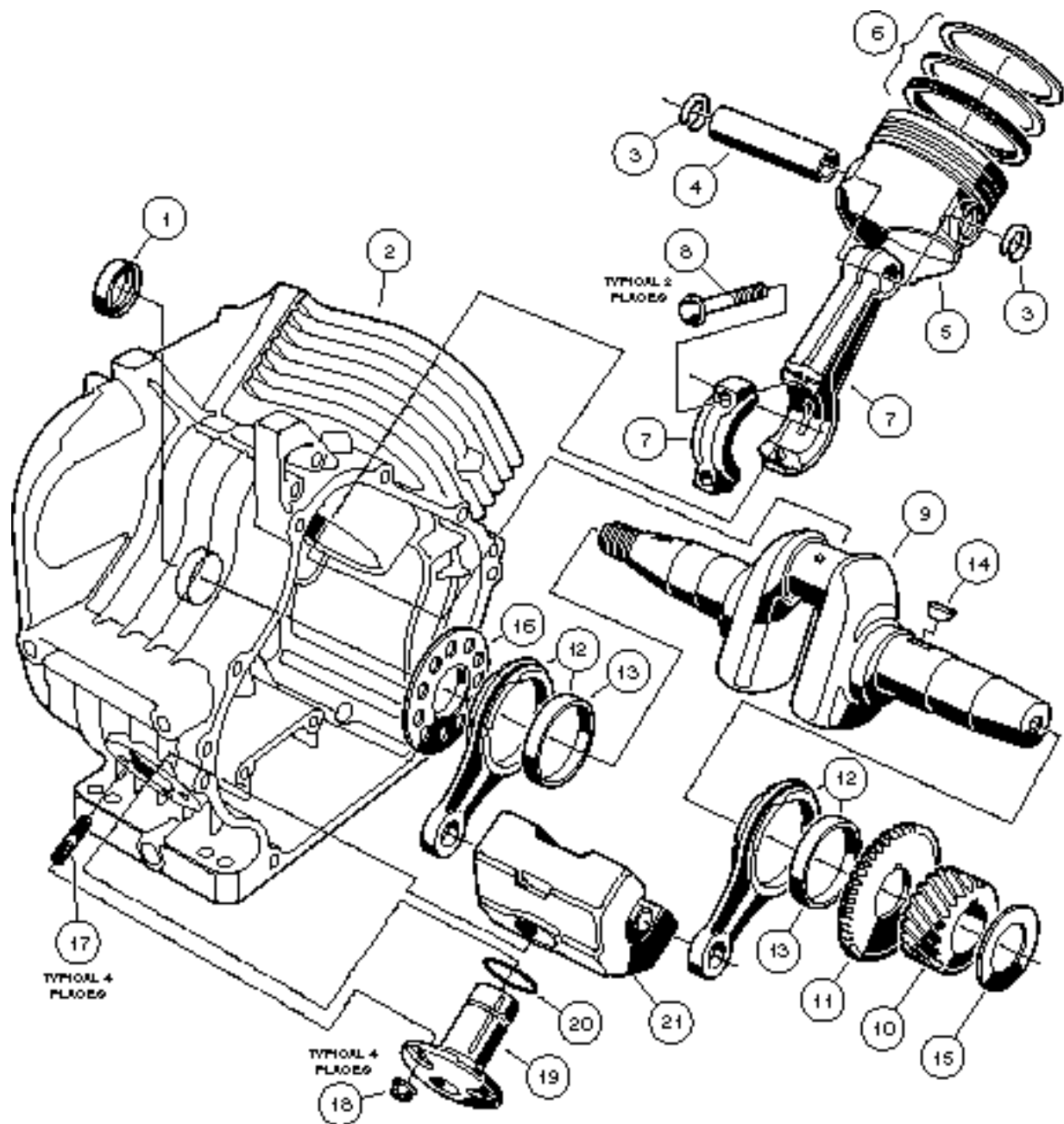


# FE 290 ENGINE - TOURALL

7

G

ITEM	PART NO.	DESCRIPTION	QTY
		1 2 3 4	
1	<u>1016535</u>	CONNECTOR, CORD .....	1
2	<u>1016538</u>	O-RING .....	1
3	<u>1016506</u>	CLAMP .....	1
4	<u>1016544</u>	SCREW, CROSS PAN HEAD SELF-TAPPING, M5 x .8 x 12MM .....	1
5	<u>1016564</u>	PIN .....	2
6	<u>1016565</u>	BEARING, BALL .....	1
7	<u>1016567</u>	SEAL, CRANKSHAFT .....	1
8	<u>1016584</u>	BOLT, 2-ENDED, M8 x 1.25 x 69MM .....	2
9	<u>1016458</u>	BOLT, FLANGED, M8 x 1.25 x 45MM .....	6
10	<u>1016520</u>	COVER, CRANKCASE .....	1
11	<u>1016446</u>	GASKET, CRANKCASE COVER .....	1
12	<u>1016456</u>	BOLT, FLANGED, M6 x 1 x 12MM .....	2
13	<u>1016510</u>	BRACKET, OIL LEVEL SWITCH .....	1
14	<u>1016494</u>	SENSOR, OIL LEVEL .....	1
15	<u>1016496</u>	SCREW, CROSS PAN HEAD, M4 x .7 x 8MM .....	3
16	<u>1016454</u>	BOLT, FLANGED, M5 x .8 x 8MM .....	2
17	<u>1016472</u>	PLATE, OIL FILTER SCREEN .....	1
18	<u>1016521</u>	SCREEN, OIL FILTER .....	1
19	<u>1019154-01</u>	CAMSHAFT, COMPLETE .....	1
20	<u>1016453</u>	TAPPET .....	2

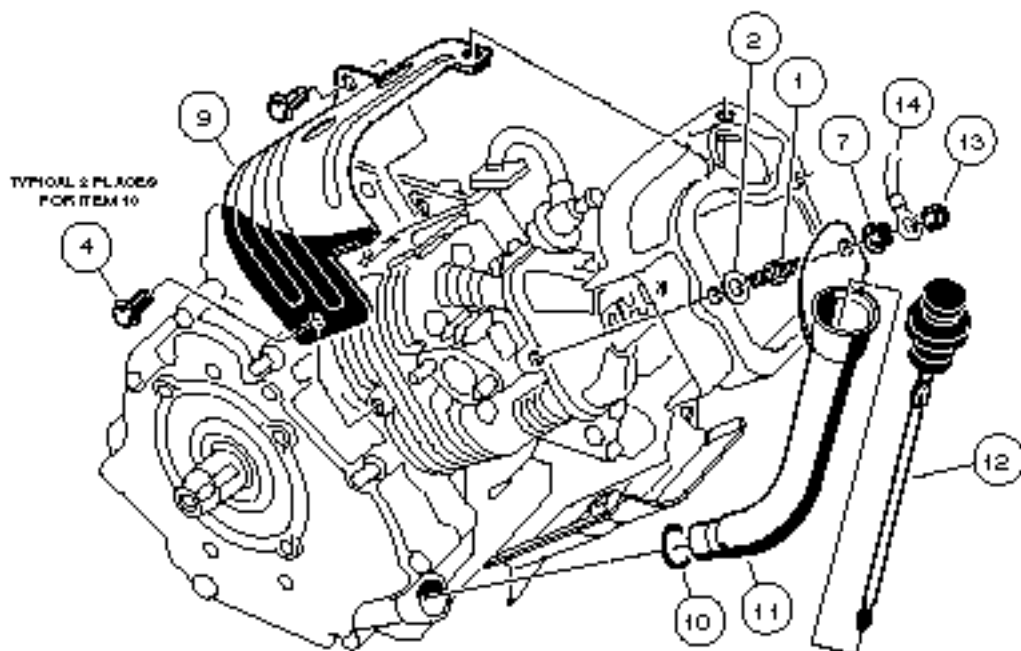
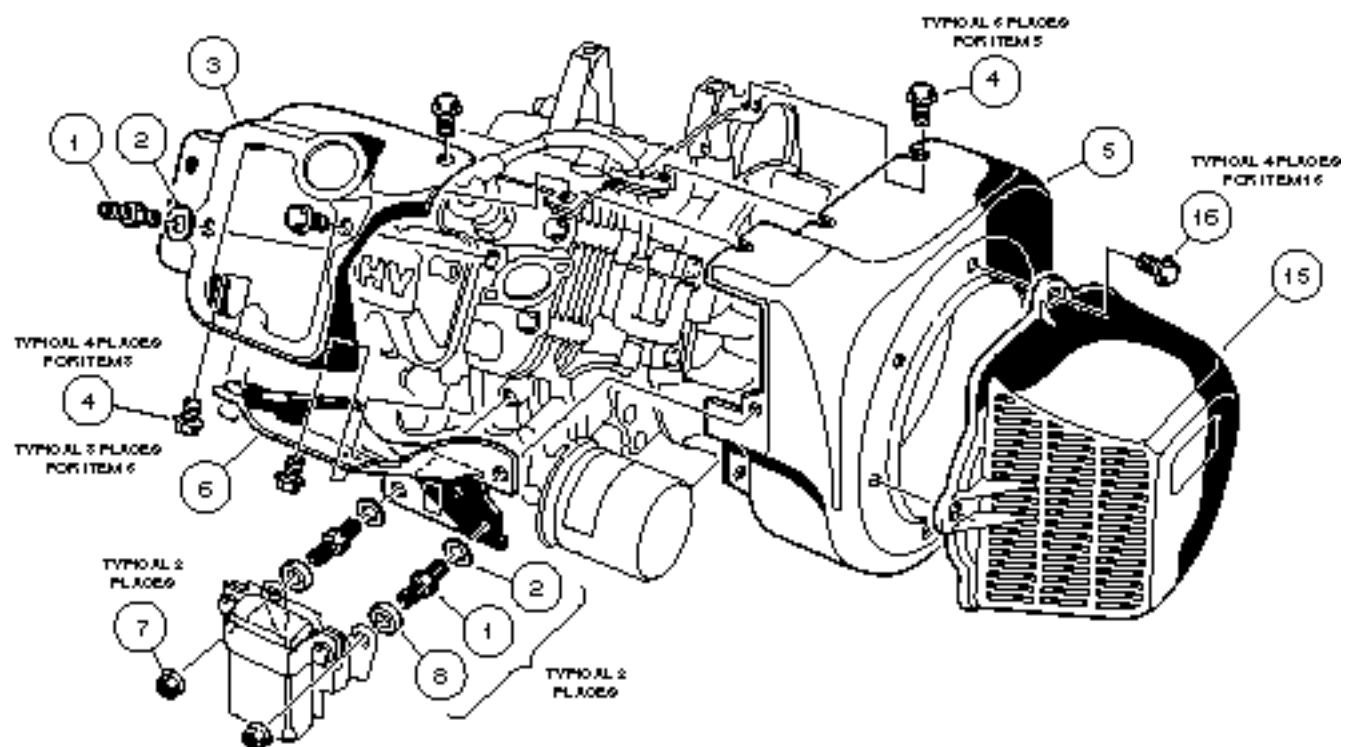


# FE 290 ENGINE - TOURALL

7

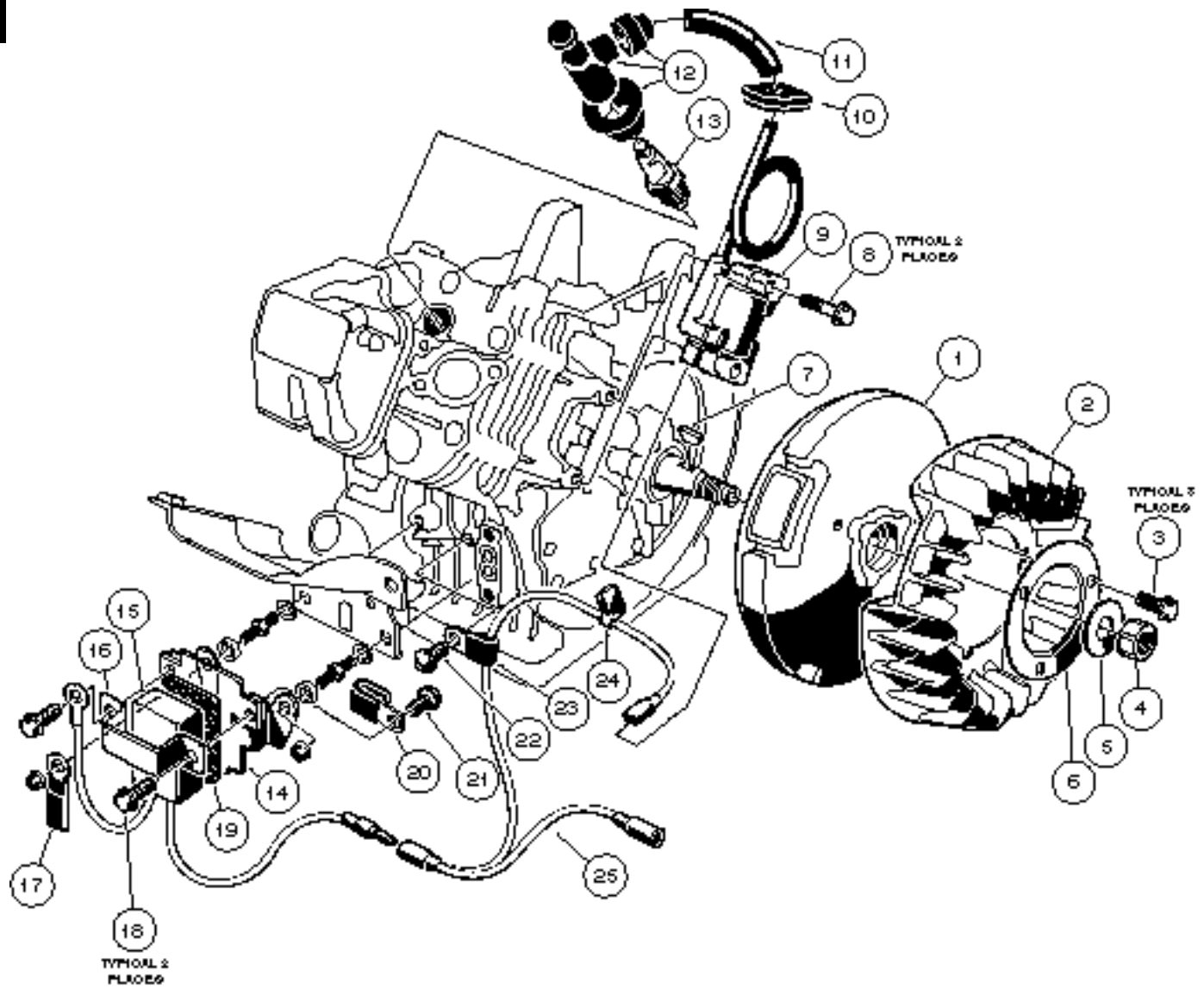
G

ITEM	PART NO.	DESCRIPTION	QTY
		1 2 3 4	
1	<u>1016568</u>	SEAL, OIL .....	1
2	<u>1019155-01</u>	CRANKCASE, COMPLETE, OHV ( <b>CLOCKWISE ROTATION</b> ) .....	1
3	<u>1016558</u>	RING, SNAP .....	2
4	1016460	PIN, PISTON .....	1
5	<u>1016459-01</u>	PISTON, STANDARD .....	1
5	1016459-02	PISTON, .25MM OVERSIZED .....	1
5	<u>1016459-03</u>	PISTON, .50MM OVERSIZED .....	1
6	<u>1016461-01</u>	RING SET, PISTON, STANDARD .....	1
6	1016461-02	RING SET, PISTON, .25MM OVERSIZED .....	1
6	<u>1016461-03</u>	RING SET, PISTON, .50MM OVERSIZED .....	1
7	<u>1016475-01</u>	ASSEMBLY, CONNECTING ROD, STANDARD (INCLUDES 2 EACH OF ITEM 8) .....	1
7	1016475-02	ASSEMBLY, CONNECTING ROD, .50MM UNDERSIZED (INCLUDES 2 EACH OF ITEM 8) .....	1
8	<u>1016509</u>	BOLT, HEX HEAD, M7 x 1 x 36MM .....	2
9	1019223-01	CRANKSHAFT, OHV (INCLUDES ITEMS 10, 11 AND 12) .....	1
10	<u>1016533</u>	GEAR, HELICAL .....	1
11	<u>1016532</u>	GEAR, SPUR .....	1
12	<u>1016516</u>	ASSEMBLY, CONNECTING ROD (INCLUDES ITEM 13) .....	2
13	1016580	BEARING, PLAIN .....	2
14	<u>1016562</u>	KEY .....	1
15	<u>1016550-01</u>	SHIM, CRANKSHAFT, 1.13MM THICK .....	A/R
15	<u>1016550-02</u>	SHIM, CRANKSHAFT, 1.18MM THICK .....	A/R
15	<u>1016550-03</u>	SHIM, CRANKSHAFT, 1.23MM THICK .....	A/R
15	<u>1016550-04</u>	SHIM, CRANKSHAFT, 1.28MM THICK .....	A/R
15	<u>1016550-05</u>	SHIM, CRANKSHAFT, 1.33MM THICK .....	A/R
15	<u>1016550-06</u>	SHIM, CRANKSHAFT, 1.38MM THICK .....	A/R
15	<u>1016550-07</u>	SHIM, CRANKSHAFT, 1.43MM THICK .....	A/R
15	<u>1016550-08</u>	SHIM, CRANKSHAFT, 1.48MM THICK .....	A/R
15	<u>1016550-09</u>	SHIM, CRANKSHAFT, 1.53MM THICK .....	A/R
16	1016559	SPACER .....	1
17	<u>1016541</u>	BOLT, STUD, M6 x 1 x 22MM .....	4
18	1016547	NUT, FLANGED, M6 x 1 .....	4
19	1016470	SHAFT, GUIDE COUNTERBALANCE .....	1
20	<u>1016571</u>	O-RING .....	1
21	<u>1016469</u>	WEIGHT, COUNTERBALANCE .....	1



# FE 350 ENGINE RESORT VILLAGER, TRANS-PORTER/TRANS-SENDER

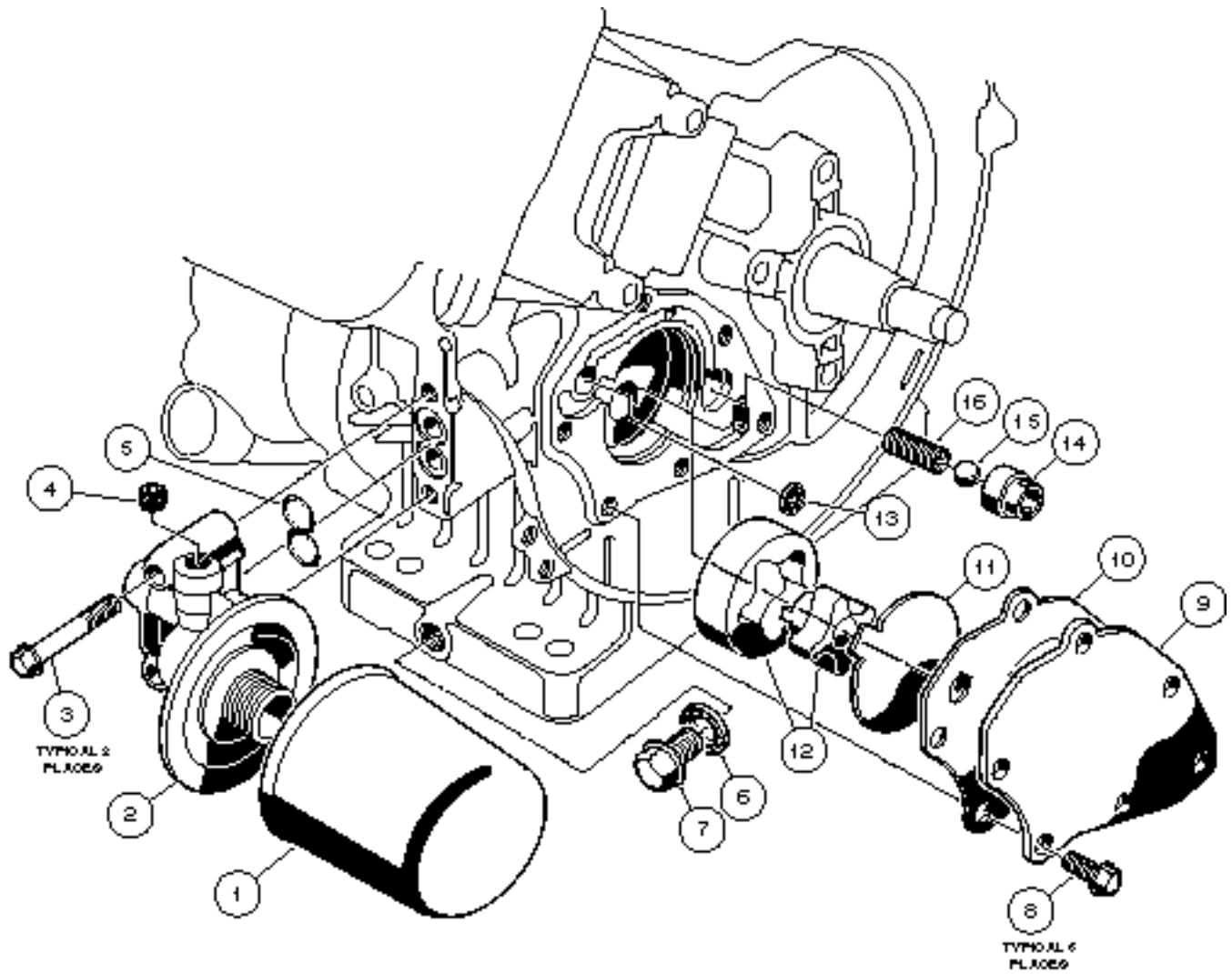
ITEM	PART NO.	DESCRIPTION	QTY
		1 2 3 4 <b>BEFORE ORDERING FROM THIS PAGE, SEE NOTE ON PAGE <i>ii</i> AT THE BEGINNING OF THIS MANUAL.</b>	
	1018338-01	FE 350 OHV GASOLINE ENGINE, COMPLETE ( <b>CLOCKWISE ROTATION</b> ) (DOES NOT INCLUDE ITEMS 13 - 16).....	1
1	<u>1016507</u>	SCREW, 2-ENDED, M6 x 1 x 29MM .....	3
2	<u>1016512</u>	WASHER, FLAT, 6 MM .....	3
3	<u>1017474</u>	SHROUD, CYLINDER HEAD .....	1
4	1016456	BOLT, FLANGED, M6 x 1 x 12MM .....	15
5	<u>1019161-01</u>	HOUSING, FAN .....	1
6	<u>1017476</u>	SHROUD, LOWER CYLINDER .....	1
7	1016547	NUT, M6 x 1 .....	3
8	<u>1017500</u>	SPACER .....	2
9	<u>1017475</u>	SHROUD, UPPER CYLINDER .....	1
10	<u>1016539</u>	O-RING .....	1
11	<u>1017486</u>	TUBE, OIL FILLER .....	1
12	1016531	DIPSTICK .....	1
13	<u>1011114</u>	NUT, M6 x 1 .....	1
14	<u>1015332</u>	WIRE ASSEMBLY, #10 BRAIDED GROUND .....	1
15	<u>1015649</u>	SHROUD, FAN .....	1
16	<u>1015969</u>	SCREW, PAN HEAD, M6 x 1 x 14 MM .....	4





# FE 350 ENGINE RESORT VILLAGER, TRANS-PORTER/TRANS-SENDER

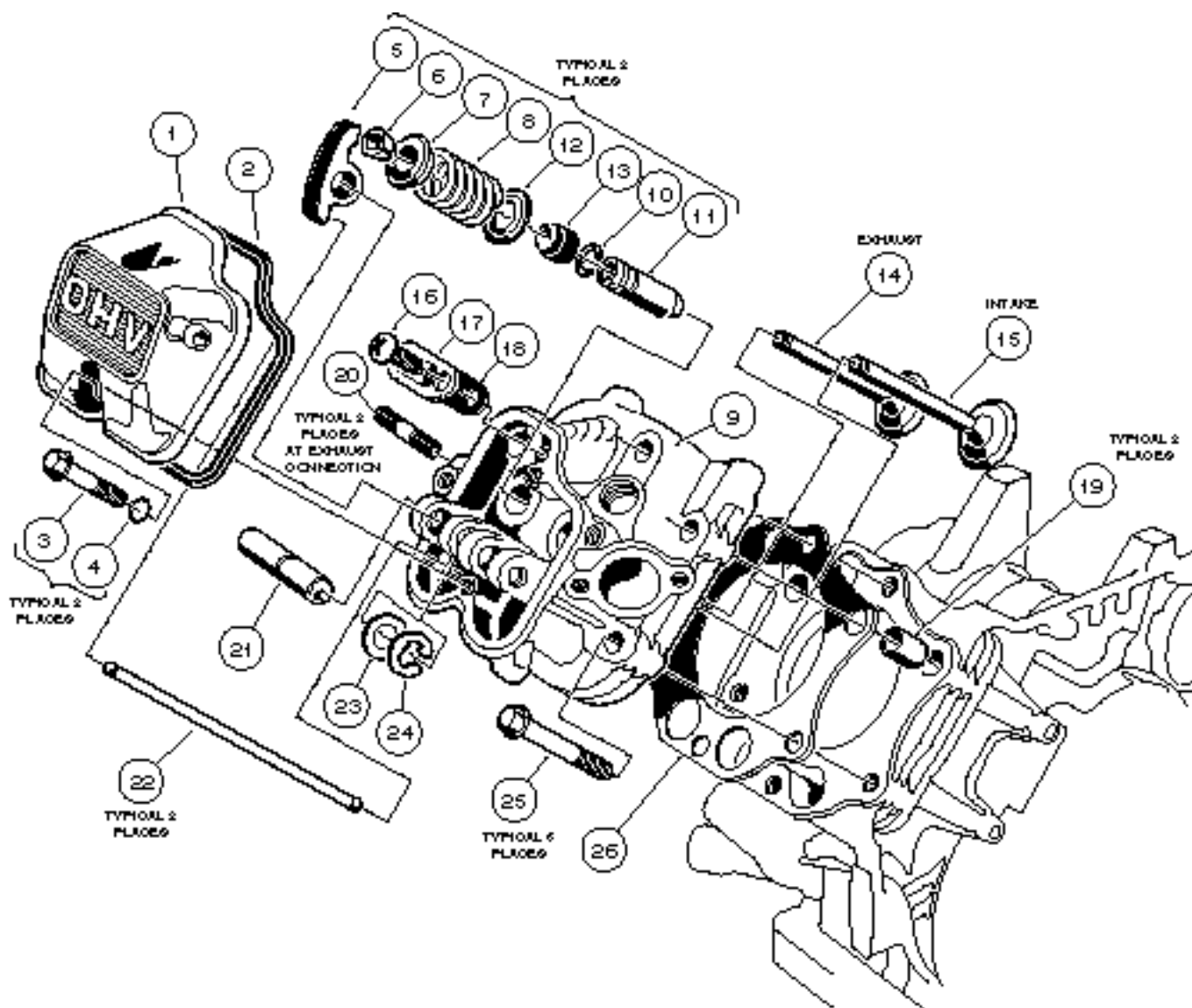
ITEM	PART NO.	DESCRIPTION	QTY
		1 2 3 4 <b>BEFORE ORDERING FROM THIS PAGE, SEE NOTE ON PAGE ii AT THE BEGINNING OF THIS MANUAL.</b>	
1	<u>1019162-01</u>	FLYWHEEL .....	1
2	<u>1019163-01</u>	FAN, FLYWHEEL .....	1
3	<u>1017448</u>	SCREW, FLANGED HEX HEAD, M6 x 1 x 10MM .....	3
4	<u>1017467</u>	NUT, HEX, 18MM FINE .....	1
5	<u>1017490</u>	WASHER, FLAT, 18MM .....	1
6	<u>1017455</u>	PLATE, FLYWHEEL FAN .....	1
7	<u>1016562</u>	KEY .....	1
8	<u>1016455</u>	SCREW, HEX HEAD FLANGED, M5 x 0.8 x 25MM .....	2
9	<u>1019092-01</u>	COIL, IGNITION (WITH INTERNAL IGNITER) .....	1
10	<u>1016578</u>	GROMMET .....	1
11	<u>1016588</u>	TUBE, 7MM I.D. x 10MM O.D. x 70MM LG. ....	1
12	<u>1017463</u>	ASSEMBLY, PLUG CAP .....	1
13	<u>1018811-01</u>	PLUG, SPARK .....	1
14	1016445	BRACKET, RPM LIMITER .....	1
15	1019094-01	LIMITER, RPM .....	1
16	<u>1016579</u>	BAND, RPM LIMITER MOUNT .....	1
17	<u>1012981</u>	CLAMP .....	1
18	1016456	SCREW, FLANGED HEX HEAD, M6 x 1 x 12MM .....	2
19	1016586	DAMPER .....	1
20	1019095-01	CLAMP .....	1
21	<u>1016497</u>	SCREW, CROSS PAN HEAD, M5 x .08 x 8MM .....	1
22	<u>1016544</u>	SCREW, CROSS PAN HEAD SELF-TAPPING, M5 x 12MM .....	1
23	<u>1016561</u>	CLAMP .....	1
24	<u>1016587</u>	CLAMP .....	1
25	<u>1019093-01</u>	WIRE, LEAD .....	1



# FE 350 ENGINE

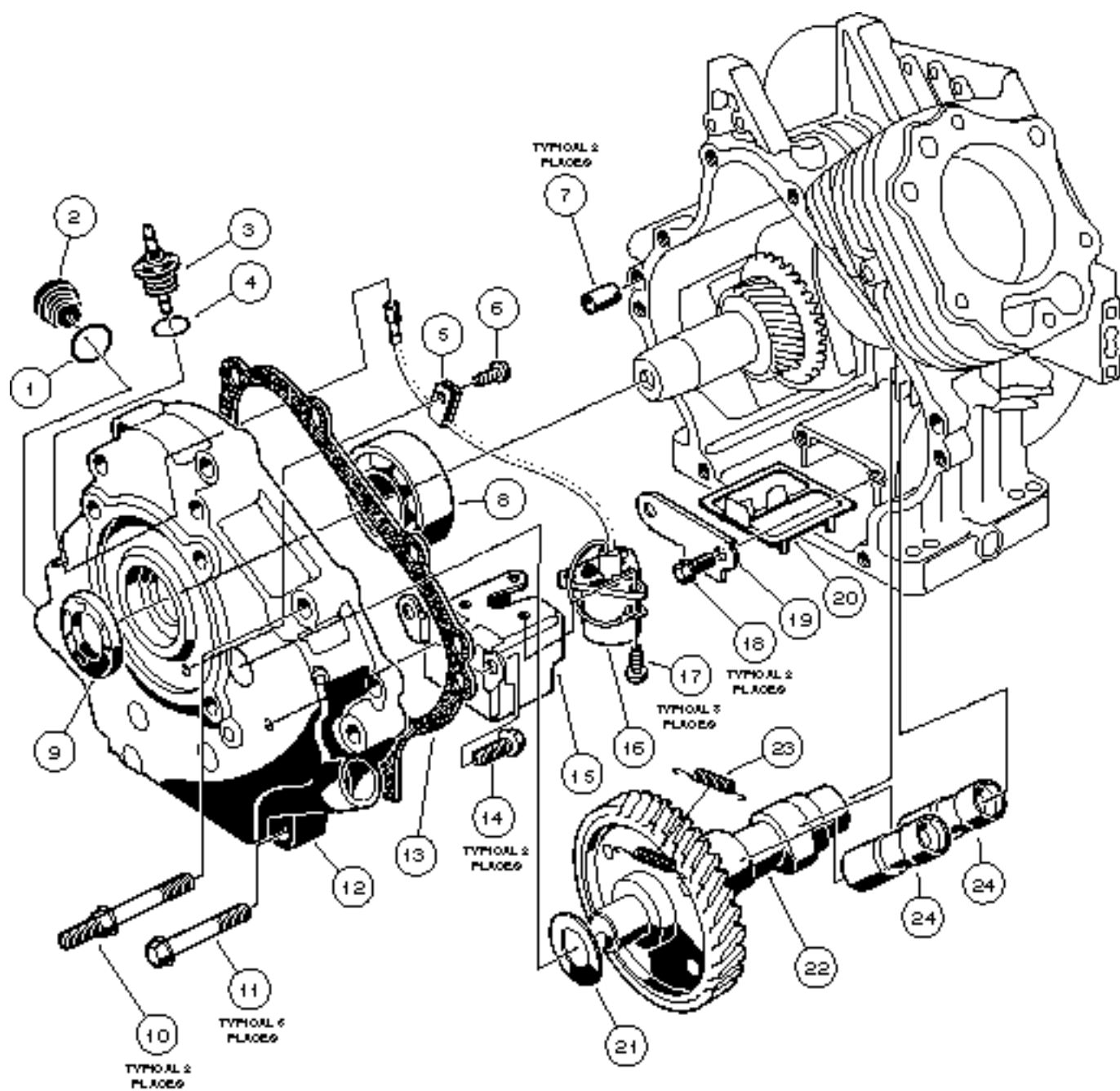
## RESORT VILLAGER, TRANS-PORTER/TRANS-SENDER

ITEM	PART NO.	DESCRIPTION	QTY
		1 2 3 4 <b>BEFORE ORDERING FROM THIS PAGE, SEE NOTE ON PAGE ii AT THE BEGINNING OF THIS MANUAL.</b>	
1	<u>1016467</u>	OIL FILTER .....	1
2	<u>1016502</u>	BRACKET, OIL FILTER .....	1
3	<u>1016457</u>	BOLT, FLANGED HEX HEAD, M6 x 1 x 40MM .....	2
4	<u>1017507</u>	PLUG .....	1
5	<u>1016570</u>	O-RING .....	1
6	<u>1016432</u>	GASKET, DRAIN PLUG .....	1
7	<u>1016576</u>	PLUG, DRAIN .....	1
8	<u>1017456</u>	SCREW, FLANGED HEX HEAD, M6 x 1 x 12MM .....	6
9	<u>1017460</u>	COVER, PUMP .....	1
10	<u>1017442</u>	GASKET, OIL PUMP .....	1
11	<u>1016473</u>	PLATE, OIL PUMP .....	1
12	<u>1016482-03</u>	PUMP, OIL, AND ROTOR .....	1
13	<u>1017458</u>	FILTER .....	1
14	<u>1016429</u>	SEAT, VALVE .....	1
15	<u>1016537</u>	BALL, STEEL, PRESSURE RELIEF .....	1
16	<u>1016581</u>	SPRING .....	1



# FE 350 ENGINE RESORT VILLAGER, TRANS-PORTER/TRANS-SENDER

ITEM	PART NO.	DESCRIPTION	QTY
		1 2 3 4 <b>BEFORE ORDERING FROM THIS PAGE, SEE NOTE ON PAGE ii AT THE BEGINNING OF THIS MANUAL.</b>	
1	<u>1016442</u>	CASE, ROCKER .....	1
2	<u>1016436</u>	GASKET, ROCKER CASE .....	1
3	<u>1016583</u>	BOLT, FLANGED, M6 x 1 x 35MM .....	2
4	<u>1016569</u>	O-RING .....	2
5	<u>1017446</u>	ARM, ROCKER .....	2
6	<u>1016450</u>	COLLET .....	4
7	<u>1016449</u>	RETAINER, VALVE SPRING .....	2
8	<u>1017473</u>	SPRING, ENGINE VALVE .....	2
9	<u>1017435</u>	ASSEMBLY, CYLINDER HEAD, FE 350 (INCLUDES ITEMS 10 AND 11) .....	1
10	<u>1016560</u>	RING, SNAP .....	2
11	<u>1016519</u>	GUIDE, VALVE .....	2
12	<u>1016479</u>	SEAT, SPRING .....	2
13	<u>1016566</u>	SEAL, VALVE .....	2
14	<u>1017445</u>	VALVE, EXHAUST .....	1
15	<u>1017444</u>	VALVE, INTAKE .....	1
16	<u>1016544</u>	SCREW, CROSS PAN HEAD SELF-TAPPING, M5 x .8 x 12MM .....	1
17	<u>1016474</u>	PLATE .....	1
18	<u>1016483</u>	VALVE .....	1
19	<u>1016563</u>	PIN .....	2
20	<u>1016489</u>	BOLT, STUD, M8 x 1.25 x 29MM .....	2
21	<u>1016452</u>	SHAFT, ROCKER .....	1
22	<u>1017454</u>	ROD, PUSH .....	2
23	<u>1016549</u>	WASHER, FLAT, M12 .....	1
24	<u>1016517</u>	CIRCLIP, TYPE-E .....	1
25	<u>1016458</u>	BOLT, FLANGED, M8 x 1.25 x 45MM .....	6
26	<u>1017434</u>	GASKET, HEAD .....	1

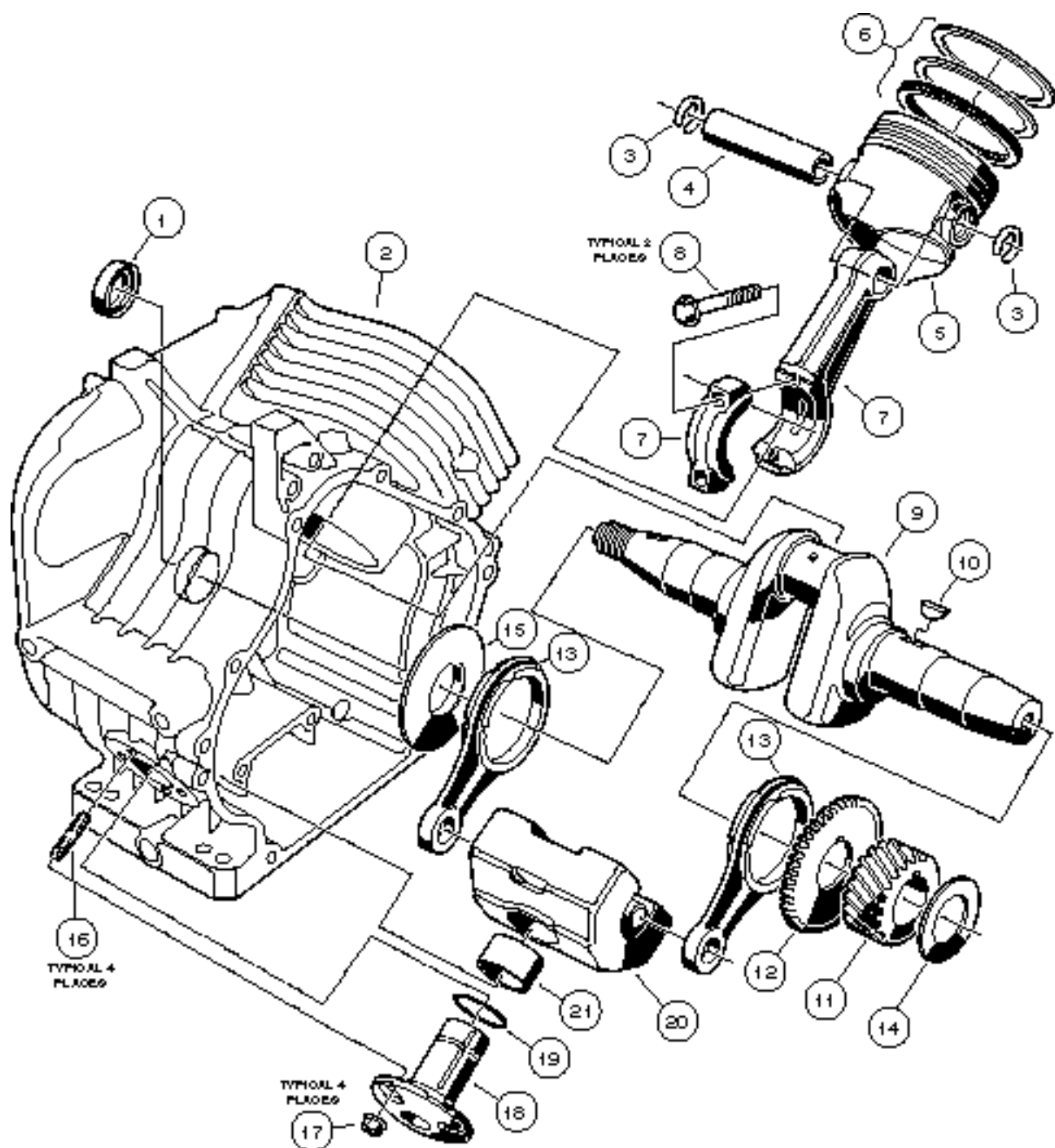


# FE 350 ENGINE RESORT VILLAGER, TRANS-PORTER/TRANS-SENDER

**7**

**G**

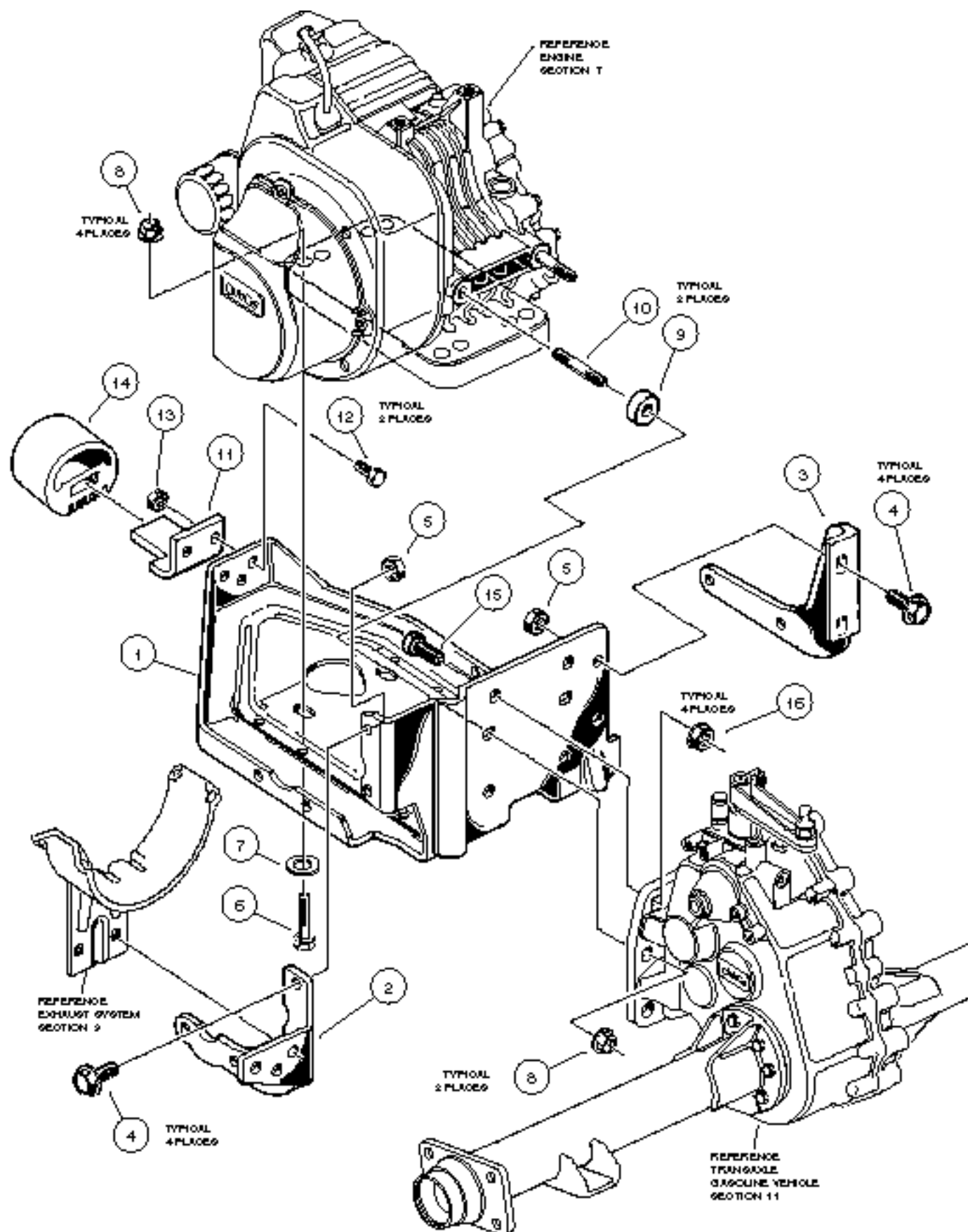
ITEM	PART NO.	DESCRIPTION	QTY
		1 2 3 4 <b>BEFORE ORDERING FROM THIS PAGE, SEE NOTE ON PAGE ii AT THE BEGINNING OF THIS MANUAL.</b>	
1	<u>1016538</u>	O-RING .....	1
2	<u>1017508</u>	PLUG .....	1
3	<u>1016535</u>	CONNECTOR, OIL SENDING UNIT .....	1
4	<u>1016538</u>	O-RING .....	1
5	<u>1016506</u>	CLAMP .....	1
6	<u>1016544</u>	SCREW, CROSS PAN HEAD SELF-TAPPING, M5 x .8 x 12MM .....	1
7	<u>1016564</u>	PIN .....	2
8	<u>1017487</u>	BEARING, CRANKSHAFT .....	1
9	<u>1017504</u>	SEAL, CRANKSHAFT .....	1
10	<u>1016584</u>	SCREW, 2-ENDED FLANGED, M8 x 1.25 x 69MM .....	2
11	<u>1017514</u>	BOLT, FLANGED, M8 x 1.25 x 45MM .....	6
12	<u>1017472</u>	COVER, CRANKCASE .....	1
13	<u>1017443</u>	GASKET, CRANKCASE COVER .....	1
14	<u>1017513</u>	BOLT, FLANGED, M6 x 1 x 12MM .....	2
15	<u>1016510</u>	BRACKET, OIL LEVEL SWITCH .....	1
16	<u>1016494</u>	SENSOR, OIL LEVEL .....	1
17	<u>1016496</u>	SCREW, CROSS PAN HEAD, M4 x .7 x 8MM .....	3
18	<u>1016454</u>	BOLT, FLANGED, M5 x .8 x 8MM .....	2
19	<u>1016472</u>	PLATE, OIL FILTER SCREEN .....	1
20	<u>1016521</u>	SCREEN, OIL FILTER .....	1
21	<u>1017518-01</u>	SHIM, 0.3MM THICK .....	A/R
21	<u>1017518-02</u>	SHIM, 0.4MM THICK .....	A/R
21	<u>1017518-03</u>	SHIM, 0.5MM THICK .....	A/R
22	<u>1019159-01</u>	CAMSHAFT, FE 350 (INCLUDES ITEM 23) .....	1
23	<u>1017511</u>	SPRING .....	1
24	<u>1017447</u>	LIFTER, HYDRAULIC .....	2





# FE 350 ENGINE RESORT VILLAGER, TRANS-PORTER/TRANS-SENDER

ITEM	PART NO.	DESCRIPTION	QTY
		1 2 3 4	
		<b>BEFORE ORDERING FROM THIS PAGE, SEE NOTE ON PAGE ii AT THE BEGINNING OF THIS MANUAL.</b>	
1	<u>1017503</u>	SEAL, OIL .....	1
2	<u>1019160-01</u>	CRANKCASE, COMPLETE, FE 350 ( <b>CLOCKWISE ROTATION</b> ) .....	1
3	<u>1017502</u>	RING, SNAP .....	2
4	<u>1017450</u>	PIN, PISTON .....	1
5	<u>1017449-01</u>	PISTON, STANDARD .....	1
5	<u>1017449-02</u>	PISTON, .50MM OVERSIZED .....	1
6	<u>1017451-01</u>	RING SET, PISTON, STANDARD .....	1
6	<u>1017451-02</u>	RING SET, PISTON, .50MM OVERSIZED .....	1
7	<u>1017457-01</u>	ASSEMBLY, CONNECTING ROD, STANDARD (INCLUDES 2 EACH OF ITEM 8) .....	1
7	<u>1017457-02</u>	ASSEMBLY, CONNECTING ROD, .50MM UNDERSIZED) (INCLUDES 2 EACH OF ITEM 8) .....	1
8	<u>1017512</u>	BOLT, HEX HEAD, M7 x 1 x 36MM .....	2
9	<u>1019223-02</u>	CRANKSHAFT, COMPLETE, FE 350 (INCLUDES ITEMS 10 - 13) .....	1
10	<u>1016562</u>	KEY .....	1
11	<u>1016533</u>	GEAR, HELICAL .....	1
12	<u>1016532</u>	GEAR, SPUR .....	1
13	<u>1017471</u>	ROD .....	2
14	<u>1017733-01</u>	SHIM, CRANKSHAFT, 1.18MM THICK .....	A/R
14	<u>1017733-02</u>	SHIM, CRANKSHAFT, 1.25MM THICK .....	A/R
14	<u>1017733-03</u>	SHIM, CRANKSHAFT, 1.32MM THICK .....	A/R
14	<u>1017733-04</u>	SHIM, CRANKSHAFT, 1.39MM THICK .....	A/R
14	<u>1017733-05</u>	SHIM, CRANKSHAFT, 1.46MM THICK .....	A/R
14	<u>1017733-06</u>	SHIM, CRANKSHAFT, 1.53MM THICK .....	A/R
14	<u>1017733-07</u>	SHIM, CRANKSHAFT, 1.60MM THICK .....	A/R
14	<u>1017733-08</u>	SHIM, CRANKSHAFT, 1.67MM THICK .....	A/R
14	<u>1017733-09</u>	SHIM, CRANKSHAFT, 1.74MM THICK .....	A/R
14	<u>1017733-10</u>	SHIM, CRANKSHAFT, 1.11MM THICK .....	A/R
14	<u>1017733-11</u>	SHIM, CRANKSHAFT, 1.81MM THICK .....	A/R
15	<u>1017502</u>	SPACER .....	1
16	<u>1016541</u>	BOLT, STUD, M6 x 1 x 22MM .....	4
17	<u>1016547</u>	NUT, FLANGED, M6 x 1 .....	4
18	<u>1016470</u>	SHAFT, GUIDE COUNTERBALANCE .....	1
19	<u>1016571</u>	O-RING .....	1
20	<u>1017453</u>	WEIGHT, COUNTERBALANCE (INCLUDES ITEM 21) .....	1
21	<u>1017510</u>	BEARING .....	1



ITEM	PART NO.	DESCRIPTION	QTY
		1 2 3 4 <b>BEFORE ORDERING FROM THIS PAGE, SEE NOTE ON PAGE ii AT THE BEGINNING OF THIS MANUAL.</b>	
1	<u>1018271-01</u>	PLATE, MOUNTING .....	1
2	<u>1018327-01</u>	STIFFENER, FLYWHEEL SIDE .....	1
3	<u>1018326-01</u>	STIFFENER, DRIVE CLUTCH SIDE .....	1
4	<u>1018848-01</u>	SCREW, HEX HEAD, 5/16 - 24 x 7/8 .....	8
5	<u>1013924</u>	NUT, HEX LOCK, CONE, 5/16 - 24 .....	8
6	<u>1018559-01</u>	SCREW, HEX HEAD CAP, M8 x 1.25 x 43MM .....	4
7	1012571	WASHER, HEAVY FLAT, 5/16 .....	4
8	1018330-01	NUT, FLANGE, M8 x 1.25 .....	6
9	<u>1018321-01</u>	SPACER .....	2
10	<u>1018332-01</u>	STUD, M8 .....	2
11	<u>1018346-01</u>	BRACKET, SNUBBER .....	1
12	1018347-01	SCREW, HEX HEAD CAP, 5/6 - 18 x 7/8 .....	2
13	0007473	NUT, NYLON LOCK, 5/16 - 18 .....	2
14	1012164	SNUBBER, INNER FRAME .....	1
15	<u>1018333-01</u>	SCREW, HEX HEAD CAP, M10 x 1.5 x 30MM .....	4
16	<u>1018329-01</u>	NUT, FLANGE, M10 x 1.25 .....	4

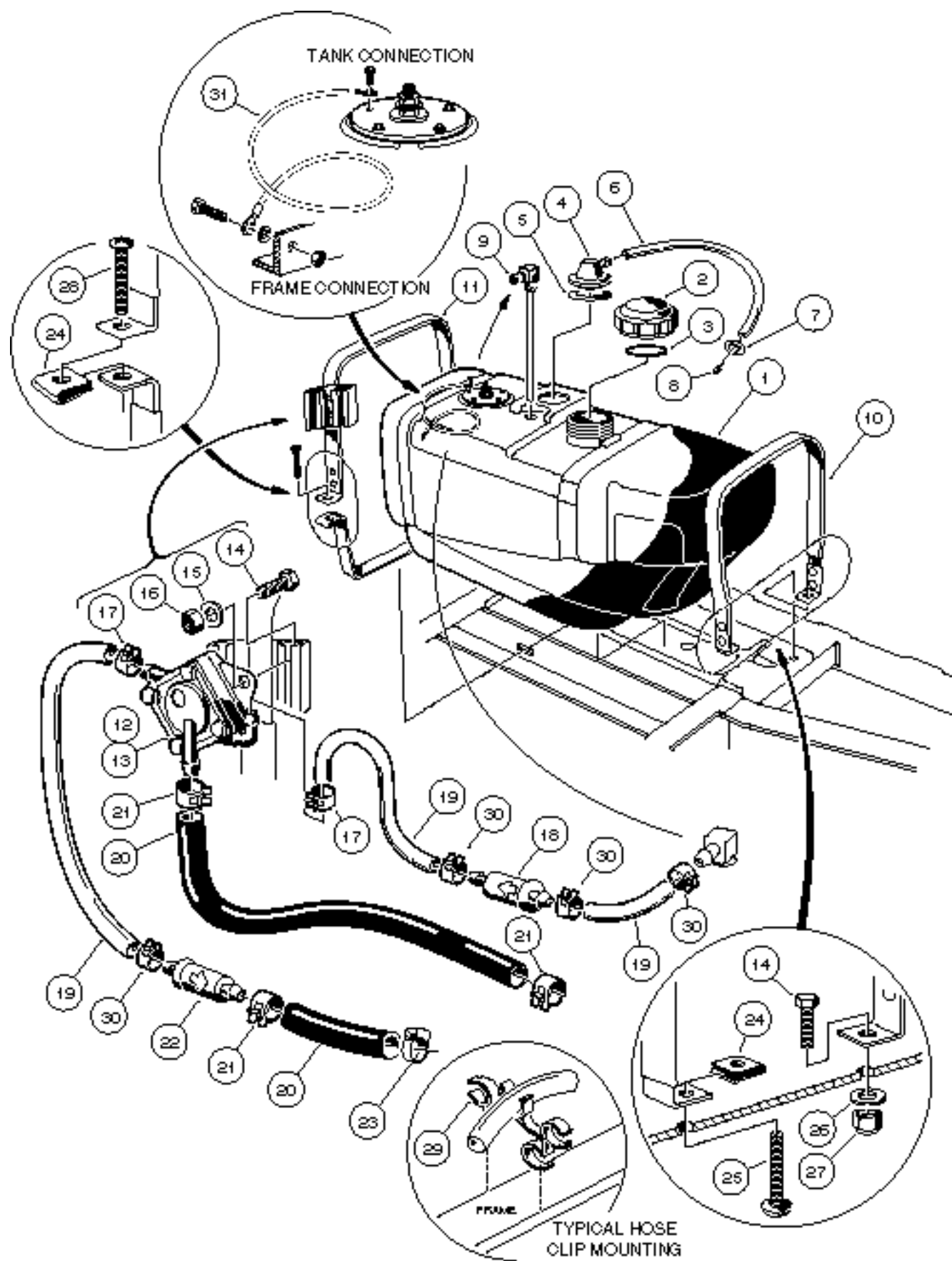


# FUEL, INTAKE, AND GOVERNOR SYSTEMS

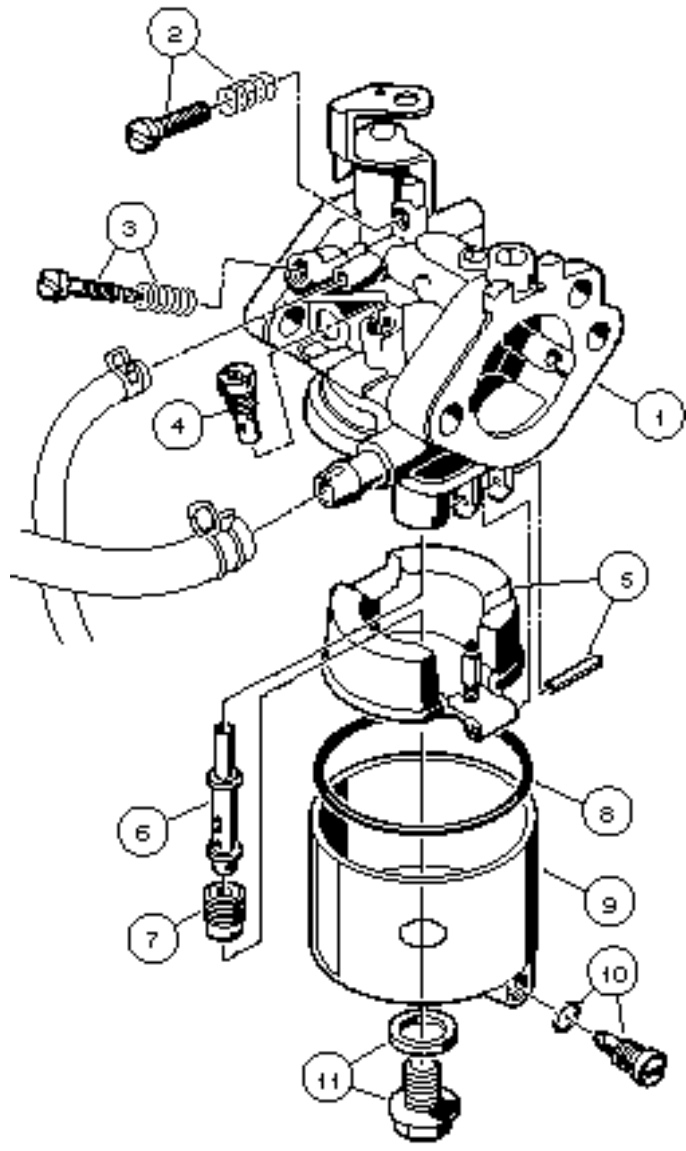
---

8

G



ITEM	PART NO.	DESCRIPTION	QTY
		1 2 3 4	
1	1016004	KIT, FUEL TANK, WITH SENDING UNIT (INCLUDES ITEMS 2 - 9) .....	1
2	<u>1015188</u>	CAP, FUEL TANK, NONVENTED (INCLUDES GASKET) .....	1
3	<u>1014535</u>	GASKET, FUEL CAP .....	1
4	<u>1015143</u>	ASSEMBLY, FUEL TANK VENT .....	1
5	<u>1015139</u>	GROMMET, INSULATION .....	1
6	<u>1015137</u>	LINE, BULK (FUEL TANK VENT) .....	A/R
7	<u>1016059</u>	CLIP, STUD .....	1
8	<u>1018244-01</u>	BARB, VENT .....	1
9	1012619	TUBE, FUEL PICK-UP .....	1
10	<u>1014928</u>	ASSEMBLY, REAR FUEL STRAP .....	1
11	<u>1014927</u>	ASSEMBLY, FRONT FUEL STRAP .....	1
12	<u>1014523</u>	PUMP, FUEL IMPULSE, SQUARE BODY .....	1
13	<u>1014524</u>	PUMP, FUEL IMPULSE, SQUARE BODY REBUILD KIT .....	1
14	0007847	SCREW, HEX HEAD CAP, 1/4 - 20 x 3/4 .....	3
15	0000451	WASHER, LOCK, 1/4 .....	2
16	0001028	NUT, HEX, 1/4 - 20 .....	2
17	<u>1013134-01</u>	CLAMP, HOSE (BLACK) .....	2
18	1013684	FILTER , PRIMARY FUEL (WHITE) .....	1
19	<u>1012293</u>	LINE, BULK FUEL (YELLOW) .....	A/R
20	<u>1013692</u>	LINE, BULK FUEL (BLACK) .....	A/R
21	<u>1012649</u>	CLAMP, HOSE (RED) .....	3
22	1014522	FILTER, SECONDARY FUEL (BLUE) .....	1
23	<u>1013687</u>	CLAMP, HOSE, 3/8 .....	1
24	<u>1014116</u>	NUT, U-TYPE SPEED, 1/4 - 20 .....	2
25	<u>1013176</u>	SCREW, PHILLIPS TRUSS HEAD, 1/4 - 20 x 2 1/2 .....	1
26	0000332	WASHER, FLAT, 1/4 .....	1
27	0008233	NUT, NYLON LOCK, 1/4 - 20 .....	1
28	<u>1011988</u>	SCREW, PHILLIPS TRUSS HEAD, 1/4 - 20 x 2 .....	1
29	1016666	CLIP, BLACK FUEL .....	2
30	<u>1013134-02</u>	CLAMP, HOSE (GREEN) .....	4
31	1015921	WIRE ASSEMBLY, #16 BLACK .....	1
	<u>1015014</u>	KIT, FUEL TANK SERVICE (INCLUDES ITEMS 10, 11, 14, 15, 16, 19, 20, 24, 26, 27 AND 28) .....	1

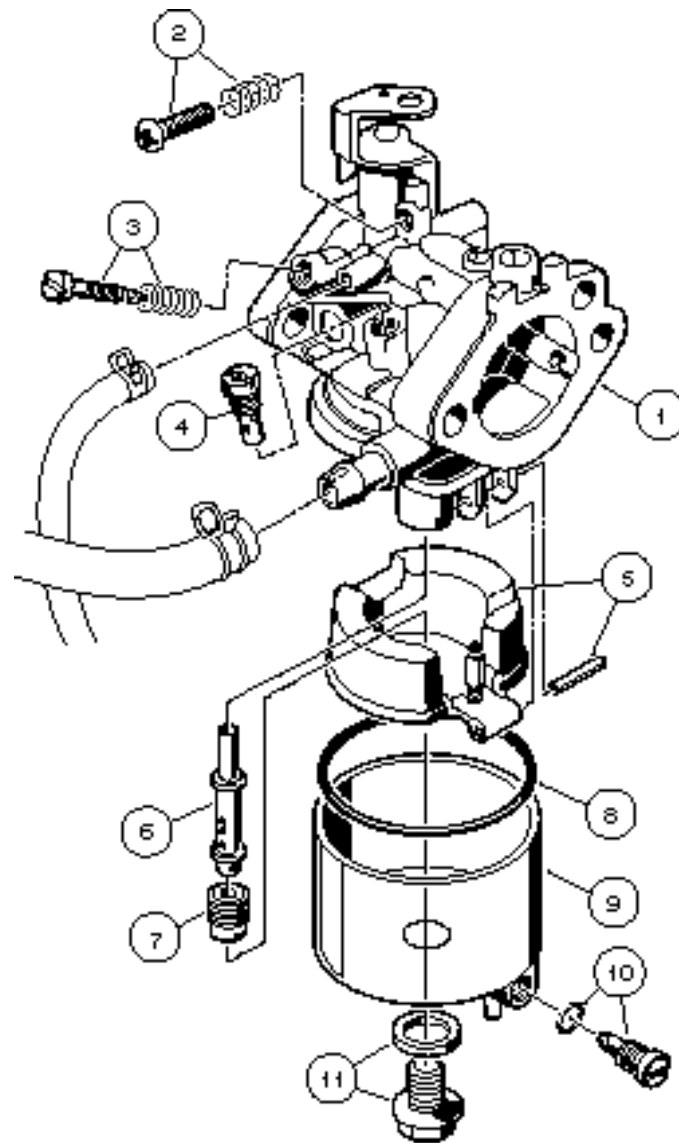




# CARBURETOR ASSEMBLY, FE 290 TOURALL

**8**  
**G**

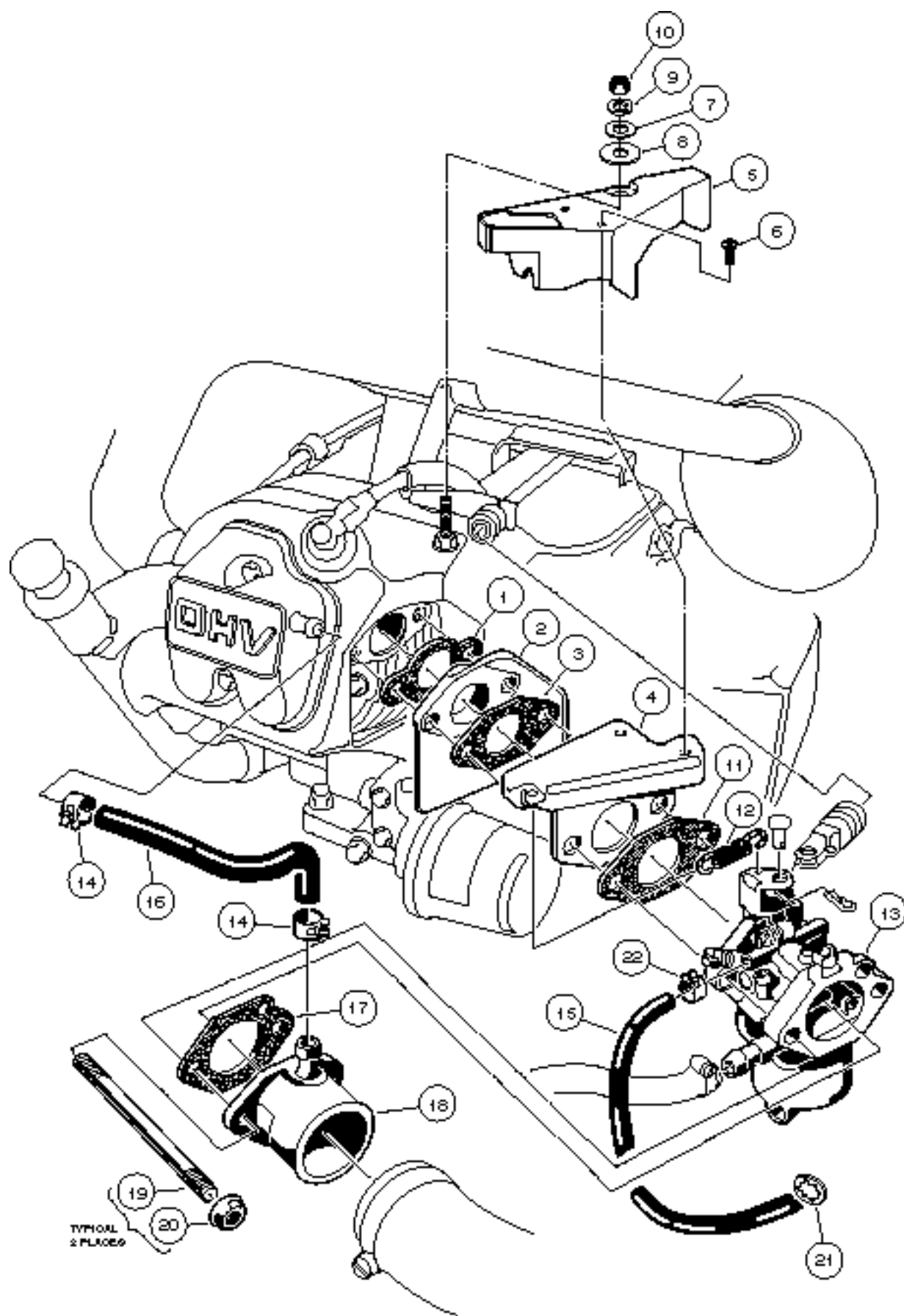
ITEM	PART NO.	DESCRIPTION	QTY
		1 2 3 4	
1	<u>1016478</u>	ASSEMBLY, CARBURETOR (INCLUDES ITEMS 2 - 11) .....	1
2	<u>1016501</u>	ASSEMBLY, IDLE SCREW .....	1
3	<u>1016500</u>	ASSEMBLY, PILOT AIR SCREW .....	1
4	<u>1016574</u>	JET, PILOT, #45 .....	1
5	<u>1016486</u>	ASSEMBLY, FLOAT .....	1
6	<u>1016530</u>	NOZZLE, MAIN .....	1
		STANDARD JETTING:	
7	<u>1016425-80</u>	JET, MAIN, 0 - 3,000 FEET .....	A/R
7	<u>1016425-78</u>	JET, MAIN, 3,000 - 5,000 FEET .....	A/R
7	<u>1016425-75</u>	JET, MAIN, 5,000 - 8,000 FEET .....	A/R
7	<u>1016425-72</u>	JET, MAIN, 8,000 - 10,000 FEET .....	A/R
7	<u>1016425-70</u>	JET, MAIN, 10,000 FEET AND ABOVE .....	A/R
		BEST COLD STARTING:	
7	<u>1016425-82</u>	JET, MAIN, 0 - 3,000 FEET .....	A/R
7	<u>1016425-80</u>	JET, MAIN, 3,000 - 5,000 FEET .....	A/R
7	<u>1016425-78</u>	JET, MAIN, 5,000 - 8,000 FEET .....	A/R
7	<u>1016425-75</u>	JET, MAIN, 8,000 - 10,000 FEET .....	A/R
7	<u>1016425-72</u>	JET, MAIN, 10,000 FEET AND ABOVE .....	A/R
8	<u>1016437</u>	GASKET, FLOAT CHAMBER .....	1
9	<u>1016487</u>	ASSEMBLY, FLOAT CHAMBER (INCLUDES ITEM 10) .....	1
10	<u>1016499</u>	ASSEMBLY, SCREW .....	1
11	<u>1016585</u>	ASSEMBLY, BOLT .....	1



# CARBURETOR ASSEMBLY, FE 350 RESORT VILLAGER, TRANS-PORTER/TRANS-SENDER

**8**  
**G**

ITEM	PART NO.	DESCRIPTION	QTY
		1 2 3 4	
1	1017459	ASSEMBLY, CARBURETOR (INCLUDES ITEMS 2 - 11) .....	1
2	<u>1017465</u>	ASSEMBLY, IDLE SCREW .....	1
3	<u>1016500</u>	ASSEMBLY, PILOT AIR SCREW .....	1
4	<u>1017506</u>	JET, PILOT, #48 .....	1
5	1016486	ASSEMBLY, FLOAT .....	1
6	<u>1017480</u>	NOZZLE, MAIN .....	1
7	<u>1016425-92</u>	JET, MAIN, 0 - 3000 FEET .....	A/R
7	<u>1016425-90</u>	JET, MAIN, 3000 - 5000 FEET .....	A/R
7	<u>1016425-88</u>	JET, MAIN, 5000 - 8000 FEET .....	A/R
7	<u>1016425-85</u>	JET, MAIN, 8000 - 10,000 FEET .....	A/R
7	<u>1016425-82</u>	JET, MAIN, 10,000 FEET AND HIGHER .....	A/R
8	<u>1016437</u>	GASKET, FLOAT CHAMBER .....	1
9	<u>1017461</u>	ASSEMBLY, FLOAT CHAMBER (INCLUDES ITEM 10) .....	1
10	<u>1016499</u>	ASSEMBLY, SCREW .....	1
11	1016585	ASSEMBLY, BOLT .....	1

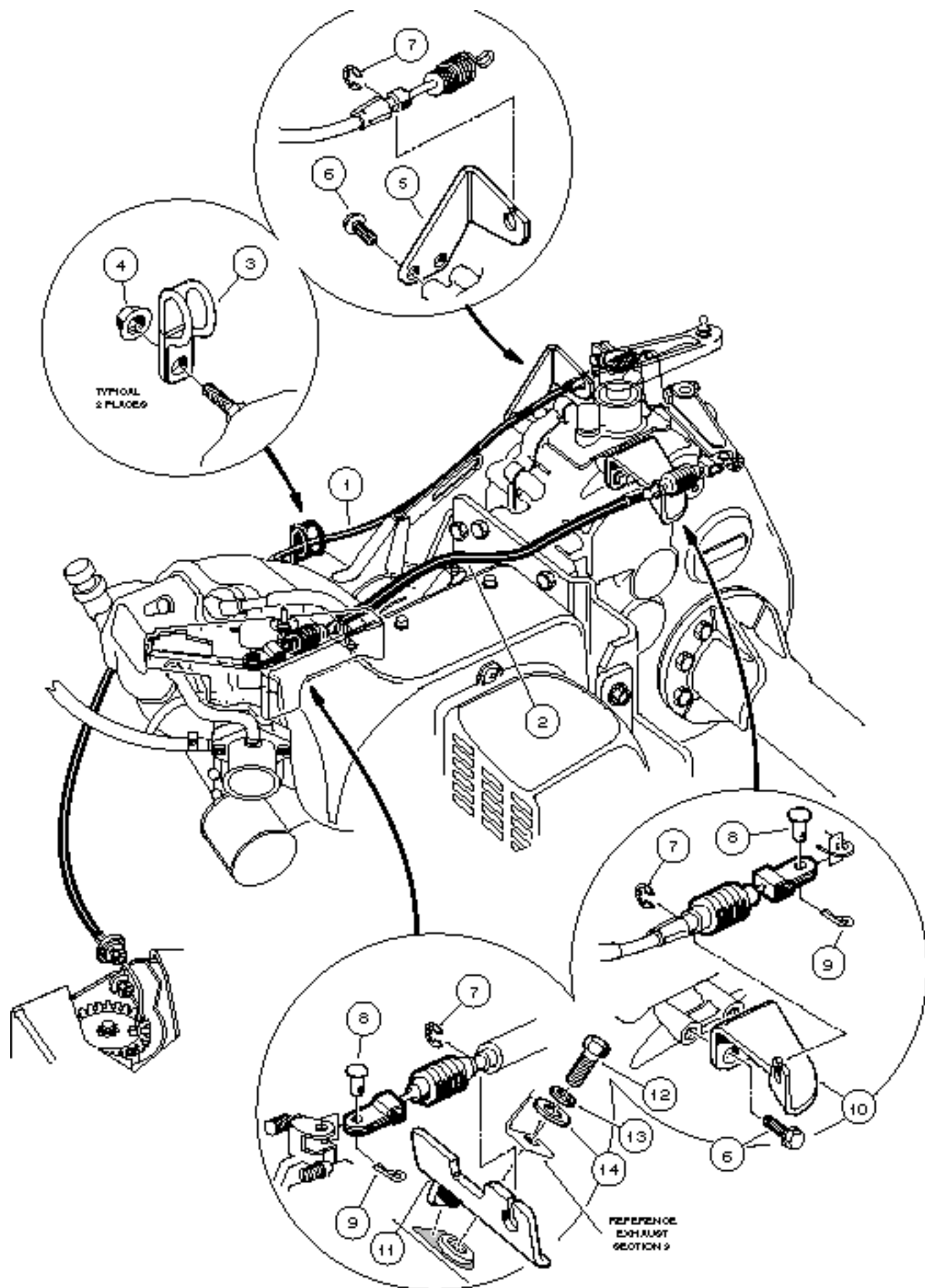


# CARBURETOR INSTALLATION

8

G

ITEM	PART NO.	DESCRIPTION	QTY
		1 2 3 4	
1	<u>1016440</u>	GASKET, INSULATOR .....	1
2	<u>1016481</u>	INSULATOR, CARBURETOR .....	1
3	<u>1016439</u>	GASKET, CARBURETOR INSULATOR TO THROTTLE BRACKET .....	1
4	<u>1016444</u>	BRACKET, THROTTLE .....	1
5	<u>1018202-01</u>	GUARD, GOVERNOR (TOURALL VEHICLE ONLY) .....	1
6	<u>1016103</u>	SCREW, PAN/TORX HEAD SELF-TAPPING, #6 - 32 x 1/4 (TOURALL ONLY) .....	2
7	0000332	WASHER, FLAT, 1/4 (TOURALL VEHICLE ONLY) .....	1
8	0000334	WASHER, FLAT, 3/8 (TOURALL VEHICLE ONLY) .....	1
9	0000451	WASHER, LOCK, 1/4 (TOURALL VEHICLE ONLY) .....	1
10	<u>1018876-01</u>	NUT, NYLON LOCK, M6 x 1 (TOURALL VEHICLE ONLY) .....	1
11	<u>1016441</u>	GASKET, THROTTLE BRACKET TO CARBURETOR .....	1
12	<u>1016582</u>	SPRING, THROTTLE RETURN .....	1
13	<u>1016478</u>	ASSEMBLY, CARBURETOR (FOR TOURALL VEHICLE ONLY) .....	1
13	1017459	ASSEMBLY, CARBURETOR (FOR RESORT VILLAGER, TRANS-PORTER, AND TRANS-SENDER) .....	1
14	<u>1017466</u>	CLAMP, HOSE .....	2
15	<u>1015877-01</u>	TUBE, AIR VENT .....	1
16	<u>1016572</u>	TUBE, CRANKCASE VENT .....	1
17	<u>1016438</u>	GASKET, CARBURETOR TO INTAKE MANIFOLD .....	1
18	1016480	PIPE, INTAKE .....	1
19	<u>1016490</u>	SCREW, 2-ENDED STUD, M6 x 1 x 92MM .....	2
20	1016547	NUT, FLANGED, M6 x 1 .....	2
21	<u>1016059</u>	CLIP, STUD .....	1
22	<u>1013746</u>	CLAMP, HOSE .....	1

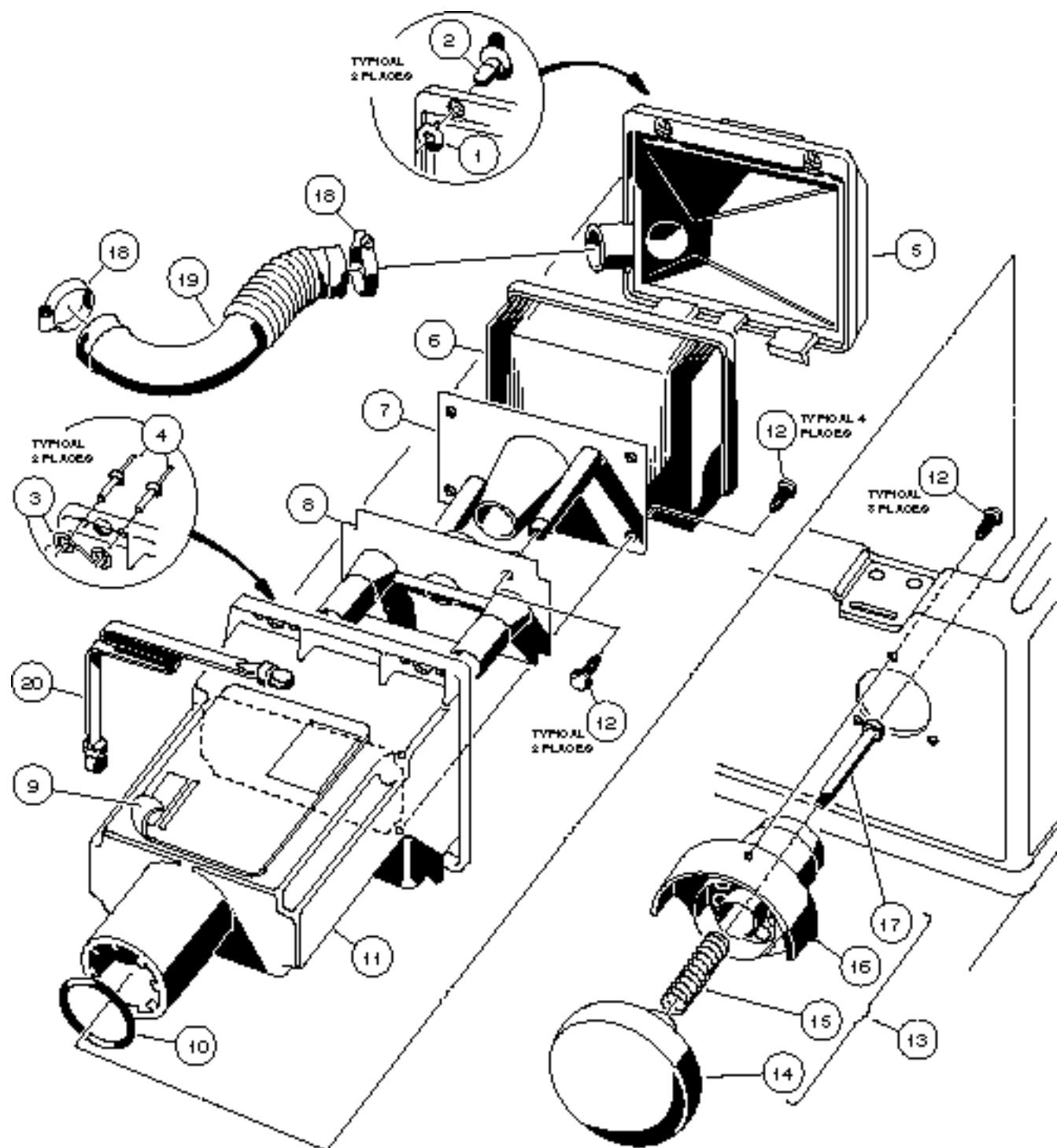


# GOVERNOR AND ACCELERATOR CABLES

8

G

ITEM	PART NO.	DESCRIPTION	QTY
		1 2 3 4 <b>BEFORE ORDERING FROM THIS PAGE, SEE NOTE ON PAGE ii AT THE BEGINNING OF THIS MANUAL.</b>	
1	<u>1018325-01</u>	CABLE, ACCELERATOR .....	1
2	<u>1018324-01</u>	CABLE, GOVERNOR (TOURALL VEHICLE ONLY) .....	1
2	<u>1018324-02</u>	CABLE, GOVERNOR (RESORT VILLAGER, TRANS-PORTER, AND TRANS-SENDER) .....	1
3	<u>1013700</u>	CLAMP, CABLE RETAINING .....	2
4	<u>1016546</u>	NUT, FLANGED HEX, M8 x 1.25 .....	2
5	1018323-01	BRACKET, ACCELERATOR SUPPORT .....	1
6	<u>1012285</u>	SCREW, HEX HEAD THREAD - ROLLING, 1/4 - 20 x 5/8 .....	4
7	<u>1016202</u>	"E" RING .....	3
8	<u>1015408</u>	PIN, GOVERNOR CABLE CLEVIS .....	2
9	<u>1014413</u>	PIN, HAIR SPRING COTTER, 1/8 I.D. x 5/8 .....	2
10	1018322-01	BRACKET, SUPPORT .....	1
11	<u>1015845</u>	BRACKET, GOVERNOR CABLE ENGINE .....	1
12	1019035-01	SCREW, HEX HEAD CAP, M8 x 1.25 x 24 MM .....	1
13	0007174	WASHER, LOCK, 5/16 .....	1
14	<u>1011697</u>	WASHER, FLAT, 5/16 .....	1

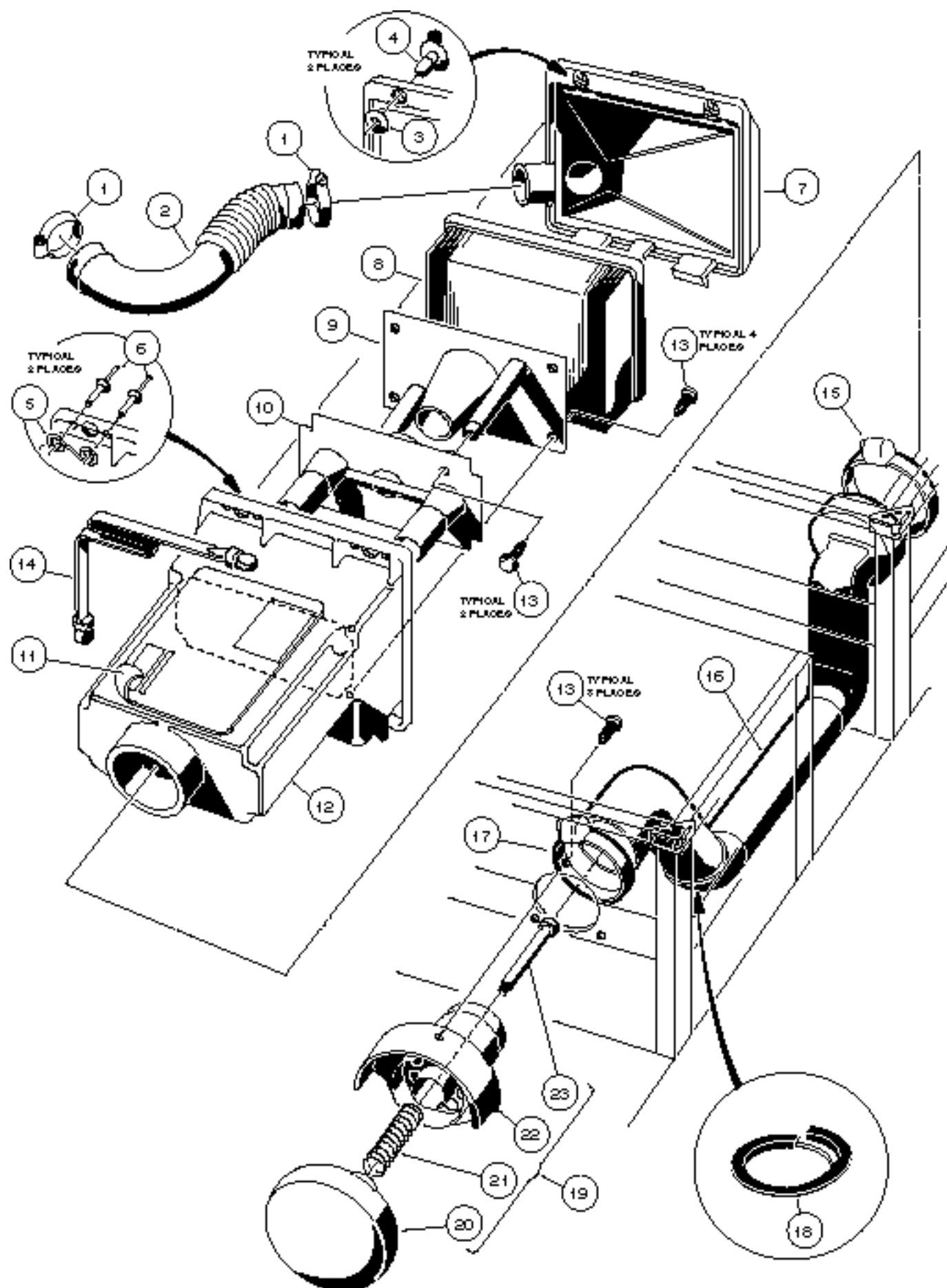




# EXPANSION CHAMBER, CHOKE, AND FILTER, FE 290 TOURALL VEHICLE ONLY

**8**  
**G**

ITEM	PART NO.	DESCRIPTION	QTY
		1 2 3 4	
	<u>1015431</u>	ASSEMBLY, INTAKE EXPANSION CHAMBER (INCLUDES ITEMS 1 - 12) .....	1
1	<u>1015291</u>	RETAINER, STUD, #6 .....	2
2	<u>1015290</u>	STUD, WING HEAD, #6 .....	2
3	<u>1015292</u>	SPRING, RECEPTACLE, #6 .....	2
4	<u>1015727</u>	RIVET, POP, 1/8 .....	4
5	<u>1015293</u>	COVER, EXPANSION CHAMBER .....	1
6	<u>1015426</u>	ELEMENT, AIR FILTER .....	1
7	<u>1015542</u>	BAFFLE, SECONDARY AIR BOX .....	1
8	<u>1015541</u>	BAFFLE, PRIMARY AIR BOX .....	1
9	<u>1016062</u>	DECAL, SERVICE .....	1
10	<u>1015425</u>	O-RING .....	1
11	<u>1015540</u>	CHAMBER, EXPANSION .....	1
12	<u>1015289</u>	SCREW, HI-LO HEX, #10 - 16 x 5/8 .....	9
13	<u>1015745</u>	ASSEMBLY, CHOKE (INCLUDES ITEMS 14 - 17) .....	1
14	<u>1012629</u>	COVER, CHOKE .....	1
15	<u>1012633</u>	SPRING, CHOKE .....	1
16	<u>1015485</u>	BASE, CHOKE .....	1
17	<u>1012634</u>	SCREW, HEX SOCKET HEAD SHOULDER, 1/4 - 20 x 2 .....	1
18	<u>1015430</u>	CLAMP, AIR INTAKE HOSE .....	2
19	<u>1016228</u>	HOSE, INTAKE .....	1
20	<u>1015577</u>	STRAP, EXPANSION CHAMBER RETENSION .....	1



# EXPANSION CHAMBER, CHOKE, AND FILTER, FE350 RESORT VILLAGER, TRANS-PORTER/TRANS-SENDER

**8**

**G**

ITEM	PART NO.	DESCRIPTION	QTY
		1 2 3 4	
1	<u>1015430</u>	CLAMP, AIR INTAKE HOSE .....	2
2	<u>1016228</u>	HOSE, INTAKE .....	1
	1016787	ASSEMBLY, INTAKE EXPANSION CHAMBER (INCLUDES ITEMS 3 - 13) .....	1
3	<u>1015291</u>	RETAINER, STUD, #6 .....	2
4	<u>1015290</u>	STUD, WING HEAD, #6 .....	2
5	<u>1015292</u>	SPRING, RECEPTACLE, #6 .....	2
6	<u>1015727</u>	RIVET, POP, 1/8 .....	4
7	1015293	COVER, EXPANSION CHAMBER .....	1
8	<u>1015426</u>	ELEMENT, AIR FILTER .....	1
9	<u>1015542</u>	BAFFLE, SECONDARY AIR BOX .....	1
10	<u>1015541</u>	BAFFLE, PRIMARY AIR BOX .....	1
11	1016062	DECAL, SERVICE .....	1
12	1016788	CHAMBER, EXPANSION .....	1
13	<u>1015289</u>	SCREW, HI-LO HEX HEAD, #10 - 16 x 5/8 .....	9
14	<u>1015577</u>	STRAP, EXPANSION CHAMBER RETENSION .....	1
15	<u>1015716</u>	CLAMP, AIR INTAKE HOSE .....	1
16	1016786	PLENUM, AIR INTAKE .....	1
17	<u>1012349</u>	CLAMP, HOSE .....	1
18	<u>1016804</u>	GROMMET, FLEXIBLE (TRANS-PORTER/TRANS-SENDER ONLY) .....	A/R
19	1015745	ASSEMBLY, CHOKE (INCLUDES ITEMS 20 - 23) .....	1
20	<u>1012629</u>	COVER, CHOKE .....	1
21	<u>1012633</u>	SPRING, CHOKE .....	1
22	<u>1015485</u>	BASE, CHOKE .....	1
23	<u>1012634</u>	SCREW, HEX SOCKET HEAD SHOULDER, 1/4 - 20 x 2 .....	1

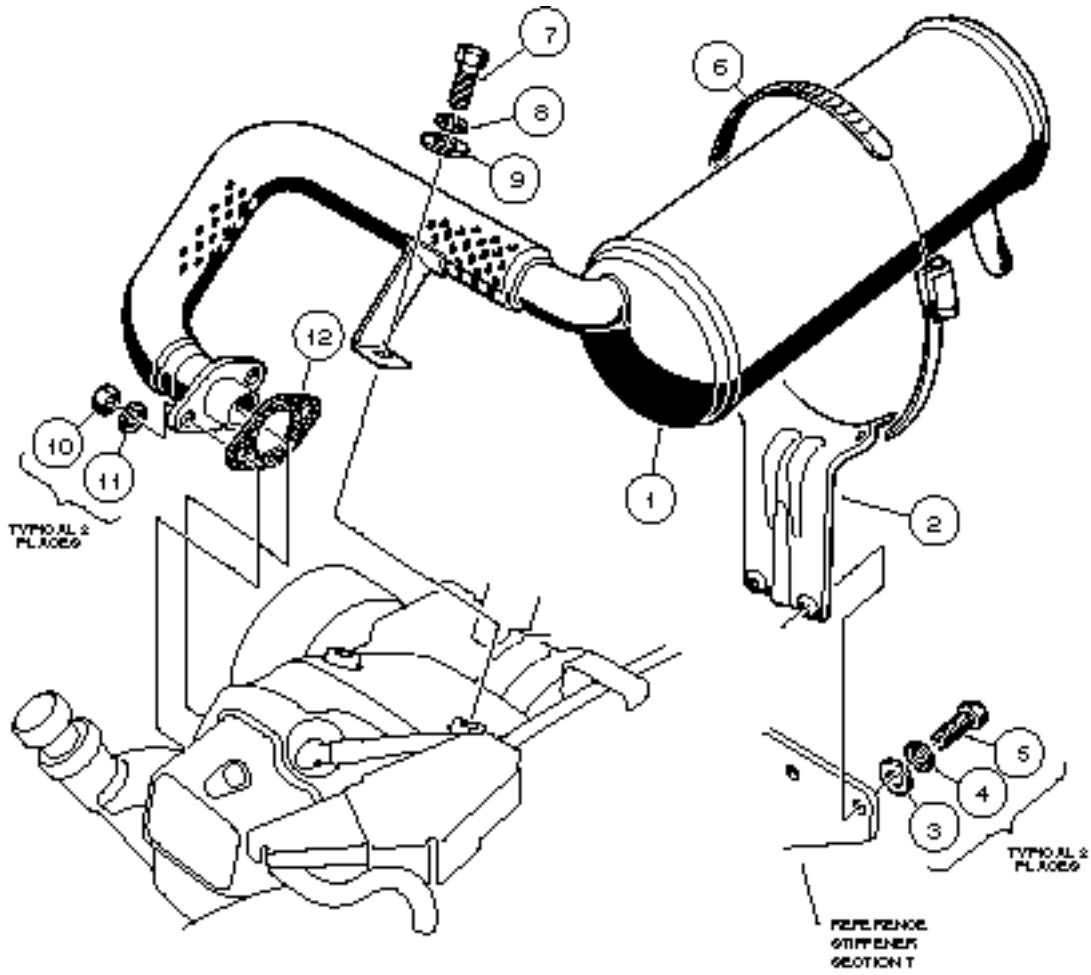


# EXHAUST SYSTEM

---

9

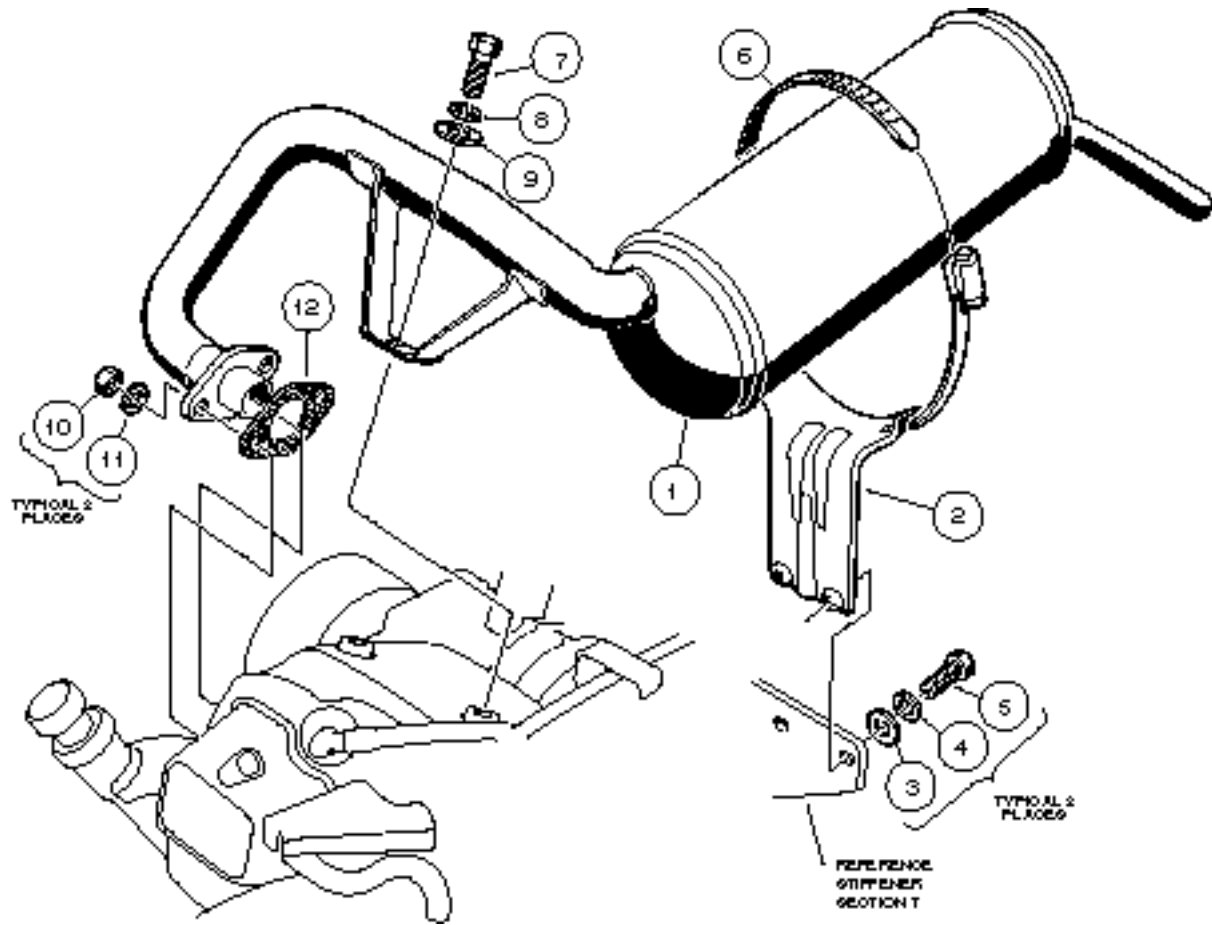
G



# EXHAUST SYSTEM, FE 290 TOURALL

9  
G

ITEM	PART NO.	DESCRIPTION	QTY
		1 2 3 4	
1	<u>1018593-01</u>	SYSTEM, EXHAUST .....	1
2	<u>1015814</u>	BRACKET, MUFFLER MOUNTING .....	1
3	0000332	WASHER, FLAT, 1/4 .....	2
4	0000451	WASHER, LOCK, 1/4 .....	2
5	0007847	SCREW, HEX HEAD, 1/4 - 20 x 3/4 .....	2
6	1017689	CLAMP, MUFFLER .....	1
7	1019035-01	SCREW, HEX HEAD CAP, M8 x 1.25 x 24MM .....	1
8	0007174	WASHER, LOCK, 5/16 .....	1
9	<u>1011697</u>	WASHER, FLAT, 5/16 .....	1
10	<u>1012528</u>	NUT, HEX, M8 x 1.25 .....	2
11	<u>1013734</u>	WASHER, LOCK, 8MM .....	2
12	<u>1015330</u>	GASKET, EXHAUST .....	1





# EXHAUST SYSTEM, FE 350 RESORT VILLAGER, TRANS-PORTER/TRANS-SENDER

**9**  
**G**

ITEM	PART NO.	DESCRIPTION	QTY
		1 2 3 4	
1	<u>1018594-01</u>	SYSTEM, EXHAUST .....	1
2	<u>1015814</u>	BRACKET, MUFFLER MOUNTING .....	1
3	0000332	WASHER, FLAT, 1/4 .....	2
4	0000451	WASHER, LOCK, 1/4 .....	2
5	0007847	SCREW, HEX HEAD, 1/4 - 20 x 3/4 .....	2
6	1017689	CLAMP, MUFFLER .....	1
7	1019035-01	SCREW, HEX HEAD CAP, M8 x 1.25 x 24MM .....	1
8	0007174	WASHER, LOCK, 5/16 .....	1
9	<u>1011697</u>	WASHER, FLAT, 5/16 .....	1
10	<u>1012528</u>	NUT, HEX, M8 x 1.25 .....	2
11	<u>1013734</u>	WASHER, LOCK, 8MM .....	2
12	<u>1016904</u>	GASKET, EXHAUST .....	1

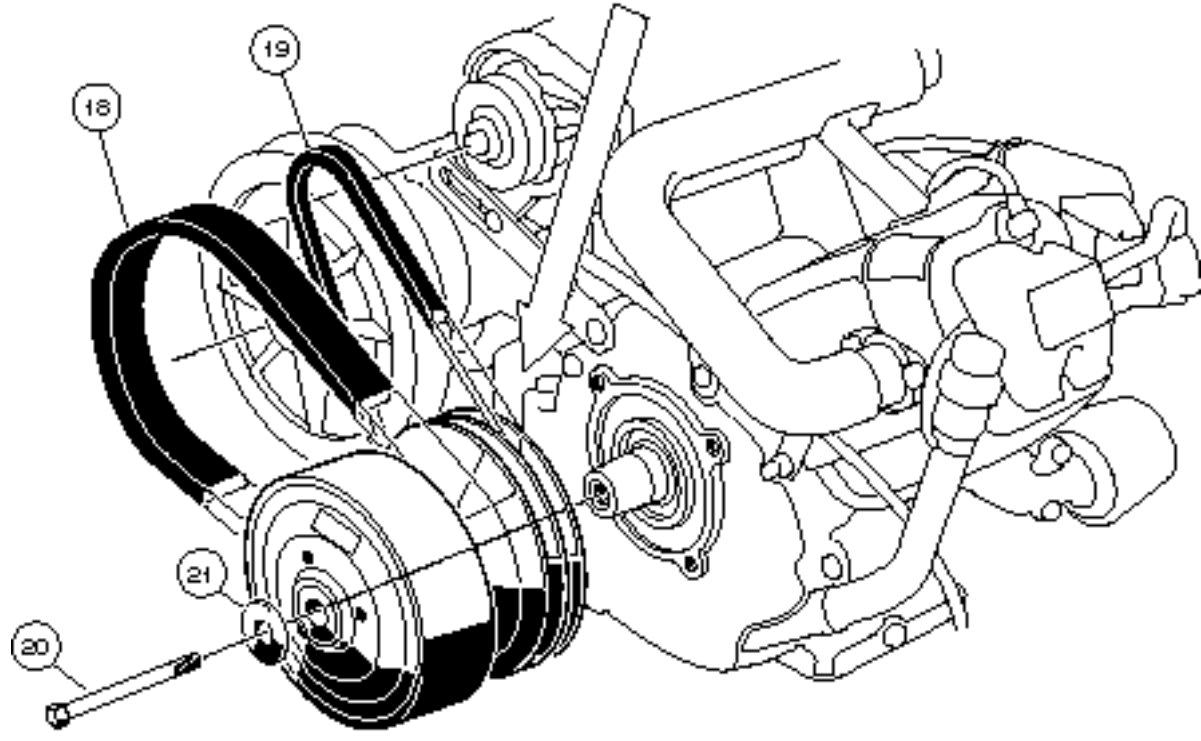
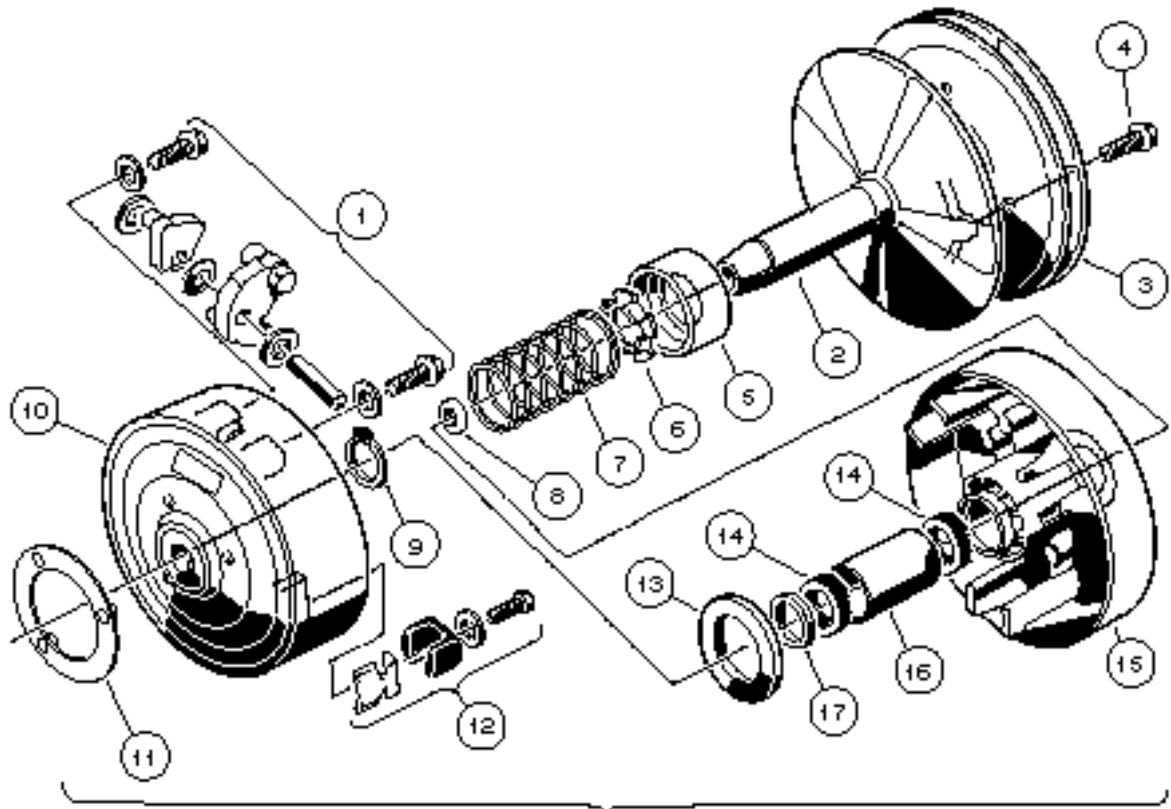


# TORQUE CONVERTER

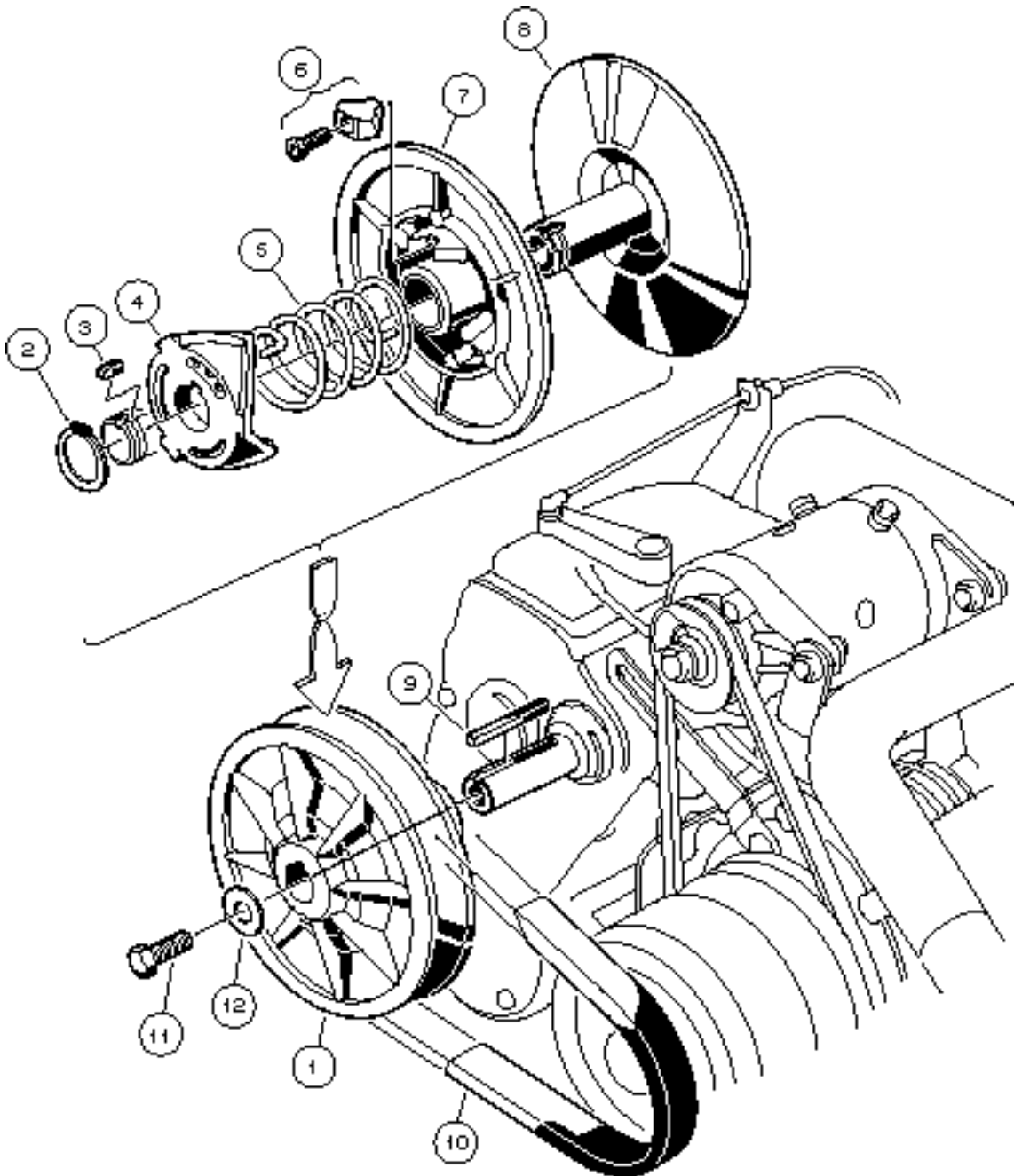
---

**10**

**G**



ITEM	PART NO.	DESCRIPTION	QTY
		1 2 3 4 <b>BEFORE ORDERING FROM THIS PAGE, SEE NOTE ON PAGE ii AT THE BEGINNING OF THIS MANUAL.</b>	
	<u>1018339-02</u>	ASSEMBLY, DRIVE CLUTCH (TOURALL VEHICLE ONLY) (INCLUDES ITEMS 1 - 17) .....	1
	<u>1018339-04</u>	ASSEMBLY, DRIVE CLUTCH (RESORT VILLAGER, TRANS-PORTER/TRANS-SENDER) (INCLUDES ITEMS 1 - 17) .....	1
1	<u>1016801</u>	KIT, DRIVE CLUTCH WEIGHT .....	1
2	<u>1019298-01</u>	ASSEMBLY, FIXED FACE (TOURALL ONLY) (INCLUDES ITEMS 3 AND 4) .....	1
2	<u>1017383-01</u>	ASSEMBLY, FIXED FACE (RESORT VILLAGER, TRANS-PORTER/TRANS-SENDER) (INCLUDES ITEMS 3 AND 4) .....	1
3	N/A	PULLEY .....	1
4	N/A	SCREW, WASHER HEAD HEX MACHINE .....	3
5	1014049	BEARING, IDLER .....	1
6	<u>1014050</u>	SPRING, RETAINER .....	1
7	<u>1014051</u>	SPRING, DRIVE CLUTCH .....	1
8	<u>1016289</u>	SPACER, FIXED FACE SHAFT .....	1
9	<u>1014057</u>	RING, RETAINING .....	1
10	1014059	ASSEMBLY, DRIVE HUB .....	1
11	<u>1019256-01</u>	PLUG, DRIVE CLUTCH .....	1
12	<u>1014453</u>	KIT, DRIVE CLUTCH BUTTON .....	1
13	1014058	WASHER, THRUST .....	1
14	<u>1014056</u>	RING, SPIRAL BACK-UP .....	2
15	1014052	ASSEMBLY, MOVABLE FACE (INCLUDES ITEMS 16 AND 17) .....	1
16	N/A	BUSHING .....	1
17	<u>1014055</u>	RETAINER .....	1
18	<u>1016203</u>	BELT, DRIVE (TOURALL VEHICLE ONLY) .....	1
18	<u>1017188</u>	BELT, DRIVE (RESORT VILLAGER, TRANS-PORTER/TRANS-SENDER) .....	1
19	<u>1019167-01</u>	BELT, STARTER/GENERATOR .....	1
20	<u>1019165-01</u>	SCREW, HEX HEAD CAP, 3/8 - 24 x 5 1/2 (LEFT HAND THREADS) .....	1
21	<u>1017328</u>	WASHER, MOUNTING .....	1



ITEM	PART NO.	DESCRIPTION	QTY
		1 2 3 4 <b>BEFORE ORDERING FROM THIS PAGE, SEE NOTE ON PAGE ii AT THE BEGINNING OF THIS MANUAL.</b>	
1	<u>1018340-01</u>	ASSEMBLY, DRIVEN CLUTCH (INCLUDES ITEMS 2 - 8) .....	1
2	<u>1014080</u>	RING, RETAINING .....	1
3	<u>1014078</u>	KEY .....	1
4	<u>1017686</u>	CAM .....	1
5	<u>1018362-01</u>	SPRING .....	1
6	<u>1014454</u>	KIT, BUTTON (INCLUDES THREE BUTTONS AND THREE SCREWS) .....	1
7	<u>1014072</u>	ASSEMBLY, MOVEABLE FACE, WITH BUSHING .....	1
8	<u>1014070</u>	ASSEMBLY, FIXED FACE .....	1
9	<u>1018334-01</u>	KEY, SQUARE TRANSMISSION .....	1
10	<u>1016203</u>	BELT, DRIVE (TOURALL VEHICLE ONLY) .....	1
10	<u>1017188</u>	BELT, DRIVE (RESORT VILLAGER, TRANS-PORTER, AND TRANS-SENDER) .....	1
11	0007173	SCREW, HEX HEAD CAP, 5/16 - 18 x 3/4 .....	1
12	<u>1017327</u>	WASHER, MOUNTING .....	1



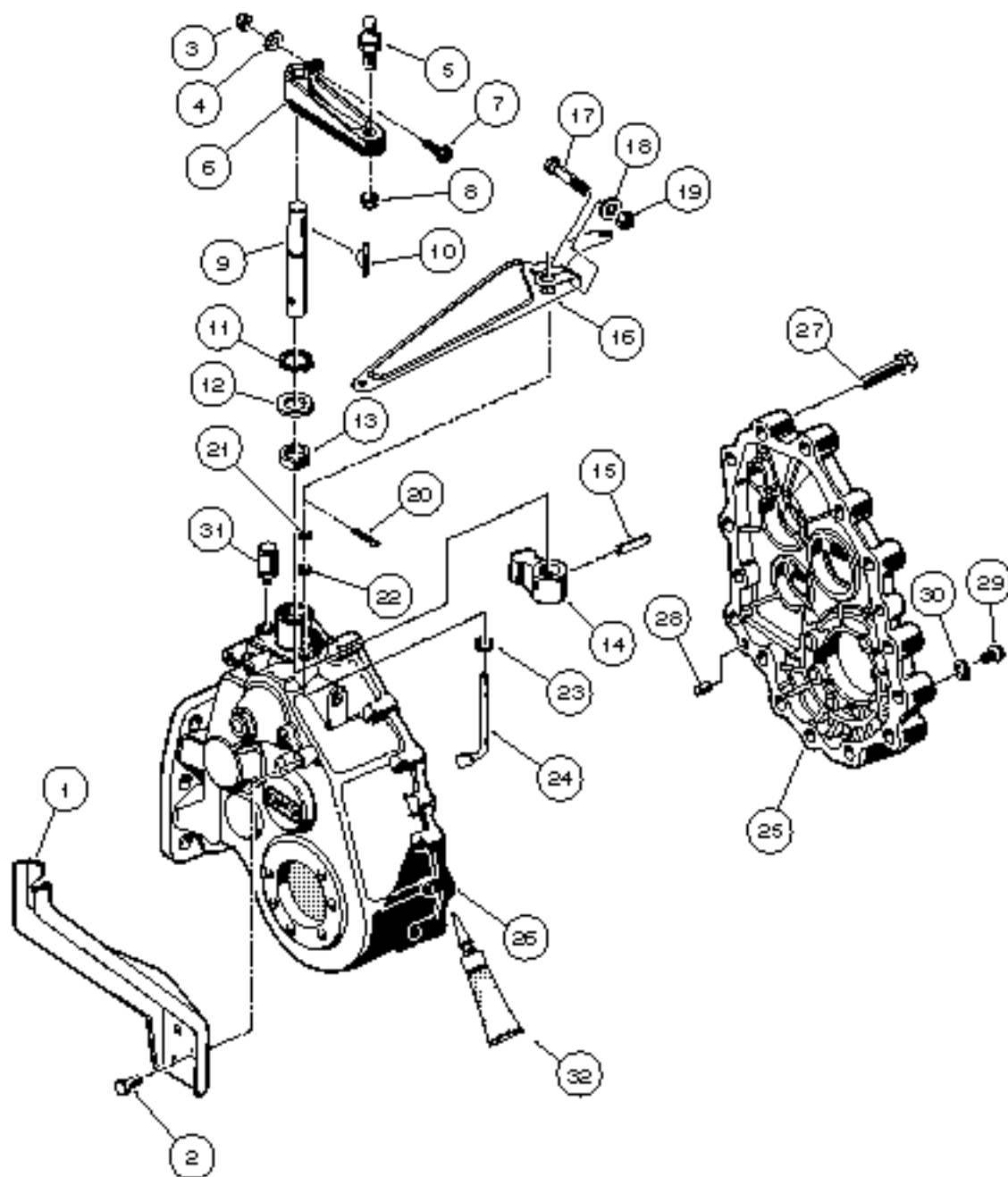


# UNITIZED TRANSAXLE GASOLINE VEHICLE

---

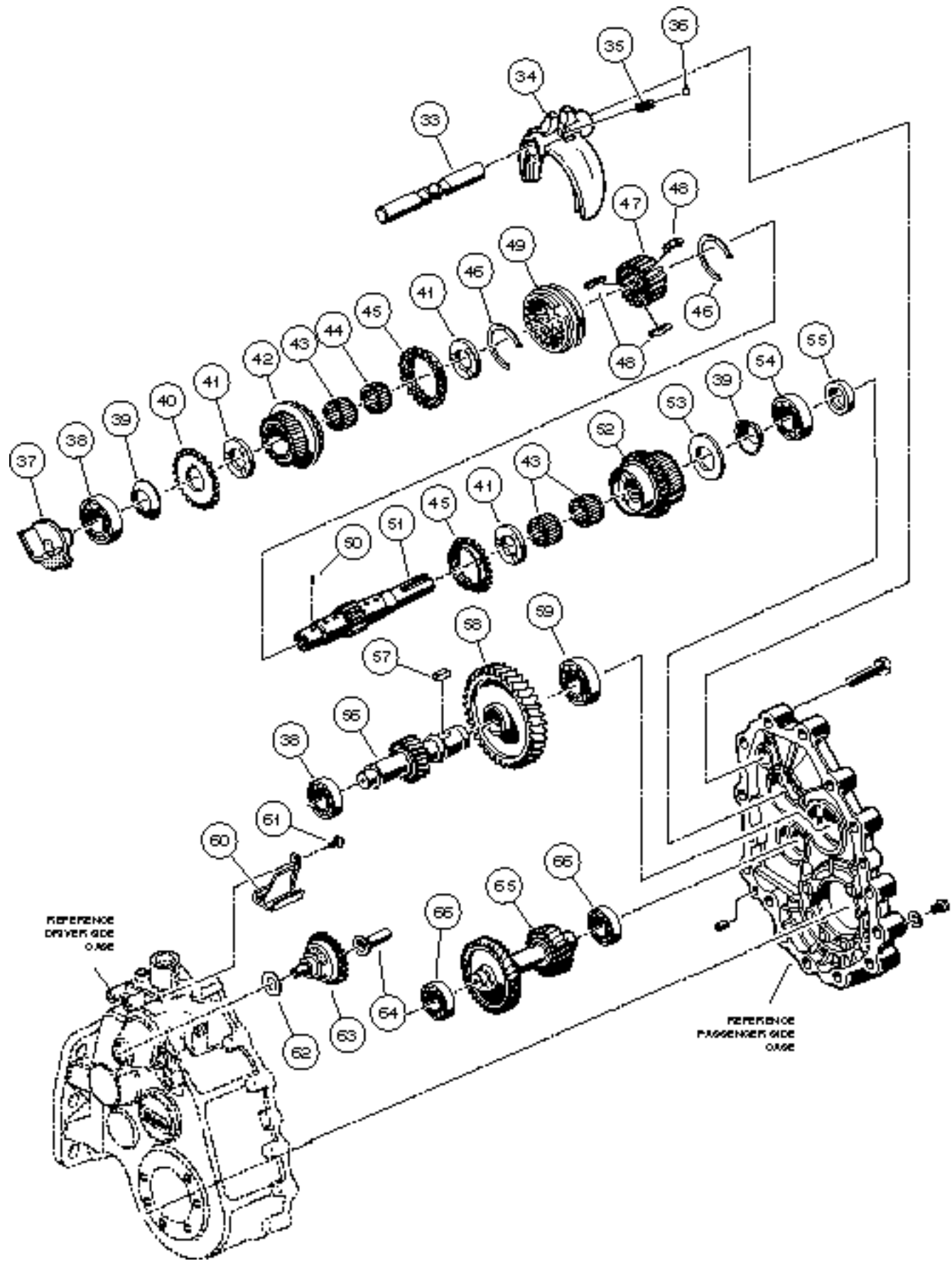
**11**

**G**



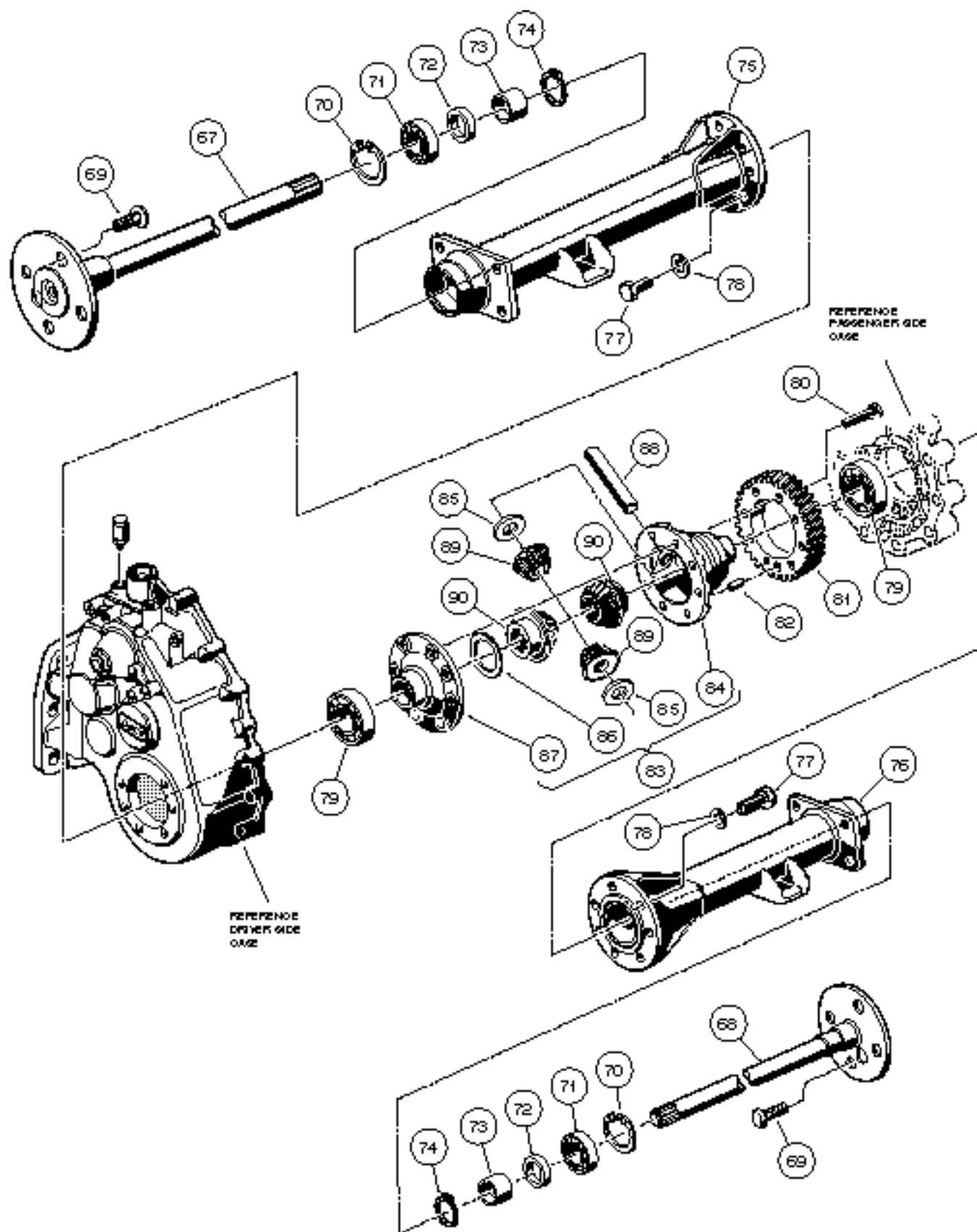
# UNITIZED TRANSAXLE - GASOLINE VEHICLE

ITEM	PART NO.	DESCRIPTION	QTY
		1 2 3 4	
		<b>BEFORE ORDERING FROM THIS PAGE, SEE NOTE ON PAGE ii AT THE BEGINNING OF THIS MANUAL.</b>	
1	<u>1019226-01</u>	BRACKET, TRANSMISSION CABLE SUPPORT .....	1
2	<u>1012285</u>	SCREW, THREAD ROLLING, 1/4 - 20 x 5/8 .....	3
	<u>1018336-01</u>	TRANSAXLE, UNITIZED (INCLUDES ITEMS 3 - 90) .....	1
3	<u>1013061</u>	NUT, NYLON LOCK, #10 - 32 .....	1
4	0000183	WASHER, FLAT, #10 .....	1
5	<u>1010954</u>	STUD, BALL, 1/4 - 28 x 9/16 .....	1
6	<u>1016341</u>	LEVER, TRANSMISSION SHIFTER .....	1
7	<u>1017082</u>	SCREW, HEX WASHER HEAD, #10 - 32 x 3/4 .....	1
8	0008717	NUT, NYLON LOCK, 1/4 - 28 .....	1
9	<u>1018902-01</u>	SHAFT, SHIFTER .....	1
10	<u>1017231</u>	KEY, WOODRUFF .....	1
11	<u>1019273-01</u>	RING, SNAP .....	1
12	<u>1018929-01</u>	WASHER, FLAT .....	1
13	<u>1019272-01</u>	SEAL, OIL .....	1
14	<u>1018901-01</u>	LEVER, SHIFTER .....	1
15	<u>1012752</u>	PIN, ROLL .....	1
16	<u>1018348-01</u>	ARM, GOVERNOR LEVER .....	1
17	<u>1018861-01</u>	SCREW, SQUARE HEAD, 1/4 - 20 x 1 .....	1
18	0000332	WASHER, FLAT .....	1
19	0008233	NUT, NYLON LOCK, 1/4 - 20 .....	1
20	<u>1019286-01</u>	PIN, COTTER .....	1
21	<u>1016513</u>	WASHER, FLAT .....	1
22	<u>1019271-01</u>	SEAL, OIL .....	1
23	<u>1018938-01</u>	WASHER .....	1
24	<u>1018913-01</u>	ARM, PIVOT .....	1
25	<u>1018906-01</u>	GEAR CASE (RIGHT) .....	1
26	<u>1018905-01</u>	GEAR CASE (LEFT) .....	1
27	<u>1019269-01</u>	BOLT, FLANGED, M8 x 1.25 x 40MM .....	15
28	<u>1012896</u>	PIN, DOWEL .....	2
29	<u>1013759</u>	PLUG, DRAIN (INCLUDES ITEM 30) .....	2
30	<u>1016432</u>	GASKET .....	1
31	<u>1012711</u>	BREATHER .....	1
32	<u>1019287-01</u>	GASKET, LIQUID, 8.8 OZ. (250 GRAMS) .....	A/R



# UNITIZED TRANSAXLE - GASOLINE VEHICLE

ITEM	PART NO.	DESCRIPTION	QTY
		1 2 3 4	
		<b>BEFORE ORDERING FROM THIS PAGE, SEE NOTE ON PAGE // AT THE BEGINNING OF THIS MANUAL.</b>	
33	1018920-01	ROD, SHIFT .....	1
34	1018900-01	FORK, SHIFT .....	1
35	1012748	SPRING .....	1
36	1012747	BALL, STEEL .....	1
37	1018894-01	GUIDE .....	1
38	0007336	BEARING, BALL .....	4
39	1016338	WASHER, SPRING .....	2
40	1018924-01	GEAR, SPUR .....	1
41	1018922-01	PLATE, THRUST .....	3
42	1018897-01	ASSEMBLY, GEAR, INPUT, 28 TOOTH .....	1
43	1019276-01	BEARING, NEEDLE .....	3
44	1019275-01	BEARING, NEEDLE .....	1
45	1012742	RING, SYNCHRONIZER .....	2
46	1012741	SPRING, SYNCHRONIZER .....	2
47	1019279-01	SLEEVE, SYNCHRONIZER .....	1
48	1012740	INSERT, SYNCHRONIZER .....	3
49	1019280-01	HUB, SYNCHRONIZER CLUTCH .....	1
50	1019277-01	PIN, DOWEL .....	1
51	1018899-01	SHAFT, INPUT .....	1
52	1018896-01	ASSEMBLY, GEAR, INPUT, 25 TOOTH .....	1
53	1016337	WASHER, THRUST .....	1
54	1019278-01	BEARING, BALL .....	1
55	1012714	SEAL, OIL, INPUT SHAFT .....	1
56	1018926-01	GEAR, 17 TOOTH .....	1
57	1018932-01	KEY .....	1
58	1018925-01	GEAR, 61 TOOTH .....	1
59	1019281-01	BEARING, BALL .....	1
60	1018895-01	GUIDE, OIL .....	1
61	1019282-01	SCREW, M8 x 1.25 x 10 MM .....	1
62	1018939-01	WASHER .....	1
63	1018923-01	ASSEMBLY, GOVERNOR .....	1
64	1018916-01	SLEEVE .....	1
65	1018919-01	GEAR, CLUSTER IDLER .....	1
66	0007335	BEARING, BALL .....	2



# UNITIZED TRANSAXLE - GASOLINE VEHICLE

ITEM	PART NO.	DESCRIPTION	QTY
		1 2 3 4	
		<b>BEFORE ORDERING FROM THIS PAGE, SEE NOTE ON PAGE ii AT THE BEGINNING OF THIS MANUAL.</b>	
67	<u>1018914-01</u>	ASSEMBLY, AXLE, LEFT (INCLUDES ITEMS 69 - 74) .....	1
68	<u>1018915-01</u>	ASSEMBLY, AXLE, RIGHT (INCLUDES ITEMS 69 - 74) .....	1
69	<u>1013787</u>	STUD, LUG .....	4
70	<u>1013792</u>	RING, RETAINING .....	1
71	<u>1011291</u>	BEARING, OUTER AXLE TUBE .....	1
72	<u>1013794</u>	SEAL, OIL .....	1
73	1014207	BUSHING, 25 MM I. D. ....	1
74	<u>1016672</u>	RING, RETAINING .....	1
75	<u>1018910-01</u>	ASSEMBLY, AXLE TUBE, LEFT SIDE (TOURALL VEHICLE ONLY) .....	1
75	<u>1018912-01</u>	ASSEMBLY, AXLE TUBE, LEFT SIDE (RESORT VILLAGER, TRANS-PORTER, AND TRANS-SENDER) .....	1
76	<u>1018909-01</u>	ASSEMBLY, AXLE TUBE, RIGHT SIDE (TOURALL VEHICLE ONLY) .....	1
76	<u>1018911-01</u>	ASSEMBLY, AXLE TUBE, RIGHT SIDE(RESORT VILLAGER, TRANS-PORTER, AND TRANS-SENDER) .....	1
77	<u>1013790</u>	BOLT, M10 x 1.5 x 30MM .....	14
78	<u>1013791</u>	WASHER, LOCK, M10 .....	14
79	0007330	BEARING, INNER AXLE TUBE .....	2
80	<u>1019283-01</u>	BOLT, M8 x 1.25 x 37MM .....	8
81	<u>1018927-01</u>	GEAR, OUTPUT .....	1
82	<u>1014193</u>	PIN, DOWEL .....	1
83	<u>1019105-01</u>	KIT, DIFFERENTIAL GEAR CASE (INCLUDES ITEMS 84 - 87) .....	1
84	1013768	CASE, GEAR CARRIER .....	1
85	<u>1013774</u>	PLATE, THRUST (IDLER GEAR) .....	2
86	<u>1013773</u>	PLATE, THRUST (DIFFERENTIAL GEAR) .....	1
87	1013769	COVER, GEAR CASE .....	1
88	<u>1013772</u>	PIN, DIFFERENTIAL .....	1
89	<u>1013770</u>	GEAR, DIFFERENTIAL IDLER .....	2
90	1013771	GEAR, DIFFERENTIAL .....	2



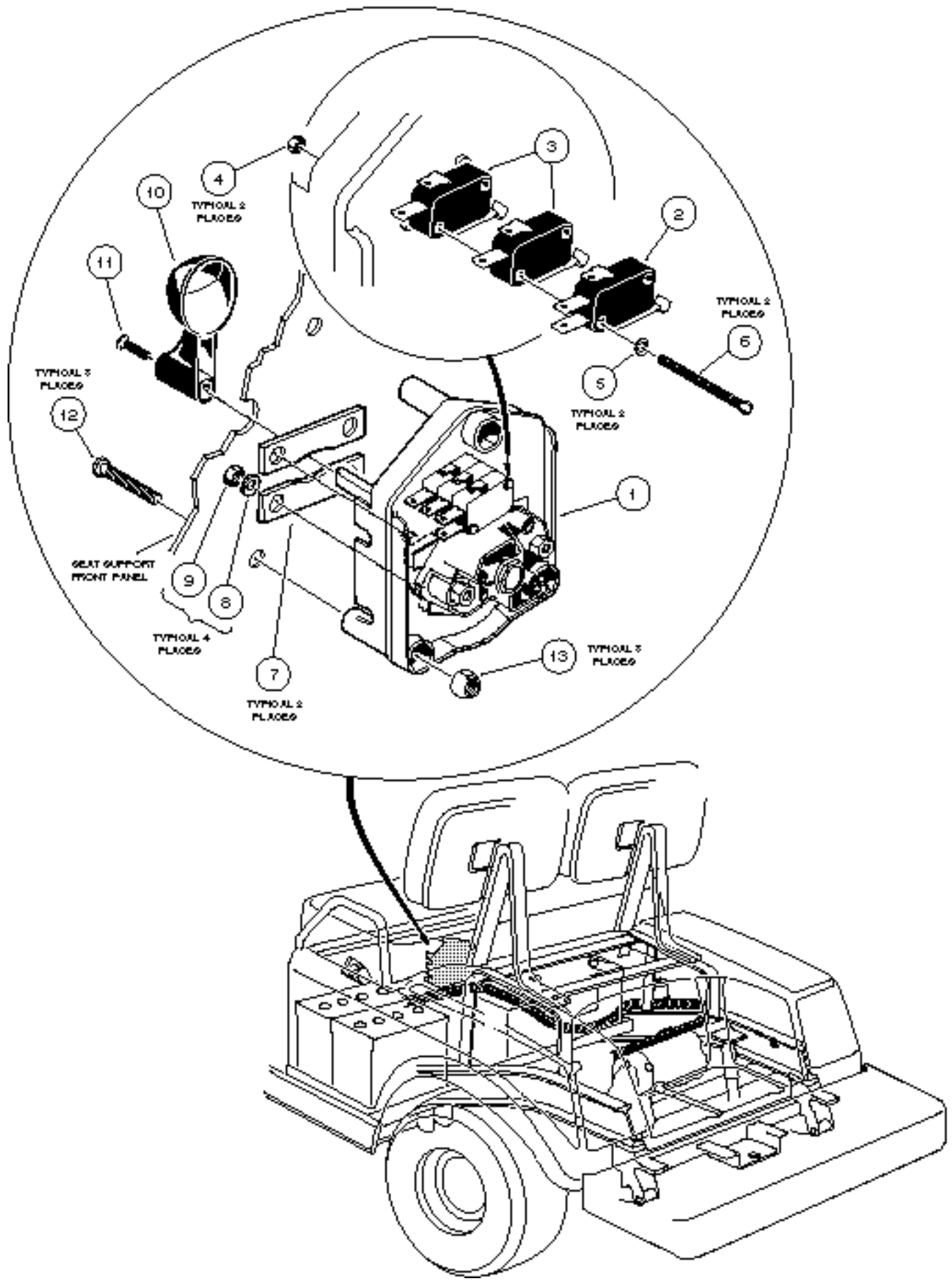


# **ELECTRICAL SYSTEM POWERDRIVE ELECTRIC VEHICLE**

---

**12**

**E**

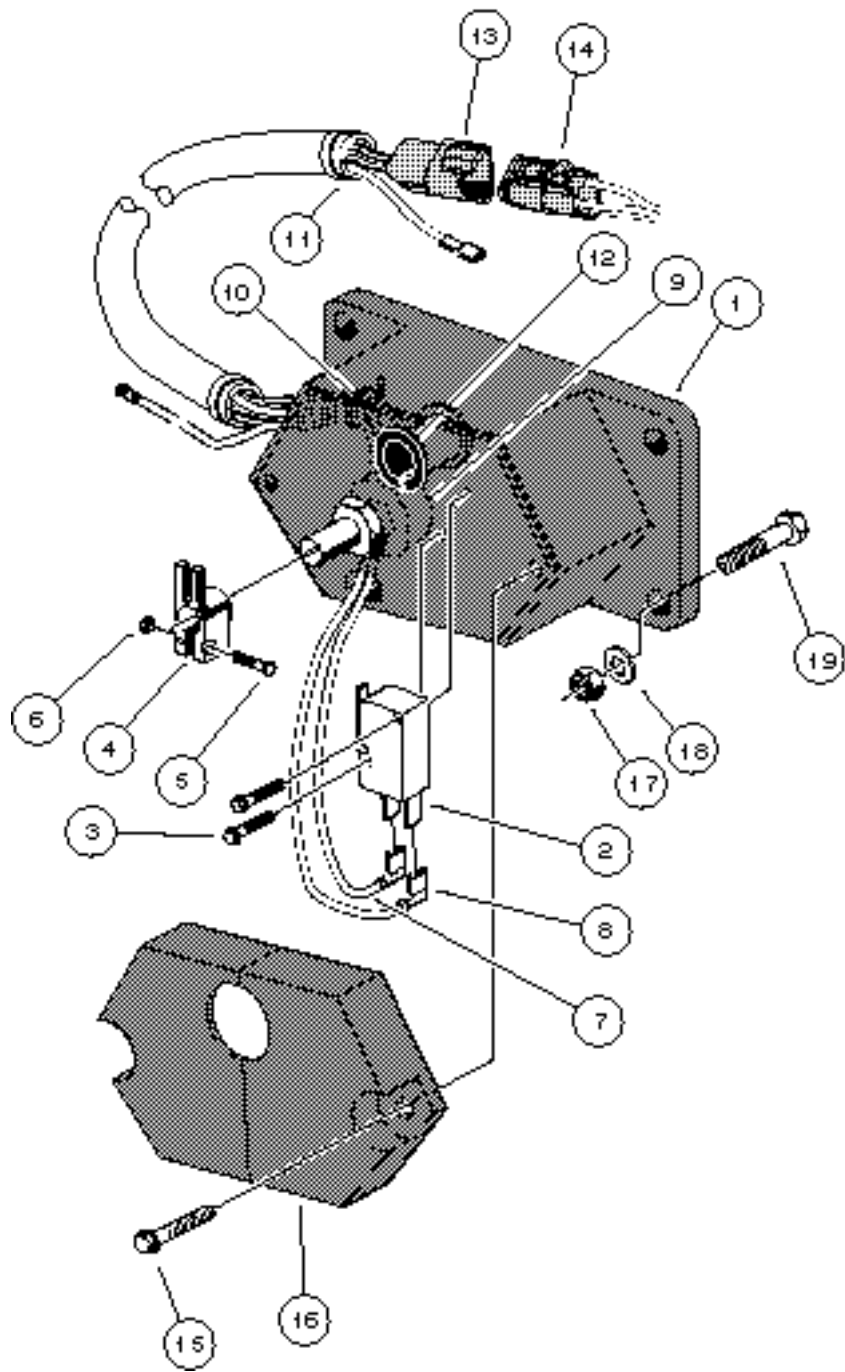


# FORWARD AND REVERSE SWITCH POWERDRIVE ELECTRIC VEHICLE

**12**

**E**

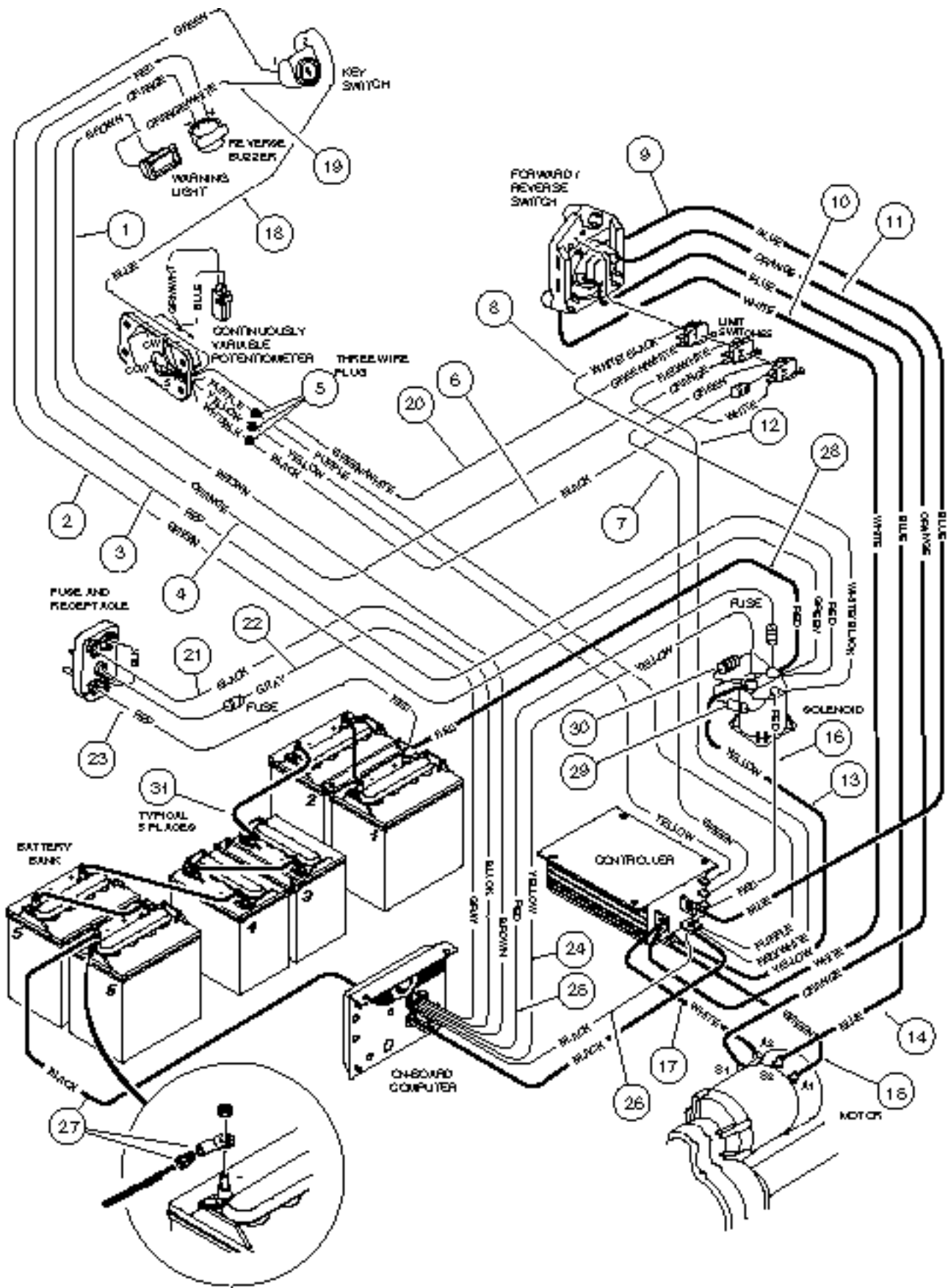
ITEM	PART NO.	DESCRIPTION	QTY
		1 2 3 4	
1	<u>1017530-05</u>	ASSEMBLY, FORWARD AND REVERSE SWITCH (INCLUDES ITEMS 2 - 9) .....	1
2	<u>1014807</u>	SWITCH, LIMIT .....	1
3	<u>1014808</u>	SWITCH, LIMIT .....	2
4	0008057	NUT, HEX, #4 - 40 .....	2
5	0008058	WASHER, LOCK, #4 .....	2
6	<u>1014871</u>	SCREW, HEX WASHER HEAD, #4 - 40 x 2 .....	2
7	<u>1017799</u>	BAR, BUS.....	2
8	0000451	WASHER, LOCK, 1/4 .....	4
9	0001028	NUT, HEX, 1/4 - 20 .....	4
10	<u>1012987</u>	HANDLE, FORWARD AND REVERSE SWITCH .....	1
11	<u>1013198</u>	SCREW, PHILLIPS HEAD MACHINE, #8 - 32 x 5/8 .....	1
12	1016845	SCREW, PHILLIPS TRUSS HEAD, 1/4 - 20 x 2 1/8 .....	3
13	0008233	NUT, NYLON LOCK, 1/4 - 20 .....	3



# CONTINUOUSLY VARIABLE POTENTIOMETER POWERDRIVE ELECTRIC VEHICLE

12  
E

ITEM	PART NO.	DESCRIPTION	QTY
		1 2 3 4	
	<u>1017392-01</u>	ASSEMBLY, POTENTIOMETER HOUSING (INCLUDES ITEMS 1 - 13) .....	1
1	N/A	HOUSING, ACCELERATOR .....	1
2	<u>1017830</u>	SWITCH, LIMIT .....	1
3	<u>1018226-01</u>	SCREW, HEX WASHER, #4 - 24 .....	2
4	<u>1018090-01</u>	LEVER, POTENTIOMETER .....	1
5	<u>1017853</u>	SCREW, HEX HEAD, #6 - 32 x 3/4 .....	1
6	<u>1011229</u>	NUT, LOCK, "K", #6 - 32 .....	1
7	1017393	WIRE ASSEMBLY, #18 BLUE .....	1
8	1017394	WIRE ASSEMBLY, #18 GREEN/WHITE .....	1
9	N/A	POTENTIOMETER .....	1
10	0008168	WRAP, TIE .....	3
11	N/A	CONDUIT, ELECTRICAL .....	1
12	<u>1017424</u>	BEARING, PIVOT SUPPORT .....	1
13	<u>1018951-01</u>	HOUSING, FEMALE, 3-WIRE, GRAY.....	1
14	<u>1019201-01</u>	HOUSING, MALE, 3-WIRE, GRAY .....	1
15	<u>1018043-01</u>	SCREW, HI-LO HEX HEAD, #8 - 18 x 1/2 .....	2
16	<u>1017743</u>	COVER, ACCELERATOR .....	1
17	0008233	NUT, NYLON LOCK, 1/4 - 20 .....	4
18	0000332	WASHER, FLAT, 1/4 .....	4
19	<u>1018619-01</u>	SCREW, HEX HEAD CAP, 1/4 - 20 x 1 1/8 .....	4



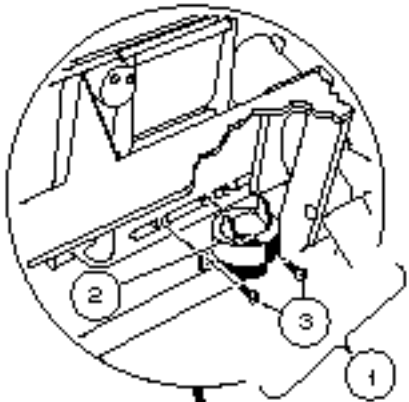
# WIRING, POWERDRIVE ELECTRIC VEHICLE TOURALL

**12**

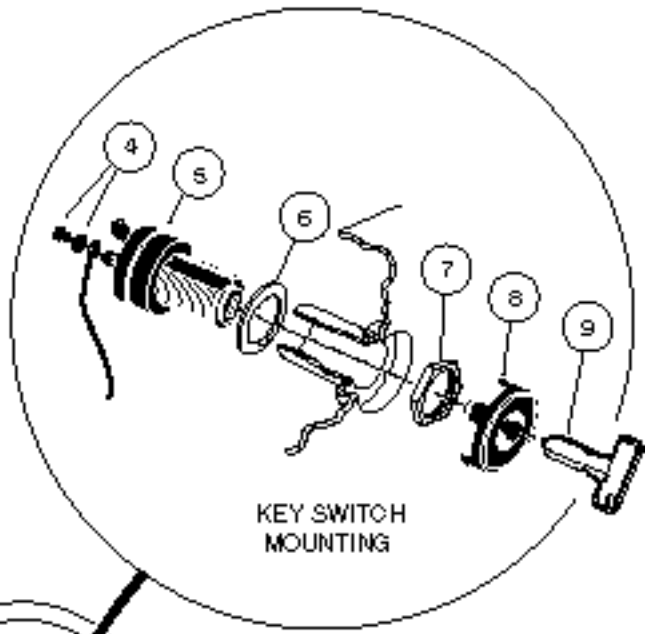
**E**

ITEM	PART NO.	DESCRIPTION	QTY
		1 2 3 4	
	1017942-05	WIRE HARNESS (INCLUDES ITEMS 1 - 16) .....	1
1	1017956	WIRE ASSEMBLY, #18 BROWN .....	1
2	1016121	WIRE ASSEMBLY, #18 GREEN .....	1
3	1016135	WIRE ASSEMBLY, #18 RED .....	1
4	1016134	WIRE ASSEMBLY, #18 ORANGE .....	1
5	<u>1018651-01</u>	ASSEMBLY, 3-WIRE PLUG (INCLUDES #18 PURPLE, #18 YELLOW AND ITEM 6) ..	1
6	1018830-01	WIRE ASSEMBLY, #18 BLACK (INCLUDES RESISTOR AND #18 WHITE WIRE) ..	1
7	1018403-01	WIRE ASSEMBLY, #18 GREEN .....	1
8	1016122	WIRE ASSEMBLY, #18 WHITE/BLACK .....	1
9	<u>1018110</u>	WIRE ASSEMBLY, #6 BLUE .....	1
10	<u>1015856</u>	WIRE ASSEMBLY, #6 WHITE .....	1
11	<u>1014854</u>	WIRE ASSEMBLY, #6 ORANGE .....	1
12	1017993	WIRE ASSEMBLY, #18 RED/WHITE .....	1
13	<u>1015858</u>	WIRE ASSEMBLY, #6 YELLOW .....	1
14	<u>1018109</u>	WIRE ASSEMBLY, #6 BLUE .....	1
15	<u>1015860</u>	WIRE ASSEMBLY, #6 GREEN .....	1
16	1015865	WIRE ASSEMBLY, #18 RED .....	1
17	<u>1015861</u>	WIRE ASSEMBLY, #6 WHITE .....	1
18	1017393	WIRE ASSEMBLY, #18 BLUE (PART OF POTENTIOMETER ASSEMBLY) .....	1
19	1017967-01	WIRE ASSEMBLY, #18 ORANGE/WHITE .....	1
20	1017394	WIRE ASSEMBLY, #18 GREEN/WHITE (PART OF POTENTIOMETER ASSEMBLY) ....	1
21	N/A	WIRE ASSEMBLY, #10 BLACK (PART OF ON-BOARD COMPUTER ASSEMBLY) .....	1
22	N/A	WIRE ASSEMBLY, #18 GREY (PART OF ON-BOARD COMPUTER ASSEMBLY) .....	1
23	N/A	WIRE ASSEMBLY, #10 RED (PART OF FUSE AND RECEPTACLE ASSEMBLY) .....	1
24	N/A	WIRE ASSEMBLY, #18 YELLOW (PART OF ON-BOARD COMPUTER ASSEMBLY) .....	1
25	N/A	WIRE ASSEMBLY, #18 RED (PART OF ON-BOARD COMPUTER ASSEMBLY) .....	1
26	N/A	WIRE ASSEMBLY, #10 BLACK (PART OF ON-BOARD COMPUTER ASSEMBLY) .....	1
27	1018278-01	KIT, WIRE AND TERMINAL, #6 BLACK .....	1
28	<u>1018376-01</u>	WIRE ASSEMBLY, #6 RED .....	1
29	1014948	ASSEMBLY, DIODE .....	1
30	<u>1014947</u>	ASSEMBLY, RESISTOR .....	1
31	<u>1017957-01</u>	WIRE ASSEMBLY, #6 BLACK .....	5

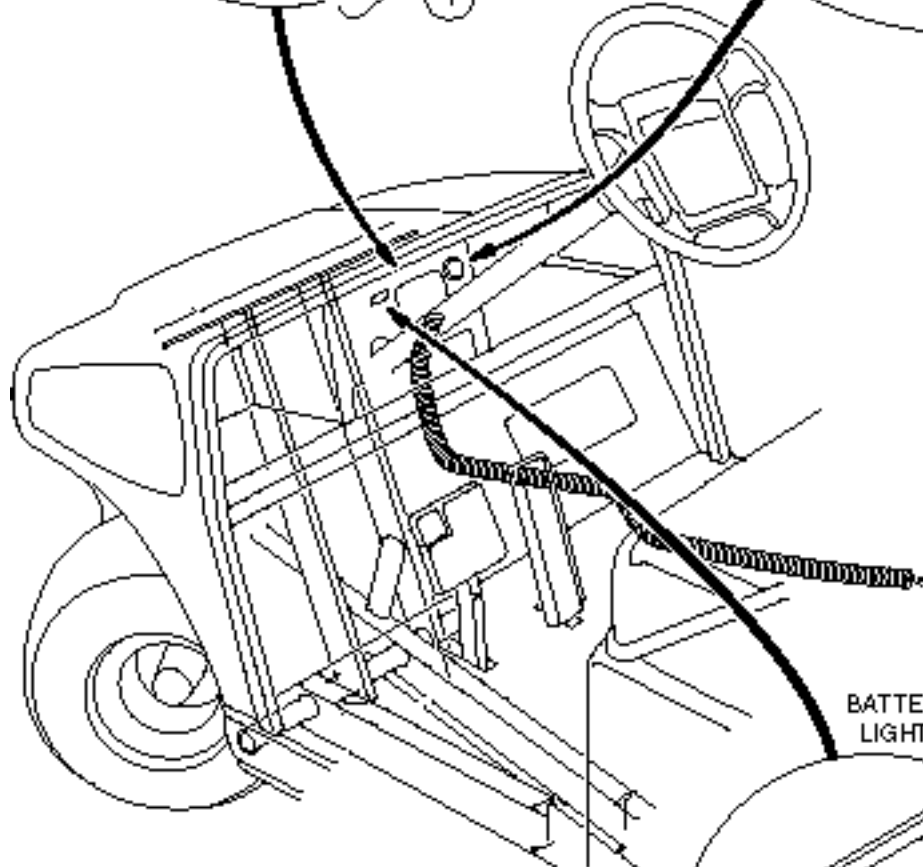
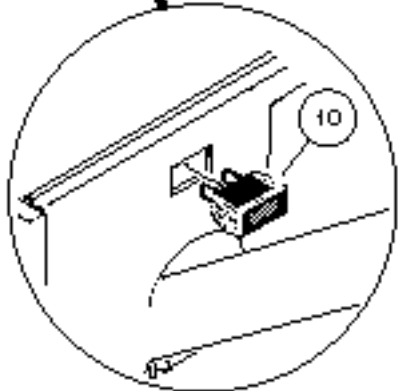
REVERSE BUZZER  
MOUNTING



KEY SWITCH  
MOUNTING



BATTERY WARNING  
LIGHT MOUNTING



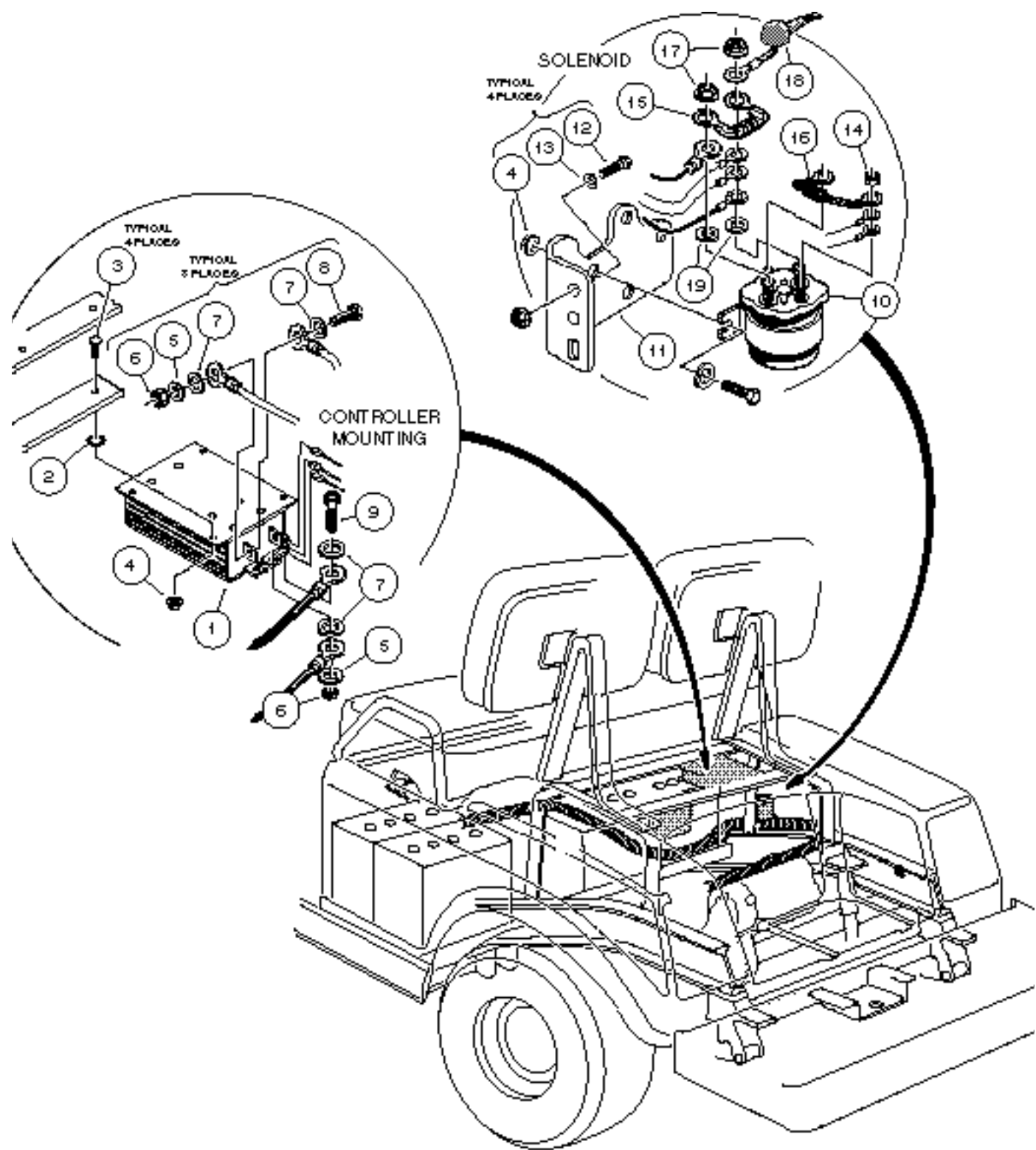


# ELECTRICAL COMPONENTS, FRONT BODY POWERDRIVE ELECTRIC VEHICLE - TOURALL

**12**

**E**

ITEM	PART NO.	DESCRIPTION	QTY
		1 2 3 4	
1	<u>1016859</u>	KIT, REVERSE BUZZER (INCLUDES ITEMS 2 AND 3) .....	1
2	<u>1016851</u>	BUZZER, REVERSE .....	1
3	<u>1016849</u>	SCREW, PAN HEAD HI-LO, #4 - 24 x 5/16 .....	2
4	1018306-01	ASSEMBLY, SCREW AND WASHER .....	2
5	<u>1018262-01</u>	SWITCH, KEY .....	1
6	<u>1018511-01</u>	WASHER .....	1
7	<u>1018307-01</u>	NUT, KEY SWITCH .....	1
8	<u>1018345-02</u>	CAP, KEY SWITCH .....	1
9	<u>1012505</u>	KEY (PAIR) .....	1
10	<u>1018025-01</u>	LIGHT, BATTERY WARNING .....	1

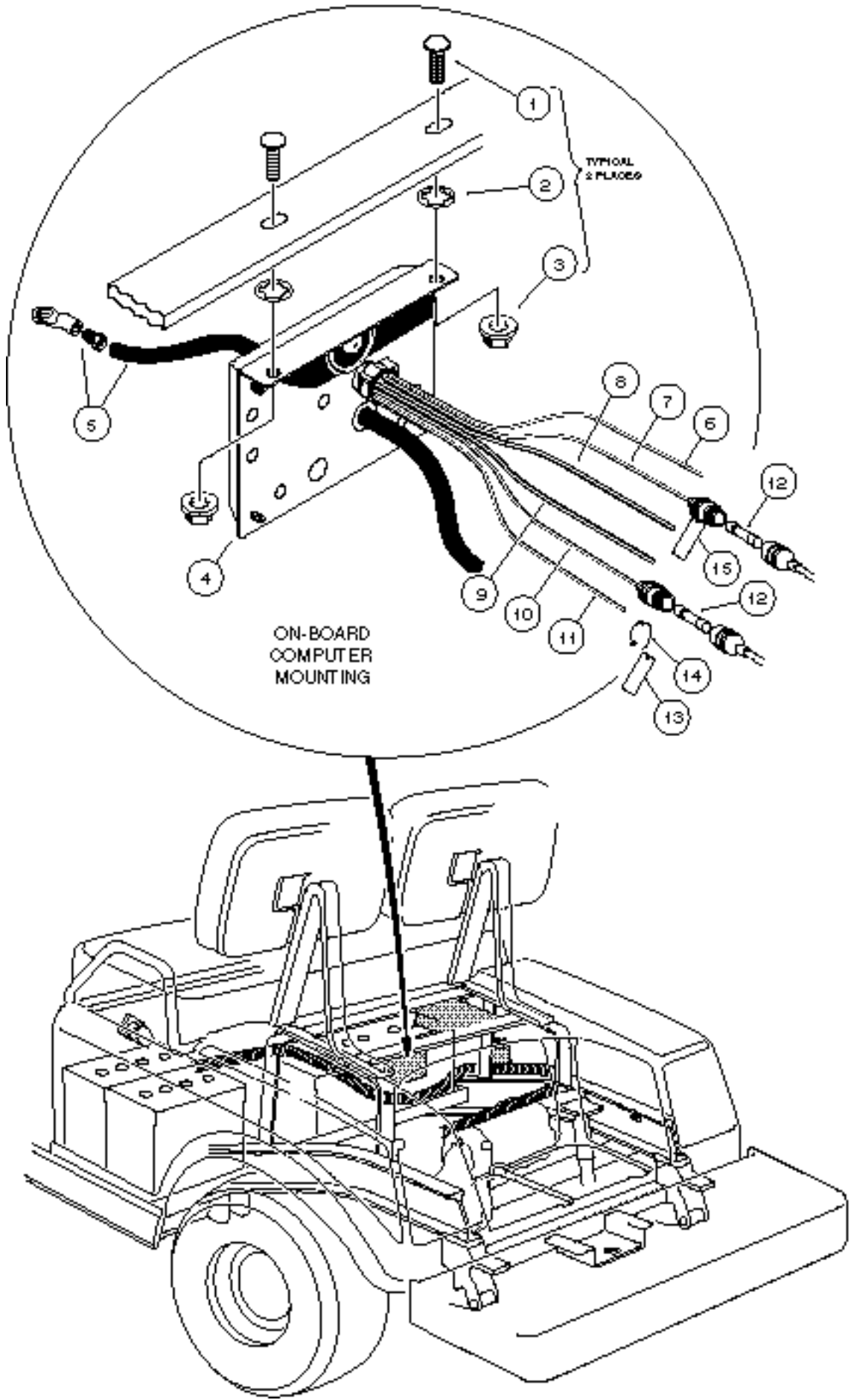


# ELECTRICAL COMPONENTS, REAR BODY POWERDRIVE ELECTRIC VEHICLE - TOURALL

**12**

**E**

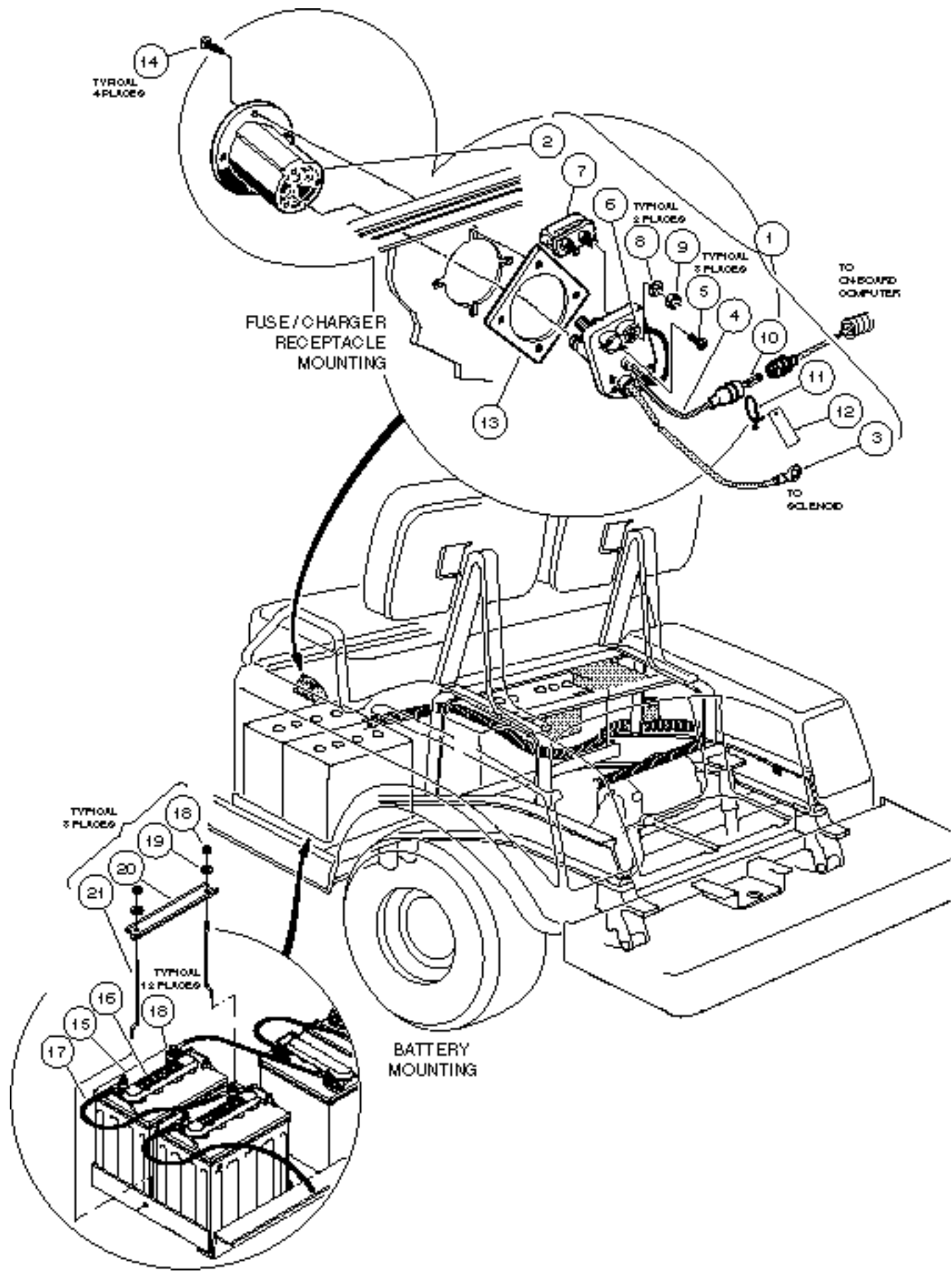
ITEM	PART NO.	DESCRIPTION	QTY
		1 2 3 4	
1	<u>1018402-03</u>	CONTROLLER, 48 VOLT (300 AMP) .....	1
2	<u>1016631</u>	NUT, PUSH .....	4
3	<u>1017203</u>	BOLT, CARRIAGE, 1/4 - 20 x 1 .....	4
4	<u>1018356-01</u>	NUT, HEX FLANGED LOCK, 1/4 - 20 .....	8
5	0007174	WASHER, LOCK, 5/16 .....	4
6	0001242	NUT, HEX, 5/16 - 18 .....	4
7	0001241	WASHER, FLAT, 5/16 .....	8
8	0007173	BOLT, HEX HEAD, 5/16 - 18 x 3/4 .....	3
9	0001218	BOLT, HEX HEAD, 5/16 - 18 x 1 1/4 .....	1
10	<u>1018836-01</u>	SOLENOID, 48 VOLT .....	1
11	<u>1018837-01</u>	BRACKET, SOLENOID MOUNTING .....	1
12	0007847	BOLT, HEX HEAD, 1/4 - 20 x 3/4 .....	4
13	0000332	WASHER, FLAT, 1/4 .....	4
14	0007893	NUT, HEX, #10 - 32 .....	2
15	<u>1014947</u>	ASSEMBLY, RESISTOR .....	1
16	1014948	ASSEMBLY, DIODE .....	1
17	<u>1017237</u>	NUT, FLANGED LOCK, 5/16 - 24 .....	2
18	<u>1019026-01</u>	BOOT, WIRE .....	1
19	<u>1019344-01</u>	WASHER, FLAT BRASS, 5/16 .....	2



# ELECTRICAL COMPONENTS, REAR BODY POWERDRIVE ELECTRIC VEHICLE - TOURALL

12  
E

ITEM	PART NO.	DESCRIPTION	QTY
		1 2 3 4	
1	<u>1017203</u>	BOLT, CARRIAGE, 1/4 - 20 x 1 .....	2
2	<u>1016631</u>	NUT, PUSH, 3/16 .....	2
3	<u>1018356-01</u>	NUT, HEX FLANGED LOCK, 1/4 - 20 .....	2
4	1018006-01	COMPUTER, ON-BOARD (INCLUDES ITEMS 5 - 15) .....	1
5	1018278-01	KIT, WIRE AND TERMINAL, #6 BLACK .....	1
6	N/A	WIRE ASSEMBLY, #18 BROWN .....	1
7	N/A	WIRE ASSEMBLY, #18 GRAY .....	1
8	N/A	WIRE ASSEMBLY, #10 BLACK .....	1
9	N/A	WIRE ASSEMBLY, #10 BLACK .....	1
10	N/A	WIRE ASSEMBLY, #18 RED .....	1
11	N/A	WIRE ASSEMBLY, #18 YELLOW .....	1
12	<u>1018949-01</u>	FUSE ASSEMBLY, 3/8 AMP .....	2
13	1018844-01	LABEL .....	1
14	0008168	WRAP, TIE .....	2
15	1019349-01	LABEL .....	1

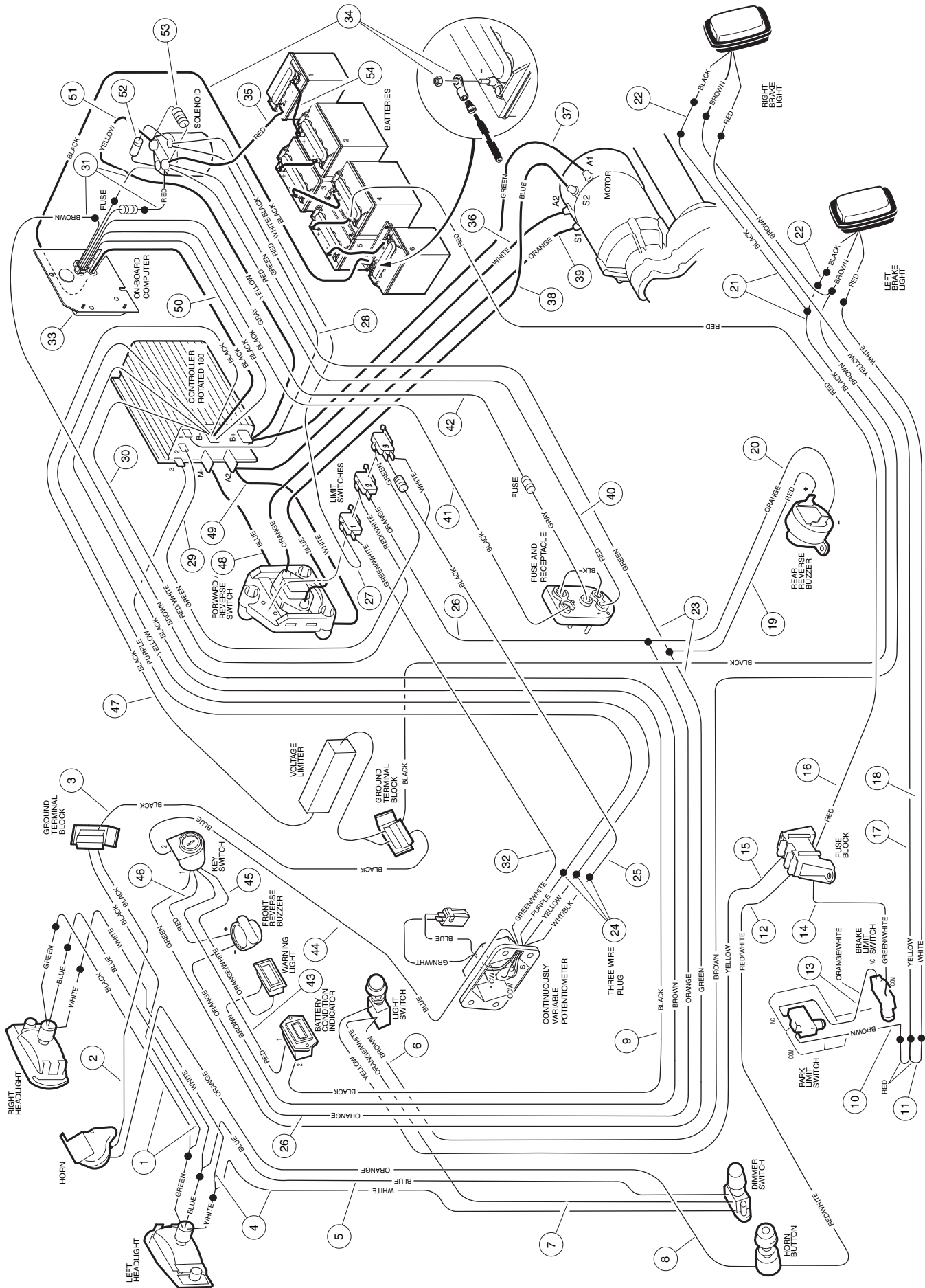


# ELECTRICAL COMPONENTS, REAR BODY POWERDRIVE ELECTRIC VEHICLE - TOURALL

**12**

**E**

ITEM	PART NO.	DESCRIPTION	QTY
		1 2 3 4	
1	<u>1018021-01</u>	KIT, FUSE AND RECEPTACLE (INCLUDES ITEMS 2 - 12) .....	1
2	<u>1017965-01</u>	BEZEL, RECEPTACLE .....	1
3	N/A	WIRE ASSEMBLY, #10 RED .....	1
4	N/A	WIRE ASSEMBLY, SENSE LEAD, GREY .....	1
5	<u>1017705</u>	SCREW, PHILLIPS PAN HEAD, #8 TYPE AB .....	3
6	N/A	WIRE ASSEMBLY, #10 BLACK .....	1
7	<u>1017968-01</u>	FUSE ASSEMBLY (INCLUDES ITEMS 8 AND 9) .....	1
8	<u>1018038</u>	WASHER, NARROW TYPE 13, #10 .....	2
9	<u>1018028</u>	NUT, SERRATED, #10 - 32 .....	2
10	<u>1018949-01</u>	FUSE ASSEMBLY, 3/8 AMP .....	1
11	0008168	WRAP, TIE .....	1
12	1019349-01	LABEL .....	1
13	<u>1018010-01</u>	PLATE, RECEPTACLE BACKING .....	1
14	<u>1018320-01</u>	SCREW, PHILLIPS PAN HEAD, #7 - 18 x 3/4 .....	4
15	<u>1017977-01</u>	BATTERY, 8 VOLT POWERDRIVE .....	6
15	<u>1017977-02</u>	BATTERY, 8 VOLT POWERDRIVE, DRY .....	6
16	<u>1017978-01</u>	CAP, BATTERY, 4 PORT GANG .....	6
17	<u>1017957-01</u>	WIRE ASSEMBLY, #6 BLACK .....	5
18	<u>1014304</u>	NUT, STAINLESS STEEL HEX, 5/16 - 18 .....	18
19	<u>1011578</u>	WASHER, FLAT, TYPE B WIDE, 5/16 .....	6
20	<u>1018030-01</u>	HOLD-DOWN, BATTERY .....	3
21	1013683	BOLT, "J" .....	6



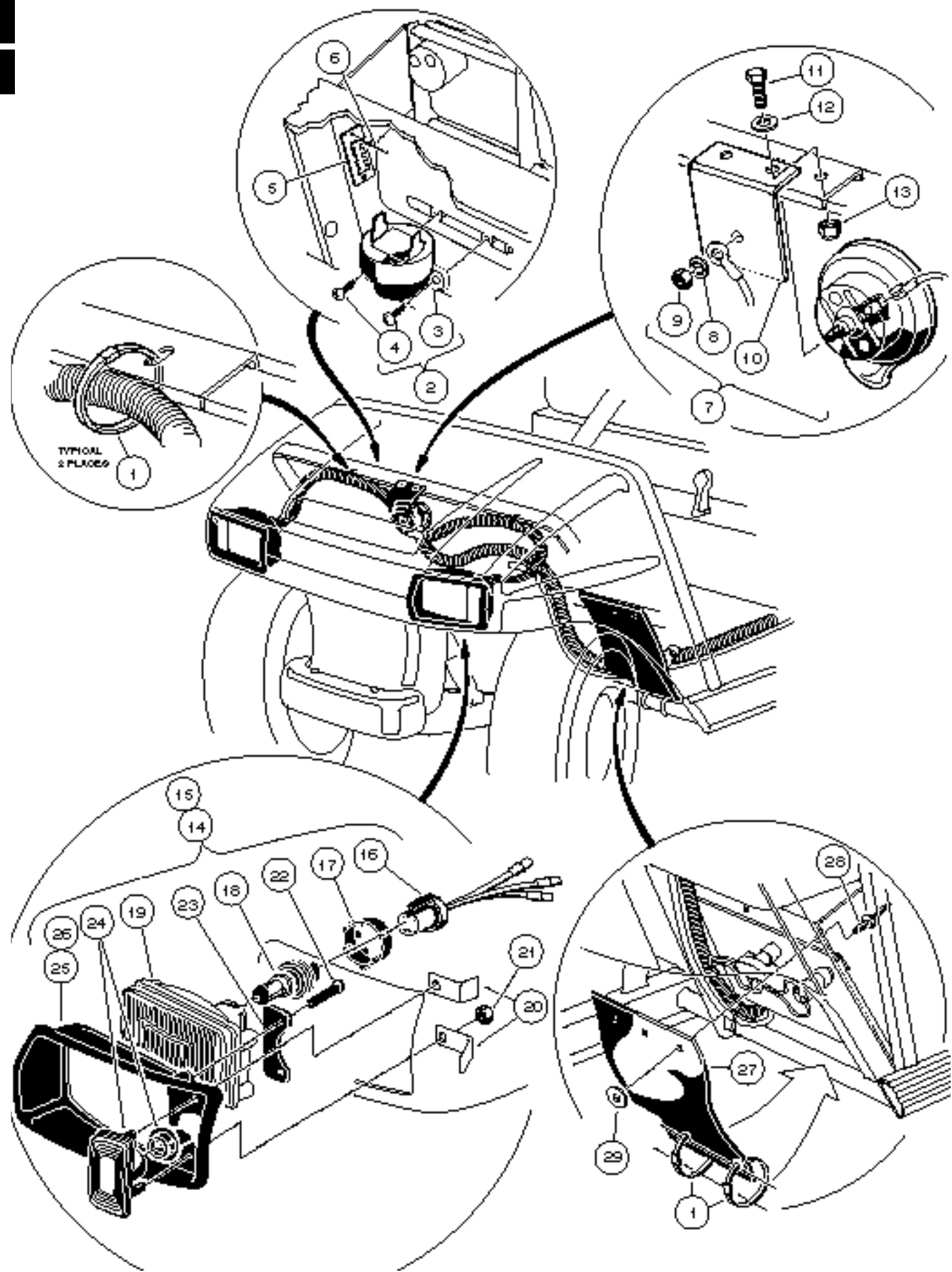


# WIRING, POWERDRIVE ELECTRIC VEHICLE RESORT VILLAGER

12

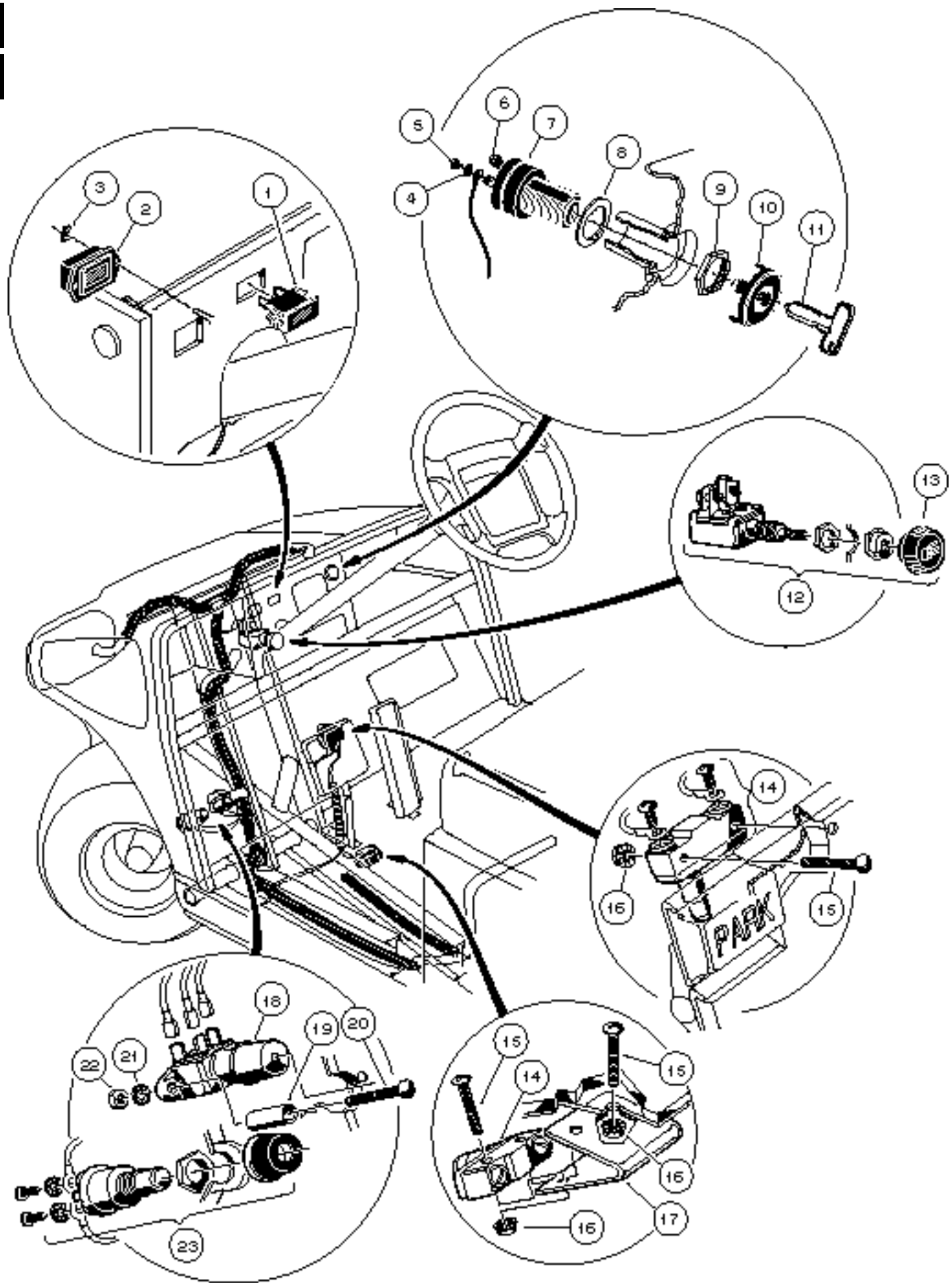
E

ITEM	PART NO.	DESCRIPTION	QTY
		1 2 3 4	
	<u>1019166-01</u>	WIRE HARNESS, LIGHTING (CONTAINS ITEMS 1 - 22) .....	1
1	1016326	WIRE ASSEMBLY, #16 BLACK .....	1
2	1016308	WIRE ASSEMBLY, #16 BLACK .....	1
3	1019333-01	WIRE ASSEMBLY, #14 BLACK .....	1
4	1016323	WIRE ASSEMBLY, #16 WHITE .....	1
5	1017052	WIRE ASSEMBLY, #18 BLUE .....	1
6	1019334-01	WIRE ASSEMBLY, #16 BROWN .....	1
7	1016315	WIRE ASSEMBLY, #16 ORANGE/WHITE .....	1
8	1016307	WIRE ASSEMBLY, #16 ORANGE .....	1
9	<u>1018182-01</u>	WIRE ASSEMBLY, #18 BLACK .....	1
10	1016314	WIRE ASSEMBLY, #16 BROWN .....	1
11	1016409	WIRE ASSEMBLY, #18 RED .....	1
12	1016696	WIRE ASSEMBLY, #16 RED/WHITE .....	1
13	1016309	WIRE ASSEMBLY, #16 ORANGE/WHITE .....	1
14	1016700	WIRE ASSEMBLY, #16 GREEN/WHITE .....	1
15	1016697	WIRE ASSEMBLY, #14 YELLOW .....	1
16	1016698	WIRE ASSEMBLY, #10 RED .....	1
17	1016774	WIRE ASSEMBLY, #18 YELLOW .....	1
18	1016695	WIRE ASSEMBLY, #18 WHITE .....	1
19	1019340-01	WIRE ASSEMBLY, #18 RED .....	1
20	1019339-01	WIRE ASSEMBLY, #18 ORANGE .....	1
21	1019332-01	WIRE ASSEMBLY, #16 BLACK .....	1
22	1019341-01	WIRE ASSEMBLY, #16 BLACK .....	2
	<u>1019116-01</u>	WIRE HARNESS, POWER (INCLUDES ITEMS 23 - 31) .....	1
23	1019305-01	WIRE ASSEMBLY, #18 GREEN .....	1
24	<u>1018651-06</u>	ASSEMBLY, 3-WIRE PLUG (INCLUDES #18 PURPLE, #18 YELLOW AND ITEM 25) .....	1
25	1018830-01	WIRE ASSEMBLY, #18 BLACK (INCLUDES RESISTOR AND #18 WHITE WIRE) .....	1
26	1019306-01	WIRE ASSEMBLY, #18 ORANGE .....	1
27	1019312-01	WIRE ASSEMBLY, #18 WHITE/BLACK .....	1
28	1019310-01	WIRE ASSEMBLY, #18 RED .....	1
29	1019309-01	WIRE ASSEMBLY, #18 GREEN .....	1
30	1019307-01	WIRE ASSEMBLY, #18 RED/WHITE .....	1
31	<u>1019308-01</u>	ASSEMBLY, 4-WIRE PLUG (INCLUDES #18 BROWN, #18 YELLOW AND #18 RED) ....	1
32	1017394	WIRE ASSEMBLY, #18 GREEN/WHITE (PART OF POTENTIOMETER ASSEMBLY) .....	1
	1019101-02	WIRE HARNESS, POWER (INCLUDES ITEMS 33 - 39) .....	1
33	<u>1019099-03</u>	COMPUTER, ON-BOARD (SEE PAGE 12-25) (INCLUDES ITEM 34) .....	1
34	<u>1018278-02</u>	KIT, WIRE AND TERMINAL, #6 BLACK .....	1
35	<u>1019045-02</u>	WIRE ASSEMBLY, #6 RED .....	1
36	<u>1019089-02</u>	WIRE ASSEMBLY, #6 WHITE .....	1
37	<u>1019044-02</u>	WIRE ASSEMBLY, #6 GREEN .....	1
38	<u>1019046-02</u>	WIRE ASSEMBLY, #6 BLUE .....	1
39	<u>1019047-02</u>	WIRE ASSEMBLY, #6 ORANGE .....	1
40	N/A	WIRE ASSEMBLY, #10 RED (PART OF FUSE AND RECEPTACLE ASSEMBLY) .....	1
41	N/A	WIRE ASSEMBLY, #10 BLACK (PART OF ON-BOARD COMPUTER ASSEMBLY) .....	1
42	N/A	WIRE ASSEMBLY, #18 GREY (PART OF ON-BOARD COMPUTER ASSEMBLY) .....	1
43	<u>1018181-01</u>	WIRE ASSEMBLY, #18 RED .....	1
44	1017393	WIRE ASSEMBLY, #18 BLUE (PART OF POTENTIOMETER ASSEMBLY) .....	1
45	1017967-01	WIRE ASSEMBLY, #18 ORANGE/WHITE .....	1
46	<u>1019123-01</u>	WIRE ASSEMBLY, #18 RED .....	1
47	N/A	WIRE ASSEMBLY, #10 BLACK (PART OF VOLTAGE LIMITER ASSEMBLY) .....	1
48	<u>1019088-01</u>	WIRE ASSEMBLY, #6 BLUE .....	1
49	<u>1016729</u>	WIRE ASSEMBLY, #6 WHITE .....	1
50	N/A	WIRE ASSEMBLY, #10 BLACK (PART OF ON-BOARD COMPUTER ASSEMBLY) .....	1
51	<u>1016732</u>	WIRE ASSEMBLY, #6 YELLOW .....	1
52	1014948	ASSEMBLY, DIODE .....	1
53	<u>1014947</u>	ASSEMBLY, RESISTOR .....	1
54	<u>1017957-01</u>	WIRE ASSEMBLY, #6 BLACK .....	5



# ELECTRICAL COMPONENTS, FRONT BODY POWERDRIVE ELECTRIC VEHICLE - RESORT VILLAGER

ITEM	PART NO.	DESCRIPTION	QTY
		1 2 3 4	
1	0008639	WRAP, TIE .....	4
2	<u>1016859</u>	KIT, REVERSE BUZZER (INCLUDES ITEMS 3 AND 4) .....	1
3	<u>1016851</u>	BUZZER, REVERSE .....	1
4	<u>1016849</u>	SCREW, PAN HEAD HI-LO, #4 - 24 x 5/16 .....	2
5	<u>1016356</u>	BLOCK, TERMINAL .....	1
6	<u>1013357</u>	RIVET, ALUMINUM POP, 5/32 .....	2
7	0004029	ASSEMBLY, HORN (INCLUDES ITEMS 8, 9 AND 10) .....	1
8	0007820	WASHER, INTERNAL TOOTH, 5/16 .....	1
9	<u>1012528</u>	NUT, M8 x 1 1/4 .....	1
10	<u>1011825</u>	BRACKET, HORN .....	1
11	0000304	BOLT, HEX HEAD, 1/4 - 20 x 1 .....	2
12	0000332	WASHER, FLAT, 1/4 .....	2
13	0008233	NUT, NYLON LOCK, 1/4 - 20 .....	2
14	<u>1016897-01</u>	ASSEMBLY, HEADLIGHT, LEFT HAND (INCLUDES ITEMS 16 - 25) .....	1
15	<u>1016897-02</u>	ASSEMBLY, HEADLIGHT, RIGHT HAND (INCLUDES ITEMS 16 - 24 AND 26) .....	1
16	<u>1017066</u>	HARNES, HEADLIGHT WIRE .....	1
17	1017059	LOCK, BULB COLLAR .....	1
18	<u>1017060</u>	BULB, HALOGEN .....	1
19	1017061	LENS, HEADLIGHT .....	1
20	<u>1017064</u>	BRACKET, MOUNTING .....	2
21	0007893	NUT, HEX, #10 - 32 .....	2
22	<u>1013461</u>	SCREW, HI-LO, #10 - 16 .....	2
23	<u>1017065</u>	RETAINER, HEADLIGHT .....	1
24	<u>1017062</u>	ASSEMBLY, TURN SIGNAL LENS .....	1
25	<u>1016880</u>	BEZEL, HEADLIGHT, LEFT HAND .....	1
26	<u>1016879</u>	BEZEL, HEADLIGHT, RIGHT HAND .....	1
27	1015787	FLAP, SWITCH PROTECTOR .....	1
28	0001606	RIVET, POP, 3/16 .....	3
29	0000183	WASHER, FLAT, #10 .....	3



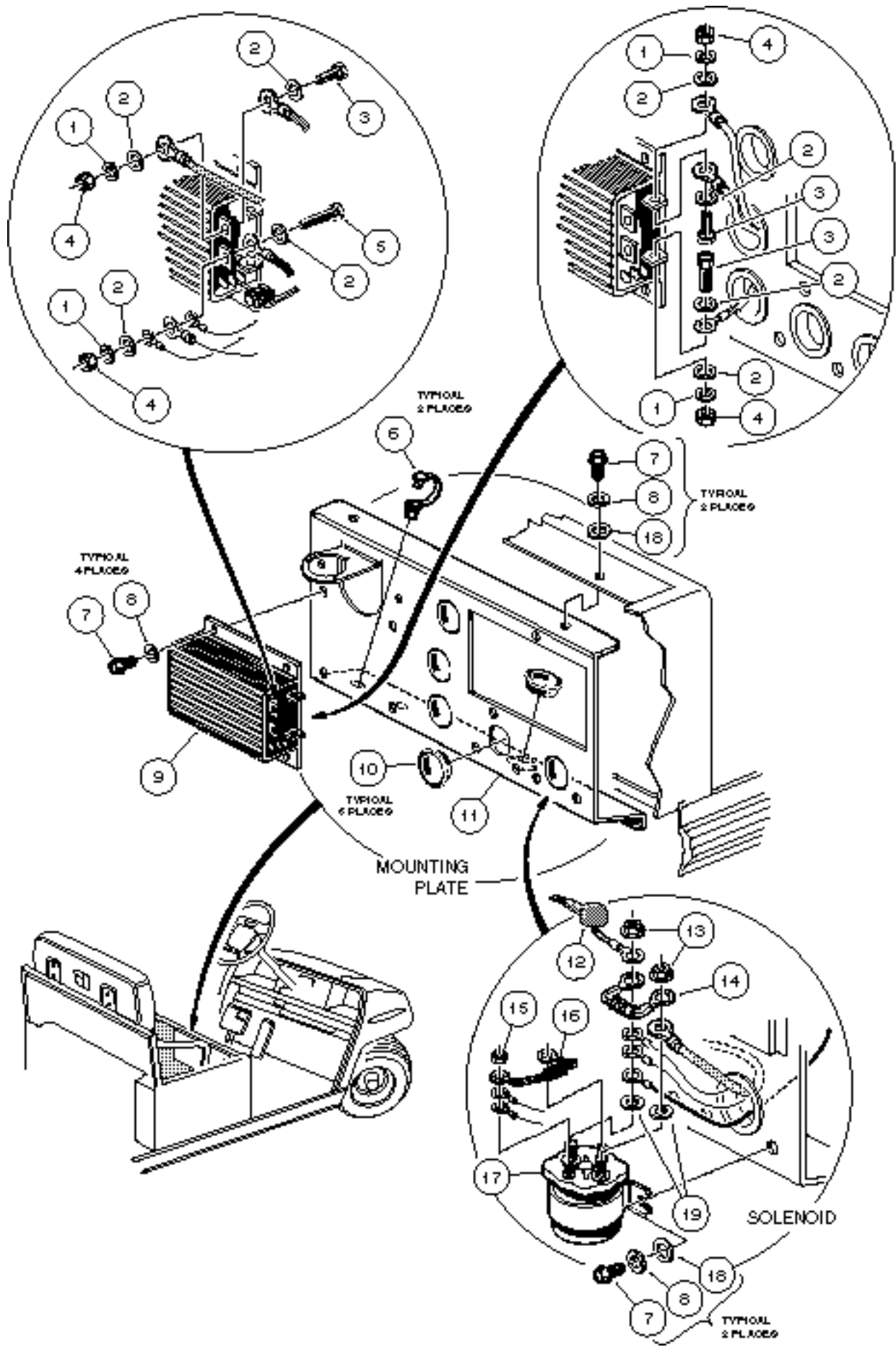
# CONTROLS AND GAUGES

## POWERDRIVE ELECTRIC VEHICLE - RESORT VILLAGER

**12**

**E**

ITEM	PART NO.	DESCRIPTION	QTY
		1 2 3 4	
1	<u>1018025-01</u>	LIGHT, BATTERY WARNING .....	1
2	<u>1018142-01</u>	INDICATOR, BATTERY .....	1
3	<u>1018147-01</u>	RETAINER, PUSH ON .....	2
4	<u>1011610</u>	WASHER, LOCK, #8 .....	1
5	<u>1016092</u>	SCREW, PAN HEAD MACHINE, #8 - 32 x 7/16 .....	1
6	<u>1018306-01</u>	ASSEMBLY, SCREW AND WASHER .....	1
7	<u>1018262-01</u>	SWITCH, KEY .....	1
8	<u>1018511-01</u>	WASHER .....	1
9	<u>1018307-01</u>	NUT, KEY SWITCH .....	1
10	<u>1018345-02</u>	CAP, KEY SWITCH .....	1
11	<u>1012505</u>	KEY (PAIR) .....	1
12	0004034	SWITCH, LIGHT (INCLUDES ITEM 13) .....	1
13	<u>1013857</u>	KNOB, LIGHT SWITCH .....	1
14	<u>1011439</u>	SWITCH, LIMIT .....	2
15	<u>1011557</u>	SCREW, MACHINE, #6 - 32 x 1 .....	6
16	<u>1011229</u>	NUT, "K" LOCK, #6 - 32 .....	6
17	1011742	BRACKET, BRAKE LIGHT SWITCH .....	1
18	1010889	SWITCH, DIMMER .....	1
19	<u>1018713-01</u>	STAND-OFF, DIMMER SWITCH .....	2
20	<u>1018712-01</u>	SCREW, MACHINE, #10 - 32 x 1 .....	2
21	0008049	WASHER, INTERNAL TOOTH LOCK, #10 .....	2
22	0007893	NUT, HEX, #10 - 32 .....	2
23	<u>1013443</u>	BUTTON, HORN .....	1

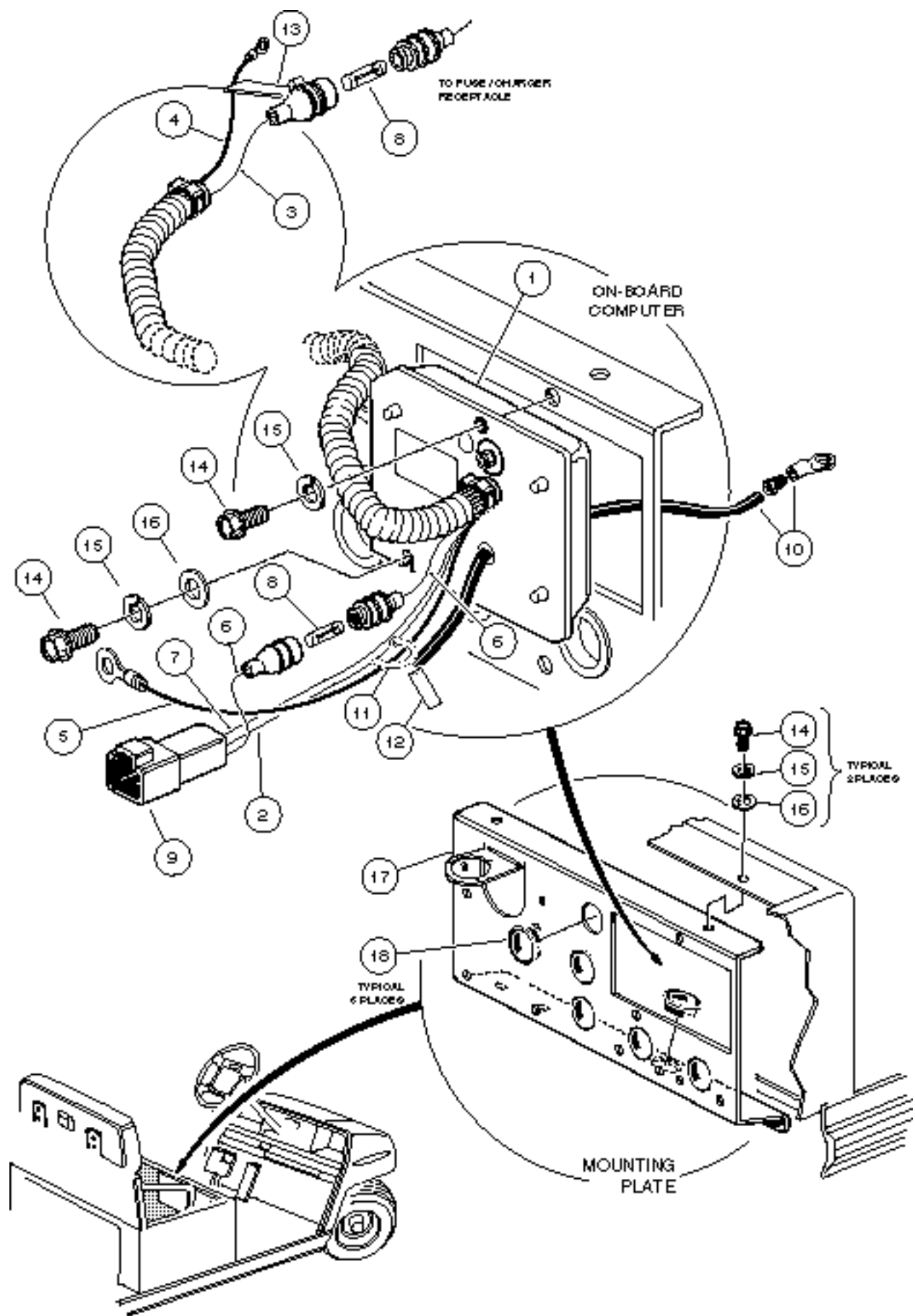


# ELECTRICAL COMPONENTS, CENTER BODY POWERDRIVE ELECTRIC VEHICLE - RESORT VILLAGER

**12**

**E**

ITEM	PART NO.	DESCRIPTION	QTY
		1 2 3 4	
1	0007174	WASHER, LOCK, 5/16 .....	4
2	0001241	WASHER, FLAT, 5/16 .....	8
3	0007173	BOLT, HEX HEAD, 5/16 - 18 x 3/4 .....	3
4	0001242	NUT, HEX, 5/16 - 18 .....	4
5	0001218	BOLT, HEX HEAD, 5/16 - 18 x 1 1/4 .....	1
6	<u>1019183-01</u>	CLAMP, WIRE .....	2
7	<u>1012285</u>	SCREW, HEX HEAD THREAD ROLLING, 1/4 - 20 x 5/8 .....	8
8	0000451	WASHER, LOCK, 1/4 .....	8
9	<u>1018402-03</u>	CONTROLLER, 48 VOLT (300 AMP) .....	1
10	<u>1019243-01</u>	BUSHING, SNAP .....	6
11	<u>1019117-01</u>	PLATE, MOUNTING .....	1
12	<u>1019026-01</u>	BOOT, WIRE .....	1
13	<u>1017237</u>	NUT, FLANGED LOCK, 5/16 - 24 .....	2
14	<u>1014947</u>	ASSEMBLY, RESISTOR .....	1
15	0007893	NUT, HEX, #10 - 32 .....	2
16	1014948	ASSEMBLY, DIODE .....	1
17	<u>1018836-01</u>	SOLENOID, 48 VOLT .....	1
18	0000332	WASHER, FLAT, 1/4 .....	4
19	<u>1019344-01</u>	WASHER, FLAT BRASS, 5/16 .....	2

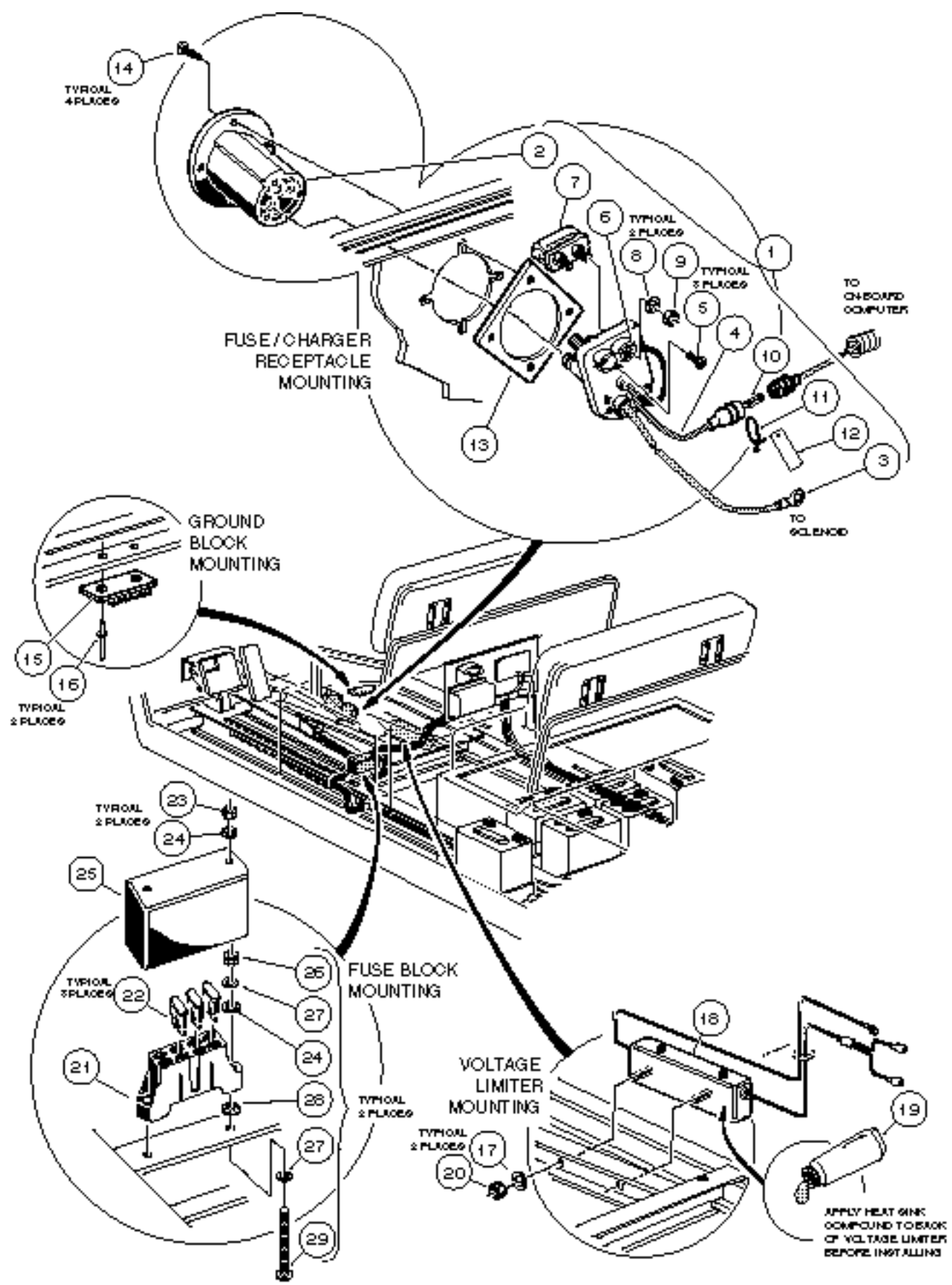




# ELECTRICAL COMPONENTS, CENTER BODY POWERDRIVE ELECTRIC VEHICLE - RESORT VILLAGER

12  
E

ITEM	PART NO.	DESCRIPTION	QTY
		1 2 3 4	
1	<u>1019099-03</u>	COMPUTER, ON-BOARD (INCLUDES ITEMS 2 - 13) .....	1
2	N/A	WIRE ASSEMBLY, #18 BROWN .....	1
3	N/A	WIRE ASSEMBLY, #18 GRAY .....	1
4	N/A	WIRE ASSEMBLY, #10 BLACK .....	1
5	N/A	WIRE ASSEMBLY, #10 BLACK .....	1
6	N/A	WIRE ASSEMBLY, #18 RED .....	1
7	N/A	WIRE ASSEMBLY, #18 YELLOW .....	1
8	<u>1018949-01</u>	FUSE ASSEMBLY, 3/8 AMP .....	3
9	<u>1019324-01</u>	CONNECTOR, FOUR WIRE .....	1
10	<u>1018278-02</u>	KIT, WIRE AND TERMINAL, #6 BLACK .....	1
11	0008168	WRAP, TIE .....	2
12	1018844-01	LABEL .....	1
13	1019349-01	LABEL .....	1
14	<u>1012285</u>	SCREW, HEX HEAD THREAD ROLLING, 1/4 - 20 x 5/8 .....	4
15	0000451	WASHER, LOCK, 1/4 .....	4
16	0000332	WASHER, FLAT, 1/4 .....	3
17	<u>1019117-01</u>	PLATE, MOUNTING .....	1
18	<u>1019243-01</u>	BUSHING, SNAP .....	6

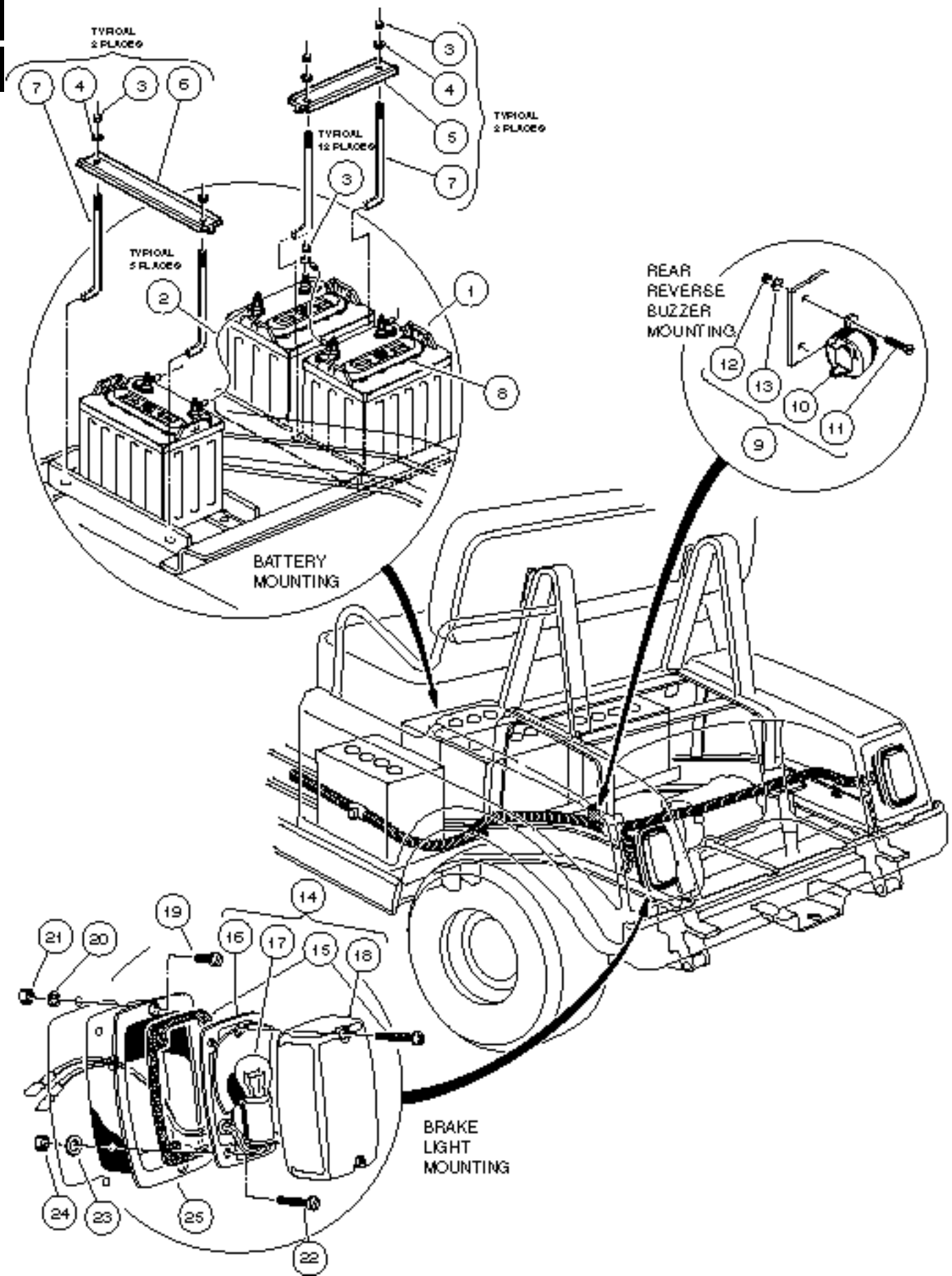


# ELECTRICAL COMPONENTS, CENTER BODY POWERDRIVE ELECTRIC VEHICLE - RESORT VILLAGER

**12**

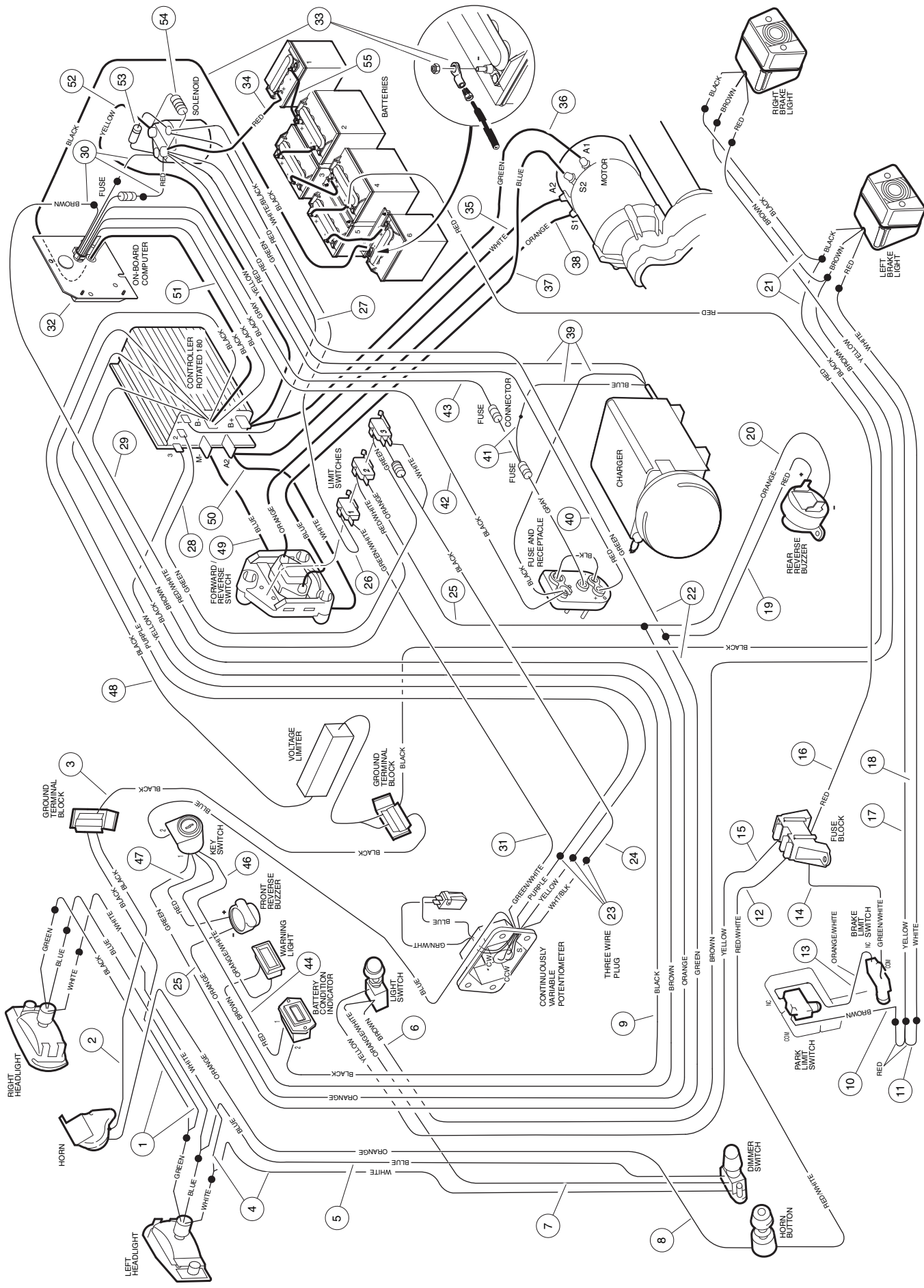
**E**

ITEM	PART NO.	DESCRIPTION	QTY
		1 2 3 4	
1	<u>1018021-01</u>	KIT, FUSE AND RECEPTACLE (INCLUDES ITEMS 2 - 12) .....	1
2	<u>1017965-01</u>	BEZEL, RECEPTACLE .....	1
3	N/A	WIRE ASSEMBLY, #10 RED .....	1
4	N/A	WIRE ASSEMBLY, SENSE LEAD, GREY .....	1
5	<u>1017705</u>	SCREW, PHILLIPS PAN HEAD, #8 TYPE AB .....	3
6	N/A	WIRE ASSEMBLY, #10 BLACK .....	1
7	<u>1017968-01</u>	FUSE ASSEMBLY (INCLUDES ITEMS 8 AND 9) .....	1
8	<u>1018038</u>	WASHER, NARROW TYPE 13, #10 .....	2
9	<u>1018028</u>	NUT, SERRATED, #10 - 32 .....	2
10	<u>1018949-01</u>	FUSE ASSEMBLY, 3/8 AMP .....	1
11	0008168	WRAP, TIE .....	1
12	1019349-01	LABEL .....	1
13	<u>1018010-01</u>	PLATE, RECEPTACLE BACKING .....	1
14	<u>1018320-01</u>	SCREW, PHILLIPS PAN HEAD, #7 - 18 x 3/4 .....	4
15	<u>1016356</u>	BLOCK, TERMINAL .....	1
16	<u>1013357</u>	RIVET, ALUMINUM POP, 5/32 .....	2
17	0000332	WASHER, FLAT, 1/4 .....	2
18	<u>1018108-01</u>	LIMITER, VOLTAGE (INCLUDES ITEM 19) .....	1
19	1018367-02	COMPOUND, HEAT SINK .....	A/R
20	0008233	NUT, NYLON LOCK, 1/4 - 20 .....	2
21	<u>1015741</u>	BLOCK, FUSE .....	1
22	<u>1016423</u>	FUSE, 20 AMP .....	3
23	<u>1012438</u>	NUT, NYLON LOCK, #10 - 24 .....	2
24	0000183	WASHER, FLAT, #10 .....	4
25	1016363	COVER, FUSE BLOCK .....	1
26	0001017	NUT, HEX, #10 - 24 .....	2
27	0001016	WASHER, LOCK, #10 .....	4
28	<u>1016631</u>	NUT, PUSH .....	2
29	<u>1016366</u>	SCREW, ROUND HEAD, #10 - 24 x 3 .....	2



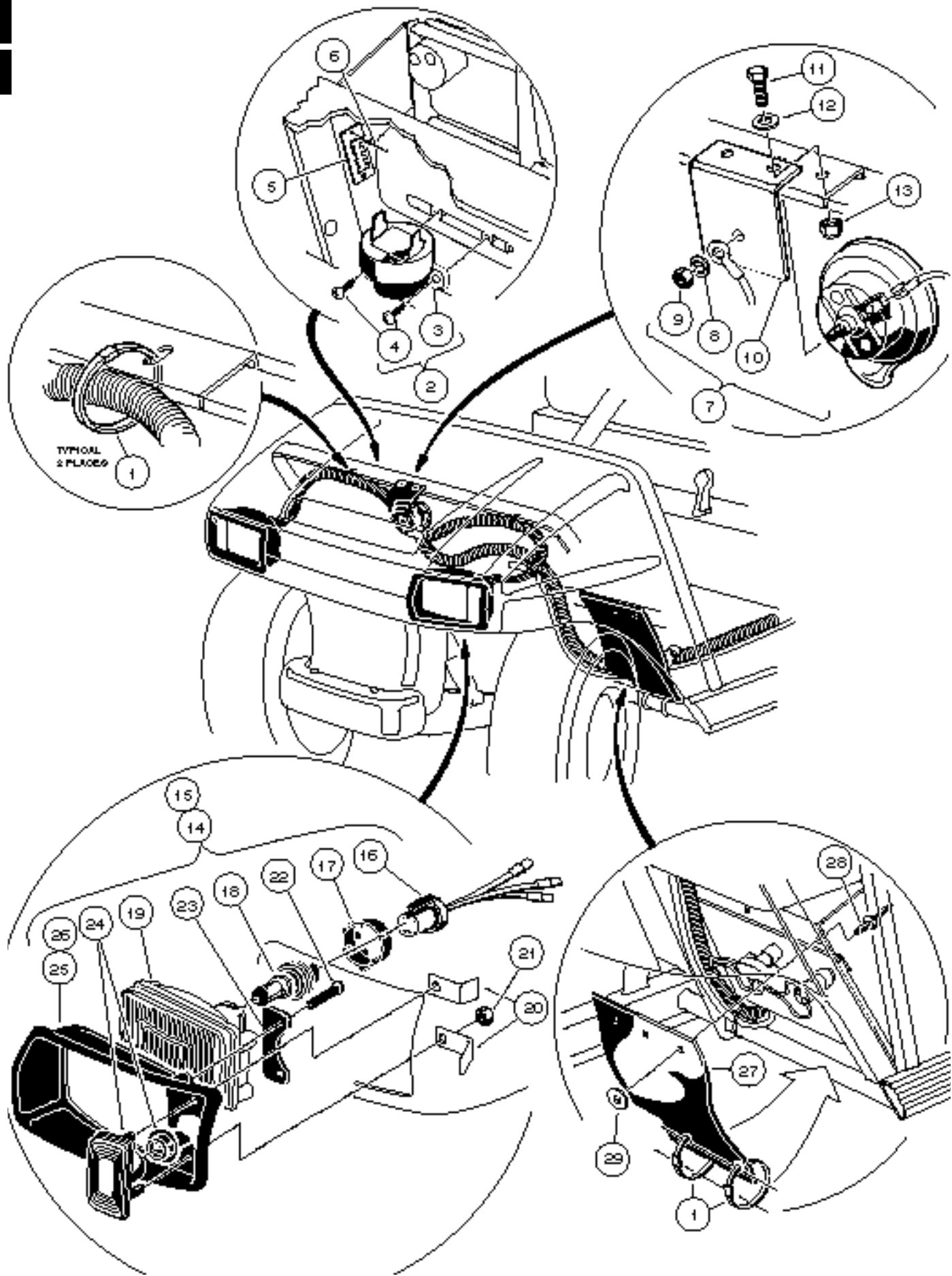
# ELECTRICAL COMPONENTS, REAR BODY POWERDRIVE ELECTRIC VEHICLE - RESORT VILLAGER

ITEM	PART NO.	DESCRIPTION	QTY
		1 2 3 4	
1	<u>1017977-01</u>	BATTERY, 8-VOLT POWERDRIVE .....	6
1	<u>1017977-02</u>	BATTERY, 8-VOLT POWERDRIVE, DRY .....	6
2	<u>1017957-01</u>	WIRE ASSEMBLY, #6 BLACK .....	5
3	<u>1014304</u>	NUT, HEX, STAINLESS STEEL, 5/16 - 18 .....	20
4	<u>1011578</u>	WASHER, FLAT, TYPE B WIDE, 5/16 .....	8
5	<u>1018030-01</u>	HOLD-DOWN, BATTERY, SHORT .....	2
6	<u>1018030-02</u>	HOLD-DOWN, BATTERY, LONG .....	2
7	<u>1016682-01</u>	ROD, BATTERY HOLD-DOWN .....	8
8	<u>1017978-01</u>	CAP, BATTERY, 4 PORT GANG .....	6
9	<u>1016859</u>	KIT, REVERSE BUZZER (INCLUDES ITEMS 10 - 13) .....	1
10	<u>1016851</u>	BUZZER, REVERSE .....	1
11	0008056	SCREW, MACHINE, #4 - 40 x 3/4 .....	2
12	0008057	NUT, HEX, #4 - 40 .....	2
13	0008058	WASHER, LOCK, #4 .....	2
14	1017035	ASSEMBLY, TAILLIGHT (INCLUDES ITEMS 15 - 18) .....	2
15	<u>1017699</u>	KIT, HARDWARE .....	1
16	N/A	BASE, TAILLIGHT .....	1
17	<u>1011582</u>	BULB .....	1
18	<u>1011843</u>	LENS .....	1
19	<u>1011498</u>	SCREW, MACHINE, #8 - 32 x 1/2 .....	4
20	<u>1011610</u>	WASHER, LOCK, #8 .....	4
21	<u>1011571</u>	NUT, HEX, #8 - 32 .....	4
22	<u>1011557</u>	SCREW, MACHINE, #6 - 32 x 1 .....	4
23	0007591	WASHER, FLAT, #6 .....	4
24	<u>1011558</u>	NUT, HEX, #6 .....	6
25	<u>1011497</u>	BEZEL, TAILLIGHT .....	2



# WIRING, POWERDRIVE ELECTRIC VEHICLE TRANS-PORTER/TRANS-SENDER

ITEM	PART NO.	DESCRIPTION	QTY
		1 2 3 4	
	<u>1019166-01</u>	WIRE HARNESS, LIGHTING (CONTAINS ITEMS 1 - 21) .....	1
1	1016326	WIRE ASSEMBLY, #16 BLACK .....	1
2	1016308	WIRE ASSEMBLY, #16 BLACK .....	1
3	1019333-01	WIRE ASSEMBLY, #14 BLACK .....	1
4	1016323	WIRE ASSEMBLY, #16 WHITE .....	1
5	1017052	WIRE ASSEMBLY, #18 BLUE .....	1
6	1019334-01	WIRE ASSEMBLY, #16 BROWN .....	1
7	1016315	WIRE ASSEMBLY, #16 ORANGE/WHITE .....	1
8	1016307	WIRE ASSEMBLY, #16 ORANGE .....	1
9	<u>1018182-01</u>	WIRE ASSEMBLY, #18 BLACK .....	1
10	1016314	WIRE ASSEMBLY, #16 BROWN .....	1
11	1016409	WIRE ASSEMBLY, #18 RED .....	1
12	1016696	WIRE ASSEMBLY, #16 RED/WHITE .....	1
13	1016309	WIRE ASSEMBLY, #16 ORANGE/WHITE .....	1
14	1016700	WIRE ASSEMBLY, #16 GREEN/WHITE .....	1
15	1016697	WIRE ASSEMBLY, #14 YELLOW .....	1
16	1016698	WIRE ASSEMBLY, #10 RED .....	1
17	1016774	WIRE ASSEMBLY, #18 YELLOW .....	1
18	1016695	WIRE ASSEMBLY, #18 WHITE .....	1
19	1019340-01	WIRE ASSEMBLY, #18 RED .....	1
20	1019339-01	WIRE ASSEMBLY, #18 ORANGE .....	1
21	1019332-01	WIRE ASSEMBLY, #16 BLACK .....	1
	<u>1019116-01</u>	WIRE HARNESS, POWER (INCLUDES ITEMS 22 - 30) .....	1
22	1019305-01	WIRE ASSEMBLY, #18 GREEN .....	1
23	<u>1018651-06</u>	ASSEMBLY, 3-WIRE PLUG (INCLUDES #18 PURPLE, #18 YELLOW AND ITEM 24) .....	1
24	<u>1018830-01</u>	WIRE ASSEMBLY, #18 BLACK (INCLUDES RESISTOR AND #18 WHITE WIRE) .....	1
25	1019306-01	WIRE ASSEMBLY, #18 ORANGE .....	1
26	1019312-01	WIRE ASSEMBLY, #18 WHITE/BLACK .....	1
27	1019310-01	WIRE ASSEMBLY, #18 RED .....	1
28	1019309-01	WIRE ASSEMBLY, #18 GREEN .....	1
29	1019307-01	WIRE ASSEMBLY, #18 RED/WHITE .....	1
30	<u>1019308-01</u>	ASSEMBLY, 4-WIRE PLUG (INCLUDES #18 BROWN, #18 YELLOW, AND #18 RED) ...	1
31	1017394	WIRE ASSEMBLY, #18 GREEN/WHITE (PART OF POTENTIOMETER ASSEMBLY) .....	1
	1019101-02	WIRE HARNESS, POWER (INCLUDES ITEMS 32 - 38) .....	1
32	<u>1019099-03</u>	COMPUTER, ON-BOARD (SEE PAGE 12-39) (INCLUDES ITEM 33) .....	1
33	<u>1018278-02</u>	KIT, WIRE AND TERMINAL, #6 BLACK .....	1
34	<u>1019045-02</u>	WIRE ASSEMBLY, #6 RED .....	1
35	<u>1019089-02</u>	WIRE ASSEMBLY, #6 WHITE .....	1
36	<u>1019044-02</u>	WIRE ASSEMBLY, #6 GREEN .....	1
37	<u>1019046-02</u>	WIRE ASSEMBLY, #6 BLUE .....	1
38	<u>1019047-02</u>	WIRE ASSEMBLY, #6 ORANGE .....	1
39	<u>1018291-01</u>	DC CORD, #10 BLUE, #10 RED, #10 BLACK (PART OF CHARGER) .....	1
40	N/A	WIRE ASSEMBLY, #10 RED (PART OF FUSE AND RECEPTACLE ASSEMBLY) .....	1
41	<u>1018968-01</u>	ASSEMBLY, FUSE HOLDER .....	1
42	N/A	WIRE ASSEMBLY, #10 BLACK (PART OF ON-BOARD COMPUTER ASSEMBLY) .....	1
43	N/A	WIRE ASSEMBLY, #18 GREY (PART OF ON-BOARD COMPUTER ASSEMBLY) .....	1
44	<u>1018181-01</u>	WIRE ASSEMBLY, #18 RED .....	1
45	1017393	WIRE ASSEMBLY, #18 BLUE (PART OF POTENTIOMETER ASSEMBLY) .....	1
46	1017967-01	WIRE ASSEMBLY, #18 ORANGE/WHITE .....	1
47	<u>1019123-01</u>	WIRE ASSEMBLY, #18 RED .....	1
48	N/A	WIRE ASSEMBLY, #10 BLACK (PART OF VOLTAGE LIMITER ASSEMBLY) .....	1
49	<u>1019088-01</u>	WIRE ASSEMBLY, #6 BLUE .....	1
50	<u>1016729</u>	WIRE ASSEMBLY, #6 WHITE .....	1
51	N/A	WIRE ASSEMBLY, #10 BLACK (PART OF ON-BOARD COMPUTER ASSEMBLY) .....	1
52	<u>1016732</u>	WIRE ASSEMBLY, #6 YELLOW .....	1
53	1014948	ASSEMBLY, DIODE .....	1
54	<u>1014947</u>	ASSEMBLY, RESISTOR .....	1
55	<u>1017957-01</u>	WIRE ASSEMBLY, #6 BLACK .....	5



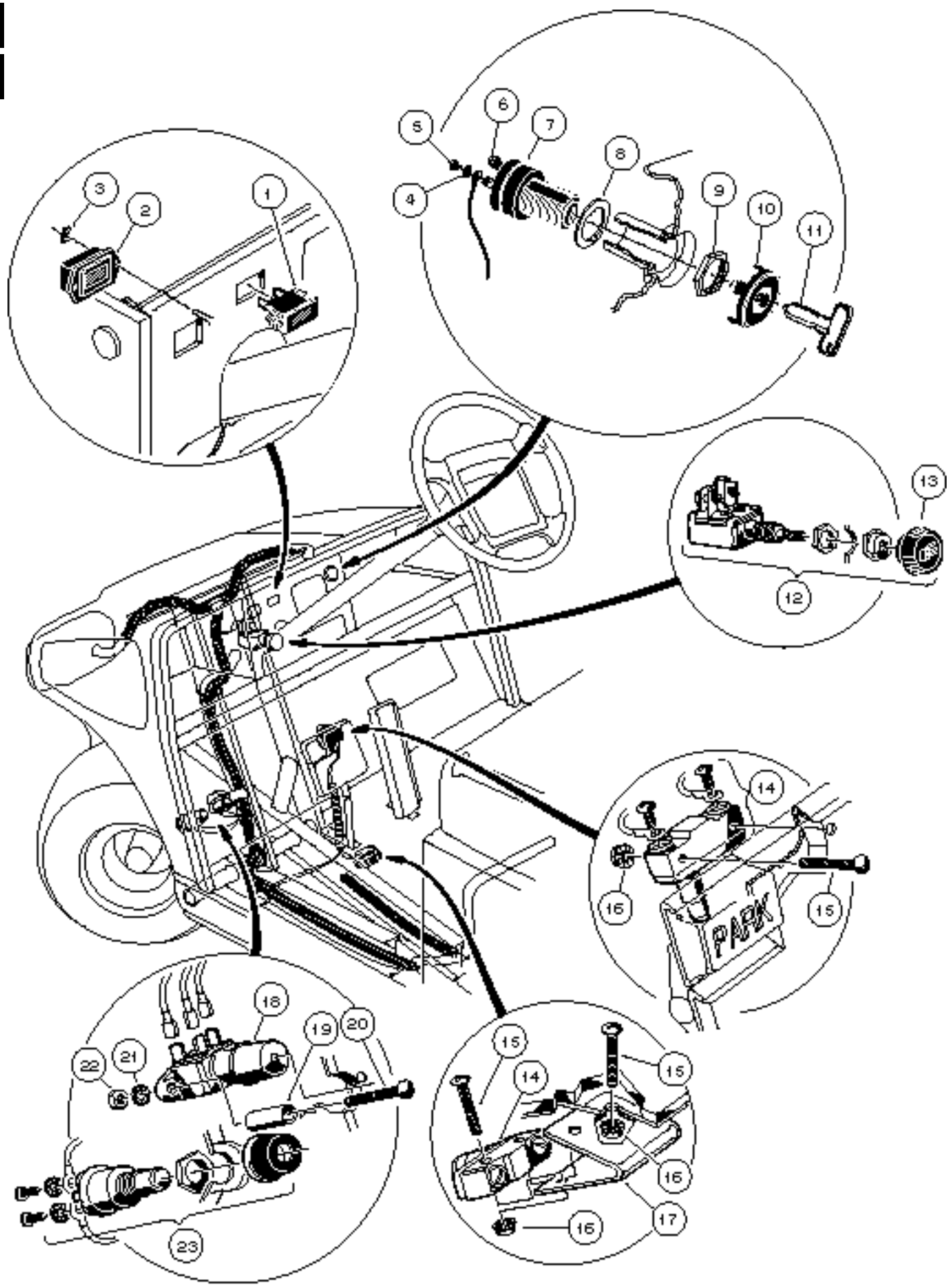


# ELECTRICAL COMPONENTS, FRONT BODY POWERDRIVE - TRANS-PORTER/TRANS-SENDER

**12**

**E**

ITEM	PART NO.	DESCRIPTION	QTY
		1 2 3 4	
1	0008639	WRAP, TIE .....	4
2	<u>1016859</u>	KIT, REVERSE BUZZER (INCLUDES ITEMS 3 AND 4) .....	1
3	<u>1016851</u>	BUZZER, REVERSE .....	1
4	<u>1016849</u>	SCREW, PAN HEAD HI-LO, #4 - 24 x 5/16 .....	2
5	<u>1016356</u>	BLOCK, TERMINAL .....	1
6	<u>1013357</u>	RIVET, ALUMINUM POP, 5/32 .....	2
7	0004029	ASSEMBLY, HORN (INCLUDES ITEMS 8, 9 AND 10) .....	1
8	0007820	WASHER, INTERNAL TOOTH, 5/16 .....	1
9	<u>1012528</u>	NUT, M8 x 1 1/4 .....	1
10	<u>1011825</u>	BRACKET, HORN .....	1
11	0000304	BOLT, HEX HEAD, 1/4 - 20 x 1 .....	2
12	0000332	WASHER, FLAT, 1/4 .....	2
13	0008233	NUT, NYLON LOCK, 1/4 - 20 .....	2
14	<u>1016897-01</u>	ASSEMBLY, HEADLIGHT, LEFT HAND (INCLUDES ITEMS 16 - 25) .....	1
15	<u>1016897-02</u>	ASSEMBLY, HEADLIGHT, RIGHT HAND (INCLUDES ITEMS 16 - 24 AND 26) .....	1
16	<u>1017066</u>	HARNES, HEADLIGHT WIRE .....	1
17	1017059	LOCK, BULB COLLAR .....	1
18	<u>1017060</u>	BULB, HALOGEN .....	1
19	1017061	LENS, HEADLIGHT .....	1
20	<u>1017064</u>	BRACKET, MOUNTING .....	2
21	0007893	NUT, HEX, #10 - 32 .....	2
22	<u>1013461</u>	SCREW, HI-LO, #10 - 16 .....	2
23	<u>1017065</u>	RETAINER, HEADLIGHT .....	1
24	<u>1017062</u>	ASSEMBLY, TURN SIGNAL LENS .....	1
25	<u>1016880</u>	BEZEL, HEADLIGHT, LEFT HAND .....	1
26	<u>1016879</u>	BEZEL, HEADLIGHT, RIGHT HAND .....	1
27	1015787	FLAP, SWITCH PROTECTOR .....	1
28	0001606	RIVET, POP, 3/16 .....	3
29	0000183	WASHER, FLAT, #10 .....	3

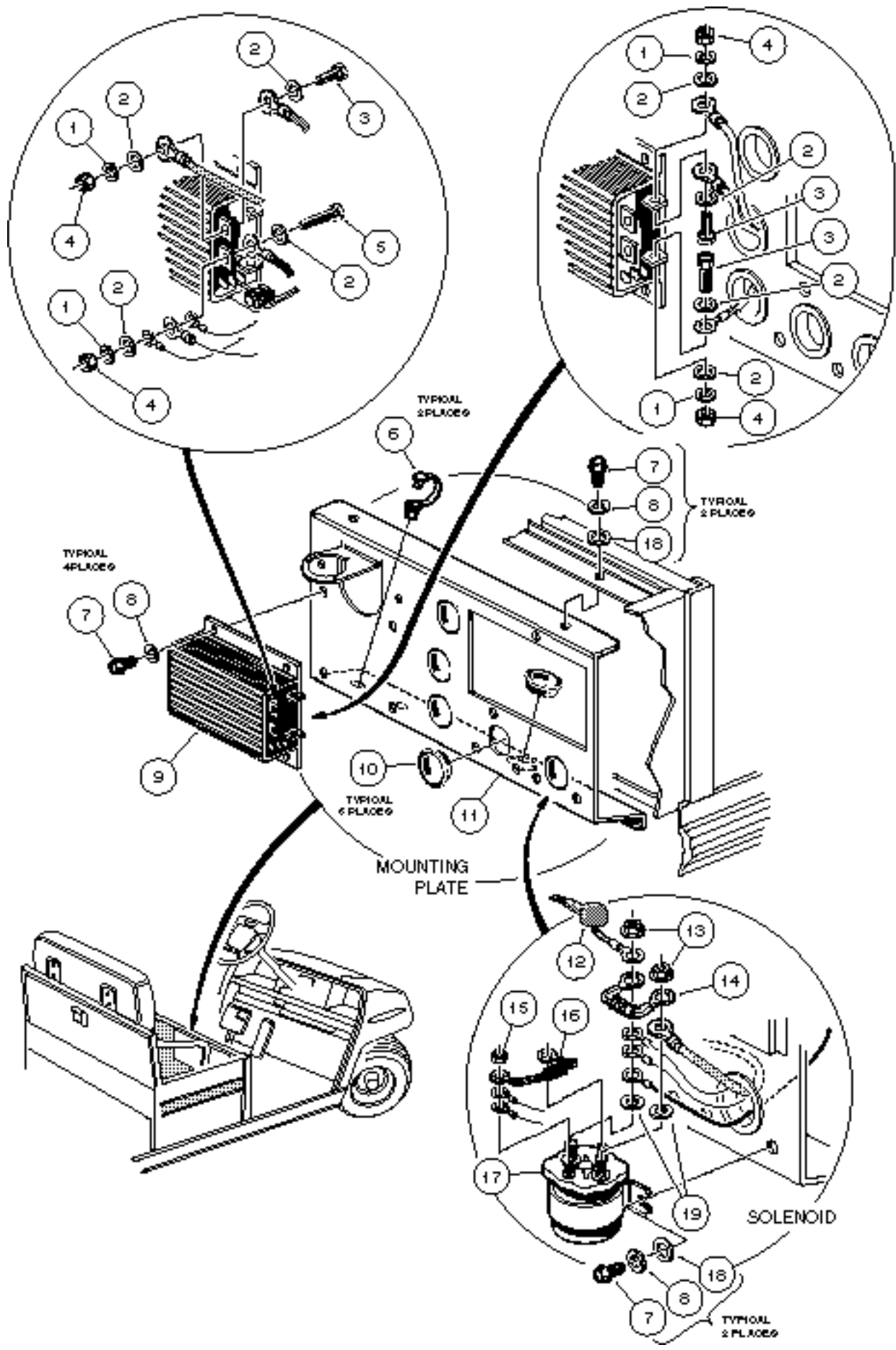


# CONTROLS AND GAUGES, POWERDRIVE VEHICLE TRANS-PORTER/TRANS-SENDER

**12**

**E**

ITEM	PART NO.	DESCRIPTION	QTY
		1 2 3 4	
1	<u>1018025-01</u>	LIGHT, BATTERY WARNING .....	1
2	<u>1018142-01</u>	INDICATOR, BATTERY .....	1
3	<u>1018147-01</u>	RETAINER, PUSH ON .....	2
4	<u>1011610</u>	WASHER, LOCK, #8 .....	1
5	<u>1016092</u>	SCREW, PAN HEAD MACHINE, #8 - 32 x 7/16 .....	1
6	<u>1018306-01</u>	ASSEMBLY, SCREW AND WASHER .....	1
7	<u>1018262-01</u>	SWITCH, KEY .....	1
8	<u>1018511-01</u>	WASHER .....	1
9	<u>1018307-01</u>	NUT, KEY SWITCH .....	1
10	<u>1018345-02</u>	CAP, KEY SWITCH .....	1
11	<u>1012505</u>	KEY (PAIR) .....	1
12	0004034	SWITCH, LIGHT (INCLUDES ITEM 13) .....	1
13	<u>1013857</u>	KNOB, LIGHT SWITCH .....	1
14	<u>1011439</u>	SWITCH, LIMIT .....	2
15	<u>1011557</u>	SCREW, MACHINE, #6 - 32 x 1 .....	6
16	<u>1011229</u>	NUT, "K" LOCK, #6 - 32 .....	6
17	<u>1011742</u>	BRACKET, BRAKE LIGHT SWITCH .....	1
18	<u>1010889</u>	SWITCH, DIMMER .....	1
19	<u>1018713-01</u>	STAND-OFF, DIMMER SWITCH .....	2
20	<u>1018712-01</u>	SCREW, MACHINE, #10 - 32 x 1 .....	2
21	0008049	WASHER, INTERNAL TOOTH LOCK, #10 .....	2
22	0007893	NUT, HEX, #10 - 32 .....	2
23	<u>1013443</u>	BUTTON, HORN .....	1

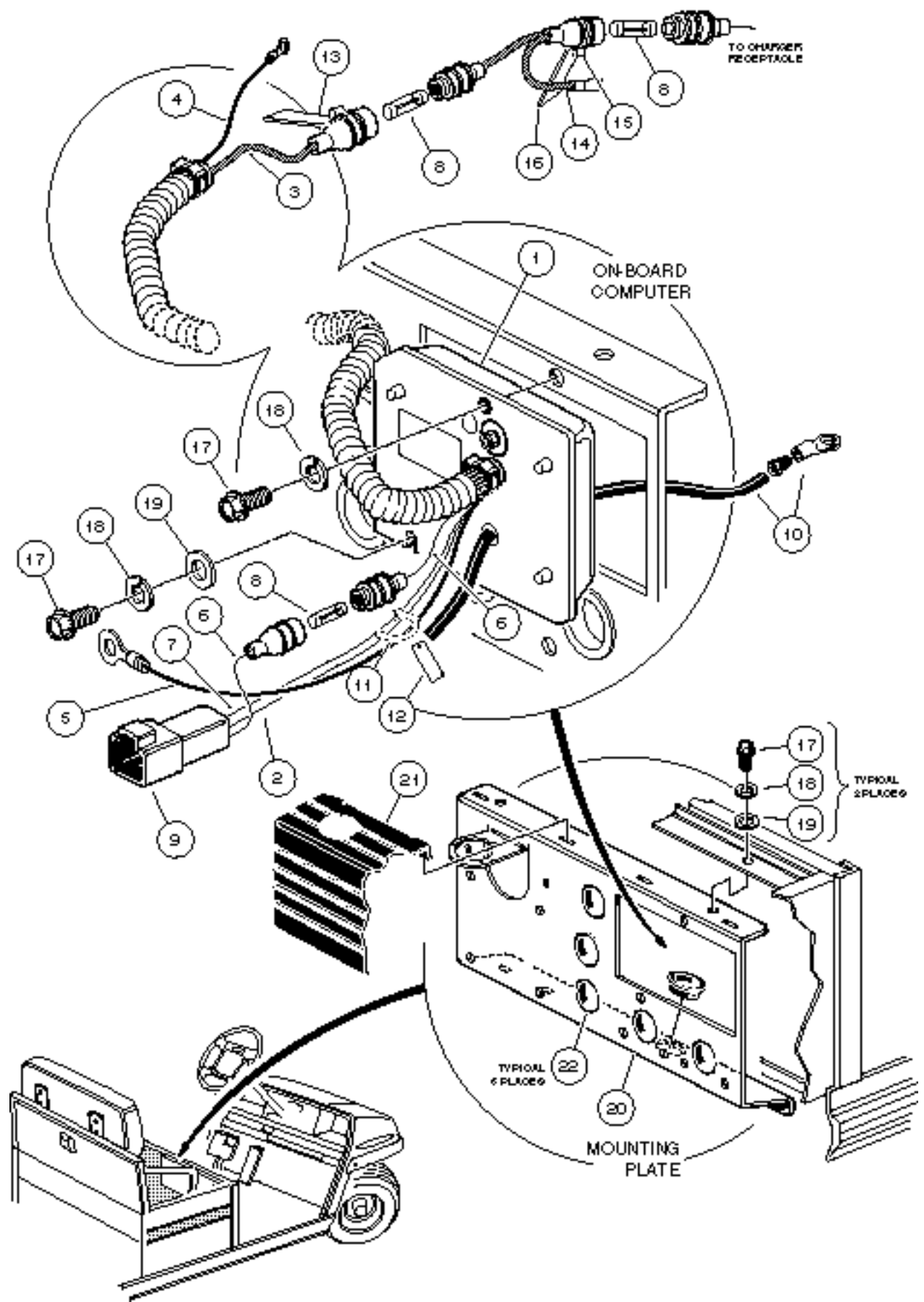


# ELECTRICAL COMPONENTS, CENTER BODY POWERDRIVE - TRANS-PORTER/TRANS-SENDER

**12**

**E**

ITEM	PART NO.	DESCRIPTION	QTY
		1 2 3 4	
1	0007174	WASHER, LOCK, 5/16 .....	4
2	0001241	WASHER, FLAT, 5/16 .....	8
3	0007173	BOLT, HEX HEAD, 5/16 - 18 x 3/4 .....	3
4	0001242	NUT, HEX, 5/16 - 18 .....	4
5	0001218	BOLT, HEX HEAD, 5/16 - 18 x 1 1/4 .....	1
6	<u>1019183-01</u>	CLAMP, WIRE .....	2
7	<u>1012285</u>	SCREW, HEX HEAD THREAD ROLLING, 1/4 - 20 x 5/8 .....	8
8	0000451	WASHER, LOCK, 1/4 .....	8
9	<u>1018402-03</u>	CONTROLLER, 48 VOLT (300 AMP) .....	1
10	<u>1019243-01</u>	BUSHING, SNAP .....	6
11	<u>1019117-01</u>	PLATE, MOUTING .....	1
12	<u>1019026-01</u>	BOOT, WIRE .....	1
13	<u>1017237</u>	NUT, FLANGED LOCK, 5/16 - 24 .....	2
14	<u>1014947</u>	ASSEMBLY, RESISTOR .....	1
15	0007893	NUT, HEX, #10 - 32 .....	2
16	1014948	ASSEMBLY, DIODE .....	1
17	<u>1018836-01</u>	SOLENOID, 48 VOLT .....	1
18	0000332	WASHER, FLAT, 1/4 .....	4
19	<u>1019344-01</u>	WASHER, FLAT BRASS, 5/16 .....	2

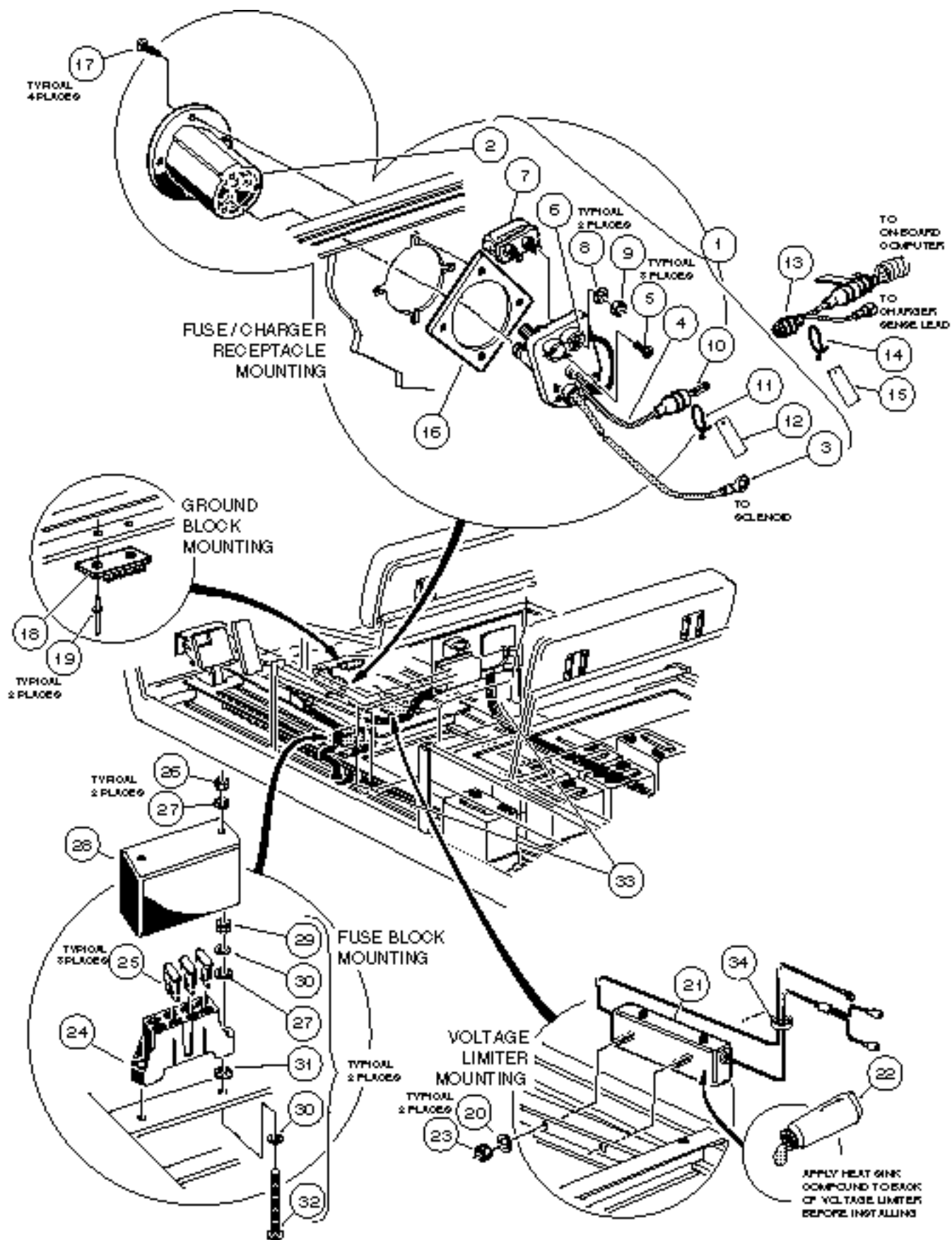


# ELECTRICAL COMPONENTS, CENTER BODY POWERDRIVE - TRANS-PORTER/TRANS-SENDER

**12**

**E**

ITEM	PART NO.	DESCRIPTION	QTY
		1 2 3 4	
1	<u>1019099-03</u>	COMPUTER, ON-BOARD (INCLUDES ITEMS 2 - 13) .....	1
2	N/A	WIRE ASSEMBLY, #18 BROWN .....	1
3	N/A	WIRE ASSEMBLY, #18 GRAY .....	1
4	N/A	WIRE ASSEMBLY, #10 BLACK .....	1
5	N/A	WIRE ASSEMBLY, #10 BLACK .....	1
6	N/A	WIRE ASSEMBLY, #18 RED .....	1
7	N/A	WIRE ASSEMBLY, #18 YELLOW .....	1
8	<u>1018949-01</u>	FUSE ASSEMBLY, 3/8 AMP .....	3
9	<u>1019324-01</u>	CONNECTOR, FOUR WIRE .....	1
10	<u>1018278-02</u>	KIT, WIRE AND TERMINAL, #6 BLACK .....	1
11	0008168	WRAP, TIE .....	2
12	1018844-01	LABEL .....	1
13	1019349-01	LABEL .....	1
14	<u>1018968-01</u>	ASSEMBLY, FUSE HOLDER (INCLUDES ITEMS 15 AND 16) .....	1
15	0008168	WRAP, TIE .....	1
16	1019349-01	LABEL .....	1
17	<u>1012285</u>	SCREW, HEX HEAD THREAD ROLLING, 1/4 - 20 x 5/8 .....	4
18	0000451	WASHER, LOCK, 1/4 .....	4
19	0000332	WASHER, FLAT, 1/4 .....	3
20	<u>1019117-01</u>	PLATE, MOUNTING .....	1
21	<u>1019316-01</u>	ASSEMBLY, COMPONENT COVER .....	1
22	<u>1019243-01</u>	BUSHING, SNAP .....	6



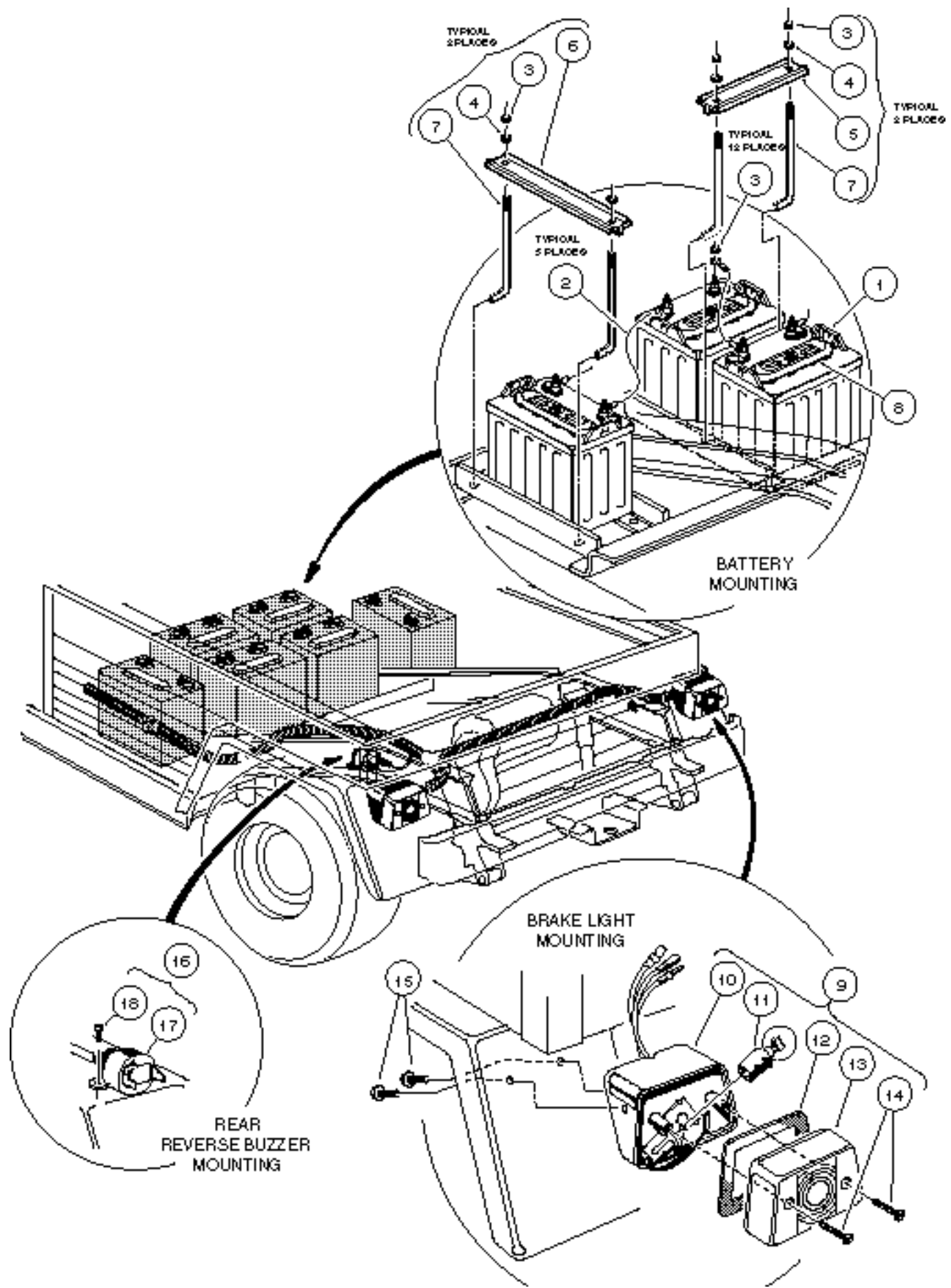


# ELECTRICAL COMPONENTS, CENTER BODY POWERDRIVE - TRANS-PORTER/TRANS-SENDER

**12**

**E**

ITEM	PART NO.	DESCRIPTION	QTY
		1 2 3 4	
1	<u>1018021-01</u>	KIT, FUSE AND RECEPTACLE (INCLUDES ITEMS 2 - 12) .....	1
2	<u>1017965-01</u>	BEZEL, RECEPTACLE .....	1
3	N/A	WIRE ASSEMBLY, #10 RED .....	1
4	N/A	WIRE ASSEMBLY, SENSE LEAD, GREY .....	1
5	<u>1017705</u>	SCREW, PHILLIPS PAN HEAD, #8 TYPE AB .....	3
6	N/A	WIRE ASSEMBLY, #10 BLACK .....	1
7	<u>1017968-01</u>	FUSE ASSEMBLY (INCLUDES ITEMS 8 AND 9) .....	1
8	<u>1018038</u>	WASHER, NARROW TYPE 13, #10 .....	2
9	<u>1018028</u>	NUT, SERRATED, #10 - 32 .....	2
10	<u>1018949-01</u>	FUSE ASSEMBLY, 3/8 AMP .....	1
11	0008168	WRAP, TIE .....	1
12	1019349-01	LABEL .....	1
13	<u>1018968-01</u>	ASSEMBLY, FUSE HOLDER (INCLUDES ITEMS 14 AND 15) .....	1
14	0008168	WRAP, TIE .....	1
15	1019349-01	LABEL .....	1
16	<u>1018010-01</u>	PLATE, RECEPTACLE BACKING .....	1
17	<u>1018320-01</u>	SCREW, PHILLIPS PAN HEAD, #7 - 18 x 3/4 .....	4
18	<u>1016356</u>	BLOCK, TERMINAL .....	1
19	<u>1013357</u>	RIVET, ALUMINUM POP, 5/32 .....	2
20	0000332	WASHER, FLAT, 1/4 .....	2
21	<u>1018108-01</u>	LIMITER, VOLTAGE (INCLUDES ITEM 22) .....	1
22	1018367-02	COMPOUND, HEAT SINK .....	A/R
23	0008233	NUT, NYLON LOCK, 1/4 - 20 .....	2
24	<u>1015741</u>	BLOCK, FUSE .....	1
25	<u>1016423</u>	FUSE, 20 AMP .....	3
26	<u>1012438</u>	NUT, NYLON LOCK, #10 - 24 .....	2
27	0000183	WASHER, FLAT, #10 .....	4
28	1016363	COVER, FUSE BLOCK .....	1
29	0001017	NUT, HEX, #10 - 24 .....	2
30	0001016	WASHER, LOCK, #10 .....	4
31	<u>1016631</u>	NUT, PUSH .....	2
32	<u>1016366</u>	SCREW, ROUND HEAD, #10 - 24 x 3 .....	2
33	1016706	GROMMET, 1 1/4 .....	3
34	<u>1018024-01</u>	GROMMET, 5/8 .....	1



# ELECTRICAL COMPONENTS, REAR BODY POWERDRIVE - TRANS-PORTER/TRANS-SENDER

**12**

**E**

ITEM	PART NO.	DESCRIPTION	QTY
		1 2 3 4	
1	<u>1017977-01</u>	BATTERY, 8 VOLT POWERDRIVE .....	6
1	<u>1017977-02</u>	BATTERY, 8 VOLT POWERDRIVE, DRY .....	6
2	<u>1017957-01</u>	WIRE ASSEMBLY, #6 BLACK .....	5
3	<u>1014304</u>	NUT, HEX, STAINLESS STEEL, 5/16 -18 .....	20
4	<u>1011578</u>	WASHER, FLAT, TYPE B WIDE, 5/16 .....	8
5	<u>1018030-01</u>	HOLD-DOWN, BATTERY, SHORT .....	2
6	<u>1018030-02</u>	HOLD-DOWN, BATTERY, LONG .....	2
7	<u>1016682-01</u>	ROD, BATTERY HOLD-DOWN .....	8
8	<u>1017978-01</u>	CAP, BATTERY, 4 PORT GANG .....	6
9	<u>1016717</u>	ASSEMBLY, TAILLIGHT (INCLUDES ITEMS 10 - 14) .....	2
10	N/A	HOUSING, TAILLIGHT .....	1
11	<u>1011582</u>	BULB .....	1
12	N/A	GASKET .....	1
13	N/A	LENS .....	1
14	N/A	SCREW, LENS .....	2
15	<u>1015752</u>	SCREW, HI-LO, #12 - 16 x 5/8 .....	4
16	<u>1016859</u>	KIT, REVERSE BUZZER (INCLUDES ITEMS 17 AND 18) .....	1
17	<u>1016851</u>	BUZZER, REVERSE .....	1
18	<u>1016849</u>	SCREW, PAN HEAD HI-LO, #4 - 24 x 5/16 .....	2

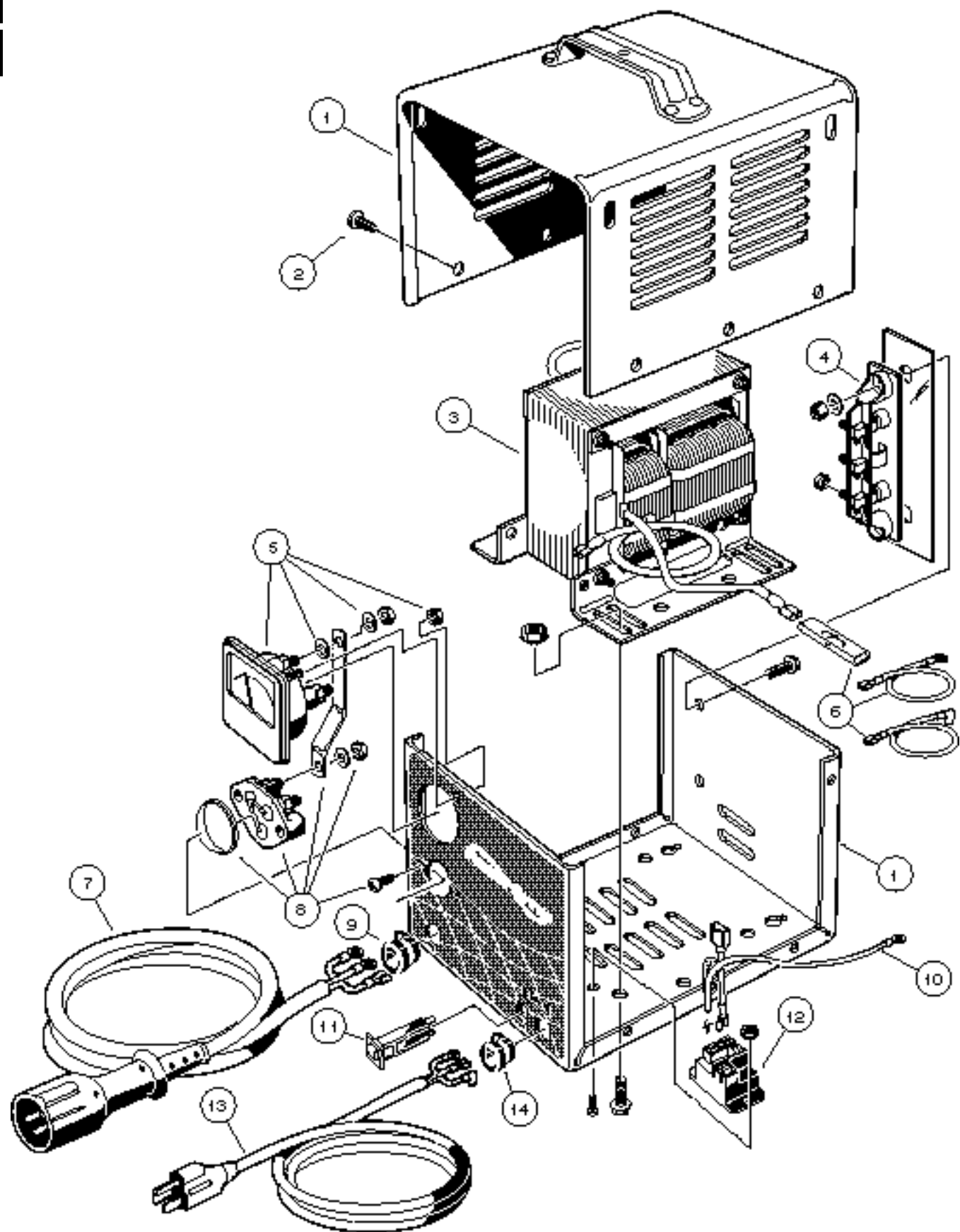


# BATTERY CHARGER

---

**13**

**E**

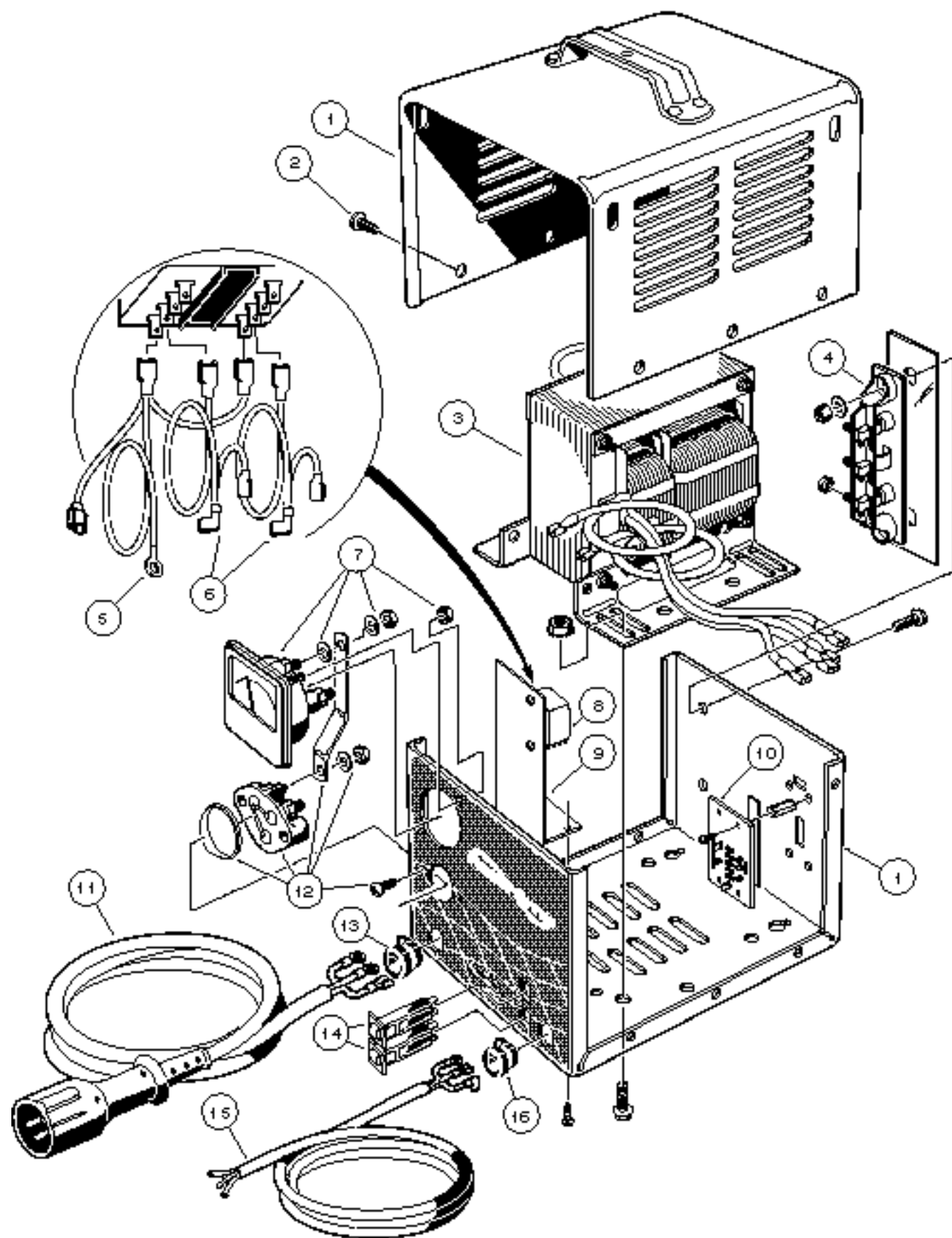


# POWERDRIVE BATTERY CHARGER, DOMESTIC TOURALL, RESORT VILLAGER

**13**

**E**

ITEM	PART NO.	DESCRIPTION	QTY
		1 2 3 4	
	<u>1018022-01</u>	CHARGER, BATTERY, POWERDRIVE, DOMESTIC 120VAC 48VDC 60 HZ (MODEL NUMBER 17930-11) (INCLUDES ITEMS 1 - 14) 103 IN. DC CORD WITH MALE 3-PIN PLUG, 12 AWG 74 IN. AC CORD WITH MALE GROUNDED PLUG .....	1
	<u>1018022-02</u>	CHARGER, BATTERY, POWERDRIVE 120VAC 48VDC 60 HZ (MODEL NUMBER 17930-18) (INCLUDES ITEMS 1 - 14) 144 IN. DC CORD WITH MALE 3-PIN PLUG, 12 AWG 108 IN. AC CORD WITH MALE GROUNDED PLUG .....	1
	<u>1018022-03</u>	CHARGER, BATTERY, POWERDRIVE 120VAC 48VDC 60 HZ (MODEL NUMBER 17930-19) (INCLUDES ITEMS 1 - 14) 240 IN. DC CORD WITH MALE 3-PIN PLUG, 12 AWG 108 IN. AC CORD WITH MALE GROUNDED PLUG .....	1
1	<u>1018283-01</u>	ASSEMBLY, CASE (INCLUDES ITEM 2) .....	1
2	0007577	SCREW, PAN HEAD, SELF-TAPPING, #10 - 16 x 1/2 .....	10
3	<u>1018197-01</u>	ASSEMBLY, TRANSFORMER .....	1
4	<u>1015914</u>	ASSEMBLY, HEATSINK, WITH DIODES (INCLUDES MOUNTING HARDWARE) .....	1
5	<u>1018285-01</u>	AMMETER (INCLUDES MOUNTING HARDWARE) .....	1
6	<u>1018311-01</u>	KIT, WIRE ASSEMBLY .....	1
7	<u>1018289-01</u>	CORDSET, DC, 113 INCHES LONG WITH MALE 3-PIN PLUG, 12 AWG .....	1
7	<u>1018289-02</u>	CORDSET, DC, 154 INCHES LONG WITH MALE 3-PIN PLUG, 12 AWG .....	1
7	<u>1018289-03</u>	CORDSET, DC, 250 INCHES LONG WITH MALE 3-PIN PLUG, 12 AWG .....	1
8	<u>1012101</u>	ASSEMBLY, FUSE (INCLUDES MOUNTING HARDWARE) .....	1
9	<u>1012098</u>	BUSHING, STRAIN RELIEF, DC CORD, 12 AWG .....	1
10	<u>1019144-01</u>	ASSEMBLY, VOLTAGE SUPPRESSOR .....	1
11	<u>1018287-01</u>	BREAKER, CIRCUIT, 15 AMP .....	1
12	<u>1018286-01</u>	RELAY, POWER, 48 VDC .....	1
13	<u>1018288-01</u>	CORDSET, AC, 80 INCHES LONG .....	1
13	<u>1018288-02</u>	CORDSET, AC, 116 INCHES LONG .....	1
14	<u>1015917</u>	BUSHING, STRAIN RELIEF, AC CORD .....	1



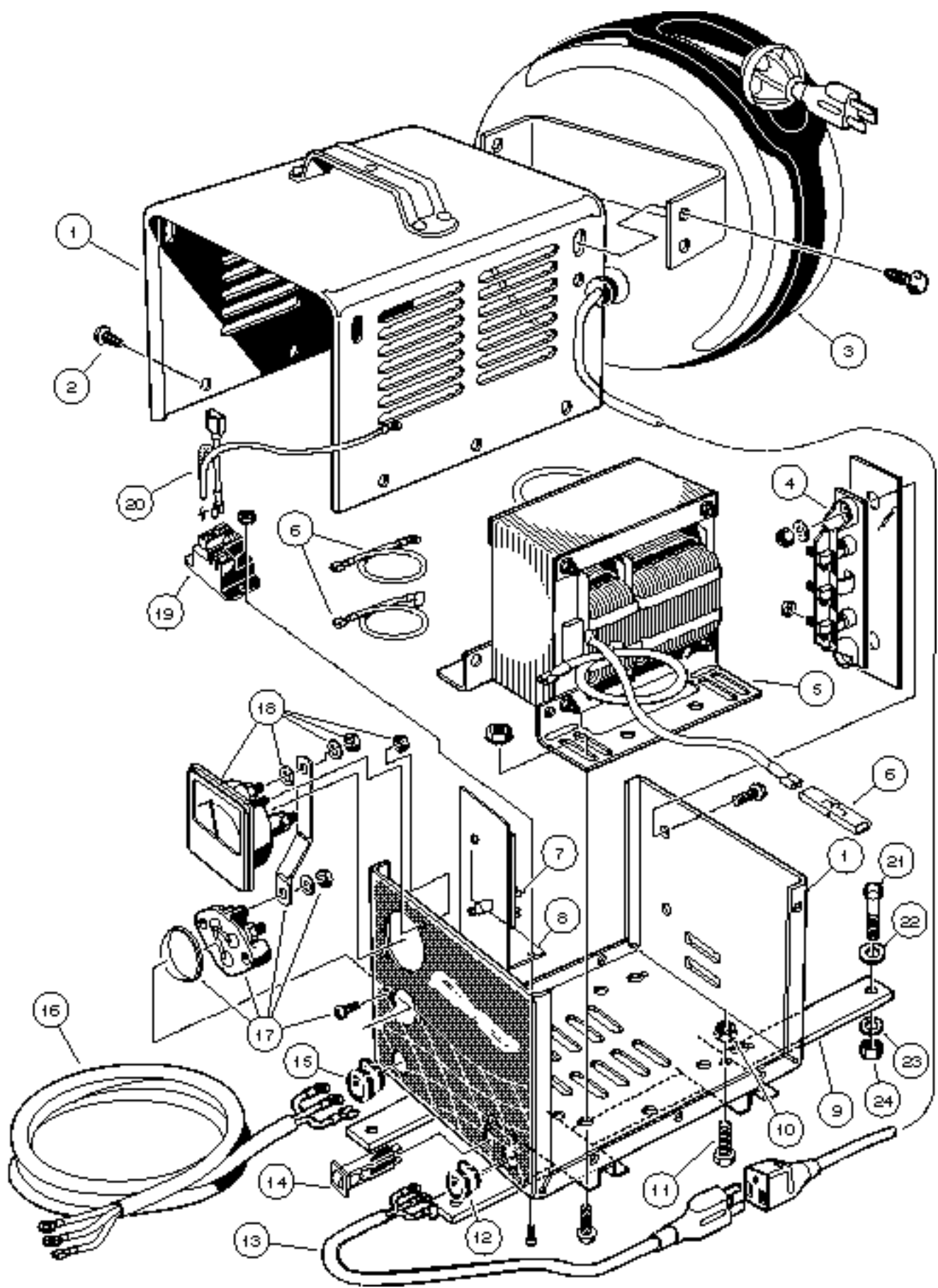


# POWERDRIVE BATTERY CHARGER, EXPORT TOURALL, RESORT VILLAGER

**13**

**E**

ITEM	PART NO.	DESCRIPTION	QTY
		1 2 3 4	
	<u>1018315-03</u>	CHARGER, BATTERY, POWERDRIVE, EXPORT WITH 4-POSITION SWITCH 100 - 200 - 220 - 240 VAC, 48 VDC 50/60 HZ (MODEL NUMBER 18780-11) (INCLUDES ITEMS 1 - 16) 103 IN. DC CORD WITH MALE 3-PIN PLUG, 12 AWG 74 IN. AC CORD WITH NO PLUG .....	1
	1018315-04	CHARGER, BATTERY, POWERDRIVE EXPORT WITH 4-POSITION SWITCH 100 - 200 - 220 - 240 VAC, 48 VDC 50/60 HZ (MODEL NUMBER 18780-18) (INCLUDES ITEMS 1 - 16) 144 IN. DC CORD WITH MALE 3-PIN PLUG, 12 AWG 108 IN. AC CORD WITH NO PLUG .....	1
1	<u>1018381-01</u>	ASSEMBLY, CASE (INCLUDES ITEM 2) .....	1
2	0007577	SCREW, PAN HEAD, SELF-TAPPING, #10 - 16 x 1/2 .....	10
3	1018382-01	ASSEMBLY, TRANSFORMER .....	1
4	<u>1015914</u>	ASSEMBLY, HEATSINK, WITH DIODES (INCLUDES MOUNTING HARDWARE) .....	1
5	1019144-01	ASSEMBLY, VOLTAGE SUPPRESSOR .....	1
6	1018385-01	KIT, WIRE ASSEMBLY .....	1
7	<u>1018285-01</u>	AMMETER (INCLUDES HARDWARE) .....	1
8	<u>1018383-01</u>	RELAY, POWER, 48 VDC (INCLUDES MOUNTING HARDWARE) .....	1
9	<u>1018387-01</u>	BRACKET, POWER RELAY MOUNTING .....	1
10	1018386-01	SWITCH, 4-POSITION, SLIDE .....	1
11	<u>1018289-01</u>	CORDSET, DC, 113 INCHES LONG WITH MALE 3-PIN PLUG, 12 AWG .....	1
11	<u>1018289-02</u>	CORDSET, DC, 154 INCHES LONG WITH MALE 3-PIN PLUG, 12 AWG .....	1
11	<u>1018289-03</u>	CORDSET, DC, 250 INCHES LONG WITH MALE 3-PIN PLUG, 12 AWG .....	1
12	<u>1012101</u>	ASSEMBLY, FUSE (INCLUDES HARDWARE) .....	1
13	<u>1012098</u>	BUSHING, STRAIN RELIEF, DC CORD, 12 AWG .....	1
14	1018384-01	BREAKER, CIRCUIT, 15 AMP .....	2
15	<u>1018317-01</u>	CORDSET, AC, 80 INCHES LONG, WITH LEADS (NO PLUG) .....	1
15	<u>1018317-02</u>	CORDSET, AC, 116 INCHES LONG, WITH LEADS (NO PLUG) .....	1
16	<u>1015917</u>	BUSHING, STRAIN RELIEF, AC CORD .....	1

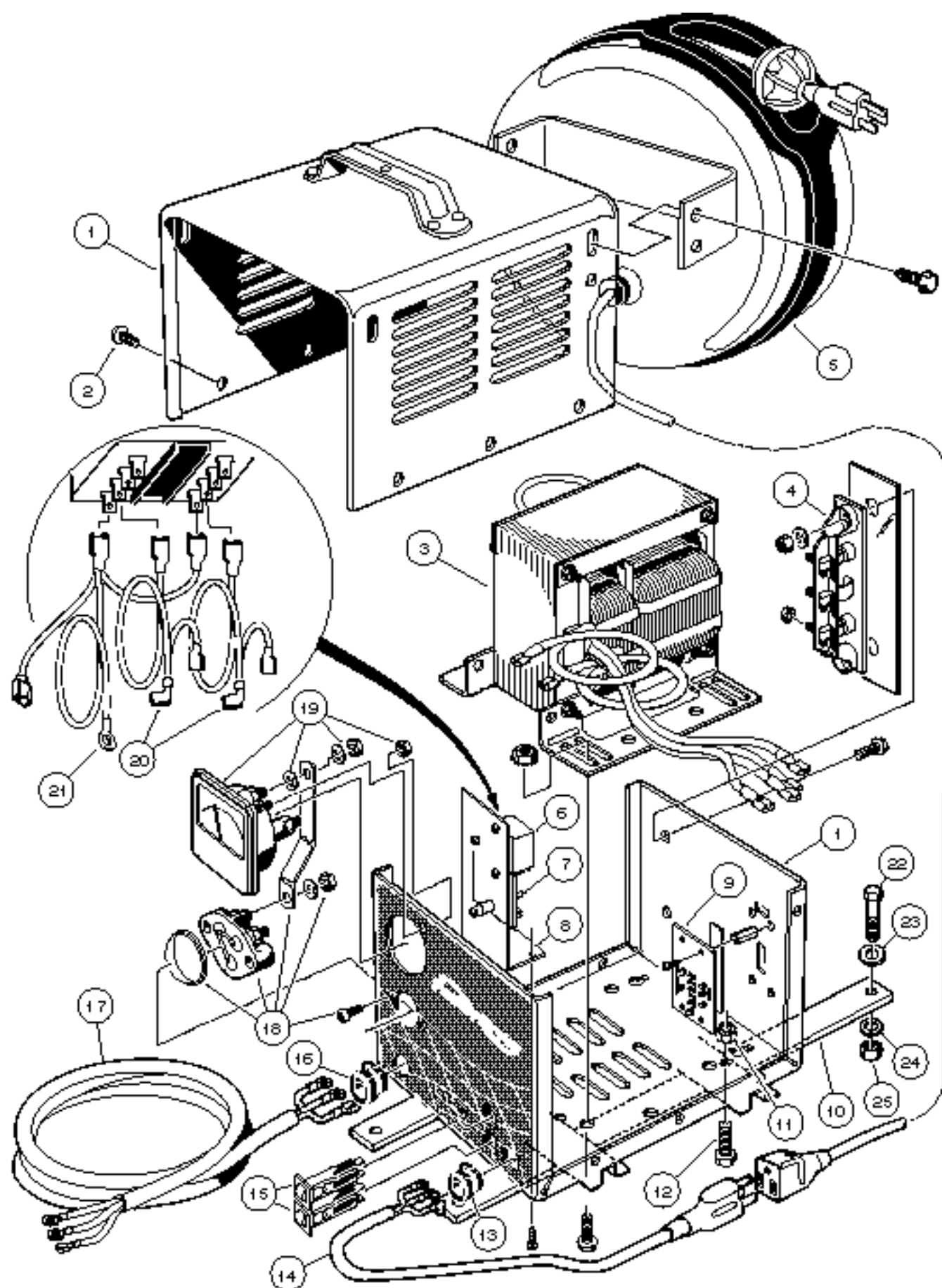


# ON-BOARD POWERDRIVE BATTERY CHARGER DOMESTIC - TRANS-PORTER/TRANS-SENDER

**13**

**E**

ITEM	PART NO.	DESCRIPTION	QTY
		1 2 3 4	
	<u>1018143-01</u>	ASSEMBLY, POWERDRIVE BATTERY CHARGER WITH REEL, ON-BOARD 120VAC 48VDC 60 HZ (INCLUDES ITEMS 1 - 20) .....	1
1	1018161-01	ASSEMBLY, CASE (INCLUDES ITEM 2) .....	1
2	0007577	SCREW, PAN HEAD, SELF-TAPPING, #10 - 16 x 1/2 .....	10
3	<u>1017187</u>	ASSEMBLY, RETRACTABLE CORD REEL .....	1
4	<u>1015914</u>	ASSEMBLY, HEATSINK, WITH DIODES (INCLUDES HARDWARE) .....	1
5	<u>1018197-01</u>	ASSEMBLY, TRANSFORMER .....	1
6	<u>1018417-01</u>	KIT, WIRE ASSEMBLY .....	1
7	<u>1018419-01</u>	BOARD, CONTROL .....	1
8	<u>1018387-01</u>	BRACKET, RELAY AND RESET BOARD MOUNTING .....	1
9	<u>1011707</u>	BRACKET, MOUNTING .....	2
10	0008233	NUT, LOCK, 1/4 - 20 .....	4
11	0007847	BOLT, HEX HEAD, 1/4 - 20 x 3/4 .....	4
12	<u>1015917</u>	BUSHING, STRAIN RELIEF, AC CORD .....	1
13	<u>1018290-01</u>	CORDSET, AC, 24 INCHES WITH GROUNDED PLUG .....	1
14	1018287-01	BREAKER, CIRCUIT, 15 AMP .....	1
15	<u>1012098</u>	BUSHING, STRAIN RELIEF, DC CORD, 12 AWG .....	1
16	<u>1018291-01</u>	CORDSET, DC, 90 INCHES LONG WITH LEADS, 12 AWG .....	1
17	<u>1012101</u>	ASSEMBLY, FUSE (INCLUDES HARDWARE) .....	1
18	<u>1018285-01</u>	AMMETER (INCLUDES HARDWARE) .....	1
19	<u>1018286-01</u>	RELAY, POWER, 48 VDC .....	1
20	1019144-01	ASSEMBLY, VOLTAGE SUPPRESSOR .....	1
21	0007479	BOLT, HEX HEAD, 1/4 - 20 x 1 1/4 .....	4
22	<u>1014306</u>	WASHER, FLAT, 1/4 .....	4
23	0000451	WASHER, LOCK, 1/4 .....	4
24	0001028	NUT, HEX, 1/4 - 20 .....	4



# ON-BOARD POWERDRIVE BATTERY CHARGER EXPORT - TRANS-PORTER/TRANS-SENDER

**13**

**E**

ITEM	PART NO.	DESCRIPTION	QTY
		1 2 3 4	
	<u>1018143-02</u>	ASSEMBLY, POWERDRIVE BATTERY CHARGER AND REEL, ON-BOARD WITH 4-POSITION SWITCH, 100 - 200 - 220 - 240 VAC, 48 VDC 50/60 HZ (INCLUDES ITEMS 1 - 21) .....	1
1	1018416-01	ASSEMBLY, CASE (INCLUDES ITEM 2) .....	1
2	0007577	SCREW, PAN HEAD, SELF-TAPPING, #10 - 16 x 1/2 .....	10
3	1018382-01	ASSEMBLY, TRANSFORMER .....	1
4	<u>1015914</u>	ASSEMBLY, HEATSINK, WITH DIODES (INCLUDES MOUNTING HARDWARE) .....	1
5	<u>1017187</u>	ASSEMBLY, RETRACTABLE CORD REEL .....	1
6	<u>1018383-01</u>	RELAY, POWER (INCLUDES MOUNTING HARDWARE) .....	1
7	<u>1018419-01</u>	BOARD, CONTROL .....	1
8	<u>1018387-01</u>	BRACKET, MOUNTING, RELAY AND RESET BOARD .....	1
9	1018386-01	SWITCH, 4-POSITION, SLIDE .....	1
10	<u>1011707</u>	BRACKET, MOUNTING .....	2
11	0008233	NUT, LOCK, 1/4 - 20 .....	4
12	0007847	BOLT, HEX HEAD, 1/4 - 20 x 3/4 .....	4
13	<u>1015917</u>	BUSHING, STRAIN RELIEF, AC CORD .....	1
14	<u>1018290-01</u>	CORDSET, AC, 3 x 1.5MM x 24 INCHES LONG, WITH GROUNDED PLUG .....	1
15	1018384-01	BREAKER, CIRCUIT .....	2
16	<u>1012098</u>	BUSHING, STRAIN RELIEF, DC CORD, 12 AWG .....	1
17	<u>1018291-01</u>	CORDSET, DC, 90.5 INCHES LONG WITH LEADS, 12 AWG .....	1
18	<u>1012101</u>	ASSEMBLY, FUSE (INCLUDES HARDWARE) .....	1
19	<u>1018285-01</u>	AMMETER (INCLUDES HARDWARE) .....	1
20	1018418-01	KIT, WIRE ASSEMBLY .....	1
21	1019144-01	ASSEMBLY, VOLTAGE SUPPRESSOR .....	1
22	0007479	BOLT, HEX HEAD, 1/4 - 20 x 1 1/4 .....	4
23	<u>1014306</u>	WASHER, FLAT, 1/4 .....	4
24	0000451	WASHER, LOCK, 1/4 .....	4
25	0001028	NUT, HEX, 1/4 - 20 .....	4

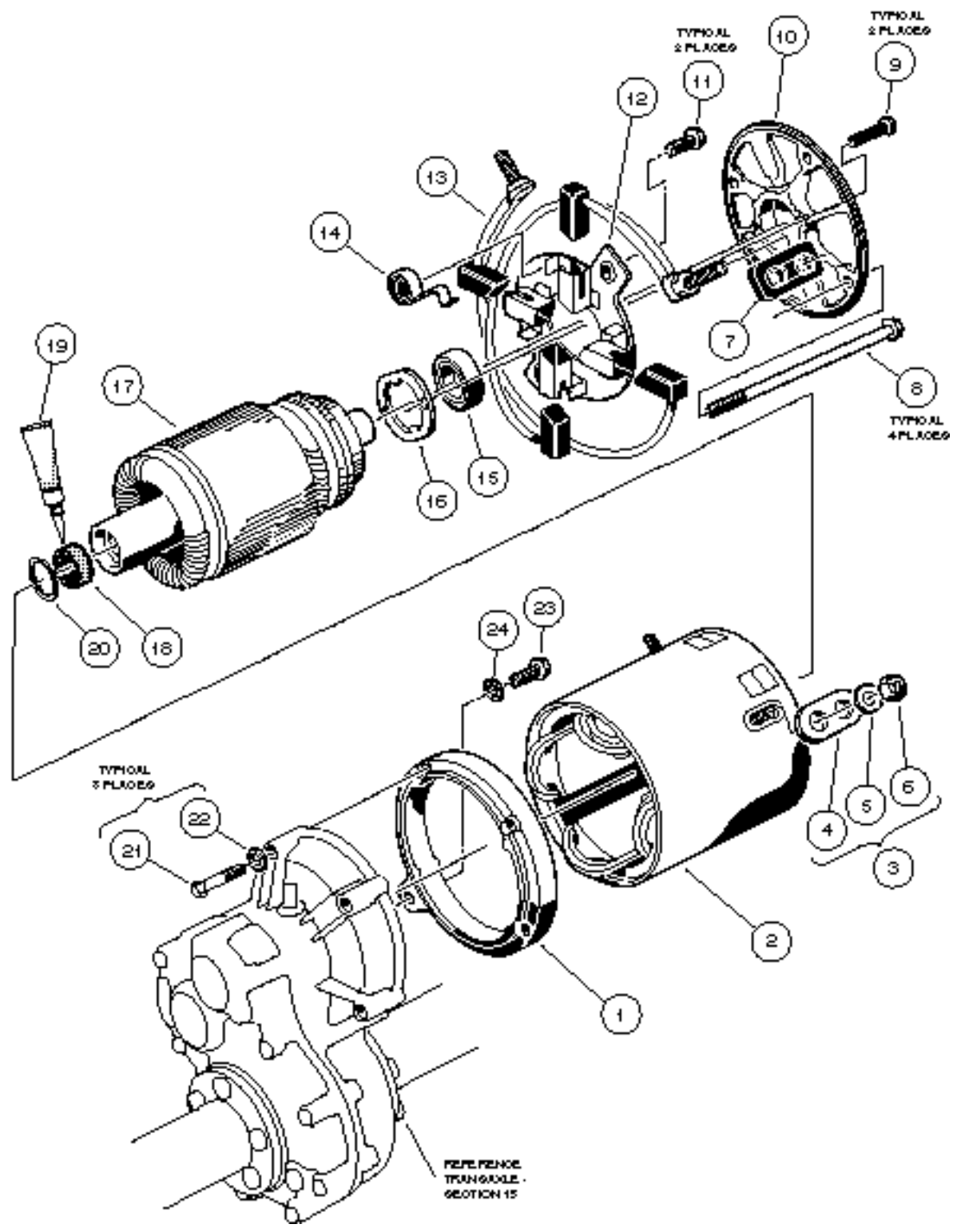


**MOTOR  
POWERDRIVE ELECTRIC VEHICLE**

---

**14**

**E**





# MOTOR - POWERDRIVE ELECTRIC VEHICLE

14

E

ITEM	PART NO.	DESCRIPTION	QTY
		1 2 3 4	
	1018133-01	ASSEMBLY, 48 VOLT MOTOR, 3.10 HP (INCLUDES ITEMS 1 - 20) .....	1
1	<u>1017944</u>	SHIELD, END .....	1
2	<u>1017958</u>	ASSEMBLY, STATOR SHELL AND WINDING .....	1
3	<u>1017947</u>	PACKAGE, HARDWARE (INCLUDES ITEMS 4 - 7) .....	1
4	N/A	BUSHING, INSULATOR .....	2
5	N/A	WASHER, FLAT, 5/16 .....	4
6	N/A	NUT, HEX, 5/16 - 18 .....	4
7	N/A	BUSHING, INSULATOR .....	2
8	<u>1017961</u>	SCREW, CLAMP .....	4
9	<u>1017953</u>	SCREW, BEARING RETAINER .....	2
10	<u>1017951</u>	SHIELD, END .....	1
11	<u>1017949</u>	SCREW, BRUSH HOLDER .....	2
12	<u>1017948</u>	RIGGING, BRUSH .....	1
13	<u>1017946</u>	PACKAGE, BRUSH (2 PIECES) .....	1
14	1011411	PACKAGE, BRUSH SPRING (4 PIECES) .....	1
15	<u>1011290</u>	BEARING, BALL .....	1
16	<u>1017950</u>	RETAINER, BEARING .....	1
17	N/A	ARMATURE .....	1
18	<u>1017891-01</u>	RING, GUIDE .....	1
19	<u>1018132-02</u>	ADHESIVE, GUIDE RING, 3 GRAM TUBE .....	A/R
20	<u>1018228-01</u>	RING, INTERNAL RETAINING .....	1
21	1014201	BOLT, HEX HEAD, 1/4 - 20 x 2 1/4 .....	3
22	0000451	WASHER, LOCK, 1/4 .....	3
23	<u>1010934</u>	BOLT, HEX HEAD, 5/16 - 18 x 1 .....	1
24	0007174	WASHER, LOCK, 5/16 .....	1

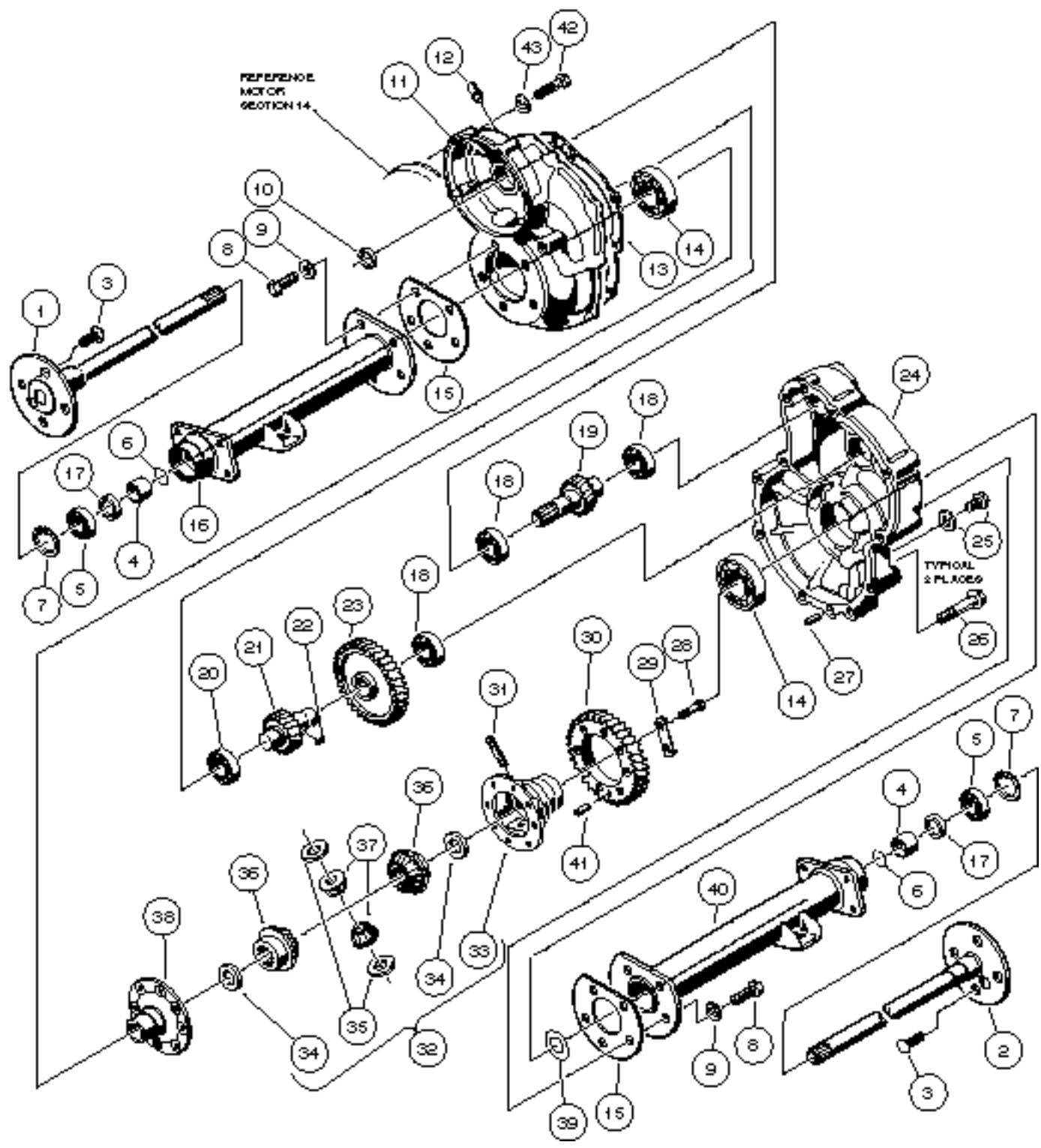


# TRANSAXLE POWERDRIVE ELECTRIC VEHICLE

---

15

E



# TRANSAXLE - POWERDRIVE ELECTRIC VEHICLE

15

E

ITEM	PART NO.	DESCRIPTION	QTY
		1 2 3 4	
	1017683-02	TRANSAXLE (INCLUDES ITEMS 1 - 41) .....	1
1	1013785	AXLE ASSEMBLY, RIGHT (INCLUDES ITEMS 3 - 7) .....	1
2	1013786	AXLE ASSEMBLY, LEFT (INCLUDES ITEMS 3 - 7) .....	1
3	<u>1013787</u>	STUD, LUG .....	8
4	1014207	BUSHING, 25 MM I. D. ....	1
5	<u>1011291</u>	BEARING, OUTER AXLE TUBE .....	2
6	<u>1013792</u>	CIRCLIP, TYPE C .....	2
7	<u>1016672</u>	RING, RETAINING .....	2
8	<u>1013790</u>	BOLT, M10 x 1.5 x 30MM .....	10
9	<u>1013791</u>	WASHER, LOCK, 13/32 .....	10
10	<u>1013775</u>	SEAL, INPUT SHAFT OIL .....	1
11	1013756	GEAR CASE, RIGHT .....	1
12	<u>1012711</u>	BREATHER .....	1
13	<u>1013758</u>	GASKET, CASE .....	1
14	0007330	BEARING, INNER AXLE TUBE .....	2
15	<u>1013789</u>	GASKET, AXLE TUBE .....	2
16	1017704	ASSEMBLY, AXLE TUBE, RIGHT SIDE .....	1
17	<u>1013794</u>	SEAL, AXLE SHAFT OIL .....	2
18	0007335	BEARING, INPUT GEAR .....	3
19	<u>1013764</u>	SHAFT, INPUT .....	1
20	0007336	BEARING, INTERMEDIATE GEAR .....	1
21	<u>1013766</u>	GEAR, INTERMEDIATE, SMALL .....	1
22	<u>1013780</u>	KEY, SUNK .....	1
23	1013765	GEAR, INTERMEDIATE, LARGE .....	1
24	1013757	GEAR CASE, LEFT .....	1
25	<u>1013759</u>	PLUG, FILL, WITH GASKET .....	2
26	<u>1013763</u>	BOLT, M6 x 1 x 50MM .....	10
27	<u>1012710</u>	PIN, DOWEL .....	2
28	<u>1013779</u>	BOLT, M8 x 1.25 x 37MM .....	8
29	<u>1013782</u>	PLATE, LOCK .....	4
30	<u>1013767</u>	GEAR, OUTPUT .....	1
31	<u>1013772</u>	PIN, DIFFERENTIAL .....	1
32	<u>1019105-01</u>	KIT, DIFFERENTIAL GEAR CASE (INCLUDES ITEMS 33 - 35) .....	1
33	1013768	GEAR CASE, DIFFERENTIAL (LEFT) .....	1
34	<u>1013773</u>	PLATE, THRUST (DIFFERENTIAL GEAR) .....	2
35	<u>1013774</u>	PLATE, THRUST (IDLER GEAR) .....	2
36	1013771	GEAR, DIFFERENTIAL .....	2
37	<u>1013770</u>	GEAR, DIFFERENTIAL IDLER .....	2
38	1013769	GEAR CASE, DIFFERENTIAL (RIGHT) .....	1
39	<u>1013781</u>	SHIM .....	1
40	<u>1017703</u>	ASSEMBLY, AXLE TUBE, LEFT SIDE .....	1
41	<u>1014193</u>	PIN, DOWEL .....	1
42	1014201	BOLT, HEX HEAD, 1/4 - 20 x 2 1/4 .....	3
43	0000451	WASHER, LOCK, 1/4 .....	3





