

**Workmate
2100
2100S**



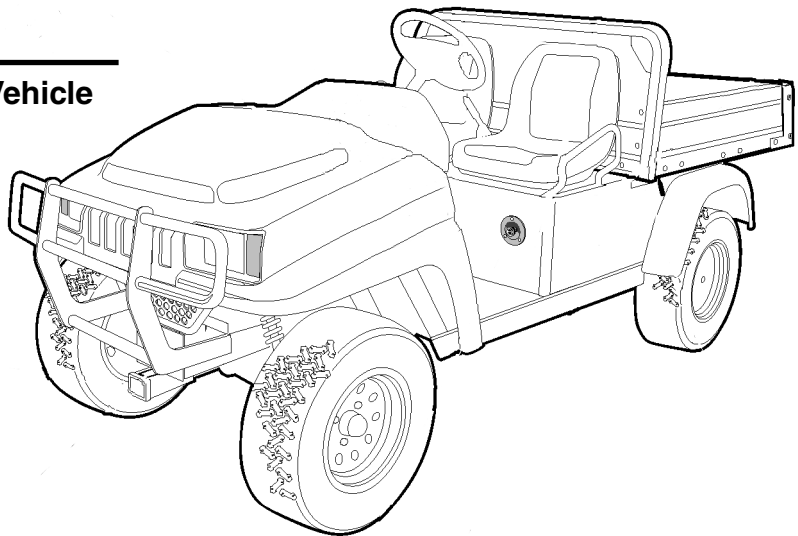
Bobcat® Illustrated

Parts

List

**S/N 522711001 & Above
S/N 524411001 & Above**

Utility Vehicle



An  **Ingersoll-Rand** business

USING THE ILLUSTRATED PARTS LIST

WARNING

- **This manual is to be used only for identification and ordering of service parts. Be sure to read and use the maintenance and service manual before attempting any vehicle repairs.**

This manual covers all 2100 and 2100S vehicles serial number 524411001 and greater.

The manual is divided into 13 sections. Sections 1 through 12 pertain to the 2100 and 2100S vehicles, and Section 13 pertains to tools that are used on both 2100 and 2100S vehicles. Note that there are two flags on the outside edge of each page. The first flag contains the section number of which that page is a part. The other flag contains the letter G, signifying that the page pertains to the gasoline vehicle only.

Use the Table of Contents to find the sections and pages that contain the parts and assemblies you seek. The Table of Contents lists section numbers, and under them, the individual page titles and numbers to be found in that section. The index can be used to find specific parts and assemblies. The index is divided into numerical and alphabetical listings with the page numbers in italic text.

There is a two-page spread for each individual page title in the Table of Contents. On the left-hand page is an illustration showing the parts in their relative positions; the parts are each tagged with an item number in a balloon. The right-hand page is the parts list page, and gives the page title at the top, then the item numbers (corresponding to the numbers on the illustration), part descriptions, and quantity of parts used. Some item numbers have more than one part number because several configurations of a component are represented together on one spread.

There are some wiring diagrams in this manual that cover two pages. For these diagrams the parts list page will be on the next two-page spread.

Note that a part description may be indented. This indentation corresponds to a parts assembly level indicated by the numbers 1, 2, 3, and 4 at the top left corner of the parts description area of the parts list page. A part that is indented to *level 2* is a component of the *level 1* part (assembly) that it is listed under. A *level 3* part is a component of the *level 2* part that it is listed under, and a *level 4* part is a component of the *level 3* part preceding it. In each case, the part quantity given for a level 2, 3, or 4 part is *the quantity used per next higher level assembly of which it is a component*. A part that is not indented is a *level 1* part. This means that the quantity given is the quantity used per the portion of the vehicle illustrated on that particular spread.

HOW TO ORDER PARTS

Replacement parts and accessories can be obtained from our network of authorized dealers. You can obtain the name and phone number of your closest Bobcat dealer by visiting our web site at www.bobcat.com or by calling 701-222-5315.

Bobcat Company
P. O. Box 128
Gwinner, ND 58040-0128 USA
Telephone 701-222-5315
www.bobcat.com

NOTE: *This illustrated parts list represents the most current information at the time of publication. Bobcat Company is continually working to further improve its vehicles and other products. These improvements may affect the parts used to service the vehicle. Any modification and/or significant change in specifications will be forwarded to all Bobcat dealers and will, when applicable, appear in future editions of this illustrated parts list.*

Bobcat Company reserves the right to change specifications and designs at any time without notice and without incurring the obligation of making changes to units previously sold.

CONTENTS

SECTION 1 – BODY AND TRIM

Front Body Trim	1-3
Front Seats	1-5
Rear Seat and Support Structure – 2100S Vehicles	1-7
Latch Plate and Prop Rod – 2100 Vehicles	1-9
Tilt Bed, Hinge and Latch – 2100 Vehicles	1-11
Cargo Box – 2100 Vehicles	1-13
Tilt Bed, Hinge and Latch – 2100S Vehicles	1-15
Cargo Box – 2100S Vehicles	1-17
Rear Body Trim	1-19

SECTION 2 – WHEELS AND TIRES

Wheels and Tires	2-3
------------------------	-----

SECTION 3 – DECALS

Decals – 2100 Vehicles	3-3
Decals, Continued – 2100 Vehicles	3-5
Decals, Continued – 2100S Vehicles	3-7
Decals, Continued – 2100S Vehicles	3-9

SECTION 4 – BRAKE SYSTEMS

Front Brake Assembly	4-3
Rear Brake Assembly	4-5
Master Cylinder	4-7
Hydraulic Brake System – 2100 Vehicles	4-9
Hydraulic Brake System – 2100S Vehicles	4-11
Hand Park Brake Assembly	4-13

SECTION 5 – PEDAL GROUP

Brake Pedal Assembly	5-3
Accelerator Pedal Assembly	5-5

SECTION 6 – STEERING, FRONT AND REAR SUSPENSION

Steering Column	6-3
Steering Gear Assembly	6-5
Front Suspension	6-7
Rear Suspension	6-9

CONTENTS

SECTION 7 – ELECTRICAL SYSTEM

Wiring – 2100, Key-Start Vehicle	7-5
Wiring – 2100S, Key-Start Vehicle	7-9
Forward/Reverse Shifter Assembly	7-11
Electrical Component Box, Key-Start Vehicles	7-13
Electrical Components, Front Body	7-15
Electrical Components, Dash Panel	7-17
Starter/Generator Assembly	7-19
Starter/Generator Mounting	7-21
Battery	7-23

SECTION 8 – ENGINE

FE400 Engine (Key-Start) – Shrouds and Brackets	8-3
FE400 Engine (Key-Start) – Ignition Components and Flywheel	8-5
FE400 Engine (Key-Start) – Oil Circulation	8-7
FE400 Engine (Key-Start) – Cylinder Head	8-9
FE400 Engine (Key-Start) – Crankcase, Camshaft and Oil Sensor	8-11
FE400 Engine (Key-Start) – Crankcase and Crankshaft	8-13
Engine Mounting	8-15

SECTION 9 – FUEL, INTAKE, AND GOVERNOR SYSTEMS

Fuel System – 2100 Vehicles	9-3
Fuel System – 2100S Vehicles	9-5
Carburetor Assembly, FE400 engine	9-7
Carburetor Installation	9-9
Governor and Accelerator Cables	9-11
Intake Duct, Choke, and Air Box Assembly – 2100 Vehicles	9-13
Intake Duct, Choke, and Air Box Assembly – 2100S Vehicles	9-15

SECTION 10 – EXHAUST SYSTEM

Exhaust System, FE400 engine	10-3
------------------------------------	------

SECTION 11 – TORQUE CONVERTER

Drive Clutch	11-3
Driven Clutch	11-5

SECTION 12 – UNITIZED TRANSAXLE

Unitized Transaxle, MC012C – Gear Cases, Brackets and Guard	12-3
---	------

CONTENTS

Unitized Transaxle, MC012C – F&R Transmission and Gear Reduction	12-5
Unitized Transaxle, MC012C – Differential Lock and Axles	12-7
Unitized Transaxle – Differential Lock Cable Assembly and Shifter	12-9

SECTION 13 – MAINTENANCE AND SERVICE TOOLS

Maintenance and Service Tools	13-3
Maintenance and Service Tools, Continued	13-5
Maintenance and Service Tools, Continued	13-7

BODY AND TRIM

1

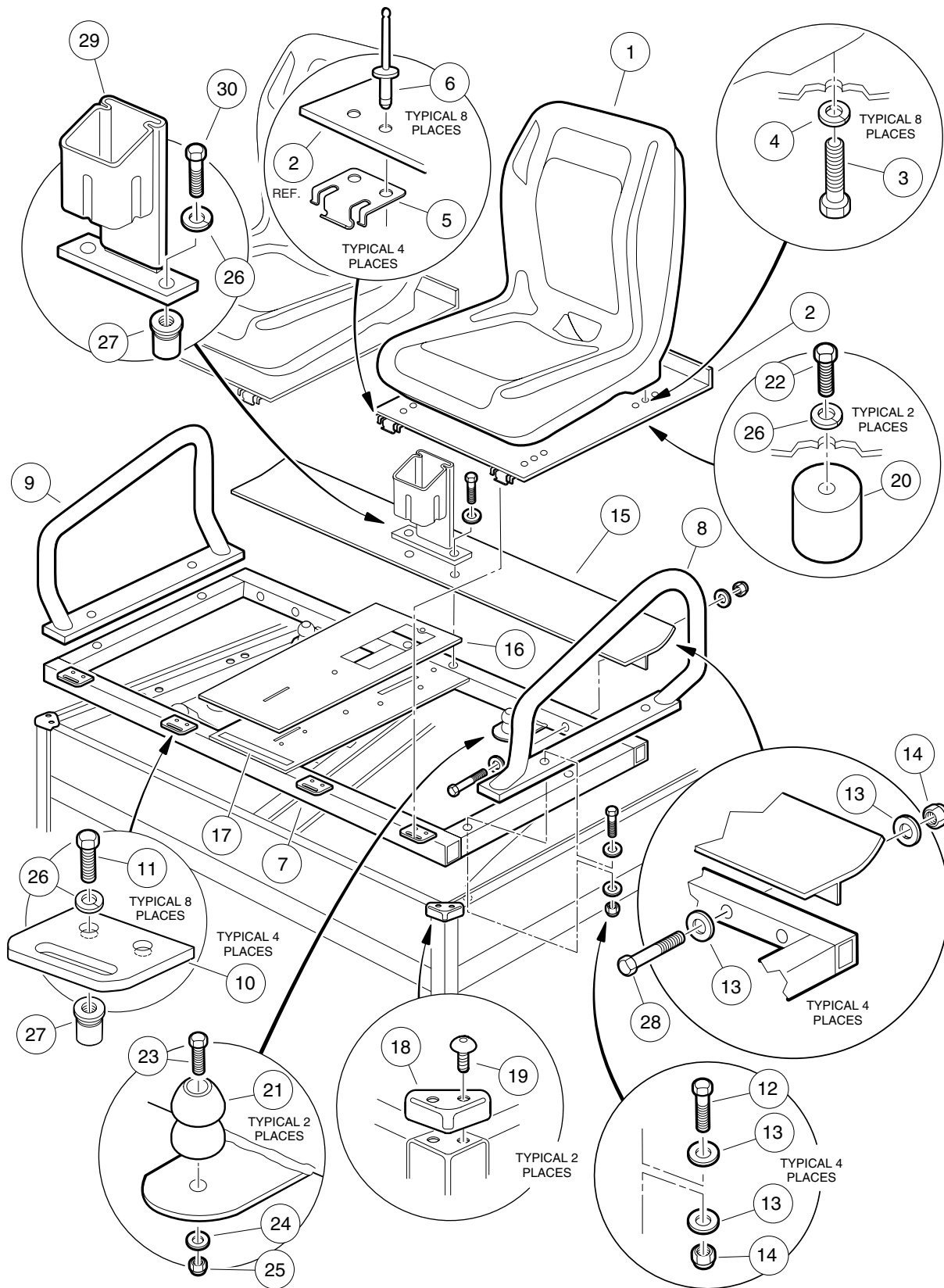
G

FRONT BODY TRIM

ITEM	PART NO.	DESCRIPTION	QTY
		1 2 3 4	
1	<u>102021716</u>	Body, Front with Headlight Opening – White	1
1	<u>102021718</u>	Body, Front with Headlight Opening – Camouflage	1
2	<u>102025701</u>	Screw, Tuflok	15
3	<u>102021801</u>	Dashboard	1
4	<u>102030501</u>	Panel, Dash	1
5	<u>102056901</u>	Kit, Dash Hardware (includes items 6 - 8)	1
6	<u>102025801</u>	Screw, Truss-Head, Type C, 1/4-20 x 3/4	5
7	<u>102045001</u>	Cap	5
8	<u>102048401</u>	Washer	5
9	<u>1017384</u>	Screw, Hex Washer-Head, Type AB, #12	5
10	<u>102021501</u>	Fender, Front, Driver-Side	1
11	<u>102021601</u>	Fender, Front, Passenger-Side	1
12	<u>1010545</u>	Screw, Hex Washer-Head, Type AB, 1/4-14 x 3/4	4
13	<u>1606</u>	Rivet, Blind, 3/16 x 1/2	4
14	<u>183</u>	Washer, Flat, Type A, #10	8
15	<u>102015701</u>	Support, Upper Front Body	1
16	<u>1012285</u>	Screw, Hex-Head Thread-Rolling, 1/4-20 x 5/8	4
17	<u>102015801</u>	Support, Lower Fender	1
18	<u>102078101</u>	Screw, Hex-Head Cap, 5/16-18 x 2-1/2	4
19	<u>332</u>	Washer, Flat, Type A, 1/4	4
20	<u>7473</u>	Nut, Nylon Lock, 5/16-18	6
21	<u>102013901</u>	Grill	1
22	<u>1010921</u>	Screw, Hex-Head Cap, 5/16-18 x 2-1/2	2
23	<u>1241</u>	Washer, Flat, Type A, 5/16	6
24	<u>102013201</u>	Guard, Brush	1
25	<u>102335901</u>	Decal, Bobcat	2
26	<u>7410</u>	Screw, Phillips Truss-Head, 5/16-18 x 1-1/4	4
27	<u>7174</u>	Washer, Lock, 5/16	2
28	<u>102160101</u>	Mat, Floor (not shown)	1

1
G

1
G

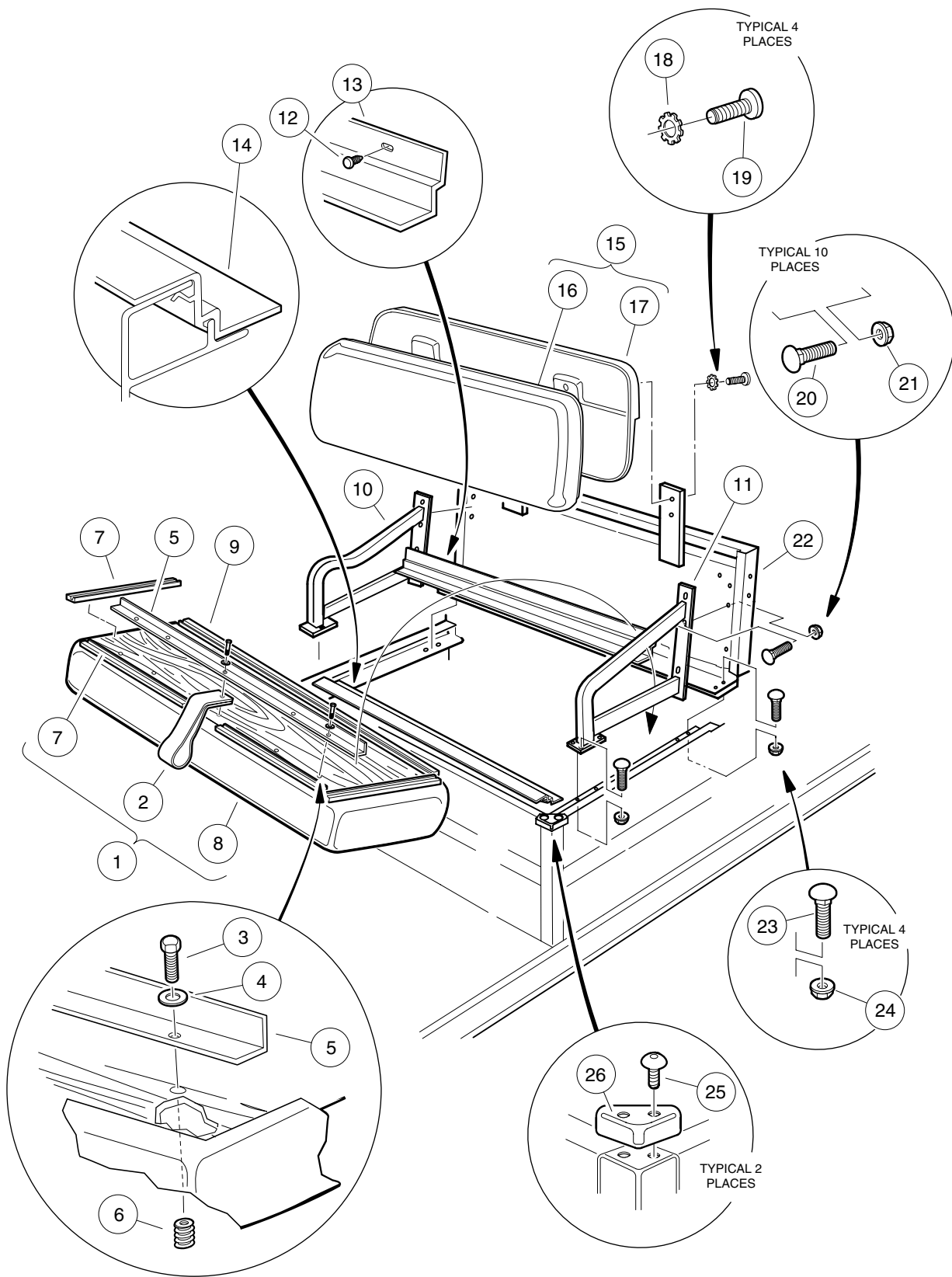


FRONT SEATS

ITEM	PART NO.	DESCRIPTION	QTY
		1 2 3 4	
1	<u>102026501</u>	Seat, Bucket – Gray	2
2	<u>102023701</u>	Panel, Seat	2
3	<u>1012830</u>	Screw, Hex-Head, M8 x 1.25 x 22 mm	8
4	<u>1013734</u>	Washer, Lock, 8 mm	8
5	<u>1011652</u>	Plate, Hinge	4
6	<u>102047001</u>	Rivet, Pop, Stainless Steel, 1/4 x 1/2	8
7	<u>102026901</u>	Weldment, Seat Support	1
8	<u>102024901</u>	Armrest, Driver-Side	1
9	<u>102025001</u>	Armrest, Passenger-Side	1
10	<u>1012412</u>	Plate, Hinge, Body	4
11	<u>7847</u>	Screw, Hex-Head Cap, 1/4-20 x 3/4	8
12	<u>8935</u>	Screw, Hex-Head Cap, 5/16-18 x 2-1/4	4
13	<u>1011697</u>	Washer, Flat, 5/16	16
14	<u>7473</u>	Nut, Nylon Lock, 5/16-18	8
15	<u>102029501</u>	Seal, Bed (2100 vehicle only)	1
16	<u>102026401</u>	Cover, Console	1
17	N/A	Tape, VHB	A/R
18	<u>1014387</u>	Cap, Corner	2
19	<u>1014321</u>	Screw, Torx Truss-Head, 1/4-14 x 3/4	4
20	<u>102061101</u>	Cup, Seat Holder	2
21	<u>102059001</u>	Base, Seat Holder	2
22	<u>102059401</u>	Screw, Hex-Head Cap, M6 x 1 x 10 mm	2
23	<u>102059501</u>	Screw, Hex-Head Cap, M6 x 1 x 35 mm	2
24	<u>332</u>	Washer, Flat, Type A, 1/4	2
25	<u>101887601</u>	Nut, Nylon Lock, M6	2
26	<u>451</u>	Washer, Lock, 1/4	12
27	<u>102060201</u>	Insert, Threaded, 1/4-20	10
28	<u>7311</u>	Screw, Hex-Head Cap, 5/16-18 x 2 (2100 vehicle only)	4
29	<u>102068501</u>	Holder, Radio/Beverage	1
30	<u>7847</u>	Screw, Hex-Head Cap, 1/4-20 x 3/4	2

1
G

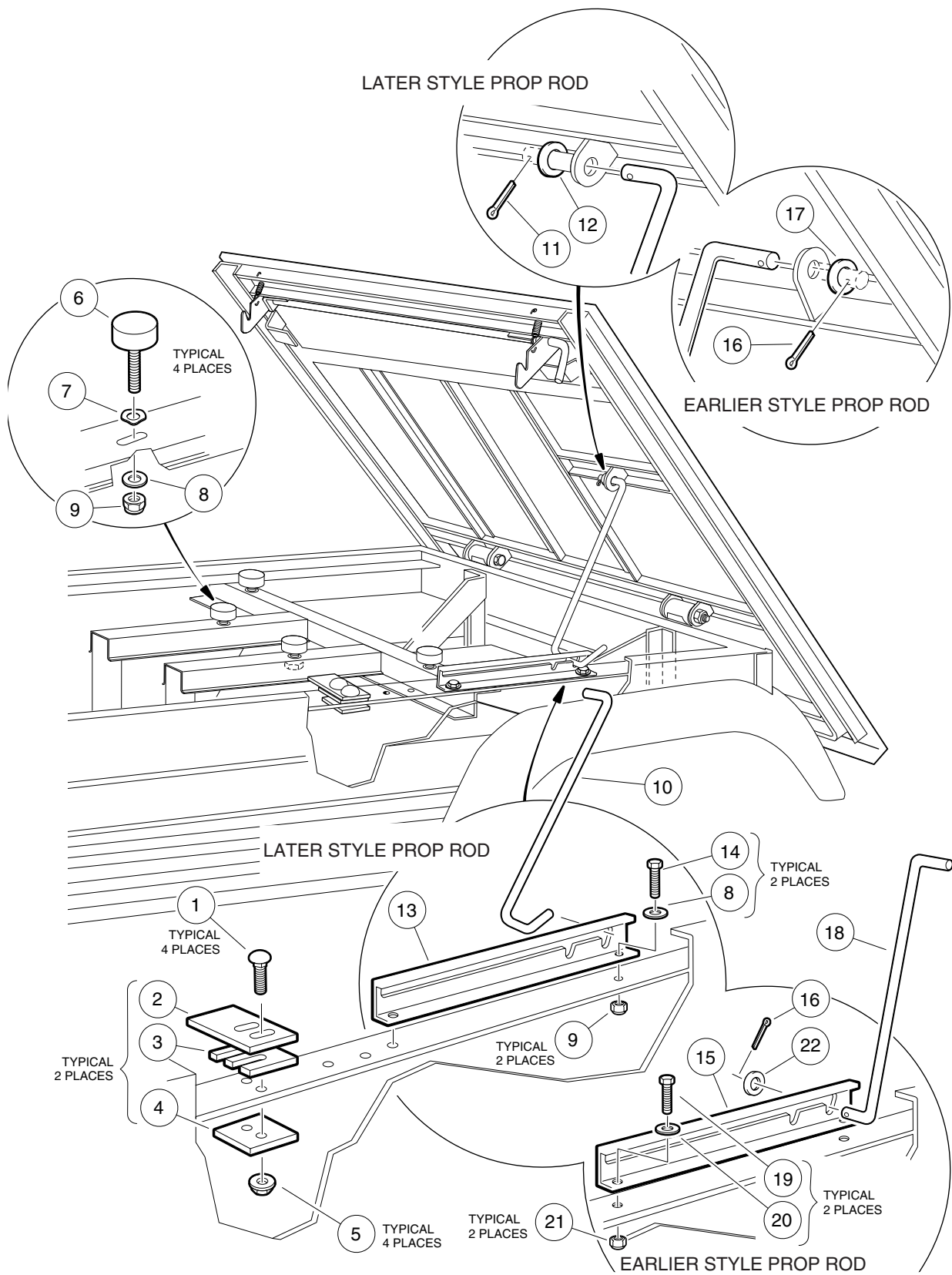
1
G



REAR SEAT AND SUPPORT STRUCTURE – 2100S VEHICLES

ITEM	PART NO.	DESCRIPTION	QTY
		1 2 3 4	
1	<u>101564505</u>	Assembly, Seat Bottom – Gray (includes items 2 - 9)	1
2	<u>1013309</u>	Strap, Seat Bottom	1
3	<u>101954301</u>	Screw, Hex-Head Cap with Adhesive Patch, 1/4-20 x 3/4	5
4	<u>332</u>	Washer, Flat, Type A, 1/4	5
5	<u>101894303</u>	Stiffener, Seat	1
6	<u>1010543</u>	Insert, Wood	5
7	<u>1013311</u>	Bumper, Seat, Short	4
8	<u>101562710</u>	Cover, Vinyl Seat Bottom – Gray	1
9	<u>1013312</u>	Bumper, Seat, Long	1
10	<u>101888501</u>	Assembly, Armrest, Passenger	1
11	<u>101888502</u>	Assembly, Armrest, Driver	1
12	<u>1010434</u>	Fastener, Plastic Barrel	5
13	<u>101963901</u>	Trim, Seat Bottom, Rear	1
14	<u>101964001</u>	Trim, Seat Bottom, Front	1
15	<u>101677705</u>	Assembly, Seat Back – Gray (includes items 16 and 17)	1
16	<u>101675506</u>	Cover, Vinyl Seat Back – Gray	1
17	<u>1016751</u>	Cap, Seat Back – Black	1
18	<u>101946201</u>	Washer, External Tooth Lock, 1/4	4
19	<u>8251</u>	Screw, Phillips Truss-Head, 1/4-20 x 1	4
20	<u>101958601</u>	Bolt, Carriage, 1/4-20 x 3/4	10
21	<u>101835601</u>	Nut, Flange, 1/4-20	10
22	<u>1016723</u>	Panel, Seat Support	1
23	<u>101963301</u>	Bolt, Carriage, 5/16-18 x 3/4	4
24	<u>101963401</u>	Nut, Flange, 5/16-18	4
25	<u>1014321</u>	Screw, Torx Truss-Head, 1/4-14 x 3/4	4
26	<u>1014387</u>	Cap, Corner	2

1
G

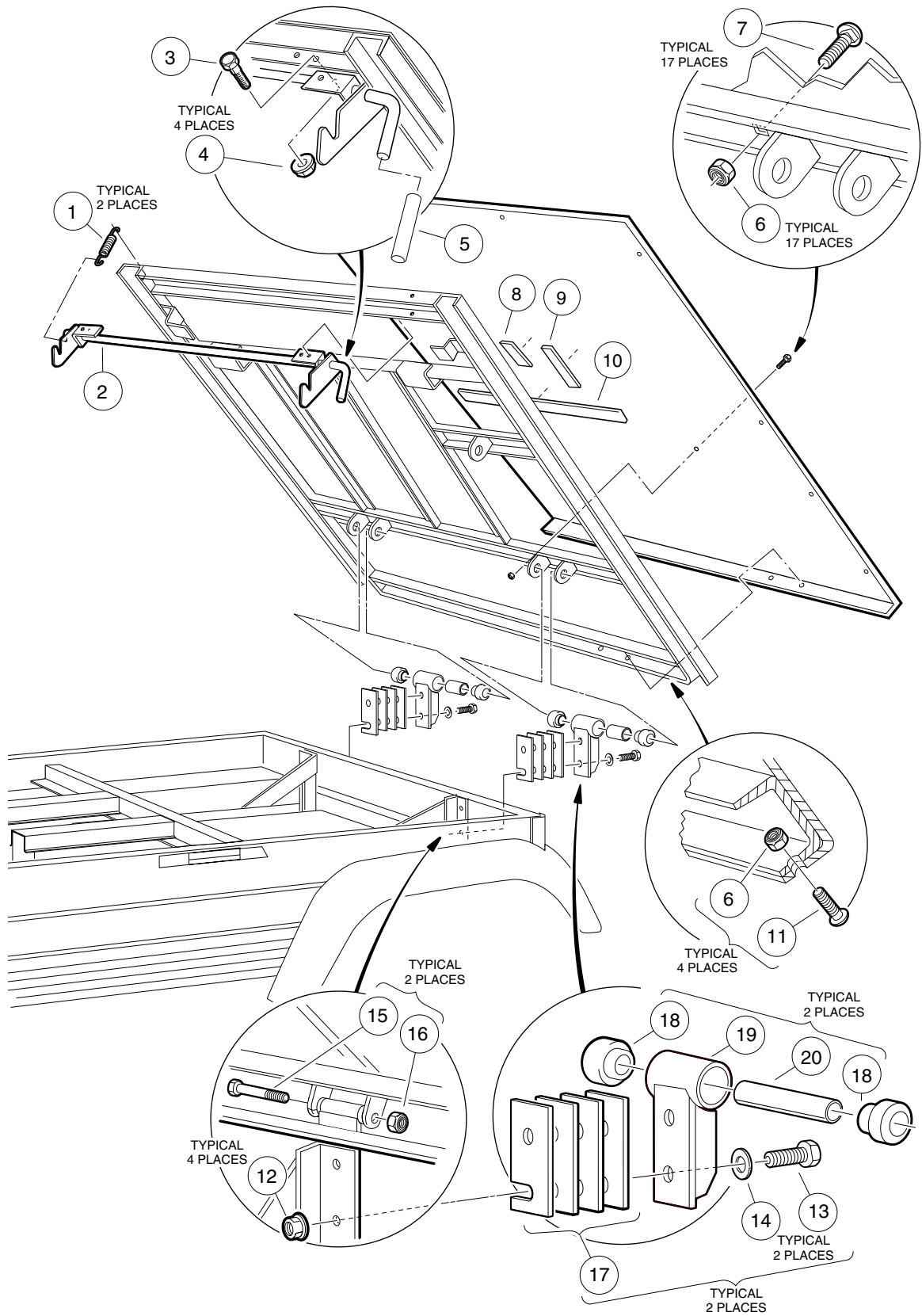


LATCH PLATE AND PROP ROD – 2100 VEHICLES

ITEM	PART NO.	DESCRIPTION	QTY
		1 2 3 4	
1	<u>101958602</u>	Bolt, Carriage, 1/4-20 x 1	4
2	<u>1015277</u>	Plate, Tilt Bed Latch	2
3	<u>1016078</u>	Shim, Latch Plate	A/R
4	<u>1016060</u>	Support, Latch Plate	2
5	<u>101835601</u>	Nut, Flanged, 1/4-20	4
6	<u>1010878</u>	Bumper, Rubber	4
7	<u>1016201</u>	Washer, Wave	4
8	<u>332</u>	Washer, Flat, Type A, 1/4	4
9	<u>8233</u>	Nut, Nylon Lock, 1/4-20	4
10	<u>102301401</u>	Rod, Prop (later style)	1
11	<u>1035</u>	Pin, Cotter, 3/32 x 1	2
12	<u>334</u>	Washer, Flat, Type A, 3/8	1
13	<u>101921601</u>	Track, Prop Rod	1
14	<u>7847</u>	Screw, Hex-Head Cap, 1/4-20 x 3/4	2
		Earlier style prop rod (early style):	
	<u>101922801</u>	Kit, Prop Rod (includes items 15 - 22)	1
15	N/A	Track, Prop Rod	1
16	<u>1035</u>	Pin, Cotter, 3/32 x 1	2
17	<u>334</u>	Washer, Flat, Type A, 3/8	1
18	N/A	Rod, Prop	1
19	<u>7847</u>	Screw, Hex-Head Cap, 1/4-20 x 3/4	2
20	<u>332</u>	Washer, Flat, Type A, 1/4	2
21	<u>8233</u>	Nut, Nylon Lock, 1/4-20	2
22	<u>1017328</u>	Washer, Convex, 3/8	1

1
G

1
G

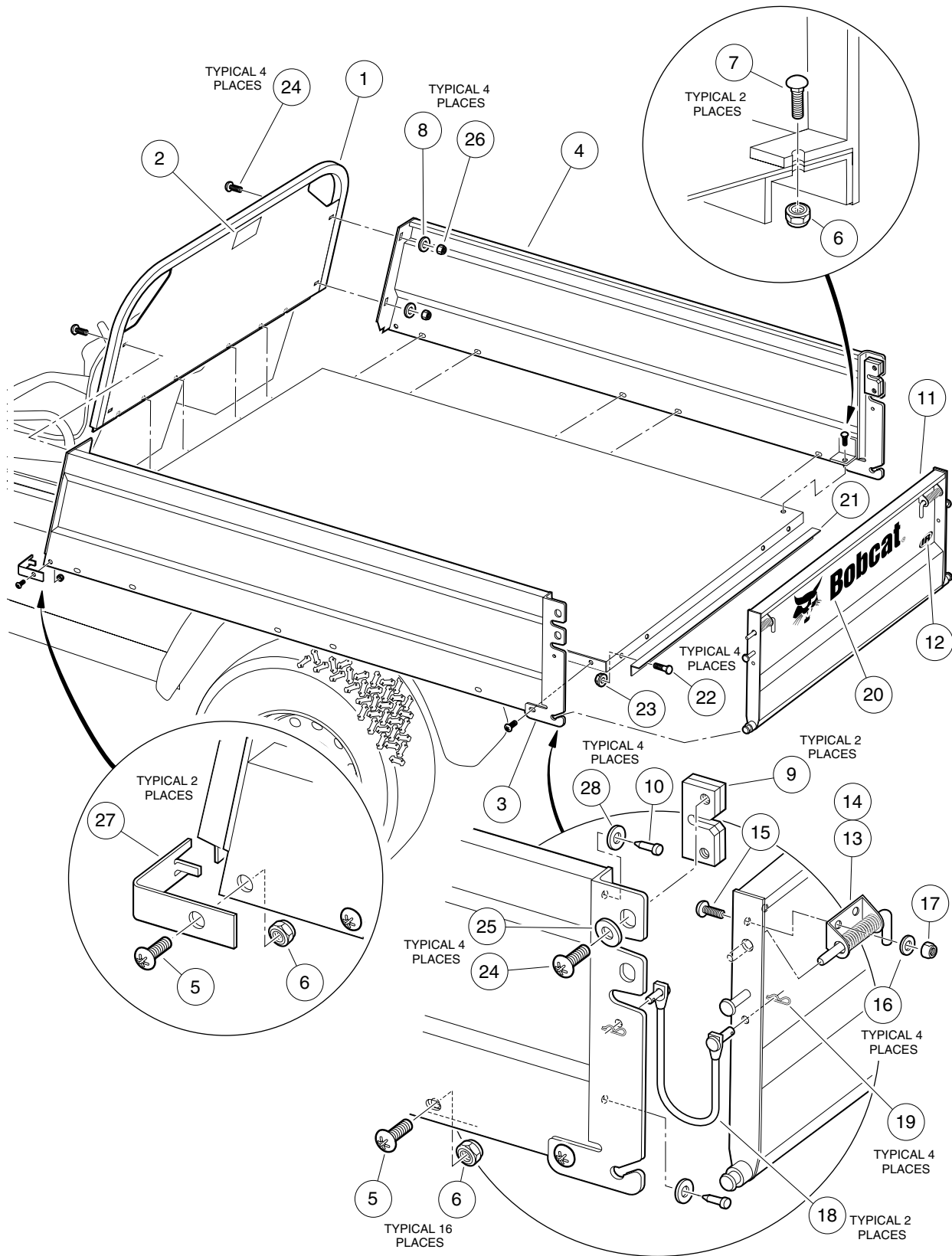


TILT BED, HINGE AND LATCH – 2100 VEHICLES

ITEM	PART NO.	DESCRIPTION	QTY
		1 2 3 4	
	<u>101542901</u>	Assembly, Tilt Bed, Manual Lift (includes items 1 - 11) *	1
1	<u>1015391</u>	Spring, Latch Extension	2
2	<u>1015252</u>	Assembly, Latch Weld	1
3	<u>403</u>	Screw, Hex-Head Cap, 1/4-20 x 5/8	4
4	<u>101835601</u>	Nut, Flanged Lock, 1/4-20	4
5	<u>1015400</u>	Hand Grip, Tilt Latch	1
6	<u>7473</u>	Nut, Nylon Lock, 5/16-18	21
7	<u>1010435</u>	Bolt, Carriage, 5/16-18 x 1	17
8	<u>1014471</u>	Insulation, Bulk (4 inches long)	A/R
9	<u>1014471</u>	Insulation, Bulk (8 inches long)	A/R
10	<u>1014471</u>	Insulation, Bulk (46 inches long)	A/R
11	<u>1015399</u>	Screw, Torx Truss-Head, 5/16-18 x 5/8	4
12	<u>102065901</u>	Nut, Dimpled Flanged Lock, 3/8-16	4
13	<u>705</u>	Screw, Hex-Head Cap, 3/8-16 x 1-1/4	4
14	<u>102066001</u>	Washer, Flat, Type B, 3/8	4
15	<u>8755</u>	Screw, Hex-Head Cap, 3/8-16 x 3-3/8	2
16	<u>8754</u>	Nut, Nylon Lock, 3/8-16	2
17	<u>1015507</u>	Shim, Tilt Bed Pivot	A/R
18	<u>1015583</u>	Bushing, Urethane	4
19	<u>1015356</u>	Hinge, Tilt Bed	2
20	<u>1012303</u>	Bushing, Steel	2
<p style="margin-left: 40px;">For latch plate and prop rod components, see page 1-9.</p> <p style="margin-left: 40px;">* When ordering a new tilt bed for an early vehicle, order a new prop rod CCI P/N 102301401 to replace the old prop rod.</p>			



1
G

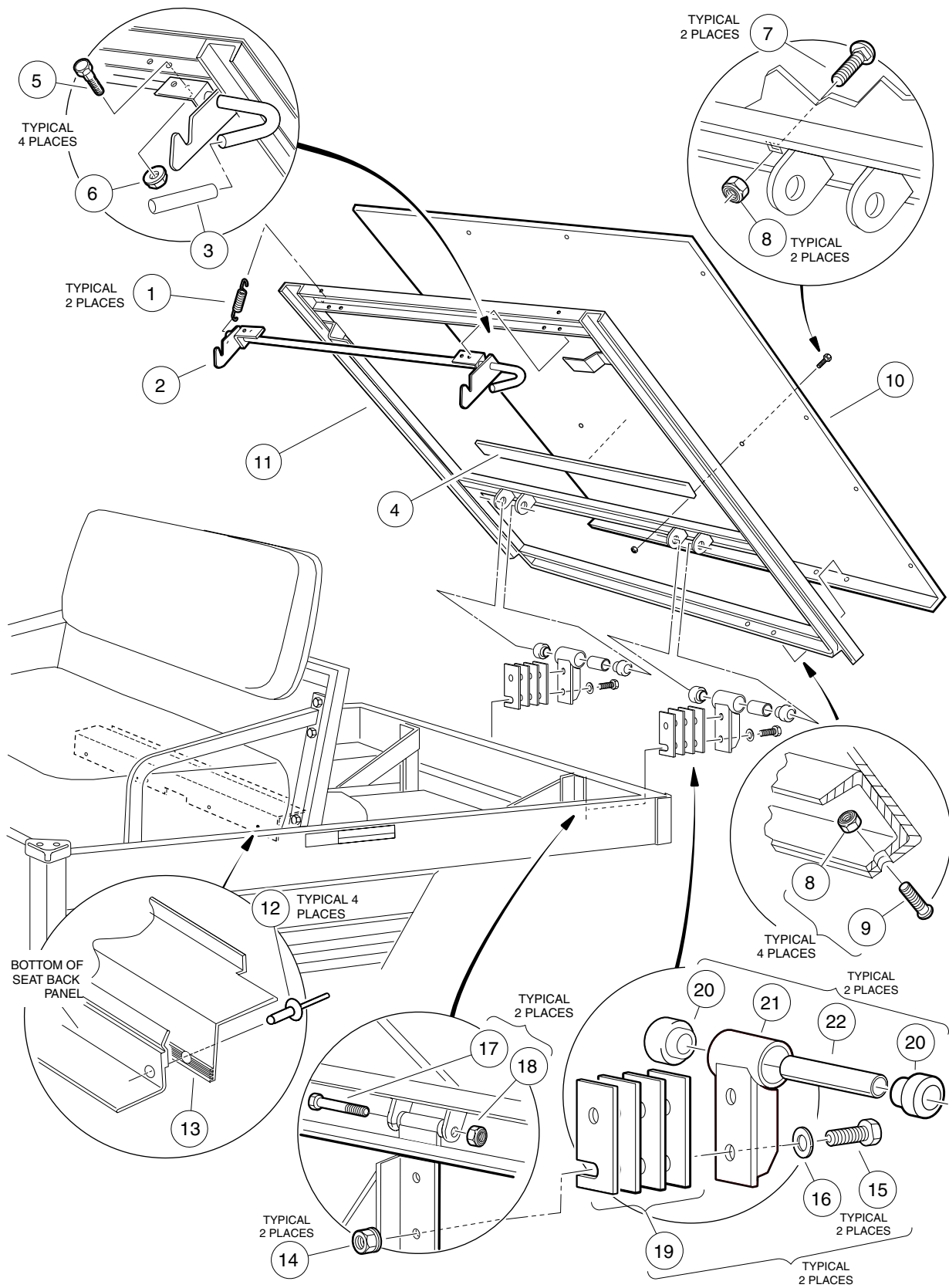


CARGO BOX – 2100 VEHICLES

ITEM	PART NO.	DESCRIPTION	QTY
		1 2 3 4	
	<u>102230602</u>	Kit, Steel Box (includes items 1 - 28)	1
1	<u>102221301</u>	Assembly, Front Panel (includes item 2)	1
2	<u>101553901</u>	Decal, Bed Load	1
3	<u>102221401</u>	Assembly, Side Panel, Driver-Side	1
4	<u>102221501</u>	Assembly, Side Panel, Passenger-Side	1
5	<u>1015399</u>	Screw, Torx Truss-Head, 5/16-18 x 7/8	18
6	<u>7473</u>	Nut, Nylon Lock, 5/16-18	20
7	<u>1010435</u>	Bolt, Carriage, 5/16-18 x 1	2
8	<u>332</u>	Washer, Flat, Type A, 1/4	4
9	<u>102222001</u>	Latch, Slam	2
10	<u>1010436</u>	Bumper	4
11	<u>102229902</u>	Assembly, Tailgate (includes items 12 - 20)	1
12	<u>102339101</u>	Decal, IR Tailgate	1
13	<u>102222101</u>	Spring Latch, Driver-Side	1
14	<u>102222201</u>	Spring Latch, Passenger-Side	1
15	<u>8419</u>	Screw, Torx Truss-Head, 1/4-20 x 5/8	4
16	<u>332</u>	Washer, Flat, Type A, 1/4	4
17	<u>8233</u>	Nut, Nylon Lock, 1/4-20	4
18	<u>102221801</u>	Tether	2
19	<u>1013366</u>	Pin, Hair Spring Cotter	4
20	<u>102339001</u>	Decal, Bobcat Tailgate	1
21	<u>101894304</u>	Kit, Tailgate Angle	1
22	<u>1014537</u>	Stud, Flush Head	4
23	<u>101963401</u>	Nut, Flanged Lock, 5/16-18	4
24	<u>1014415</u>	Screw, Torx Truss-Head, 1/4-20 x 3/4	8
25	<u>1014306</u>	Washer, Flat, Type B, 1/4	4
26	<u>8233</u>	Nut, Nylon Lock, 1/4-20	4
27	<u>102221701</u>	Cap, Front Corner	2
28	<u>102239901</u>	Washer, Rubber, 3/8	4

1
G

1
G

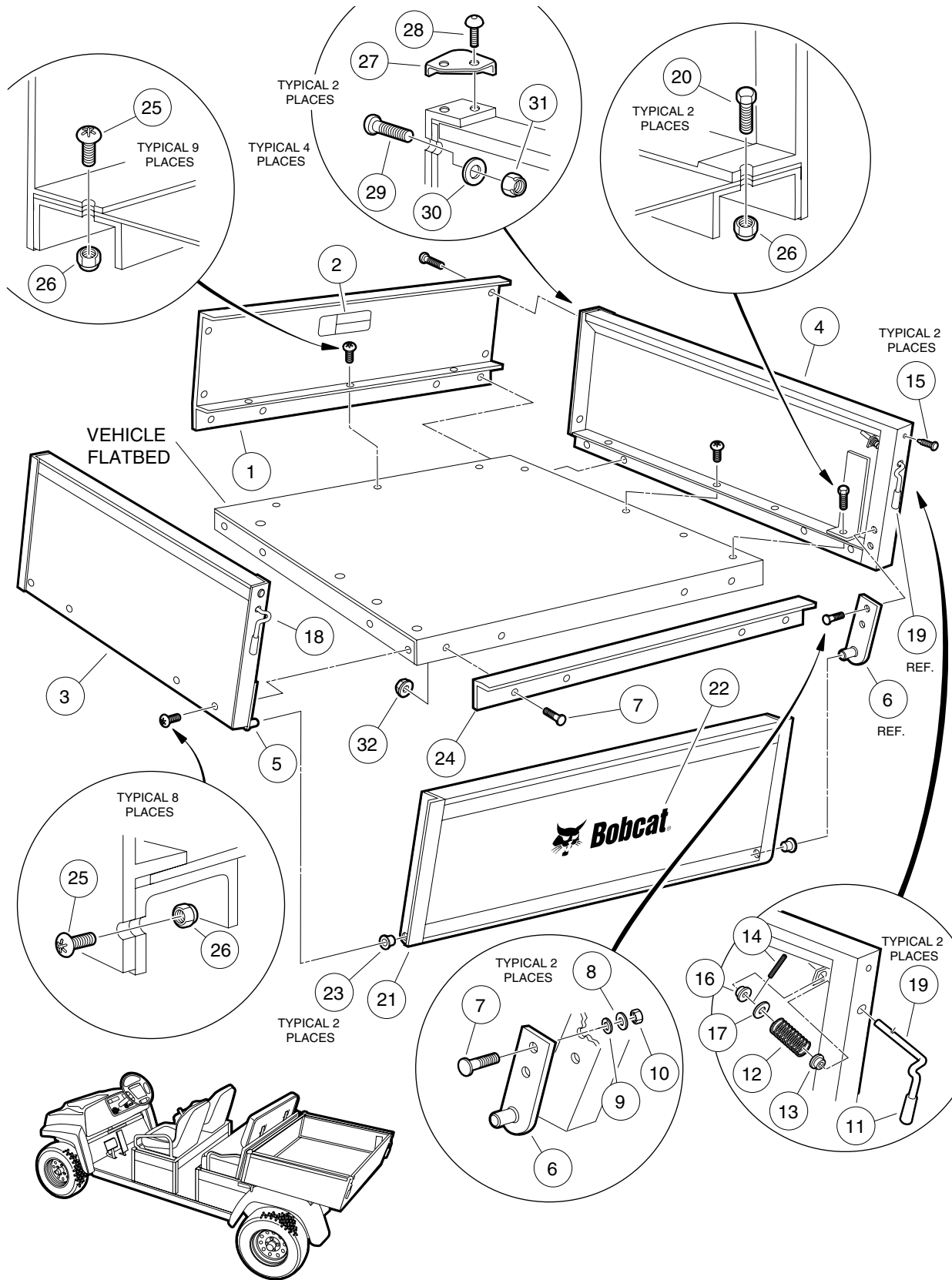


TILT BED, HINGE AND LATCH – 2100S VEHICLES

ITEM	PART NO.	DESCRIPTION	QTY
		1 2 3 4	
	****	Assembly, Tilt Bed And Latch, 2100S Vehicles (includes items 1 - 11)	1
1	<u>1015391</u>	Spring, Latch Extension	2
2	<u>102335001</u>	Assembly, Latch Weld	1
3	<u>1015400</u>	Hand Grip, Tilt Latch	1
4	<u>1014471</u>	Insulation, Bulk (42 inches long)	A/R
5	<u>403</u>	Screw, Hex-Head Cap, 1/4-20 x 5/8	4
6	<u>101835601</u>	Nut, Flanged Lock, 1/4-20	4
7	<u>1010435</u>	Bolt, Carriage, 5/16-18 x 1	2
8	<u>7473</u>	Nut, Nylon Lock, 5/16-18	6
9	1015399	Screw, Torx Truss-Head, 5/16-18 x 3/4	4
10	N/A	Plate, Floor	1
11	N/A	Assembly, Frame Weldment, Tilt Bed	1
12	7532	Rivet, 5/16	4
13	<u>1017976</u>	Seal, Bed	1
14	<u>102065901</u>	Nut, Dimpled Flange Lock, 3/8-16	4
15	705	Screw, Hex-Head Cap, 3/8-16 x 1-1/4	4
16	<u>102066001</u>	Washer, Flat, Type B, 3/8	4
17	<u>8755</u>	Screw, Hex-Head Cap, 3/8-16 x 3-3/8	2
18	<u>8754</u>	Nut, Nylon Lock, 3/8-16	2
19	<u>1015507</u>	Shim, Tilt Bed Pivot	A/R
20	<u>1015583</u>	Bushing, Urethane	4
21	<u>1015356</u>	Assembly, Tilt Bed Hinge Weld	2
22	<u>1012303</u>	Bushing, Steel	2
	****	Special order item available upon request.	
		For latch plate components, see page 1-9.	

1
G

1
G

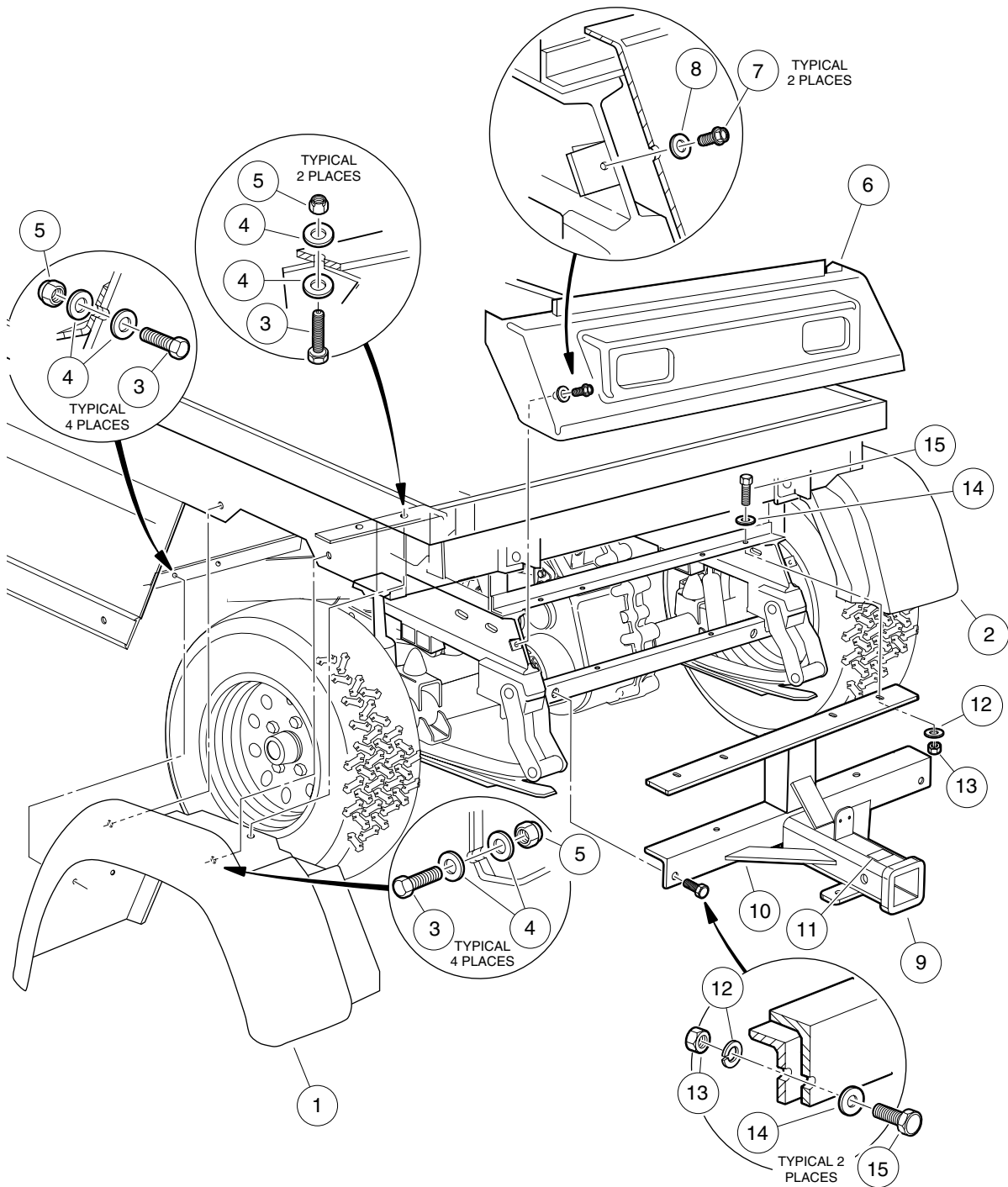


CARGO BOX – 2100S VEHICLES

ITEM	PART NO.	DESCRIPTION	QTY
		1 2 3 4	
	<u>102460001</u>	Kit, Cargo Box (includes items 1 - 32)	1
1	<u>1015413</u>	Assembly, Front Panel (includes item 2)	1
2	<u>101553901</u>	Decal, Bed Load	1
3	<u>1015367</u>	Assembly, Side, Panel, Driver-Side (includes items 5 and 7 - 18)	1
4	<u>1015365</u>	Assembly, Side, Panel, Passenger-Side (includes items 6 - 17 and 19)	1
5	<u>1014513</u>	Bracket, Tailgate, Driver-Side	1
6	<u>1014514</u>	Bracket, Tailgate, Passenger-Side	1
7	<u>1014537</u>	Stud, Flush Head	8
8	<u>1241</u>	Washer, Flat, Type A, 5/16	4
9	<u>7174</u>	Washer, Lock, 5/16	4
10	<u>1242</u>	Nut, Hex, 5/16-18	4
11	<u>1015400</u>	Grip, Hand	2
12	<u>1015390</u>	Spring, Compression	2
13	<u>1032</u>	Bushing, Nylon	2
14	<u>1231</u>	Roll Pin, 1/8 x 1	2
15	<u>1010434</u>	Fastener, Plastic Barrel	2
16	<u>1015363</u>	Bushing	2
17	<u>1011990</u>	Washer, Flat, 3/8	2
18	<u>1015313</u>	Latch, Driver-Side	1
19	<u>1015245</u>	Latch, Passenger-Side	1
20	<u>1010934</u>	Screw, Hex-Head Cap, 5/16-18 x 1	2
21	<u>102460101</u>	Assembly, Tailgate (includes item 22)	1
22	<u>102335901</u>	Decal, Bobcat	1
23	<u>7049</u>	Bushing, Nylon	2
24	<u>101894701</u>	Kit, Tailgate Angle	1
25	<u>1015399</u>	Screw, Torx Truss-Head, 5/16-18 x 3/4	17
26	<u>7473</u>	Nut, Nylon Lock, 5/16-18	19
27	<u>1014387</u>	Cap, Corner	2
28	<u>1014321</u>	Screw, Torx Truss-Head, #10-24 x 3/8	4
29	<u>1014415</u>	Screw, Torx Truss-Head, 1/4-20 x 3/4	4
30	<u>332</u>	Washer, Flat, Type A, 1/4	4
31	<u>8233</u>	Nut, Nylon Lock, 1/4-20	4
32	<u>101963401</u>	Nut, Flange Lock, 5/16-18	4

1
G

1
G



REAR BODY TRIM

ITEM	PART NO.	DESCRIPTION	QTY
		1 2 3 4	
1	<u>102251701</u>	Fender, Rear, Driver-Side	1
2	<u>102251601</u>	Fender, Rear, Passenger-Side	1
3	304	Screw, Hex-Head Cap, 1/4-20 x 1	10
4	<u>1014306</u>	Washer, Flat, 1/4	20
5	<u>8233</u>	Nut, Nylon Lock, 1/4-20	10
6	<u>1015530</u>	Tailskirt	1
7	<u>1012285</u>	Screw, Hex-Head Thread-Rolling, 1/4-20 x 5/8	2
8	<u>332</u>	Washer, Flat, Type A, 1/4	2
9	<u>102065103</u>	Kit, Rear Receiver (includes items 10 - 15)	1
10	<u>102056001</u>	Hitch, Receiver, 2-Inch	1
11	<u>1011553</u>	Decal, Trailer Hitch	1
12	<u>7174</u>	Washer, Lock, 5/16	6
13	<u>1242</u>	Nut, Hex, 5/16-18	6
14	<u>1241</u>	Washer, Flat, Type A, 5/16	6
15	<u>1010934</u>	Screw, Hex-Head Cap, 5/16-18 x 1	6

1

G

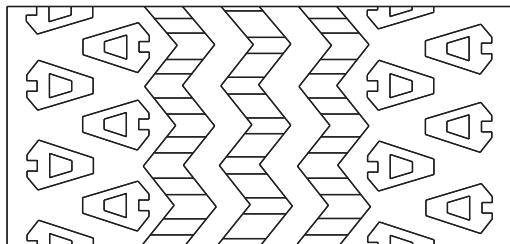
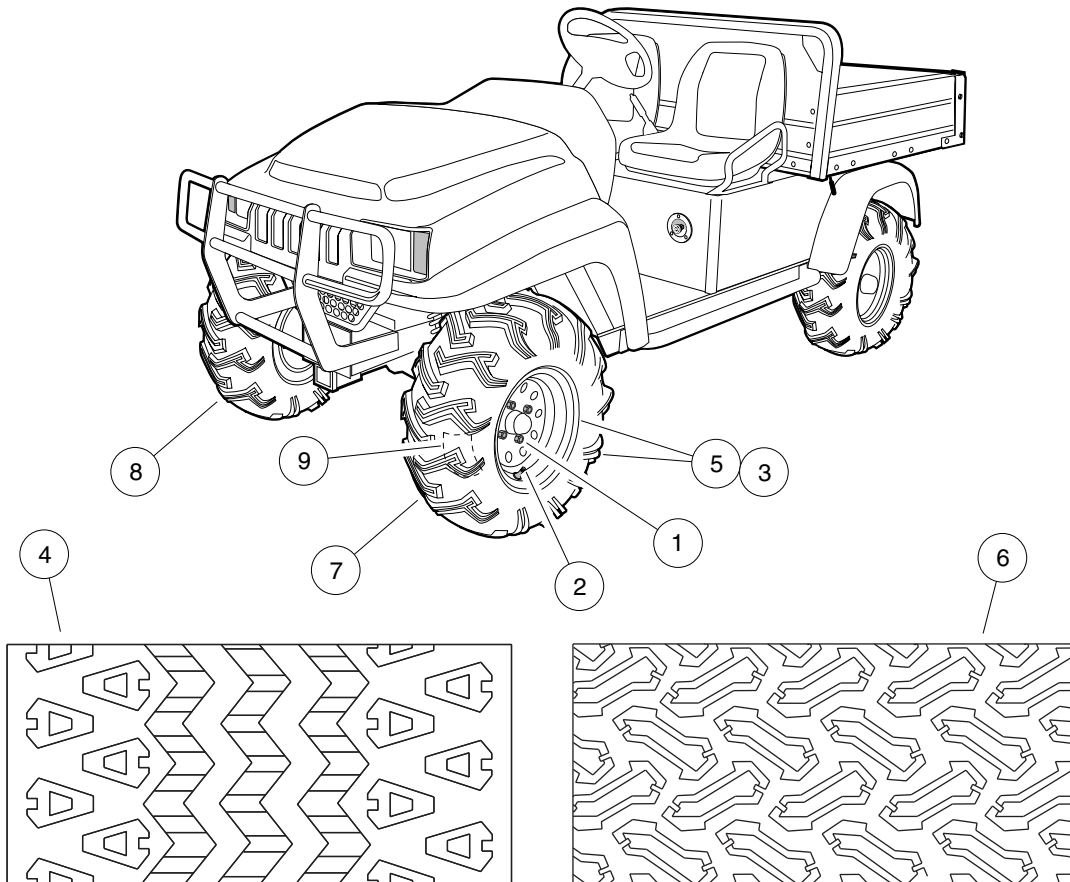
1

G

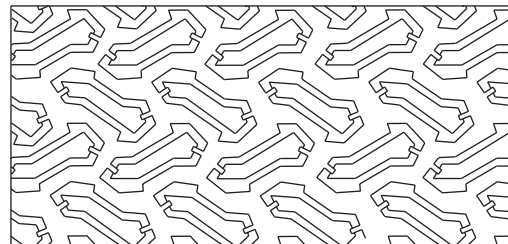
WHEELS AND TIRES

2

G

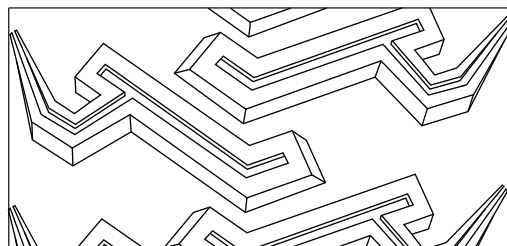


ALL TERRAIN
TREAD



TURF
TREAD

DIRECTION
OF FORWARD
ROTATION
↓



TRAKS MAX
TREAD

WHEELS AND TIRES

ITEM	PART NO.	DESCRIPTION	QTY
		1 2 3 4	
1	<u>1010984</u>	Nut, Lug	16
2	<u>7310</u>	Stem, Valve *	1
3	<u>102021405</u>	Assembly, Wheel (orange) and Tire, All Terrain Tread, 4-Ply Rated (23 x 10.50 - 12) (All Trail) (includes item 4)	4
4	****	Tire, Unmounted, All Terrain Tread (23 x 10.50 - 12) (All Trail)	1
5	<u>102021401</u>	Assembly, Wheel (gray) and Tire, Turf Tread, 4-Ply Rated (23 x 10.50 - 12) (Turf Mate) (includes item 6)	4
6	****	Tire, Unmounted, Turf Tread (23 x 10.50 - 12) (Turf Mate)	1
7	<u>102243003</u>	Assembly, Wheel (gray) and Tire (driver side) Traks Max II Tread, 4-Ply Rated (23 x 12.50 - 10) (includes item 9)	2
8	<u>102243004</u>	Assembly, Wheel (gray) and Tire (passenger side) Traks Max II Tread, 4-Ply Rated (23 x 12.50 - 10) (includes item 9)	2
9	102234001	Decal, Brake Warning	1
		* Note: Item 2 is a part of all wheel assemblies.	
	****	Special order item available upon request.	

2

G

2

G

DECALS

3

G

⚠ WARNING

ROLLOVER OR FALLING OFF MAY CAUSE DEATH

- Read operators manual and operating instructions.
- Remain seated and hold on to seat handle while moving.
- Drive slowly in turns and straight up and down slopes.
- Do not start vehicle until all occupants are seated.
- One (1) person per seat maximum.
- Operate from driver side only and not on public roads.
- Keep entire body inside vehicle while moving.
- Do not operate while under the influence of alcohol or drugs.
- Never attempt jumps.

CCI 102029101

OPERATING INSTRUCTIONS

- Read owner's manual and safety warnings located on dash panel prior to driving.
- Study and understand controls.

TO START ENGINE

- Place shift lever in "N" - Neutral position.
- Depress brake pedal.

• Turn key switch to "START" position and hold, activating the choke as necessary, until engine starts.

TO OPERATE VEHICLE

- Make sure wheels are turned in desired direction.
- Be sure nothing is in your path.

• While vehicle is stopped, select vehicle direction by placing shift lever in desired position.

F - Forward N - Neutral R - Reverse (Buzzer will sound)

- Release hand brake.
- Slowly push accelerator pedal to increase speed.
- Accelerator pedal must be released to move shift lever.

TO STOP VEHICLE

- Release accelerator pedal and push brake pedal.
- After stopping, firmly set hand brake.
- Turn key to "OFF" position, remove key and place shift lever in straight up neutral position when not in use.

CCI 102224301

⚠ WARNING

UNDER 16

YOUNG DRIVERS INCREASE CHANCE OF DEATH

- Young drivers may not be able to control vehicle.
- No drivers younger than 16 years old.
- Do not leave children unattended on vehicle.

CCI 102044601

⚠ WARNING

Riding in cargo bed can cause severe injury or death. Do not ride in cargo bed.

CCI 1015539-01

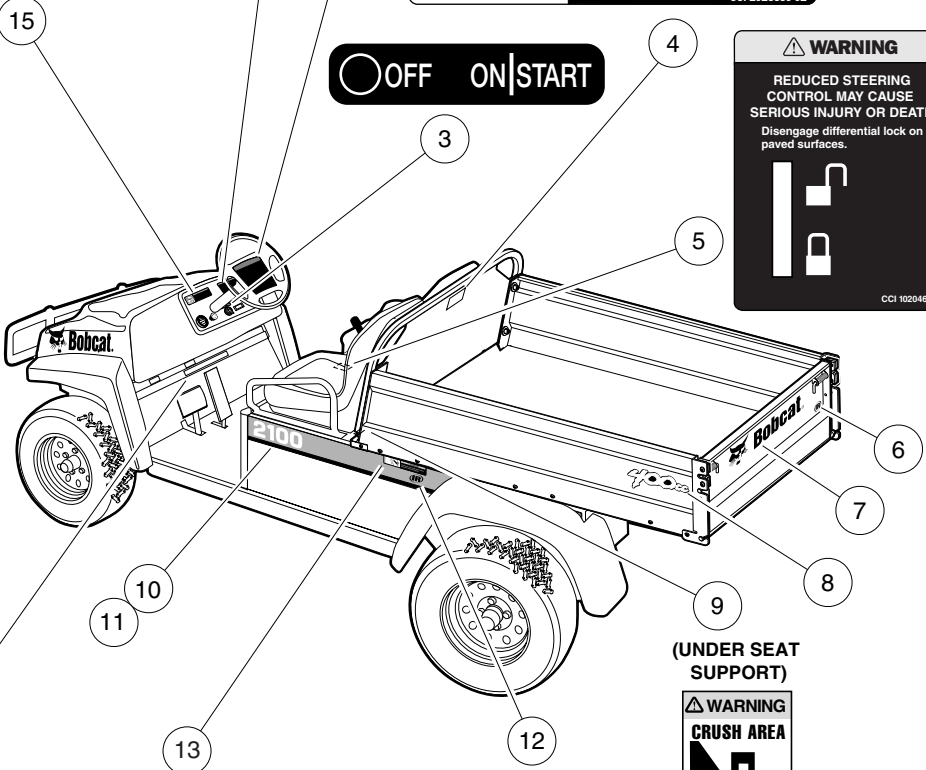
⚠ WARNING

REDUCED STEERING CONTROL MAY CAUSE SERIOUS INJURY OR DEATH

Disengage differential lock on paved surfaces.



CCI 102046501



OFF ON/START

⚠ WARNING

Crush area. Can cause severe injury. Stay clear when closing bed.

LATCH

CCI 1015437-01



(UNDER SEAT SUPPORT)

⚠ WARNING

CRUSH AREA



STAY CLEAR

CCI 1016094-01

VEHICLE LOADING

Read Owner's Manual and warnings on dash.

- Vehicle rated capacity - 1200 lbs. on level surface only. Weight to include passengers, cargo bed load, and gross trailer weight. See Owner's Manual.
- Maximum cargo load - 800 lbs. Weight to include cargo bed load and gross trailer weight.
- Maximum trailer hitch tongue weight - 150 lbs.
- Cargo should be evenly spread over the floor of the cargo bed as far forward as possible and secured.
- For vehicle stability, when fully loaded, drive slowly and avoid stopping on or backing down steep hills.
- Avoid top heavy loads. See Owner's Manual.
- When driving on uneven terrain or down steep hills, reduce speed and load.

CCI 1019602-01

DECALS – 2100 VEHICLES

ITEM	PART NO.	DESCRIPTION	QTY
		1 2 3 4	
1	<u>102029101</u>	Decal, Driver/Passenger Warning	1
2	<u>102224301</u>	Decal, Operating Instructions	1
3	<u>101825102</u>	Decal, Key Switch	1
4	<u>101553901</u>	Decal, Bed Load Warning	1
5	<u>102046601</u>	Decal, Differential Lock Control Warning	1
6	<u>102339101</u>	Decal, IR Tailgate	1
7	<u>102339001</u>	Decal, Bobcat Tailgate	1
8	<u>102274701</u>	Decal, 400 cc (FE400 engine vehicles only)	2
9	<u>101609401</u>	Decal, Crush Area Warning	2
10	<u>102335601</u>	Decal, Bobcat 2100 vehicles (driver side) (includes items 12 and 13)	1
11	<u>102335701</u>	Decal, Bobcat 2100 vehicles (passenger side) (includes item 12)	1
12	N/A	Decal, Ingersoll-Rand	1
13	N/A	Decal, Bed Latch Warning	1
14	<u>101960201</u>	Decal, Vehicle Loading	1
15	<u>102044601</u>	Decal, Under Age Warning	1

3

G

WARNING

- GASOLINE EXPLOSION / FIRE.
- CAN CAUSE SEVERE INJURY OR DEATH.
- NO SMOKING, SPARKS, OR OPEN FLAME.
- STOP ENGINE, ALLOW TO COOL BEFORE REFUELING.
- TURN FUEL VALVE () ON DURING OPERATION.
- () OFF DURING STORAGE OR TRANSPORT.

CCI 1015476-01

(ON PASSENGER SIDE SEAT SUPPORT)

WARNING

Rotating Parts

CCI 102224001

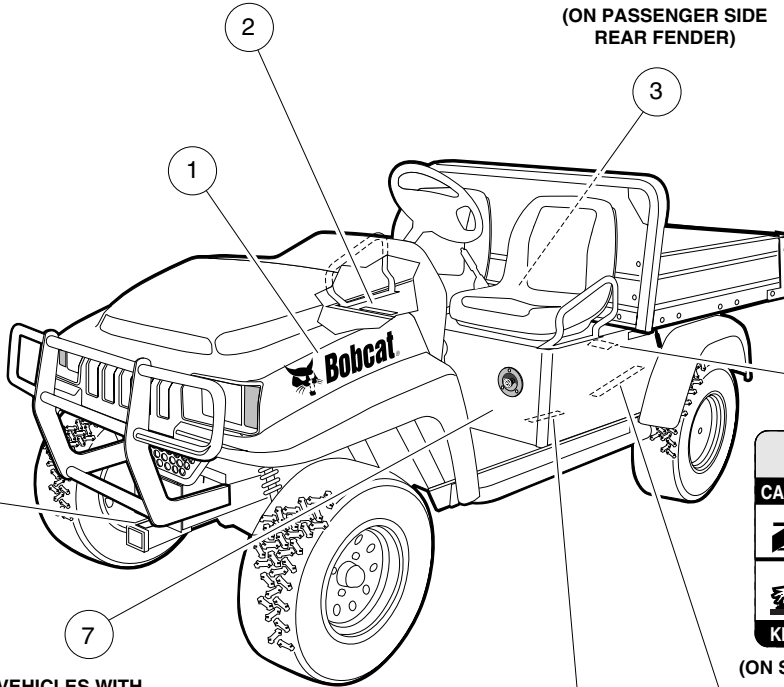
(ON PASSENGER SIDE REAR FENDER)

NOTICE

MAXIMUM TONGUE WEIGHT - 150 lbs.

CCI 1011553

(ON FRONT AND REAR RECEIVER HITCHES)



WARNING

CAN CAUSE SEVERE INJURY

Rotating parts

HOT

manifold & muffler

KEEP CLEAR

CCI 1019605-01

(ON STARTER/GENERATOR AND ENGINE)

WARNING

WINCH CABLE FRACTURE COULD RESULT IN SERIOUS INJURY OR DEATH.

- Do not use winch while persons are seated on the vehicle.
- Use remote operation switch for winch control.
- Stand to the side and away from the vehicle to operate winch.
- Read winch operator manual before operating winch.

CCI 102231601

(ON SEAT SUPPORT PANEL)

WARNING

INCORRECT WIRING COULD RESULT IN SEVERE INJURY OR DEATH.

- Diode and solenoid connections must have correct polarity.
- Keep all persons clear of engine belts when making final connections.

CCI 102345901

(ON FRAME ABOVE DIODE)

	<p>WARNING</p> <p>Negative frame ground. Can cause severe injury. Do not contact positive (+) battery post or cable to frame. Disconnect negative battery lead first.</p>		<p>WARNING</p> <p>Excessive speed. Can cause severe injury or death. Do not tamper with engine governor adjustment.</p> <p>CCI 1019152-01</p>
--	---	--	---

(ON FRAME NEXT TO BATTERY)

DECALS, CONTINUED – 2100 VEHICLES

ITEM	PART NO.	DESCRIPTION	QTY
		1 2 3 4	
1	<u>102335901</u>	Decal, Bobcat	2
2	<u>101547601</u>	Decal, Gasoline Warning	1
3	<u>102224001</u>	Decal, Rotating Parts	1
4	<u>101960501</u>	Decal, Rotating Parts and Hot Manifold	2
5	<u>101915201</u>	Decal, Frame Ground	1
6	<u>102345901</u>	Decal, Diode Wiring	1
7	<u>102231601</u>	Decal, Winch Cable Warning	1
8	<u>1011553</u>	Decal, Trailer Hitch	2

3
G

⚠ WARNING

ROLLOVER OR FALLING OFF MAY CAUSE DEATH

- Read operators manual and operating instructions.
- Remain seated and hold on to seat handle while moving.
- Drive slowly in turns and straight up and down slopes.
- Do not start vehicle until all occupants are seated.
- Front seats: One (1) person per seat maximum.
- Operate from driver side only and not on public roads.
- Keep entire body inside vehicle while moving.
- Do not operate while under the influence of alcohol or drugs.
- Never attempt jumps.

CCI 102029101

OPERATING INSTRUCTIONS

- Read owner's manual and safety warnings located on dash panel prior to driving.
- Study and understand controls.

TO START ENGINE

- Place shift lever in "N" - Neutral position.
- Depress brake pedal.

- Turn key switch to "START" position and hold, activating the choke as necessary, until engine starts.

TO OPERATE VEHICLE

- Make sure wheels are turned in desired direction.
- Be sure nothing is in your path.

- While vehicle is stopped, and the engine is at idle, select vehicle direction by placing shift lever in desired position.

F - Forward N - Neutral R - Reverse (Buzzer will sound)

- Release hand brake.
- Slowly push accelerator pedal to increase speed.
- Engine must be at idle before moving shift lever.

TO STOP VEHICLE


- Release accelerator pedal and push brake pedal.
- After stopping, firmly set hand brake.
- Turn key to "OFF" position, remove key and place shift lever in straight up neutral position when not in use.

CCI 102224301

⚠ WARNING

REDUCED STEERING CONTROL MAY CAUSE SERIOUS INJURY OR DEATH

Disengage differential lock on paved surfaces.



CCI 102046601

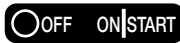
⚠ WARNING

YOUNG DRIVERS INCREASE CHANCE OF DEATH

UNDER 16


- Young drivers may not be able to control vehicle.
- No drivers younger than 16 years old.
- Do not leave children unattended on vehicle.

CCI 102044601

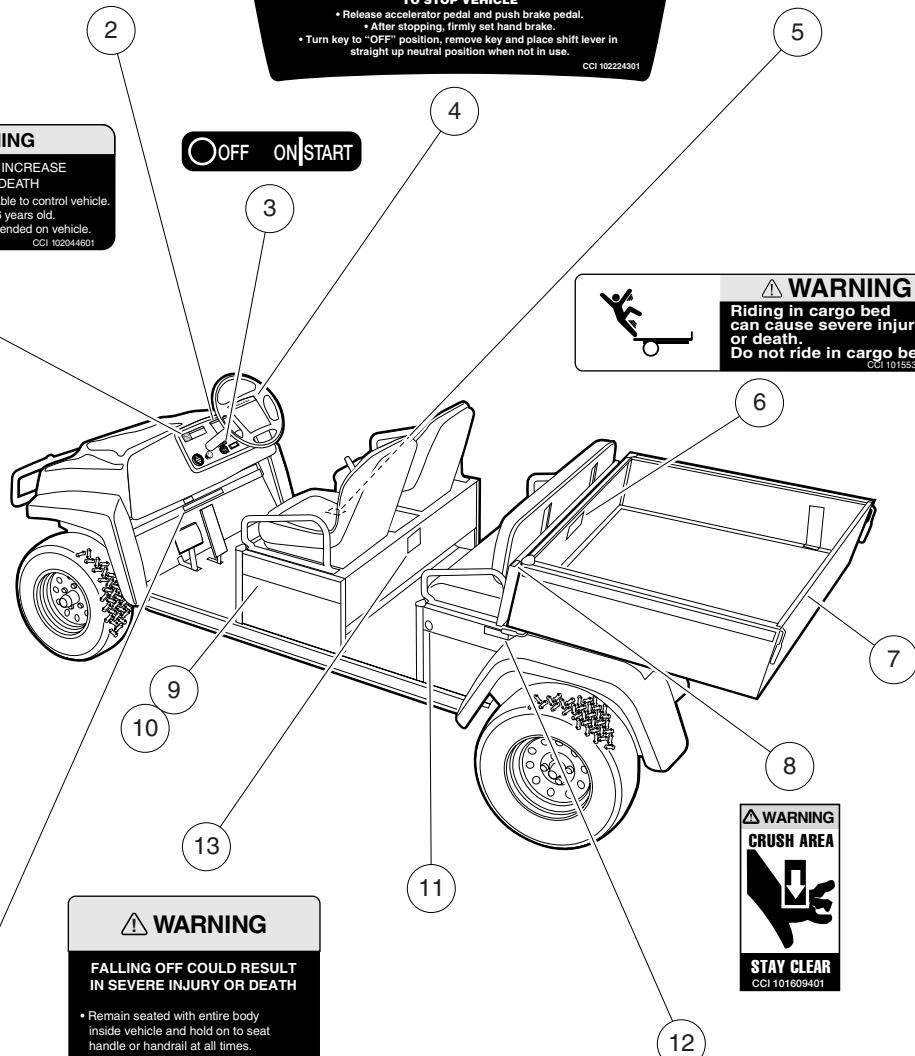


⚠ WARNING

Riding in cargo bed can cause severe injury or death. Do not ride in cargo bed.



CCI 101283901



⚠ WARNING

FALLING OFF COULD RESULT IN SEVERE INJURY OR DEATH

- Remain seated with entire body inside vehicle and hold on to seat handle or handrail at all times.
- Two (2) persons per bench seat maximum.
- One (1) person per bucket seat maximum.
- Do not leave children unattended on vehicle at anytime.
- Never stand in front of or behind vehicle.

CCI 10196201

⚠ WARNING

CRUSH AREA




STAY CLEAR

CCI 101609401

⚠ WARNING

Crush area. Can cause severe injury. Stay clear when closing bed.

LATCH OPEN



VEHICLE LOADING

Read Owner's Manual and warnings on dash.

- Vehicle rated capacity - 1300 lbs. on level surface only. Weight to include passengers, cargo bed load, and gross trailer weight. See owner's manual.
- Maximum cargo load - 500 lbs. Weight to include cargo bed load and gross trailer weight.
- Maximum trailer hitch tongue weight - 150 lbs.
- Cargo should be evenly spread over the floor of the cargo bed as far forward as possible and secured.
- For vehicle stability, when fully loaded, drive slowly and avoid stopping on or backing down steep hills.
- Avoid top heavy loads. See owner's manual.
- When driving on uneven terrain or down steep hills, reduce speed and load.

CCI 102274301

DECALS, CONTINUED – 2100S VEHICLES

ITEM	PART NO.	DESCRIPTION	QTY
		1 2 3 4	
1	<u>102044601</u>	Decal, Under Age Warning	1
2	<u>102029101</u>	Decal, Driver/Passenger Warning	1
3	<u>101825102</u>	Decal, Key Switch	1
4	<u>102224301</u>	Decal, Operating Instructions	1
5	<u>102046601</u>	Decal, Differential Lock Control Warning	1
6	<u>101553901</u>	Decal, Bed Load Warning	1
7	<u>102335901</u>	Decal, Bobcat	1
8	<u>101609401</u>	Decal, Crush Area Warning	2
9	102456601	Decal, 2100S Vehicles (driver side) (includes items 11 and 12)	1
10	<u>102456701</u>	Decal, 2100S Vehicles (passenger side) (includes item 11)	1
11	N/A	Decal, Ingersoll-Rand	1
12	N/A	Decal, Bed Latch Warning	1
13	<u>101705701</u>	Decal, Passenger Warning	1
14	<u>102274301</u>	Decal, Vehicle Loading	1

3
G

WARNING

- GASOLINE EXPLOSION / FIRE.
- CAN CAUSE SEVERE INJURY OR DEATH.
- NO SMOKING, SPARKS, OR OPEN FLAME.
- STOP ENGINE, ALLOW TO COOL BEFORE REFUELING.
- TURN FUEL VALVE (↔) ON DURING OPERATION.
- (↔) OFF DURING STORAGE OR TRANSPORT.

CCI 101547601

(ON PASSENGER SIDE SEAT SUPPORT)

WARNING

CAN CAUSE SEVERE INJURY

Rotating parts

HOT
manifold & muffler

KEEP CLEAR

CCI 1019605-01

(ON STARTER/GENERATOR AND ENGINE)

WARNING

Rotating Parts

CCI 102224001

(TOP OF PASSENGER SIDE FENDER)

NOTICE

MAXIMUM TONGUE WEIGHT - 150 lbs.

CCI 1011553

(ON FRONT AND REAR RECEIVER HITCHES)

WARNING

WINCH CABLE FRACTURE COULD RESULT IN SERIOUS INJURY OR DEATH.

- Do not use winch while persons are seated on the vehicle.
- Use remote operation switch for winch control.
- Stand to the side and away from the vehicle to operate winch.
- Read winch operator manual before operating winch.

SVP146301

(ON SEAT SUPPORT PANEL)

WARNING

INCORRECT WIRING COULD RESULT IN SEVERE INJURY OR DEATH.

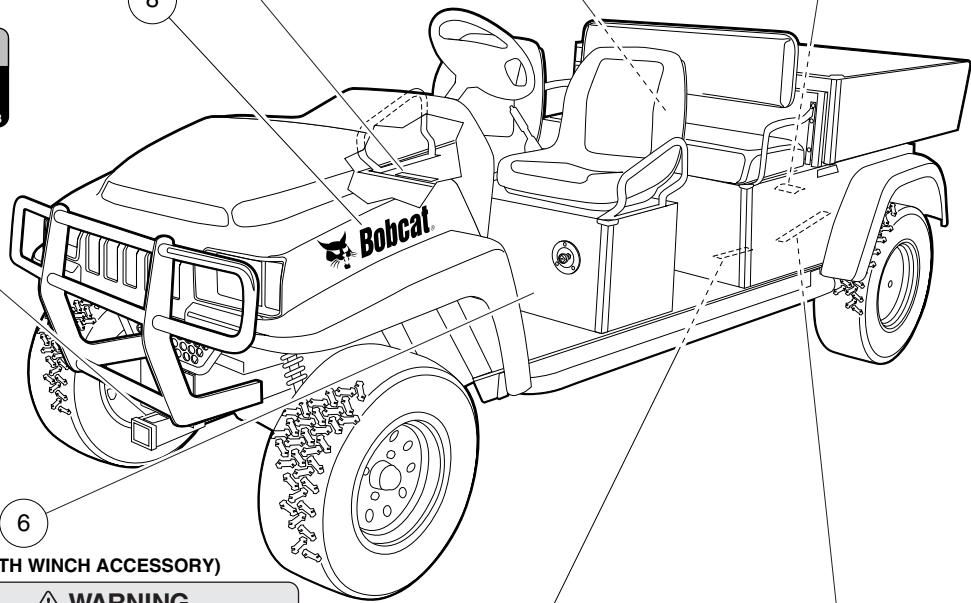
- Diode and solenoid connections must have correct polarity.
- Keep all persons clear of engine belts when making final connections.

CCI 102345901

(ON FRAME ABOVE DIODE)

	<p>WARNING</p> <p>Negative frame ground. Can cause severe injury. Do not contact positive (+) battery post or cable to frame. Disconnect negative battery lead first.</p>		<p>WARNING</p> <p>Excessive speed. Can cause severe injury or death. Do not tamper with engine governor adjustment.</p> <p>CCI 1019152-01</p>
--	--	--	--

(ON FRAME)



DECALS, CONTINUED – 2100S VEHICLES

ITEM	PART NO.	DESCRIPTION	QTY
		1 2 3 4	
1	<u>101547601</u>	Decal, Gasoline Warning	1
2	<u>102224001</u>	Decal, Rotating Parts	1
3	<u>101960501</u>	Decal, Rotating Parts and Hot Manifold	2
4	<u>101915201</u>	Decal, Frame Ground	1
5	<u>102345901</u>	Decal, Diode Wiring	1
6	<u>102231601</u>	Decal, Winch Cable Warning	1
7	<u>1011553</u>	Decal, Trailer Hitch	2
8	<u>102335901</u>	Decal, Bobcat	2

3
G

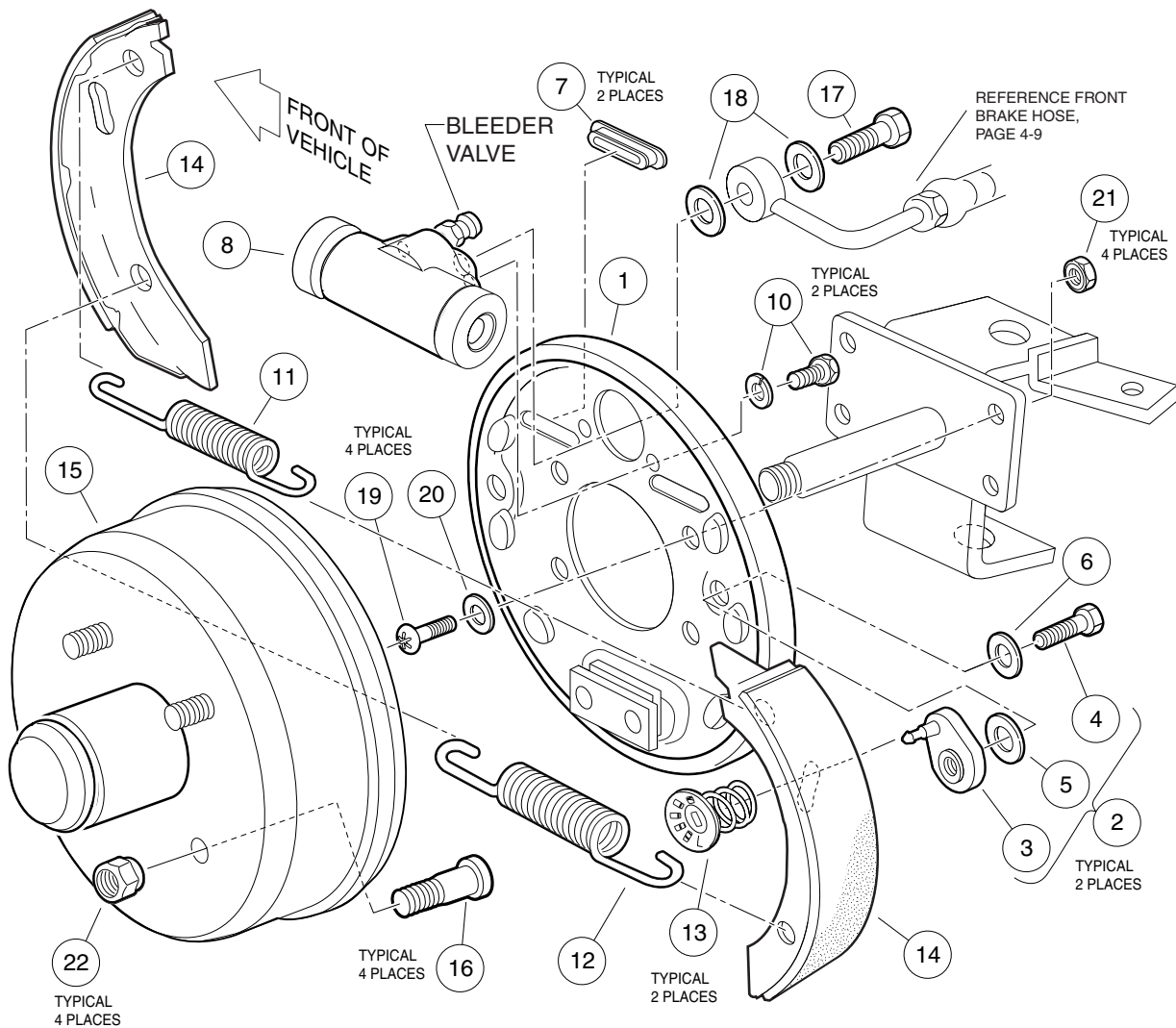
3

G

BRAKE SYSTEMS

4

G



FRONT BRAKE ASSEMBLY

ITEM	PART NO.	DESCRIPTION	QTY
		1 2 3 4	
	<u>102033301</u>	Cluster, Brake (includes items 1 - 14)	2
1	<u>102049401</u>	Plate, Backing	1
2	<u>102049601</u>	Kit, Adjuster, Axle (one kit will service both front brakes) (includes items 3 - 7)	1
3	<u>102049501</u>	Assembly, Adjuster Lever	4
4	<u>102049901</u>	Bolt, 1/4-28 x .31	4
5	<u>102050001</u>	Washer, Bellville	4
6	N/A	Washer, Flat	4
7	<u>102050101</u>	Cover, Dust	4
8	<u>102050301</u>	Cylinder, Wheel, 5/8	1
9	<u>102049701</u>	Kit, Axle Hardware (not shown) (includes items 10 - 13)	1
10	<u>102050401</u>	Bolt, Wheel Cylinder, Self-Locking, M6 x 1	2
11	<u>102050601</u>	Spring, Shoe to Shoe (upper)	1
12	<u>102050501</u>	Spring, Shoe to Shoe (lower)	1
13	<u>102050701</u>	Hold-down, Shoe	2
14	<u>102050201</u>	Kit, Hydraulic Shoe (BPI 4070) (four shoes per kit)	1
15	<u>102044201</u>	Assembly, Brake Drum and Hub (includes item 16)	2
16	<u>1013787</u>	Stud, Lug, 1/2-20	4
17	<u>102044401</u>	Bolt, Banjo, 3/8-24	2
18	<u>102045501</u>	Washer, Copper	4
19	<u>102051001</u>	Screw, Torx Pan-Head, 5/16-24 x 1	8
20	<u>1017233</u>	Washer, Flat, 5/16	8
21	<u>1013924</u>	Nut, Hex-Head Lock, Grade 8, 5/16-24	8
22	<u>1010984</u>	Nut, Lug	8

4

G

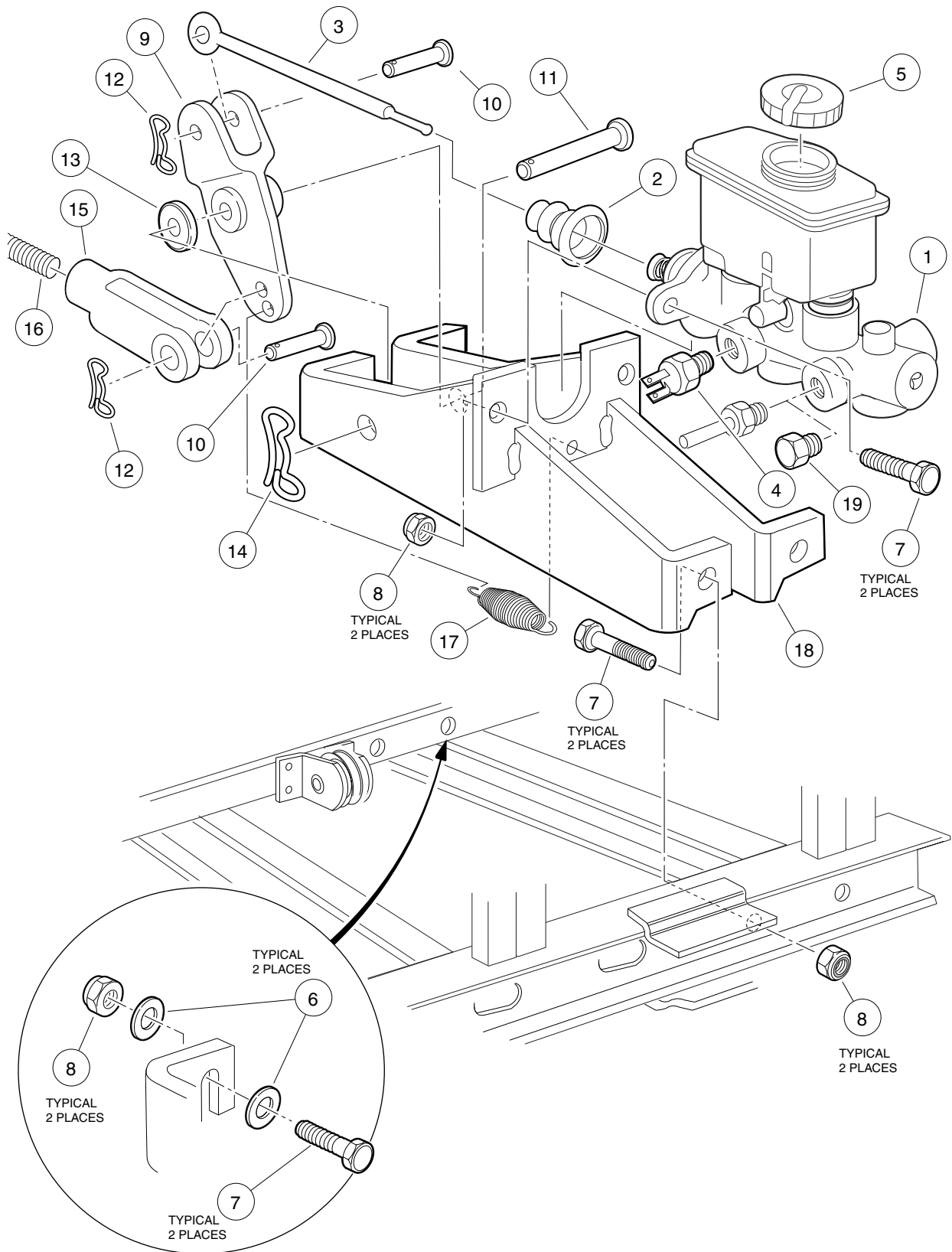
REAR BRAKE ASSEMBLY

ITEM	PART NO.	DESCRIPTION	QTY
		1 2 3 4	
	<u>102033401</u>	Assembly, Brake, Driver-Side (includes items 1 - 15)	1
	<u>102033501</u>	Assembly, Brake, Passenger-Side (includes items 1 - 15)	1
1	<u>102049401</u>	Plate, Backing	1
2	<u>102049601</u>	Kit, Adjuster, Axle (one kit will service both rear brakes) (includes items 3 - 7)	1
3	<u>102049501</u>	Lever, Adjuster	4
4	<u>102049901</u>	Bolt, 1/4-28 x .31	4
5	<u>102050001</u>	Washer, Bellville	4
6	N/A	Washer, Flat	4
7	<u>102050101</u>	Cover, Dust	4
8	<u>102050801</u>	Cylinder, Wheel, 7/8	1
9	<u>102049701</u>	Kit, Axle Hardware (not shown) (includes items 10 - 13)	1
10	<u>102050401</u>	Bolt, Wheel Cylinder, Self-Locking, M6 x 1	2
11	<u>102050601</u>	Spring, Shoe to Shoe (upper)	1
12	<u>102050501</u>	Spring, Shoe to Shoe (lower)	1
13	<u>102050701</u>	Hold-Down, Shoe	2
14	<u>102050201</u>	Kit, Hydraulic Shoe (BPI 4070) (four shoes per kit)	1
15	<u>102050901</u>	Lever, Park Brake, Passenger-Side	1
15	<u>102050902</u>	Lever, Park Brake, Driver-Side	1
16	<u>102264701</u>	Drum, Brake	1
17	<u>102051001</u>	Screw, Torx Pan-Head, 5/16-24 x 1	8
18	<u>1017233</u>	Washer, Flat, 5/16	8
19	<u>1013924</u>	Nut, Hex-Head Lock, Grade 8, 5/16-24	8
20	<u>1010829</u>	Pin, Clevis, 5/16	2
21	<u>1013366</u>	Pin, Hair Spring Cotter	2
22	<u>1010984</u>	Nut, Lug	8
23	<u>102269101</u>	Hub	2
24	<u>102269301</u>	Washer, Flat	2
25	<u>102269201</u>	Nut, Washer	2
26	<u>101838801</u>	Pin, Cotter	2
27	<u>102274101</u>	Cap, Rubber Center	2
28	<u>102276001</u>	Cap, Locking	2

4

G

4
G



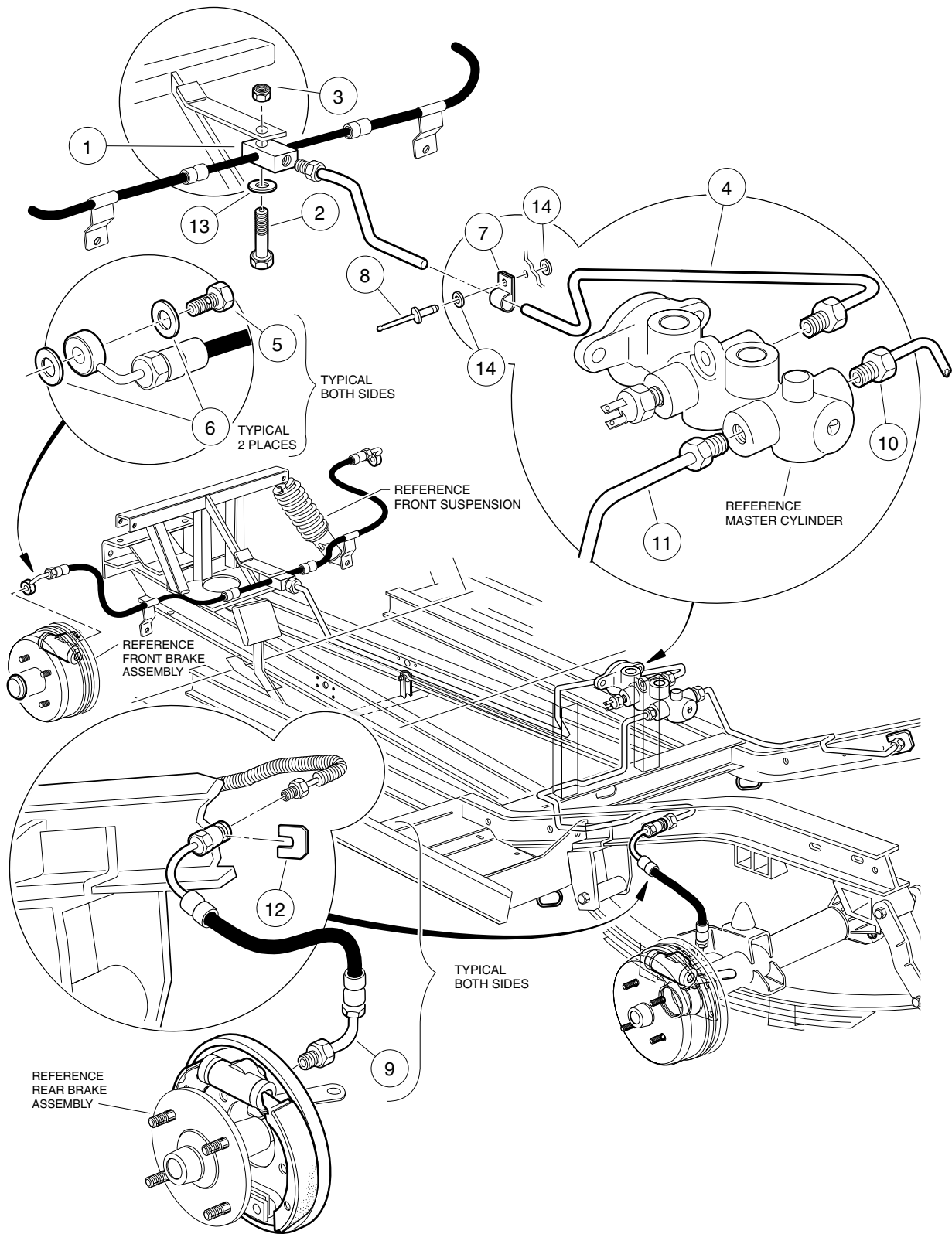
MASTER CYLINDER

ITEM	PART NO.	DESCRIPTION	QTY
		1 2 3 4	
1	102033201	Assembly, Master Cylinder (includes items 2 - 5)	1
2	102051101	Boot	1
3	<u>102051201</u>	Rod, Push	1
4	<u>102051301</u>	Switch, Pressure	1
5	<u>102051401</u>	Cap, Filler	1
6	<u>1241</u>	Washer, Flat, Type A, 5/16	4
7	<u>1010934</u>	Screw, Hex-Head Cap, 5/16-18 x 1	6
8	<u>7473</u>	Nut, Nylon Lock, 5/16	8
9	102054201	Crank, Bell (includes items 10 - 14)	1
10	N/A	Pin, Clevis, 3/8 x 1-5/16	2
11	N/A	Pin, Clevis, 1/2 x 2-1/2	1
12	N/A	Pin, Bow Tie Locking	2
13	N/A	Spacer	1
14	N/A	Pin, Bow Tie, .120 x 2.75	1
15	<u>101806102</u>	Clevis, Rod	1
16	<u>101953105</u>	Rod, Equalizer	1
17	1013531	Spring, Brake Pedal Return	1
18	<u>102054401</u>	Bracket, Master Cylinder Mounting	1
19	<u>102339201</u>	Plug, 3/8-24 (2100S vehicles only)	1

4

G

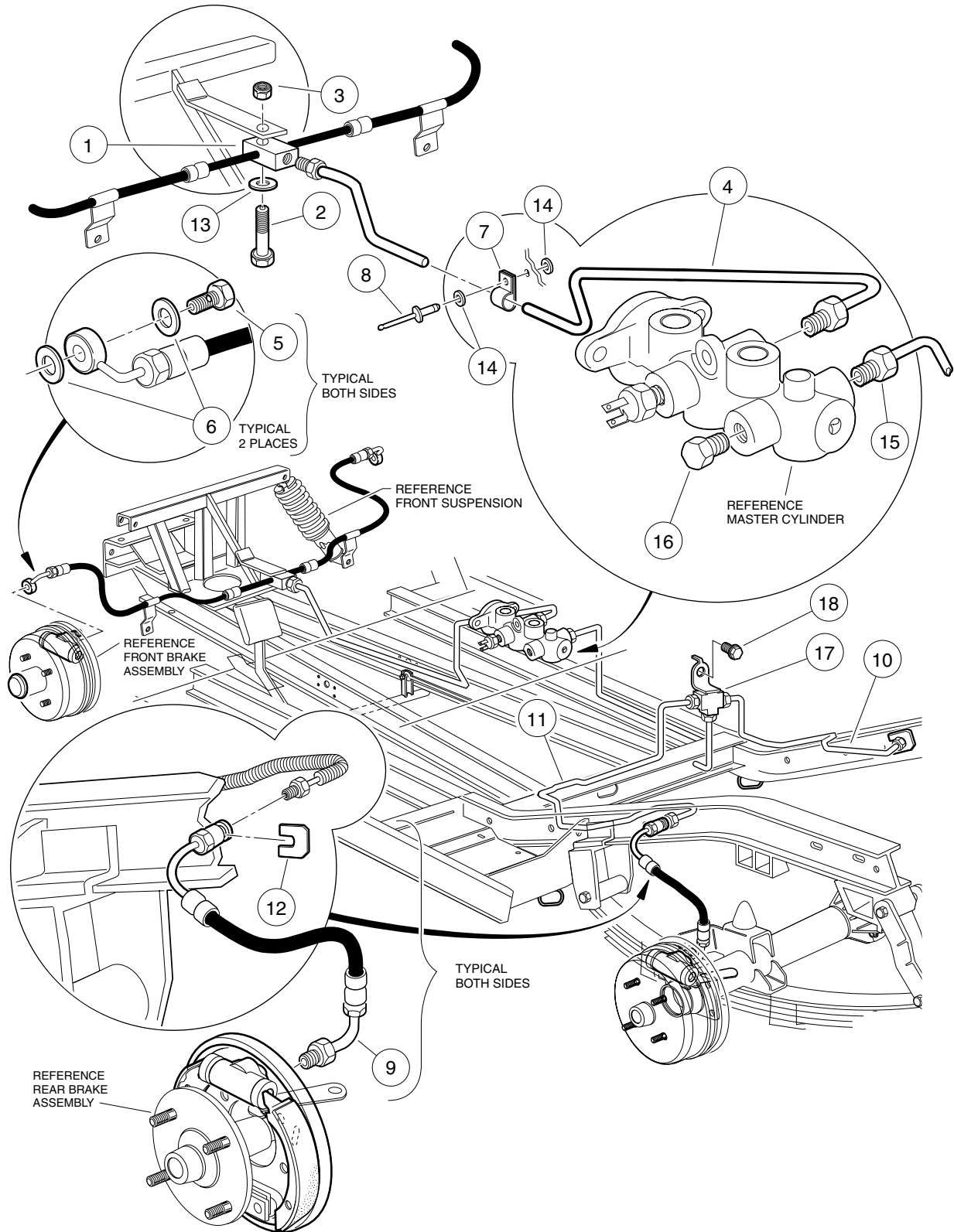
4
G



HYDRAULIC BRAKE SYSTEM – 2100 VEHICLES

ITEM	PART NO.	DESCRIPTION	QTY
		1 2 3 4	
1	102032801	Hose, Brake, Front	1
2	<u>7479</u>	Screw, Hex-Head Cap, 1/4-20 x 1-1/4	1
3	<u>8233</u>	Nut, Nylon Lock, 1/4-20	1
4	<u>102032901</u>	Line, Brake, Front	1
5	<u>102044401</u>	Bolt, Banjo, 3/8-24	2
6	<u>102045501</u>	Washer, Copper	4
7	<u>102045801</u>	P-Clamp	1
8	1014136	Rivet, Pop, Stainless Steel, 3/16 x 1/2	1
9	<u>102033101</u>	Hose, Brake, Rear	2
10	<u>102033001</u>	Line, Brake, Rear (passenger side)	1
11	<u>102044001</u>	Line, Brake, Rear (driver side)	1
12	<u>102045701</u>	Clip, Horseshoe	2
13	<u>1014007</u>	Washer, Flat, 1/4	1
14	<u>183</u>	Washer, Flat, Type A, #10	2

4
G



HYDRAULIC BRAKE SYSTEM – 2100S VEHICLES

ITEM	PART NO.	DESCRIPTION	QTY
		1 2 3 4	
1	102032801	Hose, Brake, Front	1
2	<u>7479</u>	Screw, Hex-Head Cap, 1/4-20 x 1-1/4	1
3	<u>8233</u>	Nut, Nylon Lock, 1/4-20	1
4	<u>102032901</u>	Line, Brake, Front	1
5	<u>102044401</u>	Bolt, Banjo, 3/8-24	2
6	<u>102045501</u>	Washer, Copper	4
7	<u>102045801</u>	P-Clamp	1
8	1014136	Rivet, Pop, Stainless Steel, 3/16 x 1/2	1
9	<u>102033101</u>	Hose, Brake, Rear	2
10	<u>102331701</u>	Line, Brake, Rear (passenger side)	1
11	<u>102331801</u>	Line, Brake, Rear (driver side)	1
12	<u>102045701</u>	Clip, Horseshoe	2
13	<u>1014007</u>	Washer, Flat, 1/4	1
14	<u>183</u>	Washer, Flat, Type A, #10	2
15	<u>102331601</u>	Line, Brake Supply (master cylinder to tee)	1
16	<u>102339201</u>	Plug, 3/8-24	1
17	<u>102333301</u>	Tee, Brake, 3/8	1
18	<u>1012285</u>	Screw, Hex Washer-Head, 1/4-20 x 5/8	1

4
G

HAND PARK BRAKE ASSEMBLY

ITEM	PART NO.	DESCRIPTION	QTY
		1 2 3 4	
1	<u>102170901</u>	Lever, Park Brake	1
2	<u>102033701</u>	Boot, Park Brake Lever	1
3	<u>101832001</u>	Screw, Phillips-Head, 5/16-18	2
4	705	Screw, Hex-Head Cap, 3/8-16 x 1-1/4	2
5	<u>1011990</u>	Washer, Flat, 3/8	4
6	<u>8754</u>	Nut, Nylon Lock, 3/8-16	2
7	<u>1013366</u>	Pin, Hair Spring Cotter	2
8	<u>102033901</u>	Cable, Park Brake, Long	2
9	<u>102247201</u>	Cable, Park Brake, Short (2100 vehicles)	1
9	<u>102331201</u>	Cable, Park Brake (2100S vehicles)	1
10	<u>102052701</u>	Equalizer	1
11	<u>102160501</u>	Nut, Hex, 5/16-24	1
12	<u>102028401</u>	Clip, Park Brake Cable	4
13	<u>102242701</u>	Kit, Pulley (includes items 14 - 17)	1
14	102028302	Pulley, Flat Mount, 2-inch	1
15	<u>101260202</u>	Screw, Socket-Head, #10-24 x .75	4
16	<u>1012438</u>	Nut, Nylon Lock, #10-24	4
17	<u>183</u>	Washer, Flat, Type A, #10	4
18	<u>1010829</u>	Pin, Clevis, 5/16	2
19	102052801	Nut, Hex Cone, 5/16-24	1
20	<u>1013531</u>	Spring	1
21	N/A	Shield, Boot	1
22	101900802	Hanger, Brake Cable	2

4

G

4

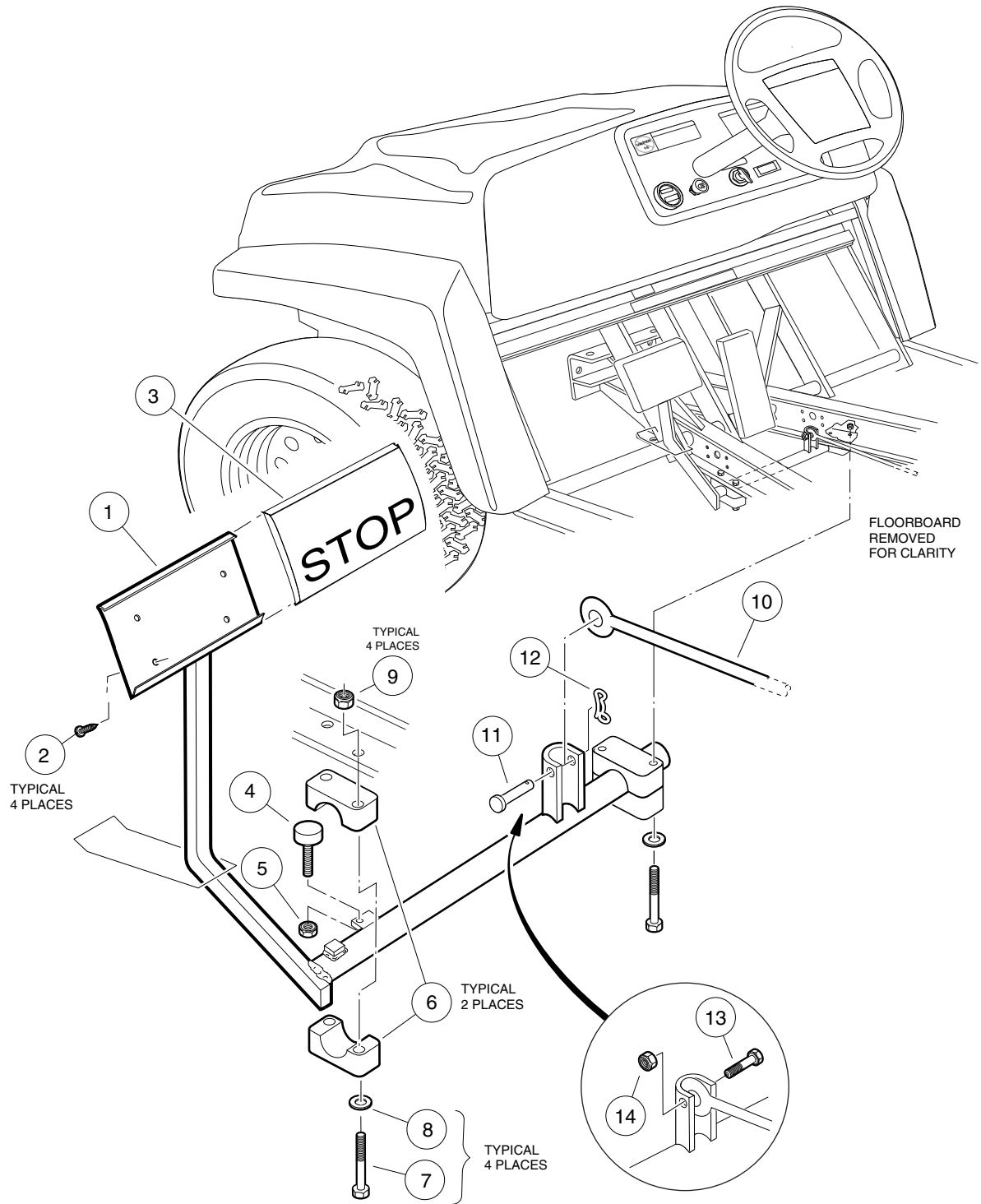
G

PEDAL GROUP

5

G

5
G

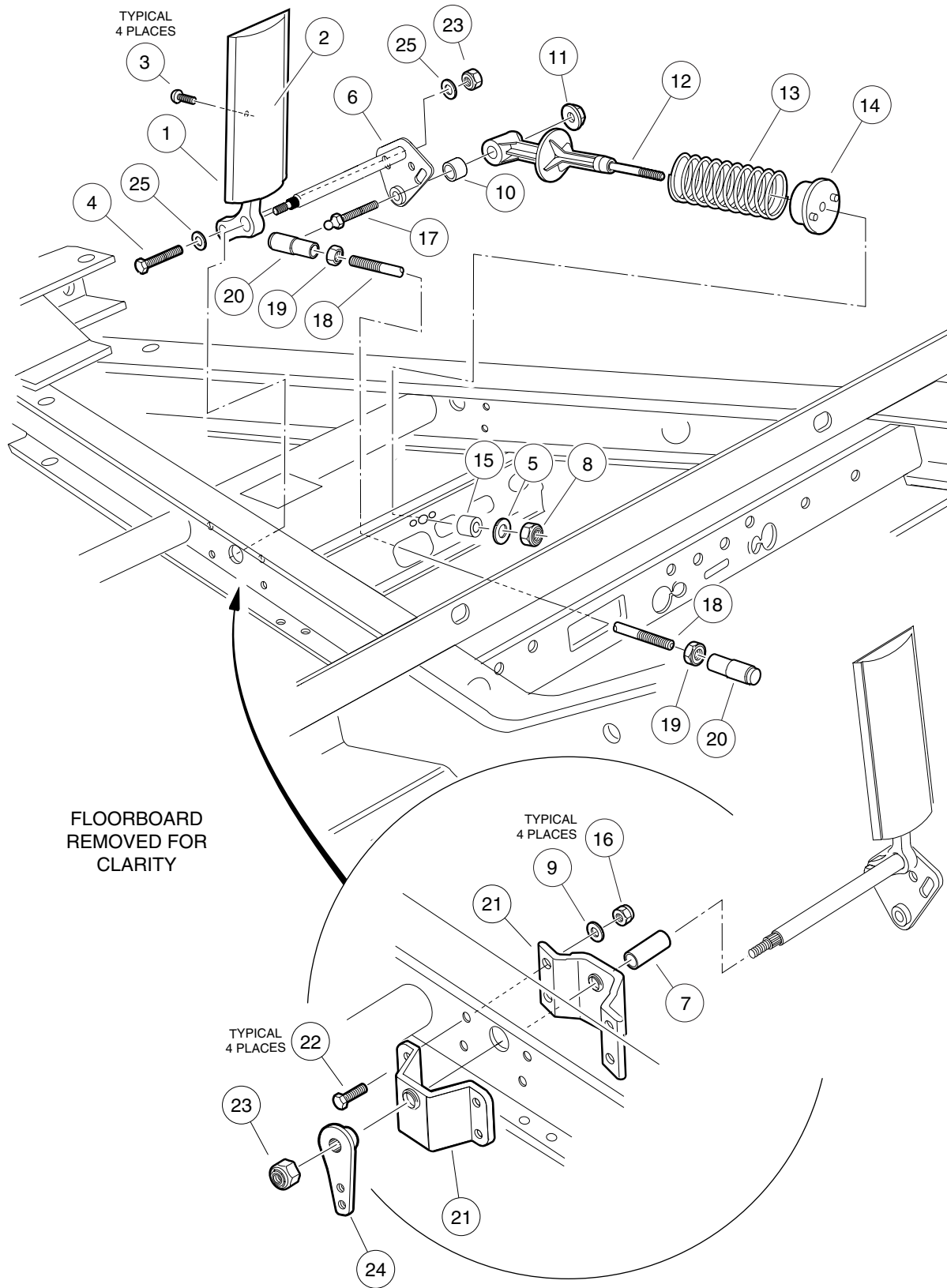


BRAKE PEDAL ASSEMBLY

ITEM	PART NO.	DESCRIPTION	QTY
		1 2 3 4	
1	<u>102028901</u>	Assembly, Brake Pedal (includes items 2 - 5)	1
2	<u>7716</u>	Screw, Slotted Hex Washer-Head, #10-16 x 1/2	4
3	<u>102028601</u>	Pad, Brake Pedal	1
4	<u>1010878</u>	Bumper, Rubber	1
5	<u>1028</u>	Nut, Hex, 1/4-20	1
6	<u>1011402</u>	Package, Brake Mounting Block (contains upper and lower for driver and passenger sides)	1
7	<u>1010921</u>	Screw, Hex-Head Cap, 5/16-18 x 2-1/2	4
8	<u>1241</u>	Washer, Flat, Type A, 5/16	4
9	<u>7473</u>	Nut, Nylon Lock, 5/16-18	4
10	<u>101953105</u>	Rod, Equalizer	1
11	<u>102323201</u>	Pin, Clevis, 5/16 (later style hardware)	1
12	<u>102292801</u>	Pin, Bow Tie Locking (later style hardware)	1
13	<u>101953001</u>	Bolt, Hex-Head Shoulder, 3/8 x 1 (earlier style hardware)	1
14	<u>7473</u>	Nut, Nylon Lock, 5/16-18 (earlier style hardware)	1

5
G

5
G



ACCELERATOR PEDAL ASSEMBLY

ITEM	PART NO.	DESCRIPTION	QTY
		1 2 3 4	
1	<u>1017696</u>	Assembly, Accelerator Pedal (includes item 2 and 3)	1
2	<u>1013871</u>	Pad, Pedal	1
3	<u>7716</u>	Screw, Slotted Hex Washer-Head, #10-16 x 1/2	4
4	<u>1624</u>	Screw, Hex-Head Cap, 3/8-16 x 1-1/2	1
5	<u>1241</u>	Washer, Flat, Type A, 5/16	1
6	<u>102026001</u>	Kit, Accelerator Pivot Rod (includes item 7)	1
7	<u>1011700</u>	Spacer	1
8	<u>7473</u>	Nut, Nylon Lock, 5/16-18	1
9	<u>332</u>	Washer, Flat, Type A, 1/4	4
10	<u>1017424</u>	Bearing, Pivot Support	1
11	<u>101966901</u>	Nut, Flanged Lock, 1/4-28	1
12	<u>101817401</u>	Retainer, Spring	1
13	<u>101796201</u>	Spring, Return	1
14	<u>1017378</u>	Cup, Spring	1
15	<u>1017380</u>	Bumper, Return Spring	1
16	<u>8233</u>	Nut, Nylon Lock, 1/4-20	4
17	<u>101818801</u>	Stud, Ball	1
18	<u>101822001</u>	Assembly, Accelerator Rod (2100 vehicle) (includes items 19 and 20)	1
18	<u>101674702</u>	Assembly, Accelerator Rod (2100S vehicle) (includes items 19 and 20)	1
19	<u>1011084</u>	Nut, UNF Hex Jam, 1/4-28	2
20	<u>1011734</u>	Joint, Spring-Loaded Ball	2
21	<u>1011694</u>	Support, Accelerator Pivot Rod	2
22	<u>101861901</u>	Screw, Hex-Head Cap, 1/4-20 x 1-1/8	4
23	<u>8754</u>	Nut, Nylon Lock, 3/8-16	2
24	<u>101916901</u>	Spacer, Ratchet Support	1
25	<u>334</u>	Washer, Flat, Type A, 3/8	2

5

G

5

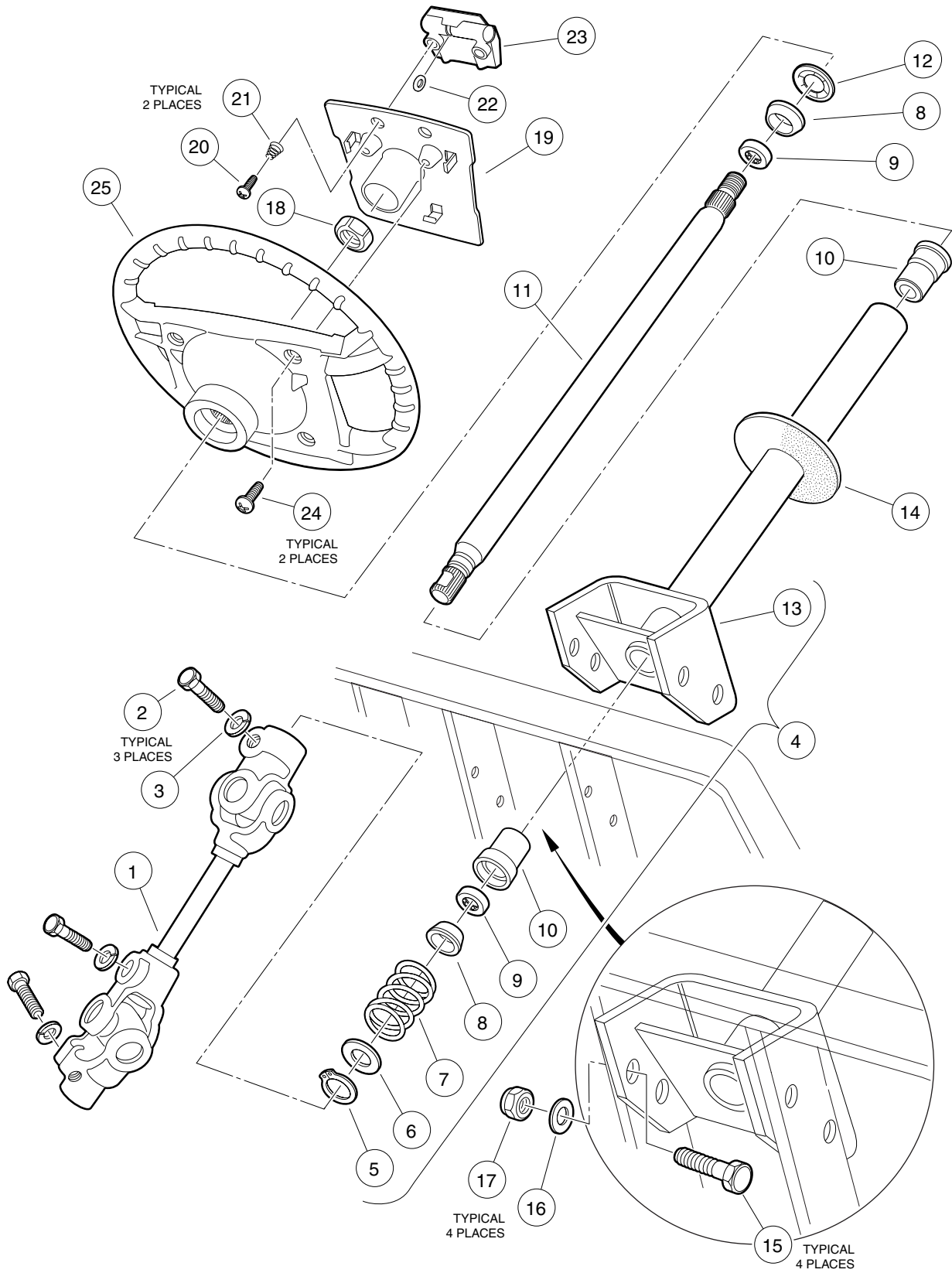
G

STEERING, FRONT AND REAR SUSPENSION

6

G

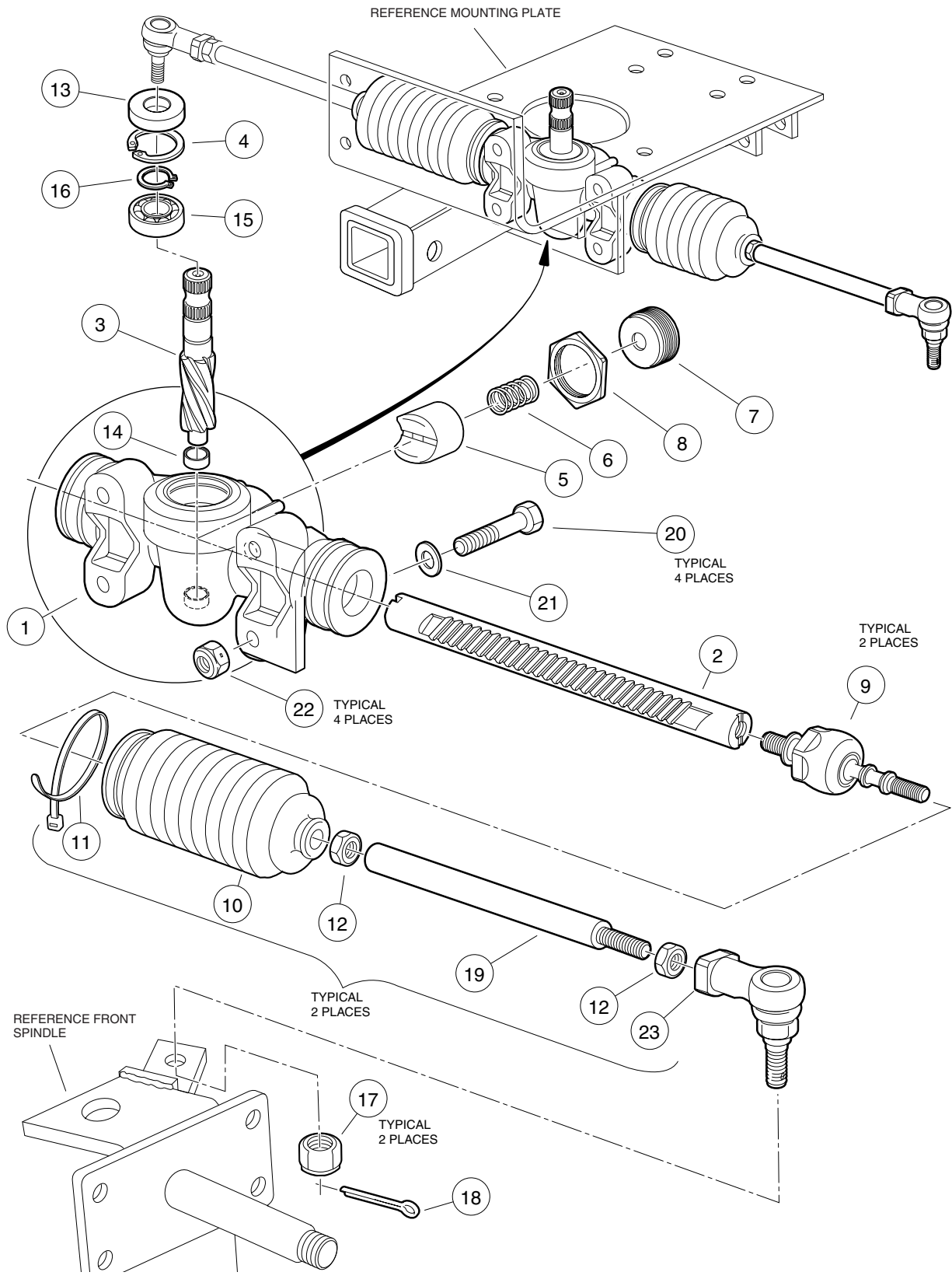
6
G



STEERING COLUMN

ITEM	PART NO.	DESCRIPTION	QTY
		1 2 3 4	
1	<u>102010201</u>	Joint, Steering (includes items 2 and 3)	1
2	<u>1017226</u>	Screw, Hex-Head Cap, M8 x 1.25 x 30 mm	3
3	<u>7174</u>	Washer, Lock, 5/16	3
4	<u>102013101</u>	Assembly, Steering Column (includes items 5 - 13)	1
5	<u>1012605</u>	Ring, Retaining	1
6	<u>1012604</u>	Washer, Steel, 5/8	1
7	<u>1014217</u>	Spring, Compression	1
8	<u>1014125</u>	Wedge	2
9	<u>1014213</u>	Assembly, Bearing	2
10	<u>1014126</u>	Seat, Bearing	2
11	<u>1017315</u>	Shaft, Steering Column	1
12	<u>1014214</u>	Ring, Retaining	1
13	<u>102013001</u>	Weldment, Steering Column	1
14	<u>102278001</u>	Boot, Steering Column	1
15	<u>320</u>	Screw, Hex-Head Cap, 3/8-16 x 1	4
16	<u>334</u>	Washer, Flat, Type A, 3/8	4
17	<u>8754</u>	Nut, Nylon Lock, 3/8-16	4
18	<u>1017273</u>	Nut, Nylon Lock, 5/8-18	1
19	<u>1016219</u>	Assembly, Scorecard Plate (includes items 20 - 23)	1
20	<u>1012565</u>	Screw, Round-Head, #12-14 x 1	2
21	<u>1012566</u>	Spring, Tapered Compression	2
22	<u>1016214</u>	Grip, Pencil	1
23	<u>1016154</u>	Clip, Scorecard	1
24	<u>1016663</u>	Screw, Phillips, Type A, #12-14 x 5/8	2
25	<u>1016156</u>	Wheel, Steering	1

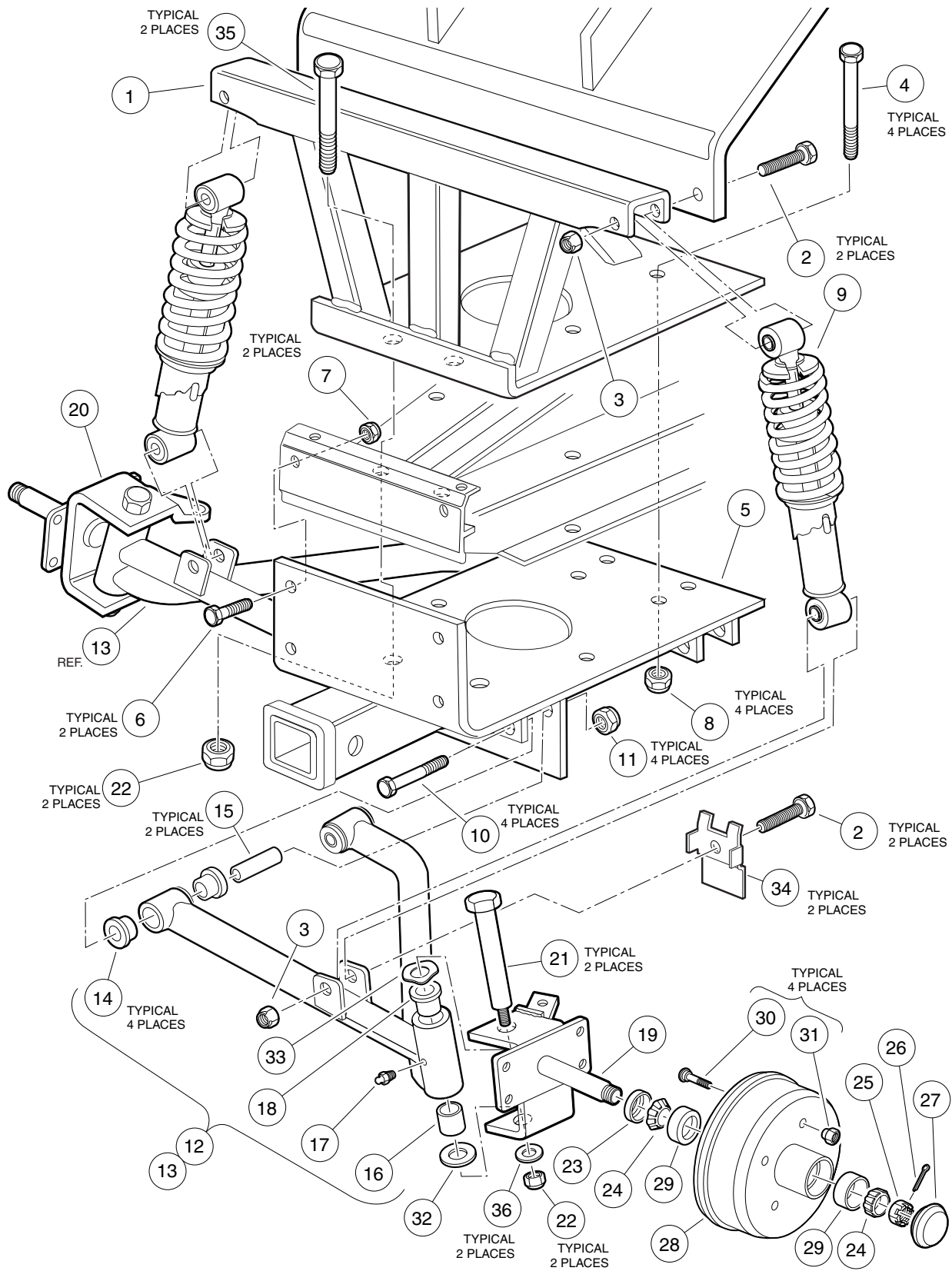
6
G



STEERING GEAR ASSEMBLY

ITEM	PART NO.	DESCRIPTION	QTY
		1 2 3 4	
	<u>102010101</u>	Assembly, Steering Gear Box (includes items 1 - 16)	1
1	N/A	Box, Steering Gear	1
2	N/A	Rack, Steering	1
3	N/A	Pinion, Steering	1
4	1013051	Ring, Snap	1
5	<u>101879701</u>	Guide, Steering Rack	1
6	<u>101879801</u>	Spring, Yoke	1
7	N/A	Screw, Rack Guide	1
8	<u>1013044</u>	Nut, Hex Jam, M30 x 2	1
9	<u>101880201</u>	Assembly, Inner Ball Joint	2
10	<u>1013035</u>	Seal, Dust	2
11	<u>8990</u>	Tie, Wire	2
12	1013042	Nut, Hex Jam, M12 x 1.25	4
13	<u>1013052</u>	Seal, Dust, Steering Pinion	1
14	N/A	Bearing, Lower Pinion	1
15	<u>101879401</u>	Bearing, Upper Pinion	1
16	<u>101879901</u>	Ring, C-Type Stop	1
17	<u>102022901</u>	Nut, Nylon Lock, M12 x 1.25	2
18	<u>102023301</u>	Pin, Cotter	2
19	<u>102022801</u>	Link, Rack and Pinion Drag	2
20	<u>1624</u>	Screw, Hex-Head Cap, 3/8-16 x 1-1/2	4
21	<u>334</u>	Washer, Flat, Type A, 3/8	4
22	<u>1010138</u>	Nut, Dimpled Lock, 3/8-16	4
23	<u>102022601</u>	Joint, Ball	2

6
G



FRONT SUSPENSION

ITEM	PART NO.	DESCRIPTION	QTY
		1 2 3 4	
1	<u>102012301</u>	Tower, Shock	1
2	<u>102023101</u>	Screw, Hex-Head Cap, 7/16-14 x 2-1/4	4
3	<u>1014555</u>	Nut, Nylon Lock, 7/16-14	4
4	<u>7270</u>	Screw, Hex-Head Cap, 3/8-16 x 4-1/2	4
5	102016801	Plate, Suspension Mounting	1
6	<u>1010934</u>	Screw, Hex-Head Cap, 5/16-18 x 1	2
7	<u>7473</u>	Nut, Nylon Lock, 5/16-18	2
8	<u>8754</u>	Nut, Nylon Lock, 3/8-16	4
9	<u>102017601</u>	Shock, Coil Over	2
10	<u>1016387</u>	Screw, Hex-Head Cap, 3/8-16 x 2-3/4	4
11	<u>8754</u>	Nut, Nylon Lock, 3/8-16	4
12	102052401	Assembly, A-Arm, Driver-Side (includes items 14 - 18)	1
13	102052301	Assembly, A-Arm, Passenger-Side (includes items 14 - 18)	1
14	<u>1016346</u>	Bushing, Urethane	4
15	<u>102066701</u>	Sleeve, Steel	2
16	<u>8067</u>	Bushing, Bronze Spindle	1
17	<u>1015597</u>	Fitting, Grease, Thread-Forming, 1/4-28	1
18	<u>7048</u>	Bushing, Bronze	1
19	102016701	Spindle, Driver-Side	1
20	<u>102016501</u>	Spindle, Passenger-Side	1
21	<u>102048601</u>	Bolt, Kingpin	2
22	<u>101903101</u>	Nut, Nylon Lock, 1/2-20	4
23	<u>102023001</u>	Seal, Double Lip	2
24	<u>102013701</u>	Bearing, Hub	4
25	<u>102013801</u>	Nut, Slotted Hex	2
26	<u>101838801</u>	Pin, Cotter, 5/32 x 1-1/4	2
27	<u>102013601</u>	Cover, Dust	2
28	102044201	Assembly, Brake Drum (includes items 29 and 30)	2
29	N/A	Cup, Bearing	2
30	<u>1013787</u>	Stud, Lug, 1/2-20	4
31	<u>1010984</u>	Nut, Lug, 1/2-20	8
32	<u>1010150</u>	Bearing, Thrust	2
33	<u>1016389</u>	Washer, Kingpin Wave	2
34	<u>102100001</u>	Stop, Steering	2
35	<u>102067001</u>	Screw, Hex-Head Cap, 1/2-20 x 4-1/2	2
36	<u>1010028</u>	Washer, Flat, 1/2	2

6
G

REAR SUSPENSION

ITEM	PART NO.	DESCRIPTION	QTY
		1 2 3 4	
1	<u>102256901</u>	Shackle, Rear Spring	4
2	<u>8754</u>	Nut, Nylon Lock, 3/8-16	6
3	<u>1012303</u>	Bushing, Steel	6
4	<u>1015583</u>	Bushing, Urethane	12
5	<u>1010145</u>	Nut, UNF Hex, 3/8-24	4
6	<u>102267301</u>	Shock Absorber, Rear	2
7	<u>1011415</u>	Kit, Shock Absorber Cushion (includes items 8 and 9)	4
8	N/A	Retainer, Shock Absorber Cushion	2
9	N/A	Cushion, Shock Absorber	2
10	<u>102258801</u>	U-Bolt	4
11	<u>102006501</u>	Spring, Rear Four-Leaf	2
12	<u>102066201</u>	Screw, Hex-Head Cap, Grade 8, 3/8-16 x 3-1/2	2
13	<u>102266301</u>	Pad, Spring	2
14	<u>7270</u>	Screw, Hex-Head Cap, 3/8-16 x 4-1/2	4
15	<u>808</u>	Washer, Flat, 3/8	8
16	<u>1015453</u>	Mount, Compression	8
17	<u>102045601</u>	Spacer	8
18	<u>101900802</u>	Hanger, Brake Cable	2
19	<u>102065001</u>	Nut, Flanged, 7/16-14	8
20	<u>102188701</u>	Stop, Axle	2

6
G

6

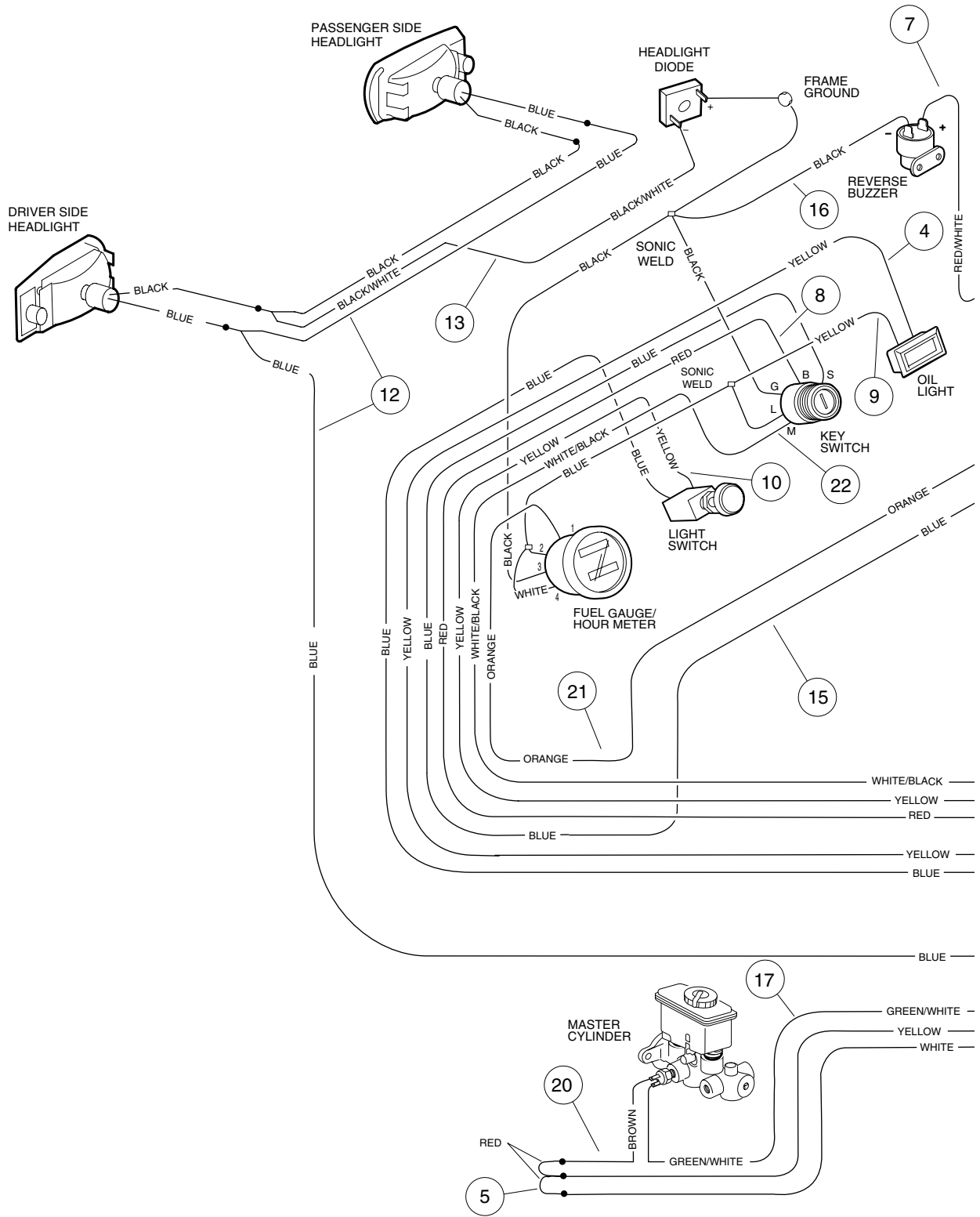
G

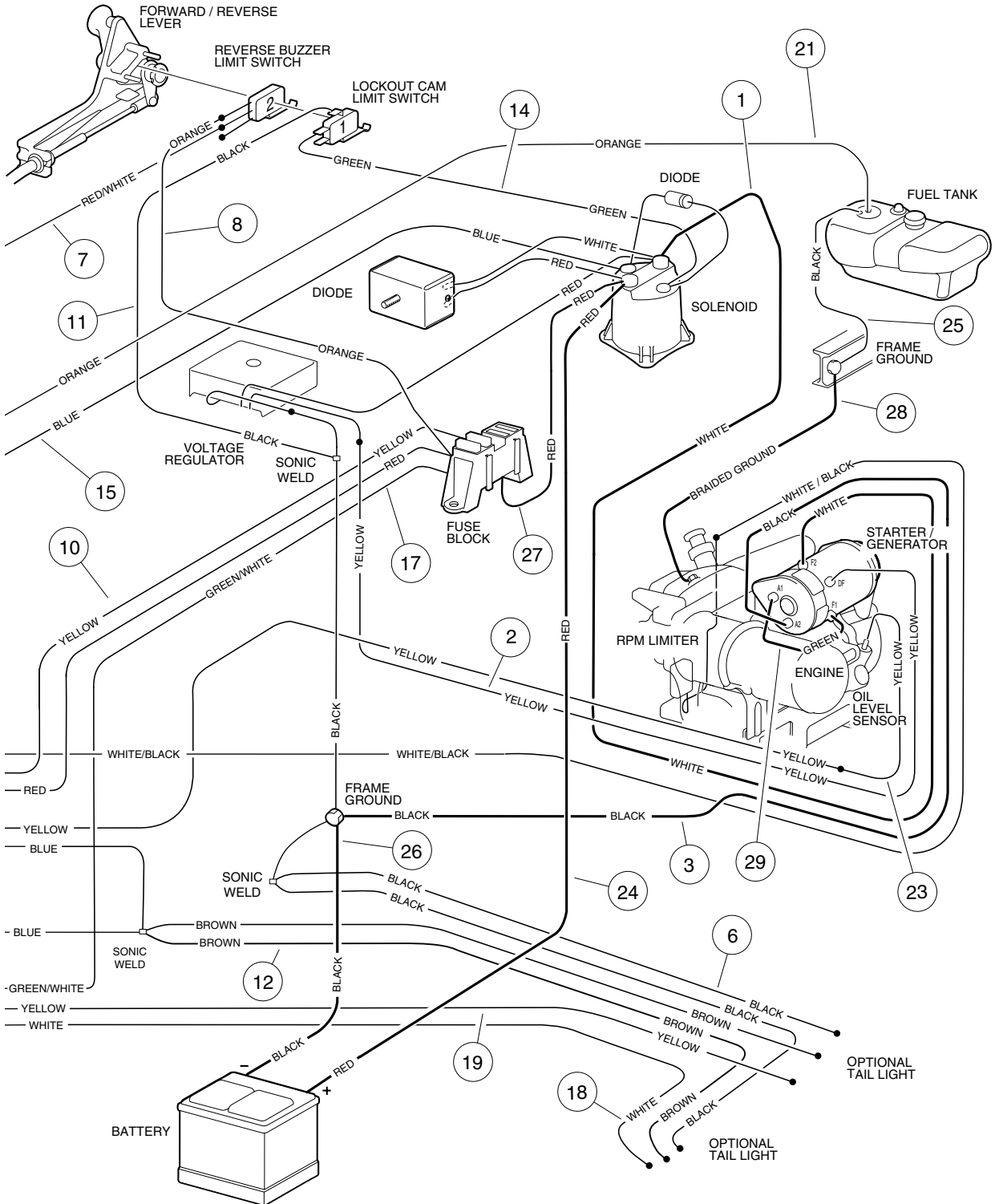
ELECTRICAL SYSTEM

7

G

2100 KEY-START VEHICLE WIRING





7

G

See previous two pages for wiring diagram.

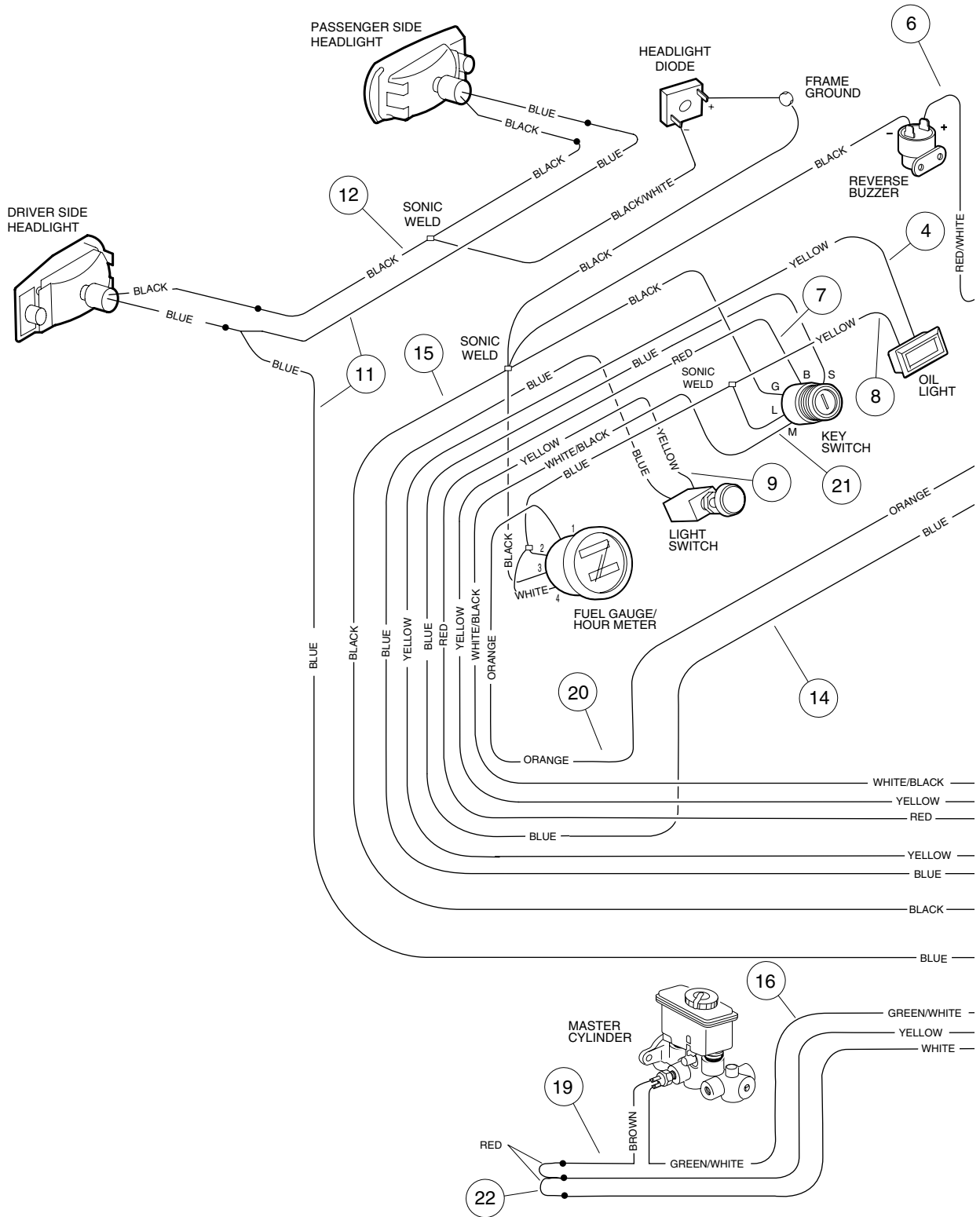
WIRING – 2100, KEY-START VEHICLE

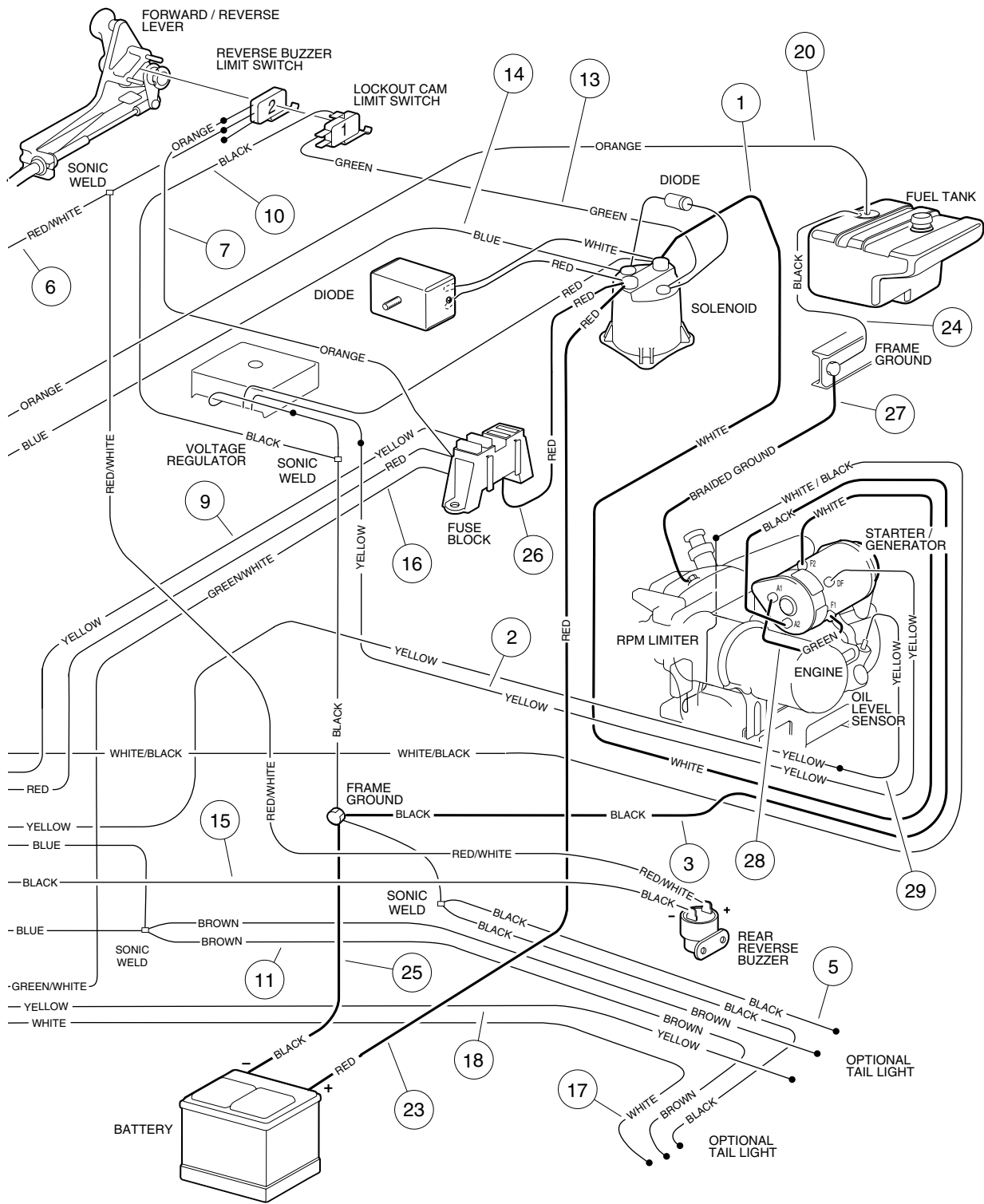
ITEM	PART NO.	DESCRIPTION	QTY
		1 2 3 4	
	<u>102223601</u>	Wire Harness Assembly (includes items 1 - 22)	1
1	<u>1015769</u>	Wire Assembly, #6 White	1
2	N/A	Wire Assembly, #18 Yellow	1
3	<u>1016380</u>	Wire Assembly, #6 Black	1
4	N/A	Wire Assembly, #18 Yellow	1
5	N/A	Wire Assembly, #18 Red	1
6	N/A	Wire Assembly, #18 Black, #16 Black	1
7	N/A	Wire Assembly, #18 Red/White	1
8	N/A	Wire Assembly, #14 Red, #18 Orange	1
9	N/A	Wire Assembly, #18 Yellow, #18 Blue, #18 White	1
10	N/A	Wire Assembly, #14 Yellow	1
11	N/A	Wire Assembly, #18 Black	1
12	N/A	Wire Assembly, #16 Blue, #14 Blue, #18 Brown, #16 Brown	1
13	N/A	Wire Assembly, #16 Black, #16 Black/White	1
14	N/A	Wire Assembly, #18 Green	1
15	N/A	Wire Assembly, #18 Blue	1
16	N/A	Wire Assembly, #18 Black, #16 Black	1
17	N/A	Wire Assembly, #18 Green/White	1
18	N/A	Wire Assembly, #18 White	1
19	N/A	Wire Assembly, #18 Yellow	1
20	N/A	Wire Assembly, #18 Brown	1
21	N/A	Wire Assembly, #18 Orange	1
22	N/A	Wire Assembly, #18 White/Black	1
23	N/A	Wire Assembly, #18 Yellow	1
24	<u>1014119</u>	Wire Assembly, #6 Red	1
25	N/A	Wire Assembly, #18 Black	1
26	<u>1012382</u>	Wire Assembly, #6 Black	1
27	<u>1015737</u>	Wire Assembly, #10 Red (part of electrical component box)	1
28	<u>1015332</u>	Wire Assembly, #10 Braided Ground	1
29	<u>101837301</u>	Wire Assembly, #6 Green	1

7

G

2100S KEY-START VEHICLE WIRING





7

G

See previous two pages for wiring diagram.

WIRING – 2100S, KEY-START VEHICLE

ITEM	PART NO.	DESCRIPTION	QTY
		1 2 3 4	
	<u>102316101</u>	Wire Harness Assembly (includes items 1 - 22)	1
1	<u>1015769</u>	Wire Assembly, #6 White	1
2	N/A	Wire Assembly, #16 Yellow	1
3	<u>1016380</u>	Wire Assembly, #6 Black	1
4	N/A	Wire Assembly, #18 Yellow	1
5	N/A	Wire Assembly, #18 Black, #16 Black	1
6	N/A	Wire Assembly, #18 Red/White	1
7	N/A	Wire Assembly, #14 Red, #18 Orange	1
8	N/A	Wire Assembly, #18 Blue, #18 Yellow, and #18 White	1
9	N/A	Wire Assembly, #14 Yellow	1
10	N/A	Wire Assembly, #18 Black	1
11	N/A	Wire Assembly, #16 Blue, #16 Brown	1
12	N/A	Wire Assembly, #16 Black, #16 Black/White	1
13	N/A	Wire Assembly, #18 Green	1
14	N/A	Wire Assembly, #18 Blue	1
15	N/A	Wire Assembly, #18 Black, #16 Black	1
16	N/A	Wire Assembly, #18 Green/White	1
17	N/A	Wire Assembly, #18 White	1
18	N/A	Wire Assembly, #18 Yellow	1
19	N/A	Wire Assembly, #18 Brown	1
20	N/A	Wire Assembly, #18 Orange	1
21	N/A	Wire Assembly, #18 White/Black	1
22	N/A	Wire Assembly, #18 Red	1
23	<u>1014119</u>	Wire Assembly, #6 Red	1
24	N/A	Wire Assembly, #18 Black	1
25	<u>1012382</u>	Wire Assembly, #6 Black	1
26	<u>1015737</u>	Wire Assembly, #10 Red (part of electrical component box)	1
27	<u>1015332</u>	Wire Assembly, #10 Braided Ground	1
28	<u>101837301</u>	Wire Assembly, #6 Green	1
29	N/A	Wire Assembly, #18 Yellow	1

7

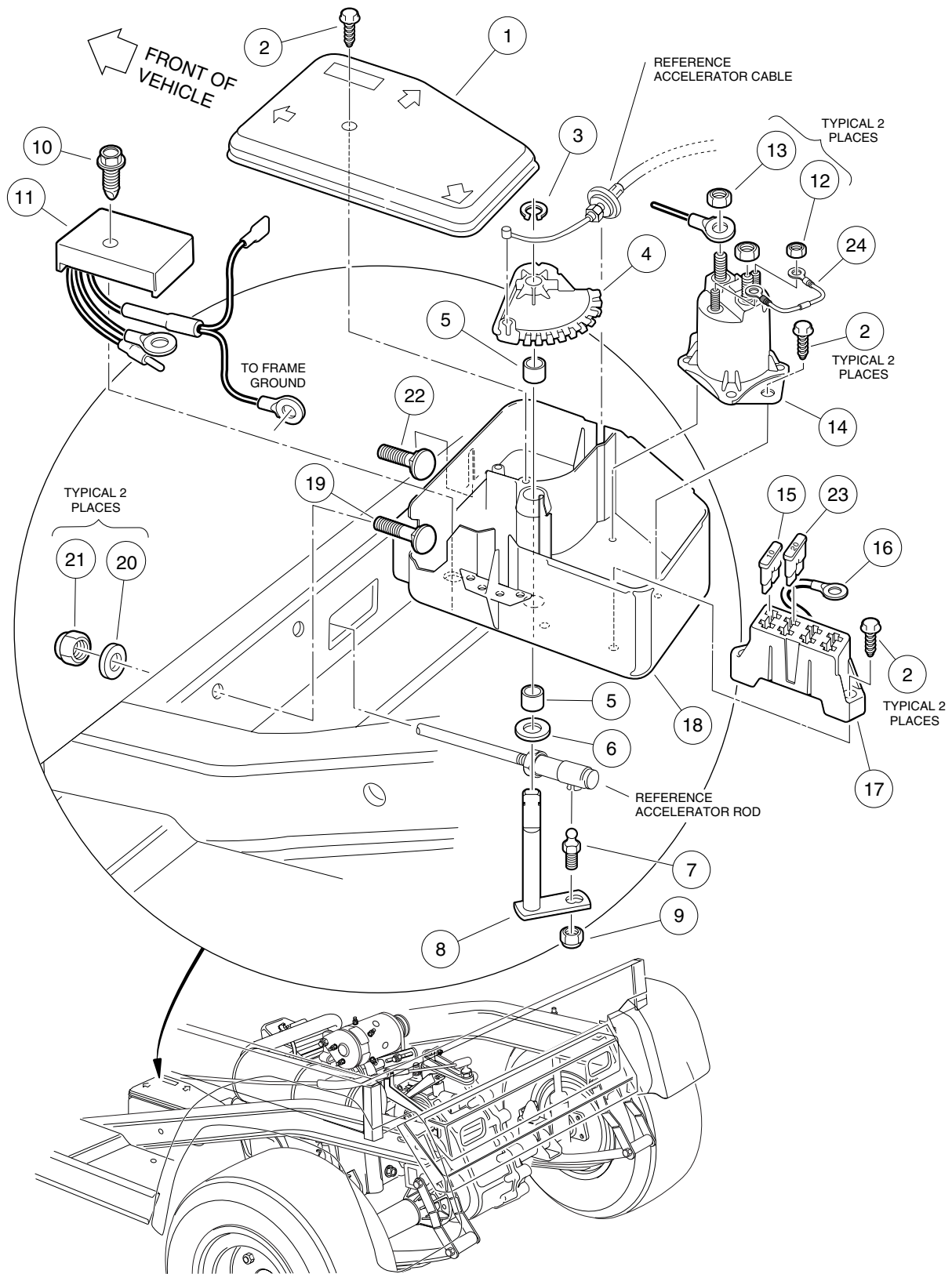
G

FORWARD/REVERSE SHIFTER ASSEMBLY

ITEM	PART NO.	DESCRIPTION	QTY
		1 2 3 4	
	1016947	Assembly, Forward/Reverse Shifter (includes items 1 - 17)	1
1	<u>1012594</u>	Screw, Machine, #4-40 x 1-1/2	2
2	<u>1016342</u>	Base, Forward/Reverse Shifter	1
3	<u>8057</u>	Nut, Hex-Head, #4-40	4
4	1012431	Washer, Flat, #4	4
5	<u>101979101</u>	Switch, Limit	1
6	<u>1014727</u>	Washer, Nylon Flat, #4	2
7	<u>1014807</u>	Switch, Limit	1
8	<u>8058</u>	Washer, Lock, #4	2
9	<u>1014145</u>	Bushing, Bronze	2
10	1014089	Kit, Neutral Lockout Cam (includes item 11)	1
11	<u>1014065</u>	Washer, Flat, Delrin	1
12	<u>1013590</u>	Spring, Forward/Reverse Cam	1
13	<u>1013589</u>	Ring, Retaining	1
14	1013587	Weldment, Forward/Reverse Bell Crank	1
15	<u>1013591</u>	Pin, Roll, 1/8	1
16	<u>8717</u>	Nut, Nylon Lock, 1/4-28	1
17	<u>1010954</u>	Stud, Ball, 1/4-28 x 1/4	1
18	<u>1015409</u>	Cable, Transmission (includes items 19 and 20) (2100 vehicle)	1
18	<u>101672701</u>	Cable, Transmission (includes items 19 and 20) (2100S vehicle)	1
19	<u>7893</u>	Nut, Hex, #10-32	2
20	<u>1012333</u>	Joint, Ball	2
21	<u>1015064</u>	Screw, Phillips Oval Countersunk Machine, #8-32 x 5/8	1
22	<u>1012987</u>	Handle, Forward/Reverse Switch	1
23	<u>8248</u>	Screw, Phillips Truss-Head, 1/4-20 x 3/4	4
24	8233	Nut, Nylon Lock, 1/4-20	4
25	<u>1016201</u>	Washer, Wave, 3/8	1
26	<u>102045901</u>	Bracket, Transmission Cable Support	1
27	<u>1012285</u>	Screw, Hex-Head Thread-Rolling, 1/4-20 x 5/8	3
28	<u>7973</u>	Rivet, Pop, 3/16	1
29	8455	Clamp	1

7
G

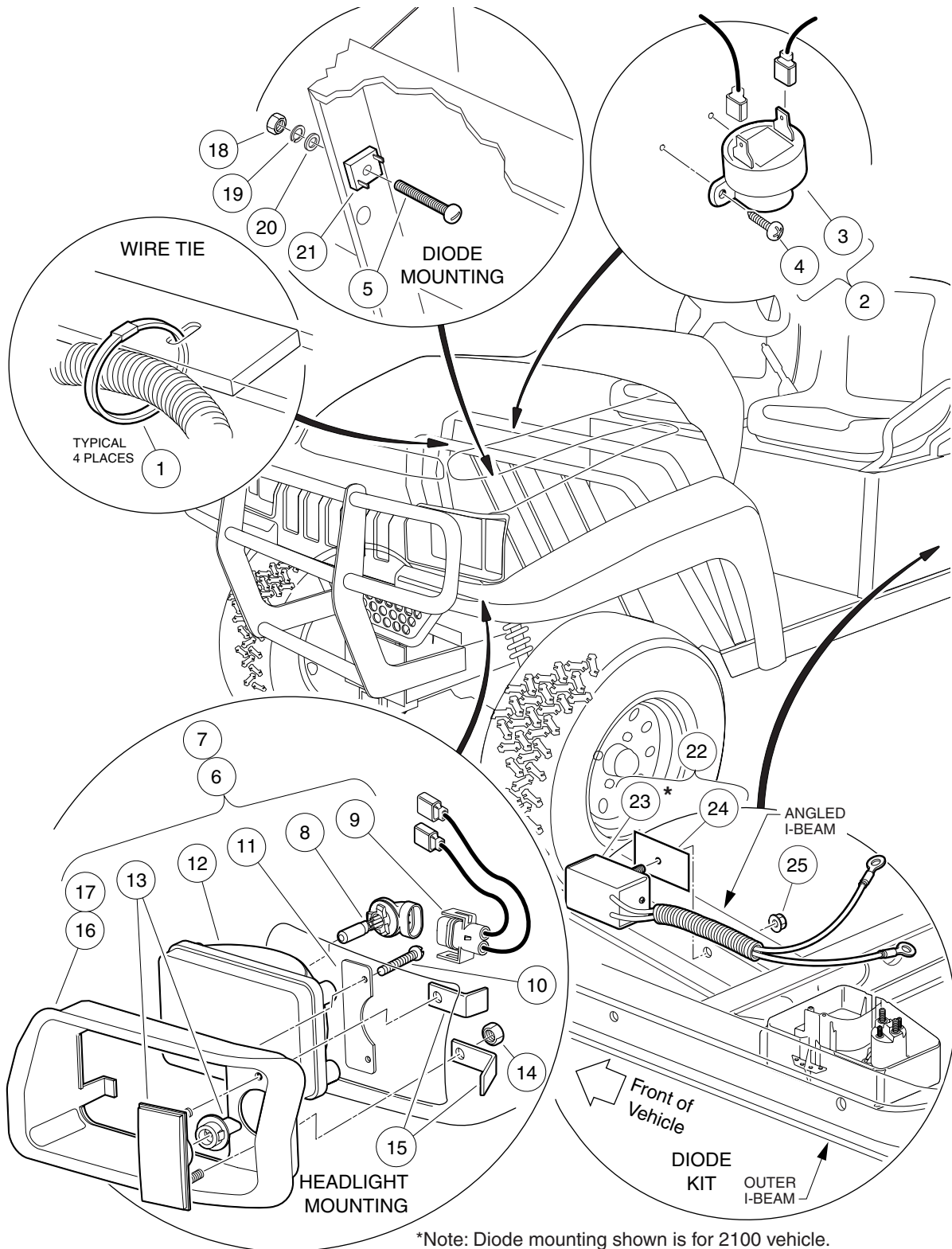
7
G



ELECTRICAL COMPONENT BOX, KEY-START VEHICLES

ITEM	PART NO.	DESCRIPTION	QTY
		1 2 3 4	
1	<u>1015372</u>	Cover, Electrical Component Box	1
2	<u>1015752</u>	Screw, Hi-Lo, #12-16 x 5/8	5
3	<u>1013589</u>	Ring, Retaining	1
4	<u>1015373</u>	Cam, Electrical Box	1
5	<u>1014145</u>	Bushing, Bronze	2
6	<u>1014065</u>	Washer, Flat, Delrin	1
7	<u>1010954</u>	Stud, Ball, 1/4-28	1
8	1015345	Assembly, Bell Crank and Shaft	1
9	<u>8717</u>	Nut, Nylon Lock, 1/4-28	1
10	<u>101856102</u>	Screw, Hex Washer-Head Hi-Lo, 1/4-15 x 1-1/2	1
11	<u>1015777</u>	Regulator, Voltage	1
12	<u>7893</u>	Nut, Hex, #10-32	2
13	<u>1242</u>	Nut, Hex, 5/16-18	2
14	<u>1013609</u>	Solenoid, 12-Volt	1
15	<u>1012295</u>	Fuse, 10-Amp	1
16	<u>1015737</u>	Wire Assembly, #10 Red	1
17	<u>1015741</u>	Block, Fuse	1
18	<u>1015371</u>	Box, Electrical Component	1
19	<u>1015405</u>	Bolt, Carriage, 5/16-18 x 2	1
20	<u>1241</u>	Washer, Flat, Type A, 5/16	2
21	<u>7473</u>	Nut, Nylon Lock, 5/16-18	2
22	<u>7818</u>	Bolt, Carriage, 5/16-18 x 1-1/2	1
23	<u>1016423</u>	Fuse, 20-Amp	1
24	1014948	Diode, Flyback	1

7
G



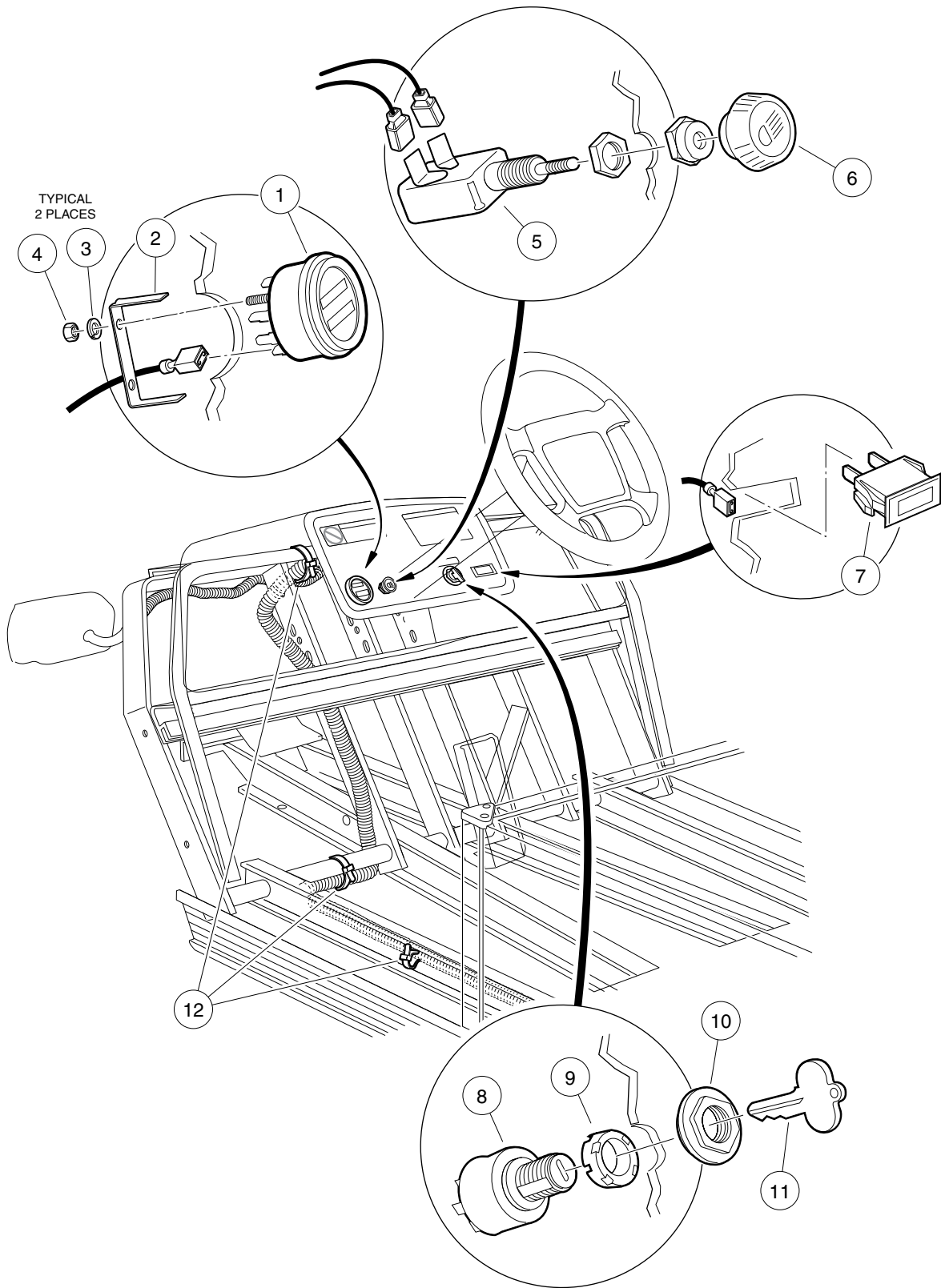
*Note: Diode mounting shown is for 2100 vehicle.
The diode mounts differently on a 2100S vehicle.

ELECTRICAL COMPONENTS, FRONT BODY

ITEM	PART NO.	DESCRIPTION	QTY
		1 2 3 4	
1	<u>8639</u>	Tie, Wire	4
2	<u>1016859</u>	Kit, Reverse Buzzer (includes items 3 and 4)	1
3	<u>1016851</u>	Buzzer, Reverse	1
4	<u>1016849</u>	Screw, Pan-Head Hi-Lo, #4-24 x 5/16	2
5	<u>1010909</u>	Screw, Machine Head, #10-32 x 1-1/4	1
6	<u>101988001</u>	Assembly, Headlight, Driver-Side (includes items 8 - 16)	1
7	<u>101988002</u>	Assembly, Headlight, Passenger-Side (includes items 8 - 15 and 17)	1
8	<u>101988101</u>	Bulb, Halogen	1
9	<u>101987901</u>	Connector, Headlight Wire	1
10	<u>1013461</u>	Screw, Hi-Lo, #10-16	2
11	<u>1017065</u>	Retainer, Headlight	1
12	<u>101988201</u>	Lens, Headlight	1
13	<u>1017062</u>	Assembly, Turn Signal Lens	1
14	<u>7893</u>	Nut, Hex, #10-32	2
15	<u>1017064</u>	Bracket, Mounting	2
16	<u>1016880</u>	Bezel, Headlight, Driver-Side	1
17	<u>1016879</u>	Bezel, Headlight, Passenger-Side	1
18	<u>7893</u>	Nut, Hex, #10-32	1
19	<u>1016</u>	Washer, Lock, #10	1
20	<u>183</u>	Washer, Flat, Type A, #10	1
21	<u>1017721</u>	Diode	1
22	<u>102272501</u>	Kit, Diode (includes items 23 - 25)	1
23	<u>102264001</u>	Assembly, Diode	1
24	<u>102269701</u>	Pad, Thermal	1
25	<u>101963401</u>	Nut, Hex Flanged Lock	1

7
G

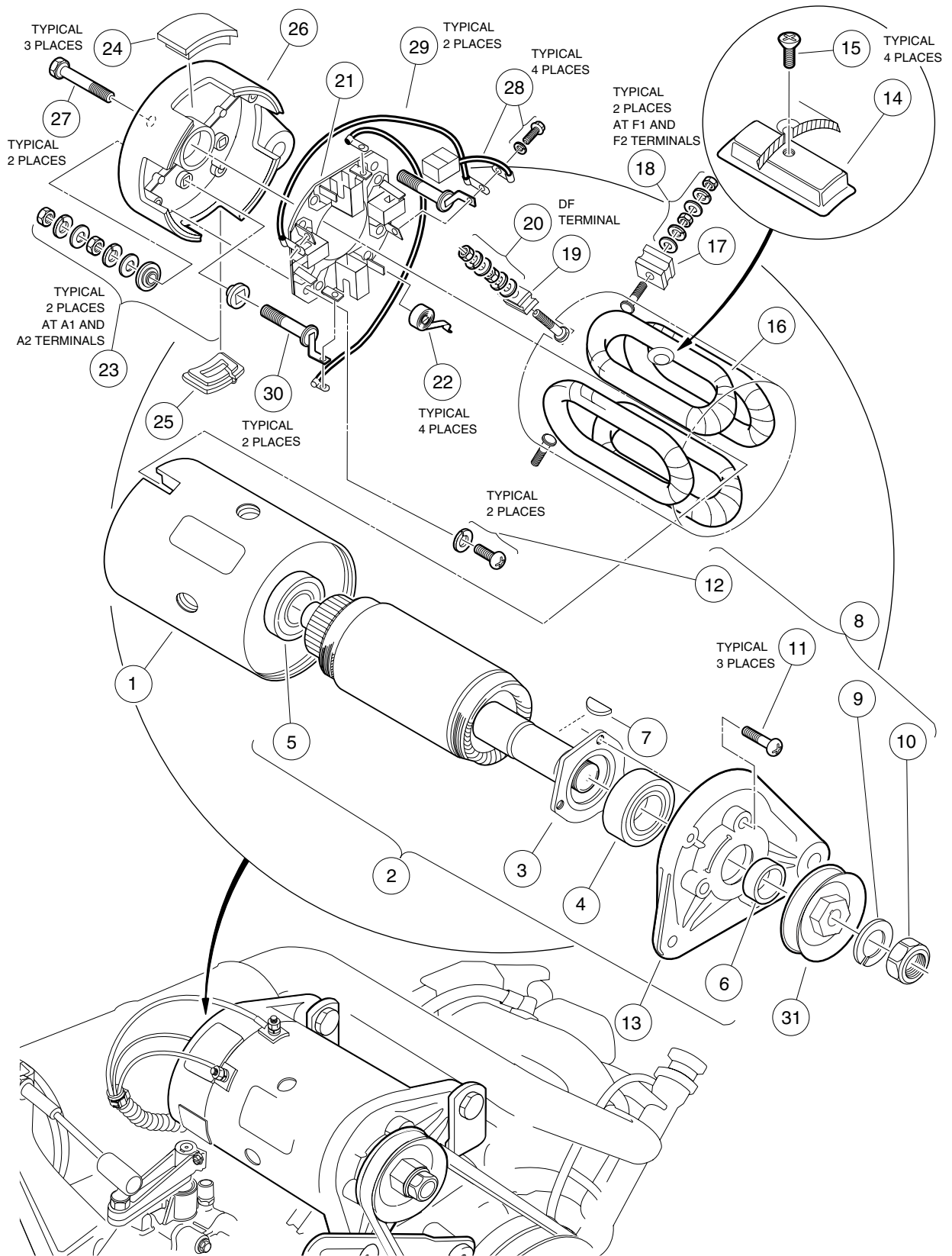
7
G



ELECTRICAL COMPONENTS, DASH PANEL

ITEM	PART NO.	DESCRIPTION	QTY
		1 2 3 4	
1	<u>101990701</u>	Fuel Gauge/Hour Meter (includes item 2)	1
2	N/A	Bracket	1
3	<u>1012986</u>	Washer, Lock, M4	2
4	<u>101991101</u>	Nut, M4 x 0.7	2
5	<u>102051901</u>	Switch, Light	1
6	<u>1013857</u>	Knob, Light Switch	1
7	<u>1016630</u>	Light, Low Oil Warning	1
8	<u>102044702</u>	Switch, Key	1
9	<u>102051601</u>	Spacer, Key Switch	1
10	<u>102051701</u>	Nut, Key Switch	1
11	102044801	Key (pair)	1
12	<u>8990</u>	Tie, Wire	3

7
G

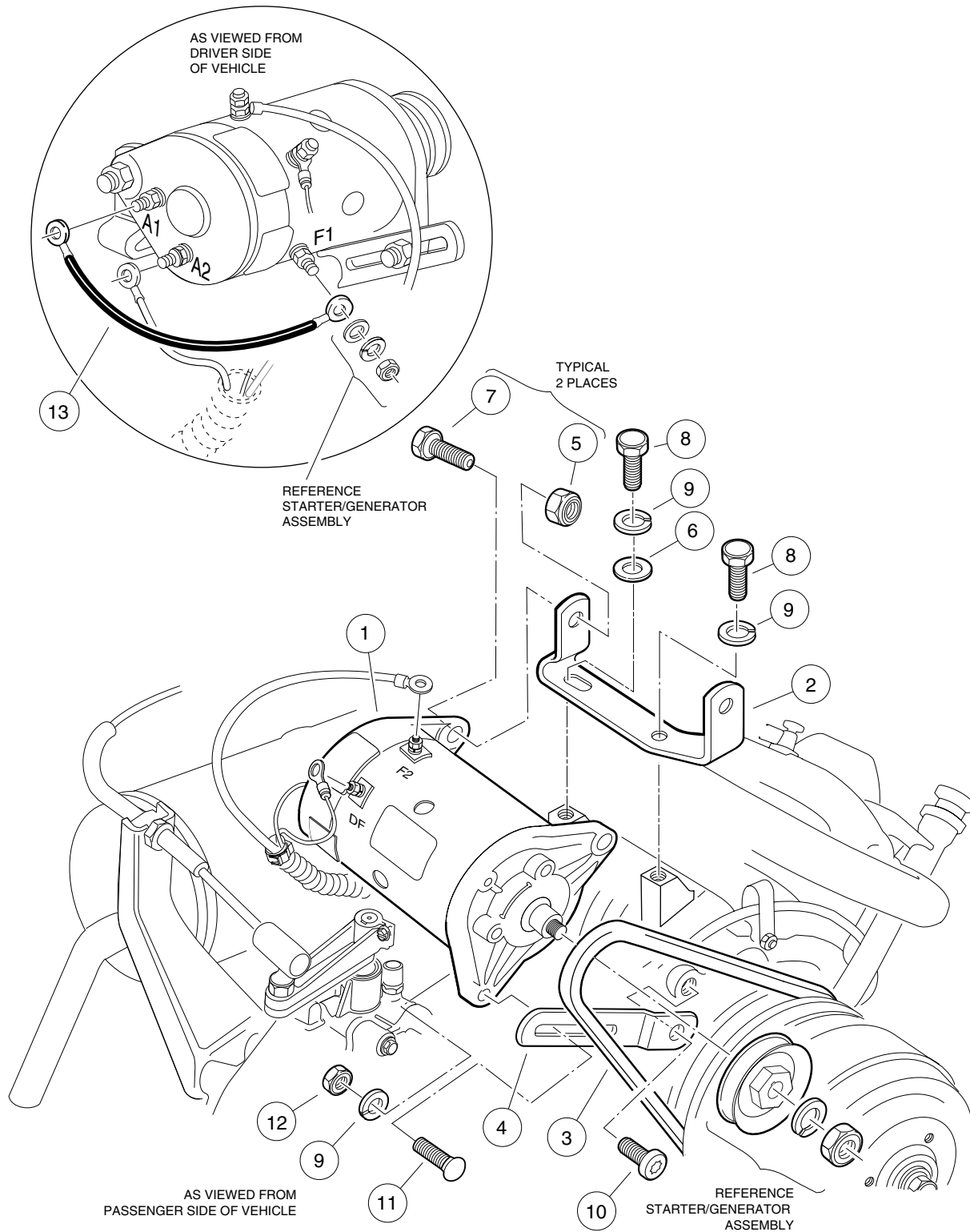


STARTER/GENERATOR ASSEMBLY

ITEM	PART NO.	DESCRIPTION	QTY
		1 2 3 4	
	<u>101833701</u>	Starter/Generator (clockwise rotation) (includes items 1 - 30)	1
1	<u>101875201</u>	Housing, Field Coil	1
2	<u>101875101</u>	Assembly, Armature (includes items 3 - 6)	1
3	<u>101875001</u>	Retainer, Bearing	1
4	<u>1013001</u>	Ball Bearing, Output Shaft	1
5	<u>1013005</u>	Commutator, Ball Bearing	1
6	<u>101939901</u>	Spacer, 5/16	1
7	<u>1013003</u>	Key, Woodruff	1
8	<u>101876501</u>	Kit, Pulley Nut and Screw (includes items 9 - 12)	1
9	N/A	Washer, Lock, M14	1
10	N/A	Nut, Hex, M14 x 2	1
11	N/A	Screw, Cross-Recessed, M5 x 0.8 x 18 mm	3
12	<u>101896501</u>	Screw, Cross-Recessed, M5 x 0.8 x 16 mm (with lock washer)	2
13	<u>101874901</u>	End Bell, Output Shaft	1
14	<u>101875301</u>	Set, Pole (set of 4)	1
15	<u>101875401</u>	Screw, Pole Piece (set of 4)	1
16	<u>101875501</u>	Coil, Field	1
17	<u>101875601</u>	Insulator, F Terminal	2
18	<u>101877601</u>	Package, Terminal Hardware (F1 and F2)	2
19	<u>101875701</u>	Insulator, DF Terminal	1
20	<u>101877701</u>	Package, Terminal Hardware (DF)	1
21	<u>101301102</u>	Holder, Brush (includes item 22)	1
22	<u>101878101</u>	Spring, Brush	4
23	<u>101876001</u>	Package, Terminal Hardware (A1 and A2)	2
24	<u>101876301</u>	Cover, Brush Inspection Port (set of 4) (includes item 25)	1
25	<u>1017653</u>	Cover, Brush Inspection Port, with Drain	1
26	<u>101876402</u>	End Bell, Commutator	1
27	<u>101879001</u>	Bolt, Clamp, M6 x 1 x 180 mm	2
28	<u>101869302</u>	Package, Brush (includes 4 brushes, 4 screws, 4 washers)	1
29	<u>101876202</u>	Connector, Brush	2
30	<u>101875802</u>	A Connector (set of 2)	1
31	<u>1014289</u>	Pulley	1

7
G

7
G

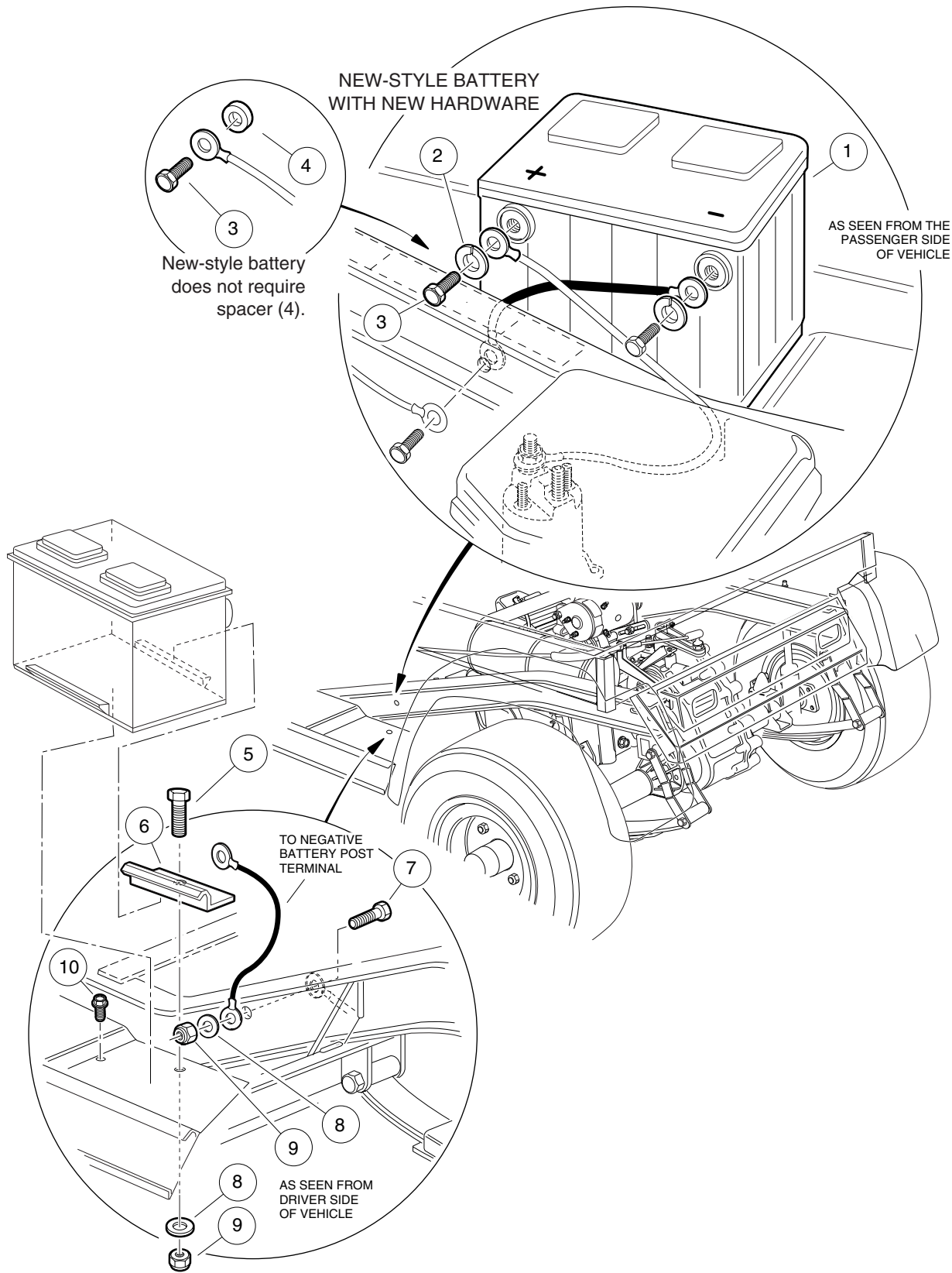


STARTER/GENERATOR MOUNTING

ITEM	PART NO.	DESCRIPTION	QTY
		1 2 3 4	
1	<u>101833701</u>	Starter/Generator (clockwise rotation)	1
2	<u>101524002</u>	Bracket, Mounting, FE350 and FE400	1
3	<u>101916701</u>	Belt, Starter/Generator	1
4	<u>1016883</u>	Bracket, Adjusting	1
5	<u>8754</u>	Nut, Nylon Lock, 3/8-16	2
6	<u>1015075</u>	Washer, Flat, Type A, 5/16	1
7	<u>705</u>	Screw, Hex-Head Cap, 3/8-16 x 1-1/4	2
8	<u>1012830</u>	Screw, Hex-Head Cap, M8 x 1.25 x 22 mm	2
9	<u>7174</u>	Washer, Lock, 5/16	3
10	<u>1016074</u>	Screw, Torx-Head, M8 x 1.25 x 18 mm	1
11	<u>1015932</u>	Bolt, Carriage, 5/16-18 x 1	1
12	<u>1242</u>	Nut, Hex, 5/16-18	1
13	<u>101837301</u>	Wire Assembly, #6 Green	1

7
G

7
G



BATTERY

ITEM	PART NO.	DESCRIPTION	QTY
		1 2 3 4	
1	<u>1012328</u>	Battery, 12-Volt	1
2	<u>102355301</u>	Washer, Lock, Stainless Steel, 3/8*	2
3	<u>1014375</u>	Screw, Hex-Head Cap, Stainless Steel, 3/8-16 x 1/2	2
4	<u>1014374</u>	Spacer, Battery Terminal Bolt	2
5	<u>1010934</u>	Screw, Hex-Head Cap, 5/16-18 x 1	1
6	<u>101898001</u>	Clamp, Battery	1
7	<u>7173</u>	Screw, Hex-Head Cap, 5/16-18 x 3/4	1
8	<u>1241</u>	Washer, Flat, Type A, 5/16	2
9	<u>7473</u>	Nut, Nylon Lock, 5/16-18	2
10	<u>1014288</u>	Screw, Thread-Forming, 5/16-16 x 3/4	1
		 *NOTE: When ordering a new battery, you must order the new stainless steel lockwasher (2). Lockwasher cannot be used if battery terminal spacer (4) is required by battery design.	

7
G

7

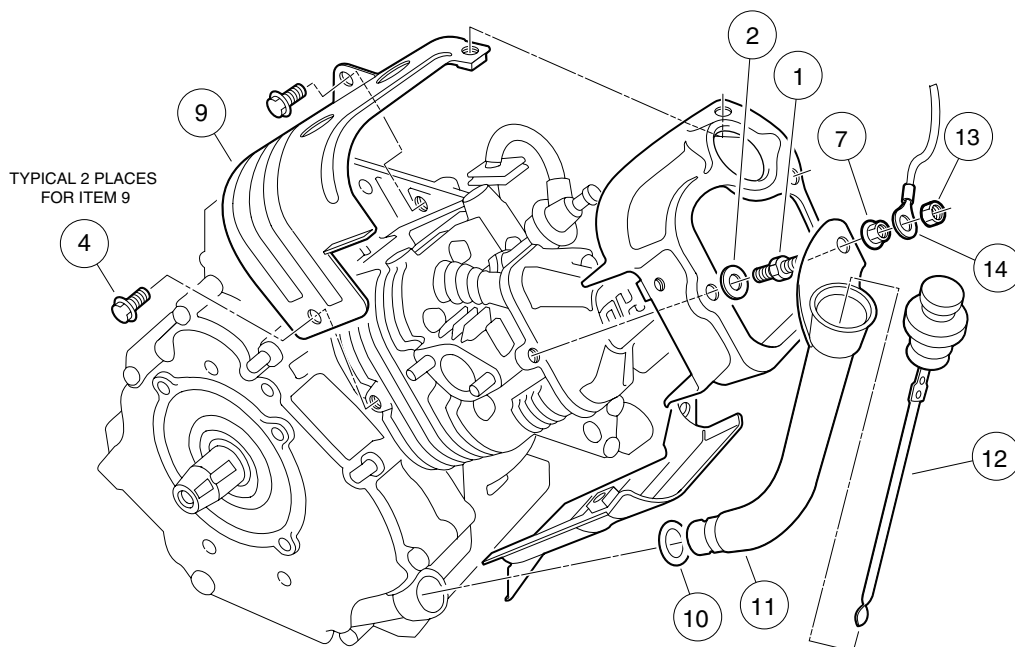
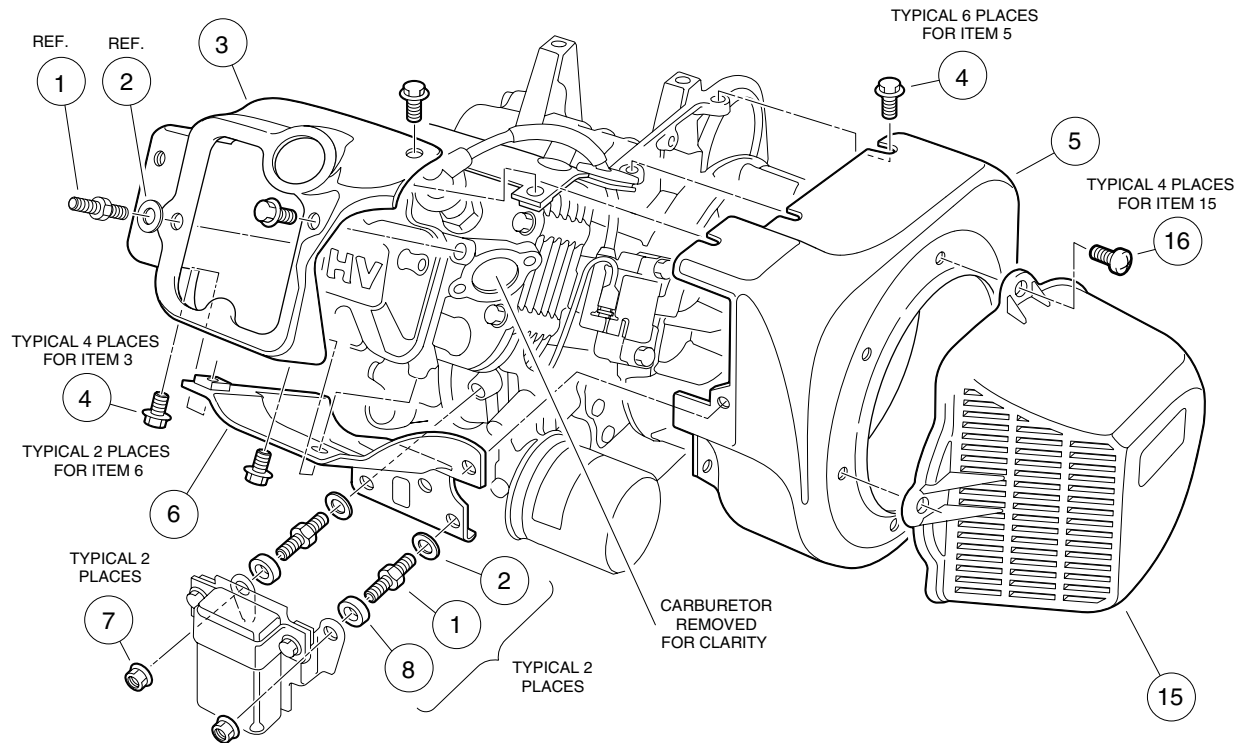
G

ENGINE

8

G

FE400 ENGINE

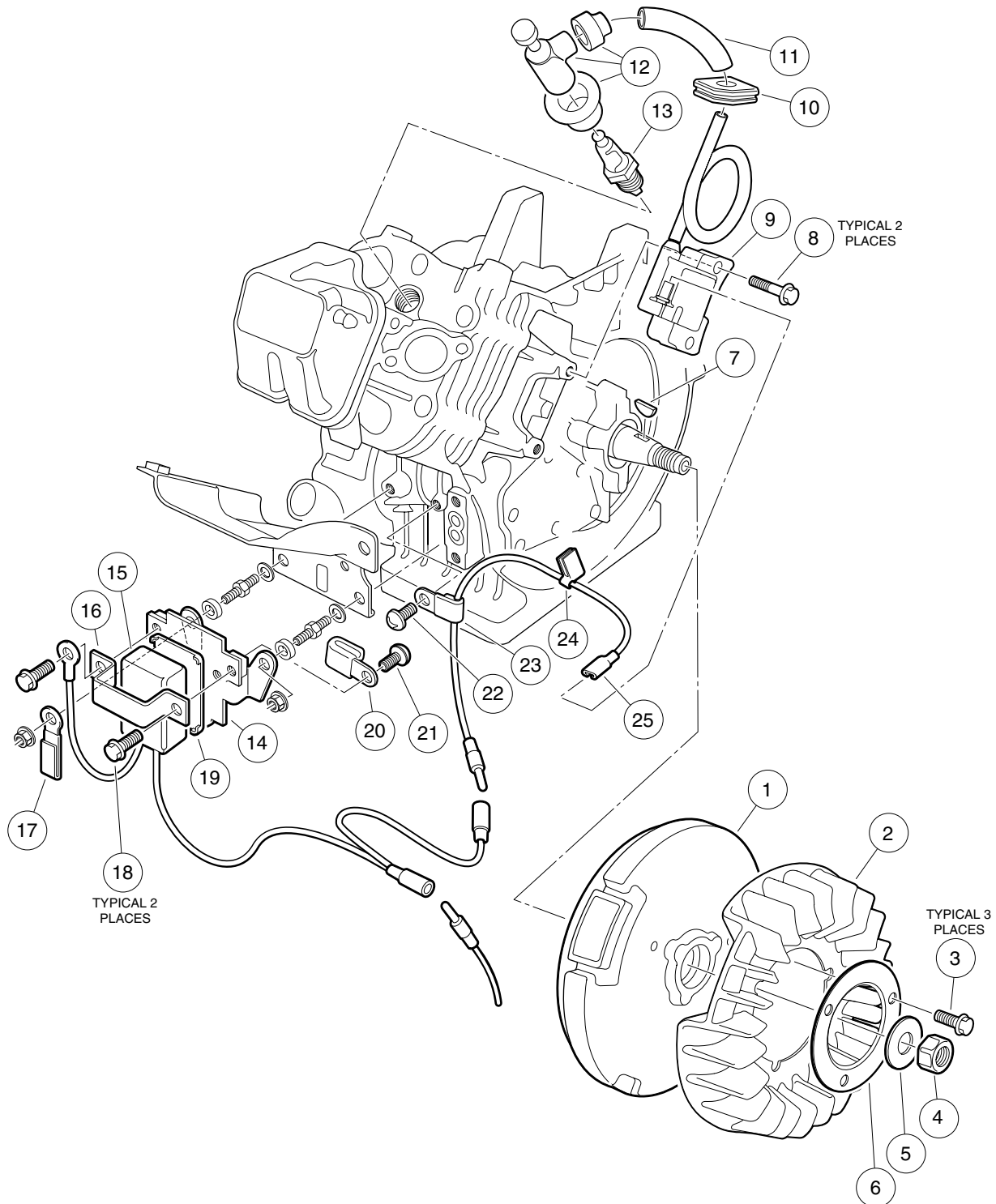


FE400 ENGINE (KEY-START) – SHROUDS AND BRACKETS

ITEM	PART NO.	DESCRIPTION	QTY
	<u>102258701</u>	1 2 3 4 FE400 OHV Gasoline Engine, Complete (clockwise rotation) with automatic compression release (ACR) and Carburetor (does not include items 13 - 16)	1
1	<u>1016507</u>	Bolt, 2-Ended, M6 x 1 x 29 mm	3
2	N/A	Washer, Flat, 6 mm	3
3	<u>1017474</u>	Shroud, Cylinder Head	1
4	<u>1016456</u>	Bolt, Flanged, M6 x 1 x 12 mm	14
5	<u>102272001</u>	Housing, Fan	1
6	<u>1017476</u>	Shroud, Lower Cylinder	1
7	<u>1016547</u>	Nut, Flanged, M6 x 1	3
8	<u>1017500</u>	Spacer	2
9	<u>1017475</u>	Shroud, Upper Cylinder	1
10	<u>1016539</u>	O-Ring	1
11	<u>1017486</u>	Tube, Oil Filler	1
12	<u>1016531</u>	Dipstick	1
13	<u>101887601</u>	Nut, Nylon Lock, M6 x 1	1
14	<u>1015332</u>	Wire Assembly, #10 Braided Ground	1
15	<u>1015649</u>	Shroud, Fan	1
16	<u>1015969</u>	Screw, Pan-Head, M6 x 1 x 14 mm	4

8
G

FE400 ENGINE

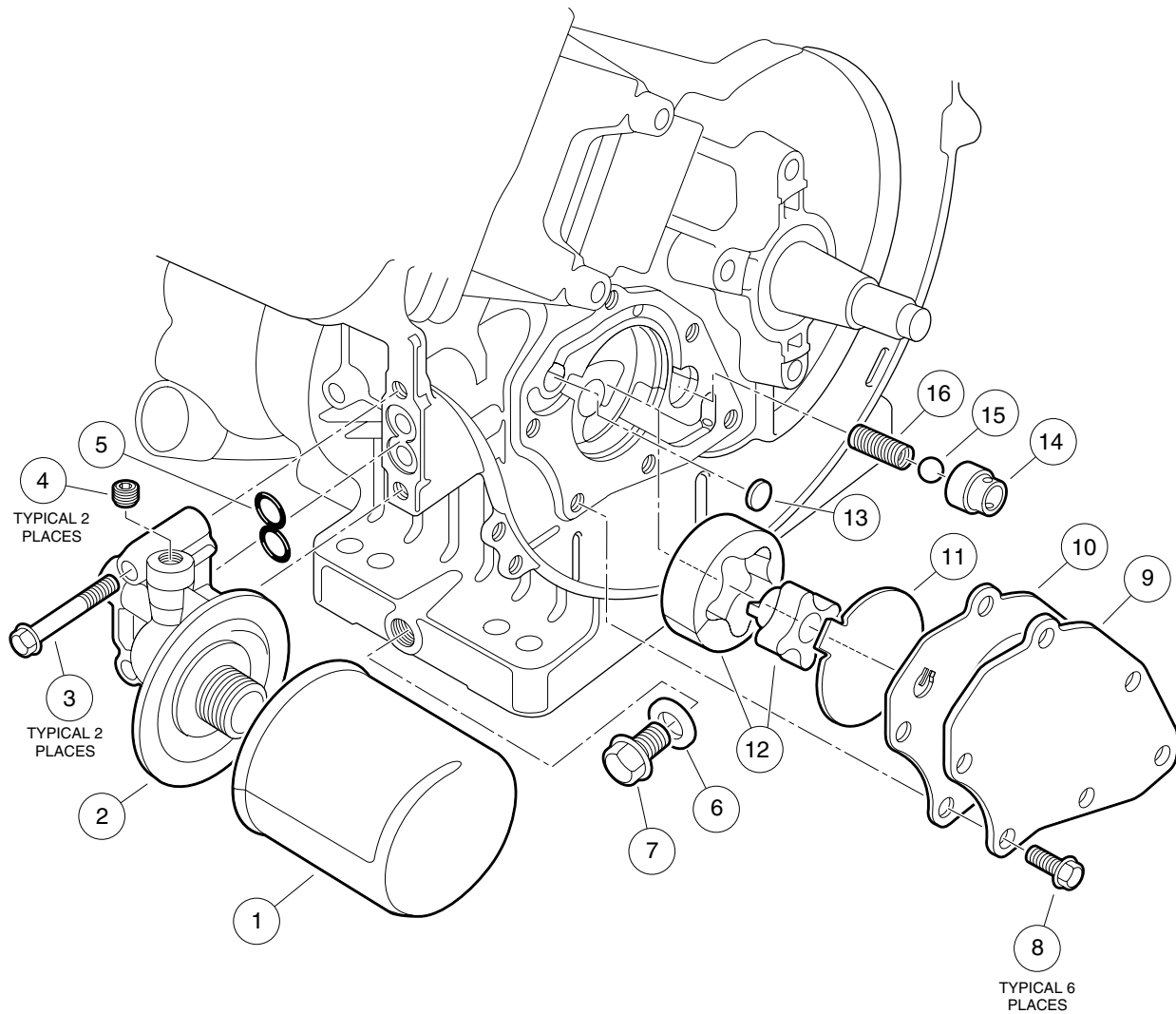


FE400 ENGINE (KEY-START) – IGNITION COMPONENTS AND FLYWHEEL

ITEM	PART NO.	DESCRIPTION	QTY
		1 2 3 4	
1	<u>101916201</u>	Flywheel	1
2	<u>101916301</u>	Fan, Flywheel – Gray	1
3	<u>1017448</u>	Screw, Flanged Hex-Head, M6 x 1 x 10 mm	3
4	N/A	Nut, Hex, Fine, 18 mm	1
5	<u>1017490</u>	Washer, Flat, 18 mm	1
6	<u>1017455</u>	Plate, Flywheel Fan	1
7	<u>1016562</u>	Key	1
8	<u>1016455</u>	Screw, Hex-Head Flanged, M5 x 0.8 x 25 mm	2
9	<u>101909201</u>	Coil, Ignition (with internal igniter)	1
10	<u>1016578</u>	Grommet	1
11	<u>1016588</u>	Tube, 7 mm I.D. x 10 mm O.D. x 70 mm Long	1
12	<u>1017463</u>	Assembly, Plug Cap	1
13	<u>101881101</u>	Plug, Spark, OHV (Autolite®)	1
13	<u>AM10724</u>	Plug, Spark, OHV (NGK®)	1
14	1016445	Bracket, RPM Limiter	1
15	101909401	Limiters, RPM	1
16	<u>1016579</u>	Band, RPM Limiter Mount	1
17	<u>1012981</u>	Clamp	1
18	1016456	Screw, Flanged Hex-Head, M6 x 1 x 12 mm	2
19	1016586	Damper	1
20	101909501	Clamp	1
21	<u>1016497</u>	Screw, Cross Pan-Head, M5 x 0.8 x 8 mm	1
22	<u>1016544</u>	Screw, Cross Pan-Head Self-Tapping, M5 x 12 mm	1
23	<u>1016561</u>	Clamp	1
24	<u>1016587</u>	Clamp	1
25	<u>101909301</u>	Wire, Lead	1

8
G

FE400 ENGINE

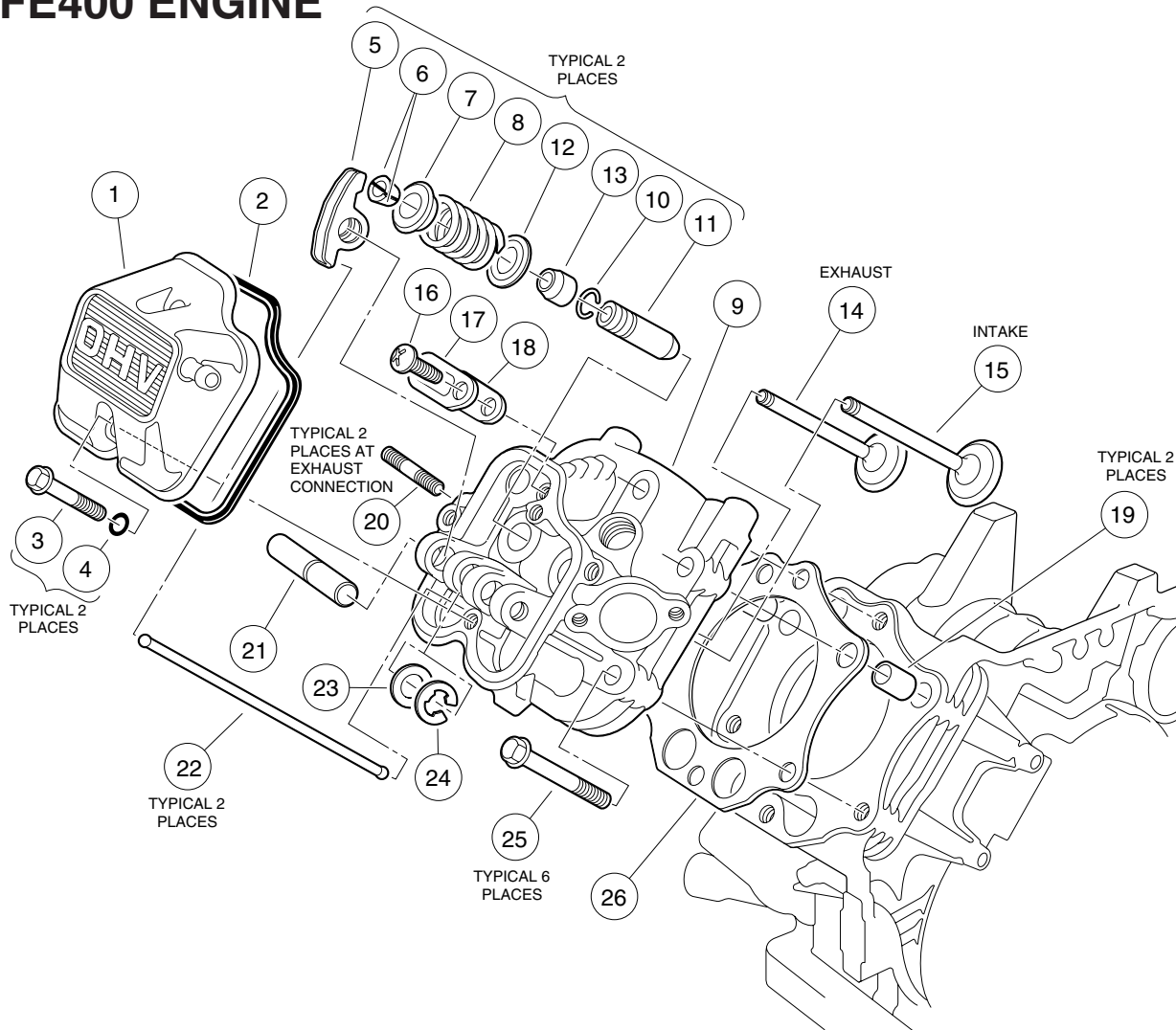


FE400 ENGINE (KEY-START) – OIL CIRCULATION

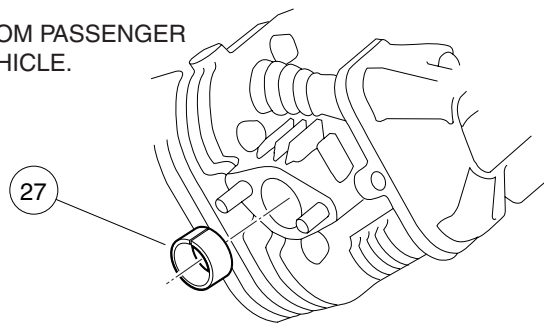
ITEM	PART NO.	DESCRIPTION	QTY
		1 2 3 4	
1	<u>1016467</u>	Oil Filter	1
2	<u>1016502</u>	Bracket, Oil Filter	1
3	<u>1016457</u>	Bolt, Flanged Hex-Head, M6 x 1 x 40 mm	2
4	<u>1017507</u>	Plug	2
5	<u>1016570</u>	O-Ring, Oil Filter Mount	1
6	<u>1016432</u>	Gasket, Drain Plug	1
7	1016576	Plug, Drain	1
8	<u>1017456</u>	Screw, Flanged Hex-Head, M6 x 1 x 12 mm	6
9	<u>1017460</u>	Cover, Pump	1
10	<u>1017442</u>	Gasket, Oil Pump	1
11	<u>1016473</u>	Plate, Oil Pump	1
12	<u>101648203</u>	Pump, Oil and Rotor	1
13	<u>1017458</u>	Filter	1
14	1016429	Seat, Valve	1
15	<u>1016537</u>	Ball, Steel Pressure Relief	1
16	<u>1016581</u>	Spring	1

8
G

FE400 ENGINE



VIEWED FROM PASSENGER
SIDE OF VEHICLE.

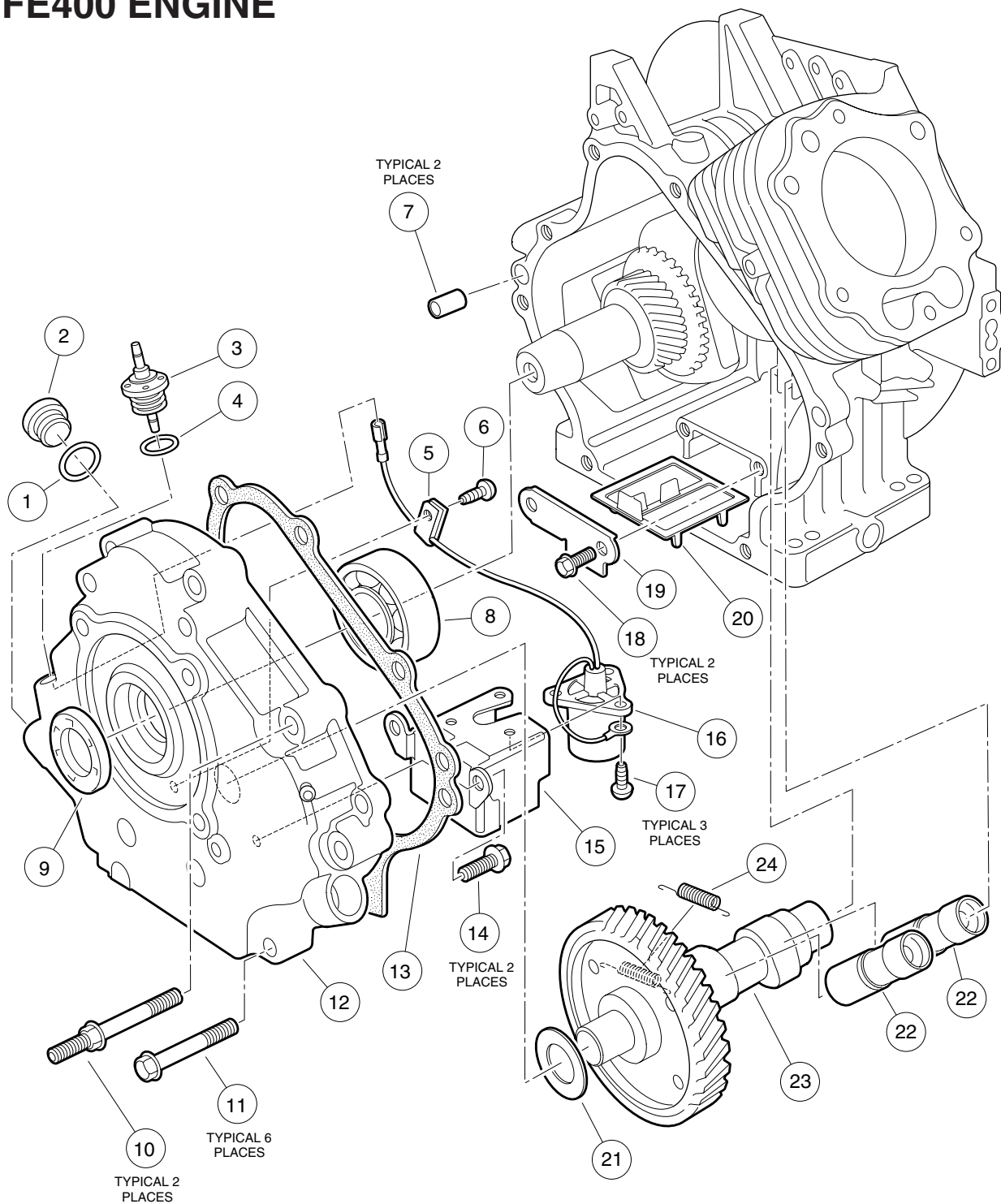


FE400 ENGINE (KEY-START) – CYLINDER HEAD

ITEM	PART NO.	DESCRIPTION	QTY
		1 2 3 4	
1	<u>1016442</u>	Case, Rocker	1
2	<u>1016436</u>	Gasket, Rocker Case	1
3	<u>1016583</u>	Bolt, Flanged, M6 x 1 x 35 mm	2
4	<u>1016569</u>	O-Ring	2
5	<u>1017446</u>	Arm, Rocker	2
6	<u>1016450</u>	Collet	4
7	<u>1016449</u>	Retainer, Valve Spring	2
8	<u>1017473</u>	Spring, Engine Valve	2
9	<u>102270001</u>	Assembly, Cylinder Head, FE400 (includes items 10 and 11)	1
10	<u>1016560</u>	Ring, Snap	2
11	<u>1016519</u>	Guide, Intake Valve	1
11	<u>1016518</u>	Guide, Exhaust Valve	1
12	<u>1016479</u>	Seat, Spring	2
13	<u>1016566</u>	Seal, Valve	2
14	<u>1017445</u>	Valve, Exhaust	1
15	<u>1017444</u>	Valve, Intake	1
16	<u>1016544</u>	Screw, Cross Pan-Head Self-Tapping, M5 x 0.8 x 12 mm	1
17	<u>1016474</u>	Plate	1
18	<u>1016483</u>	Valve	1
19	<u>1016563</u>	Pin, Hollow	2
20	<u>1016489</u>	Bolt, Stud, M8 x 1.25 x 29 mm	2
21	<u>1016452</u>	Shaft, Rocker	1
22	<u>1017454</u>	Rod, Push	2
23	<u>1016549</u>	Washer, Flat, M12	1
24	<u>1016517</u>	Circlip, Type-E	1
25	<u>1016458</u>	Bolt, Flanged, M8 x 1.25 x 45 mm	6
26	<u>102269901</u>	Gasket, Head	1
27	<u>102271101</u>	Sleeve	1
28	<u>102304901</u>	Kit, Gasket, FE400 (contains one each of all internal gaskets for FE400 engine) (not shown)	1

8
G

FE400 ENGINE

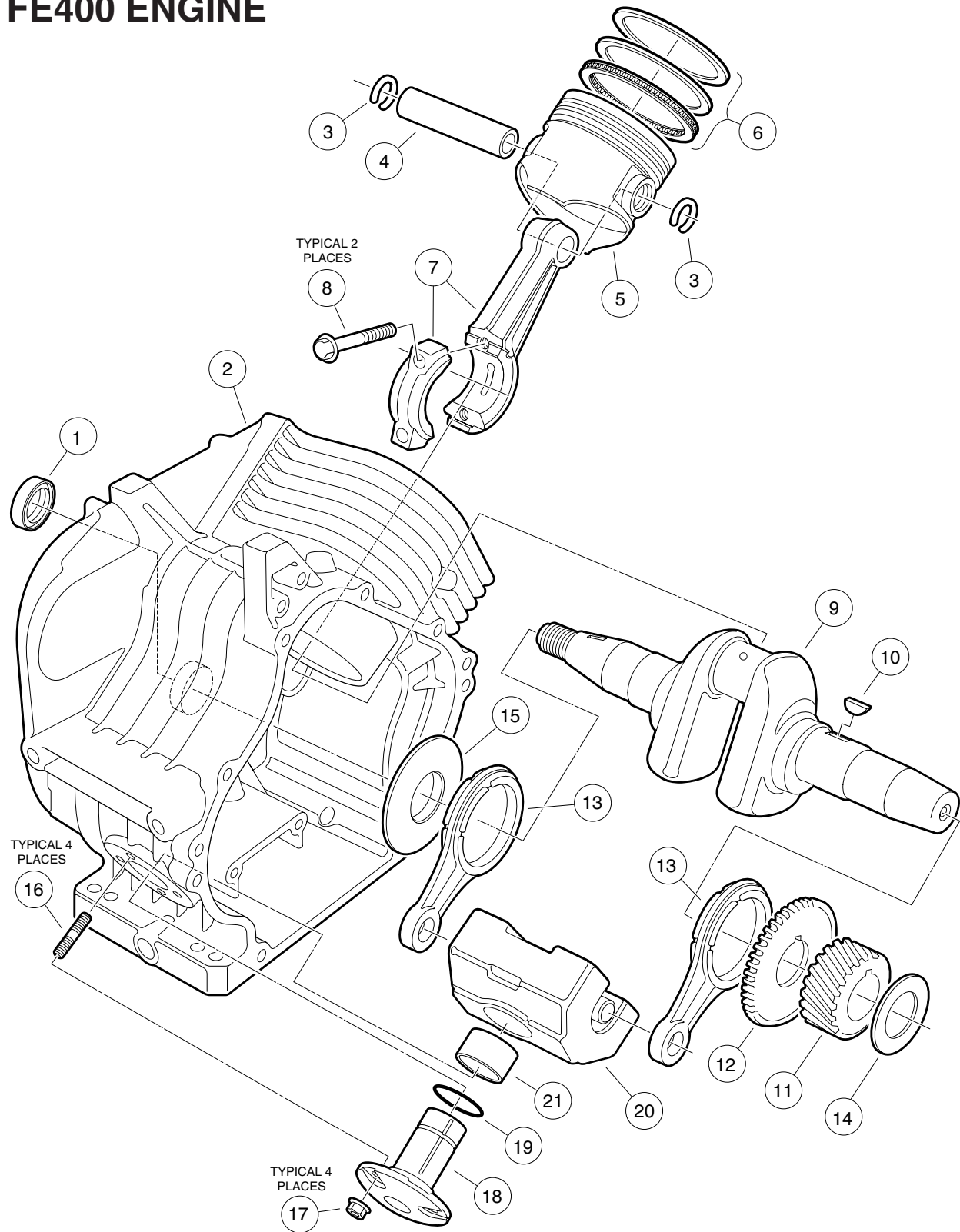


FE400 ENGINE (KEY-START) – CRANKCASE, CAMSHAFT AND OIL SENSOR

ITEM	PART NO.	DESCRIPTION	QTY
		1 2 3 4	
1	<u>1016538</u>	O-Ring	1
2	<u>1017508</u>	Plug	1
3	<u>1016535</u>	Connector, Oil Sending Unit	1
4	<u>1016538</u>	O-Ring	1
5	<u>1016506</u>	Clamp	1
6	<u>1016544</u>	Screw, Cross Pan-Head Self-Tapping, M5 x 0.8 x 12 mm	1
7	<u>1016564</u>	Pin, Hollow	2
8	<u>1017487</u>	Bearing, Crankshaft	1
9	<u>102272101</u>	Seal, Crankshaft	1
10	<u>1016584</u>	Bolt, 2-Ended Flanged, M8 x 1.25 x 69 mm	2
11	<u>1017514</u>	Bolt, Flanged, M8 x 1.25 x 45 mm	6
12	<u>102271401</u>	Cover, Crankcase	1
13	<u>1017443</u>	Gasket, Crankcase Cover	1
14	<u>102272301</u>	Bolt, Flanged	2
15	<u>102271201</u>	Bracket, Oil Level Switch	1
16	<u>1016494</u>	Sensor, Oil Level	1
17	<u>1016496</u>	Screw, Cross Pan-Head, M4 x 0.7 x 8 mm	3
18	<u>1016454</u>	Bolt, Flanged, M5 x 0.8 x 8 mm	2
19	<u>1016472</u>	Plate, Oil Filter Screen	1
20	<u>1016521</u>	Screen, Oil Filter	1
21	<u>101751801</u>	Shim, 0.3 mm Thick	A/R
21	<u>101751802</u>	Shim, 0.4 mm Thick	A/R
21	<u>101751803</u>	Shim, 0.5 mm Thick	A/R
22	<u>1017447</u>	Lifter, Hydraulic	2
23	<u>102271601</u>	Camshaft, Assembly, FE350/400 (with automatic compression release-ACR) (includes item 24)	1
24	<u>1017511</u>	Spring	1
25	<u>102304901</u>	Kit, Gasket, FE400 (contains one each of all internal gaskets for FE400 engine) (not shown)	1

8
G

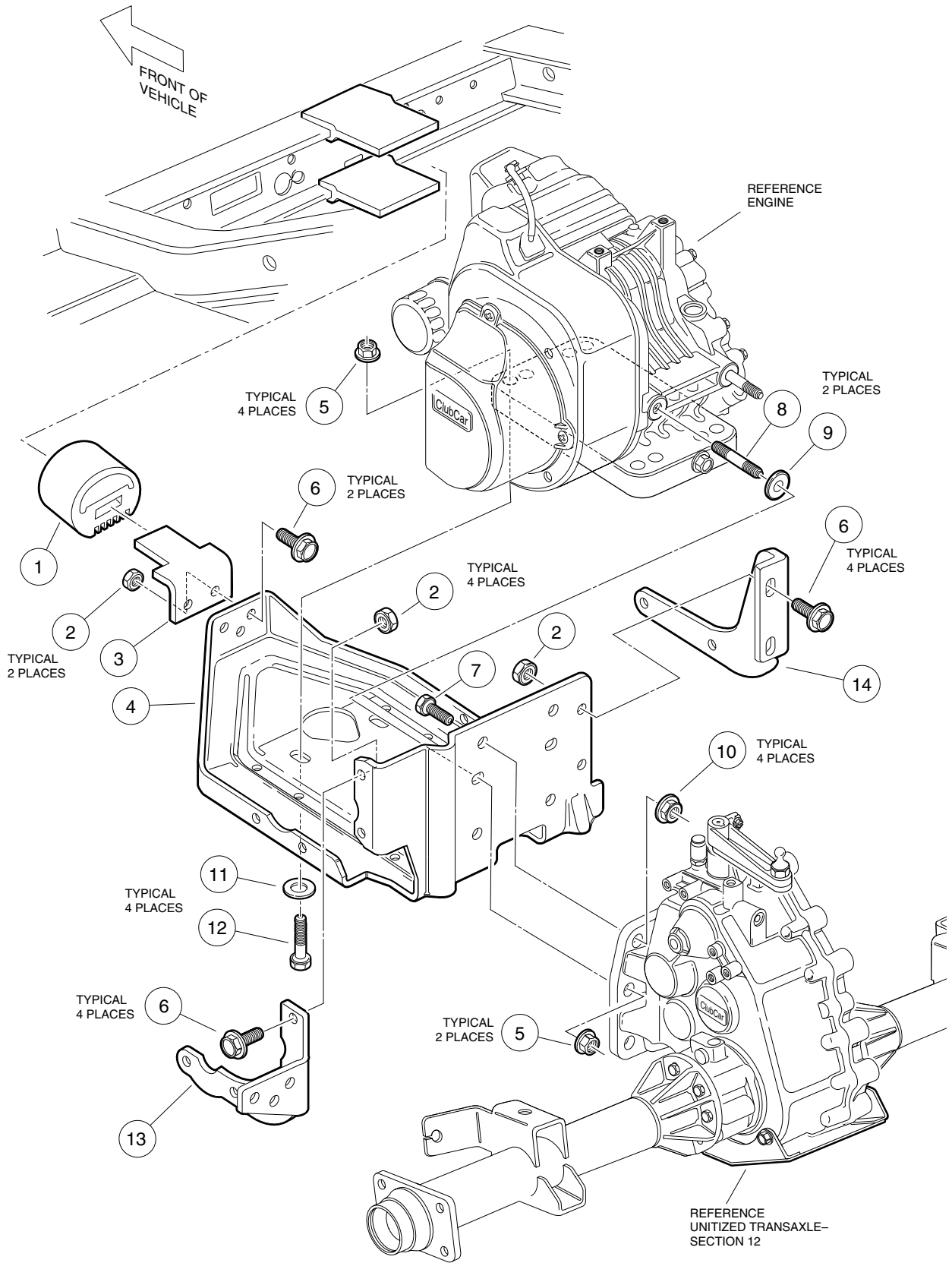
FE400 ENGINE



FE400 ENGINE (KEY-START) – CRANKCASE AND CRANKSHAFT

ITEM	PART NO.	DESCRIPTION	QTY
		1 2 3 4	
1	<u>1017503</u>	Seal, Oil	1
2	<u>102271501</u>	Crankcase, FE400 (clockwise rotation)	1
3	<u>1017502</u>	Ring, Snap	2
4	<u>1017450</u>	Pin, Piston	1
5	<u>102270201</u>	Piston, Standard	1
6	<u>102270301</u>	Ring Set, Piston, Standard	1
7	<u>101745701</u>	Assembly, Connecting Rod, Standard (includes 2 each of item 8)	1
7	<u>101745702</u>	Assembly, Connecting Rod, .50 mm Undersized (includes 2 each of item 8)	1
8	<u>102272201</u>	Bolt, Hex-Head, M8 x 1.25 x 42 mm	2
9	<u>102270401</u>	Crankshaft, FE400 (left-hand threads) (includes items 10 - 12 and one each of item 13)	1
10	<u>1016562</u>	Key	1
11	<u>102271901</u>	Gear, Helical, 22 Tooth	1
12	<u>102271801</u>	Gear, Spur	1
13	<u>1017471</u>	Rod, Connecting	2
14	<u>101773301</u>	Shim, Crankshaft, 1.18 mm Thick	A/R
14	<u>101773302</u>	Shim, Crankshaft, 1.25 mm Thick	A/R
14	<u>101773303</u>	Shim, Crankshaft, 1.32 mm Thick	A/R
14	<u>101773304</u>	Shim, Crankshaft, 1.39 mm Thick	A/R
14	<u>101773305</u>	Shim, Crankshaft, 1.46 mm Thick	A/R
14	<u>101773306</u>	Shim, Crankshaft, 1.53 mm Thick	A/R
14	<u>101773307</u>	Shim, Crankshaft, 1.60 mm Thick	A/R
14	<u>101773308</u>	Shim, Crankshaft, 1.67 mm Thick	A/R
14	<u>101773309</u>	Shim, Crankshaft, 1.74 mm Thick	A/R
14	<u>101773310</u>	Shim, Crankshaft, 1.11 mm Thick	A/R
14	<u>101773311</u>	Shim, Crankshaft, 1.81 mm Thick	A/R
15	<u>1017501</u>	Spacer	1
16	<u>1016541</u>	Bolt, Stud, M6 x 1 x 22 mm	4
17	<u>1016547</u>	Nut, Flanged, M6 x 1	4
18	<u>1016470</u>	Shaft, Guide Counterbalance	1
19	<u>1016571</u>	O-Ring	1
20	<u>102270501</u>	Weight, Counterbalance (includes item 21)	1
21	<u>1017510</u>	Bearing	1

8
G



ENGINE MOUNTING

ITEM	PART NO.	DESCRIPTION	QTY
		1 2 3 4	
1	1012164	Snubber	1
2	<u>1013924</u>	Nut, Hex Lock, UNF, 5/16-24	10
3	<u>101834601</u>	Bracket, Snubber	1
4	<u>101827101</u>	Plate, Mounting	1
5	101833001	Nut, Flanged, M8 x 1.25	6
6	<u>101884801</u>	Screw, Hex Washer-Head, 5/16-24 x 7/8	10
7	<u>101833301</u>	Screw, Hex-Head Cap, M10 x 1.25 x 30 mm	4
8	<u>101833101</u>	Stud, M8 x 1.25 x 50 mm	2
9	<u>101832101</u>	Washer, Flat, 5/16	2
10	<u>101832901</u>	Nut, Flanged, M10 x 1.25	4
11	1012571	Washer, Heavy Flat, 5/16	4
12	<u>101855901</u>	Screw, Hex-Head Cap, M8 x 1.25 x 43 mm	4
13	<u>101832701</u>	Stiffener, Flywheel Side	1
14	<u>101832601</u>	Stiffener, PTO Side	1

8

G

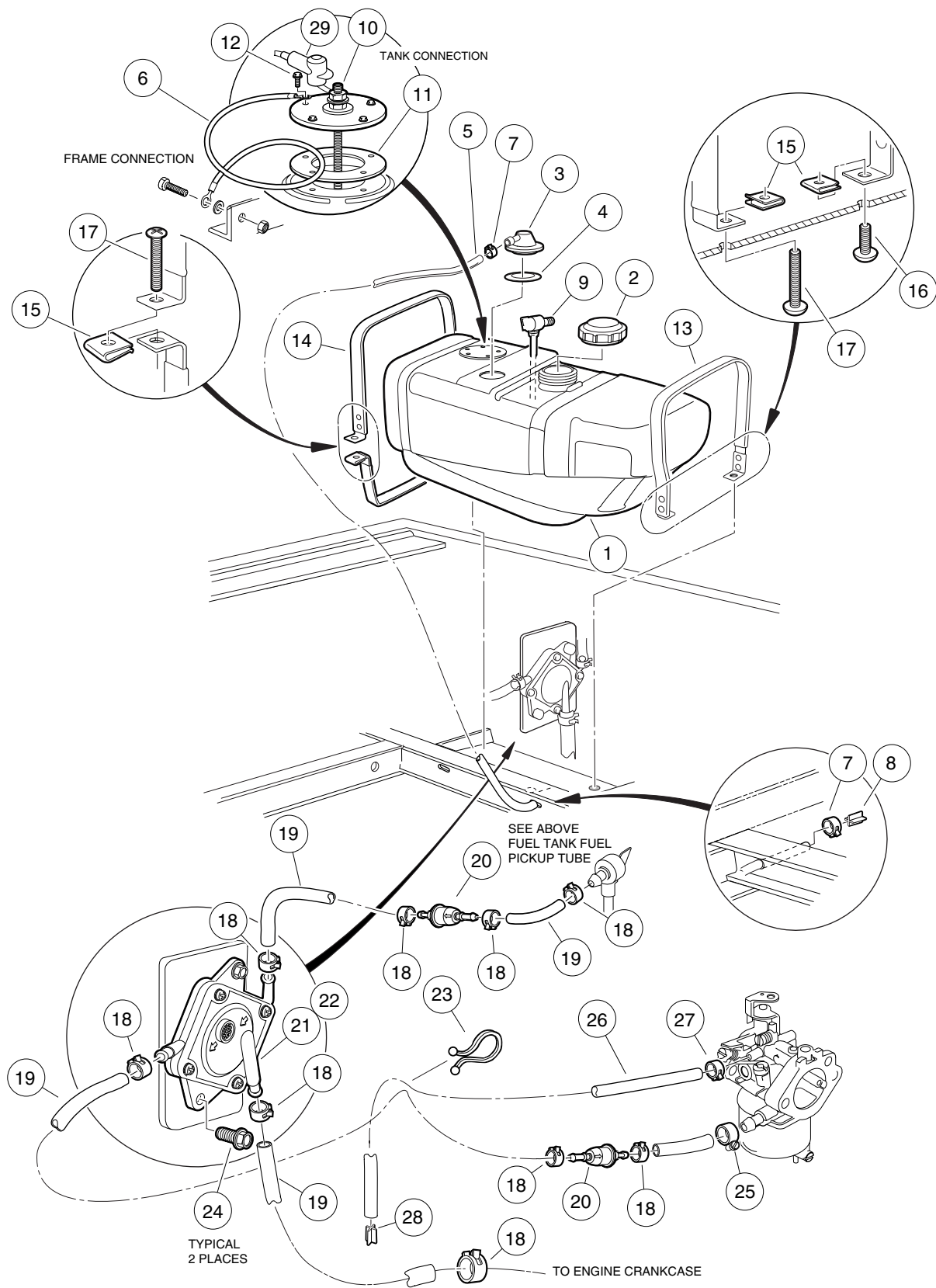
8

G

FUEL, INTAKE, AND GOVERNOR SYSTEMS

9

G



FUEL SYSTEM – 2100 VEHICLES

ITEM	PART NO.	DESCRIPTION	QTY
		1 2 3 4	
1	1016004	Kit, Fuel Tank, with Sending Unit (includes items 2 - 12)	1
2	<u>1015188</u>	Cap, Fuel Tank, Nonvented	1
3	<u>1015143</u>	Vent, Fuel Tank	1
4	<u>1015139</u>	Grommet, Insulation	1
5	<u>1015137</u>	Line, Bulk Vent (available by the foot)	A/R
6	N/A	Wire Assembly, #16 Black	1
7	<u>1013746</u>	Clamp, Hose – Gray	2
8	<u>101824401</u>	Barb, Vent	1
9	101896901	Valve, Fuel Pickup Tube with Shut-Off	1
10	<u>1013462</u>	Unit, Sending	1
11	<u>1013583</u>	Gasket	1
12	<u>1013461</u>	Screw, Hex-Head Hi-Lo, #10-16 x 1/2	5
13	<u>1014928</u>	Fuel Strap, Rear	1
14	<u>101955301</u>	Fuel Strap, Front	1
15	<u>1014116</u>	Nut, U-Type Speed, 1/4-20	3
16	<u>8248</u>	Screw, Phillips Truss-Head, 1/4-20 x 3/4	1
17	<u>1011988</u>	Screw, Phillips Truss-Head, 1/4-20 x 2	2
18	<u>1012649</u>	Clamp, Hose – Red	9
19	<u>1013692</u>	Line, Bulk Fuel (available by the foot*)	A/R
20	<u>102003201</u>	Filter, Fuel	2
21	<u>1014523</u>	Pump, Fuel Impulse	1
22	<u>1014524</u>	Kit, Rebuild, Fuel Impulse Pump	A/R
23	<u>101987701</u>	Clamp, Plastic	1
24	<u>1012285</u>	Screw, Hex-Head Thread-Rolling, 1/4-20 x 5/8	2
25	<u>1013687</u>	Clamp, Hose (screw type)	1
26	<u>1015137</u>	Line, Bulk Vent (available by the foot)	A/R
27	<u>1013746</u>	Clamp, Hose – Gray	1
28	<u>101824401</u>	Barb, Vent	1
29	N/A	Boot, Rubber	1
* The total fuel line length for the 2100 vehicle is 34-1/2 inches (87.6 cm).			

9

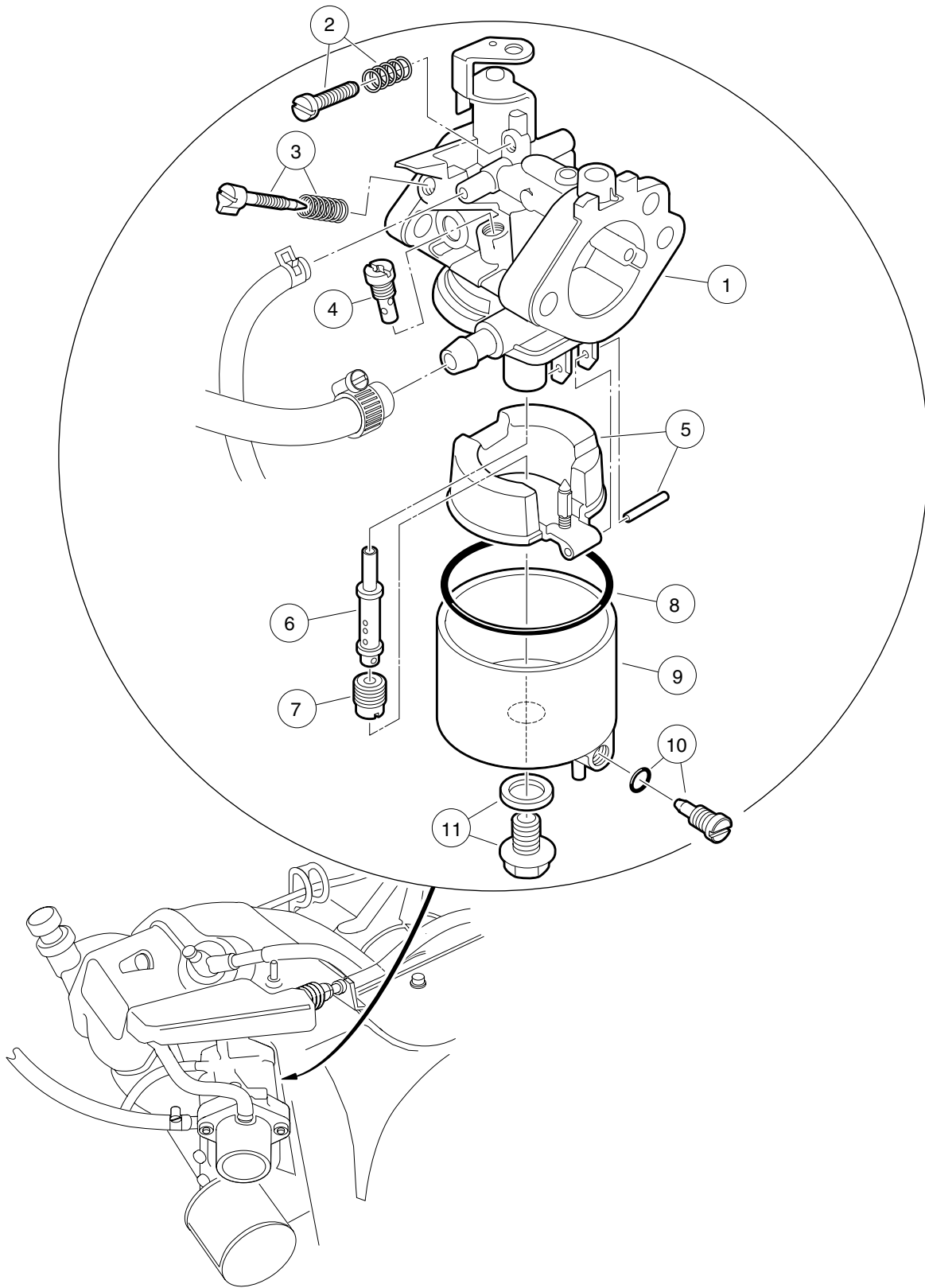
G

FUEL SYSTEM – 2100S VEHICLES

ITEM	PART NO.	DESCRIPTION	QTY
		1 2 3 4	
1	<u>102333601</u>	Kit, Fuel Tank, with Sending Unit (includes items 2 - 12)	1
2	<u>1015188</u>	Cap, Fuel Tank, Nonvented	1
3	<u>1015143</u>	Vent, Fuel Tank	1
4	<u>1015139</u>	Grommet, Insulation	1
5	<u>1015137</u>	Line, Bulk Vent (available by the foot)	A/R
6	N/A	Wire Assembly, #16 Black	1
7	<u>1013746</u>	Clamp, Hose – Gray	2
8	<u>101824401</u>	Barb, Vent	1
9	101896901	Valve, Fuel Pickup Tube with Shut-Off	1
10	<u>1013462</u>	Unit, Sending	1
11	<u>1013583</u>	Gasket	1
12	<u>1013461</u>	Screw, Hex-Head Hi-Lo, #10-16 x 1/2	5
13	<u>102333401</u>	Fuel Strap	1
14	<u>102333901</u>	J-Bolt	1
15	<u>8233</u>	Nut, Hex, 1/4-20	1
16	<u>1012649</u>	Clamp, Hose – Red	9
17	<u>1013692</u>	Line, Bulk Fuel (available by the foot*)	A/R
18	<u>102003201</u>	Filter, Fuel	2
19	<u>1013630</u>	Pump, Fuel Impulse	1
20	<u>1014524</u>	Kit, Rebuild, Fuel Impulse Pump.....	A/R
21	<u>101987701</u>	Clamp, Plastic	1
22	<u>1012285</u>	Screw, Hex-Head Thread-Rolling, 1/4-20 x 5/8	2
23	<u>1013687</u>	Clamp, Hose (screw type)	1
24	<u>1015137</u>	Line, Bulk Vent (available by the foot)	A/R
25	<u>1013746</u>	Clamp, Hose – Gray	1
26	<u>101824401</u>	Barb, Vent	1
27	N/A	Boot, Rubber	1
28	<u>1014116</u>	Nut, U-Type Speed, 1/4-20	3
29	<u>8248</u>	Screw, Phillips Truss-Head, 1/4-20 x 3/4	1
		* The total fuel line length for the 2100S vehicle is 75.65 inches (192.2 cm).	

9

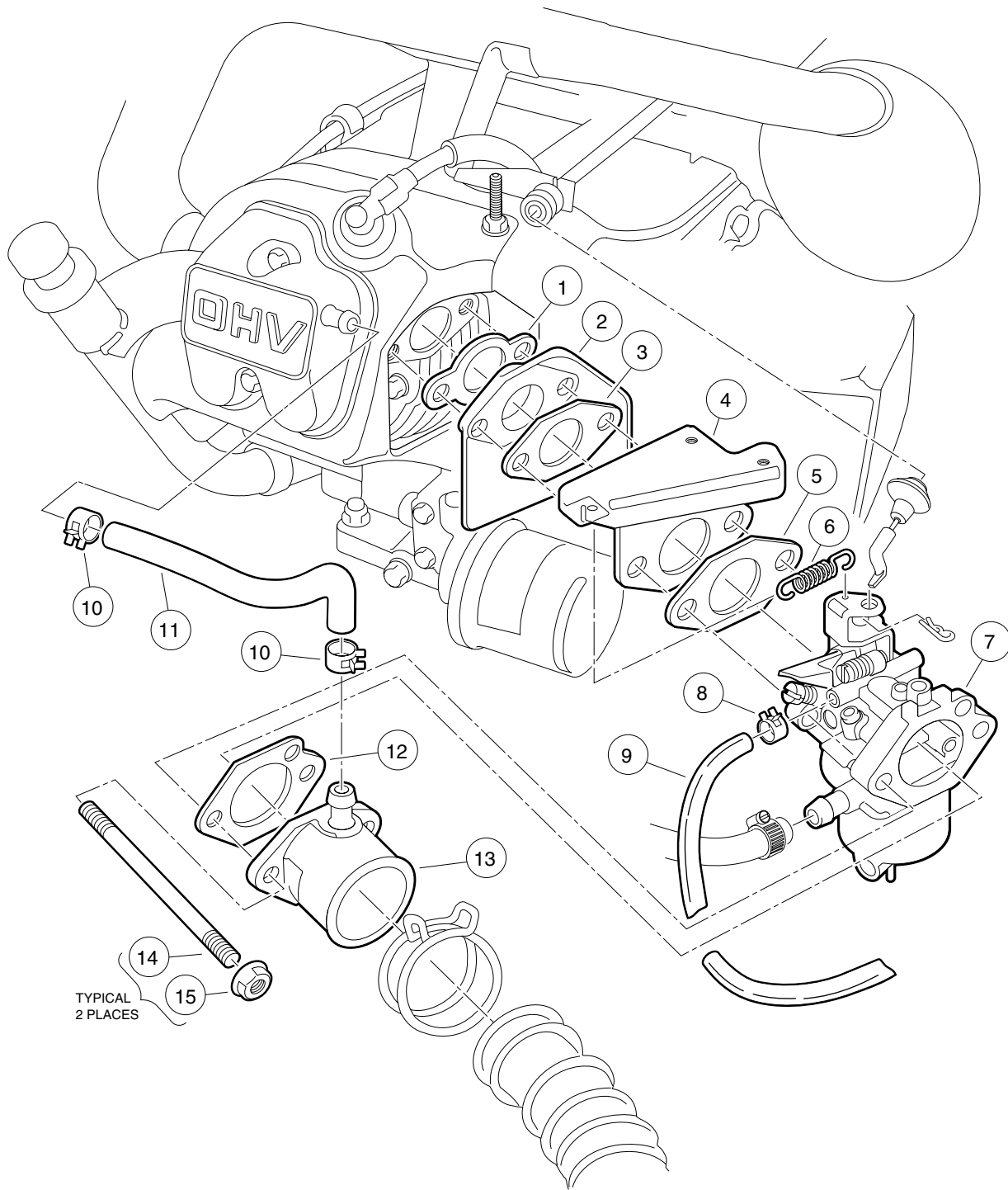
G



CARBURETOR ASSEMBLY, FE400 ENGINE

ITEM	PART NO.	DESCRIPTION	QTY
		1 2 3 4	
1	<u>102270701</u>	Assembly, Carburetor (FE400 engine) (includes items 2 - 11)	1
2	<u>1016501</u>	Assembly, Idle Screw	1
3	N/A	Assembly, Pilot Air Screw	1
4	<u>1016574</u>	Jet, Pilot, #45	1
5	1016486	Assembly, Float	1
6	<u>102271701</u>	Nozzle, Main (FE400 engine)	1
		Standard Jetting:	
7	<u>101642588</u>	Jet, Main, 0 - 3,280 Feet (0-1000 m)	1
7	<u>101642585</u>	Jet, Main, 3,280 - 6,562 Feet (1000-2000 m)	A/R
7	<u>101642582</u>	Jet, Main, 6,562 Feet and Above (2000 m and above)	A/R
8	<u>1016437</u>	Gasket, Float Chamber	1
9	<u>1017461</u>	Assembly, Float Chamber (includes item 10)	1
10	<u>1016499</u>	Assembly, Screw	1
11	1016585	Assembly, Bolt	1

9
G

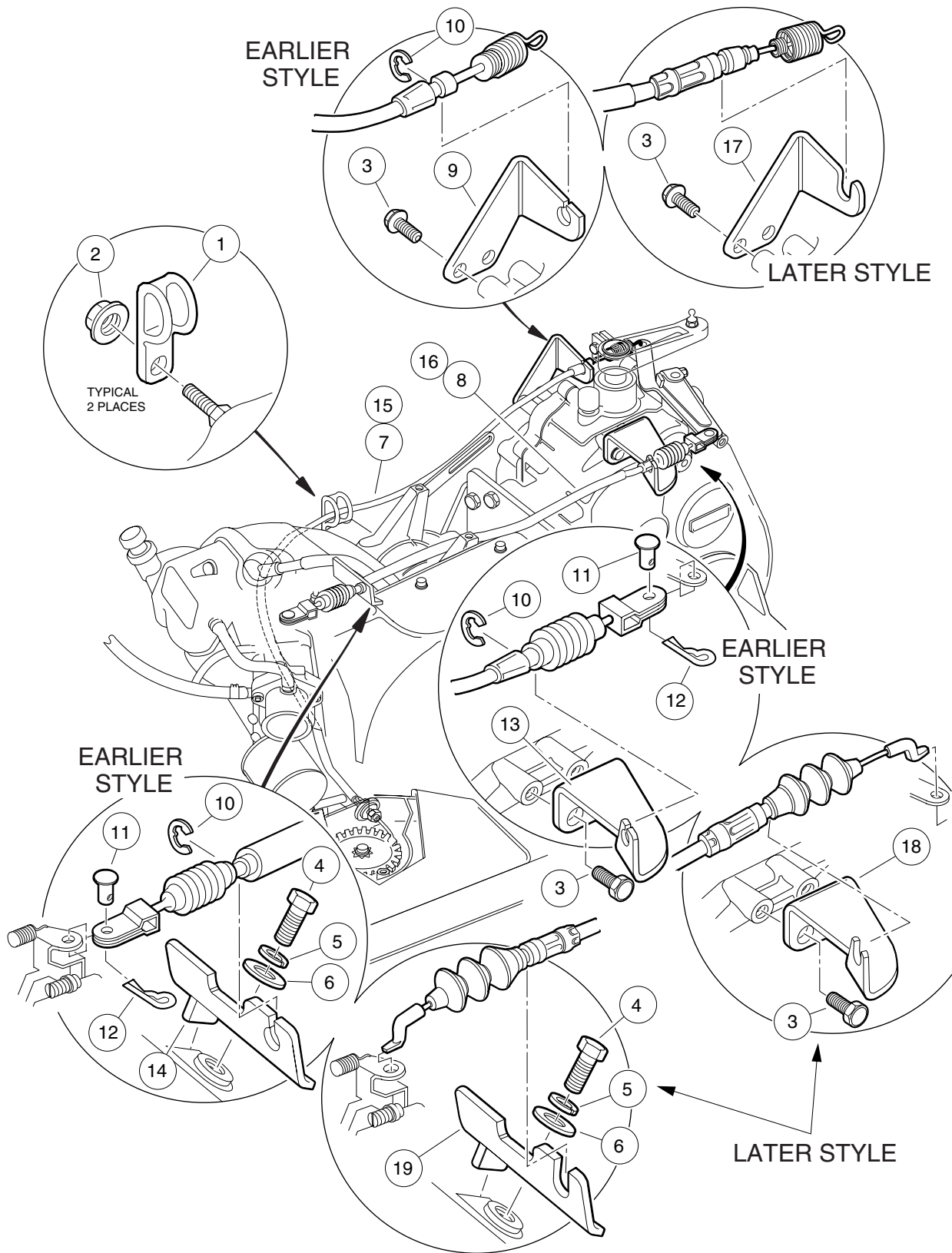


CARBURETOR INSTALLATION

ITEM	PART NO.	DESCRIPTION	QTY
		1 2 3 4	
1	<u>1016440</u>	Gasket, Insulator	1
2	101648102	Insulator, Carburetor	1
3	<u>101973401</u>	Gasket, Carburetor Insulator to Throttle Bracket	1
4	<u>1016444</u>	Bracket, Throttle	1
5	<u>1016441</u>	Gasket, Throttle Bracket to Carburetor	1
6	<u>1016582</u>	Spring, Throttle Return	1
7	<u>102270701</u>	Assembly, Carburetor (FE400 engine)	1
8	<u>1013746</u>	Clamp, Hose – Gray	1
9	<u>1015137</u>	Line, Bulk Vent	A/R
10	<u>1017466</u>	Clamp, Hose – Bronze	2
11	<u>1016572</u>	Tube, Crankcase Vent	1
12	<u>1016438</u>	Gasket, Carburetor to Intake Manifold	1
13	1016480	Pipe, Intake	1
14	<u>101649002</u>	Screw, 2-Ended Stud, M6 x 1 x 90 mm	2
15	1016547	Nut, Flanged, M6 x 1	2

9

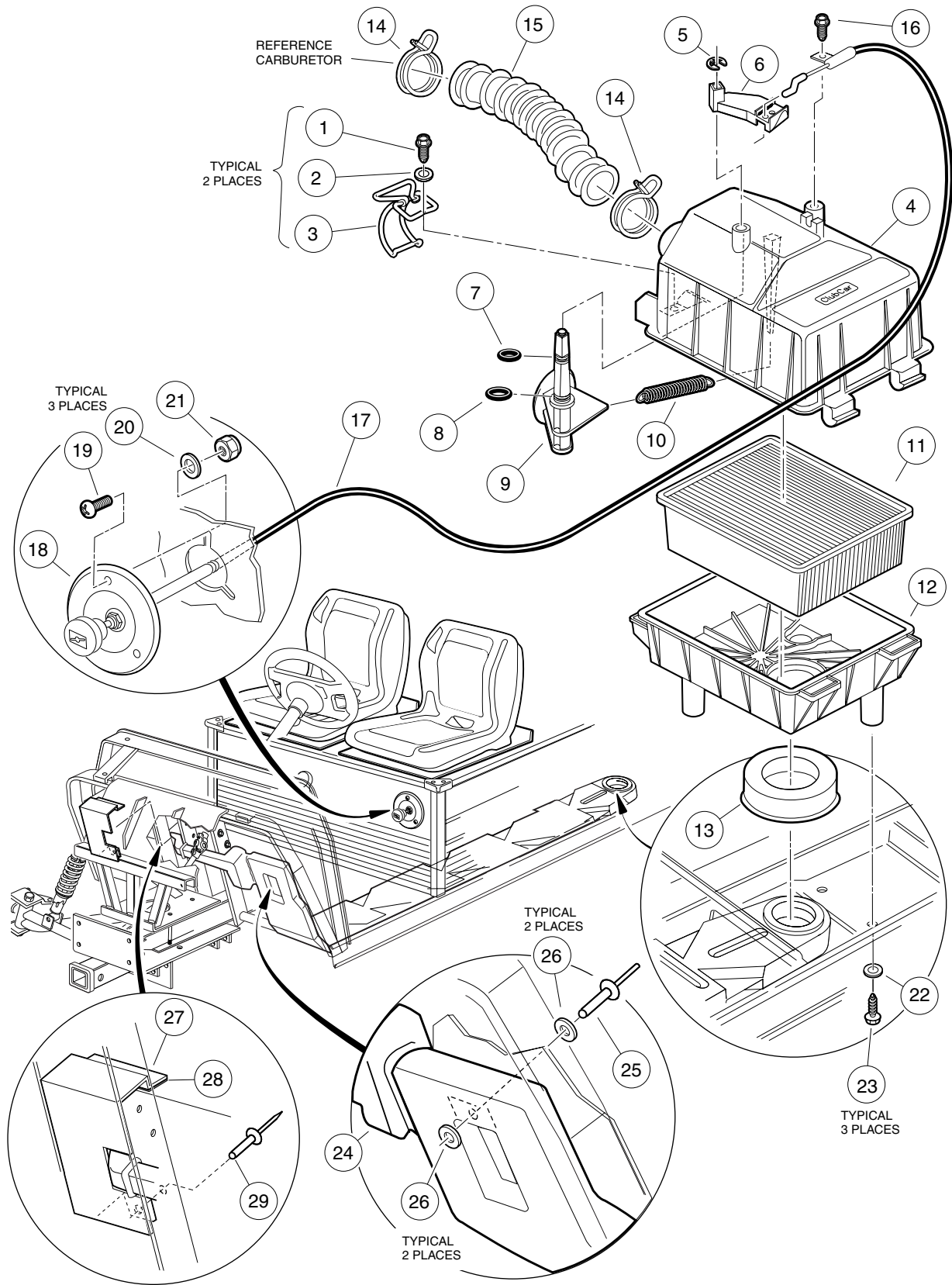
G



GOVERNOR AND ACCELERATOR CABLES

ITEM	PART NO.	DESCRIPTION	QTY
		1 2 3 4	
1	<u>1013700</u>	Clamp, Cable Retaining	2
2	<u>1016546</u>	Nut, Flanged Hex, M8 x 1.25	2
3	<u>1012285</u>	Screw, Hex-Head Thread-Rolling, 1/4-20 x 5/8	4
4	101903501	Screw, Hex-Head Cap, M8 x 1.25 x 24 mm	1
5	<u>7174</u>	Washer, Lock, 5/16	1
6	<u>1011697</u>	Washer, Flat, 5/16	1
		Earlier style cables*:	
7	102278401	Cable, Accelerator (FE400 engine) – Gray	1
8	<u>101832402</u>	Cable, Governor	1
9	101832301	Bracket, Accelerator Support	1
10	<u>1016202</u>	E-Ring	3
11	<u>1015408</u>	Pin, Governor Cable Clevis	2
12	<u>1014413</u>	Pin, Hair Spring Cotter, 1/8 I.D. x 5/8	2
13	101832201	Bracket, Support	1
14	<u>1015845</u>	Bracket, Governor Cable	1
		Later style cables*:	
15	<u>102336101</u>	Cable, Accelerator, Snap-in	1
16	<u>102336001</u>	Cable, Governor, Snap-in	1
17	<u>101832302</u>	Bracket, Accelerator Support	1
18	<u>101832202</u>	Bracket, Support	1
19	<u>101584502</u>	Bracket, Governor Cable Snap-In	1
		* Brackets and cables must be of the same style.	

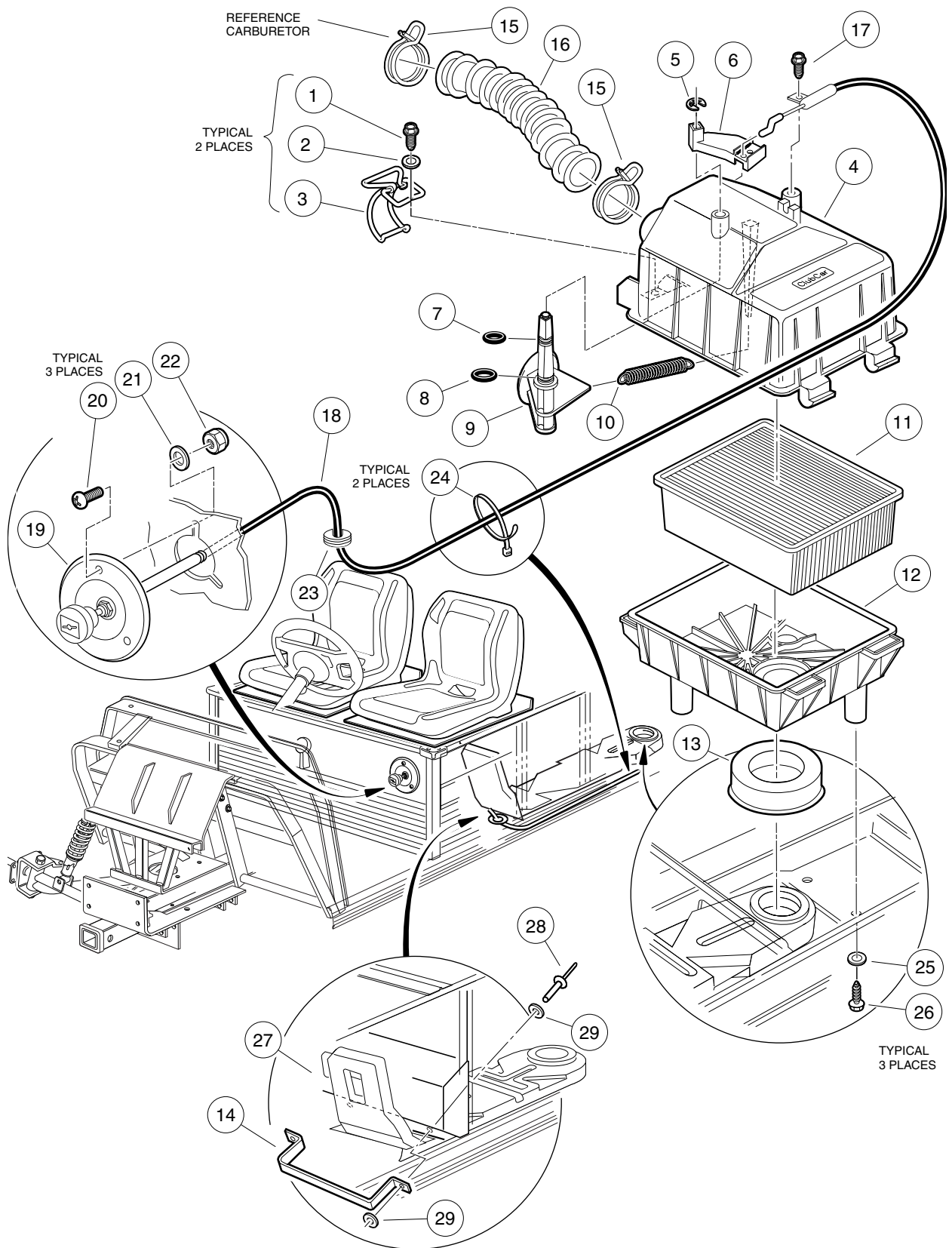




INTAKE DUCT, CHOKE, AND AIR BOX ASSEMBLY – 2100 VEHICLES

ITEM	PART NO.	DESCRIPTION	QTY
		1 2 3 4	
	<u>101821501</u>	Assembly, Air Box (includes items 1 - 13)	1
1	<u>101804301</u>	Screw, Hex-Head Hi-Lo, #8 x 1/2	2
2	<u>101881701</u>	Washer, Stainless Steel, #8	2
3	<u>101925701</u>	Latch, Wire	2
4	<u>101972801</u>	Assembly, Air Box Top (includes items 5 - 10)	1
5	<u>101813001</u>	E-Clip	1
6	<u>101917601</u>	Lever, Choke	1
7	N/A	O-Ring, 5/16 – Red	1
8	N/A	O-Ring, 3/8 – Green	1
9	N/A	Valve, Choke	1
10	<u>101812301</u>	Spring, Return	1
11	<u>1015426</u>	Filter, Air	1
12	<u>101811901</u>	Bottom, Air Box	1
13	<u>101921501</u>	Seal, Intake	1
14	<u>101971301</u>	Clamp, Hose (air intake)	2
15	<u>101837101</u>	Hose, Intake	1
16	<u>101804301</u>	Screw, Hex-Head Hi-Lo, #8 x 1/2	1
17	<u>101926801</u>	Cable, Choke with Bezel (includes item 18)	1
18	<u>101933701</u>	Bezel, Choke Cable	1
19	<u>1631</u>	Screw, Pan-Head, #10-24 x 3/4	3
20	<u>183</u>	Washer, Flat, Type A, #10	3
21	<u>1012438</u>	Nut, Nylon Lock, #10-24	3
22	<u>332</u>	Washer, Flat, Type A, 1/4	3
23	<u>1015752</u>	Screw, Hi-Lo, #12-16 x 5/8	3
24	<u>101958102</u>	Duct, Air	1
25	<u>1606</u>	Rivet, Blind, 3/16 x 1/2	2
26	<u>183</u>	Washer, Flat, Type A, #10	4
27	<u>102190702</u>	Kit, Air Duct (includes items 28 and 29)	1
28	N/A	Tape, VHB 4950, 4-1/2 inches	1
29	<u>7973</u>	Rivet, Pop, 3/16	1

9
G



INTAKE DUCT, CHOKE, AND AIR BOX ASSEMBLY – 2100S VEHICLES

ITEM	PART NO.	DESCRIPTION	QTY
		1 2 3 4	
	<u>101821501</u>	Assembly, Air Box (Includes Items 1 - 13).....	1
1	<u>101804301</u>	Screw, Hi-Lo Hex-Head, #8-1/2	2
2	<u>101881701</u>	Washer, Stainless Steel, #8	2
3	<u>101925701</u>	Latch, Wire	2
4	<u>101972801</u>	Assembly, Air Box Top (Includes Items 5 - 10)	1
5	<u>101813001</u>	E-Clip	1
6	<u>101917601</u>	Lever, Choke	1
7	N/A	O-Ring, 5/16 (Red)	1
8	N/A	O-Ring, 3/8 (Green)	1
9	N/A	Valve, Choke	1
10	<u>101812301</u>	Spring, Return	1
11	<u>1015426</u>	Filter, Air	1
12	<u>101811901</u>	Bottom, Air Box	1
13	<u>101921501</u>	Seal, Intake	1
14	<u>101825701</u>	Bracket, Retaining	1
15	<u>101971301</u>	Clamp, Hose (Air Intake)	2
16	<u>101837101</u>	Hose, Intake	1
17	<u>101804301</u>	Screw, Hex-Head Hi-Lo, #8 x 1/2	1
18	<u>101926802</u>	Cable, Choke with Bezel (includes item 18)	1
19	<u>101933701</u>	Bezel, Choke Cable	1
20	<u>1631</u>	Screw, Pan-Head, #10-24 x 3/4	3
21	<u>183</u>	Washer, Flat, Type A, #10	3
22	<u>1012438</u>	Nut, Nylon Lock, #10-24	3
23	<u>1015139</u>	Grommet	1
24	8168	Tie, Wire	2
25	<u>332</u>	Washer, Flat, Type A, 1/4	3
26	1015752	Screw, Hi-Lo, #12-16 x 5/8	3
27	<u>101811301</u>	Duct, Air	1
28	7973	Rivet, Pop, 3/16	2
29	<u>183</u>	Washer, Flat, Type A, #10	4

9
G

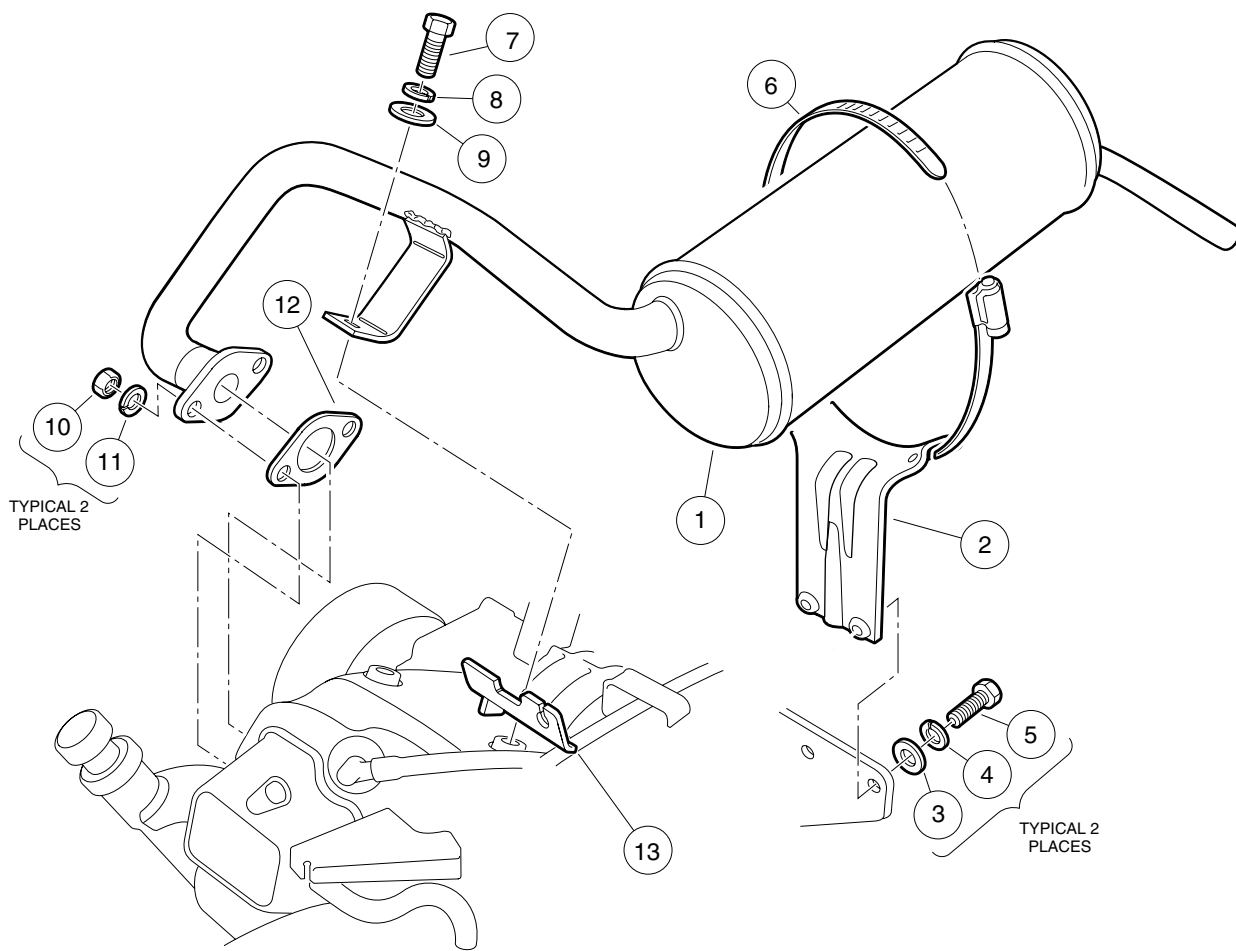
9

G

EXHAUST SYSTEM

10

G



EXHAUST SYSTEM, FE400 ENGINE

ITEM	PART NO.	DESCRIPTION	QTY
		1 2 3 4	
1	<u>102257201</u>	System, Exhaust (FE400 engine)	1
2	<u>1015814</u>	Bracket, Muffler Mounting	1
3	<u>332</u>	Washer, Flat, Type A, 1/4	2
4	<u>451</u>	Washer, Lock, 1/4	2
5	<u>7847</u>	Screw, Hex-Head, 1/4-20 x 3/4	2
6	1017689	Clamp, Muffler	1
7	<u>1012830</u>	Screw, Hex-Head Cap, M8 x 1.25 x 22 mm	1
8	<u>7174</u>	Washer, Lock, 5/16	1
9	1015075	Washer, Flat, 5/16	1
10	<u>1012528</u>	Nut, Hex, M8 x 1.25	2
11	<u>1013734</u>	Washer, Lock, 8 mm	2
12	<u>1016904</u>	Gasket, Exhaust (FE400 engine)	1
13	<u>1015845</u>	Bracket, Governor Cable (earlier style cable see page 9-11)	1
13	<u>101584502</u>	Bracket, Governor Cable Snap-In (later style cable see page 9-11)	1

10
G

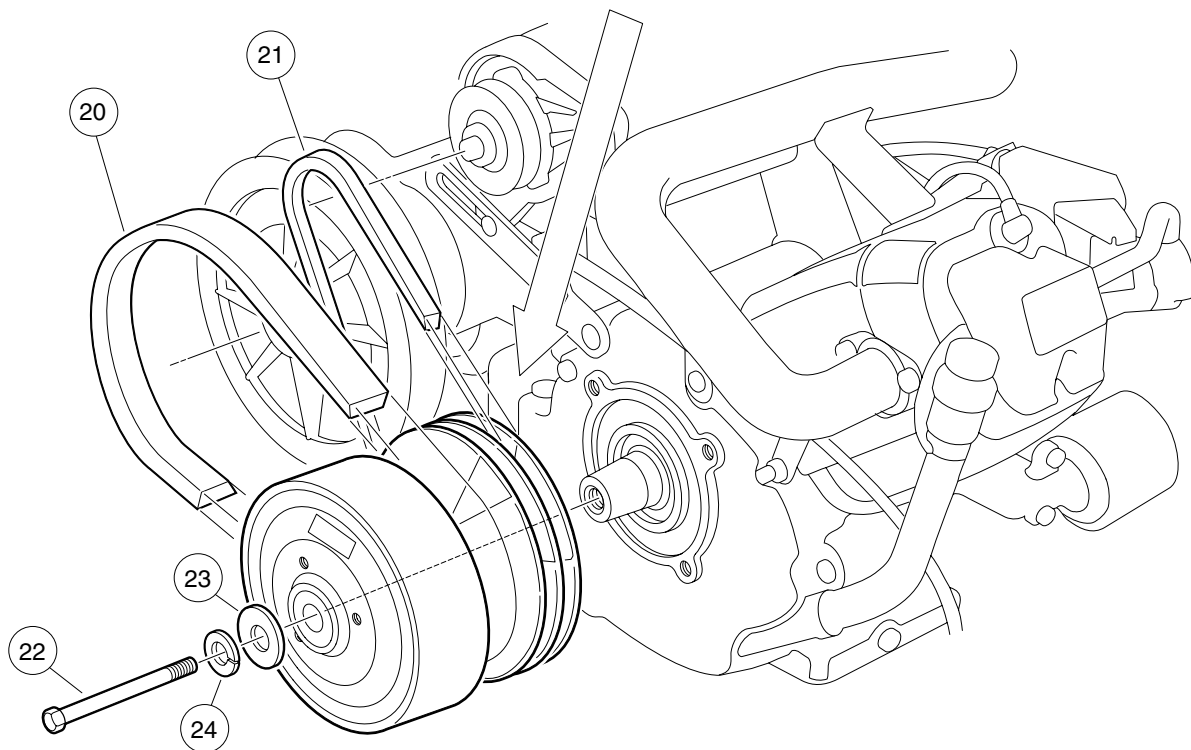
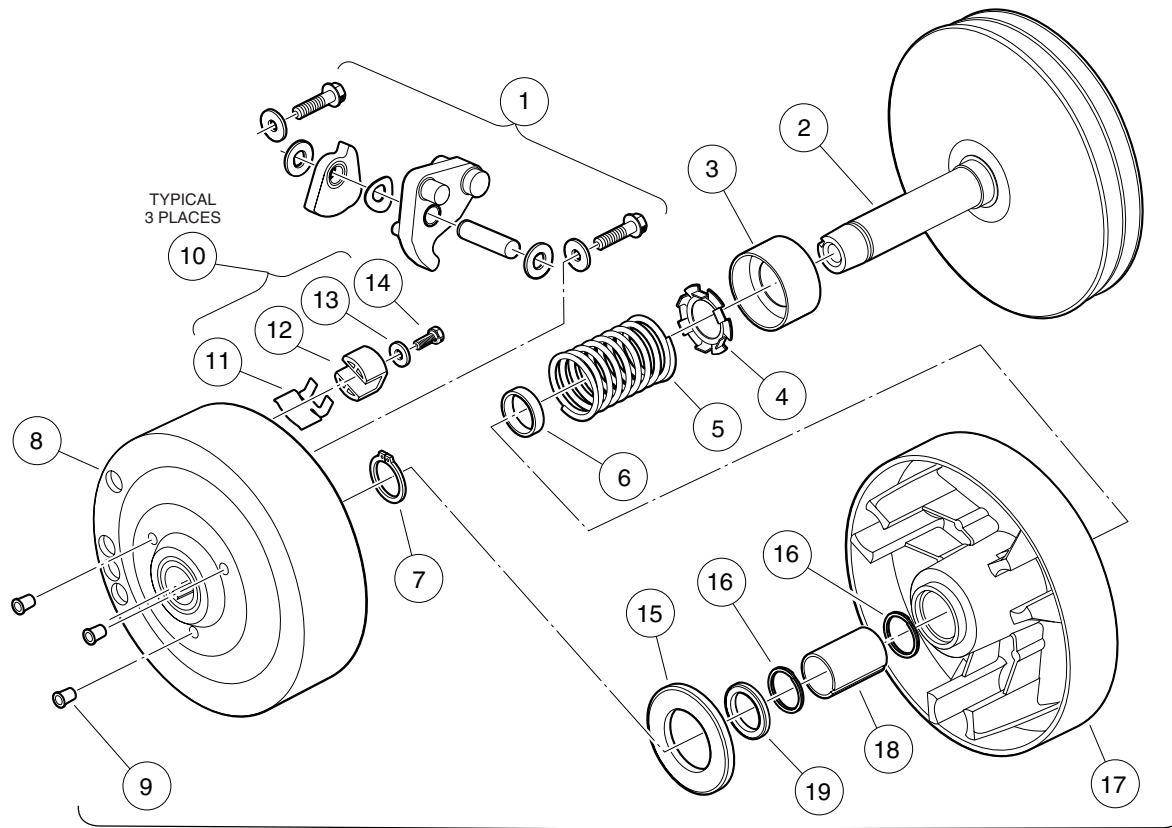
10

G

TORQUE CONVERTER

11

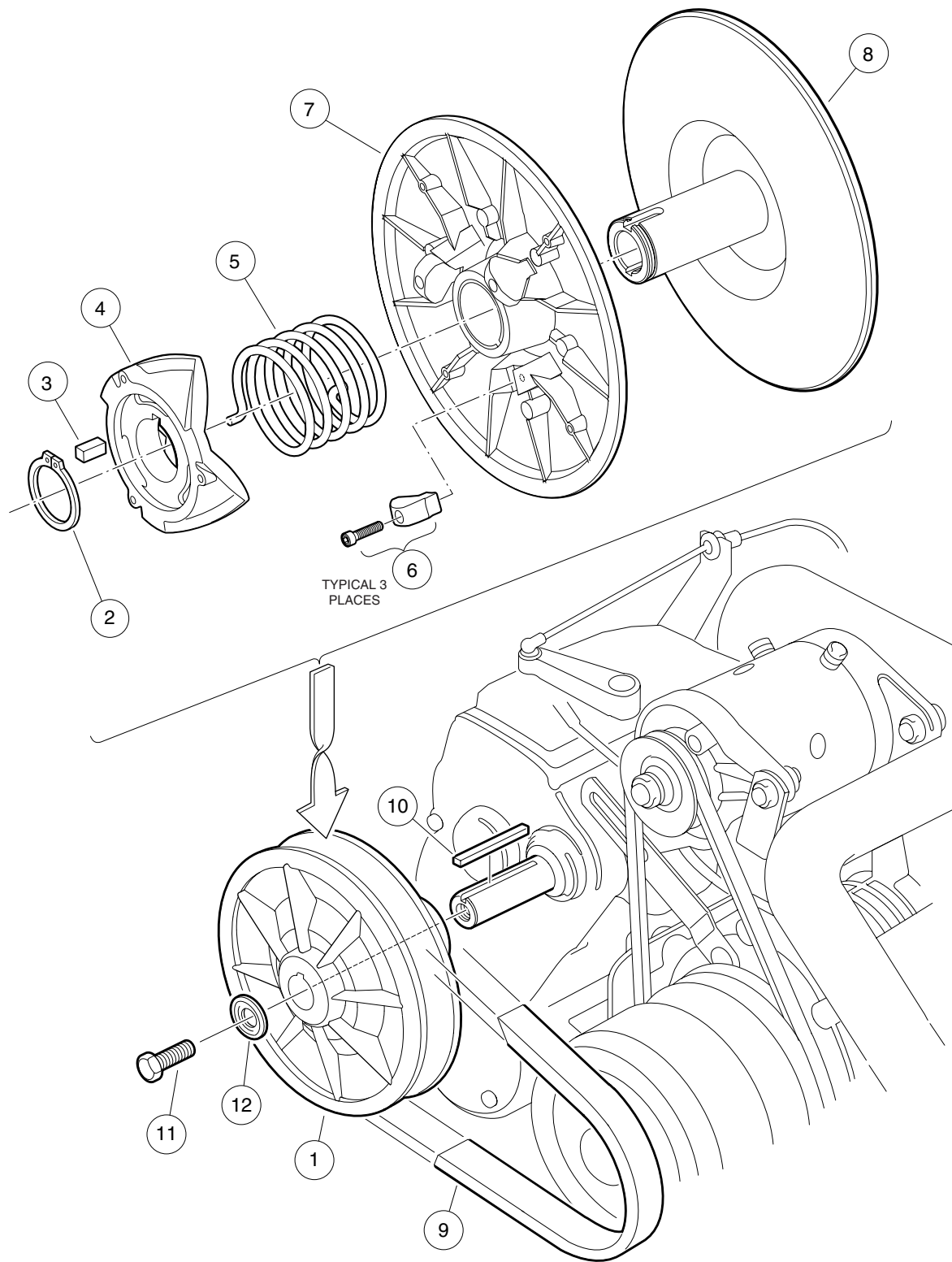
G



DRIVE CLUTCH

ITEM	PART NO.	DESCRIPTION	QTY
		1 2 3 4	
	<u>101833908</u>	Assembly, Drive Clutch (FE400 engine) (includes items 1 - 19)	1
1	<u>1016801</u>	Kit, Drive Clutch Weight	1
2	<u>101738301</u>	Assembly, Fixed Face	1
3	<u>1014049</u>	Bearing, Idler	1
4	<u>1014050</u>	Retainer, Spring	1
5	<u>102266201</u>	Spring, Drive Clutch – Red	1
6	<u>1016289</u>	Spacer, Fixed Face Shaft	1
7	<u>1014057</u>	Ring, Retaining	1
8	<u>1014059</u>	Assembly, Drive Hub	1
9	N/A	Plug, Drive Clutch	1
10	<u>1014453</u>	Kit, Drive Clutch Button (includes item 11 - 14)	1
11	<u>1014287</u>	Spring, Drive Button	3
12	<u>1014062</u>	Driver, Drive Clutch	3
13	<u>183</u>	Washer, Flat, #10, Type A	3
14	<u>8450</u>	Screw, Hex-Head, #10-24 x 1/2	3
15	<u>1014058</u>	Washer, Thrust	1
16	<u>1014056</u>	Ring, Spiral Back-Up	2
17	<u>1014052</u>	Assembly, Movable Face (includes items 18 and 19)	1
18	N/A	Bushing	1
19	<u>1014055</u>	Retainer	1
20	<u>102267101</u>	Belt, Drive	1
21	<u>101916701</u>	Belt, Starter/Generator	1
22	<u>101916501</u>	Screw, Hex-Head Cap, 3/8-24 x 5-1/2 (left-hand threads)	1
23	<u>808</u>	Washer, Plain, Type B, 3/8	1
24	<u>357</u>	Washer, Lock, 3/8	1

11
G



DRIVEN CLUTCH

ITEM	PART NO.	DESCRIPTION	QTY
		1 2 3 4	
1	<u>101834001</u>	Assembly, Driven Clutch (includes items 2 - 8)	1
2	<u>1014080</u>	Ring, Retaining	1
3	<u>1014078</u>	Key	1
4	<u>1017686</u>	Cam	1
5	<u>101836201</u>	Spring – Green	1
6	<u>1014454</u>	Kit, Driven Clutch Button (includes 3 screws and 3 buttons)	1
7	<u>1014072</u>	Assembly, Movable Face with Bushing	1
8	<u>1014070</u>	Face, Fixed	1
9	<u>102267101</u>	Belt, Drive	1
	<u>AM10419</u>	Kit, Driven Clutch Hardware Repair (includes items 10 - 12)	1
10	<u>101833401</u>	Key, Square Transmission	1
11	<u>102242101</u>	Screw, Hex-Head Cap, Thread-Locking, 5/16-18 x 3/4	1
12	<u>1017327</u>	Washer, Driven Clutch	1

11

G

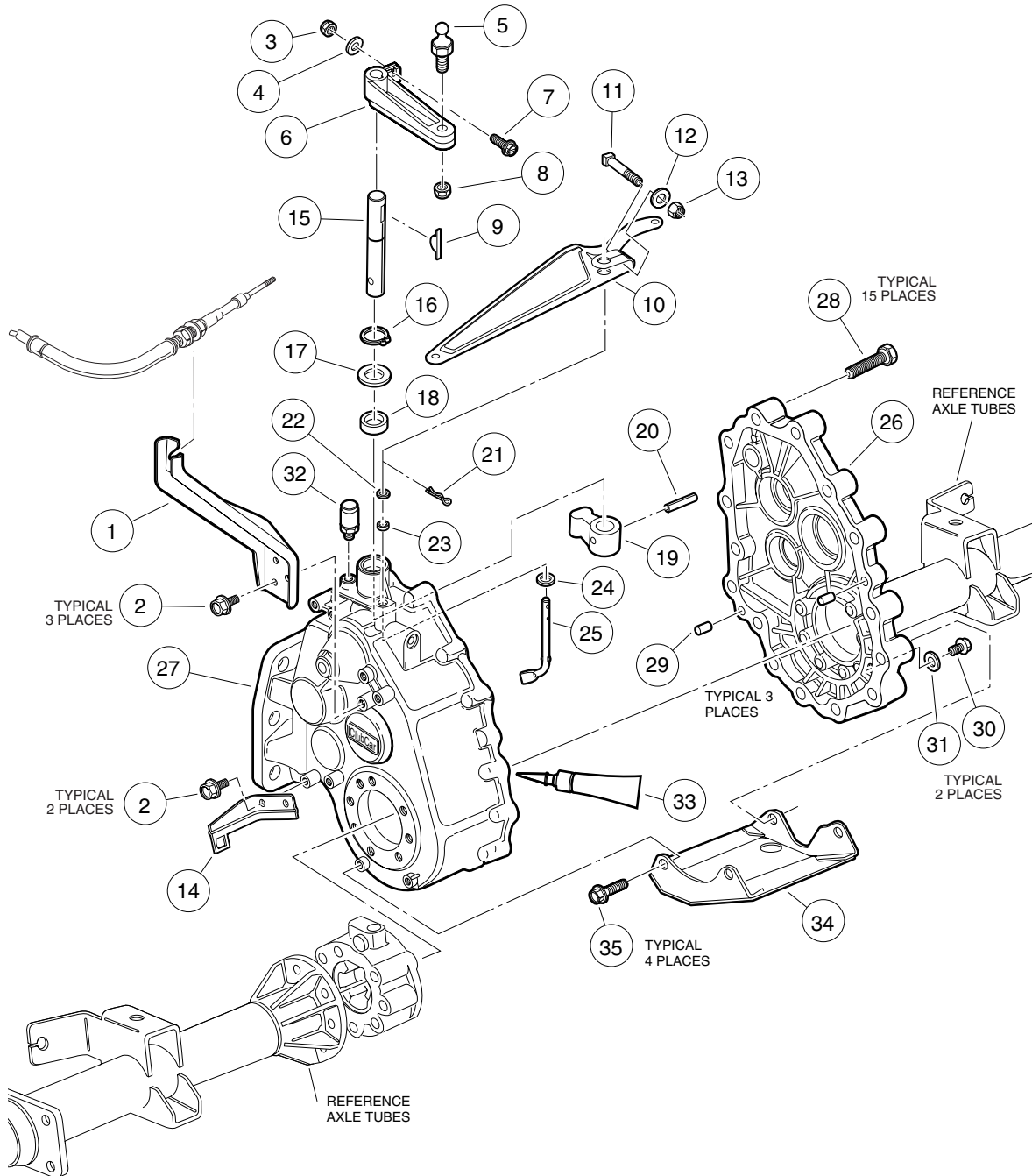
11

G

UNITIZED TRANSAXLE

12

G

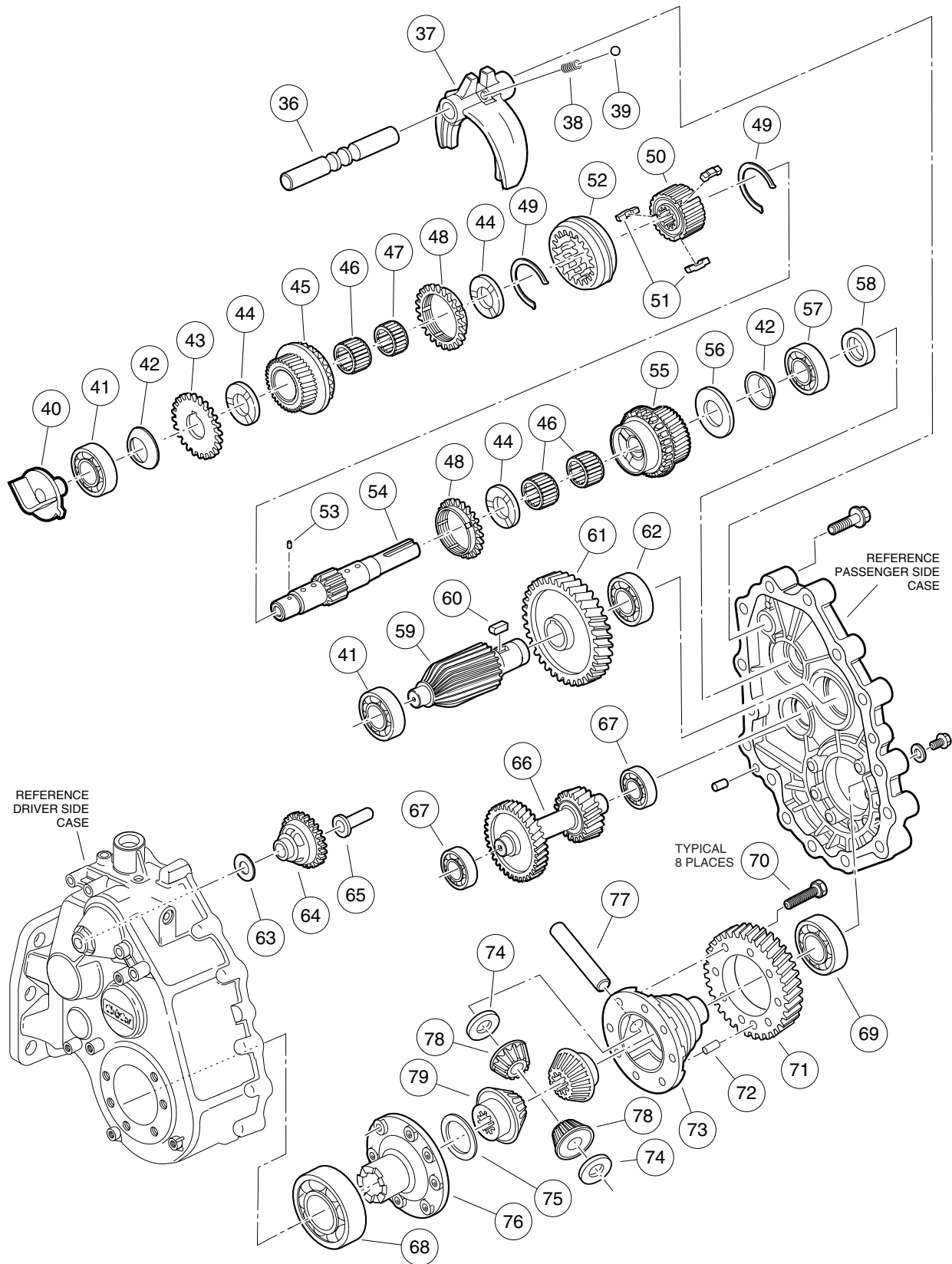


UNITIZED TRANSAXLE, MC012C – GEAR CASES, BRACKETS AND GUARD

ITEM	PART NO.	DESCRIPTION	QTY
		1 2 3 4	
1	<u>102045901</u>	Bracket, Transmission Cable Support	1
2	<u>1012285</u>	Screw, Hex-Head Thread-Rolling, 1/4-20 x 5/8	5
3	<u>1013061</u>	Nut, Nylon Lock, #10-32	1
4	<u>183</u>	Washer, Flat, Type A, #10	1
5	<u>1010954</u>	Stud, Ball, 1/4-28 x 9/16	1
6	<u>1016341</u>	Lever, Transmission Shifter	1
7	<u>1017082</u>	Screw, Hex Washer-Head, #10-32 x 3/4	1
8	<u>8717</u>	Nut, Nylon Lock, 1/4-28	1
9	<u>1017231</u>	Key, Woodruff, Type T	1
10	<u>101834801</u>	Arm, Governor Lever	1
11	<u>101886101</u>	Screw, Square-Head, 1/4-20 x 1	1
12	<u>1014007</u>	Washer, Type B, 1/4	1
13	<u>8233</u>	Nut, Nylon Lock, 1/4-20	1
14	<u>102018701</u>	Bracket, Differential Lock	1
	<u>102264601</u>	Transaxle, Unitized (includes items 15 - 107)	1
15	<u>101890201</u>	Shaft, Shifter	1
16	<u>101927301</u>	Ring, Snap	1
17	<u>101892901</u>	Washer, Flat	1
18	<u>101927201</u>	Seal, Oil	1
19	<u>101890101</u>	Lever, Shifter	1
20	<u>1012752</u>	Pin, Roll	1
21	<u>101928601</u>	Pin, Cotter	1
22	<u>1016513</u>	Washer, Flat	1
23	<u>101927101</u>	Seal, Oil	1
24	<u>101893801</u>	Washer	1
25	<u>101891301</u>	Arm, Pivot	1
26	<u>102018501</u>	Gear Case (passenger side)	1
27	<u>102018601</u>	Gear Case (driver side)	1
28	<u>101926901</u>	Bolt, Flanged, M8 x 1.25 x 40 mm	15
29	<u>1012896</u>	Pin, Dowel (see also page 12-6)	3
30	<u>1016576</u>	Plug, Drain	2
31	<u>102267601</u>	Gasket	2
32	<u>1012711</u>	Breather	1
33	<u>101928701</u>	Gasket, Liquid, 8.8 oz. (250 grams)	A/R
34	<u>102031501</u>	Guard, Unitized Transaxle	1
35	<u>102268601</u>	Bolt, M8 x 1.25 x 20 mm	4

12

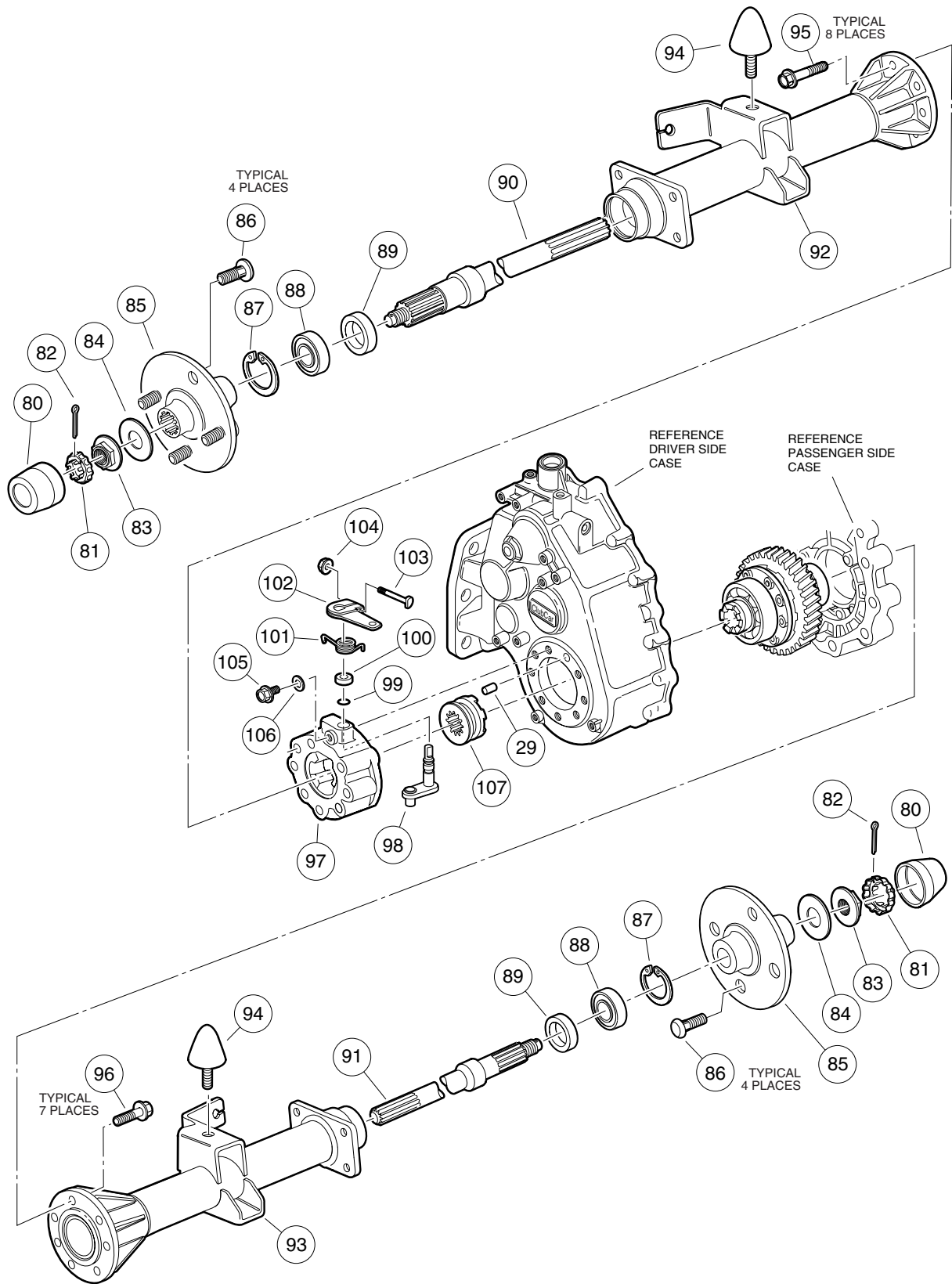
G



UNITIZED TRANSAXLE, MC012C – F&R TRANSMISSION AND GEAR REDUCTION

12
G

ITEM	PART NO.	DESCRIPTION	QTY
		1 2 3 4	
36	101892001	Rod, Shift	1
37	<u>101890001</u>	Fork, Shift	1
38	<u>1012748</u>	Spring	1
39	<u>1012747</u>	Ball, Steel	1
40	<u>101889401</u>	Guide	1
41	<u>AM10080</u>	Bearing, Ball	2
42	<u>1016338</u>	Washer, Spring	2
43	<u>101892401</u>	Gear, Spur	1
44	<u>101892201</u>	Plate, Thrust	3
45	<u>102018801</u>	Gear, Input, 25 Tooth (16°)	1
46	<u>101927601</u>	Bearing, Needle	3
47	<u>101927501</u>	Bearing, Needle	1
48	<u>101981001</u>	Ring, Synchronizer (16°)	2
49	<u>1012741</u>	Spring, Synchronizer	2
50	<u>101928001</u>	Hub, Synchronizer Clutch	1
51	<u>1012740</u>	Insert, Synchronizer	3
52	<u>101927901</u>	Sleeve, Synchronizer	1
53	<u>101927701</u>	Pin, Dowel	1
54	<u>101889901</u>	Shaft, Input	1
55	<u>101980801</u>	Gear, Input, 25 Tooth (16°)	1
56	<u>1016337</u>	Washer, Thrust	1
57	<u>AM10081</u>	Bearing, Ball	1
58	<u>1012714</u>	Seal, Oil, Input Shaft	1
59	<u>102268201</u>	Gear, 12 Tooth	1
60	<u>101893201</u>	Key	1
61	<u>102018901</u>	Gear, 70 Tooth	1
62	<u>102268401</u>	Bearing, Ball	1
63	<u>101893901</u>	Washer	1
64	<u>101892301</u>	Governor	1
65	<u>101891601</u>	Sleeve	1
66	<u>102019001</u>	Gear, Cluster Idler	1
67	<u>7335</u>	Bearing, Ball	2
68	<u>102032001</u>	Bearing, Inner Axle Tube, Driver-Side	1
69	<u>7330</u>	Bearing, Inner Axle Tube, Passenger-Side	1
70	<u>101928301</u>	Bolt, M8 x 1.25 x 37 mm	8
71	<u>102268301</u>	Gear, Output, 64 Tooth	1
72	<u>102031701</u>	Pin, Dowel	1
73	<u>102267901</u>	Case, Gear Carrier	1
74	<u>1013774</u>	Plate, Thrust (idler gear)	2
75	<u>102268101</u>	Plate, Thrust (differential gear)	1
76	<u>102267801</u>	Cover, Gear Case	1
77	<u>1013772</u>	Pin, Differential	1
78	<u>1013770</u>	Gear, Differential Idler	2
79	<u>102268001</u>	Gear, Differential, 16 Tooth	2

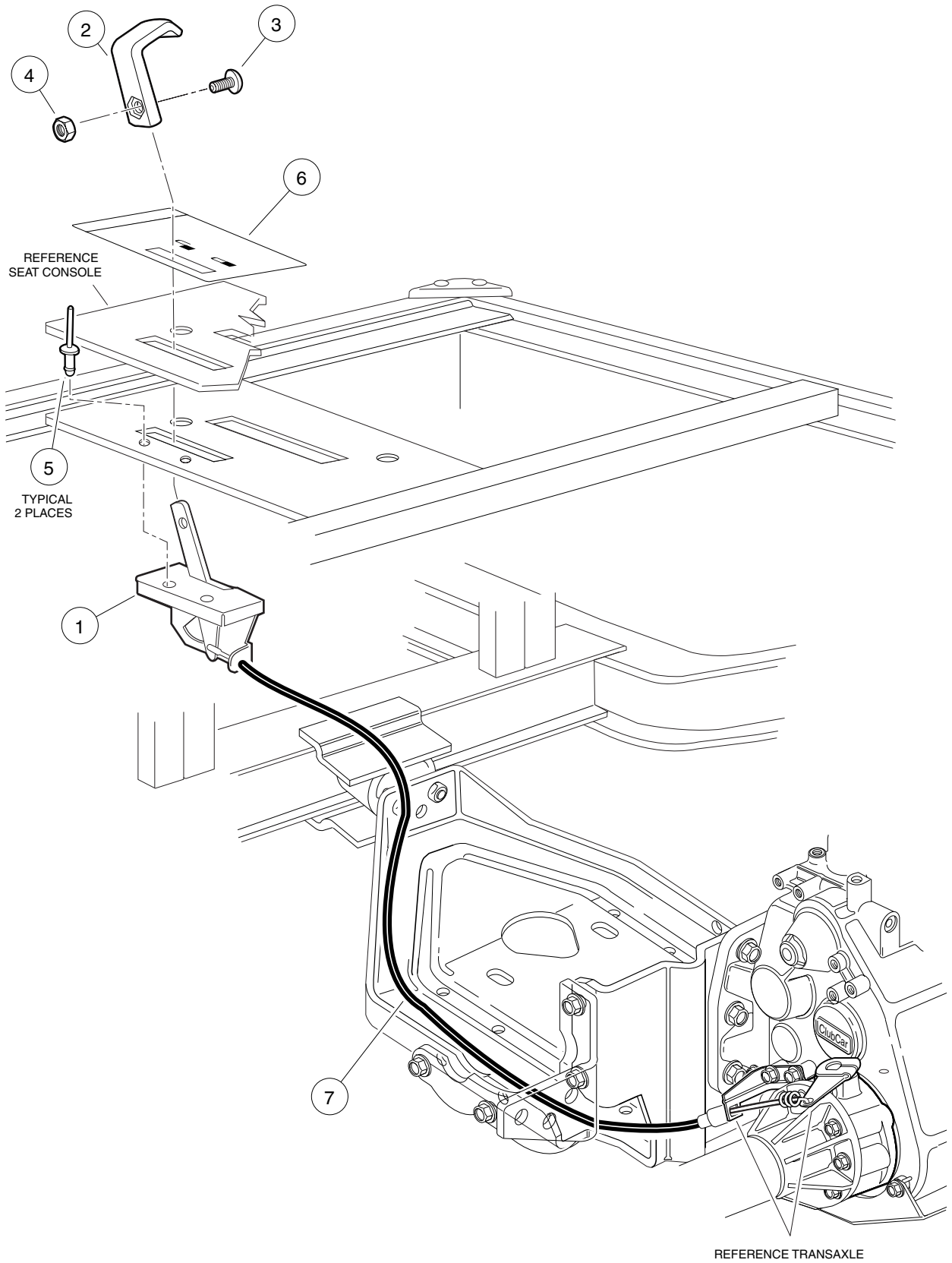


UNITIZED TRANSAXLE, MC012C – DIFFERENTIAL LOCK AND AXLES

ITEM	PART NO.	DESCRIPTION	QTY
		1 2 3 4	
80	102274101	Cap, Rubber Center	2
81	<u>102276001</u>	Cap, Locking	2
82	<u>101838801</u>	Pin, Cotter	2
83	<u>102269201</u>	Nut, Axle Flange Retaining	2
84	<u>102269301</u>	Washer, Flat	2
85	<u>102269101</u>	Hub (includes item 86)	2
86	<u>1013787</u>	Stud, Lug	4
87	<u>1013792</u>	Ring, Retaining	2
88	<u>1011291</u>	Bearing, Outer Axle Tube	2
89	<u>102269401</u>	Seal, Oil	2
90	<u>102269001</u>	Assembly, Axle, Driver-Side	1
91	<u>102268901</u>	Assembly, Axle, Passenger-Side	1
92	<u>102268801</u>	Assembly, Axle Tube, Driver-Side	1
93	<u>102268701</u>	Assembly, Axle Tube, Passenger-Side	1
94	<u>102188701</u>	Stop, Axle	2
95	<u>102019601</u>	Bolt, M10 x 1.5 x 70 mm	8
96	<u>102031901</u>	Bolt, M10 x 1.5 x 30 mm	7
97	<u>102020101</u>	Housing, Differential Lock	1
98	<u>102020201</u>	Lever, Differential Lock	1
99	<u>102020301</u>	O-Ring, Differential Lock	1
100	<u>102020401</u>	Spacer, Differential Lock	1
101	<u>102020501</u>	Spring, Differential Lock	1
102	<u>102020901</u>	Arm, Differential Lock Lever	1
103	<u>1016686</u>	Bolt, Differential Lock Pinch	1
104	1016547	Nut, Flanged, M6 x 1	1
105	<u>102022301</u>	Screw, M6 x 1 x 10 mm	1
106	<u>102022401</u>	Washer, M6	1
107	<u>102267701</u>	Cog, Differential Lock, 15 Tooth	1

12

G



UNITIZED TRANSAXLE – DIFFERENTIAL LOCK CABLE ASSEMBLY AND SHIFTER

ITEM	PART NO.	DESCRIPTION	QTY
		1 2 3 4	
1	<u>102025101</u>	Control, Differential Lock	1
2	<u>102022201</u>	Handle, Differential Lock	1
3	<u>1011017</u>	Bolt, Hex Washer-Head, #8-32 x 3/8	1
4	<u>1011571</u>	Nut, Hex, #8-32	1
5	<u>101880901</u>	Rivet, Pop	2
6	<u>102046601</u>	Decal, Differential Lock Control Warning	1
7	<u>102031201</u>	Cable, Differential Lock (2100 vehicle)	1
7	<u>102316701</u>	Cable, Differential Lock (2100S vehicle)	1

12
G

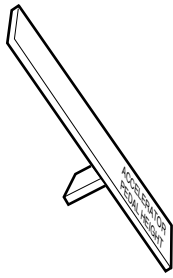
12

G

MAINTENANCE AND SERVICE TOOLS

13

G



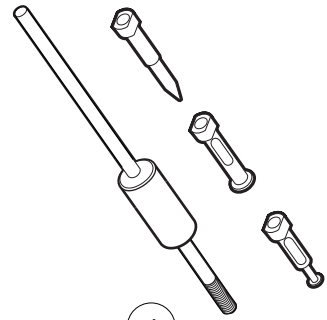
1



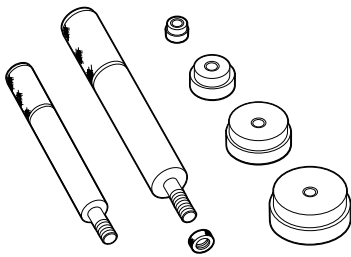
2



3



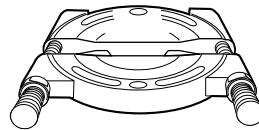
4



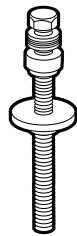
5



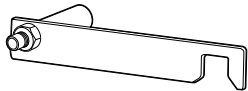
6



7



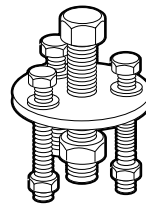
8



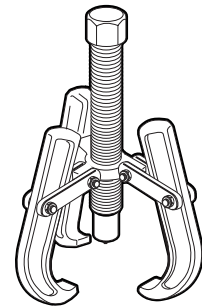
9



10



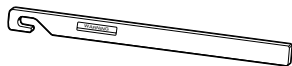
11



12



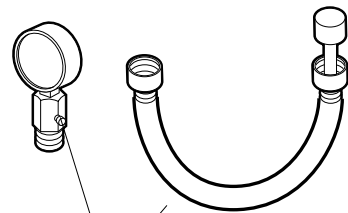
13



14



15



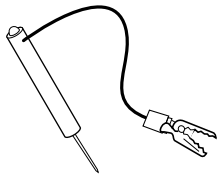
16

MAINTENANCE AND SERVICE TOOLS

ITEM	PART NO.	DESCRIPTION	QTY
		1 2 3 4	
1	<u>101871001</u>	Accelerator Pedal Adjustment Tool	1
2	<u>101813202</u>	Adhesive, Guide Ring, 3-Gram Tube	1
3	<u>1014305</u>	Battery Terminal Protector Spray	1
4	<u>1016417</u>	Bearing and Oil Seal Remover Assembly	1
5	<u>1016416</u>	Bearing Driver Set	1
6	<u>1012811</u>	Bearing Puller	1
7	<u>1012812</u>	Bearing Puller Wedge Attachment	1
8	<u>101808401</u>	Cam Installation Tool	1
	<u>1014510</u>	Clutch Tool Kit (includes items 9 - 15)	1
9	<u>1014498</u>	Clutch Alignment Tool (for pre-unitized transaxle vehicles built prior to 1997 model year)	1
10	<u>1014496</u>	Drive Clutch Puller	1
11	<u>1014497</u>	Drive Clutch Hub Puller	1
12	<u>1014508</u>	Driven Clutch Cam Puller	1
13	<u>1014507</u>	Driven Clutch Puller Plug	1
14	<u>1015524</u>	Drive Clutch Holder Tool Assembly	1
15	<u>101809101</u>	Press Weldment	1
16	101641002	Compression Gauge and Adapter	1
<p>Please refer to the maintenance and service manual for proper tool application.</p>			

13

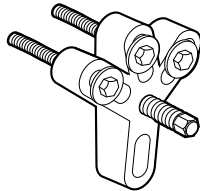
G



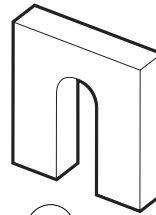
17



18



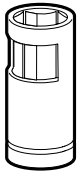
19



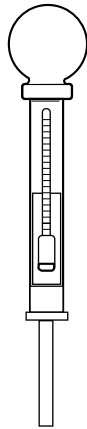
20



21



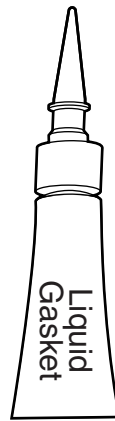
22



23



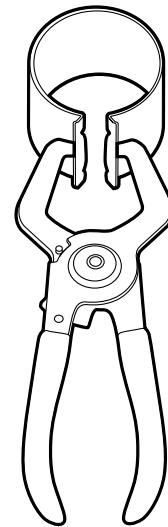
24



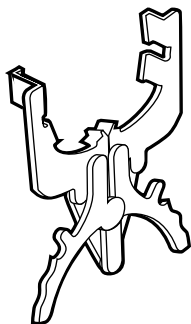
25



26



27



28



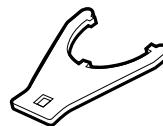
29



30



31



32



33



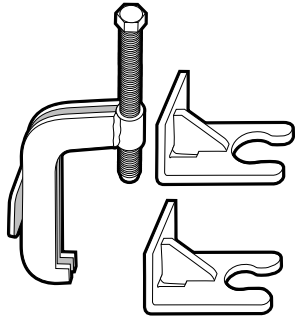
34

MAINTENANCE AND SERVICE TOOLS, CONTINUED

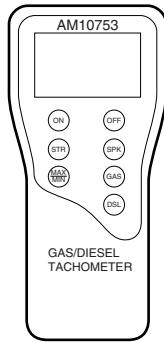
ITEM	PART NO.	DESCRIPTION	QTY
		1 2 3 4	
17	1011273	Continuity Tester	1
18	<u>1012151</u>	Dry Moly Lubricant	1
19	<u>1016627</u>	Flywheel Puller Kit	1
20	<u>1016418</u>	Gear Yoke	1
21	<u>101933101</u>	Governor Shaft Installation Tool	1
22	102169401	Hydraulic Brake Adjuster	1
23	<u>1011478</u>	Hydrometer	1
24	<u>1013593</u>	Internal Retaining Ring Pliers	1
25	<u>101928701</u>	Liquid Gasket (transaxle case)	1
26	<u>102243402</u>	Moly-Teflon Lubricant (4-oz. (113-gram) tube)	1
27	<u>1016414</u>	Piston Ring Compressor Kit (FE290, FE350 and FE400 engines)	1
28	<u>1016415</u>	Piston Ring Pliers	1
29	<u>1012549</u>	Retaining Ring Pliers, 45° External	1
30	<u>1012560</u>	Retaining Ring Pliers, 90° Internal	1
31	<u>1012809</u>	Seal Puller	1
32	10230901	Spanner Wrench (for coil over shock front suspension vehicles)	1
33	<u>1014264</u>	Steering Column Bearing Press Tool	1
34	<u>1014259</u>	Steering Column Retaining Ring Tool	1

13

G



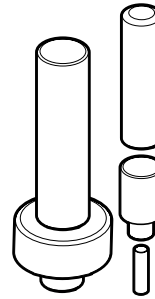
35



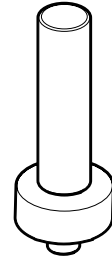
36



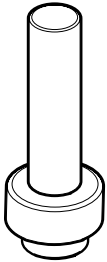
37



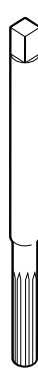
38



39



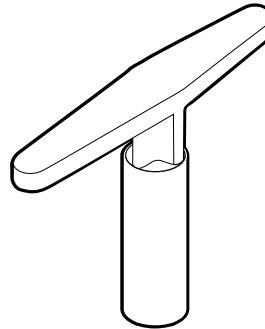
40



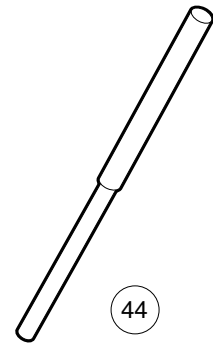
41



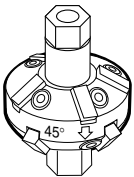
42



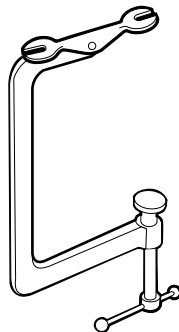
43



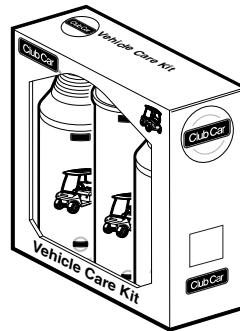
44



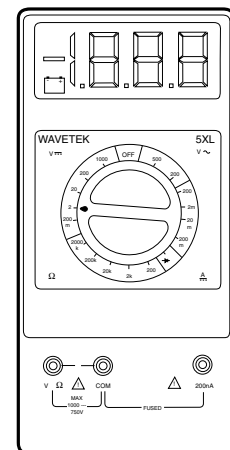
45



46



47



48

MAINTENANCE AND SERVICE TOOLS, CONTINUED

ITEM	PART NO.	DESCRIPTION	QTY
		1 2 3 4	
35	102061201	Steering Wheel Puller Tool	1
36	<u>AM10753</u>	Tachometer	1
	AM10770	Wire Lead, Gasoline Engine (not shown)	1
	<u>AM10771</u>	Wire Lead, Diesel Adaptor (not shown)	1
37	<u>101709701</u>	Paint, Spray, Wheel Touch-Up – Beige	1
37	<u>101709702</u>	Paint, Spray, Wheel Touch-Up – White	1
37	<u>101709704</u>	Paint, Spray, Wheel Touch-Up – Gray	1
38	<u>1014115</u>	Transmission Tool Kit	1
39	1014161	Transaxle Pinion Seal Tool	1
40	<u>1014162</u>	Transaxle Axle Seal Tool	1
41	101641201	Valve Guide Reamer	1
42	<u>101641202</u>	Arbor	1
43	<u>1016551</u>	Valve Seat Cutter T-Wrench	1
44	<u>1016552</u>	Valve Seat Cutter Guide	1
45	<u>1016554</u>	Valve Seat Cutter, 45°/30° (35 mm diameter)	1
46	<u>101641101</u>	Valve Spring Compressor	1
47	AM10021	Vehicle Care Kit	1
48	1011480	Volt Ohm Meter	1
49	<u>101611003</u>	Tune-Up Kit, All OHV (includes air filter, spark plug, oil filter, fuel filters) (not shown)	1
<p>Please refer to the maintenance and service manual for proper tool application.</p>			

13

G

13

G

INDEX

Part Number and Page

AM10021	13-7	8248	7-11, 9-3, 9-5	1012528	10-3
AM10080	12-5	8251	1-7	1012549	13-5
AM10081	12-5	8419	1-13	1012560	13-5
AM10419	11-5	8450	11-3	1012565	6-3
AM10724	8-5	8455	7-11	1012566	6-3
AM10753	13-7	8639	7-15	1012571	8-15
AM10770	13-7	8717	7-11, 7-13, 12-3	1012594	7-11
AM10771	13-7	8754	1-11, 1-15, 4-13, 5-5, 6-3, 6-7, 6-9, 7-21	1012604	6-3
183	4-9, 4-11, 1-3, 7-15, 9-13, 9-15, 11-3, 12-3	8755	1-11, 1-15	1012605	6-3
304	1-19	8935	1-5	1012649	9-3, 9-5
320	6-3	8990	6-5, 7-17	1012711	12-3
332	1-3, 1-5, 1-7, 1-9, 1-13, 1-17, 1-19, 5-5, 9-13, 9-15, 10-3	1010028	6-7	1012714	12-5
334	1-9, 5-5, 6-3, 6-5	1010138	6-5	1012740	12-5
357	11-3	1010145	6-9	1012741	12-5
403	1-11, 1-15	1010150	6-7	1012747	12-5
451	1-5, 10-3	1010434	1-7, 1-17	1012748	12-5
705	1-11, 1-15, 4-13, 7-21	1010435	1-11, 1-13, 1-15	1012752	12-3
808	6-9, 11-3	1010436	1-13	1012809	13-5
1016	7-15	1010543	1-7	1012811	13-3
1028	5-3	1010545	1-3	1012812	13-3
1032	1-17	1010829	4-5, 4-13	1012830	1-5, 7-21, 10-3
1035	1-9	1010878	1-9, 5-3	1012896	12-3
1231	1-17	1010909	7-15	1012981	8-5
1241	1-3, 1-17, 1-19, 4-7, 5-3, 5-5, 7-13, 7-23	1010921	1-3, 5-3	1012986	7-17
1242	1-17, 1-19, 7-13, 7-21	1010934	1-17, 1-19, 4-7, 6-7, 7-23	1012987	7-11
1606	1-3, 9-13	1010934	1-17, 1-19, 4-7, 6-7, 7-23	1013001	7-19
1624	5-5, 6-5	1010954	7-11, 7-13, 12-3	1013003	7-19
1631	9-13, 9-15	1010984	2-3, 4-3, 4-5, 6-7	1013005	7-19
7048	6-7	1011017	12-9	101301102	7-19
7049	1-17	1011084	5-5	1013035	6-5
7173	7-23	1011273	13-5	1013042	6-5
7174	1-3, 1-17, 1-19, 6-3, 7-21, 9-11, 10-3	1011291	12-7	1013044	6-5
7270	6-7, 6-9	1011402	5-3	1013051	6-5
7310	2-3	1011415	6-9	1013052	6-5
7311	1-5	1011478	13-5	1013061	12-3
7330	12-5	1011480	13-7	1013309	1-7
7335	12-5	1011553	1-19, 3-5, 3-9	1013311	1-7
7410	1-3	1011571	12-9	1013312	1-7
7473	1-3, 1-5, 1-11, 1-13, 1-15, 1-17, 4-7, 5-3, 5-5, 6-7, 7-13, 7-23	1011652	1-5	1013366	1-13, 4-5, 4-13
7479	4-9, 4-11	1011694	5-5	1013461	7-15, 9-3, 9-5
7532	1-15	1011697	1-5, 9-11	1013462	9-3, 9-5
7716	5-3, 5-5	1011700	5-5	1013531	4-7, 4-13
7818	7-13	1011734	5-5	1013583	9-3, 9-5
7847	1-5, 1-9, 10-3	1011988	9-3	1013587	7-11
7893	7-11, 7-13, 7-15	1011990	1-17, 4-13	1013589	7-11, 7-13
7973	7-11, 9-13, 9-15	1012151	13-5	1013590	7-11
8057	7-11	1012164	8-15	1013591	7-11
8058	7-11	1012285	1-3, 1-19, 4-11, 7-11, 9-3, 9-5, 9-11, 12-3	1013593	13-5
8067	6-7	1012295	7-13	1013609	7-13
8168	9-15	1012303	1-11, 1-15, 6-9	1013630	9-5
8233	1-9, 1-13, 1-17, 1-19, 4-9, 4-11, 5-5, 7-11, 9-5, 12-3	1012328	7-23	1013687	9-3, 9-5
		1012333	7-11	1013692	9-3, 9-5
		1012382	7-5, 7-9	1013700	9-11
		1012412	1-5	1013734	1-5, 10-3
		1012431	7-11	1013746	9-3, 9-5, 9-9
		1012438	9-13, 9-15	1013770	12-5
				1013772	12-5

INDEX

1013774	12-5	1014514	1-17	101584502	9-11, 10-3
1013787	4-3, 6-7, 12-7	1014523	9-3	1015932	7-21
1013792	12-7	1014524	9-3, 9-5	1015969	8-3
1013857	7-17	1014537	1-13, 1-17	1016004	9-3
1013871	5-5	1014555	6-7	1016060	1-9
1013924	4-3, 4-5, 8-15	1014727	7-11	1016074	7-21
1014007	4-9, 4-11, 12-3	1014807	7-11	1016078	1-9
1014049	11-3	1014928	9-3	101609401	3-3, 3-7
1014050	11-3	1014948	7-13	101611003	13-7
1014052	11-3	1015064	7-11	1016154	6-3
1014055	11-3	1015075	7-21, 10-3	1016156	6-3
1014056	11-3	1015137	9-3, 9-5, 9-9	1016201	1-9, 7-11
1014057	11-3	1015139	9-3, 9-5, 9-15	1016202	9-11
1014058	11-3	1015143	9-3, 9-5	1016214	6-3
1014059	11-3	1015188	9-3, 9-5	1016219	6-3
1014062	11-3	101524002	7-21	1016289	11-3
1014065	7-11, 7-13	1015245	1-17	1016337	12-5
1014070	11-5	1015252	1-11	1016338	12-5
1014072	11-5	1015277	1-9	1016341	12-3
1014078	11-5	1015313	1-17	1016342	7-11
1014080	11-5	1015332	7-5, 7-9, 8-3	1016346	6-7
1014089	7-11	1015345	7-13	1016380	7-5, 7-9
1014115	13-7	1015356	1-11, 1-15	1016387	6-7
1014116	9-3, 9-5	1015363	1-17	1016389	6-7
1014119	7-5, 7-9	1015365	1-17	101641002	13-3
1014125	6-3	1015367	1-17	101641101	13-7
1014126	6-3	1015371	7-13	101641201	13-7
1014136	4-9, 4-11	1015372	7-13	101641202	13-7
1014145	7-11, 7-13	1015373	7-13	1016414	13-5
1014161	13-7	1015390	1-17	1016415	13-5
1014162	13-7	1015391	1-11, 1-15	1016416	13-3
1014213	6-3	1015399	1-11, 1-13, 1-15, 1-17	1016417	13-3
1014214	6-3	1015400	1-11, 1-15, 1-17	1016418	13-5
1014217	6-3	1015405	7-13	1016423	7-13
1014259	13-5	1015408	9-11	101642582	9-7
1014264	13-5	1015409	7-11	101642585	9-7
1014287	11-3	1015413	1-17	101642588	9-7
1014288	7-23	1015426	9-13, 9-15	1016429	8-7
1014289	7-19	101542901	1-11	1016432	8-7
1014305	13-3	1015453	6-9	1016436	8-9
1014306	1-13, 1-19	101547601	3-5, 3-9	1016437	9-7
1014321	1-5, 1-7, 1-17	1015507	1-11, 1-15	1016438	9-9
1014374	7-23	1015524	13-3	1016440	9-9
1014375	7-23	1015530	1-19	1016441	9-9
1014387	1-5, 1-7, 1-17	101553901	1-13, 1-17, 3-3, 3-7	1016442	8-9
1014413	9-11	1015583	1-11, 1-15, 6-9	1016444	9-9
1014415	1-13, 1-17	1015597	6-7	1016445	8-5
1014453	11-3	101562710	1-7	1016449	8-9
1014454	11-5	101564505	1-7	1016450	8-9
1014471	1-11, 1-15	1015649	8-3	1016452	8-9
1014496	13-3	1015737	7-5, 7-9, 7-13	1016454	8-11
1014497	13-3	1015741	7-13	1016455	8-5
1014498	13-3	1015752	7-13, 9-13, 9-15	1016456	8-3, 8-5
1014507	13-3	1015769	7-5, 7-9	1016457	8-7
1014508	13-3	1015777	7-13	1016458	8-9
1014510	13-3	1015814	10-3	1016467	8-7
1014513	1-17	1015845	9-11, 10-3	1016470	8-13

INDEX

1016472	8-11	1016587	8-5	1017466	9-9
1016473	8-7	1016588	8-5	1017471	8-13
1016474	8-9	1016627	13-5	1017473	8-9
1016479	8-9	1016630	7-17	1017474	8-3
1016480	9-9	1016663	6-3	1017475	8-3
101648102	9-9	1016723	1-7	1017476	8-3
101648203	8-7	101672701	7-11	1017486	8-3
1016483	8-9	101674702	5-5	1017487	8-11
1016486	9-7	1016751	1-7	1017490	8-5
1016489	8-9	101675506	1-7	1017500	8-3
101649002	9-9	101677705	1-7	1017501	8-13
1016494	8-11	1016801	11-3	1017502	8-13
1016496	8-11	1016849	7-15	1017503	8-13
1016497	8-5	1016851	7-15	1017507	8-7
1016499	9-7	1016859	7-15	1017508	8-11
1016501	9-7	1016879	7-15	1017510	8-13
1016502	8-7	1016880	7-15	1017511	8-11
1016506	8-11	1016883	7-21	1017514	8-11
1016507	8-3	1016904	10-3	101751801	8-11
1016513	12-3	1016947	7-11	101751802	8-11
1016517	8-9	101705701	3-7	101751803	8-11
1016518	8-9	1017062	7-15	1017653	7-19
1016519	8-9	1017064	7-15	1017686	11-5
1016521	8-11	1017065	7-15	1017689	10-3
1016531	8-3	1017082	12-3	1017696	5-5
1016535	8-11	101709701	13-7	1017721	7-15
1016537	8-7	101709702	13-7	101773301	8-13
1016538	8-11	101709704	13-7	101773302	8-13
1016539	8-3	1017226	6-3	101773303	8-13
1016541	8-13	1017231	12-3	101773304	8-13
1016544	8-5, 8-9, 8-11	1017233	4-3, 4-5	101773305	8-13
1016546	9-11	1017273	6-3	101773306	8-13
1016547	8-3, 8-13, 9-9	1017315	6-3	101773307	8-13
1016549	8-9	1017327	11-5	101773308	8-13
1016551	13-7	1017328	1-9	101773309	8-13
1016552	13-7	1017378	5-5	101773310	8-13
1016554	13-7	1017380	5-5	101773311	8-13
1016560	8-9	101738301	11-3	101796201	5-5
1016561	8-5	1017384	1-3	1017976	1-15
1016562	8-5, 8-13	1017424	5-5	101804301	9-13, 9-15
1016563	8-9	1017442	8-7	101806102	4-7
1016564	8-11	1017443	8-11	101808401	13-3
1016566	8-9	1017444	8-9	101809101	13-3
1016569	8-9	1017445	8-9	101811301	9-15
1016570	8-7	1017446	8-9	101811901	9-13, 9-15
1016571	8-13	1017447	8-11	101812301	9-13, 9-15
1016572	9-9	1017448	8-5	101813001	9-13, 9-15
1016574	9-7	1017450	8-13	101813202	13-3
1016576	8-7, 12-3	1017454	8-9	101817401	5-5
1016578	8-5	1017455	8-5	101818801	5-5
1016579	8-5	1017456	8-7	101821501	9-13, 9-15
1016581	8-7	101745701	8-13	101822001	5-5
1016582	9-9	101745702	8-13	101824401	9-3, 9-5
1016583	8-9	1017458	8-7	101825102	3-3, 3-7
1016584	8-11	1017460	8-7	101825701	9-15
1016585	9-7	1017461	9-7	101827101	8-15
1016586	8-5	1017463	8-5	101832001	4-13

INDEX

101832101	8-15	101887601	1-5, 8-3	101933701	9-13, 9-15
101832201	9-11	101888501	1-7	101939901	7-19
101832202	9-11	101888502	1-7	101946201	1-7
101832301	9-11	101889401	12-5	101953001	5-3
101832302	9-11	101889901	12-5	101953105	4-7, 5-3
101832402	9-11	101890001	12-5	101954301	1-7
101832601	8-15	101890101	12-3	101955301	9-3
101832701	8-15	101890201	12-3	101958102	9-13
101832901	8-15	101891301	12-3	101958601	1-7
101833001	8-15	101891601	12-5	101958602	1-9
101833101	8-15	101892001	12-5	101960201	3-3
101833301	8-15	101892201	12-5	101960501	3-5, 3-9
101833401	11-5	101892301	12-5	101963301	1-7
101833701	7-19, 7-21	101892401	12-5	101963401	1-7, 1-13, 1-17, 7-15
101833908	11-3	101892901	12-3	101963901	1-7
101834001	11-5	101893201	12-5	101964001	1-7
101834601	8-15	101893801	12-3	101966901	5-5
101834801	12-3	101893901	12-5	101971301	9-13, 9-15
101835601	1-7, 1-9, 1-11, 1-15	101894303	1-7	101972801	9-13, 9-15
101836201	11-5	101894304	1-13	101973401	9-9
101837101	9-13, 9-15	101894701	1-17	101979101	7-11
101837301	7-5, 7-9, 7-21	101896501	7-19	101980801	12-5
101838801	4-5, 6-7, 12-7	101896901	9-3, 9-5	101981001	12-5
101855901	8-15	101898001	7-23	101987701	9-3, 9-5
101856102	7-13	101900802	4-13, 6-9	101987901	7-15
101861901	5-5	101903101	6-7	101988001	7-15
101869302	7-19	101903501	9-11	101988002	7-15
101871001	13-3	101909201	8-5	101988101	7-15
101874901	7-19	101909301	8-5	101988201	7-15
101875001	7-19	101909401	8-5	101990701	7-17
101875101	7-19	101909501	8-5	101991101	7-17
101875201	7-19	101915201	3-5, 3-9	102003201	9-3, 9-5
101875301	7-19	101916201	8-5	102006501	6-9
101875401	7-19	101916301	8-5	102010101	6-5
101875501	7-19	101916501	11-3	102010201	6-3
101875601	7-19	101916701	7-21, 11-3	102012301	6-7
101875701	7-19	101916901	5-5	102013001	6-3
101875802	7-19	101917601	9-13, 9-15	102013101	6-3
101876001	7-19	101921501	9-13, 9-15	102013201	1-3
101876202	7-19	101921601	1-9	102013601	6-7
101876301	7-19	101922801	1-9	102013701	6-7
101876402	7-19	101925701	9-13, 9-15	102013801	6-7
101876501	7-19	101926801	9-13	102013901	1-3
101877601	7-19	101926802	9-15	102015701	1-3
101877701	7-19	101926901	12-3	102015801	1-3
101878101	7-19	101927101	12-3	102016501	6-7
101879001	7-19	101927201	12-3	102016701	6-7
101879401	6-5	101927301	12-3	102016801	6-7
101879701	6-5	101927501	12-5	102017601	6-7
101879801	6-5	101927601	12-5	102018501	12-3
101879901	6-5	101927701	12-5	102018601	12-3
101880201	6-5	101927901	12-5	102018701	12-3
101880901	4-13, 12-9	101928001	12-5	102018801	12-5
101881101	8-5	101928301	12-5	102018901	12-5
101881701	9-13, 9-15	101928601	12-3	102019001	12-5
101884801	8-15	101928701	12-3, 13-5	102019601	12-7
101886101	12-3	101933101	13-5	102020101	12-7

INDEX

102020201	12-7	102044401	4-3, 4-9, 4-11	102067001	6-7
102020301	12-7	102044601	3-3, 3-7	102068501	1-5
102020401	12-7	102044702	7-17	102078101	1-3
102020501	12-7	102044801	7-17	102100001	6-7
102020601	12-7	102045001	1-3	102160101	1-3
102020801	12-7	102045501	4-3, 4-9, 4-11	102160501	4-13
102020901	12-7	102045601	6-9	102169401	13-5
102021401	2-3	102045701	4-9, 4-11	102170901	4-13
102021405	2-3	102045801	4-9, 4-11	102188701	6-9, 12-7
102021501	1-3	102045901	7-11, 12-3	102221301	1-13
102021601	1-3	102046601	3-3, 3-7, 12-9	102221401	1-13
102021716	1-3	102047001	1-5	102221501	1-13
102021718	1-3	102048401	1-3	102221701	1-13
102021801	1-3	102048601	6-7	102221801	1-13
102022201	12-9	102049401	4-3, 4-5	102222001	1-13
102022301	12-7	102049501	4-3, 4-5	102222101	1-13
102022401	12-7	102049601	4-3, 4-5	102222201	1-13
102022601	6-5	102049701	4-3, 4-5	102223601	7-5
102022801	6-5	102049901	4-3, 4-5	102224001	3-5, 3-9
102022901	6-5	102050001	4-3, 4-5	102224301	3-3, 3-7
102023001	6-7	102050101	4-3, 4-5	102229902	1-13
102023101	6-7	102050201	4-3, 4-5	102230602	1-13
102023301	6-5	102050301	4-3	102231601	3-5, 3-9
102023701	1-5	102050401	4-3, 4-5	102234001	2-3
102024901	1-5	102050501	4-3, 4-5	102242101	11-5
102025001	1-5	102050601	4-3, 4-5	102242701	4-13
102025101	12-9	102050701	4-3, 4-5	102243003	2-3
102025701	1-3	102050801	4-5	102243004	2-3
102025801	1-3	102050901	4-5	102243402	13-5
102026001	5-5	102050902	4-5	102247201	4-13
102026401	1-5	102051001	4-3, 4-5	102251601	1-19
102026501	1-5	102051101	4-7	102251701	1-19
102026901	1-5	102051201	4-7	102256901	6-9
102028301	4-13	102051301	4-7	102257201	10-3
102028401	4-13	102051401	4-7	102258701	8-3
102028601	5-3	102051601	7-17	102258801	6-9
102028901	5-3	102051701	7-17	102264001	7-15
102029101	3-3, 3-7	102051901	7-17	102264601	12-3
102029501	1-5	102052301	6-7	102264701	4-5
102030501	1-3	102052401	6-7	102266201	11-3
102031201	12-9	102052701	4-13	102266301	6-9
102031501	12-3	102052801	4-13	102267101	11-3, 11-5
102031701	12-5	102054201	4-7	102267301	6-9
102031901	12-7	102054401	4-7	102267601	12-3
102032001	12-5	102056001	1-19	102267701	12-7
102032801	4-9, 4-11	102056901	1-3	102267801	12-5
102032901	4-9, 4-11	102059001	1-5	102267901	12-5
102033001	4-9	102059401	1-5	102268001	12-5
102033101	4-9, 4-11	102059501	1-5	102268101	12-5
102033201	4-7	102060201	1-5	102268201	12-5
102033301	4-3	102061101	1-5	102268301	12-5
102033401	4-5	102061201	13-7	102268401	12-5
102033501	4-5	102065001	6-9	102268601	12-3
102033701	4-13	102065101	1-19	102268701	12-7
102033901	4-13	102065901	1-11, 1-15	102268801	12-7
102044001	4-9	102066001	1-11, 1-15	102268901	12-7
102044201	4-3, 6-7	102066701	6-7	102269001	12-7

INDEX

102269101 4-5, 12-7
102269201 4-5, 12-7
102269301 4-5, 12-7
102269401 12-7
102269701 7-15
102269901 8-9
102270001 8-9
102270201 8-13
102270301 8-13
102270401 8-13
102270501 8-13
102270701 9-7, 9-9
102271101 8-9
102271201 8-11
102271401 8-11
102271501 8-13
102271601 8-11
102271701 9-7
102271801 8-13
102271901 8-13
102272001 8-3
102272101 8-11
102272201 8-13
102272301 8-11
102272501 7-15
102274101 4-5, 12-7
102274301 3-7
102274701 3-3
102276001 4-5, 12-7
102278001 6-3
102278401 9-11
102292801 5-3
102301401 1-9
102304901 8-9, 8-11
10230901 13-5
102316101 7-9
102316701 12-9
102323201 5-3
102331201 4-13
102331601 4-11
102331701 4-11
102331801 4-11
102333301 4-11
102333401 9-5
102333601 9-5
102333901 9-5
102335001 1-15
102335601 3-3
102335701 3-3
102335901 1-3, 1-17, 3-5, 3-7, 3-9
102336001 9-11
102336101 9-11
102339001 1-13, 3-3
102339101 1-13, 3-3
102339201 4-7, 4-11
102345901 3-5, 3-9
102355301 7-23

102456601 3-7
102456701 3-7
102460001 1-17
102460101 1-17

A

a-arm 6-7
accelerator cable (fe400 engine) 9-11
accelerator pedal 5-5
accelerator pedal adjustment tool 13-3
accelerator pedal return spring cup 5-5
accelerator pivot rod 5-5
accelerator rod 5-5
a-connector (starter/generator) 7-19
adhesive, guide ring 13-3
adjuster, axle (brake) 4-3, 4-5
adjuster, hydraulic brake 13-5
air box 9-13, 9-15
air box top 9-15
air duct 9-13, 9-15
air filter 9-13, 9-15
arbor 13-7
arm
 differential lock lever 12-7
 governor lever 12-3
 pivot 12-3
 rocker 8-9
armature 7-19
armrest 1-5, 1-7
assembly
 a-arm 6-7
 accelerator pedal 5-5
 accelerator rod 5-5
 air box 9-13
 air box top 9-13
 armature 7-19
 axle 12-7
 bearing (steering column) 6-3
 bolt (float chamber) 9-7
 brake 4-5
 brake drum 6-7
 brake drum and hub 4-3
 brake pedal 5-3
 carburetor (fe400 engine) 9-7, 9-9
 connecting rod 8-13
 cylinder head 8-9
 drive clutch (fe400 engine) 11-3
 drive hub 11-3
 driven clutch 11-5
 fixed face (drive clutch) 11-3
 float (carburetor) 9-7
 float chamber 9-7
 front panel (cargo box) 1-17
 headlight 7-15
 idle screw 9-7
 inner ball joint 6-5
 master cylinder 4-7

movable face (driven clutch) 11-5
pilot air screw 9-7
scorecard plate 6-3
screw (float chamber) 9-7
side panel (cargo box) 1-17
steering column 6-3
steering gear box 6-5
tilt bed 1-11
turn signal lens 7-15
wheel and tire 2-3
wire 7-21
wire harness 7-5, 7-9

axle 12-7
axle adjuster (brake) 4-3, 4-5
axle hardware 4-3, 4-5
axle stop 6-9, 12-7
axle tube 12-7

B

backing plate (brake) 4-3, 4-5
ball bearing (transaxle) 12-5
ball bearing, output shaft 7-19
ball joint 6-5, 7-11
ball stud 5-5, 7-11, 7-13, 12-3
ball, steel (transaxle) 12-5
ball, steel pressure relief 8-7
band, rpm limiter mount 8-5
barb, vent 9-3, 9-5
barrel, plastic 1-7, 1-17
base, forward/reverse shifter 7-11
battery
 terminal protector spray 13-3
battery clamp 7-23
battery, 12-volt 7-23
bearing
 ball (transaxle) 12-5
 crankshaft 8-11
 hub 6-7
 idler (drive clutch) 11-3
 inner axle tube 12-5
 lower pinion (steering) 6-5
 needle 12-5
 outer axle tube 12-7
 pivot support 5-5
 thrust 6-7
 upper pinion (steering) 6-5
bearing and oil seal remover 13-3
bearing cup 6-7
bearing driver set 13-3
bearing puller 13-3
bearing puller wedge 13-3
bearing retainer (starter/generator) 7-19
bearing seat (steering column) 6-3
bell crank 4-7
bell crank and shaft 7-13
bell crank, forward/reverse 7-11
belt, drive 11-3, 11-5

INDEX

belt, starter/generator 7-21, 11-3
bezel, choke cable 9-13, 9-15
bezel, headlight 7-15
block, fuse 7-13
body, front 1-3
bolt
 banjo (brake) 4-3, 4-9, 4-11
 differential lock pinch 12-7
 kingpin 6-7
 u- 6-9
 wheel cylinder 4-3, 4-5
boot
 master cylinder 4-7
 park brake lever 4-13
 rubber 9-3, 9-5
 steering column 6-3
boot shield 4-13
bottom, air box 9-15
bracket
 accelerator support 9-11
 adjusting (starter/generator) 7-21
 differential lock 12-3
 fuel gauge/hour meter 7-17
 governor cable engine 9-11, 10-3
 master cylinder mounting 4-7
 mounting (headlight) 7-15
 mounting (starter) 7-21
 muffler mounting 10-3
 oil filter 8-7
 oil level switch 8-11
 retaining 9-15
 rpm limiter 8-5
 snubber 8-15
 support 9-11
 tailgate 1-17
 throttle 9-9
 transmission cable support 7-11, 12-3
brake 4-5
brake cable hanger 6-9
brake cluster 4-3
brake drum 4-3, 4-5, 6-7
brake hose 4-9, 4-11
brake line 4-9, 4-11
brake mounting block 5-3
brake pedal 5-3
breather (transaxle) 12-3
bronze bushing 6-7, 7-11, 7-13
brush 7-19
brush connector 7-19
brush holder 7-19
brush inspection port cover 7-19
brush spring 7-19
bucket seat 1-5
bulb, halogen 7-15
bumper
 return spring 5-5
 rubber 1-9, 5-3

seat 1-7
bushing
 bronze 6-7, 7-11, 7-13
 bronze spindle 6-7
 drive clutch 11-3
 nylon 1-17
 steel 1-11, 1-15, 6-9
 tailgate latch 1-17
 urethane 1-11, 1-15, 6-7, 6-9

C

cable
 accelerator (fe400 engine) 9-11
 accelerator, snap-in 9-11
 choke 9-13, 9-15
 differential lock 12-9
 governor 9-11
 governor, snap-in 9-11
 park brake 4-13
 transmission 7-11
cam (driven clutch) 11-5
cam installation tool 13-3
cam, electrical box 7-13
cam, neutral lockout 7-11
camshaft 8-11
cap
 corner 1-5, 1-7, 1-17
 filler 4-7
 front corner 1-13
 fuel tank 9-3, 9-5
 locking 4-5, 12-7
 rubber center 4-5, 12-7
 seat back 1-7
carburetor (fe400 engine) 9-7, 9-9
cargo box 1-17
case
 gear 12-3
 gear carrier 12-5
 rocker 8-9
choke cable 9-13
choke valve o-ring 9-13
circlip, type-e 8-9
clamp
 battery 7-23
 cable retaining 9-11
 forward/reverse shifter 7-11
 hose 9-3, 9-5, 9-15
 hose (air intake) 9-13
 hose (bronze) 9-9
 hose (gray) 9-3, 9-5, 9-9
 hose (red) 9-3, 9-5
 muffler 10-3
 p- 4-9, 4-11
 plastic (fuel line) 9-3, 9-5
clevis pin 4-5, 4-13
clevis, rod 4-7
clip
 horseshoe 4-9, 4-11
 park brake cable 4-13
 scorecard 6-3
cluster, brake 4-3
clutch alignment tool 13-3
clutch tool kit 13-3
clutch, drive (fe400 engine) 11-3
clutch, driven 11-5
cog, differential lock 12-7
coil cover shock 6-7
coil, field 7-19
coil, ignition 8-5
collet (cylinder head) 8-9
compression gauge 13-3
compression mount 6-9
compressor, piston ring 13-5
compressor, valve spring 13-7
connecting rod 8-13
connecting rod (crankshaft) 8-13
connector, headlight wire 7-15
connector, oil sending unit 8-11
console cover 1-5
continuity tester 13-5
control, differential lock 12-9
corner cap 1-5, 1-7, 1-17
counterbalance guide shaft 8-13
counterbalance weight 8-13
cover
 brush inspection port 7-19
 console 1-5
 crankcase 8-11
 dust 4-3, 4-5, 6-7
 electrical component box 7-13
 gear case 12-5
 oil pump 8-7
 vinyl seat back 1-7
 vinyl seat bottom 1-7
crank, bell 4-7
crankcase 8-13
crankshaft 8-13
cup
 accelerator pedal return spring 5-5
 bearing 6-7
 seat holder 1-5
cushion, shock absorber 6-9
cylinder head 8-9
cylinder, master 4-7
cylinder, wheel 4-3, 4-5

D

damper 8-5
dash hardware 1-3
dash panel 1-3
dashboard 1-3
decal
 2100 side badge 3-3
 2100S side badge 3-7

INDEX

- 400cc 3-3
- bed latch warning 3-3, 3-7
- bed load warning 1-13, 1-17, 3-3, 3-7
- Bobcat 1-3, 1-17, 3-5, 3-7, 3-9
- Bobcat tailgate 1-13, 3-3
- brake warning 2-3
- crush area warning 3-3, 3-7
- differential lock control warning 3-3, 3-7, 12-9
- diode wiring 3-5, 3-9
- driver/passenger warning 3-3, 3-7
- frame ground 3-5, 3-9
- gasoline warning 3-5, 3-9
- Ingersoll-Rand (gold) 3-3, 3-7
- IR tailgate 1-13, 3-3
- key switch 3-3, 3-7
- operating instructions 3-3, 3-7
- passenger warning 3-7
- rotating parts 3-5, 3-9
- rotating parts and hot manifold 3-5, 3-9
- trailer hitch 1-19, 3-5, 3-9
- under age warning 3-3, 3-7
- vehicle loading 3-3, 3-7
- winch cable warning 3-5, 3-9
- differential gear 12-5
- differential lock 12-7, 12-9
- differential pin 12-5
- diode 7-15
- diode, flyback 7-13
- diode, headlight 7-15
- dipstick 8-3
- double lip seal 6-7
- drain plug 8-7
- drain plug (transaxle) 12-3
- drive belt 11-3, 11-5
- drive clutch (fe400 engine) 11-3
- drive clutch button 11-3
- drive clutch holder tool 13-3
- drive clutch hub puller 13-3
- drive clutch puller 13-3
- drive hub 11-3
- driven clutch 11-5
- driven clutch cam puller 13-3
- driven clutch puller plug 13-3
- driver, drive clutch 11-3
- drum, brake 4-3, 4-5, 6-7
- dry moly lubricant 13-5
- duct, air 9-13
- dust cover 4-3, 4-5, 6-7
- dust seal 6-5
- dust seal, steering pinion 6-5
- E**
- e-clip (air box top) 9-13
- electrical box cam 7-13
- end bell, commutator 7-19
- end bell, output shaft 7-19
- engine shroud 8-3
- engine, fe400 ohv gasoline 8-3
- equalizer 4-13
- equalizer rod 4-7, 5-3
- exhaust gasket 10-3
- exhaust system (fe400 engine) 10-3
- exhaust valve 8-9
- F**
- fan housing 8-3
- fan shroud 8-3
- fan, flywheel 8-5
- fe400 ohv gasoline engine 8-3
- fender, front 1-3
- fender, rear 1-19
- field coil (starter/generator) 7-19
- filler cap 4-7
- filter
 - air 9-13, 9-15
 - fuel 9-3, 9-5
 - oil 8-7
- fitting, grease 6-7
- fixed face (drive clutch) 11-3
- fixed face (driven clutch) 11-5
- float (carburetor) 9-7
- float chamber 9-7
- floor mat 1-3
- flywheel 8-5
- flywheel puller 13-5
- fork, shift 12-5
- forward/reverse shifter 7-11
- frame, tilt bed 1-15
- f-terminal insulator 7-19
- fuel gauge 7-17
- fuel impulse pump 9-3, 9-5
- fuel line 9-3, 9-5
- fuel strap 9-3, 9-5
- fuel tank 9-3, 9-5
- fuse block 7-13
- fuse, 10-amp 7-13
- fuse, 20-amp 7-13
- G**
- gasket
 - carburetor insulator 9-9
 - crankcase cover 8-11
 - drain plug 8-7
 - exhaust 10-3
 - float chamber 9-7
 - head 8-9
 - insulator 9-9
 - liquid 12-3, 13-5
 - oil pump 8-7
 - rocker case 8-9
 - sending unit 9-3, 9-5
 - throttle bracket 9-9
- gasket kit 8-9, 8-11
- gauge, compression 13-3
- gauge, fuel 7-17
- gear
 - 12 tooth 12-5
 - 70 tooth 12-5
 - cluster idler 12-5
 - differential 12-5
 - differential idler 12-5
 - helical (crankshaft) 8-13
 - input 12-5
 - output 12-5
 - spur (crankshaft) 8-13
 - spur (transaxle) 12-5
- gear case 12-3
- gear case cover 12-5
- gear yoke 13-5
- governor 12-5
- governor cable 9-11
- governor lever arm 12-3
- governor shaft installation tool 13-5
- grease fitting 6-7
- grill (front body) 1-3
- grip, hand 1-17
- grip, pencil 6-3
- grommet 9-15
- grommet (flywheel) 8-5
- grommet, insulation 9-3, 9-5
- guard, brush 1-3
- guard, unitized transaxle 12-3
- guide
 - oil (transaxle) 12-5
 - steering 6-5
 - valve 8-9
- guide ring adhesive 13-3
- guide, valve seat cutter 13-7
- H**
- halogen bulb 7-15
- hand grip, tilt latch 1-11, 1-15
- handle, differential lock 12-9
- handle, forward/reverse switch 7-11
- hanger, brake cable 4-13, 6-9
- hardware, terminal (starter/generator) 7-19
- harness, wire 7-5, 7-9
- headlight 7-15
- headlight lens 7-15
- headlight wire connector 7-15
- hinge plate 1-5
- hinge plate, body 1-5
- hinge, tilt bed 1-11
- hitch, receiver trailer 1-19
- hold-down, (brake) shoe 4-3, 4-5
- holder, radio/beverage 1-5
- horseshoe clip 4-9, 4-11
- hose, brake 4-9, 4-11
- hose, intake 9-13, 9-15

INDEX

hour meter 7-17
housing
 differential lock 12-7
 fan 8-3
 field coil (starter/generator) 7-19
hub 4-5, 12-7
hub bearing 6-7
hub, drive 11-3
hub, synchronizer clutch 12-5
hydraulic brake adjuster 13-5
hydraulic lifter 8-11
hydraulic shoe 4-3, 4-5
hydrometer 13-5

I

idle screw 9-7
ignition coil 8-5
insert
 synchronizer 12-5
 threaded 1-5
 wood 1-7
insulation 1-15
insulation, bulk 1-11
insulator, carburetor 9-9
insulator, f-terminal 7-19
intake hose 9-15
intake pipe 9-9
intake valve 8-9
internal retaining ring pliers 13-5

J

jet, main 9-7
jet, pilot 9-7
joint
 ball 6-5, 7-11
 inner ball 6-5
 spring-loaded ball 5-5
 steering 6-3

K

key
 crankshaft 8-13
 dash panel 7-17
 driven clutch 11-5
 flywheel 8-5
 square 11-5
 woodruff 7-19, 12-3
key switch 7-17
kingpin bolt 6-7
kit
 accelerator pivot rod 5-5
 air duct 9-13
 axle adjuster 4-3, 4-5
 axle hardware 4-3, 4-5
 dash hardware 1-3
 diode 7-15

drive clutch weight 11-3
driven clutch button 11-5
fuel tank 9-3, 9-5
gasket (engine) 8-9, 8-11
hydraulic shoe 4-3, 4-5
pulley 4-13
pulley nut and screw 7-19
rear receiver 1-19
reverse buzzer 7-15
shock absorber cushion 6-9
tune-up 13-7
knob, light switch 7-17

L

latch
 slam 1-13
 tailgate 1-17
 weld 1-15
 wire (air box) 9-13, 9-15
latch weld (cargo bed) 1-11
lead wire 8-5
lens, headlight 7-15
lens, turn signal 7-15
lever
 adjuster (brake) 4-3, 4-5
 choke 9-13, 9-15
 differential lock 12-7
 park brake 4-5, 4-13
 shifter 12-3
 transmission shifter 12-3

lifter, hydraulic 8-11
light switch 7-17
light switch knob 7-17
light, low oil warning 7-17
limit switch 7-11
limiter, rpm 8-5
line
 brake 4-9, 4-11
 fuel 9-3, 9-5
 vent 9-3, 9-5, 9-9
link, rack and pinion drag 6-5
liquid gasket 13-5
locking cap 4-5, 12-7
lubricant, dry moly 13-5
lubricant, moly-teflon 13-5
lug nut 2-3, 4-3, 4-5, 6-7
lug stud 4-3, 6-7, 12-7

M

main jet 9-7
master cylinder 4-7
mat, floor 1-3
meter, hour 7-17
meter, volt ohm 13-7
moly-teflon lubricant 13-5
mount, compression 6-9

movable face (drive clutch) 11-3
movable face (driven clutch) 11-5

N

neutral lockout cam 7-11
nozzle, main (fe400 engine) 9-7
nut, key switch 7-17
nut, lug 2-3, 4-3, 4-5, 6-7

O

oil filler tube 8-3
oil filter 8-7
oil level sensor 8-11
oil pump and rotor 8-7
oil seal
 axle tube 12-7
 crankshaft 8-13
 governor pivot 12-3
 input shaft 12-5
 shifter shaft 12-3
oil warning light 7-17
o-ring
 choke valve 9-13
 counterbalance shaft 8-13
 differential lock 12-7
 oil filter mount 8-7
 oil sending connector 8-11
 plug 8-11
 rocker case hardware 8-9

P

pad
 accelerator pedal 5-5
 brake pedal 5-3
 spring 6-9
 thermal 7-15
paint, wheel touch-up 13-7
panel
 dash 1-3
 front 1-13
 front (cargo box) 1-17
 seat 1-5
 seat support 1-7
 side 1-13
 side (cargo box) 1-17
p-clamp 4-9, 4-11
pedal, accelerator 5-5
pedal, brake 5-3
pencil grip 6-3
pilot air screw 9-7
pilot jet 9-7
pin
 bow tie locking 5-3
 clevis 4-5, 4-13, 5-3
 differential 12-5
 governor cable clevis 9-11

INDEX

hair spring cotter 4-13
piston 8-13
pinion, steering 6-5
pipe, intake 9-9
piston 8-13
piston pin 8-13
piston pin retaining ring 8-13
piston ring compressor 13-5
piston ring pliers 13-5
piston ring set 8-13
pivot arm 12-3
plate 8-9
 backing (brake) 4-3, 4-5
 body hinge 1-5
 floor 1-15
 flywheel fan 8-5
 hinge 1-5
 mounting 8-15
 oil filter screen 8-11
 oil pump 8-7
 scorecard 6-3
 suspension mounting 6-7
 thrust 12-5
 tilt bed latch 1-9
pliers
 internal retaining ring 13-5
 piston ring 13-5
 retaining ring 13-5
plug
 cap 8-5
 drain 8-7
 drain (transaxle) 12-3
 drive clutch 11-3
 driven clutch puller 13-3
 spark (ohv) 8-5
pole set (starter/generator) 7-19
pop rivet 1-5, 4-9, 4-11, 4-13, 9-13, 12-9
press weldment 13-3
pressure switch 4-7
prop rod 1-9
protector spray, battery terminal 13-3
puller
 bearing 13-3
 drive clutch 13-3
 drive clutch hub 13-3
 driven clutch cam 13-3
 flywheel 13-5
 seal 13-5
pulley (starter/generator) 7-19
pulley nut and screw (starter/generator) 7-19
pulley, flat mount 4-13
pump cover (oil) 8-7
pump, fuel impulse 9-3, 9-5
pump, oil and rotor 8-7
push rod 4-7, 8-9

R

rack and pinion drag link 6-5
rack, steering 6-5
radio/beverage holder 1-5
reamer, valve guide 13-7
regulator, voltage 7-13
remover, bearing and oil seal 13-3
retainer
 bearing (starter/generator) 7-19
 headlight 7-15
 shock absorber cushion 6-9
 spiral ring 11-3
 spring 5-5
 spring (drive clutch) 11-3
 valve spring 8-9
retaining ring (drive clutch) 11-3
retaining ring (driven clutch) 11-5
retaining ring pliers 13-5
return spring bumper 5-5
reverse buzzer 7-15
ring
 piston (set) 8-13
 piston pin retaining 8-13
 retaining (drive clutch) 11-3
 retaining (driven clutch) 11-5
 snap (steering) 6-5
 spiral back-up 11-3
 synchronizer 12-5
rivet, blind 1-3
rivet, pop 1-5, 4-9, 4-11, 4-13, 9-13, 12-9
rocker arm 8-9
rocker case 8-9
rocker shaft 8-9
rod
 accelerator 5-5
 accelerator pivot 5-5
 connecting 8-13
 connecting (crankshaft) 8-13
 equalizer 4-7, 5-3
 prop 1-9
 push 4-7, 8-9
 shift 12-5
rpm limiter 8-5
rubber boot 9-3, 9-5
rubber bumper 1-9, 5-3

S

scorecard clip 6-3
scorecard plate 6-3
screen, oil filter 8-11
screw
 idle 9-7
 pilot air 9-7
 pole piece (starter/generator) 7-19
 rack guide 6-5
 tuflok 1-3

seal
 bed 1-5, 1-15
 crankshaft 8-11
 double lip 6-7
 dust 6-5
 input shaft oil 12-5
 intake 9-15
 intake (air box) 9-13
 oil (axle tube) 12-7
 oil (crankshaft) 8-13
 oil (governor pivot) 12-3
 oil (shifter shaft) 12-3
 steering pinion dust 6-5
 valve 8-9
seal puller 13-5
seat back 1-7
seat bottom 1-7
seat panel 1-5
seat support 1-5
seat, bucket 1-5
seat, spring 8-9
sending unit 9-3, 9-5
sensor, oil level 8-11
set, pole 7-19
shackle, rear spring 6-9
shaft
 counterbalance guide 8-13
 input 12-5
 rocker 8-9
 shifter 12-3
 steering column 6-3
shield, boot 4-13
shift fork 12-5
shift rod 12-5
shifter shaft 12-3
shifter, forward/reverse 7-11
shim
 camshaft 8-11
 crankshaft 8-13
 latch plate 1-9
 tilt bed pivot 1-15
shock absorber cushion 6-9
shock absorber, rear 6-9
shock tower 6-7
shock, coil cover 6-7
shroud, engine 8-3
shroud, fan 8-3
slam latch 1-13
sleeve (governor) 12-5
sleeve, steel 6-7
sleeve, synchronizer 12-5
snap ring (steering) 6-5
snubber 8-15
solenoid, 12-volt 7-13
spacer
 accelerator pedal 5-5
 battery terminal bolt 7-23

INDEX

differential lock 12-7
fixed face shaft 11-3
key switch 7-17
ratchet support 5-5
rear suspension 6-9
spanner wrench 13-5
spark plug (ohv) 8-5
spindle 6-7
spray, battery terminal protector 13-3
spring
 brake pedal return 4-7
 brush 7-19
 compression 1-17, 6-3
 differential lock 12-7
 drive button 11-3
 engine valve 8-9
 forward/reverse cam 7-11
 latch extension 1-11, 1-15
 rear four-leaf 6-9
 return 5-5, 9-15
 return (air box) 9-13
 shoe to shoe 4-3, 4-5
 synchronizer 12-5
 tapered compression 6-3
 throttle return 9-9
 yoke (steering) 6-5
spring pad 6-9
spring seat 8-9
starter/generator 7-19, 7-21
steel ball (transaxle) 12-5
steel bushing 1-11, 1-15, 6-9
steel sleeve 6-7
steering column 6-3
steering column bearing press tool 13-5
steering column retaining ring tool 13-5
steering gear box 6-5
steering guide 6-5
steering pinion 6-5
steering rack 6-5
steering stop 6-7
steering wheel 6-3
steering wheel puller tool 13-7
stem, valve 2-3
stiffener
 flywheel side 8-15
 pto side 8-15
 seat 1-7
stop, axle 6-9, 12-7
stop, steering 6-7
strap, seat bottom 1-7
stud
 ball 5-5, 7-11, 7-13, 12-3
 flush head 1-17
 lug 4-3, 6-7, 12-7
support
 accelerator pivot rod 5-5
 latch plate 1-9

lower fender 1-3
 seat 1-5
 upper front body 1-3
suspension mounting plate 6-7
switch
 key 7-17
 light 7-17
 limit 7-11
 pressure 4-7
synchronizer clutch hub 12-5
synchronizer ring 12-5
system, exhaust (fe400 engine) 10-3
T
12-volt battery 7-23
10-amp fuse 7-13
12-volt solenoid 7-13
20-amp fuse 7-13
tachometer 13-7
tailgate 1-13, 1-17
tailgate angle 1-13, 1-17
tailskirt 1-19
tape, VHB (air duct shield) 9-13
tape, VHB (console cover) 1-5
terminal hardware (starter/generator) 7-19
tester, continuity 13-5
tether 1-13
thermal pad 7-15
thrust bearing 6-7
thrust plate 12-5
tie, wire 6-5, 7-15, 7-17
tilt bed 1-15
tilt bed hinge 1-15
tilt bed, manual lift 1-11
tire 2-3
tool
 accelerator pedal adjustment 13-3
 cam installation 13-3
 clutch alignment 13-3
 drive clutch holder 13-3
 governor shaft installation 13-5
 steering column bearing press 13-5
 steering column retaining ring 13-5
 steering wheel puller 13-7
 transaxle axle seal 13-7
 transaxle pinion seal 13-7
 transmission 13-7
tool kit, clutch 13-3
top, air box 9-13, 9-15
touch-up paint, wheel 13-7
tower, shock 6-7
track, prop rod 1-9
trailer hitch, receiver 1-19
transaxle axle seal tool 13-7
transaxle pinion seal tool 13-7
transaxle, unitized 12-3
transmission cable 7-11

transmission shifter lever 12-3
transmission tool 13-7
trim, seat bottom 1-7
tube
 7 mm (flywheel) 8-5
 axle 12-7
 crankcase vent 9-9
 oil filler 8-3
tune-up kit 13-7
turn signal lens 7-15

U

u-bolt 6-9
unit, sending 9-3, 9-5
unitized transaxle 12-3
urethane bushing 1-11, 1-15, 6-7, 6-9

V

valve
 choke 9-13, 9-15
 exhaust 8-9
 flapper 8-9
 fuel pickup tube 9-3, 9-5
 intake 8-9
valve guide reamer 13-7
valve seal 8-9
valve seat cutter guide 13-7
valve seat t-wrench 13-7
valve spring compressor 13-7
valve stem 2-3
vehicle care kit 13-7
vent line 9-9
vent, fuel tank 9-3, 9-5
volt ohm meter 13-7
voltage regulator 7-13

W

warning light, low oil 7-17
washer
 copper (brake) 4-3, 4-9, 4-11
 delrin flat 7-11, 7-13
 kingpin wave 6-7
 mounting 11-5
 nylon flat 7-11
 spring 12-5
 thrust 12-5
 wave 7-11
wedge (steering column) 6-3
wedge, bearing puller 13-3
weight, counterbalance 8-13
weight, drive clutch 11-3
weldment, forward/reverse bell crank 7-11
weldment, press 13-3
wheel 2-3
wheel cylinder 4-3, 4-5
wheel, steering 6-3

INDEX

wire harness 7-5, 7-9
wire latch 9-13, 9-15
wire lead, diesel adaptor 13-7
wire lead, gasoline engine 13-7
wire tie 6-5, 7-15, 7-17
wire, lead 8-5
woodruff key 7-19, 12-3

Y

yoke spring (steering) 6-5
yoke, gear 13-5

INDEX

Manual No. 102345301

Edition Code 0802B0903A