



2016 Transporter XL and XLC Illustrated Parts List



Gasoline and Electric Vehicles

Manual Number 105334616
Edition Code 1015C0616B

USING THE ILLUSTRATED PARTS LIST

⚠ WARNING

- **This manual is to be used only for identification and ordering of service parts. Be sure to read and use the maintenance and service manual before attempting any vehicle repairs.**

This manual covers all 2016 Transporter XL and XLC gasoline and electric vehicles.

The manual is divided into sections. Note that there are two or three flags on the outside edge of each page. The first flag contains the section number of which that page is a part. The other flag (or flags) contains the letter D, E, or G, signifying that the page pertains to the diesel, electric, or gasoline vehicles only.

Use the Table of Contents to find the sections and pages that contain the parts and assemblies you seek. The Table of Contents lists section numbers, and under them, the individual page titles and numbers to be found in that section. The index can be used to find specific parts and assemblies. The index is divided into numerical and alphabetical listings with the page numbers in italic text.

There is a two-page spread for each individual page title in the Table of Contents. On the left-hand page is an illustration showing the parts in their relative positions; the parts are each tagged with an item number in a balloon. The right-hand page is the parts list page, and gives the page title at the top, then the item numbers (corresponding to the numbers on the illustration), part descriptions, and quantity of parts used.

Note that a part description may be indented. This indentation corresponds to a parts assembly level indicated by the numbers 1, 2, 3, and 4 at the top left corner of the parts description area of the parts list page. A part that is indented to *level 2* is a component of the *level 1* part (assembly) that it is listed under. A *level 3* part is a component of the *level 2* part that it is listed under, and a *level 4* part is a component of the *level 3* part preceding it. In each case, the part quantity given for a level 2, 3, or 4 part is the quantity used per next higher level assembly of which it is a component. A part that is not indented is a *level 1* part. This means that the quantity given is the quantity used per the portion of the vehicle illustrated on that particular spread.



P. O. Box 204658
Augusta, Georgia 30917-4658 USA
Telephone 706-863-3000
Service Parts Fax 706-855-7413
www.clubcar.com

HOW TO ORDER PARTS

Replacement parts and accessories can be obtained from our network of authorized dealers and distributors. You can obtain the name and phone number of your closest authorized Club Car dealer or distributor by visiting our web site at www.clubcardealer.com, by calling our toll-free Service Parts and Technical Assistance hotline at (800) 872-2246 or (706) 863-3000, extension 3887, or by scanning this Quick Response (QR) code to be taken to the Club Car dealer locator. **Refer to Figure 1.** Download a QR code reader such as RedLaser or Barcode Scanner to your cell phone or tablet.



Figure 1 Dealer Locator QR Code

CUSTOMER SATISFACTION SURVEY

Let your voice be heard!

Please take time to participate in the Technical Publications satisfaction survey. Obtaining feedback from our customers is important to the department's continuous improvement process. The online survey takes less than five minutes and responses will help the department to examine current performance as well as identify areas for future improvement.

Our top priority is to provide timely, accurate, and user friendly manuals.

The online satisfaction survey can be found at: <http://bit.ly/1w9uFMh>



Figure 2 Survey QR Code

NOTE: *This illustrated parts list represents the most current information at the time of publication. Club Car, LLC is continually working to further improve its vehicles and other products. These improvements may affect the parts used to service the vehicle. Any modification and/or significant change in specifications will be forwarded to all Club Car and Carryall distributors/dealers and will, when applicable, appear in future editions of this illustrated parts list.*

Club Car, LLC reserves the right to change specifications and designs at any time without notice and without the obligation of making changes to units previously sold.

Copyright © 2015 Club Car, LLC.

Club Car is a registered trademark of Club Car, LLC.

This manual effective July 7, 2015.

CONTENTS

SECTION 1 – BODY AND TRIM

Heavy Duty Front Bumper	1-3
Headlight Guard	1-5
Fender Guard	1-7
Front License Plate Holder	1-9
Front Body	1-11
Body Touch-Up Paint	1-13
Front Bumper, Grille, and Fenders	1-15
Headlight Bezels	1-17
Dash, Glovebox Door, and Floormat	1-19
Floormats, Transporter XL	1-21
Floormats, Transporter XLC	1-23
Front Frame, Standard	1-25
Seat Bottom	1-27
Seat Back	1-29
Seat Frame and Hip-Restraint	1-31
Rear Seat Frame and Hip-Restraint	1-33
Underseat Storage – Gasoline Vehicles	1-35
Rear Facing Fold Down Seat	1-37
Rear Seats – Vehicle with Fold-Down Rear Seat	1-39
Windshield, Hinged	1-41
Windshield, Non-Hinged	1-43
Canopy Support Kit-4-Passenger	1-45
Canopy – Long	1-47
Mirrors	1-49
Inner Rear Fenders	1-51
Rear Fenders and Tail Skirt	1-53
Rear Fenders – Vehicle with Fold-Down Rear Seat	1-55
Rear License Plate Holder	1-57
Bed Hinge and Latch	1-59
Tilt Bed and Latch	1-61
Tilt Bed – Long	1-63
Flatbed	1-65
Flat Bed Trim (Short Bed)	1-67
Flat Bed Trim – Long	1-69
Flatbed Trim	1-71
Cargo Box Kit - Short (Page 1 of 2)	1-73
Cargo Box Kit – Long (Page 1 of 2)	1-75
Cargo Box (Page 1 of 2)	1-77

CONTENTS

Cargo Box Kit (Page 2 of 2)	1-79
Tailgate Teather	1-81
Stake Side Kit – Long	1-83
Stake Side	1-85
Modular Bed Accessories	1-87
Modular Bed Accessories	1-89
Modular Bed Accessories	1-91
Stake Side Kit - Short	1-93
Heavy Duty Trailer Hitch	1-95
Rear Reciever Hitch	1-97
Trailer Hitch Ball	1-99
Enclosures	1-101
Enclosure – 4- Passenger	1-103
Toolboxes	1-105

SECTION 2 – WHEELS AND TIRES

Wheels and Tires	2-3
Wheel Covers	2-5

SECTION 3 – DECALS

Decals – Electric Transporter	3-3
Decals – Electric Transporter XL/XLC, Continued	3-5
Decals – Gasoline Transporter	3-7
Decals – Gasoline Transporter XL/XLC, Continued	3-9
Badging Decals – Transporter XL	3-11
Badging Decals – Transporter XLC	3-13

SECTION 4 – LIGHTS, CONTROLS, AND INDICATORS

Headlights	4-3
12-Volt Fuse Block and Fuses – Electric Vehicle	4-5
Horn Turn Tail	4-7
Instrument Panel – Electric Vehicle	4-9
Instrument Panel – Gasoline Vehicle	4-11
Keyswitch – Electric Vehicle	4-13
Keyswitch, Private Speed Mode - Electric Vehicle	4-15
Keyswitch, Pedal-Start – Gasoline Vehicle	4-17
Keyswitch, Key-start – Gasoline Vehicle	4-19
Rear Mounted Reverse Buzzer	4-21
DC Converter – Electric Vehicle	4-23

CONTENTS

DC Converter, Heavy Duty – Electric Vehicle	4-25
Voltage Limiter – Gasoline Vehicle	4-27
Strobe Light, Post Mounted – Gasoline Vehicles	4-29
Strobe Light, Post Mounted – Electric Vehicles	4-31
Strobe Light – Canopy Mounted	4-33
Reflectors	4-35
Heater Defogger – Electric Vehicle	4-37

SECTION 5 – BRAKES, PEDALS, AND CABLE ASSEMBLIES

Brake Pedal Assembly – Vehicles with 2-Wheel Brakes and 4-Wheel Brakes	5-3
Accelerator Pedal Assembly – Electric Vehicles	5-5
Accelerator Rod and Pedal Assembly – Gasoline Vehicle	5-7
Pedal Close-Out Kit	5-9
Front Brake Assembly – Vehicles with 4-Wheel Brakes	5-11
Front Brake Cables and Equalizer – Vehicle with 4-Wheel Brakes	5-13
Rear Brake Cables and Equalizer – Gasoline Vehicle with 4-Wheel Brakes	5-15
Rear Brake Cables and Equalizer – Electric Vehicle with 4-Wheel Brakes	5-17
Rear Brakes, Manually-Adjusted – Elec. Vehicles with 4-Wheel Brakes	5-19
Rear Brakes, Manually-Adjusted – Gas Vehicles with 4-Wheel Brakes	5-21

SECTION 6 – STEERING, FRONT AND REAR SUSPENSION

Steering Gear Assembly	6-3
Steering Column	6-5
Steering Wheel	6-7
Steering Wheel with Clip	6-9
Front Suspension, Upper, HD	6-11
Front Suspension, Lower, HD, 3 Leaf-1 Plate	6-13
Front Suspension, Upper	6-15
Front Suspension, Lower, HD, 2 Leaf-2 Plates	6-17
Steering Stop	6-19
Front Wheel Hubs	6-21
Rear Suspension Components, Standard	6-23

SECTION 7 – ELECTRICAL SYSTEM – GASOLINE EFI

Wiring, Fuses, and Diodes, Key-Start – EFI	7-3
Wiring, Fuses, and Diodes, Pedal-Start – EFI	7-5
Starter/Generator (Model 114-04-4006), Key-Start – EFI	7-7
Starter/Generator (Model 114-05-4001), Pedal-Start – EFI	7-9
Starter/Generator Mounting, EX40 – To Early-2016 Model Year	7-11

CONTENTS

Starter/Generator Mounting, EX40 – From Early-2016 Model Year	7-13
Operation and Maintenance Switch	7-15
Electrical Component Box, Key-Start – EX40	7-17
Electrical Component Box, Pedal-Start – EX40	7-19
Forward/Reverse Shifter Switches, Key-Start – EFI	7-21
Forward/Reverse Shifter Switches, Pedal-Start – EFI	7-23
Charging Diode, Key-Start – EFI	7-25
Battery – Gasoline Utility Vehicles	7-27
Top-Post Battery - Gasoline Utility Vehicles	7-29

SECTION 8 – ENGINE (SUBARU EX40)

Tune-Up Parts – Subaru EX40	8-3
Engine and Engine Mounting, Utility – To Early-2016 Model Year	8-5
Engine and Engine Mounting, Utility – From Early-2016 Model Year	8-7
Fan and Shroud – EX40	8-9
Air Deflector – EX40	8-11
Ignition Components and Flywheel – EX40	8-13
Sensors – EX40	8-15
Cylinder Head – EX40	8-17
Valvetrain and Timing Chain – EX40	8-19
Crankcase – EX40	8-21
Crankshaft and Piston – EX40	8-23

SECTION 9 – FUEL SYSTEM – EFI

Fuel Tank with Sending Unit, Side Fill – EFI	9-3
Fuel Tank Kits – EFI	9-5
Carbon Canister – EFI	9-7
Throttle Body and ECU – EFI	9-9
Throttle Body Mounting – EFI	9-11
Governor and Accelerator Cables – EFI	9-13
Air Filter System and Intake Hose – EFI, LWB Utility/Trans	9-15

SECTION 10 – EXHAUST SYSTEM – EX40 ENGINE

Exhaust System – Utility	10-3
--------------------------------	------

SECTION 11 – DRIVE BELT AND CLUTCHES – EX40

Drive Belt – Key-Start Vehicles with EFI	11-3
Drive Belt – Pedal-Start Vehicles with EFI	11-5

CONTENTS

Drive Clutch – Key-Start Vehicles	11-7
Drive Clutch – Pedal-Start Vehicles	11-9
Driven Clutch (Standard Speed) – Key Start and Pedal Start	11-11

SECTION 12 – TRANSAXLE (FUJI ED65)

Forward/Reverse Shifter Assembly	12-3
Shifter Cable – CA900/TRANSPORTER XL/XLC	12-5
Shift Lever and Bracket – Pedal-Start Engines	12-7
Shift Lever and Bracket – Key-Start Engines	12-9
Governor Arm and Brackets – Utility Vehicles	12-11
Transaxle (ED65), Limited Slip – Page 1 of 3	12-13
Transaxle (ED65), Open – Page 1 of 3	12-15
Transaxle (ED65), Limited Slip and Open – Page 2 of 3	12-17
Transaxle (ED65), Limited Slip – Page 3 of 3	12-19
Transaxle (ED65), Open – Page 3 of 3	12-21
Hub, Rear	12-23

SECTION 13 – ELECTRICAL SYSTEM – ELECTRIC VEHICLES

Motor Controller Output Regulator (MCOR)	13-3
Wiring, Fuses, and Diodes – Electric Vehicle	13-5
Tow/Run Switch and Hour Meter	13-7
48-Volt Electric Components - Electric Vehicle	13-9
Batteries 6-Volt, Heavy Duty	13-11
Hand Pump and Deionizer (Battery-Powered Quality Light)	13-13

SECTION 14 – ELECTRIC MOTOR

Motor (Model DA5-4006) – IQ Plus	14-3
--	------

SECTION 15 – TRANSAXLE – ELECTRIC VEHICLES

Transaxle – Electric Vehicles	15-3
-------------------------------------	------

SECTION 16 – ON-BOARD BATTERY CHARGERS – HIGH-FREQUENCY

On-Board Battery Charger, High-Freq.	16-3
--	------

SECTION 17 – MAINTENANCE AND SERVICE TOOLS

Maintenance and Service Tools	17-3
Maintenance and Service Tools, Continued	17-5

CONTENTS

Maintenance and Service Tools, Continued	17-7
--	------

SECTION i – INDEX

BODY AND TRIM

1

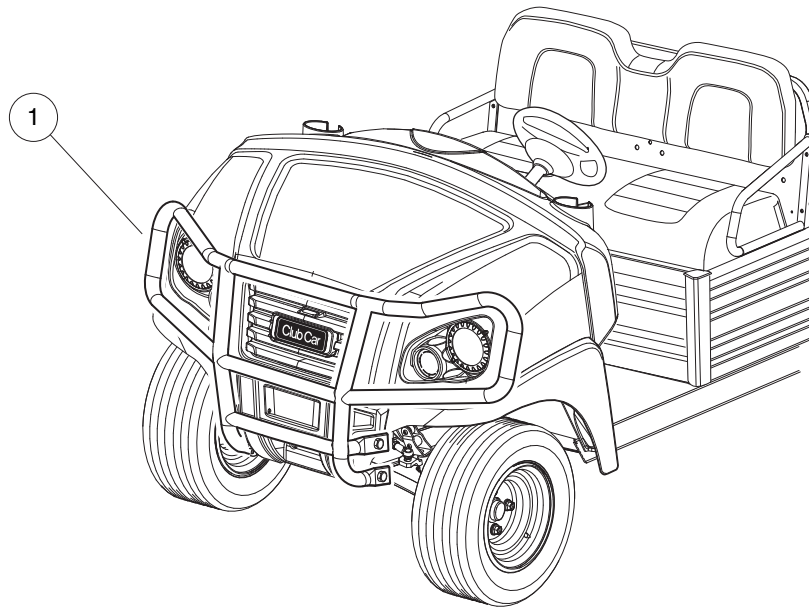
G

E

1

G

E



001100-002

HEAVY DUTY FRONT BUMPER

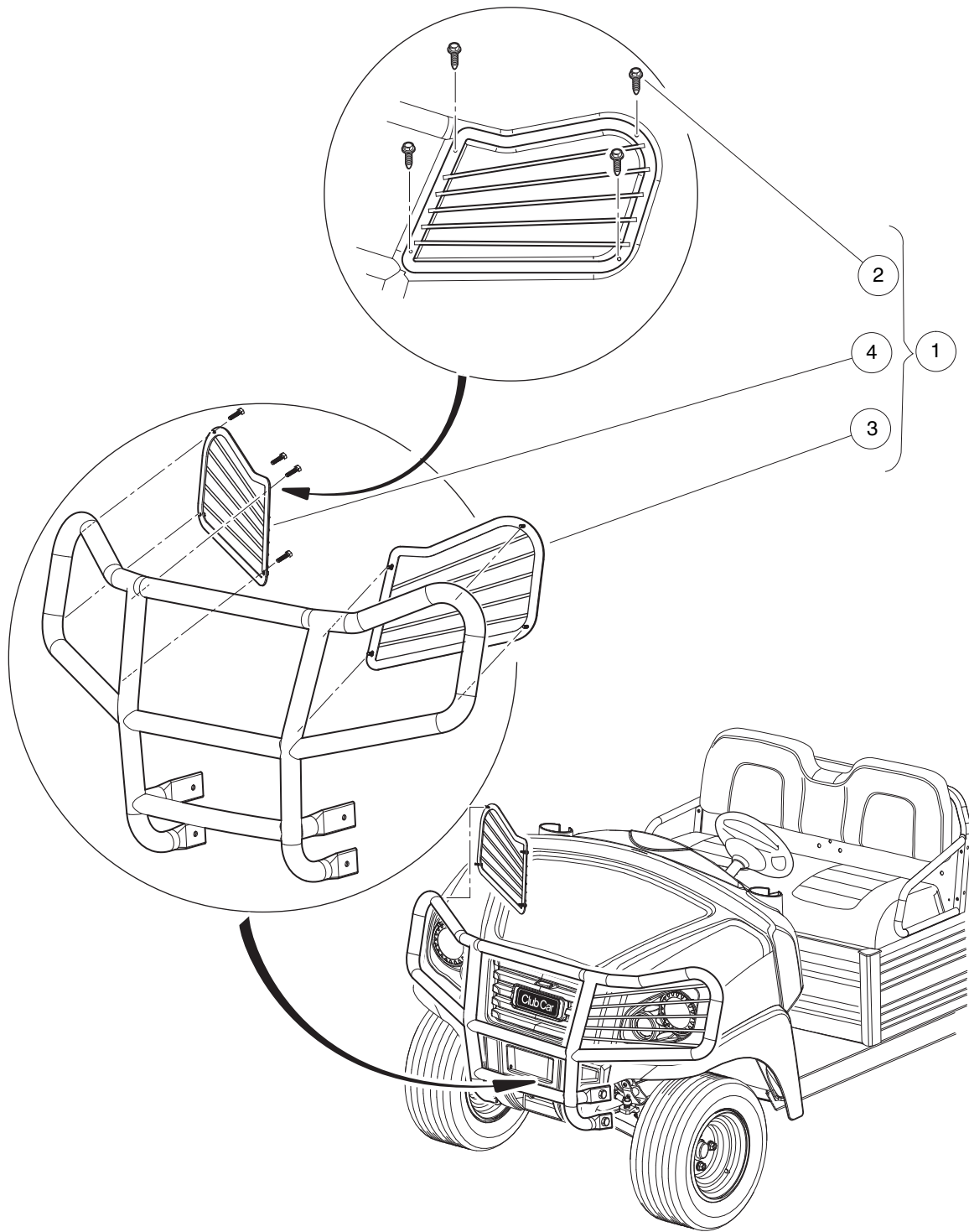
ITEM	PART NO.	DESCRIPTION	QTY
1	<u>105100601</u>	<p>1 2 3 4 Kit, Hd Bumper, Hb Res</p> <p>Note: Individual components are not procurable. Steering Stops, 105242801 and 105243001 are also required when installing the HD Bumper Kit.</p>	1

1

G

E

1
G
E



001300-017

HEADLIGHT GUARD

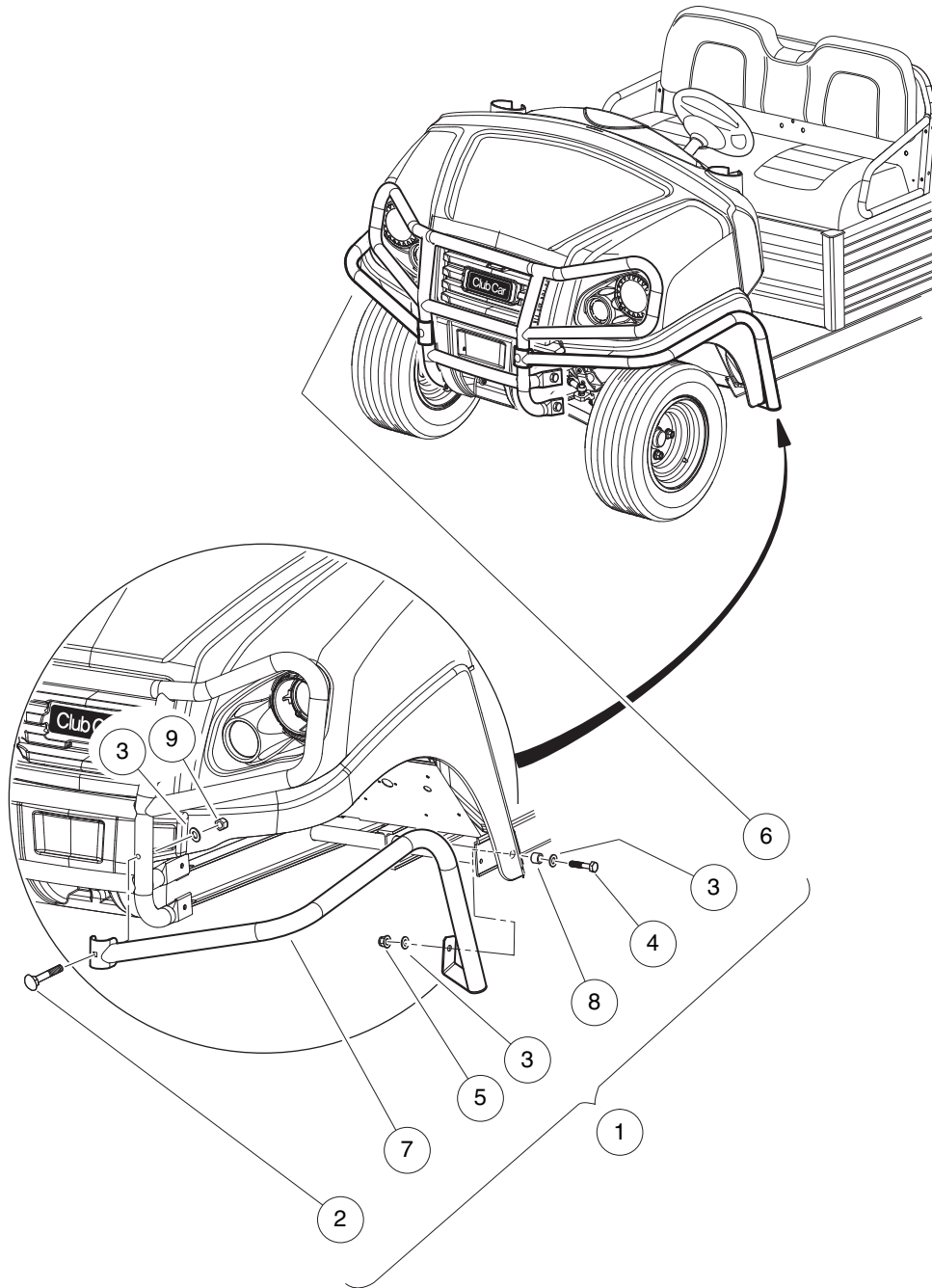
ITEM	PART NO.	DESCRIPTION	QTY
		1 2 3 4	
1	<u>105156301</u>	Kit, Head Light Guard, Utl Res (includes items 2 through 4)	1
2	<u>102296819</u>	Screw-M6 x 19	8
3	<u>105156701</u>	Guard, Headlight, UTL,LH	1
4	<u>105156702</u>	Guard, Head Light, Utl, Rh	1

1

G

E

1
G
E



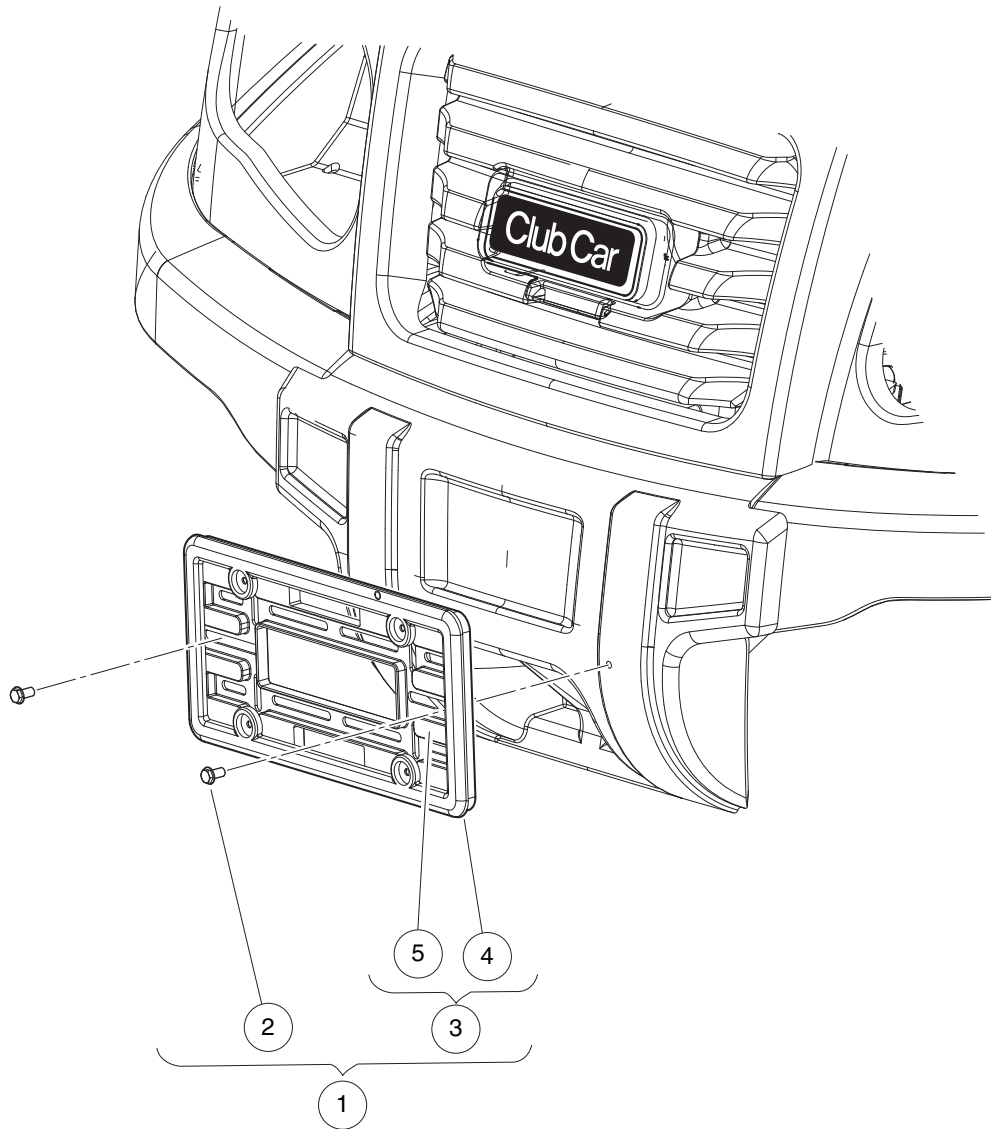
001300-002

FENDER GUARD

ITEM	PART NO.	DESCRIPTION	QTY
		1 2 3 4	
1	<u>105124001</u>	Kit, Fender Guard, Hb Res (includes items 2 through 9)	1
2	101242802	Bolt, 3/8-16 X 2.25 Rd Hd Sq Bk	2
3	<u>102323501</u>	Washer, Flat, 3/8, Blk Fin	6
4	<u>102621601</u>	Bolt, M10 X 1.50 X 45 Black	2
5	<u>102670701</u>	Nut, Flange, M10 X 1.5 Nylon	2
6	105074501	Weldment, Fender Guard, Hb, Rh	1
7	105074502	Weldment, Fender Guard, Hb, Lh	1
8	<u>105094001</u>	Spacer, Canopy Support, Dash	2
9	<u>8754</u>	Locknut, 3/8-16 Hex	2

1
G
E

1
G
E

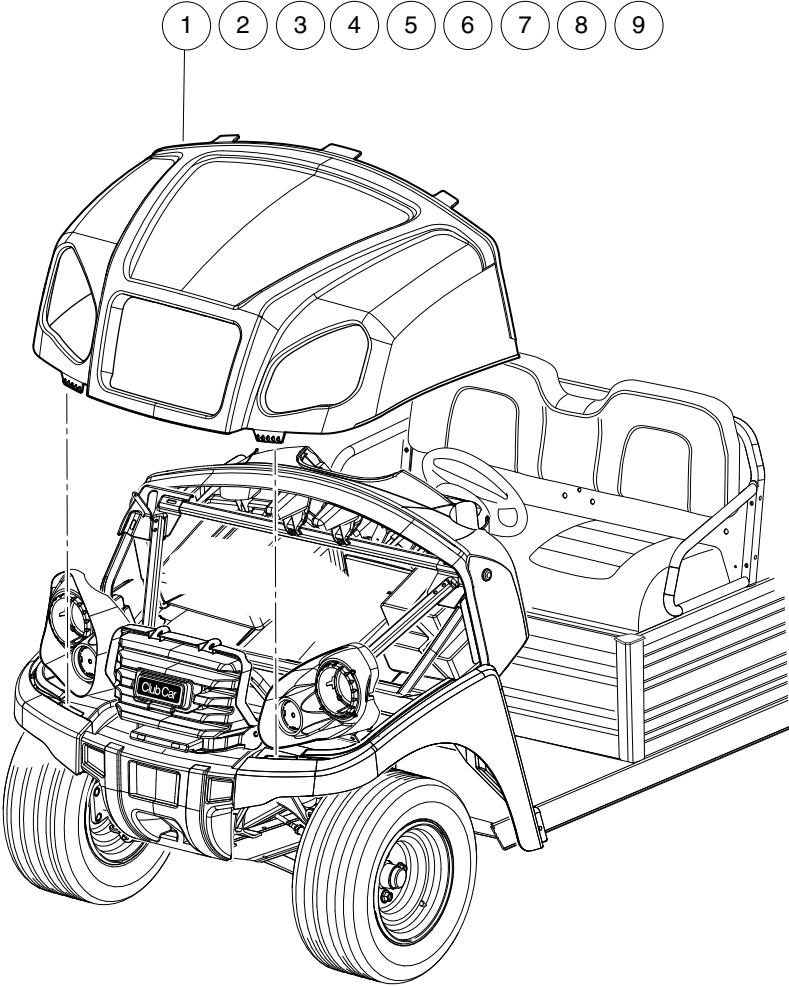


001155-001

FRONT LICENSE PLATE HOLDER

ITEM	PART NO.	DESCRIPTION	QTY
		1 2 3 4	
1	<u>105124901</u>	Kit, Front, License Pl, Lsv (includes items 2 and 3)	1
2	<u>101856101</u>	Screw, 1/4-15 X .50 Hi-lo Hex	2
3	<u>102311501</u>	Front License Plate Assembly (includes items 4 and 5)	1
4	N/A	Frame, License Plate	1
5	N/A	Mount, License Plate	1

1
G
E



001300-003

FRONT BODY

ITEM	PART NO.	DESCRIPTION	QTY
		1 2 3 4	
1	<u>105034321</u>	Cowl, Ca, Serv, Dk Green	1
2	<u>105034322</u>	Cowl, Ca, Serv, Dk Gray	1
3	<u>105034323</u>	Cowl, Ca, Serv, White	1
4	<u>105034324</u>	Cowl, Ca, Serv, Bright Blue	1
5	<u>105034325</u>	Cowl, Ca, Serv, Titn Silver	1
6	<u>105034326</u>	Cowl, Ca, Serv, Beige	1
7	<u>105034327</u>	Cowl, Ca, Serv, Red	1
8	<u>105034328</u>	Cowl, Ca, Serv, Black	1
9	<u>105034329</u>	Cowl, Ca, Serv, Classic Blue	1

1
G
E

- 1
- 2
- 3
- 4
- 5
- 6
- 7
- 8
- 9
- 10

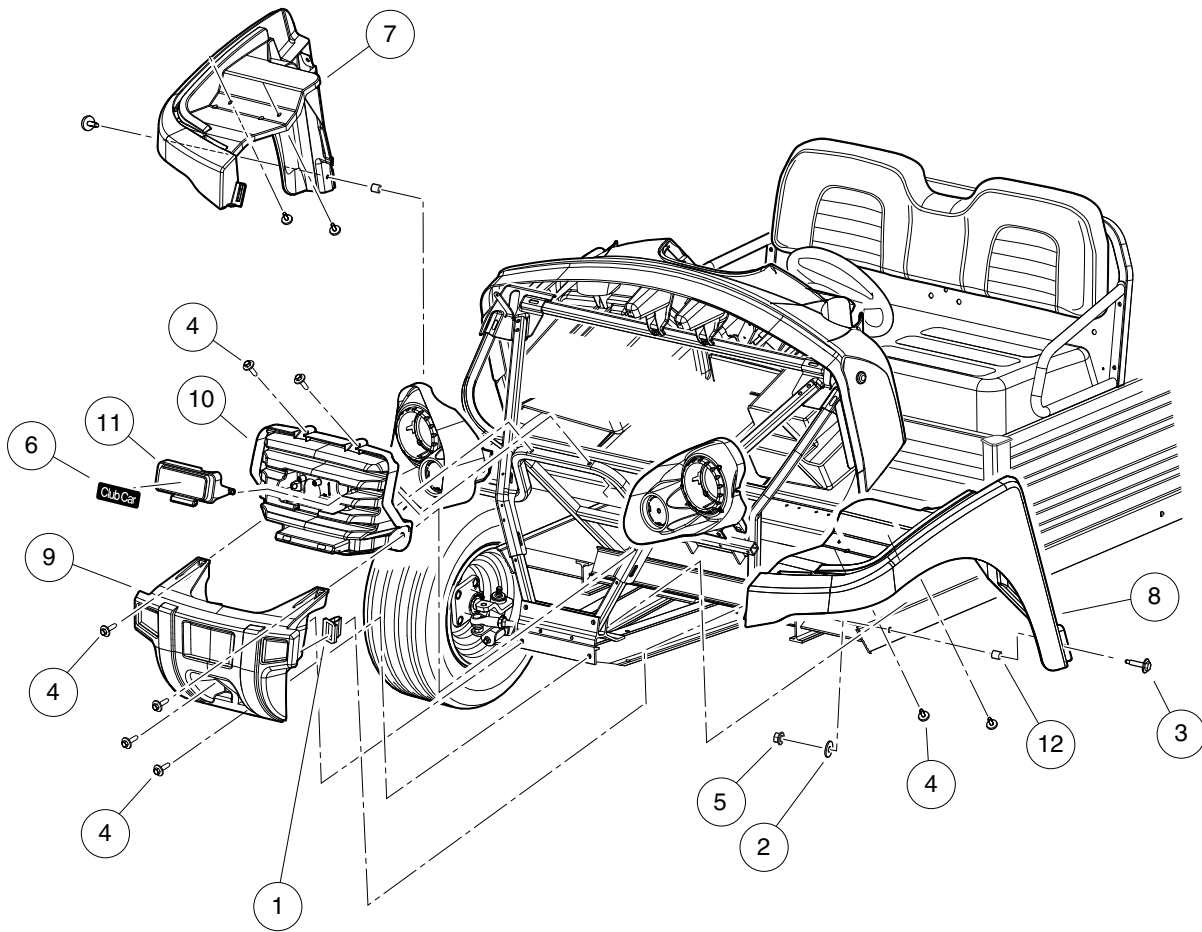


001300-020

BODY TOUCH-UP PAINT

ITEM	PART NO.	DESCRIPTION	QTY
		1 2 3 4	
1	<u>105117701</u>	Paint, Touch-up, White	1
2	<u>105117702</u>	Paint, Touch-up, Classic Blue	1
3	<u>105117703</u>	Paint, Touch-up, Dark Green	1
4	<u>105117704</u>	Paint, Touch-up, Red	1
5	<u>105117705</u>	Paint, Touch-up, Dark Gray	1
6	<u>105117706</u>	Paint, Touch-up, Black	1
7	<u>105117707</u>	Paint, Touch-up, Tan	1
8	<u>105117708</u>	Paint, Touch-up, Bright Blue	1
9	<u>105117709</u>	Paint, Touch-up, Titn Silver	1
10	<u>105117710</u>	Paint, Touch-up, Light Gray	1

1
G
E

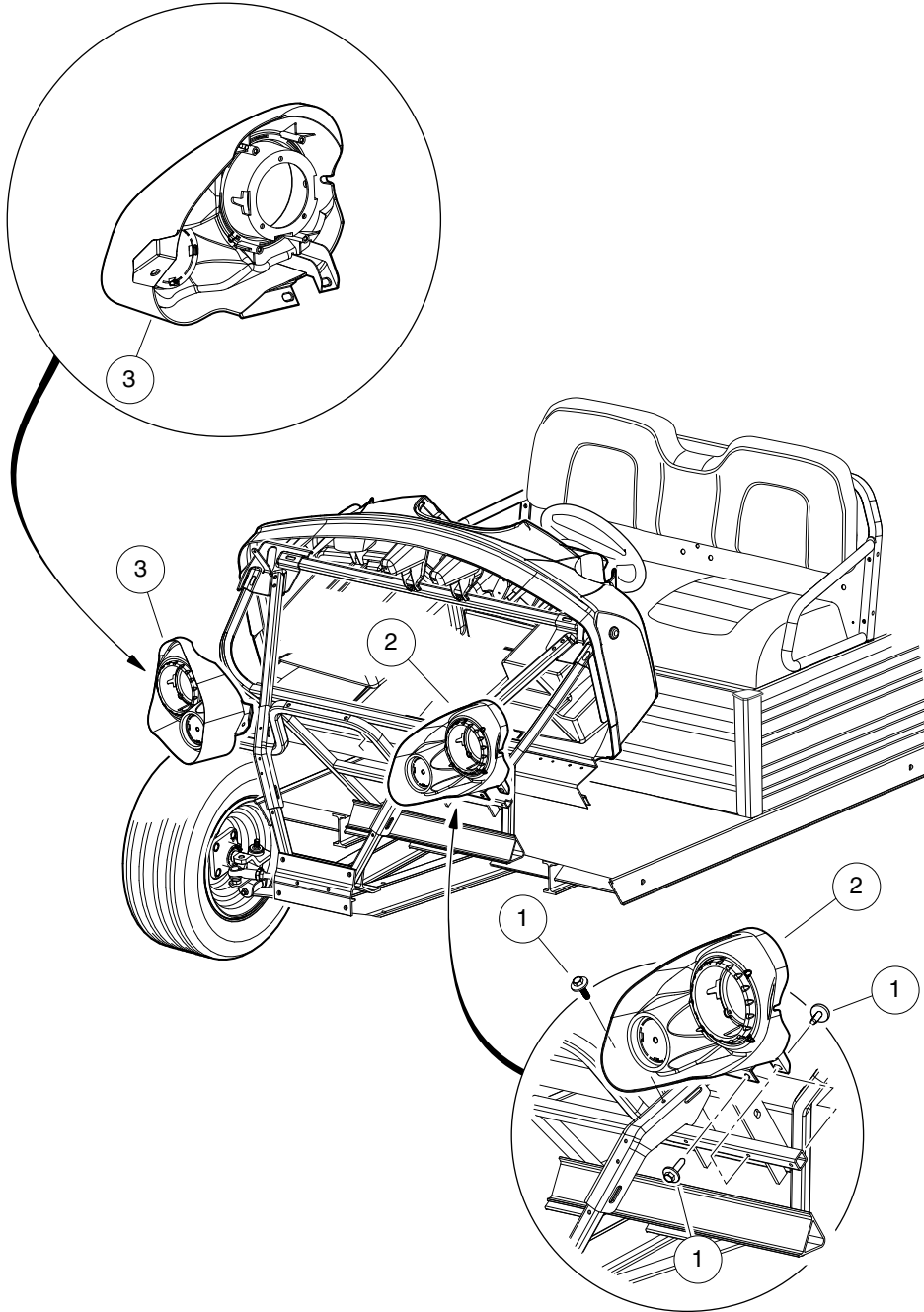


001300-004

FRONT BUMPER, GRILLE, AND FENDERS

ITEM	PART NO.	DESCRIPTION	QTY
		1 2 3 4	
1	<u>102292701</u>	Clip-body-trim	2
2	<u>102296301</u>	Washer, M6x18x1.6 Flat	2
3	<u>102296530</u>	Screw - M6 X 1.0 X 30 Sems	6
4	<u>102297125</u>	Screw, M6-1.0x25.4, Thread-Forming, SEMS	8
5	<u>102541501</u>	Nut-m6x1.0 Fl Mtl Lock,blk	2
6	<u>102883601</u>	Decal, Nameplate, CCI, Front	1
7	<u>105034401</u>	Fender, Front, Rh, Ca	1
8	<u>105034501</u>	Fender, Front, Lh, Ca	1
9	<u>105034601</u>	Bumper, Front, Plastic, Ca	1
10	<u>105034701</u>	Grille, Ca	1
11	<u>105034801</u>	Door, Charger Port, Ca	1
12	<u>105036701</u>	Spacer, Frt Fender, Ca	2

1
G
E



001300-005

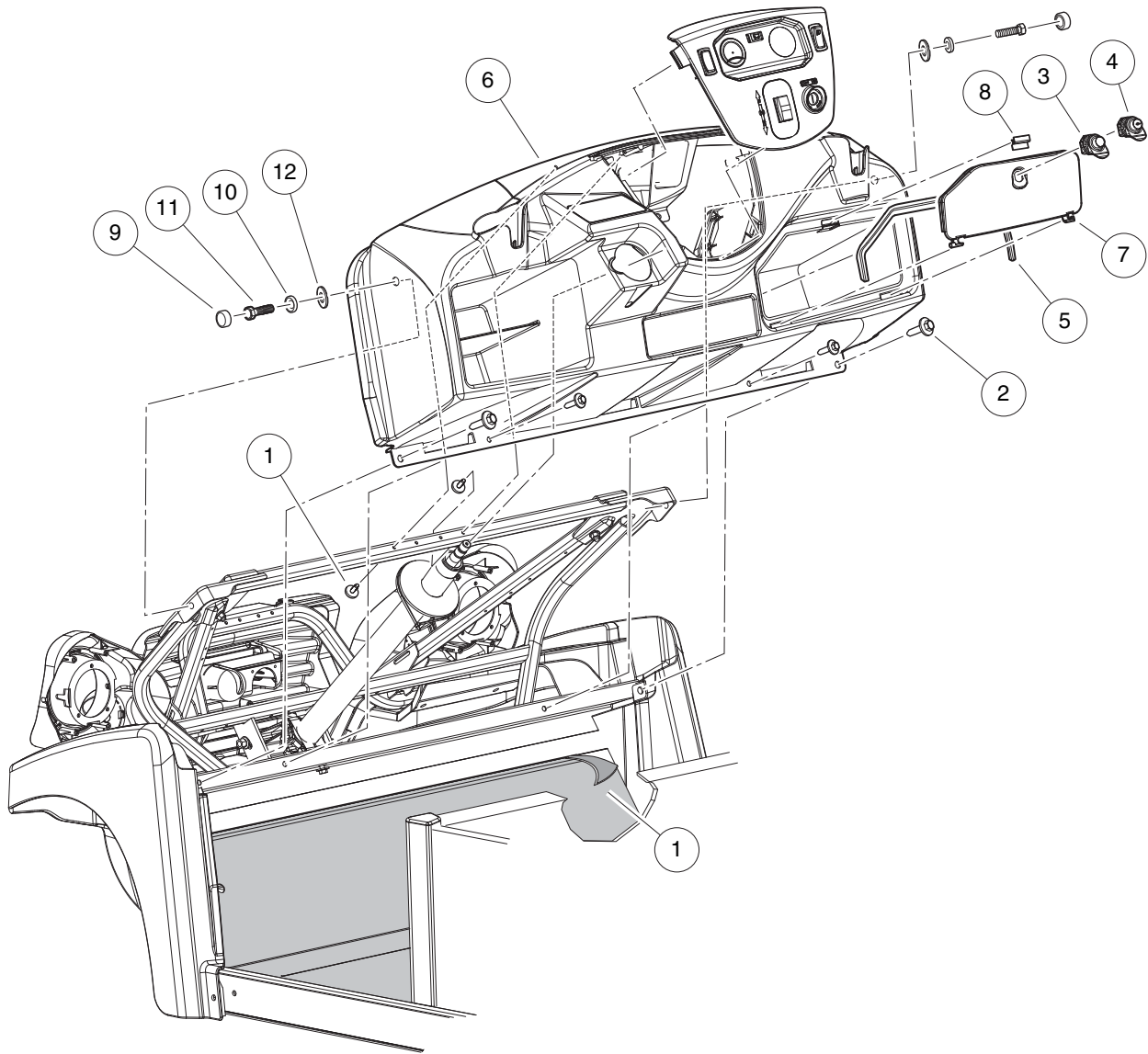
HEADLIGHT BEZELS

ITEM	PART NO.	DESCRIPTION	QTY
		1 2 3 4	
1	<u>102297125</u>	Screw, M6-1.0x25.4, Thread-Forming, SEMS	6
2	<u>105034901</u>	Bezel, HI, Lh, Ca	1
3	<u>105035001</u>	Bezel, HI, Rh, Ca	1

1

G

E

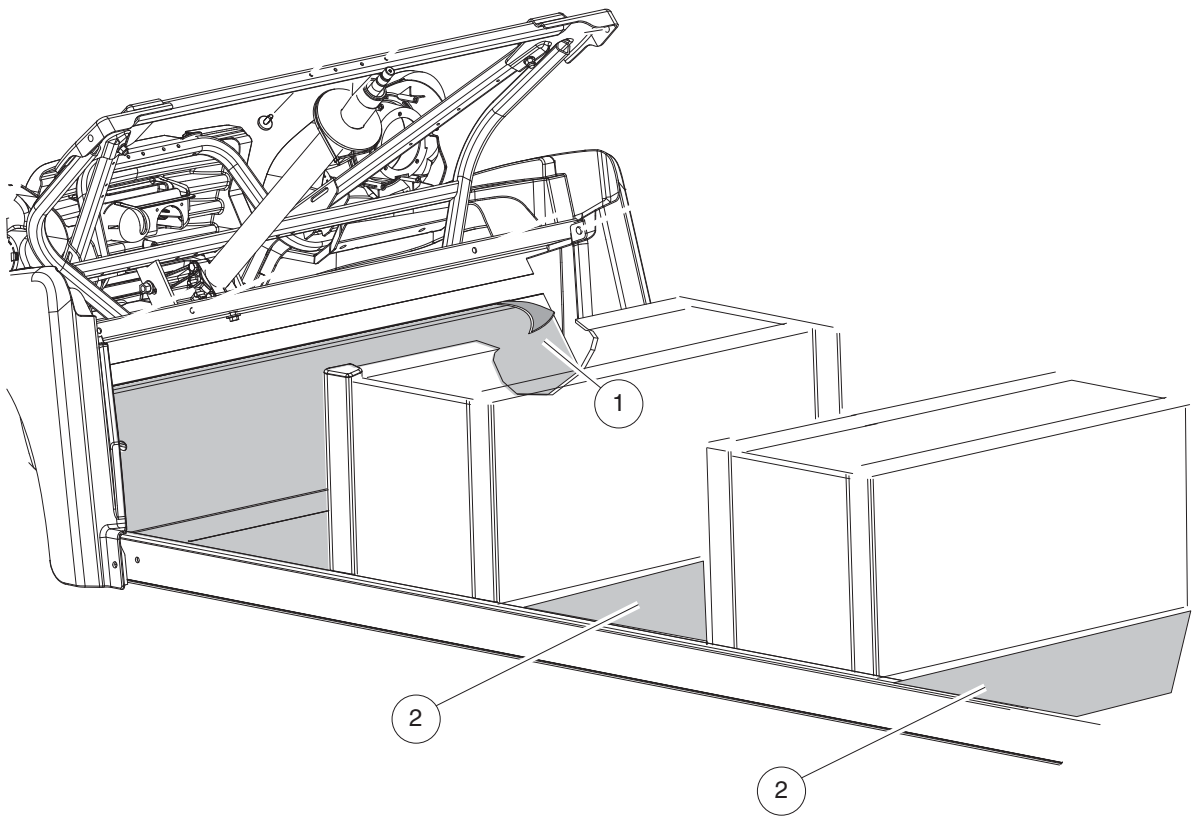


001300-006

DASH, GLOVEBOX DOOR, AND FLOORMAT

ITEM	PART NO.	DESCRIPTION	QTY
		1 2 3 4	
1	<u>101503202</u>	Floormat	1
2	<u>102297125</u>	Screw, M6-1.0x25.4, Thread-Forming, SEMS	6
3	<u>103182701</u>	Latch, Push Close	1
4	<u>103182702</u>	Latch, Push Close W/ Key	1
5	103540203	Seal, Bulb, 13 X 27 X 579 Mm	1
6	<u>105034001</u>	Dash, Ca	1
7	<u>105034201</u>	Door, Glove Box, Ca	1
8	<u>105035701</u>	Keeper, Latch, Ca	1
9	<u>105049201</u>	Cover, Bolt, Rh Series	2
10	<u>105049301</u>	Cover, Washer, Rhw Series	2
11	320	Screw, 3/8-16 X 1.00 Hex-Head Cap	2
12	<u>334</u>	Washer, 3/8, Type A, Flat	2

1
G
E



001300-026

FLOORMATS, TRANSPORTER XL

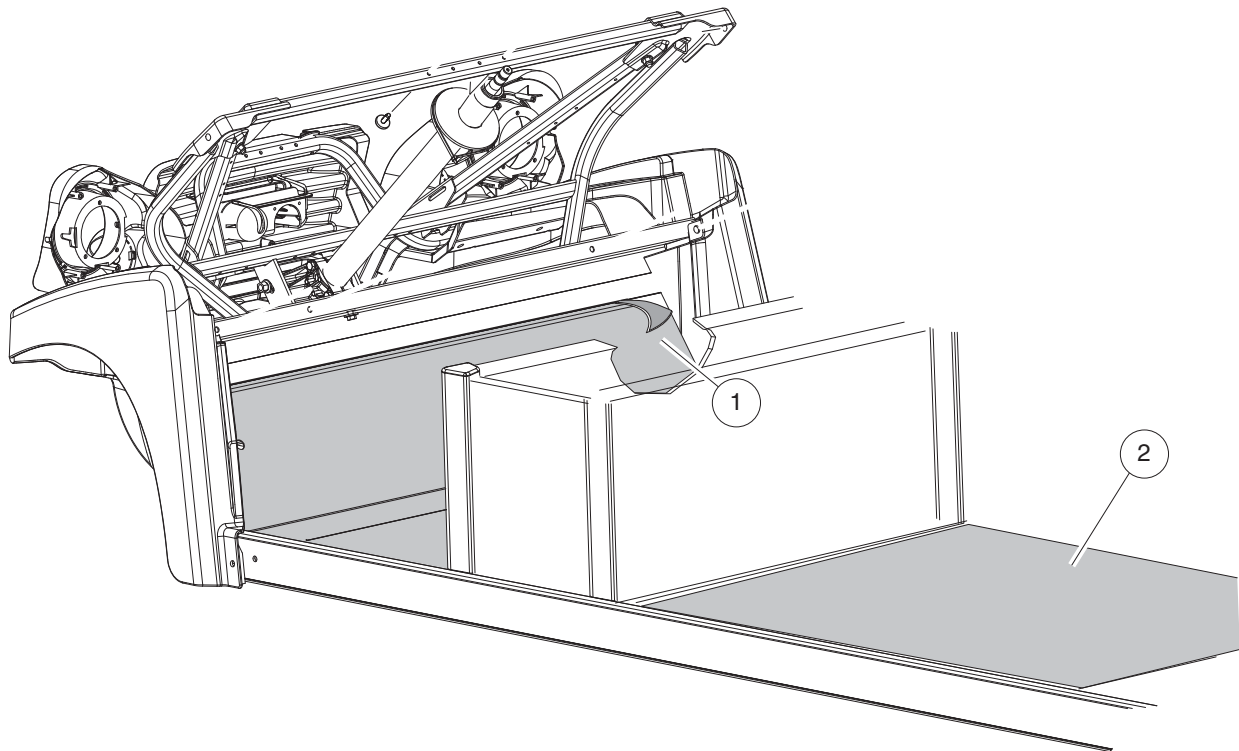
ITEM	PART NO.	DESCRIPTION	QTY
1	<u>101503202</u>	1 2 3 4 Floor mat	1
2	<u>1016718</u>	Floor mat, Rear	2

1
G
E

1

G

E



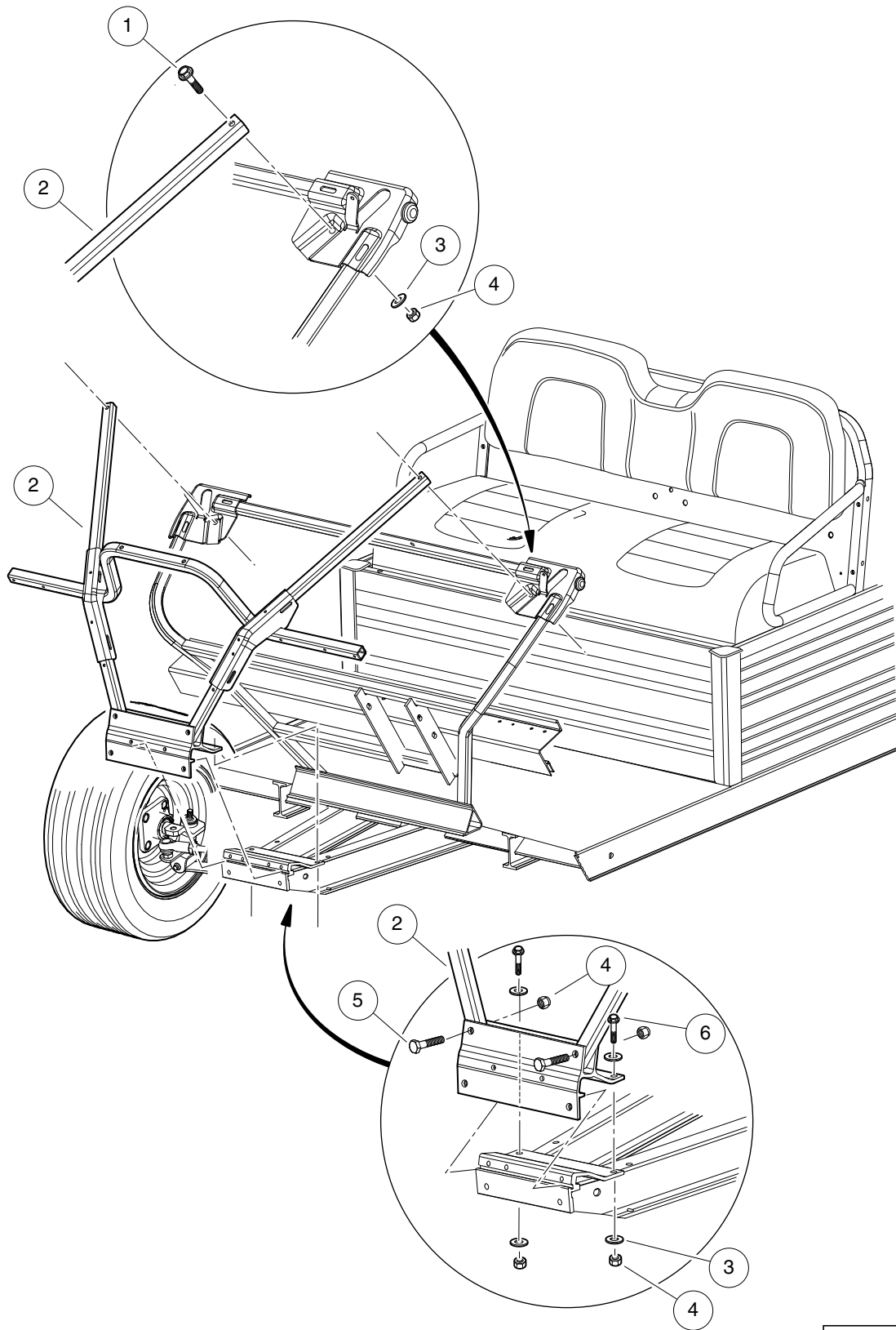
001300-007

FLOORMATS, TRANSPORTER XLC

ITEM	PART NO.	DESCRIPTION	QTY
1	<u>101503202</u>	1 2 3 4 Floormat	1
2	SVP905401	Floormat Transporter Xlc	1

1
G
E

1
G
E



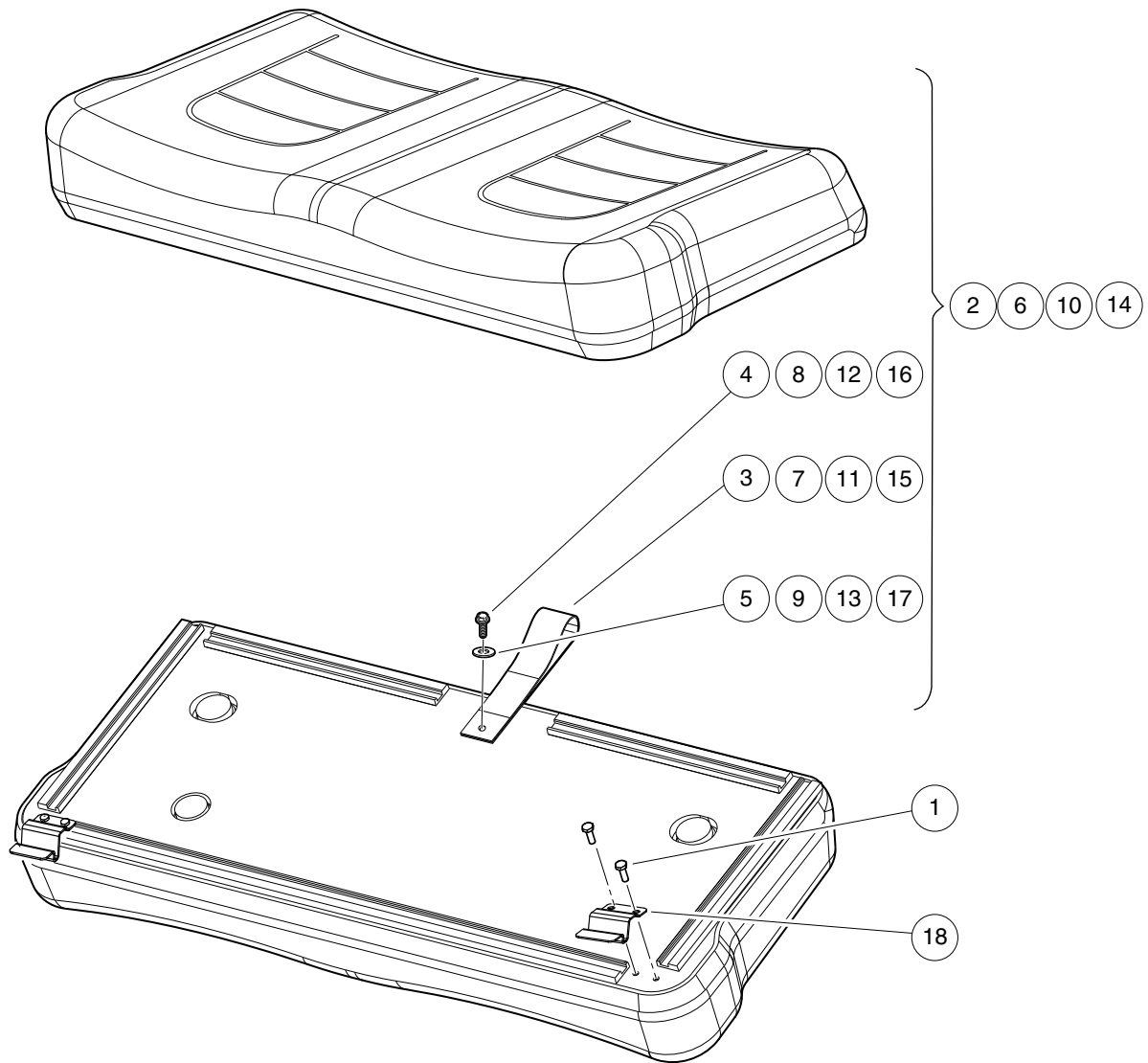
001107-001

FRONT FRAME, STANDARD

ITEM	PART NO.	DESCRIPTION	QTY
		1 2 3 4	
1	<u>1011937</u>	Bolt, 5/16-18 X 1.25 Hex Head	2
2	<u>105007001</u>	Weldment, Front, Util, Std	1
3	<u>1241</u>	Washer, 5/16 Type A Flat	6
4	<u>7473</u>	Locknut, 5/16-18 Nylon Insert	6
5	<u>8935</u>	Screw, 5/16-18 X 2.25 Hex-Head Cap	2
6	<u>8963</u>	Screw, 5/16-18 X 1.75 Hex-Head Cap	2

1
G
E

1
G
E



001300-021

SEAT BOTTOM

ITEM	PART NO.	DESCRIPTION	QTY
		1 2 3 4	
1	<u>101954301</u>	Screw, 1/4-20 X 0.75 Hex-Head Cap	4
2	<u>105064521</u>	Asm, Seatbottom, White, Ca, Sp (includes items 3 through 5)	1
3	<u>1013309</u>	Strap, Utility Seat	1
4	<u>101954301</u>	Screw, 1/4-20 X 0.75 Hex-Head Cap	1
5	<u>332</u>	Washer, 1/4 Type A Narrow Flat	1
6	<u>105064522</u>	Asm, Seatbottom, Black, Ca, Sp (includes items 7 through 9)	1
7	<u>1013309</u>	Strap, Utility Seat	1
8	<u>101954301</u>	Screw, 1/4-20 X 0.75 Hex-Head Cap	1
9	<u>332</u>	Washer, 1/4 Type A Narrow Flat	1
10	<u>105064523</u>	Asm, Seatbottom, Gray, Ca, Sp (includes items 11 through 13)	1
11	<u>1013309</u>	Strap, Utility Seat	1
12	<u>101954301</u>	Screw, 1/4-20 X 0.75 Hex-Head Cap	1
13	<u>332</u>	Washer, 1/4 Type A Narrow Flat	1
14	<u>105064524</u>	Asm, Seatbottom, Beige,ca, Sp (includes items 15 through 17)	1
15	<u>1013309</u>	Strap, Utility Seat	1
16	<u>101954301</u>	Screw, 1/4-20 X 0.75 Hex-Head Cap	1
17	<u>332</u>	Washer, 1/4 Type A Narrow Flat	1
18	<u>105200401</u>	Bracket,Hinge, Seat,CA	2

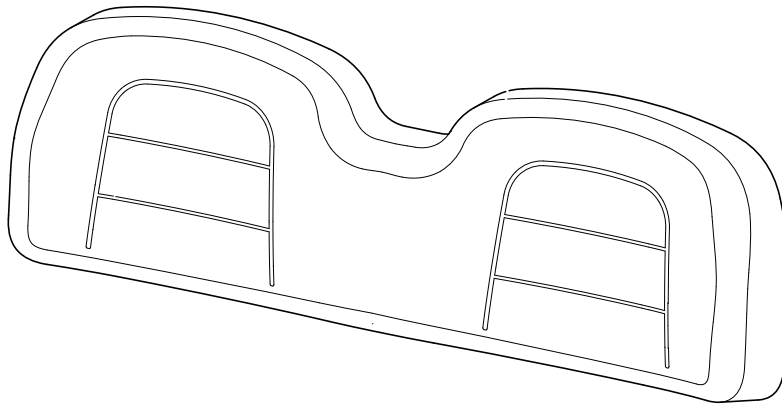
1
G
E

1

G

E

1 2 3 4



001300-022

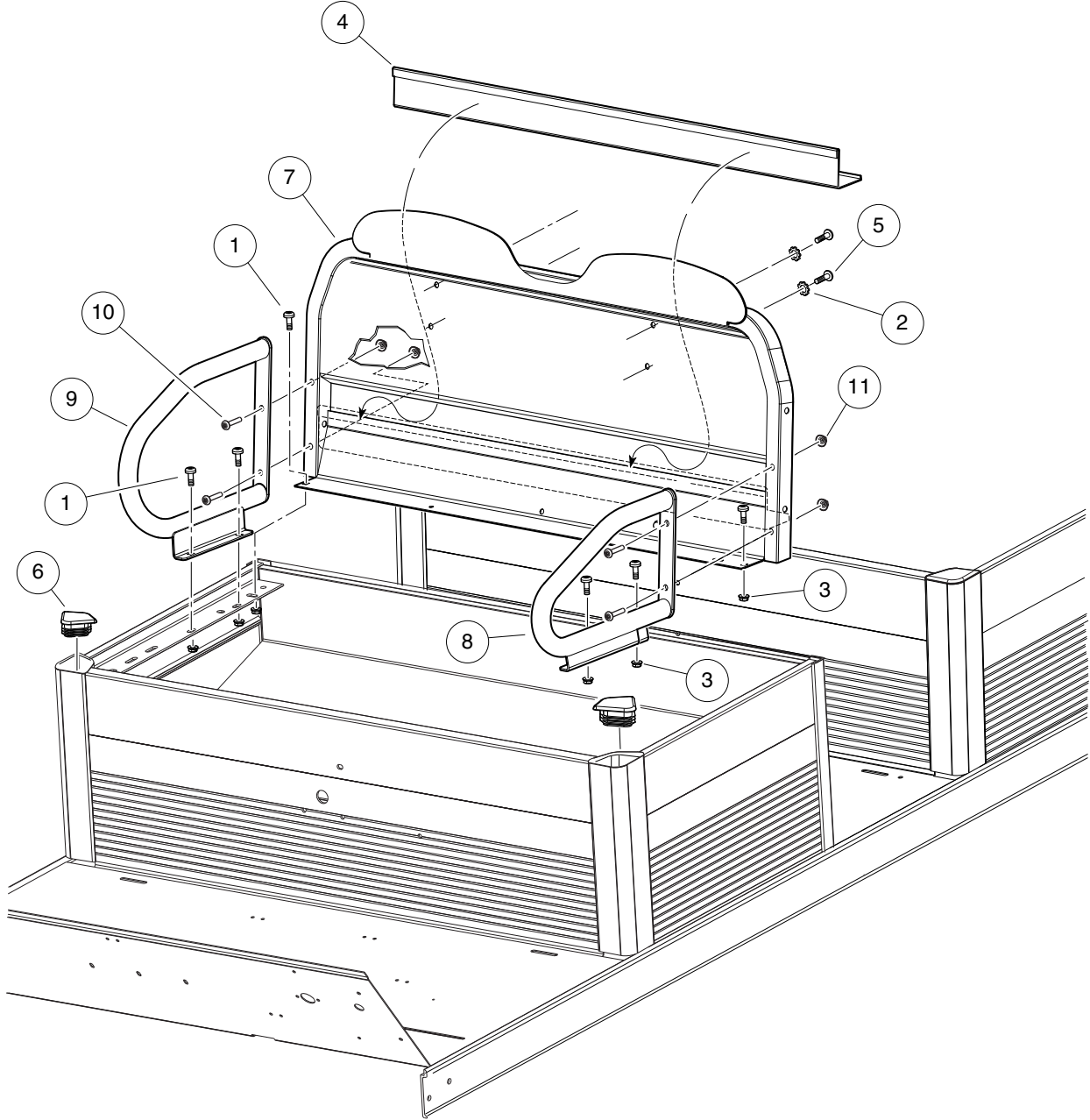
SEAT BACK

ITEM	PART NO.	DESCRIPTION	QTY
		1 2 3 4	
1	<u>105064121</u>	Asm, Seatback, White, Ca, Sp	1
2	<u>105064122</u>	Asm, Seatback, Black, Ca, Sp	1
3	<u>105064123</u>	Asm, Seatback, Gray, Ca, Sp	1
4	<u>105064124</u>	Asm, Seatback, Beige, Ca, Sp	1

1

G

E



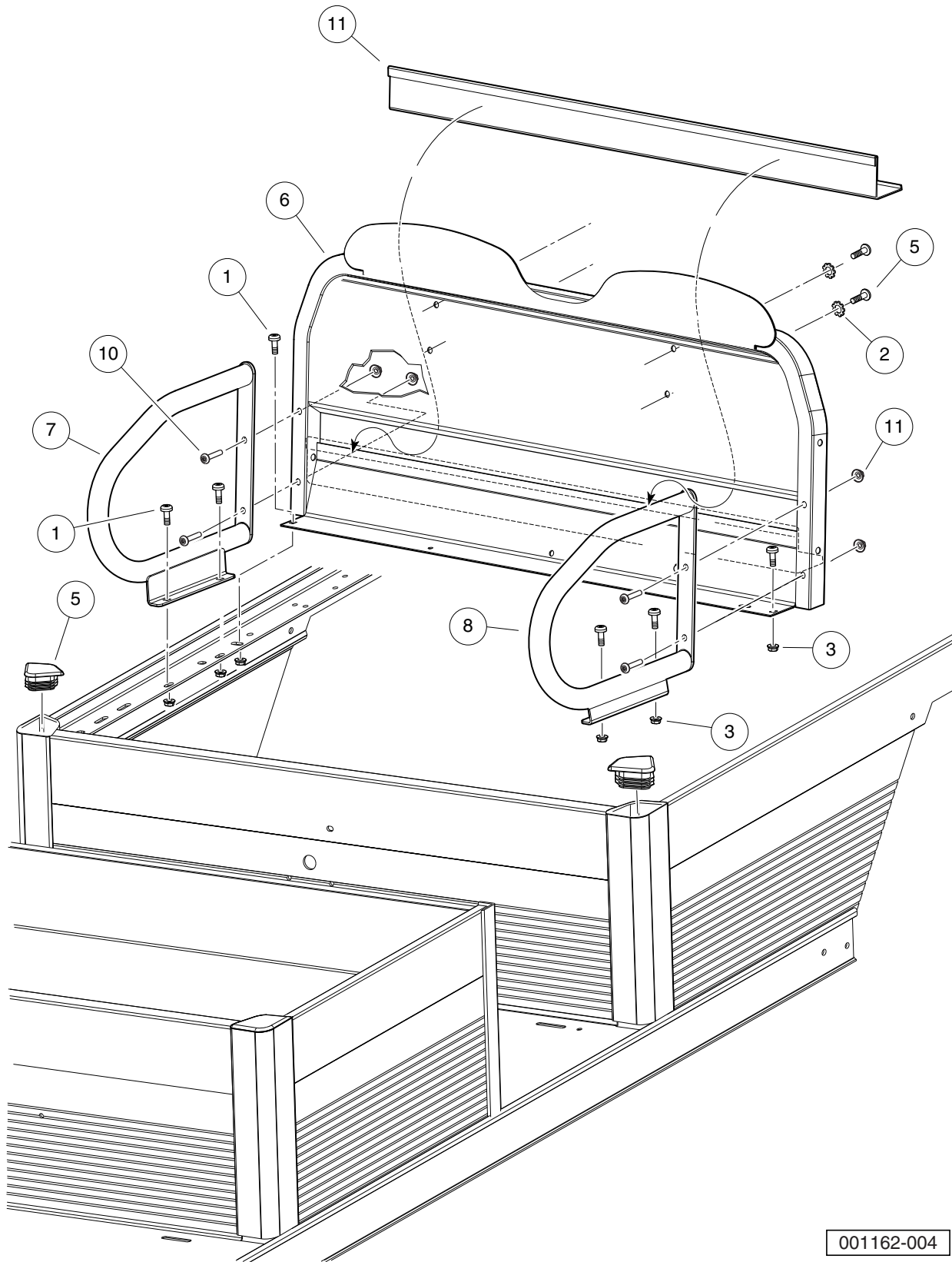
001165-003

SEAT FRAME AND HIP-RESTRAINT

ITEM	PART NO.	DESCRIPTION	QTY
		1 2 3 4	
1	1015399	Screw, 5/16-18 X 0.88 Torx Truss-Head	6
2	<u>101946201</u>	Washer, Lock, 0.250 External-Tooth	4
3	<u>101963401</u>	Locknut, 5/16-18 Hex Flange	6
4	<u>102989501</u>	Seal, Bed, 41-Inch	1
5	<u>103487501</u>	Screw, 1/4-20 X 1.0, Black	4
6	<u>105006501</u>	Cap, Corner, Frame	2
7	<u>105062401</u>	Seatback, Weldment, Ca	1
8	<u>105063001</u>	Wldmnt, Hip Restraint, Sml, Lh	1
9	<u>105063002</u>	Wldmnt, Hip Restraint, Lrg, Rh	1
10	<u>105078401</u>	Scrw, 5/16-18 X 1.75, Tr Tx Hd	4
11	<u>105194301</u>	Nut, 5/16-18, Conical Washer	4

1
G
E

1
G
E

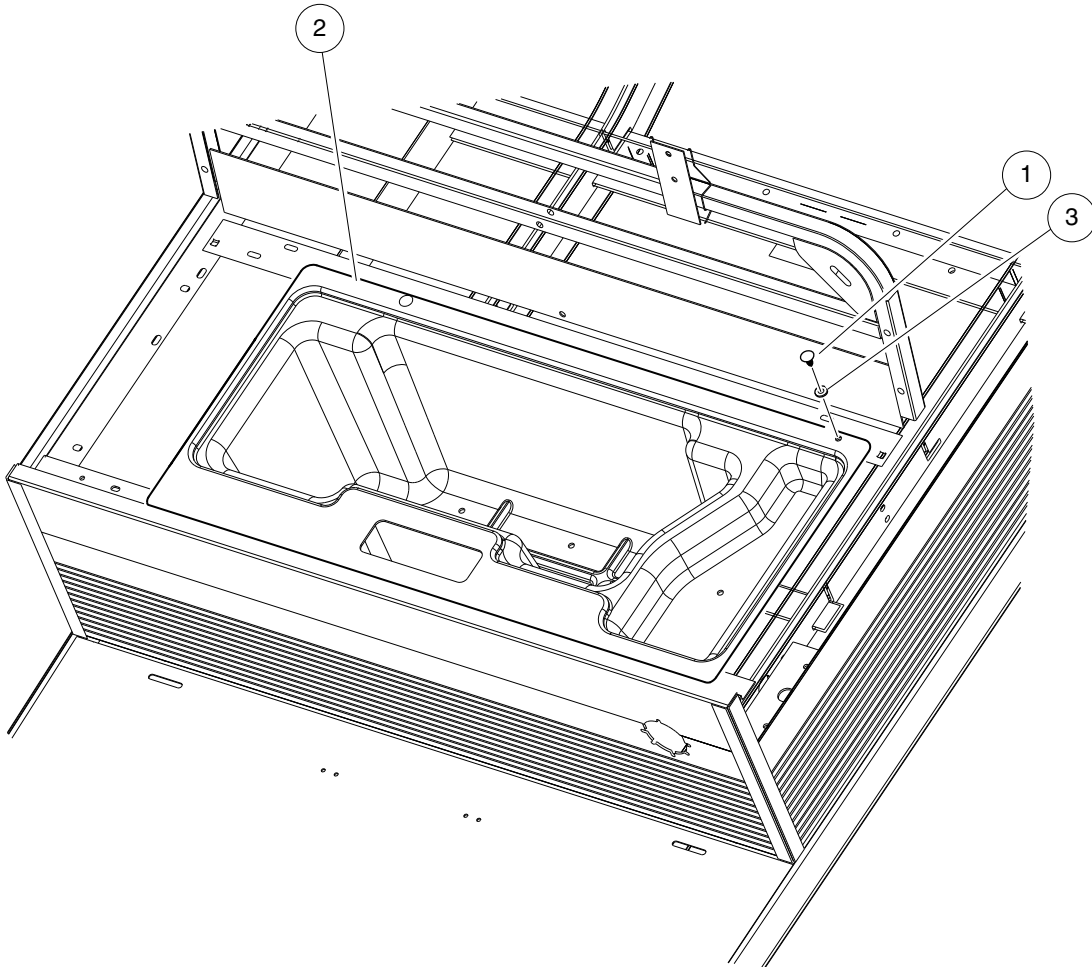


001162-004

REAR SEAT FRAME AND HIP-RESTRAINT

ITEM	PART NO.	DESCRIPTION	QTY
		1 2 3 4	
1	1015399	Screw, 5/16-18 X 0.88 Torx Truss-Head	6
2	<u>101946201</u>	Washer, Lock, 0.250 External-Tooth	4
3	<u>101963401</u>	Locknut, 5/16-18 Hex Flange	6
4	<u>102989501</u>	Seal, Bed, 41-Inch	1
5	<u>103487501</u>	Screw, 1/4-20 X 1.0, Black	4
6	<u>105006501</u>	Cap, Corner, Frame	2
7	<u>105062401</u>	Seatback, Weldment, Ca	1
8	<u>105063002</u>	Wldmnt, Hip Restraint, Lrg, Rh	1
9	<u>105063003</u>	Wldmnt, Hip Restraint, Lrg, Lh	1
10	<u>105078401</u>	Scrw, 5/16-18 X 1.75, Tr Tx Hd	4
11	<u>105194301</u>	Nut, 5/16-18, Conical Washer	4

1
G
E



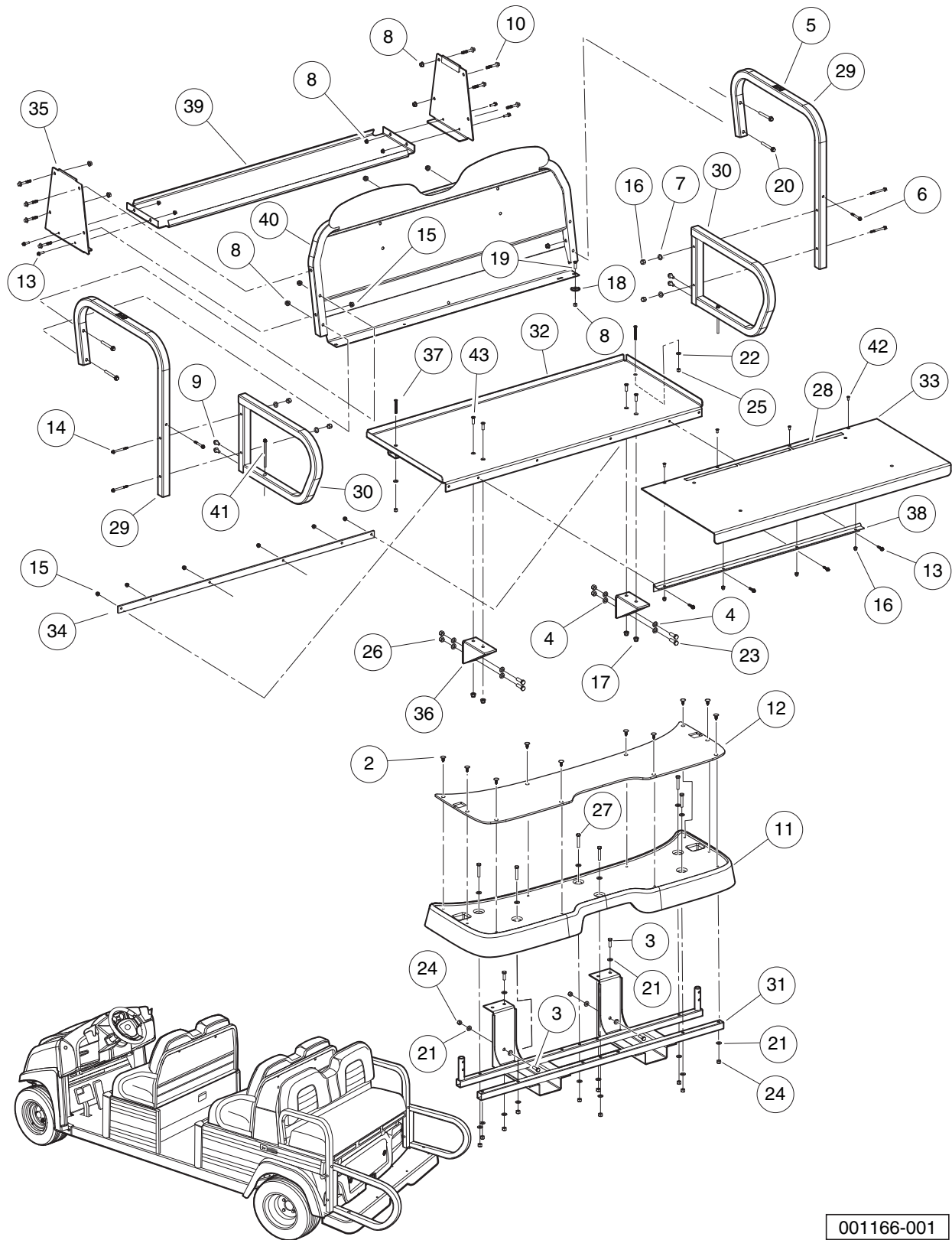
001172-001

UNDERSEAT STORAGE – GASOLINE VEHICLES

ITEM	PART NO.	DESCRIPTION	QTY
		1 2 3 4	
1	<u>1010434</u>	Barrel - Plastic	2
2	<u>103731001</u>	Container, Underseat, CA,Gas	1
3	<u>332</u>	Washer, 1/4 Type A Narrow Flat	2

1
G
E

1
G
E



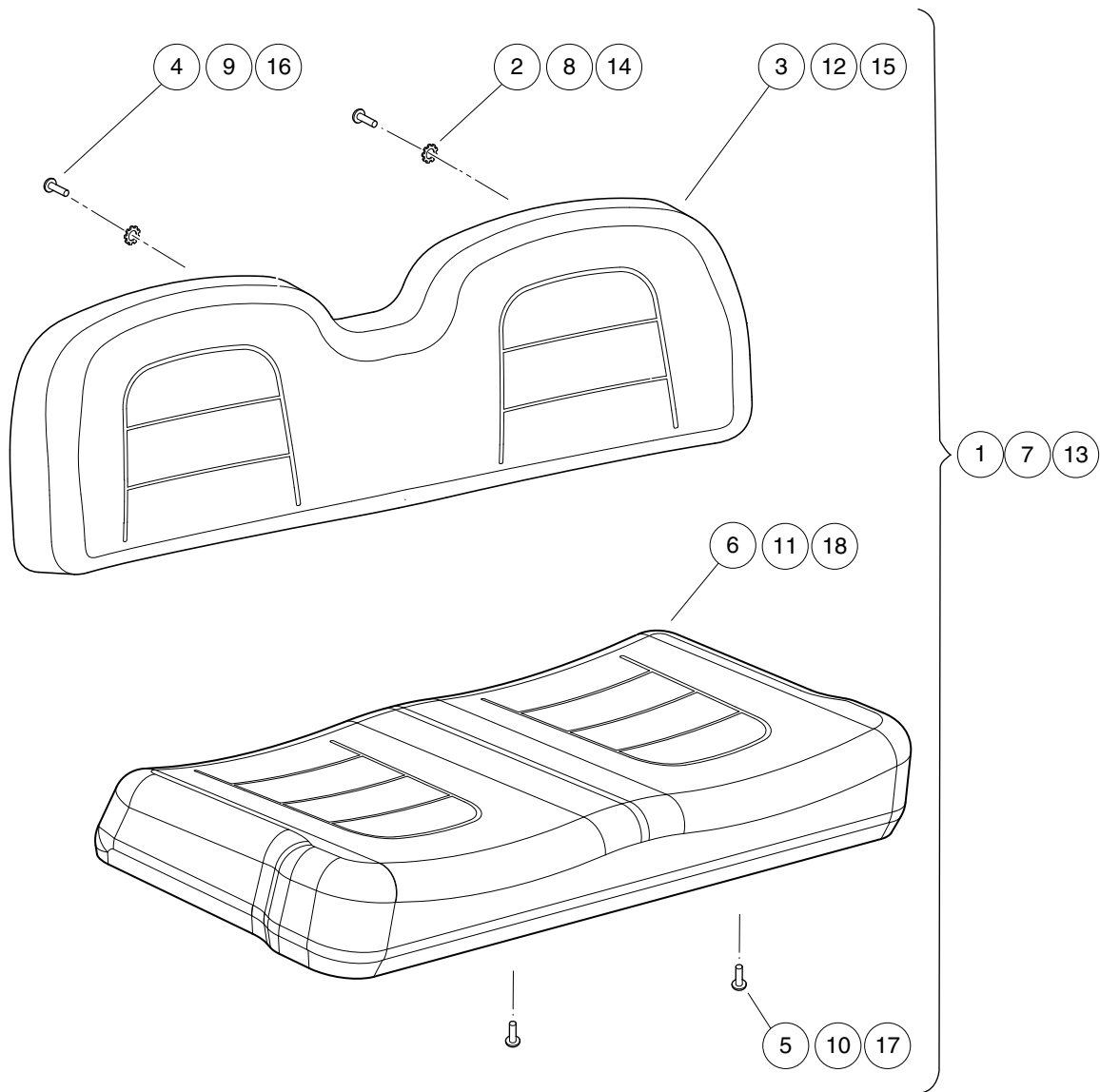
001166-001

REAR FACING FOLD DOWN SEAT

ITEM	PART NO.	DESCRIPTION	QTY
		1 2 3 4	
1	<u>SVP777503</u>	Kit, Fold Down, Transporter (includes items 2 through 43)	1
2	<u>1010434</u>	Barrel - Plastic	10
3	<u>1010934</u>	Screw, 5/16-18 X 1.00 Hex Cap	4
4	<u>1011990</u>	Washer, 3/8 Flat	8
5	<u>101609401</u>	Decal, Crush Area Warning	2
6	<u>102296150</u>	Bolt - M6x1.0x50 Hex Flng Hd	2
7	<u>102296301</u>	Washer, M6x18x1.6 Flat	4
8	<u>102298401</u>	Nut, M8, All Metal Lock	14
9	<u>102298720</u>	Screw, M8-1.25x20, Taptite	4
10	<u>102299550</u>	Screw,m8x50,sems,tx,btt,plt	8
11	<u>102531402</u>	Footdeck, 4-Passenger, Black	1
12	<u>102531601</u>	Floormat, 4-Passenger, Rear	1
13	<u>102541401</u>	Bolt-m6x1.0x20 Hex Flhd Blk-l	8
14	<u>102541470</u>	Bolt-m6x1.0x70 Hex Flhd, Blk-l	4
15	<u>102541501</u>	Nut-m6x1.0 Fl Mtl Lock,blk	12
16	<u>102582401</u>	Cap Nut M6, Sp	8
17	<u>102618601</u>	Lock Nut, Flange, M8 X 1.25 Nylon	4
18	<u>103201101</u>	Washer, Step, CVT Primary	2
19	<u>103262201</u>	Bolt Flg Blk, M8 X 25, Loctite	2
20	<u>105188185</u>	Bolt, M8 X 85mm, 10.9 Grade	4
21	<u>1241</u>	Washer, 5/16 Type A Flat	20
22	<u>332</u>	Washer, 1/4 Type A Narrow Flat	2
23	<u>705</u>	Screw, Cap-hex Hd 3/8-16x1.25	4
24	<u>7473</u>	Locknut, 5/16-18 Nylon Insert	10
25	<u>8233</u>	Locknut, 1/4-20, Nylon Insert	2
26	<u>8754</u>	Locknut, 3/8-16 Hex	4
27	<u>8963</u>	Screw, 5/16-18 X 1.75 Hex-Head Cap	6
28	<u>SVP370901</u>	Asm, Decal, Warn 800 850 Prec	1
29	<u>SVP658101</u>	Hip Restraint, Folddown, Ca	2
30	<u>SVP658401</u>	Asm, D-ring, Folddown, Ca	2
31	<u>SVP658602</u>	Wldmnt, Support, Foot Deck	1
32	<u>SVP659001</u>	Channel, Support, Panel, Fixed	1
33	<u>SVP659101</u>	Panel, Flip Folddown, Ca	1
34	<u>SVP659301</u>	Plate, Back, Hinge, Folddown	1
35	<u>SVP659401</u>	Panel, Support, Seat, Side, Fl	2
36	<u>SVP659503</u>	Wldmnt, Support, Fixed Panel	2
37	<u>SVP664101</u>	Screw, 1/4-20x2.0, Csfh, Ss	2
38	<u>SVP713301</u>	Hinge, 2 In Open X 25 In Long	1
39	<u>SVP732201</u>	Panel, Closeout, Folddown, 300	1
40	<u>SVP732901</u>	Weldment, Seat Back, Fold Down	1
41	<u>SVP736801</u>	Screw, M6-1.0x100	2
42	<u>SVPP229901</u>	M6x1.0x12 Fl Hd Mach Scr Ss	4
43	<u>SVPP234001</u>	M8x1.25x25 Fl Hd Mach Scr	4

1
G
E

1
G
E

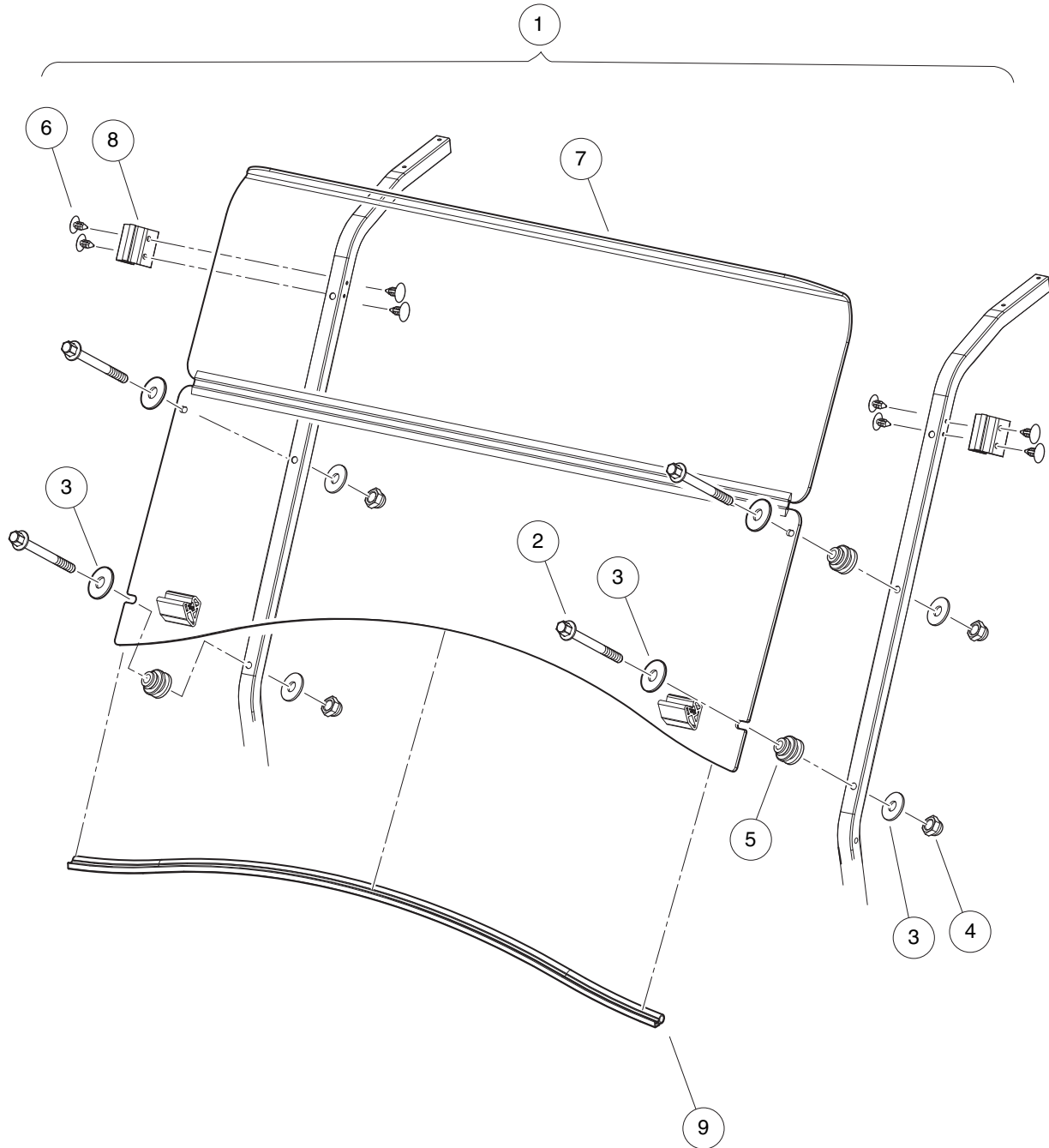


001300-025

REAR SEATS – VEHICLE WITH FOLD-DOWN REAR SEAT

ITEM	PART NO.	DESCRIPTION	QTY
		1 2 3 4	
1	<u>SVP777401</u>	Kit, Seats, Fold Down, Black (includes items 2 through 6)	1
2	<u>101946201</u>	Washer, Lock, 0.250 External-Tooth	4
3	105064102	Asm, Seatback, Black, Ca	1
4	<u>8251</u>	Screw, 1/4-20 X 1.0 Truss-Head Machine	4
5	<u>SVP387901</u>	1/4-20x1.00 Fl Hd Mach Scr Ss	4
6	SVP716903	Asm, Seat, Fold Down, Black	1
7	<u>SVP777402</u>	Kit, Seats, Fold Down, Beige (includes items 8 through 12)	1
8	<u>101946201</u>	Washer, Lock, 0.250 External-Tooth	4
9	<u>8251</u>	Screw, 1/4-20 X 1.0 Truss-Head Machine	4
10	<u>SVP387901</u>	1/4-20x1.00 Fl Hd Mach Scr Ss	4
11	SVP716905	Asm, Seat, Fold Down, Bge	1
12	<u>SVP860101</u>	Asm, Seatback, Biege, Ca	1
13	<u>SVP777403</u>	Kit, Seats, Fold Down, Gray (includes items 14 through 18)	1
14	<u>101946201</u>	Washer, Lock, 0.250 External-Tooth	4
15	105064103	Asm, Seatback, Gray, Ca	1
16	<u>8251</u>	Screw, 1/4-20 X 1.0 Truss-Head Machine	4
17	<u>SVP387901</u>	1/4-20x1.00 Fl Hd Mach Scr Ss	4
18	<u>SVP716902</u>	Asm, Seat, Fold Down, Gray	1

1
G
E



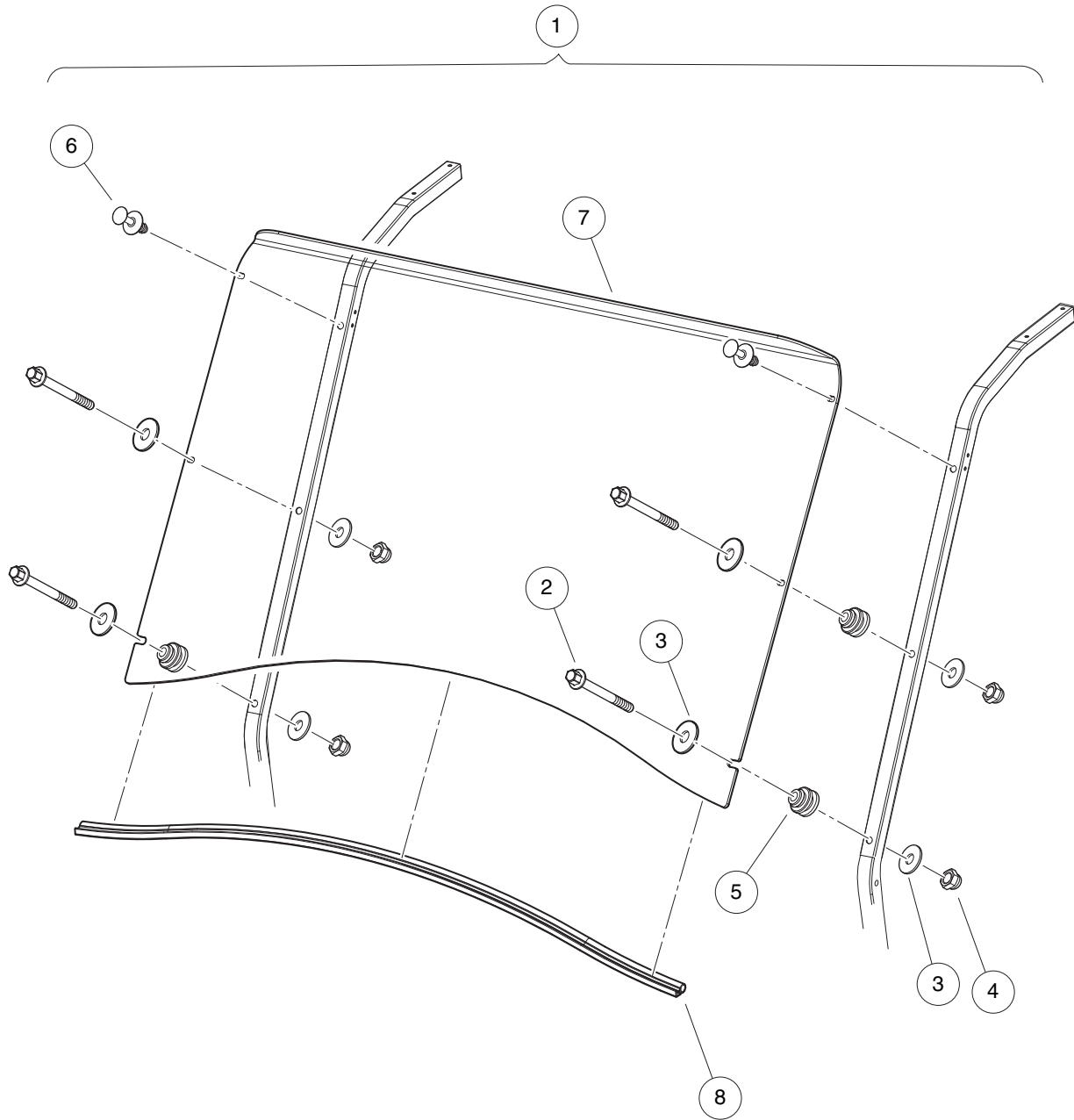
001114-001

WINDSHIELD, HINGED

ITEM	PART NO.	DESCRIPTION	QTY
		1 2 3 4	
1	<u>105109101</u>	Kit, Windshield, Hinged, Hb (includes items 2 through 9)	1
2	<u>102296150</u>	Bolt - M6x1.0x50 Hex Flng Hd	4
3	<u>102296301</u>	Washer, M6x18x1.6 Flat	4
4	<u>102582401</u>	Cap Nut M6, Sp	4
5	<u>102947601</u>	Grommet, Windshield, Prec	4
6	<u>103754901</u>	Fastener, Barrel - .610 X .25	8
7	<u>105060901</u>	Windshield, Hinged, Utility Hb	1
8	<u>105069901</u>	Clip, Retainer, W/s 1.25"	2
9	<u>105196001</u>	seal,windshield	1

1
G
E

1
G
E



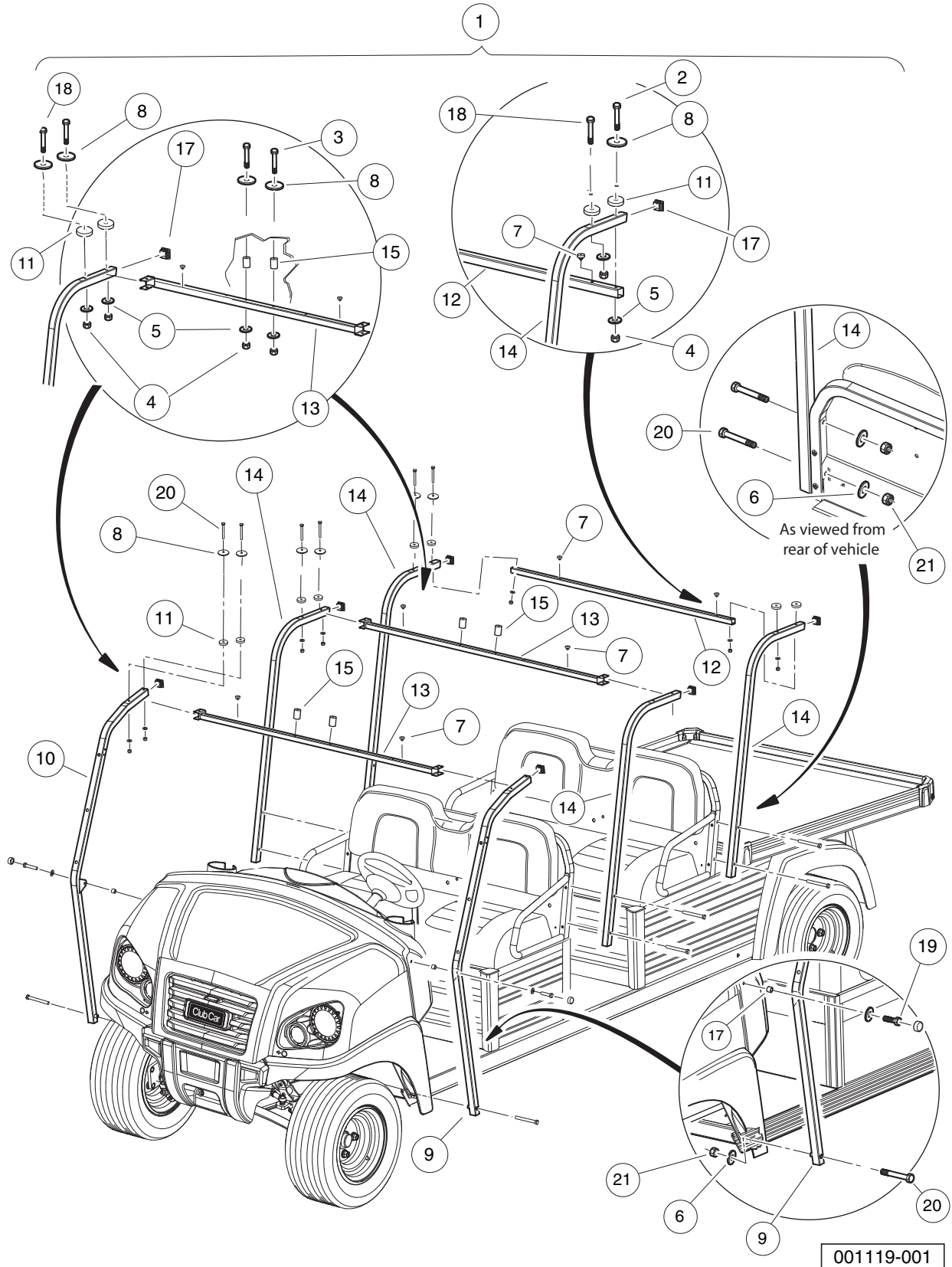
001115-001

WINDSHIELD, NON-HINGED

ITEM	PART NO.	DESCRIPTION	QTY
		1 2 3 4	
1	<u>105109201</u>	Kit, Windshield, Single, Hb (includes items 2 through 8)	1
2	<u>102296150</u>	Bolt - M6x1.0x50 Hex Flng Hd	4
3	<u>102296301</u>	Washer, M6x18x1.6 Flat	8
4	<u>102582401</u>	Cap Nut M6, Sp	4
5	<u>102947601</u>	Grommet, Windshield, Prec	4
6	<u>105093501</u>	Blind Rivet, Push, 3-10 Panel	2
7	<u>105102301</u>	Windshield, Single, Hb	1
8	<u>105196001</u>	seal,windshield	1

1
G
E

1
G
E



CANOPY SUPPORT KIT-4-PASSENGER

ITEM	PART NO.	DESCRIPTION	QTY
		1 2 3 4	
1	<u>105087001</u>	Kit, Canopy Support, Tp4 (includes items 2 through 21)	1
2	<u>1012462</u>	Bolt, 1/4-20 X 3.50 Hex Head	2
3	<u>102063601</u>	Screw, 1/4-20 X 3.25 Hex Cap	4
4	<u>102242401</u>	Nut - Nylon Insert W/cap	16
5	<u>102296301</u>	Washer, M6x18x1.6 Flat	16
6	<u>102323501</u>	Washer, Flat, 3/8, Blk Fin	10
7	<u>102590801</u>	Bumper, Rubber	6
8	<u>103196001</u>	Washer, Conical Spring, Canopy	16
9	<u>105063201</u>	Weldment, Strut, Ds, Hb	1
10	<u>105063202</u>	Weldment, Strut, Ps, Hb	1
11	<u>105086101</u>	Spacer, Rubber,7.1i D-6.35 Thk	14
12	<u>105087101</u>	Tube, Crs Support, Lg Canopy	1
13	<u>105087201</u>	Weldmnt, Crs Supprt, Lg Canopy	2
14	<u>105087301</u>	Strut, Rear, Long Canopy, Res	4
15	<u>105089201</u>	Spacer, Ruber-30 Odx42 Ht-1/4	4
16	<u>105092601</u>	Plug, Square -31.75mm	6
17	<u>105094001</u>	Spacer, Canopy Support, Dash	2
18	<u>105197301</u>	1/4-20 x 2.25,BHCS,6-LOBE	10
19	<u>105197401</u>	BOLT,FLG,3/8-16 X 1.00 LOC	2
20	<u>105197402</u>	BOLT,FLG,3/8-16 X 3.00	10
21	<u>8754</u>	Locknut, 3/8-16 Hex	10

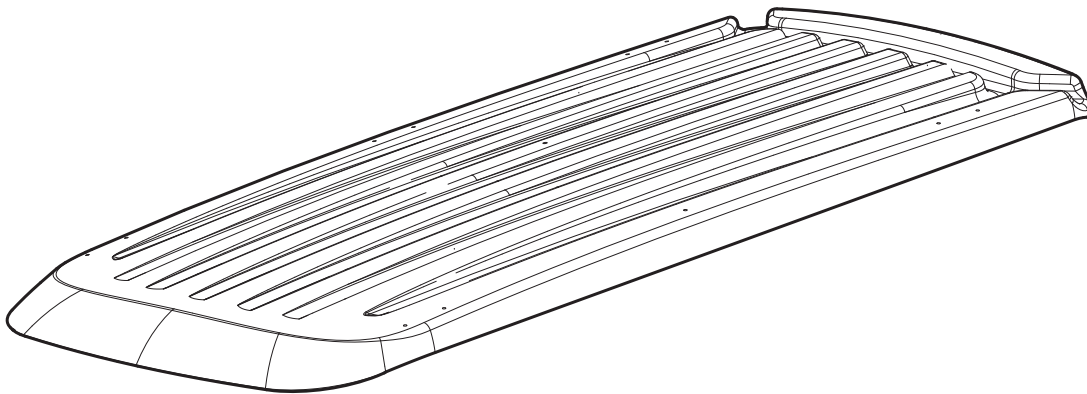
1
G
E

1

G

E

1 2 3



001121-001

CANOPY – LONG

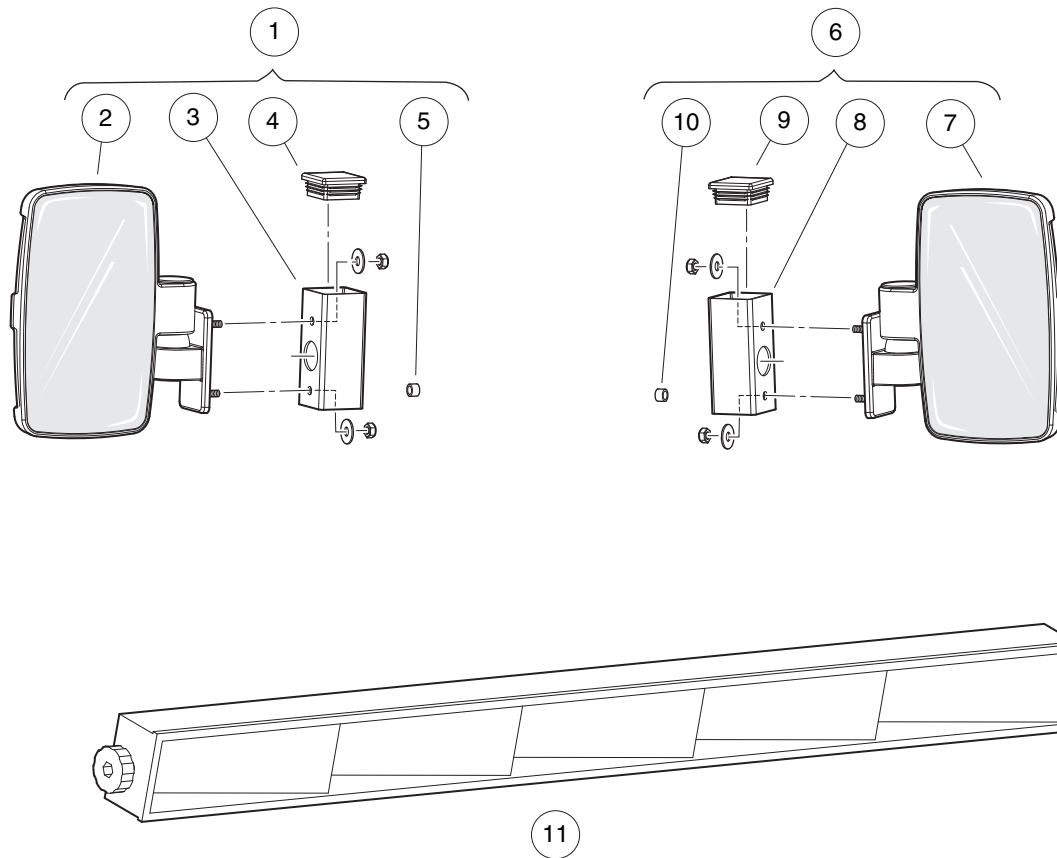
ITEM	PART NO.	DESCRIPTION	QTY
		1 2 3 4	
1	<u>105077601</u>	Canopy, Long, Restyle, White	1
2	<u>105077602</u>	Canopy, Long, Restyle, Beige	1
3	<u>105077603</u>	Canopy, Long, Restyle, Black	1

1

G

E

1
G
E

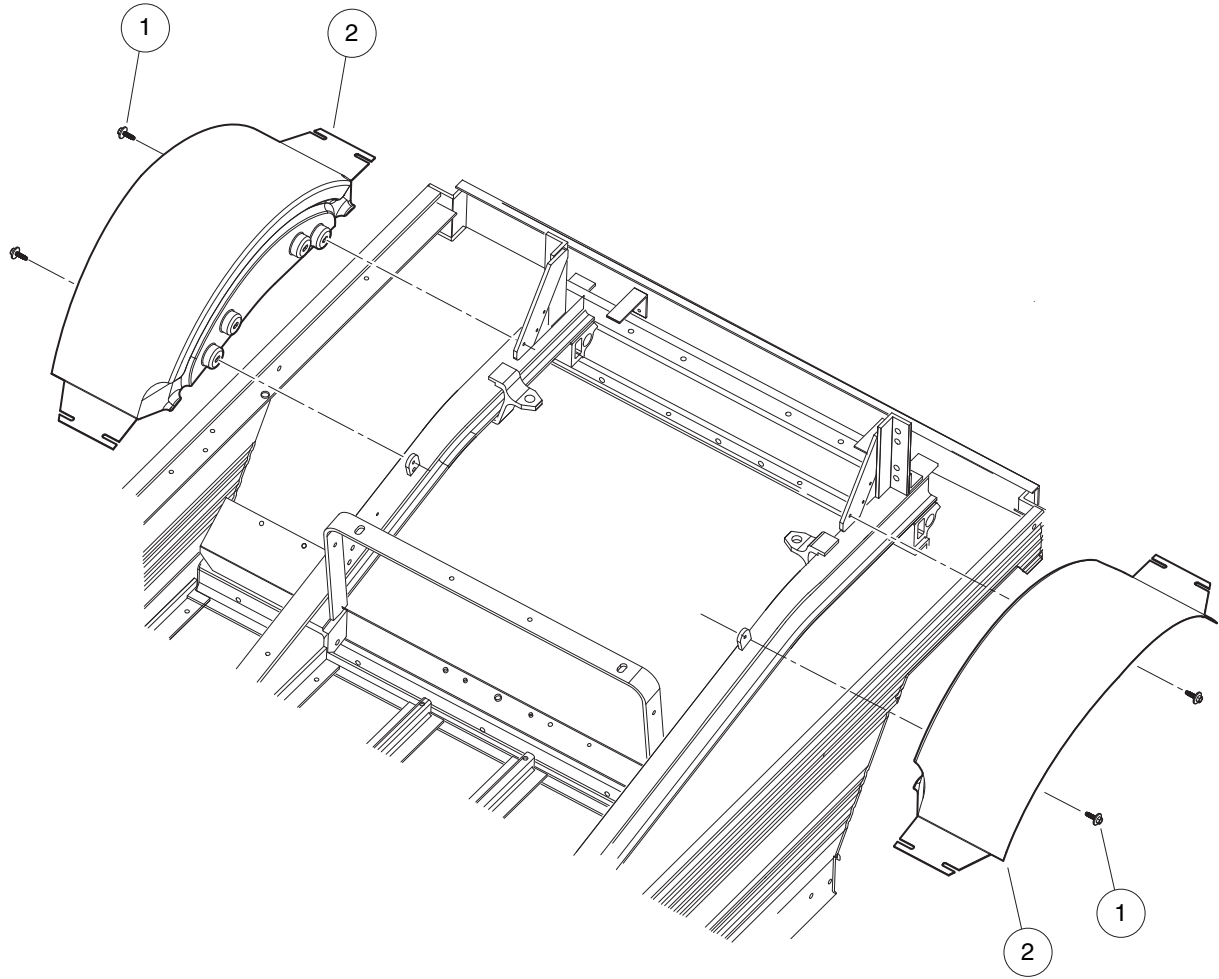


001300-019

MIRRORS

ITEM	PART NO.	DESCRIPTION	QTY
		1 2 3 4	
1	<u>105124201</u>	Kit, Mirror, Hb, Res, Ds (includes items 2 through 5)	1
2	<u>105128801</u>	Asm, Mirror, Utl Res, Ds	1
3	105128901	Tube, Mirror, Support	1
4	105129001	Plug, Square 38.1 Mm	1
5	105170101	Spacer, M6, Plastic	1
6	<u>105124202</u>	Kit, Mirror, Hb, Res, Ps (includes items 7 through 10)	1
7	<u>105128802</u>	Asm, Mirror, Utl Res, Ps	1
8	105128901	Tube, Mirror, Support	1
9	105129001	Plug, Square 38.1 Mm	1
10	105170101	Spacer, M6, Plastic	1
11	<u>105288801</u>	Kit, Mirror, 5 Panel, Canopy	1

1
G
E

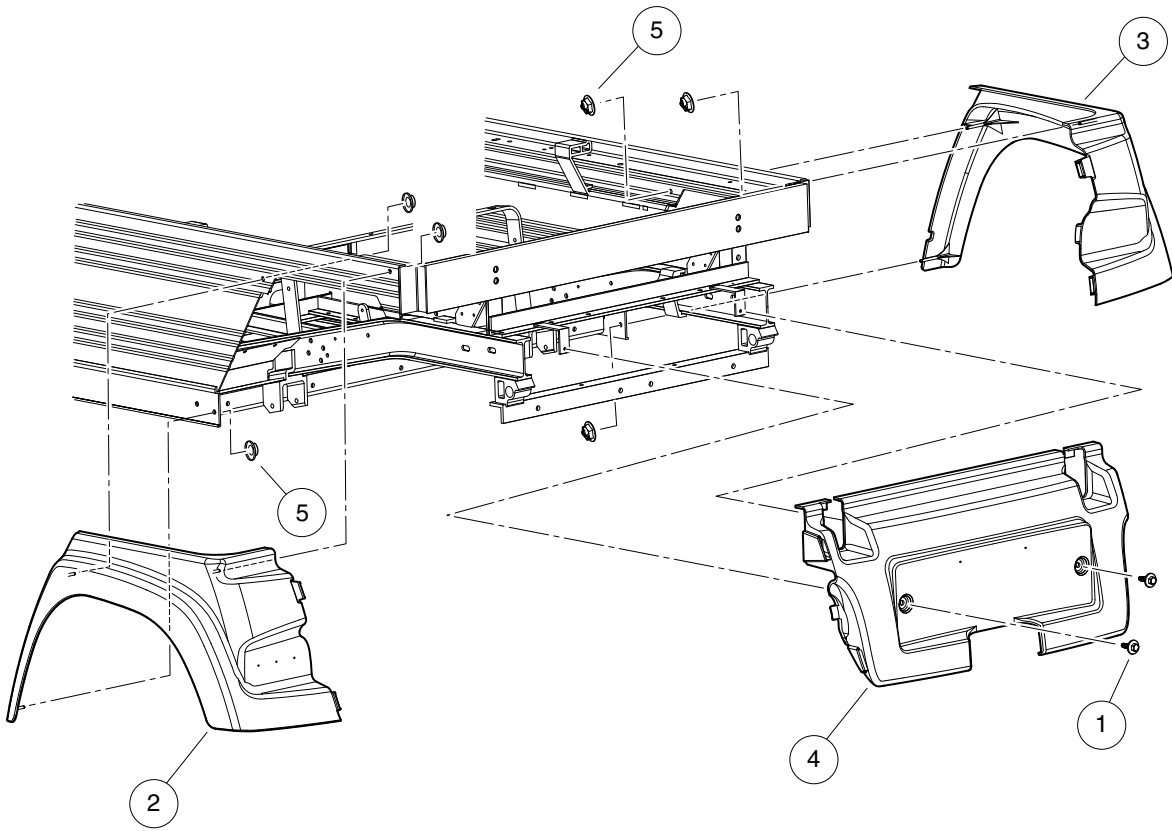


001123-001

INNER REAR FENDERS

ITEM	PART NO.	DESCRIPTION	QTY
1	<u>102297125</u>	1 2 3 4 Screw, M6-1.0x25.4, Thread-Forming, SEMS	4
2	<u>105035801</u>	Fender, Inner, Ca	2

1
G
E

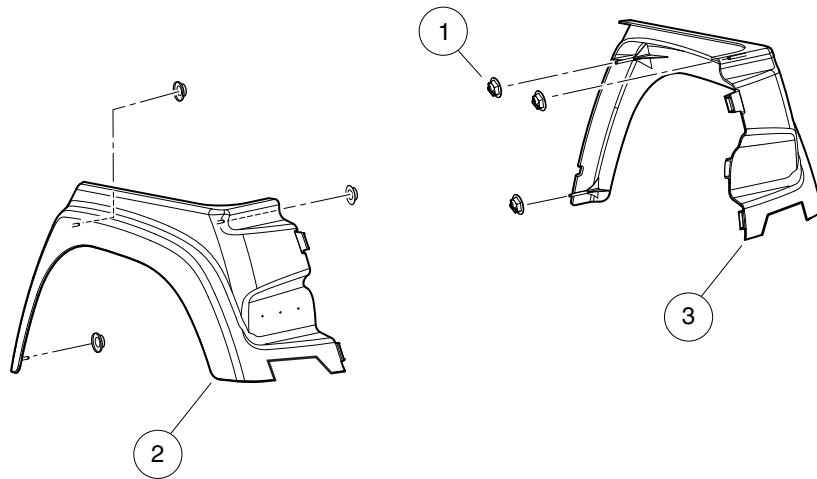


001124-001

REAR FENDERS AND TAIL SKIRT

ITEM	PART NO.	DESCRIPTION	QTY
		1 2 3 4	
1	<u>102297125</u>	Screw, M6-1.0x25.4, Thread-Forming, SEMS	2
2	<u>105035101</u>	Fender, Rear, Lh, Ca	1
3	<u>105035201</u>	Fender, Rear, Rh, Ca	1
4	<u>105035301</u>	Tailskirt, Ca	1
5	<u>105066401</u>	Nut, Self Thread, 5x10x15	6

1
G
E



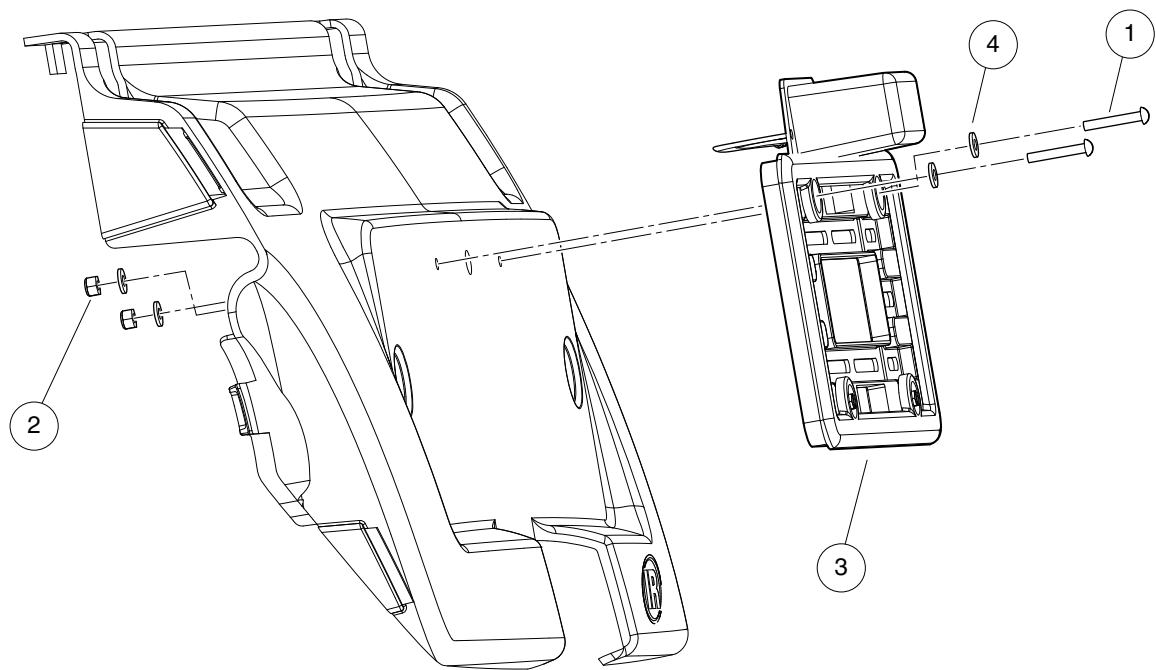
001125-001

REAR FENDERS – VEHICLE WITH FOLD-DOWN REAR SEAT

ITEM	PART NO.	DESCRIPTION	QTY
1	<u>105066401</u>	1 2 3 4 Nut, Self Thread, 5x10x15	6
2	<u>SVP826501</u>	Fender Lh W Fold Down Seat Ca	1
3	<u>SVP826502</u>	Fender Rh W Fold Down Seat Ca	1

1
G
E

1
G
E



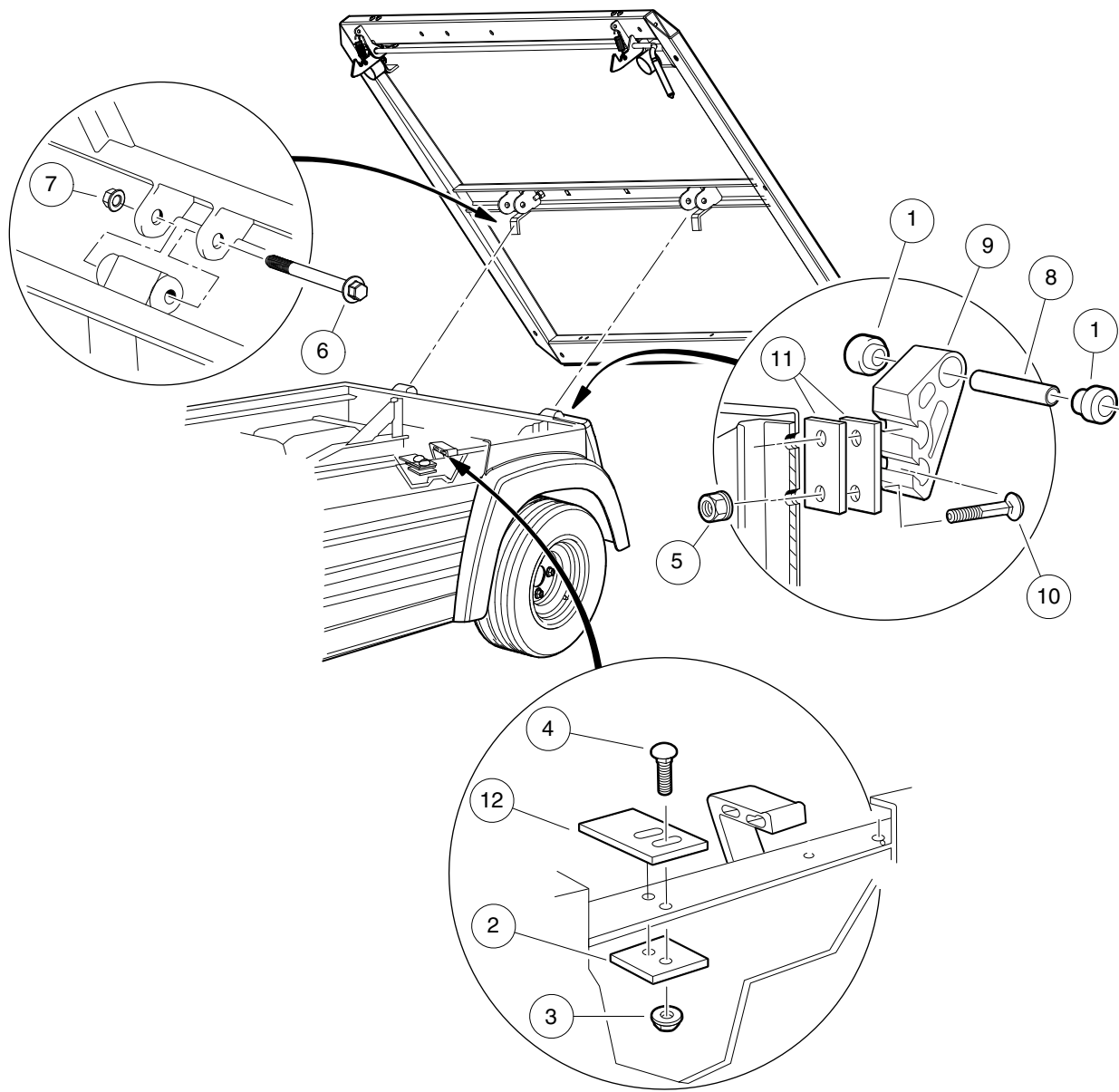
001170-001

REAR LICENSE PLATE HOLDER

ITEM	PART NO.	DESCRIPTION	QTY
		1 2 3 4	
1	<u>1010909</u>	Screw, #10-32 X 1.25 Rd Hd Mch	2
2	<u>1013061</u>	Locknut, #10-32 Nylon Insert	2
3	N/A	License Plate,ASM, Rear	1
4	<u>183</u>	Washer, #10, Type A, Flat	4

1
G
E

1
G
E



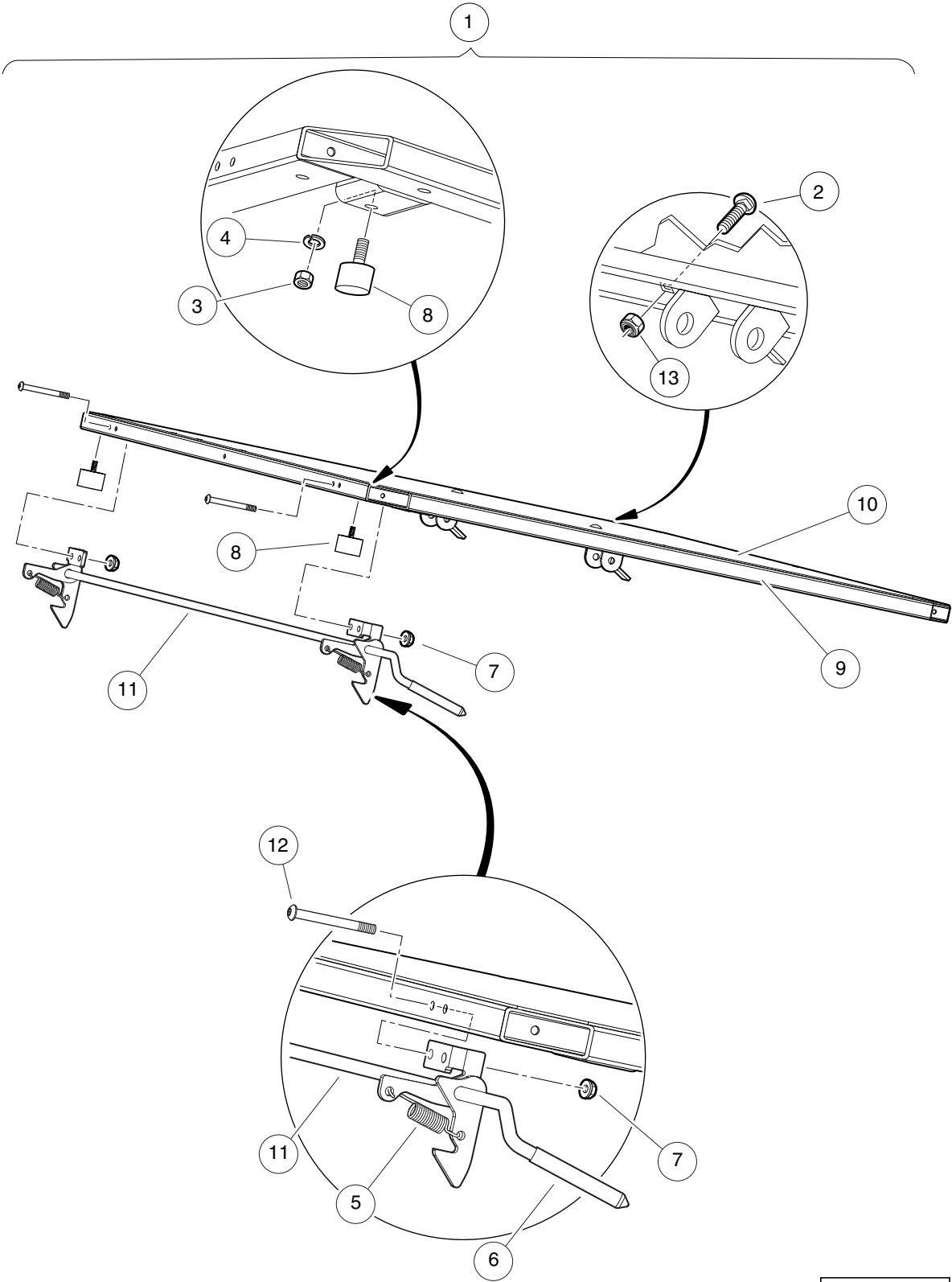
001145-001

BED HINGE AND LATCH

ITEM	PART NO.	DESCRIPTION	QTY
		1 2 3 4	
1	<u>1015583</u>	Bushing, Urethane	4
2	<u>1016060</u>	Plate, Latch Support	2
3	<u>101835601</u>	Locknut, 1/4-20 Hex Whiz	4
4	<u>101958602</u>	Bolt, Carriage, 1/4-20 X 1.0	4
5	<u>102065901</u>	Locknut, 3/8-16 Flanged Dimple	4
6	<u>102298185</u>	Bolt - Flange Hd, M8 X 85.0	2
7	<u>102298401</u>	Nut,m8,all Metal Lock	2
8	<u>102506401</u>	Sleeve - Spring Eye Mounts	2
9	<u>103538701</u>	Bracket, Bed Hinge, Extruded	2
10	<u>103539001</u>	3/8-16 X 1.25 Carr Blt Gr5 Zn	4
11	<u>103575801</u>	Shim, Bed Hinge, .125 Thick	4
12	<u>105110801</u>	Plate, Latch, Ca	2

1
G
E

1
G
E

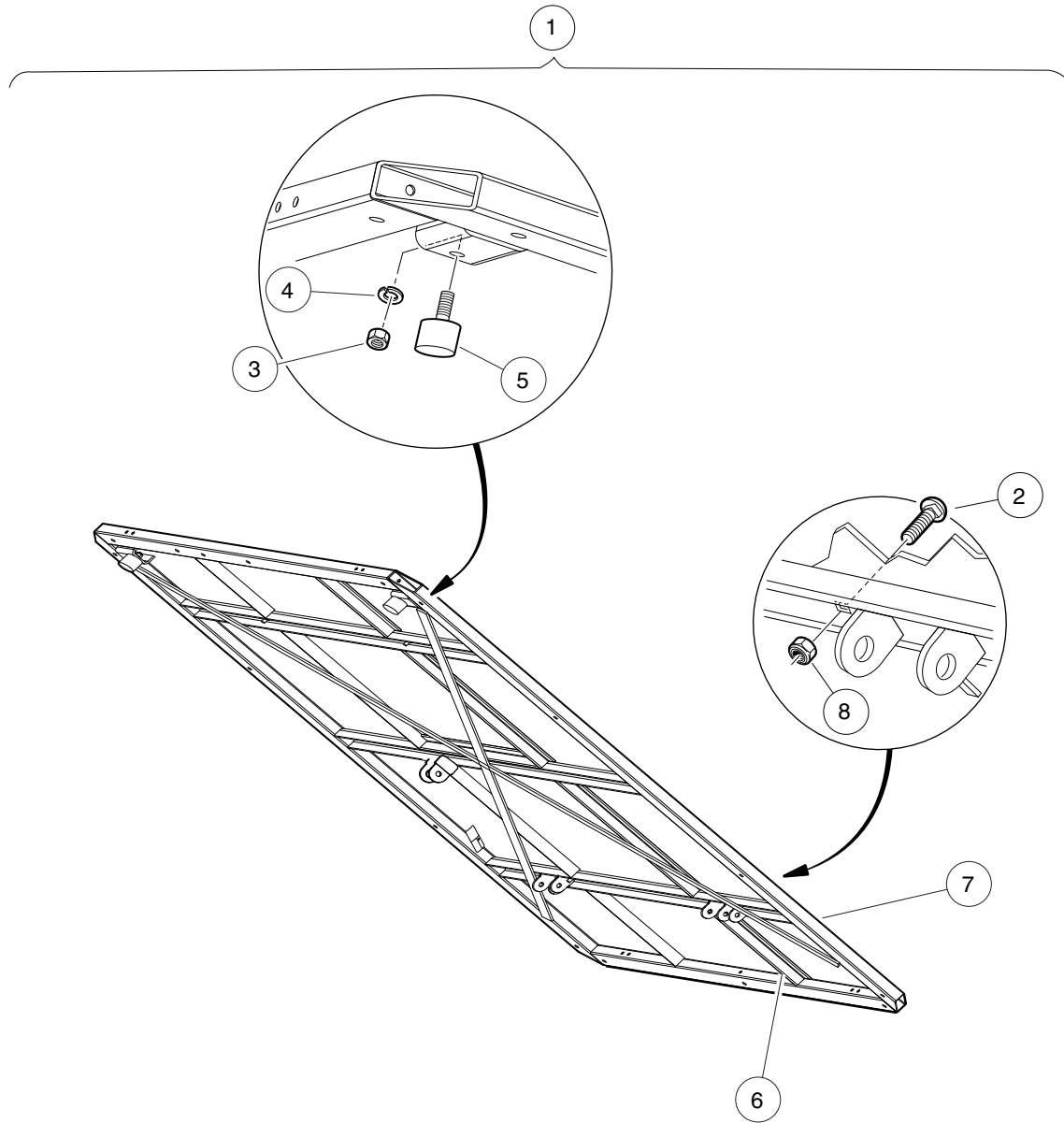


001146-001

TILT BED AND LATCH

ITEM	PART NO.	DESCRIPTION	QTY
		1 2 3 4	
1	<u>105197001</u>	Kit, Bed Floor, Short (includes items 2 through 13)	1
2	<u>101043502</u>	Bolt, Carriage, 5/16-18x1 blk	2
3	<u>1012528</u>	Nut, M8-1.25 Hex	2
4	<u>1013734</u>	Lockwasher, 8mm Split	2
5	<u>1015391</u>	Extension, Spring Latch	2
6	<u>1015400</u>	Grip, Tilt Latch Hand	1
7	<u>101835601</u>	Locknut, 1/4-20 Hex Whiz	4
8	<u>105036601</u>	Bumper, Bedfloor, Ca	2
9	N/A	Frame, Weldment, Bed, Short	1
10	N/A	Plate, Flr, Bed Utl, Sht Rhino	1
11	<u>105169101</u>	Weldment, Bed Latch, CA	1
12	<u>105194101</u>	1/4-20 X 2.5, Bhcs, 6-lobe	4
13	<u>7473</u>	Locknut, 5/16-18 Nylon Insert	2

1
G
E



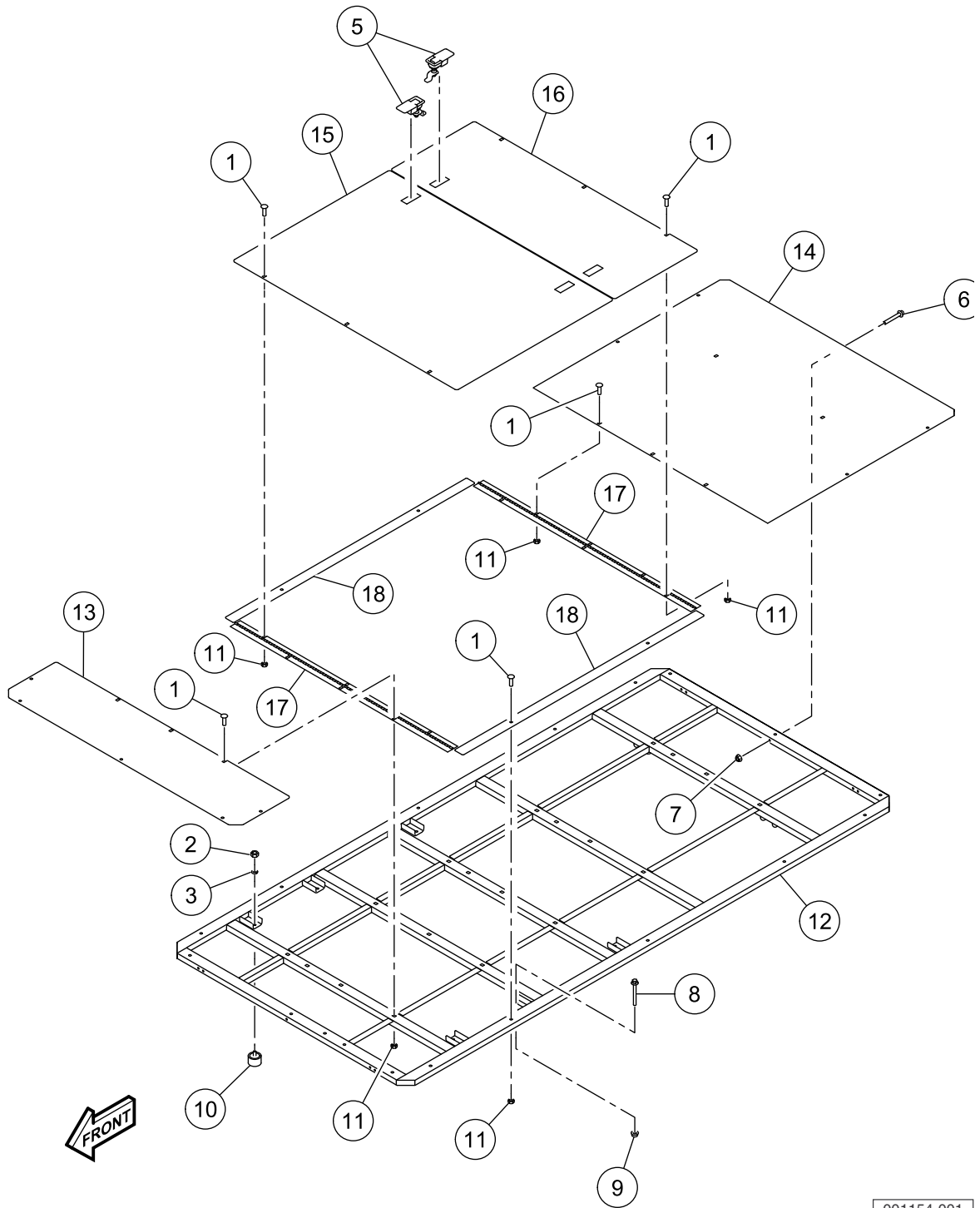
001151-001

TILT BED – LONG

ITEM	PART NO.	DESCRIPTION	QTY
		1 2 3 4	
1	<u>105197201</u>	Kit, Bed Floor, Long (includes items 2 through 8)	1
2	<u>101043502</u>	Bolt, Carriage, 5/16-18x1 blk	4
3	<u>1012528</u>	Nut, M8-1.25 Hex	2
4	<u>1013734</u>	Lockwasher, 8mm Split	2
5	<u>105036601</u>	Bumper, Bedfloor, Ca	2
6	N/A	Frame, Weldmnt, Bed, Long	1
7	N/A	Plate, Flr, Bed Utl, Lng Rhino	1
8	<u>7473</u>	Locknut, 5/16-18 Nylon Insert	4

1
G
E

1
G
E

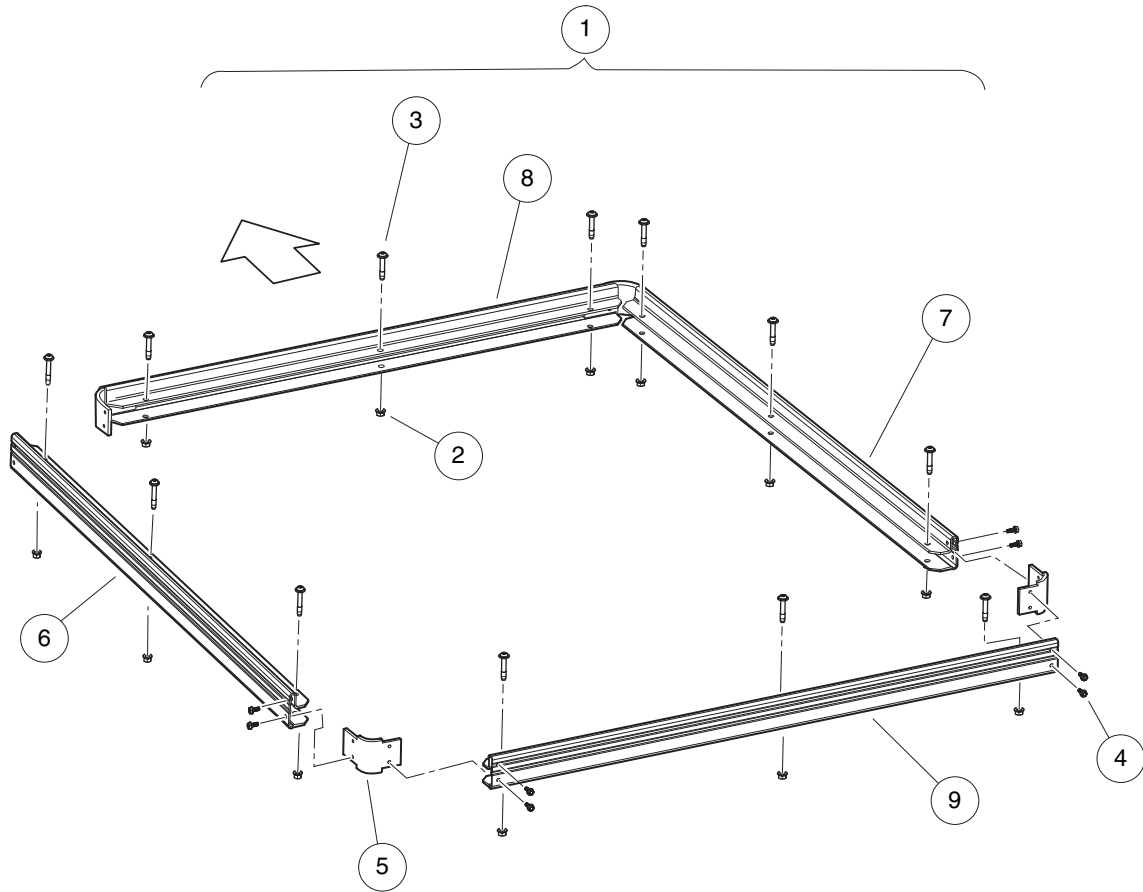


001154-001

FLATBED

ITEM	PART NO.	DESCRIPTION	QTY
		1 2 3 4	
1	<u>101043502</u>	Bolt, Cariage, 5/16-18 X 1 Blk	14
2	<u>1012528</u>	Nut, M8-1.25 Hex	4
3	<u>1013734</u>	Lockwasher, 8mm Split	4
4	<u>1014471</u>	Tape, Vinyl Foam 1/8" x 3/4"	A/R
5	<u>101691401</u>	Latch, Door	4
6	<u>102541460</u>	Bolt-m6x1.0x60 Hex Flhd, Blk	3
7	<u>102541501</u>	Nut-m6x1.0 Fl Mtl Lock,blk	3
8	<u>102618301</u>	Bolt, Flanged Head, M8 X 1.25 X 65	2
9	<u>102618601</u>	Lock Nut, Flange, M8 X 1.25 Nylon	2
10	<u>105036601</u>	Bumper, Bedfloor, Ca	4
11	<u>7473</u>	Locknut, 5/16-18 Nylon Insert	14
12	SVP798401	Wldmnt, Frame, Bed, Extended	1
13	SVP839801	Panel, Front, Fixed, Bed, XI	1
14	SVP839901	Panel, Rear, Fixed, Bed, XI	1
15	SVP840001	Panel, Access, Front, Bed, XI	1
16	SVP840101	Panel, Access, Center, Bed, XI	1
17	SVP840201	Hinge, Access Panel, Bed, XI	2
18	SVP840301	Strip, Filler, Side, Bed, XI	2

1
G
E

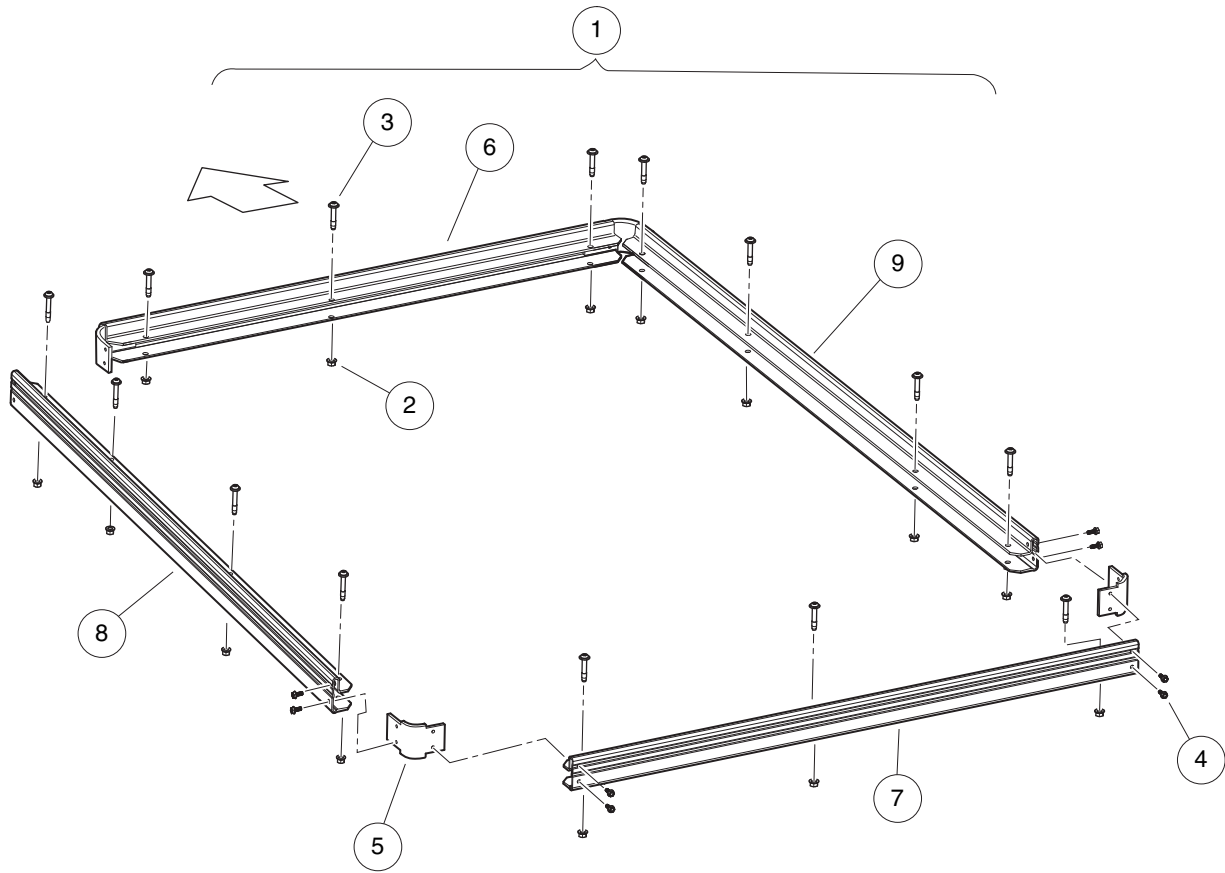


001126-002

FLAT BED TRIM (SHORT BED)

ITEM	PART NO.	DESCRIPTION	QTY
		1 2 3 4	
1	<u>105122204</u>	Kit, Flat Trim, Ca, Short (includes items 2 through 9)	1
2	<u>102298401</u>	Nut,m8,all Metal Lock	12
3	<u>102299550</u>	Screw,m8x50,sems,tx,bttm,plt	12
4	<u>105185701</u>	Pan Head Screw, M6 X 16 Tt	16
5	<u>105185801</u>	Bracket,Bed Corner,CA	4
6	<u>105194701</u>	Trim, Bed, Shrt, Lh	1
7	<u>105194702</u>	Trim, Bed, Shrt, Rh	1
8	<u>105194801</u>	Trim, Bed, Cntr, Front	1
9	<u>105194802</u>	Trim, Bed, Cntr, Rear	1

1
G
E



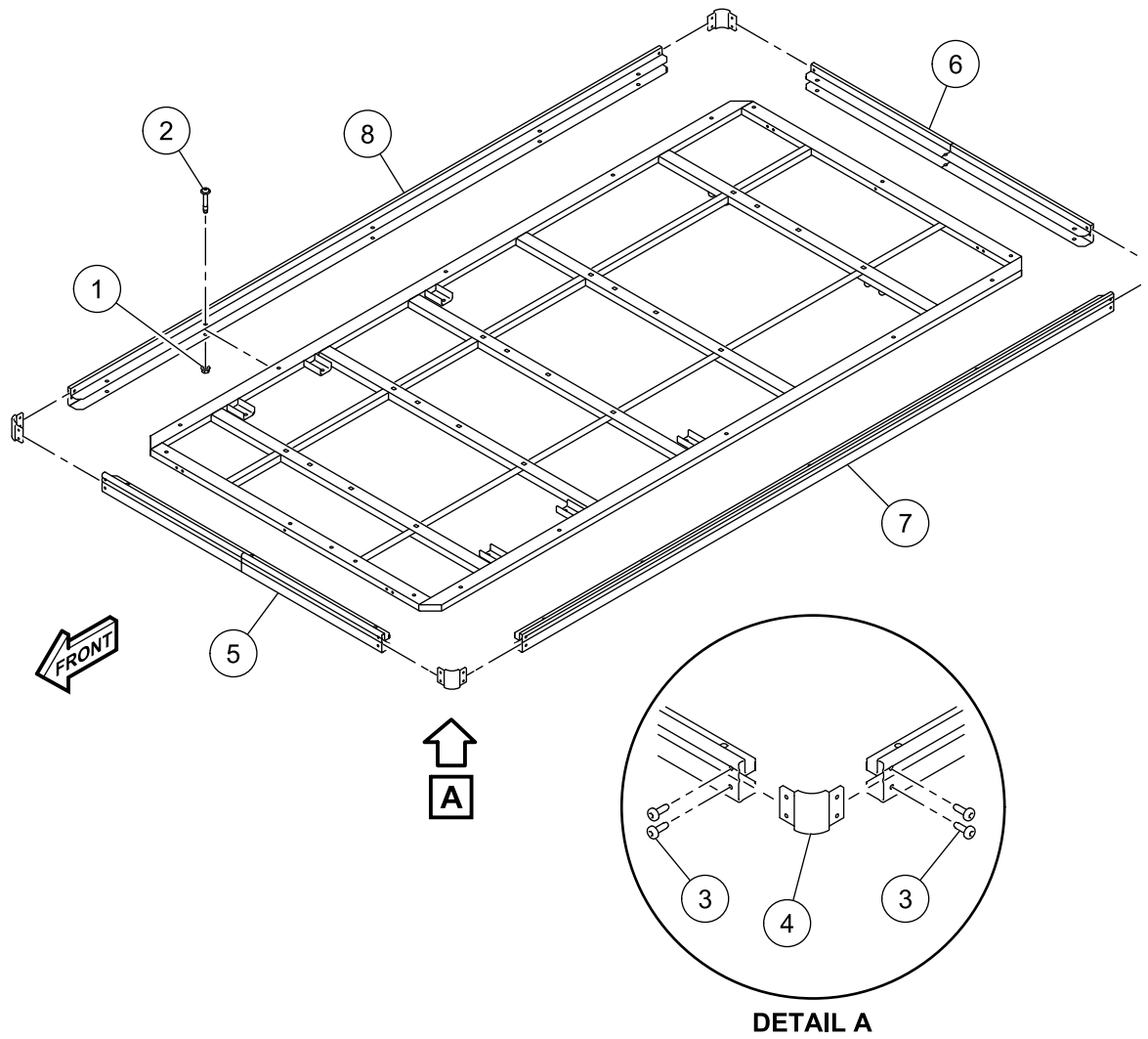
001127-001

FLAT BED TRIM – LONG

ITEM	PART NO.	DESCRIPTION	QTY
		1 2 3 4	
1	<u>105122206</u>	Kit, Flat Trim, Ca, Long (includes items 2 through 9)	1
2	<u>102298401</u>	Nut,m8,all Metal Lock	14
3	<u>102299550</u>	Screw,m8x50,sems,tx,bttn,plt	14
4	<u>105185701</u>	Pan Head Screw, M6 X 16 Tt	16
5	<u>105185801</u>	Bracket,Bed Corner,CA	4
6	<u>105194801</u>	Trim, Bed, Cntr, Front	1
7	<u>105194802</u>	Trim, Bed, Cntr, Rear	1
8	<u>105195001</u>	Trim, Bed, Lng, Lh	1
9	<u>105195002</u>	Trim, Bed, Lng, Rh	1

1
G
E

1
G
E

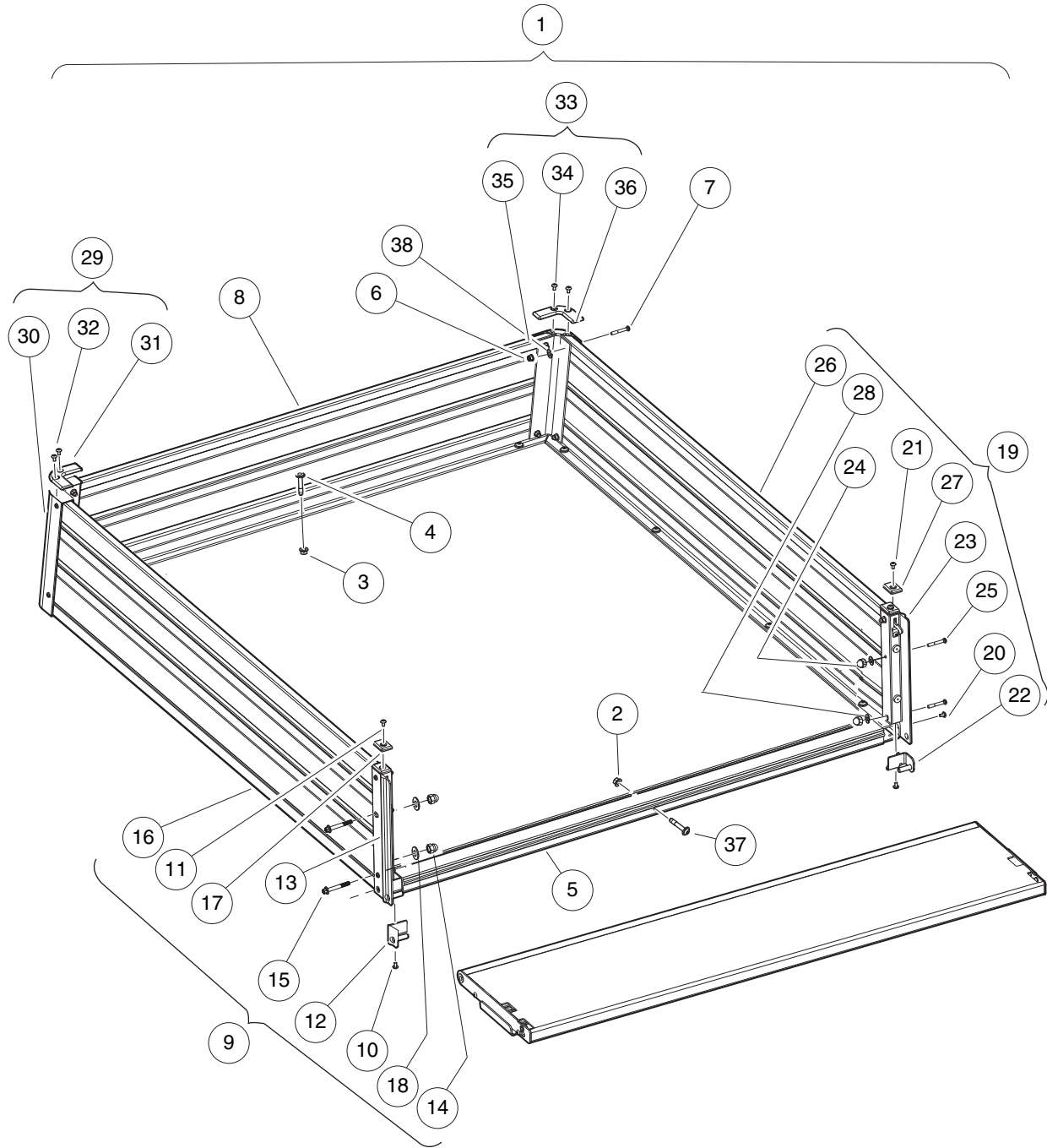


001128-00

FLATBED TRIM

ITEM	PART NO.	DESCRIPTION	QTY
		1 2 3 4	
1	<u>102298401</u>	Nut, M8, All Metal Lock	16
2	<u>102299550</u>	Screw,m8x50,sems,tx,bttn,plt	16
3	<u>105185701</u>	Pan Head Screw, M6 X 16 Tt	16
4	<u>105185801</u>	Bracket,†bed†corner,†ca	4
5	<u>105194801</u>	Trim, Bed, Cntr, Front	1
6	<u>105194802</u>	Trim, Bed, Cntr, Rear	1
7	SVP798601	Trim, Bed, Extension, Driver	1
8	SVP798602	Trim, Bed, Extension, Pass	1

1
G
E

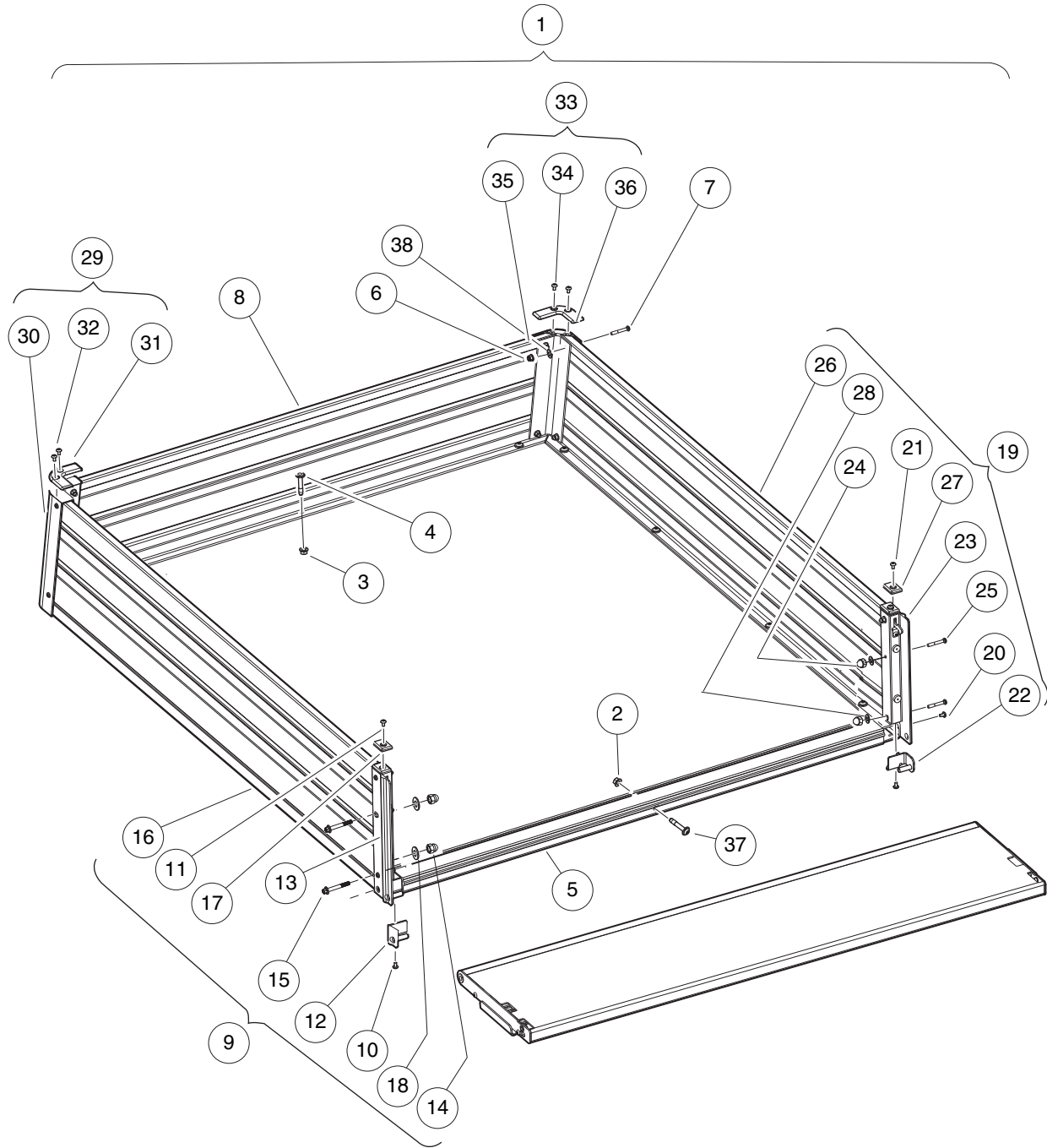


001136-002

CARGO BOX KIT - SHORT (PAGE 1 OF 2)

ITEM	PART NO.	DESCRIPTION	QTY
		1 2 3 4	
1	<u>105122104</u>	Kit, Cargo Box,Short (includes items 2 through 38)	1
2	<u>1015661</u>	Nut, Lock Hx Flanged 1/4-20	3
3	<u>102298401</u>	Nut,m8,all Metal Lock	9
4	<u>102299550</u>	Screw,m8x50,sems,tx,bttm,plt	9
5	<u>105192301</u>	Extr, Bed, Cargo, Rear	1
6	<u>105192901</u>	Nut, Acorn, M6, Lock, Silver	8
7	<u>105193001</u>	Screw, 6 Lobe, M6 X 35	8
8	<u>105194601</u>	Panel, Cargo Box, Frt	1
9	<u>105200701</u>	Asm,Cargo Box Side Panel,DS,Short (includes items 10 through 18)	1
10	<u>1014321</u>	Screw, #10 Truss-Head Torx	2
11	<u>102554512</u>	Screw M5-08x12 Torx Pn Trs	1
12	<u>105127201</u>	Weldment, Pivot, Tailgate, Lh	1
13	<u>105127401</u>	Asm, Latch, Tailgate, Lh	1
14	<u>105192901</u>	Nut, Acorn, M6, Lock, Silver	2
15	<u>105193001</u>	Screw, 6 Lobe, M6 X 35	2
16	N/A	Panel, Cargo Box, Lh, Shrt	1
17	<u>105196201</u>	Cap, Corner, Rear, Cargo Bed	1
18	<u>96705199</u>	Washer, M6	2
19	<u>105200801</u>	Asm,Cargo Box Side Panel,PS,Short (includes items 20 through 28)	1
20	<u>1014321</u>	Screw, #10 Truss-Head Torx	2
21	1025545	SCREW M5-0.8X12 TORX PN TRS	1
22	<u>105127202</u>	Weldment, Pivot, Tailgate, Rh	1
23	<u>105127402</u>	Asm, Latch, Tailgate, Rh	1
24	<u>105192901</u>	Nut, Acorn, M6, Lock, Silver	2
25	<u>105193001</u>	Screw, 6 Lobe, M6 X 35	2
26	N/A	Panel, Cargo Box, Rh Shrt	1
27	<u>105196201</u>	Cap, Corner, Rear, Cargo Bed	1
28	<u>96705199</u>	Washer, M6	2
29	<u>105200901</u>	Asm, Cargo Box,Corner,DS (includes items 30 through 32)	1
30	N/A	Extr, Bed Corner, Lh	1
31	<u>105196101</u>	Cap, Corner, Frt, Cargo Bed	1
32	<u>105205201</u>	Screw, 10-24 X .36, St Torx	2
33	<u>105201001</u>	Asm,Cargo Box,Corner,PS (includes items 34 through 36)	1
34	N/A	Extr, Bed Corner, Rh	1
35	<u>105196101</u>	Cap, Corner, Frt, Cargo Bed	1
36	<u>105205201</u>	Screw, 10-24 X .36, St Torx	2
37	<u>324</u>	Screw, 1/4-20 X 2.50 Hx Hd Cap	3
38	<u>96705199</u>	Washer, M6	8

1
G
E

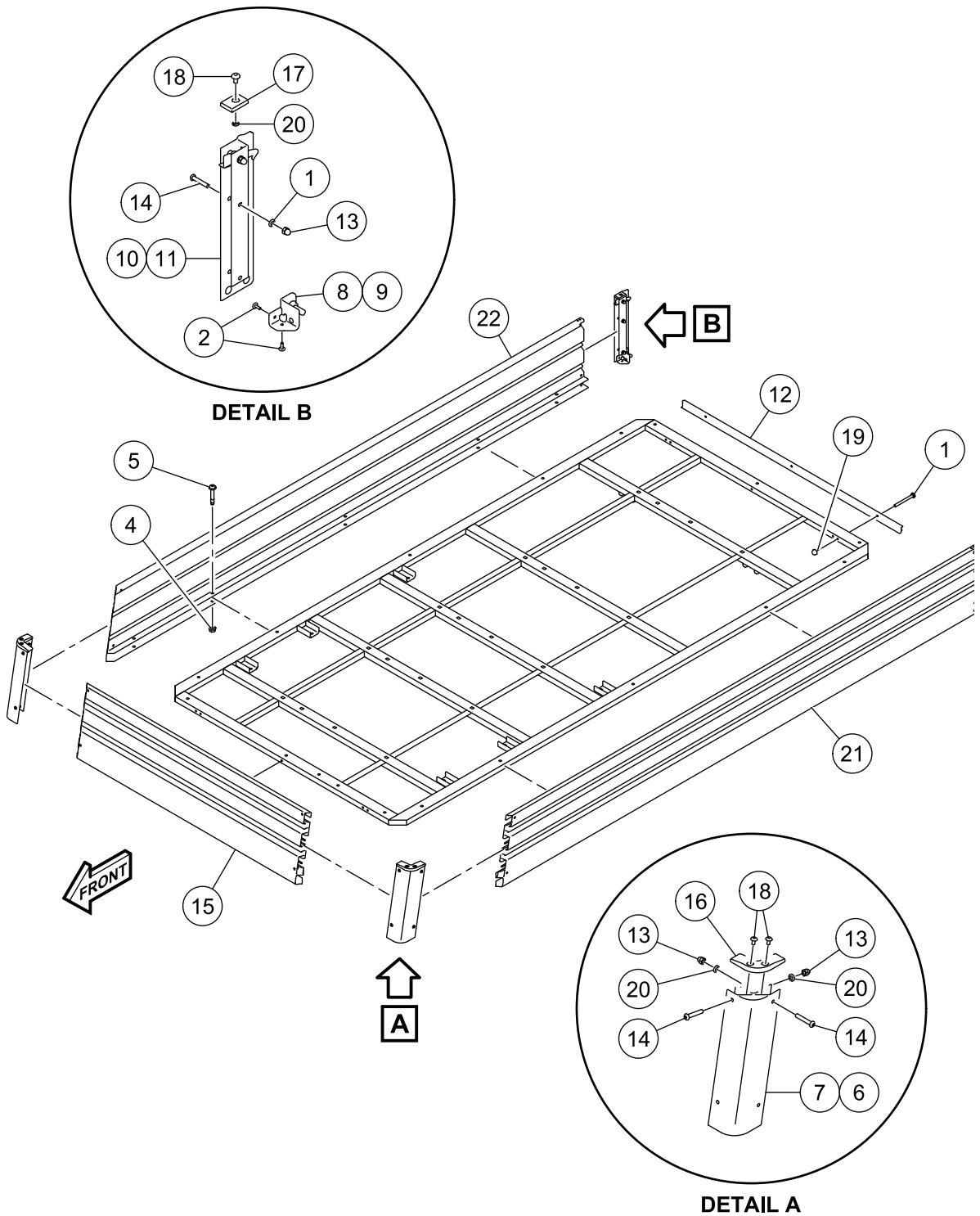


001136-002

CARGO BOX KIT – LONG (PAGE 1 OF 2)

ITEM	PART NO.	DESCRIPTION	QTY
		1 2 3 4	
1	<u>105122106</u>	Kit, Cargo Box,Long (includes items 2 through 38)	1
2	<u>1015661</u>	Nut, Lock Hx Flanged 1/4-20	3
3	<u>102298401</u>	Nut,m8,all Metal Lock	11
4	<u>102299550</u>	Screw,m8x50,sems,tx,btt,plt	11
5	<u>105192301</u>	Extr, Bed, Cargo, Rear	1
6	<u>105192901</u>	Nut, Acorn, M6, Lock, Silver	8
7	<u>105193001</u>	Screw, 6 Lobe, M6 X 35	8
8	<u>105194601</u>	Panel, Cargo Box, Frt	1
9	<u>105200703</u>	Asm,Cargo Box, Side Panel,DS,Long (includes items 10 through 18)	1
10	<u>1014321</u>	Screw, #10 Truss-Head Torx	2
11	<u>102554512</u>	Screw M5-08x12 Torx Pn Trs	1
12	<u>105127201</u>	Weldment, Pivot, Tailgate, Lh	1
13	<u>105127401</u>	Asm, Latch, Tailgate, Lh	1
14	<u>105192901</u>	Nut, Acorn, M6, Lock, Silver	2
15	<u>105193001</u>	Screw, 6 Lobe, M6 X 35	2
16	N/A	Panel, Cargo Box, Lh, Long	1
17	<u>105196201</u>	Cap, Corner, Rear, Cargo Bed	1
18	<u>96705199</u>	Washer, M6	2
19	<u>105200803</u>	Asm,Cargo Box, Side Panel,PS,Long (includes items 20 through 28)	1
20	<u>1014321</u>	Screw, #10 Truss-Head Torx	2
21	<u>102554512</u>	Screw M5-08x12 Torx Pn Trs	1
22	<u>105127202</u>	Weldment, Pivot, Tailgate, Rh	1
23	<u>105127402</u>	Asm, Latch, Tailgate, Rh	1
24	<u>105192901</u>	Nut, Acorn, M6, Lock, Silver	2
25	<u>105193001</u>	Screw, 6 Lobe, M6 X 35	2
26	N/A	Panel, Cargo Box, Rh Long	1
27	<u>105196201</u>	Cap, Corner, Rear, Cargo Bed	1
28	<u>96705199</u>	Washer, M6	2
29	<u>105200901</u>	Asm, Cargo Box,Corner,DS (includes items 30 through 32)	1
30	N/A	Extr, Bed Corner, Lh	1
31	<u>105196101</u>	Cap, Corner, Frt, Cargo Bed	1
32	<u>105205201</u>	Screw, 10-24 X .36, St Torx	2
33	<u>105201001</u>	Asm,Cargo Box,Corner,PS (includes items 34 through 36)	1
34	N/A	Extr, Bed Corner, Rh	1
35	<u>105196101</u>	Cap, Corner, Frt, Cargo Bed	1
36	<u>105205201</u>	Screw, 10-24 X .36, St Torx	2
37	<u>324</u>	Screw, 1/4-20 X 2.50 Hx Hd Cap	3
38	<u>96705199</u>	Washer, M6	12

1
G
E



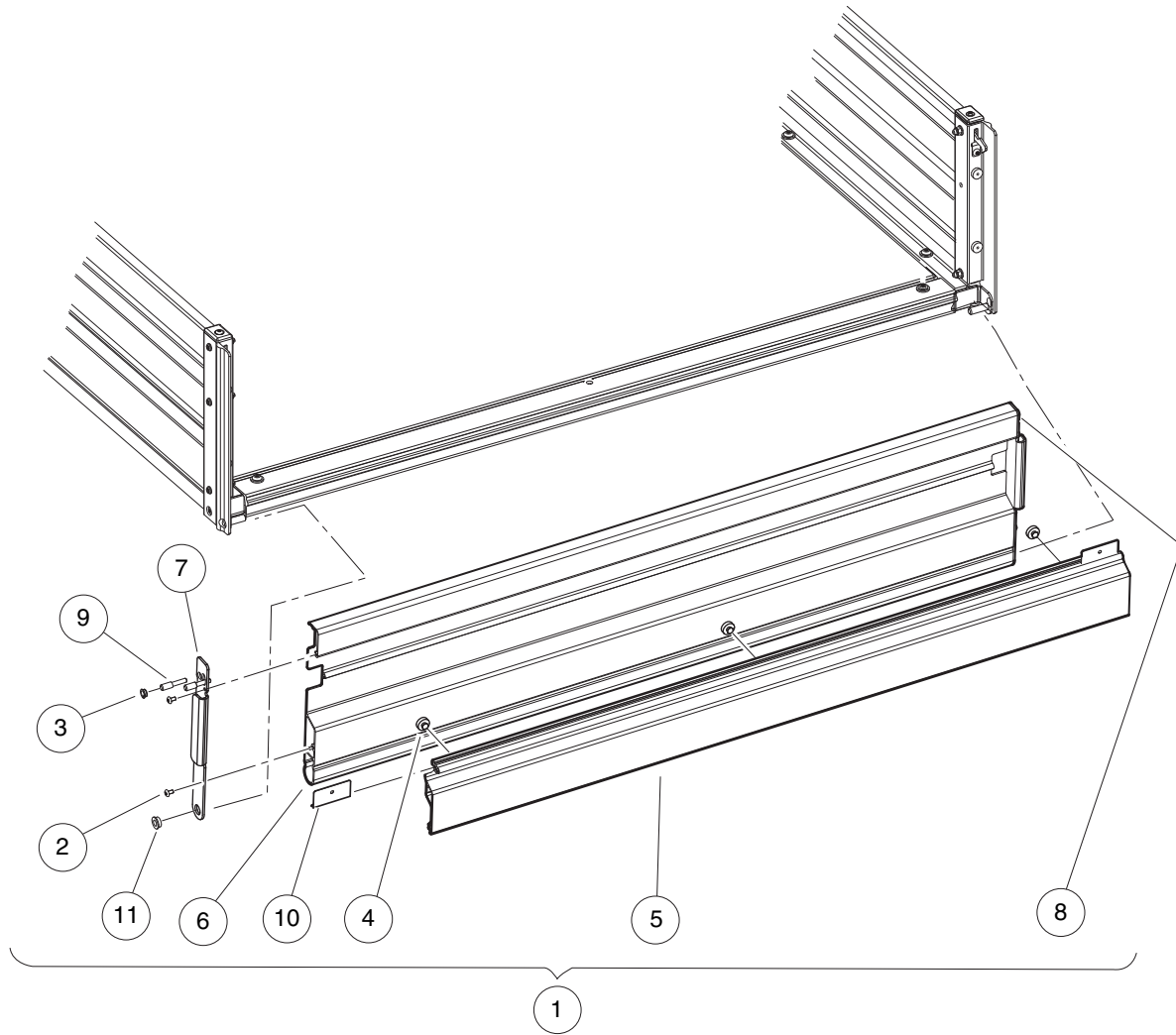
00113

CARGO BOX (PAGE 1 OF 2)

ITEM	PART NO.	DESCRIPTION	QTY
		1 2 3 4	
1	<u>1014321</u>	Screw, #10 Truss-Head Torx	4
2	<u>1015661</u>	Nut, Lock Hx Flanged 1/4-20	3
3	<u>1016</u>	Lockwasher, #10 Split	2
4	<u>102298401</u>	Nut, M8, All Metal Lock	13
5	<u>102299550</u>	Screw,m8x50,sems,tx,bttn,plt	13
6	N/A	Extr, Bed Corner, Lh	1
7	N/A	Extr, Bed Corner, Rh	1
8	<u>105127201</u>	Weldment, Pivot, Tailgate, Lh	1
9	<u>105127202</u>	Weldment, Pivot, Tailgate, Rh	1
10	<u>105127401</u>	Asm, Latch, Tailgate, Lh	1
11	<u>105127402</u>	Asm, Latch, Tailgate, Rh	1
12	<u>105192301</u>	Extr, Bed, Cargo, Rear	1
13	<u>105192901</u>	Nut, Acorn, M6, Lock, Silver	12
14	<u>105193001</u>	Screw, 6 Lobe, M6 X 35	12
15	<u>105194601</u>	Panel, Cargo Box, Frt	1
16	<u>105196101</u>	Cap, Corner, Frt, Cargo Bed	2
17	<u>105196201</u>	Cap, Corner, Rear, Cargo Bed	2
18	<u>105205201</u>	Screw, 10-24 X .36, St Torx	6
19	<u>324</u>	Screw, 1/4-20 X 2.50 Hx Hd Cap	3
20	<u>96705199</u>	Washer, M6	12
21	SVP798701	Panel, Box, Extended, Driver	1
22	SVP798801	Panel, Box, Extended, Pass	1

1
G
E

1
G
E



001152-001

CARGO BOX KIT (PAGE 2 OF 2)

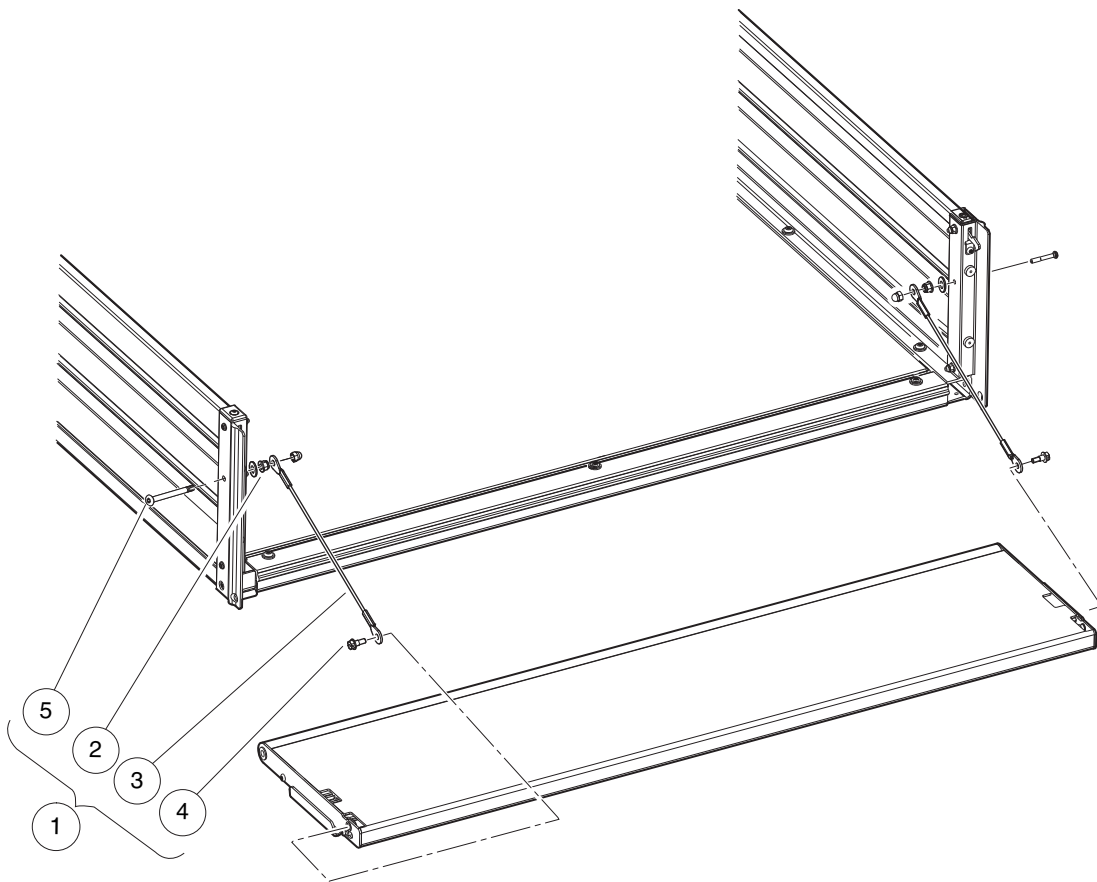
ITEM	PART NO.	DESCRIPTION	QTY
		1 2 3 4	
1	<u>105128101</u>	Asm, Tailgate, Wide Handle (includes items 2 through 11)	1
2	<u>1014321</u>	Screw, #10 Truss-Head Torx	4
3	<u>1015363</u>	Bushing, Snap-In	2
4	<u>102590801</u>	Bumper, Rubber	3
5	<u>105128201</u>	Handle, Tailgate, Wide	1
6	N/A	Panel, Tailgate, Wide	1
7	<u>105130301</u>	Bracket, End, Tailgate, Lh	1
8	<u>105130302</u>	Bracket, End, Tailgate, Rh	1
9	<u>105130501</u>	Pin, Latch, Tailgate	4
10	105130601	Spring, Handle, Tailgate	2
11	<u>7049</u>	Bushing, Nylon	2

1
G
E

1

G

E



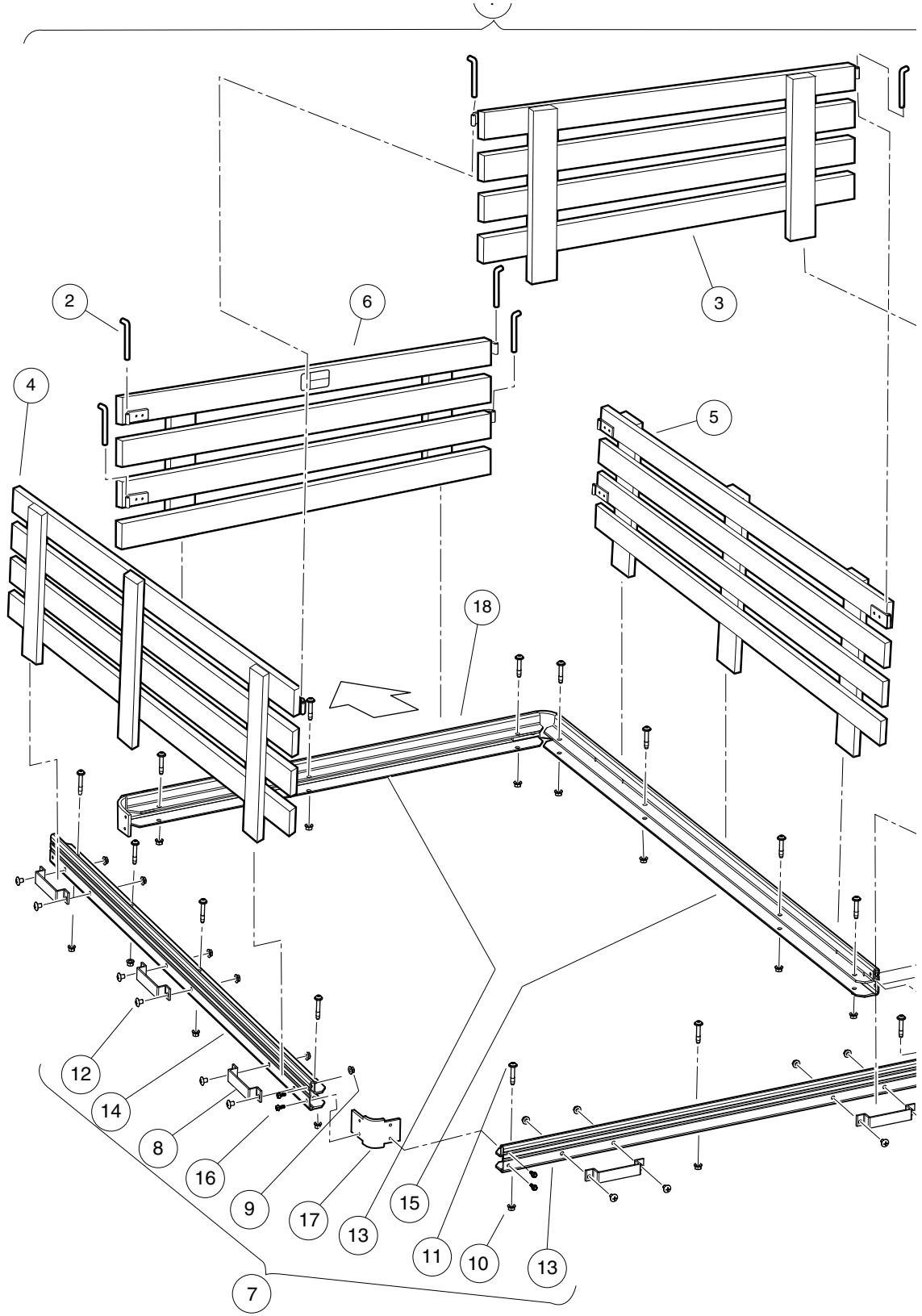
001160-002

TAILGATE TEATHER

ITEM	PART NO.	DESCRIPTION	QTY
1	<u>105127302</u>	1 2 3 4 Kit, Tether, Tailgate (includes items 2 through 5)	1
2	<u>102621501</u>	Nut, Flange, M6 X 1.0, Nylon	2
3	<u>105128001</u>	Cable, Tether, Tailgate	2
4	<u>105129901</u>	Screw, Shoulder, Self Thread	2
5	<u>105193101</u>	Screw, 6 Lobe, M6 X 50	2

1
G
E

1
G
E

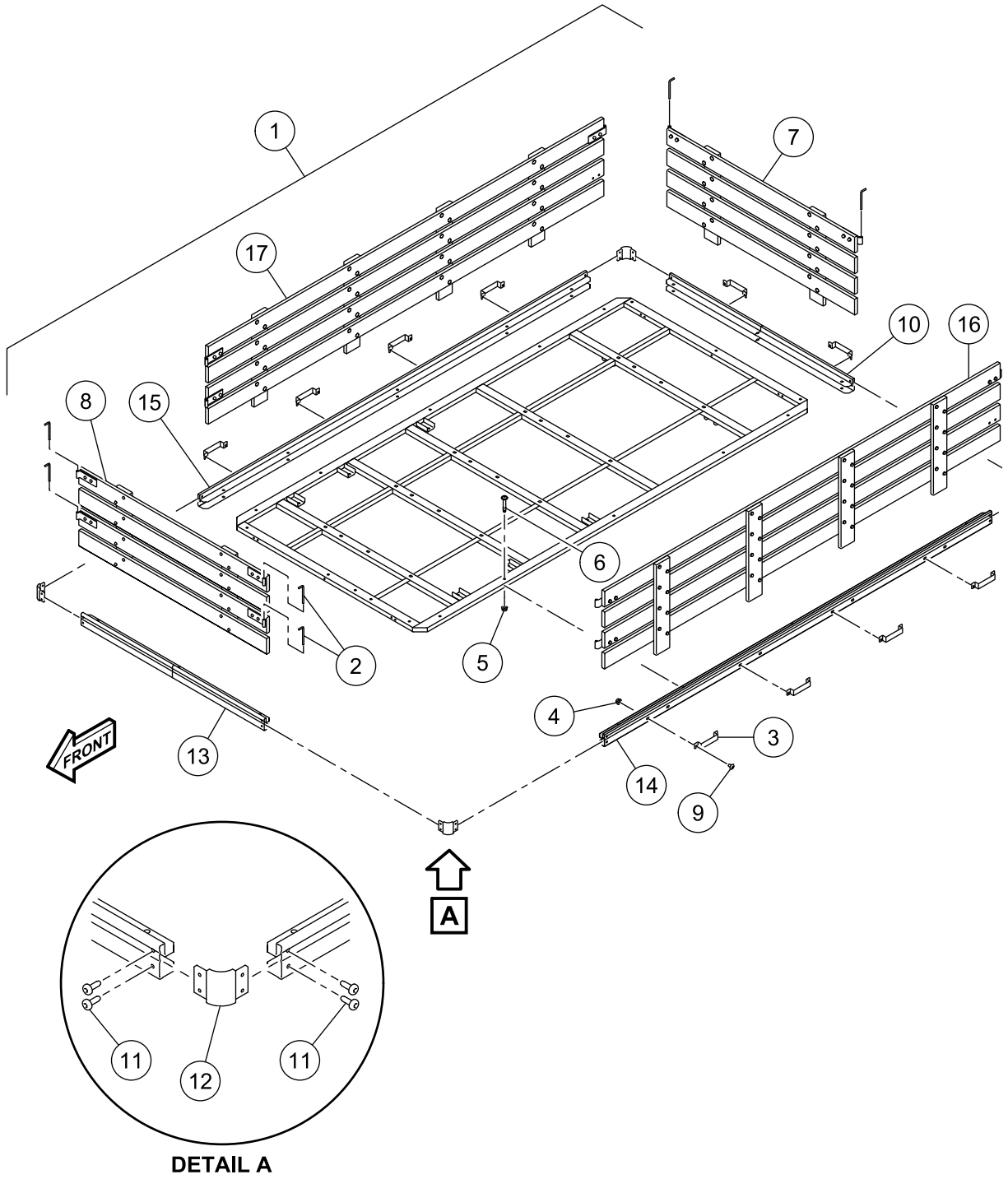


STAKE SIDE KIT – LONG

ITEM	PART NO.	DESCRIPTION	QTY
		1 2 3 4	
1	<u>105109601</u>	Kit, Stake Side, Long (includes items 2 through 7)	1
2	<u>1015656</u>	Pin, hinge	6
3	<u>102847603</u>	Asm, Stake Side, 48 X 19 Rear	1
4	<u>105113401</u>	Stake Side, Ca Large, Lh	1
5	<u>105113402</u>	Stake Side, Ca Large, Rh	1
6	<u>105129501</u>	Stake Side, Front, Ca, 50"	1
7	<u>105148503</u>	Asm, Trim, Stake Side, Long (includes items 8 through 18)	1
8	<u>1016077</u>	Bracket, Stake Side	8
9	<u>101963401</u>	Locknut, 5/16-18 Hex Flange	16
10	<u>102298401</u>	Nut,m8,all Metal Lock	14
11	<u>102299550</u>	Screw,m8x50,sems,tx,bttn,plt	16
12	<u>105129601</u>	Screw, Phl Trus Hd, 5/16-18x.5	16
13	<u>105148601</u>	Trim, Stake Side, Cen, Rear	1
14	<u>105148901</u>	Trim, Stake Side, Long, Lh	1
15	<u>105148902</u>	Trim, Stake Side, Long, Rh	1
16	<u>105185701</u>	Pan Head Screw, M6 X 16 Tt	16
17	<u>105185801</u>	Bracket, Bed Corner, CA	4
18	<u>105194801</u>	Trim, Bed, Cntr, Front	1

1
G
E

1
G
E



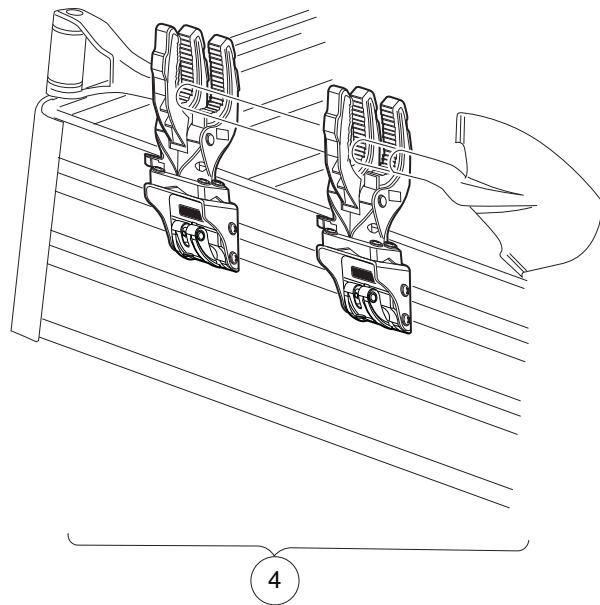
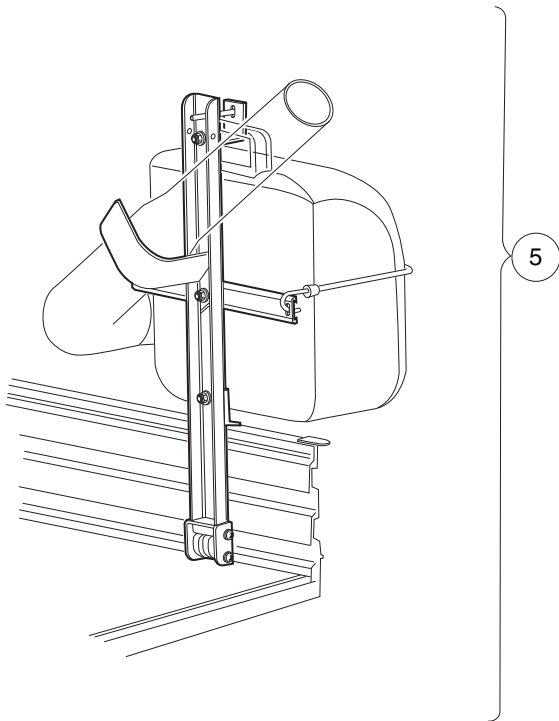
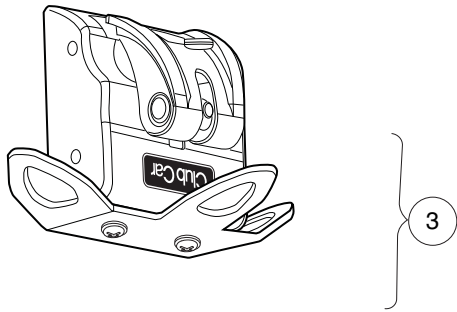
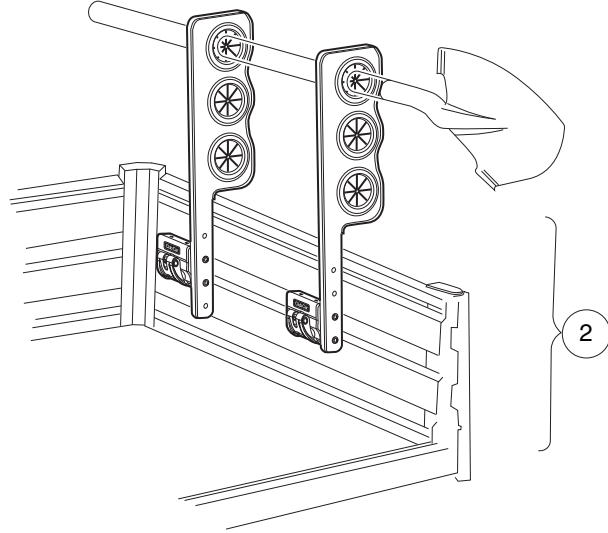
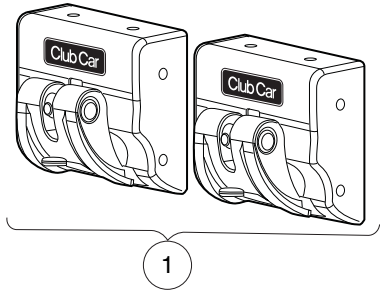
001131

STAKE SIDE

ITEM	PART NO.	DESCRIPTION	QTY
		1 2 3 4	
1	SVP910002	Kit Stake Side Ca900 Tp XI (includes items 2 through 17)	1
2	<u>1015656</u>	Pin, hinge	6
3	<u>1016077</u>	Bracket, Stake Side	10
4	<u>101963401</u>	Locknut, 5/16-18 Hex Flange	20
5	<u>102298401</u>	Nut, M8, All Metal Lock	16
6	<u>102299550</u>	Screw,m8x50,sems,tx,bttn,plt	16
7	<u>102847603</u>	Asm, Stake Side, 48 X 19 Rear	1
8	105129501	Stake Side, Front, Ca, 50"	1
9	<u>105129601</u>	Screw, Phl Trus Hd, 5/16-18x.5	20
10	105148601	Trim, Stake Side, Cen, Rear	1
11	<u>105185701</u>	Pan Head Screw, M6 X 16 Tt	16
12	<u>105185801</u>	Bracket,†bed†corner,†ca	4
13	<u>105194801</u>	Trim, Bed, Cntr, Front	1
14	SVP909701	Trim Bed Stake Ca900 Tp XI Lh	1
15	SVP909702	Trim Bed Stake Ca900 Tp XI Rh	1
16	SVP909901	Stake Side Ca900 Tp XI Lh	1
17	SVP909902	Stake Side Ca900 Tp XI Rh	1

1
G
E

1
G
E



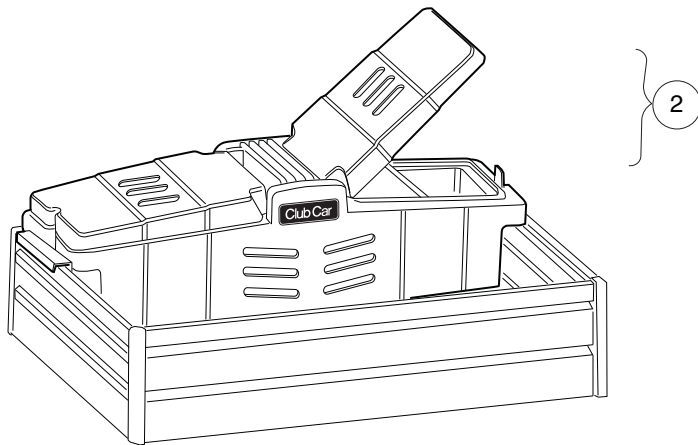
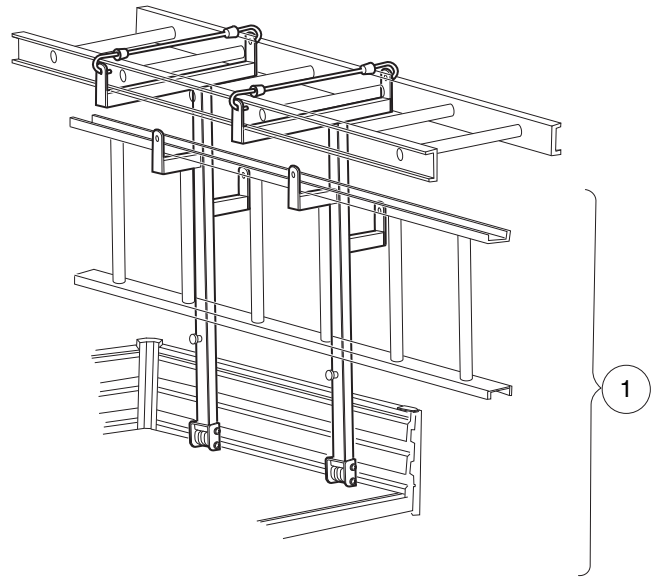
001167-001

MODULAR BED ACCESSORIES

ITEM	PART NO.	DESCRIPTION	QTY
		1 2 3 4	
1	<u>105160401</u>	Bed Clamp, Set	1
2	<u>105160801</u>	Kit, Tool Rack	1
3	<u>105160901</u>	Kit, Tie Down	1
4	<u>105161101</u>	Kit, Static Grip	1
5	<u>105161401</u>	Kit, Holder, Leaf Blower	1
<p>Note: Component part numbers unavailable at publication.</p>			

1
G
E

1
G
E



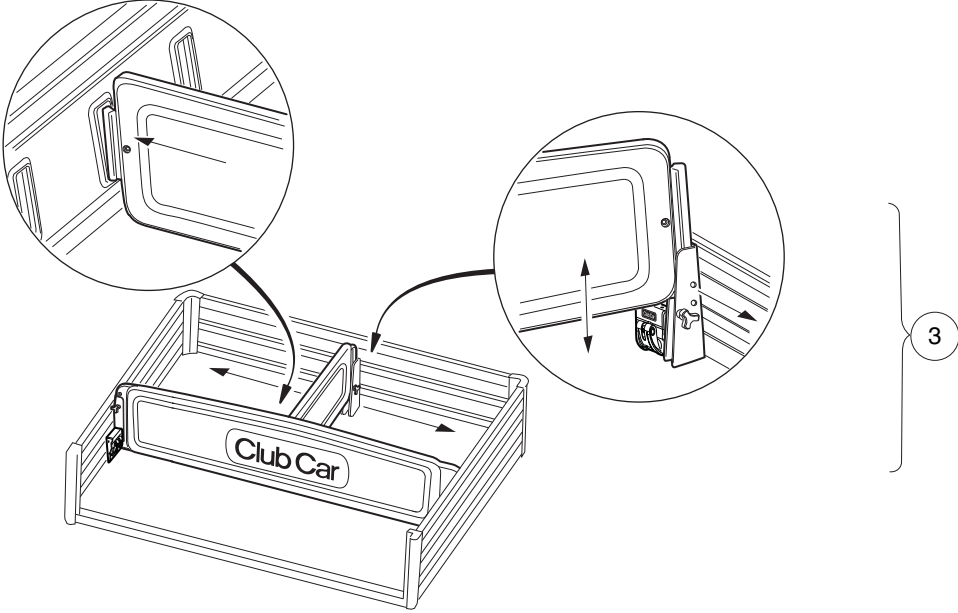
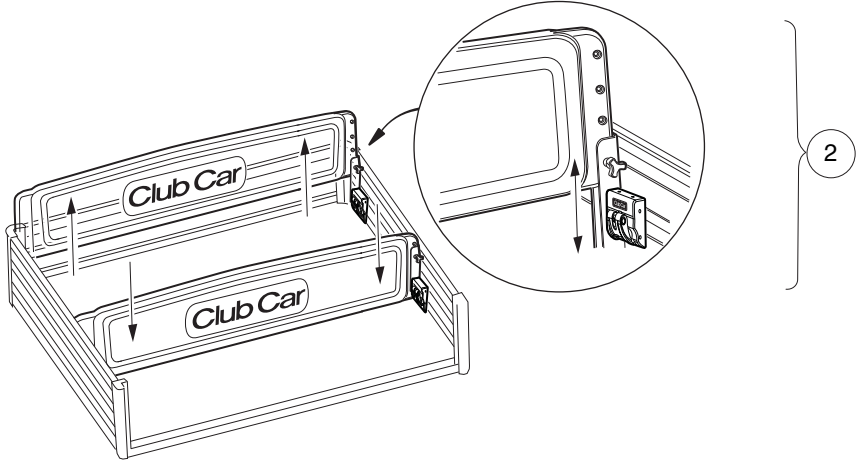
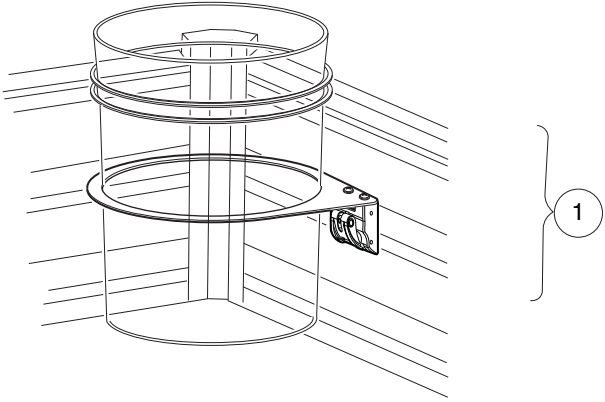
001168-001

MODULAR BED ACCESSORIES

ITEM	PART NO.	DESCRIPTION	QTY
1	<u>105161501</u>	1 2 3 4 Kit, Rack, Ladder	1
2	105161601	Kit, Toolbox	1
<p>Note: Component part numbers unavailable at publication.</p>			



1
G
E

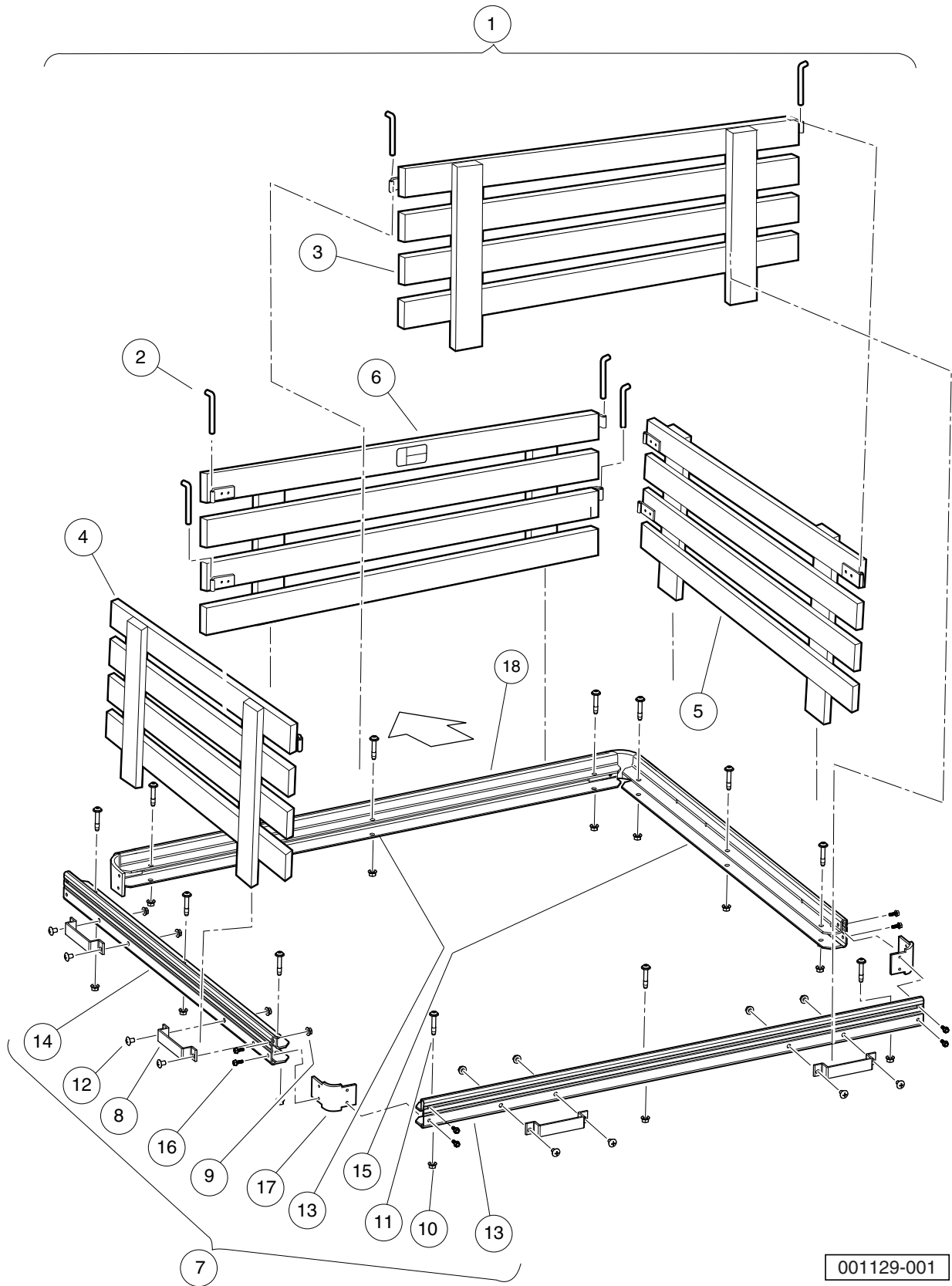


001169-001

MODULAR BED ACCESSORIES

ITEM	PART NO.	DESCRIPTION	QTY
		1 2 3 4	
1	<u>105160501</u>	Kit, Holder, Bucket	1
2	<u>105161201</u>	Kit, Bed Divider/extension	1
3	<u>105161301</u>	Kit, Bed Divider, Short	1
<p>Note: Component part numbers unavailable at publication.</p>			



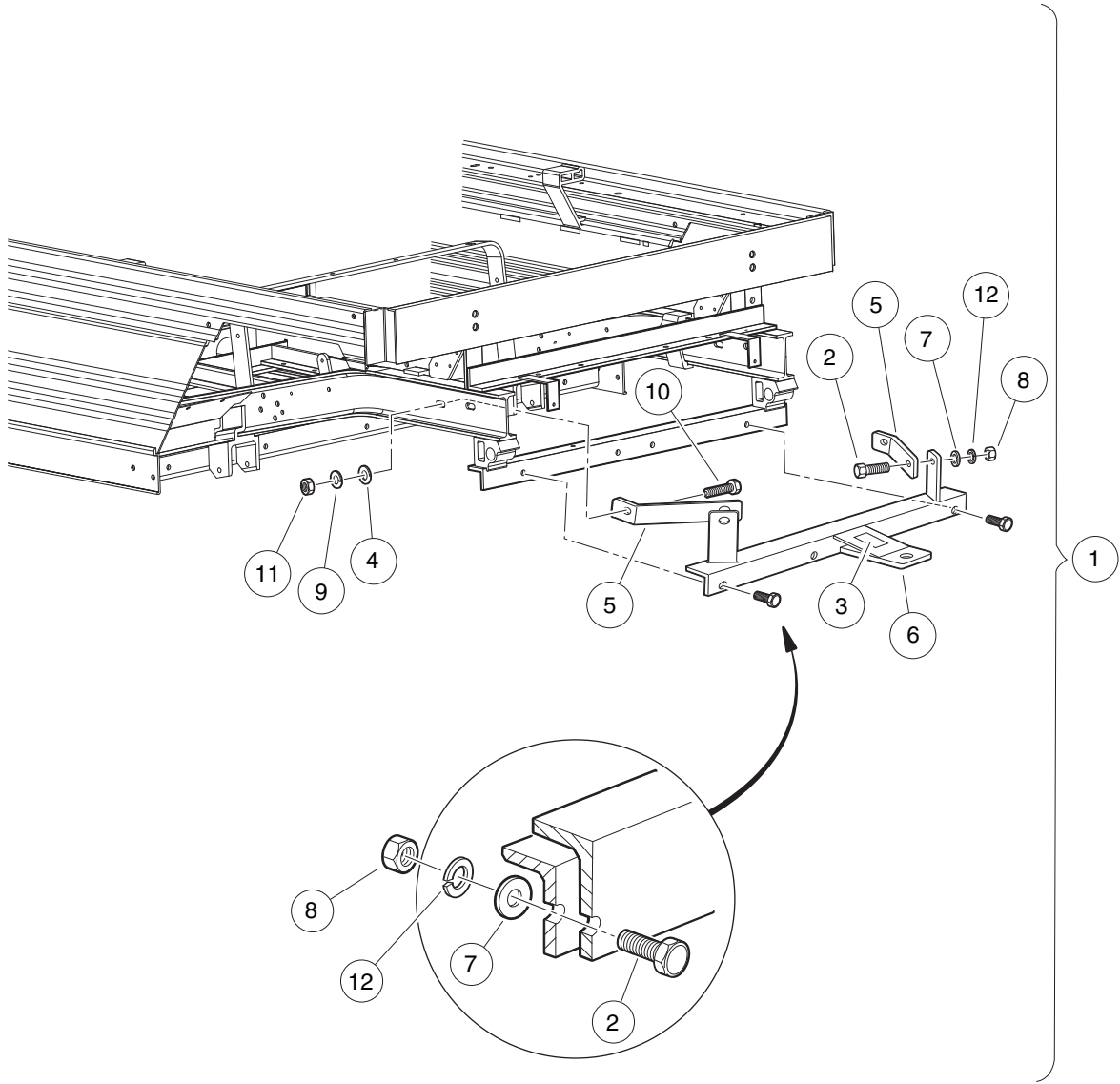


STAKE SIDE KIT - SHORT

ITEM	PART NO.	DESCRIPTION	QTY
		1 2 3 4	
1	<u>105109401</u>	Kit, Stake Side, Short (includes items 2 through 7)	1
2	<u>1015656</u>	Pin, hinge	6
3	<u>102847603</u>	Asm, Stake Side, 48 X 19 Rear	1
4	<u>105113201</u>	Stake Side, Ca Small, Lh	1
5	<u>105113202</u>	Stake Side, Ca Small, Rh	1
6	<u>105129501</u>	Stake Side, Front, Ca, 50"	1
7	<u>105148501</u>	Asm, Trim, Stake Side, Short (includes items 8 through 18)	1
8	<u>1016077</u>	Bracket, Stake Side	6
9	<u>101963401</u>	Locknut, 5/16-18 Hex Flange	12
10	<u>102298401</u>	Nut,m8,all Metal Lock	14
11	<u>102299550</u>	Screw,m8x50,sems,tx,bttn,plt	14
12	<u>105129601</u>	Screw, Phl Trus Hd, 5/16-18x.5	12
13	<u>105148601</u>	Trim, Stake Side, Cen, Rear	1
14	<u>105148701</u>	Trim, Stake Side, Shrt, Lh	1
15	<u>105148702</u>	Trim, Stake Side, Shrt, Rh	1
16	<u>105185701</u>	Pan Head Screw, M6 X 16 Tt	16
17	<u>105185801</u>	Bracket, Bed Corner, CA	4
18	<u>105194801</u>	Trim, Bed, Cntr, Front	1

1
G
E

1
G
E

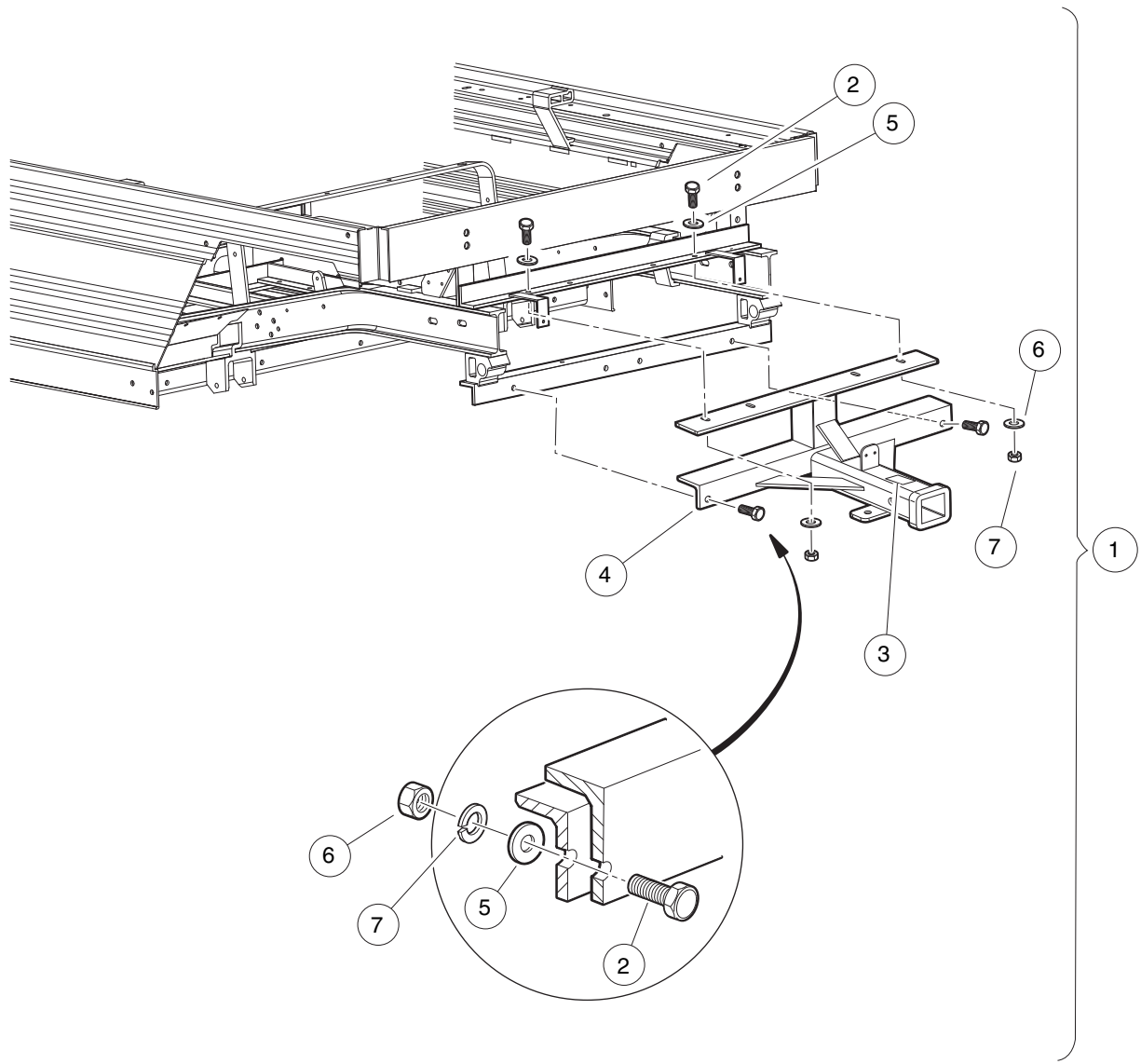


001132-001

HEAVY DUTY TRAILER HITCH

ITEM	PART NO.	DESCRIPTION	QTY
		1 2 3 4	
1	<u>1015445</u>	Kit, Trailer Hitch (includes items 2 through 12)	1
2	<u>1010934</u>	Screw, 5/16-18 X 1.00 Hex Cap	4
3	<u>1011553</u>	Decal, Trailer Hitch	1
4	<u>1011990</u>	Washer, 3/8 Flat	2
5	<u>1013483</u>	Brace, Trailer Hitch	2
6	N/A	Asm, Trailer Hitch	1
7	<u>1241</u>	Washer, 5/16 Type A Flat	4
8	<u>1242</u>	Nut, 5/16-18 Hex	4
9	<u>357</u>	Lockwasher, 3/8 Split	2
10	705	Screw, Cap-hex Hd 3/8-16x1.25	2
11	<u>706</u>	Nut, Hex 3/8-16	2
12	<u>7174</u>	Lockwasher, 5/16 Split	4

1
G
E

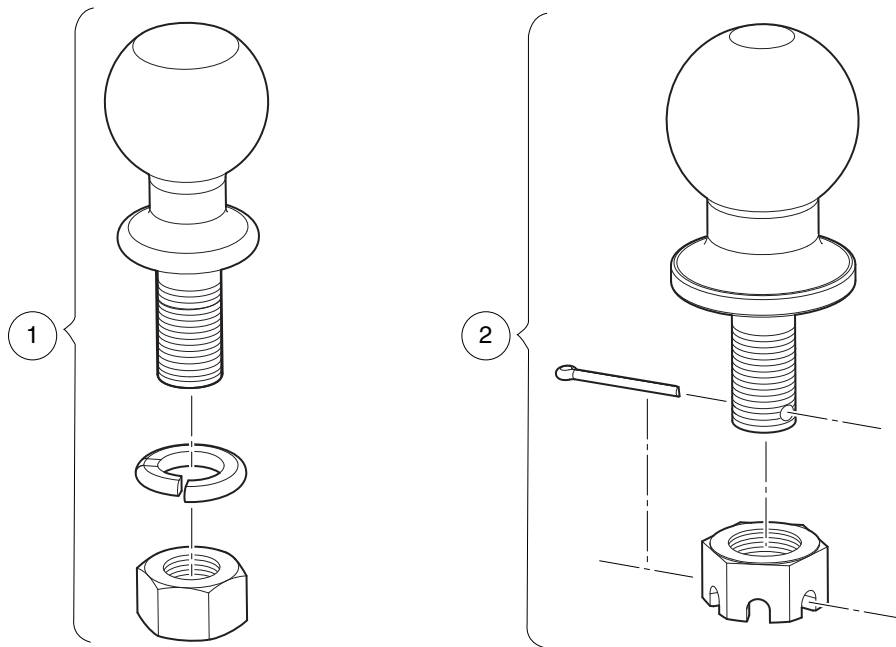


001133-001

REAR RECIEVER HITCH

ITEM	PART NO.	DESCRIPTION	QTY
		1 2 3 4	
1	<u>102065103</u>	Kit, Rear Receiver (includes items 2 through 7)	1
2	<u>1010934</u>	Screw, 5/16-18 X 1.00 Hex Cap	6
3	<u>1011553</u>	Decal, Trailer Hitch	1
4	<u>102056001</u>	Rear Receiver Weld Asm	1
5	<u>1241</u>	Washer, 5/16 Type A Flat	6
6	<u>1242</u>	Nut, 5/16-18 Hex	6
7	<u>7174</u>	Lockwasher, 5/16 Split	6

1
G
E



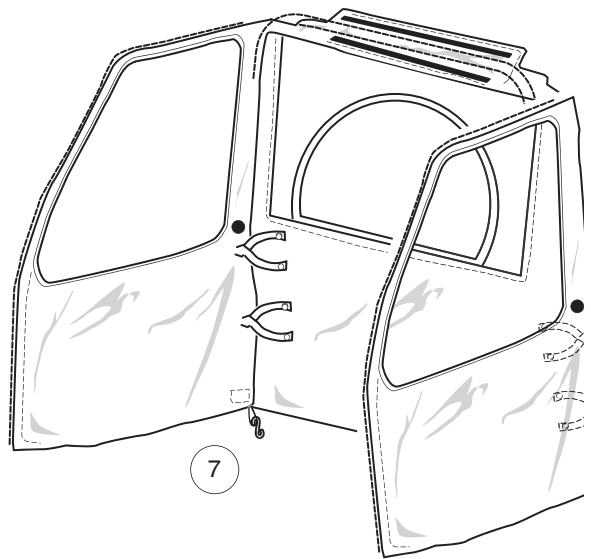
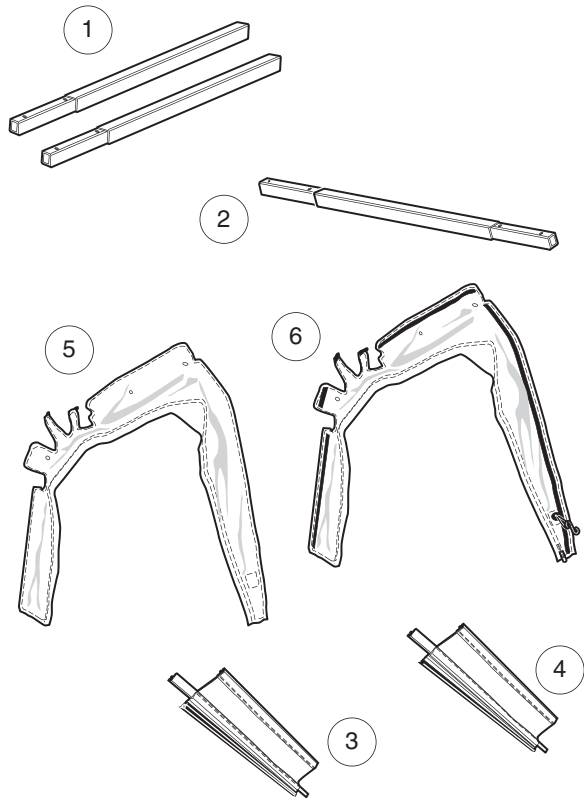
001137-001

TRAILER HITCH BALL

ITEM	PART NO.	DESCRIPTION	QTY
1	<u>1011546</u>	1 2 3 4 Trailer Hitch Ball - 1 7/8"	1
2	<u>104033601</u>	Ball, Trailer Hitch, 50mm	1

1
G
E

1
G
E

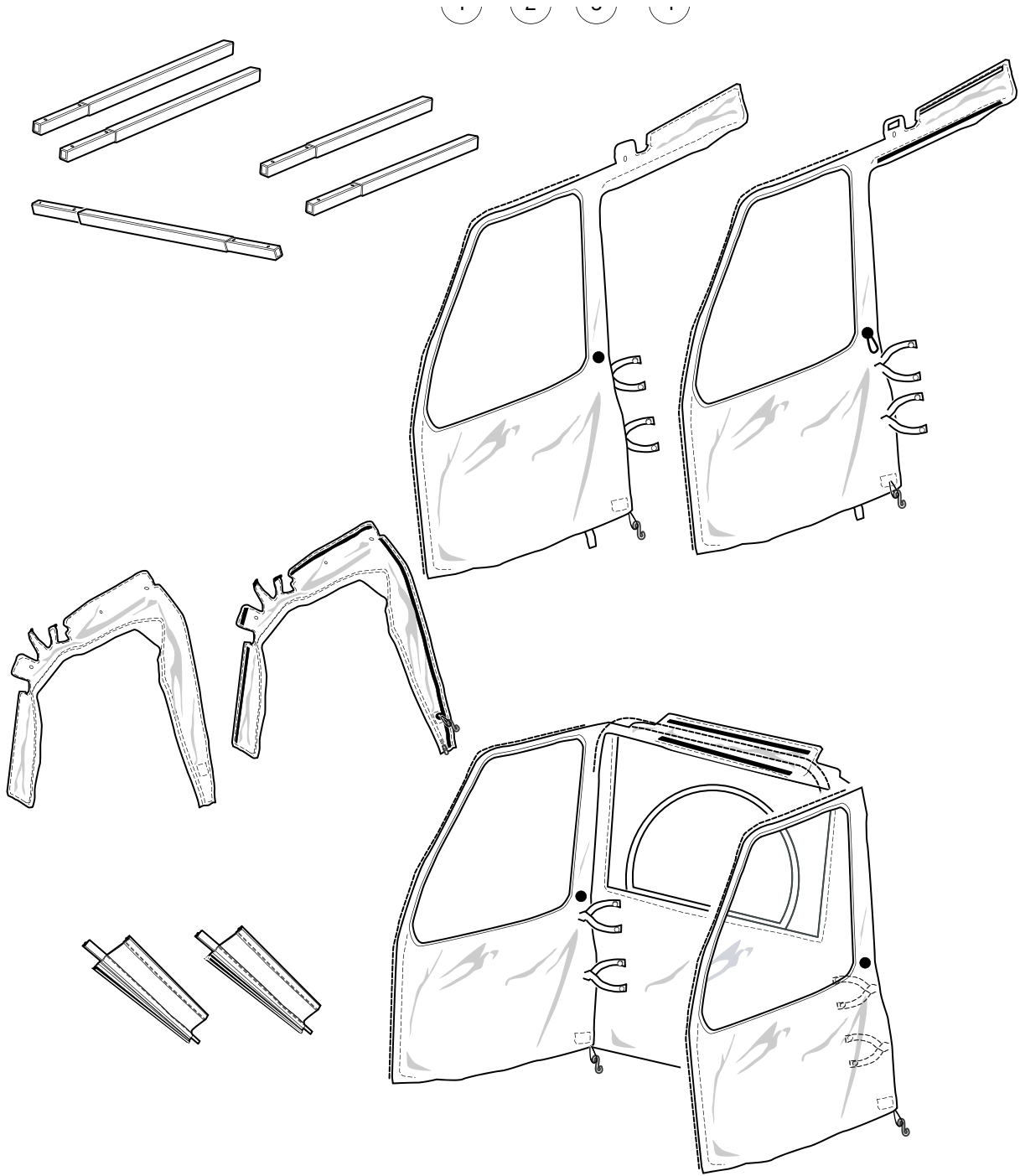


ENCLOSURES

ITEM	PART NO.	DESCRIPTION	QTY
		1 2 3 4	
1	<u>105124301</u>	Kit, Enclosure, White	1
2	<u>105124302</u>	Kit, Enclosure, Beige	1
3	<u>105124401</u>	Kit, Enclosure, Gray	1
4	<u>105124501</u>	Kit, Enclosure, Black	1

1
G
E

1
G
E



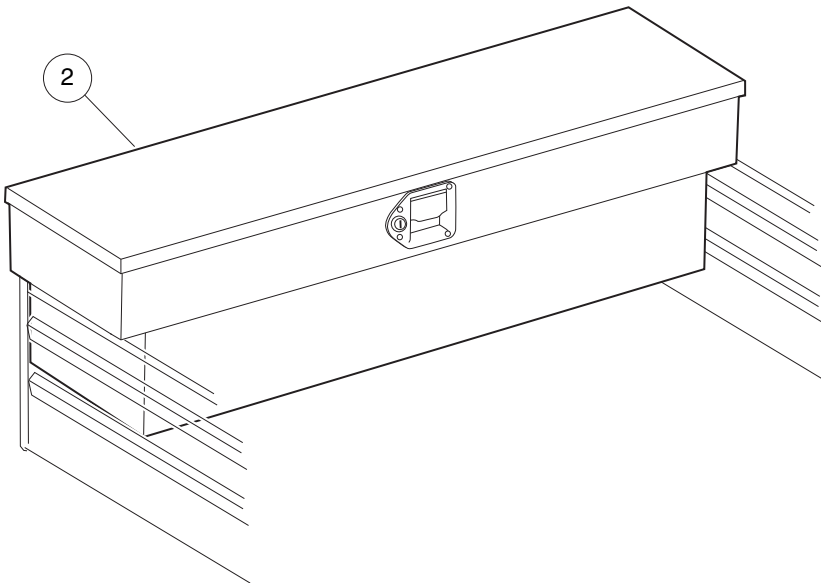
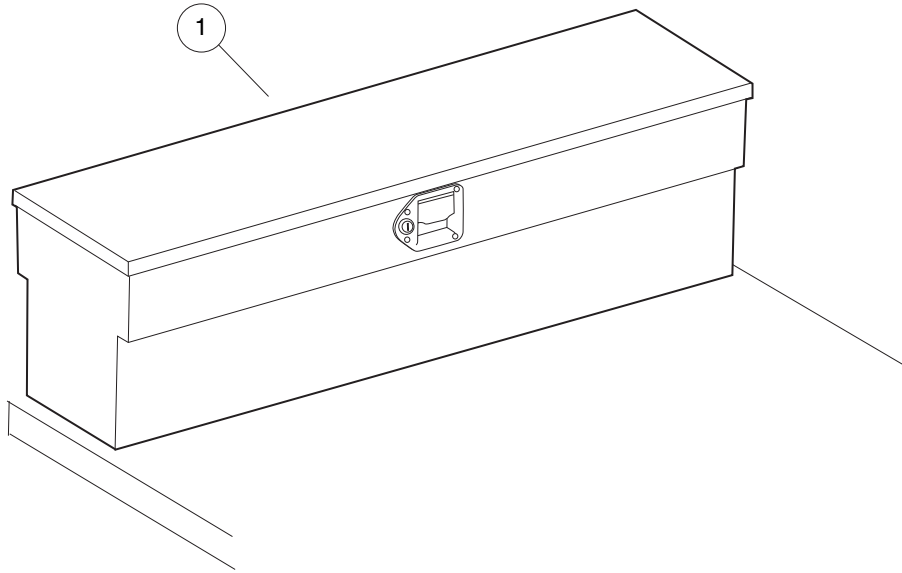
001242-001

ENCLOSURE – 4- PASSENGER

ITEM	PART NO.	DESCRIPTION	QTY
		1 2 3 4	
1	<u>105168801</u>	Kit, Enclosure, Utl, Long, 4p, Wht	1
2	105168802	Kit, Enclosure, Utl, Long, 4p, Gray	1
3	<u>105168803</u>	Kit, Enclosure, Utl, Long, 4p, Blk	1
4	105168804	Kit, Enclosure, Utl, Long, 4p, Beige	1

1
G
E

1
G
E



001157-001

TOOLBOXES

ITEM	PART NO.	DESCRIPTION	QTY
1	<u>101837401</u>	1 2 3 4 Toolbox, Flat Bed	1
2	<u>101837502</u>	Toolbox, Box Bed	1

1

G

E

1

G

E

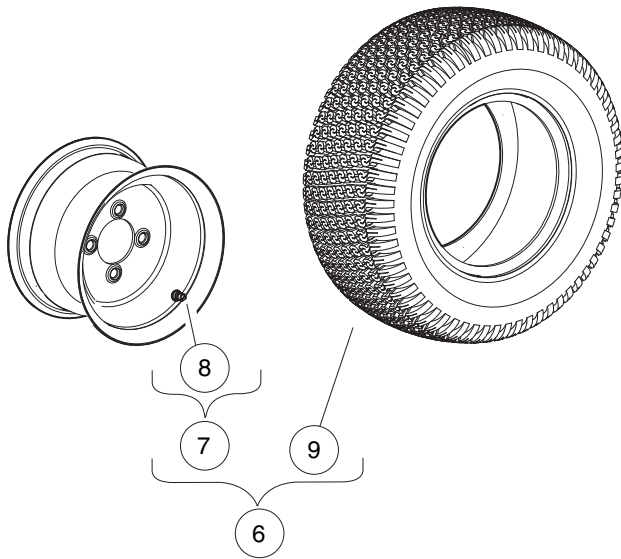
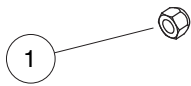
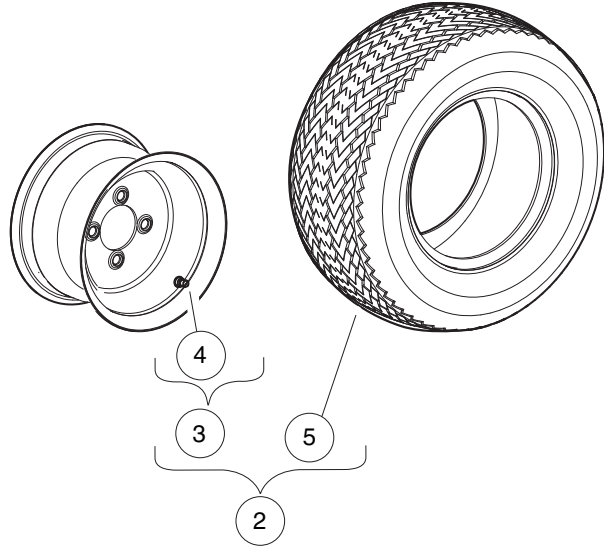
WHEELS AND TIRES

2

G

E

2
G
E

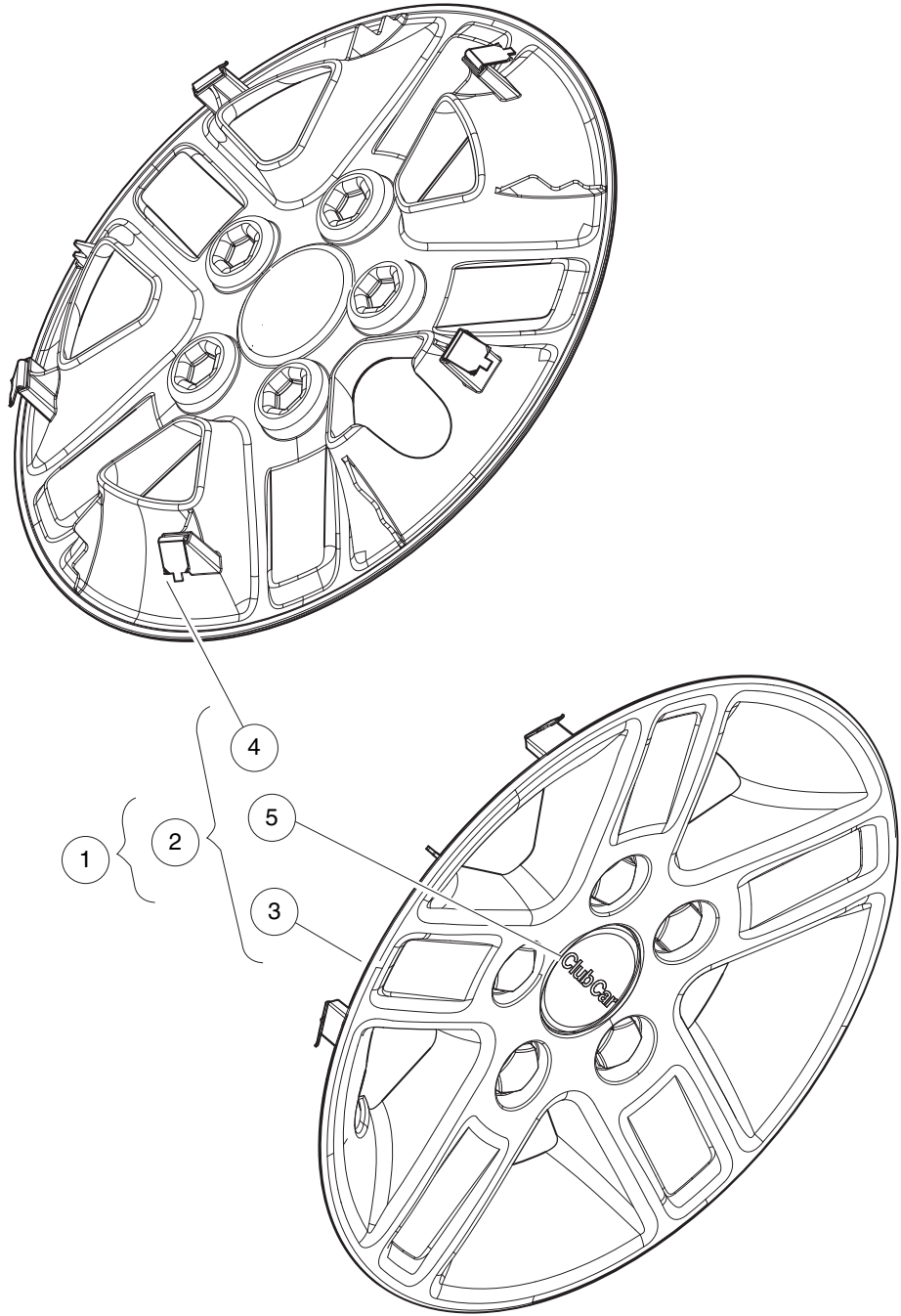


001320-001

WHEELS AND TIRES

ITEM	PART NO.	DESCRIPTION	QTY
		1 2 3 4	
1	<u>1010984</u>	.500-20 Unf Lug Nut	16
2	<u>105078809</u>	Asm,whl,hn1,20x10-10,6pl (includes items 3 through 5)	4
3	<u>105079204</u>	Whl,10x6", Gray, 0 Os,rr W/ Vs (includes item 4)	1
4	<u>105078901</u>	Valve Stem, Kenda, Tr 412	1
5	<u>105079301</u>	Tire, Hole-n-1, 20x10-10, 6pl	1
6	<u>105078810</u>	Asm,whl,st,20x10-10,6pl (includes items 7 through 9)	4
7	<u>105079204</u>	Whl,10x6", Gray, 0 Os,rr W/ Vs (includes item 8)	1
8	<u>105078901</u>	Valve Stem, Kenda, Tr 412	1
9	<u>105079401</u>	Tire, Superturf, 20x10-10, 6pl	1

2
G
E



001350-002

WHEEL COVERS

ITEM	PART NO.	DESCRIPTION	QTY
		1 2 3 4	
1	<u>105106501</u>	Kit, Wheel Cover, 10x6" (includes item 2)	1
2	<u>105106301</u>	Asm, Whl Cover, 5 Spoke, 10x6" (includes items 3 through 5)	4
3	N/A	Wheel Cover, 5 Spoke, 10x7"	1
4	105106101	Wheel Cover, Clip	5
5	105106201	Decal, Wheel Cover, Club Car	1

2
G
E

2

G

E

DECALS

3

G

E

⚠ WARNING

Unintended vehicle movement may cause severe injury or death. Before using vehicle, read owner's manual and vehicle safety warnings.

Before leaving vehicle:

- Engage park brake to lock wheels.
- Place vehicle in NEUTRAL.
- Turn key to OFF and remove key.

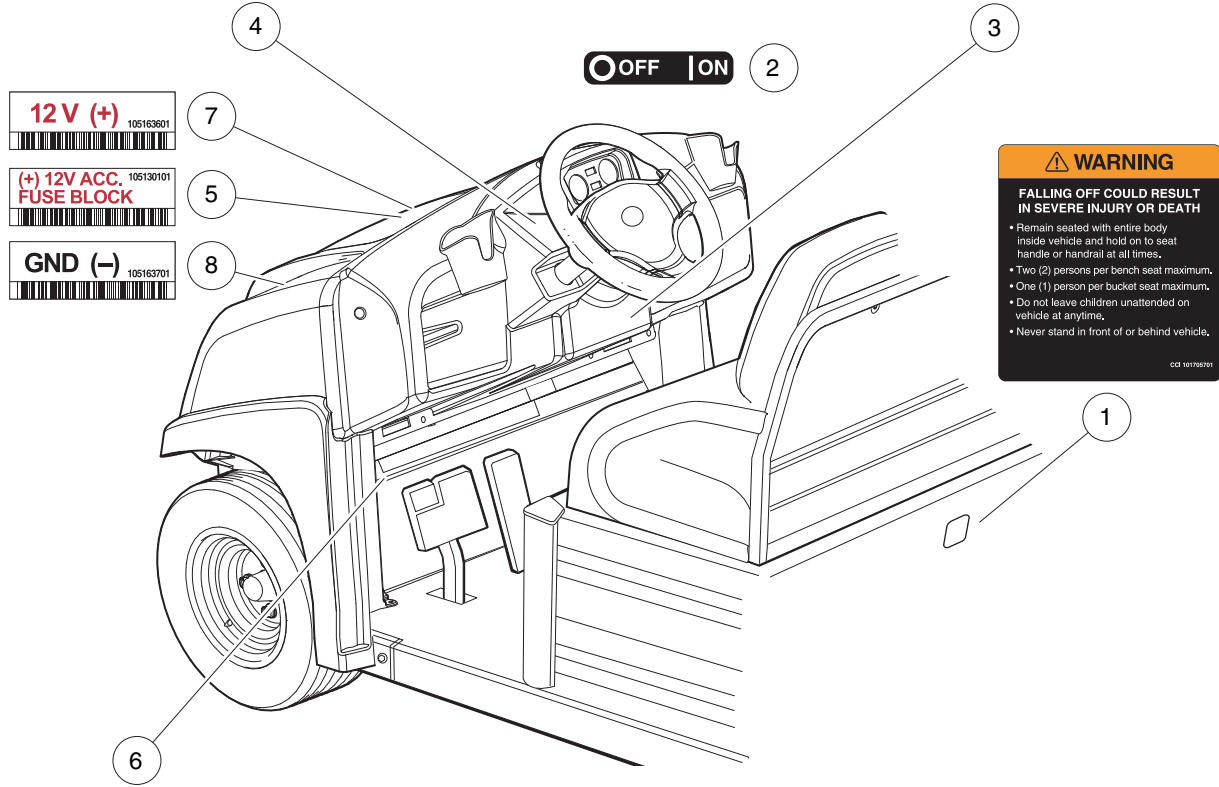
105046101

⚠ WARNING

UNINTENDED MOVEMENT, ROLLOVER, OR FALLING OUT CAN CAUSE SERIOUS INJURY OR DEATH.

- Vehicle to be operated by licensed and authorized persons only.
- Use in authorized areas only. Do not operate on public roads.
- One (1) person per bucket seat maximum.
- Two (2) persons per bench seat maximum.
- Operate from driver's seat only.
- Do not start vehicle until all occupants are fully seated.
- Drive slowly in turns and straight up and down slopes.
- Remain fully seated while moving.
- Hold on and keep entire body inside vehicle while moving.
- Never attempt jumps and avoid extreme braking in reverse.
- Do not leave children unattended in vehicle at any time.
- Children requiring a child safety seat must not ride in vehicle.
- Never operate under the influence of alcohol or drugs.

104026801



VEHICLE LOADING

Read owner's manual and warnings on dash.

- Vehicle rated capacity: 1300 lb (590 kg) on level surface only.
 - Includes occupants and cargo load.
- Maximum cargo load: 300 lb (136 kg)
 - Includes cargo, bed load, and optional equipment.
- Vehicle combination rated capacity: 1500 lb (680 kg)
 - Includes vehicle rated capacity and gross trailer weight.

⚠ WARNING

ROLLOVER CAN CAUSE SERIOUS INJURY OR DEATH.

- Place cargo forward in the cargo bed and distribute evenly side to side. Secure load.
- On uneven or steep terrain, reduce speed and load.
- Avoid stopping on or backing down steep hills.
- Avoid top-heavy loads.

105161601

DECALS – ELECTRIC TRANSPORTER





ITEM	PART NO.	DESCRIPTION	QTY
		1 2 3 4	
1	<u>101705701</u>	Decal, Warning	1
2	<u>101825101</u>	Decal, Off/On	1
3	<u>104026801</u>	Decal, Oc, Warning, Ca	1
4	<u>105046101</u>	Decal, Op, Instructions, Ca	1
5	<u>105130101</u>	Decal, Fuse Block, Acc, 12v	1
6	<u>105151501</u>	Decal, Loading, Ca 700	1
7	<u>105163601</u>	Decal, 12v (+)	1
8	<u>105163701</u>	Decal, Gnd (-)	1

3
G
E

WARNING

BATTERY EXPLOSION COULD RESULT IN SEVERE PERSONAL INJURY.

- Do not store items in battery compartment.
- Place Run/Tow switch in TOW position before:
 - Disconnecting or connecting battery cables
 - Towing this vehicle
 - Extended storage
 - Servicing the vehicle

 NORMAL
 TRIPPED
 TOW
 RUN

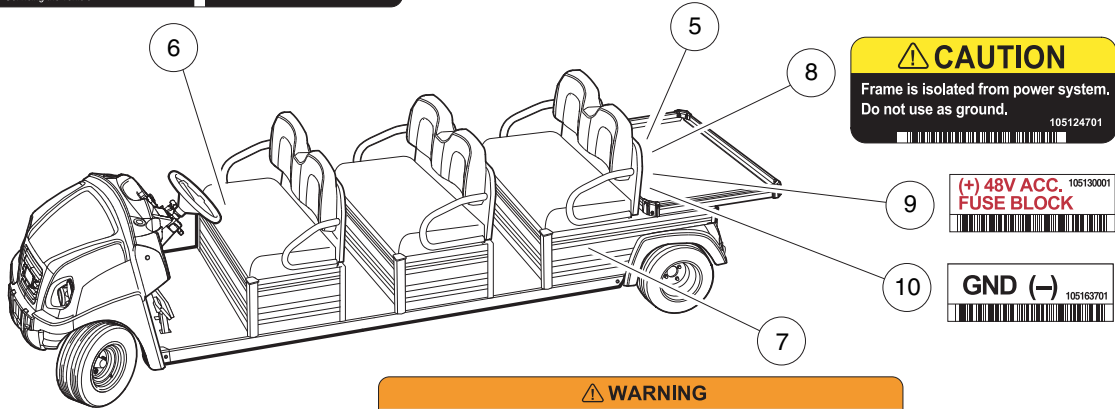
CCI 102849101

CAUTION

EXPOSURE TO WATER MAY DAMAGE ELECTRONIC COMPONENTS

- Do not operate vehicle without this cover properly installed.
- Do not direct water stream in the area of the cover without cover securely in place.
- See vehicle maintenance and service manual before servicing.

CCI 102838307



CAUTION

Frame is isolated from power system. Do not use as ground.

105124701

(+) 48V ACC. FUSE BLOCK

105130001

GND (-)

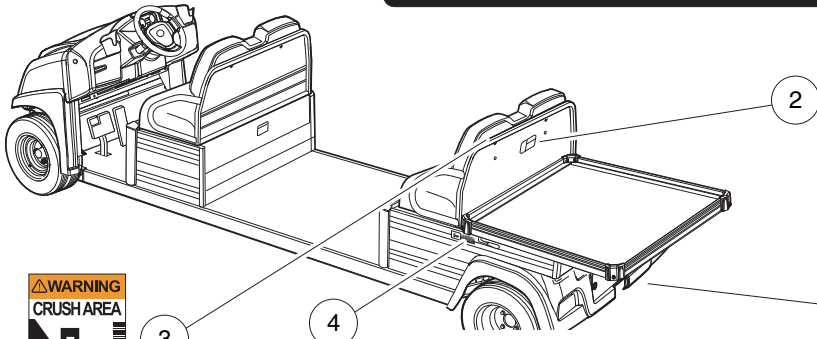
105163701

WARNING

AVOID FIRE HAZARD

- Replacement battery wires must be 4-gauge (AWG) with low-resistance terminals equivalent to factory-installed wires.
- Ensure that battery connections are clean and properly tightened. See owner's manual.

CCI 102967601



WARNING

Riding in cargo bed can cause severe injury or death. Do not ride in cargo bed.

CCI 1015539-01

WARNING

CRUSH AREA

STAY CLEAR

101605401

LATCH

OPEN

WARNING

Crush area. Can cause severe injury. Stay clear when closing bed.

CCI 102493001

NOTICE

MAXIMUM TONGUE WEIGHT—150 lb. (667 N)

10116553

2876a

DECALS – ELECTRIC TRANSPORTER XL/XLC, CONTINUED

ITEM	PART NO.	DESCRIPTION	QTY
		1 2 3 4	
1	<u>1011553</u>	Decal, Trailer Hitch	1
2	<u>101553901</u>	Decal, Bed Load Warning	1
3	<u>101609401</u>	Decal, Crush Area Warning	1
4	<u>102459301</u>	Decal, Bed Crush Area Warning	1
5	<u>102518301</u>	Decal, Caution, Electrical Component Cover	1
6	<u>102845101</u>	Decal, Tow Switch	1
7	<u>102967601</u>	Decal, Warning, 4 Gauge Wire	1
8	105124701	Decal, Caution, Not Use As Gnd	1
9	105130001	Decal, Fuse Block, Acc, 48v	1
10	<u>105163701</u>	Decal, Gnd (-)	1

3
G
E

⚠ WARNING

Unintended vehicle movement may cause severe injury or death. Before using vehicle, read owner's manual and vehicle safety warnings.

Before leaving vehicle:

- Engage park brake to lock wheels.
- Place vehicle in NEUTRAL.
- Turn key to OFF and remove key.

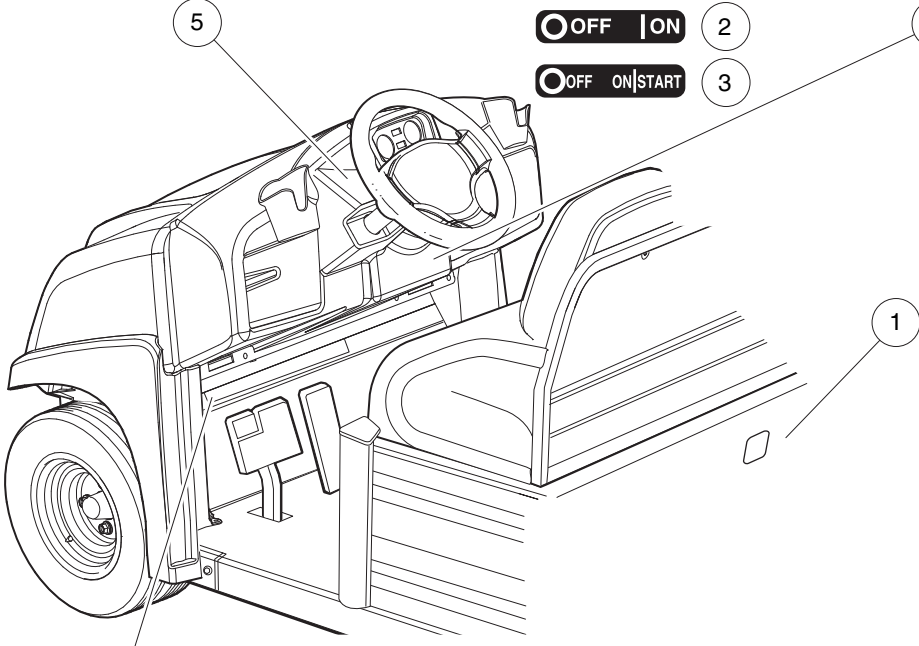
105046191

⚠ WARNING

UNINTENDED MOVEMENT, ROLLOVER, OR FALLING OUT CAN CAUSE SERIOUS INJURY OR DEATH.

- Vehicle to be operated by licensed and authorized persons only.
- Use in authorized areas only. Do not operate on public roads.
- One (1) person per bucket seat maximum.
- Two (2) persons per bench seat maximum.
- Operate from driver's seat only.
- Do not start vehicle until all occupants are fully seated.
- Drive slowly in turns and straight up and down slopes.
- Remain fully seated while moving.
- Hold on and keep entire body inside vehicle while moving.
- Never attempt jumps and avoid extreme braking in reverse.
- Do not leave children unattended in vehicle at any time.
- Children requiring a child safety seat must not ride in vehicle.
- Never operate under the influence of alcohol or drugs.

104028901



⚠ WARNING

FALLING OFF COULD RESULT IN SEVERE INJURY OR DEATH

- Remain seated with entire body inside vehicle and hold on to seat handle or handrail at all times.
- Two (2) persons per bench seat maximum.
- One (1) person per bucket seat maximum.
- Do not leave children unattended on vehicle at anytime.
- Never stand in front of or behind vehicle.

CG 191798701

VEHICLE LOADING

Read owner's manual and warnings on dash.

- Vehicle rated capacity: 1300 lb (590 kg) on level surface only.
 - Includes occupants and cargo load.
- Maximum cargo load: 300 lb (136 kg)
 - Includes cargo, bed load, and optional equipment.
- Vehicle combination rated capacity: 1500 lb (680 kg)
 - Includes vehicle rated capacity and gross trailer weight.

⚠ WARNING

ROLLOVER CAN CAUSE SERIOUS INJURY OR DEATH.

- Place cargo forward in the cargo bed and distribute evenly side to side. Secure load.
- On uneven or steep terrain, reduce speed and load.
- Avoid stopping on or backing down steep hills.
- Avoid top-heavy loads.

106151601

DECALS – GASOLINE TRANSPORTER

ITEM	PART NO.	DESCRIPTION	QTY
		1 2 3 4	
1	<u>101705701</u>	Decal, Warning	1
2	<u>101825101</u>	Decal, Off/On	1
3	<u>101825102</u>	Decal, Off/On/Start	1
4	<u>104026801</u>	Decal, Oc, Warning, Ca	1
5	<u>105046101</u>	Decal, Op, Instructions, Ca	1
6	<u>105151601</u>	Decal, Loading, Transporter	1

3
G
E

WARNING

GASOLINE EXPLOSION / FIRE CAN CAUSE SERIOUS INJURY OR DEATH.

- No sparks or open flame near fuel or fuel tank.
- No smoking near fuel or fuel tank.
- Stop engine and allow to cool before refueling.
- Do not disconnect pressurized fuel lines.

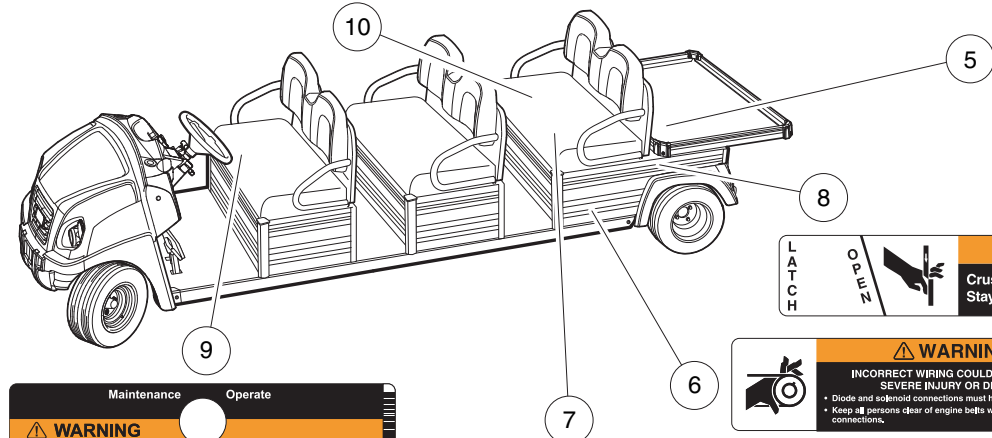
105082301

WARNING

GASOLINE EXPLOSION / FIRE CAN CAUSE SERIOUS INJURY OR DEATH.

- No sparks or open flame near fuel or fuel tank.
- No smoking near fuel or fuel tank.
- Stop engine and allow to cool before refueling.

105084701



WARNING

CAN CAUSE SEVERE INJURY

Rotating parts

HOT manifold & muffler

KEEP CLEAR

CCI 101960501

WARNING

Crush area. Can cause severe injury. Stay clear when closing bed.

CCI 10245901

WARNING

INCORRECT WIRING COULD RESULT IN SEVERE INJURY OR DEATH.

- Diode and solenoid connections must have correct polarity.
- Keep all persons clear of engine belts when making final connections.

CCI 10245901

Maintenance Operate

WARNING

VEHICLE MOVEMENT MAY CAUSE SERIOUS INJURY

When switch is in Maintenance position, chock wheels and firmly set park brake.

CCI 10205901

WARNING

CAN CAUSE SEVERE BURNS

Hot Surface

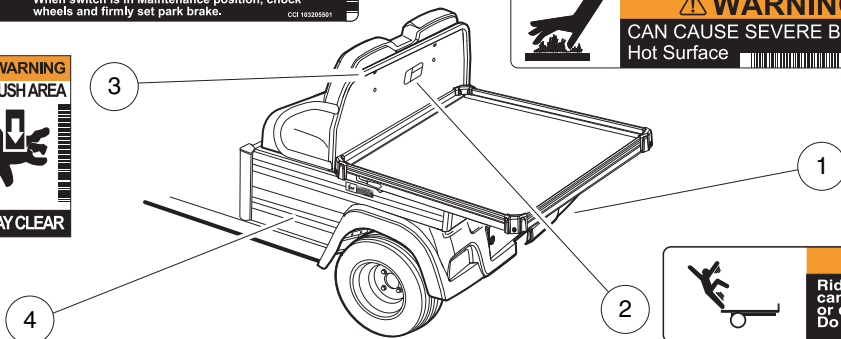
102458301

WARNING

CRUSH AREA

STAY CLEAR

101960401



NOTICE

MAXIMUM TONGUE WEIGHT—150 lb. (667 N)

1011553

WARNING

Riding in cargo bed can cause severe injury or death. Do not ride in cargo bed.

CCI 1015539-01

WARNING

Negative frame ground. Can cause severe injury. Do not contact positive (+) battery post or cable to frame. Disconnect negative battery lead first.

WARNING

Excessive speed. Can cause severe injury or death. Do not tamper with engine governor adjustment.

CCI 101915201

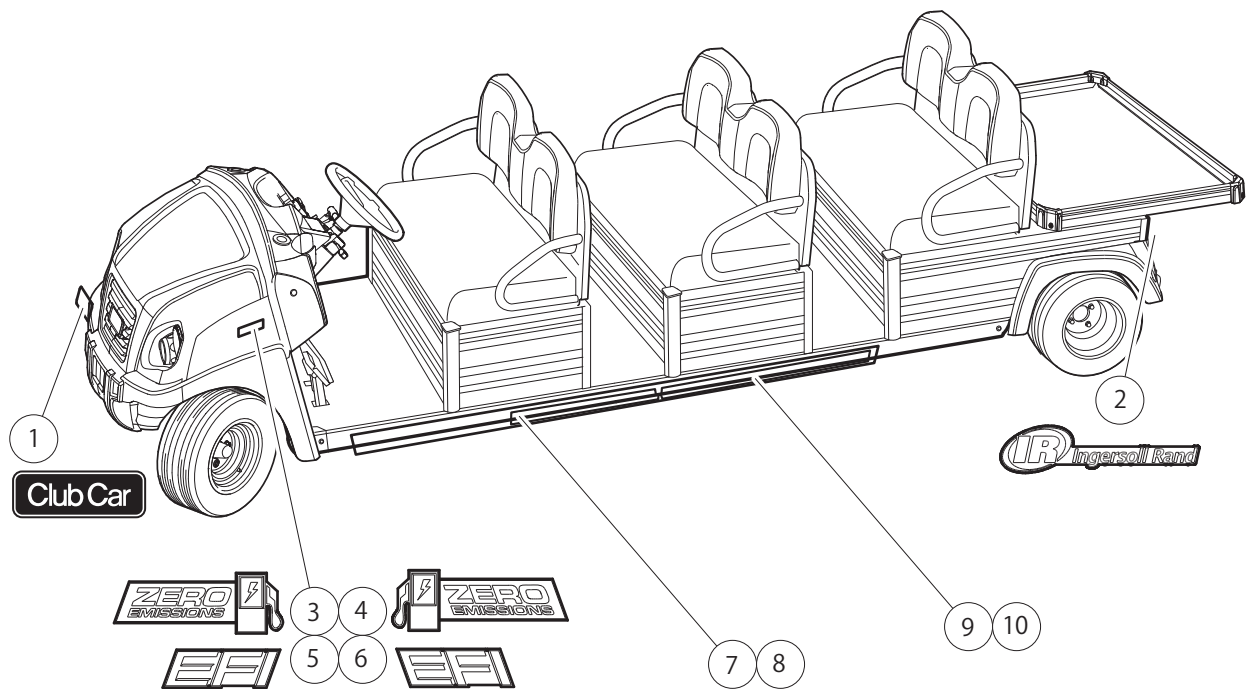
2878a

DECALS – GASOLINE TRANSPORTER XL/XLC, CONTINUED

ITEM	PART NO.	DESCRIPTION	QTY
		1 2 3 4	
1	<u>1011553</u>	Decal, Trailer Hitch	1
2	<u>101553901</u>	Decal, Bed Load Warning	1
3	<u>101609401</u>	Decal, Crush Area Warning	1
4	<u>101915201</u>	Decal, Frame Ground and Governor Warning	1
5	<u>101960501</u>	Decal, Rotating Parts/Hot Manifold	1
6	<u>102345901</u>	Decal, Diode Safety	1
7	<u>102458901</u>	Decal, Hot Surface Warning	1
8	<u>102459301</u>	Decal, Bed Crush Area Warning	1
9	<u>103205501</u>	Decal, Run/Service Switch	1
10	<u>105082301</u>	Decal, Warn, Gas Pressure	1
11	<u>105084701</u>	Decal, Warn Gas Side Fill	1

3
G
E

3
G
E



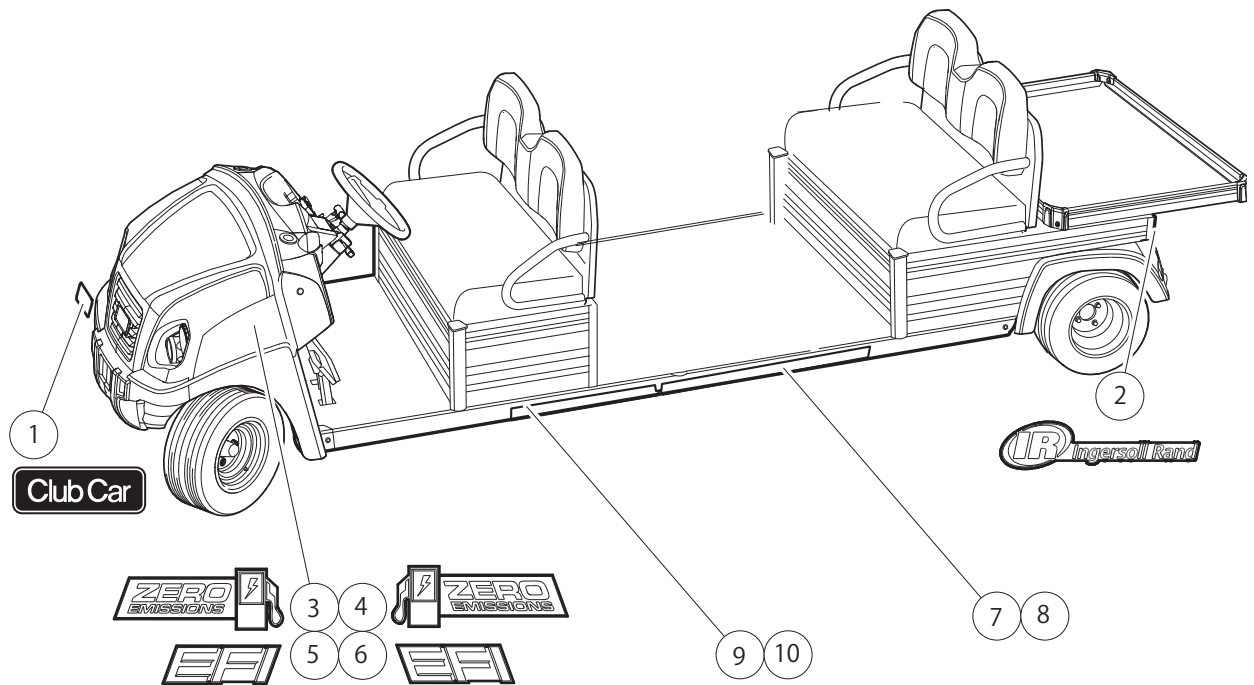
001029-002

BADGING DECALS – TRANSPORTER XL

ITEM	PART NO.	DESCRIPTION	QTY
		1 2 3 4	
1	<u>102883601</u>	Decal, Nameplate, CCI, Front	1
2	<u>103234304</u>	Decal, Badge, Ir, Red	1
3	<u>105153201</u>	Decal, Zero Emission Vhcle, Lh	1
4	<u>105153202</u>	Decal, Zero Emission Vhcle, Rh	1
5	<u>105153301</u>	Decal, Efi, Italic, Lh	1
6	<u>105153302</u>	Decal, Efi, Italic, Rh	1
7	SVP853501	Decal Side Stringer Front Left XI	1
8	SVP853502	Decal Side Stringer Front Right XI	1
9	SVP920601	Decal Stringer Rear Left XI	1
10	SVP920602	Decal Stringer Rear Right XI	1

3
G
E

3
G
E



001029-003

BADGING DECALS – TRANSPORTER XLC

ITEM	PART NO.	DESCRIPTION	QTY
		1 2 3 4	
1	<u>102883601</u>	Decal, Nameplate, CCI, Front	1
2	<u>103234304</u>	Decal, Badge, Ir, Red	1
3	<u>105153201</u>	Decal, Zero Emission Vhcle, Lh	1
4	<u>105153202</u>	Decal, Zero Emission Vhcle, Rh	1
5	<u>105153301</u>	Decal, Efi, Italic, Lh	1
6	<u>105153302</u>	Decal, Efi, Italic, Rh	1
7	SVP853501	Decal Side Stringer Front Left XI	1
8	SVP853502	Decal Side Stringer Front Right XI	1
9	SVP920601	Decal Stringer Rear Left XI	1
10	SVP920602	Decal Stringer Rear Right XI	1

3
G
E

3

G

E

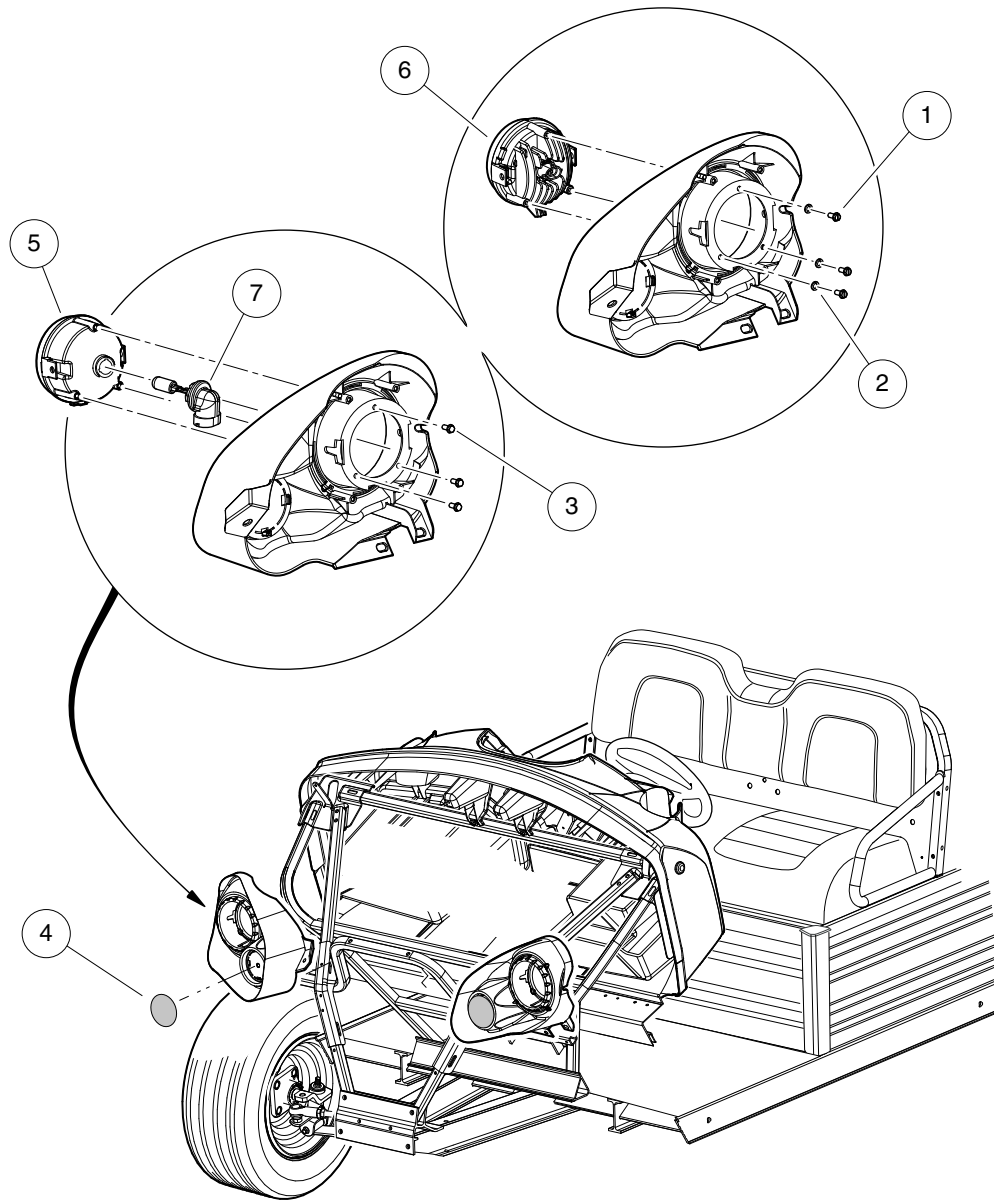
LIGHTS, CONTROLS, AND INDICATORS

4

G

E

4
G
E



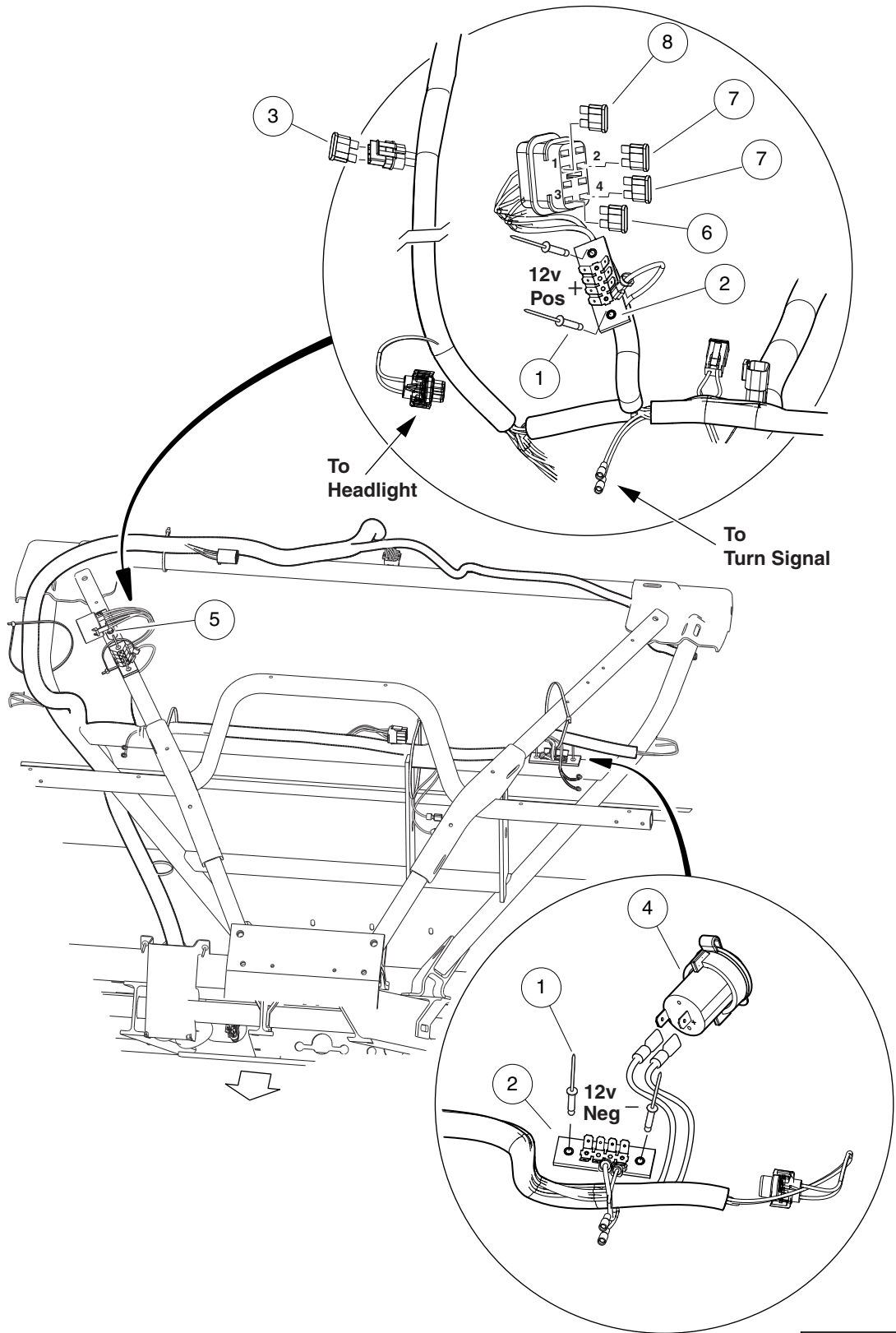
001370-001

HEADLIGHTS

ITEM	PART NO.	DESCRIPTION	QTY
		1 2 3 4	
1	<u>1011017</u>	Screw, #8-32 X 0.375	6
2	<u>1011610</u>	Lockwasher, #8 Split SS	6
3	<u>101850301</u>	Screw, #12-16 X 0.50 Washer-Head Hi-Lo	6
4	<u>105036801</u>	Reflector, Decal, 3.20", Amber	2
5	<u>105073401</u>	Hdlight, Round, 4.5", Utl	2
6	<u>105093701</u>	Hdlight, Round, 4.5", Led, Utl	2
7	<u>105093801</u>	Bulb, Halogen, 862	2

4
G
E

4
G
E



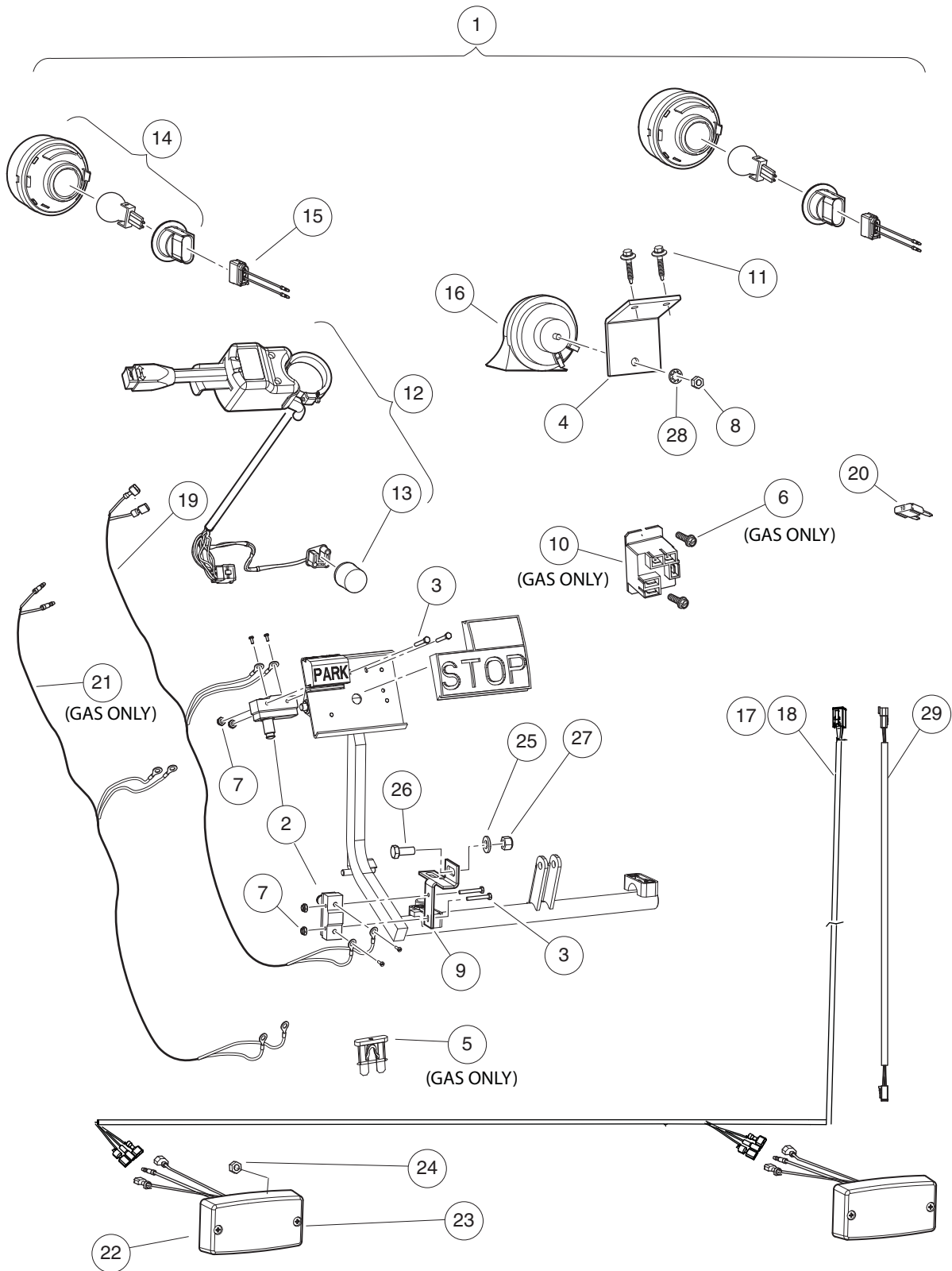
001360-002

12-VOLT FUSE BLOCK AND FUSES – ELECTRIC VEHICLE

ITEM	PART NO.	DESCRIPTION	QTY
		1 2 3 4	
1	<u>1013357</u>	Rivet, 5/32 Aluminum Pop	4
2	<u>1016356</u>	Terminal Block with Insulator	2
3	<u>1016423</u>	Fuse, 20-Amp	1
4	<u>102198001</u>	Receptacle, Accessory	1
5	<u>102238001</u>	#10-24 Taptite Screw	1
6	<u>105114805</u>	Fuse, Mini, Atm, 7.5 Amp	1
7	<u>105114806</u>	Fuse, Mini, Atm, 10 Amp	2
8	<u>105114807</u>	Fuse, Mini, Atm, 15 Amp	1

4
G
E

4
G
E



001382-001

HORN TURN TAIL

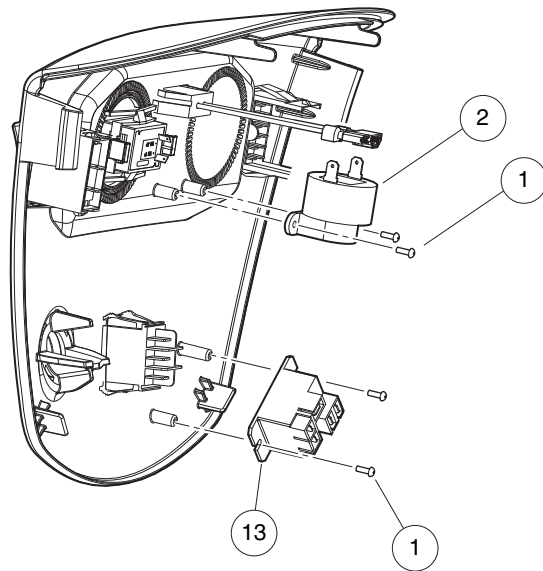
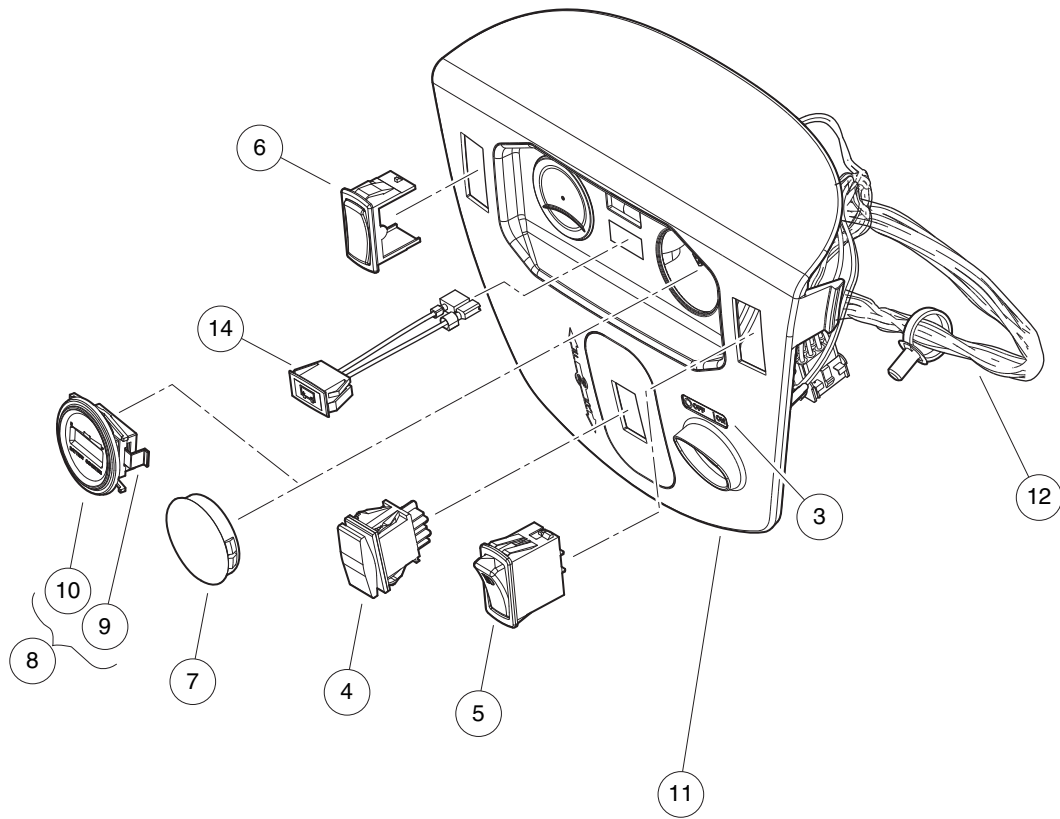
ITEM	PART NO.	DESCRIPTION	QTY
		1 2 3 4	
1	<u>105122808</u>	Kit, Horn/Tail Light/Turn (includes items 2 through 28)	1
2	<u>1011439</u>	Switch, Limit	2
3	<u>1011557</u>	Screw, #6-32 X 1.00 Hex-Head Machine	4
4	<u>1011825</u>	Horn Bracket	1
5	<u>1012295</u>	Fuse, 10-Amp	1
6	<u>1016849</u>	Screw, #4-24 X 0.33, Pan-Head, Machine	2
7	<u>101932201</u>	Locknut, #6-32 Nylon	4
8	<u>101955101</u>	Nut, M6 Hex	1
9	<u>101957101</u>	Bracket, Brake Light Switch	1
10	<u>102199001</u>	Relay, 12-Volt	1
11	<u>102297125</u>	Screw, M6-1.0x25.4, Thread-Forming, SEMS	2
12	<u>102517501</u>	Turn Signal Asm (includes item 13)	1
13	<u>102546401</u>	Flasher Unit, Prec	1
14	<u>102894503</u>	Light, Turn Sig, Round 3", Utl	2
15	<u>103245001</u>	Jumper, Turn Signal, Ca/xrt/hu	2
16	<u>103484301</u>	Horn, 12v, Gnd Isolated	1
17	<u>105108201</u>	Harness, Tail Light, Utility, Short	1
18	<u>105108301</u>	Harness, Tail Light, Utility, Long	1
19	<u>105108401</u>	Harness, Brk, Pedal Switch Utl	1
20	<u>105114806</u>	Fuse, Mini, Atm, 10 Amp	1
21	<u>105135201</u>	Jumper, Hill Brake, Switch	1
22	<u>105165801</u>	Lamp, Stop/trn/tail, Footdeck	2
23	<u>105190601</u>	Screw, #8-32 X 0.625, Clr Znc	4
24	<u>105190701</u>	Nut, Flanged, #8-32, Serrated	4
25	<u>1241</u>	Washer, 5/16 Type A Flat	1
26	<u>7173</u>	Screw, 5/16-18 X 0.75, Hex-Head Cap	1
27	<u>7473</u>	Locknut, 5/16-18 Nylon Insert	2
28	<u>7820</u>	Washer, 5/16 Internal-Tooth	1
29	SVP895601	Asm Harness Exten Rear Lights	1
Note: 1051082, Harness, Tail Light, Utility, Short, fits the following vehicles with serial prefix: MA, MB, MC, MD, ME, MF, MK, ML, MM, MP, MU.			

4

G

E

4
G
E



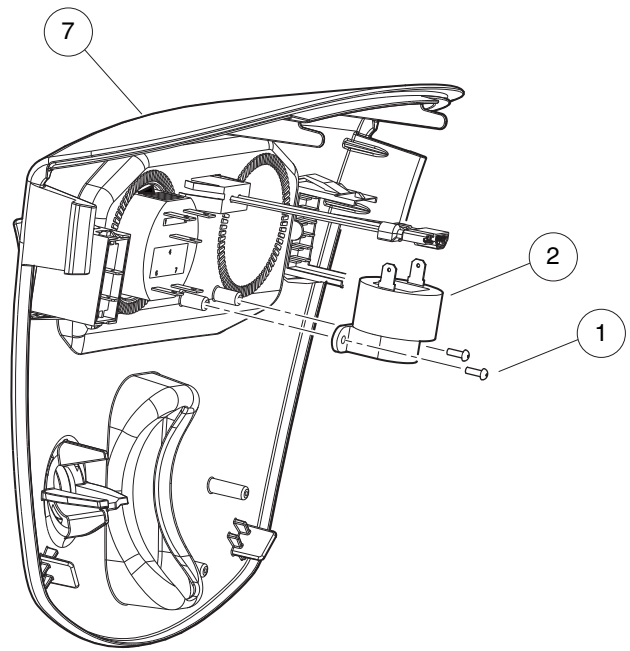
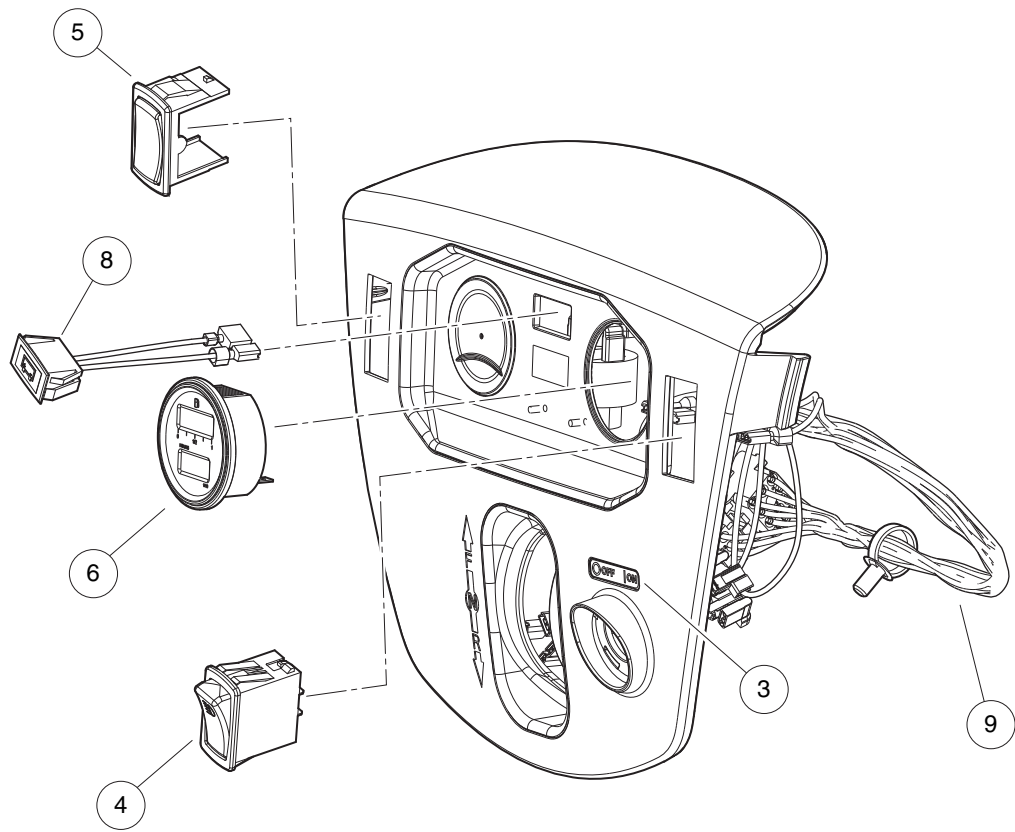
001371-001

INSTRUMENT PANEL – ELECTRIC VEHICLE

ITEM	PART NO.	DESCRIPTION	QTY
		1 2 3 4	
1	<u>1016849</u>	Screw, #4-24 X 0.33, Pan-Head, Machine	2
2	<u>1016851</u>	Buzzer, Reverse (9-48 VDC)	1
3	<u>101825101</u>	Decal, Off/On	1
4	<u>101856002</u>	Switch, Rocker, Single-Pole	1
5	<u>102869401</u>	Switch, Rocker, Light	1
6	<u>103180101</u>	Cover, Hole, Switch, Rocker	1
7	<u>103198301</u>	Plug, Hole, Round, 2.0 In	1
8	<u>103354401</u>	Gauge, Battery Cond Ind, Rnd (includes item 9)	1
9	<u>103348202</u>	Clip, Bci, Round	1
10	<u>105034101</u>	Panel, Instrument, Elec, Ca	1
11	<u>105082101</u>	Harness, Ip, Elec, Util	1
12	<u>105112401</u>	Relay, Spdt Nc, 48v 30a, Pmt	1
13	<u>105152301</u>	Indicator, Charger, Dash, Cap	1

4
G
E

4
G
E



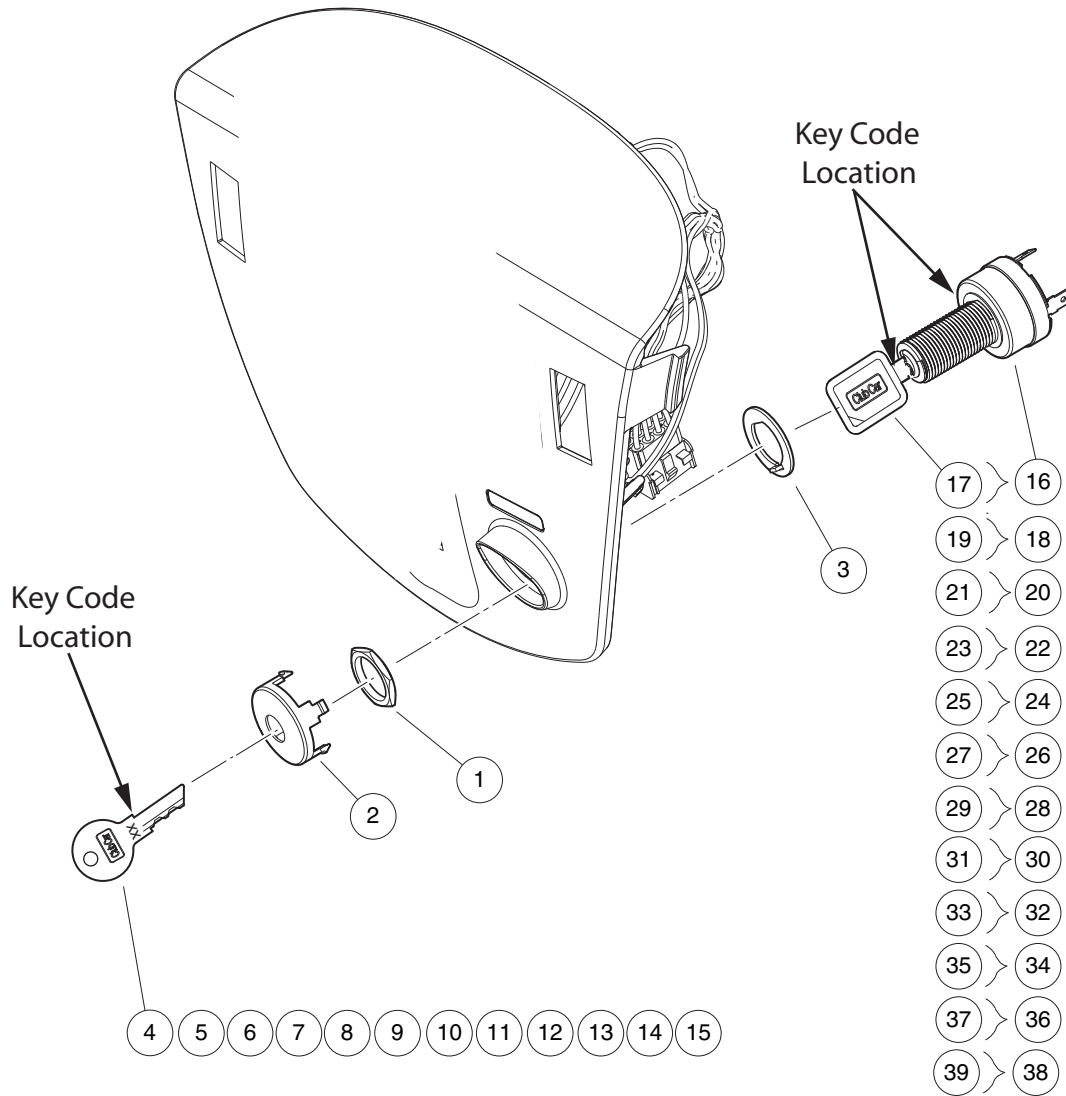
001372-001

INSTRUMENT PANEL – GASOLINE VEHICLE

ITEM	PART NO.	DESCRIPTION	QTY
		1 2 3 4	
1	<u>1016849</u>	Screw, #4-24 X 0.33, Pan-Head, Machine	2
2	<u>1016851</u>	Buzzer, Reverse (9-48 VDC)	1
3	<u>101825101</u>	Decal, Off/On	1
4	<u>102869401</u>	Switch, Rocker, Light	1
5	<u>103180101</u>	Cover, Hole, Switch, Rocker	1
6	<u>103348602</u>	Gauge, Fuel-hour,sep Gnd, Ds	1
7	<u>105034102</u>	Panel, Instrument, Gas, Ca	1
8	<u>105037101</u>	Light, Oil (LED)	1
9	<u>105095101</u>	Harness, Wire, Instr. Panel, Gas, CA300-700	1

4
G
E

4
G
E



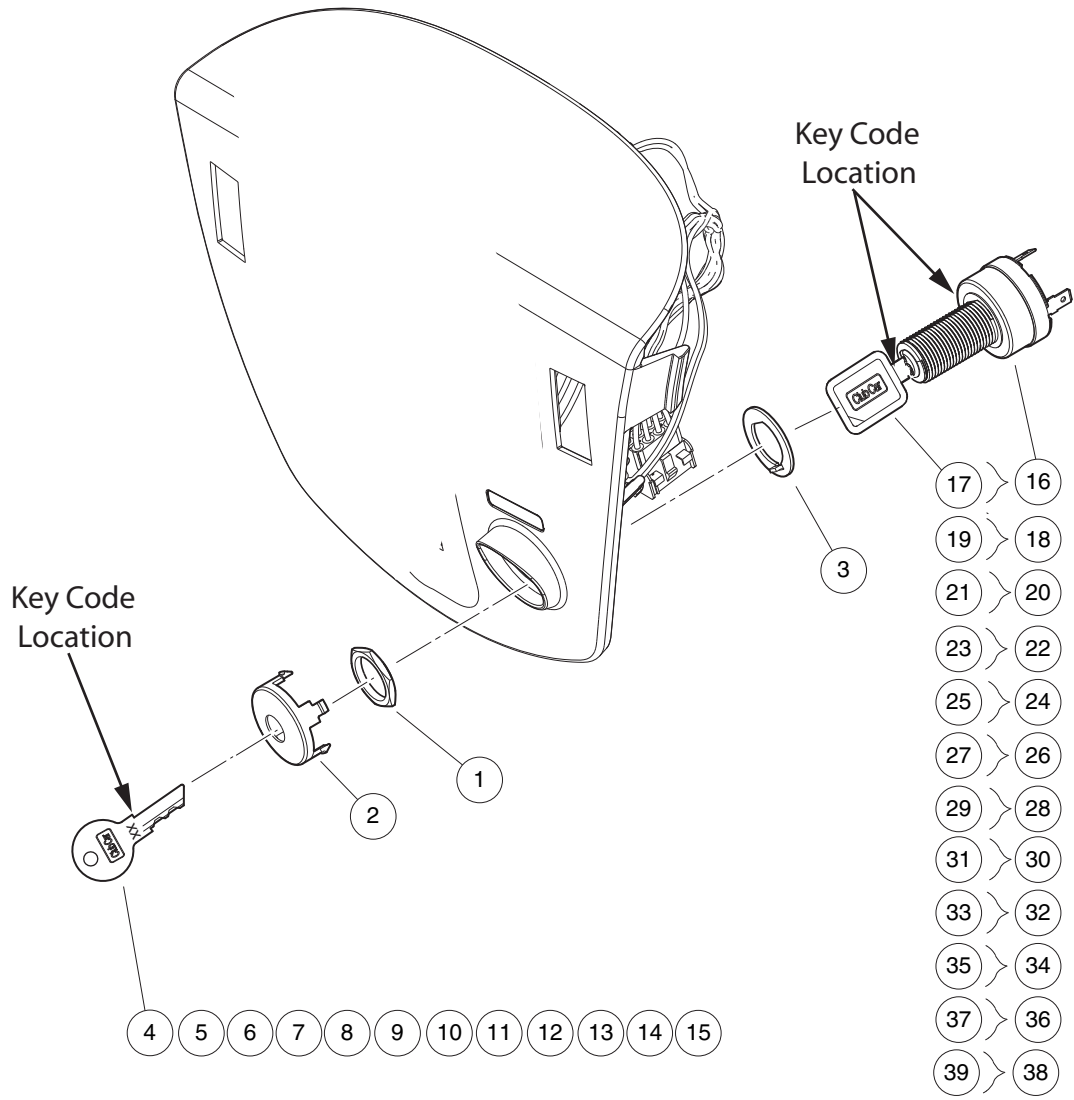
001355-001

KEYSWITCH – ELECTRIC VEHICLE

ITEM	PART NO.	DESCRIPTION	QTY
		1 2 3 4	
1	<u>101830701</u>	Nut, Key Switch	1
2	<u>101834502</u>	Cap, Black Key Switch	1
3	<u>101851101</u>	Washer, Key Switch	1
4	<u>101974701</u>	Key, Uncommon 1a	1
5	<u>101974702</u>	Key, Uncommon 1b	1
6	<u>101974703</u>	Key, Uncommon 1c	1
7	<u>101974704</u>	Key, Uncommon 1d	1
8	<u>101974705</u>	Key, Uncommon 2a	1
9	<u>101974706</u>	Key, Uncommon 2b	1
10	<u>101974707</u>	Key, Uncommon 2c	1
11	<u>101974708</u>	Key, Uncommon 2d	1
12	<u>101974709</u>	Key, Uncommon 1e	1
13	<u>101974710</u>	Key, Uncommon 1f	1
14	<u>101974711</u>	Key, Uncommon 2e	1
15	<u>101974712</u>	Key, Uncommon 2f	1
16	<u>105081701</u>	Keysw, Uncom, 4t, Off/on 1a, E (includes item 17)	1
17	<u>105068001</u>	Key, Uncommon, Padded 1a	1
18	<u>105081702</u>	Keysw, Uncom, 4t, Off/on 1b, E (includes item 19)	1
19	<u>105068002</u>	Key, Uncommon, Padded 1b	1
20	<u>105081703</u>	Keysw, Uncom, 4t, Off/on 1c, E (includes item 21)	1
21	<u>105068003</u>	Key, Uncommon, Padded 1c	1
22	<u>105081704</u>	Keysw, Uncom, 4t, Off/on 1d, E (includes item 23)	1
23	<u>105068004</u>	Key, Uncommon, Padded 1d	1
24	<u>105081705</u>	Keysw, Uncom, 4t, Off/on 1e, E (includes item 25)	1
25	<u>105068005</u>	Key, Uncommon, Padded 1e	1
26	<u>105081706</u>	Keysw, Uncom, 4t, Off/on 1f, E (includes item 27)	1
27	<u>105068006</u>	Key, Uncommon, Padded 1f	1
28	<u>105081707</u>	Keysw, Uncom, 4t, Off/on 2a, E (includes item 29)	1
29	<u>105068007</u>	Key, Uncommon, Padded 2a	1
30	<u>105081708</u>	Keysw, Uncom, 4t, Off/on 2b, E (includes item 31)	1
31	<u>105068008</u>	Key, Uncommon, Padded 2b	1
32	<u>105081709</u>	Keysw, Uncom, 4t, Off/on 2c, E (includes item 33)	1
33	<u>105068009</u>	Key, Uncommon, Padded 2c	1
34	<u>105081710</u>	Keysw, Uncom, 4t, Off/on 2d, E (includes item 35)	1
35	<u>105068010</u>	Key, Uncommon, Padded 2d	1
36	<u>105081711</u>	Keysw, Uncom, 4t, Off/on 2e, E (includes item 37)	1
37	<u>105068011</u>	Key, Uncommon, Padded 2e	1
38	<u>105081712</u>	Keysw, Uncom, 4t, Off/on 2f, E (includes item 39)	1
39	<u>105068012</u>	Key, Uncommon, Padded 2f	1
		Note: Keyswitch <u>105081701</u> , is standard for electric vehicles equipped with a cab. Keyswitch <u>105081702</u> , is standard for electric vehicles without a cab. Keyswitches <u>105081703</u> through <u>105081712</u> allows different key code combinations for electric fleet vehicles.	

4
G
E

4
G
E



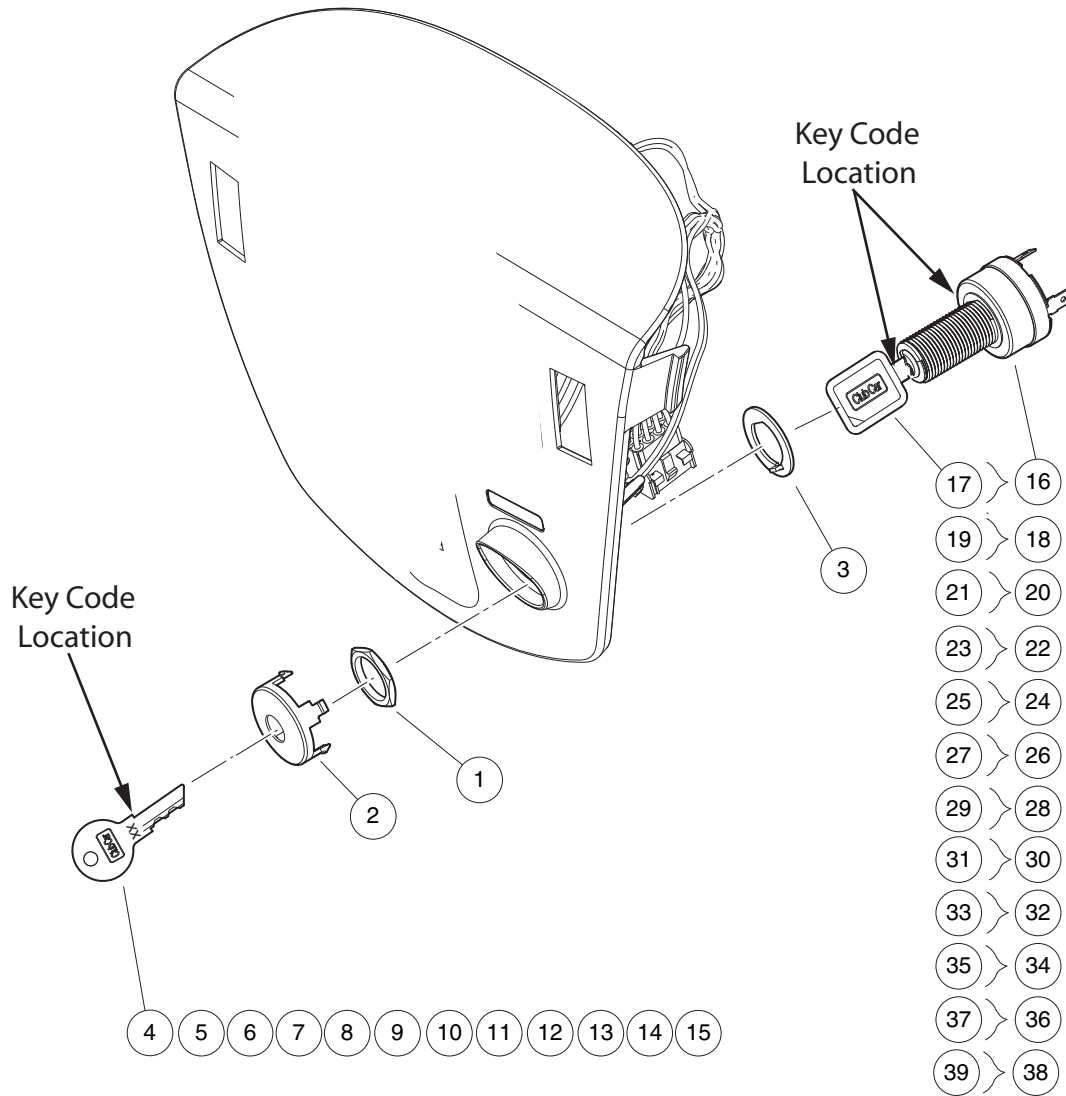
001355-001

KEYSWITCH, PRIVATE SPEED MODE - ELECTRIC VEHICLE

ITEM	PART NO.	DESCRIPTION	QTY
		1 2 3 4	
1	<u>101830701</u>	Nut, Key Switch	1
2	<u>101834502</u>	Cap, Black Key Switch	1
3	<u>101851101</u>	Washer, Key Switch	1
4	<u>101974701</u>	Key, Uncommon 1a	1
5	<u>101974702</u>	Key, Uncommon 1b	1
6	<u>101974703</u>	Key, Uncommon 1c	1
7	<u>101974704</u>	Key, Uncommon 1d	1
8	<u>101974705</u>	Key, Uncommon 2a	1
9	<u>101974706</u>	Key, Uncommon 2b	1
10	<u>101974707</u>	Key, Uncommon 2c	1
11	<u>101974708</u>	Key, Uncommon 2d	1
12	<u>101974709</u>	Key, Uncommon 1e	1
13	<u>101974710</u>	Key, Uncommon 1f	1
14	<u>101974711</u>	Key, Uncommon 2e	1
15	<u>101974712</u>	Key, Uncommon 2f	1
16	<u>105082001</u>	Keysw, Uncom, 4t, Off/p2/p3 1a (includes item 17)	1
17	<u>105068001</u>	Key, Uncommon, Padded 1a	1
18	<u>105082002</u>	Keysw, Uncom, 4t, Off/p2/p3 1b (includes item 19)	1
19	<u>105068002</u>	Key, Uncommon, Padded 1b	1
20	<u>105082003</u>	Keysw, Uncom, 4t, Off/p2/p3 1c (includes item 21)	1
21	<u>105068003</u>	Key, Uncommon, Padded 1c	1
22	<u>105082004</u>	Keysw, Uncom, 4t, Off/p2/p3 1d (includes item 23)	1
23	<u>105068004</u>	Key, Uncommon, Padded 1d	1
24	<u>105082005</u>	Keysw, Uncom, 4t, Off/p2/p3 1e (includes item 25)	1
25	<u>105068005</u>	Key, Uncommon, Padded 1e	1
26	<u>105082006</u>	Keysw, Uncom, 4t, Off/p2/p3 1f (includes item 27)	1
27	<u>105068006</u>	Key, Uncommon, Padded 1f	1
28	<u>105082007</u>	Keysw, Uncom, 4t, Off/p2/p3 2a (includes item 29)	1
29	<u>105068007</u>	Key, Uncommon, Padded 2a	1
30	<u>105082008</u>	Keysw, Uncom, 4t, Off/p2/p3 2b (includes item 31)	1
31	<u>105068008</u>	Key, Uncommon, Padded 2b	1
32	<u>105082009</u>	Keysw, Uncom, 4t, Off/p2/p3 2c (includes item 33)	1
33	<u>105068009</u>	Key, Uncommon, Padded 2c	1
34	<u>105082010</u>	Keysw, Uncom, 4t, Off/p2/p3 2d (includes item 35)	1
35	<u>105068010</u>	Key, Uncommon, Padded 2d	1
36	<u>105082011</u>	Keysw, Uncom, 4t, Off/p2/p3 2e (includes item 37)	1
37	<u>105068011</u>	Key, Uncommon, Padded 2e	1
38	<u>105082012</u>	Keysw, Uncom, 4t, Off/p2/p3 2f (includes item 39)	1
39	<u>105068012</u>	Key, Uncommon, Padded 2f	1
		Note: Keyswitch <u>105082001</u> , is standard for private speed mode electric vehicles equipped with a cab. Keyswitch <u>105082002</u> , is standard for private speed mode electric vehicles without a cab. Keyswitches <u>105082003</u> through <u>105082012</u> allows different key code combinations for private speed mode electric fleet vehicles.	

4
G
E

4
G
E



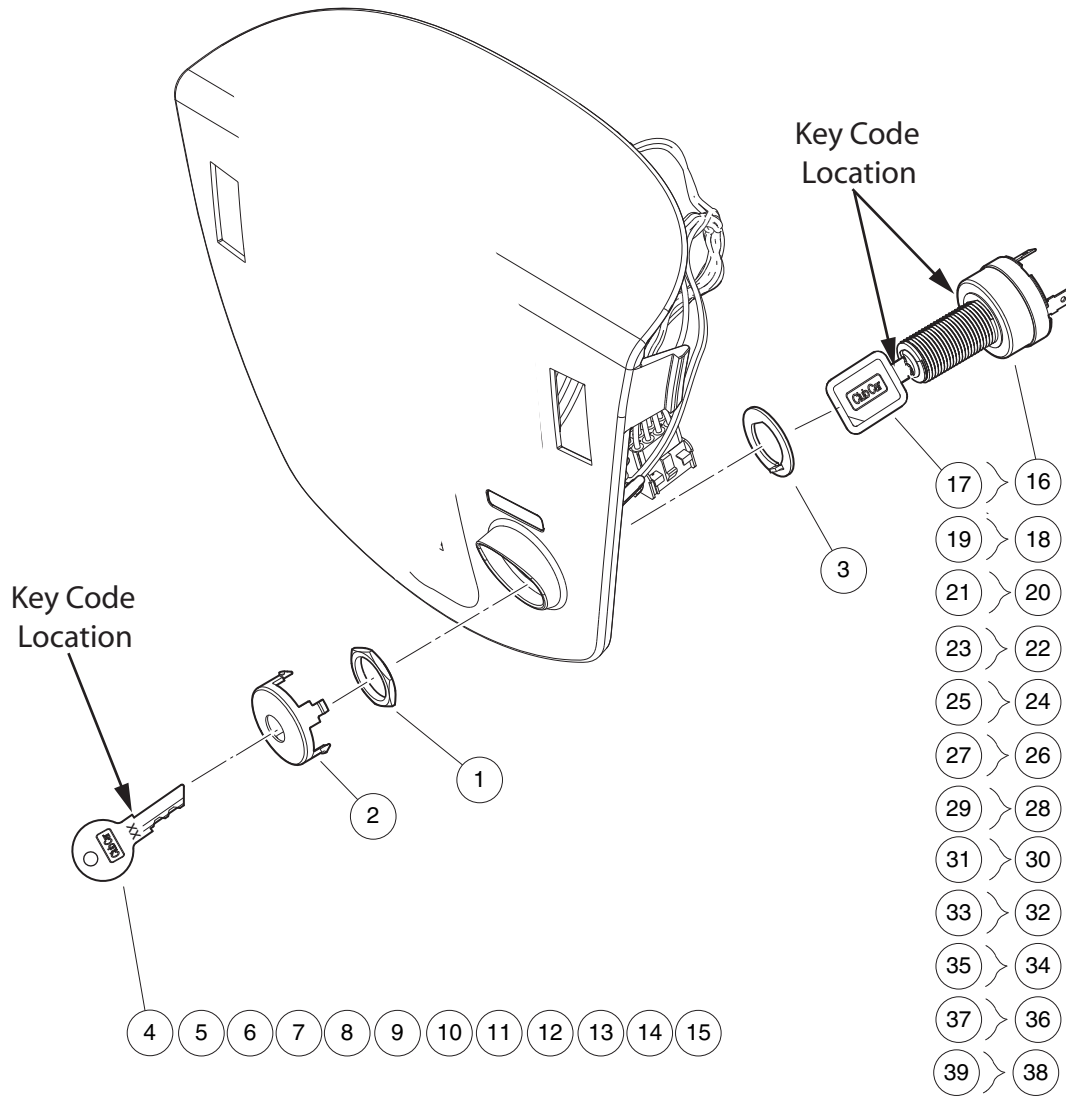
001355-001

KEYSWITCH, PEDAL-START – GASOLINE VEHICLE

ITEM	PART NO.	DESCRIPTION	QTY
		1 2 3 4	
1	<u>101830701</u>	Nut, Key Switch	1
2	<u>101834502</u>	Cap, Black Key Switch	1
3	<u>101851101</u>	Washer, Key Switch	1
4	<u>101974701</u>	Key, Uncommon 1a	1
5	<u>101974702</u>	Key, Uncommon 1b	1
6	<u>101974703</u>	Key, Uncommon 1c	1
7	<u>101974704</u>	Key, Uncommon 1d	1
8	<u>101974705</u>	Key, Uncommon 2a	1
9	<u>101974706</u>	Key, Uncommon 2b	1
10	<u>101974707</u>	Key, Uncommon 2c	1
11	<u>101974708</u>	Key, Uncommon 2d	1
12	<u>101974709</u>	Key, Uncommon 1e	1
13	<u>101974710</u>	Key, Uncommon 1f	1
14	<u>101974711</u>	Key, Uncommon 2e	1
15	<u>101974712</u>	Key, Uncommon 2f	1
16	<u>105081801</u>	Keysw, Uncom, 4t, Off/on 1a, G (includes item 17)	1
17	<u>105068001</u>	Key, Uncommon, Padded 1a	1
18	<u>105081802</u>	Keysw, Uncom, 4t, Off/on 1b, G (includes item 19)	1
19	<u>105068002</u>	Key, Uncommon, Padded 1b	1
20	<u>105081803</u>	Keysw, Uncom, 4t, Off/on 1c, G (includes item 21)	A/R
21	<u>105068003</u>	Key, Uncommon, Padded 1c	1
22	<u>105081804</u>	Keysw, Uncom, 4t, Off/on 1d, G (includes item 23)	1
23	<u>105068004</u>	Key, Uncommon, Padded 1d	1
24	<u>105081805</u>	Keysw, Uncom, 4t, Off/on 1e, G (includes item 25)	1
25	<u>105068005</u>	Key, Uncommon, Padded 1e	1
26	<u>105081806</u>	Keysw, Uncom, 4t, Off/on 1f, G (includes item 27)	1
27	<u>105068006</u>	Key, Uncommon, Padded 1f	1
28	<u>105081807</u>	Keysw, Uncom, 4t, Off/on 2a, G (includes item 29)	1
29	<u>105068007</u>	Key, Uncommon, Padded 2a	1
30	<u>105081808</u>	Keysw, Uncom, 4t, Off/on 2b, G (includes item 31)	1
31	<u>105068008</u>	Key, Uncommon, Padded 2b	1
32	<u>105081809</u>	Keysw, Uncom, 4t, Off/on 2c, G (includes item 33)	1
33	<u>105068009</u>	Key, Uncommon, Padded 2c	1
34	<u>105081810</u>	Keysw, Uncom, 4t, Off/on 2d, G (includes item 35)	1
35	<u>105068010</u>	Key, Uncommon, Padded 2d	1
36	<u>105081811</u>	Keysw, Uncom, 4t, Off/on 2e, G (includes item 37)	1
37	<u>105068011</u>	Key, Uncommon, Padded 2e	1
38	<u>105081812</u>	Keysw, Uncom, 4t, Off/on 2f, G (includes item 39)	1
39	<u>105068012</u>	Key, Uncommon, Padded 2f	1
		Note: Keyswitch <u>105081801</u> , is standard for pedal-start gasoline vehicles equipped with a cab. Keyswitch <u>105081802</u> , is standard for pedal-start gasoline vehicles without a cab. Keyswitches <u>105081803</u> through <u>105081812</u> allows different key code combinations for pedal-start gasoline fleet vehicles.	

4
G
E

4
G
E



001355-001

KEYSWITCH, KEY-START – GASOLINE VEHICLE

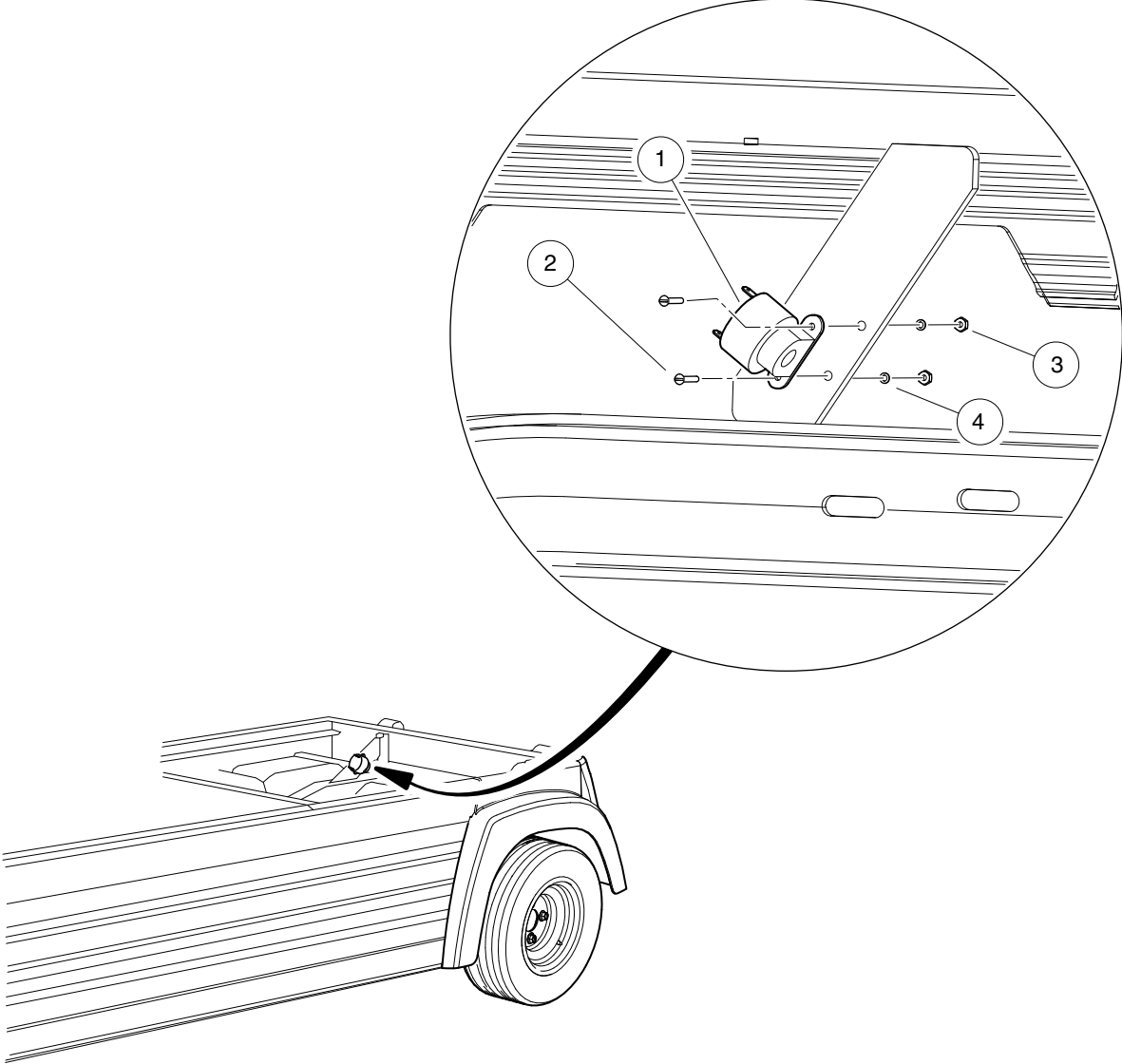
ITEM	PART NO.	DESCRIPTION	QTY
		1 2 3 4	
1	<u>101830701</u>	Nut, Key Switch	1
2	<u>101834502</u>	Cap, Black Key Switch	1
3	<u>101851101</u>	Washer, Key Switch	1
4	<u>101974701</u>	Key, Uncommon 1a	1
5	<u>101974702</u>	Key, Uncommon 1b	1
6	<u>101974703</u>	Key, Uncommon 1c	1
7	<u>101974704</u>	Key, Uncommon 1d	1
8	<u>101974705</u>	Key, Uncommon 2a	1
9	<u>101974706</u>	Key, Uncommon 2b	1
10	<u>101974707</u>	Key, Uncommon 2c	1
11	<u>101974708</u>	Key, Uncommon 2d	1
12	<u>101974709</u>	Key, Uncommon 1e	1
13	<u>101974710</u>	Key, Uncommon 1f	1
14	<u>101974711</u>	Key, Uncommon 2e	1
15	<u>101974712</u>	Key, Uncommon 2f	1
16	<u>105081901</u>	Keysw, Uncom, 4t, Off/on/st 1a (includes item 17)	1
17	<u>105068001</u>	Key, Uncommon, Padded 1a	1
18	<u>105081902</u>	Keysw, Uncom, 4t, Off/on/st 1b (includes item 19)	1
19	<u>105068002</u>	Key, Uncommon, Padded 1b	1
20	<u>105081903</u>	Keysw, Uncom, 4t, Off/on/st 1c (includes item 21)	1
21	<u>105068003</u>	Key, Uncommon, Padded 1c	1
22	<u>105081904</u>	Keysw, Uncom, 4t, Off/on/st 1d (includes item 23)	1
23	<u>105068004</u>	Key, Uncommon, Padded 1d	1
24	<u>105081905</u>	Keysw, Uncom, 4t, Off/on/st 1e (includes item 25)	1
25	<u>105068005</u>	Key, Uncommon, Padded 1e	1
26	<u>105081906</u>	Keysw, Uncom, 4t, Off/on/st 1f (includes item 27)	1
27	<u>105068006</u>	Key, Uncommon, Padded 1f	1
28	<u>105081907</u>	Keysw, Uncom, 4t, Off/on/st 2a (includes item 29)	1
29	<u>105068007</u>	Key, Uncommon, Padded 2a	1
30	<u>105081908</u>	Keysw, Uncom, 4t, Off/on/st 2b (includes item 31)	1
31	<u>105068008</u>	Key, Uncommon, Padded 2b	1
32	<u>105081909</u>	Keysw, Uncom, 4t, Off/on/st 2c (includes item 33)	1
33	<u>105068009</u>	Key, Uncommon, Padded 2c	1
34	<u>105081910</u>	Keysw, Uncom, 4t, Off/on/st 2d (includes item 35)	1
35	<u>105068010</u>	Key, Uncommon, Padded 2d	1
36	<u>105081911</u>	Keysw, Uncom, 4t, Off/on/st 2e (includes item 37)	1
37	<u>105068011</u>	Key, Uncommon, Padded 2e	1
38	<u>105081912</u>	Keysw, Uncom, 4t, Off/on/st 2f (includes item 39)	1
39	<u>105068012</u>	Key, Uncommon, Padded 2f	1
		Note: Keyswitch <u>105081901</u> , is standard for key-start gasoline vehicles equipped with a cab. Keyswitch <u>105081902</u> , is standard for key-start gasoline vehicles without a cab. Keyswitches <u>105081903</u> through <u>105081912</u> allows different key code combinations for key-start gasoline fleet vehicles.	

4
G
E

4

G

E



001361-001

REAR MOUNTED REVERSE BUZZER

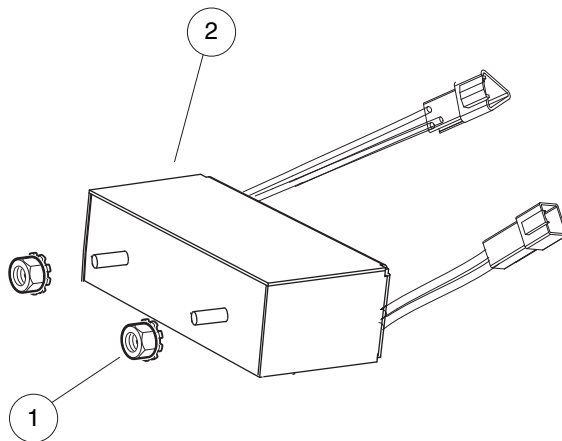
ITEM	PART NO.	DESCRIPTION	QTY
		1 2 3 4	
1	<u>1016851</u>	Buzzer, Reverse (9-48 VDC)	1
2	<u>8056</u>	Screw, #4-40 X 0.75 Round-Head Machine	2
3	<u>8057</u>	Nut, #4-40 Hex Machine	2
4	<u>8058</u>	Lockwasher, #4 Split	2

4
G
E

4

G

E



001358-001

DC CONVERTER – ELECTRIC VEHICLE

ITEM	PART NO.	DESCRIPTION	QTY
1	<u>101835601</u>	1 2 3 4 Locknut, 1/4-20 Hex Whiz	2
2	<u>103700301</u>	Converter, Dc/dc, Isoltd	1

4

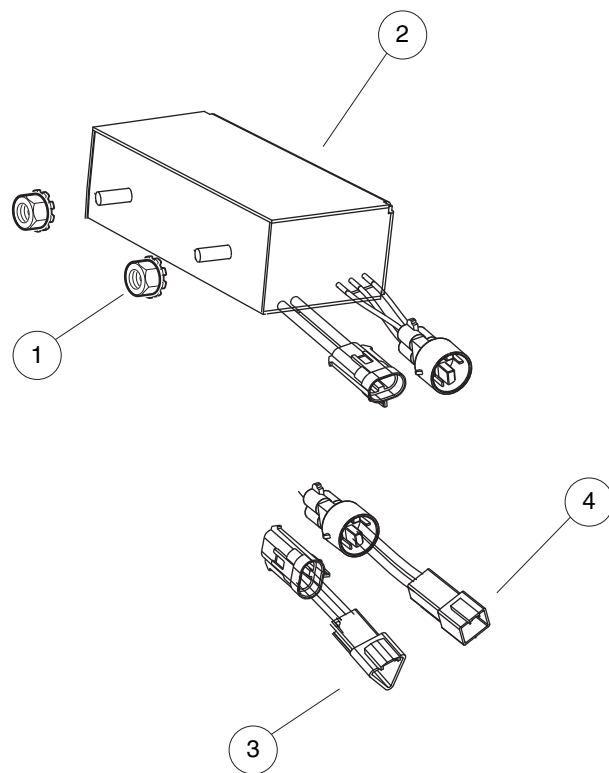
G

E

4

G

E



001359-001

DC CONVERTER, HEAVY DUTY – ELECTRIC VEHICLE

ITEM	PART NO.	DESCRIPTION	QTY
		1 2 3 4	
1	<u>101835601</u>	Locknut, 1/4-20 Hex Whiz	2
2	<u>103449501</u>	Bead, Ferrite, Tdk	1
3	<u>103804901</u>	Converter, 25a, Isolated, Ce	1
4	<u>105146901</u>	Jmpr, Dc Conv, Dt/mp480s, In	1
5	<u>105147001</u>	Jmpr, Dc Conv, Dt/mp480s, Out	1

4

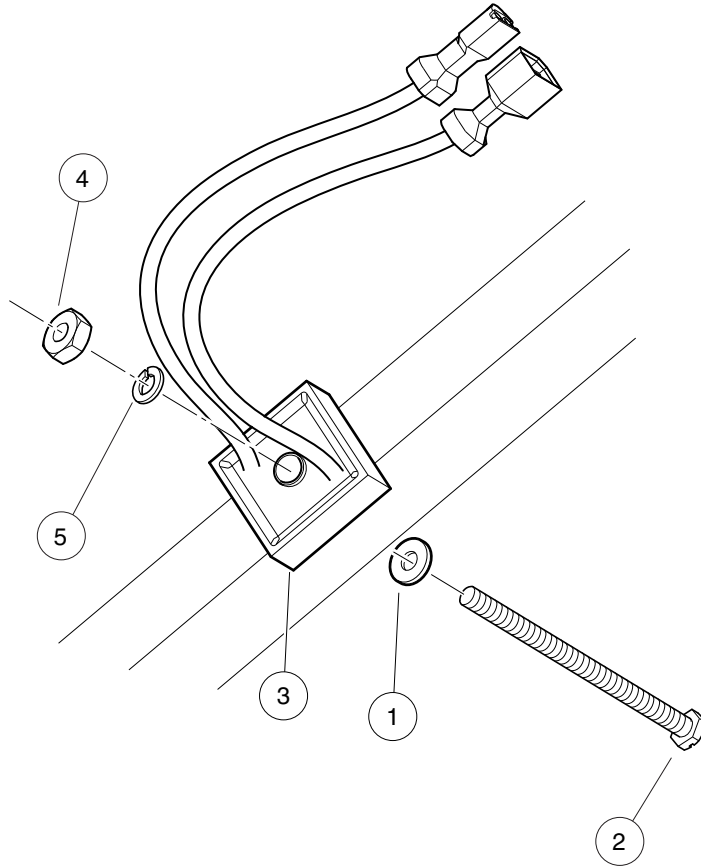
G

E

4

G

E



001365-001

VOLTAGE LIMITER – GASOLINE VEHICLE

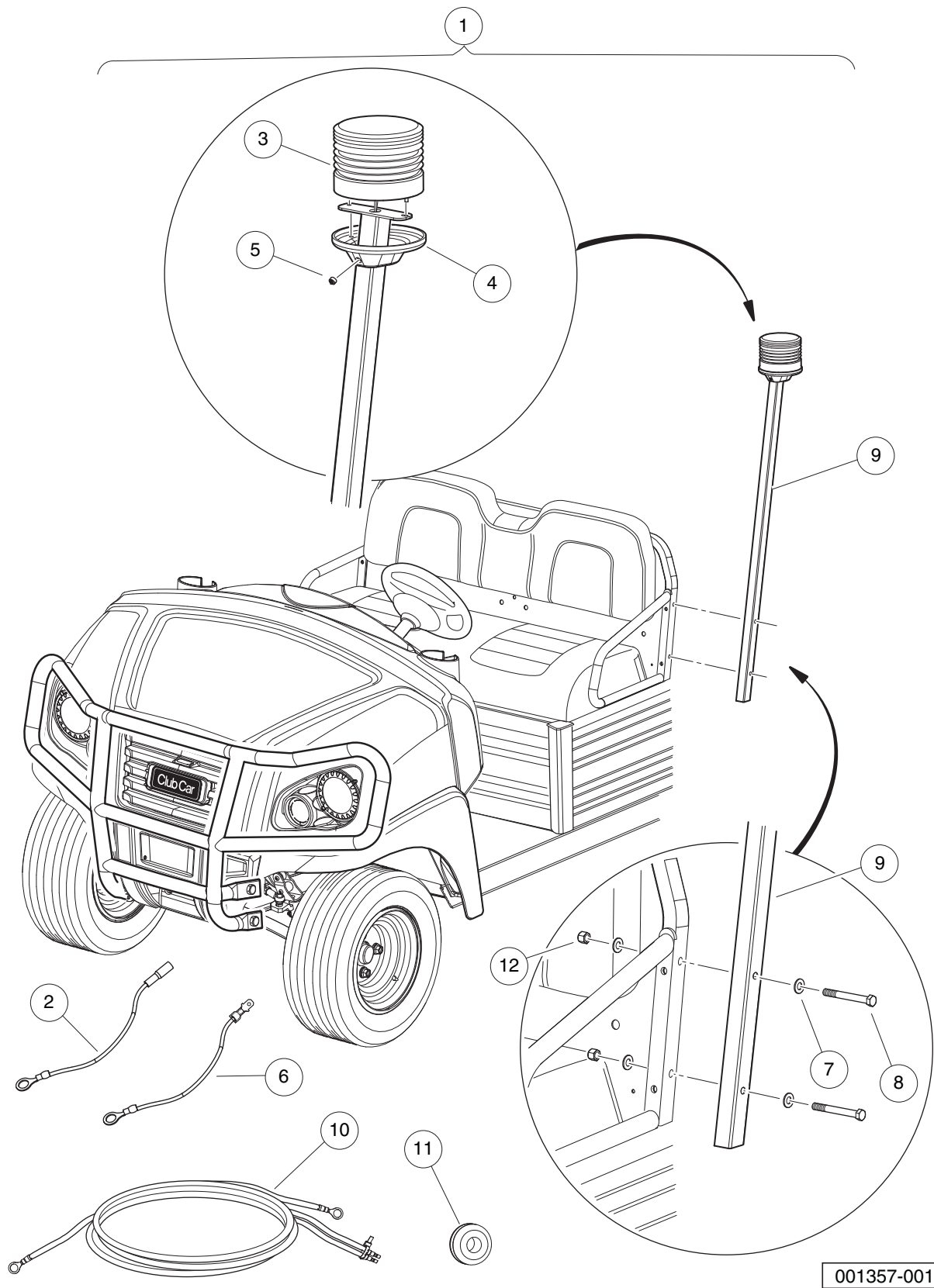
ITEM	PART NO.	DESCRIPTION	QTY
		1 2 3 4	
1	1012431	Washer, #4 Flat	1
2	<u>1015878</u>	Screw, #4-40 Hex Head Machine	1
3	<u>102529101</u>	Voltage Limiter, Prec	1
4	<u>8057</u>	Nut, #4-40 Hex Machine	1
5	<u>8058</u>	Lockwasher, #4 Split	1

4

G

E

4
G
E



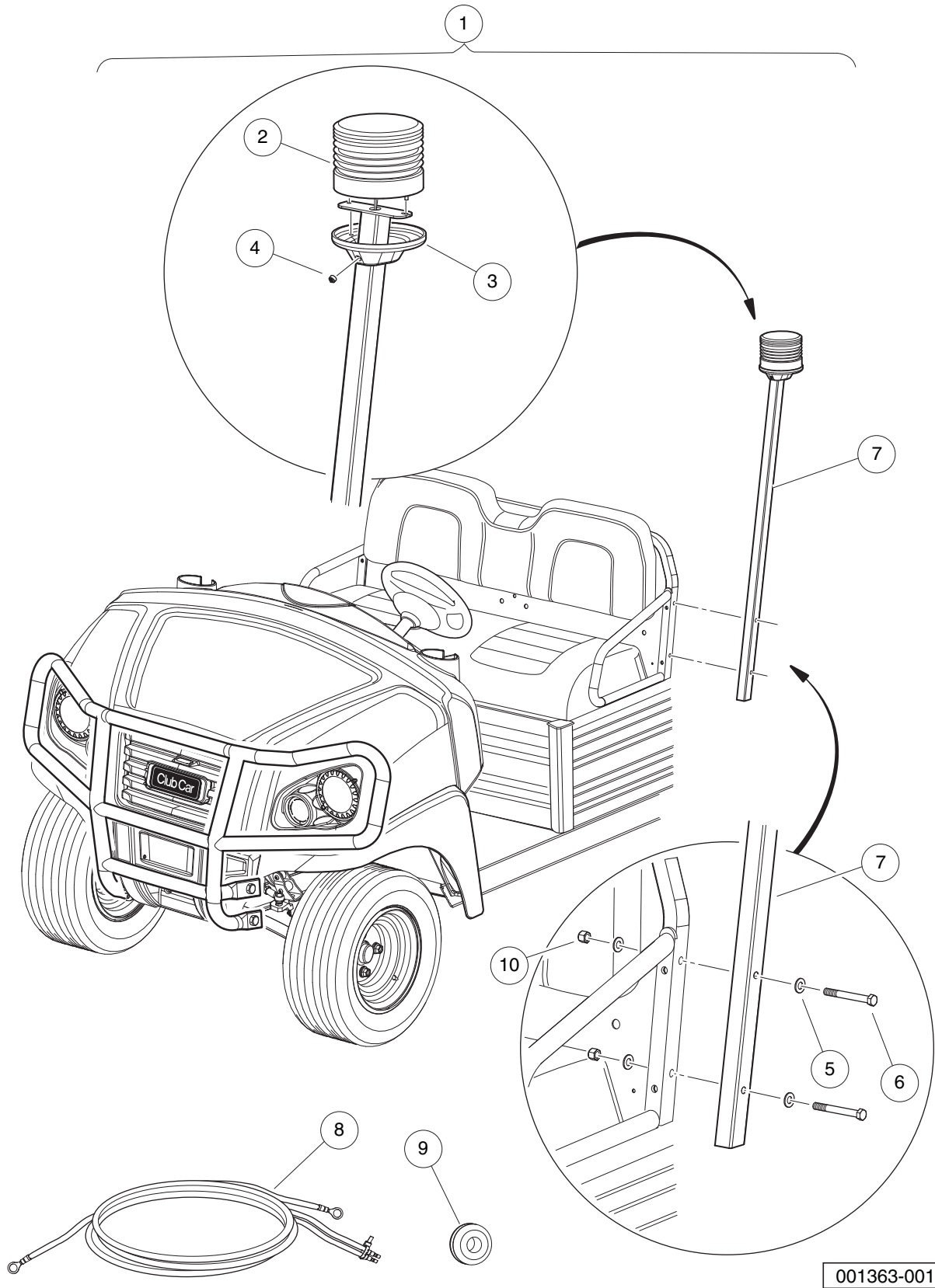
001357-001

STROBE LIGHT, POST MOUNTED – GASOLINE VEHICLES

ITEM	PART NO.	DESCRIPTION	QTY
		1 2 3 4	
1	<u>105155601</u>	Kit, Post Mtd. Strobe, Gas (includes items 2 through 12)	1
2	1015154	Wire Assembly Blue Ca #16	1
3	<u>1015156</u>	Light Assembly, Strobe	1
4	1015157	Cover Plate Switch - Pole Ca	1
5	<u>1015187</u>	Switch Assembly	1
6	1016929	Wire Assembly Black #16	1
7	<u>102323501</u>	Washer, Flat, 3/8, Blk Fin	4
8	<u>105088601</u>	Hhcs, 3/8 - 16 X 3.25, Black	2
9	105118601	Weldment, Post Mtd. Strobe	1
10	<u>105204401</u>	Wire Harness Asm,PM Strobe	1
11	<u>105205301</u>	Grommet,1/8-in groove	1
12	<u>8754</u>	Locknut, 3/8-16 Hex	2

4
G
E

4
G
E



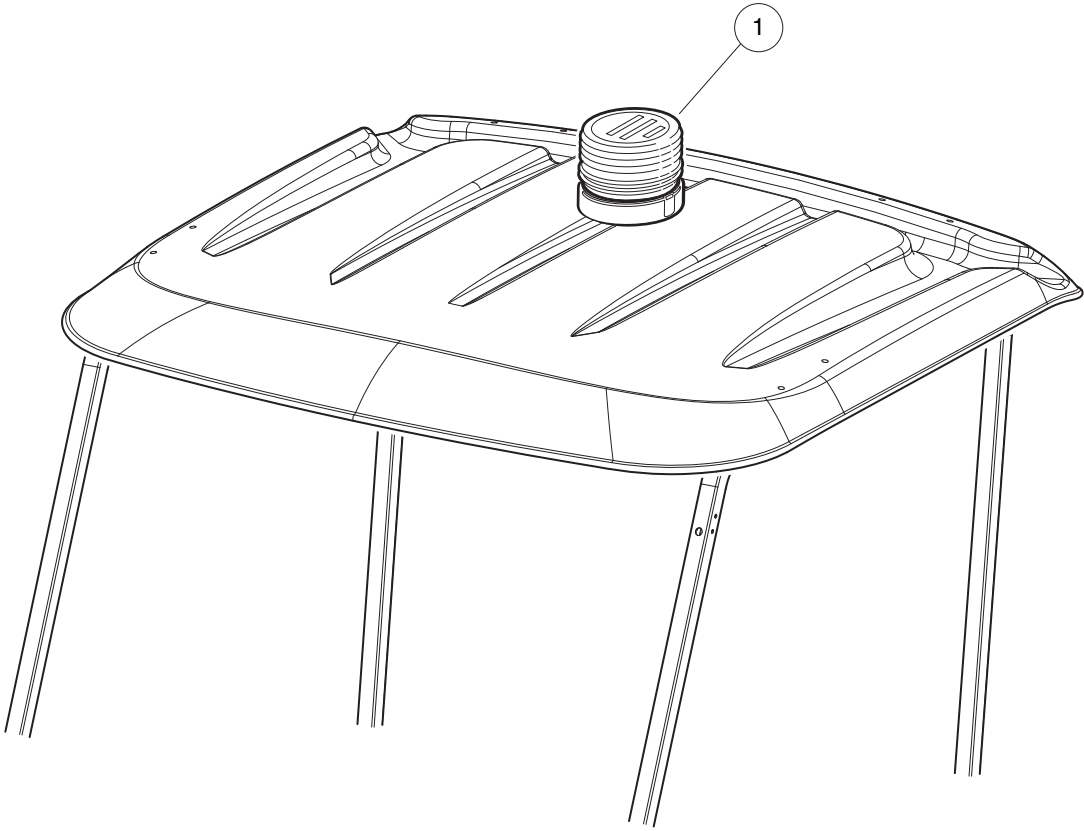
001363-001

STROBE LIGHT, POST MOUNTED – ELECTRIC VEHICLES

ITEM	PART NO.	DESCRIPTION	QTY
		1 2 3 4	
1	<u>105155501</u>	Kit, Post Mtd. Strobe, Elec (includes items 2 through 10)	1
2	<u>1015156</u>	Light Assembly, Strobe	1
3	<u>1015157</u>	Cover Plate Switch - Pole Ca	1
4	<u>1015187</u>	Switch Assembly	1
5	<u>102323501</u>	Washer, Flat, 3/8, Blk Fin	4
6	<u>105088601</u>	Hhcs, 3/8 - 16 X 3.25, Black	2
7	<u>105118601</u>	Weldment, Post Mtd. Strobe	1
8	<u>105204401</u>	Wire Harness Asm,PM Strobe	1
9	<u>105205301</u>	Grommet,1/8-in groove	1
10	<u>8754</u>	Locknut, 3/8-16 Hex	2

4
G
E

4
G
E



001364-001

STROBE LIGHT – CANOPY MOUNTED

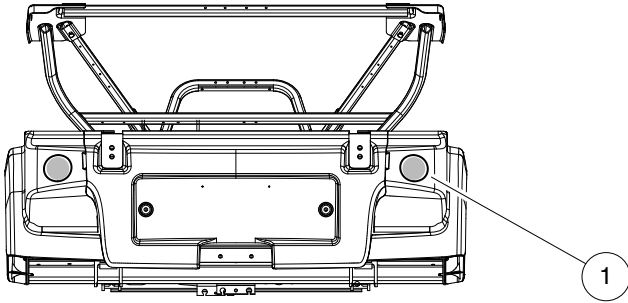
ITEM	PART NO.	DESCRIPTION	QTY
1	<u>105185101</u>	<div style="display: flex; justify-content: space-between; margin-bottom: 5px;"> 1 2 3 4 </div> Kit, Strobe, Canopy	1

4

G

E

4
G
E



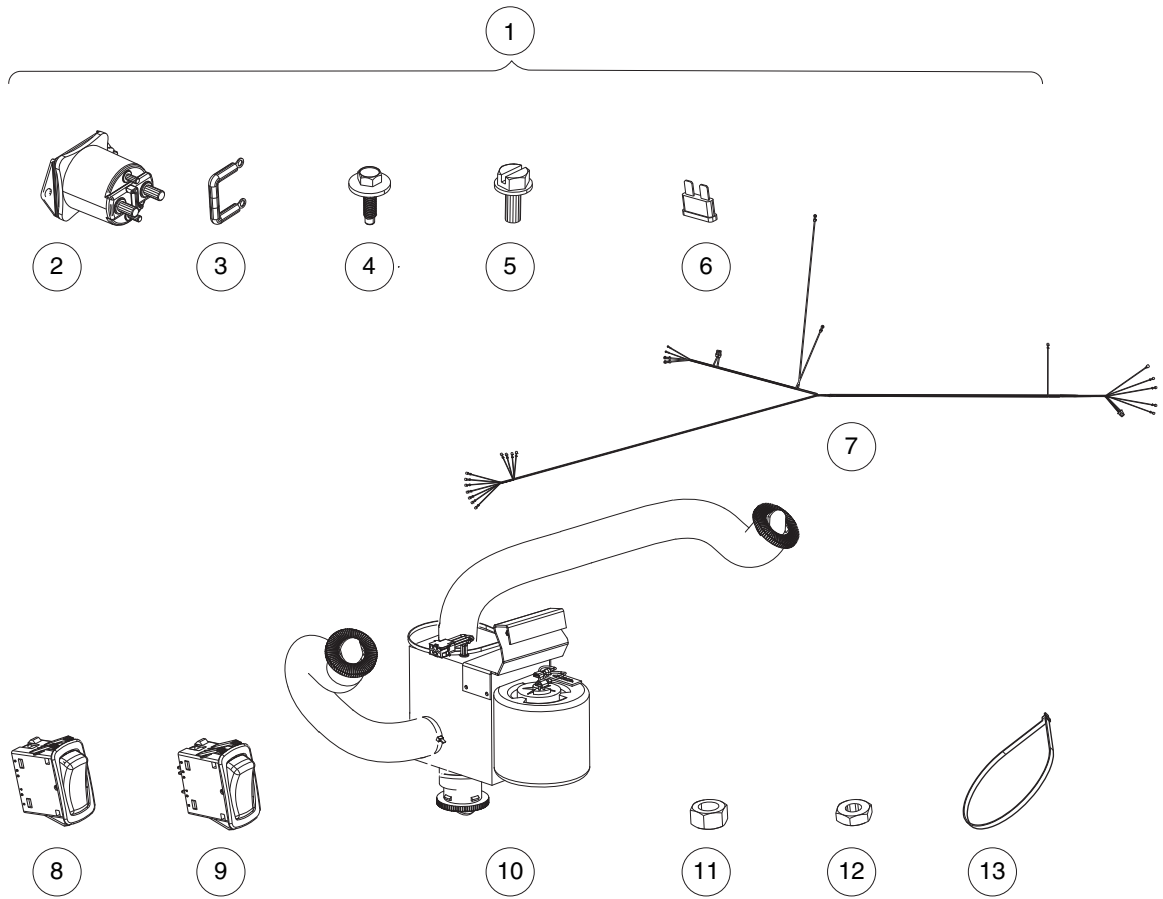
001362-001

REFLECTORS

ITEM	PART NO.	DESCRIPTION	QTY
1	<u>103832501</u>	1 2 3 4 Reflector, Red, Round, Sae	2
2	<u>103832601</u>	Reflector, Yell, Rect, Sae	2
3	<u>105144801</u>	Reflector, Red, Rect, Sae	2

4
G
E

4
G
E



001366-002

HEATER DEFOGGER – ELECTRIC VEHICLE

ITEM	PART NO.	DESCRIPTION	QTY
		1 2 3 4	
1	<u>105135802</u>	Kit, Defogger, Heater (includes items 2 through 13)	1
2	<u>1013609</u>	Solenoid, 12-Volt	1
3	1014948	Diode	1
4	<u>102297125</u>	Screw, M6-1.0x25.4, Thread-Forming, SEMS	2
5	<u>102817101</u>	Screw, 1/4-20 X .50 Hex Wsh Hd	2
6	<u>103541401</u>	Fuse, Atc, 5 Amp	1
7	<u>105108801</u>	Harness, Heater, Cab, Util	1
8	<u>105112501</u>	Switch, Heater, 12vdc	1
9	<u>105112601</u>	Switch, Blower, 12vdc	1
10	N/A	Heater, Defogger	1
11	<u>1242</u>	Nut, 5/16-18 Hex	2
12	<u>7893</u>	Nut, #10-32 Hex	2
13	<u>8639</u>	Tie Wrap, 11" Nylon	8

4
G
E

4

G

E

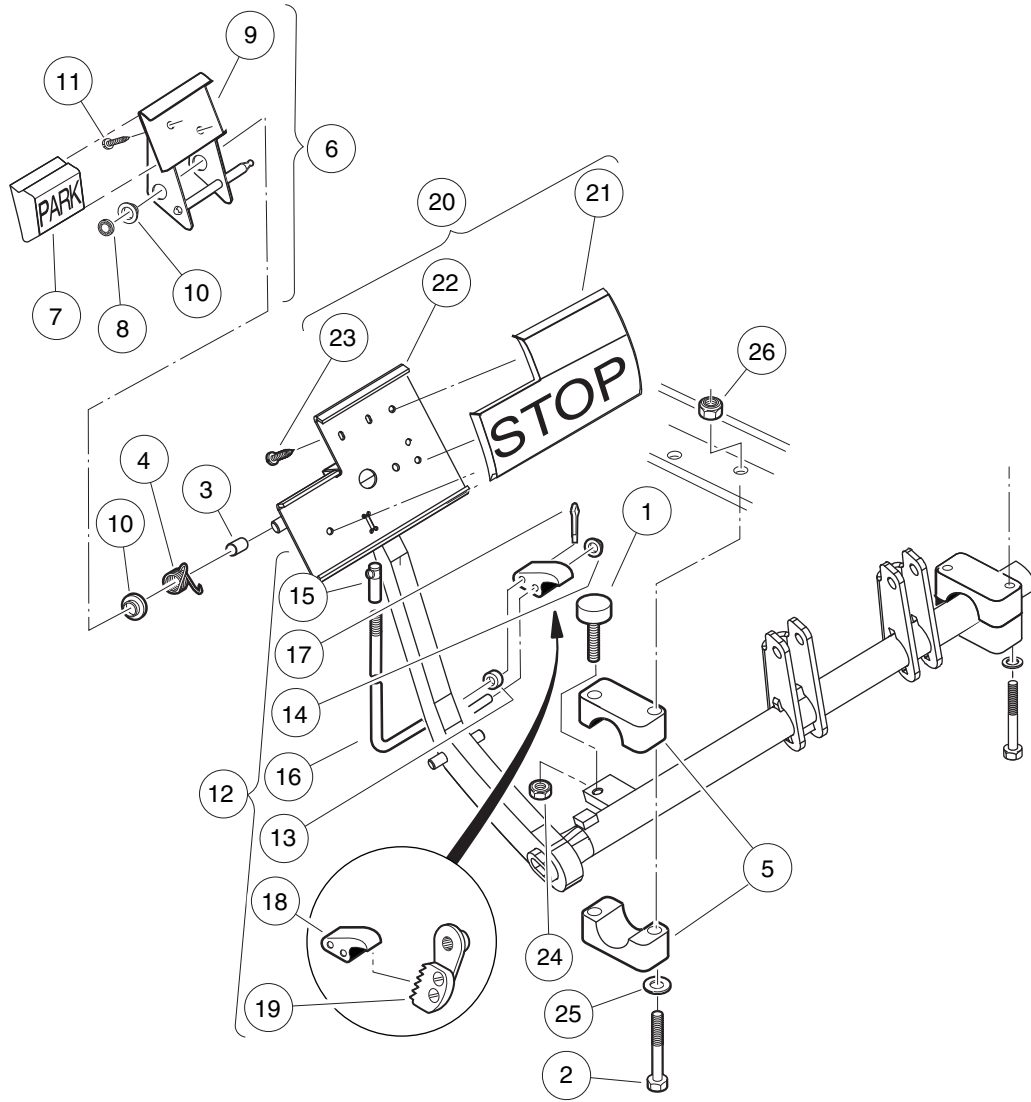
BRAKES, PEDALS, AND CABLE ASSEMBLIES

5

G

E

5
G
E



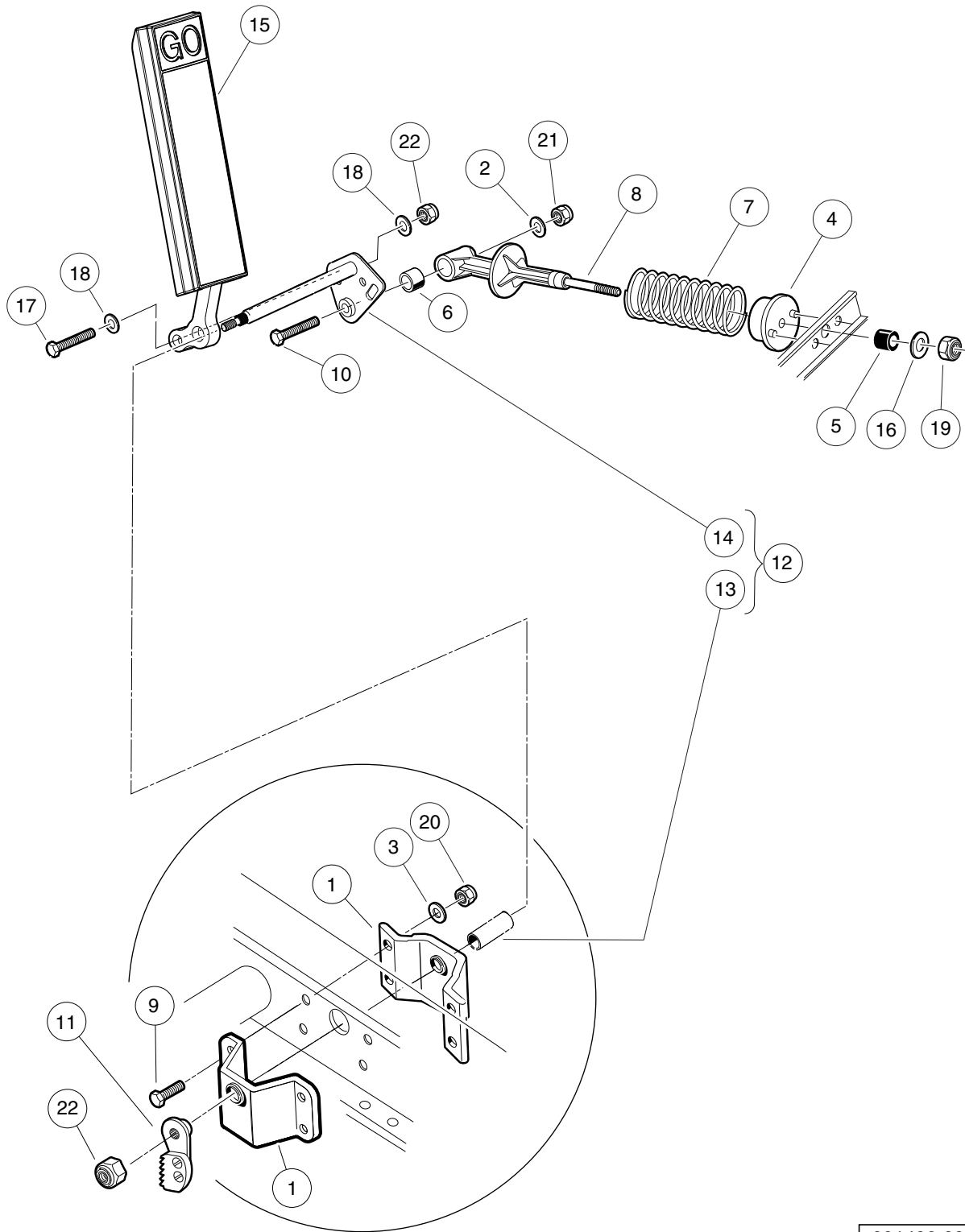
001405-002

BRAKE PEDAL ASSEMBLY – VEHICLES WITH 2-WHEEL BRAKES AND 4-WHEEL BRAKES

ITEM	PART NO.	DESCRIPTION	QTY
		1 2 3 4	
1	<u>1010878</u>	Bumper, Rubber	1
2	<u>1010921</u>	Screw, 5/16-18 X 2.50 Hex Cap	4
3	<u>1010927</u>	Hill Brake Spacer	1
4	<u>1010933</u>	Spring, Hill Brake Torsion	1
5	<u>1011402</u>	Package, Brake Mounting Block	1
6	<u>1011418</u>	Kit, Hill Brake Pedal (includes items 7 through 11)	1
7	<u>1013870</u>	Pad, Hill Brake	1
8	<u>1013876</u>	Pushnut, 3/8	1
9	N/A	Hill Brake Weld Assembly	1
10	<u>1032</u>	Bushing, Nylon	2
11	7716	Screw, #10-16 Type AB, Sheet Metal	2
12	<u>101187702</u>	Kit, Hill Brake Latch (includes items 13 through 19)	1
13	<u>1010805</u>	Sleeve, Hill Brake Rod	1
14	<u>1010877</u>	Pushnut, 3/8	1
15	1010932	Ball Joint, 1/4-28	1
16	N/A	Rod, Hill Brake	1
17	<u>1017029</u>	Pin, Cotter, 7/64 x 1/2 Stainless-Steel	1
18	N/A	Pawl, Hill Brake	1
19	101918501	Ratchet Assembly	1
20	<u>101878201</u>	Brake Pedal Kit (includes items 21 through 23)	1
21	<u>1013869</u>	Pad, Brake Pedal	1
22	N/A	Weldment, Brake Pedal, 2wr Std	1
23	7716	Screw, #10-16 Type AB, Sheet Metal	3
24	<u>1028</u>	Nut, 1/4-20 Hex	1
25	<u>1241</u>	Washer, 5/16 Type A Flat	4
26	<u>7473</u>	Locknut, 5/16-18 Nylon Insert	4

5
G
E

5
G
E



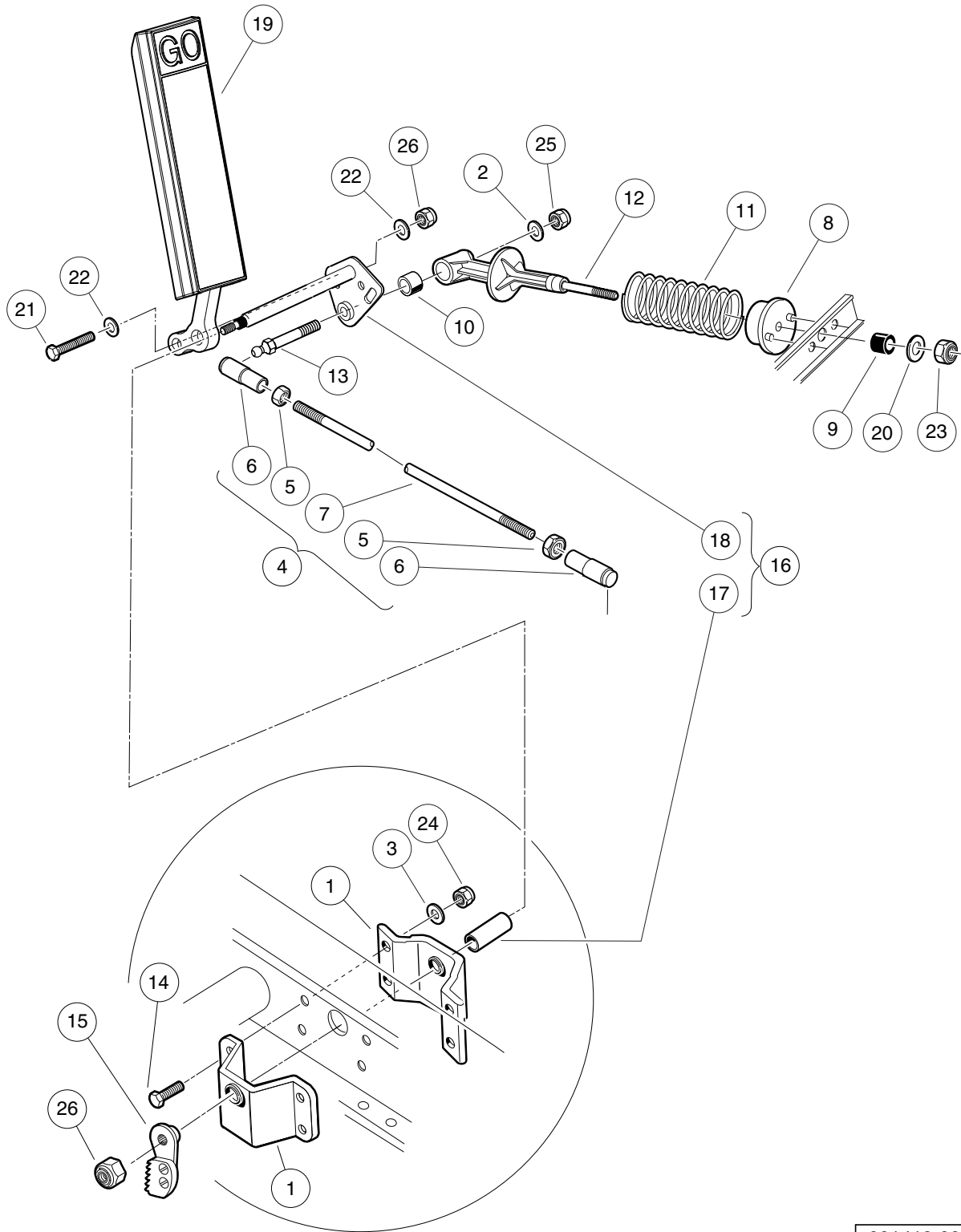
001406-001

ACCELERATOR PEDAL ASSEMBLY – ELECTRIC VEHICLES

ITEM	PART NO.	DESCRIPTION	QTY
		1 2 3 4	
1	<u>1011694</u>	Accelerator Bracket and Bearing Assembly	2
2	<u>1011931</u>	Washer, 1/4 Flat	1
3	<u>1014007</u>	Washer, 1/4, Flat	4
4	<u>1017378</u>	Cup, Spring	1
5	<u>1017380</u>	Bumper, Spring Return	1
6	<u>1017424</u>	Bearing, Pivot Support	1
7	101796201	Spring, Accelerator Return	1
8	<u>101817401</u>	Retainer, Spring	1
9	<u>101861901</u>	Screw, 1/4-20 X 1.125 Hex Cap	4
10	<u>101862001</u>	Screw, 1/4-20 X 1.500 Flange	1
11	101918501	Ratchet Assembly	1
12	<u>102026001</u>	Kit, Accelerator Pivot Rod Assembly (includes items 13 and 14)	1
13	101919801	Spacer, Accelerator	1
14	<u>102158901</u>	Pivot Rod Weldment	1
15	<u>103865101</u>	Pedal, Accel, Insert	A/R
16	<u>1241</u>	Washer, 5/16 Type A Flat	1
17	<u>1624</u>	Screw, 3/8-16 X 1.50, Hex-Head Cap	1
18	<u>334</u>	Washer, 3/8, Type A, Flat	2
19	<u>7473</u>	Locknut, 5/16-18 Nylon Insert	1
20	<u>8233</u>	Locknut, 1/4-20, Nylon Insert	4
21	<u>8717</u>	Locknut, Nylon Insert, 1/4-28	1
22	<u>8754</u>	Locknut, 3/8-16 Hex	2

5
G
E

5
G
E



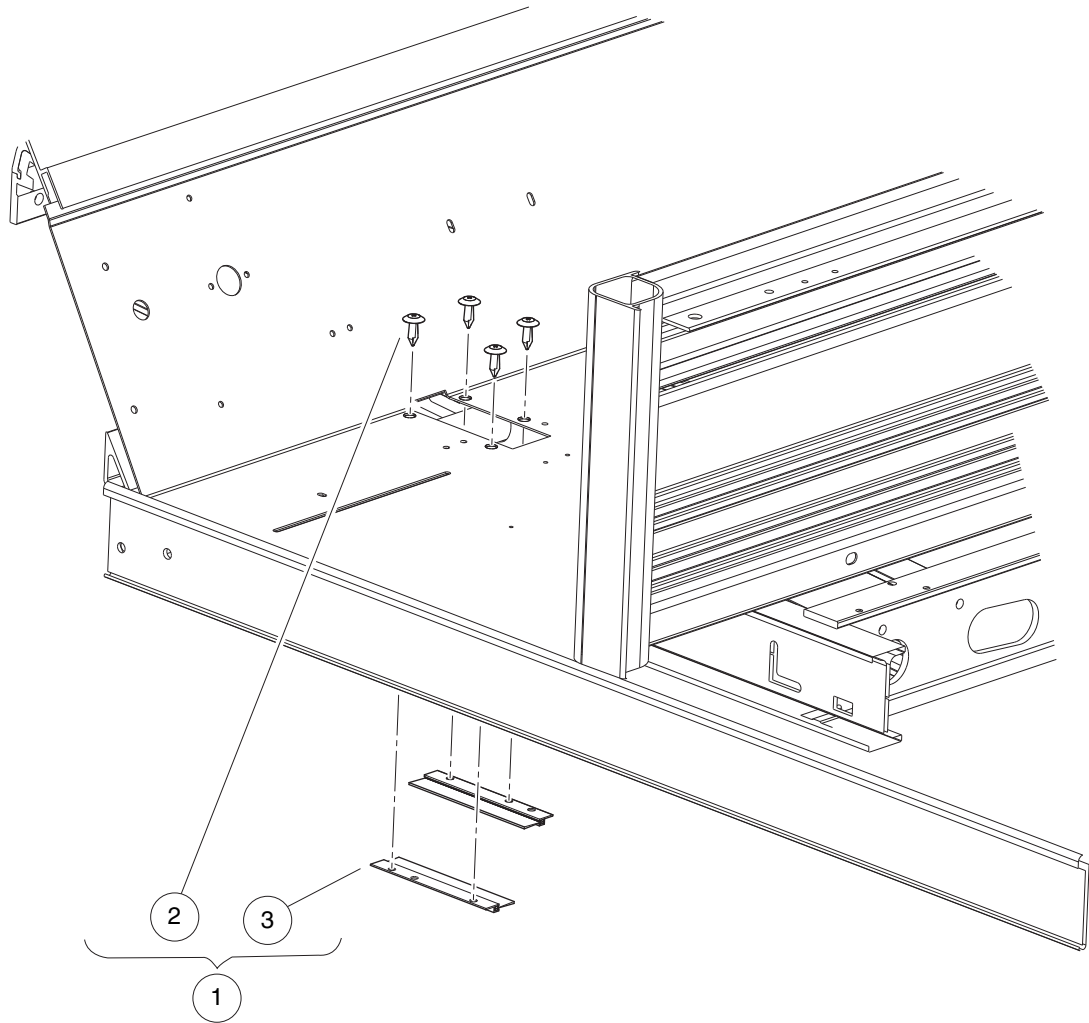
001410-001

ACCELERATOR ROD AND PEDAL ASSEMBLY – GASOLINE VEHICLE

ITEM	PART NO.	DESCRIPTION	QTY
		1 2 3 4	
1	<u>1011694</u>	Accelerator Bracket and Bearing Assembly	2
2	<u>1011931</u>	Washer, 1/4 Flat	1
3	<u>1014007</u>	Washer, 1/4, Flat	4
4	<u>101674704</u>	Accelerator Rod Assembly, RV XL (includes items 5 through 7)	1
5	<u>1011084</u>	Nut, 1/4-28 Hex Jam	2
6	<u>1011734</u>	Joint, Ball	2
7	N/A	Accelerator Rod, RV XL	1
8	<u>1017378</u>	Cup, Spring	1
9	<u>1017380</u>	Bumper, Spring Return	1
10	<u>1017424</u>	Bearing, Pivot Support	1
11	101796201	Spring, Accelerator Return	1
12	<u>101817401</u>	Retainer, Spring	1
13	101818801	Stud, 1/4-28 X 1.35 Ball	1
14	<u>101861901</u>	Screw, 1/4-20 X 1.125 Hex Cap	4
15	101918501	Ratchet Assembly	1
16	<u>102026001</u>	Kit, Accelerator Pivot Rod Assembly (includes items 17 and 18)	1
17	101919801	Spacer, Accelerator	1
18	<u>102158901</u>	Pivot Rod Weldment	1
19	<u>103865101</u>	Pedal, Accel, Insert	1
20	<u>1241</u>	Washer, 5/16 Type A Flat	1
21	<u>1624</u>	Screw, 3/8-16 X 1.50, Hex-Head Cap	1
22	<u>334</u>	Washer, 3/8, Type A, Flat	2
23	<u>7473</u>	Locknut, 5/16-18 Nylon Insert	1
24	<u>8233</u>	Locknut, 1/4-20, Nylon Insert	4
25	<u>8717</u>	Locknut, Nylon Insert, 1/4-28	1
26	<u>8754</u>	Locknut, 3/8-16 Hex	2

5
G
E

5
G
E



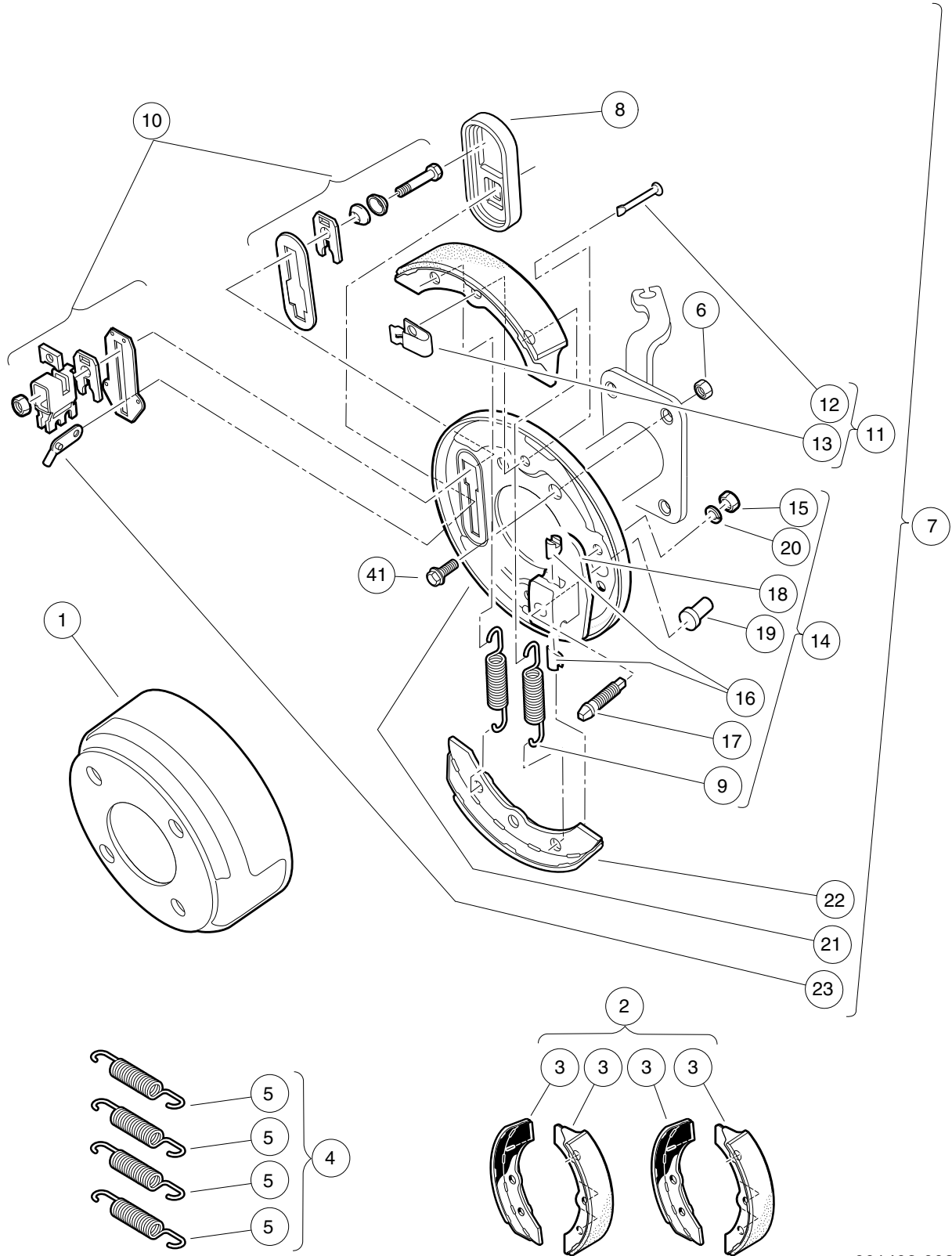
001418-001

PEDAL CLOSE-OUT KIT

ITEM	PART NO.	DESCRIPTION	QTY
		1 2 3 4	
1	<u>105149101</u>	Kit, Close Out, Pedal, Utl (includes items 2 and 3)	1
2	<u>102025701</u>	Screw, Tuflok Panel, 1/4	4
3	<u>105149201</u>	Asm, Brush, Pedal Close Out	2

5
G
E

5
G
E



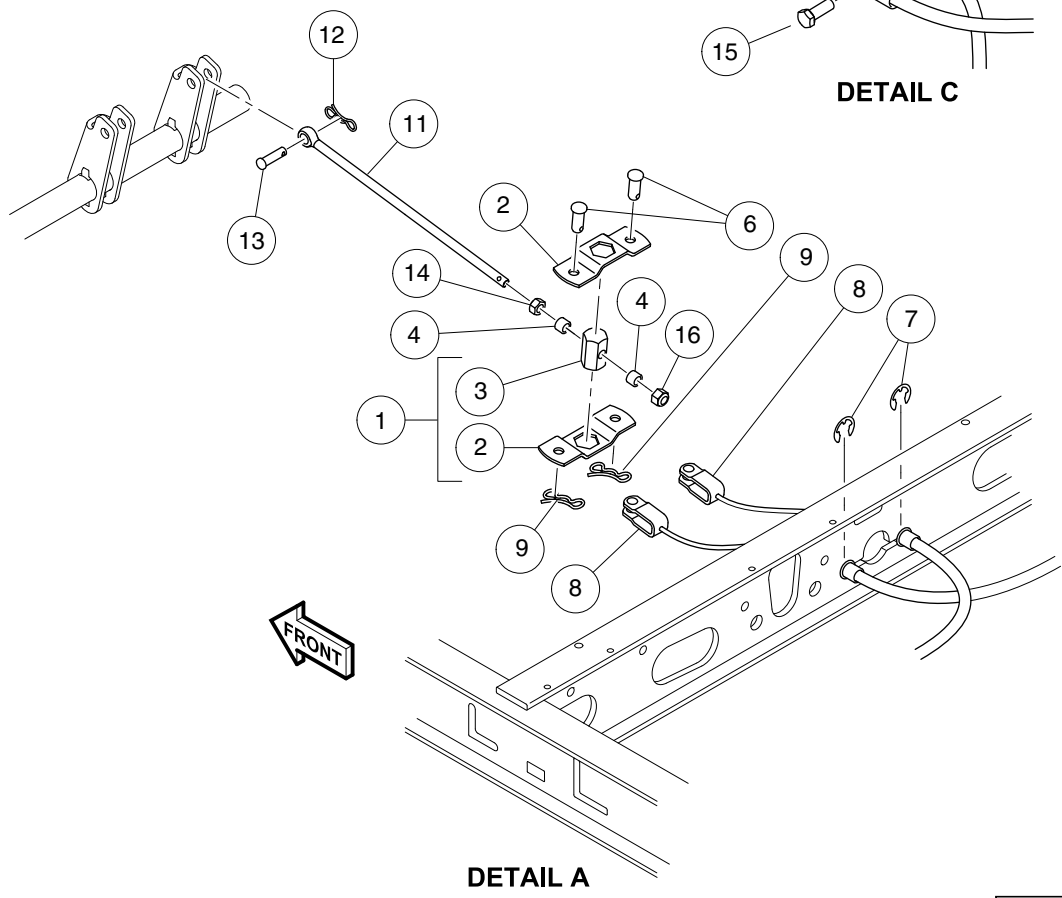
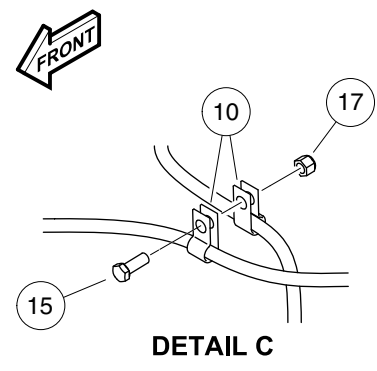
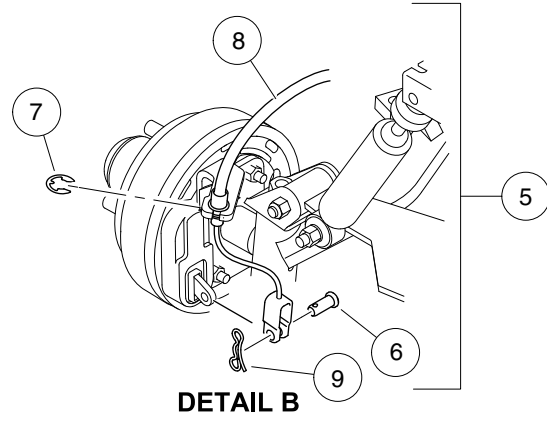
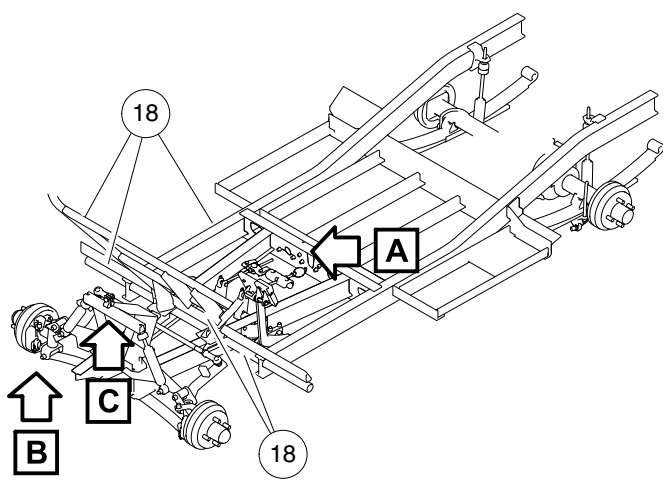
001402-002

FRONT BRAKE ASSEMBLY – VEHICLES WITH 4-WHEEL BRAKES

ITEM	PART NO.	DESCRIPTION	QTY
		1 2 3 4	
1	<u>1011137</u>	Drum, Brake	2
2	<u>101146302</u>	Kit, Non-Asbestos Brake Shoe (includes item 3)	1
3	101880701	Shoe Brake Manual Adj (Available in Kit, Non-Asbestos Brake Shoe)	4
4	<u>1011464</u>	Package, Brake Spring (includes item 5)	1
5	1011314	Brake Spring	4
6	<u>1013924</u>	Nut, 5/16-24, Hex Head Cone	8
7	<u>1016557</u>	Cluster, Brake, Driver-Side (includes items 8 through 23)	1
8	<u>1010850</u>	Dust Cover	1
9	1011314	Brake Spring	2
10	<u>1011465</u>	Kit, Brake Actuator	1
11	<u>1011466</u>	Kit, Shoe Retainer (includes items 12 and 13)	1
12	N/A	Pin	2
13	N/A	Shoe Clamp Spring	2
14	<u>1011467</u>	Kit, Anchor Body (includes items 15 through 20)	1
15	<u>1011114</u>	Nut, M6-1.00 Hex	2
16	1011298	Anchor Piston	2
17	N/A	Adjustment Bolt	1
18	N/A	Anchor Body Component	1
19	<u>1011303</u>	Adjustment Bolt Cap	1
20	<u>451</u>	Lockwasher, 1/4 Split	2
21	1011494	Backing Plate, Left-Hand	1
22	101880701	Shoe Brake Manual Adj (Available in Kit, Non-Asbestos Brake Shoe)	2
23	N/A	Arm, Brake Lever	1
24	<u>1016573</u>	Cluster, Brake, Passenger-Side (includes items 25 through 40)	1
25	<u>1010850</u>	Dust Cover	1
26	<u>1011154</u>	Backing Plate, Right-Hand	1
27	1011314	Brake Spring	2
28	<u>1011465</u>	Kit, Brake Actuator	1
29	<u>1011466</u>	Kit, Shoe Retainer (includes items 30 and 31)	1
30	N/A	Pin	2
31	N/A	Shoe Clamp Spring	2
32	<u>1011467</u>	Kit, Anchor Body (includes items 33 through 38)	1
33	<u>1011114</u>	Nut, M6-1.00 Hex	2
34	1011298	Anchor Piston	2
35	N/A	Adjustment Bolt	1
36	N/A	Anchor Body Component	1
37	<u>1011303</u>	Adjustment Bolt Cap	1
38	<u>451</u>	Lockwasher, 1/4 Split	2
39	101880701	Shoe Brake Manual Adj (Available in Kit, Non-Asbestos Brake Shoe)	2
40	N/A	Arm, Brake Lever	1
41	<u>47542195001</u>	Bolt, Brake Cluster Mnt	8
		Note: Passenger-side brake cluster (items 25-41) not shown. Components have a similar appearance to driver-side brake cluster components.	

5
G
E

5
G
E



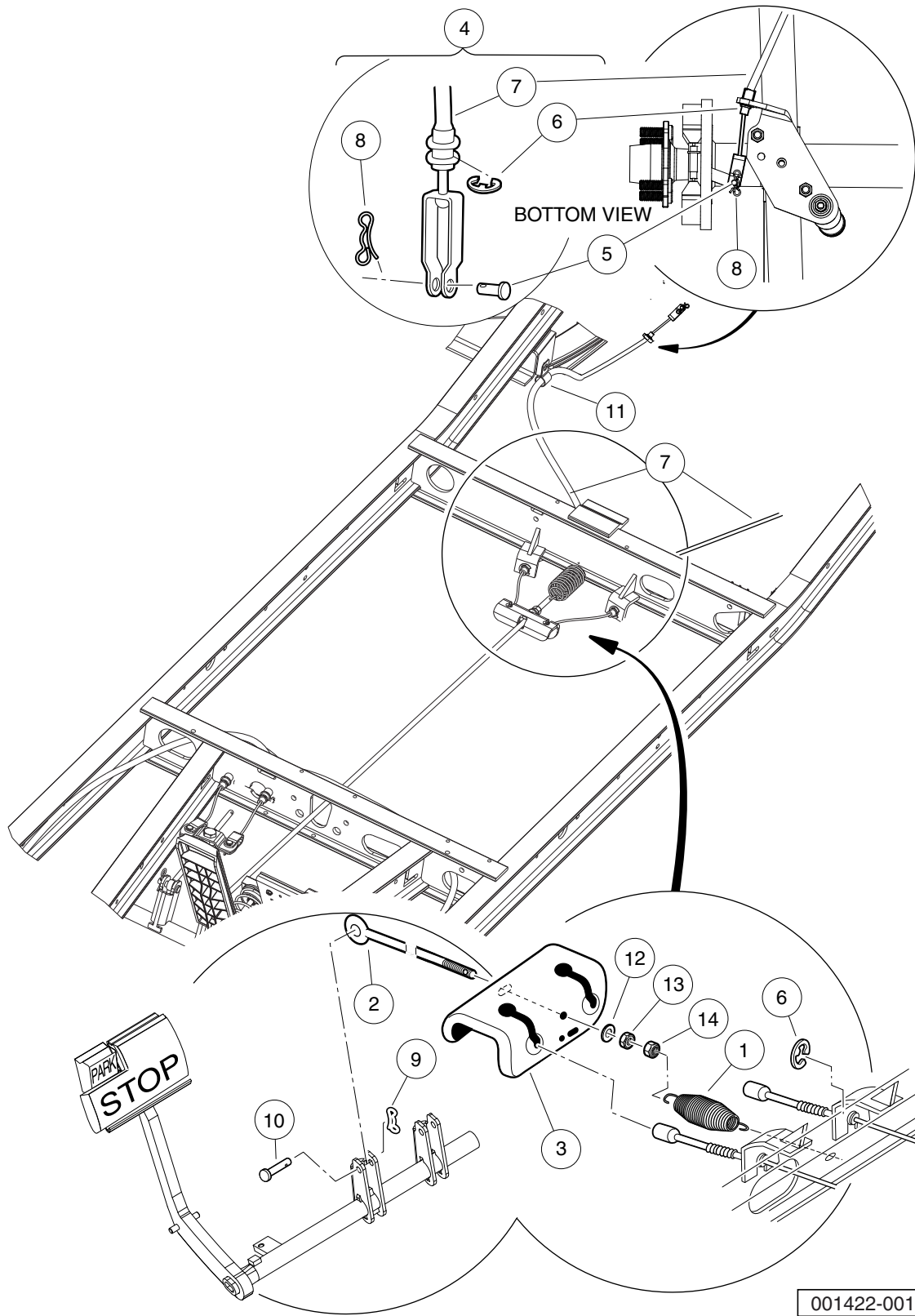
001423-001

FRONT BRAKE CABLES AND EQUALIZER – VEHICLE WITH 4-WHEEL BRAKES

ITEM	PART NO.	DESCRIPTION	QTY
		1 2 3 4	
1	<u>1017211</u>	Kit, Equalizer and Pivot Limiter (includes items 2 and 3)	1
2	1016319	Equalizer Weld Assembly	1
3	1016320	Equalizer, Pivot Limiter	1
4	<u>101865301</u>	Spacer	2
5	<u>101874601</u>	Kit, Brake Cable (includes items 6 through 9)	1
6	<u>1010829</u>	Pin, Clevis, 5/16 X 3/4	4
7	<u>1011779</u>	E-Clip, 1/2	4
8	N/A	Brake Cable	2
9	<u>102292801</u>	Pin, Bow Tie Locking - .072	4
10	<u>101935301</u>	Clamp, Brake Cable	2
11	<u>101953106</u>	Rod, Equalizer, 9.75"	1
12	<u>102323101</u>	Pin, Bow Tie Locking	1
13	<u>102323201</u>	Pin, 3/8 X 1-5/16 Clevis	1
14	<u>1242</u>	Nut, 5/16-18 Hex	1
15	320	Screw, 3/8-16 X 1.00 Hex-Head Cap	1
16	<u>7473</u>	Locknut, 5/16-18 Nylon Insert	1
17	<u>8754</u>	Locknut, 3/8-16 Hex	1
18	<u>8990</u>	Tie Wrap, 8" Nylon	5

5
G
E

5
G
E



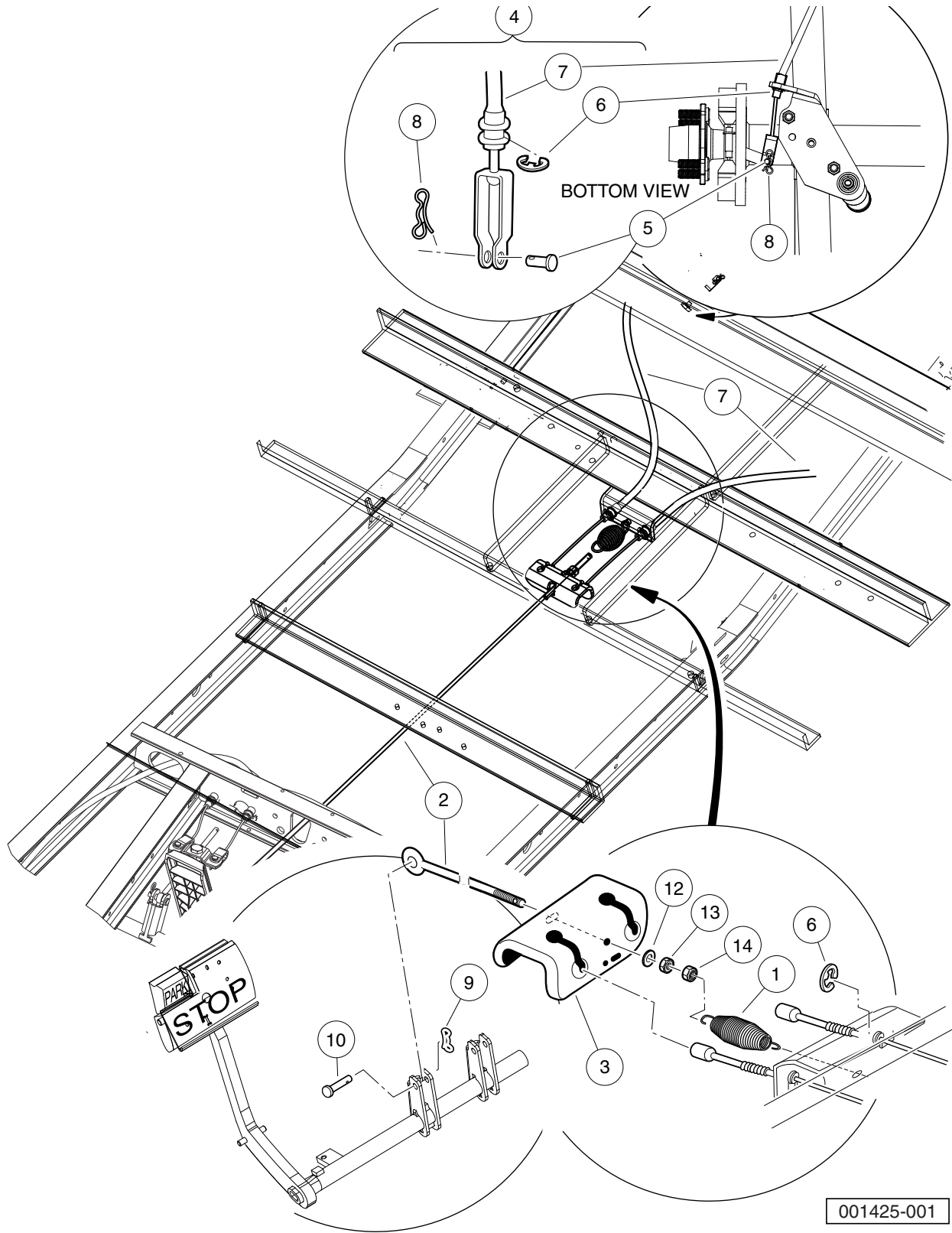
001422-001

REAR BRAKE CABLES AND EQUALIZER – GASOLINE VEHICLE WITH 4-WHEEL BRAKES

ITEM	PART NO.	DESCRIPTION	QTY
		1 2 3 4	
1	<u>1013531</u>	Spring, Brake Return	1
2	<u>101953104</u>	Rod, Equalizer	1
3	<u>101990801</u>	Equalizer Bracket	1
4	<u>102166901</u>	Kit, Brake Cable Rear (includes items 5 through 8)	A/R
5	<u>1010829</u>	Pin, Clevis, 5/16 X 3/4	2
6	<u>1011779</u>	E-Clip, 1/2	4
7	<u>102162601</u>	Cable, Brake	2
8	<u>102292801</u>	Pin, Bow Tie Locking - .072	2
9	<u>102323101</u>	Pin, Bow Tie Locking	1
10	<u>102323201</u>	Pin, 3/8 X 1-5/16 Clevis	1
11	<u>102891101</u>	Clamp, Cable, Brake, Sym	2
12	<u>1241</u>	Washer, 5/16 Type A Flat	5
13	<u>1242</u>	Nut, 5/16-18 Hex	1
14	<u>7473</u>	Locknut, 5/16-18 Nylon Insert	5

5
G
E

5
G
E



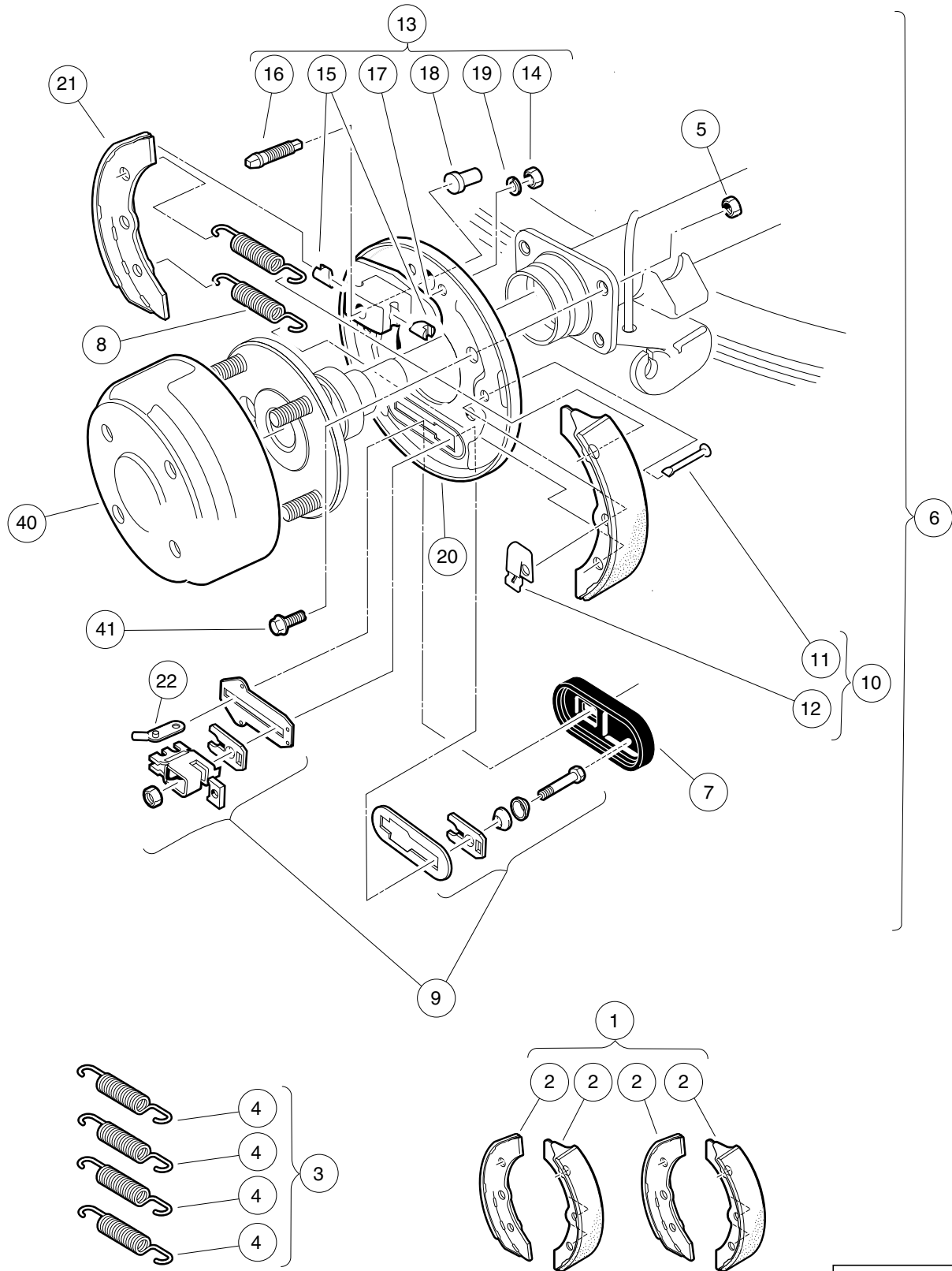
001425-001

REAR BRAKE CABLES AND EQUALIZER – ELECTRIC VEHICLE WITH 4-WHEEL BRAKES

ITEM	PART NO.	DESCRIPTION	QTY
		1 2 3 4	
1	<u>1013531</u>	Spring, Brake Return	1
2	101953103	Rod, Equalizer, 41.91"	1
3	<u>101990801</u>	Equalizer Bracket	1
4	<u>102166901</u>	Kit, Brake Cable Rear (includes items 5 through 8)	A/R
5	<u>1010829</u>	Pin, Clevis, 5/16 X 3/4	2
6	<u>1011779</u>	E-Clip, 1/2	4
7	102162601	Cable, Brake	2
8	<u>102292801</u>	Pin, Bow Tie Locking - .072	2
9	<u>102323101</u>	Pin, Bow Tie Locking	1
10	<u>102323201</u>	Pin, 3/8 X 1-5/16 Clevis	1
11	<u>102891101</u>	Clamp, Cable, Brake, Sym	2
12	<u>1241</u>	Washer, 5/16 Type A Flat	5
13	<u>1242</u>	Nut, 5/16-18 Hex	1
14	<u>7473</u>	Locknut, 5/16-18 Nylon Insert	5

5
G
E

5
G
E



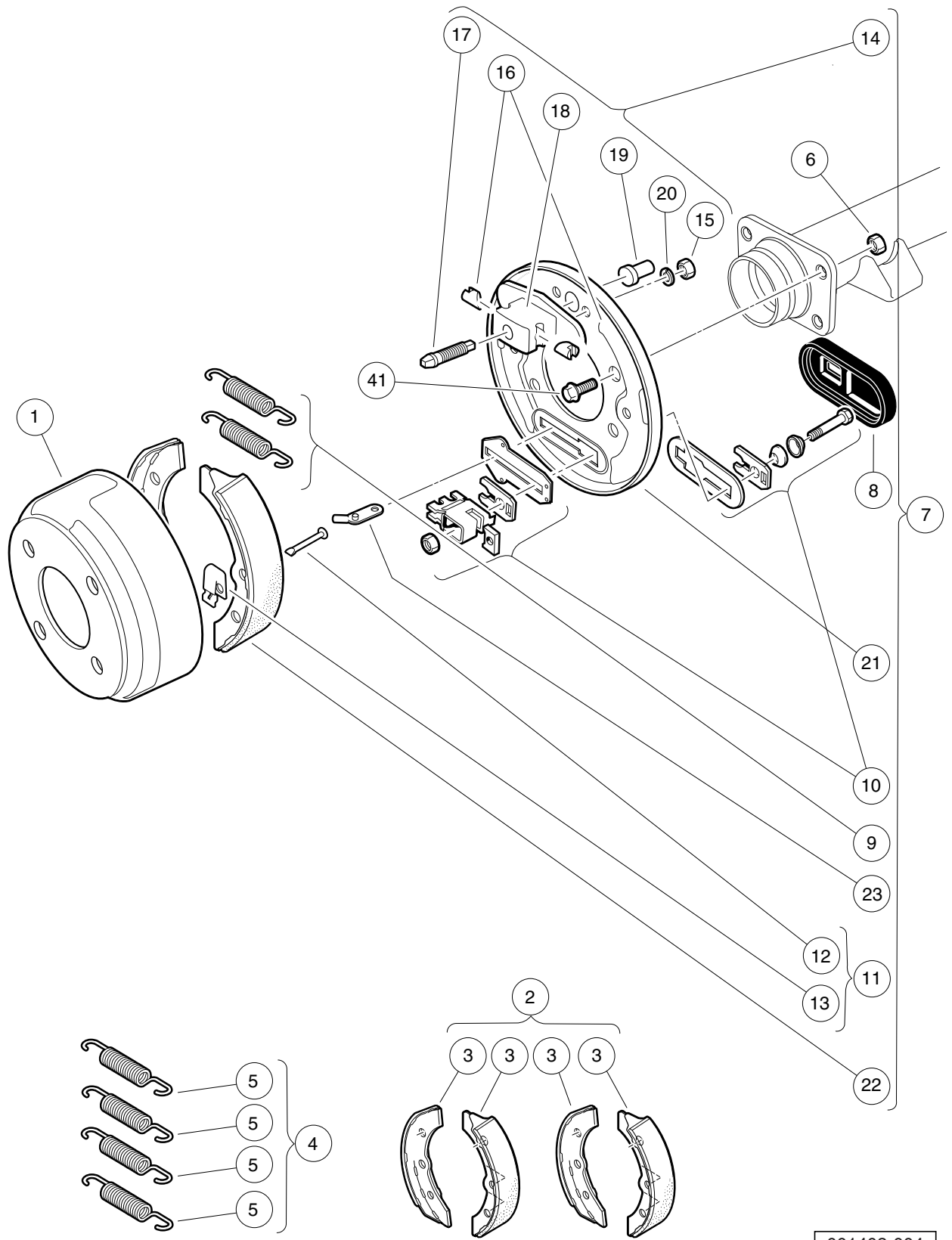
001403-003

REAR BRAKES, MANUALLY-ADJUSTED – ELEC. VEHICLES WITH 4-WHEEL BRAKES

ITEM	PART NO.	DESCRIPTION	QTY
		1 2 3 4	
1	<u>101146302</u>	Kit, Non-Asbestos Brake Shoe (includes item 2)	1
2	101880701	Shoe Brake Manual Adj (Available in Kit, Non-Asbestos Brake Shoe)	4
3	<u>1011464</u>	Package, Brake Spring (includes item 4)	1
4	1011314	Brake Spring	4
5	<u>1013924</u>	Nut, 5/16-24, Hex Head Cone	8
6	<u>1016557</u>	Cluster, Brake, Driver-Side (includes items 7 through 22)	1
7	<u>1010850</u>	Dust Cover	1
8	1011314	Brake Spring	2
9	<u>1011465</u>	Kit, Brake Actuator	1
10	<u>1011466</u>	Kit, Shoe Retainer (includes items 11 and 12)	1
11	N/A	Pin	2
12	N/A	Shoe Clamp Spring	2
13	<u>1011467</u>	Kit, Anchor Body (includes items 14 through 19)	1
14	<u>1011114</u>	Nut, M6-1.00 Hex	2
15	1011298	Anchor Piston	2
16	N/A	Adjustment Bolt	1
17	N/A	Anchor Body Component	1
18	<u>1011303</u>	Adjustment Bolt Cap	1
19	<u>451</u>	Lockwasher, 1/4 Split	2
20	1011494	Backing Plate, Left-Hand	1
21	101880701	Shoe Brake Manual Adj (Available in Kit, Non-Asbestos Brake Shoe)	2
22	N/A	Arm, Brake Lever	1
23	<u>1016573</u>	Cluster, Brake, Passenger-Side (includes items 24 through 39)	1
24	<u>1010850</u>	Dust Cover	1
25	<u>1011154</u>	Backing Plate, Right-Hand	1
26	1011314	Brake Spring	2
27	<u>1011465</u>	Kit, Brake Actuator	1
28	<u>1011466</u>	Kit, Shoe Retainer (includes items 29 and 30)	1
29	N/A	Pin	2
30	N/A	Shoe Clamp Spring	2
31	<u>1011467</u>	Kit, Anchor Body (includes items 32 through 37)	1
32	<u>1011114</u>	Nut, M6-1.00 Hex	2
33	1011298	Anchor Piston	2
34	N/A	Adjustment Bolt	1
35	N/A	Anchor Body Component	1
36	<u>1011303</u>	Adjustment Bolt Cap	1
37	<u>451</u>	Lockwasher, 1/4 Split	2
38	101880701	Shoe Brake Manual Adj (Available in Kit, Non-Asbestos Brake Shoe)	2
39	N/A	Arm, Brake Lever	1
40	<u>101791101</u>	Drum without Center Hole, Brake	2
41	<u>47542195001</u>	Bolt, Brake Cluster Mnt	8
		Note: Passenger-side brake cluster (items 24-40) not shown. Components have a similar appearance to driver-side brake cluster components.	

5
G
E

5
G
E



001403-004

REAR BRAKES, MANUALLY-ADJUSTED – GAS VEHICLES WITH 4-WHEEL BRAKES

ITEM	PART NO.	DESCRIPTION	QTY	5
		1 2 3 4		G
1	<u>1011137</u>	Drum, Brake	2	E
2	<u>101146302</u>	Kit, Non-Asbestos Brake Shoe (includes item 3)	1	
3	101880701	Shoe Brake Manual Adj (Available in Kit, Non-Asbestos Brake Shoe)	4	
4	<u>1011464</u>	Package, Brake Spring (includes item 5)	1	
5	1011314	Brake Spring	4	
6	<u>1013924</u>	Nut, 5/16-24, Hex Head Cone	8	
7	<u>1016557</u>	Cluster, Brake, Driver-Side (includes items 8 through 23)	1	
8	<u>1010850</u>	Dust Cover	1	
9	1011314	Brake Spring	2	
10	<u>1011465</u>	Kit, Brake Actuator	1	
11	<u>1011466</u>	Kit, Shoe Retainer (includes items 12 and 13)	1	
12	N/A	Pin	2	
13	N/A	Shoe Clamp Spring	2	
14	<u>1011467</u>	Kit, Anchor Body (includes items 15 through 20)	1	
15	<u>1011114</u>	Nut, M6-1.00 Hex	2	
16	1011298	Anchor Piston	2	
17	N/A	Adjustment Bolt	1	
18	N/A	Anchor Body Component	1	
19	<u>1011303</u>	Adjustment Bolt Cap	1	
20	<u>451</u>	Lockwasher, 1/4 Split	2	
21	1011494	Backing Plate, Left-Hand	1	
22	101880701	Shoe Brake Manual Adj (Available in Kit, Non-Asbestos Brake Shoe)	2	
23	N/A	Arm, Brake Lever	1	
24	<u>1016573</u>	Cluster, Brake, Passenger-Side (includes items 25 through 40)	1	
25	<u>1010850</u>	Dust Cover	1	
26	<u>1011154</u>	Backing Plate, Right-Hand	1	
27	1011314	Brake Spring	2	
28	<u>1011465</u>	Kit, Brake Actuator	1	
29	<u>1011466</u>	Kit, Shoe Retainer (includes items 30 and 31)	1	
30	N/A	Pin	2	
31	N/A	Shoe Clamp Spring	2	
32	<u>1011467</u>	Kit, Anchor Body (includes items 33 through 38)	1	
33	<u>1011114</u>	Nut, M6-1.00 Hex	2	
34	1011298	Anchor Piston	2	
35	N/A	Adjustment Bolt	1	
36	N/A	Anchor Body Component	1	
37	<u>1011303</u>	Adjustment Bolt Cap	1	
38	<u>451</u>	Lockwasher, 1/4 Split	2	
39	101880701	Shoe Brake Manual Adj (Available in Kit, Non-Asbestos Brake Shoe)	2	
40	N/A	Arm, Brake Lever	1	
41	<u>47542195001</u>	Bolt, Brake Cluster Mnt	8	
		Note: Passenger-side brake cluster (items 25-41) not shown. Components have a similar appearance to driver-side brake cluster components.		

5

G

E

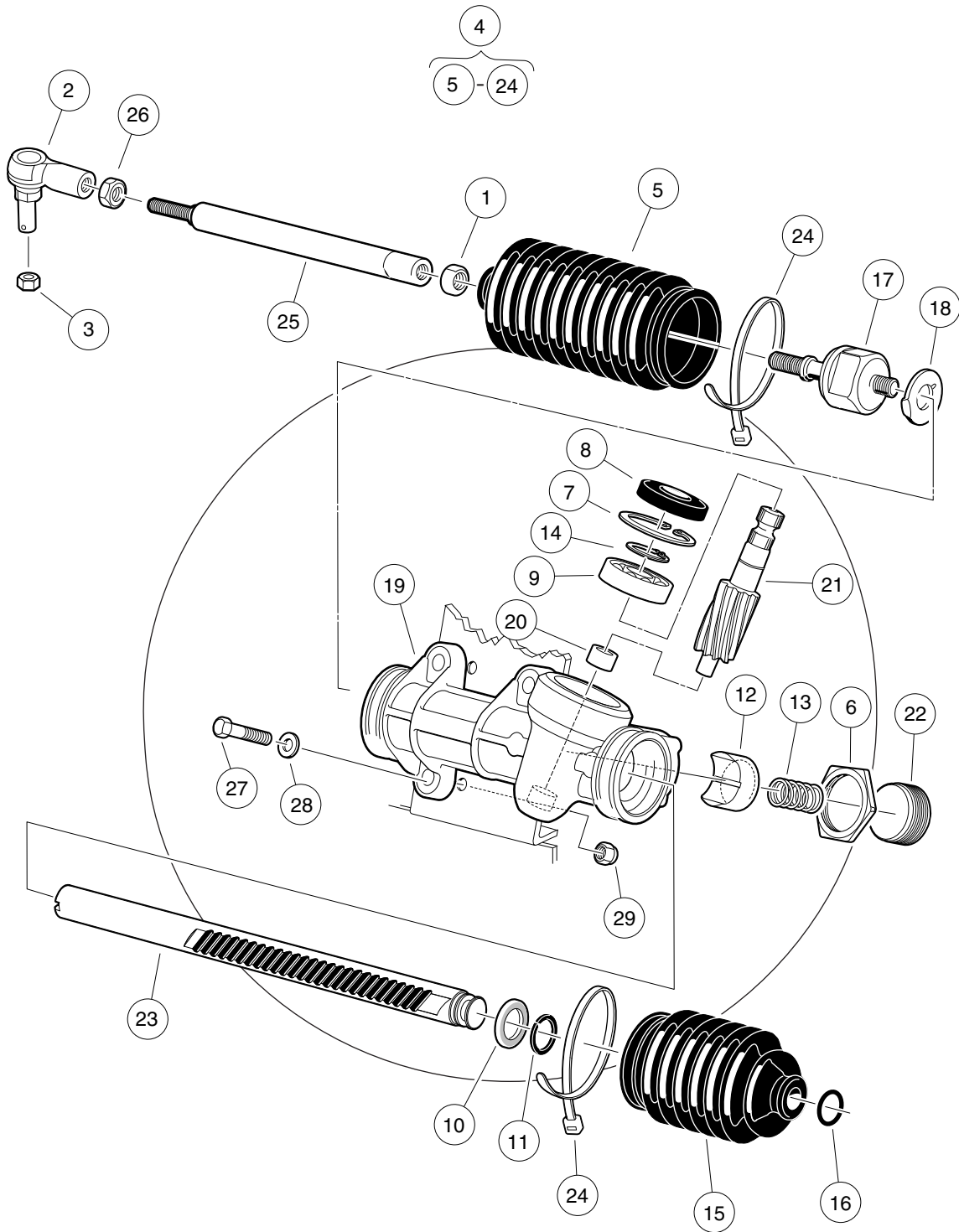
STEERING, FRONT AND REAR SUSPENSION

6

G

E

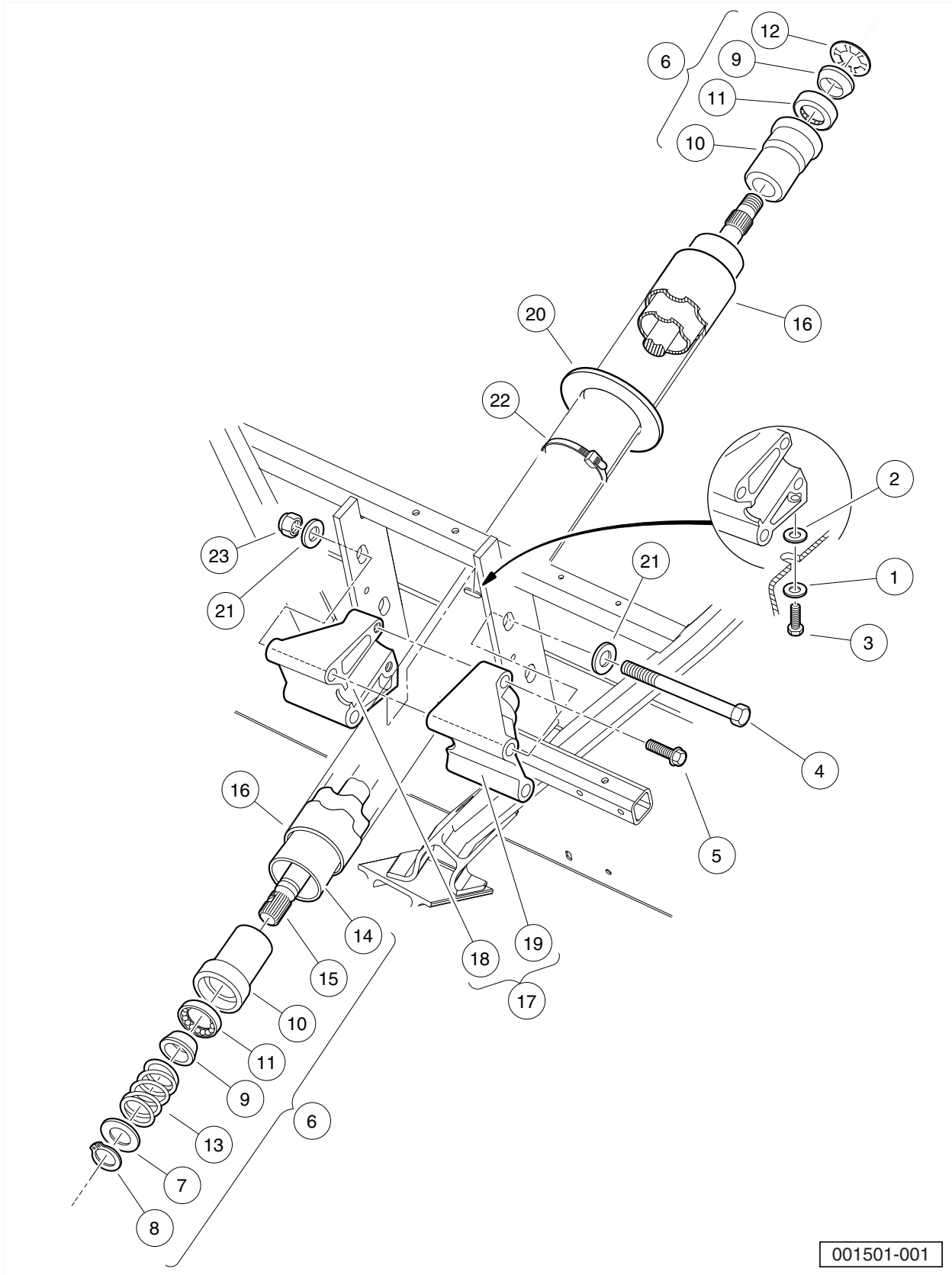
6
G
E



001500-002

STEERING GEAR ASSEMBLY

ITEM	PART NO.	DESCRIPTION	QTY	6
		1 2 3 4		G
1	1013042	Nut, 12mm Hex	1	E
2	<u>102022602</u>	End, Tie Rod, M12 X 1.25, Lh	1	
3	<u>102289201</u>	Nut - Hex Locking, M12 X 1.25	1	
4	<u>103601501</u>	Asm, Steering Rack And Pinion (includes items 5 through 24)	1	
5	<u>1013035</u>	Bellows, Long	1	
6	<u>1013044</u>	Rack Screw Locknut	1	
7	N/A	Snap Ring	1	
8	<u>1013052</u>	Seal, Steering Pinion Dust	1	
9	<u>101879401</u>	Bearing, Ball	1	
10	<u>101879501</u>	Stop Washer	1	
11	101879601	Stop Ring, C-Type	1	
12	<u>101879701</u>	Support Yoke	1	
13	<u>101879801</u>	Rack Guide Pressure Spring	1	
14	<u>101879901</u>	Ring, Stop, C-Type	1	
15	<u>101880001</u>	Bellows, Short	1	
16	101880101	Dust Seal Retaining Ring	1	
17	<u>101880201</u>	Inner Ball Joint Asm	1	
18	101880301	Washer, Tab	1	
19	N/A	Box, Steering Gear	1	
20	N/A	Bearing, Lower Pinion	1	
21	N/A	Pinion, Steering	1	
22	N/A	Screw, Rack Guide	1	
23	N/A	Rack, Steering	1	
24	<u>8990</u>	Tie Wrap, 8" Nylon	2	
25	<u>103653401</u>	Link, Drag, Male Thd	1	
26	<u>103653501</u>	Nut, Jam, M12-1.25, Lh	1	
27	<u>1624</u>	Screw, 3/8-16 X 1.50, Hex-Head Cap	3	
28	<u>334</u>	Washer, 3/8, Type A, Flat	3	
29	<u>8754</u>	Locknut, 3/8-16 Hex	3	



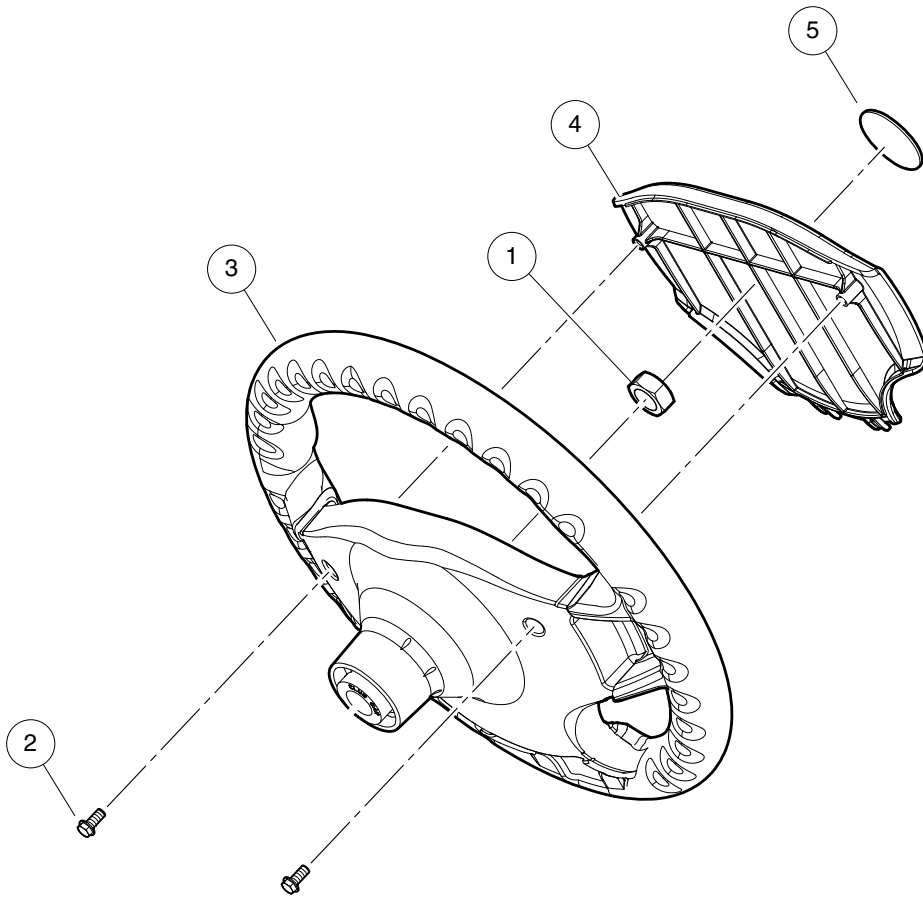
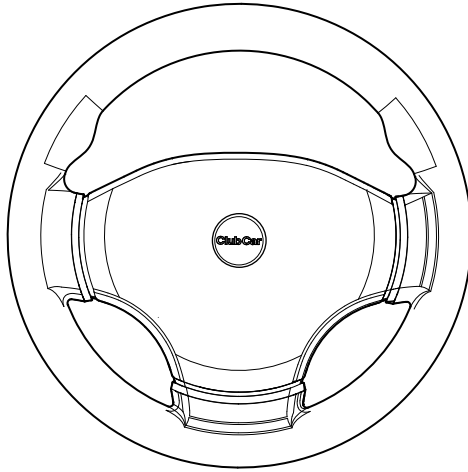
001501-001

STEERING COLUMN

ITEM	PART NO.	DESCRIPTION	QTY
		1 2 3 4	
1	<u>1011697</u>	Washer, 5/16 Flat	1
2	<u>1012571</u>	Washer, 5/16 Extra Thick Flat	1
3	<u>1014288</u>	Screw, 5/16-18 X 0.75, Thread-Forming	1
4	<u>1016183</u>	Screw, 3/8-16 X 7.00 Hex Cap	2
5	<u>1016269</u>	Screw, 5/16-18 Thrd Forming	2
6	<u>1017313</u>	Steering Shaft Assembly (includes items 7 through 15)	1
7	<u>1012604</u>	Washer, 0.675 ID X 1.19 OD	1
8	<u>1012605</u>	Ring, 0.579 Internal Retaining	1
9	<u>1014125</u>	Wedge, Molded	2
10	<u>1014126</u>	Seat, Plastic Bearing	2
11	<u>1014213</u>	Bearing, Ball	2
12	<u>1014214</u>	Ring, Retaining	1
13	<u>1014217</u>	Spring, Steering Shaft	1
14	<u>1017314</u>	Column, Aluminum Steering	1
15	<u>1017315</u>	Shaft Steering Column	1
16	<u>1017317</u>	Tube Cover, Steering Column	1
17	101984801	Kit, Steering Column Mounting Bracket (includes items 18 and 19)	1
18	N/A	Bracket, RH Steering Column Mount	1
19	N/A	Bracket, LH Steering column mount	1
20	<u>102278001</u>	Boot, Steering Column Round	1
21	<u>334</u>	Washer, 3/8, Type A, Flat	4
22	<u>8639</u>	Tie Wrap, 11" Nylon	1
23	<u>8754</u>	Locknut, 3/8-16 Hex	2

6
G
E

6
G
E



001503-001

STEERING WHEEL

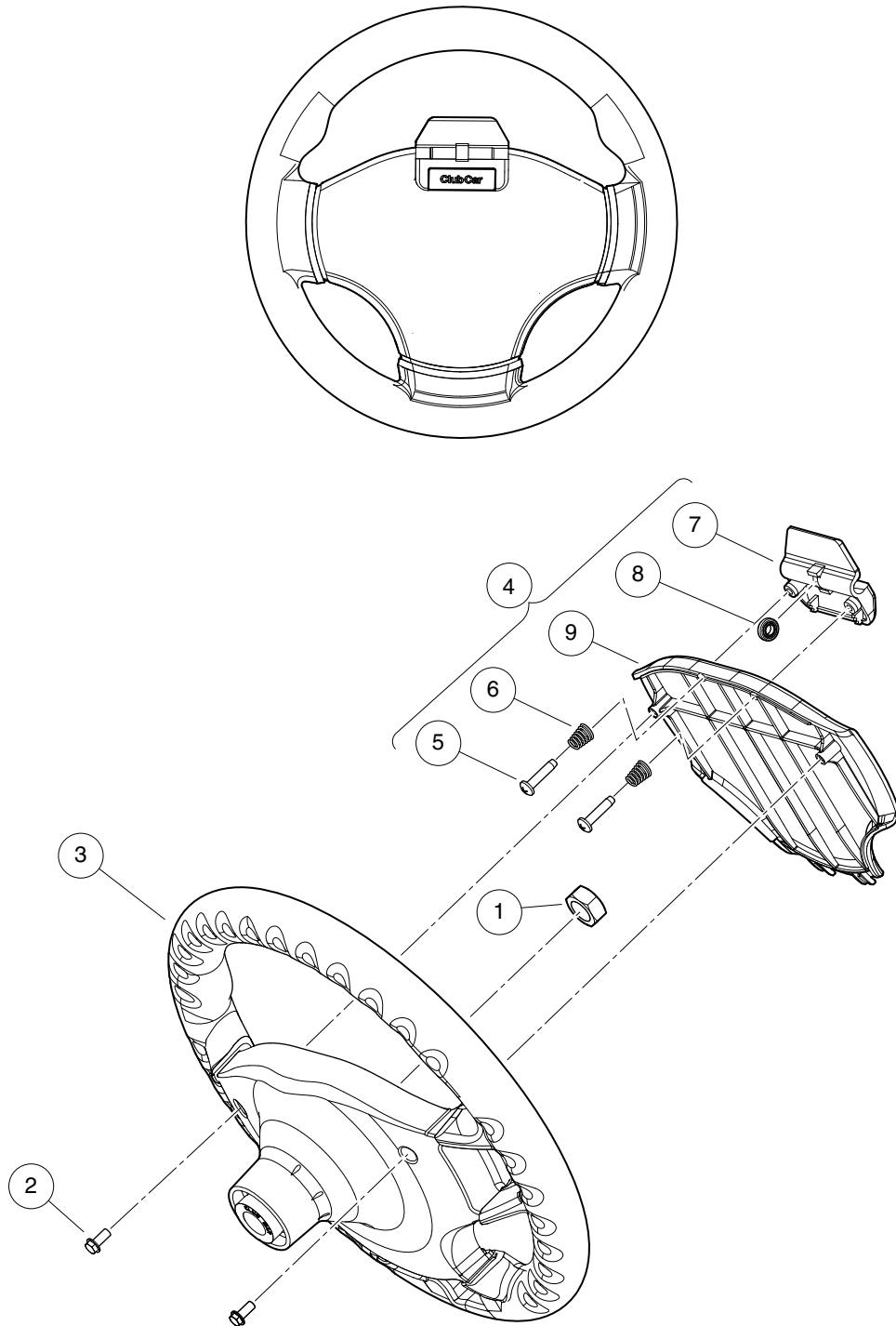
ITEM	PART NO.	DESCRIPTION	QTY
		1 2 3 4	
1	<u>1017273</u>	Nut, 5/8-18 Nylon Insert Jam	1
2	<u>101850301</u>	Screw, #12-16 X 0.50 Washer-Head Hi-Lo	2
3	<u>103724504</u>	Steering Wheel, Soft Spl	1
4	<u>103724602</u>	Cover, Steering Wheel, Generic	1
5	<u>103829401</u>	Logo, Cci, Steer Wheel	1

6

G

E

6
G
E



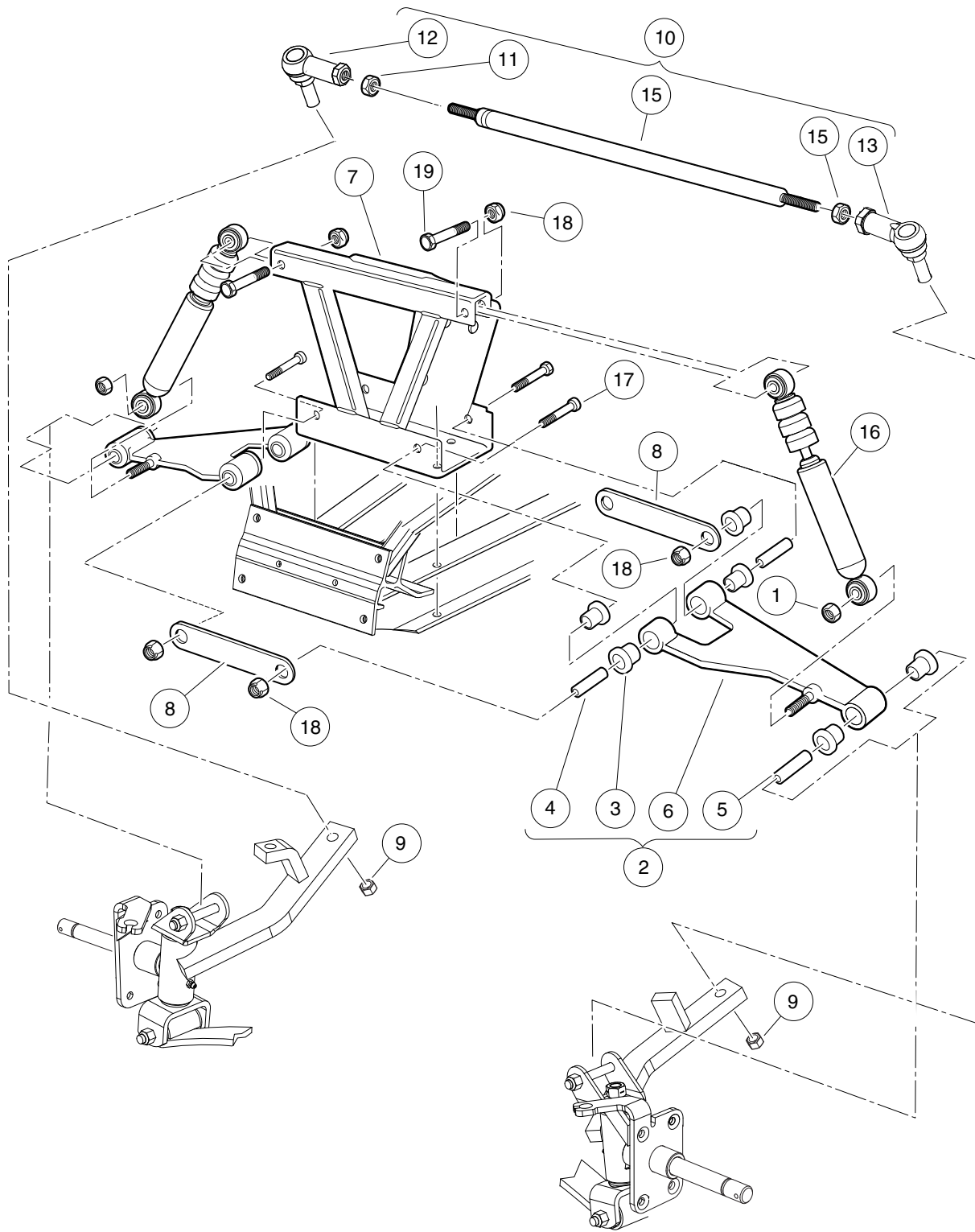
001504-001

STEERING WHEEL WITH CLIP

ITEM	PART NO.	DESCRIPTION	QTY
		1 2 3 4	
1	<u>1017273</u>	Nut, 5/8-18 Nylon Insert Jam	1
2	<u>101850301</u>	Screw, #12-16 X 0.50 Washer-Head Hi-Lo	2
3	<u>103724504</u>	Steering Wheel, Soft Spl	1
4	<u>103724901</u>	Asm, Scorecard, Clip (includes items 5 through 9)	1
5	<u>1012565</u>	Screw, #12 Phillips Round Head	2
6	<u>1012566</u>	Tapered Compression Spring	2
7	1016154	Clip, Scorecard	1
8	<u>1016214</u>	Pencil Grip	1
9	103724601	Cover, Steering Wheel, Clip	1

6
G
E

6
G
E



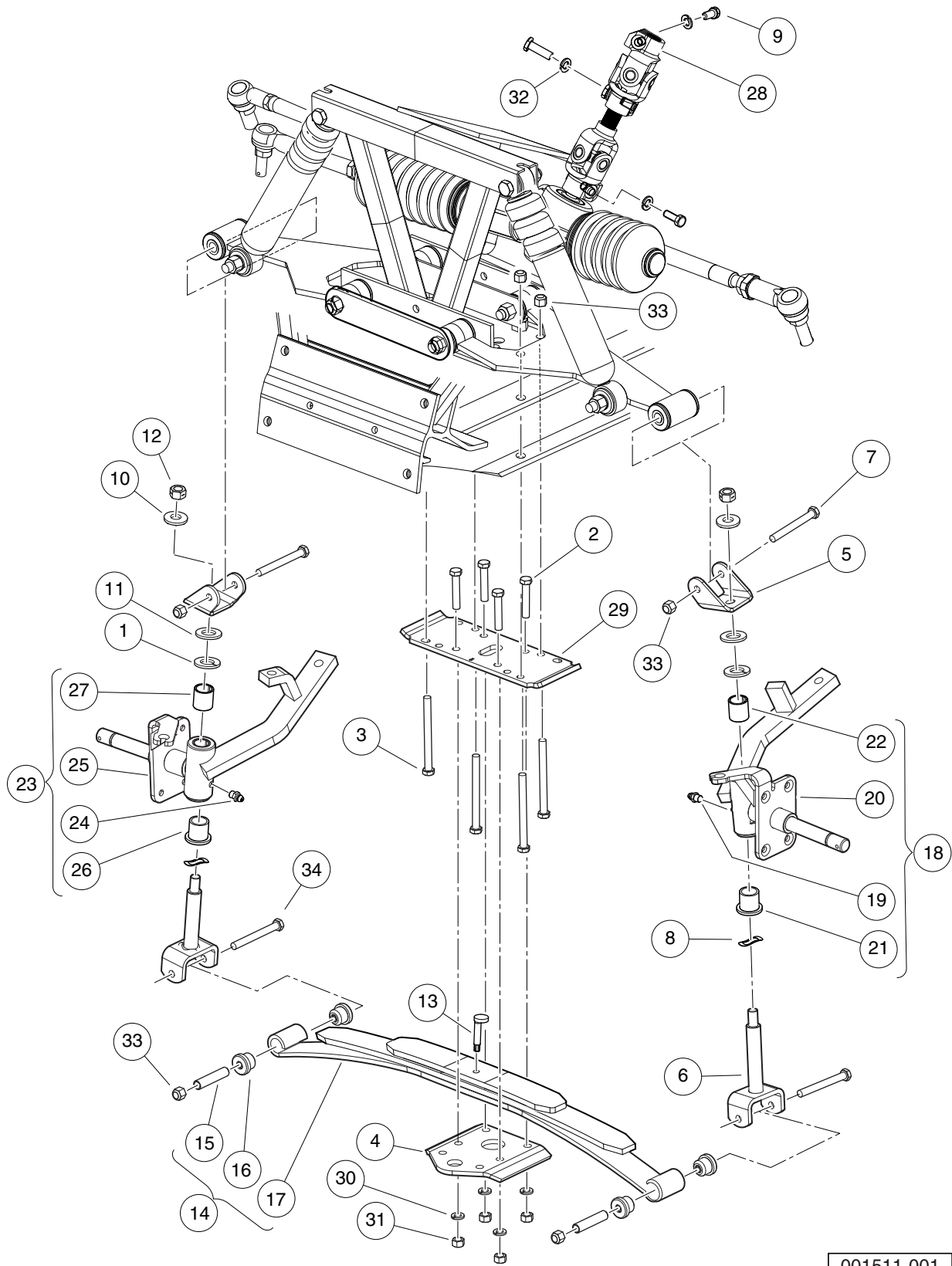
001510-001

FRONT SUSPENSION, UPPER, HD

ITEM	PART NO.	DESCRIPTION	QTY
		1 2 3 4	
1	<u>1010138</u>	Locknut, 3/8-16 Dimpled	2
2	<u>1016353</u>	Sub-Assembly, Delta A-Plate (includes items 3 through 6)	2
3	<u>1016346</u>	Bushing, Urethane	6
4	<u>1016349</u>	Sleeve, Delta Inner	2
5	<u>1016350</u>	Sleeve, Delta Outer	1
6	<u>1016351</u>	Delta A-Plate	1
7	<u>101638502</u>	Weldment, Shock & Gear, Ca	1
8	<u>1017266</u>	A-Plate Strap	2
9	<u>102289201</u>	Nut - Hex Locking, M12 X 1.25	2
10	<u>103653601</u>	Asm, Tie Rod (includes items 11 through 15)	1
11	1013042	Nut, 12mm Hex	1
12	<u>102022601</u>	End, Tie Rod M12 X 1.25 Rh	1
13	<u>102022602</u>	End, Tie Rod, M12 X 1.25, Lh	1
14	<u>103354701</u>	Rod, Tie, Male Thd	1
15	<u>103653501</u>	Nut, Jam, M12-1.25, Lh	1
16	<u>105106702</u>	Shock Absorb, Frnt, 3 Bump Ele	2
17	<u>2402</u>	Screw, 3/8-16 X 2.25 Hx Hd Cap	4
18	<u>8754</u>	Locknut, 3/8-16 Hex	6
19	<u>8861</u>	Bolt, 3/8-16 X 1.75 Hex	2

6
G
E

6
G
E



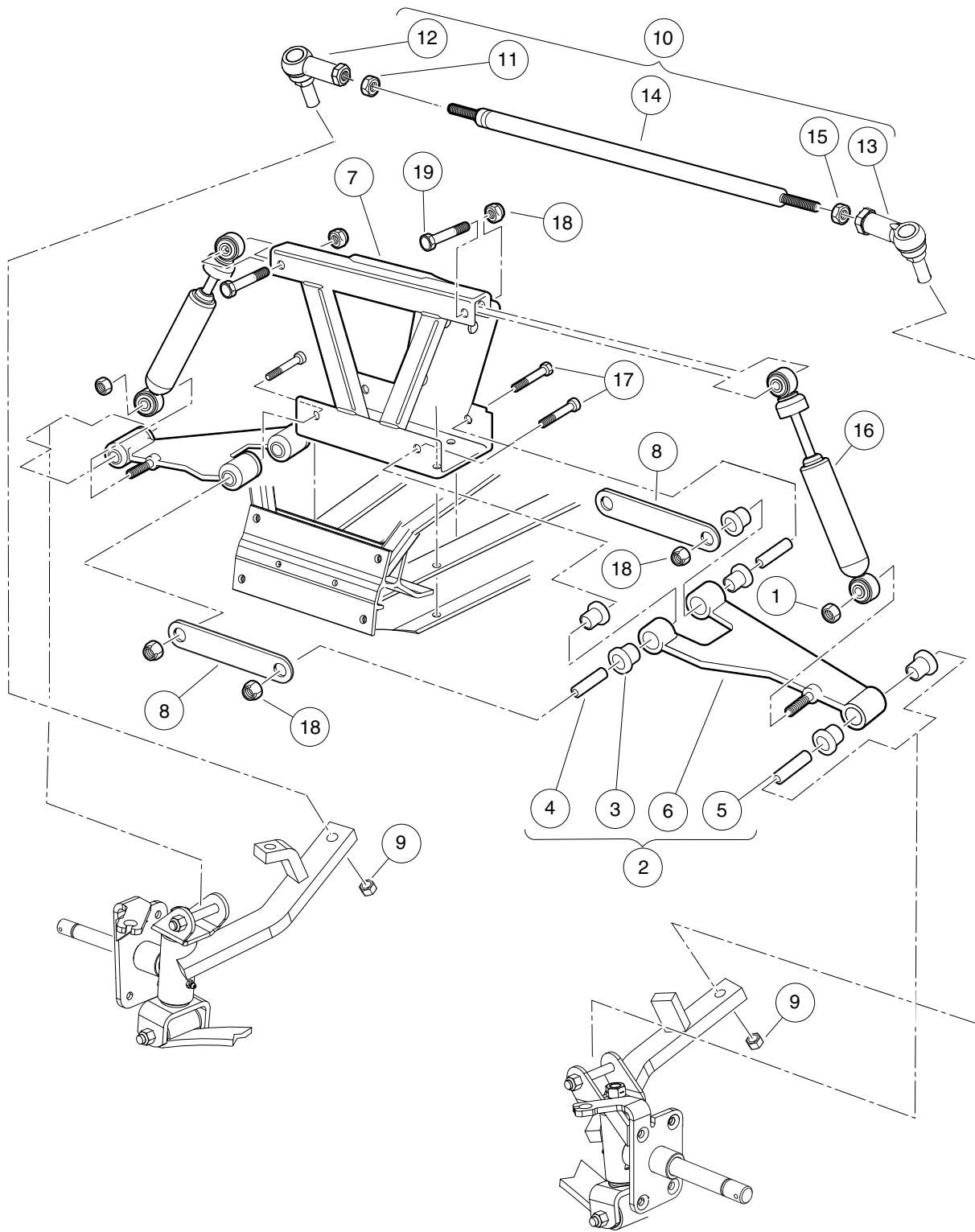
001511-001

FRONT SUSPENSION, LOWER, HD, 3 LEAF-1 PLATE

ITEM	PART NO.	DESCRIPTION	QTY
		1 2 3 4	
1	<u>1010150</u>	Bearing, Thrust	2
2	<u>1010177</u>	Bolt, 3/8-16 X 2.00 Hex Head	4
3	<u>1010200</u>	Bolt, 3/8-16 X 4.25 Hex Head	4
4	<u>1014276</u>	Plate, Front Spring Retainer	1
5	<u>1016384</u>	Clevis, Delta Upper	2
6	<u>1016386</u>	King Pin Assembly	2
7	<u>1016387</u>	Screw, 3/8-16 X 2.75 Hx Hd Cap	2
8	<u>1016389</u>	Washer, 1.125 Od Wave	2
9	<u>1017226</u>	Bolt, Hex-Head, 8mm X 1.25 - 30	3
10	<u>102564002</u>	Washer-1/2 Conical, Yellow	2
11	<u>102684501</u>	Washer, M12 Hard Regular	2
12	<u>102766301</u>	Nut, 1/2-20, Center Lock	2
13	<u>103507001</u>	Eccentric Bolt Common	1
14	<u>103628901</u>	Spring Asm, Front, 3 Leaf (includes items 15 through 17)	1
15	<u>1012303</u>	Bushing, Steel	2
16	<u>1015583</u>	Bushing, Urethane	4
17	103502801	Spring, Front, 3 Leaf	1
18	<u>103717302</u>	Asm, Spindle, Lh, 4wb, Sp (includes items 19 through 22)	1
19	<u>1015597</u>	Fitting, 1/4-28 Thread-Forming Grease	1
20	N/A	Subasm, Spindle, Lh, 4wb	1
21	<u>7048</u>	Bushing, Flanged Bronze	1
22	<u>8067</u>	Bushing, Bronze Spindle	1
23	<u>103717402</u>	Asm, Spindle, Rh, 4wb, Sp (includes items 24 through 27)	1
24	<u>1015597</u>	Fitting, 1/4-28 Thread-Forming Grease	1
25	N/A	Subasm, Spindle, Rh, 4wb	1
26	<u>7048</u>	Bushing, Flanged Bronze	1
27	<u>8067</u>	Bushing, Bronze Spindle	1
28	<u>105074201</u>	Shaft, Int, Steering, Sus Fwd	1
29	<u>105083301</u>	Plate, Spring Mount, Restyle	1
30	<u>357</u>	Lockwasher, 3/8 Split	4
31	<u>706</u>	Nut, Hex 3/8-16	5
32	<u>7174</u>	Lockwasher, 5/16 Split	3
33	<u>8754</u>	Locknut, 3/8-16 Hex	8
34	<u>8755</u>	Screw, 3/8-16 X 3.375 Hex Cap	2

6
G
E

6
G
E

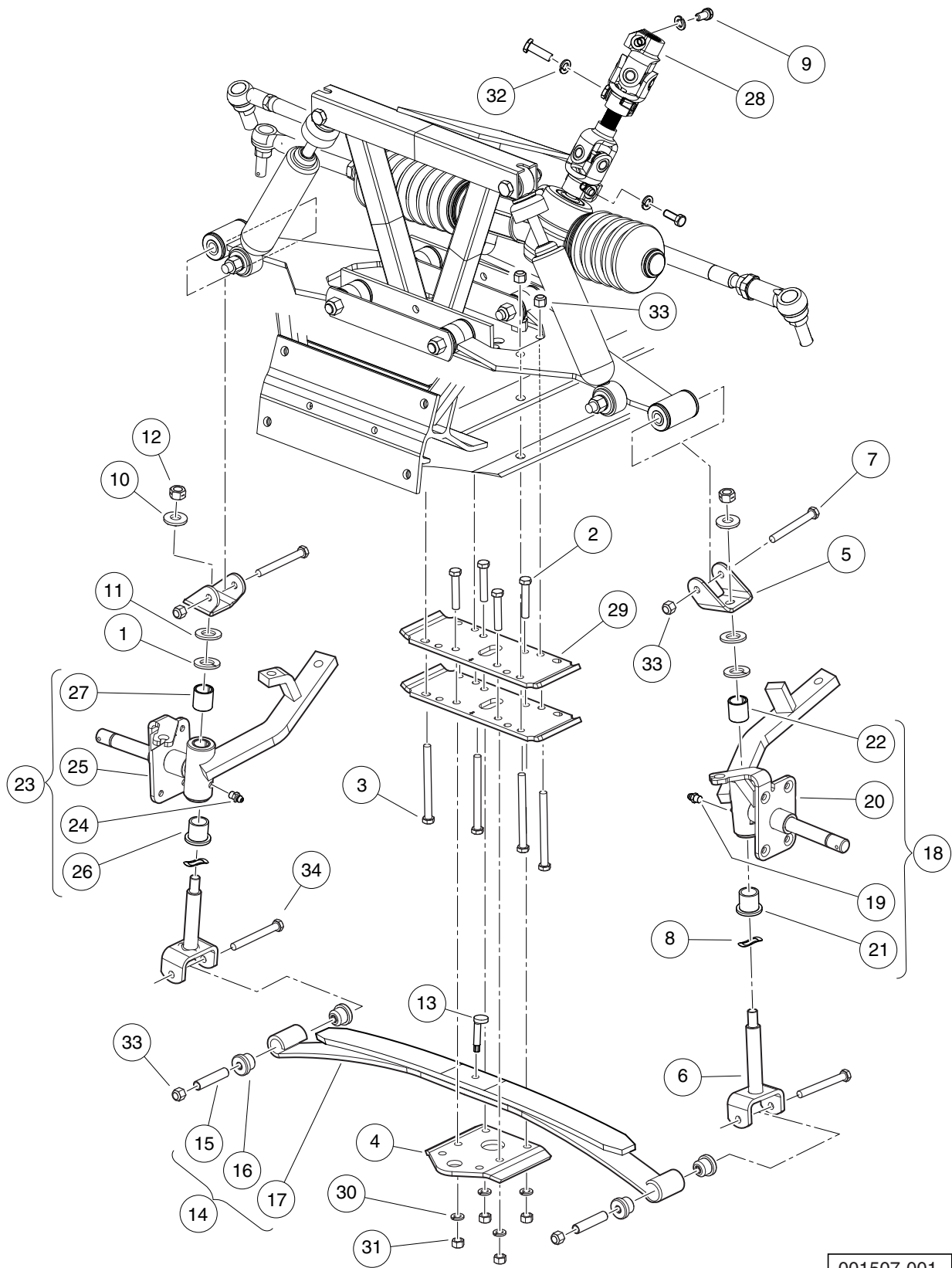


001505-001

FRONT SUSPENSION, UPPER

ITEM	PART NO.	DESCRIPTION	QTY
		1 2 3 4	
1	<u>1010138</u>	Locknut, 3/8-16 Dimpled	2
2	<u>1016353</u>	Sub-Assembly, Delta A-Plate (includes items 3 through 6)	2
3	<u>1016346</u>	Bushing, Urethane	6
4	<u>1016349</u>	Sleeve, Delta Inner	2
5	<u>1016350</u>	Sleeve, Delta Outer	1
6	<u>1016351</u>	Delta A-Plate	1
7	<u>101638502</u>	Weldment, Shock & Gear, Ca	1
8	<u>1017266</u>	A-Plate Strap	2
9	<u>102289201</u>	Nut - Hex Locking, M12 X 1.25	2
10	<u>103653601</u>	Asm, Tie Rod (includes items 11 through 15)	1
11	1013042	Nut, 12mm Hex	1
12	<u>102022601</u>	End, Tie Rod M12 X 1.25 Rh	1
13	<u>102022602</u>	End, Tie Rod, M12 X 1.25, Lh	1
14	<u>103354701</u>	Rod, Tie, Male Thd	1
15	<u>103653501</u>	Nut, Jam, M12-1.25, Lh	1
16	<u>105106601</u>	Shock Absorber, Front, 1 Bumper	2
17	<u>2402</u>	Screw, 3/8-16 X 2.25 Hx Hd Cap	4
18	<u>8754</u>	Locknut, 3/8-16 Hex	6
19	<u>8861</u>	Bolt, 3/8-16 X 1.75 Hex	2

6
G
E

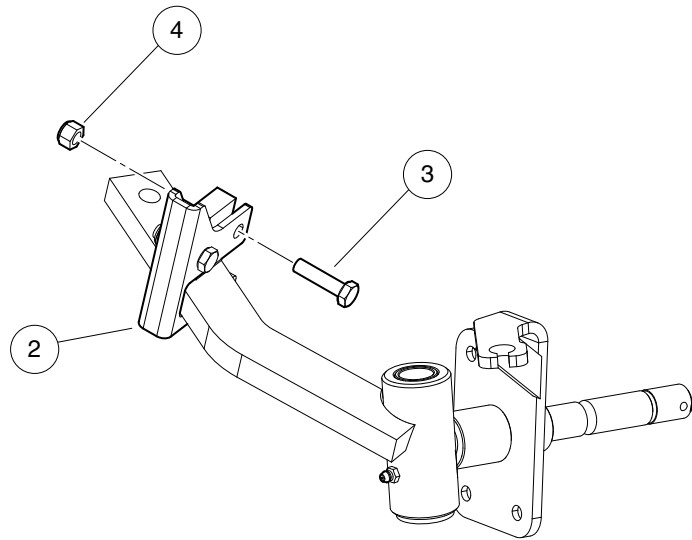


001507-001

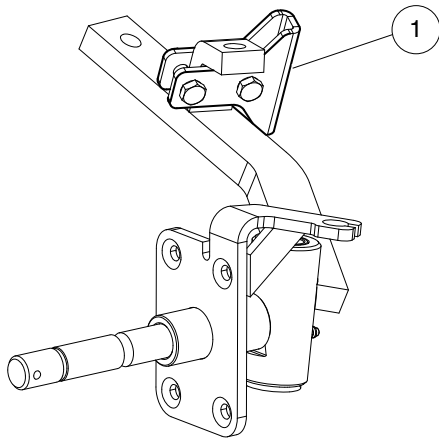
FRONT SUSPENSION, LOWER, HD, 2 LEAF-2 PLATES

ITEM	PART NO.	DESCRIPTION	QTY
		1 2 3 4	
1	<u>1010150</u>	Bearing, Thrust	2
2	<u>1010177</u>	Bolt, 3/8-16 X 2.00 Hex Head	4
3	<u>1010200</u>	Bolt, 3/8-16 X 4.25 Hex Head	4
4	<u>1014276</u>	Plate, Front Spring Retainer	1
5	<u>1016384</u>	Clevis, Delta Upper	2
6	<u>1016386</u>	King Pin Assembly	2
7	<u>1016387</u>	Screw, 3/8-16 X 2.75 Hx Hd Cap	2
8	<u>1016389</u>	Washer, 1.125 Od Wave	2
9	<u>1017226</u>	Bolt, Hex-Head, 8mm X 1.25 - 30	3
10	<u>102564002</u>	Washer-1/2 Conical, Yellow	2
11	<u>102684501</u>	Washer, M12 Hard Regular	2
12	<u>102766301</u>	Nut, 1/2-20, Center Lock	2
13	<u>103507001</u>	Eccentric Bolt Common	1
14	<u>103628801</u>	Spring Asm, Front, 2 Leaf (includes items 15 through 17)	1
15	<u>1012303</u>	Bushing, Steel	2
16	<u>1015583</u>	Bushing, Urethane	4
17	<u>103502701</u>	Spring, Front, 2 Leaf	1
18	<u>103717302</u>	Asm, Spindle, Lh, 4wb, Sp (includes items 19 through 22)	1
19	<u>1015597</u>	Fitting, 1/4-28 Thread-Forming Grease	1
20	N/A	Subasm, Spindle, Lh, 4wb	1
21	<u>7048</u>	Bushing, Flanged Bronze	1
22	<u>8067</u>	Bushing, Bronze Spindle	1
23	<u>103717402</u>	Asm, Spindle, Rh, 4wb, Sp (includes items 24 through 27)	1
24	<u>1015597</u>	Fitting, 1/4-28 Thread-Forming Grease	1
25	N/A	Subasm, Spindle, Rh, 4wb	1
26	<u>7048</u>	Bushing, Flanged Bronze	1
27	<u>8067</u>	Bushing, Bronze Spindle	1
28	<u>105074201</u>	Shaft, Int, Steering, Sus Fwd	1
29	<u>105083301</u>	Plate, Spring Mount, Restyle	2
30	<u>357</u>	Lockwasher, 3/8 Split	4
31	<u>706</u>	Nut, Hex 3/8-16	5
32	<u>7174</u>	Lockwasher, 5/16 Split	3
33	<u>8754</u>	Locknut, 3/8-16 Hex	8
34	<u>8755</u>	Screw, 3/8-16 X 3.375 Hex Cap	2

6
G
E



**DRIVER SIDE
SPINDLE**



**PASSENGER SIDE
SPINDLE**



001529-001

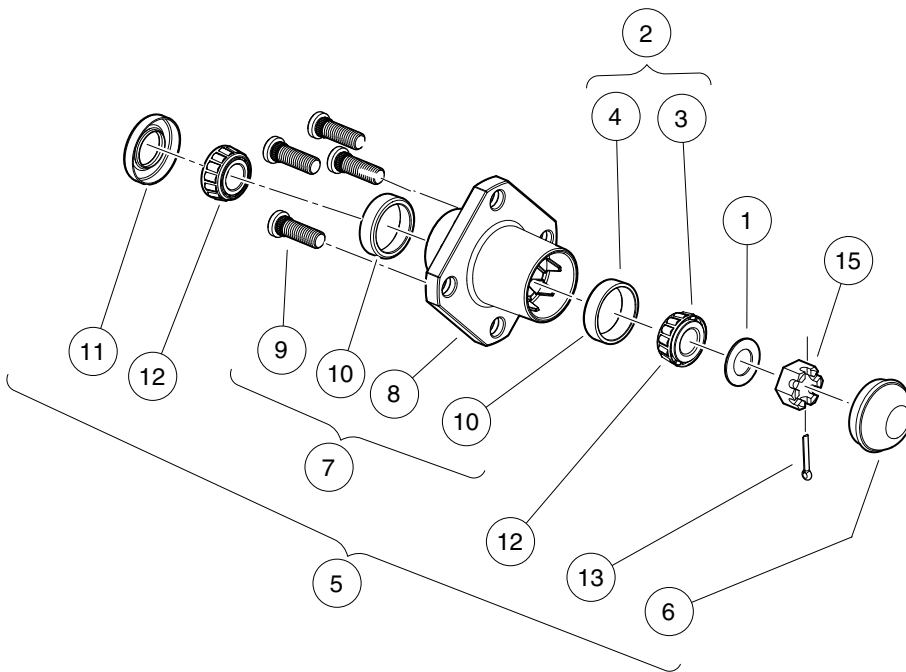
STEERING STOP

ITEM	PART NO.	DESCRIPTION	QTY
		1 2 3 4	
1	<u>105242801</u>	Brkt, Steering Stop, Pass, Ca	1
2	<u>105243001</u>	Brkt, Steering Stop, Drv, Ca	1
3	1218	Screw, 5/16-18 X 1.25 Hex-Head Cap	4
4	<u>7473</u>	Locknut, 5/16-18 Nylon Insert	4
<p>Note: Steering Stops <u>105242801</u> and <u>105243001</u> are required if vehicle is equipped with the 105100601, HD Bumper Kit.</p>			

6

G

E



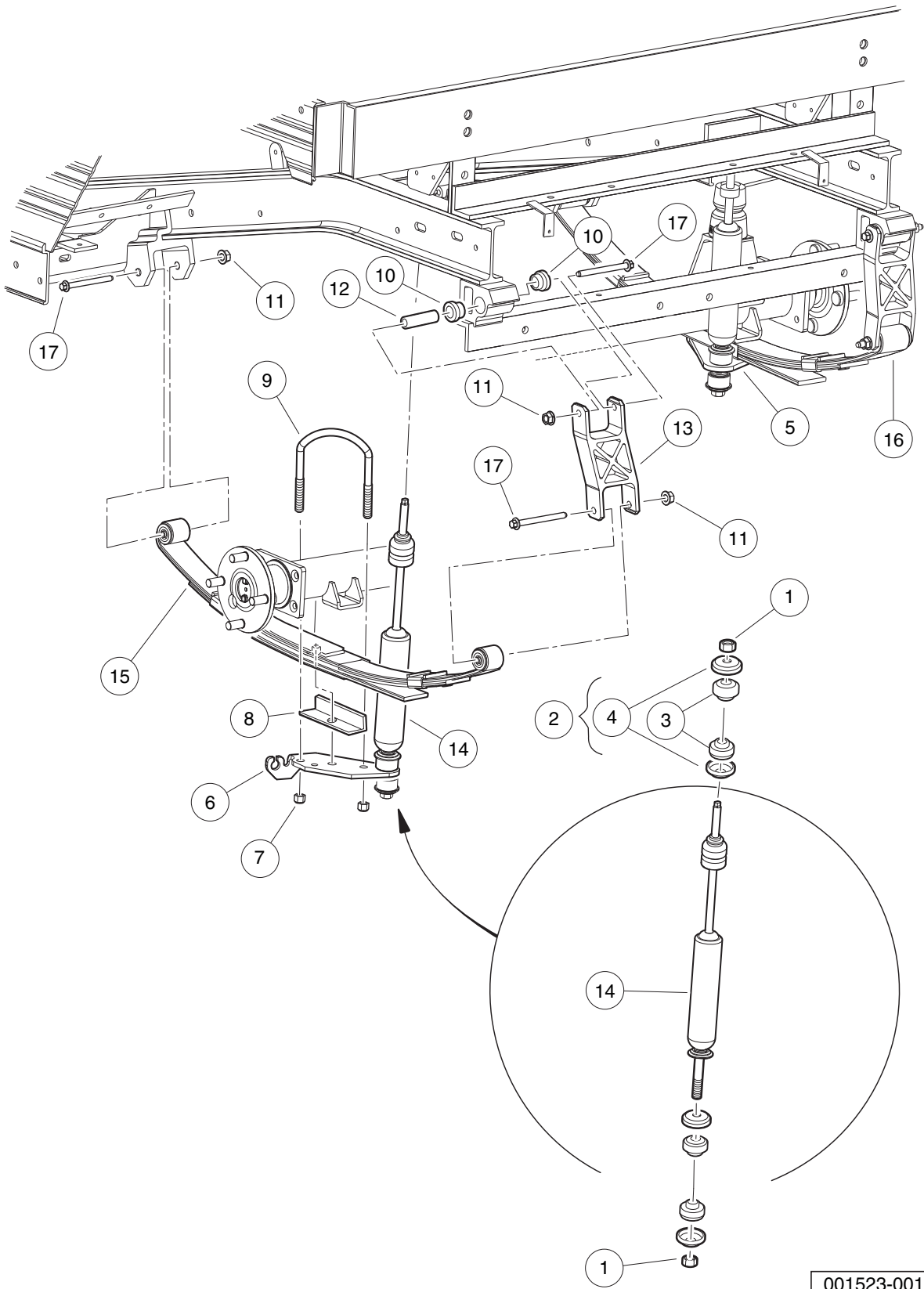
001520-002

FRONT WHEEL HUBS

ITEM	PART NO.	DESCRIPTION	QTY
		1 2 3 4	
1	<u>1010005</u>	Washer, 3/4 Flat	2
2	<u>1011393</u>	Hub Bearing Package (includes items 3 and 4)	4
3	7274	Bearing, Front Hub Wheel	1
4	7308	Race, Front Hub Bearing	1
5	<u>1011892</u>	Hub Assembly (includes items 6 through 13)	1
6	<u>1011887</u>	Dust Cover	1
7	N/A	Hub (includes items 8 through 10)	1
8	N/A	Front Hub	1
9	<u>103477901</u>	Lug Stud, 1/2-20 Unf, 4037	4
10	7308	Race, Front Hub Bearing	2
11	<u>1013135</u>	Seal, Double Lip	1
12	7274	Bearing, Front Hub Wheel	2
13	<u>7910</u>	Pin, 5/32 X 1.00 Cotter	1
14	<u>1013135</u>	Seal, Double Lip	2
15	<u>7840</u>	Nut, 3/4-16 Hex Slotted	2

6
G
E

6
G
E



001523-001

REAR SUSPENSION COMPONENTS, STANDARD

ITEM	PART NO.	DESCRIPTION	QTY
		1 2 3 4	
1	<u>1010145</u>	Nut, 3/8-24 Hex	4
2	<u>1011415</u>	Kit, Shock Absorber Cushion (includes items 3 and 4)	4
3	N/A	Cushion, Shock Absorber	2
4	N/A	Retainer, Shock Absorber Cushion	2
5	1012181	Bracket, Shock Mounting, Right (Passenger)	1
6	1012182	Bracket, Shock Mounting, Left (Driver)	1
7	<u>1014555</u>	Locknut, 7/16-14 Nylon Hex	4
8	1014573	Spring Retainer	2
9	<u>1014902</u>	U-Bolt	2
10	<u>101558302</u>	Bushing, Urethane, Soft	4
11	<u>102298401</u>	Nut,m8,all Metal Lock	6
12	<u>102506401</u>	Sleeve - Spring Eye Mounts	2
13	<u>105068902</u>	Shackle, 6", Com, Machined	2
14	<u>105106801</u>	Shock Absorber,Rear, 2 Bumper	2
15	<u>105186201</u>	Asm, Spring 600lb Nr Std, Lh	1
16	<u>105186202</u>	Asm, Spring 600lb Nr Std, Rh	1
17	<u>105188185</u>	Bolt, M8x85mm,10.9 Grade	6

6
G
E

6

G

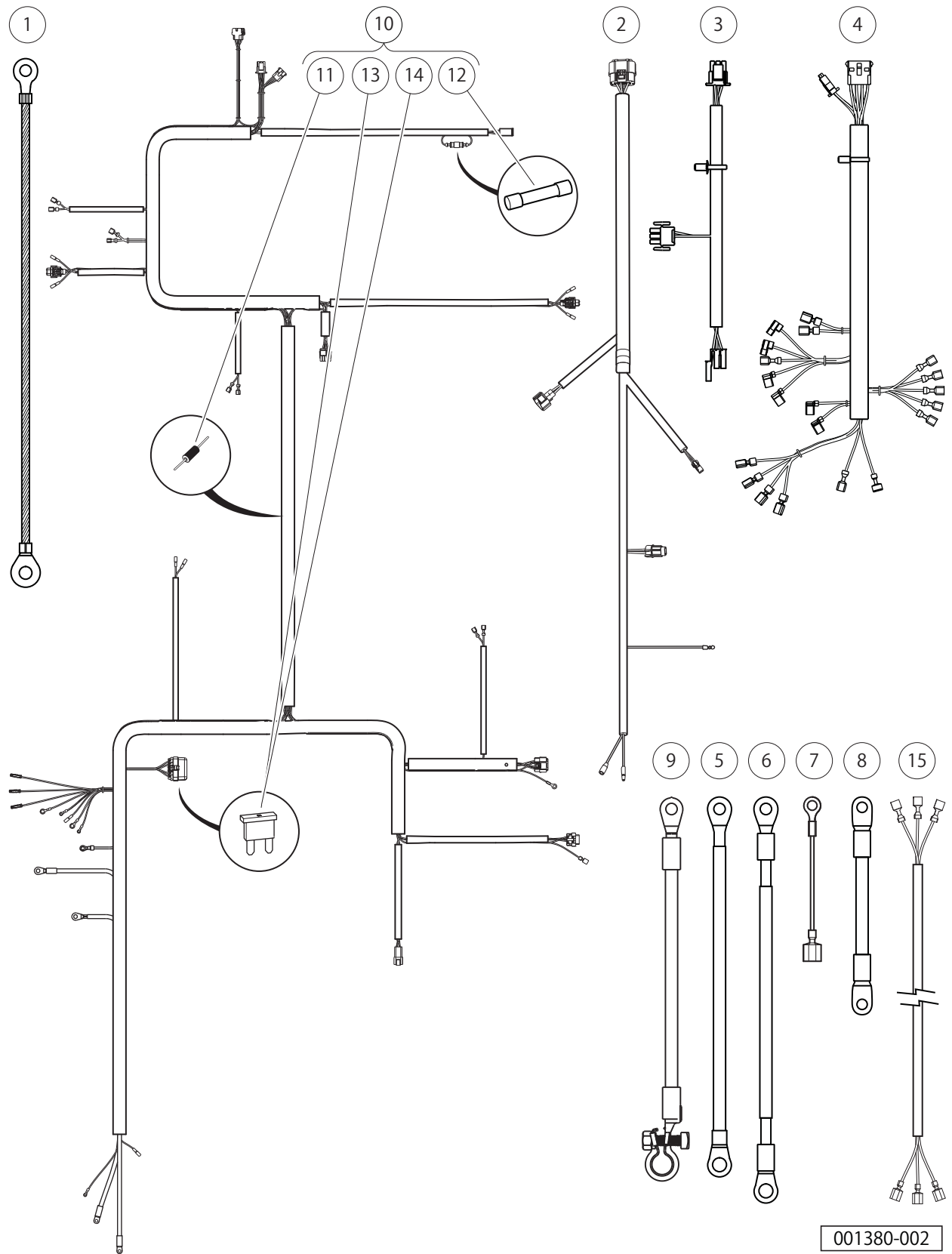
E

ELECTRICAL SYSTEM – GASOLINE EFI

7

G

7
G

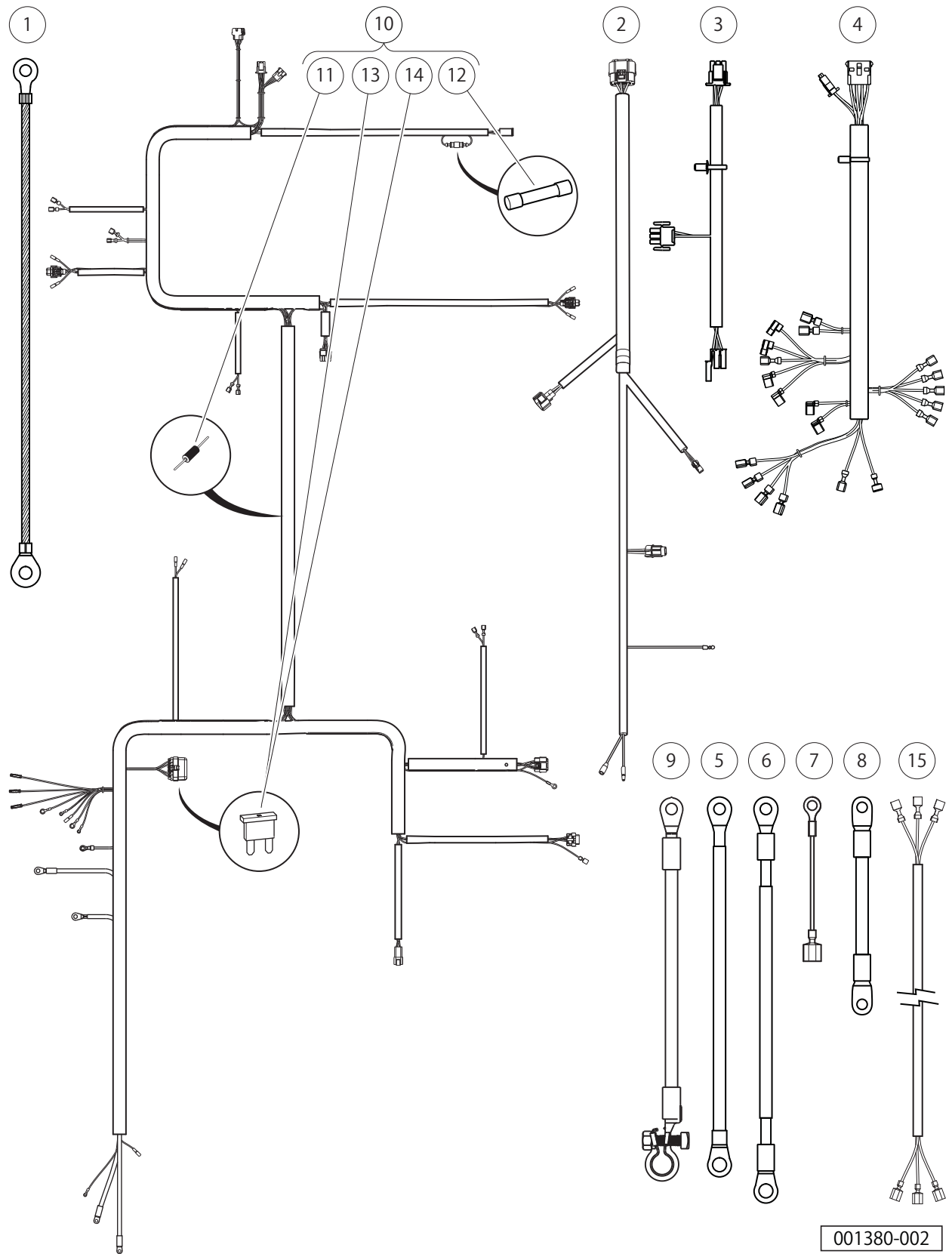


WIRING, FUSES, AND DIODES, KEY-START – EFI

ITEM	PART NO.	DESCRIPTION	QTY
		1 2 3 4	
1	<u>1015332</u>	Wire, Ground, #10, Uninsulated	1
2	<u>105008101</u>	Harness, Wire, ECU/Engine	1
3	<u>105093301</u>	Harness, Wire, FNR Connector, CA300-700	1
4	<u>105095101</u>	Harness, Wire, Instr. Panel, Gas, CA300-700	1
5	<u>105135901</u>	Wire, Battery (side-post), B-, Gas	1
6	<u>105136001</u>	Wire, Battery (side-post), B+, Gas	1
7	<u>105143301</u>	Wire, Ground, Fuel Tank	1
8	<u>105161701</u>	Wire, 4-Ga, Green, Starter/Generator	1
9	<u>105256801</u>	Wire Assy, 4ga, Battery, (top-post) B+, Gas	1
10	SVP876502	Harness, Wire, Main, CA900/T-porter XL, Key-Start Gas (includes items 11 through 14) .	1
11	<u>1014789</u>	Diode, General Purpose, 3.0-Amp	2
12	<u>103924801</u>	Fuse, Glass, 2-Amp	1
13	105081501	Fuse, ATM, 5-Amp	1
14	105081601	Fuse, ATM, 10-Amp	1
15	SVP980301	Asm Harness Exten Maintenance	1
		Note: For ECU, see Throttle Body in Fuel System section.	

7
G

7
G



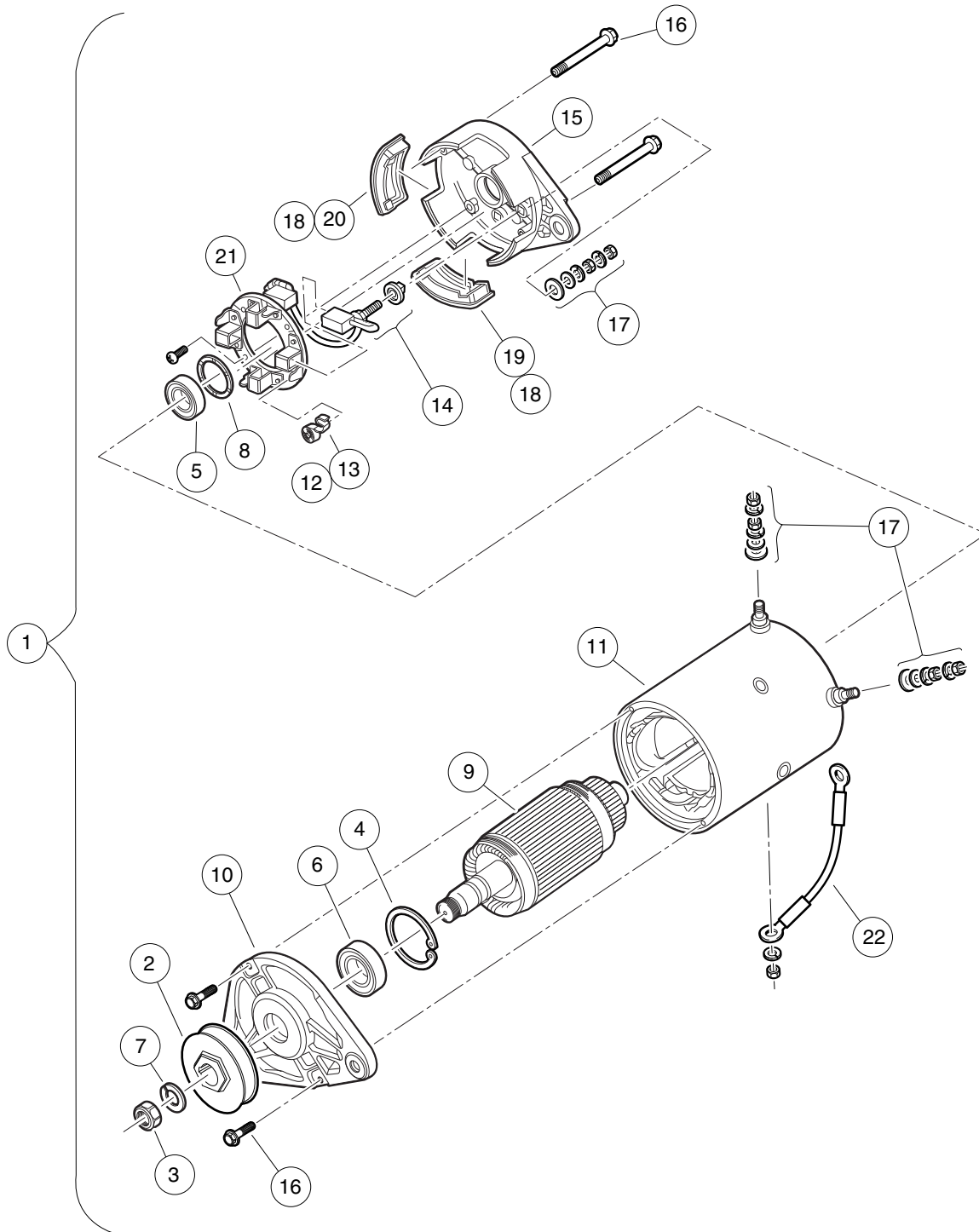
001380-002

WIRING, FUSES, AND DIODES, PEDAL-START – EFI

ITEM	PART NO.	DESCRIPTION	QTY
		1 2 3 4	
1	<u>1015332</u>	Wire, Ground, #10, Uninsulated	1
2	<u>105008101</u>	Harness, Wire, ECU/Engine	1
3	<u>105093301</u>	Harness, Wire, FNR Connector, CA300-700	1
4	<u>105095101</u>	Harness, Wire, Instr. Panel, Gas, CA300-700	1
5	<u>105135901</u>	Wire, Battery (side-post), B-, Gas	1
6	<u>105136001</u>	Wire, Battery (side-post), B+, Gas	1
7	<u>105143301</u>	Wire, Ground, Fuel Tank	1
8	<u>105161701</u>	Wire, 4-Ga, Green, Starter/Generator	1
9	<u>105256801</u>	Wire Assy, 4ga, Battery, (top-post) B+, Gas	1
10	SVP876501	Harness, Wire, Main, CA900/T-porter XL, Pedal-Start Gas (includes items 11 through 14)	1
11	<u>1014789</u>	Diode, General Purpose, 3.0-Amp	2
12	<u>103924801</u>	Fuse, Glass, 2-Amp	1
13	105081501	Fuse, ATM, 5-Amp	1
14	105081601	Fuse, ATM, 10-Amp	1
15	SVP980301	Asm Harness Exten Maintenance	1
Note: For ECU, see Throttle Body in Fuel System section.			

7

G

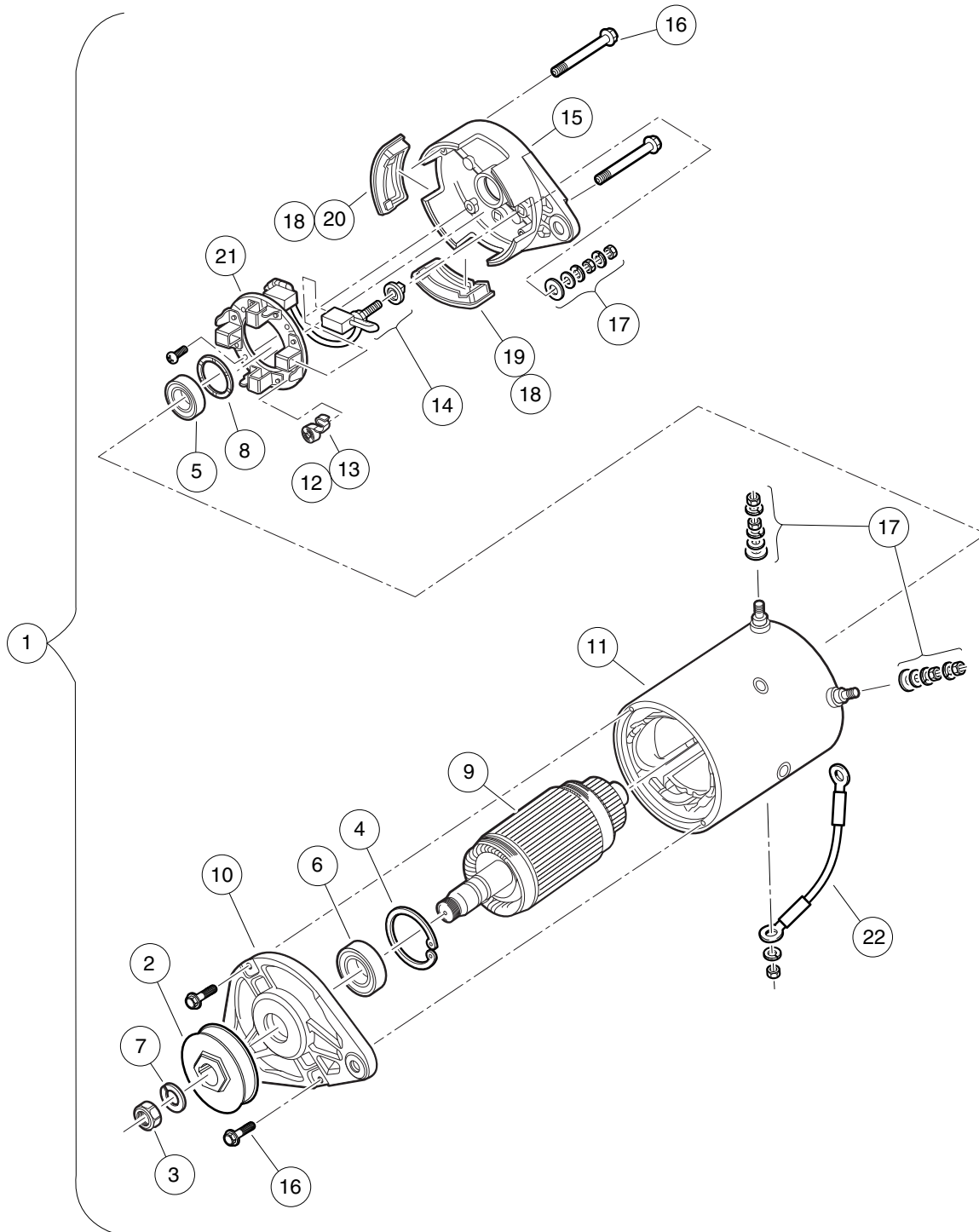


001016-001

STARTER/GENERATOR (MODEL 114-04-4006), KEY-START – EFI

ITEM	PART NO.	DESCRIPTION	QTY
		1 2 3 4	
1	<u>105190102</u>	Starter/Generator, Bi-Rotational, Utility, Key-Start (includes items 2 through 22)	1
2	<u>1014289</u>	Pulley, Starter/Generator	1
3	<u>102838701</u>	Nut, Hex, M14x2, S/G	1
4	<u>102838801</u>	Retainer, Front, S/G	1
5	<u>102838901</u>	Bearing, Ball, Front, S-g	1
6	<u>102839001</u>	Bearing, Ball, Front, S-g	1
7	<u>102839301</u>	Washer, Lock M14x2, S-g	1
8	<u>102841101</u>	Washer, Wave, S-g	1
9	N/A	Asm, Armature, Starter/Generator	1
10	<u>102844601</u>	Head, Drive End, S-g	1
11	<u>102844701</u>	Asm, Frame and Field, Starter/Generator	1
12	<u>103347101</u>	Kit, Spring Brush, Starter/Generator (includes item 13)	1
13	N/A	Spring, Brush, S-g	4
14	<u>103347301</u>	Set, Brush Term, S-g	1
15	<u>103347601</u>	Head, Comm End, S-g	1
16	<u>103347701</u>	Set, Fastener, Ceh Deh, S-g	1
17	<u>103347801</u>	Set, Term Hardware, S/G	1
18	<u>103347901</u>	Kit, Cover, Brush Insp, Starter/Generator (includes items 19 and 20)	1
19	N/A	Plug, Rubber Drain, Start/Generator	3
20	N/A	Cover, Inspection, S-g	1
21	<u>103953301</u>	Kit, Brush And Brush Holder	1
22	<u>105161701</u>	Wire, 4-Ga, Green, Starter/Generator	1

7
G

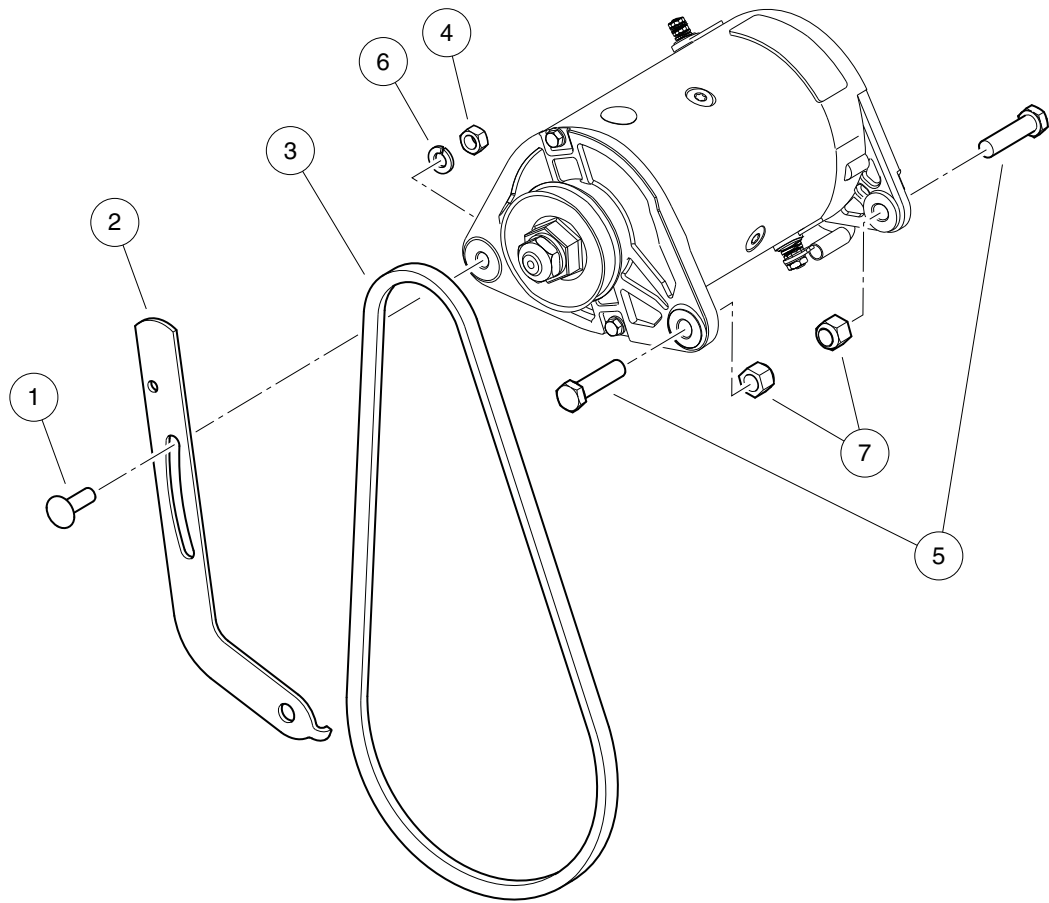


001016-001

STARTER/GENERATOR (MODEL 114-05-4001), PEDAL-START – EFI

ITEM	PART NO.	DESCRIPTION	QTY
		1 2 3 4	
1	<u>105190101</u>	Starter/Generator, High-Torque, Utility, Pedal-Start (includes items 2 through 22)	1
2	<u>1014289</u>	Pulley, Starter/Generator	1
3	<u>102838701</u>	Nut, Hex, M14x2, S/G	1
4	<u>102838801</u>	Retainer, Front, S/G	1
5	<u>102838901</u>	Bearing, Ball, Front, S-g	1
6	<u>102839001</u>	Bearing, Ball, Front, S-g	1
7	<u>102839301</u>	Washer, Lock M14x2, S-g	1
8	<u>102841101</u>	Washer, Wave, S-g	1
9	N/A	Asm, Armature, Starter/Generator	1
10	<u>102844601</u>	Head, Drive End, S-g	1
11	<u>102844701</u>	Asm, Frame and Field, Starter/Generator	1
12	<u>103347101</u>	Kit, Spring Brush, Starter/Generator (includes item 13)	1
13	N/A	Spring, Brush, S-g	4
14	<u>103347301</u>	Set, Brush Term, S-g	1
15	<u>103347601</u>	Head, Comm End, S-g	1
16	<u>103347701</u>	Set, Fastener, Ceh Deh, S-g	1
17	<u>103347801</u>	Set, Term Hardware, S/G	1
18	<u>103347901</u>	Kit, Cover, Brush Insp, Starter/Generator (includes items 19 and 20)	1
19	N/A	Plug, Rubber Drain, Start/Generator	3
20	N/A	Cover, Inspection, S-g	1
21	<u>103953301</u>	Kit, Brush And Brush Holder	1
22	<u>105161701</u>	Wire, 4-Ga, Green, Starter/Generator	1

7
G

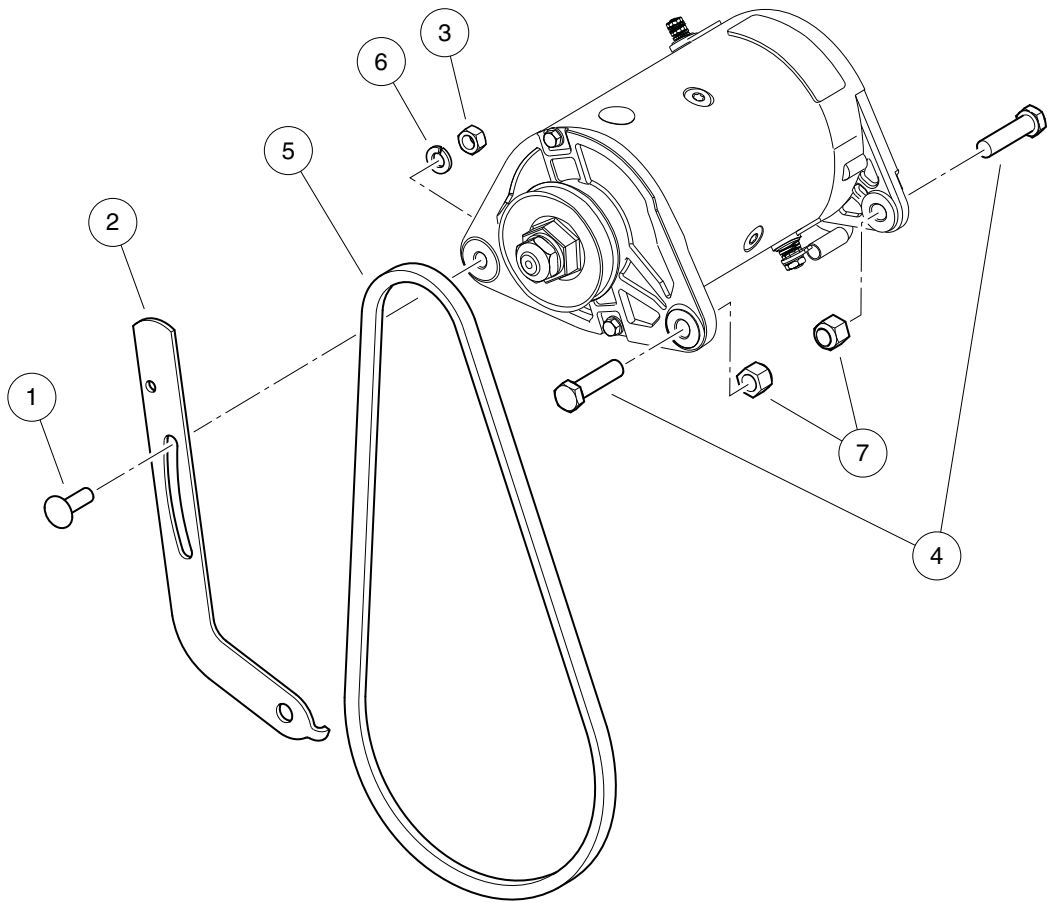


001009-001

STARTER/GENERATOR MOUNTING, EX40 – TO EARLY-2016 MODEL YEAR

ITEM	PART NO.	DESCRIPTION	QTY
		1 2 3 4	
1	<u>1015932</u>	Bolt, Carriage, 5/16-18	1
2	<u>104005301</u>	Bracket, Adjustable, Starter/Generator, EX40	1
3	<u>105205401</u>	Belt, Sg, 871, Ex40	1
4	<u>1242</u>	Nut, 5/16-18 Hex	1
5	<u>1624</u>	Screw, 3/8-16 X 1.50, Hex-Head Cap	2
6	<u>7174</u>	Lockwasher, 5/16 Split	1
7	<u>8754</u>	Locknut, 3/8-16 Hex	2

7
G



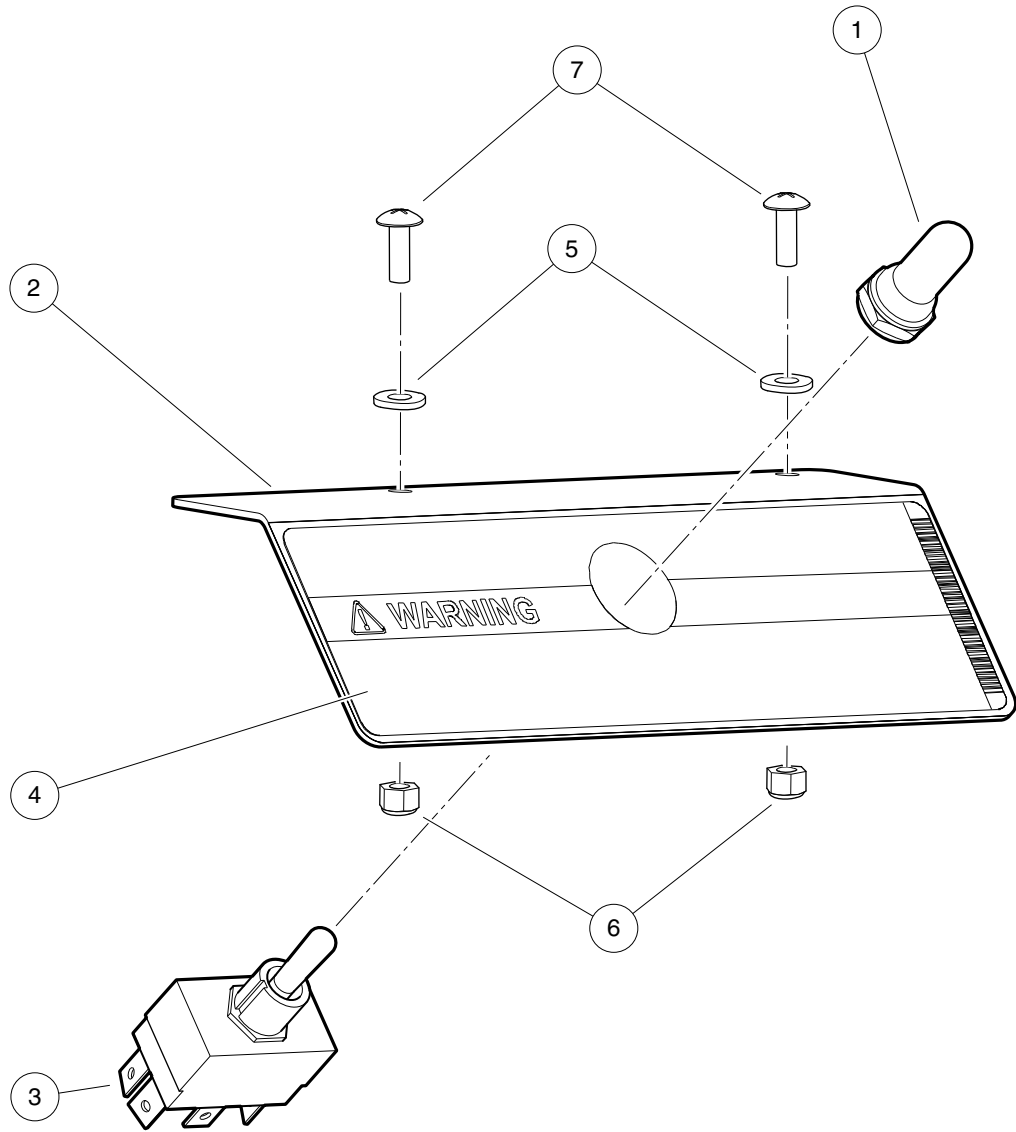
001009-002

STARTER/GENERATOR MOUNTING, EX40 – FROM EARLY-2016 MODEL YEAR

ITEM	PART NO.	DESCRIPTION	QTY
		1 2 3 4	
1	<u>1015932</u>	Bolt, Carriage, 5/16-18	1
2	<u>104005301</u>	Bracket, Adjustable, Starter/Generator, EX40	1
3	<u>1242</u>	Nut, 5/16-18 Hex	1
4	<u>1624</u>	Screw, 3/8-16 X 1.50, Hex-Head Cap	2
5	<u>47539338001</u>	Belt, Sg, Ex40, #5a	1
6	<u>7174</u>	Lockwasher, 5/16 Split	1
7	<u>8754</u>	Locknut, 3/8-16 Hex	2

7
G

7
G

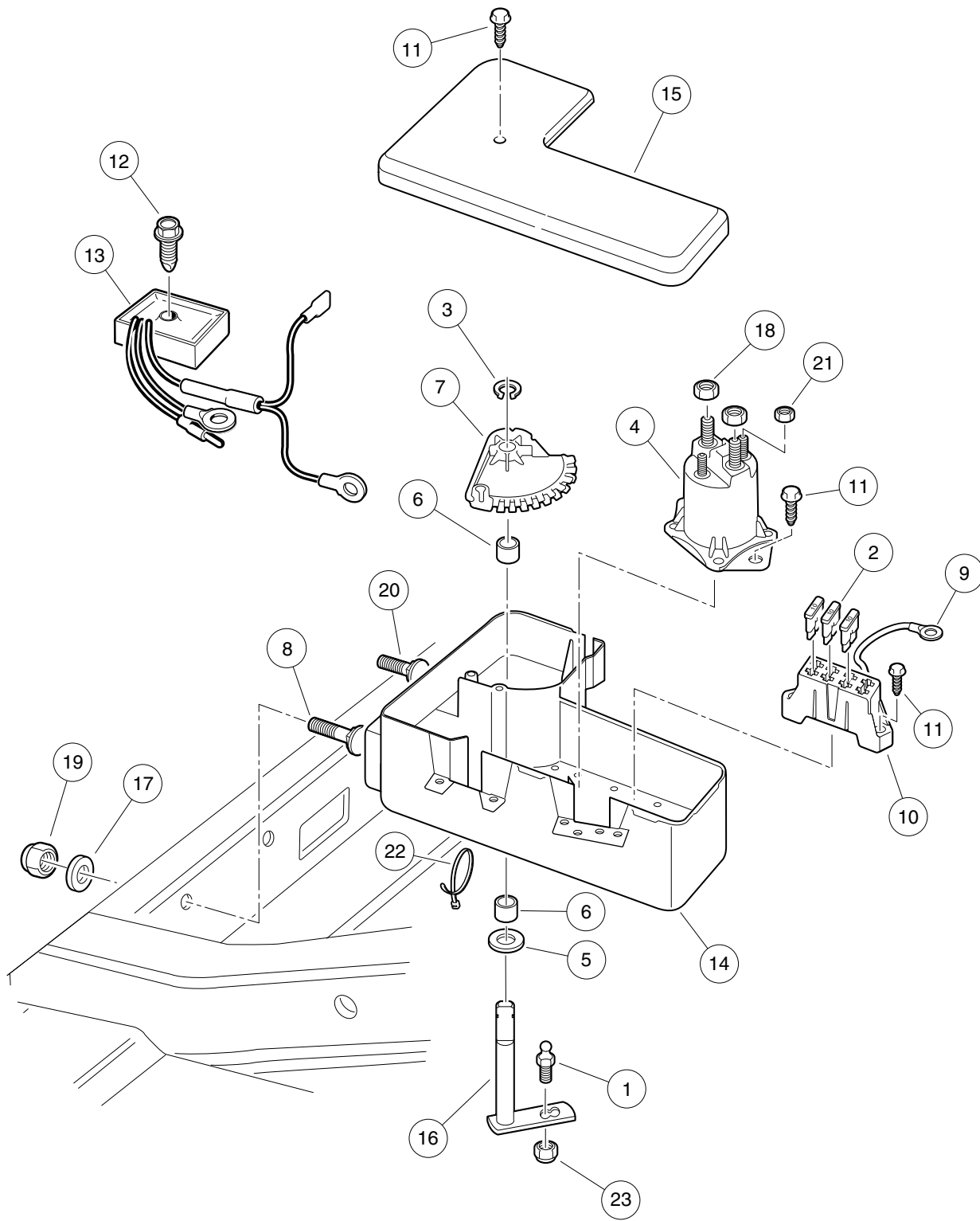


000755-003

OPERATION AND MAINTENANCE SWITCH

ITEM	PART NO.	DESCRIPTION	QTY
		1 2 3 4	
1	<u>101908401</u>	Boot, Switch	1
2	<u>101922501</u>	Bracket, Tow/Run Switch Mounting	1
3	<u>103198401</u>	Switch, Toggle, SPDT	1
4	<u>103205501</u>	Decal, Run/Service Switch	1
5	<u>332</u>	Washer, 1/4 Type A Narrow Flat	2
6	<u>8233</u>	Locknut, 1/4-20, Nylon Insert	2
7	<u>8248</u>	Screw, 1/4-20 X 0.75, Truss-Head Machine	2

7
G



001014-002

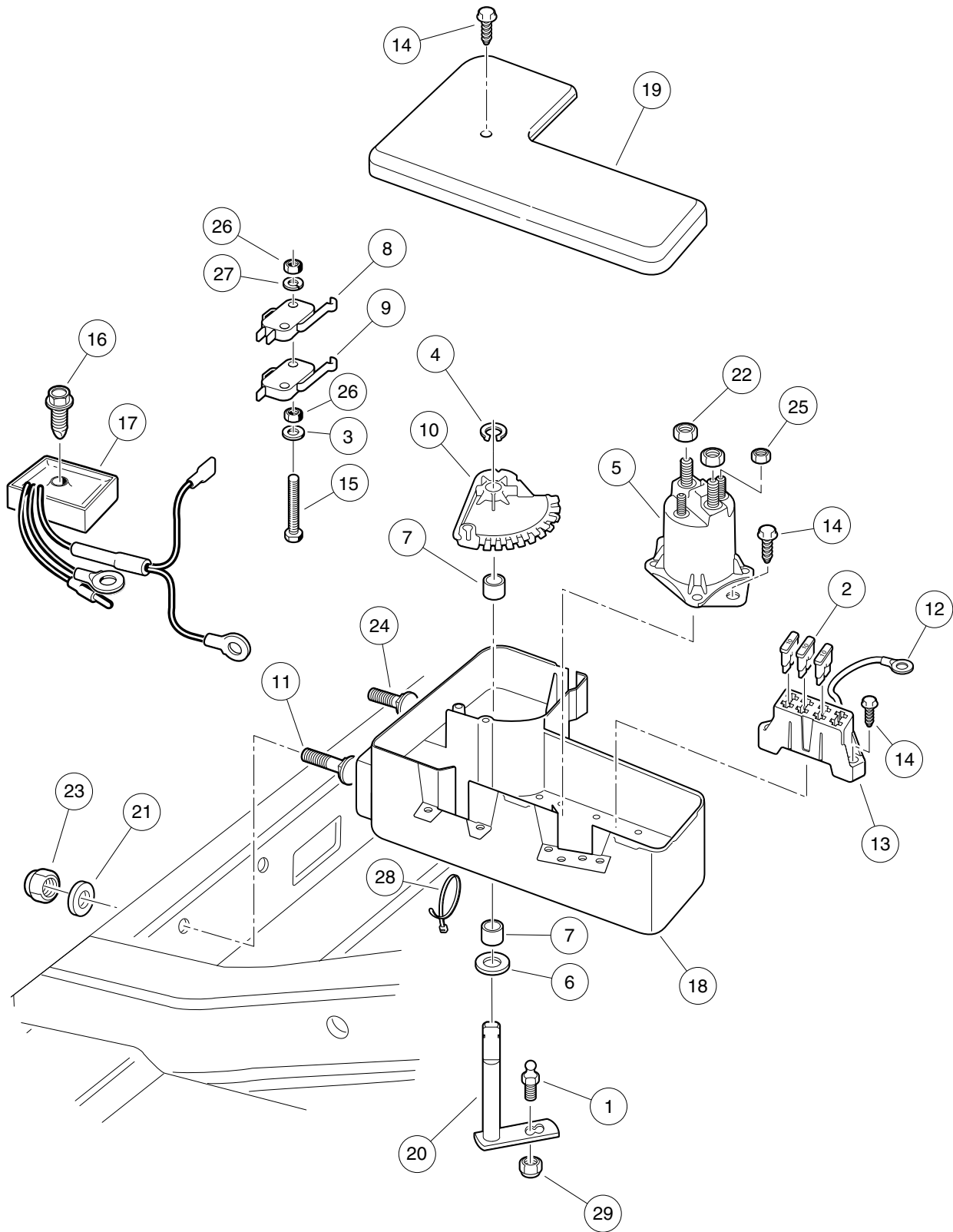
ELECTRICAL COMPONENT BOX, KEY-START – EX40

ITEM	PART NO.	DESCRIPTION	QTY
		1 2 3 4	
1	<u>1010954</u>	Stud, Ball, 1/4-28 X 0.560	1
2	<u>1012295</u>	Fuse, 10-Amp	3
3	<u>1013589</u>	Ring, Retaining, 0.338" Internal	1
4	<u>1013609</u>	Solenoid, 12-Volt	1
5	<u>1014065</u>	Washer, Flat, 0.38" ID, Delrin	1
6	<u>1014145</u>	Bushing, Secondary Weight, Split	2
7	<u>1015373</u>	Cam, Electric Box	1
8	<u>1015405</u>	Bolt, Carriage, 5/16-18 X 2.0	1
9	<u>1015737</u>	Wire Assy, #10 Red	1
10	<u>1015741</u>	Fuse Block	1
11	<u>1015752</u>	Screw, #12-16 X 0.625, Hi-Lo	5
12	<u>101856102</u>	Screw, 1/4-15 X 1.50, Hi-lo, Hex	1
13	<u>102711201</u>	Voltage Regulator	1
14	105000301	Box, Component, Electrical	1
15	<u>105000401</u>	Cover, Box, Component, Elec	1
16	<u>105037401</u>	Weldment, Bellcrank, Comp Box	1
17	<u>1241</u>	Washer, 5/16 Type A Flat	2
18	<u>1242</u>	Nut, 5/16-18 Hex	2
19	<u>7473</u>	Locknut, 5/16-18 Nylon Insert	2
20	<u>7818</u>	Bolt, Carriage, 5/16-18 X 1.5	1
21	<u>7893</u>	Nut, #10-32 Hex	2
22	<u>8639</u>	Tie Wrap, 11" Nylon	6
23	<u>8717</u>	Locknut, Nylon Insert, 1/4-28	1

7

G

7
G



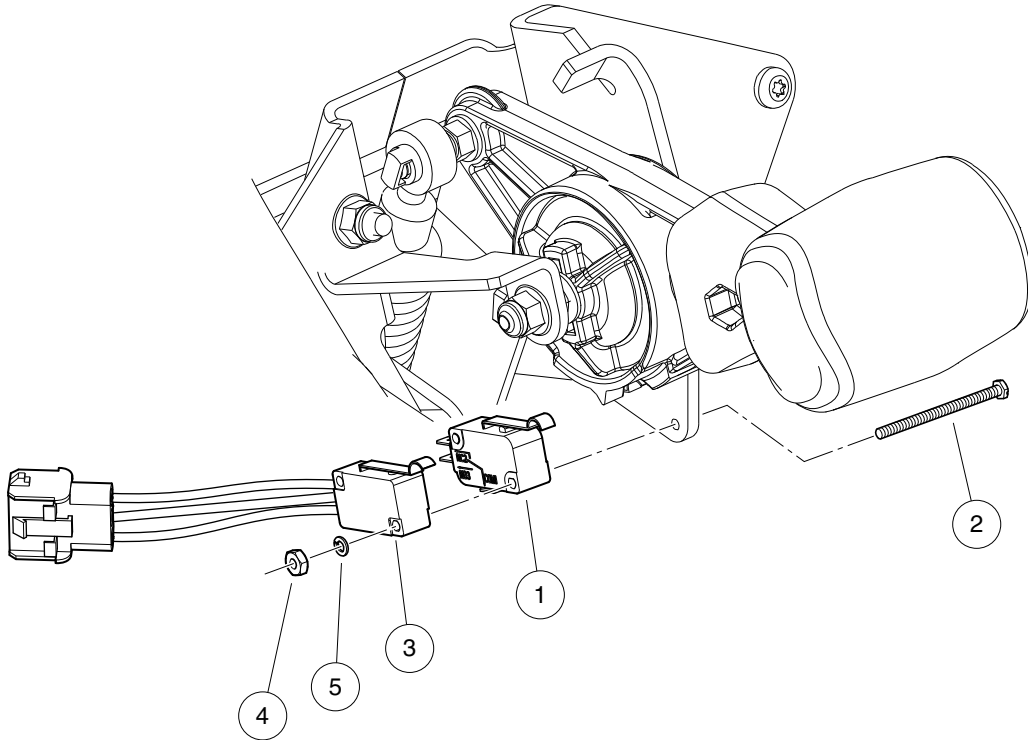
001014-001

ELECTRICAL COMPONENT BOX, PEDAL-START – EX40

ITEM	PART NO.	DESCRIPTION	QTY
		1 2 3 4	
1	<u>1010954</u>	Stud, Ball, 1/4-28 X 0.560	1
2	<u>1012295</u>	Fuse, 10-Amp	3
3	<u>1012431</u>	Washer, #4 Flat	2
4	<u>1013589</u>	Ring, Retaining, 0.338" Internal	1
5	<u>1013609</u>	Solenoid, 12-Volt	1
6	<u>1014065</u>	Washer, Flat, 0.38" ID, Delrin	1
7	<u>1014145</u>	Bushing, Secondary Weight, Split	2
8	<u>1014807</u>	Switch, Limit	1
9	<u>1014808</u>	Switch, Limit	1
10	<u>1015373</u>	Cam, Electric Box	1
11	<u>1015405</u>	Bolt, Carriage, 5/16-18 X 2.0	1
12	<u>1015737</u>	Wire Assy, #10 Red	1
13	<u>1015741</u>	Fuse Block	1
14	<u>1015752</u>	Screw, #12-16 X 0.625, Hi-Lo	5
15	<u>1015878</u>	Screw, #4-40 Hex Head Machine	2
16	<u>101856102</u>	Screw, 1/4-15 X 1.50, Hi-lo, Hex	1
17	<u>102711201</u>	Voltage Regulator	1
18	<u>105000301</u>	Box, Component, Electrical	1
19	<u>105000401</u>	Cover, Box, Component, Elec	1
20	<u>105037401</u>	Weldment, Bellcrank, Comp Box	1
21	<u>1241</u>	Washer, 5/16 Type A Flat	2
22	<u>1242</u>	Nut, 5/16-18 Hex	2
23	<u>7473</u>	Locknut, 5/16-18 Nylon Insert	2
24	<u>7818</u>	Bolt, Carriage, 5/16-18 X 1.5	1
25	<u>7893</u>	Nut, #10-32 Hex	2
26	<u>8057</u>	Nut, #4-40 Hex Machine	4
27	<u>8058</u>	Lockwasher, #4 Split	2
28	<u>8639</u>	Tie Wrap, 11" Nylon	6
29	<u>8717</u>	Locknut, Nylon Insert, 1/4-28	1

7

G



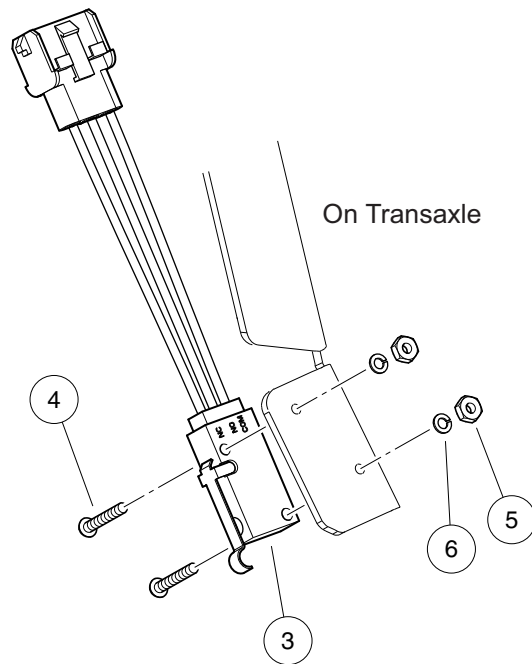
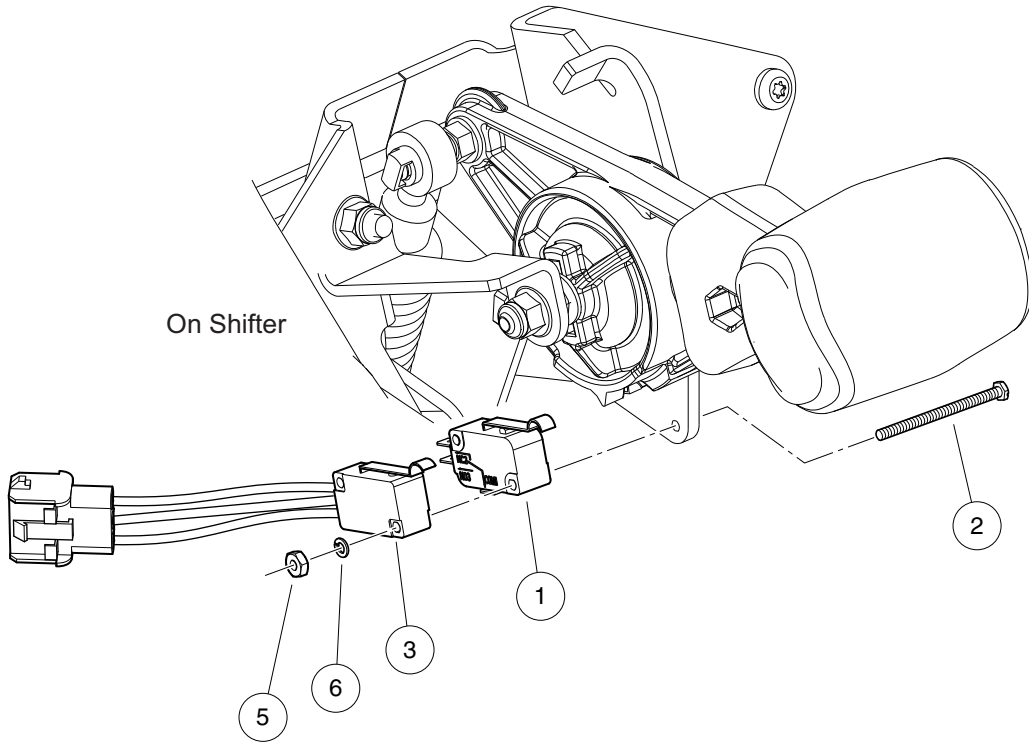
000999-002

FORWARD/REVERSE SHIFTER SWITCHES, KEY-START – EFI

ITEM	PART NO.	DESCRIPTION	QTY
		1 2 3 4	
1	<u>1014807</u>	Switch, Limit	1
2	<u>1015878</u>	Screw, #4-40 Hex Head Machine	2
3	<u>105102601</u>	Switch, Limit, Sealed, with 3-Wire Lead	1
4	<u>8057</u>	Nut, #4-40 Hex Machine	2
5	<u>8058</u>	Lockwasher, #4 Split	2

7

G

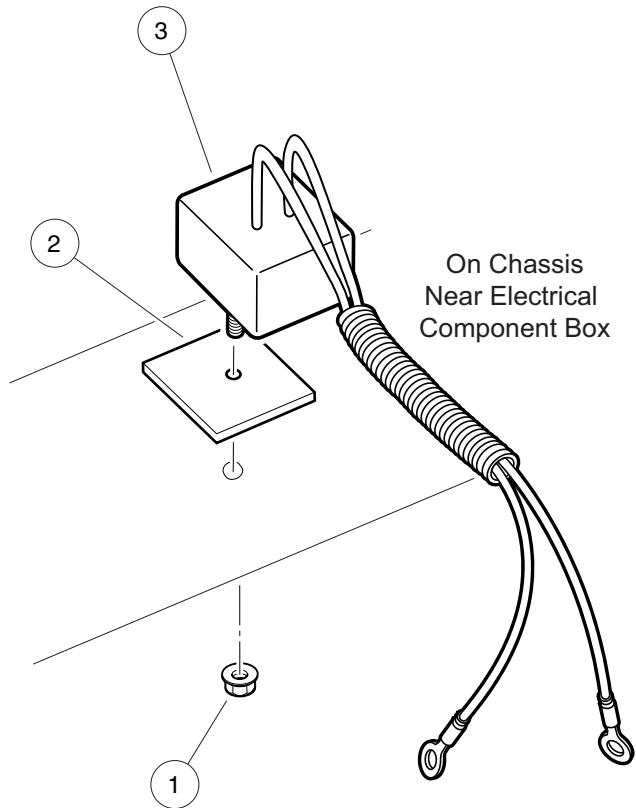


000999-001

FORWARD/REVERSE SHIFTER SWITCHES, PEDAL-START – EFI

ITEM	PART NO.	DESCRIPTION	QTY
		1 2 3 4	
1	<u>1014807</u>	Switch, Limit	1
2	<u>1015878</u>	Screw, #4-40 Hex Head Machine	2
3	<u>105102601</u>	Switch, Limit, Sealed, with 3-Wire Lead	2
4	<u>8056</u>	Screw, #4-40 X 0.75 Round-Head Machine	2
5	<u>8057</u>	Nut, #4-40 Hex Machine	4
6	<u>8058</u>	Lockwasher, #4 Split	4

7
G



001015-001

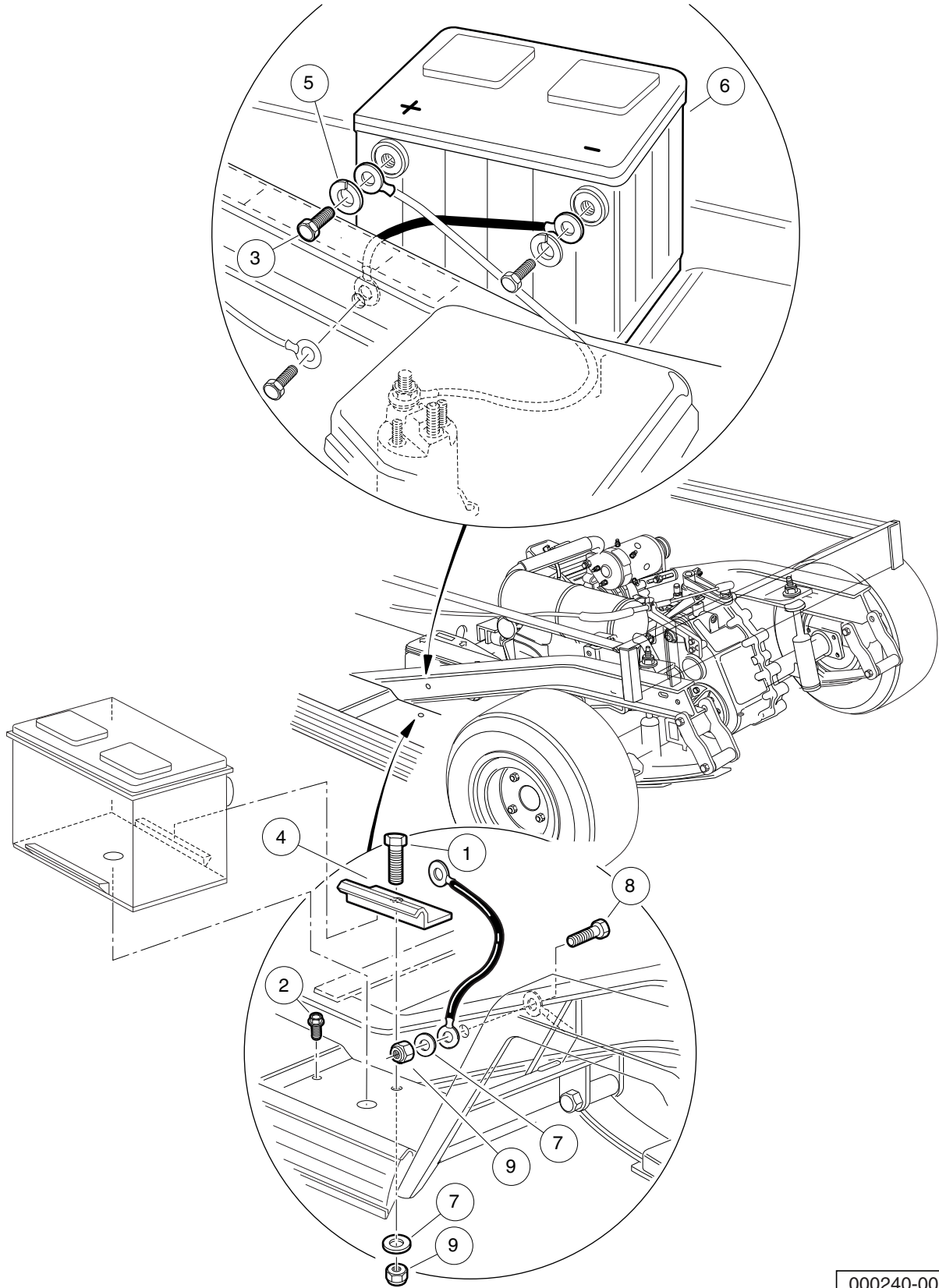
CHARGING DIODE, KEY-START – EFI

ITEM	PART NO.	DESCRIPTION	QTY
		1 2 3 4	
1	<u>101963401</u>	Locknut, 5/16-18 Hex Flange	1
2	<u>102269701</u>	Thermal Pad	1
3	<u>105037201</u>	Diode, Charging	1

7

G

7
G

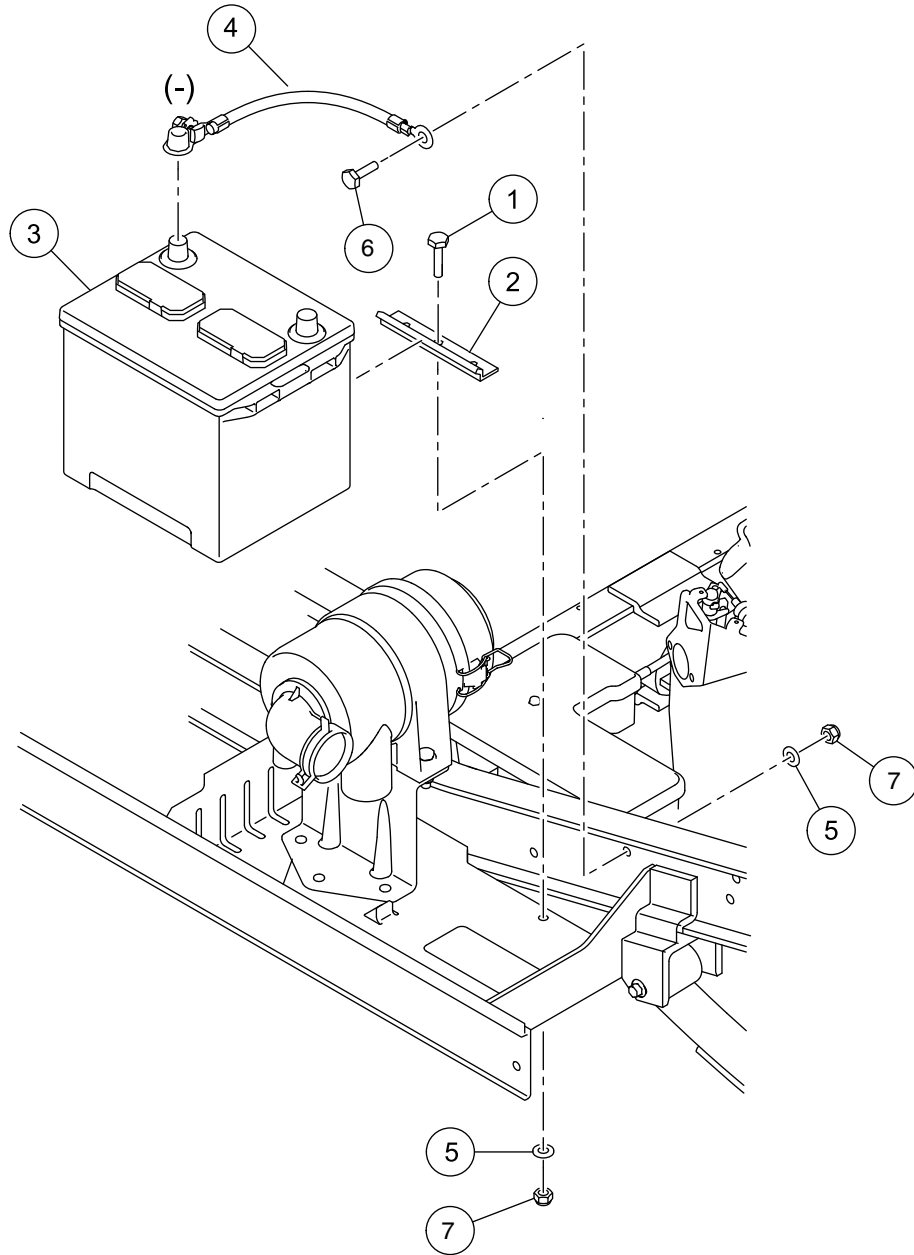


000240-001

BATTERY – GASOLINE UTILITY VEHICLES

ITEM	PART NO.	DESCRIPTION	QTY
		1 2 3 4	
1	<u>1010934</u>	Screw, 5/16-18 X 1.00 Hex Cap	1
2	<u>1014288</u>	Screw, 5/16-18 X 0.75, Thread-Forming	1
3	<u>1014375</u>	Screw, 3/8-16 X 0.50, Stainless Steel, Hex-Head	2
4	<u>101898001</u>	Clamp, Battery	1
5	<u>102355301</u>	Lockwasher, 3/8 Split Ss	2
6	<u>103496801</u>	Battery, Start, 12v	1
7	<u>1241</u>	Washer, 5/16 Type A Flat	2
8	<u>7173</u>	Screw, 5/16-18 X 0.75, Hex-Head Cap	1
9	<u>7473</u>	Locknut, 5/16-18 Nylon Insert	2

7
G



000250-001

TOP-POST BATTERY - GASOLINE UTILITY VEHICLES

ITEM	PART NO.	DESCRIPTION	QTY
		1 2 3 4	
1	<u>1010934</u>	Screw, 5/16-18 X 1.00 Hex Cap	1
2	<u>101898001</u>	Clamp, Battery	1
3	<u>105237301</u>	Battery, Start, 12v, Type 26	1
4	105256701	Wire Assy, 4ga, Battery, (top-post) B-, Gas	1
5	<u>1241</u>	Washer, 5/16 Type A Flat	2
6	<u>7173</u>	Screw, 5/16-18 X 0.75, Hex-Head Cap	1
7	<u>7473</u>	Locknut, 5/16-18 Nylon Insert	2

7

G

7

G

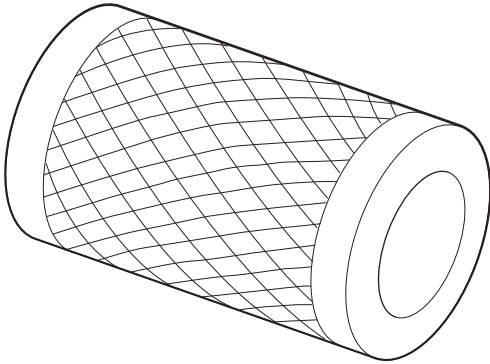
ENGINE (SUBARU EX40)

8

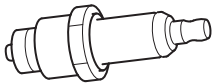
G

8

G



1



2

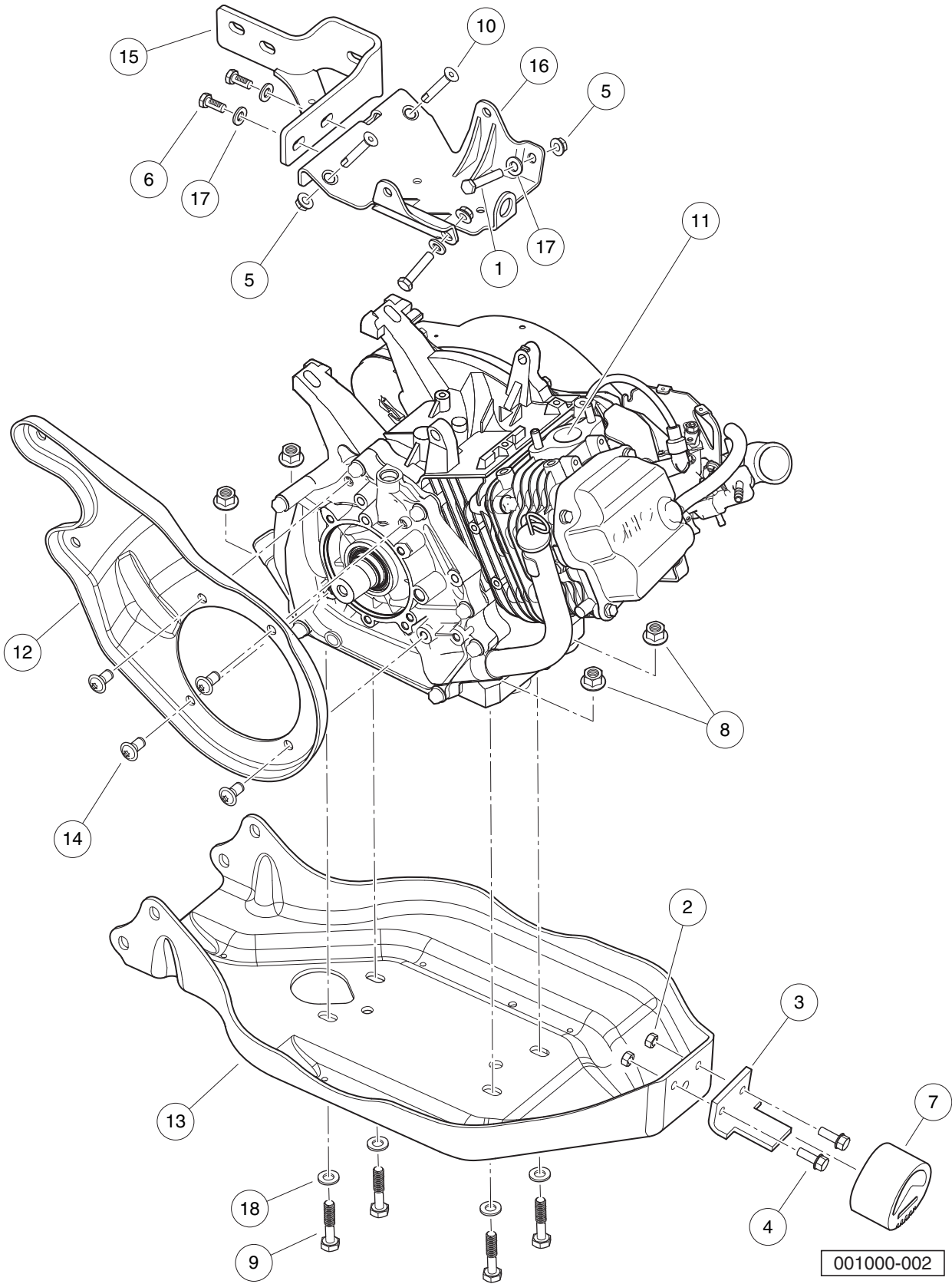
000992-003

TUNE-UP PARTS – SUBARU EX40

ITEM	PART NO.	DESCRIPTION	QTY
		1 2 3 4	
1	<u>102558201</u>	Air Filter, 4 Inch	1
2	105017801	Spark Plug, Subaru EX40	1

8

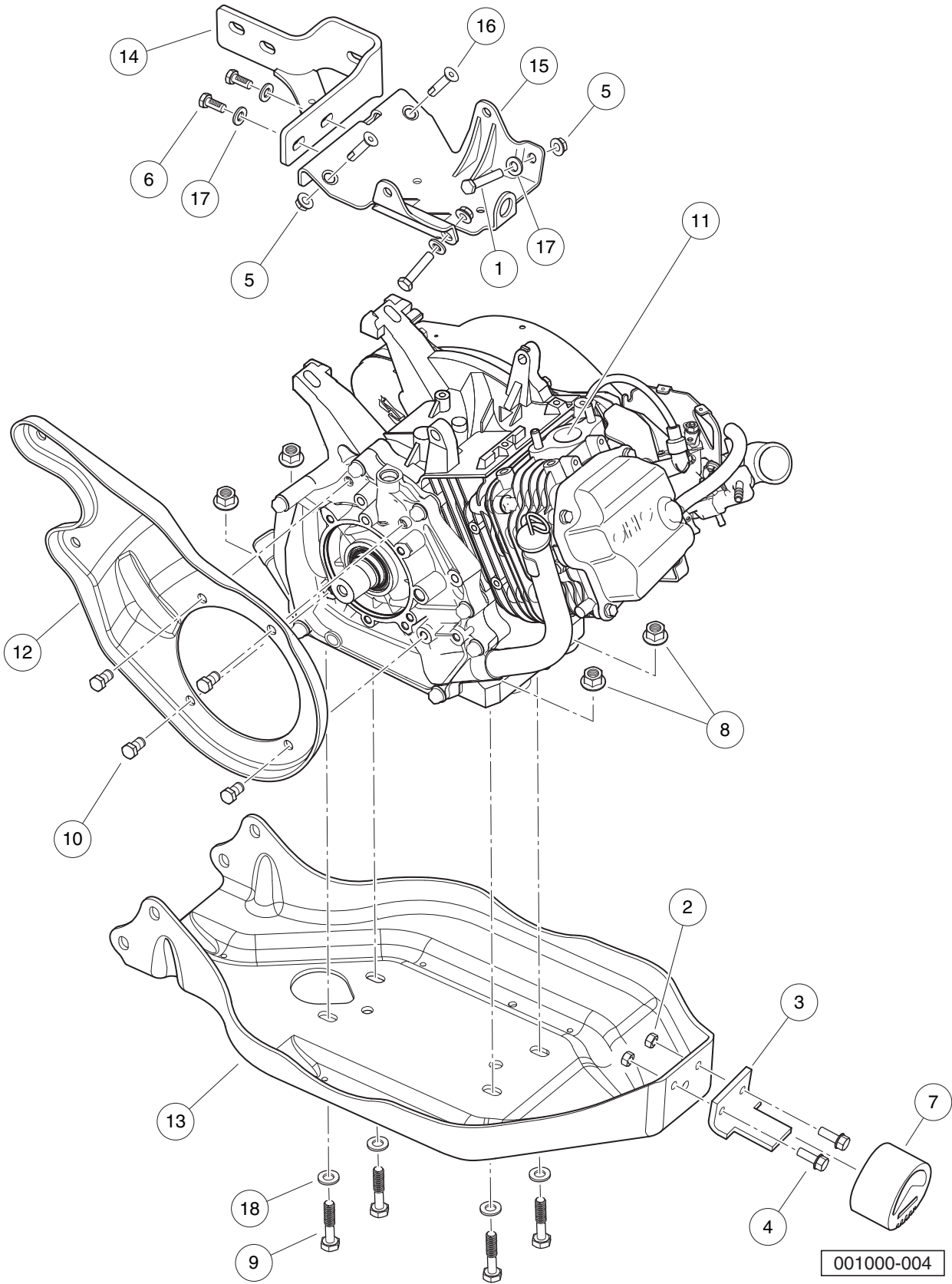
G



ENGINE AND ENGINE MOUNTING, UTILITY – TO EARLY-2016 MODEL YEAR

ITEM	PART NO.	DESCRIPTION	QTY
		1 2 3 4	
1	<u>1010577</u>	Bolt, Hex-Head, 5/16-18 X 1.50	2
2	<u>1013924</u>	Nut, 5/16-24, Hex Head Cone	2
3	<u>101834602</u>	Bracket, Snubber, Tall	1
4	<u>101884801</u>	Screw, 5/16-24 X 0.875, Grade-8	2
5	<u>101963401</u>	Locknut, 5/16-18 Hex Flange	4
6	<u>102242101</u>	Screw, 5/16-18 X 3/4 Hex-Head with Patch	2
7	<u>102540301</u>	Snubber, Inner Frame	1
8	<u>102617201</u>	Nut, Flanged, M10 X 1.5, Mechanically Deformed	4
9	<u>102732401</u>	Bolt, M10 X 45, Zn-Ni (Black)	4
10	<u>103196202</u>	5/16-18x1.75, Bolt, Loctite	2
11	<u>103882801</u>	Engine, Gas, Subaru EX40, EFI	1
12	<u>103979401</u>	Plate, Mounting, CVT, Center	1
13	<u>103982201</u>	Plate, Engine/Axle Mounting	1
14	<u>103996201</u>	Screw, 3/8-16 X .75, Btn Hd Cap	4
15	<u>105134601</u>	Bracket, Mounting, Transaxle/Exhaust,†EX40	1
16	<u>105149301</u>	Bracket,†Mounting, Starter/Generator,†EX40	1
17	<u>1241</u>	Washer, 5/16 Type A Flat	4
18	<u>96741046</u>	Washer, M10, Hard	4

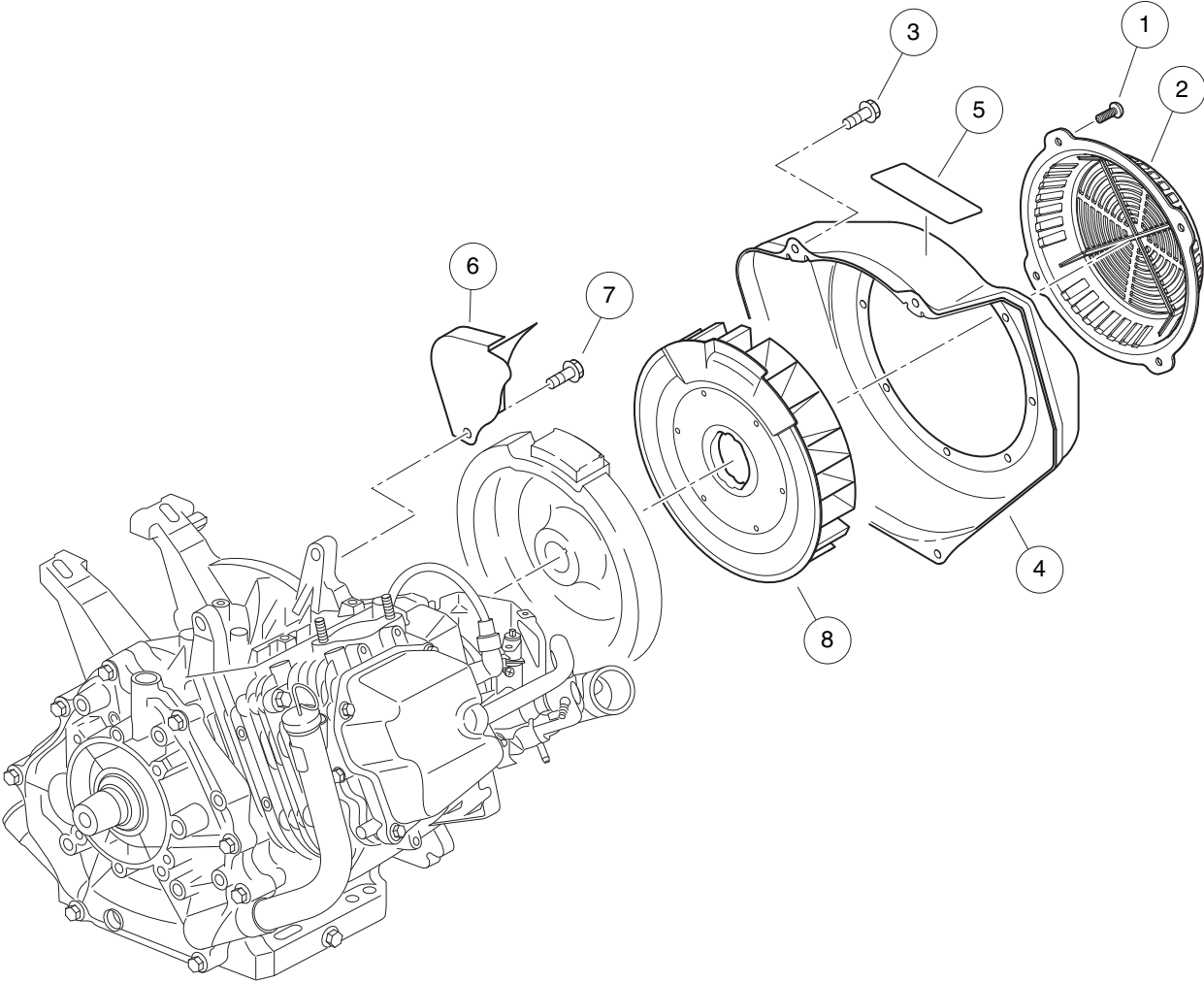
8
G



ENGINE AND ENGINE MOUNTING, UTILITY – FROM EARLY-2016 MODEL YEAR

ITEM	PART NO.	DESCRIPTION	QTY
		1 2 3 4	
1	<u>1010577</u>	Bolt, Hex-Head, 5/16-18 X 1.50	2
2	<u>1013924</u>	Nut, 5/16-24, Hex Head Cone	2
3	<u>101834602</u>	Bracket, Snubber, Tall	1
4	<u>101884801</u>	Screw, 5/16-24 X 0.875, Grade-8	2
5	<u>101963401</u>	Locknut, 5/16-18 Hex Flange	4
6	<u>102242101</u>	Screw, 5/16-18 X 3/4 Hex-Head with Patch	2
7	<u>102540301</u>	Snubber, Inner Frame	1
8	<u>102617201</u>	Nut, Flanged, M10 X 1.5, Mechanically Deformed	4
9	<u>102732401</u>	Bolt, M10 X 45, Zn-Ni (Black)	4
10	<u>103508101</u>	Bolt, 3/8-16 X .75 Lock Patch	4
11	<u>103882801</u>	Engine, Gas, Subaru EX40, EFI	1
12	<u>103979401</u>	Plate, Mounting, CVT, Center	1
13	<u>103982201</u>	Plate, Engine/Axle Mounting	1
14	<u>105134601</u>	Bracket, Mounting, Transaxle/Exhaust,†EX40	1
15	<u>105149301</u>	Bracket,†Mounting, Starter/Generator,†EX40	1
16	<u>105262401</u>	Screw, 5/16-18 X 1.25, Cs, Lck	2
17	<u>1241</u>	Washer, 5/16 Type A Flat	4
18	<u>96741046</u>	Washer, M10, Hard	4

8
G



001001-001

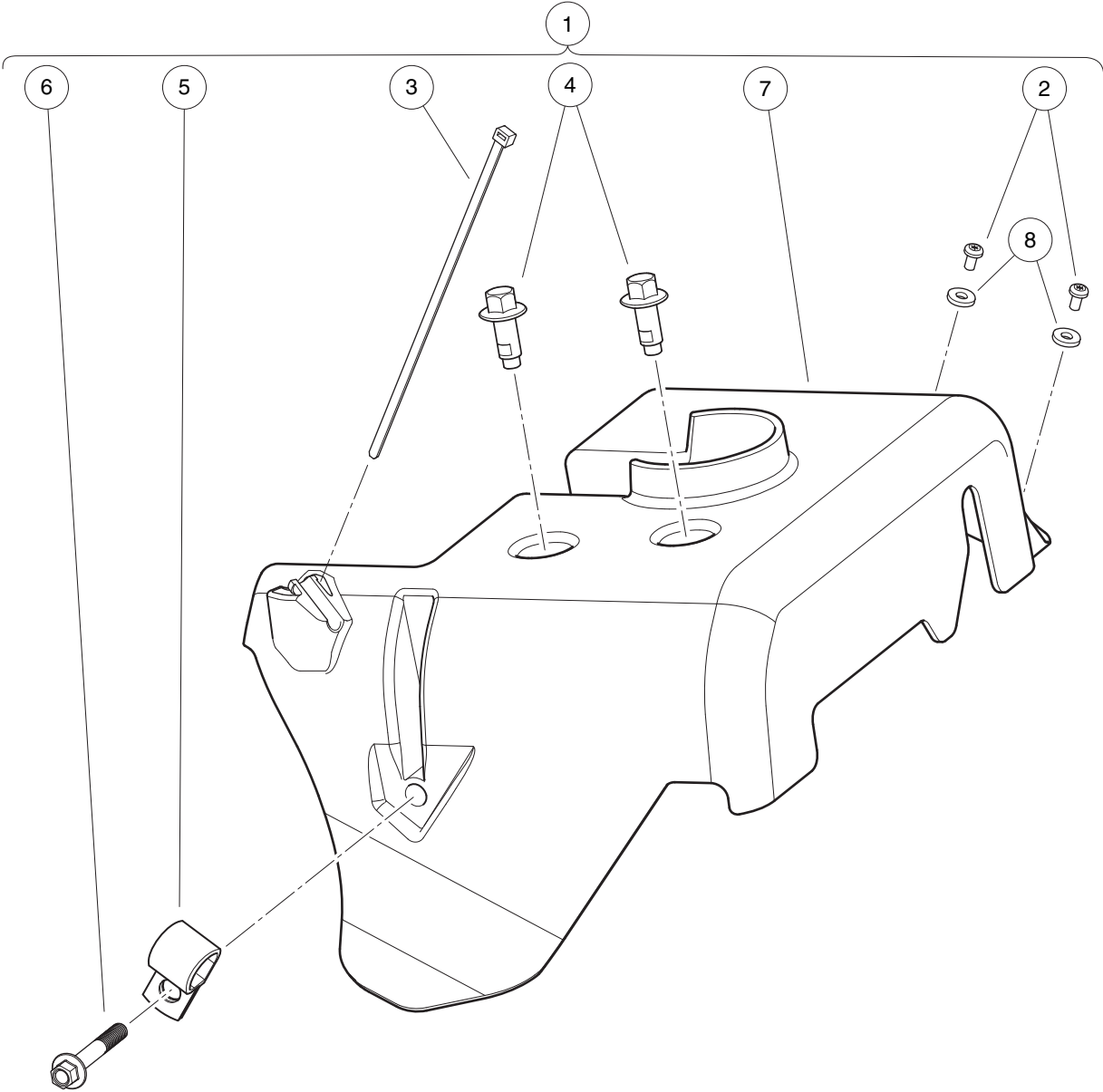
FAN AND SHROUD – EX40

ITEM	PART NO.	DESCRIPTION	QTY
		1 2 3 4	
1	<u>1015969</u>	Screw, M6-1.00 X 10mm, Pan Hd	4
2	<u>103995901</u>	Cover, Fan, EX40	1
3	<u>105012601</u>	Bolt, Flange, M6x1.0x12, EX40	4
4	<u>105016701</u>	Housing, Fan, EX40	1
5	<u>105016801</u>	Label, Engine Warning, EX40	1
6	<u>105016901</u>	Baffle, Crankcase, EX40	1
7	<u>105017001</u>	Bolt, Baffle, M8x1.25x12 Ex40	1
8	<u>105017101</u>	Fan, Cooling, EX40	1

8

G

8
G



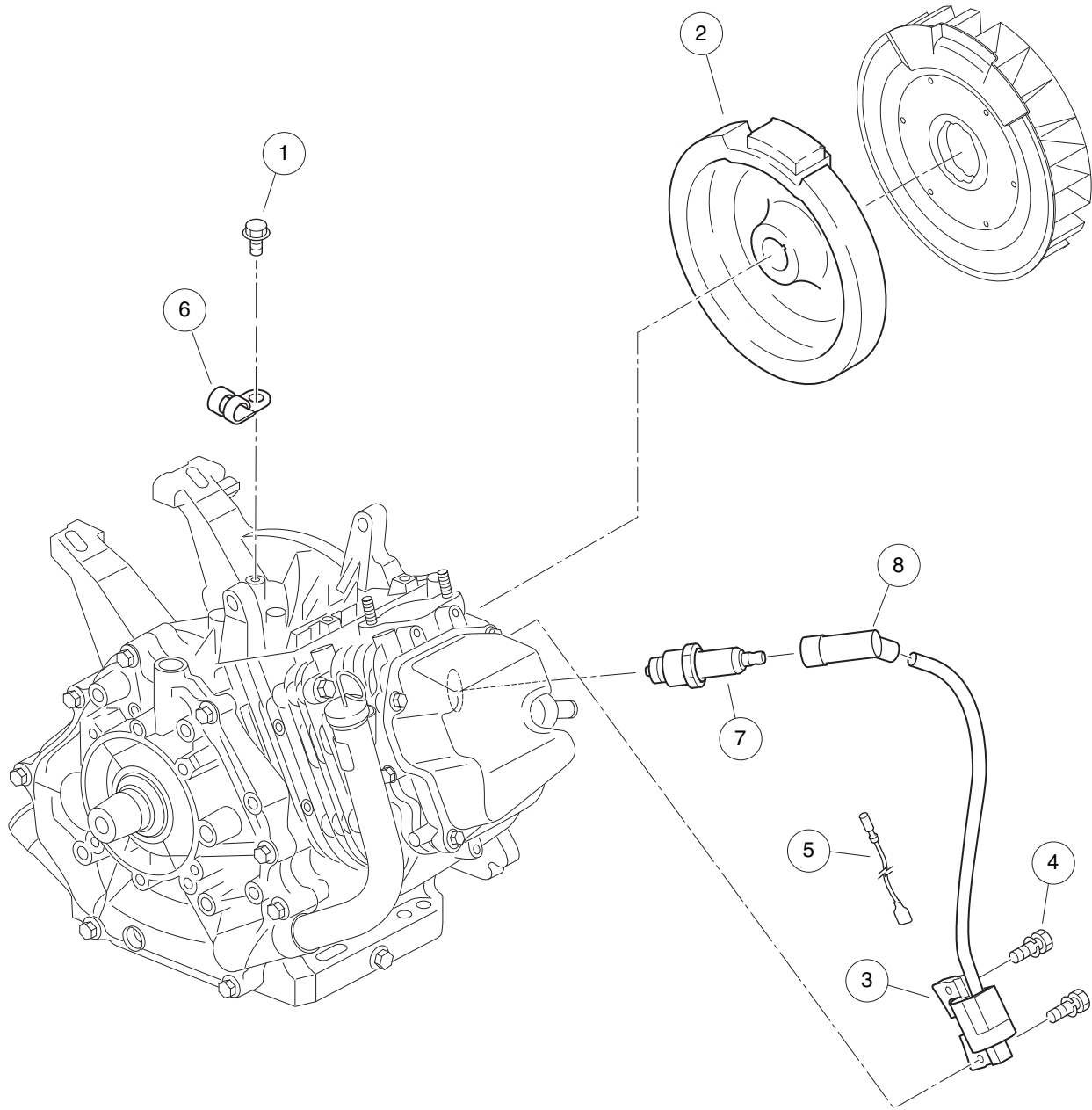
001002-001

AIR DEFLECTOR – EX40

ITEM	PART NO.	DESCRIPTION	QTY
		1 2 3 4	
1	<u>105084801</u>	Kit, Air Deflector, Subaru EX40 (includes items 2 through 8)	1
2	<u>1016103</u>	Screw, Pan Hd Tx, Taptite 6-32	2
3	101824101	Tie Wrap, Black	1
4	<u>102298116</u>	Bolt, Flanged Head, M8 X 16.0	2
5	<u>102410604</u>	P-clamp, Insulated, 0.625 Inch	1
6	<u>102541402</u>	Bolt, M6x1.0x40, Hex Flange Head, Blk-l	1
7	105075301	Deflector, Air, Subaru EX40	1
8	<u>7591</u>	Washer, #6, Flat	2

8

G



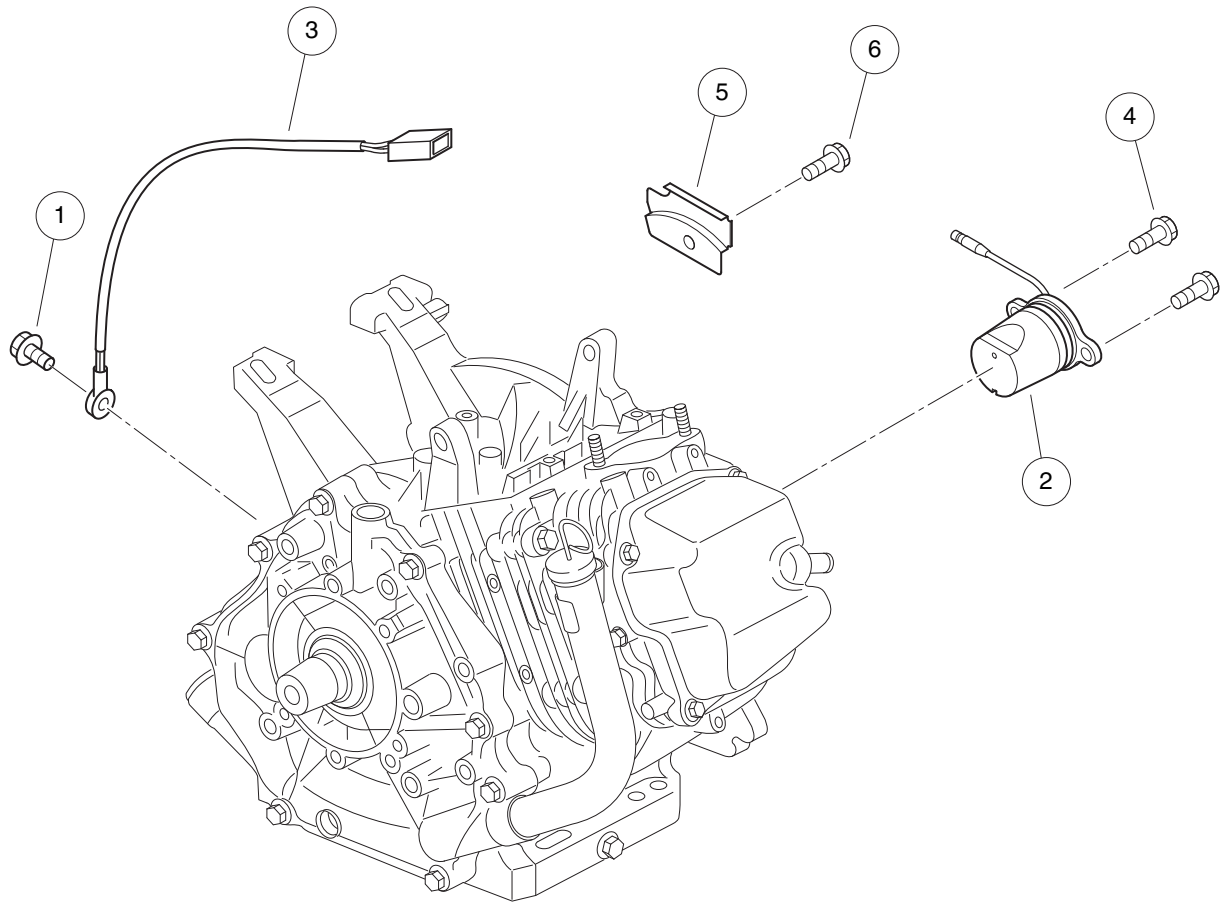
001003-001

IGNITION COMPONENTS AND FLYWHEEL – EX40

ITEM	PART NO.	DESCRIPTION	QTY
		1 2 3 4	
1	<u>105016001</u>	Bolt, Flange, M6x1.0x8, EX40	1
2	<u>105017301</u>	Flywheel, EX40	1
3	<u>105017401</u>	Coil, Ignition, CDI, EX40	1
4	<u>105017501</u>	Asm, Bolt-Washer, Coil, EX40	2
5	<u>105017601</u>	Asm, Wire, Coil Control, EX40	1
6	<u>105017701</u>	Clamp, Coil Control Wire, EX40	1
7	105017801	Spark Plug, Subaru EX40	1
8	<u>105017901</u>	Cap, Spark Plug, EX40	1

8

G



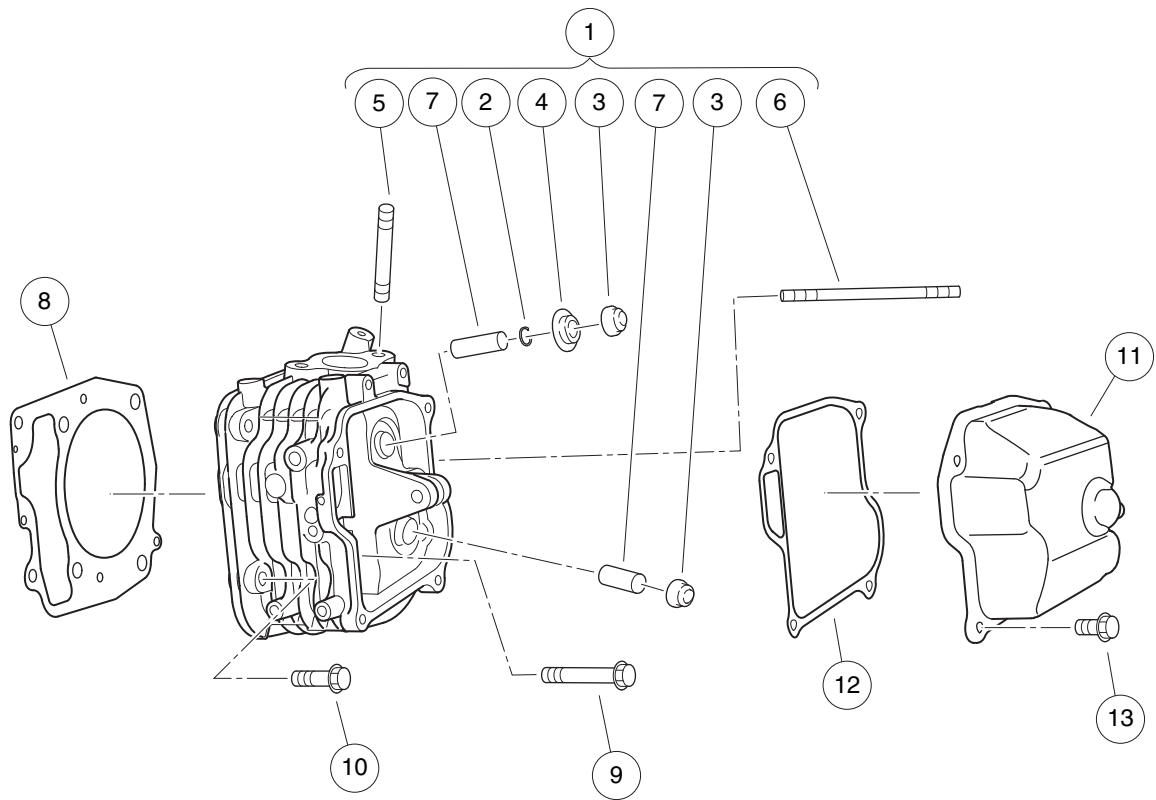
001004-001

SENSORS – EX40

ITEM	PART NO.	DESCRIPTION	QTY
		1 2 3 4	
1	<u>105012601</u>	Bolt, Flange, M6x1.0x12, EX40	1
2	<u>105018001</u>	Sensor, Oil Level, EX40	1
3	<u>105018101</u>	Sensor, Temperature, EX40	1
4	<u>105018201</u>	Bolt, Oil Sensor, M6x1.0x14, EX40	2
5	<u>105018301</u>	Clamp, Oil Sensor Wire, EX40	1
6	<u>105018401</u>	Bolt, Tap, Oil Wire Clamp, EX40	1

8

G



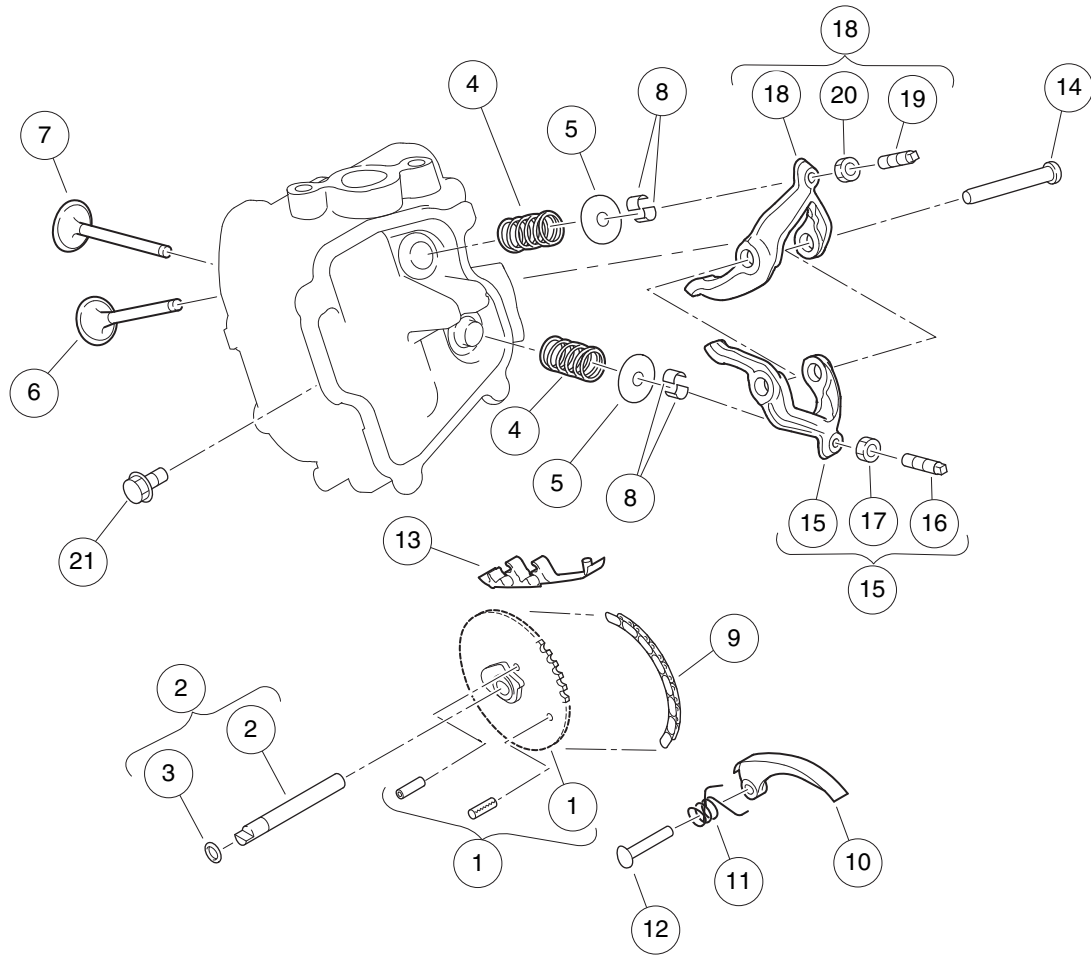
001005-001

CYLINDER HEAD – EX40

ITEM	PART NO.	DESCRIPTION	QTY
		1 2 3 4	
1	<u>105011901</u>	Asm, Cylinder Head, EX40 (includes items 2 through 7)	1
2	<u>105010101</u>	Clip, Retainer Plate, EX40	1
3	<u>105010201</u>	Seal, Valve, EX40	2
4	<u>105010301</u>	Plate, Retainer, EX40	1
5	<u>105010801</u>	Stud, Mounting, Exhaust, EX40	2
6	<u>105010901</u>	Stud, Mounting, Intake, EX40	2
7	<u>105018501</u>	Guide, Valve, EX40	2
8	<u>105012001</u>	Gasket, Head, EX40	1
9	<u>105012101</u>	Bolt, Head, M10x1.25x75, EX40	4
10	<u>105012201</u>	Bolt, Head, M8x1.25x35, EX40	2
11	<u>105012301</u>	Cover, Rocker, EX40	1
12	<u>105012401</u>	Gasket, Rocker Cover, EX40	1
13	<u>105012601</u>	Bolt, Flange, M6x1.0x12, EX40	4

8

G

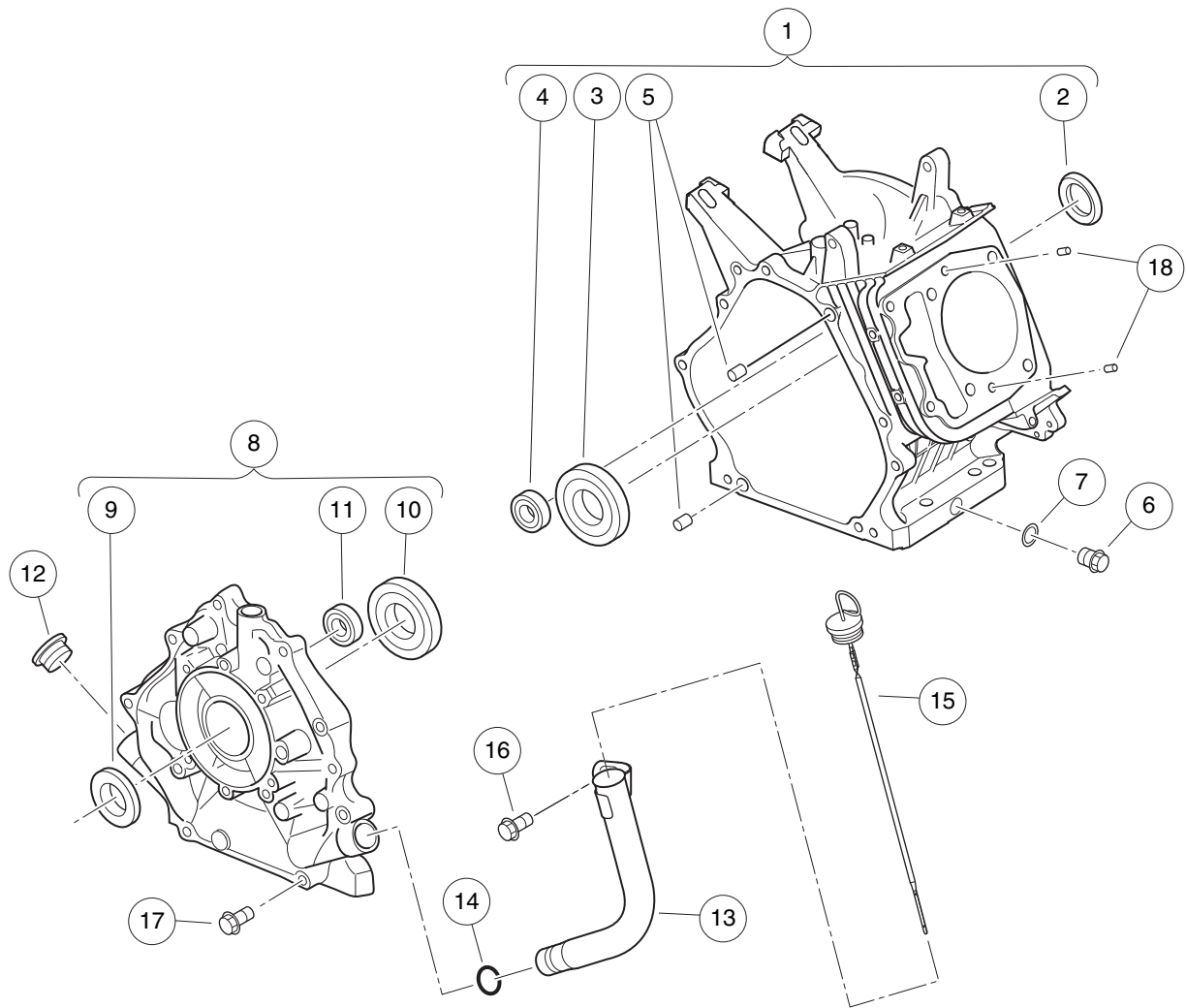


001006-001

VALVETRAIN AND TIMING CHAIN – EX40

ITEM	PART NO.	DESCRIPTION	QTY
		1 2 3 4	
1	<u>105014201</u>	Asm, Cam/Chain Sprocket, EX40	1
2	<u>105014301</u>	Asm, Camshaft and O-ring, EX40 (includes item 3)	1
3	<u>105014401</u>	O-ring, Camshaft, EX40	1
4	<u>105014501</u>	Spring, Valve, EX40	2
5	<u>105014601</u>	Retainer, Spring, EX40	2
6	<u>105014701</u>	Valve, Intake, EX40	1
7	<u>105014801</u>	Valve, Exhaust, EX40	1
8	<u>105014901</u>	Collet, Valve, EX40	4
9	<u>105015001</u>	Chain, Timing, EX40	1
10	<u>105015101</u>	Tensioner, Chain, EX40	1
11	<u>105015201</u>	Spring, Tension, EX40	1
12	<u>105015301</u>	Pin, Tensioner, EX40	1
13	<u>105015401</u>	Guide, Chain, EX40	1
14	<u>105015501</u>	Shaft, Rocker, EX40	1
15	<u>105015601</u>	Asm, Rocker Arm, Intake, EX40 (includes items 16 and 17)	1
16	<u>105015801</u>	Screw, Adjust, Valve, EX40	1
17	<u>105015901</u>	Nut, Adjust, Valve, EX40	1
18	<u>105015701</u>	Asm, Rocker Arm, Exhaust, EX40 (includes items 19 and 20)	1
19	<u>105015801</u>	Screw, Adjust, Valve, EX40	1
20	<u>105015901</u>	Nut, Adjust, Valve, EX40	1
21	<u>105016001</u>	Bolt, Flange, M6x1.0x8, EX40	1

8
G



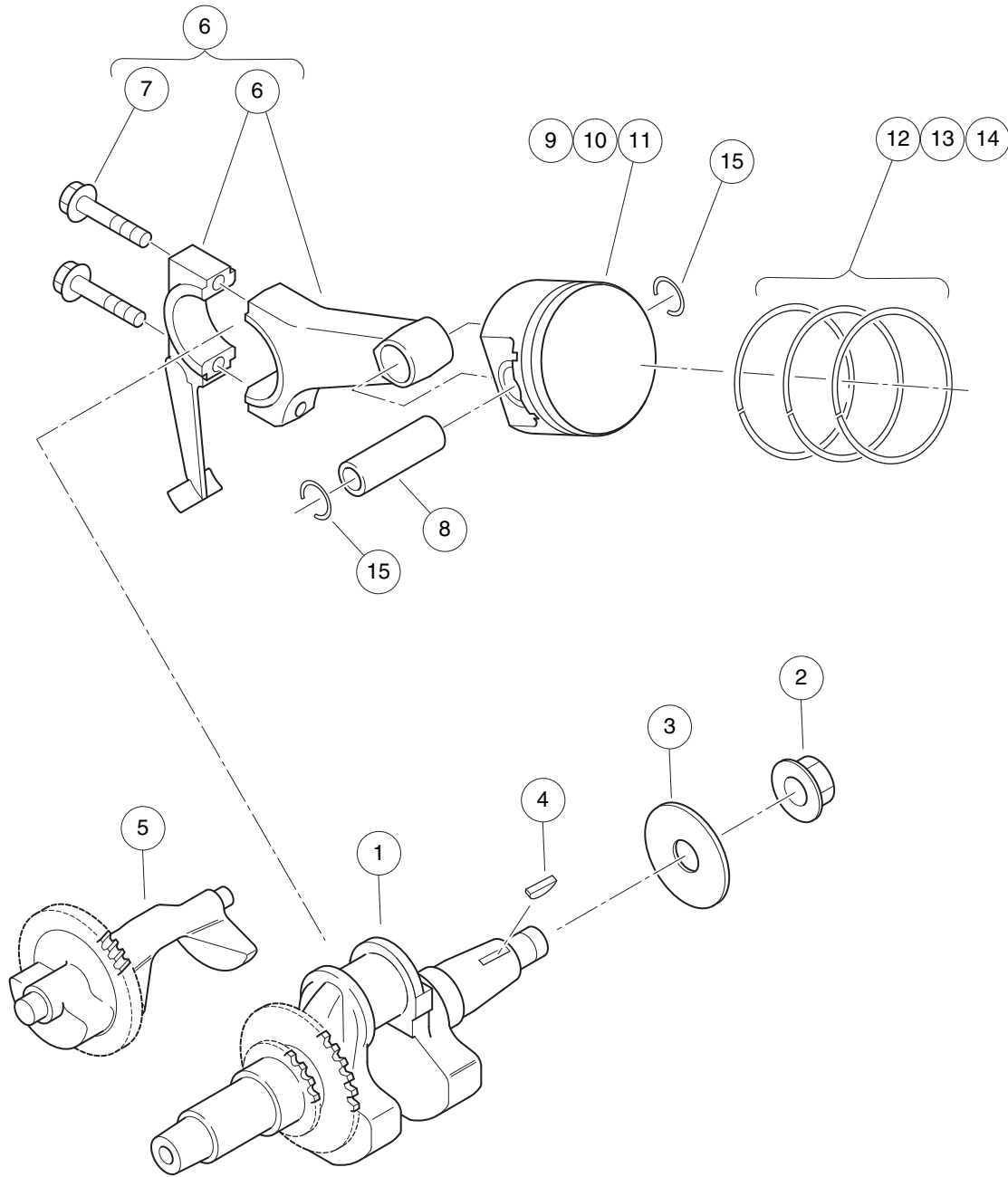
001007-001

CRANKCASE – EX40

ITEM	PART NO.	DESCRIPTION	QTY
		1 2 3 4	
1	105010001	Crankcase, EX40 (includes items 2 through 5)	1
2	<u>105010401</u>	Seal, Oil, Crankshaft, EX40	1
3	<u>105010501</u>	Bearing, Crankshaft, EX40	1
4	105010601	Bearing, Balance Shaft, EX40	1
5	<u>105010701</u>	Pin, Guide, Crankcase, EX40	2
6	105011001	Plug, Oil Drain, EX40	2
7	<u>105011101</u>	Gasket, Oil Drain Plug, EX40	2
8	105011201	Asm, Cover, Crankcase, EX40 (includes items 9 through 11)	1
9	<u>105010401</u>	Seal, Oil, Crankshaft, EX40	1
10	<u>105010501</u>	Bearing, Crankshaft, EX40	1
11	105010601	Bearing, Balance Shaft, EX40	1
12	<u>105011301</u>	Plug, Rubber, Crankcase, EX40	1
13	<u>105011401</u>	Tube, Oil Filler, EX40	1
14	<u>105011501</u>	O-ring, Oil Filler Tube, EX40	1
15	<u>105011601</u>	Dipstick, EX40	1
16	<u>105011701</u>	Bolt, Filler Tube, M8x1.25x12, EX40	1
17	<u>105011801</u>	Bolt, Case Cover, M8x1.25x38, EX40	8
18	<u>105012501</u>	Pin, Guide, Head, EX40	2

8

G



001008-001

CRANKSHAFT AND PISTON – EX40

ITEM	PART NO.	DESCRIPTION	QTY
		1 2 3 4	
1	105012701	Crankshaft, EX40	1
2	<u>105012801</u>	Nut, Crankshaft M18x1.5 Ex40	1
3	<u>105012901</u>	Washer, Crankshaft Ex40	1
4	<u>105013001</u>	Key, Woodruff, Crankshaft, EX40	1
5	<u>105013101</u>	Shaft, Balance, EX40	1
6	<u>105013201</u>	Asm, Rod, Connecting, EX40 (includes item 7)	1
7	<u>105013301</u>	Bolt, Rod M8x1.25x40 Ex40	2
8	<u>105013401</u>	Pin, Piston, EX40	1
9	<u>105013501</u>	Piston, Standard, EX40	1
10	<u>105013601</u>	Piston, 0.25 mm Oversize, EX40	1
11	<u>105013701</u>	Piston, 0.50 mm Oversize, EX40	1
12	<u>105013801</u>	Set, Piston Ring, Standard, EX40	1
13	<u>105013901</u>	Set, Piston Ring, 0.25 mm Oversize, EX40	1
14	<u>105014001</u>	Set, Piston Ring, 0.50 mm Oversize, EX40	1
15	<u>105014101</u>	Clip, Piston Pin, EX40	2

8

G

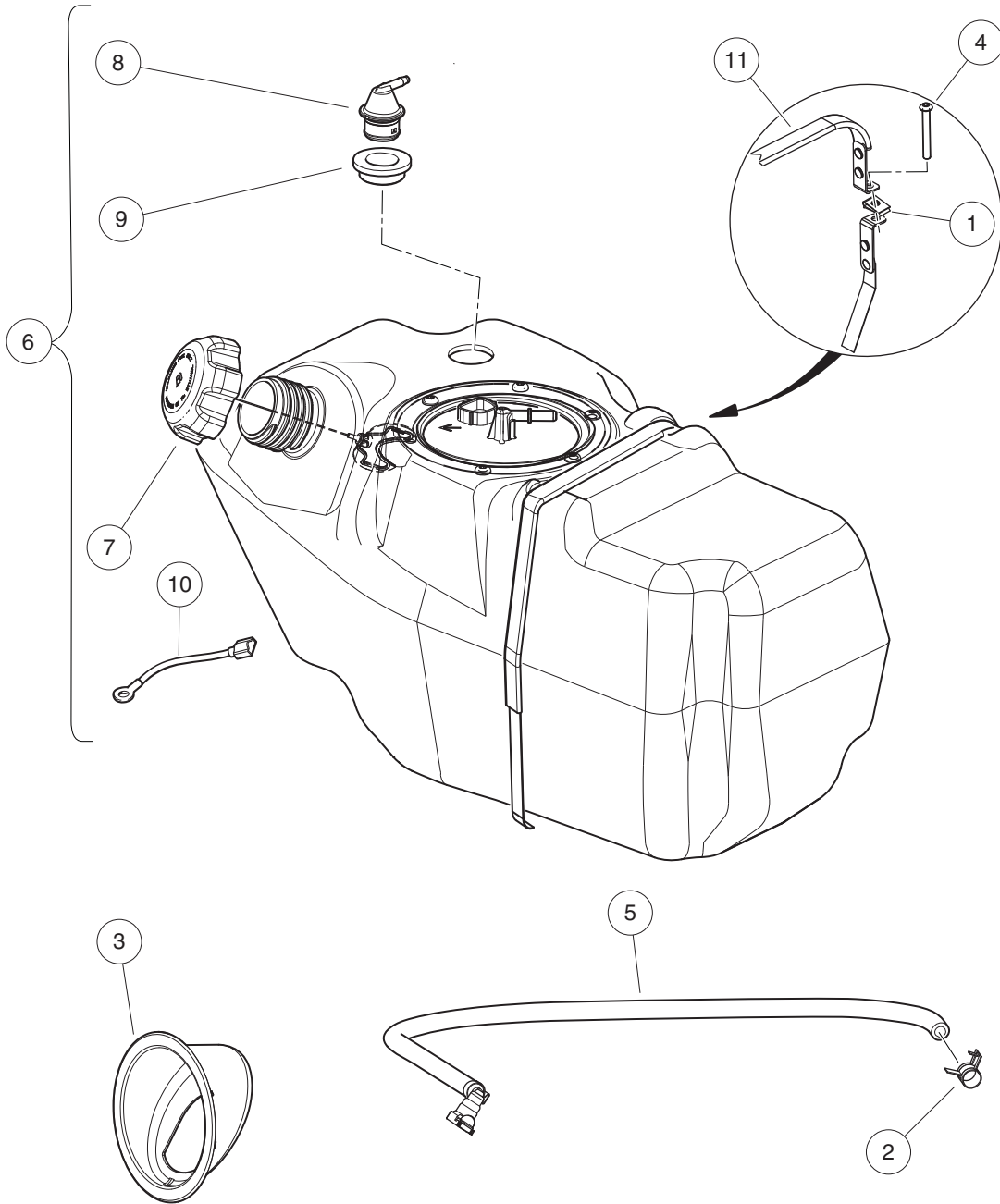
8

G

FUEL SYSTEM – EFI

9

G



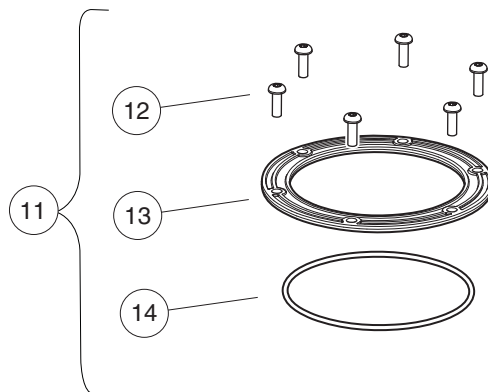
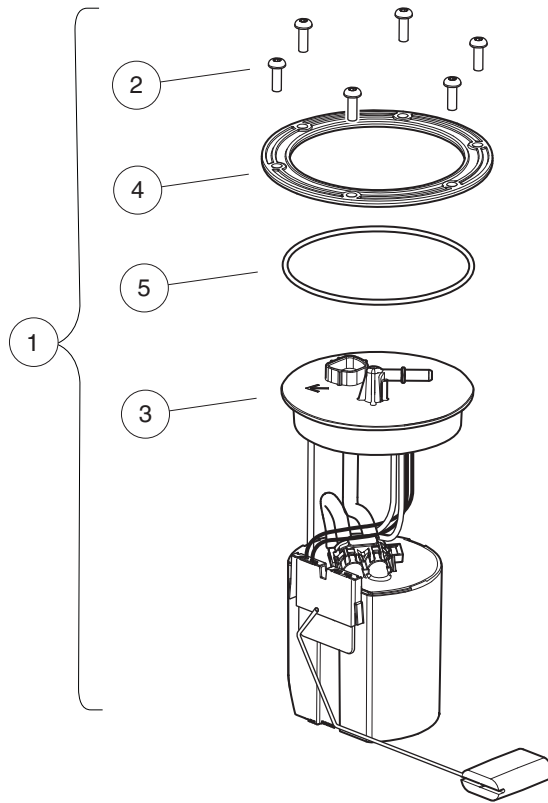
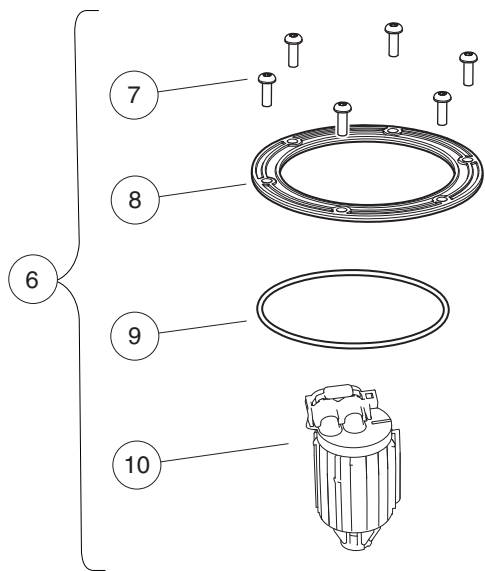
000977-006

FUEL TANK WITH SENDING UNIT, SIDE FILL – EFI

ITEM	PART NO.	DESCRIPTION	QTY
		1 2 3 4	
1	<u>1014116</u>	Nut, 1/4-20 Speed	1
2	<u>102411203</u>	Clamp, Hose, Ctb 14mm Dia.	1
3	<u>102977901</u>	Bezel, Fuel Fill, 5.0 Dia	1
4	<u>103306301</u>	Screw, Bhsc, 1/4-20 X 2.0	1
5	<u>105043501</u>	Asm, Fuel Line, Utility	1
6	<u>105044001</u>	Asm, Tank, Fuel, Side-Fill, Complete, w/Sending Unit (includes items 7 through 10)	1
7	<u>103372101</u>	Cap, Fuel Tank, Gas, Ratchet	1
8	<u>103905201</u>	Assembly, Vent, Fuel, 1/4 Inch O.D.	1
9	<u>103944301</u>	Grommet, Fuel Tank, Vent	1
10	<u>105143301</u>	Wire, Ground, Fuel Tank	1
11	<u>105093601</u>	Retention Strap, Tank	1

9

G

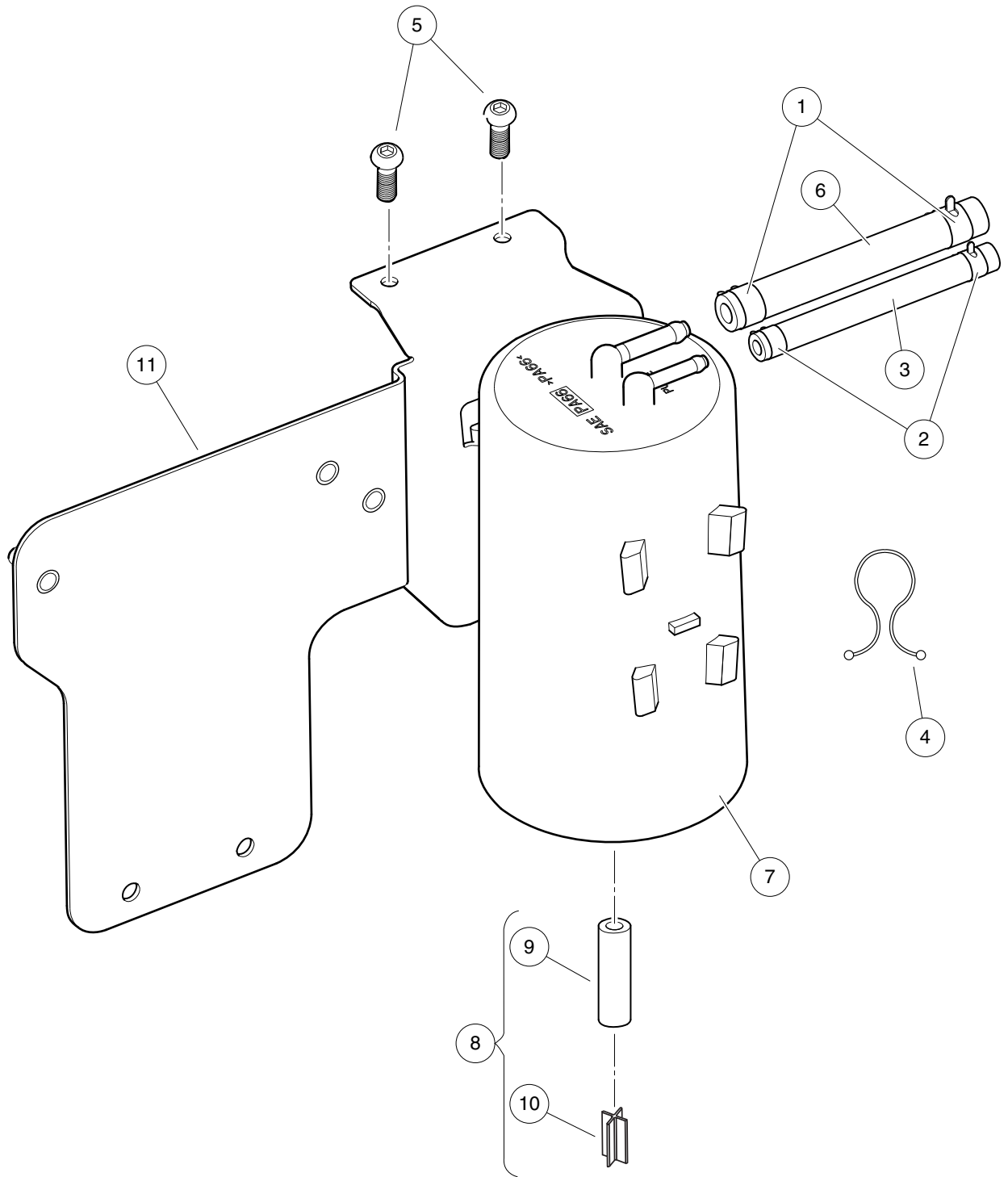


000977-005

FUEL TANK KITS – EFI

ITEM	PART NO.	DESCRIPTION	QTY
		1 2 3 4	
1	<u>105282901</u>	Kit, Fuel Pump Module (includes items 2 through 5)	1
2	<u>102025801</u>	Screw, 1/4-20 X .75 Torx Pn Hd	6
3	<u>105043401</u>	Fuel Pump Module, with Sending Unit	1
4	<u>105043801</u>	Fuel Module, Hold Down Ring	1
5	<u>105043901</u>	O-Ring, Fuel Module	1
6	<u>105282902</u>	Kit, Fuel Filter (includes items 7 through 10)	1
7	<u>102025801</u>	Screw, 1/4-20 X .75 Torx Pn Hd	6
8	<u>105043801</u>	Fuel Module, Hold Down Ring	1
9	<u>105043901</u>	O-Ring, Fuel Module	1
10	<u>105073001</u>	Fuel Filter, EX40, EFI	1
11	<u>105282903</u>	Kit, O-ring (includes items 12 through 14)	1
12	<u>102025801</u>	Screw, 1/4-20 X .75 Torx Pn Hd	6
13	<u>105043801</u>	Fuel Module, Hold Down Ring	1
14	<u>105043901</u>	O-Ring, Fuel Module	1

9
G



000980-006

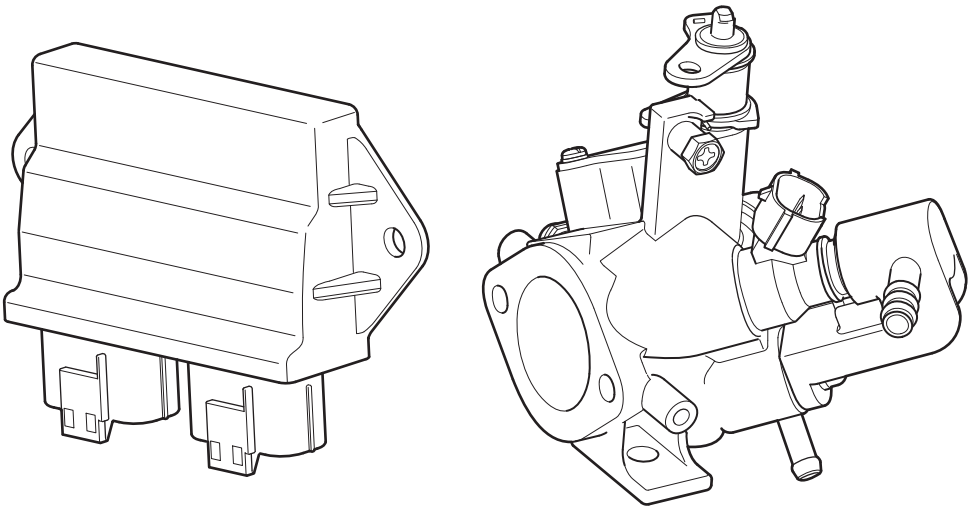
CARBON CANISTER – EFI

ITEM	PART NO.	DESCRIPTION	QTY
		1 2 3 4	
1	<u>1012649</u>	Clamp, 0.460 Red Hose	2
2	<u>1013746</u>	Clamp, 0.301 ID Hose	2
3	<u>1015137</u>	Fuel Line, 3/16 (available by the foot)	A/R
4	<u>101987701</u>	Clamp, Plastic Tie	2
5	<u>102025801</u>	Screw, 1/4-20 X .75 Torx Pn Hd	2
6	<u>102865101</u>	Fuel Line, 1/4 (available by the foot)	A/R
7	<u>103372401</u>	Canister, Carbon	1
8	<u>103756401</u>	Asm, Vent Line, Carbon Canister (includes items 9 and 10)	1
9	N/A	Hose, Vent, 5/16 I.D., Bulk	1
10	N/A	Vent, Barb, 5/16 I.D. Hose	1
11	<u>105044901</u>	Bracket, Carbon Canister/ECU	1

9

G

1



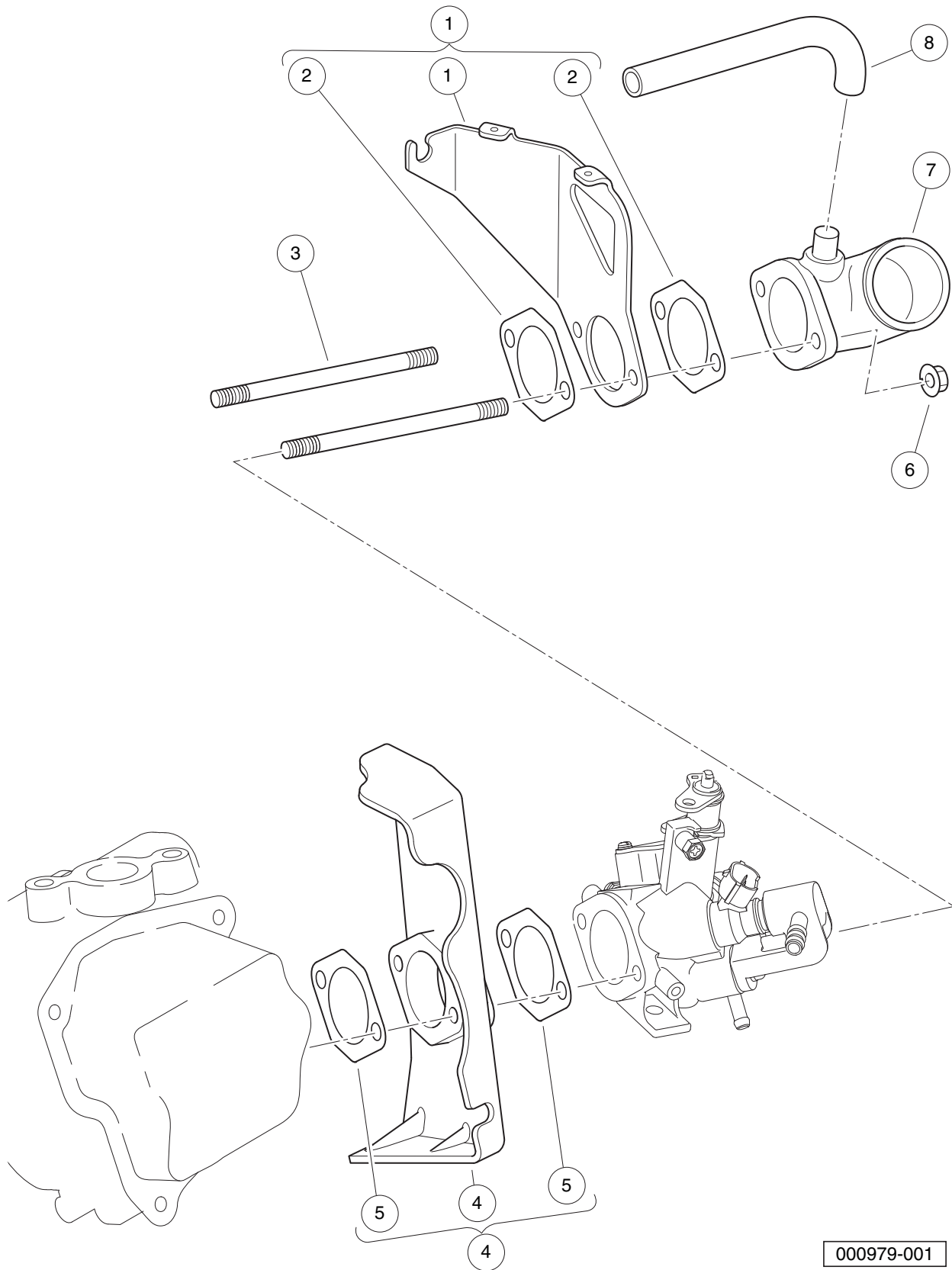
000964-001

THROTTLE BODY AND ECU – EFI

ITEM	PART NO.	DESCRIPTION	QTY
1	<u>105017201</u>	<p>1 2 3 4</p> <p>Asm, Throttle Body/Fuel Injector with ECU, EX40</p>	1

9

G



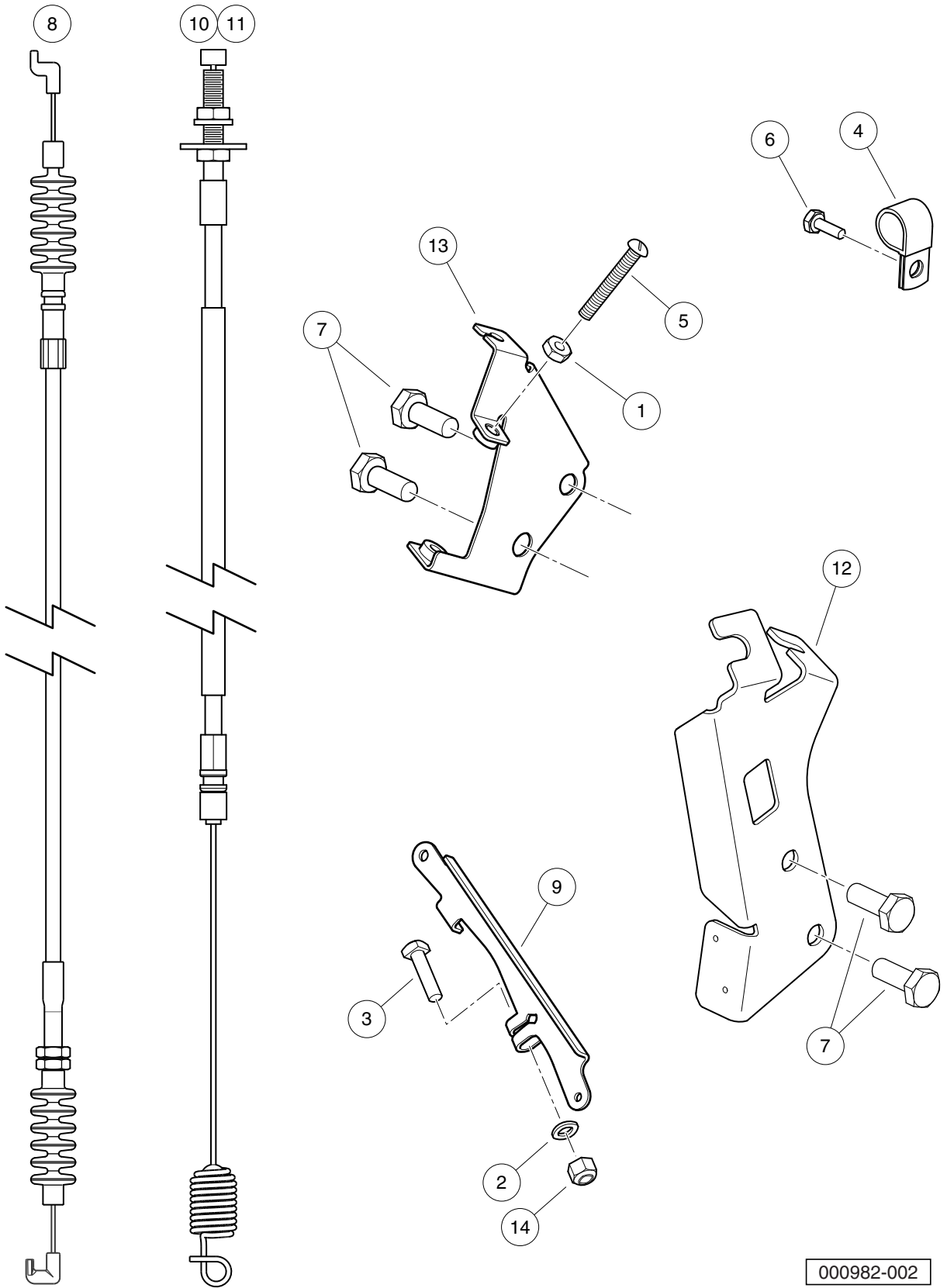
000979-001

THROTTLE BODY MOUNTING – EFI

ITEM	PART NO.	DESCRIPTION	QTY
		1 2 3 4	
1	<u>103983501</u>	Bracket, Operation, EX40 (includes item 2)	1
2	<u>105016201</u>	Gasket, Insulator, EX40	2
3	<u>105010901</u>	Stud, Mounting, Intake, EX40	2
4	<u>105016101</u>	Insulator, EX40 (includes item 5)	1
5	<u>105016201</u>	Gasket, Insulator, EX40	2
6	<u>105016301</u>	Nut, Intake Adapter, M6x1.0, EX40	2
7	<u>105016401</u>	Adapter, Air Intake, EX40	1
8	<u>105016501</u>	Hose, Breather, EX40	1

9

G

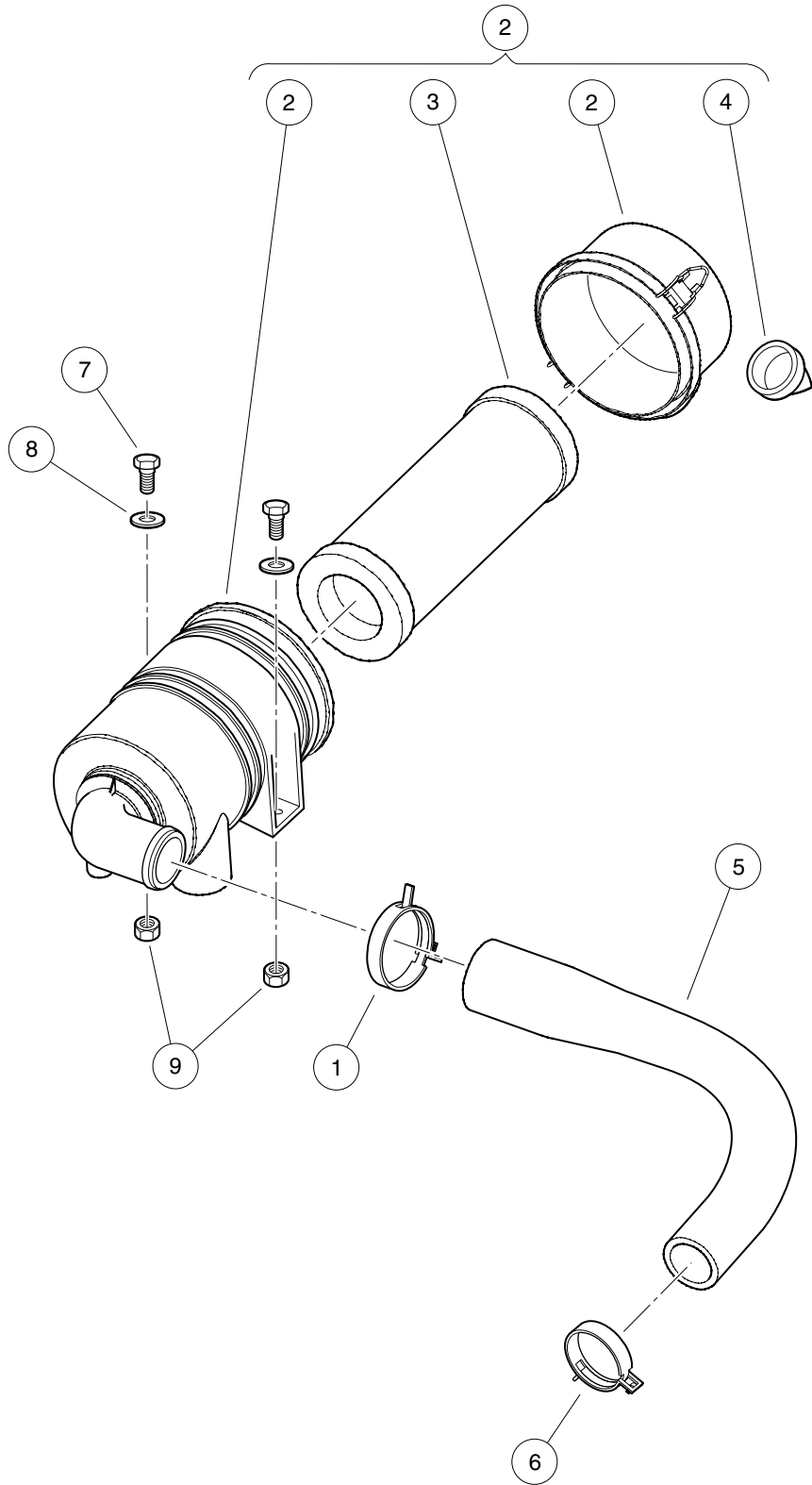


GOVERNOR AND ACCELERATOR CABLES – EFI

ITEM	PART NO.	DESCRIPTION	QTY
		1 2 3 4	
1	<u>1011114</u>	Nut, M6-1.00 Hex	1
2	<u>1014007</u>	Washer, 1/4, Flat	1
3	<u>101886101</u>	Screw, 1/4-20 X 1.00, Square-Head	1
4	<u>102410604</u>	P-clamp, Insulated, 0.625 Inch	1
5	<u>102476401</u>	Bolt, Stop, Pedal	1
6	<u>102490301</u>	Bolt, M6 X 1 X 16, Loctite	1
7	<u>102498201</u>	Bolt, M10 X 1.25 X 25, Loctite	4
8	<u>103978001</u>	Cable, Governor, EX40	1
9	<u>104023501</u>	Arm, Governor, ED65	1
10	<u>105007402</u>	Cable, Accelerator, Utility, Low-Speed	1
11	<u>105007403</u>	Cable, Accelerator, Utility, Std-Speed	1
12	<u>105135101</u>	Bracket, Cable, FNR/Accelerator, ED65	1
13	<u>105144401</u>	Weldment, Governor Bracket	1
14	<u>8233</u>	Locknut, 1/4-20, Nylon Insert	1

9

G



000984-001

AIR FILTER SYSTEM AND INTAKE HOSE – EFI, LWB UTILITY/ TRANS

ITEM	PART NO.	DESCRIPTION	QTY
		1 2 3 4	
1	<u>102411209</u>	Clamp, Hose, Ctb 55mm Dia.	1
2	<u>105009101</u>	Air Cleaner, Utility with EFI (includes items 3 and 4)	1
3	<u>102558201</u>	Air Filter, 4 Inch	1
4	<u>102725501</u>	Valve, Evacuator, Filter Air	1
5	<u>105009401</u>	Hose, Air Intake, LWB Utility with EFI	1
6	<u>105088501</u>	Clamp, Ctb, 49mm Dia, W/clip	1
7	1218	Screw, 5/16-18 X 1.25 Hex-Head Cap	2
8	<u>1241</u>	Washer, 5/16 Type A Flat	2
9	<u>7473</u>	Locknut, 5/16-18 Nylon Insert	2

9

G

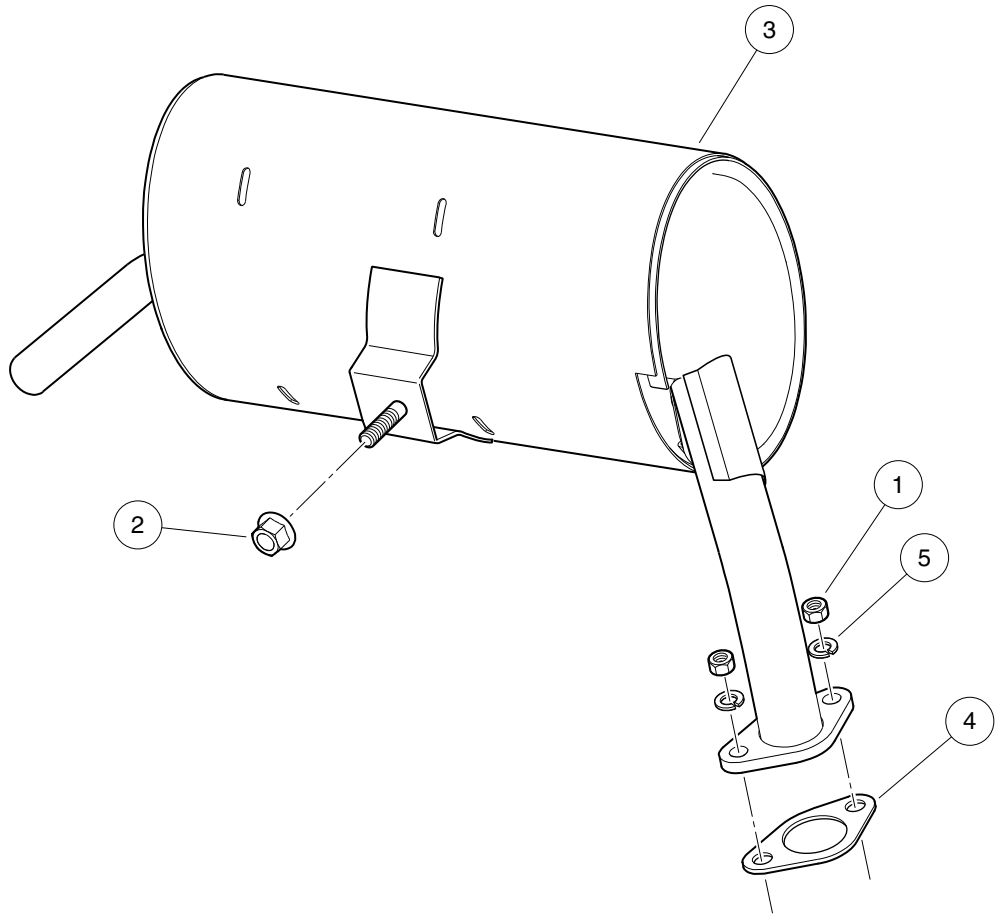
9

G

EXHAUST SYSTEM – EX40 ENGINE

10

G



000948-001

EXHAUST SYSTEM – UTILITY

ITEM	PART NO.	DESCRIPTION	QTY
		1 2 3 4	
1	<u>1012528</u>	Nut, M8-1.25 Hex	2
2	<u>102617201</u>	Nut, Flanged, M10 X 1.5, Mechanically Deformed	1
3	<u>105214101</u>	Exhaust, Low, Ex40, Utl	1
4	<u>47539957001</u>	Gasket, Exhaust, Ex40, Graphit	1
5	<u>7174</u>	Lockwasher, 5/16 Split	2

10

G

10

G

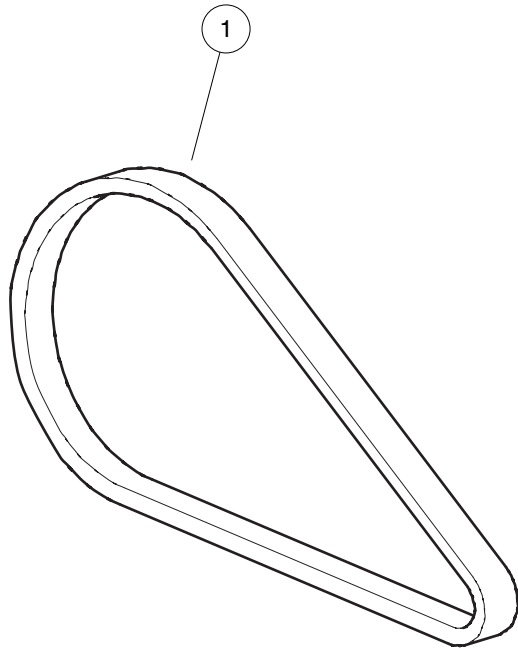
DRIVE BELT AND CLUTCHES – EX40

11

G

11

G



000918-001

DRIVE BELT – KEY-START VEHICLES WITH EFI

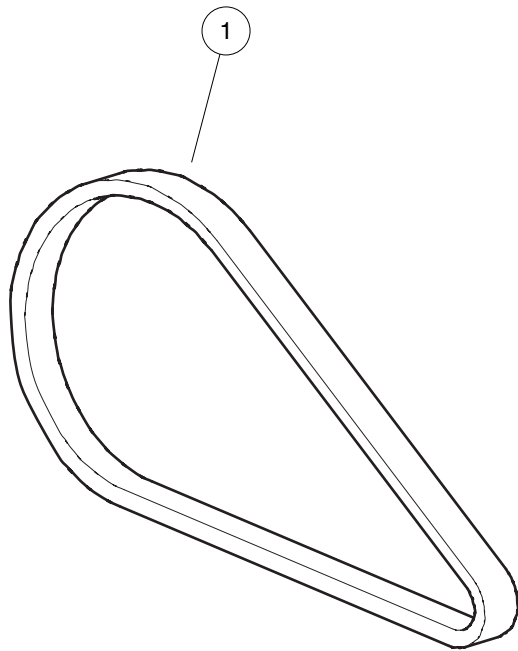
ITEM	PART NO.	DESCRIPTION	QTY
1	<u>103974102</u>	1 2 3 4 Belt, Drive, Key-Start	1

11

G

11

G



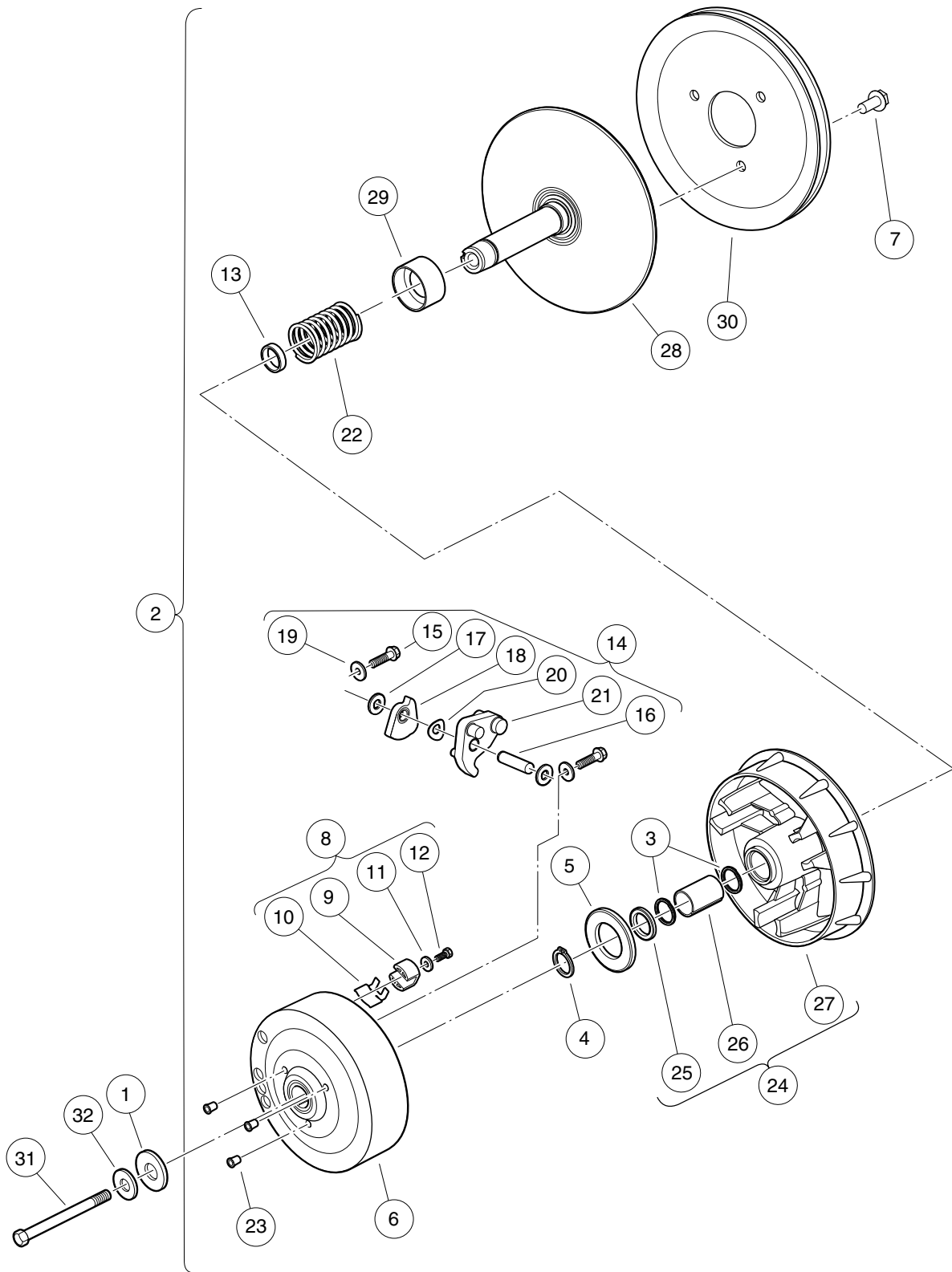
000918-001

DRIVE BELT – PEDAL-START VEHICLES WITH EFI

ITEM	PART NO.	DESCRIPTION	QTY
1	<u>105245801</u>	1 2 3 4 Belt, Drive, Pedal-Start	1

11

G



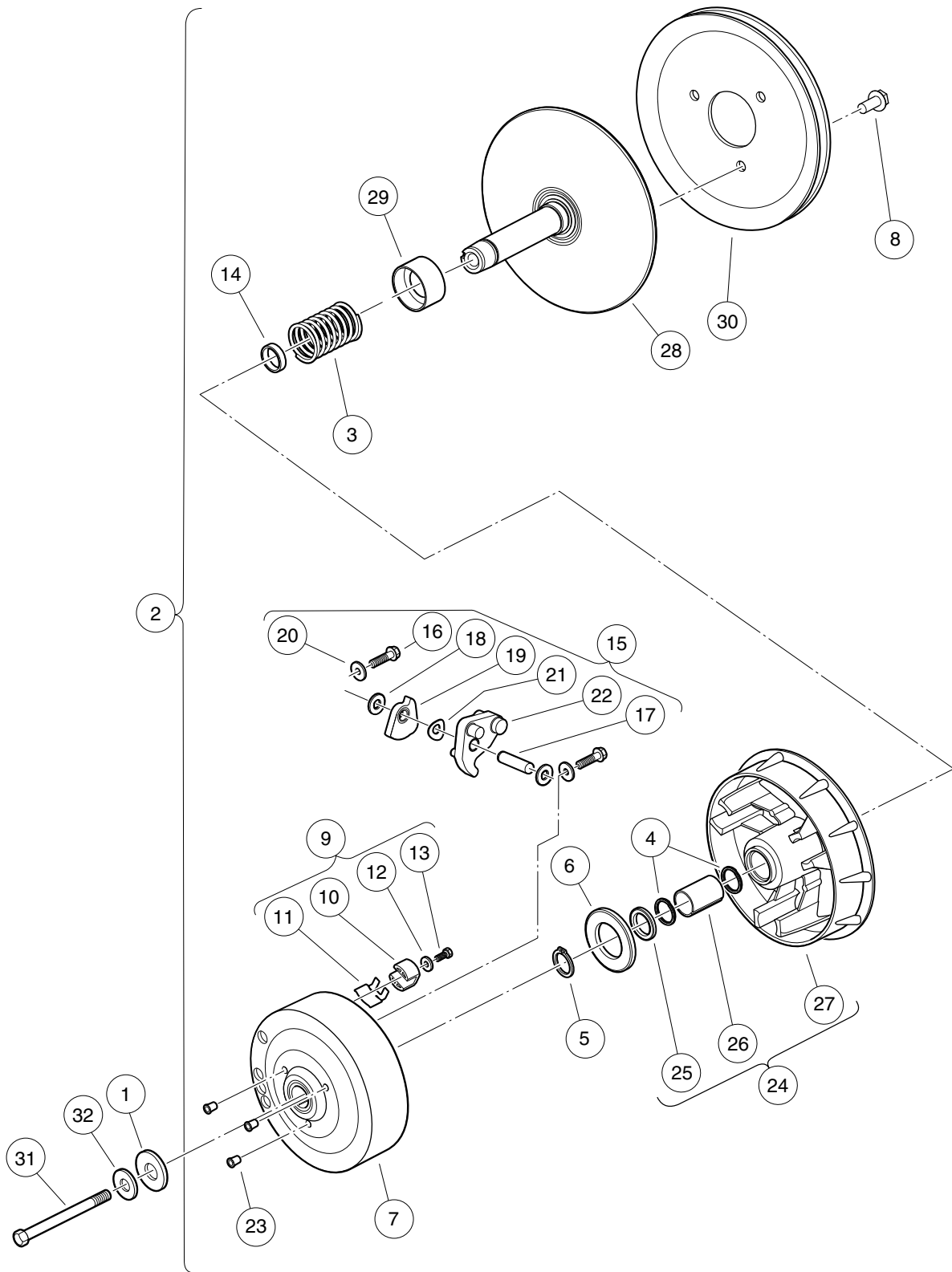
000958-002

DRIVE CLUTCH – KEY-START VEHICLES

ITEM	PART NO.	DESCRIPTION	QTY
		1 2 3 4	
1	<u>102491501</u>	Washer, Hard, M10	1
2	<u>103973902</u>	Clutch, Drive, Key-Start (includes items 3 through 30)	1
3	<u>1014056</u>	Ring, Spiral Backup	2
4	<u>1014057</u>	Ring, 0.810" Internal Retaining	1
5	<u>1014058</u>	Thrust Washer	1
6	<u>1014059</u>	Drive Hub Assy, Drive Clutch	1
7	<u>1014288</u>	Screw, 5/16-18 X 0.75, Thread-Forming	3
8	<u>1014453</u>	Kit, Drive Clutch Button (includes items 9 through 12)	1
9	<u>1014062</u>	Driver, Drive Clutch	3
10	<u>1014287</u>	Spring, Drive Button	3
11	<u>183</u>	Washer, #10, Type A, Flat	3
12	<u>8450</u>	Screw, #10-24 X 0.50, Hex-Head	3
13	<u>1016289</u>	Spacer, Fixed Face Shaft	1
14	<u>1016801</u>	Kit, Drive Clutch Weight (includes items 15 through 21)	1
15	<u>1014063</u>	Screw, 1/4-20 X 1.00, Hex Head	6
16	N/A	Pin, Dowel, 0.3752 x 1.50	3
17	<u>1014065</u>	Washer, Flat, 0.38" ID, Delrin	6
18	N/A	Clutch Weight, Secondary	3
19	N/A	Washer	6
20	<u>1016201</u>	Washer, Wave	3
21	N/A	Weight, Primary	3
22	<u>1016901</u>	Spring, Drive Clutch	1
23	N/A	Cap Plug	3
24	<u>103974201</u>	Asm, Sheave, Moveable, Drive, Wr (includes items 25 through 27)	1
25	<u>1014055</u>	Retainer	1
26	N/A	Bushing, Split, Drive Clutch	1
27	N/A	Sheave, Moveable, Drive, Wr	1
28	<u>103974401</u>	Sheave, Fixed, Drive, Wr	1
29	<u>103984601</u>	Spacer, Idler, Drive	1
30	<u>105096101</u>	Pulley, 7.3 Inch Effective Dia	1
31	<u>103976101</u>	Screw, 3/8-24x5.75, Patch	1
32	<u>334</u>	Washer, 3/8, Type A, Flat	1

11

G

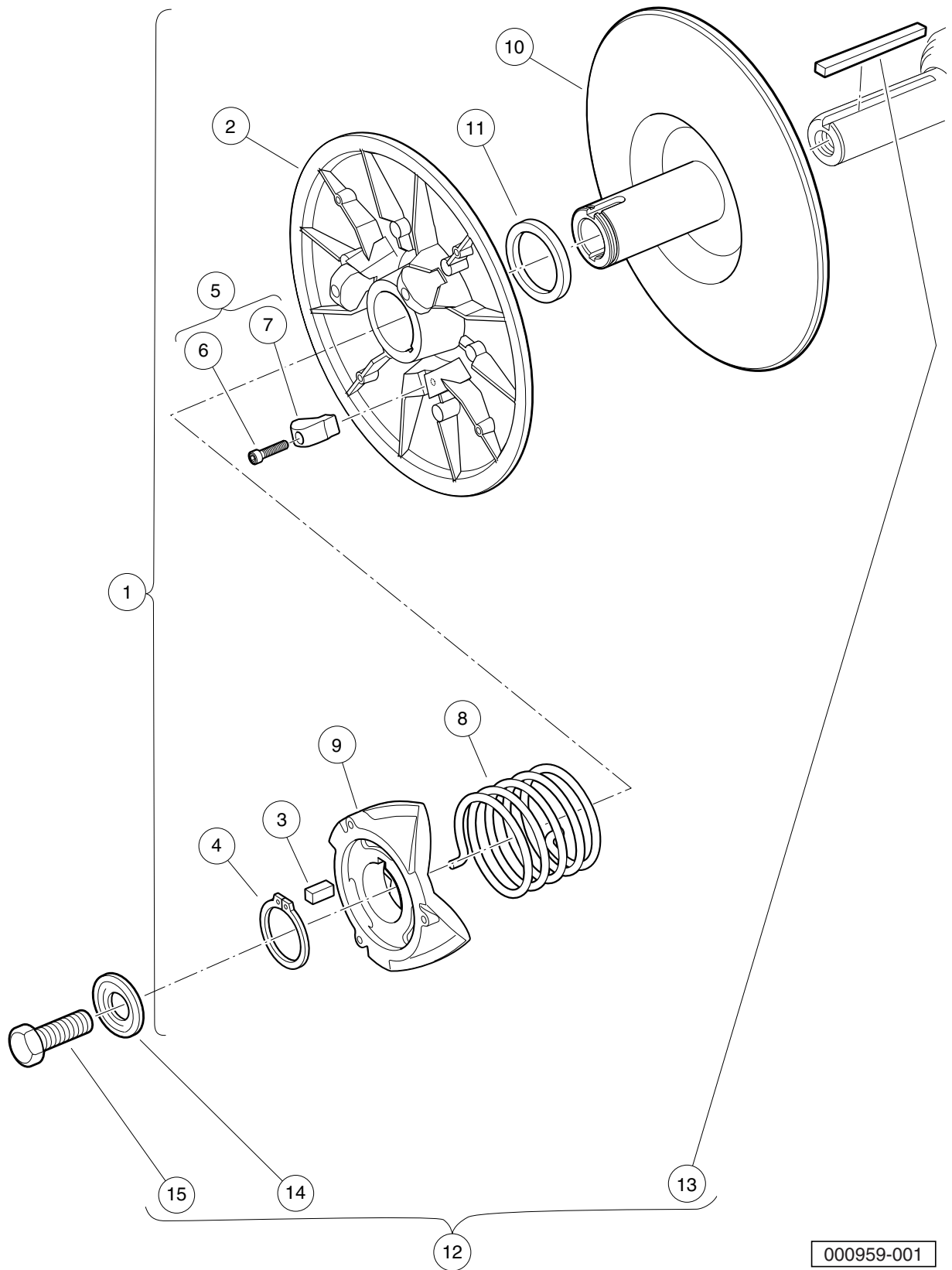


000958-001

DRIVE CLUTCH – PEDAL-START VEHICLES

ITEM	PART NO.	DESCRIPTION	QTY
		1 2 3 4	
1	<u>102491501</u>	Washer, Hard, M10	1
2	<u>103973901</u>	Clutch, Drive, Pedal-Start (includes items 3 through 30)	1
3	<u>1014051</u>	Spring, Drive Clutch	1
4	<u>1014056</u>	Ring, Spiral Backup	2
5	<u>1014057</u>	Ring, 0.810" Internal Retaining	1
6	<u>1014058</u>	Thrust Washer	1
7	<u>1014059</u>	Drive Hub Assy, Drive Clutch	1
8	<u>1014288</u>	Screw, 5/16-18 X 0.75, Thread-Forming	3
9	<u>1014453</u>	Kit, Drive Clutch Button (includes items 10 through 13)	1
10	<u>1014062</u>	Driver, Drive Clutch	3
11	<u>1014287</u>	Spring, Drive Button	3
12	<u>183</u>	Washer, #10, Type A, Flat	3
13	<u>8450</u>	Screw, #10-24 X 0.50, Hex-Head	3
14	<u>1016289</u>	Spacer, Fixed Face Shaft	1
15	<u>1016801</u>	Kit, Drive Clutch Weight (includes items 16 through 22)	1
16	<u>1014063</u>	Screw, 1/4-20 X 1.00, Hex Head	6
17	N/A	Pin, Dowel, 0.3752 x 1.50	3
18	<u>1014065</u>	Washer, Flat, 0.38" ID, Delrin	6
19	N/A	Clutch Weight, Secondary	3
20	N/A	Washer	6
21	<u>1016201</u>	Washer, Wave	3
22	N/A	Weight, Primary	3
23	N/A	Cap Plug	3
24	<u>103974201</u>	Asm, Sheave, Moveable, Drive, Wr (includes items 25 through 27)	1
25	<u>1014055</u>	Retainer	1
26	N/A	Bushing, Split, Drive Clutch	1
27	N/A	Sheave, Moveable, Drive, Wr	1
28	<u>103974401</u>	Sheave, Fixed, Drive, Wr	1
29	<u>103984601</u>	Spacer, Idler, Drive	1
30	<u>105096101</u>	Pulley, 7.3 Inch Effective Dia	1
31	<u>103976101</u>	Screw, 3/8-24x5.75, Patch	1
32	<u>334</u>	Washer, 3/8, Type A, Flat	1

11
G



000959-001

DRIVEN CLUTCH (STANDARD SPEED) – KEY START AND PEDAL START

ITEM	PART NO.	DESCRIPTION	QTY
		1 2 3 4	
1	<u>103974002</u>	Clutch, Driven, Std-Speed, Key and Pedal Start (includes items 2 through 11)	1
2	<u>1014072</u>	Movable-Face Assembly with Bushing	1
3	<u>1014078</u>	Key, Driven Clutch	1
4	<u>1014080</u>	Ring, Retaining	1
5	<u>1014454</u>	Kit, Driven Clutch Button (includes items 6 and 7)	1
6	<u>1012836</u>	Screw, #8-32 X 3/4, Socket-Head Cap	3
7	N/A	Button, Drive	3
8	<u>1017145</u>	Spring, Driven Clutch, 55 Degree	1
9	<u>1017686</u>	Cam, Driven Clutch	1
10	<u>103975301</u>	Sheave, Fixed, Driven, Wr	1
11	<u>104025101</u>	Washer, Acetal, Driven Clutch	1
12	<u>AM10419</u>	Kit, Clutch Repair (includes items 13 through 15)	1
13	<u>101833401</u>	Key, 3/16 Sq X 1.50"	1
14	<u>102155801</u>	Washer, Driven Clutch	1
15	<u>102242101</u>	Screw, 5/16-18 X 3/4 Hex-Head with Patch	1

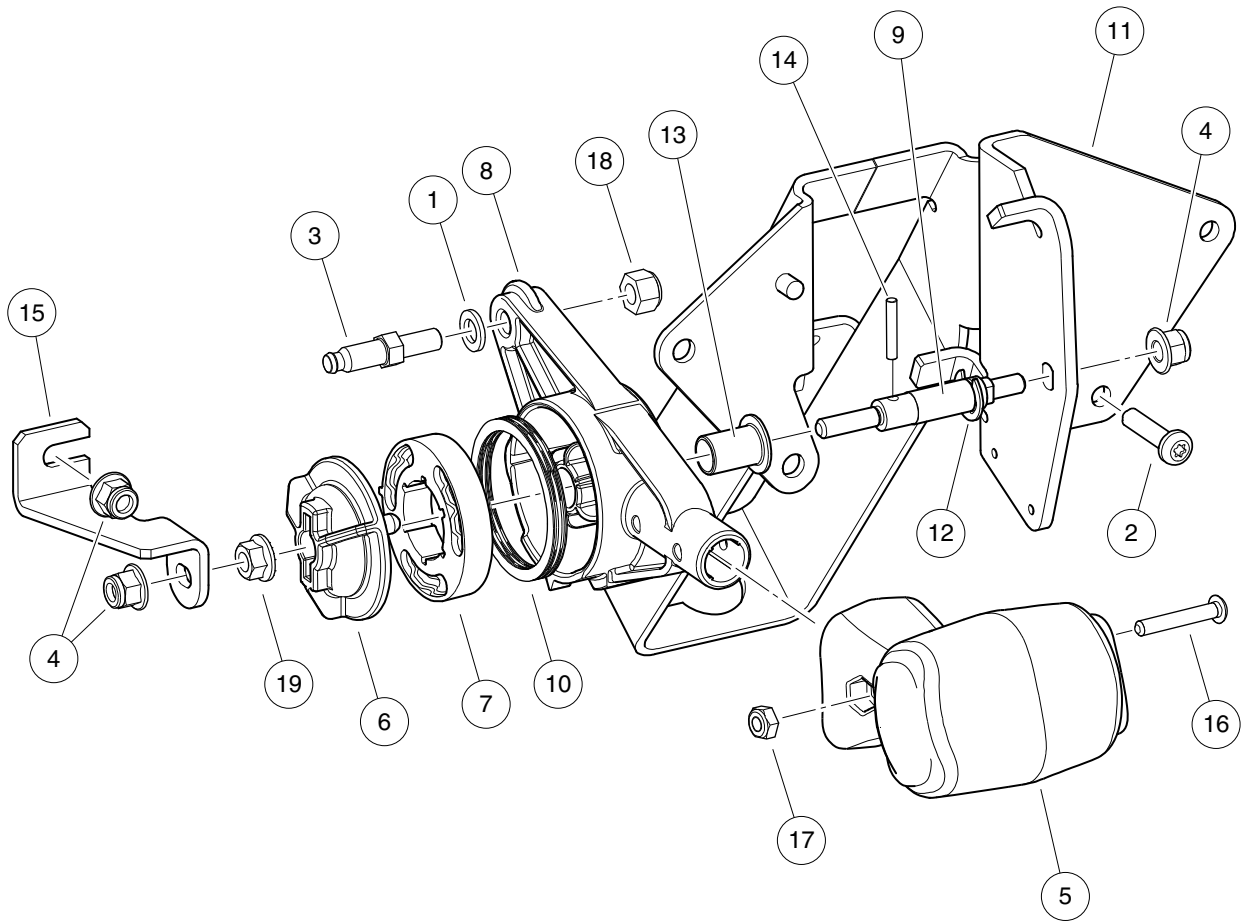
11

G

11

G

TRANSAXLE (FUJI ED65)



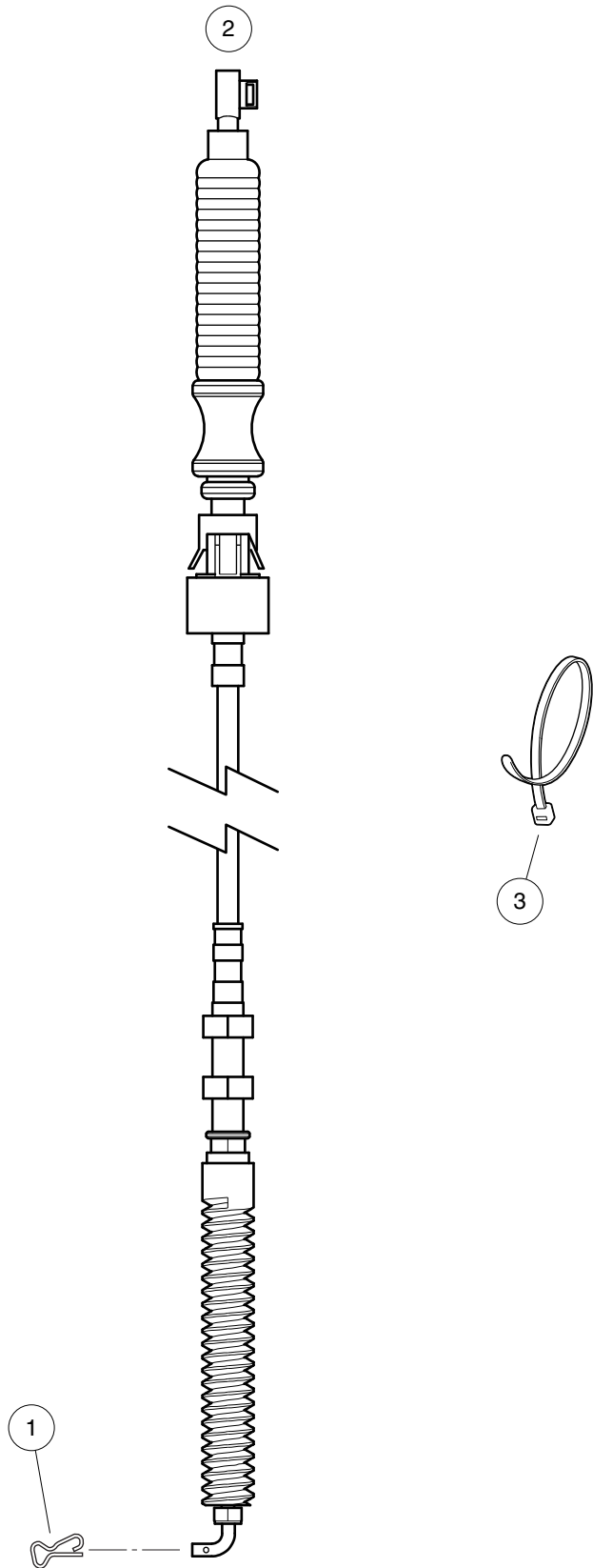
000987-001

FORWARD/REVERSE SHIFTER ASSEMBLY

ITEM	PART NO.	DESCRIPTION	QTY
		1 2 3 4	
1	<u>1014007</u>	Washer, 1/4, Flat	1
2	<u>102296020</u>	Screw, Torx Pan Hd Pt, M6 X 20	4
3	<u>102526201</u>	Stud, Thread, 1/4-28	1
4	<u>102621501</u>	Nut, Flange, M6 X 1.0, Nylon	3
5	<u>105036301</u>	Shifter, Soft, Gas, CA300-700	1
6	<u>105037701</u>	Follower, FNR Detent	1
7	<u>105038001</u>	Cam, FNR Detent, Alternate	1
8	<u>105038101</u>	Housing, FNR, Gas, CA300-700	1
9	<u>105038201</u>	Shaft, FNR, Dash	1
10	<u>105038501</u>	Spring, Wave, Gas FNR Shifter	1
11	<u>105039401</u>	Bracket, Shifter, Dash Mount	1
12	<u>105039801</u>	E-Clip, External, 8mm Groove	1
13	<u>105039901</u>	Bushing, Dash Shifter, Gas	1
14	<u>105040401</u>	Pin, Round, 0.125 Dia x 0.625	1
15	<u>105040501</u>	Bracket, Shifter, Brace, Dash	1
16	<u>105083701</u>	Bolt, 10-24 X 1.25", But Head	1
17	<u>105083801</u>	Nut, Nylon Lock, #10-24, Blk	1
18	<u>8717</u>	Locknut, Nylon Insert, 1/4-28	1
19	<u>96704176</u>	Nut, Flanged, M6 X 1, Serrated	1

12

G



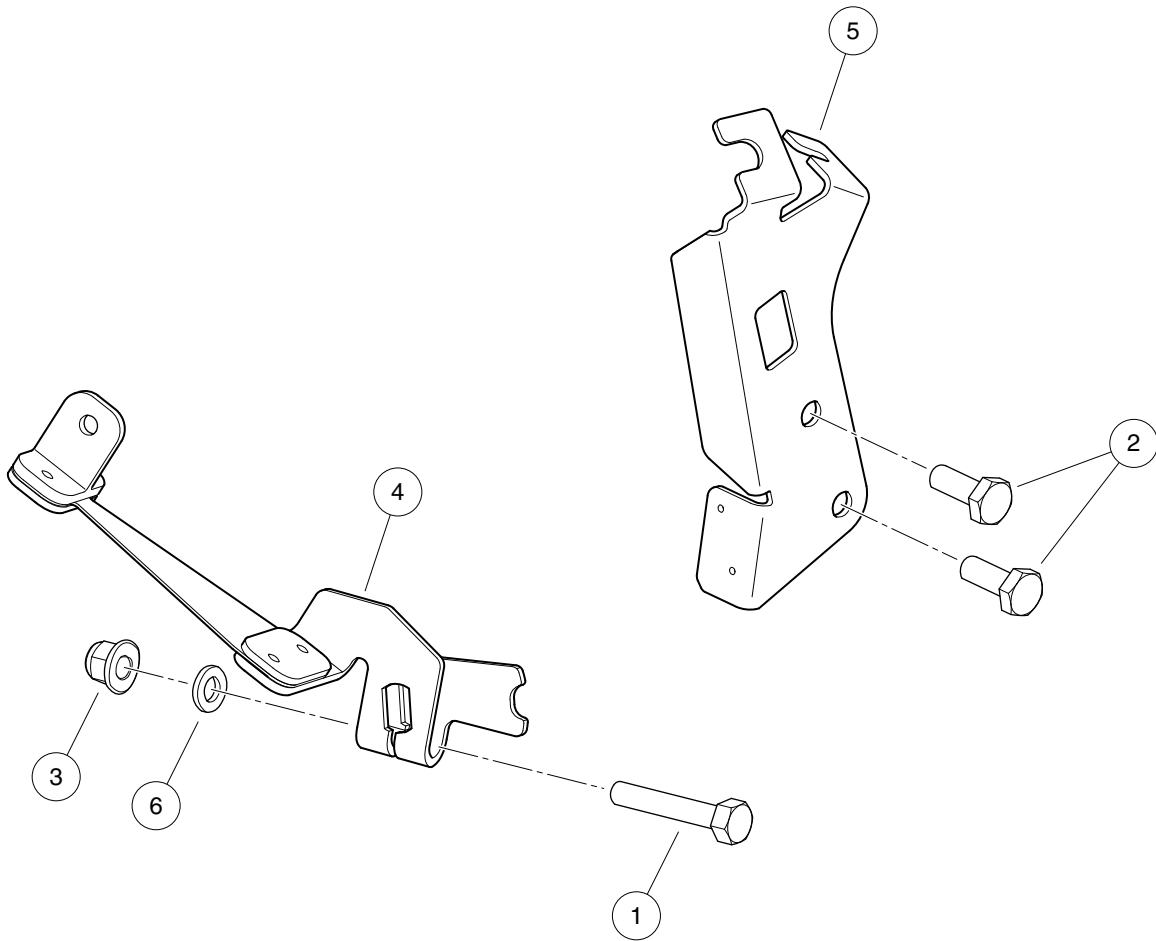
000988-001

SHIFTER CABLE – CA900/TRANSPORTER XL/XLC

ITEM	PART NO.	DESCRIPTION	QTY
		1 2 3 4	
1	<u>103886601</u>	Clip, Bowtie	1
2	105038809	Cable, Shifter Ca900 Tp XI Xlc	1
3	<u>8990</u>	Tie Wrap, 8" Nylon	10

12

G

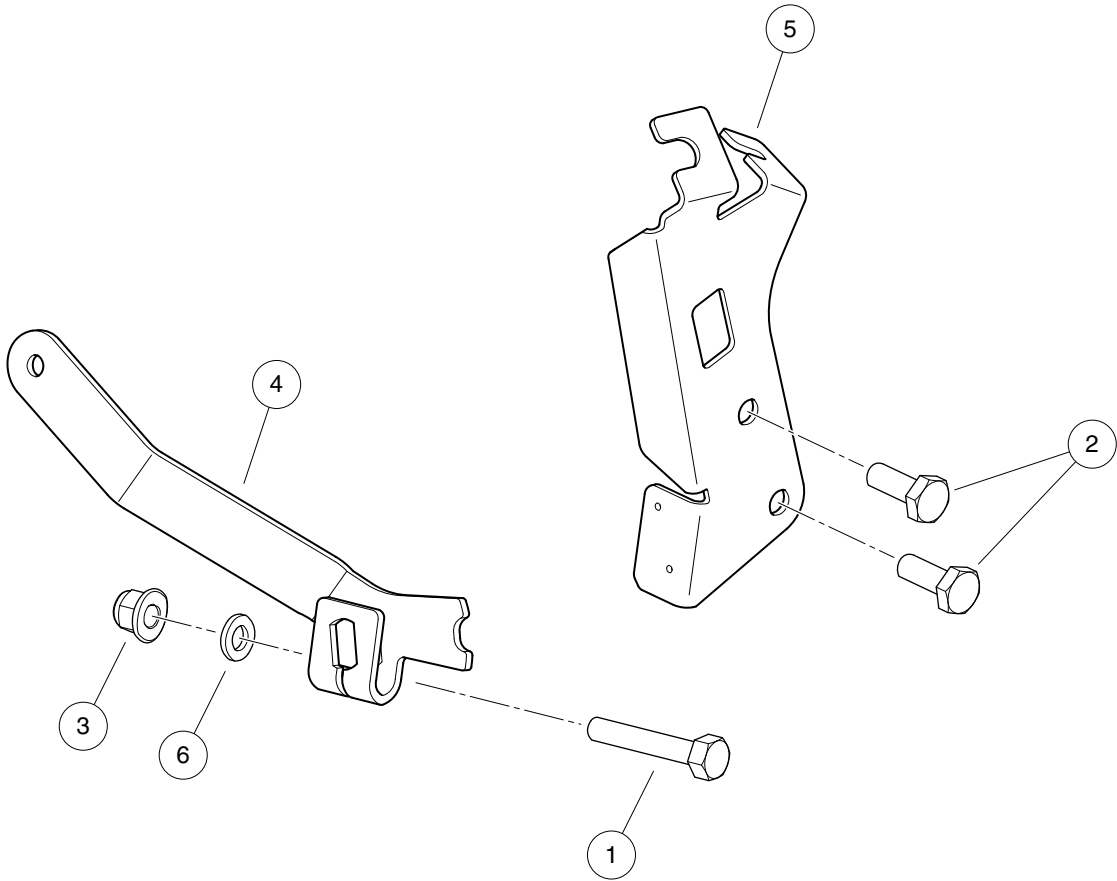


000965-001

SHIFT LEVER AND BRACKET – PEDAL-START ENGINES

ITEM	PART NO.	DESCRIPTION	QTY
		1 2 3 4	
1	<u>102059501</u>	Screw, 6M-1.00 X 35mm, Hex Head	1
2	<u>102498201</u>	Bolt, M10 X 1.25 X 25, Loctite	2
3	<u>102621501</u>	Nut, Flange, M6 X 1.0, Nylon	1
4	<u>105040901</u>	Lever, Shift, Flex, Transaxle, Pedal-Start	1
5	<u>105135101</u>	Bracket, Cable, FNR/Accelerator, ED65	1
6	<u>96705199</u>	Washer, M6	1

12
G



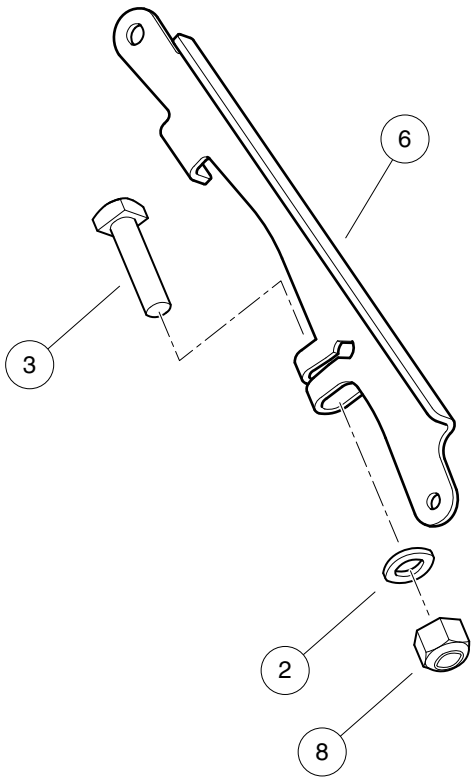
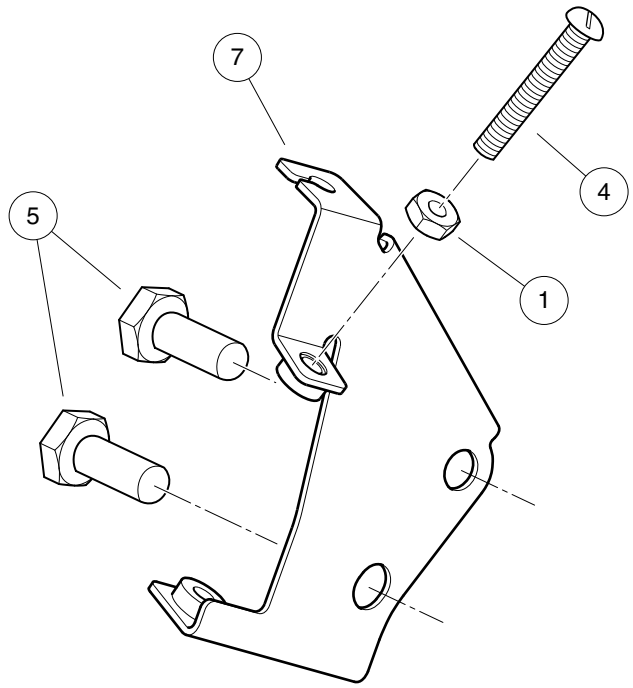
000965-002

SHIFT LEVER AND BRACKET – KEY-START ENGINES

ITEM	PART NO.	DESCRIPTION	QTY
		1 2 3 4	
1	<u>102059501</u>	Screw, 6M-1.00 X 35mm, Hex Head	1
2	<u>102498201</u>	Bolt, M10 X 1.25 X 25, Loctite	2
3	<u>102621501</u>	Nut, Flange, M6 X 1.0, Nylon	1
4	<u>105134901</u>	Lever, Shift, Transaxle, Key-Start	1
5	<u>105135101</u>	Bracket, Cable, FNR/Accelerator, ED65	1
6	<u>96705199</u>	Washer, M6	1

12

G



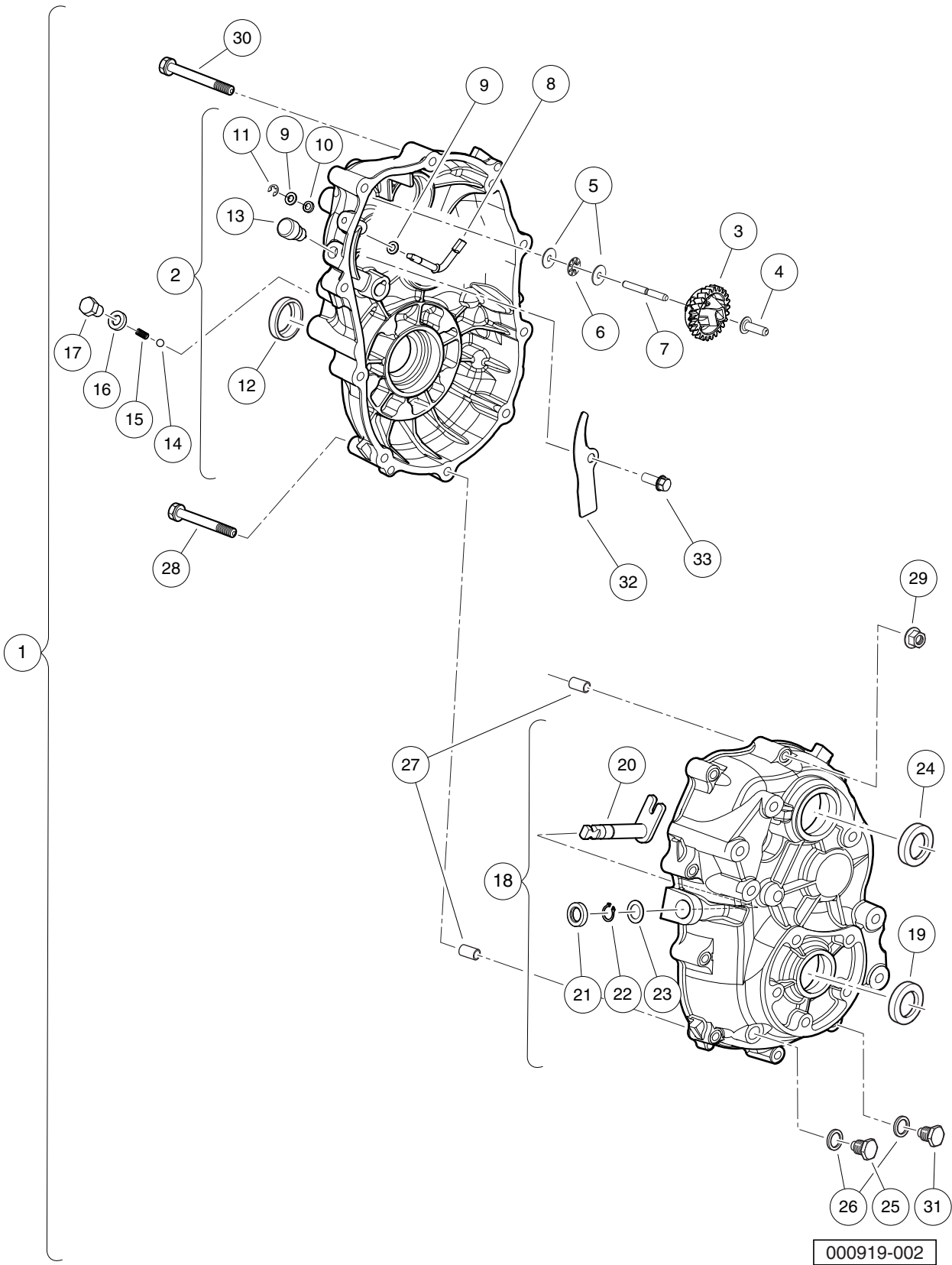
000966-002

GOVERNOR ARM AND BRACKETS – UTILITY VEHICLES

ITEM	PART NO.	DESCRIPTION	QTY
		1 2 3 4	
1	<u>1011114</u>	Nut, M6-1.00 Hex	1
2	<u>1014007</u>	Washer, 1/4, Flat	1
3	<u>101886101</u>	Screw, 1/4-20 X 1.00, Square-Head	1
4	<u>102476401</u>	Bolt, Stop, Pedal	1
5	<u>102498201</u>	Bolt, M10 X 1.25 X 25, Loctite	2
6	<u>104023501</u>	Arm, Governor, ED65	1
7	<u>105144401</u>	Weldment, Governor Bracket	1
8	<u>8233</u>	Locknut, 1/4-20, Nylon Insert	1

12

G

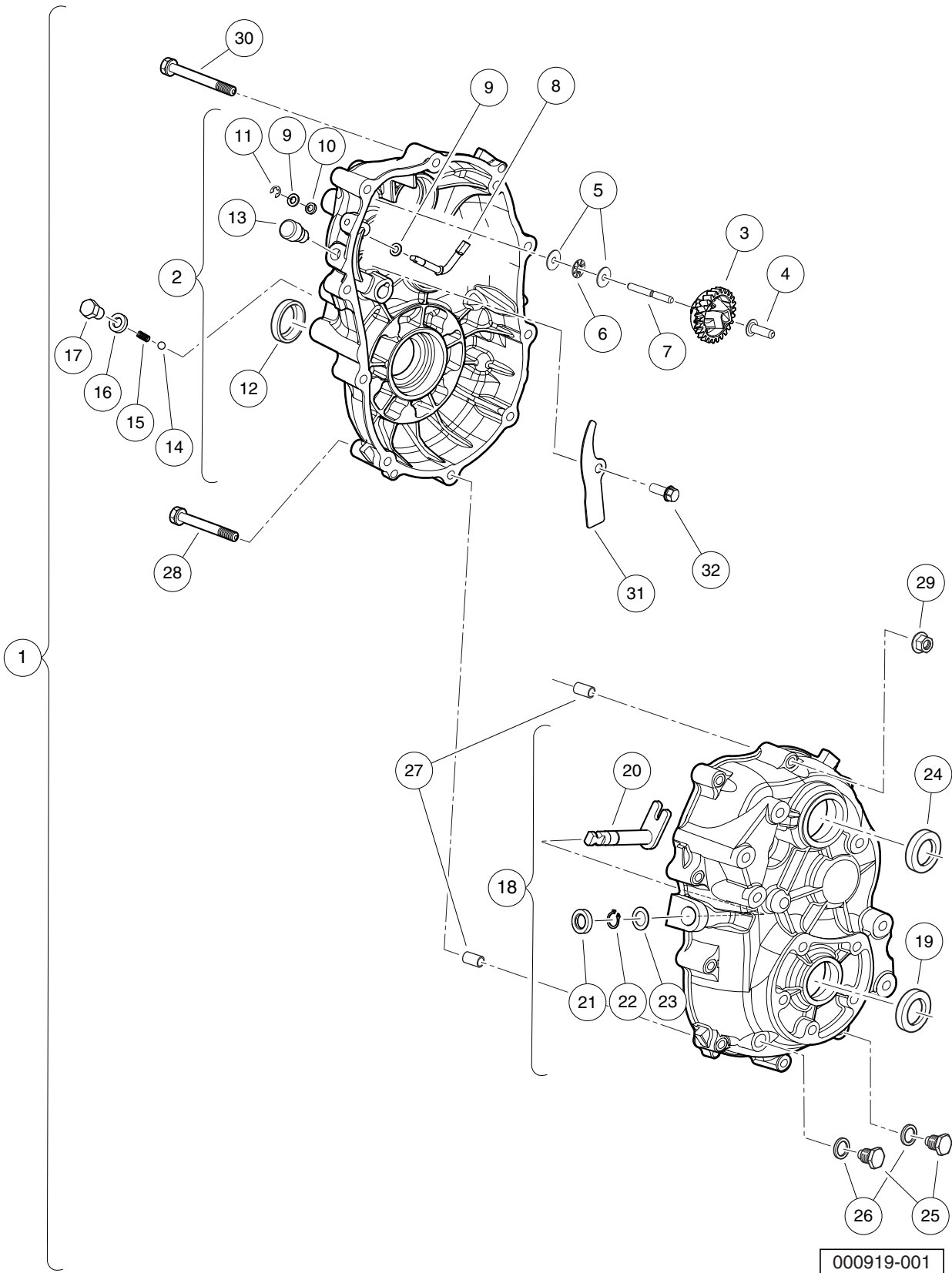


TRANSAXLE (ED65), LIMITED SLIP – PAGE 1 OF 3

ITEM	PART NO.	DESCRIPTION	QTY
		1 2 3 4	
1	<u>103879702</u>	Transaxle, ED65, Limited-Slip Differential (includes items 2 through 33)	1
2	<u>105025001</u>	Case, Transaxle, Left, Complete, ED65 (includes items 3 through 13)	1
3	<u>105025101</u>	Gear, Governor, Complete, ED65	1
4	<u>105025201</u>	Sleeve, Governor, ED65	1
5	<u>105025301</u>	Washer, ED65	2
6	<u>105025401</u>	Bearing, Thrust, ED65	1
7	<u>105025501</u>	Shaft, Governor Gear, ED65	1
8	<u>105025601</u>	Shaft, Governor, ED65	1
9	<u>105025701</u>	Washer, 6mm, ED65	2
10	<u>105025801</u>	Seal, Oil, 6x10x2.5, ED65	1
11	<u>105025901</u>	Retaining Ring, E5, ED65	1
12	<u>105026001</u>	Seal, Oil, 24x40x9, ED65	1
13	<u>105027101</u>	Vent, Breather, ED65	1
14	<u>105026101</u>	Ball, Steel, ED65	1
15	<u>105026201</u>	Spring, ED65	1
16	<u>105026301</u>	Gasket, 10, ED65	1
17	<u>105026401</u>	Bolt, M10-1.25x12mm Lg, ED65	1
18	<u>105026501</u>	Case, Transaxle, Right, Complete, ED65 (includes items 19 through 24)	1
19	<u>105026001</u>	Seal, Oil, 24x40x9, ED65	1
20	<u>105026601</u>	Shaft, Select, ED65	1
21	<u>105026701</u>	Seal, Oil, 13x22x5, ED65	1
22	<u>105026801</u>	Snap Ring, 13mm, ED65	1
23	<u>105026901</u>	Spacer, 13x1, ED65	1
24	<u>105027001</u>	Seal, Oil, 25x45x7, ED65	1
25	<u>105027201</u>	Plug, Oil Drain, ED65	1
26	<u>105027301</u>	Gasket, 14, ED65	2
27	<u>105028301</u>	Pin, Guide, ED65	2
28	<u>105028501</u>	Bolt, Flange, M8-1.25x65mm, ED65	1
29	<u>105030001</u>	Nut, Flange, M8-1.25, ED65	10
30	<u>105030701</u>	Bolt, Flanged, M8-1.25x80mm, ED65	9
31	<u>105063501</u>	Plug, Oil Drain, Magnetic, ED65	1
32	<u>105234801</u>	Plate, Ed65 Splash	1
33	<u>105234901</u>	Bolt, M6-1 X 12mm Lg, Ed65	1
Note: Fuji transaxle component listings span three pages. To identify your transaxle, locate the serial number decal on the axle tube.			

12

G



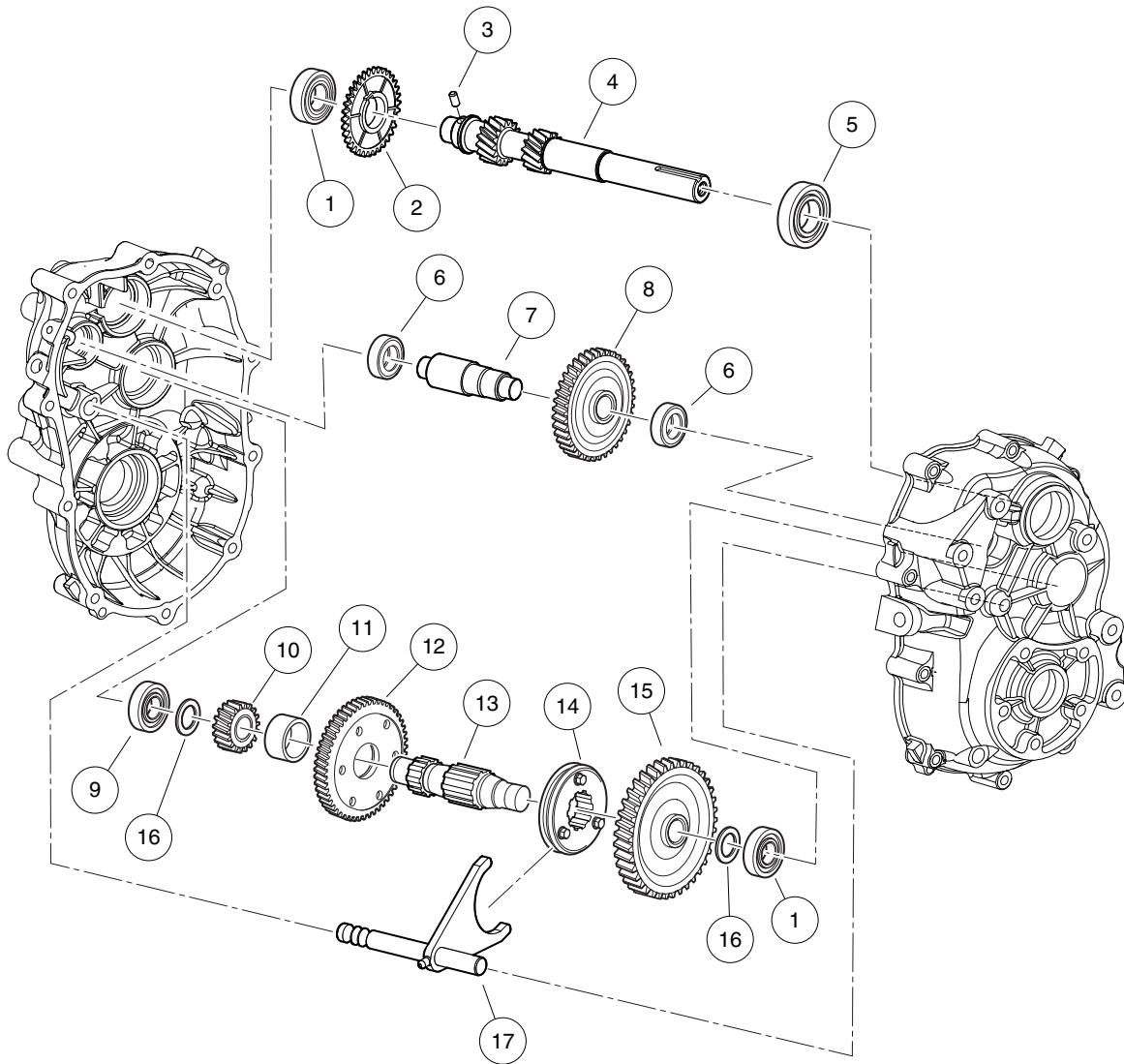
000919-001

TRANSAXLE (ED65), OPEN – PAGE 1 OF 3

ITEM	PART NO.	DESCRIPTION	QTY
		1 2 3 4	
1	<u>103879701</u>	Transaxle, ED65, Open Differential (includes items 2 through 32)	1
2	<u>105025001</u>	Case, Transaxle, Left, Complete, ED65 (includes items 3 through 13)	1
3	<u>105025101</u>	Gear, Governor, Complete, ED65	1
4	<u>105025201</u>	Sleeve, Governor, ED65	1
5	<u>105025301</u>	Washer, ED65	2
6	<u>105025401</u>	Bearing, Thrust, ED65	1
7	<u>105025501</u>	Shaft, Governor Gear, ED65	1
8	<u>105025601</u>	Shaft, Governor, ED65	1
9	<u>105025701</u>	Washer, 6mm, ED65	2
10	<u>105025801</u>	Seal, Oil, 6x10x2.5, ED65	1
11	<u>105025901</u>	Retaining Ring, E5, ED65	1
12	<u>105026001</u>	Seal, Oil, 24x40x9, ED65	1
13	<u>105027101</u>	Vent, Breather, ED65	1
14	<u>105026101</u>	Ball, Steel, ED65	1
15	<u>105026201</u>	Spring, ED65	1
16	<u>105026301</u>	Gasket, 10, ED65	1
17	<u>105026401</u>	Bolt, M10-1.25x12mm Lg, ED65	1
18	<u>105026501</u>	Case, Transaxle, Right, Complete, ED65 (includes items 19 through 24)	1
19	<u>105026001</u>	Seal, Oil, 24x40x9, ED65	1
20	<u>105026601</u>	Shaft, Select, ED65	1
21	<u>105026701</u>	Seal, Oil, 13x22x5, ED65	1
22	<u>105026801</u>	Snap Ring, 13mm, ED65	1
23	<u>105026901</u>	Spacer, 13x1, ED65	1
24	<u>105027001</u>	Seal, Oil, 25x45x7, ED65	1
25	<u>105027201</u>	Plug, Oil Drain, ED65	2
26	<u>105027301</u>	Gasket, 14, ED65	2
27	<u>105028301</u>	Pin, Guide, ED65	2
28	<u>105028501</u>	Bolt, Flange, M8-1.25x65mm, ED65	1
29	<u>105030001</u>	Nut, Flange, M8-1.25, ED65	10
30	<u>105030701</u>	Bolt, Flanged, M8-1.25x80mm, ED65	9
31	<u>105234801</u>	Plate, Ed65 Splash	1
32	<u>105234901</u>	Bolt, M6-1 X 12mm Lg, Ed65	1
Note: Fuji transaxle component listings span three pages. To identify your transaxle, locate the serial number decal on the axle tube.			

12

G



000919-003

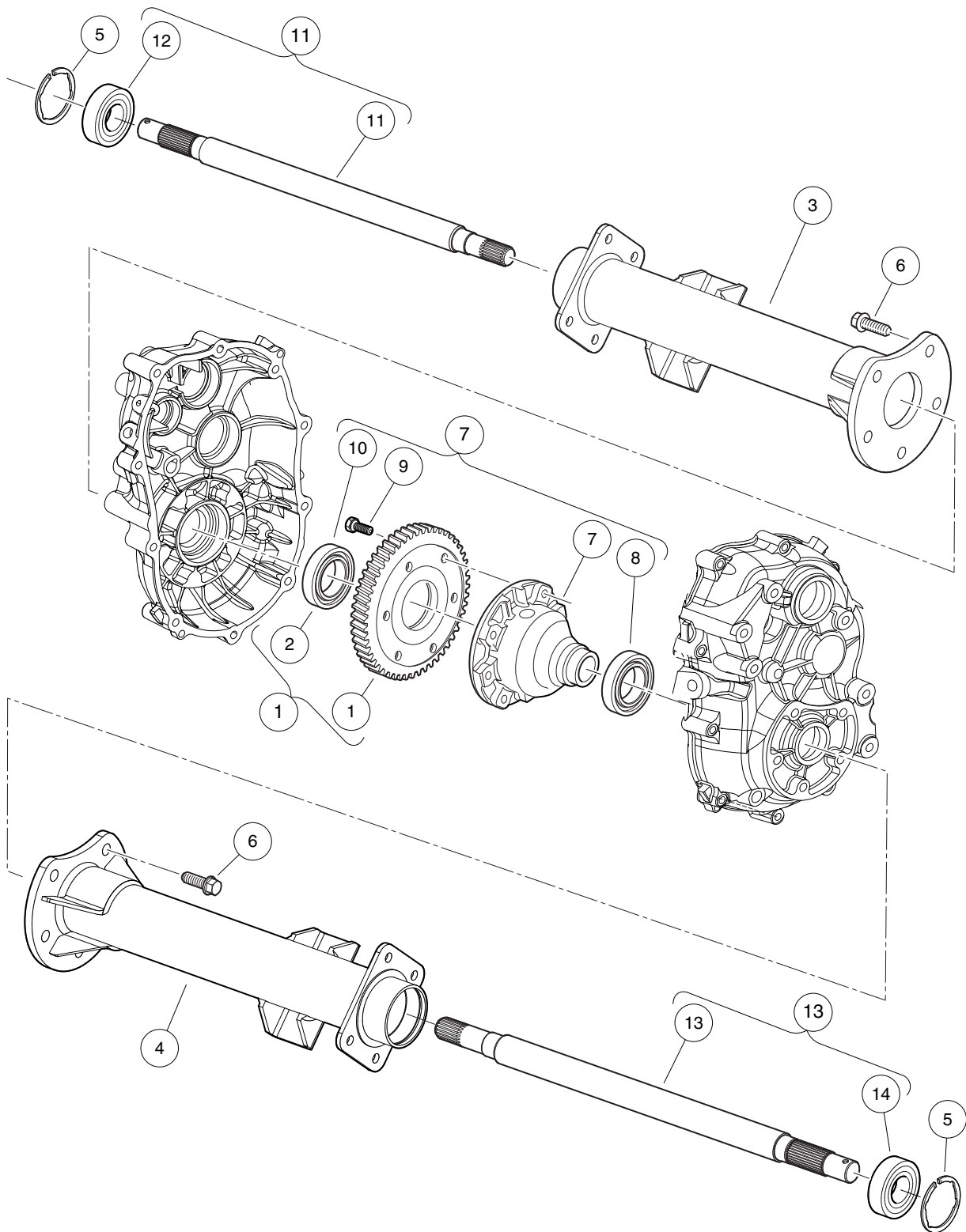
TRANSAXLE (ED65), LIMITED SLIP AND OPEN – PAGE 2 OF 3

ITEM	PART NO.	DESCRIPTION	QTY
		1 2 3 4	
1	<u>105027401</u>	Bearing, Ball (6204)	2
2	<u>105027501</u>	Gear, Governor, 34 Tooth, ED65	1
3	<u>105027601</u>	Pin, 6x12 Long, ED65	1
4	105027701	Shaft, Input, ED65	1
5	105027801	Bearing, Ball (6205 seal)	1
6	<u>105027901</u>	Bearing, Ball (6202)	2
7	105028001	Shaft, Counter, ED65	1
8	105028201	Gear, 34 Tooth, ED65	1
9	<u>105028401</u>	Bearing, Ball (6304)	1
10	105028601	Gear, 17 Tooth, ED65	1
11	<u>105028701</u>	Collar, 24 x 12, ED65	1
12	<u>105028801</u>	Gear, 52 Tooth, ED65	1
13	105028901	Shaft, Center, ED65	1
14	<u>105029001</u>	Clutch, Pin, ED65	1
15	105029101	Gear, 62 Tooth, ED65	1
16	<u>105029201</u>	Spacer, 20x2, ED65	2
17	<u>105030901</u>	Shaft, Shift, ED65	1
		<p>Note: To identify your transaxle, locate the serial number decal on the axle tube.</p>	

12

G

12
G



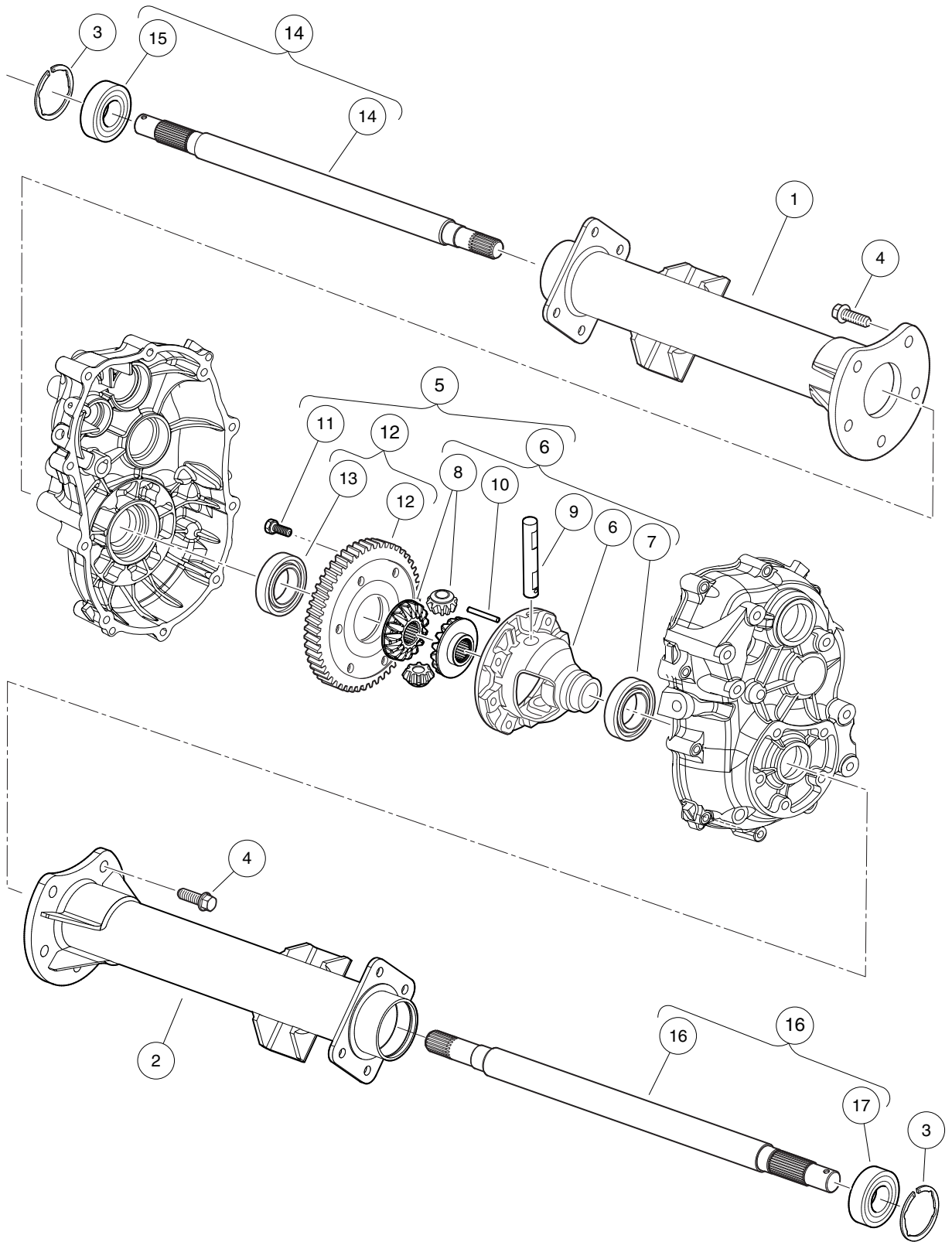
000919-005

TRANSAXLE (ED65), LIMITED SLIP – PAGE 3 OF 3

ITEM	PART NO.	DESCRIPTION	QTY
		1 2 3 4	
1	105029901	Gear, 60 Tooth, Complete, ED65 (includes item 2)	1
2	<u>105029801</u>	Bearing, Ball (6007)	1
3	105030401	Axle Tube, Driver-Side, ED65	1
4	105030501	Axle Tube, Passenger-Side, ED65	1
5	<u>105030601</u>	Snap Ring, 52mm, ED65	2
6	<u>105030801</u>	Bolt, Flange, M10-1.25x25, ED65	10
7	<u>105063601</u>	Differential, Limited-Slip, ED65 (includes items 8 through 10)	1
8	<u>105028101</u>	Bearing, Ball (6006)	1
9	<u>105029501</u>	Bolt, M10-1.25x26mm Lg, ED65	6
10	<u>105029801</u>	Bearing, Ball (6007)	1
11	<u>105066001</u>	Axle Shaft, Driver-Side, Complete, ED65 (includes item 12)	1
12	<u>105030301</u>	Bearing, Ball (6205DD)	1
13	<u>105066101</u>	Axle Shaft, Passenger-Side, Complete, ED65 (includes item 14)	1
14	<u>105030301</u>	Bearing, Ball (6205DD)	1
<p style="margin-left: 40px;">Note: To identify your transaxle, locate the serial number decal on the axle tube.</p>			

12

G



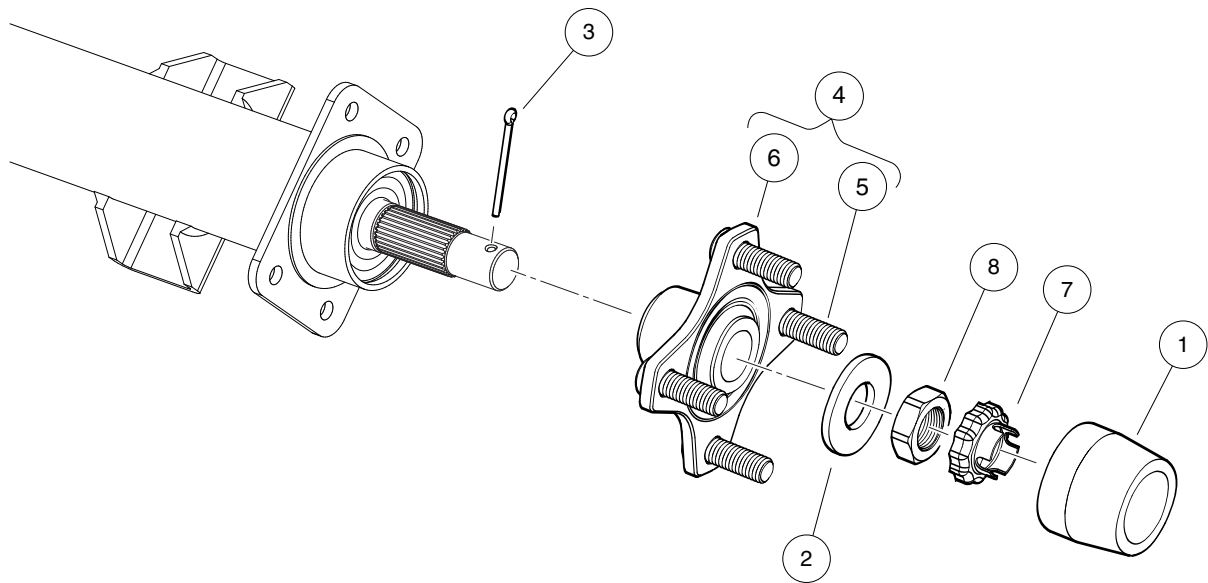
000919-004

TRANSAXLE (ED65), OPEN – PAGE 3 OF 3

ITEM	PART NO.	DESCRIPTION	QTY
		1 2 3 4	
1	105030401	Axle Tube, Driver-Side, ED65	1
2	105030501	Axle Tube, Passenger-Side, ED65	1
3	<u>105030601</u>	Snap Ring, 52mm, ED65	2
4	<u>105030801</u>	Bolt, Flange, M10-1.25x25, ED65	10
5	<u>105031001</u>	Differential, Open, ED65 (includes items 6 through 12)	1
6	<u>105029301</u>	Case, Differential, Complete, ED65 (includes items 7 through 10)	1
7	<u>105028101</u>	Bearing, Ball (6006)	1
8	105029401	Gear Set, Differential, ED65	1
9	<u>105029601</u>	Shaft, Differential, ED65	1
10	<u>105029701</u>	Pin, 4x40 Long, ED65	1
11	<u>105029501</u>	Bolt, M10-1.25x26mm Lg, ED65	6
12	105029901	Gear, 60 Tooth, Complete, ED65 (includes item 13)	1
13	<u>105029801</u>	Bearing, Ball (6007)	1
14	<u>105066001</u>	Axle Shaft, Driver-Side, Complete, ED65 (includes item 15)	1
15	<u>105030301</u>	Bearing, Ball (6205DD)	1
16	<u>105066101</u>	Axle Shaft, Passenger-Side, Complete, ED65 (includes item 17)	1
17	<u>105030301</u>	Bearing, Ball (6205DD)	1
		Note: To identify your transaxle, locate the serial number decal on the axle tube.	

12

G



000919-006

HUB, REAR

ITEM	PART NO.	DESCRIPTION	QTY
		1 2 3 4	
1	102274101	Center Cap, Rubber	2
2	<u>102617801</u>	Washer, Hard, M22	2
3	<u>103989501</u>	Pin, Cotter, 9/64 X 1.75"	2
4	<u>103995001</u>	Asm, Hub, Machined, Golf/Utility (includes items 5 and 6)	2
5	<u>103951501</u>	Lug Stud, 1/2-20 UNF, SAE J1102	4
6	<u>103979301</u>	Hub, Machined, Golf/Utility	1
7	<u>104021701</u>	Retaining Ring, Hex Nut, M22	2
8	<u>104027101</u>	Nut, Hex, M22x1.5, Thin	2

12
G

12

G

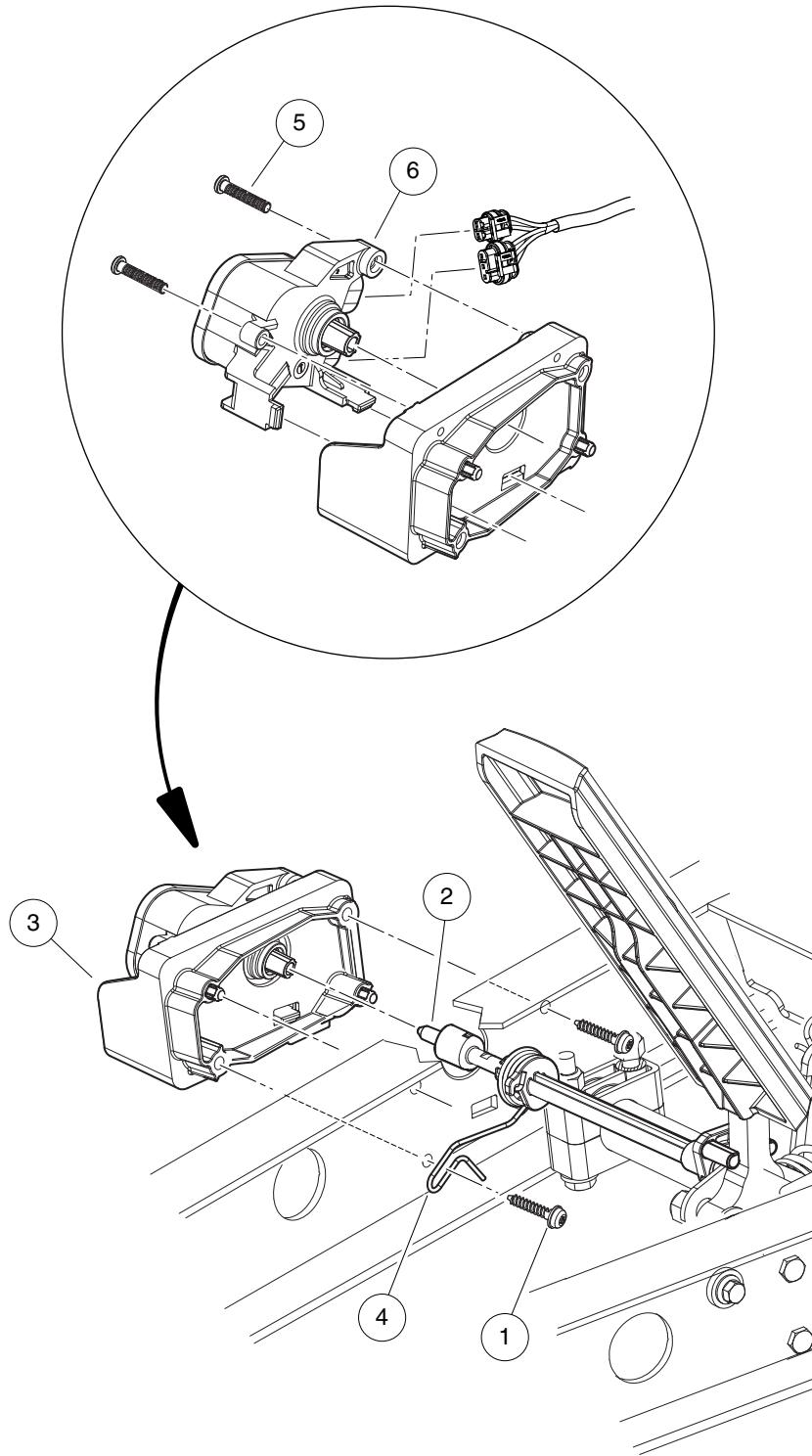
ELECTRICAL SYSTEM – ELECTRIC VEHICLES

13

E

13

E



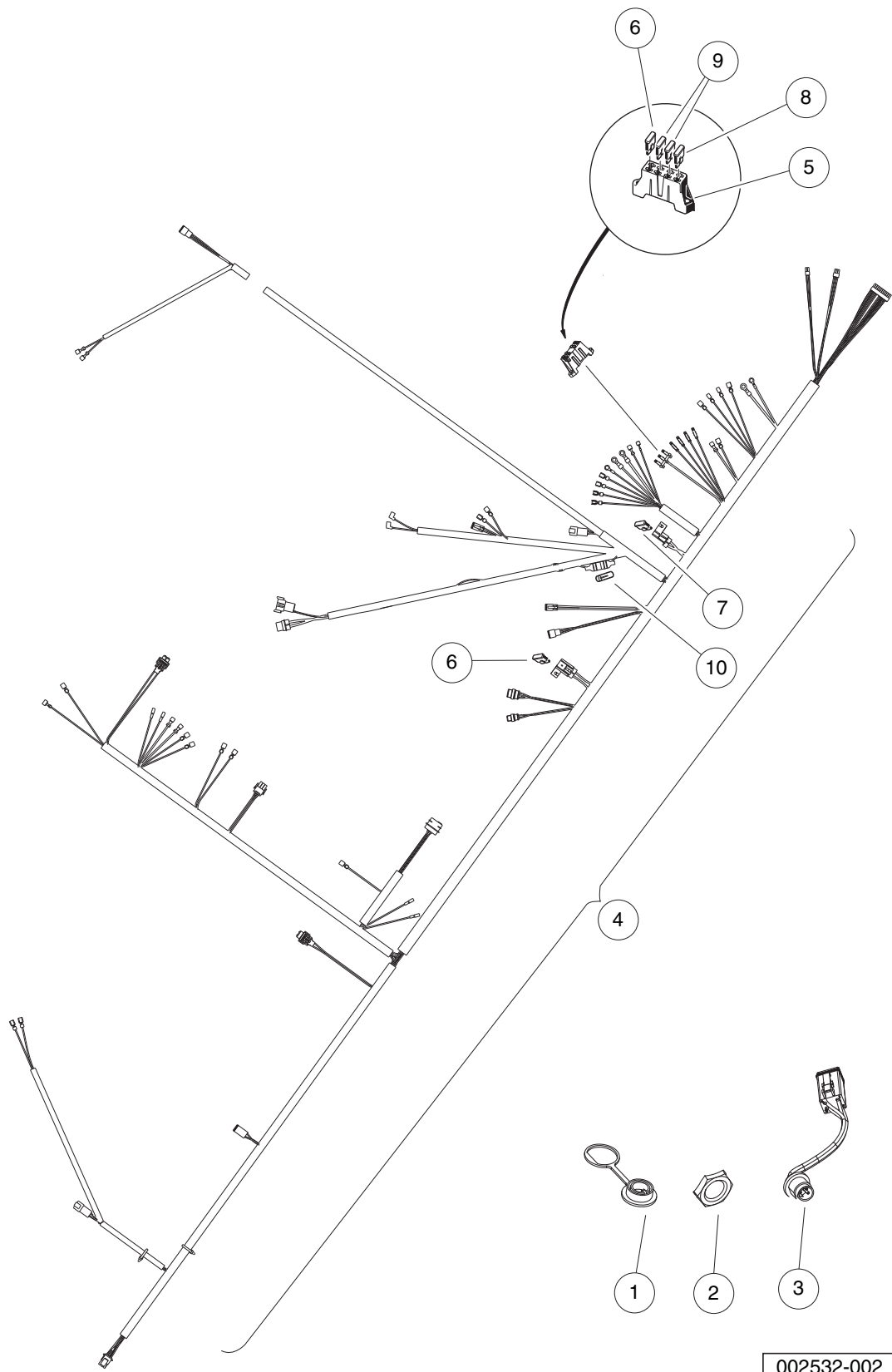
002522-001

MOTOR CONTROLLER OUTPUT REGULATOR (MCOR)

ITEM	PART NO.	DESCRIPTION	QTY
		1 2 3 4	
1	<u>102297230</u>	Screw, M6, Torx, Interlock Thread	2
2	<u>103902101</u>	Bar, Drive, Cast	1
3	<u>103902301</u>	Housing, Mcor	1
4	<u>103902401</u>	Spring, Torsion	1
5	<u>103943401</u>	Screw, Pan, #10 X 1.00 Hi-lo	2
6	<u>105116301</u>	MCOR4, Type 16 Switch	1

13

E



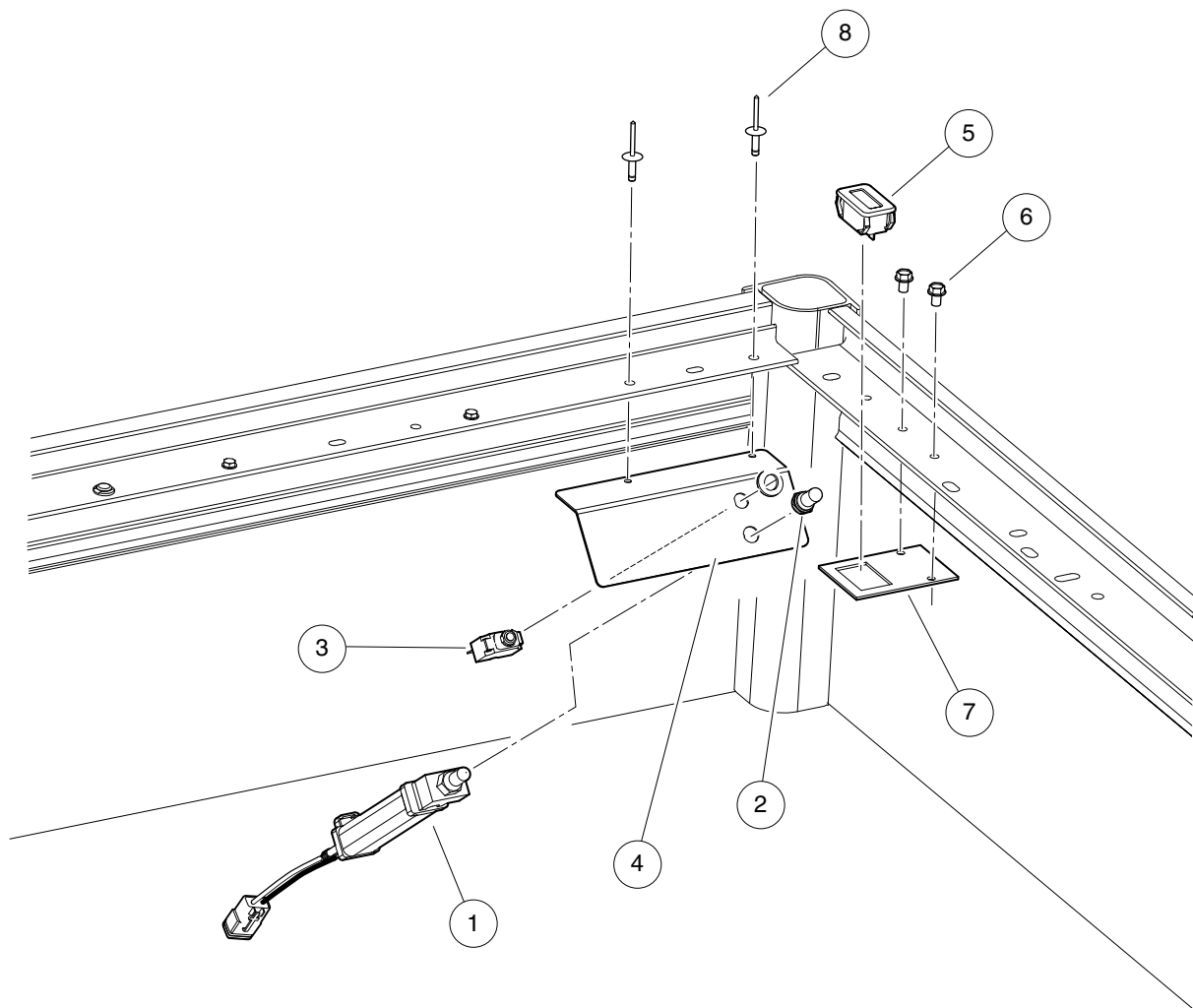
002532-002

WIRING, FUSES, AND DIODES – ELECTRIC VEHICLE

ITEM	PART NO.	DESCRIPTION	QTY
		1 2 3 4	
1	<u>102196901</u>	Dust Cap	1
2	<u>102572401</u>	Nut, Diagnostic Port, Prec	1
3	<u>103218601</u>	Harness, Diagnostic Port	1
4	<u>105076901</u>	Harness, Wire, Main, CA700/CA900/T-porter/XL/XLC, Elec (includes items 5 through 10)	1
5	<u>1015741</u>	Fuse Block	1
6	<u>1016423</u>	Fuse, 20-Amp	2
7	<u>102492301</u>	Fuse, 30-Amp	1
8	<u>102538601</u>	15 Amp Fuse	1
9	<u>105167201</u>	Fuse, Atc, 2 Amp	1
10	105173901	Fuse, Agc, 1 Amp	1
11	SVP853001	Harness, Wire, Extension, Speed Sensor	1
12	SVP859901	Harness, Wire, Power, CA900/T-porter XL/XLC, Elec	1
13	SVP860001	Harness, Wire, Extension, Reverse Buzzer	1

13

E



002518-001

TOW/RUN SWITCH AND HOUR METER

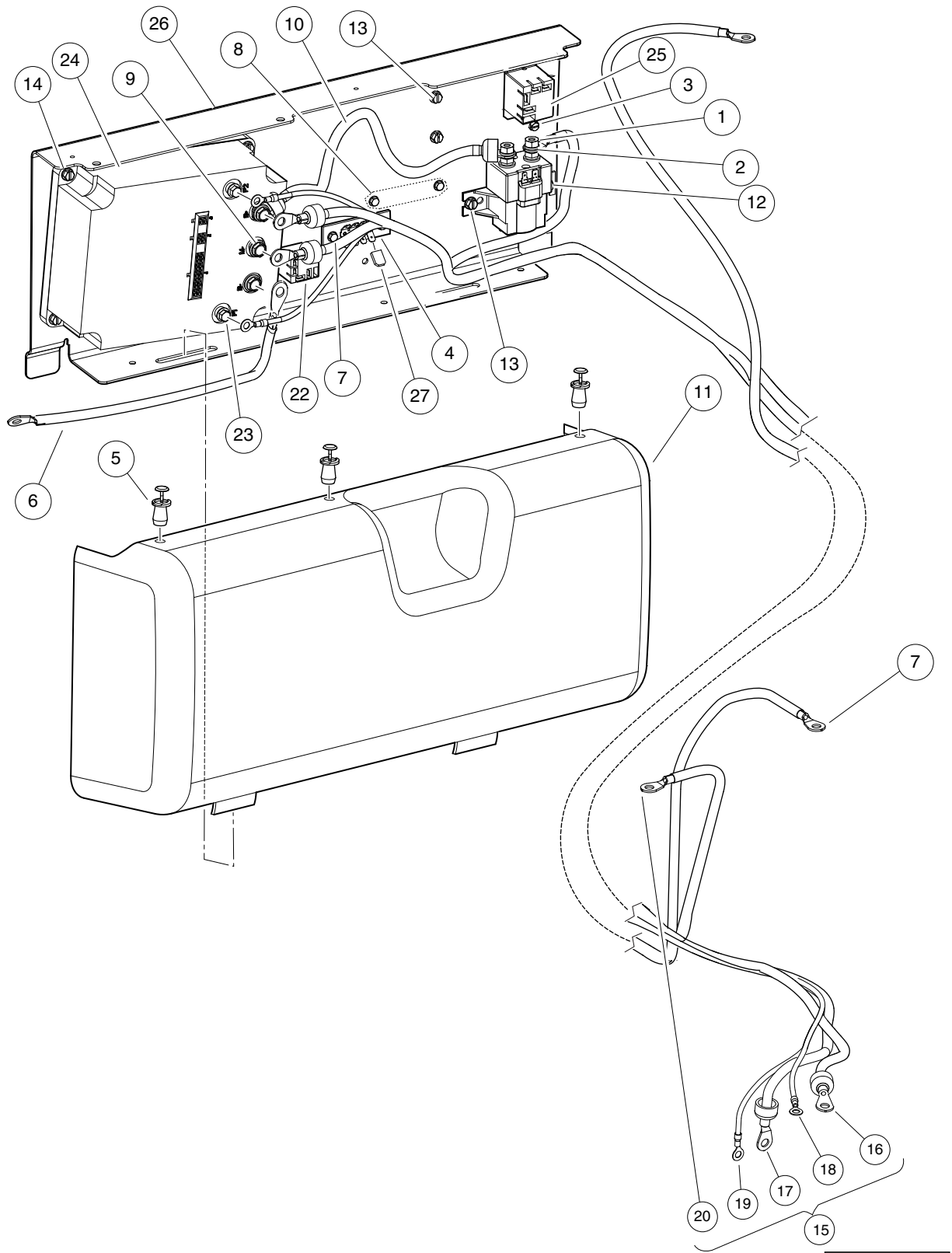
ITEM	PART NO.	DESCRIPTION	QTY
		1 2 3 4	
1	<u>101908101</u>	Switch Assembly, Tow/Run	1
2	<u>101908401</u>	Boot, Switch	1
3	<u>102838101</u>	Circuit Breaker, 20 Amp	1
4	<u>102915701</u>	Plate, Switch, Run Tow, Mode	1
5	<u>103510301</u>	Meter, Hour	1
6	<u>103541501</u>	Screw, Tapping, 1/4-20 X .375	2
7	<u>105145201</u>	Bracket, Hour Meter Sq, Short	1
8	<u>7973</u>	Rivet, 3/16 X .400 Blind	2

13

E

13

E



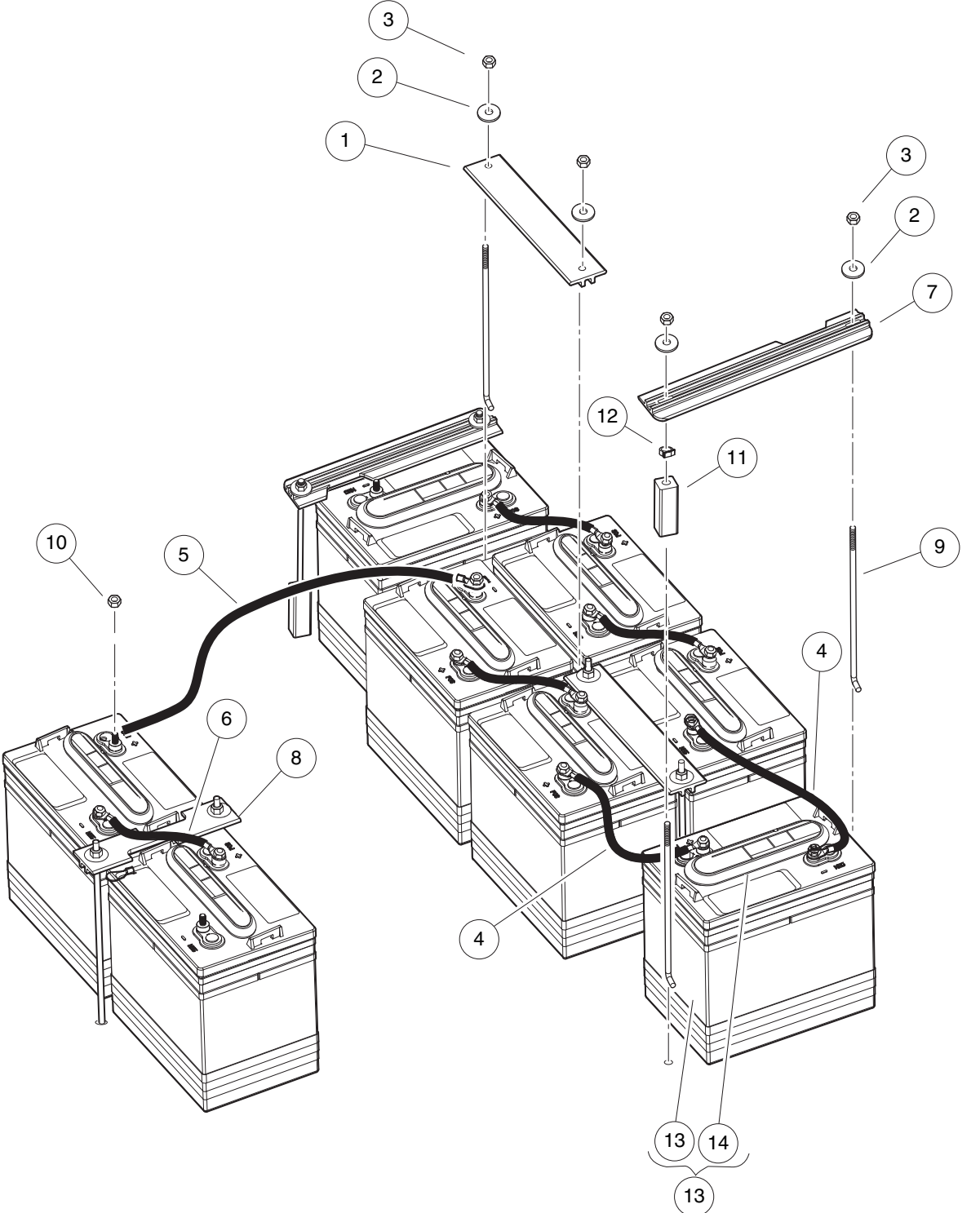
002513-001

48-VOLT ELECTRIC COMPONENTS - ELECTRIC VEHICLE

ITEM	PART NO.	DESCRIPTION	QTY
		1 2 3 4	
1	<u>1012528</u>	Nut, M8-1.25 Hex	2
2	<u>1013734</u>	Lockwasher, 8mm Split	2
3	<u>1015720</u>	Screw, #6-32 X 1/2 Hex Washer-Head	4
4	<u>1016356</u>	Terminal Block with Insulator	1
5	<u>1016967</u>	Blind Rivet, Push Type	3
6	102002803	Wire Assy, #4 Black, 26 In	1
7	<u>102002804</u>	Wire Assy, #4 Black, 81 In	1
8	<u>102238001</u>	#10-24 Taptite Screw	4
9	<u>102240501</u>	Bolt, Controller, Terminal	3
10	<u>102440901</u>	Wire Asm, #4 Yellow, 13"	1
11	<u>102772402</u>	Cover, Electrical Component, Carryall 6	1
12	<u>102774701</u>	Solenoid, 48v	1
13	<u>102817101</u>	Screw, 1/4-20 X .50 Hex Wsh Hd	4
14	<u>102817201</u>	Screw, 1/4-20 X .88 Hex Wsh Hd	4
15	<u>102845501</u>	Harness, Power, Stretch IQ Plus (includes items 16 through 21)	1
16	N/A	Asm, #4 Grn Wire, 89"	1
17	N/A	Asm, #4 Wht Wire, 88.5"	1
18	N/A	Asm, #10 Org Wire, 89.5"	1
19	N/A	Asm, #10 Blu Wire, 95.5"	1
20	N/A	Asm, #4 Red Wire, 67.5"	1
21	N/A	Asm, #4 Blk Wire, 57.5"	1
22	<u>103397901</u>	Relay, Spst No, 48v 30a, Pmt	1
23	105000501	Screw, M6 X 1 X 12 Ser Hex Flg	2
24	105075202	Controller, 500 Amp, Hfc, Sp	1
25	<u>105112401</u>	Relay, Spdt Nc, 48v 30a, Pmt	1
26	<u>105147101</u>	Plate, Component, Frnt, No Obc	1
27	<u>105195501</u>	Cap, Quick Conn Tab, 1/4 In	6
		Note: 48-volt fuse block (1015741) is a component of the main wire harness, 105076901.	

13

E



002528-001

BATTERIES 6-VOLT, HEAVY DUTY

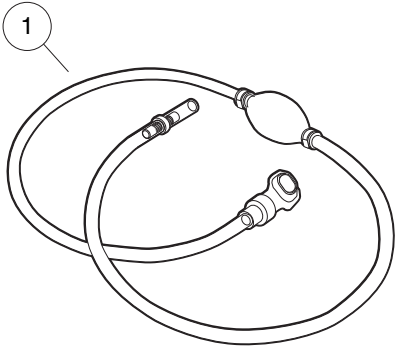
ITEM	PART NO.	DESCRIPTION	QTY
		1 2 3 4	
1	<u>101090801</u>	Hold-Down, Battery	2
2	1012571	Washer, 5/16 Extra Thick Flat	10
3	1015072	Locknut, 5/16-18 Nylon Insert	10
4	<u>102002801</u>	Wire Assy, #4 Black	2
5	<u>102002804</u>	Wire Assy, #4 Black, 81 In	1
6	<u>102002901</u>	Wire Assy, #4 Black	4
7	<u>102766201</u>	Hold Down, Outside	2
8	<u>102830301</u>	Hold Down, Front Center	1
9	<u>102845204</u>	Rod, Battery Hold Down 12"	10
10	<u>102873401</u>	5/16-18 Heavy Hex Nut	16
11	<u>102980801</u>	Extr, Plastic, 1 X 1 X 3	2
12	<u>102980901</u>	Clamp, Hose, Nylon, .25	2
13	<u>103969701</u>	Battery, 6-Volt, Trojan T145 (Wet) (includes item 14)	8
14	<u>101831401</u>	Battery Cap 6 Volt	1

13

E

13

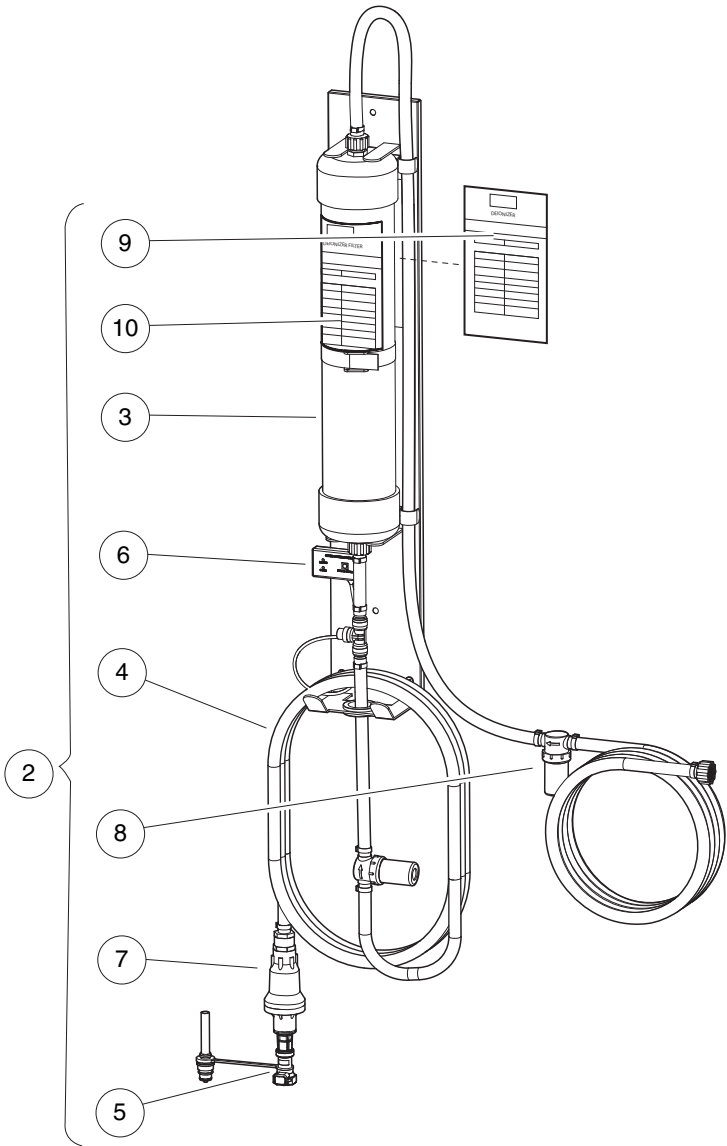
E



11



12



002523-003

HAND PUMP AND DEIONIZER (BATTERY-POWERED QUALITY LIGHT)

ITEM	PART NO.	DESCRIPTION	QTY
		1 2 3 4	
1	<u>104006101</u>	Kit, Hand Pump, Spws	1
2	<u>105166801</u>	Deionizer, w/Battery-Powered Water Quality Light (includes items 3 through 10)	1
3	<u>104005901</u>	Cartridge, Deionizer	1
4	<u>105166901</u>	Hose,outlet,deionizer	1
5	<u>105167001</u>	Flow Ind, W/coupler, Deionizer	1
6	<u>105167101</u>	Light, Quality, Battery-Powered, w/T-Fitting	1
7	<u>105168501</u>	Regulator, Pressure, Deionizer	1
8	<u>105168601</u>	Strainer, In-line, Deionizer	1
9	<u>AM1300001</u>	Decal, Filter Log, Blue	1
10	<u>AM1300201</u>	Decal, Inspect Log, Yellow	1
11	AM1300101	Decal, Filter Log, Blue, Pack of 100	A/R
12	AM1300301	Decal, Inspect Log, Yellow, Pack of 100	A/R

13

E

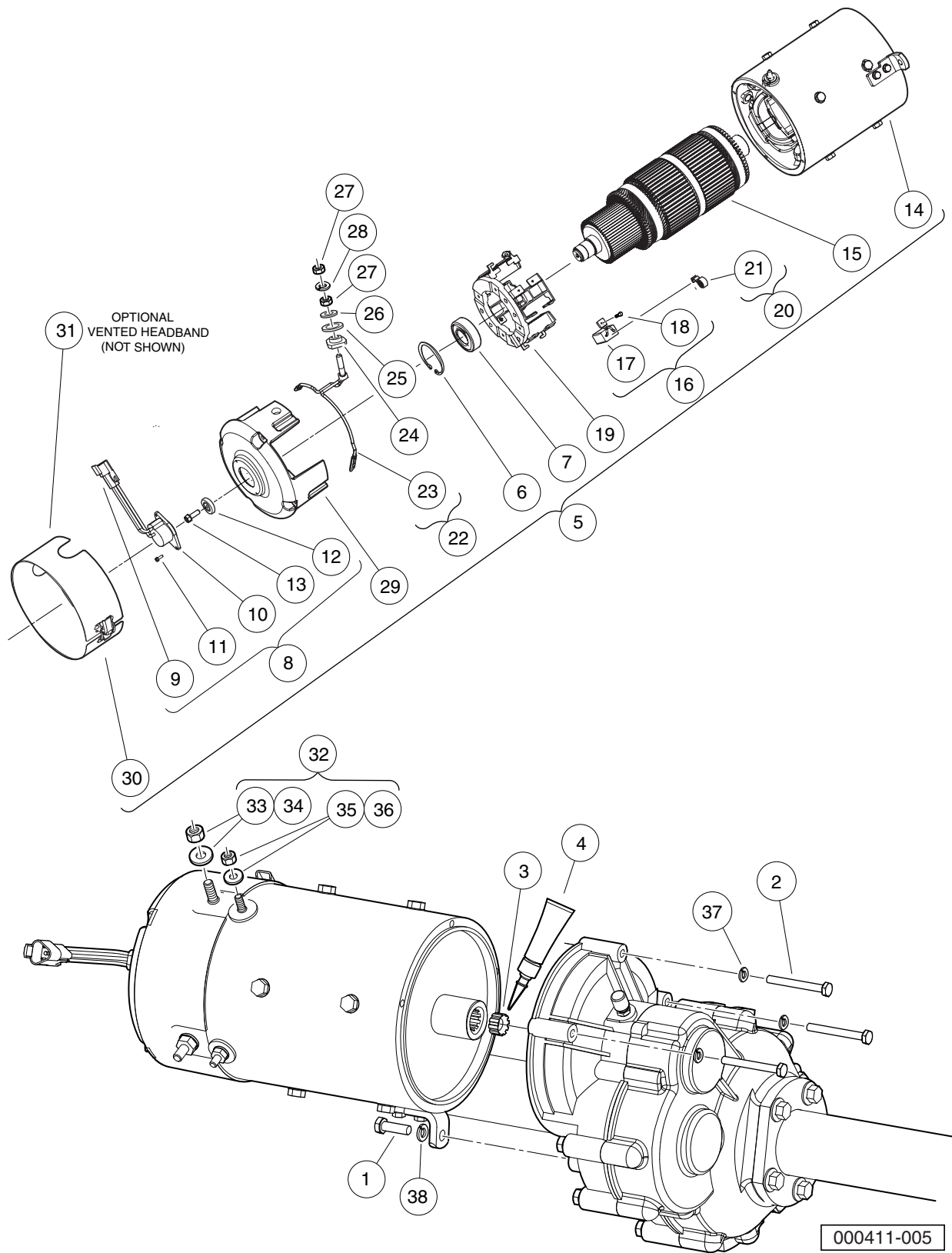
13

E

ELECTRIC MOTOR

14

E



MOTOR (MODEL DA5-4006) – IQ PLUS

ITEM	PART NO.	DESCRIPTION	QTY
		1 2 3 4	
1	<u>1010934</u>	Screw, 5/16-18 X 1.00 Hex Cap	1
2	1014201	Screw, 1/4-20 X 2.25 Hex Cap	3
3	<u>102235201</u>	Bumper, Drive Unit	1
4	<u>102243403</u>	Lubricant, Moly-Teflon (Single-Use Tube)	1
5	<u>102775101</u>	IQ Plus Electric Motor, 48-VDC 3.7 hp (includes items 6 through 30)	1
6	N/A	Ring, 2.24" Internal Retaining	1
7	<u>102186401</u>	Bearing, Ball	1
8	<u>102704901</u>	Kit, Speed Sensor (includes items 9 through 13)	1
9	<u>101942301</u>	Kit, 3-Pin Wedge Lock	1
10	N/A	Sensor, Motor Speed, ADC	1
11	N/A	Screw, #8-32, Taptite Thread	2
12	N/A	Magnet, ADC Motor	1
13	N/A	Screw, 1/4-20 x 0.5	1
14	N/A	Asm, Frame And Field, 3.7 Hp	1
15	N/A	Armature (Includes external hardware not shown)	1
16	<u>102938601</u>	Kit, Brush, 3.7 Hp (includes items 17 and 18)	1
17	N/A	Brush, Motor	8
18	N/A	Screw, Taptite	8
19	<u>102938701</u>	Asm, Brush Box, 3.7 Hp	1
20	<u>102938801</u>	Kit, Brush Spring, 3.7 Hp (includes item 21)	1
21	N/A	Brush Spring	8
22	<u>102938901</u>	Kit, Brush Lead Asm, 3.7 Hp (includes items 23 through 28)	1
23	N/A	Terminal and Lead Assembly	2
24	N/A	Insulator, Terminal	2
25	N/A	Washer, Insulating	2
26	N/A	Washer, Flat, 5/16, Brass/Bronze	2
27	N/A	Nut, 5/16, Steel	4
28	N/A	Lockwasher, 5/16, Steel	2
29	<u>102939001</u>	Commutator End Head, 3.7 Hp	1
30	<u>102939101</u>	Sealed Headband, 3.7 Hp	1
31	<u>102939102</u>	Vented Headband, 3.7 HP (optional - not shown)	1
32	<u>102951701</u>	Pkg, Terminal Hardware, 3.7hp (includes items 33 through 36)	1
33	N/A	Nut, 5/16, Steel	2
34	N/A	Lockwasher, 5/16, Steel	2
35	N/A	Nut, 1/4-20, Steel	2
36	N/A	Lockwasher, 1/4-20, Steel	2
37	<u>451</u>	Lockwasher, 1/4 Split	3
38	<u>7174</u>	Lockwasher, 5/16 Split	1

14

E

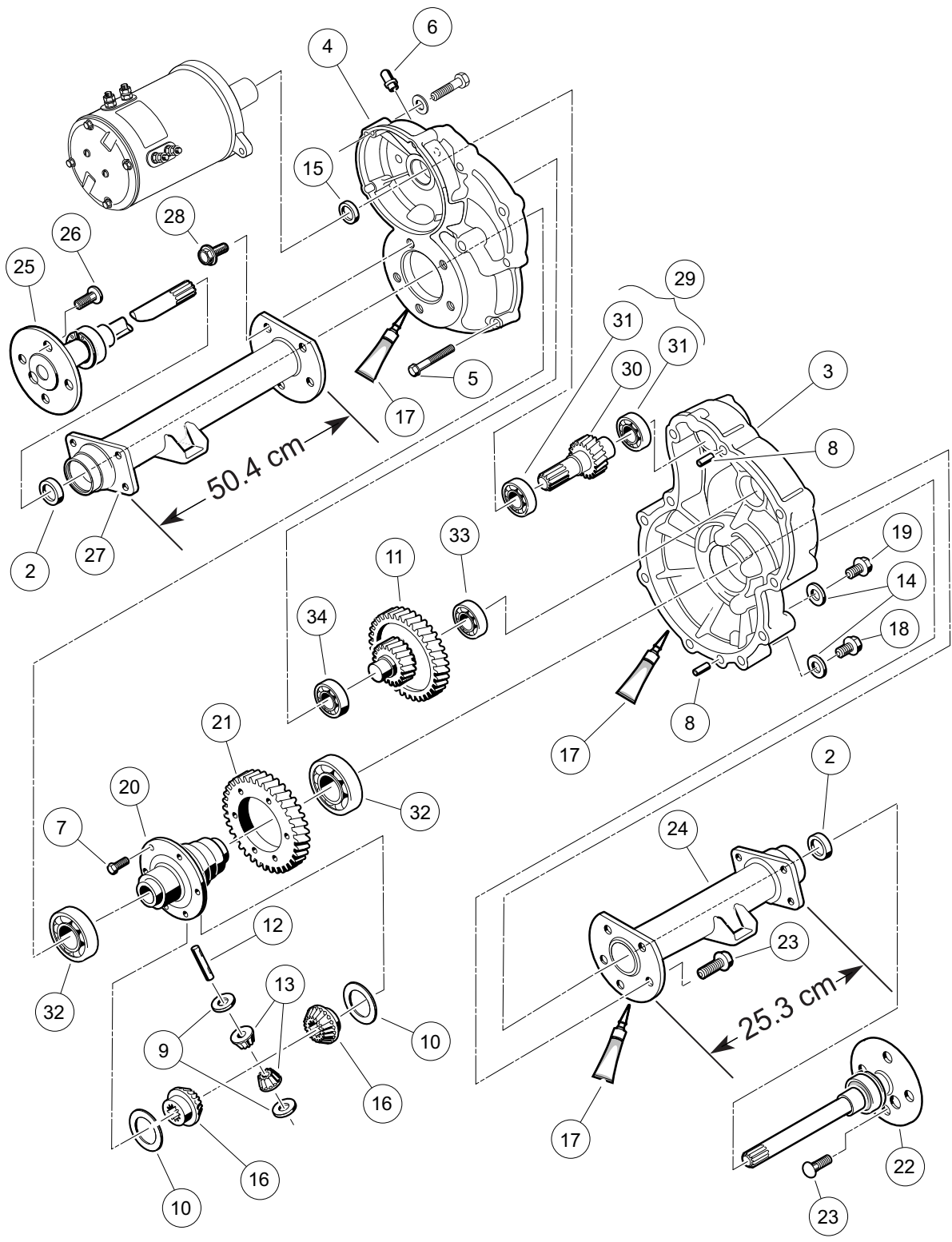
14

E

TRANSAXLE – ELECTRIC VEHICLES

15

E



000223-005

TRANSAXLE – ELECTRIC VEHICLES

ITEM	PART NO.	DESCRIPTION	QTY
		1 2 3 4	
1	<u>102771701</u>	Transaxle, Electric (includes items 2 through 34)	1
2	<u>1013794</u>	Axle Shaft Oil Seal	2
3	<u>101895401</u>	Gear Case, Driver-Side	1
4	<u>101895501</u>	Gear Case, Passenger-Side	1
5	<u>101897001</u>	Screw, M8-1.25 X 60mm Hex-Head	11
6	<u>101897201</u>	Breather	1
7	<u>101897401</u>	Screw, M10-1.25 X 25mm	6
8	<u>101897601</u>	Pin, 11mm OD X 8.5mm ID X 10mm	2
9	<u>101903601</u>	Washer, Thrust	2
10	<u>101903701</u>	Washer, Thrust	2
11	<u>101906901</u>	Intermediate Shaft Assembly	1
12	<u>101922101</u>	Pin, 15.99mm X 88.7mm Dowel	1
13	<u>101923001</u>	Gear, Differential Idler	2
14	<u>101923201</u>	Gasket	2
15	<u>101923501</u>	Seal, Lip	1
16	<u>101923901</u>	Gear, Differential	2
17	<u>101928701</u>	Liquid Gasket (Transaxle case)	1
18	<u>101972101</u>	Plug, M14-1.5 X 12mm Magnetic	1
19	<u>101972201</u>	Plug, M14-1.5 X 12mm Hex	1
20	<u>102356601</u>	Housing, Differential, 6 Bolt	6
21	<u>102356801</u>	Gear, Differential Output, 6-Bolt	6
22	<u>102886301</u>	Axle Assembly, Driver-Side (includes item 23)	1
23	<u>101922201</u>	Lug Stud	4
24	<u>102886401</u>	Tube, Axle, Driver-Side	1
25	<u>102886501</u>	Axle Assembly, Passenger-Side (includes item 26)	1
26	<u>101922201</u>	Lug Stud	4
27	<u>102886601</u>	Tube, Axle, Passenger-Side	1
28	<u>102902801</u>	Screw, M10 X 30	10
29	<u>103582801</u>	Asm, E Trans Shaft/bearing (includes items 30 and 31)	1
30	N/A	Shaft, Input	1
31	<u>7335</u>	Bearing	2
32	<u>7330</u>	Inner Axle Tube Bearing	2
33	<u>7335</u>	Bearing	1
34	<u>7336</u>	Bearing	1

15

E

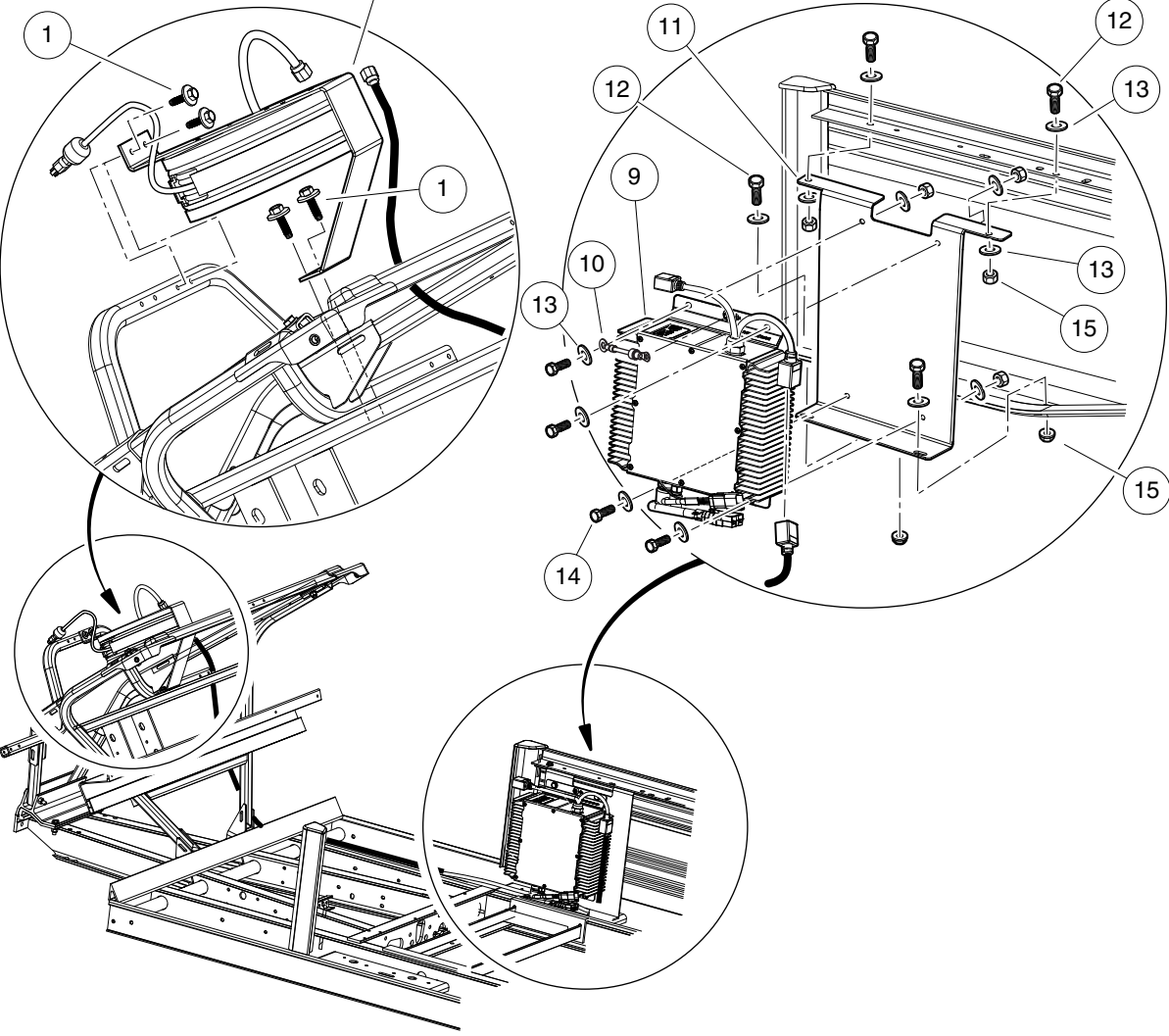
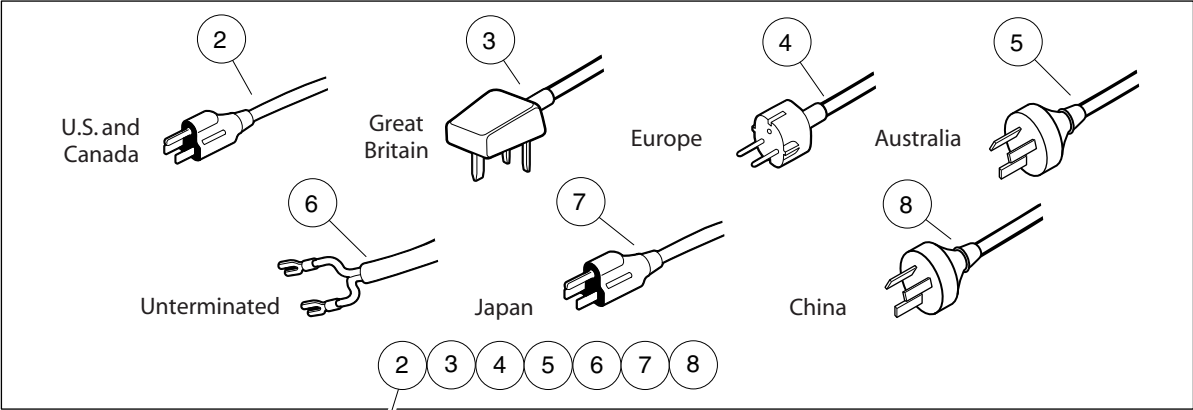
15

E

ON-BOARD BATTERY CHARGERS – HIGH-FREQUENCY

16

E



002809-001

ON-BOARD BATTERY CHARGER, HIGH-FREQ.

ITEM	PART NO.	DESCRIPTION	QTY
		1 2 3 4	
1	<u>102297125</u>	Screw, M6-1.0x25.4, Thread-Forming, SEMS	4
2	<u>105117601</u>	Cord Reel, Retractable, Us	1
3	<u>105117602</u>	Cord Reel, Retractable, Uk	1
4	<u>105117603</u>	Cord Reel, Retractable, Eu	1
5	<u>105117604</u>	Cord Reel, Retractable, Aus	1
6	<u>105117605</u>	Cord Reel, Retractable, Unterm	1
7	105117606	Cord Reel, Retractable, Japan	1
8	105117607	Cord Reel, Retractable, China	1
9	105161901	Asm, Chgr, Batt, Onboard, Quiq	1
10	<u>105224001</u>	Harness, Charger Ground	1
11	<u>105249601</u>	Bracket, On-Board Charger, CA7/TRANS	1
12	304	Screw, 1/4-20 X 1.0 Hex-Head Cap	2
13	<u>332</u>	Washer, 1/4 Type A Narrow Flat	12
14	<u>7847</u>	Screw, 1/4-20 X 0.75 Hex-Head Cap	4
15	<u>8233</u>	Locknut, 1/4-20, Nylon Insert	6

16

E

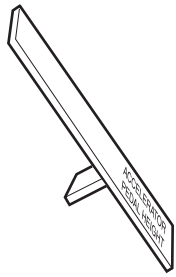
16

E

MAINTENANCE AND SERVICE TOOLS

17
G
E

17
G
E



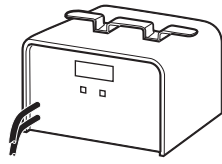
1



2



3



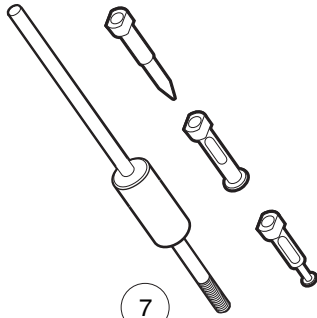
4



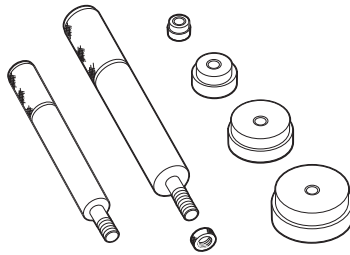
5



6



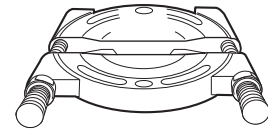
7



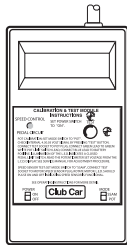
8



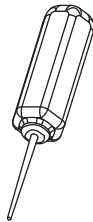
9



10



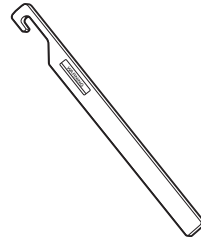
11



12



13



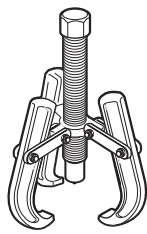
14



15



16



17



18



19

001060-002

MAINTENANCE AND SERVICE TOOLS

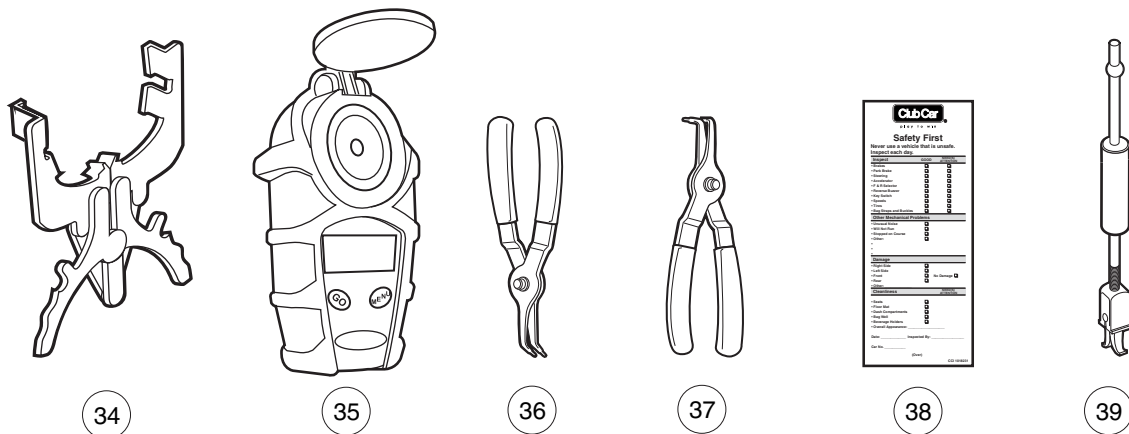
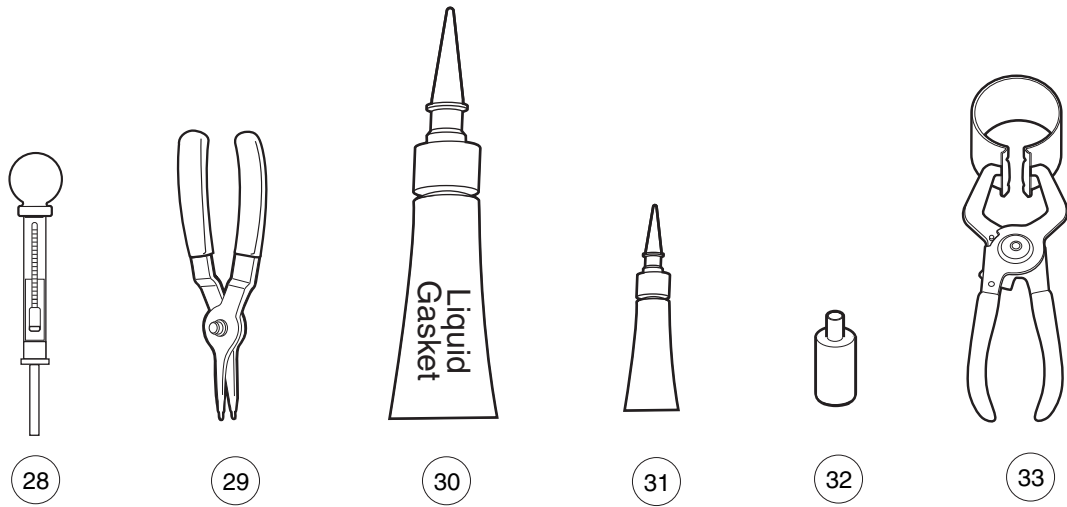
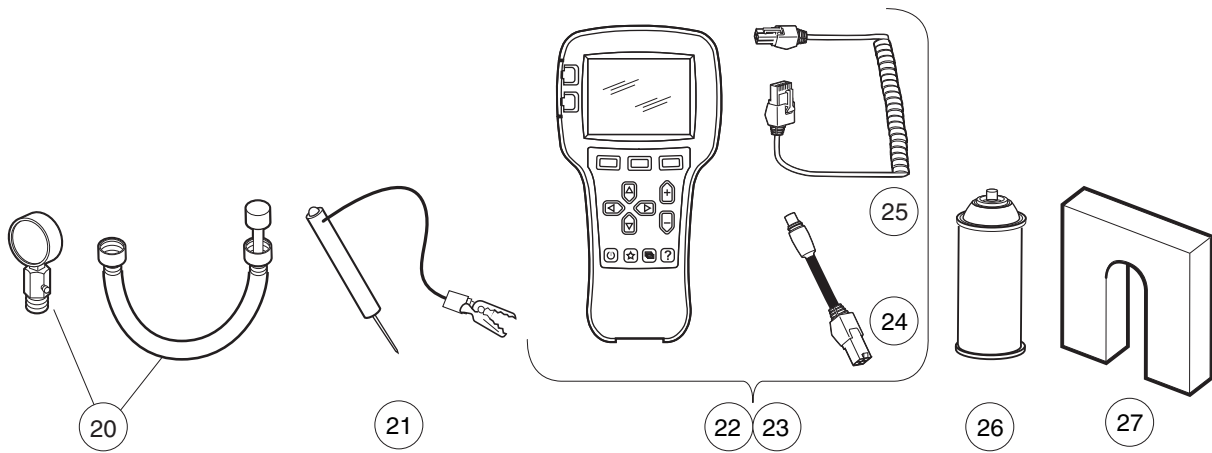
ITEM	PART NO.	DESCRIPTION	QTY GAS	QTY ELEC
		<p>1 2 3 4</p> <p>The following tool list includes all tools available from Club Car for maintenance and service procedures for gasoline and electric golf and utility vehicles. Be sure to carefully examine the tool list for applicability to your vehicle before ordering.</p>		
1	<u>101871001</u>	Accelerator Pedal Adjustment Tool (Utility Vehicles).....	1	1
2	<u>101813202</u>	Adhesive, Guide Ring, 3-Gram Tube		1
3	<u>101641202</u>	Arbor	1	
4	<u>101831901</u>	Battery Discharge Machine, 36/48 Volt		1
5	<u>1014305</u>	Battery Terminal Protector Spray	1	1
6	<u>1011767</u>	Battery Thermometer	1	1
7	<u>1016417</u>	Bearing and Oil Seal Remover Assembly	1	1
8	<u>1016416</u>	Bearing Driver Set	1	1
9	<u>1012811</u>	Bearing Puller	1	1
10	<u>1012812</u>	Bearing Puller Wedge Attachment	1	1
11	<u>101887101</u>	Calibration Test Module		1
12	<u>102562401</u>	Charger Bezel Tool		1
		Clutch Tools (items 14 - 20)	1	
13	<u>101808401</u>	Clutch Cam Installation Tool (for Subaru and Kawasaki engines)	1	
14	<u>105072501</u>	Drive Clutch Holder Tool Assembly (for Subaru and Kawasaki engines)	1	
15	<u>1014497</u>	Drive Clutch Hub Puller (for Subaru and Kawasaki engines)	1	
16	<u>1014496</u>	Drive Clutch Puller (for Subaru and Kawasaki engines)	1	
17	<u>1014508</u>	Driven Clutch Cam Puller (for Subaru and Kawasaki engines)	1	
18	<u>1014507</u>	Driven Clutch Puller Plug (for Subaru and Kawasaki engines)	1	
19	<u>101809101</u>	Press Weldment (for Subaru and Kawasaki engines)	1	
		<p>Please refer to the maintenance and service manual for proper tool application.</p>		

17

G

E

17
G
E



001061-002

MAINTENANCE AND SERVICE TOOLS, CONTINUED

ITEM	PART NO.	DESCRIPTION	QTY GAS	QTY ELEC
		1 2 3 4		
20	101641002	Compression Gauge and Adapter	1	
21	1011273	Continuity Tester	1	1
22	<u>105234501</u>	Controller Diagnostic Tool (CDT) User Kit (includes items 25 and 26)		1
23	<u>105234502</u>	Controller Diagnostic Tool (CDT) OEM Kit (includes items 25 and 26)		1
24	<u>102251501</u>	Adaptor, Cable		1
25	<u>105209601</u>	CDT Cable		1
26	<u>1012151</u>	Dry Moly Lubricant	1	1
27	<u>1016418</u>	Gear Yoke	1	1
28	<u>1011478</u>	Hydrometer	1	1
29	<u>1013593</u>	Internal Retaining Ring Pliers	1	1
30	<u>101928701</u>	Liquid Gasket (transaxle case)	1	1
31	<u>102243402</u>	Moly-Teflon Lubricant (4-oz. (113-gram) tube)		1
32	<u>102587201</u>	Paint Pen, Touch-Up, Precedent Underbody ,Ai Black.....	1	1
33	<u>1016414</u>	Piston Ring Compressor Kit	1	
34	<u>1016415</u>	Piston Ring Pliers	1	
35	<u>AM1285701</u>	Refractometer	1	1
36	<u>1012549</u>	Retaining Ring Pliers, 45→× External	1	1
37	<u>1012560</u>	Retaining Ring Pliers, 90→× Internal	1	1
38	<u>101823101</u>	Safety First Card (50 per pack)	1	1
39	<u>1012809</u>	Seal Puller	1	1
		Please refer to the maintenance and service manual for proper tool application.		

17

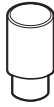
G

E

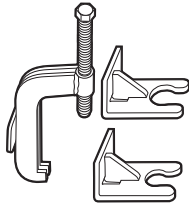
17
G
E



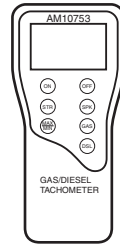
40



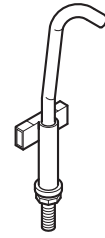
41



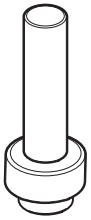
42



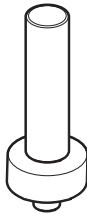
43



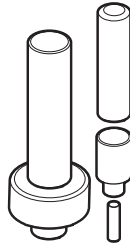
44



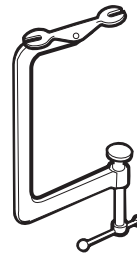
45



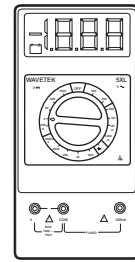
46



47



48



49

001062-001

MAINTENANCE AND SERVICE TOOLS, CONTINUED

ITEM	PART NO.	DESCRIPTION	QTY GAS	QTY ELEC
		1 2 3 4		
40	<u>1014264</u>	Steering Column Bearing Press Tool	1	1
41	<u>1014259</u>	Steering Column Retaining Ring Tool	1	1
42	102061201	Steering Wheel Puller Tool	1	1
43	<u>AM10753</u>	Tachometer (includes gasoline engine pick up lead only)	1	
44	<u>102570401</u>	Tool, Tensioning, Starter Generator (For Precedent vehicles)	1	
45	<u>1014162</u>	Transaxle Axle Seal Tool (for electric vehicles)		1
46	1014161	Transaxle Pinion Seal Tool (for electric vehicles)		1
47	<u>1014115</u>	Transmission Tool Kit (for electric vehicles).....		1
48	<u>101641101</u>	Valve Spring Compressor	1	
49	1011480	Volt Ohm Meter	1	1
		Please refer to the maintenance and service manual for proper tool application.		

17
G
E

INDEX

Part Number and Page

AM10753	17-7	SVP909902	1-85	8450	11-7, 11-9
AM10419	11-11	SVP910002	1-85	8639	4-37, 6-5, 7-17, 7-19
AM1300001	13-13	SVP920601	3-11, 3-13	8717	5-5, 5-7, 7-17, 7-19, 12-3
AM1300101	13-13	SVP920602	3-11, 3-13	8754	1-7, 1-37, 1-45, 4-29, 4-31, 5-5, 5-7, 5-13, 6-3, 6-5, 6-11, 6-13, 6-15, 6-17, 7-11, 7-13
AM1300201	13-13	SVP980301	7-3, 7-5	8755	6-13, 6-17
AM1300301	13-13	SVPP229901	1-37	8861	6-11, 6-15
SVP370901	1-37	SVPP234001	1-37	8935	1-25
SVP387901	1-39	183	1-57, 11-7, 11-9	8963	1-25, 1-37
SVP658101	1-37	304	16-3	8990	5-13, 6-3, 12-5
SVP658401	1-37	320	1-19, 5-13	1010005	6-21
SVP658602	1-37	324	1-73, 1-75, 1-77	1010138	6-11, 6-15
SVP659001	1-37	332	1-27, 1-35, 1-37, 7-15, 16-3	1010145	6-23
SVP659101	1-37	334	1-19, 5-5, 5-7, 6-3, 6-5, 11-7, 11-9	1010150	6-13, 6-17
SVP659301	1-37	357	1-95, 6-13, 6-17	1010177	6-13, 6-17
SVP659401	1-37	451	5-11, 5-19, 5-21, 14-3	1010200	6-13, 6-17
SVP659503	1-37	705	1-37, 1-95	1010434	1-35, 1-37
SVP664101	1-37	706	1-95, 6-13, 6-17	101043502	1-61, 1-63, 1-65
SVP713301	1-37	1016	1-77	1010577	8-5, 8-7
SVP716902	1-39	1028	5-3	1010805	5-3
SVP716903	1-39	1032	5-3	1010829	5-13, 5-15, 5-17
SVP716905	1-39	1218	6-19, 9-15	1010850	5-11, 5-19, 5-21
SVP732201	1-37	1241	1-25, 1-37, 1-95, 1-97, 4-7, 5-3, 5-5, 5-7, 5-15, 5-17, 7-17, 7-19, 7-27, 7-29, 8-5, 8-7, 9-15	1010877	5-3
SVP732901	1-37	1242	1-95, 1-97, 4-37, 5-13, 5-15, 5-17, 7-11, 7-13, 7-17, 7-19	1010878	5-3
SVP736801	1-37	1624	5-5, 5-7, 6-3, 7-11, 7-13	101090801	13-11
SVP777401	1-39	2402	6-11, 6-15	1010909	1-57
SVP777402	1-39	7048	6-13, 6-17	1010921	5-3
SVP777403	1-39	7049	1-79	1010927	5-3
SVP777503	1-37	7173	4-7, 7-27, 7-29	1010932	5-3
SVP798401	1-65	7174	1-95, 1-97, 6-13, 6-17, 7-11, 7-13, 10-3, 14-3	1010933	5-3
SVP798601	1-71	7274	6-21	1010934	1-37, 1-95, 1-97, 7-27, 7-29, 14-3
SVP798602	1-71	7308	6-21	1010954	7-17, 7-19
SVP798701	1-77	7330	15-3	1010984	2-3
SVP798801	1-77	7335	15-3	1011017	4-3
SVP826501	1-55	7336	15-3	1011084	5-7
SVP826502	1-55	7473	1-25, 1-37, 1-61, 1-63, 1-65, 4-7, 5-3, 5-5, 5-7, 5-13, 5-15, 5-17, 6-19, 7-17, 7-19, 7-27, 7-29, 9-15	1011114	5-11, 5-19, 5-21, 9-13, 12-11
SVP839801	1-65	7591	8-11	1011137	5-11, 5-21
SVP839901	1-65	7716	5-3	1011154	5-11, 5-19, 5-21
SVP840001	1-65	7818	7-17, 7-19	1011273	17-5
SVP840101	1-65	7820	4-7	1011298	5-11, 5-19, 5-21
SVP840201	1-65	7840	6-21	1011303	5-11, 5-19, 5-21
SVP840301	1-65	7847	16-3	1011314	5-11, 5-19, 5-21
SVP853001	13-5	7893	4-37, 7-17, 7-19	1011393	6-21
SVP853501	3-11, 3-13	7910	6-21	1011402	5-3
SVP853502	3-11, 3-13	7973	13-7	1011415	6-23
SVP859901	13-5	8056	4-21, 7-23	1011418	5-3
SVP860001	13-5	8057	4-21, 4-27, 7-19, 7-21, 7-23	1011439	4-7
SVP860101	1-39	8058	4-21, 4-27, 7-19, 7-21, 7-23	101146302	5-11, 5-19, 5-21
SVP876501	7-5	8067	6-13, 6-17	1011464	5-11, 5-19, 5-21
SVP876502	7-3	8233	1-37, 5-5, 5-7, 7-15, 9-13, 12-11, 16-3	1011465	5-11, 5-19, 5-21
SVP895601	4-7	8248	7-15	1011466	5-11, 5-19, 5-21
SVP905401	1-23	8251	1-39	1011467	5-11, 5-19, 5-21
SVP909701	1-85			1011478	17-5
SVP909702	1-85			1011480	17-7
SVP909901	1-85			1011494	5-11, 5-19, 5-21
				1011546	1-99

INDEX

1011553	1-95, 1-97, 3-5, 3-9	1014007	5-5, 5-7, 9-13, 12-3, 12-11	1015373	7-17, 7-19
1011557	4-7	1014051	11-9	1015391	1-61
1011610	4-3	1014055	11-7, 11-9	1015399	1-31, 1-33
1011694	5-5, 5-7	1014056	11-7, 11-9	1015400	1-61
1011697	6-5	1014057	11-7, 11-9	1015405	7-17, 7-19
1011734	5-7	1014058	11-7, 11-9	1015445	1-95
1011767	17-3	1014059	11-7, 11-9	1015524	17-3
1011779	5-13, 5-15, 5-17	1014062	11-7, 11-9	101553901	3-5, 3-9
1011825	4-7	1014063	11-7, 11-9	1015583	1-59, 6-13, 6-17
101187702	5-3	1014065	7-17, 7-19, 11-7, 11-9	101558302	6-23
1011887	6-21	1014072	11-11	1015597	6-13, 6-17
1011892	6-21	1014078	11-11	1015656	1-83, 1-85, 1-93
1011931	5-5, 5-7	1014080	11-11	1015661	1-73, 1-75, 1-77
1011937	1-25	1014115	17-7	1015720	13-9
1011990	1-37, 1-95	1014116	9-3	1015737	7-17, 7-19
1012151	17-5	1014125	6-5	1015741	7-17, 7-19, 13-5
1012181	6-23	1014126	6-5	1015752	7-17, 7-19
1012182	6-23	1014145	7-17, 7-19	1015878	4-27, 7-19, 7-21, 7-23
1012295	4-7, 7-17, 7-19	1014161	17-7	1015932	7-11, 7-13
1012303	6-13, 6-17	1014162	17-7	1015969	8-9
101242802	1-7	1014201	14-3	1016060	1-59
1012431	4-27, 7-19	1014213	6-5	1016077	1-83, 1-85, 1-93
1012462	1-45	1014214	6-5	101609401	1-37, 3-5, 3-9
1012528	1-61, 1-63, 1-65, 10-3, 13-9	1014217	6-5	1016103	8-11
1012549	17-5	1014259	17-7	1016154	6-9
1012560	17-5	1014264	17-7	1016183	6-5
1012565	6-9	1014276	6-13, 6-17	1016201	11-7, 11-9
1012566	6-9	1014287	11-7, 11-9	1016214	6-9
1012571	6-5, 13-11	1014288	6-5, 7-27, 11-7, 11-9	1016269	6-5
1012604	6-5	1014289	7-7, 7-9	1016289	11-7, 11-9
1012605	6-5	1014305	17-3	1016319	5-13
1012649	9-7	1014321	1-73, 1-75, 1-77, 1-79	1016320	5-13
1012809	17-5	1014375	7-27	1016346	6-11, 6-15
1012811	17-3	1014453	11-7, 11-9	1016349	6-11, 6-15
1012812	17-3	1014454	11-11	1016350	6-11, 6-15
1012836	11-11	1014471	1-65	1016351	6-11, 6-15
1013035	6-3	1014496	17-3	1016353	6-11, 6-15
1013042	6-3, 6-11, 6-15	1014497	17-3	1016356	4-5, 13-9
1013044	6-3	1014507	17-3	1016384	6-13, 6-17
1013052	6-3	1014508	17-3	101638502	6-11, 6-15
1013061	1-57	1014555	6-23	1016386	6-13, 6-17
1013135	6-21	1014573	6-23	1016387	6-13, 6-17
1013309	1-27	1014789	7-3, 7-5	1016389	6-13, 6-17
1013357	4-5	1014807	7-19, 7-21, 7-23	101641002	17-5
1013483	1-95	1014808	7-19	101641101	17-7
1013531	5-15, 5-17	1014902	6-23	101641202	17-3
1013589	7-17, 7-19	1014948	4-37	1016414	17-5
1013593	17-5	101503202	1-19, 1-21, 1-23	1016415	17-5
1013609	4-37, 7-17, 7-19	1015072	13-11	1016416	17-3
1013734	1-61, 1-63, 1-65, 13-9	1015137	9-7	1016417	17-3
1013746	9-7	1015154	4-29	1016418	17-5
1013794	15-3	1015156	4-29, 4-31	1016423	4-5, 13-5
1013869	5-3	1015157	4-29, 4-31	1016557	5-11, 5-19, 5-21
1013870	5-3	1015187	4-29, 4-31	1016573	5-11, 5-19, 5-21
1013876	5-3	1015332	7-3, 7-5	1016718	1-21
1013924	5-11, 5-19, 5-21, 8-5, 8-7	1015363	1-79	101674704	5-7

INDEX

1016801	11-7, 11-9	101879701	6-3	101974707	4-13, 4-15, 4-17, 4-19
1016849	4-7, 4-9, 4-11	101879801	6-3	101974708	4-13, 4-15, 4-17, 4-19
1016851	4-9, 4-11, 4-21	101879901	6-3	101974709	4-13, 4-15, 4-17, 4-19
1016901	11-7	101880001	6-3	101974710	4-13, 4-15, 4-17, 4-19
101691401	1-65	101880101	6-3	101974711	4-13, 4-15, 4-17, 4-19
1016929	4-29	101880201	6-3	101974712	4-13, 4-15, 4-17, 4-19
1016967	13-9	101880301	6-3	101984801	6-5
1017029	5-3	101880701	5-11, 5-19, 5-21	101987701	9-7
101705701	3-3, 3-7	101884801	8-5, 8-7	101990801	5-15, 5-17
1017145	11-11	101886101	9-13, 12-11	102002801	13-11
1017211	5-13	101887101	17-3	102002803	13-9
1017226	6-13, 6-17	101895401	15-3	102002804	13-9, 13-11
1017266	6-11, 6-15	101895501	15-3	102002901	13-11
1017273	6-7, 6-9	101897001	15-3	102022601	6-11, 6-15
1017313	6-5	101897201	15-3	102022602	6-3, 6-11, 6-15
1017314	6-5	101897401	15-3	102025701	5-9
1017315	6-5	101897601	15-3	102025801	9-5, 9-7
1017317	6-5	101898001	7-27, 7-29	102026001	5-5, 5-7
1017378	5-5, 5-7	101903601	15-3	102056001	1-97
1017380	5-5, 5-7	101903701	15-3	102059501	12-7, 12-9
1017424	5-5, 5-7	101906901	15-3	102061201	17-7
1017686	11-11	101908101	13-7	102063601	1-45
101791101	5-19	101908401	7-15, 13-7	102065103	1-97
101796201	5-5, 5-7	101915201	3-9	102065901	1-59
101808401	17-3	101918501	5-3, 5-5, 5-7	102155801	11-11
101809101	17-3	101919801	5-5, 5-7	102158901	5-5, 5-7
101813202	17-3	101922101	15-3	102162601	5-15, 5-17
101817401	5-5, 5-7	101922201	15-3	102166901	5-15, 5-17
101818801	5-7	101922501	7-15	102186401	14-3
101823101	17-5	101923001	15-3	102196901	13-5
101824101	8-11	101923201	15-3	102198001	4-5
101825101	3-3, 3-7, 4-9, 4-11	101923501	15-3	102199001	4-7
101825102	3-7	101923901	15-3	102235201	14-3
101830701	4-13, 4-15, 4-17, 4-19	101928701	15-3, 17-5	102238001	4-5, 13-9
101831401	13-11	101932201	4-7	102240501	13-9
101831901	17-3	101935301	5-13	102242101	8-5, 8-7, 11-11
101833401	11-11	101942301	14-3	102242401	1-45
101834502	4-13, 4-15, 4-17, 4-19	101946201	1-31, 1-33, 1-39	102243402	17-5
101834602	8-5, 8-7	101953103	5-17	102243403	14-3
101835601	1-59, 1-61, 4-23, 4-25	101953104	5-15	102251501	17-5
101837401	1-105	101953106	5-13	102269701	7-25
101837502	1-105	101954301	1-27	102274101	12-23
101850301	4-3, 6-7, 6-9	101955101	4-7	102278001	6-5
101851101	4-13, 4-15, 4-17, 4-19	101957101	4-7	102289201	6-3, 6-11, 6-15
101856002	4-9	101958602	1-59	102292701	1-15
101856101	1-9	101960501	3-9	102292801	5-13, 5-15, 5-17
101856102	7-17, 7-19	101963401	1-31, 1-33, 1-83, 1-85, 1-93, 7-25, 8-5, 8-7	102296020	12-3
101861901	5-5, 5-7	101972101	15-3	102296150	1-37, 1-41, 1-43
101862001	5-5	101972201	15-3	102296301	1-15, 1-37, 1-41, 1-43, 1-45
101865301	5-13	101974701	4-13, 4-15, 4-17, 4-19	102296530	1-15
101871001	17-3	101974702	4-13, 4-15, 4-17, 4-19	102296819	1-5
101874601	5-13	101974703	4-13, 4-15, 4-17, 4-19	102297125	1-15, 1-17, 1-19, 1-51, 1-53, 4-7, 4-37, 16-3
101878201	5-3	101974704	4-13, 4-15, 4-17, 4-19	102297230	13-3
101879401	6-3	101974705	4-13, 4-15, 4-17, 4-19	102298116	8-11
101879501	6-3	101974706	4-13, 4-15, 4-17, 4-19	102298185	1-59
101879601	6-3				

INDEX

102298401	1-37, 1-59, 1-67, 1-69, 1-71, 1-73, 1-75, 1-77, 1-83, 1-85, 1-93, 6-23	102684501	6-13, 6-17	103196001	1-45
102298720	1-37	102704901	14-3	103196202	8-5
102299550	1-37, 1-67, 1-69, 1-71, 1-73, 1-75, 1-77, 1-83, 1-85, 1-93	102711201	7-17, 7-19	103198301	4-9
102311501	1-9	102725501	9-15	103198401	7-15
102323101	5-13, 5-15, 5-17	102732401	8-5, 8-7	103201101	1-37
102323201	5-13, 5-15, 5-17	102766201	13-11	103205501	3-9, 7-15
102323501	1-7, 1-45, 4-29, 4-31	102766301	6-13, 6-17	103218601	13-5
102345901	3-9	102771701	15-3	103234304	3-11, 3-13
102355301	7-27	102772402	13-9	103245001	4-7
102356601	15-3	102774701	13-9	103262201	1-37
102356801	15-3	102775101	14-3	103306301	9-3
102410604	8-11, 9-13	102817101	4-37, 13-9	103347101	7-7, 7-9
102411203	9-3	102817201	13-9	103347301	7-7, 7-9
102411209	9-15	102830301	13-11	103347601	7-7, 7-9
102440901	13-9	102838101	13-7	103347701	7-7, 7-9
102458901	3-9	102838701	7-7, 7-9	103347801	7-7, 7-9
102459301	3-5, 3-9	102838801	7-7, 7-9	103347901	7-7, 7-9
102476401	9-13, 12-11	102838901	7-7, 7-9	103348202	4-9
102490301	9-13	102839001	7-7, 7-9	103348602	4-11
102491501	11-7, 11-9	102839301	7-7, 7-9	103354401	4-9
102492301	13-5	102841101	7-7, 7-9	103354701	6-11, 6-15
102498201	9-13, 12-7, 12-9, 12-11	102844601	7-7, 7-9	103372101	9-3
102506401	1-59, 6-23	102844701	7-7, 7-9	103372401	9-7
102517501	4-7	102845101	3-5	103397901	13-9
102518301	3-5	102845204	13-11	103449501	4-25
102526201	12-3	102845501	13-9	103477901	6-21
102529101	4-27	102847603	1-83, 1-85, 1-93	103484301	4-7
102531402	1-37	102865101	9-7	103487501	1-31, 1-33
102531601	1-37	102869401	4-9, 4-11	103496801	7-27
102538601	13-5	102873401	13-11	103502701	6-17
102540301	8-5, 8-7	102883601	1-15, 3-11, 3-13	103502801	6-13
102541401	1-37	102886301	15-3	103507001	6-13, 6-17
102541402	8-11	102886401	15-3	103508101	8-7
102541460	1-65	102886501	15-3	103510301	13-7
102541470	1-37	102886601	15-3	103538701	1-59
102541501	1-15, 1-37, 1-65	102891101	5-15, 5-17	103539001	1-59
102546401	4-7	102894503	4-7	103540203	1-19
1025545	1-73	102902801	15-3	103541401	4-37
102554512	1-73, 1-75	102915701	13-7	103541501	13-7
102558201	8-3, 9-15	102938601	14-3	103575801	1-59
102562401	17-3	102938701	14-3	103582801	15-3
102564002	6-13, 6-17	102938801	14-3	103601501	6-3
102570401	17-7	102938901	14-3	103628801	6-17
102572401	13-5	102939001	14-3	103628901	6-13
102582401	1-37, 1-41, 1-43	102939101	14-3	103653401	6-3
102587201	17-5	102939102	14-3	103653501	6-3, 6-11, 6-15
102590801	1-45, 1-79	102947601	1-41, 1-43	103653601	6-11, 6-15
102617201	8-5, 8-7, 10-3	102951701	14-3	103700301	4-23
102617801	12-23	102967601	3-5	103717302	6-13, 6-17
102618301	1-65	102977901	9-3	103717402	6-13, 6-17
102618601	1-37, 1-65	102980801	13-11	103724504	6-7, 6-9
102621501	1-81, 12-3, 12-7, 12-9	102980901	13-11	103724601	6-9
102621601	1-7	102989501	1-31, 1-33	103724602	6-7
102670701	1-7	103180101	4-9, 4-11	103724901	6-9
		103182701	1-19	103731001	1-35
		103182702	1-19	103754901	1-41

INDEX

103756401	9-7	105009401	9-15	105015501	8-19
103804901	4-25	105010001	8-21	105015601	8-19
103829401	6-7	105010101	8-17	105015701	8-19
103832501	4-35	105010201	8-17	105015801	8-19
103832601	4-35	105010301	8-17	105015901	8-19
103865101	5-5, 5-7	105010401	8-21	105016001	8-13, 8-19
103879701	12-15	105010501	8-21	105016101	9-11
103879702	12-13	105010601	8-21	105016201	9-11
103882801	8-5, 8-7	105010701	8-21	105016301	9-11
103886601	12-5	105010801	8-17	105016401	9-11
103902101	13-3	105010901	8-17, 9-11	105016501	9-11
103902301	13-3	105011001	8-21	105016701	8-9
103902401	13-3	105011101	8-21	105016801	8-9
103905201	9-3	105011201	8-21	105016901	8-9
103924801	7-3, 7-5	105011301	8-21	105017001	8-9
103943401	13-3	105011401	8-21	105017101	8-9
103944301	9-3	105011501	8-21	105017201	9-9
103951501	12-23	105011601	8-21	105017301	8-13
103953301	7-7, 7-9	105011701	8-21	105017401	8-13
103969701	13-11	105011801	8-21	105017501	8-13
103973901	11-9	105011901	8-17	105017601	8-13
103973902	11-7	105012001	8-17	105017701	8-13
103974002	11-11	105012101	8-17	105017801	8-3, 8-13
103974102	11-3	105012201	8-17	105017901	8-13
103974201	11-7, 11-9	105012301	8-17	105018001	8-15
103974401	11-7, 11-9	105012401	8-17	105018101	8-15
103975301	11-11	105012501	8-21	105018201	8-15
103976101	11-7, 11-9	105012601	8-9, 8-15, 8-17	105018301	8-15
103978001	9-13	105012701	8-23	105018401	8-15
103979301	12-23	105012801	8-23	105018501	8-17
103979401	8-5, 8-7	105012901	8-23	105025001	12-13, 12-15
103982201	8-5, 8-7	105013001	8-23	105025101	12-13, 12-15
103983501	9-11	105013101	8-23	105025201	12-13, 12-15
103984601	11-7, 11-9	105013201	8-23	105025301	12-13, 12-15
103989501	12-23	105013301	8-23	105025401	12-13, 12-15
103995001	12-23	105013401	8-23	105025501	12-13, 12-15
103995901	8-9	105013501	8-23	105025601	12-13, 12-15
103996201	8-5	105013601	8-23	105025701	12-13, 12-15
104005301	7-11, 7-13	105013701	8-23	105025801	12-13, 12-15
104005901	13-13	105013801	8-23	105025901	12-13, 12-15
104006101	13-13	105013901	8-23	105026001	12-13, 12-15
104021701	12-23	105014001	8-23	105026101	12-13, 12-15
104023501	9-13, 12-11	105014101	8-23	105026201	12-13, 12-15
104025101	11-11	105014201	8-19	105026301	12-13, 12-15
104026801	3-3, 3-7	105014301	8-19	105026401	12-13, 12-15
104027101	12-23	105014401	8-19	105026501	12-13, 12-15
104033601	1-99	105014501	8-19	105026601	12-13, 12-15
105000301	7-17, 7-19	105014601	8-19	105026701	12-13, 12-15
105000401	7-17, 7-19	105014701	8-19	105026801	12-13, 12-15
105000501	13-9	105014801	8-19	105026901	12-13, 12-15
105006501	1-31, 1-33	105014901	8-19	105027001	12-13, 12-15
105007001	1-25	105015001	8-19	105027101	12-13, 12-15
105007402	9-13	105015101	8-19	105027201	12-13, 12-15
105007403	9-13	105015201	8-19	105027301	12-13, 12-15
105008101	7-3, 7-5	105015301	8-19	105027401	12-17
105009101	9-15	105015401	8-19	105027501	12-17

INDEX

105027601	12-17	105035701	1-19	105068005	4-13, 4-15, 4-17, 4-19
105027701	12-17	105035801	1-51	105068006	4-13, 4-15, 4-17, 4-19
105027801	12-17	105036301	12-3	105068007	4-13, 4-15, 4-17, 4-19
105027901	12-17	105036601	1-61, 1-63, 1-65	105068008	4-13, 4-15, 4-17, 4-19
105028001	12-17	105036701	1-15	105068009	4-13, 4-15, 4-17, 4-19
105028101	12-19, 12-21	105036801	4-3	105068010	4-13, 4-15, 4-17, 4-19
105028201	12-17	105037101	4-11	105068011	4-13, 4-15, 4-17, 4-19
105028301	12-13, 12-15	105037201	7-25	105068012	4-13, 4-15, 4-17, 4-19
105028401	12-17	105037401	7-17, 7-19	105068902	6-23
105028501	12-13, 12-15	105037701	12-3	105069901	1-41
105028601	12-17	105038001	12-3	105073001	9-5
105028701	12-17	105038101	12-3	105073401	4-3
105028801	12-17	105038201	12-3	105074201	6-13, 6-17
105028901	12-17	105038501	12-3	105074501	1-7
105029001	12-17	105038809	12-5	105074502	1-7
105029101	12-17	105039401	12-3	105075202	13-9
105029201	12-17	105039801	12-3	105075301	8-11
105029301	12-21	105039901	12-3	105076901	13-5
105029401	12-21	105040401	12-3	105077601	1-47
105029501	12-19, 12-21	105040501	12-3	105077602	1-47
105029601	12-21	105040901	12-7	105077603	1-47
105029701	12-21	105043401	9-5	105078401	1-31, 1-33
105029801	12-19, 12-21	105043501	9-3	105078809	2-3
105029901	12-19, 12-21	105043801	9-5	105078810	2-3
105030001	12-13, 12-15	105043901	9-5	105078901	2-3
105030301	12-19, 12-21	105044001	9-3	105079204	2-3
105030401	12-19, 12-21	105044901	9-7	105079301	2-3
105030501	12-19, 12-21	105046101	3-3, 3-7	105079401	2-3
105030601	12-19, 12-21	105049201	1-19	105081501	7-3, 7-5
105030701	12-13, 12-15	105049301	1-19	105081601	7-3, 7-5
105030801	12-19, 12-21	105060901	1-41	105081701	4-13
105030901	12-17	105062401	1-31, 1-33	105081702	4-13
105031001	12-21	105063001	1-31	105081703	4-13
105034001	1-19	105063002	1-31, 1-33	105081704	4-13
105034101	4-9	105063003	1-33	105081705	4-13
105034102	4-11	105063201	1-45	105081706	4-13
105034201	1-19	105063202	1-45	105081707	4-13
105034321	1-11	105063501	12-13	105081708	4-13
105034322	1-11	105063601	12-19	105081709	4-13
105034323	1-11	105064102	1-39	105081710	4-13
105034324	1-11	105064103	1-39	105081711	4-13
105034325	1-11	105064121	1-29	105081712	4-13
105034326	1-11	105064122	1-29	105081801	4-17
105034327	1-11	105064123	1-29	105081802	4-17
105034328	1-11	105064124	1-29	105081803	4-17
105034329	1-11	105064521	1-27	105081804	4-17
105034401	1-15	105064522	1-27	105081805	4-17
105034501	1-15	105064523	1-27	105081806	4-17
105034601	1-15	105064524	1-27	105081807	4-17
105034701	1-15	105066001	12-19, 12-21	105081808	4-17
105034801	1-15	105066101	12-19, 12-21	105081809	4-17
105034901	1-17	105066401	1-53, 1-55	105081810	4-17
105035001	1-17	105068001	4-13, 4-15, 4-17, 4-19	105081811	4-17
105035101	1-53	105068002	4-13, 4-15, 4-17, 4-19	105081812	4-17
105035201	1-53	105068003	4-13, 4-15, 4-17, 4-19	105081901	4-19
105035301	1-53	105068004	4-13, 4-15, 4-17, 4-19	105081902	4-19

INDEX

105081903	4-19	105108201	4-7	105127402	1-73, 1-75, 1-77
105081904	4-19	105108301	4-7	105128001	1-81
105081905	4-19	105108401	4-7	105128101	1-79
105081906	4-19	105108801	4-37	105128201	1-79
105081907	4-19	105109101	1-41	105128801	1-49
105081908	4-19	105109201	1-43	105128802	1-49
105081909	4-19	105109401	1-93	105128901	1-49
105081910	4-19	105109601	1-83	105129001	1-49
105081911	4-19	105110801	1-59	105129501	1-83, 1-85, 1-93
105081912	4-19	105112401	4-9, 13-9	105129601	1-83, 1-85, 1-93
105082001	4-15	105112501	4-37	105129901	1-81
105082002	4-15	105112601	4-37	105130001	3-5
105082003	4-15	105113201	1-93	105130101	3-3
105082004	4-15	105113202	1-93	105130301	1-79
105082005	4-15	105113401	1-83	105130302	1-79
105082006	4-15	105113402	1-83	105130501	1-79
105082007	4-15	105114805	4-5	105130601	1-79
105082008	4-15	105114806	4-5, 4-7	105134601	8-5, 8-7
105082009	4-15	105114807	4-5	105134901	12-9
105082010	4-15	105116301	13-3	105135101	9-13, 12-7, 12-9
105082011	4-15	105117601	16-3	105135201	4-7
105082012	4-15	105117602	16-3	105135802	4-37
105082101	4-9	105117603	16-3	105135901	7-3, 7-5
105082301	3-9	105117604	16-3	105136001	7-3, 7-5
105083301	6-13, 6-17	105117605	16-3	105143301	7-3, 7-5, 9-3
105083701	12-3	105117606	16-3	105144401	9-13, 12-11
105083801	12-3	105117607	16-3	105144801	4-35
105084701	3-9	105117701	1-13	105145201	13-7
105084801	8-11	105117702	1-13	105146901	4-25
105086101	1-45	105117703	1-13	105147001	4-25
105087001	1-45	105117704	1-13	105147101	13-9
105087101	1-45	105117705	1-13	105148501	1-93
105087201	1-45	105117706	1-13	105148503	1-83
105087301	1-45	105117707	1-13	105148601	1-83, 1-85, 1-93
105088501	9-15	105117708	1-13	105148701	1-93
105088601	4-29, 4-31	105117709	1-13	105148702	1-93
105089201	1-45	105117710	1-13	105148901	1-83
105092601	1-45	105118601	4-29, 4-31	105148902	1-83
105093301	7-3, 7-5	105122104	1-73	105149101	5-9
105093501	1-43	105122106	1-75	105149201	5-9
105093601	9-3	105122204	1-67	105149301	8-5, 8-7
105093701	4-3	105122206	1-69	105151501	3-3
105093801	4-3	105122808	4-7	105151601	3-7
105094001	1-7, 1-45	105124001	1-7	105152301	4-9
105095101	4-11, 7-3, 7-5	105124201	1-49	105153201	3-11, 3-13
105096101	11-7, 11-9	105124202	1-49	105153202	3-11, 3-13
105100601	1-3	105124301	1-101	105153301	3-11, 3-13
105102301	1-43	105124302	1-101	105153302	3-11, 3-13
105102601	7-21, 7-23	105124401	1-101	105155501	4-31
105106101	2-5	105124501	1-101	105155601	4-29
105106201	2-5	105124701	3-5	105156301	1-5
105106301	2-5	105124901	1-9	105156701	1-5
105106501	2-5	105127201	1-73, 1-75, 1-77	105156702	1-5
105106601	6-15	105127202	1-73, 1-75, 1-77	105160401	1-87
105106702	6-11	105127302	1-81	105160501	1-91
105106801	6-23	105127401	1-73, 1-75, 1-77	105160801	1-87

I N D E X

105160901 1-87
 105161101 1-87
 105161201 1-91
 105161301 1-91
 105161401 1-87
 105161501 1-89
 105161601 1-89
 105161701 7-3, 7-5, 7-7, 7-9
 105161901 16-3
 105163601 3-3
 105163701 3-3, 3-5
 105165801 4-7
 105166801 13-13
 105166901 13-13
 105167001 13-13
 105167101 13-13
 105167201 13-5
 105168501 13-13
 105168601 13-13
 105168801 1-103
 105168802 1-103
 105168803 1-103
 105168804 1-103
 105169101 1-61
 105170101 1-49
 105173901 13-5
 105185101 4-33
 105185701 1-67, 1-69, 1-71, 1-83, 1-85, 1-93
 105185801 1-67, 1-69, 1-71, 1-83, 1-85, 1-93
 105186201 6-23
 105186202 6-23
 105188185 1-37, 6-23
 105190101 7-9
 105190102 7-7
 105190601 4-7
 105190701 4-7
 105192301 1-73, 1-75, 1-77
 105192901 1-73, 1-75, 1-77
 105193001 1-73, 1-75, 1-77
 105193101 1-81
 105194101 1-61
 105194301 1-31, 1-33
 105194601 1-73, 1-75, 1-77
 105194701 1-67
 105194702 1-67
 105194801 1-67, 1-69, 1-71, 1-83, 1-85, 1-93
 105194802 1-67, 1-69, 1-71
 105195001 1-69
 105195002 1-69
 105195501 13-9
 105196001 1-41, 1-43
 105196101 1-73, 1-75, 1-77
 105196201 1-73, 1-75, 1-77
 105197001 1-61
 105197201 1-63
 105197301 1-45

105197401 1-45
 105197402 1-45
 105200401 1-27
 105200701 1-73
 105200703 1-75
 105200801 1-73
 105200803 1-75
 105200901 1-73, 1-75
 105201001 1-73, 1-75
 105204401 4-29, 4-31
 105205201 1-73, 1-75, 1-77
 105205301 4-29, 4-31
 105205401 7-11
 105209601 17-5
 105214101 10-3
 105224001 16-3
 105234501 17-5
 105234502 17-5
 105234801 12-13, 12-15
 105234901 12-13, 12-15
 105237301 7-29
 105242801 6-19
 105243001 6-19
 105245801 11-5
 105249601 16-3
 105256701 7-29
 105256801 7-3, 7-5
 105262401 8-7
 105282901 9-5
 105282902 9-5
 105282903 9-5
 105288801 1-49
 47539338001 7-13
 47539957001 10-3
 47542195001 5-11, 5-19, 5-21
 96704176 12-3
 96705199 1-73, 1-75, 1-77, 12-7, 12-9
 96741046 8-5, 8-7

A

accelerator bracket and bearing assembly 5-5, 5-7
 accelerator cable 9-13
 accelerator pedal adjustment tool 17-3
 accelerator pivot rod 5-5, 5-7
 accelerator return spring 5-5, 5-7
 accelerator rod 5-7
 accessory receptacle 4-5
 adapter
 air intake 9-11
 cable (IQDM) 17-5
 adhesive, guide ring 17-3
 air cleaner assembly 9-15
 air deflector 8-11
 air filter 8-3, 9-15
 air filter evacuator 9-15

air intake adapter 9-11
 air intake hose 9-15
 AM1285701 17-5
 anchor body 5-11, 5-19, 5-21
 anchor body kit 5-11, 5-19, 5-21
 anchor, piston 5-11, 5-19, 5-21
 A-plate strap 6-11, 6-15
 A-plate, delta 6-11, 6-15
 arbor 17-3
 arm
 governor 9-13, 12-11
 armature 14-3
 assembly
 accelerator bracket and bearing 5-5, 5-7
 accelerator pivot rod 5-5, 5-7
 bearing, steering shaft 6-5
 delta A-plate 6-11, 6-15
 drive hub 11-7, 11-9
 driven clutch 11-11
 fuel cap 9-3
 fuel pump 9-5
 inner ball joint 6-3
 kingpin 6-13, 6-17
 moveable-face 11-7, 11-9, 11-11
 ratchet 5-3, 5-5, 5-7
 secondary clutch weight 11-7, 11-9
 steering shaft 6-5
 axle 15-3
 axle shaft 12-19, 12-21
 axle shaft oil seal 15-3
 axle tube 12-19, 12-21, 15-3

B

backing plate, brake 5-11, 5-19, 5-21
 baffle
 crankcase 8-9
 balance shaft 8-23
 ball bearing 7-7, 7-9, 12-17, 12-19, 12-21
 ball joint 5-3, 5-7
 ball stud 7-17, 7-19
 ball, trailer hitch 1-99
 barrel, plastic 1-35, 1-37
 battery
 12-volt, side-post 7-27
 12-volt, top-post 7-29
 battery cap, 6-volt 13-11
 battery clamp 7-27, 7-29
 battery condition indicator 4-9
 battery discharge machine 17-3
 battery HD, 6-volt, Trojan T145 13-11
 battery hold-down 13-11
 battery hold-down rod 13-11
 battery terminal protector spray 17-3
 battery thermometer 17-3
 battery, top-post, wire, 4ga, B+ 7-3, 7-5
 battery, top-post, wire, B- 4ga, 7-29

INDEX

- bead, ferrite 4-25
 - bearing 15-3
 - balance shaft 8-21
 - ball 7-7, 7-9, 12-17, 12-19, 12-21
 - ball (motor) 14-3
 - ball (steering pinion) 6-3
 - crankshaft 8-21
 - front wheel hub 6-21
 - hub 6-21
 - inner axle tube 15-3
 - lower pinion (steering) 6-3
 - pivot support 5-5, 5-7
 - steering shaft 6-5
 - thrust 6-13, 6-17, 12-13, 12-15
 - bearing and oil seal remover 17-3
 - bearing driver set 17-3
 - bearing puller 17-3
 - bearing puller wedge 17-3
 - bearing seat 6-5
 - bed clamp kit 1-87
 - bed floor 1-61
 - bed floor kit 1-61, 1-63
 - bed floor weldment 1-63
 - bed latch weldment 1-61
 - bed seal 1-31, 1-33
 - bellows 6-3
 - belt, drive 11-3, 11-5
 - belt, starter/generator 7-11, 7-13
 - block, brake-mounting 5-3
 - block, fuse 7-17, 7-19, 13-5
 - block, terminal 4-5, 13-9
 - body, anchor 5-11, 5-19, 5-21
 - bolt, U- 6-23
 - boot, steering column 6-5
 - boot, switch 7-15, 13-7
 - box
 - steering gear 6-3
 - tool 1-105
 - brace, trailer hitch 1-95
 - bracket
 - accel.cable 9-13, 12-7, 12-9
 - brake light switch 4-7
 - carbon canister/ECU 9-7
 - FNR cable 9-13, 12-7, 12-9
 - governor 9-13, 12-11
 - horn 4-7
 - mounting, starter/generator 8-5, 8-7
 - mounting, transaxle/exhaust 8-5, 8-7
 - shifter 12-3
 - shock mounting, drv 6-23
 - shock mounting, pas 6-23
 - snubber 8-5, 8-7
 - stake side 1-83, 1-85, 1-93
 - starter/generator adjusting 7-11, 7-13
 - steering column 6-5
 - steering column mounting 6-5
 - Tow/Run switch 7-15
 - bracket, hinge, bed 1-59
 - bracket, tailgate Lh 1-79
 - bracket, tailgate Rh 1-79
 - brake actuator kit 5-11, 5-19, 5-21
 - brake backing plate 5-11, 5-19, 5-21
 - brake cable 5-13, 5-15, 5-17
 - brake cable equalizer 5-13, 5-15, 5-17
 - brake cluster 5-11, 5-19, 5-21
 - brake drum 5-11, 5-19, 5-21
 - brake lever arm 5-11, 5-19, 5-21
 - brake light switch bracket 4-7
 - brake mounting block 5-3
 - brake pedal 5-3
 - brake pedal pad 5-3
 - brake return spring 5-15, 5-17
 - brake shoe 5-11, 5-19, 5-21
 - brake spring 5-11, 5-19, 5-21
 - breather 12-13, 12-15, 15-3
 - breather hose 9-11
 - Brkt, Steering Stop, Drv, CA, LSV 6-19
 - brush box assembly 14-3
 - brush cover kit, starter/generator 7-7, 7-9
 - brush inspection port cover 7-7, 7-9
 - brush kit, motor 14-3
 - brush rigging 14-3
 - brush spring 7-7, 7-9, 14-3
 - brush spring set 7-7, 7-9
 - brush spring, starter/generator 7-7, 7-9
 - brush terminal, starter/generator 7-7, 7-9
 - brush, motor 14-3
 - bucket holder kit 1-91
 - bulb, halogen 4-3
 - bumper
 - drive unit (motor) 14-3
 - rubber 5-3
 - spring return 5-5, 5-7
 - bumper kit 1-3
 - bumper, bed floor 1-61, 1-63, 1-65
 - bushing 7-17, 7-19, 11-7, 11-9, 12-3
 - bronze 6-13, 6-17
 - nylon 1-79, 5-3
 - snap-in 1-79
 - spindle 6-13, 6-17
 - steel 6-13, 6-17
 - urethane 1-59, 6-11, 6-13, 6-15, 6-17, 6-23
 - button, drive 11-11
 - buzzer, reverse 4-9, 4-11, 4-21
- ## C
- cable
 - accelerator 9-13
 - brake 5-13, 5-15, 5-17
 - governor 9-13
 - cable, shifter 12-5
 - calibration test module 17-3
 - cam
 - driven clutch 11-11
 - electrical component box 7-17, 7-19
 - cam, engine 8-19
 - camshaft 8-19
 - camshaft o-ring 8-19
 - canister, carbon, fuel tank 9-7
 - canopy support kit 1-45
 - cap
 - battery, 6-volt 13-11
 - dust 13-5
 - fuel, gas, ratchet 9-3
 - key switch 4-13, 4-15, 4-17, 4-19
 - rubber 12-23
 - cap, quick connector 13-9
 - carbon canister 9-7
 - card, safety first 17-5
 - cargo box kit 1-73
 - cargo box kit, long 1-75
 - cargo box, corner, ds 1-73, 1-75
 - cargo box, front panel 1-73, 1-75, 1-77
 - cargo box, side panel, ds, short 1-73
 - cargo box, corner, ps 1-73, 1-75
 - cargo box, side panel, ps, short 1-73
 - case
 - gear 15-3
 - transaxle 12-13, 12-15
 - CE mark ferrite bead, TDK 4-25
 - center shaft 12-17
 - chain, timing 8-19
 - charger bezel tool 8-19
 - charging diode 7-25
 - circuit breaker 13-7
 - clamp
 - battery 7-27, 7-29
 - hose 9-3, 9-7, 9-15
 - p- (fuel filter) 8-11, 9-13
 - clevis, upper delta 6-13, 6-17
 - clip
 - body trim 1-15
 - retainer plate 8-17
 - wheel cover 2-5
 - clip, piston pin 8-23
 - clip, score card 6-9
 - cluster, brake 5-11, 5-19, 5-21
 - clutch
 - pin 12-17
 - clutch cam installation tool 17-3
 - clutch repair kit 11-11
 - clutch tool kit 17-3
 - clutch weight 11-7, 11-9
 - clutch, drive 11-7, 11-9
 - clutch, driven 11-11
 - coil, ignition 8-13
 - collar 12-17
 - collet 8-19

INDEX

column, steering 6-5
component mounting plate cover 13-9
compression gauge 17-5
compressor, piston ring 17-5
compressor, valve spring 17-7
connecting rod 8-23
continuity tester 17-5
controller diagnostic tool (CDT) 17-5
controller diagnostic tool (CDT) cable 17-5
cooling fan 8-9
counter shaft 12-17
cover
 brush inspection port 7-7, 7-9
 crankcase 8-21
 dust 5-11, 5-19, 5-21, 6-21
 fan 8-9
 rocker switch hole 4-9, 4-11
 steering column 6-5
cover, rocker 8-17
cover, valve 8-17
cowl 1-11
crankcase 8-21
crankcase baffle 8-9
crankcase cover 8-21
crankshaft 8-23
C-type stop ring 6-3
cup, spring 5-5, 5-7
cushion, shock absorber 6-23
cylinder head 8-17

D

dash 1-19
dc converter, 15A 4-23
dc converter, 25A 4-25
decal
 4-gauge wire warning 3-5
 bed load warning 3-5, 3-9
 crush area warning 1-37, 3-5, 3-9
 diode safety 3-9
 electrical cover safety 3-5
 engine warning 8-9
 filter log 13-13
 four-passenger warning 3-3, 3-7
 frame ground 3-9
 hot surface warning 3-9
 inspect log 13-13
 key switch 3-7
 nameplate 1-15, 3-11, 3-13
 on/off 3-3, 3-7, 4-9, 4-11
 rotating parts 3-9
 run/service switch 3-9, 7-15
 Tow/Run switch 3-5
 trailer hitch 1-95, 1-97, 3-5, 3-9
 wheel cover 2-5
Decal, stringer 3-11, 3-13
deflector

 air 8-11
deionizer 13-13
 cartridge 13-13
delta A-plate 6-11, 6-15
delta A-plate sub-assembly 6-11, 6-15
diagnostic port 13-5
differential 12-21
 limited-slip 12-19
 open 12-21
differential drive unit 15-3
differential gear 15-3
differential gear set 12-21
differential housing 15-3
differential shaft 12-21
diode 4-37, 7-3, 7-5
diode, charging 7-25
dipstick 8-21
door latch 1-65
door, charger port 1-15
door, glove box 1-19
drain plug 8-21, 12-13, 12-15
drain plug gasket 8-21
drain plug, rubber 7-7, 7-9
drive belt 11-3, 11-5
drive button 11-11
drive clutch 11-7, 11-9
drive clutch button 11-7, 11-9
drive clutch holder tool 17-3
drive clutch hub puller 17-3
drive clutch puller 17-3
drive clutch spring 11-7, 11-9
drive clutch weight 11-7, 11-9
drive hub 11-7, 11-9
drive unit bumper 14-3
driven clutch 11-11
driven clutch button 11-11
driven clutch cam 11-11
driven clutch cam puller 17-3
driven clutch puller plug 17-3
driver, drive clutch 11-7, 11-9
drum, brake 5-11, 5-19, 5-21
dry moly lubricant 17-5
dust cap 13-5
dust cover 5-11, 5-19, 5-21, 6-21

E

eccentric bolt 6-13, 6-17
E-clip 5-13, 5-15, 5-17
ECU 9-9
enclosure kit 1-101
end cap, motor 14-3
end, tie rod 6-11, 6-15
engine
 air cleaner 9-15
 air deflector 8-11
 air filter 8-3, 9-15

 air intake hose 9-15
 balance shaft 8-23
 bearing, balance shaft 8-21
 bearing, crankshaft 8-21
 breather hose 9-11
 cam 8-19
 camshaft 8-19
 camshaft O-ring 8-19
 connecting rod 8-23
 crankcase 8-21
 crankcase baffle 8-9
 crankcase cover 8-21
 crankcase plug 8-21
 crankshaft 8-23
 crankshaft key 8-23
 cylinder head 8-17
 dipstick 8-21
 drain plug gasket 8-21
 ECU 9-9
 exhaust valve 8-19
 fan 8-9
 fan housing 8-9
 flywheel 8-13
 fuel injector 9-9
 guide pin 8-21
 head gasket 8-17
 ignition coil 8-13
 insulator, throttle body 9-11
 intake valve 8-19
 oil drain plug 8-21
 oil filler tube 8-21
 oil filler tube O-ring 8-21
 oil level sensor 8-15
 oil seal 8-21
 piston 8-23
 piston pin 8-23
 piston pin clip 8-23
 piston ring set 8-23
 retainer plate 8-17
 retainer plate clip 8-17
 rocker arm 8-19
 rocker cover 8-17
 rocker cover gasket 8-17
 rocker shaft 8-19
 spark plug 8-3, 8-13
 temperature sensor 8-15
 throttle body 9-9
 timing chain 8-19
 timing chain guide 8-19
 timing chain sprocket 8-19
 timing chain tensioner 8-19
 valve collet 8-19
 valve guide 8-17
 valve seal 8-17
 valve spring 8-19
 valve spring retainer 8-19

INDEX

warning decal 8-9
engine warning decal 8-9
engine, EX40 8-5, 8-7
equalizer pivot 5-13
equalizer rod 5-13, 5-15, 5-17
equalizer, brake cable 5-13, 5-15, 5-17
exhaust valve 8-19
extension harness 13-5
extension, spring latch 1-61

F

face, moveable 11-11
fan
 cooling 8-9
fan cover 8-9
fan housing 8-9
fender, front, lh 1-15
fender, front, rh 1-15
fender, inner 1-51
fender, rear 1-53
ferrite bead (CE), TDK 4-25
field coil housing 7-7, 7-9
filter
 air 8-3, 9-15
 fuel 9-5
fitting, thread-forming grease 6-13, 6-17
flasher, turn signal, 12-volt 4-7
flat bed trim kit 1-67, 1-69
floor mat 1-19, 1-21, 1-23
floor mat, 4 pass, rear 1-37
flywheel 8-13
fnr shaft 12-3
FNR shift lever 12-7, 12-9
FNR shifter base 12-3
foot deck 1-37
frame
 corner cap 1-31, 1-33
frame and field, motor 14-3
frame and field, starter/generator 7-7, 7-9
frame weldment, front 1-25
front spring retainer plate 6-13, 6-17
fuel filter 9-5
Fuel Filter Kit 9-5
fuel injector 9-9
fuel line 9-7
Fuel Module, Hold-Down Ring 9-5
Fuel Pump 9-5
fuel pump 9-5
fuel tank 9-3
fuse
 10-amp 4-7, 7-3, 7-5, 7-17, 7-19
 15-amp 13-5
 1-amp 13-5
 20-amp 4-5, 13-5
 2-amp 7-3, 7-5, 13-5
 30-amp 13-5

5-amp 7-3, 7-5
fuse block 7-17, 7-19, 13-5
fuse, mini, 7.5A 4-5
fuse, mini, 10A 4-5, 4-7
fuse, mini, 15A 4-5

G

gasket 12-13, 12-15
 cover, rocker 8-17
 cover, valve 8-17
 drain plug 8-21
 insulator 9-11
 liquid 15-3, 17-5
 plug 15-3
gasket, head 8-17
gauge, battery condition 4-9
gauge, compression 17-5
gear
 17 tooth 12-17
 34 tooth 12-17
 52 tooth 12-17
 60 tooth 12-19, 12-21
 62 tooth 12-17
 differential 15-3
 differential idler 15-3
 differential output 15-3
 governor 12-13, 12-15
 governor, 34 tooth 12-17
 set, differential 12-21
gear yoke 17-5
gearcase 15-3
governor arm 9-13, 12-11
governor cable 9-13
governor gear shaft 12-13, 12-15
governor shaft 12-13, 12-15
grill 1-15
grip, pencil 6-9
grip, tilt latch hand 1-61
grommet 9-3
guide
 valve 8-17
guide pin 8-21, 12-13, 12-15
guide ring adhesive 17-3
guide, timing chain 8-19

H

handle, FNR 12-3
harness, extension, reverse buzzer 13-5
harness, extension, speed sensor 13-5
harness, main 7-3, 7-5
harness, power 13-5
harness, wire 13-9
harness, wire, gas engine-ECU 7-3, 7-5
harness, wire, gas FNR connector 7-3, 7-5
harness, wire, gas instr. panel 4-11, 7-3, 7-5

harness, brake pedal switch 4-7
harness, taillight 4-7
head gasket 8-17
head, cylinder 8-17
headband, sealed, motor 14-3
headband, vented, motor 14-3
headlight 4-3
headlight bezel, lh 1-17
headlight bezel, rh 1-17
headlight guard kit 1-5
headlight, led 4-3
heater, defogger 4-37
heater, defogger kit 4-37
hill brake rod 5-3
hill brake weld assembly 5-3
hinge pin 1-83, 1-85, 1-93
hip restraint 1-31
hip restraint, rear 1-33
hitch, trailer 1-95
hitch, trailer, ball 1-99
hold-down rod, battery 13-11
hold-down, battery 13-11
holder, license plate 1-9
hole plug 4-9
horn bracket 4-7
hose
 air intake 9-15
 engine breather 9-11
 fuel 9-7
 vent 9-7
hour meter 13-7
hour meter bracket 13-7
housing
 3-pin 14-3
 differential 15-3
 fan 8-9
 field coil 7-7, 7-9
hub 6-21, 12-23
hub bearing 6-21
hydrometer 17-5

I

idler gear, differential 15-3
ignition coil 8-13
indicator, battery condition 4-9
indicator, charger 4-9
inner frame snubber 8-5, 8-7
input shaft 12-17, 15-3
instrument panel 4-11
instrument panel wire harness, electric vehicle 4-9
instrument panel, electric vehicle 4-9
insulating washer 14-3
insulator 9-11
insulator gasket 9-11
insulator, motor terminal 14-3

INDEX

intake valve 8-19
intermediate shaft 15-3
internal retaining ring pliers 17-5

J

joint
ball 5-3, 5-7

K

key
driven clutch 11-11
square 11-11
key switch cap 4-13, 4-15, 4-17, 4-19
key switch, uncommon 4-13, 4-15, 4-17, 4-19
key, crankshaft 8-23
keyswitch, uncommon 4-13
kingpin 6-13, 6-17
kit

3-pin housing 14-3
accelerator pivot rod 5-5, 5-7
anchor body 5-11, 5-19, 5-21
brake actuator 5-11, 5-19, 5-21
brake cable 5-13
brake pedal 5-3
brake shoe 5-11, 5-19, 5-21
brake shoe retainer 5-11, 5-19, 5-21
clutch repair 11-11
controller diagnostic tool (CDT) 17-5
deflector, air 8-11
drive clutch button 11-7, 11-9
drive clutch weight 11-7, 11-9
driven clutch button 11-11
equalizer, brake 5-13
hand pump, SPWS 13-13
motor brush 14-3
motor brush lead assembly 14-3
motor brush spring 14-3
motor speed sensor 14-3
park brake latch 5-3
park brake pedal 5-3
rear receiver hitch 1-97
shock absorber cushion 6-23
shoe retainer 5-11, 5-19, 5-21
steering column mounting bracket 6-5
trailer hitch 1-95

L

ladder rack kit 1-89
lamp, stop, turn, tail 4-7
latch 1-19
latch plate 1-59
latch, door 1-65
latch, park brake 5-3
leaf blower holder kit 1-87
lever

transaxle shift 12-7, 12-9
license frame kit 1-9
license plate 1-9
license plate holder 1-9
light
oil 4-11
water quality 13-13
light, strobe 4-29, 4-31
limit switch 4-7, 7-19, 7-21, 7-23
limiter
voltage 4-27
line, fuel 9-7
liquid gasket 15-3, 17-5
low oil warning light 4-11
lubricant, dry moly 17-5
lubricant, moly-teflon 14-3, 17-5
lug nut 2-3
lug stud 12-23, 15-3

M

magnet, speed sensor 14-3
main harness 7-3, 7-5
mat, floor 1-19, 1-21, 1-23
mat, floor, 4 pass, rear 1-37
MCOR 13-3
meter, hour 13-7
meter, volt ohm 17-7
mirror, exterior kit 1-49
module
calibration test 17-3
moly-teflon lubricant 17-5
motor
48-volt IQ Plus 14-3
motor brush 14-3
motor brush kit 14-3
motor brush lead assembly kit 14-3
motor brush spring 14-3
motor bumper 14-3
motor end cap 14-3
motor frame and field 14-3
motor headband, sealed 14-3
motor headband, vented 14-3
motor magnet, speed sensor 14-3
motor speed sensor 14-3
motor speed sensor kit 14-3
motor terminal and lead assembly 14-3
motor terminal insulator 14-3
mounting block, brake 5-3
moveable-face 11-7, 11-9, 11-11

N

nameplate decal 1-15, 3-11, 3-13
nut, lug 2-3

O

oil filler tube 8-21
oil level sensor 8-15
oil seal 8-21, 12-13, 12-15
oil warning light, low 4-11
O-ring 8-19, 8-21
O-ring Kit, Fuel Module 9-5
O-Ring, Fuel Module 9-5

P

pad
brake pedal 5-3
park brake 5-3
thermal 7-25
paint, underbody (black) 17-5
paint, touch-up 1-13
park brake latch 5-3
park brake pedal 5-3
park brake rod sleeve 5-3
park brake spacer 5-3
park brake torsion spring 5-3
pawl 5-3
p-clamp (fuel filter) 8-11, 9-13
pedal, brake 5-3
pedal, park brake 5-3
pencil grip 6-9
pin
bow tie locking 5-13, 5-15, 5-17
clevis 5-13, 5-15, 5-17
differential 12-21
guide 8-21, 12-13, 12-15
input shaft 12-17
piston 8-23
pin, hinge 1-83, 1-85, 1-93
pinion, steering 6-3
piston 8-23
piston anchor 5-11, 5-19, 5-21
piston pin 8-23
piston pin clip 8-23
piston ring 8-23
piston ring compressor 17-5
piston ring pliers 17-5
piston ring set 8-23
pivot support bearing 5-5, 5-7
plate
front spring retainer 6-13, 6-17
license 1-9
mounting, CVT, center 8-5, 8-7
mounting, engine/axle 8-5, 8-7
retainer 8-17
plate, Tow/Run switch 13-7
pliers
internal retaining ring 17-5
piston ring 17-5
retaining ring 17-5

INDEX

- plug
 - drain 12-13, 12-15
 - driven clutch puller 17-3
 - hole 4-9
 - oil drain 8-21
 - rubber drain 7-7, 7-9
 - rubber, crankcase 8-21
 - spark 8-3, 8-13
- port, diagnostic 13-5
- power harness 13-5
- press weldment 17-3
- protector spray, battery terminal 17-3
- puller
 - bearing 17-3
 - drive clutch 17-3
 - drive clutch hub 17-3
 - driven clutch cam 17-3
 - seal 17-5
- pulley
 - starter-generator 7-7, 7-9
 - v-belt 7-7, 7-9
- pump
 - fuel 9-5
- R**
- race, front hub bearing 6-21
- rack guide pressure spring 6-3
- rack, steering 6-3
- ratchet, park brake 5-3, 5-5, 5-7
- receiver hitch 1-97
- receptacle, accessory 4-5
- reflector, yellow 4-35
- reflector, amber 4-3
- reflector, red 4-35
- reflector, red, rectangle 4-35
- refractometer 17-5
- regulator, voltage 7-17, 7-19
- relay 13-9
- relay 48v 4-9, 13-9
- relay, 12-volt 4-7
- remover, bearing and oil seal 17-3
- retainer
 - accelerator pedal spring 5-5, 5-7
 - brake shoe 5-11, 5-19, 5-21
 - shock absorber cushion 6-23
 - spring 6-23
 - valve spring 8-19
- retainer plate 8-17
- retaining ring 6-5
- retaining ring pliers 17-5
- return spring bumper 5-5, 5-7
- reverse buzzer 4-9, 4-11, 4-21
- ring
 - C-type stop 6-3
 - piston 8-23
 - retaining 6-5, 7-17, 7-19, 11-7, 11-9, 11-11, 12-13, 12-15, 12-23
- rod
 - accelerator 5-7
 - accelerator pivot 5-5, 5-7
 - battery hold-down 13-11
 - connecting 8-23
 - equalizer 5-13, 5-15, 5-17
 - hill brake 5-3
- S**
- safety first card 17-5
- score card clip 6-9
- score card plate 6-9
- seal
 - lip 15-3
 - oil 8-21, 12-13, 12-15, 15-3
 - steering pinion dust 6-3
 - valve 8-17
- seal puller 17-5
- seal, bed 1-31, 1-33
- sealant 15-3
- seat bottom 1-27
- seat strap 1-27
- seat, bearing 6-5
- seatback 1-29
- seatback weldment 1-31, 1-33
- select shaft 12-13, 12-15
- sensor
 - oil level 8-15
 - temperature 8-15
- sensor, motor speed 14-3
- shaft
 - axle 12-19, 12-21
 - balance 8-23
 - center 12-17
 - counter 12-17
 - differential 12-21
 - governor 12-13, 12-15
 - governor gear 12-13, 12-15
 - input 12-17, 15-3
 - intermediate 15-3
 - rocker 8-19
 - select 12-13, 12-15
 - shift 12-17
 - steering column 6-5
- shift lever 12-7, 12-9
- shift shaft 12-3, 12-17
- shifter bracket 12-3
- shifter handle 12-3
- shifter, base 12-3
- shifter, FNR 12-3
- shock absorber 6-23
- shock absorber cushion 6-23
- shock absorber cushion retainer 6-23
- shock mounting bracket, drv 6-23
- shock mounting bracket, pas 6-23
- shoe retainer kit 5-11, 5-19, 5-21
- shoe, brake 5-11, 5-19, 5-21
- side panel, ds, long 1-75
- side panel, ps, long 1-75
- sleeve 1-59, 6-23, 12-13, 12-15
 - delta A-plate 6-11, 6-15
 - park brake rod 5-3
- snap ring 6-3
- snubber bracket 8-5, 8-7
- snubber, inner frame 8-5, 8-7
- solenoid 13-9
- solenoid, 12-volt 4-37, 7-17, 7-19
- spacer 12-13, 12-15, 12-17
 - accelerator pivot rod 5-5, 5-7
 - park brake 5-3
- spark plug 8-3, 8-13
- speed sensor 14-3
- speed sensor magnet 14-3
- speed sensor, motor 14-3
- spindle assembly 6-13, 6-17
- spiral backup ring 11-7, 11-9
- spray, battery terminal protector 17-3
- spring 12-13, 12-15
 - accelerator return 5-5, 5-7
 - brake 5-11, 5-19, 5-21
 - brake return 5-15, 5-17
 - brush 7-7, 7-9, 14-3
 - compression 6-9
 - drive button 11-7, 11-9
 - drive clutch 11-7, 11-9
 - driven clutch 11-11
 - extension 1-61
 - park brake torsion 5-3
 - rack guide pressure 6-3
 - steering shaft compression 6-5
 - valve 8-19
- spring cup 5-5, 5-7
- spring mounting plate 6-13, 6-17
- spring retainer 6-23, 8-19
- spring, motor brush 14-3
- spring, tailgate 1-79
- stake side 1-83, 1-85, 1-93
- stake side bracket 1-83, 1-85, 1-93
- stake side kit 1-83, 1-93
- stake side panel, front 1-83, 1-85, 1-93
- stake side trim kit 1-83, 1-93
- stake side trim, center 1-83, 1-85, 1-93

INDEX

starter/generator 7-7, 7-9
starter/generator brush cover kit 7-7, 7-9
starter/generator brush spring 7-7, 7-9
starter/generator brush terminal 7-7, 7-9
starter/generator frame and field 7-7, 7-9
starter/generator pulley 7-7, 7-9
static grip kit 1-87
steel bushing 6-13, 6-17
steering column 6-5
steering column bearing press tool 17-7
steering column retaining ring tool 17-7
steering gear box 6-3
steering pinion 6-3
steering pinion dust seal 6-3
steering rack 6-3
steering shaft 6-13, 6-17
steering shaft assembly 6-5
steering shaft compression spring 6-5
steering wheel puller tool 17-7
strap, A-plate 6-11, 6-15
strap, seat 1-27
strobe light 4-29, 4-31
strobe light, post mounted 4-29, 4-31
strut, canopy front 1-45
stud
 exhaust mounting
 engine
 exhaust mounting stud 8-17
 intake mounting
 engine
 intake mounting stud 8-17, 9-11
 lug 12-23, 15-3
stud, ball 7-17, 7-19
support yoke (steering) 6-3
switch plate cover 4-29, 4-31
switch
 key, uncommon 4-13, 4-15, 4-17, 4-19
 light rocker 4-9, 4-11
 limit 4-7, 7-19, 7-21, 7-23
 rocker 4-9
 Tow/Run 13-7
 turn signal 4-7
switch assembly 4-29, 4-31
switch rubber boot 7-15, 13-7
switch, toggle 7-15

T

12-volt solenoid 4-37, 7-17, 7-19
tachometer 17-7
tailgate 1-79
tailgate handle 1-79
tailgate latch, lh 1-73, 1-75, 1-77
tailgate latch, rh 1-73, 1-75, 1-77
tailgate teather kit 1-81
tailskirt 1-53
tank, fuel 9-3

tape, vinyl foam 1-65
temperature sensor 8-15
tensioner, timing chain 8-19
terminal block 4-5, 13-9
tester, continuity 17-5
thermal pad 7-25
thermometer, battery 17-3
thread-forming grease fitting 6-13, 6-17
throttle body 9-9
thrust bearing 6-13, 6-17
tie down kit 1-87
tie rod 6-11, 6-15
tie rod end 6-11, 6-15
tie wrap 4-37, 5-13, 6-3, 6-5, 7-17, 7-19, 12-5
tilt latch hand grip 1-61
timing chain 8-19
timing chain guide 8-19
tire 2-3
toggle switch 7-15
tool

 accelerator pedal adjustment 17-3
 belt tensioning, starter/generator 17-7
 charger bezel 17-3
 clutch cam installation 17-3
 drive clutch holder 17-3
 steering column bearing press 17-7
 steering column retaining ring 17-7
 steering wheel puller 17-7
 transaxle axle seal 17-7
 transaxle pinion seal 17-7
 transmission 17-7
tool kit, clutch 17-3
tool rack kit 1-87
toolbox 1-105
toolbox kit 1-89
touch-up paint 17-5
Tow/Run switch 13-7
Tow/Run switch bracket 7-15
Tow/Run switch plate 13-7
trailer hitch 1-95
trailer hitch ball 1-99
trailer hitch brace 1-95
transaxle (Electric Vehicle) 15-3
transaxle axle seal tool 17-7
transaxle pinion seal tool 17-7
transaxle, limited-slip (Gas Vehicle) 12-13
transaxle, open-diff (Gas Vehicle) 12-15
transmission tool 17-7
tube
 axle 12-19, 12-21, 15-3
 oil filler 8-21
turn signal switch 4-7

U

U-bolt 6-23
upper delta clevis 6-13, 6-17

urethane bushing 1-59, 6-11, 6-13, 6-15, 6-17, 6-23

V

valve 9-15
 exhaust 8-19
 intake 8-19
valve collet 8-19
valve cover 8-17
valve cover gasket 8-17
valve guide 8-17
valve seal 8-17
valve spring 8-19
valve spring compressor 17-7
valve stem 2-3
vent
 fuel tank 9-3
 transaxle 12-13, 12-15
vent, barb 9-7
volt ohm meter 17-7
voltage limiter 4-27
voltage regulator 7-17, 7-19

W

warning light, low oil 4-11
washer, insulating 14-3
water quality light 13-13
wedge, bearing puller 17-3
weight
 clutch 11-7, 11-9
 secondary clutch 11-7, 11-9
weldment
 governor bracket 9-13, 12-11
 press 17-3
weldment, receiver hitch 1-97
wheel cover 2-5
windshield kit, hinged 1-41
windshield kit, non-hinged 1-43
windshield, hinged 1-41
windshield, non-hinged 1-43
wire
 green, starter/generator 7-3, 7-5, 7-7, 7-9
 ground, fuel tank 7-3, 7-5, 9-3
wire harness 4-11, 7-3, 7-5, 13-9
wire harness, main 13-5
wrap, tie 4-37, 5-13, 6-3, 6-5, 7-17, 7-19, 12-5

Y

yoke, gear 17-5
yoke, support (steering) 6-3



Club Car, Inc.
P.O. Box 204658
Augusta, GA 30917-4658
USA

Web www.clubcar.com
Phone 1.706.863.3000
1.800.ClubCar
Int'l +1 706.863.3000
Fax 1.706.863.5808