



2019 Illustrated Parts List Tempo, Tempo Connect and Tempo 2+2 Lithium-Ion



**Lithium-Ion Vehicle
Serial Prefixes AN and AP**

Manual Number 105355026
Edition Code _C

USING THE ILLUSTRATED PARTS LIST

⚠ WARNING

- **This manual is to be used only for identification and ordering of service parts. Be sure to read and use the maintenance and service manual before attempting any vehicle repairs.**

The manual is divided into several sections. Note that there are two flags on the outside edge of each page. The first flag contains the section number of which that page is a part. The other flag contains the letter E signifying that the page pertains to lithium-ion electric vehicles.

Use the Table of Contents to find the sections and pages that contain the parts and assemblies you seek. The Table of Contents lists section numbers, and under them, the individual page titles and numbers to be found in that section. The index can be used to find specific parts and assemblies. The index is divided into numerical and alphabetical listings with the page numbers in italic text.

There is a two-page spread for each individual page title in the Table of Contents. On the left-hand page is an illustration showing the parts in their relative positions; the parts are each tagged with an item number in a balloon. The right-hand page is the parts list page, and gives the page title at the top, then the item numbers (corresponding to the numbers on the illustration), part descriptions, and quantity of parts used. Some item numbers have more than one part number because several configurations of a component are represented together on one spread.

Note that a part description may be indented. This indentation corresponds to a parts assembly level indicated by the numbers 1, 2, 3, and 4 at the top left corner of the parts description area of the parts list page. A part that is indented to *level 2* is a component of the *level 1* part (assembly) that it is listed under. A *level 3* part is a component of the *level 2* part that it is listed under, and a *level 4* part is a component of the *level 3* part preceding it. In each case, the part quantity given for a level 2, 3, or 4 part is *the quantity used per next higher level assembly of which it is a component*. A part that is not indented is a *level 1* part. This means that the quantity given is the quantity used per the portion of the vehicle illustrated on that particular spread.



P. O. Box 204658
Augusta, Georgia 30917-4658 USA
Telephone 706-863-3000
Service Parts Fax 706-855-7413
www.clubcar.com

HOW TO ORDER PARTS

Replacement parts and accessories can be obtained from our network of authorized dealers and distributors. You can obtain the name and phone number of your closest authorized Club Car dealer or distributor by visiting our web site at www.clubcardealer.com, by calling our toll-free Service Parts and Technical Assistance hotline at (800) 872-2246 or (706) 863-3000, extension 3887, or by scanning this Quick Response (QR) code to be taken to the Club Car dealer locator. **Refer to Figure 1.** Download a QR code reader such as RedLaser or Barcode Scanner to your cell phone or tablet.



Figure 1 Dealer Locator QR Code

CUSTOMER SATISFACTION SURVEY

Let your voice be heard!

Please take time to participate in the Technical Publications satisfaction survey. Obtaining feedback from our customers is important to the department's continuous improvement process. The online survey takes less than five minutes and responses will help the department to examine current performance as well as identify areas for future improvement.

Our top priority is to provide timely, accurate, and user friendly manuals.

The online satisfaction survey can be found at: <http://bit.ly/1w9uFMh>



Figure 2 Survey QR Code

NOTE: *This illustrated parts list represents the most current information at the time of publication. Club Car, LLC is continually working to further improve its vehicles and other products. These improvements may affect the parts used to service the vehicle. Any modification and/or significant change in specifications will be forwarded to all Club Car distributors/dealers and will, when applicable, appear in future editions of this illustrated parts list.*

Club Car, LLC reserves the right to change specifications and designs at any time without notice and without the obligation of making changes to units previously sold.

Copyright © 2018 Club Car, LLC
Club Car, Tempo, Tempo Connect, Tempo 2+2, and Surlyn
are registered trademarks of Club Car, LLC
This manual effective July 1, 2020.

2019 Tempo, Tempo Connect and Tempo 2+2 Lithium-Ion Illustrated Parts List

CONTENTS

SECTION 1 – BODY AND TRIM

Frame – 2 Passenger	1-3
Frame – 4 Passenger	1-5
Front Bumper	1-7
Front Body	1-9
Underbody Covers (Vehicle Without Canopy)	1-11
Dash	1-13
Floor Mat, Retainers, and Front Underbody	1-15
Kick Plate – On-Board Charger	1-17
Kick Plate – Shelf Charger	1-19
Seat Bottom with Hip Restraints	1-21
Seat Back, Backrest, and Structural Accessory Module (SAM)	1-23
Rear Body	1-25
Club and Ball Cleaner Kit	1-27
Sand Bottle Kits With Handles	1-29
Sand Bottle Kits	1-31
Sand Bucket Kits	1-33
Windshields – Hinged	1-35
Canopy – White	1-37
Canopy – Beige	1-39
Canopy – Black	1-41
Canopy Struts – Topped	1-43
Visage Canopy Struts and Console	1-45
Four-Passenger Monsoon Canopy	1-47
Four-Passenger Monsoon Canopy Struts	1-49
Rear Seat – Fixed	1-51
Rear Footdeck Assembly	1-53
Four Passenger Conversion Kit, Monsoon – Beige	1-55
Four Passenger Conversion Kit, Monsoon – White	1-57
Four Passenger Conversion Kit, Monsoon – Gray	1-59
5-Panel Mirror	1-61

SECTION 2 – WHEELS AND TIRES

8 Inch Wheels and Tires, Kenda	2-3
10 Inch Wheels and Tires – Champion and Pro	2-5

SECTION 3 – DECALS

Decals	3-3
--------------	-----

CONTENTS

SECTION 4 – LIGHTS, CONTROLS AND INDICATORS

Brake Light Switch Kit	4-3
Headlights	4-5
Illuminated Logo	4-7
Turn Signal Lever And Horn	4-9
Instrument Panels	4-11
Keyswitches	4-13
DC/DC Converter – Electric Vehicle	4-15
Visage And VDU	4-17
Taillights	4-19

SECTION 5 – BRAKES AND PEDAL GROUP ASSEMBLIES

Rear Brakes, Self-Adjusting	5-3
Brake Cables and Equalizer Bracket	5-5
Pedal Groups with MCOR	5-7

SECTION 6 – STEERING, FRONT AND REAR SUSPENSION

Steering Wheel, Comfort Grip with Clip	6-3
Steering Wheel	6-5
Steering Column	6-7
Steering Gear Assembly	6-9
Front Suspension, Upper	6-11
Front Suspension, Lower	6-13
Rear Suspension, Standard Two-Passenger	6-15
Rear Suspension, 4-Passenger – Consumer	6-17
Panhard Rod	6-19

SECTION 7 – ELECTRICAL SYSTEM – LITHIUM-ION

Motor Controller Output Regulator (MCOR)	7-3
Dynamic Braking Resistor	7-5
Wiring Harnesses and Fuses	7-7
Forward/Reverse Switch and Tow/Run Switch	7-9
Battery and Battery Bucket	7-11
Module, Controller and Solenoids	7-13
Hazard Switch and USB Port	7-15

SECTION 8 – ELECTRIC MOTOR

Electric Motor	8-3
----------------------	-----

CONTENTS

SECTION 9 – TRANSAXLE

Transaxle	9-3
-----------------	-----

SECTION 10 – BATTERY CHARGERS

IC-650 Battery Charger – Shelf	10-3
IC-900 Battery Charger – Shelf	10-5
Cords – Battery Charger, High-Frequency	10-7
IC-650 Battery Charger – Onboard	10-9
Battery Charger Cord Reels – Onboard	10-11

SECTION 11 – MAINTENANCE AND SERVICE TOOLS

Maintenance and Service Tools	11-3
-------------------------------------	------

SECTION i – INDEX

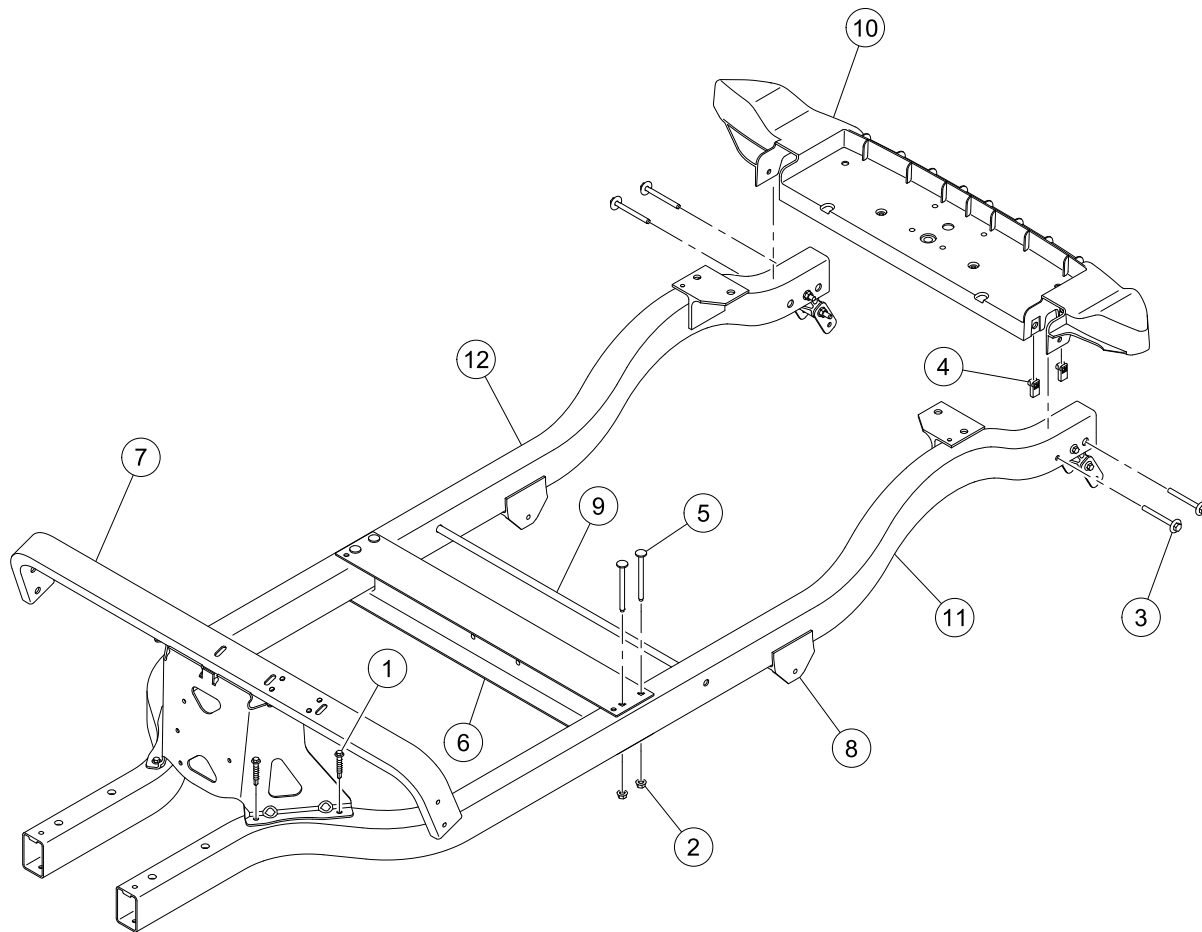
BODY AND TRIM

1

E

1

E



G-010099-000001

FRAME – 2 PASSENGER

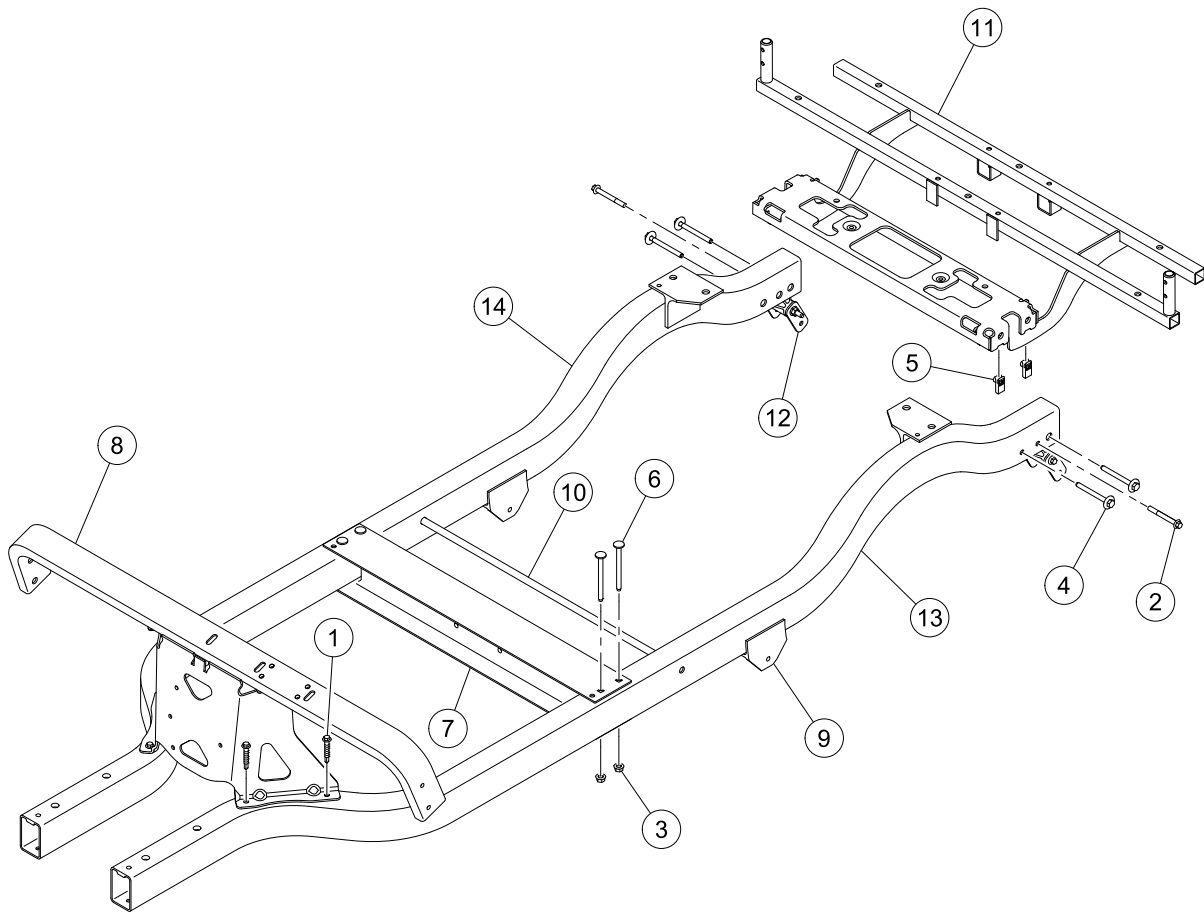
ITEM	PART NO.	DESCRIPTION	QTY
		1 2 3 4	
1	<u>102292101</u>	Screw-5/16 X 1.5 Tek	4
2	<u>102298401</u>	Nut,m8,all Metal Lock	4
3	<u>102298580</u>	M8-1.25 X 80 Sems	4
4	<u>102298601</u>	J-clip - M8 X 1.25	4
5	<u>102298995</u>	Bolt, Wafer Head, M8-1.25x95	4
6	<u>102505401</u>	Xmbr-middle	1
7	<u>102505701</u>	Assembly, Dash Support	1
8	102507801	Hanger, Spring	2
9	<u>103638901</u>	Rod, .5 Od X 26.26	1
10	103926603	Rear Cross Member, Csmr, Sp	1
11	<u>103990501</u>	Weldment Frame, Driver Side	1
12	<u>103990601</u>	Weldment, Frame, Passenger-side	1

1

E

1

E



G-010099-000002

FRAME – 4 PASSENGER

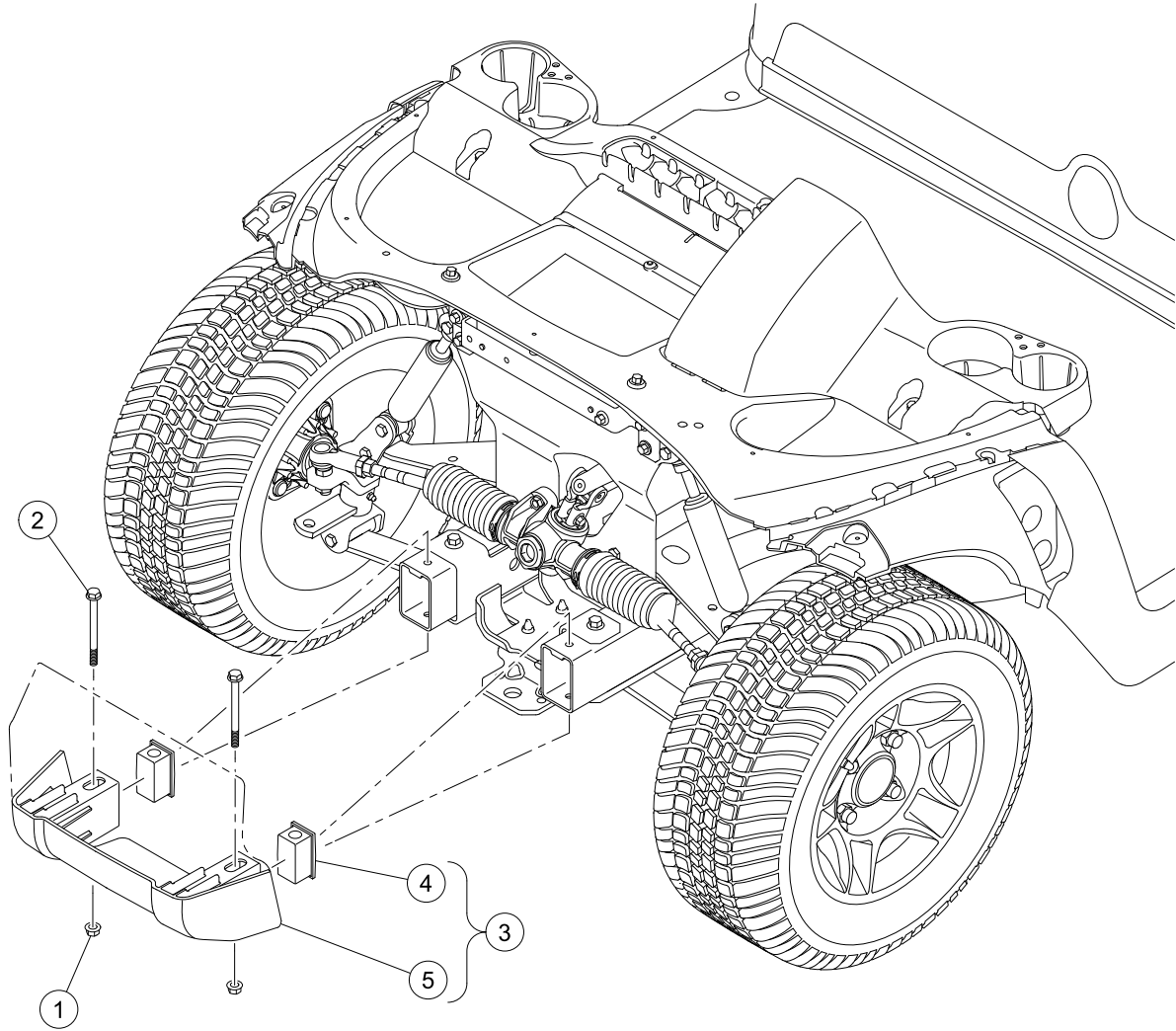
ITEM	PART NO.	DESCRIPTION	QTY
		1 2 3 4	
1	<u>102292101</u>	Screw-5/16 X 1.5 Tek	4
2	<u>102298175</u>	Bolt - Flange Hd, M8 X 75.0	2
3	<u>102298401</u>	Nut,m8,all Metal Lock	4
4	<u>102298580</u>	M8-1.25 X 80 Sems	4
5	<u>102298601</u>	J-clip - M8 X 1.25	4
6	<u>102298995</u>	Bolt, Wafer Head, M8-1.25x95	4
7	<u>102505401</u>	Xmbr-middle	1
8	<u>102505701</u>	Assembly, Dash Support	1
9	<u>102507801</u>	Hanger, Spring	2
10	<u>103638901</u>	Rod, .5 Od X 26.26	1
11	<u>103948902</u>	Weldment, Support, 4-pass, Hs	1
12	<u>103965001</u>	Brkt, Shackle, Rear	4
13	<u>103990503</u>	Weldment, Frame, Csmr, Driver-side	1
14	<u>103990601</u>	Weldment, Frame, Passenger-side	1

1

E

1

E



G-140199-000002

FRONT BUMPER

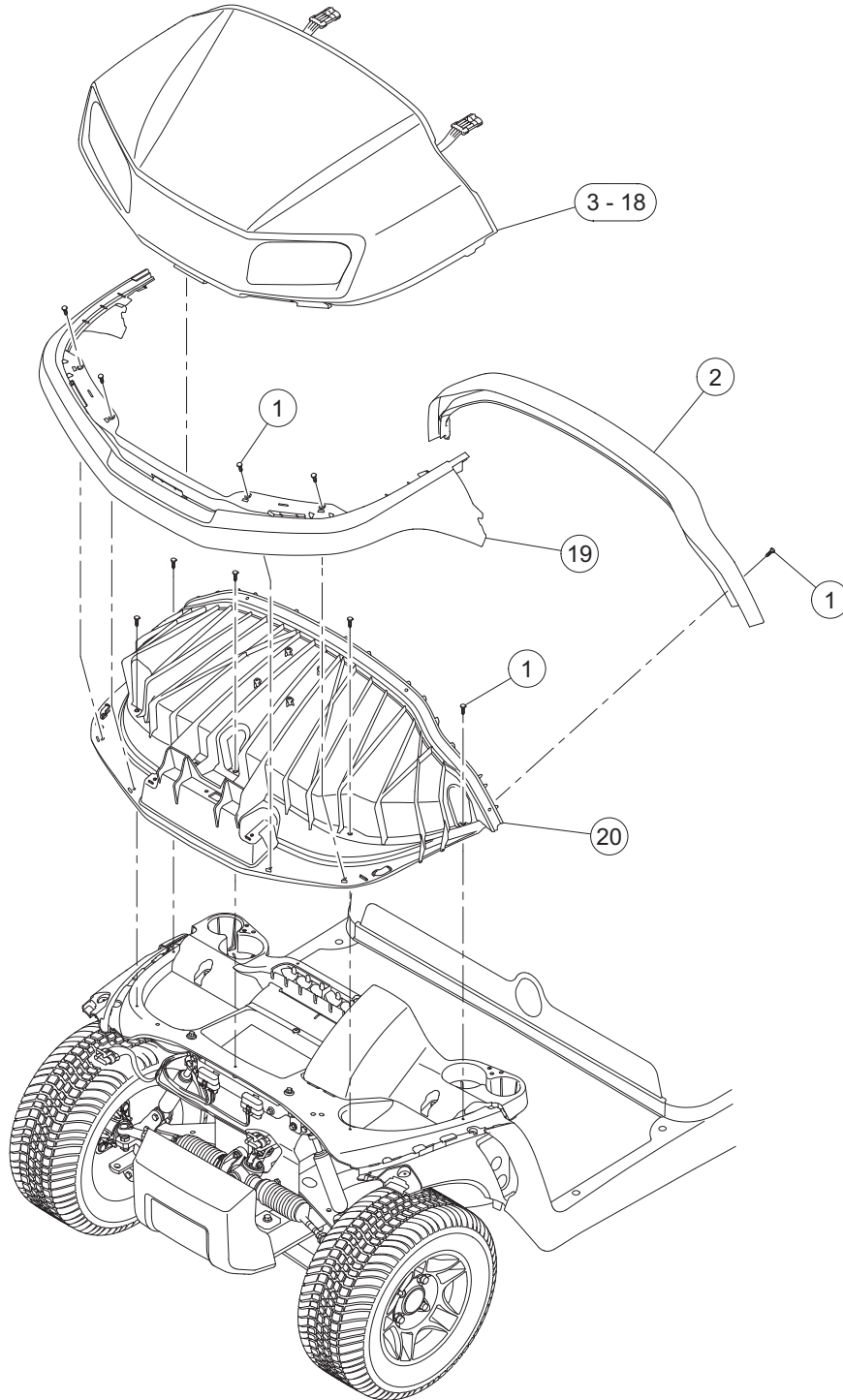
ITEM	PART NO.	DESCRIPTION	QTY
		1 2 3 4	
1	<u>102298401</u>	Nut,m8,all Metal Lock	2
2	<u>102534201</u>	Bolt - Fl Hd, M8 X 95	2
3	<u>47604926001</u>	Asm, Bumper, Front (includes items 4 and 5)	1
4	<u>103325001</u>	Plug, Shock, Bumper	2
5	<u>47589918001</u>	Bumper, Front	1

1

E

1

E



G-140199-000007

FRONT BODY

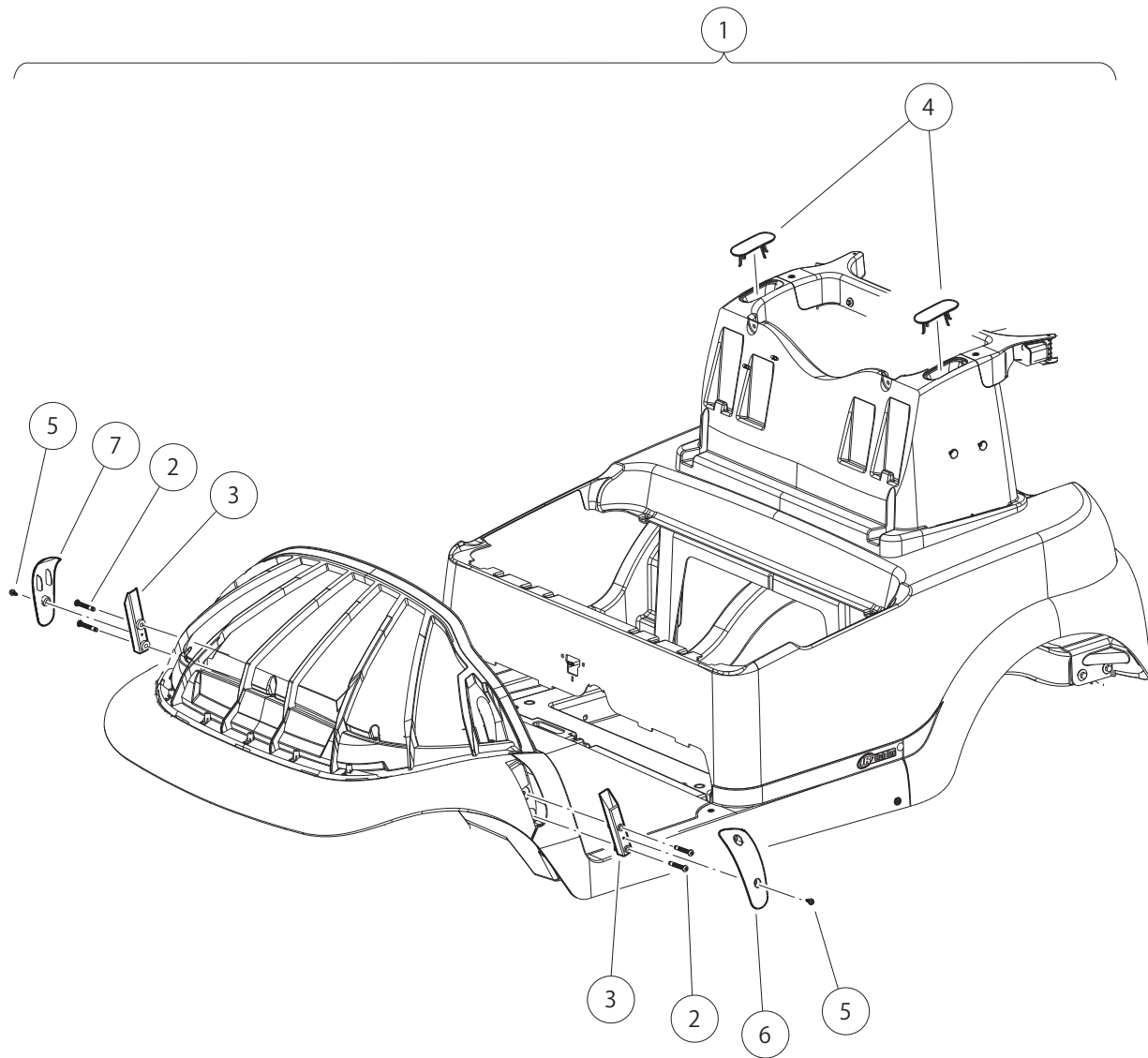
ITEM	PART NO.	DESCRIPTION	QTY
		1 2 3 4	
1	<u>102296020</u>	Screw, Torx Pan Hd Pt, M6 X 20	13
2	<u>102502501</u>	Brow Cap	1
3	<u>47589916201</u>	Pnl, Bty, Ft, White, Sp	1
4	<u>47589916202</u>	Pnl, Bty, Ft, Beige, Sp	1
5	<u>47589916203</u>	Pnl, Bty, Ft, Platinum, Sp	1
6	<u>47589916204</u>	Pnl, Bty, Ft, Sangria, Sp	1
7	<u>47589916206</u>	Pnl, Bty, Ft, Green, Sp	1
8	<u>47589916207</u>	Pnl, Bty, Ft, Sapphire, Sp	1
9	<u>47589916208</u>	Pnl, Bty, Ft, Black, Sp	1
10	<u>47589916210</u>	Pnl, Bty, Ft, Cashmere, Sp	1
11	<u>47589916301</u>	Pnl, Bty, Ft, Mt Glacier, Sp	1
12	<u>47589916302</u>	Pnl, Bty, Ft, Mt Platinum, Sp	1
13	<u>47589916303</u>	Pnl, Bty, Ft, Mt Cndy Apl, Sp	1
14	<u>47589916304</u>	Pnl, Bty, Ft, Mt Green, Sp	1
15	<u>47589916305</u>	Pnl, Bty, Ft, Mt Sapphire, Sp	1
16	<u>47589916306</u>	Pnl, Bty, Ft, Mt Black, Sp	1
17	<u>47589916307</u>	Pnl, Bty, Ft, Mt Mocha, Sp	1
18	<u>47589916312</u>	Pnl, Bty, Ft, Mt Ice Blue Sp	1
19	<u>47589917001</u>	Fascia, Front	1
20	<u>47593000001</u>	Brow, Dual Headlight	1
		<p>Note: For all current and available body color options contact your local Club Car dealer or distributor.</p>	

1

E

1

E



000730-005

UNDERBODY COVERS (VEHICLE WITHOUT CANOPY)

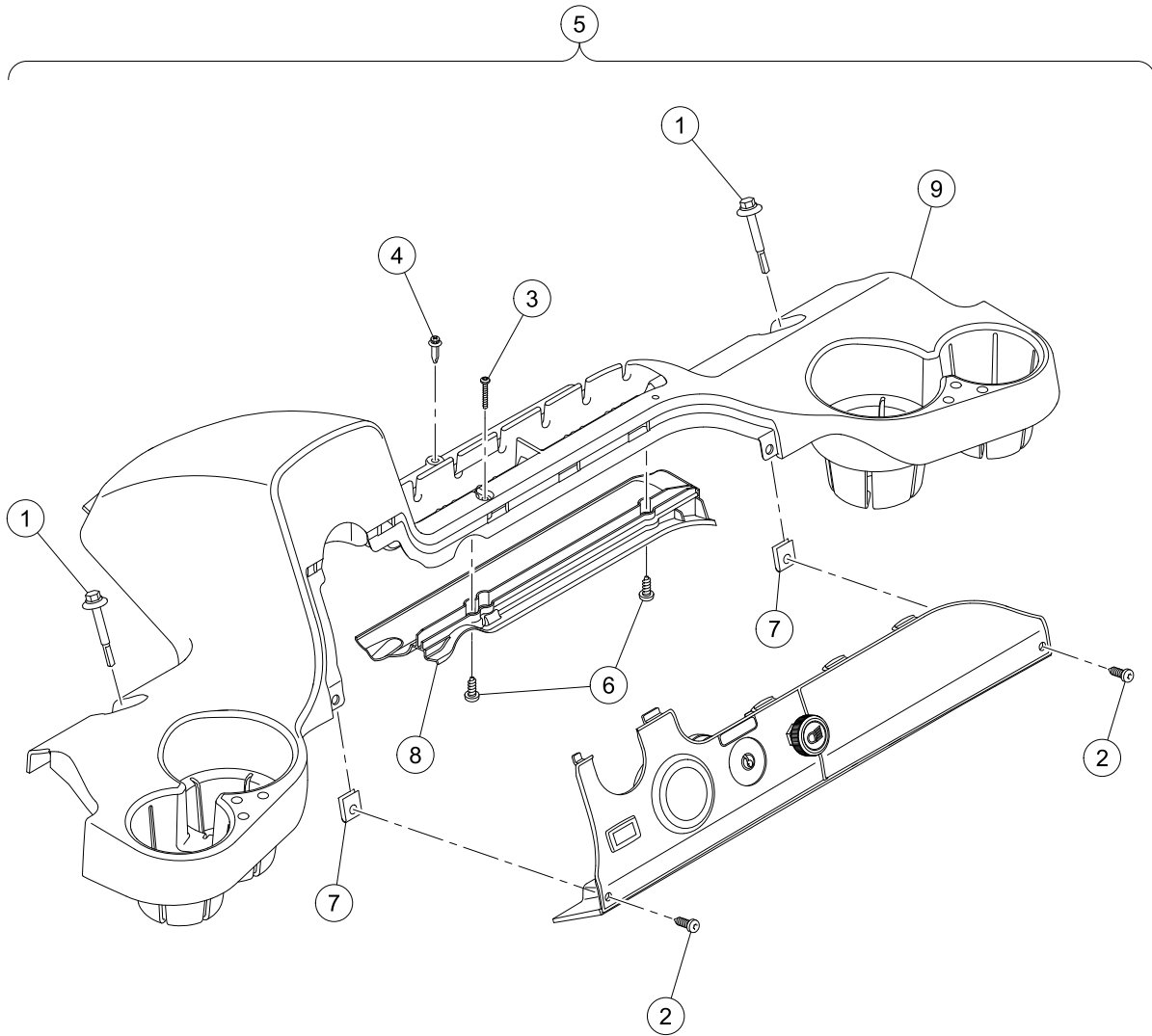
ITEM	PART NO.	DESCRIPTION	QTY
		1 2 3 4	
1	<u>102543903</u>	Kit, Underbody Cover (includes items 2 through 7)	1
2	<u>102299065</u>	M8-1.25 X 65 Tx Bttn Hd Bolt	2
3	N/A	Support, Strut Cover	2
4	N/A	SAM Cap	2
5	<u>102544201</u>	Screw, M6 Hex	4
6	<u>47589922001</u>	Cover, Strut, Lh, Non-topped	1
7	<u>47589922002</u>	Cover, Strut, Rh, Non-topped	1

1

E

1

E



G-140499-000001

DASH

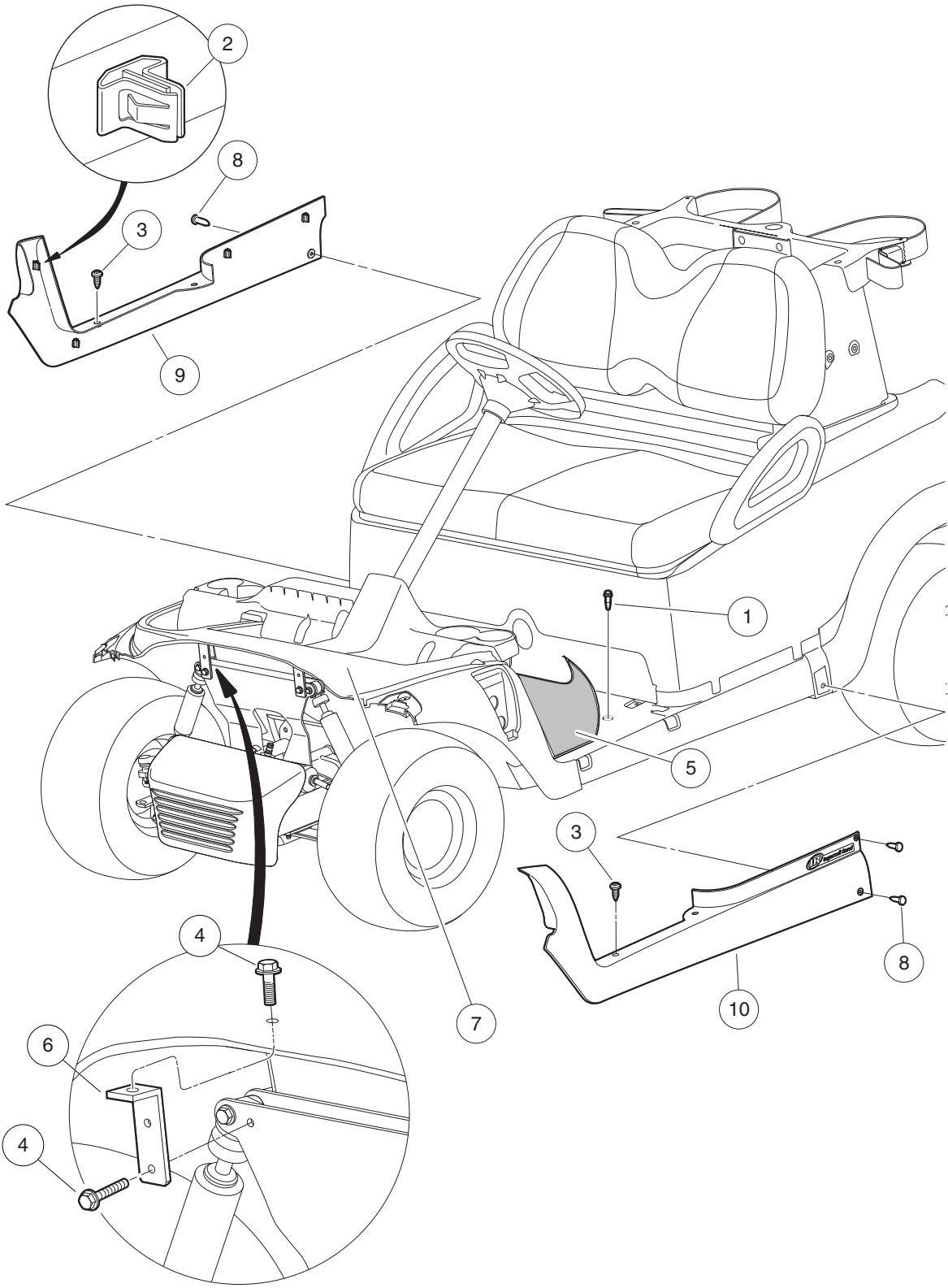
ITEM	PART NO.	DESCRIPTION	QTY
		1 2 3 4	
1	<u>102292356</u>	Screw-1/4-20x56 Hwh Self Drill	2
2	<u>102296819</u>	Screw-M6 x 19	2
3	<u>102557201</u>	Screw, #6-20 Type Abx1.00 Pan	1
4	<u>102915601</u>	Plastic Rivet - Tuflock	1
5	103402704	Dash, Ac Li (includes items 6 through 9)	1
6	N/A	Screw-torx Pan Hd Pt,m6 X 16	2
7	<u>102297001</u>	U-nut, 1/4" Type Ab	2
8	N/A	Drain Channel - Dash	1
9	<u>103402701</u>	Dash Assembly	1

1

E

1

E



000497-007

FLOOR MAT, RETAINERS, AND FRONT UNDERBODY

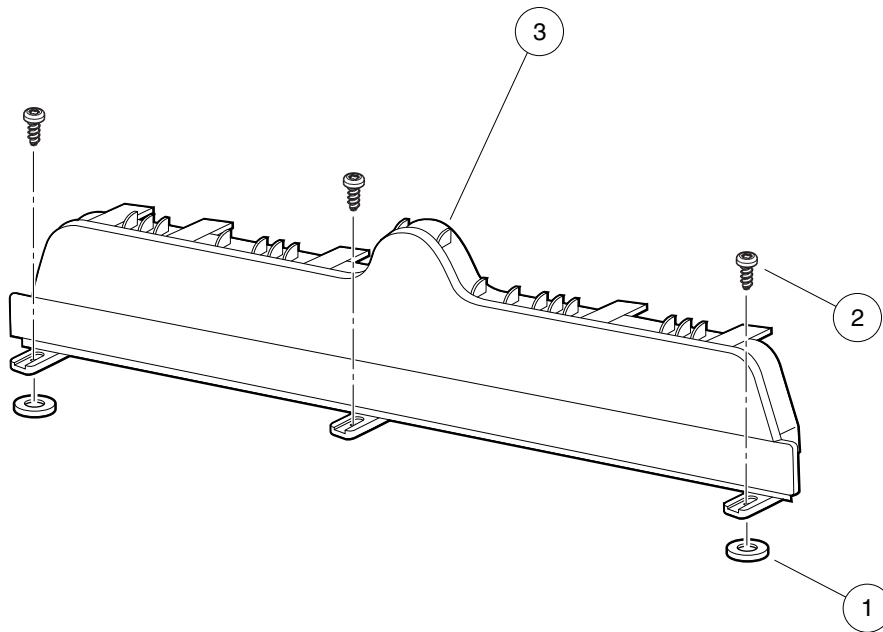
ITEM	PART NO.	DESCRIPTION	QTY
		1 2 3 4	
1	<u>102292356</u>	Screw-1/4-20x56 Hwh Self Drill	3
2	<u>102292701</u>	Clip-body-trim	8
3	<u>102298020</u>	Screw, K80x20, Torx Pn Hd Pt	4
4	102298716	M8-1.25x16 Taptite	4
5	<u>102504802</u>	Floormat	1
6	<u>102521901</u>	Bracket-clamshell	2
7	<u>103635201</u>	Underbody, Front, One Piece	1
8	<u>105291501</u>	Rivet, Plastic Tuflok, 8mm	4
9	<u>105314001</u>	Floormat Retainer, Passenger-side, Black	1
10	<u>105314101</u>	Floormat Retainer, Driver-side, Black	1
Note: Item 7 is a special order item available upon request.			

1

E

1

E



001059-001

KICK PLATE – ON-BOARD CHARGER

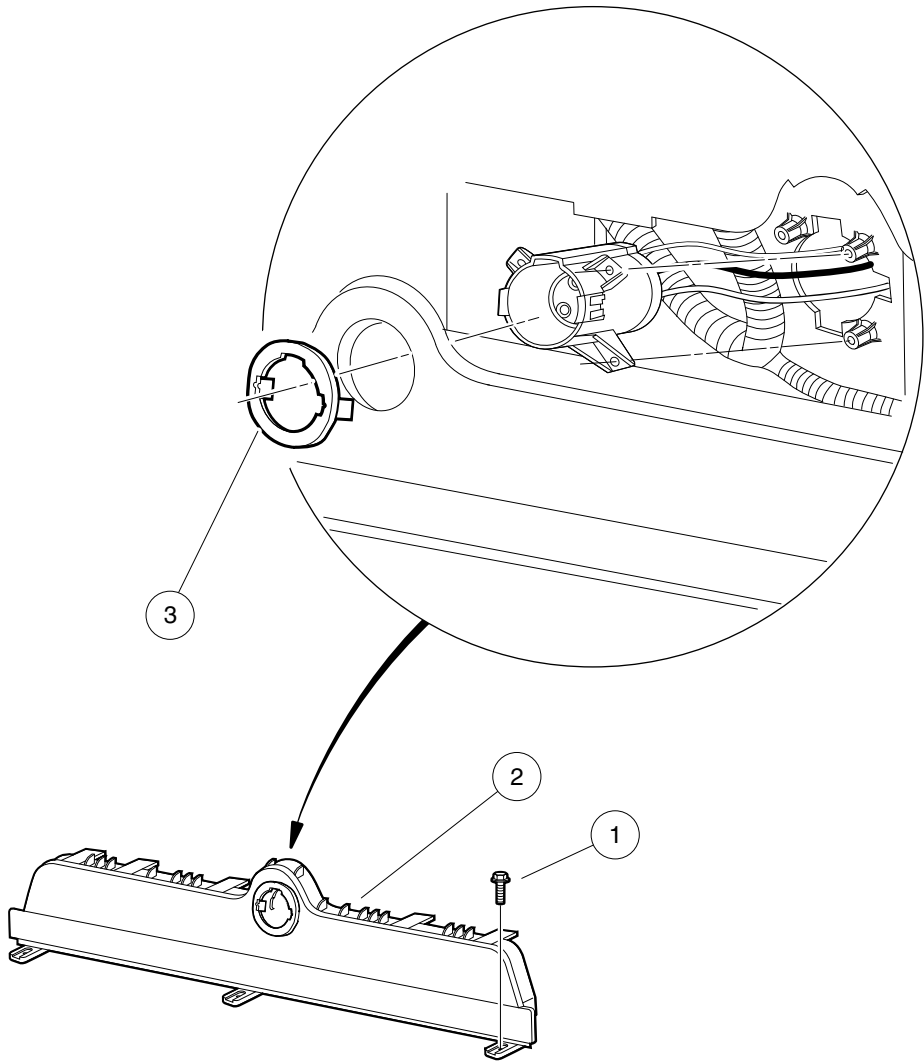
ITEM	PART NO.	DESCRIPTION	QTY
		1 2 3 4	
1	1012571	Washer, 5/16 Extra Thick Flat	2
2	<u>102298020</u>	Screw, K80x20, Torx Pn Hd Pt	3
3	<u>105005402</u>	Plate, Kick, Black	1

1

E

1

E



000500-003

KICK PLATE – SHELF CHARGER

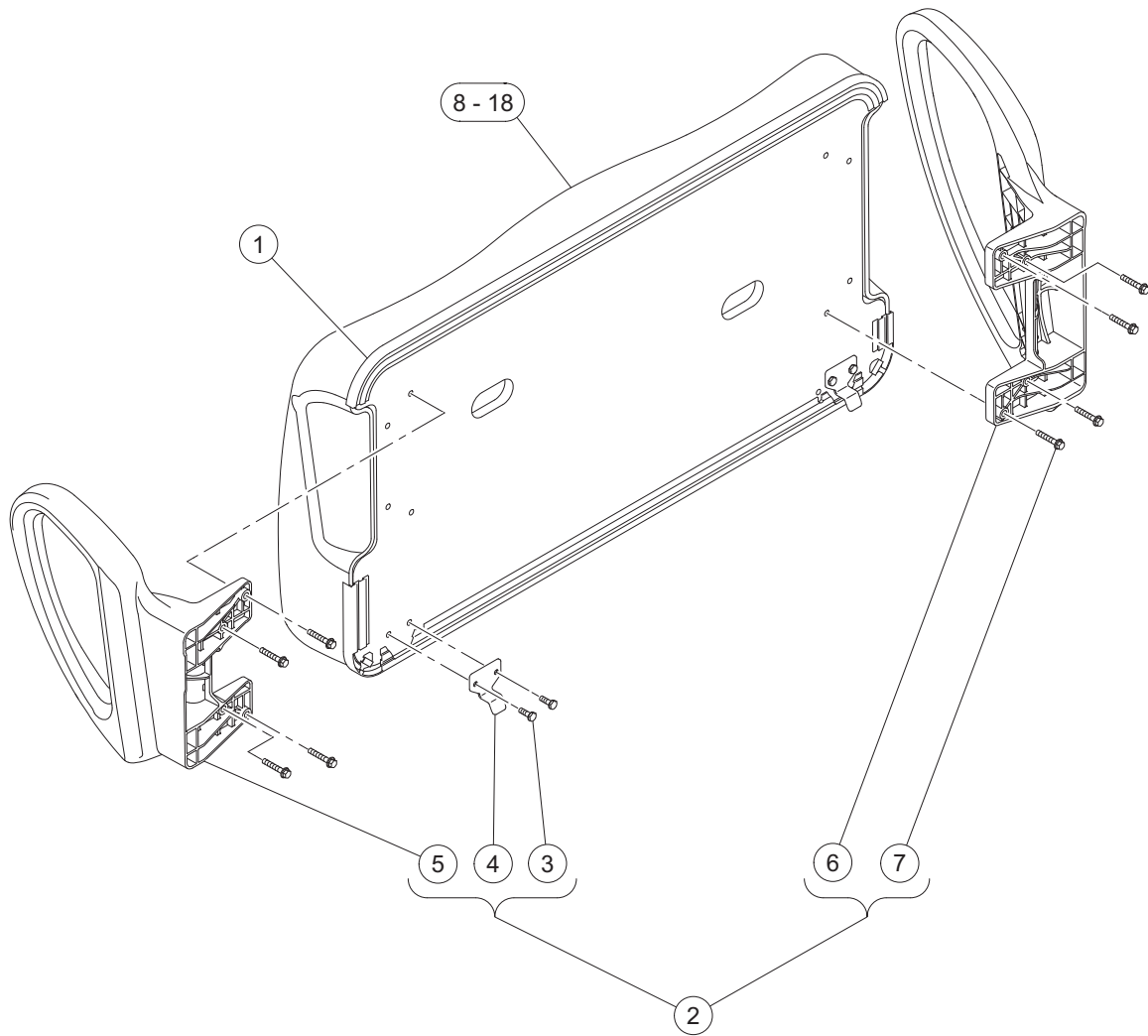
ITEM	PART NO.	DESCRIPTION	QTY
1	<u>102298020</u>	1 2 3 4 Screw, K80x20, Torx Pn Hd Pt	3
2	<u>102508202</u>	Plate - Electric Kick Blk	1
3	<u>102516902</u>	Socket Trim, Charger	1

1

E

1

E



G-140699-000003

SEAT BOTTOM WITH HIP RESTRAINTS

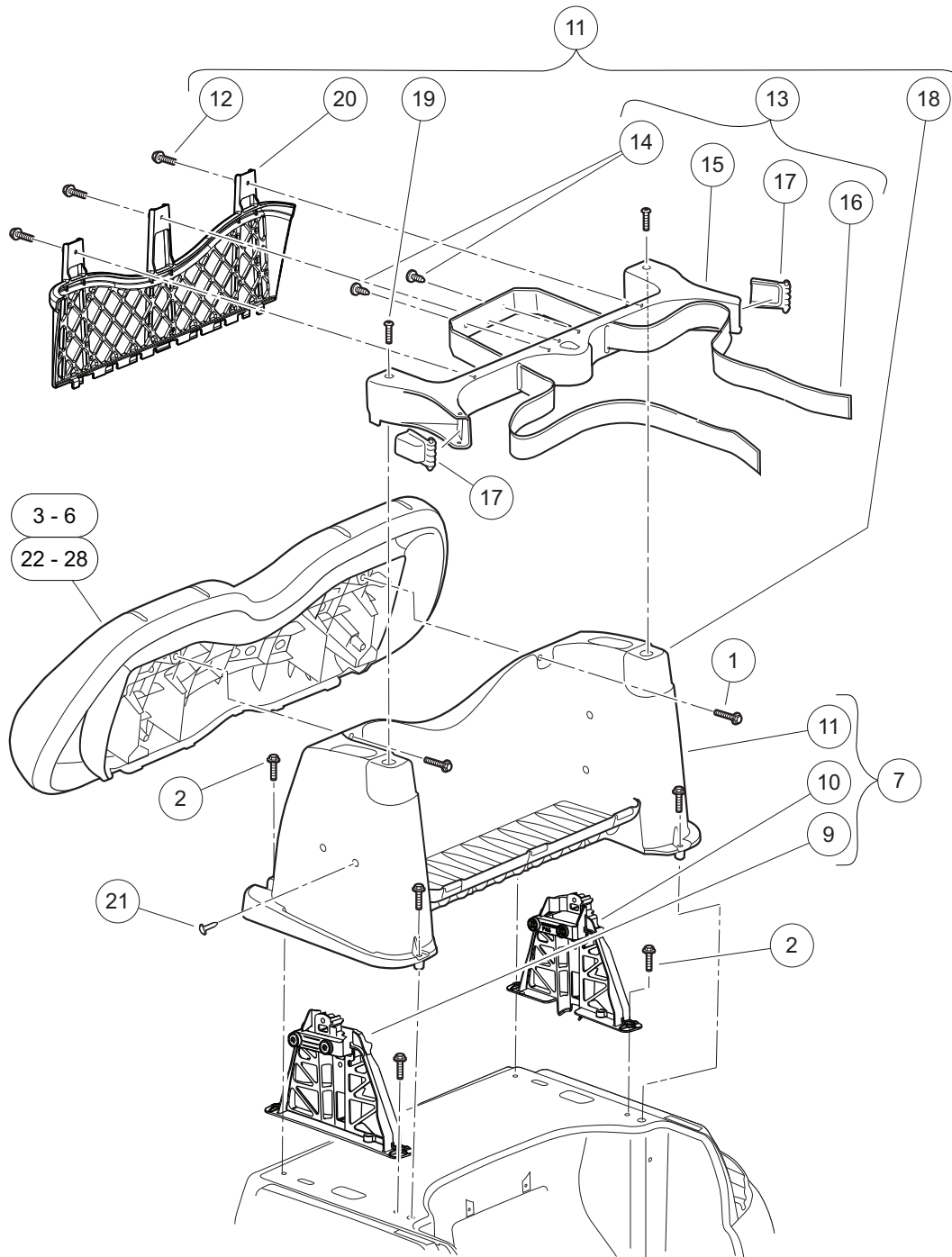
ITEM	PART NO.	DESCRIPTION	QTY
		1 2 3 4	
1	<u>101998501</u>	Gasket, Seat	1
2	<u>103833901</u>	Kit, Seat Bottom (includes items 3 through 7)	1
3	<u>101954301</u>	Screw, 1/4-20 X 0.75 Hex-Head Cap	4
4	<u>103832901</u>	Hinge, Seat Bottom	2
5	<u>103833601</u>	Hip Restraint, Drv	1
6	<u>103833701</u>	Hip Restraint, Pas	1
7	<u>103833801</u>	1/4-20 X 1.5 Hex Flg Patch	8
8	<u>104023421</u>	Seat Bottom Asm, Beige, Service Replacement	1
9	<u>104023422</u>	Seat Bottom Asm, White, Service Replacement	1
10	<u>104023424</u>	Seat Bottom Asm, Gray, Service Replacement	1
11	<u>104023425</u>	Seat Bottom Asm, Black, Service Replacement	1
12	<u>105223321</u>	Seat Bottom Asm, Premium, Light Beige, Service Replacement	1
13	<u>105223322</u>	Seat Bottom Asm, Premium, Camello, Service Replacement	1
14	<u>105223323</u>	Seat Bottom Asm, Premium, Off-White, Service Replacement	1
15	<u>105223324</u>	Seat Bottom Asm, Premium, Camello/Lt. Beige, Service Replacement	1
16	<u>105223327</u>	Seat Bottom Asm, Premium, Black, Service Replacement	1
17	<u>105223328</u>	Seat Bottom Asm, Premium, Black/Gray, Service Replacement	1
18	<u>105223329</u>	Seat Bottom Asm, Premium, Gray, Service Replacement	1
<p>Note: Item 1 is supplied with all seat bottom assemblies and can be procured individually. For all current and available seat color and style options contact your local Club Car dealer or distributor.</p>			

1

E

1

E



000435-013

SEAT BACK, BACKREST, AND STRUCTURAL ACCESSORY MODULE (SAM)

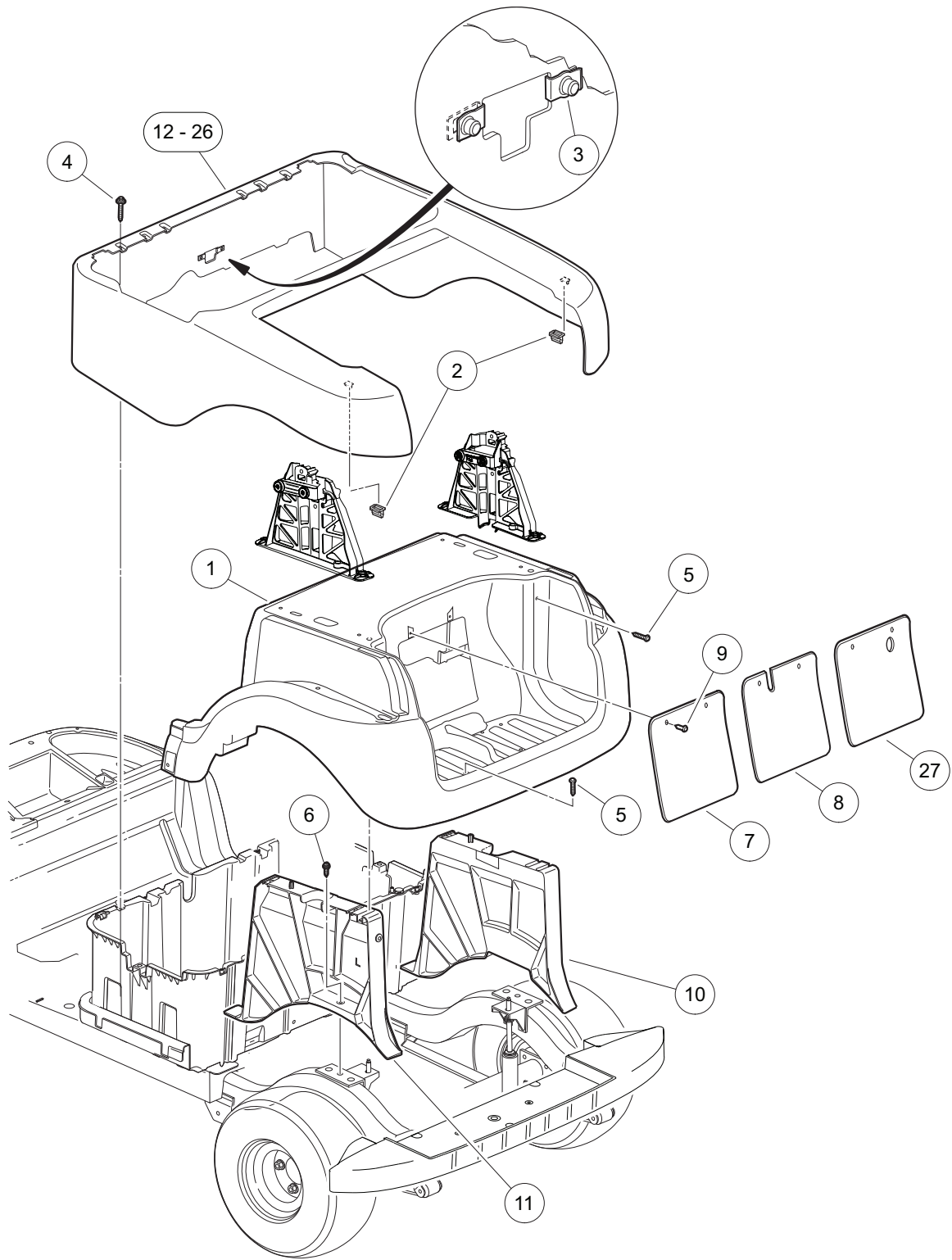
ITEM	PART NO.	DESCRIPTION	QTY
		1 2 3 4	
1	<u>102296530</u>	Screw - M6 X 1.0 X 30 Sems	2
2	<u>102298250</u>	Bolt-flange Hd, M8 X 50.0	6
3	<u>103853121</u>	Asm, Seat Back, Beige, Service Replacement	1
4	<u>103853122</u>	Asm, Seat Back, White, Service Replacement	1
5	<u>103853124</u>	Asm, Seat Back, Gray, Service Replacement	1
6	<u>103853125</u>	Asm, Seat Back, Black, Service Replacement	1
7	<u>103952901</u>	Kit, S.A.M. Assembly (includes items 8 through 11)	1
8	<u>102297230</u>	Screw, M6, Torx, Interlock Thread	4
9	<u>103929301</u>	Support- Canopy, Drv	1
10	<u>103929302</u>	Support- Canopy, Pass	1
11	N/A	Asm, S.A.M. (includes items 12 through 20)	1
12	<u>102297230</u>	Screw, M6, Torx, Interlock Thread	3
13	<u>102504001</u>	Asm, Bag Hoop (includes items 14 through 17)	1
14	<u>1010434</u>	Barrel - Plastic	2
15	<u>102504201</u>	Hoop-bag	1
16	<u>102504301</u>	Strap, Bag	1
17	<u>102517001</u>	Buckle-bag Strap	2
18	N/A	Structural Accessory Module (S.A.M.)	1
19	<u>103327601</u>	Screw, 5/16, Torx, Bosscrew	2
20	<u>103699401</u>	Panel, S.A.M., Prec	1
21	<u>103978801</u>	Barrel-push 6mm	4
22	<u>105223421</u>	Asm, Seat Back, Premium, Lt. Beige, Service Replacement	1
23	<u>105223422</u>	Asm, Seat Back, Premium, Camello, Service Replacement	1
24	<u>105223423</u>	Asm, Seat Back, Premium, Off-White, Service Replacement	1
25	<u>105223424</u>	Asm, Seat Back, Premium, Camello/Lt. Beige, Service Replacement	1
26	<u>105223427</u>	Asm, Seat Back, Premium, Black, Service Replacement	1
27	<u>105223428</u>	Asm, Seat Back, Premium, Black/Gray, Service Replacement	1
28	<u>105223429</u>	Sp,asm,prem Seat Back,gray	1
<p>Note: Screws (item 8) not shown. These are four new screws to replace those used to attach accessory mounting brackets to SAM (item 18). For all current and available seat color and style options contact your local Club Car dealer or distributor.</p>			

1

E

1

E



000436-019

REAR BODY

ITEM	PART NO.	DESCRIPTION	QTY
		1 2 3 4	
1	102279106	Underbody, Rear, Common	1
2	<u>102292701</u>	Clip-body-trim	2
3	<u>102296601</u>	U-Nut, M6-1.0, Prevailing Torque	2
4	<u>102297230</u>	Screw, M6, Torx, Interlock Thread	4
5	102298030	Screw, K80x30, Torx Pn Hd Pt	4
6	<u>102298720</u>	Screw, M8-1.25x20, Taptite	2
7	<u>102501402</u>	Panel, Access, Black	1
8	<u>102501403</u>	Panel, Access, Black, with Punched Hole	1
9	<u>102967901</u>	Rivet, Removable, Tuflok 1/4"	2
10	<u>103812901</u>	Asm, Rear Underbody Support, Passenger-side	1
11	<u>103813001</u>	Asm, Rear Underbody Support, Driver-side	1
12	<u>47589919201</u>	Pnl, Bty, Rr, White, Sp	1
13	<u>47589919202</u>	Pnl, Bty, Rr, Beige, Sp	1
14	<u>47589919203</u>	Pnl, Bty, Rr, Platinum, Sp	1
15	<u>47589919204</u>	Pnl, Bty, Rr, Sangria, Sp	1
16	<u>47589919206</u>	Pnl, Bty, Rr, Green, Sp	1
17	<u>47589919207</u>	Pnl, Bty, Rr, Sapphire, Sp	1
18	<u>47589919208</u>	Pnl, Bty, Rr, Black, Sp	1
19	<u>47589919210</u>	Pnl, Bty, Rr, Cashmere, Sp	1
20	<u>47589919301</u>	Pnl, Bty, Rr, Mt Glacier, Sp	1
21	<u>47589919302</u>	Pnl, Bty, Rr, Mt Platinum, Sp	1
22	<u>47589919303</u>	Pnl, Bty, Rr, Mt Cndy Apl, Sp	1
23	<u>47589919304</u>	Pnl, Bty, Rr, Mt Green, Sp	1
24	<u>47589919305</u>	Pnl, Bty, Rr, Mt Sapphire, Sp	1
25	<u>47589919306</u>	Pnl, Bty, Rr, Mt Black, Sp	1
26	<u>47589919307</u>	Pnl, Bty, Rr, Mt Mocha, Sp	1
27	<u>SVP915201</u>	Panel-access-lite Hole Cut Out	1

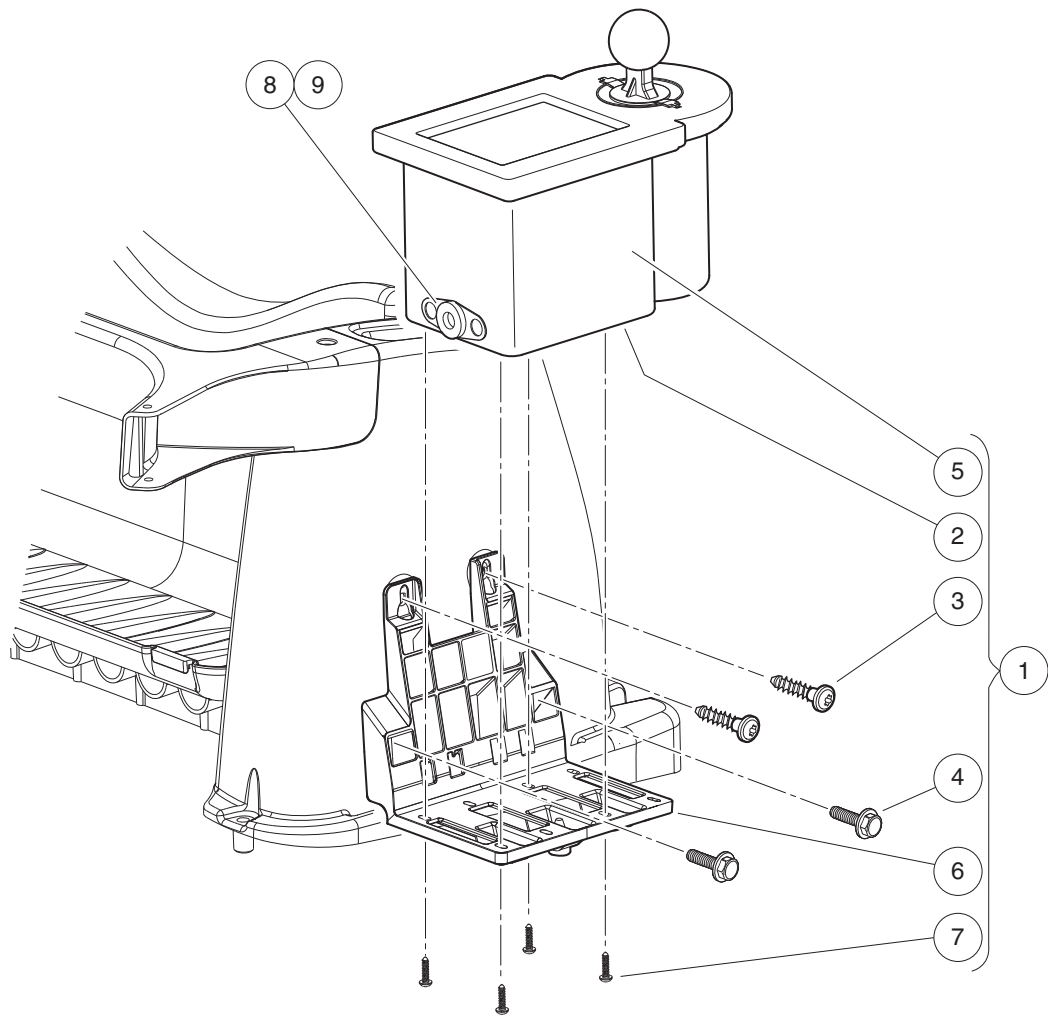
1

E

Note: Item 7 is for use on vehicles without an onboard charger. Item 8 and 27 are for use on vehicles with optional onboard chargers. For all current and available body color options contact your local Club Car dealer or distributor.

1

E



001046-002

CLUB AND BALL CLEANER KIT

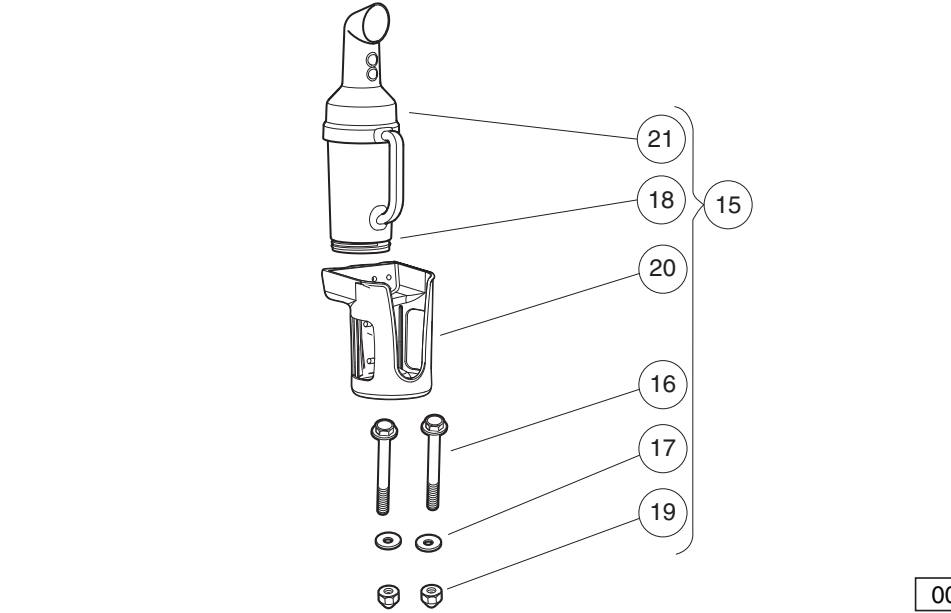
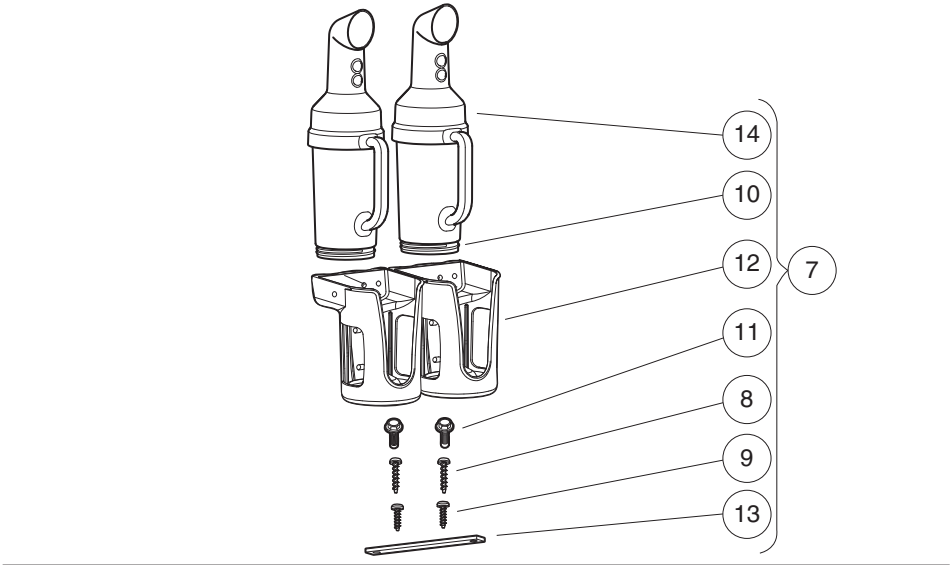
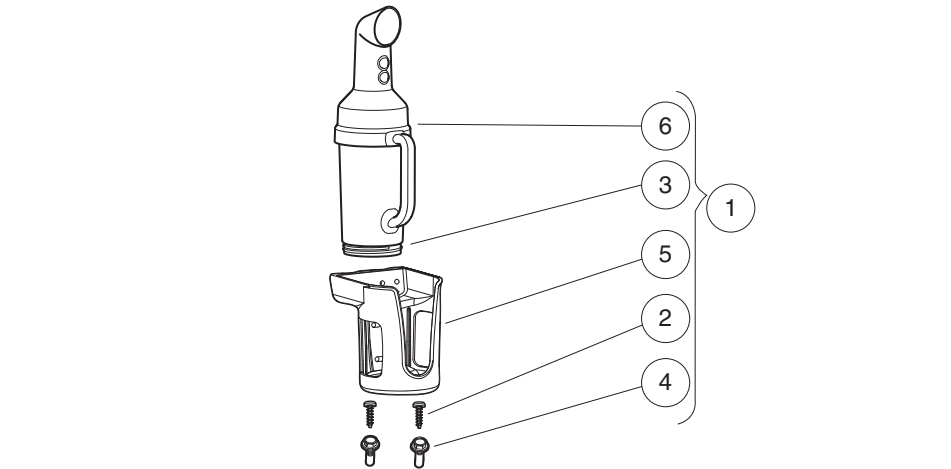
ITEM	PART NO.	DESCRIPTION	QTY
		1 2 3 4	
1	<u>102538803</u>	Ball Washer (includes items 2 through 7)	1
2	<u>1010436</u>	Bumper, Rubber	1
3	<u>102297230</u>	Screw, M6, Torx, Interlock Thread	2
4	<u>102541401</u>	Bolt-m6x1.0x20 Hex Flhd Blk-I	2
5	<u>103662801</u>	Washer, Ball, Black	1
6	<u>103994101</u>	Bracket, Ball Washer	1
7	1620	Screw, #10-16 X 0.75 Pan-Head Tap	4
8	<u>AM1231201</u>	Drain Plug, Club Clean	1
9	<u>AM1292101</u>	Drain Plug, Ball Washer, Tabbed	1

1

E

1

E



001048-002

SAND BOTTLE KITS WITH HANDLES

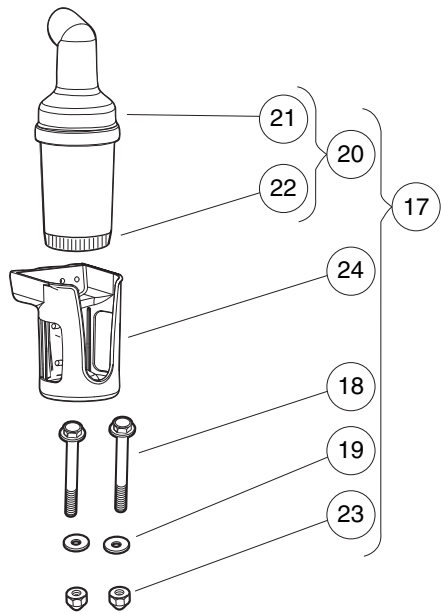
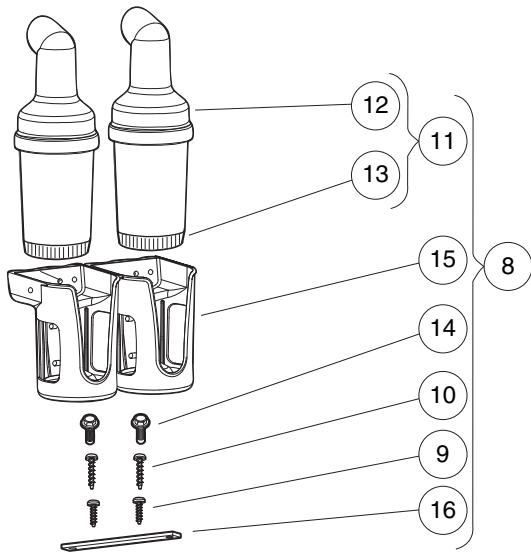
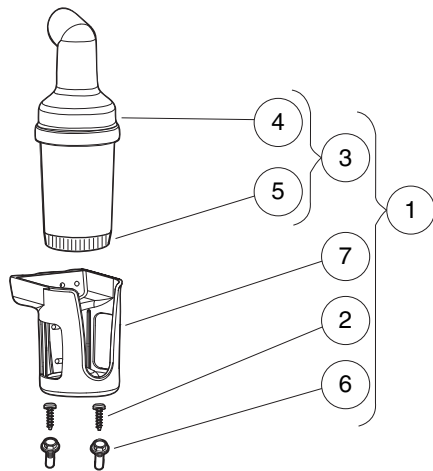
ITEM	PART NO.	DESCRIPTION	QTY
		1 2 3 4	
1	105291701	Kit, Hndl Sand Bttl, Sam, Sngl (includes items 2 through 6)	1
2	<u>102297230</u>	Screw, M6, Torx, Interlock Thread	2
3	<u>102478101</u>	Cap, Sand Bottle, Bottom-Fill	1
4	<u>102541425</u>	Bolt, M6x1.0x25, Hex Flhd, Blk-l	2
5	<u>103451301</u>	Basket, Sand Bottle	1
6	<u>105284001</u>	Sand Bottle Asm - Handled	1
7	105291702	Kit, Hndl Sand Bttl, Sam, Dual (includes items 8 through 14)	1
8	<u>102296020</u>	Screw-torx Pan Head Pt, M6x20	2
9	<u>102297230</u>	Screw, M6, Torx, Interlock Thread	2
10	<u>102478101</u>	Cap, Sand Bottle, Bottom-Fill	2
11	<u>102541425</u>	Bolt, M6x1.0x25, Hex Flhd, Blk-l	2
12	<u>103451301</u>	Basket, Sand Bottle	2
13	<u>103451401</u>	Link, Dual Basket	1
14	<u>105284001</u>	Sand Bottle Asm - Handled	2
15	<u>105291703</u>	Kit, Hndl Sand Bttl, Strt (includes items 16 through 21)	1
16	<u>102296150</u>	Bolt - M6x1.0x50 Hex Flng Hd	2
17	<u>102296301</u>	Washer, M6x18x1.6 Flat	2
18	<u>102478101</u>	Cap, Sand Bottle, Bottom-Fill	1
19	<u>102582401</u>	Cap Nut M6, Sp	2
20	<u>103451301</u>	Basket, Sand Bottle	1
21	<u>105284001</u>	Sand Bottle Asm - Handled	1
		Note: Sand bottle assembly is supplied with sand bottle cap.	

1

E

1

E



001048-001

SAND BOTTLE KITS

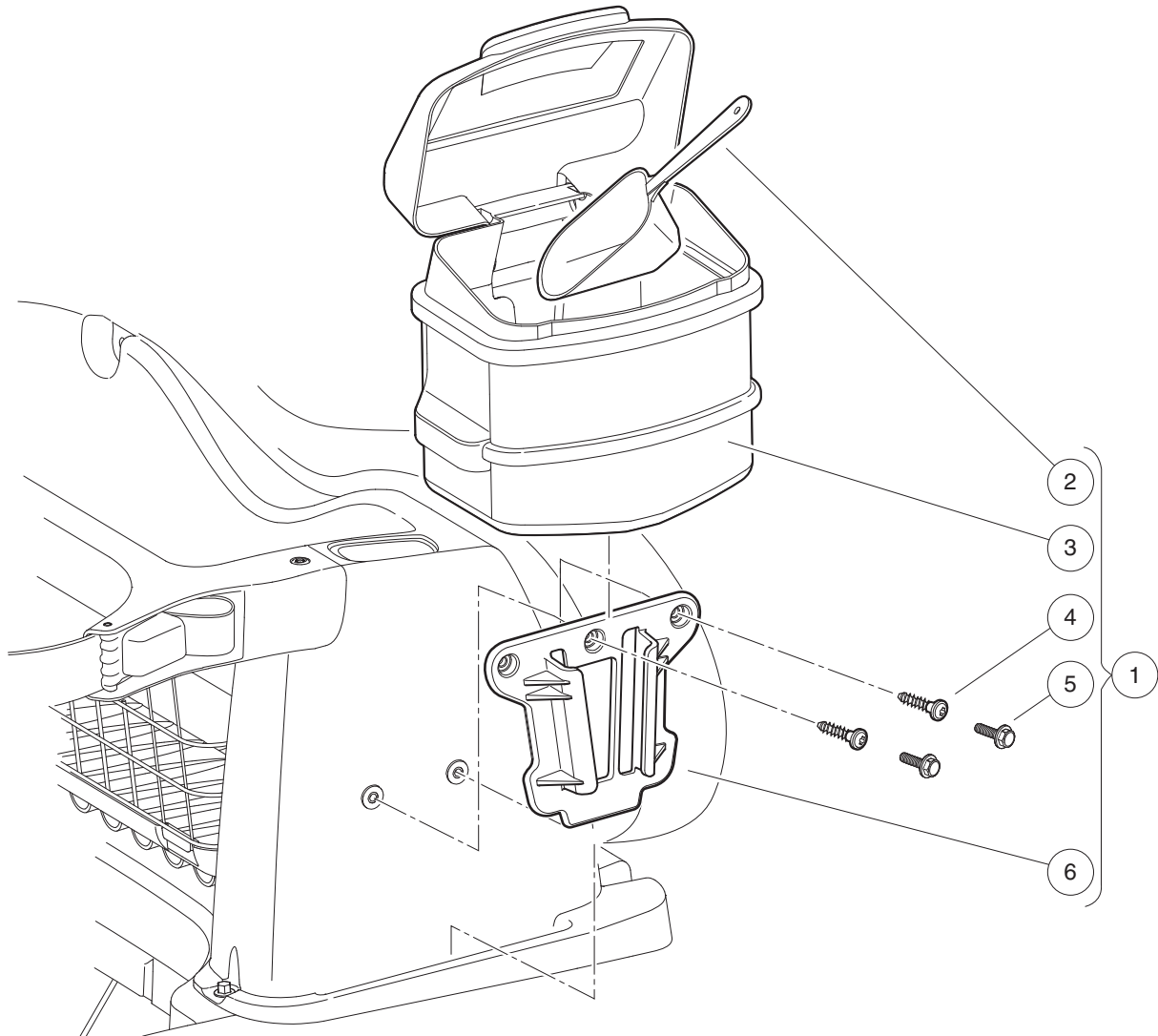
ITEM	PART NO.	DESCRIPTION	QTY
		1 2 3 4	
1	<u>103451901</u>	Kit, Sand Bottle, Sam, Single (includes items 2 through 7)	1
2	<u>102297230</u>	Screw, M6, Torx, Interlock Thread	2
3	<u>102478201</u>	Asm, Sand Bottle, Bottom-Fill, Curve/Grip Neck (includes items 4 and 5)	1
4	N/A	Sand Bottle, Bottom-Fill, Curve/Grip Neck	1
5	<u>102478101</u>	Cap, Sand Bottle, Bottom-Fill	1
6	<u>102541425</u>	Bolt, M6x1.0x25, Hex Flhd, Blk-l	2
7	<u>103451301</u>	Basket, Sand Bottle	1
8	<u>103451902</u>	Kit, Sand Bottle, Sam, Dual (includes items 9 through 16)	1
9	<u>102296020</u>	Screw, Torx Pan Hd Pt, M6 X 20	2
10	<u>102297230</u>	Screw, M6, Torx, Interlock Thread	2
11	<u>102478201</u>	Asm, Sand Bottle, Bottom-Fill, Curve/Grip Neck (includes items 12 and 13)	2
12	N/A	Sand Bottle, Bottom-Fill, Curve/Grip Neck	1
13	<u>102478101</u>	Cap, Sand Bottle, Bottom-Fill	1
14	<u>102541425</u>	Bolt, M6x1.0x25, Hex Flhd, Blk-l	2
15	<u>103451301</u>	Basket, Sand Bottle	2
16	<u>103451401</u>	Link, Dual Basket	1
17	<u>103451903</u>	Kit, Sand Bottle, Strut (includes items 18 through 24)	1
18	<u>102296150</u>	Bolt - M6x1.0x50 Hex Flng Hd	2
19	<u>102296301</u>	Washer, M6x18x1.6 Flat	2
20	<u>102478201</u>	Asm, Sand Bottle, Bottom-Fill, Curve/Grip Neck (includes items 21 and 22)	1
21	N/A	Sand Bottle, Bottom-Fill, Curve/Grip Neck	1
22	<u>102478101</u>	Cap, Sand Bottle, Bottom-Fill	1
23	<u>102582401</u>	Cap Nut M6, Sp	2
24	<u>103451301</u>	Basket, Sand Bottle	1

1

E

1

E



001047-001

SAND BUCKET KITS

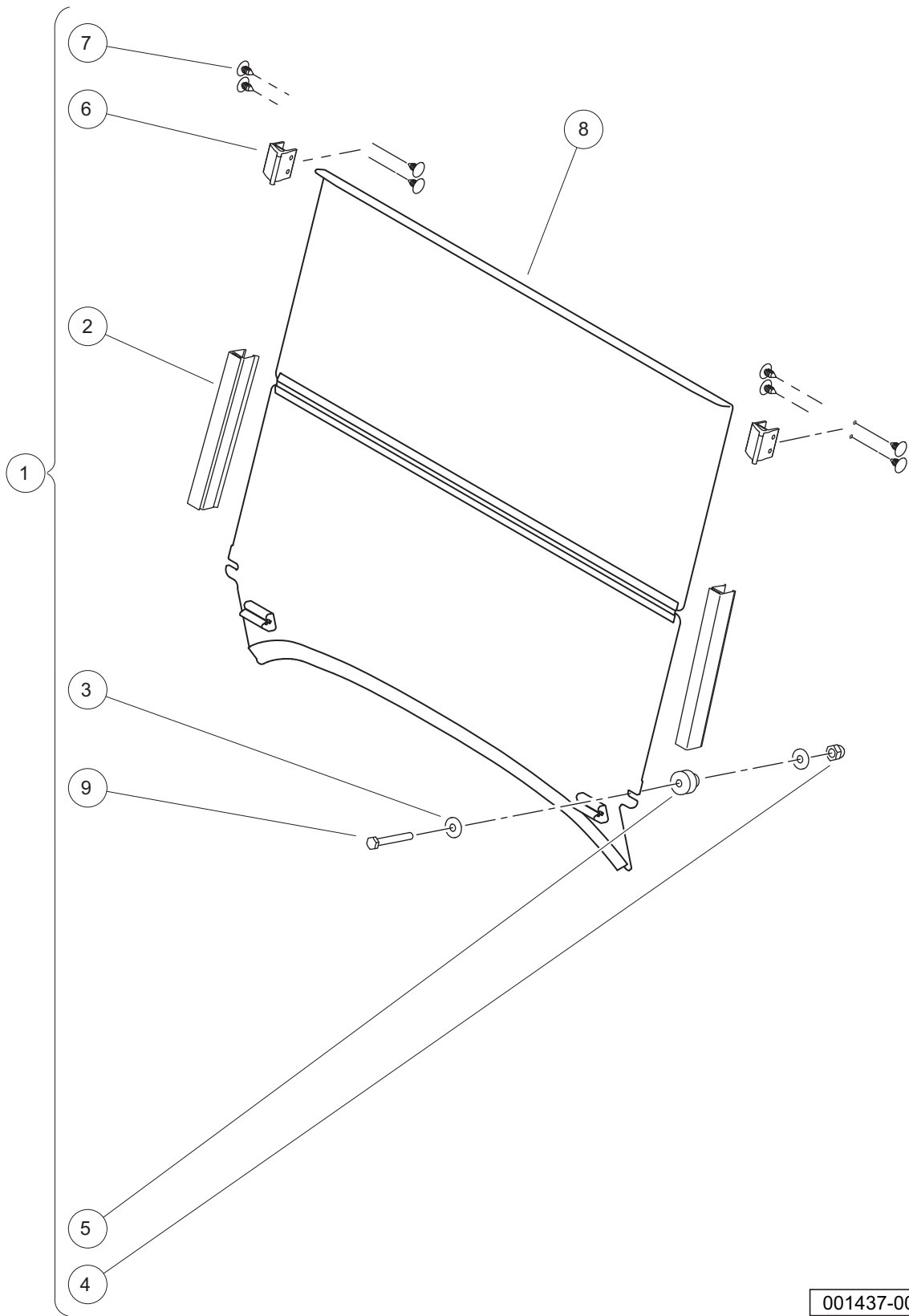
ITEM	PART NO.	DESCRIPTION	QTY
		1 2 3 4	
1	<u>102536103</u>	Sand Bucket Instl, Field (includes items 2 through 6)	1
2	<u>1017041</u>	Scoop, Plastic Sand	1
3	<u>101985201</u>	Bucket Assy, Sand	1
4	<u>102297230</u>	Screw, M6, Torx, Interlock Thread	2
5	<u>102541401</u>	Bolt-m6x1.0x20 Hex Flhd Blk-l	2
6	<u>103886801</u>	Accessory Bracket	1

1

E

1

E



001437-003

WINDSHIELDS – HINGED

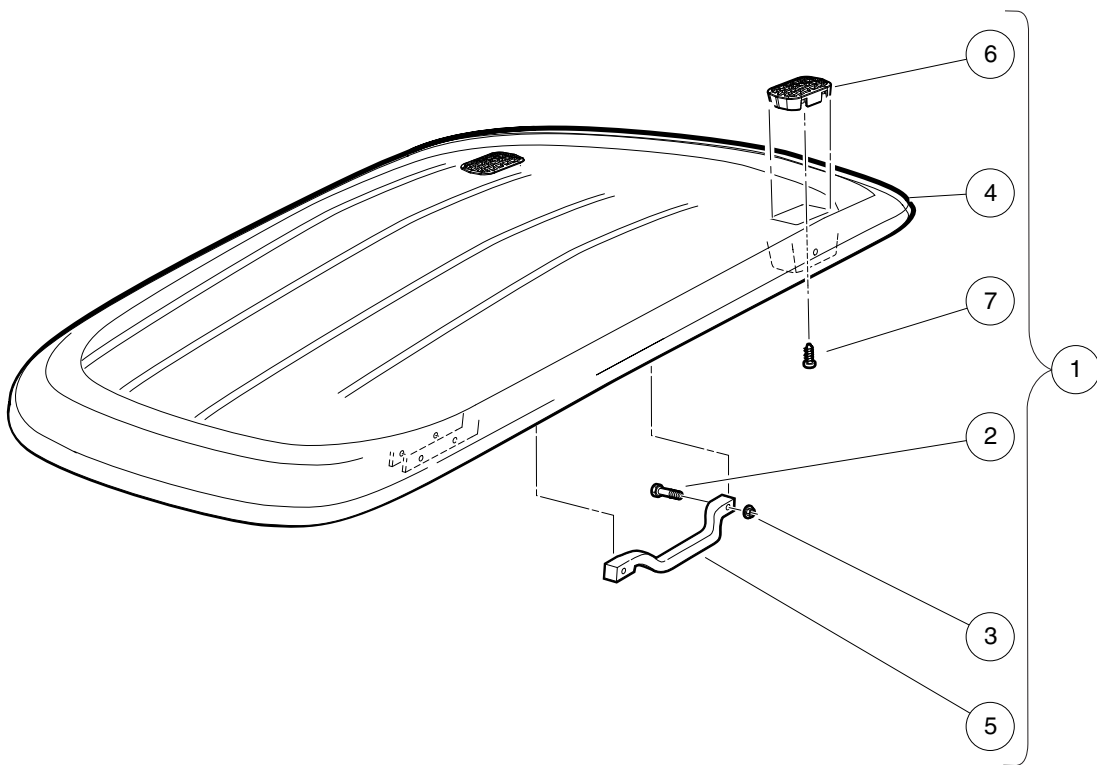
ITEM	PART NO.	DESCRIPTION	QTY
		1 2 3 4	
1	<u>105248601</u>	Kit, Windshield, Hinged, Tinted, Prec (includes items 2 through 9)	1
2	<u>102163001</u>	Windshield Channel	2
3	<u>102296301</u>	Washer, M6x18x1.6 Flat	4
4	<u>102582401</u>	Cap Nut M6, Sp	2
5	<u>102947601</u>	Grommet, Windshield	2
6	<u>103677101</u>	W/s, Rubber, Clip Retainer	2
7	<u>103754901</u>	Fastener, Barrel - .610 X .25	8
8	<u>105248501</u>	Asm, W/s, Tinted, Prec	1
9	<u>105289701</u>	M6x1.0x48 Hex Hd Bolt-blk	2
10	<u>105248701</u>	Kit, Windshield, Hinged, Clear, Prec (includes items 11 through 18)	1
11	<u>102163001</u>	Windshield Channel	2
12	<u>102296301</u>	Washer, M6x18x1.6 Flat	4
13	<u>102582401</u>	Cap Nut M6, Sp	2
14	<u>102947601</u>	Grommet, Windshield	2
15	<u>103677101</u>	W/s, Rubber, Clip Retainer	2
16	<u>103754901</u>	Fastener, Barrel - .610 X .25	8
17	<u>105248801</u>	Asm, Std Hinged W/s, Prec	1
18	<u>105289701</u>	M6x1.0x48 Hex Hd Bolt-blk	2
<p style="text-align: center;">Note: Only the Tinted Windshield Kit (item 1) and details are shown. All details except the windshields are the same in both kits.</p>			

1

E

1

E



000439-009

CANOPY – WHITE

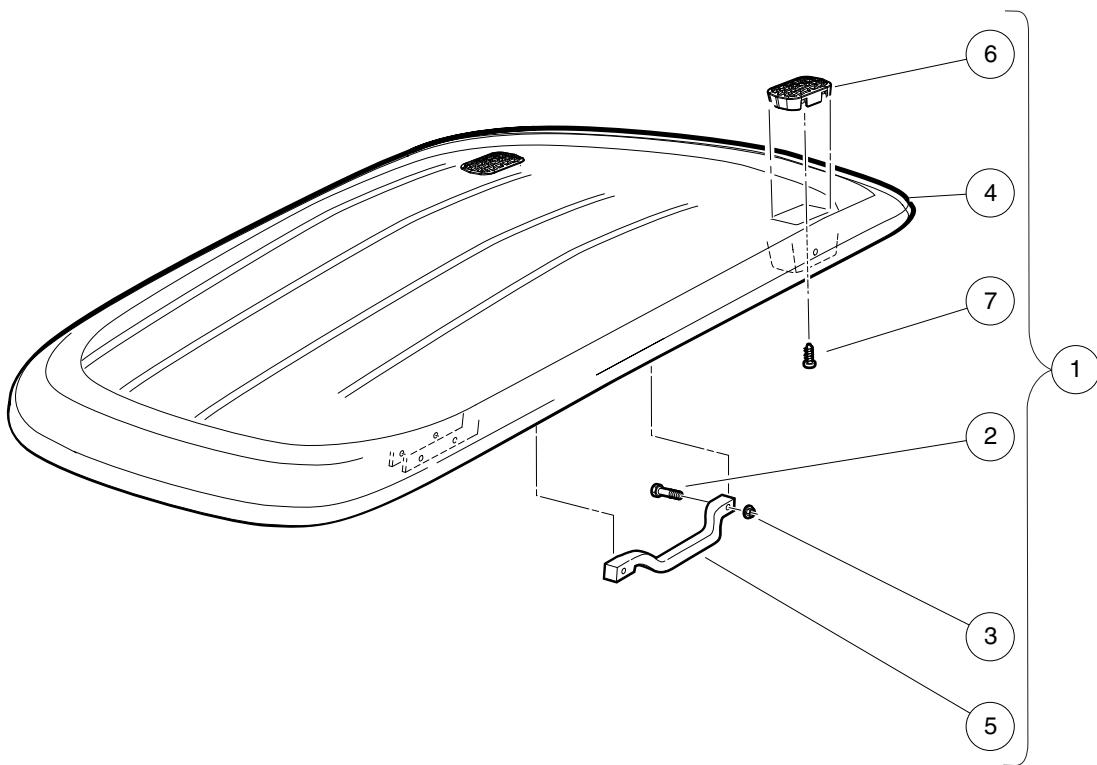
ITEM	PART NO.	DESCRIPTION	QTY
		1 2 3 4	
1	<u>104008001</u>	Asm, Canopy W/handles, White (includes items 2 through 7)	1
2	<u>102296140</u>	Bolt, Flanged Head, M6x1.0x40	4
3	<u>102296401</u>	Nut, M6x1.0, Flange, Metal Lock	4
4	<u>102508901</u>	Canopy-white	1
5	<u>102511601</u>	Handle, Canopy (White)	2
6	<u>103205101</u>	Cover, Drain, Canopy	2
7	<u>103210101</u>	Screw, #8 X.75, Torx, Tapping	2

1

E

1

E



000439-009

CANOPY – BEIGE

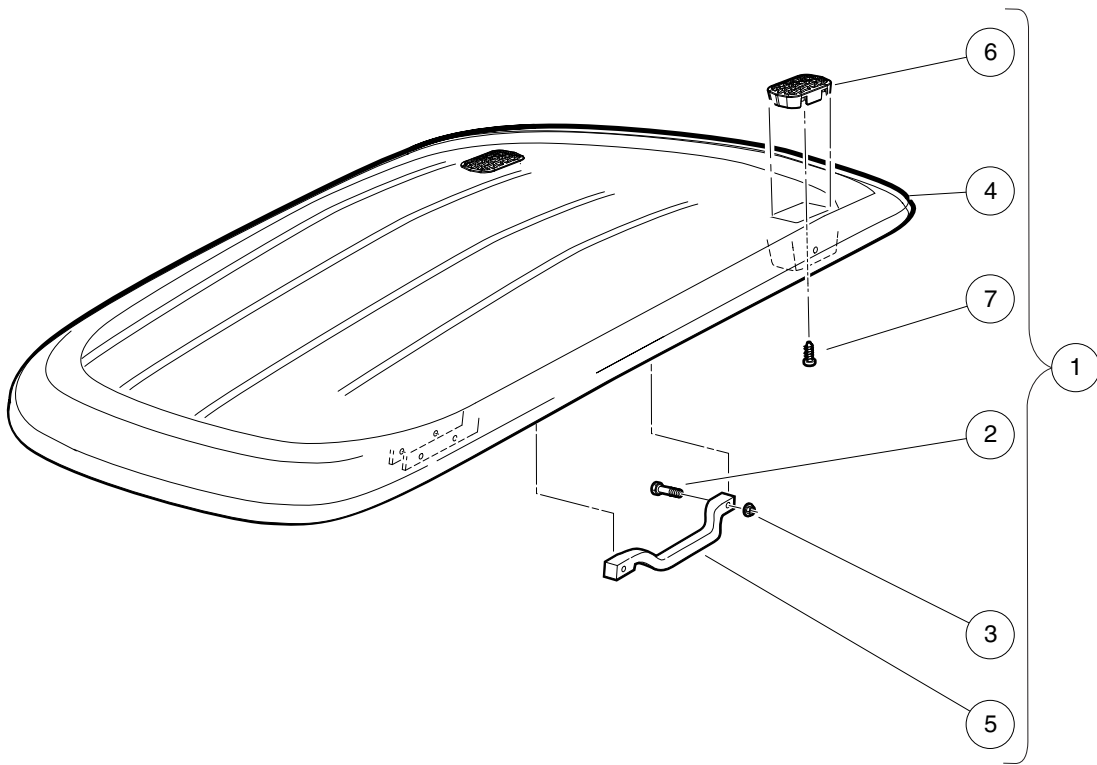
ITEM	PART NO.	DESCRIPTION	QTY
		1 2 3 4	
1	<u>104008002</u>	Asm, Canopy W/handles, Beige (includes items 2 through 7)	1
2	<u>102296140</u>	Bolt, Flanged Head, M6x1.0x40	4
3	<u>102296401</u>	Nut, M6x1.0, Flange, Metal Lock	4
4	<u>102508902</u>	Canopy-beige	1
5	<u>102511602</u>	Handle, Canopy (Beige)	2
6	<u>103205101</u>	Cover, Drain, Canopy	2
7	<u>103210101</u>	Screw, #8 X.75, Torx, Tapping	2

1

E

1

E



000439-009

CANOPY – BLACK

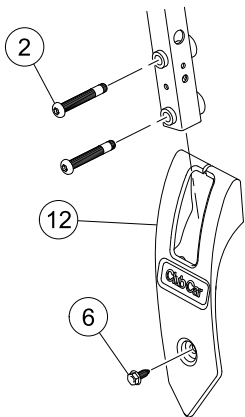
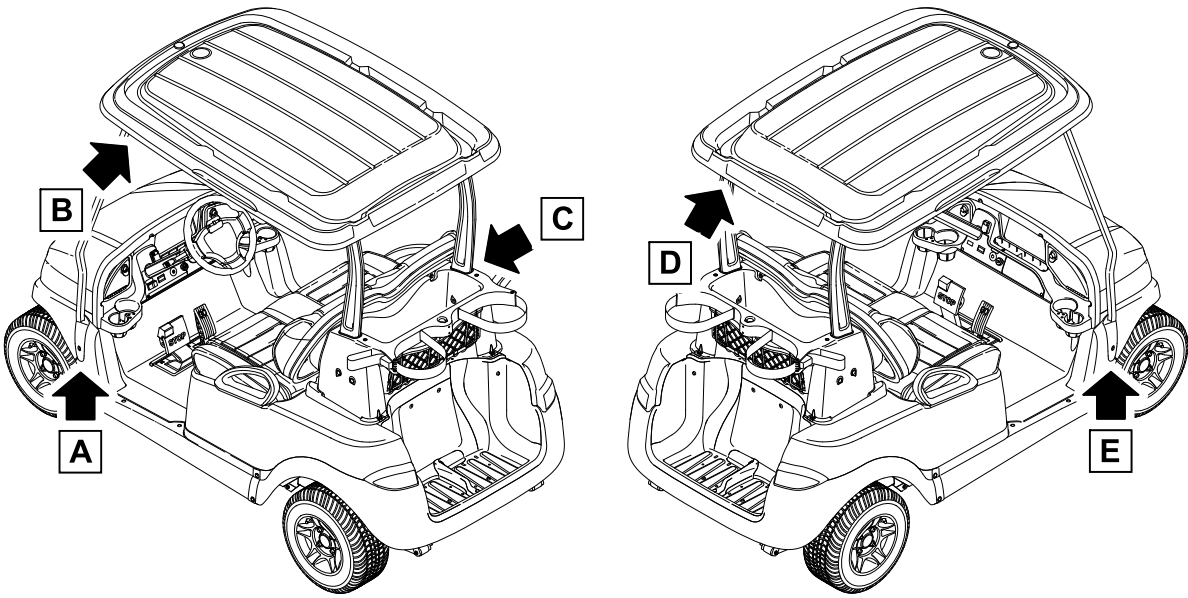
ITEM	PART NO.	DESCRIPTION	QTY
		1 2 3 4	
1	<u>104008003</u>	Asm, Canopy W/handles, Black (includes items 2 through 7)	1
2	<u>102296140</u>	Bolt, Flanged Head, M6x1.0x40	4
3	<u>102296401</u>	Nut, M6x1.0, Flange, Metal Lock	4
4	<u>102508903</u>	Canopy-black	1
5	<u>102511603</u>	Handle-canopy (black)	2
6	<u>103205101</u>	Cover, Drain, Canopy	2
7	<u>103210101</u>	Screw, #8 X.75, Torx, Tapping	2

1

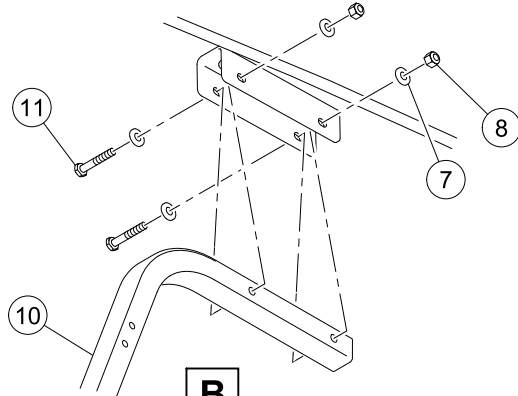
E

1

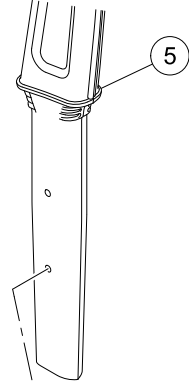
E



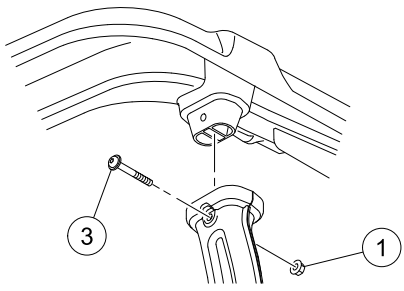
A



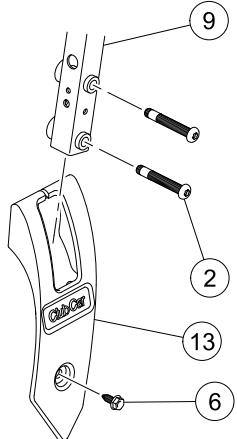
B



C



D



E

G-140799-000002

CANOPY STRUTS – TOPPED

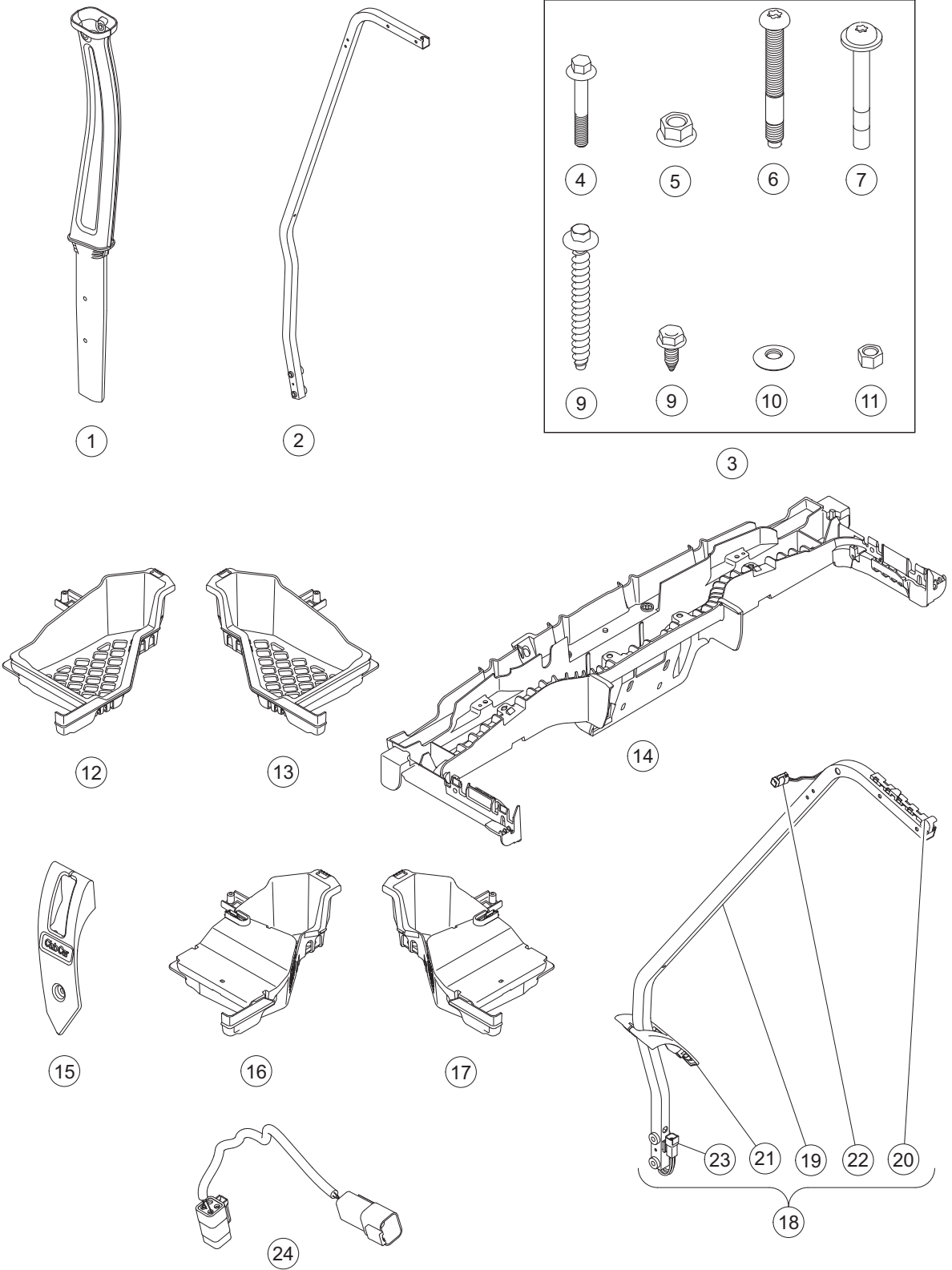
ITEM	PART NO.	DESCRIPTION	QTY
		1 2 3 4	
1	<u>102298401</u>	Nut, M8, All Metal Lock	2
2	<u>102299065</u>	M8-1.25 X 65 Tx Bttn Hd Bolt	4
3	<u>102299360</u>	Screw, M8-1.25 X 60, Sems, Tx	2
4	<u>102299601</u>	Screw, Pt, K80x70 Hex Flg Hd	2
5	<u>102513501</u>	Asm-rear Canopy Support	1
6	<u>102544201</u>	Screw, M6 Hex	2
7	<u>103196001</u>	Washer, Conical Spring, Canopy	8
8	<u>103200301</u>	Nut, M6 x 1.00	4
9	<u>103750001</u>	Strut, Canopy Front, Passenger-side	1
10	<u>103750101</u>	Strut, Canopy Front, Driver-side	1
11	<u>103774801</u>	Screw, Pt, Washer Head, 4x16	6
12	<u>47589920001</u>	Cover, Strut, LH, Topped	1
13	<u>47589920002</u>	Cover, Strut, RH, Topped	1

1

E

1

E



G-140799-000001

VISAGE CANOPY STRUTS AND CONSOLE

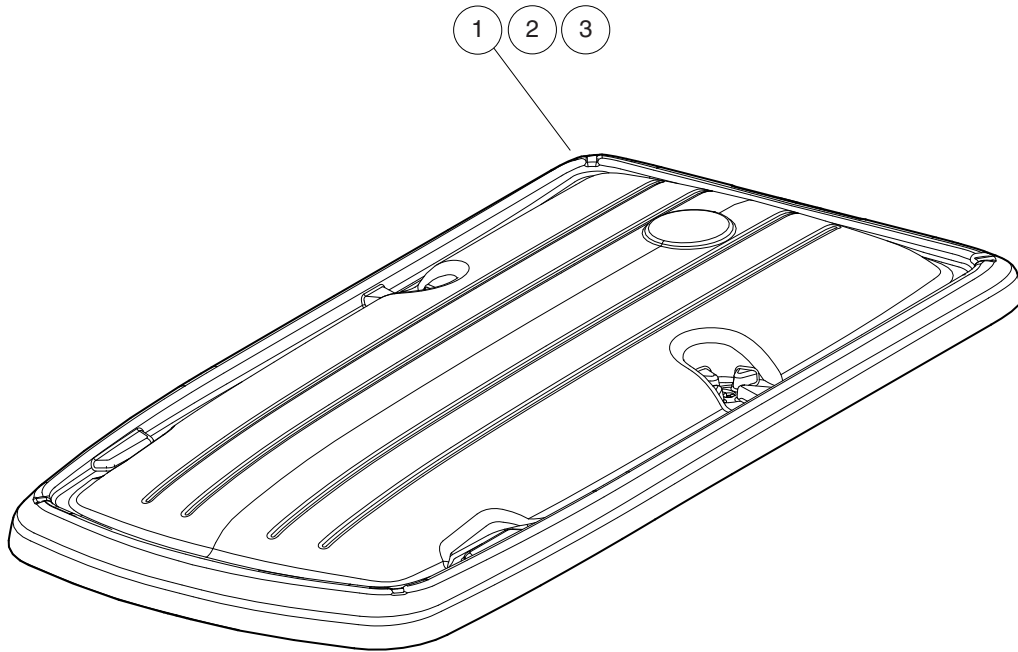
ITEM	PART NO.	DESCRIPTION	QTY
		1 2 3 4	
1	<u>102513501</u>	Asm-rear Canopy Support	2
2	<u>103750101</u>	Strut, Canopy Front, Driver-side	1
3	<u>104008503</u>	Kit, Hardware, Canopy (includes items 4 through 11)	1
4	<u>102296150</u>	Bolt - M6x1.0x50 Hex Flng Hd	4
5	<u>102298401</u>	Nut, M8, All Metal Lock	2
6	<u>102299065</u>	M8-1.25 X 65 Tx Bttm Hd Bolt	4
7	<u>102299360</u>	Screw, M8-1.25 X 60, Sems, Tx	2
8	<u>102299601</u>	Screw, Pt, K80x70 Hex Flg Hd	2
9	<u>102544201</u>	Screw, M6 Hex	2
10	<u>103196001</u>	Washer, Conical Spring, Canopy	8
11	<u>103200301</u>	Nut, M6 x 1.00	4
12	<u>47559264001</u>	Basket, Overhead, Driver-side	1
13	<u>47559264002</u>	Basket, Overhead, Passenger-side	1
14	<u>47559265001</u>	Support, Display Unit	1
15	<u>47589920001</u>	Cover, Strut, LH, Topped	1
16	<u>47613526001</u>	Basket, Spkr, 8 Ohm, Left	1
17	<u>47613526002</u>	Basket, Spkr, 8 Ohm, Right	1
18	<u>47638185002</u>	Asm, Strut, Rh, Vis, 4-pin, Sp (includes items 19 through 23)	1
19	<u>103750001</u>	Strut, Canopy Front, Passenger-side	1
20	<u>47559268001</u>	Retainer, Wire Harness	1
21	<u>47589920002</u>	Cover, Strut, RH, Topped	1
22	<u>47625005001</u>	Harness, Visage, Strut, Li-a/c	1
23	<u>47638453001</u>	Mounting Clip, Ampseal 16	1
24	<u>47649285001</u>	Harn, Main-strut, Interface	1

1

E

1

E



000439-012

FOUR-PASSENGER MONSOON CANOPY

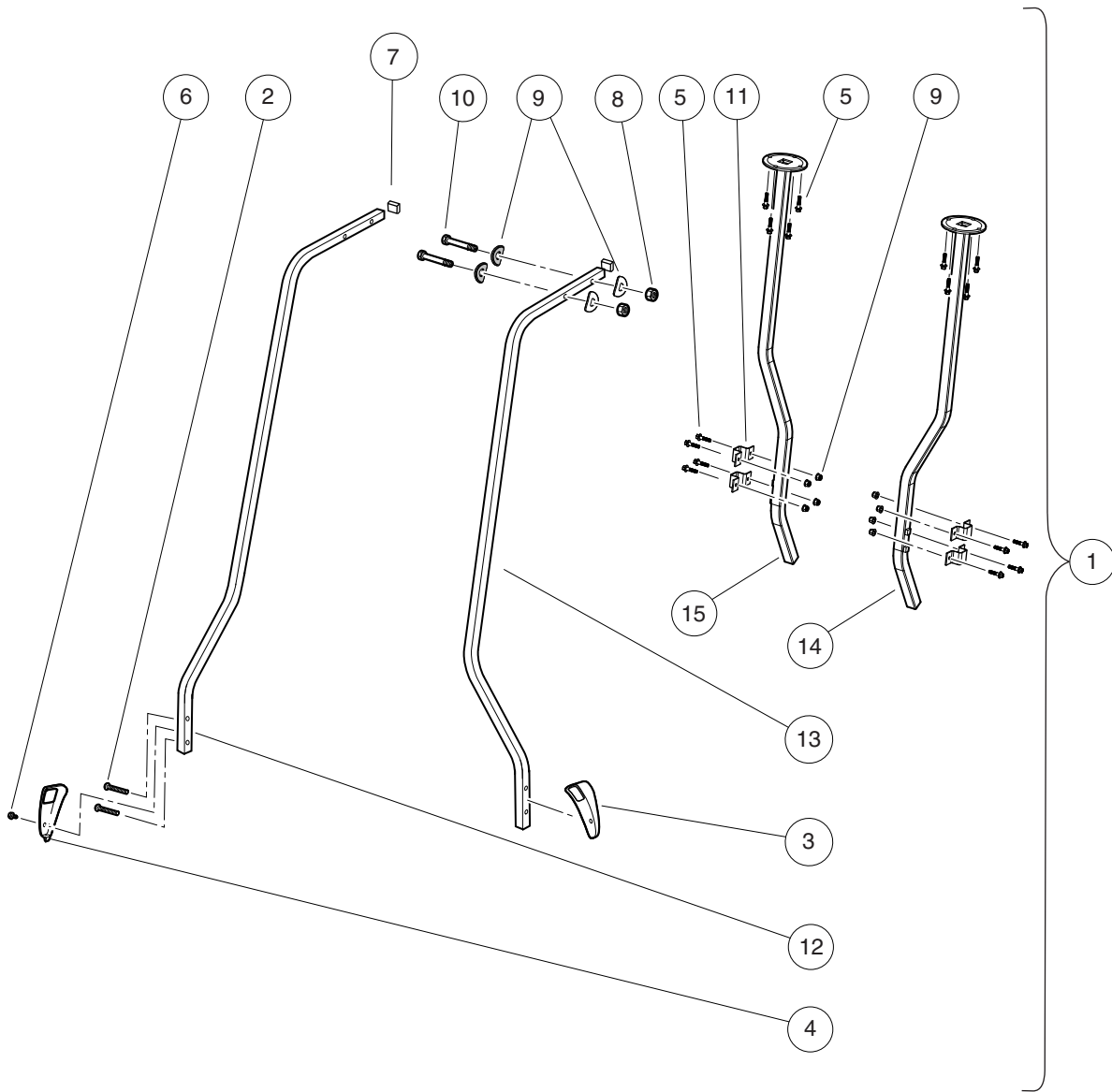
ITEM	PART NO.	DESCRIPTION	QTY
		1 2 3 4	
1	<u>103286201</u>	Asm, Canopy 4p Monsoon XI, Wht	1
2	<u>103286202</u>	Asm, Canopy 4p Monsoon XI, Bge	1
3	<u>103286203</u>	Asm, Canopy 4p Monsoon XI, Blk	1

1

E

1

E



000439-013

FOUR-PASSENGER MONSOON CANOPY STRUTS

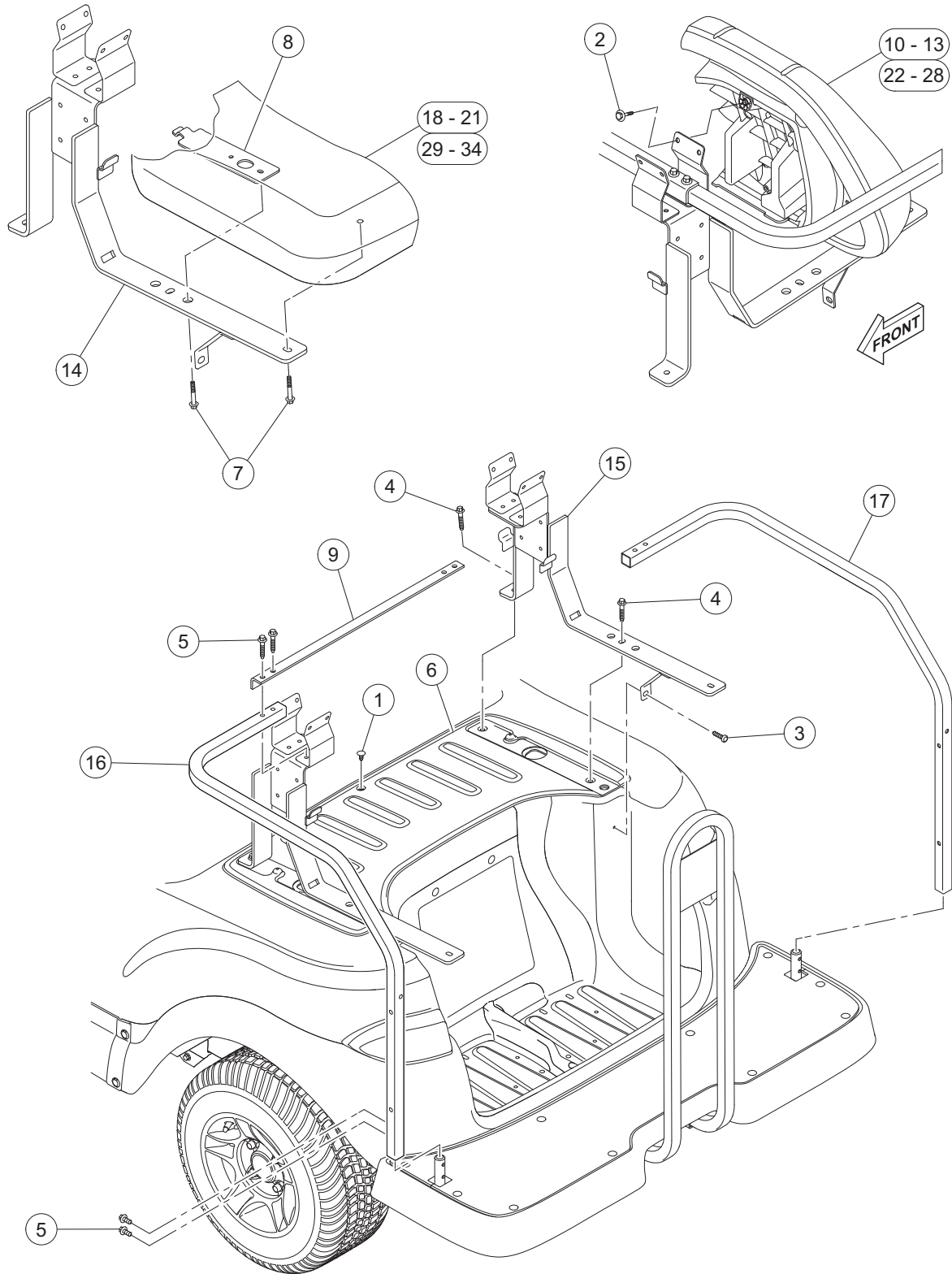
ITEM	PART NO.	DESCRIPTION	QTY
		1 2 3 4	
1	<u>103725701</u>	Kit- Canopy 4 Pass Strut (includes items 2 through 15)	1
2	<u>102299065</u>	M8-1.25 X 65 Tx Bttn Hd Bolt	4
3	<u>102400002</u>	Cover, Canopy Support, Driver-side, Black	1
4	<u>102400102</u>	Cover, Canopy Support, Passenger-side, Black	1
5	<u>102541425</u>	Bolt, M6x1.0x25, Hex Flhd, Blk-l	16
6	<u>102544201</u>	Screw, M6 Hex	2
7	<u>102581201</u>	Plug, Square - 25.4 mm	2
8	<u>102621501</u>	Nut, Flange, M6 X 1.0, Nylon	12
9	<u>103196001</u>	Washer, Conical Spring, Canopy	8
10	<u>103199301</u>	Bolt - M6 X 1 X 45 Hh Grey	4
11	<u>103653201</u>	Bracket- Hat, Strut	4
12	<u>103750001</u>	Strut, Canopy Front, Passenger-side	1
13	<u>103750101</u>	Strut, Canopy Front, Driver-side	1
14	<u>103816401</u>	Weldment- Drain Strut, Drv	1
15	<u>103816402</u>	Weldment- Drain Strut, Pas	1

1

E

1

E



G-140699-00001

REAR SEAT – FIXED

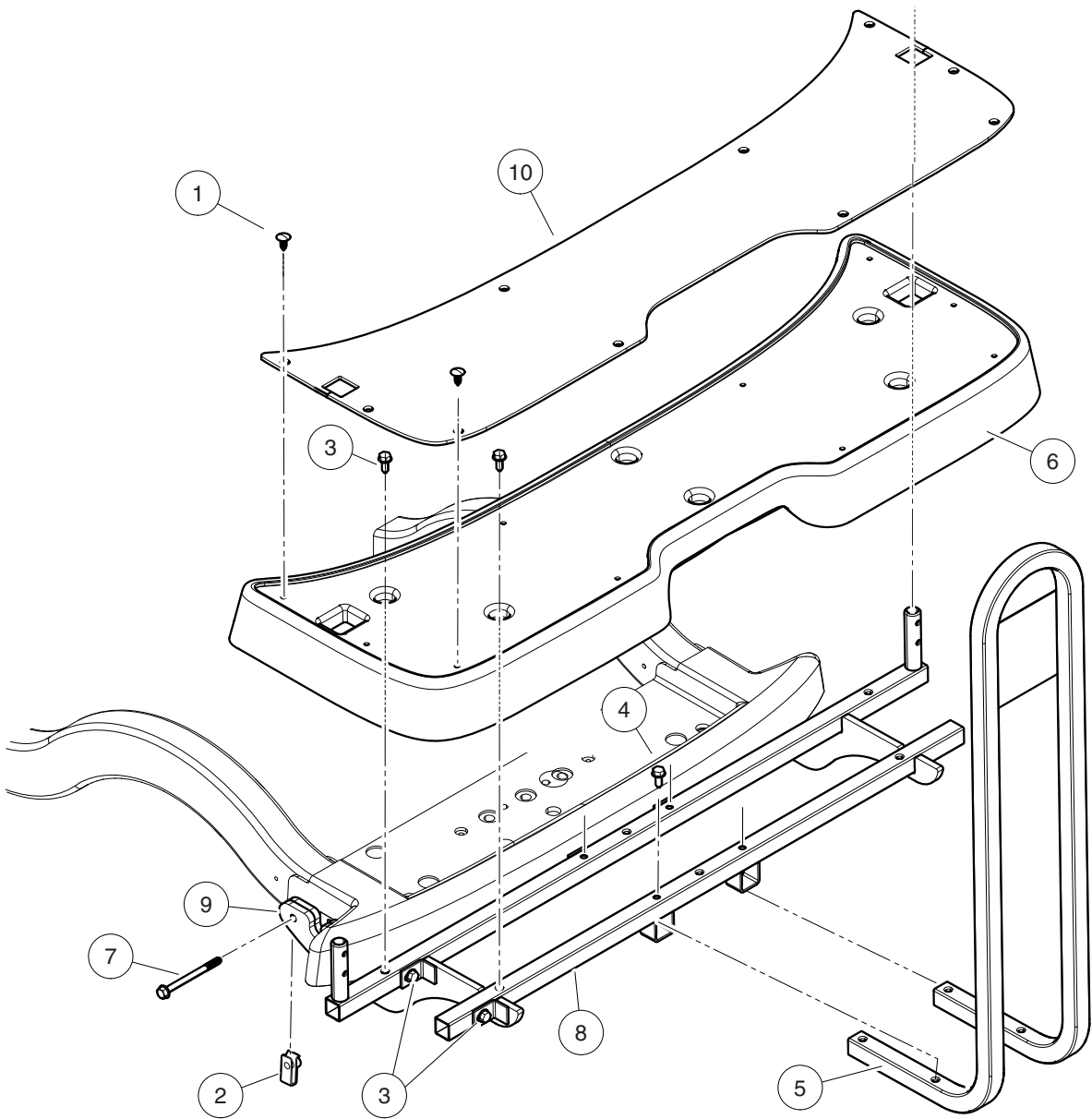
ITEM	PART NO.	DESCRIPTION	QTY
		1 2 3 4	
1	<u>1010434</u>	Barrel - Plastic	10
2	<u>102296530</u>	Screw - M6 X 1.0 X 30 Sems	4
3	<u>102298030</u>	Screw, K80x30, Torx Pn Hd Pt	2
4	<u>102298240</u>	Bolt, Flange Head, M8-1.25 X 40	1
5	<u>102298745</u>	M8-1.25x45 Taptite	10
6	<u>102531502</u>	Cover- 4 Pass W/canopy	1
7	<u>102541425</u>	Bolt, M6x1.0x25, Hex Flhd, Blk-l	4
8	<u>102573101</u>	Bracket, 4-pass Lower Seat	2
9	<u>103653001</u>	Angle, Strut, Tie	1
10	<u>103853121</u>	Asm, Seat Back, Beige, Service Replacement	1
11	<u>103853122</u>	Asm, Seat Back, White, Service Replacement	1
12	<u>103853124</u>	Asm, Seat Back, Gray, Service Replacement	1
13	<u>103853125</u>	Asm, Seat Back, Black, Service Replacement	1
14	<u>103866801</u>	Weldment, Sprt, 4pass, Drv	1
15	<u>103866802</u>	Weldment, Sprt, 4pass	1
16	<u>103866901</u>	Restraint-lh 4pass Hip	1
17	<u>103866902</u>	Restraint-rh 4pass Hip	1
18	<u>105101221</u>	Service, Beige, 4pass Rear Btm	1
19	<u>105101222</u>	Service, White, 4pass Rear Btm	1
20	<u>105101224</u>	Service, Gray, 4pass Rear Btm	1
21	<u>105101225</u>	Service, Black, 4pass Rear Btm	1
22	<u>47564888021</u>	Asm, Seat Back, Rear, Lt. Beige, Service Replacement	1
23	<u>47564888022</u>	Asm, Seat Back, Rear, Camello, Service Replacement	1
24	<u>47564888023</u>	Asm, Seat Back, Rear, Off-White, Service Replacement	1
25	<u>47564888024</u>	Asm, Seat Back, Rear, Camello/Lt. Beige, Service Replacement	1
26	<u>47564888027</u>	Asm, Seat Back, Rear, Black, Service Replacement	1
27	<u>47564888028</u>	Asm, Seat Back, Rear, Black/Gray, Service Replacement	1
28	<u>47564888029</u>	Asm,bk,rr,gray,srv,prem	1
29	<u>47564889021</u>	Asm, Seat Bottom, Rear, Lt. Beige, Service Replacement	1
30	<u>47564889022</u>	Asm, Seat Bottom, Rear, Camello, Service Replacement	1
31	<u>47564889023</u>	Asm, Seat Bottom, Rear, Off-White, Service Replacement	1
32	<u>47564889024</u>	Asm, Seat Bottom, Rear, Camello/Lt. Beige, Service Replacement	1
33	<u>47564889027</u>	Asm, Seat Bottom, Rear, Black, Service Replacement	1
34	<u>47564889028</u>	Asm, Seat Bottom, Rear, Black/Gray, Service Replacement	1
		Note: For all current and available seat color and style options contact your local Club Car dealer or distributor.	

1

E

1

E



000493-004

REAR FOOTDECK ASSEMBLY

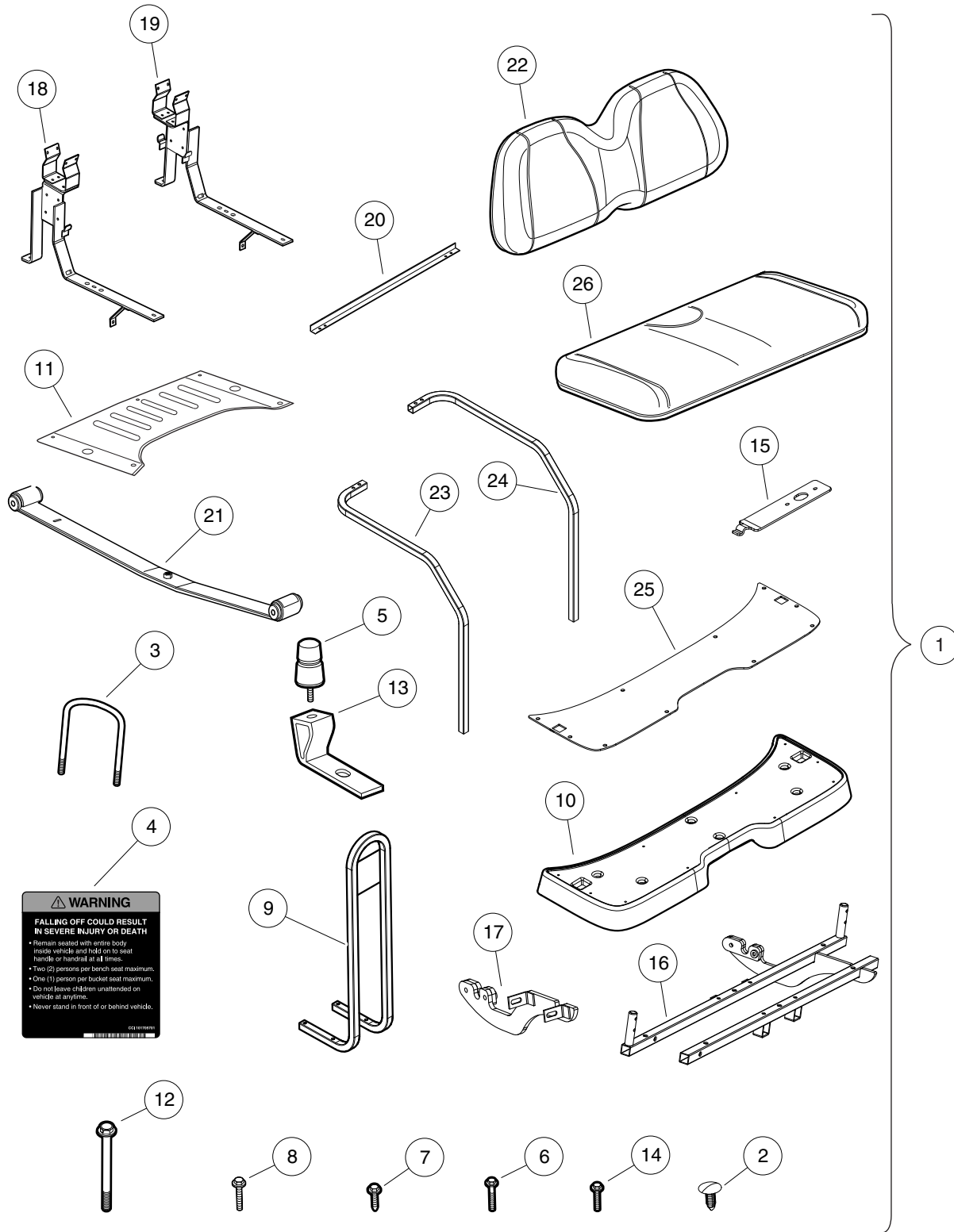
ITEM	PART NO.	DESCRIPTION	QTY
		1 2 3 4	
1	<u>1010434</u>	Barrel - Plastic	10
2	<u>102298601</u>	J-clip - M8 X 1.25	4
3	<u>102298720</u>	Screw, M8-1.25x20, Taptite	8
4	<u>102298745</u>	M8-1.25x45 Taptite	4
5	<u>102531001</u>	Handrail Weldment, Rear Seat	1
6	<u>102531402</u>	Footdeck, 4-Passenger, Black	1
7	<u>102534201</u>	Bolt - Fl Hd, M8 X 95	4
8	<u>102584701</u>	Weld, 4-pass Footdeck-a	1
9	<u>102584801</u>	Weld, 4-pass Footdeck-b	1
10	<u>103922401</u>	Floormat, 4-pass, Rear	1

1

E

1

E



000505-008

FOUR PASSENGER CONVERSION KIT, MONSOON – BEIGE

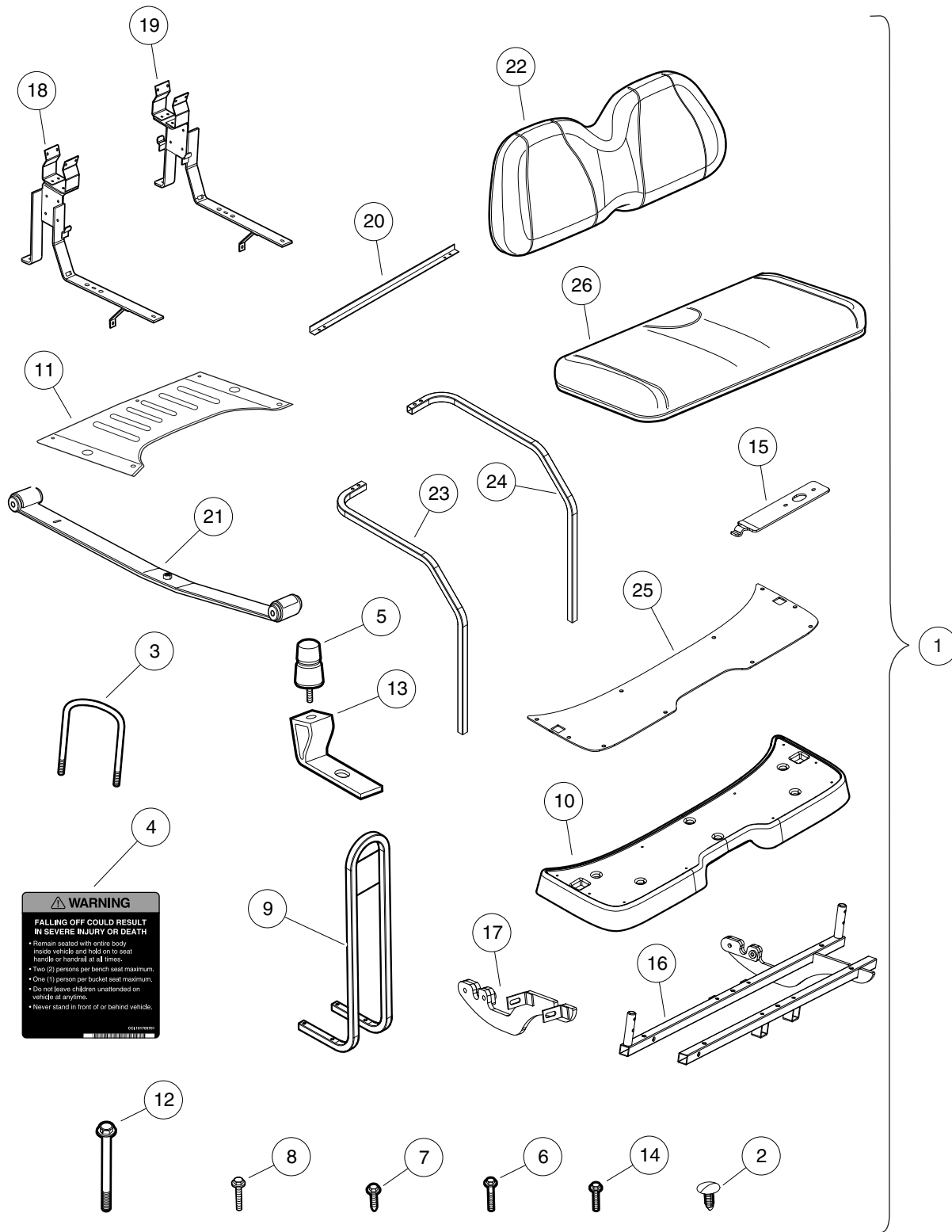
ITEM	PART NO.	DESCRIPTION	QTY
		1 2 3 4	
1	<u>102570905</u>	Kit-4pass, Monsoon XI, Beige (includes items 2 through 26)	1
2	<u>1010434</u>	Barrel - Plastic	11
3	<u>1014902</u>	U-Bolt	2
4	<u>101705701</u>	Decal, Warning	1
5	<u>1017235</u>	Bumper, Jounce	2
6	<u>102296530</u>	Screw - M6 X 1.0 X 30 Sems	4
7	<u>102298720</u>	Screw, M8-1.25x20, Taptite	12
8	<u>102298745</u>	M8-1.25x45 Taptite	8
9	<u>102531001</u>	Handrail Weldment, Rear Seat	1
10	<u>102531402</u>	Footdeck, 4-Passenger, Black	1
11	<u>102531502</u>	Cover- 4 Pass W/canopy	1
12	<u>102534201</u>	Bolt - Fl Hd, M8 X 95	4
13	<u>102534801</u>	Jounce Bumper Bracket	2
14	<u>102541425</u>	Bolt, M6x1.0x25, Hex Flhd, Blk-l	6
15	<u>102573101</u>	Bracket, 4-pass Lower Seat	2
16	<u>102584701</u>	Weld, 4-pass Footdeck-a	1
17	<u>102584801</u>	Weld, 4-pass Footdeck-b	1
18	<u>103624601</u>	Weldment, Spt, 4pass, Drv	1
19	<u>103624602</u>	Weldment, Spt, 4pass, Pas	1
20	<u>103653001</u>	Angle, Strut, Tie	1
21	<u>103742303</u>	Asm, Rear Leaf Spring, 4-Passenger	2
22	<u>103853121</u>	Asm, Seat Back, Beige, Service Replacement	1
23	<u>103866901</u>	Restraint-lh 4pass Hip	1
24	<u>103866902</u>	Restraint-rh 4pass Hip	1
25	<u>103922401</u>	Floor mat, 4-pass, Rear	1
26	<u>105101221</u>	Service, Beige, 4pass Rear Btm	1

1

E

1

E



000505-008

FOUR PASSENGER CONVERSION KIT, MONSOON – WHITE

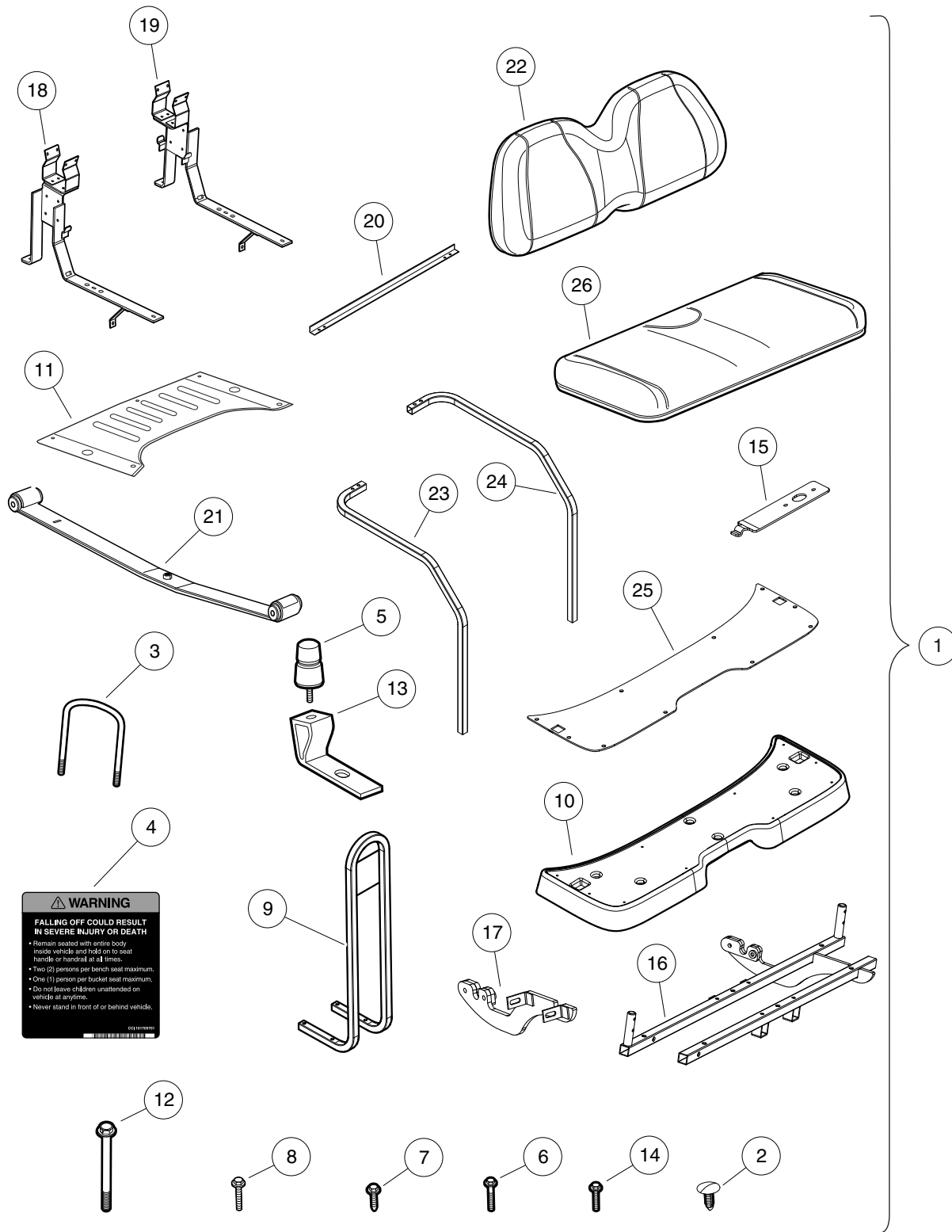
ITEM	PART NO.	DESCRIPTION	QTY
		1 2 3 4	
1	<u>102570906</u>	Kit-4pass, Monsoon XI, White (includes items 2 through 26)	1
2	<u>1010434</u>	Barrel - Plastic	11
3	<u>1014902</u>	U-Bolt	2
4	<u>101705701</u>	Decal, Warning	1
5	<u>1017235</u>	Bumper, Jounce	2
6	<u>102296530</u>	Screw - M6 X 1.0 X 30 Sems	4
7	<u>102298720</u>	Screw, M8-1.25x20, Taptite	12
8	<u>102298745</u>	M8-1.25x45 Taptite	8
9	<u>102531001</u>	Handrail Weldment, Rear Seat	1
10	<u>102531402</u>	Footdeck, 4-Passenger, Black	1
11	<u>102531502</u>	Cover- 4 Pass W/canopy	1
12	<u>102534201</u>	Bolt - Fl Hd, M8 X 95	4
13	<u>102534801</u>	Jounce Bumper Bracket	2
14	<u>102541425</u>	Bolt, M6x1.0x25, Hex Flhd, Blk-l	6
15	<u>102573101</u>	Bracket, 4-pass Lower Seat	2
16	<u>102584701</u>	Weld, 4-pass Footdeck-a	1
17	<u>102584801</u>	Weld, 4-pass Footdeck-b	1
18	<u>103624601</u>	Weldment, Spt, 4pass, Drv	1
19	<u>103624602</u>	Weldment, Spt, 4pass, Pas	1
20	<u>103653001</u>	Angle, Strut, Tie	1
21	<u>103742303</u>	Asm, Rear Leaf Spring, 4-Passenger	2
22	<u>103853122</u>	Asm, Seat Back, White, Service Replacement	1
23	<u>103866901</u>	Restraint-lh 4pass Hip	1
24	<u>103866902</u>	Restraint-rh 4pass Hip	1
25	<u>103922401</u>	Floor mat, 4-pass, Rear	1
26	<u>105101222</u>	Service, White, 4pass Rear Btm	1

1

E

1

E



000505-008

FOUR PASSENGER CONVERSION KIT, MONSOON – GRAY

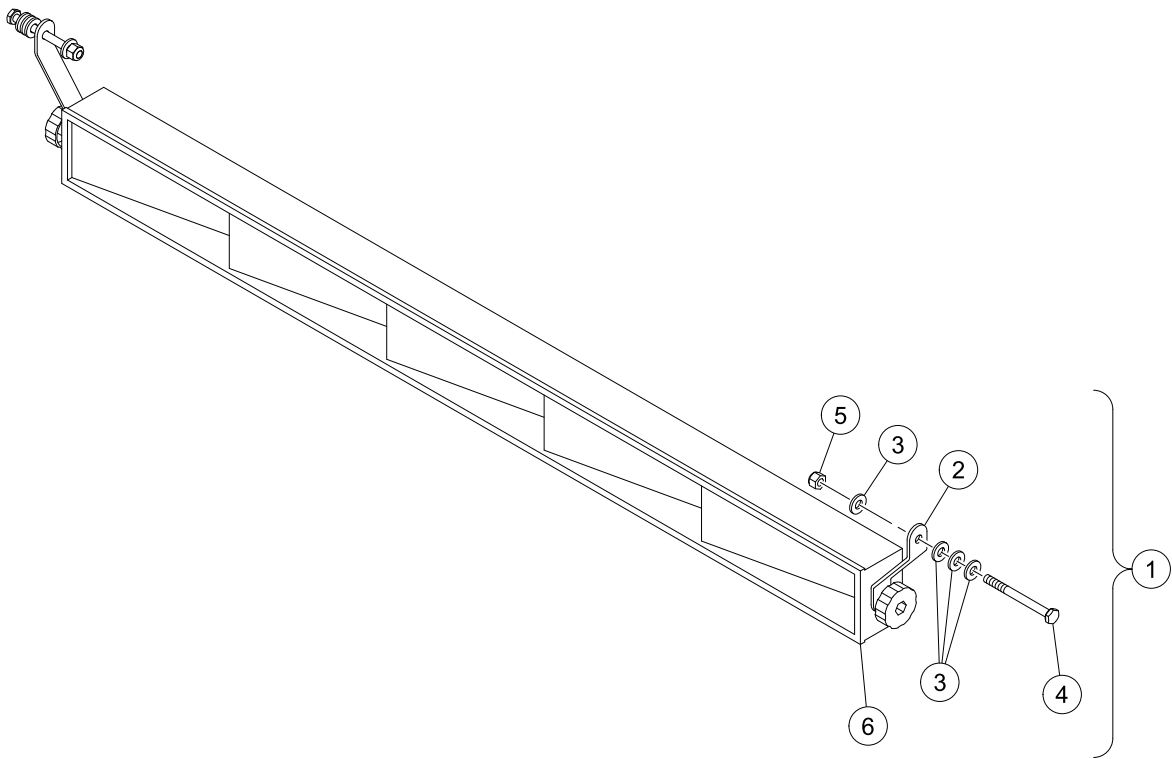
ITEM	PART NO.	DESCRIPTION	QTY
		1 2 3 4	
1	<u>102570907</u>	Kit-4pass, Monsoon XI, Gray (includes items 2 through 26)	1
2	<u>1010434</u>	Barrel - Plastic	11
3	<u>1014902</u>	U-Bolt	2
4	<u>101705701</u>	Decal, Warning	1
5	<u>1017235</u>	Bumper, Jounce	2
6	<u>102296530</u>	Screw - M6 X 1.0 X 30 Sems	4
7	<u>102298720</u>	Screw, M8-1.25x20, Taptite	12
8	<u>102298745</u>	M8-1.25x45 Taptite	8
9	<u>102531001</u>	Handrail Weldment, Rear Seat	1
10	<u>102531402</u>	Footdeck, 4-Passenger, Black	1
11	<u>102531502</u>	Cover- 4 Pass W/canopy	1
12	<u>102534201</u>	Bolt - Fl Hd, M8 X 95	4
13	<u>102534801</u>	Jounce Bumper Bracket	2
14	<u>102541425</u>	Bolt, M6x1.0x25, Hex Flhd, Blk-l	6
15	<u>102573101</u>	Bracket, 4-pass Lower Seat	2
16	<u>102584701</u>	Weld, 4-pass Footdeck-a	1
17	<u>102584801</u>	Weld, 4-pass Footdeck-b	1
18	<u>103624601</u>	Weldment, Spt, 4pass, Drv	1
19	<u>103624602</u>	Weldment, Spt, 4pass, Pas	1
20	<u>103653001</u>	Angle, Strut, Tie	1
21	<u>103742303</u>	Asm, Rear Leaf Spring, 4-Passenger	2
22	<u>103853124</u>	Asm, Seat Back, Gray, Service Replacement	1
23	<u>103866901</u>	Restraint-lh 4pass Hip	1
24	<u>103866902</u>	Restraint-rh 4pass Hip	1
25	<u>103922401</u>	Floor mat, 4-pass, Rear	1
26	<u>105101224</u>	Service, Gray, 4pass Rear Btm	1

1

E

1

E



G-141199-000002

5-PANEL MIRROR

ITEM	PART NO.	DESCRIPTION	QTY
		1 2 3 4	
1	<u>105288901</u>	Mirror Kit, Wink (includes items 2 through 6)	1
2	<u>105313801</u>	Brkt, Mirror, 5 Panel, Mtg	2
3	<u>332</u>	Washer, 1/4 Type A Narrow Flat	8
4	<u>7311</u>	Screw, 1/4-20 X 2.00 Hex-Head Cap	2
5	<u>8233</u>	Locknut, 1/4-20, Nylon Insert	2
6	<u>AM10092</u>	ICS 5-Panel Mirror	1

1

E

1

E

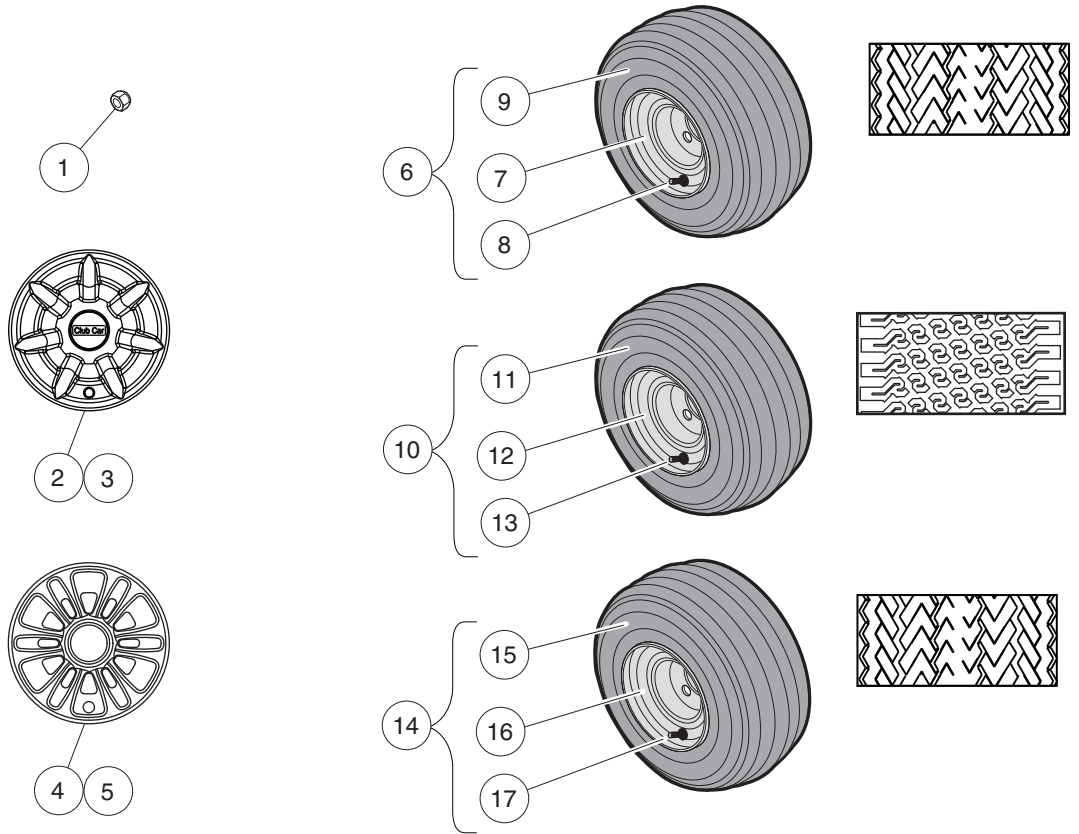
WHEELS AND TIRES

2

E

2

E



000474-011

8 INCH WHEELS AND TIRES, KENDA

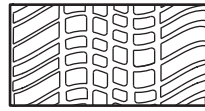
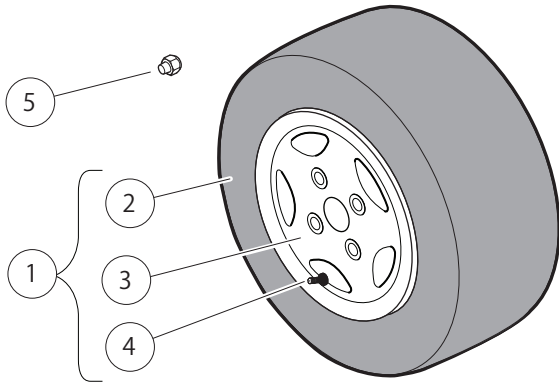
ITEM	PART NO.	DESCRIPTION	QTY
		1 2 3 4	
1	<u>1010984</u>	.500-20 Unf Lug Nut	16
2	<u>102559901</u>	Hub Cap Kit (includes item 3)	1
3	<u>103694501</u>	Hub Cap, 7 Prong	4
4	<u>102559902</u>	Kit, Wheel Cover, 12 Spk (includes item 5)	1
5	<u>105142401</u>	Wheel Cover, 12 Spk, 8", Slvr	4
6	<u>103951001</u>	Assembly, Silver Wheel Kenda, Hn1 4ply (includes items 7 through 9)	4
7	<u>103459104</u>	Wheel Rim, 8"x7", Silver, Std	1
8	<u>7310</u>	Valve Stem, Black Plastic	1
9	<u>AM10682</u>	Unmounted Prem Tire 18x8.50x8	1
10	<u>103951002</u>	Assembly, Silver Wheel Kenda, X/t 6ply (includes items 11 through 13)	4
11	<u>102569302</u>	Tire, Kenda, 18x8.5-8, 6-ply Xtr	1
12	<u>103459104</u>	Wheel Rim, 8"x7", Silver, Std	1
13	<u>7310</u>	Valve Stem, Black Plastic	1
14	<u>103951007</u>	Assembly, Silver Wheel Kenda, Radial (includes items 15 through 17)	4
15	<u>102569311</u>	Tire, Kenda, 18x8.5 R8, 4-ply	1
16	<u>103459104</u>	Wheel Rim, 8"x7", Silver, Std	1
17	<u>7310</u>	Valve Stem, Black Plastic	1

2

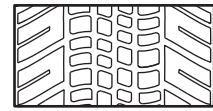
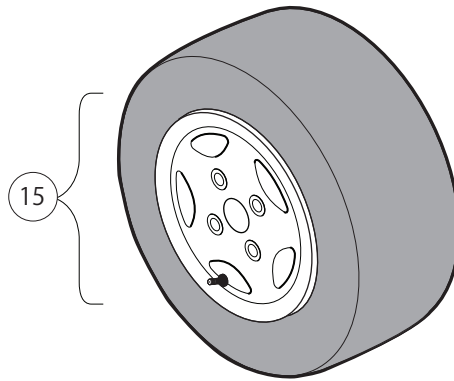
E

2

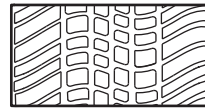
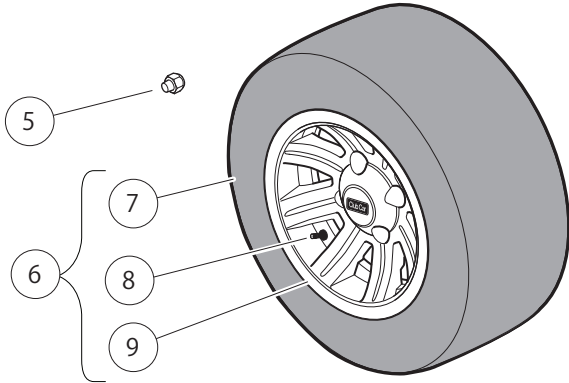
E



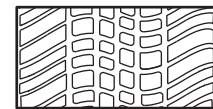
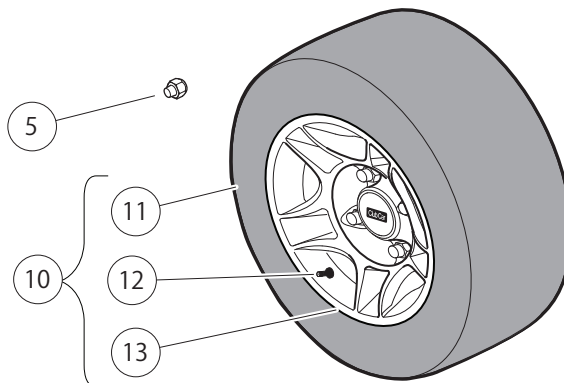
PRO TOUR
Kenda



K399
Kenda



PRO TOUR
Kenda



PRO TOUR
Kenda

000475-010

10 INCH WHEELS AND TIRES – CHAMPION AND PRO

ITEM	PART NO.	DESCRIPTION	QTY
		1 2 3 4	
1	<u>102540601</u>	Tire and Wheel, 10" Aluminum, Pro Tour Tire (includes items 2 through 4)	4
2	<u>102556701</u>	Tire, Pro Tour, 205-50 X 10	1
3	<u>102556801</u>	Wheel, Aluminum, Champion	1
4	<u>7310</u>	Valve Stem, Black Plastic	1
5	<u>102540701</u>	Lug Nut, 1/2" Closed End	16
6	<u>103935001</u>	Tire and Wheel, 10", 8 Spoke, Alum. (includes items 7 through 9)	4
7	<u>102556701</u>	Tire, Pro Tour, 205-50 X 10	1
8	<u>103832401</u>	Valve Stem With Cap, Chrome	1
9	<u>103934901</u>	Wheel, Aluminum 10x6, 8 Spoke	1
10	<u>47605157001</u>	Wheel Assy, 10", 5 Spoke (includes items 11 through 14)	4
11	<u>102556701</u>	Tire, Pro Tour, 205-50 X 10	1
12	<u>103832401</u>	Valve Stem With Cap, Chrome	1
13	<u>47597567001</u>	Rim, Aluminum 10x6, 5 Spoke	1
14	<u>47603573001</u>	Cap, Center	1
15	<u>AM1263401</u>	Tire and Wheel, 10" Alum., Kenda K399 205/50 Tire	4

2

E

2

E

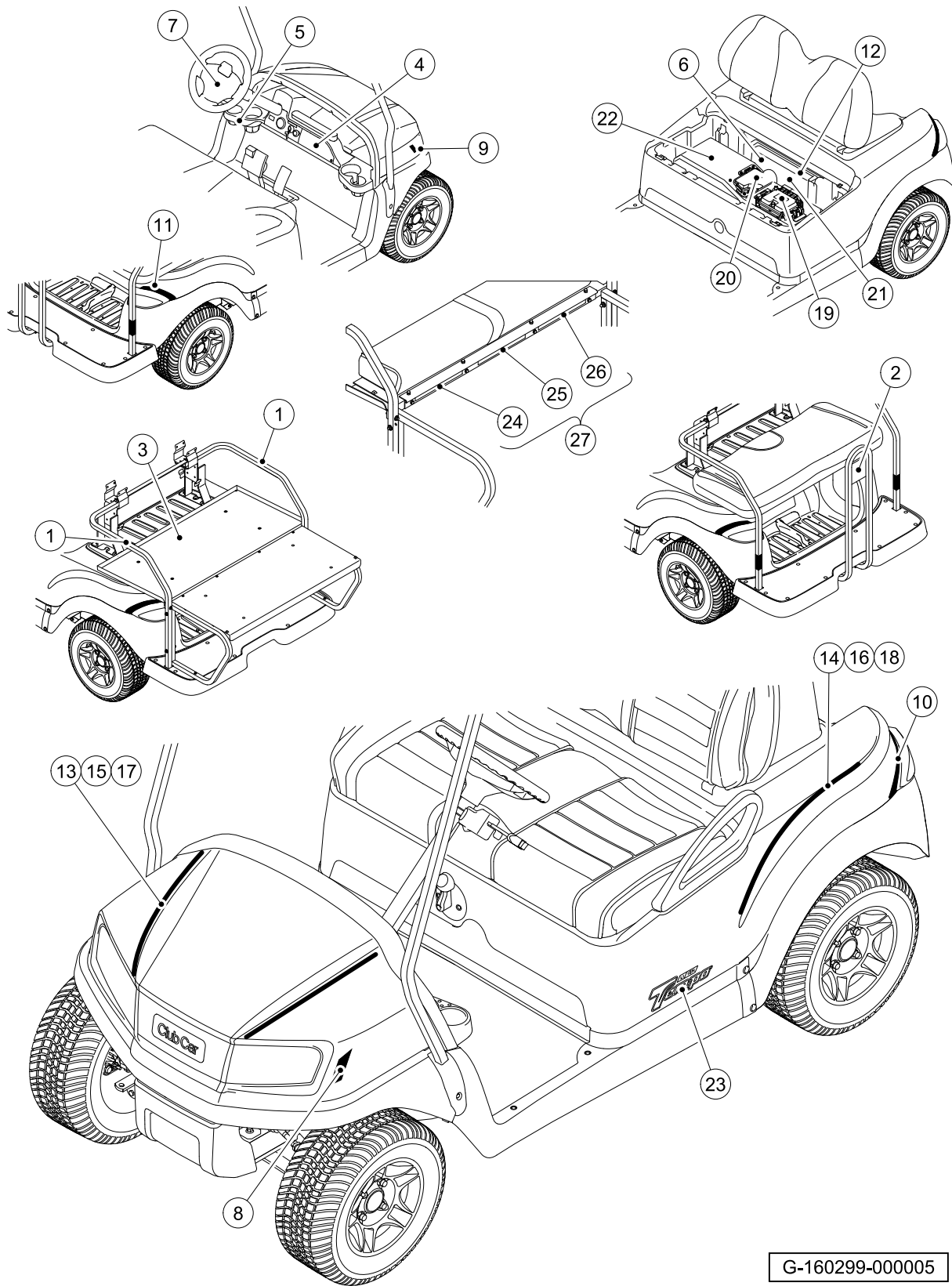
DECALS

3

E

3

E



G-160299-000005

DECALS

3

E

ITEM	PART NO.	DESCRIPTION	QTY
		1 2 3 4	
1	<u>101609401</u>	Decal, Crush Area Warning	A/R
2	<u>101705701</u>	Decal, Warning	A/R
3	<u>101972001</u>	Decal, D.s. Box Bed Warning (for vehicles with bed box option)	A/R
4	<u>102519301</u>	Decal, Warning, Rollover	A/R
5	<u>102555901</u>	Decal, Private Speed	A/R
6	<u>103384601</u>	Decal-water Exposure	A/R
7	<u>103783001</u>	Decal, Op Instr, Ele	A/R
8	47583296001	Reflector, Front, Csmr, Driver-side	A/R
9	47583296002	Reflector, Front, Csmr, Passenger-side	A/R
10	47583297001	Reflector, Rear, Csmr, Driver-side	A/R
11	47583297002	Reflector, Rear, Csmr, Passenger-side	A/R
12	47586191001	Decal, Compliance, Mirrors	A/R
13	<u>47614573001</u>	Stripe, Accent, Gold, Front	A/R
14	<u>47614573002</u>	Stripe, Accent, Gold, Rear	A/R
15	<u>47614573003</u>	Stripe, Accent, Black, Front	A/R
16	<u>47614573004</u>	Stripe, Accent, Black, Rear	A/R
17	<u>47614573005</u>	Stripe, Accent, Silver, Front	A/R
18	<u>47614573006</u>	Stripe, Accent, Silver, Rear	A/R
19	<u>47620652001</u>	Controller, Vcm, Li, Ev2106b01	A/R
20	47624328001	Decal, Hazard, Cvr	A/R
21	<u>47624651001</u>	Decal, Warning, Li, Run Tow	A/R
22	<u>47628717001</u>	Decal, Hazard, Battery, Li	A/R
23	<u>47642157001</u>	Decal, Li-Ion, Gold	A/R
24	SVP370601	Decal, Warn 800 850 Prec Fld L	A/R
25	SVP370701	Decal, Warn 800 850 Prec Fld M	A/R
26	<u>SVP370801</u>	Decal, Warn 800 850 Prec Fld R	A/R
27	<u>SVP370901</u>	Asm, Decal, Warn 800 850 Prec (includes items 28 through 30)	A/R
28	SVP370601	Decal, Warn 800 850 Prec Fld L	A/R
29	SVP370701	Decal, Warn 800 850 Prec Fld M	A/R
30	<u>SVP370801</u>	Decal, Warn 800 850 Prec Fld R	A/R
		Note: Item 5 decal is only applicable to two passenger vehicles with golf bag holders. Item 27 decal assembly contains decals 24, 25 and 26. Items 13 through 18 are supplied as one each and are the same part number for driver and passenger side.	

3

E

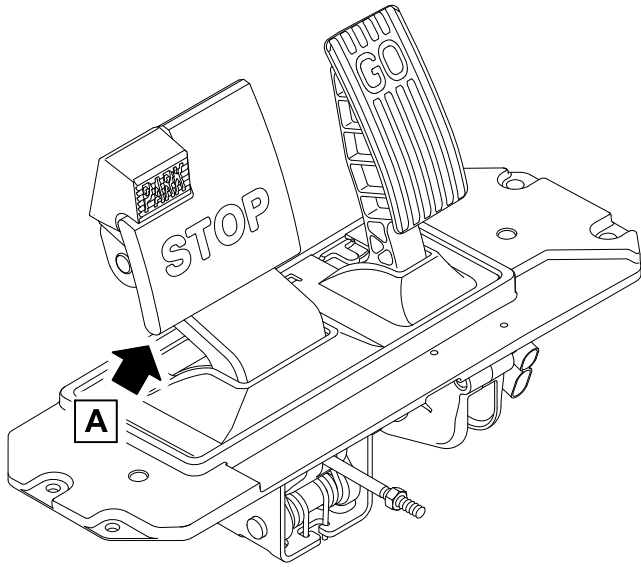
LIGHTS, CONTROLS AND INDICATORS

4

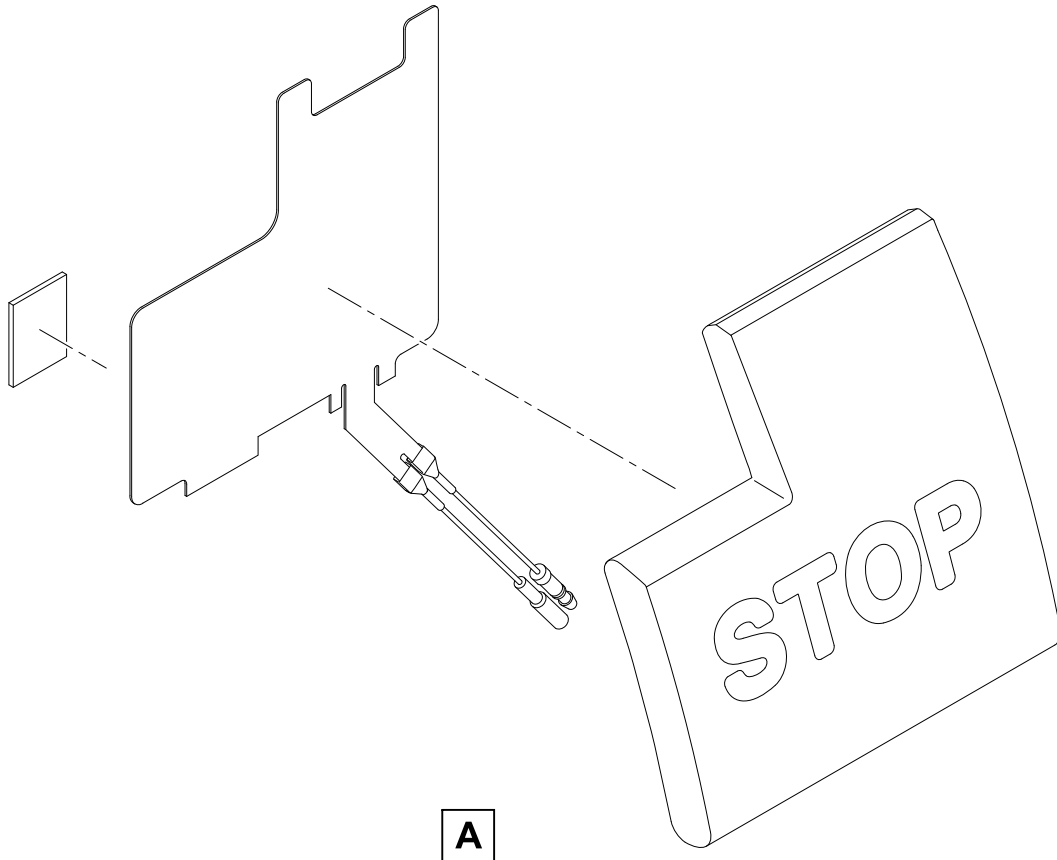
E

4

E



1



G-080099-000001

BRAKE LIGHT SWITCH KIT

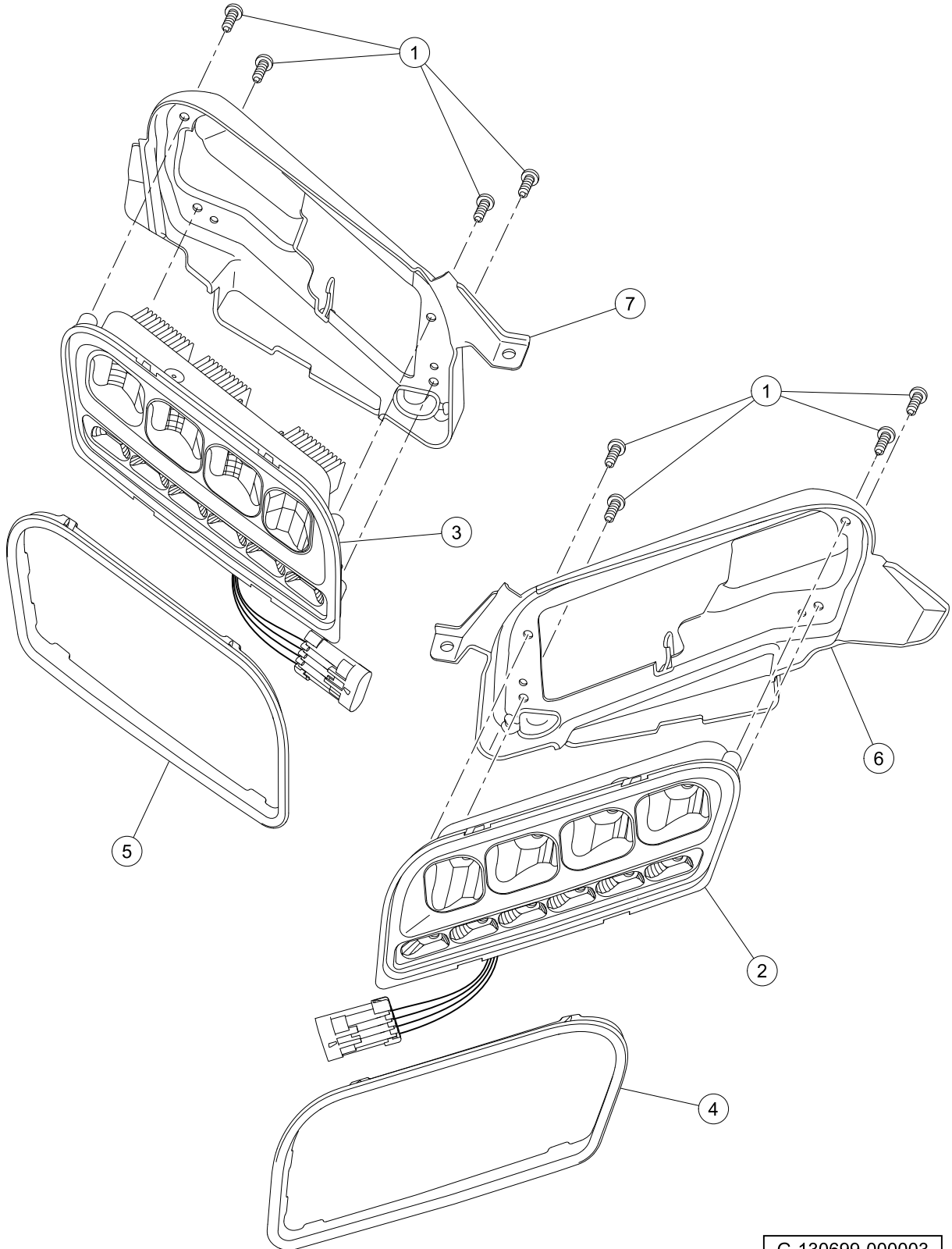
ITEM	PART NO.	DESCRIPTION	QTY
1	<u>103597101</u>	<div style="text-align: left; margin-left: 10px;"> 1 2 3 4 Kit, Brake Light Switch </div>	1

4

E

4

E



G-130699-000003

HEADLIGHTS

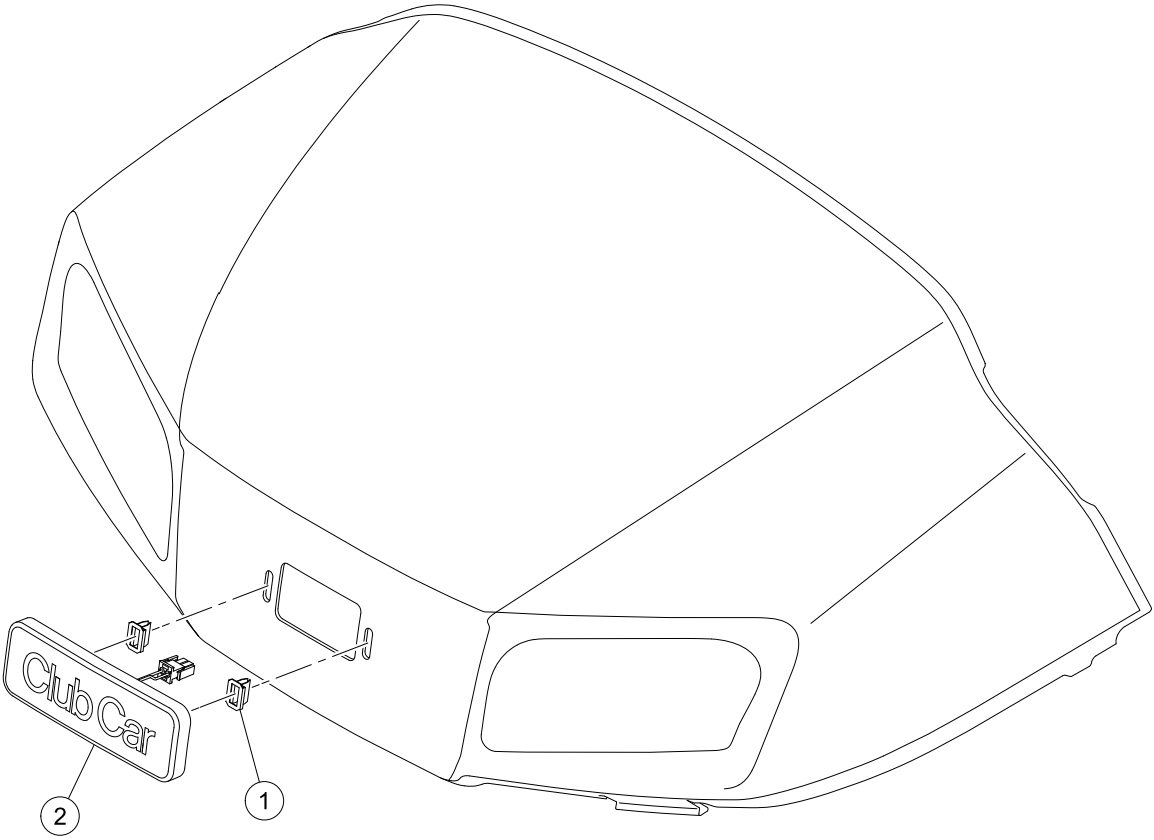
ITEM	PART NO.	DESCRIPTION	QTY
		1 2 3 4	
1	<u>102296020</u>	Screw-torx Pan Head Pt, M6x20	10
2	<u>47565234007</u>	Asm, Headlight, Led, Lh, Sp	1
3	<u>47565234008</u>	Asm, Headlight, Led, Rh, Sp	1
4	<u>47593001001</u>	Bezel, Headlight, Lh	1
5	<u>47593001002</u>	Bezel, Headlight, Rh	1
6	<u>47593002001</u>	Housing, Headlight, Driver	1
7	<u>47593002002</u>	Housing, Headlight, Passenger	1

4

E

4

E



G-160299-000004

ILLUMINATED LOGO

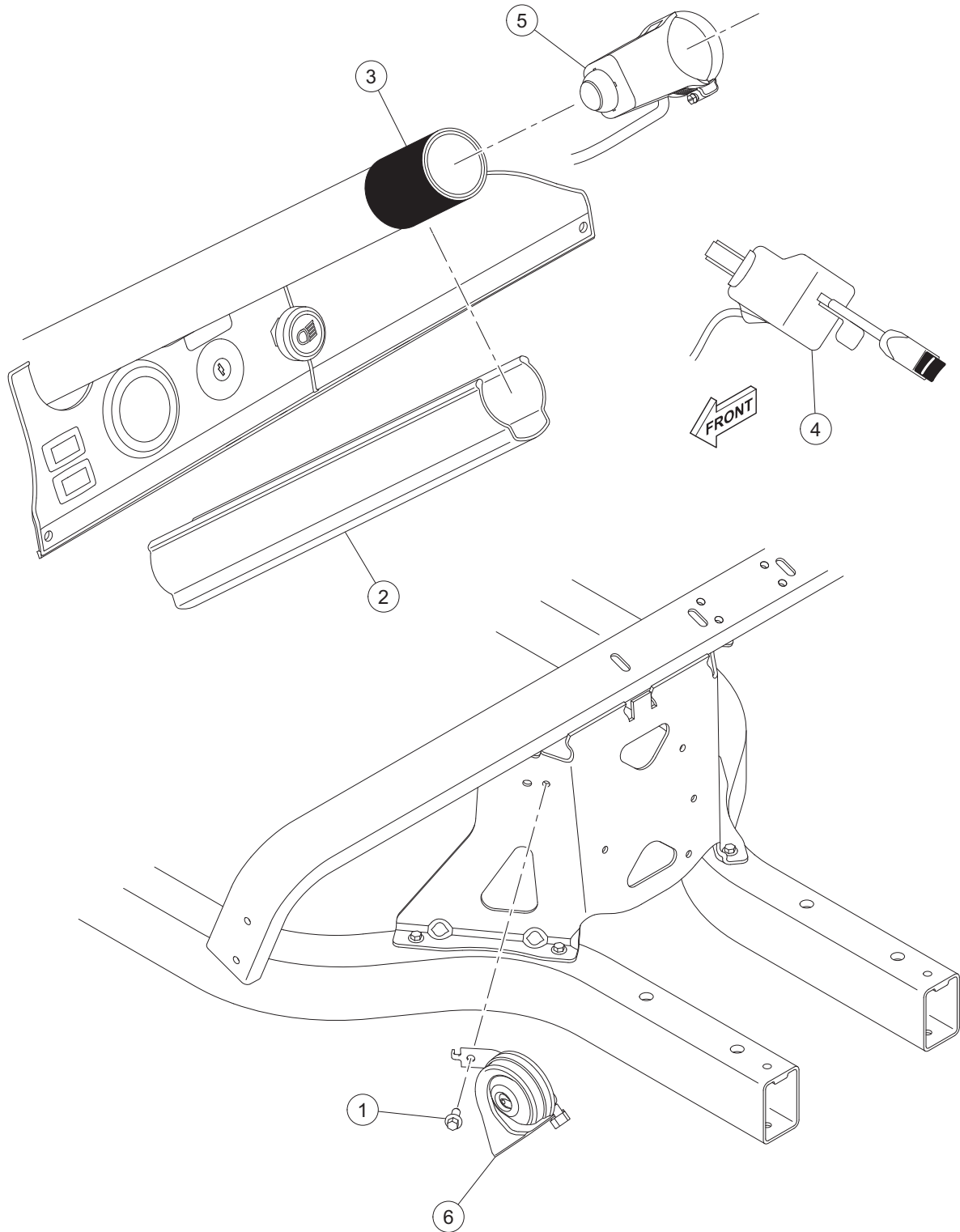
ITEM	PART NO.	DESCRIPTION	QTY
		1 2 3 4	
1	<u>102292701</u>	Clip-body-trim	2
2	47652504001	Asm, Nameplate, Cc Led Logo	1

4

E

4

E



G-130599-000010

TURN SIGNAL LEVER AND HORN

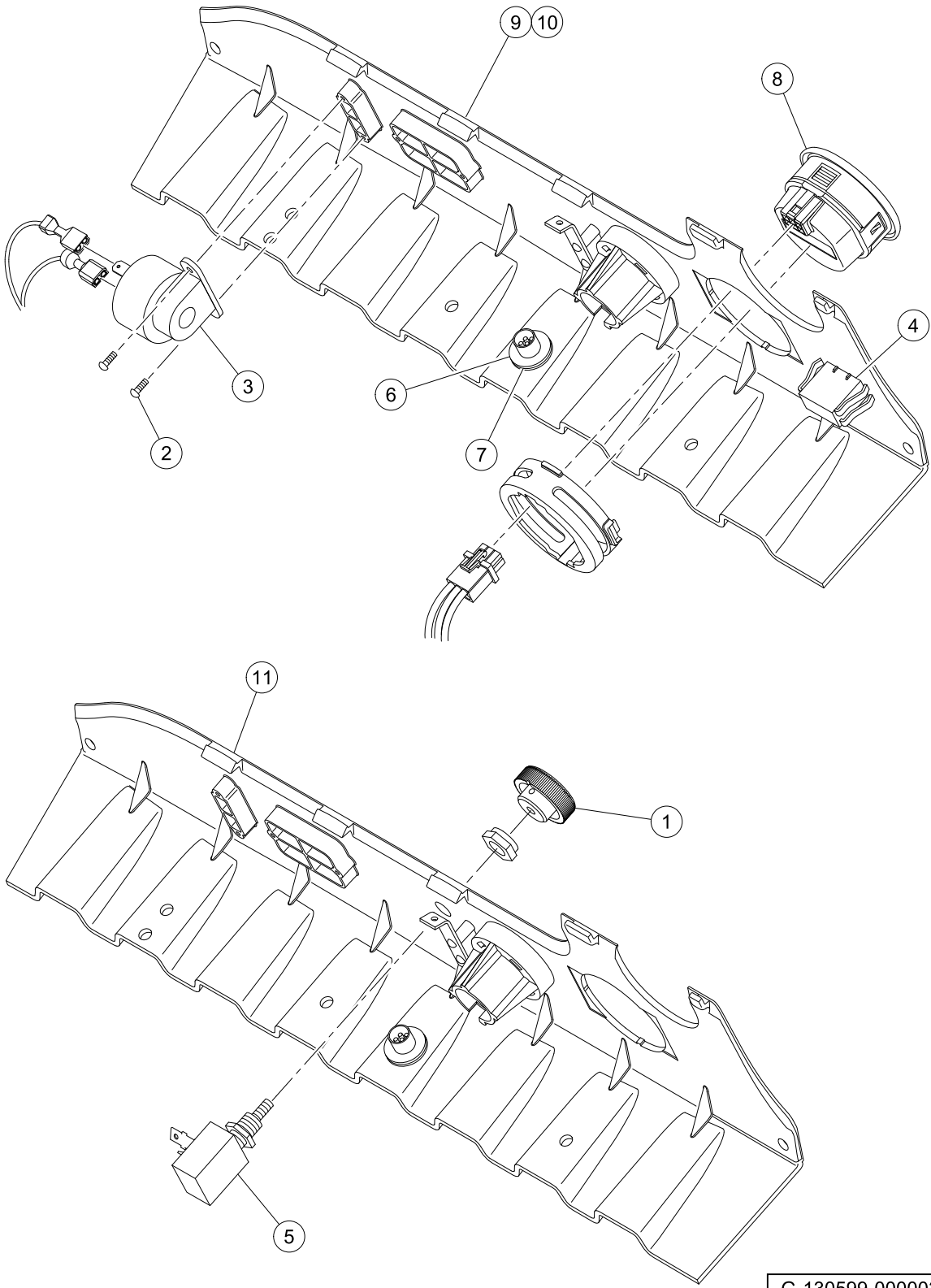
ITEM	PART NO.	DESCRIPTION	QTY
		1 2 3 4	
1	<u>102298720</u>	Screw, M8-1.25x20, Taptite	1
2	<u>102529201</u>	Wire Cover, Steering Column	1
3	103531101	Isolator, Turn Signal	1
4	<u>103803101</u>	Asm, Turn Signal Switch, Homol	1
5	<u>47629428001</u>	Horn Button, Harness, 6 Pin	1
6	<u>47633955001</u>	Asm, Horn, Am80sx	1

4

E

4

E



G-130599-000003

INSTRUMENT PANELS

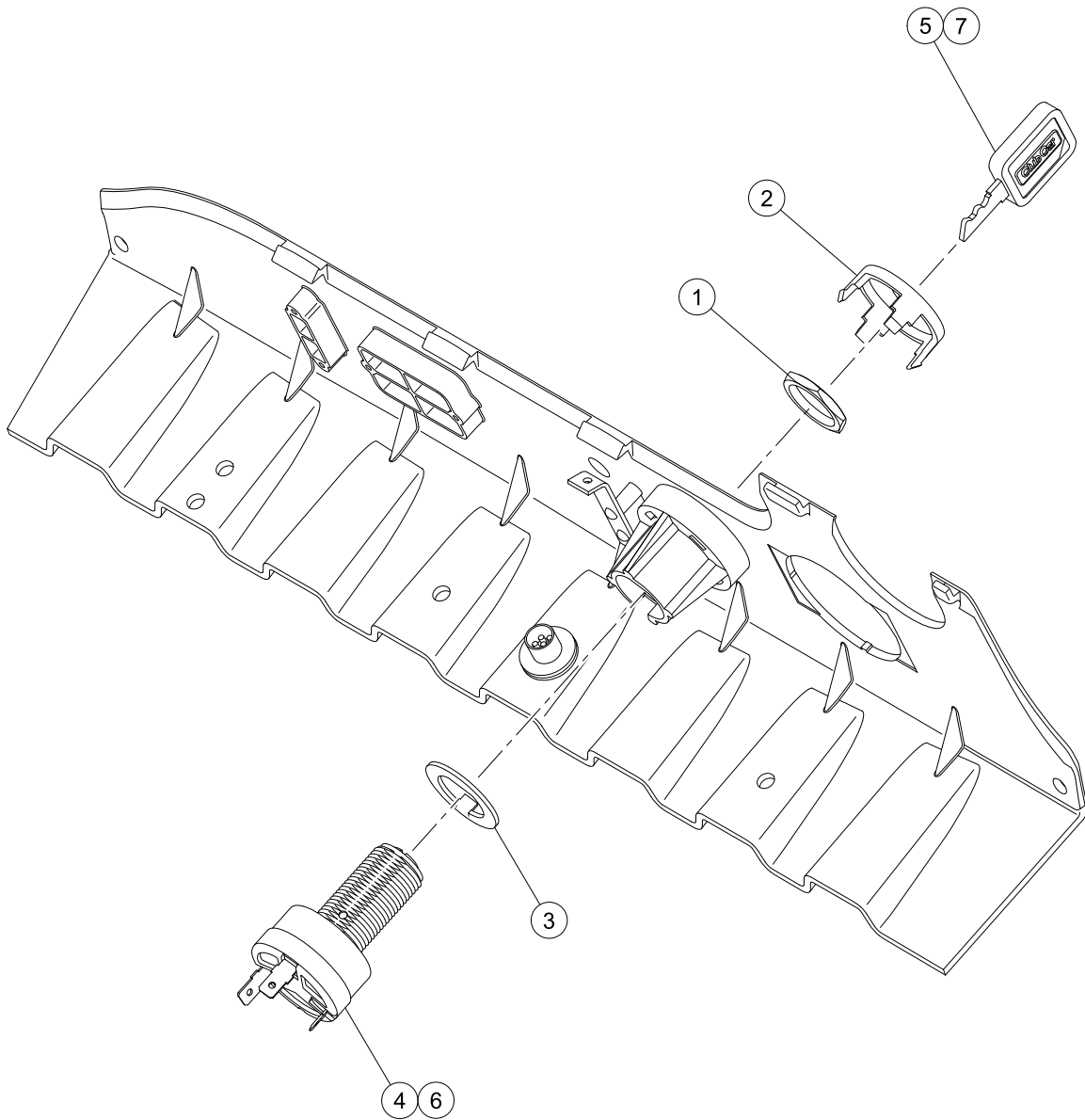
ITEM	PART NO.	DESCRIPTION	QTY
		1 2 3 4	
1	<u>1013857</u>	Knob, Light Switch	1
2	<u>1016849</u>	Screw, #4-24 X 0.33, Pan-Head, Machine	2
3	<u>1016851</u>	Multi-Purpose Buzzer (9-48 VDC)	1
4	<u>101802602</u>	Plug, Hole, Matte	1
5	<u>102051901</u>	Switch, Light	1
6	<u>102196901</u>	Dust Cap	1
7	<u>102572401</u>	Nut, Diagnostic Port	1
8	<u>47614736001</u>	Gauge, Can, Model 3140	1
9	<u>47631631001</u>	IP, w/ Dash Display, Li-Ion	1
10	<u>47631631002</u>	IP, w/ Dash Display and pre wired harness, Li-Ion	1
11	<u>47631631003</u>	IP, w/ Dash Display, Lt Sw, Li-Ion	1

4

E

4

E



G-130499-000001

KEYSWITCHES

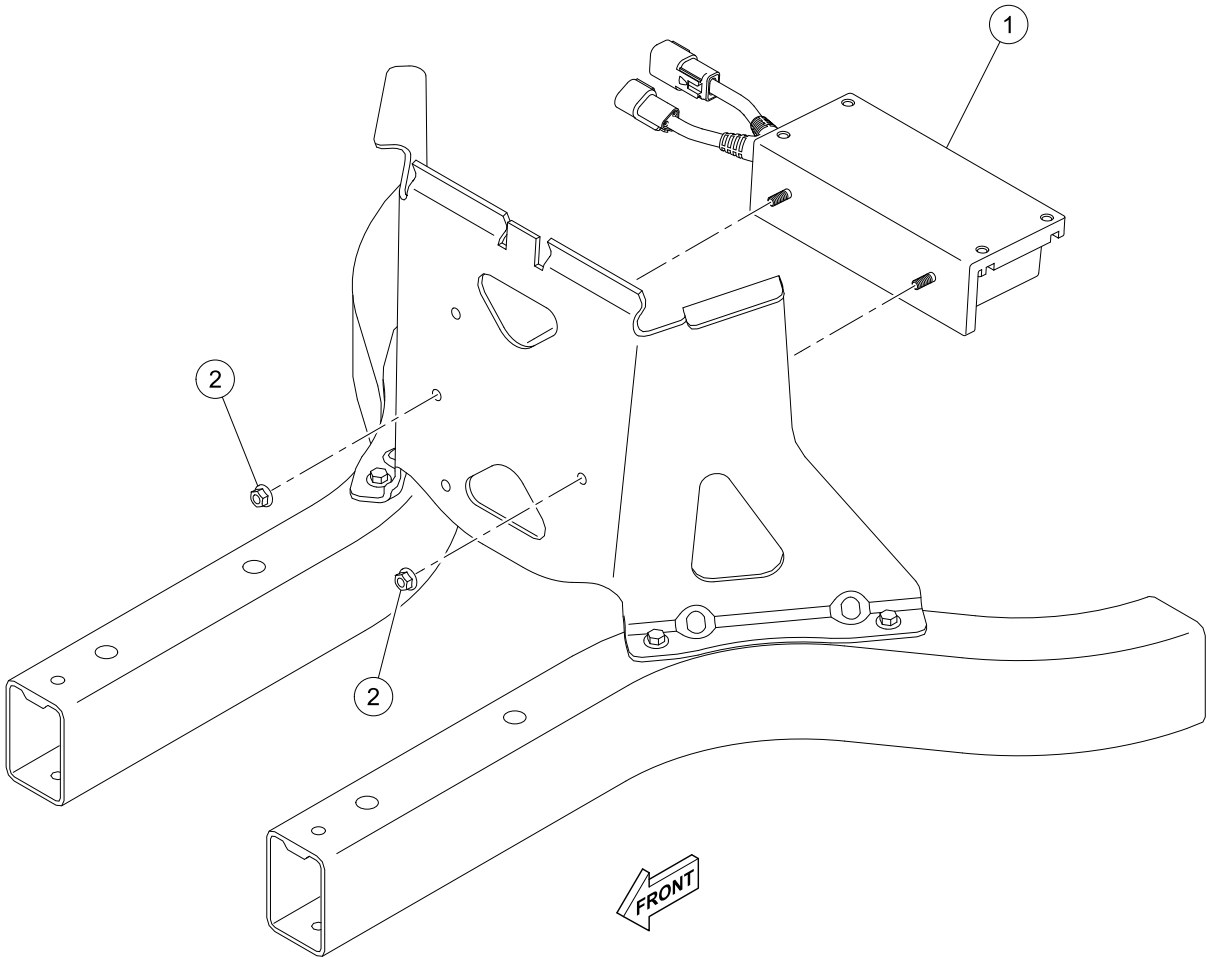
4

E

ITEM	PART NO.	DESCRIPTION	QTY
		1 2 3 4	
1	<u>101830701</u>	Nut, Key Switch	1
2	<u>101834502</u>	Cap, Black Key Switch	1
3	<u>101851101</u>	Washer, Key Switch	1
4	<u>105082001</u>	Keysw, Uncom, 4t, Off/p2/p3 1a (includes item 5)	1
5	<u>105068001</u>	Key, Uncommon, Padded 1a	1
6	<u>105082002</u>	Keysw, Uncom, 4t, Off/p2/p3 1b (includes item 7)	1
7	<u>105068002</u>	Key, Uncommon, Padded 1b	1

4

E



G-130299-000001

DC/DC CONVERTER – ELECTRIC VEHICLE

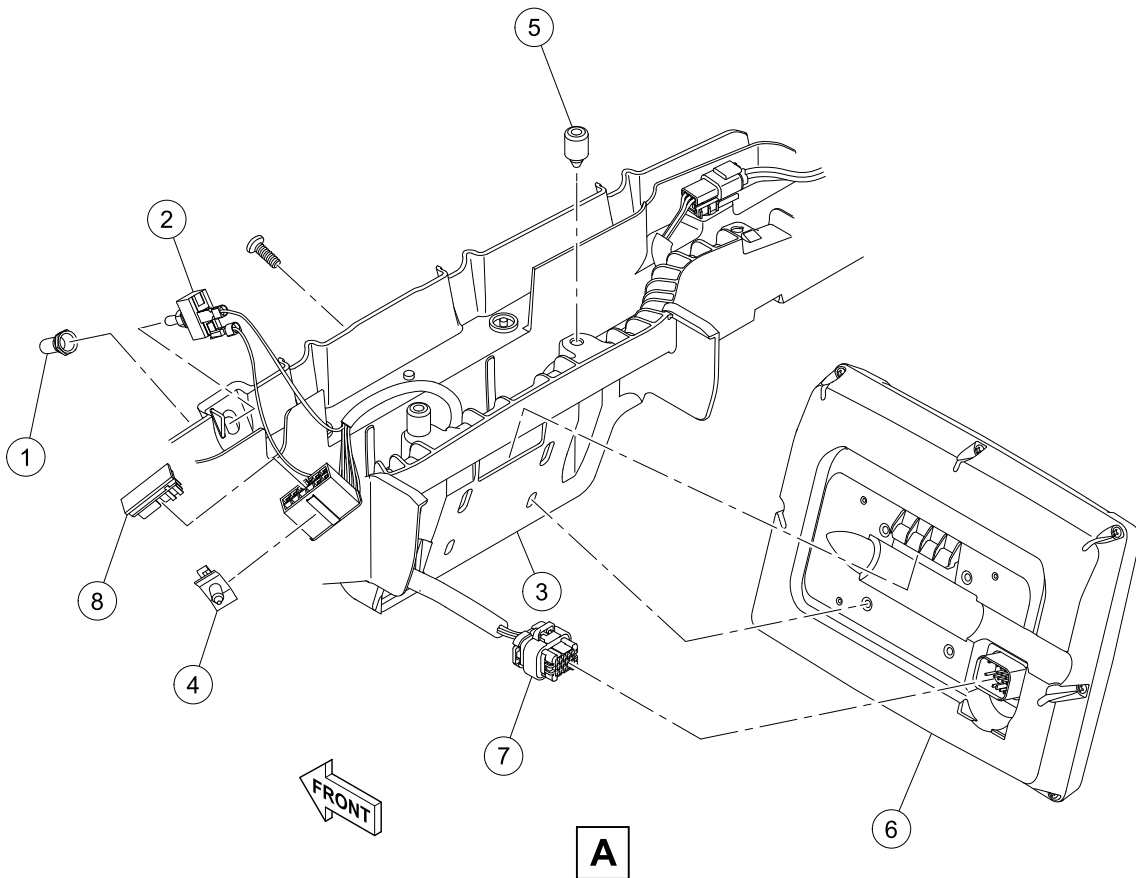
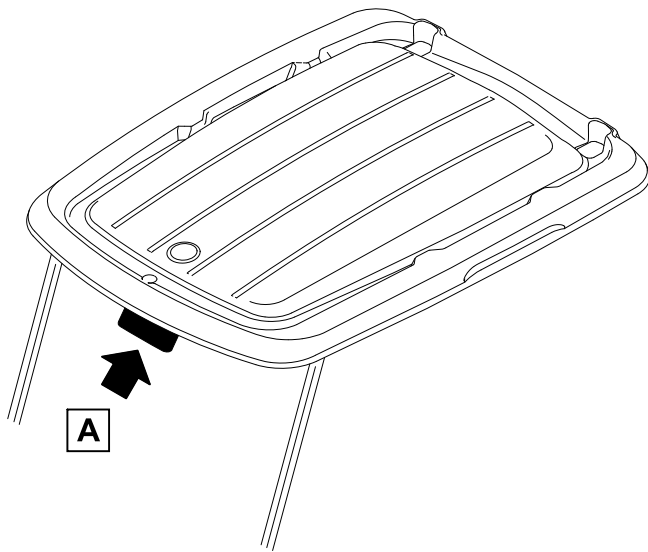
ITEM	PART NO.	DESCRIPTION	QTY
1	<u>47594727001</u>	1 2 3 4 Converter, Dc/dc	1
2	<u>96704176</u>	Nut, Flanged, M6 X 1, Serrated	2

4

E

4

E



G-150199-000001

VISAGE AND VDU

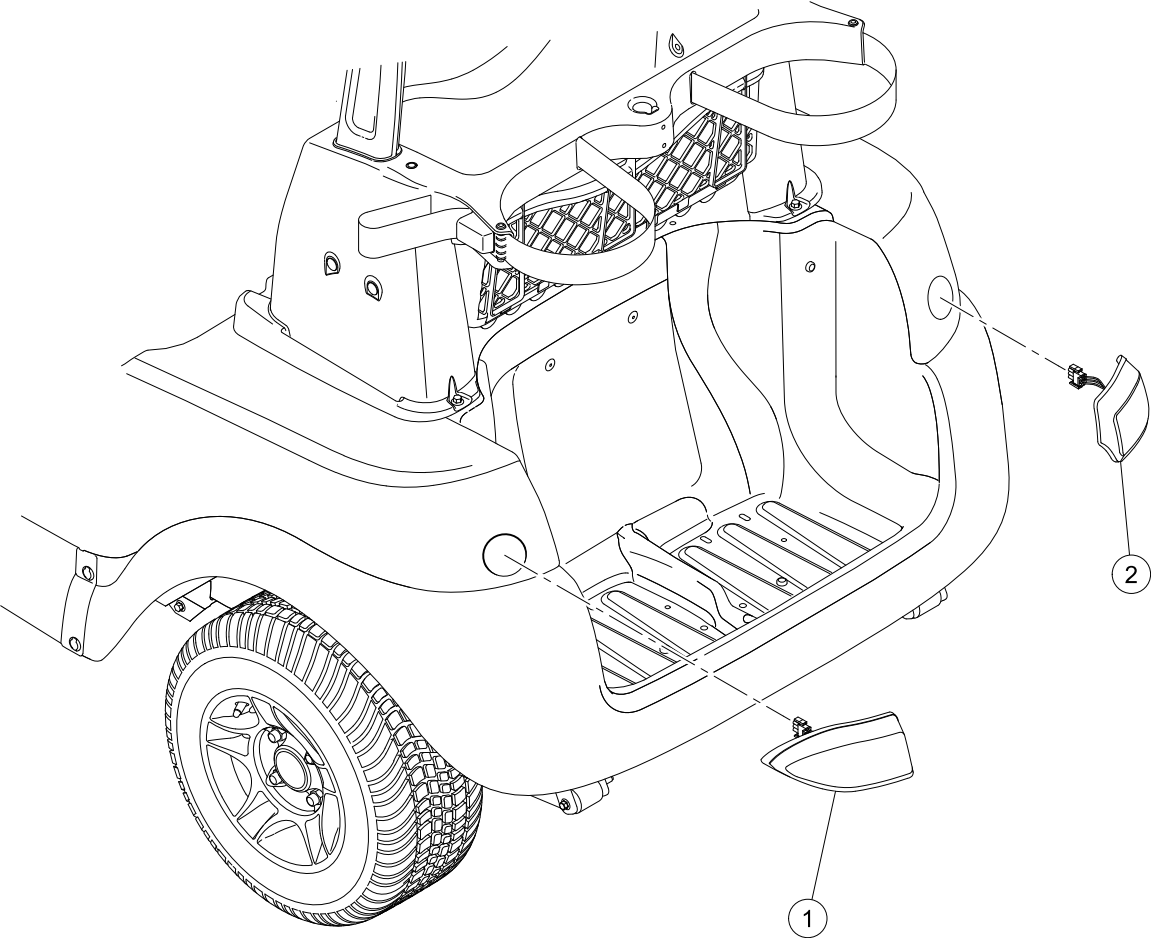
ITEM	PART NO.	DESCRIPTION	QTY
		1 2 3 4	
1	<u>101908401</u>	Boot, Switch	1
2	<u>102511101</u>	Switch, Tow	1
3	<u>47559265002</u>	Support, Display Unit, Bt	1
4	N/A	Clip, Mount, Conn	1
5	47618108001	Bumper, Rubber, 7mm, S60	2
6	47618861001	Visage, Vdu 3.0, Sx	1
7	<u>47625026001</u>	Harn, Vdu-aud, Console, Li-a/c	1
8	<u>47631293001</u>	Conn, Harness, Cap, Can, Ac	1

4

E

4

E



G-130699-000002

TAILLIGHTS

ITEM	PART NO.	DESCRIPTION	QTY
1	<u>47643352001</u>	1 2 3 4 Assembly, Taillight, LH	1
2	<u>47643352002</u>	Assembly, Taillight, RH	1

4

E

4

E

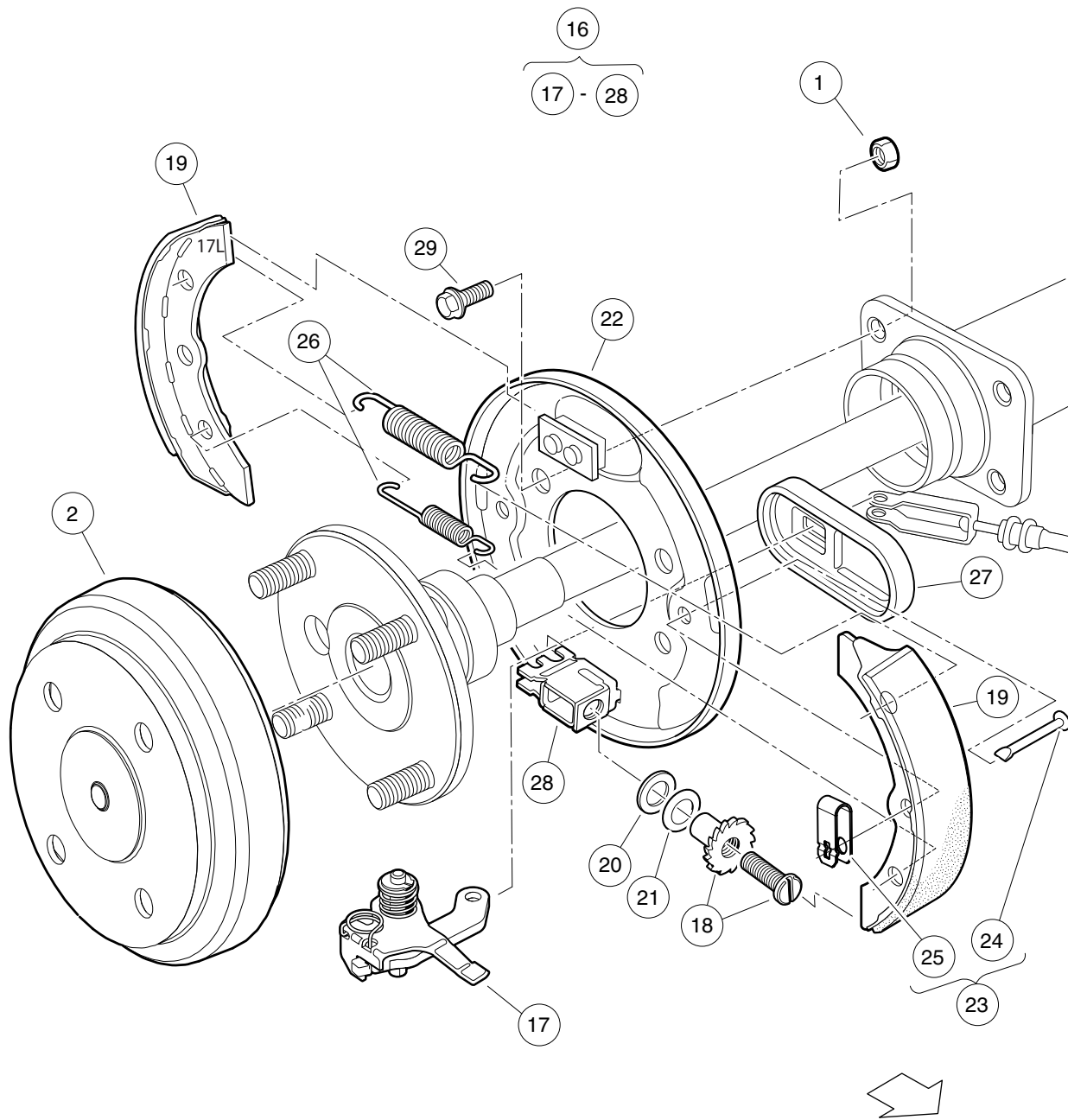
BRAKES AND PEDAL GROUP ASSEMBLIES

5

E

5

E



000186-006

REAR BRAKES, SELF-ADJUSTING

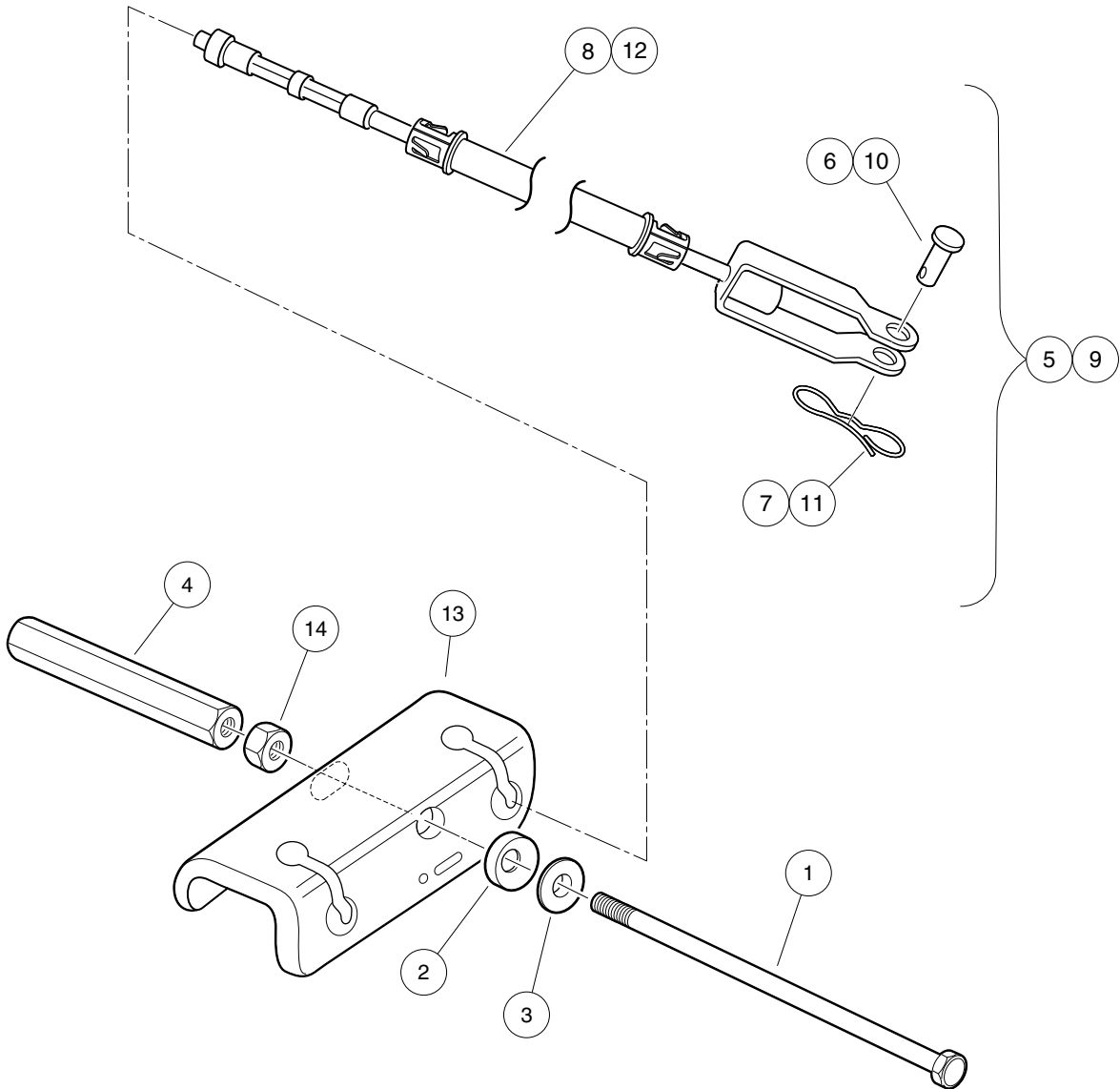
ITEM	PART NO.	DESCRIPTION	QTY
		1 2 3 4	
1	<u>1013924</u>	Nut, 5/16-24, Hex Head Cone	8
2	<u>101791101</u>	Drum without Center Hole, Brake	2
3	<u>103380201</u>	Asm, Brake Cluster, Mech, Drvr (includes items 4 through 15)	1
4	<u>101815502</u>	Lever Assembly, Self-Adjusting Brake, Left	1
5	<u>101816502</u>	Adjusting Mechanism, Self-Adjusting Brake, Left	1
6	<u>101823201</u>	Package, Brake Shoe, Self-Adjusting	1
7	<u>101823801</u>	Plate, Washer, Brake, Self-Adjusting	1
8	<u>101823901</u>	Washer, Brake, Self-Adjusting	1
9	<u>103483102</u>	Backing Plate, Driver-side	1
10	<u>103483201</u>	Kit, Shoe Retainer (includes items 11 and 12)	1
11	N/A	Pin	2
12	N/A	Spring, Shoe, Clamp	2
13	<u>103483401</u>	Package Brake Spring Self Adj	1
14	<u>103483601</u>	Cover, Dust	1
15	<u>103483701</u>	Brake Block	1
16	<u>103380202</u>	Asm, Brake Cluster, Mech, Pass (includes items 17 through 28)	1
17	<u>101815501</u>	Lever Assembly, Self-Adjusting Brake, Right (Passenger)	1
18	<u>101816501</u>	Adj Mechanism, S.A. Brakes, Right (Passenger)	1
19	<u>101823201</u>	Package, Brake Shoe, Self-Adjusting	1
20	<u>101823801</u>	Plate, Washer, Brake, Self-Adjusting	1
21	<u>101823901</u>	Washer, Brake, Self-Adjusting	1
22	<u>103483101</u>	Backing Plate, Passenger-side	1
23	<u>103483201</u>	Kit, Shoe Retainer (includes items 24 and 25)	1
24	N/A	Pin	2
25	N/A	Spring, Shoe, Clamp	2
26	<u>103483401</u>	Package Brake Spring Self Adj	1
27	<u>103483601</u>	Cover, Dust	1
28	<u>103483701</u>	Brake Block	1
29	<u>47542195001</u>	Bolt, Brake Cluster Mnt	8
		Note: Driver-side brake cluster items are not illustrated. Components have a similar appearance to passenger-side brake cluster.	

5

E

5

E



000467-006

BRAKE CABLES AND EQUALIZER BRACKET

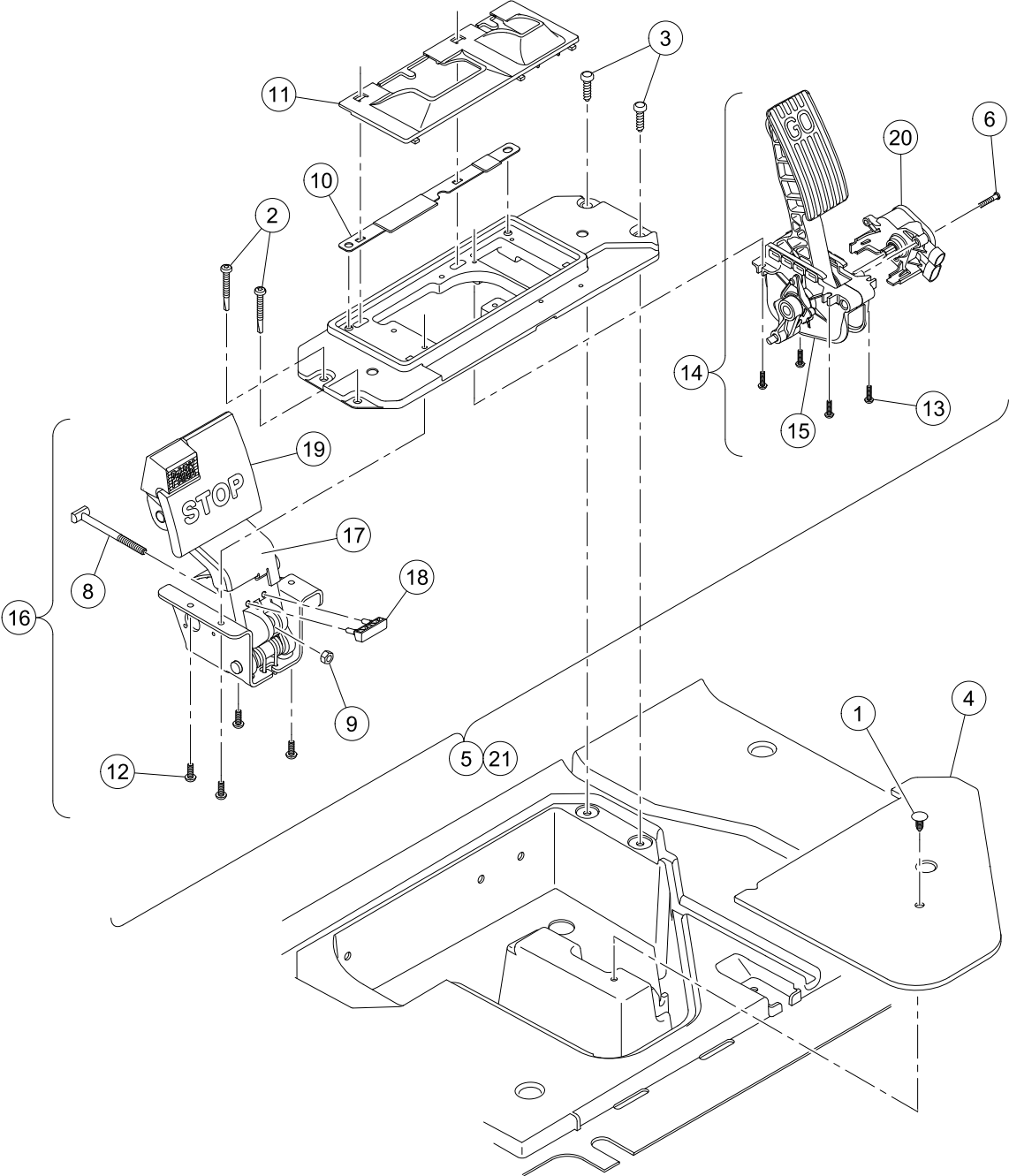
ITEM	PART NO.	DESCRIPTION	QTY
		1 2 3 4	
1	<u>102297901</u>	Bolt, 5/16-18 X 7.375, Hex	1
2	<u>102551901</u>	Washer, 5/16, Self Comp, Cup	1
3	<u>102552001</u>	Washer, 5/16, Self Comp, Cone	1
4	<u>102594301</u>	Nut, 5/16-18, Hex Adjusting -l	1
5	<u>103528701</u>	Kit, Brake Cable, Passenger-side (includes items 6 through 8)	1
6	<u>1010829</u>	Pin, Clevis, 5/16 X 3/4	1
7	<u>102292801</u>	Pin, Bow Tie Locking - .072	1
8	N/A	Cable, Brake, Right	1
9	<u>103528702</u>	Kit, Brake Cable, Driver-side (includes items 10 through 12)	1
10	<u>1010829</u>	Pin, Clevis, 5/16 X 3/4	1
11	<u>102292801</u>	Pin, Bow Tie Locking - .072	1
12	N/A	Cable, Brake, Left	1
13	<u>103535001</u>	Bracket, Equalizer	1
14	<u>1242</u>	Nut, 5/16-18 Hex	1

5

E

5

E



G-131199-00002

PEDAL GROUPS WITH MCOR

ITEM	PART NO.	DESCRIPTION	QTY
		1 2 3 4	
1	<u>1010434</u>	Barrel - Plastic	1
2	<u>102292201</u>	Screw-1/4-20x2.20 Tx Pn Hd Sd	2
3	<u>102298030</u>	Screw, K80x30, Torx Pn Hd Pt	2
4	<u>102500801</u>	Plate - Floor Cover	1
5	<u>103874111</u>	Asm, Pedal Set, No Switch, w/MCOR, Service (includes items 6 through 20)	1
6	<u>103943401</u>	Screw, Pan, #10 X 1.00 Hi-lo	1
7	<u>103975011</u>	Asm, Pedal Set, No Switch, Service (includes items 8 through 16)	1
8	<u>102559401</u>	Rod, Brake	1
9	<u>102559701</u>	Nut, Brake Rod	1
10	<u>102594801</u>	Shield, Debris Aux	1
11	<u>102594901</u>	Shield, Debris Primary	1
12	<u>102595901</u>	Screw, M6x1.0x17 Ph, Taptite	4
13	<u>102596001</u>	Screw, M5x0.8x18 Ph, Taptite	4
14	<u>102596301</u>	Pedal, Accelerator, Anodized (includes item 15)	1
15	<u>103777601</u>	Asm, Park Brake Release, Anodized	1
16	<u>103974901</u>	Asm, Brake Pedal, Anodized (includes items 17 through 19)	1
17	<u>102595201</u>	Cover, Brake	1
18	<u>102595301</u>	Upstop, Brake	1
19	<u>102595401</u>	Pad, Brake	1
20	<u>105116301</u>	MCOR4, Type 16 Switch	1
21	<u>103874112</u>	Pedal Assy Mcor3 W/switch Sp	1
22	<u>103975012</u>	Pedal Set, Mech, Anod W/sw Sp	1
<p>Note: Item 7 and 22 are not illustrated. All detail parts for the Pedal Sets are identical. Reference the Electrical Section for detailed MCOR information.</p>			

5

E

5

E

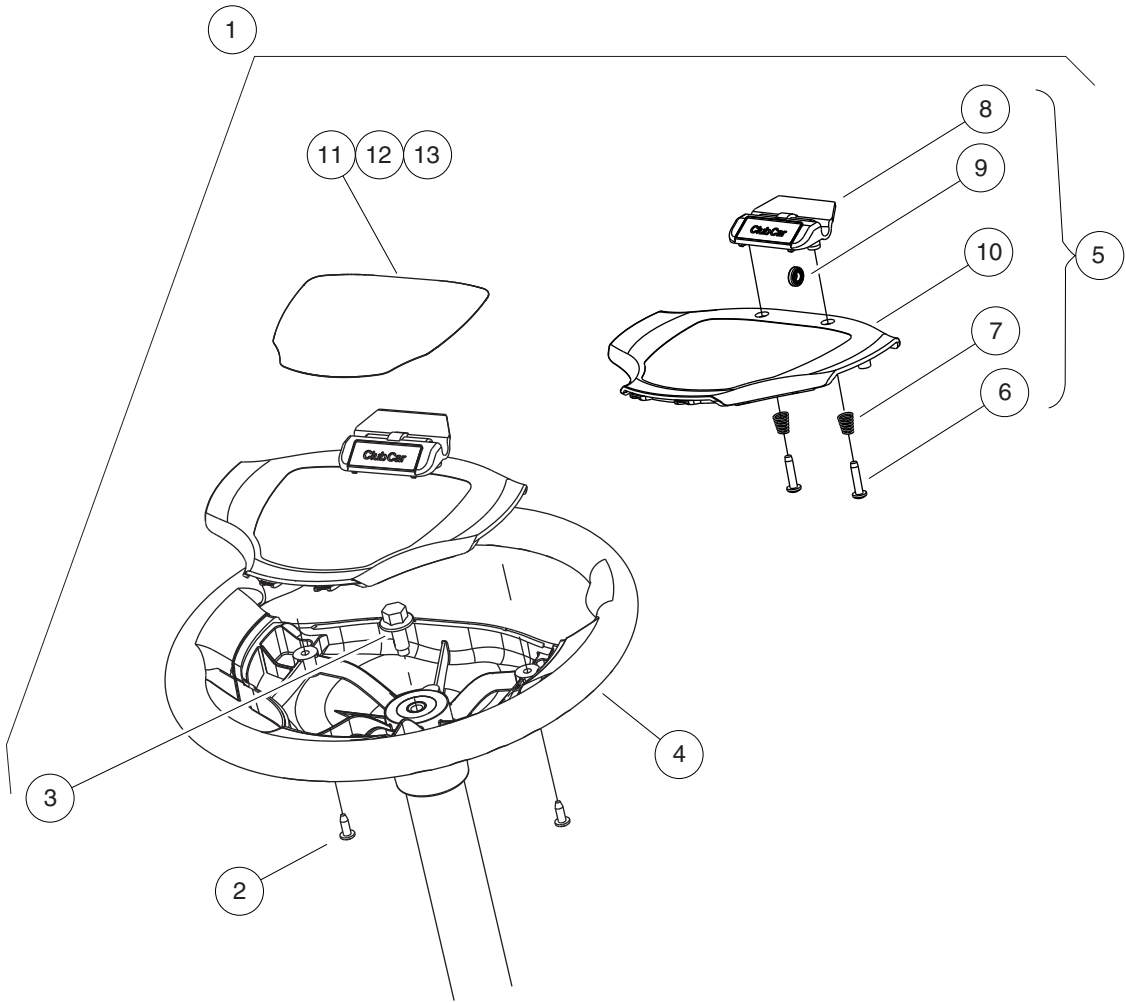
STEERING, FRONT AND REAR SUSPENSION

6

E

6

E



000470-002

STEERING WHEEL, COMFORT GRIP WITH CLIP

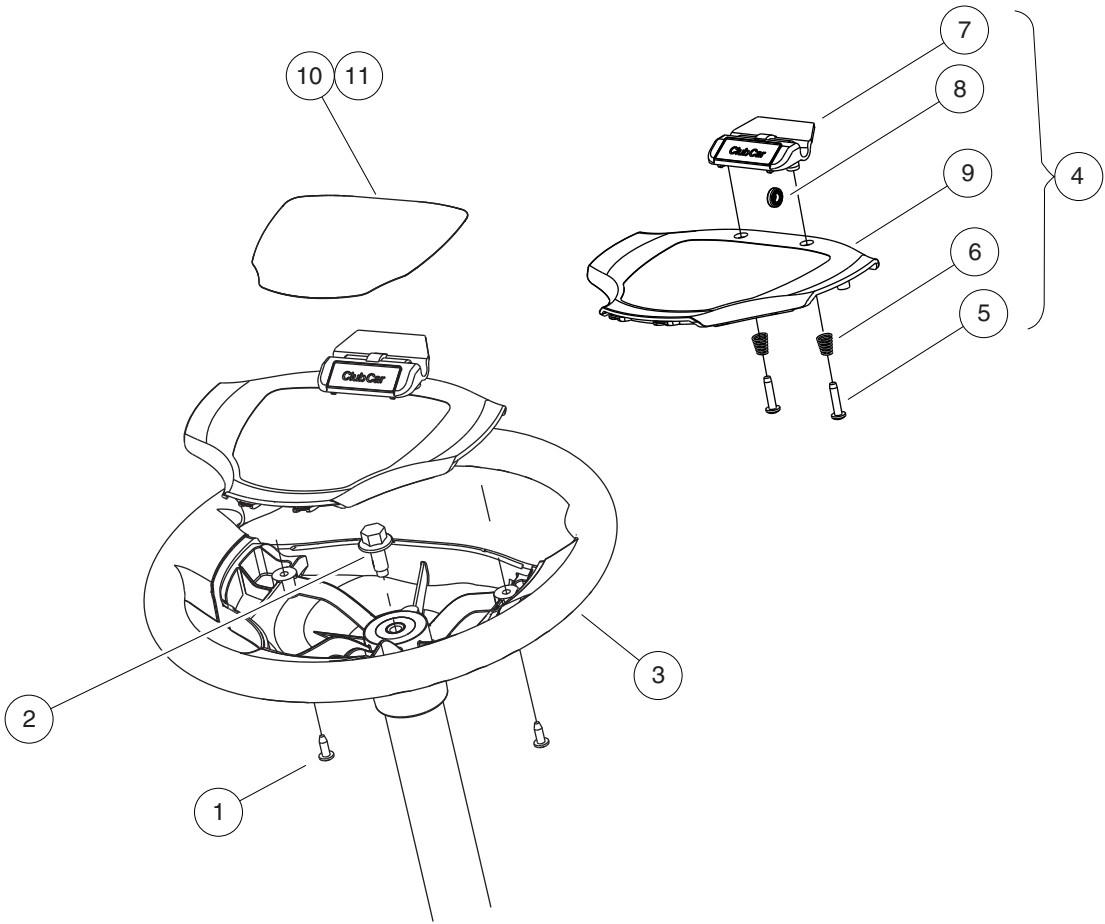
ITEM	PART NO.	DESCRIPTION	QTY
		1 2 3 4	
1	<u>103796701</u>	Kit, Hex, Steering Wheel (includes items 2 through 13)	1
2	<u>101850301</u>	Screw, #12-16 X 0.50 Washer-Head Hi-Lo	2
3	<u>102290120</u>	Bolt, M10 X 20 Hex Washer Hd	1
4	<u>103724503</u>	Steering Wheel, Soft Grip, Hex	1
5	<u>103724901</u>	Asm, Scorecard, Clip (includes items 6 through 10)	1
6	<u>1012565</u>	Screw, #12 Phillips Round Head	2
7	<u>1012566</u>	Tapered Compression Spring	2
8	<u>1016154</u>	Clip, Scorecard	1
9	<u>1016214</u>	Pencil Grip	1
10	<u>103724601</u>	Cover, Steering Wheel, Clip	1
11	<u>103783001</u>	Decal, Op Instr, Ele	1
12	<u>103783002</u>	Decal, Op Instr, Gas Ps	1
13	<u>103783003</u>	Decal, Op Instr, Gas Ks	1
<p>Note: Kit supplies three optional decals. Refer to the Operators Manual for this vehicle or the decal section of this Manual to determine which decal applies.</p>			

6

E

6

E



000470-005

STEERING WHEEL

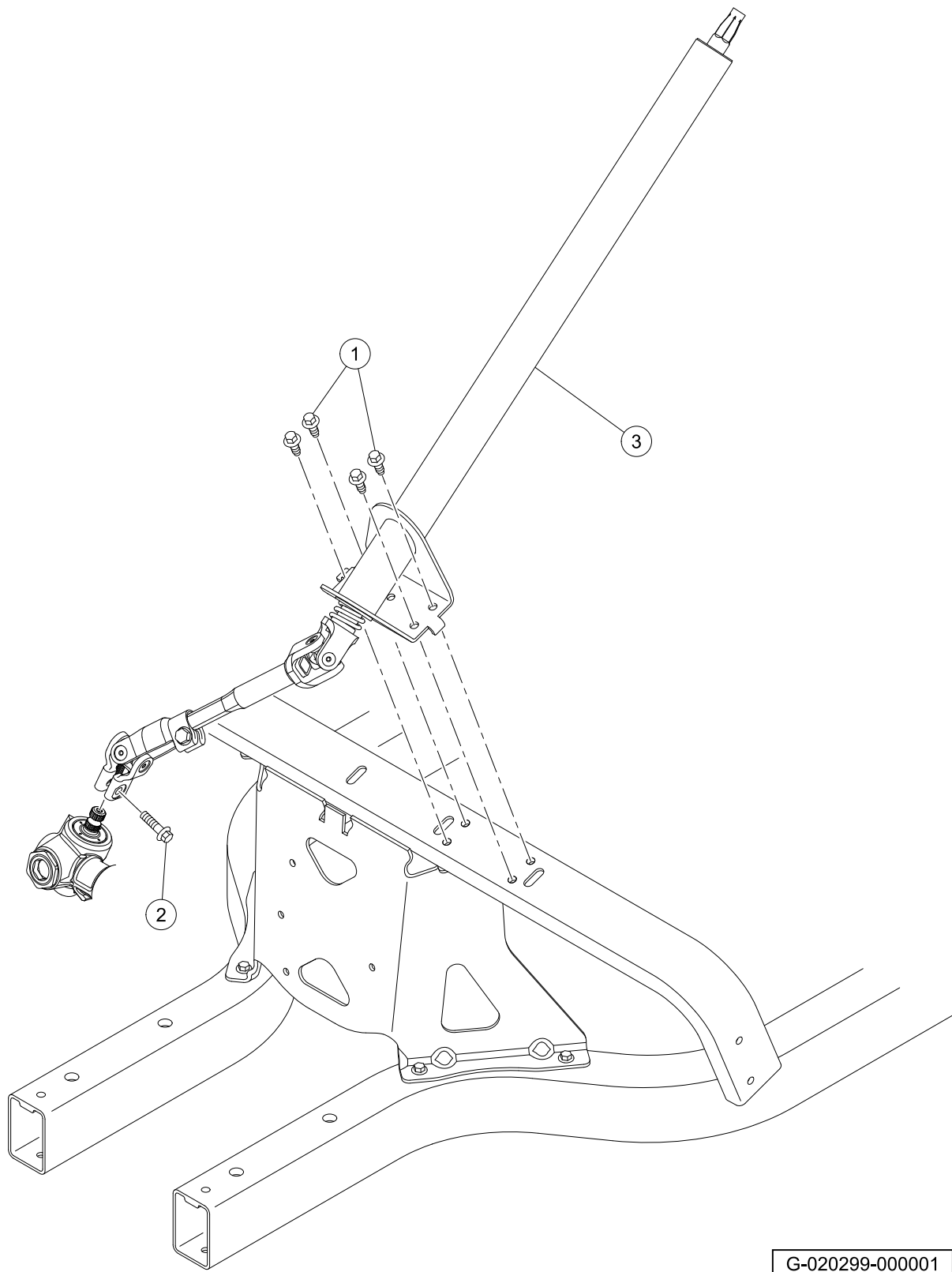
6

E

ITEM	PART NO.	DESCRIPTION	QTY
		1 2 3 4	
1	<u>101850301</u>	Screw, #12-16 X 0.50 Washer-Head Hi-Lo	2
2	<u>102290120</u>	Bolt, M10 X 20 Hex Washer Hd	1
3	<u>103724501</u>	Steering Wheel, Hex	1
4	<u>103724901</u>	Asm, Scorecard, Clip (includes items 5 through 9)	1
5	<u>1012565</u>	Screw, #12 Phillips Round Head	2
6	<u>1012566</u>	Tapered Compression Spring	2
7	<u>1016154</u>	Clip, Scorecard	1
8	<u>1016214</u>	Pencil Grip	1
9	<u>103724601</u>	Cover, Steering Wheel, Clip	1
10	<u>103783001</u>	Decal, Op Instr, Ele	1
11	<u>103783002</u>	Decal, Op Instr, Gas Ps	1
<p>Note: Refer to the Operators Manual for this vehicle or the decal section of this Manual to determine which decal applies.</p>			

6

E



G-020299-000001

STEERING COLUMN

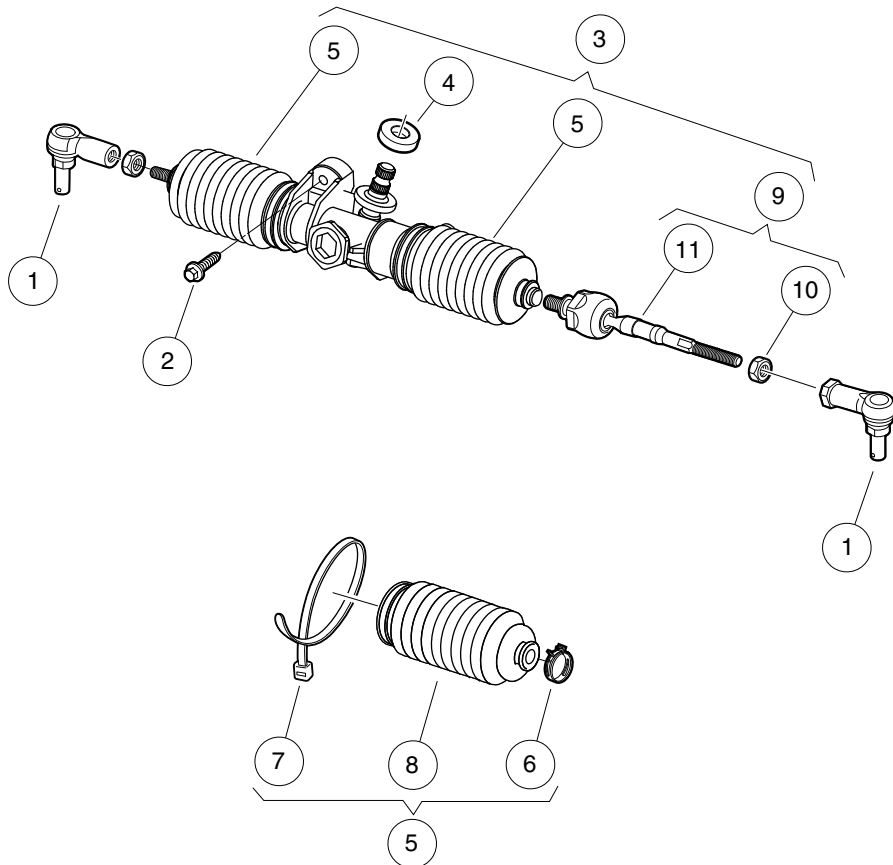
ITEM	PART NO.	DESCRIPTION	QTY
1	<u>102298116</u>	1 2 3 4 Bolt, Flanged Head, M8 X 16.0	4
2	<u>102298130</u>	Bolt, Flange Head, M8 X 30.0	1
3	<u>105049001</u>	Kit, Inner Steering Clmn	1

6

E

6

E



000476-005

STEERING GEAR ASSEMBLY

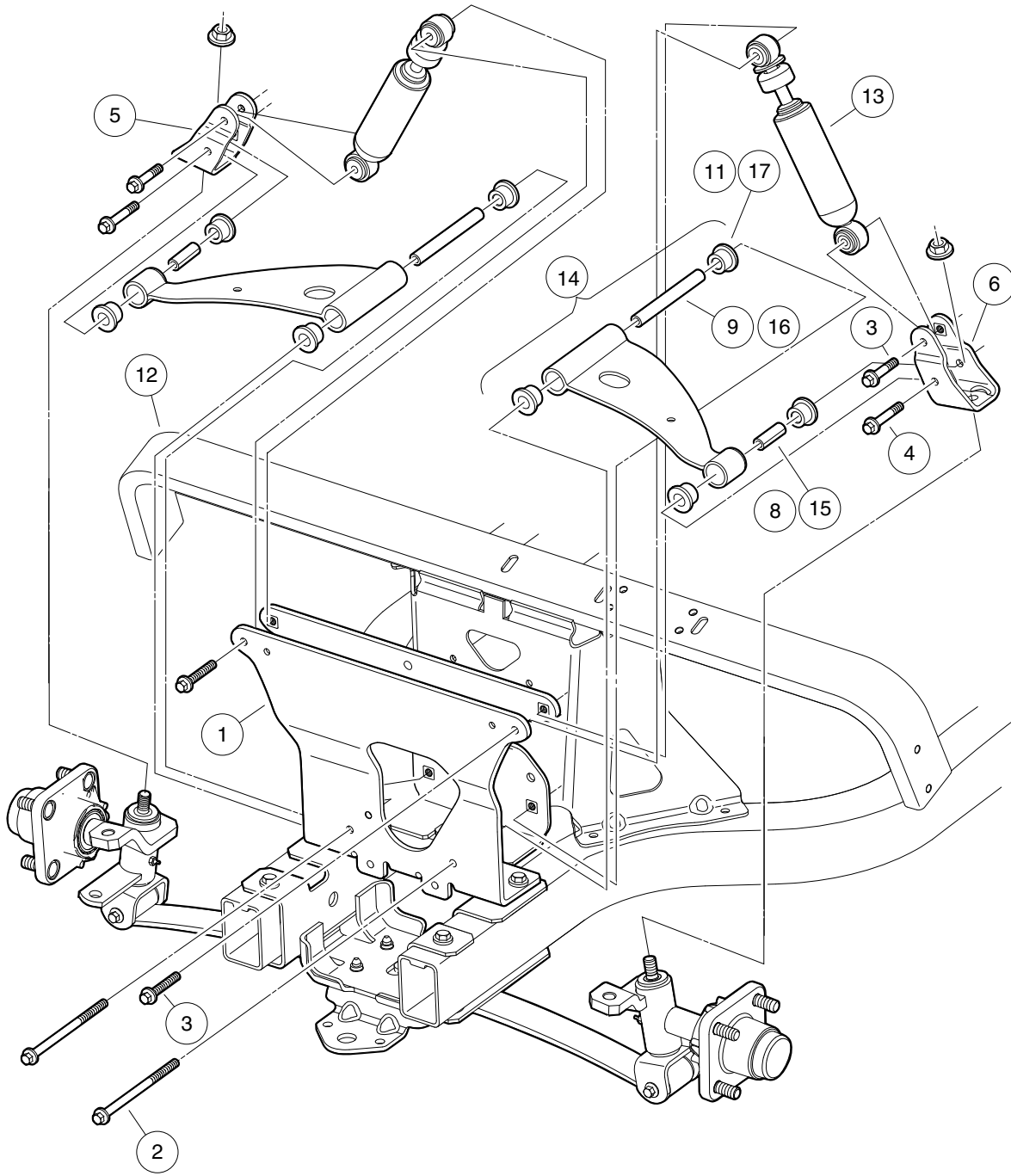
ITEM	PART NO.	DESCRIPTION	QTY
		1 2 3 4	
1	<u>102022601</u>	End, Tie Rod M12 X 1.25 Rh	2
2	<u>102289001</u>	Screw, M8X1.25X30, Hex	3
3	<u>103679701</u>	Asm, Rack & Pinion (includes items 4 through 9)	1
4	<u>102565201</u>	Seal, Dust, Steering Pinion	1
5	<u>103826201</u>	Bellow Kit, Steering-sona (includes items 6 through 8)	2
6	<u>102566001</u>	Clip, Steering	1
7	<u>8990</u>	Tie Wrap, 8" Nylon	1
8	N/A	Bellows	1
9	<u>103826301</u>	Kit, IBJ (Inner Ball Joint), Steering-sona (includes items 10 and 11)	2
10	1013042	Nut, 12mm Hex	1
11	N/A	Inner Ball Joint	1

6

E

6

E



000445-005

FRONT SUSPENSION, UPPER

ITEM	PART NO.	DESCRIPTION	QTY
		1 2 3 4	
1	<u>102287101</u>	Assembly - Front Structure	1
2	<u>102288901</u>	Bolt, Hex, M8x1.25 X 135	2
3	<u>102289401</u>	Screw- Hex Cap, M8 X 1.25 X 45	4
4	<u>102289501</u>	Screw- Hex Cap, M8 X 1.25 X 70	2
5	<u>102289601</u>	Upper Clevis Assembly, Passenger-side	1
6	<u>102289701</u>	Upper Clevis Assembly, Driver-side	1
7	<u>102289901</u>	Kit, Susp, Bushing Joints (includes items 8 through 11)	1
8	<u>102287601</u>	Sleeve - Rolled, Outer	2
9	<u>102287701</u>	Sleeve - Rolled, Inner	2
10	<u>102288101</u>	Sleeve - Rolled, Spring	2
11	<u>102956201</u>	Bushing, Urethane, Short	12
12	<u>102505701</u>	Assembly, Dash Support	1
13	<u>102588601</u>	Shock Absorber Front	2
14	<u>103388501</u>	Asm, 3 Piece A-arm, Bushings (includes items 15 through 17)	2
15	<u>102287601</u>	Sleeve - Rolled, Outer	1
16	<u>102287701</u>	Sleeve - Rolled, Inner	1
17	<u>102956201</u>	Bushing, Urethane, Short	4
<p style="text-align: center;">Note: Item 7 (not shown) includes bushings and sleeves for control arms and front suspension leaf spring. See lower suspension page for illustration of item 10 (not shown).</p>			

6

E

FRONT SUSPENSION, LOWER

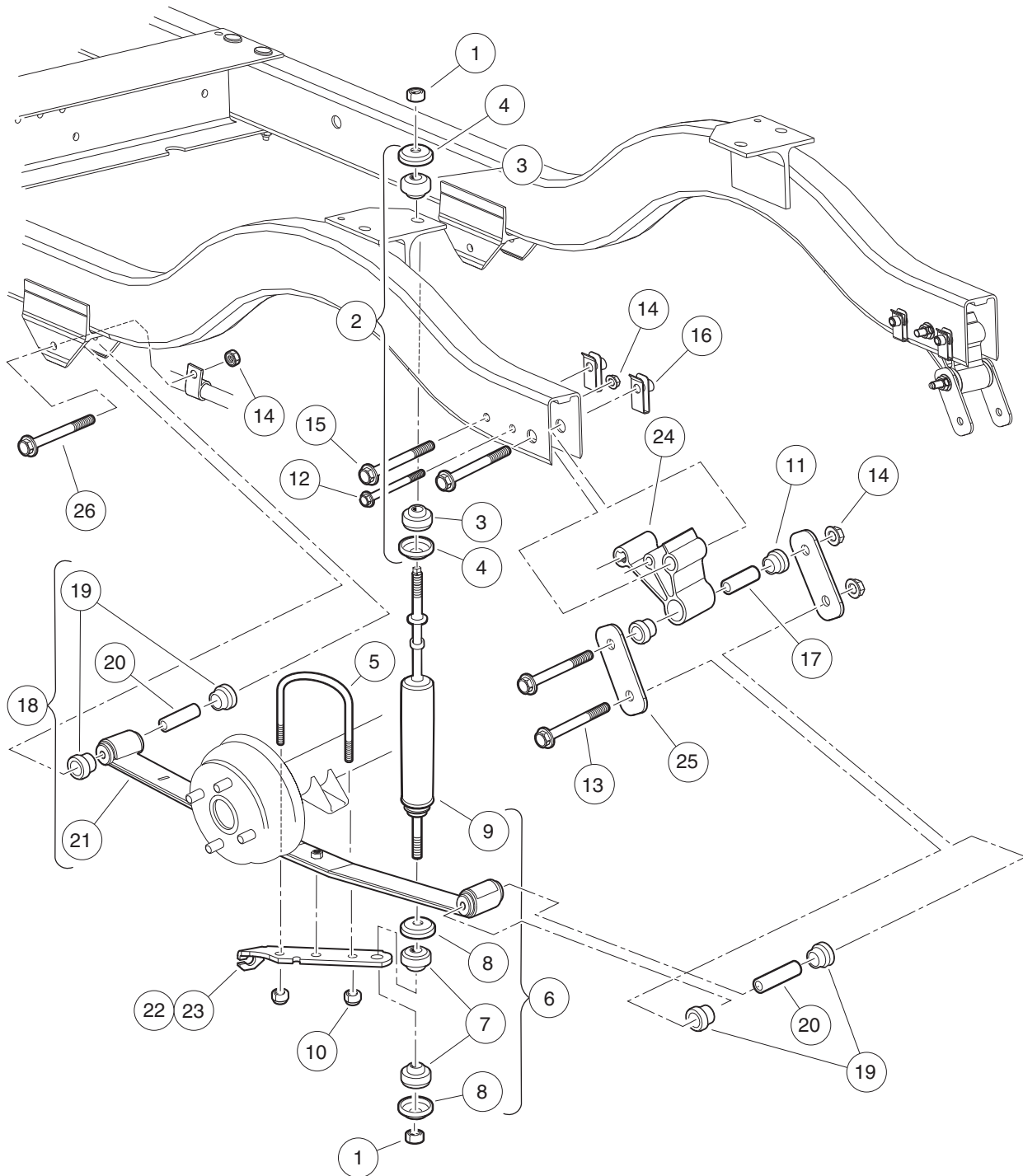
ITEM	PART NO.	DESCRIPTION	QTY
		1 2 3 4	
1	<u>102289101</u>	Screw-m10x1.5, Trilob, Hex Fl	4
2	<u>102289201</u>	Nut - Hex Locking, M12 X 1.25	2
3	<u>102289501</u>	Screw- Hex Cap, M8 X 1.25 X 70	2
4	<u>102289801</u>	Clamp - Leaf Spring	1
5	<u>102357701</u>	Replacement Kit, Front Hub (includes items 6 through 10)	1
6	N/A	Front Hub Assembly, Ball Bearing (includes items 7 and 8)	1
7	<u>102353401</u>	Lug Stud, 1/2-20 UNF, 4037 Stl	4
8	N/A	Hub, Front	1
9	<u>102353201</u>	Cap, Front Hub	1
10	<u>102353301</u>	Hex Nut, Locking Flange, M14x2	1
11	<u>102878201</u>	Nut, Lock,m12,washer,conical	2
12	<u>103638701</u>	Asm, Spindle, with Bushings, Driver-side (includes items 13 and 14)	1
13	<u>102288201</u>	Bushing - Flanged	2
14	N/A	Fitting, Grease, Knuckle Spindle Asym	1
15	<u>103638702</u>	Asm, Spindle, with Bushings, Passenger-side (includes items 16 and 17)	1
16	<u>102288201</u>	Bushing - Flanged	2
17	N/A	Fitting, Grease, Knuckle Spindle Asym	1
18	<u>103638801</u>	Kit, King Pin Joints (includes items 19 through 22)	1
19	<u>102288201</u>	Bushing - Flanged	4
20	<u>102288401</u>	Wave Washer - Kingpin	2
21	<u>102878201</u>	Nut, Lock,m12,washer,conical	2
22	<u>103638601</u>	Asm, King Pin, M12	2
23	<u>103935601</u>	Asm, Spring, Leaf, Front, 50.4 (includes items 24 through 28)	1
24	<u>102288101</u>	Sleeve - Rolled, Spring	2
25	102288701	Eccentric Bolt	1
26	102288801	Nut-hex, 3/8-16	1
27	<u>102956201</u>	Bushing, Urethane, Short	2
28	105187901	Spring, Leaf, Front, 50.4	1

6

E

6

E



000446-005

REAR SUSPENSION, STANDARD TWO-PASSENGER

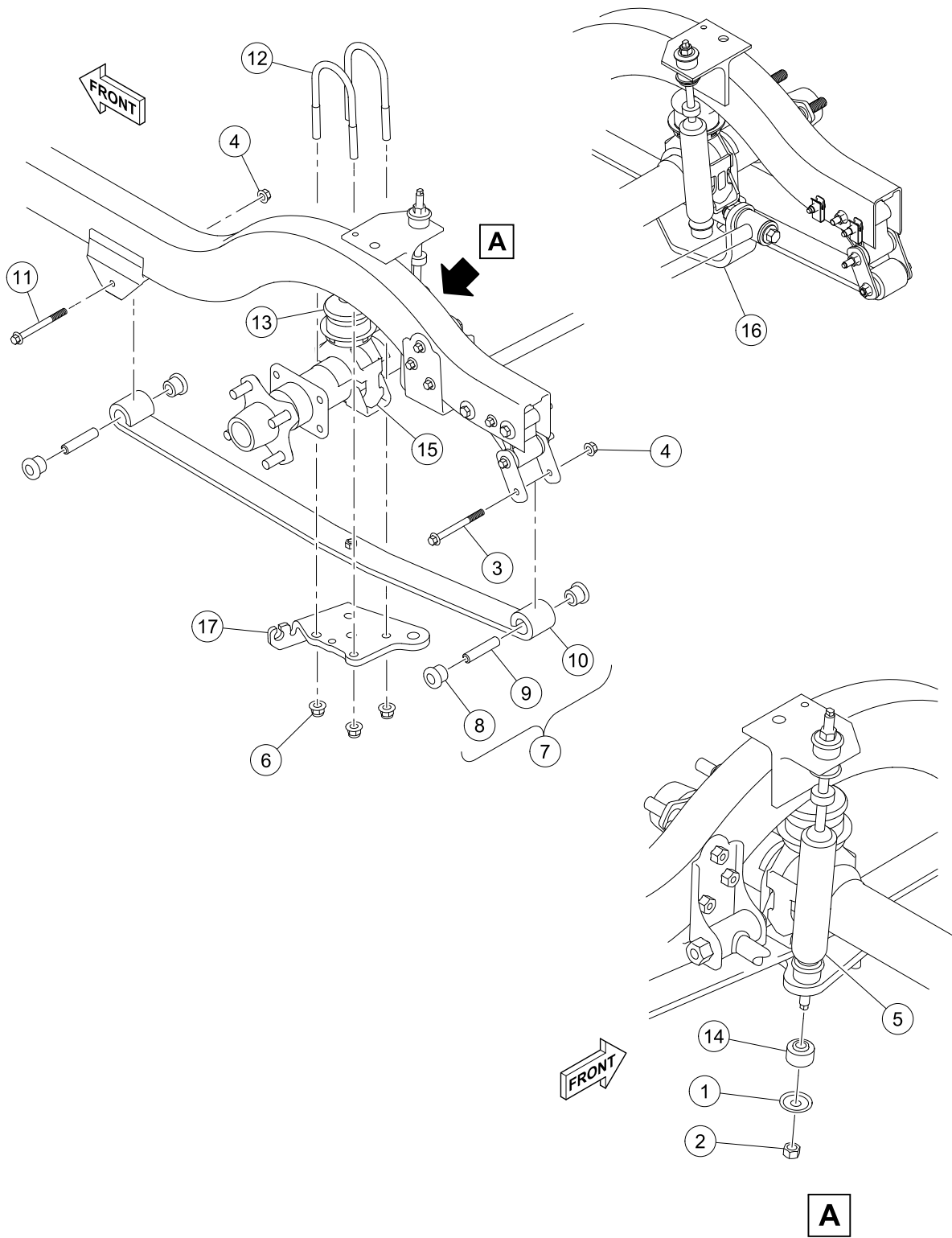
ITEM	PART NO.	DESCRIPTION	QTY
		1 2 3 4	
1	<u>1010145</u>	Nut, 3/8-24 Hex	4
2	<u>1011415</u>	Kit, Shock Absorber Cushion (includes items 3 and 4)	2
3	N/A	Retainer, Shock Absorber Cushion	2
4	<u>47579096001</u>	Isolator, Shock Damper	2
5	<u>1012180</u>	U-Bolt	2
6	<u>1013164</u>	Shock Absorber Kit (includes items 7 through 9)	1
7	N/A	Cushion, Shock Absorber	8
8	N/A	Retainer, Shock Absorber Cushion	8
9	<u>102588501</u>	Shock Absorber, Rear	2
10	<u>1014555</u>	Locknut, 7/16-14 Nylon Hex	4
11	<u>1015583</u>	Bushing, Urethane	4
12	<u>102298170</u>	Bolt - Flange Hd, M8 X 70.0	2
13	<u>102298175</u>	Bolt - Flange Hd, M8 X 75.0	2
14	<u>102298401</u>	Nut,m8,all Metal Lock	8
15	<u>102298580</u>	M8-1.25 X 80 Sems	4
16	<u>102298601</u>	J-clip - M8 X 1.25	4
17	<u>102506401</u>	Sleeve - Spring Eye Mounts	2
18	<u>103742305</u>	Asm, Rear Leaf Spring, Light (includes items 19 through 21)	2
19	<u>101558302</u>	Bushing, Urethane, Soft	4
20	<u>102506401</u>	Sleeve - Spring Eye Mounts	2
21	N/A	Leaf Spring, Rear, Light	1
22	<u>103921601</u>	Bracket, Shock Mounting, Drv	1
23	<u>103921602</u>	Bracket, Shock Mounting, Pas	1
24	<u>103964901</u>	Spacer, Rail, Shackle	2
25	<u>103965001</u>	Brkt, Shackle, Rear	4
26	<u>105188185</u>	Bolt, M8 X 85mm, 10.9 Grade	4

6

E

6

E



G-030199-000002

REAR SUSPENSION, 4-PASSENGER – CONSUMER

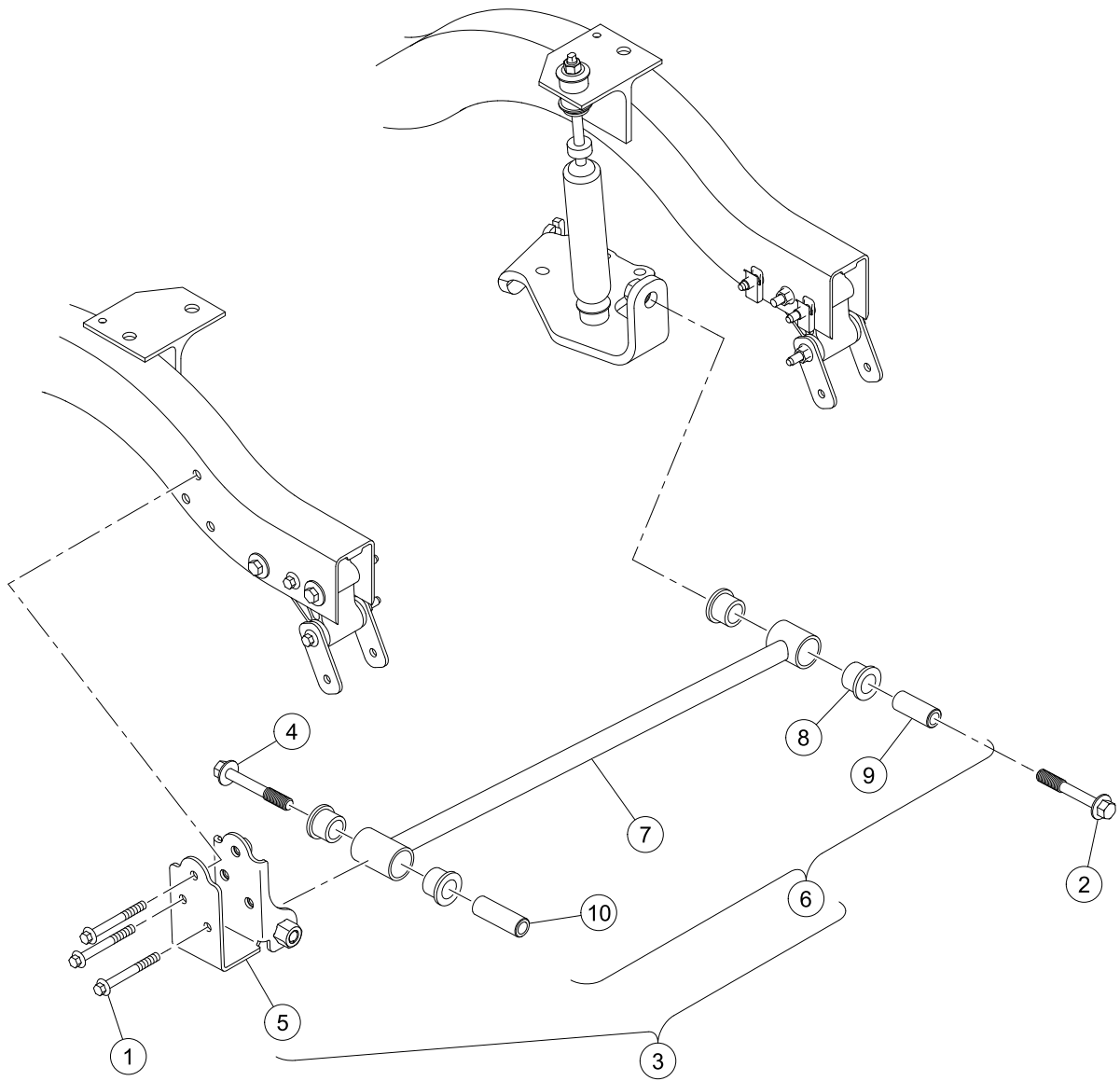
ITEM	PART NO.	DESCRIPTION	QTY
		1 2 3 4	
1	N/A	Retainer, Shock Absorber Cushion	8
2	<u>1010145</u>	Nut, 3/8-24 Hex	4
3	<u>102298175</u>	Bolt - Flange Hd, M8 X 75.0	2
4	<u>102298401</u>	Nut,m8,all Metal Lock	4
5	<u>102588501</u>	Shock Absorber, Rear	2
6	<u>102670701</u>	Nut, Flange, M10 X 1.5 Nylon	8
7	<u>103742304</u>	Asm, Rear Leaf Spring, Std (includes items 8 through 10)	2
8	<u>101558302</u>	Bushing, Urethane, Soft	4
9	<u>102506401</u>	Sleeve - Spring Eye Mounts	2
10	N/A	Leaf Spring, Rear, Std	1
11	<u>105188185</u>	Bolt, M8 X 85mm, 10.9 Grade	2
12	<u>105188701</u>	U-bolt, M10x1.5x58	4
13	<u>47576196001</u>	Bumper, Jounce, D-255828	2
14	<u>47579096001</u>	Isolator, Shock Damper	8
15	<u>47583666001</u>	Bracket, Perch, Bumper, Jounce	2
16	<u>47599907001</u>	Bkt, U-bolt, 3-1, Lh	1
17	<u>47599908001</u>	Bkt, U-bolt, 4-1, Rh	1

6

E

6

E



G-030199-000001

PANHARD ROD

ITEM	PART NO.	DESCRIPTION	QTY
		1 2 3 4	
1	<u>102298170</u>	Bolt - Flange Hd, M8 X 70.0	3
2	<u>103146501</u>	Bolt, Flg, M12 X 1.75 X 80	1
3	47577865001	Assy, Panhard and Frame Rail Bracket (includes items 4 through 6)	1
4	<u>103146501</u>	Bolt, Flg, M12 X 1.75 X 80	1
5	47576649001	Bkt, Frame Rail, Panhard	1
6	47577864001	Asm, Rod, Panhard (includes items 7 through 10)	1
7	47576650001	Assy, Weldment, Panhard	1
8	47576651001	Bushing, Slip, 3390000-160802	4
9	47576652001	Sleeve, Bushing, Panhard, Short	1
10	47576652002	Sleeve, Bushing, Panhard, Long	1

6

E

6

E

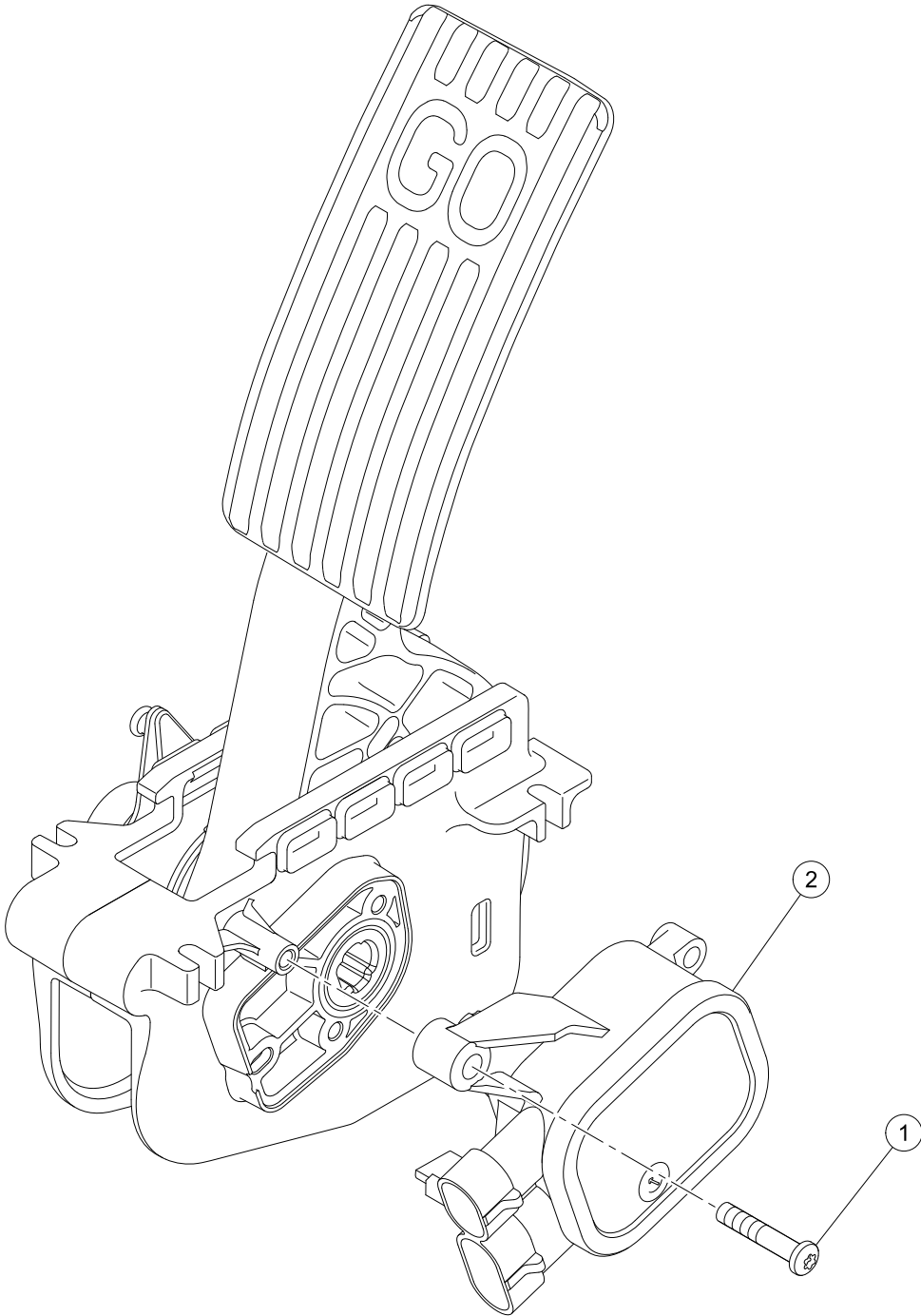
ELECTRICAL SYSTEM – LITHIUM-ION

7

E

7

E



G-131199-000003

MOTOR CONTROLLER OUTPUT REGULATOR (MCOR)

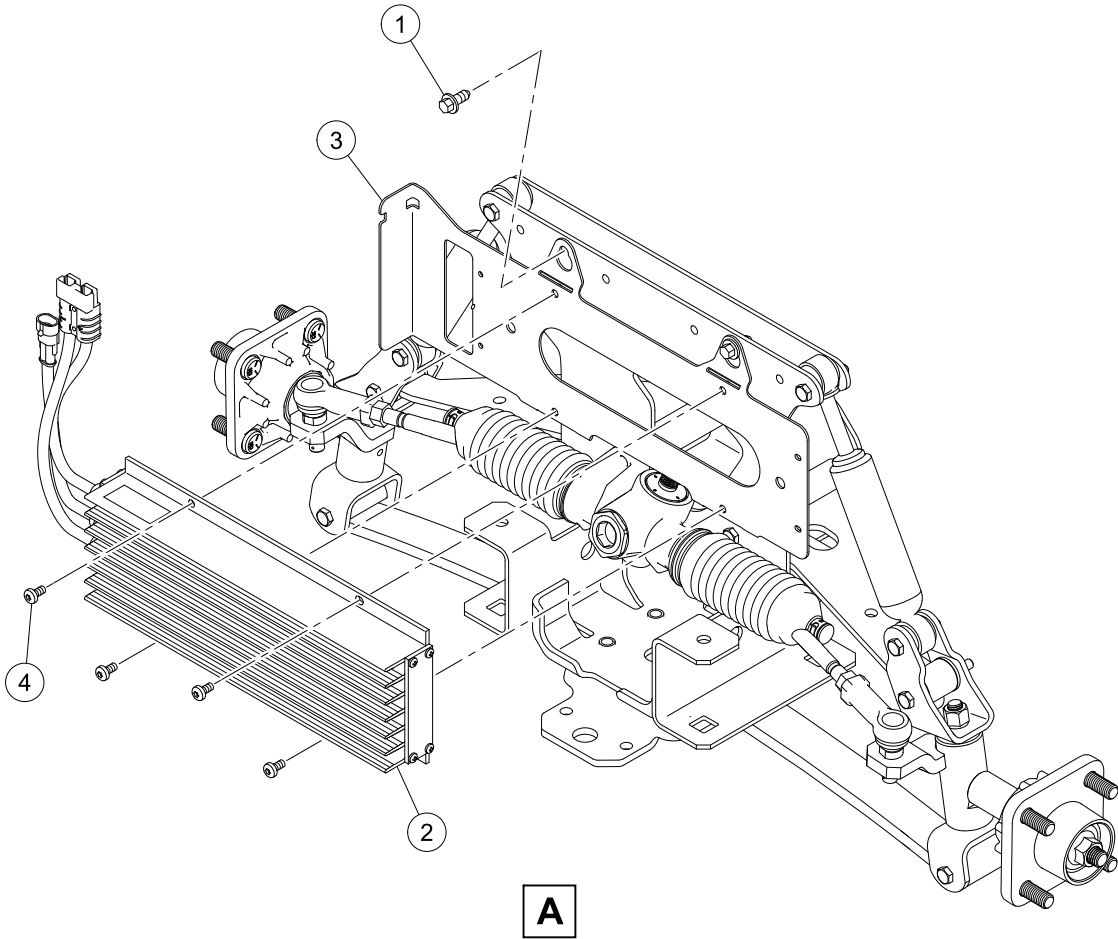
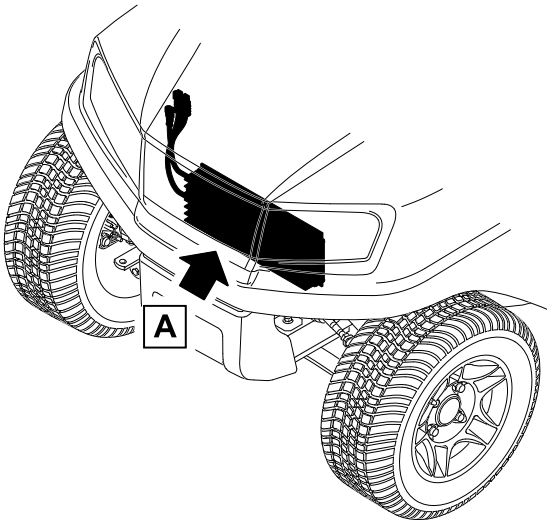
ITEM	PART NO.	DESCRIPTION	QTY
1	<u>103943401</u>	1 2 3 4 Screw, Pan, #10 X 1.00 Hi-lo	1
2	<u>105116301</u>	MCOR4, Type 16 Switch	1

7

E

7

E



G-130299-000004

DYNAMIC BRAKING RESISTOR

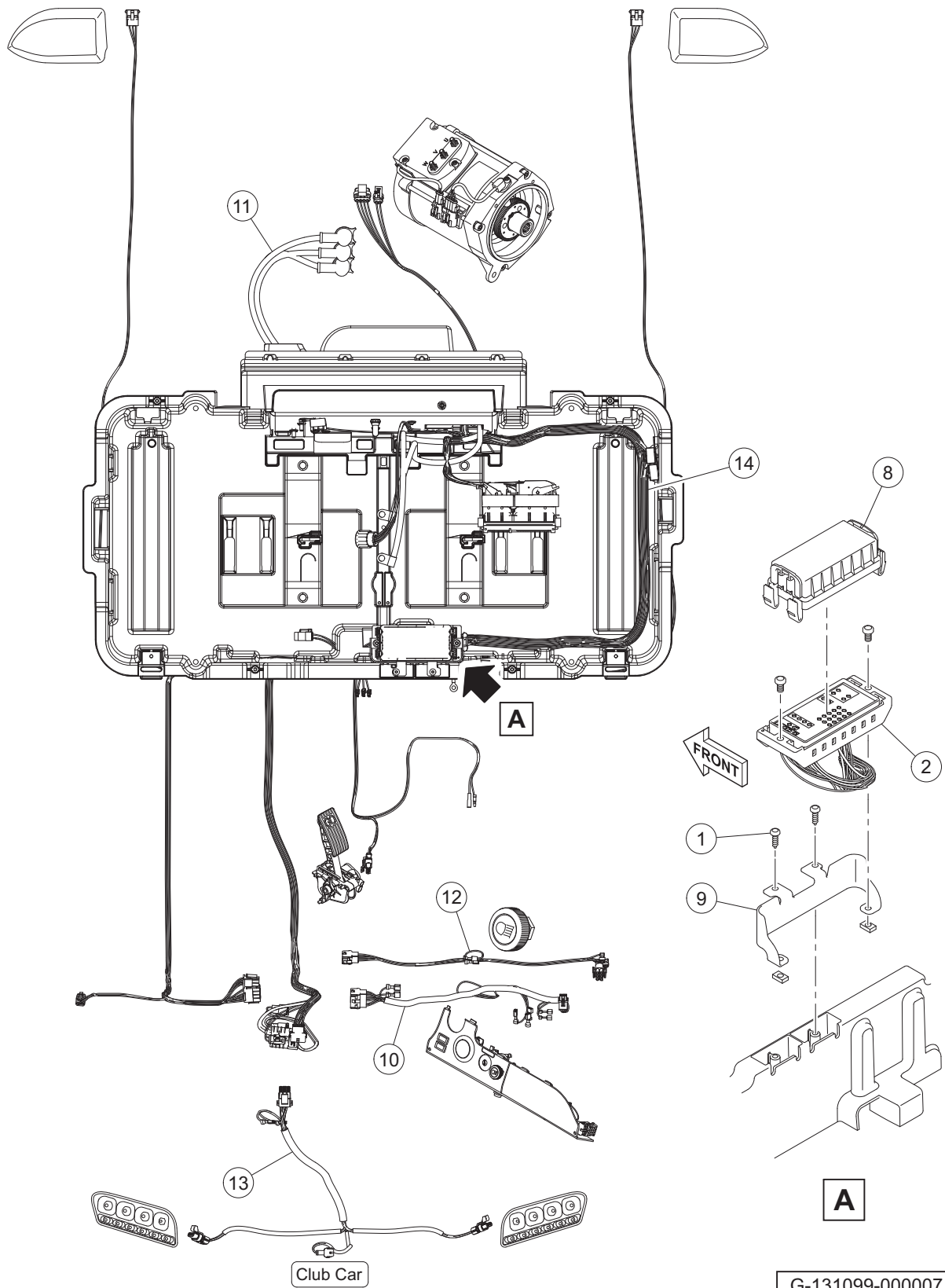
ITEM	PART NO.	DESCRIPTION	QTY
		1 2 3 4	
1	<u>102298720</u>	Screw, M8-1.25x20, Taptite	4
2	<u>47631086001</u>	Resistor, DBR	1
3	<u>47636253001</u>	Bracket, DBR	1
4	<u>47644702001</u>	Screw, M6 X 1.0 X 12, Torx	4

7

E

7

E



WIRING HARNESSES AND FUSES

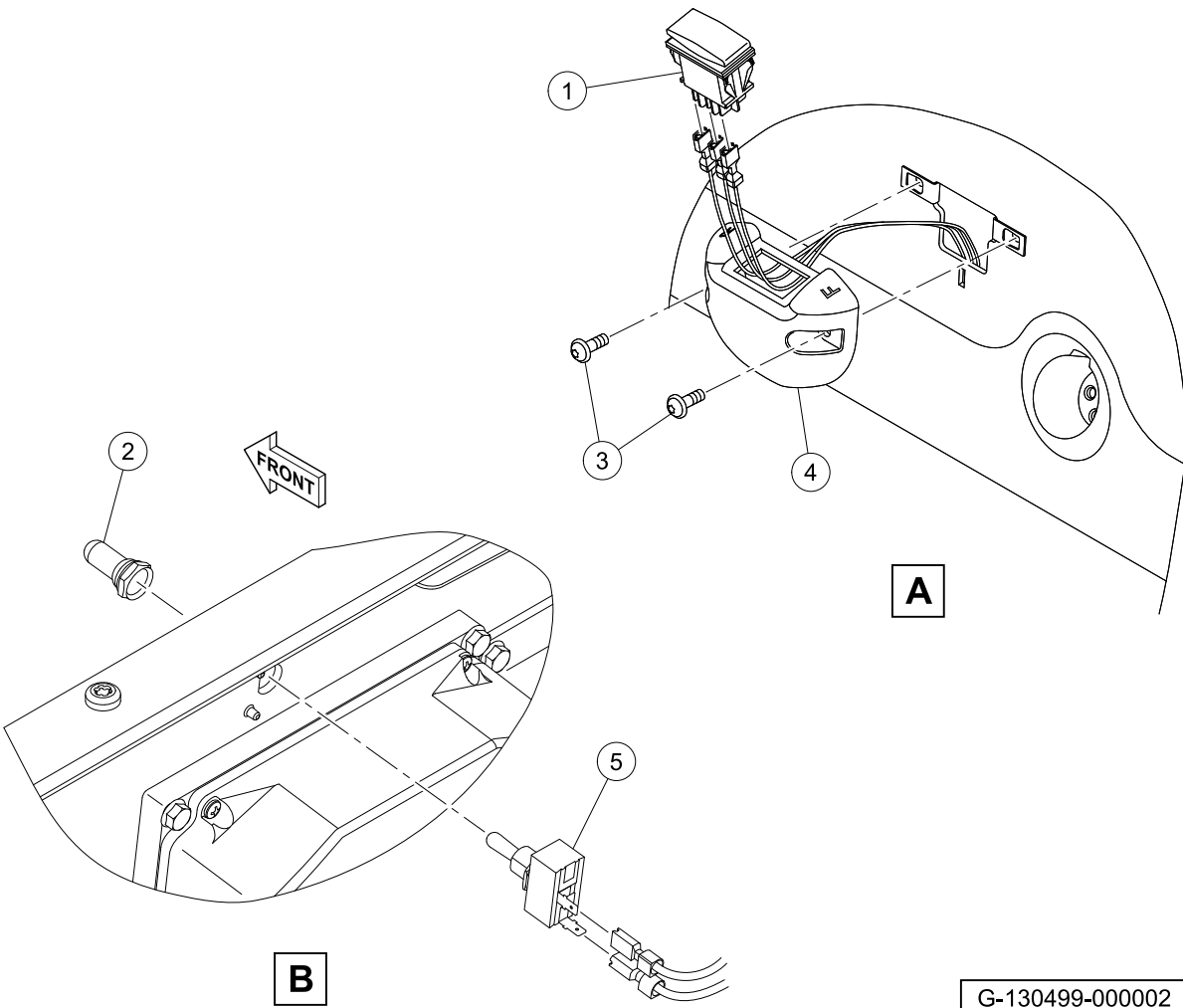
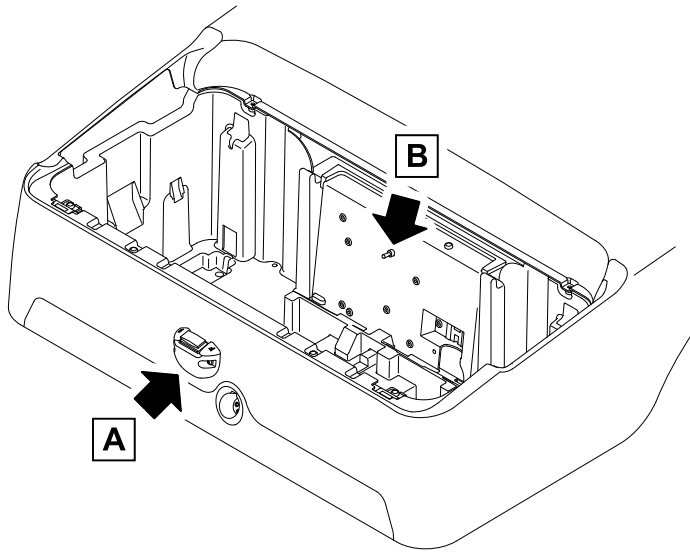
ITEM	PART NO.	DESCRIPTION	QTY
		1 2 3 4	
1	<u>102296920</u>	Screw, M6, Torx Button Head, Sems	2
2	<u>47605992001</u>	Base, PDM, 84 Way (includes items 3 through 7)	1
3	<u>105114804</u>	Fuse, Mini, Atm, 5 Amp	1
4	<u>105114807</u>	Fuse, Mini, Atm, 15 Amp	1
5	<u>47616158001</u>	Diode, 1.0a, Atm	2
6	<u>47618753001</u>	Diode, 3.0a, Atm	1
7	<u>47619337001</u>	Diode, Key, PDM	3
8	<u>47605993001</u>	Asm, PDM Cover	1
9	<u>47614268001</u>	Bracket, Fuse Block	1
10	<u>47614743001</u>	Harness, Ip, Lio, Prec, El	1
11	<u>47614744001</u>	Harness, Motor, Ac, Lio	1
12	<u>47614807001</u>	Harness, Lgt, Cntrl, Lio, Prec	1
13	<u>47660254001</u>	Harness, Lighting, Li-Ion	1
14	<u>47675944001</u>	Harness, Main, Li, Ac	1
		<p>Note: Item 2 is part of the main harness assembly and is not procurable. Items 3 through 7 are contained in item 2 and are not illustrated.</p>	

7

E

7

E



G-130499-000002

FORWARD/REVERSE SWITCH AND TOW/RUN SWITCH

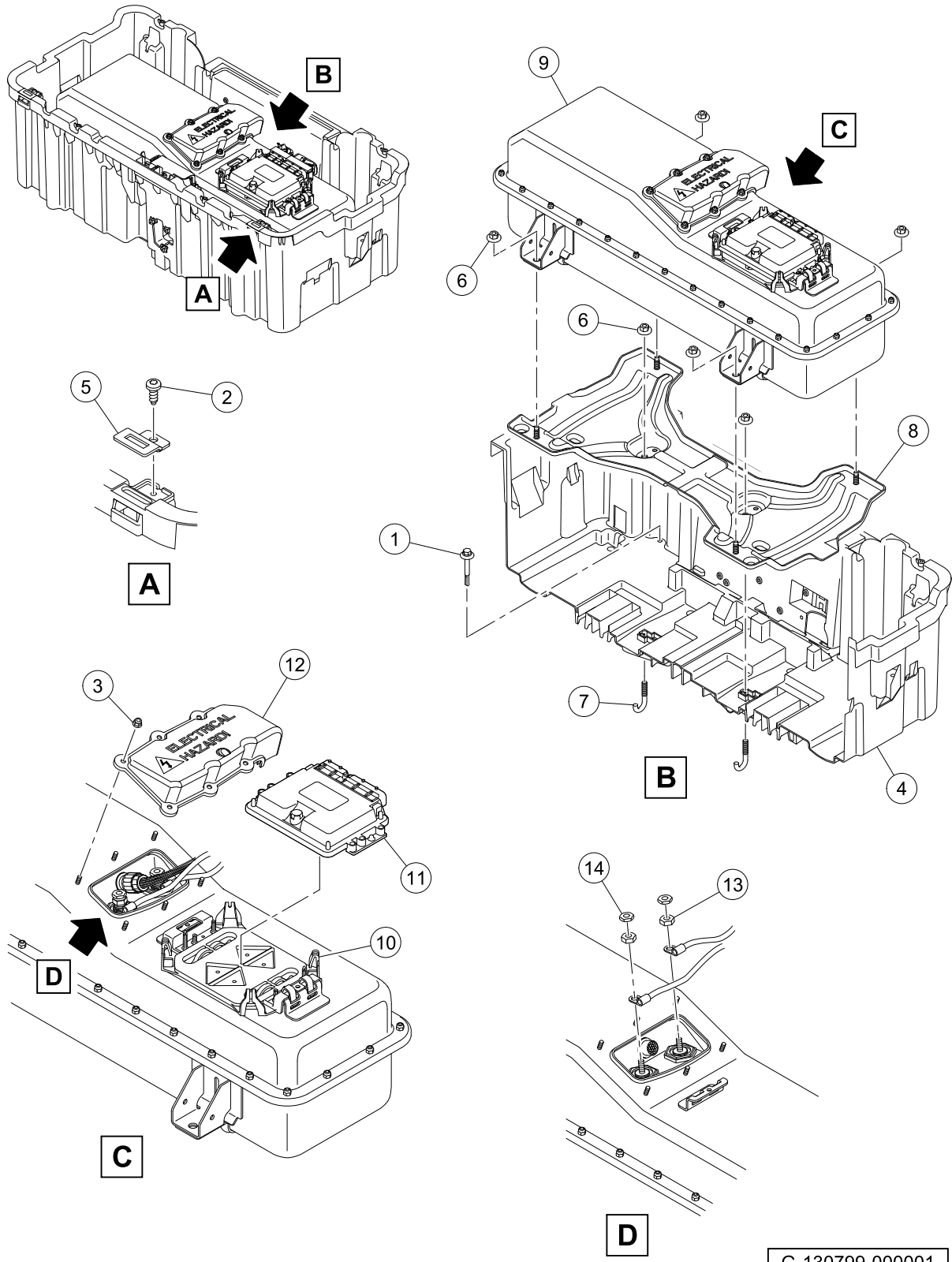
ITEM	PART NO.	DESCRIPTION	QTY
		1 2 3 4	
1	<u>101856002</u>	Switch, Rocker, Single-Pole	1
2	<u>101908401</u>	Boot, Switch	1
3	<u>102296920</u>	Screw, M6, Torx Button Head, Sems	2
4	<u>102508401</u>	Housing, FNR Electric	1
5	<u>102511101</u>	Switch, Tow/Run	1

7

E

7

E



G-130799-000001

BATTERY AND BATTERY BUCKET

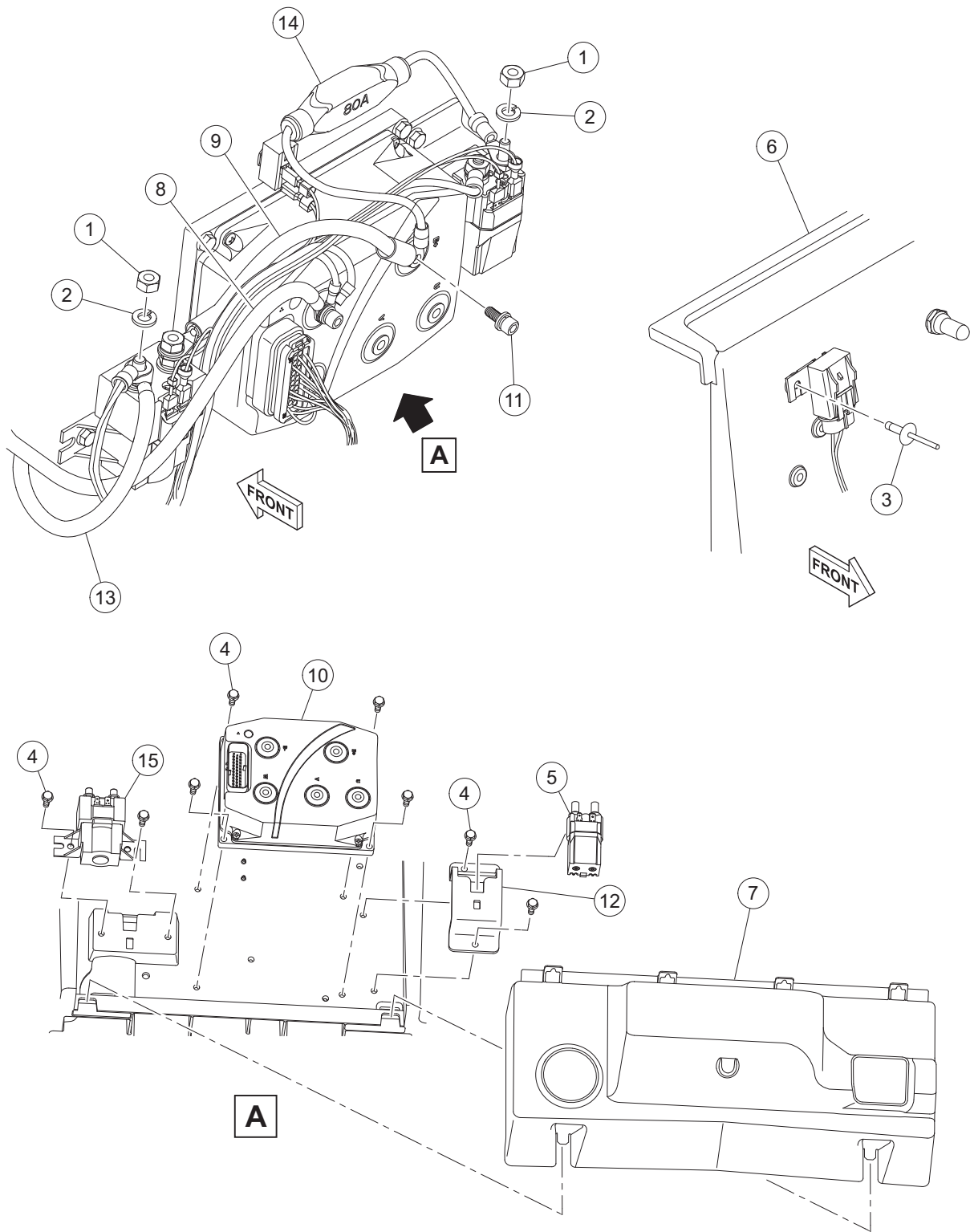
ITEM	PART NO.	DESCRIPTION	QTY
		1 2 3 4	
1	<u>102292356</u>	Screw-1/4-20x56 Hwh Self Drill	4
2	<u>102298020</u>	Screw, K80x20, Torx Pn Hd Pt	2
3	<u>102621501</u>	Nut, Flange, M6 X 1.0, Nylon	6
4	103350802	Bucket, Batt, Elec	1
5	<u>103368301</u>	Hinge - Nested	2
6	<u>47609833001</u>	Nut, Locking Washer, M10	8
7	<u>47609834001</u>	Hook, Retention, Batt Support	2
8	<u>47609836001</u>	Asm, Support, Battery	1
9	<u>47610465001</u>	Battery, Lithium, 1p	1
10	<u>47610843001</u>	Mount, Vcm, Lith	1
11	<u>47620652001</u>	Controller, Vcm, Li, Ev2106b01	1
12	<u>47624755001</u>	Asm, Cover, Terminal	1
13	<u>47630830001</u>	Spacer, 3/8-16, Brass	2
14	<u>47634258001</u>	Nut, 3/8-16 Zinc, K-lock	2

7

E

7

E



G-130499-000003

MODULE, CONTROLLER AND SOLENOIDS

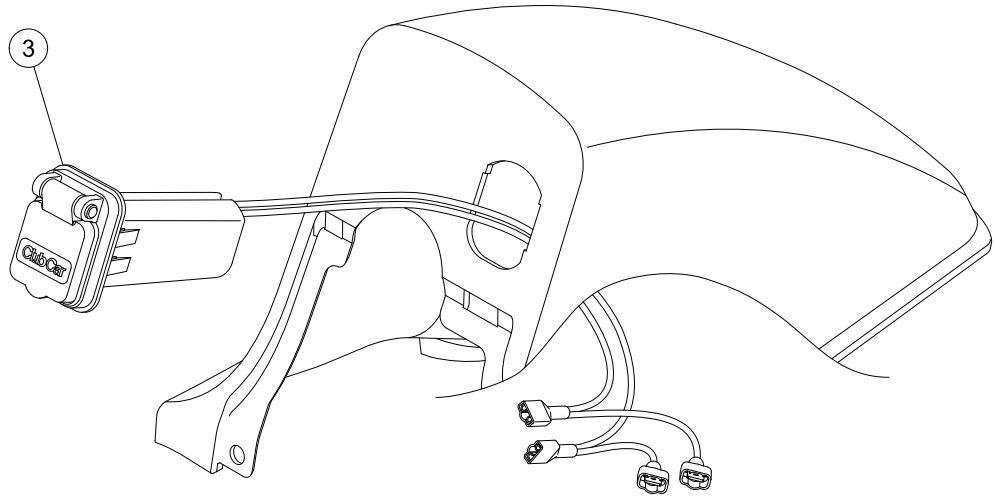
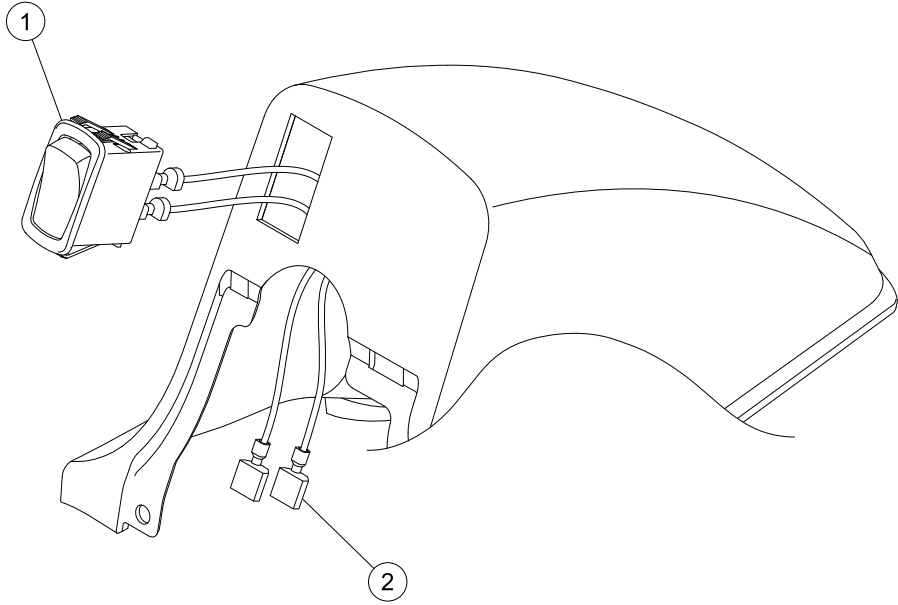
ITEM	PART NO.	DESCRIPTION	QTY
		1 2 3 4	
1	<u>1012528</u>	Nut, M8-1.25 Hex	4
2	<u>1013734</u>	Lockwasher, 8mm Split	4
3	<u>1015392</u>	Rivet, 3/16 Pop	1
4	<u>102296720</u>	Screw, M6 X 20 Tt Hx Fl Hd	8
5	<u>102865901</u>	Solenoid 48v Slot Mt No Diode	1
6	<u>105005001</u>	Component Mounting Plate	1
7	<u>47610889001</u>	Cover, Cmp, Extended	1
8	<u>47614748001</u>	Wire, Batt, Neg, Lio	1
9	<u>47614749001</u>	Wire, Sol-controller (b+)	1
10	<u>47620653001</u>	Controller, Mtr, Ac, Li, 1532	1
11	<u>47624326001</u>	Scr, M6, Stl Zn, Int Hex, Sems	5
12	<u>47624985001</u>	Bkt, Solenoid, Su60-2122p	1
13	<u>47632305001</u>	Wire, B+, Li, 4ga	1
14	<u>47642666001</u>	Fuse, Inline, 80A, DBR	1
15	<u>47696033001</u>	Solenoid, 48v, 150a	1

7

E

7

E



G-130599-000002

HAZARD SWITCH AND USB PORT

ITEM	PART NO.	DESCRIPTION	QTY
		1 2 3 4	
1	<u>105146701</u>	Switch, Hazard, 12vdc (includes item 2)	1
2	<u>47614753001</u>	Harness, Sub, Hazard Sw	1
3	<u>47560030001</u>	USB Port	1

7

E

7

E

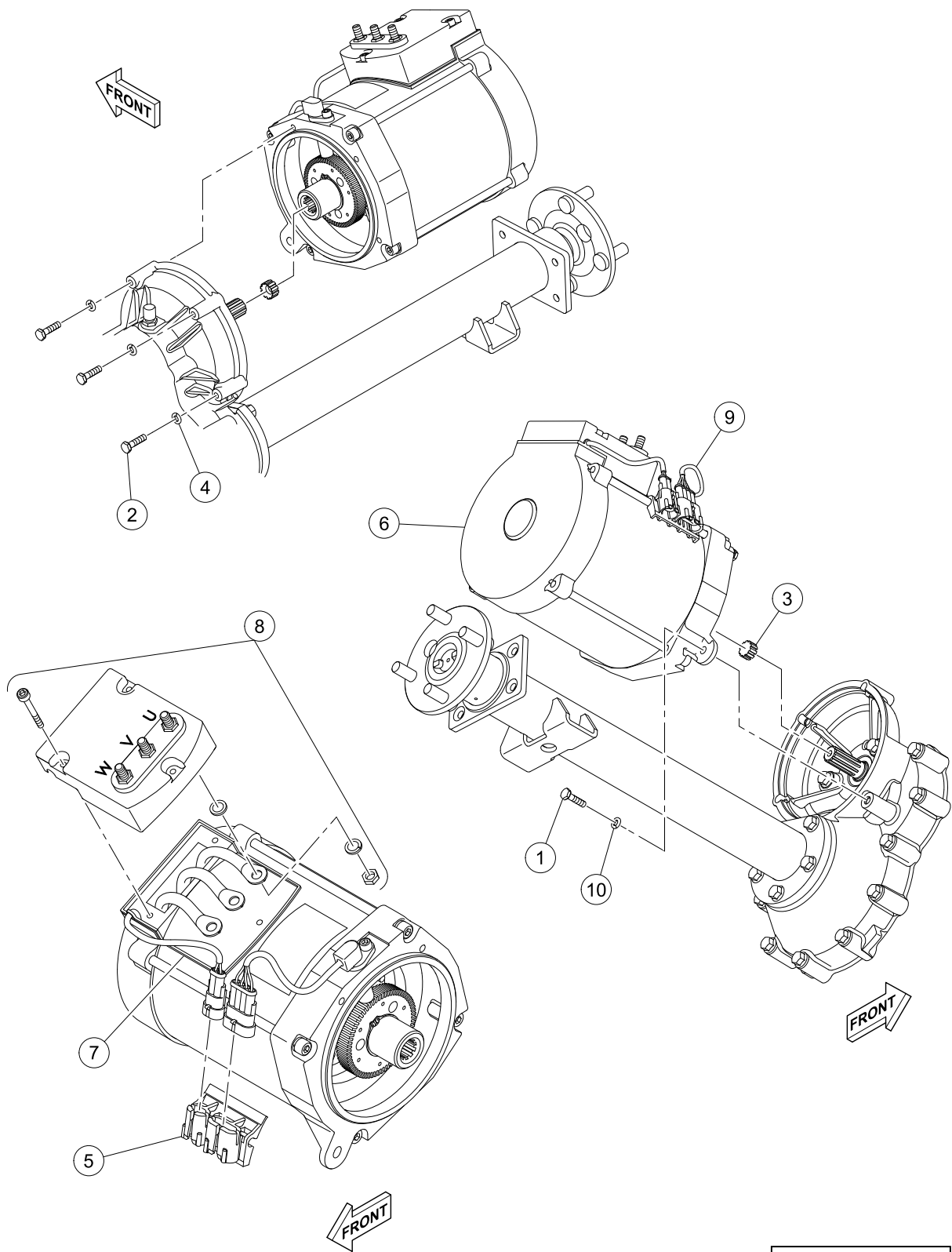
ELECTRIC MOTOR

8

E

8

E



G-130399-000001

ELECTRIC MOTOR

ITEM	PART NO.	DESCRIPTION	QTY
		1 2 3 4	
1	<u>1010934</u>	Screw, 5/16-18 X 1.00 Hex Cap	1
2	1014201	Screw, 1/4-20 X 2.25 Hex Cap	3
3	<u>102235201</u>	Bumper, Drive Unit	1
4	<u>451</u>	Lockwasher, 1/4 Split	3
5	<u>47622766001</u>	Clip, Motor Harness	1
6	<u>47637882001</u>	Motor, Elec, Acx-3381, W/clip	1
7	47653176001	Gasket, Terminal Block	1
8	47653176002	Kit, Terminal Block	1
9	<u>47653176003</u>	Kit, Speed Sensor Service	1
10	<u>7174</u>	Lockwasher, 5/16 Split	1

8

E

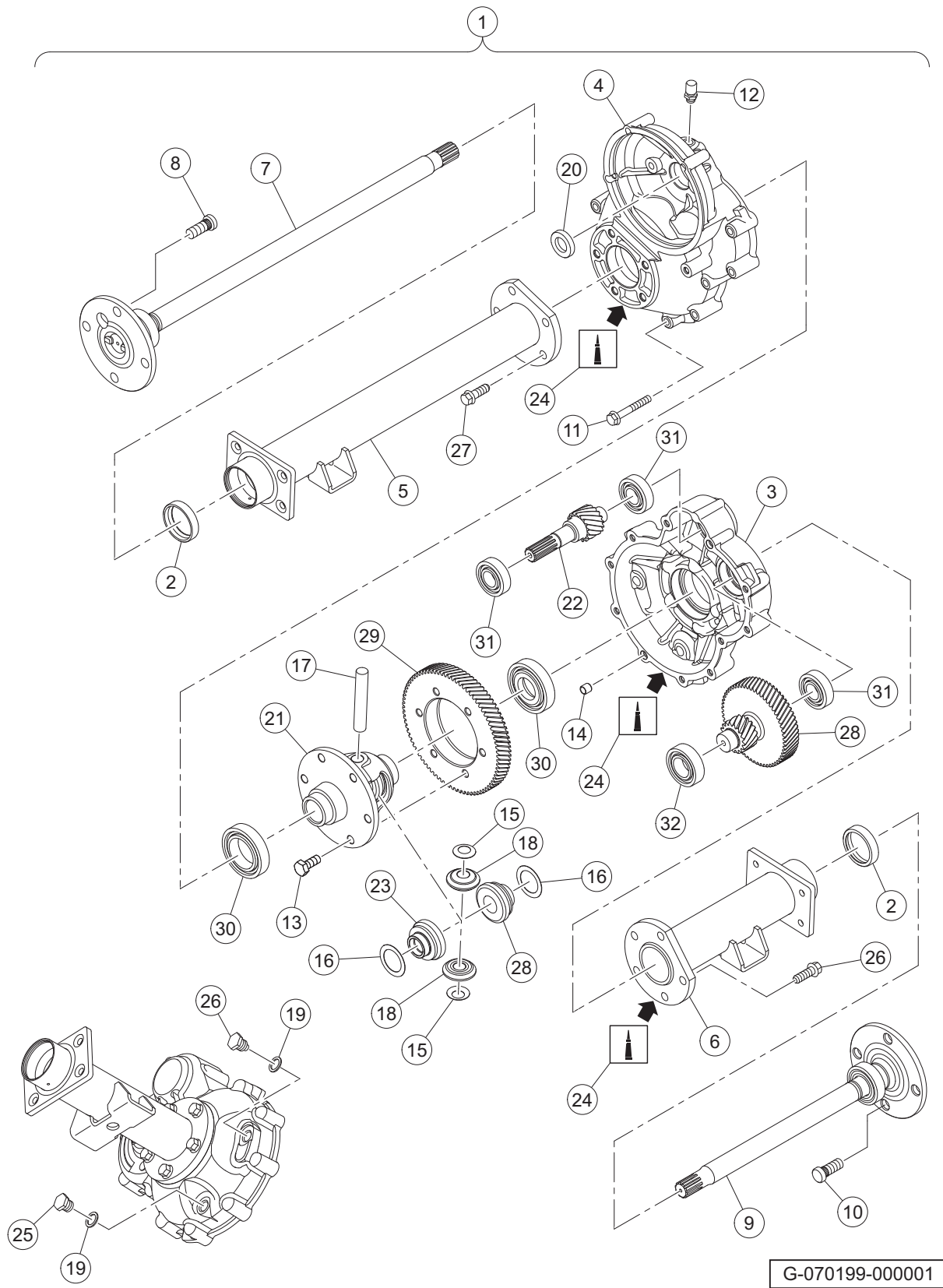
8

E

TRANSAXLE

9

E



G-070199-000001

TRANSAXLE

9

E

ITEM	PART NO.	DESCRIPTION	QTY
		1 2 3 4	
1	<u>47609838001</u>	Transaxle, Electric, 16:1 (includes items 2 through 32)	1
2	<u>1013794</u>	Axle Shaft Oil Seal	2
3	<u>101895401</u>	Gear Case, Driver-Side	1
4	<u>101895501</u>	Gear Case, Passenger-Side	1
5	<u>101895601</u>	Tube, Axle, Passenger-Side	1
6	<u>101895701</u>	Tube, Axle, Driver-Side	1
7	<u>101895801</u>	Axle Assembly, Passenger-Side (includes item 8)	1
8	<u>101922201</u>	Lug Stud	4
9	<u>101895901</u>	Axle Assembly, Driver-Side (includes item 10)	1
10	<u>101922201</u>	Lug Stud	4
11	<u>101897001</u>	Screw, M8-1.25 X 60mm Hex-Head	11
12	<u>101897201</u>	Breather	1
13	<u>101897401</u>	Screw, M10-1.25 X 25mm	6
14	<u>101897601</u>	Pin, 11mm OD X 8.5mm ID X 10mm	2
15	<u>101903601</u>	Washer, Thrust	2
16	<u>101903701</u>	Washer, Thrust	2
17	<u>101922101</u>	Pin, 15.99mm X 88.7mm Dowel	1
18	<u>101923001</u>	Gear, Differential Idler	2
19	<u>101923201</u>	Gasket	2
20	<u>101923501</u>	Seal, Lip	1
21	<u>101923601</u>	Differential Housing	1
22	N/A	Shaft, Input	1
23	<u>101923901</u>	Gear, Differential	2
24	<u>101928701</u>	Liquid Gasket (Transaxle case)	1
25	<u>101972101</u>	Plug, M14-1.5 X 12mm Magnetic	1
26	<u>101972201</u>	Plug, M14-1.5 X 12mm Hex	1
27	<u>101976001</u>	Screw, M10-1.50 X 35mm Hex Cap	10
28	<u>47649348001</u>	Shaft Assy, Intermediate	1
29	<u>47649352001</u>	Gear, Differential Output	1
30	<u>47649353001</u>	Bearing, Inner Axle Tube	2
31	<u>47649354001</u>	Bearing	3
32	<u>47649355001</u>	Bearing	1

9

E

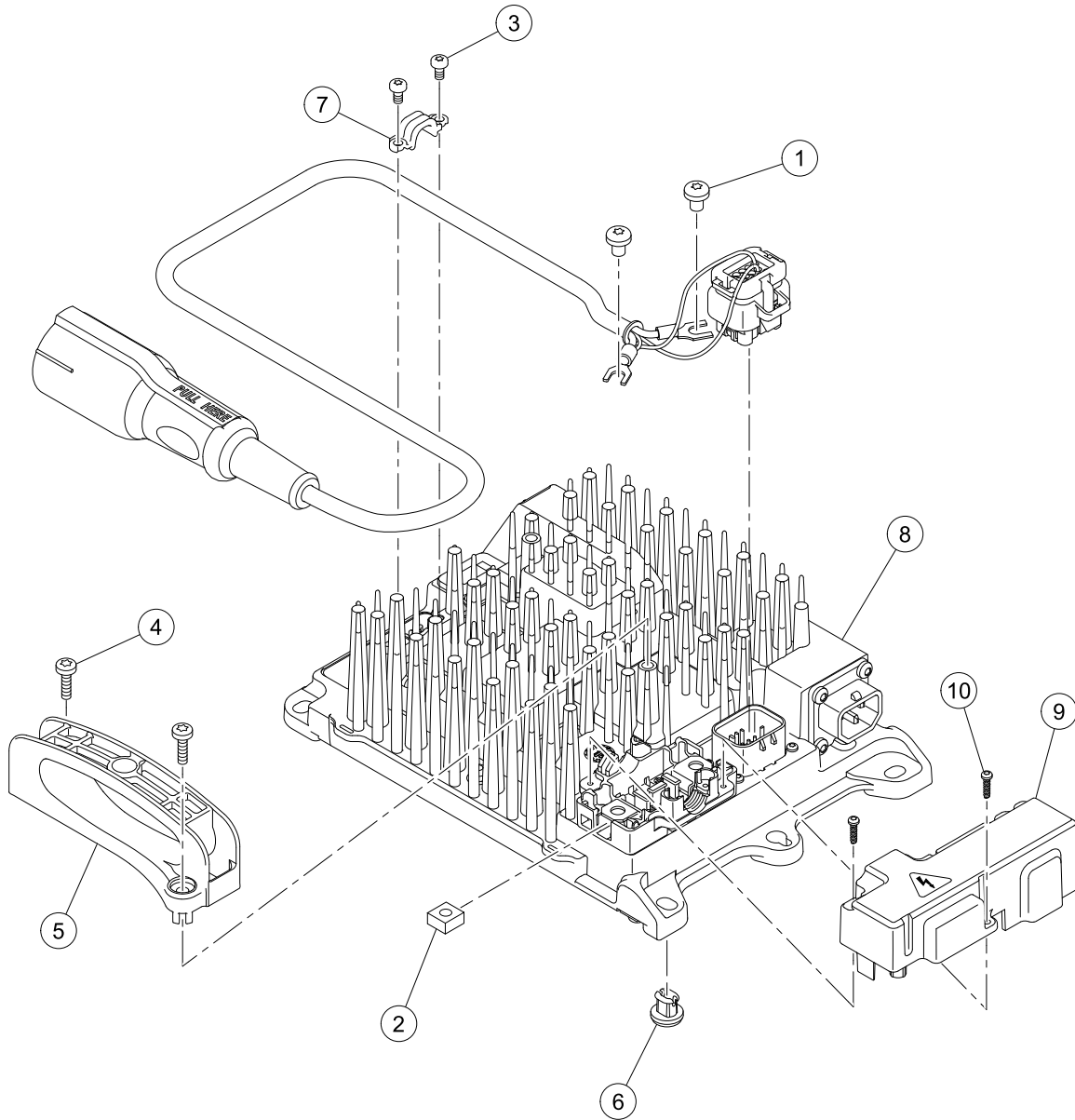
BATTERY CHARGERS

10

E

10

E



G-130899-000001

IC-650 BATTERY CHARGER – SHELF

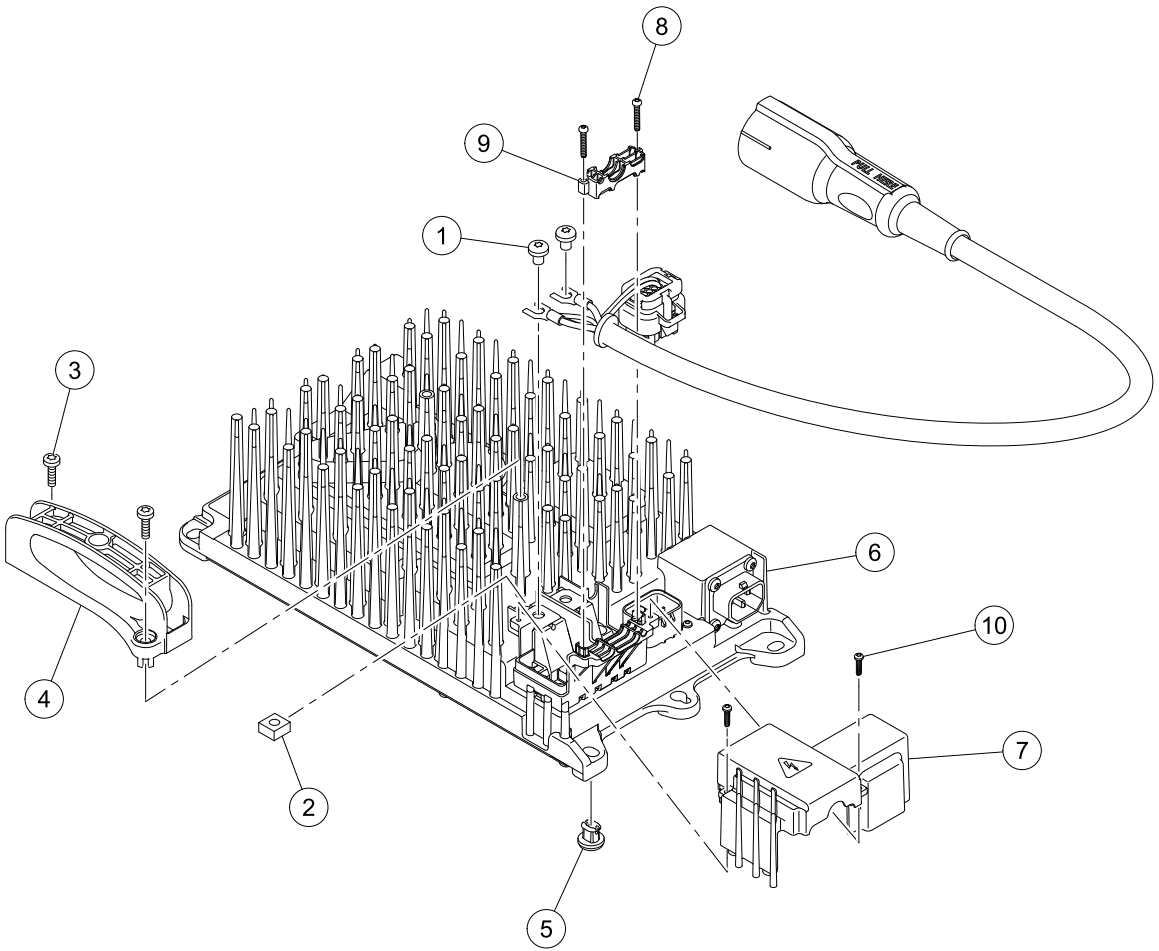
ITEM	PART NO.	DESCRIPTION	QTY
		1 2 3 4	
1	<u>104024501</u>	Screw, M6, Torx Head	2
2	<u>104024601</u>	Nut, M6, Square, Captured	2
3	<u>104028901</u>	Screw, M4 X .70, Pan Hd, Torx	2
4	<u>104029001</u>	Screw, M5 X .80, Pan Hd, Torx	2
5	<u>105003601</u>	Handle, Charger, High-Freq	1
6	<u>105003701</u>	Foot, Charger, High-Freq	4
7	<u>105093101</u>	Strain Relief, High-Freq, External, Charger	1
8	<u>47617894001</u>	Charger, 650w Hf Li-ion	A/R
9	<u>47637608001</u>	Cover, Chgr, IC650, Front Exit	1
10	<u>47639168001</u>	Screw M3 X 12 Delta Point	2
		<p>Note: For applicable charger cords, reference the Battery Charger Cords section.</p>	

10

E

10

E



G-130899-000005

IC-900 BATTERY CHARGER – SHELF

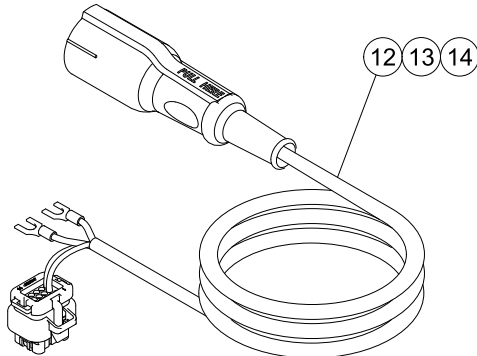
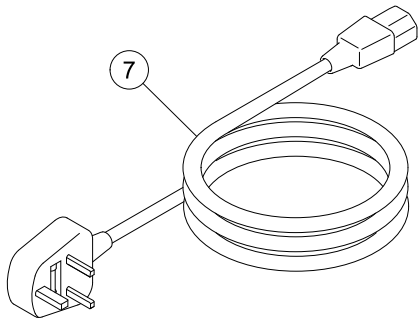
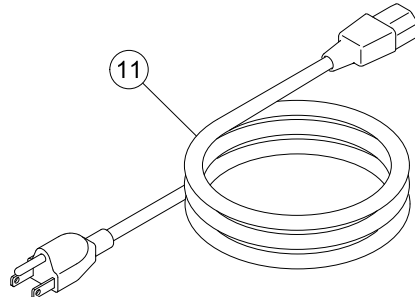
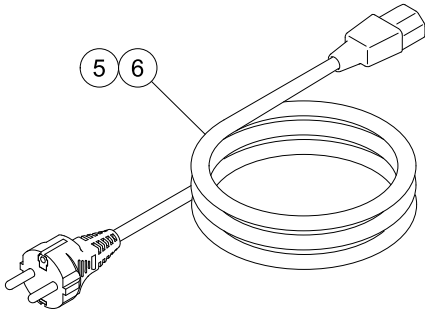
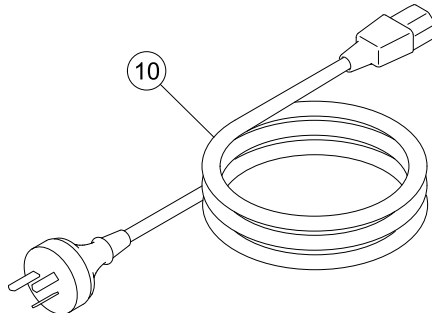
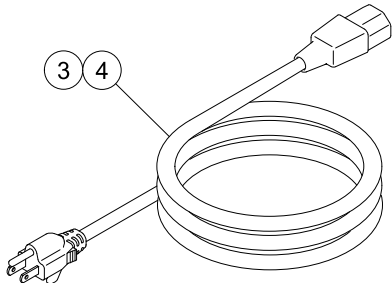
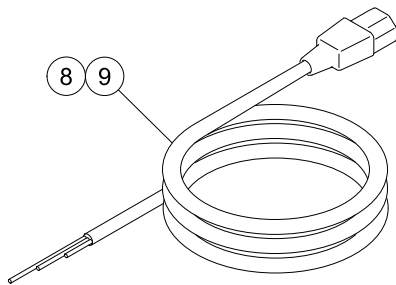
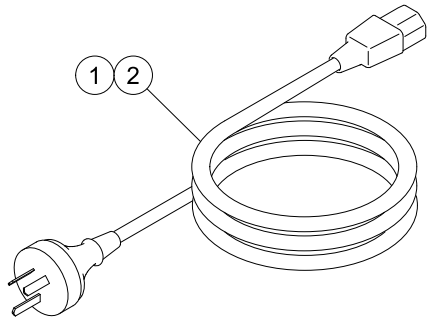
ITEM	PART NO.	DESCRIPTION	QTY
		1 2 3 4	
1	<u>104024501</u>	Screw, M6, Torx Head	2
2	<u>104024601</u>	Nut, M6, Square, Captured	2
3	<u>104029001</u>	Screw, M5 X .80, Pan Hd, Torx	2
4	<u>105003601</u>	Handle, Charger, High-Freq	1
5	<u>105003701</u>	Foot, Charger, High-Freq	4
6	<u>47617895001</u>	Charger, 900w Hf Li-ion	A/R
7	<u>47618743002</u>	Cover, Charger, Ic900	1
8	<u>47628552001</u>	Screw M3 X 18	2
9	<u>47628868001</u>	Dc Cord Clamp Ic900 Chgr	1
10	<u>47639168001</u>	Screw M3 X 12 Delta Point	2
		<p>Note: For applicable charger cords, reference the Battery Charger Cords section.</p>	

10

E

10

E



G-130899-000013

CORDS – BATTERY CHARGER, HIGH-FREQUENCY

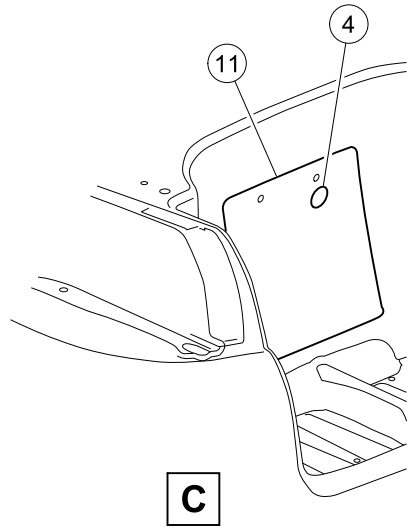
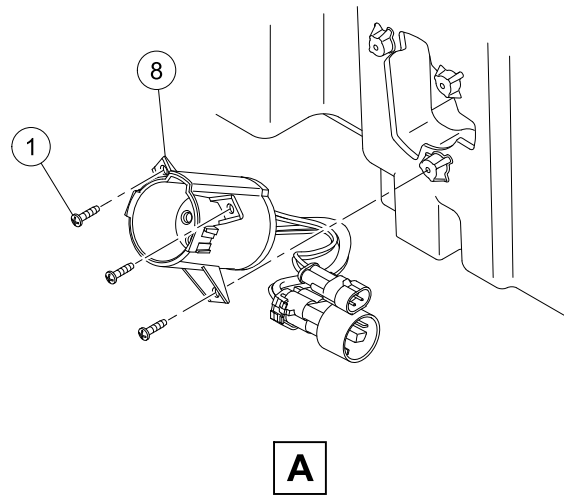
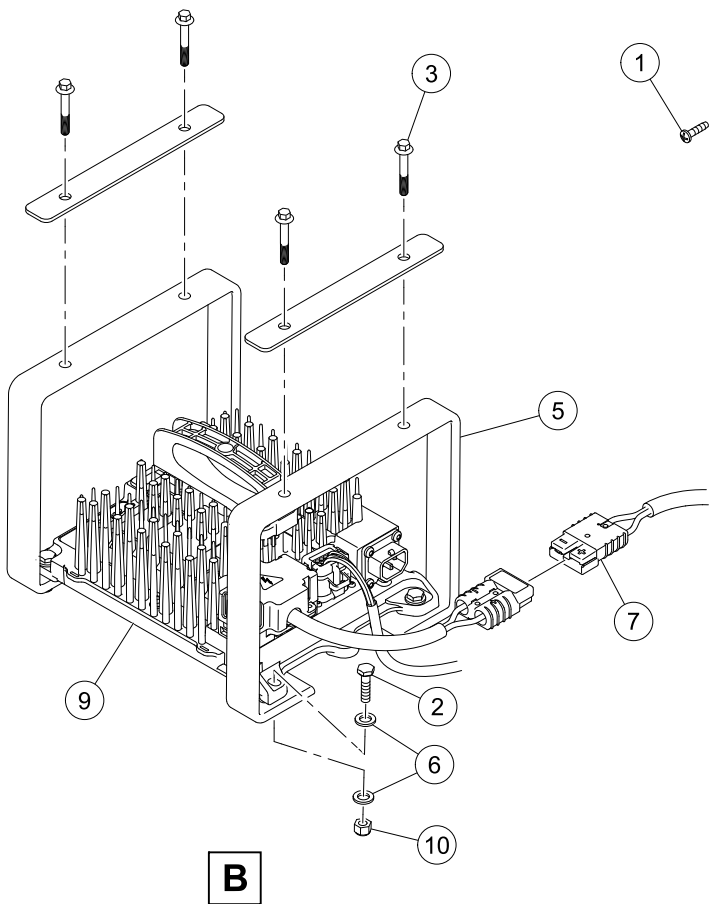
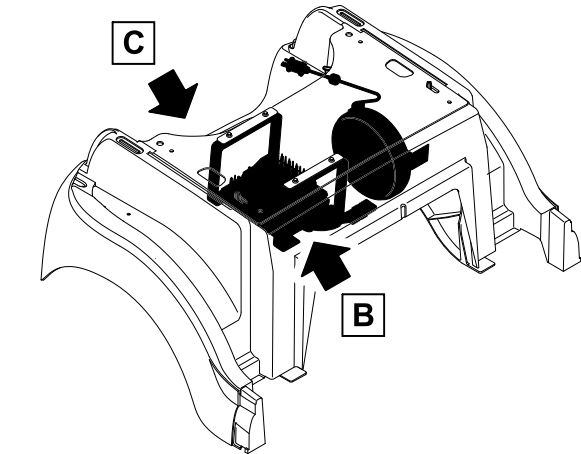
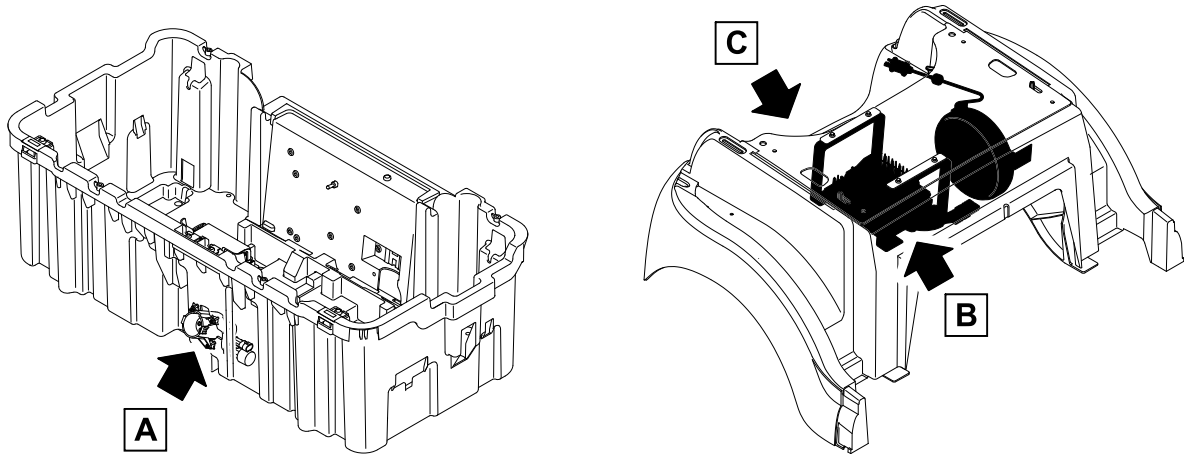
ITEM	PART NO.	DESCRIPTION	QTY
		1 2 3 4	
1	105068201	Cord, AC, lec320, 6ft (1.83 m), China	A/R
2	105068202	Cord, AC, lec320, 9ft (2.74 m), China	A/R
3	47606837001	Cord, Ac, lec320, 9Us'	A/R
4	47606837002	Cord, Ac, lec320, 6Us'	A/R
5	<u>47612314001</u>	Cord, Ac, lec320, 6, Eu'	A/R
6	<u>47612314002</u>	Cord, Ac, lec320, 9, Eu'	A/R
7	47612315002	Cord, Ac, lec320, 9, Gb'	A/R
8	47612316001	Cord, Ac, lec320, 6, Non-term'	A/R
9	47612316002	Cord, Ac, lec320, 9, Non-term'	A/R
10	47612317002	Cord, Ac, lec320, 9, Australi'	A/R
11	47612318002	Cord, ac, lec320, 9, Japan'	A/R
12	<u>47617178001</u>	Plug, Cord, Dc Lester, 9'	A/R
13	<u>47617178002</u>	Plug, Cord, Dc Lester, 12'	A/R
14	<u>47617178003</u>	Plug, Cord, Dc Lester, 20'	A/R

10

E

10

E



G-130899-000002

IC-650 BATTERY CHARGER – ONBOARD

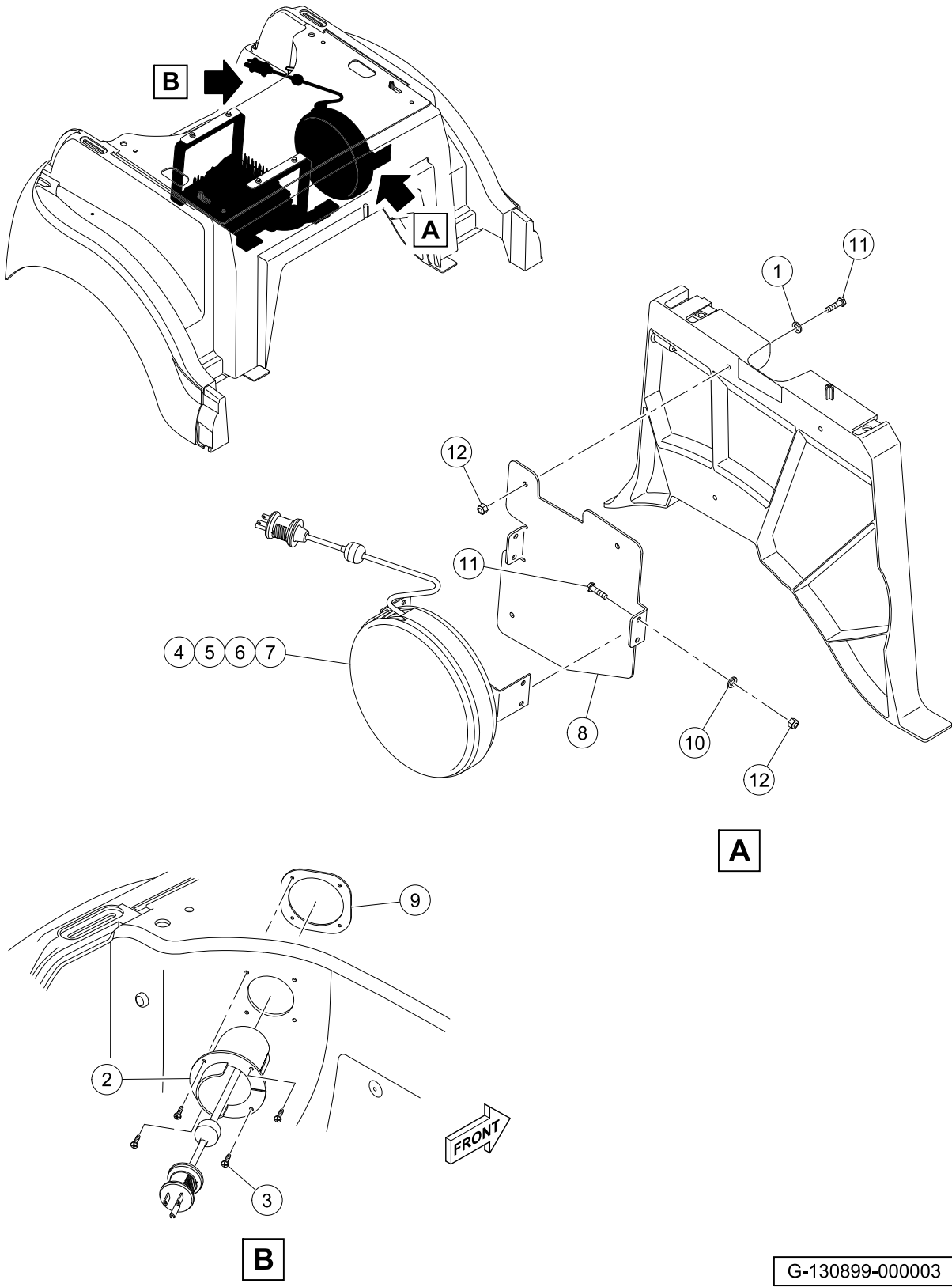
ITEM	PART NO.	DESCRIPTION	QTY
		1 2 3 4	
1	<u>101832001</u>	Screw, #7-19 X 0.625 Phillips Pan-Head Tap	3
2	<u>101861901</u>	Screw, 1/4-20 X 1.125 Hex Cap	4
3	<u>102541401</u>	Bolt-m6x1.0x20 Hex Flhd Blk-I	4
4	<u>105300801</u>	Plug, Push In, 61/64" Diameter	1
5	<u>105315201</u>	Asm, Bracket, Obc Eric Mount	1
6	<u>332</u>	Washer, 1/4 Type A Narrow Flat	8
7	<u>47616156001</u>	Harness, Chg, Ob, Lio	1
8	<u>47622531001</u>	Receptacle, Chrg, Lio, Les	1
9	<u>47639251001</u>	Asm, Chrgr, Ic650, Ob	1
10	<u>8233</u>	Locknut, 1/4-20, Nylon Insert	4
11	<u>SVP915201</u>	Panel-access-lite Hole Cut Out	1
		<p>Note: For applicable battery charger cord reels, reference the Battery Charger Cord Reels section.</p>	

10

E

10

E



G-130899-000003

BATTERY CHARGER CORD REELS – ONBOARD

ITEM	PART NO.	DESCRIPTION	QTY
		1 2 3 4	
1	<u>1014306</u>	Washer, 1/4" Type B Flat	3
2	<u>1016673</u>	Housing, Cord Reel	1
3	<u>101832001</u>	Screw, #7-19 X 0.625 Phillips Pan-Head Tap	4
4	<u>103872701</u>	Cord Reel, Hf Charger	A/R
5	<u>103872702</u>	Cord Reel, Hf Chgr, Uk	A/R
6	<u>103872703</u>	Cord Reel, Hf Charger, Eu	A/R
7	<u>103872704</u>	Cord Reel, Hf Charger, Aus	A/R
8	<u>105299101</u>	Plate, Cord Reel, Mtg, Unbody	1
9	<u>105299601</u>	Plate, Backing, Charge Port	1
10	<u>332</u>	Washer, 1/4 Type A Narrow Flat	4
11	<u>7847</u>	Screw, 1/4-20 X 0.75 Hex-Head Cap	7
12	<u>8233</u>	Locknut, 1/4-20, Nylon Insert	7

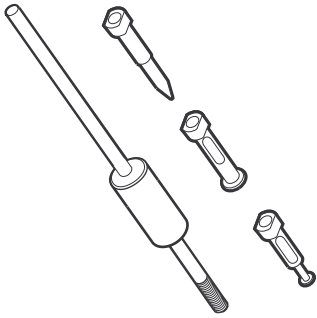
10

E

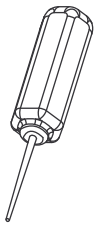
10

E

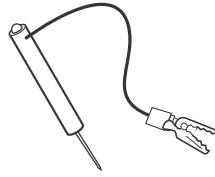
MAINTENANCE AND SERVICE TOOLS



1



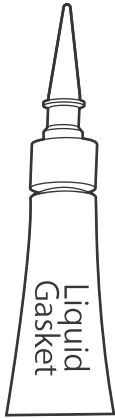
2



3



4



5



6



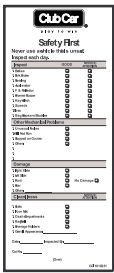
7



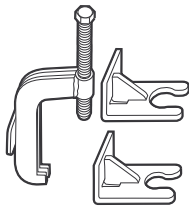
8



9



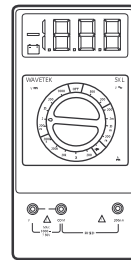
10



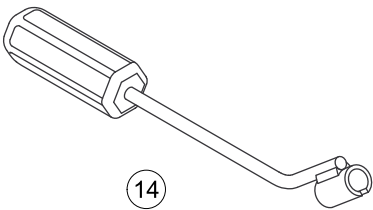
11



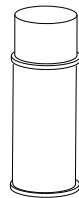
12



13



14

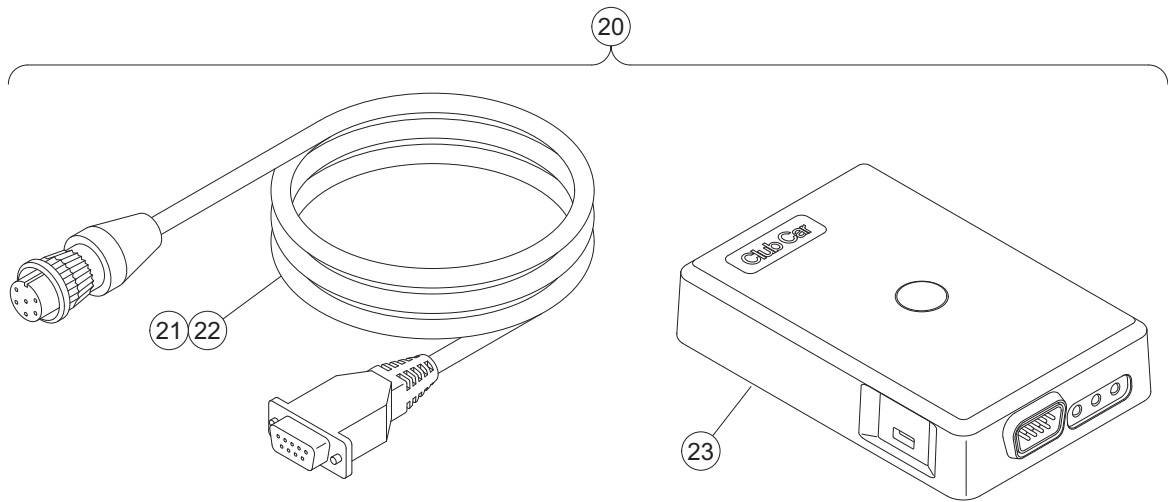


15 - 19

G-150199-000003

MAINTENANCE AND SERVICE TOOLS

ITEM	PART NO.	DESCRIPTION	QUANTITY
		<p>1 2 3 4</p> <p>The following list includes all tools and detailing products available from Club Car for your vehicle. Make sure to carefully examine the tool list for applicability to your vehicle before ordering.</p>	
1	<u>1016417</u>	Bearing and Oil Seal Remover Assembly	1
2	<u>102562401</u>	Charger Bezel Tool	1
3	1011273	Continuity Tester	1
4	<u>1013593</u>	Internal Retaining Ring Pliers	1
5	<u>101928701</u>	Liquid Gasket (transaxle case)	1
6	<u>102243402</u>	Moly-Teflon Lubricant (4-oz. (113-gram) tube)	1
7	<u>102587201</u>	Paint Pen, Touch-Up, Underbody , Black	1
8	<u>1012549</u>	Retaining Ring Pliers, 45 Degree External	1
9	<u>1012560</u>	Retaining Ring Pliers, 90 Degree Internal	1
10	<u>101823101</u>	Safety First Card (50 per pack)	1
11	102061201	Steering Wheel Puller Tool	1
12	1014161	Transaxle Pinion Seal Tool.....	1
13	1011480	Volt Ohm Meter	1
14	<u>102555501</u>	Brake Cable Release Tool.....	1
15	<u>1012151</u>	Dry Moly Lubricant	1
16	AM1250001	Windshield Cleaner and Protectant, 14oz.....	1
17	<u>AM1250101</u>	Re-Black, 10oz.	1
18	<u>AM1250201</u>	Wax-All, 12oz.	1
19	AM1250301	Finiah Restore, 16oz.	1
		<p>Please refer to the maintenance and service manual for proper applications.</p>	



G-150199-000002

ITEM	PART NO.	DESCRIPTION	QUANTITY
		1 2 3 4	
20	47642187001	Kit, Diagnostic Box Tool (includes items 21, 22, 23 and 24).....	1
21	47630785001	Cable, Diagnostic Interface (LG Battery).....	1
22	47689731001	Cable, Diagnostic Interface (Vanguard Battery)	1
23	47631040001	Diagnostic Control Box Assy	1
24	47642168001	User Manual, Diagnostic Box Tool Kit	1
<p>Please refer to the maintenance and service manual for proper applications.</p>			

INDEX

Part Number and Page

AM10092	1-61	1016214	6-3, 6-5	102163001	1-35
AM10682	2-3	1016417	11-3	102196901	4-11
AM1231201	1-27	1016673	10-11	102235201	8-3
AM1263401	2-5	1016849	4-11	102243402	11-3
AM1292101	1-27	1016851	4-11	102279106	1-25
SVP370601	3-3	1017041	1-33	102287101	6-11
SVP370701	3-3	101705701	1-55, 1-57, 1-59, 3-3	102287601	6-11
SVP370801	3-3	1017235	1-55, 1-57, 1-59	102287701	6-11
SVP370901	3-3	101791101	5-3	102288101	6-11, 6-13
SVP915201	1-25, 10-9	101802602	4-11	102288201	6-13
332	1-61, 10-9, 10-11	101815501	5-3	102288401	6-13
451	8-3	101815502	5-3	102288701	6-13
1242	5-5	101816501	5-3	102288801	6-13
1620	1-27	101816502	5-3	102288901	6-11
7174	8-3	101823101	11-3	102289001	6-9
7310	2-3, 2-5	101823201	5-3	102289101	6-13
7311	1-61	101823801	5-3	102289201	6-13
7847	10-11	101823901	5-3	102289401	6-11
8233	1-61, 10-9, 10-11	101830701	4-13	102289501	6-11, 6-13
8990	6-9	101832001	10-9, 10-11	102289601	6-11
1010145	6-15, 6-17	101834502	4-13	102289701	6-11
1010434	1-23, 1-51, 1-53, 1-55, 1-57, 1-59, 5-7	101850301	6-3, 6-5	102289801	6-13
1010436	1-27	101851101	4-13	102289901	6-11
1010829	5-5	101856002	7-9	102290120	6-3, 6-5
1010934	8-3	101861901	10-9	102292101	1-3, 1-5
1010984	2-3	101895401	9-3	102292201	5-7
1011273	11-3	101895501	9-3	102292356	1-13, 1-15, 7-11
1011415	6-15	101895601	9-3	102292701	1-15, 1-25, 4-7
1011480	11-3, 11-5	101895701	9-3	102292801	5-5
1012151	11-3	101895801	9-3	102296020	1-9, 1-29, 1-31, 4-5
1012180	6-15	101895901	9-3	102296140	1-37, 1-39, 1-41
1012528	7-13	101897001	9-3	102296150	1-29, 1-31, 1-45
1012549	11-3	101897201	9-3	102296301	1-29, 1-31, 1-35
1012560	11-3	101897401	9-3	102296401	1-37, 1-39, 1-41
1012565	6-3, 6-5	101897601	9-3	102296530	1-23, 1-51, 1-55, 1-57, 1-59
1012566	6-3, 6-5	101903601	9-3	102296601	1-25
1012571	1-17	101903701	9-3	102296720	7-13
1013042	6-9	101908401	4-17, 7-9	102296819	1-13
1013164	6-15	101922101	9-3	102296920	7-7, 7-9
1013593	11-3	101922201	9-3	102297001	1-13
1013734	7-13	101923001	9-3	102297230	1-23, 1-25, 1-27, 1-29, 1-31, 1-33
1013794	9-3	101923201	9-3	102297901	5-5
1013857	4-11	101923501	9-3	102298020	1-15, 1-17, 1-19, 7-11
1013924	5-3	101923601	9-3	102298030	1-25, 1-51, 5-7
1014161	11-3, 11-5	101923901	9-3	102298116	6-7
1014201	8-3	101928701	9-3, 11-3	102298130	6-7
1014306	10-11	101954301	1-21	102298170	6-15, 6-19
1014555	6-15	101972001	3-3	102298175	1-5, 6-15, 6-17
1014902	1-55, 1-57, 1-59	101972101	9-3	102298240	1-51
1015392	7-13	101972201	9-3	102298250	1-23
1015583	6-15	101976001	9-3	102298401	1-3, 1-5, 1-7, 1-43, 1-45, 6-15, 6-17
101558302	6-15, 6-17	101985201	1-33	102298580	1-3, 1-5, 6-15
101609401	3-3	101998501	1-21	102298601	1-3, 1-5, 1-53, 6-15
1016154	6-3, 6-5	102022601	6-9	102298716	1-15
		102051901	4-11	102298720	1-25, 1-53, 1-55, 1-57, 1-59, 4-9, 7-5
		102061201	11-3	102298745	1-51, 1-53, 1-55, 1-57, 1-59

INDEX

102298995	1-3, 1-5	102556701	2-5	103384601	3-3
102299065	1-11, 1-43, 1-45, 1-49	102556801	2-5	103388501	6-11
102299360	1-43, 1-45	102557201	1-13	103402701	1-13
102299601	1-43, 1-45	102559401	5-7	103402704	1-13
102353201	6-13	102559701	5-7	103451301	1-29, 1-31
102353301	6-13	102559901	2-3	103451401	1-29, 1-31
102353401	6-13	102559902	2-3	103451901	1-31
102357701	6-13	102562401	11-3	103451902	1-31
102400002	1-49	102565201	6-9	103451903	1-31
102400102	1-49	102566001	6-9	103459104	2-3
102478101	1-29, 1-31	102569302	2-3	103483101	5-3
102478201	1-31	102569311	2-3	103483102	5-3
102500801	5-7	102570905	1-55	103483201	5-3
102501402	1-25	102570906	1-57	103483401	5-3
102501403	1-25	102570907	1-59	103483601	5-3
102502501	1-9	102572401	4-11	103483701	5-3
102504001	1-23	102573101	1-51, 1-55, 1-57, 1-59	103528701	5-5
102504201	1-23	102581201	1-49	103528702	5-5
102504301	1-23	102582401	1-29, 1-31, 1-35	103531101	4-9
102504802	1-15	102584701	1-53, 1-55, 1-57, 1-59	103535001	5-5
102505401	1-3, 1-5	102584801	1-53, 1-55, 1-57, 1-59	103597101	4-3
102505701	1-3, 1-5, 6-11	102587201	11-3	103624601	1-55, 1-57, 1-59
102506401	6-15, 6-17	102588501	6-15, 6-17	103624602	1-55, 1-57, 1-59
102507801	1-3, 1-5	102588601	6-11	103635201	1-15
102508202	1-19	102594301	5-5	103638601	6-13
102508401	7-9	102594801	5-7	103638701	6-13
102508901	1-37	102594901	5-7	103638702	6-13
102508902	1-39	102595201	5-7	103638801	6-13
102508903	1-41	102595301	5-7	103638901	1-3, 1-5
102511101	4-17, 7-9	102595401	5-7	103653001	1-51, 1-55, 1-57, 1-59
102511601	1-37	102595901	5-7	103653201	1-49
102511602	1-39	102596001	5-7	103662801	1-27
102511603	1-41	102596301	5-7	103677101	1-35
102513501	1-43, 1-45	102621501	1-49, 7-11	103679701	6-9
102516902	1-19	102670701	6-17	103694501	2-3
102517001	1-23	102865901	7-13	103699401	1-23
102519301	3-3	102878201	6-13	103724501	6-5
102521901	1-15	102915601	1-13	103724503	6-3
102529201	4-9	102947601	1-35	103724601	6-3, 6-5
102531001	1-53, 1-55, 1-57, 1-59	102956201	6-11, 6-13	103724901	6-3, 6-5
102531402	1-53, 1-55, 1-57, 1-59	102967901	1-25	103725701	1-49
102531502	1-51, 1-55, 1-57, 1-59	103146501	6-19	103742303	1-55, 1-57, 1-59
102534201	1-7, 1-53, 1-55, 1-57, 1-59	103196001	1-43, 1-45, 1-49	103742304	6-17
102534801	1-55, 1-57, 1-59	103199301	1-49	103742305	6-15
102536103	1-33	103200301	1-43, 1-45	103750001	1-43, 1-45, 1-49
102538803	1-27	103205101	1-37, 1-39, 1-41	103750101	1-43, 1-45, 1-49
102540601	2-5	103210101	1-37, 1-39, 1-41	103754901	1-35
102540701	2-5	103286201	1-47	103774801	1-43
102541401	1-27, 1-33, 10-9	103286202	1-47	103777601	5-7
102541425	1-29, 1-31, 1-49, 1-51, 1-55, 1-57, 1-59	103286203	1-47	103783001	3-3, 6-3, 6-5
102543903	1-11	103325001	1-7	103783002	6-3, 6-5
102544201	1-11, 1-43, 1-45, 1-49	103327601	1-23	103783003	6-3
102551901	5-5	103350802	7-11	103796701	6-3
102552001	5-5	103368301	7-11	103803101	4-9
102555901	3-3	103380201	5-3	103812901	1-25
		103380202	5-3	103813001	1-25

INDEX

103816401	1-49	104023424	1-21	105299601	10-11
103816402	1-49	104023425	1-21	105300801	10-9
103826201	6-9	104024501	10-3, 10-5	105313801	1-61
103826301	6-9	104024601	10-3, 10-5	105314001	1-15
103832401	2-5	104028901	10-3	105314101	1-15
103832901	1-21	104029001	10-3, 10-5	105315201	10-9
103833601	1-21	105003601	10-3, 10-5	4 pass conversion kit, beige	1-55
103833701	1-21	105003701	10-3, 10-5	4 pass conversion kit, gray	1-59
103833801	1-21	105005001	7-13	4 pass conversion kit, white	1-57
103833901	1-21	105005402	1-17	47542195001	5-3
103853121	1-23, 1-51, 1-55	105049001	6-7	47559264001	1-45
103853122	1-23, 1-51, 1-57	105068001	4-13	47559264002	1-45
103853124	1-23, 1-51, 1-59	105068002	4-13	47559265001	1-45
103853125	1-23, 1-51	105068201	10-7	47559265002	4-17
103866801	1-51	105068202	10-7	47559268001	1-45
103866802	1-51	105082001	4-13	47560030001	7-15
103866901	1-51, 1-55, 1-57, 1-59	105082002	4-13	47564888021	1-51
103866902	1-51, 1-55, 1-57, 1-59	105093101	10-3	47564888022	1-51
103872701	10-11	105101221	1-51, 1-55	47564888023	1-51
103872702	10-11	105101222	1-51, 1-57	47564888024	1-51
103872703	10-11	105101224	1-51, 1-59	47564888027	1-51
103872704	10-11	105101225	1-51	47564888028	1-51
103874111	5-7	105114804	7-7	47564888029	1-51
103874112	5-7	105114807	7-7	47564889021	1-51
103886801	1-33	105116301	5-7, 7-3	47564889022	1-51
103921601	6-15	105142401	2-3	47564889023	1-51
103921602	6-15	105146701	7-15	47564889024	1-51
103922401	1-53, 1-55, 1-57, 1-59	105187901	6-13	47564889027	1-51
103926603	1-3	105188185	6-15, 6-17	47564889028	1-51
103929301	1-23	105188701	6-17	47565234007	4-5
103929302	1-23	105223321	1-21	47565234008	4-5
103934901	2-5	105223322	1-21	47576196001	6-17
103935001	2-5	105223323	1-21	47576649001	6-19
103935601	6-13	105223324	1-21	47576650001	6-19
103943401	5-7, 7-3	105223327	1-21	47576651001	6-19
103948902	1-5	105223328	1-21	47576652001	6-19
103951001	2-3	105223329	1-21	47576652002	6-19
103951002	2-3	105223421	1-23	47577864001	6-19
103951007	2-3	105223422	1-23	47577865001	6-19
103952901	1-23	105223423	1-23	47579096001	6-15, 6-17
103964901	6-15	105223424	1-23	47583296001	3-3
103965001	1-5, 6-15	105223427	1-23	47583296002	3-3
103974901	5-7	105223428	1-23	47583297001	3-3
103975011	5-7	105223429	1-23	47583297002	3-3
103975012	5-7	105248501	1-35	47583666001	6-17
103978801	1-23	105248601	1-35	47586191001	3-3
103990501	1-3	105248701	1-35	47589916201	1-9
103990503	1-5	105248801	1-35	47589916202	1-9
103990601	1-3, 1-5	105284001	1-29	47589916203	1-9
103994101	1-27	105288901	1-61	47589916204	1-9
104008001	1-37	105289701	1-35	47589916206	1-9
104008002	1-39	105291501	1-15	47589916207	1-9
104008003	1-41	105291701	1-29	47589916208	1-9
104008503	1-45	105291702	1-29	47589916210	1-9
104023421	1-21	105291703	1-29	47589916301	1-9
104023422	1-21	105299101	10-11	47589916302	1-9

INDEX

47589916303	1-9	47612318002	10-7	47638185002	1-45
47589916304	1-9	47613526001	1-45	47638453001	1-45
47589916305	1-9	47613526002	1-45	47639168001	10-3, 10-5
47589916306	1-9	47614268001	7-7	47639251001	10-9
47589916307	1-9	47614573001	3-3	47642157001	3-3
47589916312	1-9	47614573002	3-3	47642666001	7-13
47589917001	1-9	47614573003	3-3	47643352001	4-19
47589918001	1-7	47614573004	3-3	47643352002	4-19
47589919201	1-25	47614573005	3-3	47644702001	7-5
47589919202	1-25	47614573006	3-3	47649285001	1-45
47589919203	1-25	47614736001	4-11	47649348001	9-3
47589919204	1-25	47614743001	7-7	47649352001	9-3
47589919206	1-25	47614744001	7-7	47649353001	9-3
47589919207	1-25	47614748001	7-13	47649354001	9-3
47589919208	1-25	47614749001	7-13	47649355001	9-3
47589919210	1-25	47614753001	7-15	47652504001	4-7
47589919301	1-25	47614807001	7-7	47653176001	8-3
47589919302	1-25	47616156001	10-9	47653176002	8-3
47589919303	1-25	47616158001	7-7	47653176003	8-3
47589919304	1-25	47617178001	10-7	47660254001	7-7
47589919305	1-25	47617178002	10-7	47675944001	7-7
47589919306	1-25	47617178003	10-7	47696033001	7-13
47589919307	1-25	47617894001	10-3	96704176	4-15
47589920001	1-43, 1-45	47617895001	10-5		
47589920002	1-43, 1-45	47618108001	4-17	A	
47589922001	1-11	47618743002	10-5	A-arm, three-piece	6-11
47589922002	1-11	47618753001	7-7	absorber, front shock	6-11
47593000001	1-9	47618861001	4-17	absorber, rear shock	6-15, 6-17
47593001001	4-5	47619337001	7-7	AC cord	10-7
47593001002	4-5	47620652001	3-3, 7-11	accelerator pedal	5-7
47593002001	4-5	47620653001	7-13	access panel	1-25
47593002002	4-5	47622531001	10-9	armrest	1-21
47594727001	4-15	47622766001	8-3	assembly	
47597567001	2-5	47624326001	7-13	brake lever	5-3
47599907001	6-17	47624328001	3-3	axle	9-3
47599908001	6-17	47624651001	3-3	axle shaft oil seal	9-3
47603573001	2-5	47624755001	7-11	axle tube	9-3
47604926001	1-7	47624985001	7-13		
47605157001	2-5	47625005001	1-45	B	
47605992001	7-7	47625026001	4-17	backing plate, brake	5-3
47605993001	7-7	47628552001	10-5	backrest, beige	1-23, 1-51, 1-55
47606837001	10-7	47628717001	3-3	backrest, black	1-23, 1-51
47606837002	10-7	47628868001	10-5	backrest, gray	1-23, 1-51, 1-59
47609833001	7-11	47629428001	4-9	backrest, white	1-23, 1-51, 1-57
47609834001	7-11	47630830001	7-11	bag hoop	1-23
47609836001	7-11	47631086001	7-5	bag strap	1-23
47609838001	9-3	47631293001	4-17	bag strap buckle	1-23
47610465001	7-11	47631631001	4-11	ball joint, inner	6-9
47610843001	7-11	47631631002	4-11	barrel, plastic	1-23, 1-51, 1-53, 1-55, 1-57, 1-59, 5-7
47610889001	7-13	47631631003	4-11	Base, PDM	7-7
47612314001	10-7	47632305001	7-13	basket	1-45
47612314002	10-7	47633955001	4-9	Bearing	9-3
47612315002	10-7	47634258001	7-11	bearing and oil seal remover	11-3
47612316001	10-7	47636253001	7-5	bellows, steering	6-9
47612316002	10-7	47637608001	10-3	body	
47612317002	10-7	47637882001	8-3		

INDEX

under 1-15
body kick plate 1-17
body kick plate (ele) 1-19
bolt, U- 1-55, 1-57, 1-59
boot, switch 4-17, 7-9
bottle, sand 1-31
bracket
 canopy support 1-43, 1-45
 clamshell 1-15
 equalizer 5-5
 jounce bumper 1-55, 1-57, 1-59
 seat support 1-51
 shock mounting, drv 6-15
 shock mounting, pas 6-15
Bracket, DBR 7-5
brake adjusting mechanism 5-3
brake backing plate 5-3
brake cable 5-5
brake cluster 5-3
brake drum 5-3
brake lever 5-3
brake pedal 5-7
brake rod 5-7
brake self-adjusting mechanism 5-3
brake shoe 5-3
brake spring 5-3
breather 9-3
brow cap 1-9
bucket, sand 1-33
buckle, bag strap 1-23
bumper
 drive unit (motor) 8-3
 jounce 1-55, 1-57, 1-59, 6-17
 rubber 1-27
Bumper, Shock Plug 1-7
bushing 6-11, 6-13, 6-19
 urethane 6-15, 6-17
buzzer, reverse 4-11

C
cable
 brake 5-5
 canopy 1-37, 1-39
 canopy drain cover 1-37, 1-39, 1-41
 canopy handle 1-37, 1-39
 canopy strut, front, lh 1-43, 1-45, 1-49
 canopy strut, front, rh 1-43, 1-45, 1-49
 canopy support 1-43, 1-45
 canopy support bracket, drv 1-23
 canopy support bracket, pas 1-23
 canopy support cover, drv 1-49
 canopy support cover, pas 1-49
Cap 2-5
cap
 dust 4-11
 front hub 6-13

key switch 4-13
cap, hub, 7 prong 2-3
cap, SAM 1-11
card, safety first 11-3
case
 gear 9-3
charger bezel tool 11-3
clamp
 leaf spring 6-13
clamshell bracket 1-15
clip 4-17
 body trim 1-15, 1-25, 4-7
clip, score card 6-3, 6-5
cluster, brake 5-3
comfort grip steering wheel 6-3
comfort grip steering wheel kit 6-3
component mounting plate 7-13
continuity tester 11-3
conversion kit, 4 pass, beige 1-55
conversion kit, 4 pass, gray 1-59
conversion kit, 4 pass, white 1-57
cord reel 10-11
cord, AC 10-7
Cover 10-3
cover
 canopy drain 1-37, 1-39, 1-41
 dust 5-3
 support, canopy, drv 1-49
 support, canopy, pas 1-49
Cover, PDM 7-7
cover, steering column 4-9
cushion, shock absorber 6-15, 6-17

D
dash 1-13
dash support assembly 1-3, 1-5, 6-11
Decal 3-3
decal
 box bed warning 3-3
 crush area warning 3-3
 four-passenger warning 1-55, 1-57, 1-59, 3-3
 operating instructions 3-3, 6-3, 6-5
 private speed mode 3-3
 rollover warning 3-3
 water exposure 3-3
differential gear 9-3
differential housing 9-3
drain channel 1-13
drain plug 1-27
drive unit bumper 8-3
drum, brake 5-3
dry moly lubricant 11-3
dust cap 4-11
dust cover 5-3
dust seal 6-9

E

end, tie rod 6-9
equalizer 5-5

F

floor cover plate 5-7
floormat 1-15
floormat, 4 pass, rear 1-53, 1-55, 1-57, 1-59
FNR housing 7-9
foot deck 1-53, 1-55, 1-57, 1-59
front hub 6-13
front suspension structure 6-11
fuse, mini, 15A 7-7

G

Gasket 8-3
gasket
 liquid 9-3, 11-3
 plug 9-3
 seat 1-21
Gear 9-3
gear
 differential 9-3
 differential idler 9-3
gearcase 9-3
grip, pencil 6-3, 6-5

H

hand rail 1-53, 1-55, 1-57, 1-59
handle, canopy 1-39
Harness, Lighting, Li-Ion 7-7
hinge 7-11
 seat bottom 1-21
hinge, seat bottom 1-21
hip restraint 1-21
hip restraint, 4 pass 1-51, 1-55, 1-57, 1-59
hoop, bag 1-23
housing
 differential 9-3
hub 6-13
hub cap 2-3, 6-13
hub cap, 7 prong 2-3
hub, front 6-13

I

idler gear, differential 9-3
inner ball joint 6-9
input shaft 9-3
internal retaining ring pliers 11-3
isolator, shock damper 6-15, 6-17

J

J-clip 1-3, 1-5, 1-53, 6-15
jounce bumper 1-55, 1-57, 1-59, 6-17

INDEX

jounce bumper bracket 1-55, 1-57, 1-59

K

key switch cap 4-13
kick plate 1-17
kick plate (ele) 1-19
king pin 6-13
kit
 4 pass conversion, beige 1-55
 4 pass conversion, gray 1-59
 4 pass conversion, white 1-57
 ball joint, inner 6-9
 bellows, steering, sona 6-9
 brake cable 5-5
 brake shoe retainer 5-3
 comfort grip steering wheel 6-3
 front hub replacement 6-13
 hub cap 2-3
 SAM assembly 1-23
 seat bottom 1-21
 shock absorber 6-15
 shock absorber cushion 6-15
 shoe retainer 5-3
 windshield 1-35
Kit, Speed Sensor 8-3
Kit, Terminal Block 8-3
knob, light switch 4-11

L

leaf spring, rear 6-15, 6-17
leaf spring, rear, 4-pass 1-55, 1-57, 1-59
light switch 4-11
light switch knob 4-11
liquid gasket 9-3, 11-3
lubricant, dry moly 11-3
lubricant, moly-teflon 11-3
lug nut 2-3, 2-5
lug stud 6-13, 9-3

M

mat, floor 1-15
MCOR 5-7, 7-3
mechanism, brake adjusting 5-3
meter, volt ohm 11-3, 11-5
mirror 1-61
moly-teflon lubricant 11-3
motor bumper 8-3
mounting plate, component 7-13

N

nut, lug 2-3, 2-5

P

paint, underbody (black) 11-3
panel

access 1-25
 SAM 1-23
panhard 6-19
park brake release, anod 5-7
pedal, accelerator 5-7
pedal, brake 5-7
pencil grip 6-3, 6-5
pin
 bow tie locking 5-5
 clevis 5-5
 king 6-13
plate
 backing (brake) 5-3
 component mounting 7-13
 floor cover 5-7
 kick 1-17
 kick(ele) 1-19
pliers
 internal retaining ring 11-3
 retaining ring 11-3
plug, drain 1-27

R

rack and pinion 6-9
rear underbody support 1-23
reel cord 10-11
reflector 3-3
release, anod park brake 5-7
remover, bearing and oil seal 11-3
Resistor, DBR 7-5
restraint, hip, 4 pass 1-51, 1-55, 1-57, 1-59
retainer
 brake shoe 5-3
 shock absorber cushion 6-15, 6-17
retaining ring pliers 11-3
reverse buzzer 4-11
Rim 2-5
rim (wheel) 2-3, 2-5
Rivet, Removable 1-25
rocker switch 7-9
rod
 brake 5-7
rubber bumper 1-27

S

safety first card 11-3
SAM (structural accessory module) 1-23
SAM assembly kit 1-23
SAM cap 1-11
SAM panel 1-23
sand bottle 1-31
sand bucket 1-33
sand scoop 1-33
scoop, sand 1-33
score card clip 6-3, 6-5

score card plate 6-3, 6-5
seal
 dust 6-9
 lip 9-3
 oil 9-3
sealant 9-3
seat back, beige 1-23, 1-51, 1-55
seat back, black 1-23, 1-51
seat back, gray 1-23, 1-51, 1-55
seat back, white 1-23, 1-51, 1-57
seat bottom kit 1-21
seat bracket 1-51, 1-55, 1-57, 1-59
seat gasket 1-21
seat hinge 1-21
seat support bracket 1-51
seat support weldment 1-51
shaft
 input 9-3
Shaft Assy 9-3
shield, debris aux 5-7
shield, debris primary 5-7
shock absorber (front) 6-11
shock absorber (rear) 6-15, 6-17
shock absorber cushion 6-15, 6-17
shock absorber cushion retainer 6-15, 6-17
shock damper isolator 6-15, 6-17
shock mounting bracket, drv 6-15
shock mounting bracket, pas 6-15
shoe retainer kit 5-3
shoe, brake 5-3
sleeve 6-11, 6-13, 6-15, 6-17, 6-19
solenoid 7-13
spindle 6-13
spring
 brake 5-3
 compression 6-3, 6-5
spring, leaf, rear 6-15, 6-17
spring, leaf, rear, 4-pass 1-55, 1-57, 1-59
steering column cover 4-9
steering wheel 6-3, 6-5
steering wheel (comfort grip) kit 6-3
steering wheel puller tool 11-3, 11-5
stem, valve 2-3, 2-5
strap, bag 1-23
strut, angle, tie 1-51, 1-55, 1-57, 1-59
strut, front canopy, lh 1-43, 1-45, 1-49
strut, front canopy, rh 1-43, 1-45, 1-49
stud
 lug 6-13, 9-3
support, canopy 1-43, 1-45
support, underbody, rear 1-23
suspension, front structure 6-11
switch
 light 4-11
 rocker 7-9
 Tow/Run 4-17, 7-9

INDEX

switch rubber boot 4-17, 7-9
switch, hazzard 7-15

T

Taillight 4-19
tester, continuity 11-3
three-piece A-arm 6-11
throttle, Gen2, no sensor 5-7
tie rod end 6-9
tie wrap 6-9
tire 2-3
tire, pro tour, 205-50 x 10 2-5
tool
 charger bezel 11-3
 steering wheel puller 11-3, 11-5
 transaxle pinion seal 11-3, 11-5
touch-up paint 11-3
Tow/Run switch 4-17, 7-9
transaxle pinion seal tool 11-3, 11-5
Tuflok 1-25

U

U-bolt 1-55, 1-57, 1-59, 6-15, 6-17
underbody 1-15
underbody support, rear 1-23
urethane bushing 6-15, 6-17
USB
 port 7-15
USB port 7-15

V

valve stem 2-3, 2-5
volt ohm meter 11-3, 11-5

W

wheel 2-3, 2-5
 steering 6-3, 6-5
windshield 1-35
windshield channel 1-35
wrap, tie 6-9



Club Car, Inc.
P.O. Box 204658
Augusta, GA 30917-4658
USA

Web www.clubcar.com
Phone 1.706.863.3000
1.800.ClubCar
Int'l +1 706.863.3000
Fax 1.706.863.5808